

Parts Catalogue

Model : T754SC



TYM www.tym.co.kr
TONGYANG MOOLSAN CO., LTD.

Printed : 2016/03 Version : A
Part number of this book: 1802 950 010 0

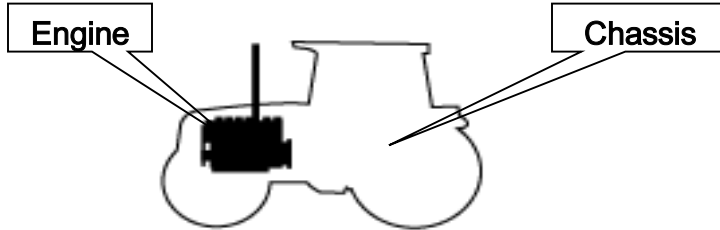
Important tips of Parts Catalogue

We thank you for your purchasing our product, manufactured under strict quality control, by gathering plenty of experiences and new technology, designed for a comfort and pleasant work.

1. Part Composition

This catalogue deals with engine and chassis.

Detailed classifications are listed in the following page.



2. For locating parts easily, Please Note:

If you know the assembly where the part is used.

- Refer to the relevant figure from the identifying group symbol illustration,
- Locate the relevant chapter
- Refer to the particular chapter desired.

3. For ordering parts

To obtain spare parts please contact your nearest dealer and give him the details listed below.

- ① Tractor Model : Tractor T653
- ② Tractor Serial Number : W050000
- ③ Part Number : 16001032000
- ④ Description : Air cleaner assembly
- ⑤ Quantity required: 1



4. For ordering PARTS CATALOGUE

This is Priced item and one is to order the same on part No. 1996 950 001 0

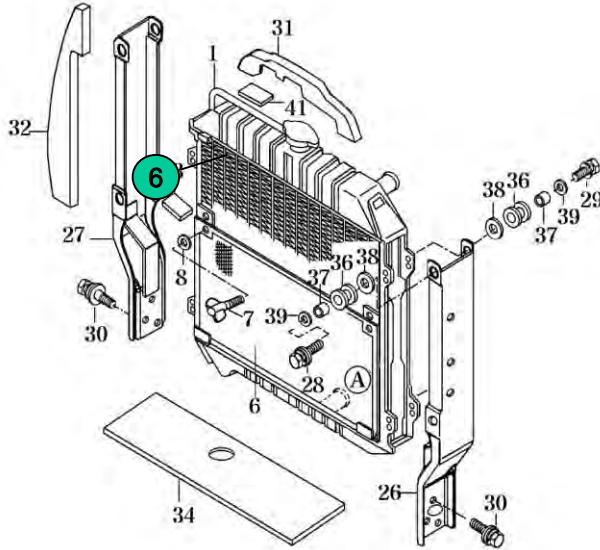
This supersedes all our editions.

Note) When replacing parts, please use original spare parts to be sure of the performance and the longer life of the product

※ The information in this catalogue may at any time be modified without a prior notice for the improvement of performance, please consult our spare parts dept. for the detailed inquiry.

5. How to use parts catalogue

<p>FIG 021 ②</p>	<p>③ RADIATOR</p>	<p>P1 ④</p>	<p>Year ⑤ 2016</p>	
----------------------	-------------------	-----------------	----------------------------	---



NOTE ⑬

<p>FIG 021 ②</p>	<p>③ RADIATOR</p>	<p>P1 ④</p>	<p>Year ⑤ 2016</p>	
----------------------	-------------------	-----------------	----------------------------	---

KEY NO	PART NO	PART NAME	SPEC	QTY	REPAIR	E/G SERIAL NO	REMARKS
023 001	14571042001	RADIATOR SET		1			
023 002	14571042101	RADIATOR SET		1			
023 003	14571042171	SHROUD		1			
⑥ 006	⑦ 1457104201HB	NET COMP ⑧	M6X12 ⑨	⑩	⑪	⑫	⑭
023 007	V271042012	BOLT, WING					

NOTE ⑬

- ① Group Indication : Indicate the relevant location of the part with a symbol illustration.
- ② Figure Number: Indicate the relevant section of the machine with a figure number.
- ③ Section Name : Indicate the section name of the machine
- ④ Section Page : Page number of the section in this catalogue.
- ⑤ Date : Show the Year of the section made or updated

⑥ Key number : Indicating number of each parts in the illustration.

⑦ Part Number : Unique part number maintained in our system

The part number starting with V or M means it is TYM s standard part

The alphabet at the end of part number means the status of material or the color of paint

Legend : M:Machining, DG:Dark Gray, BR:Bright Red, SW:Summer White, PB:Pure Black, GB:Glossy Black, SR:Super Red, MS:Metallic Silver DD:Heat proof Black, TY: Tangerine Yellow etc.

⑧ Description : Description of a part, Abbreviation means as follows.

- Indicate the mixture condition of a part

ASSY : Assembly with a mixture of several parts, so can be broke up retaining their original form

COMP : Assembly with a mixture of several parts, but can not be broke up retaining their original form

SUB : mean the same as ASSY but used in lower level in aid.

SET : Part consist of ASSY, COMP, and part(s) as a group

- Indicate the location of a part

LH: Left, RH: Right, FR: Front, RR: Rear, UPR: Upper, LOW: Lower

⑨ Type : Type of the standard items like bolt or nut

⑩ Quantity : Total quantity of the part referred to in the page.

Symbol below indicate options. So, show the quantity of each option.

Note) AR means as requested quantity.

⑪ Repair Parts consumption frequency class: indicate the level of a part in aid of stocking spares, anticipating the service requirements.

A :Fast moving part(frequently required)

B :Medium moving part (sometimes required)

C :Slow moving part(rarely required)

⑫ Modification :

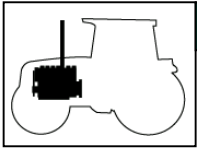
Year/Month~ : From which the change starts

~ Year/Month : To which the part installed

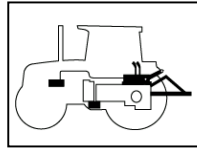
⑬ Notes : explain some reference data

⑭ Remark : indicate reference data or abbreviation in the content.

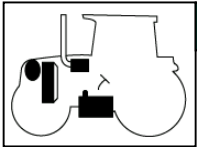
ENGINEERING GROUP INDEX



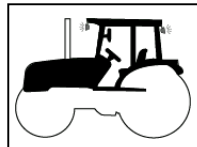
1 ENGINE



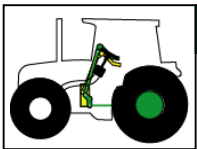
6 HYDRAULICS & 3-POINT LINK



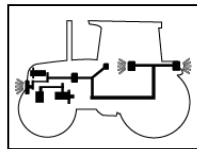
2 ENGINE ACCESSORIES & CONTROL



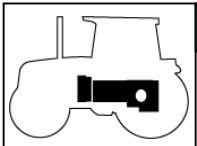
7 SHEET METAL & CABIN



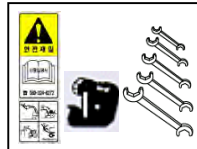
3 CLUTCH, BRAKE, STEERING



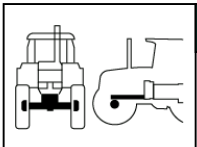
8 ELECTRICALS & HARNESS



4 TRANSMISSION & REAR AXLE



9 WEIGHT, LABEL, TOOLS



5 FRONT AXLE, SUPPORTER & DRIVE SHAFT

067 020	12305180020
077 036	12403160020
036 005	13022250030
037 010	13022250131
041 005	13022250232
046 002	13022250333

10 NUMERICAL INDEX

CONTENTS

ENGINE

1 ENGINE

FIG 01	0512 4184, 0512 4259, 0512 4281, 0512 4051-----	04
FIG 02	0512 4368-----	06
FIG 05	0512 4036, 0512 4130, 0512 4238, 0512 4321-----	08
FIG 06	0512 4003-----	10
FIG 07	0512 4005-----	12
FIG 08	0512 4312, 0512 4050, 0512 4246-----	14
FIG 09	0512 4044, 0512 4320, 0512 4406-----	16
FIG 10	0512 4284-----	18
FIG 11	0512 4004, 0512 4045, 0512 4046-----	20
FIG 14	0512 4027-----	22
FIG 15	0512 4120, 0506 4400, 0512 4000-----	24
FIG 16	0512 4261-----	26
FIG 17	0512 4052-----	28
FIG 19	0512 4047-----	30
FIG 20	0512 4224-----	32
FIG 21	0512 4009, 0512 4008, 0512 4299-----	34
FIG 22	0512 4345, 0512 4392-----	36
FIG 27	0511 8909-----	38
FIG 37	0512 4331-----	40
FIG 38	0512 4055-----	42
FIG 41	0512 4143, 0512 4058, 0512 4097, 0512 4257-----	44
FIG 43	0512 4384-----	46
FIG 44	0512 4062, 0512 4256, 0512 4393, 0512 4400-----	48
FIG 48	0511 7723, 0512 4011, 0512 4098, 0512 4127, 0512 4292-----	50
FIG 48	0512 4128, 0512 4293, 0512 4334, 0512 4338, 0512 4343-----	52
FIG 51	0512 4060, 0512 4104, 0512 4300, 0512 4329-----	54
FIG 63	0512 4010-----	56
FIG 83	0512 4176, 0512 4180, 0512 4251, 0512 4337, 0512 4339, 0512 4340, 0512 4344-----	58
FIG 90	0512 4355-----	60

CHASSIS

2 ENGINE ACCESSORIES & CONTROL

FIG 201 AIR CLEANER-----	66
FIG 202 RADIATOR-----	68
FIG 203 MUFFLER & EXHAUST PIPE -----	70
FIG 204 FUEL TANK-----	72
FIG 205 FUEL FILTER & FUEL PUMP-----	74
FIG 206 OIL COOLER-----	76

3 CLUTCH,BRAKE,STEERING

FIG 301 CLUTCH-----	82
FIG 302 CLUTCH PEDAL-----	84
FIG 303 BRAKE PEDAL & LINK -----	88
FIG 304 FRONT WHEEL -----	90
FIG 305 REAR WHEEL-----	92
FIG 306 POWER STEERING WHEEL-----	94
FIG 307 POWER STEERING VALVE-----	96
FIG 308 POWER STEERING CYLINDER-----	98
FIG 309 HAND BRAKE & BRAKE-----	100

4 TRANSMISSION & REAR AXLE

FIG 401 CASE , RR TRANSMISSION-----	106
FIG 402 SUB CHANGE GEARS-----	108
FIG 403 REAR DIFFERENTIAL GEARS-----	110
FIG 404 P.T.O CHANGE GEARS-----	112

FIG 405 P.T.O CHANGE SHIFTER-----	114
FIG 406 HOUSING , RR AXLE-----	116
FIG 407 P.T.O DRIVE SHAFT-----	118
FIG 408 CREEP CHANGE-----	120
FIG 409 INPUT & COUNTER GEARS-----	122
FIG 410 CHANGE GEARS-----	124
FIG 411 REVERSE GEARS-----	126
FIG 412 MAIN CHANGE LEVER-----	128
FIG 413 SUB CHANGE LEVER-----	130
FIG 414 TRANSMISSION MID CASE-----	132
FIG 415 SUB CHANGE SHIFTER-----	134
FIG 416 4WD CHANGE LEVER-----	136
FIG 417 TRANSMISSION FRONT CASE-----	138

5 FRONT AXLE

FIG 501 FRONT AXLE SUPPORT-----	144
FIG 502 FRONT DRIVE SHAFT-----	146
FIG 503 FRONT AXLE HOUSING-----	148
FIG 504 FRONT DIFFERENTIAL GEARS-----	150
FIG 505 FRONT GEAR CASE (1)-----	152
FIG 506 FRONT GEAR CASE (2)-----	154
FIG 507 FRONT GEAR CASE (3)-----	156

6 HYDRAULICS & 3-POINT LINK

FIG 601 CYLINDER CASE-----	162
FIG 602 LIFT ARM-----	164
FIG 602A LIFT ARM(EUA)-----	166
FIG 603 CYLINDER-----	168
FIG 604 POSITION LINK-----	170
FIG 605 CONTROL VALVE-----	172
FIG 606 DRAFT LINK-----	174
FIG 607 POSITION & DRAFT LEVER-----	176
FIG 608 EXTERIOR HYD. VALVE-----	178
FIG 608A EXTERIOR HYD. VALVE(EUA)-----	180

FIG 609 HYDRAULIC PIPE-----	182
FIG 610 JOYSTICK -----	184
FIG 611 HITCH & 3-P LINK-----	186
FIG 611A HITCH & 3-P LINK(EU,EUA)-----	190
FIG 612 LOWER LINK & LIFT ROD-----	194
FIG 613 HYDRAULIC HOSE-----	196

7

SHEET METAL & CABIN

FIG 701 HOOD -----	202
FIG 702 FRONT FRAME -----	204
FIG 703 SIDE SUPPORT & FRAME HOOD-----	206
FIG 704 LEVER COVER & STEP-----	210
FIG 705 FRONT & REAR MOUNTING-----	212
FIG 706 SEAT & MAT -----	214
FIG 709 DOOR-----	216
FIG 710 FRONT GLASS-----	220
FIG 711 SIDE GLASS-----	222
FIG 712 REAR GLASS -----	224
FIG 713 SUB FENDER & COVER-----	226
FIG 714 MIRROR -----	228
FIG 715 HEATER & AIR-CON -----	230
FIG 716 FENDER COVER -----	234
FIG 717 ROOF -----	236
FIG 718 CABIN INTERIOR -----	238

8

ELECTRICALS & HARNESS

FIG 801 BATTERY & MOUNTING-----	244
FIG 802 HARNESS-----	246
FIG 803 LIGHT & BACK LAMP-----	248
FIG 804 INSTRUMENT PANEL-----	250
FIG 805 ELECTRIC SYSTEM (1)-----	252
FIG 806 ELECTRIC SYSTEM (2)-----	254

9**WEIGHT,LABEL,TOOLS**

FIG 901 TOOL & ACCESSORY-----	260
FIG 902 WEIGHT-----	262
FIG 903 LABEL-----	264

10**NUMERICAL INDEX**

ENGINE-----	271
CHASSIS-----	274

ENGINE

1 ENGINE

FIG 01	0512 4184, 0512 4259, 0512 4281, 0512 4051-----	04
FIG 02	0512 4368-----	06
FIG 05	0512 4036, 0512 4130, 0512 4238, 0512 4321-----	08
FIG 06	0512 4003-----	10
FIG 07	0512 4005-----	12
FIG 08	0512 4312, 0512 4050, 0512 4246-----	14
FIG 09	0512 4044, 0512 4320, 0512 4406-----	16
FIG 10	0512 4284-----	18
FIG 11	0512 4004, 0512 4045, 0512 4046-----	20
FIG 14	0512 4027-----	22
FIG 15	0512 4120, 0506 4400, 0512 4000-----	24
FIG 16	0512 4261-----	26
FIG 17	0512 4052-----	28
FIG 19	0512 4047-----	30
FIG 20	0512 4224-----	32
FIG 21	0512 4009, 0512 4008, 0512 4299-----	34
FIG 22	0512 4345, 0512 4392-----	36
FIG 27	0511 8909-----	38
FIG 37	0512 4331-----	40
FIG 38	0512 4055-----	42
FIG 41	0512 4143, 0512 4058, 0512 4097, 0512 4257-----	44
FIG 43	0512 4384-----	46
FIG 44	0512 4062, 0512 4256, 0512 4393, 0512 4400-----	48
FIG 48	0511 7723, 0512 4011, 0512 4098, 0512 4127, 0512 4292-----	50
FIG 48	0512 4128, 0512 4293, 0512 4334, 0512 4338, 0512 4343-----	52
FIG 51	0512 4060, 0512 4104, 0512 4300, 0512 4329-----	54
FIG 63	0512 4010-----	56
FIG 83	0512 4176, 0512 4180, 0512 4251, 0512 4337, 0512 4339, 0512 4340, 0512 4344-----	58
FIG 90	0512 4355-----	60

2 ENGINE ACCESSORIES & CONTROL

FIG 201 AIR CLEANER-----66
FIG 202 RADIATOR-----68
FIG 203 MUFFLER & EXHAUST PIPE -----70
FIG 204 FUEL TANK-----72
FIG 205 FUEL FILTER & FUEL PUMP-----74
FIG 206 OIL COOLER-----76

3 CLUTCH,BRAKE,STEERING

FIG 301 CLUTCH-----82
FIG 302 CLUTCH PEDAL-----84
FIG 303 BRAKE PEDAL & LINK -----88
FIG 304 FRONT WHEEL -----90
FIG 305 REAR WHEEL-----92
FIG 306 POWER STEERING WHEEL-----94
FIG 307 POWER STEERING VALVE-----96
FIG 308 POWER STEERING CYLINDER-----98
FIG 309 HAND BRAKE & BRAKE-----100

4**TRANSMISSION & REAR AXLE**

FIG 401 CASE , RR TRANSMISSION-----	106
FIG 402 SUB CHANGE GEARS-----	108
FIG 403 REAR DIFFERENTIAL GEARS-----	110
FIG 404 P.T.O CHANGE GEARS-----	112
FIG 405 P.T.O CHANGE SHIFTER-----	114
FIG 406 HOUSING , RR AXLE-----	116
FIG 407 P.T.O DRIVE SHAFT-----	118
FIG 408 CREEP CHANGE-----	120
FIG 409 INPUT & COUNTER GEARS-----	122
FIG 410 CHANGE GEARS-----	124
FIG 411 REVERSE GEARS-----	126
FIG 412 MAIN CHANGE LEVER-----	128
FIG 413 SUB CHANGE LEVER-----	130
FIG 414 TRANSMISSION MID CASE-----	132
FIG 415 SUB CHANGE SHIFTER-----	134
FIG 416 4WD CHANGE LEVER-----	136
FIG 417 TRANSMISSION FRONT CASE-----	138

5 FRONT AXLE

FIG 501 FRONT AXLE SUPPORT-----144
FIG 502 FRONT DRIVE SHAFT-----146
FIG 503 FRONT AXLE HOUSING-----148
FIG 504 FRONT DIFFERENTIAL GEARS-----150
FIG 505 FRONT GEAR CASE (1)-----152
FIG 506 FRONT GEAR CASE (2)-----154
FIG 507 FRONT GEAR CASE (3)-----156

6 HYDRAULICS & 3-POINT LINK

FIG 601 CYLINDER CASE-----	162
FIG 602 LIFT ARM-----	164
FIG 602A LIFT ARM(EUA)-----	166
FIG 603 CYLINDER-----	168
FIG 604 POSITION LINK-----	170
FIG 605 CONTROL VALVE-----	172
FIG 606 DRAFT LINK-----	174
FIG 607 POSITION & DRAFT LEVER-----	176
FIG 608 EXTERIOR HYD. VALVE-----	178
FIG 608A EXTERIOR HYD. VALVE(EUA)-----	180
FIG 609 HYDRAULIC PIPE-----	182
FIG 610 JOYSTICK -----	184
FIG 611 HITCH & 3-P LINK-----	186
FIG 611A HITCH & 3-P LINK(EU,EUA)-----	190
FIG 612 LOWER LINK & LIFT ROD-----	194
FIG 613 HYDRAULIC HOSE-----	196

FIG 701 HOOD	202
FIG 702 FRONT FRAME	204
FIG 703 SIDE SUPPORT & FRAME HOOD.....	206
FIG 704 LEVER COVER & STEP.....	210
FIG 705 FRONT & REAR MOUNTING.....	212
FIG 706 SEAT & MAT	214
FIG 709 DOOR.....	216
FIG 710 FRONT GLASS.....	220
FIG 711 SIDE GLASS.....	222
FIG 712 REAR GLASS	224
FIG 713 SUB FENDER & COVER.....	226
FIG 714 MIRROR	228
FIG 715 HEATER & AIR-CON	230
FIG 716 FENDER COVER	234
FIG 717 ROOF	236
FIG 718 CABIN INTERIOR	238

8**ELECTRICALS & HARNESS**

FIG 801 BATTERY & MOUNTING-----	244
FIG 802 HARNESS-----	246
FIG 803 LIGHT & BACK LAMP-----	248
FIG 804 INSTRUMENT PANEL-----	250
FIG 805 ELECTRIC SYSTEM (1)-----	252
FIG 806 ELECTRIC SYSTEM (2)-----	254

9

WEIGHT,LABEL,TOOLS

FIG 901 TOOL & ACCESSORY-----260
FIG 902 WEIGHT-----262
FIG 903 LABEL-----264

ENGINE-----271
CHASSIS-----274

FIG 00

SERVICE

Year

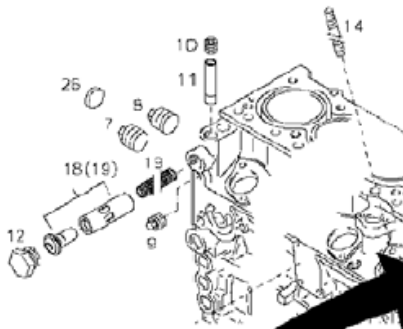
2016



T754



KURBELGEHAEUSE
CRANKCASE
CARTER
BLOQUE DE CILINDR.



Ersatzteilbestellung

*Spare parts order
Commande de pièces de rechange
Pedido de repuestos*

Motor-Bauart:

*Engine model:
Type de moteur:
Tipo del motor:* **F4M 1071F**

Motor-Nummer:

*Engine serial number:
Numéro du moteur:
Número de motor:* **0 080 729**

Lfd. Nr./Ser. No. No. ct./No. corr.	Stk./Qty. Qté./Cant.	Teilnummer/Part number No. de piece/No. de pieza
1.	2	0417 8155
2.	3	0417 8154
3.	1	0210 8055

BILD FIG.	TN / PN	MGE QTY	DEUTSCH	ENGLISH	FRANCAIS	
1	0417 8910	1	KURBELGEHAEUSE	ENGINE BLOCK	BLOC_MOTEUR	
2	0417 8155	2	LAGERBUCHSE	BEARING BUSH	BAGUE	CASQUILLO DOJINETE
3	0417 8154	3	LAGERBUCHSE	BEARINGS BUSH	BAGUE	CASQUILLO DOJINETE
4	0210 8055	2	FUEHRUNGSHUELSE	GUIDE SLEEVE	DOUILLE DE GUIDAGE	CASQUILLO GUIA
5	0417 8711	1	VERSCHLUSSSCHRAUBE	SCREW PLUG	BOUCHON FILETE	TAPON ROSCADO

(A)961 FM M. ABGASOPT. KOLBEN

NOTE

FIG 01

T754

0512 4184
0512 4259
0512 4281
0512 4051

P1

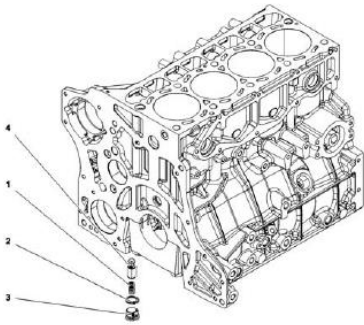
Year

2016



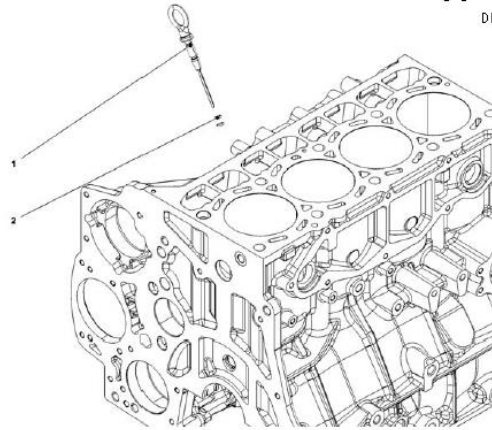
01 - 0512 4051

PRESSURESTAT



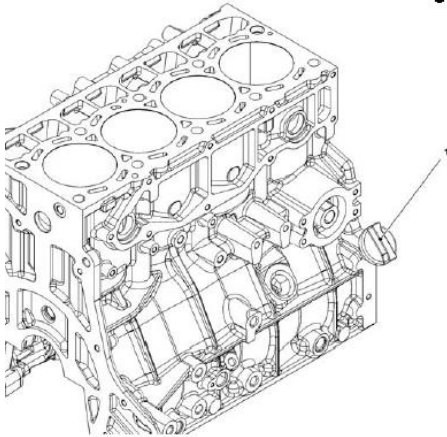
01 - 0512 4259

DIPSTICK



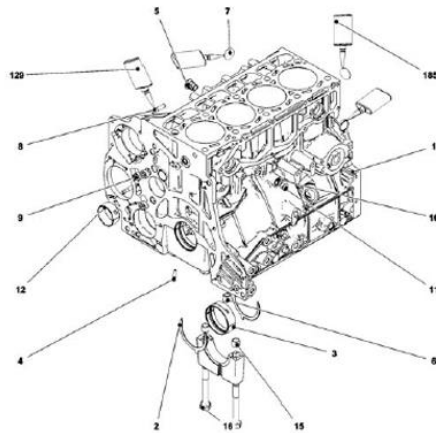
01 - 0512 4184

FILLER CAP



01 - 0512 4281

CRANKCASE



NOTE

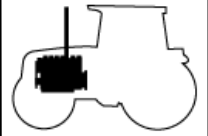
FIG 02

0512 4368

P1

Year

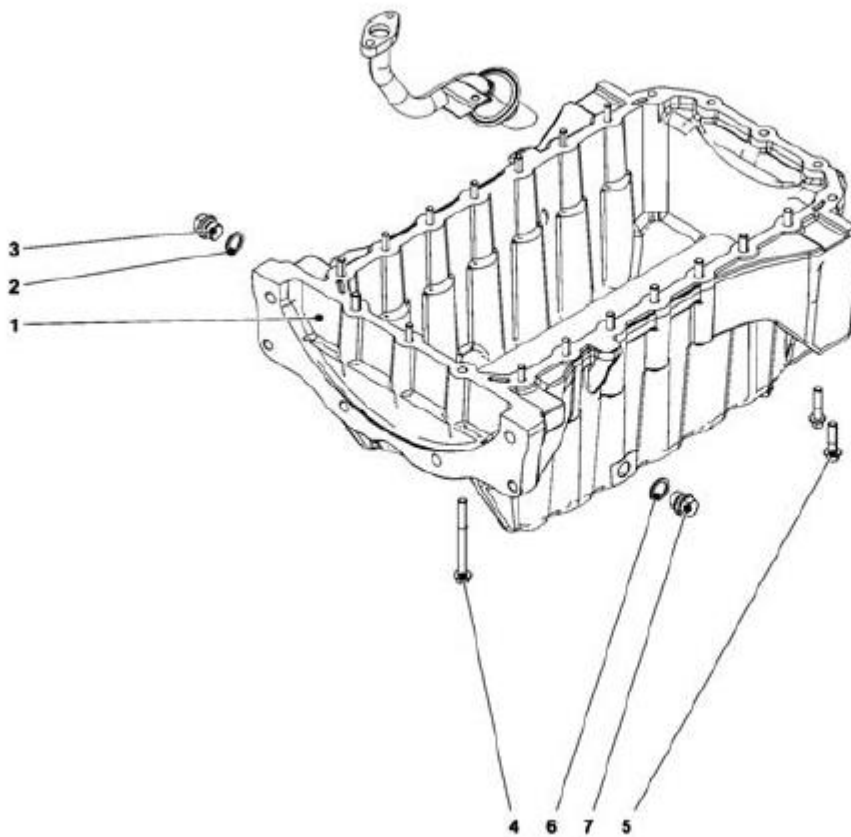
2016



T754

02 - 0512 4368

OIL PAN



NOTE

FIG 05

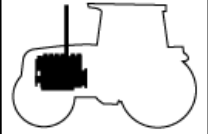
T754

0512 4036
0512 4130
0512 4238
0512 4321

P1

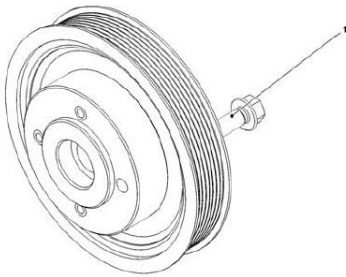
Year

2016



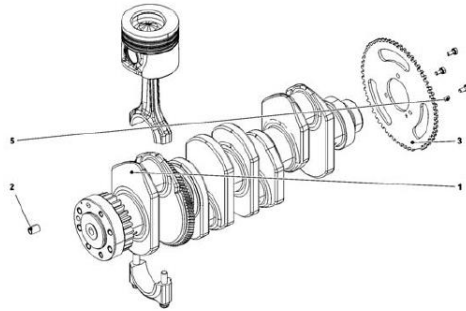
05 - 0512 4036

FASTENINGS



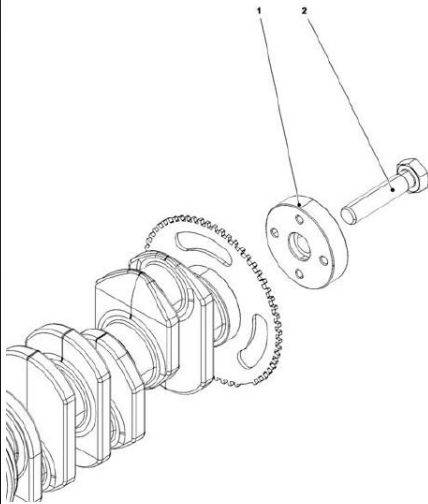
05 - 0512 4238

CRANKSHAFT



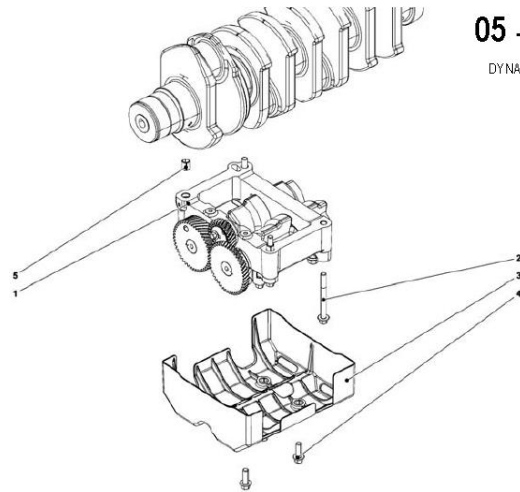
05 - 0512 4130

CRANKSHAFT ACCESS.



05 - 0512 4321

DYNAMIC BALANCER



NOTE

FIG 06

0512 4003

P1

Year

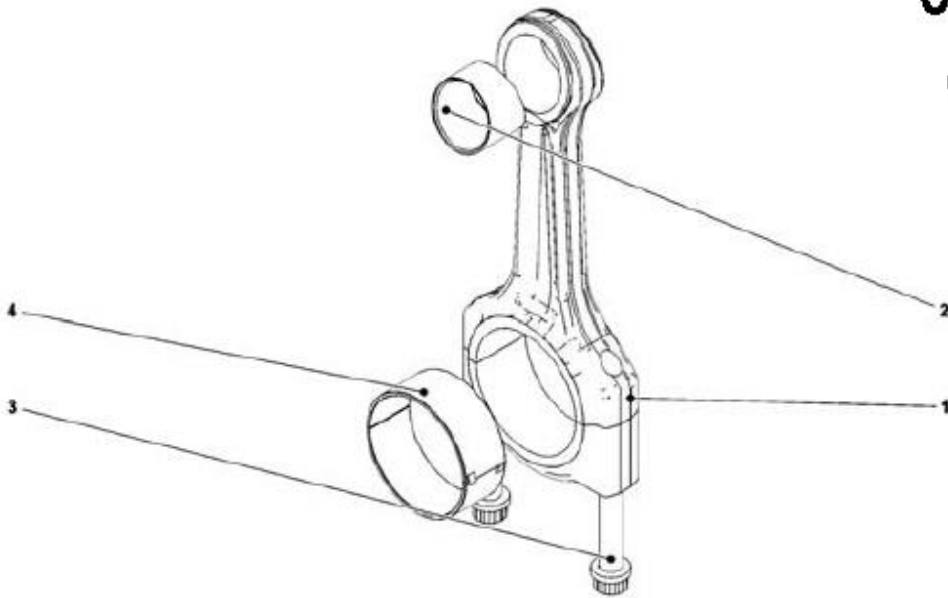
2016



T754

06 - 0512 4003

CONNECTING ROD



NOTE

FIG 07

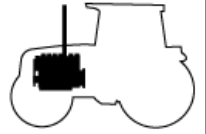
T754

0512 4005

P1

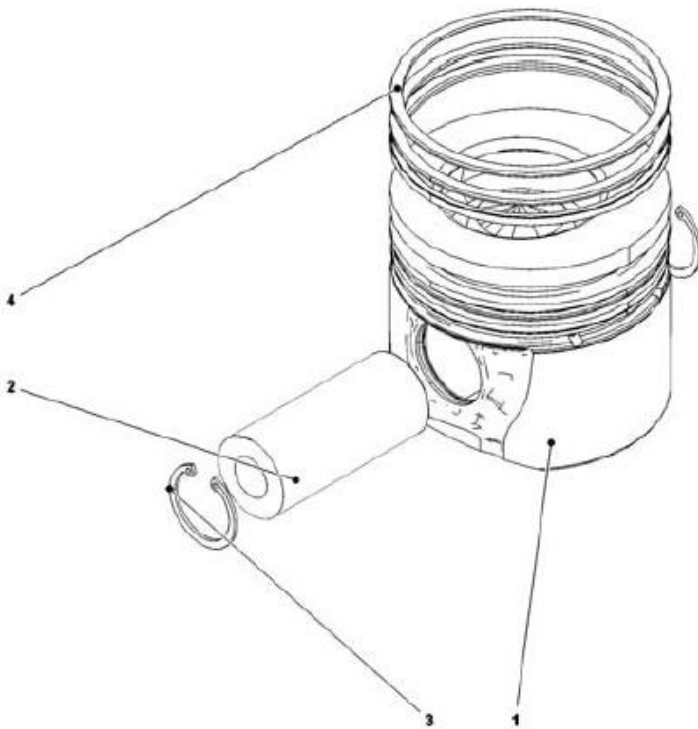
Year

2016



07 - 0512 4005

PISTON



NOTE

FIG 08

T754

0512 4312
0512 4050
0512 4246

P1

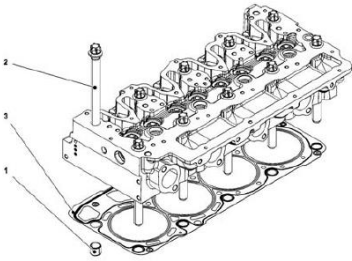
Year

2016



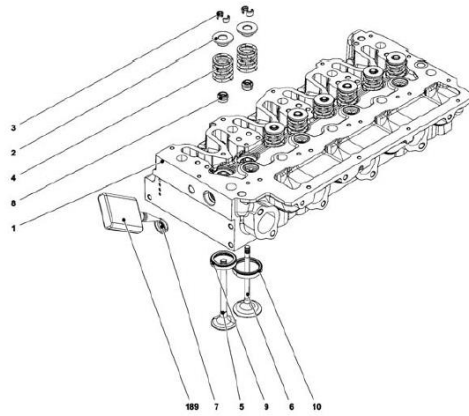
08 - 0512 4050

FASTENINGS



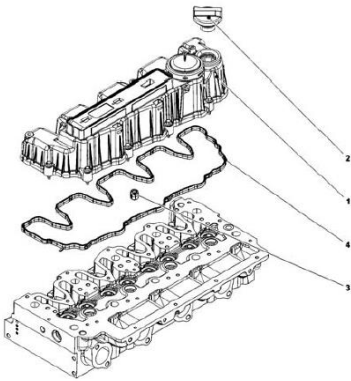
08 - 0512 4312

CYLINDER HEAD



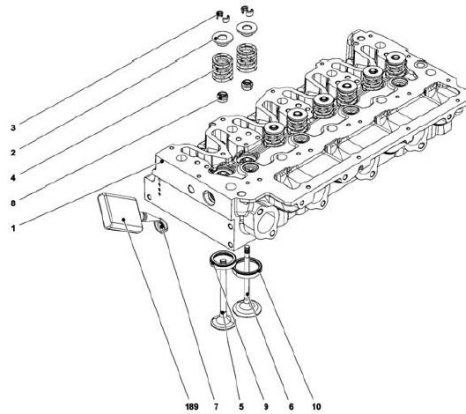
08 - 0512 4246

VALVE MECHAN COVER



08 - 0512 4312

CYLINDER HEAD



NOTE

FIG 09

T754

0512 4044
0512 4320
0512 4406

P1

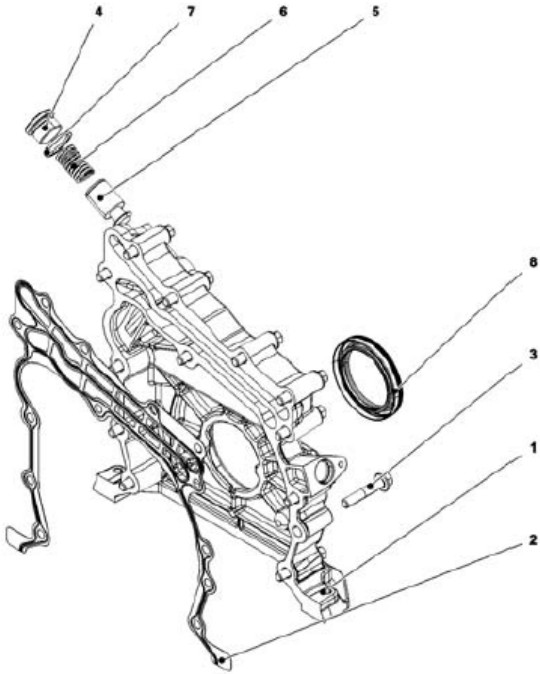
Year

2016



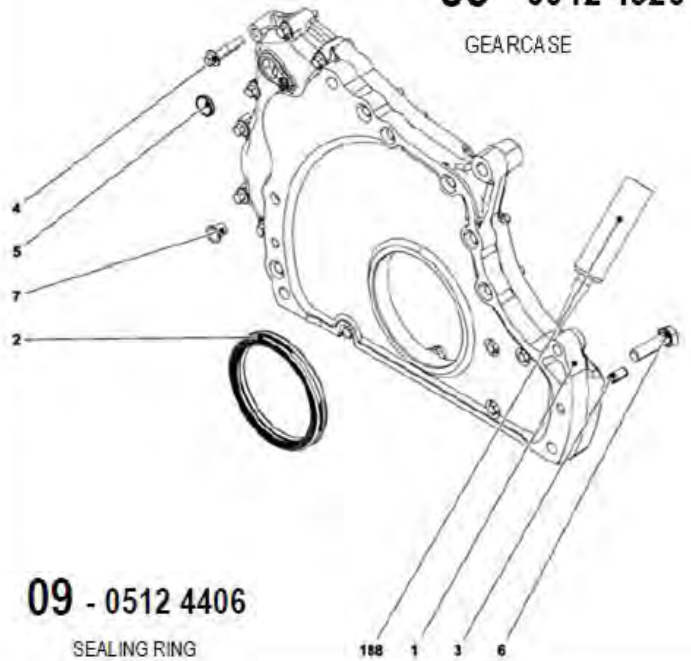
09 - 0512 4044

FRONT COVER



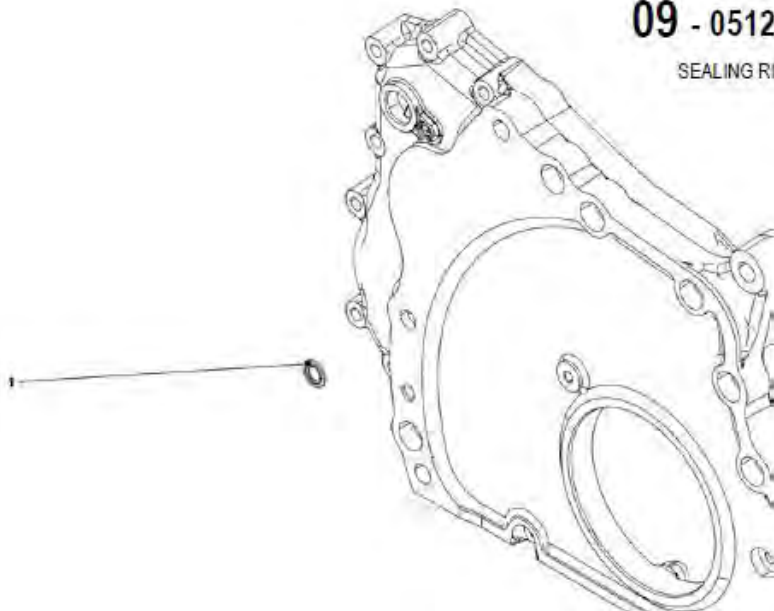
09 - 0512 4320

GEARCASE



09 - 0512 4406

SEALING RING



NOTE

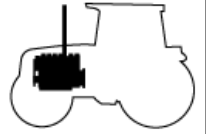
FIG 10

0512 4284

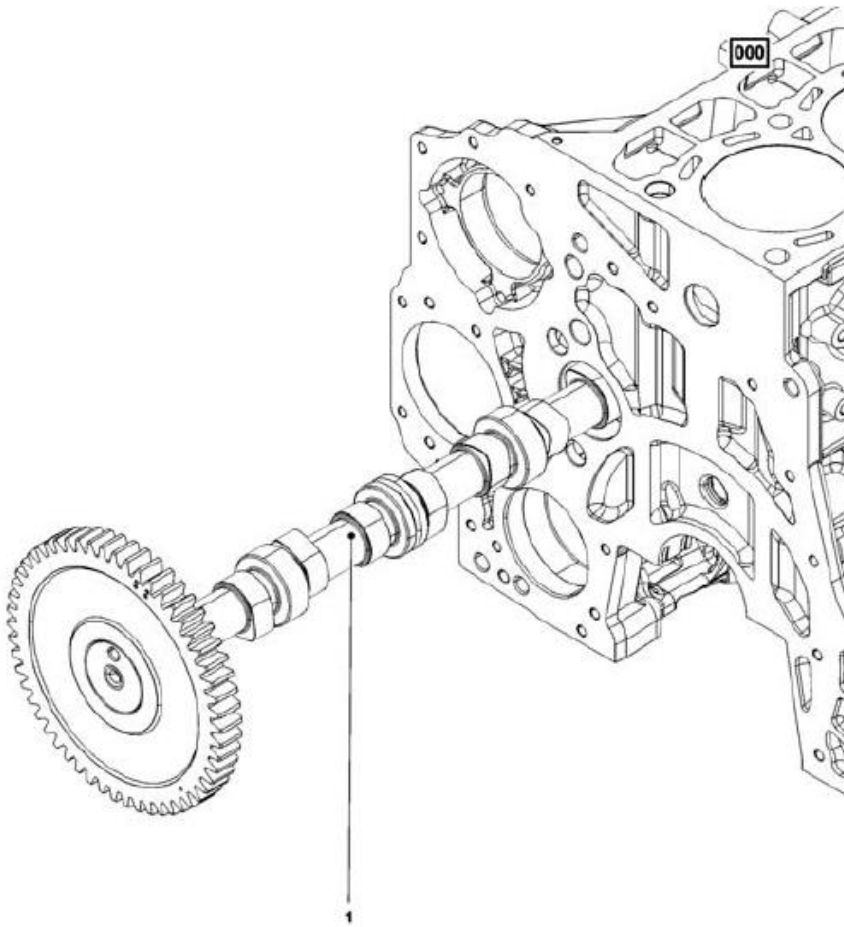
P1

Year

2016



T754



10 - 0512 4284

CAMSHAFT

NOTE

FIG 11

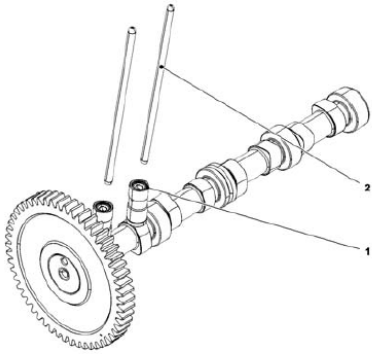
T754

0512 4004
0512 4045
0512 4046

P1

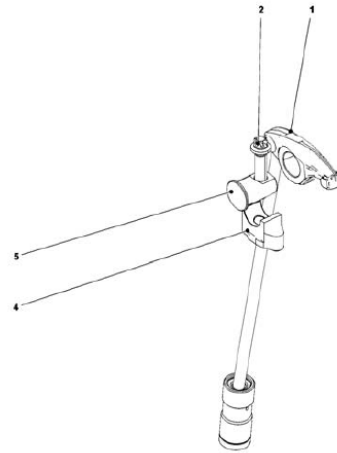
Year

2016



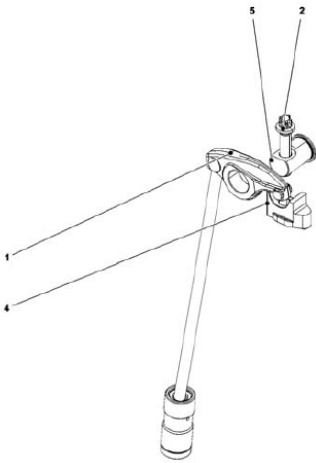
11 - 0512 4004

VALVE DRIVE



11 - 0512 4046

ROCKER ARM INLET



11 - 0512 4045

ROCKER ARM OUTLET

NOTE

FIG 14

0512 4027

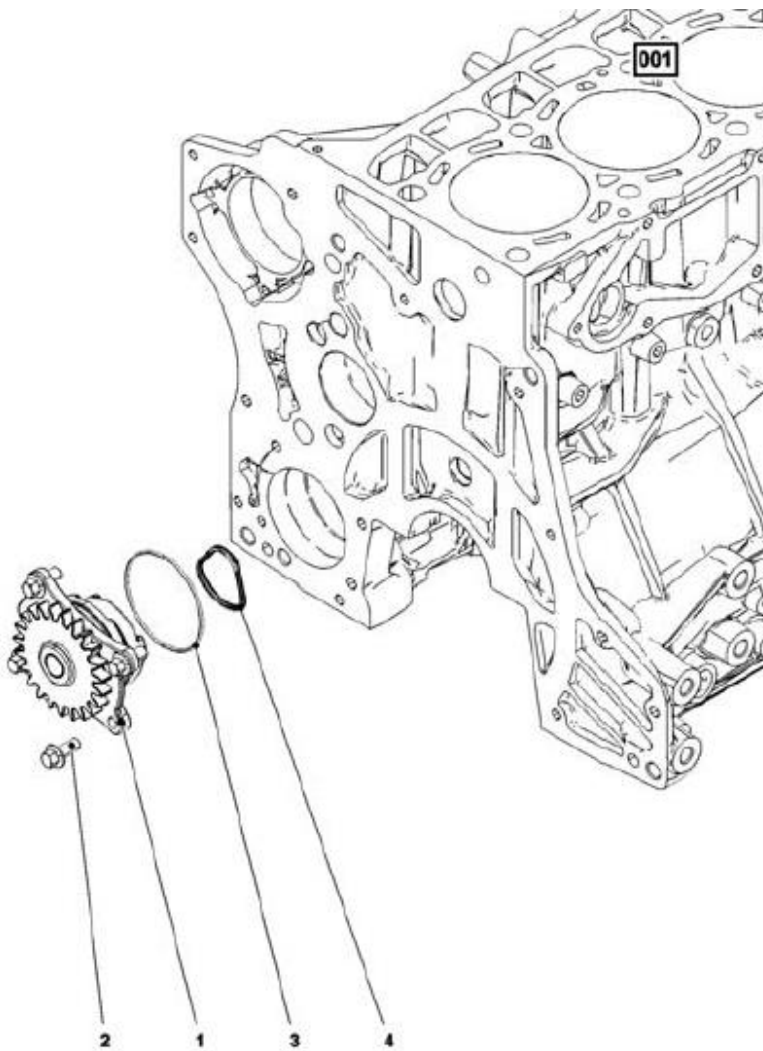
P1

Year

2016



T754



14 - 0512 4027

LUBRICAT. OIL PUMP

NOTE

FIG 15

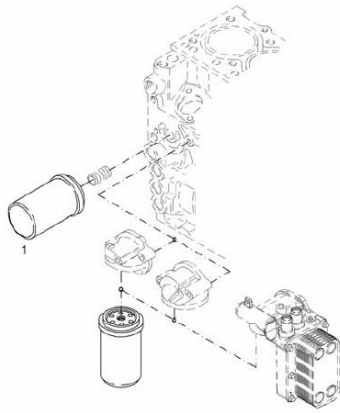
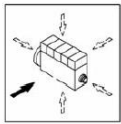
T754

0512 4120
0506 4400
0512 4000

P1

Year

2016

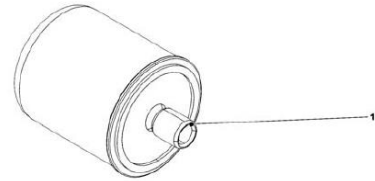


15 - 0506 4400

LUBRIC. OIL FILTER

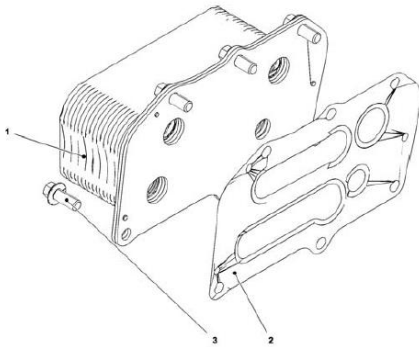
15 - 0512 4120

OIL FILTER ASSY



15 - 0512 4000

OIL COOLER



NOTE

FIG 16

0512 4261

P1

Year

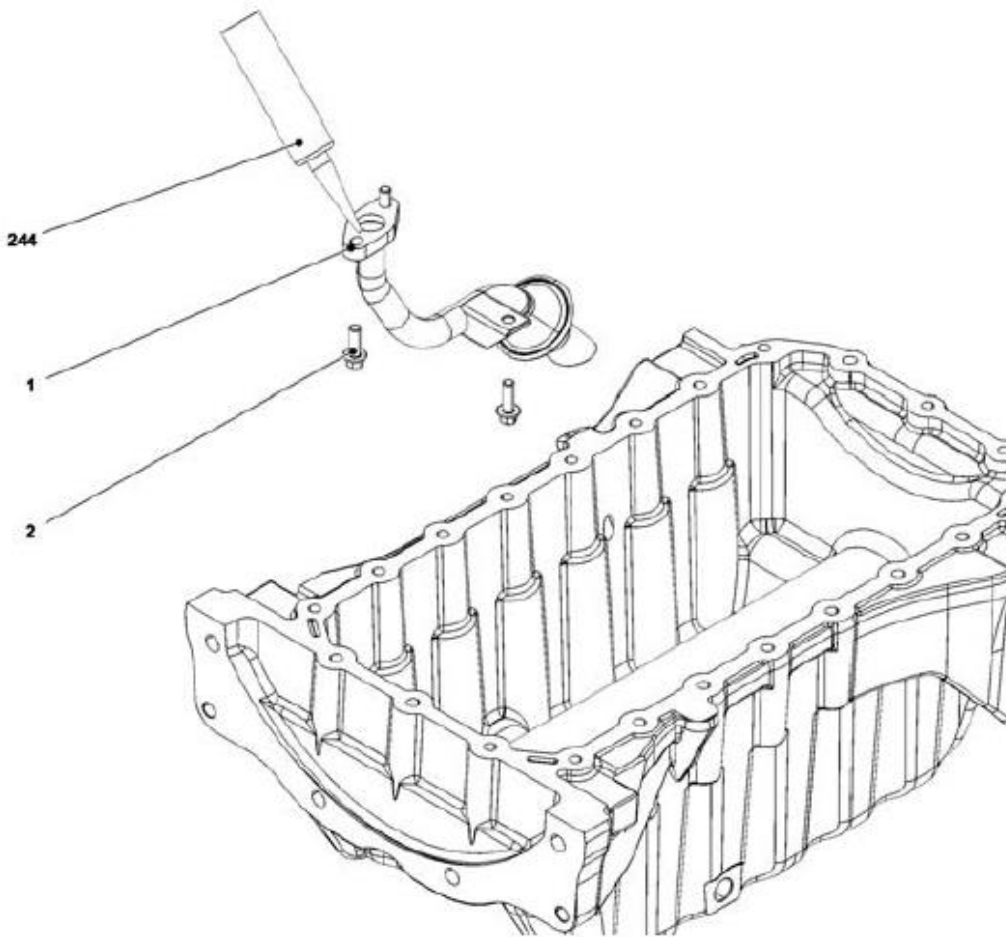
2016



T754

16 - 0512 4261

OIL SUCTION PIPE



NOTE

FIG 17

T754

0512 4052

P1

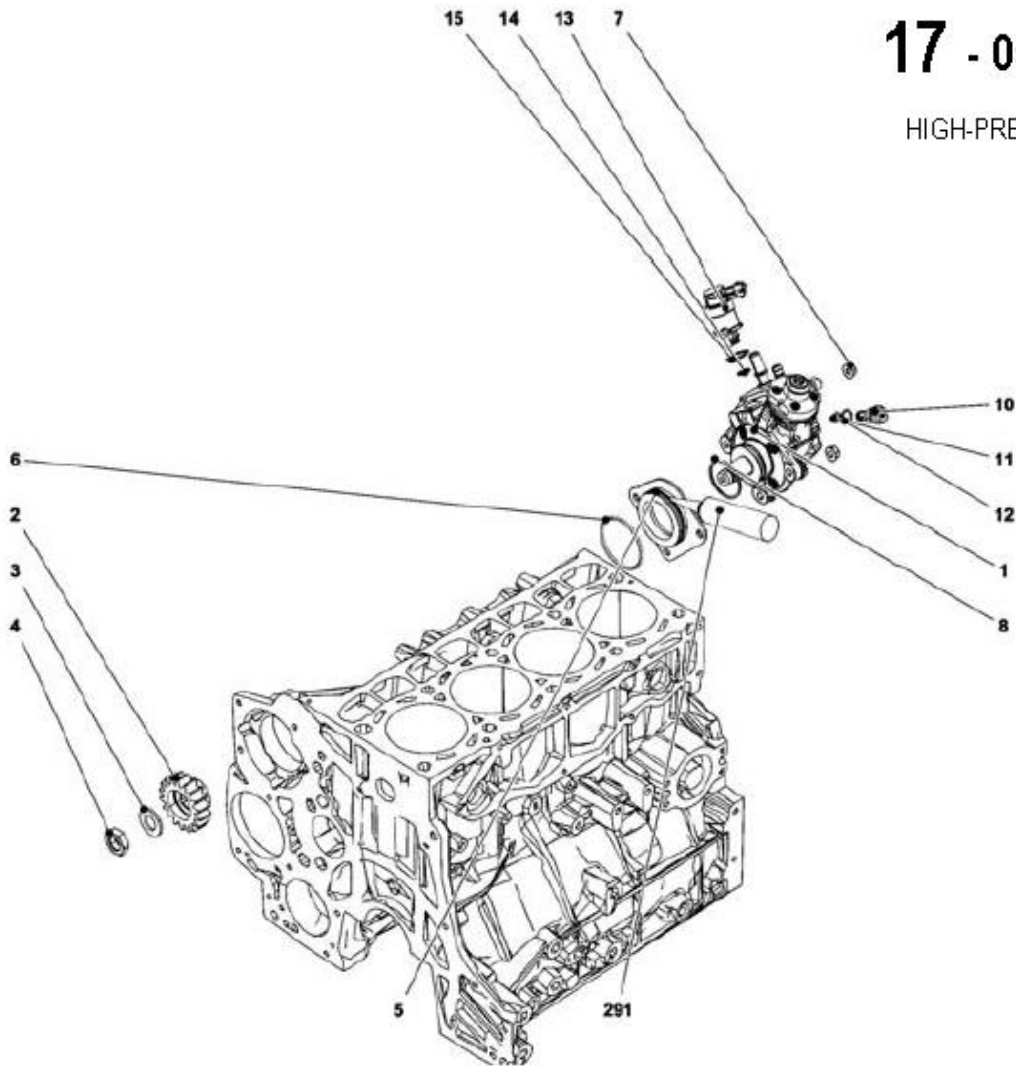
Year

2016



17 - 0512 4052

HIGH-PRESSURE PUMP



NOTE

FIG 19

0512 4047

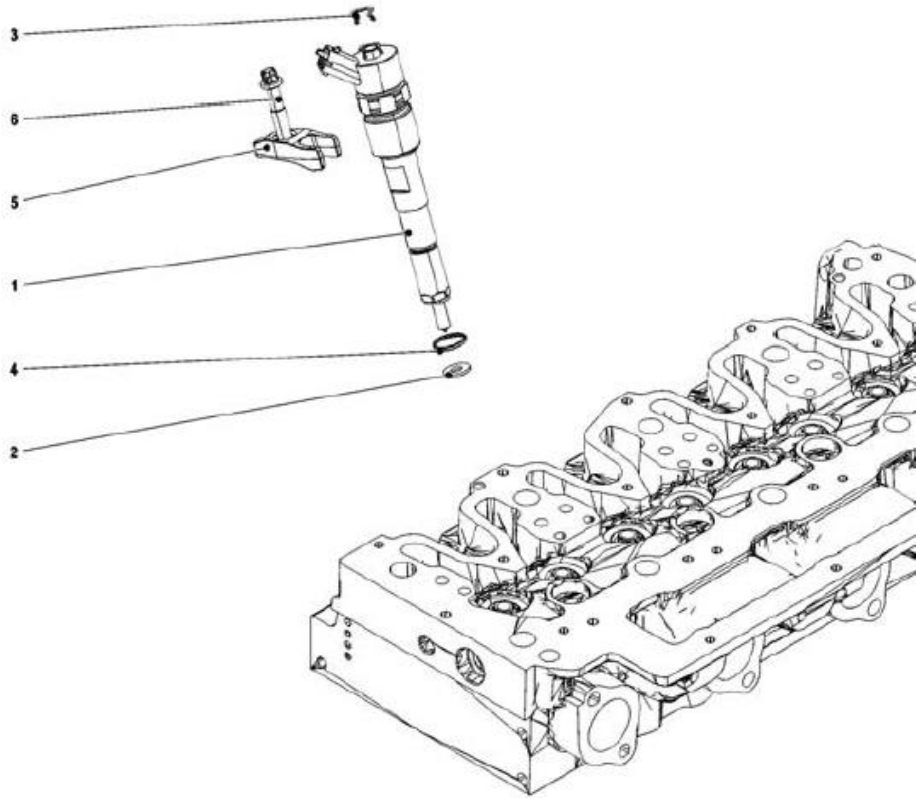
P1

Year

2016



T754



19 - 0512 4047

FUEL INJECTOR

NOTE

FIG 20

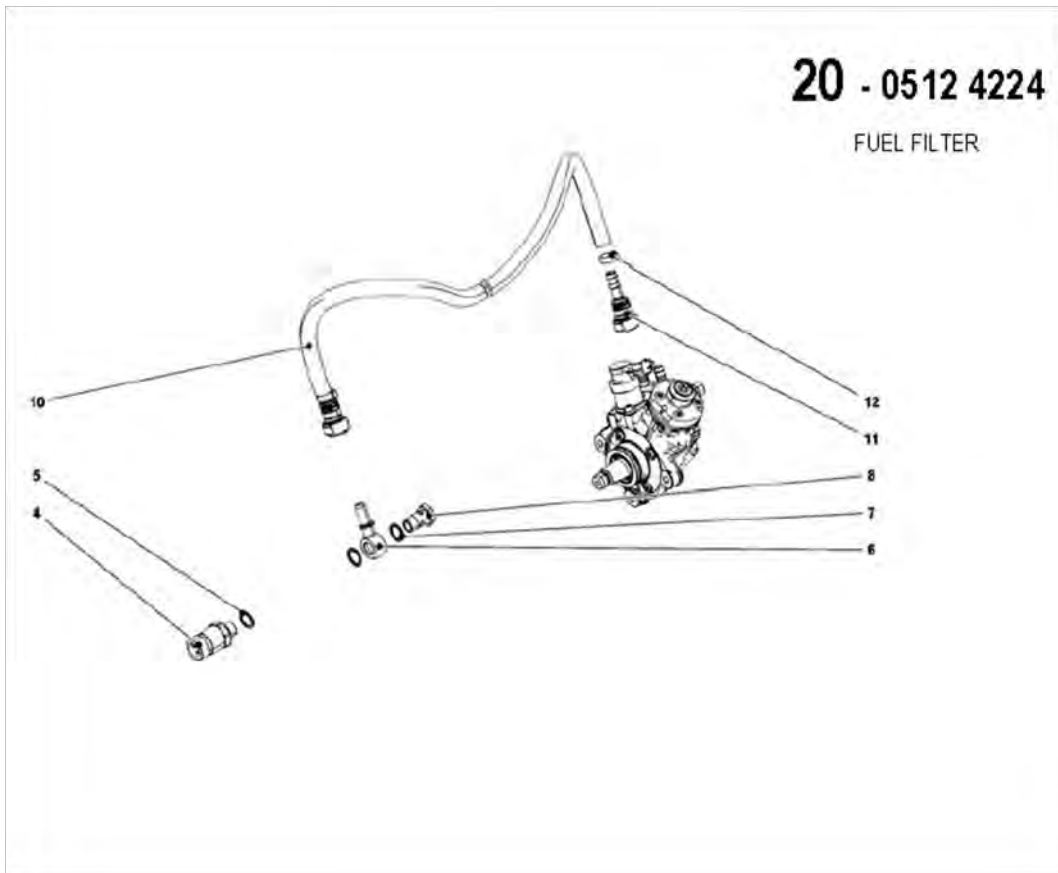
T754

0512 4224

P1

Year

2016



NOTE

FIG 21

T754

0512 4009
0512 4008
0512 4299

P1

Year

2016



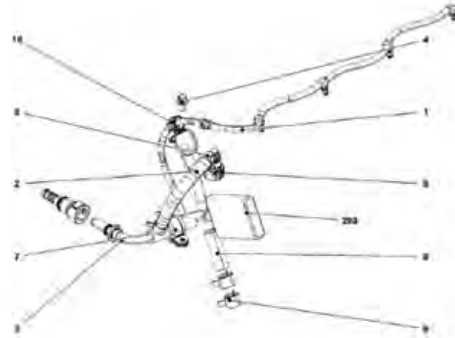
21 - 0512 4008

RAL



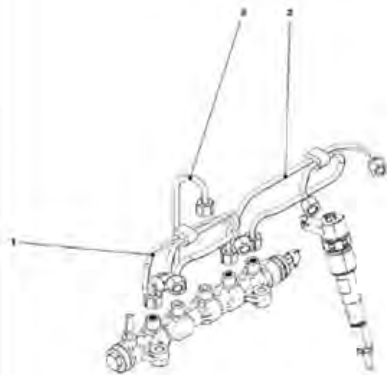
21 - 0512 4299

FUEL LINE



21 - 0512 4009

HIGH PRESSURE PIPE



NOTE

FIG 22

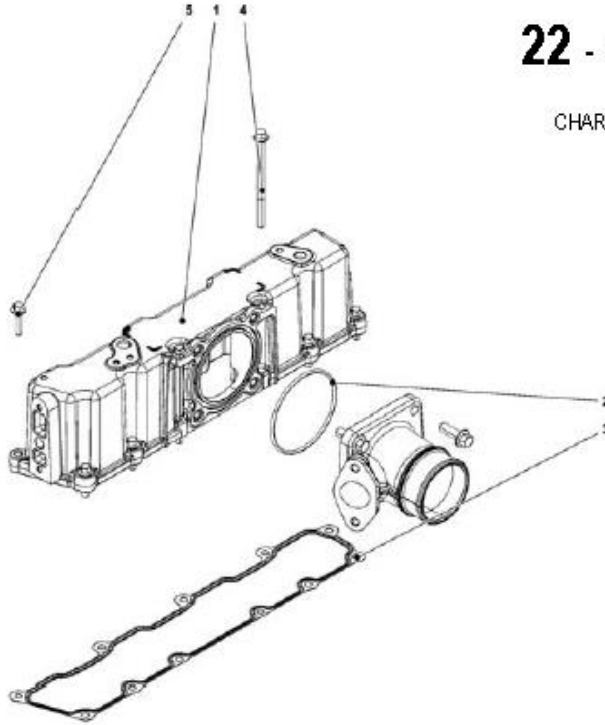
T754

0512 4345
0512 4392

P1

Year

2016

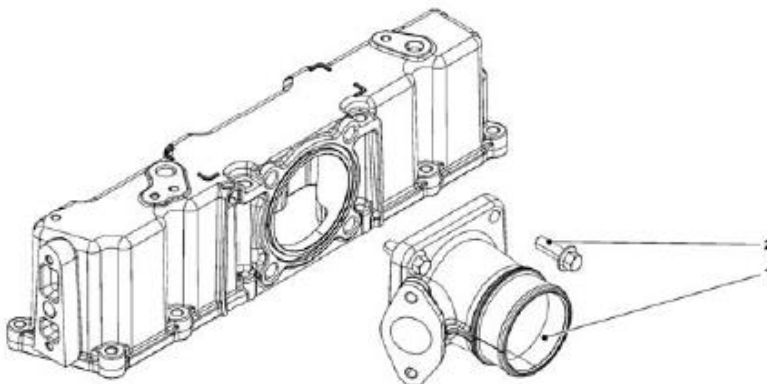


22 - 0512 4345

CHARGE AIR PIPE

22 - 0512 4392

CHARGE AIR ELBOW



NOTE

FIG 27

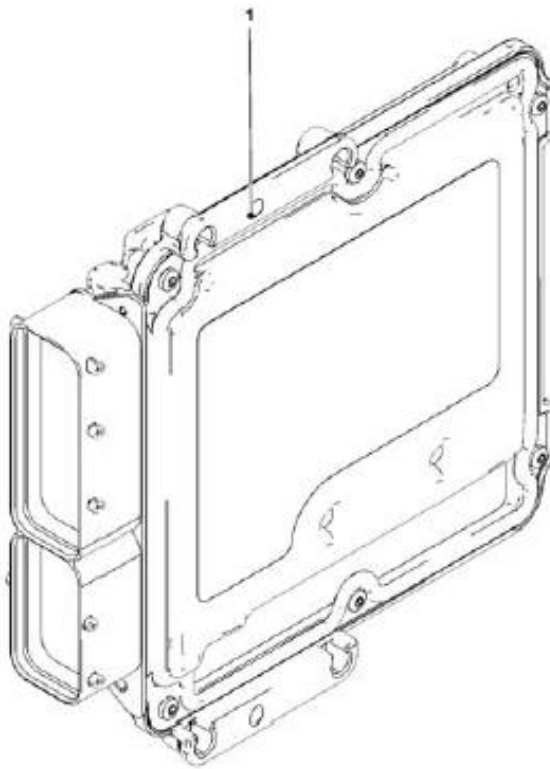
T754

0511 8909

P1

Year

2016



27 - 0511 8909

CONTROL UNIT

NOTE

FIG 37

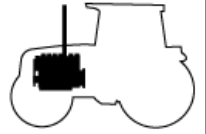
T754

0512 4331

P1

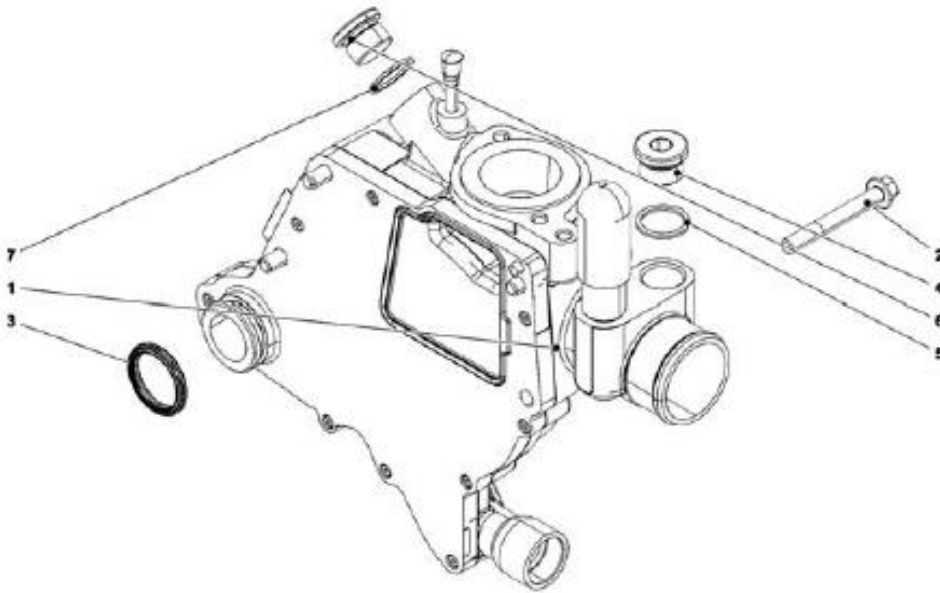
Year

2016



37 - 0512 4331

COOLANT PUMP



NOTE

FIG 38

T754

0512 4055

P1

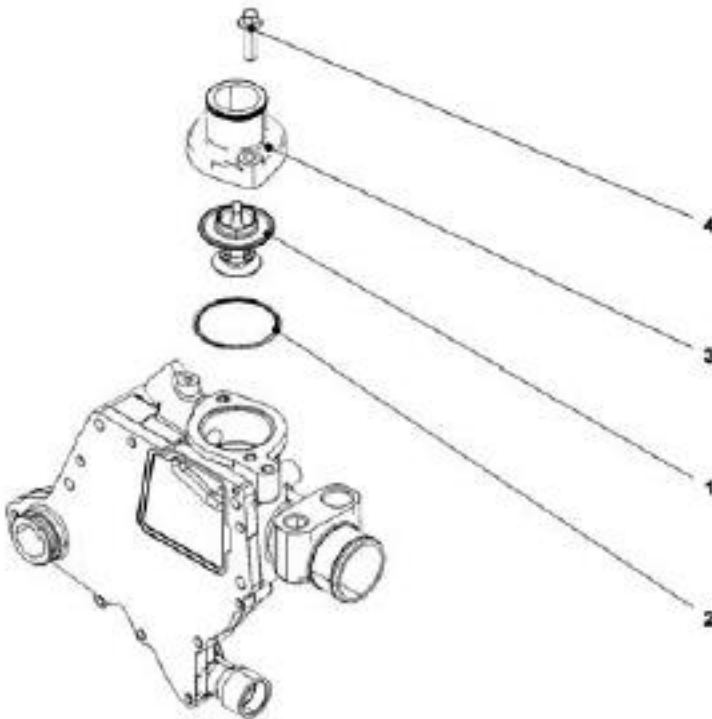
Year

2016



38 - 0512 4055

THERMOSTAT



NOTE

FIG 41

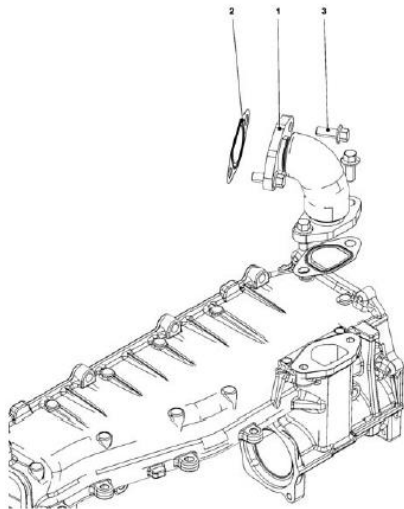
T754

0512 4143
0512 4058
0512 4097
0512 4257

P1

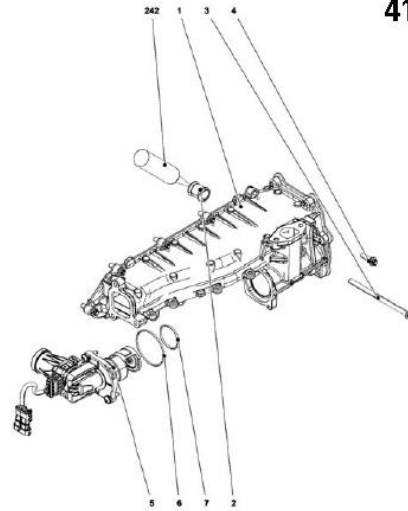
Year

2016



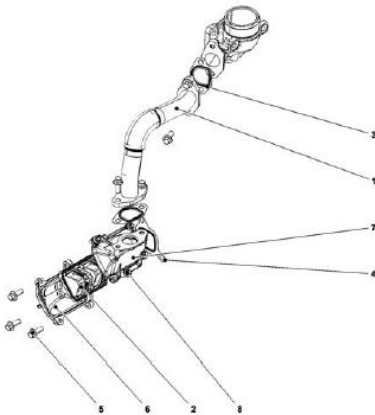
41 - 0512 4058

PIPE/LINE/LEAD



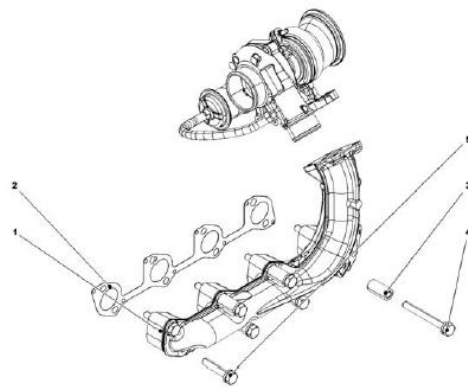
41 - 0512 4143

EGR-MODULE



41 - 0512 4097

PIPE/LINE/LEAD



41 - 0512 4257

EXHAUST MANIFOLD

NOTE

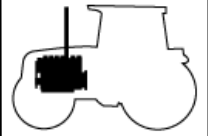
FIG 43

0512 4384

P1

Year

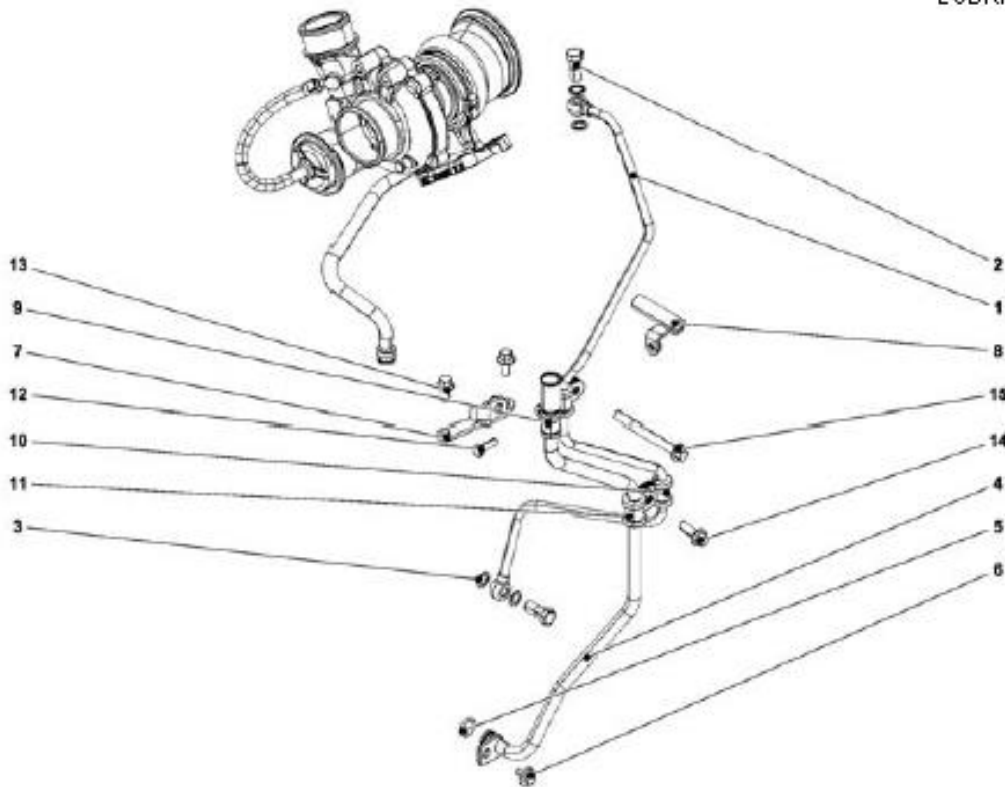
2016



T754

43 - 0512 4384

LUBRICAT. OIL LINE



NOTE

FIG 44

T754

0512 4062
0512 4256
0512 4393
0512 4400

P1

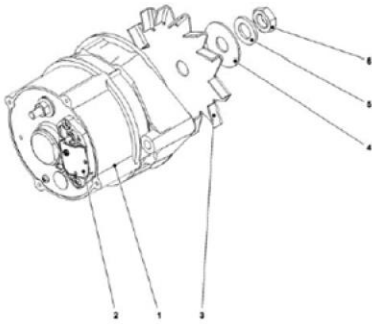
Year

2016



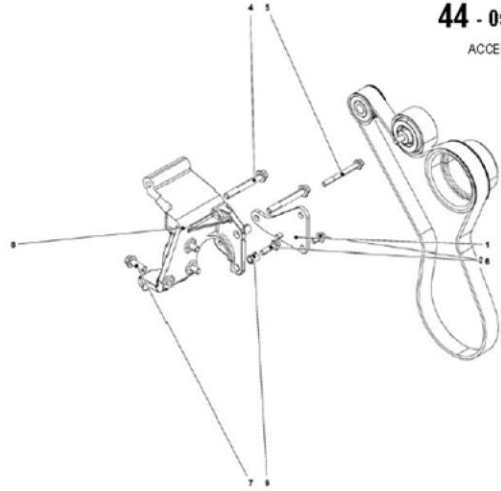
44 - 0512 4062

GENERATOR



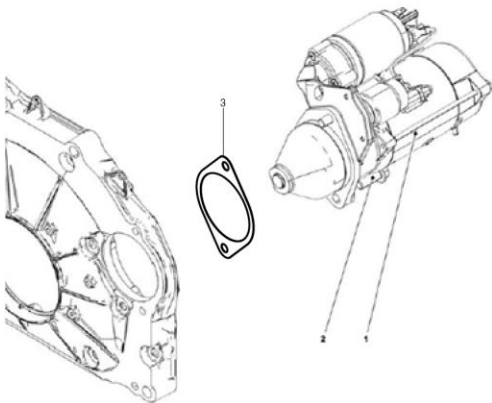
44 - 0512 4393

ACCESSORIES



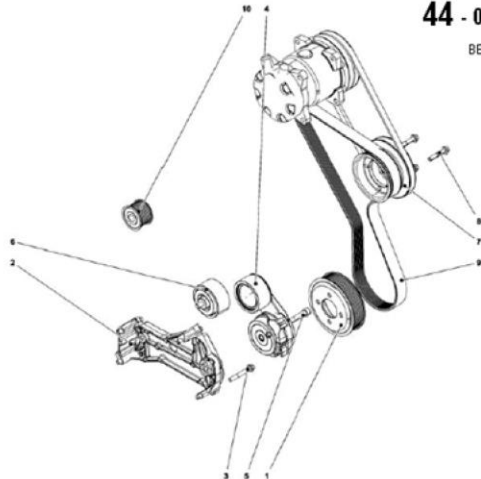
44 - 0512 4256

STARTER



44 - 0512 4400

BELT DRIVE



NOTE

FIG 48

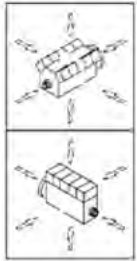
T754

0511 7723
0512 4011 **0512 4098**
0512 4127 **0512 4292**

P1

Year

2016



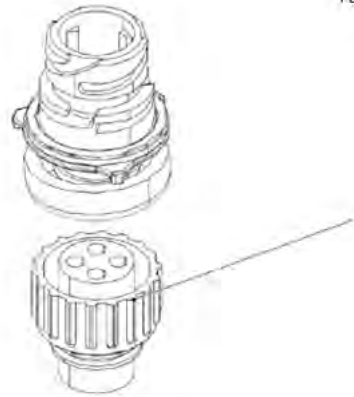
48 - 0511 7723

ATTACHMENT PLUG



48 - 0512 4098

PLUG-IN CONNECTOR



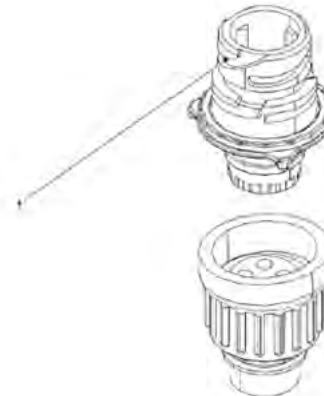
48 - 0512 4011

CABLE HARNESS



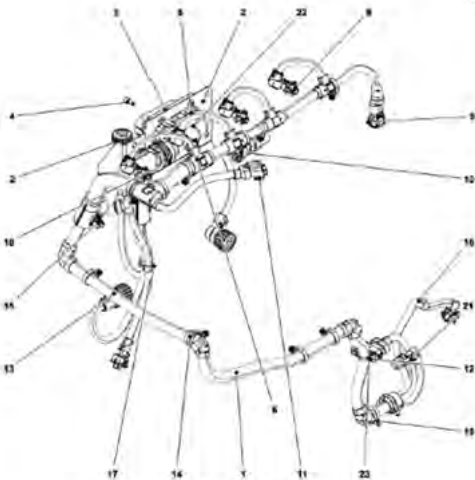
48 - 0512 4127

PLUG-IN CONNECTOR



48 - 0512 4292

CABLE HARNESS



NOTE

FIG 48

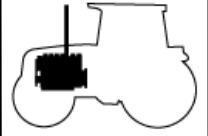
T754

0512 4128 0512 4293
0512 4334 0512 4338
0512 4343

P1

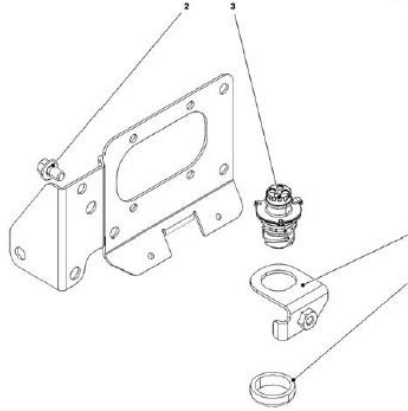
Year

2016



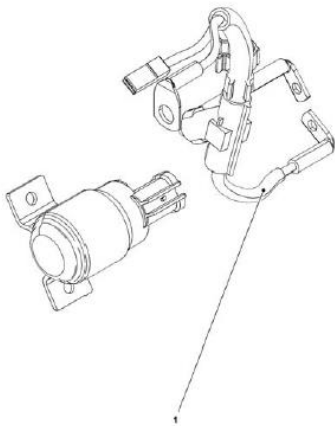
48 - 0512 4128

PLUG-IN CONNECTOR



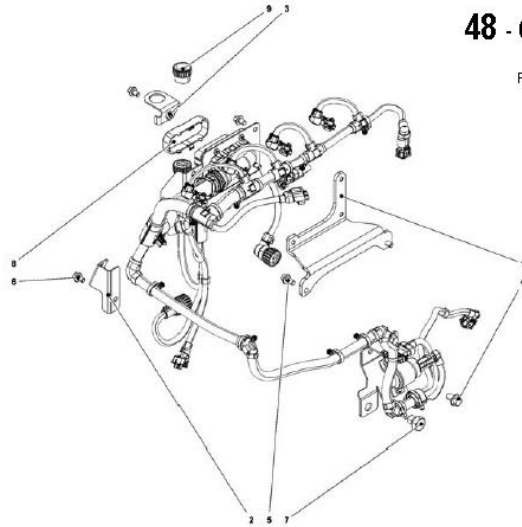
48 - 0512 4293

CONNECTING PIPE



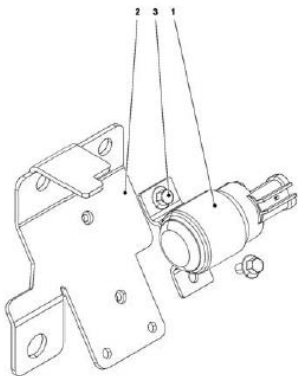
48 - 0512 4338

FASTENINGS



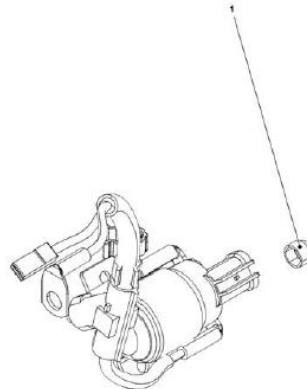
48 - 0512 4334

RELAY



48 - 0512 4343

PROTECTING CAP



NOTE

FIG 51

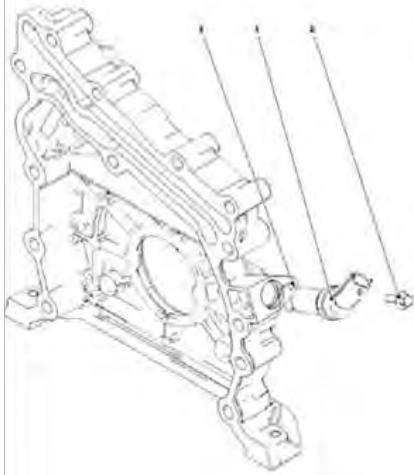
T754

0512 4060 0512 4104
0512 4300
0512 4329

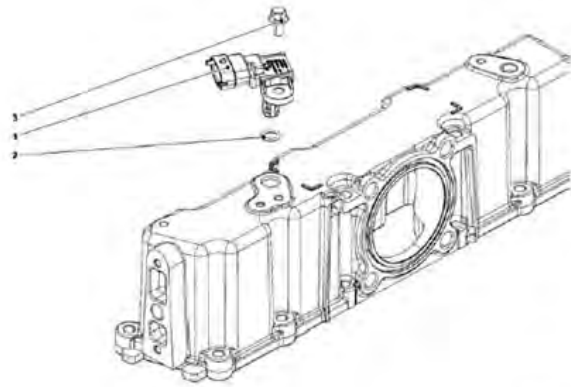
P1

Year

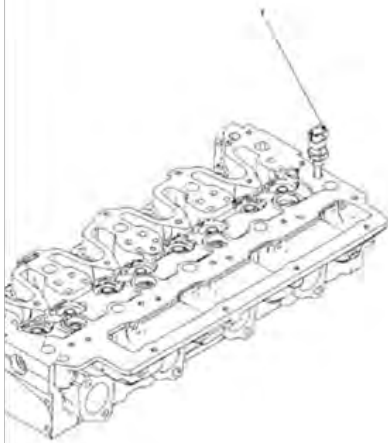
2016



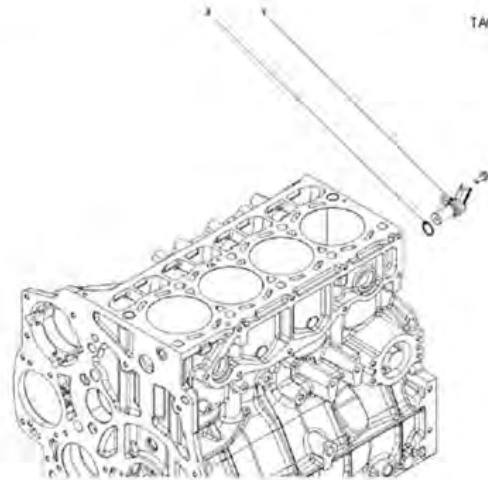
51 - 0512 4060
TACHO-GENERATOR



51 - 0512 4329
SENSOR



51 - 0512 4104
TEMPER. TRANSMITTER



51 - 0512 4300
TACHO-GENERATOR

NOTE

FIG 63

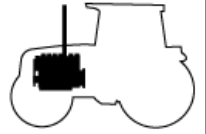
T754

0512 4010

P1

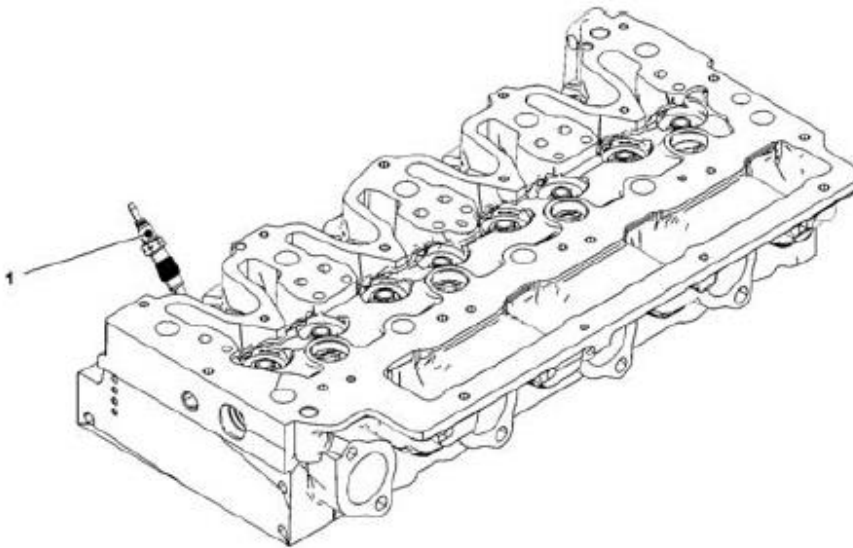
Year

2016



63 - 0512 4010

GLOW PLUG



NOTE

FIG 83

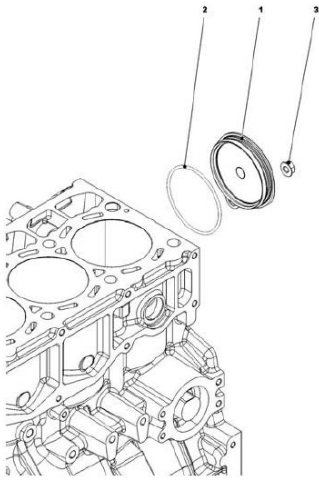
T754

0512 4176	0512 4180
0512 4251	0512 4337
0512 4339	0512 4340
0512 4344	

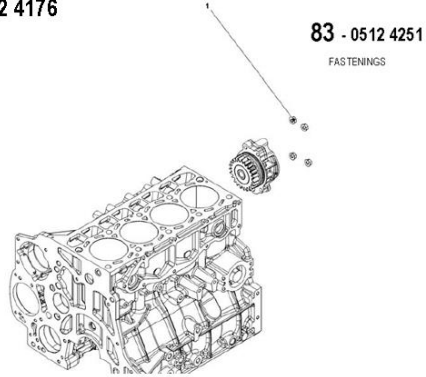
P1

Year

2016



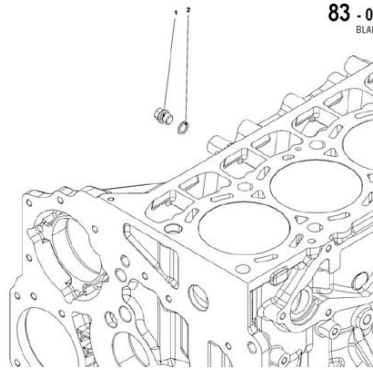
83 - 0512 4176
COVER



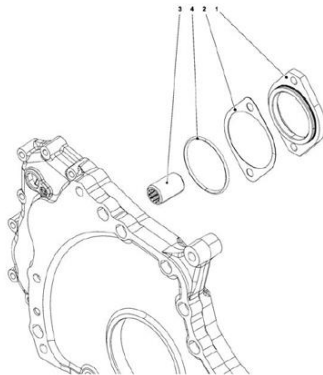
83 - 0512 4251
FASTENINGS



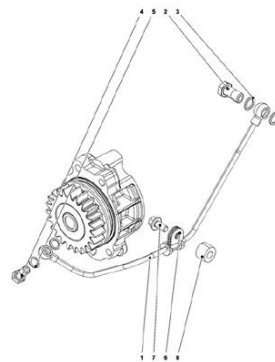
83 - 0512 4180
O-SEAL



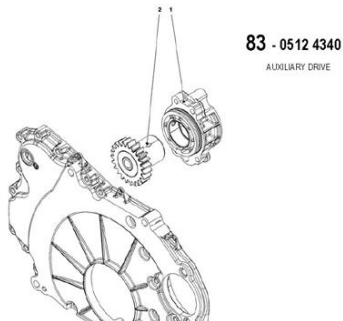
83 - 0512 4337
BLANKING PARTS



83 - 0512 4339
ADAPTERFLANSCH



83 - 0512 4344
LUBRICAT. OIL LINE



83 - 0512 4340
AUXILIARY DRIVE

NOTE

FIG 90

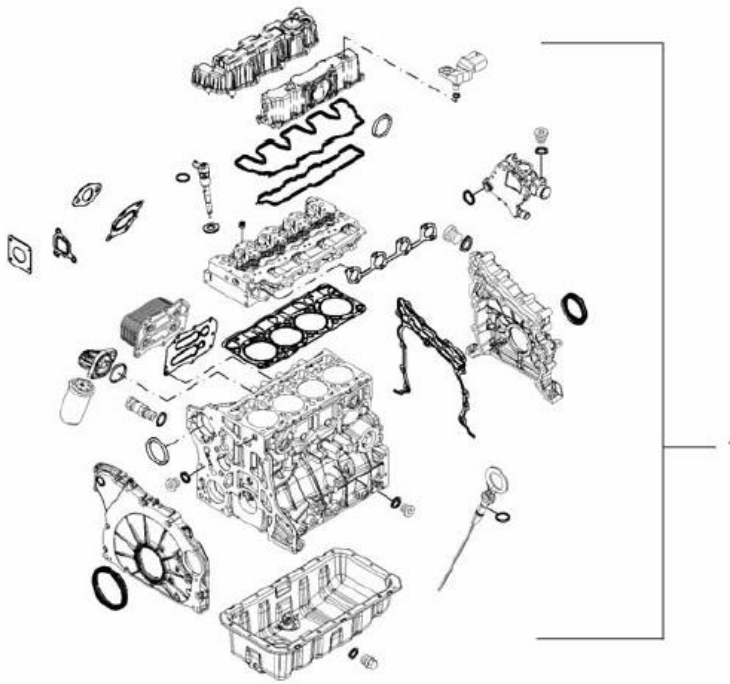
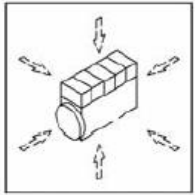
T754

0512 4355

P1

Year

2016



90 - 0512 4355

GASKET SET

NOTE

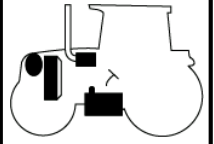
FIG 201

AIR CLEANER

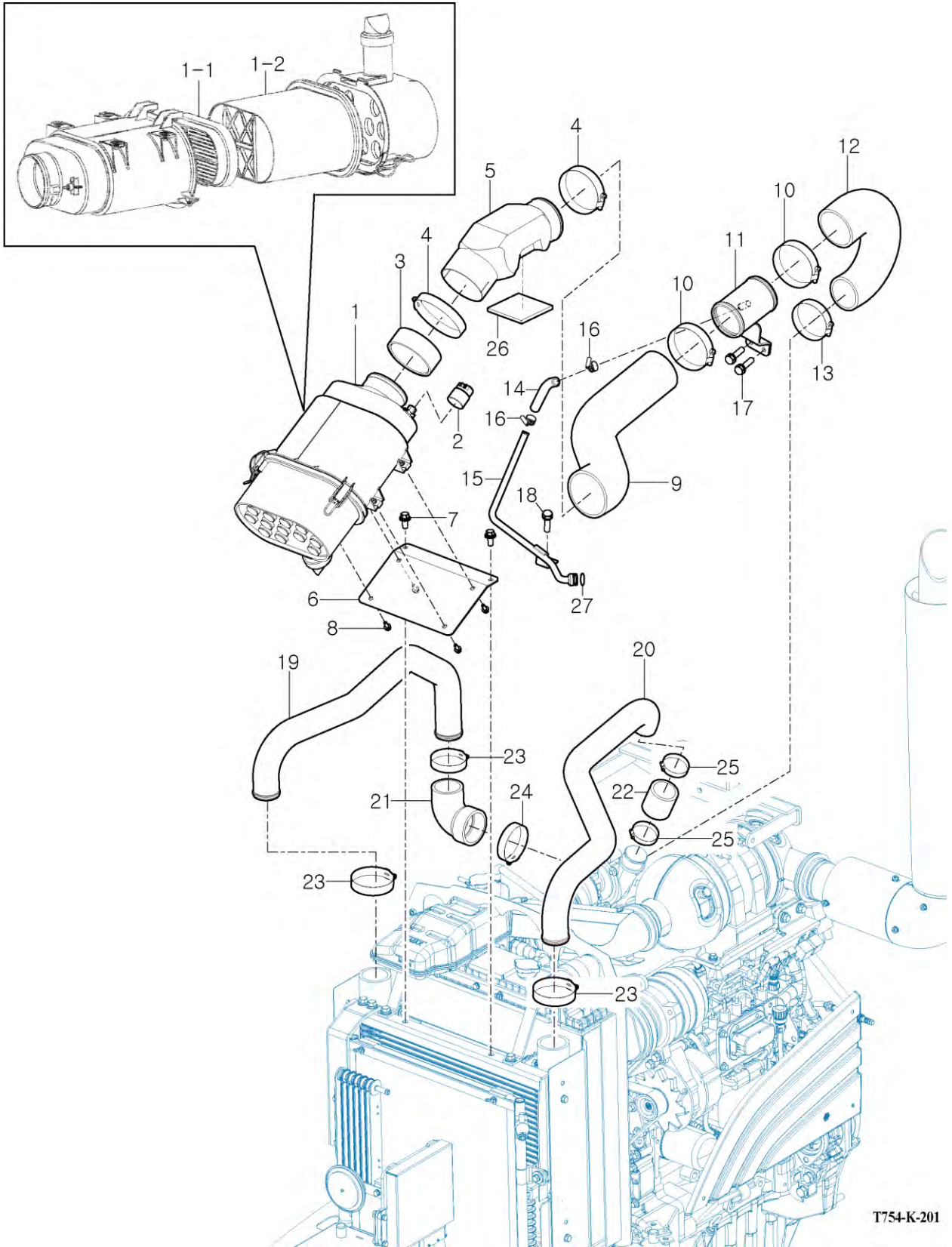
P1

Year

2016



T754SC



T754-K-201

NOTE

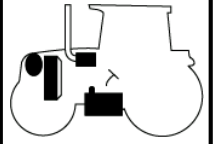
FIG 202

RADIATOR

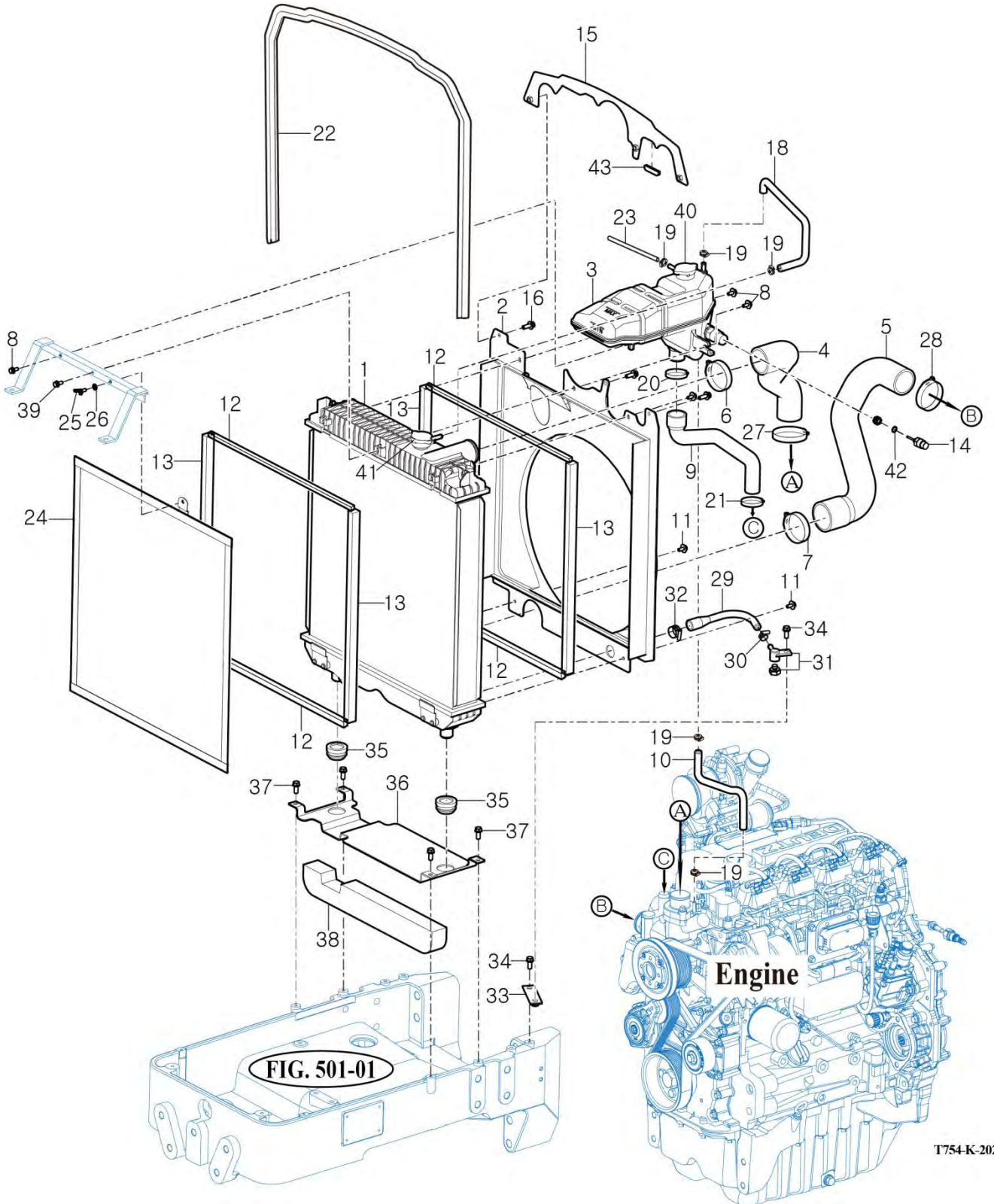
P1

Year

2016



T754SC



T754-K-202

NOTE

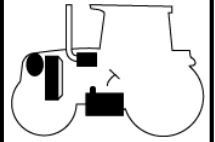
FIG 203

MUFFLER & EXHAUST PIPE

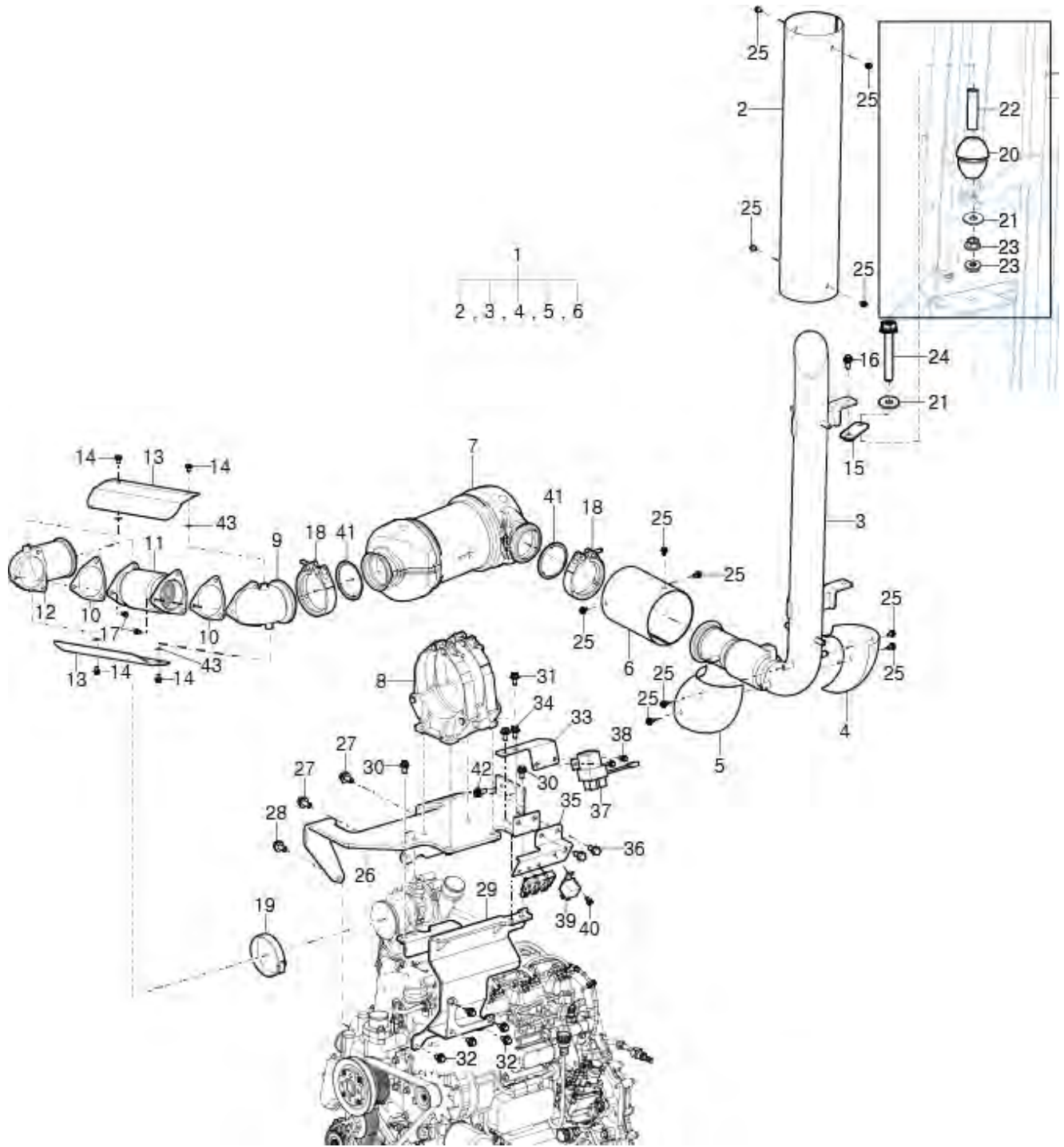
P1

Year

2016



T754SC



NOTE

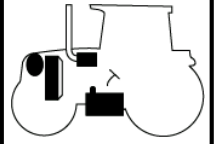
FIG 205

FUEL FILTER & FUEL PUMP

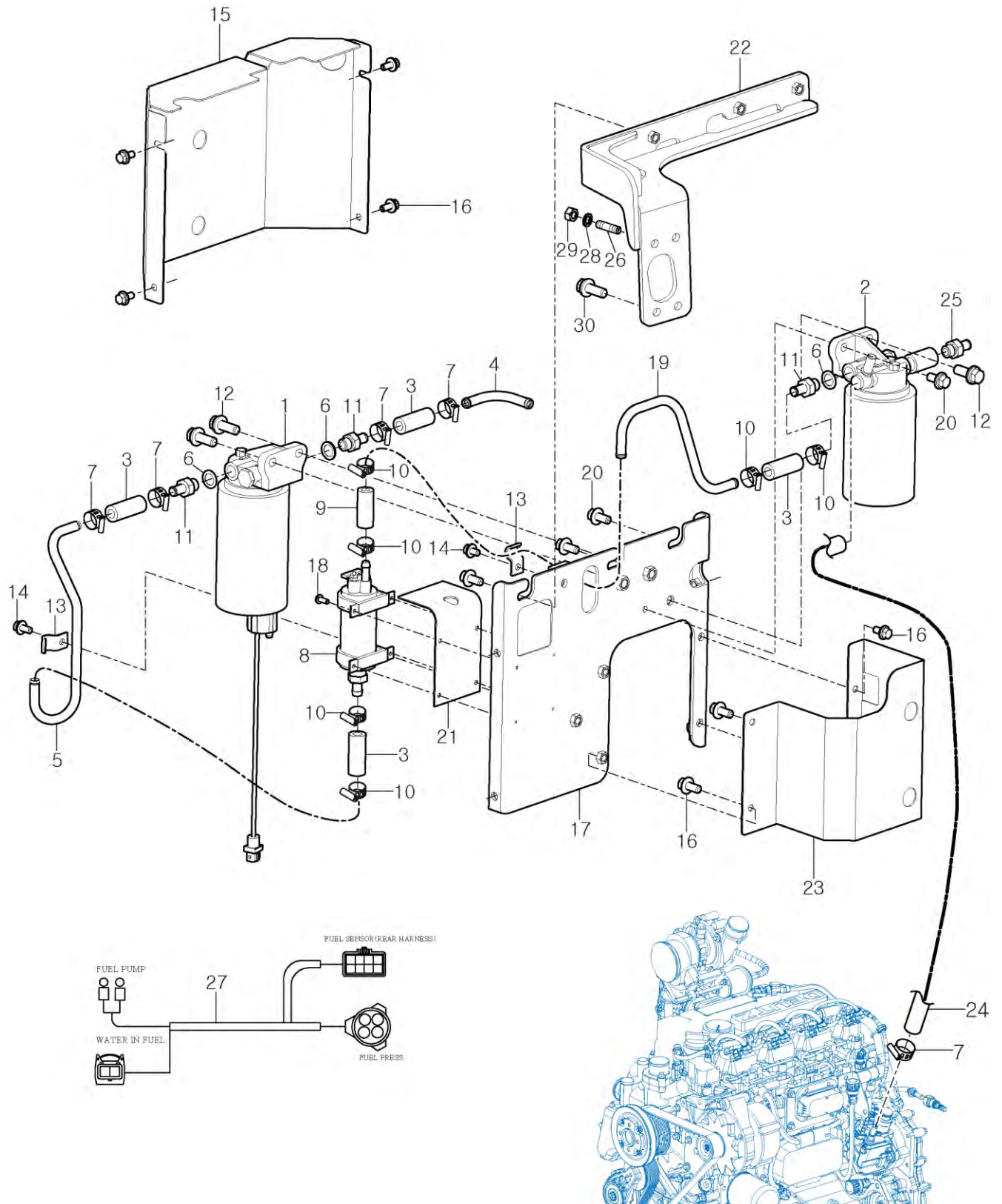
P1

Year

2016



T754SC



NOTE

FIG 301

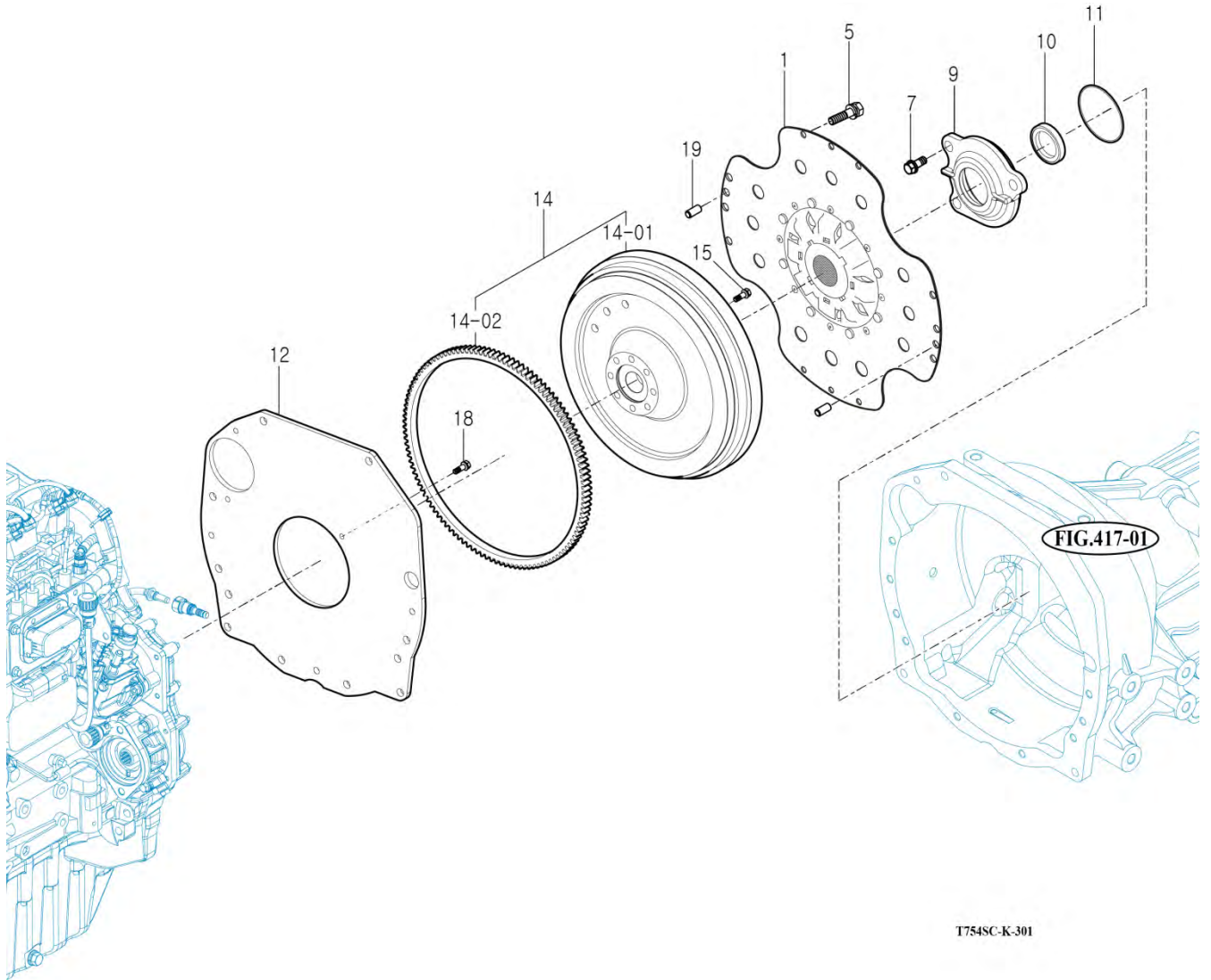
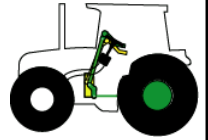
T754SC

CLUTCH

P1

Year

2016



NOTE

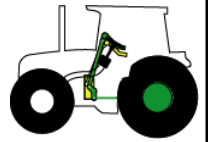
FIG 302

CLUTCH PEDAL

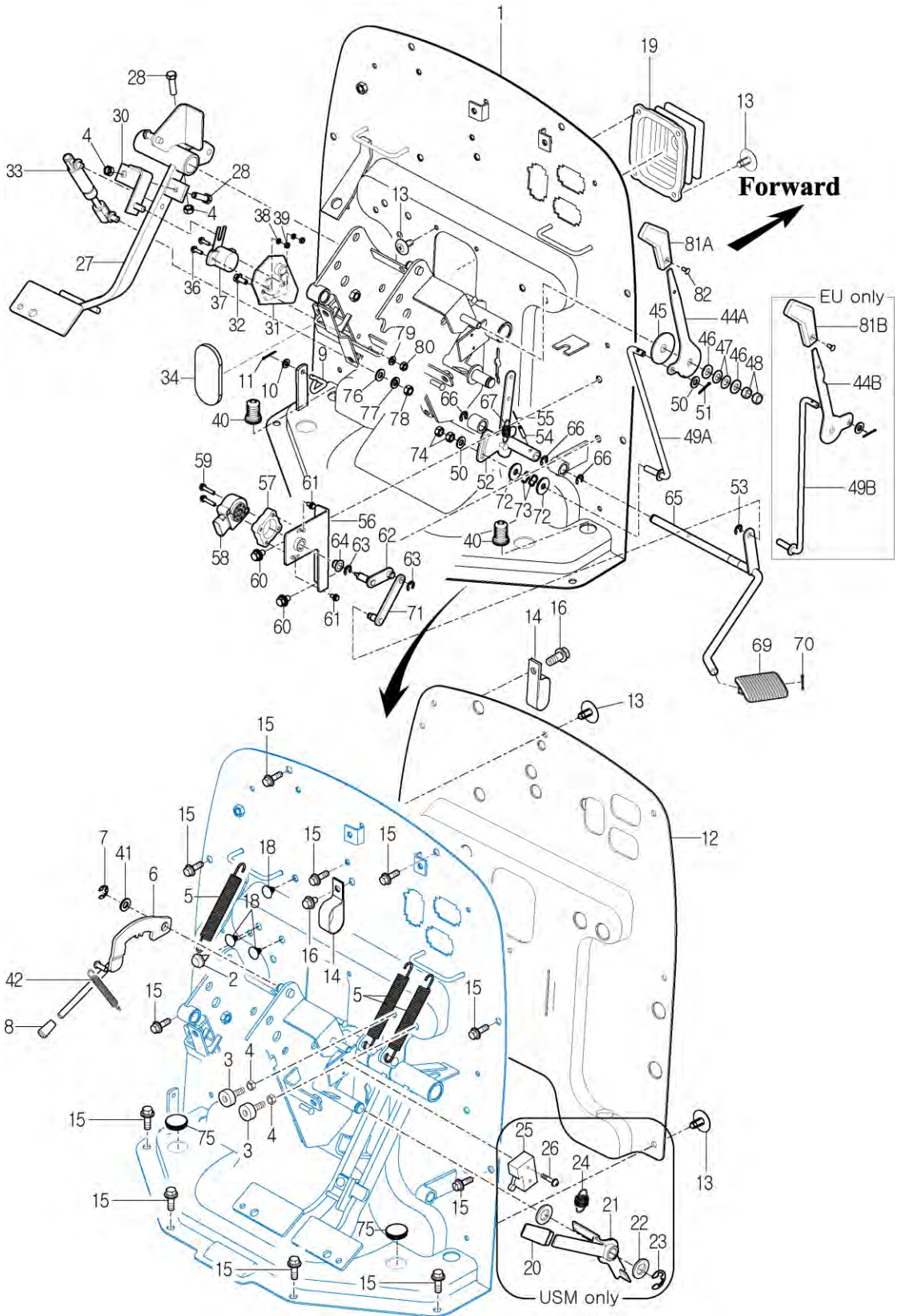
P2

Year

2016



T754SC



NOTE

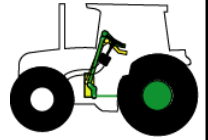
FIG 303

BRAKE PEDAL & LINK

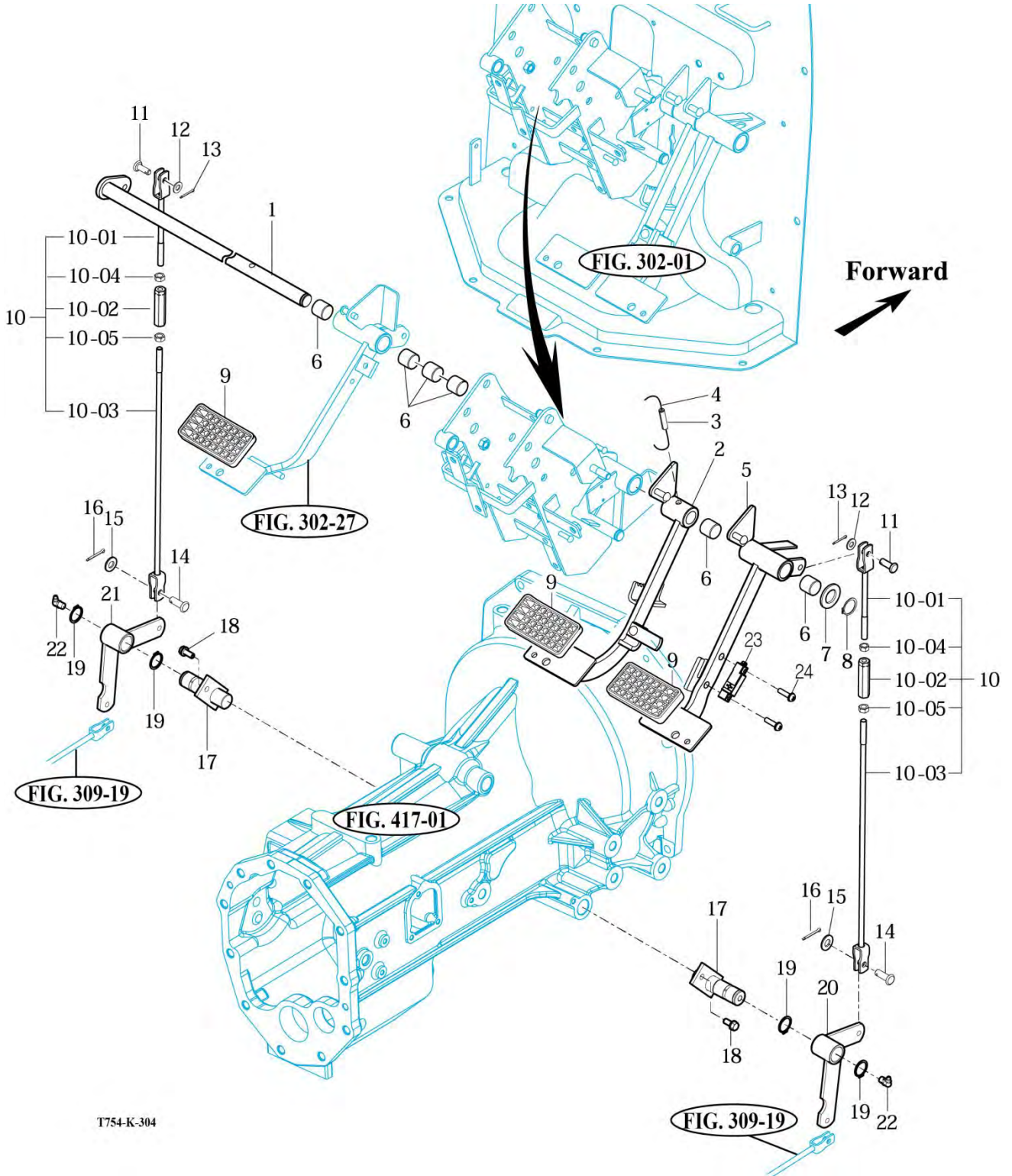
P1

Year

2016



T754SC



T754-K-304

NOTE

FIG 304

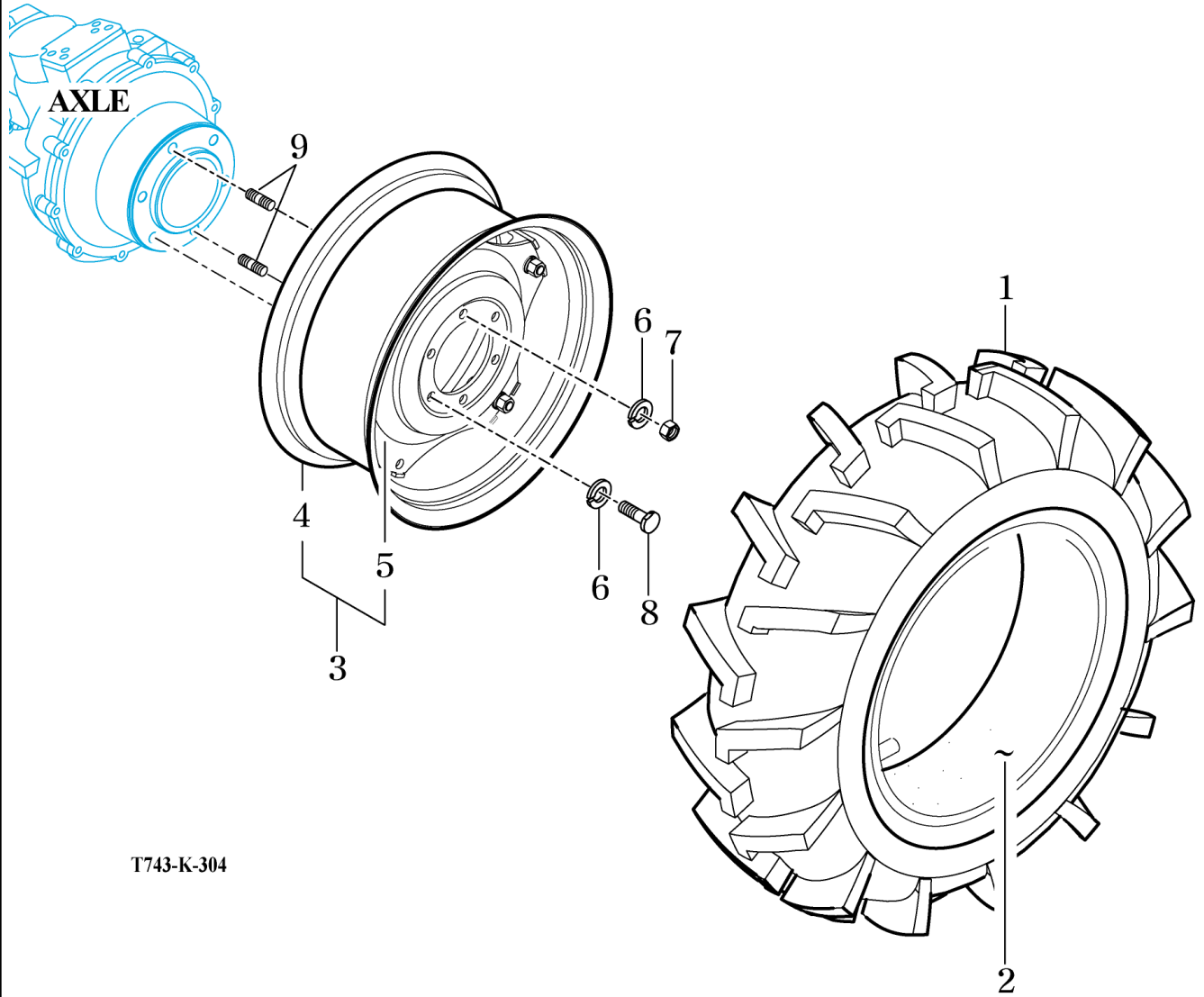
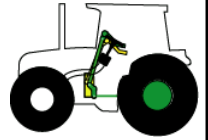
T754SC

FRONT WHEEL

P1

Year

2016



T743-K-304

NOTE

FIG 305

T754SC

REAR WHEEL

P1

Year

2016

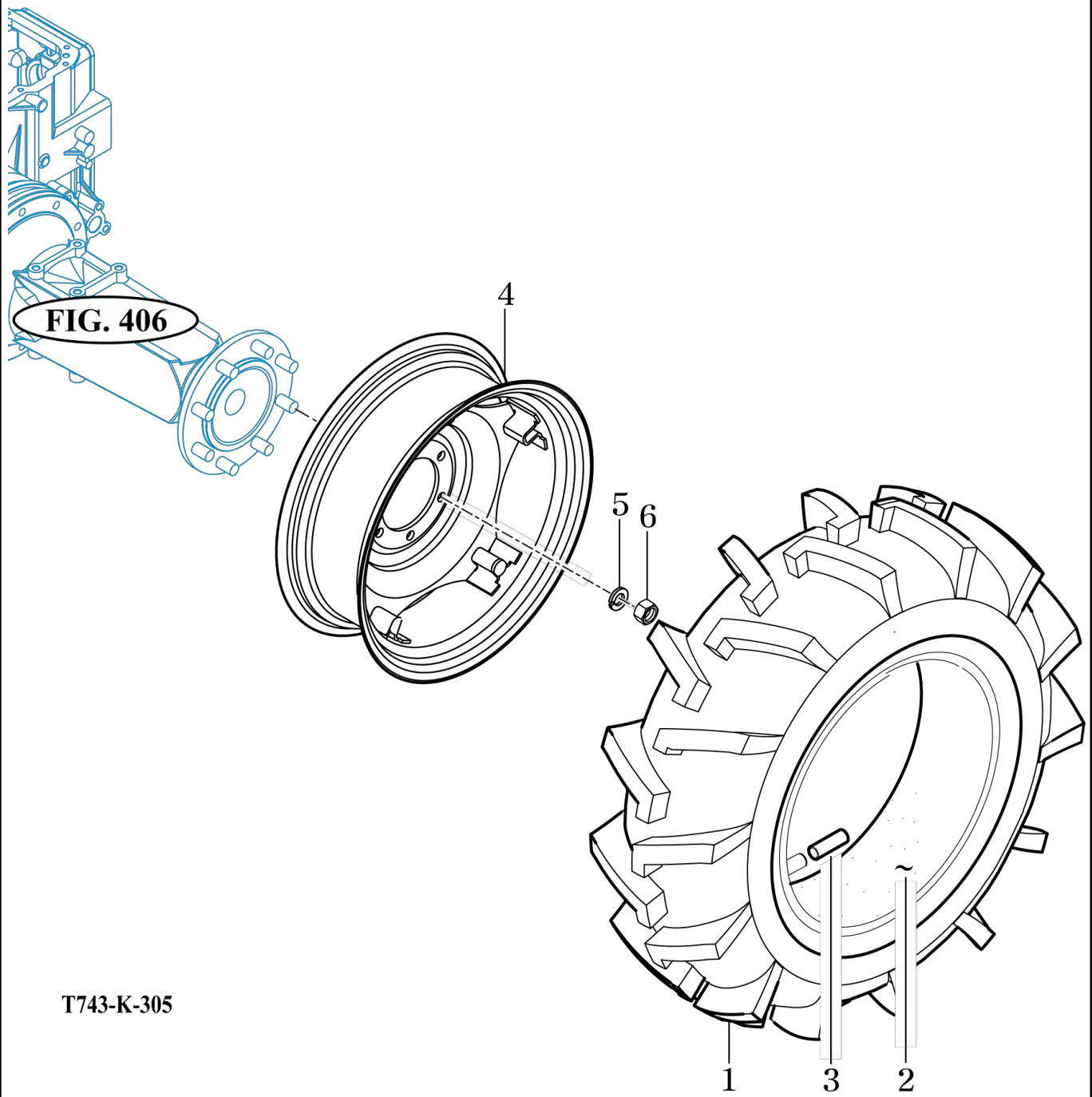
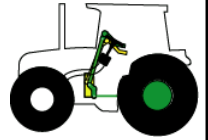


FIG. 406

T743-K-305

NOTE

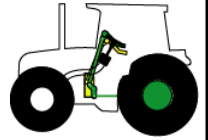
FIG 306

POWER STEERING WHEEL

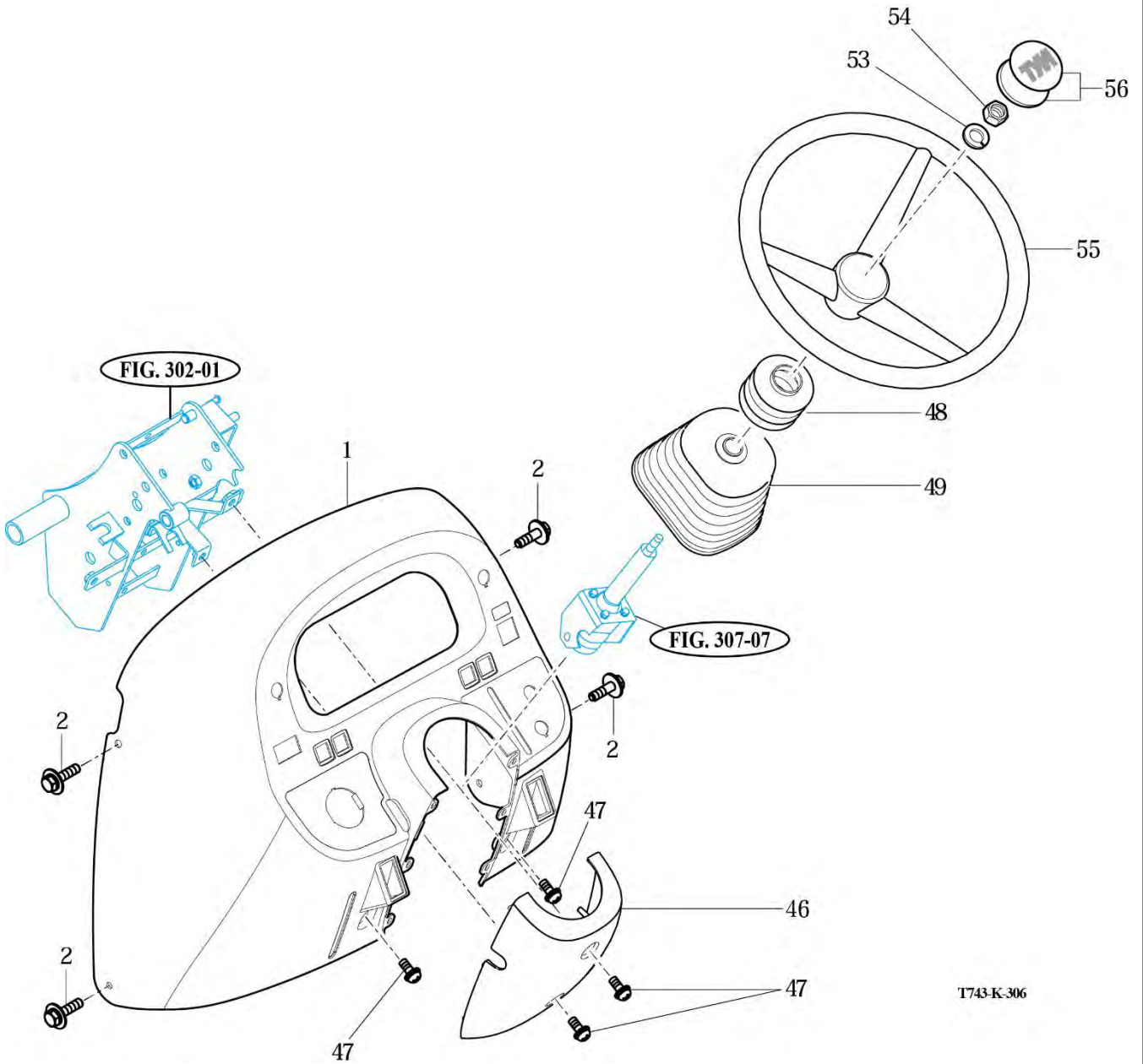
P1

Year

2016



T754SC



T743-K-306

NOTE

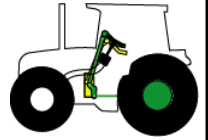
FIG 307

POWER STEERING VALVE

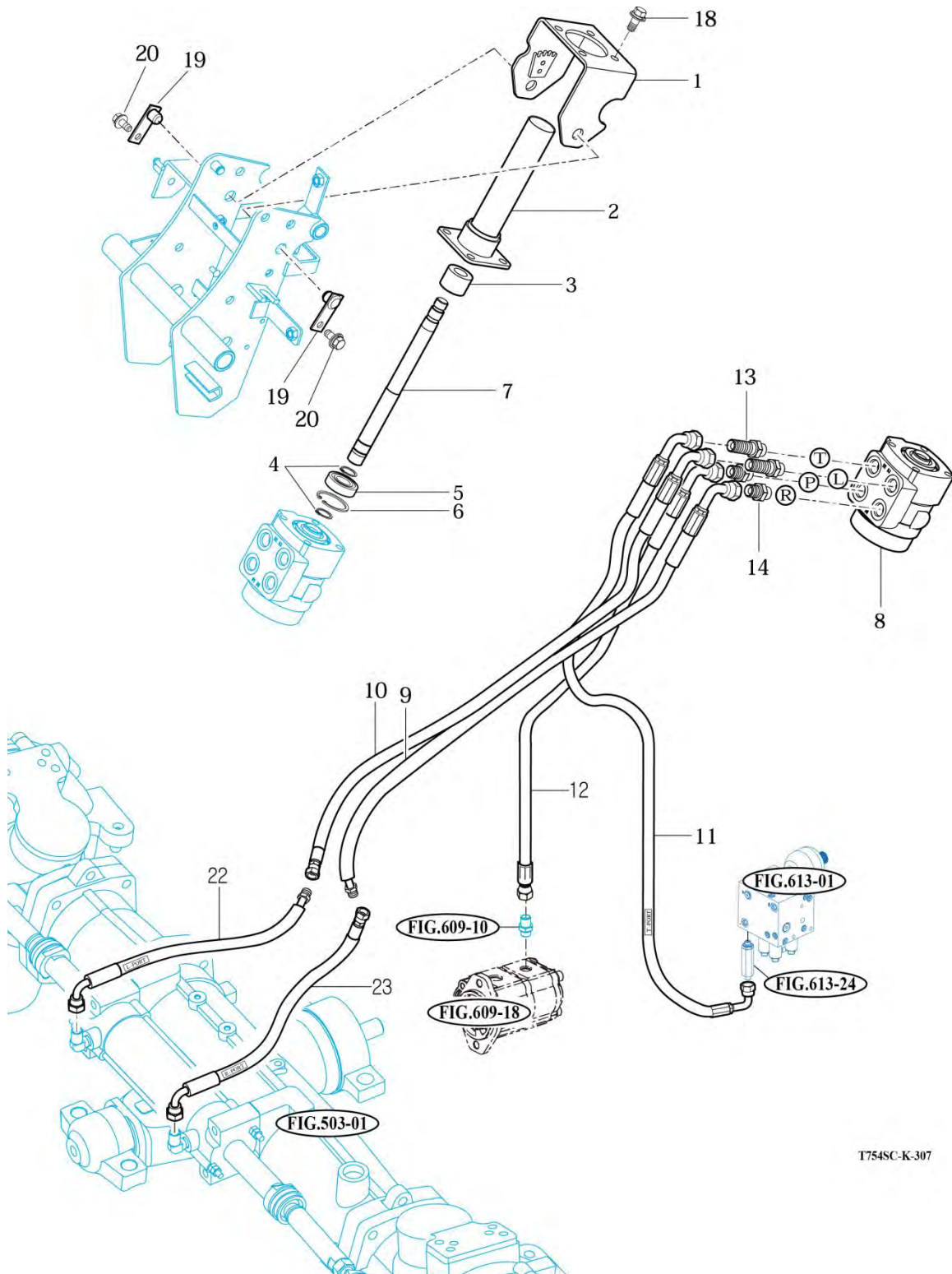
P1

Year

2016



T754SC



T754SC-K-307

NOTE

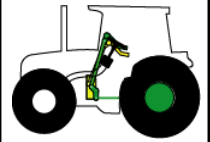
FIG 308

POWER STEERING CYLINDER

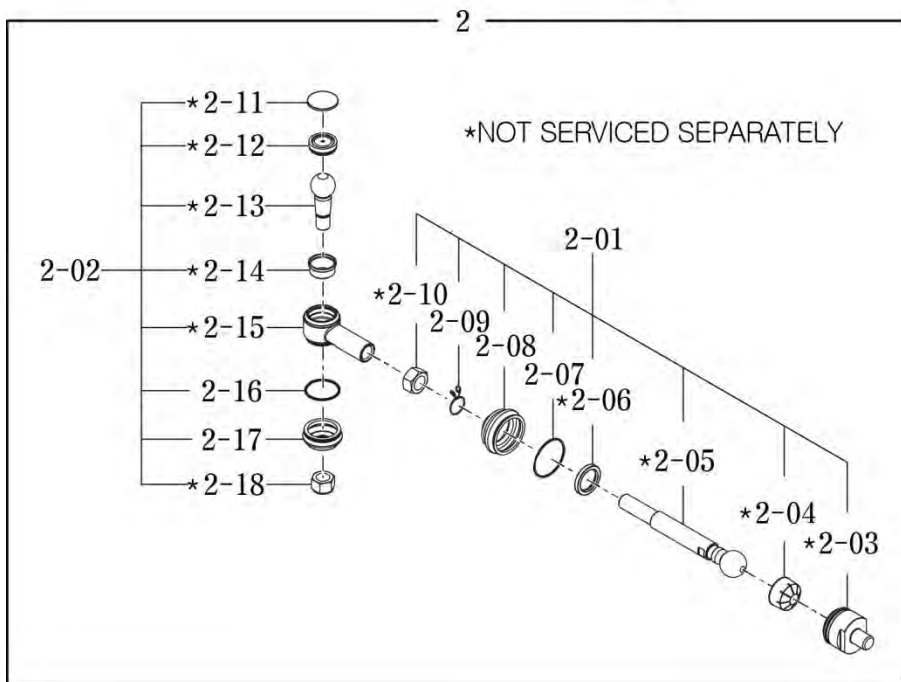
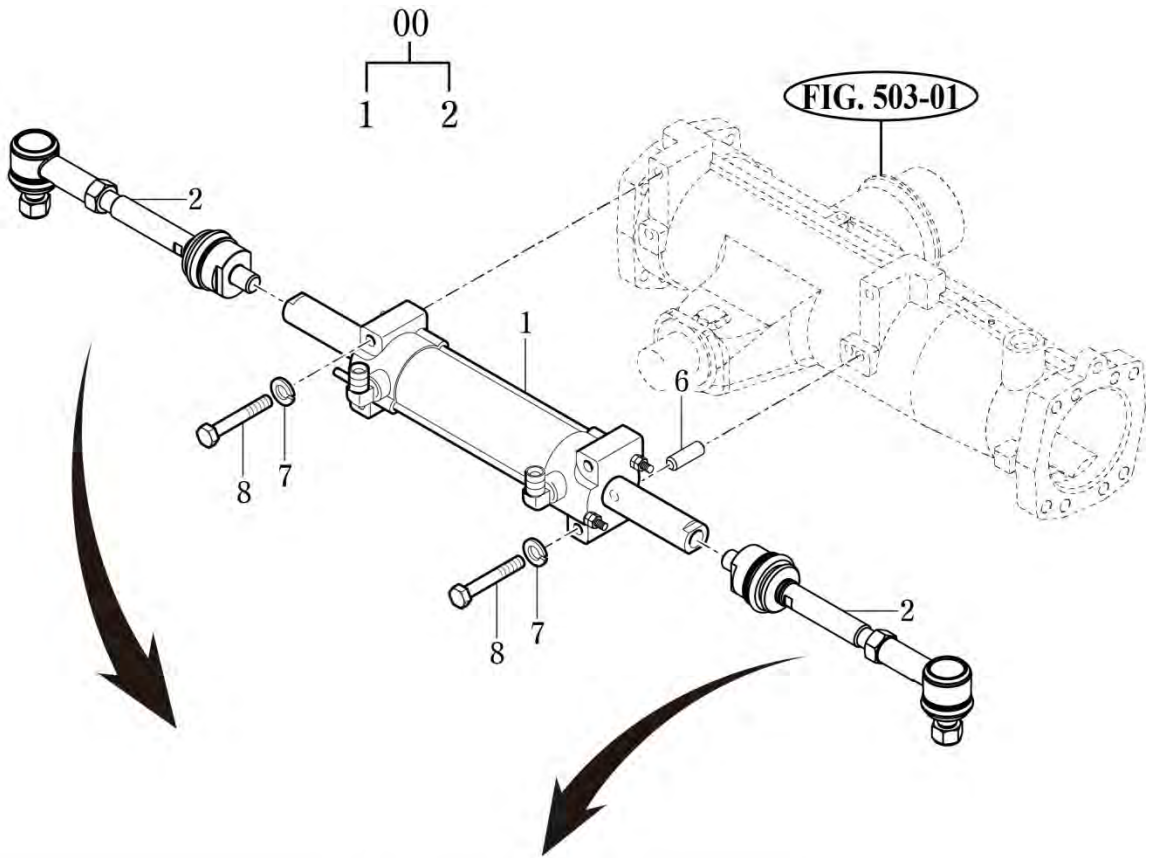
P1

Year

2016

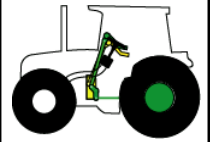


T754SC

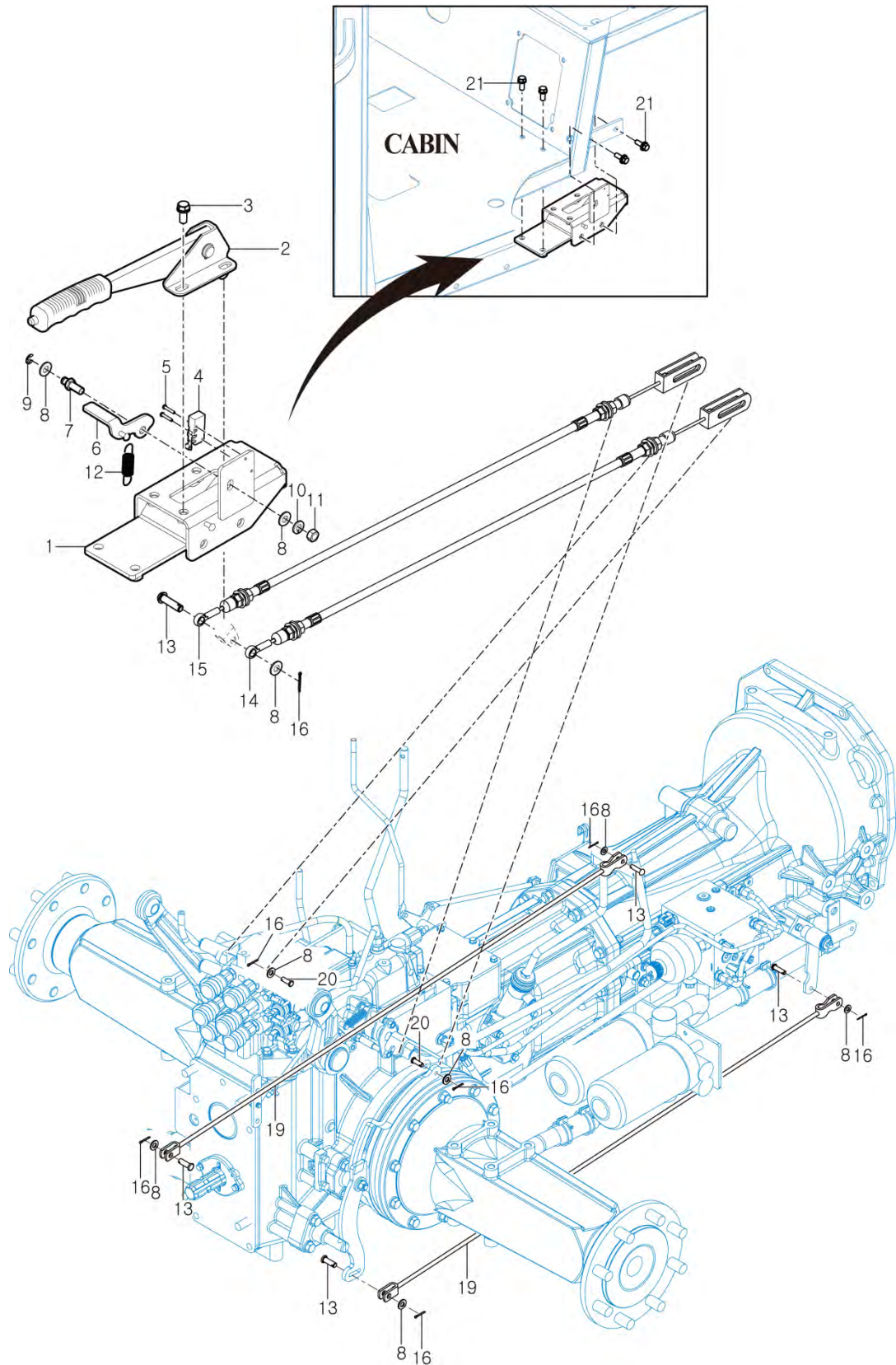


TX553/653/703-K-309

NOTE



T754SC



NOTE

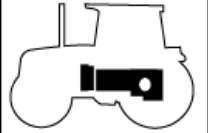
FIG 401

CASE , RR TRANSMISSION

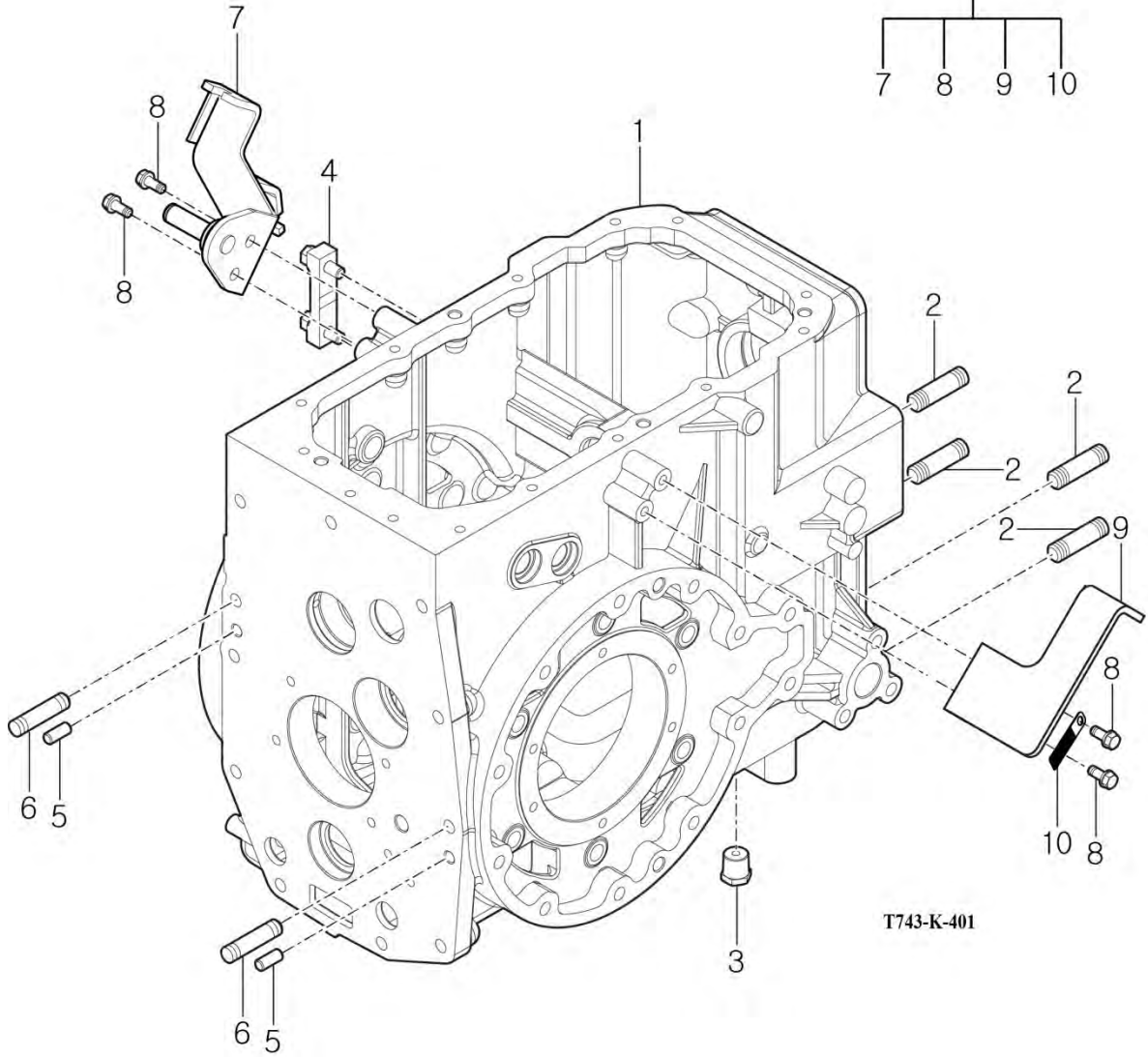
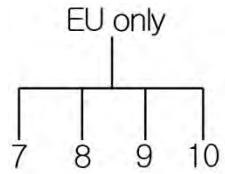
P1

Year

2016



T754SC



T743-K-401

NOTE

FIG 402

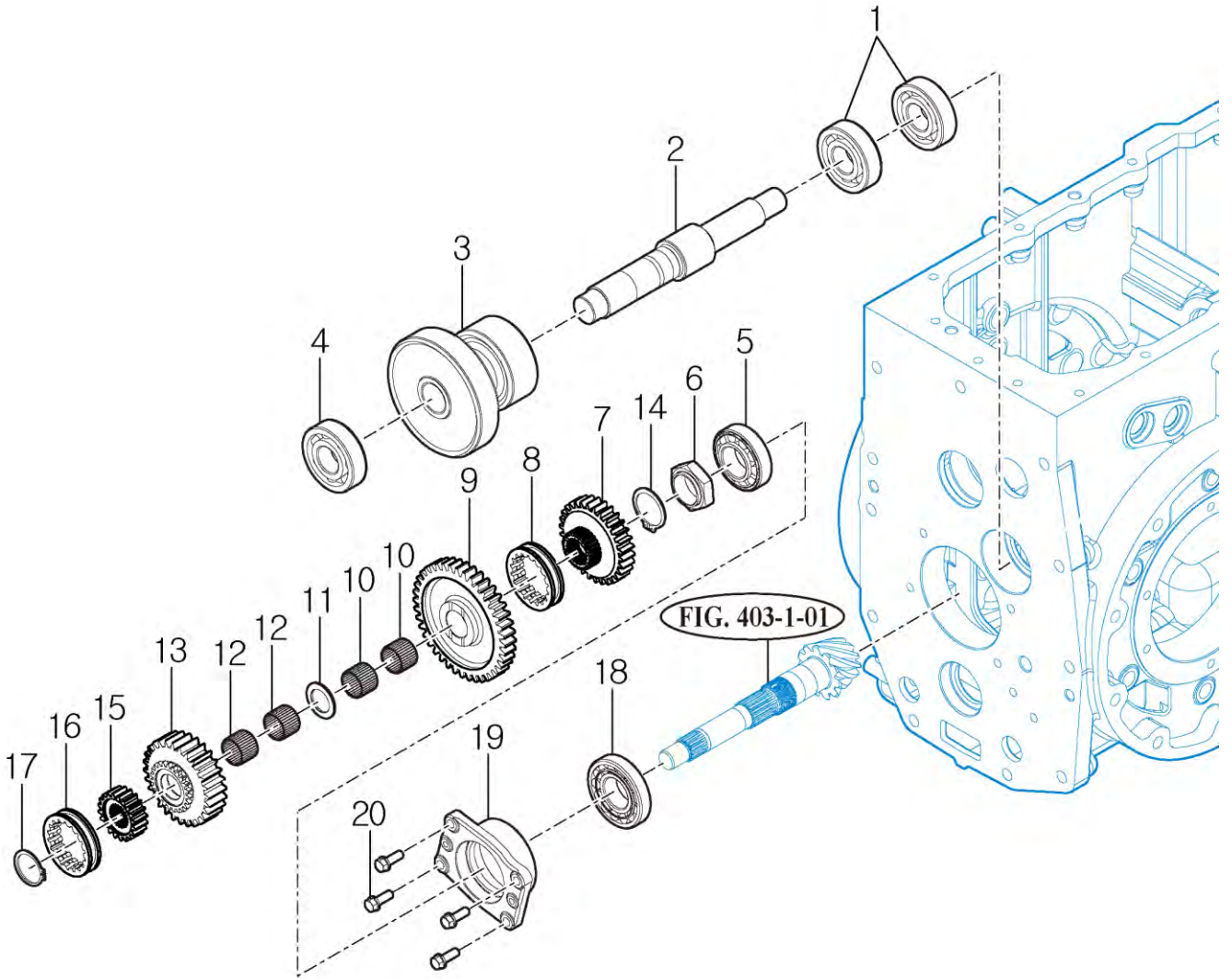
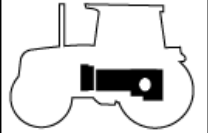
T754SC

SUB CHANGE GEARS

P1

Year

2016



T754SC-K-402

NOTE

FIG 403

REAR DIFFERENTIAL GEARS

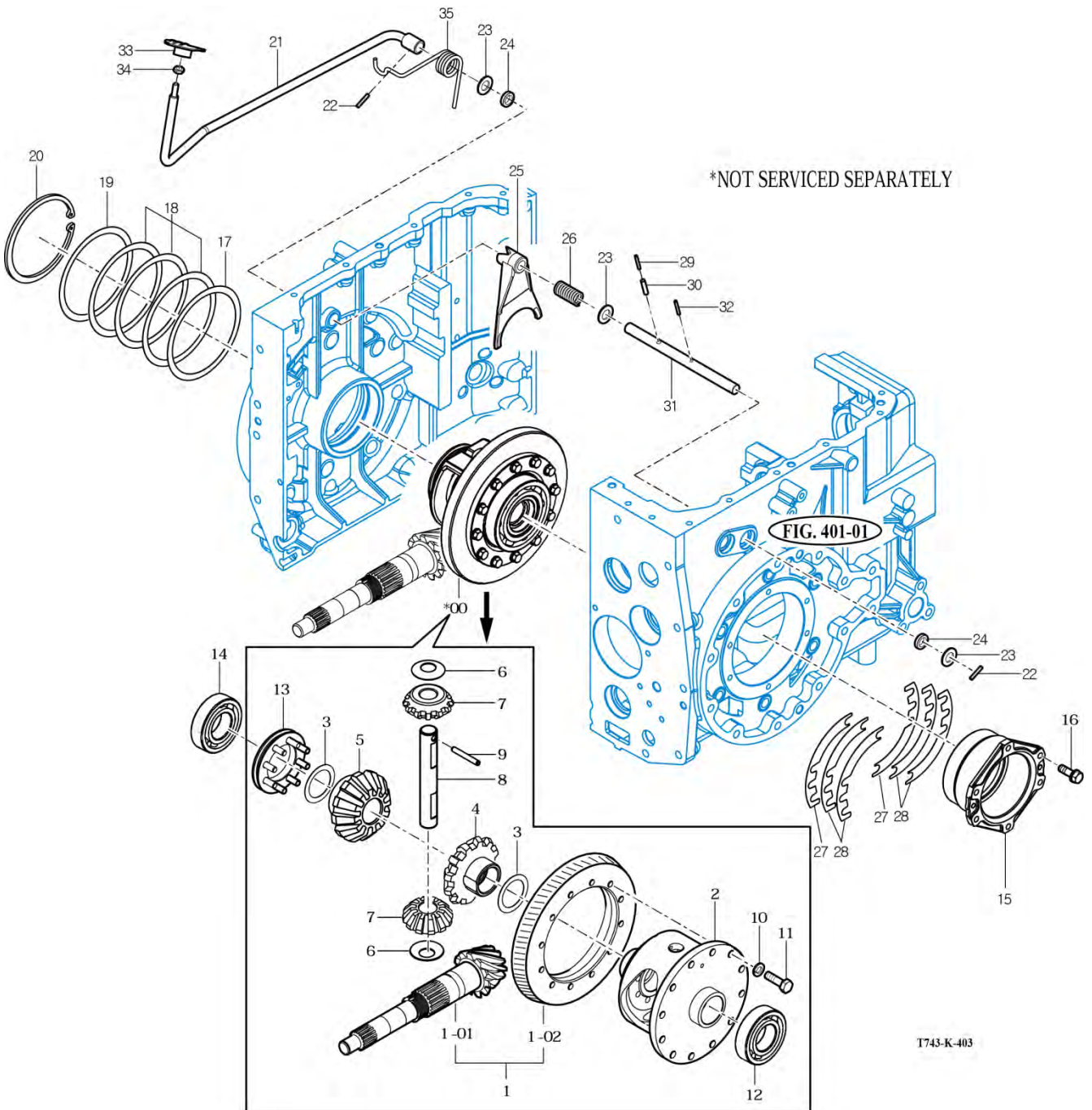
P1

Year

2016



T754SC



NOTE

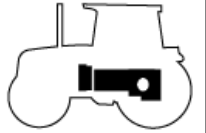
FIG 404

P.T.O CHANGE GEARS

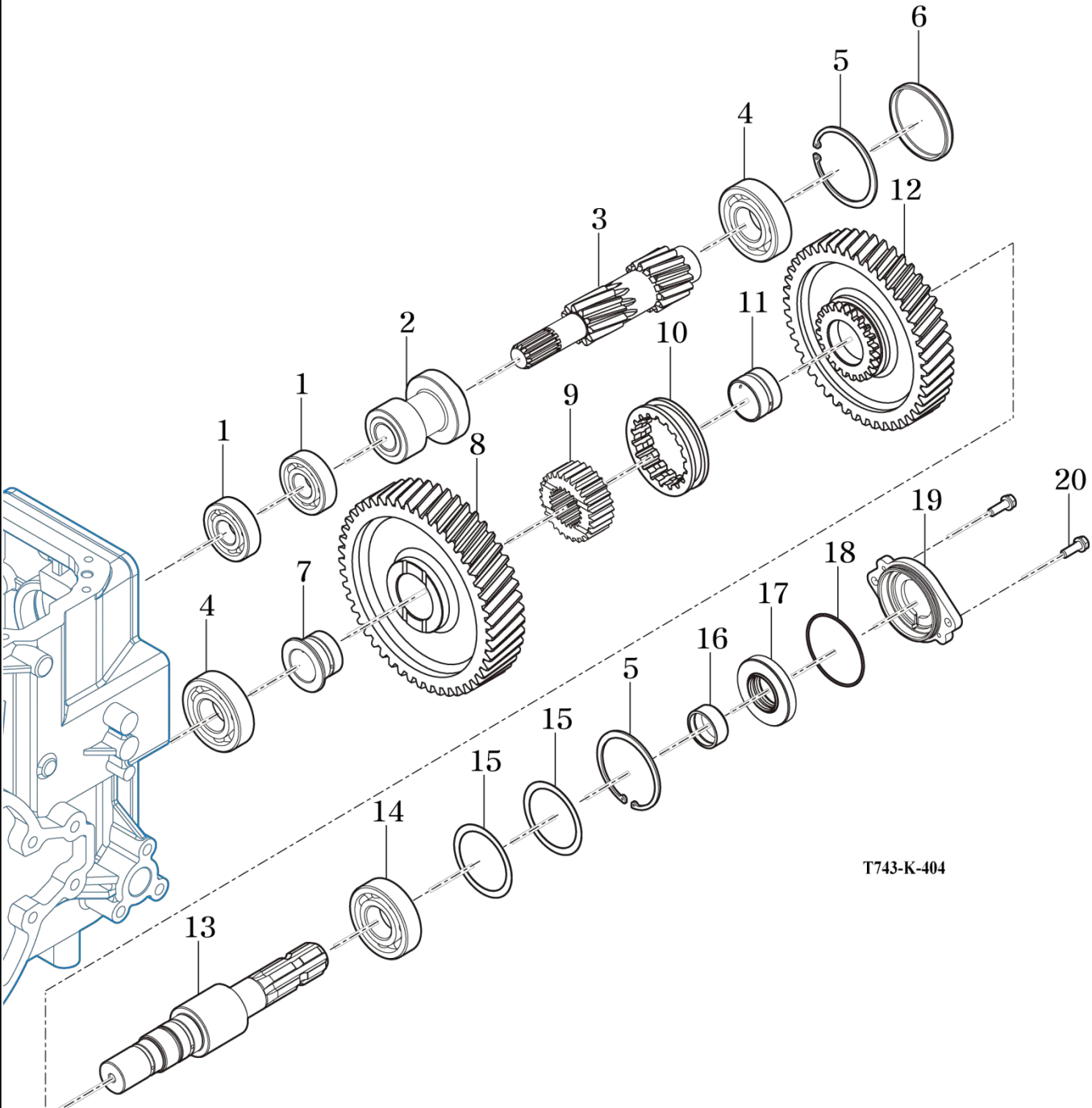
P1

Year

2016



T754SC



T743-K-404

NOTE

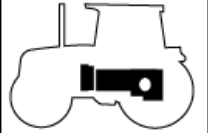
FIG 405

P.T.O CHANGE SHIFTER

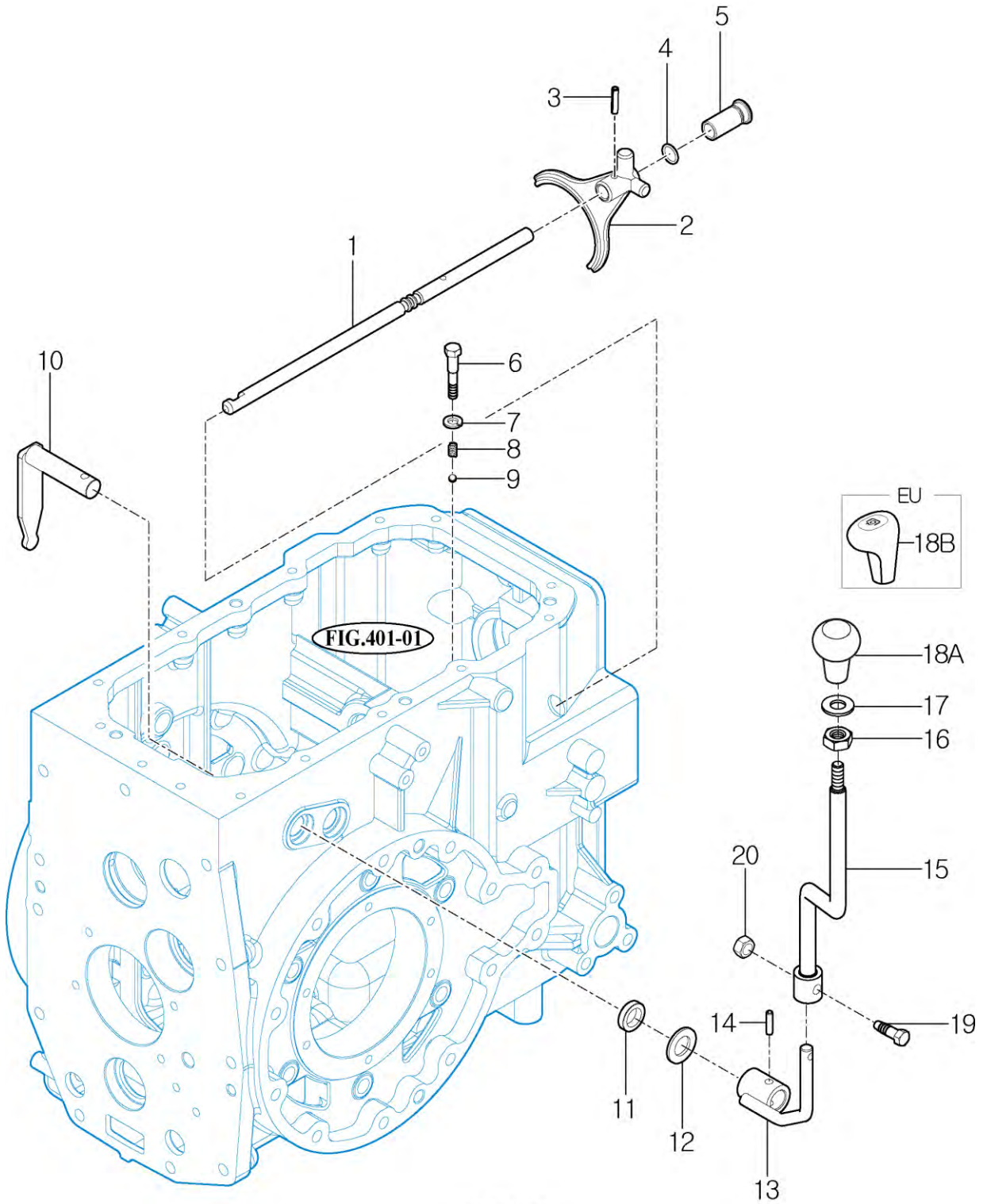
P1

Year

2016



T754SC



T754-K-405

NOTE

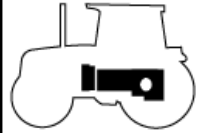
FIG 406

HOUSING , RR AXLE

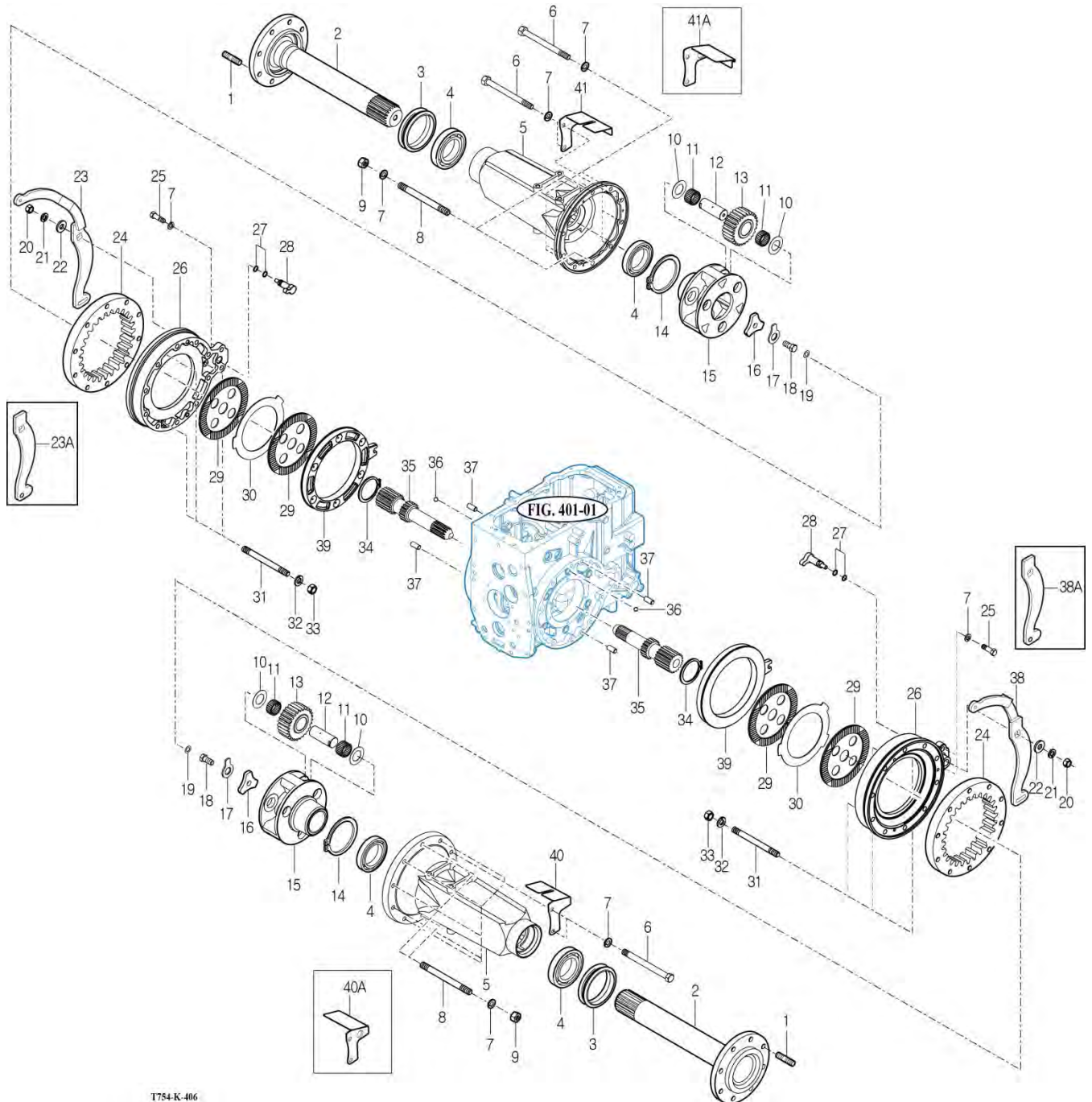
P1

Year

2016



T754SC



T754-K-406

NOTE

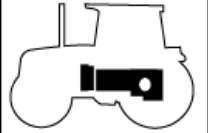
FIG 407

P.T.O DRIVE SHAFT

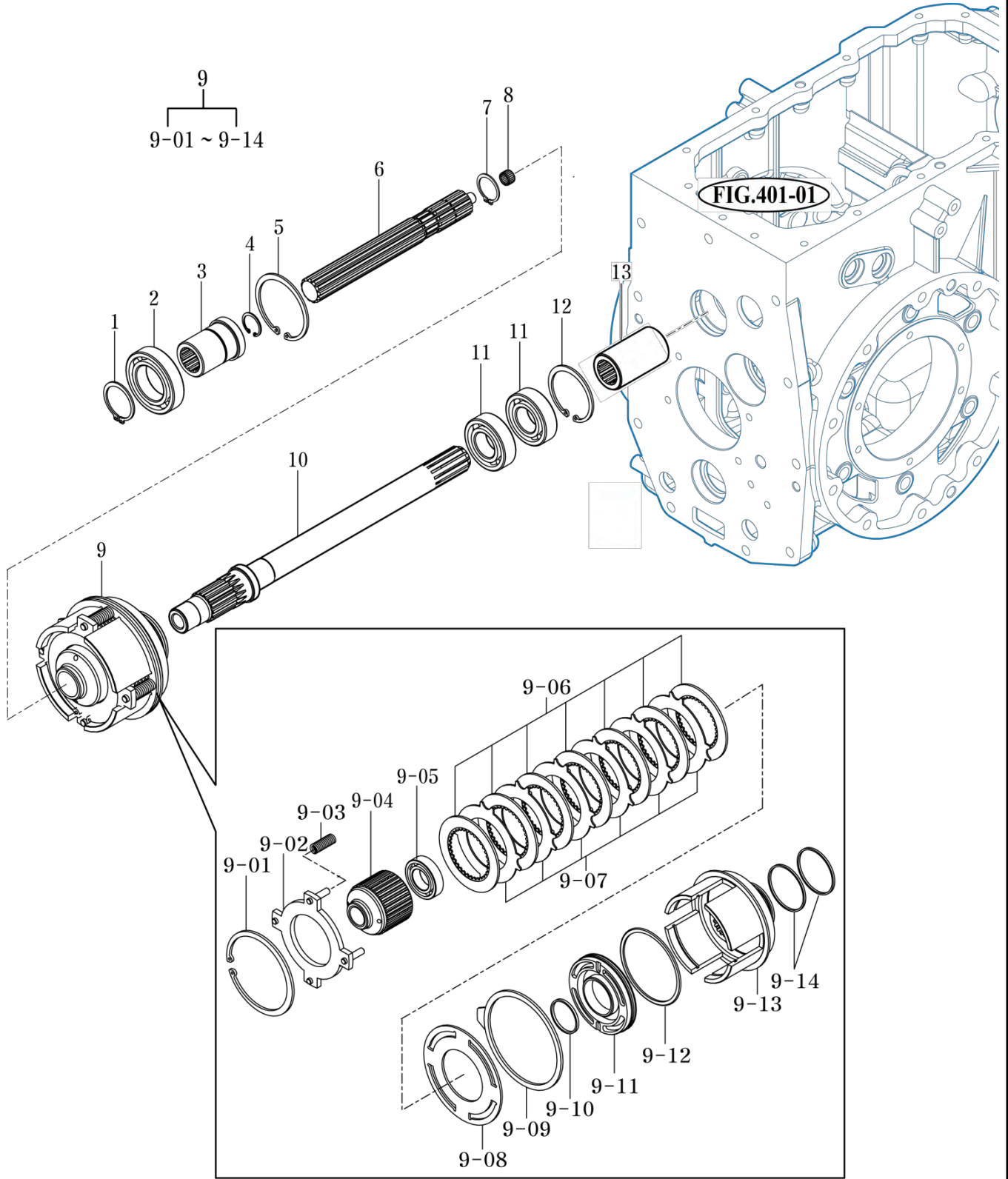
P1

Year

2016



T754SC



T743-K-407

NOTE

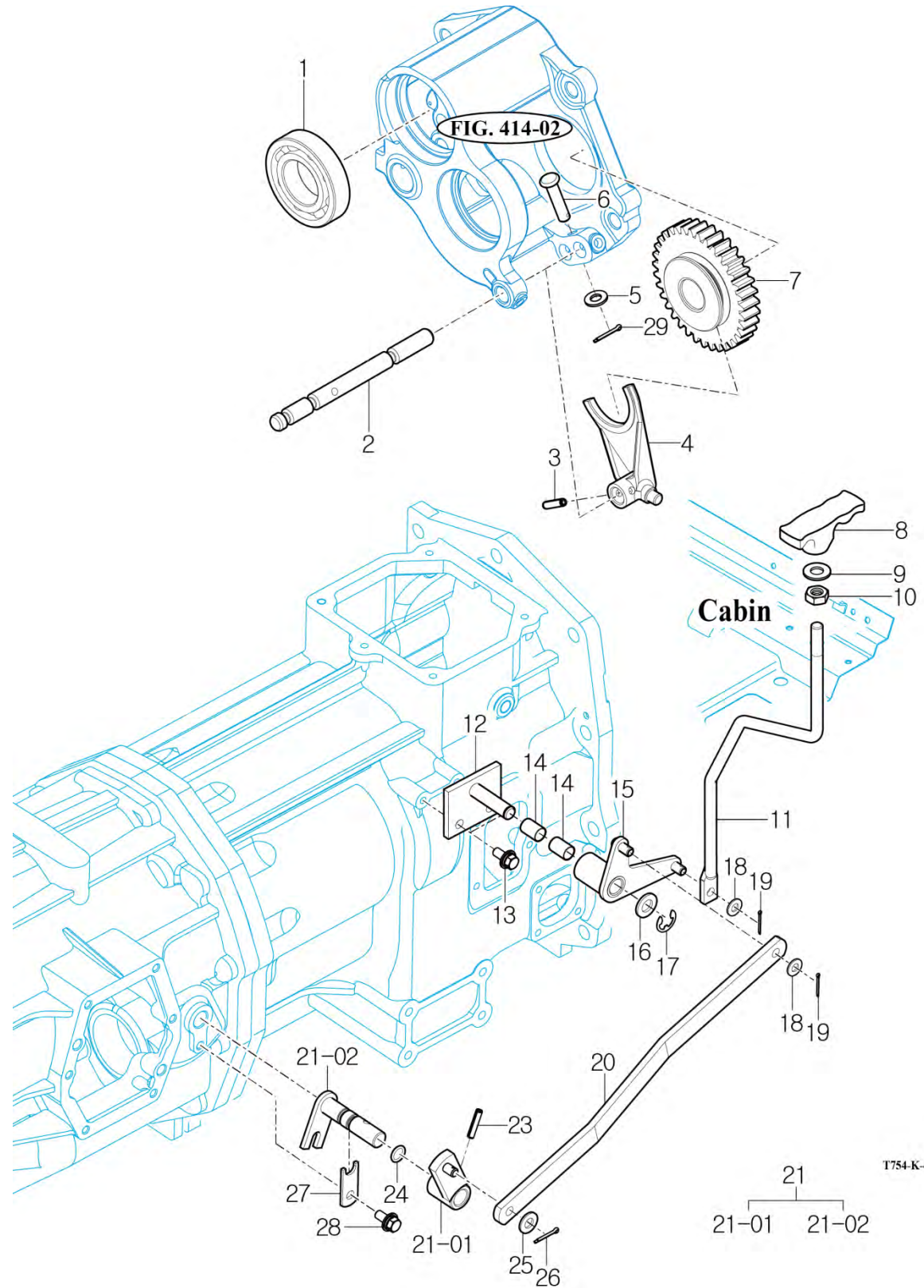
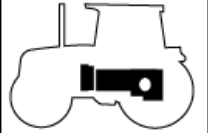
FIG 408

CREEP CHANGE

P1

Year

2016



T754-K-408

NOTE

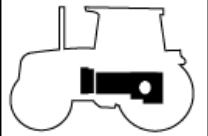
FIG 409

INPUT & COUNTER GEARS

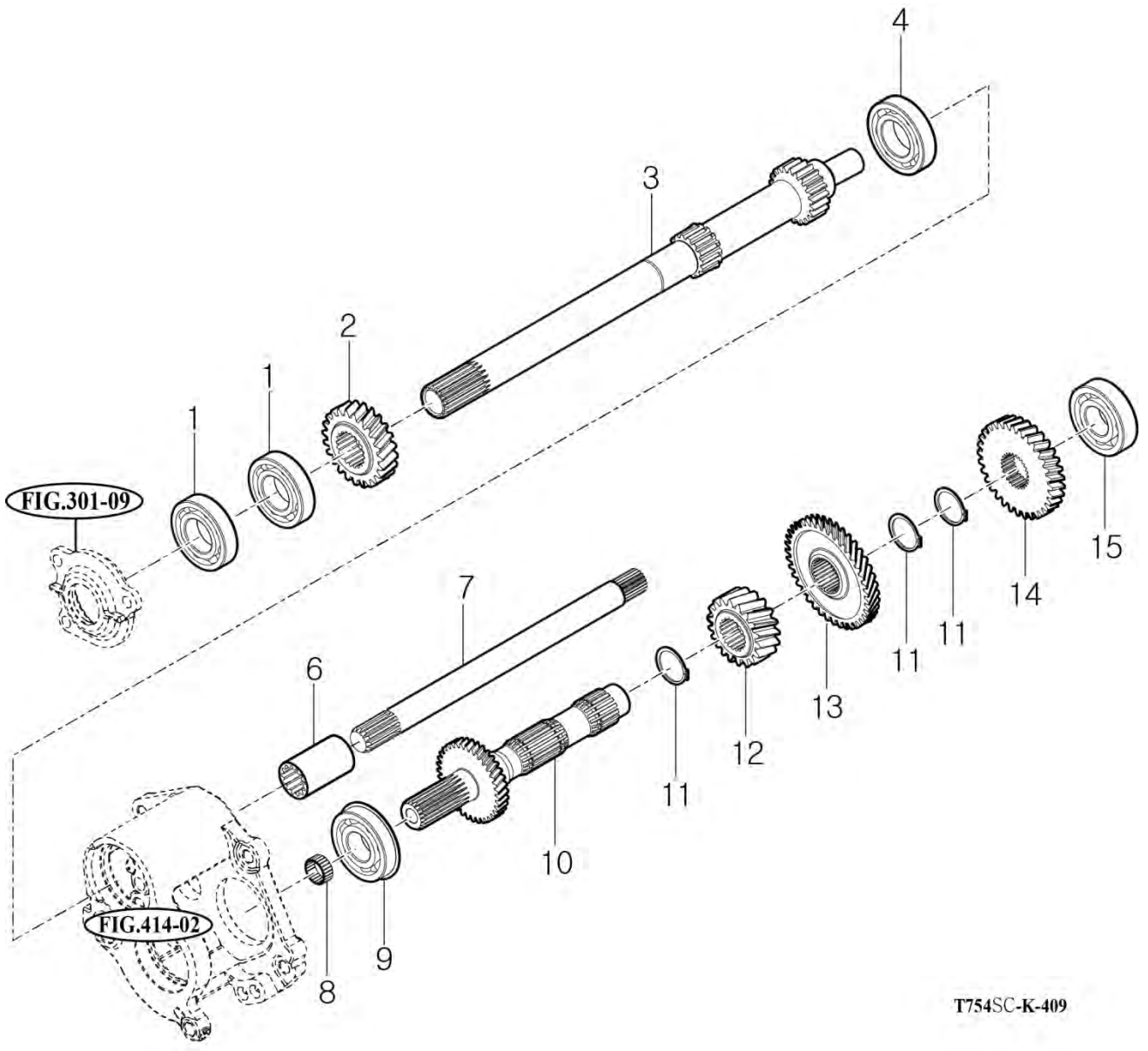
P1

Year

2016



T754SC



T754SC-K-409

NOTE

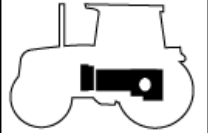
FIG 410

CHANGE GEARS

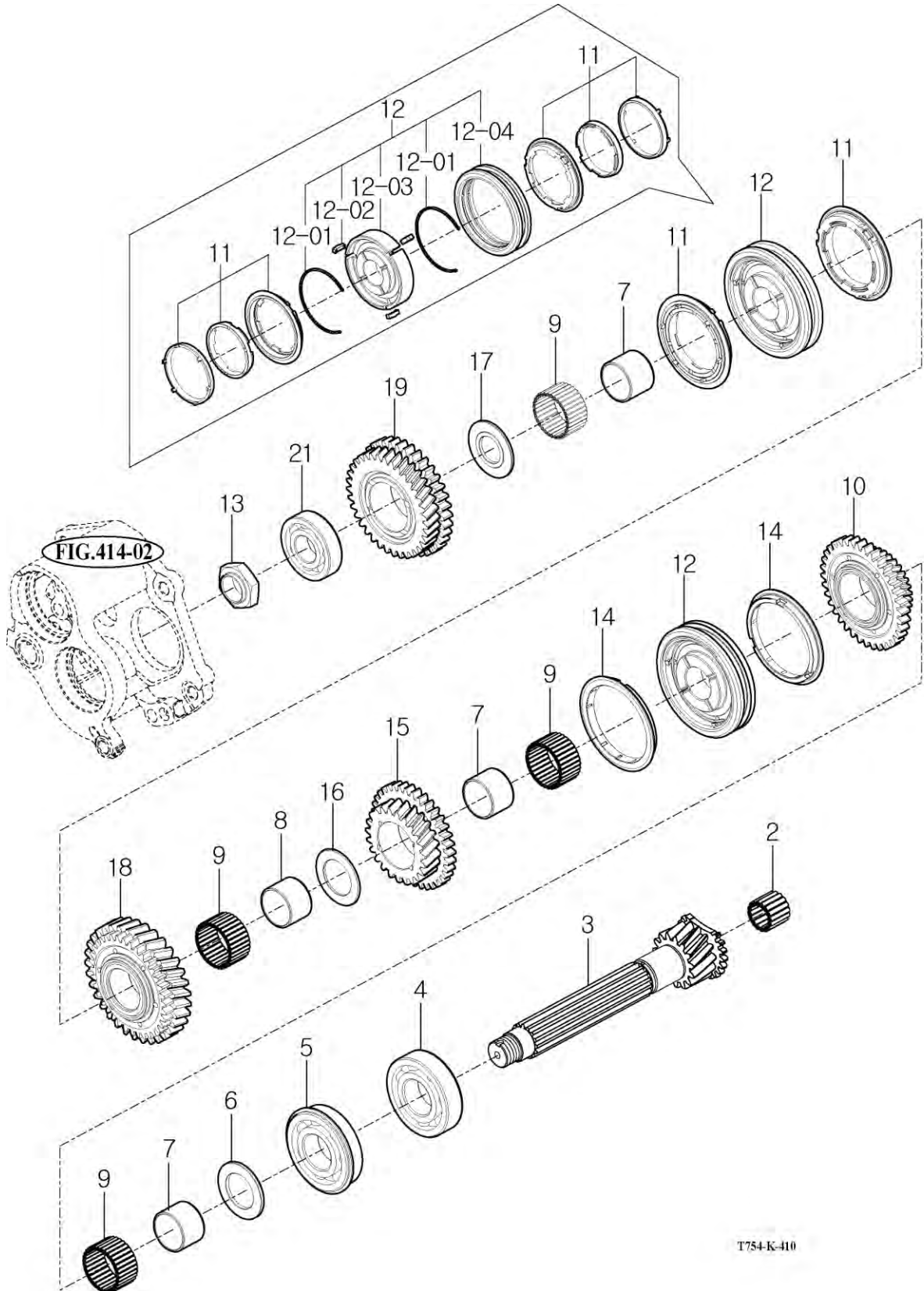
P1

Year

2016



T754SC



NOTE

FIG 411

REVERSE GEARS

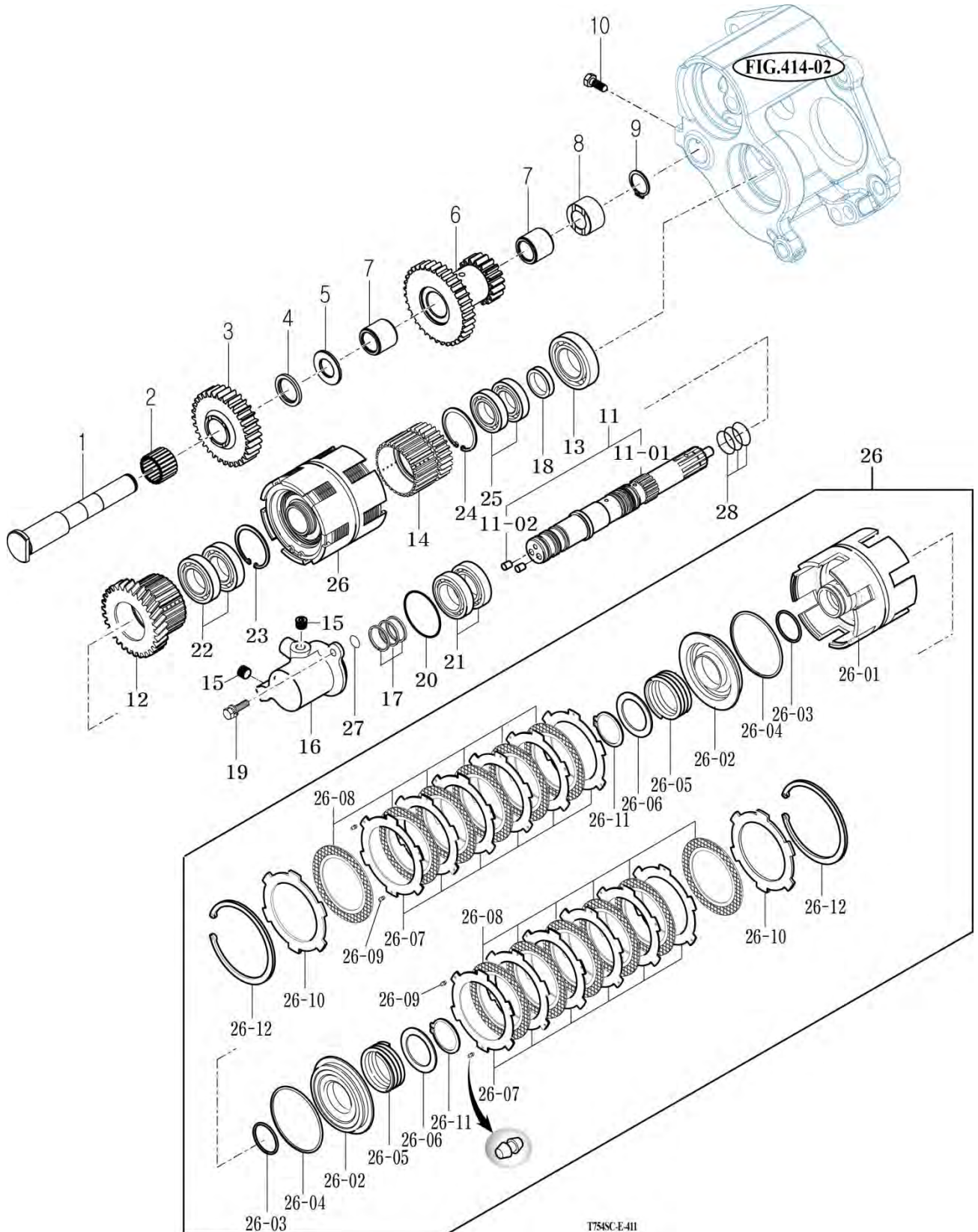
P1

Year

2016



T754SC



T754SC-E-411

NOTE

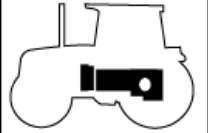
FIG 412

MAIN CHANGE LEVER

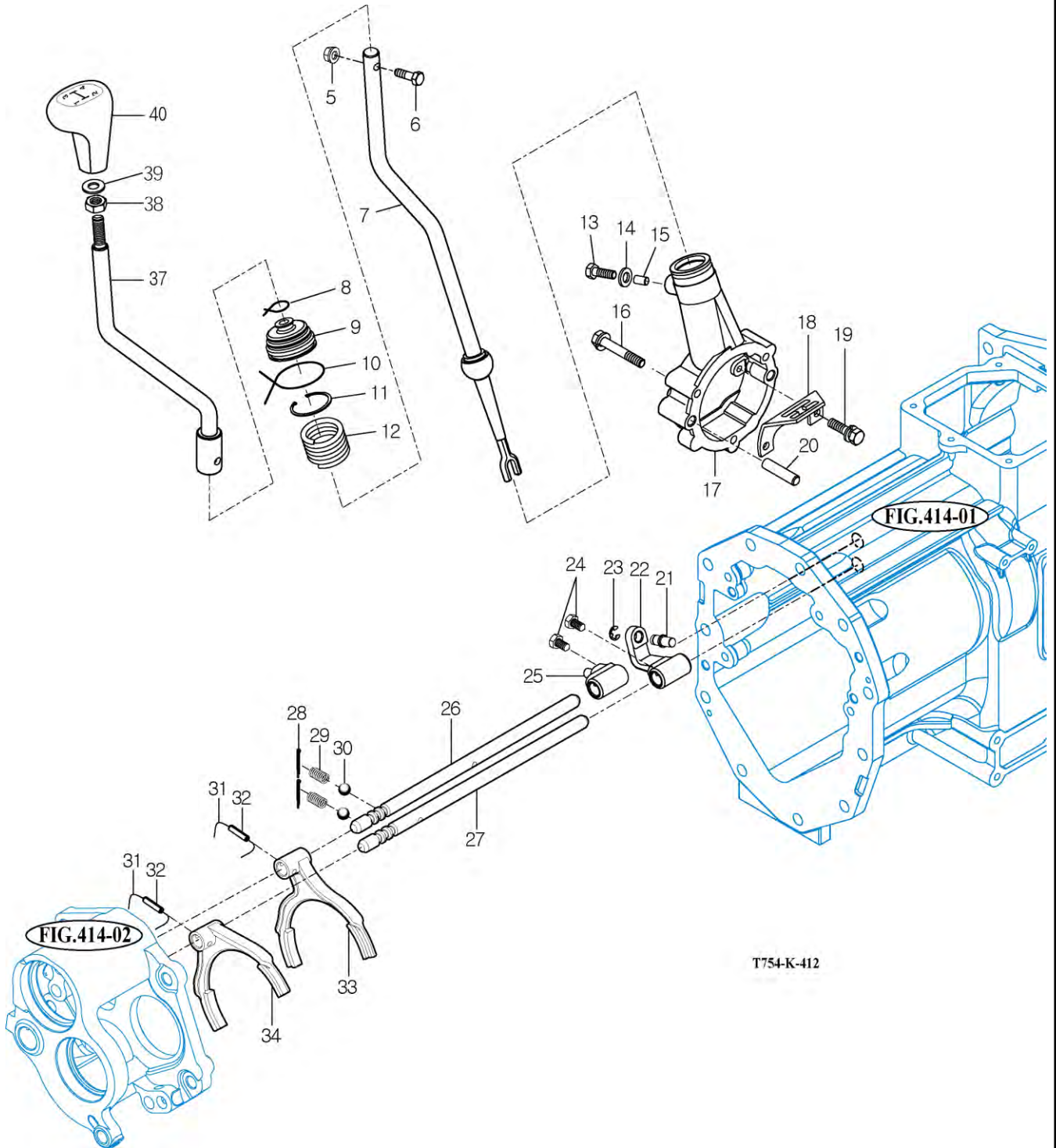
P1

Year

2016



T754SC



NOTE

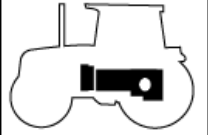
FIG 413

SUB CHANGE LEVER

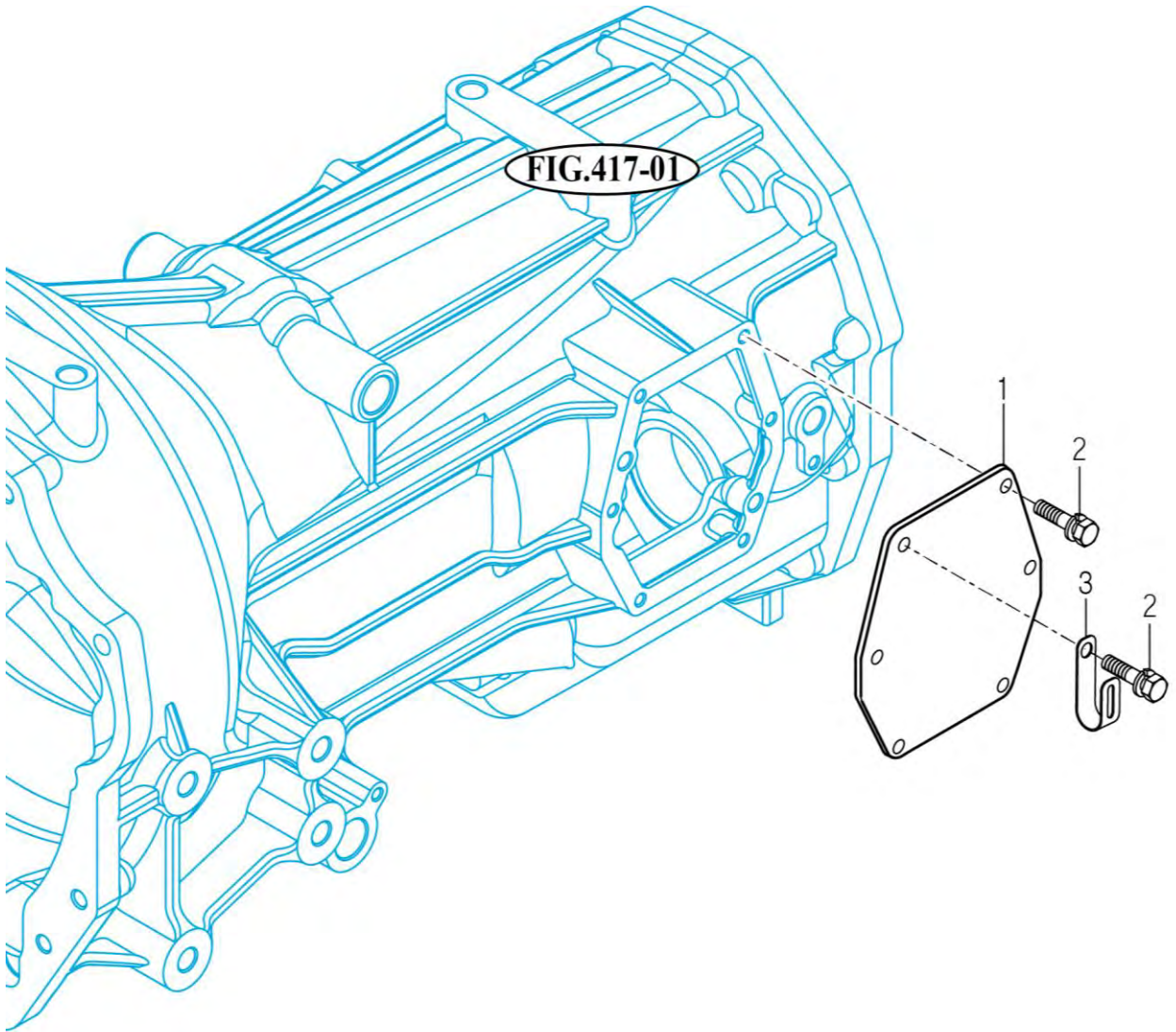
P1

Year

2016



T754SC



NOTE

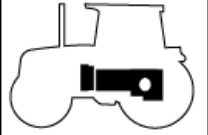
FIG 414

TRANSMISSION MID CASE

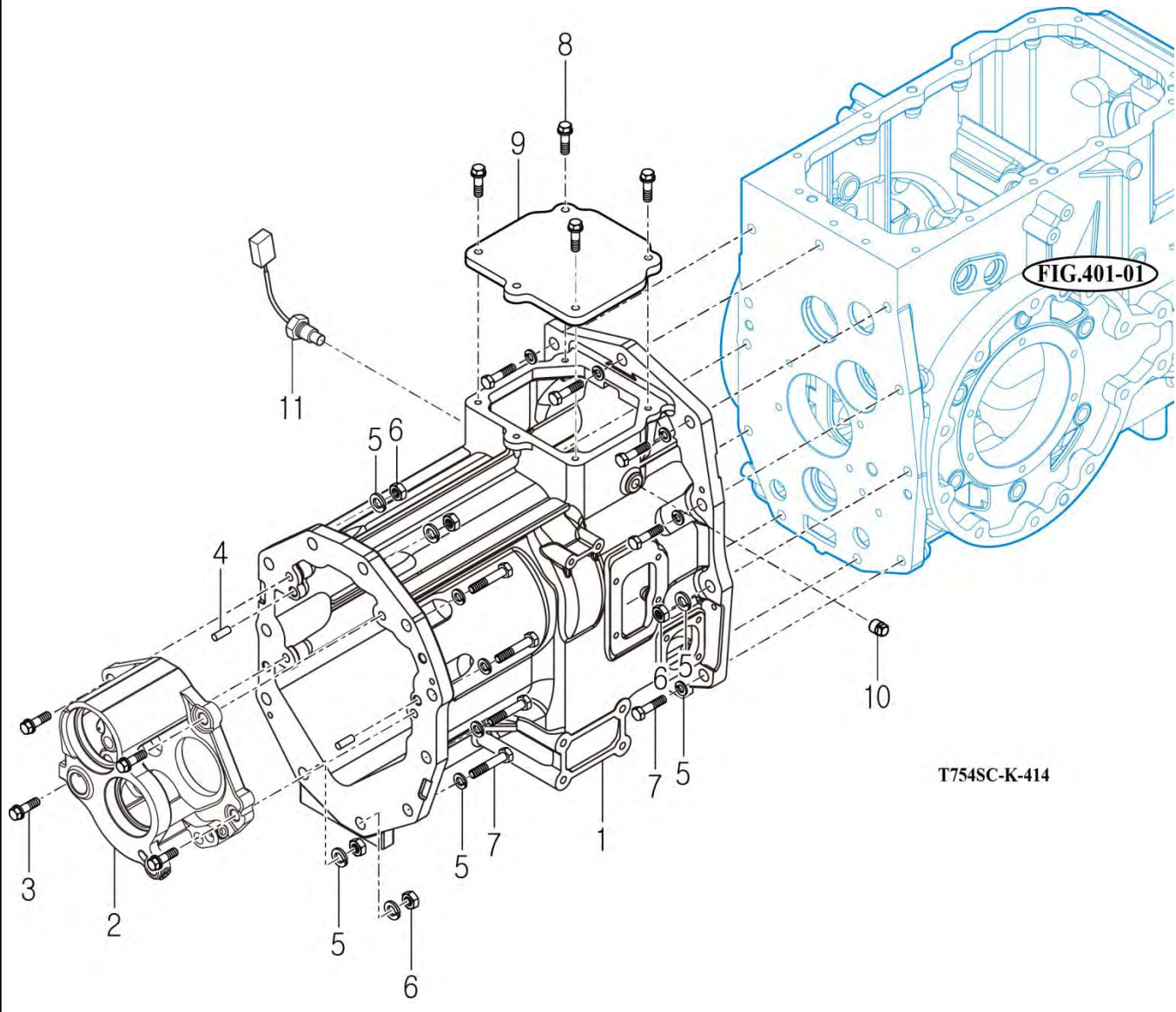
P1

Year

2016



T754SC



T754SC-K-414

NOTE

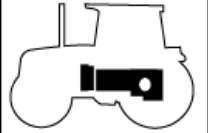
FIG 415

SUB CHANGE SHIFTER

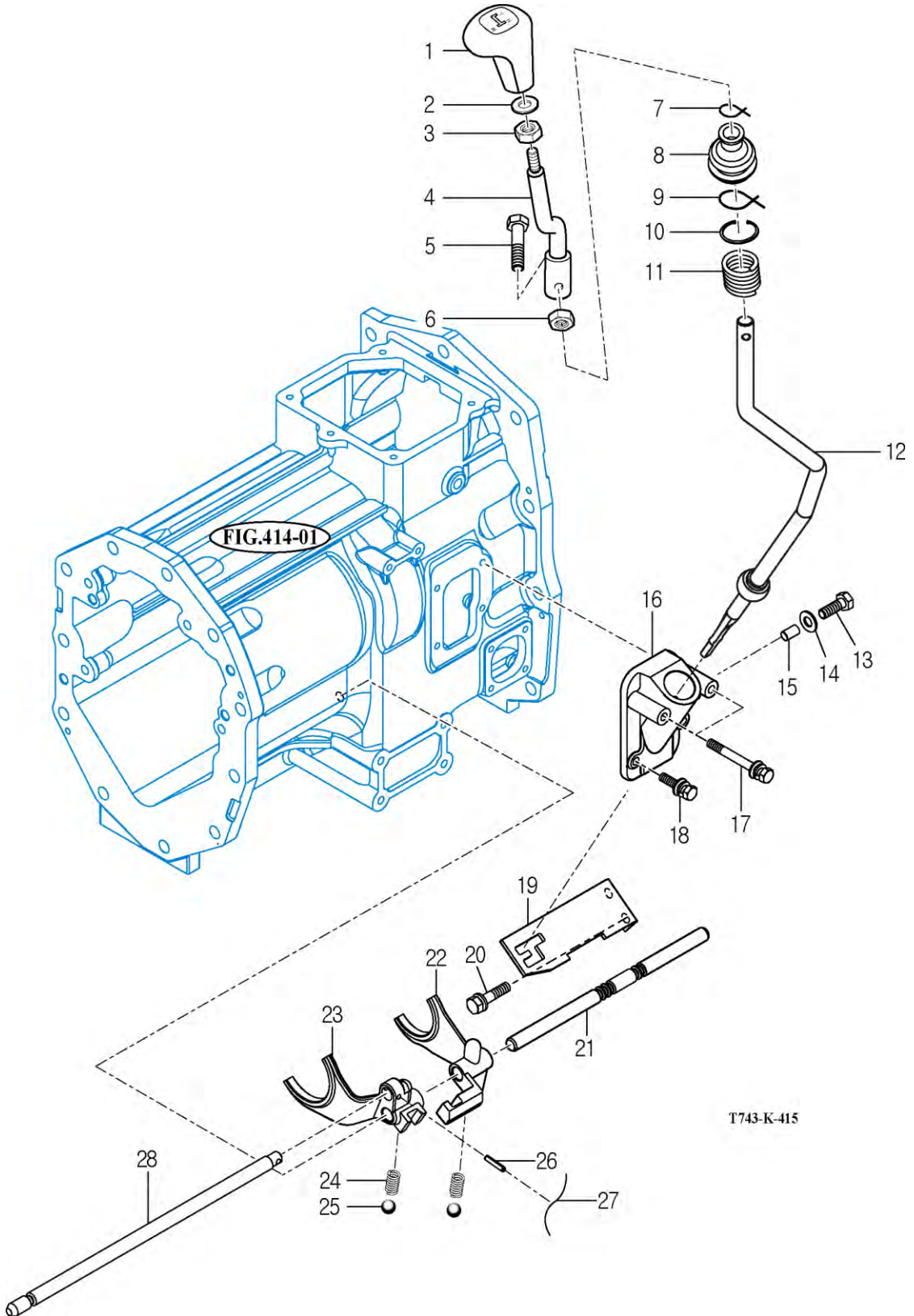
P1

Year

2016



T754SC



T743-K-415

NOTE

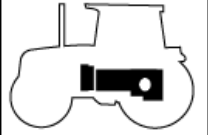
FIG 416

4WD CHANGE LEVER

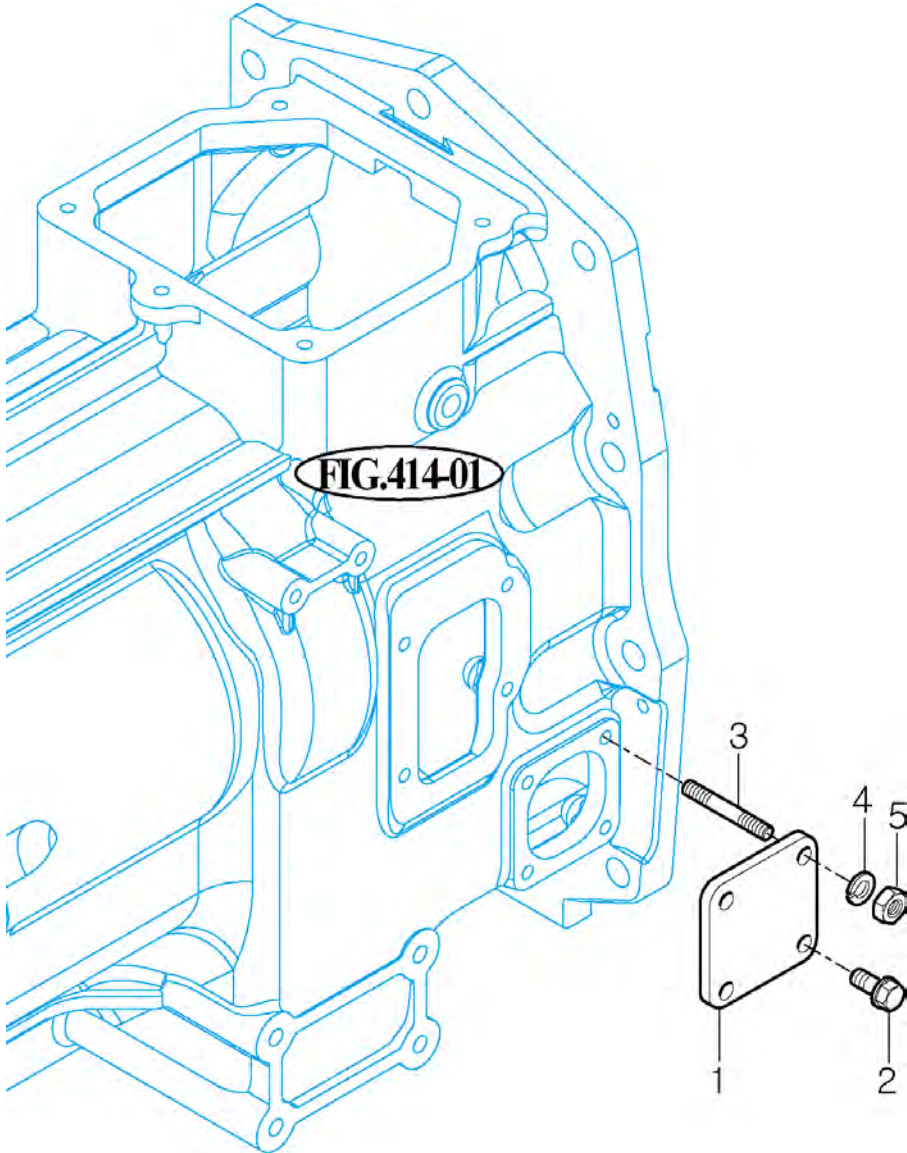
P1

Year

2016



T754SC



T754SC-K-416

NOTE

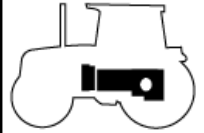
FIG 417

TRANSMISSION FRONT CASE

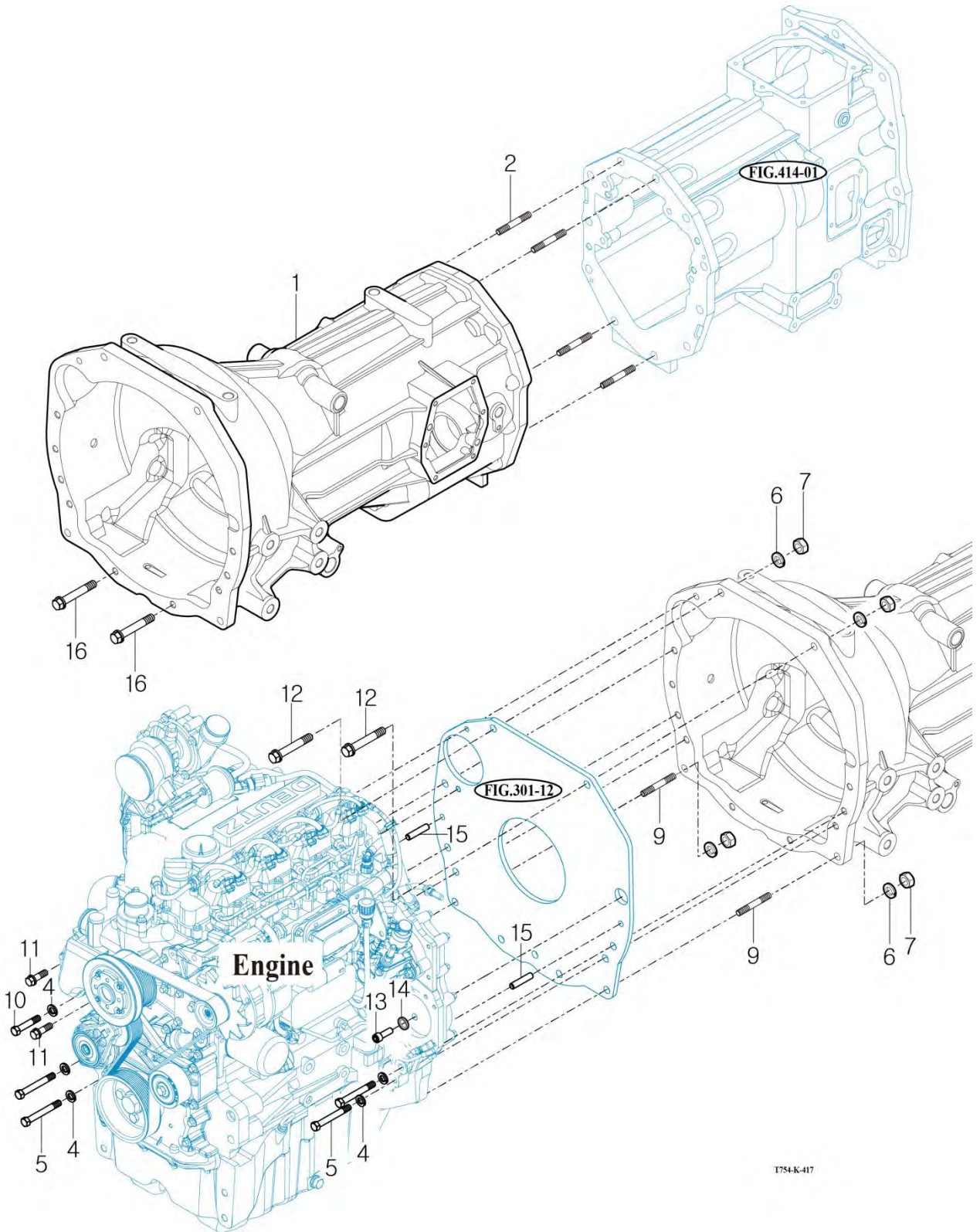
P1

Year

2016



T754SC



T754-K-417

NOTE

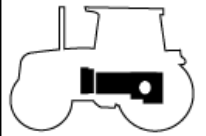
FIG 418

DRIVE GEARS(US)

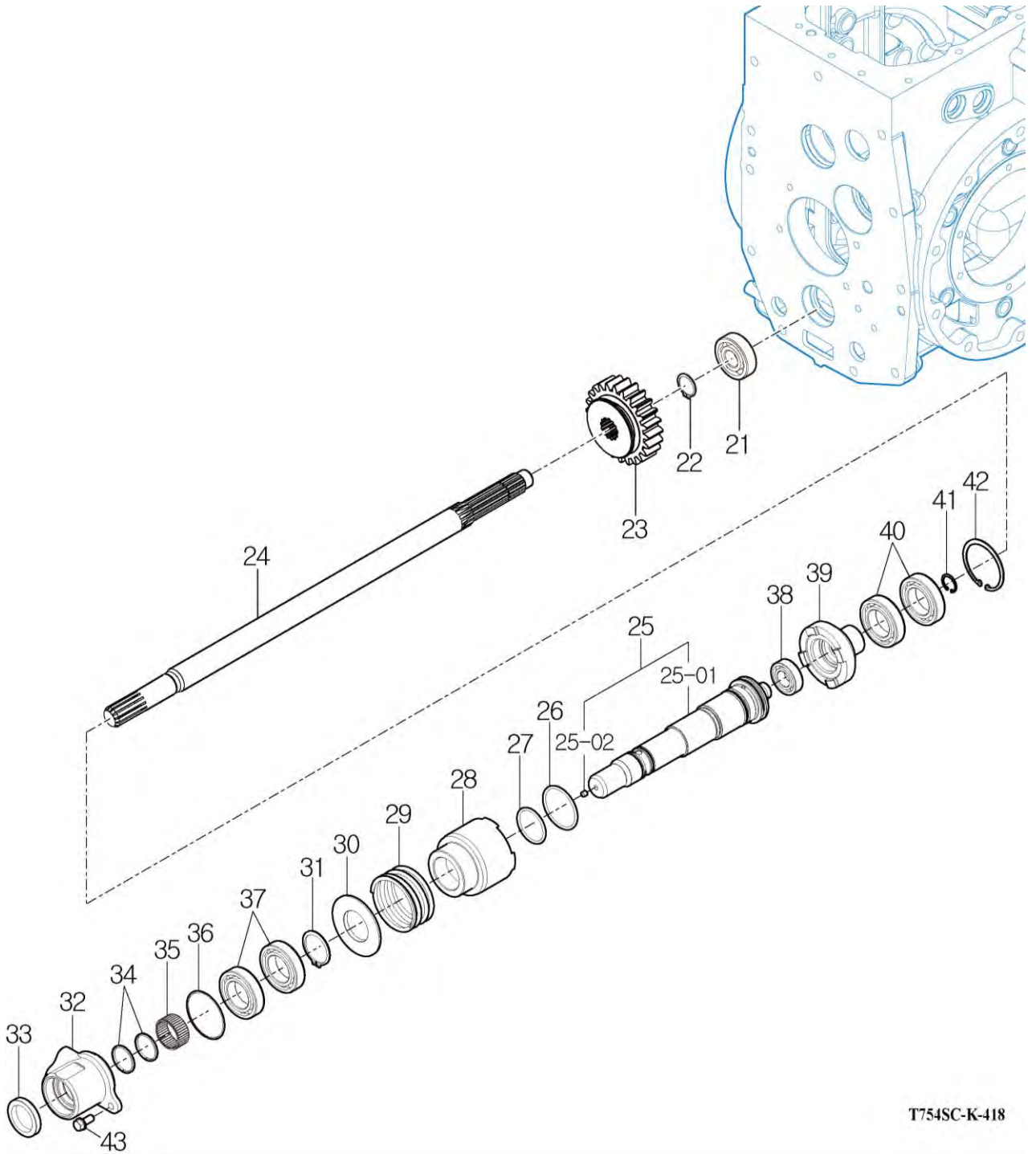
P1

Year

2016



T754SC



T754SC-K-418

NOTE

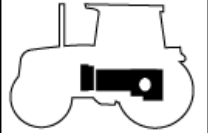
FIG 418

DRIVE GEARS(EU)

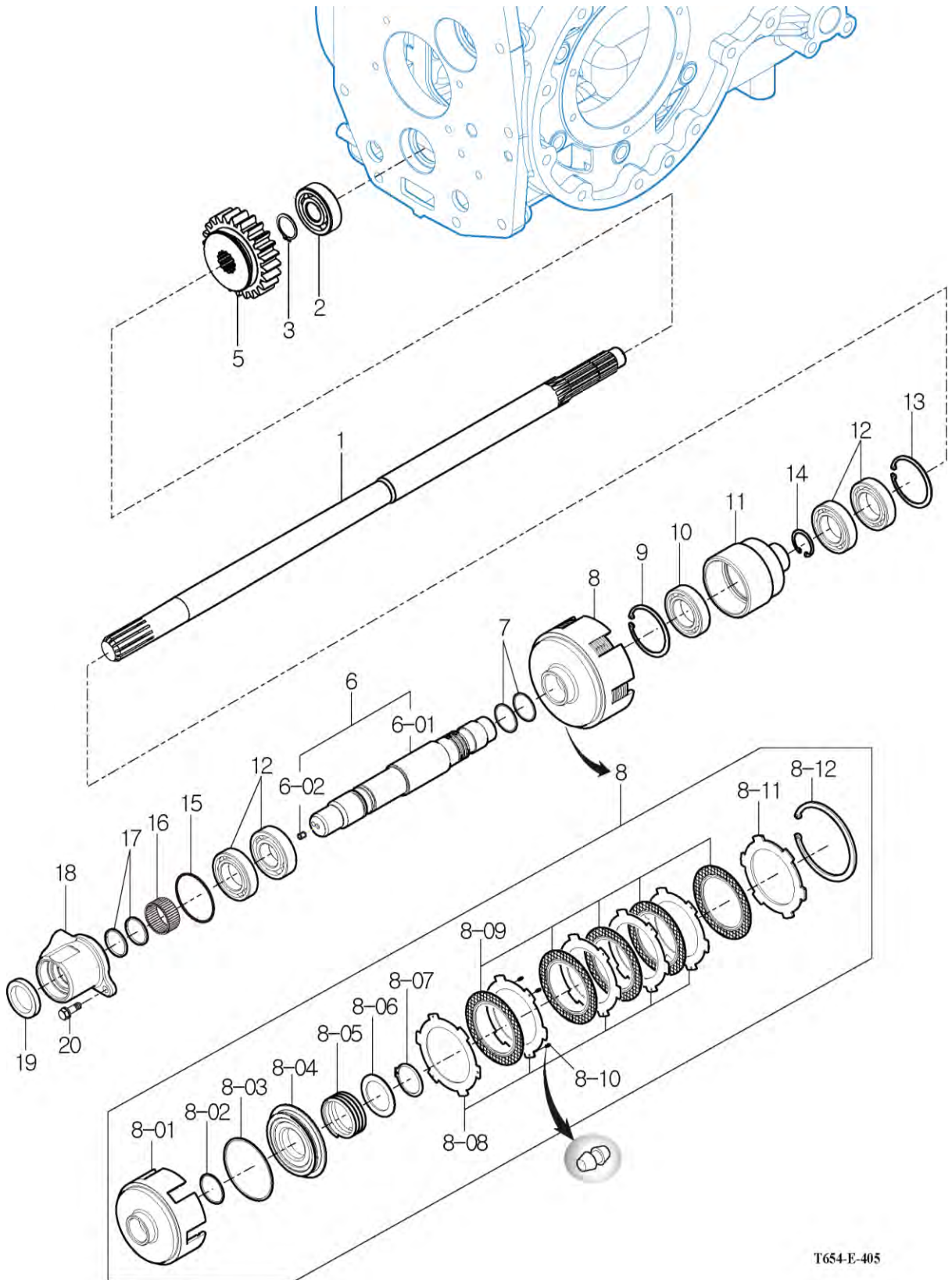
P1

Year

2016



T754SC



T654-E-405

NOTE

FIG 501

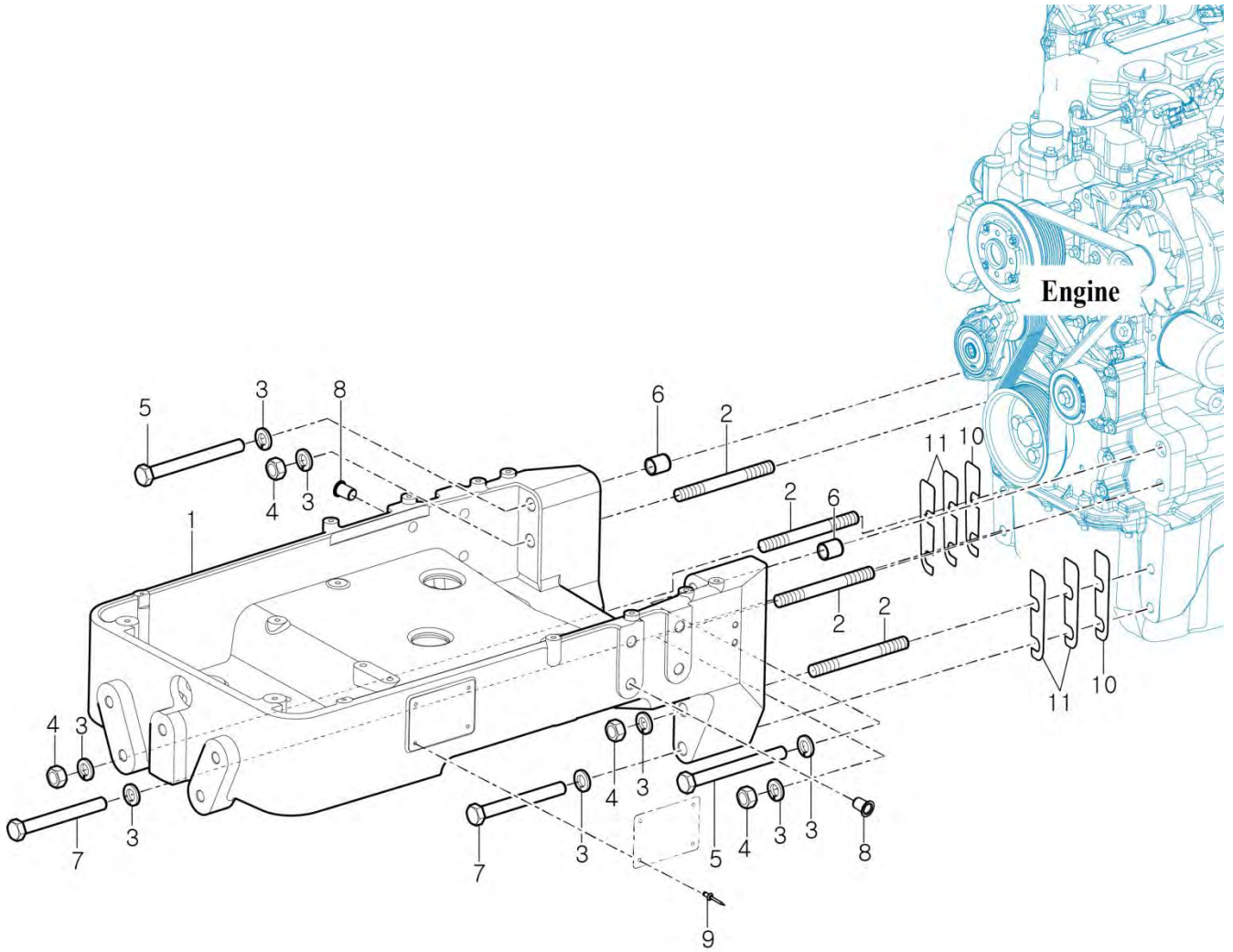
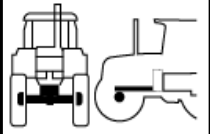
T754SC

FRONT AXLE SUPPORT

P1

Year

2016



T754-K-501

NOTE

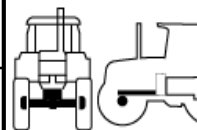
FIG 502

FRONT DRIVE SHAFT

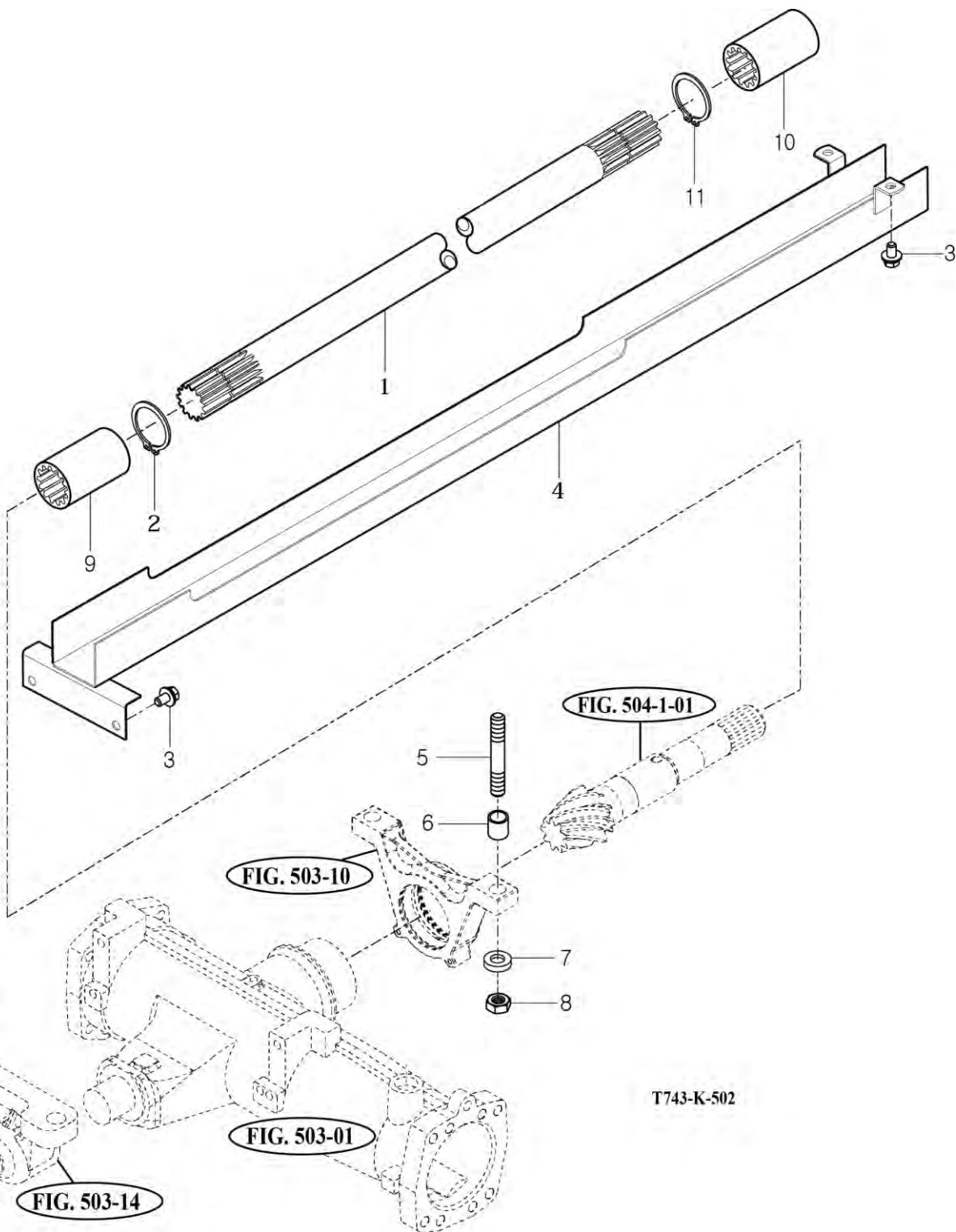
P1

Year

2016



T754SC



NOTE

FIG 503

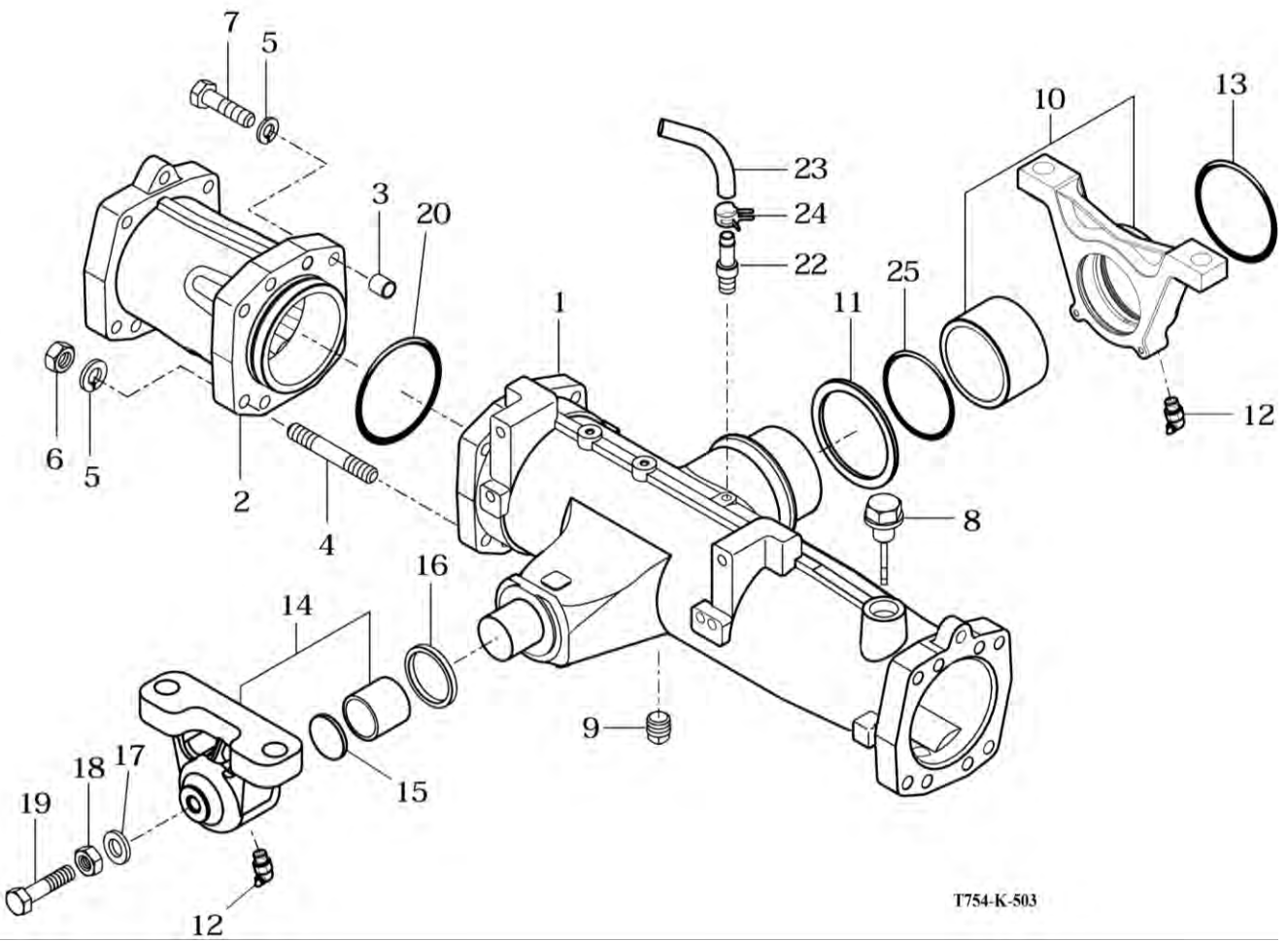
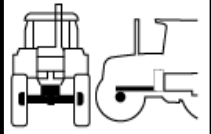
FRONT AXLE HOUSING

T754SC

P1

Year

2016



T754-K-503

NOTE

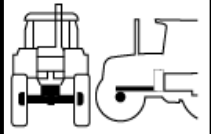
FIG 504

FRONT DIFFERENTIAL GEARS

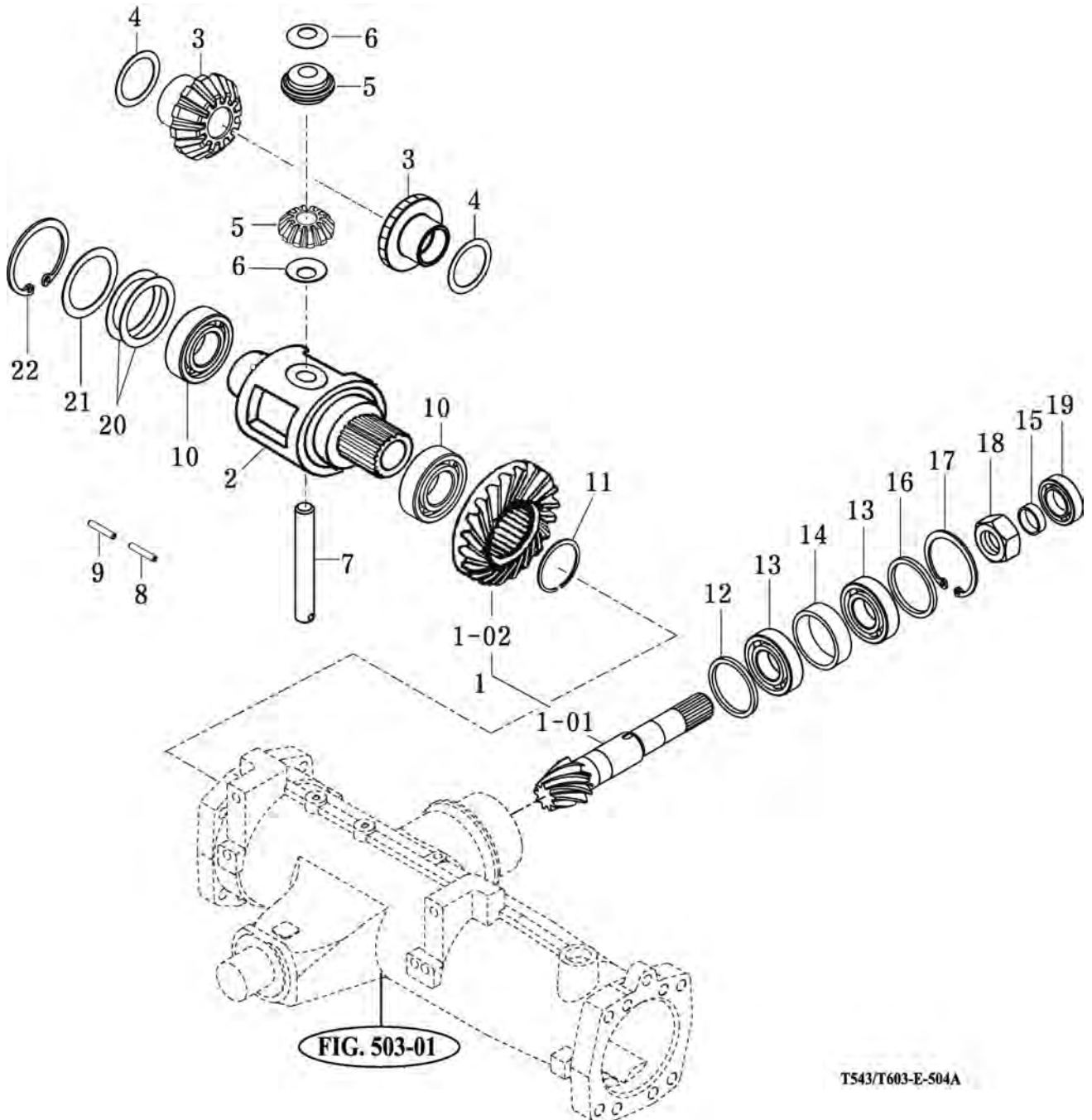
P1

Year

2016



T754SC



T543/T603-E-504A

NOTE

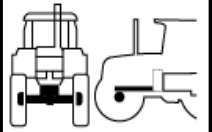
FIG 505

FRONT GEAR CASE (1)

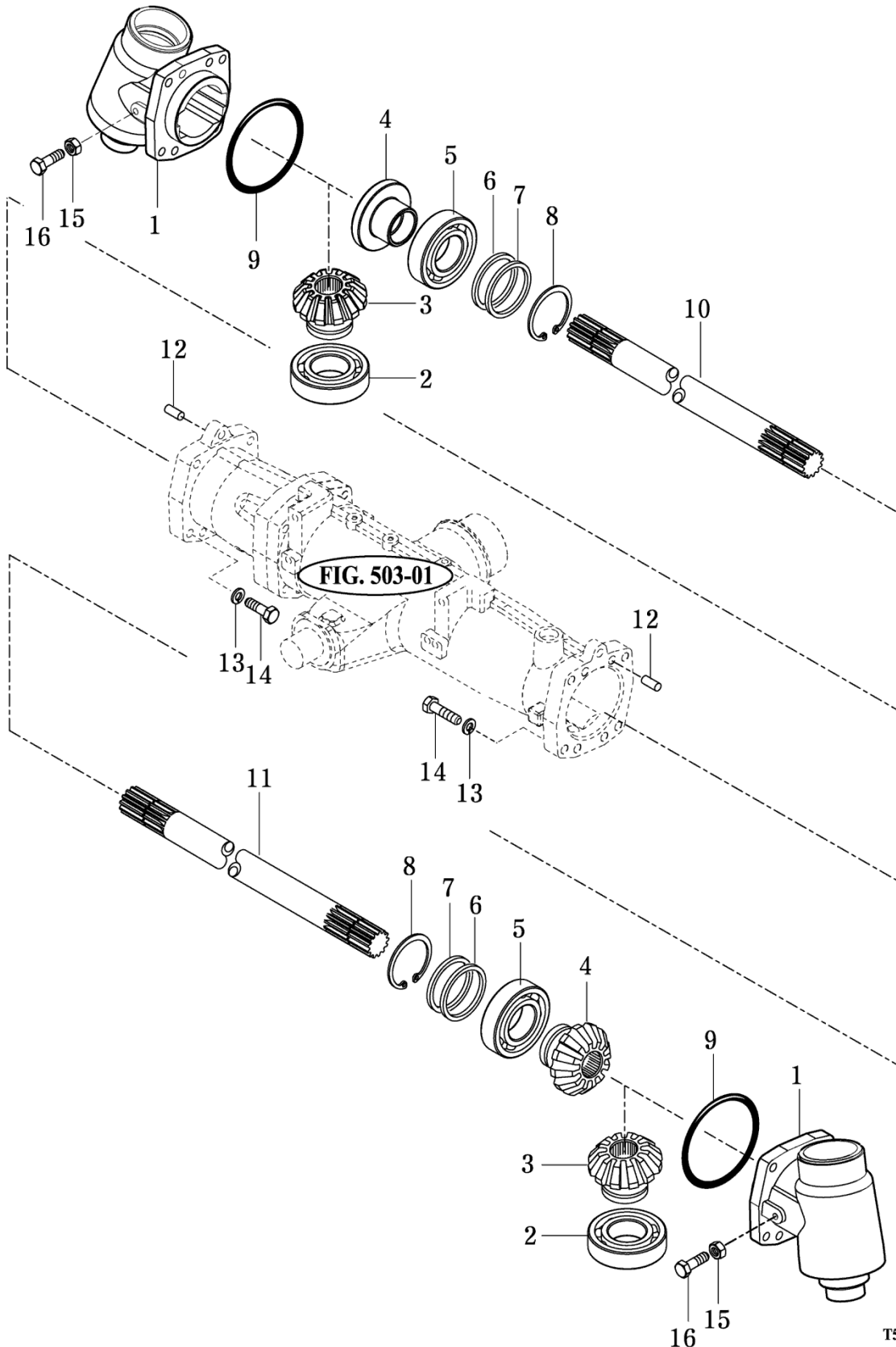
P1

Year

2016



T754SC



T543/T603-E-505A

NOTE

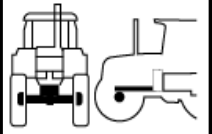
FIG 506

FRONT GEAR CASE (2)

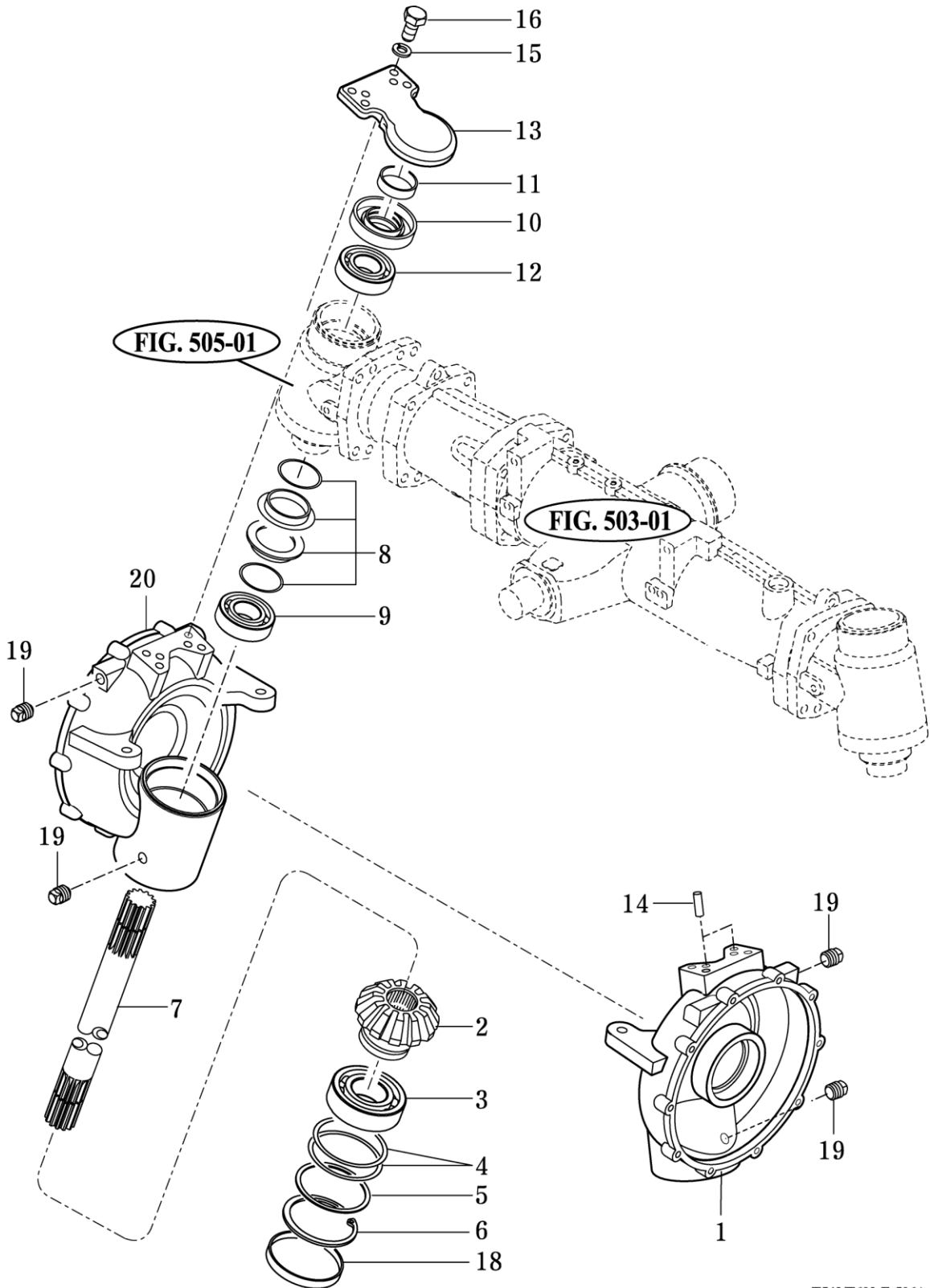
P1

Year

2016



T754SC



T543/T603-E-506A

NOTE

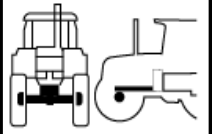
FIG 507

FRONT GEAR CASE (3)

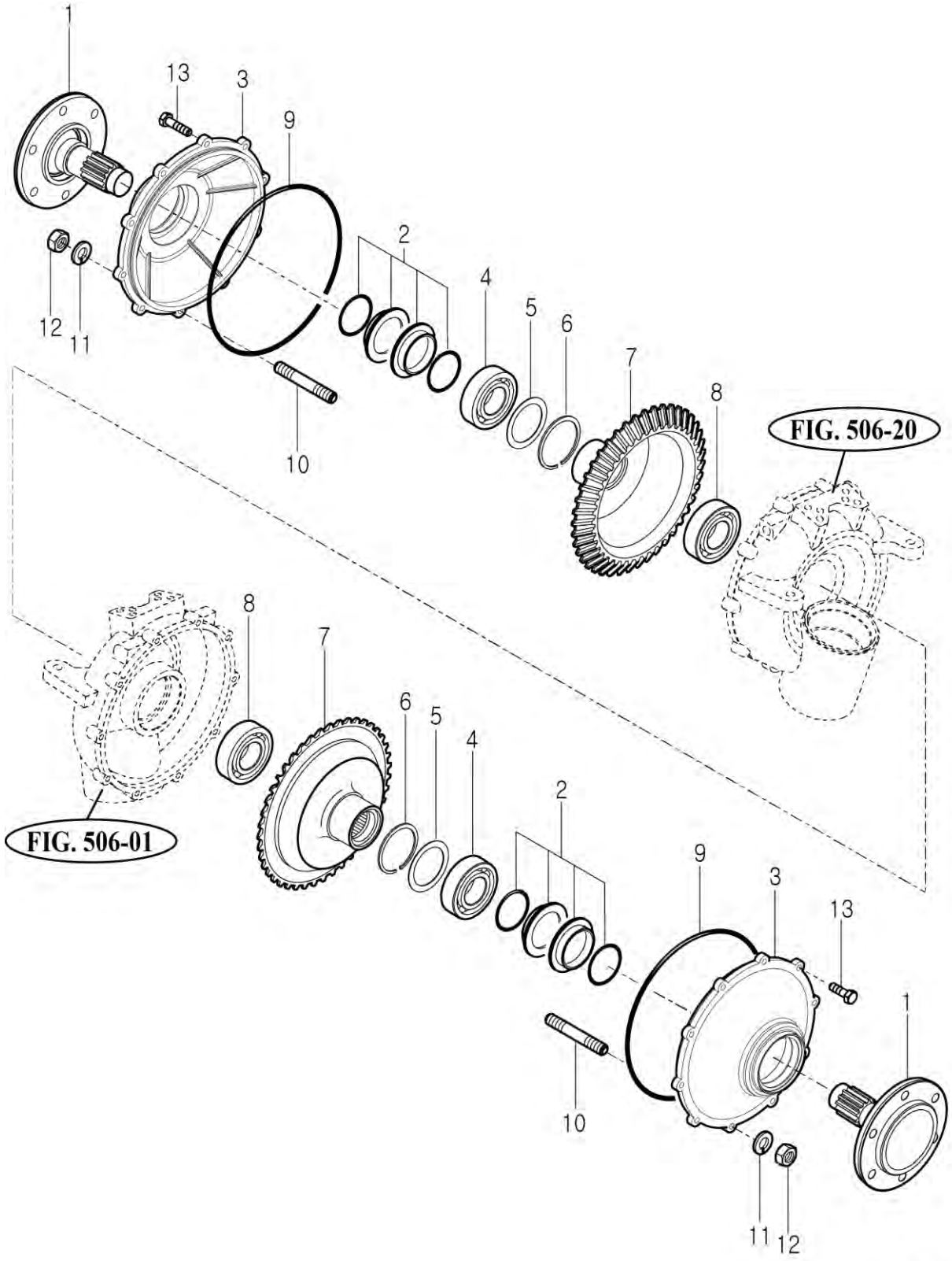
P1

Year

2016



T754SC



NOTE

T754-E-507

FIG 601

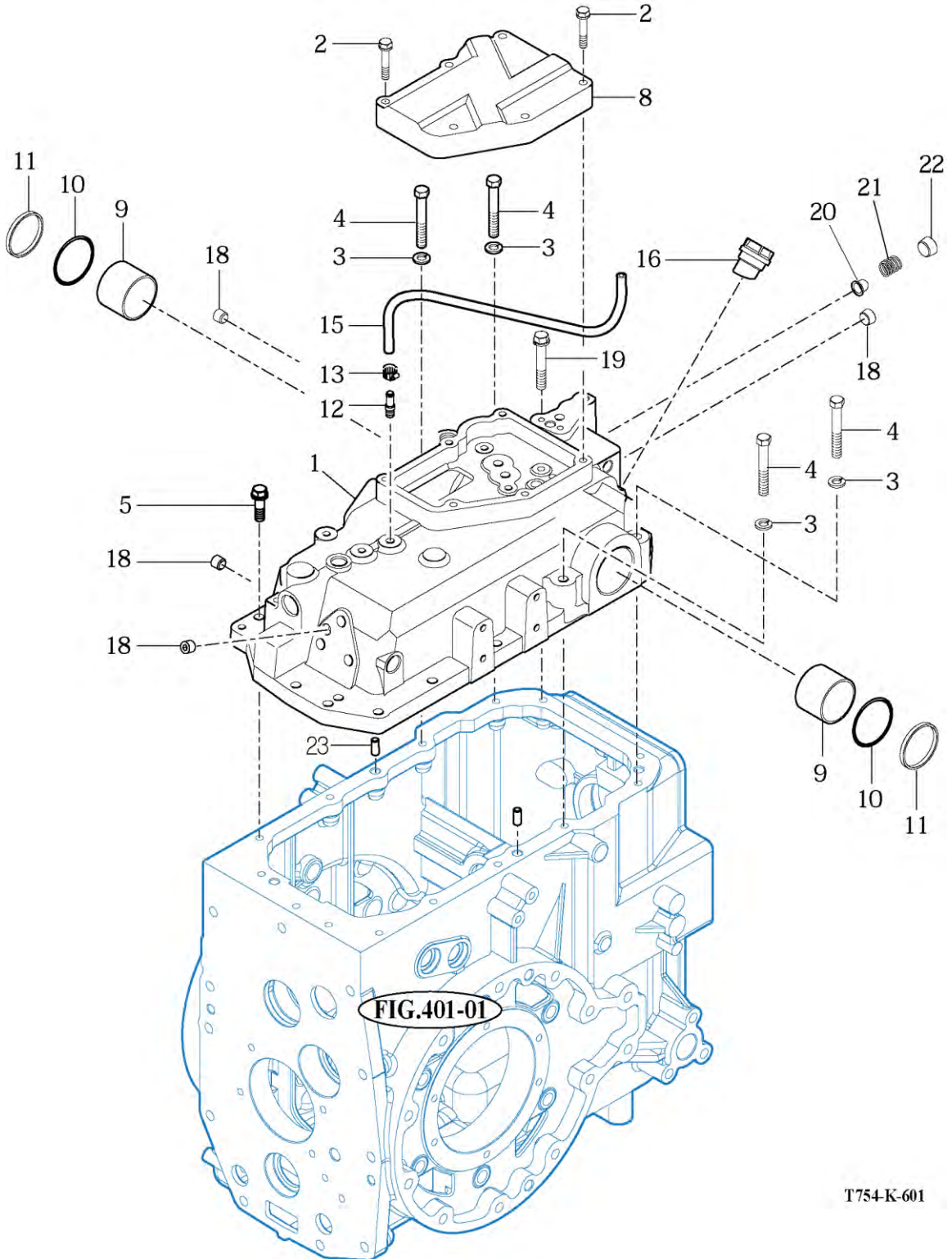
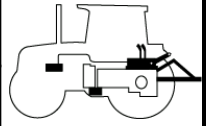
T754SC

CYLINDER CASE

P1

Year

2016



T754-K-601

NOTE

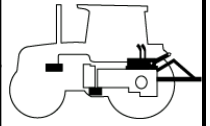
FIG 602

LIFT ARM

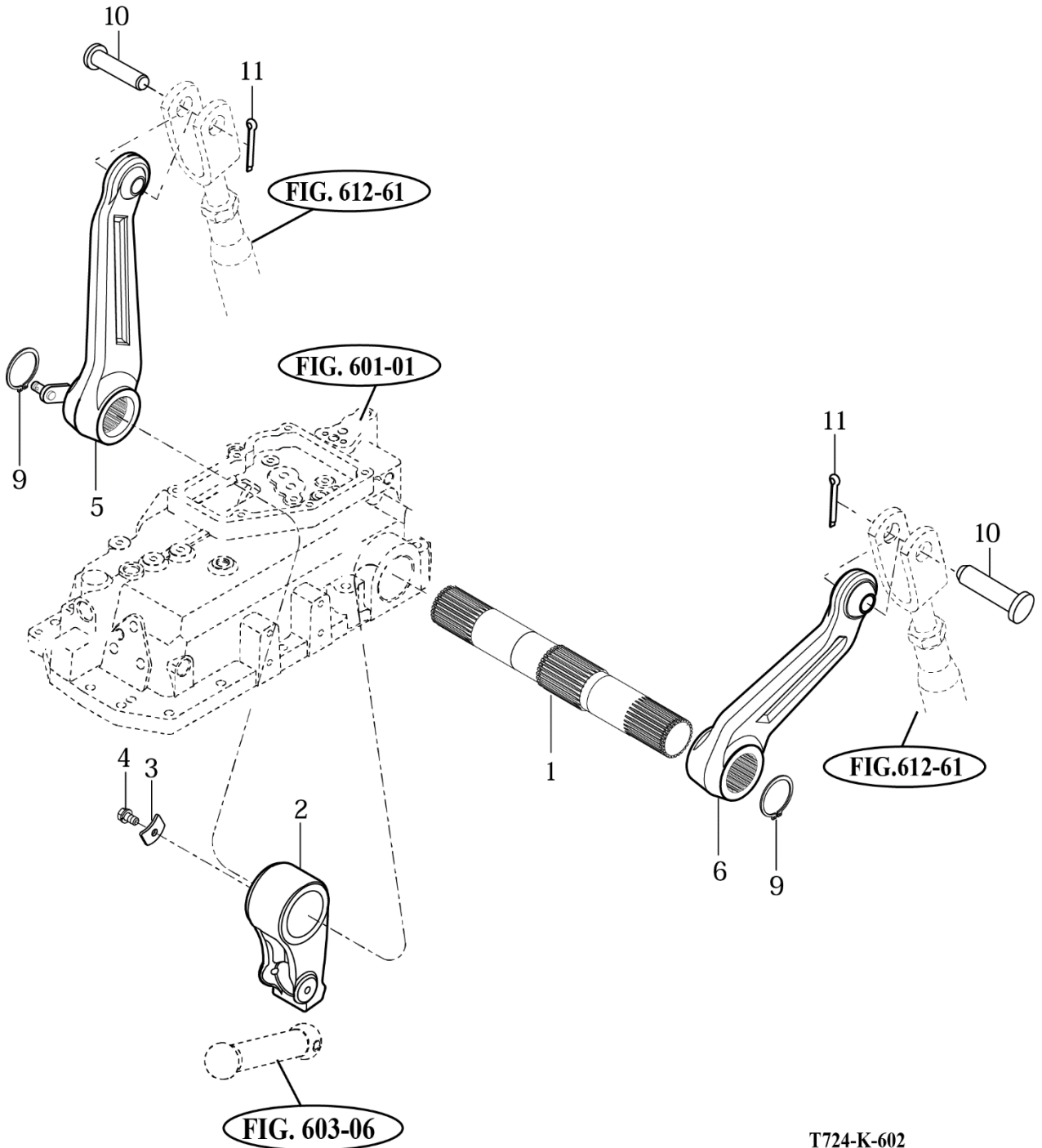
P1

Year

2016



T754SC



T724-K-602

NOTE

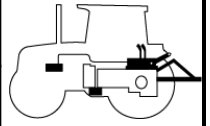
FIG 602A

LIFT ARM (EUA)

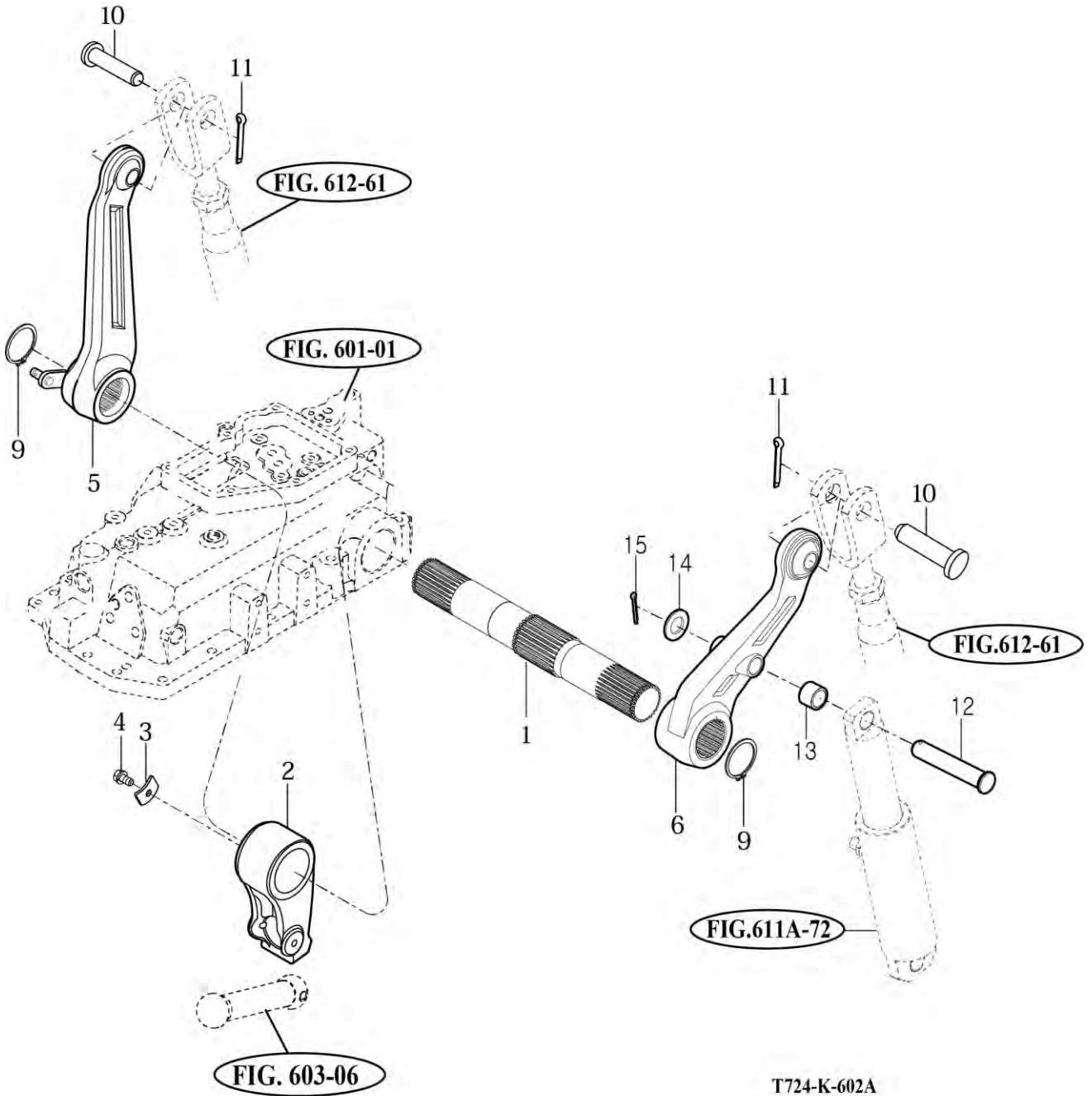
Year

P1

2016



T754SC



T724-K-602A

NOTE

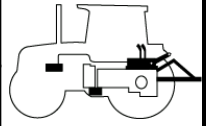
FIG 604

POSITION LINK

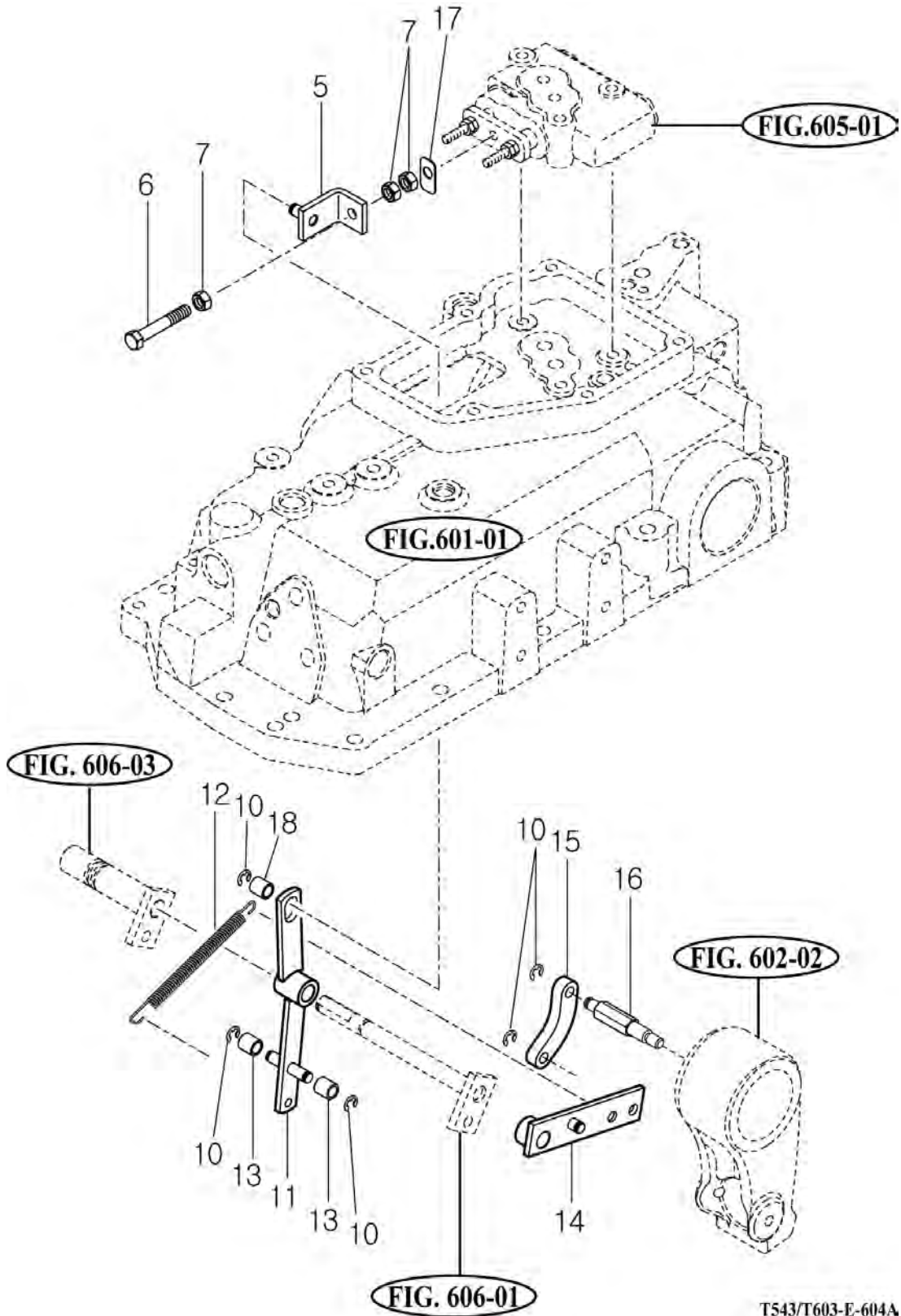
P1

Year

2016



T754SC



T543/T603-E-604A

NOTE

FIG 605

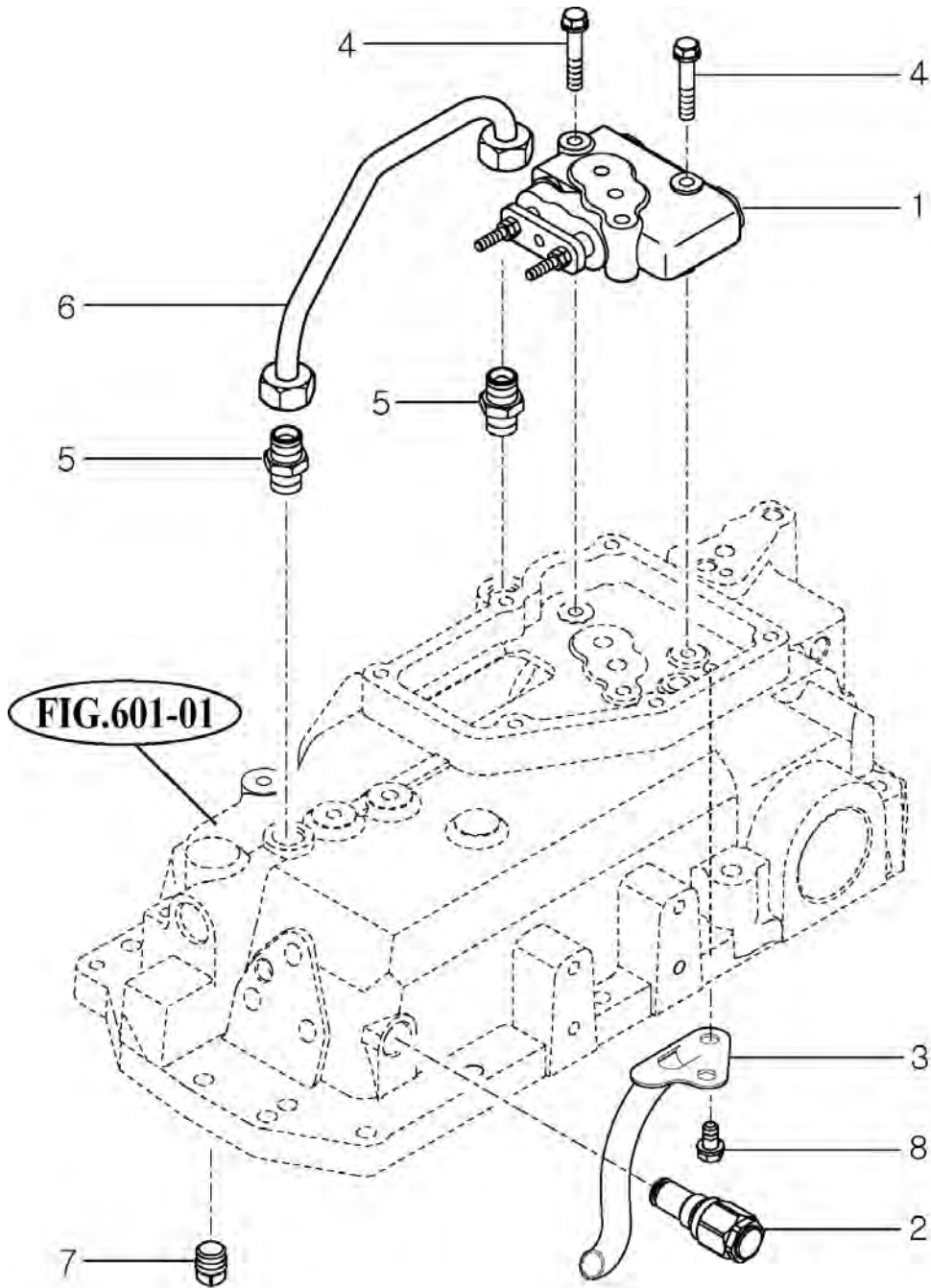
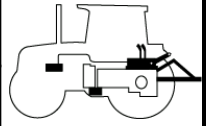
CONTROL VALVE

T754SC

P1

Year

2016



T754-E-605

NOTE

FIG 606

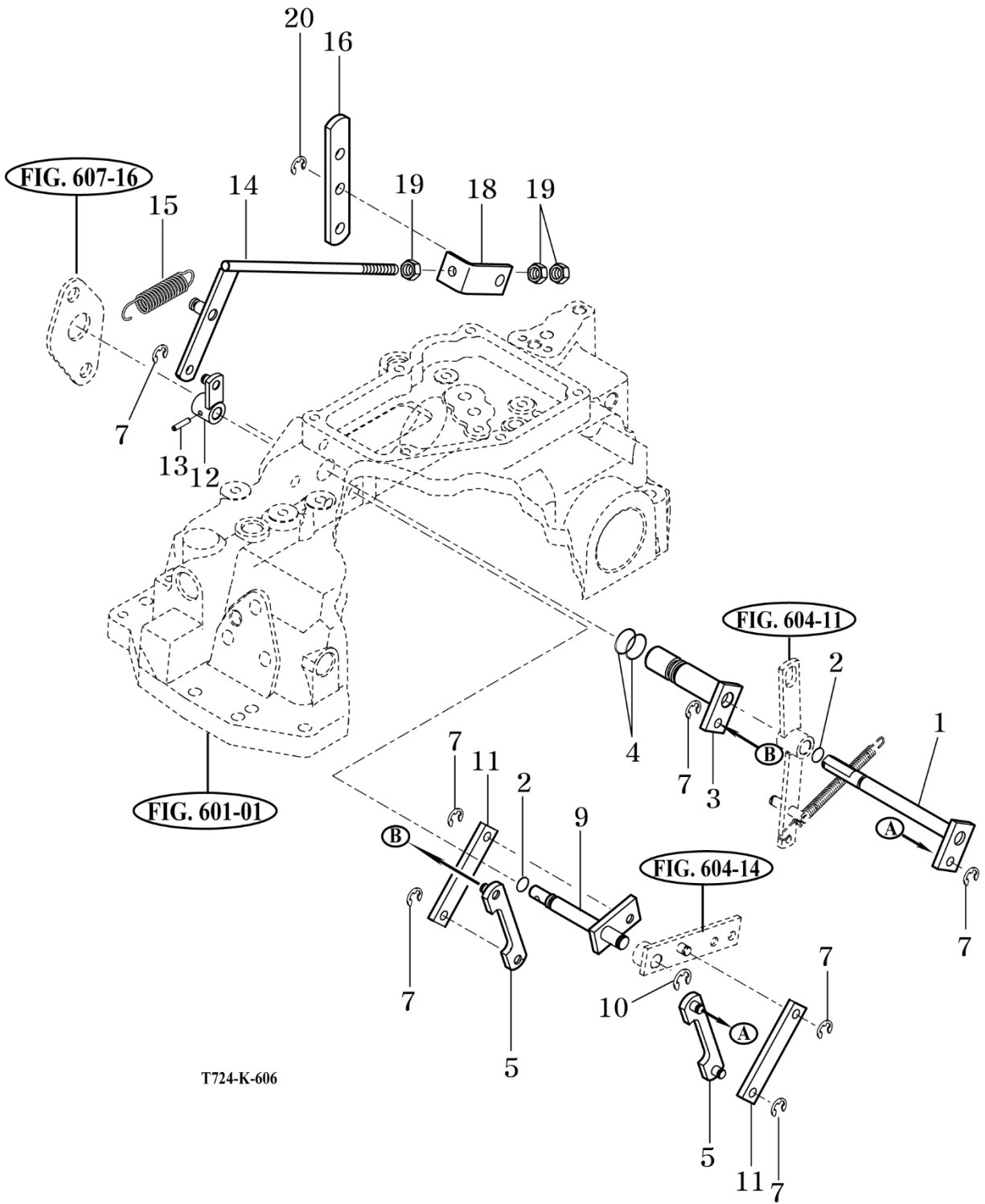
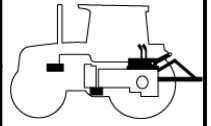
DRAFT LINK

T754SC

P1

Year

2016



NOTE

FIG 607

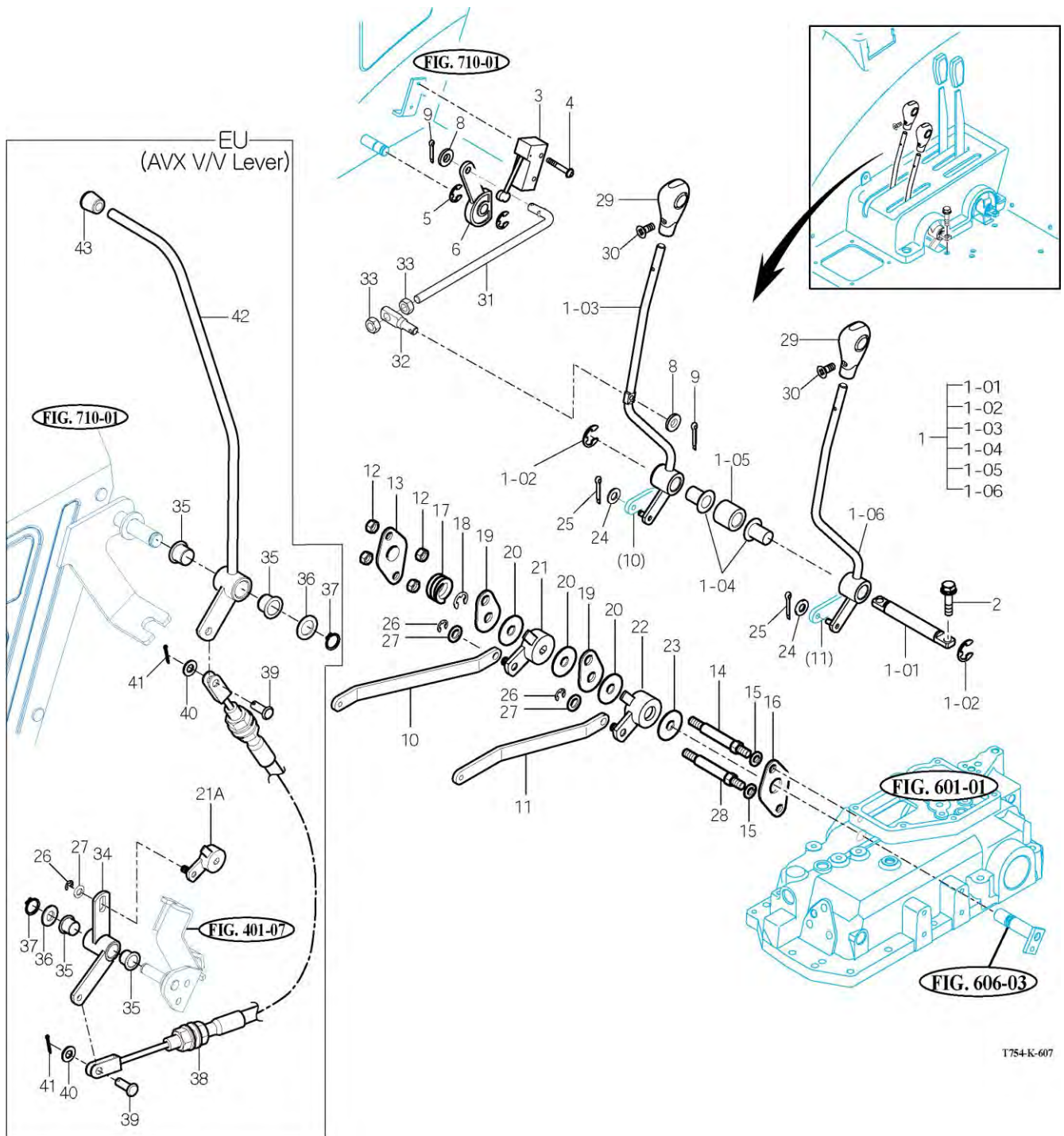
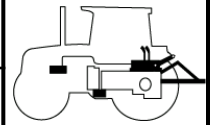
POSITION & DRAFT LEVER

T754SC

P1

Year

2016



T754-K-607

NOTE

FIG 608

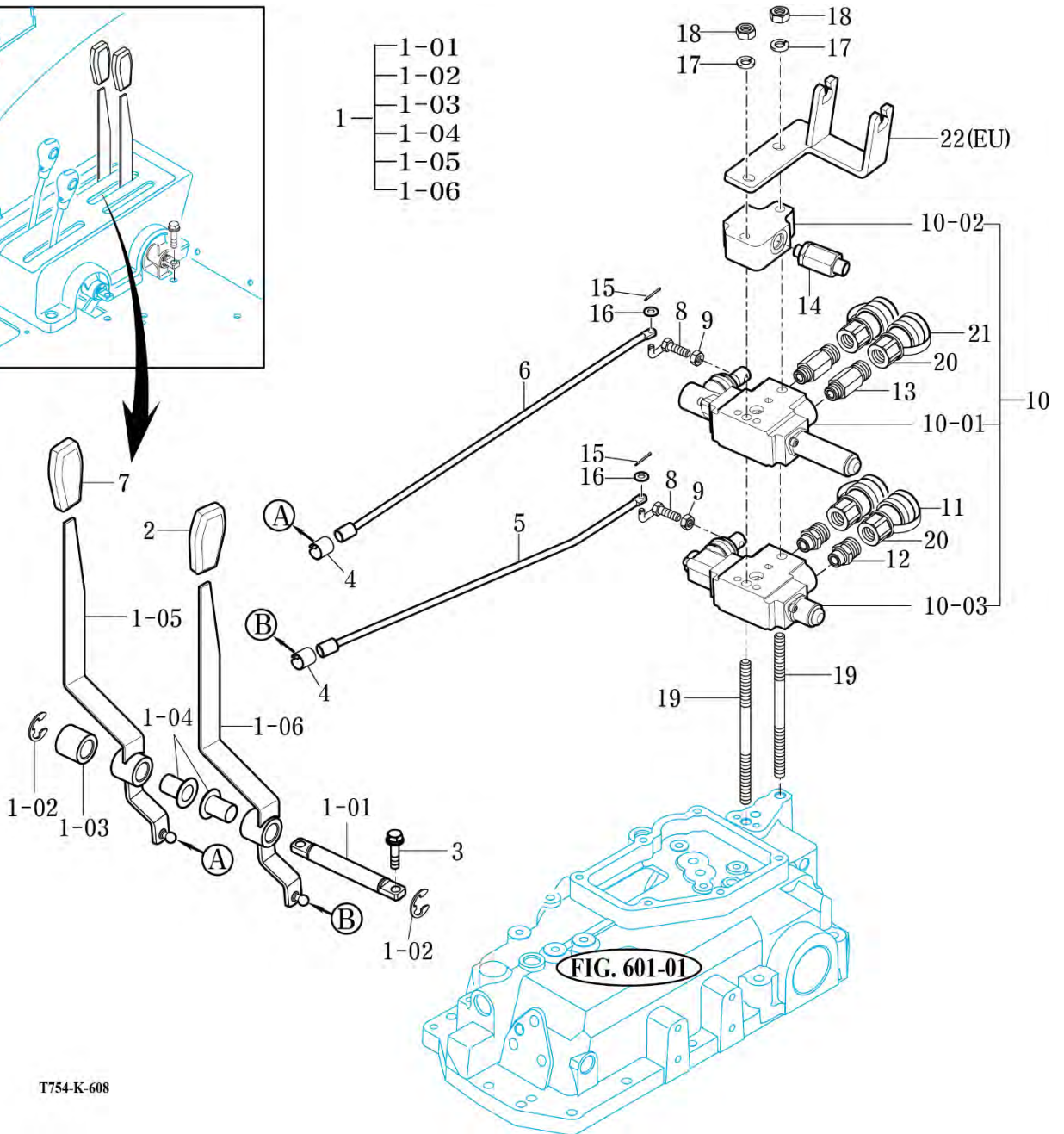
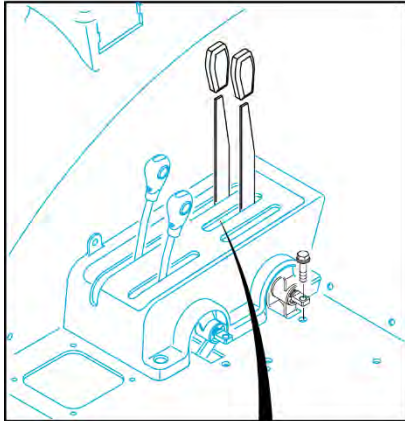
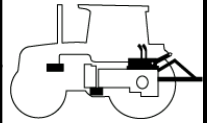
EXTERIOR HYD.VALVE

T754SC

P1

Year

2016



T754-K-608

NOTE

FIG 608A

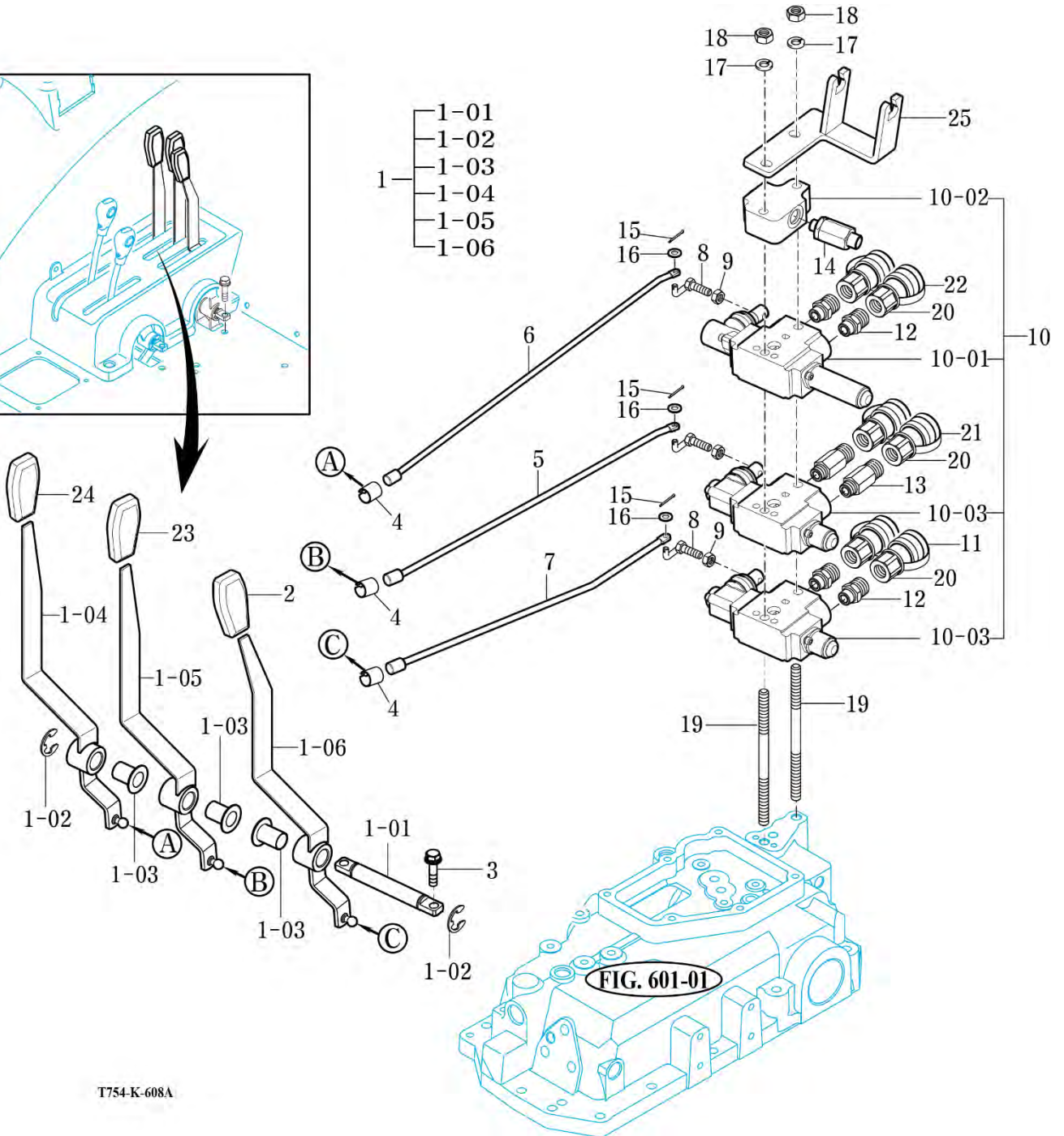
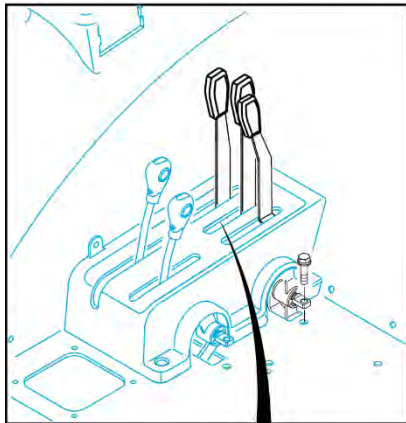
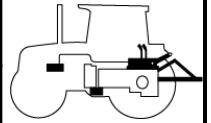
EXTERIOR HYD.VALVE (EUA)

T754SC

P1

Year

2016



T754-K-608A

NOTE

FIG 610

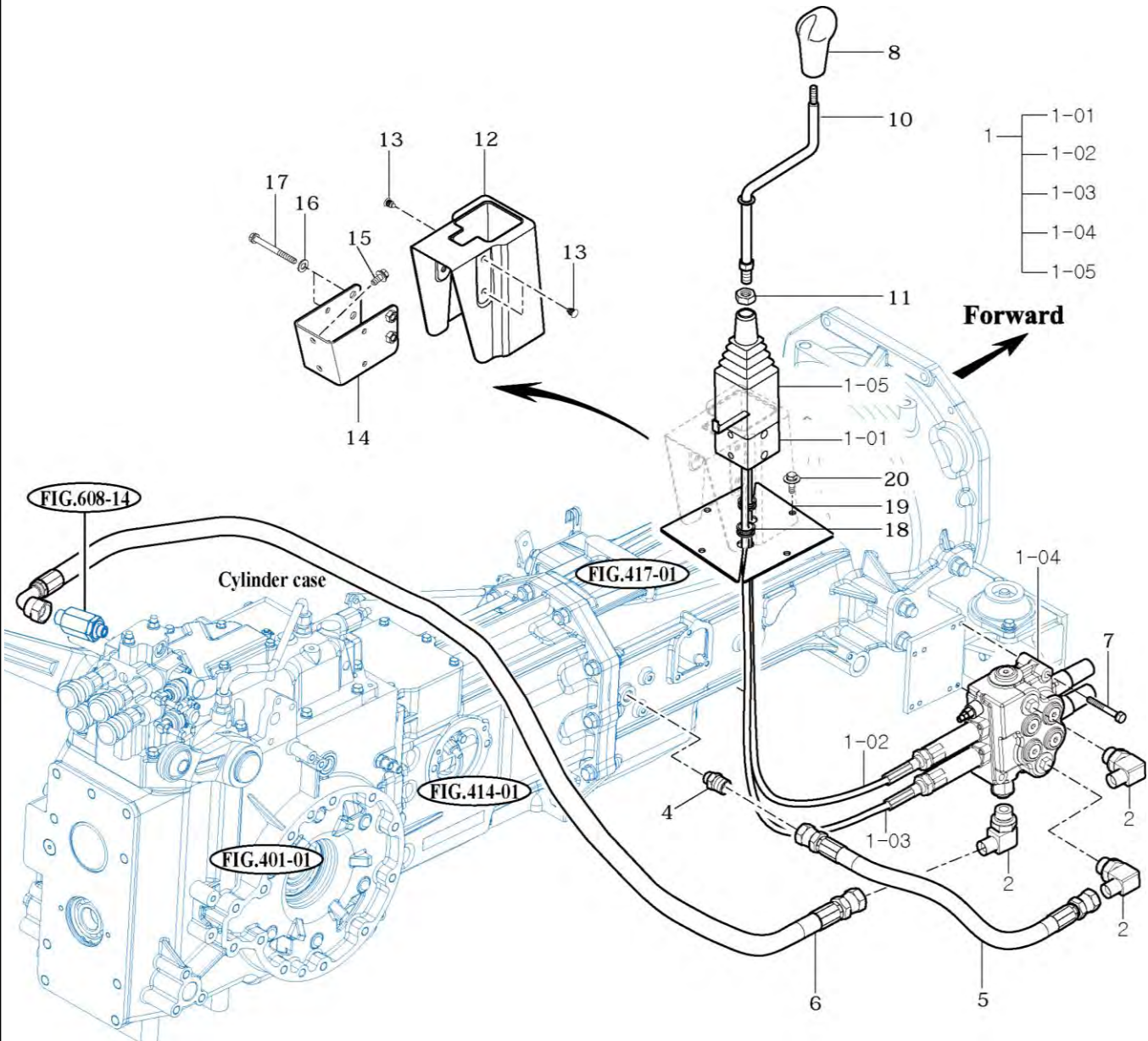
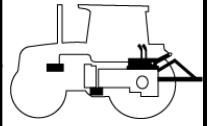
JOYSTICK

T754SC

P1

Year

2016



T754-K-610

NOTE

FIG 611

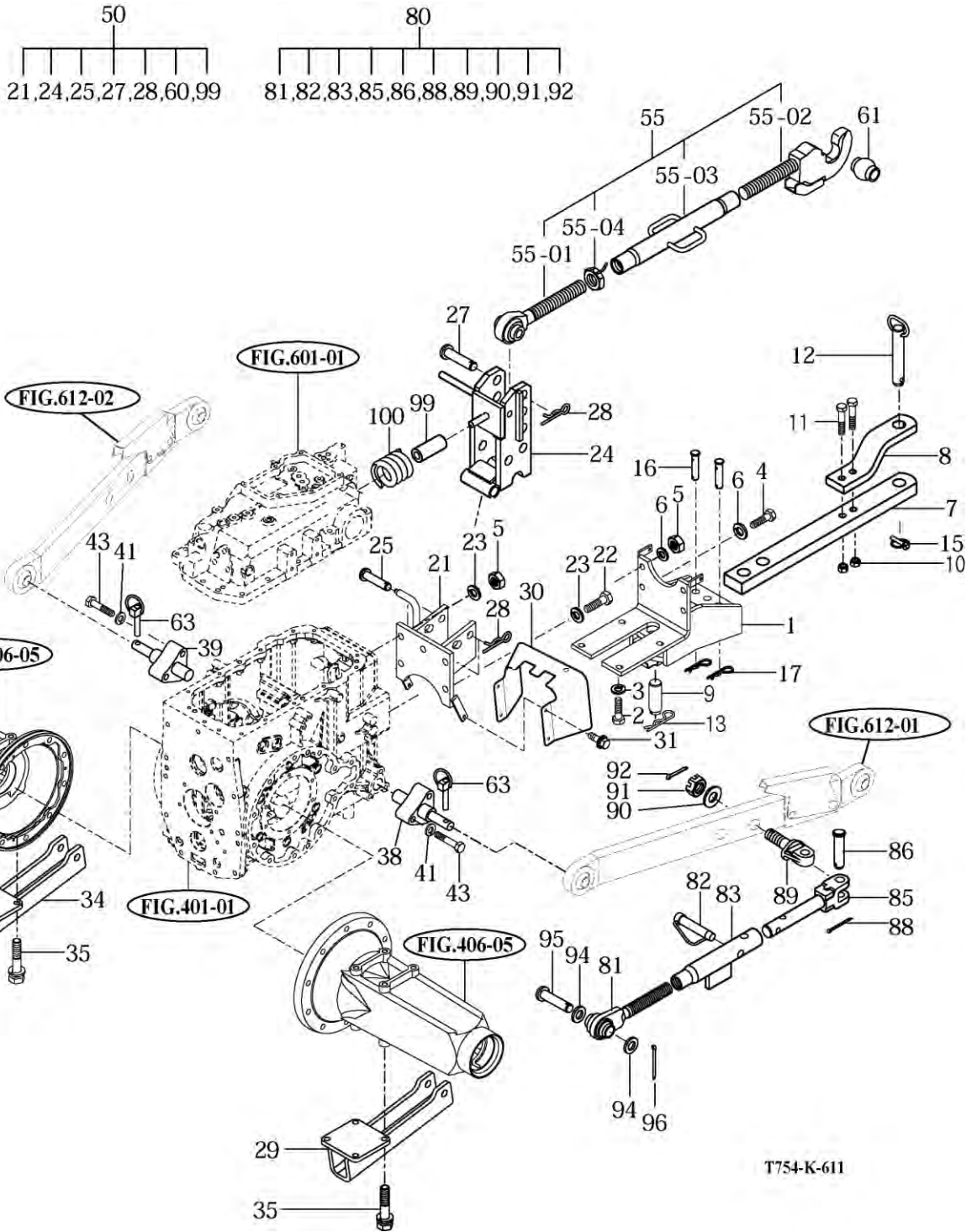
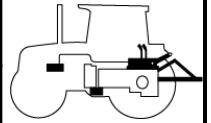
HITCH & 3-POINT LINK

T754SC

P1

Year

2016



T754-K-611

NOTE

FIG 611

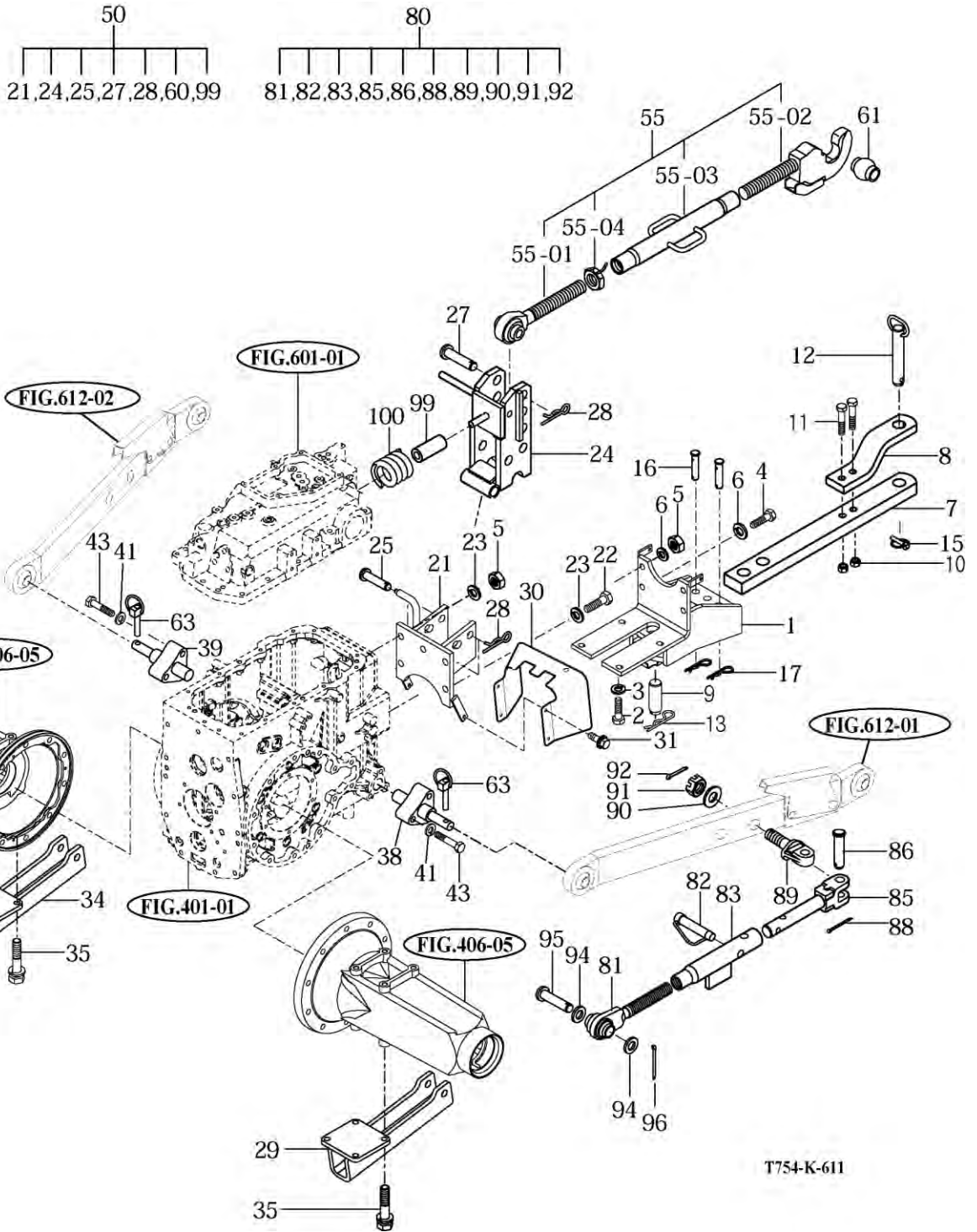
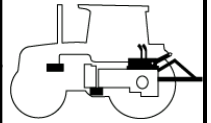
T754SC

HITCH & 3-POINT LINK

P2

Year

2016



T754-K-611

NOTE

FIG 611A

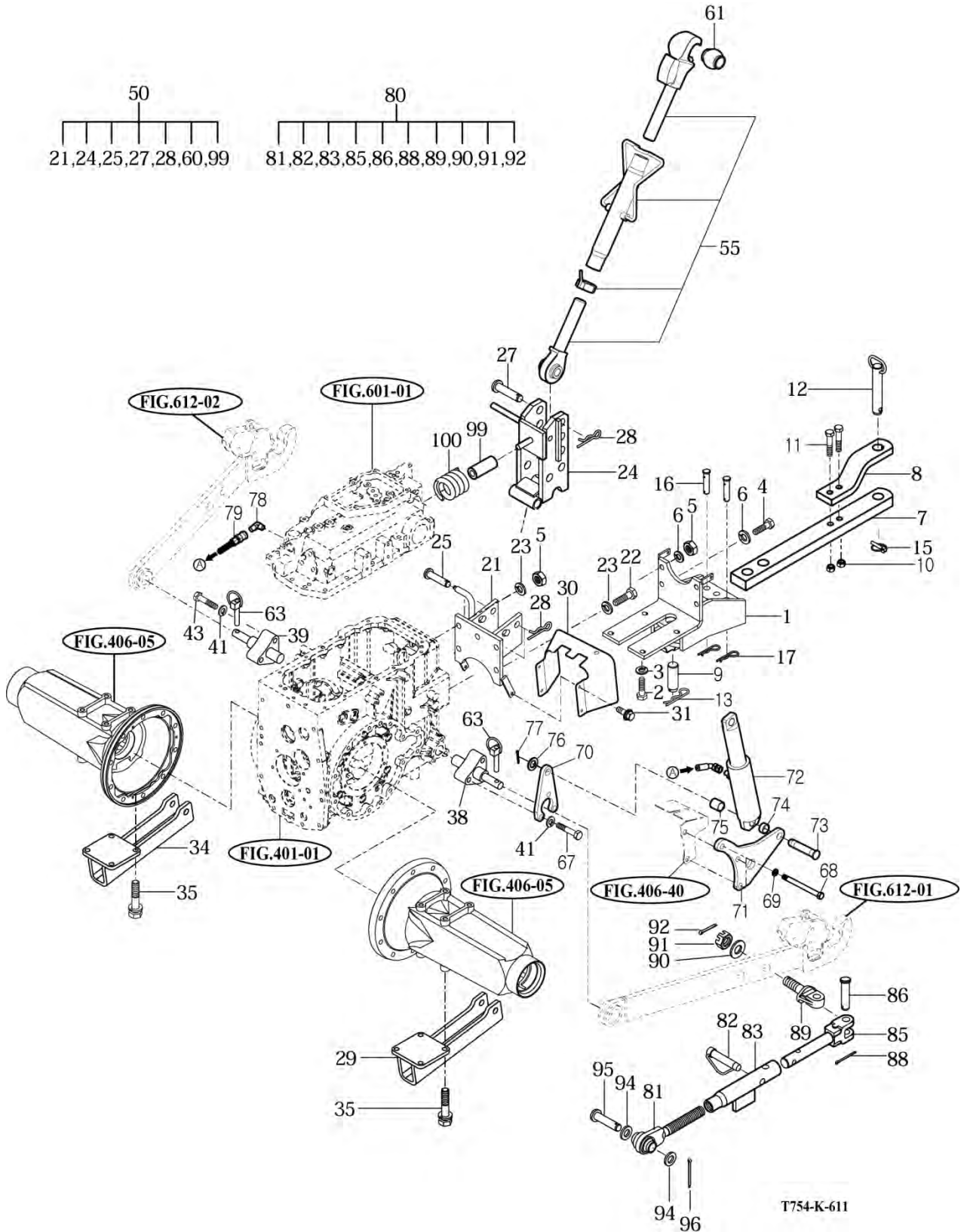
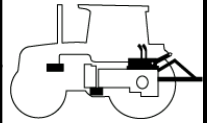
HITCH & 3-POINT LINK (EU,EUA)

T754SC

P1

Year

2016



T754-K-611

NOTE

FIG 611A

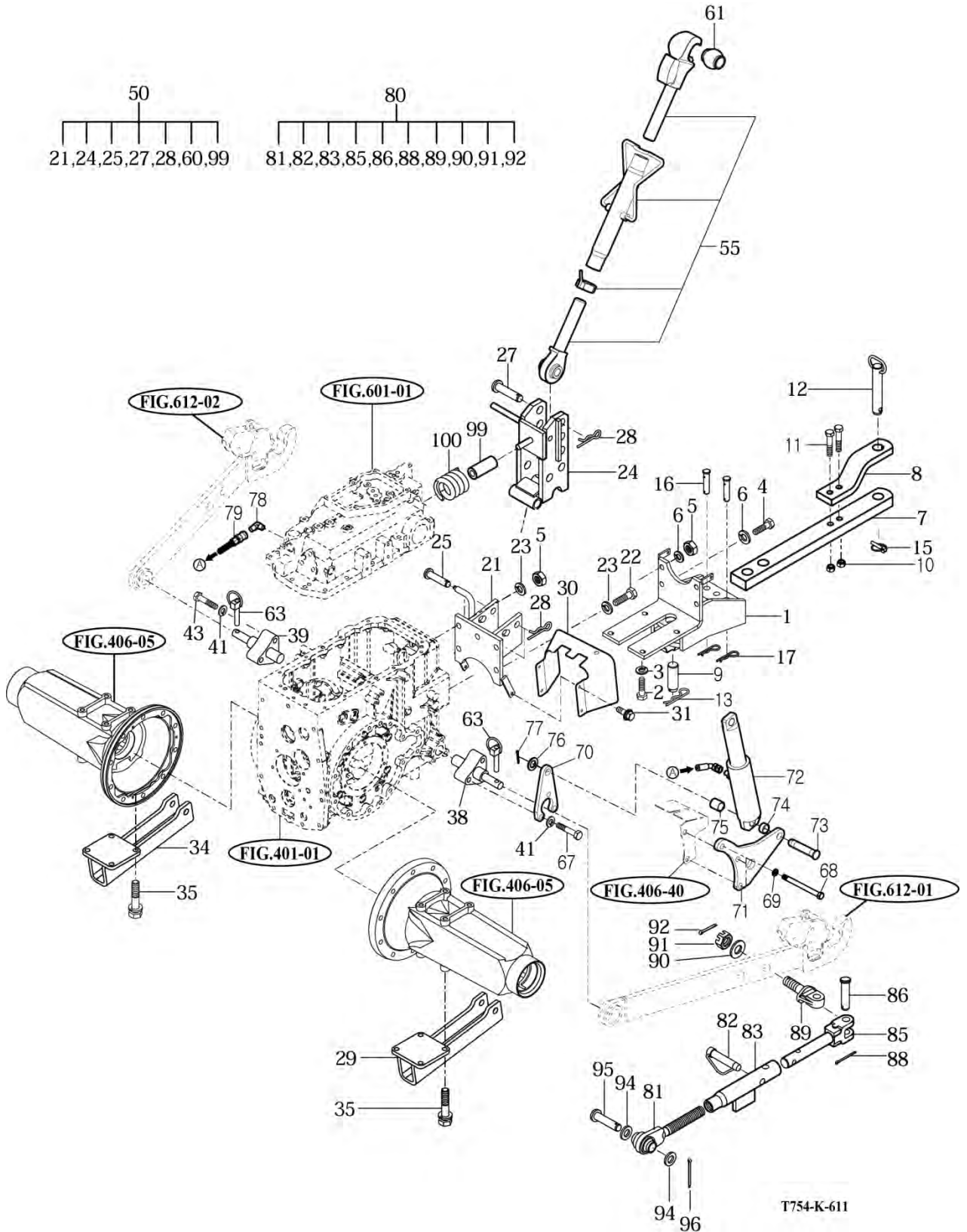
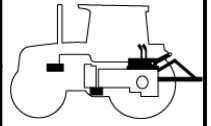
HITCH & 3-POINT LINK (EU,EUA)

T754SC

P2

Year

2016



T754-K-611

NOTE

FIG 612

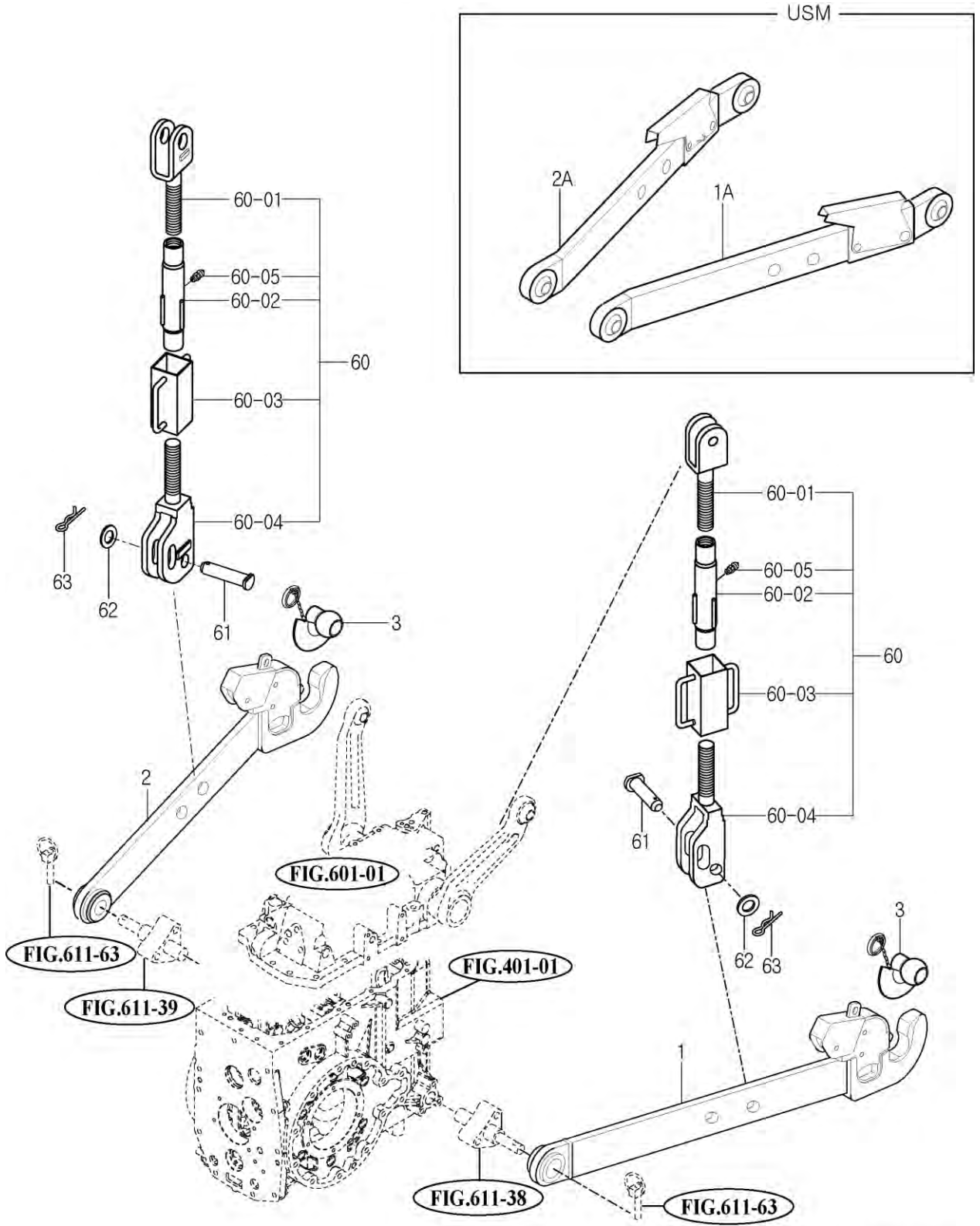
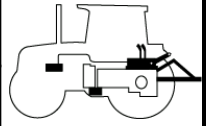
LOWER LINK & LIFT ROD

T754SC

P1

Year

2016



T754-K-612

NOTE

FIG 613

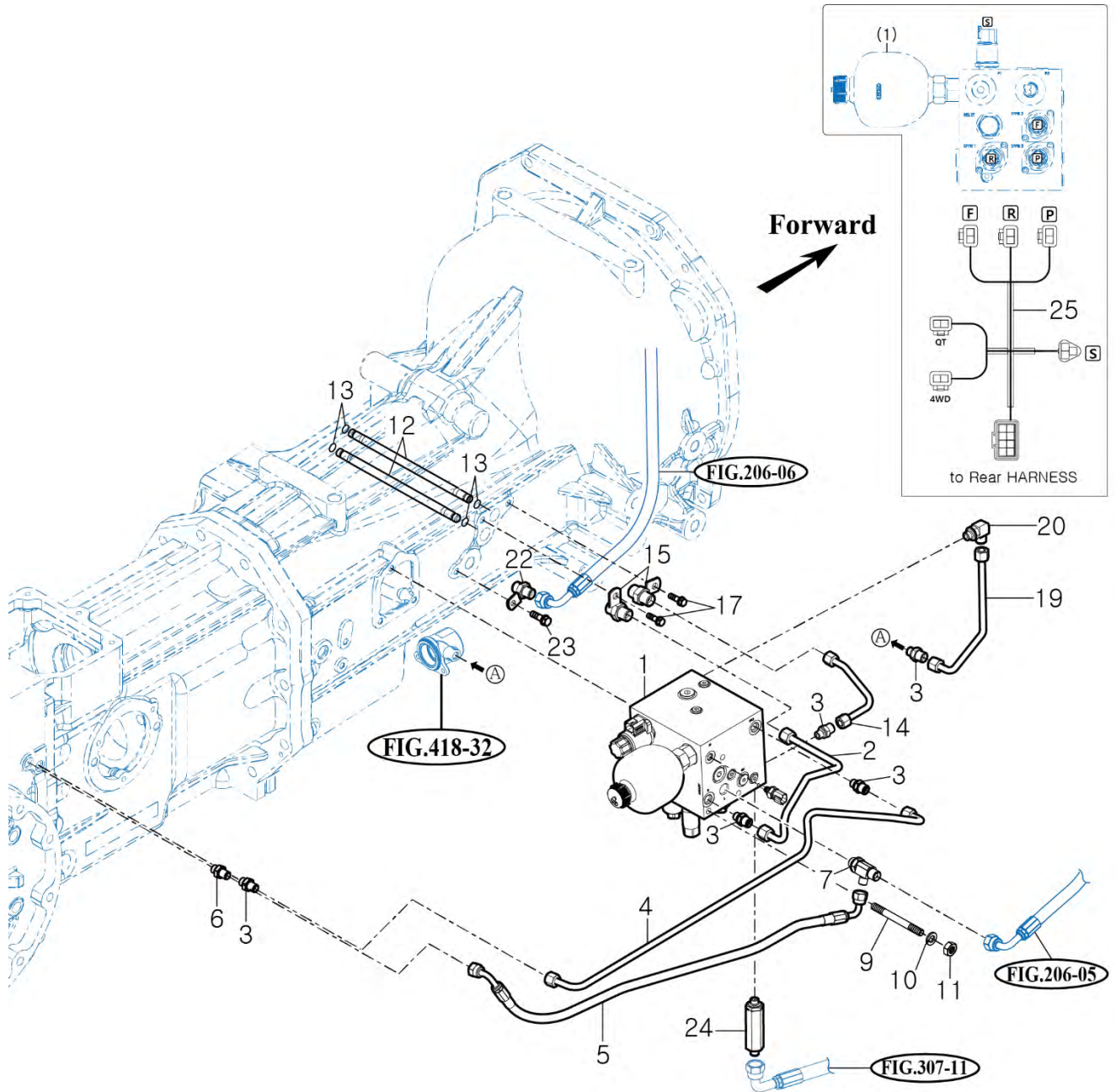
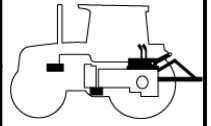
HYDRAULIC HOSE

T754SC

P1

Year

2016



T754SC-K-613

NOTE

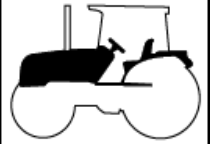
FIG 701

HOOD

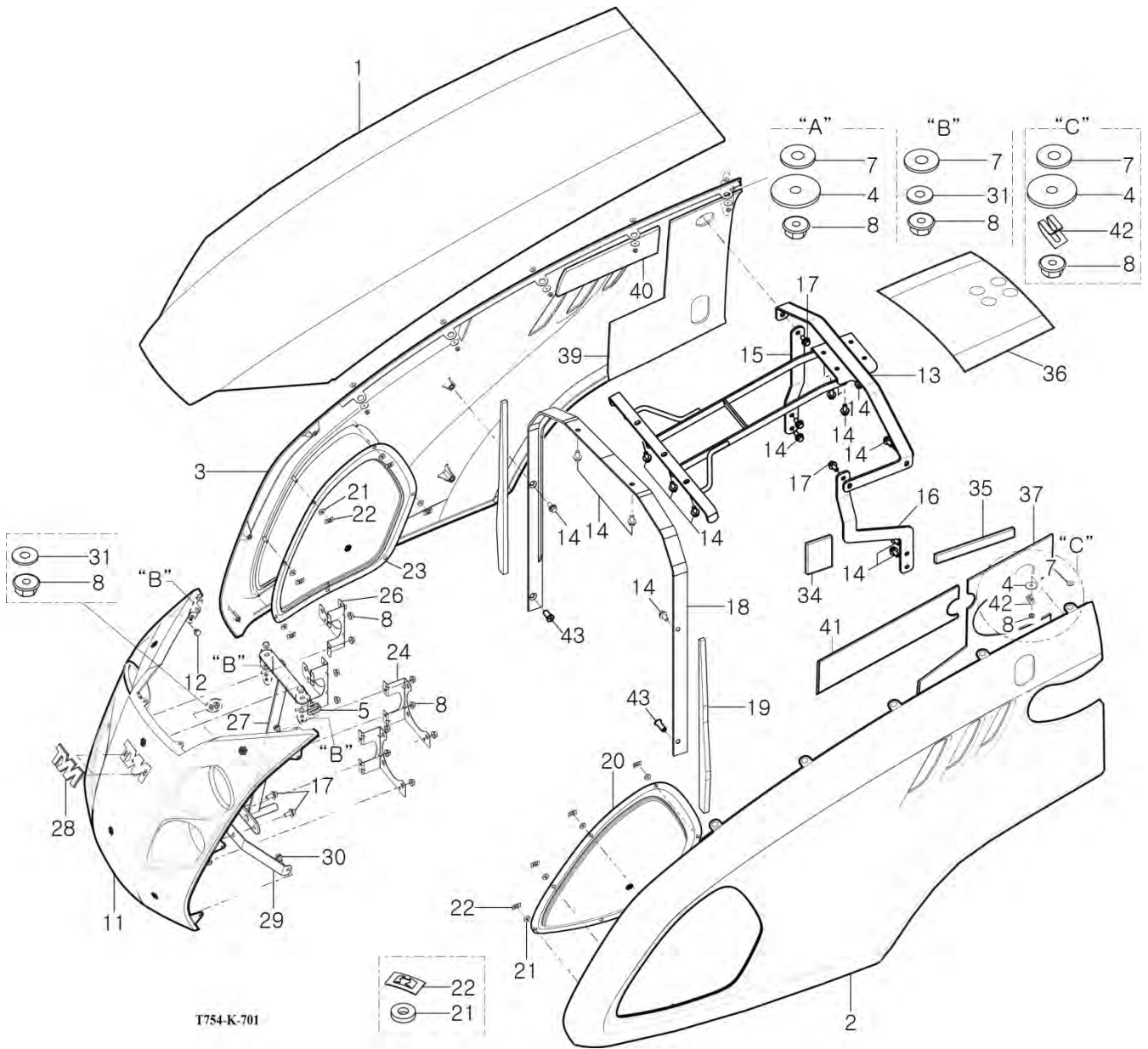
P1

Year

2016



T754SC



NOTE

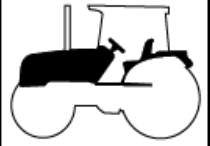
FIG 702

FRONT FRAME

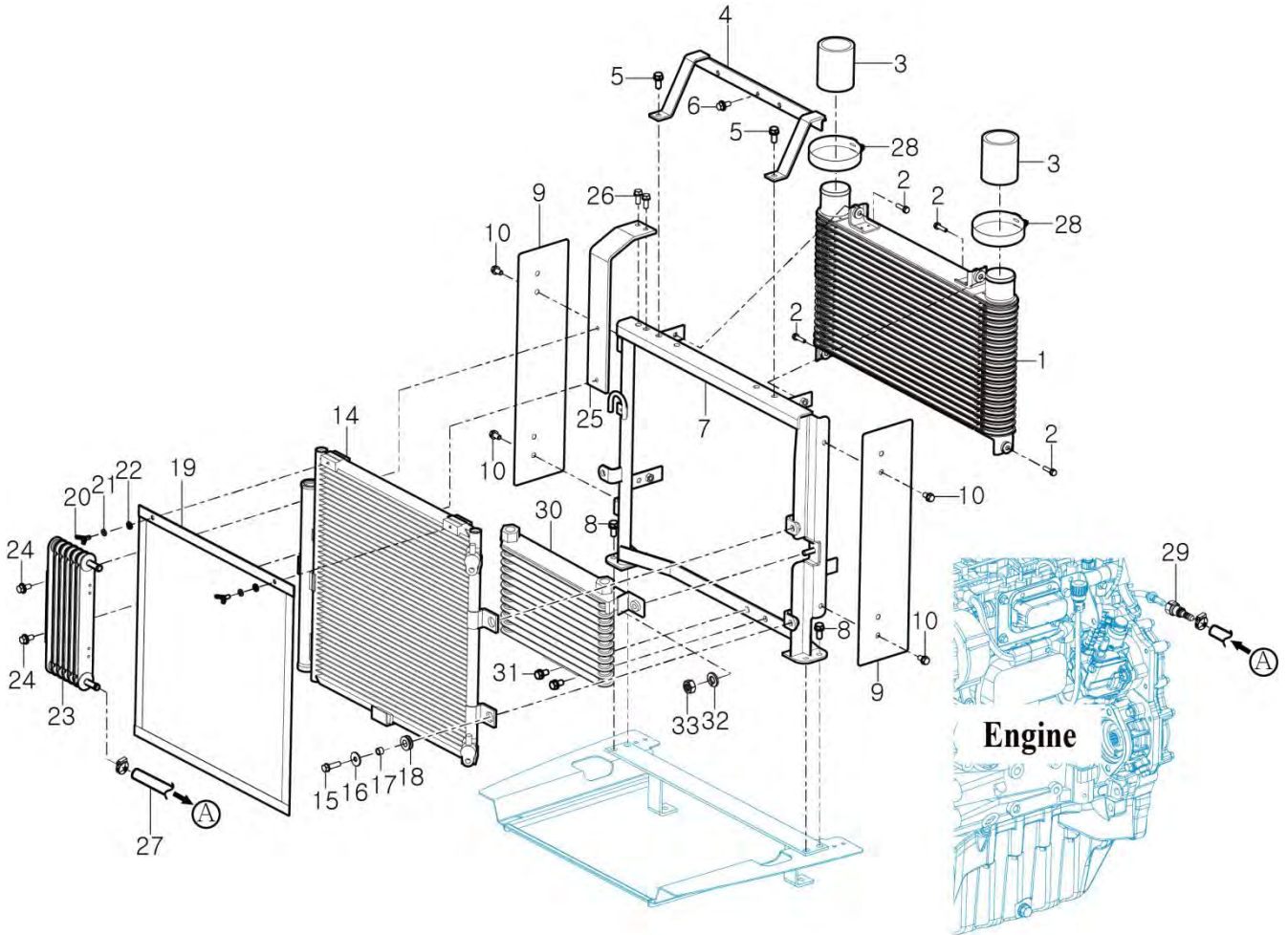
P1

Year

2016



T754SC



T754-K-702

NOTE

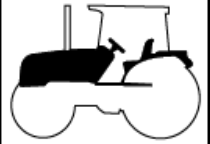
FIG 703

SIDE SUPPORT & FRAME HOOD

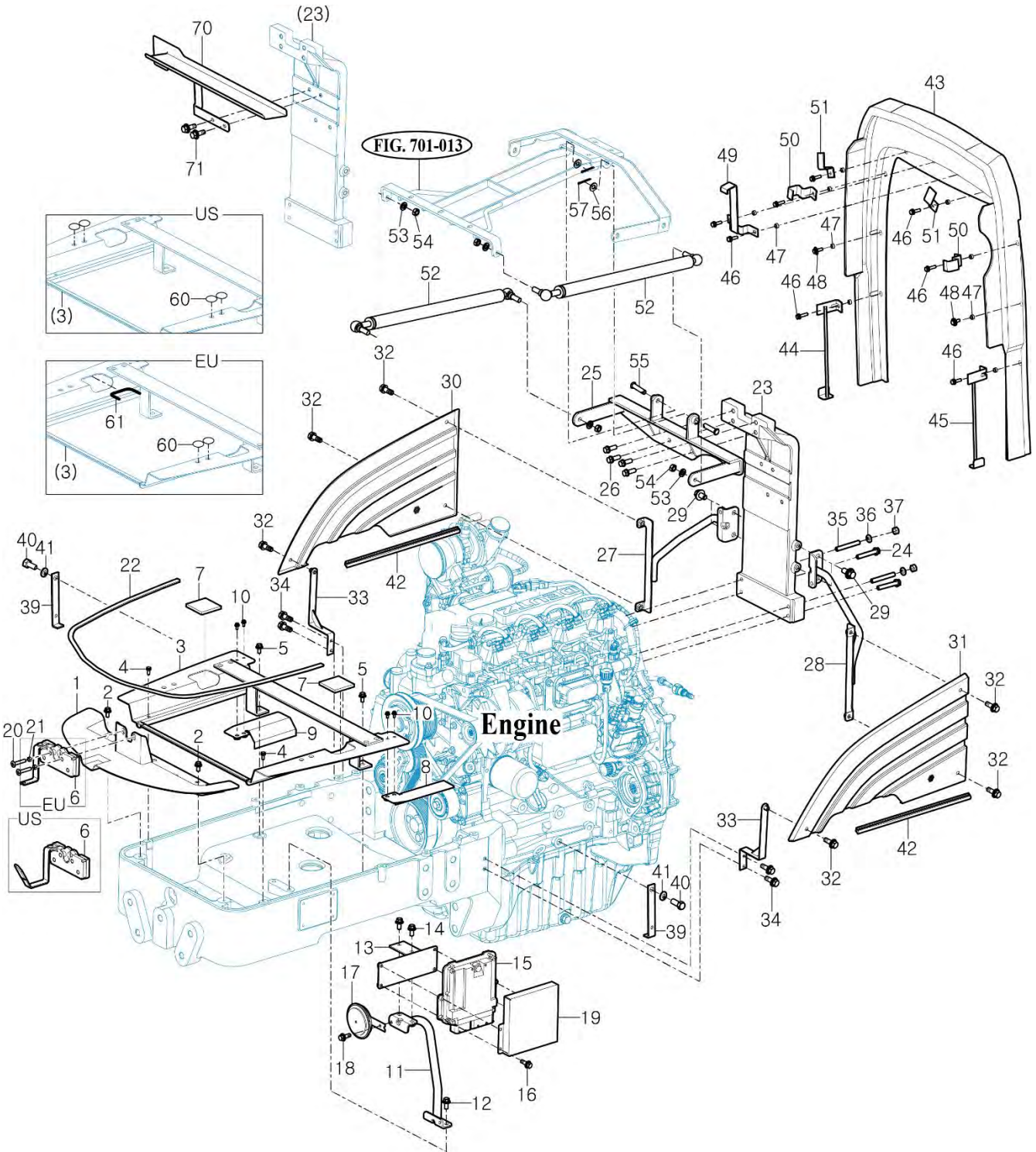
P1

Year

2016



T754SC



1754-K-703

NOTE

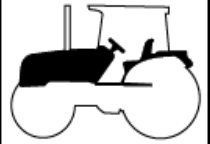
FIG 703

SIDE SUPPORT & FRAME HOOD

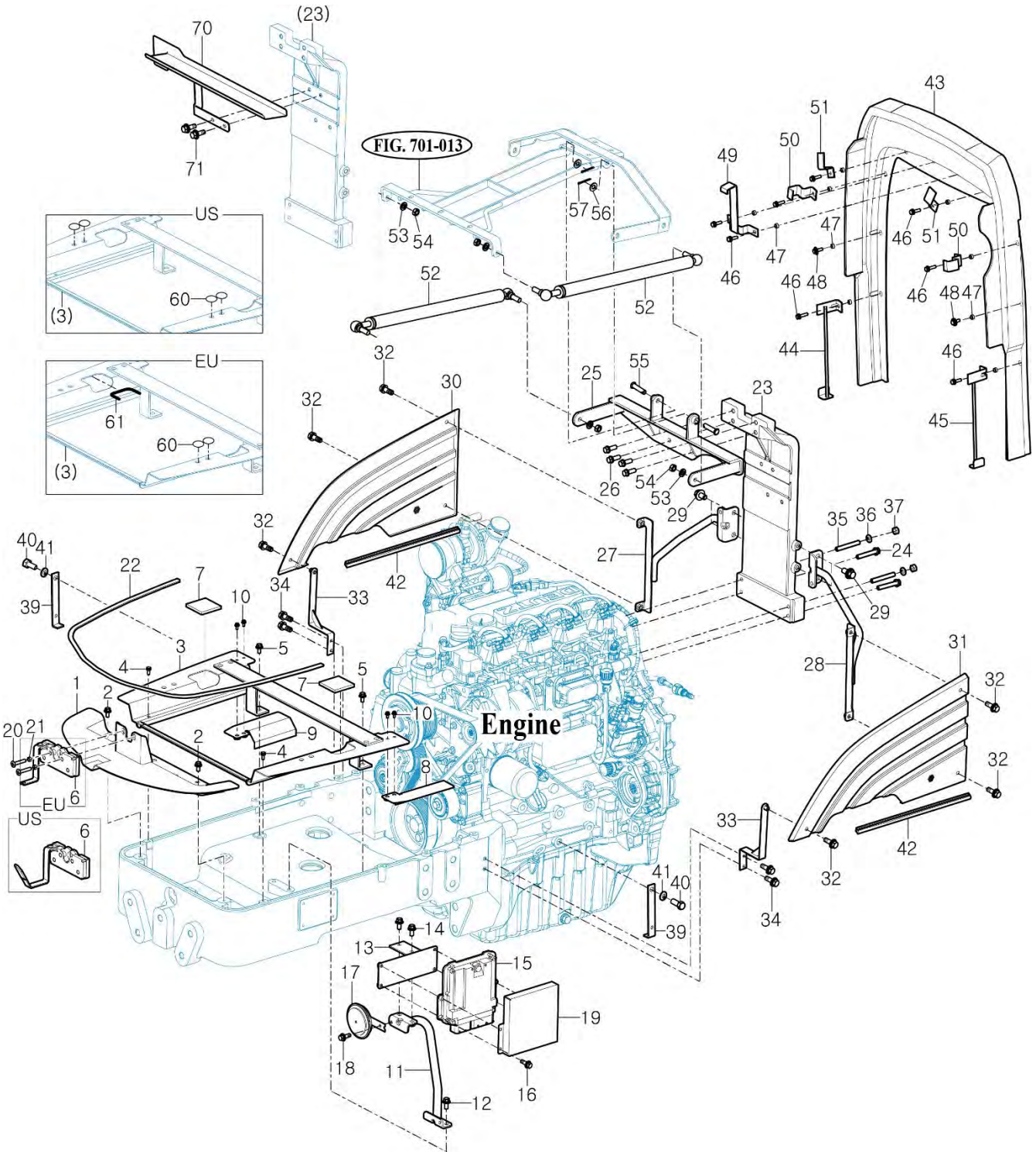
P2

Year

2016



T754SC



1754-K-703

NOTE

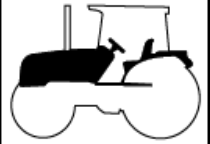
FIG 704

LEVER COVER & STEP

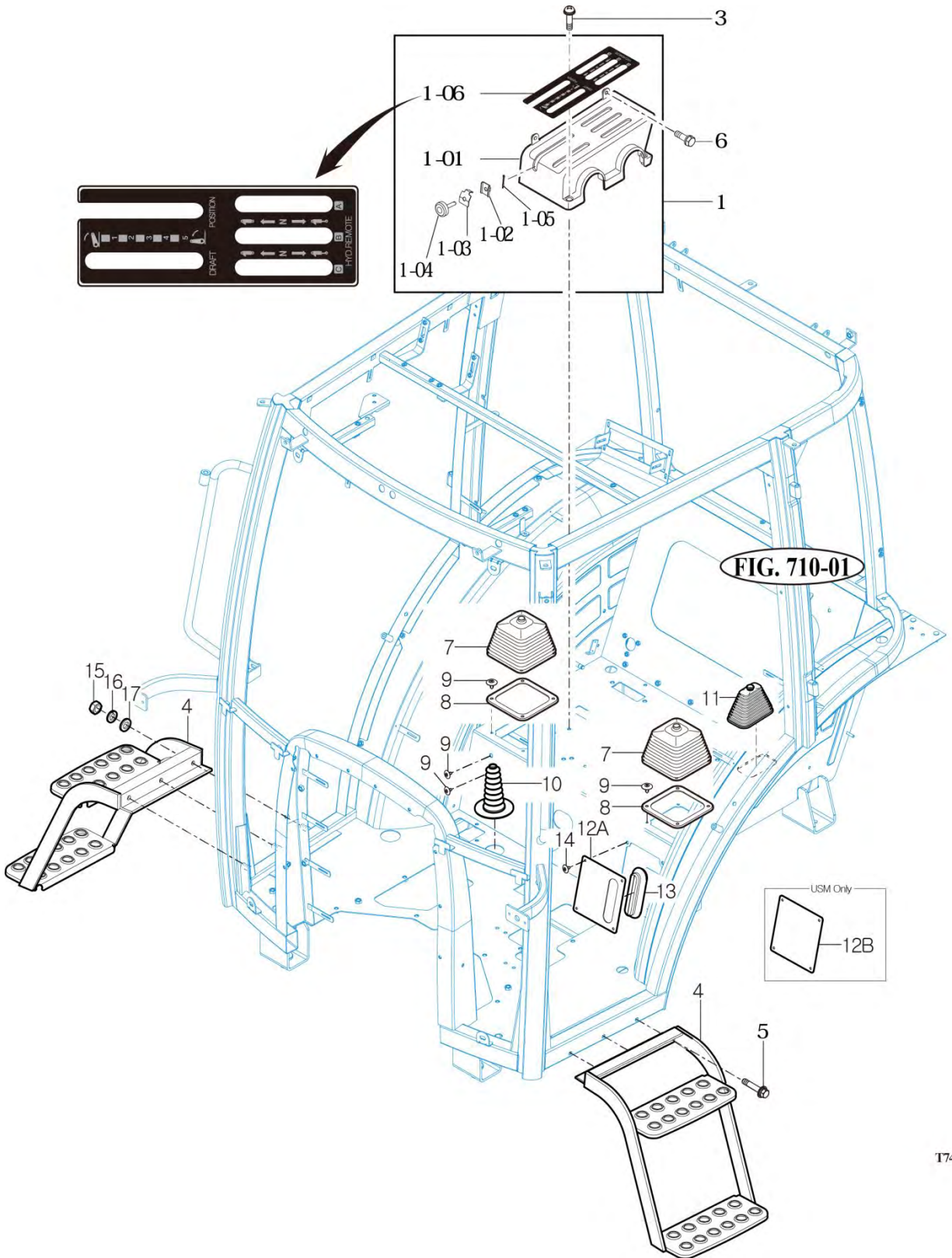
P1

Year

2016



T754SC



T743-K-704

NOTE

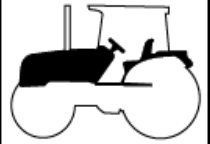
FIG 705

FRONT & REAR MOUNTING

P1

Year

2016



T754SC

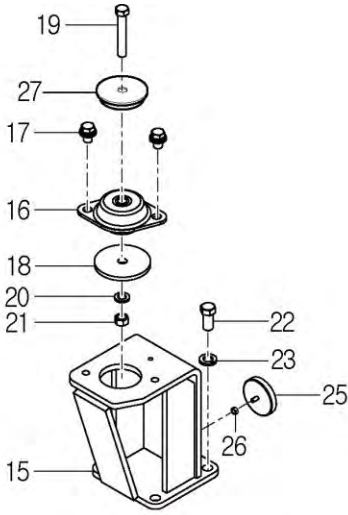


FIG. 707-01

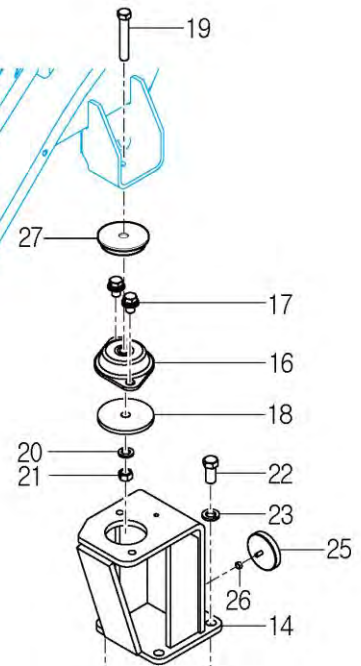


FIG. 406-05

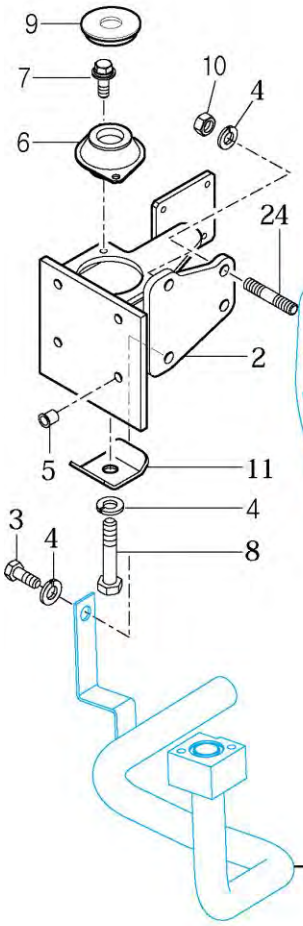
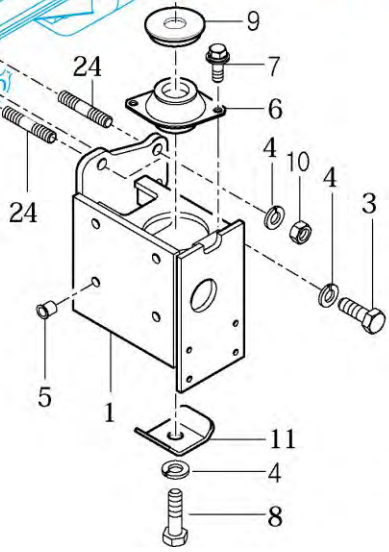


FIG. 417-01

FIG. 609-03



T754-K-705

NOTE

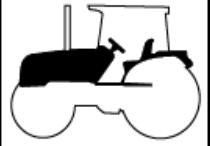
FIG 706

SEAT & MAT

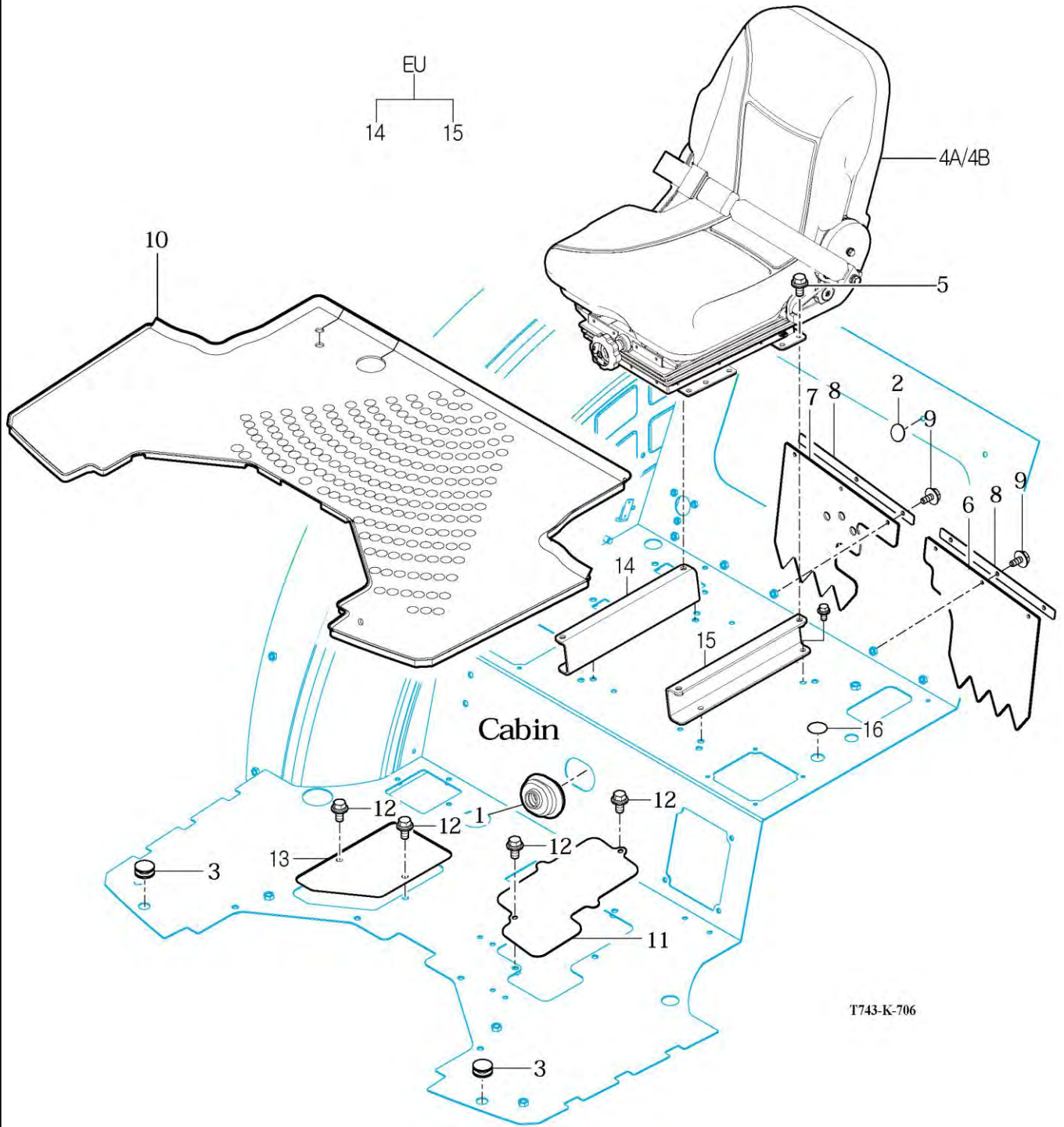
P1

Year

2016



T754SC



T743-K-706

NOTE

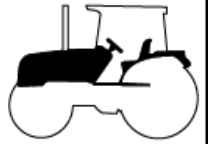
FIG 709

DOOR

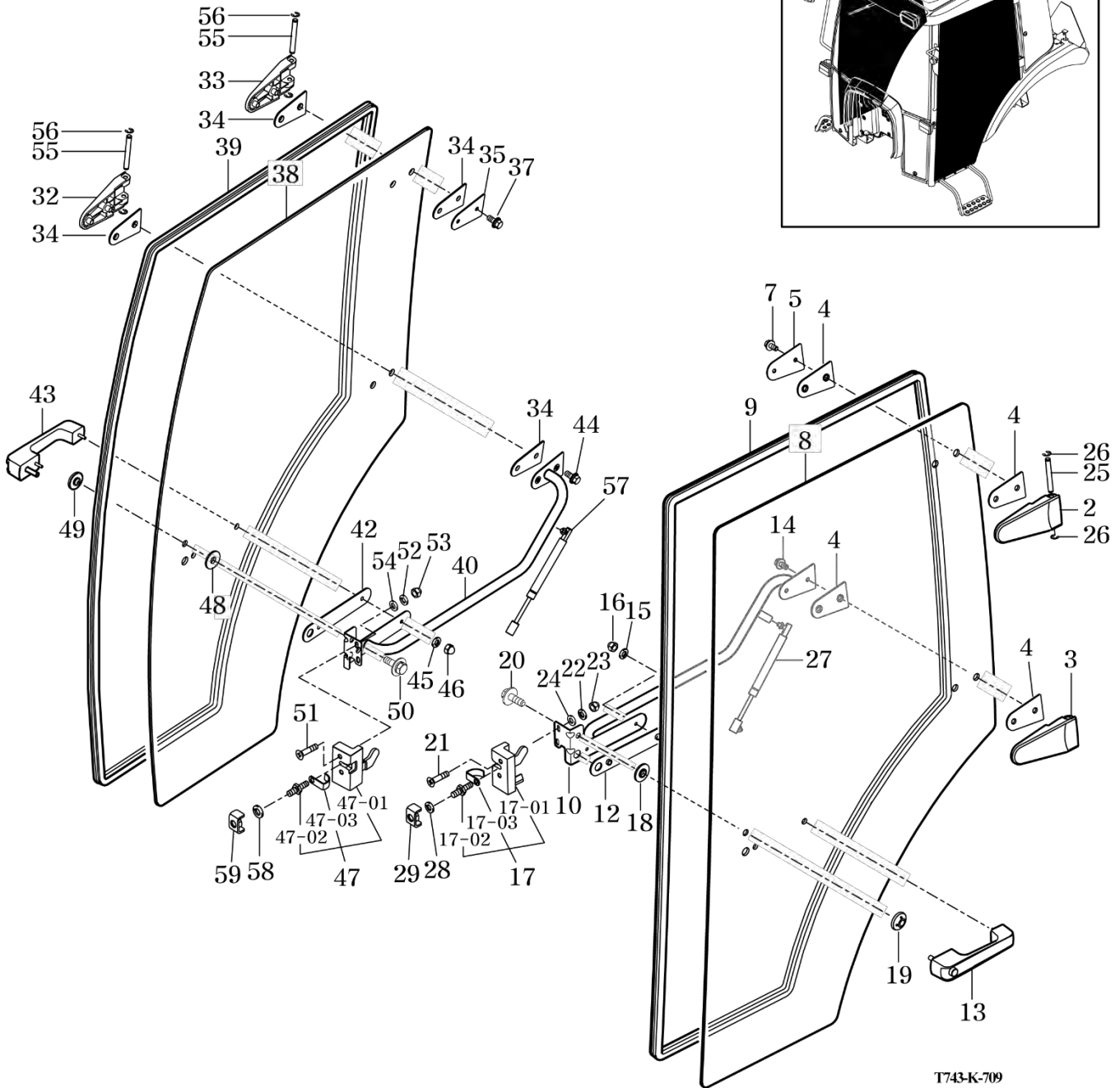
P1

Year

2016



T754SC



T743-K-709

NOTE

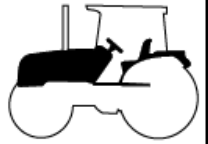
FIG 709

DOOR

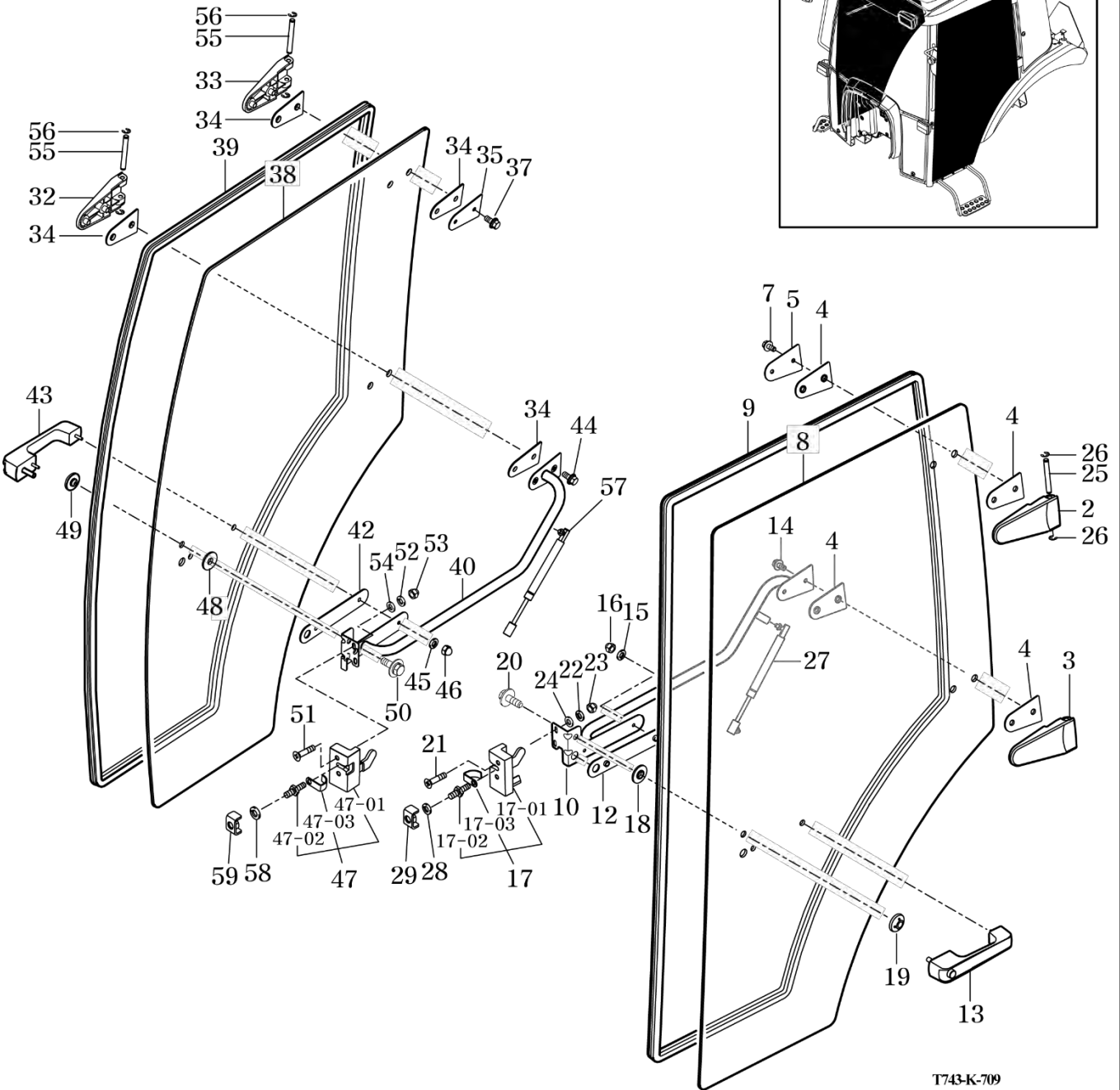
P2

Year

2016



T754SC



T743-K-709

NOTE

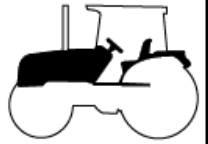
FIG 710

FRONT GLASS

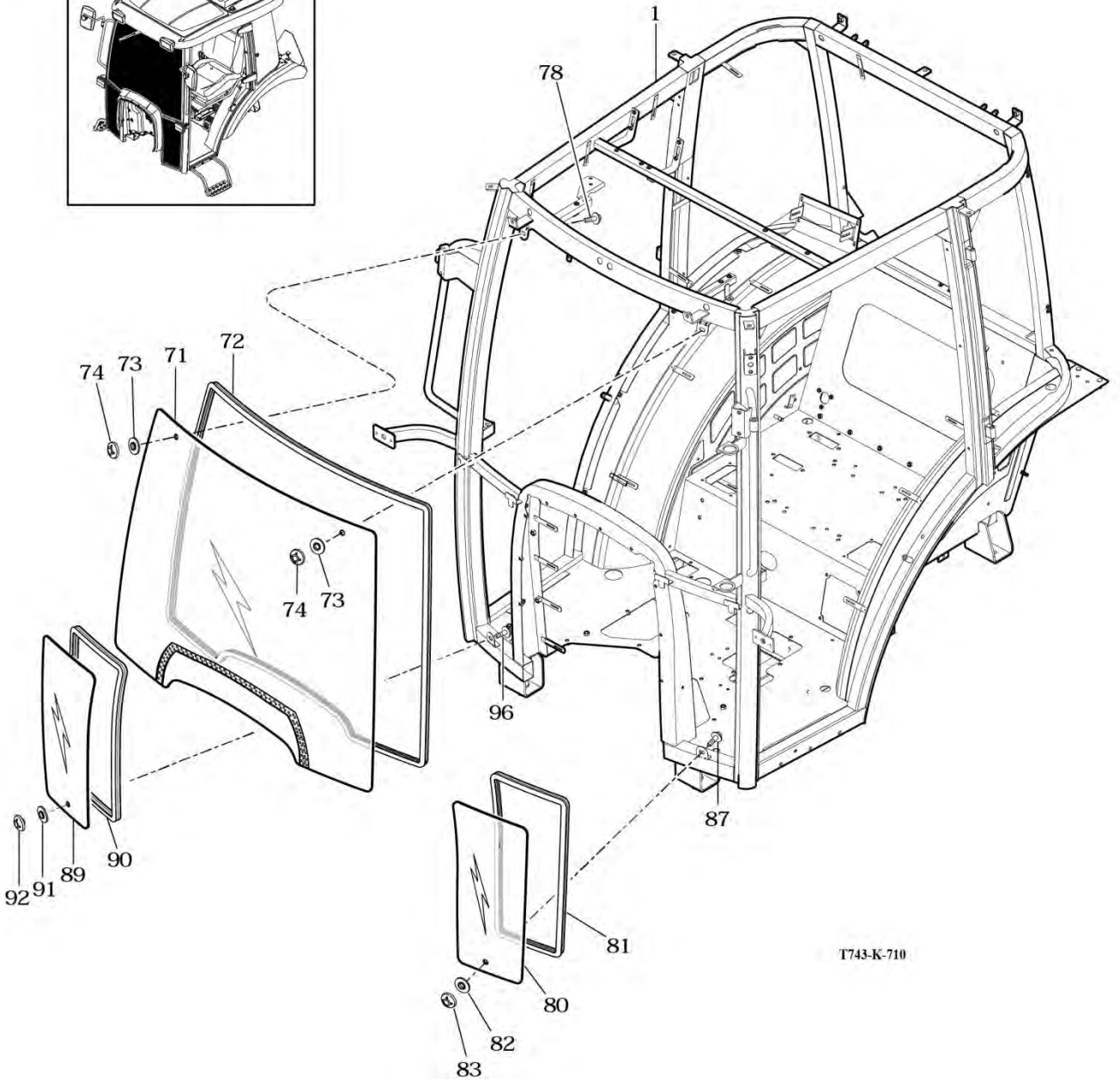
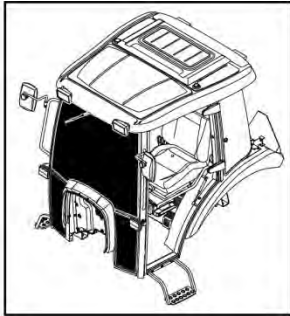
P1

Year

2016



T754SC



T743-K-710

NOTE

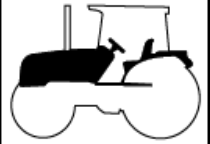
FIG 711

SIDE GLASS

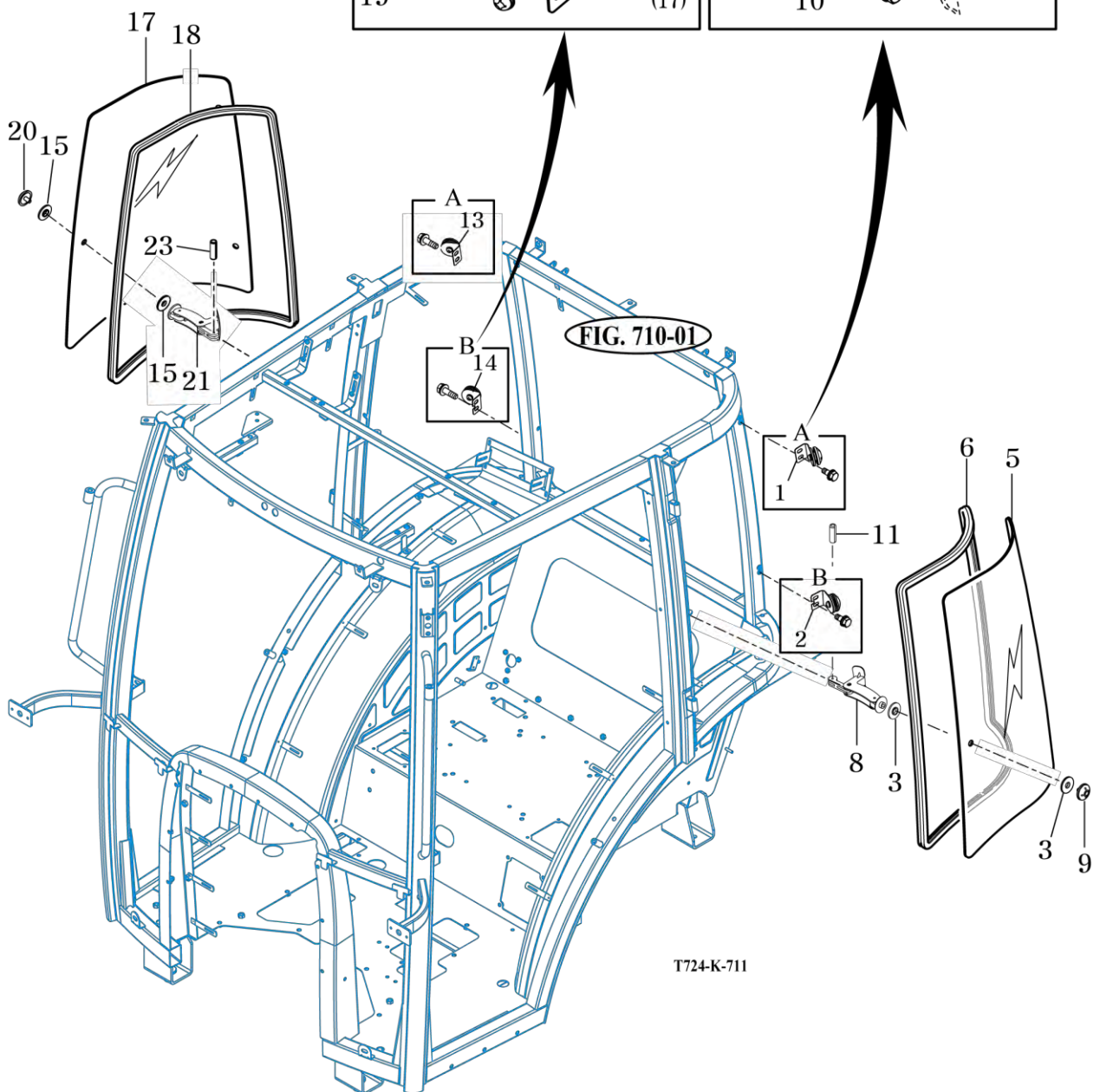
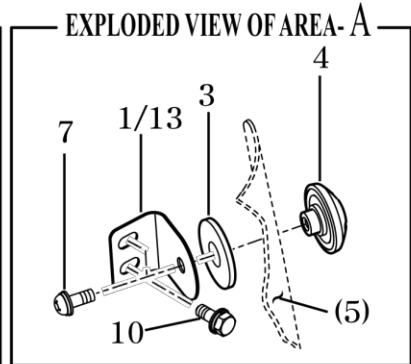
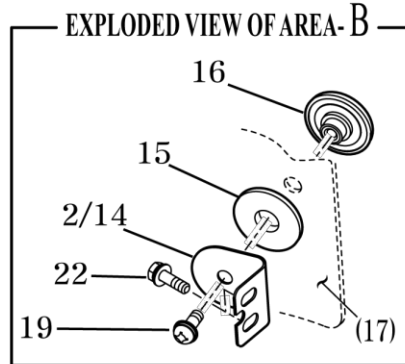
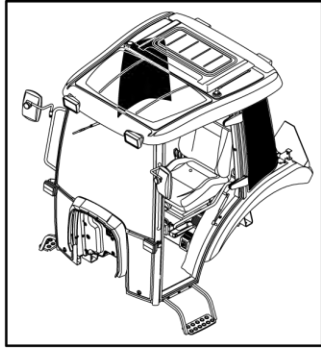
P1

Year

2016



T754SC



T724-K-711

NOTE

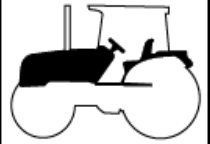
FIG 712

REAR GLASS

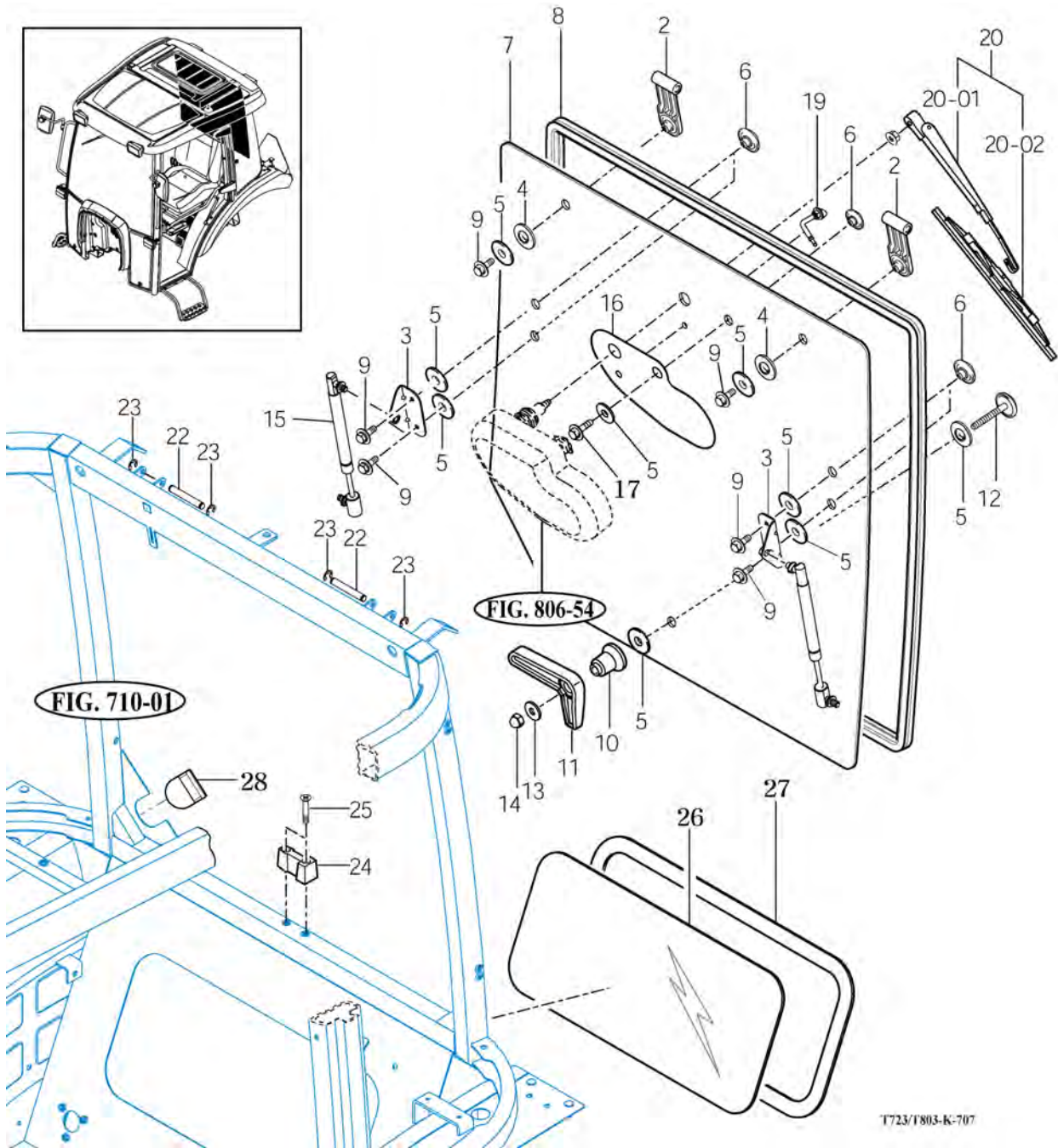
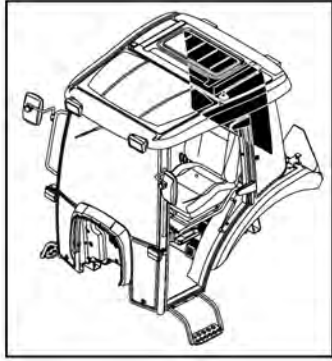
P1

Year

2016



T754SC



T723/T803-K-707

NOTE

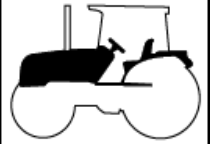
FIG 713

SUB FENDER & COVER

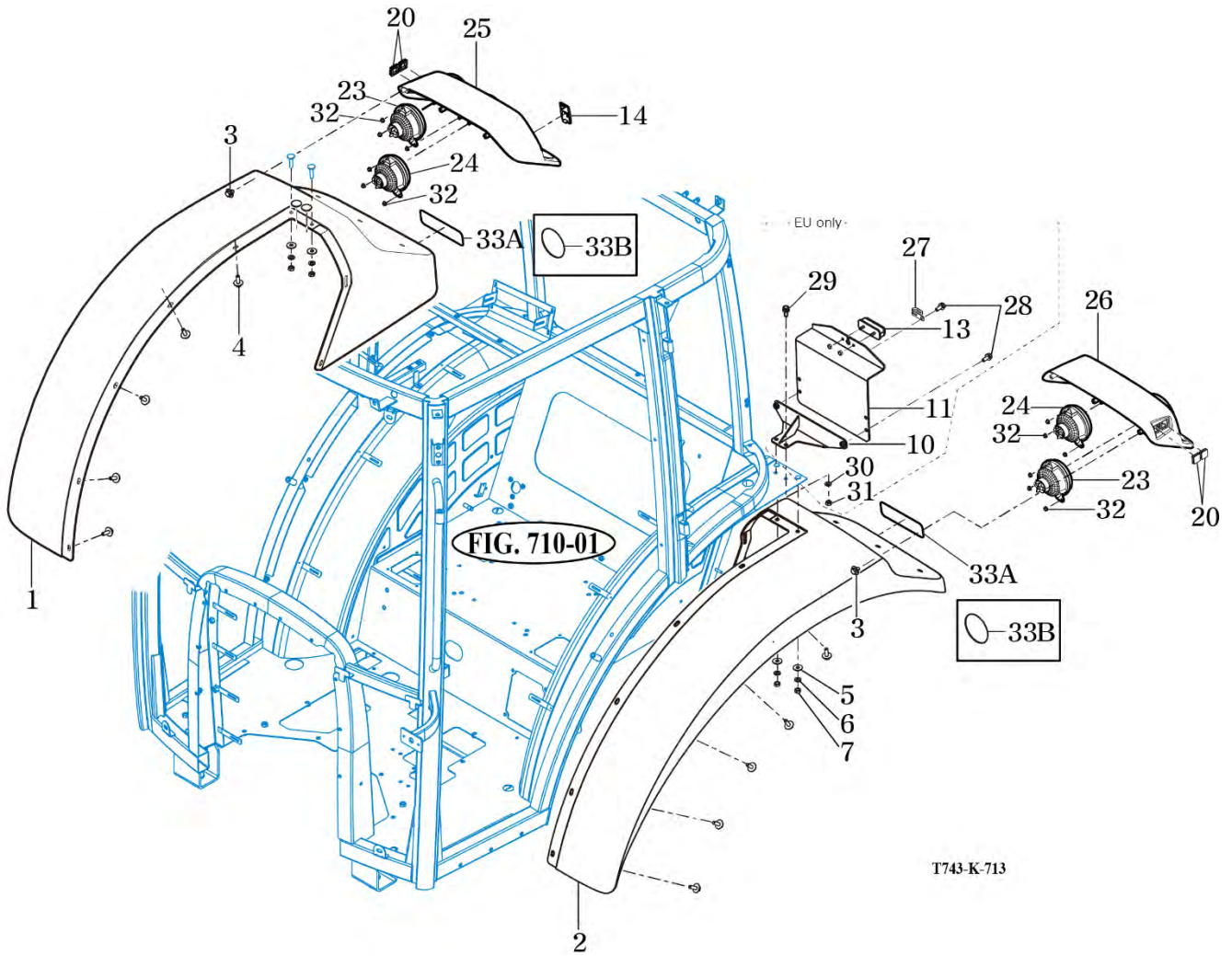
P1

Year

2016



T754SC



NOTE

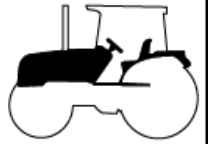
FIG 714

MIRROR

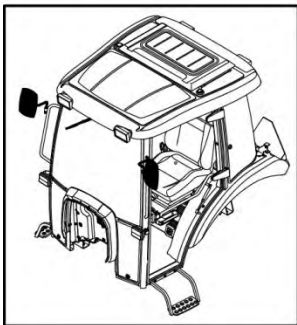
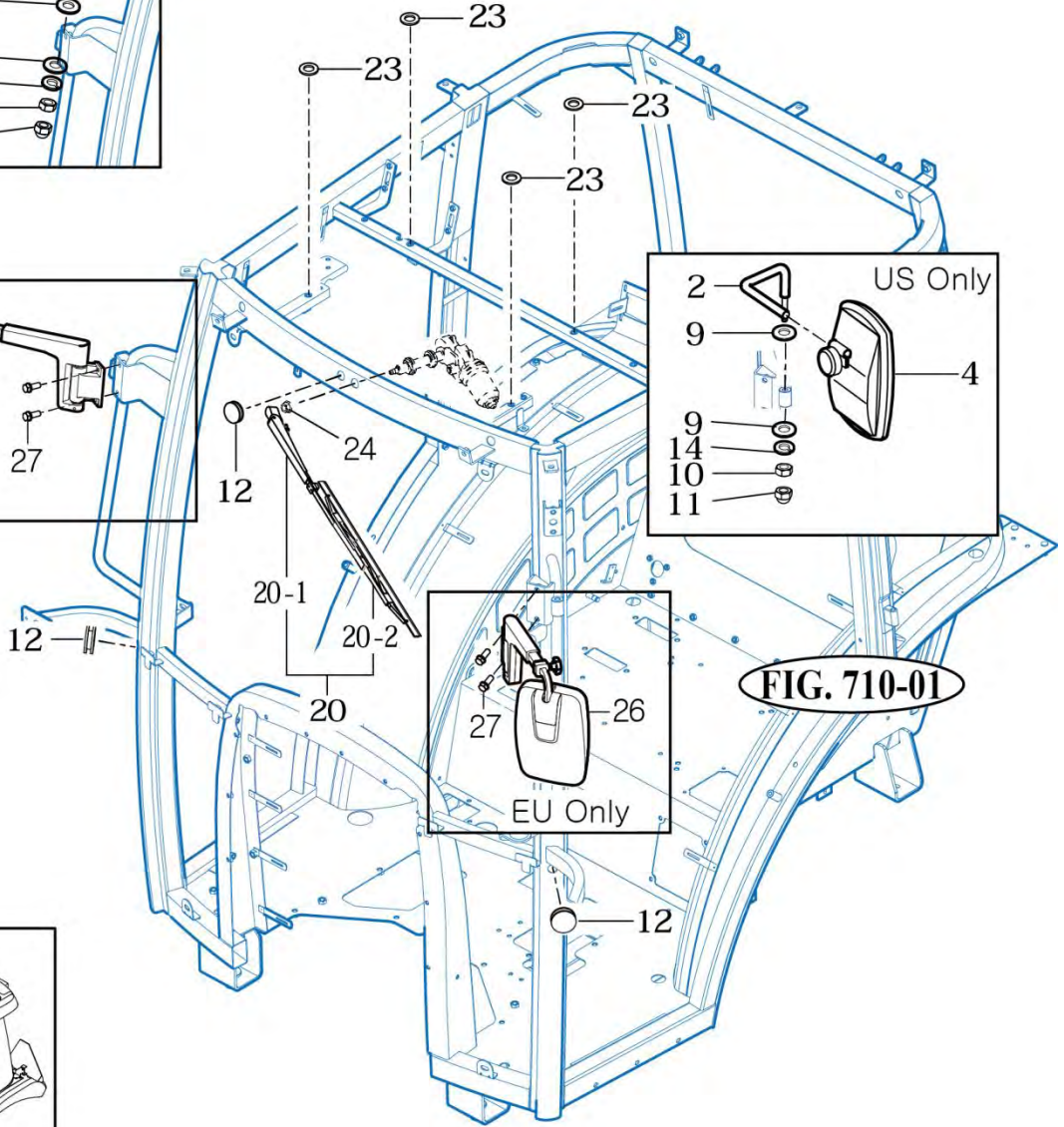
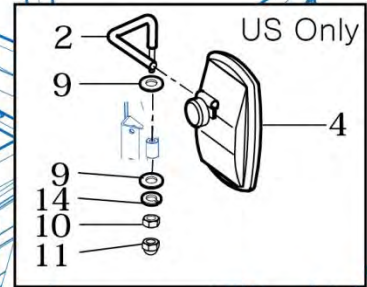
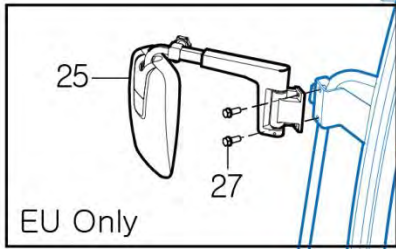
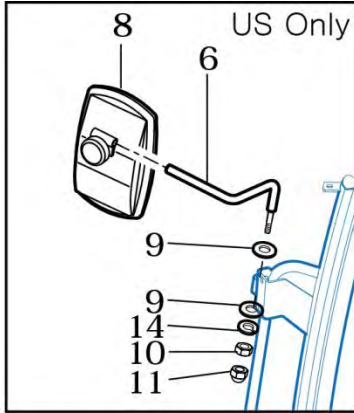
P1

Year

2016



T754SC



T743-K-714

NOTE

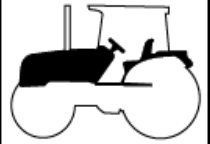
FIG 715

HEATER & AIR-CON

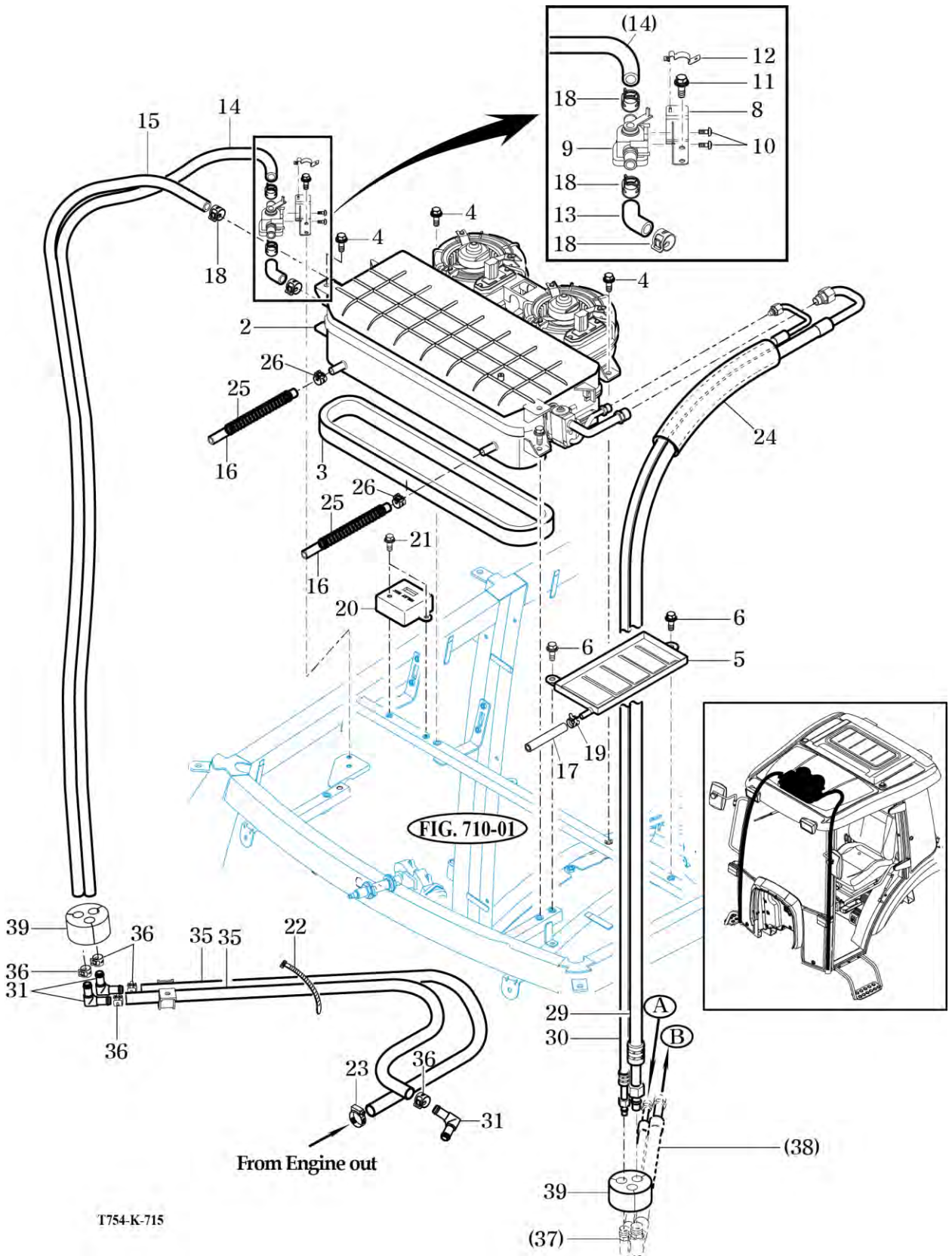
P1

Year

2016



T754SC



T754-K-715

NOTE

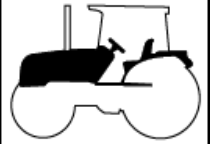
FIG 715

HEATER & AIR-CON

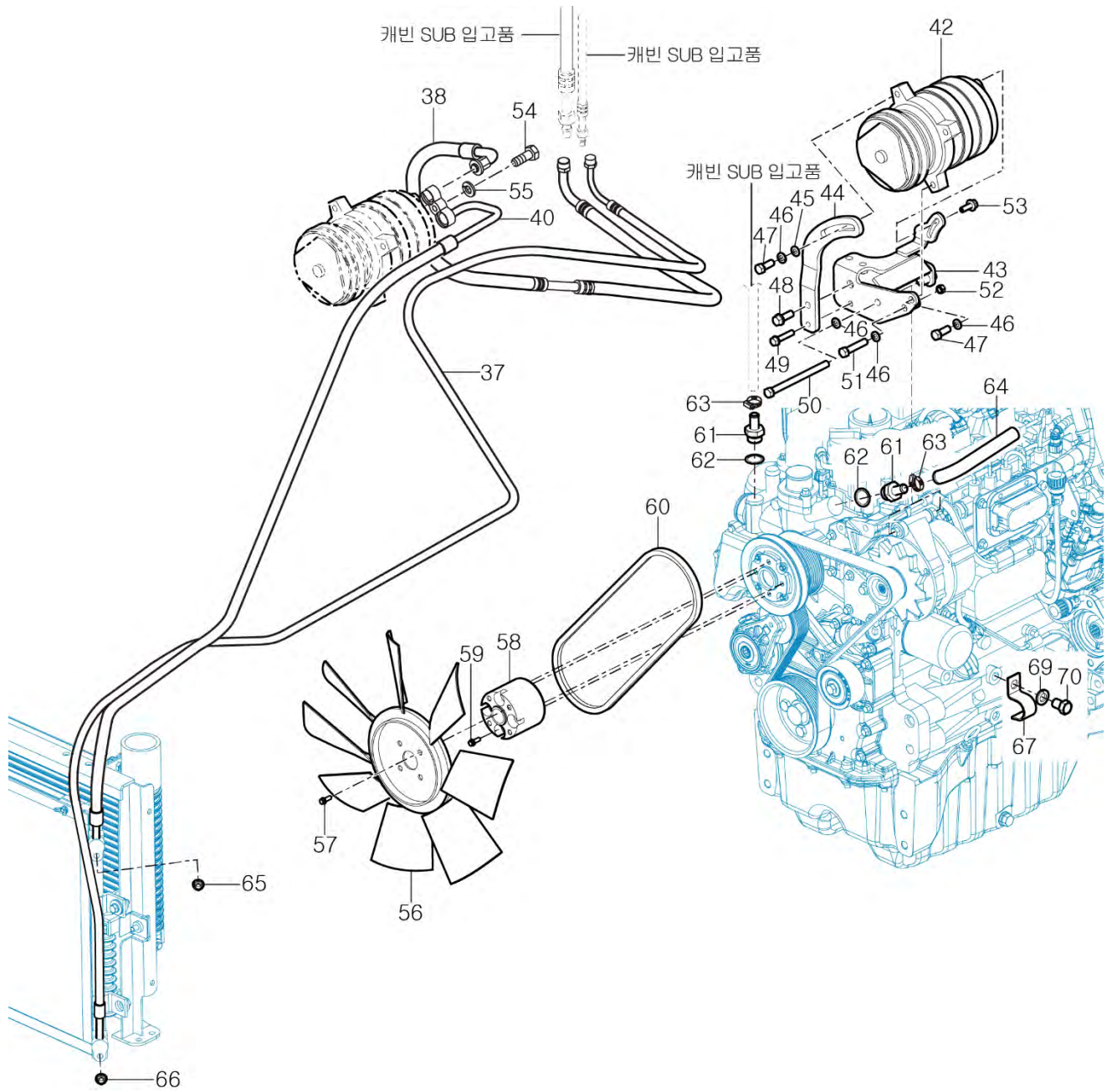
P2

Year

2016



T754SC



NOTE

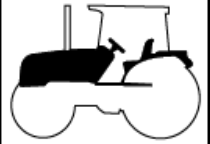
FIG 716

FENDER COVER

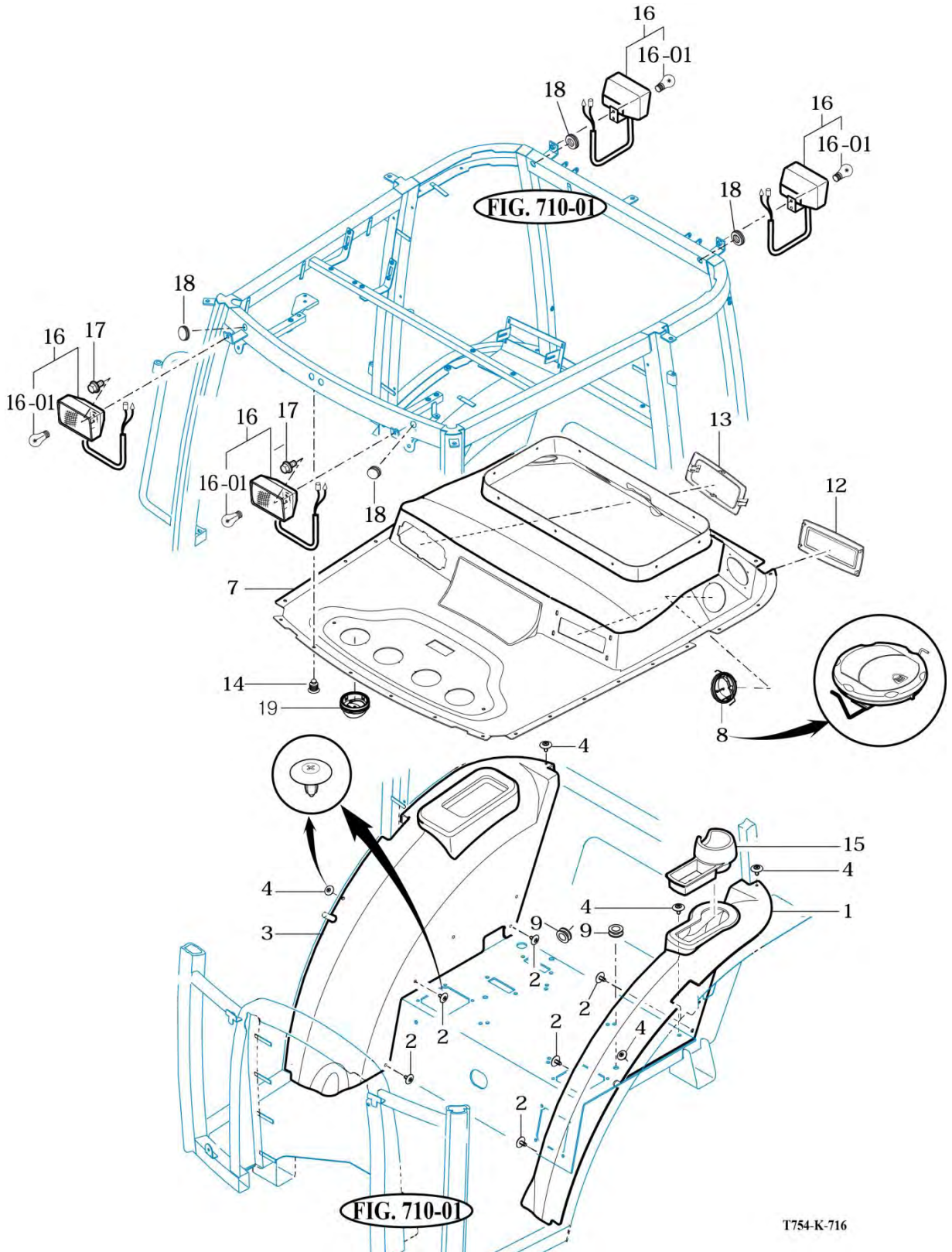
P1

Year

2016



T754SC



T754-K-716

NOTE

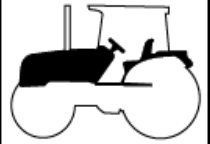
FIG 717

ROOF

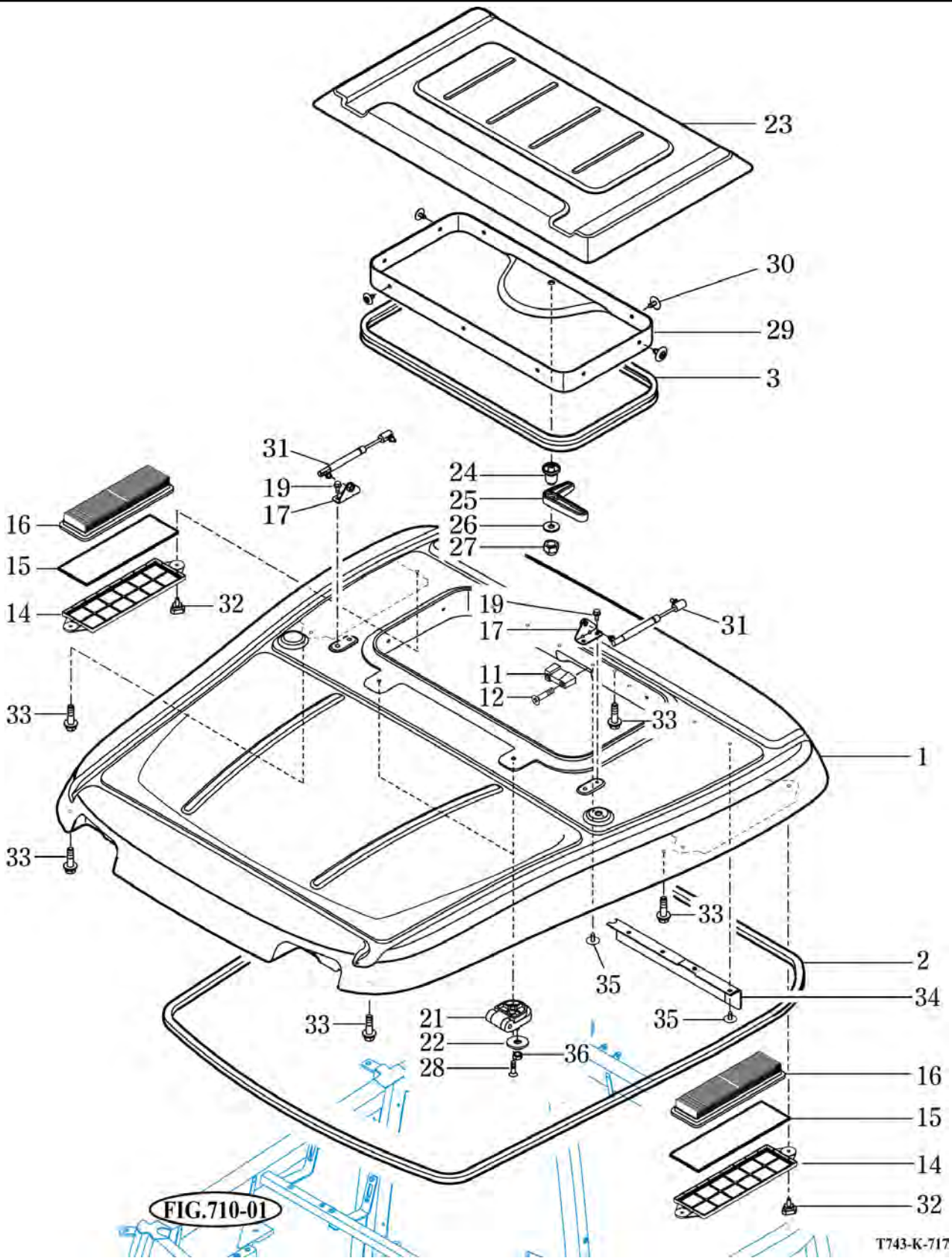
P1

Year

2016



T754SC



NOTE

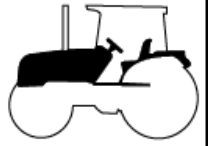
FIG 718

CABIN INTERIOR

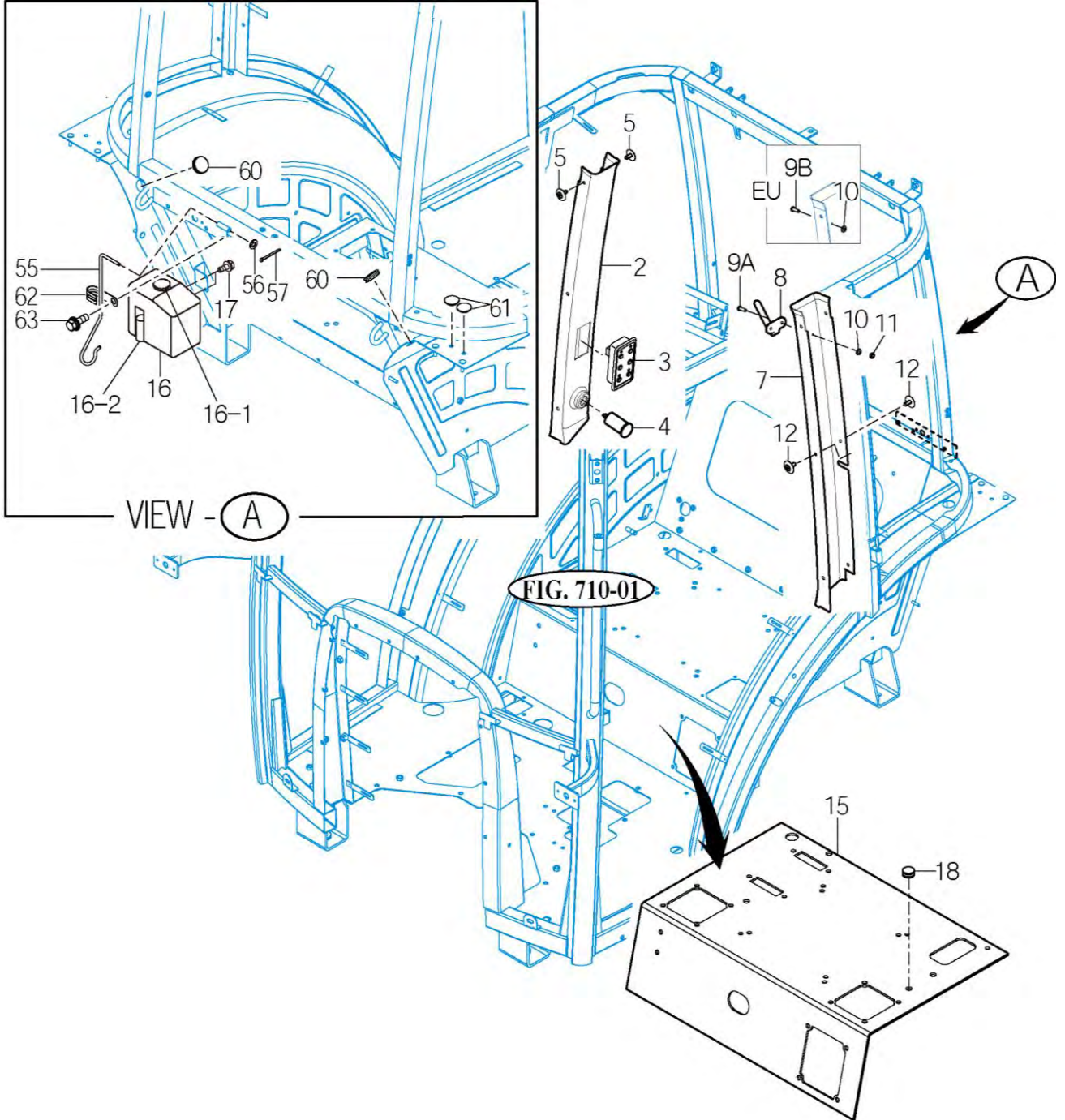
P1

Year

2016



T754SC



T724-K-718

NOTE

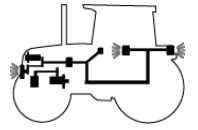
FIG 801

BATTERY & MOUNTING

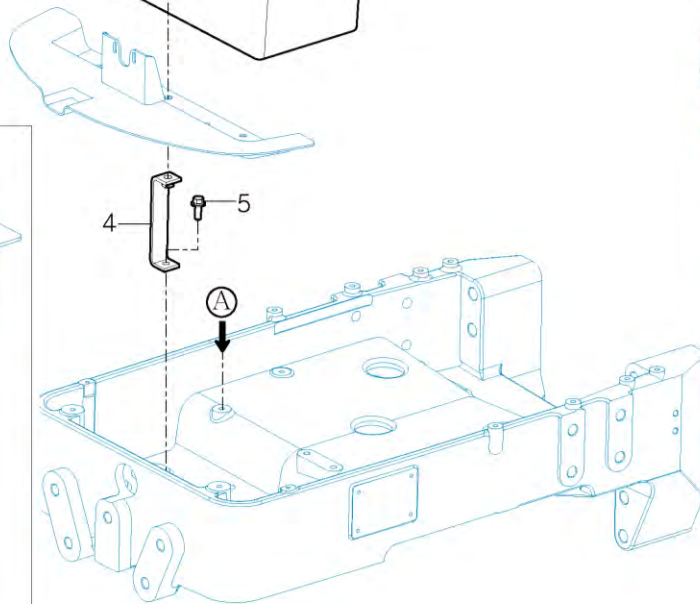
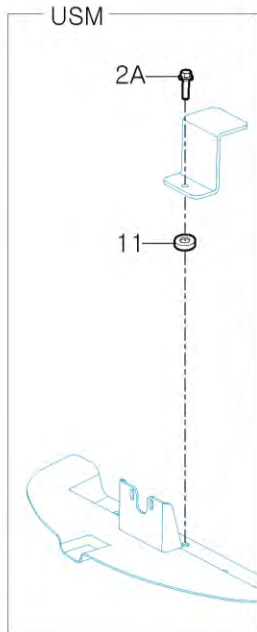
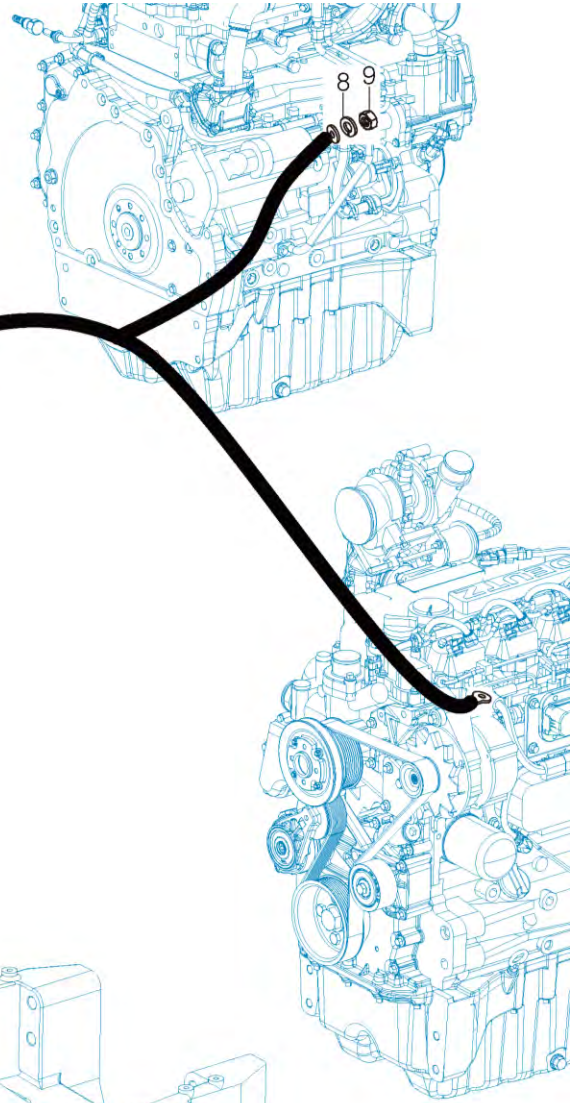
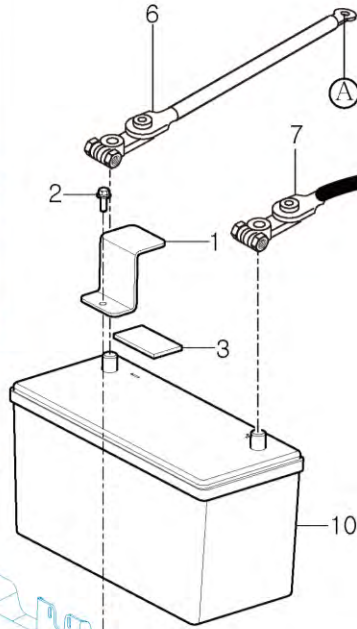
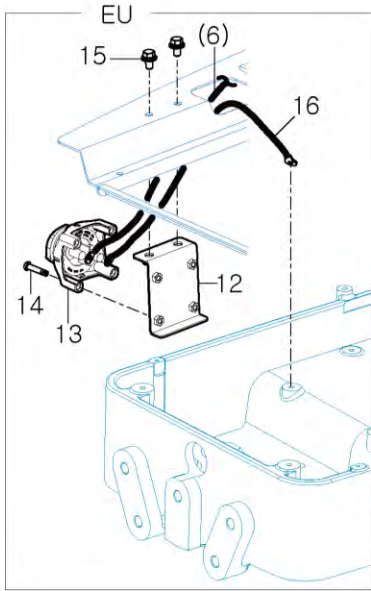
P1

Year

2016



T754SC



NOTE

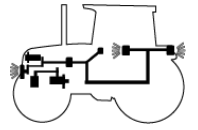
FIG 802

HARNESS

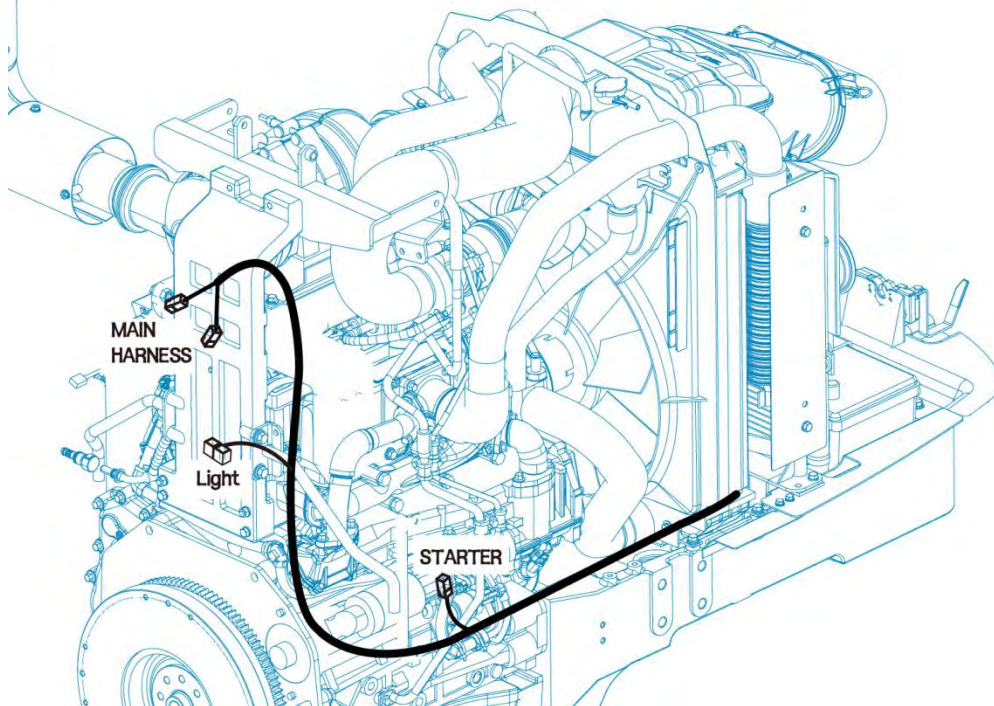
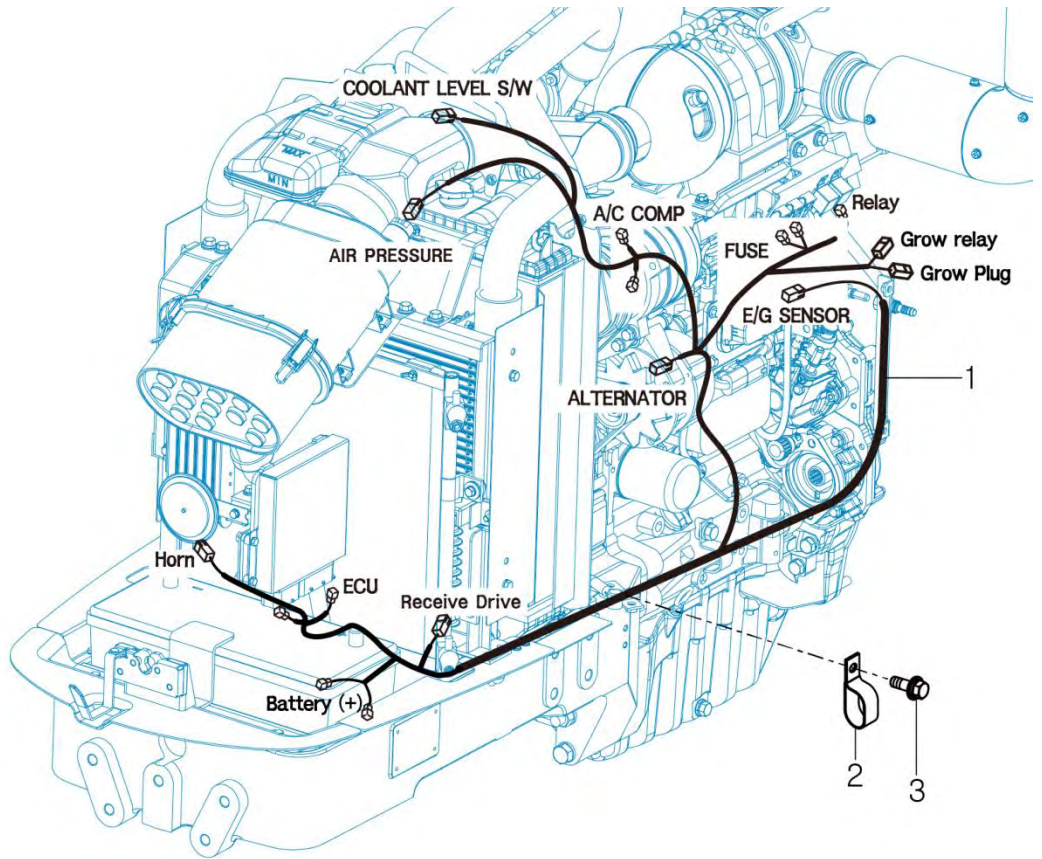
P1

Year

2016



T754SC



NOTE

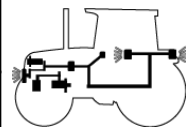
FIG 803

LIGHT & BACK LAMP

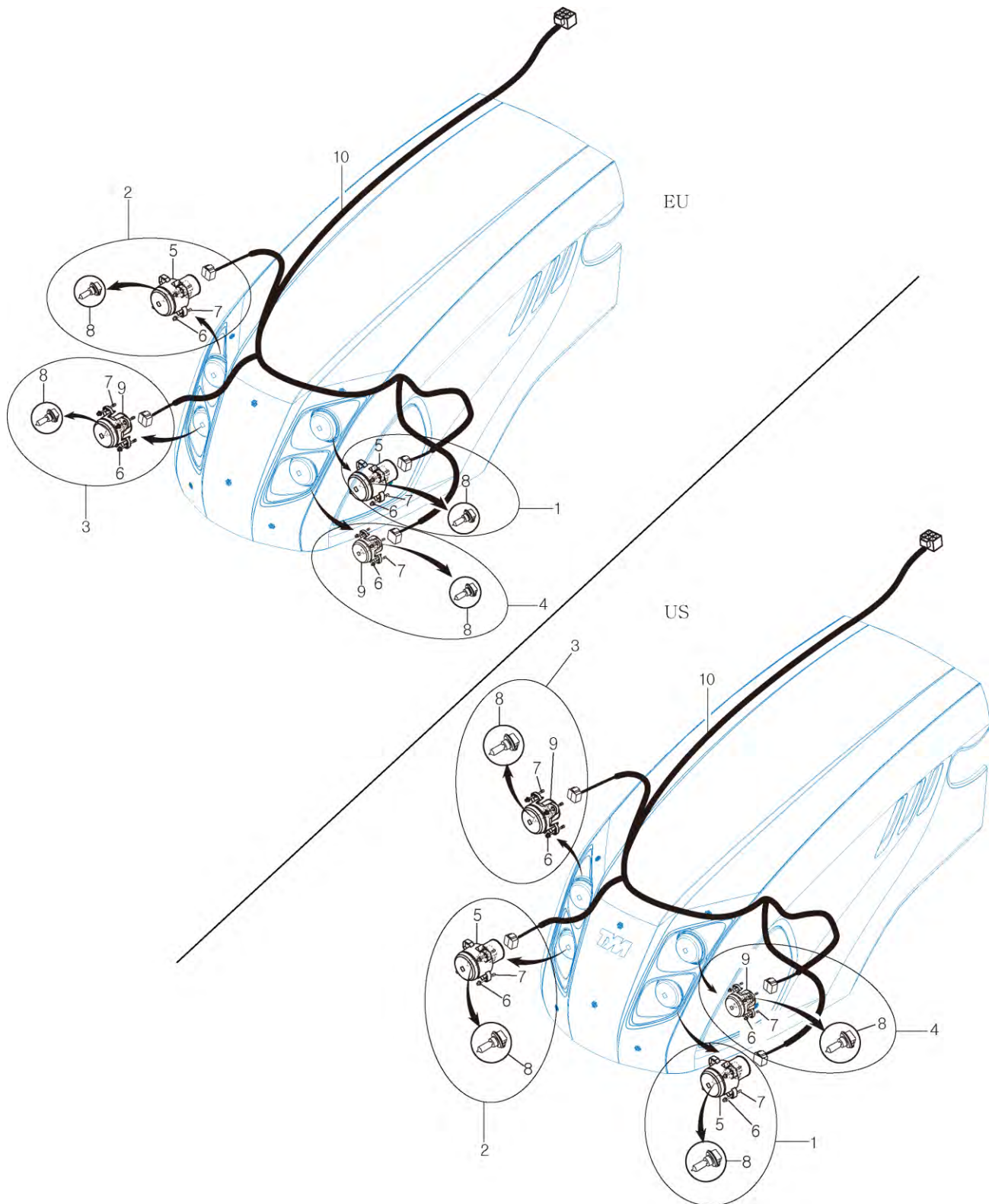
P1

Year

2016



T754SC



NOTE

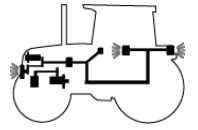
FIG 804

INSTRUMENT PANEL

P1

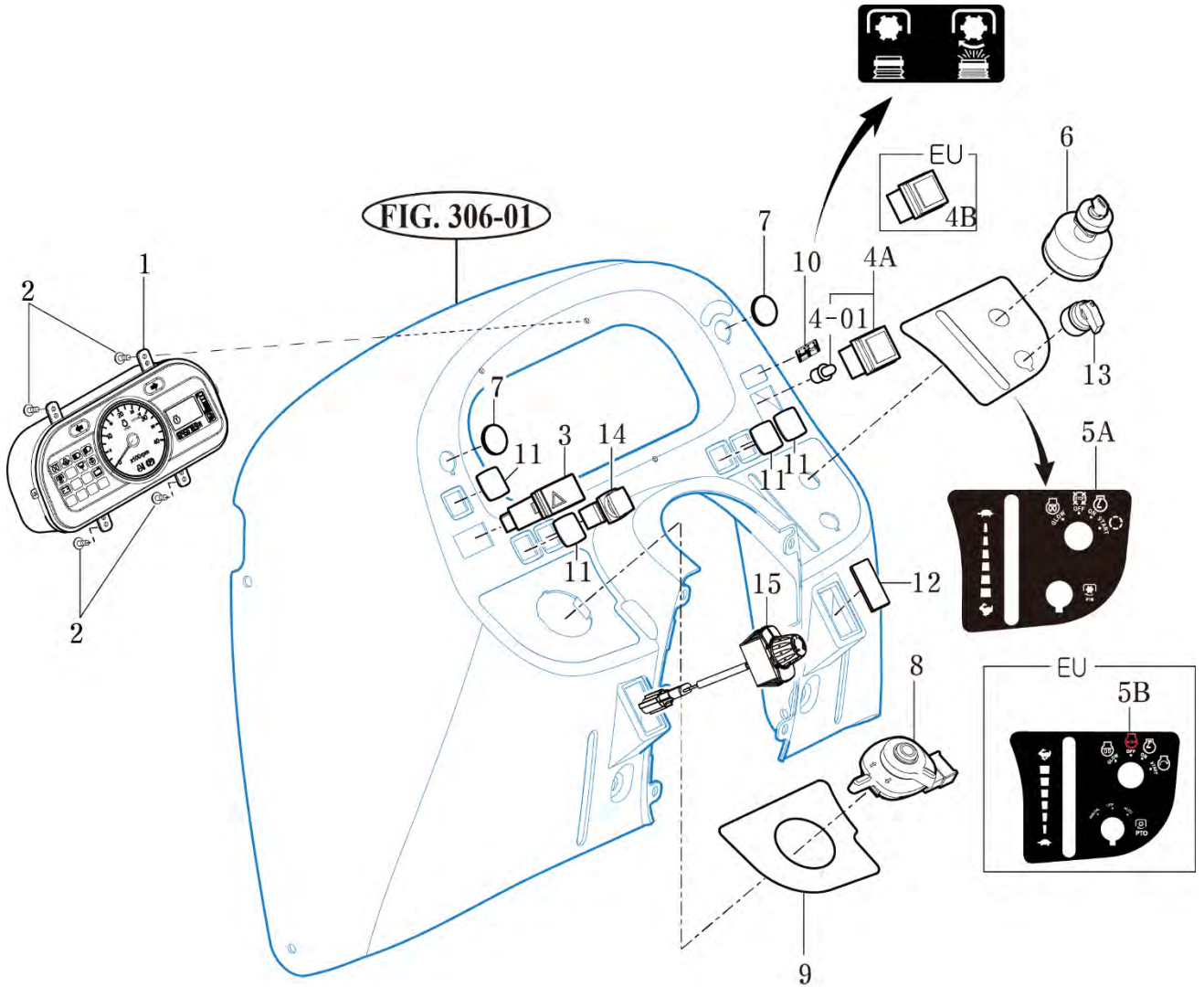
Year

2016



T754SC

FIG. 306-01



T754-K-804

NOTE

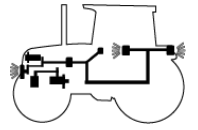
FIG 805

ELECTRIC SYSTEM (1)

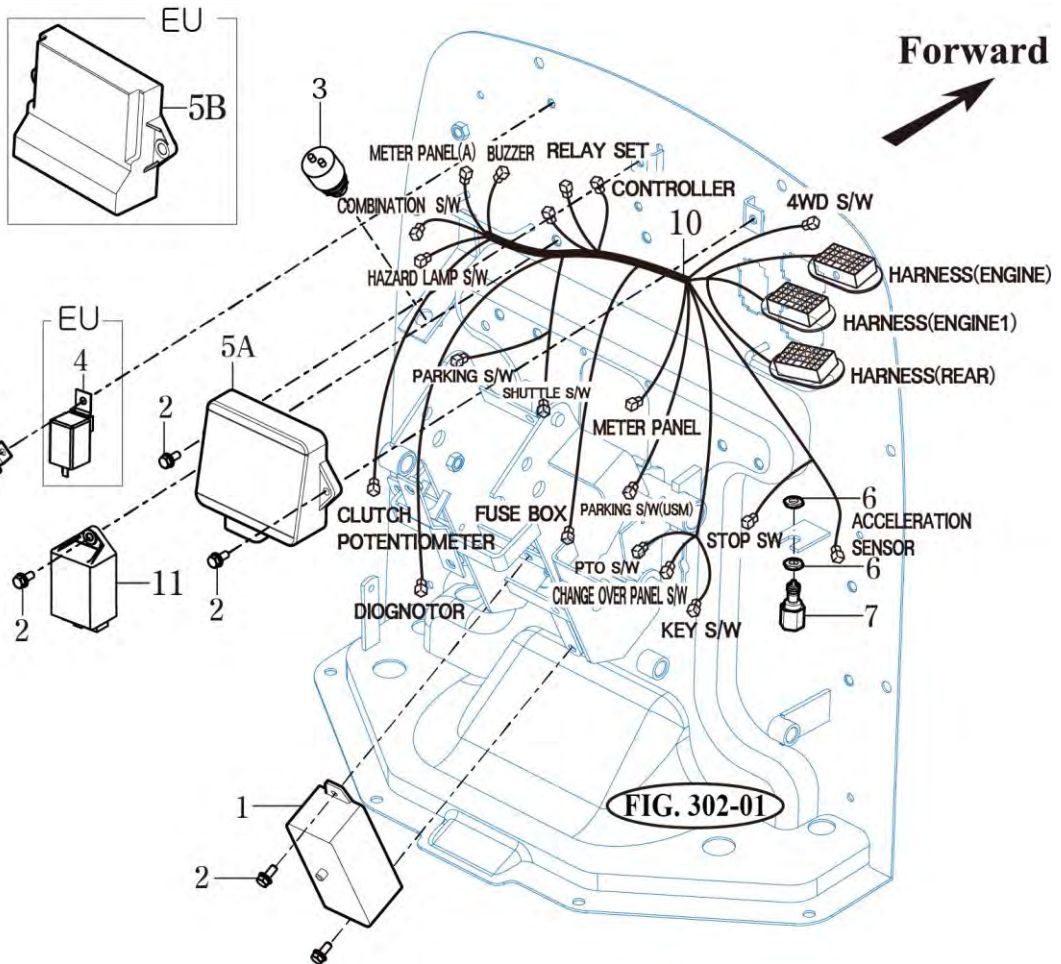
P1

Year

2016

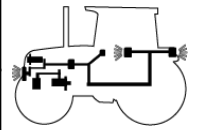


T754SC

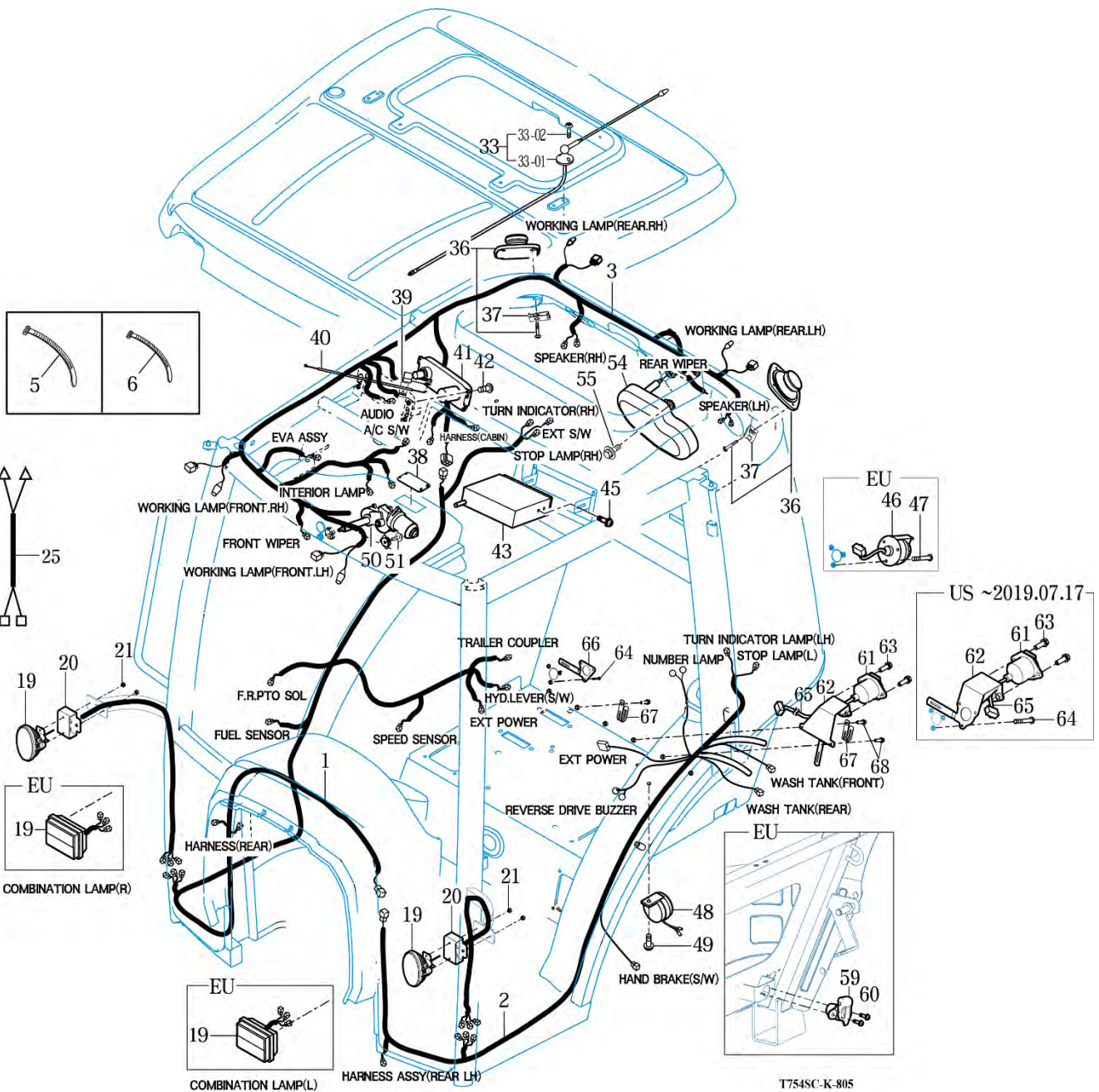


T754SC-K-805

NOTE



T754SC



T754SC-K-805

NOTE

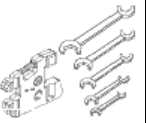
FIG 901

TOOL & ACCESSORY

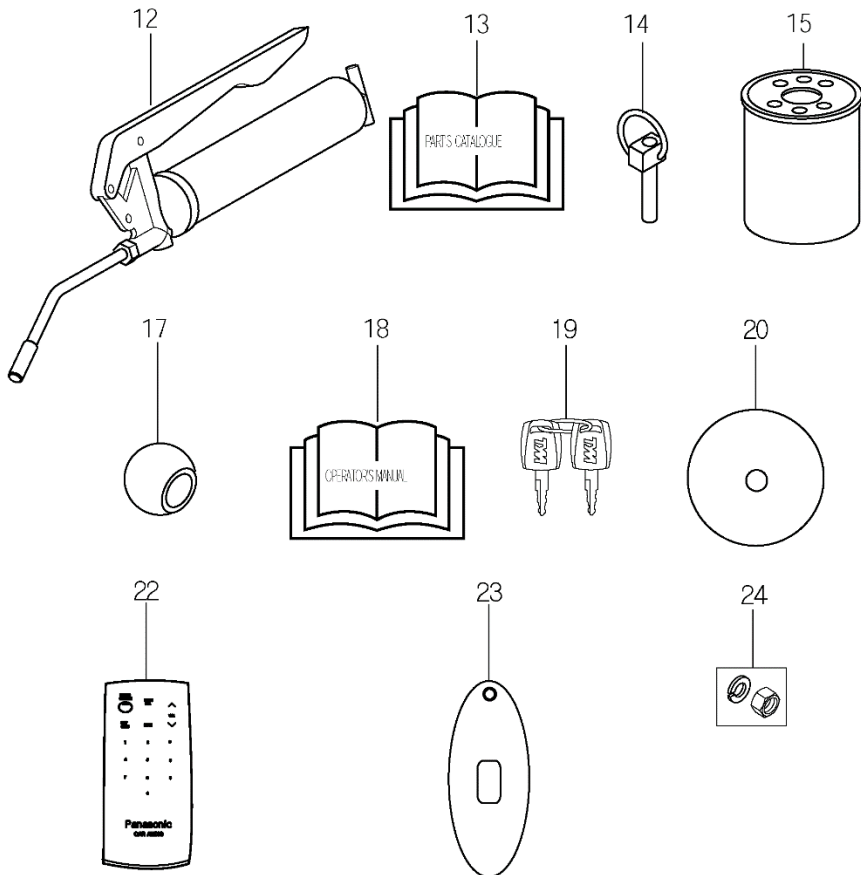
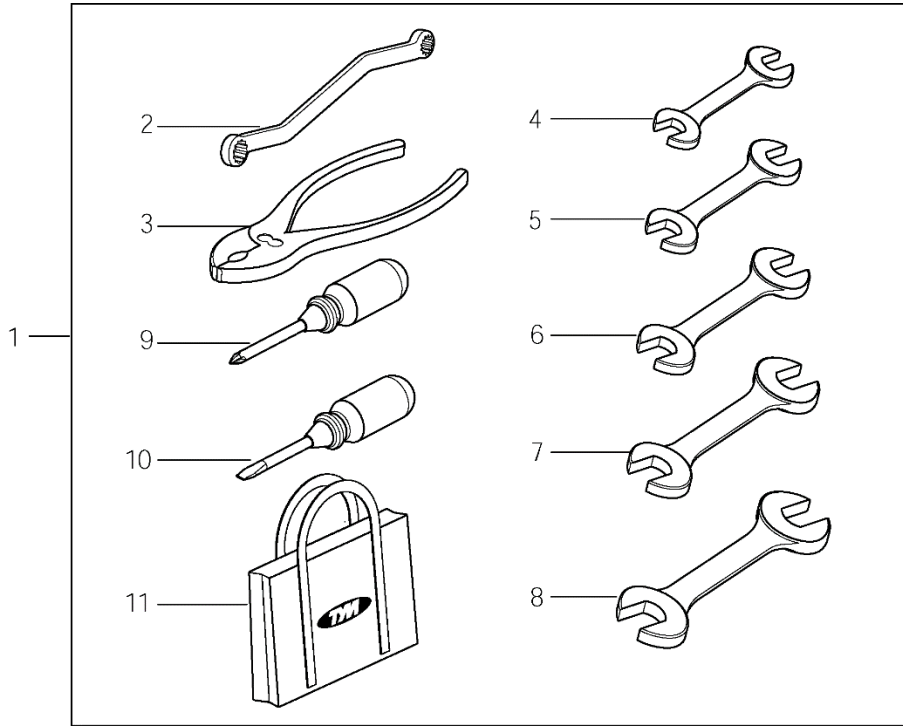
P1

Year

2016

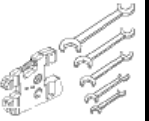


T754SC



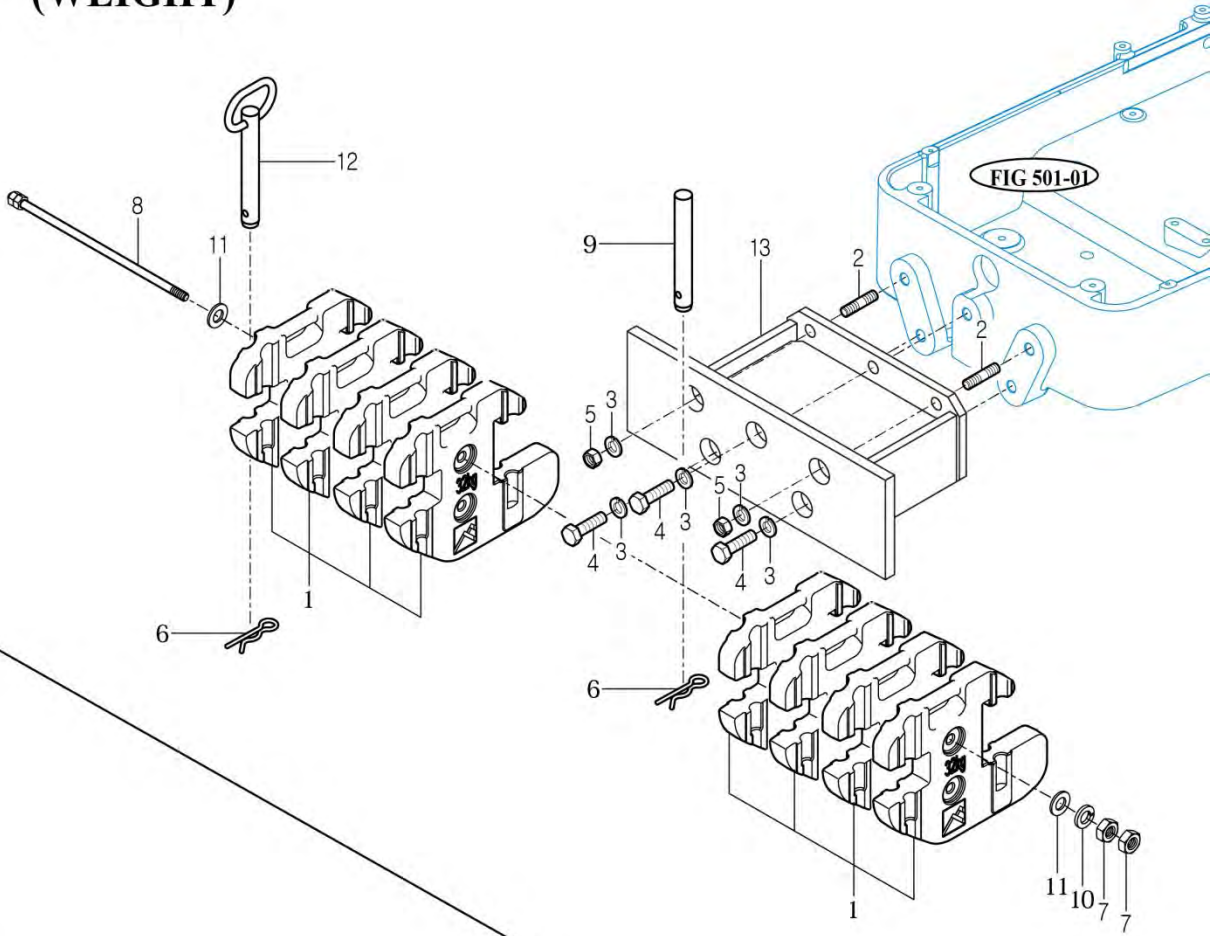
T754-E-901

NOTE

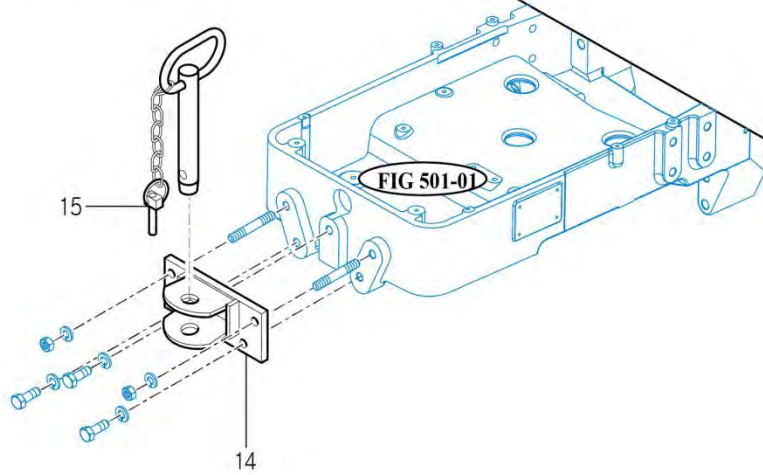


T754SC

(WEIGHT)



(TOWING HOOK)



NOTE

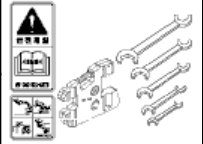
FIG 903

LABEL

P1

Year

2016



T754SC

Inner/Outer air Ventilation

- When grills of rear and both sides are opened, inner air will ventilate in.
- For effective use, open it when operate heater or air conditioner and close when ventilate fresh air.

1220-904-122-1

18

25

Power Shuttle

34

T754

51



⚠ DANGER

Do not ride except operator.

1220-910-016-0

6

⚠ CAUTION

Do not touch while the system is hot. It cause serious burns.

1220-910-026-0

33

T754

MODEL: _____

TYPE: _____

ENGINE: _____

SERIAL NO.: _____

MANUFACTURER: TONG YANG MOOLSAN CO.,LTD

ADDRESS : ZHONGNENG-DONGGONGHWA-GUJELUKHA

TEL : 82-2-3014-2000

32B

TONGYANGMOOLSAN CO.,LTD.

VIN Number: _____

EU Type-Approval Number: _____

Category: _____

Category	Total
A-1	10
B-1	10
B-2	10
B-3	10
B-4	10
B-5	10
B-6	10
B-7	10
B-8	10
B-9	10
B-10	10

1220-910-026-0

32A

⚠ WARNING

Do not refuel the tractor while smoking or near naked flame or sparks, always stop engine before refueling tractors.

1220-910-026-0

17



93

⚠ WARNING

Do not remove radiator cap while engine is hot. Hot steam will injure you.

1220-910-015-0

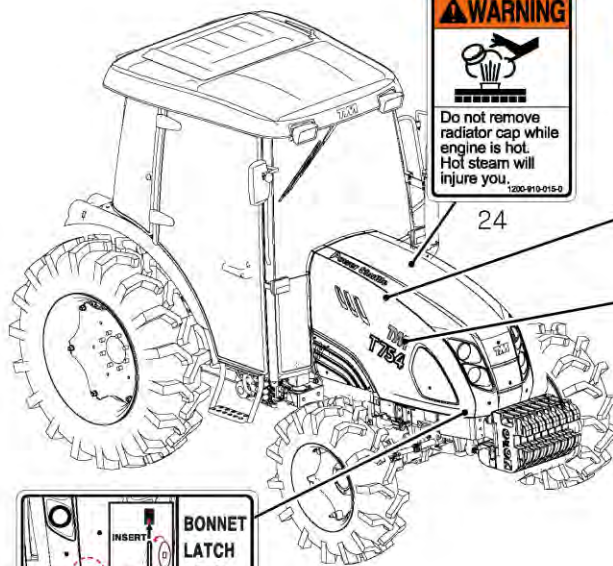
24

⚠ CAUTION

Keep hands and clothing away from rotating fan and belts to prevent serious injury.

1220-910-012-0

23



52

BONNET LATCH OPEN

INSERT

OPEN

1220-910-026-0

94

NOTE

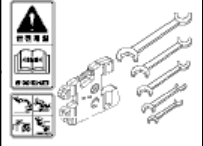
FIG 903

LABEL

P2

Year

2016



T754SC

SPEED TABLES									
OPERATOR	TRAILER PLATE	PLATE NO.	PLATE NO.	PLATE NO.	PLATE NO.	PLATE NO.	PLATE NO.	PLATE NO.	PLATE NO.
0	1	2	3	4	5	6	7	8	9
0	1	2	3	4	5	6	7	8	9

* Don't work the tractor except under heavy work at creep on.

 * The data reported in this publication are also subject to variation and consequently are not.

 1601-901-002-0

⚠ DANGER

Periodic ventilation should be made to avoid suffocation while heating an air conditioning is used. Sleeping in the cab is prohibited.

⚠ WARNING

Always fasten Your seat belt.

⚠ WARNING

1200-910-016-6

⚠ WARNING

LOCK → UNLOCK
LOCK BUTTER

Push the button to lock position with physical lever is neutral whenever the implement is not operation.

⚠ WARNING

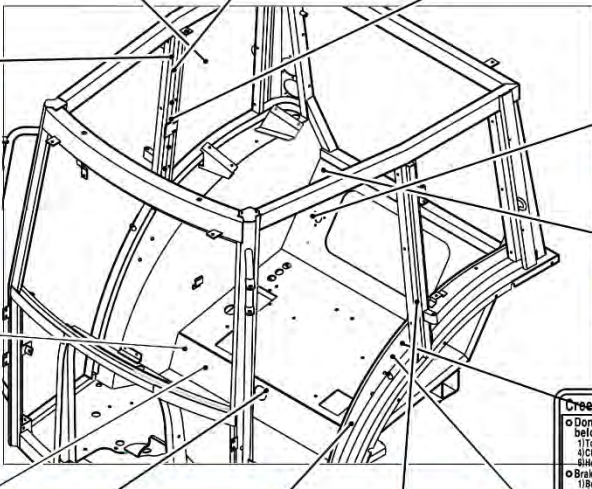
Operator's manual

⚠ WARNING

Never use the diff-lock at high speed or on the road as this can cause rollover and injury.

⚠ WARNING

Do not use the sub shift lever at "H" position when driving backward.



⚠ WARNING

Stay clear of raised Boom and bucket.

⚠ WARNING

Breathing diesel engine exhaust exposes you to chemicals known to the State of California to cause cancer and birth defects or other reproductive harm.

Always start and operate the engine in a well-ventilated area.

Use good visibility or lamps with the exhaust system.

Do not idle the engine except as necessary.

For more information go to www.P65warnings.ca.gov/diesel

⚠ CAUTION Remote hydraulic valve instruments

Remote hydraulic valve instruments should be used only for the intended purpose. Do not use for any other purpose. Do not use for any purpose that may cause injury or damage to the tractor or implement.

Creep speed Operation/warning

- Do not use creep speed as shown below works.
- 1) Low Loads 2) Front loader 3) Side work 4) Civil Engineering work 5) In & out the jobsite 6) Heavy industry
- Brake engagement at creep speed.
- Be sure to depress clutch pedal before depress brake pedal.
- Do not depress brake strongly as shaft reduction ratio of creep speed is very high and high torque.

⚠ WARNING

Cancer and Reproductive Harm

www.P65Warnings.ca.gov

⚠ WARNING

Always use the lock to lock when:

- Travelling on the road.
- Replacing blades on an implement.
- Making adjustment to an implement.

Sudden dropping of an implement can cause serious injury or death.

⚠ WARNING

Always apply the park brake when parking.

Failure to do so can cause accidents and damages.

⚠ WARNING

Do not use the sub shift lever at "H" position when driving backward.

⚠ WARNING

82

⚠ WARNING

81

⚠ WARNING

90

⚠ WARNING

- DO NOT OIL THE RADIATOR CAP. HOT STEAM WILL INJURE YOU.
- REPLACEMENT OF THE COOLANT SHOULD BE DONE IN THE AUXILIARY TANK.

EPA REGULATION

USE ULTRA LOW SULFUR FUEL ONLY

⚠ CAUTION

Always use the correct fuel grade and type. Do not use the fuel with the tractor. Do not use the fuel with the tractor. Do not use the fuel with the tractor.

⚠ DANGER

Rotating driveline contact can cause death.

KEEP AWAY! Keep all drive line, Tractor and equipment shields in place during operation.

TONGYANGMOOLSAN CO., LTD.

SERIAL NUMBER TYPE

REG APPROVAL NO

e13

00170 U3

MODEL TRACTOR TYPE

⚠ WARNING

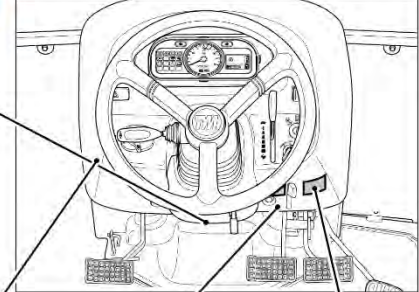
91

⚠ WARNING

82A

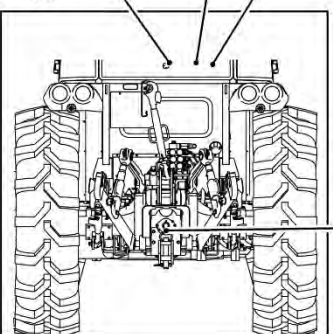
⚠ WARNING

Do not adjust the tilt handle when traveling.



⚠ WARNING

Attach implements and trailers to the tractor only using the prescribed draw-bar or hitch.



TONGYANGMOOLSAN CO., LTD.

TYPE T7-200

e13

00057 NS

T : 18 tonnes B : 19000 kg

⚠ WARNING

- Start engine only from operators seat. If safety start switch is bypassed engine can start with transmission in gear.
- Do not connect or short across terminal on starter solenoid.
- Attach booster cables as shown on battery decal and operators manual.

Starting in gear causing runaway can result in serious injury.

⚠ WARNING

Do not use the accelerator lever except working on the field.

⚠ WARNING

Brake pedals must always be locked together when travelling on the highway. This will ensure uniform braking and provide maximum stopping ability sharp turns must only be made at slow speeds.

NOTE