

T25NH

## Parts Catalog

# 목 차

---

## 1. Engine PART NO. EG

FIG ENGINE ASSY	7
FIG CYLINDER BLOCK	9
FIG GEAR HOUSING	11
FIG OIL SUMP	13
FIG CYLINDER HEAD & BONNET	15
FIG EXHAUST MANIFOLD	18
FIG CAMSHAFT & DRIVING GEAR	20
FIG CRANKSHAFT & PISTON	22
FIG LUB. OIL SYSTEM	24
FIG COOLING WATER SYSTEM	26
FIG FUEL INJECTION PUMP	28
FIG GOVERNOR	30
FIG FUEL INJECTION VALVE	32
FIG FUEL FILTER	34
FIG STARTING MOTOR	36
FIG GENERATOR	38
FIG ACCESORY	40

## 2. Engine Accessories PART NO. T2

FIG AIR CLEANER	43
FIG RADIATOR	45
FIG MUFFLER	47
FIG FUEL TANK & FUEL LINE	49
FIG ACCELERATOR	51
FIG OIL COOLER	53

## 3. Clutch/Brake/Steering PART NO. T3

FIG FLYWHEEL COVER	56
FIG SPEED CONTROL	58

FIG BRAKE	61
FIG BRAKE PEDAL & LINKAGE	63
FIG STEERING WHEEL & DASH COVER	65
FIG STEERING VALVE	67
FIG STEERING CYLINDER	69
FIG FRONT WHEEL	71
FIG REAR WHEEL	73

#### 4. Transmission PART NO. T4

FIG INPUT SHAFT	76
FIG HST	78
FIG 4WD DRIVE GEAR	80
FIG RANGE GEARS	82
FIG P.T.O DRIVE SHAFT	84
FIG P.T.O SHAFT	86
FIG DIFF LOCK	88
FIG REAR TRANSMISSION CASE	90
FIG REAR AXLE HOUSINGS	92
FIG RANGE SHIFT LEVER	94
FIG P.T.O CHANGE LEVER	96
FIG 4WD CHANGE LEVER	98

#### 5. Front Axle PART NO. T5

FIG FRAME	101
FIG FRONT DIFFERENTIAL GEARS & SHAFT	103
FIG FRONT AXLE HOUSING	105
FIG FRONT GEAR CASE (1)	107
FIG FRONT GEAR CASE (2)	109

#### 6. Hydraulic/3P-Link PART NO. T6

FIG CYLINDER CASE	112
FIG LIFT ARM	114
FIG FLOW CONTROL VALVE	116
FIG CONTROL VALVE LINKAGE	118
FIG MAIN CONTROL VALVE	120

FIG POSITION LEVER LINKAGE	122
FIG GEAR PUMP	124
FIG HYDRAULIC HOSE (1)	126
FIG HYDRAULIC HOSE (2)	128
FIG PTO VALVE	130
FIG 3-POINT LINKAGE	132
FIG JOYSTICK LEVER	135
FIG HITCH & COVER	137
FIG REMOTE CONTROL VALVE	139

## 7. Sheet Metal & Cabin PART NO. T7

FIG BONNET	142
FIG DASH PANEL	144
FIG FLOOR	146
FIG SEAT	149
FIG ROPS	151
FIG CAB FRAME & DOOR(OPTION)	153
FIG FRONT GLASS(OPTION)	155
FIG SIDE & REAR GLASS(OPTION)	157
FIG ROOF(OPTION)	159
FIG HEATER(OPTION)	161
FIG INTERIOR PART(OPTION)	163
FIG SEAL(OPTION)	165
FIG FRONT & REAR MOUNTING(OPTION)	167

## 8. Electrical System PART NO. T8

FIG BATTERY & MOUNTING	170
FIG LIGHTS	172
FIG INSTRUMENT PANEL	174
FIG ELECTRIC SYSTEM	176
FIG HARNESS	178
FIG HARNESS	180

## 9. Label/Option PART NO. T9

FIG TOOL & ACCESSORY	183
----------------------	-----



FIG LABEL	185
FIG OPTION	187
FIG MID P.T.O OPTION	189

## 1. Engine PART NO. EG

FIG ENGINE ASSY	7
FIG CYLINDER BLOCK	9
FIG GEAR HOUSING	11
FIG OIL SUMP	13
FIG CYLINDER HEAD & BONNET	15
FIG EXHAUST MANIFOLD	18
FIG CAMSHAFT & DRIVING GEAR	20
FIG CRANKSHAFT & PISTON	22
FIG LUB. OIL SYSTEM	24
FIG COOLING WATER SYSTEM	26
FIG FUEL INJECTION PUMP	28
FIG GOVERNOR	30
FIG FUEL INJECTION VALVE	32
FIG FUEL FILTER	34
FIG STARTING MOTOR	36
FIG GENERATOR	38
FIG ACCESORY	40

FIG T25NH	ENGINE ASSY	년/월 Year/Month 2021-12
--------------	-------------	------------------------------

# ENGINE

NOTE	
------	--



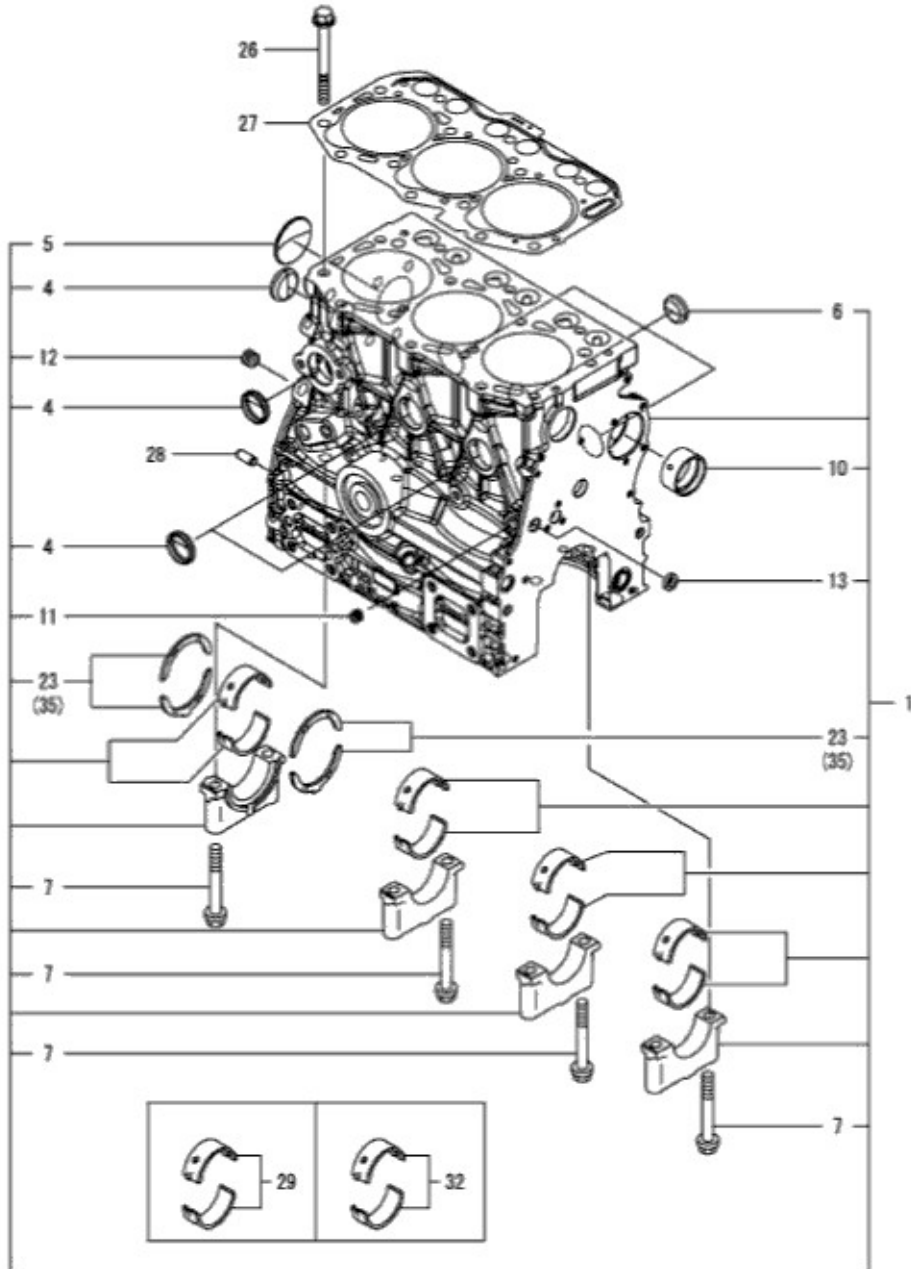
FIG

T25NH

CYLINDER BLOCK

년/월  
Year/Month

2021-12



NOTE

<b>FIG</b> T25NH	<b>CYLINDER BLOCK</b>	년/월 Year/Month 2021-12
---------------------	-----------------------	------------------------------

KEY NO	PART NO	DESCRIPTION	SPEC	QTY	REPAIR	EFFECTIVE DATE	REMARKS
1	119E00-01560	BLOCK ASSY, CYLINDER		1			
4	105311-01090	PLUG, 30		4			
5	119623-01250	PLUG, 45		1			
6	119285-01990	PLUG, 25		3			
7	119620-02020	BOLT, METAL CAP		8			
10	119717-02411	BUSH, CAMSHAFT		1			
11	124060-01050	PLUG, PT1/8		1			
12	124160-01910	PLUG, PT1/4		1			
13	27241-120000	PLUG, 12		1			
23	119717-02930	METAL ASSY, THRUST		2			
26	119810-01200	BOLT, CYLINDER HEAD		14			
27	119E10-01330	GASKET SET, HEAD		1			
28	129100-01580	PIN, PARALLEL 8X16		2			
29	719717-02901	METAL ASSY, MAIN		4			
32	719717-02911	METAL ASSY, MAIN .25		4			
35	119810-02941	METAL ASSY, 0.25 OS		2			

<b>NOTE</b>	
-------------	--

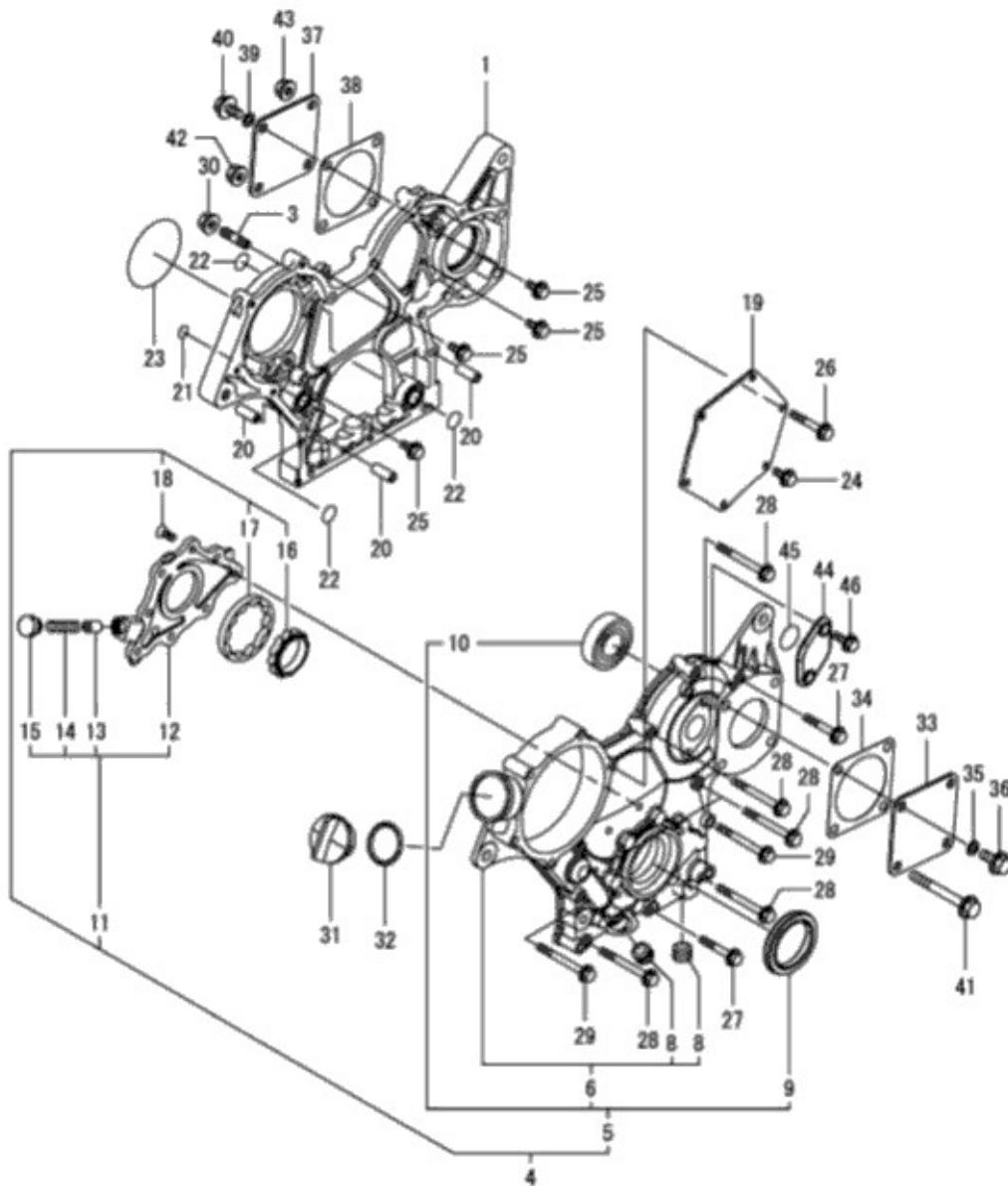
FIG

GEAR HOUSING

년/월  
Year/Month

2021-12

T25NH



NOTE

FIG		GEAR HOUSING					년/월 Year/Month		
							2021-12		
T25NH		KEY NO	PART NO	DESCRIPTION	SPEC	QTY	REPAIR	EFFECTIVE DATE	REMARKS
	1	119740-01501	CASE, GEAR			1			
	3	119717-01570	STUD			3			
	4	119751-01590	COVER ASSY, CASE			1			
	5	719751-01500	COVER ASSY, CASE			1			
	6	119751-01521	COVER, GEAR CASE			1			
	8	23876-030000	PLUG, R03			2			
	9	119717-01800	SEAL, OIL			1			
	10	24101-062024	"BEARING, BALL 6202"			1			
	11	119717-32100	COVER ASSY, PUMP			1			
	12	119717-32080	COVER, OIL PUMP			1			
	13	129900-32130	VALVE, RELIEF			1			
	14	129001-32320	SPRING			1			
	15	129001-32330	PLUG			1			
	16	119717-32110	ROTOR, INNER			1			
	17	119717-32120	ROTOR, OUTER			1			
	18	119802-32130	SCREW, M6X16			8			
	19	119717-01750	COVER, PUMP			1			
	20	119660-01911	PIPE, KNOCK 6X17			4			
	21	119624-32040	O-RING, P12.0			1			
	22	119717-32050	O-RING, P17.0			3			
	23	121850-51960	O-RING, FUEL PUMP			1			
	24	26106-060122	BOLT, M6X 12 PLATED			1			
	25	26106-060162	BOLT, M6X 16 PLATED			4			
	26	26106-060402	BOLT, M6X 40 PLATED			4			
	27	26106-060402	BOLT, M6X 40 PLATED			2			
	28	26106-060602	BOLT, M6X 60 PLATED			7			
	29	26106-060652	BOLT, M6X 65 PLATED			2			
	30	26306-080002	NUT, M8			3			
	31	124160-01751	CAP, FILLER			1			
	32	24311-000320	"O-RING, 1AP32.0"			1			
	33	124240-01871	COVER, HYDRAULIC PUMP			1			
	34	129C26-01890	GASKET, PUMP			1			
	35	22190-080002	WASHER, SEAL 8			1			
	36	26106-080142	BOLT, M8X 14 PLATED			1			
	37	124240-01871	COVER, HYDRAULIC PUMP			1			
	38	129C26-01890	GASKET, PUMP			1			
	39	22190-080002	WASHER, SEAL 8			1			
	40	26106-080142	BOLT, M8X 14 PLATED			1			
	41	26106-080702	BOLT, M8X 70 PLATED			3			
	42	26306-080002	NUT, M8			1			
	43	26306-080002	NUT, M8			2			
	44	121023-01551	COVER, TACHOMETER			1			
	45	24341-000240	O-RING, 1AS24.0			1			
	46	26106-060162	BOLT, M6X 16 PLATED			2			
NOTE									



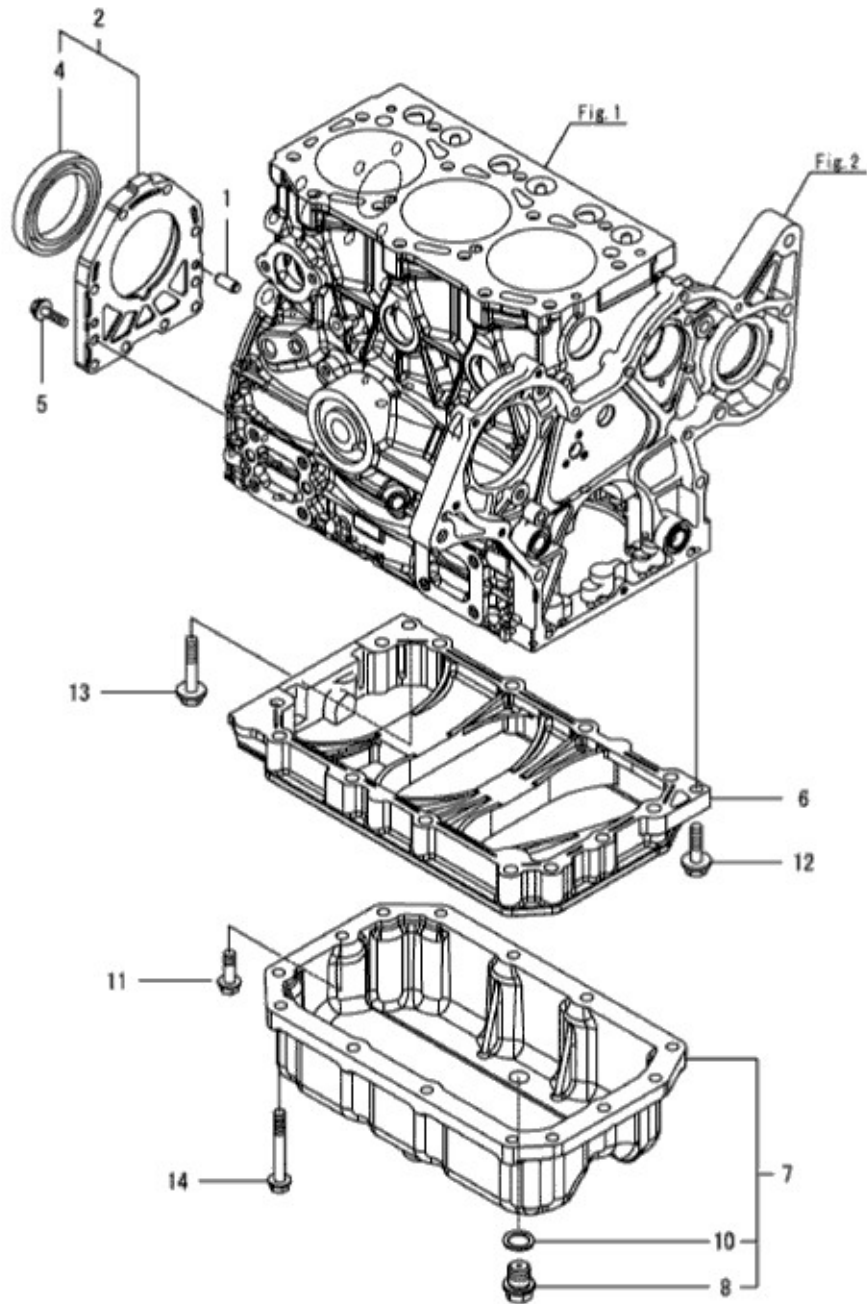
FIG

T25NH

OIL SUMP

년/월  
Year/Month

2021-12



NOTE



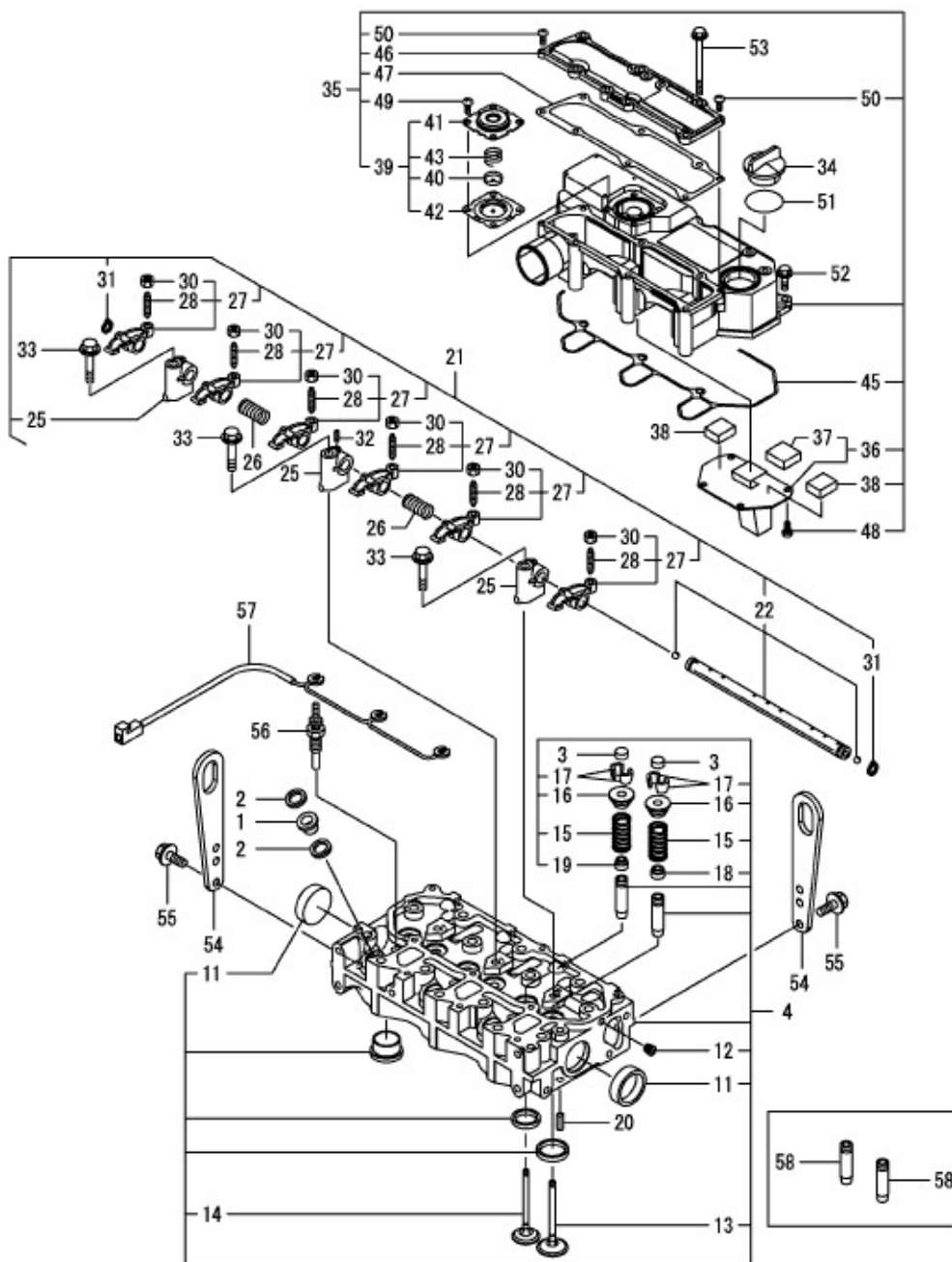
FIG

CYLINDER HEAD & BONNET

년/월  
Year/Month

2021-12

T25NH



NOTE

FIG T25NH		CYLINDER HEAD & BONNET					년/월 Year/Month	
							2021-12	
KEY NO	PART NO	DESCRIPTION	SPEC	QTY	REPAIR	EFFECTIVE DATE	REMARKS	
1	129901-11450	PROTECTOR, NOZZLE		3				
2	119600-11460	GASKET, NOZZLE		6				
3	105010-11490	CAP, VALVE		6				
4	119E10-11750	HEAD ASSY, CYLINDER		1				
11	119285-11990	PLUG, 35		2				
12	23876-005000	PLUG, R005		1				
13	119E10-11100	VALVE, INTAKE		3				
14	119E10-11110	VALVE, EXHAUST		3				
15	119717-11131	SPRING, VALVE		6				
16	129508-11180	RETAINER, SPRING		6				
17	119717-11190	COTTER, VALVE		12				
18	119717-11340	SEAL, VALVE STEM		3				
19	119717-11350	SEAL, VALVE STEM		3				
20	22351-060012	"PIN, SPRING 6.0X12"		2				
21	119717-11200	SUPPORT ASSY, ROCKER		1				
22	119717-11240	SHAFT ASSY, ARM		1				
25	119717-11260	SUPPORT, ROCKER ARM		3				
26	119620-11280	SPRING, SHAFT		2				
27	119717-11650	ARM ASSY, ROCKER INT		6				
28	129150-11230	SCREW, VALVE ADJUST		6				
30	129150-11750	NUT, M8XP1.0		6				
31	22242-000120	RING, 12		2				
32	119260-11270	SCREW		1				
33	26106-080402	BOLT, M8X 40 PLATED		3				
34	124160-01751	CAP, FILLER		1				
35	119717-11381	BONNET ASSY, HEAD		1				
36	119717-03031	PLATE, BAFFLE		1				
37	119717-03070	BAFFLE, BREATHER		1				
38	119717-03070	BAFFLE, BREATHER		2				
39	119802-03100	DIAPHRAGM ASSY		1				
40	119802-03110	PLATE, DIAPHRAGM		1				
41	119802-03121	COVER, DIAPHRAGM		1				
42	119802-03131	DIAPHRAGM, BREATHER		1				
43	119802-03141	SPRING, DIAPHRAGM		1				
45	119718-11310	GASKET, BONNET		1				
46	119717-11320	COVER, BONNET		1				
47	119717-11331	GASKET, BONNET COVER		1				
48	22857-500100	SCREW, 5X10		4				
49	22857-500100	SCREW, 5X10		4				
50	22857-500160	SCREW, 5X16		2				
51	24311-000320	"O-RING, 1AP32.0"		1				
52	26106-060202	BOLT, M6X 20 PLATED		3				
53	26106-060752	BOLT, M6X 75 PLATED		6				
54	129900-07900	LIFTER, ENGINE		2				
55	26106-080162	"BOLT, M8X 16 PLATED"		4				
NOTE								



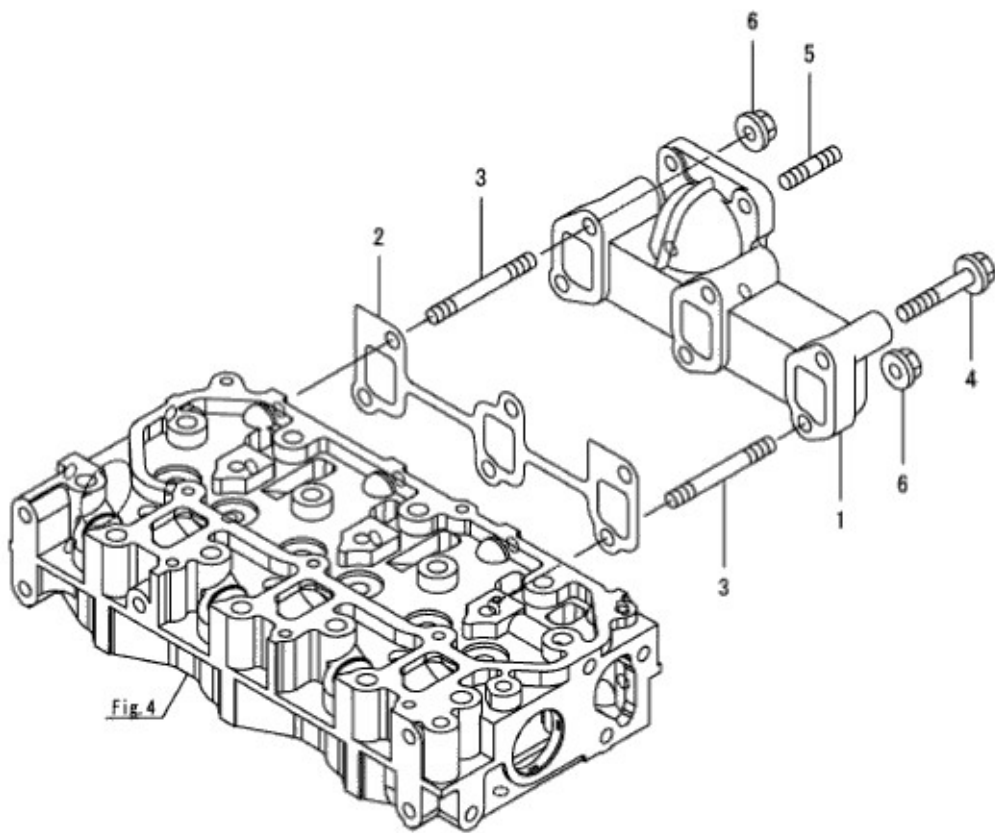
FIG

T25NH

EXHAUST MANIFOLD

년/월  
Year/Month

2021-12



NOTE



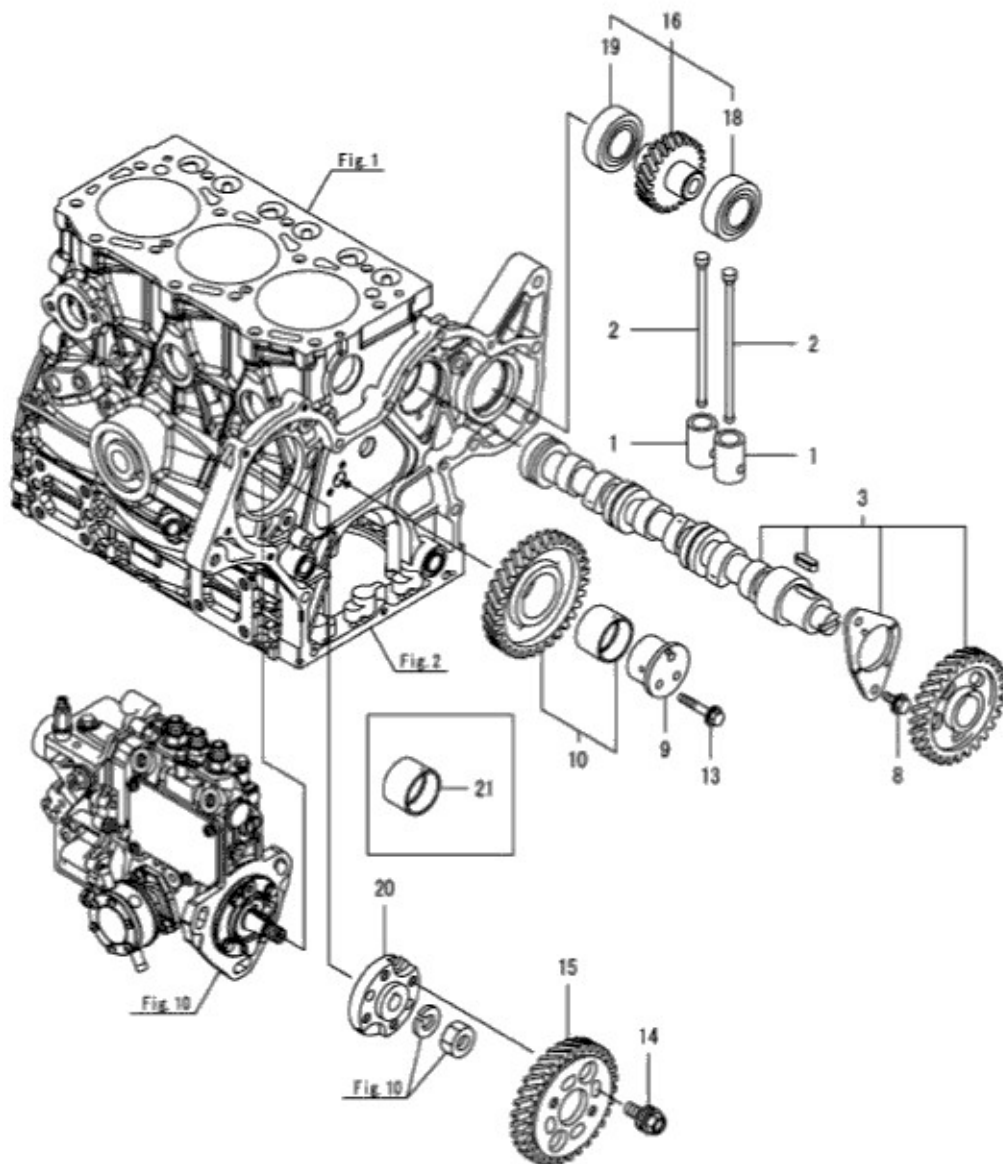
FIG

T25NH

CAMSHAFT & DRIVING GEAR

년/월  
Year/Month

2021-12



NOTE





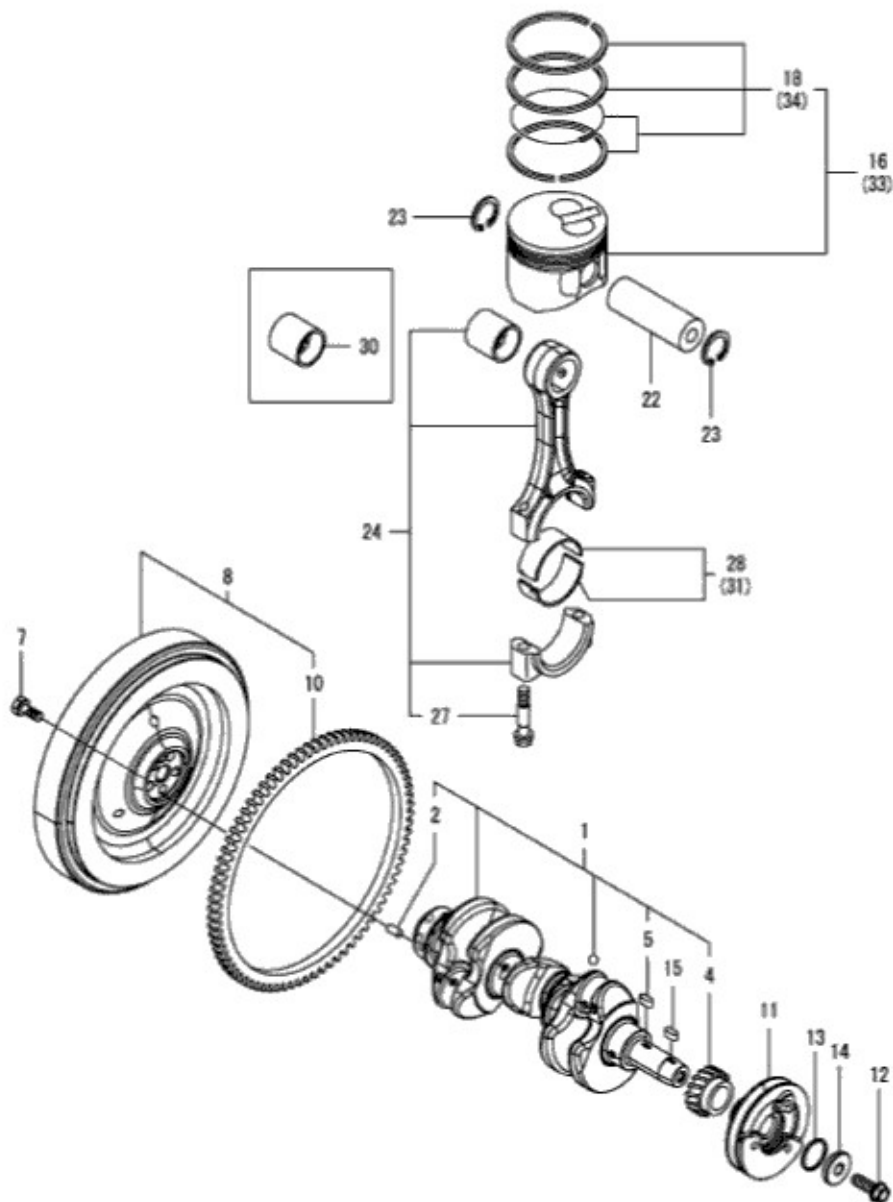
FIG

T25NH

# CRANKSHAFT & PISTON

년/월  
Year/Month

2021-12



NOTE



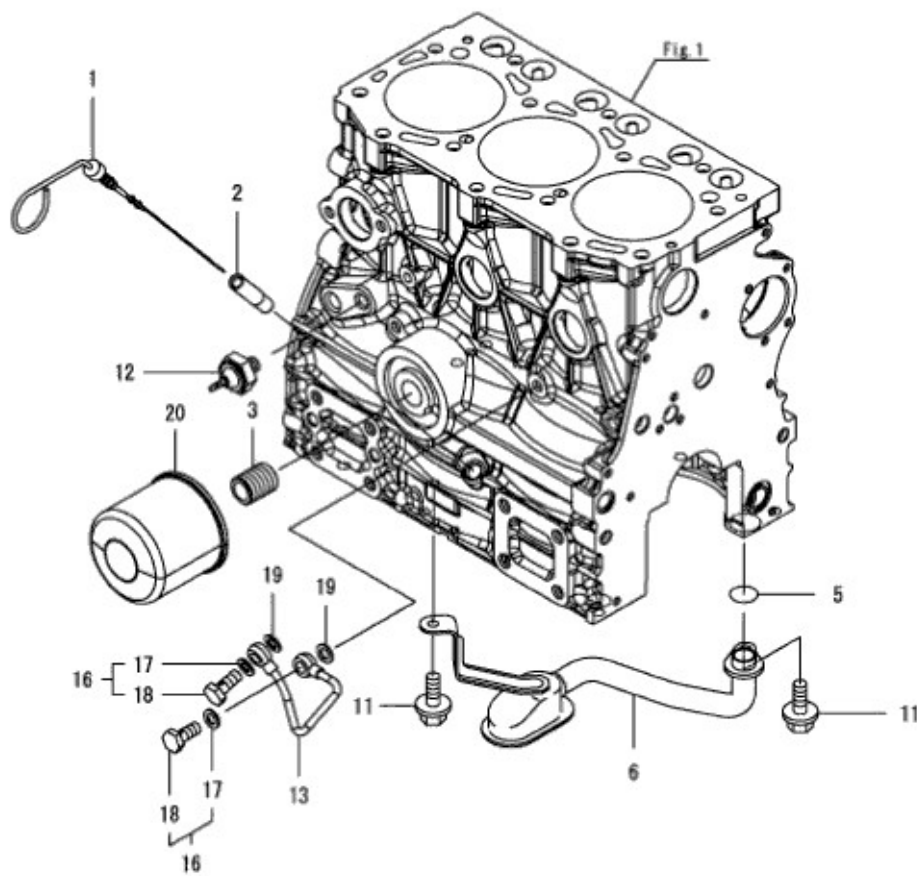
FIG

LUB. OIL SYSTEM

년/월  
Year/Month

2021-12

T25NH



NOTE



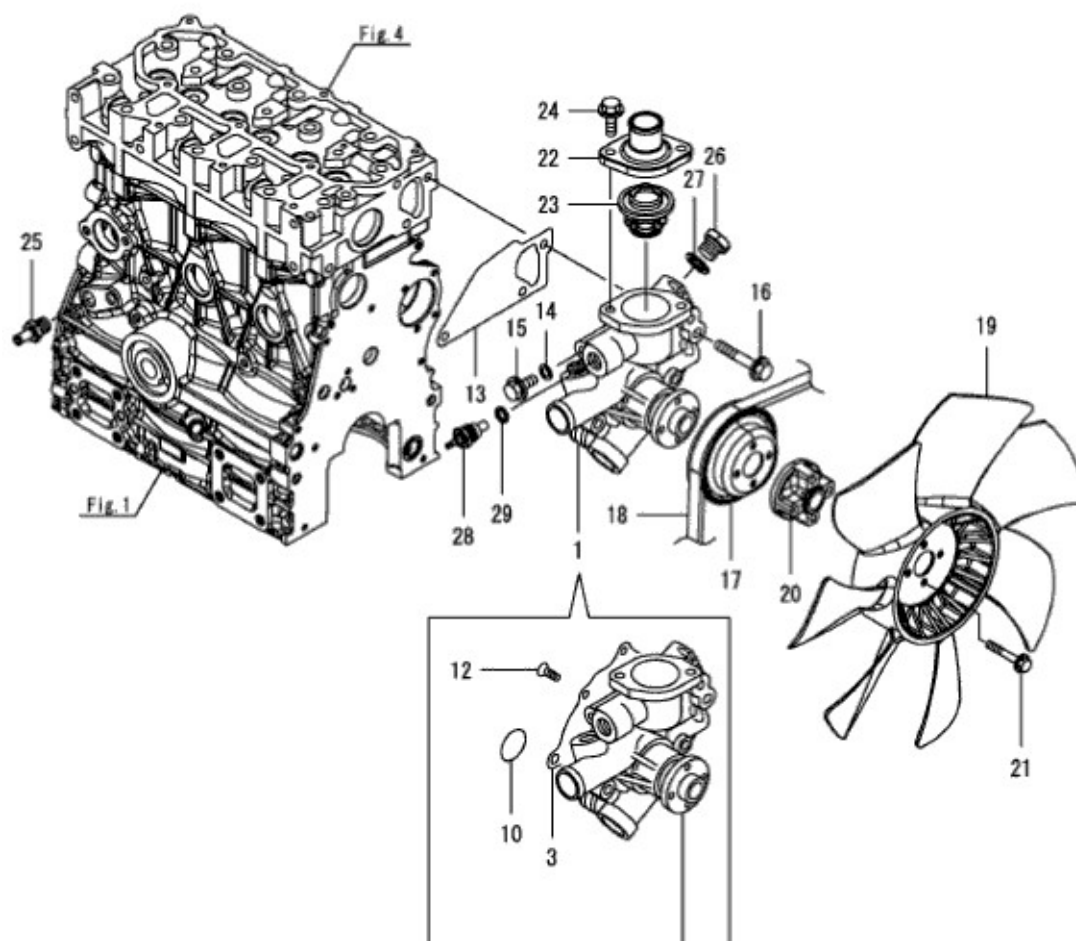
FIG

COOLING WATER SYSTEM

년/월  
Year/Month

2021-12

T25NH



NOTE



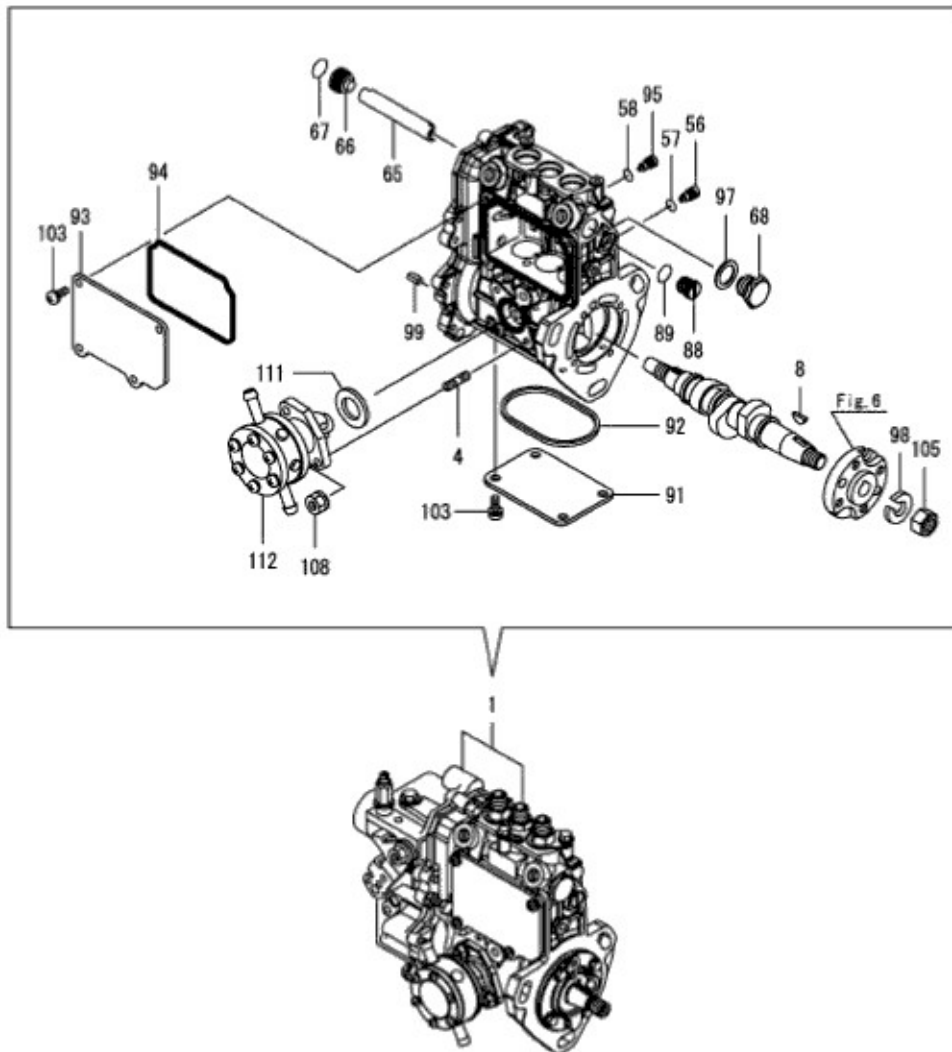
FIG

T25NH

FUEL INJECTION PUMP

년/월  
Year/Month

2021-12



NOTE









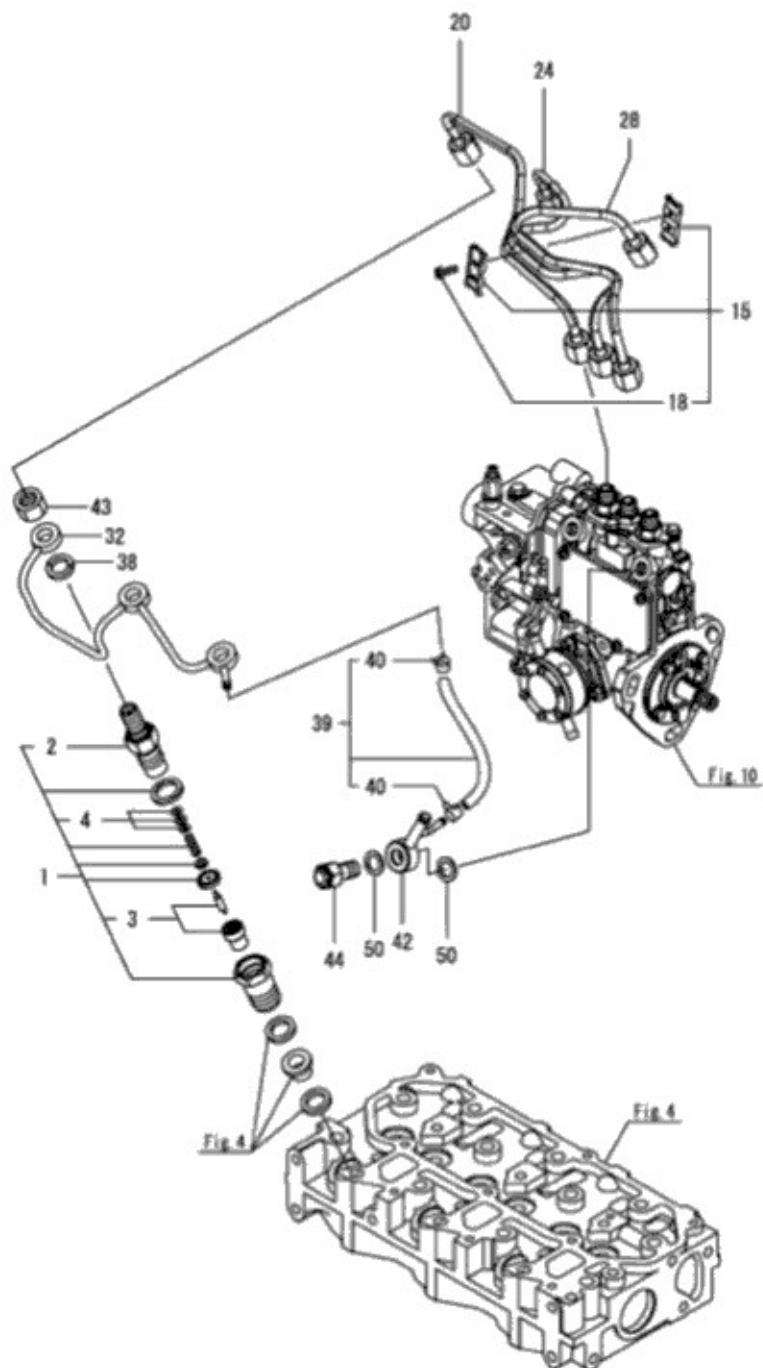
FIG

T25NH

# FUEL INJECTION VALVE

년/월  
Year/Month

2021-12



NOTE



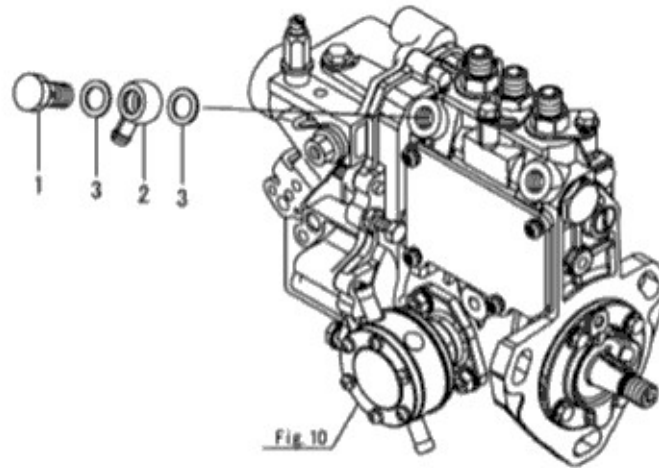
FIG

T25NH

FUEL FILTER

년/월  
Year/Month

2021-12



NOTE

FIG T25NH		FUEL FILTER					년/월 Year/Month	2021-12
KEY NO	PART NO	DESCRIPTION	SPEC	QTY	REPAIR	EFFECTIVE DATE	REMARKS	
1	103854-39140	BOLT, PIPE JOINT		1				
2	101304-59020	JOINT, PIPE 12		1				
3	22190-120002	WASHER, SEAL 12		2				
NOTE								

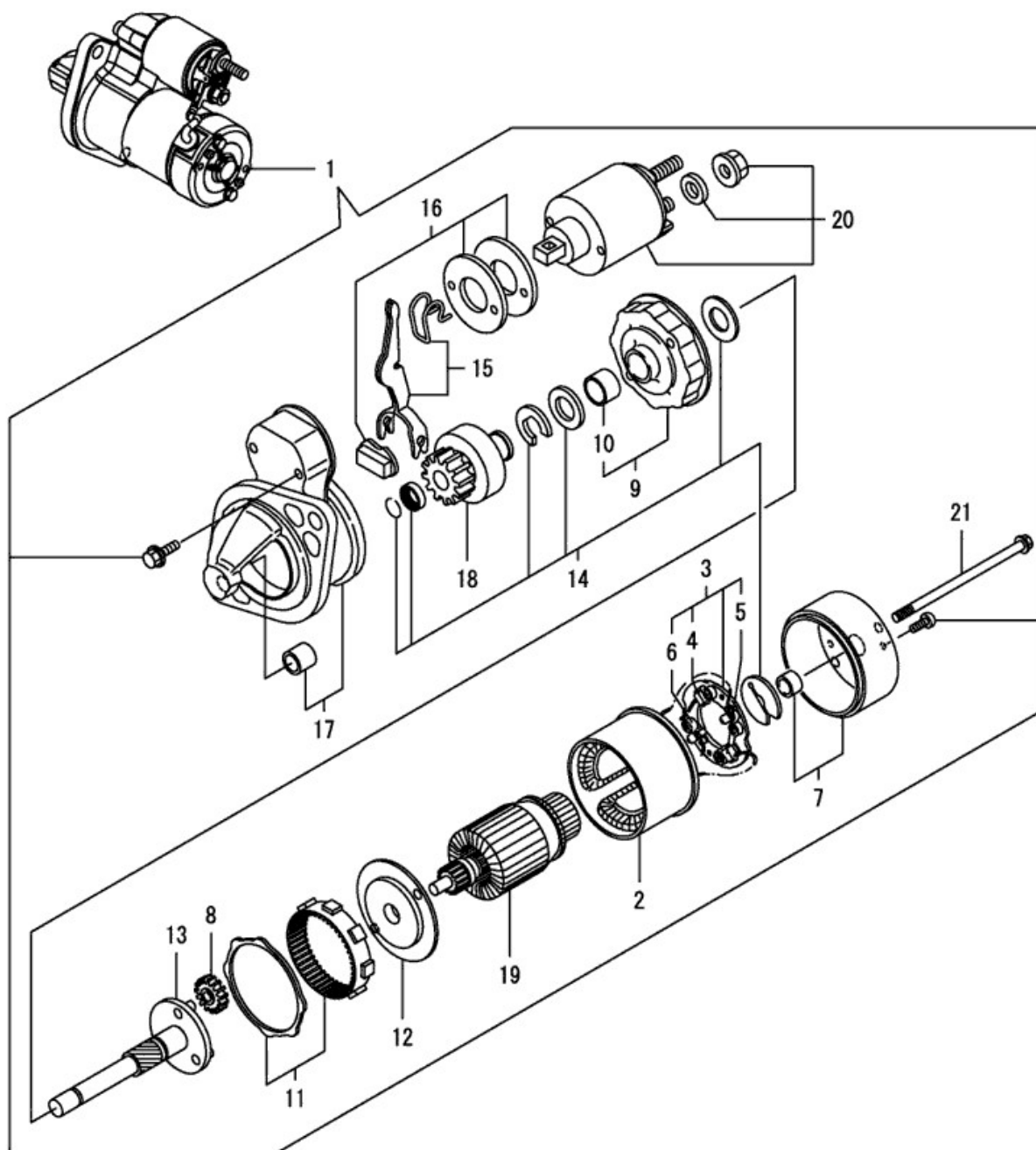
FIG

T25NH

STARTING MOTOR

년/월  
Year/Month

2021-12



NOTE



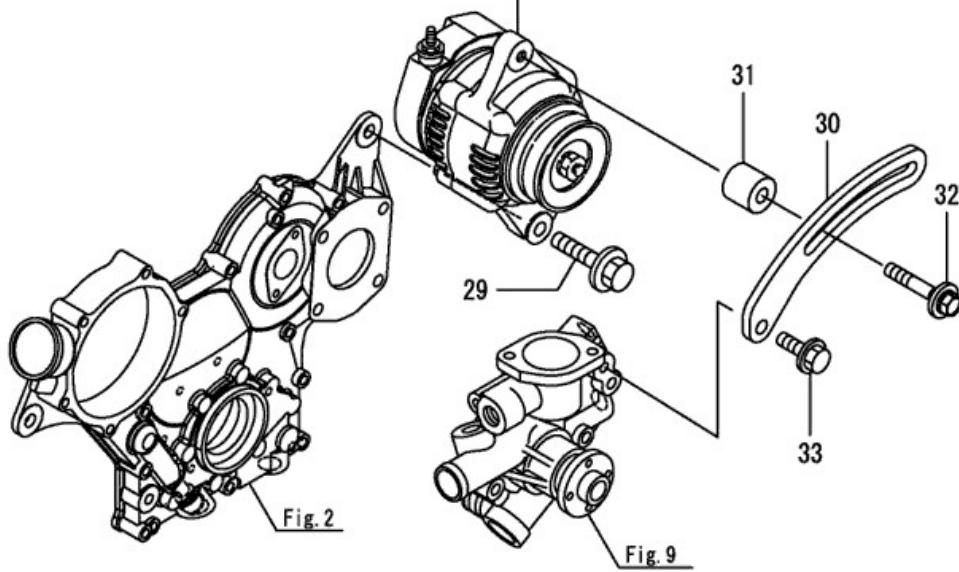
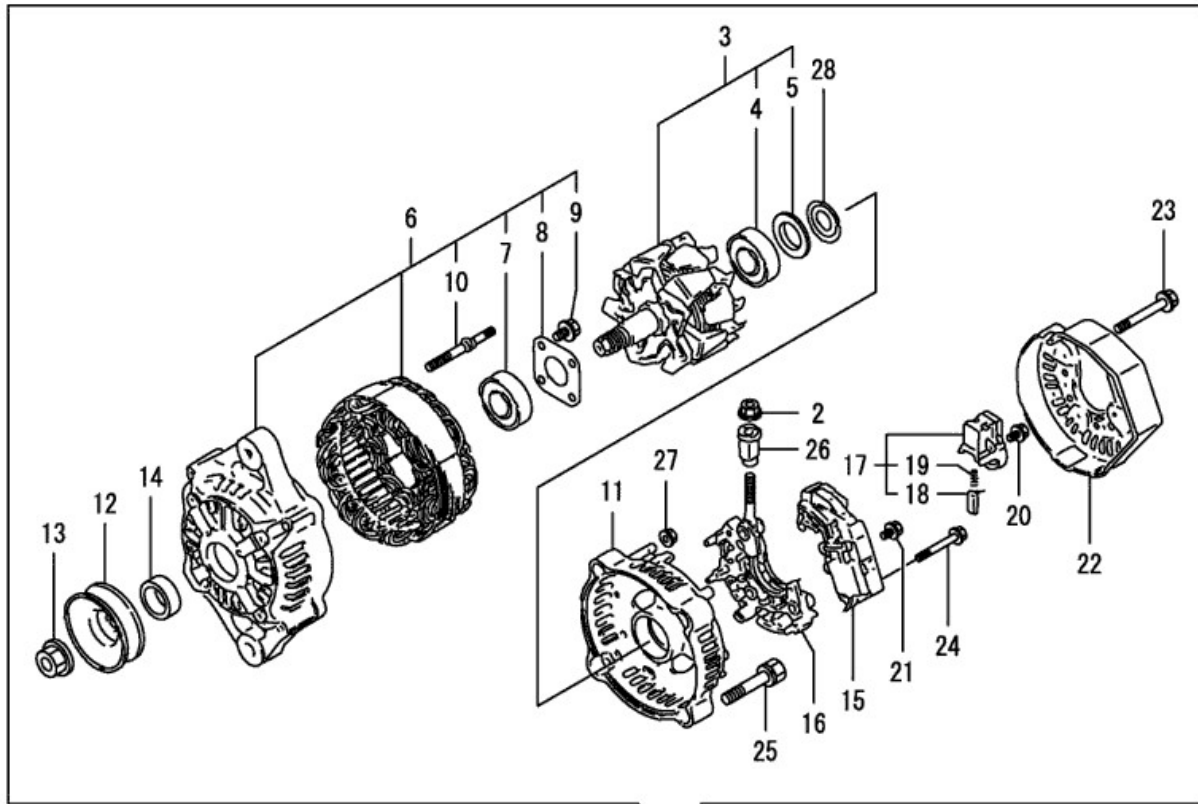


FIG

GENERATOR

년/월  
Year/Month

2021-12



NOTE



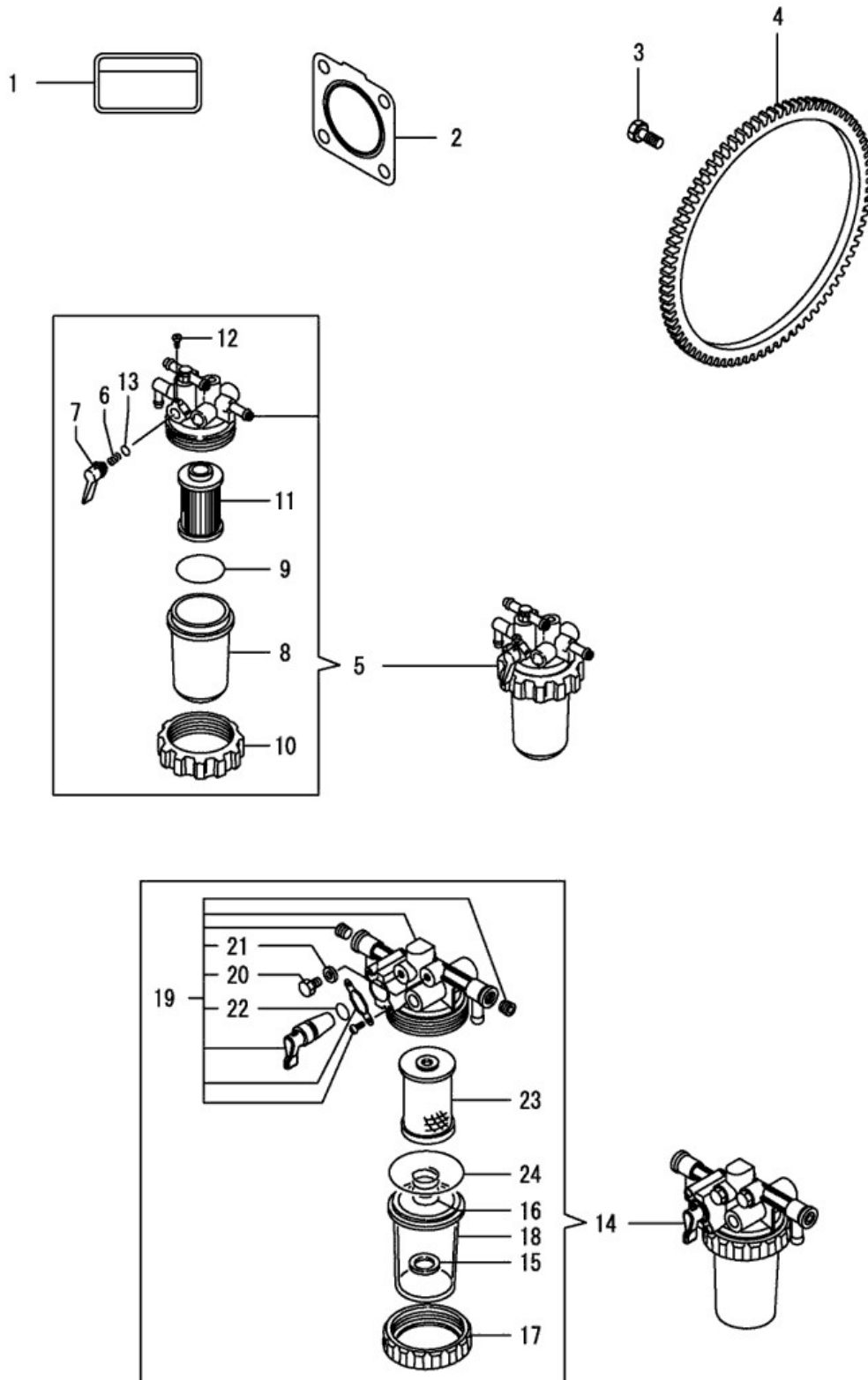
FIG

T25NH

ACCESSORY

년/월  
Year/Month

2021-12



NOTE



## 2. Engine Accessories PART NO. T2

FIG AIR CLEANER	43
FIG RADIATOR	45
FIG MUFFLER	47
FIG FUEL TANK & FUEL LINE	49
FIG ACCELERATOR	51
FIG OIL COOLER	53

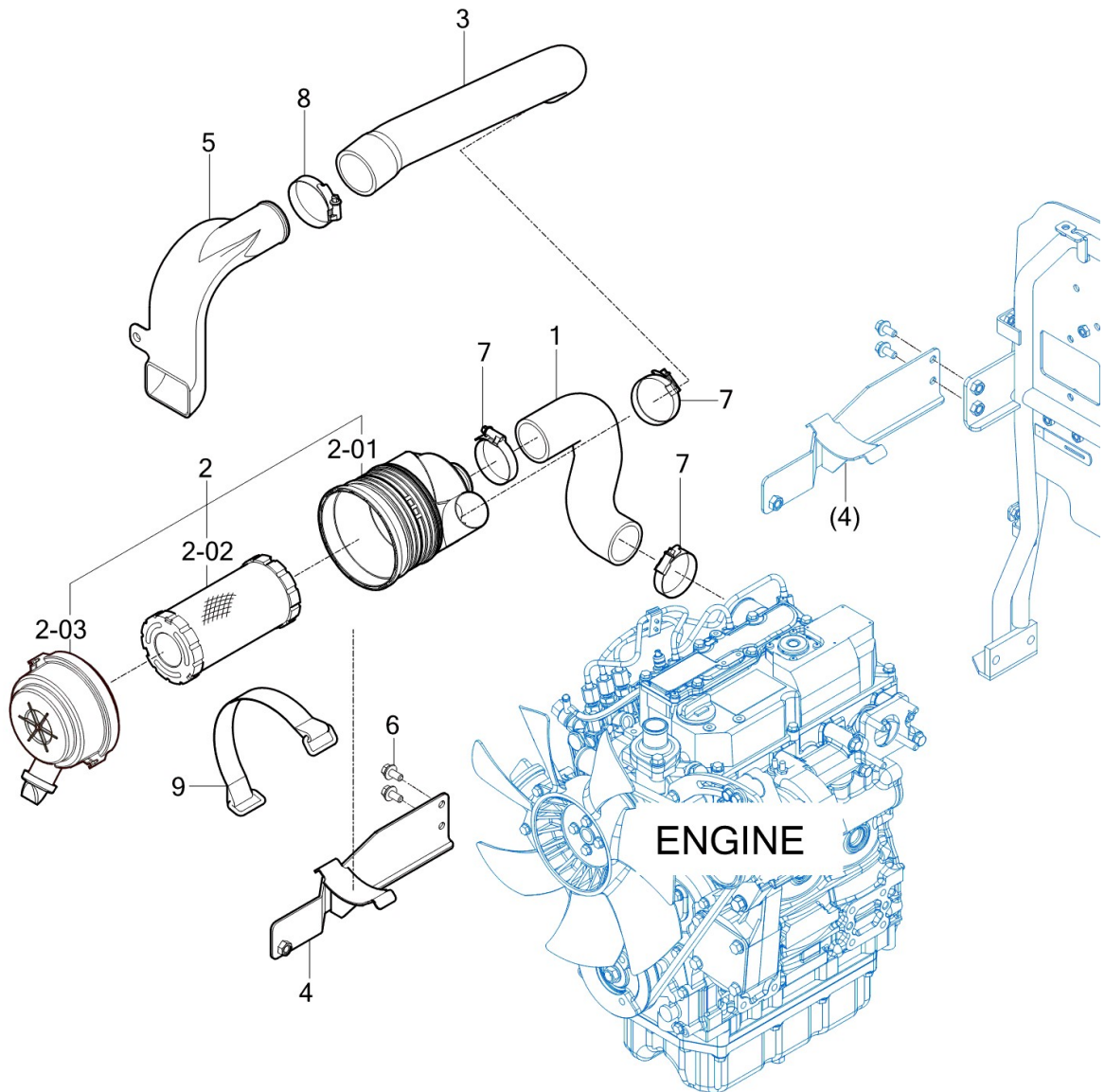
FIG

AIR CLEANER

년/월  
Year/Month

T25NH

2021-12



NOTE





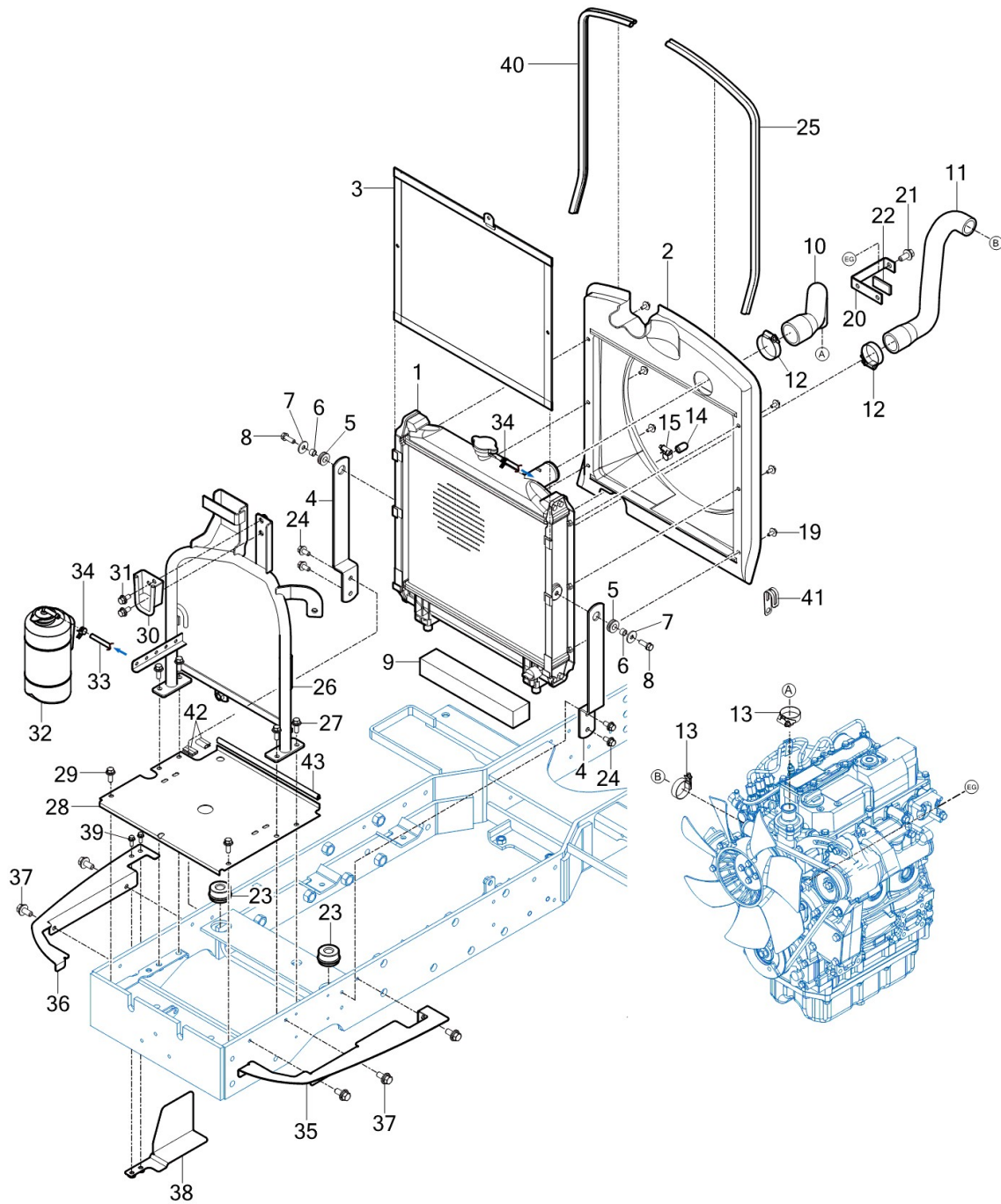
FIG

T25NH

RADIATOR

년/월  
Year/Month

2021-12



NOTE

FIG T25NH		RADIATOR					년/월 Year/Month	
							2021-12	
KEY NO	PART NO	DESCRIPTION	SPEC	QTY	REPAIR	EFFECTIVE DATE	REMARKS	
1	13151043000	RADIATOR COMP		1				
2	11811521300	SHROUD		1				
3	13151042302GB	RADIATOR NET COMP		1				
4	13151040031GB	PLATE , RADIATOR FIX		2				
5	14046210300	GROMMET		2				
6	15991040050	COLLAR , 08X12X08		2				
7	35602010150	WASHER , BIND SHAFT		2				
8	V2173608025	BOLT , HEX/S		2				
9	11811030500	INSULATOR , RADIATOR		1				
10	11971511100	HOSE , RADIATOR INLET		1				
11	11971511200	HOSE , RADIATOR OUTLET		1				
12	18027090500	BAND CLAMP 50 EMBO TYPE		2				
13	18027090400	BAND CLAMP 40 EMBO TYPE		2				
14	12651040300	CAP , RADIATOR		1				
15	18027090160	BAND CLAMP 16 EMBO TYPE		1				
19	V2193606016	BOLT , HEX/SPL		6				
20	11111040120GB	BRACKET , RD HOSE FIX		1				
21	V2183610025	BOLT , HEX/SP		1				
22	11101032400	SPONGE , AIRCLEANER		1				
23	13151040040	CUSHION , RADIATOR		2				
24	V2183608020	BOLT , HEX/SP		4				
25	11811512300	INSULATOR , RH/SHROUD		1				
26	11811021100GB	FRAME COMP , FRONT		1				
27	V2183608025	BOLT , HEX/SP		4				
28	11811811210GB	BASE PLATE		1				
29	V2183608016	BOLT , HEX/SP		2				
30	36753302201GB	HOLDER COMP , TANK/RESERVE		1				
31	V2183608020	BOLT , HEX/SP		2				
32	16003302101	TANK ASSY , RESERVE		1				
33	11811513100	HOSE , 470/RESERVOIR TANK		1				
34	36423600080	CLIP , HOSE D=12.5		2				
35	11811811310GB	BASE PLATE , LH		1				
36	11811811410GB	BASE PLATE , RH		1				
37	V2183608016	BOLT , HEX/SP		5				
38	11811811600GB	BRACKET COMP , RH/WIND GUIDE		1				
39	V2123606016	BOLT , HEX /SP		2				
40	11811512400	INSULATOR , LH/SHROUD		1				
41	37371720090	CLAMP , W/HARNESS		1				
42	11811811700	WEATHER STRIP , E40		2				
42	12626010200	INSULATOR , SIDE COVER/LOWER		2				
42	16991600090	PROTECTOR , 70		1				
42	11811811700	WEATHER STRIP , E40		2				
43	17136040050	INSULATOR , SUPPORT		1				
43	16997021960	INSULATOR , 32		1				
NOTE								

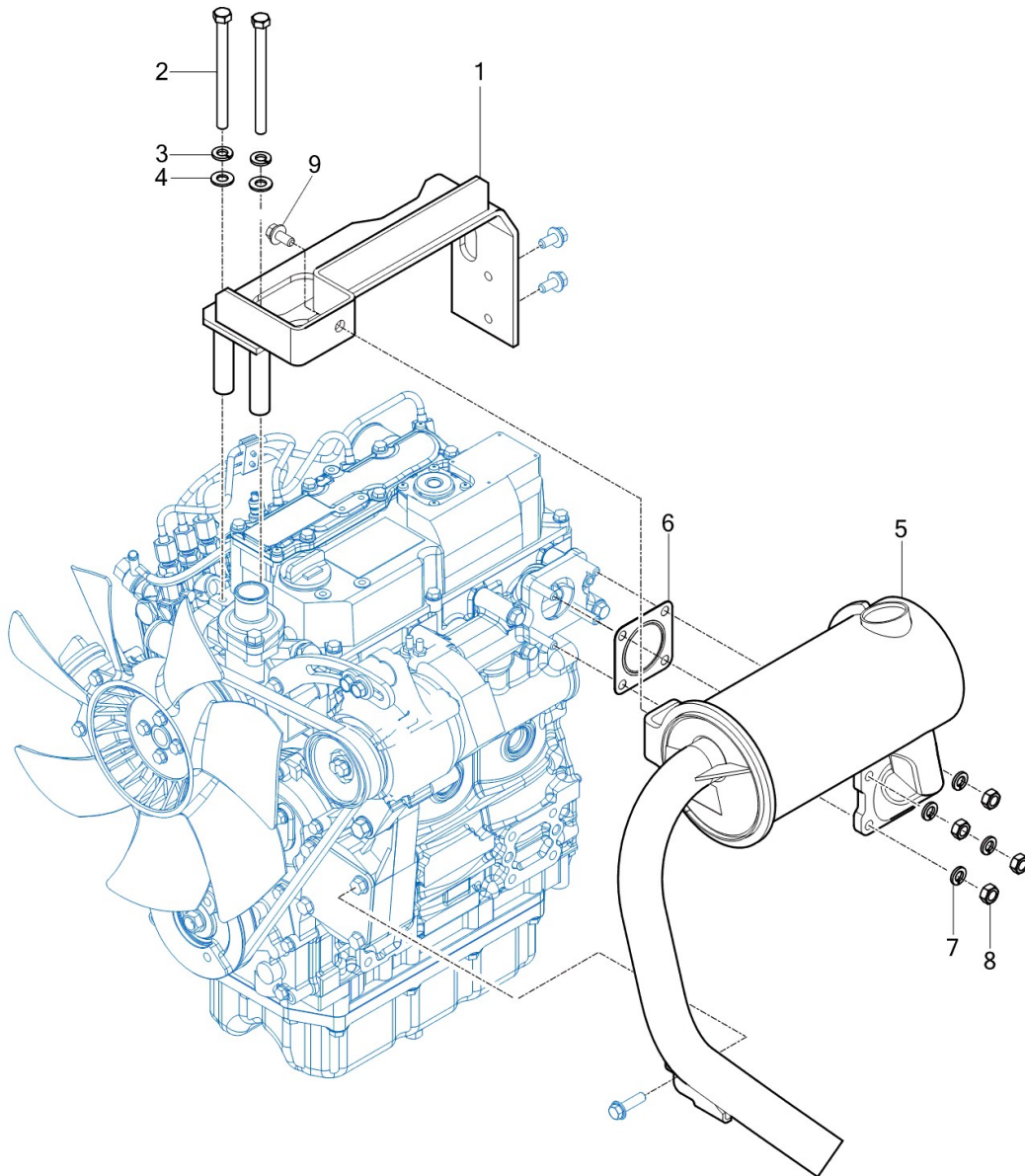
FIG

T25NH

MUFFLER

년/월  
Year/Month

2021-12



NOTE

FIG T25NH	MUFFLER	년/월 Year/Month
		2021-12

KEY NO	PART NO	DESCRIPTION	SPEC	QTY	REPAIR	EFFECTIVE DATE	REMARKS
1	11811313100GB	SUPPORT COMP , MUFFLER		1			
2	V2013608100	BOLT , HEX		2			
3	V4011600080	WASHER , SPRING		2			
4	V4111600080	WASHER , PLAIN		2			
5	11971052000DD	MUFFLER COMP		1			
6	119515-13200	GASKET		1			
7	V4011600080	WASHER , SPRING		4			
8	V3042600080	NUT , HEX/2		4			
9	V2183610025	BOLT , HEX/SP		1			
NOTE							

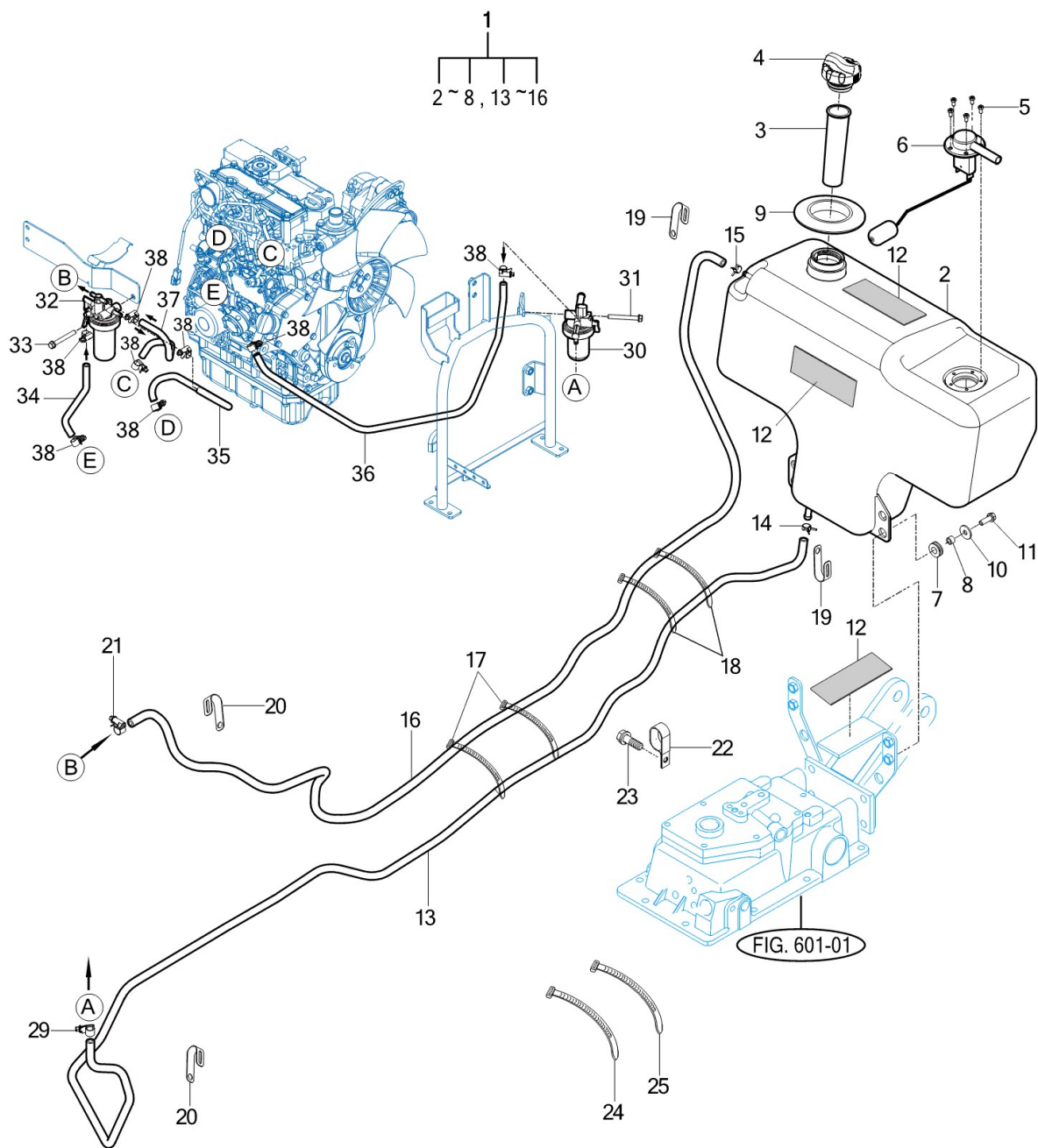
FIG

T25NH

FUEL TANK & FUEL LINE

년/월  
Year/Month

2021-12



NOTE



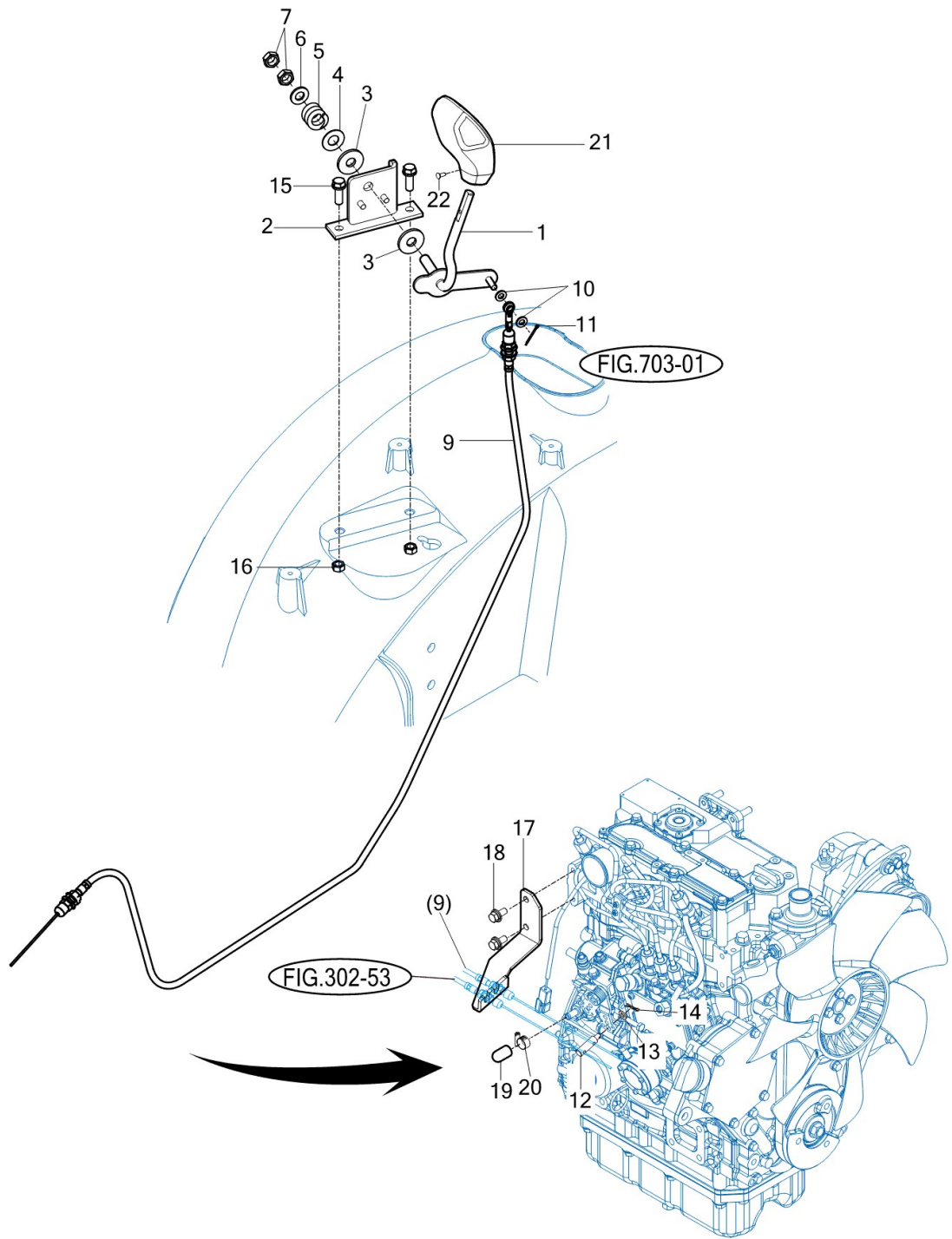
FIG

T25NH

# ACCELERATOR

년/월  
Year/Month

2021-12



NOTE





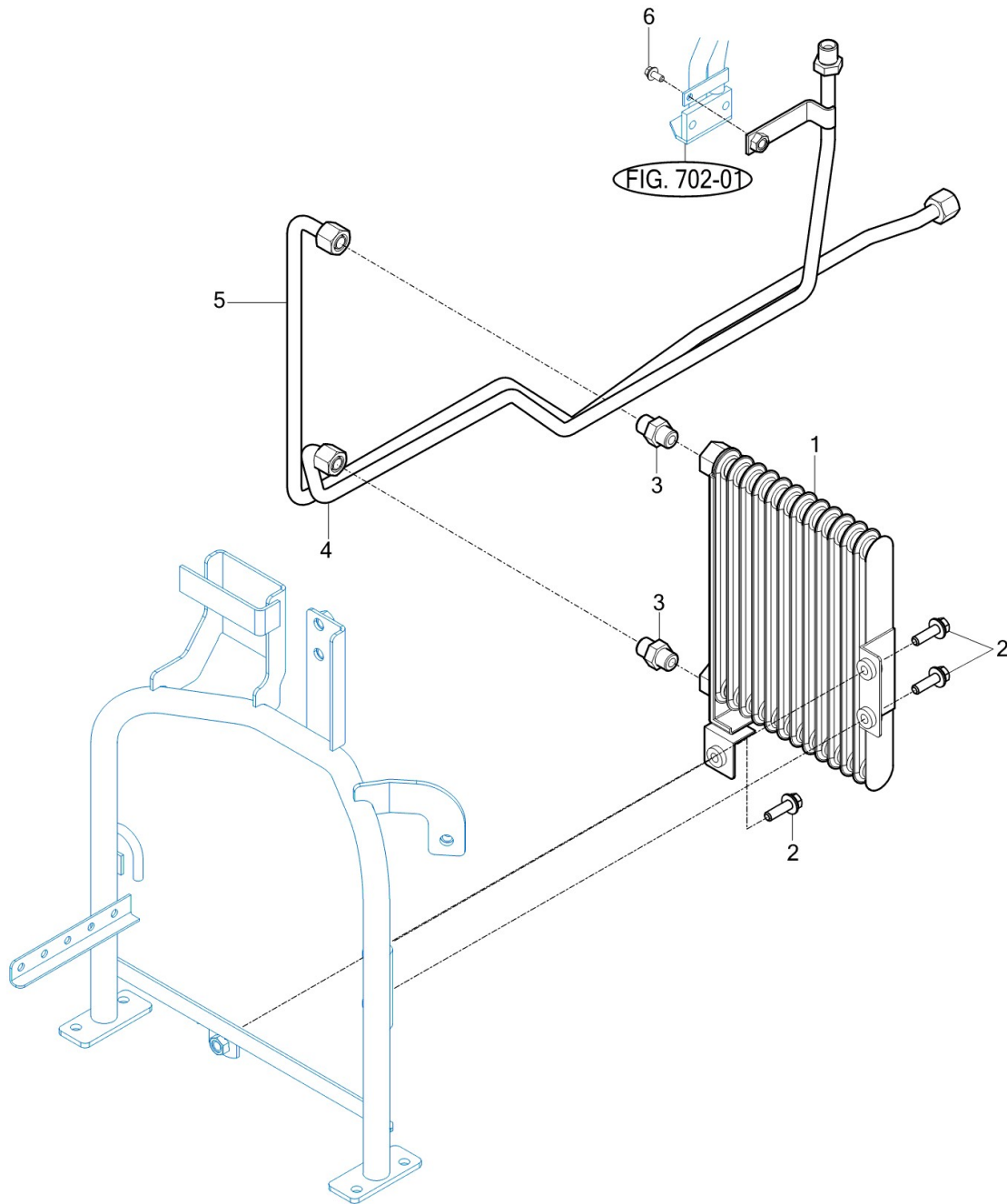
FIG

T25NH

OIL COOLER

년/월  
Year/Month

2021-12



NOTE



### 3. Clutch/Brake/Steering PART NO. T3

FIG FLYWHEEL COVER	56
FIG SPEED CONTROL	58
FIG BRAKE	61
FIG BRAKE PEDAL & LINKAGE	63
FIG STEERING WHEEL & DASH COVER	65
FIG STEERING VALVE	67
FIG STEERING CYLINDER	69
FIG FRONT WHEEL	71
FIG REAR WHEEL	73

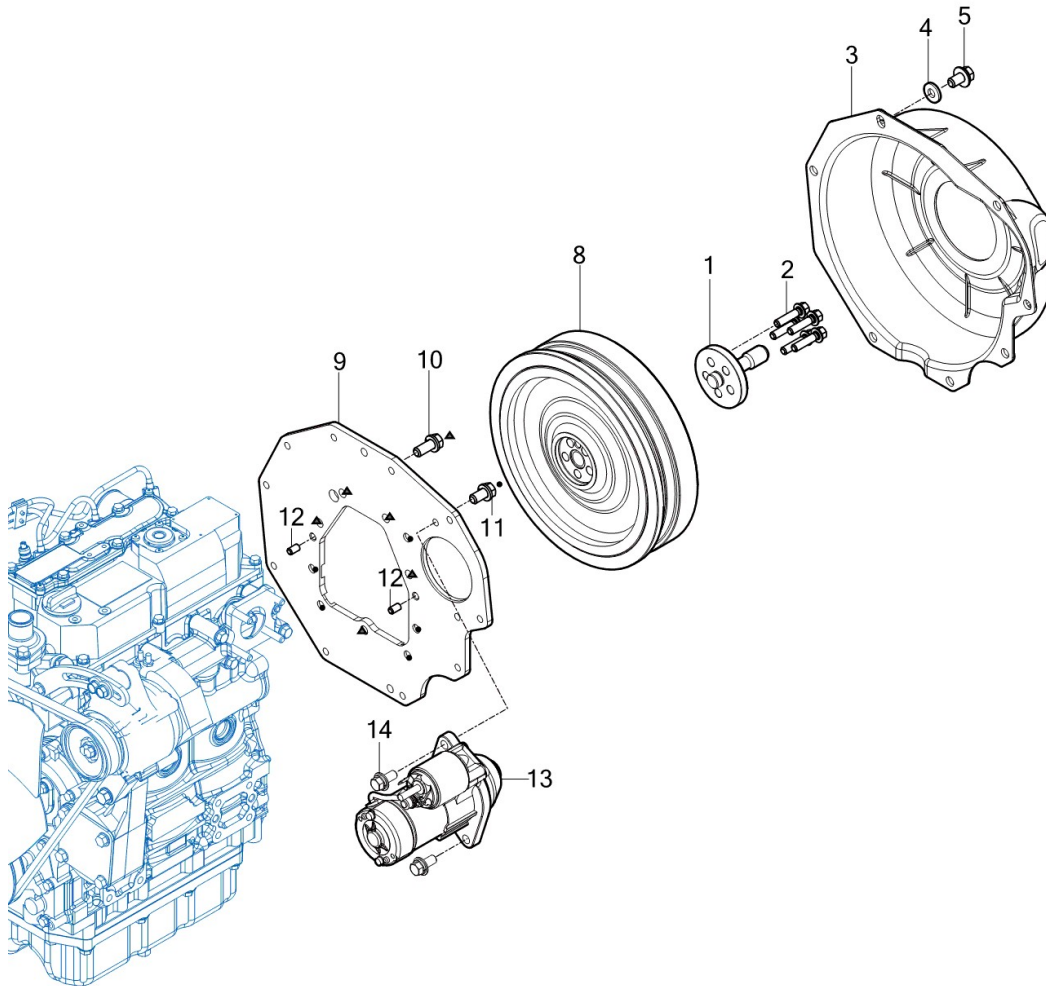
FIG

T25NH

FLYWHEEL COVER

년/월  
Year/Month

2021-12



NOTE

FIG T25NH		FLYWHEEL COVER						년/월 Year/Month	
								2021-12	
KEY NO	PART NO	DESCRIPTION	SPEC	QTY	REPAIR	EFFECTIVE DATE	REMARKS		
1	11811010010	COUPLING , PTO		1					
2	14661019340	BOLT , FLYWHEEL		5					
3	11102100011	COVER , FLYWHEEL		1					
4	13377210020	WASHER , 11X24X3		1					
5	V2183610020	BOLT , HEX/SP		5					
8	11111012000	FLYWHEEL ASSY		1					
9	11111480010GB	PLATE , REAR		1					
10	V2173610025	BOLT , HEX/S		5					
11	V2173610020	BOLT , HEX/S		5					
12	V5201008016	PIN , PARALLEL/A		2					
13	119125-77010	STARTER		1					
14	V2183610025	BOLT , HEX/SP		2					
NOTE									

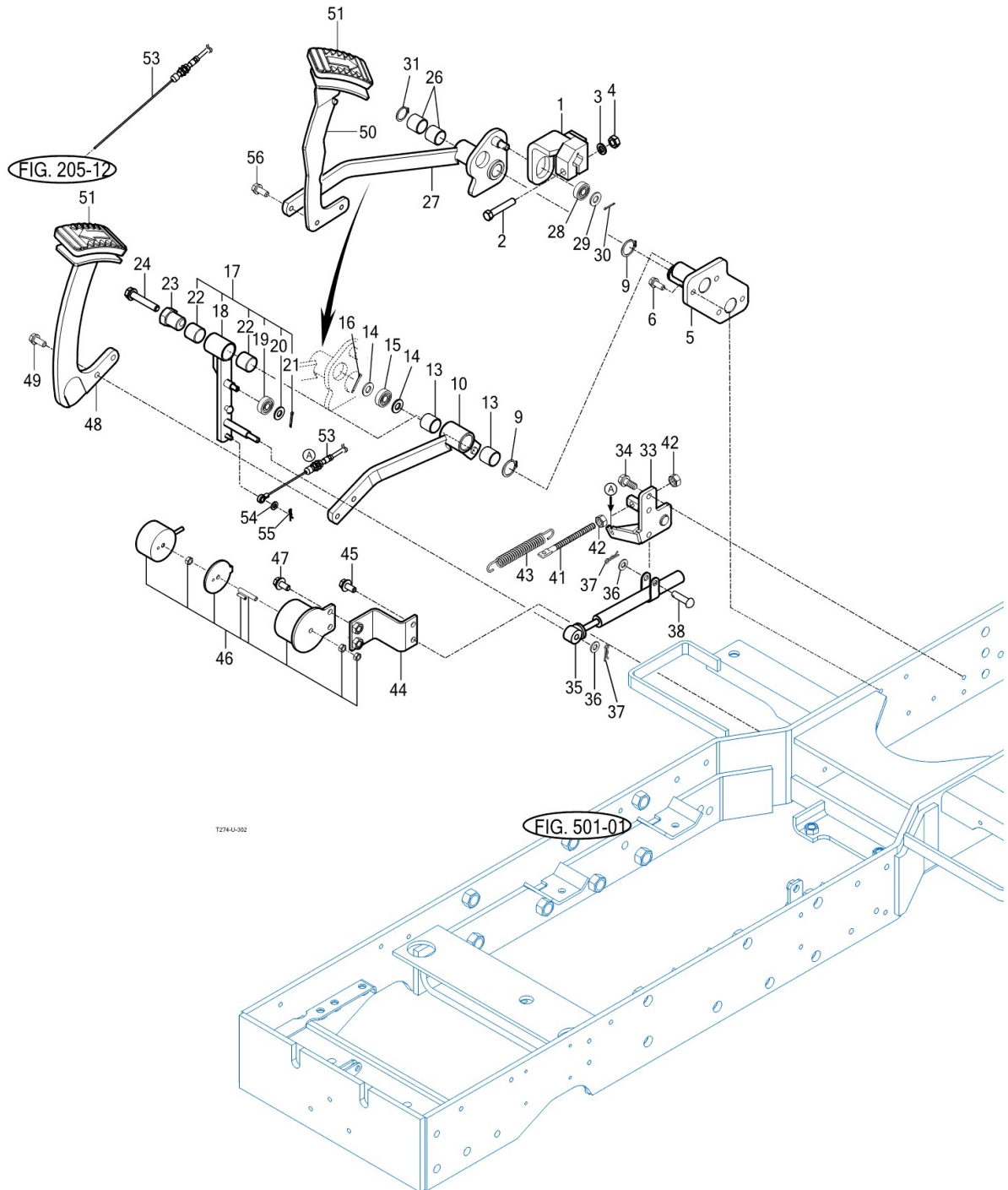
FIG

SPEED CONTROL

년/월  
Year/Month

2021-12

T25NH



NOTE

FIG T25NH		SPEED CONTROL					년/월 Year/Month	
							2021-12	
KEY NO	PART NO	DESCRIPTION	SPEC	QTY	REPAIR	EFFECTIVE DATE	REMARKS	
1	11972322100	HOLDER COMP		1				
1	11972322101	HOLDER COMP		1				
2	V2013610055	BOLT , HEX	M10X55	1				
2	V2013608045	BOLT , HEX		1				
3	V4011600100	WASHER , SPRING	M10	1				
3	V4011600080	WASHER , SPRING		1				
4	V3042600100	NUT , HEX/2	M10	1				
4	V3042600080	NUT , HEX/2		1				
5	11972322200GB	PIN COMP		1				
6	V2173608020	BOLT , HEX/S	M8X20	4				
9	V7041400200	C-RING , SHAFT	20	2				
10	11972323200GB	ARM COMP , FORWARD		1				
13	11972320030	DU BUSH , 25X28X20		2				
14	V4111600100	WASHER , PLAIN	M10	2				
15	V6001506000	BEARING , BALL	6000DD	1				
16	V5001920015	PIN , SPLIT	2X15	1				
17	11972324000	CAM SUB ASSY		1				
18	11972324100GB	ARM COMP , CAM		1				
19	14722310060	BEARING , BALL		1				
20	V4111600080	WASHER , PLAIN	M8	1				
21	V5001920015	PIN , SPLIT	2x15	1				
22	11972320030	DU BUSH , 25X28X20		2				
23	11972320020	PIN , NEUTRAL		1				
24	V2143610080	BOLT , HEX FINE /S	M10X50	1				
26	11972320040	DU BUSH , 25X28X30		2				
27	11972322300GB	ARM COMP, REVERSE		1				
28	V6001506000	BEARING , BALL	6000DD	1				
29	V4111600100	WASHER , PLAIN	M10	1				
30	V5001920015	PIN , SPLIT	2X15	1				
31	V7041400250	C-RING , SHAFT		1				
33	11972325100GB	PIN COMP , SPRING		1				
34	V2173608025	BOLT , HEX/S	M8X25	2				
35	13152312400	DAMPER , OIL		1				
36	V4111600080	WASHER , PLAIN	M8	4				
37	V5601600008	PIN , SNAP	8	4				
38	14043120060	PIN , YOKE		1				
41	34522150080	ROD , CHAIN(TENSION)(82)		1				
42	V3043600080	NUT , HEX/2	M8	2				
43	14722310033	SPRING , RETURN		1				
44	13152332103GB	BRACKET COMP , CRUISE		1				
45	V2173608020	BOLT , HEX/S	M8X20	2				
46	12382323000	MAGNETIC ASSY , CRUISE		1				
46	12382323001	MAGNETIC ASSY , CRUISE		1				
47	V2173608020	BOLT , HEX/S	M8X20	2				
48	13152323303	PEDAL COMP , FORWARD		1				
NOTE								





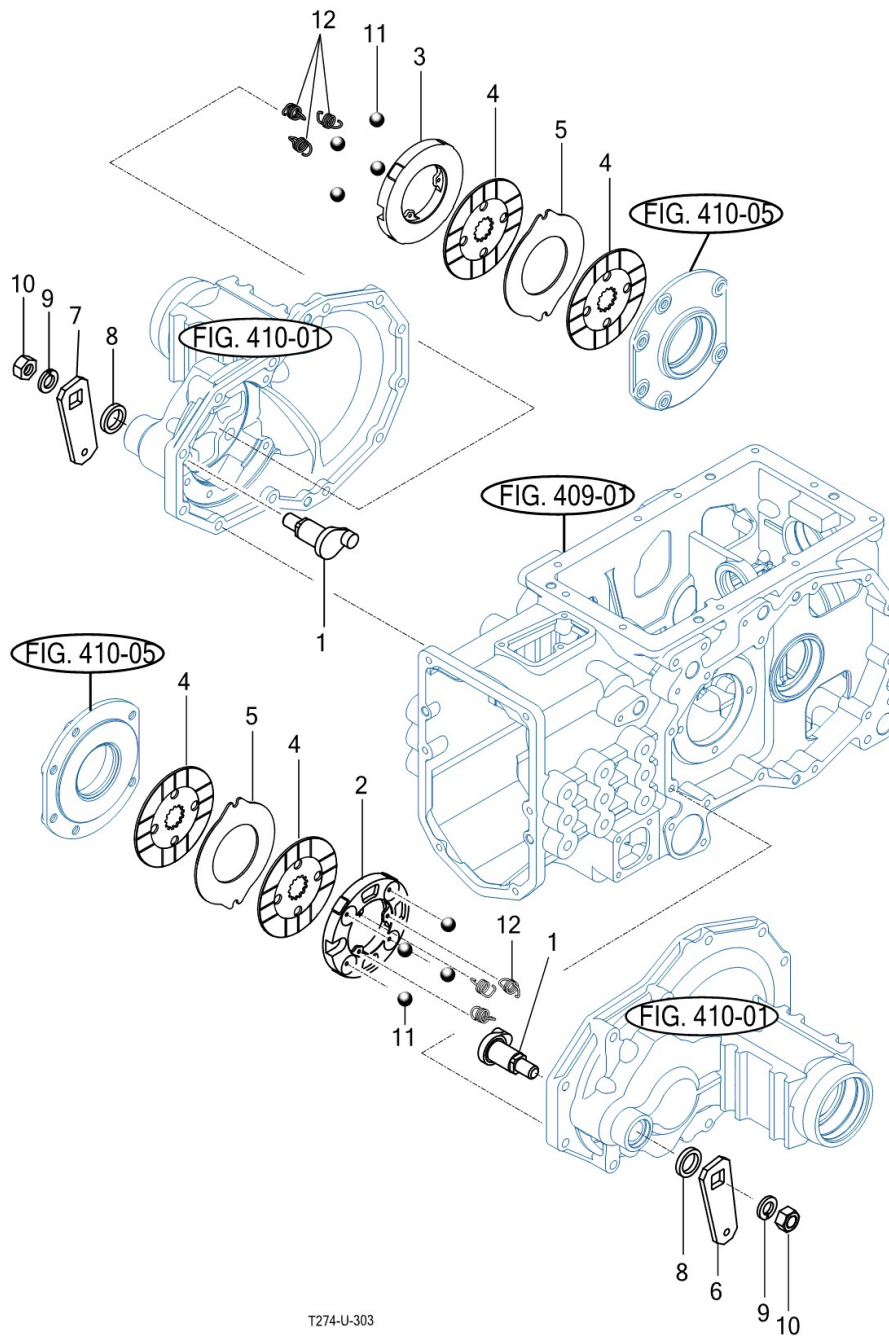
FIG

T25NH

BRAKE

년/월  
Year/Month

2021-12



T274-U-303

NOTE



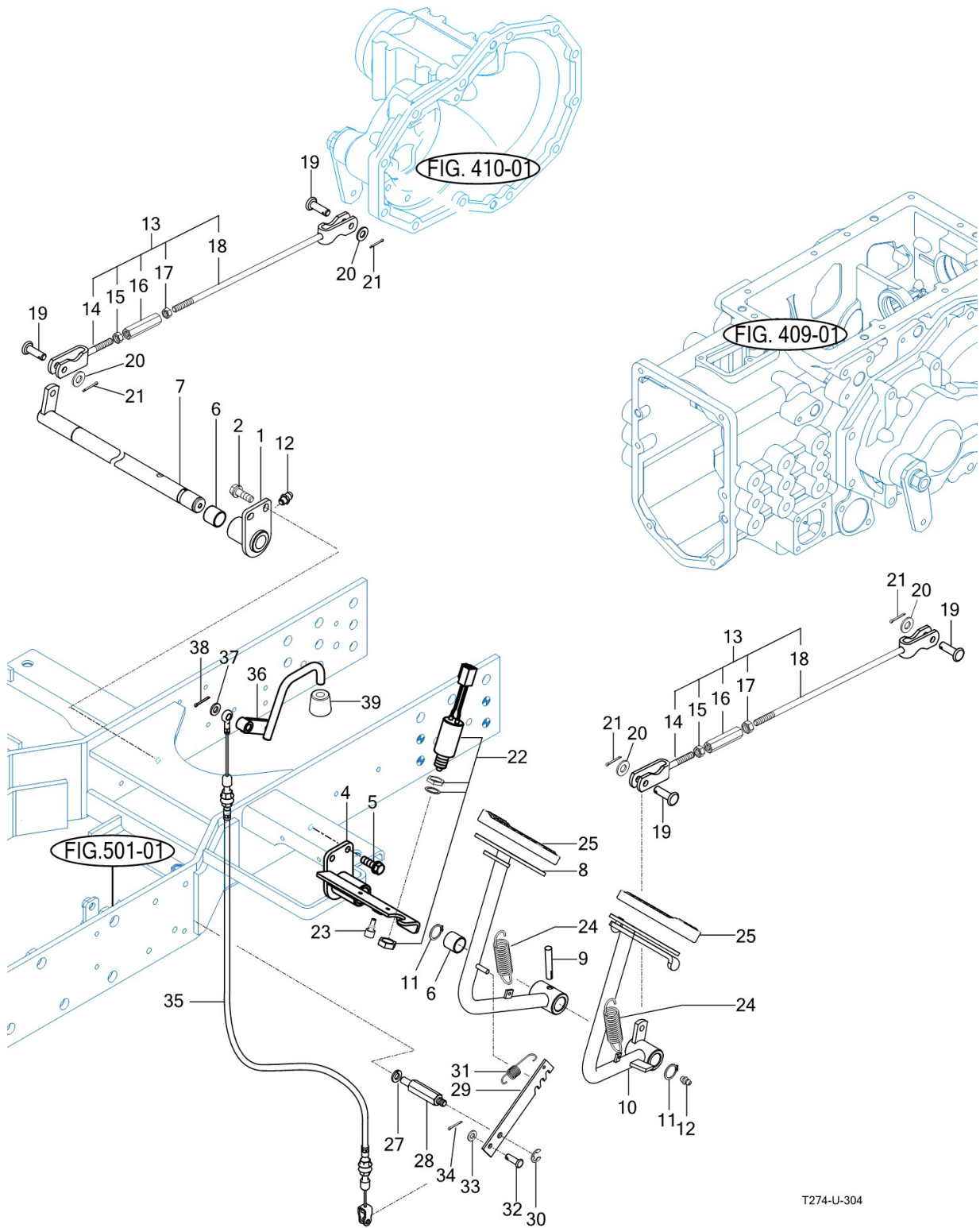
FIG

T25NH

BRAKE PEDAL & LINKAGE

년/월  
Year/Month

2021-12



T274-U-304

NOTE

FIG		BRAKE PEDAL & LINKAGE						년/월 Year/Month	
								2021-12	
T25NH									
KEY NO	PART NO	DESCRIPTION	SPEC	QTY	REPAIR	EFFECTIVE DATE	REMARKS		
1	13153282104GB	HUB COMP , BRAKE RH		1					
2	V2173608020	BOLT , HEX/S	M8X20	2					
4	13153282204GB	HUB COMP , BRAKE LH		1					
5	V2173608020	BOLT , HEX/S	M8X20	2					
6	36707030080	BUSH , 20X23X20		2					
7	13153282303	ARM COMP , BRAKE RH		1					
8	13153283103GB	PEDAL COMP , BRAKE RH		1					
9	V5801406032	PIN , SPRING	6X32	1					
10	13153283203GB	PEDAL COMP , BRAKE LH		1					
11	V7041400200	C-RING , SHAFT	20	2					
12	V7601500000	NIPPLE , GREASE/A-M6F		2					
13	13153284002	ROD ASSY , BRAKE		2					
14	14573282200	ROD COMP , FORK 100		2					
15	V3043600080	NUT , HEX/2	M8	2					
16	16601220020	TURNBUCKLE , M8 L60		2					
17	15601320073	NUT , HEX LH		2					
18	13153284101	ROD COMP , HOOK		2					
19	21443370020	PIN , 08X25		4					
20	V4111600080	WASHER , PLAIN	M8	4					
21	V5001920015	PIN , SPLIT	2X15	4					
22	13153285001	SWITCH ASSY , BRAKE		1					
23	21004100070	STOPPER , ARM/CARRYING		2					
24	13153280061	SPRING , BRAKE		2					
25	13153280050	PAD		2					
27	V4011600080	WASHER , SPRING	M8	1					
28	13153280023	PIN , PARKING BRAKE		1					
29	13153280032GB	STOPPER , PARKING		1					
30	V7081400060	E-RING	6	1					
31	13153280040	SPRING , PARKING		1					
32	16177020090	PIN , 6X15	6X15	1					
33	V4111600060	WASHER , PLAIN	M6	1					
34	V5001920015	PIN , SPLIT	2X15	1					
35	13153286301	CABLE ASSY , PARKING		1					
36	13156301001GB	LEVER COMP		1					
37	V4111600060	WASHER , PLAIN	M6	1					
38	V5001925020	PIN D2.5x20	2.5X20	1					
39	12121120090	GRIP , HOOD LOCK		1					
NOTE									

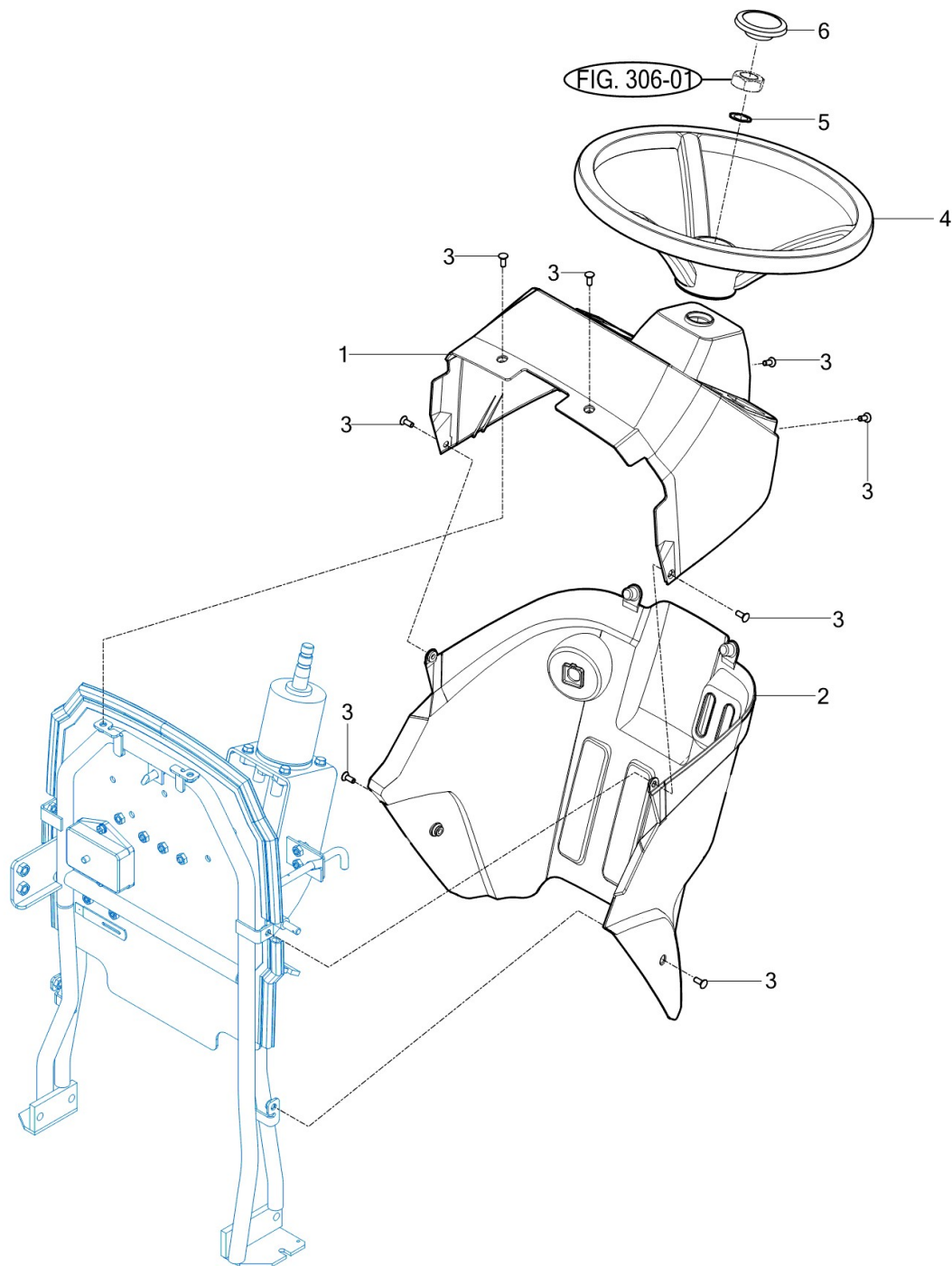
FIG

T25NH

# STEERING WHEEL & DASH COVER

년/월  
Year/Month

2021-12



NOTE



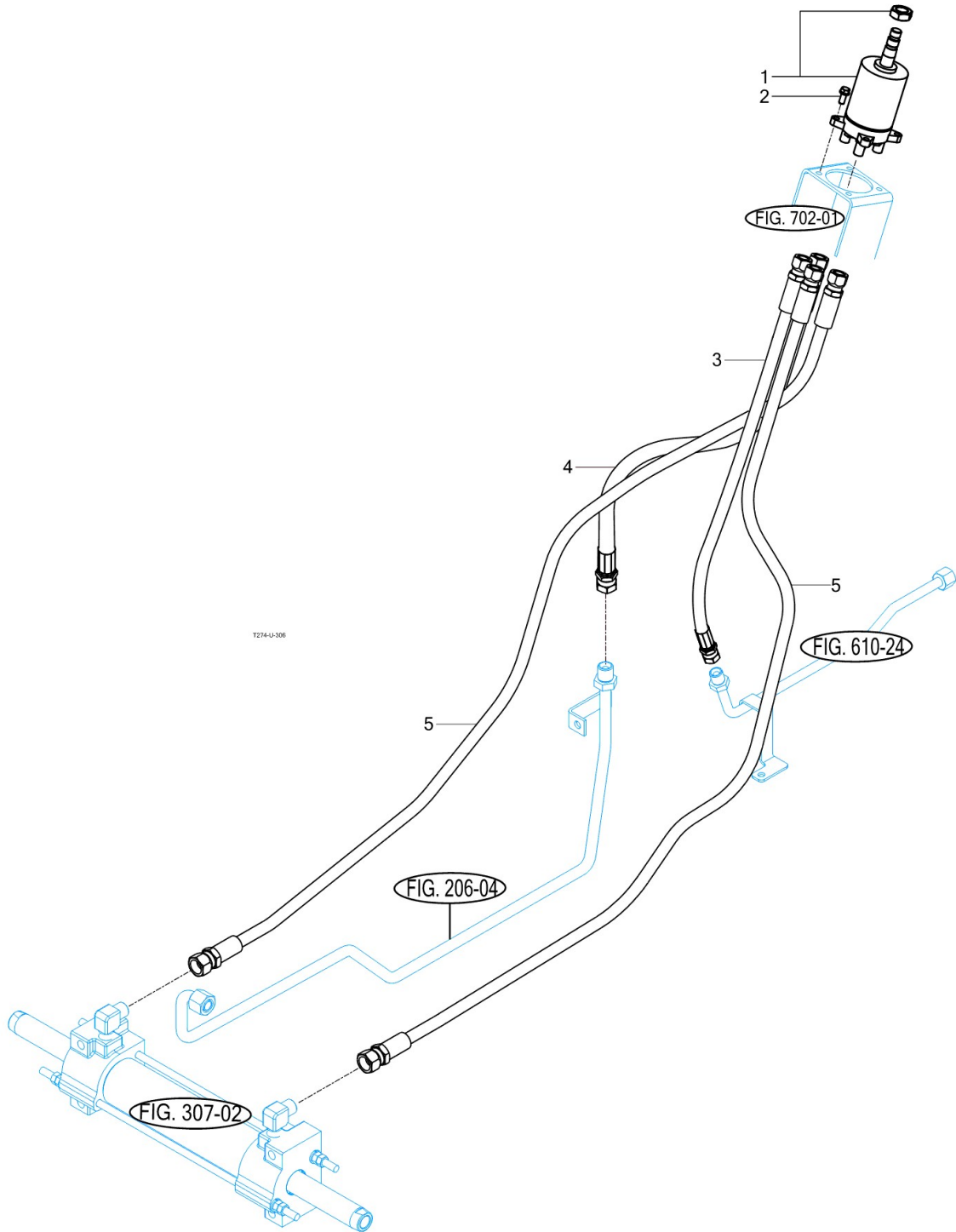
FIG

T25NH

STEERING VALVE

년/월  
Year/Month

2021-12



NOTE

<b>FIG</b>  T25NH		<b>STEERING VALVE</b>					년/월 Year/Month
							2021-12
KEY NO	PART NO	DESCRIPTION	SPEC	QTY	REPAIR	EFFECTIVE DATE	REMARKS
1	13154053001	VALVE UNIT , STEERING		1			
2	V2173608020	BOLT , HEX/S	M8X20	4			
3	11814073200	HOSE ASSY , HYD 700		1			
4	13185103200	HOSE ASSY , DRAIN		1			
5	11815103400	HOSE ASSY , HYD 1240		2			
NOTE							



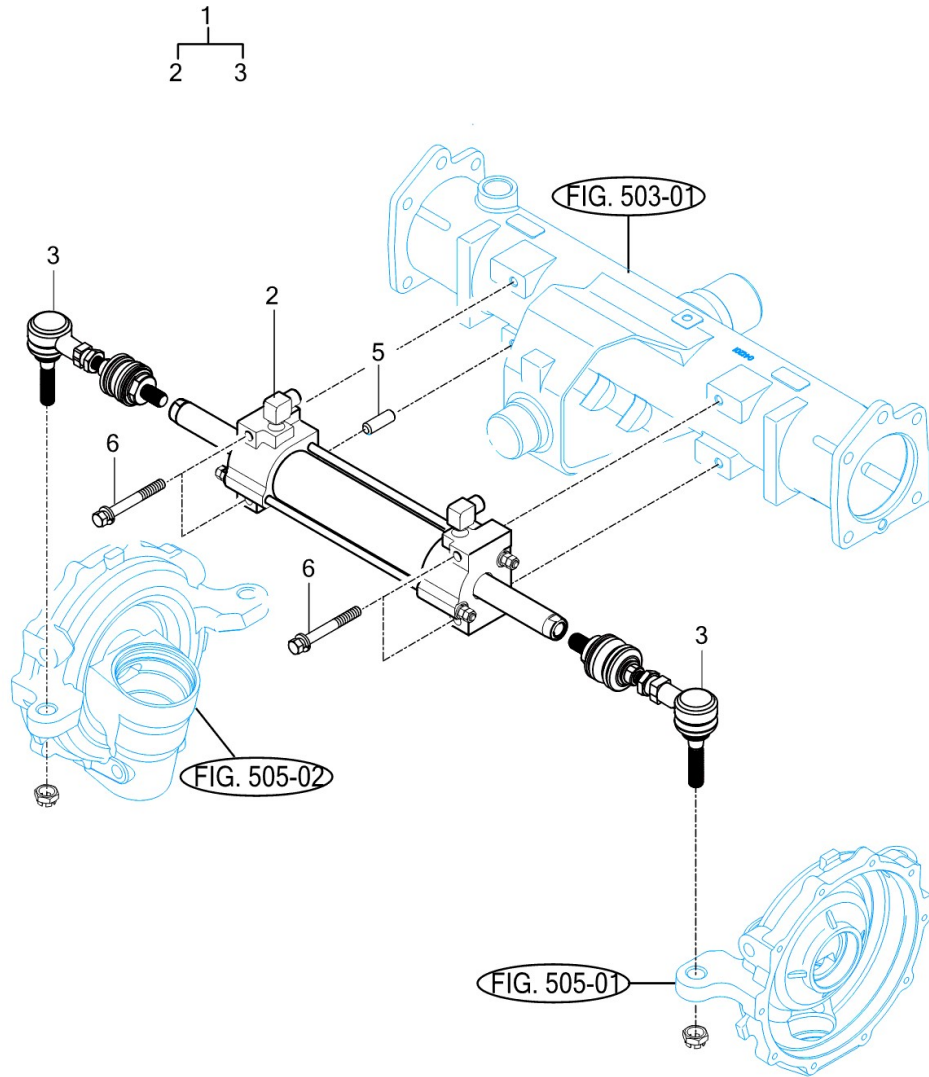
FIG

T25NH

STEERING CYLINDER

년/월  
Year/Month

2021-12



NOTE

FIG		STEERING CYLINDER						년/월
								Year/Month
T25NH		2021-12						
KEY NO	PART NO	DESCRIPTION	SPEC	QTY	REPAIR	EFFECTIVE DATE	REMARKS	
1	13154055005	CYLINDER ASSY		1				
2	13154055106	CYLINDER ASSY		1				
3	13154055204	JOINT SET , BALL		2				
5	V5201010020	PIN , PARALLEL/A	10X20	1				
6	V2173610075	BOLT , HEX /S	M10X75	4				
NOTE								

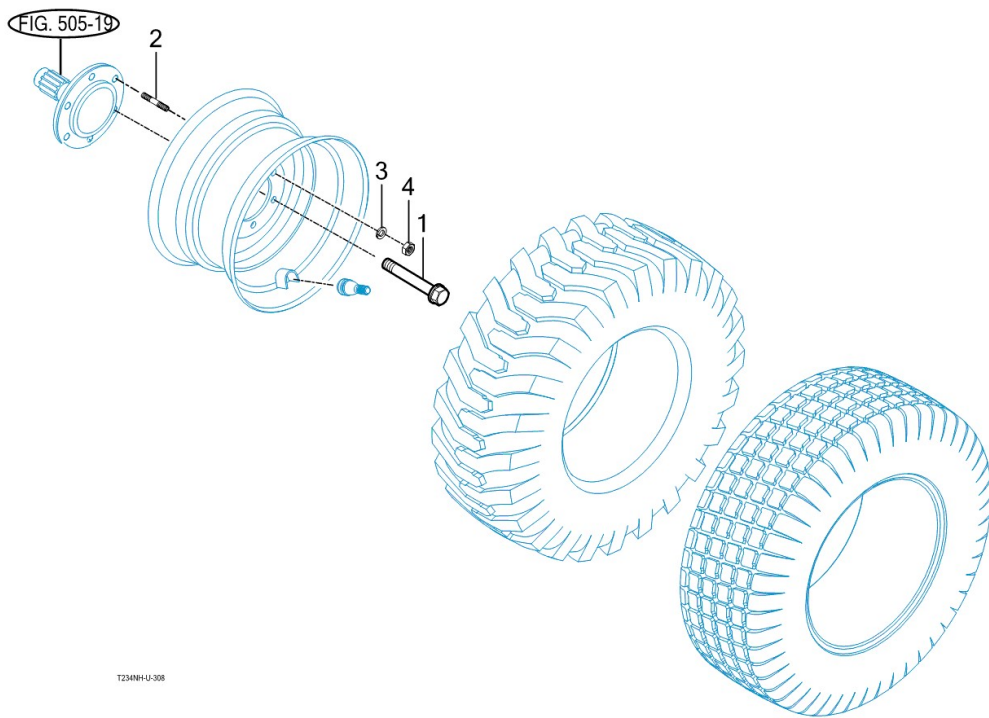
FIG

T25NH

FRONT WHEEL

년/월  
Year/Month

2021-12



T234NH-UJ-308

NOTE



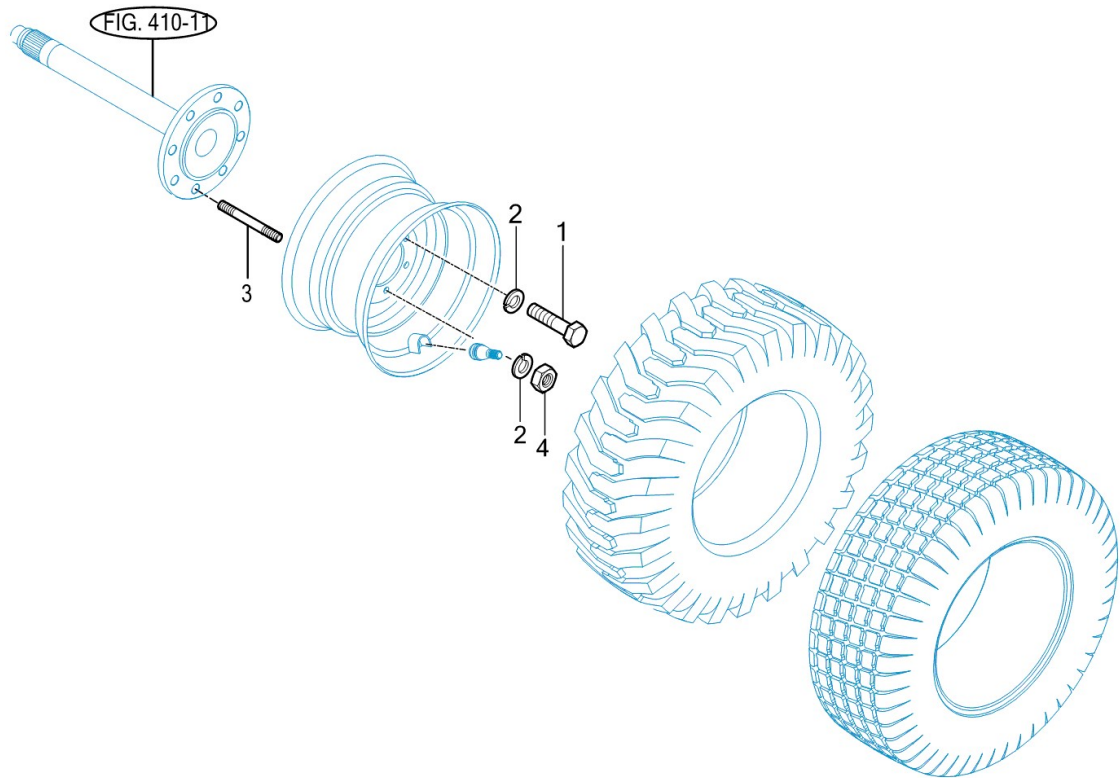
FIG

T25NH

REAR WHEEL

년/월  
Year/Month

2021-12



NOTE



## 4. Transmission PART NO. T4

FIG INPUT SHAFT	76
FIG HST	78
FIG 4WD DRIVE GEAR	80
FIG RANGE GEARS	82
FIG P.T.O DRIVE SHAFT	84
FIG P.T.O SHAFT	86
FIG DIFF LOCK	88
FIG REAR TRANSMISSION CASE	90
FIG REAR AXLE HOUSINGS	92
FIG RANGE SHIFT LEVER	94
FIG P.T.O CHANGE LEVER	96
FIG 4WD CHANGE LEVER	98

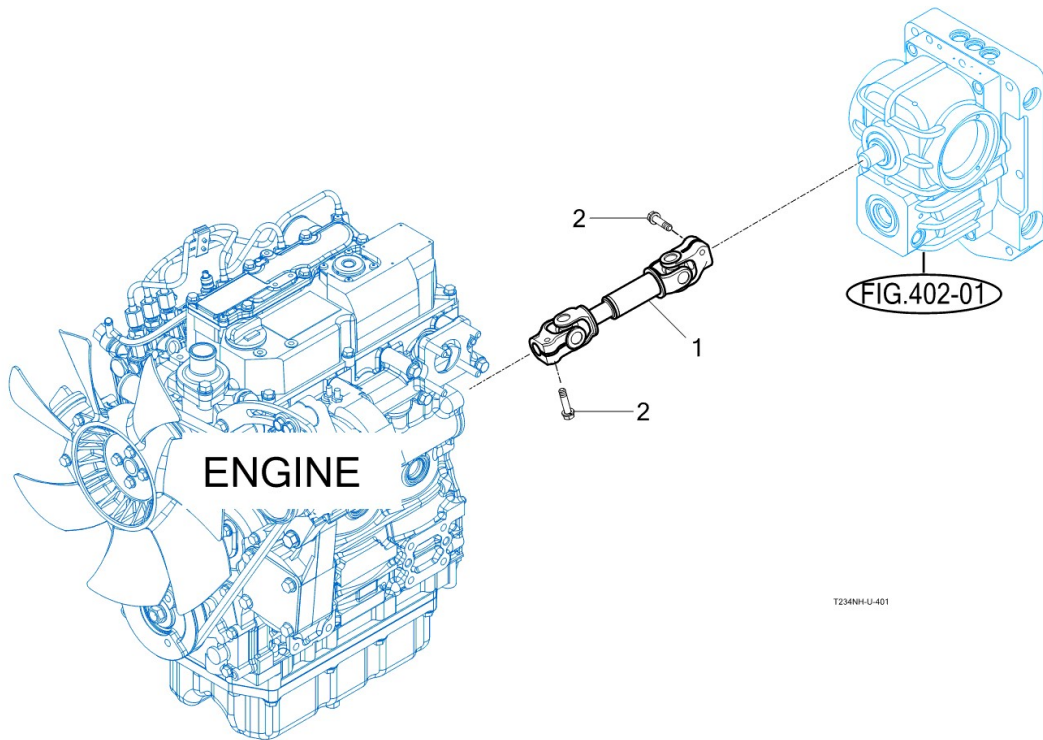
FIG

T25NH

INPUT SHAFT

년/월  
Year/Month

2021-12



NOTE





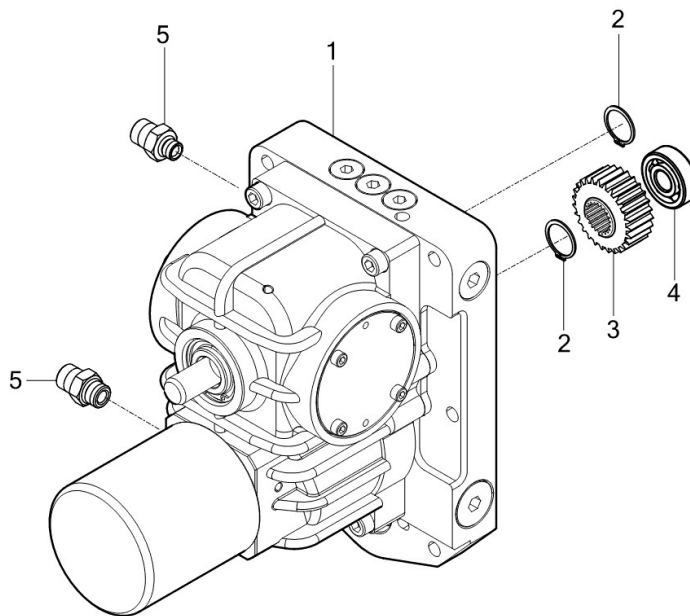
FIG

T25NH

HST

년/월  
Year/Month

2021-12



NOTE



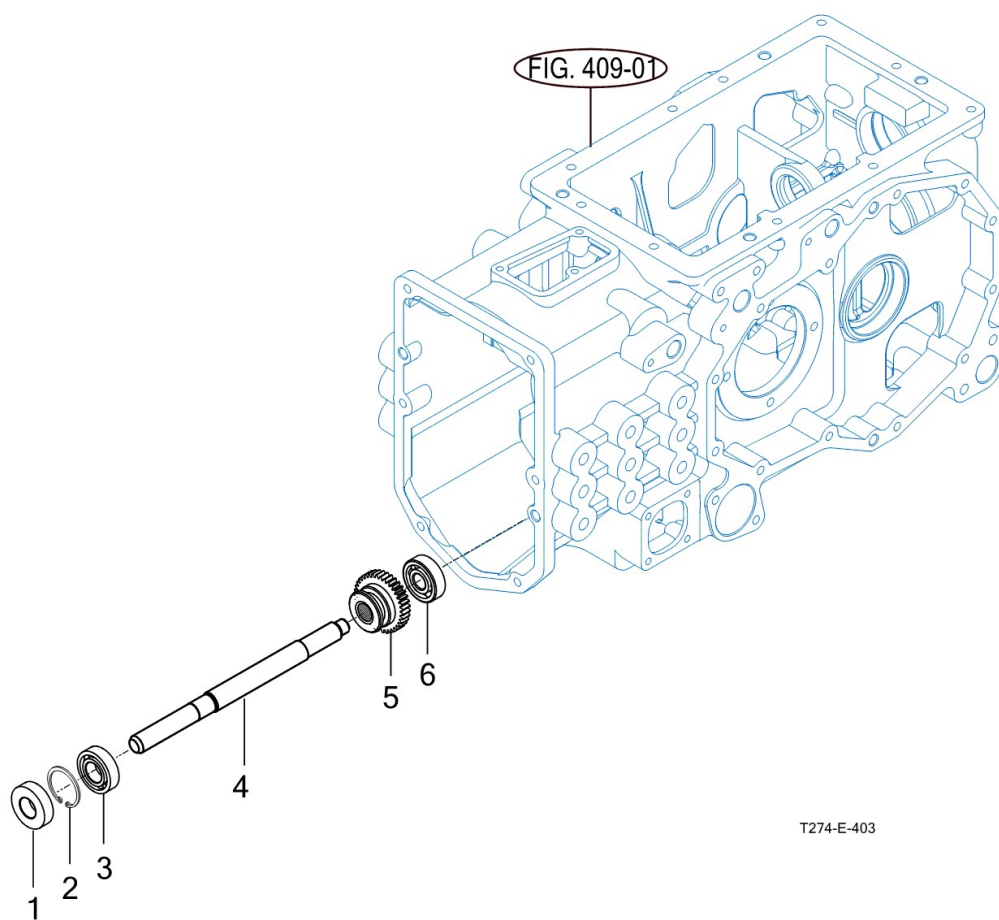
FIG

T25NH

# 4WD DRIVE GEAR

년/월  
Year/Month

2021-12



NOTE



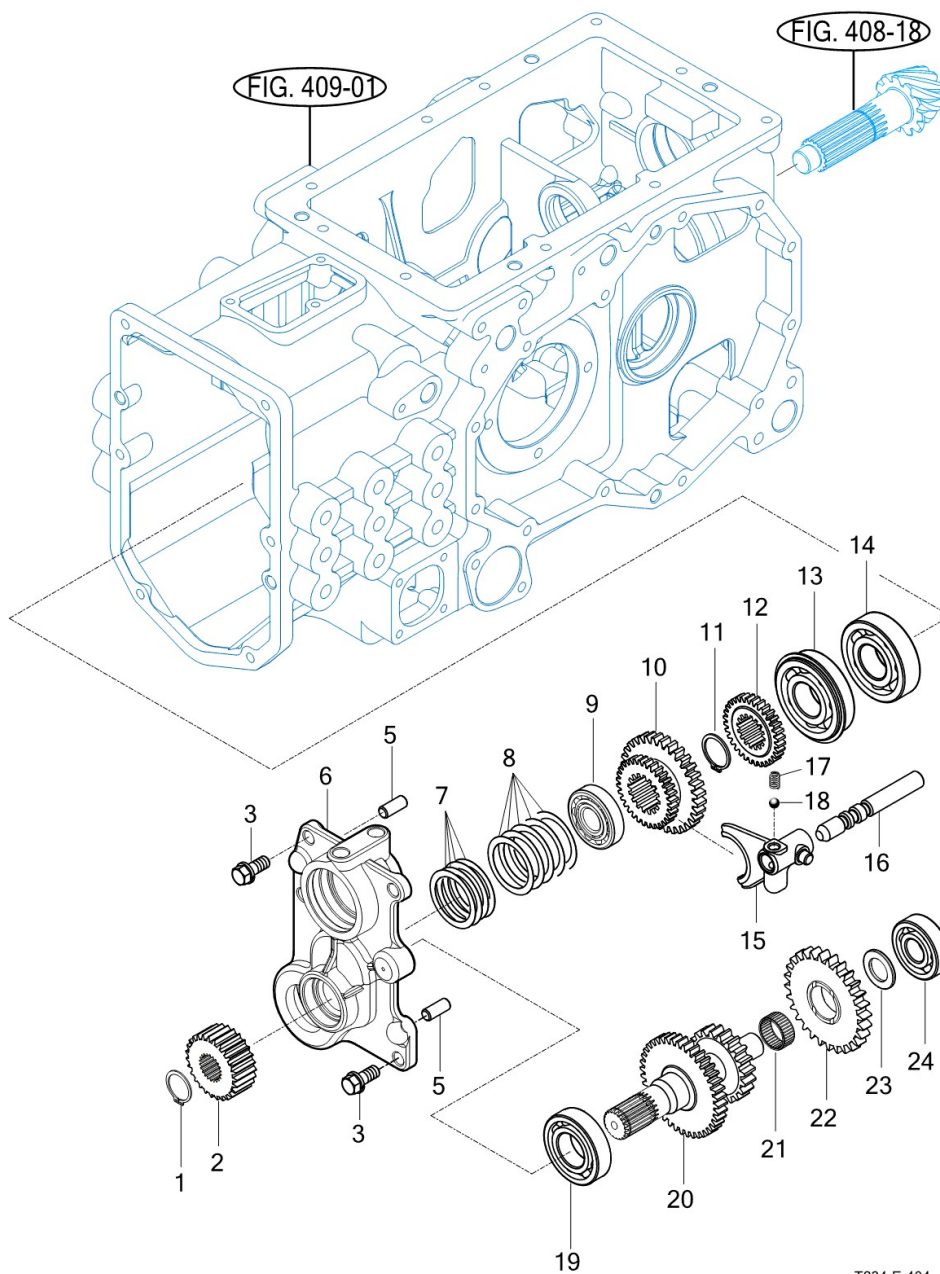
FIG

T25NH

# RANGE GEARS

년/월  
Year/Month

2021-12



T234-E-404

NOTE



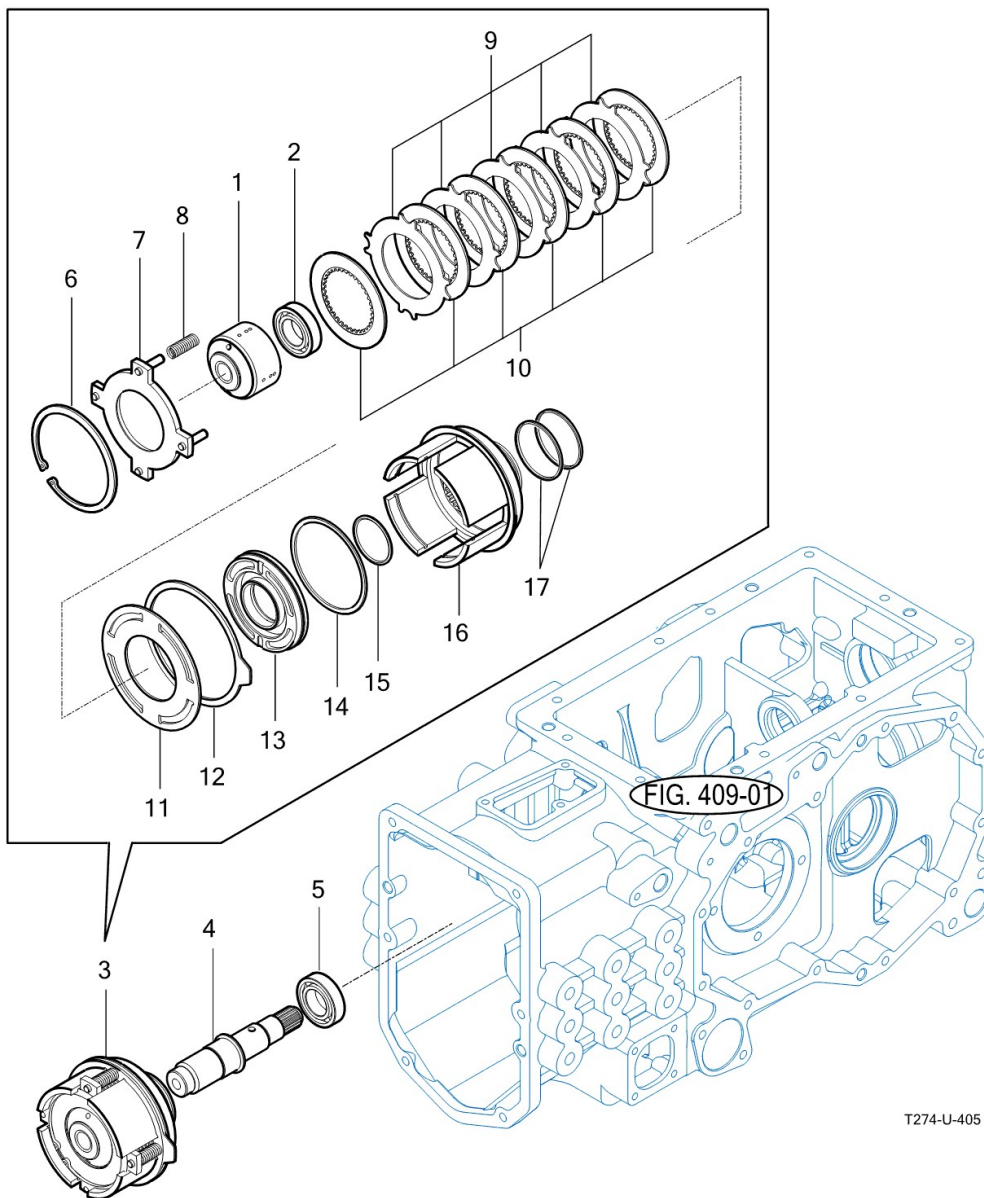
FIG

T25NH

P.T.O DRIVE SHAFT

년/월  
Year/Month

2021-12



T274-U-405

NOTE





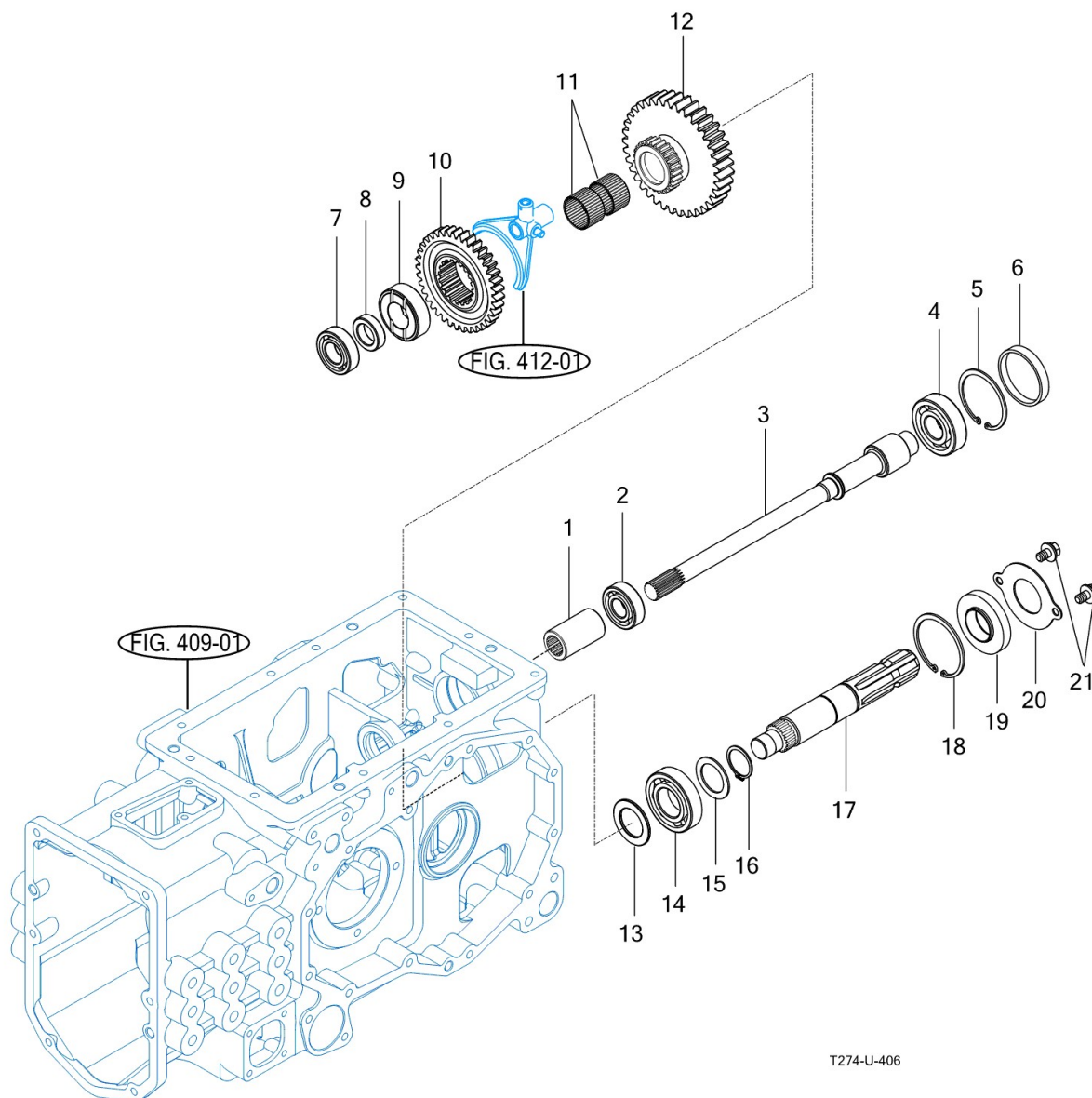
FIG

T25NH

# P.T.O SHAFT

년/월  
Year/Month

2021-12



T274-U-406

NOTE



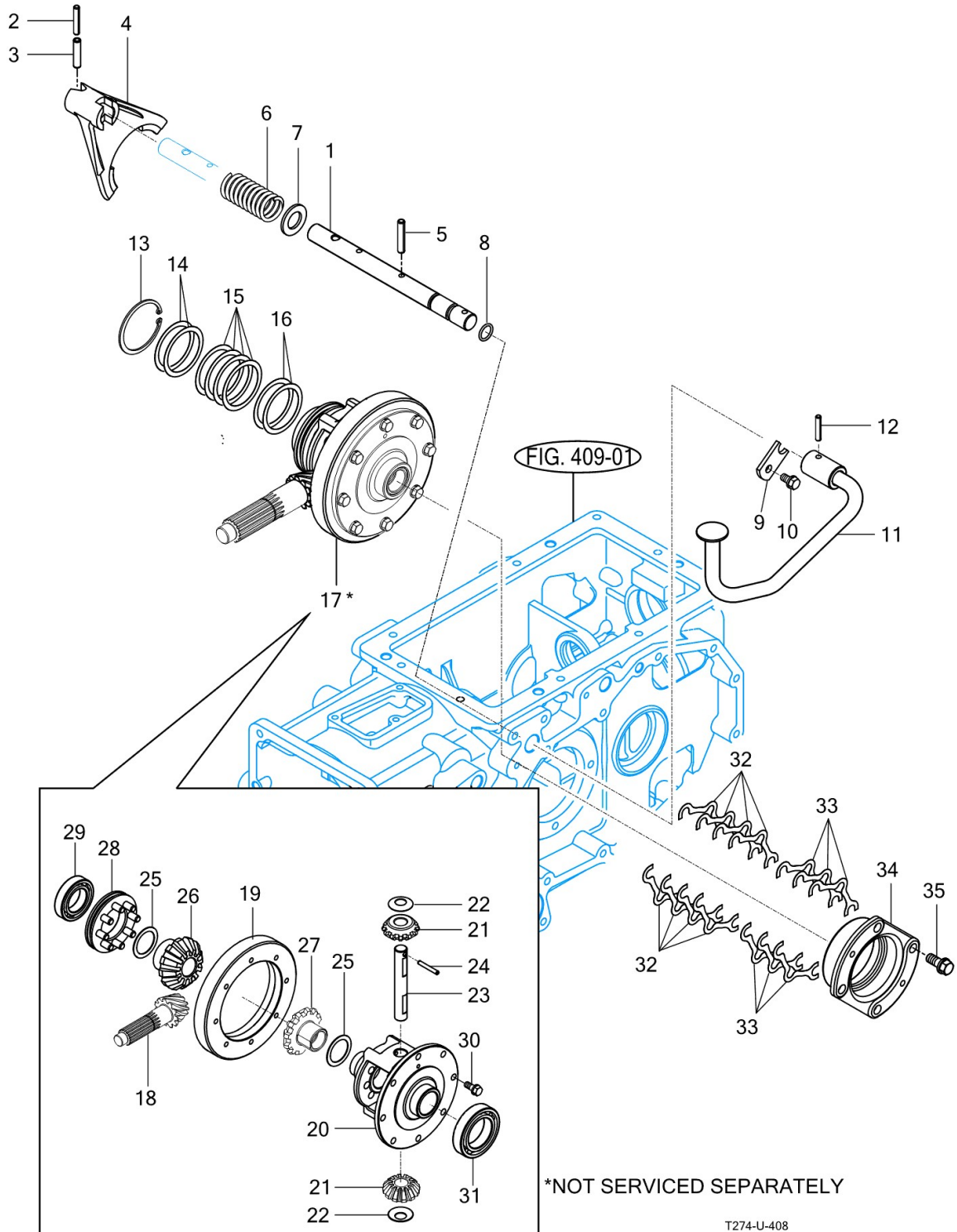
FIG

DIFF LOCK

년/월  
Year/Month

T25NH

2021-12



NOTE



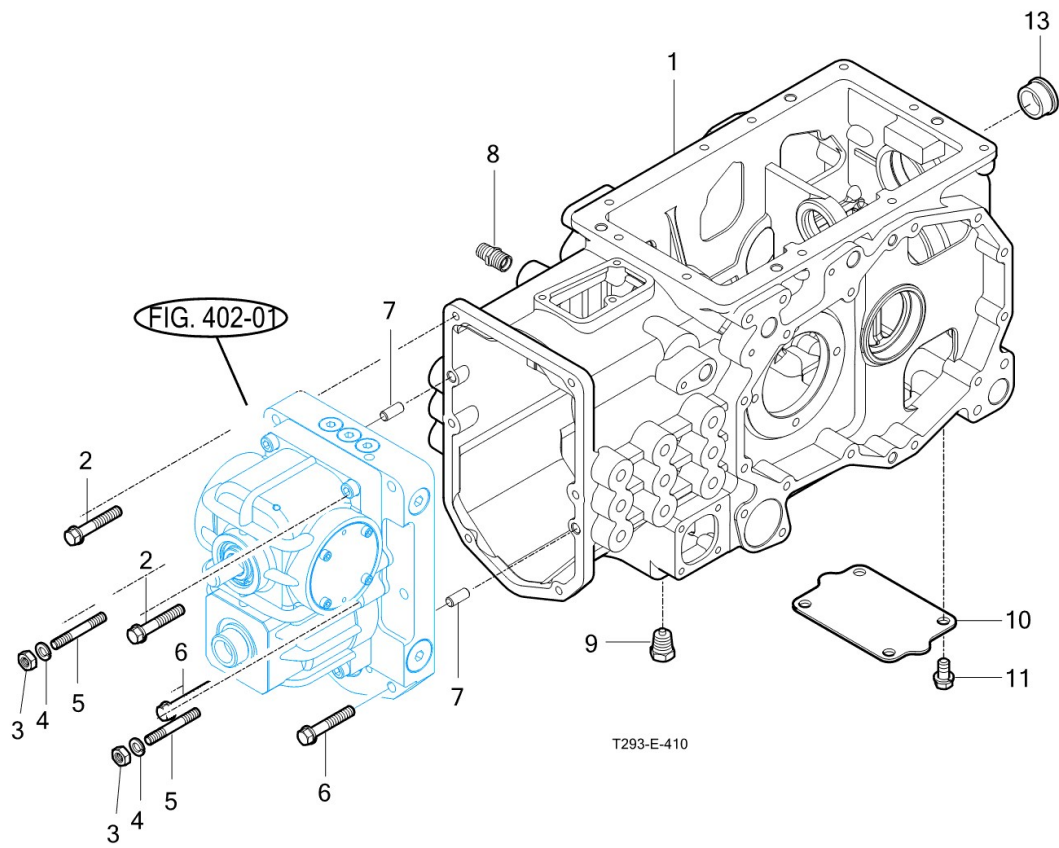
FIG

T25NH

REAR TRANSMISSION CASE

년/월  
Year/Month

2021-12



NOTE



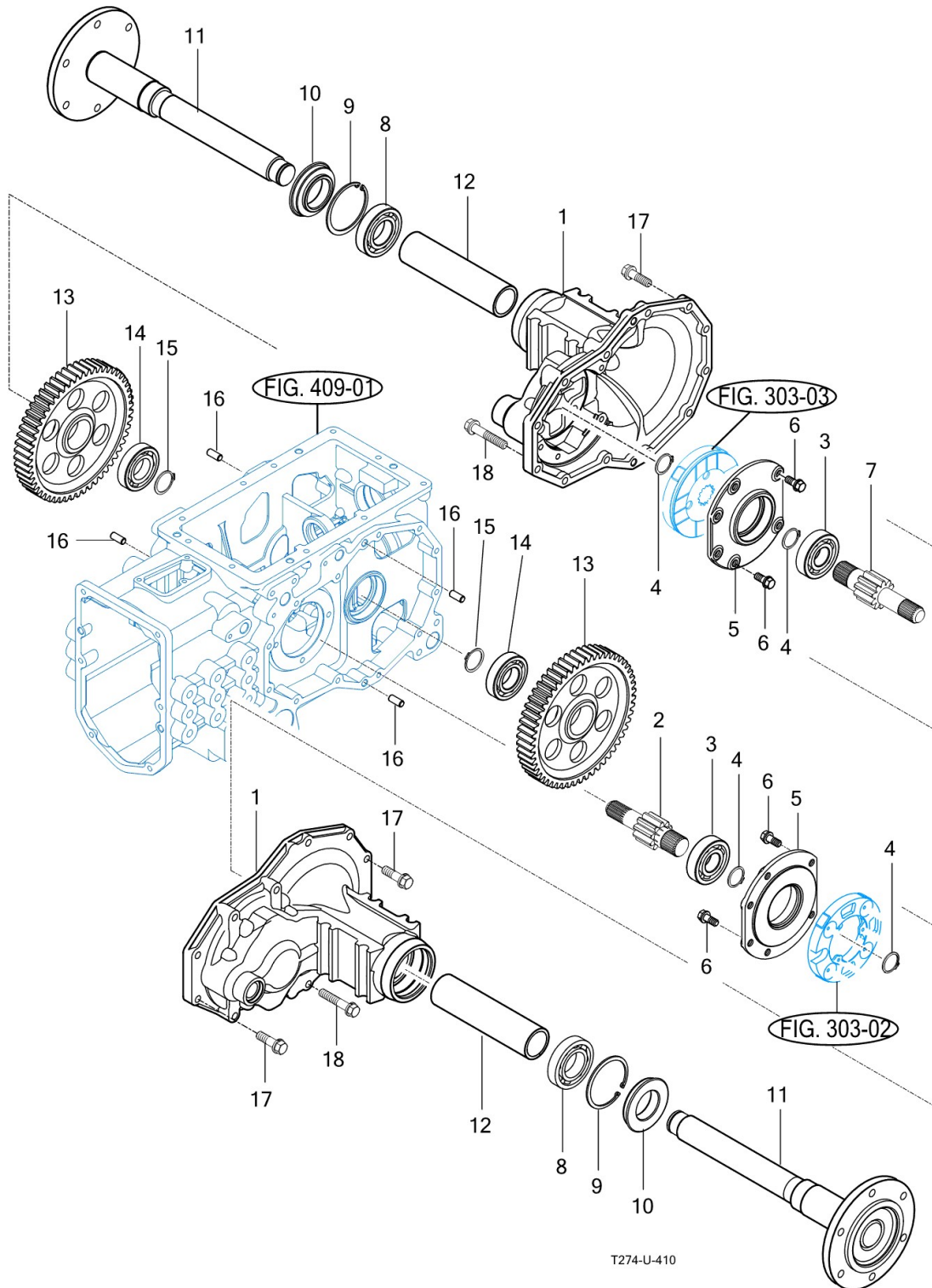
FIG

T25NH

REAR AXLE HOUSINGS

년/월  
Year/Month

2021-12



T274-UJ-410

NOTE





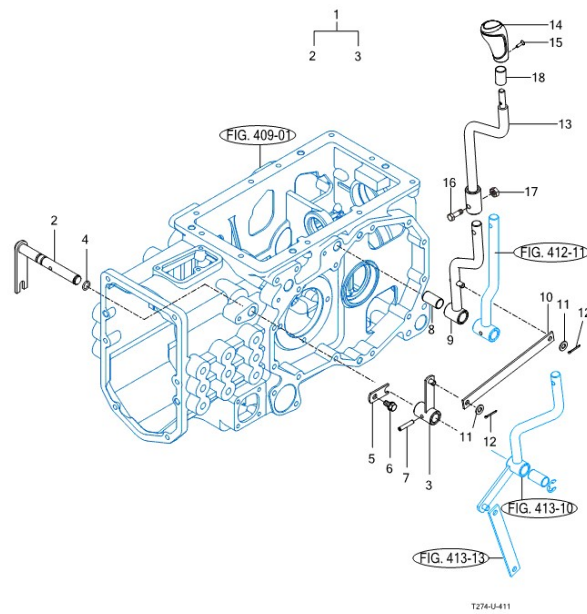
FIG

T25NH

RANGE SHIFT LEVER

년/월  
Year/Month

2021-12



NOTE



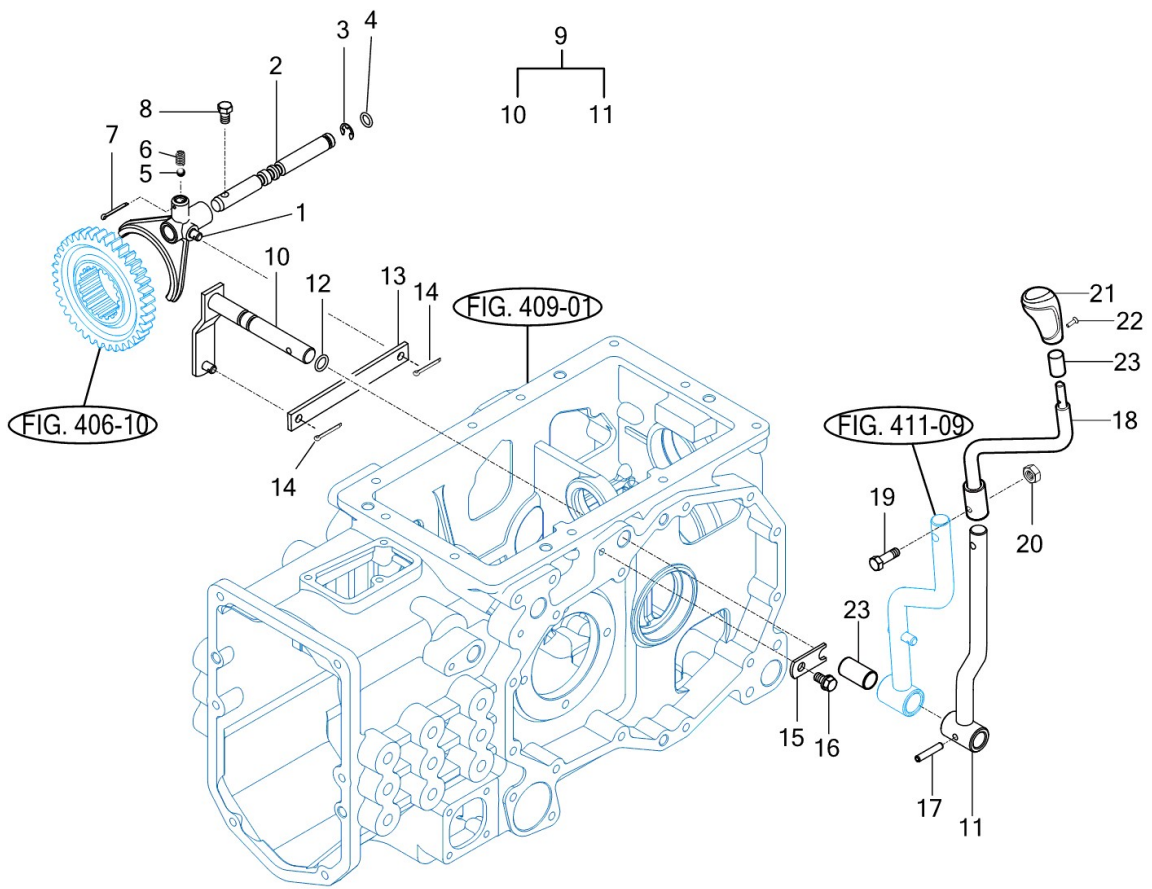
FIG

T25NH

P.T.O CHANGE LEVER

년/월  
Year/Month

2021-12



T274-U-412

NOTE



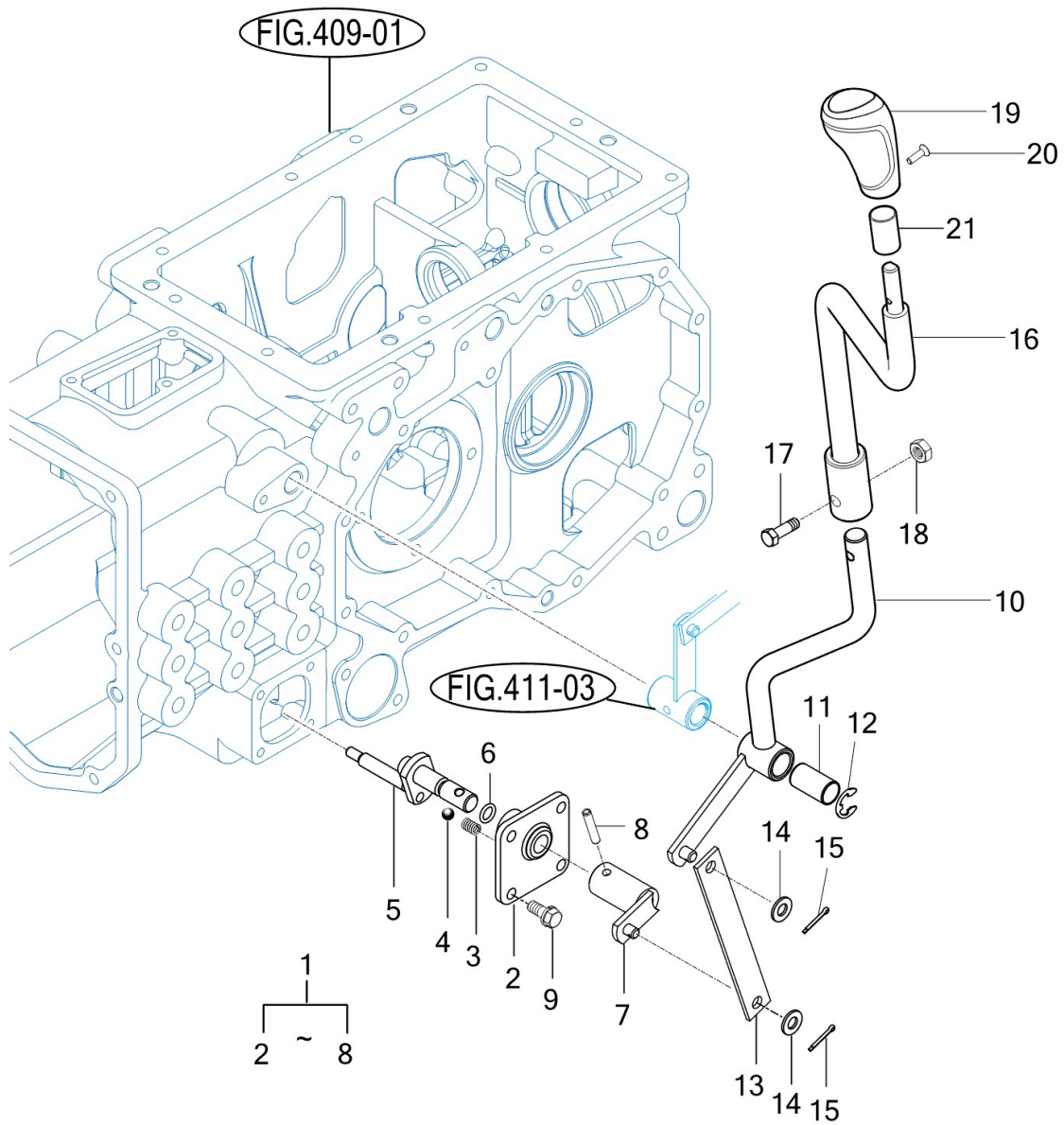
FIG

# 4WD CHANGE LEVER

년/월  
Year/Month

T25NH

2021-12



T274-U-413

NOTE



## 5. Front Axle PART NO. T5

FIG FRAME	101
FIG FRONT DIFFERENTIAL GEARS & SHAFT	103
FIG FRONT AXLE HOUSING	105
FIG FRONT GEAR CASE (1)	107
FIG FRONT GEAR CASE (2)	109



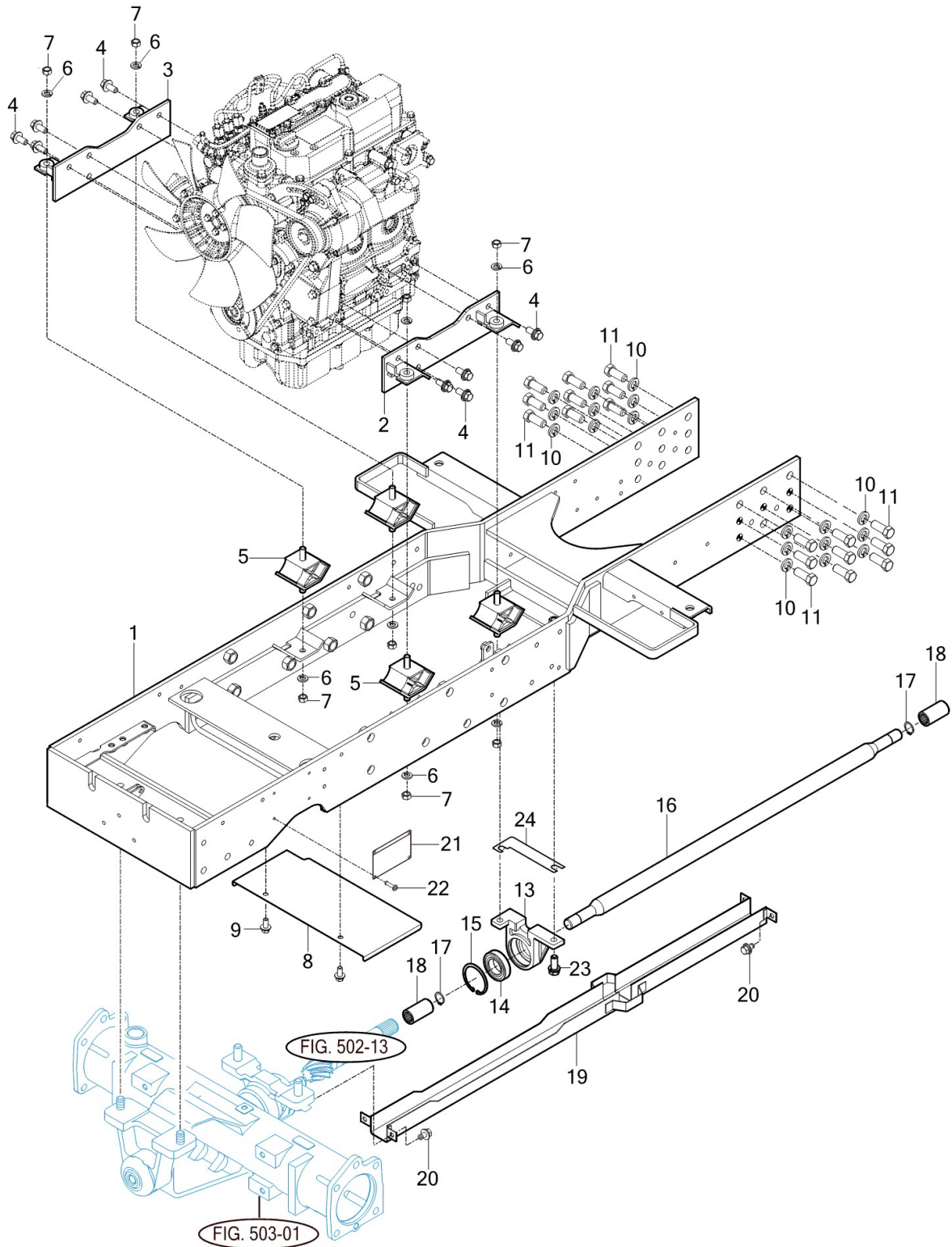
FIG

T25NH

FRAME

년/월  
Year/Month

2021-12



NOTE



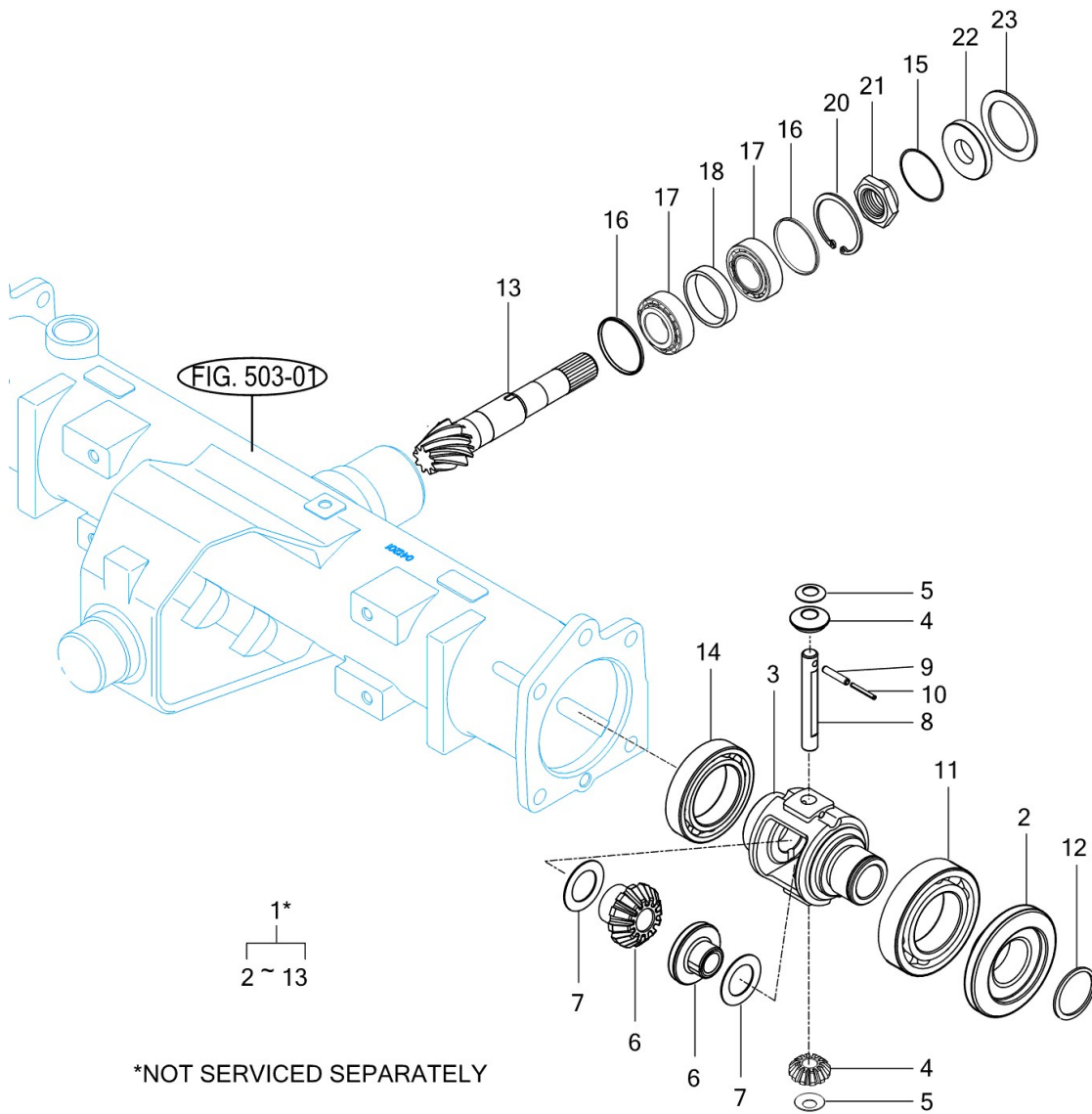
FIG

T25NH

FRONT DIFFERENTIAL GEARS & SHAFT

년/월  
Year/Month

2021-12



\*NOT SERVICED SEPARATELY

T293-E-502

NOTE



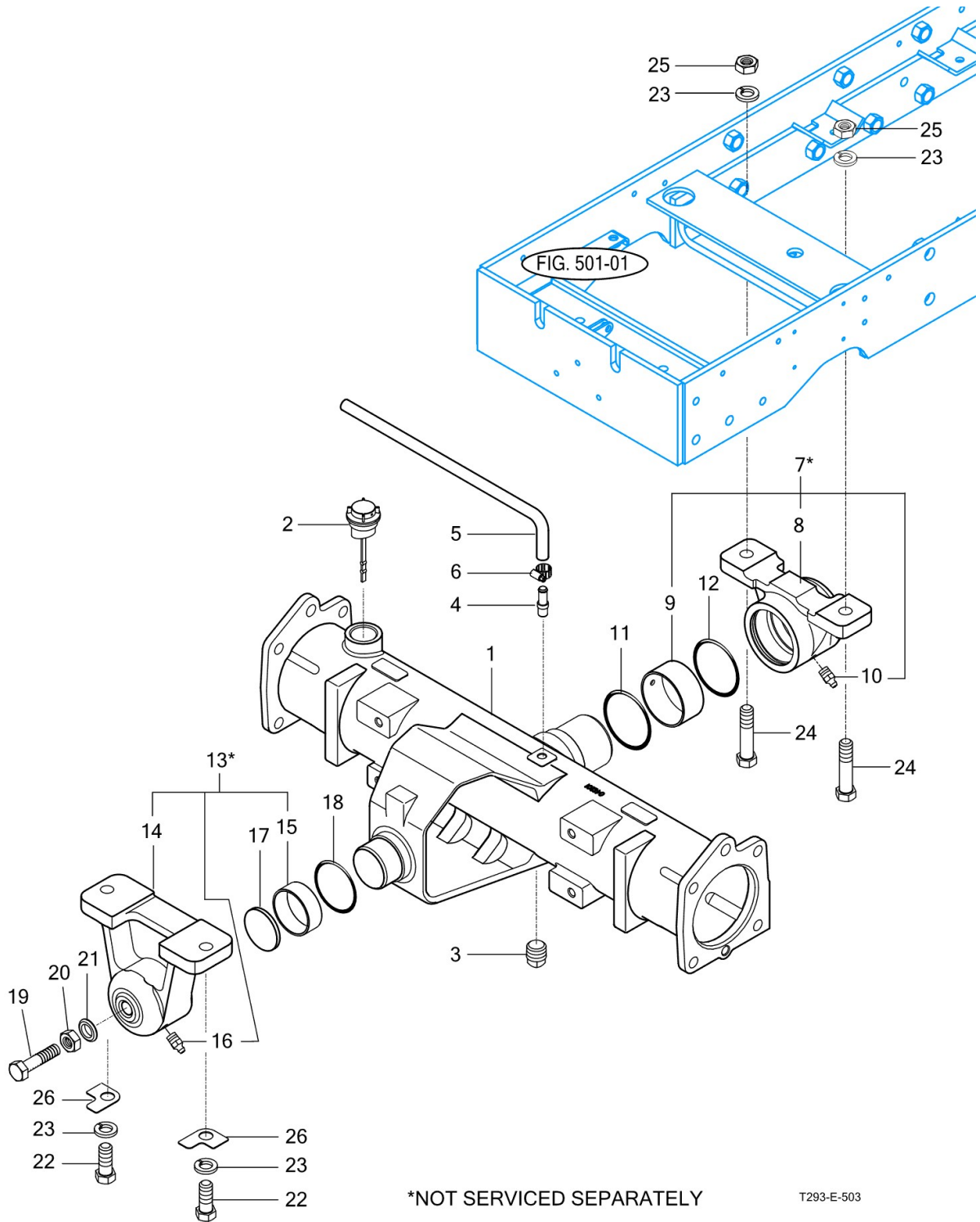
FIG

T25NH

FRONT AXLE HOUSING

년/월  
Year/Month

2021-12



NOTE



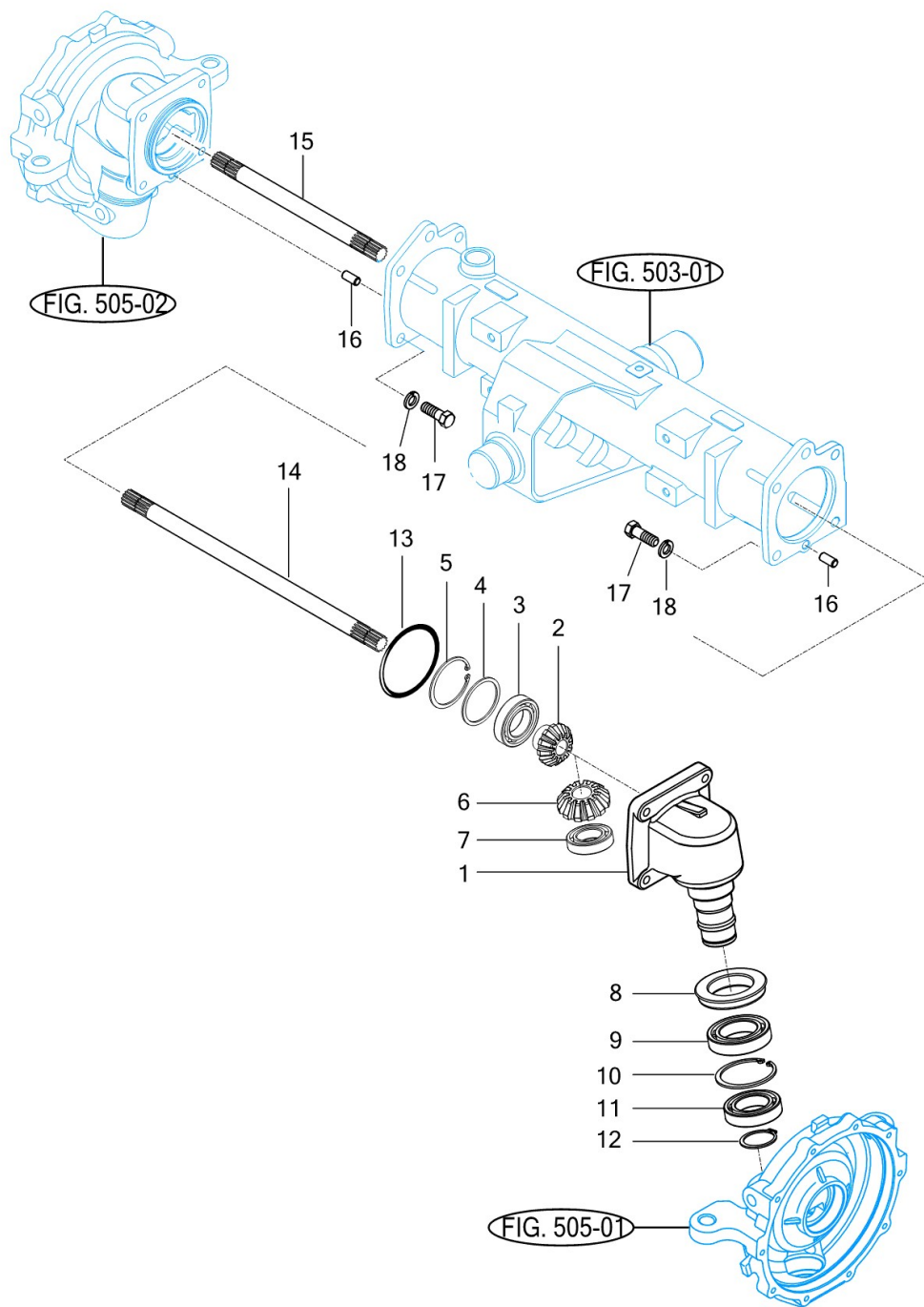
FIG

T25NH

# FRONT GEAR CASE (1)

년/월  
Year/Month

2021-12



T293-E-504

NOTE





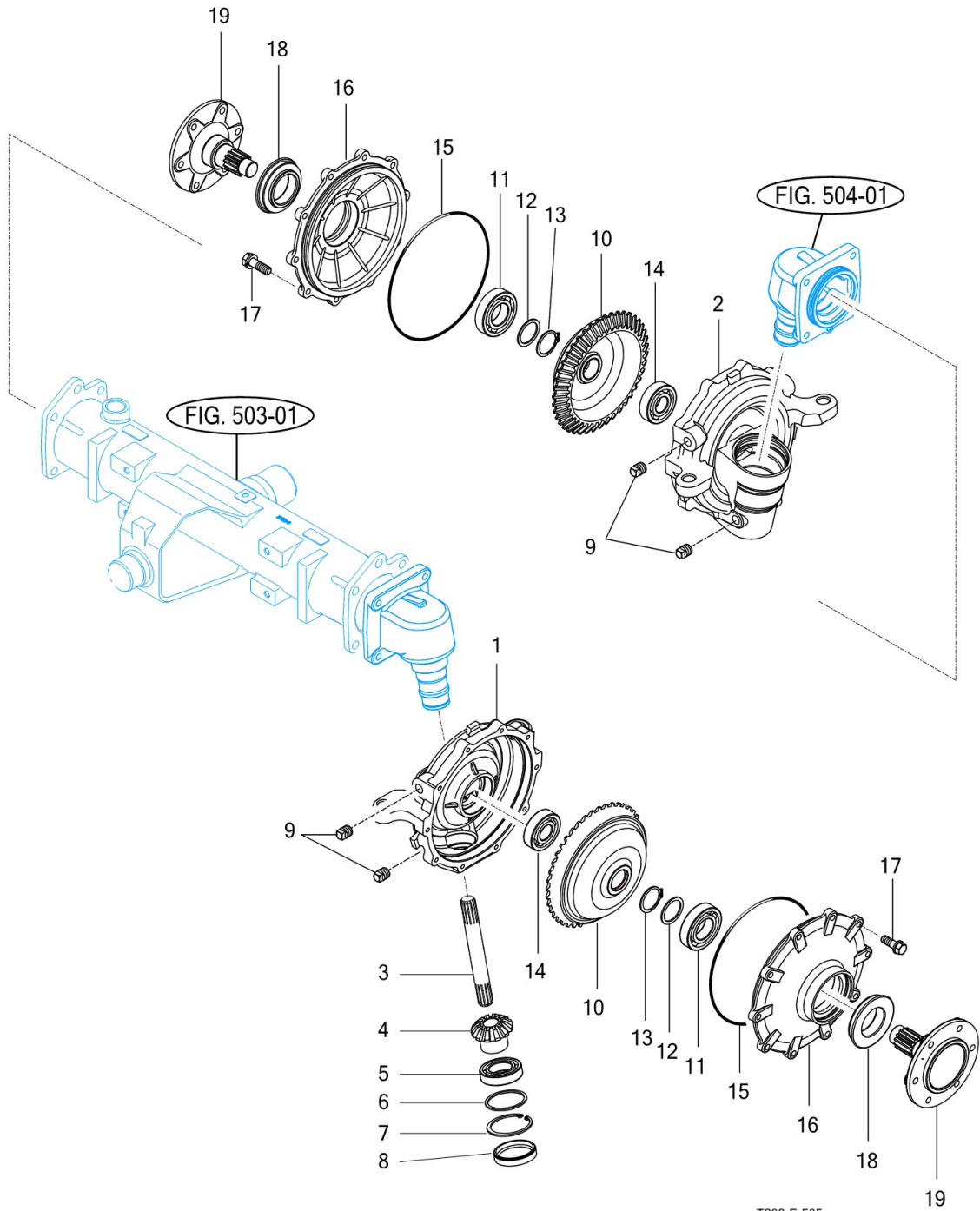
FIG

T25NH

FRONT GEAR CASE (2)

년/월  
Year/Month

2021-12



T293-E-505

NOTE



## 6. Hydraulic/3P-Link PART NO. T6

FIG CYLINDER CASE	112
FIG LIFT ARM	114
FIG FLOW CONTROL VALVE	116
FIG CONTROL VALVE LINKAGE	118
FIG MAIN CONTROL VALVE	120
FIG POSITION LEVER LINKAGE	122
FIG GEAR PUMP	124
FIG HYDRAULIC HOSE (1)	126
FIG HYDRAULIC HOSE (2)	128
FIG PTO VALVE	130
FIG 3-POINT LINKAGE	132
FIG JOYSTICK LEVER	135
FIG HITCH & COVER	137
FIG REMOTE CONTROL VALVE	139

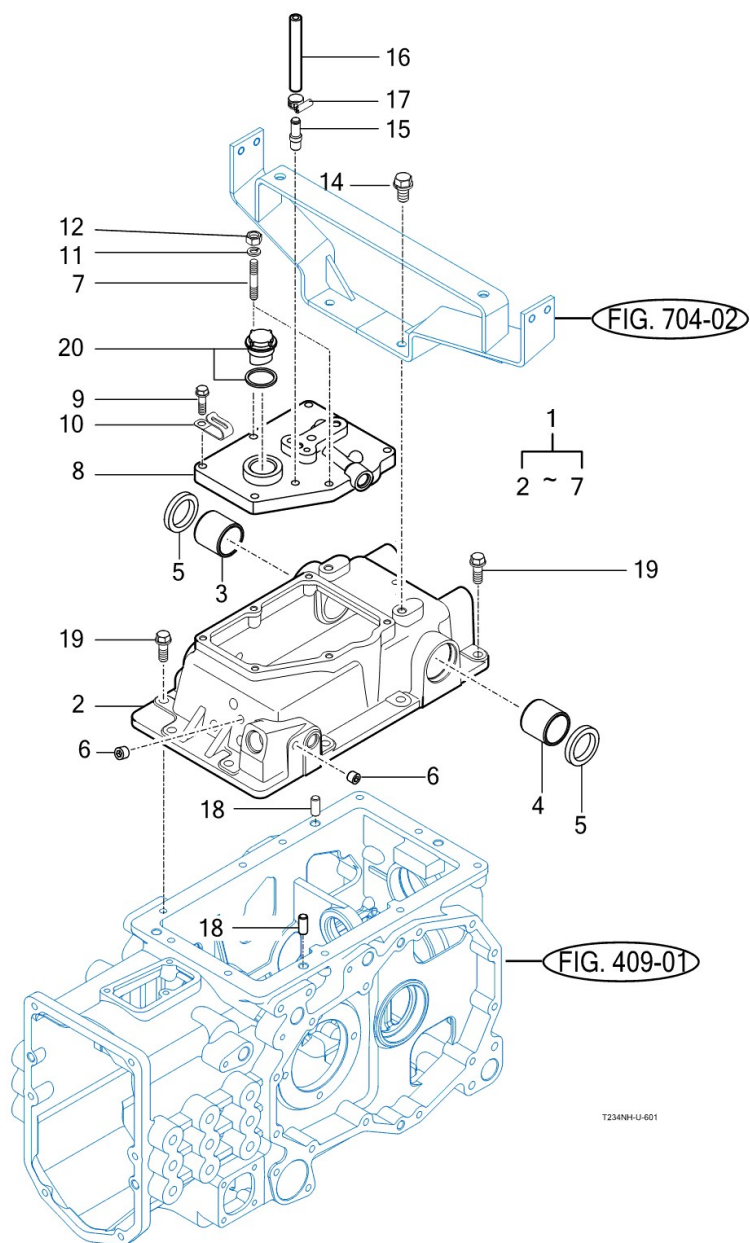
FIG

T25NH

# CYLINDER CASE

년/월  
Year/Month

2021-12



NOTE



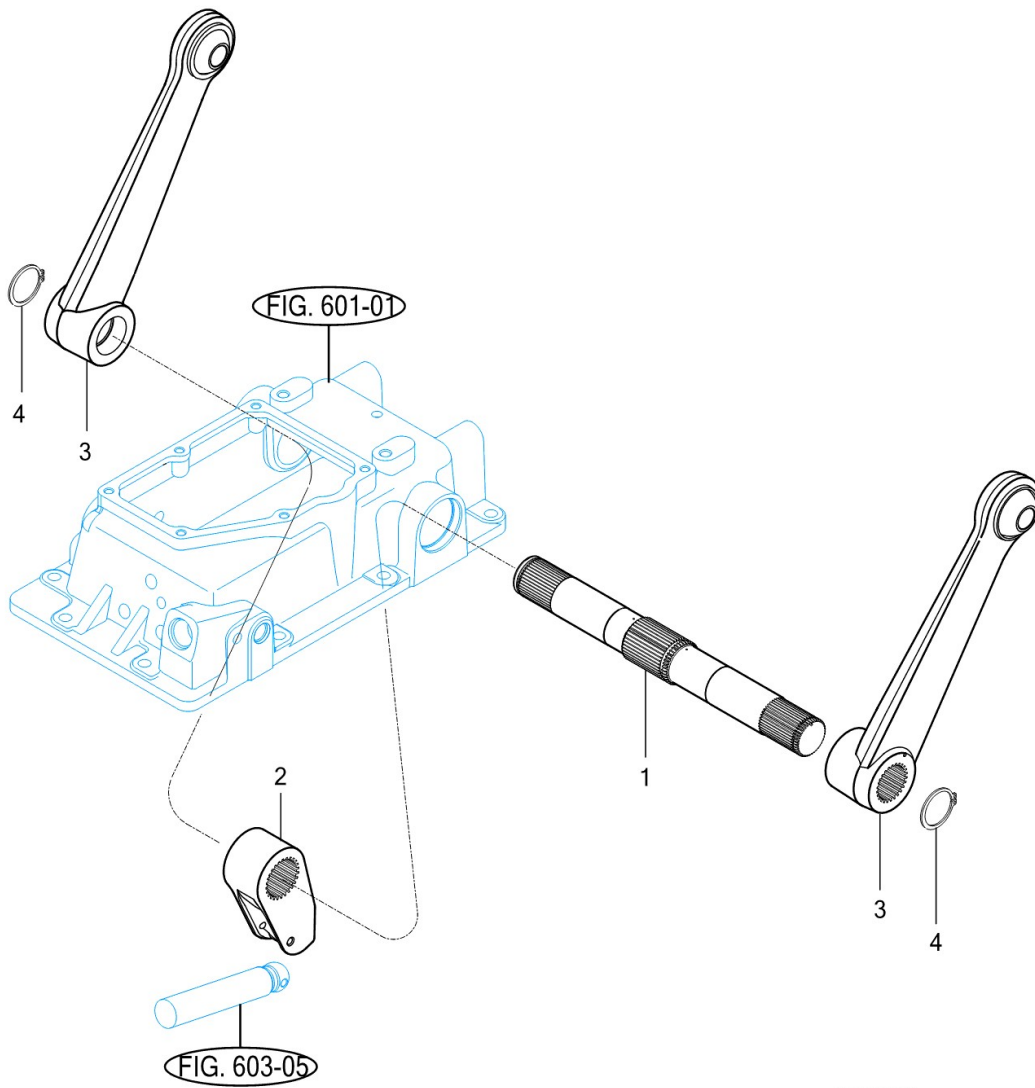
FIG

T25NH

LIFT ARM

년/월  
Year/Month

2021-12



T293-E-602

NOTE



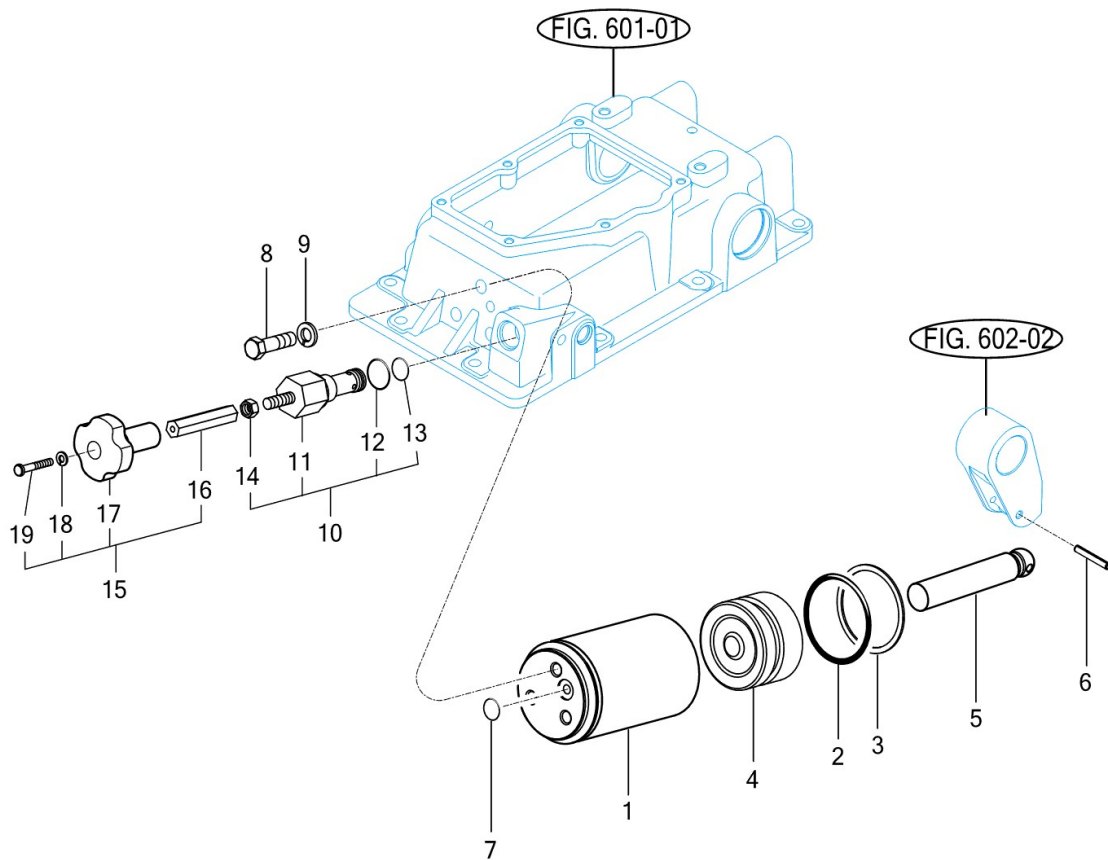
FIG

T25NH

# FLOW CONTROL VALVE

년/월  
Year/Month

2021-12



T293-E-603

NOTE





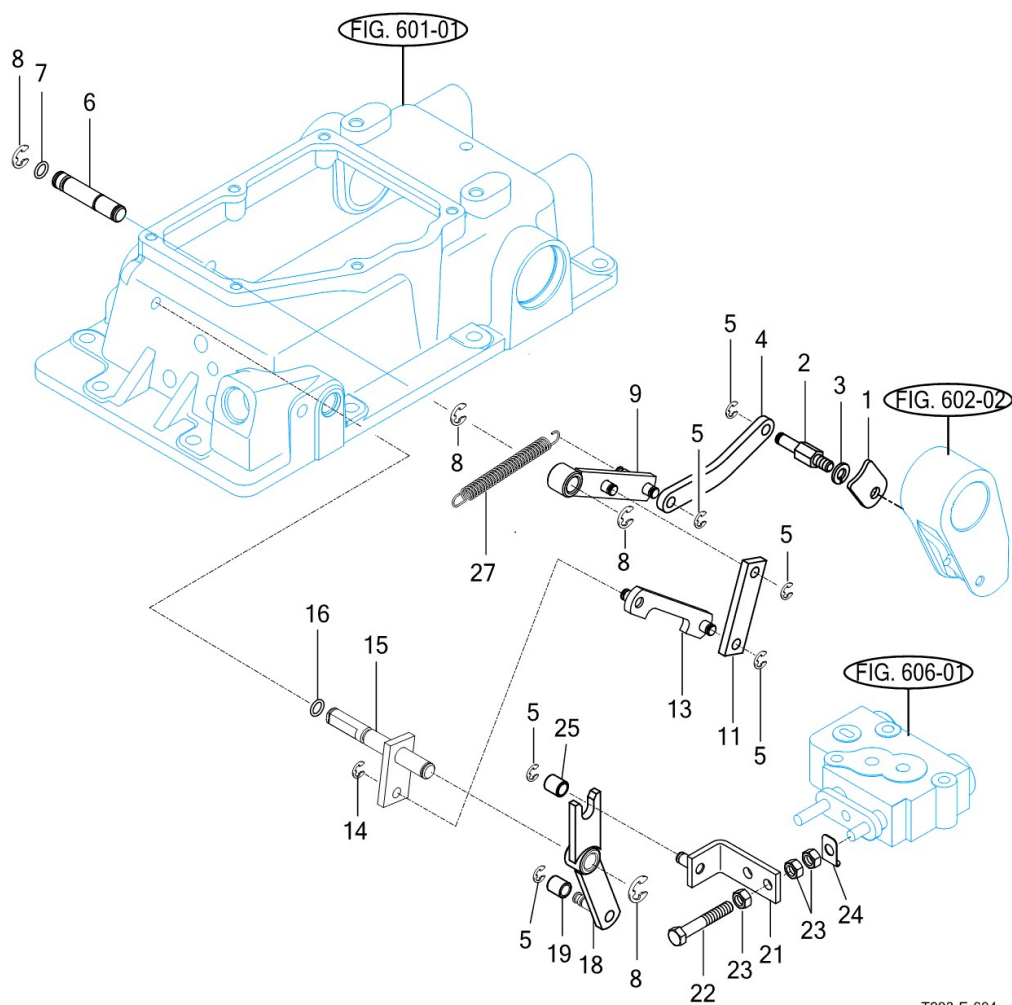
FIG

T25NH

# CONTROL VALVE LINKAGE

년/월  
Year/Month

2021-12



T293-E-604

NOTE



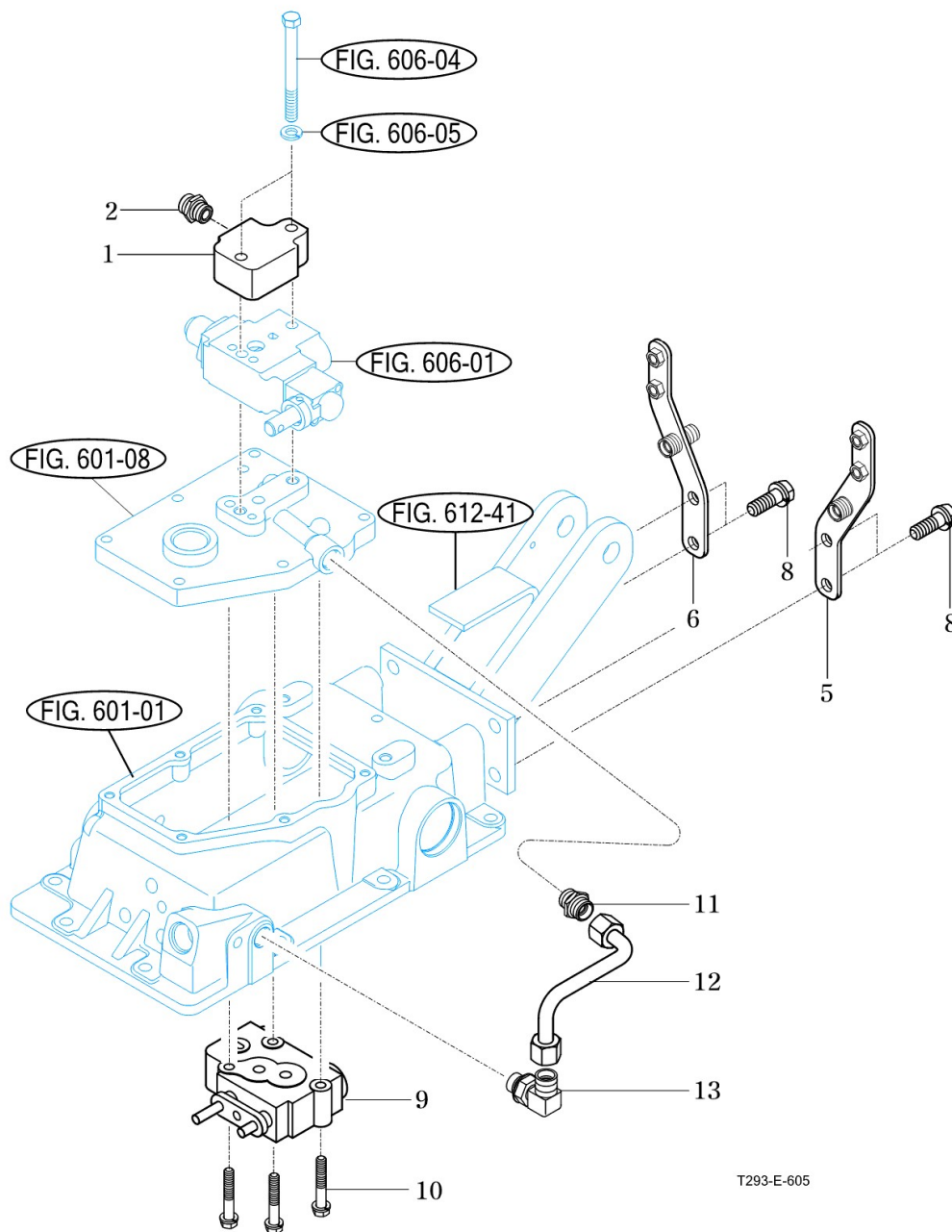
FIG

T25NH

# MAIN CONTROL VALVE

년/월  
Year/Month

2021-12



NOTE

FIG T25NH	MAIN CONTROL VALVE						년/월 Year/Month	REMARKS
							2021-12	
	KEY NO	PART NO	DESCRIPTION	SPEC	QTY	REPAIR	EFFECTIVE DATE	
1	17995080970	COVER , EXTERIOR HYD		1				
2	16994080072	UNION , SHORT		1				
3	V2013610050	BOLT , HEX	M10X50	2				
4	V4011600100	WASHER , SPRING	M10	2				
5	13155122302	STAY COMP , FUEL TANK LH		1				
6	13155122402	STAY COMP , FUEL TANK RH		1				
8	V2173612035	BOLT , HEX/S	M12X35	4				
9	17995050100	VALVE ASSY , MAIN CONTROL		1				
10	V2173608045	BOLT , HEX/S	M8X45	3				
11	16705060060	UNION		1				
12	13155012102	PIPE COMP , CYLINDER		1				
13	14725100100	ELBOW , PF3/8 M18		1				
NOTE								

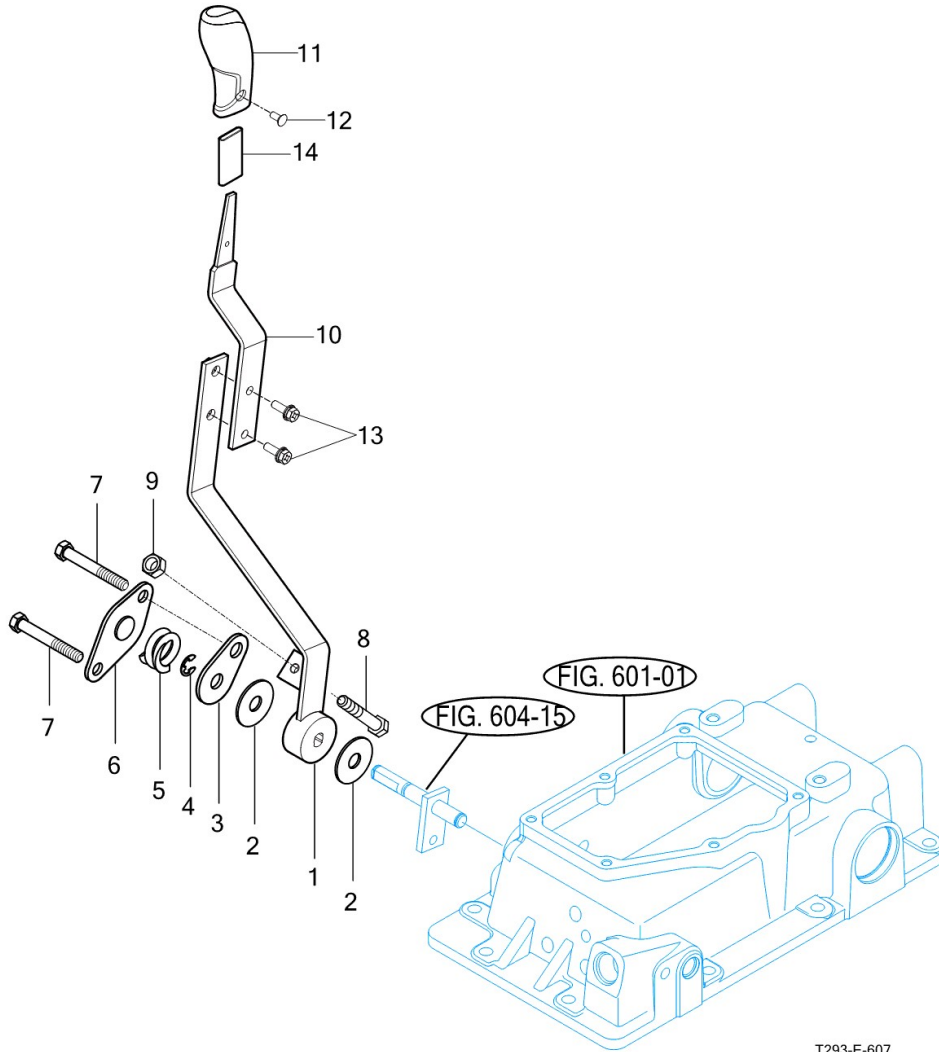
FIG

T25NH

POSITION LEVER LINKAGE

년/월  
Year/Month

2021-12



T293-E-607

NOTE



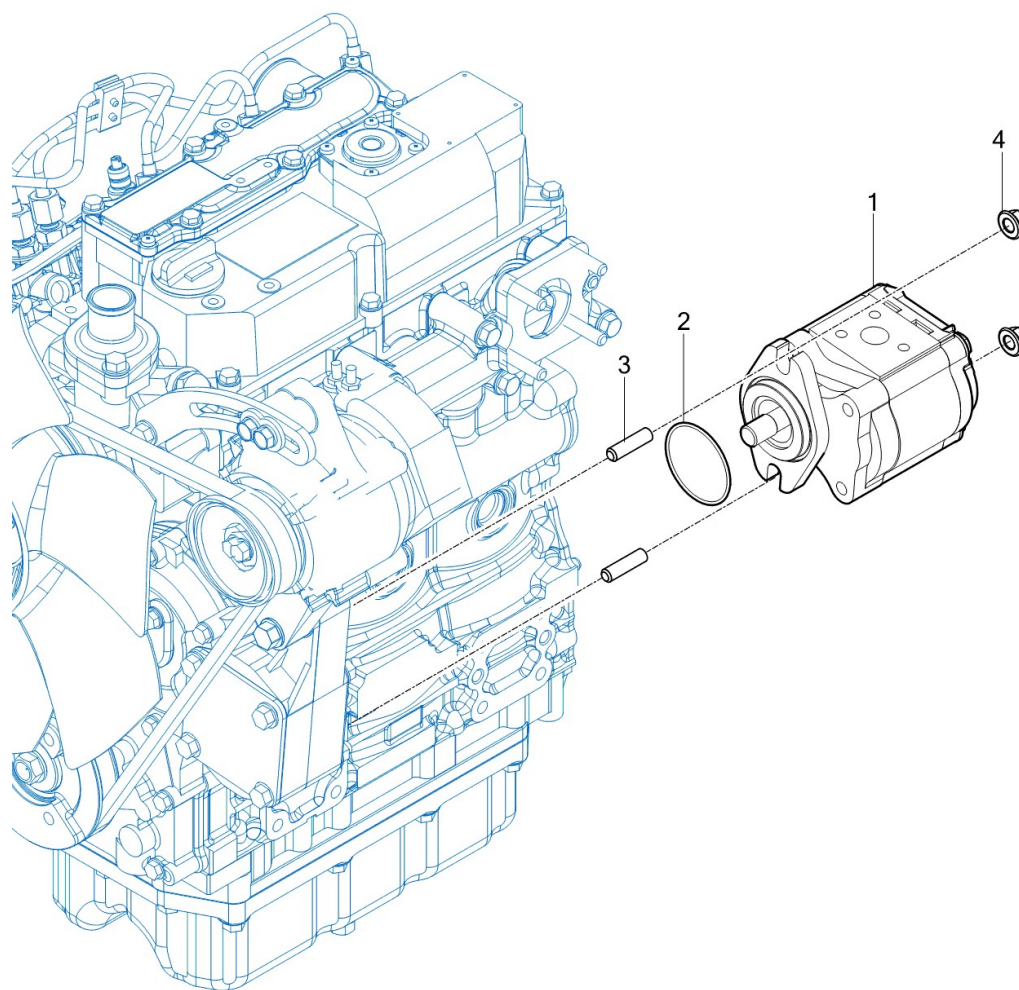
FIG

GEAR PUMP

년/월  
Year/Month

T25NH

2021-12



NOTE



FIG T25NH		GEAR PUMP					년/월 Year/Month	
							2021-12	
KEY NO	PART NO	DESCRIPTION	SPEC	QTY	REPAIR	EFFECTIVE DATE	REMARKS	
1	11115182200	GEAR PUMP ASSY , 11cc		1				
2	V7231020055	O-RING , S		1				
3	V2513408020	BOLT , STUD/2		2				
4	V3802600080	NUT , HEX FLANGE		2				
NOTE								

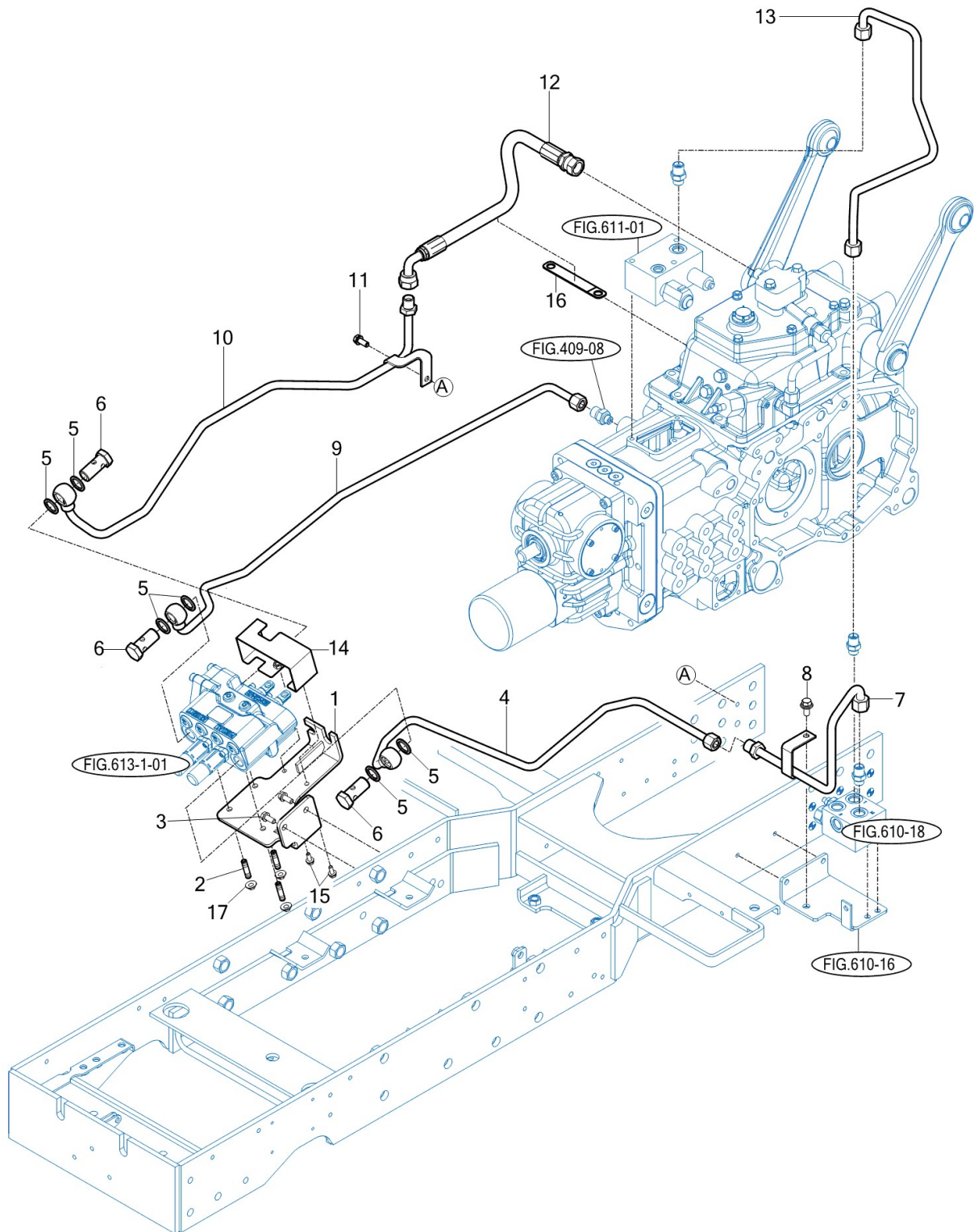
FIG

HYDRAULIC HOSE (1)

년/월  
Year/Month

T25NH

2021-12



NOTE



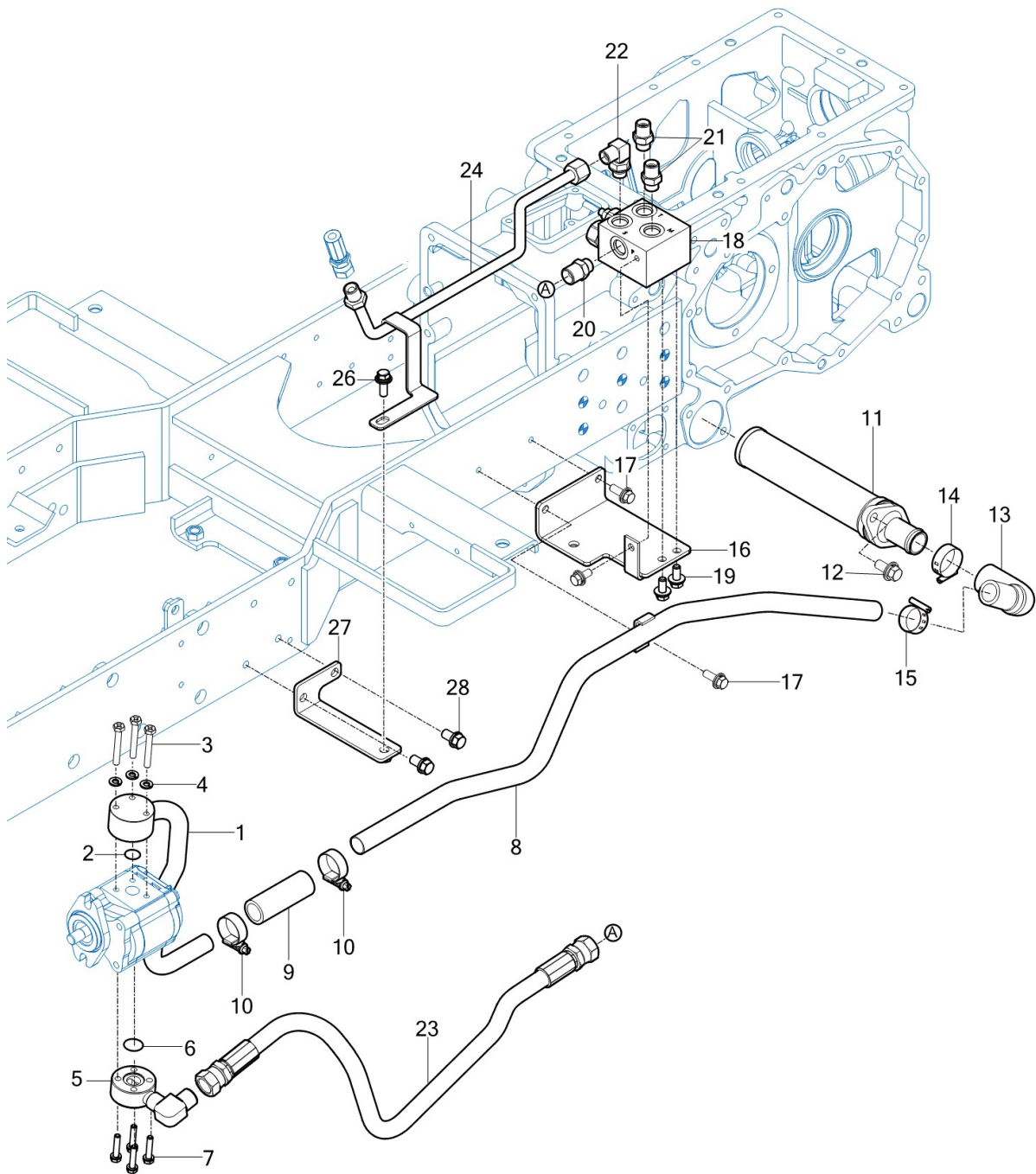
FIG

HYDRAULIC HOSE (2)

년/월  
Year/Month

T25NH

2021-12



NOTE



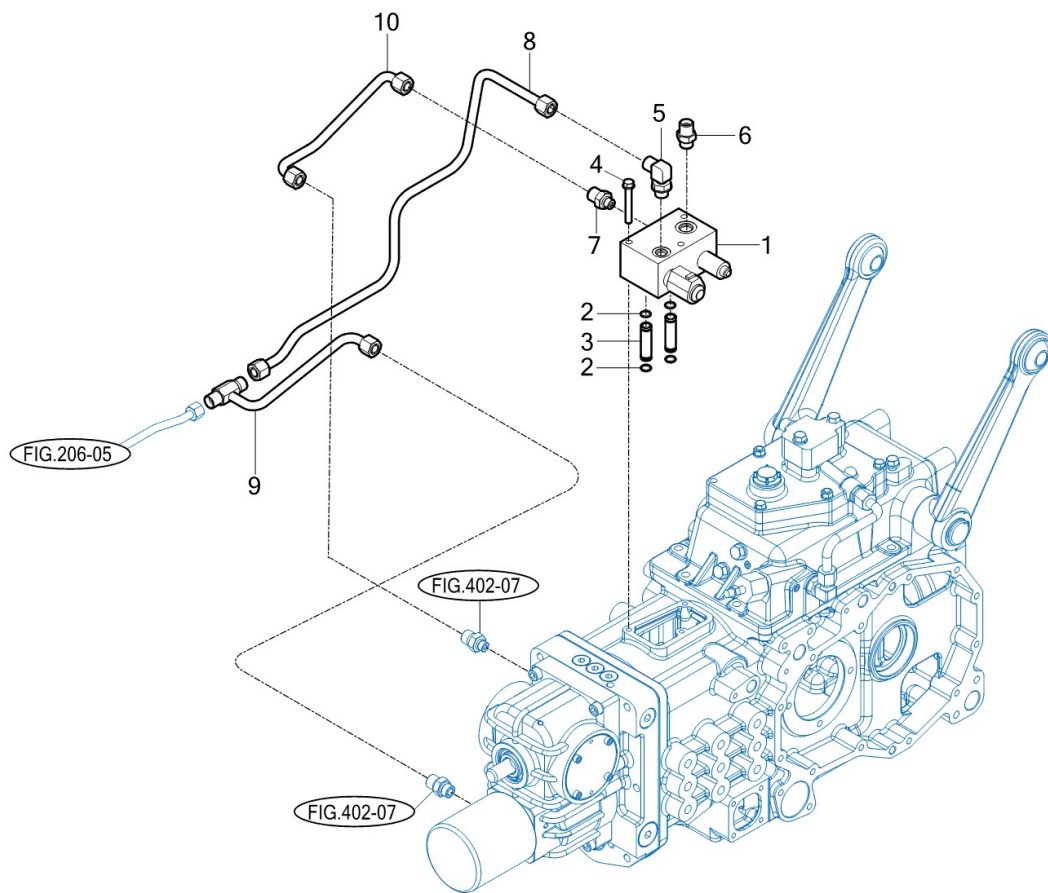
FIG

T25NH

PTO VALVE

년/월  
Year/Month

2021-12



NOTE



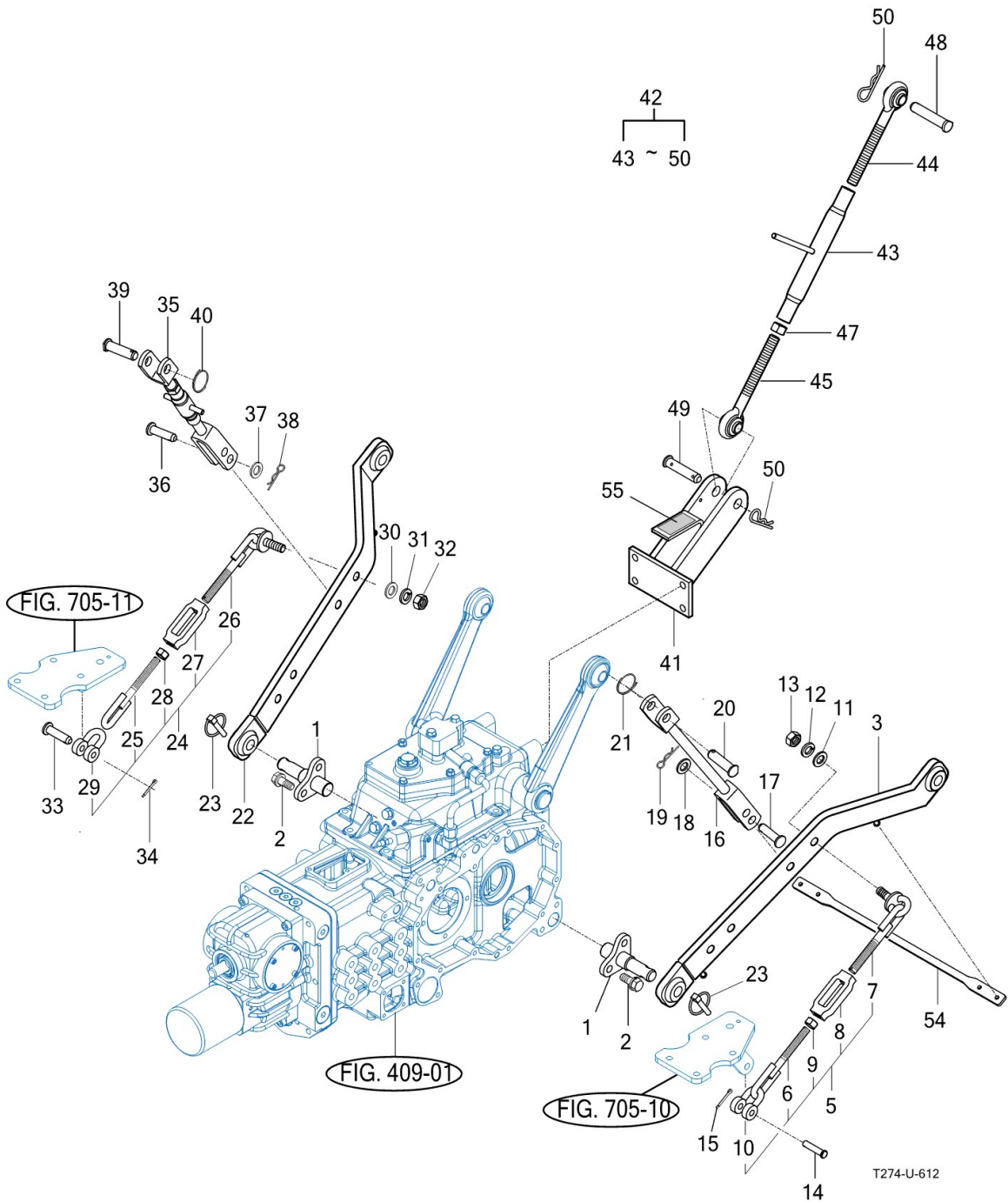
FIG

T25NH

3-POINT LINKAGE

년/월  
Year/Month

2021-12



NOTE



FIG T25NH		3-POINT LINKAGE					년/월 Year/Month	
							2021-12	
KEY NO	PART NO	DESCRIPTION	SPEC	QTY	REPAIR	EFFECTIVE DATE	REMARKS	
1	13155205100	PIN COMP, 115		2				
2	V2173612030	BOLT , HEX/S	M12X30	4				
3	13155202202	LOWER LINK COMP , LH		1				
5	13155202501	CHAIN ASSY , CHECK		1				
6	14585142600	CHAIN COMP , RH CHECK		1				
7	14585142700	CHAIN COMP , LH CHECK		1				
8	13155202511	TURNBUCKLE		1				
9	V3012600140	NUT , HEX/2	M14	1				
10	14585142520	SHACKLE , CHECK CHAIN		1				
11	V4111600160	WASHER , PLAIN	M16	1				
12	V4011600160	WASHER , SPRING	M16	1				
13	V3313600160	NUT , HEX FINE/2	M16	1				
14	79636110030	PIN , 12X48		1				
15	V5001930020	PIN , SPLIT	3X20	1				
15	V5001930020	PIN , SPLIT		1				
16	13155202401	LIFT ROD COMP , LH		1				
17	79636130050	PIN , 16X60		1				
18	V4111600160	WASHER , PLAIN	M16	1				
19	13059310030	PIN		1				
20	12505243500	PIN		1				
21	12505240060	Spring		1				
22	13155203102	LOWER LINK COMP , RH		1				
23	14215020020	PIN , LINK		2				
24	13155202501	CHAIN ASSY , CHECK		1				
25	14585142600	CHAIN COMP , RH CHECK		1				
26	14585142700	CHAIN COMP , LH CHECK		1				
27	13155202511	TURNBUCKLE		1				
28	V3012600140	NUT , HEX/2	M14	1				
29	14585142520	SHACKLE , CHECK CHAIN		1				
30	V4111600160	WASHER , PLAIN	M16	1				
31	V4011600160	WASHER , SPRING	M16	1				
32	V3313600160	NUT , HEX FINE/2	M16	1				
33	79636110030	PIN , 12X48		1				
34	V5001930020	PIN , SPLIT	3X20	1				
34	V5001930020	PIN , SPLIT		1				
35	13155203201	LIFT ROD ASSY , RH		1				
36	79636130050	PIN , 16X60		1				
37	V4111600160	WASHER , PLAIN	M16	1				
38	13059310030	PIN		1				
39	12505243500	PIN		1				
40	12505240060	Spring		1				
41	13155204104	BRACKET COMP, TOP LINK		1				
42	13155206003	TOP LINK ASSY		1				
43	13155206111	TURN BUCKLE		1				
44	13155206121	JOINT , LH		1				
NOTE								



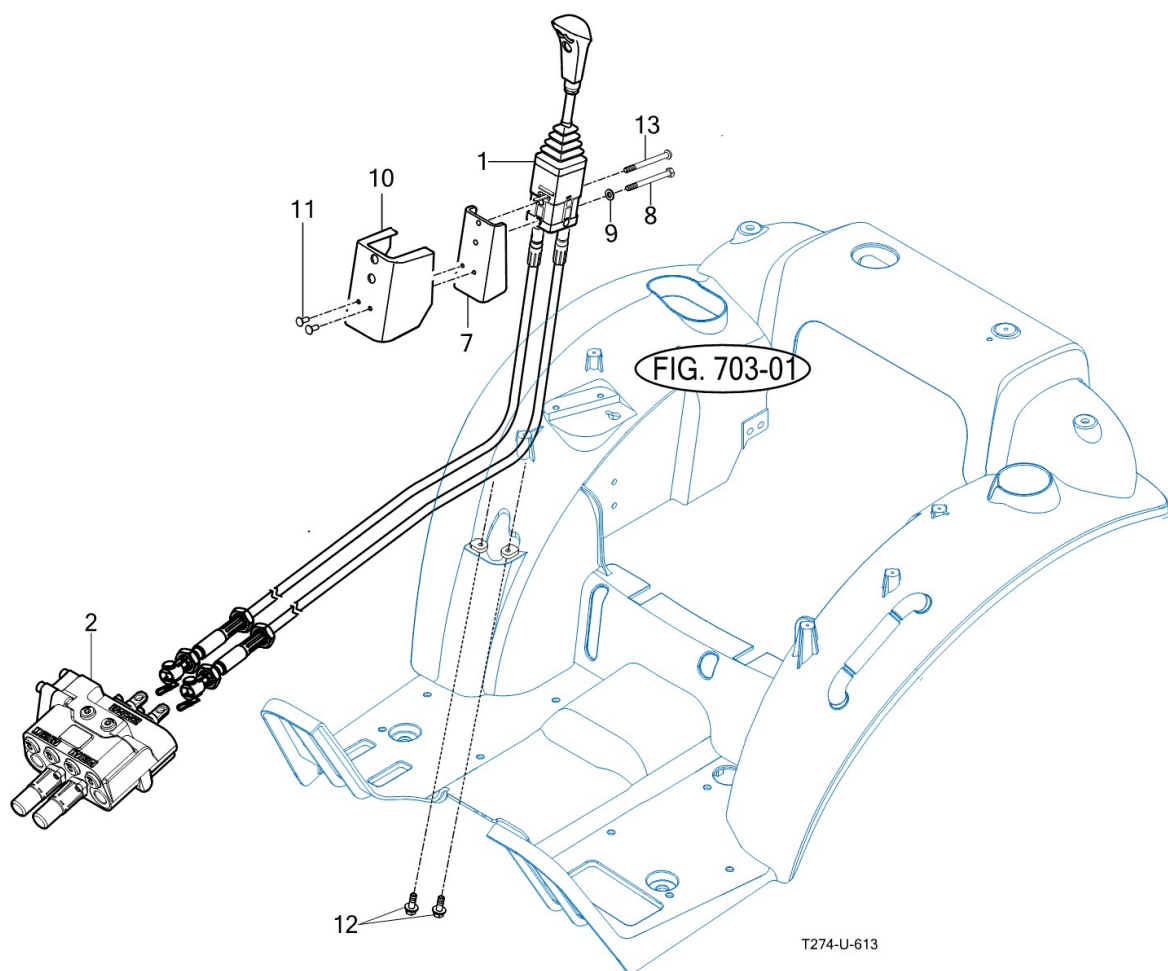
FIG

JOYSTICK LEVER

년/월  
Year/Month

T25NH

2021-12



NOTE



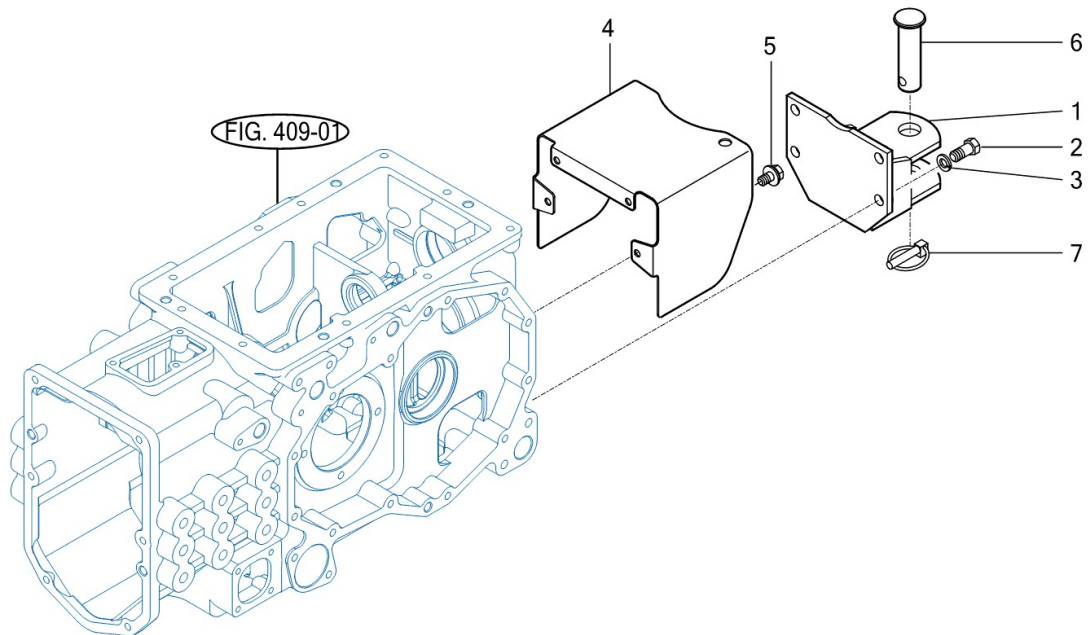
FIG

T25NH

HITCH & COVER

년/월  
Year/Month

2021-12



NOTE



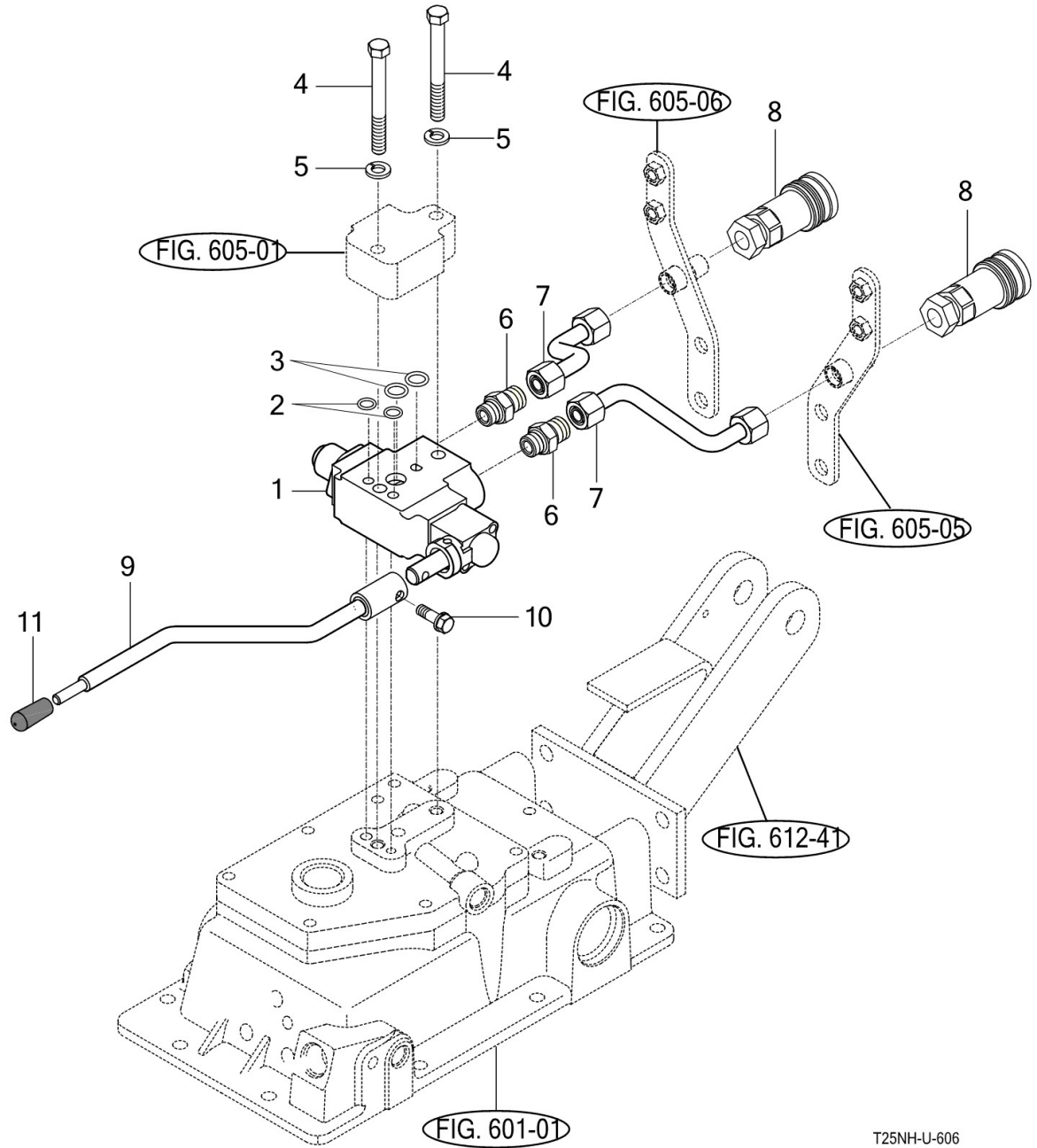
FIG

T25NH

# REMOTE CONTROL VALVE

년/월  
Year/Month

2021-12



T25NH-U-606

NOTE





## 7. Sheet Metal & Cabin PART NO. T7

FIG BONNET	142
FIG DASH PANEL	144
FIG FLOOR	146
FIG SEAT	149
FIG ROPS	151
FIG CAB FRAME & DOOR(OPTION)	153
FIG FRONT GLASS(OPTION)	155
FIG SIDE & REAR GLASS(OPTION)	157
FIG ROOF(OPTION)	159
FIG HEATER(OPTION)	161
FIG INTERIOR PART(OPTION)	163
FIG SEAL(OPTION)	165
FIG FRONT & REAR MOUNTING(OPTION)	167

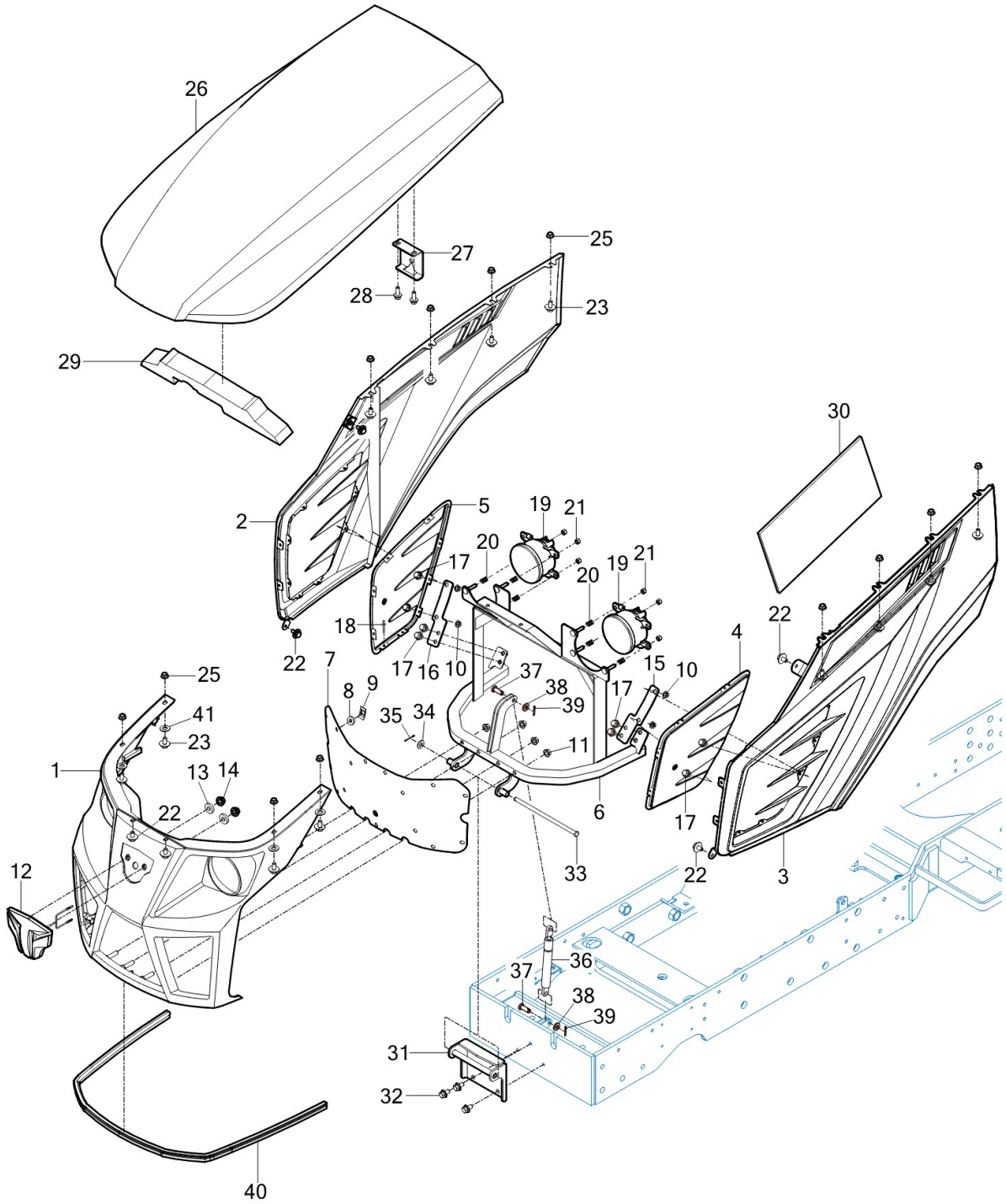
FIG

T25NH

BONNET

년/월  
Year/Month

2021-12



NOTE

FIG		BONNET					년/월	
							Year/Month	
T25NH		2021-12						
KEY NO	PART NO	DESCRIPTION	SPEC	QTY	REPAIR	EFFECTIVE DATE	REMARKS	
1	11816012400GB	GRILL COMP		1				
2	11816012300SR	SIDE PANEL COMP , RH		1				
3	11816012200SR	SIDE PANEL COMP , LH		1				
4	11816020020GB	NET , LH / SIDE PANEL		1				
5	11816020030GB	NET , RH / SIDE PANEL		1				
6	11816022100GB	HOOD FRAME COMP		1				
7	11816020010GB	NET , FR / GRILL		1				
8	14446010150	WASHER , NET		15				
9	V3501600060	NUT, PUSH-ON SPRING		15				
10	V3802600060	NUT , HEX FLANGE		4				
11	V3802600080	NUT , HEX FLANGE		4				
12	11816010100	EMBLEM ASSY , LED		1				
13	V4111600060	WASHER , PLAIN		2				
14	V3802600060	NUT , HEX FLANGE		2				
15	11816022210GB	FIX PLATE , LH		1				
16	11816022310GB	FIX PLATE , RH		1				
17	V2193606016	BOLT , HEX/SPL		8				
18	V5502040093	RIVET , BLIND		14				
19	11816020090	HEAD LAMP, LED		2				
20	16998010080	SPRING , HC016		6				
21	19027210060	NUT , NYLON , M6		6				
22	V2193606016	BOLT , HEX/SPL		6				
23	V2193606016	BOLT , HEX/SPL		12				
25	V3802600060	NUT , HEX FLANGE		12				
26	11816012100SR	HOOD		1				
27	13156012213	BRACKET , STAY		1				
28	V2183608020	BOLT , HEX/SP		2				
29	11816020060	INSULATOR , UPPER / HOOD		1				
30	16506010140	SPONGE		1				
31	11816013100GB	BRACKET COMP , HINGE		1				
32	V2173608020	BOLT , HEX/S		3				
32	V2183608025	BOLT , HEX/SP		3				
33	13016202060	PIN , HOOD		1				
34	V4111600080	WASHER , PLAIN		1				
35	V5001925020	PIN D2.5x20		1				
36	11816022400	GAS SPRING , 70kgf		1				
37	14322420010	PIN		2				
38	V4111600080	WASHER , PLAIN		2				
39	V5001925015	PIN , SPLIT		2				
40	11816020050	INSULATOR , SIDE / HOOD		1				
41	19026112050	WASHER , 6X30X2.3		4				
NOTE								

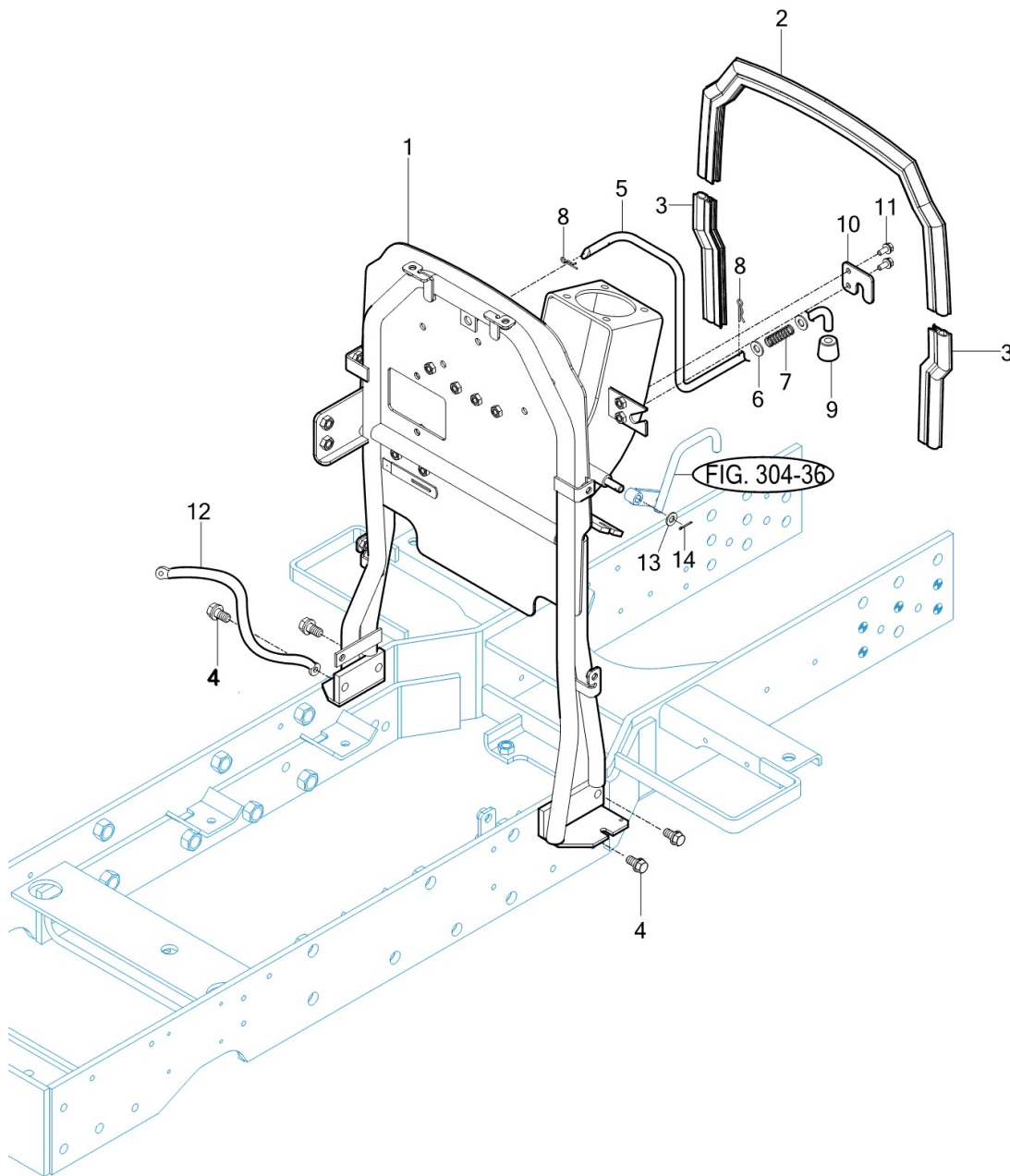
FIG

T25NH

DASH PANEL

년/월  
Year/Month

2021-12



NOTE



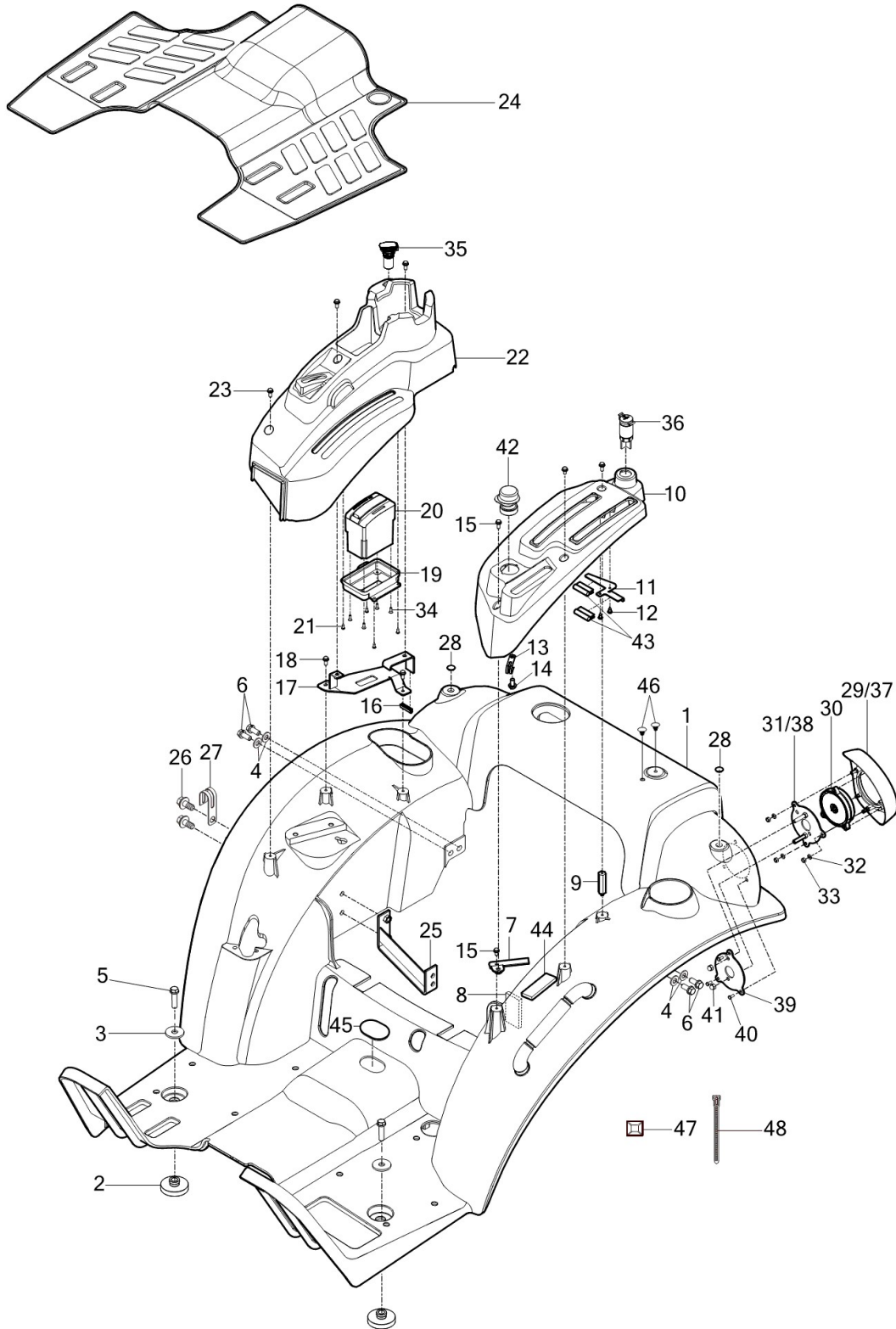
FIG

T25NH

FLOOR

년/월  
Year/Month

2021-12



NOTE

FIG T25NH		FLOOR					년/월 Year/Month	
							2021-12	
KEY NO	PART NO	DESCRIPTION	SPEC	QTY	REPAIR	EFFECTIVE DATE	REMARKS	
1	13156402114SR	PANEL , FLOOR		1				
2	13156252121	INSULATOR		2				
3	13156252110	PLATE		2				
4	V4111600100	WASHER , PLAIN	M10	4				
5	V2173612040	BOLT , HEX/S	M12X40	2				
6	V2173610040	BOLT , HEX/S	M10X40	4				
7	11817082300GB	BRACKET COMP , FR/LEVER COVER		1				
8	11816400010	INSULATOR , 4WD		1				
9	11817095440	BOLT , COVER		1				
10	11817082100	LEVERCOVER SUB , LH		1				
11	11816400020GB	PLATE, PTO LEVER		1				
12	V1902605012	SCREW , TAPPING C/R PAN/3		2				
13	37371720090	CLAMP , W/HARNESS		1				
14	19406110080	TAPPING SCREW , TRUSS/6X16		1				
15	V1222806012	SCREW , C/R PAN/SP		4				
16	11816030020	INSULATOR , RH / LEVER COVER		1				
17	11817082400GB	BRACKET COMP , LEVER COVER		1				
18	V1222806012	SCREW , C/R PAN/SP		2				
19	11817082220NG	LEVER COVER , LOW / RH		1				
19	11817082220	LEVER COVER , LOW / RH		1				
20	11816602300	WIRELESS CHARGE ASSY		1				
21	V1922604012	SCREW , TAPPING		4				
22	11817082210NG	LEVER COVER , UPPER /RH		1				
23	V1222806012	SCREW , C/R PAN/SP		3				
24	13186412110	MAT , FLOOR		1				
25	13196253100GB	PLATE COMP, RH SUPPROT FENDER		1				
26	V2183608025	BOLT , HEX/SP		2				
27	14256210040	CLAMP , 9		1				
28	16606070031	CAP , 9		2				
29	11817023500NG	STOP LAMP COVER , LH		1				
30	11817023400	LAMP ASSY . STOP		2				
31	11817023700	FIX PLATE COMP , LH / STOP LAMP		1				
32	V4011600060	WASHER , SPRING		6				
33	V3412700080	NUT , SMALL CAP		6				
34	V1122804012	SCREW , C/R FLAT		4				
35	11817018500	USB SOCKET ASSY		1				
36	10037018500	SOCKET ASSY , POWER		1				
37	11817023600NG	STOP LAMP COVER , RH		1				
38	11817023800	FIX PLATE COMP , RH / STOP LAMP		1				
39	11817023710	FIX PLATE , STOP LAMP		2				
40	V1922605012	SCREW , TAPPING		6				
40	13366050120	SCREW , TAPPING C/R PAN/4		6				
40	V1922605012	SCREW , TAPPING		6				
41	V3412700080	NUT , SMALL CAP		4				
42	11106644000	SWITCH ASSY , PTO		1				
NOTE								





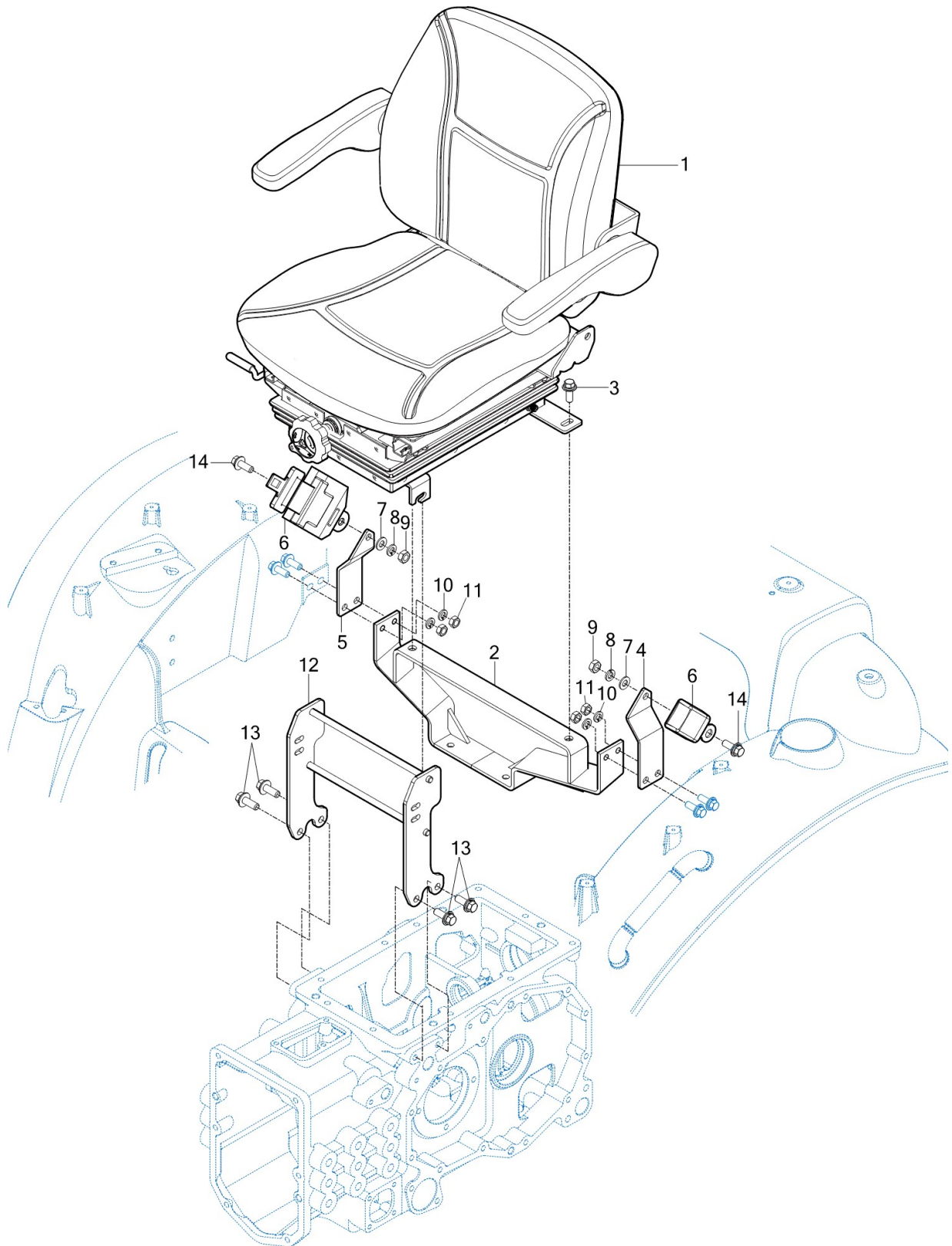
FIG

T25NH

SEAT

년/월  
Year/Month

2021-12



NOTE



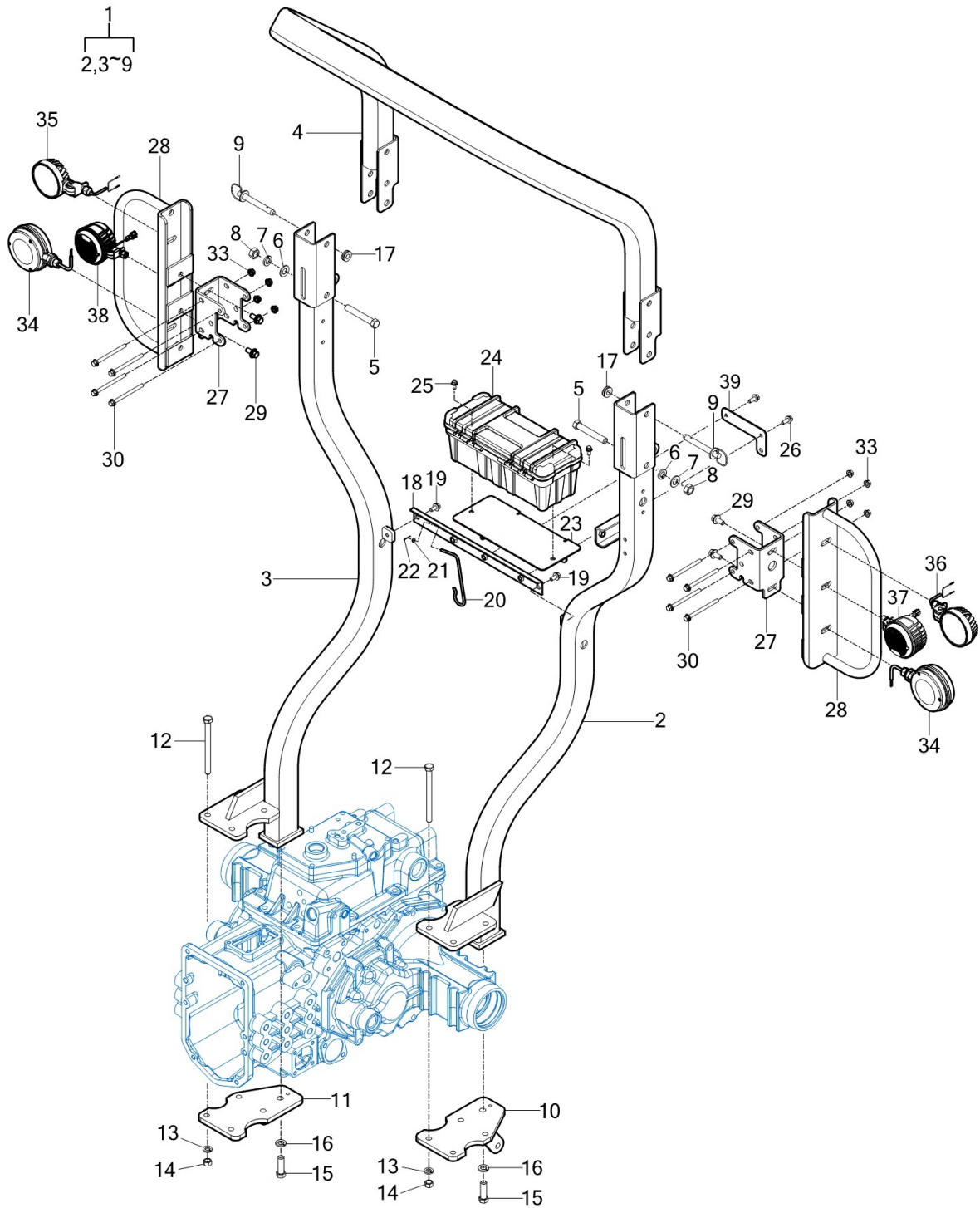
FIG

T25NH

ROPS

년/월  
Year/Month

2021-12



NOTE

FIG T25NH		ROPS					년/월 Year/Month	
							2021-12	
KEY NO	PART NO	DESCRIPTION	SPEC	QTY	REPAIR	EFFECTIVE DATE	REMARKS	
1	11817022000	ROPS ASSY		1				
2	11817022100GB	FRAME COMP , LH		1				
2	11817022101GB	FRAME COMP , LH		1				
3	11817023100GB	FRAME COMP , RH		1				
4	13397024100GB	FRAME COMP , UPR		1				
5	V2004614090	BOLT , HEX		2				
6	V4111600140	WASHER , PLAIN		2				
7	V4011600140	WASHER , SPRING		2				
8	V3043600140	NUT , HEX/2		2				
9	16507027500	PIN COMP , FIXED		2				
10	11817022201GB	BRACKET COMP , LH		1				
11	11817023201GB	BRACKET COMP , RH		1				
12	V2004612150	BOLT , HEX		8				
13	V4011600120	WASHER , SPRING		8				
14	V3043600120	NUT , HEX/2		8				
15	V2013614045	BOLT , HEX		2				
16	V4011600120	WASHER , SPRING		2				
17	14046210300	GROMMET		2				
18	13197035401GB	BRACKET COMP		1				
19	V2183608025	BOLT , HEX/SP		2				
20	16705251100	HOOK , TOPLINK		1				
21	V4111600050	WASHER , PLAIN		1				
22	V5001920015	PIN , SPLIT		1				
23	11817011100GB	BRACKET COMP , TOOLBOX		1				
23	11817035400GB	BRACKET COMP , TOOLBOX		1				
24	13836081180	TOOL BOX		1				
25	V2183608020	BOLT , HEX/SP		2				
26	V2183606020	BOLT , HEX/SP		2				
27	11817120010GB	PLATE , COMBI		2				
28	11817122100GB	BRACKET COMP , COMBI LAMP		2				
29	V2183610025	BOLT , HEX/SP		4				
30	V2013608100	BOLT , HEX		8				
30	V2183608100	BOLT , HEX/SP		8				
31	V4111600080	WASHER , PLAIN		8				
32	V4011600080	WASHER , SPRING		8				
33	V3802600080	NUT , HEX FLANGE		8				
34	11616562000	LAMP ASSY , DOUBLE-SIDE		2				
35	11817025800	LAMP ASSY , WORKING RH		1				
36	11817025700	LAMP ASSY , WORKING LH		1				
37	11817025500	W.P SPEAKER ASSY(LH)		1				
38	11817025600	W.P SPEAKER ASSY (RH)		1				
39	11817012010GB	BRACKET , SMV		1				
NOTE								

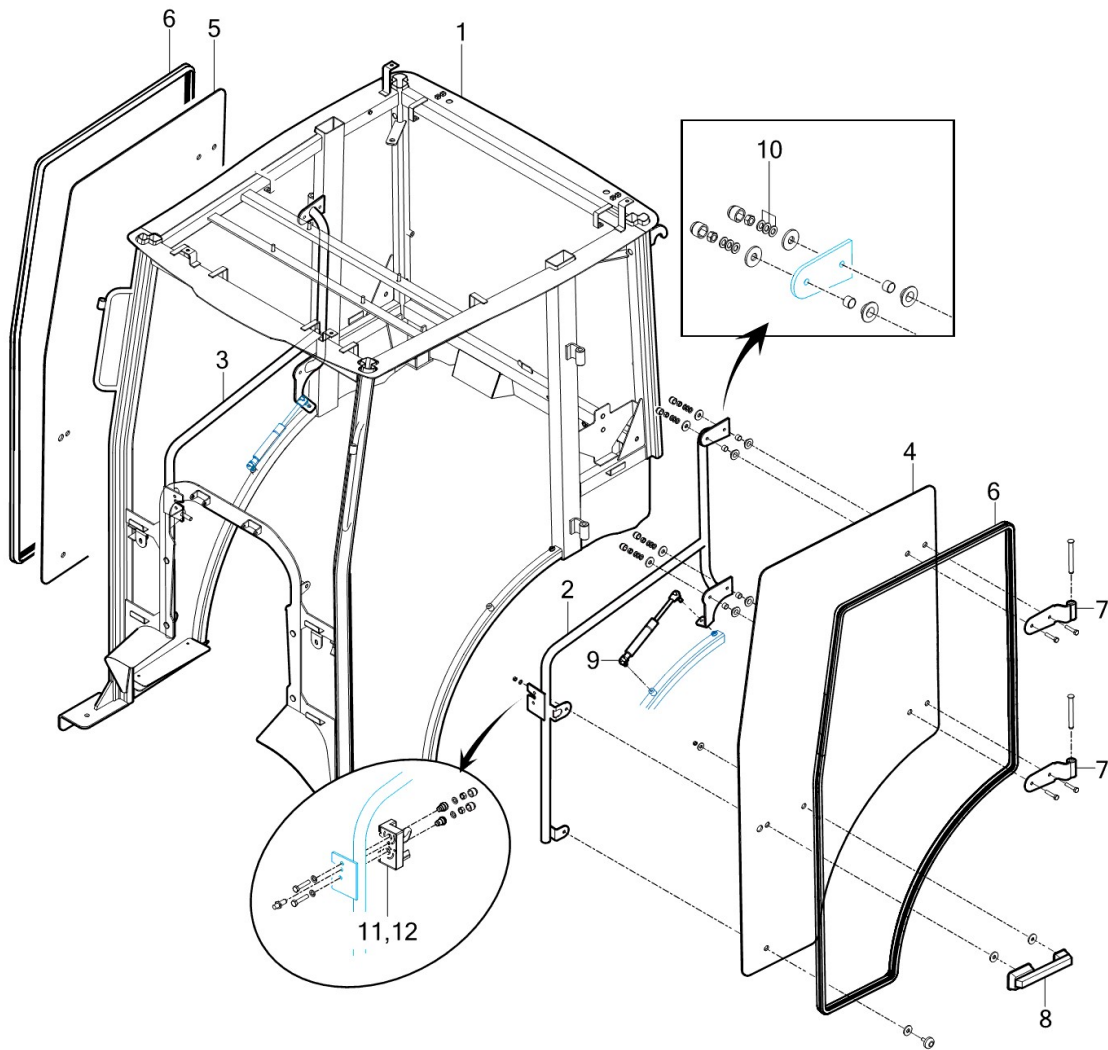
FIG

T25NH

CAB FRAME & DOOR(OPTION)

년/월  
Year/Month

2021-12



NOTE



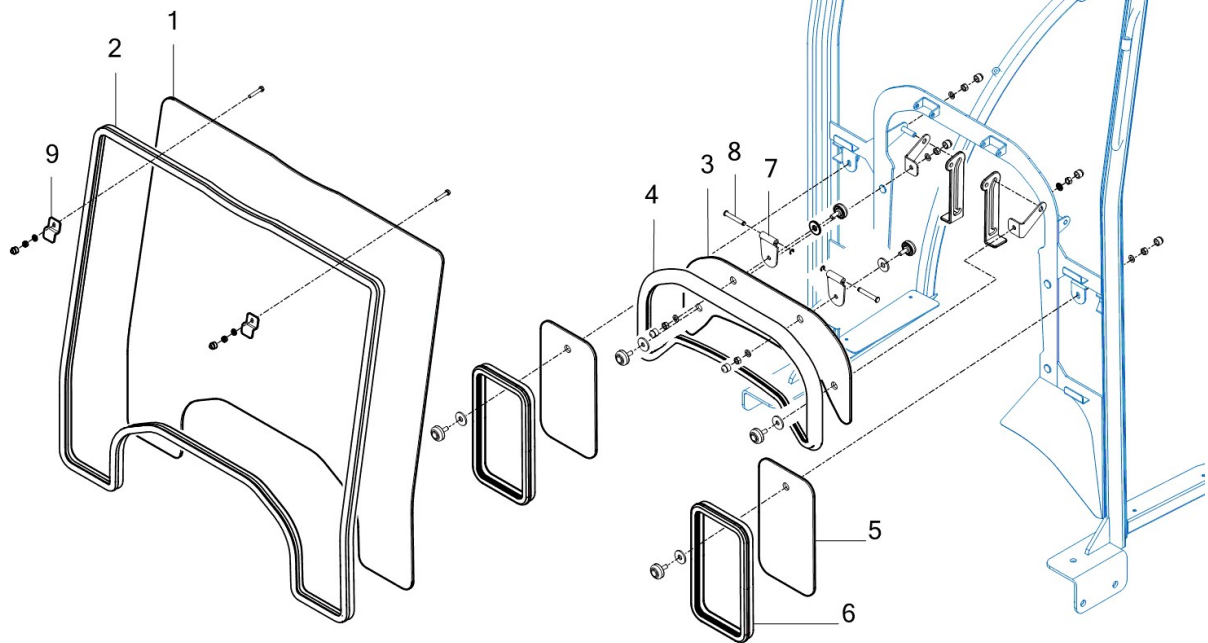
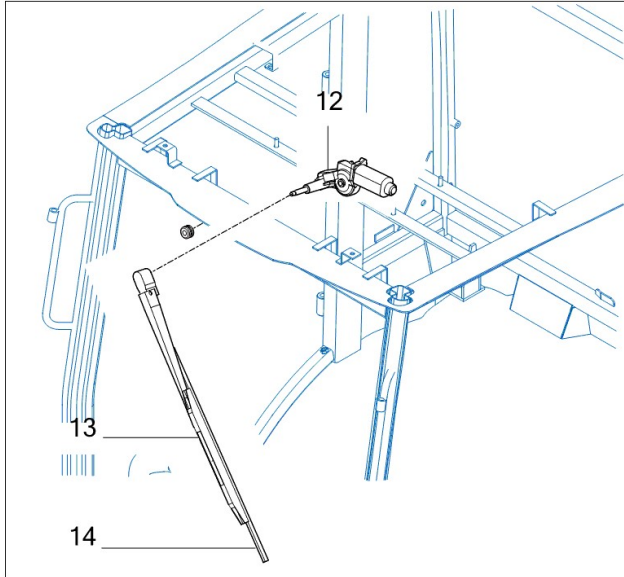
FIG

T25NH

# FRONT GLASS(OPTION)

년/월  
Year/Month

2021-12



NOTE





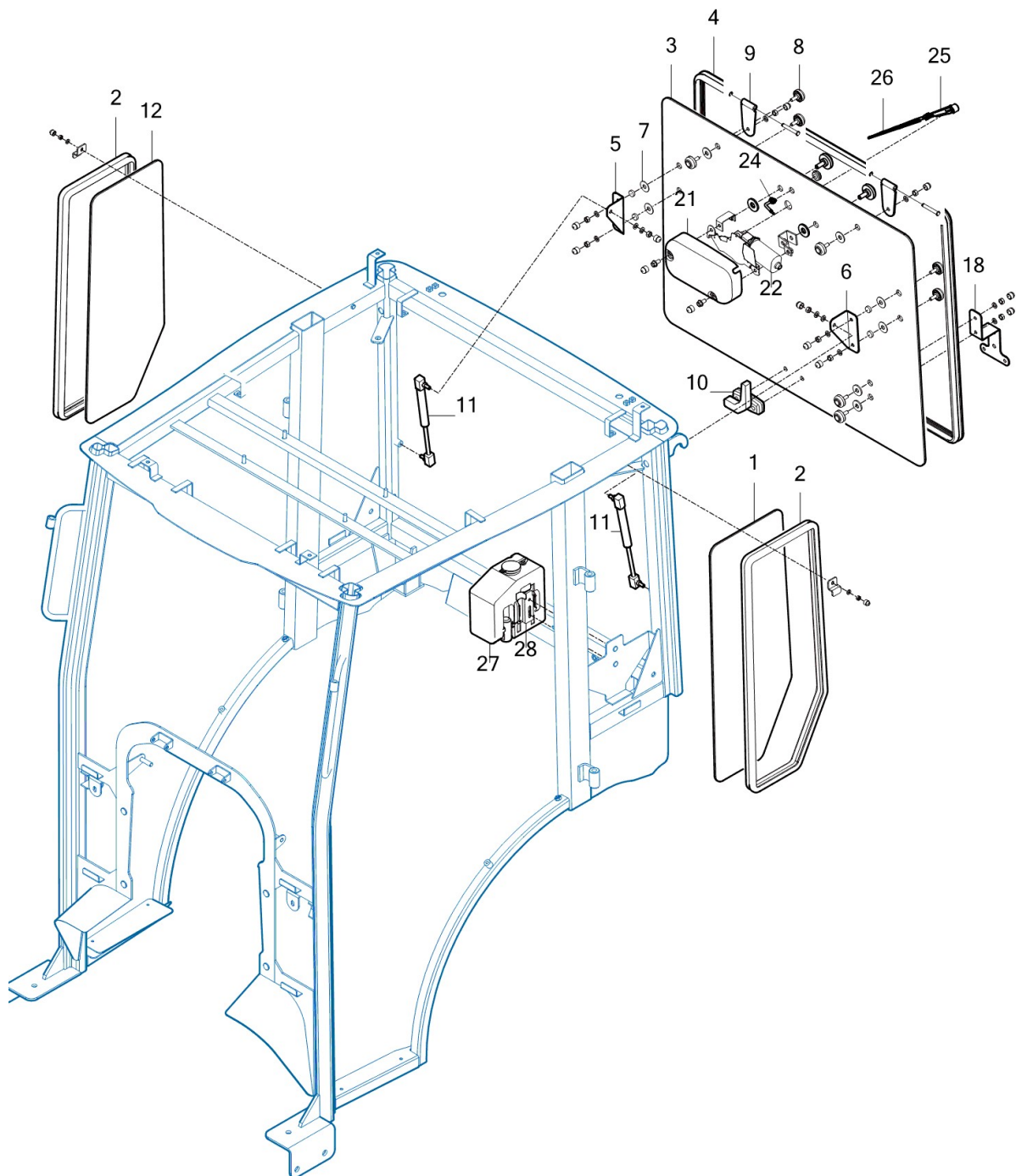
FIG

T25NH

SIDE & REAR GLASS(OPTION)

년/월  
Year/Month

2021-12



NOTE



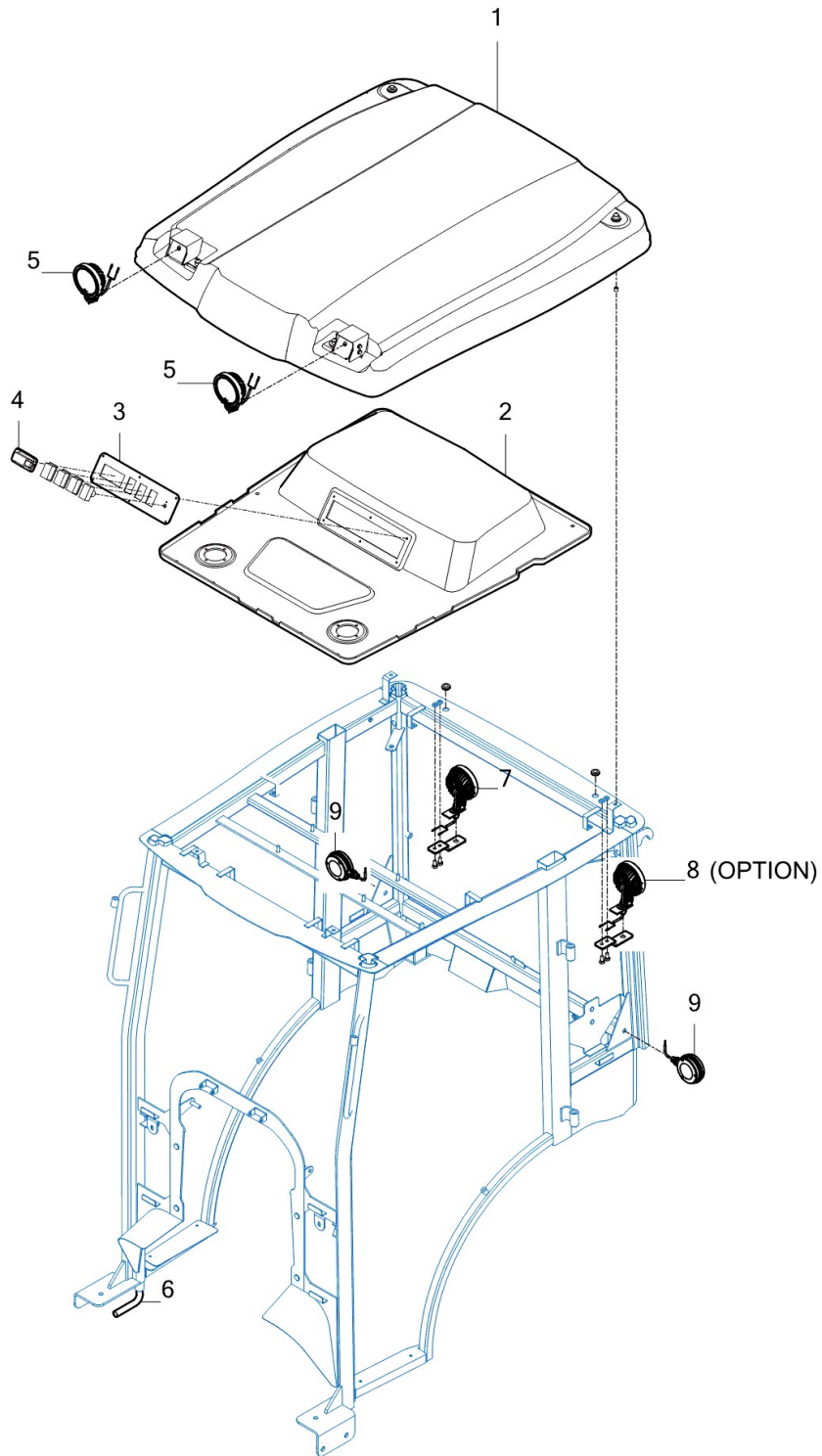
FIG

T25NH

ROOF(OPTION)

년/월  
Year/Month

2021-12



NOTE



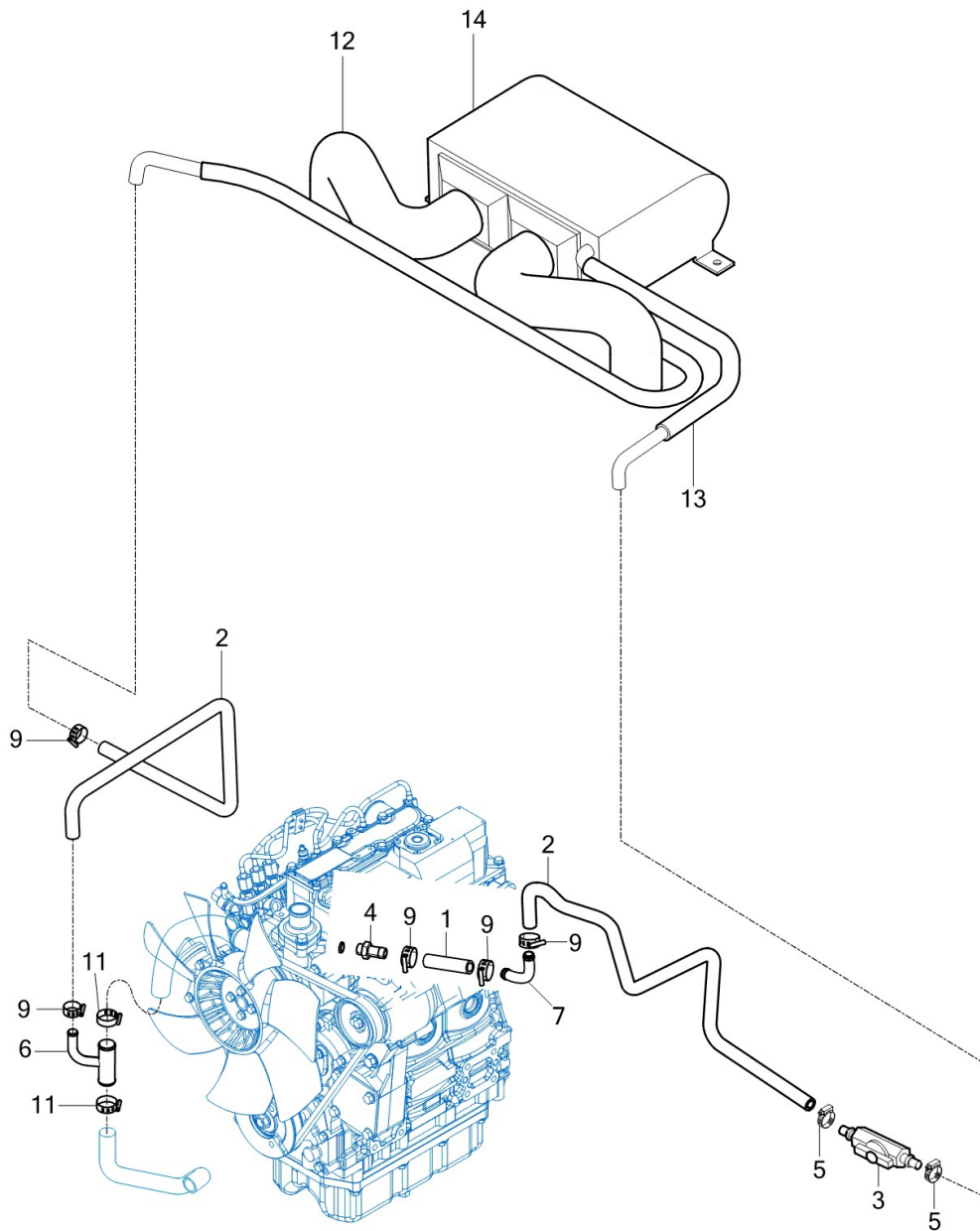
FIG

T25NH

HEATER(OPTION)

년/월  
Year/Month

2021-12



NOTE



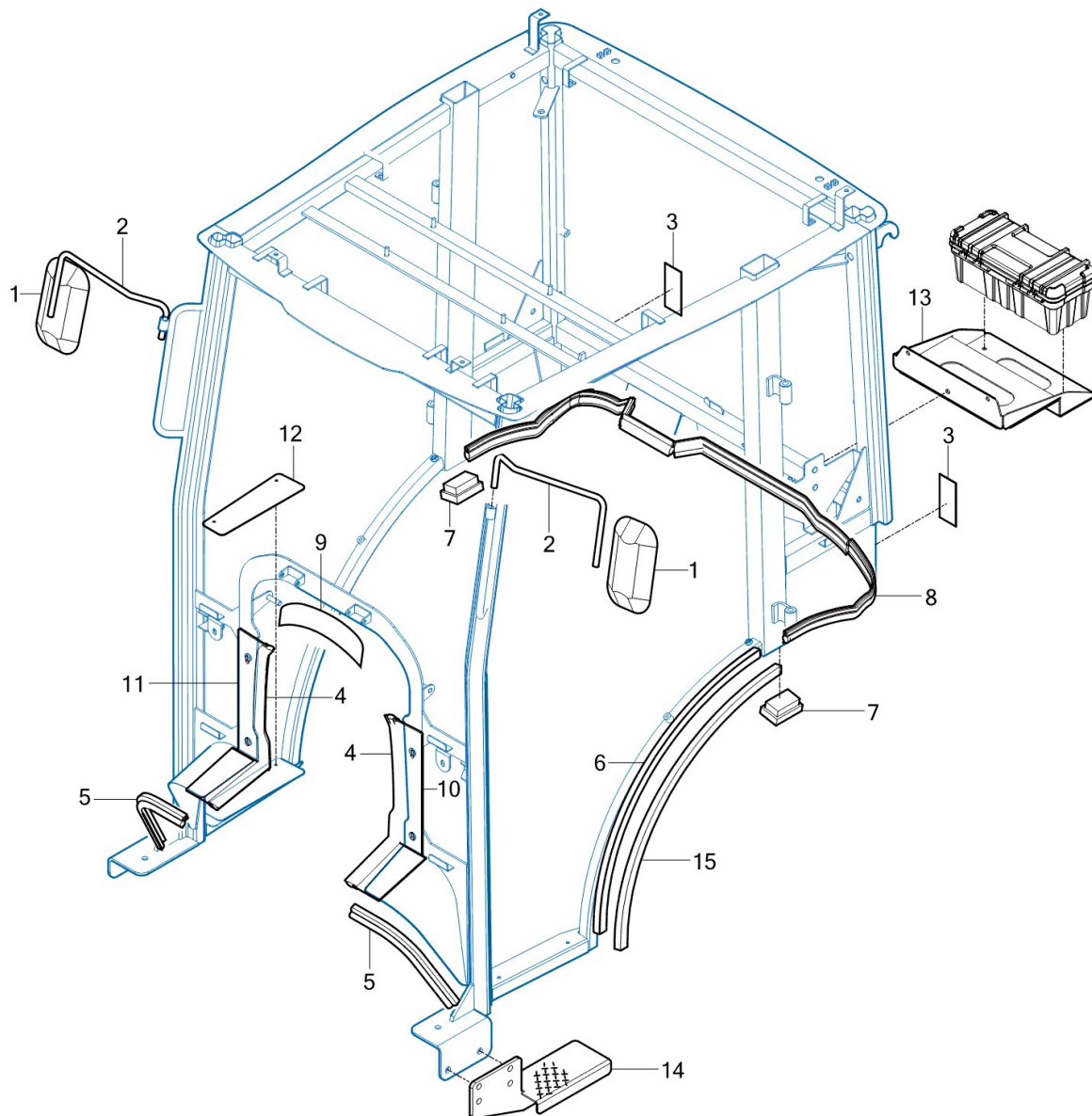
FIG

T25NH

INTERIOR PART(OPTION)

년/월  
Year/Month

2021-12



NOTE





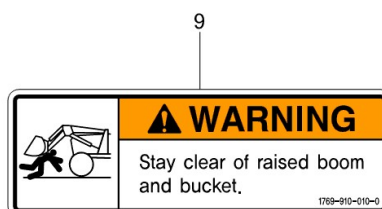
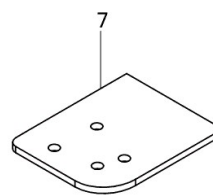
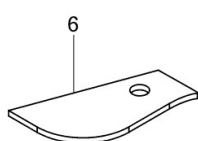
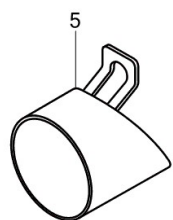
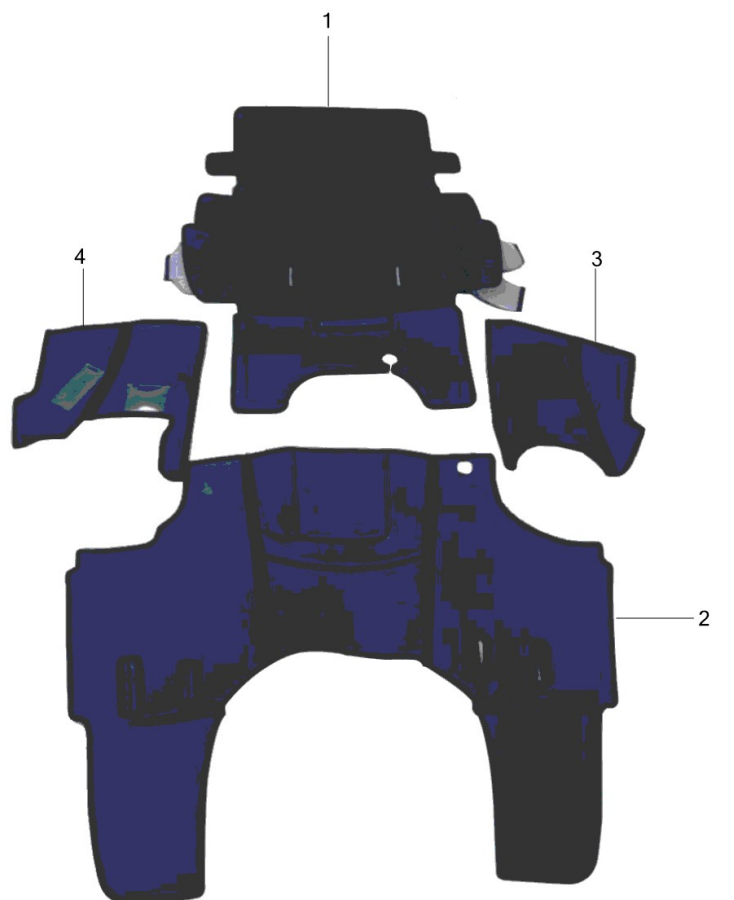
FIG

T25NH

SEAL(OPTION)

년/월  
Year/Month

2021-12



NOTE



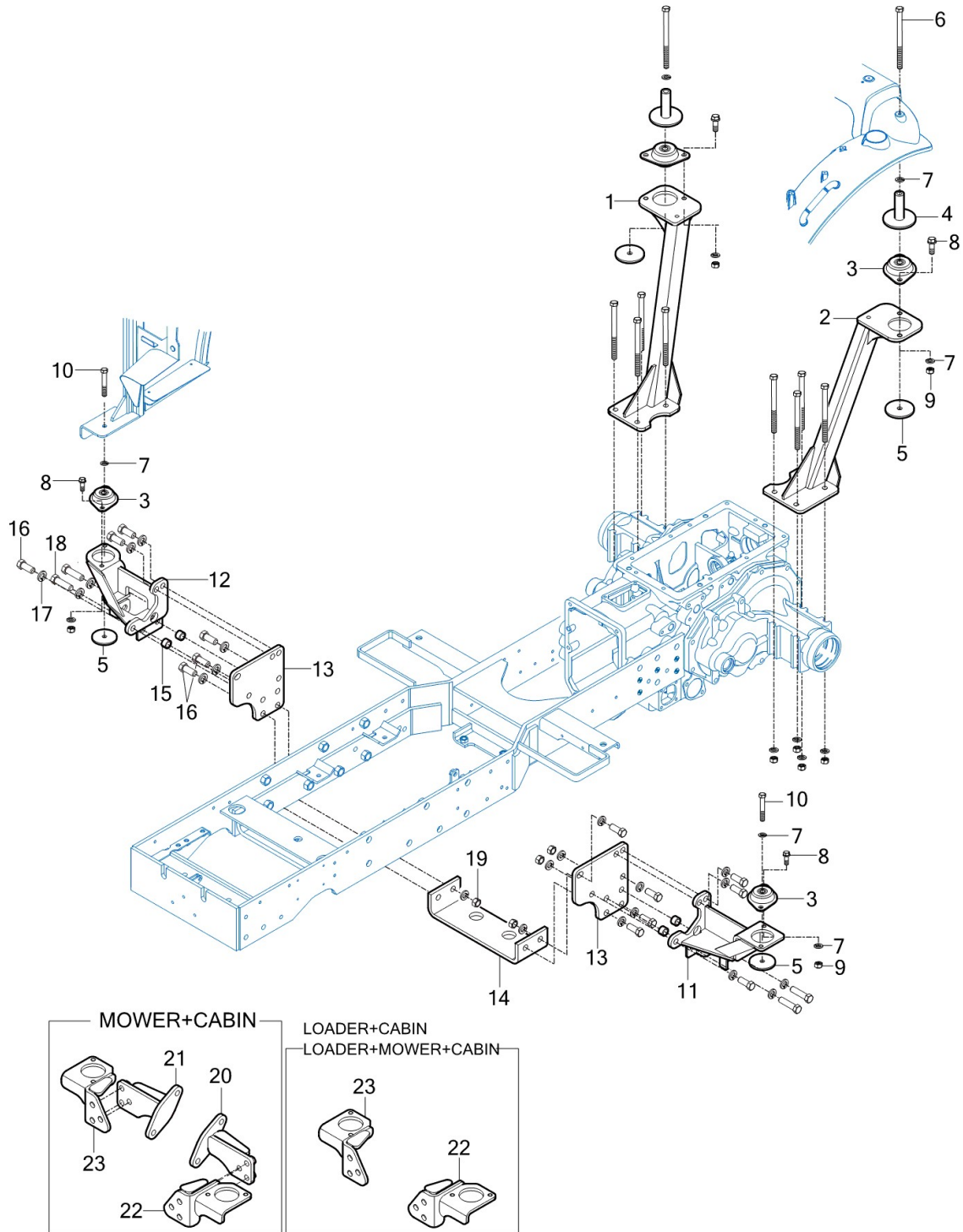
FIG

T25NH

FRONT & REAR MOUNTING(OPTION)

년/월  
Year/Month

2021-12



NOTE



## 8. Electrical System PART NO. T8

FIG BATTERY & MOUNTING	170
FIG LIGHTS	172
FIG INSTRUMENT PANEL	174
FIG ELECTRIC SYSTEM	176
FIG HARNESS	178
FIG HARNESS	180

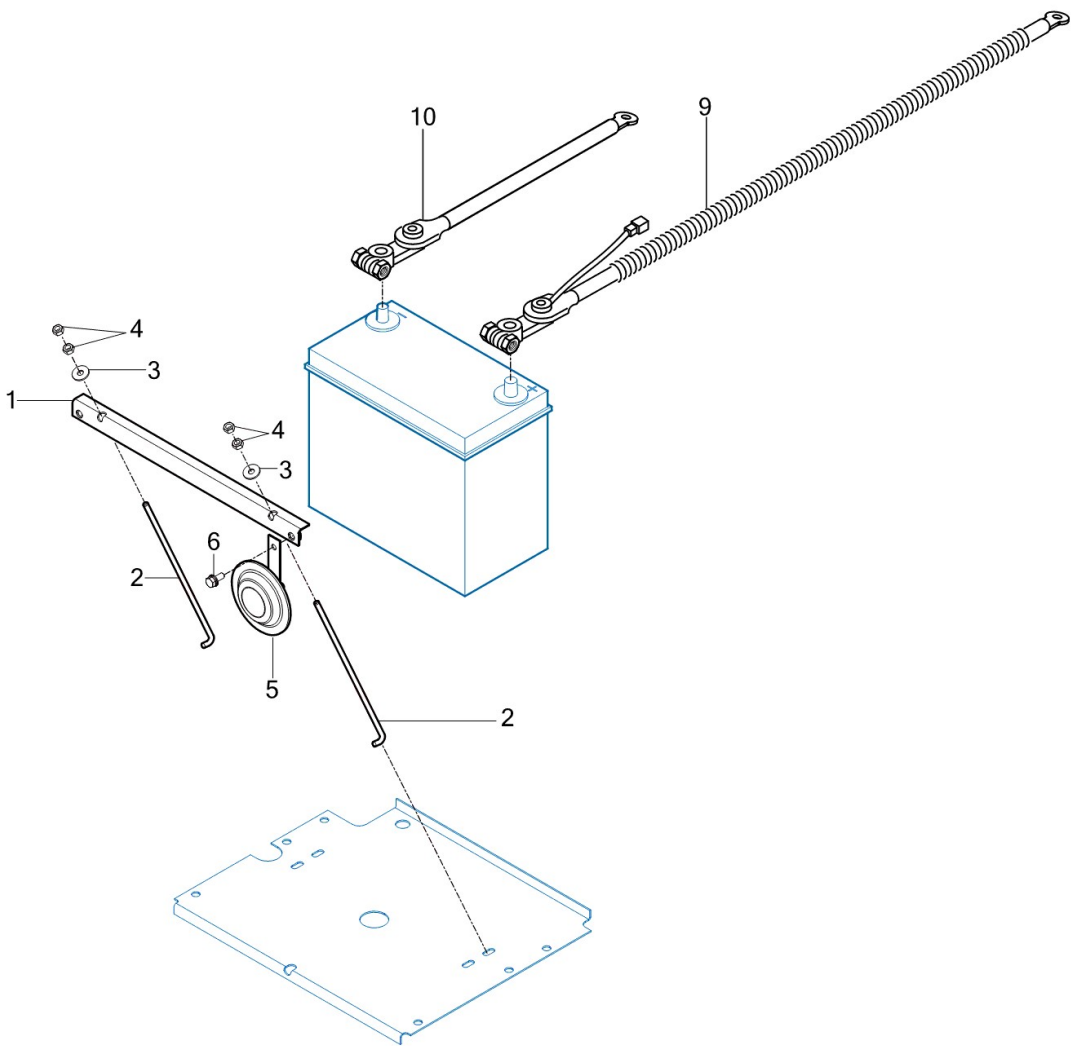
FIG

T25NH

BATTERY & MOUNTING

년/월  
Year/Month

2021-12



NOTE



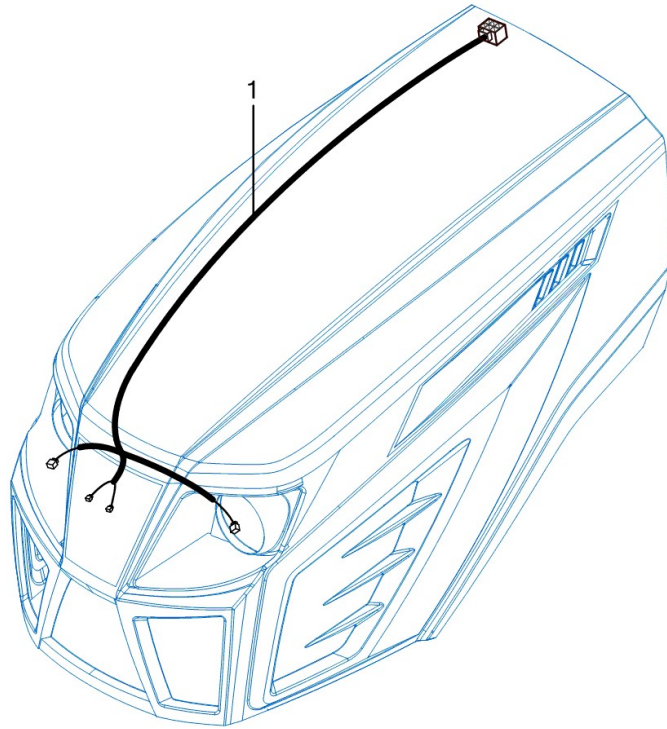
FIG

T25NH

LIGHTS

년/월  
Year/Month

2021-12



NOTE





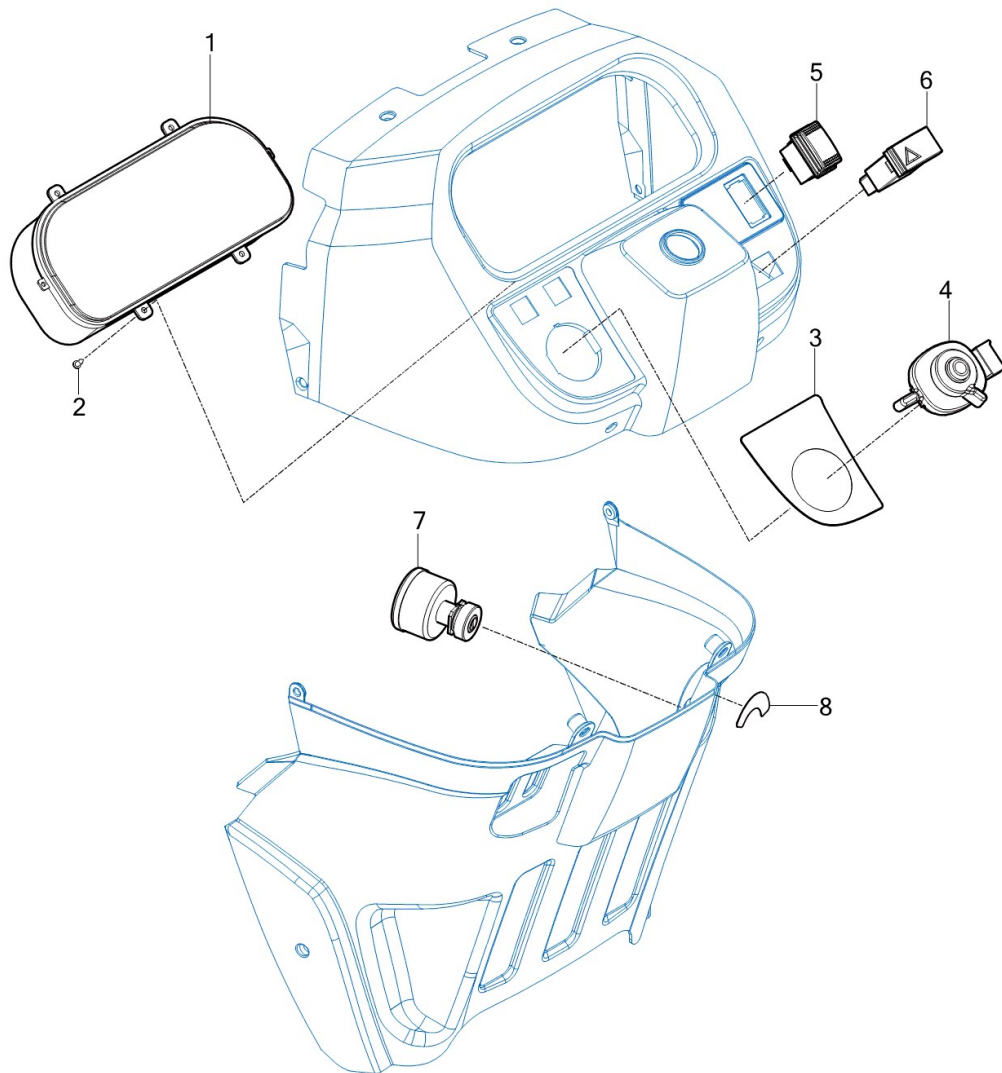
FIG

T25NH

INSTRUMENT PANEL

년/월  
Year/Month

2021-12



NOTE



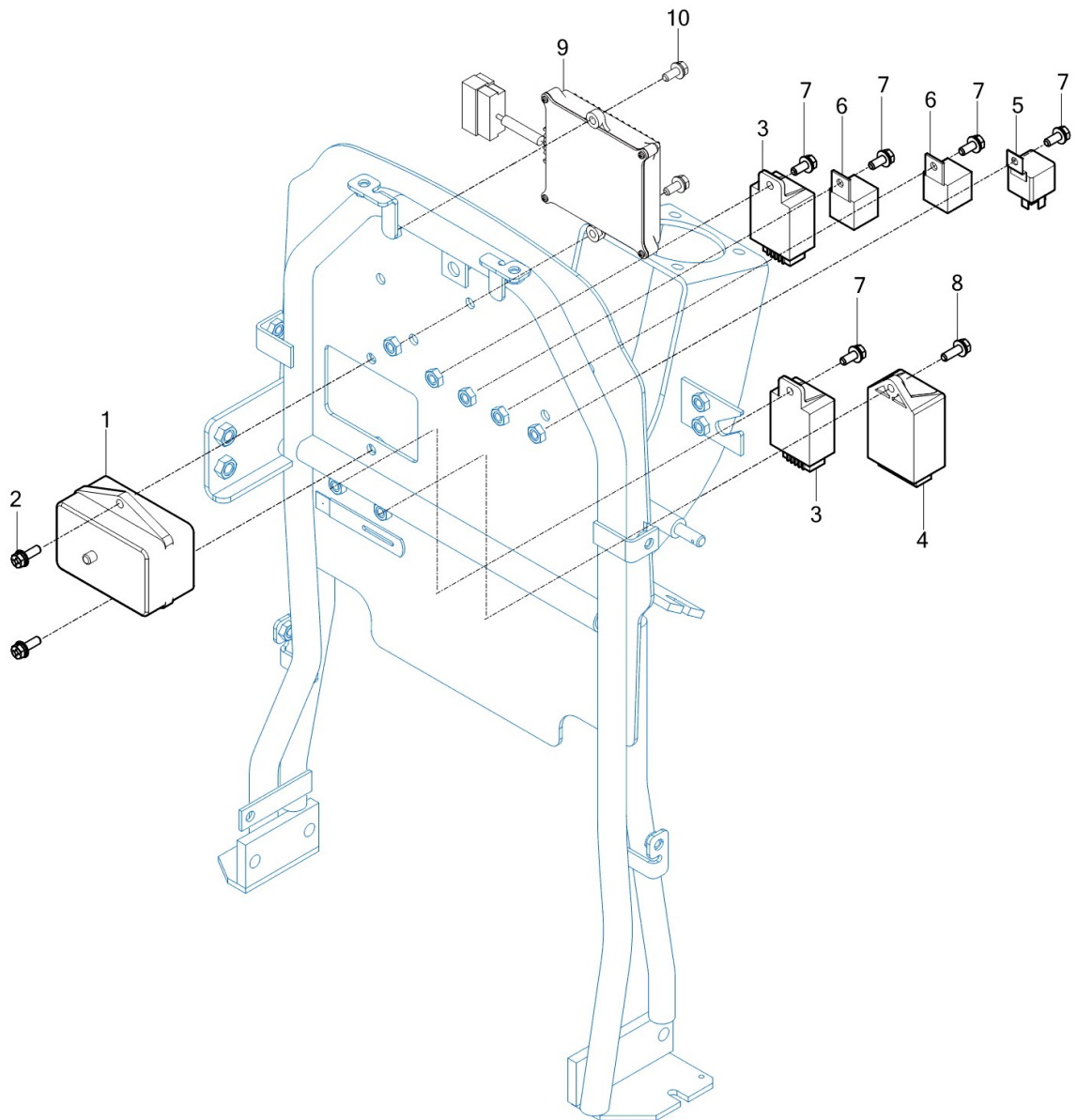
FIG

T25NH

ELECTRIC SYSTEM

년/월  
Year/Month

2021-12



NOTE



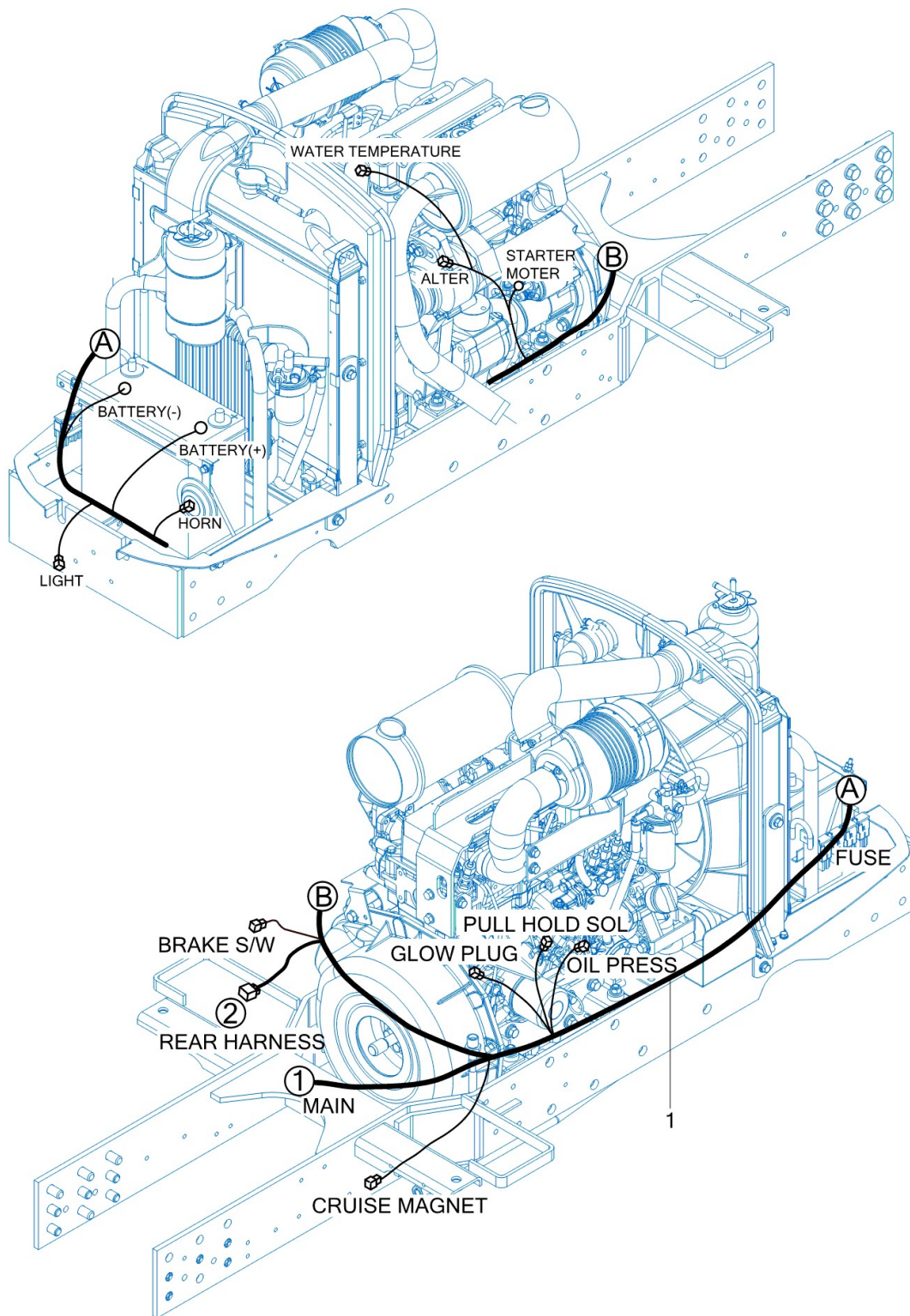
FIG

# HARNESS

년/월  
Year/Month

T25NH

2021-12



NOTE

FIG T25NH	HARNNESS	년/월 Year/Month
		2021-12

KEY NO	PART NO	DESCRIPTION	SPEC	QTY	REPAIR	EFFECTIVE DATE	REMARKS
1	11816682001	HARNNESS ASSY , ENGINE		1			
NOTE							

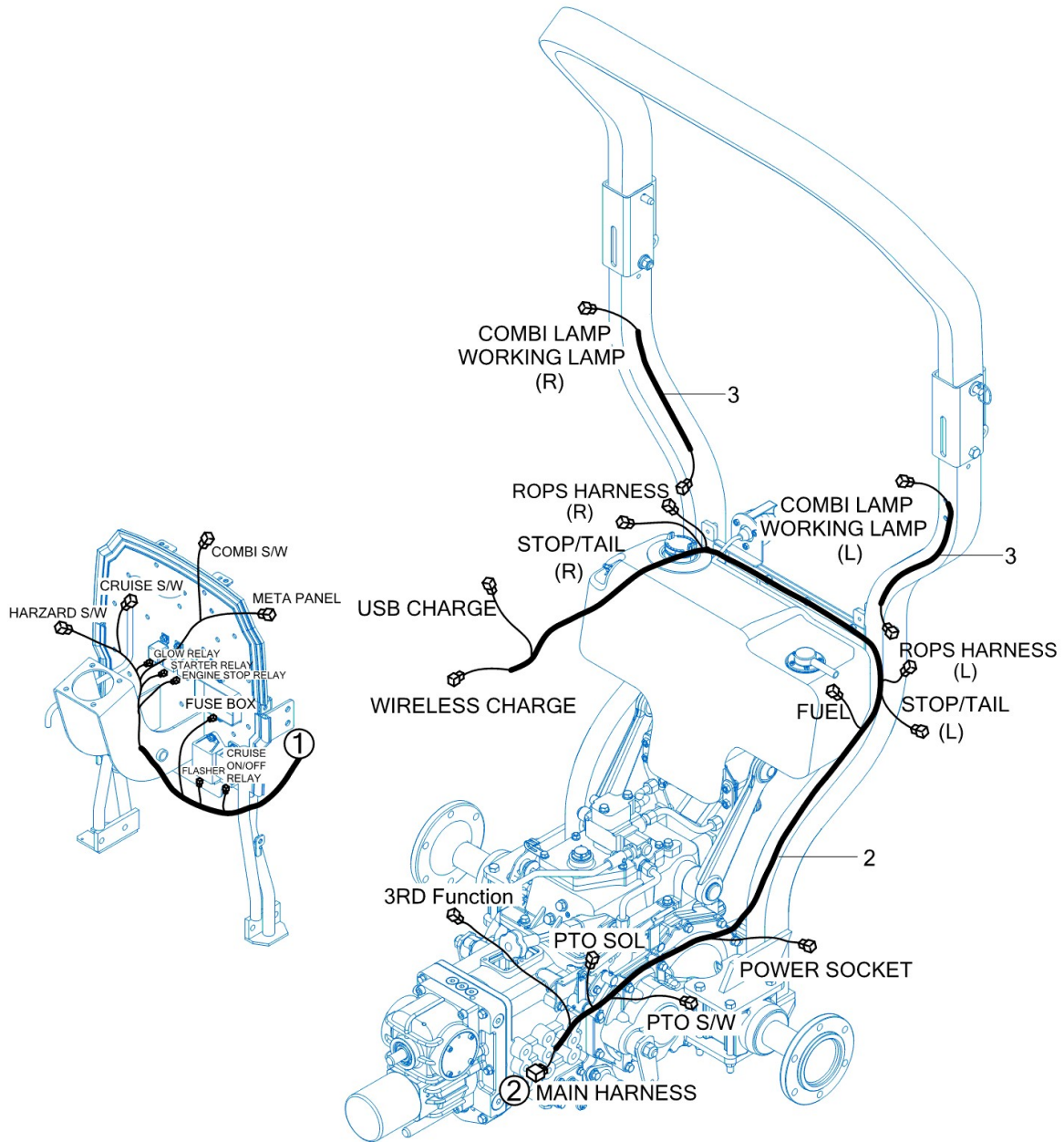
FIG

T25NH

HARNESS

년/월  
Year/Month

2021-12



NOTE





## 9. Label/Option PART NO. T9

FIG TOOL & ACCESSORY	183
FIG LABEL	185
FIG OPTION	187
FIG MID P.T.O OPTION	189

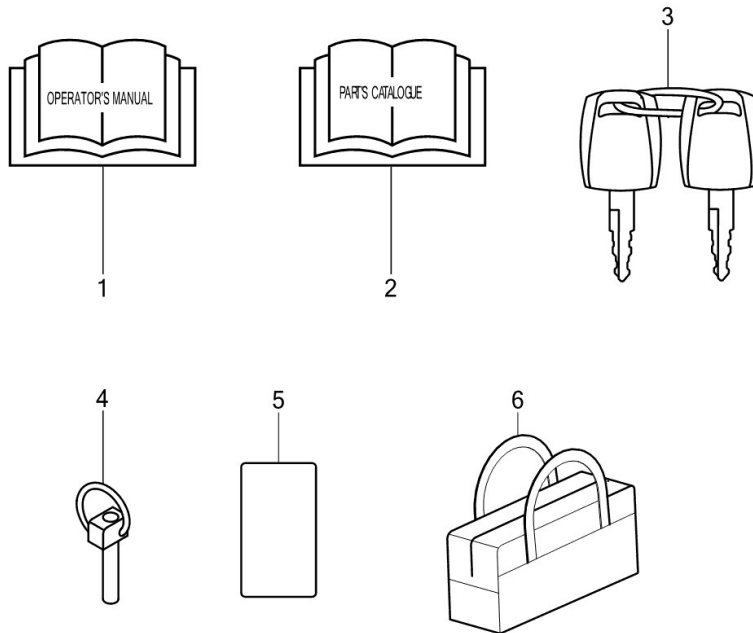
FIG

T25NH

TOOL & ACCESSORY

년/월  
Year/Month

2021-12



T2744-001

NOTE



FIG

T25NH

LABEL

년/월  
Year/Month

2021-12

**WARNING**

Always apply the park brake when parking. Failure to do so can cause accidents and damages.

1200-910-002-0

1

**WARNING**

Always set the knob to lock when

1. Travelling on the road.
2. Replacing blades on an implement
3. Making adjustment to an implement

Sudden dropping of an implement can cause serious injury or death.

1200-910-004-0

3

**WARNING**

Do not refuel the tractor while smoking or near naked flame or sparks. always stop engine before refueling tractors.

1200-910-005-0

4

**WARNING**

Never use the differential lock at high speed or on the road as this can cause rollover and injury.

1200-910-006-0

5

**WARNING**

Brake pedals must always be locked together when travelling on the highway. This will ensure uniform braking and provide maximum stopping ability sharp turns must only be made at slow speeds.

1200-910-007-0

6

**CAUTION**

Keep hands and clothing away from rotating fan and belts to prevent serious injury.

1200-910-012-0

7

**DANGER**

Rotating driveline contact can cause death. **KEEP AWAY!** Keep all drive line. Tractor and equipment shields in place during operation.

1200-910-013-0

8

**WARNING**

Attach implements and trailers to the tractor only using the prescribed drawbar or hitch.

1200-910-014-0

9

**WARNING**

Do not remove radiator cap while engine is hot. Hot steam will injure you.

1200-910-015-0

10

**DANGER**

Do not ride except operator.

1200-910-016-0

11

**WARNING**

Always fasten Your seat belt.

1200-910-019-0

12

**CAUTION**

Do not touch while the system is hot. It cause serious burns

1200-910-024-0

14

T25

18

Operator's manual

1200-910-023-0

13

1768-920-005-0

15

1768-910-017-0

16

**PARKING BRAKE**

Press down the master brake pedal and lock the parking lever at the same time

1477-904-010-0

21

**EPA REGULATION**

USE ULTRA LOW SULFUR FUEL ONLY

26



**WARNING**

Additions, alterations, cracking, damage or corrosion to this structure may adversely affect the performance of the ROPS.

23

**WARNING**

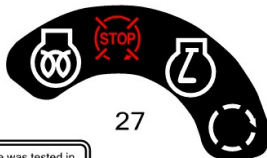
Do not use the accelerator lever except working on the field.

1200-910-021-0

31

6 YEAR Limited Warranty

35



27

This ROPS frame was tested in accordance with OECD standard(Code7) for use on TYM tractor model T25 with a reference mass of 965kg. Manufactured by TYM, KOREA

1181-910-005-0

36

**WARNING**

Cancer and Reproductive Harm  
www.P65Warnings.ca.gov

158-P65-011

39

**DANGER**

This Tractor may tip over unexpectedly and quicker than an operator is able to jump free

1. Never operate a tractor without a proper Roll over Protection Structure.(ROPS)
2. Always wear your seat belt when operating this tractor equipped with roll over protection.
3. Never pull from above or from the rear axle.
4. Do not operate the tractor on steep slopes or near drop offs
5. Avoid sharp high speed turns

Serious injury or death may result from tractor upsets.

1220-904-501-0

24

**WARNING**

Death or injury may result if this tractor over turns with the ROPS in the folded down position. Operate this tractor with the ROPS folded down only when necessary. Do not wear seat belt if operated with ROPS folded down

1220-904-502-0

25

**WARNING**

Push the button to lock position with joystick lever is neutral whenever the implement is not operation.

1200-910-008-0

32

**WARNING**

Stay clear of raised Boom and bucket.

1768-910-010-0

33

**WARNING**

Exhausting diesel engine exhaust exposes you to chemicals known to the State of California to cause cancer and birth defects or other reproductive harm. Always shut and operate the engine in a well-ventilated area. If in an enclosed area, use the exhaust to the outside. Do not modify or tamper with the exhaust system. Do not idle the engine except as necessary. For more information go to www.P65Warnings.ca.gov/diesel

1748-910-902-0

38

NOTE



FIG

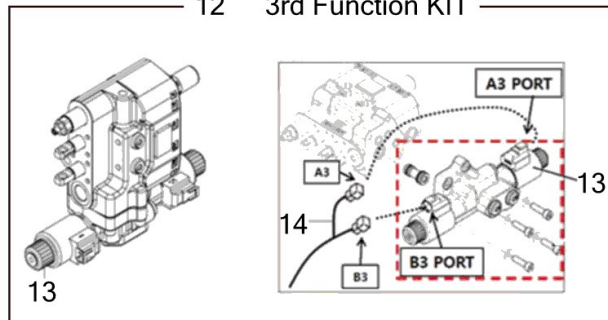
T25NH

OPTION

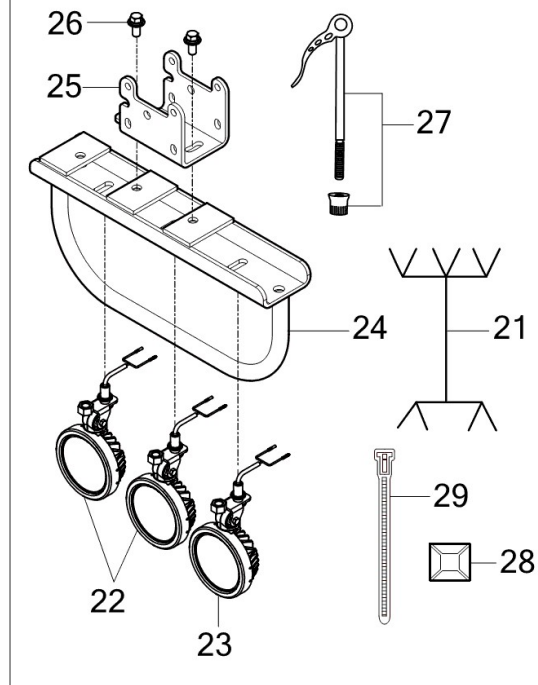
년/월  
Year/Month

2021-12

12 3rd Function KIT



20 Kit Part No.:11817039900



NOTE





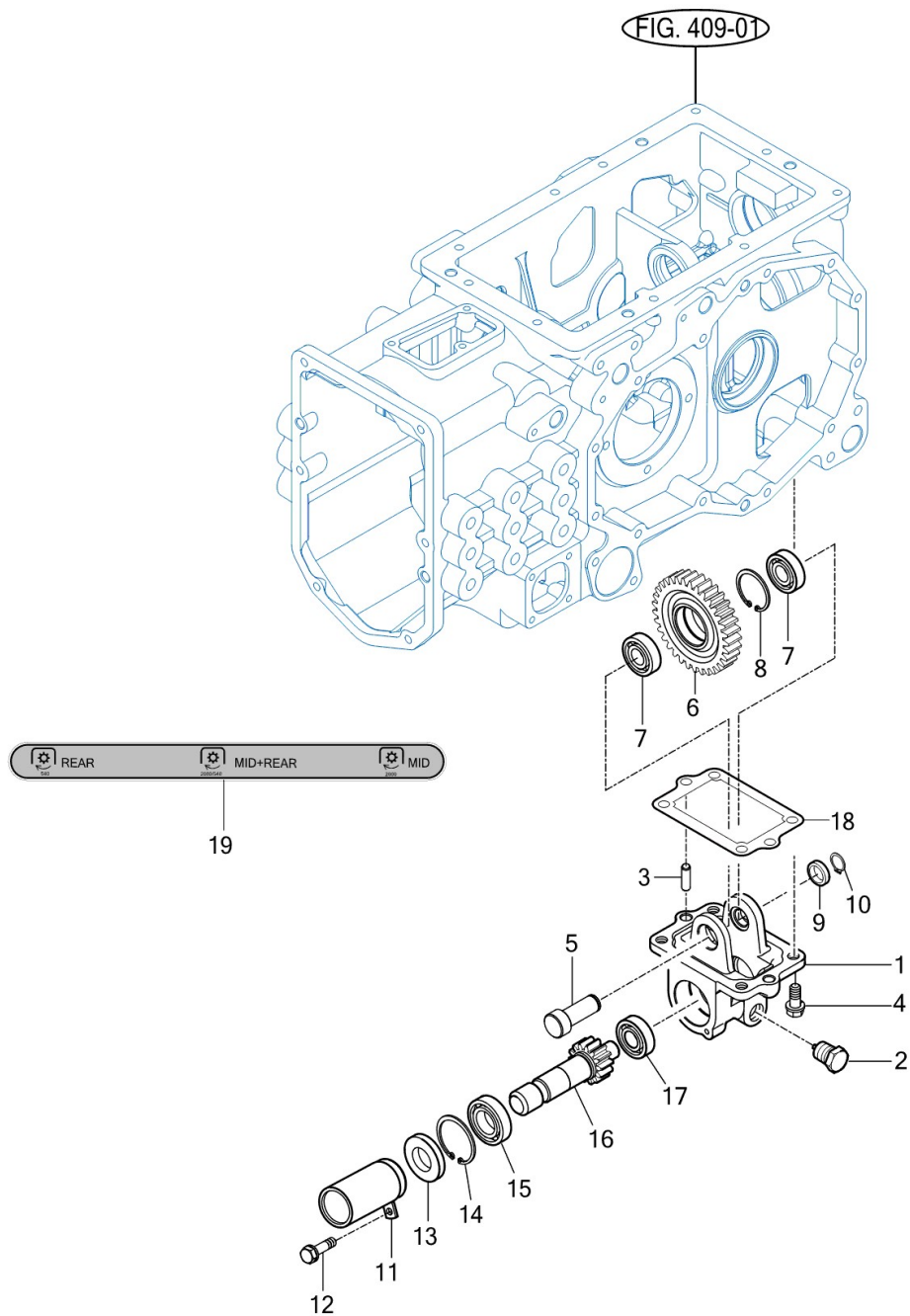
FIG

MID P.T.O OPTION

년/월  
Year/Month

T25NH

2021-12



NOTE

