

T395FHEU

Parts Catalog

목 차

1. 엔진 PART NO. EG

FIG 100 ENGINE	7
FIG 101 CYLINDER BLOCK	9
FIG 102 GEAR HOUSING	11
FIG 103 FLYWHEEL HOUSING & OIL SUMP	13
FIG 104 CYLINDER HEAD & BONNET	15
FIG 105 SUCTION MANIFOLD	18
FIG 106 EXHAUST MANIFOLD	20
FIG 107 DIESEL PARTICULATE FILTER(DPF)	22
FIG 108 CAMSHAFT & DRIVING GEAR	24
FIG 109 CRANKSHAFT & PISTON	26
FIG 110 LUB OIL SYSTEM	28
FIG 111 COOLING WATER SYSTEM	30
FIG 112 FUEL SUPPLY PUMP	32
FIG 113 FUEL INJECTION VALVE	34
FIG 114 FUEL PIPE	36
FIG 115 STARTER MOTOR	38
FIG 116 ALTERNATOR	40
FIG 117 ELECTRONIC CONTROL UNIT(ECU)	42
FIG 118 ELECTRIC PARTS	44

2. 엔진보기품 PART NO. T2

FIG 201 AIR CLEANER	47
FIG 202 RADIATOR	49
FIG 203 MUFFLER	51
FIG 204 FUEL TANK & HOSE	53
FIG 205 OIL COOLER	55

3. 클러치/브레이크/스티어링 PART NO. T3

FIG 301 FLYWHEEL & CLUTCH	58
---------------------------	----

FIG 302 BRAKE PEDAL	60
FIG 303 BRAKE	62
FIG 304 FRONT WHEEL MOUNTING	64
FIG 305 REAR WHEEL MOUNTING	66
FIG 306 STEERING WHEEL & DASH COVER	68
FIG 307 STEERING VALVE & TILT	70
FIG 308 STEERING CYLINDER	72

4. 트랜스미션 PART NO. T4

FIG 401 TRANSMISSION FRONT CASE	75
FIG 402 HST	77
FIG 403 MID CASE	79
FIG 404 4WD DRIVE GEAR	81
FIG 405 INPUT GEAR	83
FIG 406 SUB CHANGE GEARS	85
FIG 407 PINION GEARS	87
FIG 408 PTO DRIVE SHAFT	89
FIG 409 PTO CHANGE GEARS	91
FIG 410 DIFF LOCK	94
FIG 411 TRANSMISSION REAR CASE	96
FIG 412 REAR AXLE HOUSINGS (1)	98
FIG 413 REAR AXLE HOUSINGS (2)	100
FIG 414 MID P.T.O GEARS	102
FIG 415 SUB CHANGE LEVER	104
FIG 416 FORWARD & REVERSE CONTROL LINKAGE	106
FIG 417 CRUISE CONTROL	108
FIG 418 4WD CHANGE LEVER	110

5. 프론트 액슬 PART NO. T5

FIG 501 FRONT AXLE BRACKET	113
FIG 502 FRONT DIFFERENTIAL GEARS	115
FIG 503 FRONT AXLE HOUSING	117
FIG 504 FRONT GEAR CASE (1)	119
FIG 505 FRONT GEAR CASE (2)	121

6. 유압/3점링크 PART NO. T6

FIG 601 GEAR PUMP	124
-------------------	-----

FIG 602 CYLINDER CASE	126
FIG 603 LIFT ARM	128
FIG 604 CYLINDER	130
FIG 605 POSITION LINK (1)	132
FIG 606 POSITION LINK (2)	134
FIG 607 CONTROL VALVE	136
FIG 608 POSITION LEVER	138
FIG 609 HYDRAULIC PIPE (1)	140
FIG 610 HYDRAULIC PIPE (2)	142
FIG 611 EXTERIOR HYD. VALVE	144
FIG 612 3-POINT LINK	146
FIG 613 HITCH & COVER	148

7. 시트메탈/캐빈 PART NO. T7

FIG 701 HOOD	151
FIG 702 BONNET	153
FIG 704 FENDER, REAR FRAME	156
FIG 705 ROPS	159
FIG 706 DASH PANEL	161
FIG 707 FLOOR	163
FIG 708 SEAT	165
FIG 709 FLOOR MOUNTING	167

8. 전장 PART NO. T8

FIG 801 BATTERY & MOUNTING	170
FIG 802 LIGHTS	172
FIG 803 INSTRUMENT PANEL	174
FIG 804 ELECTRIC SYSTEM	176
FIG 805 HARNESS (1)	178
FIG 806 HARNESS (2)	180

9. 라벨/옵션 PART NO. T9

FIG 901 WEIGHT	183
FIG 902 TOOL & ACCESSORY	185
FIG 903-1 LABEL	187

1. 엔진 PART NO. EG

FIG 100 ENGINE	7
FIG 101 CYLINDER BLOCK	9
FIG 102 GEAR HOUSING	11
FIG 103 FLYWHEEL HOUSING & OIL SUMP	13
FIG 104 CYLINDER HEAD & BONNET	15
FIG 105 SUCTION MANIFOLD	18
FIG 106 EXHAUST MANIFOLD	20
FIG 107 DIESEL PARTICULATE FILTER(DPF)	22
FIG 108 CAMSHAFT & DRIVING GEAR	24
FIG 109 CRANKSHAFT & PISTON	26
FIG 110 LUB OIL SYSTEM	28
FIG 111 COOLING WATER SYSTEM	30
FIG 112 FUEL SUPPLY PUMP	32
FIG 113 FUEL INJECTION VALVE	34
FIG 114 FUEL PIPE	36
FIG 115 STARTER MOTOR	38
FIG 116 ALTERNATOR	40
FIG 117 ELECTRONIC CONTROL UNIT(ECU)	42
FIG 118 ELECTRIC PARTS	44

FIG 100 T395FHEU	ENGINE	년/월 Year/Month
		2022-12
NOTE		

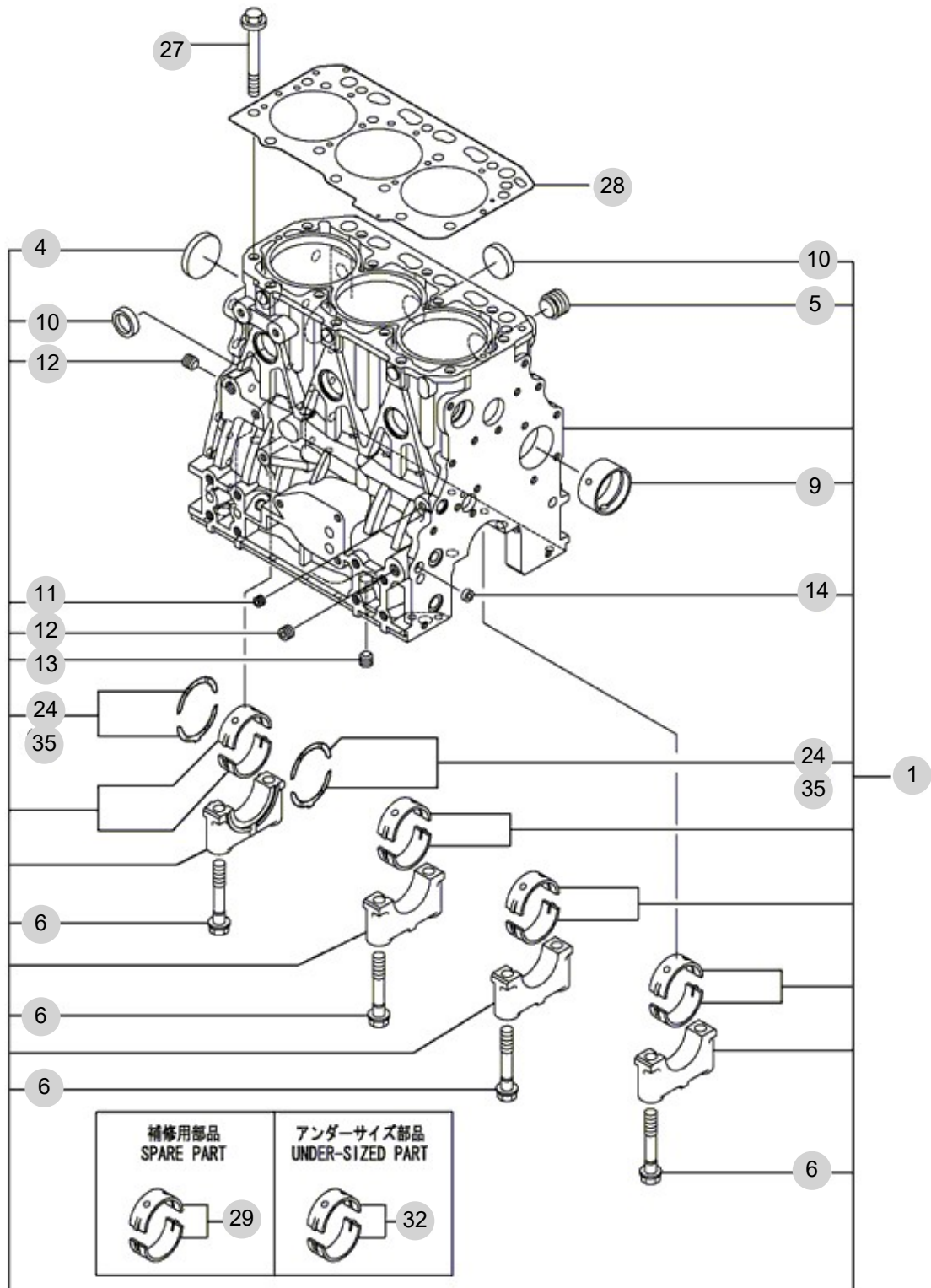
FIG 101

CYLINDER BLOCK

년/월
Year/Month

2022-12

T395FHEU



NOTE

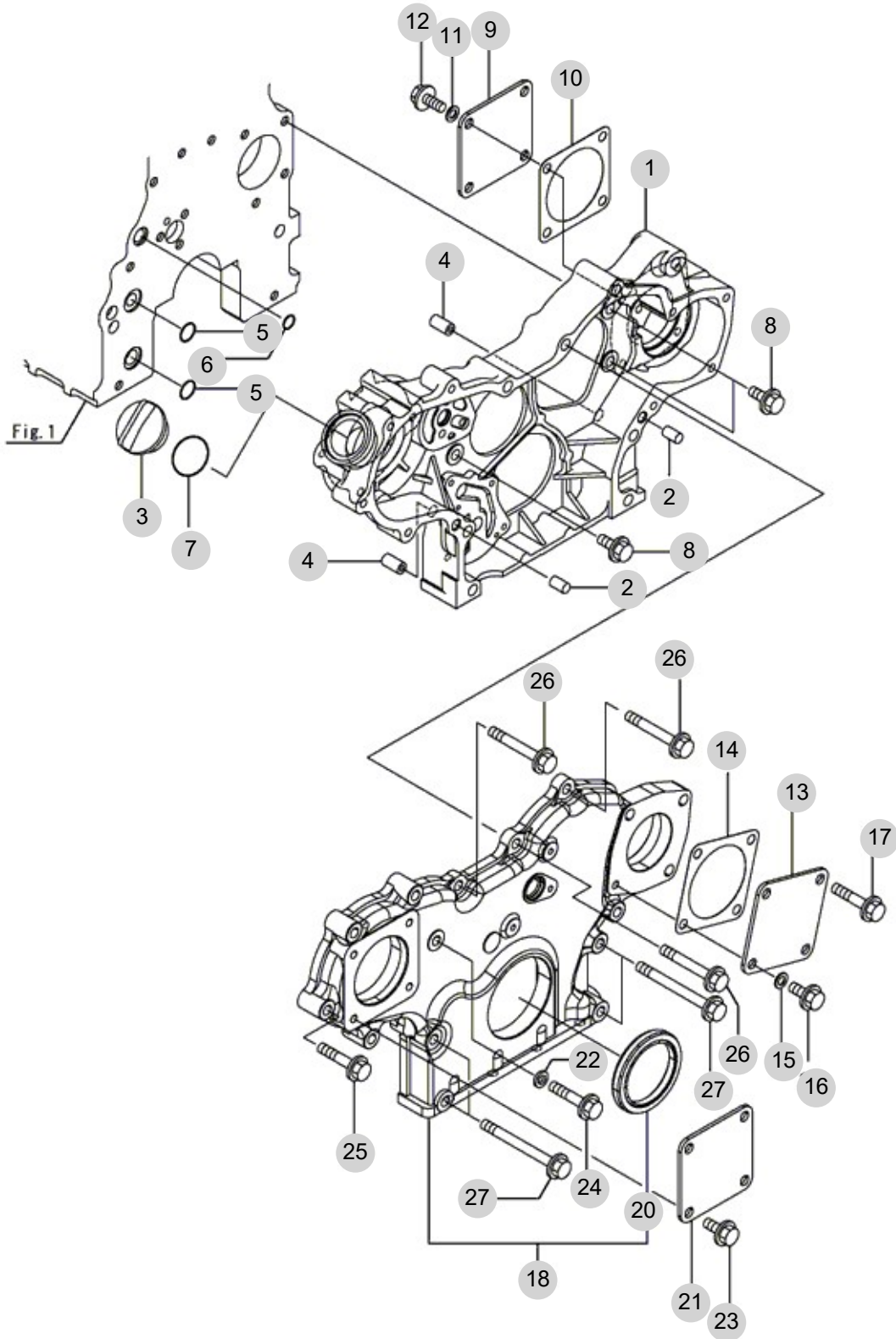
FIG 102

T395FHEU

GEAR HOUSING

년/월
Year/Month

2022-12



NOTE

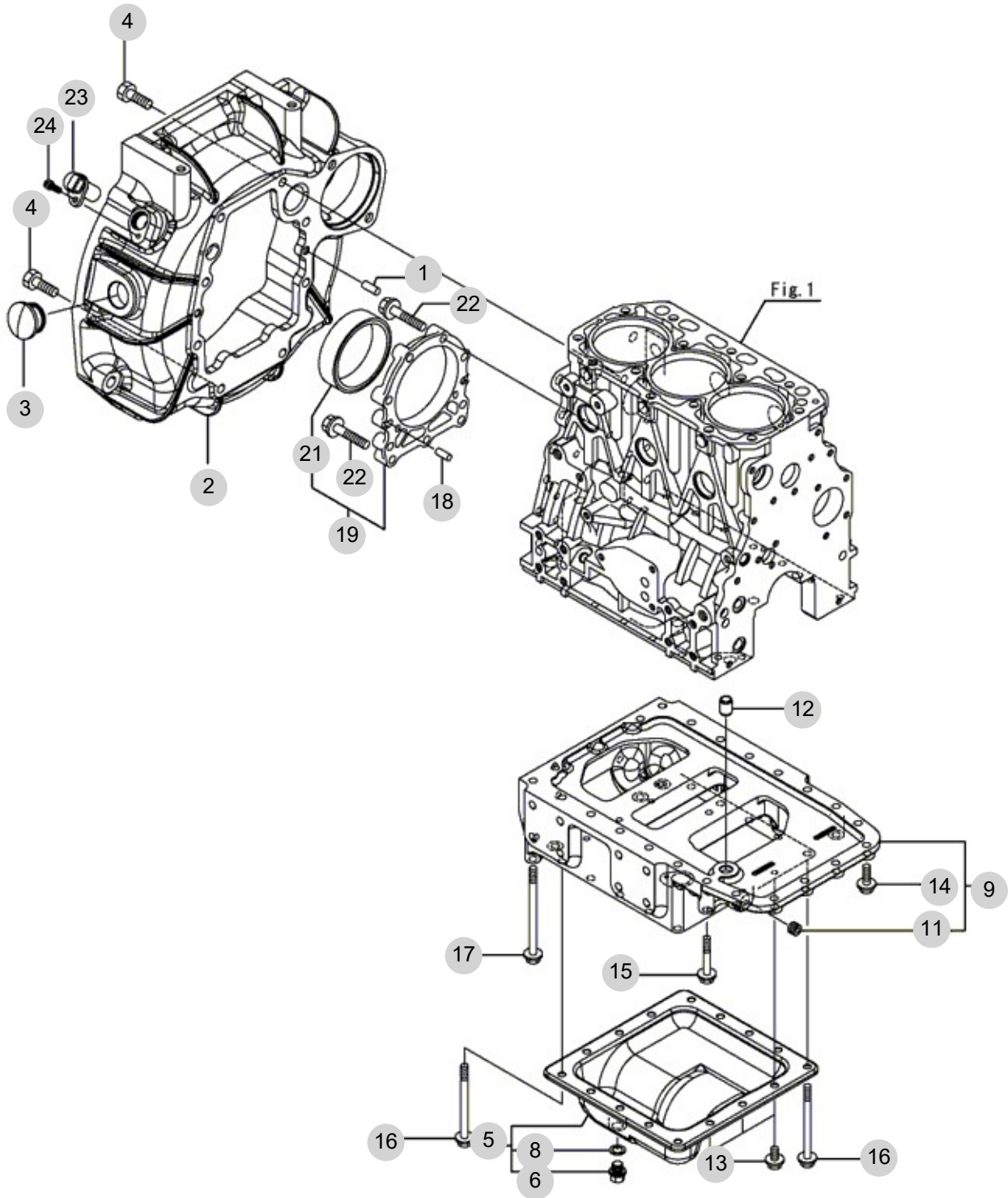
FIG 103

T395FHEU

FLYWHEEL HOUSING & OIL SUMP

년/월
Year/Month

2022-12



NOTE

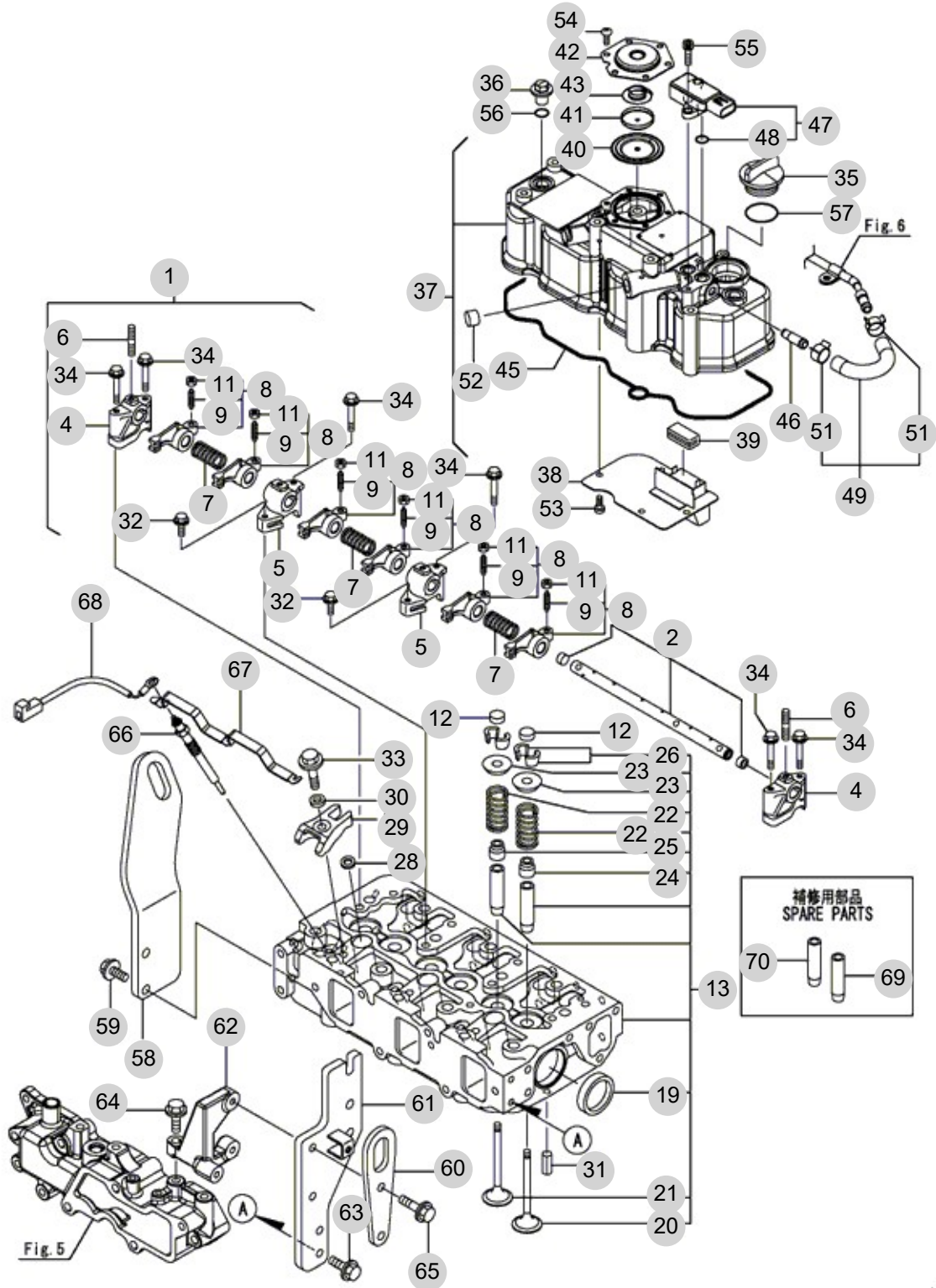
FIG 104

CYLINDER HEAD & BONNET

년/월
Year/Month

2022-12

T395FHEU



NOTE

FIG 104		CYLINDER HEAD & BONNET					년/월 Year/Month		
							2022-12		
T395FHEU		KEY NO	PART NO	DESCRIPTION	SPEC	QTY	REPAIR	EFFECTIVE DATE	REMARKS
104	1	129004-11241	SHAFT ASSY, ROCKER			1			
104	2	129004-11251	SHAFT, ROCKER ARM			1			
104	4	119802-11260	SUPPORT, ROCKER ARM			2			
104	5	119802-11270	SUPPORT, ROCKER ARM			2			
104	6	119802-11280	BOLT, STUD			3			
104	7	129150-11280	SPRING, ROCKER			3			
104	8	129004-11650	ARM ASSY, ROCKER			6			
104	9	129150-11230	SCREW, VALVE ADJUST			6			
104	11	129150-11750	NUT, M8			6			
104	12	129150-11370	CAP, VALVE			6			
104	13	129A00-11710	HEAD ASSY, CYLINDER			1			
104	19	27241-400000	PLUG, 40			2			
104	20	129005-11100	VALVE, SUCTION			3			
104	21	129100-11112	VALVE, EXHAUST			3			
104	22	129795-11120	SPRING, VALVE			6			
104	23	129795-11180	RETAINER, SPRING			6			
104	24	124460-11340	SEAL, VALVE STEM			3			
104	25	129A00-11340	SEAL, VALVE STEM			3			
104	26	27310-080001	COTTER, 8			6			
104	28	129978-11871	GASKET,INJECTOR			3			
104	29	129A00-11900	RETAINER, INJECTOR			3			
104	30	120270-54410	WASHER, INJECTOR			3			
104	31	22351-060012	스프링핀			2			
104	32	26106-080252	육각플랜지볼트			2			
104	33	26106-080352	육각플랜지볼트			3			
104	34	26106-080502	BOLT, M8X 50 PLATED			6			
104	35	124160-01751	CAP, FILLER			1			
104	36	124160-11360	KNOB			3			
104	37	129A00-11360	BONNET ASSY			1			
104	38	129004-03010	PLATE, BAFFLE			1			
104	39	129150-03070	BAFFLE, BREATHER			1			
104	40	123907-03100	DIAPHRAGM			1			
104	41	123907-03110	PLATE			1			
104	42	123907-03120	PLATE, BREATHER			1			
104	43	123907-03140	SPRING, DIAPHRAGM			1			
104	45	129A00-11310	GASKET, BONNET			1			
104	46	129A00-11330	JOINT			1			
104	47	129978-12700	SENSOR,PRESSURE			1			
104	48	129A00-12780	O-RING,PRES SENSOR			2			
104	49	129A00-13360	HOSE ASSY, PRES EXH			1			
104	51	129A00-13380	CLIP, HOSE 14			2			
104	52	119640-61400	PLUG			1			
104	53	22857-500100	SCREW, 5X10			4			
104	54	22857-500100	SCREW, 5X10			6			
104	55	26450-060162	BOLT, M6X 16			2			
NOTE									

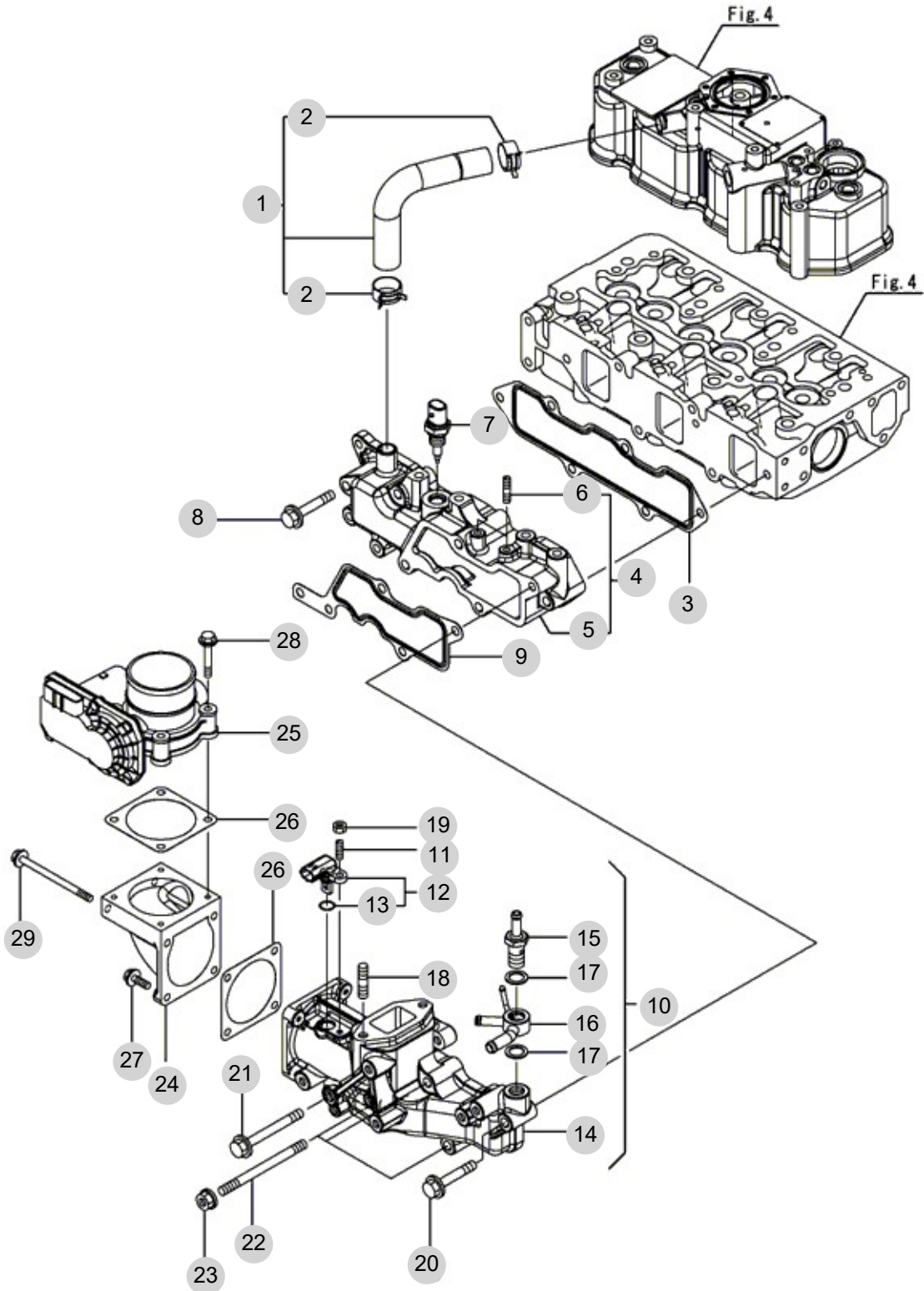
FIG 105

SUCTION MANIFOLD

년/월
Year/Month

2022-12

T395FHEU



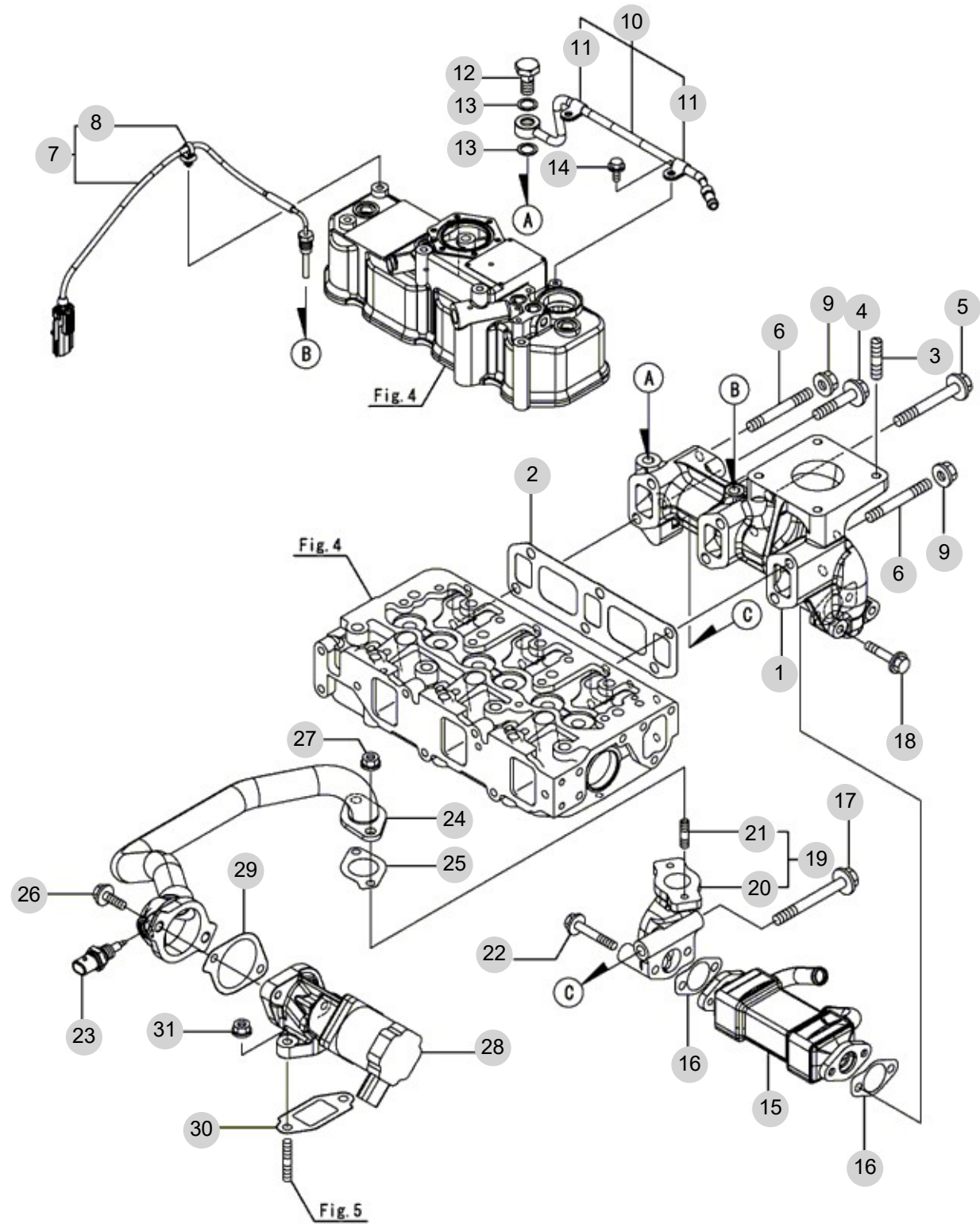
NOTE

FIG 106

EXHAUST MANIFOLD

년/월
Year/Month

2022-12



NOTE

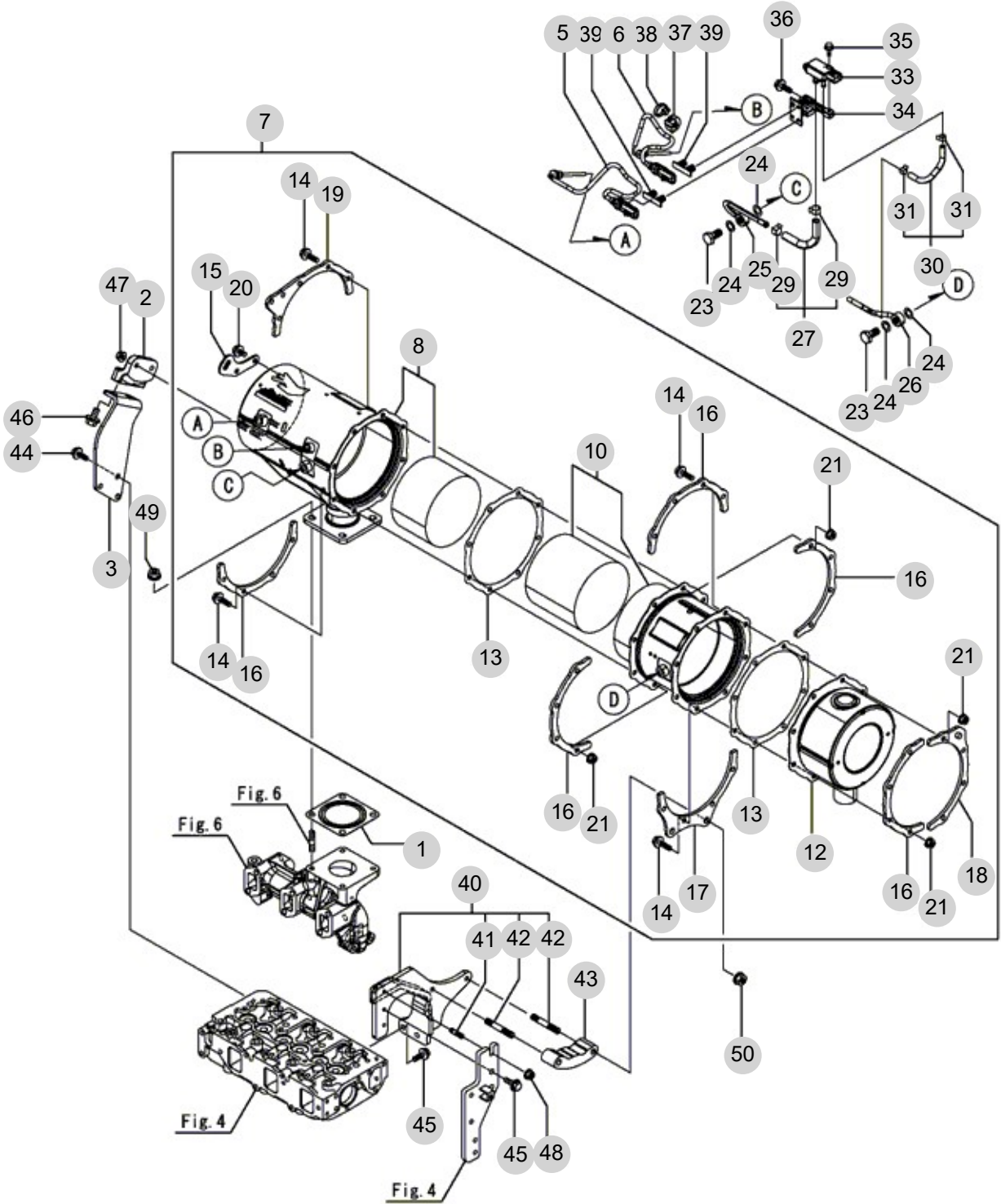
FIG 107

DIESEL PARTICULATE FILTER(DPF)

T395FHEU

년/월
Year/Month

2022-12



NOTE

FIG 107		DIESEL PARTICULATE FILTER(DPF)					년/월 Year/Month		
							2022-12		
T395FHEU		KEY NO	PART NO	DESCRIPTION	SPEC	QTY	REPAIR	EFFECTIVE DATE	REMARKS
107	1	128300-13230	GASKET, SILENCER			1			
107	2	129A00-16820	STAY,DPF			1			
107	3	129A00-16830	STAY,DPF			1			
107	5	129C00-13940	SENSOR, EXH.TEMP			1			
107	6	129C00-13950	SENSOR, EXH.TEMP			1			
107	7	129A26-16000	DPF ASSY			1			
107	8	129A00-16210	CASE, DOC			1			
107	10	129A00-16410	CASE, SOOT FILTER			1			
107	12	129A00-16500	SILENCER, DPF			1			
107	13	129A00-16600	GASKET, DPF			2			
107	14	129A00-16610	BOLT, M8X28 10.9T			16			
107	15	129C01-16690	LIFTER, DPF			1			
107	16	129A00-16700	STIFFENER, DPF A			5			
107	17	129A00-16720	STIFFENER, DPF B			1			
107	18	129A00-16740	STIFFENER, DPF C			1			
107	19	129A00-16750	STIFFENER, DPF C			1			
107	20	26106-080142	BOLT, M8X 14 PLATED			2			
107	21	26306-080002	NUT, M8			16			
107	23	129A00-13350	BOLT, PIPE JOINT			2			
107	24	129A00-17311	GASKET,SENSOR			4			
107	25	129A00-17330	PIPE ASSY, SENSOR			1			
107	26	129A00-17360	PIPE ASSY, SENSOR			1			
107	27	129A00-17610	HOSE ASSY,PRES EXH			1			
107	29	129A00-17520	CLIP, HOSE			2			
107	30	129A00-17670	HOSE ASSY,PRES EXH			1			
107	31	129A00-17570	CLIP, HOSE			2			
107	33	129978-17700	SENSOR,PRESSURE			1			
107	34	129A00-17780	BRACKET, SENSOR			1			
107	35	26106-060162	BOLT, M6X 16 PLATED			2			
107	36	26106-080202	BOLT, M8X 20 PLATED	8X20		2			
107	37	129A00-91200	BAND CLIP			1			
107	38	129C00-91200	BAND			1			
107	39	129A00-91430	CLIP, CONNECTOR			2			
107	40	129A26-17360	STAY ASSY, DPF			1			
107	41	26216-080202	STUD, M8X 20			1			
107	42	26216-100552	STUD, M10X 55			2			
107	43	129A23-17370	SPACER, DPF			1			
107	44	26106-080162	육각플랜지볼트			3			
107	45	26106-080202	BOLT, M8X 20 PLATED	8X20		4			
107	46	26106-100202	육각플랜지볼트			2			
107	47	26306-080002	NUT, M8			2			
107	48	26306-080002	NUT, M8			1			
107	49	26306-100002	NUT, M10			4			
107	50	26306-100002	NUT, M10			2			
NOTE									

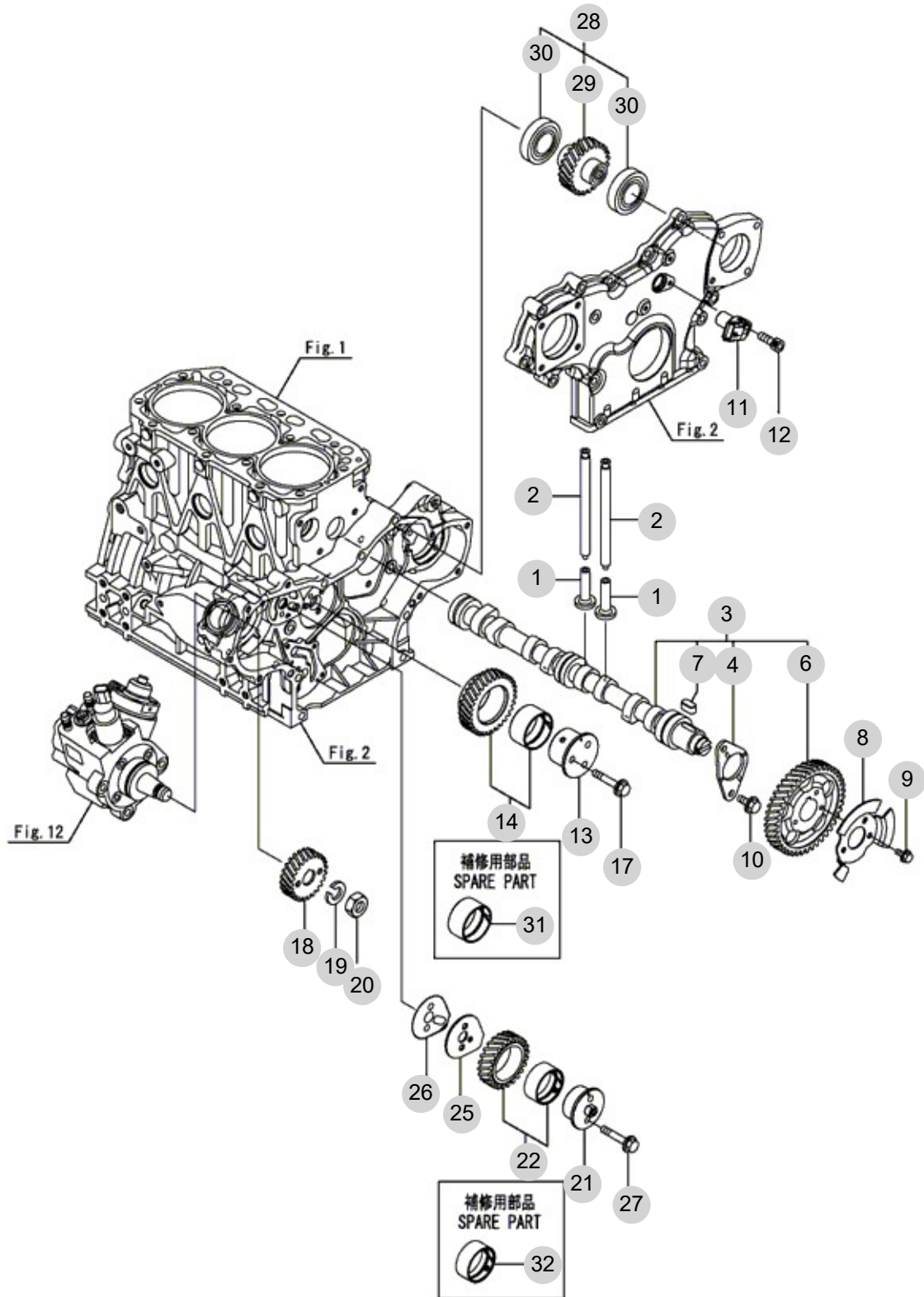
FIG 108

CAMSHAFT & DRIVING GEAR

년/월
Year/Month

2022-12

T395FHEU



NOTE

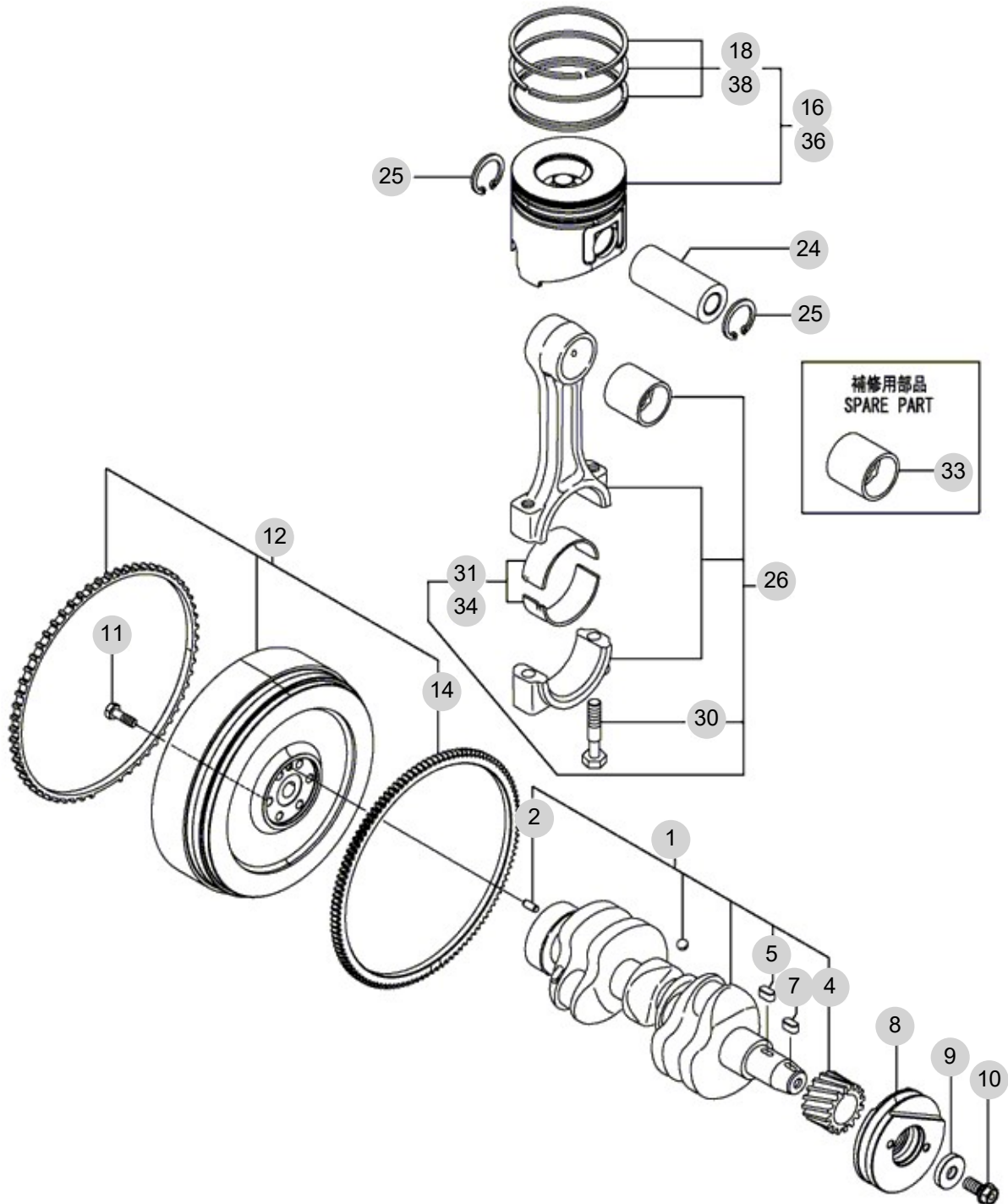
FIG 109

CRANKSHAFT & PISTON

년/월
Year/Month

2022-12

T395FHEU



NOTE

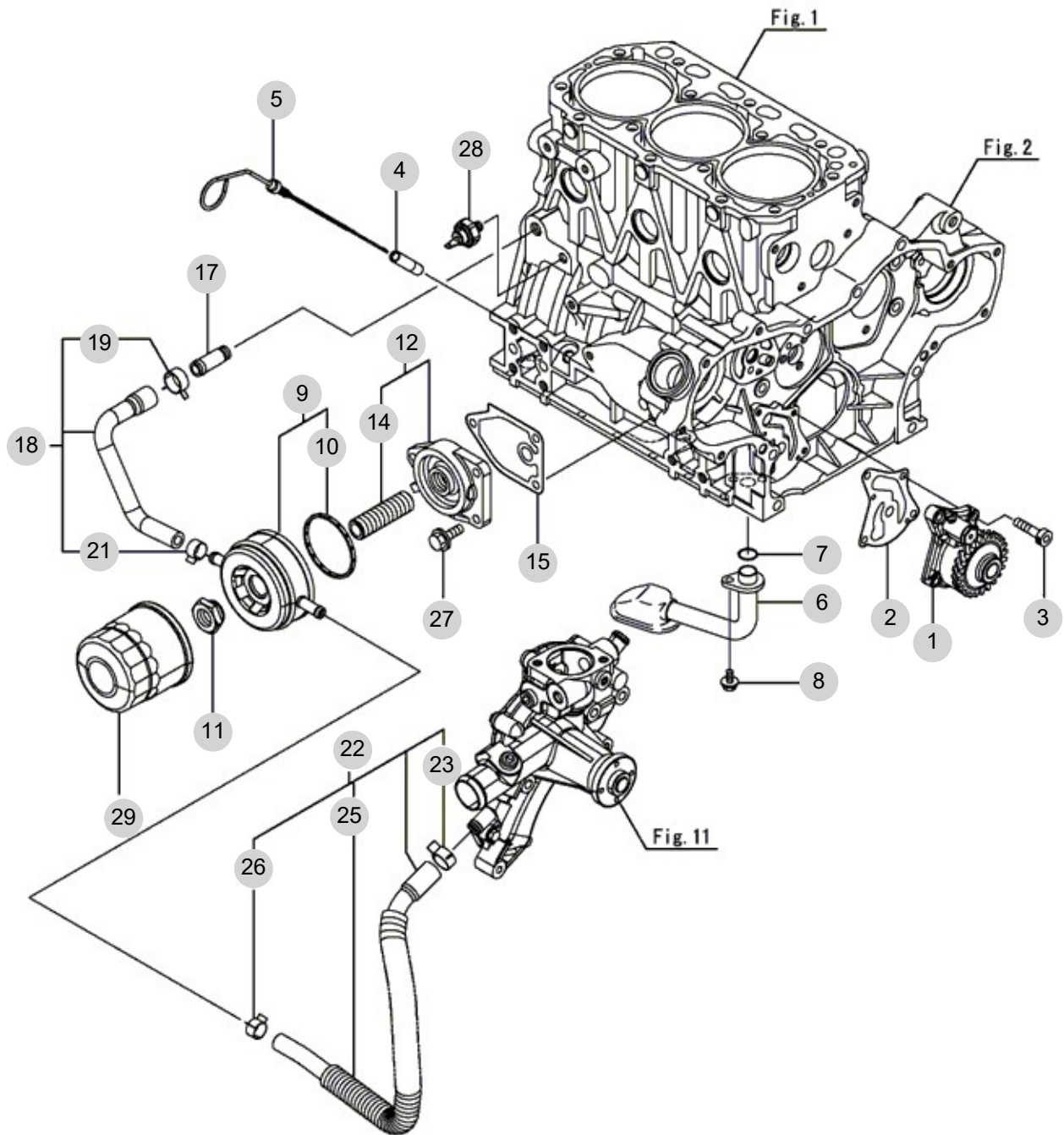
FIG 110

T395FHEU

LUB OIL SYSTEM

년/월
Year/Month

2022-12



NOTE

FIG 110 T395FHEU		LUB OIL SYSTEM					년/월 Year/Month	
							2022-12	
KEY NO	PART NO	DESCRIPTION	SPEC	QTY	REPAIR	EFFECTIVE DATE	REMARKS	
110	1	129A00-32000	PUMP ASSY, LUB.OIL			1		
110	2	129486-32020	GASKET, PUMP			1		
110	3	26450-060252	BOLT, M6X 25			4		
110	4	121520-34810	GUIDE, DIPSTICK			1		
110	5	129263-34811	DIPSTICK, OIL			1		
110	6	129052-35090	PIPE ASSY, OIL INLET			1		
110	7	24311-000160	운동용O링			1		
110	8	26106-060122	BOLT, M6X 12 PLATED			1		
110	9	129508-33031	COOLER ASSY, OIL			1		
110	10	129508-33060	PACKING, OIL COOLER			1		
110	11	129417-33111	NUT, OIL COOLER			1		
110	12	129006-35100	BRACKET ASSY, FILTER			1		
110	14	129417-35150	BOLT, STUD M20X67			1		
110	15	129150-35111	GASKET			1		
110	17	129122-44480	JOINT			1		
110	18	129508-49030	HOSE ASSY, WATER			1		
110	19	171008-03990	CLAMP, HOSE 18.5			1		
110	21	23080-015000	CLAMP, 15			1		
110	22	129006-49040	HOSE ASSY, WATER			1		
110	23	171008-03990	CLAMP, HOSE 18.5			1		
110	25	129642-49180	TUBE, CORRUGATED 19			1		
110	26	23080-015000	CLAMP, 15			1		
110	27	26106-080202	BOLT, M8X 20 PLATED	8X20		3		
110	28	119761-39450	SWITCH, HYDRAULIC			1		
110	29	129150-35153	필터			1		
NOTE								

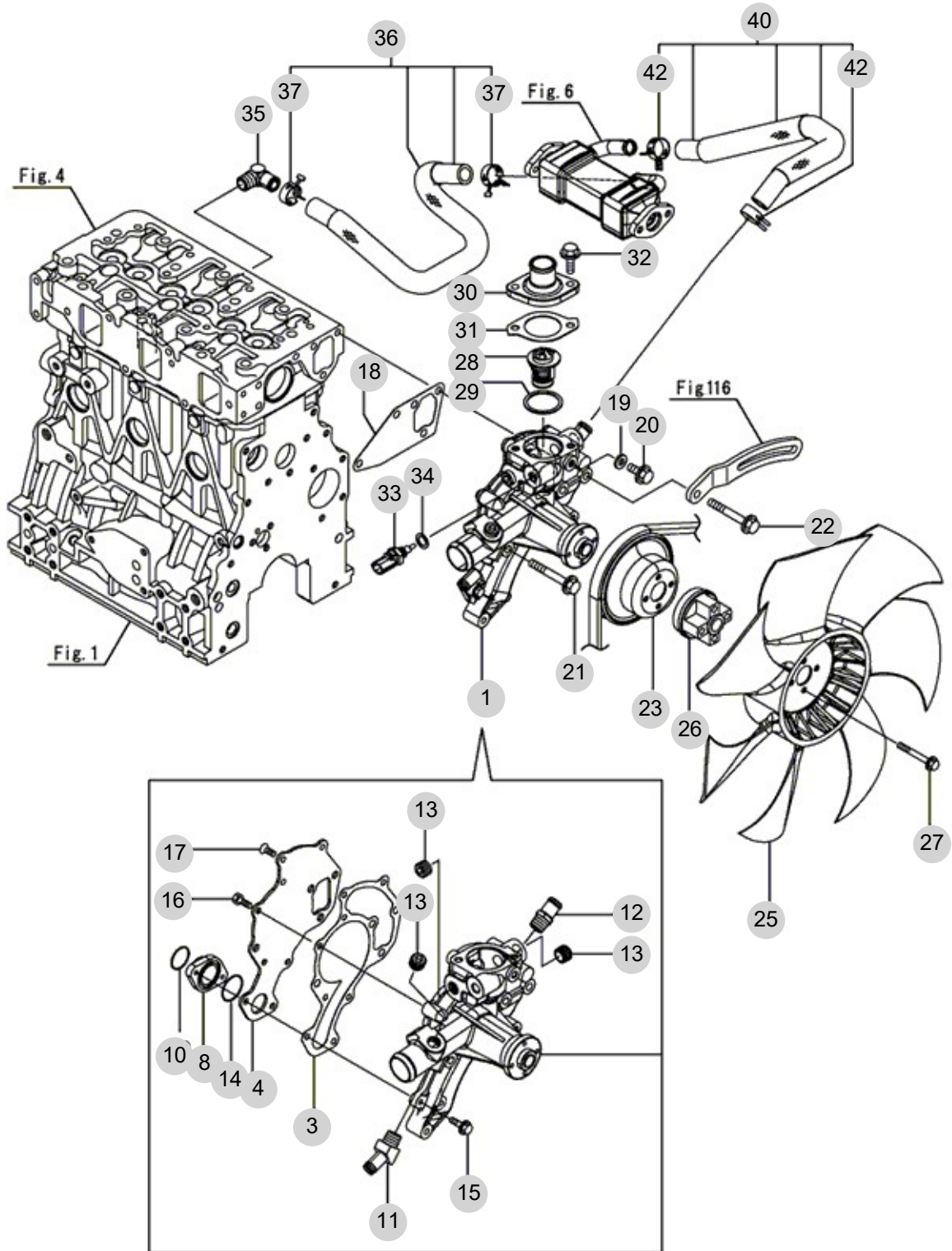
FIG 111

COOLING WATER SYSTEM

년/월
Year/Month

2022-12

T395FHEU



NOTE

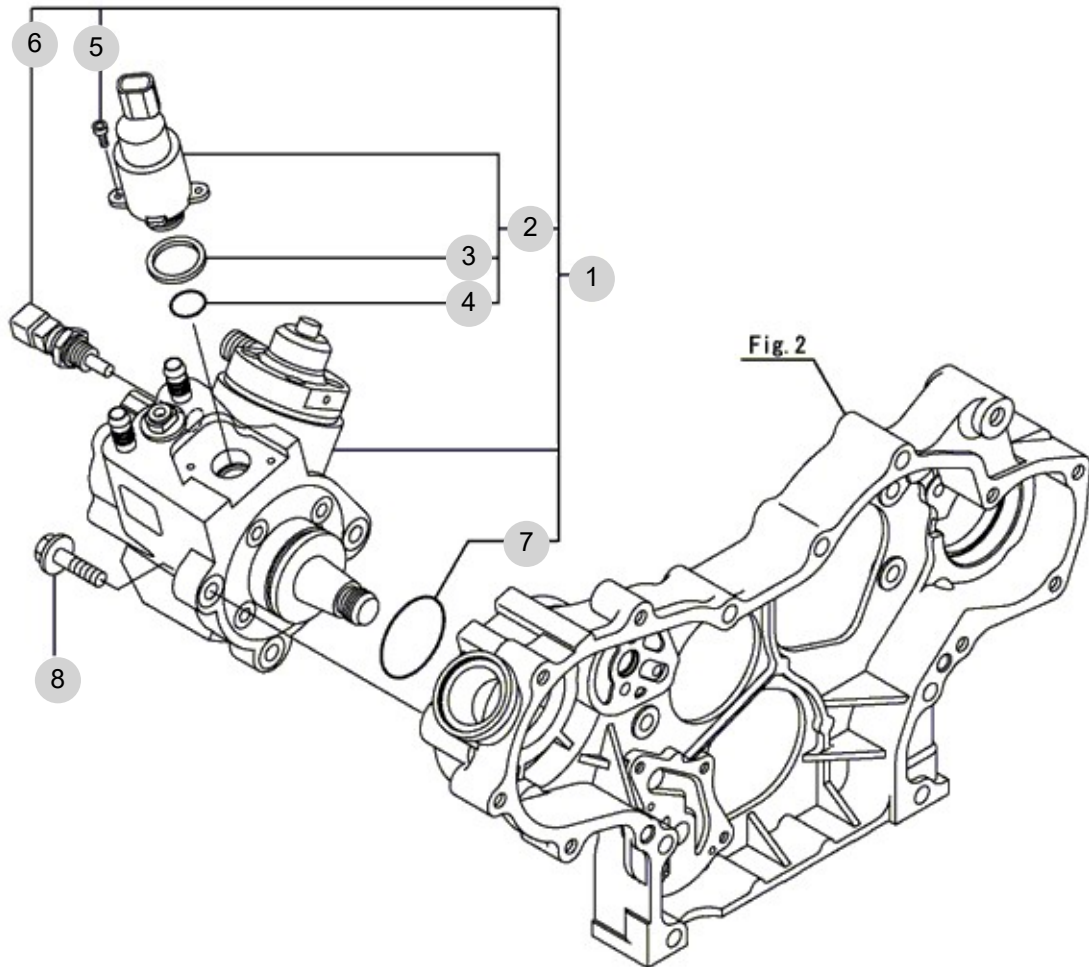
FIG 112

T395FHEU

FUEL SUPPLY PUMP

년/월
Year/Month

2022-12



NOTE

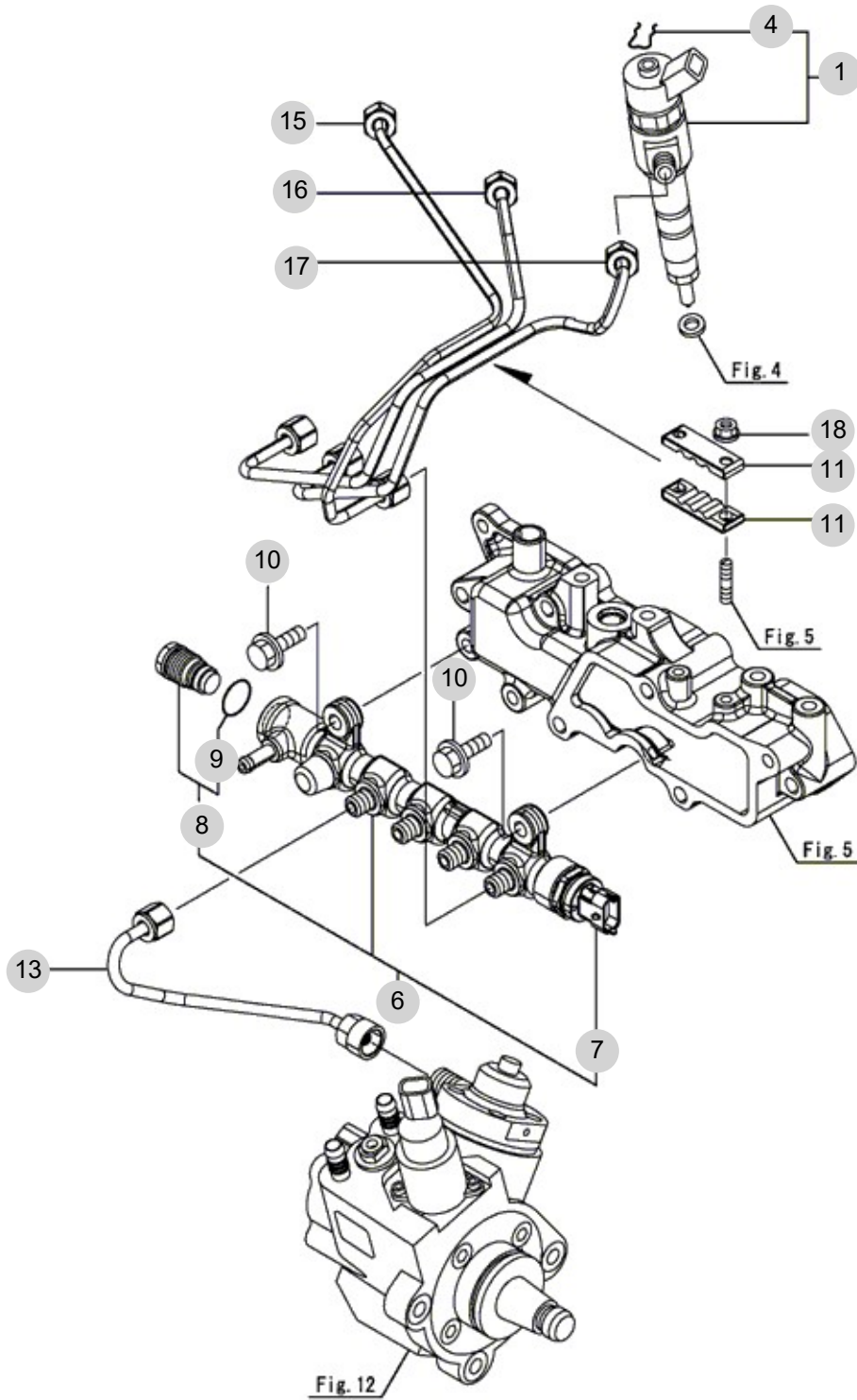
FIG 113

T395FHEU

FUEL INJECTION VALVE

년/월
Year/Month

2022-12



NOTE

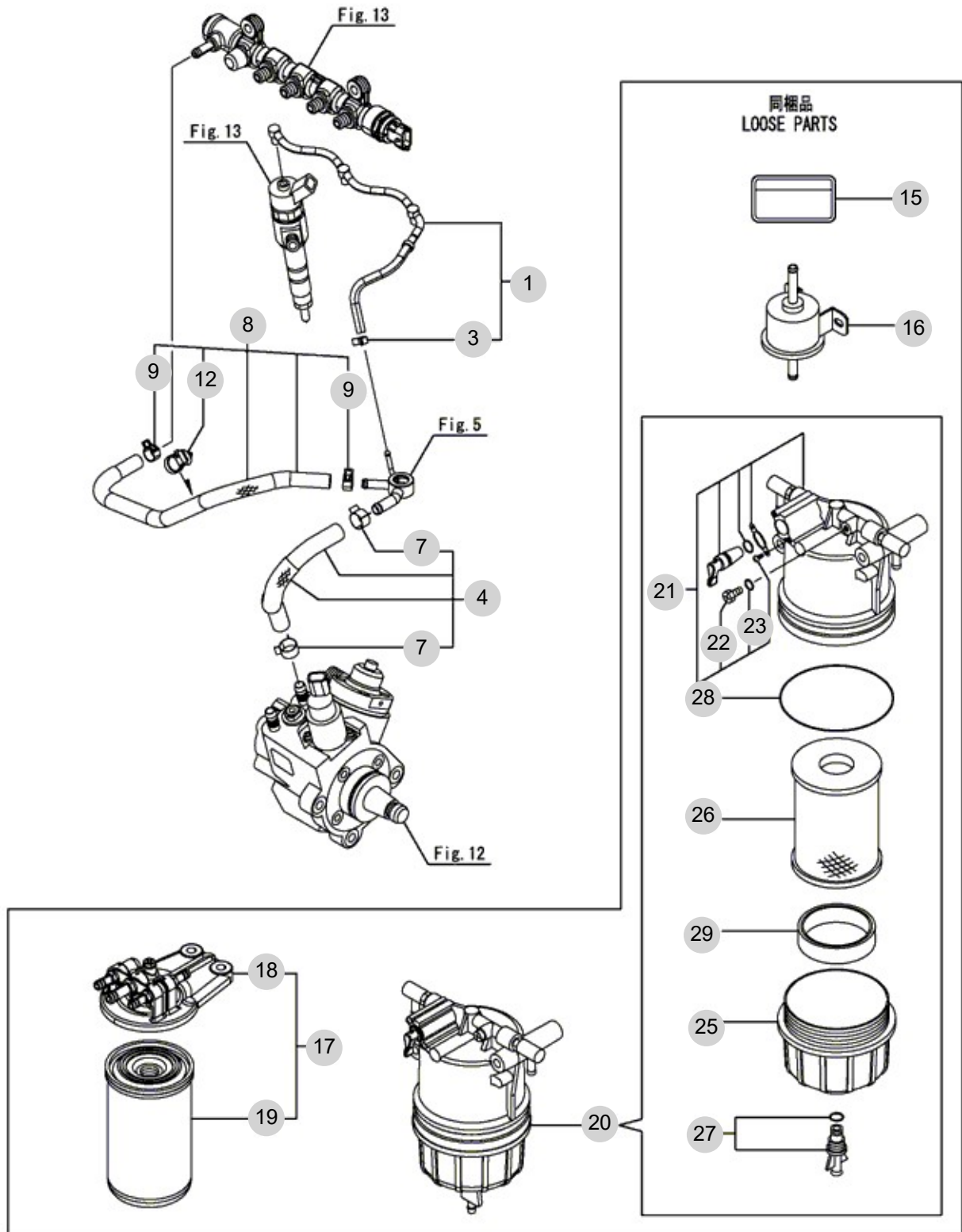
FIG 114

T395FHEU

FUEL PIPE

년/월
Year/Month

2022-12



NOTE

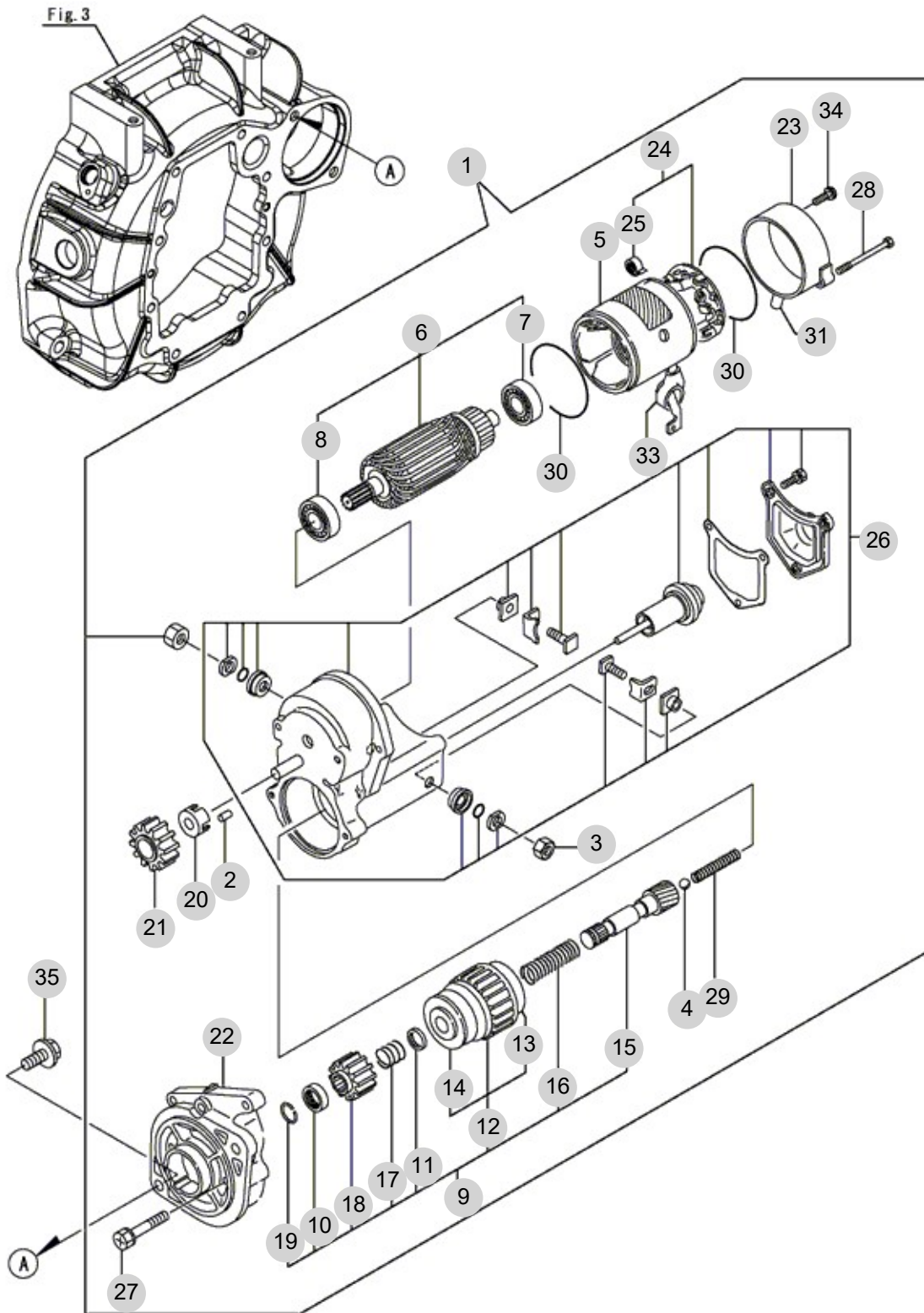
FIG 115

STARTER MOTOR

년/월
Year/Month

2022-12

T395FHEU



NOTE

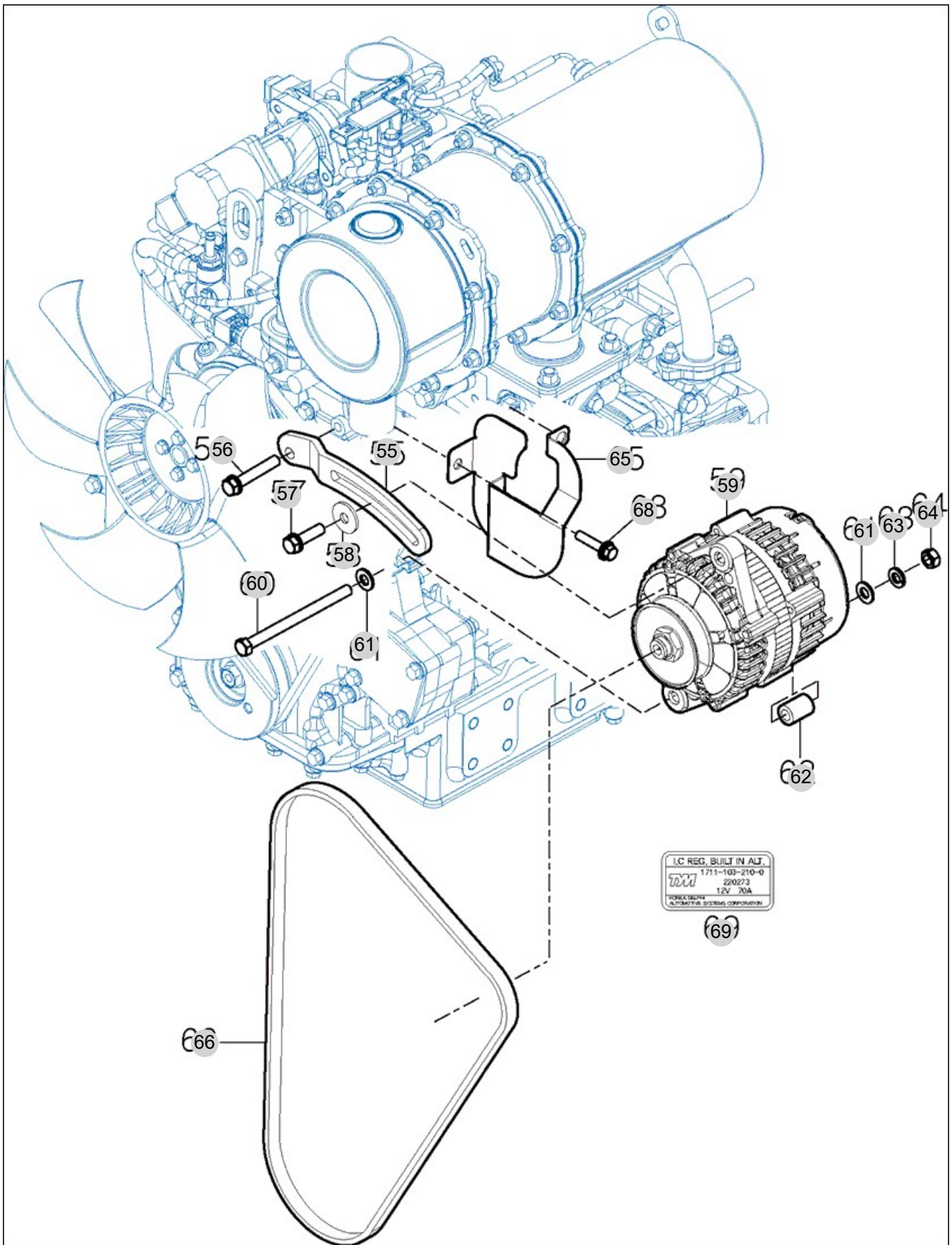
FIG 116

ALTERNATOR

년/월
Year/Month

2022-12

T395FHEU



NOTE

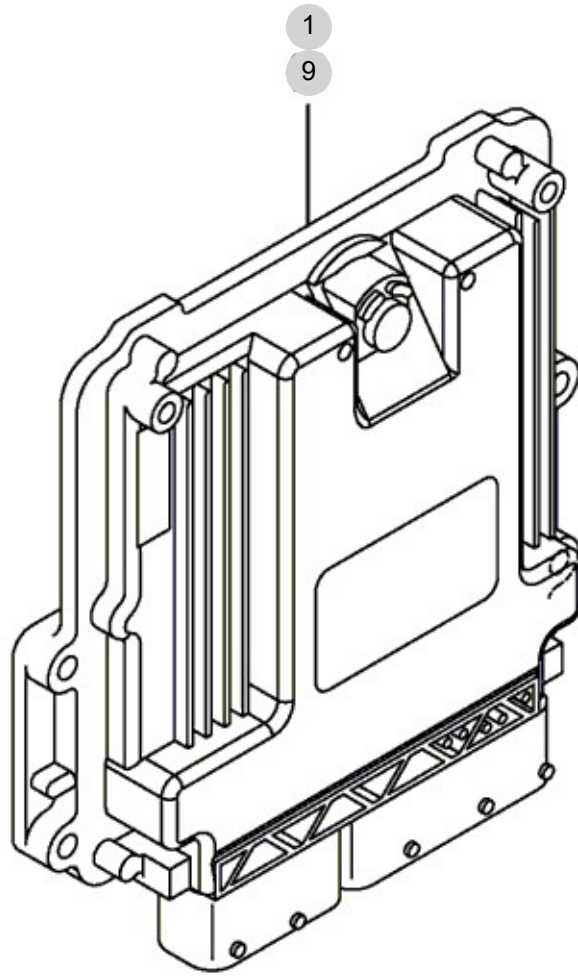
FIG 117

T395FHEU

ELECTRONIC CONTROL UNIT(ECU)

년/월
Year/Month

2022-12



NOTE

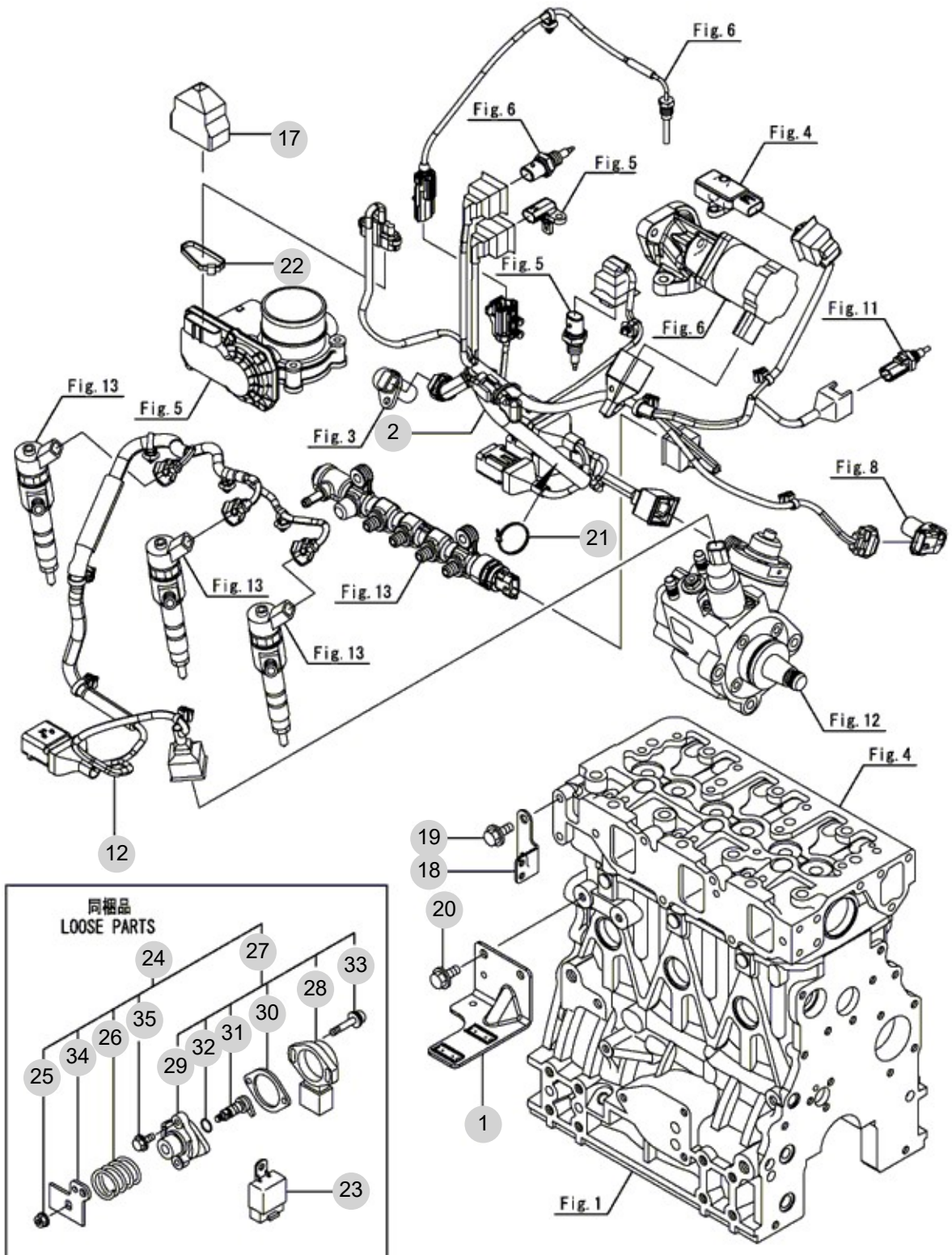
FIG 118

ELECTRIC PARTS

년/월
Year/Month

T395FHEU

2022-12



NOTE

2. 엔진보기품 PART NO. T2

FIG 201 AIR CLEANER	47
FIG 202 RADIATOR	49
FIG 203 MUFFLER	51
FIG 204 FUEL TANK & HOSE	53
FIG 205 OIL COOLER	55

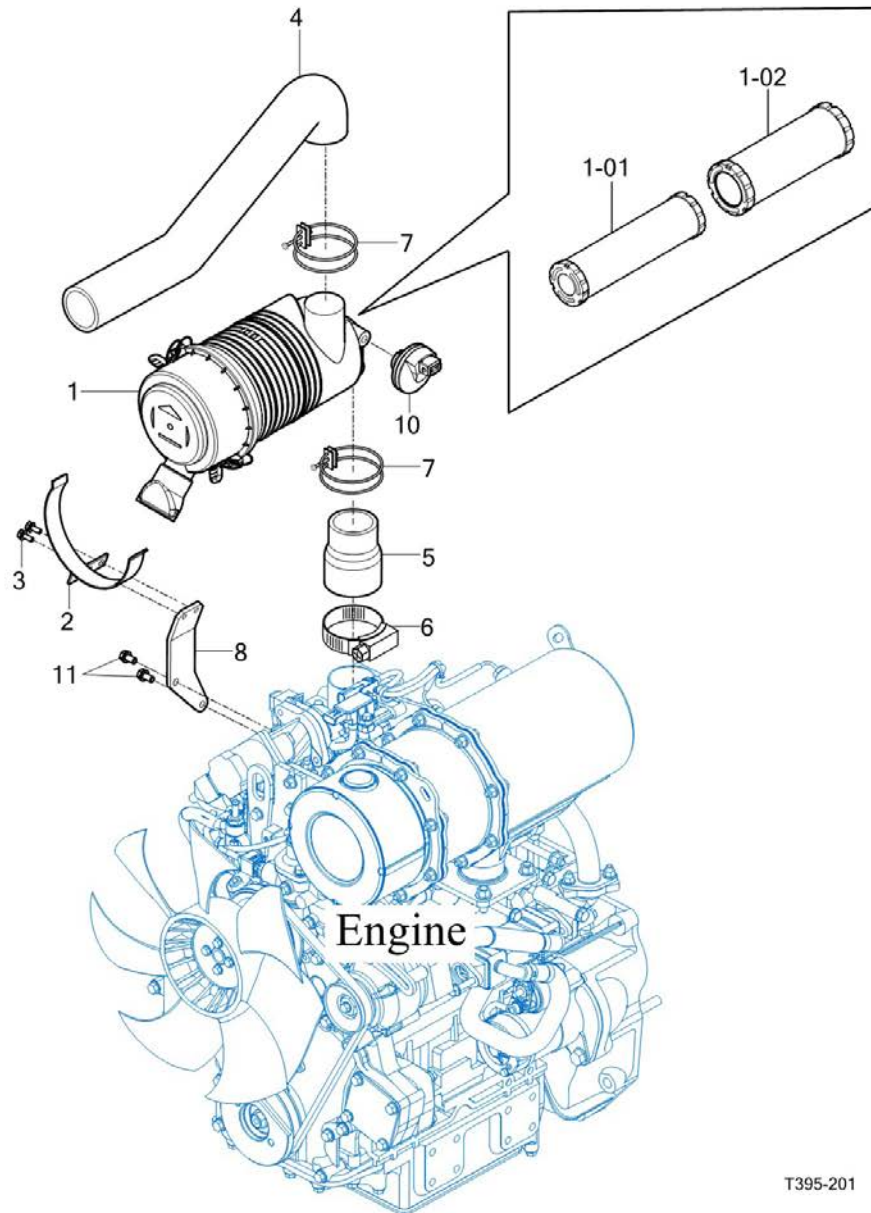
FIG 201

AIR CLEANER

년/월
Year/Month

2022-12

T395FHEU



T395-201

NOTE

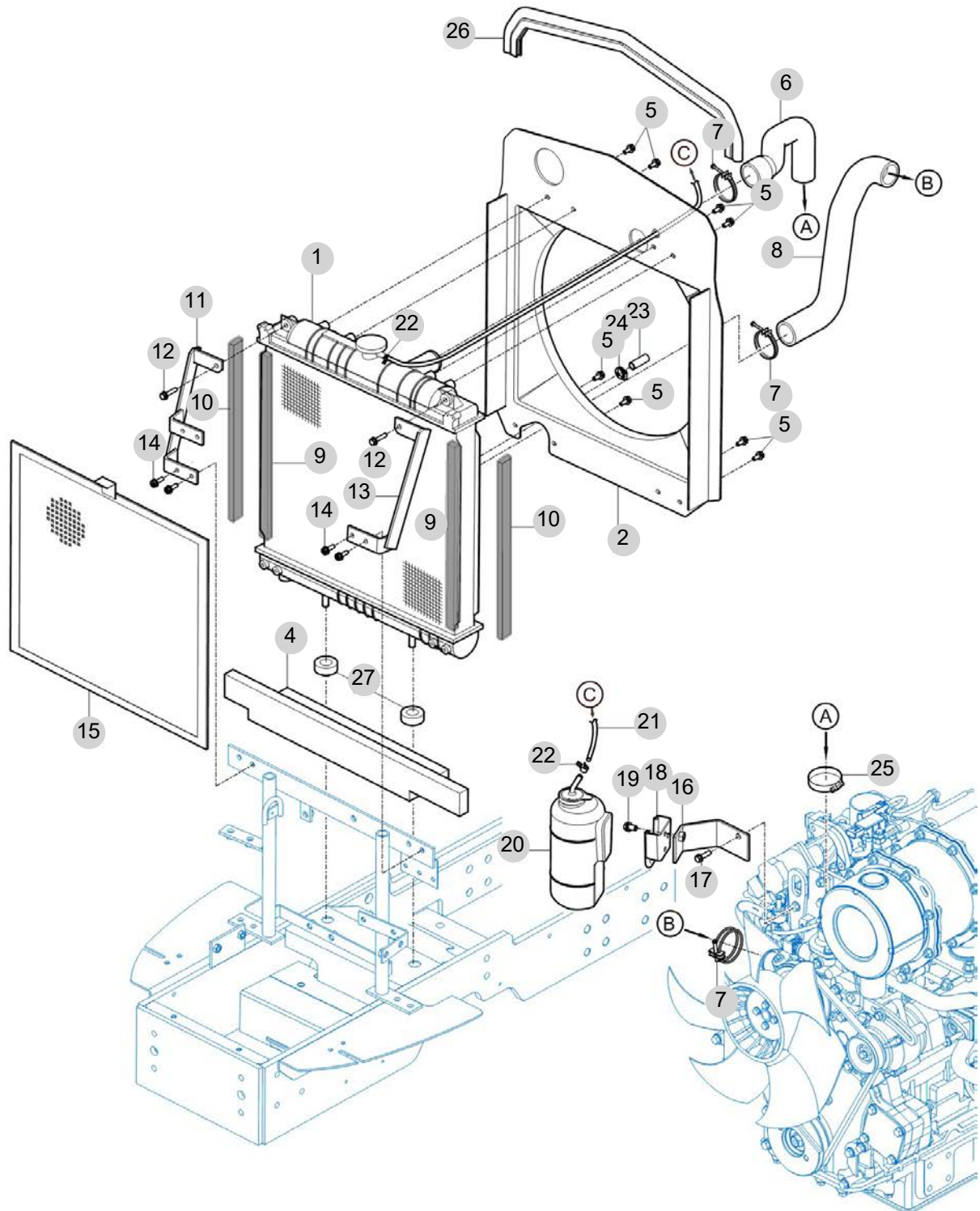
FIG 202

T395FHEU

RADIATOR

년/월
Year/Month

2022-12



NOTE

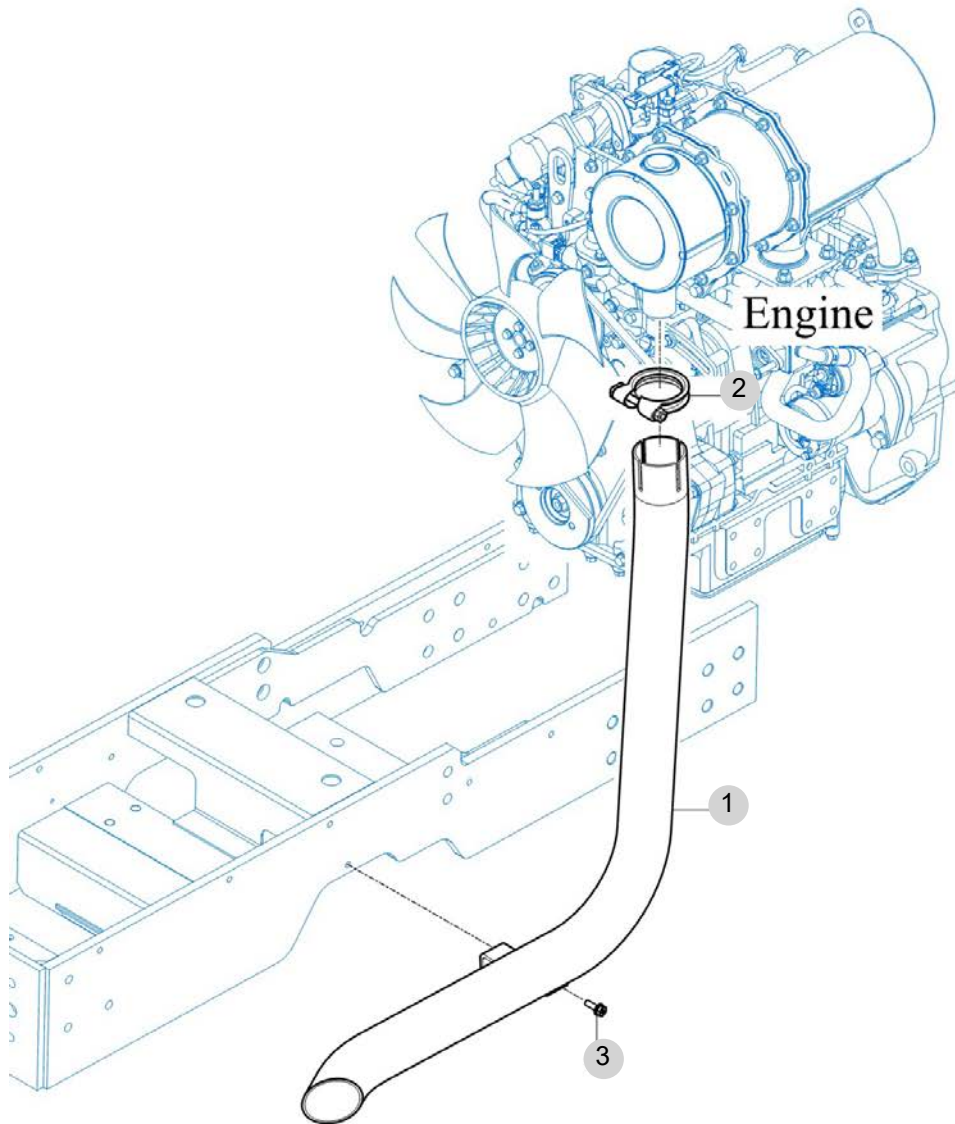
FIG 203

MUFFLER

년/월
Year/Month

T395FHEU

2022-12



NOTE

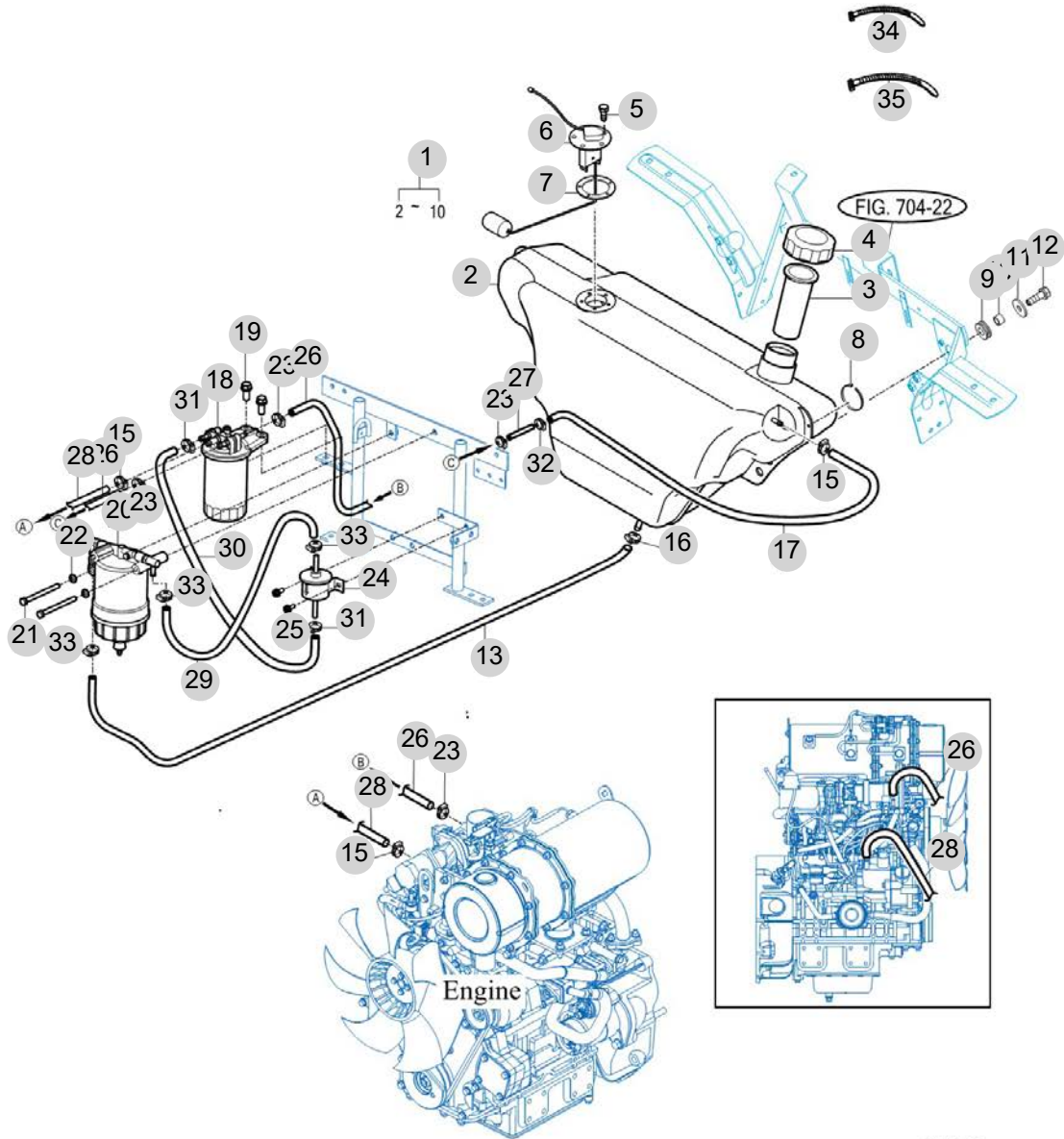
FIG 204

FUEL TANK & HOSE

년/월
Year/Month

2022-12

T395FHEU



NOTE

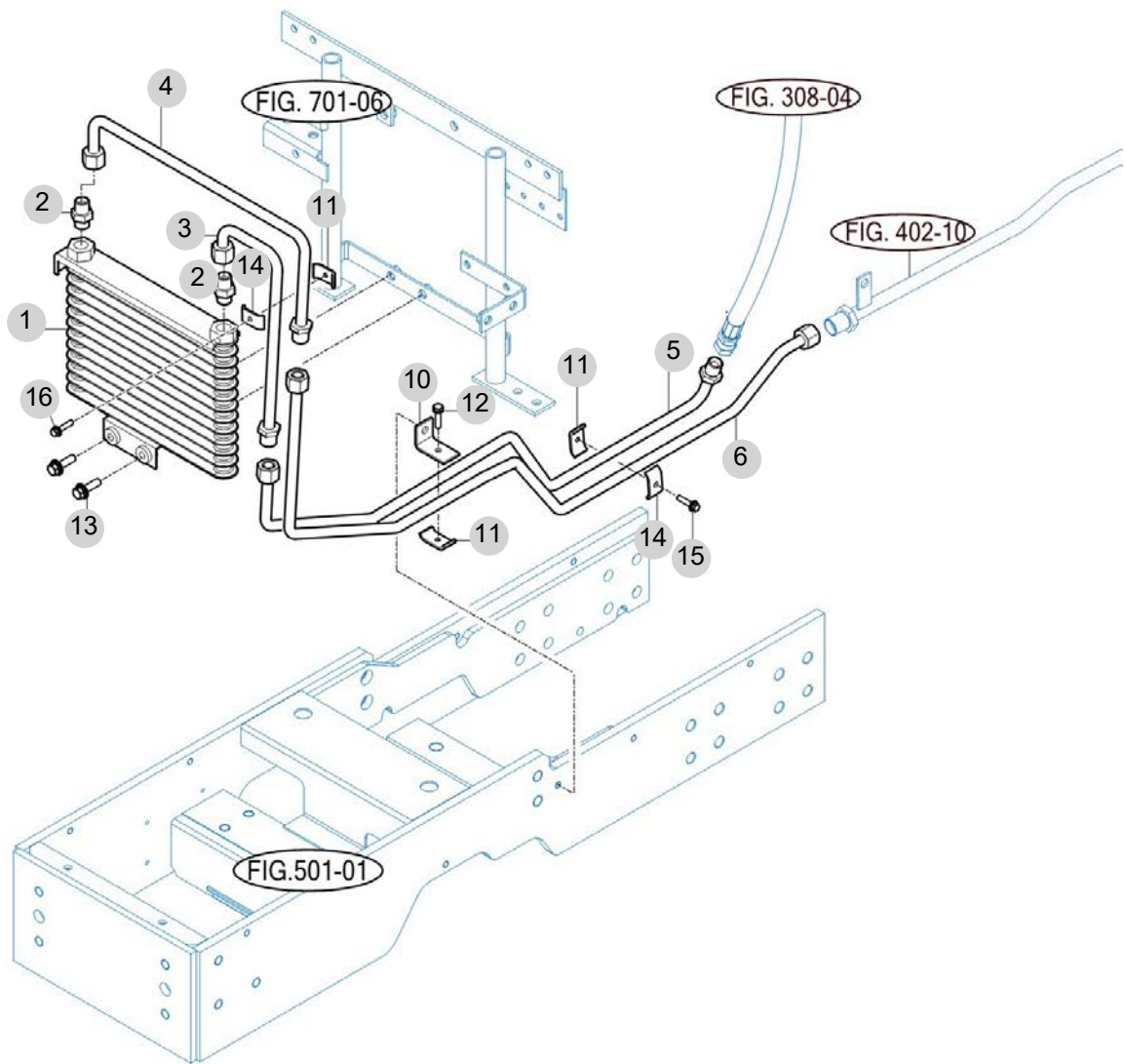
FIG 205

T395FHEU

OIL COOLER

년/월
Year/Month

2022-12



NOTE

FIG 205		OIL COOLER					년/월 Year/Month	
T395FHEU		2022-12						
KEY NO	PART NO	DESCRIPTION	SPEC	QTY	REPAIR	EFFECTIVE DATE	REMARKS	
205	1	14541062000	오일 쿨러 COMP					
205	2	14721062300	유니온(오일쿨러) UNIT					
205	3	17411063100GB	쿨러파이프 COMP , 전 (IN)					
205	4	17411063000GB	쿨러파이프 COMP , 전 (OUT)					
205	5	12351063500GB	쿨러파이프 COMP , 후 (IN)					
205	6	12351063400GB	쿨러파이프 COMP , 후 (OUT)					
205	10	12351063300GB	쿨러파이프 브래킷					
205	11	15945170040GB	클립					
205	12	V2193606025	육각볼트(SPL)	M6X25				
205	13	V2183608030	소형육각볼트보통(SP)	M8X30				
205	14	15945170030GB	클립					
205	15	V2113606030	육각볼트(S)	M6X30				
205	16	V2113606025	육각볼트(S)	M6X25				
NOTE								

3. 클러치/브레이크/스티어링 PART NO. T3

FIG 301 FLYWHEEL & CLUTCH	58
FIG 302 BRAKE PEDAL	60
FIG 303 BRAKE	62
FIG 304 FRONT WHEEL MOUNTING	64
FIG 305 REAR WHEEL MOUNTING	66
FIG 306 STEERING WHEEL & DASH COVER	68
FIG 307 STEERING VALVE & TILT	70
FIG 308 STEERING CYLINDER	72

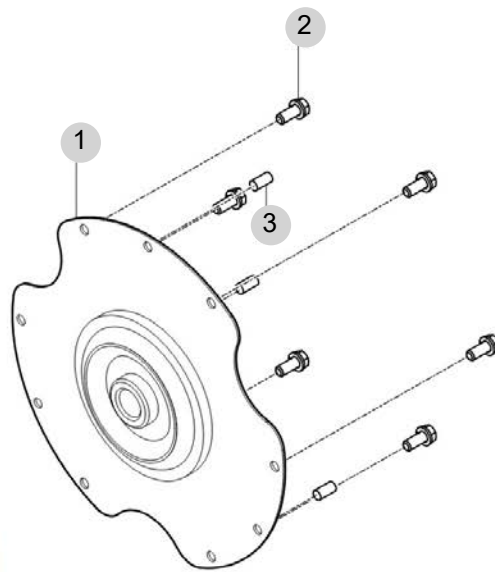
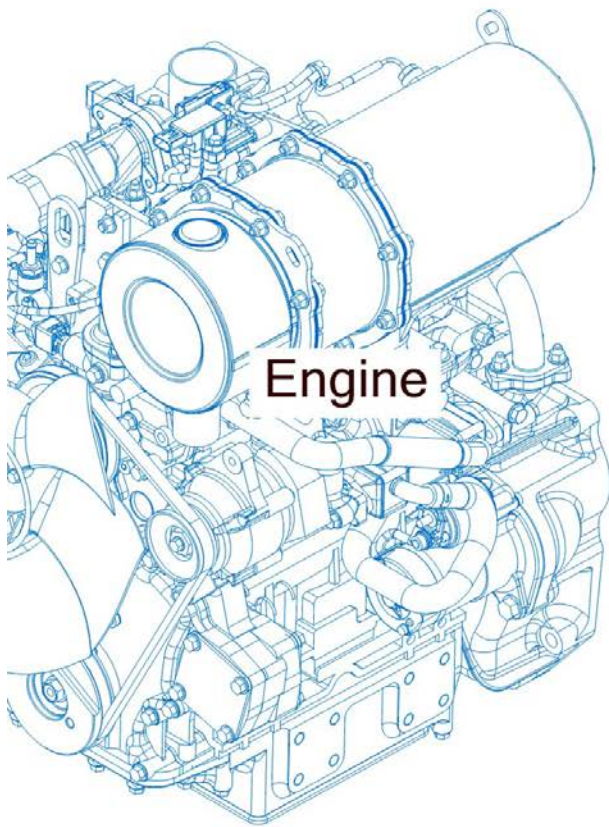
FIG 301

T395FHEU

FLYWHEEL & CLUTCH

년/월
Year/Month

2022-12



T393SH-E-301

NOTE

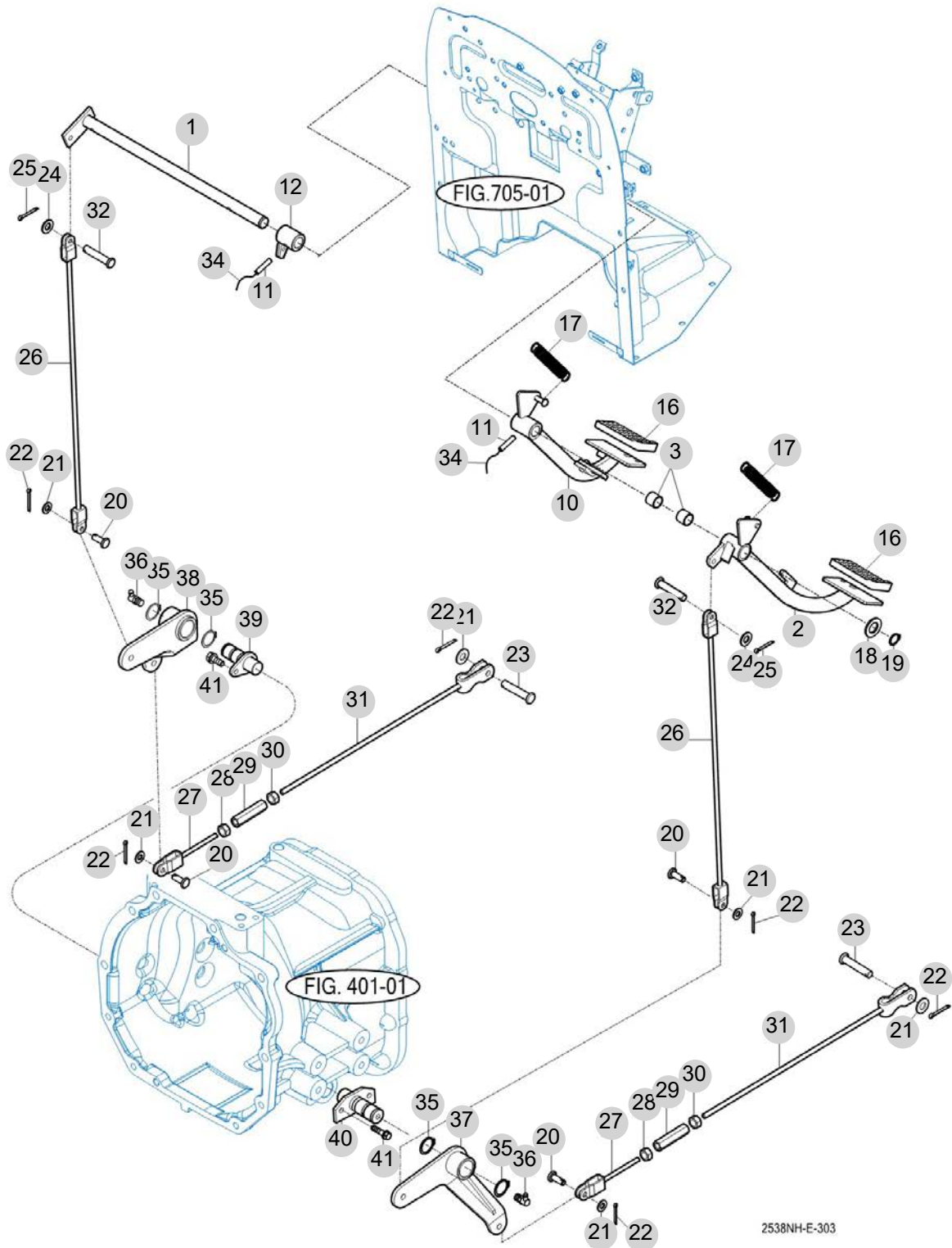
FIG 302

BRAKE PEDAL

년/월
Year/Month

2022-12

T395FHEU



NOTE

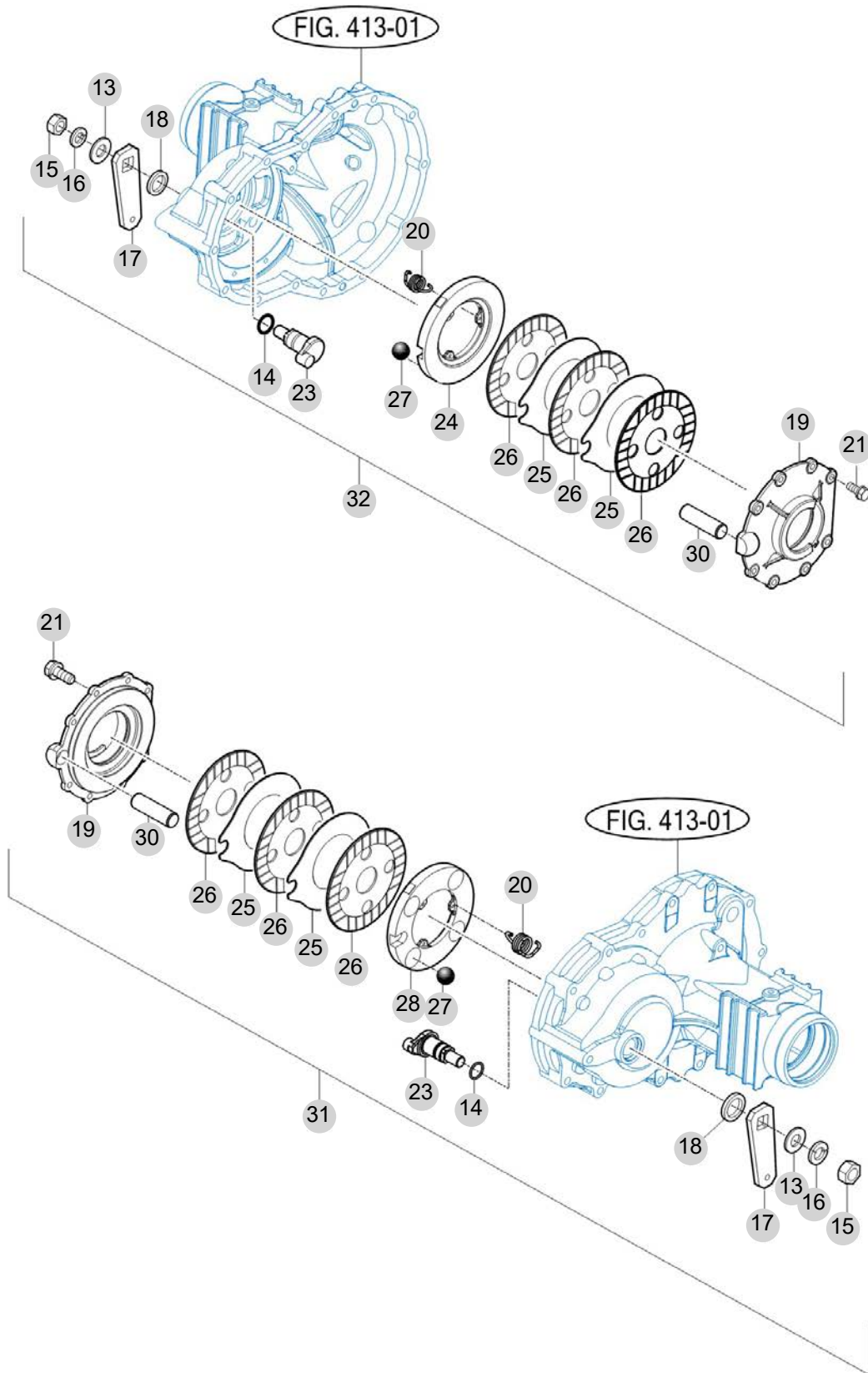
FIG 303

T395FHEU

BRAKE

년/월
Year/Month

2022-12



NOTE

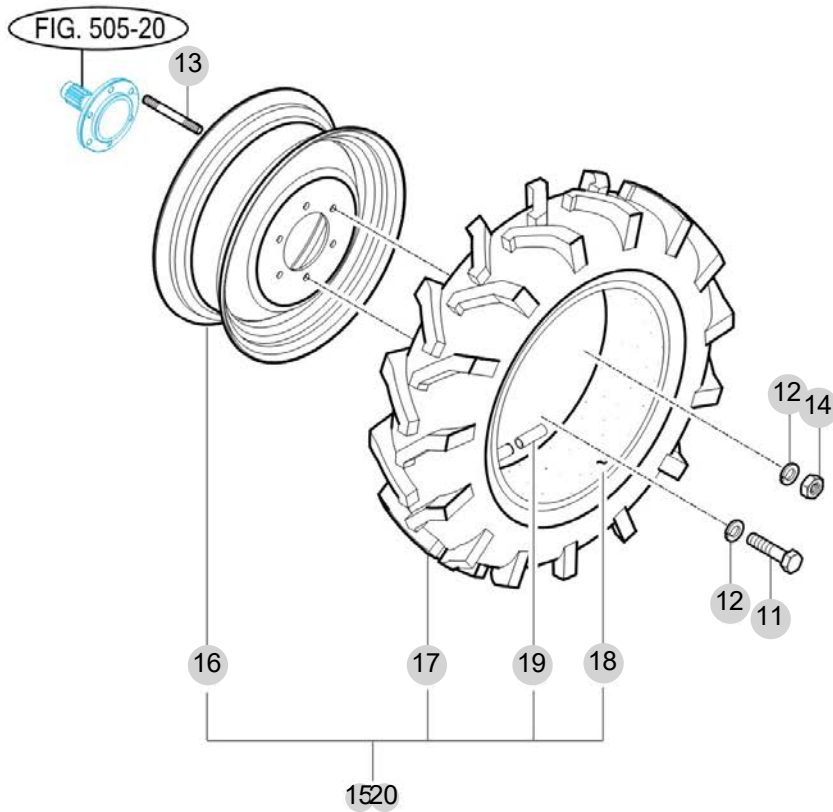
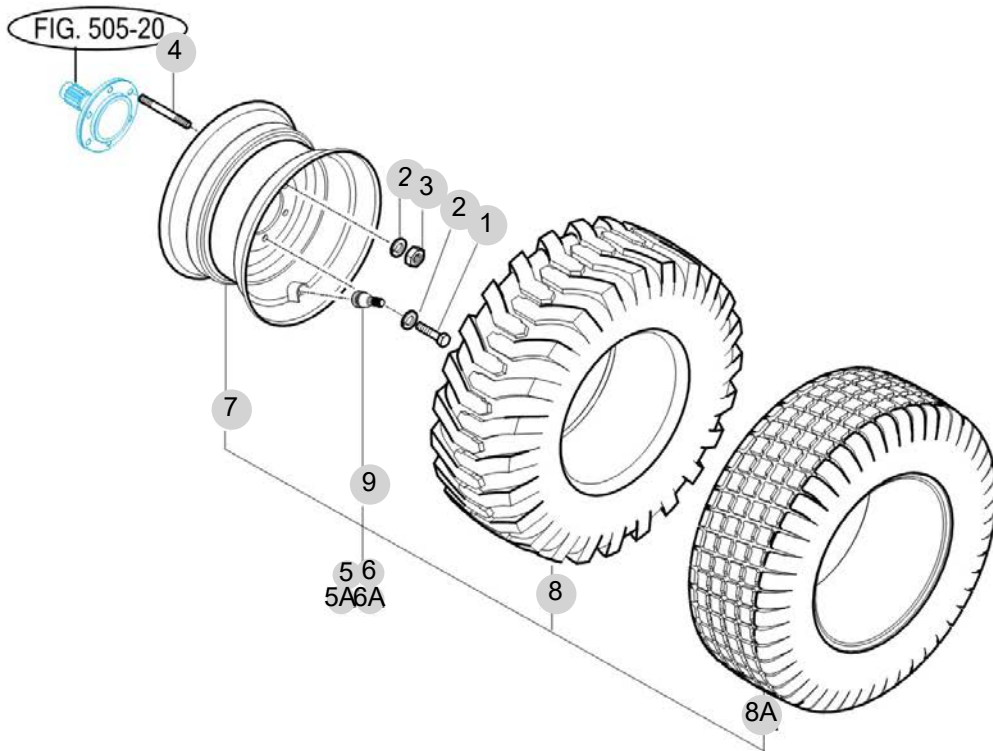
FIG 304

T395FHEU

FRONT WHEEL MOUNTING

년/월
Year/Month

2022-12



T384-E-304

NOTE

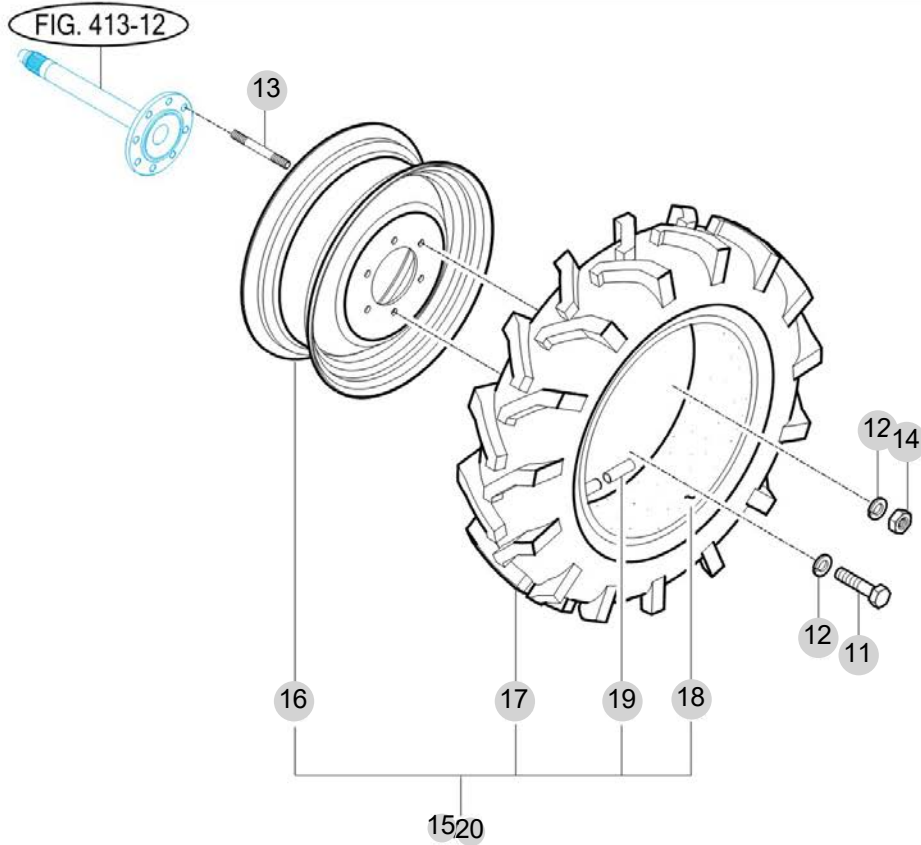
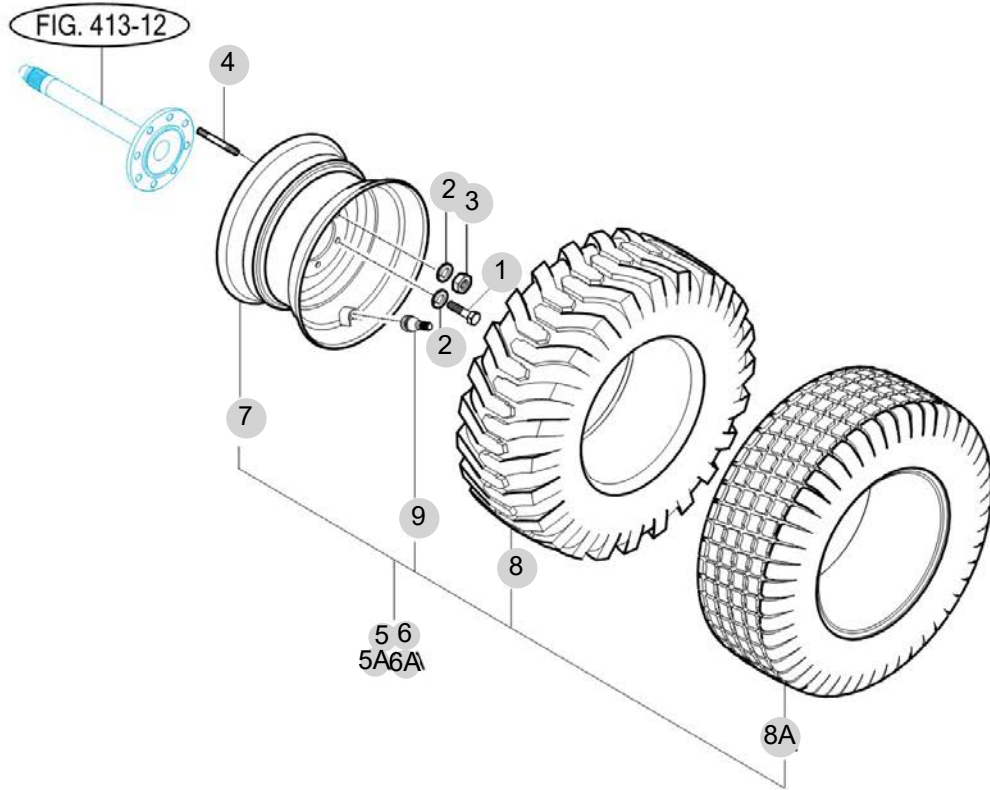
FIG 305

T395FHEU

REAR WHEEL MOUNTING

년/월
Year/Month

2022-12



T384-E-305

NOTE

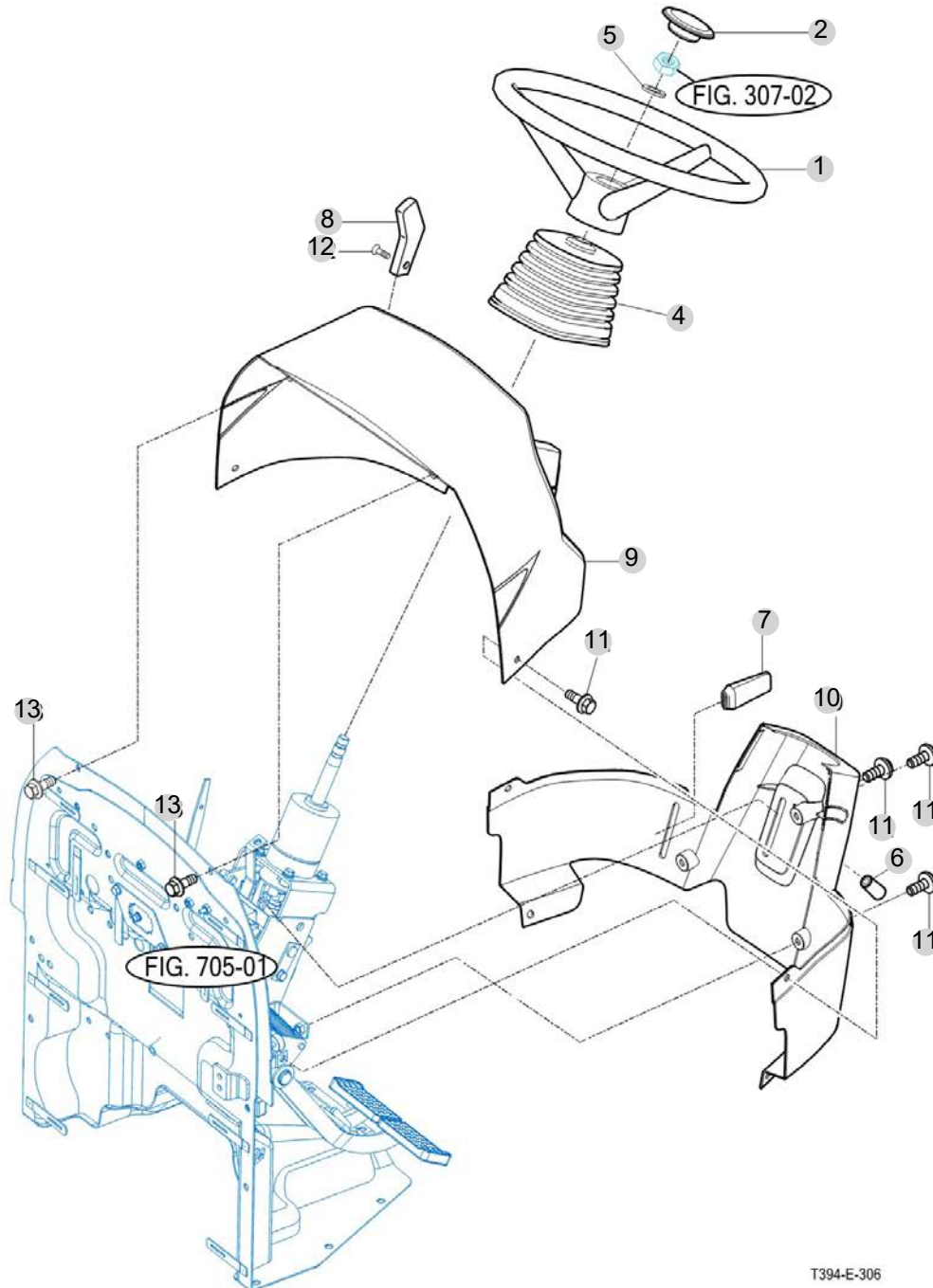
FIG 306

T395FHEU

STEERING WHEEL & DASH COVER

년/월
Year/Month

2022-12



NOTE

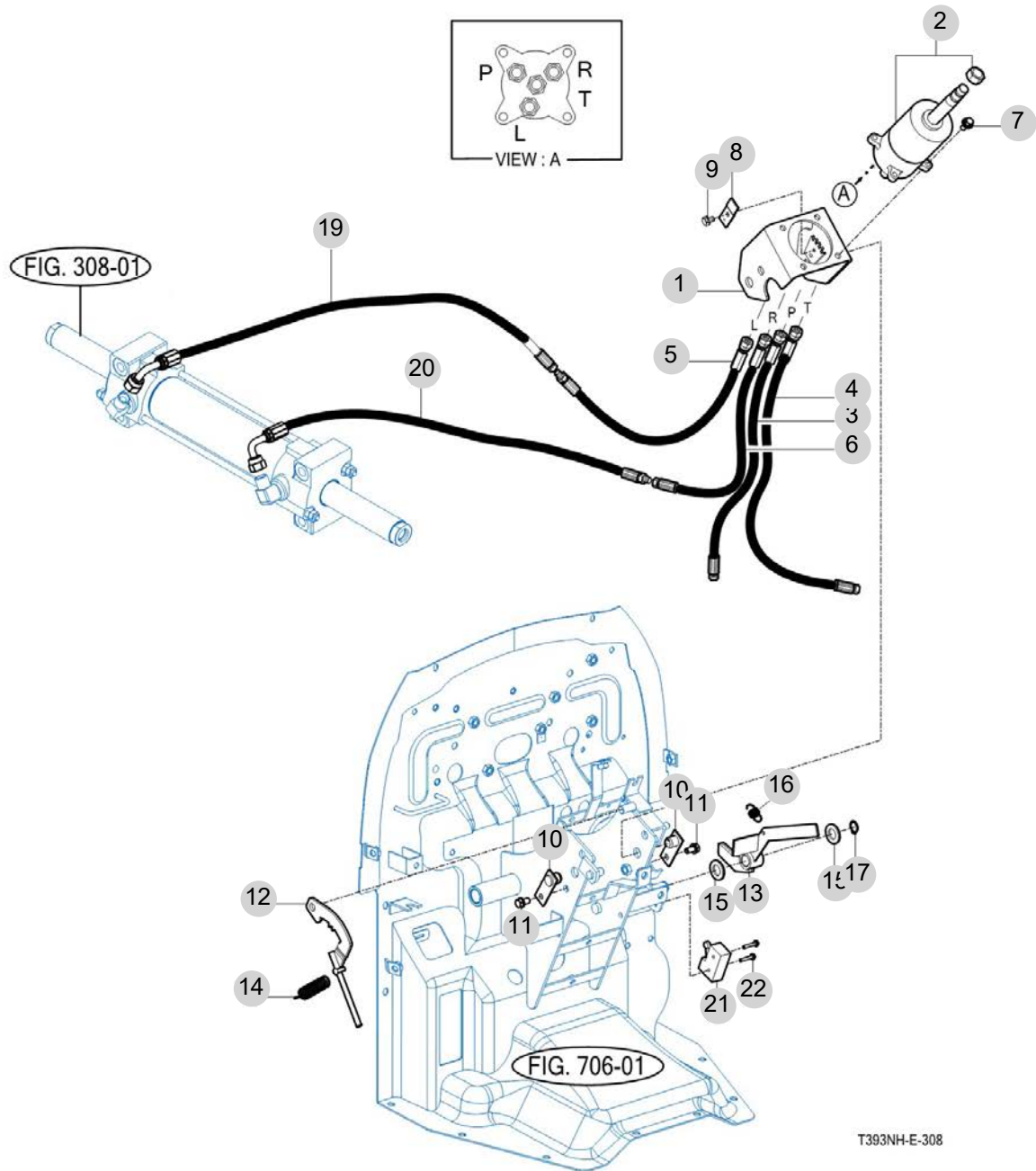
FIG 307

T395FHEU

STEERING VALVE & TILT

년/월
Year/Month

2022-12



NOTE

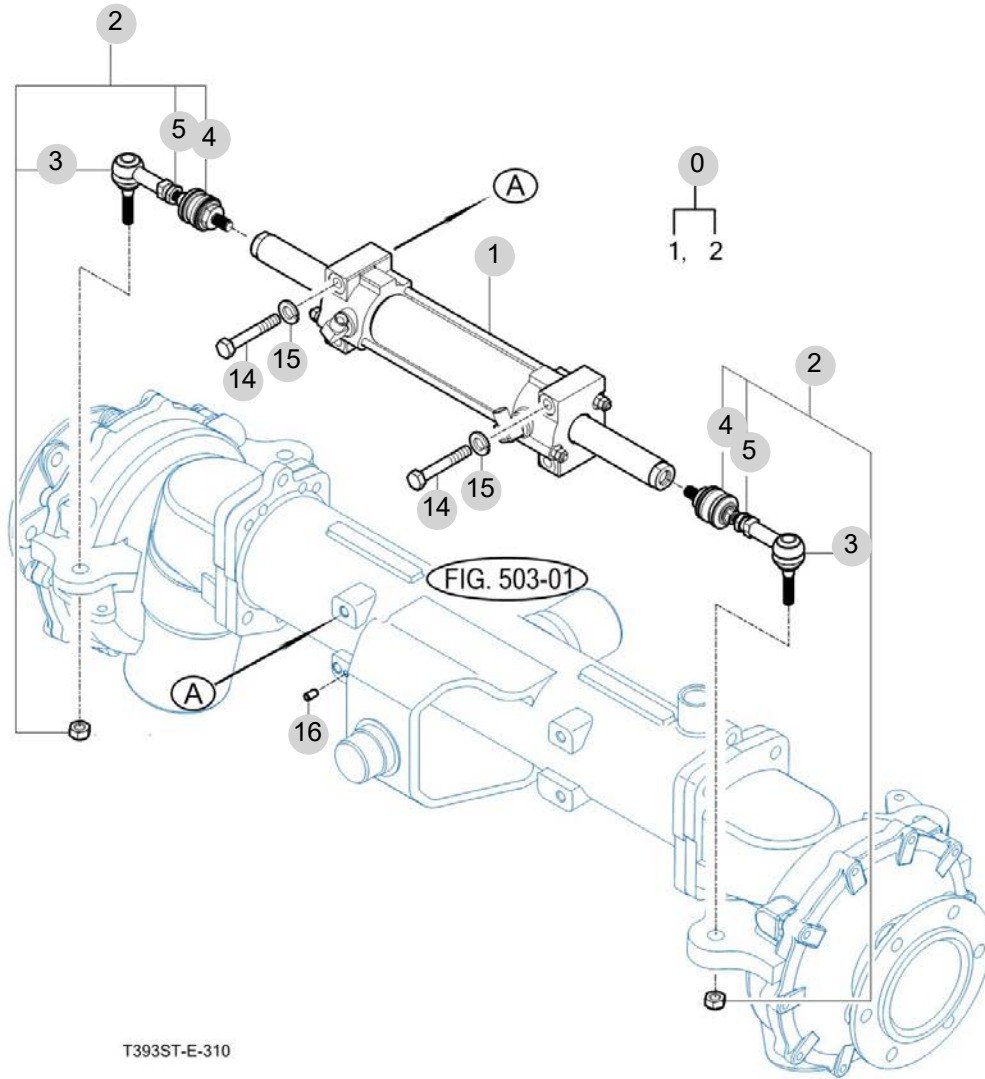
FIG 308

T395FHEU

STEERING CYLINDER

년/월
Year/Month

2022-12



NOTE

4. 트랜스미션 PART NO. T4

FIG 401 TRANSMISSION FRONT CASE	75
FIG 402 HST	77
FIG 403 MID CASE	79
FIG 404 4WD DRIVE GEAR	81
FIG 405 INPUT GEAR	83
FIG 406 SUB CHANGE GEARS	85
FIG 407 PINION GEARS	87
FIG 408 PTO DRIVE SHAFT	89
FIG 409 PTO CHANGE GEARS	91
FIG 410 DIFF LOCK	94
FIG 411 TRANSMISSION REAR CASE	96
FIG 412 REAR AXLE HOUSINGS (1)	98
FIG 413 REAR AXLE HOUSINGS (2)	100
FIG 414 MID P.T.O GEARS	102
FIG 415 SUB CHANGE LEVER	104
FIG 416 FORWARD & REVERSE CONTROL LINKAGE	106
FIG 417 CRUISE CONTROL	108
FIG 418 4WD CHANGE LEVER	110

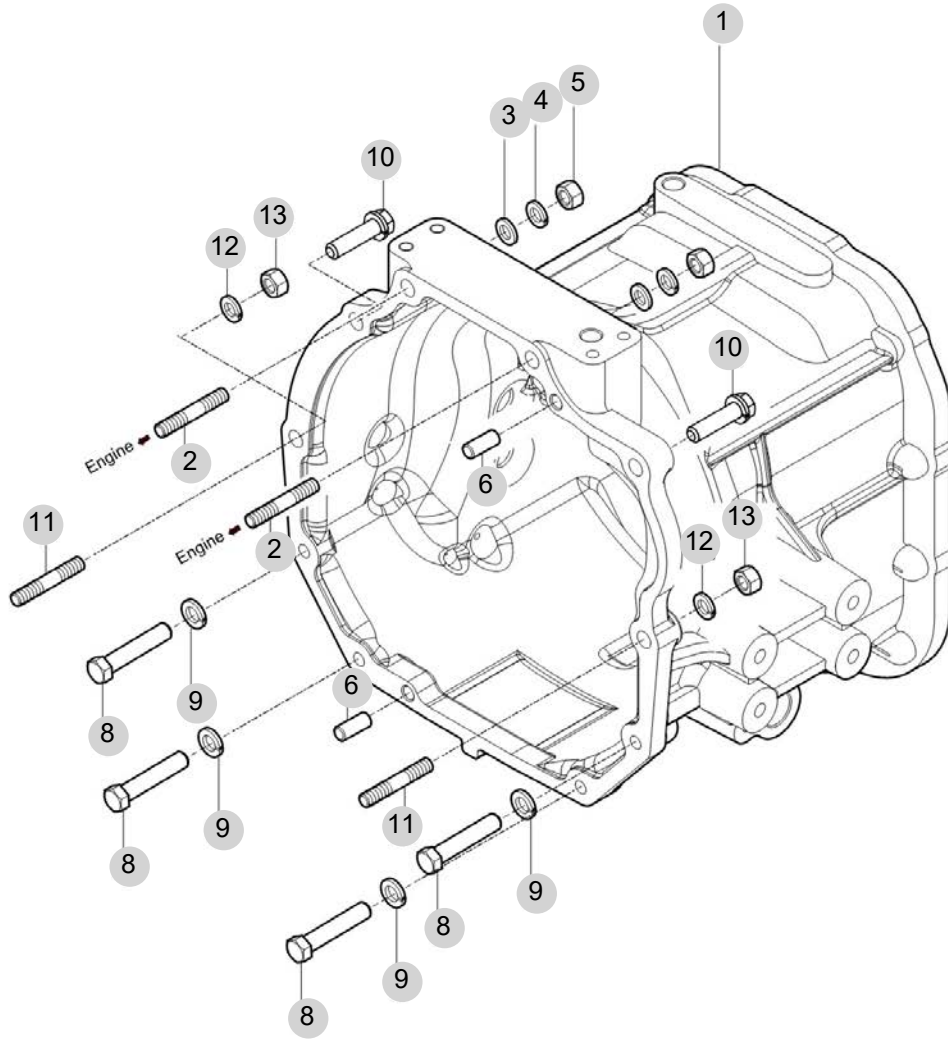
FIG 401

T395FHEU

TRANSMISSION FRONT CASE

년/월
Year/Month

2022-12



T394NH-E-401

NOTE

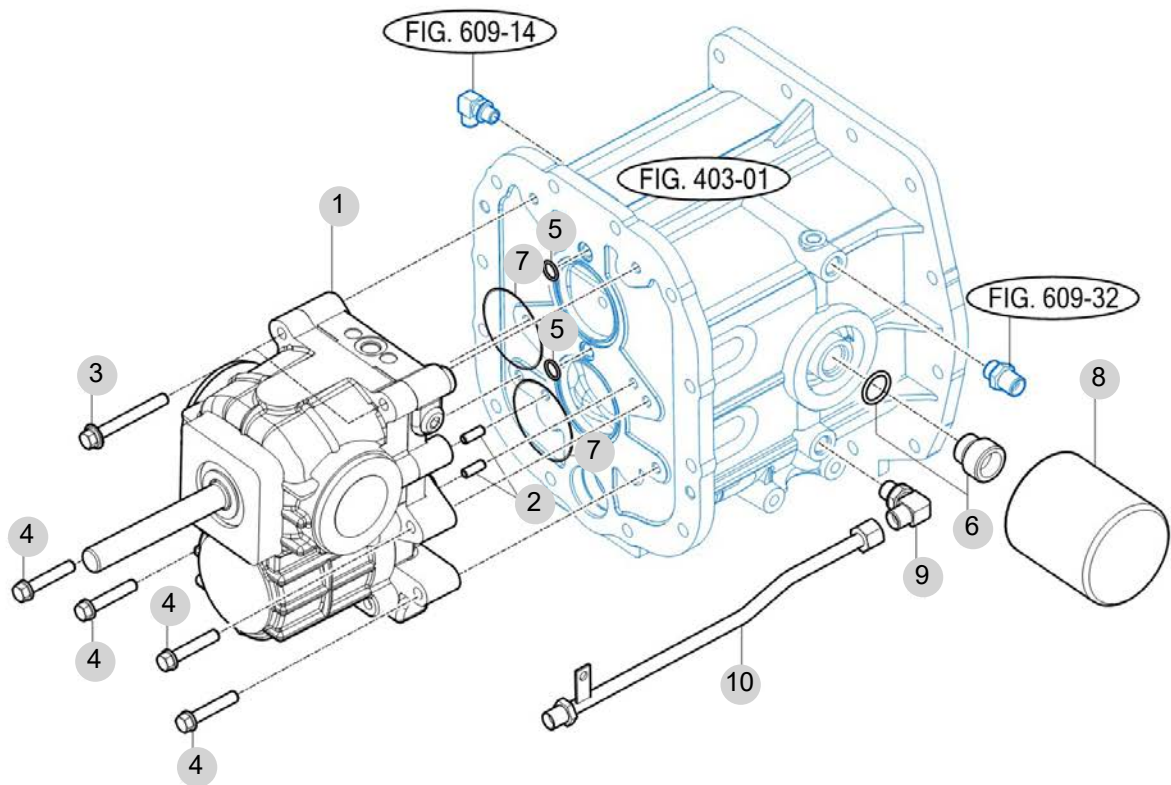
FIG 402

T395FHEU

HST

년/월
Year/Month

2022-12



NOTE

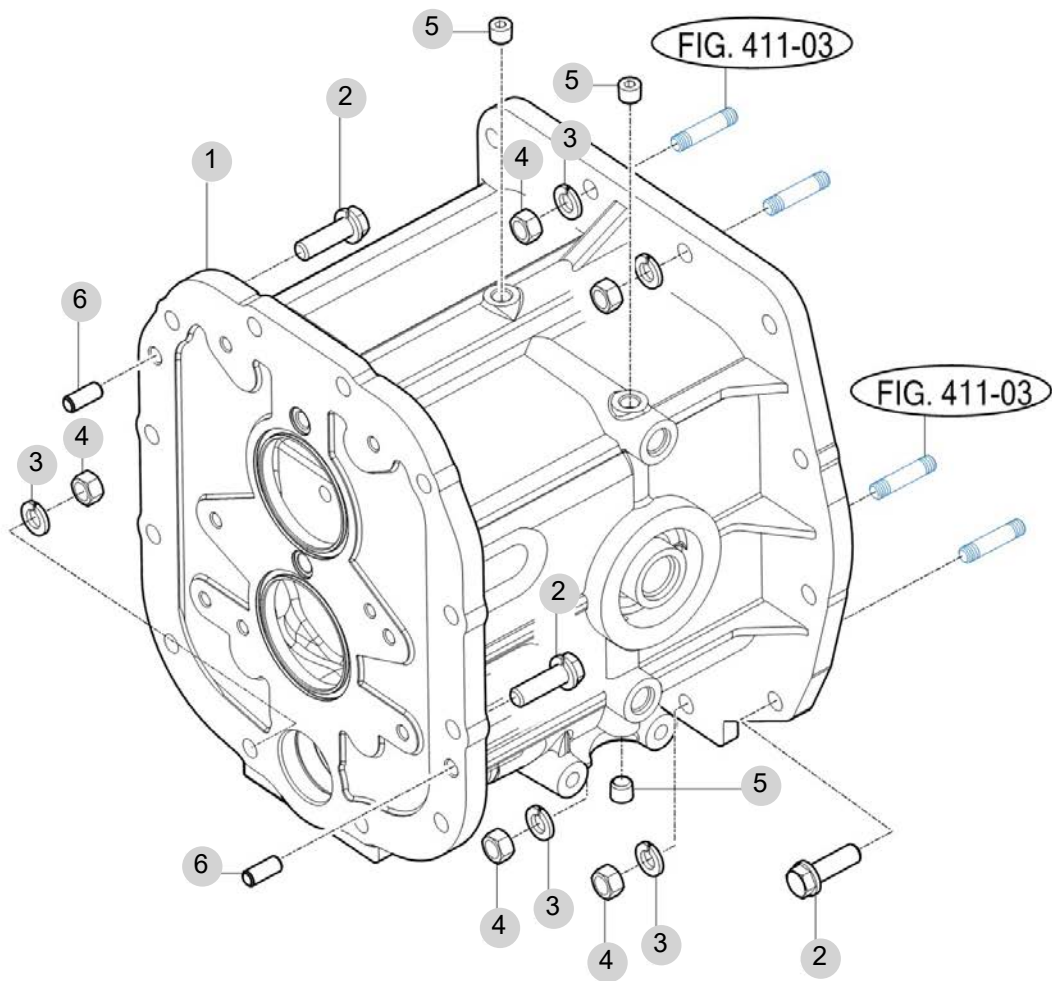
FIG 403

T395FHEU

MID CASE

년/월
Year/Month

2022-12



NOTE

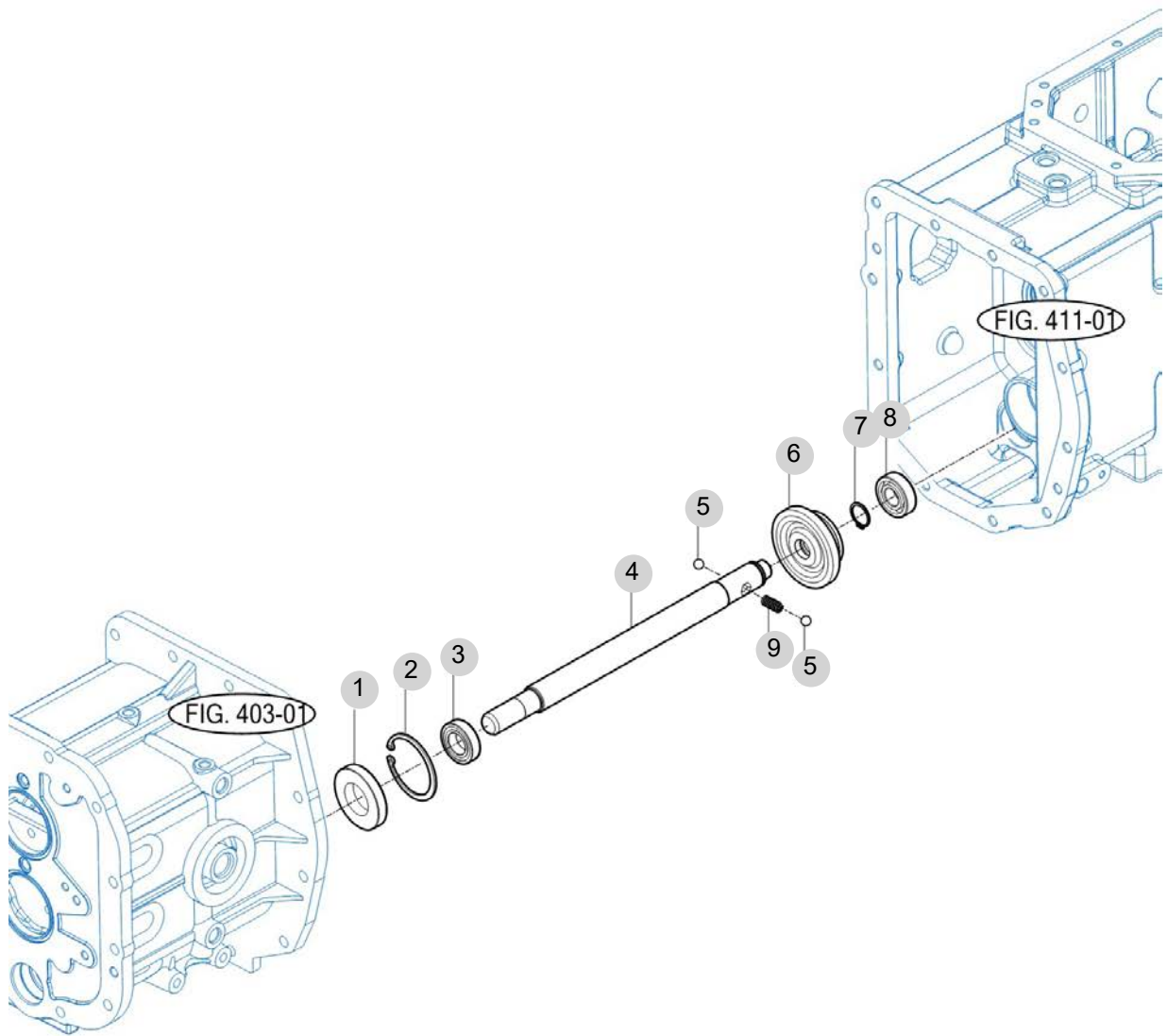
FIG 404

T395FHEU

4WD DRIVE GEAR

년/월
Year/Month

2022-12



NOTE

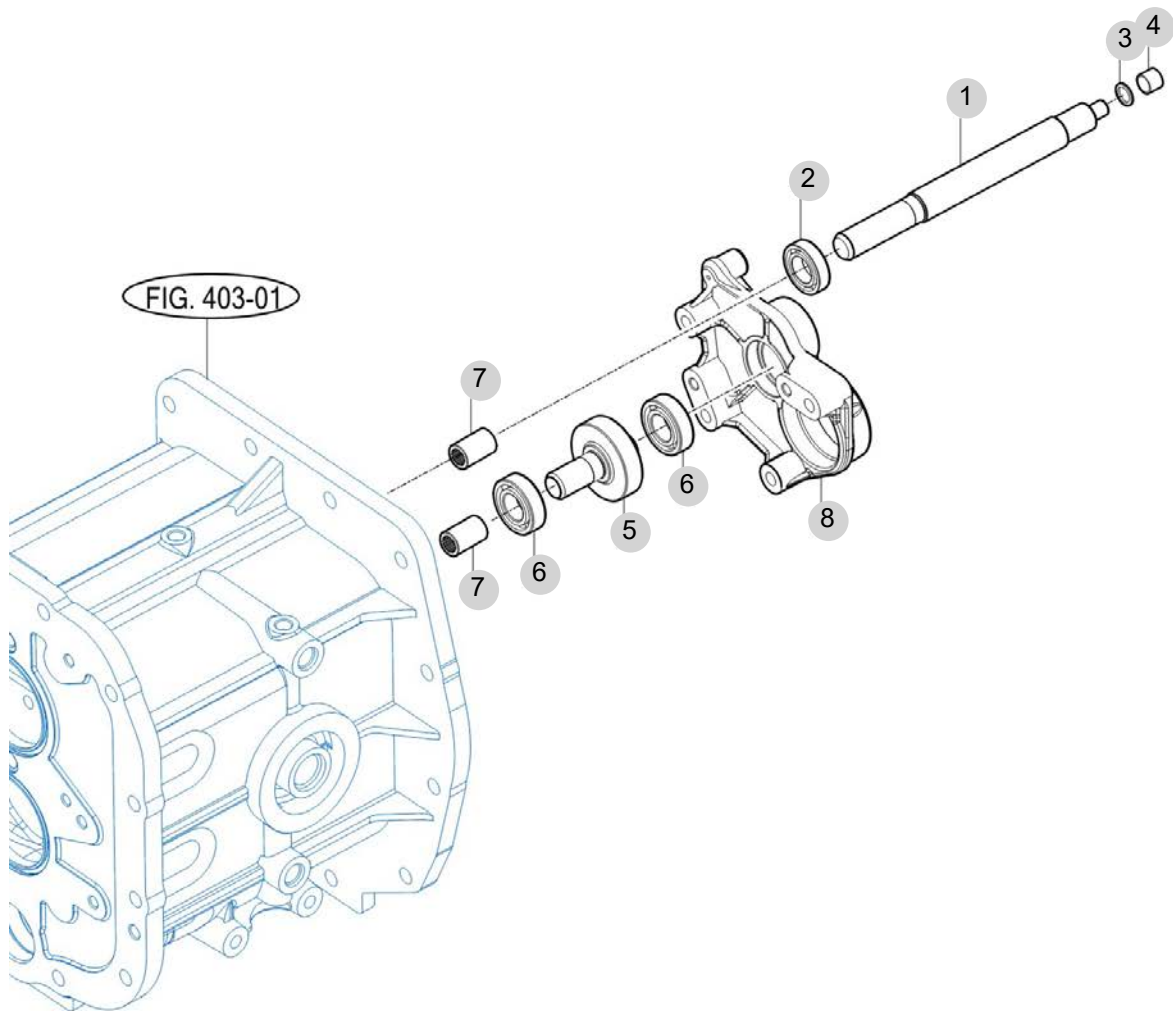
FIG 405

T395FHEU

INPUT GEAR

년/월
Year/Month

2022-12



NOTE

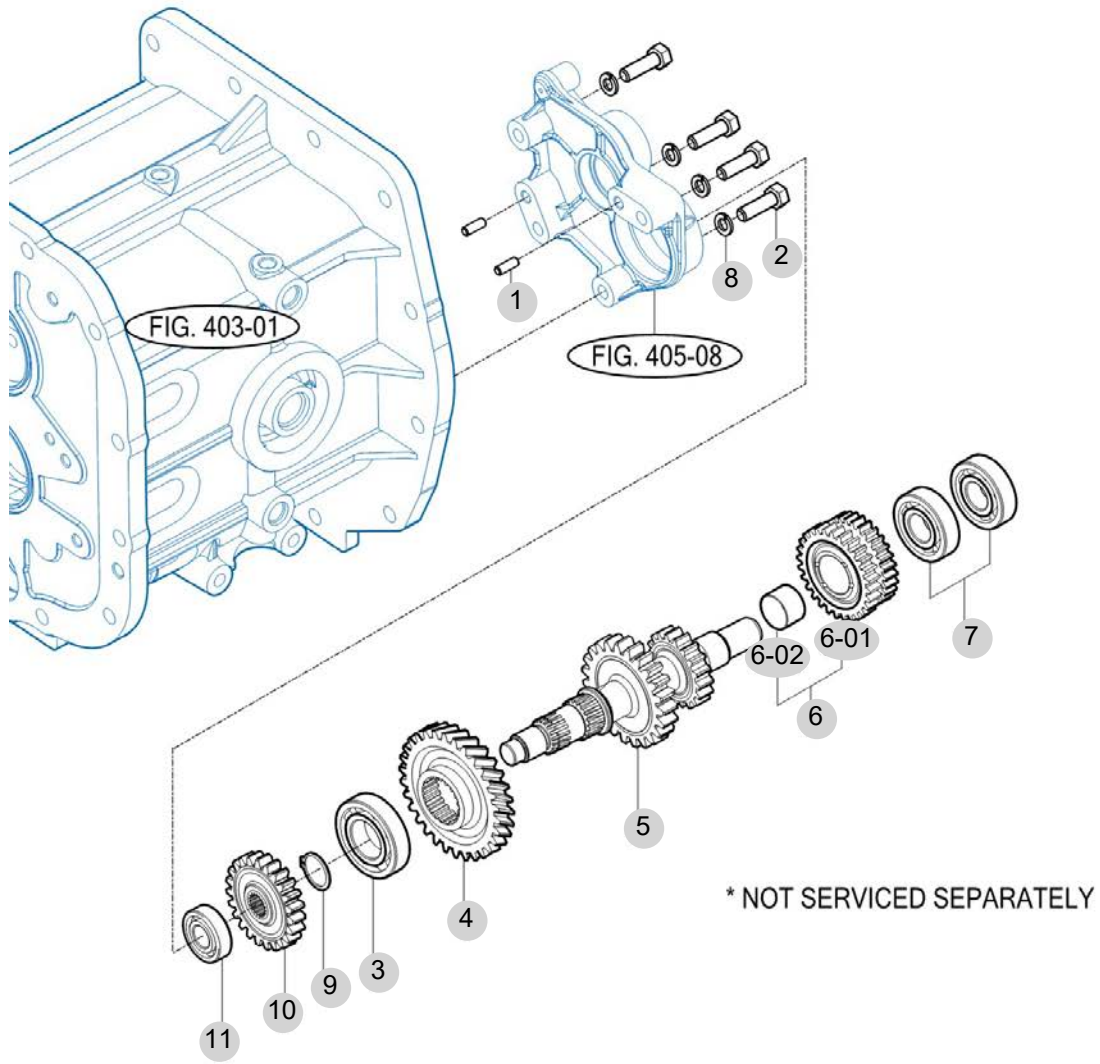
FIG 406

T395FHEU

SUB CHANGE GEARS

년/월
Year/Month

2022-12



2538NH-E-406

NOTE

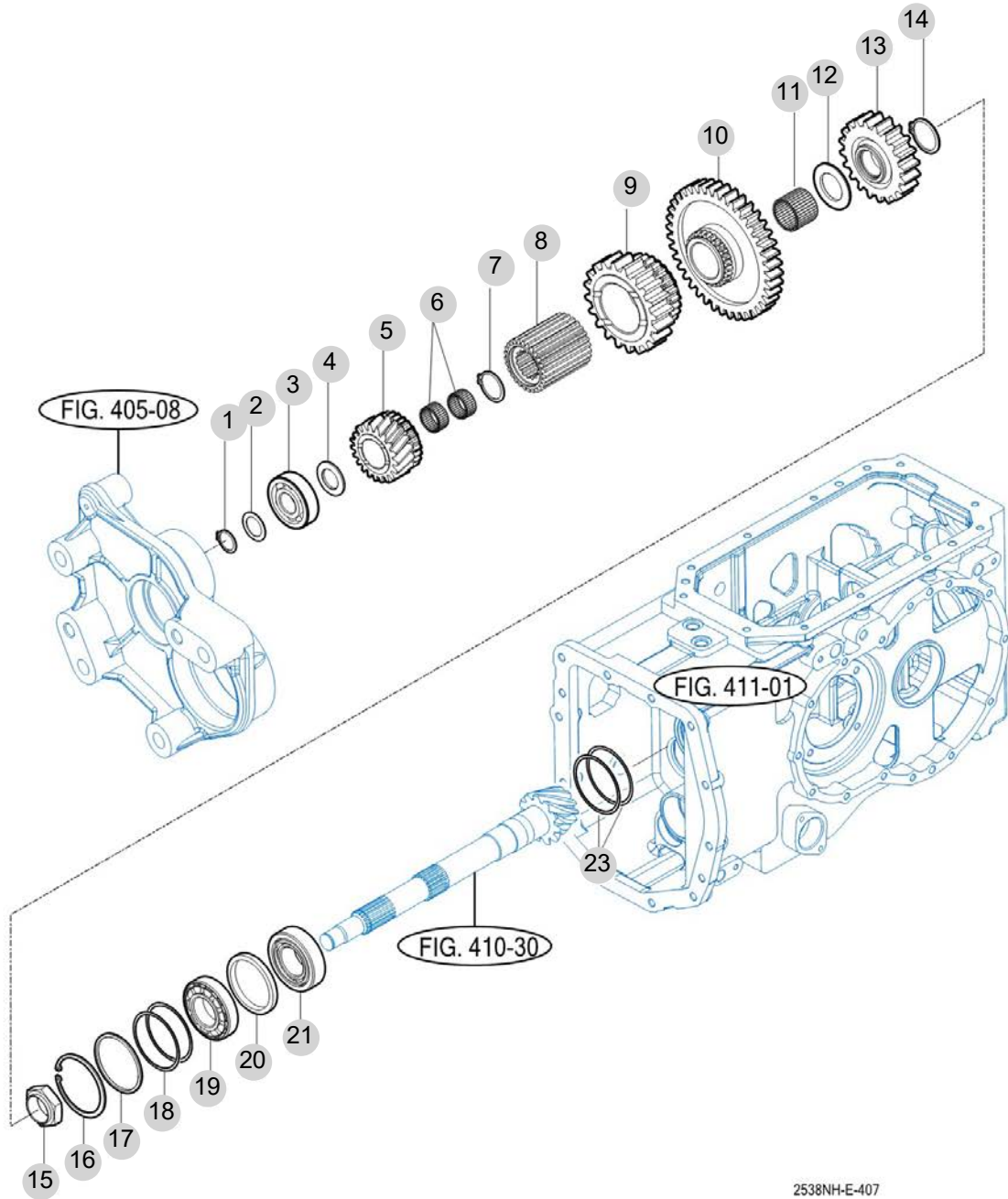
FIG 407

T395FHEU

PINION GEARS

년/월
Year/Month

2022-12



2538NH-E-407

NOTE

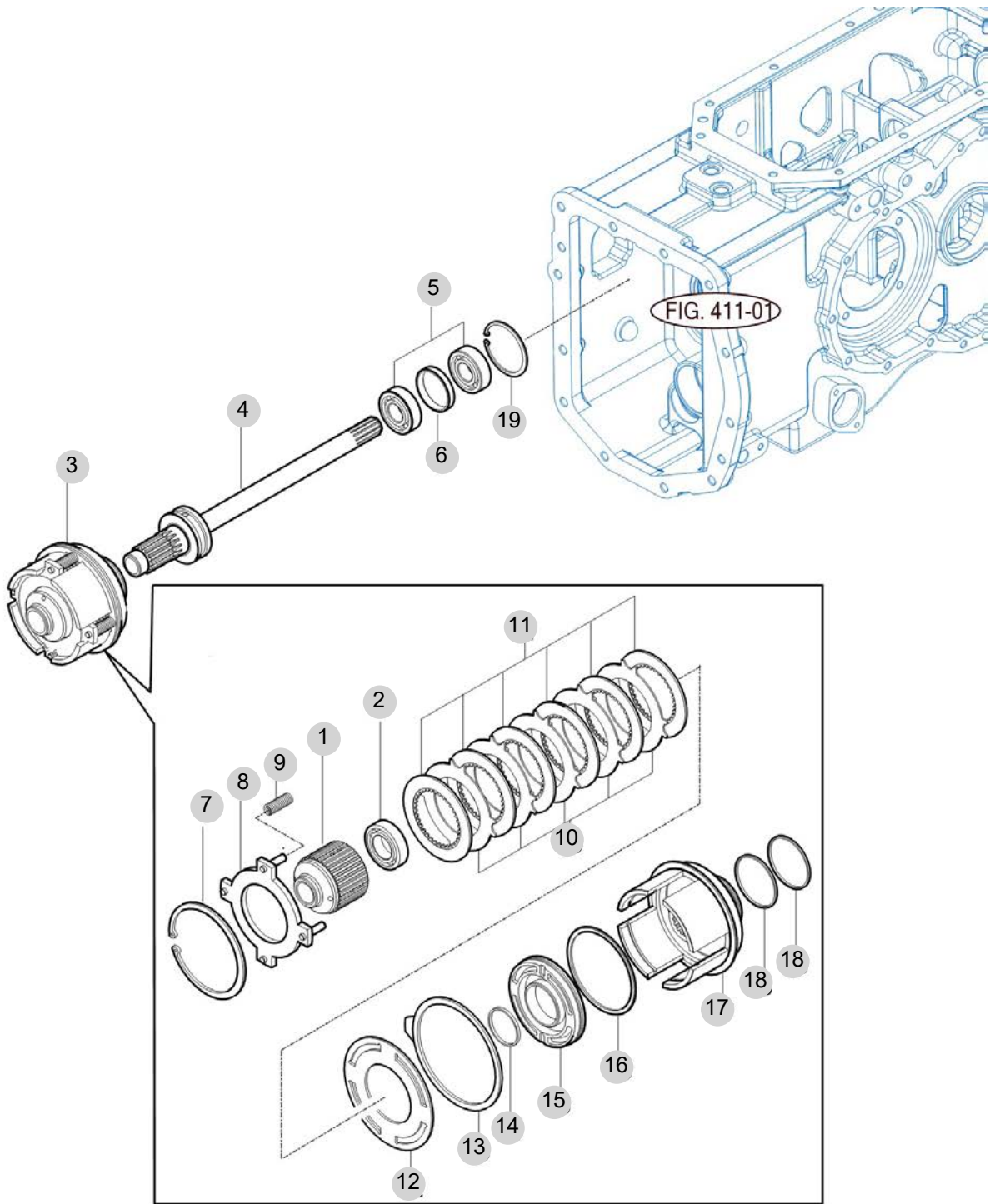
FIG 408

T395FHEU

PTO DRIVE SHAFT

년/월
Year/Month

2022-12



T303/353NC-E-408

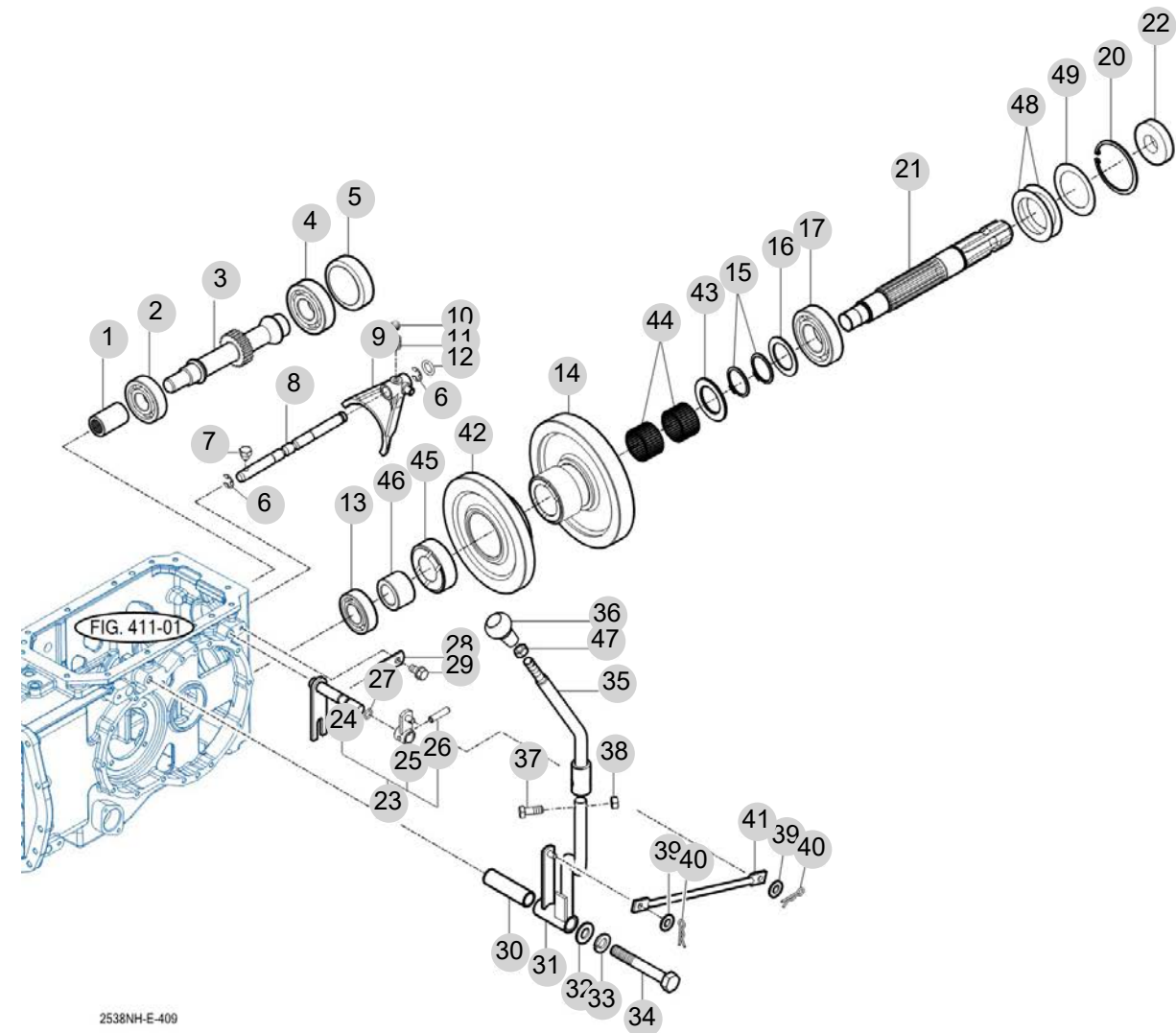
NOTE

FIG 409

PTO CHANGE GEARS

년/월
Year/Month

2022-12



NOTE

FIG 409		PTO CHANGE GEARS					년/월 Year/Month		
							2022-12		
T395FHEU		KEY NO	PART NO	DESCRIPTION	SPEC	QTY	REPAIR	EFFECTIVE DATE	REMARKS
409	1	14211340190	커플링			1			
409	2	V6001106305	볼베어링	6305		1			
409	3	12352543530	PTO 카운트 축			1			
409	4	V6001106306	볼베어링	6306		1			
409	5	14254330180	캡(72)			1			
409	6	V7081400100	E형멈춤링	Ø10		2			
409	7	15602231610	볼트(셋트/M8X16)			1			
409	8	12382540020	PTO 스테이			1			
409	9	16702540011M	포크(PTO)			1			
409	10	V6802000010	강구	5/16		1			
409	11	13022250030	시프터스프링			1			
409	12	V7201024010	O링(P)	P10		1			
409	13	V6001106205	볼베어링	6205		1			
409	14	12352530020	PTO 기어(54)			1			
409	15	V7041400350	C형멈춤링(축용)	Ø35		2			
409	16	14443140041	칼라(35X50X2)			1			
409	17	V6001106207	볼베어링	6207		1			
409	20	V7051400720	C형멈춤링(구멍용)	Ø72		1			
409	21	12382530010	PTO 샤프트			1			
409	22	16322732000	씰(오일) ASSY			1			
409	23	16702555102	리어 PTO 후크 SET			1			
409	24	16702542102	리어 PTO 후크 COMP			1			
409	25	16702432201	암(부변속) COMP			1			
409	26	V5801406025	스프링핀	6X25		1			
409	27	V7201024012	O링(P)	P12		1			
409	28	16702230371	플레이트			1			
409	29	V2173608016	소형육각볼트보통(S)	M8X16		1			
409	30	16702440070	허브(13X17X61)			1			
409	31	16702552103	PTO 레버 ,하 COMP			1			
409	32	V4111600120	평와셔	M12		1			
409	33	V4011600120	스프링와셔	M12		1			
409	34	V2013612085	소형육각볼트(보통)	M12X85		1			
409	35	16702552202GB	PTO레버(상)COMP			1			
409	36	16992190102	그립(PTO)			1			
409	36	19682190100	그립(PTO)			1			
409	37	V2013608035	소형육각볼트(보통)	M8X35		1			
409	38	V3042600080	소형육각너트보통2종	M8		1			
409	39	V4111600080	평와셔	M8		2			
409	40	V5601600008	스냅핀	8		2			
409	41	16702553100	로드(236)			1			
409	42	12382530030	스퍼 기어(41)			1			
409	43	15642730082	와셔(35X55X03)	D=55		1			
409	44	V6544354026	니들베어링(케이지)			2			
409	45	15642730052	허브(35X62X20)			1			
409	46	12382530040	와셔(25X40X26)	D=40		1			
NOTE									

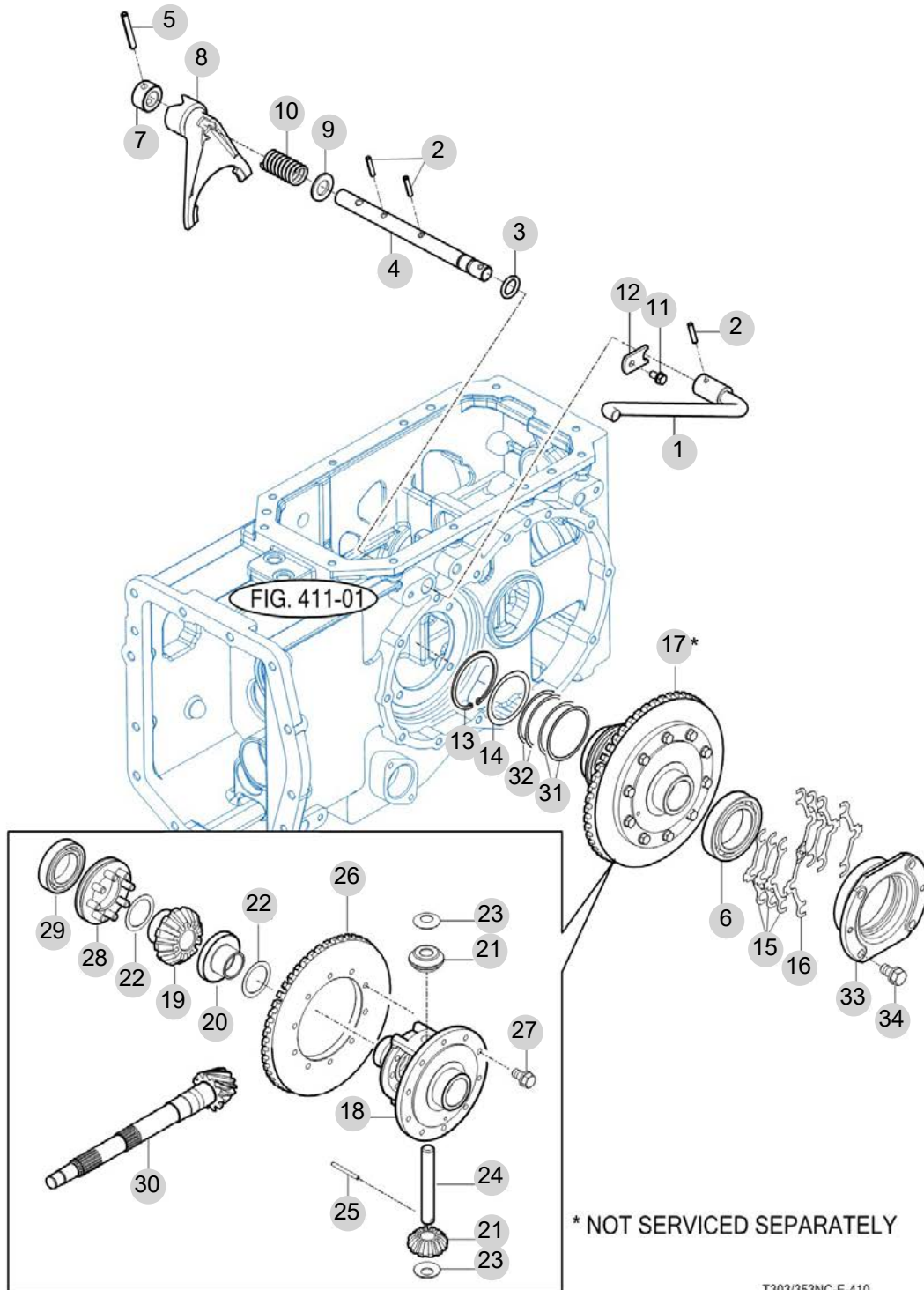
FIG 410

DIFF LOCK

년/월
Year/Month

T395FHEU

2022-12



NOTE

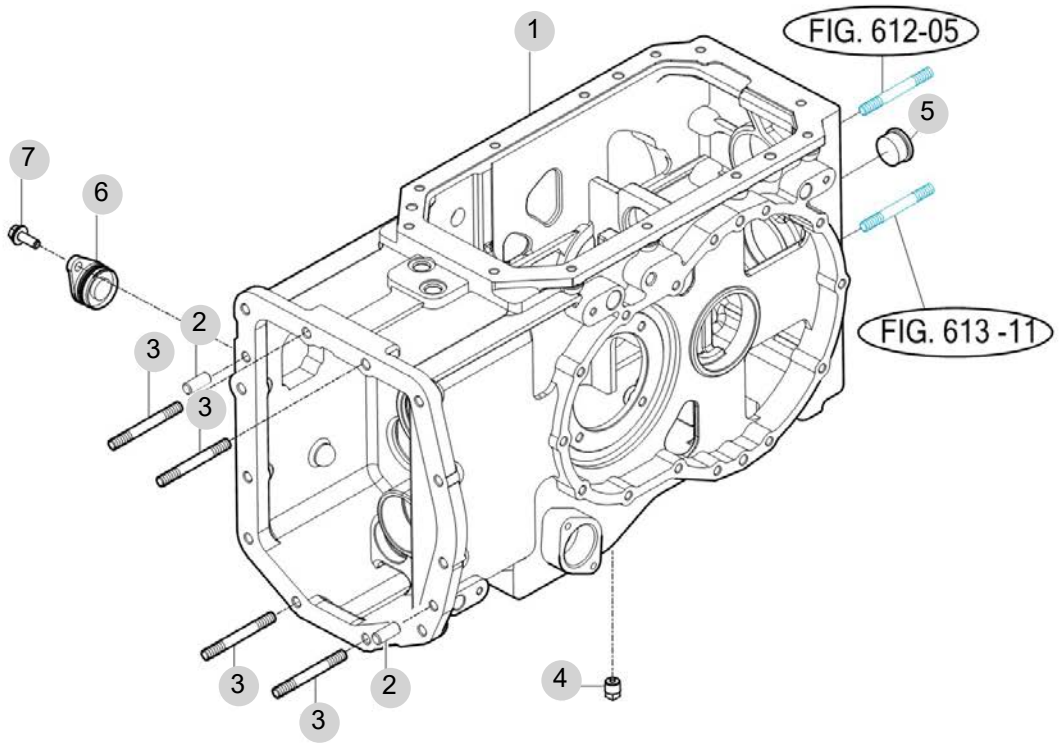
FIG 411

T395FHEU

TRANSMISSION REAR CASE

년/월
Year/Month

2022-12



T394NH-E-411

NOTE

FIG 411 T395FHEU		TRANSMISSION REAR CASE					년/월 Year/Month	
						2022-12		
KEY NO	PART NO	DESCRIPTION	SPEC	QTY	REPAIR	EFFECTIVE DATE	REMARKS	
411	1	12352400010M	리어 트랜스미션 케이스					
411	2	V5201010022	평행핀(A)	10X22				
411	3	V2514412040	스터드볼트2종	M12X40				
411	4	16701015001	마그넷플러그ASSY					
411	5	11103062000	오일 점검게이지ASSY					
411	6	12355153200	플레이트(석션)					
411	7	V2183610025	소형육각볼트보통(SP)	M10X25				
NOTE								

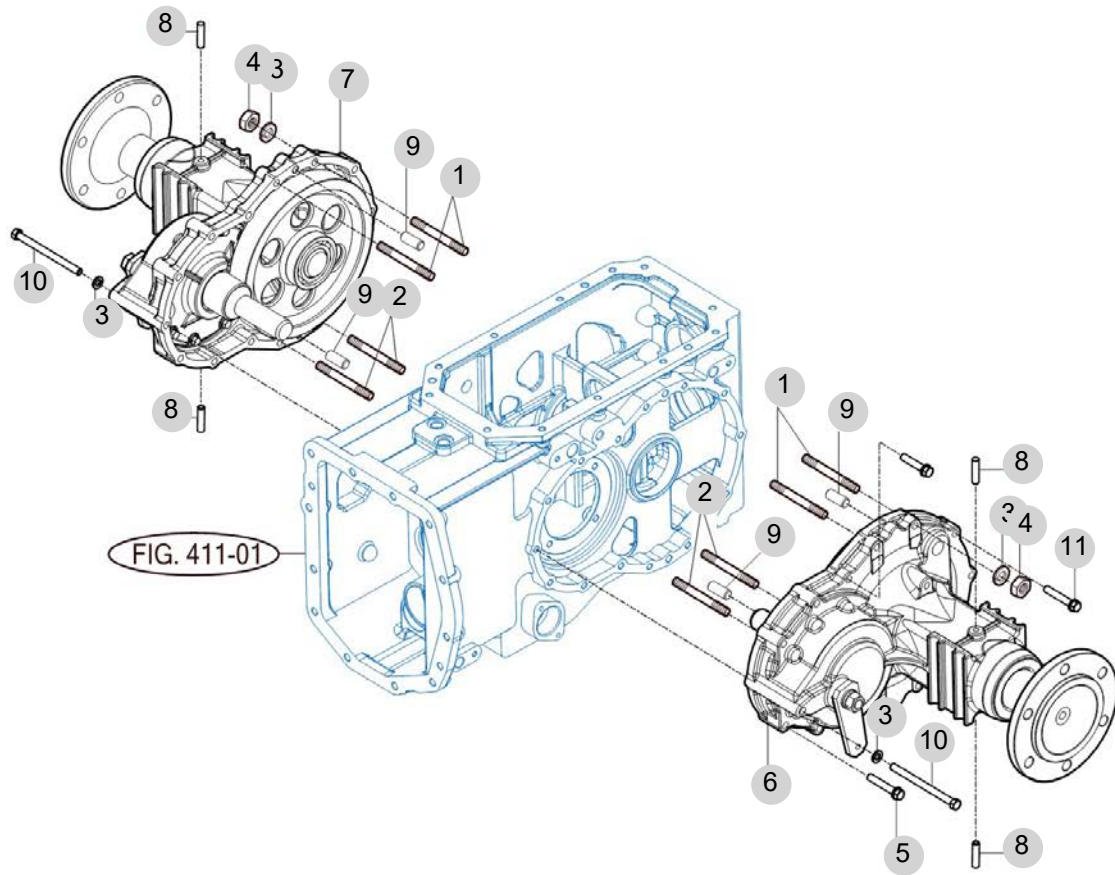
FIG 412

T395FHEU

REAR AXLE HOUSINGS (1)

년/월
Year/Month

2022-12



NOTE

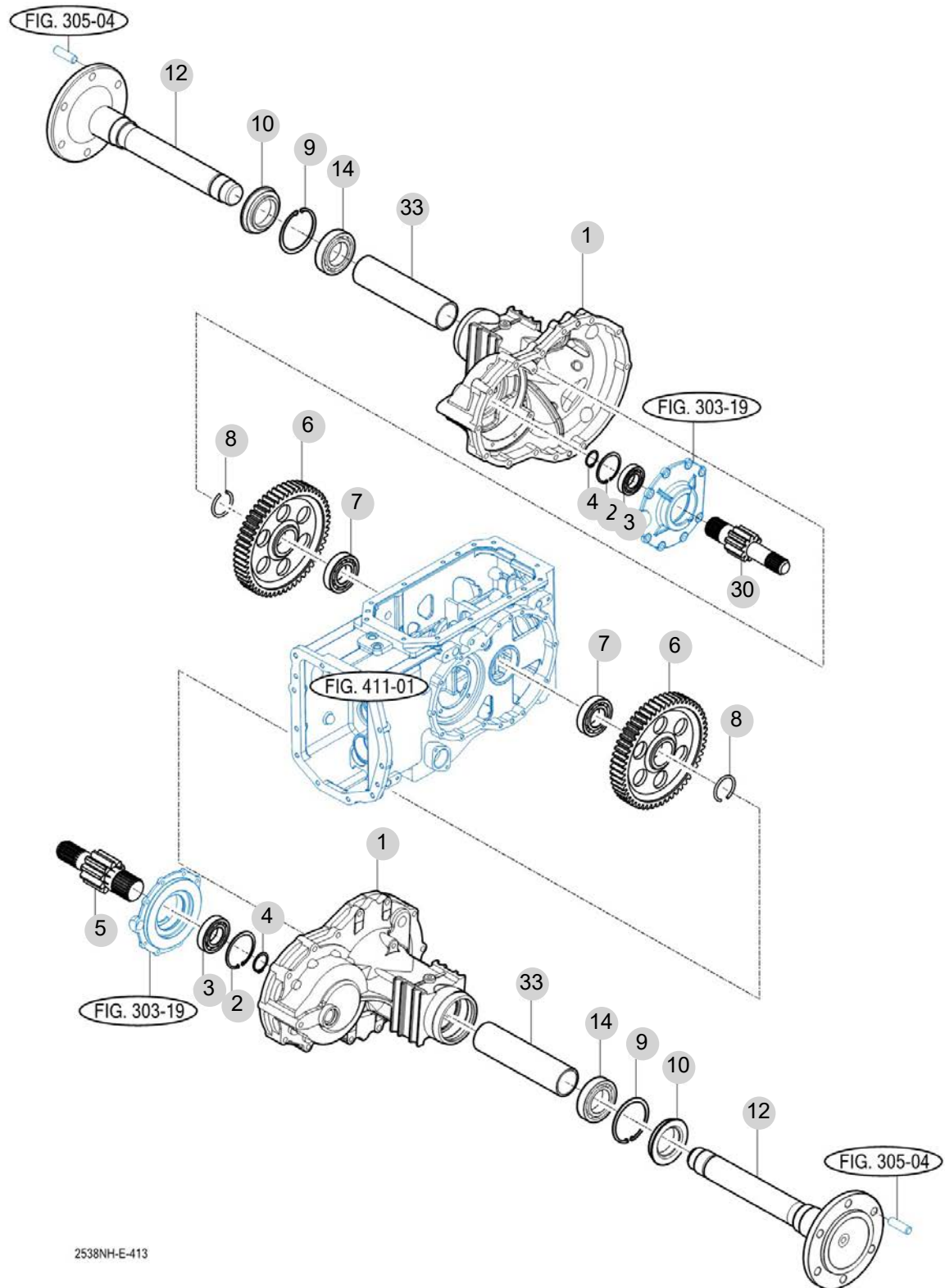
FIG 413

T395FHEU

REAR AXLE HOUSINGS (2)

년/월
Year/Month

2022-12



2538NH-E-413

NOTE

FIG 413 T395FHEU		REAR AXLE HOUSINGS (2)					년/월 Year/Month			
							2022-12		EFFECTIVE DATE	
							KEY NO	PART NO	DESCRIPTION	SPEC
413	1	12383200011M	리어 액슬 하우스징		2					
413	2	V7051400800	C형멈춤링(구멍용)	Ø80	2					
413	3	V6041106208	볼베어링(HL1)	6208HL1	2					
413	4	V7041400400	C형멈춤링(축용)	Ø40	2					
413	5	16703230012	휠 피니언(10/LH)		1					
413	6	12383240020	휠 기어 , 54T		2					
413	7	V6041106209	볼베어링(HL1)	6209HL1	2					
413	8	12383240050	스톱링		2					
413	9	V7051400900	C형멈춤링(구멍용)		2					
413	10	12383240040	오일실(차축)		2					
413	12	12383240010	리어 휠 샤프트		2					
413	14	V6001106210	볼베어링	6210	2					
413	30	16703230024	휠 피니언10/(RH)		1					
413	33	12383240030	칼라(50X60X238)		2					
NOTE										

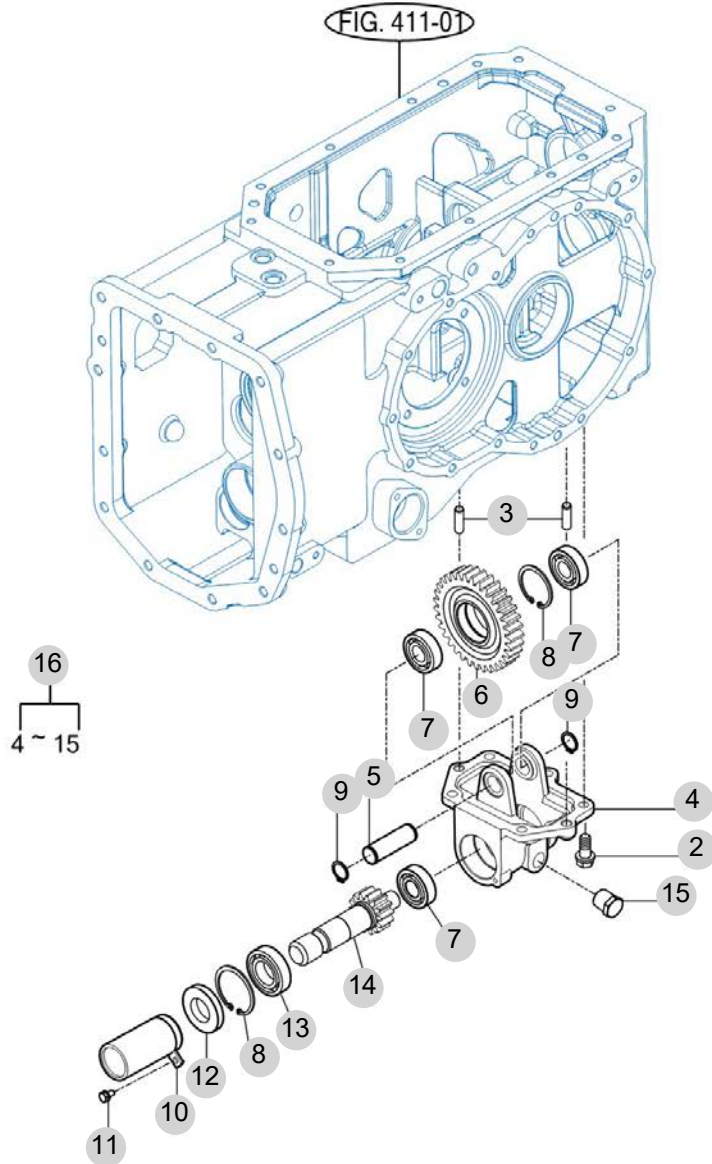
FIG 414

MID P.T.O GEARS

년/월
Year/Month

2022-12

T395FHEU



393NH-E-414

NOTE

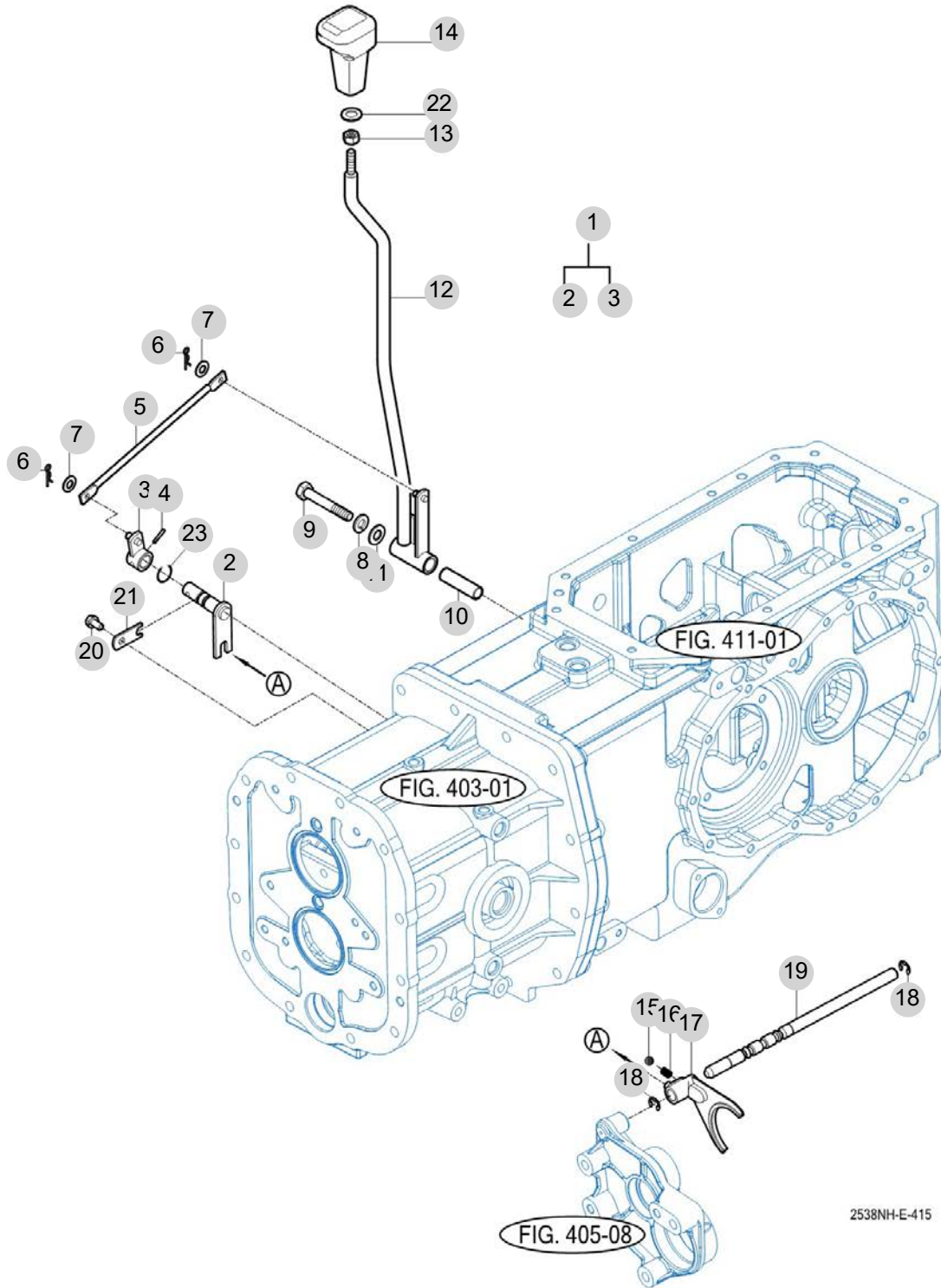
FIG 415

T395FHEU

SUB CHANGE LEVER

년/월
Year/Month

2022-12



2538NH-E-415

NOTE

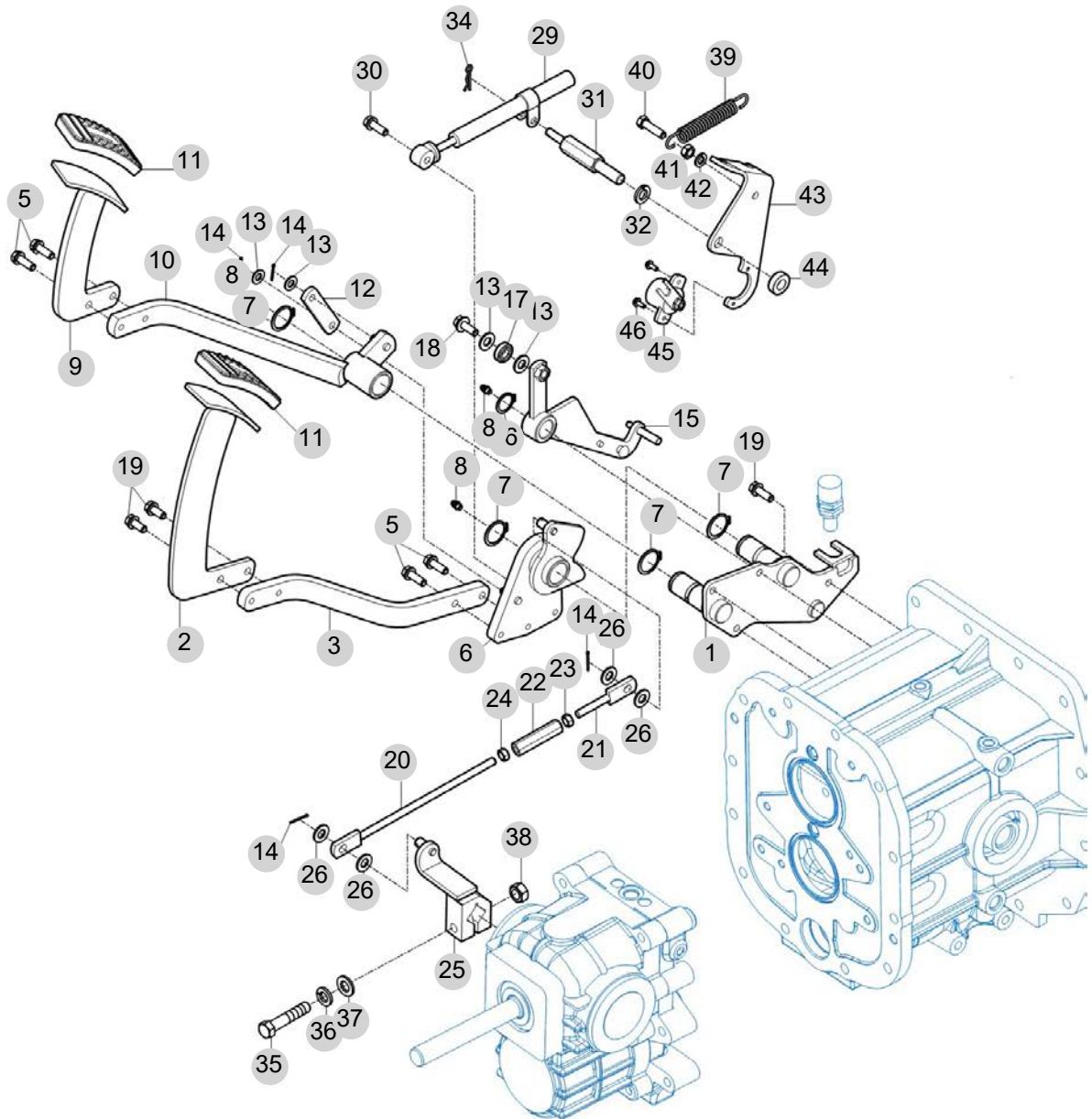
FIG 416

FORWARD & REVERSE CONTROL LINKAGE

년/월
Year/Month

2022-12

T395FHEU



NOTE

FIG 416		FORWARD & REVERSE CONTROL LINKAGE						년/월 Year/Month	
								T395FHEU	
KEY NO		PART NO	DESCRIPTION	SPEC	QTY	REPAIR	EFFECTIVE DATE	REMARKS	
416	1	12382313201	HST 페달 브래킷 COMP		1				
416	2	14722312703GB	페달(전진) COMP		1				
416	3	14722310052	전진 플레이트		1				
416	5	V2173608025	소형육각볼트보통(S)	M8X25	4				
416	6	12382312300	전진 암 COMP		1				
416	7	V7041400250	C형멈춤링(축용)	25	4				
416	8	V7601500000	그리스니플(A-M6F)		3				
416	9	14722312802GB	페달(후진) COMP		1				
416	10	14722312603	암(후진) COMP		1				
416	11	14722312730	패드		2				
416	12	14722310023	플레이트(후진)		1				
416	13	V4111600080	평와셔	M8	4				
416	14	V5001920020	분할핀	2X20	4				
416	15	10532312600			1				
416	15	10532312601	캠 팔로어 암 COMP		1				
416	16	V7041400200	C형멈춤링(축용)		1				
416	17	14722310060	볼베어링(608DD)		1				
416	18	V2183608025	소형육각볼트보통(SP)	M8X25	1				
416	19	V2173608025	소형육각볼트보통(S)	M8X25	6				
416	20	12382325100	로드 COMP(LH)		1				
416	21	11102325200	로드 COMP(RH)		1				
416	22	16601220020	터언버클(M8,60)		1				
416	23	V3042600080	소형육각너트보통2종	M8	1				
416	24	15601320073	육각너트(SM,LH,M8)		1				
416	25	12382312101	홀더 브래킷 COMP		1				
416	26	V4111600100	평와셔	M10	4				
416	29	14722312401	오일 댐퍼		1				
416	30	V2183608035	소형육각볼트보통(SP)	M8X35	1				
416	31	10532310090	오일 댐퍼 핀		1				
416	32	V4011600120	스프링와셔	M12	1				
416	34	V5601600008	스냅핀		1				
416	35	V2173610055	소형육각볼트보통(S)	M10X55	1				
416	36	V4011600100	스프링와셔	M10	1				
416	37	V4111600100	평와셔	M10	1				
416	38	V3043600100	소형육각너트보통2종	M10	1				
416	39	14722310033	스프링(리턴)		1				
416	40	V2013608035	소형육각볼트(보통)	M8X35	1				
416	41	V3042600080	소형육각너트보통2종	M8	1				
416	42	V4011600080	스프링와셔		1				
416	43	10531163810	브래킷, P		1				
416	44	10532310080	칼라, 12X24X8		1				
416	45	14545300020	포텐서미터 ASSY		1				
416	46	V1222604012	심자흡냄비작은나사(SP)	M4X12	2				
NOTE									

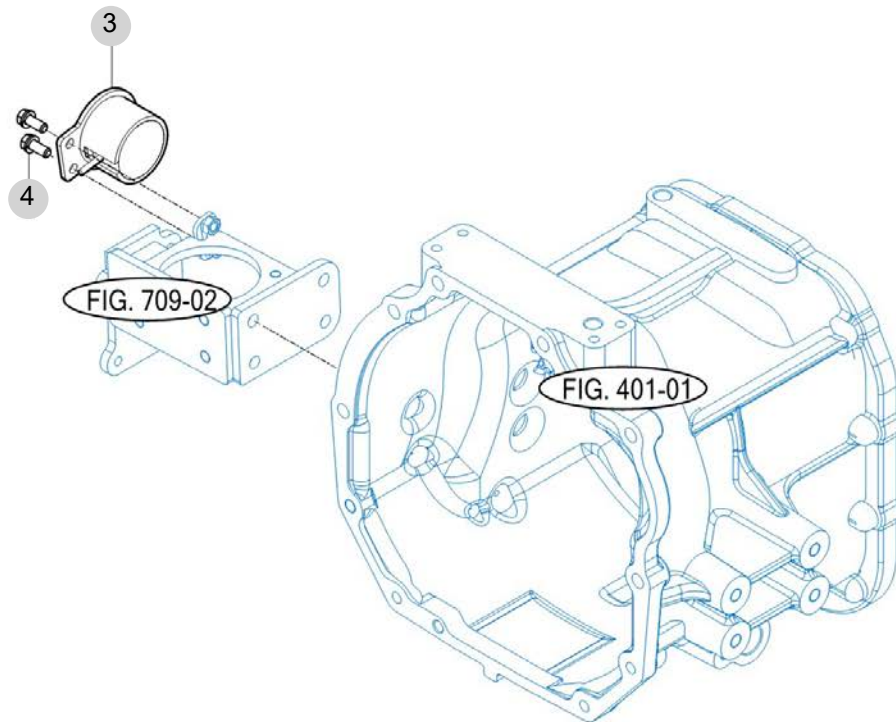
FIG 417

T395FHEU

CRUISE CONTROL

년/월
Year/Month

2022-12



NOTE

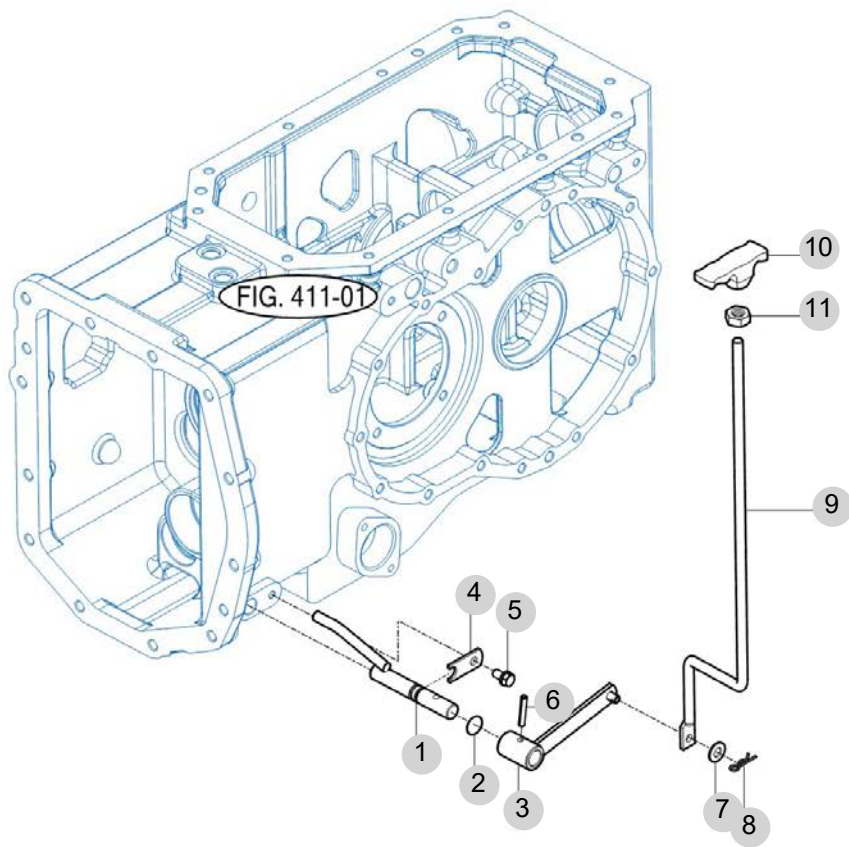
FIG 418

T395FHEU

4WD CHANGE LEVER

년/월
Year/Month

2022-12



2538NH-K-418

NOTE

5. 프런트 액슬 PART NO. T5

FIG 501 FRONT AXLE BRACKET	113
FIG 502 FRONT DIFFERENTIAL GEARS	115
FIG 503 FRONT AXLE HOUSING	117
FIG 504 FRONT GEAR CASE (1)	119
FIG 505 FRONT GEAR CASE (2)	121

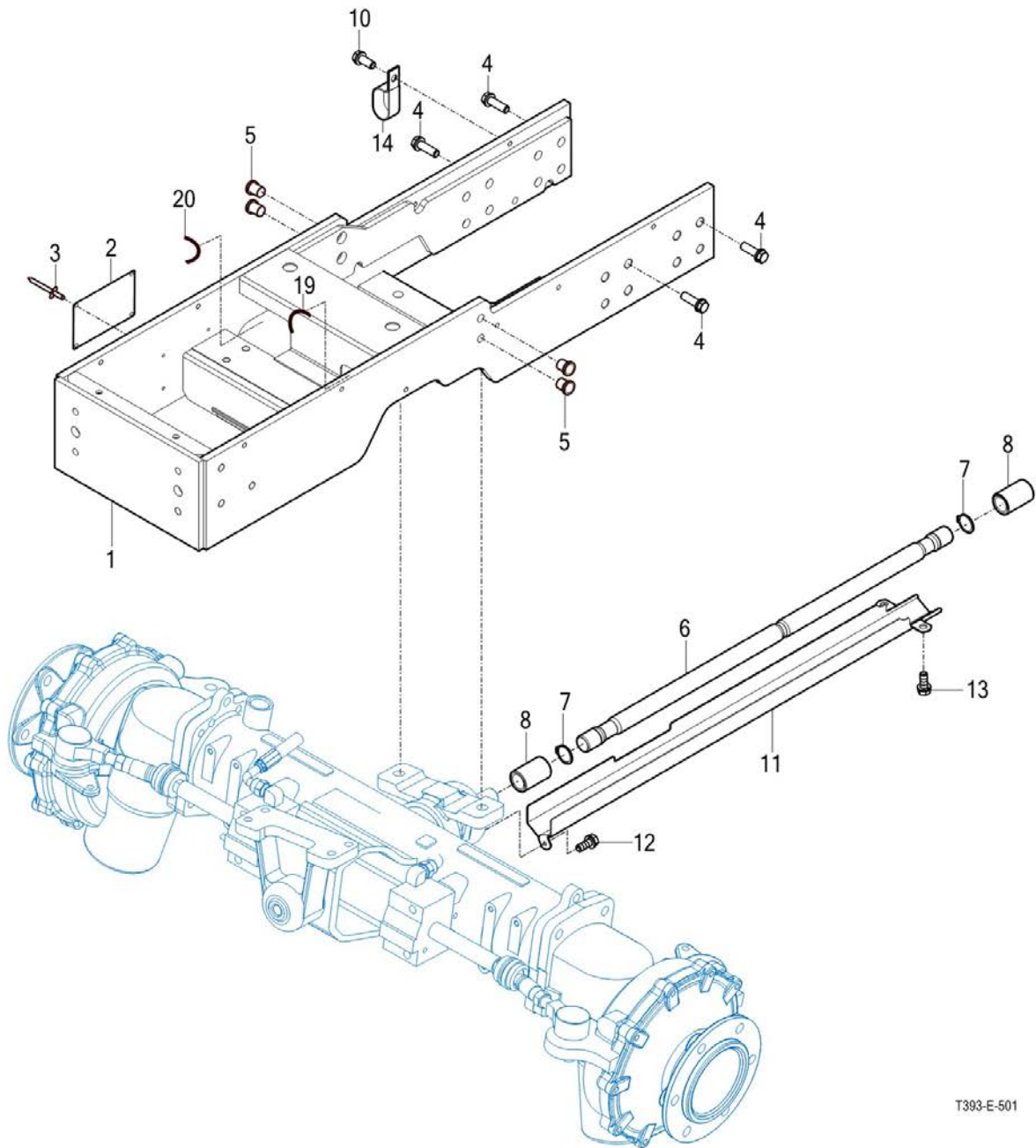
FIG 501

T395FHEU

FRONT AXLE BRACKET

년/월
Year/Month

2022-12



T393-E-501

NOTE

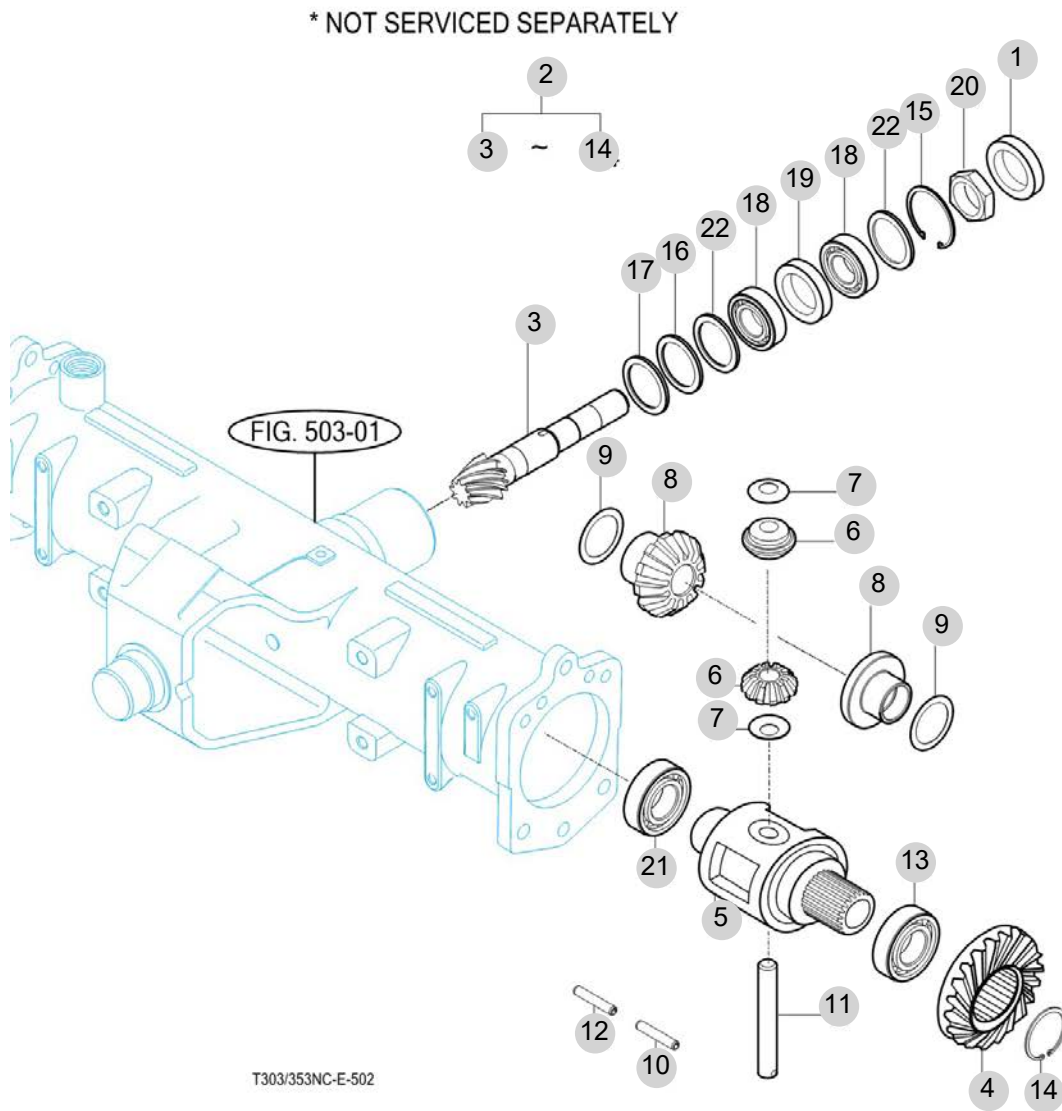
FIG 502

T395FHEU

FRONT DIFFERENTIAL GEARS

년/월
Year/Month

2022-12



NOTE

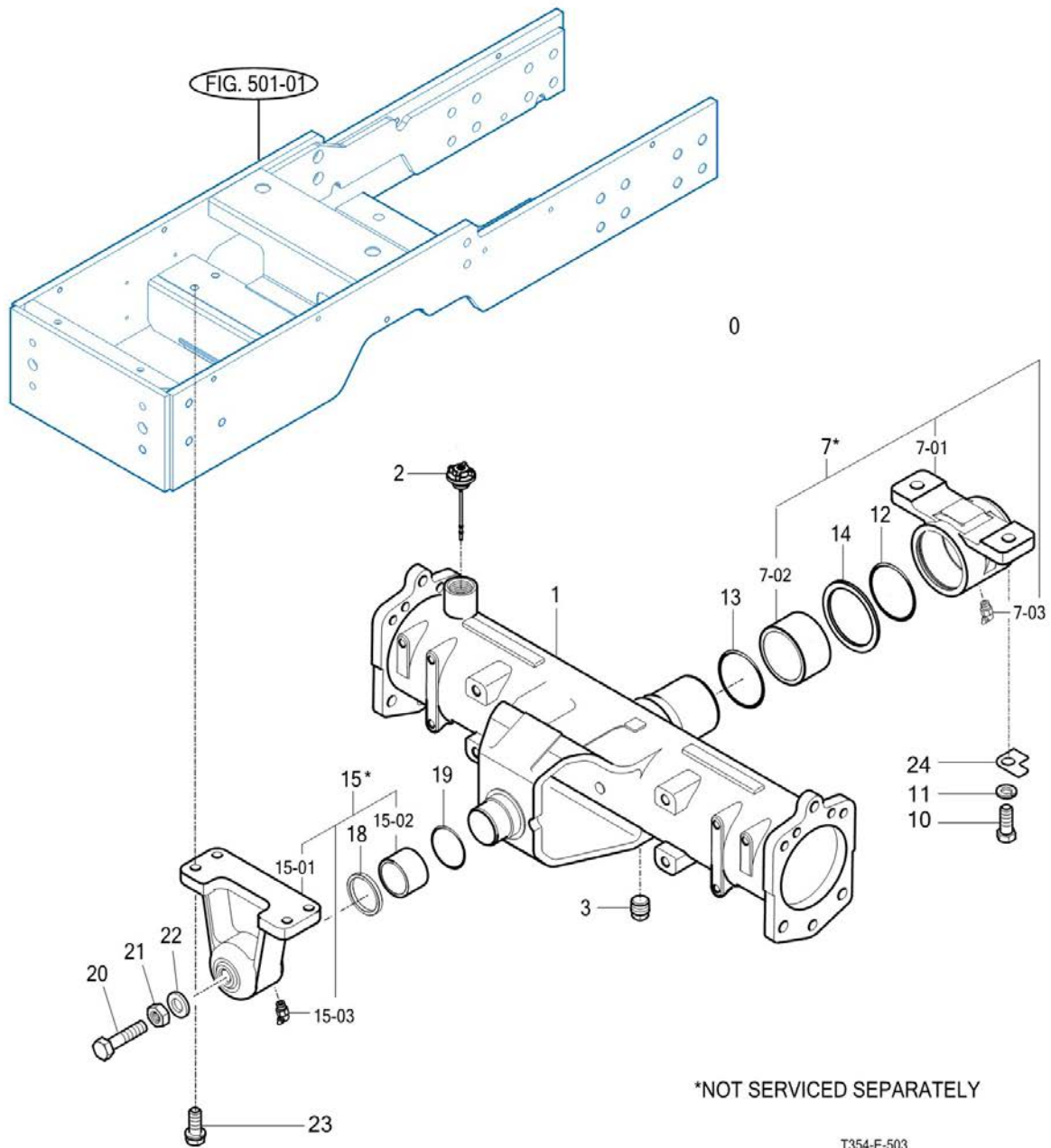
FIG 503

T395FHEU

FRONT AXLE HOUSING

년/월
Year/Month

2022-12



NOTE

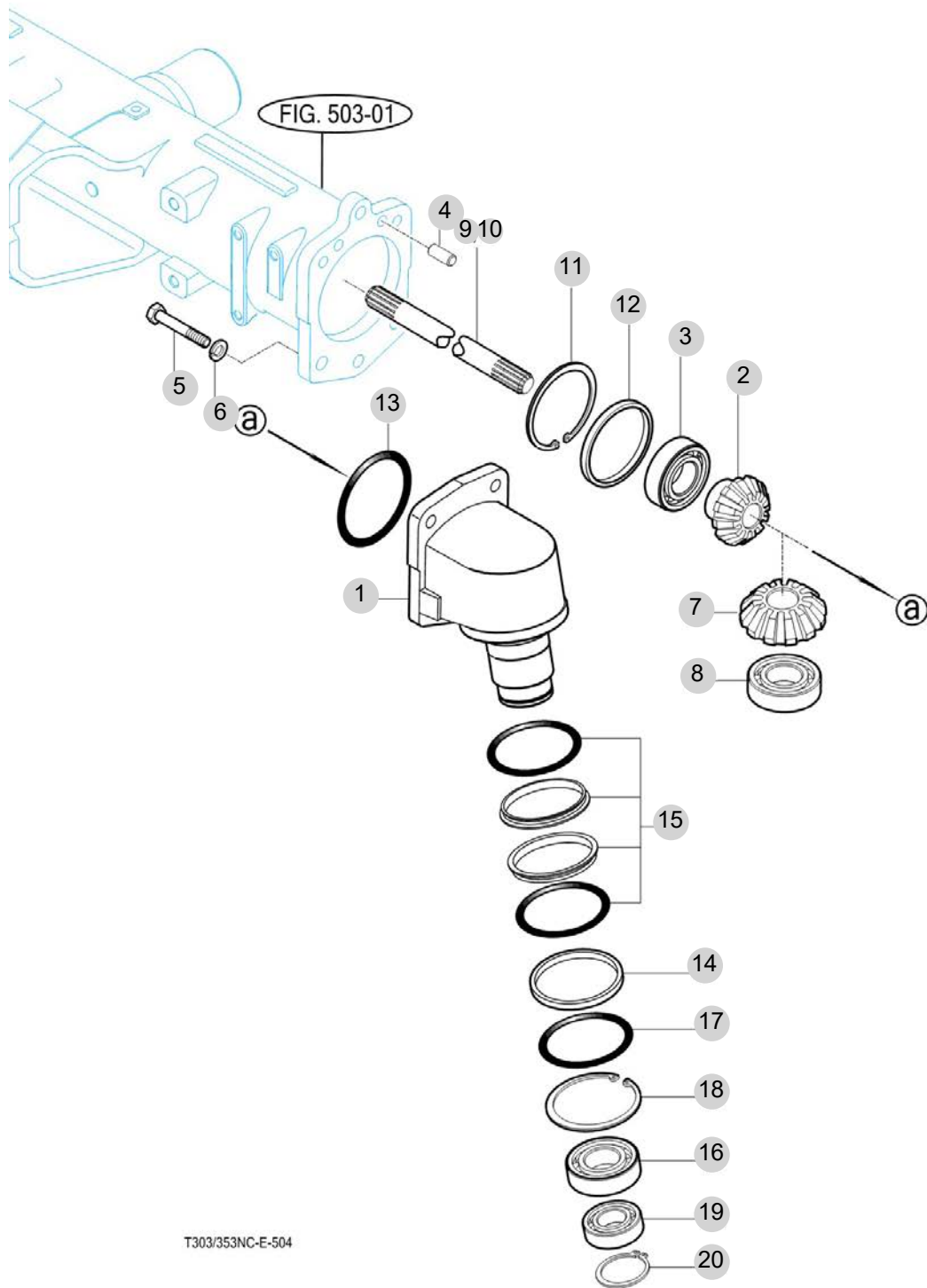
FIG 504

T395FHEU

FRONT GEAR CASE (1)

년/월
Year/Month

2022-12



T303/353NC-E-504

NOTE

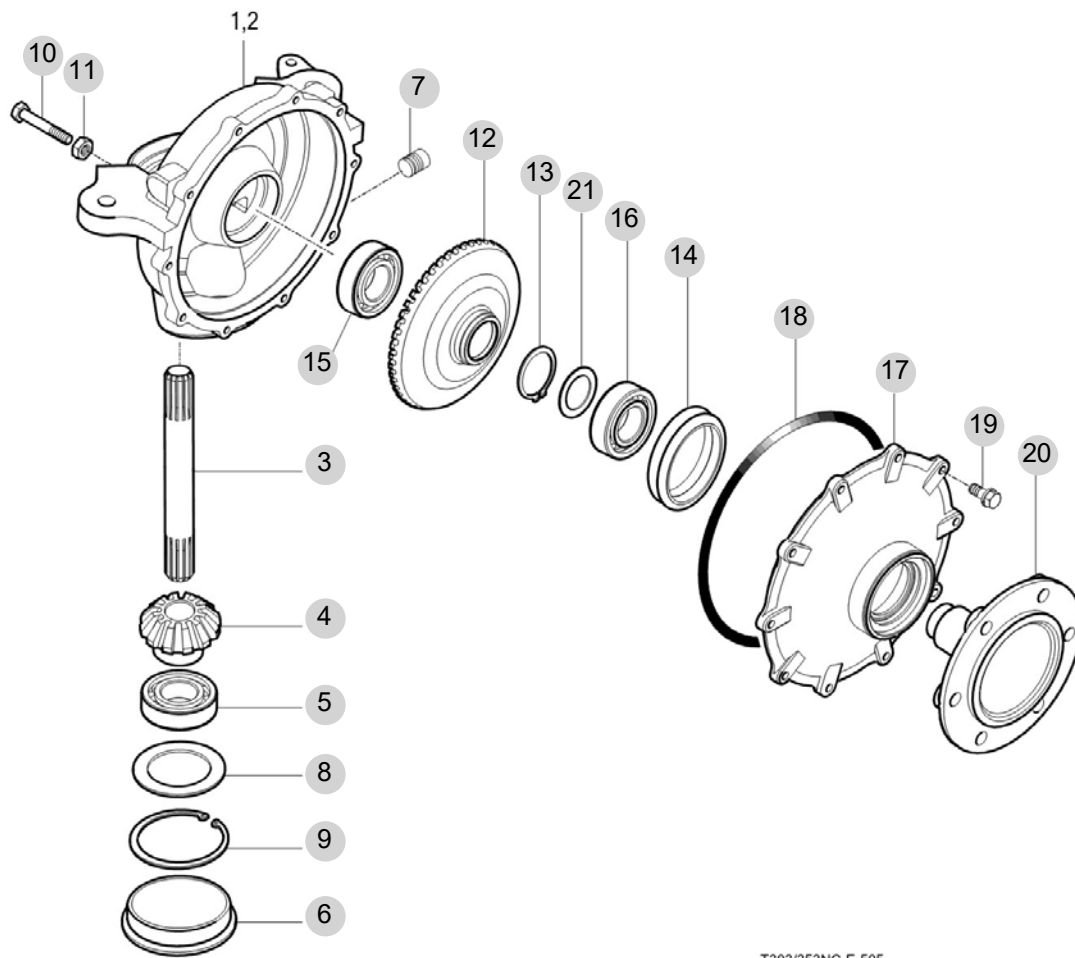
FIG 505

T395FHEU

FRONT GEAR CASE (2)

년/월
Year/Month

2022-12



T303/353NC-E-505

NOTE

6. 유압/3점링크 PART NO. T6

FIG 601 GEAR PUMP	124
FIG 602 CYLINDER CASE	126
FIG 603 LIFT ARM	128
FIG 604 CYLINDER	130
FIG 605 POSITION LINK (1)	132
FIG 606 POSITION LINK (2)	134
FIG 607 CONTROL VALVE	136
FIG 608 POSITION LEVER	138
FIG 609 HYDRAULIC PIPE (1)	140
FIG 610 HYDRAULIC PIPE (2)	142
FIG 611 EXTERIOR HYD. VALVE	144
FIG 612 3-POINT LINK	146
FIG 613 HITCH & COVER	148

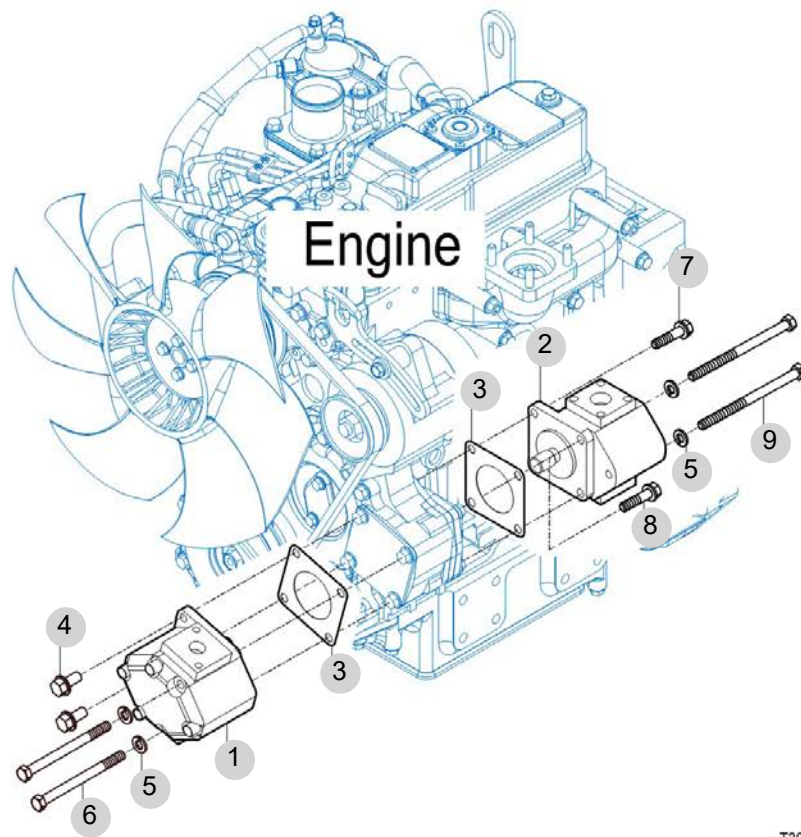
FIG 601

T395FHEU

GEAR PUMP

년/월
Year/Month

2022-12



T393-E-601

NOTE

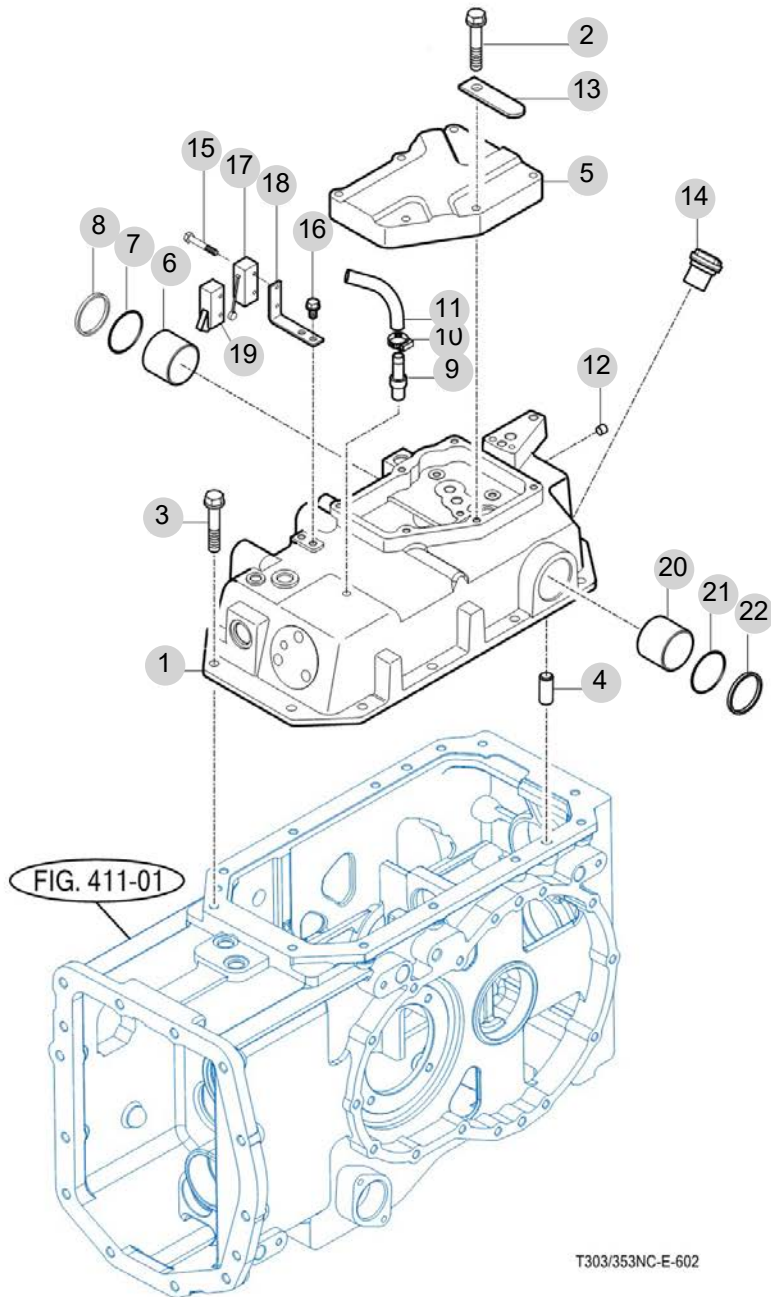
FIG 602

T395FHEU

CYLINDER CASE

년/월
Year/Month

2022-12



NOTE

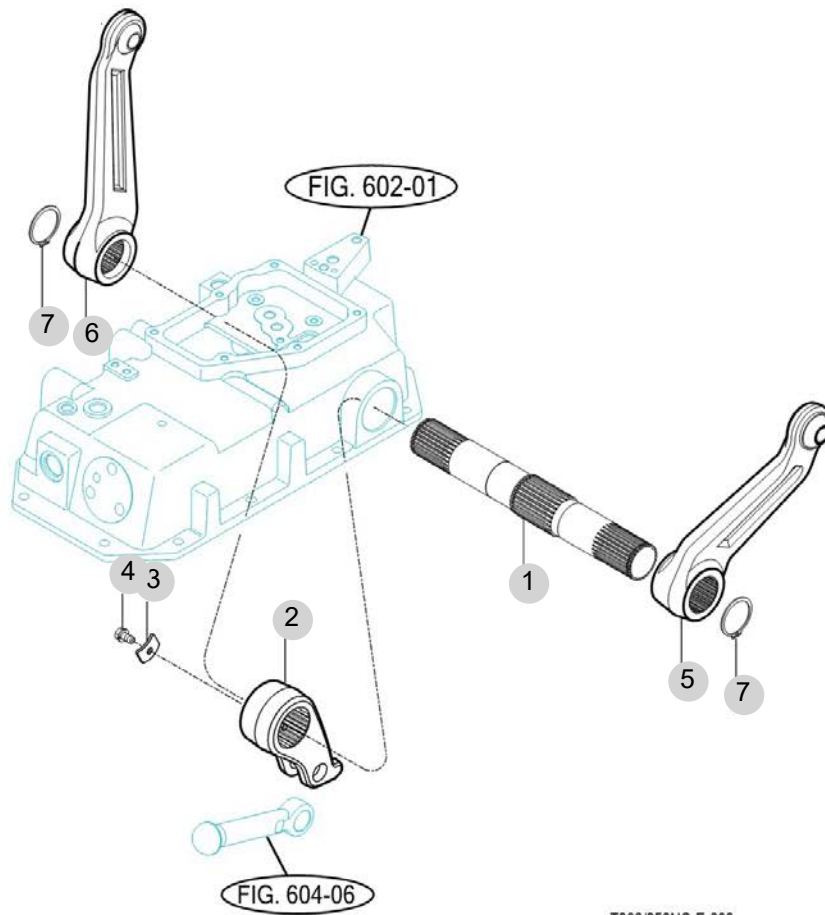
FIG 603

T395FHEU

LIFT ARM

년/월
Year/Month

2022-12



T303/353NC-E-603

NOTE

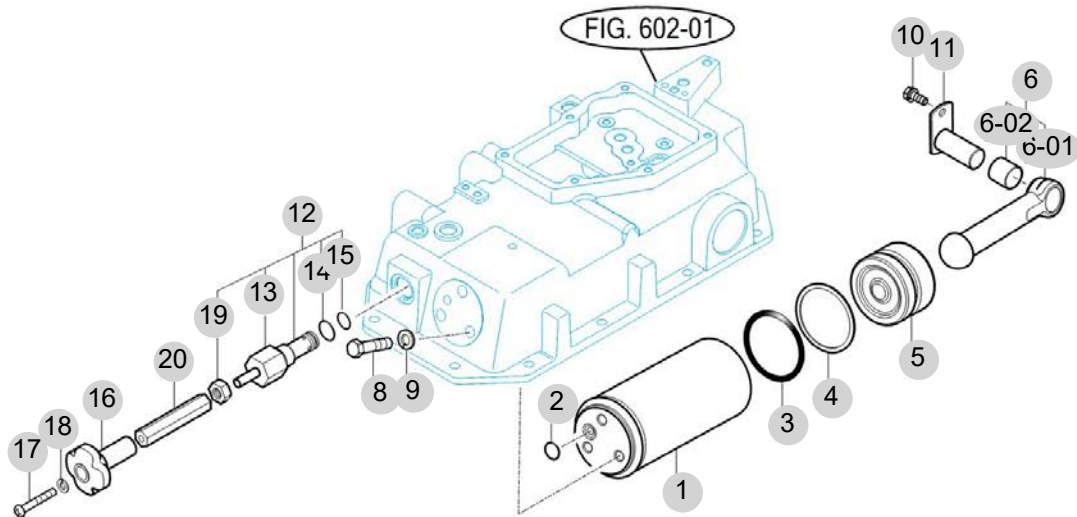
FIG 604

T395FHEU

CYLINDER

년/월
Year/Month

2022-12



T303/353NC-E-604

NOTE

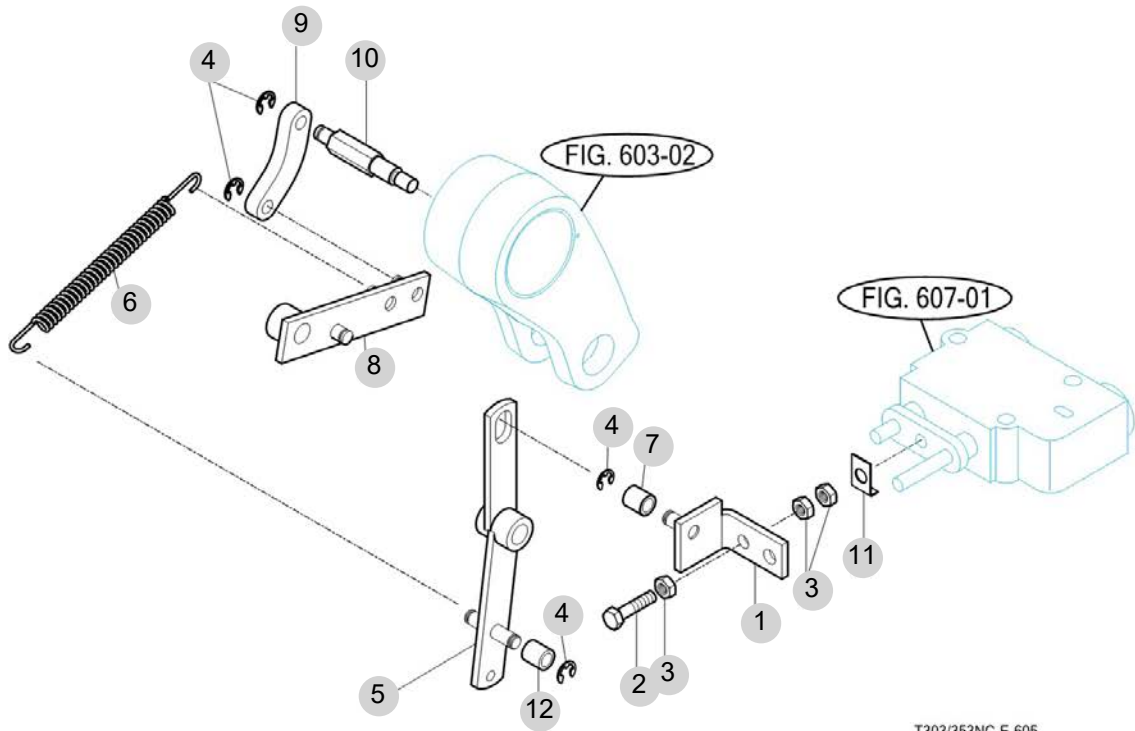
FIG 605

T395FHEU

POSITION LINK (1)

년/월
Year/Month

2022-12



T303/353NC-E-605

NOTE

FIG 605 T395FHEU		POSITION LINK (1)					년/월 Year/Month	REMARKS	
							2022-12		
KEY NO	PART NO	DESCRIPTION	SPEC	QTY	REPAIR	EFFECTIVE DATE	REMARKS		
605	1	16705022200	클레비스COMP				1		
605	2	V2013608050	소형육각볼트(보통)	M8X50			1		
605	3	V3043600080	소형육각너트보통2종	M8			3		
605	4	V7081400060	E형멈춤링	6			4		
605	5	17995041100	링크(밸브)COMP				1		
605	6	17995040121	스프링				1		
605	7	17995040130	로올러				1		
605	8	17995041400	암(링크)COMP				1		
605	9	17995040150	링크(크랭크리프트)				1		
605	10	17995040160	핀(링크)				1		
605	11	17995040170	록와셔				1		
605	12	17995040131	로올러				1		
NOTE									

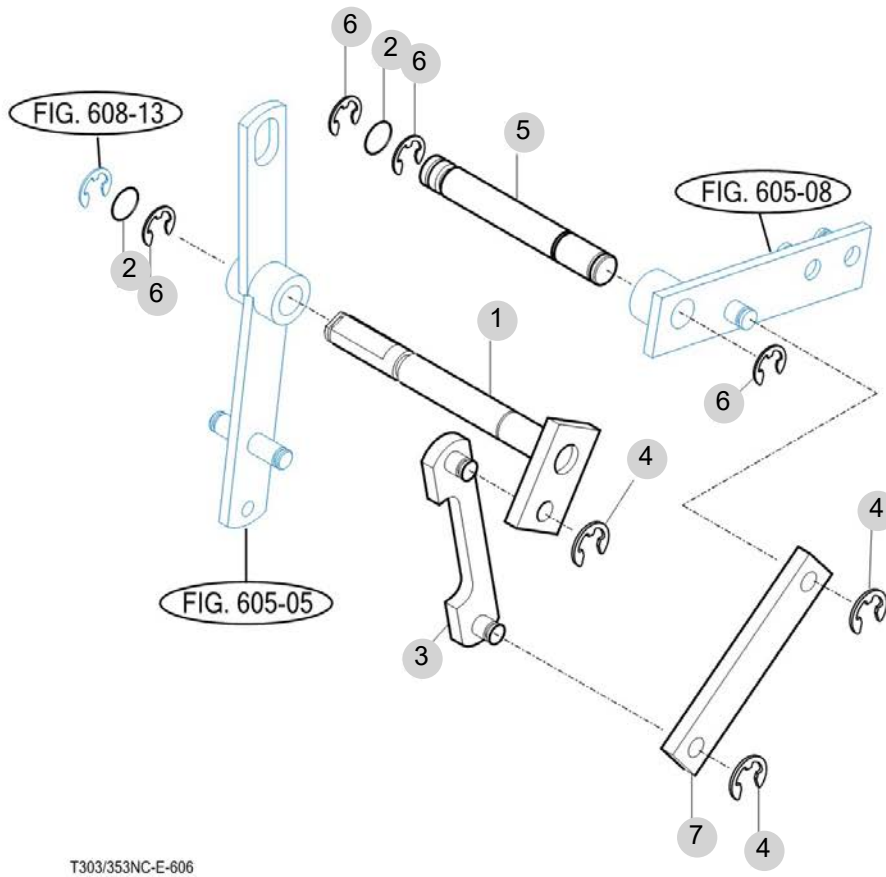
FIG 606

T395FHEU

POSITION LINK (2)

년/월
Year/Month

2022-12



T303/353NC-E-606

NOTE

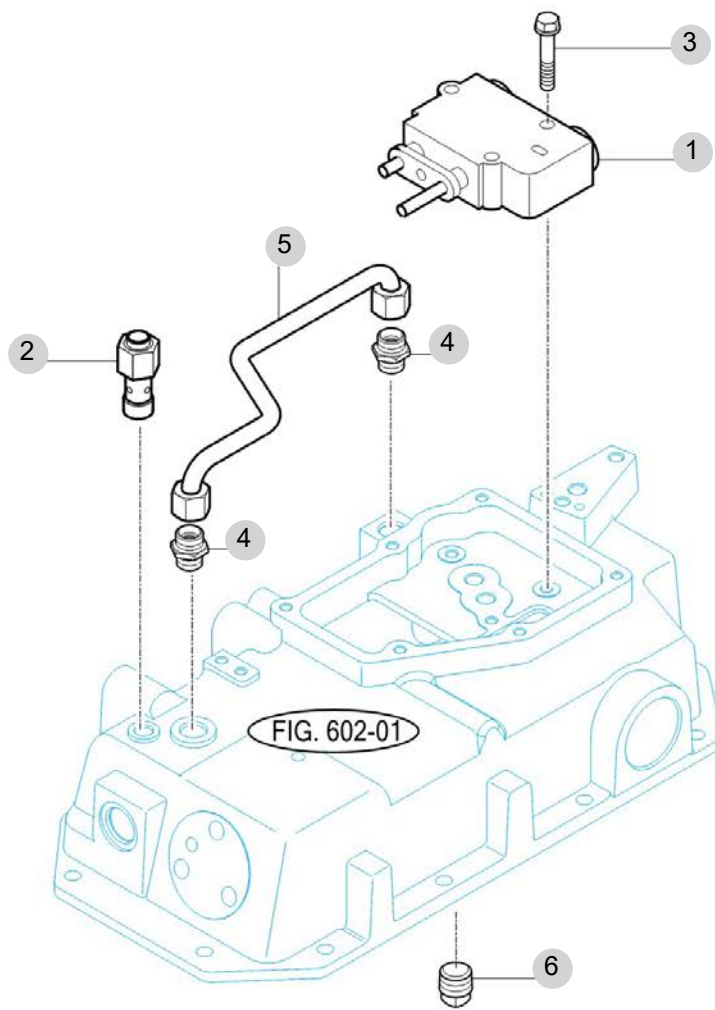
FIG 607

T395FHEU

CONTROL VALVE

년/월
Year/Month

2022-12



T303/353NC-E-607

NOTE

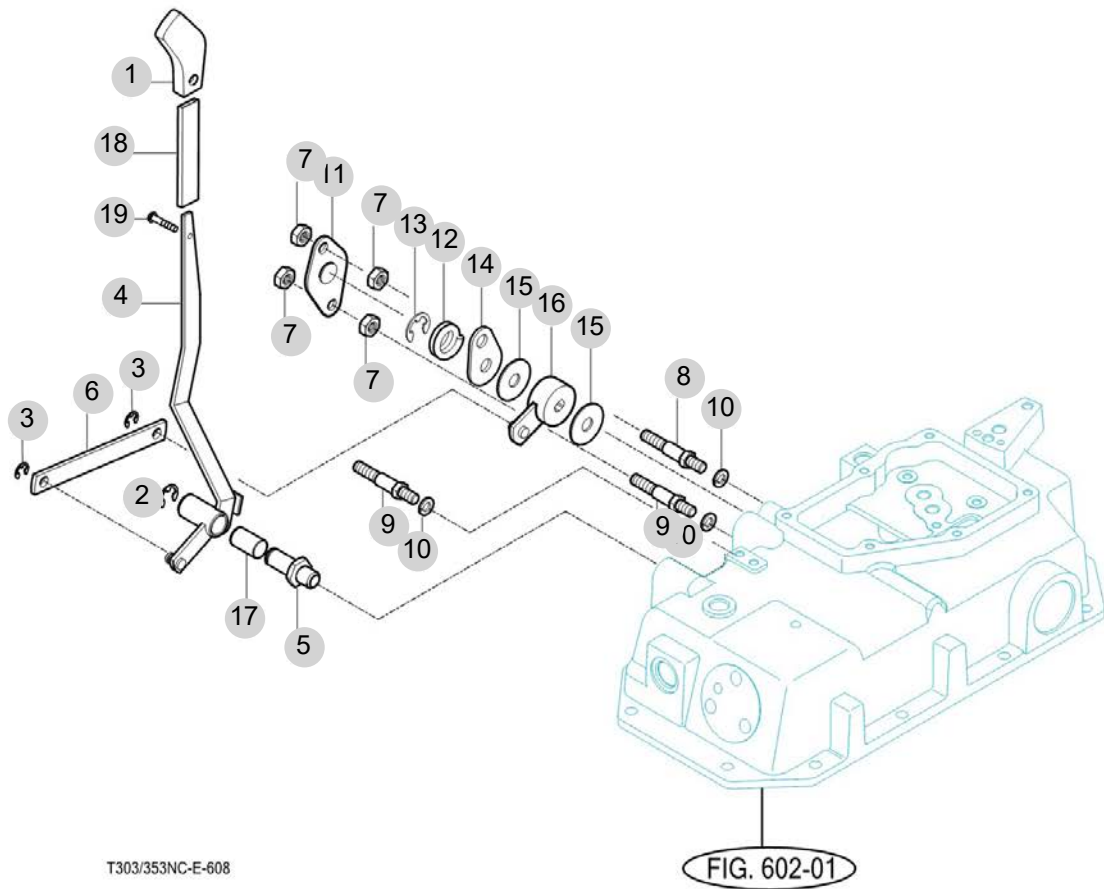
FIG 608

T395FHEU

POSITION LEVER

년/월
Year/Month

2022-12



T303/353NC-E-608

FIG. 602-01

NOTE

FIG 608		POSITION LEVER						년/월	
								Year/Month	
T395FHEU		2022-12							
KEY NO	PART NO	DESCRIPTION	SPEC	QTY	REPAIR	EFFECTIVE DATE	REMARKS		
608	1	15605110054	그림(03X17X97)						
608	2	V7081400120	E형멈춤링	12					
608	3	V7081400080	E형멈춤링	8					
608	4	16705062203							
608	4	16705062204	포지션레버 COMP						
608	4	16705062205	포지션레버 COMP						
608	5	16705060051	핀(포지션)						
608	6	16705060010	조인트, 포지션						
608	7	V3043600100	소형육각너트보통2종	M10					
608	8	16705060030	지지볼트2						
608	9	16705060020	지지볼트1						
608	10	V4011600100	스프링와셔	M10					
608	11	17995070170	플레이트(D)						
608	12	17995070180	스프링						
608	13	V7081400080	E형멈춤링						
608	13	V7081400090	E형멈춤링	8					
608	14	17995070200	플레이트(A)						
608	15	13835070210	마찰판(소)						
608	16	16705062301	암(포지션)COMP						
608	17	17995070270	부시(16X18X33)						
608	18	15603160025	튜브(스트레이트,80)						
608	19	V1122605012	십자홈접시작은나사	M5X12					
NOTE									

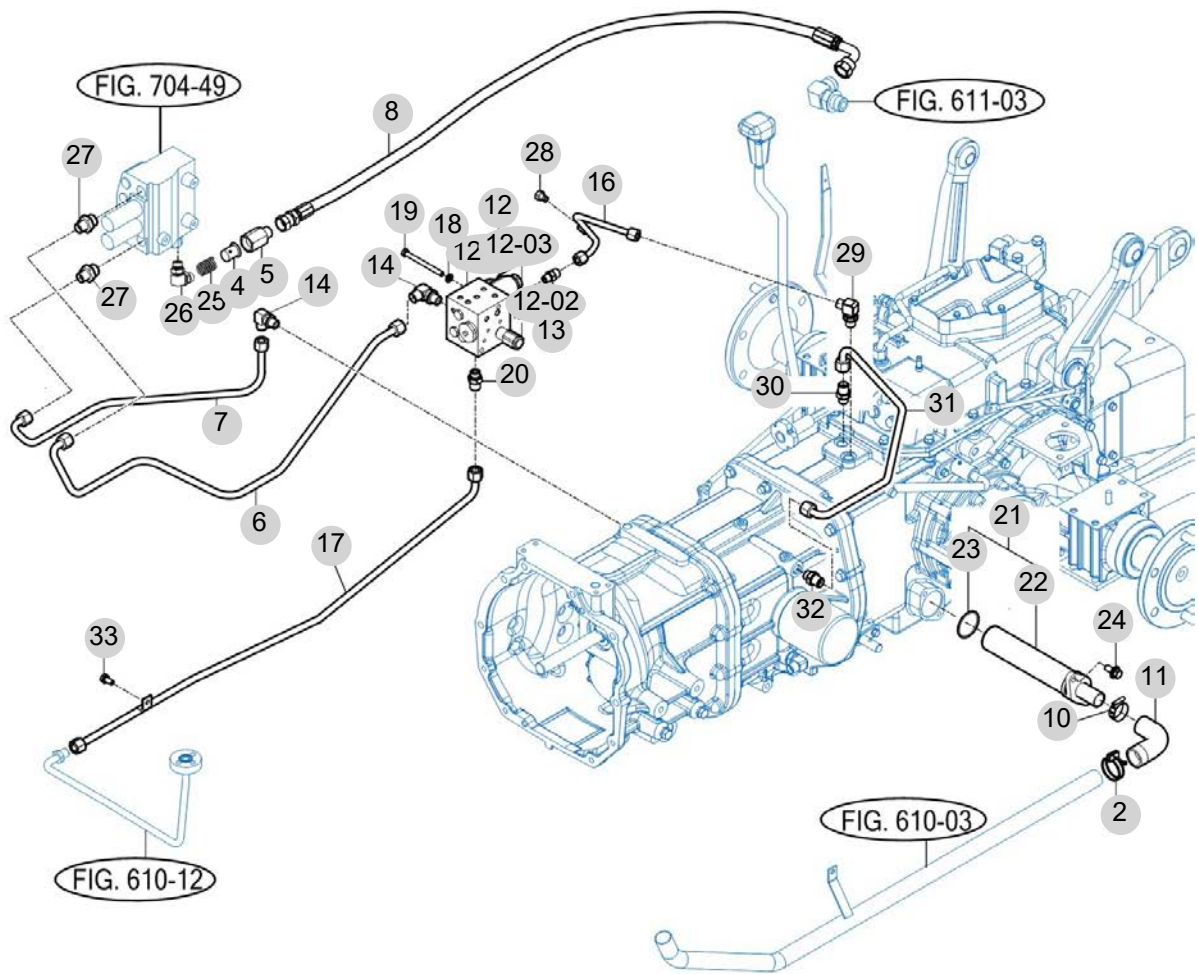
FIG 609

T395FHEU

HYDRAULIC PIPE (1)

년/월
Year/Month

2022-12



T384NH-E-605

NOTE

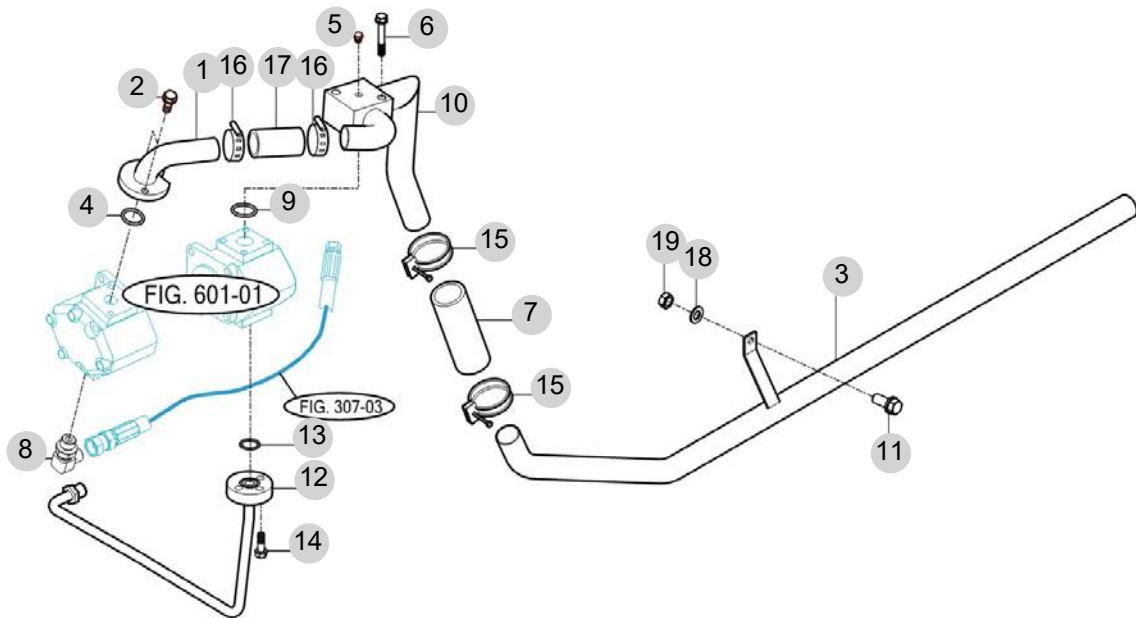
FIG 610

T395FHEU

HYDRAULIC PIPE (2)

년/월
Year/Month

2022-12



T394-E-606

NOTE

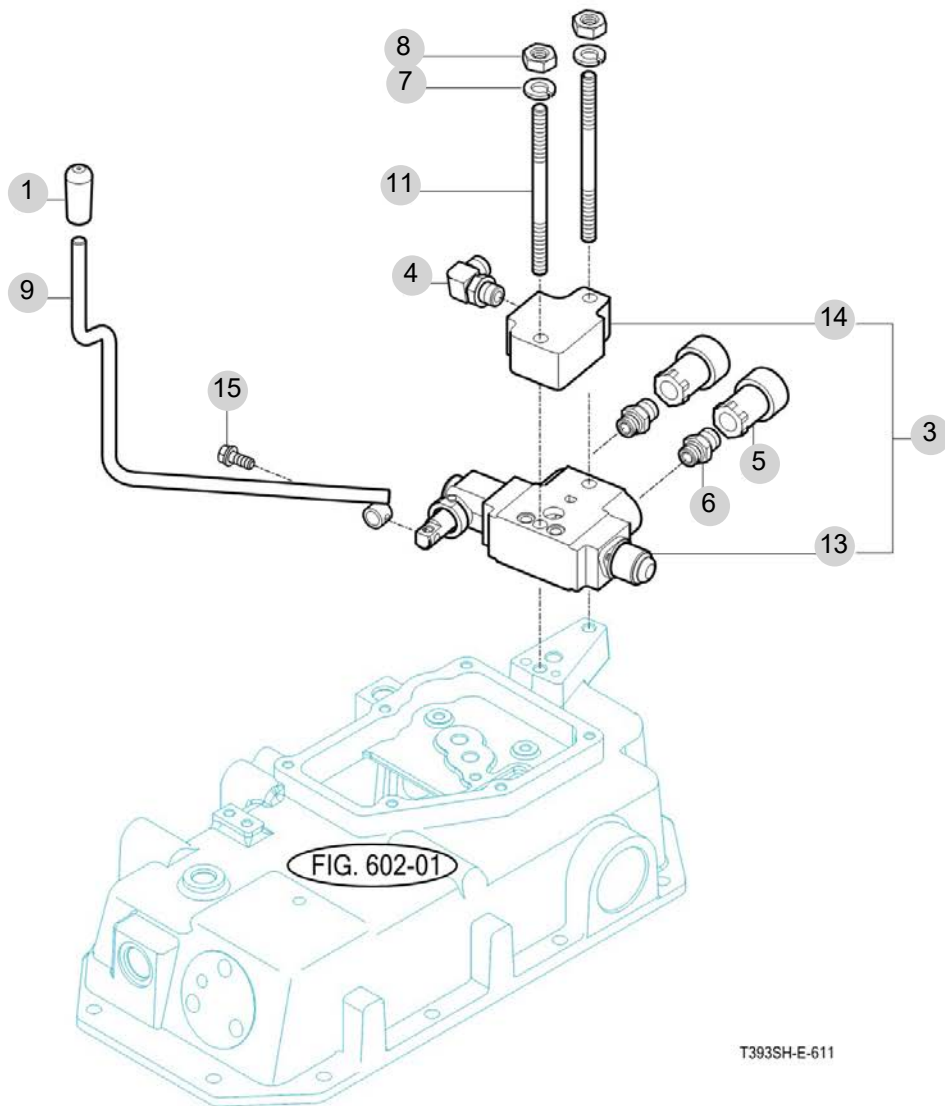
FIG 611

T395FHEU

EXTERIOR HYD. VALVE

년/월
Year/Month

2022-12



NOTE

FIG 611 T395FHEU		EXTERIOR HYD. VALVE					년/월 Year/Month			
							2022-12		REMARKS	
							KEY NO	PART NO	DESCRIPTION	SPEC
611	1	14445070030	레버손잡이		1					
611	3	13305080150	외부유압밸브(2P) SUB ASSY		1					
611	4	17407362300	엘보(PF3/8,PF1/2)		1					
611	5	16995152360	커플링(1/2.암)		2					
611	6	17995080201	유니온(1/2)		2					
611	7	V4011600100	스프링와셔	M10	2					
611	8	V3043600100	소형육각너트보통2종	M10	2					
611	9	16705125201	레버(2) COMP		1					
611	11	13305080890	스터드볼트(90)		2					
611	13	17995080960	외부유압밸브(Spring)		1					
611	14	17995080970M	커버(외부유압)		1					
611	15	V2173608025	소형육각볼트보통(S)	M8X25	1					
NOTE										

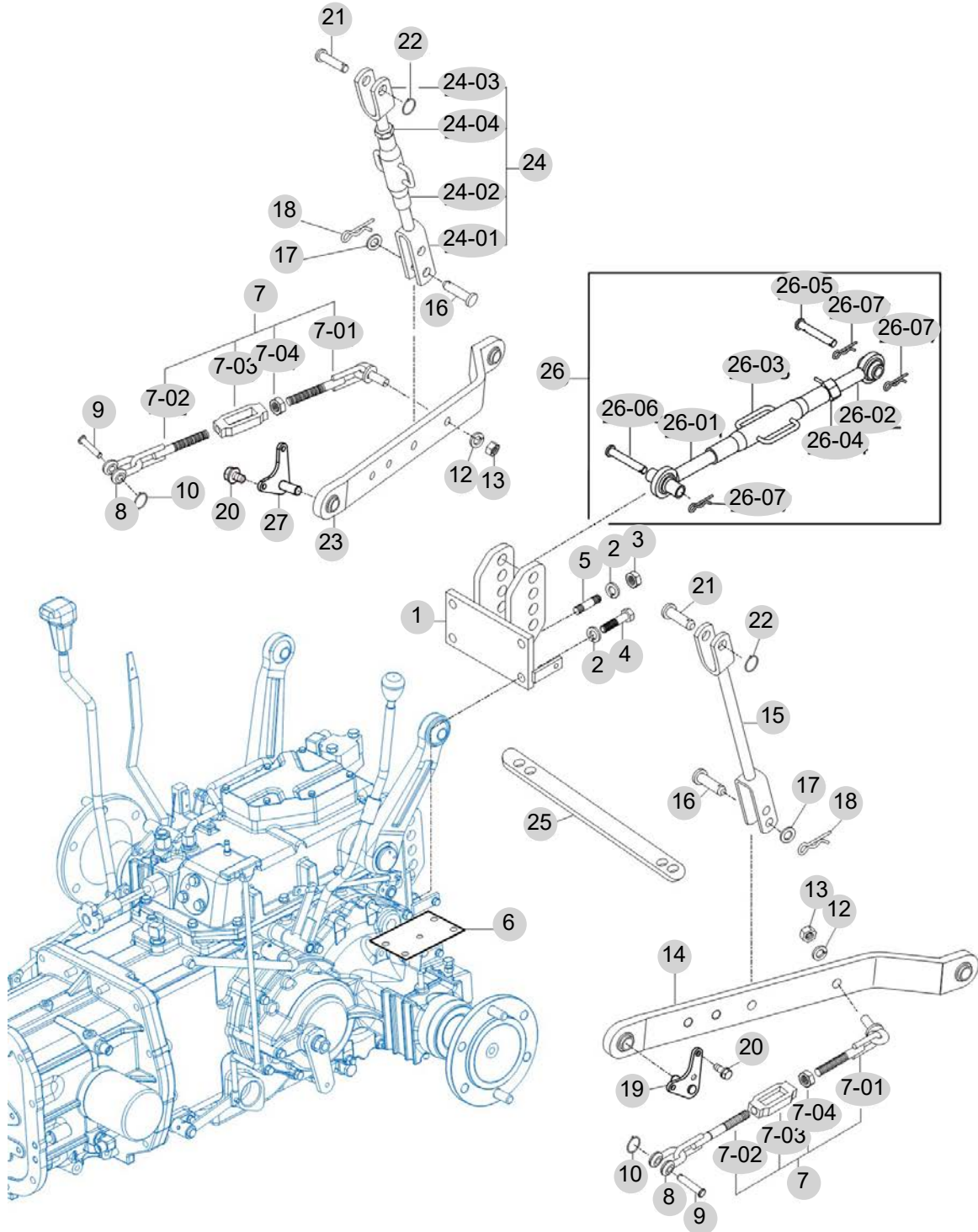
FIG 612

T395FHEU

3-POINT LINK

년/월
Year/Month

2022-12



2538NH-K-612

NOTE

FIG 612 T395FHEU		3-POINT LINK					년/월 Year/Month	
							2022-12	
KEY NO	PART NO	DESCRIPTION	SPEC	QTY	REPAIR	EFFECTIVE DATE	REMARKS	
612	1	16703172002GB	톱링크 브래킷 COMP			1		
612	2	V4011600140	스프링와셔	M14		4		
612	3	V3043600140	소형육각너트보통2종	M14		2		
612	4	V2014614035	소형육각볼트(보통)			2		
612	5	V2514414030	스터드볼트2종	M14X30		2		
612	6	13017020040GB	플레이트, ROPS 미부착			2		
612	7	16705142501	체인(체크) 조합			2		
612	7-01	16705244100	체인(체크,LH)COMP			2		
612	7-02	16705142800	체인(체크,RH)COMP			2		
612	7-03	16705142510M	터언버클			2		
612	7-04	V3043600160	소형육각너트보통2종	M16		2		
612	8	16705142520	체크체인 샤클			2		
612	9	79636110030	핀(12X48)			2		
612	10	16735240060	스프링(45)			2		
612	12	V4011600160	스프링와셔	M16		2		
612	13	V3013600160	육각너트보통2종	M16		2		
612	14	12385142000GB	로어링크(LH)COMP			1		
612	15	16705142400GB	리프트로드(LH) COMP			1		
612	16	79636130050	핀(16X60)			2		
612	17	V4111600160	평와셔	M16		2		
612	18	13059310030	헤어핀(D=2.3)			2		
612	19	12385142200	핀(LH) COMP			2		
612	20	V2173612030	소형육각볼트보통(S)			1		
612	20	V2173612030	소형육각볼트보통(S)	M12X30		4		
612	21	16705020050	핀(19X69)			2		
612	22	16735240060	스프링(45)			2		
612	23	12385142100GB	로어링크(RH)COMP			1		
612	24	16705145000GB	리프트로드(RH)ASSY			1		
612	24-01	16705145200	포크(하)COMP			1		
612	24-02	16705145100	슬리브 COMP			1		
612	24-03	16705145300	포크(상)COMP			1		
612	24-04	V3023600220	육각너트보통3종			1		
612	25	15605250030	밴드(470)			1		
612	26	16505245501GB	톱링크ASSY			1		
612	26	16505245502GB	톱링크 ASSY			1		
612	26-01	16505245510	톱링크COMP(RH)			1		
612	26-02	16505245520	톱링크COMP(LH)			1		
612	26-03	14555140251	터버클 조합(톱링크)			1		
612	26-04	16505245530	육각너트			1		
612	26-05	15645220020	핀(19X95)			1		
612	26-06	15645220011	핀(19X86)			1		
612	26-07	14445140051	헤어핀(19)			3		
612	27	12385142300	핀(RH) COMP			1		

NOTE

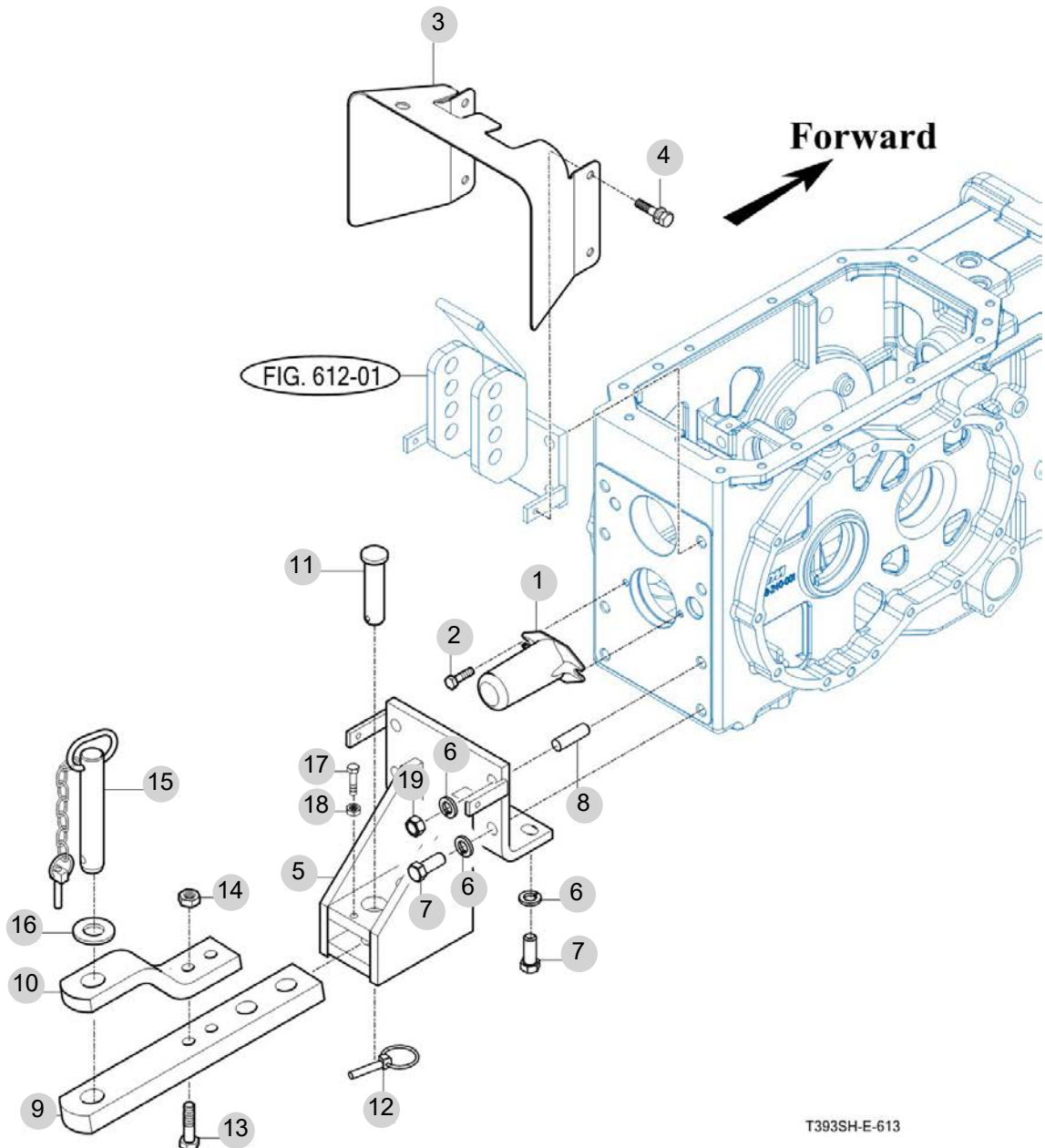
FIG 613

T395FHEU

HITCH & COVER

년/월
Year/Month

2022-12



NOTE

7. 시트메탈/캐빈 PART NO. T7

FIG 701 HOOD	151
FIG 702 BONNET	153
FIG 704 FENDER, REAR FRAME	156
FIG 705 ROPS	159
FIG 706 DASH PANEL	161
FIG 707 FLOOR	163
FIG 708 SEAT	165
FIG 709 FLOOR MOUNTING	167

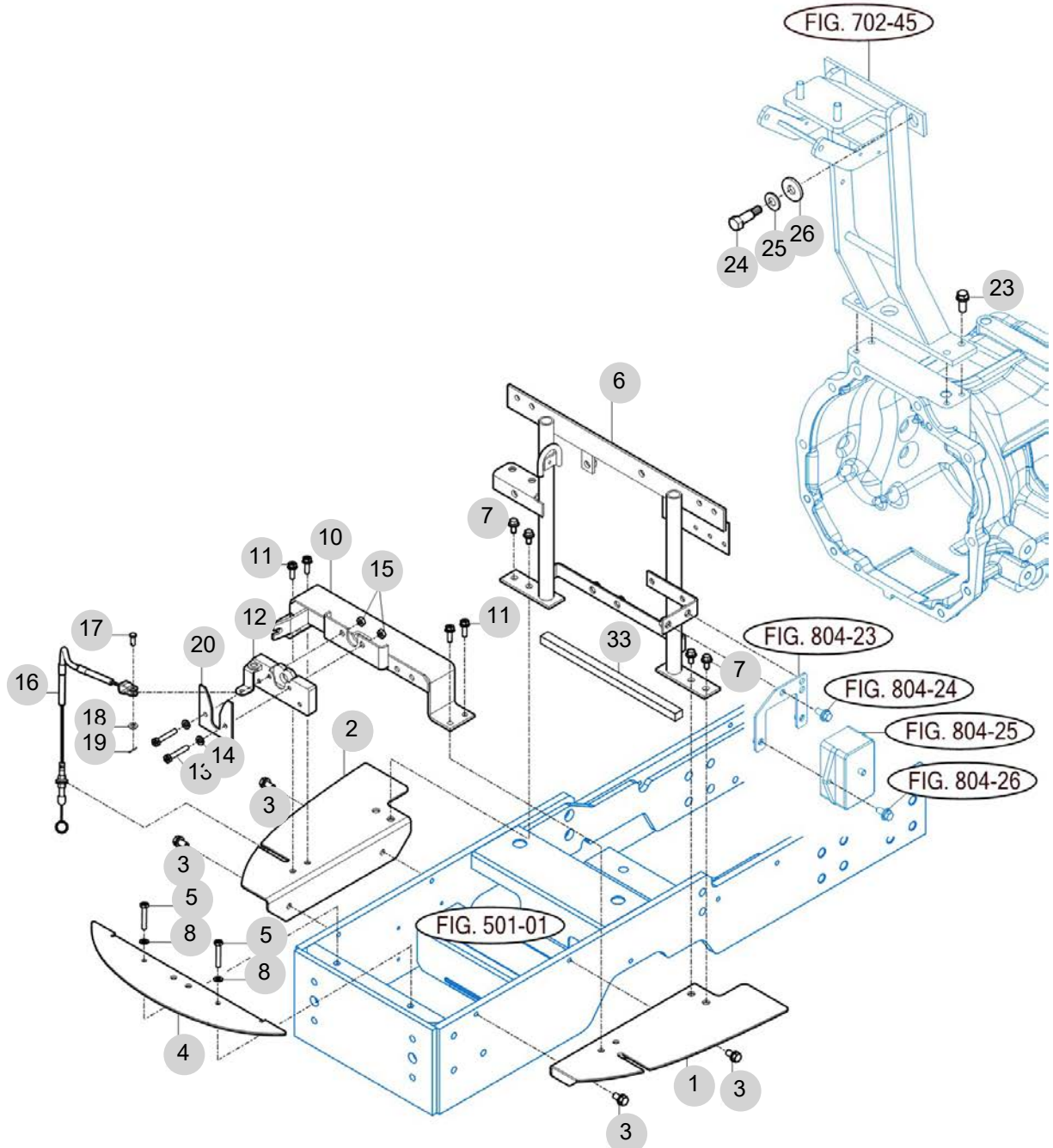
FIG 701

T395FHEU

HOOD

년/월
Year/Month

2022-12



NOTE

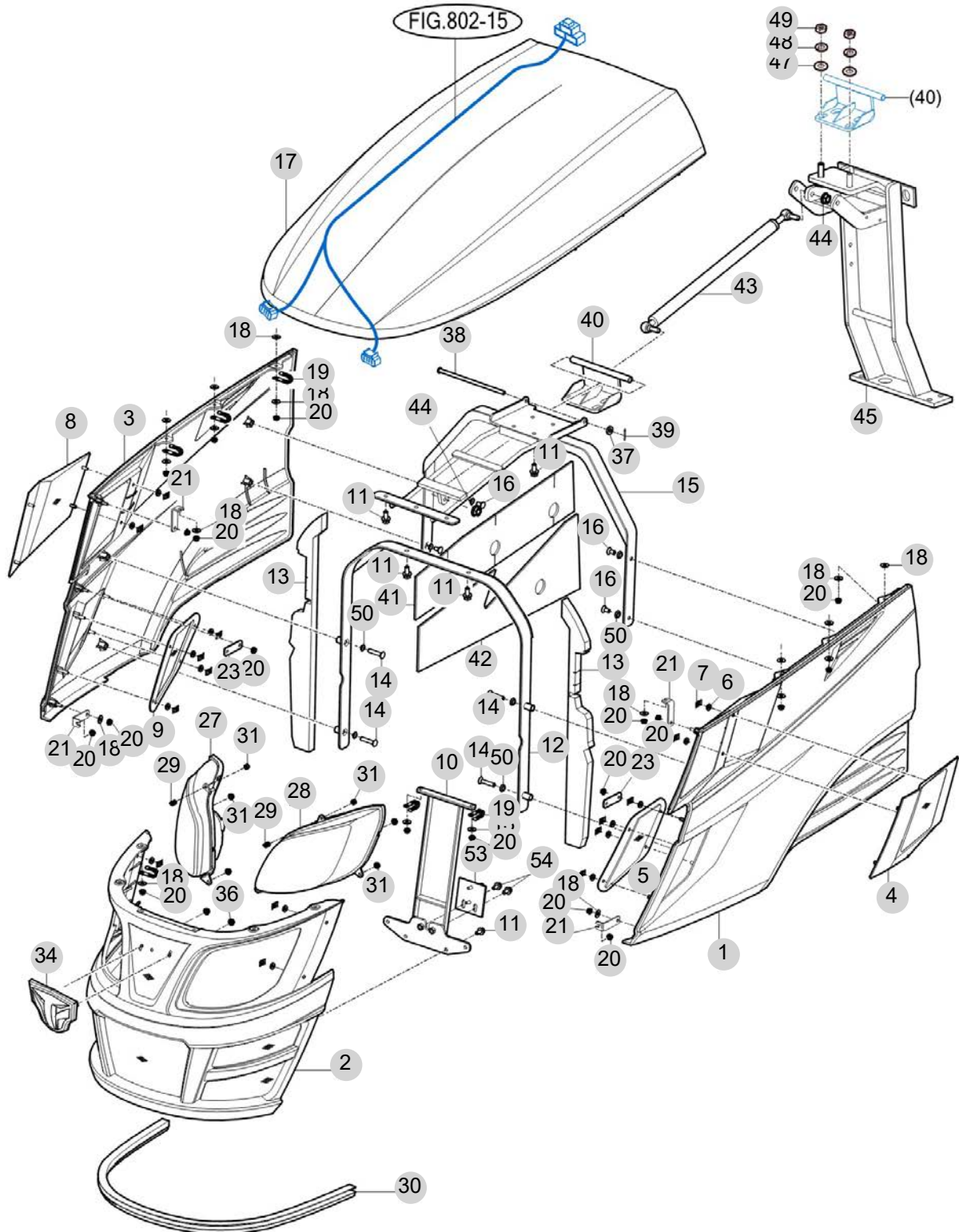
FIG 702

T395FHEU

BONNET

년/월
Year/Month

2022-12



NOTE

FIG 702		BONNET					년/월 Year/Month		
							2022-12		
T395FHEU		KEY NO	PART NO	DESCRIPTION	SPEC	QTY	REPAIR	EFFECTIVE DATE	REMARKS
702	1	17406203301SR	사이드 커버 COMP , 좌			1			
702	1	17406203302SR	사이드 커버 COMP , 좌			1			
702	1	17406203303SR	사이드 커버 COMP , 좌			1			
702	2	17406203201GB	그릴 COMP			1			
702	3	17406203401SR	사이드 커버 COMP , 우			1			
702	3	17406203402SR	사이드 커버 COMP , 우			1			
702	3	17406203403SR	사이드 커버 COMP , 우			1			
702	4	17406203500GB	네트 , 상/좌			1			
702	5	17406203600GB	네트 , 하/좌			1			
702	6	14446010150	네트와샤(6X14X3)			16			
702	7	V3501600060	스프링 너트			16			
702	8	17406203700GB	네트 , 상/우			1			
702	9	17406203800GB	네트 , 하/우			1			
702	10	18366202500GB	핀 COMP , 후드락			1			
702	11	V2183608020	소형육각볼트보통(SP)			13			
702	12	17406202300GB	후드 프레임 COMP , 전			1			
702	13	17406202430	인슐레이터 , 사이드 전			2			
702	14	V1122608040	심자흡접시작은나사			4			
702	15	10536202700GB	후드 프레임 COMP , 후			1			
702	15	10536202701GB	후드 프레임 COMP , 후			1			
702	15	10536202702GB	후드 프레임 COMP , 후			1			
702	16	V1122608016	심자흡접시작은나사			4			
702	17	17406203101SR	후드 COMP			1			
702	17	17406203102SR	후드 COMP			1			
702	17	17406203103SR	후드 COMP			1			
702	18	35605033020	와이어인출용와셔			22			
702	19	37371720090	메인하니스 클램프(하)			6			
702	20	V3802600060	플랜지붙이육각너트	M6		24			
702	21	17406203011GB	플레이트 , 상/사이드			4			
702	21	17406203010GB	플레이트 , 상/사이드			4			
702	23	17406203020GB	플레이트 , 중/사이드			2			
702	27	17406525001	헤드램프 ASSY , 우			1			
702	27	17406525002	헤드램프 ASSY , 우			1			
702	28	17406524001	헤드램프 ASSY , 좌			1			
702	28	17406524002	헤드램프 ASSY , 좌			1			
702	29	36108010080	중자출구스프링(HC016)			2			
702	30	17406203900	인슐레이터 , 후드			1			
702	31	19027210060	나일론너트(M6)			6			
702	34	19959010011	엠블럼			1			
702	34	17406212000	엠블럼 ASSY , V5			1			
702	36	V3802600060	플랜지붙이육각너트	M6		2			
702	37	V4111600080	평와셔	M8		1			
702	38	13016202060	후드 핀			1			
702	39	V5001925020	핀			1			
702	40	13016202803GB	후드 힌지 플레이트 COMP			1			
NOTE									

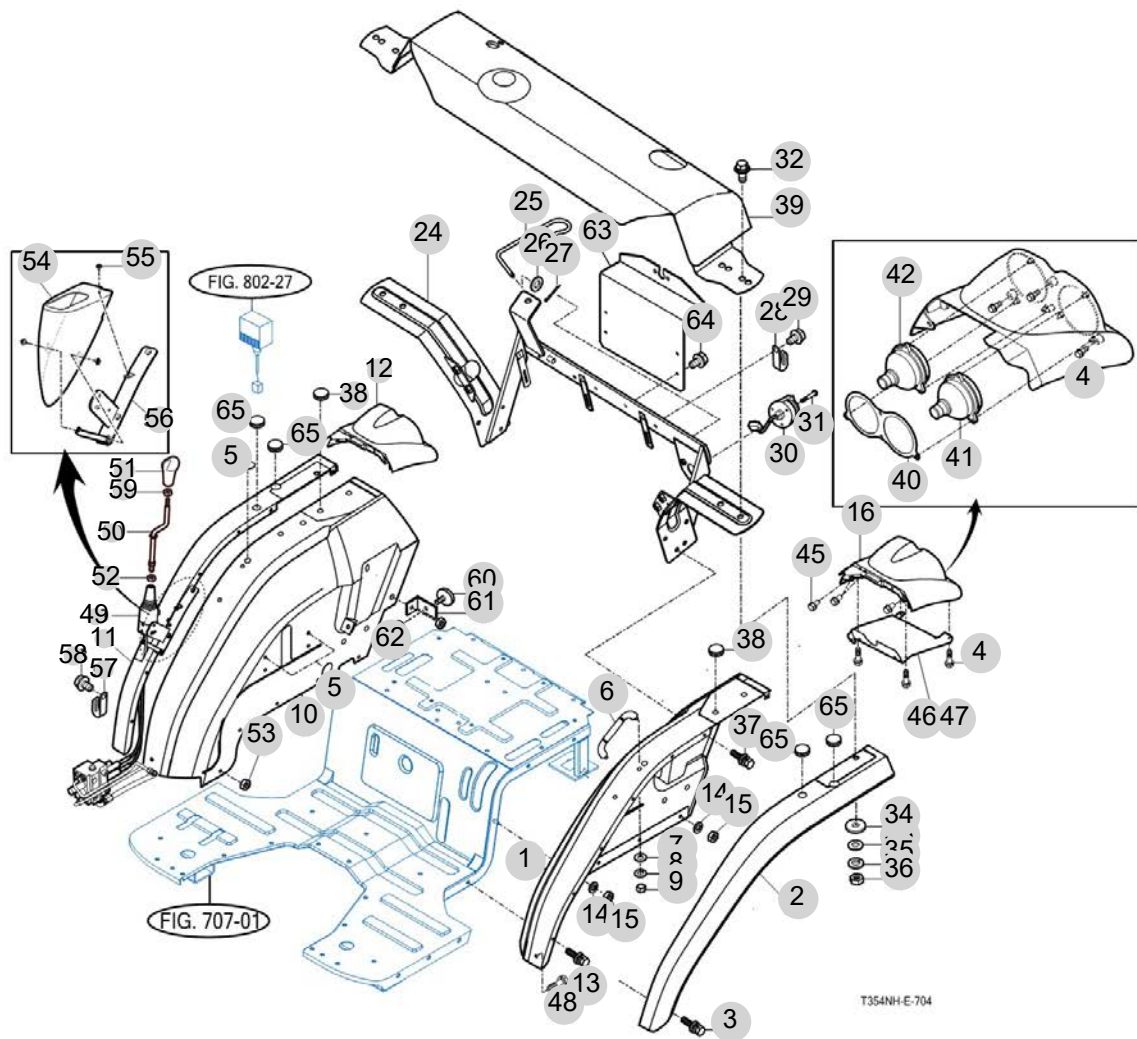
FIG 704

T395FHEU

FENDER, REAR FRAME

년/월
Year/Month

2022-12



NOTE

FIG 704		FENDER, REAR FRAME					년/월 Year/Month		
							2022-12		
T395FHEU		KEY NO	PART NO	DESCRIPTION	SPEC	QTY	REPAIR	EFFECTIVE DATE	REMARKS
704	1	14726063502SR	휀더(LH)COMP			1			
704	2	12656060040SR	훗받이 휀더 (LH)			1			
704	2	12656060041SR	훗받이 휀더 (LH)			1			
704	3	V2193606016	육각볼트(SPL)	M6X16		12			
704	4	V2123606012	육각볼트(SP)	M6X12		14			
704	5	16606070031	캡(9)			6			
704	6	14726071101	손잡이 COMP			1			
704	7	35602010150	결속축와셔			2			
704	8	V4011600080	스프링와셔	M8		2			
704	9	V3042600080	소형육각너트보통2종	M8		2			
704	10	14726063602SR	휀더(RH)COMP(PNT)			1			
704	11	10526060020SR	훗받이 휀더 (RH)			1			
704	11	10526060021SR	훗받이 휀더 (RH)			1			
704	12	13016060030	리어 램프 커버(우)			1			
704	13	V2183608020	소형육각볼트보통(SP)	M8X20		8			
704	14	V4011600080	스프링와셔	M8		4			
704	15	V3042600080	소형육각너트보통2종	M8		4			
704	16	13016060020	리어램프커버(좌)			1			
704	24	16707035403SR	리어프레임(연료탱크)COMP			1			
704	25	14885251100	후크(톱링크)			1			
704	26	V4111600060	평와셔	M6		1			
704	27	V5001920015	분할핀	2X15		1			
704	28	14256210040	하니스클램프(9)			1			
704	29	V2123606012	육각볼트(SP)	M6X12		1			
704	30	13267028200	트레일러연결소켓 ASSY			1			
704	30	13267028201	트레일러연결소켓 ASSY			1			
704	30	13267028202	트레일러연결소켓 ASSY			1			
704	31	V1112605030	심자훗냄비작은나사	M5X30		3			
704	32	V2173612040	소형육각볼트보통(S)	M12X40		4			
704	34	36217020030	폴리 와셔			4			
704	37	V2183608020	소형육각볼트보통(SP)	M8X20		4			
704	38	14326510210	고무캡(20)			2			
704	39	14777036302DR	커버 COMP(연료탱크)(PNT)			1			
704	39	14777036302SR	커버 COMP (연료탱크)			1			
704	39	14777036303SR	커버 COMP , 연료탱크			1			
704	40	13016061300	리어램프 고정플레이트			2			
704	41	14527023300	방향지시등(REAR)ASSY			2			
704	42	13367023400	스톱램프 ASSY			2			
704	45	V2193606020	육각볼트(SPL)			2			
704	46	13016062000GB	리어램프 커버플레이트 COMP(좌)			1			
704	47	13016063000GB	리어 램프 커버 플레이트 COMP(우)			1			
704	48	V2183608035	소형육각볼트보통(SP)	M8X35		2			
704	49	13015504005	로더밸브 조이스틱 ASSY			1			
704	50	12396013900GB	레버(조이스틱)COMP			1			
704	51	19027750021	그립조합,조이스틱			1			
NOTE									

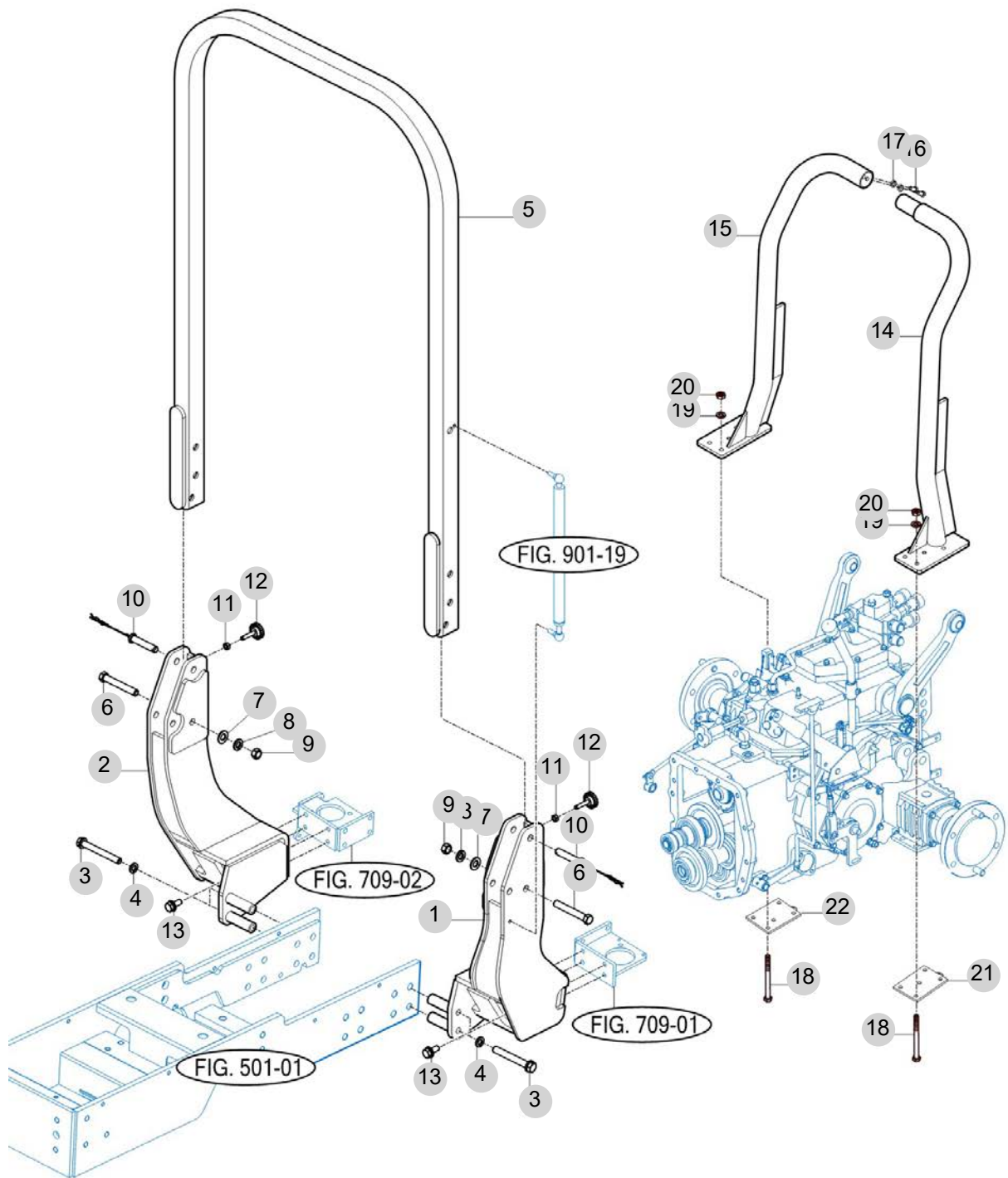
FIG 705

T395FHEU

ROPS

년/월
Year/Month

2022-12



NOTE

FIG 705 T395FHEU		ROPS					년/월 Year/Month	
							2022-12	

KEY NO		PART NO	DESCRIPTION	SPEC	QTY	REPAIR	EFFECTIVE DATE	REMARKS
705	1	12567025202GB	프레임 COMP, 프런트 LH ROPS		1			
705	2	12567025301GB	프레임 COMP, 프런트 RH ROPS		1			
705	3	V2014612120	소형육각볼트보통		4			
705	4	V4011600120	스프링와셔	M12	4			
705	5	12567025501GB	파이프 COMP, 상		1			
705	6	V2014614095	소형육각볼트(보통)	M14X95	2			
705	7	V4111600140	평와셔	M14	2			
705	8	V4011600140	스프링와셔	M14	2			
705	9	V3043600140	소형육각너트보통2종	M14	2			
705	10	13017075800	핀 ASSY, ROPS		2			
705	11	V3013600080	육각너트보통2종	M8	2			
705	12	15186070020	볼트 (노브/M08X31)		2			
705	13	V2174612040	소형육각볼트보통(S)	M12X40	8			
705	14	13017026101GB	프레임 COMP, 리어 LH ROPS		1			
705	15	13017026201GB	프레임 COMP, 리어 RH ROPS		1			
705	16	V2013612025	소형육각볼트(보통)	M12X25	2			
705	17	V4011600120	스프링와셔	M12	2			
705	18	V2014612160	소형육각볼트(보통)	M12X160	8			
705	19	V4011600120	스프링와셔	M12	6			
705	20	V3043600120	소형육각너트보통2종	M12	6			
705	21	16705143002GB	브래킷(체크/LH)COMP		1			
705	22	16705143102GB	브래킷(체크/RH)COMP		1			

NOTE

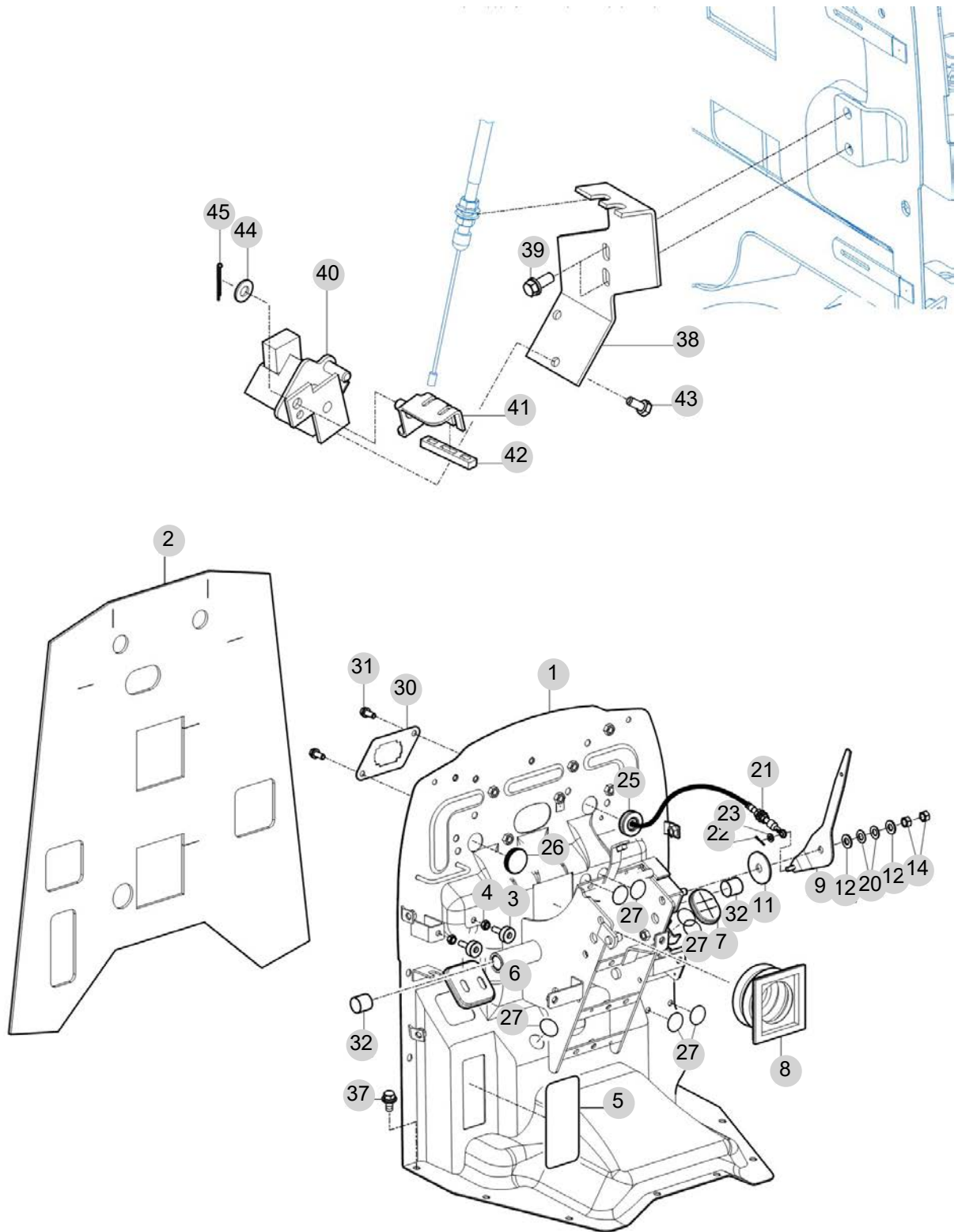
FIG 706

T395FHEU

DASH PANEL

년/월
Year/Month

2022-12



T393NH-E-706

NOTE

FIG 706 T395FHEU	DASH PANEL					년/월 Year/Month	
						2022-12	

KEY NO	PART NO	DESCRIPTION	SPEC	QTY	REPAIR	EFFECTIVE DATE	REMARKS
706	1	13756302000GB	대시패널 COMP		1		
706	2	14726300022	인슐레이터(대시패널)		1		
706	3	14216020051	콧선고무(B)		3		
706	4	V3043600080	소형육각너트보통2종	M8	2		
706	5	12386400011	막음라벨, 클러치		1		
706	6	15606300205	인슐레이터		1		
706	7	16996300210	인슐레이터(콧드)		1		
706	8	16756300010	부츠(스티어링호스)		1		
706	9	12516302200	스로틀 레버 COMP		1		
706	11	14141170050	라이닝 (13X50X3)		1		
706	12	V4111600100	평와셔	M10	2		
706	14	V3342600100	소형육각너트가는2종	M10	2		
706	20	14527060010	접시스프링와셔/M10		2		
706	21	13741162300	케이블(H스로틀/890)ASSY		1		
706	22	V4011600060	스프링와셔		1		
706	23	V5001920015	분할핀		1		
706	25	19027553020	그로맷(케이블/D10)		1		
706	26	16606510210	고무캡(30)		1		
706	27	12389010070	막음라벨, D30		18		
706	30	14946300031	플레이트, 콘택터		1		
706	31	V2173608020	소형육각볼트보통(S)	M8X20	2		
706	32	35017030080	DU부시(20X23X20)		2		
706	37	V2183608020	소형육각볼트보통(SP)	M8X20	8		
706	38	17406022210GB	브래킷, 스팀		1		
706	39	V2123606020	육각볼트(SP)	M6X20	2		
706	40	129938-77800	액셀센서 ASSY		1		
706	41	14661032601	브래킷, 케이블 후크		1		
706	42	10011162400	와이어고정고무		1		
706	43	V2323606016	심자흠육각볼트(SP)	M6X16	2		
706	44	V4111600080	평와셔	M8	1		
706	45	V5001920020	분할핀		1		

NOTE

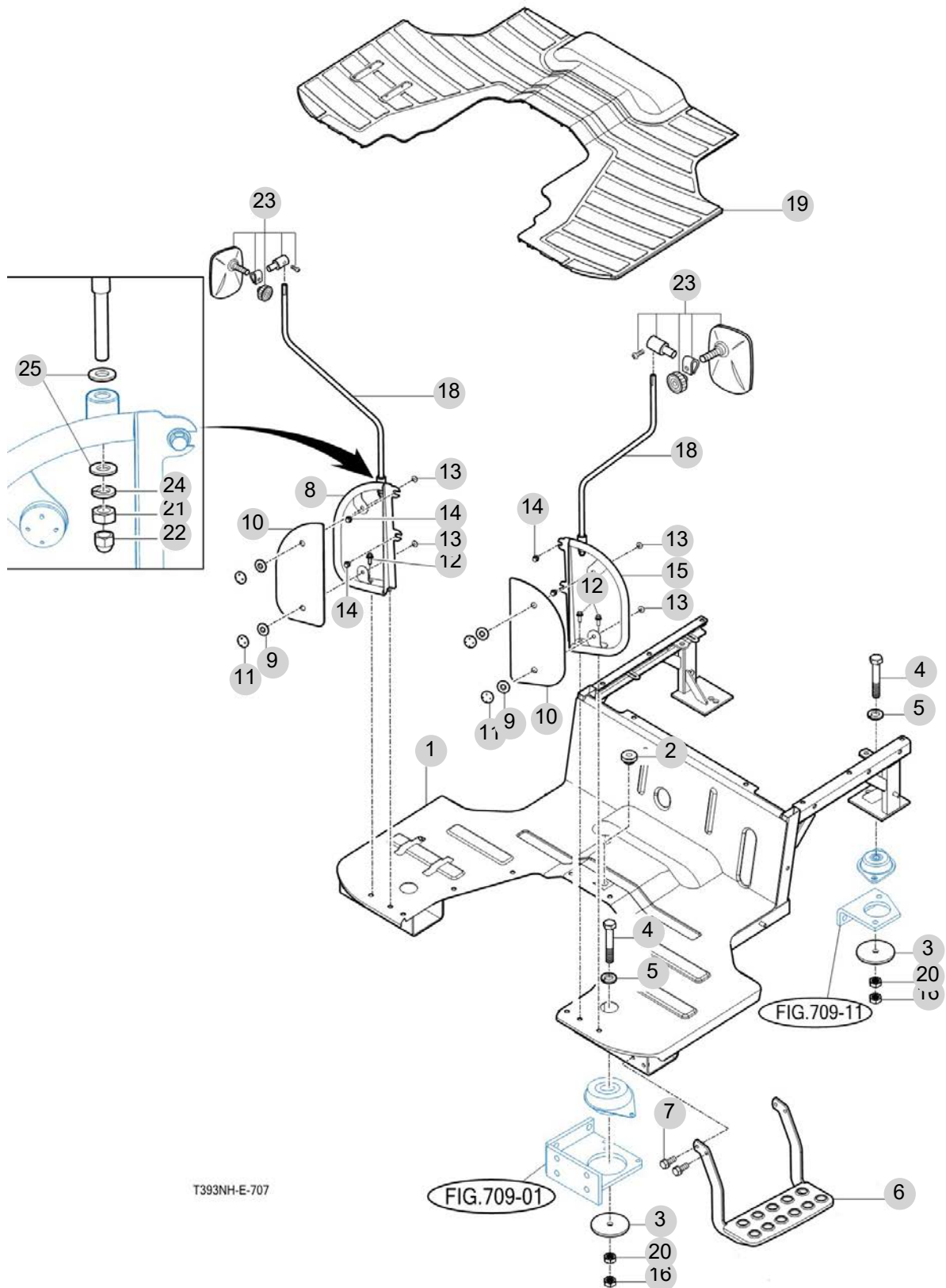
FIG 707

T395FHEU

FLOOR

년/월
Year/Month

2022-12



NOTE

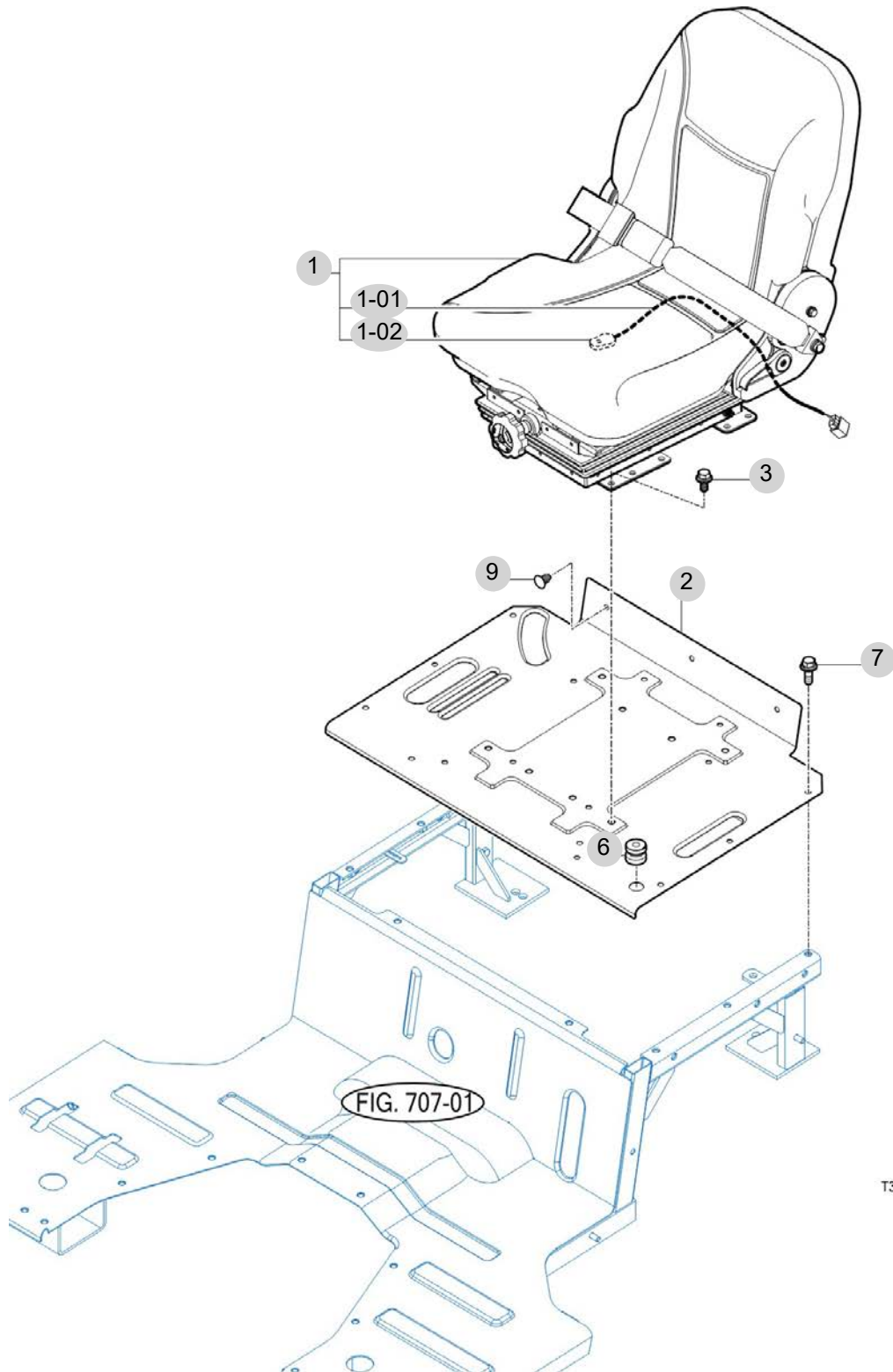
FIG 708

T395FHEU

SEAT

년/월
Year/Month

2022-12



T393NH-E-708

NOTE

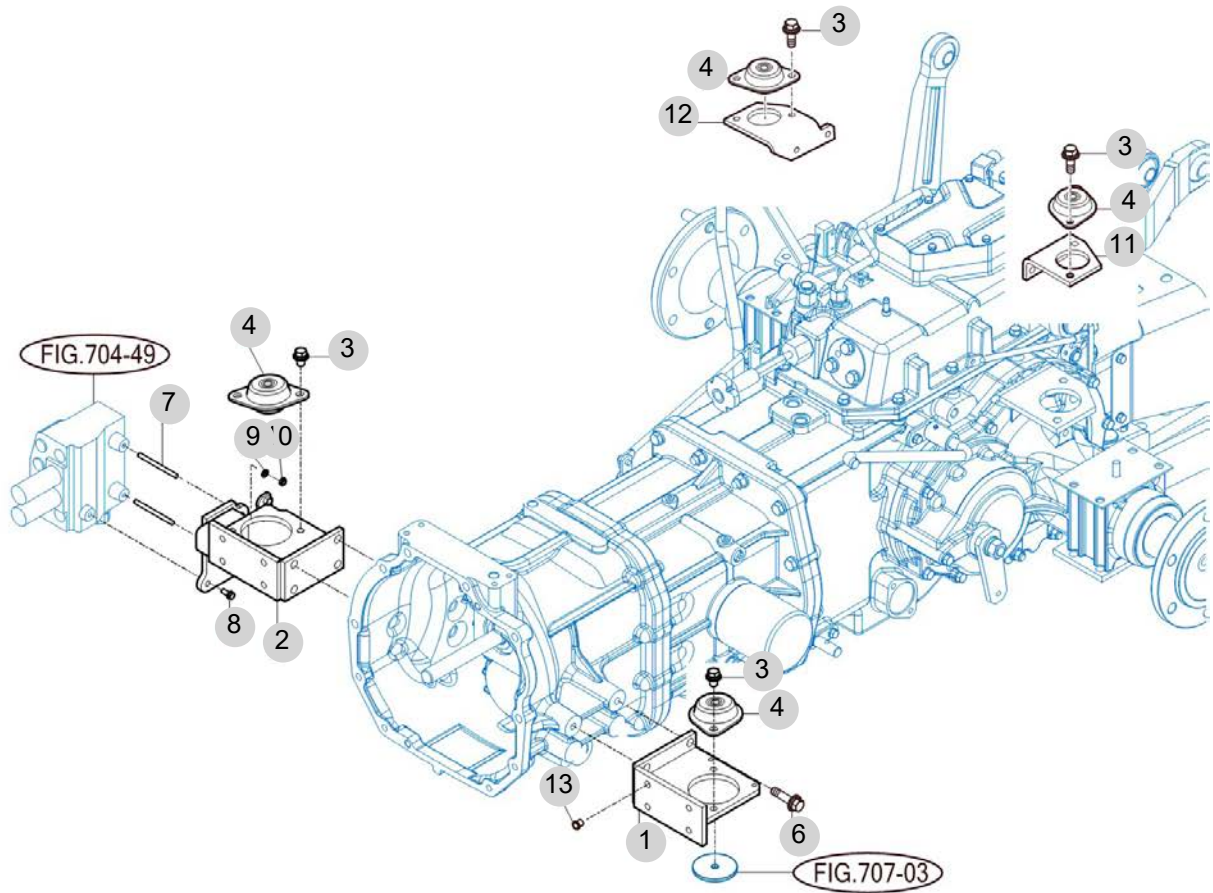
FIG 709

T395FHEU

FLOOR MOUNTING

년/월
Year/Month

2022-12



NOTE

8. 전장 PART NO. T8

FIG 801 BATTERY & MOUNTING	170
FIG 802 LIGHTS	172
FIG 803 INSTRUMENT PANEL	174
FIG 804 ELECTRIC SYSTEM	176
FIG 805 HARNESS (1)	178
FIG 806 HARNESS (2)	180

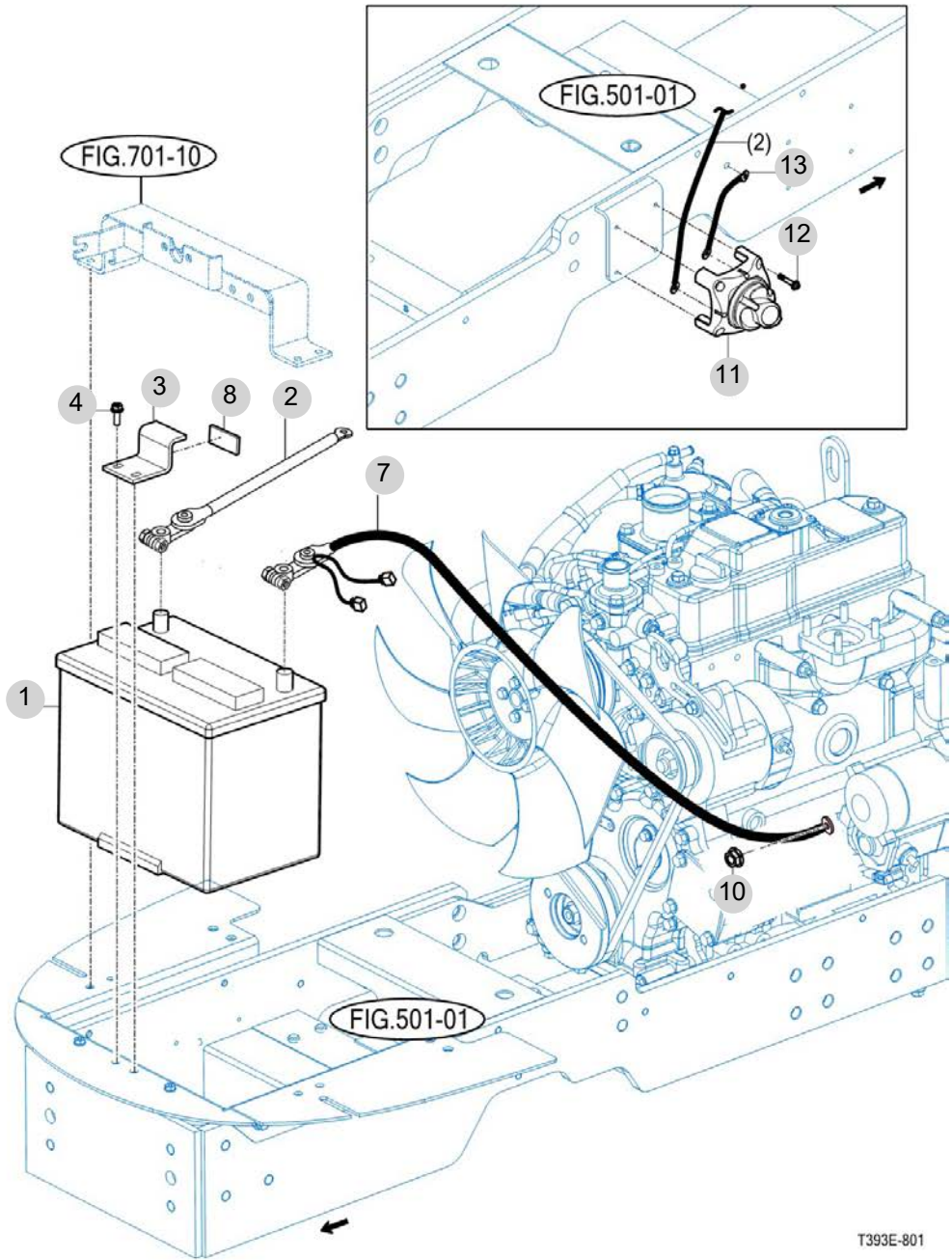
FIG 801

T395FHEU

BATTERY & MOUNTING

년/월
Year/Month

2022-12



NOTE

FIG 801 T395FHEU		BATTERY & MOUNTING						년/월 Year/Month	REMARKS
								2022-12	
KEY NO		PART NO	DESCRIPTION	SPEC	QTY	REPAIR	EFFECTIVE DATE	REMARKS	
801	1	14216000522	배터리(12V80AH)ASSY		1				
801	2	12136503001	접지선		1				
801	3	17406870011GB	배터리 고정 브래킷		1				
801	4	V2323606020	십자홈육각볼트(SP)	M6X20	2				
801	7	11116502000	케이블(배터리)ASSY		1				
801	7	11116502001	케이블(배터리)ASSY		1				
801	8	11101032400	스폰지 , 에어클리너		1				
801	10	V3802600080	플랜지붙이육각너트	M8	1				
801	11	12120028430	스위치 , 배터리		1				
801	12	V1112605030	십자홈냄비작은나사		4				
801	13	11106684300	하니스(접지)ASSY		1				
NOTE									

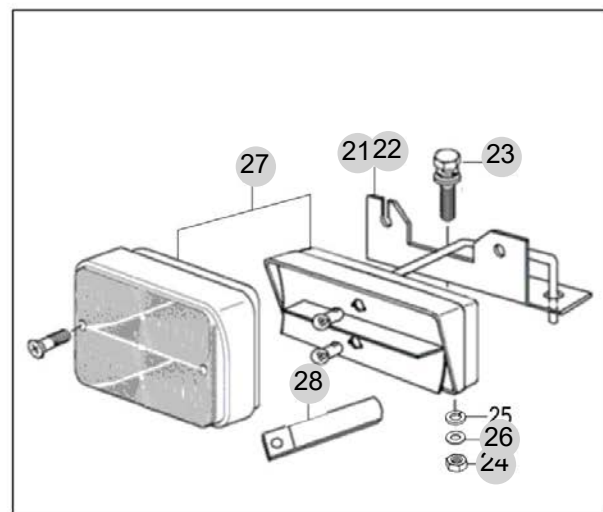
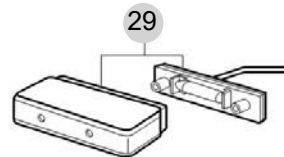
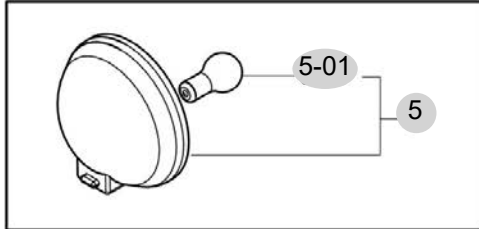
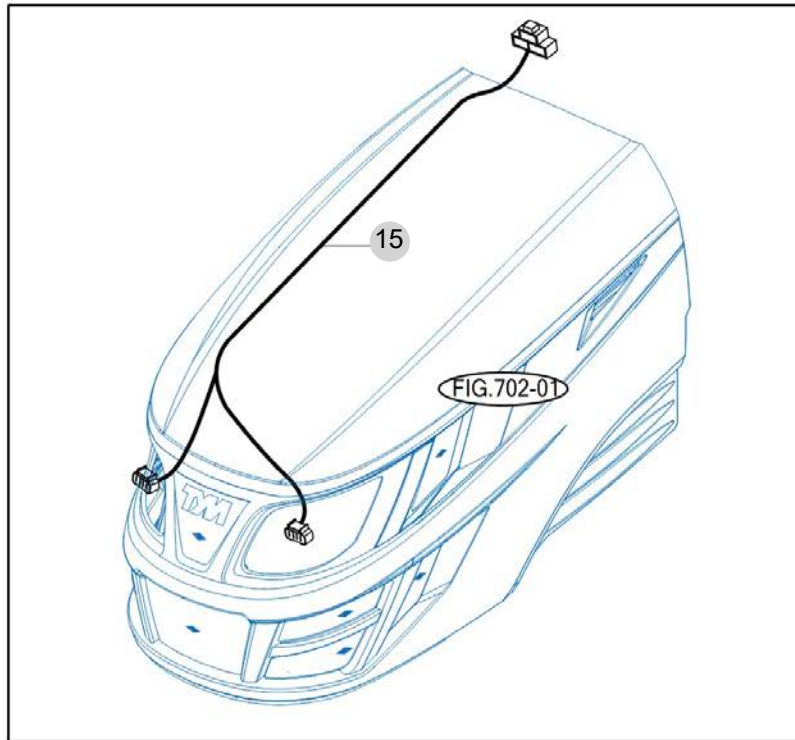
FIG 802

T395FHEU

LIGHTS

년/월
Year/Month

2022-12



NOTE

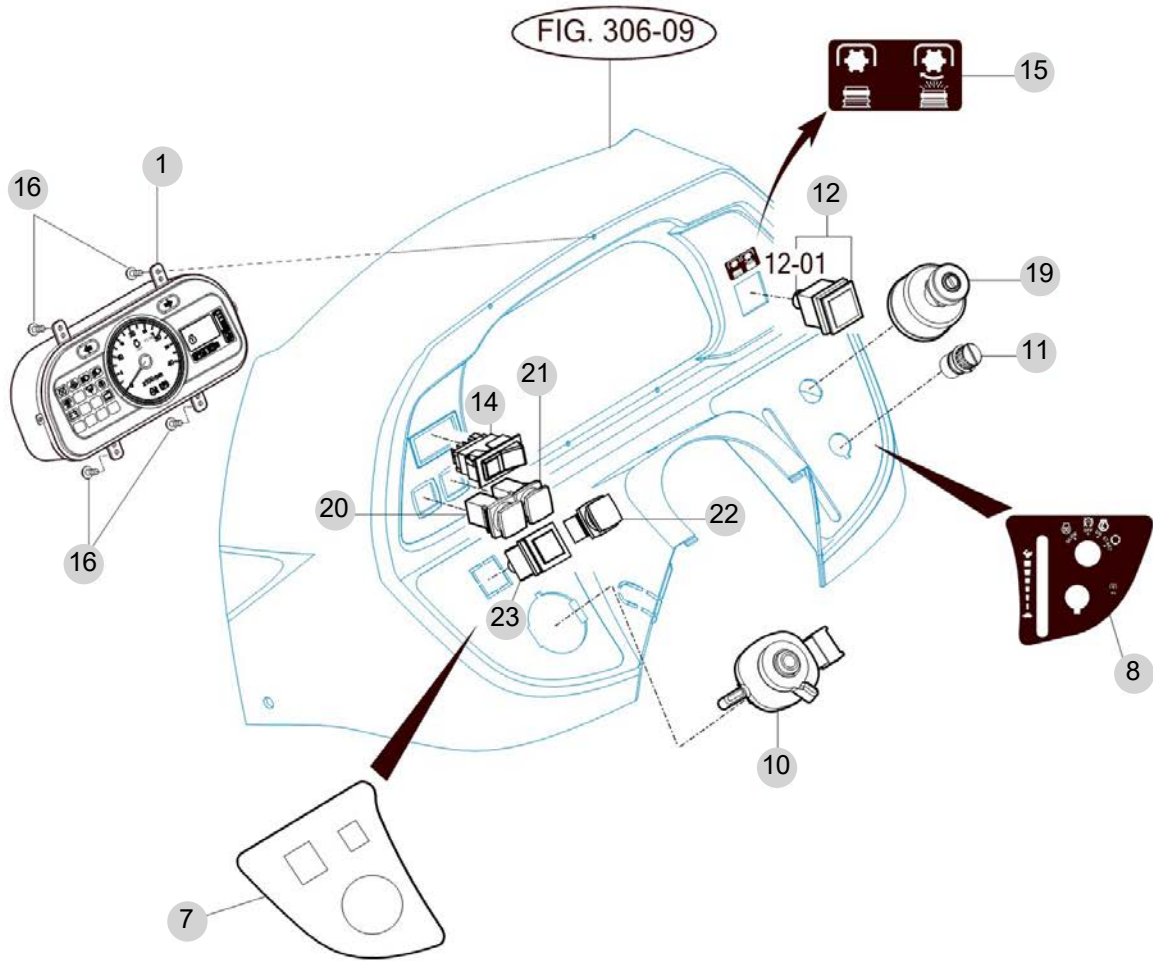
FIG 803

T395FHEU

INSTRUMENT PANEL

년/월
Year/Month

2022-12



T393-E-803

NOTE

FIG 804

T395FHEU

ELECTRIC SYSTEM

년/월
Year/Month

2022-12

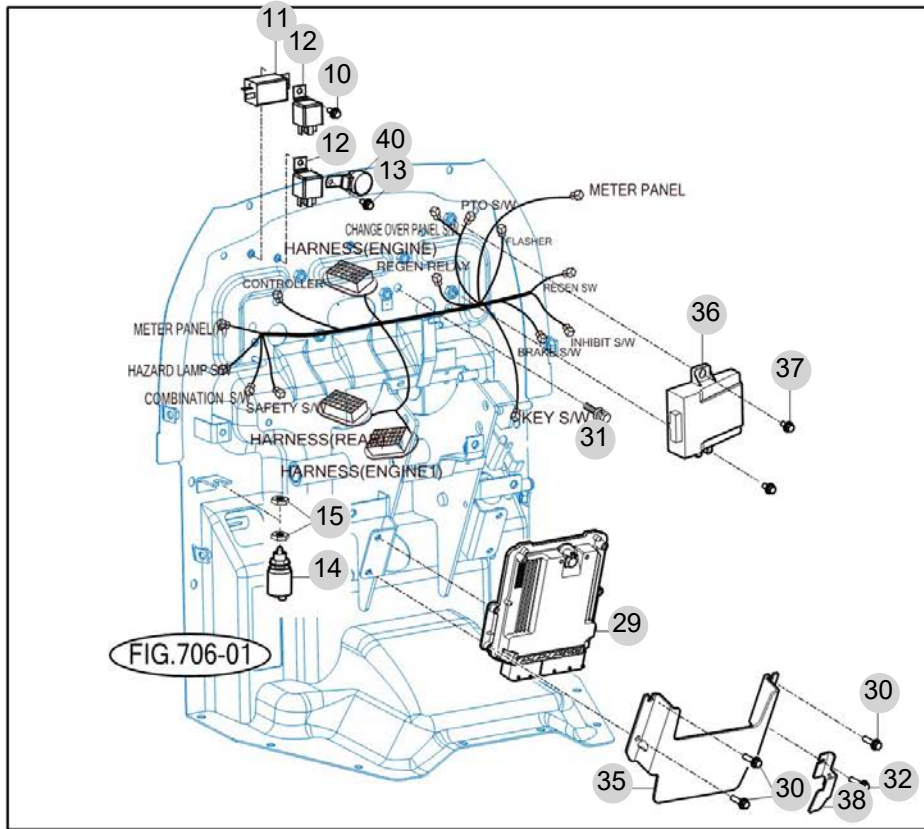
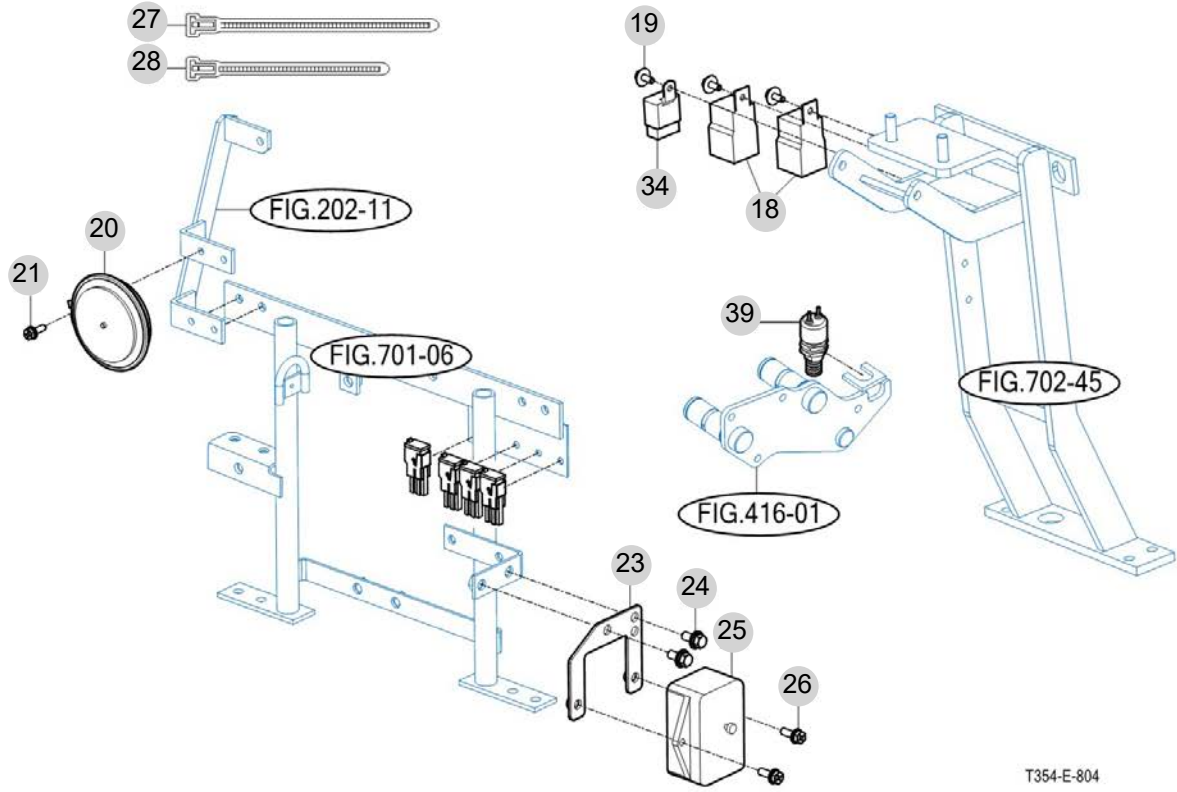


FIG.706-01



T354-E-804

NOTE

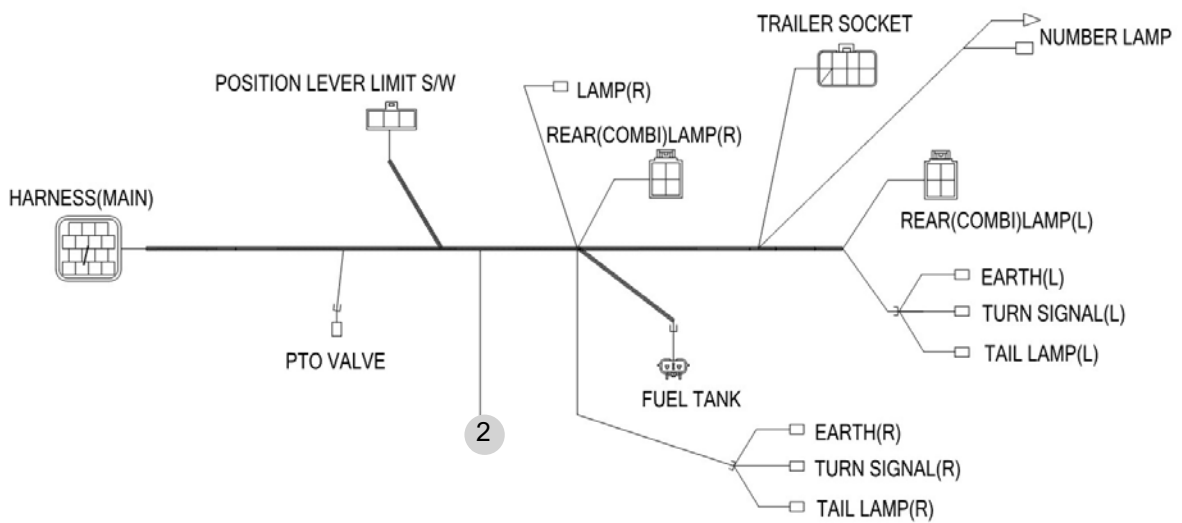
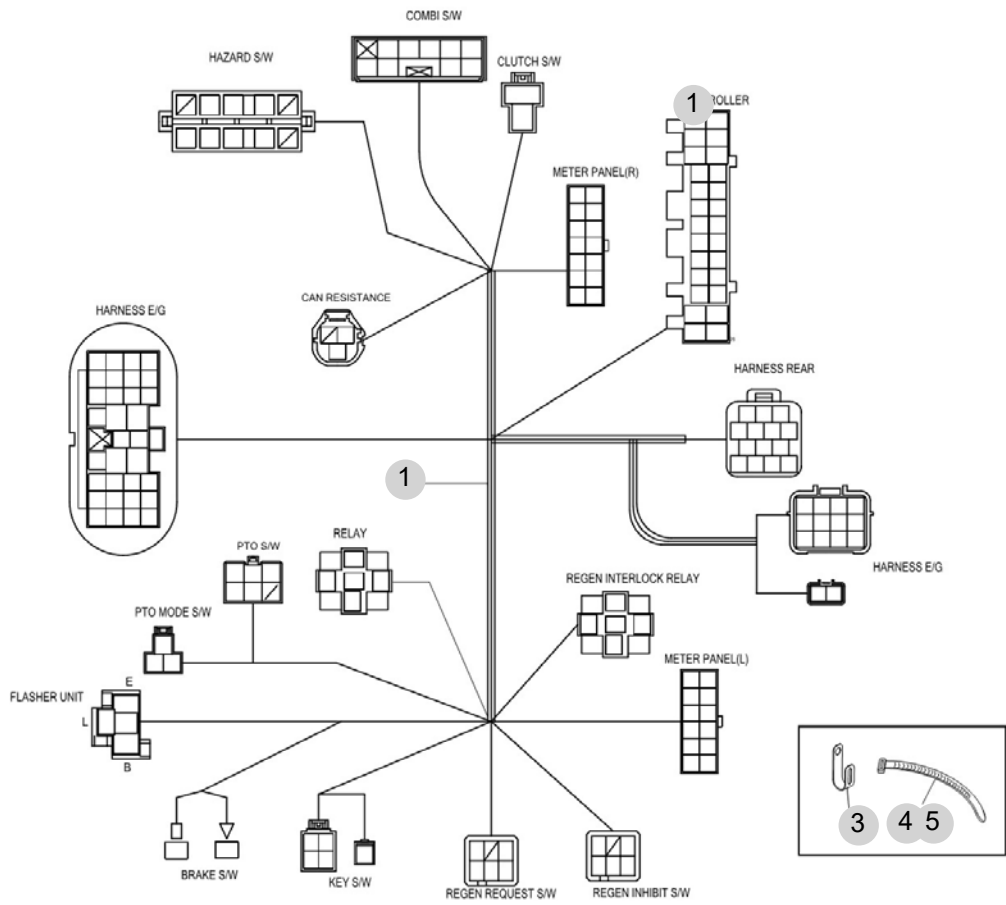
FIG 805

T395FHEU

HARNESS (1)

년/월
Year/Month

2022-12



T354NC-E-805

NOTE

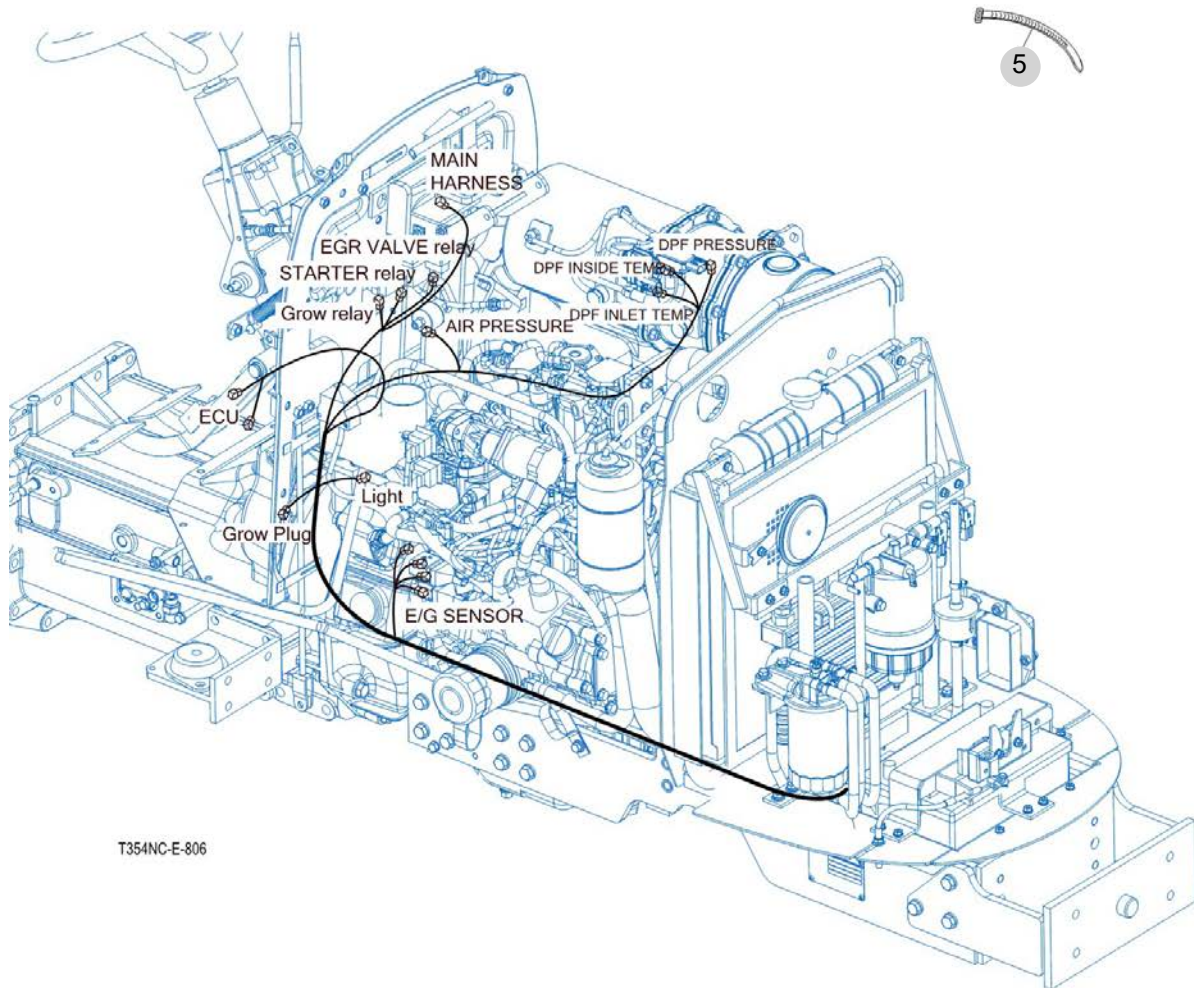
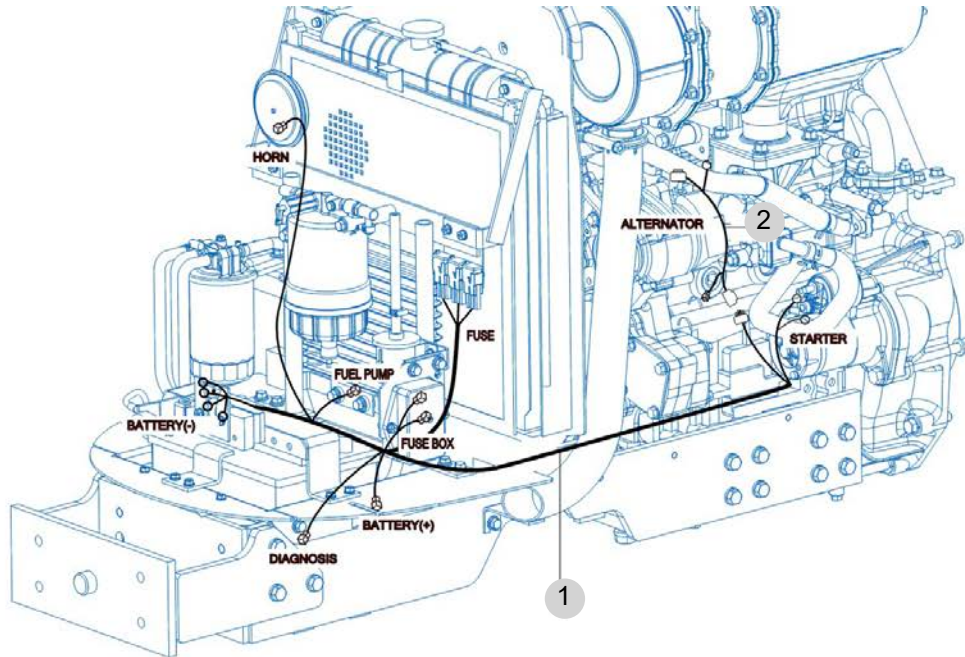
FIG 806

T395FHEU

HARNESS (2)

년/월
Year/Month

2022-12



T354NC-E-806

NOTE

9. 라벨/옵션 PART NO. T9

FIG 901 WEIGHT	183
FIG 902 TOOL & ACCESSORY	185
FIG 903-1 LABEL	187
FIG 903-2 LABEL	190

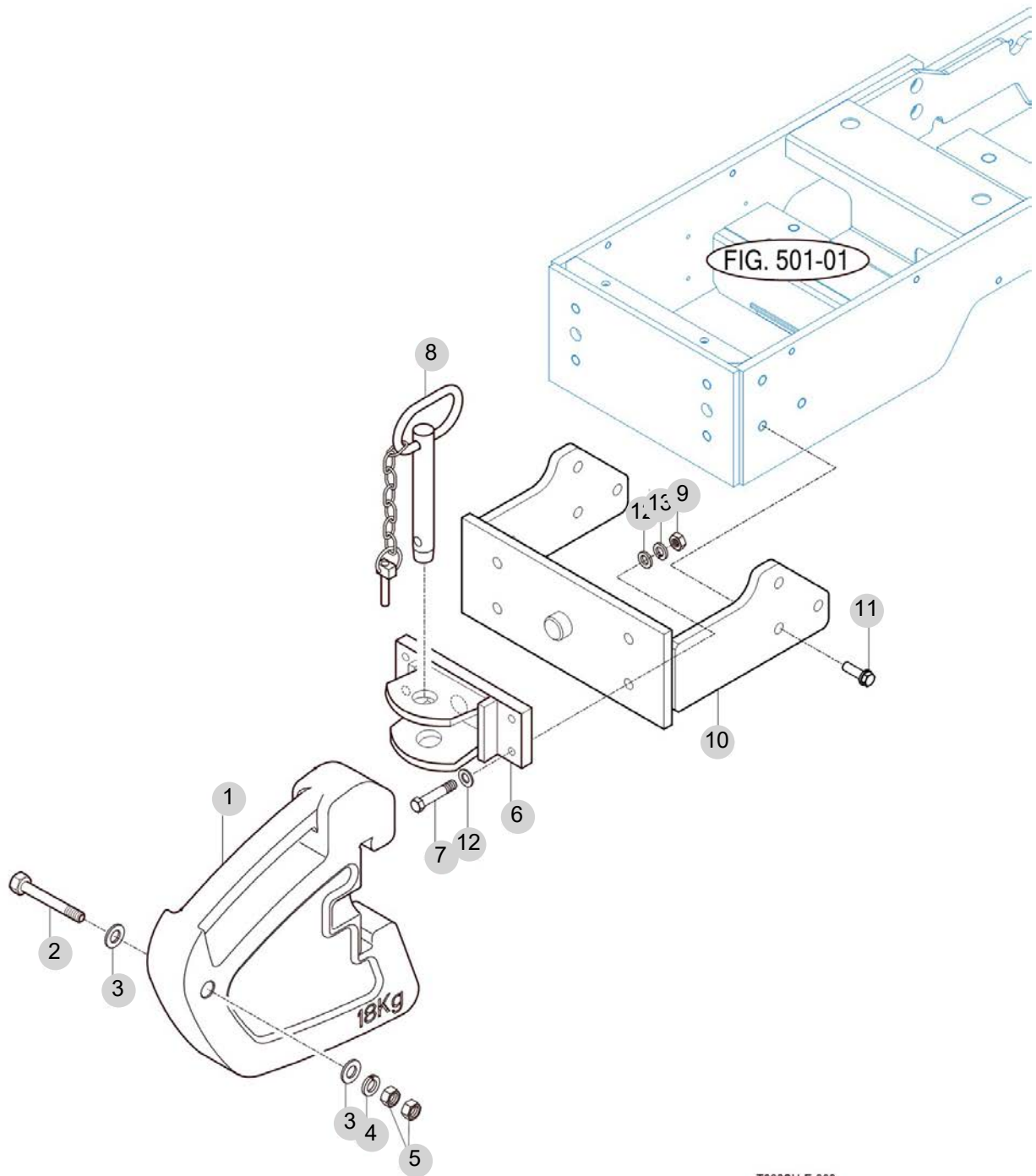
FIG 901

T395FHEU

WEIGHT

년/월
Year/Month

2022-12



T393SH-E-903

NOTE

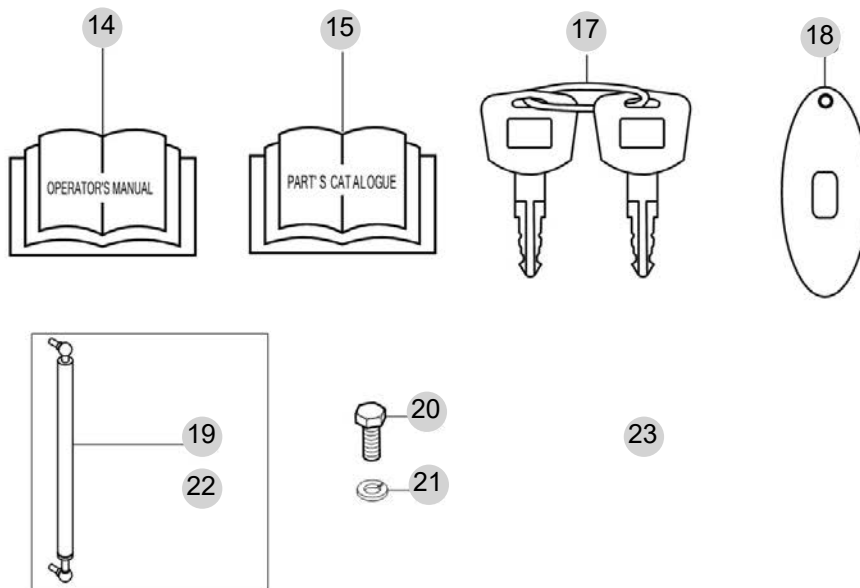
FIG 902

T395FHEU

TOOL & ACCESSORY

년/월
Year/Month

2022-12



NOTE

FIG 903-1

LABEL

년/월
Year/Month

T395FHEU

2022-12

WARNING

Death or injury may result if this tractor over turns with the ROPS in the folded down position. Operate this tractor with the ROPS folded down only when necessary. Do not wear seat belt if operated with ROPS folded down

1220-954-502-0

35

DANGER

This Tractor may tip over unexpectedly and quicker than an operator is able to jump free

1. Never operate a tractor without a proper Roll over Protection Structure (ROPS)
2. Always wear your seat belt when operating this tractor equipped with roll over protection.
3. Never pull from above or from the rear axle.
4. Do not operate the tractor on steep slopes or near drop offs
5. Avoid sharp high speed turns

Serious injury or death may result from tractor upsets.

1220-954-501-0

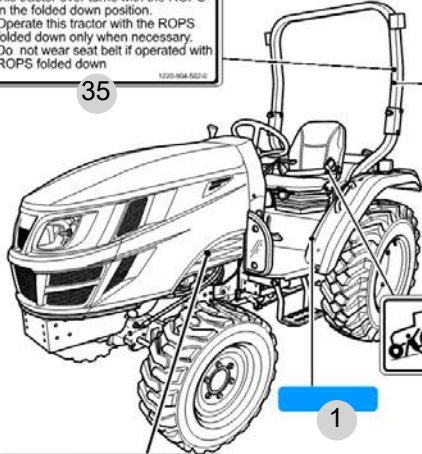
36

WARNING

- Start engine only from operators seat. If safety start switch is by passed engine can start with transmission in gear.
- Do not connect or short across terminal on starter solenoid.
- Attach booster cables as shown on battery decal and operators manual.

Starting in gear causing runaway can result in serious injury.

48₃



DANGER

Do not ride except operator.

13



18



45

CAUTION

Do not touch while the system is hot. It cause serious burns

1200-919-024-0

11

WARNING

Work in ventilated Area.

12

TONGYANGMOOLSAN CO.,LTD

Wt Number	Wt Professional Number	Top Pkg	Bottom Pkg
1	2	3	4

63

ROTARY 47

T395

29

TYM

66

TONGYANGMOOLSAN CO.,LTD

TYPE: T-GC1

e13

00073 NS

T: 3.0 tonnes
S: 300 kg

54



62

PTO (MID,REAR) LEVER

To prevent transmission damage, the PTO switch must be OFF before PTO lever is engaged.

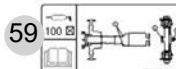
50

WARNING

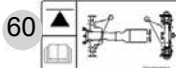
Do not use the sub shift lever at "H" position when driving backward.

1220-910-051-0

11



59



60

WARNING

Always fasten Your seat belt.

1200-910-013-0

15

WARNING

Never use the diff-lock at high speed or on the road as this can cause rollover and injury.

1200-910-056-0

19

WARNING

Do not remove radiator cap while engine is hot. Hot steam will injure you.

1200-910-019-0

8

DANGER

Start only from seat in park or neutral

Starting in gear kills.

46

WARNING

LOCK UNLOCK

LOCK BUTTEN

Push the butten to lock position with joystick lever is neutral whenever the implement is not operation.

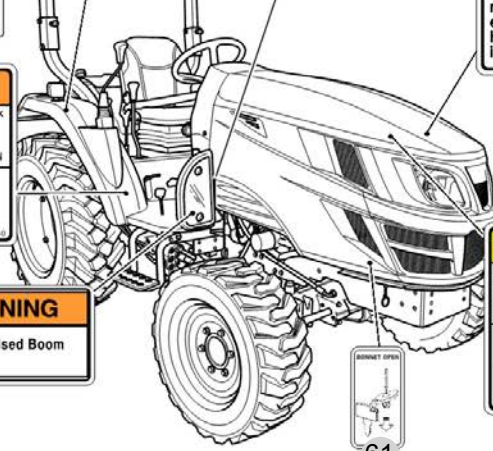
1200-910-009-0

37

WARNING

Stay clear of raised Boom and bucket.

38



BARNET OPEN

61

CAUTION

Keep hands and clothing away from rotating fan and belts to prevent serious injury.

1200-910-012-0

7

NOTE

FIG 903-1 T395FHEU		LABEL					년/월 Year/Month	
							2022-12	
KEY NO	PART NO	DESCRIPTION	SPEC	QTY	REPAIR	EFFECTIVE DATE	REMARKS	
903-1	1	14726400010	막음썰(핸드브레이크)		1			
903-1	4	12009100080	라벨, 경고/틸트		1			
903-1	5	12009100240	라벨, 주의/소음기		1			
903-1	7	12009100120	라벨, 주의/팬		1			
903-1	8	12009100150	라벨, 경고/라디에이터캡		1			
903-1	9	12009100230	라벨, 주의/취급		2			
903-1	10	12009100130	라벨, 위험/PTO		1			
903-1	11	12009100010	라벨, 경고/부변속		1			
903-1	12	12009100030	라벨, 경고/배기가스		1			
903-1	13	12009100160	라벨, 위험/동승금지		1			
903-1	14	17689100170	라벨, 주의/안전		1			
903-1	15	12009100190	라벨, 경고/안전벨트		1			
903-1	16	12009100210	라벨, 경고/스로틀		1			
903-1	17	12009100050	라벨, 경고/화기염금		1			
903-1	18	17689200050	라벨, 취급/차동고정		1			
903-1	19	12009100060	라벨, 경고/차동고정		1			
903-1	20	12009100140	라벨, 경고/견인		1			
903-1	26	12009100070	라벨, 경고/브레이크		1			
903-1	29	13749010042	마크, T395		2			
903-1	29	13749010041	마크, T395		2			
903-1	35	12209045020	라벨(ROPS경고)		1			
903-1	36	12209045010	라벨(ROPS위험)		1			
903-1	37	17699100090	라벨, 경고/조이스틱		1			
903-1	38	17699100100	라벨, 경고/조이스틱밸브		1			
903-1	39	12519430040	4WD마크		1			
903-1	40	12009100040	라벨, 경고/스톱밸브		1			
903-1	45	12132442410	라벨(부변속)		1			
903-1	46	14729020110	라벨(위험)		1			
903-1	47	12209040030	라벨(로타리)		2			
903-1	48	12609040620	경고(스타트)		1			
903-1	50	14729040200	라벨(PTO레버)		1			
903-1	52	12209045051	라벨, 경고/개조		1			
903-1	53	13749040690	형식마크(ROPS)		1			
903-1	54	12519040230	드로바명판		1			
903-1	55	12519040190	명판(승강장치/상승) CONTROL ID		1			
903-1	56	12519040200	명판(승강장치/하강) CONTROL ID		1			
903-1	57	12519040920	라벨(보조유압/A)		1			
903-1	58	15189030060	포트마크(A)		1			
903-1	59	12519100130	라벨, 그리스		1			
903-1	60	12519100140	라벨, 잭포인트		1			
903-1	61	12137025120	라벨, 본넷 오픈		1			
903-1	62	12519100040	라벨(PTO, M+R)		1			
903-1	63	15829040220	제조사 식별명판(EU)		1			
903-1	64	12009040041	유압컨트롤마크		1			
903-1	65	12539040690	형식마크(ROPS)		1			
NOTE								

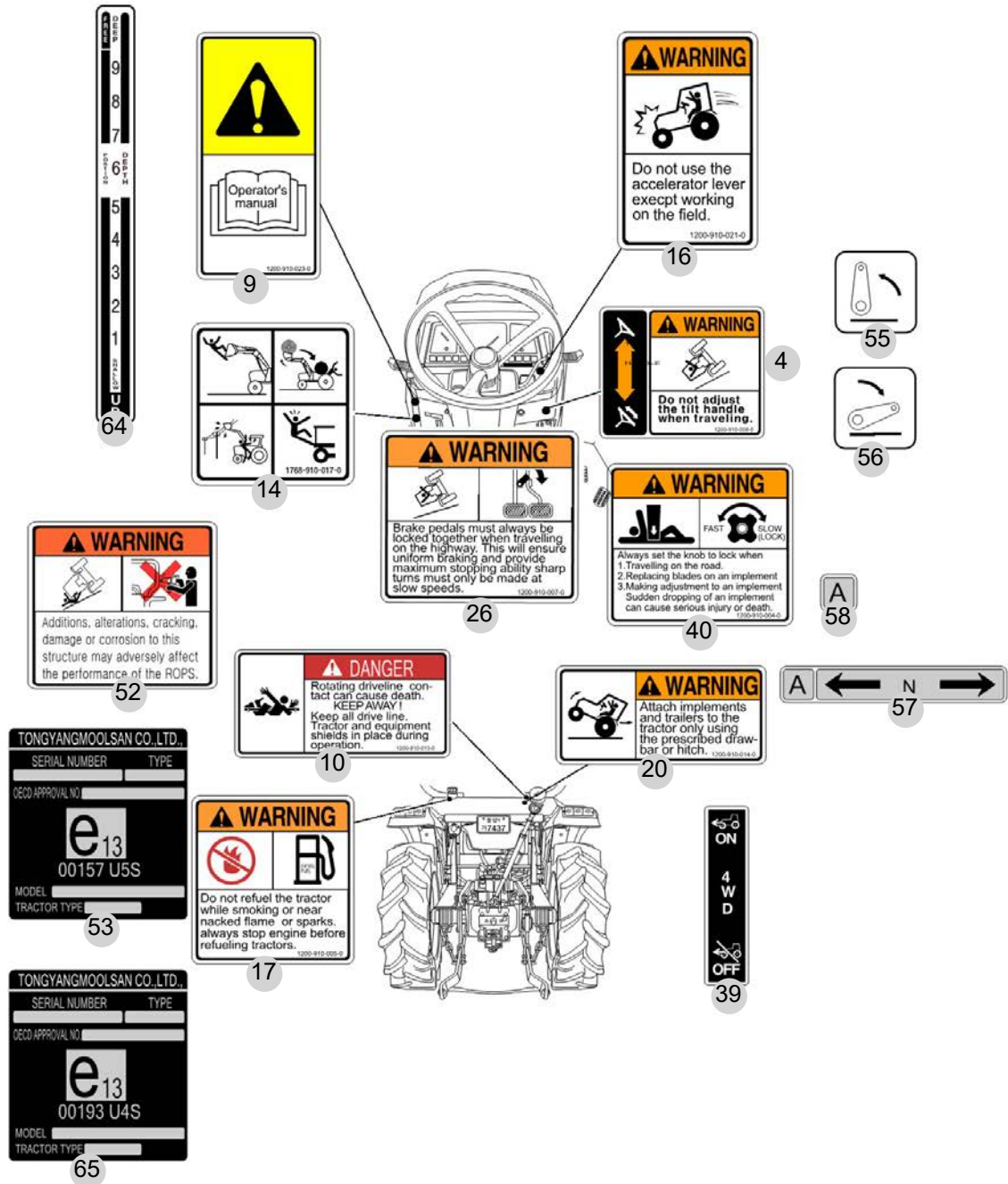
FIG 903-2

T395FHEU

LABEL

년/월
Year/Month

2022-12



NOTE

FIG 903-2		LABEL					년/월 Year/Month		
							2022-12		
T395FHEU		KEY NO	PART NO	DESCRIPTION	SPEC	QTY	REPAIR	EFFECTIVE DATE	REMARKS
903-2	1	14726400010	막음씰(핸드브레이크)			1			
903-2	4	12009100080	라벨, 경고/틸트			1			
903-2	5	12009100240	라벨, 주의/소음기			1			
903-2	7	12009100120	라벨, 주의/팬			1			
903-2	8	12009100150	라벨, 경고/라디에이터캡			1			
903-2	9	12009100230	라벨, 주의/취급			2			
903-2	10	12009100130	라벨, 위험/PTO			1			
903-2	11	12009100010	라벨, 경고/부변속			1			
903-2	12	12009100030	라벨, 경고/배기가스			1			
903-2	13	12009100160	라벨, 위험/동승금지			1			
903-2	14	17689100170	라벨, 주의/안전			1			
903-2	15	12009100190	라벨, 경고/안전벨트			1			
903-2	16	12009100210	라벨, 경고/스로틀			1			
903-2	17	12009100050	라벨, 경고/화기염금			1			
903-2	18	17689200050	라벨, 취급/차동고정			1			
903-2	19	12009100060	라벨, 경고/차동고정			1			
903-2	20	12009100140	라벨, 경고/견인			1			
903-2	26	12009100070	라벨, 경고/브레이크			1			
903-2	29	13749010041	마크, T395			2			
903-2	29	13749010042	마크, /T395			2			
903-2	35	12209045020	라벨(ROPS경고)			1			
903-2	36	12209045010	라벨(ROPS위험)			1			
903-2	37	17699100090	라벨, 경고/조이스틱			1			
903-2	38	17699100100	라벨, 경고/조이스틱밸브			1			
903-2	39	12519430040	4WD마크			1			
903-2	40	12009100040	라벨, 경고/스톱밸브			1			
903-2	45	12132442410	라벨(부변속)			1			
903-2	46	14729020110	라벨(위험)			1			
903-2	47	12209040030	라벨(로타리)			2			
903-2	48	12609040620	경고(스타트)			1			
903-2	50	14729040200	라벨(PTO레버)			1			
903-2	52	12209045051	라벨, 경고/개조			1			
903-2	54	12519040230	드로바명판			1			
903-2	55	12519040190	명판(승강장치/상승) CONTROL ID			1			
903-2	56	12519040200	명판(승강장치/하강) CONTROL ID			1			
903-2	57	12519040920	라벨(보조유압/A)			1			
903-2	58	15189030060	포트마크(A)			1			
903-2	59	12519100130	라벨, 그리스			1			
903-2	60	12519100140	라벨, 잭포인트			1			
903-2	61	12137025120	라벨, 본넷 오픈			1			
903-2	62	12519100040	라벨(PTO, M+R)			1			
903-2	63	15829040220	제조사 식별명판(EU)			1			
903-2	63	T0019110060	형식명판, 수출/EU			1			
903-2	64	12009040041	유압컨트롤마크			1			
903-2	65	12539040691	형식마크(ROPS)			1			
NOTE									

FIG 903-2		LABEL					년/월 Year/Month	
T395FHEU							2022-12	
KEY NO	PART NO	DESCRIPTION	SPEC	QTY	REPAIR	EFFECTIVE DATE	REMARKS	
903-2	66	14119010020	라벨 , /TYM 60	2				
NOTE								