

T554NC

Parts Catalog

# 목 차

---

## 0. TRACTOR KIT PART NO. TK1

FIG 001 EXTERNAL POSITION LEVER KIT	7
-------------------------------------	---

## 1. Engine PART NO. EG

FIG 100 ENGINE	10
FIG 101A CYLINDER BLOCK (T554)	12
FIG 102 GEAR HOUSING	14
FIG 103 FLYWHEEL HOUSING & OIL SUMP	16
FIG 104A CYLINDER HEAD & BONNET (T554)	18
FIG 105A SUCTION MANIFOLD (T554)	21
FIG 106A EXHAUST MANIFOLD (T554)	23
FIG 107A DIESEL PARTICULATE FILTER (T554)	25
FIG 108 CAMSHAFT & DRIVING GEAR	27
FIG 109 TURBINE (T554)	29
FIG 110A CRANKSHAFT & PISTON (T554)	31
FIG 111 BALANCER	33
FIG 112A LUB. OIL SYSTEM (T554)	35
FIG 113 LUB. OIL LINE (T554)	37
FIG 114 COOLING WATER SYSTEM	39
FIG 115 FUEL SUPPLY PUMP	41
FIG 116A FUEL INJECTION VALVE (T554)	43
FIG 117 FUEL LINE	45
FIG 118 STARTING MOTOR	47
FIG 119 GENERATOR	49
FIG 120A ELECTRONIC CONTROL UNIT (T554)	51
FIG 121A ELECTRIC PARTS (T554)	53
FIG 122A ACCESSORY (T554)	55

## 2. Engine Accessories PART NO. T2

FIG 201 AIR CLEANER	58
---------------------	----

FIG 202 RADIATOR	60
FIG 203 MUFFLER	62
FIG 204 FUEL HOSE & FILTER	64
FIG 205 FUEL TANK	66
FIG 206 ACCELERATOR	68
FIG 208 FAN , COOLING	70

### 3. Clutch/Brake/Steering PART NO. T3

FIG 301 CLUTCH	73
FIG 302 CLUTCH PEDAL	75
FIG 303 BRAKE	78
FIG 304 BRAKE PEDAL & LINK	80
FIG 305A FRONT WHEEL	82
FIG 305B FRONT WHEEL (R4 OPTION)	84
FIG 306A REAR WHEEL	86
FIG 306B REAR WHEEL (R4 OPTION)	88
FIG 307 POWER STEERING WHEEL	90
FIG 308 POWER STEERING VALVE	92
FIG 309 POWER STEERING CYLINDER	94

### 4. Transmission PART NO. T4

FIG 401 TRANSMISSION FRONT CASE	97
FIG 402 FORWARD & BACKWARD GEARS	99
FIG 403 IDLE & COUNTER GEARS	101
FIG 404 MAIN SHIFT GEARS	103
FIG 405 P.T.O DRIVE SHAFT	105
FIG 406 MAIN CHANGE LEVER	107
FIG 407 REVERSE CHANGE LEVER	109
FIG 408 TRANSMISSION MID CASE	111
FIG 409 TRANSMISSION REAR CASE	113
FIG 410 SUB CHANGE GEARS	115
FIG 411 SUB CHANGE SHIFTER	117
FIG 413 DRIVE GEARS	119
FIG 414 4WD CHANGE LEVER	121
FIG 415 P.T.O CHANGE GEARS	123
FIG 417 REAR DIFFERENTIAL GEARS	125

FIG 418 REAR AXLE HOUSING	128
---------------------------	-----

## 5. Front Axle PART NO. T5

FIG 501 FRONT AXLE SUPPORT	131
FIG 502 FRONT DRIVE SHAFT	133
FIG 503 FRONT AXLE HOUSING	135
FIG 504 FRONT DIFFERENTIAL GEARS	137
FIG 505 FRONT GEAR CASE (1)	139
FIG 506 FRONT GEAR CASE (2)	141
FIG 507 FRONT GEAR CASE (3)	143

## 6. Hydraulic/3P-Link PART NO. T6

FIG 601 CYLINDER CASE	146
FIG 602 LIFT ARM	148
FIG 603 CYLINDER	150
FIG 604 POSITION LINK	152
FIG 605 CONTROL VALVE	154
FIG 606 DRAFT LINK	156
FIG 607 POSITION & DRAFT LEVER	158
FIG 608 EXTERIOR HYD. VALVE	160
FIG 609 HYDRAULIC PIPE	162
FIG 610 JOYSTICK	164
FIG 611 HYDRAULIC HOSE	166
FIG 612 HITCH & 3-POINT LINK	168
FIG 613 LOWER LINK & LIFT ROD	171
FIG 614 EXTERNAL POSITION LEVER KIT	173

## 7. Sheet Metal & Cabin PART NO. T7

FIG 701 HOOD (1)	176
FIG 702 HOOD (2)	178
FIG 704-2 LEVER COVER & STEP-NON CAB	180
FIG 705 FRONT & REAR MOUNTING	182
FIG 706 SEAT & MAT	184
FIG 710B FRAME & 2POLES-ROPS-NON CAB	186
FIG 713B SUB FENDER&COVER-NON CAB	188



FIG 714B MIRROR&WORKING LAMP-NON CAB	190
FIG 718 CABIN INTERIOR	192

## 8. Electrical System PART NO. T8

FIG 801 BATTERY & MOUNTING	195
FIG 802 LIGHT & BACK LAMP	197
FIG 803 INSTRUMENT PANEL	199
FIG 804 ELECTRIC SYSTEM (1)	201
FIG 805B ELECTRIC SYSTEM (2)-NON CAB	203
FIG 806 INSTRUMENT PANEL	205

## 9. Label/Option PART NO. T9

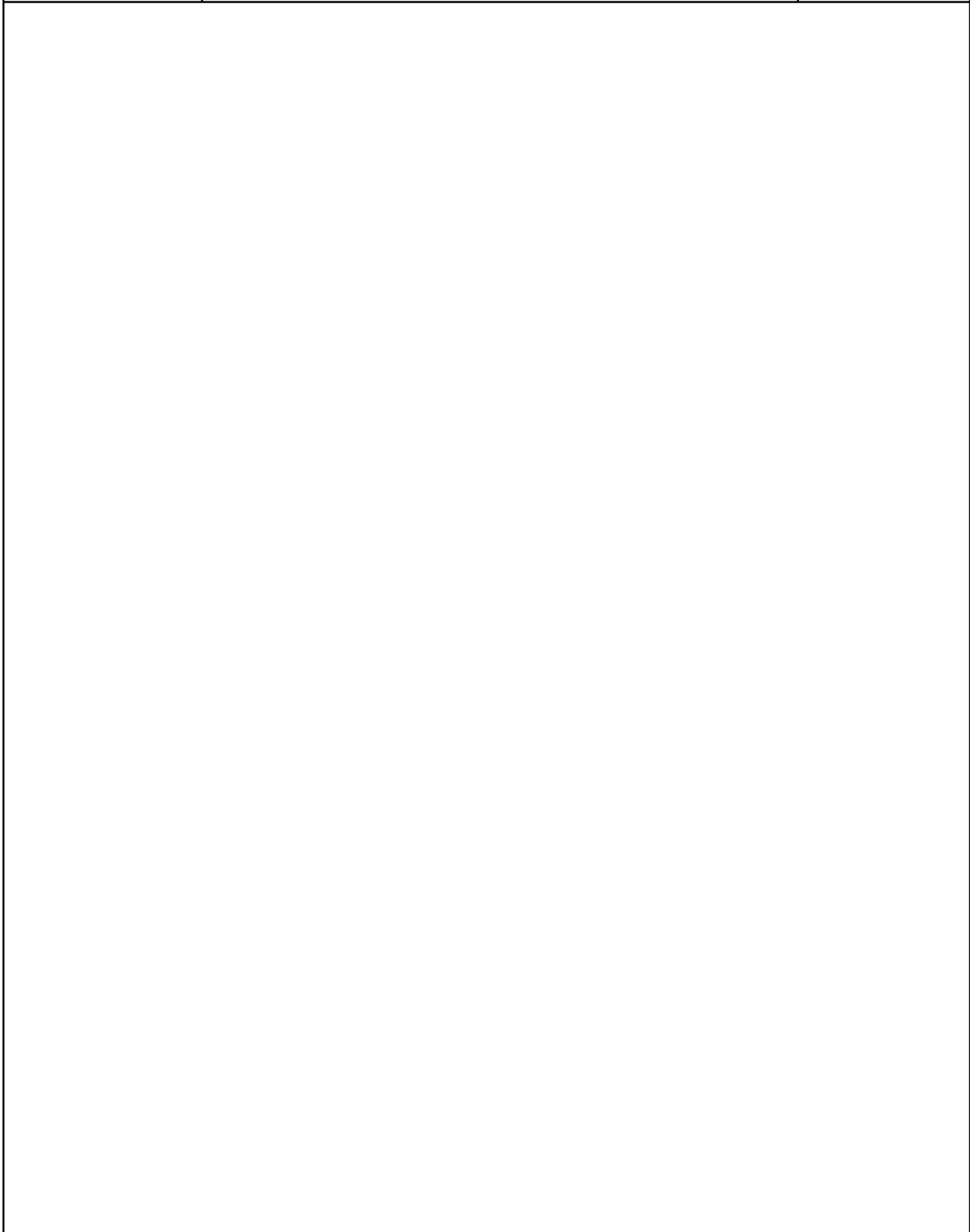
FIG 901 TOOL & ACCESSORY	208
FIG 902 LABEL	210

0. TRACTOR KIT PART NO. TK1

FIG 001 EXTERNAL POSITION LEVER KIT

7

FIG 001 T554NC	EXTERNAL POSITION LEVER KIT	년/월 Year/Month 2022-12
-------------------	-----------------------------	------------------------------



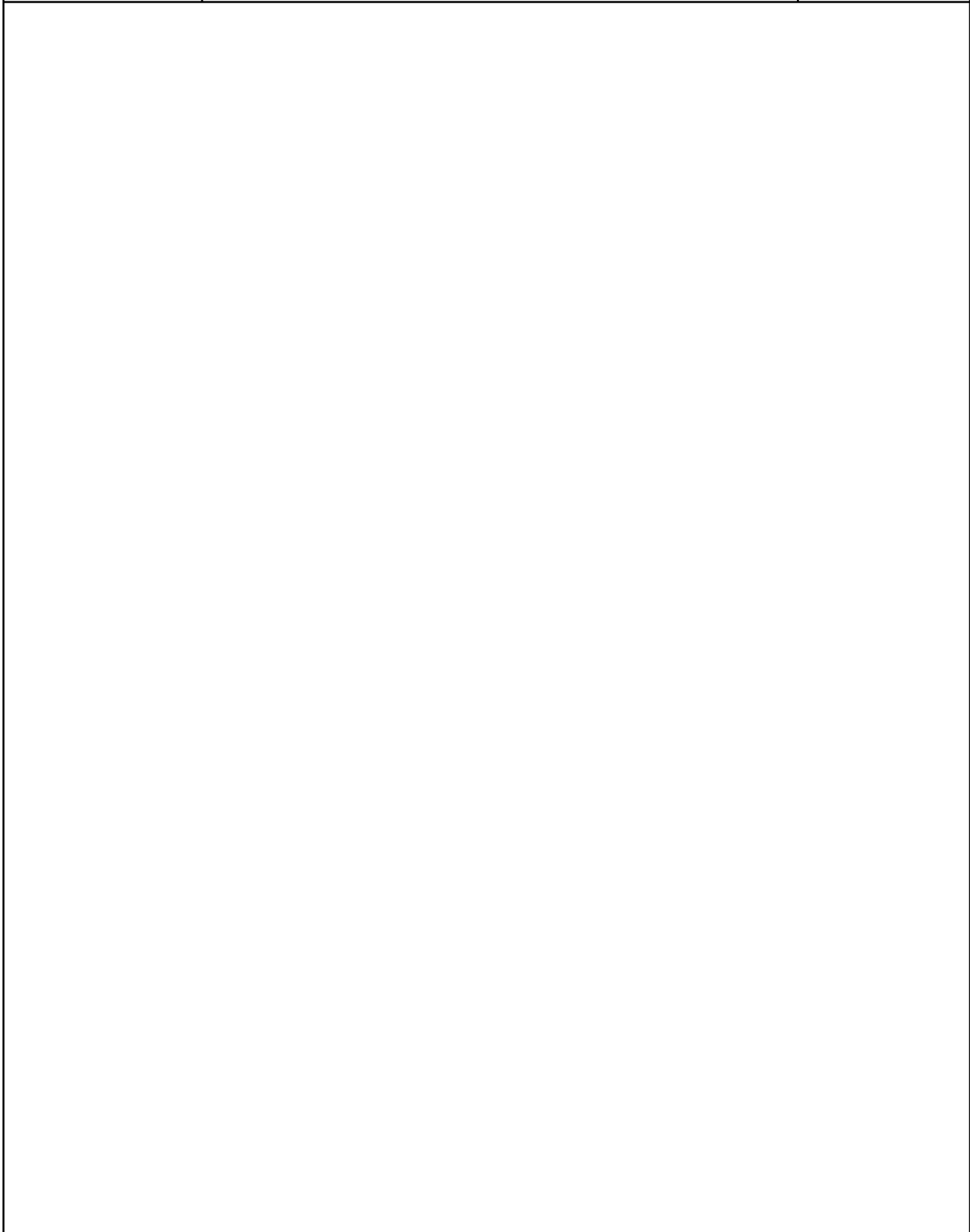
NOTE	
------	--



## 1. Engine PART NO. EG

FIG 100 ENGINE	10
FIG 101A CYLINDER BLOCK (T554)	12
FIG 102 GEAR HOUSING	14
FIG 103 FLYWHEEL HOUSING & OIL SUMP	16
FIG 104A CYLINDER HEAD & BONNET (T554)	18
FIG 105A SUCTION MANIFOLD (T554)	21
FIG 106A EXHAUST MANIFOLD (T554)	23
FIG 107A DIESEL PARTICULATE FILTER (T554)	25
FIG 108 CAMSHAFT & DRIVING GEAR	27
FIG 109 TURBINE (T554)	29
FIG 110A CRANKSHAFT & PISTON (T554)	31
FIG 111 BALANCER	33
FIG 112A LUB. OIL SYSTEM (T554)	35
FIG 113 LUB. OIL LINE (T554)	37
FIG 114 COOLING WATER SYSTEM	39
FIG 115 FUEL SUPPLY PUMP	41
FIG 116A FUEL INJECTION VALVE (T554)	43
FIG 117 FUEL LINE	45
FIG 118 STARTING MOTOR	47
FIG 119 GENERATOR	49
FIG 120A ELECTRONIC CONTROL UNIT (T554)	51
FIG 121A ELECTRIC PARTS (T554)	53
FIG 122A ACCESSORY (T554)	55

FIG 100 T554NC	ENGINE	년/월 Year/Month 2022-12
-------------------	--------	------------------------------



NOTE	
------	--



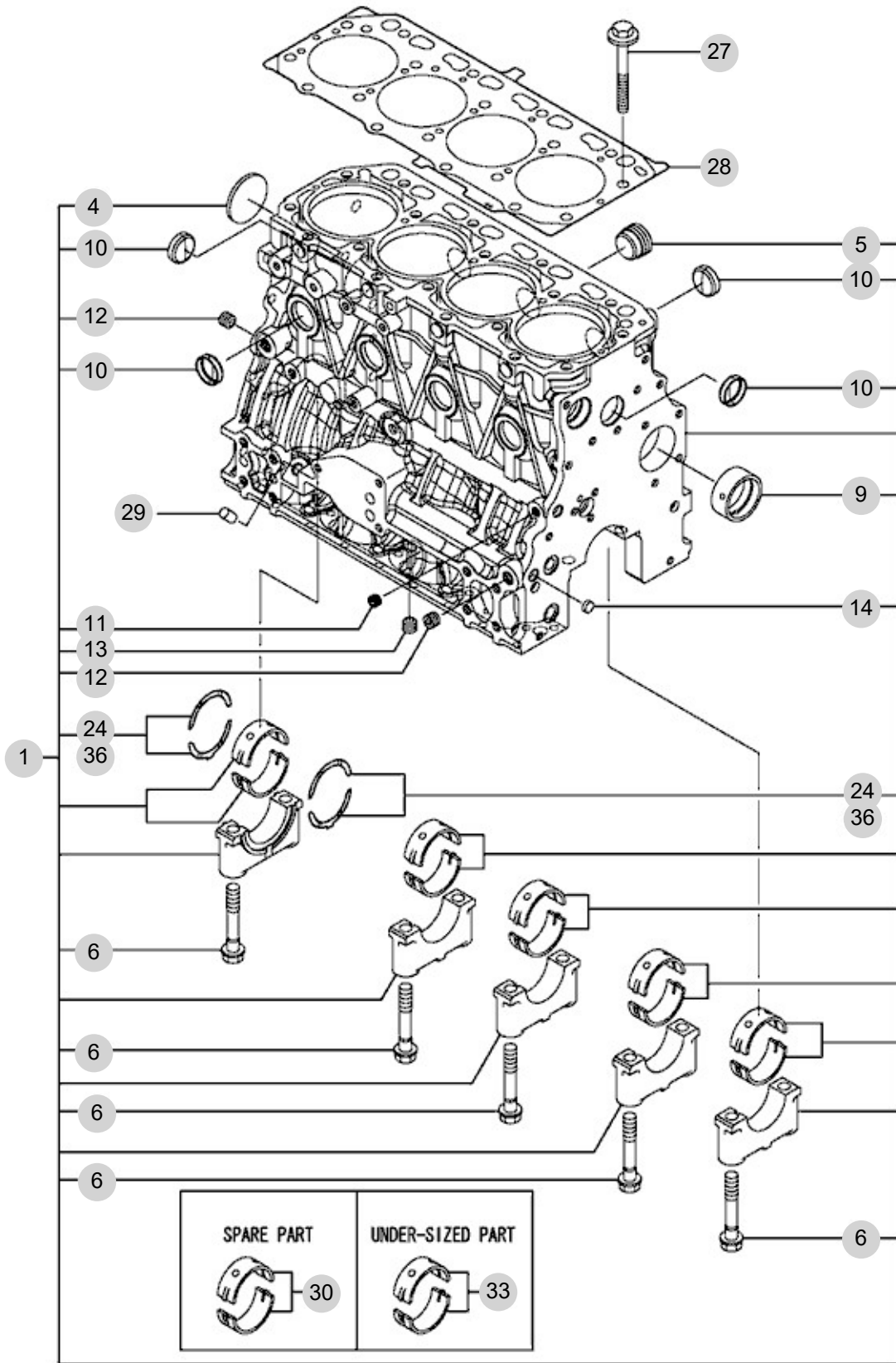
FIG 101A

CYLINDER BLOCK (T554)

년/월  
Year/Month

2022-12

T554NC



NOTE



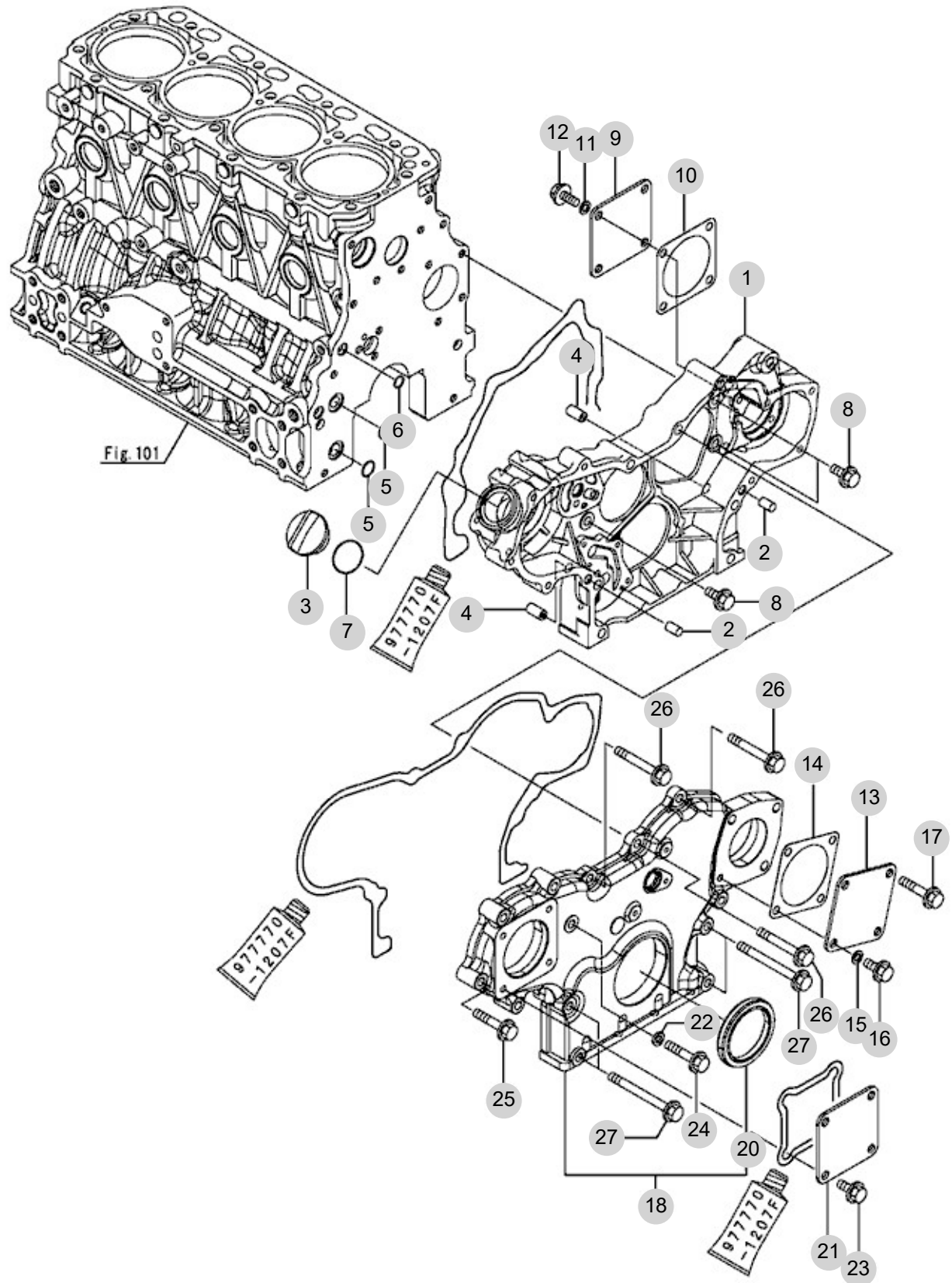


FIG 102

GEAR HOUSING

년/월  
Year/Month

2022-12



NOTE

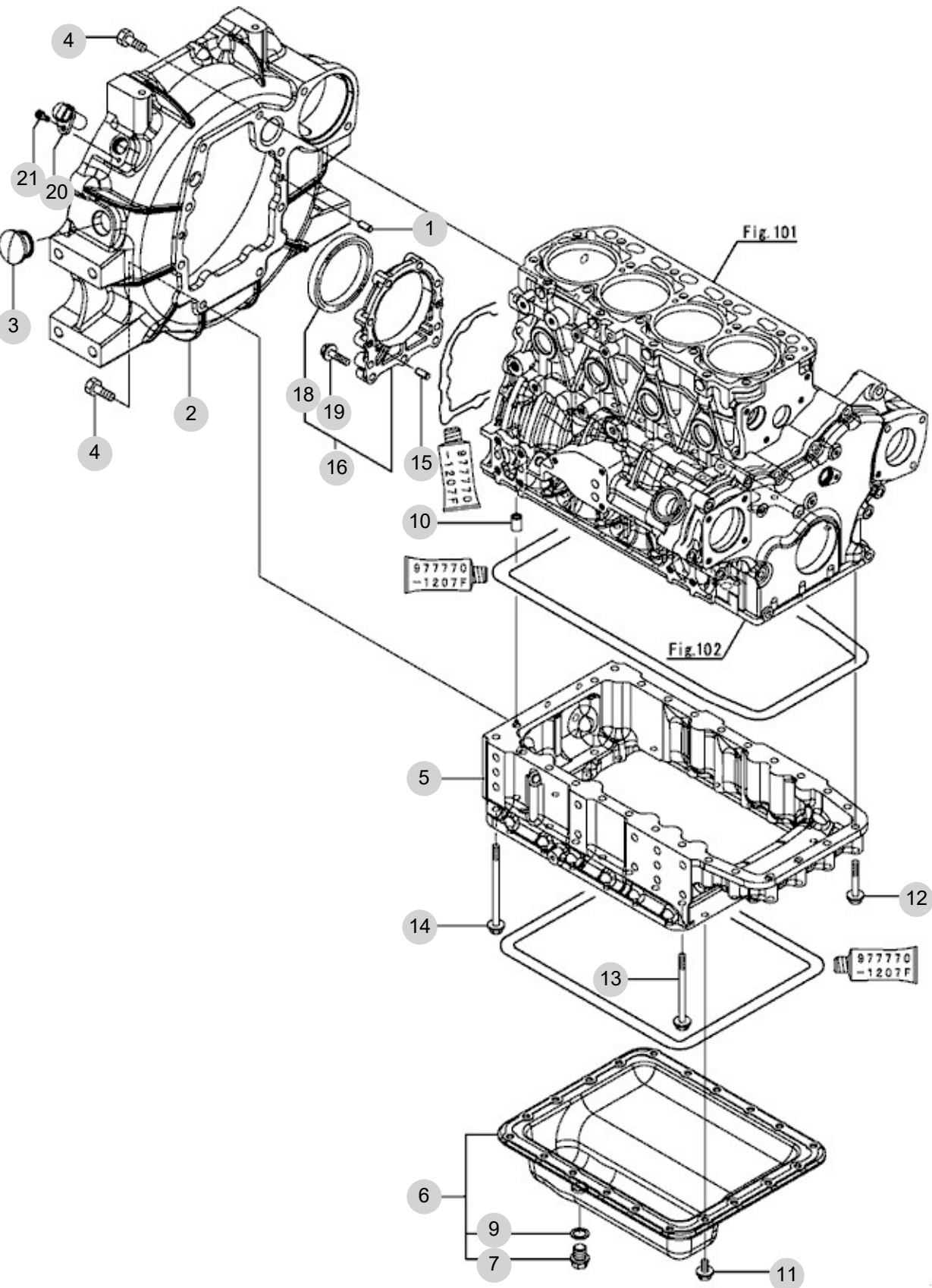


FIG 103

FLYWHEEL HOUSING & OIL SUMP

년/월  
Year/Month

2022-12



NOTE



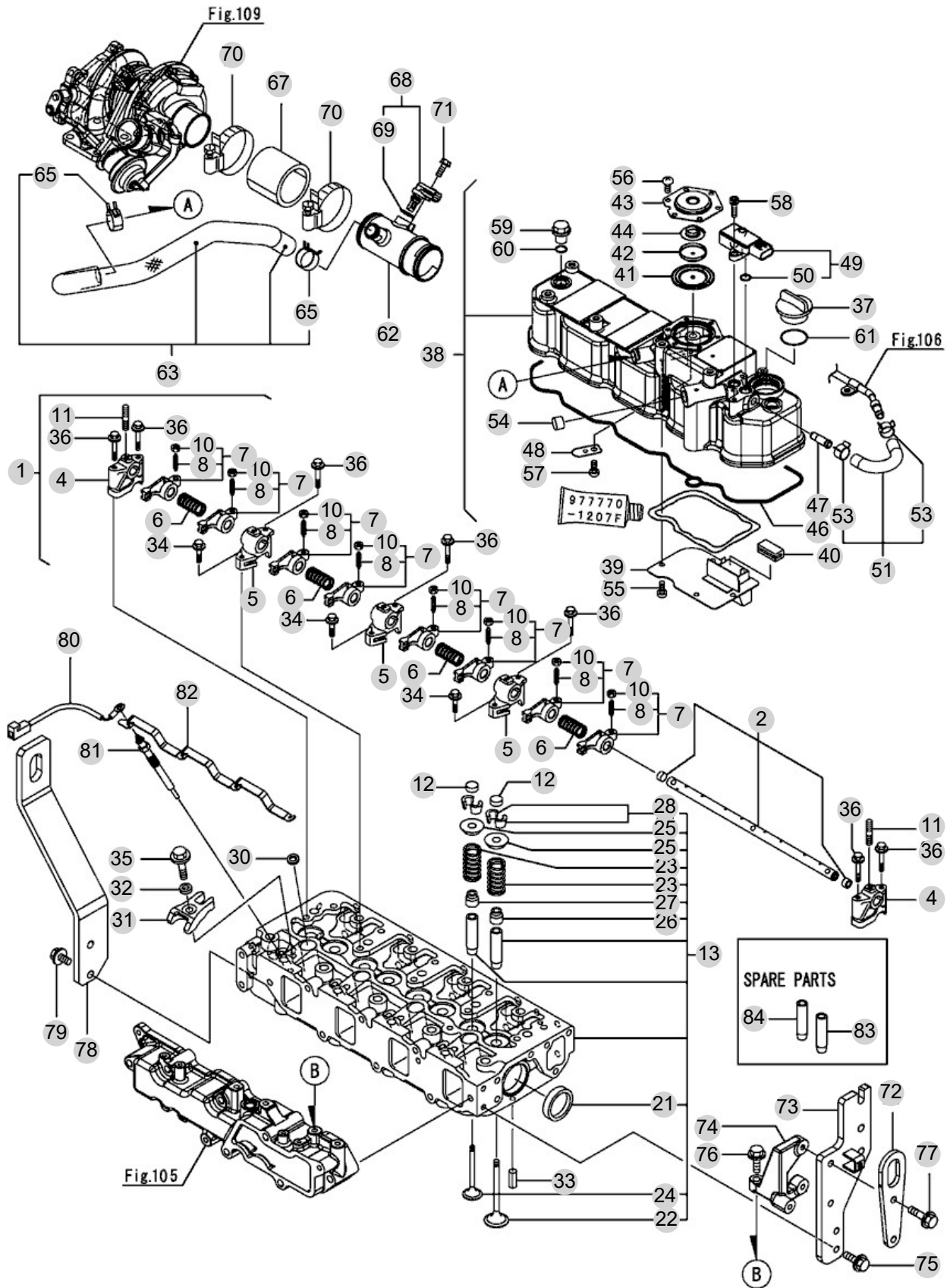
FIG 104A

CYLINDER HEAD & BONNET (T554)

년/월  
Year/Month

2022-12

T554NC



NOTE

FIG 104A		CYLINDER HEAD & BONNET (T554)					년/월 Year/Month		
							2022-12		
T554NC		KEY NO	PART NO	DESCRIPTION	SPEC	QTY	REPAIR	EFFECTIVE DATE	REMARKS
104A	1	129601-11241	SHAFT ASSY, ROCKER			1			
104A	2	129601-11251	SHAFT, ROCKER ARM			1			
104A	4	119802-11260	SUPPORT, ?ROCKER?ARM			2			
104A	5	119802-11270	SUPPORT, ROCKER ARM			3			
104A	6	129150-11280	SPRING			4			
104A	7	129004-11650	ARM, ?ROCKER			8			
104A	8	129150-11230	SCREW, VALVE ADJUST			8			
104A	10	129150-11750	NUT, M8			8			
104A	11	26226-080182	STUD, ?M8X18			3			
104A	12	129150-11370	CAP, VALVE			8			
104A	13	129C01-11700	HEAD ASSY, CYLINDER			1			
104A	21	27241-400000	PLUG, ?40			2			
104A	22	129005-11100	VALVE, INTAKE			4			
104A	23	129795-11120	SPRING, VALVE			8			
104A	24	129100-11130	VALVE, ?EXHAUST			4			
104A	25	129795-11180	RETAINER, SPRING			8			
104A	26	124460-11340	SEAL, VALVE STEM			4			
104A	27	129A00-11340	SEAL, ?VALVE?STEM			4			
104A	28	27310-080001	COTTER, 8			8			
104A	30	129978-11871	GASKET, INJECTOR			4			
104A	31	129A00-11900	RETAINER, ?INJECTOR			4			
104A	32	120270-54410	WASHER, INJECTOR			4			
104A	33	22351-060012	PIN, SPRING 6.0X12			2			
104A	34	26106-080252	SCREW , HEX FLANGE HEAD CAP			3			
104A	35	26106-080352	BOLT			4			
104A	36	26106-080502	BOLT, M8X50 PLATED			7			
104A	37	124160-01751	COVER, ?FILLER			1			
104A	38	129C01-11351	BONNET ASSY			1			
104A	39	129004-03010	PLATE			1			
104A	40	129150-03070	BAFFLE, ?BREATHER			1			
104A	41	123907-03100	DIAPHRAGM			1			
104A	42	123907-03110	PLATE			1			
104A	43	123907-03120	PLATE, ?BREATHER			1			
104A	44	123907-03140	SPRING, DIAPHRAGM			1			
104A	46	129C00-11310	GASKET, COVER			1			
104A	47	129A00-11330	JOINT			1			
104A	48	129009-11340	SPRING			1			
104A	49	129A00-12703	SENSOR, PRESSURE			1			
104A	50	129A00-12780	O-RING, PRES?SENSOR			2			
104A	51	129A00-13360	HOSE ASSY, PRES EXH			1			
104A	53	129A00-13380	CLIP, HOSE 14			2			
104A	54	119640-61400	PLUG			1			
104A	55	22857-500100	SCREW, 5X10			4			
104A	56	22857-500100	SCREW, 5X10			6			
104A	57	22857-500100	SCREW, ?5X10			1			
NOTE									





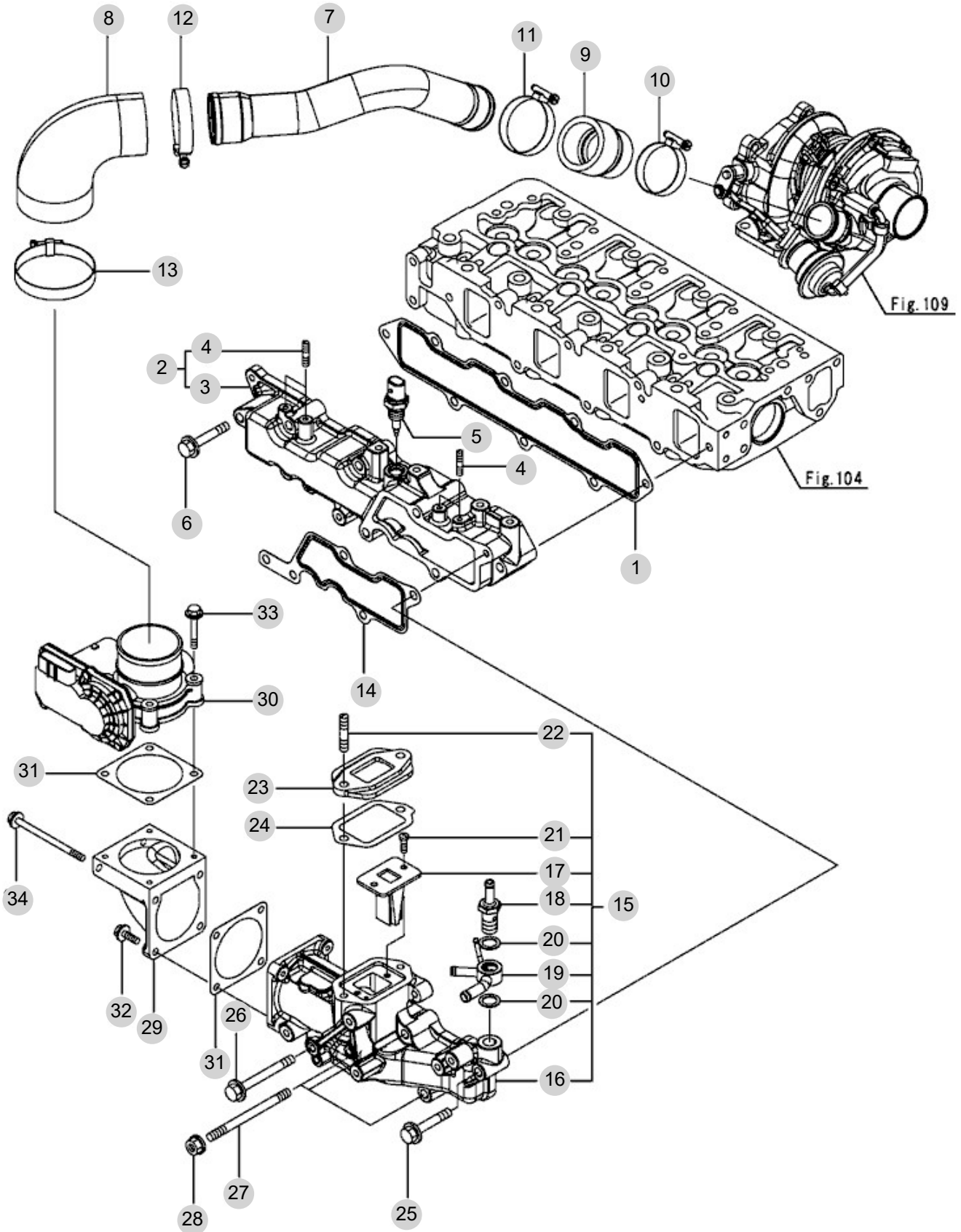
FIG 105A

SUCTION MANIFOLD (T554)

년/월  
Year/Month

2022-12

T554NC



NOTE



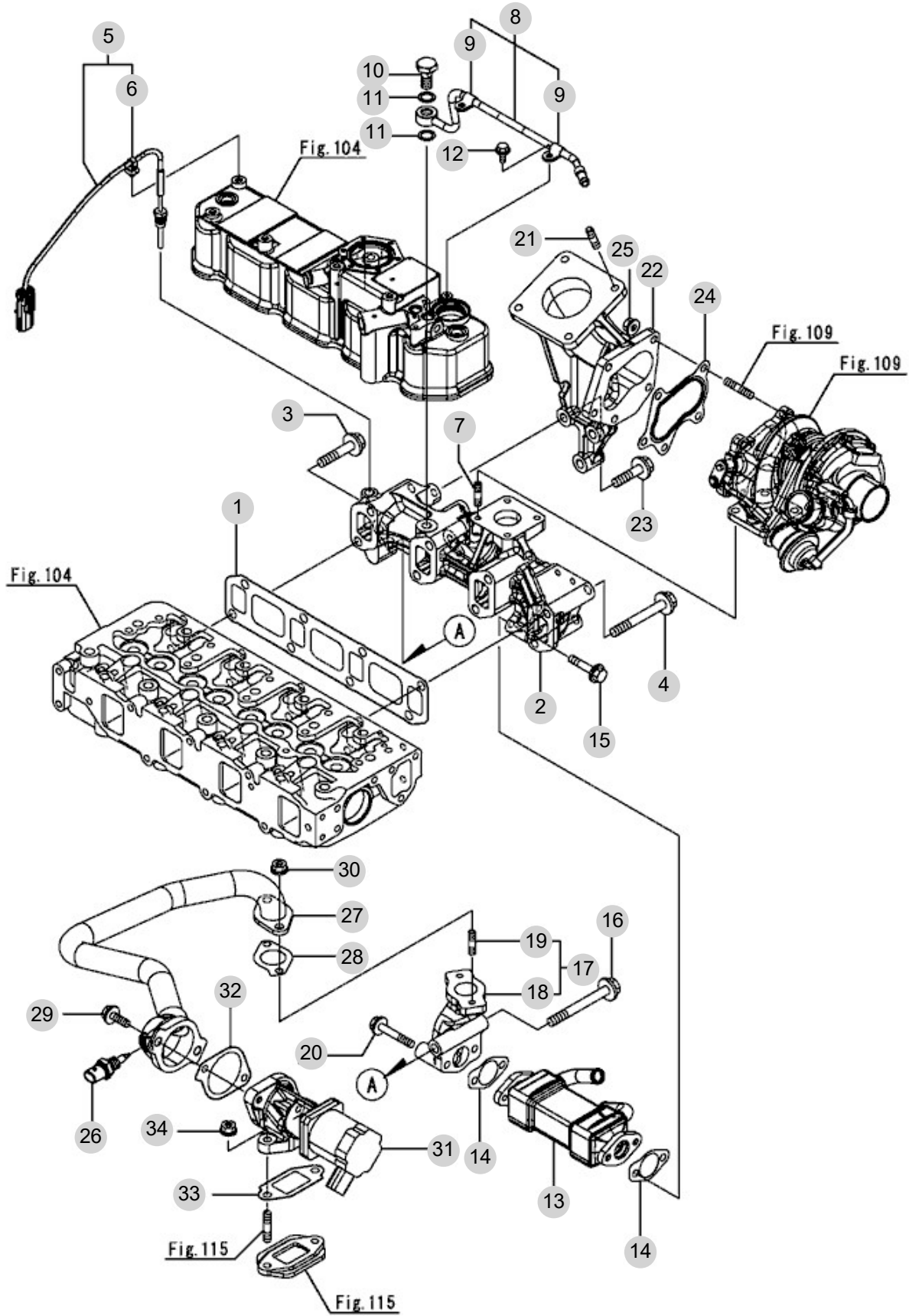
FIG 106A

EXHAUST MANIFOLD (T554)

년/월  
Year/Month

2022-12

T554NC



NOTE



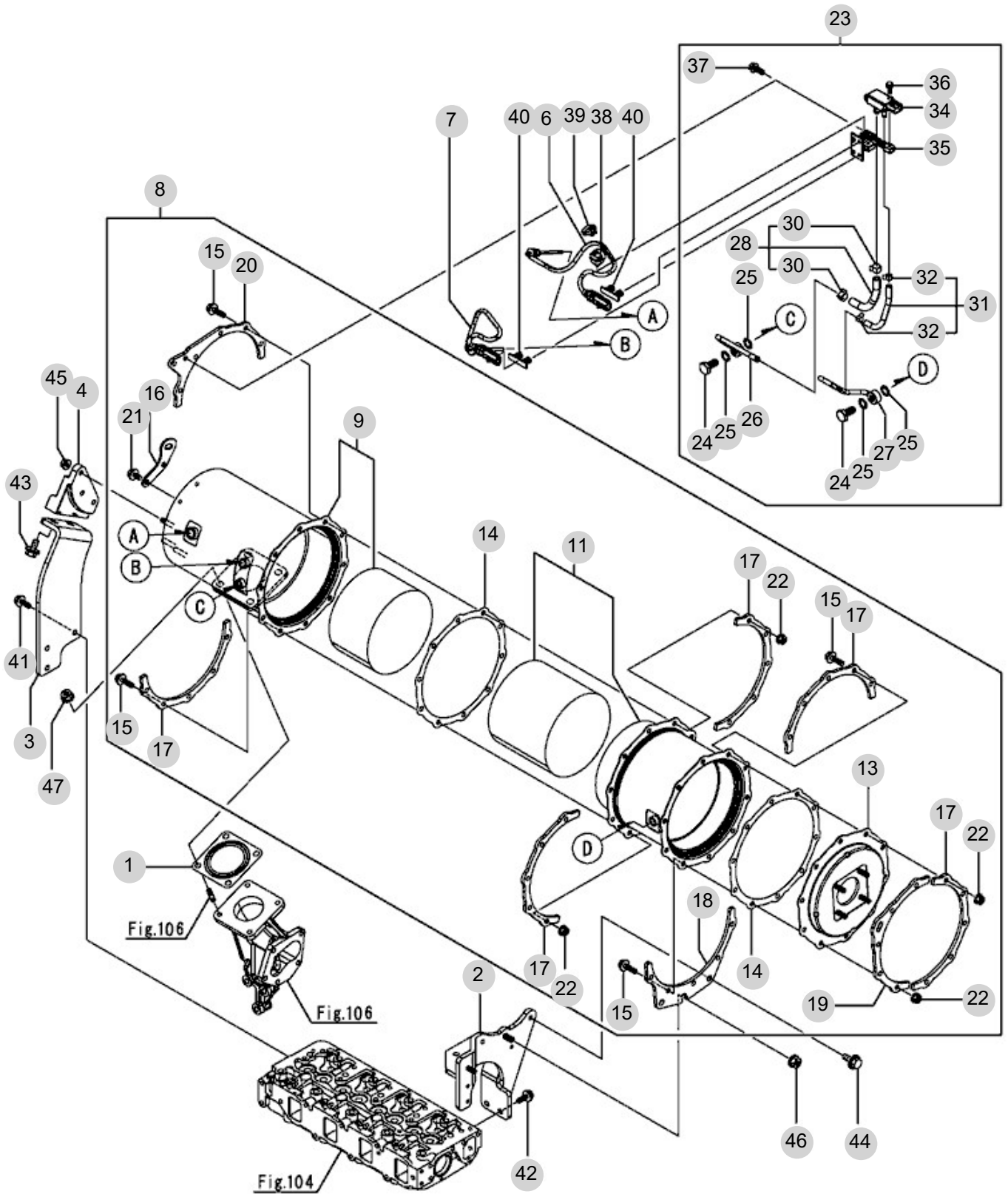
FIG 107A

T554NC

DIESEL PARTICULATE FILTER (T554)

년/월  
Year/Month

2022-12



NOTE

FIG 107A		DIESEL PARTICULATE FILTER (T554)						년/월 Year/Month	
								2022-12	
T554NC		KEY NO	PART NO	DESCRIPTION	SPEC	QTY	REPAIR	EFFECTIVE DATE	REMARKS
107A	1	128300-13230	GASKET,SILENCER			1			
107A	2	129C01-16811	STAY,DPF			1			
107A	3	129C01-16820	STAY,DPF			1			
107A	4	129C01-16830	STAY,DPF			1			
107A	6	129C00-13940	SENSOR,EXH.TEMP			1			
107A	7	129C00-13950	SENSOR,EXH.TEMP			1			
107A	8	129C01-16011	DPF ASSY			1			
107A	9	129C01-16210	CASE,DOC			1			
107A	11	129C01-16410	CASE,SOOT FILTER			1			
107A	13	129C01-16550	FLANGE,OUTLET			1			
107A	14	129E00-16600	GASKET,DPF			2			
107A	15	129A00-16610	BOLT,M8X28 10.9T			20			
107A	16	129C01-16680	LIFTER,DPF			1			
107A	17	129C01-16700	STIFFENER,DPF A			5			
107A	18	129C01-16721	STIFFENER,DPF B			1			
107A	19	129C01-16740	STIFFENER,DPF C			1			
107A	20	129C01-16750	STIFFENER,DPF C			1			
107A	21	26106-080142	BOLT,M8X14 PLATED			2			
107A	22	26306-080002	NUT,M8			20			
107A	23	129E01-17220	SENSOR UNIT, PRESSURE			1			
107A	24	129A00-13350	BOLT, PIPE JOINT			2			
107A	25	129A00-17311	GASKET,SENSOR			4			
107A	26	129E00-17310	PIPE ASSY,PRES EXH			1			
107A	27	129E00-17360	PIPE ASSY,PRES EXH			1			
107A	28	129C01-17610	HOSE ASSY,PRES EXH			1			
107A	30	129A00-17520	CLIP,HOSE			2			
107A	31	129A00-17670	HOSE ASSY,PRES EXH			1			
107A	32	129A00-17570	CLIP,HOSE			2			
107A	34	129A00-17702	SENSOR,PRESSURE			1			
107A	35	129A00-17780	BRACKET,SENSOR			1			
107A	36	26106-060162	BOLT,M6X16 PLATED			2			
107A	37	26106-080202	볼트	8X20		2			
107A	38	129A00-91200	BAND CLIP			1			
107A	39	129C00-91200	BAND			1			
107A	40	129A00-91430	CLIP,CONNECTOR			2			
107A	41	26106-080202	볼트	8X20		3			
107A	42	26106-080202	볼트	8X20		2			
107A	43	26106-100202	FLANGE BOLT			2			
107A	44	26106-100202	FLANGE BOLT			2			
107A	45	26306-080002	NUT,M8			3			
107A	46	26306-100002	NUT,M10			1			
107A	47	26306-100002	NUT,M10			4			
NOTE									

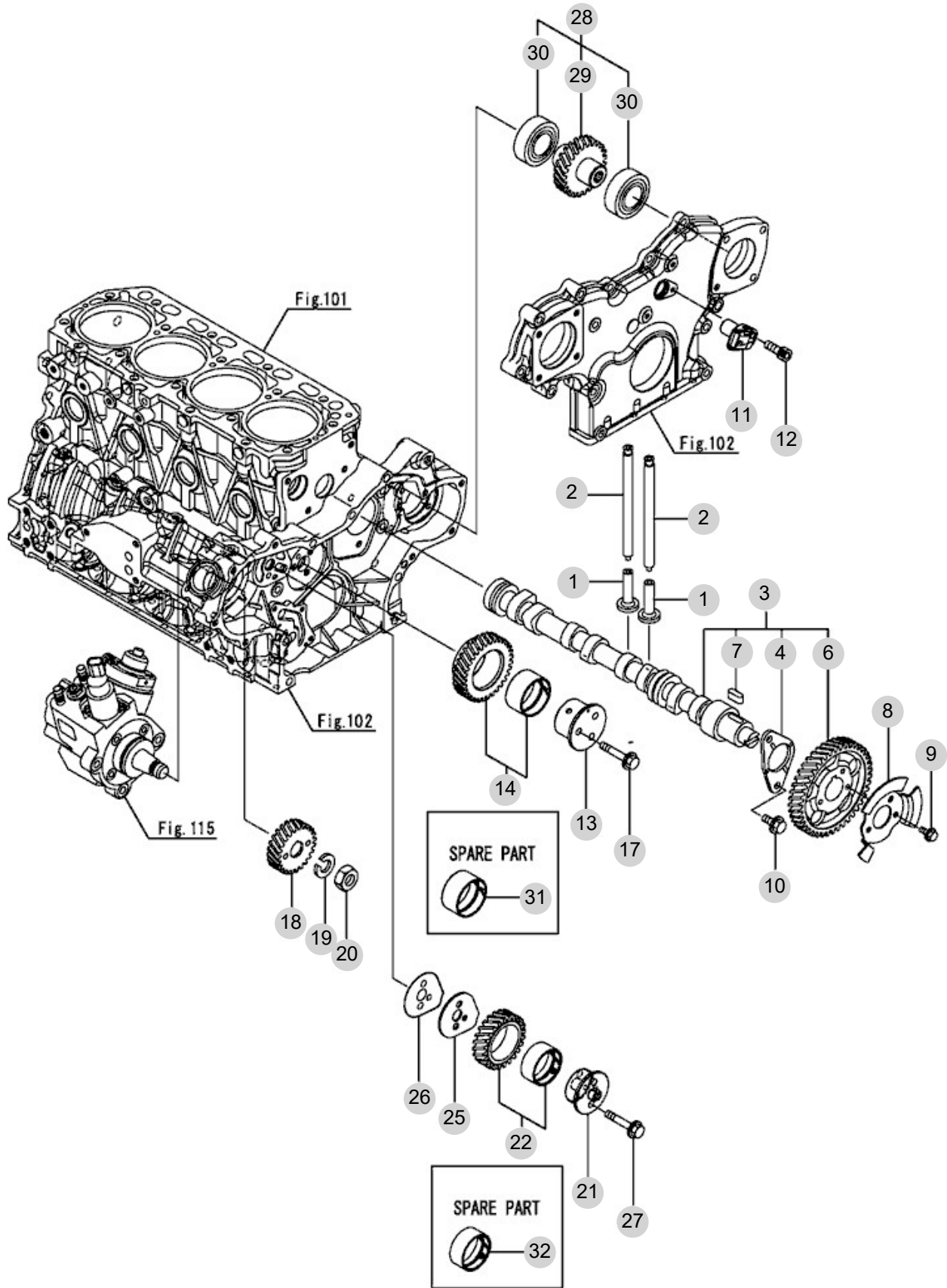
FIG 108

T554NC

CAMSHAFT & DRIVING GEAR

년/월  
Year/Month

2022-12



NOTE





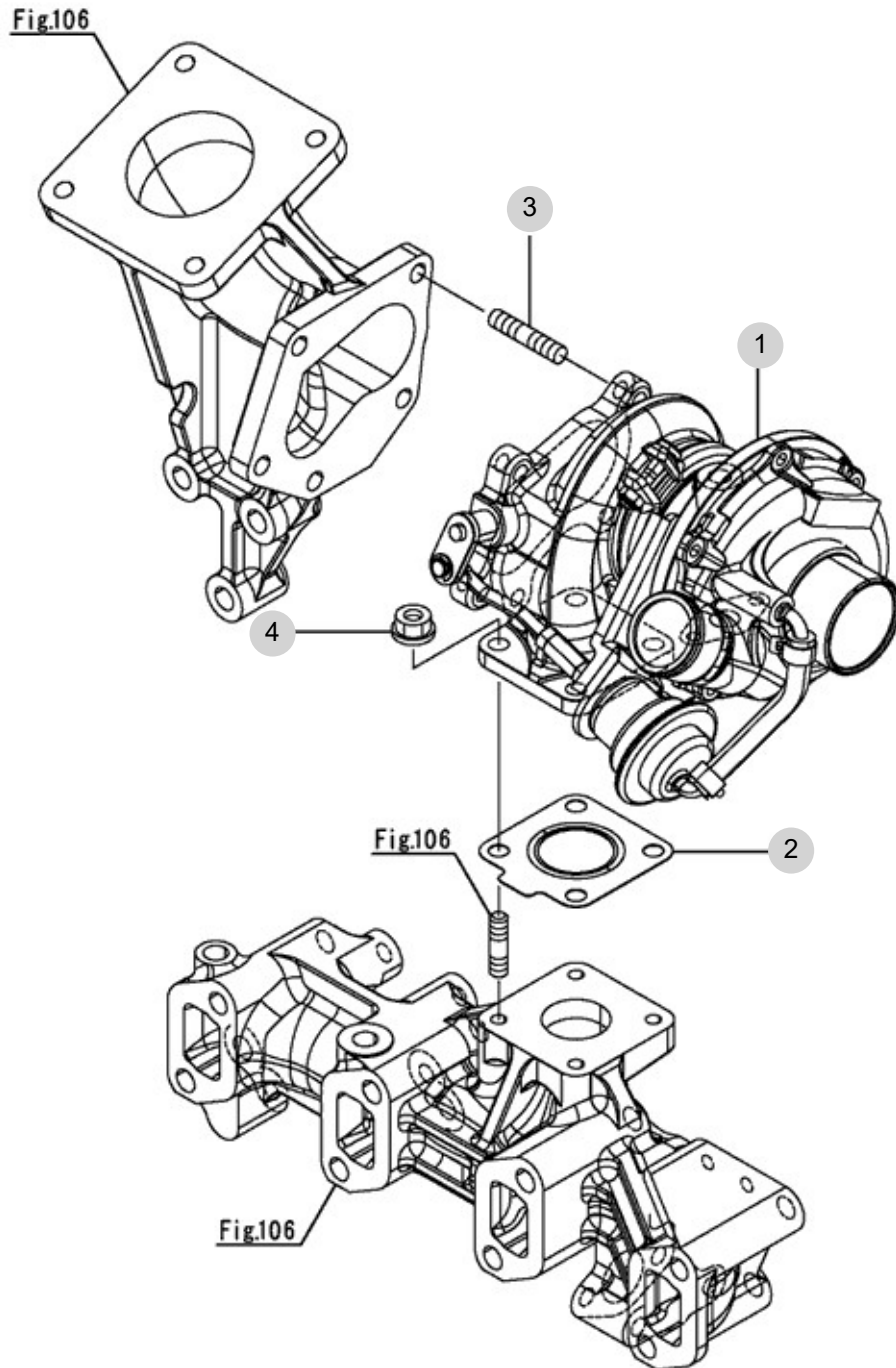
FIG 109

T554NC

TURBINE (T554)

년/월  
Year/Month

2022-12



NOTE

FIG 109		TURBINE (T554)						년/월 Year/Month
T554NC								2022-12
KEY NO	PART NO	DESCRIPTION	SPEC	QTY	REPAIR	EFFECTIVE DATE	REMARKS	
109	1	129C01-18010		1				
109	2	129508-18080		1				
109	3	119131-18320		5				
109	4	26306-080002		4				
NOTE								

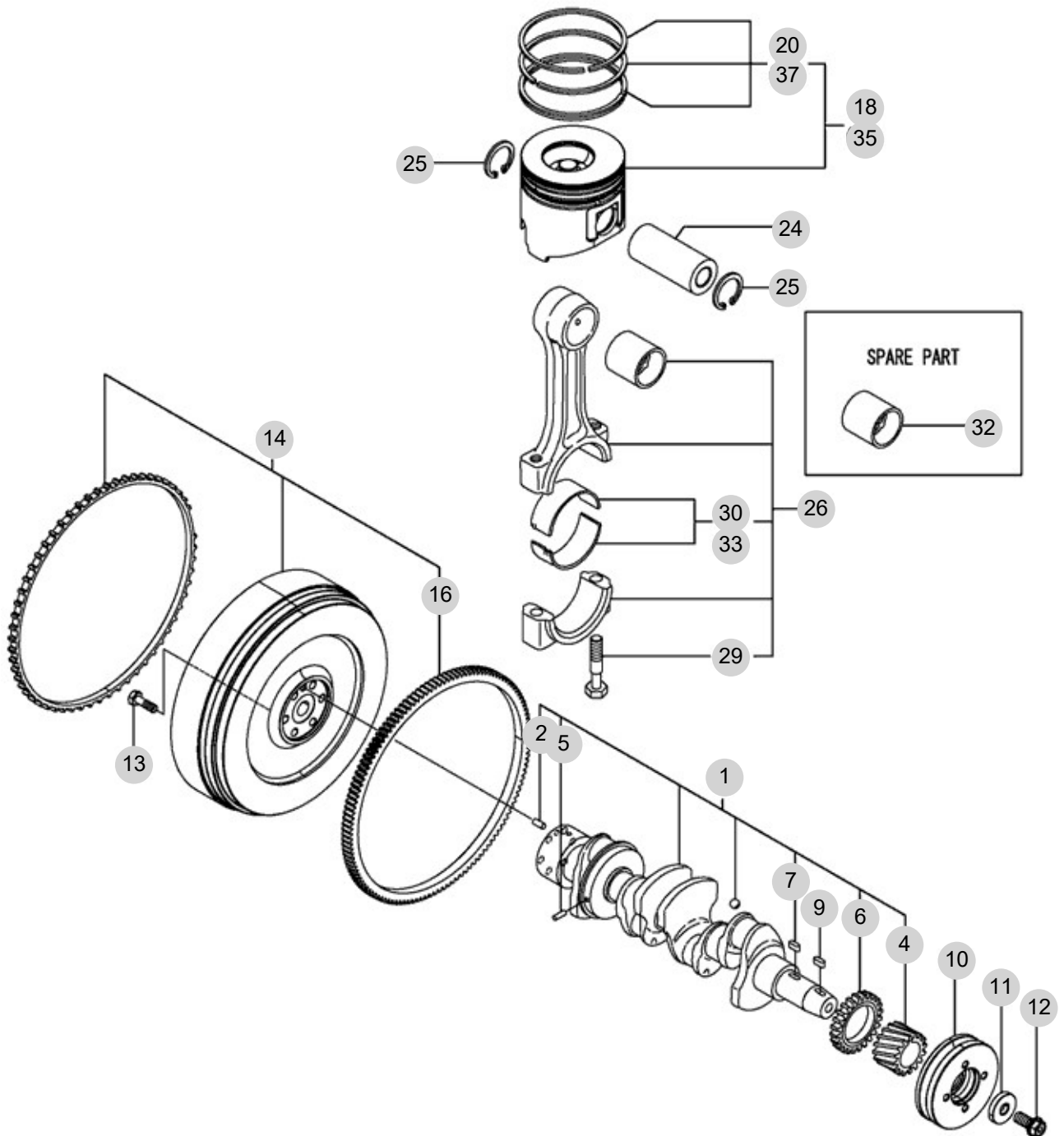
FIG 110A

T554NC

CRANKSHAFT & PISTON (T554)

년/월  
Year/Month

2022-12



NOTE



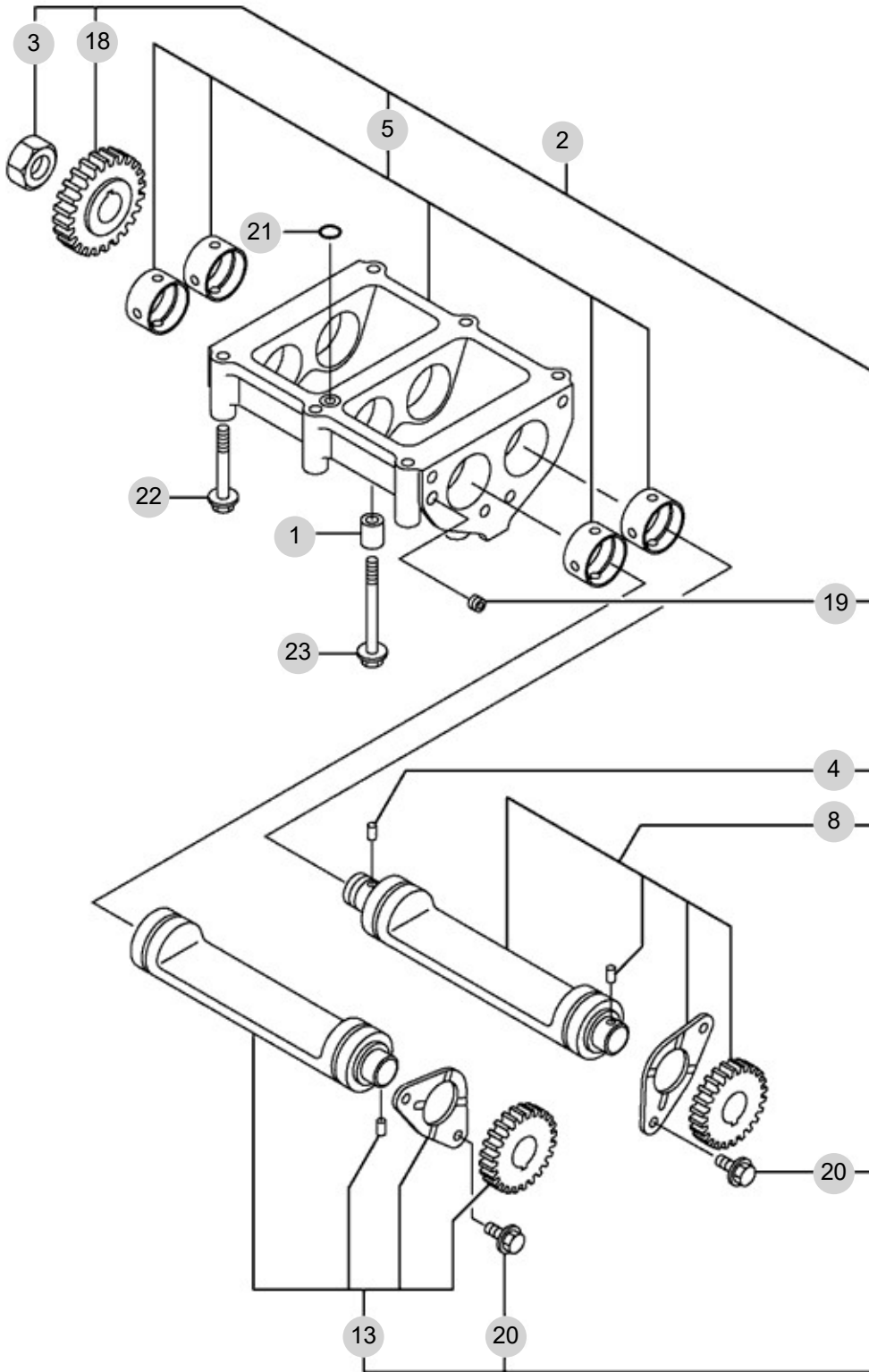
FIG 111

BALANCER

년/월  
Year/Month

2022-12

T554NC



NOTE

FIG 111		BALANCER					년/월	
							Year/Month	
T554NC		2022-12						
KEY NO	PART NO	DESCRIPTION	SPEC	QTY	REPAIR	EFFECTIVE DATE	REMARKS	
111	1	129795-01960	PIPE , KNOCK		2			
111	2	129457-28000	BALANCER ASSY		1			
111	3	128170-14150	NUT		1			
111	4	121850-21290	PIN		1			
111	5	129457-28011	CASE ASSY , BALANCER		1			
111	8	729490-28510	SHAFT ASSY , BALANCER		1			
111	13	729490-28520	SHAFT ASSY , BALANCER		1			
111	18	129400-28150	GEAR , BALANCER		1			
111	19	23876-005000	PLUG , R005		1			
111	20	26106-080142	BOLT , M8X14 PLATED		4			
111	21	24311-000140	O-RING, DYNAMIC (Φ14)		1			
111	22	26106-080602	BOLT , M8X60 PLATED		4			
111	23	26106-080802	BOLT , M8X80 PLATED		2			
NOTE								

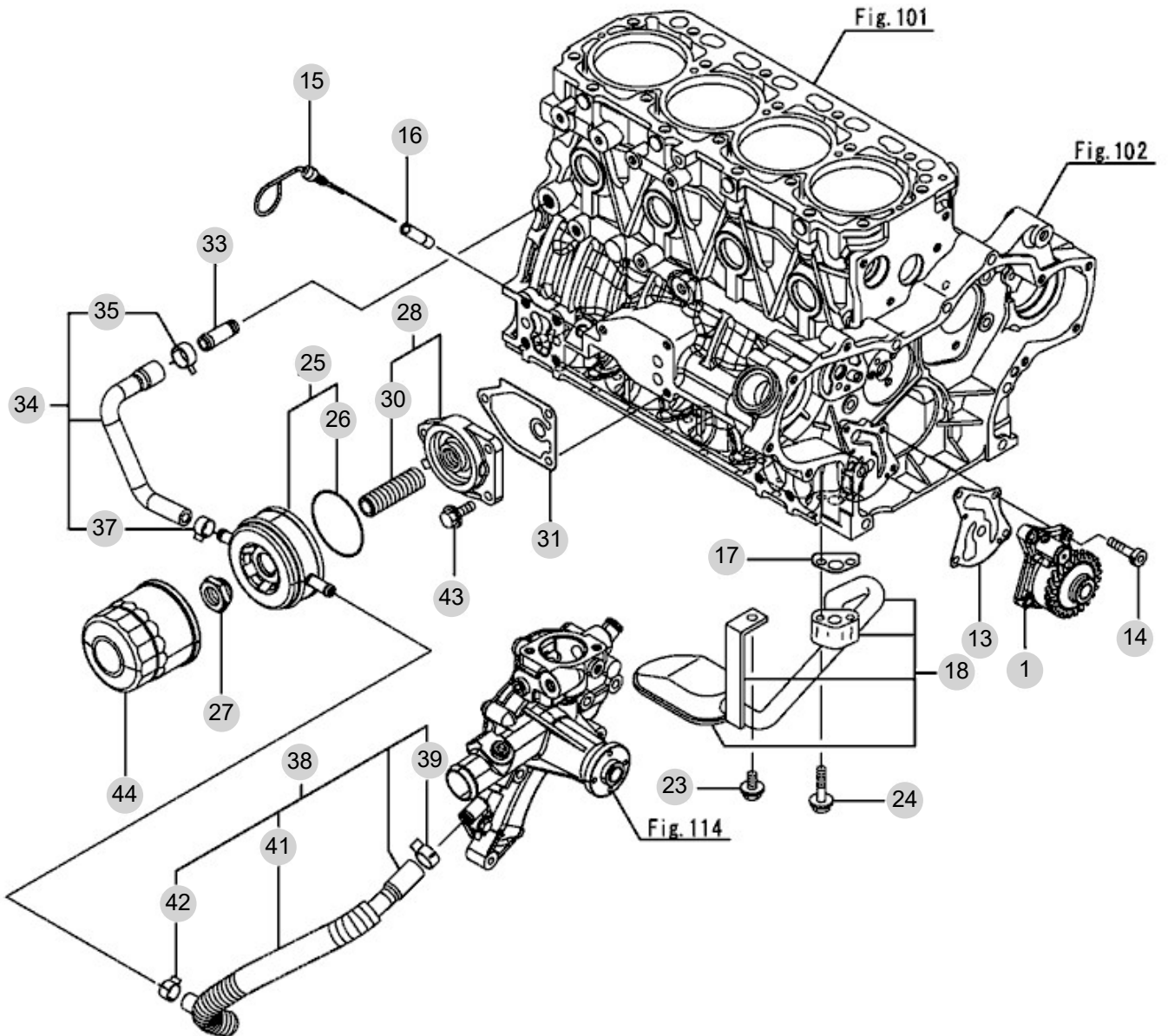
FIG 112A

T554NC

LUB. OIL SYSTEM (T554)

년/월  
Year/Month

2022-12



NOTE





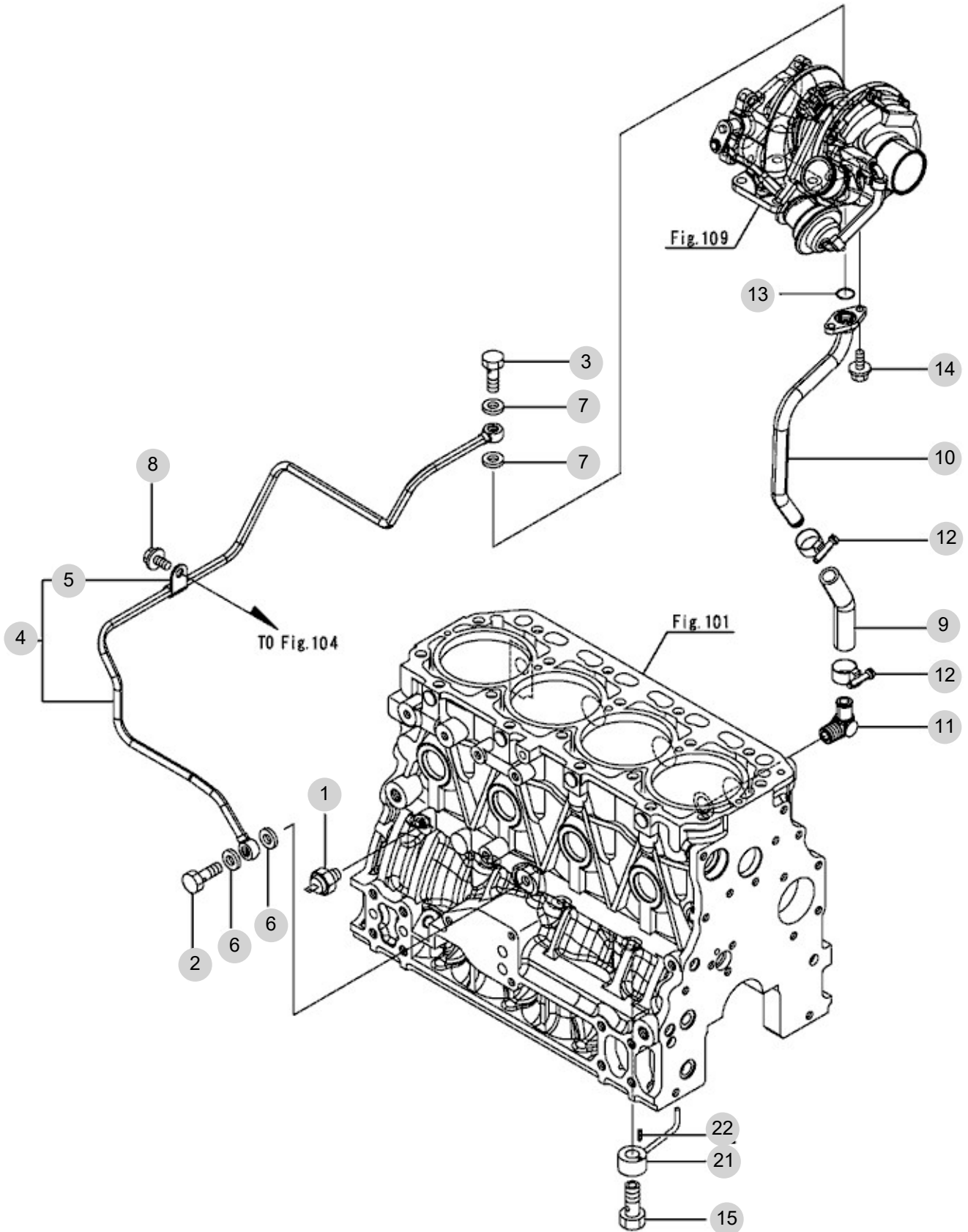
FIG 113

T554NC

LUB. OIL LINE (T554)

년/월  
Year/Month

2022-12



NOTE



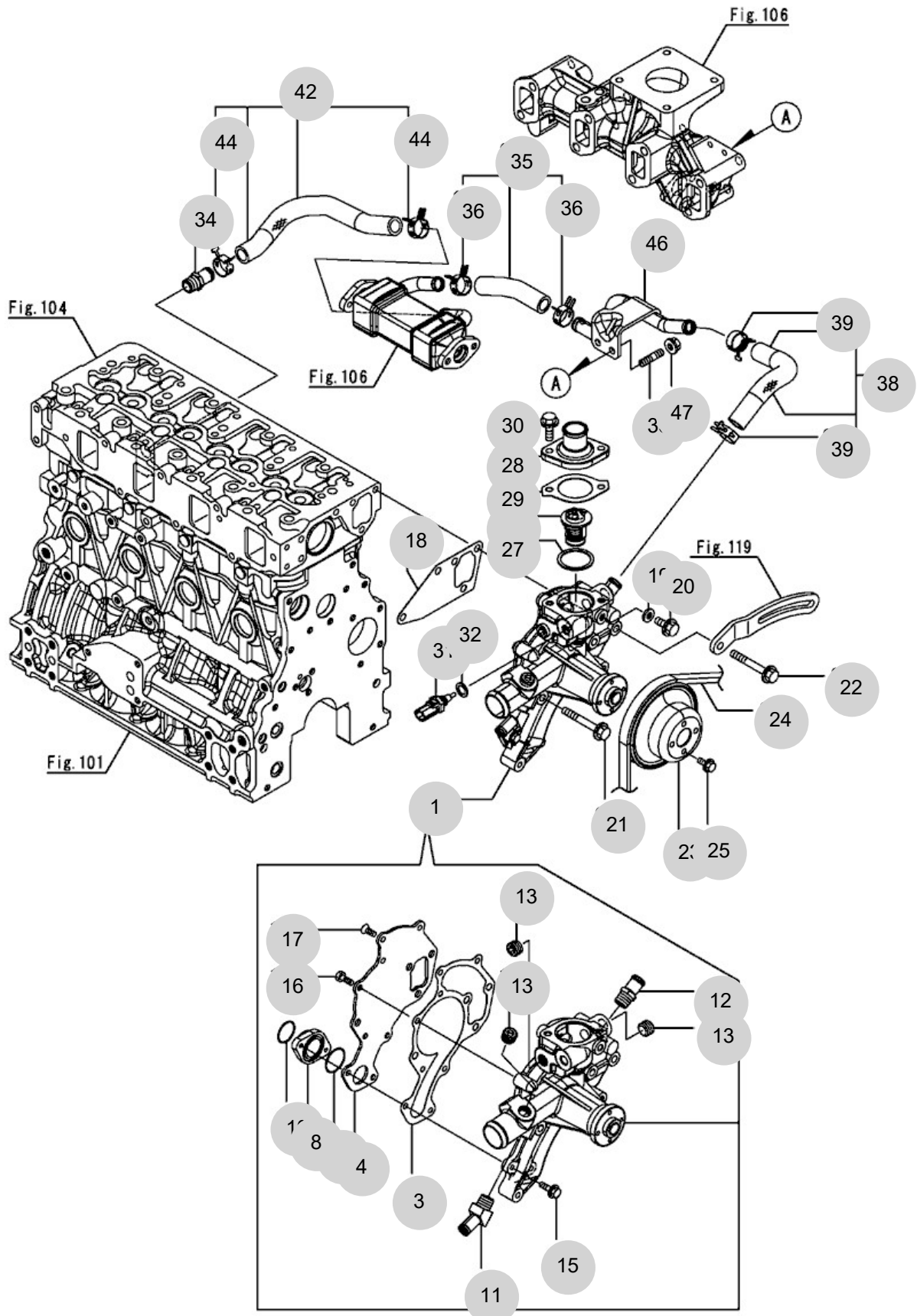
FIG 114

COOLING WATER SYSTEM

년/월  
Year/Month

2022-12

T554NC



NOTE

FIG 114 T554NC		COOLING WATER SYSTEM					년/월 Year/Month	
							2022-12	
KEY NO	PART NO	DESCRIPTION	SPEC	QTY	REPAIR	EFFECTIVE DATE	REMARKS	
114	1	129A33-42001	PUMP ASSY , CW HIGH		1			
114	3	129150-42059	GASKET		1			
114	4	129263-42120	PLATE		1			
114	8	129150-42301	FLANGE		1			
114	10	129054-42320	O-RING		1			
114	11	129055-49300	ELBOW , R3/8		1			
114	12	129928-49420	JOINT		1			
114	13	129916-49740	PLUG , R03		3			
114	14	24358-240310	O-RING , 524031		1			
114	15	26106-060202	BOLT , M6X20 PLATED		2			
114	16	26116-060162	BOLT , M6X16 PLATED		3			
114	17	26577-060152	SCREW , M6X15		3			
114	18	129486-42050	GASKET , WATER PUMP		1			
114	19	23414-080000	GASKET , 8X1.0		1			
114	20	26106-080122	BOLT , M8X12 PLATED		1			
114	21	26106-080552	BOLT , M8X55 PLATED		3			
114	22	V2183608065	BOLT , HEX/SP	M8X65	1			
114	23	129403-42380	V-PULLEY, D=110		1			
114	24	17461036300	VELT(A40.7)		1			
114	25	26106-060122	BOLT , M6X12 PLATED		4			
114	26	129155-49801	THERMOSTAT , 71		1			
114	27	129150-49811	GASKET , THERMOSTAT		1			
114	28	129350-49530	COVER , THERMOSTAT		1			
114	29	129795-49551	GASKET		1			
114	30	26106-080222	BOLT , M8X22 PLATED		2			
114	31	129927-44900	SENSOR		1			
114	32	22190-120002	WASHER , SEAL12		1			
114	33	119131-18320	STUD , M8X22		2			
114	34	129928-49420	JOINT		1			
114	35	129C00-49610	PIPE ASSY , WATER OUT		1			
114	36	129960-03990	CLIP , HOSE 19.8		2			
114	38	129C23-49610	PIPE ASSY , CW EGR		1			
114	39	129960-03990	CLIP , HOSE 19.8		2			
114	42	129C23-49620	PIPE ASSY , CW EGR		1			
114	44	129960-03990	CLIP , HOSE 19.8		2			
114	46	129C23-49700	PIPE ASSY , CW		1			
114	47	26306-080002	NUT , M8		2			
NOTE								

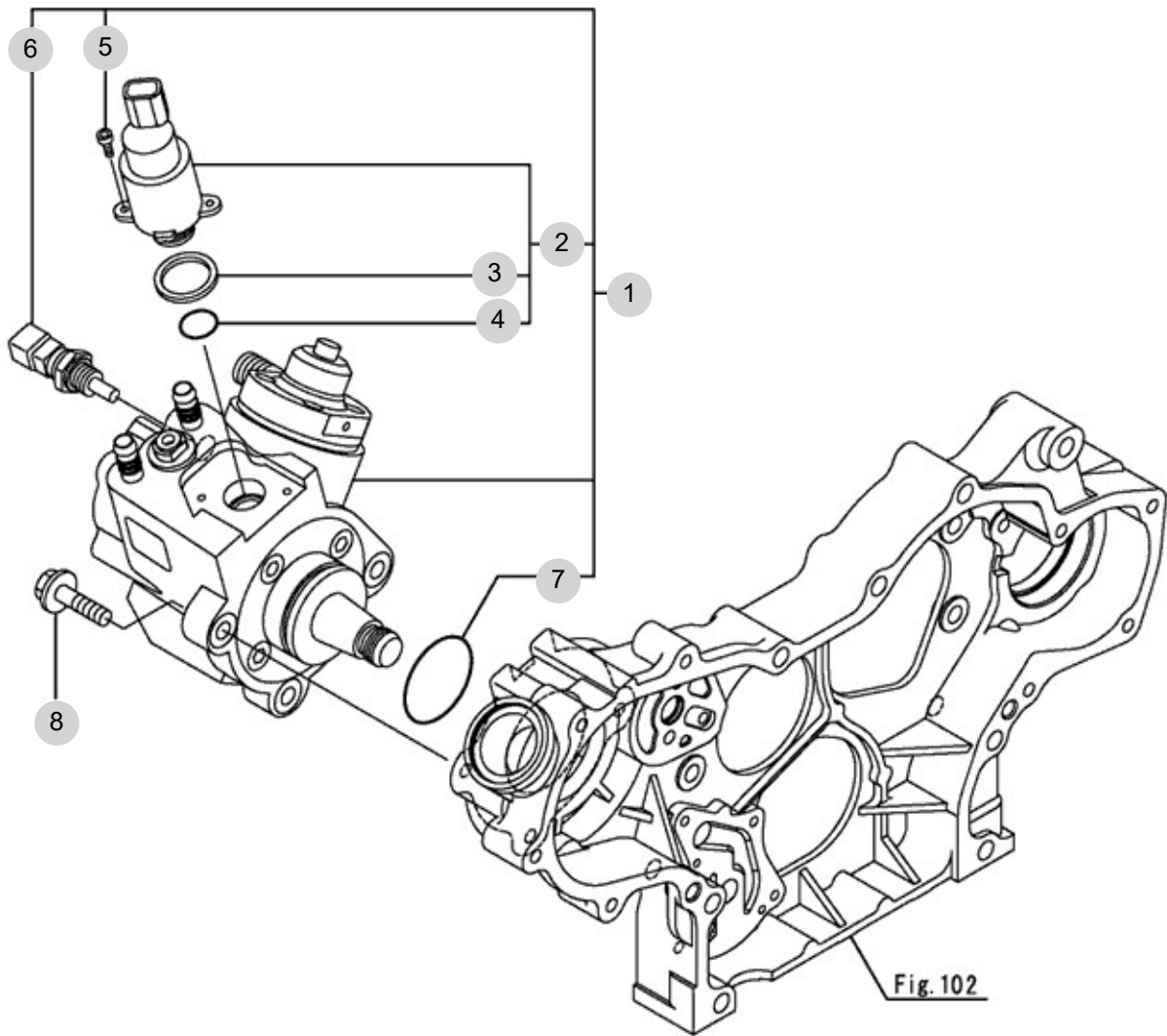
FIG 115

T554NC

FUEL SUPPLY PUMP

년/월  
Year/Month

2022-12



NOTE

FIG 115		FUEL SUPPLY PUMP						년/월	
								Year/Month	
T554NC						2022-12			
KEY NO	PART NO	DESCRIPTION	SPEC	QTY	REPAIR	EFFECTIVE DATE	REMARKS		
115	1	129A00-51000	PUMP ASSY , FUEL	1					
115	2	129A00-51100	VALVE ASSY , MPROP	1					
115	3	129A00-51110	RING , SEALING	1					
115	4	129A00-51120	O-RING , MPROP	1					
115	5	129A00-51130	BOLT , MPROP	2					
115	6	129A00-51200	SENSOR , TEMPERATURE	1					
115	7	129A00-51900	O-RING , FUELPUMP	1					
115	8	26106-080302	FLANGE BOLT	3					
NOTE									

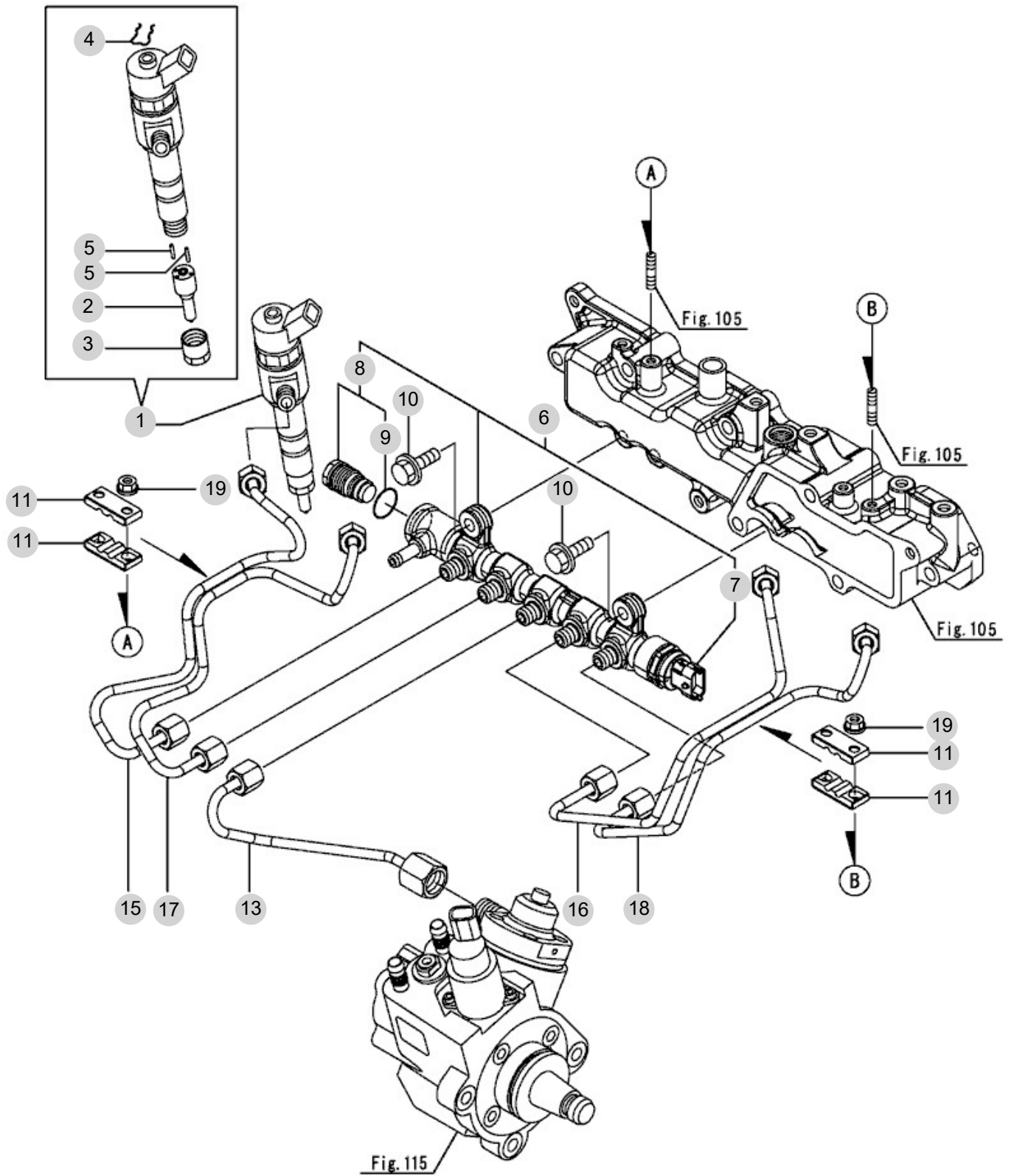
FIG 116A

FUEL INJECTION VALVE (T554)

년/월  
Year/Month

2022-12

T554NC



NOTE

FIG 116A T554NC		FUEL INJECTION VALVE (T554)						년/월 Year/Month			
								2022-12			
								KEY NO	PART NO	DESCRIPTION	SPEC
116A	1	129A01-53100	INJECTOR ASSY		4						
116A	2	129A01-53000	NOZZLE ASSY , INJECTOR		4						
116A	3	129A00-53080	NUT , NOZZLE		4						
116A	4	129A00-53200	RING , RETAINING		4						
116A	5	129A00-53210	PIN		8						
116A	6	129C00-57000	RAIL ASSY		1						
116A	7	129A00-57100	SENSOR , RAIL PRESSURE		1						
116A	8	129A00-57200	VALVE ASSY , PLV4		1						
116A	9	129A00-57210	O-RING , PLV4		1						
116A	10	26106-080252	SCREW , HEX FLANGE HEAD CAP		2						
116A	11	122780-59100	RETAINER		4						
116A	13	129A00-59700	PIPE ASSY , RAILIN		1						
116A	15	129C00-59810	PIPE ASSY , INJECTION		1						
116A	16	129A00-59820	PIPE ASSY , INJECTION		1						
116A	17	129C00-59820	PIPE ASSY , INJECTION		1						
116A	18	129A00-59830	PIPE ASSY , INJECTION		1						
116A	19	26366-060002	NUT , M6		4						
NOTE											



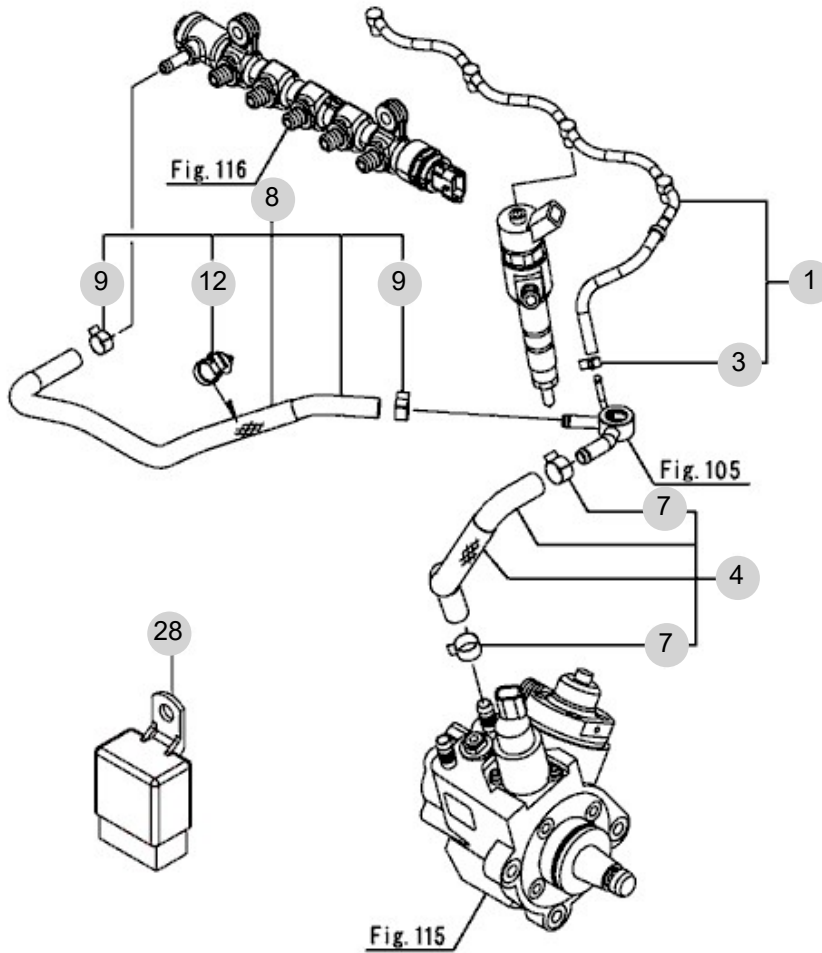
FIG 117

T554NC

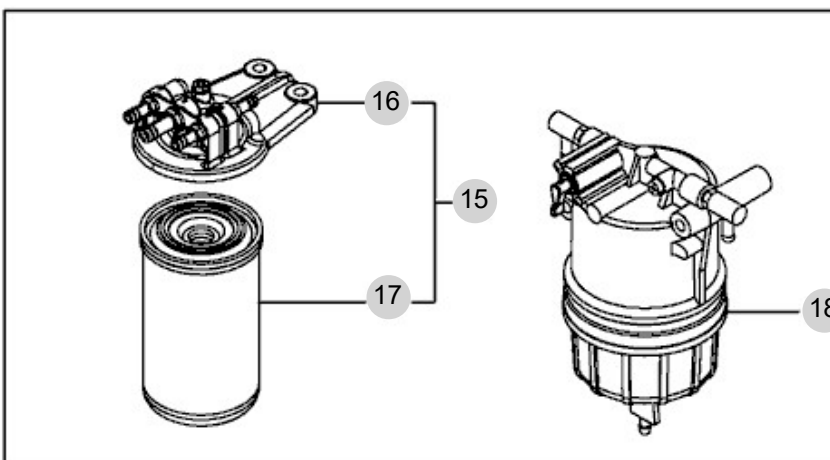
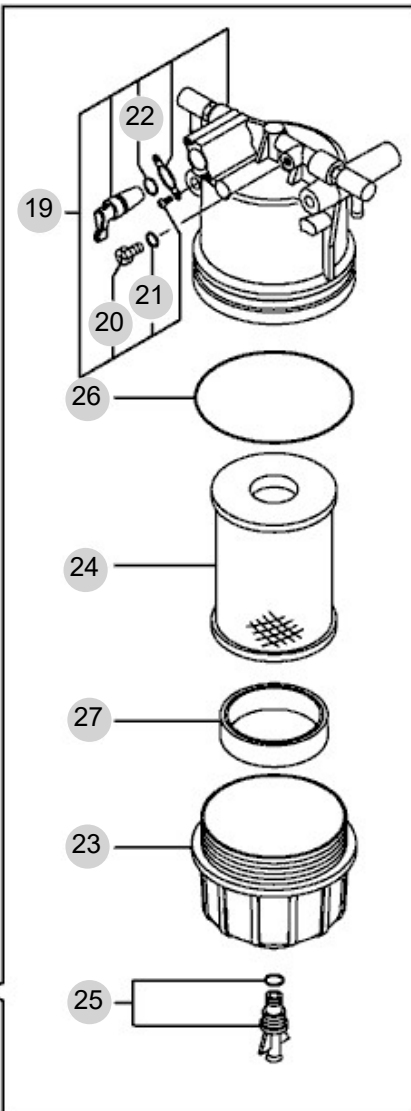
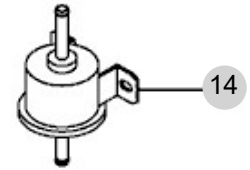
FUEL LINE

년/월  
Year/Month

2022-12



LOOSE PARTS



NOTE



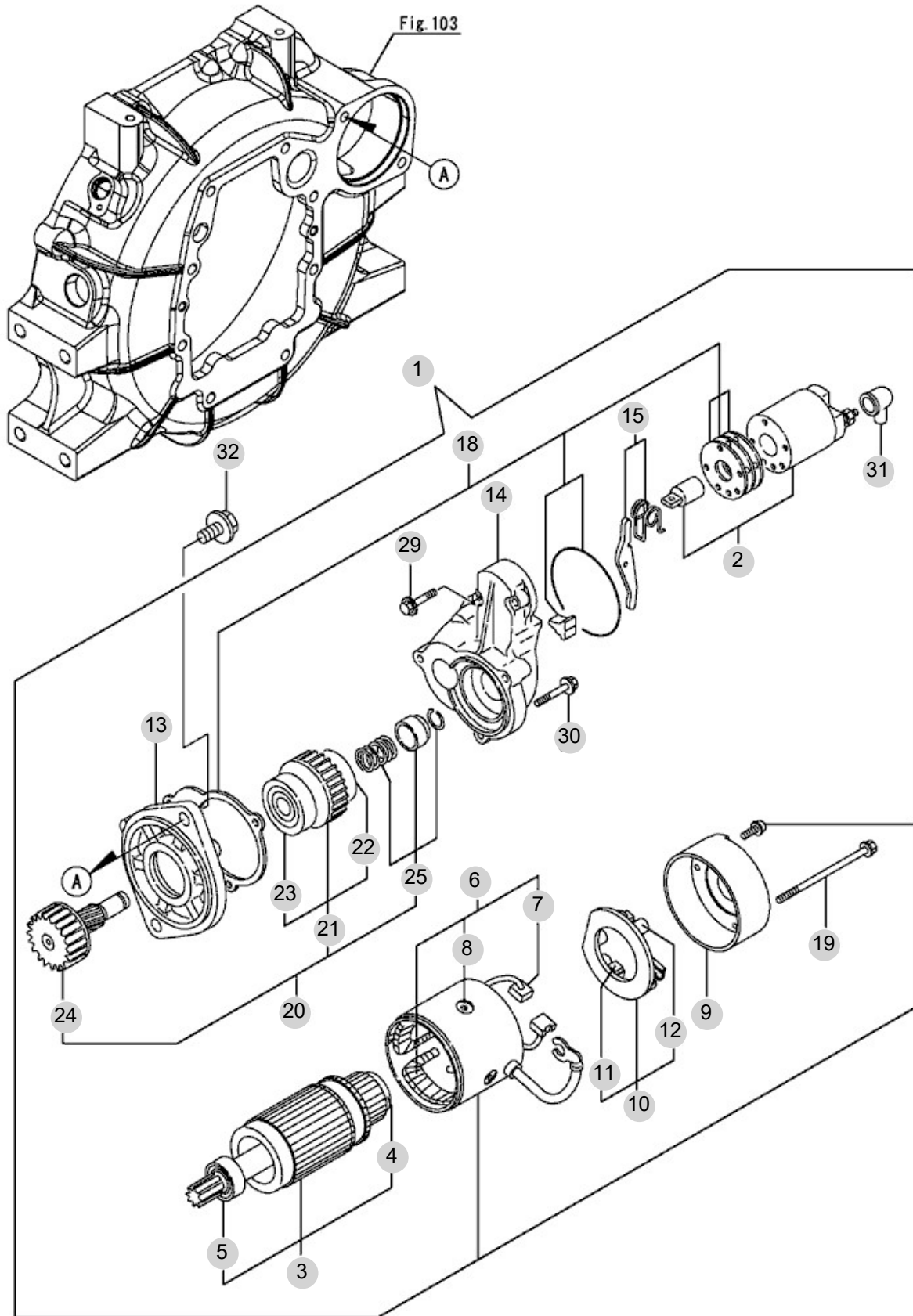
FIG 118

STARTING MOTOR

년/월  
Year/Month

2022-12

T554NC



NOTE



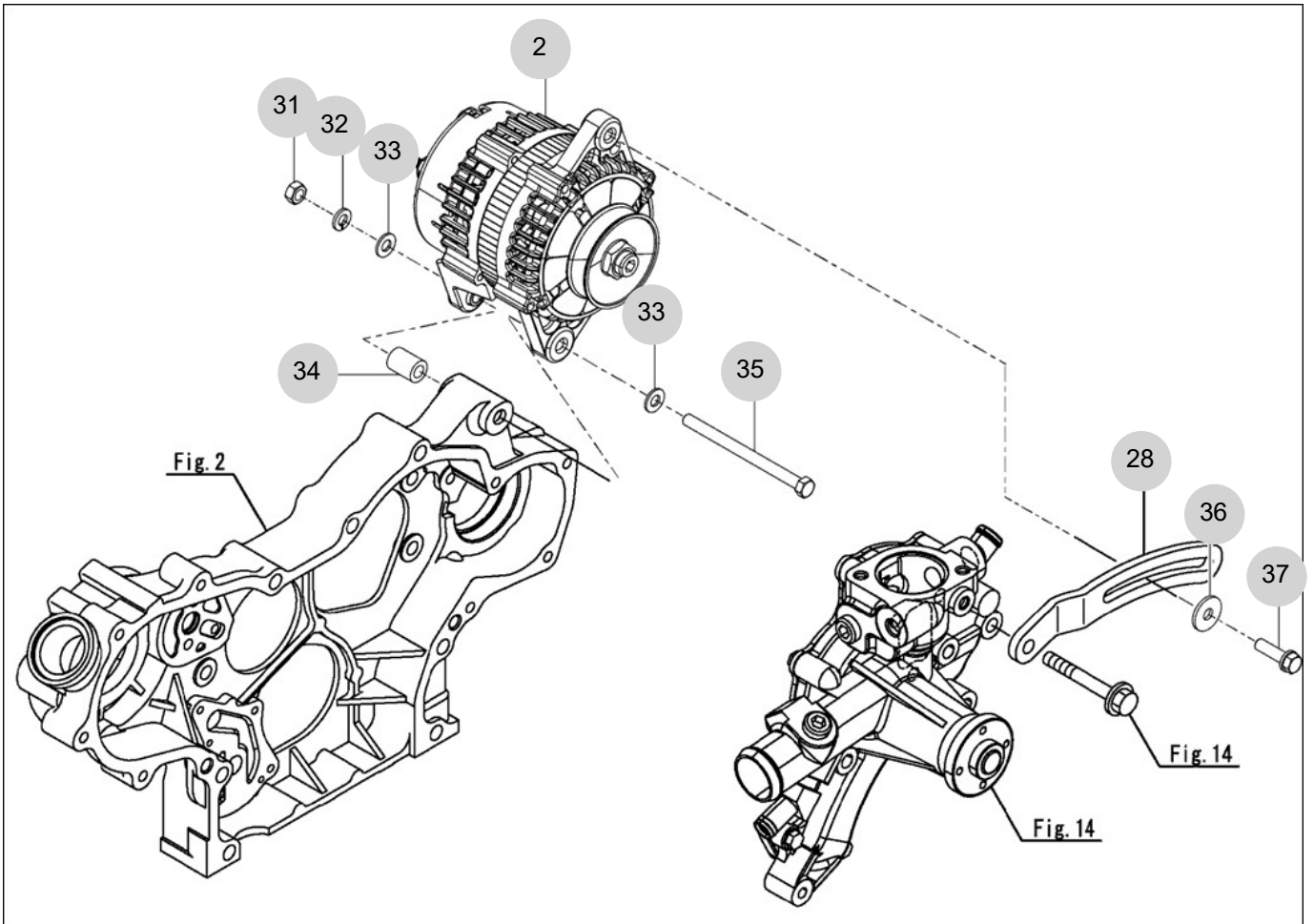
FIG 119

GENERATOR

년/월  
Year/Month

2022-12

T554NC



NOTE



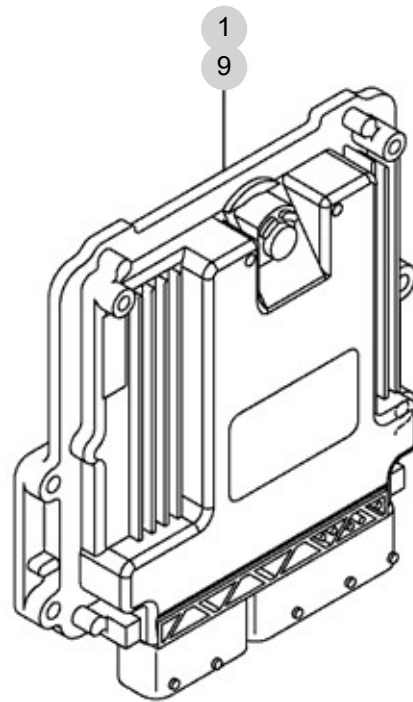
FIG 120A

T554NC

ELECTRONIC CONTROL UNIT (T554)

년/월  
Year/Month

2022-12



NOTE





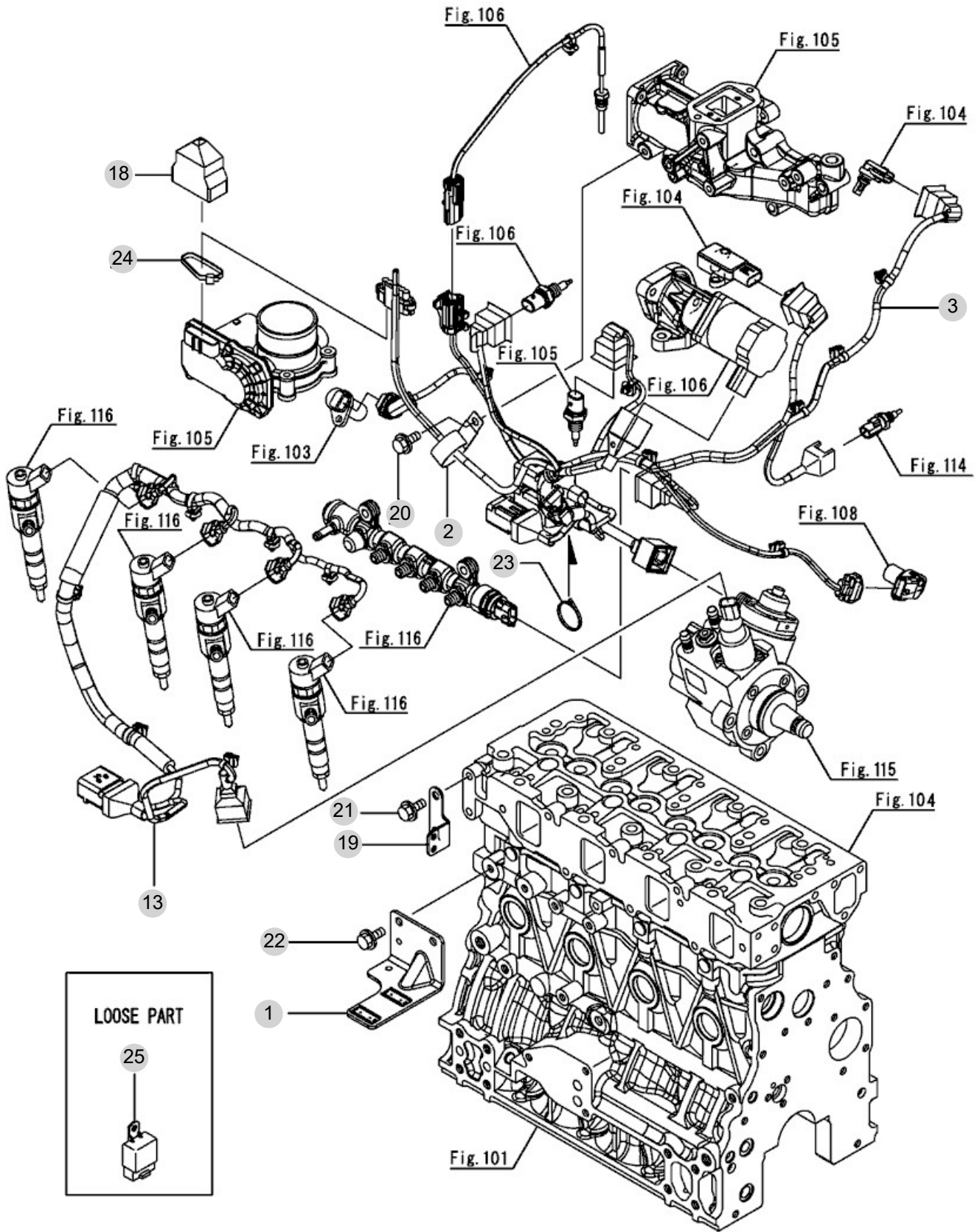
FIG 121A

ELECTRIC PARTS (T554)

년/월  
Year/Month

T554NC

2022-12



NOTE



FIG 122A

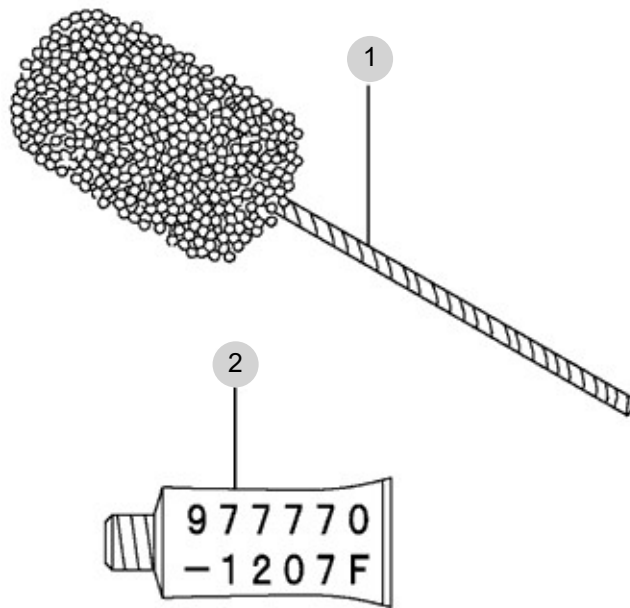
T554NC

ACCESSORY (T554)

년/월  
Year/Month

2022-12

OPTIONAL PARTS



NOTE



## 2. Engine Accessories PART NO. T2

FIG 201 AIR CLEANER	58
FIG 202 RADIATOR	60
FIG 203 MUFFLER	62
FIG 204 FUEL HOSE & FILTER	64
FIG 205 FUEL TANK	66
FIG 206 ACCELERATOR	68
FIG 208 FAN , COOLING	70

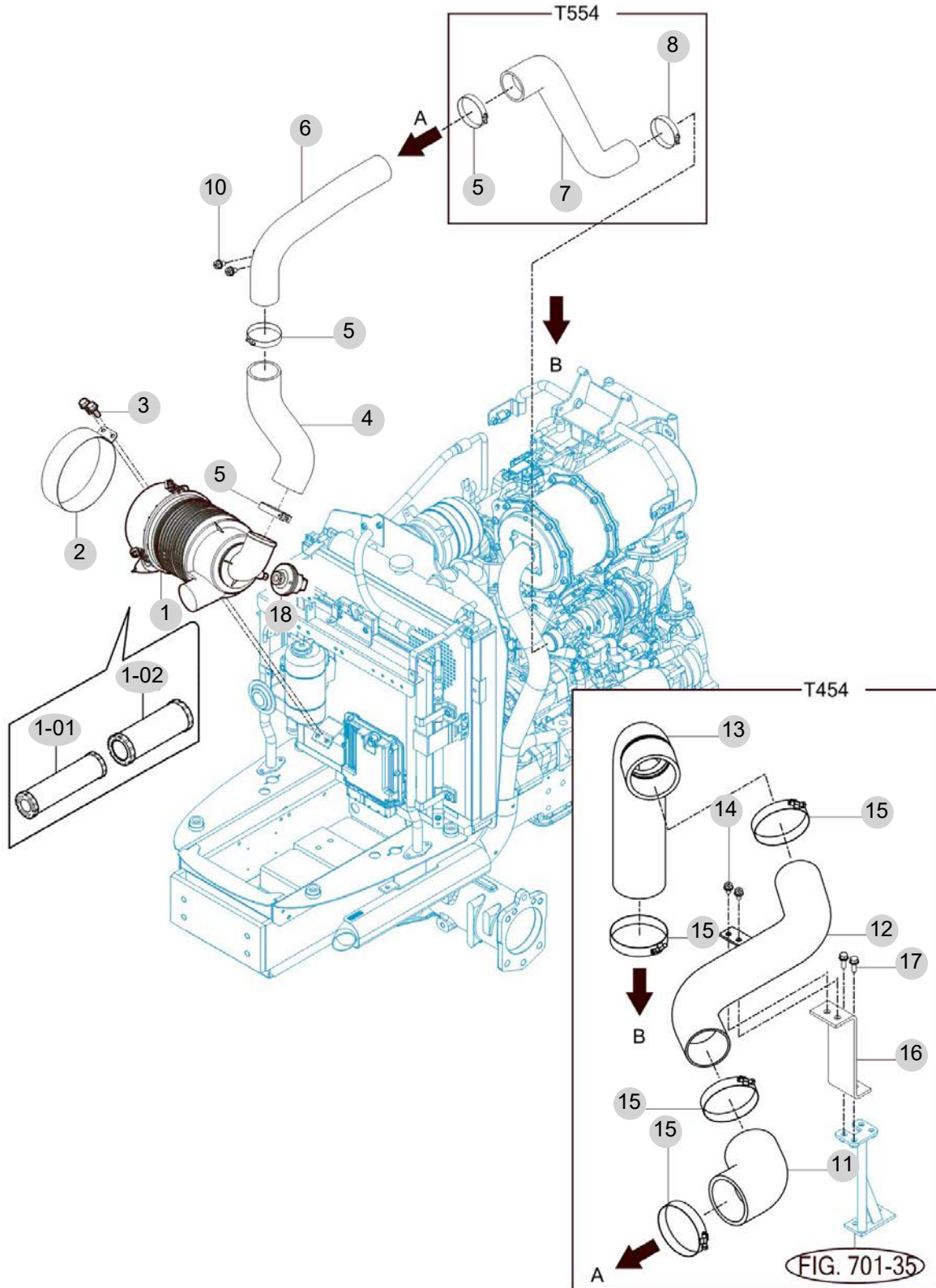
FIG 201

T554NC

AIR CLEANER

년/월  
Year/Month

2022-12



NOTE



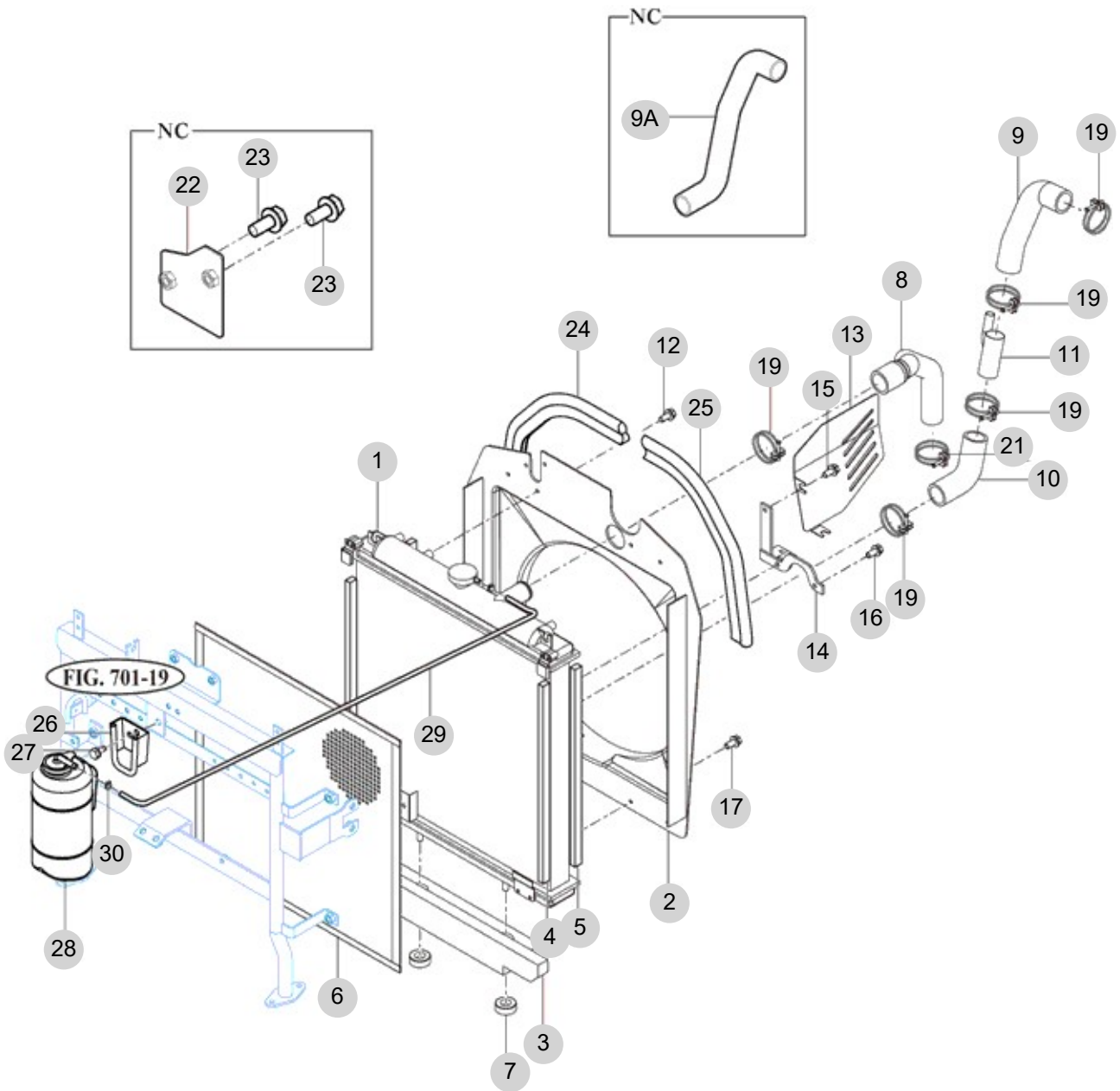
FIG 202

RADIATOR

년/월  
Year/Month

2022-12

T554NC



NOTE





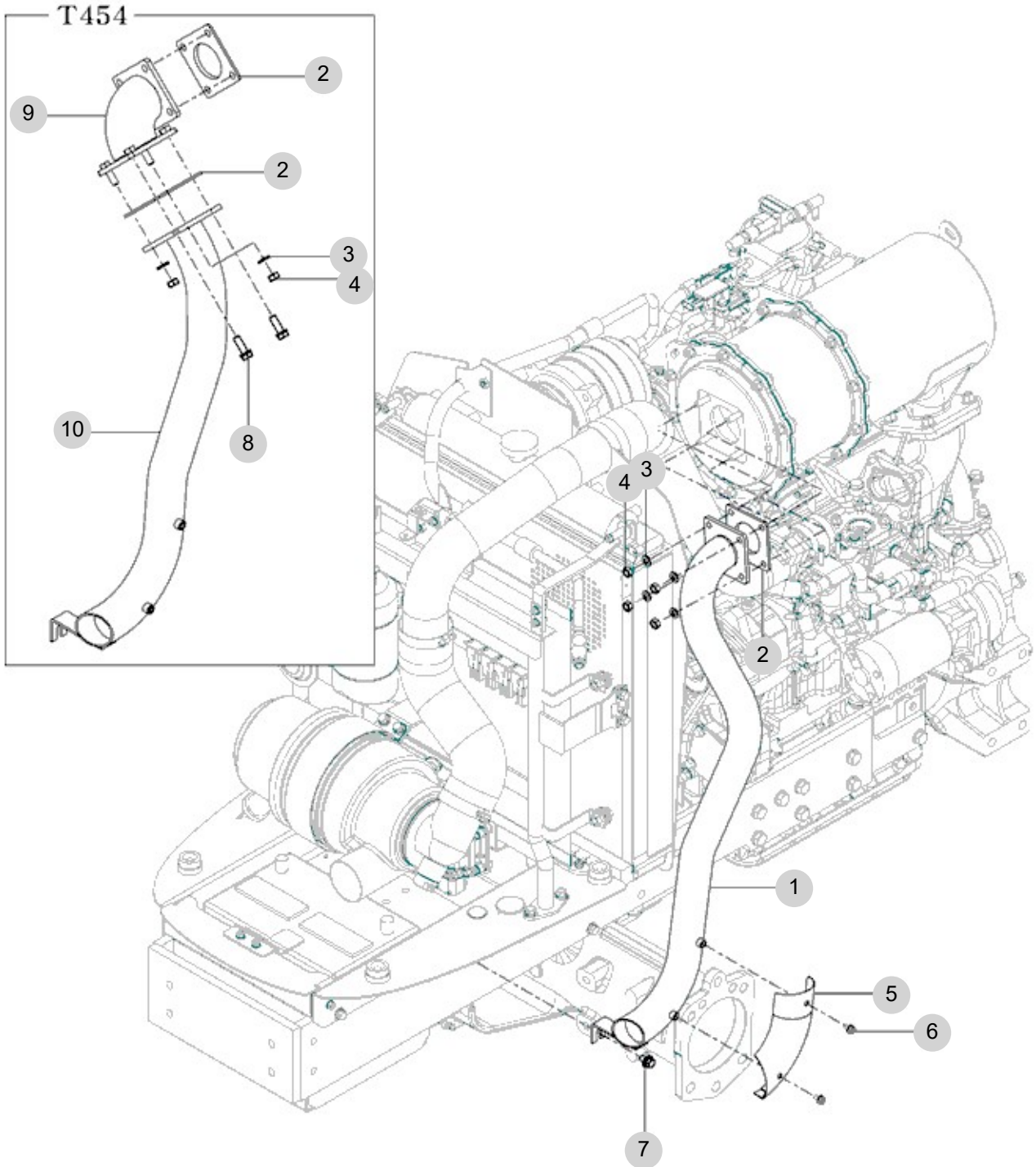
FIG 203

MUFFLER

년/월  
Year/Month

T554NC

2022-12



NOTE

FIG 203 T554NC	MUFFLER	년/월 Year/Month
		2022-12

KEY NO		PART NO	DESCRIPTION	SPEC	QTY	REPAIR	EFFECTIVE DATE	REMARKS
203	1	17461054200DD	PIPE COMP , EXHAUST		1			
203	2	17461030010	GASKET		1			
203	3	V4011600080	WASHER , SPRING		4			
203	4	V3043600080	NUT , HEX/2		4			
203	5	15111053200DD	COVER , EXHAUST PIPE		1			
203	6	V2327006012	BOLT , C/R HEX/SP		2			
203	7	V2183608016	BOLT , HEX/SP		1			

NOTE

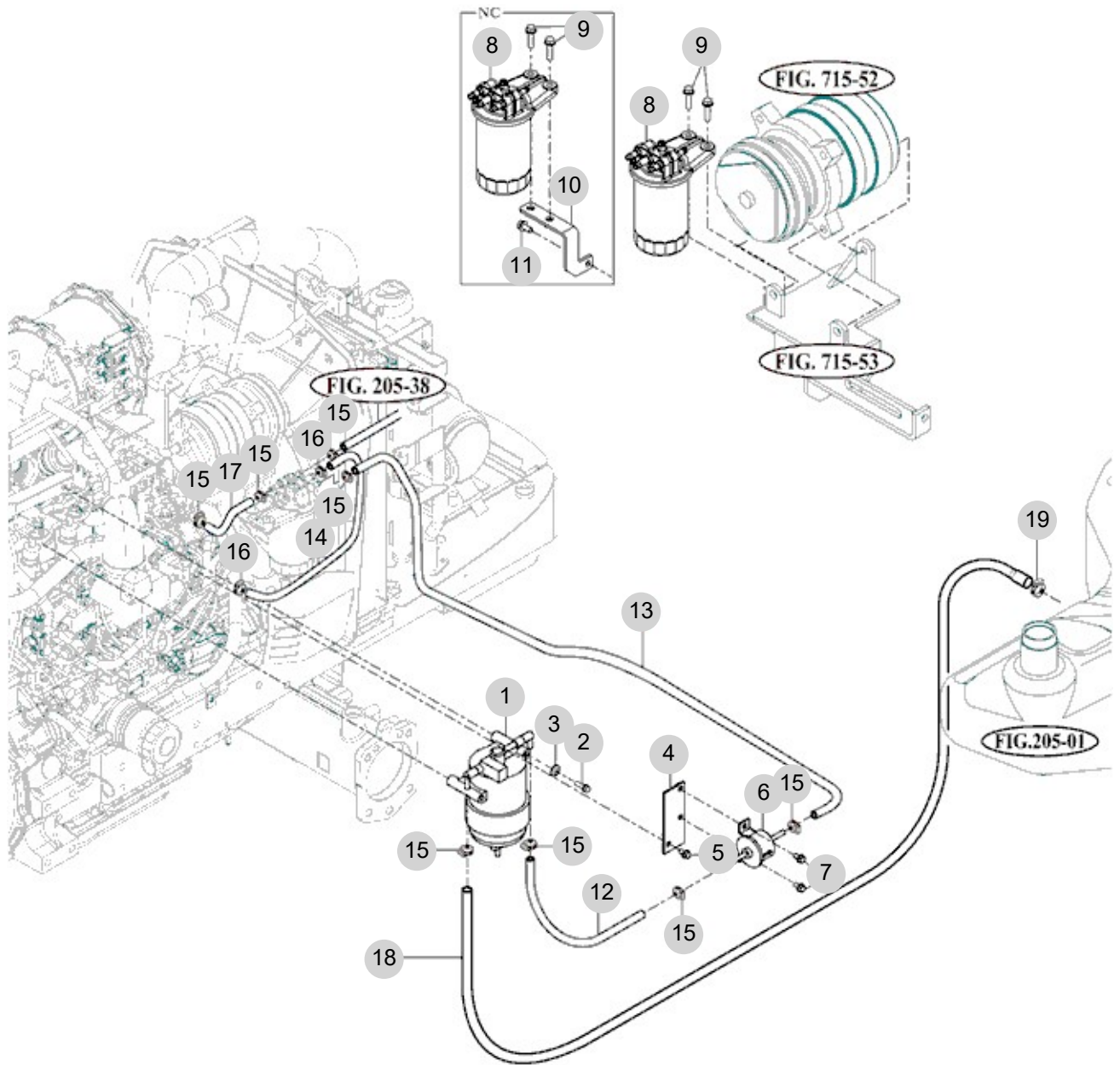
FIG 204

T554NC

FUEL HOSE & FILTER

년/월  
Year/Month

2022-12



NOTE



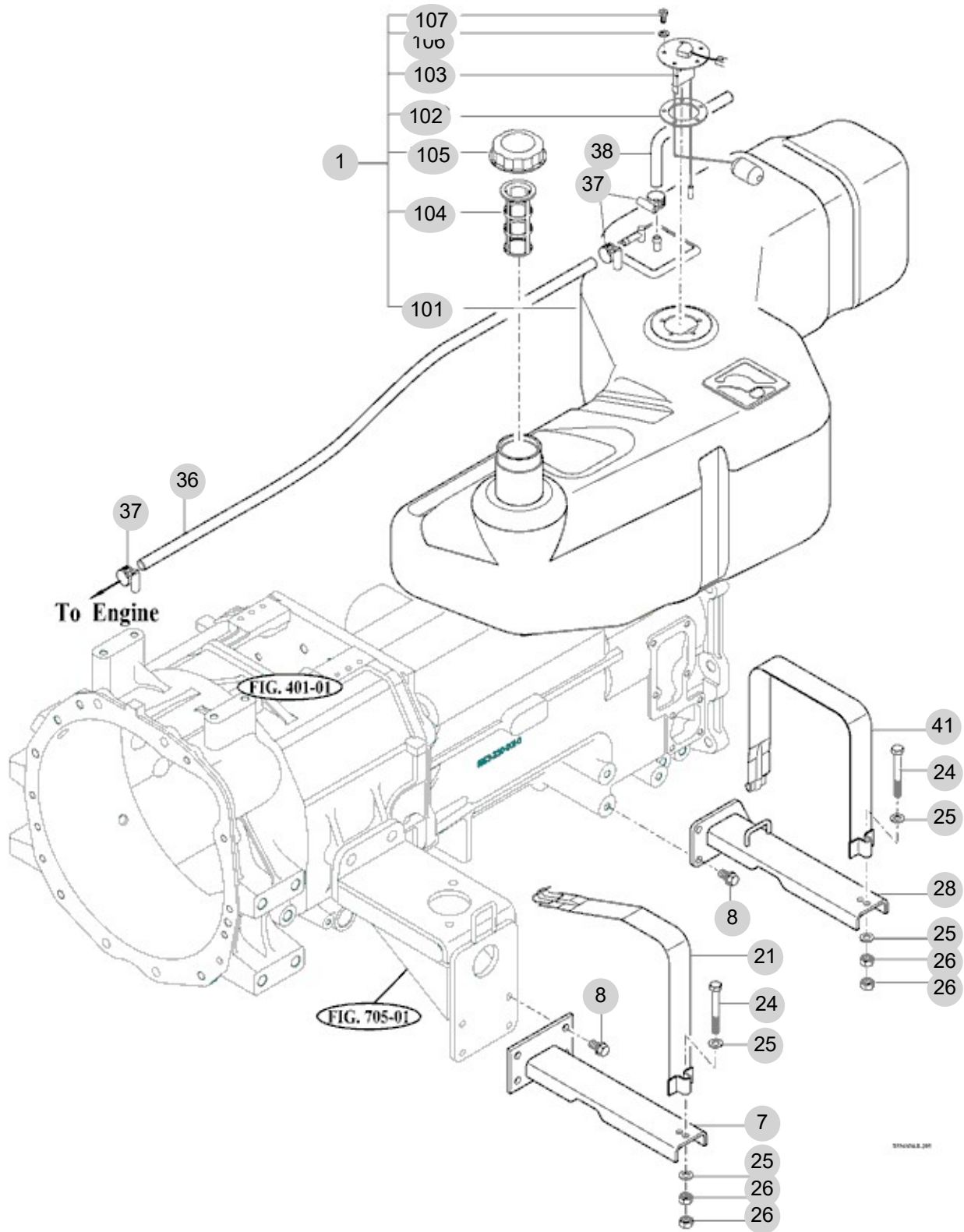
FIG 205

T554NC

# FUEL TANK

년/월  
Year/Month

2022-12



NOTE



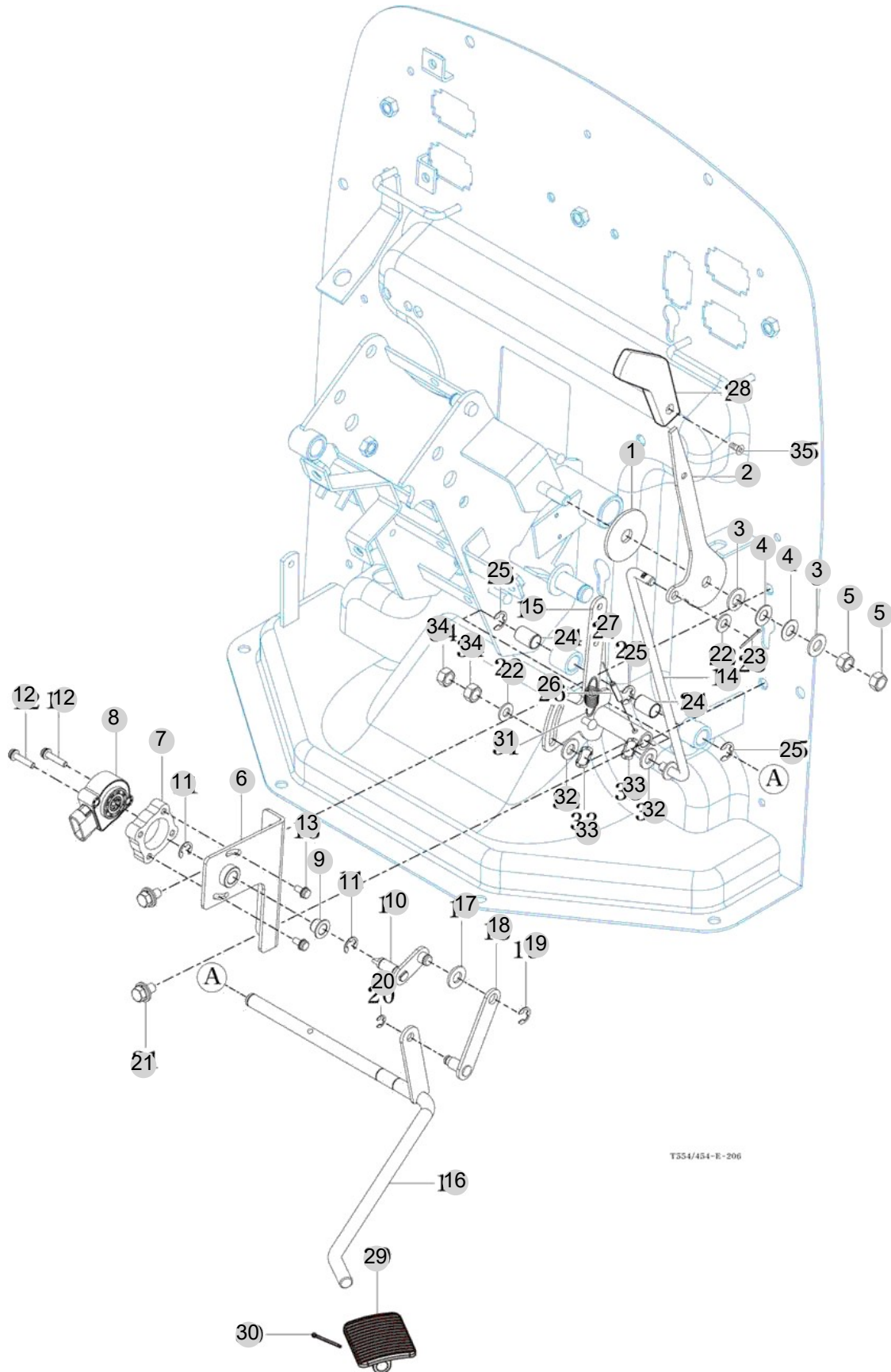
FIG 206

ACCELERATOR

년/월  
Year/Month

2022-12

T554NC



T554/454-E-206

NOTE



FIG 206 T554NC		ACCELERATOR					년/월 Year/Month	
							2022-12	
KEY NO	PART NO	DESCRIPTION	SPEC	QTY	REPAIR	EFFECTIVE DATE	REMARKS	
206	1	14141170050	LINING , 13X50X3	T=3	1			
206	2	19991162111	PLATE , THROTTLE LEVER		1			
206	3	V4111600100	WASHER , PLAIN	M10	2			
206	4	14527060010	WASHER , JERBSI SPRING/10	M10	2			
206	5	V3342600100	NUT , HEX FINE/2	M10	2			
206	6	17467552200	SENSOR PLATE COMP		1			
206	7	17467632620	PLATE , SPACER		1			
206	8	17466462500	THROTTLE SENSOR ASSY		1			
206	9	15645120010	BUSH , 10X18X10	80F-1010	1			
206	10	17467552300	ARM SHAFT COMP		1			
206	11	V7081400080	E-RING	8	2			
206	12	V1222605025	SCREW , C/R PAN/SP	M5X25	2			
206	13	V1222605012	SCREW , C/R PAN/SP	M5X12	2			
206	14	17461162500	ROD COMP , THROTTLE		1			
206	15	17461162400	PEDAL ARM COMP , ACCEL		1			
206	16	17467552100	PEDAL ROD COMP , ACCEL		1			
206	17	V4111600100	WASHER , PLAIN	M10	1			
206	18	17467552400	LINK COMP		1			
206	19	V7081400080	E-RING	8	1			
206	20	V7081400060	E-RING	6	1			
206	21	V2183608016	BOLT , HEX/SP	M8X16	2			
206	22	V4111600080	WASHER , PLAIN	M8	2			
206	23	V5001920020	PIN , SPLIT	2X20	1			
206	24	36504400140	BUSH , 12X14X20	12X14X20	2			
206	25	V7081400090	E-RING	9	3			
206	26	V5801405025	PIN , SPRING	5X25	1			
206	27	V5901010070	WIRE , STEEL	1.0X70	1			
206	28	15605110054	GRIP , 3X17X97	9.5X9.7X5.3	1			
206	29	19027552031	PEDAL , ACCEL	1X1X1	1			
206	30	V5001925025	PIN , SPLIT	2.5X25	1			
206	31	21441300010	SPRING , HE075		1			
206	32	35602010150	WASHER , BIND SHAFT	T=2.3	2			
206	33	17461162610	WASHER , WAVE		2			
206	34	V3042600080	NUT , HEX/2	M8	2			
206	35	V1122605012	SCREW , C/R FLAT	M5X12	1			
NOTE								

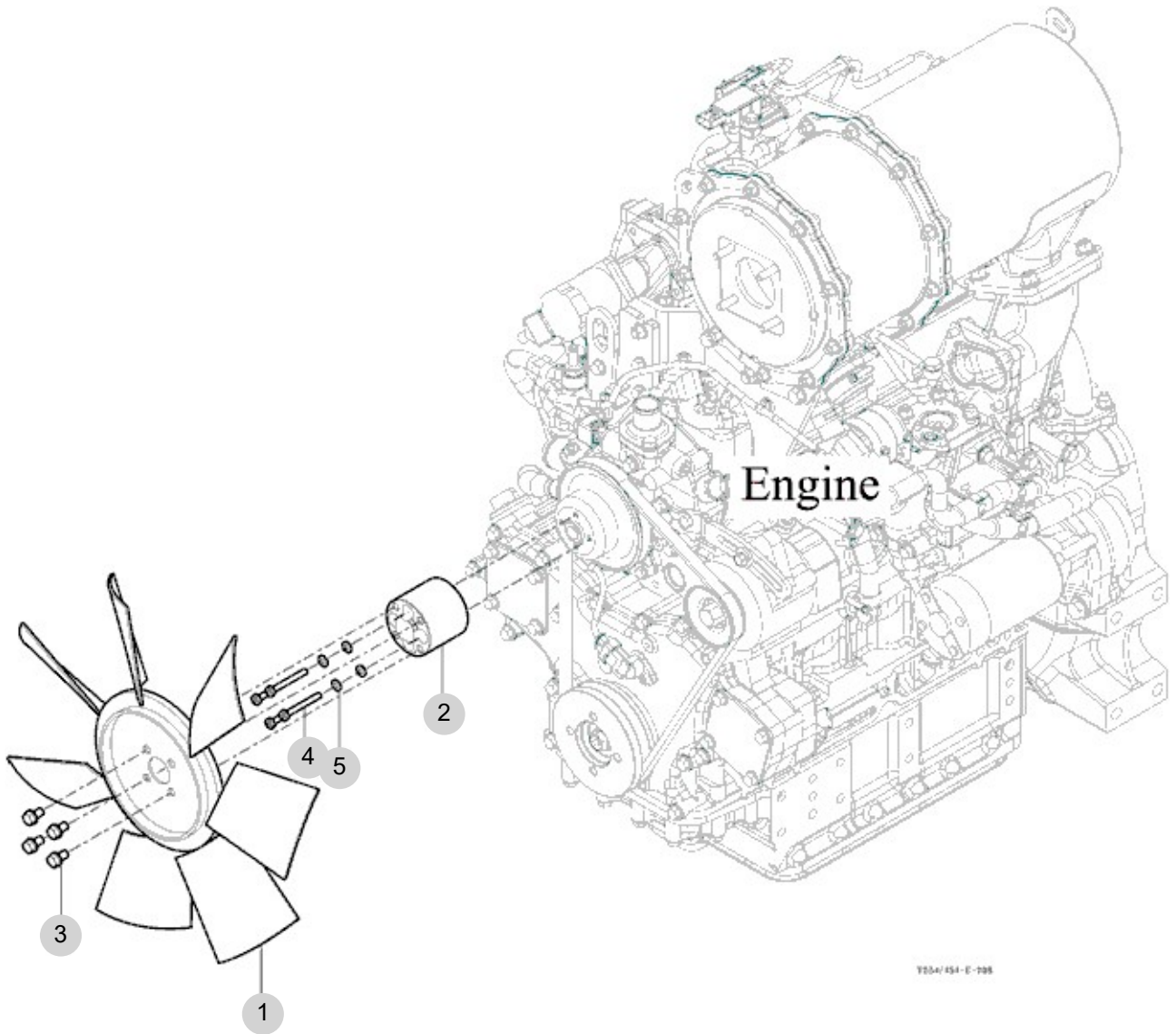
FIG 208

T554NC

FAN , COOLING

년/월  
Year/Month

2022-12



NOTE



### 3. Clutch/Brake/Steering PART NO. T3

FIG 301 CLUTCH	73
FIG 302 CLUTCH PEDAL	75
FIG 303 BRAKE	78
FIG 304 BRAKE PEDAL & LINK	80
FIG 305A FRONT WHEEL	82
FIG 305B FRONT WHEEL (R4 OPTION)	84
FIG 306A REAR WHEEL	86
FIG 306B REAR WHEEL (R4 OPTION)	88
FIG 307 POWER STEERING WHEEL	90
FIG 308 POWER STEERING VALVE	92
FIG 309 POWER STEERING CYLINDER	94

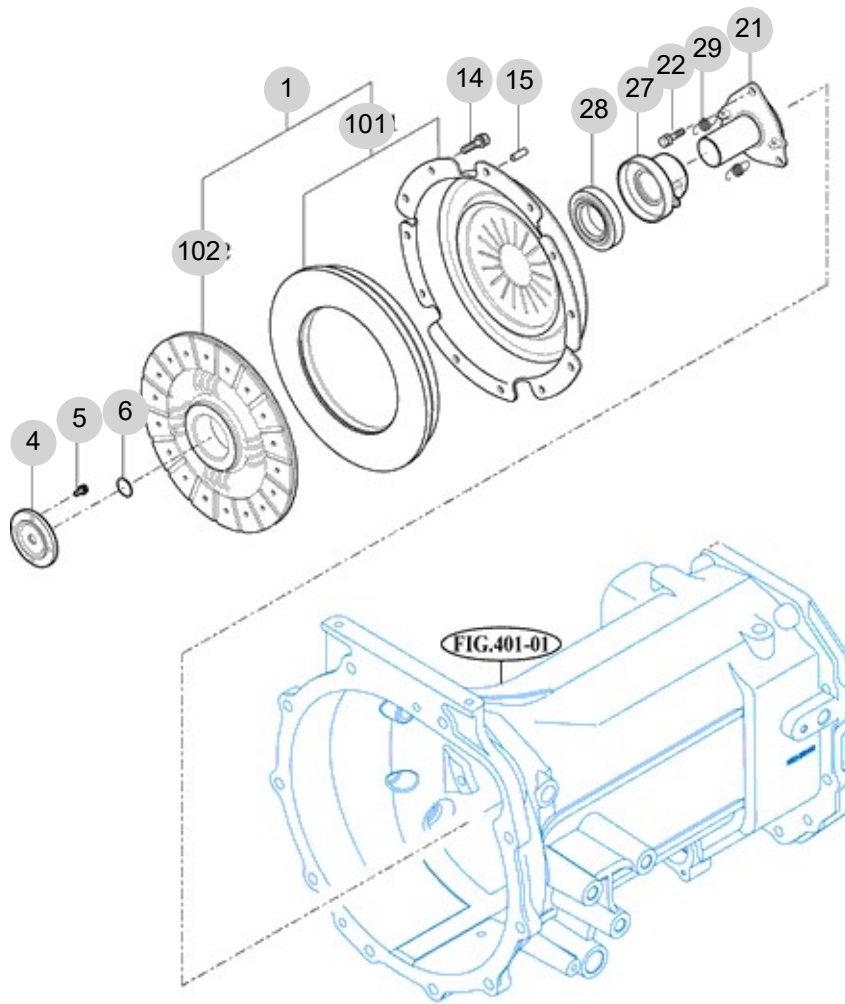
FIG 301

T554NC

CLUTCH

년/월  
Year/Month

2022-12



NOTE



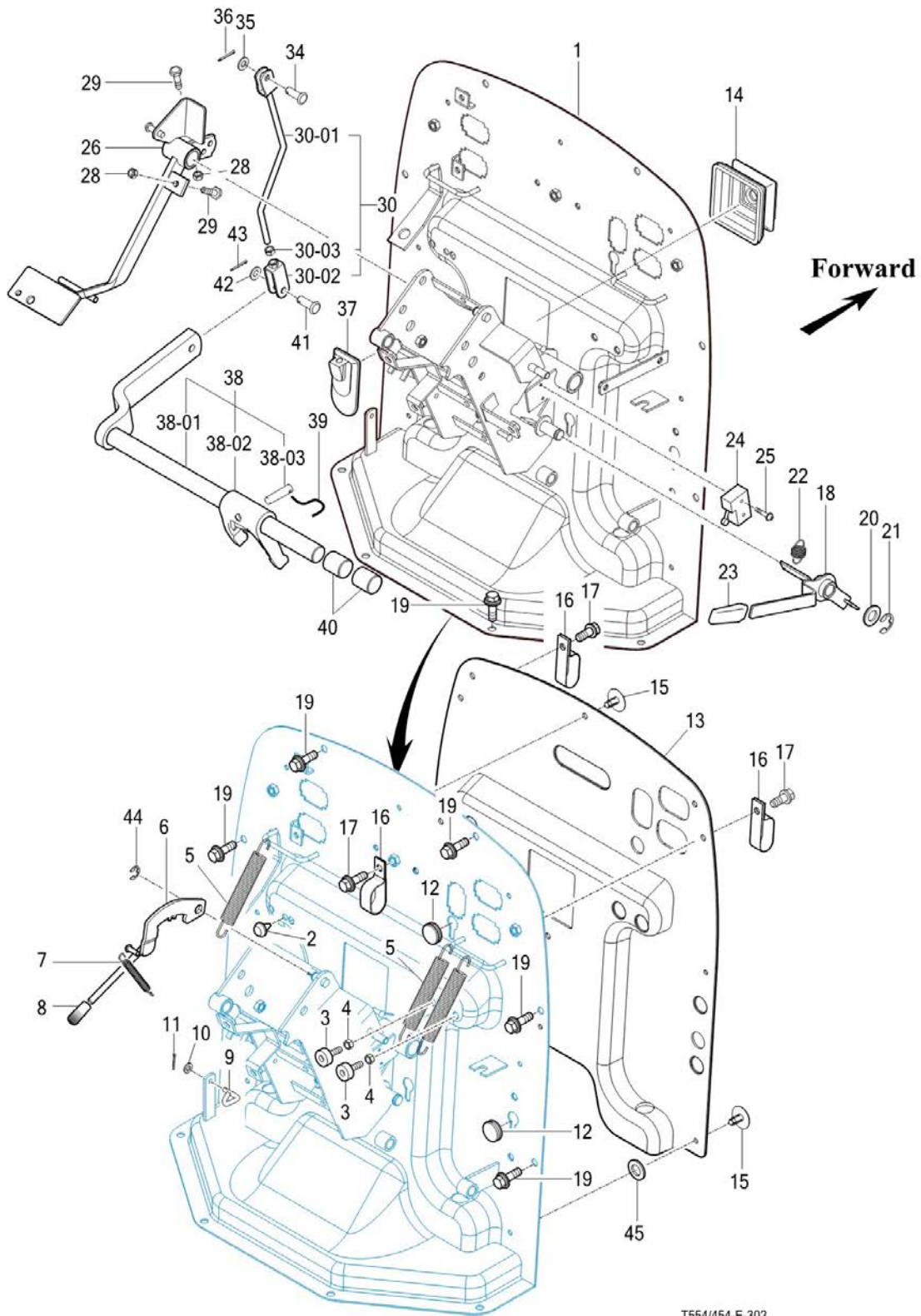
FIG 302

CLUTCH PEDAL

년/월  
Year/Month

2022-12

T554NC



T554/454-E-302

NOTE

FIG 302		CLUTCH PEDAL					년/월	
							Year/Month	
T554NC		2022-12						
KEY NO	PART NO	DESCRIPTION	SPEC	QTY	REPAIR	EFFECTIVE DATE	REMARKS	
302	1	17506303200GB		1				
302	1	17466303200GB	DASH PANEL COMP	1				
302	2	14326160020	RUBBER , CUSHION	1X1X1	1			
302	3	14216020051	RUBBER , CUSHION B	1X1X1	2			
302	4	V3043600080	NUT , HEX/2	M8	2			
302	5	14041200080	RETURN SPRING , CLUTCH	HL2000공용	3			
302	6	14724042401GB	LEVER COMP , TILT	1X1X1	1			
302	7	16001200080	RETURN SPRING , BRAKE	1X1X1	1			
302	8	21615250020	GRIP , LEVER/RED		1			
302	9	15441230050	ROD	D=5.25 5.3	1			
302	10	V4111600060	WASHER , PLAIN	M6	1			
302	11	V5001920020	PIN , SPLIT	2X20	1			
302	12	14326510210	CAP , RUBBER 20	1X1X1	2			
302	13	17467071991	INSULATOR , DASH	T=10	1			
302	14	14526300011	BOOT,STEERING/HOSE	T=1.5	1			
302	15	17686040020	RIVET SET , black	SV625	9			
302	16	14441010161	CLAMP , RADIATOR HOSE	1X1X1	3			
302	17	V2183608020	BOLT , HEX/SP	M8X20	3			
302	18	14523293301GB	LEVER COMP,PARKING	1X1X1	1			
302	19	V2183608016	BOLT , HEX/SP	M8X16	10			
302	20	V4111600160	WASHER , PLAIN	M16	1			
302	21	V7081400150	E-RING	15	1			
302	22	14321200040	SPRING , TENSION 31	D=1.2	1			
302	23	34523030020	GRIP , THROTTLE	1X1X1	1			
302	24	16756214701	SWITCH ASSY , SAFETY	1X1X1	1			
302	25	V1222604025	SCREW , C/R PAN/SP	M4X25	2			
302	26	14571332100GB	PEDAL COMP , CLUTCH	1X1X1	1			
302	28	V3043600080	NUT , HEX/2	M8	2			
302	29	V2013608030	BOLT , HEX	M8X30	2			
302	30	14521330002GB	ROD SUB , CLUTCH		1			
302	30	14521330002	ROD SUB , CLUTCH	398*87	1			
302	30	14521330002	ROD SUB , CLUTCH		1			
302	34	14322420010	PIN	D=8	1			
302	35	V4111600080	WASHER , PLAIN	M8	1			
302	36	V5001925020	PIN D2.5x20	2.5X20	1			
302	37	14526300210	BOOT,CLUTCH PEDAL	1X1X1	1			
302	38	14521302000	BAR SET	1X1X1	1			
302	39	V5901012150	WIRE , STEEL	1.2X150	1			
302	40	14521302150	BUSH , BAR COMP	1X1X1	2			
302	41	14043120060	PIN , YOKE	D=8	1			
302	42	V4111600080	WASHER , PLAIN	M8	1			
302	43	V5001920020	PIN , SPLIT	2X20	1			
302	44	V7081400090	E-RING	9	1			
302	45	V4111600080	WASHER , PLAIN	M8	1			
302	3001	14521333103	ROD COMP, CLUTCH	346*87	1			
NOTE								





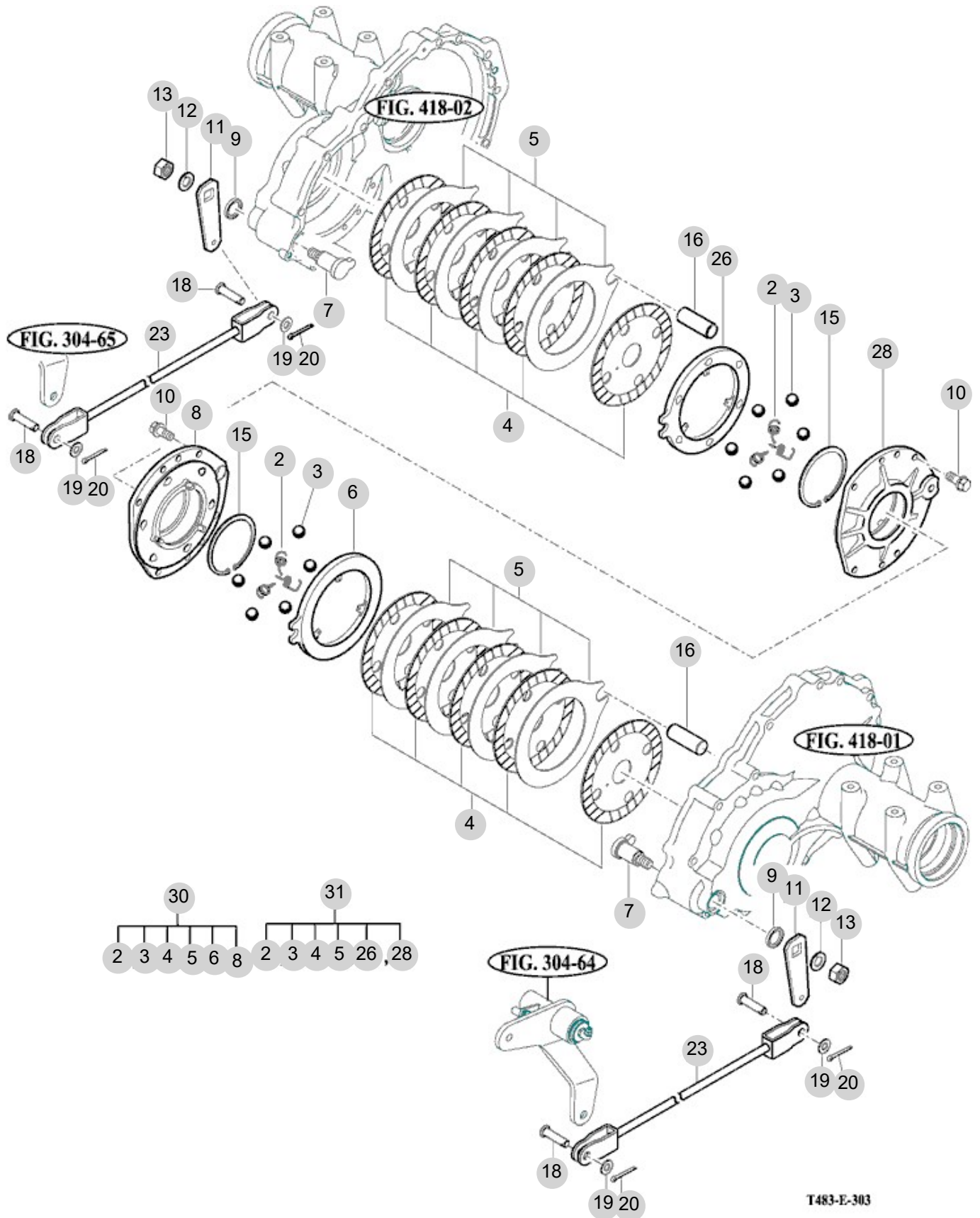
FIG 303

BRAKE

년/월  
Year/Month

T554NC

2022-12



NOTE



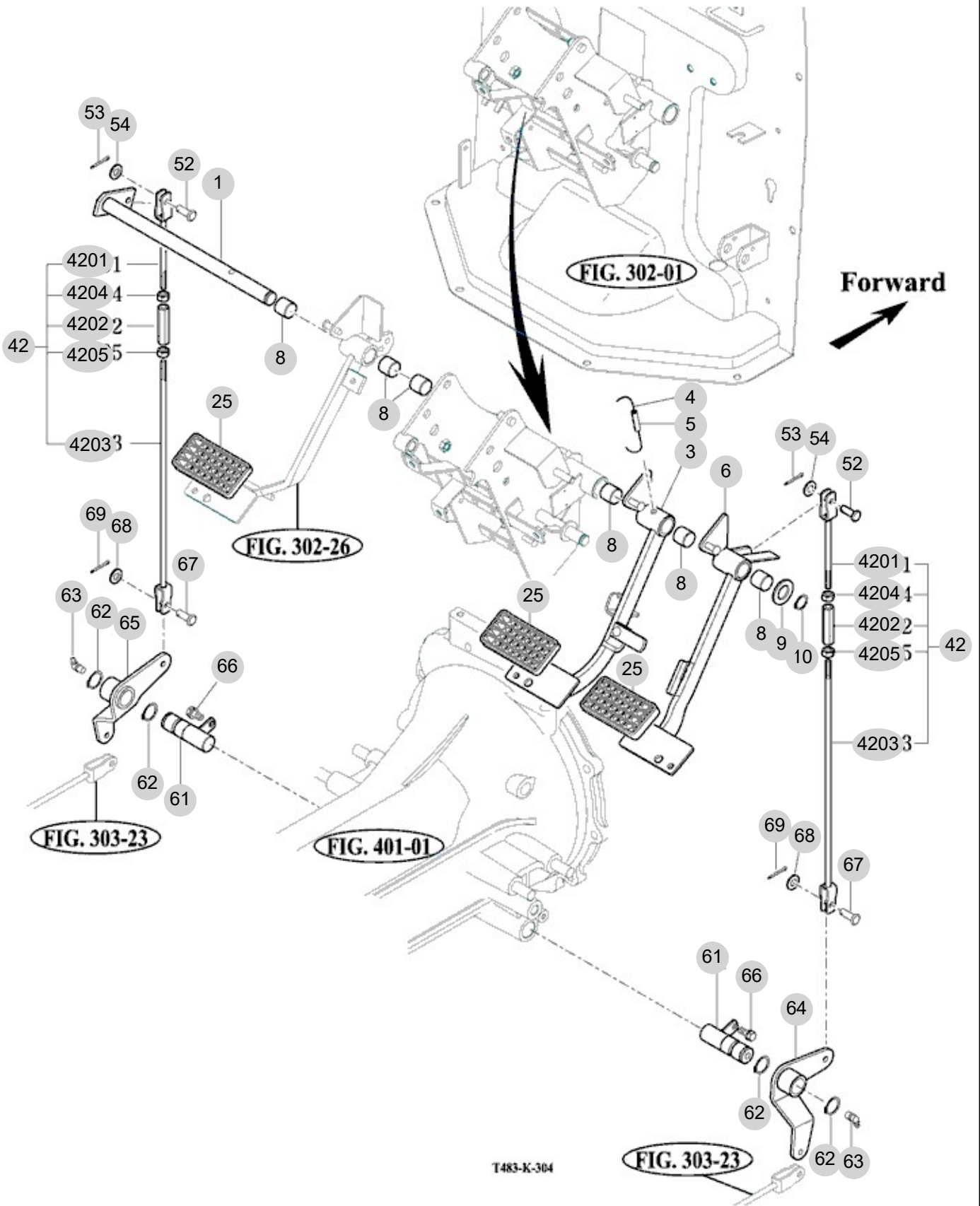
FIG 304

BRAKE PEDAL & LINK

년/월  
Year/Month

2022-12

T554NC



T483-K-304

NOTE



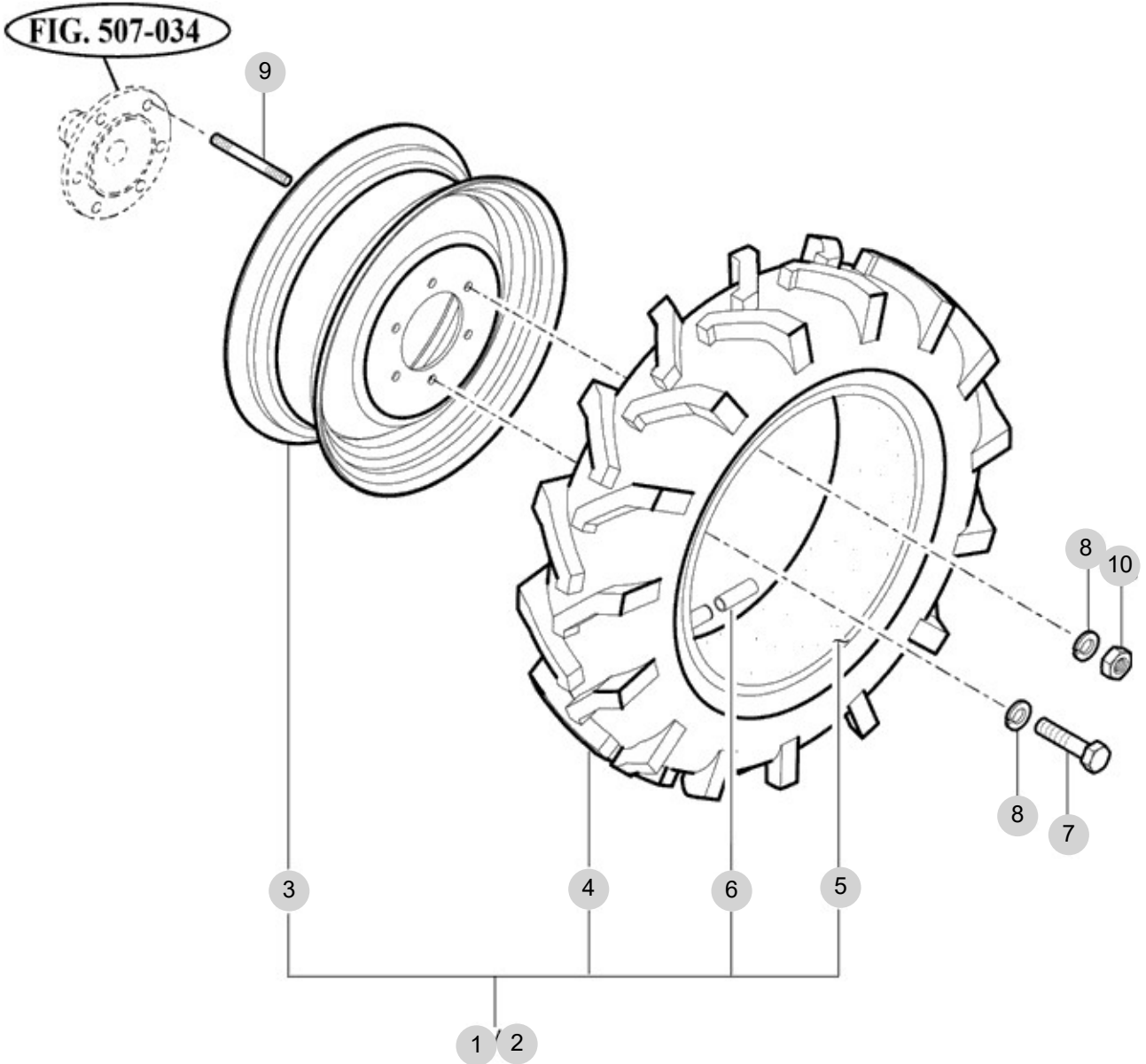
FIG 305A

FRONT WHEEL

년/월  
Year/Month

2022-12

T554NC



T5085T E-305A

NOTE

FIG 305A		FRONT WHEEL					년/월 Year/Month	
T554NC		2022-12						
KEY NO	PART NO	DESCRIPTION	SPEC	QTY	REPAIR	EFFECTIVE DATE	REMARKS	
305A	1	15904372800	TIRE ASSY , LH	1X1X1	1			
305A	2	15904372900	TIRE ASSY , RH	1X1X1	1			
305A	3	16004372600	RIM , W8-16	1X1X1	2			
305A	4	15904192110	TIRE , 9.5-16	9.5-16,6PR,R1	2			
305A	5	15904370010	TUBE , 9.5-16	9.5-16	2			
305A	6	V9993000010	CAP , VALVE/TIRE		2			
305A	7	V2014616030	BOLT , HEX	M16X30	8			
305A	8	V4011600160	WASHER , SPRING		12			
305A	9	15603200010	BOLT , STUD M16X30	D=16	4			
305A	10	V3043600160	NUT , HEX/2		4			
NOTE								

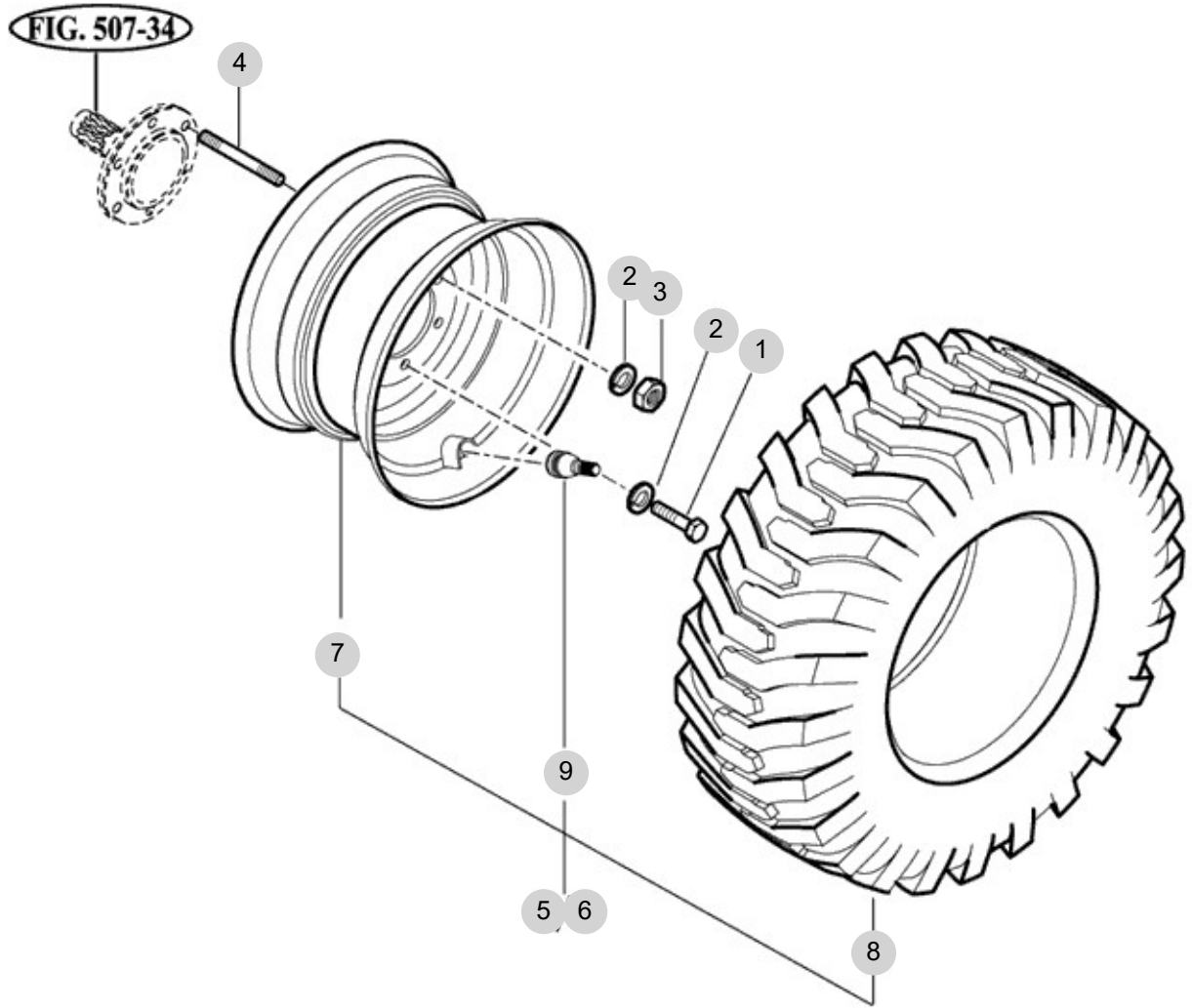
FIG 305B

FRONT WHEEL (R4 OPTION)

년/월  
Year/Month

2022-12

T554NC



T553-E-305C

NOTE





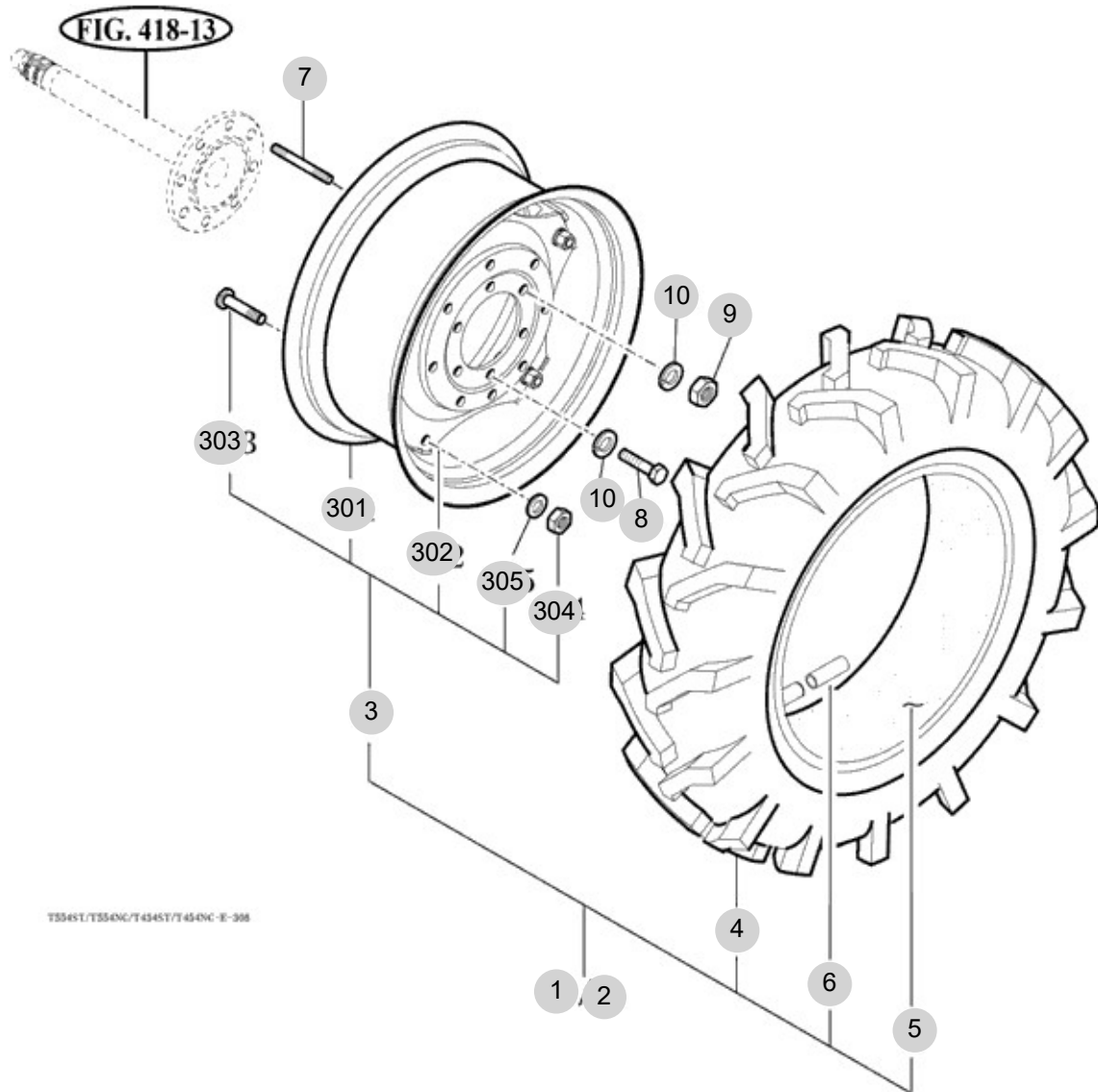
FIG 306A

REAR WHEEL

년/월  
Year/Month

2022-12

T554NC



NOTE



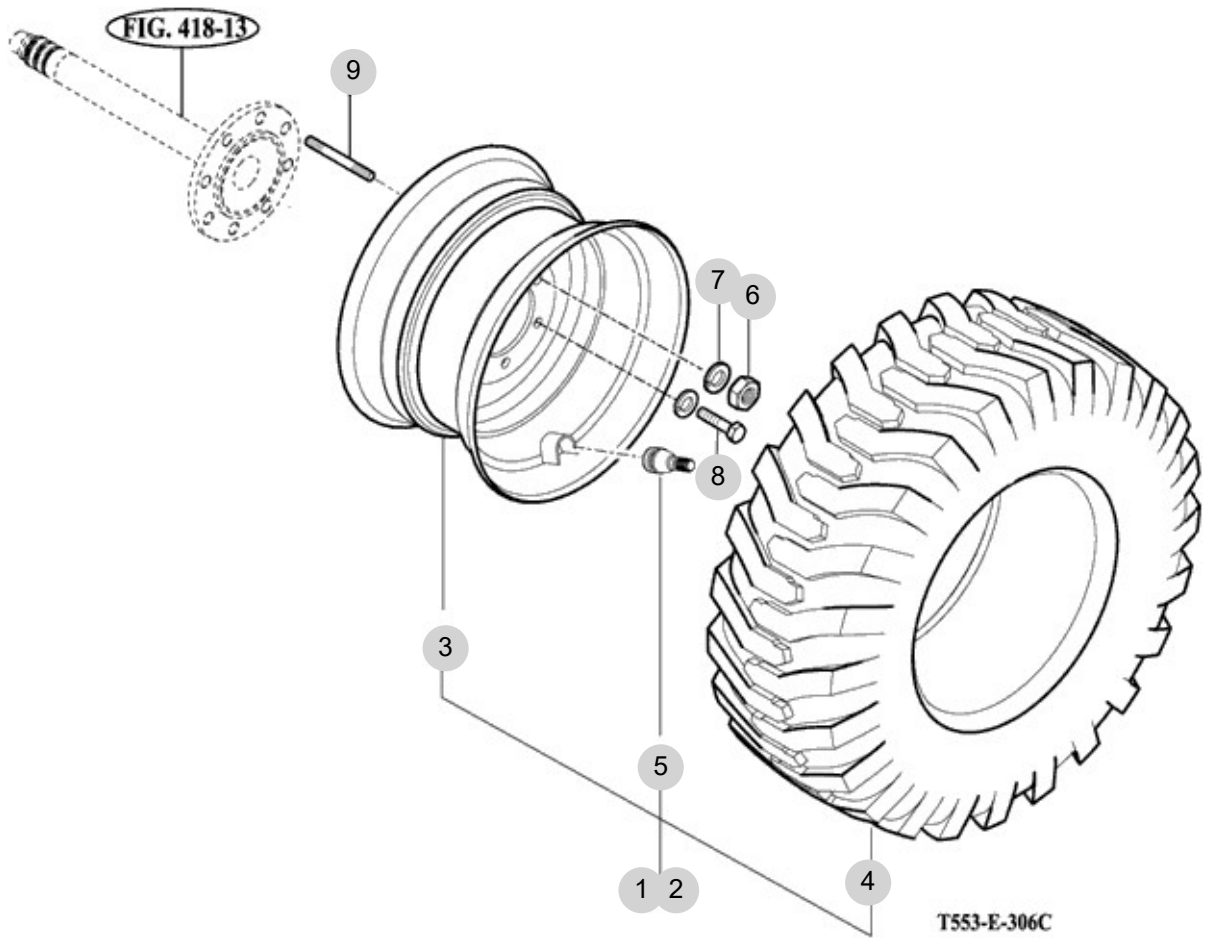
FIG 306B

T554NC

REAR WHEEL (R4 OPTION)

년/월  
Year/Month

2022-12



NOTE



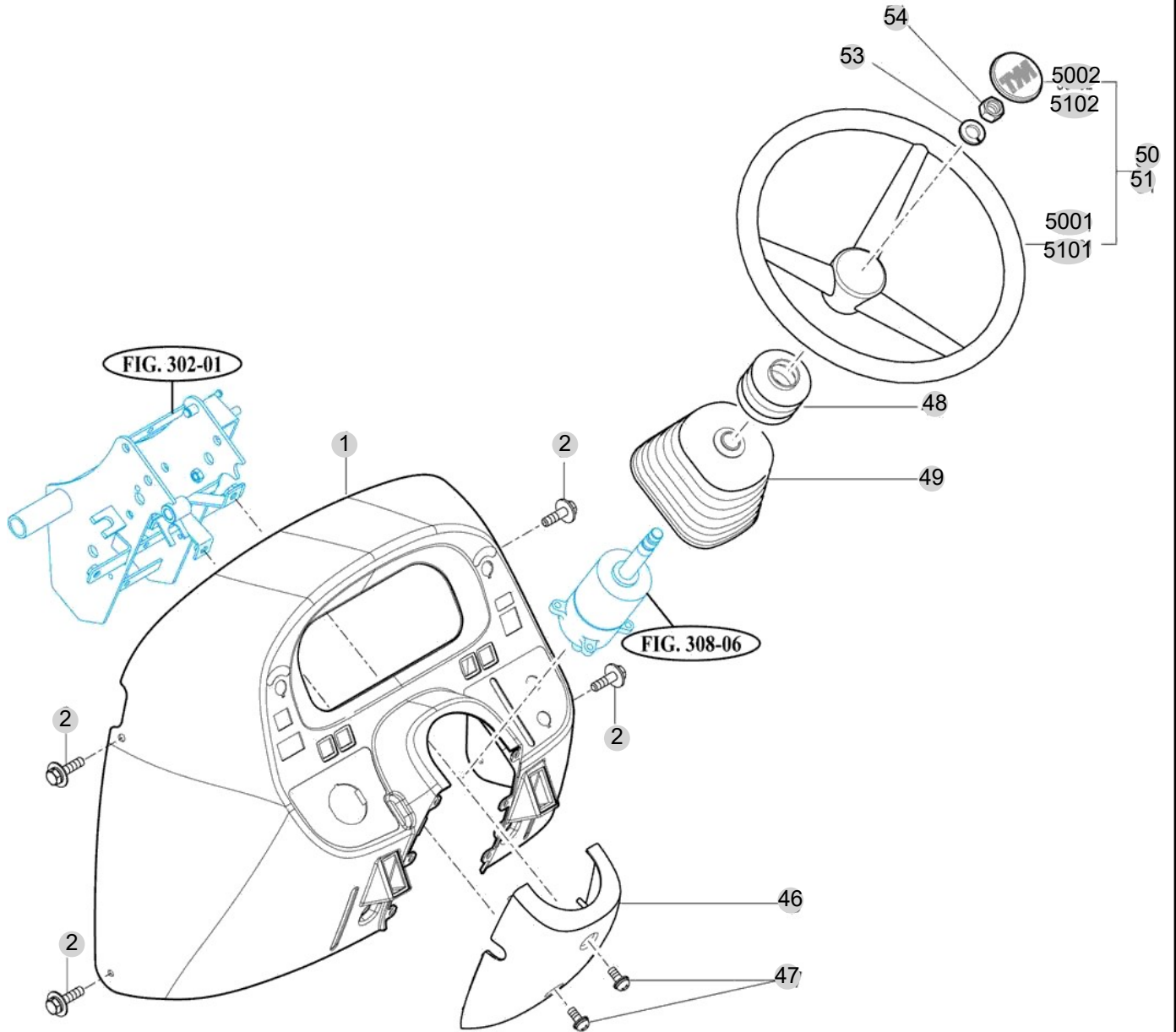
FIG 307

T554NC

POWER STEERING WHEEL

년/월  
Year/Month

2022-12



T554454-E-307

NOTE



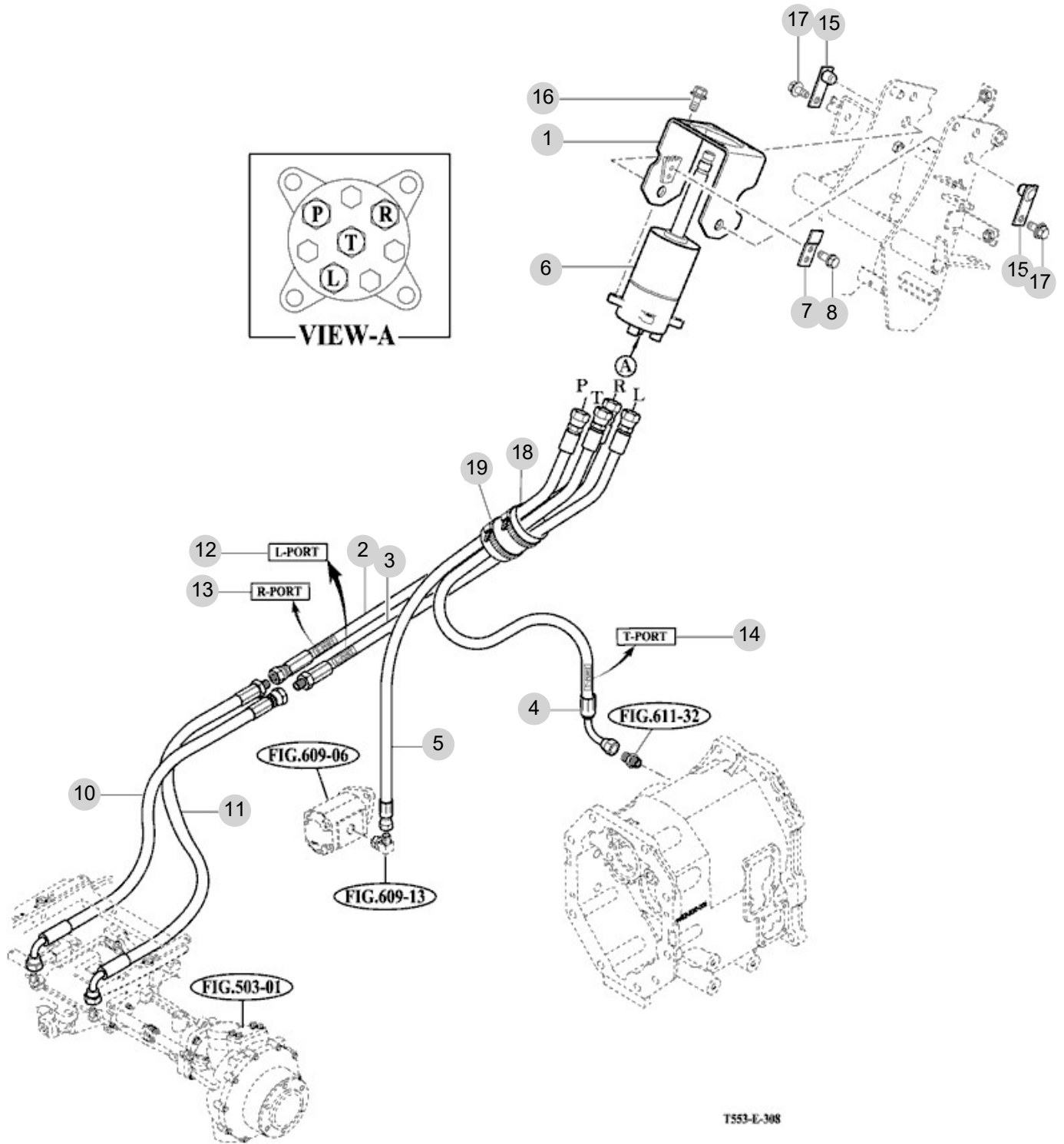
FIG 308

POWER STEERING VALVE

년/월  
Year/Month

T554NC

2022-12



T553-E-308

NOTE





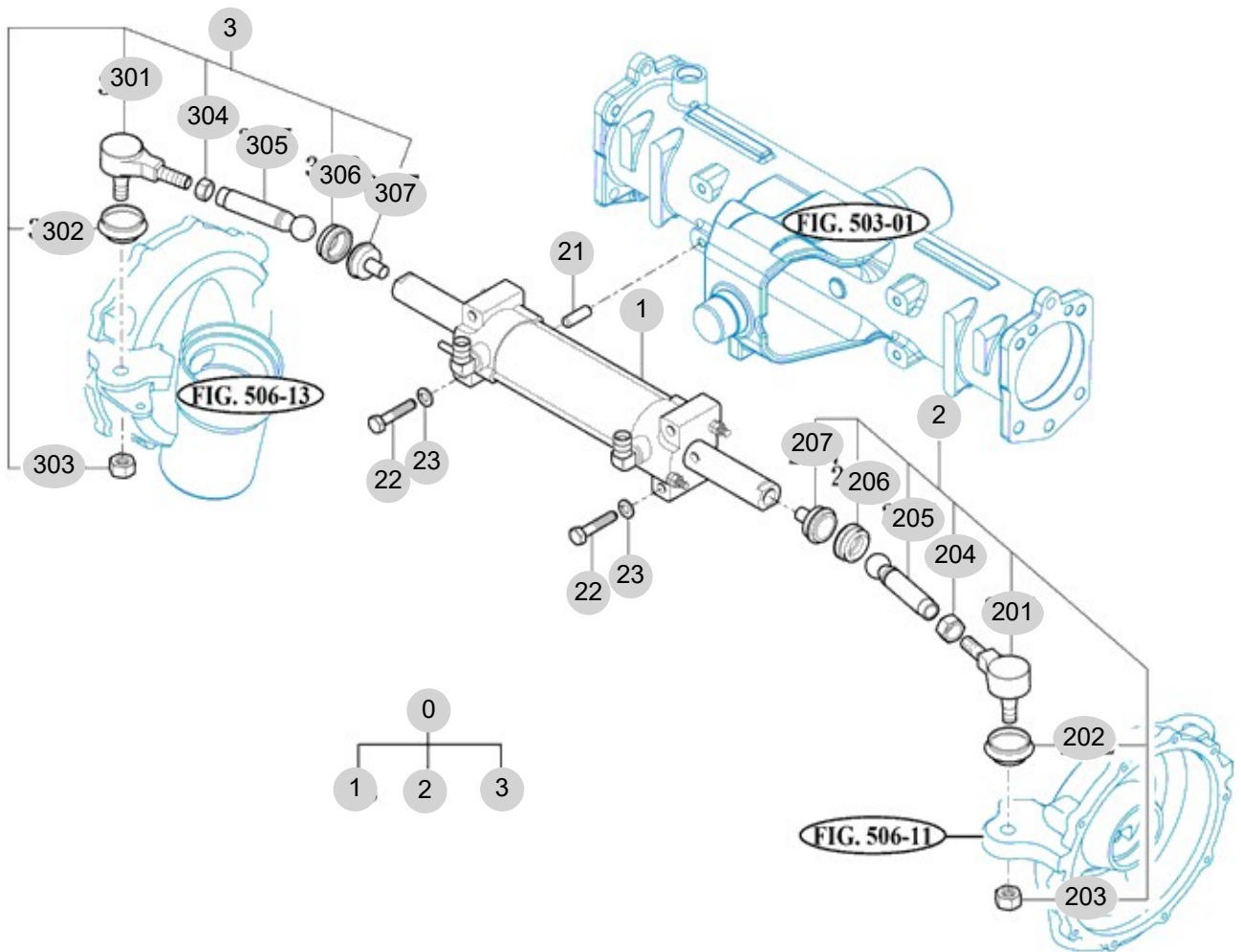
FIG 309

T554NC

POWER STEERING CYLINDER

년/월  
Year/Month

2022-12



NOTE



## 4. Transmission PART NO. T4

FIG 401 TRANSMISSION FRONT CASE	97
FIG 402 FORWARD & BACKWARD GEARS	99
FIG 403 IDLE & COUNTER GEARS	101
FIG 404 MAIN SHIFT GEARS	103
FIG 405 P.T.O DRIVE SHAFT	105
FIG 406 MAIN CHANGE LEVER	107
FIG 407 REVERSE CHANGE LEVER	109
FIG 408 TRANSMISSION MID CASE	111
FIG 409 TRANSMISSION REAR CASE	113
FIG 410 SUB CHANGE GEARS	115
FIG 411 SUB CHANGE SHIFTER	117
FIG 413 DRIVE GEARS	119
FIG 414 4WD CHANGE LEVER	121
FIG 415 P.T.O CHANGE GEARS	123
FIG 417 REAR DIFFERENTIAL GEARS	125
FIG 418 REAR AXLE HOUSING	128

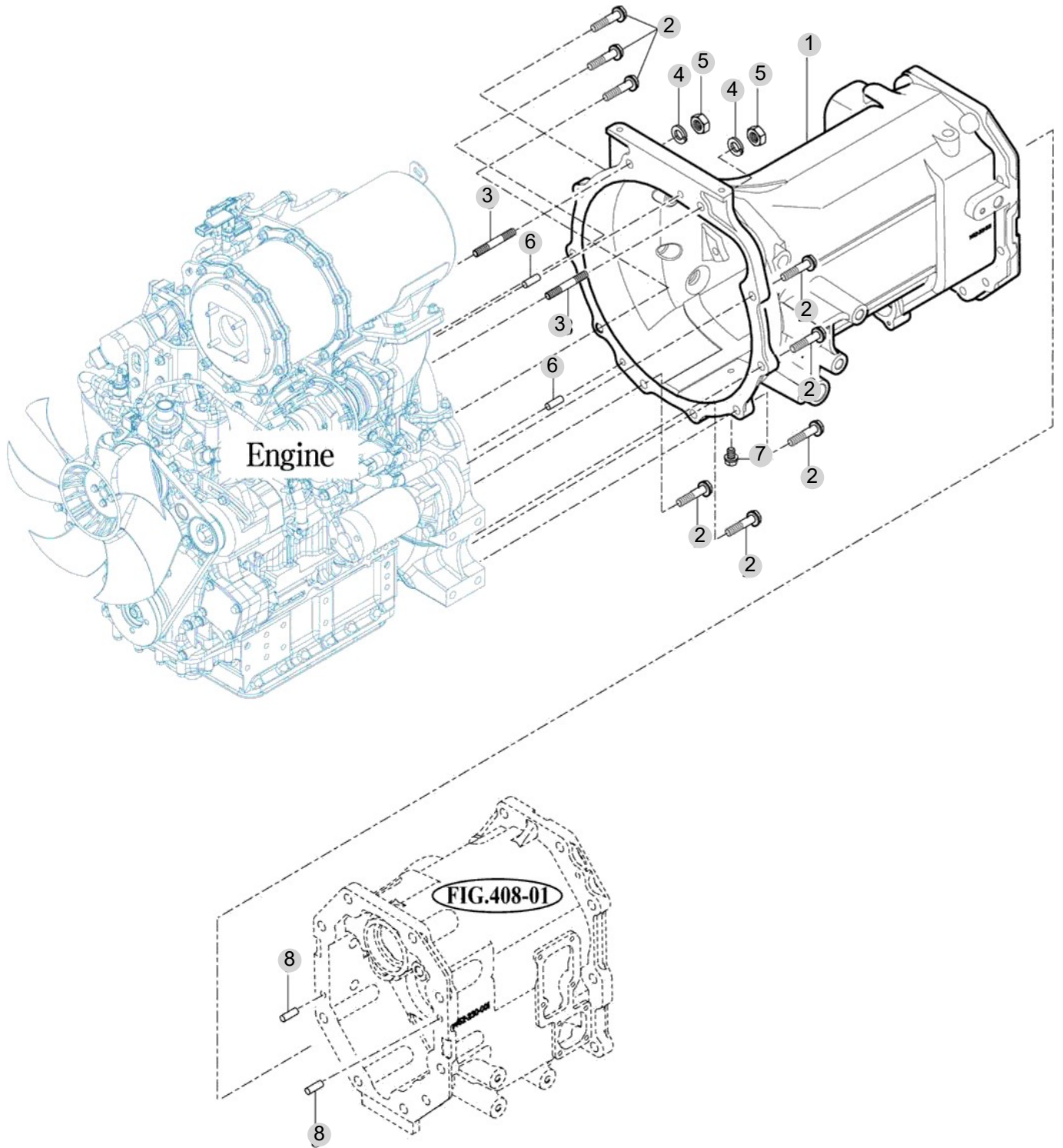
FIG 401

T554NC

TRANSMISSION FRONT CASE

년/월  
Year/Month

2022-12



NOTE



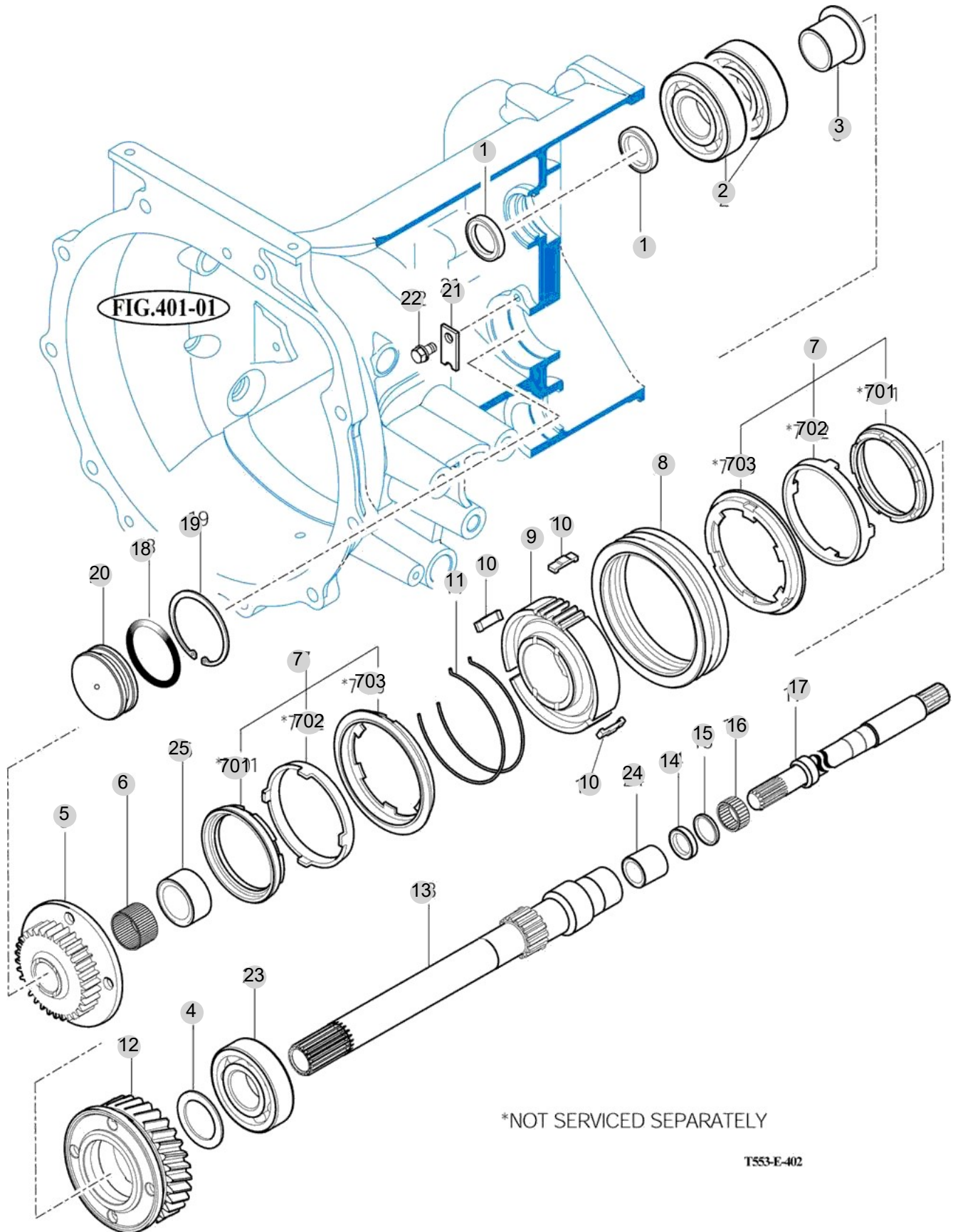
FIG 402

FORWARD & BACKWARD GEARS

년/월  
Year/Month

2022-12

T554NC



\*NOT SERVICED SEPARATELY

T553-E-402

NOTE





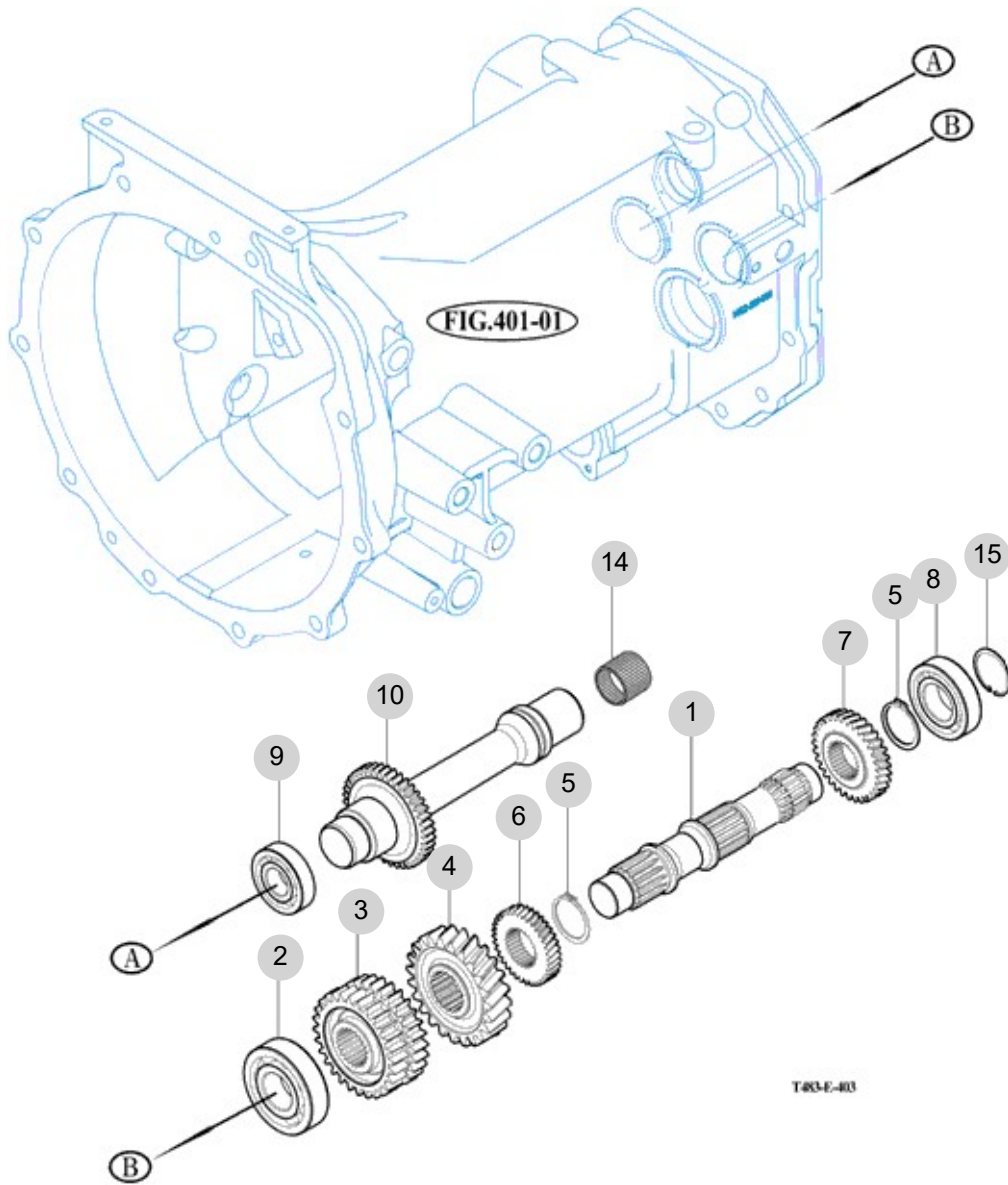
FIG 403

T554NC

IDLE & COUNTER GEARS

년/월  
Year/Month

2022-12



NOTE



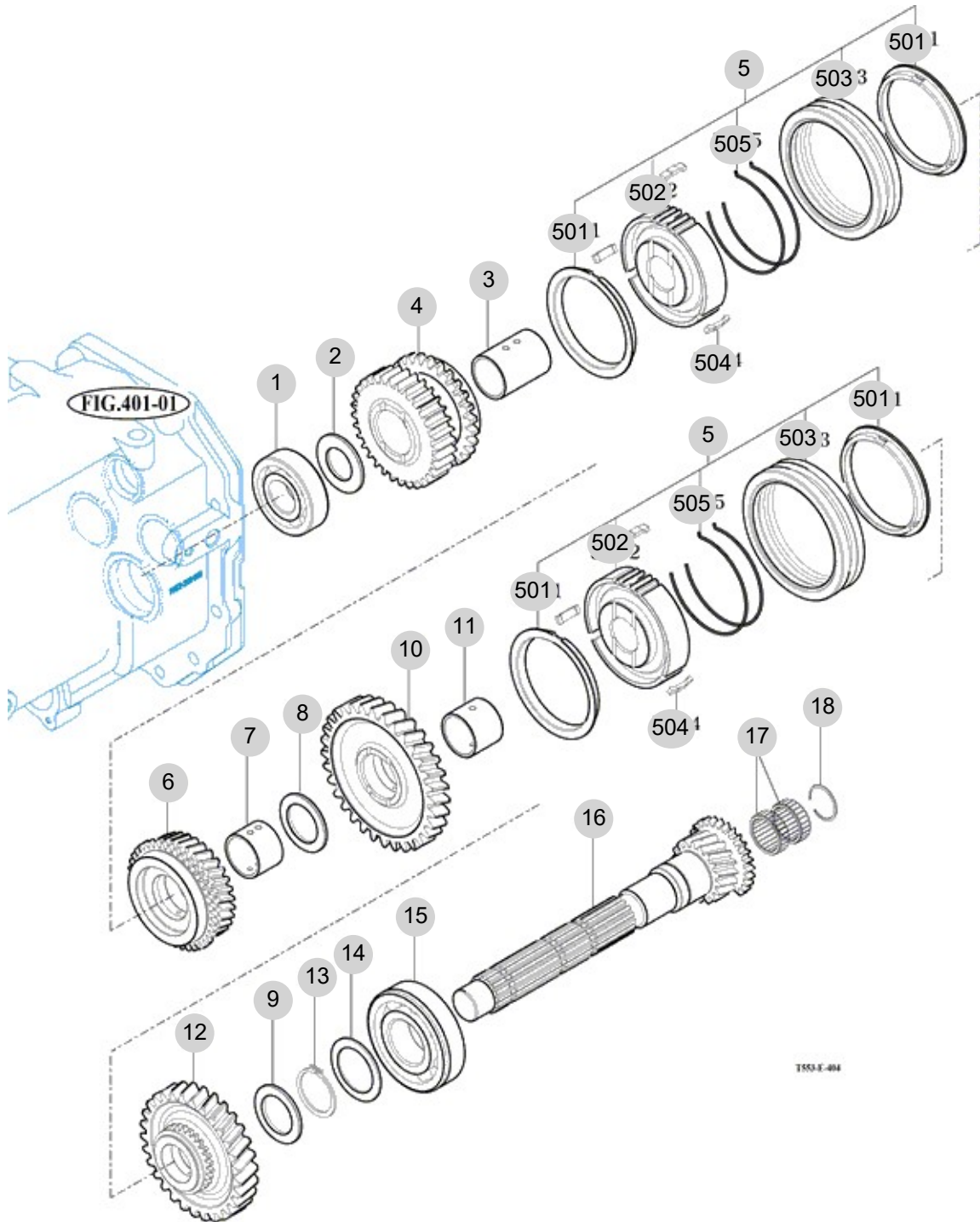
FIG 404

T554NC

MAIN SHIFT GEARS

년/월  
Year/Month

2022-12



NOTE



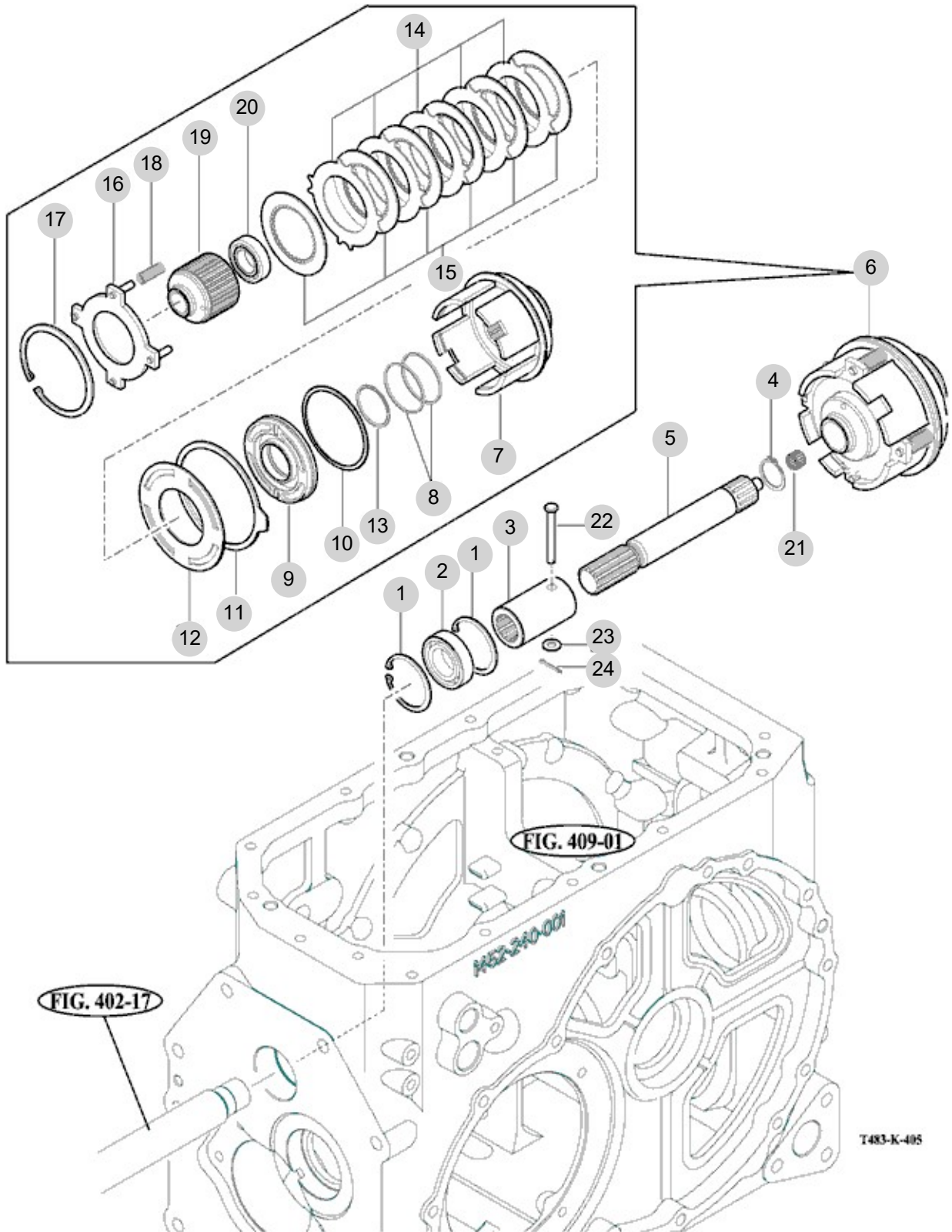
FIG 405

T554NC

P.T.O DRIVE SHAFT

년/월  
Year/Month

2022-12



NOTE



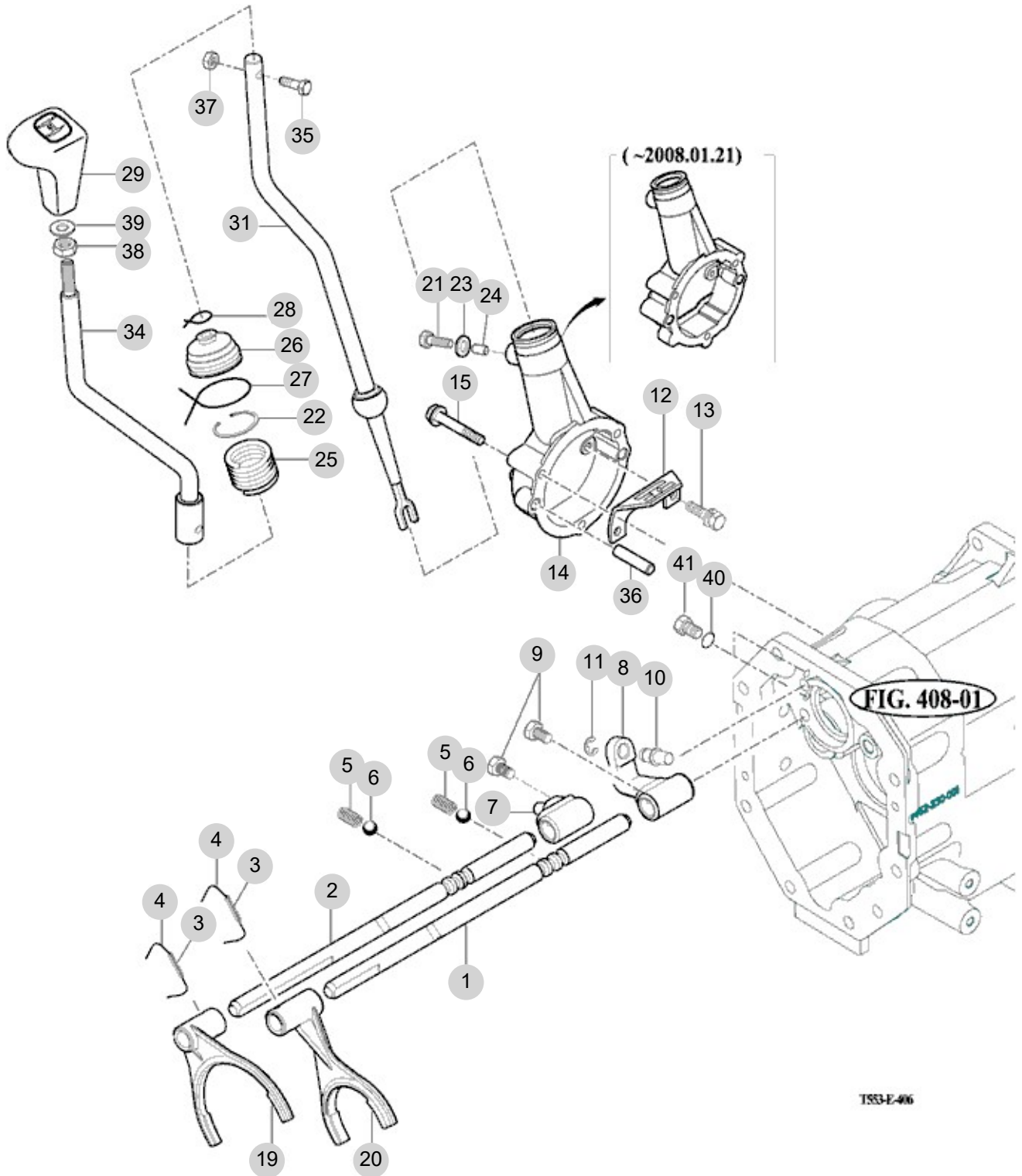
FIG 406

MAIN CHANGE LEVER

년/월  
Year/Month

T554NC

2022-12



NOTE

<b>FIG 406</b>  T554NC	<b>MAIN CHANGE LEVER</b>	년/월 Year/Month  2022-12
------------------------------	--------------------------	----------------------------------

KEY NO	PART NO	DESCRIPTION	SPEC	QTY	REPAIR	EFFECTIVE DATE	REMARKS
406	1	14522230062	STAY , SHIFTER 1-2	1			
406	2	14522230053	STAY , SHIFTER 3-4	1			
406	3	V5801406025	PIN , SPRING	6X25	2		
406	4	V5901010150	WIRE , STEEL	1.0X150	2		
406	5	13022250030	SPRING , SHIFTER	D=1.4	2		
406	6	V6802000010	BALL , STEEL		2		
406	7	15642230043M	LINK		1		
406	8	15642230033M	LINK		1		
406	9	15602231610	BOLT , SET M8X16		2		
406	9	15602231600	BOLT , SET SEAL LOCK	M8X16	2		
406	9	15602231610	BOLT , SET M8X16		1		
406	10	15602230124	PIN , 10X28		1		
406	11	V7081400070	E-RING		1		
406	12	15602230074	GUIDE	T=3.5	1		
406	13	V2173608016	BOLT , HEX/S	M8X16	2		
406	14	15612230027M	METAL , MAIN		1		
406	15	V2173608050	BOLT . HEX/S	M8X50	3		
406	19	14522230022M	FORK , SHIFTER 3-4		1		
406	20	15162230010M	FORK , SHIFTER 1-2		1		
406	21	16007060020	BOLT . DRAIN	M8X12XP1.25	1		
406	22	V7051400320	C-RING , HOLE	32	1		
406	23	15602230085	SEAL		1		
406	24	V5201006016	PIN , PARALLEL/A	6X16	1		
406	25	15602900063	SPRING , C020	D=2.6	1		
406	26	14442180090	BOOT , CHANGE LEVER		1		
406	27	V5901010180	WIRE , STEEL	1.0X180	1		
406	28	V5901010070	WIRE , STEEL	1.0X70	1		
406	29	14522810071	GRIP , MAIN SHIFT	M10	1		
406	31	14522912001	LEVER COMP , SHIFT MAIN		1		
406	34	14522913101GB	LEVER COMP , BAR 16		1		
406	35	V2013608035	BOLT , HEX	M8X35	1		
406	36	V5201010022	PIN , PARALLEL/A	10X22	2		
406	37	V3042600080	NUT , HEX/2	M8	1		
406	38	V3342600100	NUT , HEX FINE/2	M10	1		
406	39	V4111600100	WASHER , PLAIN	M10	1		
406	40	V7201019008	O-RING , P	P8	2		
406	41	14522081550	BOLT	M10XP1.5	2		

<b>NOTE</b>	
-------------	--



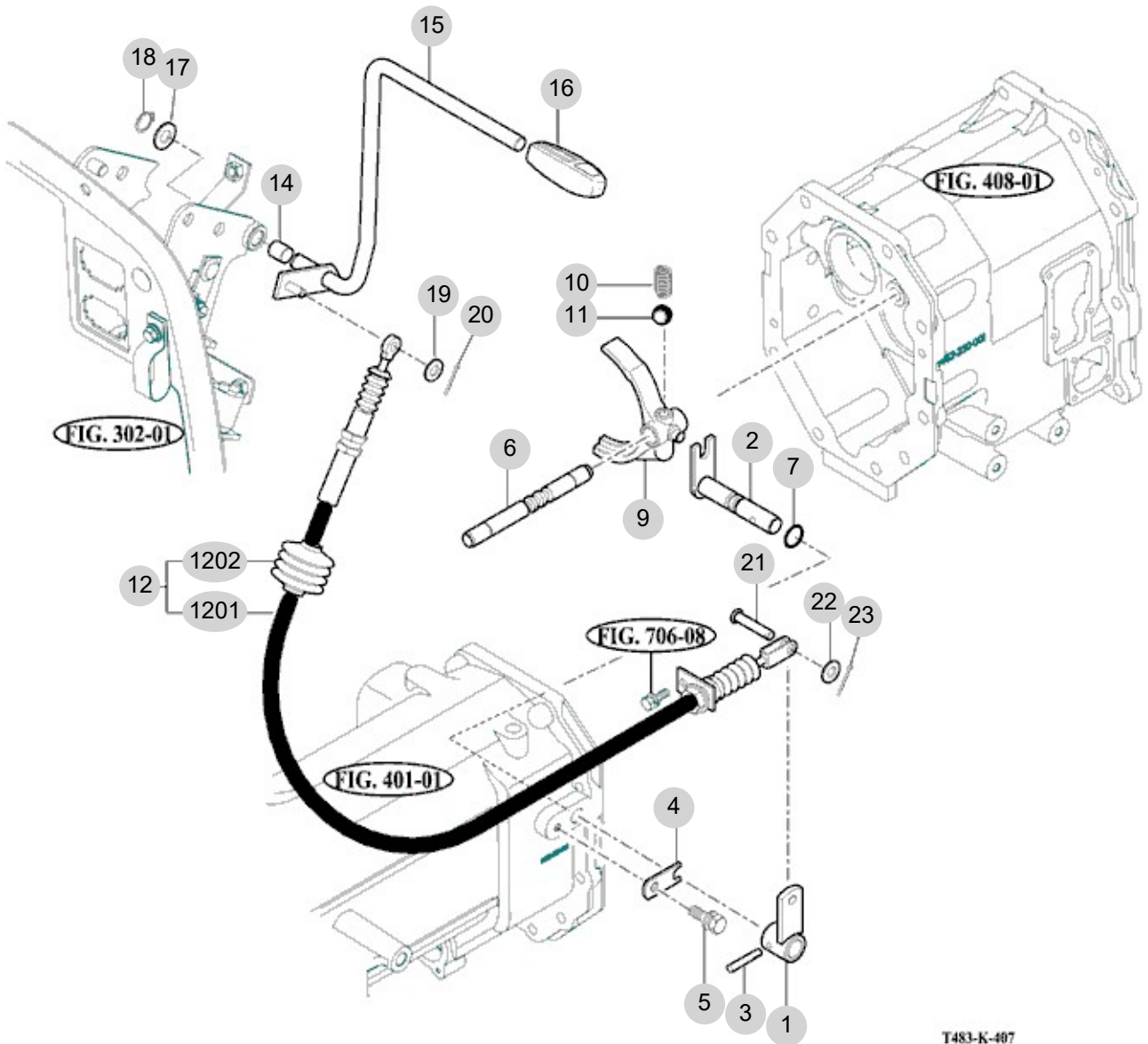
FIG 407

T554NC

REVERSE CHANGE LEVER

년/월  
Year/Month

2022-12



T483-K-407

NOTE



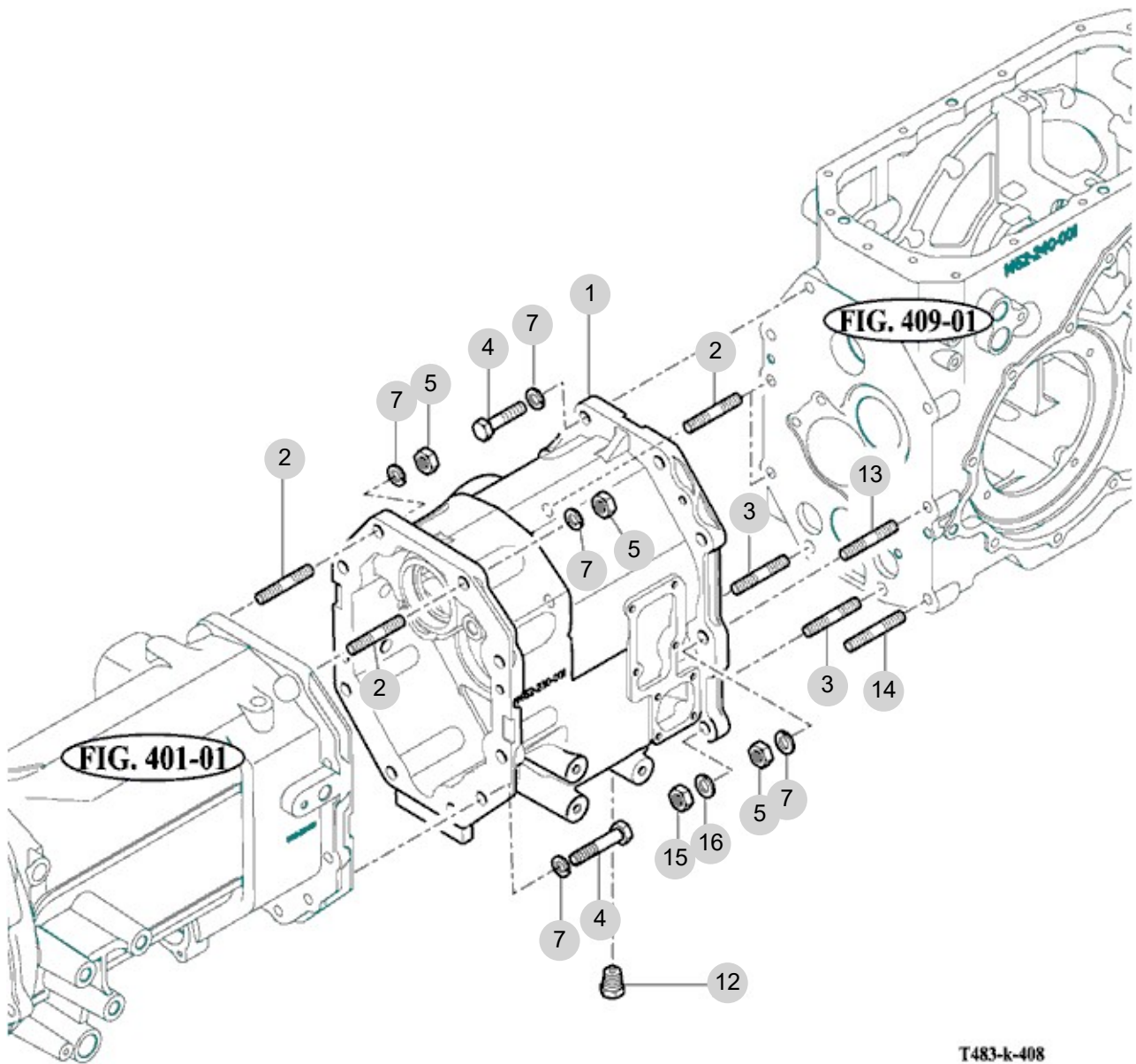
FIG 408

T554NC

TRANSMISSION MID CASE

년/월  
Year/Month

2022-12



NOTE



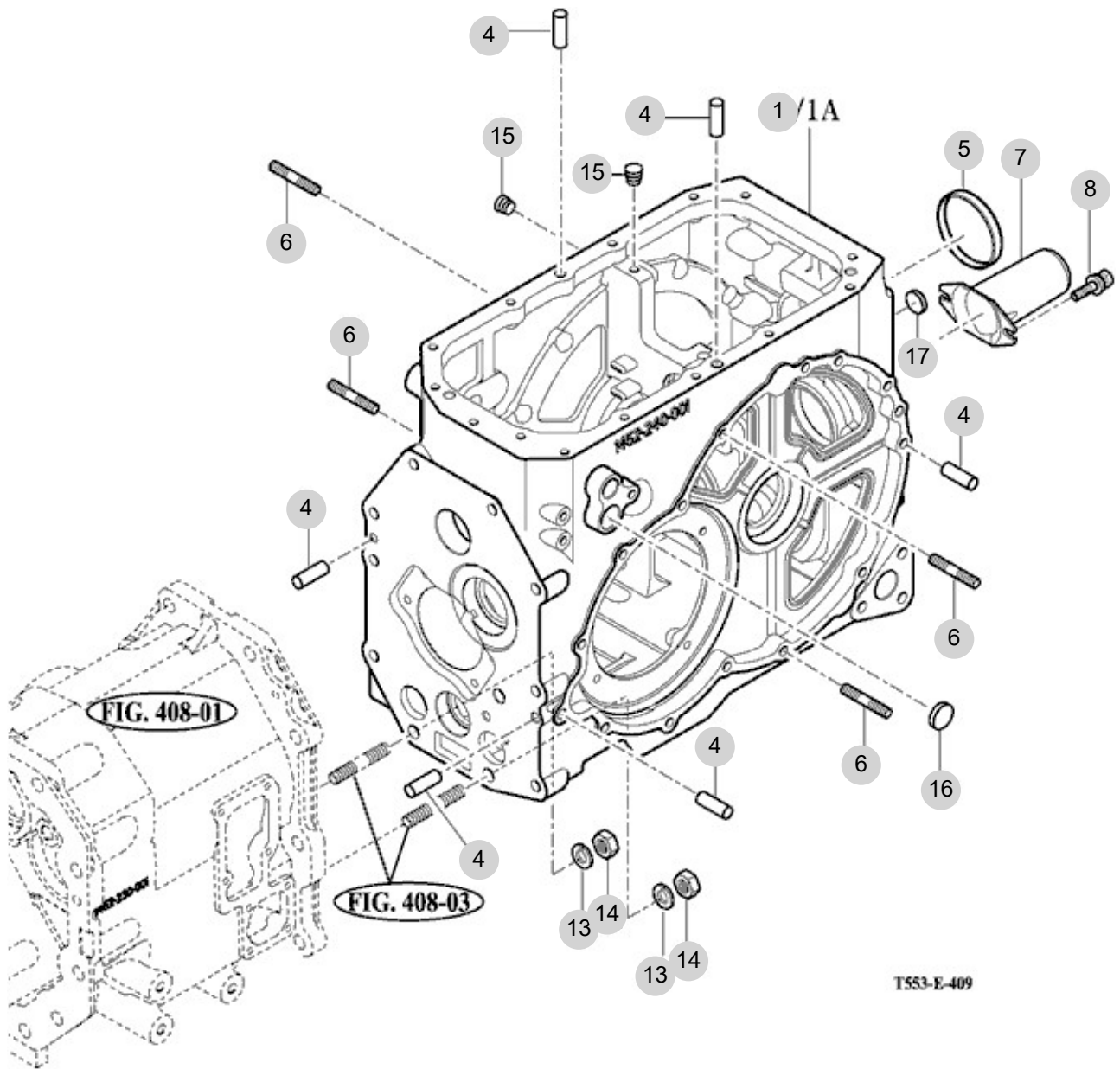
FIG 409

T554NC

TRANSMISSION REAR CASE

년/월  
Year/Month

2022-12



NOTE



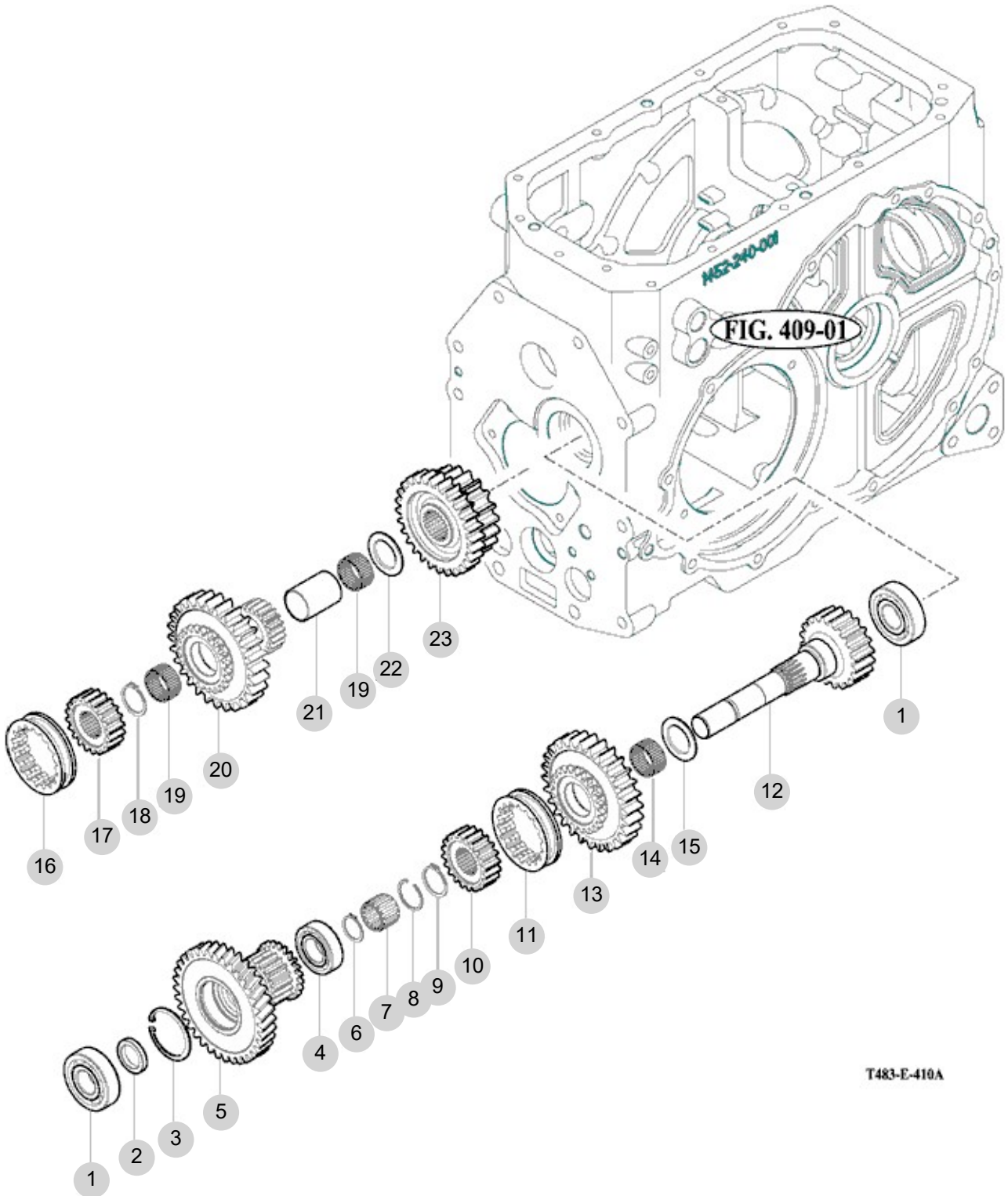
FIG 410

T554NC

SUB CHANGE GEARS

년/월  
Year/Month

2022-12



NOTE

<b>FIG 410</b>  T554NC	<b>SUB CHANGE GEARS</b>	년/월 Year/Month  2022-12
------------------------------	-------------------------	----------------------------------

KEY NO	PART NO	DESCRIPTION	SPEC	QTY	REPAIR	EFFECTIVE DATE	REMARKS
410	1	V6041106305	BEARING , BALL/HL1	6305HL1	2		
410	2	14522240180	SPACKER,25X36X06	25X36X6	1		
410	3	V7051400520	C-RING , HOLE	52	1		
410	4	V6001106205	BEARING , BALL	6205	1		
410	5	14522240131	GEAR , SPUR-HELICAL 16-38		1		
410	6	V7041400250	C-RING , SHAFT	25	1		
410	7	15683020010	BEARING , NEEDLE 253224	KT253224E02C3	1		
410	8	15642080080	SNAP RING , C TYPE	AR32	1		
410	9	V7041400300	C-RING , SHAFT	30	1		
410	10	15642430110	HUB , 30X62X19		1		
410	11	15242360050	COUPLING , SLIDE		1		
410	12	14522430062	GEAR , SPUR 24T		1		
410	13	14522240120	GEAR , SPUR 39T		1		
410	14	V6544303517	BEARING , NEEDLE CAGED	KT303517	1		
410	15	15642160041	WASHER , 30X46X3		1		
410	16	15242360050	COUPLING , SLIDE		1		
410	17	15642430110	HUB , 30X62X19		1		
410	18	V7041400300	C-RING , SHAFT	30	1		
410	19	V6544303517	BEARING , NEEDLE CAGED	KT303517	2		
410	20	14522430040	GEAR , SPUR 16-39		1		
410	21	14522430020	SPACER , 34X1.8		1		
410	22	15642160041	WASHER , 30X46X3		1		
410	23	15152430010	GEAR , S-S 35-28		1		

NOTE	
------	--



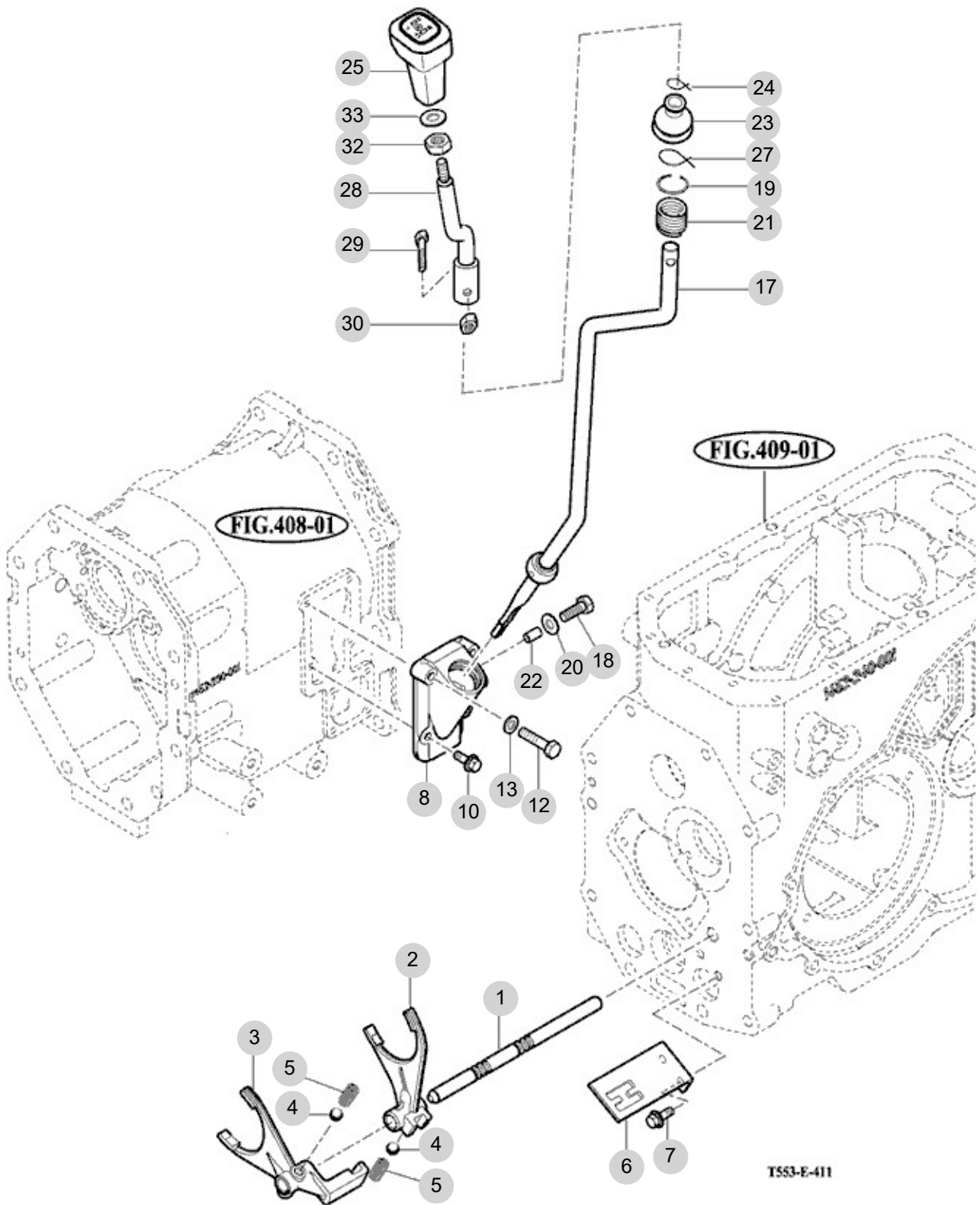
FIG 411

SUB CHANGE SHIFTER

년/월  
Year/Month

2022-12

T554NC



NOTE



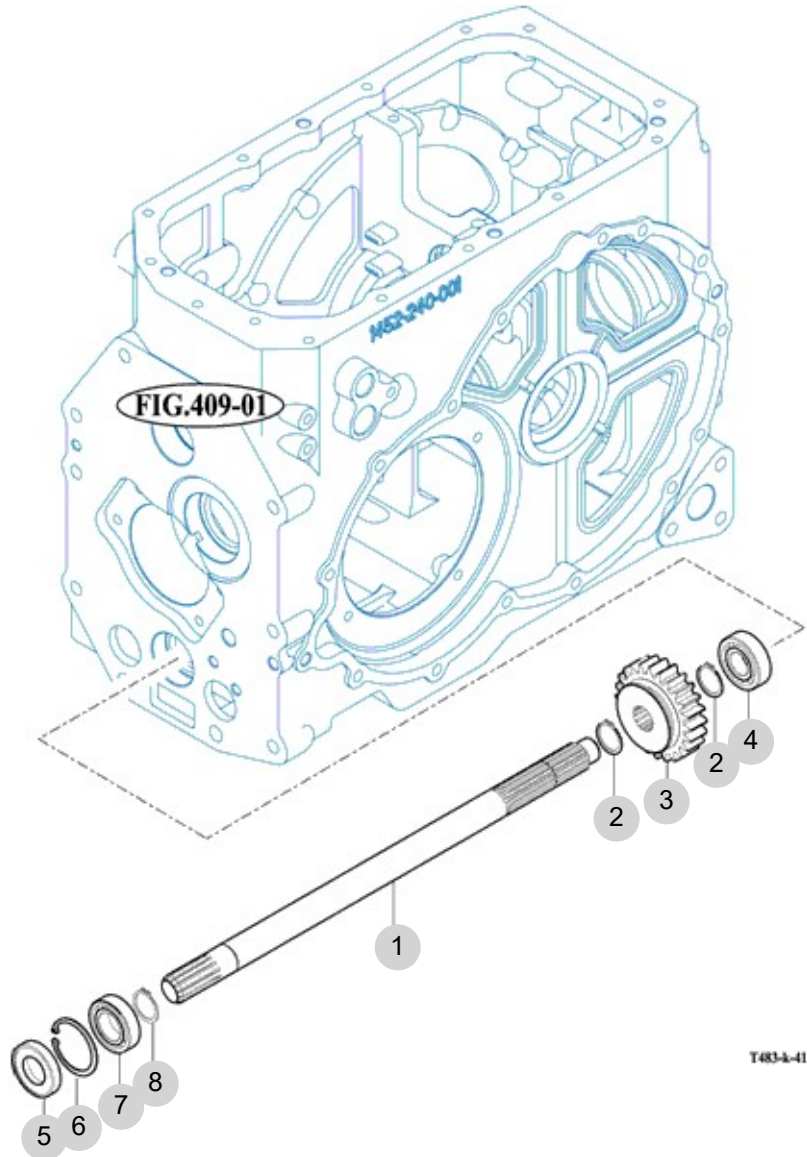
FIG 413

DRIVE GEARS

년/월  
Year/Month

T554NC

2022-12



NOTE



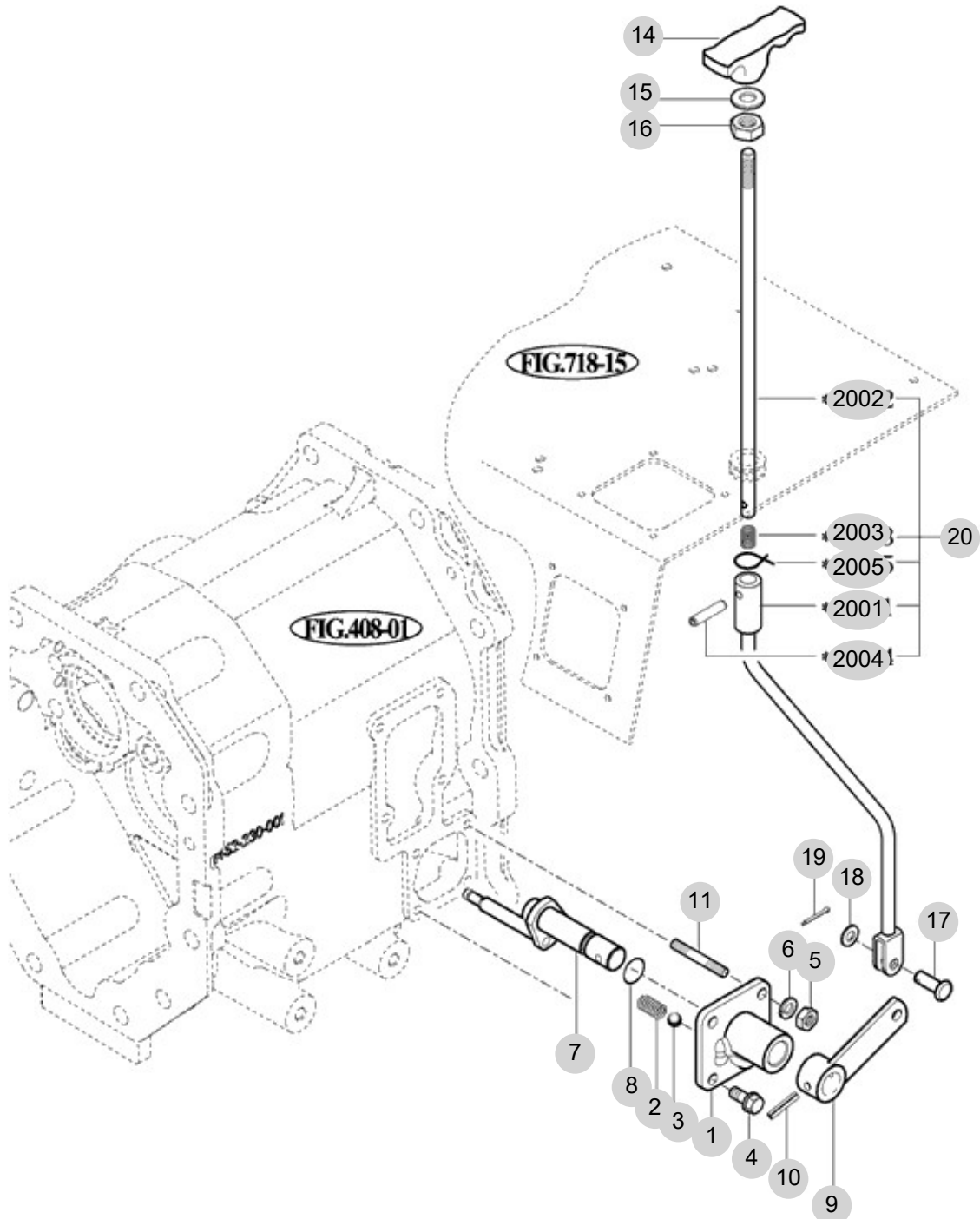
FIG 414

4WD CHANGE LEVER

년/월  
Year/Month

2022-12

T554NC



\*NOT SERVICED SEPARATELY

T483-E-414A

NOTE



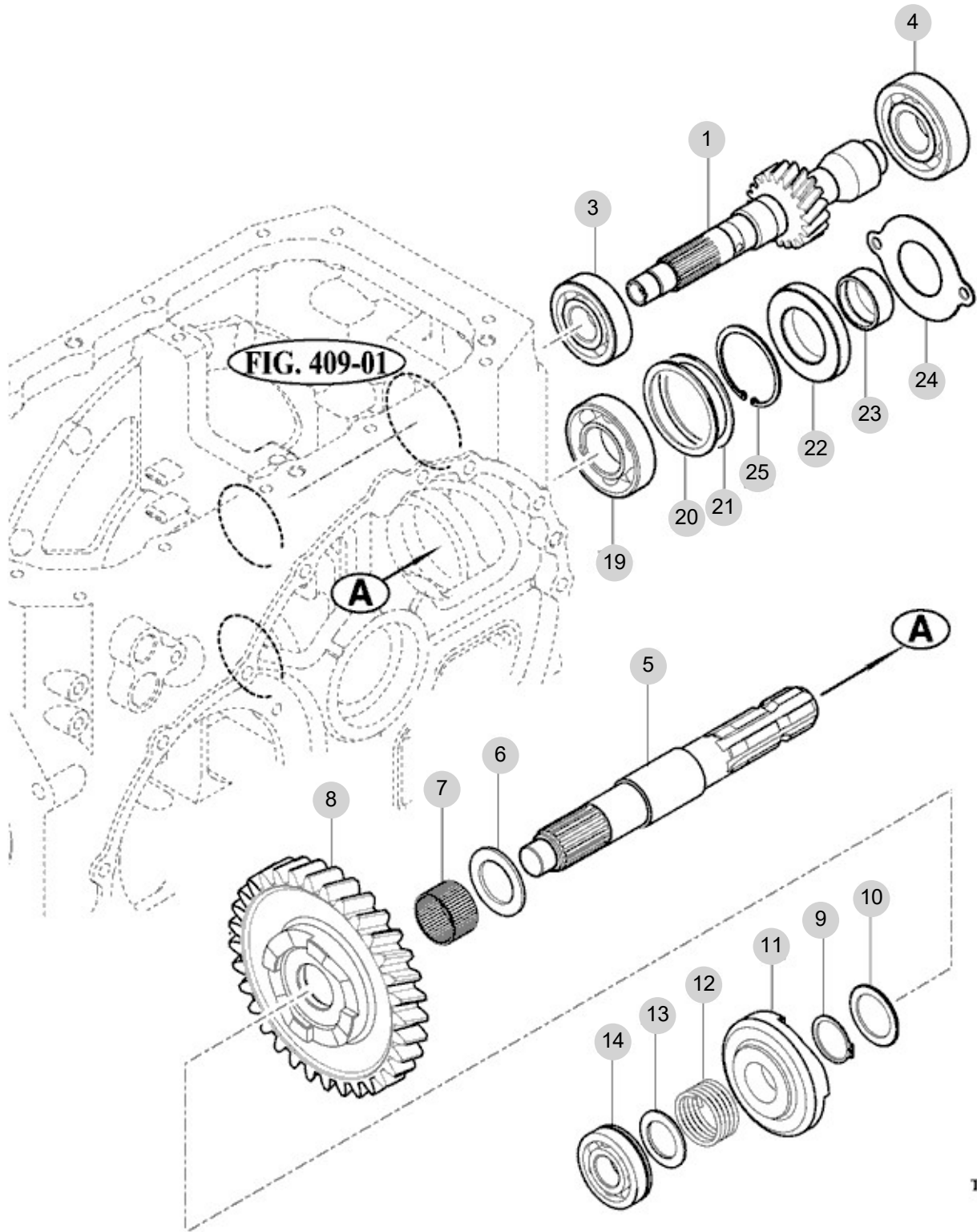
FIG 415

T554NC

P.T.O CHANGE GEARS

년/월  
Year/Month

2022-12



T553-E-415A

NOTE





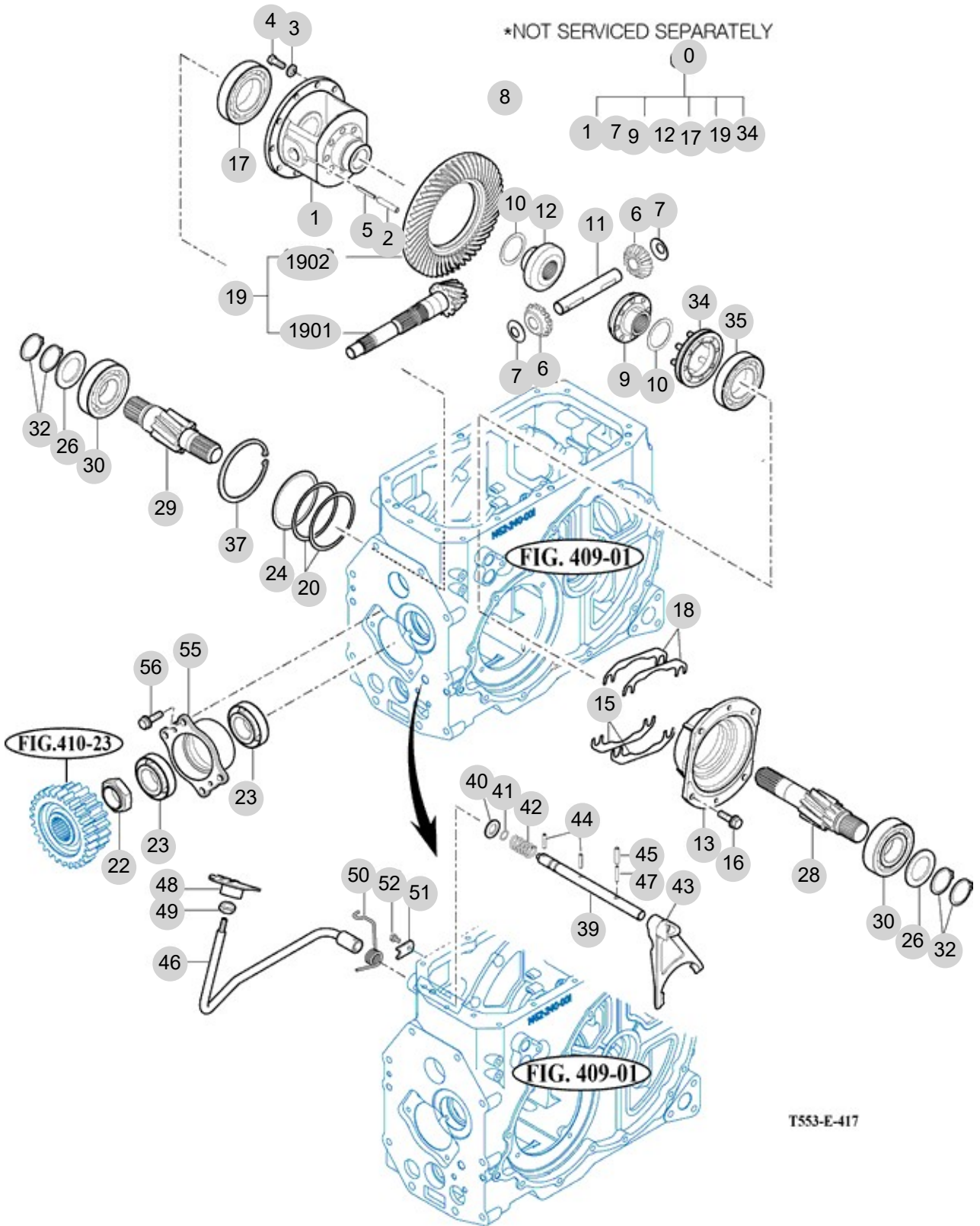
FIG 417

T554NC

REAR DIFFERENTIAL GEARS

년/월  
Year/Month

2022-12



NOTE

FIG 417		REAR DIFFERENTIAL GEARS					년/월 Year/Month		
							2022-12		
T554NC		KEY NO	PART NO	DESCRIPTION	SPEC	QTY	REPAIR	EFFECTIVE DATE	REMARKS
417	0	14523031001	DIFF ASSY, RR 47PS			1			
417	1	14523030010M	CASE , DIFF			1			
417	2	V5801408040	PIN , SPRING	8X50		1			
417	3	V4011600100	WASHER , SPRING	M10		10			
417	4	V2024610025	BOLT , HEX FINE	M10X25		10			
417	5	V5801405036	PIN , SPRING	5X36		1			
417	6	14523180041	PINION , DIFF	1X1X1		2			
417	7	14523030080	COLLAR , PINION	T=1.0		2			
417	9	14523180061	PINION , BEVEL 16T LH	1X1X1		1			
417	10	14523030100	WASHER , THRUST	D=52.5		2			
417	11	14523030110	SHAFT , DIFF PINION	D=23		1			
417	12	14523180031	PINION , BEVEL 16T RH	1X1X1		1			
417	13	14523030131M	METAL , DIFF CASE LH			1			
417	15	14523010090	SHIM , B	T=0.2		4			
417	16	V2173610025	BOLT , HEX/S	M10X25		4			
417	17	V6001106212	BEARING , BALL	6212		1			
417	18	14523010080	SHIM , A	T=0.1		2			
417	19	14523022100	GEAR SET , 10-41T			1			
417	20	14523010050	SHIM , 0.1	T=0.1		2			
417	22	15533030020	NUT , M40 P1,5	육각B=55		1			
417	23	V6321132208	BEARING , TAPER-ROLLER	32208CR		2			
417	24	14523010100	SHIM , 0.2	T=0.2		1			
417	26	15133060030	COLLAR , THRUST 45X68X4			2			
417	28	14523060010	PINION , LH HERICAL11T			1			
417	29	14523060020	PINION , RH HERICAL11T			1			
417	30	V6001106309	BEARING , BALL	6309		2			
417	32	V7041400450	C-RING , SHAFT	45		4			
417	34	14523033400	SLEEVE COMP			1			
417	35	V6001106211	BEARING , BALL	6211		1			
417	37	V7051401100	C-RING , HOLE	110		1			
417	39	14523032002	SHAFT , DIFF LOCK	D=20		1			
417	40	V4111600200	WASHER , PLAIN	M20		1			
417	41	V7201024016	O-RING , P	P16		1			
417	42	17973030420	SPRING	(D=3.6) X22.5X74.5		1			
417	43	14523190011M	FORK , DIFF LOCK			1			
417	44	V5801406032	PIN , SPRING	6X32		2			
417	45	V5801408036	PIN , SPRING	8X36		1			
417	46	14543162101	PEDAL COMP , DIFF LOCK			1			
417	47	V5801405036	PIN , SPRING	5X36		1			
417	48	14521220120	PEDAL COMP,ACCEL	1X1X1		1			
417	49	V3342600100	NUT , HEX FINE/2	M10		1			
417	50	14523160020	SPRING , DIFF PEDAL	D=5.5		1			
417	51	16703180191	PLATE , STOP	25X4.5T		1			
417	52	V2173608016	BOLT , HEX/S	M8X16		1			
417	55	14523020040M	METAL , PINION			1			
NOTE									



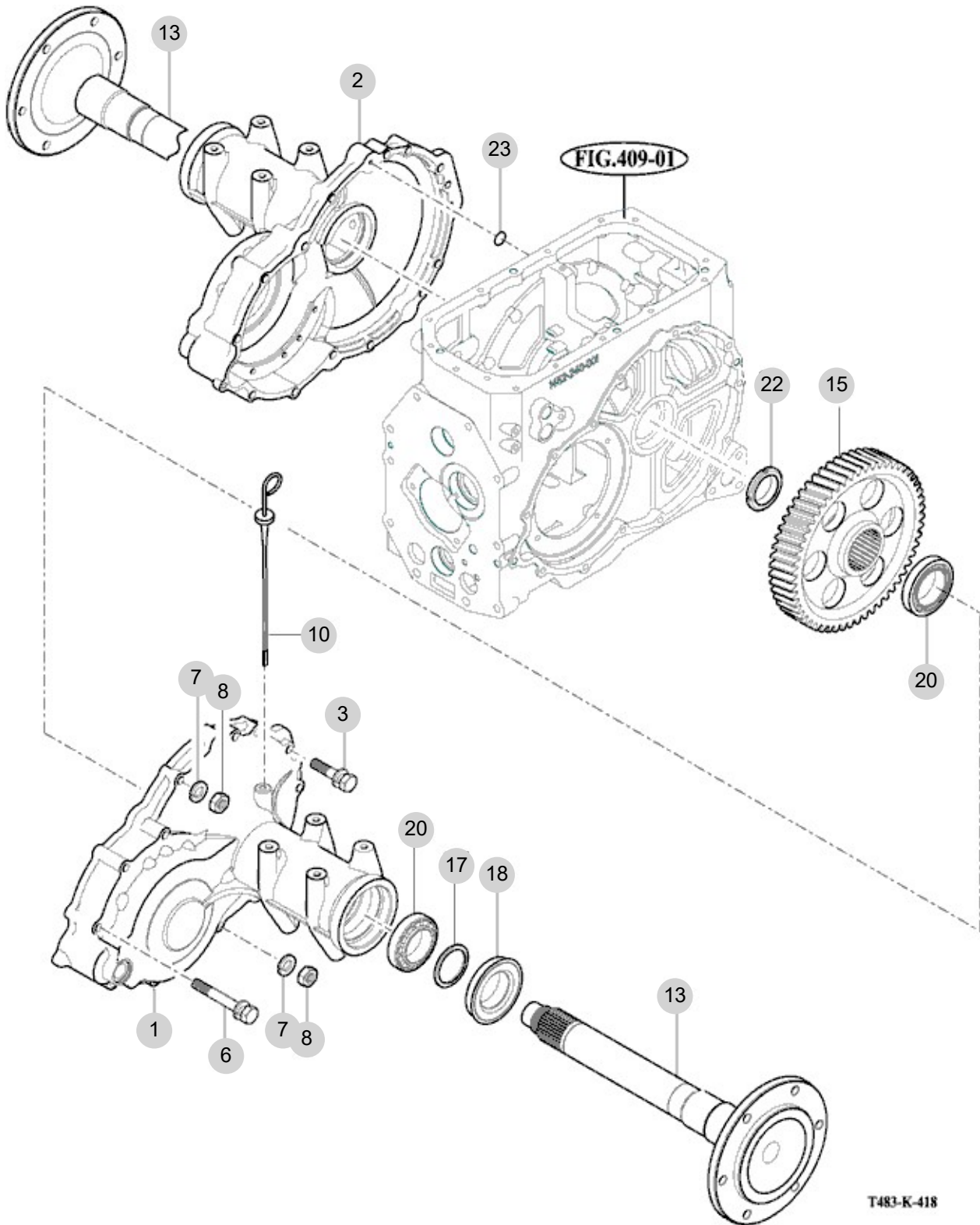
FIG 418

T554NC

REAR AXLE HOUSING

년/월  
Year/Month

2022-12



T483-K-418

NOTE



## 5. Front Axle PART NO. T5

FIG 501 FRONT AXLE SUPPORT	131
FIG 502 FRONT DRIVE SHAFT	133
FIG 503 FRONT AXLE HOUSING	135
FIG 504 FRONT DIFFERENTIAL GEARS	137
FIG 505 FRONT GEAR CASE (1)	139
FIG 506 FRONT GEAR CASE (2)	141
FIG 507 FRONT GEAR CASE (3)	143

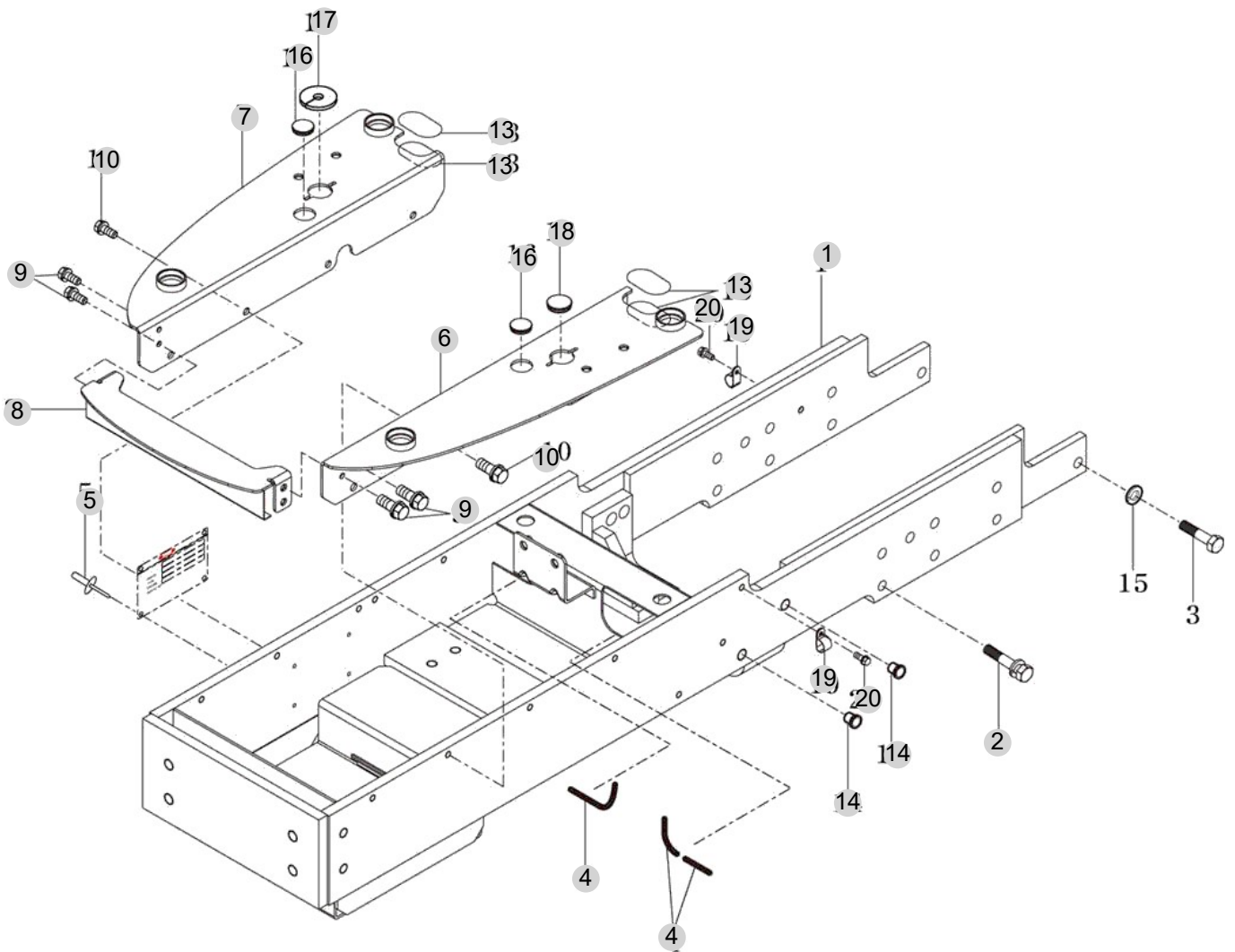
FIG 501

FRONT AXLE SUPPORT

년/월  
Year/Month

2022-12

T554NC



NOTE





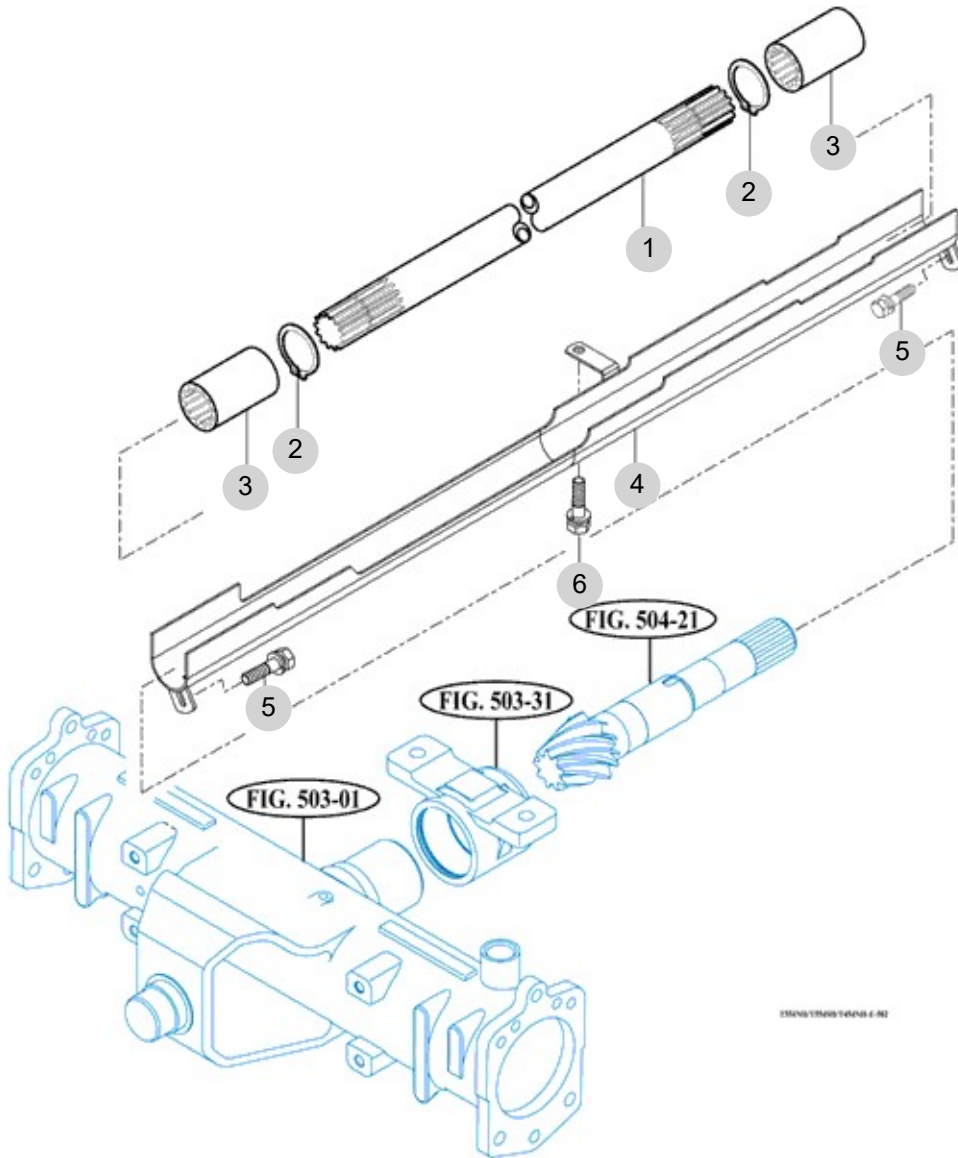
FIG 502

T554NC

FRONT DRIVE SHAFT

년/월  
Year/Month

2022-12



NOTE



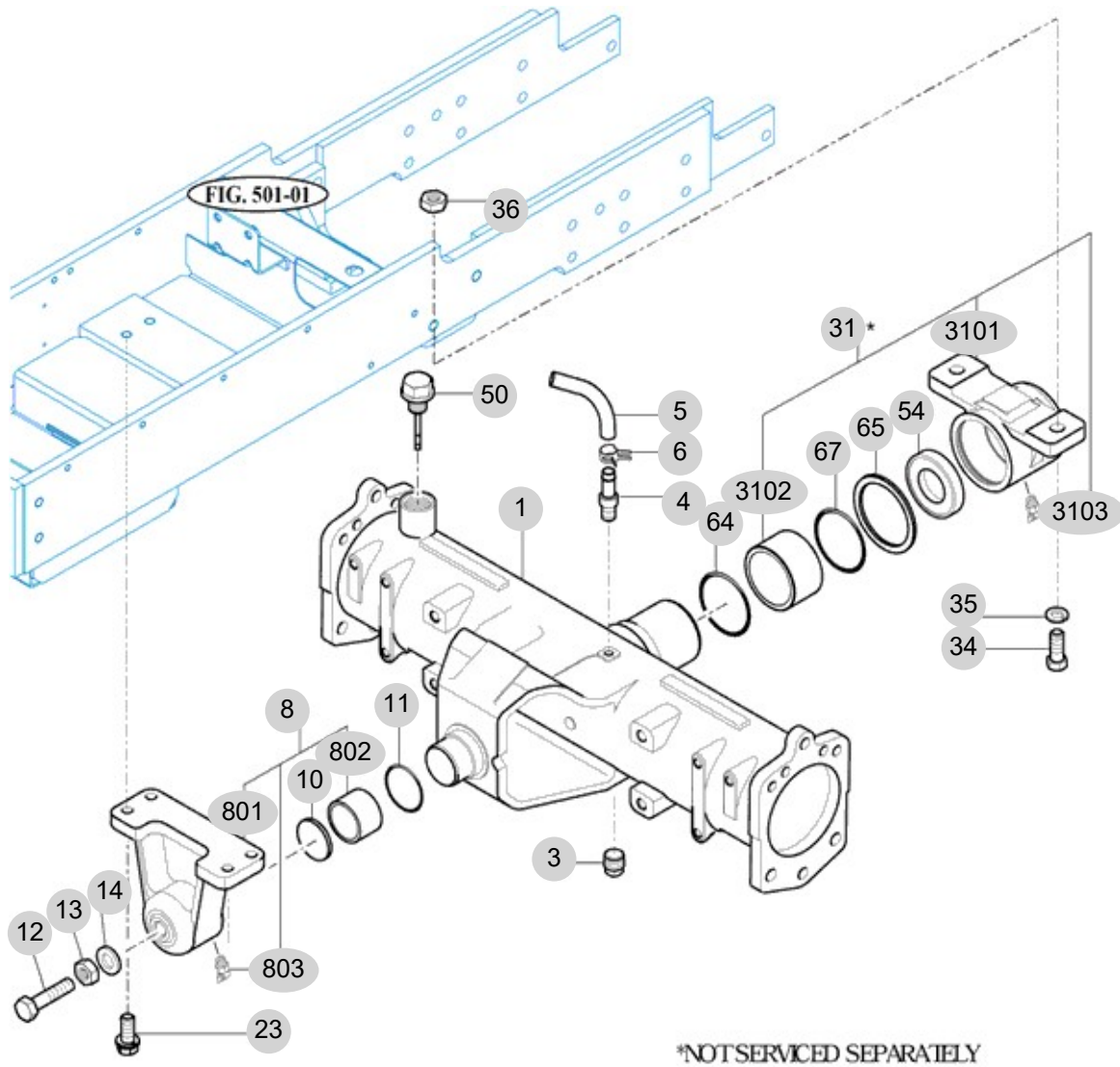
FIG 503

FRONT AXLE HOUSING

년/월  
Year/Month

T554NC

2022-12



NOTE



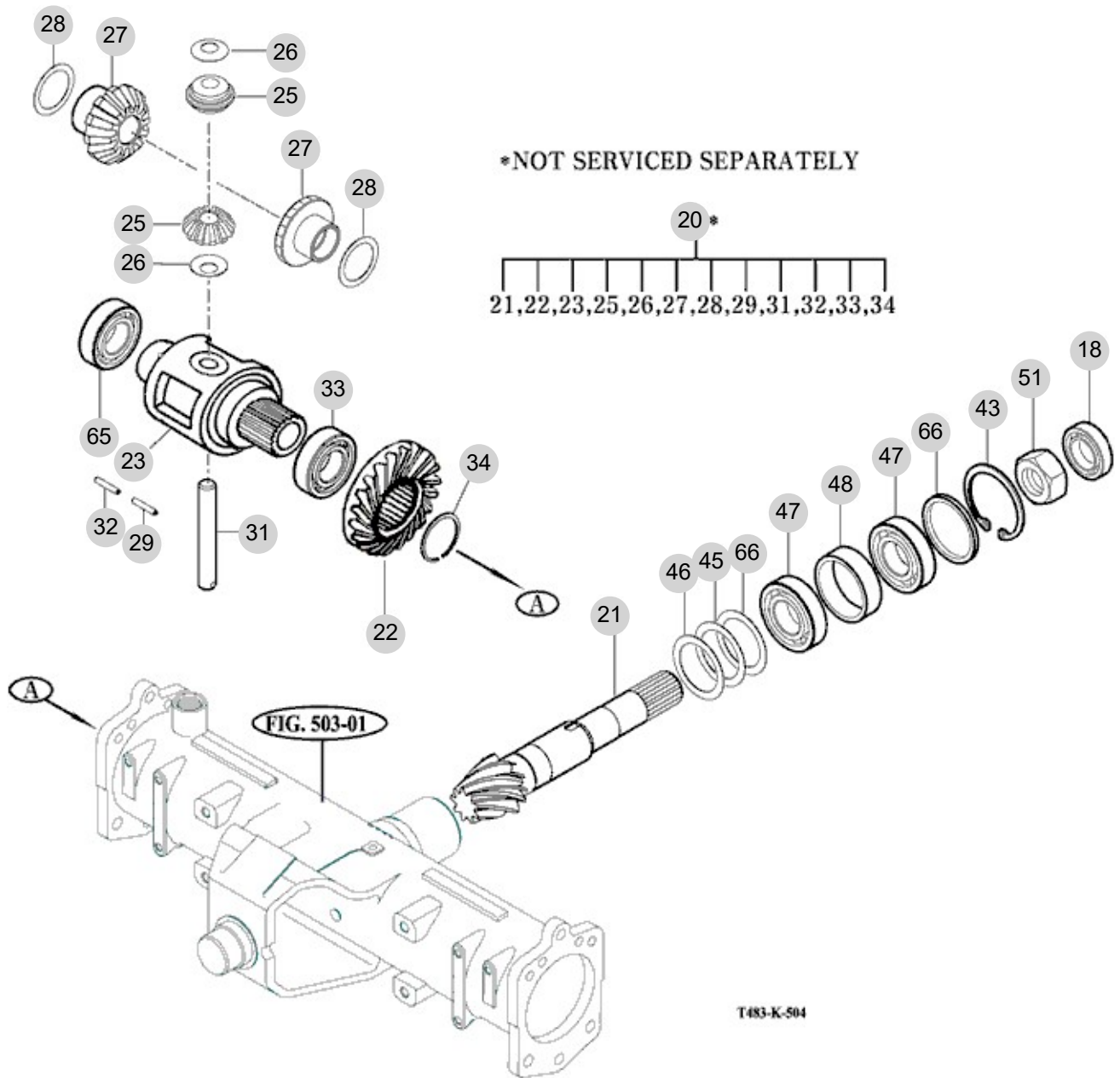
FIG 504

FRONT DIFFERENTIAL GEARS

년/월  
Year/Month

2022-12

T554NC



NOTE



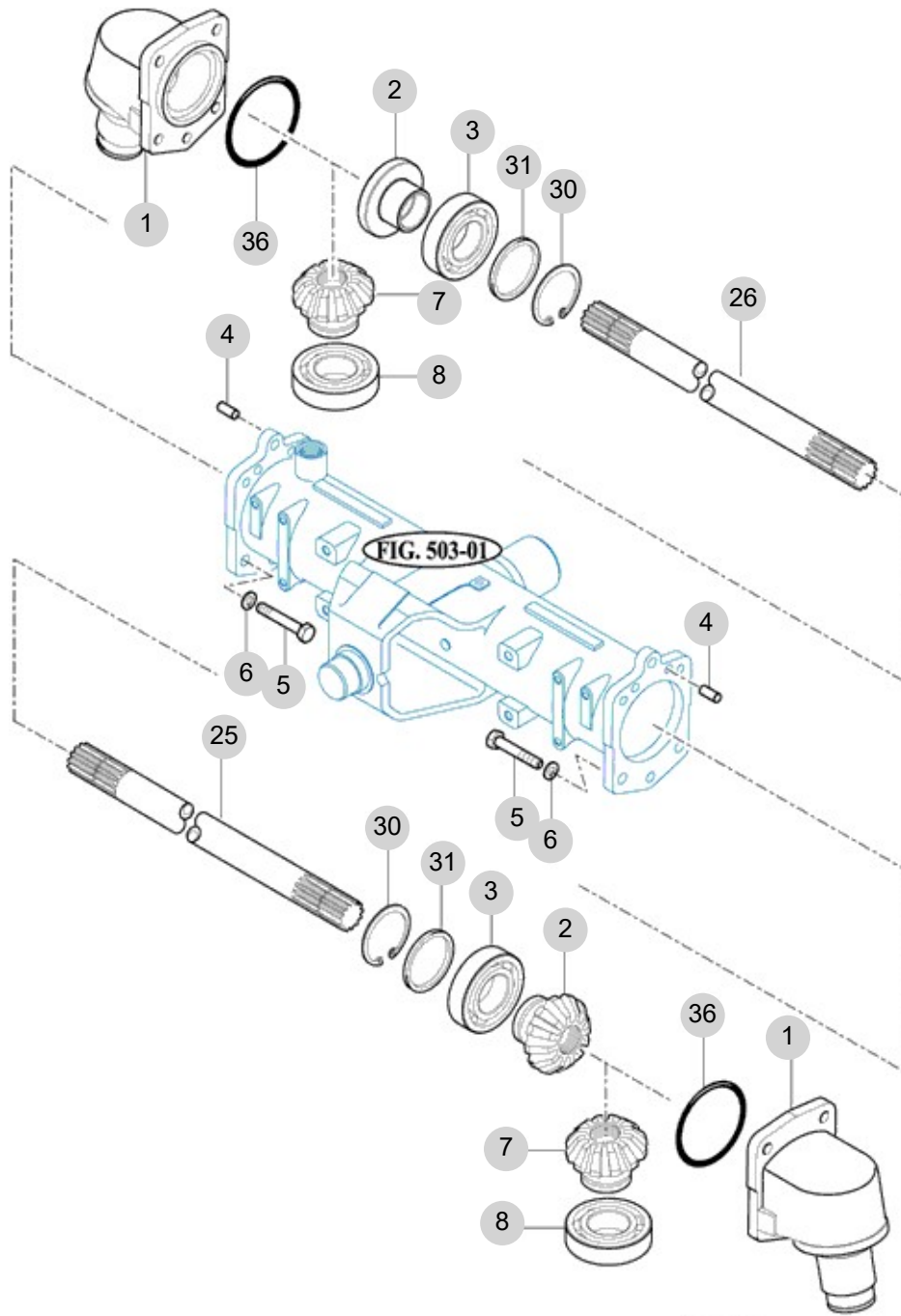
FIG 505

T554NC

FRONT GEAR CASE (1)

년/월  
Year/Month

2022-12



T483-L-505

NOTE





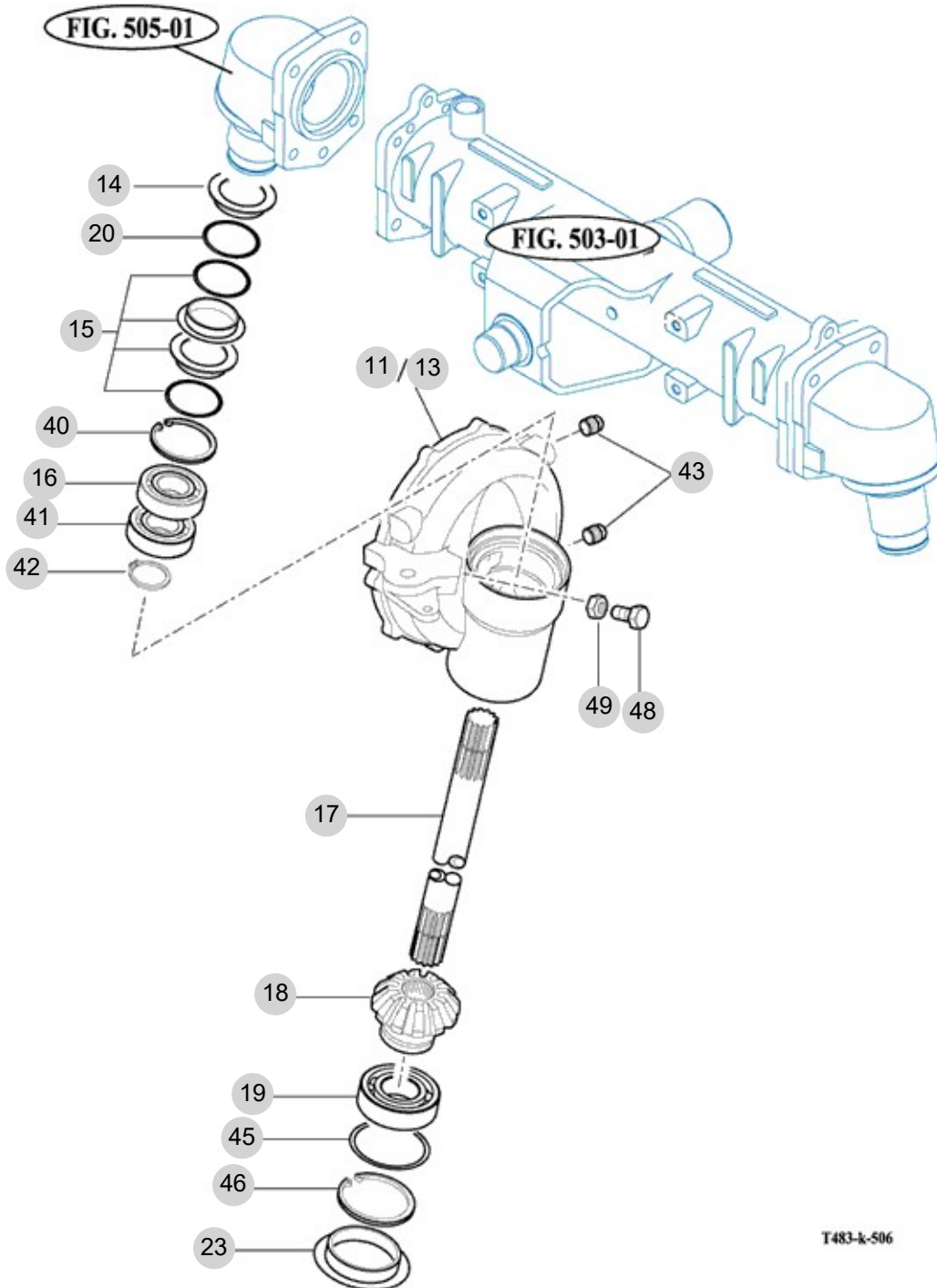
FIG 506

T554NC

FRONT GEAR CASE (2)

년/월  
Year/Month

2022-12



T483-k-506

NOTE



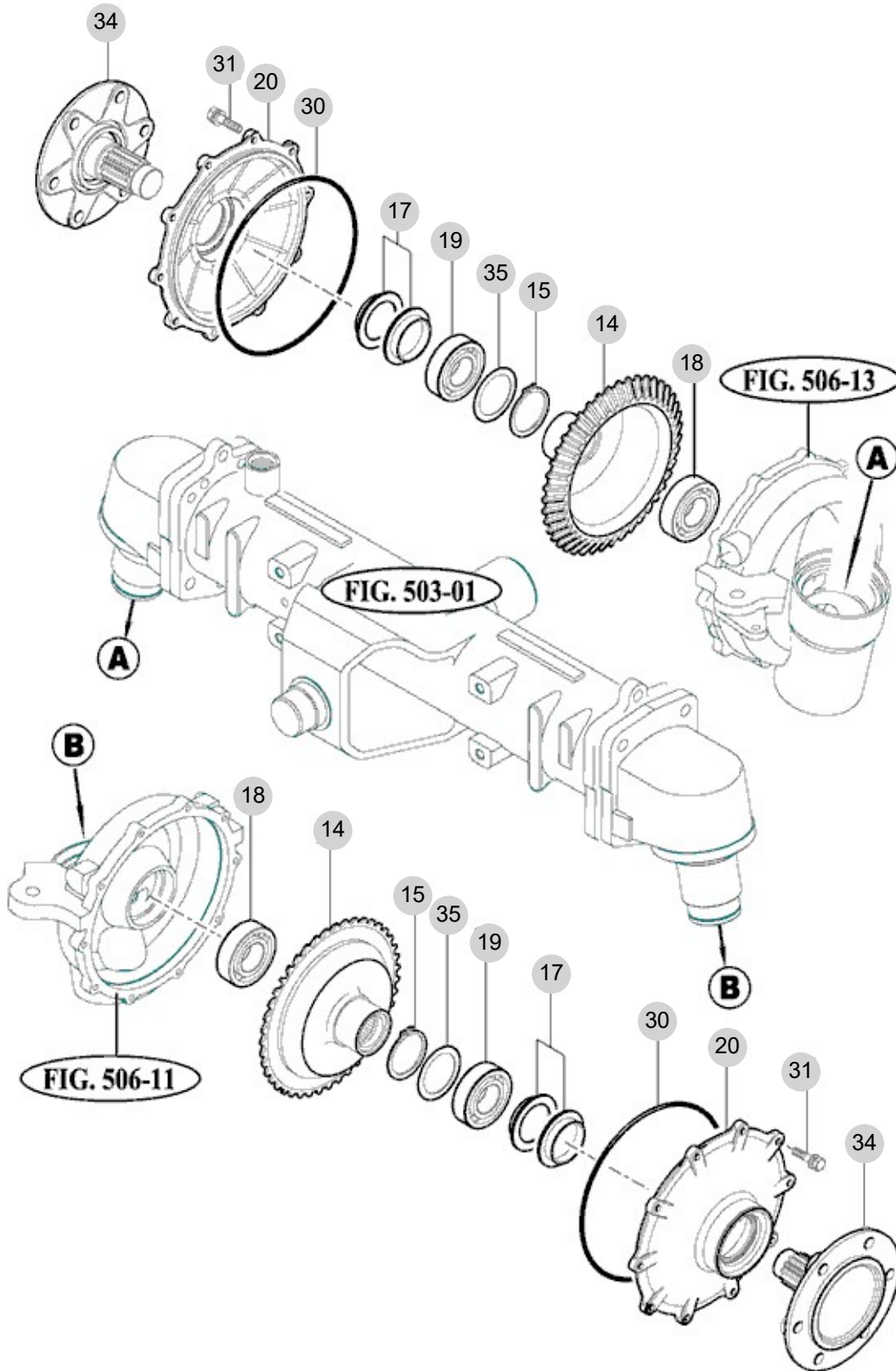
FIG 507

T554NC

FRONT GEAR CASE (3)

년/월  
Year/Month

2022-12



T483-k-507

NOTE



## 6. Hydraulic/3P-Link PART NO. T6

FIG 601 CYLINDER CASE	146
FIG 602 LIFT ARM	148
FIG 603 CYLINDER	150
FIG 604 POSITION LINK	152
FIG 605 CONTROL VALVE	154
FIG 606 DRAFT LINK	156
FIG 607 POSITION & DRAFT LEVER	158
FIG 608 EXTERIOR HYD. VALVE	160
FIG 609 HYDRAULIC PIPE	162
FIG 610 JOYSTICK	164
FIG 611 HYDRAULIC HOSE	166
FIG 612 HITCH & 3-POINT LINK	168
FIG 613 LOWER LINK & LIFT ROD	171
FIG 614 EXTERNAL POSITION LEVER KIT	173

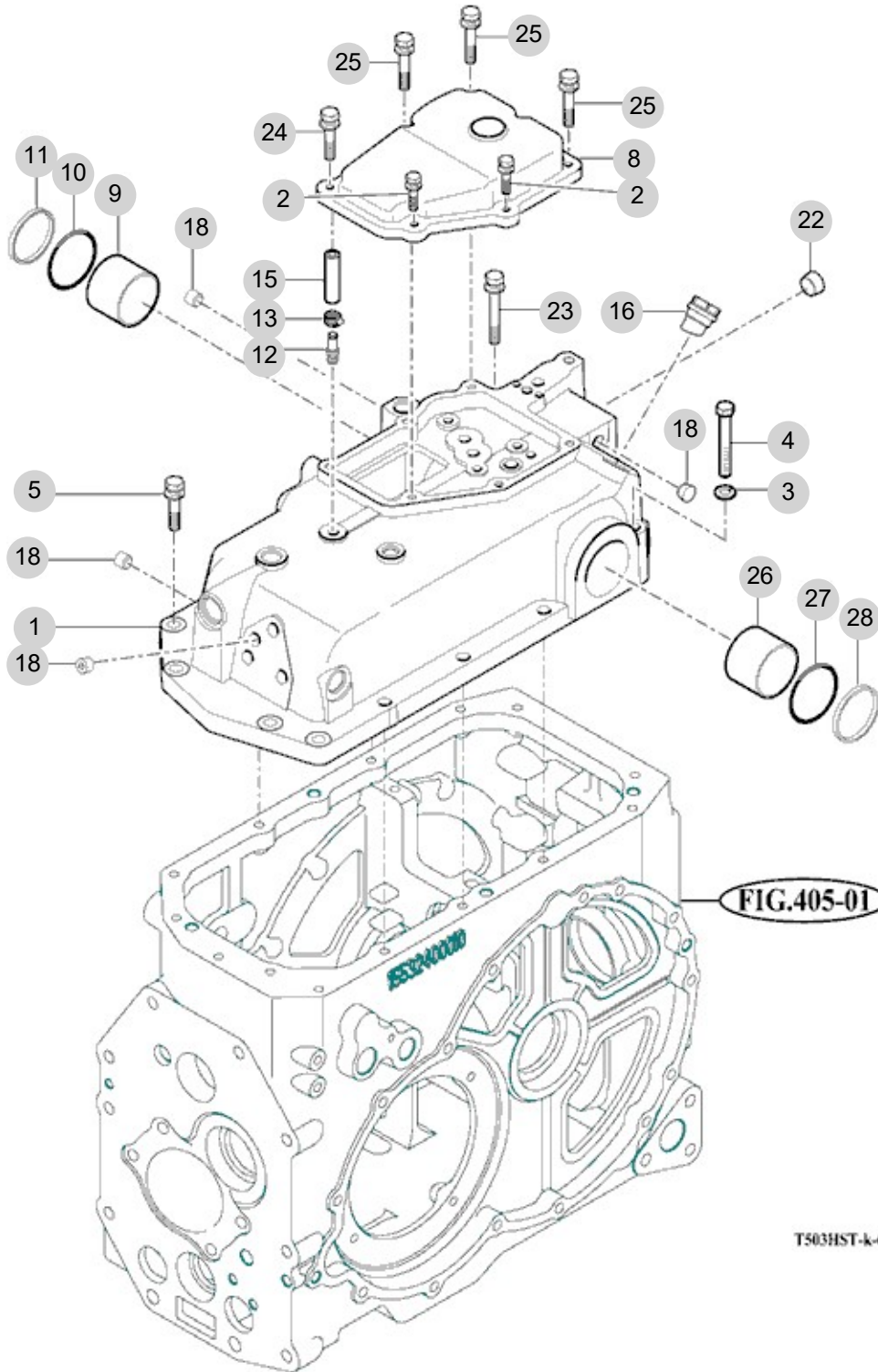
FIG 601

CYLINDER CASE

년/월  
Year/Month

2022-12

T554NC



NOTE



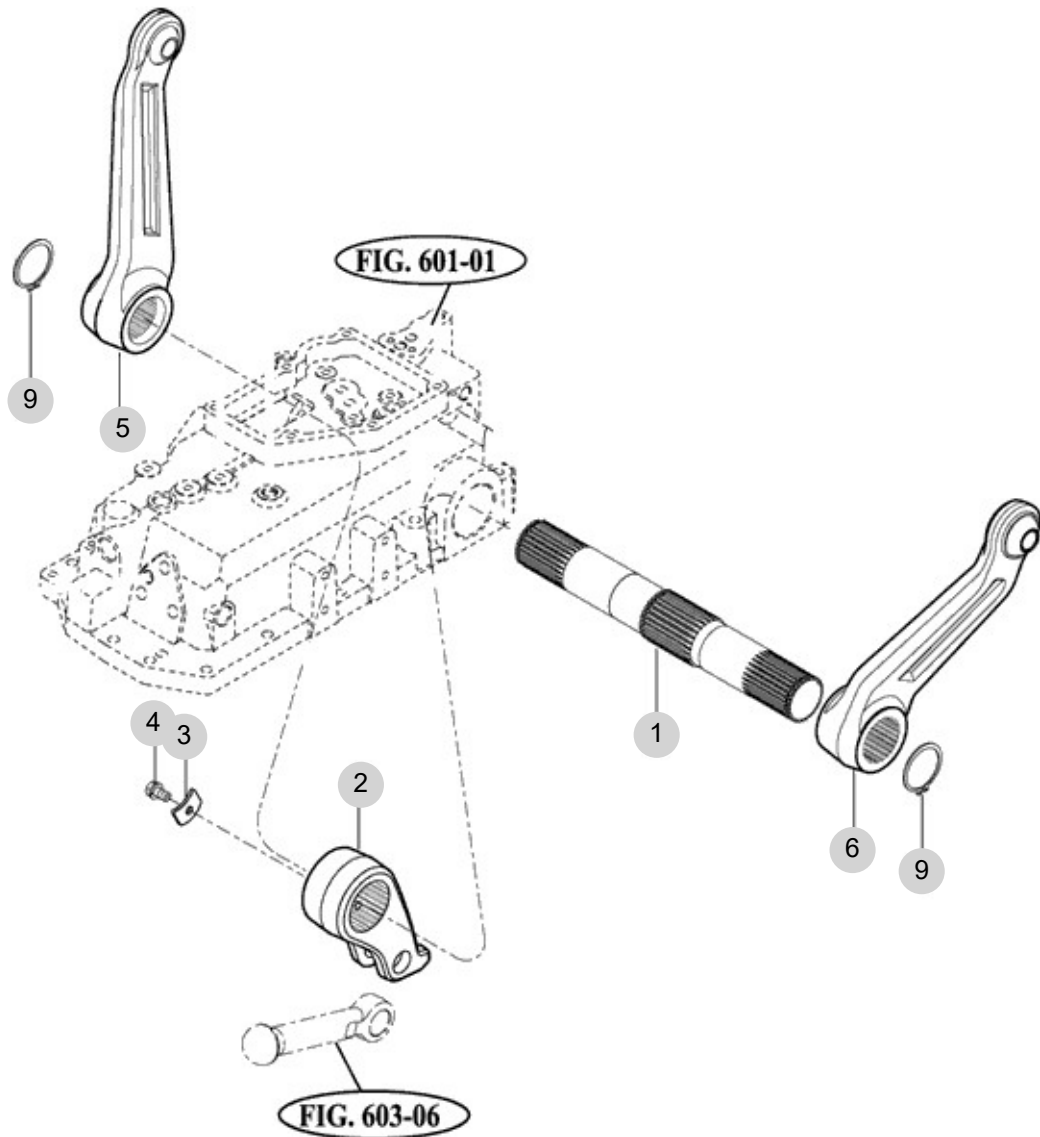
FIG 602

T554NC

LIFT ARM

년/월  
Year/Month

2022-12



T473-E-602A

NOTE





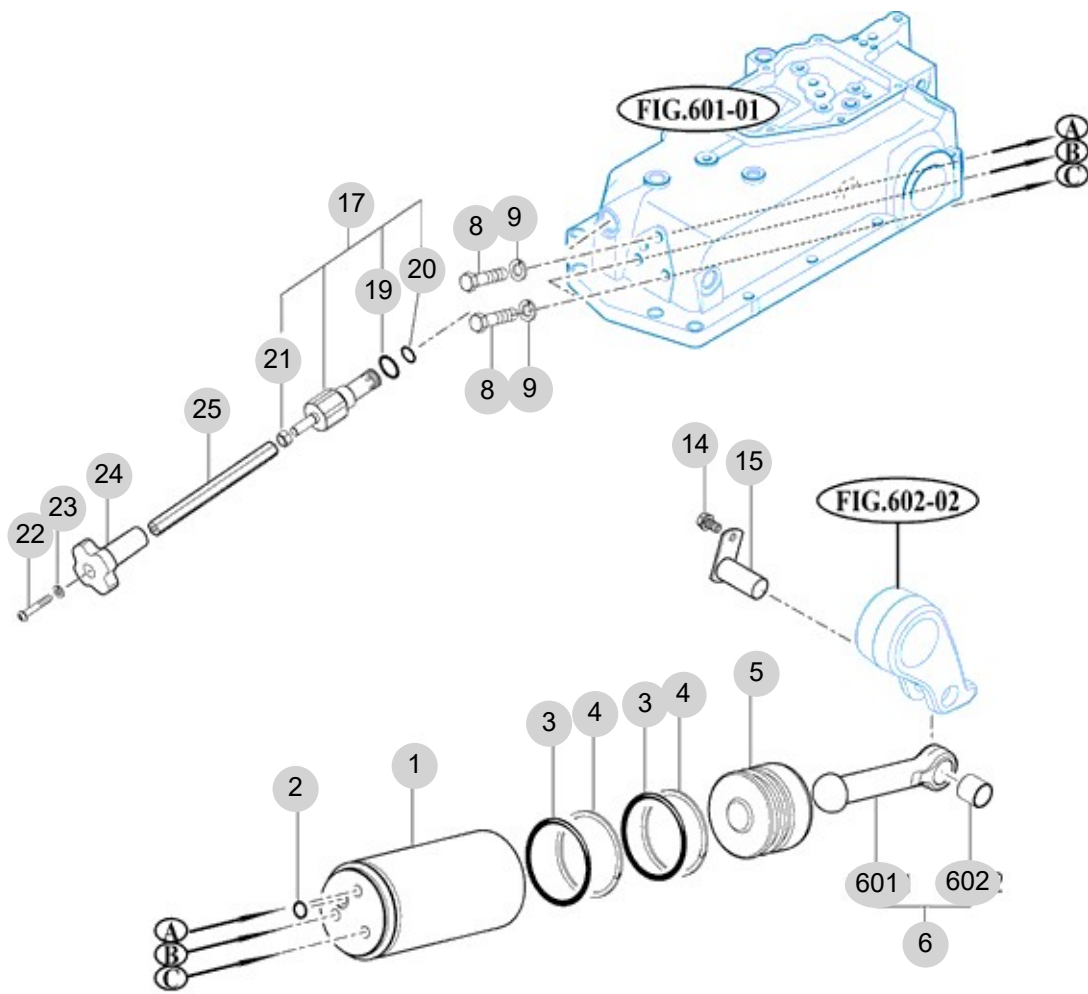
FIG 603

T554NC

CYLINDER

년/월  
Year/Month

2022-12



T483-K-603

NOTE



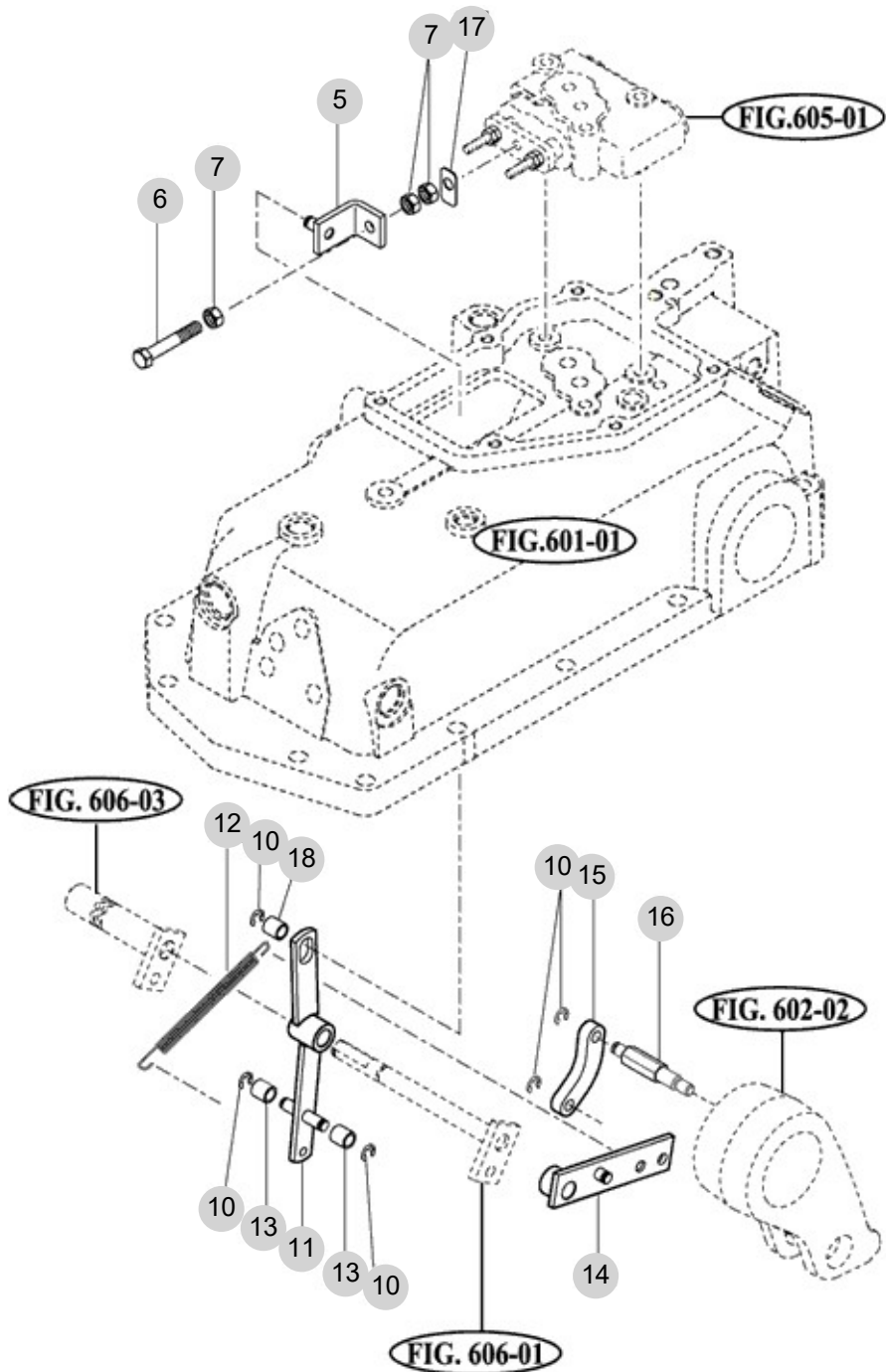
FIG 604

T554NC

POSITION LINK

년/월  
Year/Month

2022-12



T483-K-604

NOTE



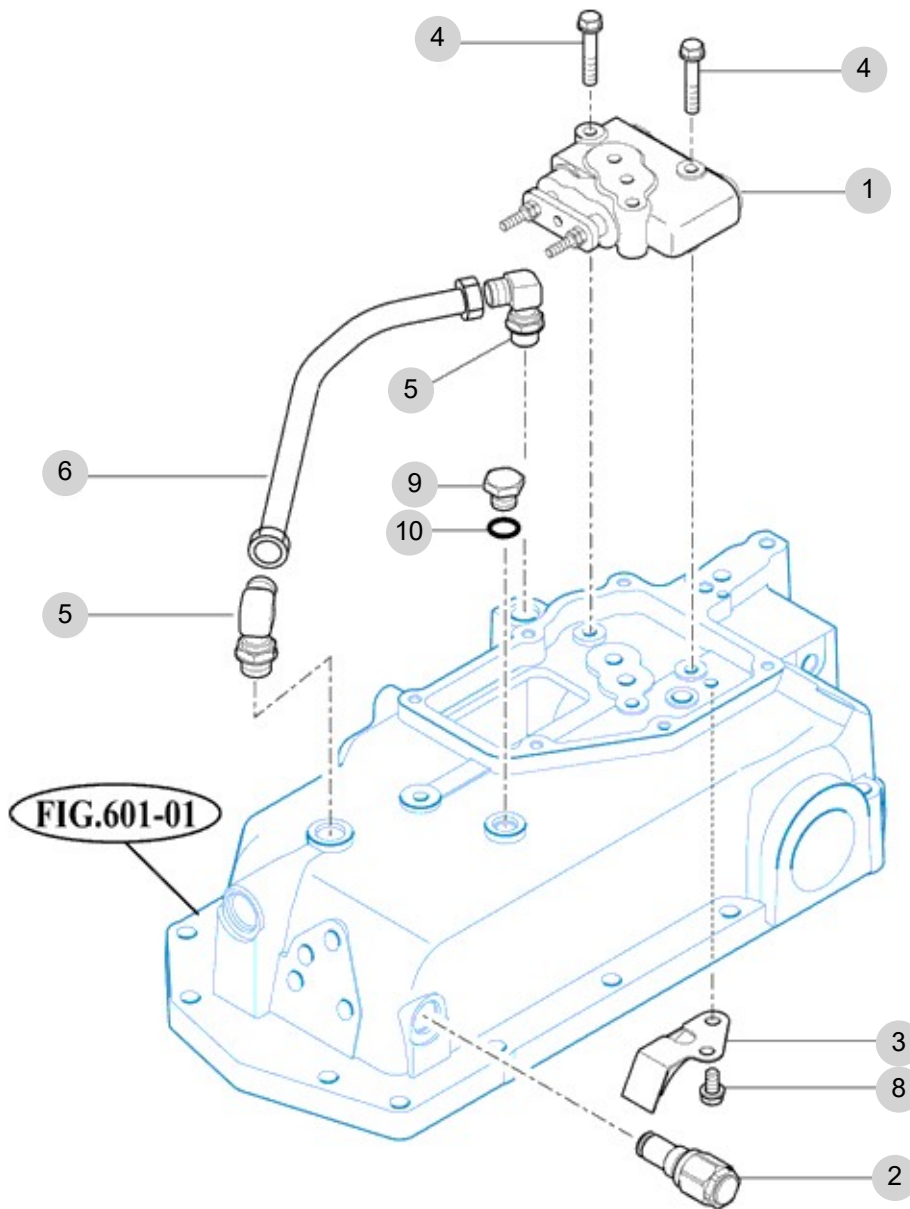
FIG 605

T554NC

CONTROL VALVE

년/월  
Year/Month

2022-12



T503HST-K-605

NOTE



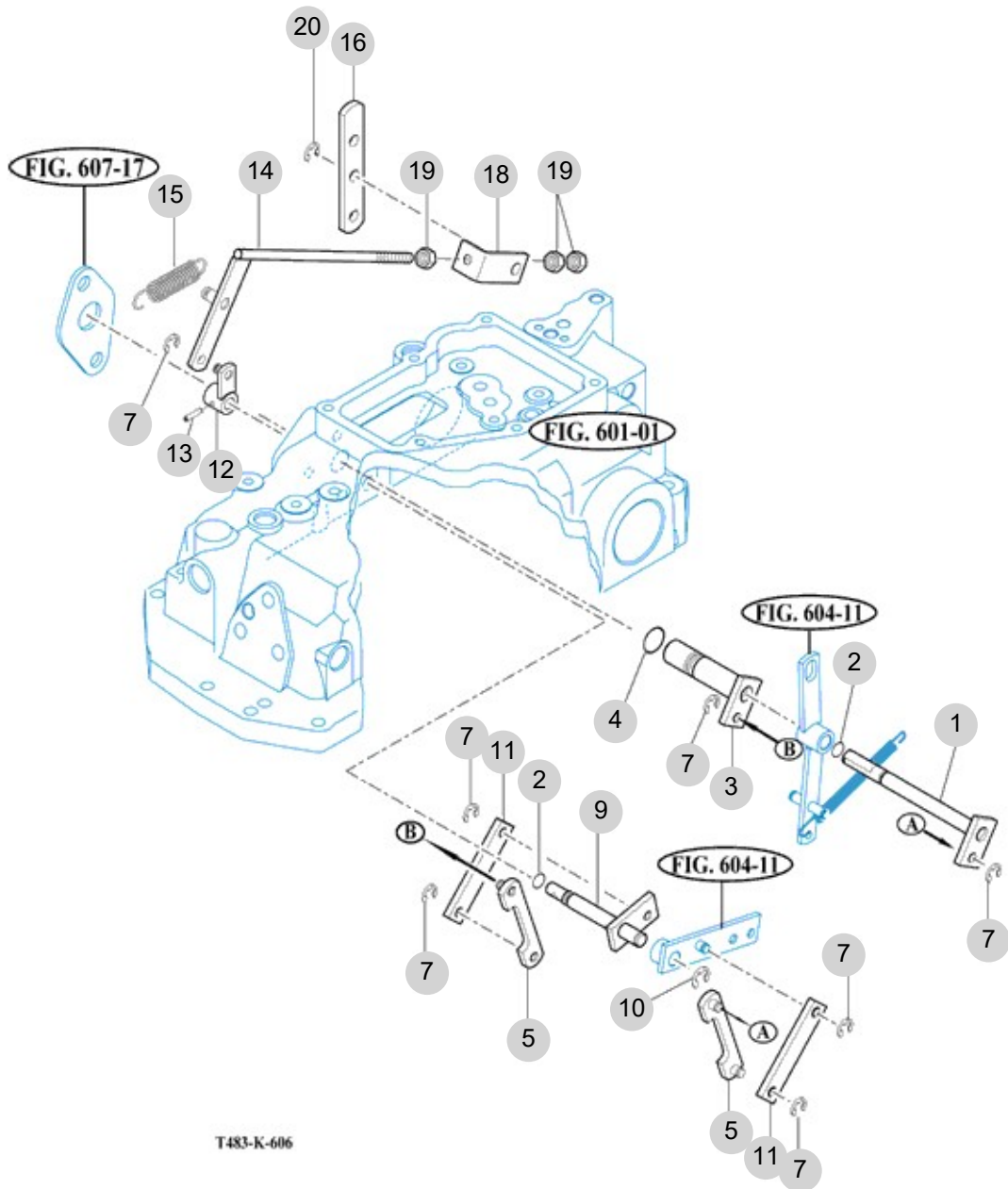
FIG 606

T554NC

DRAFT LINK

년/월  
Year/Month

2022-12



NOTE





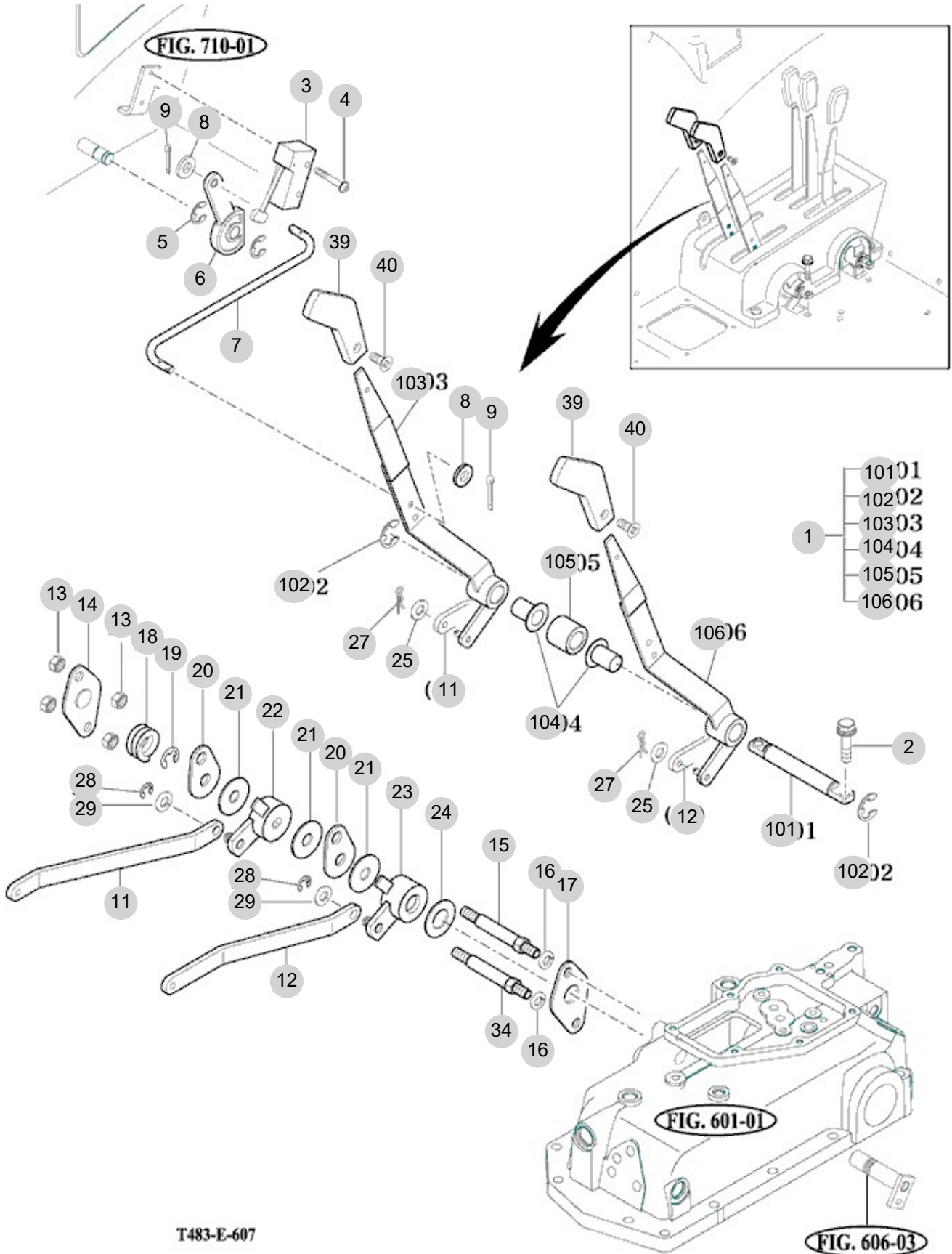
FIG 607

POSITION & DRAFT LEVER

년/월  
Year/Month

2022-12

T554NC



NOTE

<b>FIG 607</b>  T554NC	<b>POSITION &amp; DRAFT LEVER</b>	년/월 Year/Month
		2022-12

KEY NO	PART NO	DESCRIPTION	SPEC	QTY	REPAIR	EFFECTIVE DATE	REMARKS
607	1	10567092100	REVER SUB, POSITION/DRAFT		1		
607	101	14527092110	SHAFT	D=16	1		
607	102	V7081400150	E-RING	15	2		
607	103	14527092201GB	LEVER COMP,P/D	1X1X1	1		
607	104	14527092120	BUSH, NYLON/16X18X27	1X1X1	2		
607	105	14527092251	COLLER , SPACE	D=30	1		
607	106	10567092300GB	LEVER COMP,P/D		1		
607	2	V2183608020	BOLT , HEX/SP	M8X20	2		
607	3	16606742301	SWITCH ASSY . LIMIT		1		
607	4	V1222604025	SCREW , C/R PAN/SP	M4X25	2		
607	5	V7081400080	E-RING	8	2		
607	6	14527090020	CAM , SENSER	1X1X1	1		
607	7	19997090010	ROD,SWITCH	6*150*28	1		
607	8	V4111600060	WASHER , PLAIN	M6	2		
607	9	V5001920020	PIN , SPLIT	2X20	2		
607	11	14525070121	PLATE , POSITION	19X6T	1		
607	12	14525070141	PLATE , DRAFTER	19X6T	1		
607	13	V3043600100	NUT , HEX/2	M10	4		
607	14	17995070140	PLATE , C	3.2T	1		
607	15	17995070150	BOLT , SUPPORT	H14X108.9	1		
607	16	V4011600100	WASHER , SPRING	M10	2		
607	17	17995070170	PLATE , D	3.2TX90X50	1		
607	18	17995070180	SPRING	33X23	1		
607	19	V7081400120	E-RING	12	1		
607	20	17995070200	PLATE , A	3.2TX40X62	2		
607	21	17995070211	PLATE , FRICTION	13X40X2T	3		
607	22	14525070221	ARM COMP , POSITION	1X1X1	1		
607	23	14525070230	ARM COMP , DRAFT LEVER		1		
607	24	17995070241	PLATE , FRICTION	21*40*2T	1		
607	25	V4111600060	WASHER , PLAIN	M6	2		
607	27	21306010180	PIN , SNAP/6	D=1.2	2		
607	28	V7081400080	E-RING	8	2		
607	29	V4111600100	WASHER , PLAIN	M10	2		
607	34	17995070340	BOLT , SUPPORT		1		
607	39	15605110054	GRIP , 3X17X97	9.5X9.7X5.3	2		
607	40	V1122605012	SCREW , C/R FLAT	M5X12	2		
607	41	19997090210	PIN , POSITION ROD		1		
607	42	V3002600060	NUT , HEX/1	M6	2		

<b>NOTE</b>	
-------------	--

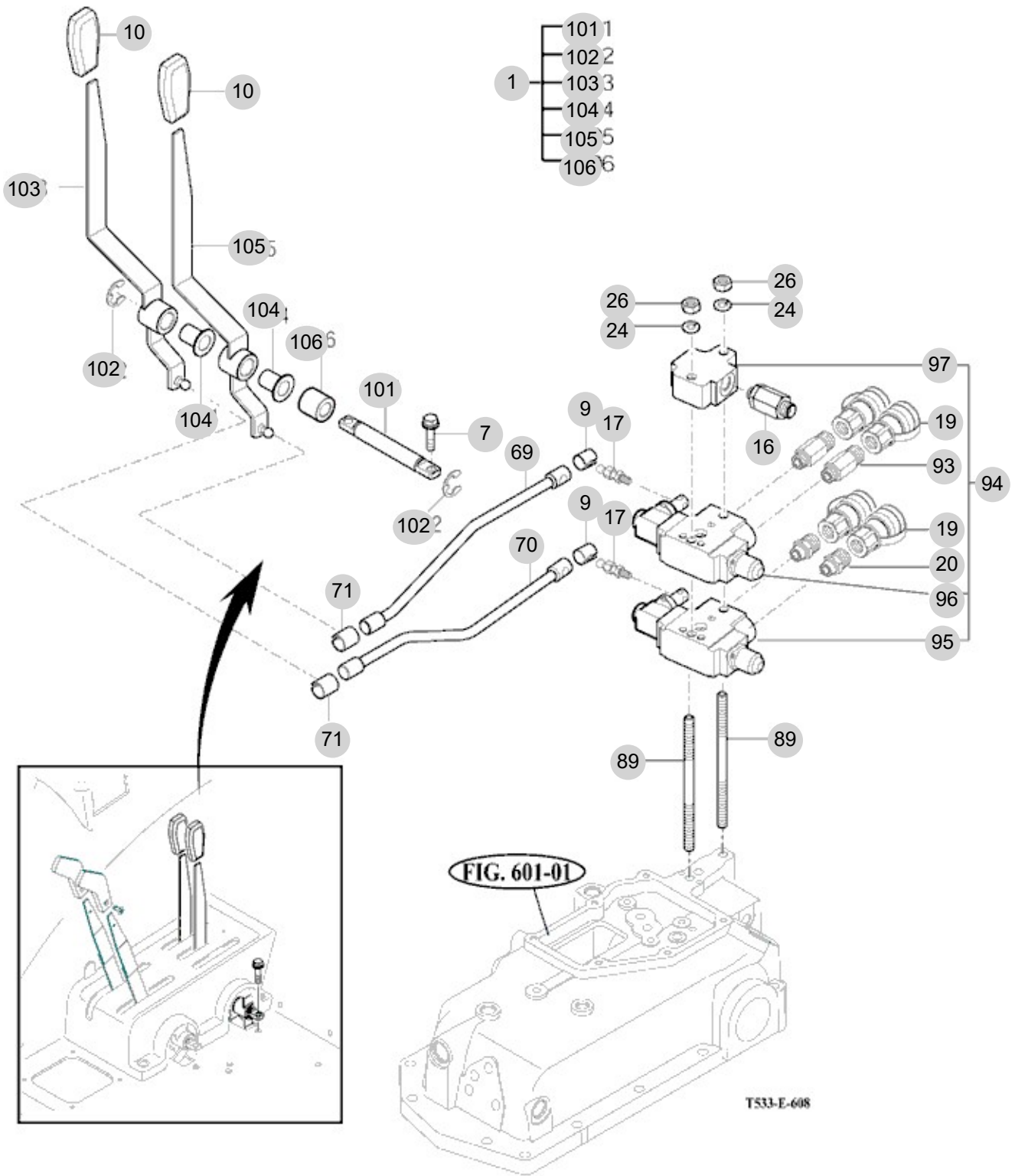
FIG 608

EXTERIOR HYD. VALVE

년/월  
Year/Month

2022-12

T554NC



NOTE



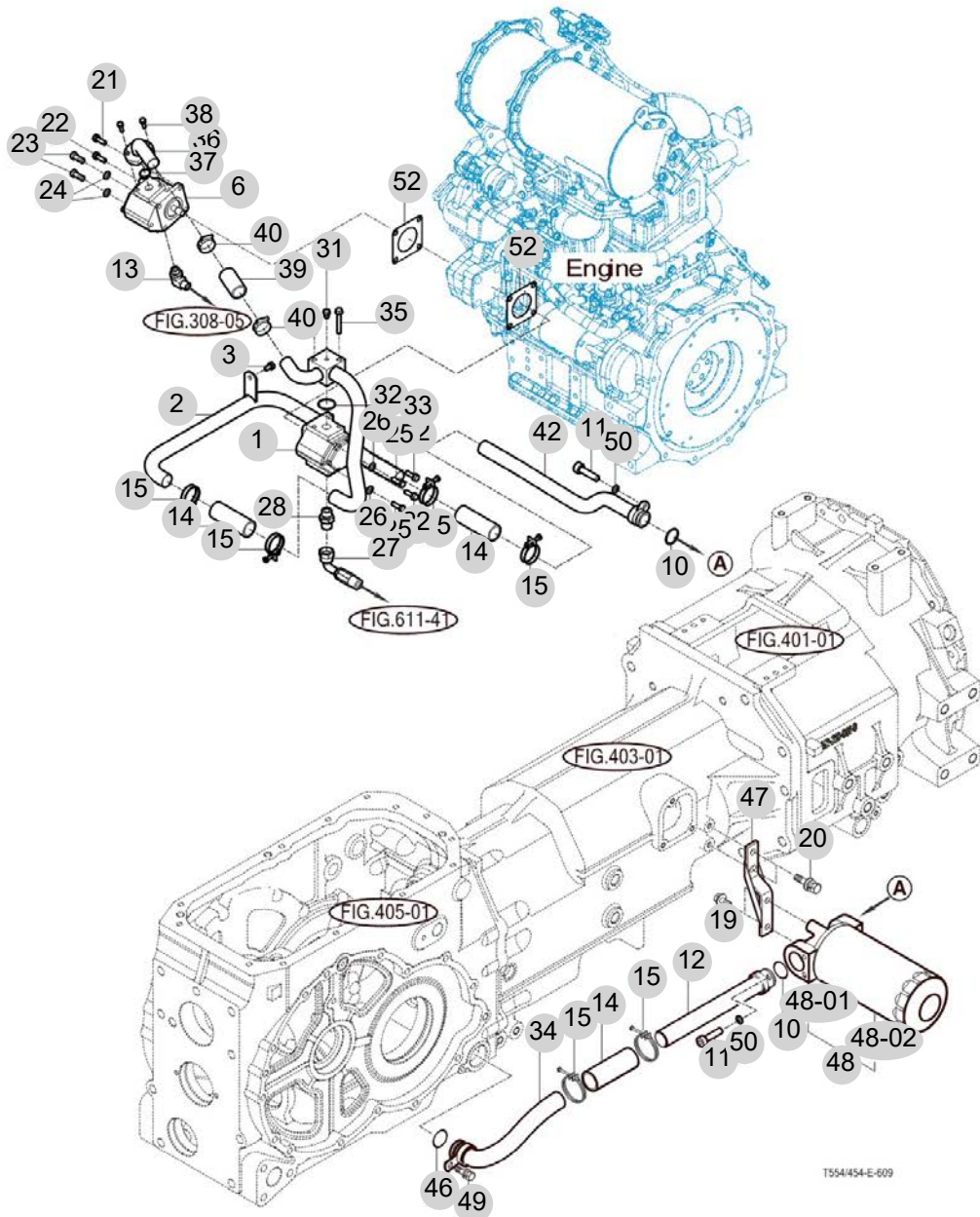
FIG 609

HYDRAULIC PIPE

년/월  
Year/Month

2022-12

T554NC



T554/454-E-609

NOTE

FIG 609		HYDRAULIC PIPE						년/월	
								Year/Month	
T554NC								2022-12	
KEY NO	PART NO	DESCRIPTION	SPEC	QTY	REPAIR	EFFECTIVE DATE	REMARKS		
609	1	15115100001	PUMP ASSY , GEAR (MAIN)		1				
609	2	17465152201GB	PIPE COMP , SUCTION FR/RR		1				
609	2	17465152202GB	PIPE COMP , SUCTION FR/RR		1				
609	3	V2173608016	BOLT , HEX/S	M8X16	1				
609	6	15115200000	PUMP ASSY , GEAR	7.5CC/REV	1				
609	10	V7211031030	O-RING , G		2				
609	11	V2205408016	BOLT , HEX-SOCKET	M8X16	2				
609	12	14525153401	PIPE COMP , FR SUCTION		1				
609	12	14525153401PC	PIPE COMP , FR SUCTION		1				
609	12	14525153401	PIPE COMP , FR SUCTION		1				
609	13	36313530021	ADAPTER , HIGH-PRESSURE	25XC112X39	1				
609	14	15605150031	HOSE , 100		3				
609	15	14801020070	WIRE CLAMP 40		6				
609	19	V2183610025	BOLT , HEX/SP	M10X25	2				
609	20	V2183608020	BOLT , HEX/SP	M8X20	2				
609	21	V2173608040	BOLT , HEX/S	M8X40	1				
609	22	V2173608025	BOLT , HEX/S	M8X25	3				
609	23	V2013608110	BOLT , HEX	M8X110	2				
609	24	V4011600080	WASHER , SPRING	M8	2				
609	25	V2013608110	BOLT , HEX	M8X110	2				
609	26	V4011600080	WASHER , SPRING	M8	2				
609	27	14525152331	HOSE ASSY , HYD 1560	1X1X1	1				
609	28	16582630620	CONNECTOR , PF1/2	C3236-0808	1				
609	31	13267060022	PLUG , DRAIN	육각 B=12	1				
609	32	V7211031030	O-RING , G		1				
609	33	17465153302GB	PIPE COMP , SUCTION FR		1				
609	34	14525162402	PIPE COMP , SUCTION RR		1				
609	35	V2173608055	BOLT , HEX/S	M8X55	2				
609	36	15155152901GB	PIPE COMP , FR SUCTION		1				
609	37	V7201024018	O-RING , P	P18	1				
609	38	V2113606020	BOLT , HEX /S	M6X20	2				
609	39	19955100010	HOSE , 26X34X60		1				
609	40	14445100080	BAND CLAMP 40		2				
609	41	14801020070	WIRE CLAMP 40		2				
609	42	14525152102	PIPE COMP , SUCTION IN	469.5*100*36	1				
609	44	15605150031	HOSE , 100		1				
609	46	V7211031030	O-RING , G	G30	1				
609	47	14525150000	BRACKET , OIL FILTER	25X6T	1				
609	48	17975152001	FILTER ASSY , SUCTION 43	1X1X1	1				
609	4801	17975152010	HEAD , FILTER		1				
609	4802	17975152101	ELEMENT , SUCTION FILTER TM	1X1X1	1				
609	49	V2173608016	BOLT , HEX/S	M8X16	1				
609	50	V4011600080	WASHER , SPRING	M8	2				
609	52	14045030060	PACKING , OIL PUMP		2				
NOTE									



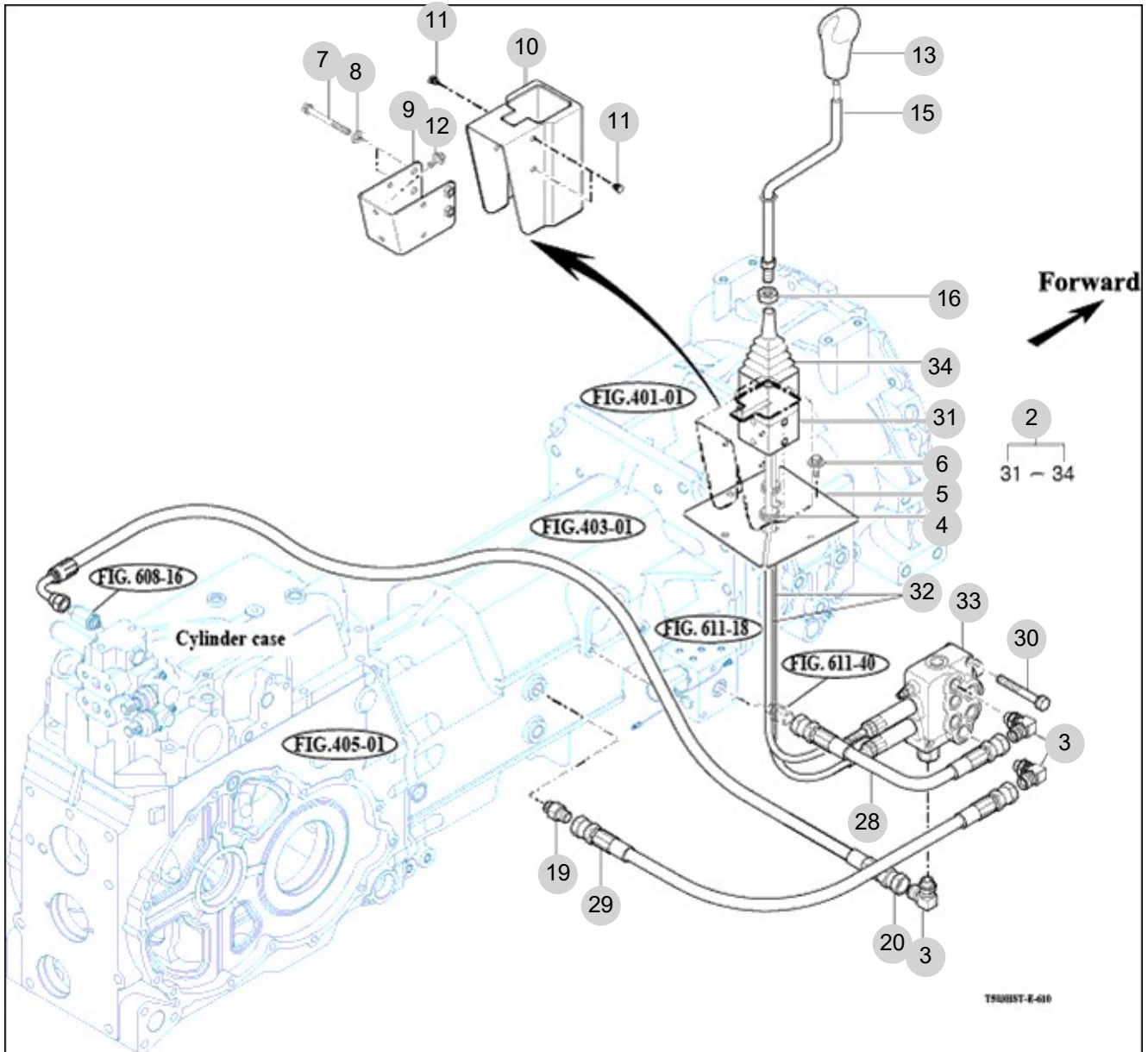
FIG 610

T554NC

JOYSTICK

년/월  
Year/Month

2022-12



NOTE



<b>FIG 610</b>  T554NC	<b>JOYSTICK</b>						년/월 Year/Month
							2022-12

KEY NO		PART NO	DESCRIPTION	SPEC	QTY	REPAIR	EFFECTIVE DATE	REMARKS
610	2	15155162502	JOYSTICK ASSY , LOADER VV		1			
610	3	17407362300	ELBOW , PF3/8 PF1/2	"PF3/8,PF1/2"	3			
610	4	14526300530	INSULATOR . JOYSTICK	1X1X1	2			
610	5	17685161810GB	PLATE , SEAL	1X1X1	2			
610	6	V2193606016	BOLT , HEX/SPL	M6X16	4			
610	7	V2173608085	BOLT , HEX/S	M8X85	2			
610	8	V4111600080	WASHER , PLAIN	M8	2			
610	9	14527103100GB	BRACKET , JOYSTICK	T=3.2	1			
610	10	14527100010	COVER , JOYSTICK T483	T=2.5	1			
610	11	15276040020	CLIP , TRIM	1X1X1	3			
610	12	V2183608020	BOLT , HEX/SP	M8X20	2			
610	13	4IMP500707	GRIP , JOYSTICK	1X1X1	1			
610	13	10896013800	GRIP , JOYSTICK		1			
610	15	15157103901GB	LEVER COMP . JOYSTICK		1			
610	16	V3302600140	NUT , HEX FINE/2	M14	1			
610	19	17995161130	UNION , PF3/8 PF1/2		1			
610	20	14525152331	HOSE ASSY , HYD 1560	1X1X1	1			
610	28	14524070010	HOSE ASSY , HYD 390		1			
610	29	17685162202	HOSE ASSY , HYD 530		1			
610	30	V2173608060	BOLT , HEX/S	M8X60	3			
610	31	14527103600	BODY ASSY , JOYSTICK	T=12	1			
610	32	14527103700	CABLE ASSY , JOYSTICK (620)	T=12	2			
610	32	14527103701	CABLE ASSY , JOYSTICK (620)		2			
610	33	15157103802	VALVE ASSY , LOADER(DUKIN)		1			
610	34	14527103610	BOOTS , JOYSTICK VALVE		1			
NOTE								

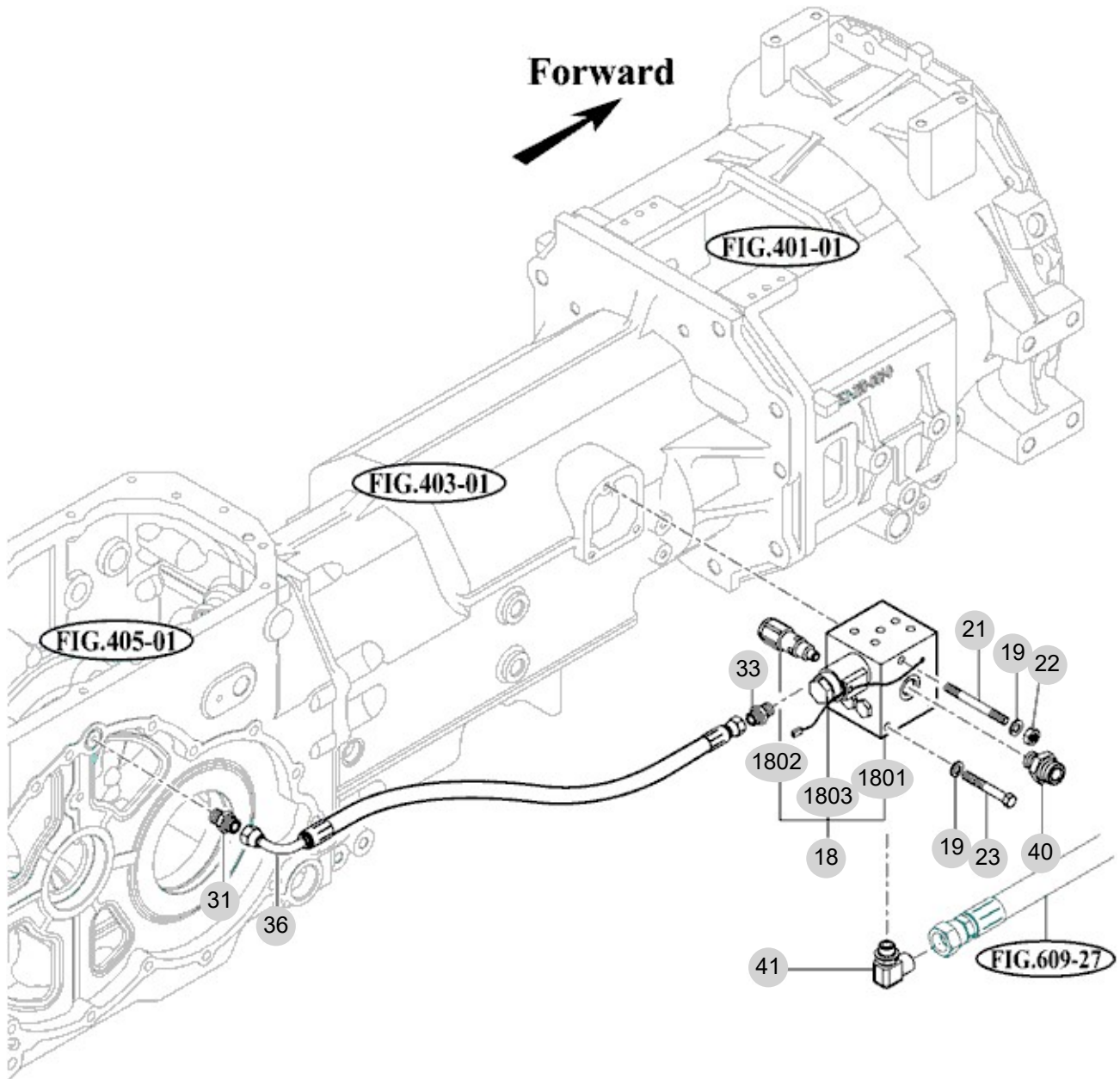
FIG 611

HYDRAULIC HOSE

년/월  
Year/Month

2022-12

T554NC



T554/454-T-611

NOTE

FIG 611 T554NC		HYDRAULIC HOSE						년/월 Year/Month	
								2022-12	
		KEY NO	PART NO	DESCRIPTION	SPEC	QTY	REPAIR	EFFECTIVE DATE	REMARKS
611	18	17975182001	VALVE ASSY , PTO	1X1X1	1				
611	1801	17975182100	VALVE , PTO	1X1X1	1				
611	1802	16490110001	VALVE ASSY , RELIEF	PVRI-005-030	1				
611	1803	14725182210	SOLENOID COIL	1X1X1	1				
611	19	V4011600080	WASHER , SPRING	M8	3				
611	21	V2513408090	BOLT , STUD/2	M8X90	1				
611	22	V3042600080	NUT , HEX/2	M8	1				
611	23	V2013608090	BOLT , HEX	M8X90	2				
611	31	17971850140	ADAPTER , STRAIGHT PF1/4	1X1X1	1				
611	33	37681850141	ADAPTER , STRAIGHT		1				
611	36	14525180361	HOSE ASSY . HYD 690	1X1X1	1				
611	40	17995161130	UNION , PF3/8 PF1/2		1				
611	41	17407362300	ELBOW , PF3/8 PF1/2	"PF3/8,PF1/2"	1				
NOTE									

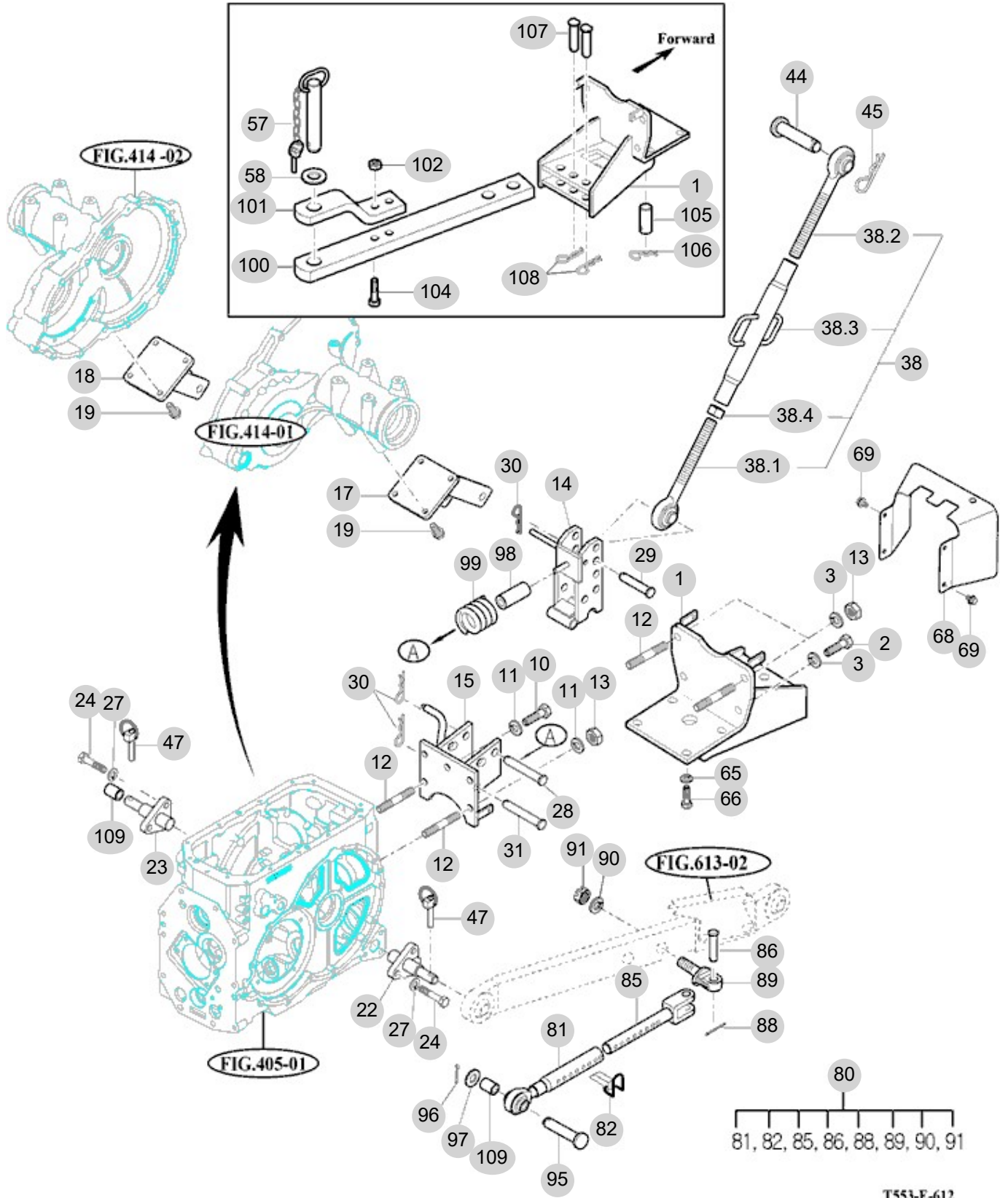
FIG 612

HITCH & 3-POINT LINK

년/월  
Year/Month

2022-12

T554NC



T553-E-612

NOTE

FIG 612		HITCH & 3-POINT LINK					년/월 Year/Month		
							2022-12		
T554NC		KEY NO	PART NO	DESCRIPTION	SPEC	QTY	REPAIR	EFFECTIVE DATE	REMARKS
612	1	15175202001GB	BRACKET COMP, SWING DRAW BAR			1			
612	1	15175202002GB	BRACKET COMP, SWING DRAW BAR			1			
612	1	15175202003GB	BRACKET COMP, SWING DRAW BAR			1			
612	2	V2013616035	BOLT, HEX	M16X35		2			
612	3	V4011600160	WASHER, SPRING	M16		4			
612	10	V2013616035	BOLT, HEX	M16X35		3			
612	11	V4011600160	WASHER, SPRING	M16		5			
612	12	V2513416035	BOLT, STUD/2	M16X35		4			
612	13	V3043600160	NUT, HEX/2	M16		4			
612	14	16735222102GB	LINK COMP	1X1X1		1			
612	15	15185222000GB	BRACKET COMP			1			
612	17	14525254100GB	BRACKET COMP, RR			1			
612	18	14525254100GB	BRACKET COMP, RR			1			
612	19	V2173612030	BOLT, HEX/S	M12X30		8			
612	22	15685252204	PIN COMP, LH			1			
612	23	15685252801	PIN COMP, RH			1			
612	24	V2013614040	BOLT, HEX	M14X40		6			
612	27	V4011600140	WASHER, SPRING	M14		6			
612	28	15645250010	PIN, 19X122	D=19		1			
612	29	15645220020	PIN, 19X95	D=19		1			
612	30	14445140051	PIN, 19	D=4.5		3			
612	31	15645250010	PIN, 19X122	D=19		1			
612	38	16505245501GB	LINK ASSY, TOP LINK			1			
612	38	16505245502GB	TOP LINK ASSY			1			
612	44	15645220011	PIN, 19X86	D=19		1			
612	45	14445140051	PIN, 19	D=4.5		1			
612	47	14215020020	PIN, LINK			2			
612	57	S0973063031	PIN ASSY	1X1X1		1			
612	58	15252470010	RUBBER, CUSHION			1			
612	65	V4011600140	WASHER, SPRING	M14		4			
612	66	V2013614035	BOLT, HEX	M14X35		4			
612	68	13605200012GB	COVER, SHIELD	1X1X1		1			
612	69	V2183608016	BOLT, HEX/SP	M8X16		4			
612	80	15155253000GB	LINK ASSY, ADJUSTER	570*60*50		2			
612	81	15155253100	ROD SUB, FR	44*320*60		2			
612	82	17705254200	PIN	1X1X1		2			
612	85	15155253300	ROD SUB, REAR	340*50*50		2			
612	86	15155253400	PIN, ø20X59	ø20X59		2			
612	88	V5001940035	PIN, SPLIT	4X35		2			
612	89	15155253500	EYEBOLT	66*60*40		2			
612	90	V4111600220	WASHER, PLAIN	M22		2			
612	91	V3343600220	NUT, HEX FINE/2	M22		2			
612	95	15645220020	PIN, 19X95	D=19		2			
612	96	14445140051	PIN, 19	D=4.5		2			
612	97	V4111600200	WASHER, PLAIN	M20		2			
NOTE									



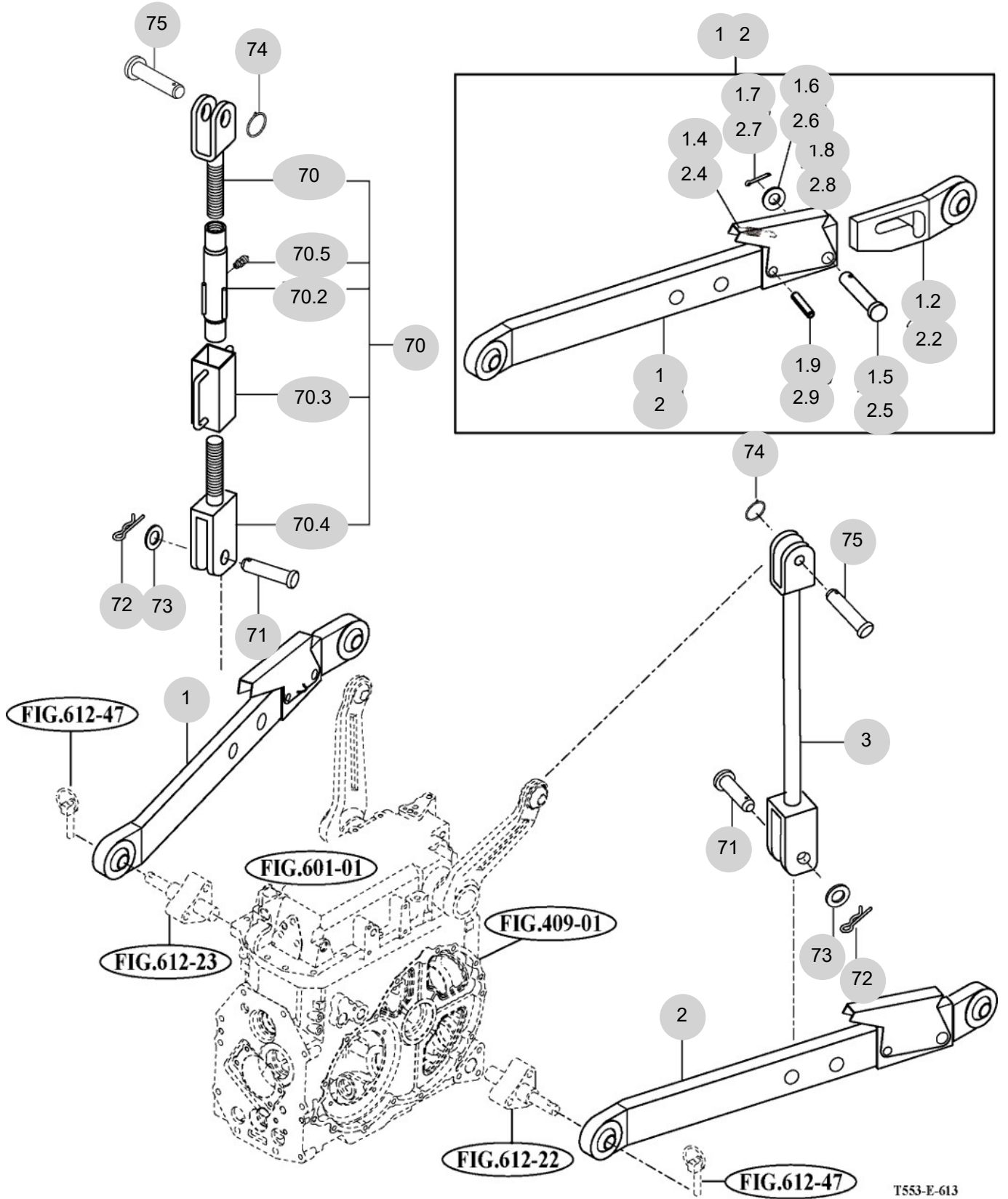
FIG 613

LOWER LINK & LIFT ROD

년/월  
Year/Month

2022-12

T554NC



T553-E-613

NOTE

FIG 613		LOWER LINK & LIFT ROD						년/월 Year/Month	
								2022-12	
T554NC		KEY NO	PART NO	DESCRIPTION	SPEC	QTY	REPAIR	EFFECTIVE DATE	REMARKS
613	1	15175262200GB	LINK ASSY , RH LOWER	1X1X1	1				
613	1	15155262200GB	LINK ASSY , RH LOWER	1X1X1	1				
613	2	15175262300GB	LINK ASSY , LOWER LH	1X1X1	1				
613	2	15155262300GB	LINK ASSY , LH LOWER	870*100*55	1				
613	3	12185243000GB	ROD ASSY , LIFT		1				
613	3	12175243000GB	ROD ASSY , LIFT		1				
613	70	15175244000GB	LINK ASSY , LIFT RH	1X1X1	1				
613	70	15155244000GB	LIFT ROD ASSY , RH	1X1X1	1				
613	71	15175250010	PIN , 22X63	D=22	2				
613	71	15605260014	PIN , 16X51	D=16	2				
613	72	S2169908420	PIN , SNAP/28		2				
613	72	V5601600160	PIN , SNAP	160	2				
613	73	V4111600220	WASHER , PLAIN	M22	2				
613	73	V4111600160	WASHER , PLAIN	M16	2				
613	74	16735240060	Spring		2				
613	75	16735243500	PIN	1X1X1	2				
613	101	15175262210	LINK SUB, LOWER RH/FR	810*75*56	1				
613	101	15155262210	LINK SUB, LOWER RH/FR	810*70*56	1				
613	102	15175262220	LINK SUB , LOWER RH/RR	220*80*42	1				
613	102	15155262220	LINK SUB , LOWER RH/RR	220*75*42	1				
613	104	15155262330	SPRING , EXTENSION	T=3.0	1				
613	105	15155262340	PIN , 22X56	22X56	1				
613	106	V4111600220	WASHER , PLAIN	M22	1				
613	107	V5001940035	PIN , SPLIT	4X35	1				
613	108	15155262350	GRIP		1				
613	109	15155262360	PIN , SPRING		1				
613	201	15175262310	LINK SUB, LOWER LH/FR	810*75*56	1				
613	201	15155262310	LINK SUB, LOWER LH/FR	810*70*56	1				
613	202	15175262320	LINK SUB , LOWER LH/RR	220*80*42	1				
613	202	15155262320	LINK SUB , LOWER LH/RR	220*75*42	1				
613	204	15155262330	SPRING , EXTENSION	T=3.0	1				
613	205	15155262340	PIN , 22X56	22X56	1				
613	206	V4111600220	WASHER , PLAIN	M22	1				
613	207	V5001940035	PIN , SPLIT	4X35	1				
613	208	15155262350	GRIP		1				
613	209	15155262360	PIN , SPRING		1				
613	7001	15155244100	LIFT SUB , UPR	212*59*38	1				
613	7002	15155244200	SLEEVE	ø35*225	1				
613	7003	15155244300	HANDLE	120*40*106	1				
613	7004	15175244400	LIFT SUB , LOW	50*55*267.5	1				
613	7004	15155244400	LIFT SUB , LOW	38*44*238	1				
613	7005	V7601500000	NIPPLE , GREASE/A-M6F		1				
NOTE									



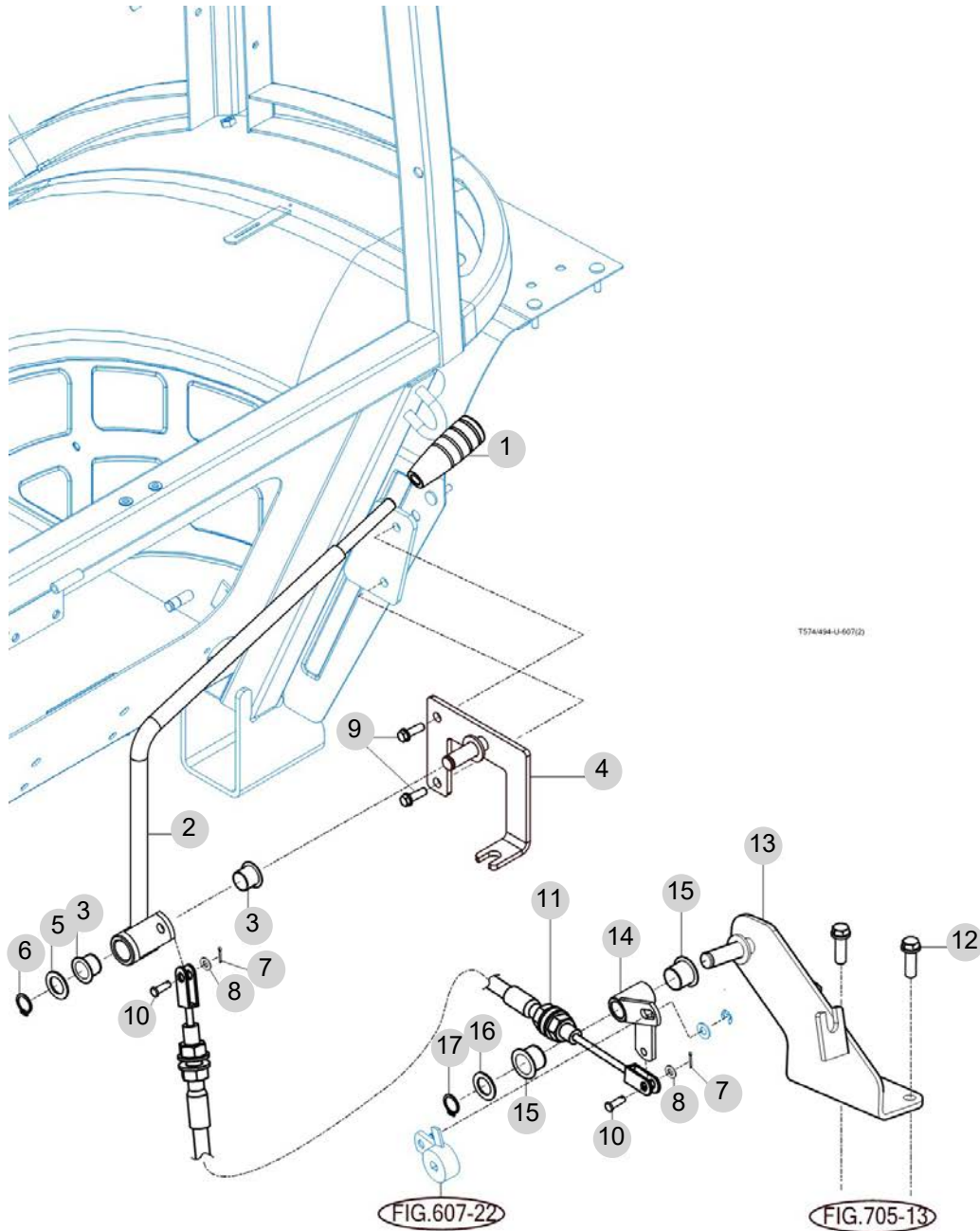
FIG 614

EXTERNAL POSITION LEVER KIT

년/월  
Year/Month

T554NC

2022-12



NOTE



## 7. Sheet Metal & Cabin PART NO. T7

FIG 701 HOOD (1)	176
FIG 702 HOOD (2)	178
FIG 704-2 LEVER COVER & STEP-NON CAB	180
FIG 705 FRONT & REAR MOUNTING	182
FIG 706 SEAT & MAT	184
FIG 710B FRAME & 2POLES-ROPS-NON CAB	186
FIG 713B SUB FENDER&COVER-NON CAB	188
FIG 714B MIRROR&WORKING LAMP-NON CAB	190
FIG 718 CABIN INTERIOR	192

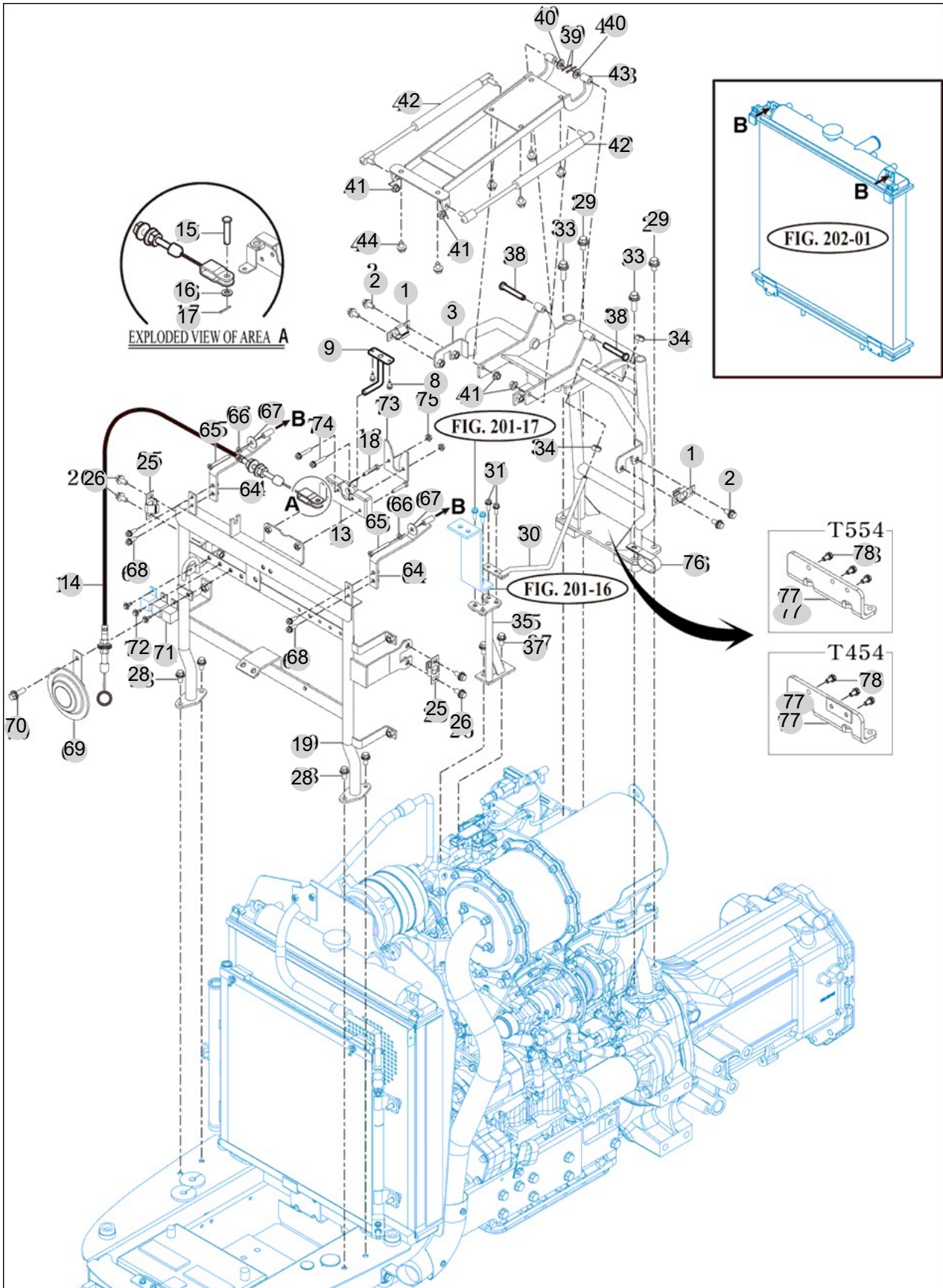
FIG 701

HOOD (1)

년/월  
Year/Month

T554NC

2022-12



NOTE

FIG 701		HOOD (1)					년/월 Year/Month		
							2022-12		
T554NC		KEY NO	PART NO	DESCRIPTION	SPEC	QTY	REPAIR	EFFECTIVE DATE	REMARKS
701	1	17686013502	SPRING	T=1.0	2				
701	2	V2183608020	BOLT , HEX/SP	M8X20	4				
701	3	17476019400	HOOD FRAME SUB ASSY		1				
701	8	V2183608016	BOLT , HEX/SP	M8X16	2				
701	9	17466022100	BRACKET COMP , HOOD LOCK		1				
701	13	17686020600	LOCK COMP . HOOD	1X1X1	1				
701	14	14526020650	CABLE ASSY , HOOD	1X1X1	1				
701	15	15601160083	PIN , 06X16	D=6	1				
701	16	V4111600060	WASHER , PLAIN	M6	1				
701	17	V5001920020	PIN , SPLIT	2X20	1				
701	18	V2053606035	BOLT , HEX C/R	M6X35	2				
701	19	17466029000	FRAME , FR HOOD		1				
701	25	17686013502	SPRING	T=1.0	2				
701	26	V2183608020	BOLT , HEX/SP	M8X20	4				
701	28	V2183608020	BOLT , HEX/SP	M8X20	4				
701	29	V2183610020	BOLT , HEX/SP	M10X20	2				
701	30	17463282200	ROD COMP		1				
701	31	V2123606020	BOLT , HEX /SP	M6X20	2				
701	33	V2174610050	BOLT , HEX/S	M10X50	2				
701	34	V3013600100	NUT .HEX NORMAL /2	M10	2				
701	35	17466052300GB	SUPPORT COMP		1				
701	37	V2183608020	BOLT , HEX/SP	M8X20	2				
701	38	16996024552	PIN	D=8	2				
701	39	V5001920020	PIN , SPLIT	2X20	2				
701	40	V4111600080	WASHER , PLAIN	M8	2				
701	41	V3802600080	NUT , HEX FLANGE	M8	4				
701	42	19957022201	DAMPER ASSY,HOOD	1X1X1	2				
701	43	19956054600GB	HOOD OPEN BRACKET COMP	1X1X1	1				
701	44	V2183608016	BOLT , HEX/SP	M8X16	6				
701	64	17466012100GB	PLATE COMP , RADIATOR FIX		2				
701	65	V2053606050	BOLT , HEX C/R	M6X50	2				
701	66	V4011600060	WASHER , SPRING	M6	2				
701	67	35602010150	WASHER , BIND SHAFT	T=2.3	2				
701	68	V2123606020	BOLT , HEX /SP	M6X20	4				
701	69	13266212003	HORN		1				
701	70	V2113606012	BOLT , HEX /S	M6X12	1				
701	71	17686641110	RELAY , PREHEAT	1X1X1	2				
701	72	V2193606016	BOLT , HEX/SPL	M6X16	3				
701	73	17406014300	GUIDE, HOOD PIN		1				
701	74	V2123606035	BOLT , HEX /SP	M6X35	2				
701	75	V3802600060	NUT , HEX FLANGE	M6	2				
701	76	14441010161	CLAMP , RADIATOR HOSE	1X1X1	1				
701	77	14137001200GB	HOUSING SUPPORTER COMP		1				
701	77	14137001100GB	HOUSING SUPPORTER COMP		1				
701	78	V2173608030	BOLT , HEX/S	M8X30	3				
NOTE									

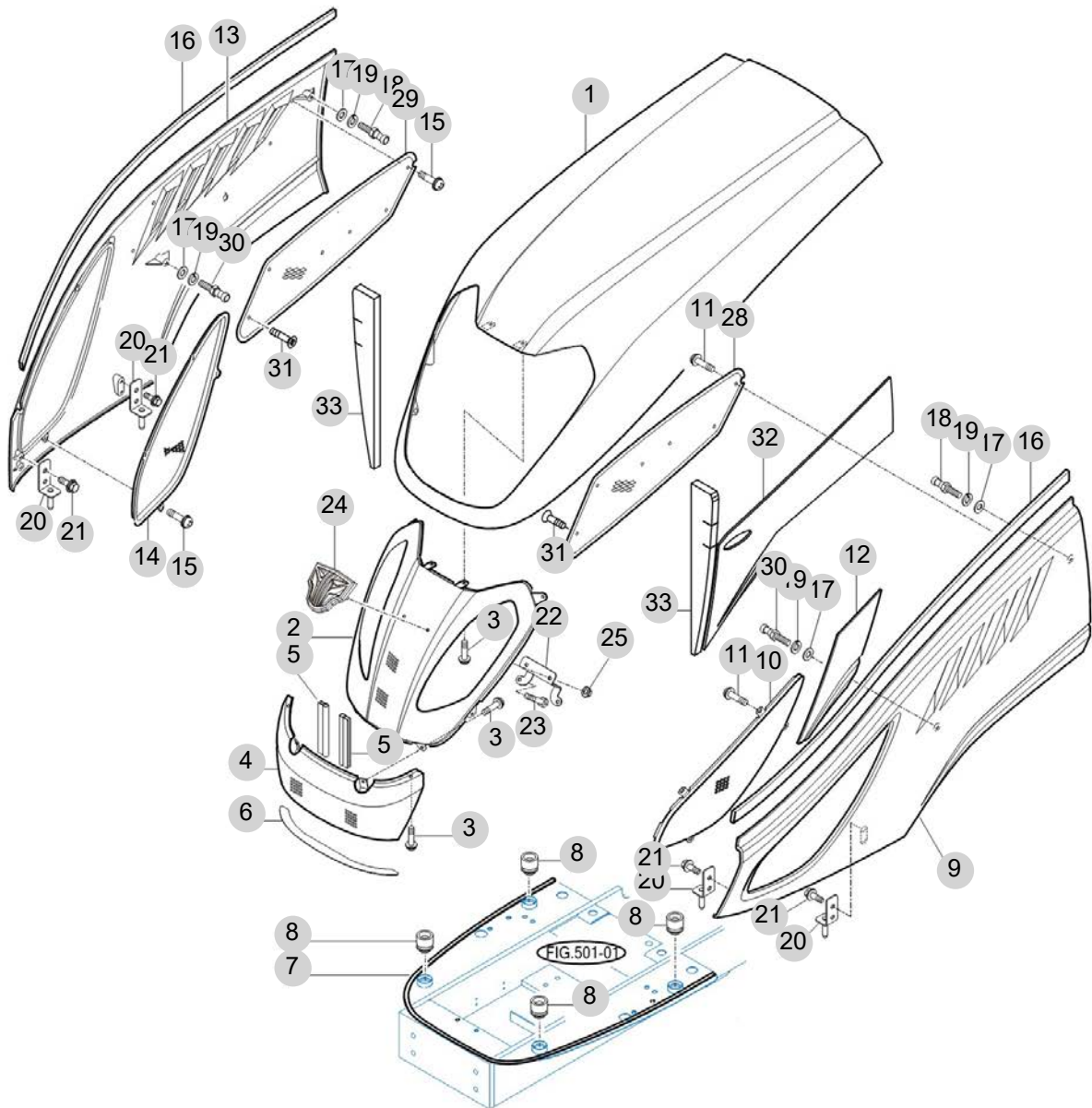
FIG 702

T554NC

HOOD (2)

년/월  
Year/Month

2022-12



T554/454-E-702

NOTE





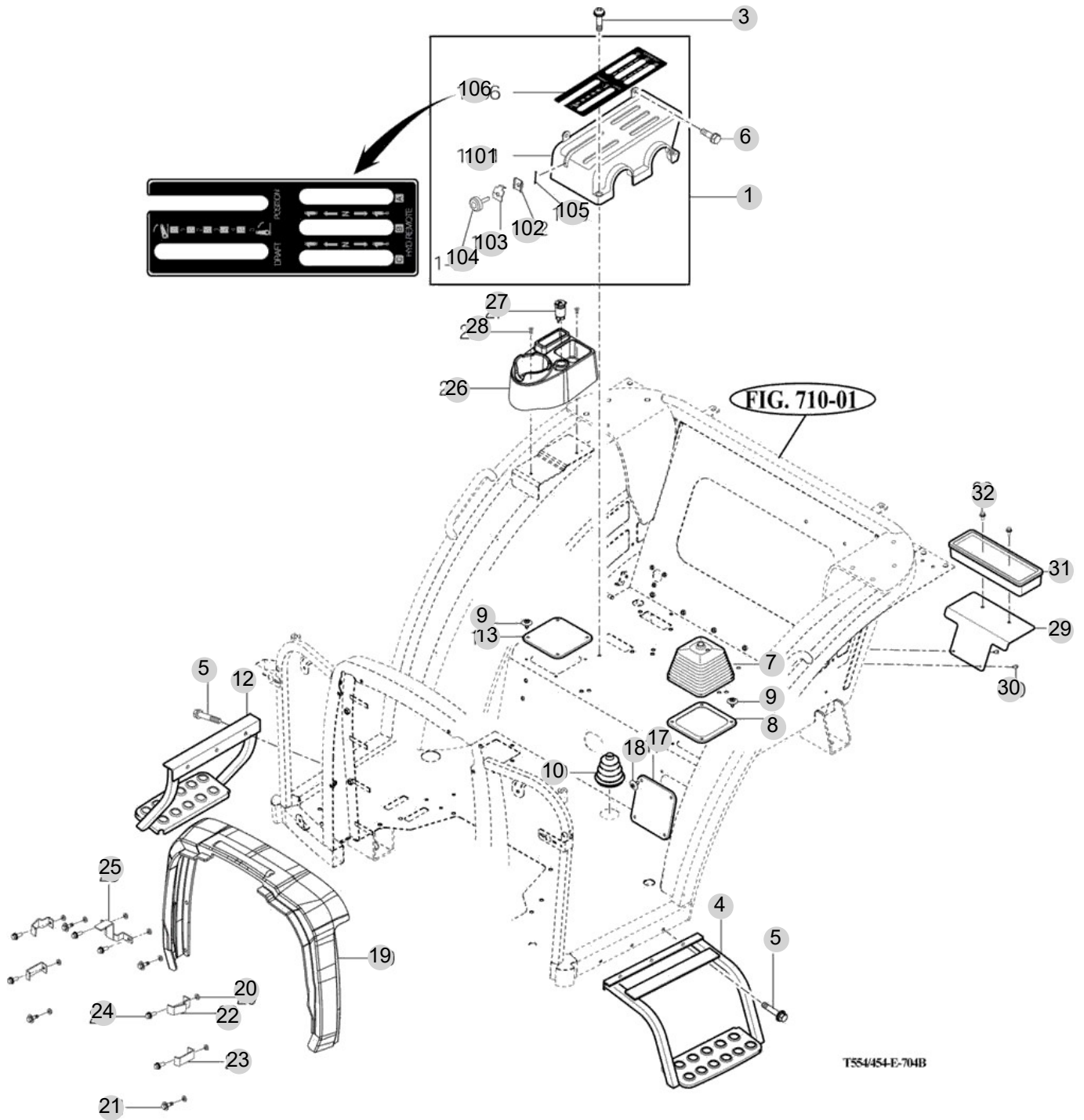
FIG 704-2

LEVER COVER & STEP-NON CAB

년/월  
Year/Month

2022-12

T554NC



NOTE





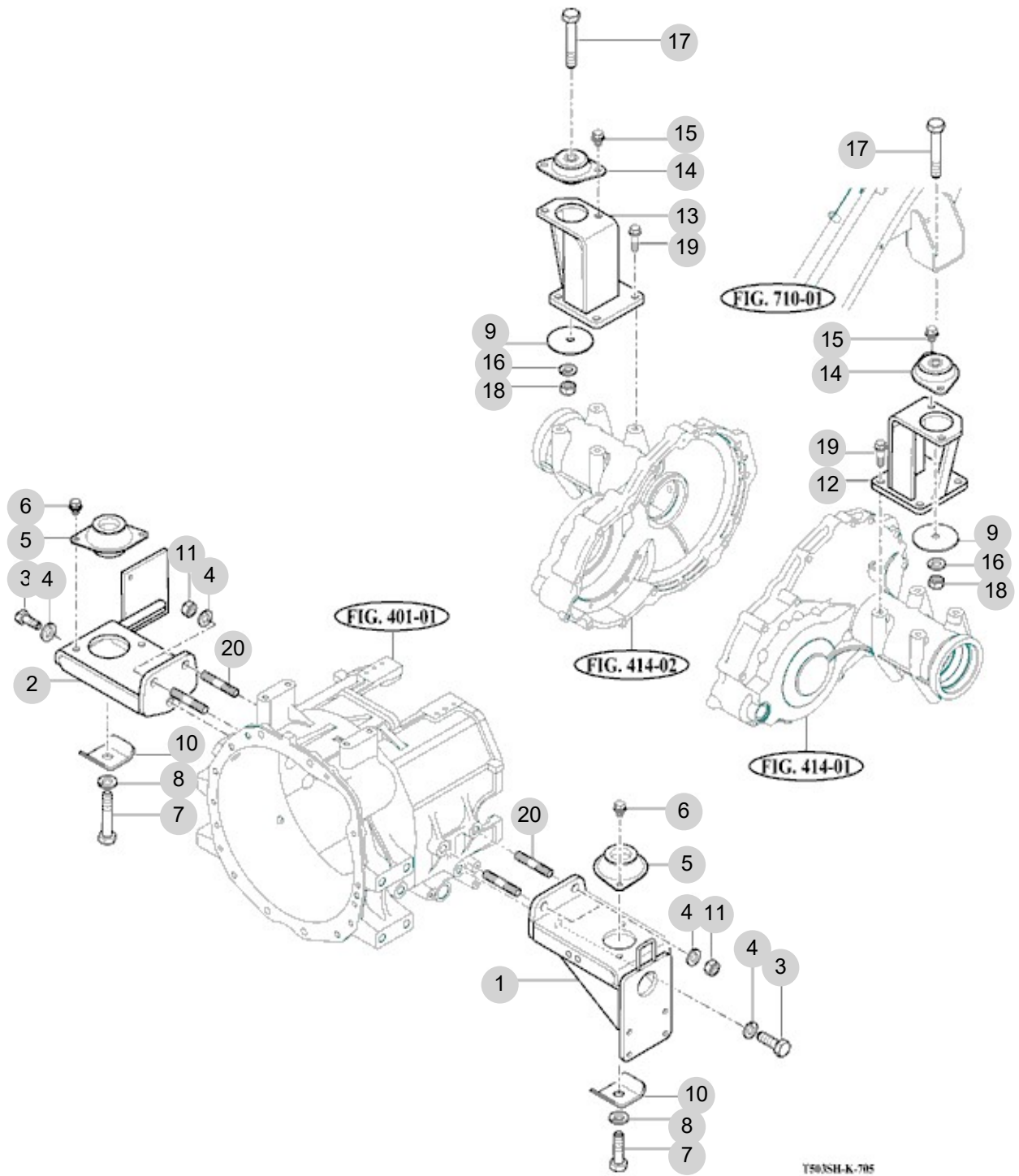
FIG 705

T554NC

FRONT & REAR MOUNTING

년/월  
Year/Month

2022-12



T503SH-K-705

NOTE



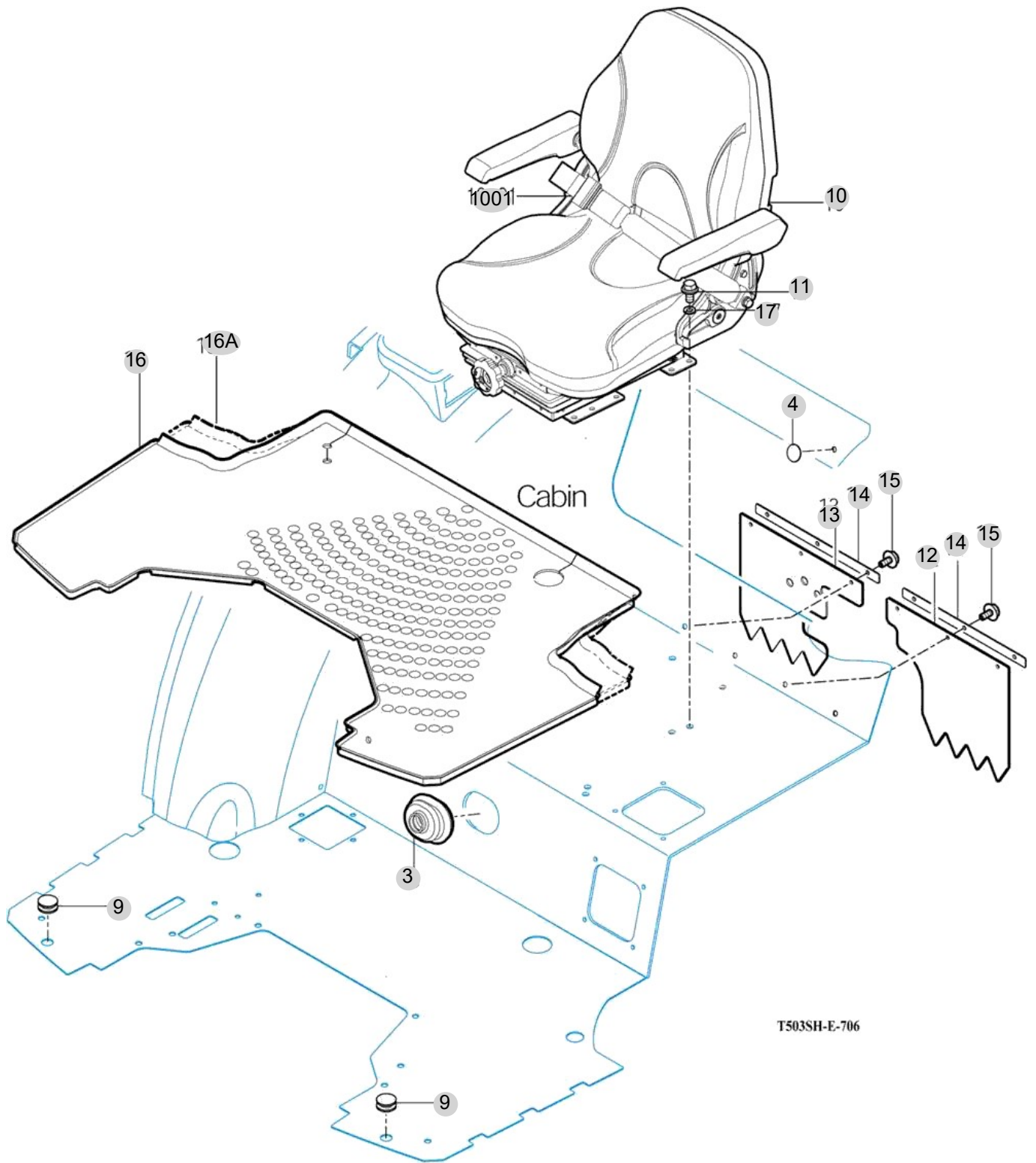
FIG 706

SEAT & MAT

년/월  
Year/Month

2022-12

T554NC



NOTE



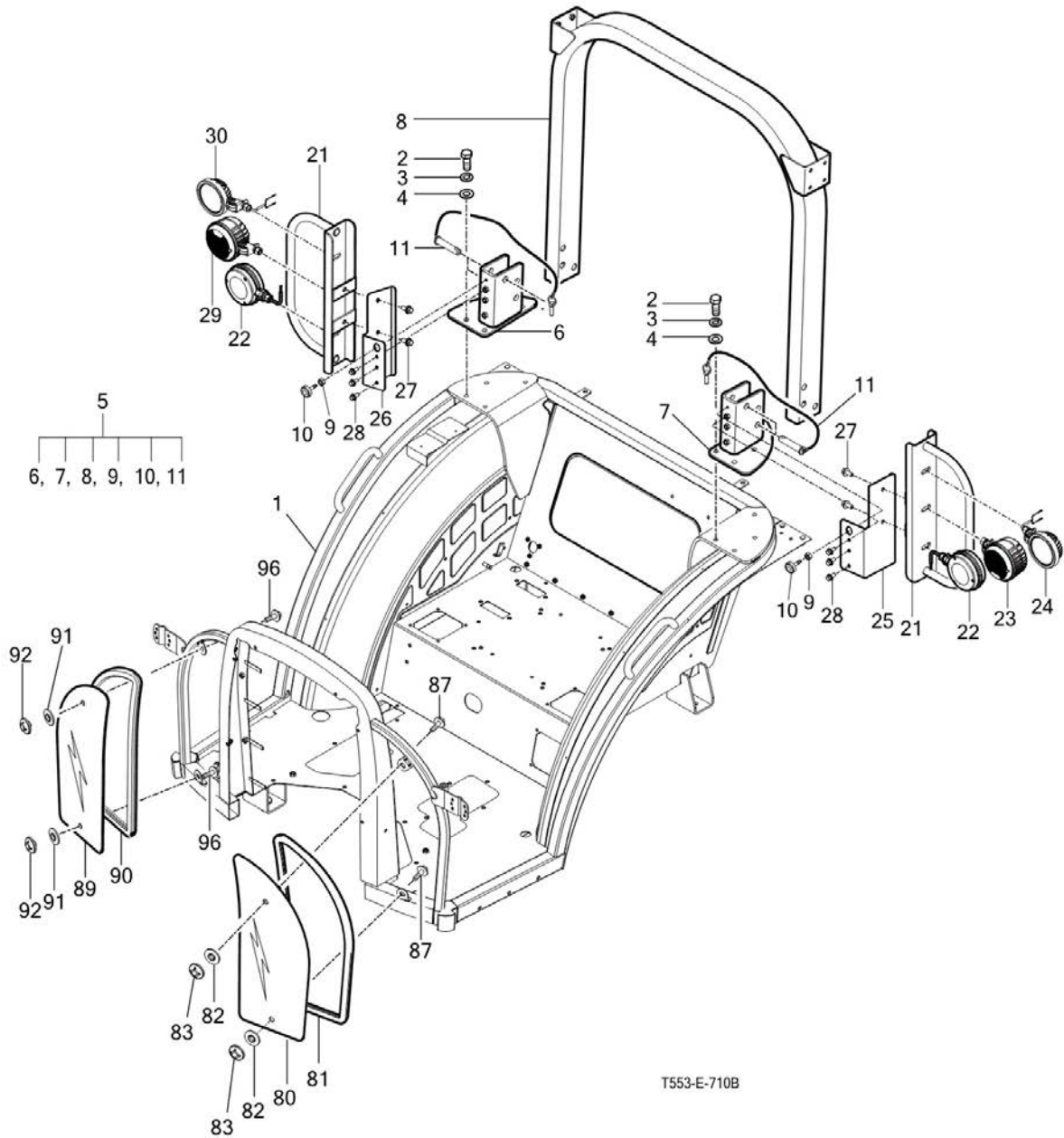
FIG 710B

FRAME & 2POLES-ROPS-NON CAB

년/월  
Year/Month

2022-12

T554NC



T553-E-710B

NOTE



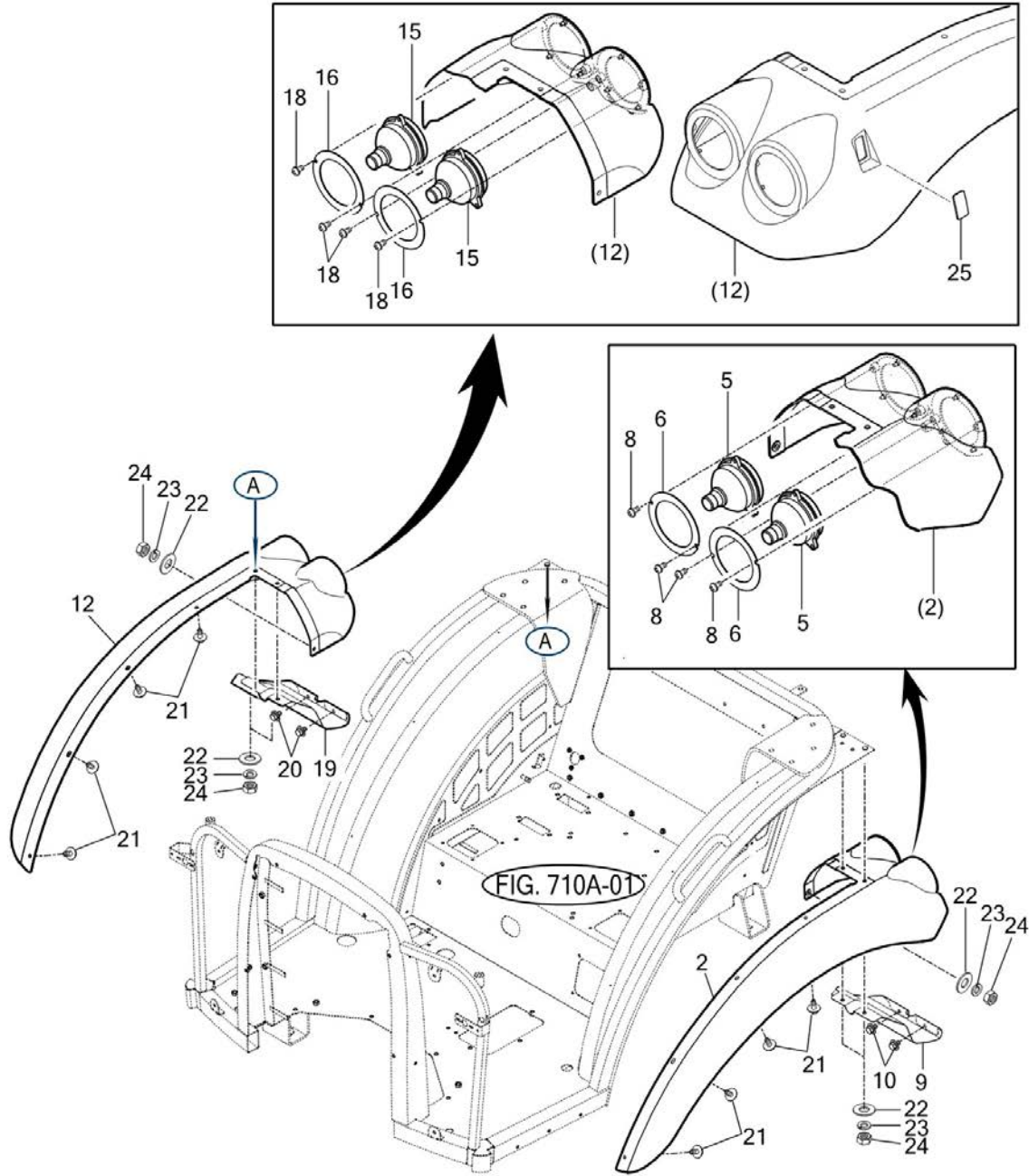
FIG 713B

SUB FENDER&COVER-NON CAB

년/월  
Year/Month

2022-12

T554NC



T553-E-713B

NOTE



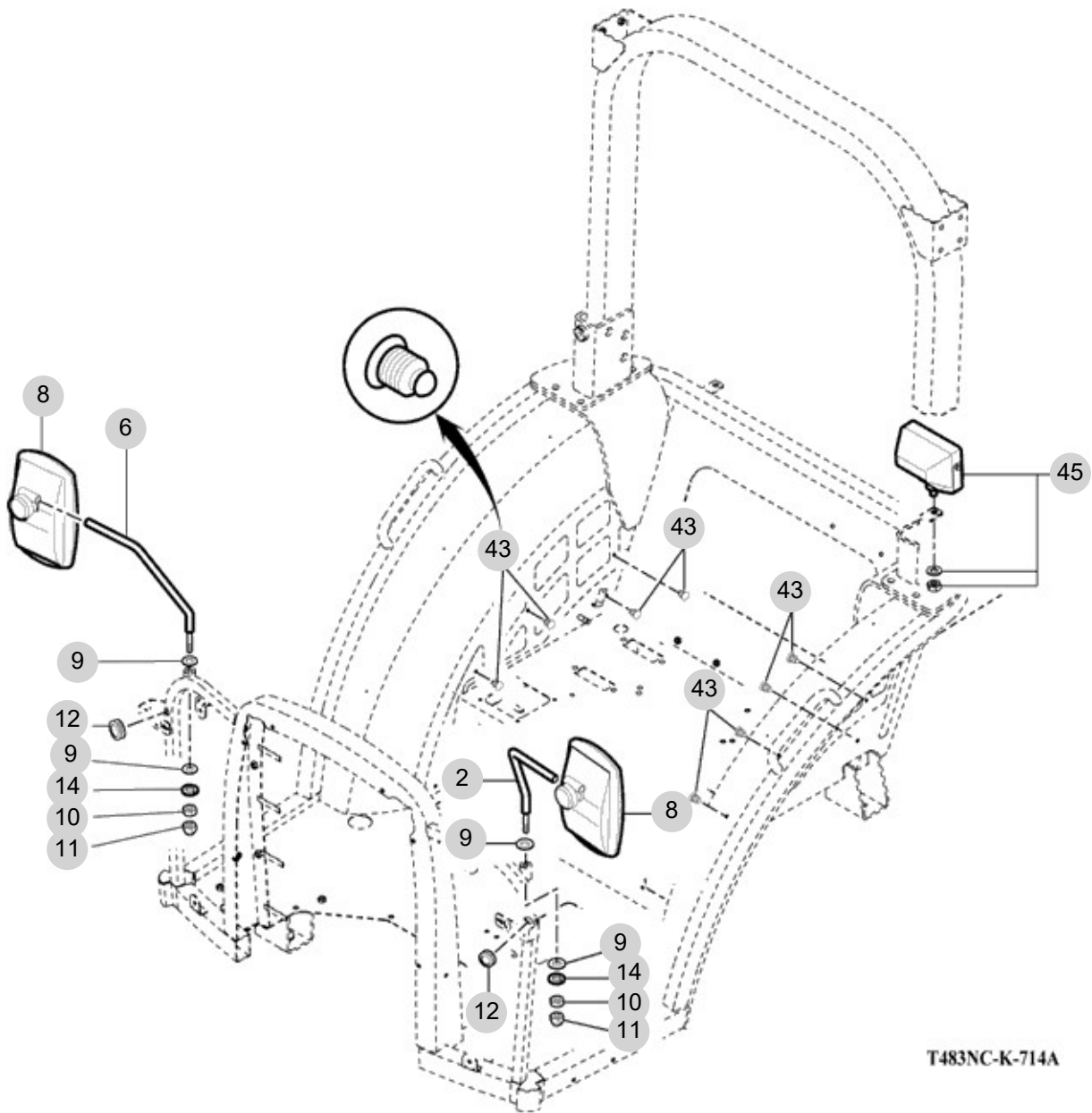


FIG 714B

MIRROR&WORKING LAMP-NON CAB

년/월  
Year/Month

2022-12



T483NC-K-714A

NOTE



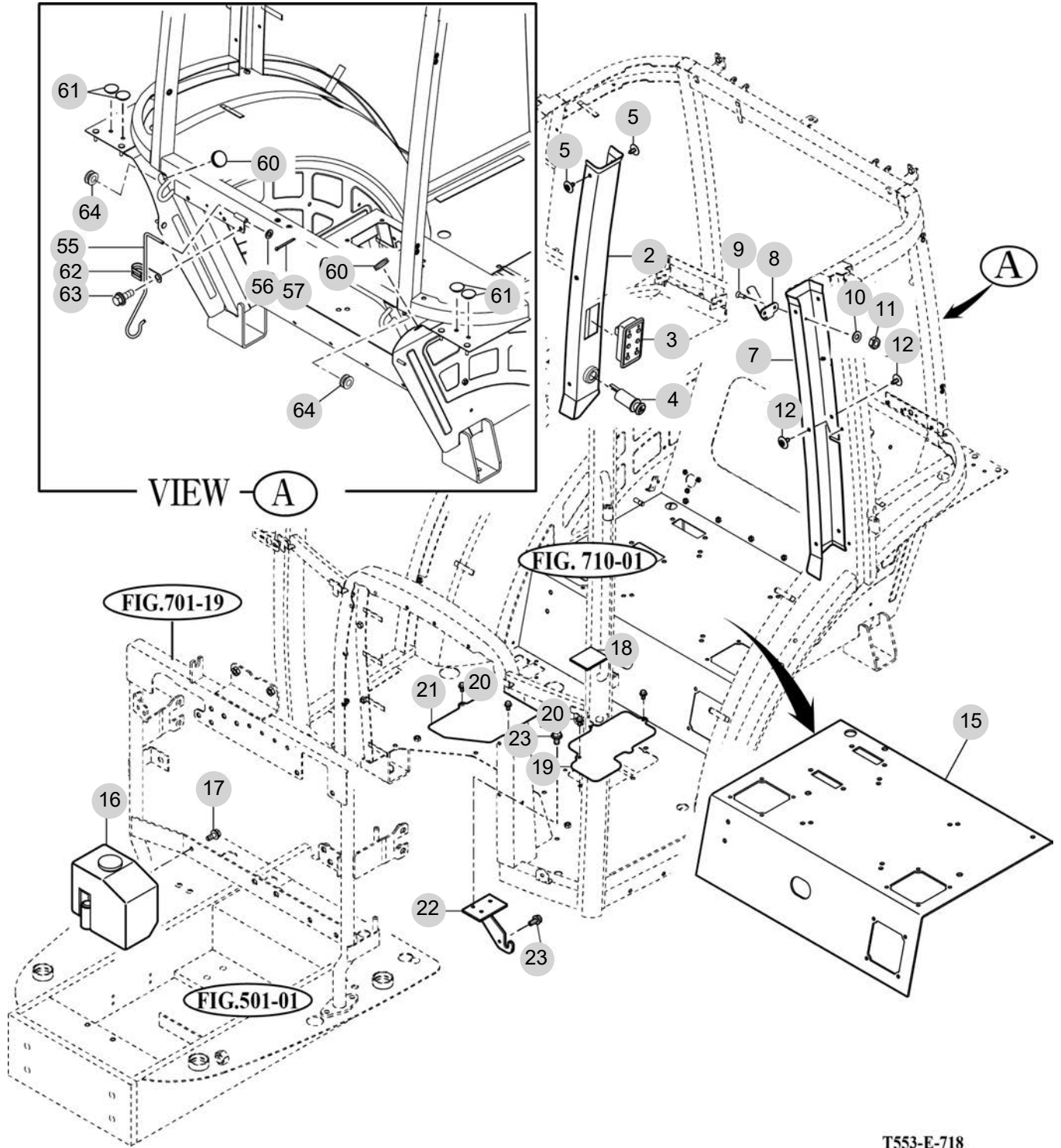
FIG 718

CABIN INTERIOR

년/월  
Year/Month

2022-12

T554NC



T553-E-718

NOTE



## 8. Electrical System PART NO. T8

FIG 801 BATTERY & MOUNTING	195
FIG 802 LIGHT & BACK LAMP	197
FIG 803 INSTRUMENT PANEL	199
FIG 804 ELECTRIC SYSTEM (1)	201
FIG 805B ELECTRIC SYSTEM (2)-NON CAB	203
FIG 806 INSTRUMENT PANEL	205

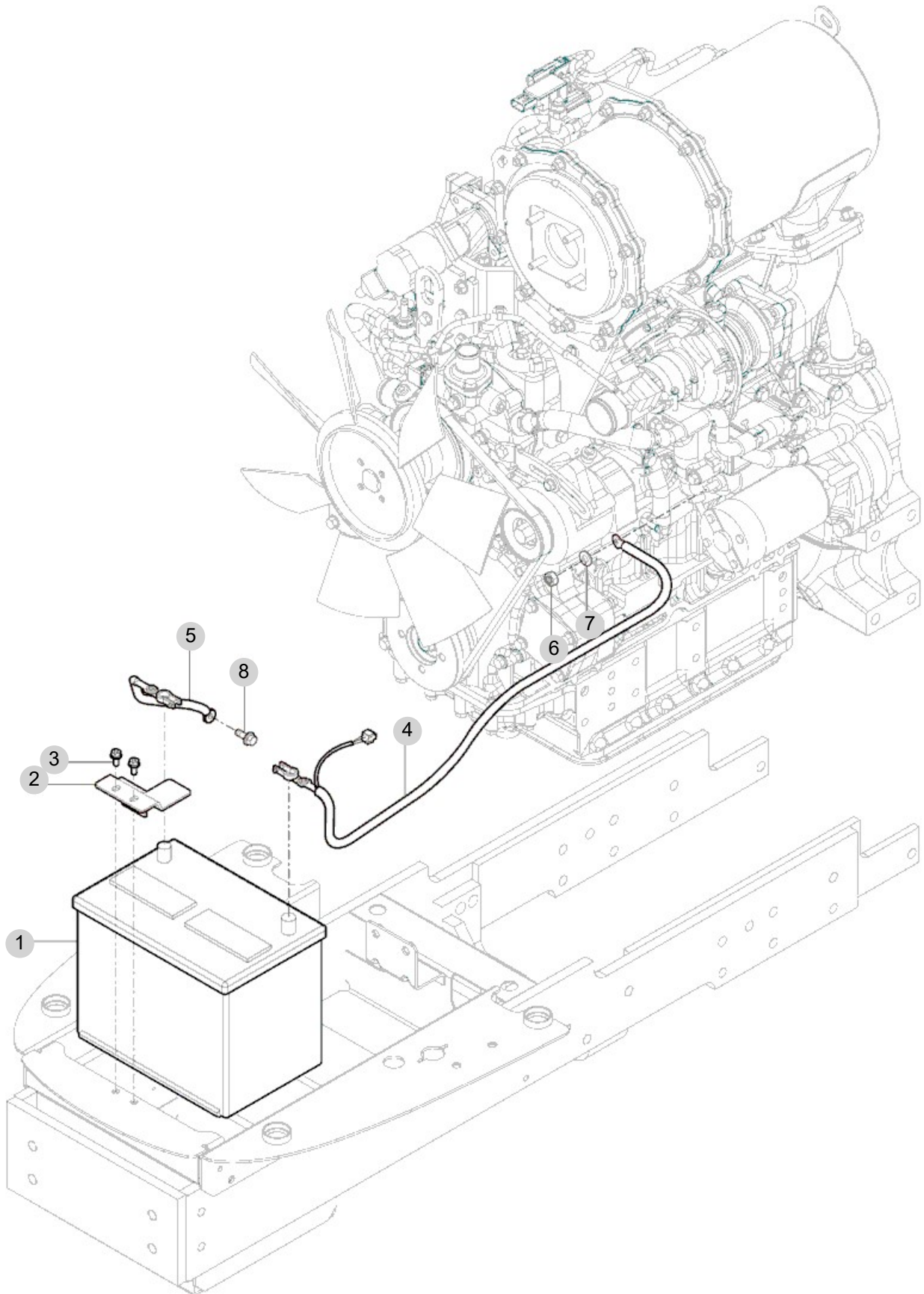
FIG 801

BATTERY & MOUNTING

년/월  
Year/Month

T554NC

2022-12



NOTE





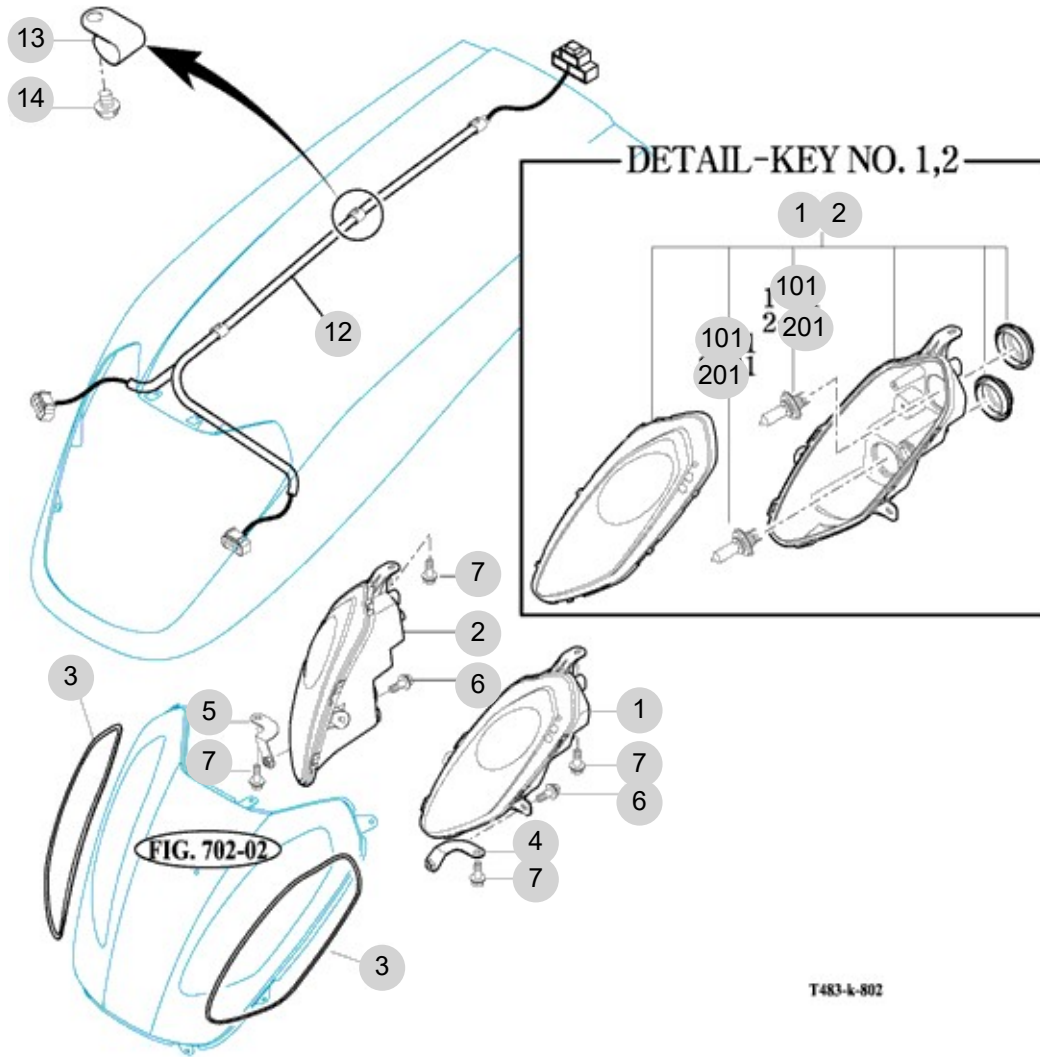
FIG 802

T554NC

LIGHT & BACK LAMP

년/월  
Year/Month

2022-12



NOTE



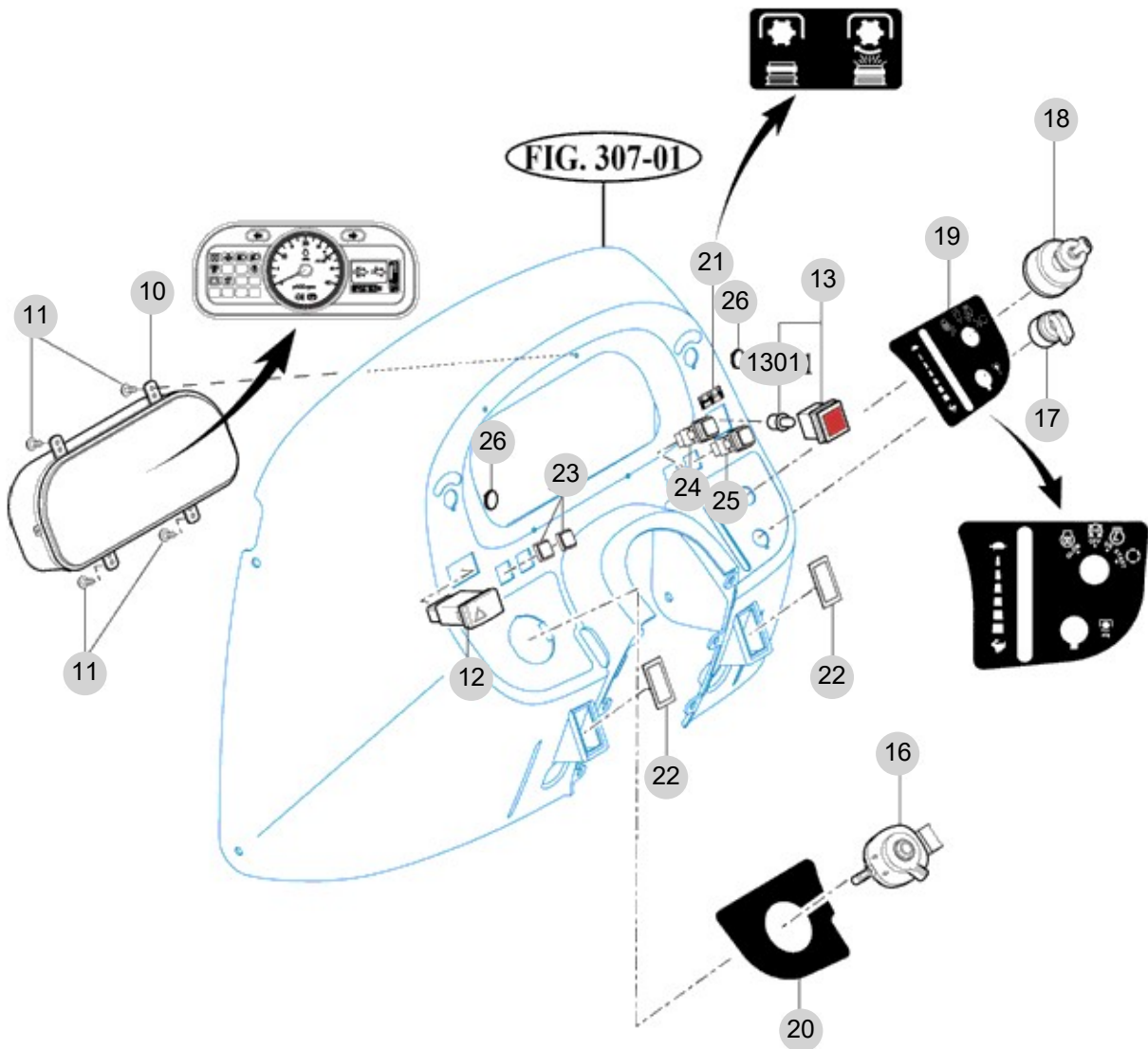
FIG 803

T554NC

INSTRUMENT PANEL

년/월  
Year/Month

2022-12



NOTE



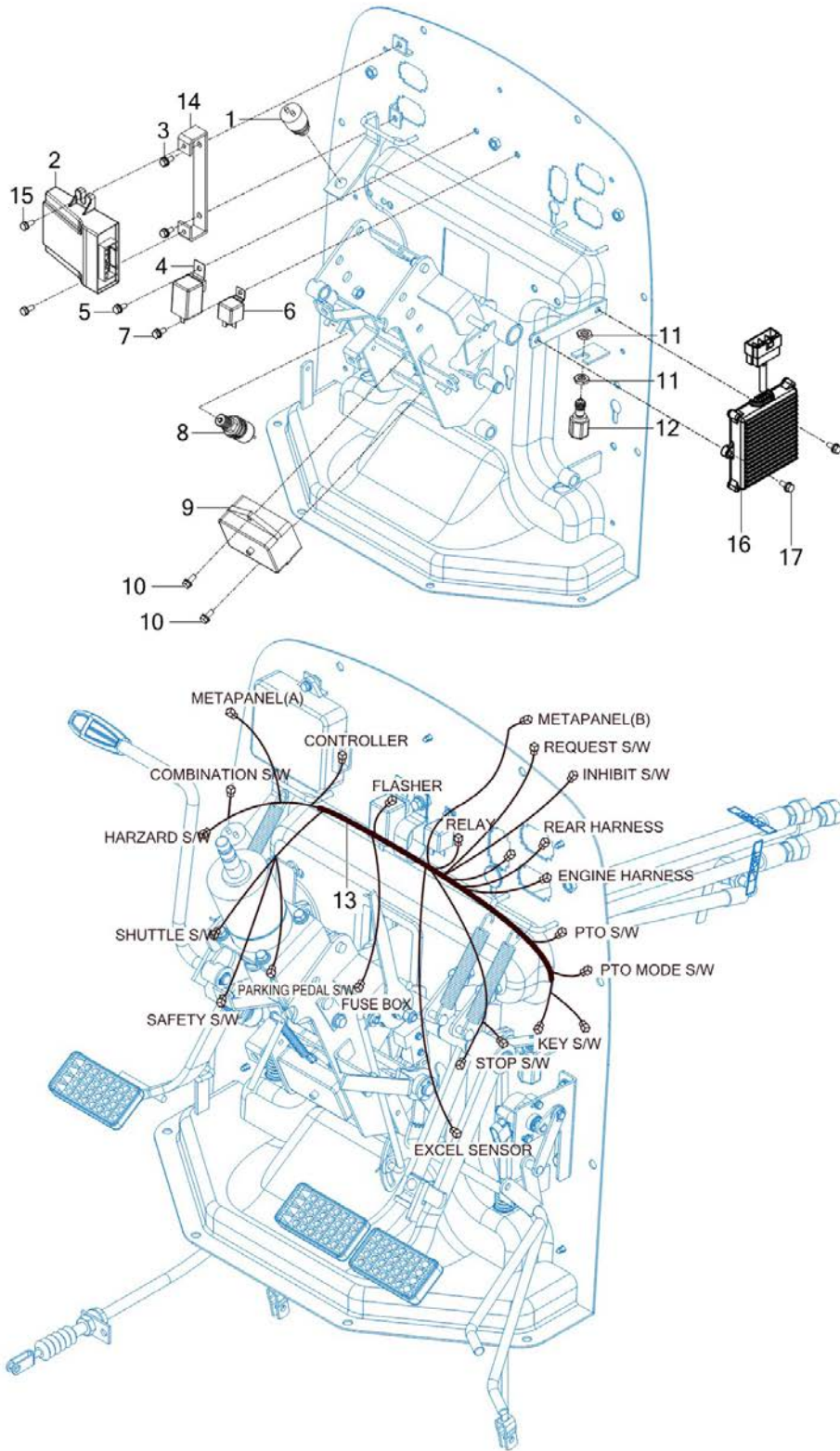
FIG 804

ELECTRIC SYSTEM (1)

년/월  
Year/Month

2022-12

T554NC



NOTE



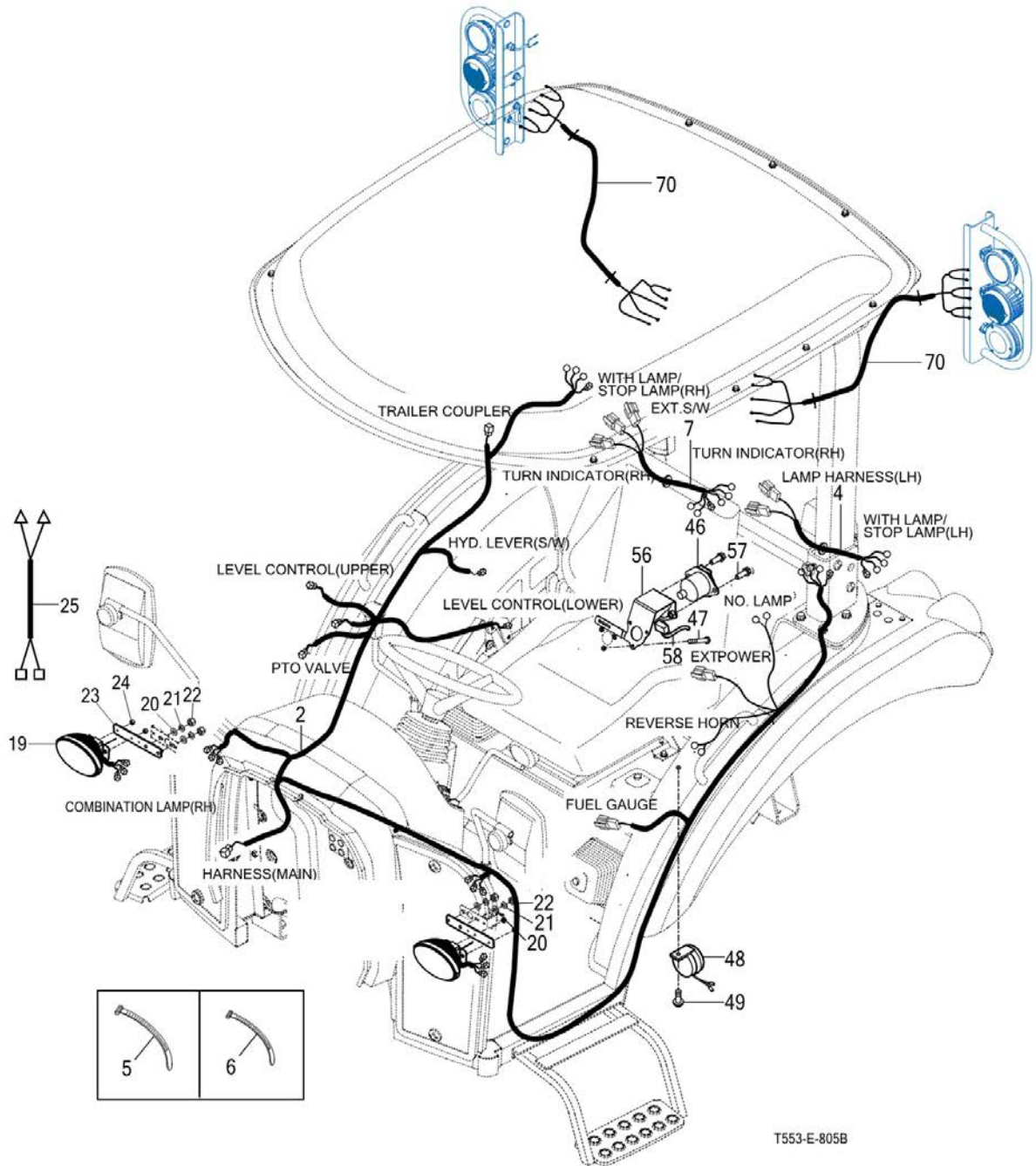
FIG 805B

ELECTRIC SYSTEM (2)-NON CAB

년/월  
Year/Month

T554NC

2022-12



T553-E-805B

NOTE





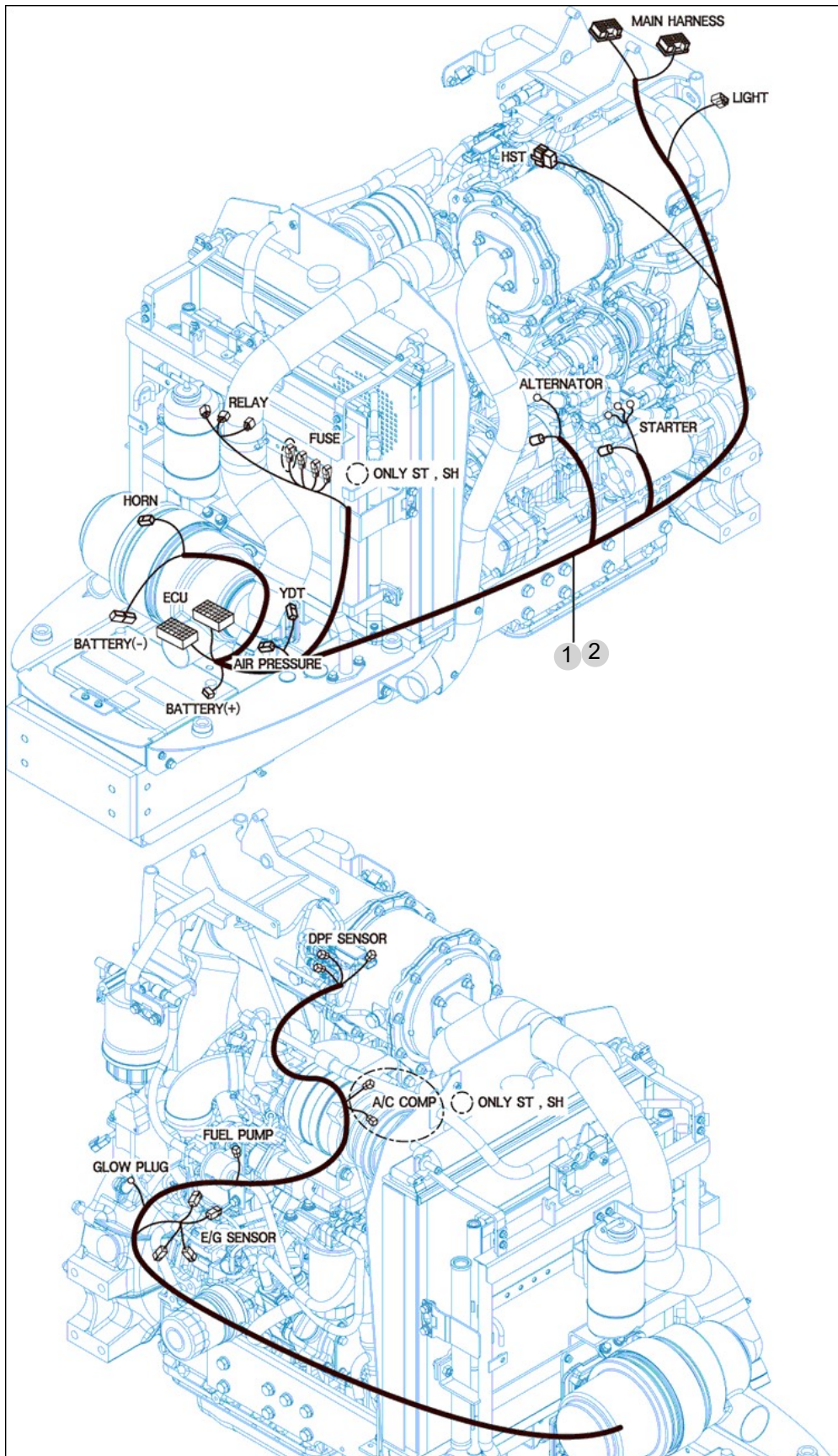
FIG 806

INSTRUMENT PANEL

년/월  
Year/Month

T554NC

2022-12



NOTE



## 9. Label/Option PART NO. T9

FIG 901 TOOL & ACCESSORY

208

FIG 902 LABEL

210

FIG 902-2 LABEL

212

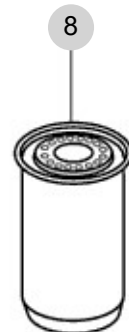
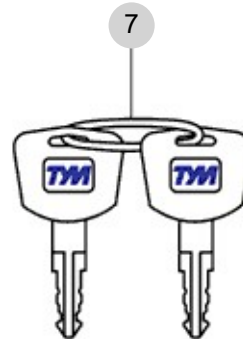
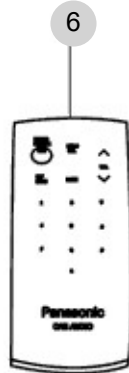
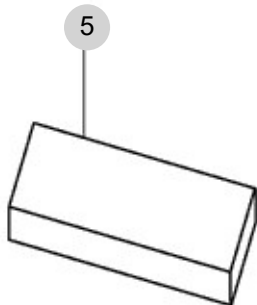
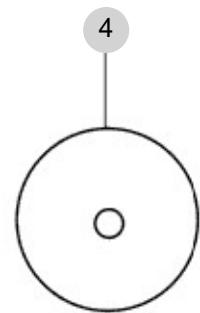
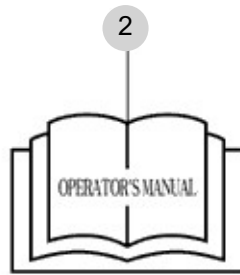
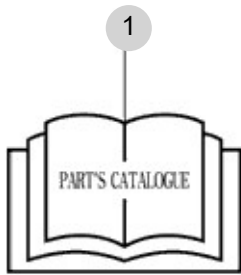
FIG 901

T554NC

TOOL & ACCESSORY

년/월  
Year/Month

2022-12



T554/T554-E-901

NOTE



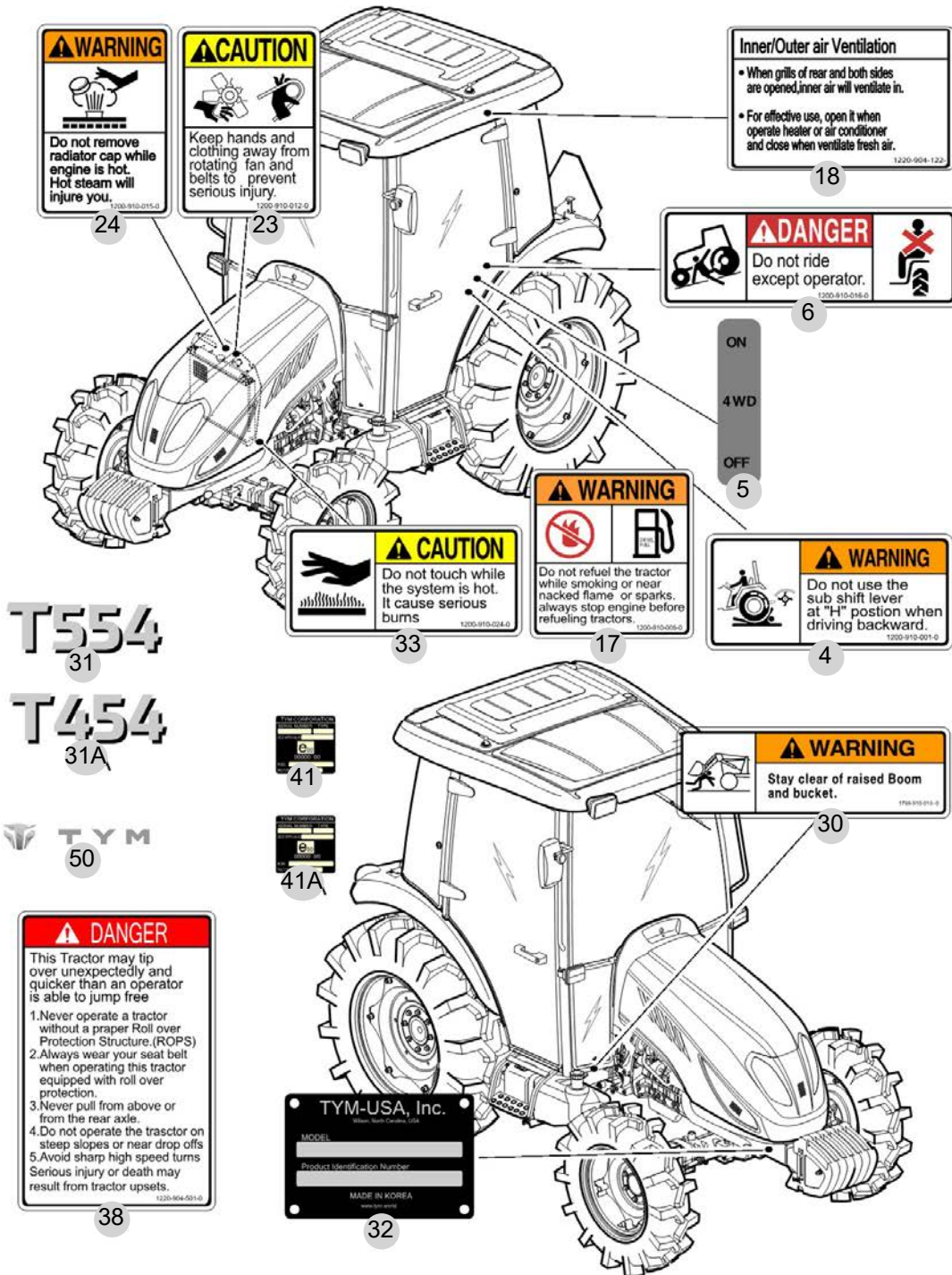
FIG 902

LABEL

년/월  
Year/Month

T554NC

2022-12



NOTE





FIG 902-2

LABEL

년/월  
Year/Month

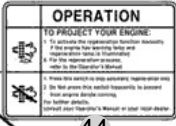
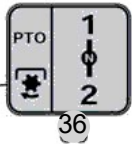
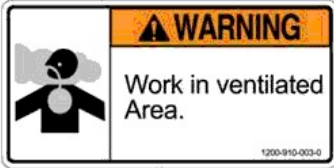
T554NC

2022-12

**SPEED TABLES**

APPLICATION	TRACTOR PTO RPM	PTO SPEED	PTO NO.	MAX. FUEL INJ.	VELOCITY
FIELD WORK	2000	540	1	100	1.0
ROAD TRAVEL	2000	540	2	100	1.0
ROAD TRAVEL	2000	540	3	100	1.0
ROAD TRAVEL	2000	540	4	100	1.0
ROAD TRAVEL	2000	540	5	100	1.0
ROAD TRAVEL	2000	540	6	100	1.0
ROAD TRAVEL	2000	540	7	100	1.0
ROAD TRAVEL	2000	540	8	100	1.0
ROAD TRAVEL	2000	540	9	100	1.0
ROAD TRAVEL	2000	540	10	100	1.0
ROAD TRAVEL	2000	540	11	100	1.0
ROAD TRAVEL	2000	540	12	100	1.0
ROAD TRAVEL	2000	540	13	100	1.0
ROAD TRAVEL	2000	540	14	100	1.0
ROAD TRAVEL	2000	540	15	100	1.0
ROAD TRAVEL	2000	540	16	100	1.0
ROAD TRAVEL	2000	540	17	100	1.0
ROAD TRAVEL	2000	540	18	100	1.0
ROAD TRAVEL	2000	540	19	100	1.0
ROAD TRAVEL	2000	540	20	100	1.0
ROAD TRAVEL	2000	540	21	100	1.0
ROAD TRAVEL	2000	540	22	100	1.0
ROAD TRAVEL	2000	540	23	100	1.0
ROAD TRAVEL	2000	540	24	100	1.0
ROAD TRAVEL	2000	540	25	100	1.0
ROAD TRAVEL	2000	540	26	100	1.0
ROAD TRAVEL	2000	540	27	100	1.0
ROAD TRAVEL	2000	540	28	100	1.0
ROAD TRAVEL	2000	540	29	100	1.0
ROAD TRAVEL	2000	540	30	100	1.0
ROAD TRAVEL	2000	540	31	100	1.0
ROAD TRAVEL	2000	540	32	100	1.0
ROAD TRAVEL	2000	540	33	100	1.0
ROAD TRAVEL	2000	540	34	100	1.0
ROAD TRAVEL	2000	540	35	100	1.0
ROAD TRAVEL	2000	540	36	100	1.0
ROAD TRAVEL	2000	540	37	100	1.0
ROAD TRAVEL	2000	540	38	100	1.0
ROAD TRAVEL	2000	540	39	100	1.0
ROAD TRAVEL	2000	540	40	100	1.0
ROAD TRAVEL	2000	540	41	100	1.0
ROAD TRAVEL	2000	540	42	100	1.0
ROAD TRAVEL	2000	540	43	100	1.0
ROAD TRAVEL	2000	540	44	100	1.0
ROAD TRAVEL	2000	540	45	100	1.0
ROAD TRAVEL	2000	540	46	100	1.0
ROAD TRAVEL	2000	540	47	100	1.0
ROAD TRAVEL	2000	540	48	100	1.0
ROAD TRAVEL	2000	540	49	100	1.0
ROAD TRAVEL	2000	540	50	100	1.0
ROAD TRAVEL	2000	540	51	100	1.0
ROAD TRAVEL	2000	540	52	100	1.0
ROAD TRAVEL	2000	540	53	100	1.0
ROAD TRAVEL	2000	540	54	100	1.0
ROAD TRAVEL	2000	540	55	100	1.0
ROAD TRAVEL	2000	540	56	100	1.0
ROAD TRAVEL	2000	540	57	100	1.0
ROAD TRAVEL	2000	540	58	100	1.0
ROAD TRAVEL	2000	540	59	100	1.0
ROAD TRAVEL	2000	540	60	100	1.0
ROAD TRAVEL	2000	540	61	100	1.0
ROAD TRAVEL	2000	540	62	100	1.0
ROAD TRAVEL	2000	540	63	100	1.0
ROAD TRAVEL	2000	540	64	100	1.0
ROAD TRAVEL	2000	540	65	100	1.0
ROAD TRAVEL	2000	540	66	100	1.0
ROAD TRAVEL	2000	540	67	100	1.0
ROAD TRAVEL	2000	540	68	100	1.0
ROAD TRAVEL	2000	540	69	100	1.0
ROAD TRAVEL	2000	540	70	100	1.0
ROAD TRAVEL	2000	540	71	100	1.0
ROAD TRAVEL	2000	540	72	100	1.0
ROAD TRAVEL	2000	540	73	100	1.0
ROAD TRAVEL	2000	540	74	100	1.0
ROAD TRAVEL	2000	540	75	100	1.0
ROAD TRAVEL	2000	540	76	100	1.0
ROAD TRAVEL	2000	540	77	100	1.0
ROAD TRAVEL	2000	540	78	100	1.0
ROAD TRAVEL	2000	540	79	100	1.0
ROAD TRAVEL	2000	540	80	100	1.0
ROAD TRAVEL	2000	540	81	100	1.0
ROAD TRAVEL	2000	540	82	100	1.0
ROAD TRAVEL	2000	540	83	100	1.0
ROAD TRAVEL	2000	540	84	100	1.0
ROAD TRAVEL	2000	540	85	100	1.0
ROAD TRAVEL	2000	540	86	100	1.0
ROAD TRAVEL	2000	540	87	100	1.0
ROAD TRAVEL	2000	540	88	100	1.0
ROAD TRAVEL	2000	540	89	100	1.0
ROAD TRAVEL	2000	540	90	100	1.0
ROAD TRAVEL	2000	540	91	100	1.0
ROAD TRAVEL	2000	540	92	100	1.0
ROAD TRAVEL	2000	540	93	100	1.0
ROAD TRAVEL	2000	540	94	100	1.0
ROAD TRAVEL	2000	540	95	100	1.0
ROAD TRAVEL	2000	540	96	100	1.0
ROAD TRAVEL	2000	540	97	100	1.0
ROAD TRAVEL	2000	540	98	100	1.0
ROAD TRAVEL	2000	540	99	100	1.0
ROAD TRAVEL	2000	540	100	100	1.0

\*The data reported in this publication are also subject to variation and consequently are not



NOTE



FIG 902-2		LABEL					년/월 Year/Month	
T554NC							2022-12	
KEY NO	PART NO	DESCRIPTION	SPEC	QTY	REPAIR	EFFECTIVE DATE	REMARKS	
902-2	2	17469200010	LABEL , SPEED		1			
902-2	3	12009100030	LABEL , WARNING EXHAUST	1X1X1	1			
902-2	4	12009100010	LABEL , WARNING SUB SHIFTER	1X1X1	1			
902-2	5	17979040130	LABEL , 4WD	T=0.05	1			
902-2	6	12009100160	LABEL , DANGER RIDING	1X1X1	1			
902-2	7	17689100170	LABEL , CAUTION SAFETY		1			
902-2	8	12009100190	LABEL , WARNING BELT	1X1X1	1			
902-2	9	12009100210	LABEL , WARNING THROTTLE	1X1X1	1			
902-2	10	17689200050	LABEL , DIFF		1			
902-2	11	12009100020	LABEL , WARNING PARKING	1X1X1	1			
902-2	12	12009100060	LABEL , WARNING DIFF	1X1X1	1			
902-2	13	12009100040	LABEL , WARNING STOP VALVE	1X1X1	1			
902-2	14	12009100111	LABEL , DANGER AIR CONDITIONER		1			
902-2	15	12009100070	LABEL , WARNING BRAKE	1X1X1	1			
902-2	16	12009100080	LABEL , WARNING TILTING	1X1X1	1			
902-2	17	12009100050	LABEL , WARNING FIRE	1X1X1	1			
902-2	18	12209041222	LABEL , VENTILATION		1			
902-2	19	12009100140	LABEL , WARNING DRAW	1X1X1	1			
902-2	20	12009100130	LABEL , DANGER PTO	1X1X1	1			
902-2	21	17699100090	LABEL , WARNING JOYSTICK	1X1X1	1			
902-2	23	12009100120	LABEL , CAUTION FAN	1X1X1	1			
902-2	24	12009100150	LABEL , WARNING RADIATOR	1X1X1	1			
902-2	29	12009100230	LABEL , CAUTION OPERATION	T=0.05	1			
902-2	30	17699100100	LABEL , WARNING JOYSTICK		1			
902-2	31	17429010040	MARK , ORNAMENT(T454)		2			
902-2	31	17469010040	MARK, ORNAMENT(T503)		2			
902-2	31	17469010042	MARK , /T554		2			
902-2	32	T0019010021	LABEL , MODEL/EXPORT	1X1X1	1			
902-2	32	T0019110050	NAMEPLATE , USA		1			
902-2	33	12009100240	LABEL , CAUTION MUFFLER	1X1X1	1			
902-2	35	12609040620	LABEL , STARTING WARNING	T=0.05	1			
902-2	36	14527078550	LABEL,PTO	T=0.38	1			
902-2	37	19959041130	LABEL , TYM(66X150)	1X1X1	2			
902-2	38	12209045010	LABEL , ROPS DANGER	T=0.05	1			
902-2	39	12209045051	LABEL , ROPS WARNING/REMODELING		1			
902-2	40	12209045020	LABEL , ROPS WARNING	T=0.05	1			
902-2	41	15569045044	LABEL , ROPS		1			
902-2	41	15189045046	LABEL , CABIN		1			
902-2	42	19129041130	LABEL , TYM(75)	1X1X1	2			
902-2	43	13379100150	6YEAR WARRANTY LABEL		1			
902-2	44	17409209010	LABEL , OPERATION/DPF REGEN SWITCH		1			
NOTE								