

5835R(AC02113) TRACTOR

Parts Catalogue



CONTENTS

GROUP NO	GROUP NAME	PAGE
G. ENGINE		
A01_007	CYLINDER BLOCK	6
A02_005	DRIVE PULLY	8
A03_004	CRANK SHAFT PULLEY	10
A04_005	GLOW PLUG ASS'Y OPTION	12
A05_005	CRANK SHAFT ASS'Y OPTION	14
A06_006	BREATHER OPTION	16
A07_005	CAMSHAFT	18
A08_006	ALTERNATOR	20
A09_003	COOLING WATER PUMP	22
A10_008	COOLING FAN SPACER	24
A11_007	INJECTOR	26
A12_014	FUEL INJECTON	28
A13_005	PLUMBING, FUEL	30
A14_003	FUEL FILTER BRACKET	33
A16_003	FUEL FILTER ASS'Y OPTION	35
A17_008	INTAKE MANIFOLD ASS'Y OPTION	37
A18_022	FLYWHEEL	39
A19_015	FLYWHEEL HOUSING	41
A20_011	HEAD, CYLINDER	43
A21_004	HEAD COVER	45
A23_008	TURBOCHARGER SUPPORT ASS'Y OPTION	47
A24_003	TURBOCHARGER	49
A25_003	OIL JET ASS'Y OPTION	51
A26_005	COOLER, ENGINE OIL	53
A27_010	OIL PAN ASS'Y OPTION	55
A28_001	PUMP, LUBRICATING OIL	57
A29_005	FILTER, LUBRICATING OIL	59
A30_003	FRONT GEAR ACCESSORY DRIVE	61
A31_007	PISTON	63
A32_003	LEVER, LOCKER	65
A33_011	EXHAUST MANIFOLD	67
A35_002	IDLE GEAR	69
A36_004	COVER, FRONT GEAR	71
A37_001	BALANCE ASS'Y	73

CONTENTS

GROUP NO	GROUP NAME	PAGE
G. ENGINE		
A38_007	GAUGE, OIL LEVEL	75
A39_001	OIL FILLER CAP	77
A40_003	LIFT ASS'Y OPTION	79
A42_004	MOTER, STARTIONS	81
A43_001	DPF SUPPORT OPTION	83
A44_008	DPF MOUNTING OPTION	85
A45_011	DPF	87
A48_006	V-BELT	89
A51_006	INTAKE HOSE ASSY OPTION	91
B. ENGINE ACCESSORIES		
B01010	(FUEL TANK)	93
B02010	(COOLING FAN)	95
B02020	(RADIATOR)	97
B02050	(AUXILIARY COOLANT TANK)	99
B03010	AIR CLEANER	101
B03030	(EXHAUST PIPE)	103
B05010	(ACCELERATION SYSTEM)	105
C. CLUTCH, BREAK, LEVER		
C01030	(CLUTCH PEDAL)	107
C01050	(PTO DAMPER)	109
C02010	(BRAKE PEDAL)	111
C02030	(BRAKE ROD)	113
C02061	(PARKING BRAKE)	115
C04030	(SHIFT LEVER)	117
C04040	(DIFF-LOCK PEDAL)	119
C04071	(PTO SHIFT)	121
D. HYDRAULIC		
D01010	(PUMP, HYDRAULIC)	123
D01030	(LINE FILTER)	125
D01040	(FILTER, HYDRAULIC)	127
D02010	(STEERING WHEEL)	129
D03010	(OIL COOLER)	131
D03011	(HYD LINE)	133
D03030	(FRONT SCV)	135

CONTENTS

GROUP NO	GROUP NAME	PAGE
D. HYDRAULIC		
D03060	(REAR SCV LEVER)	137
E. FRONT AXLE		
E01010	(FRONT AXLE CASE)	139
E01015	(FRONT AXLE SUPPROT)	141
E01015-2	(FRONT AXLE SUPPROT)	143
E01030	GEAR CASE, FRONT AXLE	145
E01071	(FRONT 1ST SHAFT)	148
E01080	(TIE ROD)	150
F. TRANSMISSION		
F01020	(MISSION CASE)	152
F01031	(REAR AXEL HOUSING LH)	154
F01032	(REAR AXEL HOUSING RH)	156
F01040	(REAR AXLE CASE)	158
F02022	(MAIN DRIVE SHAFT)	160
F02023	(MAIN DRIVE SHAFT)	162
F02060	(REVERSE IDLE SHAFT)	164
F03010	(MAIN SHIFT DRIVE SHAFT)	166
F03020	(MAIN SHIFT DRIVEN SHAFT)	168
F03040	(RANGE SHIFT DRIVE SHAFT)	170
F03050	(RANGE SHIFT DRIVEN SHAFT)	172
F04000	(FRONT ASS'Y RELATION)	174
F05020	(REAR DIFFERENTIAL)	176
F07010	(PTO EXTENSION SHAFT)	178
F07030	(PTO DRIVE SHAFTY)	180
F07040	(PTO DRIVE SHAFT)	182
F08060	(PTO SHIFT FORK)	184
F10010	(HYD-CYLINDER CASE)	186
F10020	(LIFT ARM)	188
F10080	(HYD VALVE)	190
F10120	(VALVE, REAR SC)	192
F11010	(MAIN SHIFT LEVER)	194
F11020	(SUB SHIFT LEVER)	196
F11100	(DIFF. LOCK PEDA)	198
G. SHEET METAL, CABIN		

CONTENTS

GROUP NO	GROUP NAME	PAGE
G. SHEET METAL, CABIN		
G01020	(BONNET)	200
G01040	BONNET LOCKING ASS'Y	202
G01060	(FIXED BRACKET, BONNET)	204
G01080	(BRACKET, FRONT AXLE)	206
G01100	(PROPELLER SHAFT)	208
G01110	(CABIN MOUNTING ASS'Y)	210
G04010	(WINDSHIELD)	212
G04020	(DASH BOARD)	214
G04030	(SIDE-VIEW MIRROR)	216
G04062	(SUB STEP)	218
G04070	(DRIVER'S SEAT)	220
G04081	(FENDER COVER LH)	222
G04082	(FENDER COVER RH)	224
G04090	(FENDER)	226
G04100	(MAT)	228
G04120	(ROPS FRAME)	230
G05020	(TOP LINK)	232
G05030	(LOWER LINK)	234
G05051	(LIFT LINK LH)	236
G05052	(LIFT LINK RH)	238
G05060	(LIFT CYLINDER)	240
G05070	DRAWBAR	242
G05090	(PTO COVER)	244
H. ELECTRICALS, HARNESS		
H01030	(BATTERY)	246
H02020	(COMBINATION LAMP)	248
H02032	(WORK LAMP)	250
H03000	(HARNESS)	252
H03030	(HARNESS)	254
H03040	(MAIN HARNESS)	256
H04020	(RELAY)	258
H04051	(SWITCH/DASHBOARD)	260
H04052	(SWITCH/FENDER)	262
H04070	(CONTROLLER ASSY)	264

CONTENTS

GROUP NO	GROUP NAME	PAGE
H. ELECTRICALS, HARNESS		
H04090	(HORN)	266
H04110	(HITCH SENSOR)	268
I. WEIGHT, TOOLS, TIRE		
I02010	(TOOL BOX)	270
I03020	(LABEL)	272
I03021	(LABEL)	274

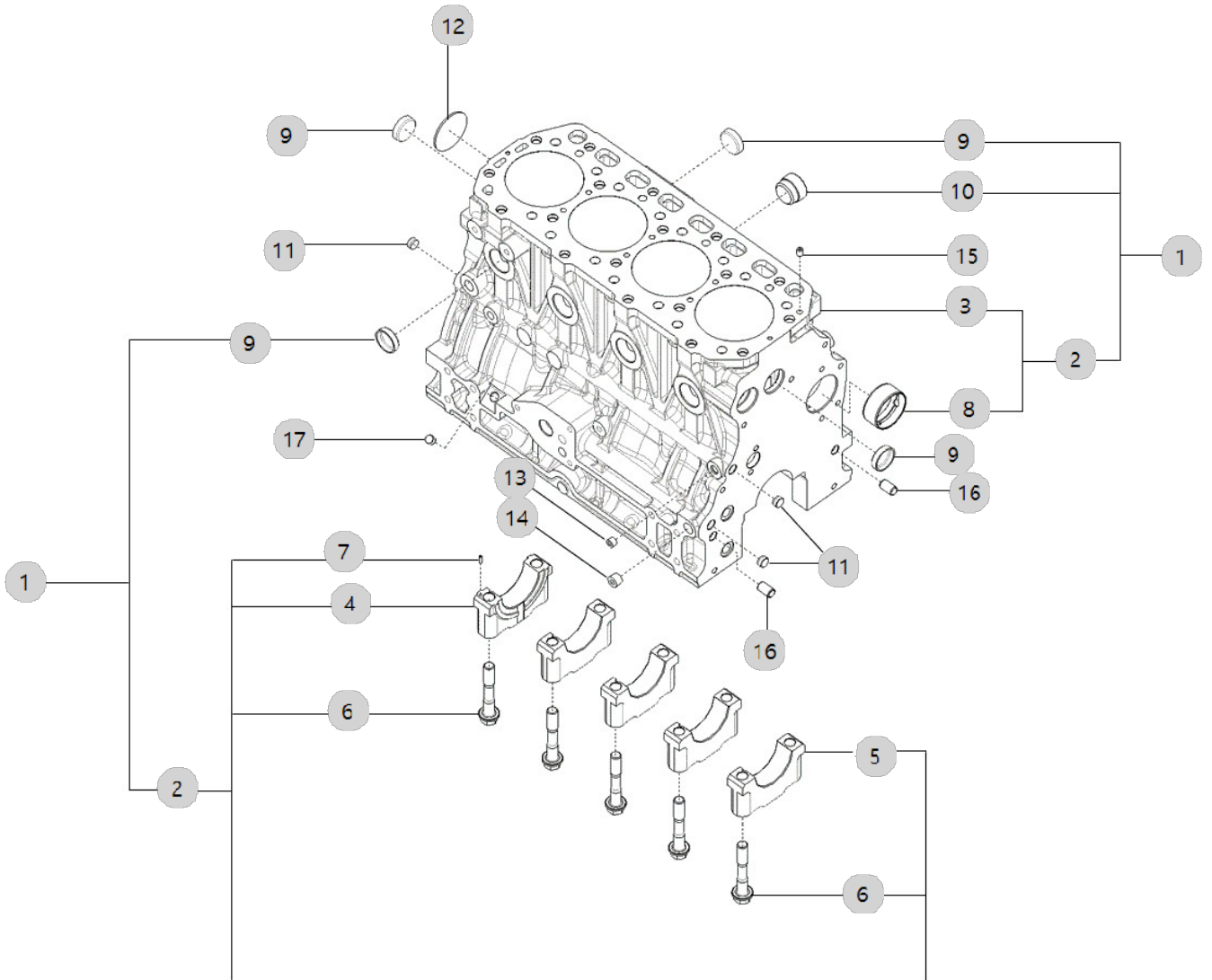
A01_007

A2300T1-UTR_4
(AB00337)

CYLINDER BLOCK

Year/Month

2022-12-15



A01_007 A2300T1-UTR_4 (AB00337)		CYLINDER BLOCK				Year/Month 2022-12-15
순번 (NO)	부품번호 (PART NO)	품명 (PART NAME)	품명 (PART NAME)	수량 (QTY)	규격 (SPEC)	비고 (REMARK)
1	EA00004707B	실린더블록조립부	CYLINDER BLOCK ASS'Y OPTION	1		
1	EA00004707A	실린더블록조립부	CYLINDER BLOCK ASS'Y OPTION	1		
2	HRA0103100A9	실린더블록조립(A2300)	BLOCK ASS'Y, CYLINDER	1		
3	HRA0103101C0	실린더블록	BLOCK, CYLINDER	1	NONE	
3	HRA0103101F0	실린더블록	BLOCK, CYLINDER	1	NONE	
3	HRA0103101B0	실린더블록	BLOCK, CYLINDER	1	NONE	
3	HRA0103101E0	실린더블록	BLOCK, CYLINDER	1	NONE	
3	HRA0103101D0	실린더블록	BLOCK, CYLINDER	1	NONE	
3	HRA0103101H0	실린더블록	BLOCK, CYLINDER	1	NONE	
4	HRA0100102B3	베어링캡(1)	CAP,MAIN BEARING	1		
5	HRA0100103B3	베어링캡(2)	CAP,MAIN BEARING	4		
6	HRA0100104A4	볼트(베어링캡)	SCREW,HEXFLANGEHEADCAP	10	M12X1.5X75	
6	HRA0100104B4	볼트(베어링캡)	SCREW,HEX FLANGE HEAD CAP	10	M12X1.5	
7	22351-030010	스프링핀	PIN, SPRING (3-01)	1	D3X10	
8	HRO0100105A3	부시(캠축)	BUSH, CAM SHAFT	1		
9	27241-300000	캡형플러그 30	PLUG (D30)	8	D30XT1.6	
10	HM23030000A4	플러그(블록히터)	PLUG	1	NPTF1"	
11	HT01010300A4	테이퍼 플러그 (PT 1/4")	PLUG PIPE	3	PT 1/4"	
11	HRA0100108A4	576,ALL,플러그12	PLUG,EXPANSION	3		
12	27231-500000	접시형플러그 50	PLUG,EXPANSION	1	D50XT2.0	
13	23871-010000	테이퍼플러그	PLUG	1	PT1/8	
14	23871-020000	테이퍼플러그(PT1/4)	Plug, Pipe	1	PT1/4	
15	HRA0100800A4	핀(오일)	PIN,OIL	1		
16	HRA0201100A4	노크핀	PIN,GUIDE	2		
17	HRT0300500A4	플러그	PLUG,EXPANSION	1	D10	

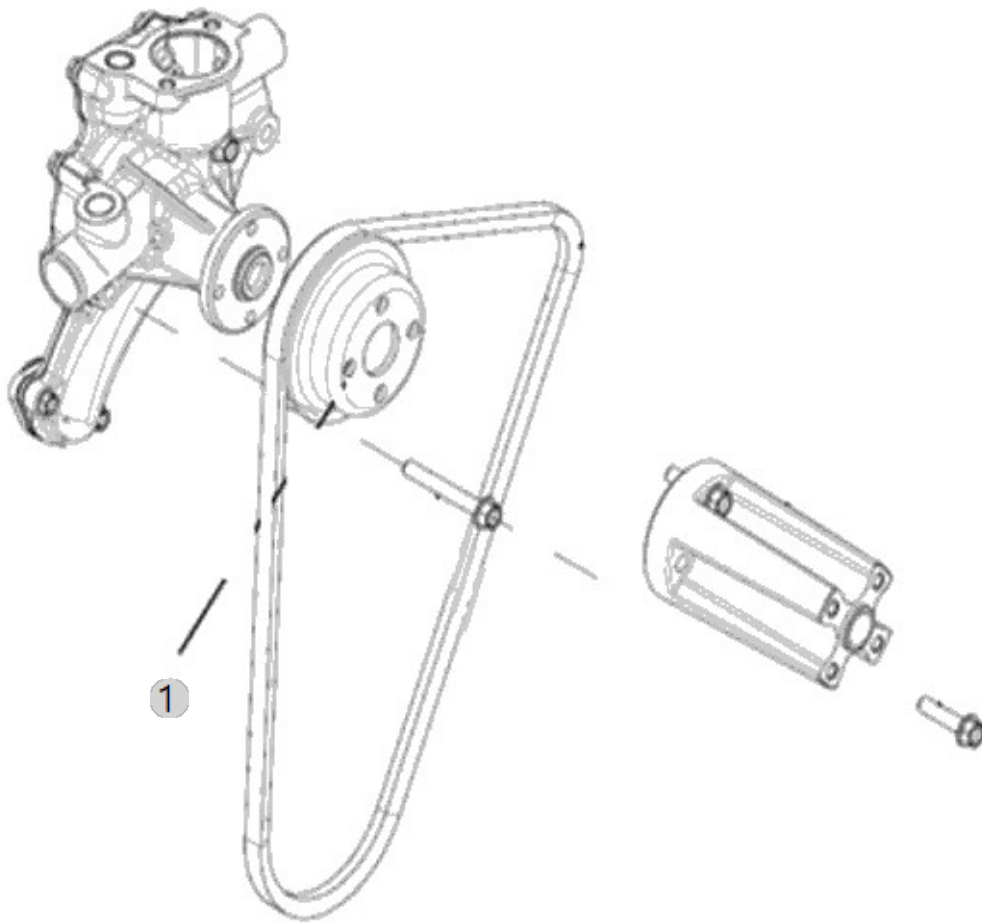
A02_005

A2300T1-UTR_4
(AB00337)

DRIVE PULLY

Year/Month

2022-12-15



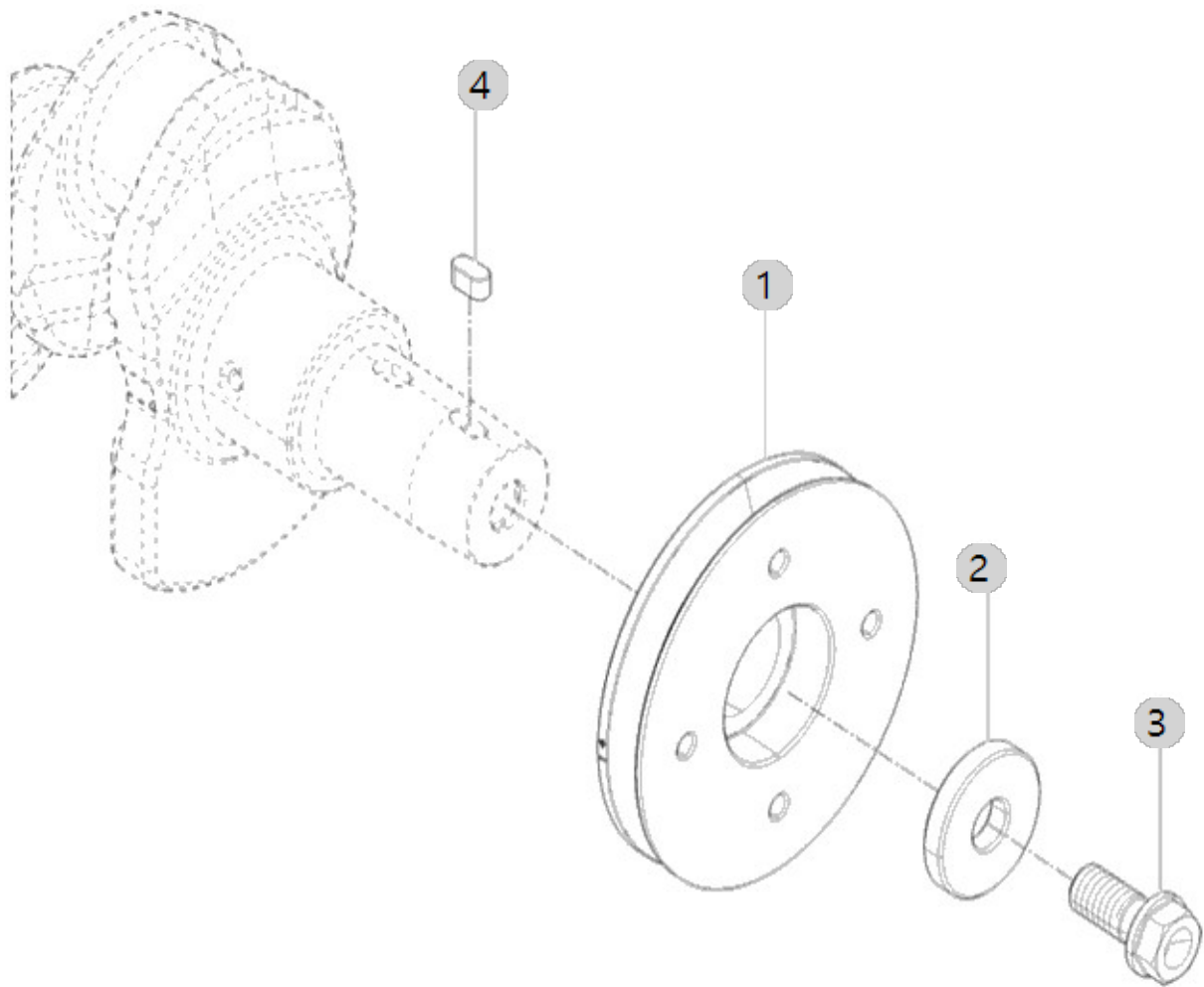
A03_004

A2300T1-UTR_4
(AB00337)

CRANK SHAFT PULLEY

Year/Month

2022-12-15



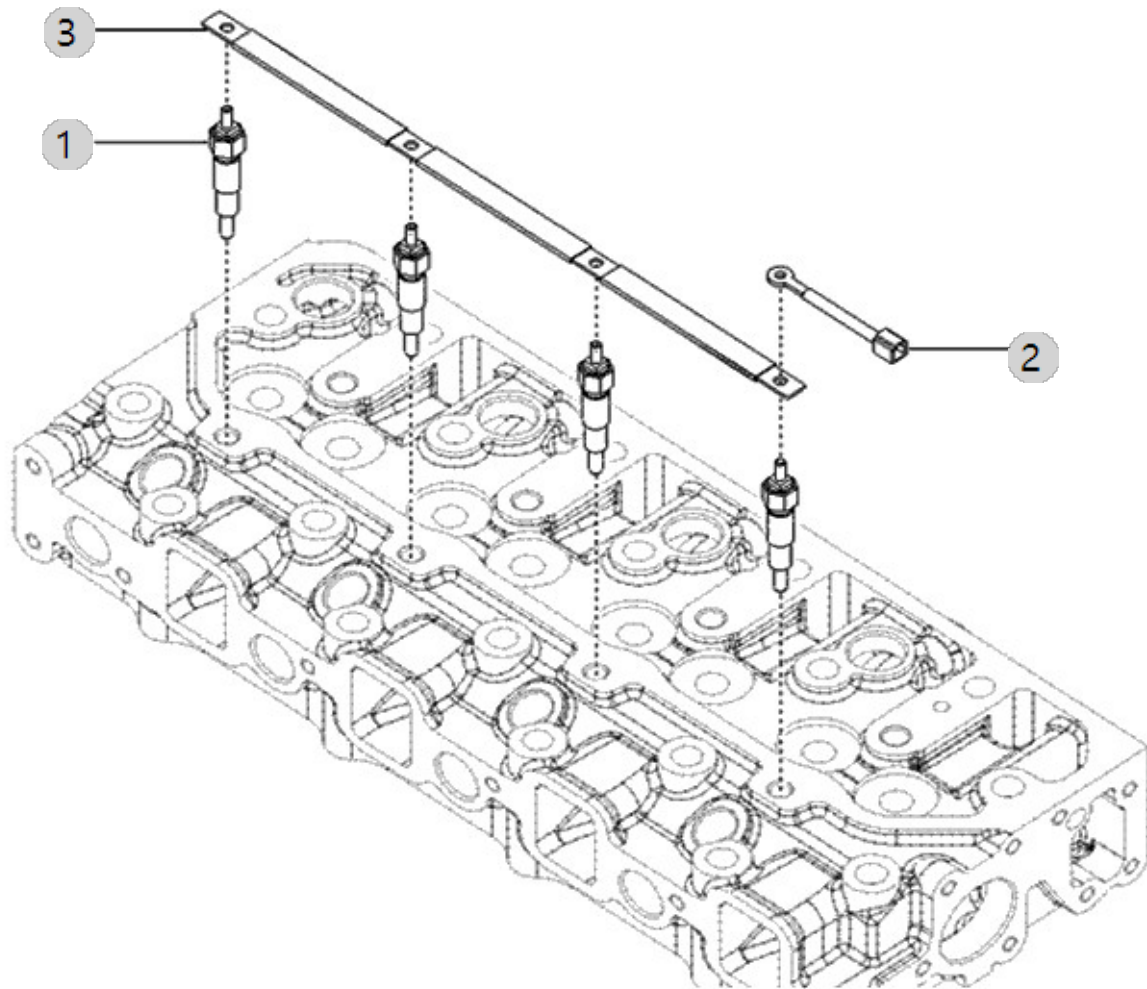
A04_005

A2300T1-UTR_4
(AB00337)

GLOW PLUG ASS'Y OPTION

Year/Month

2022-12-15



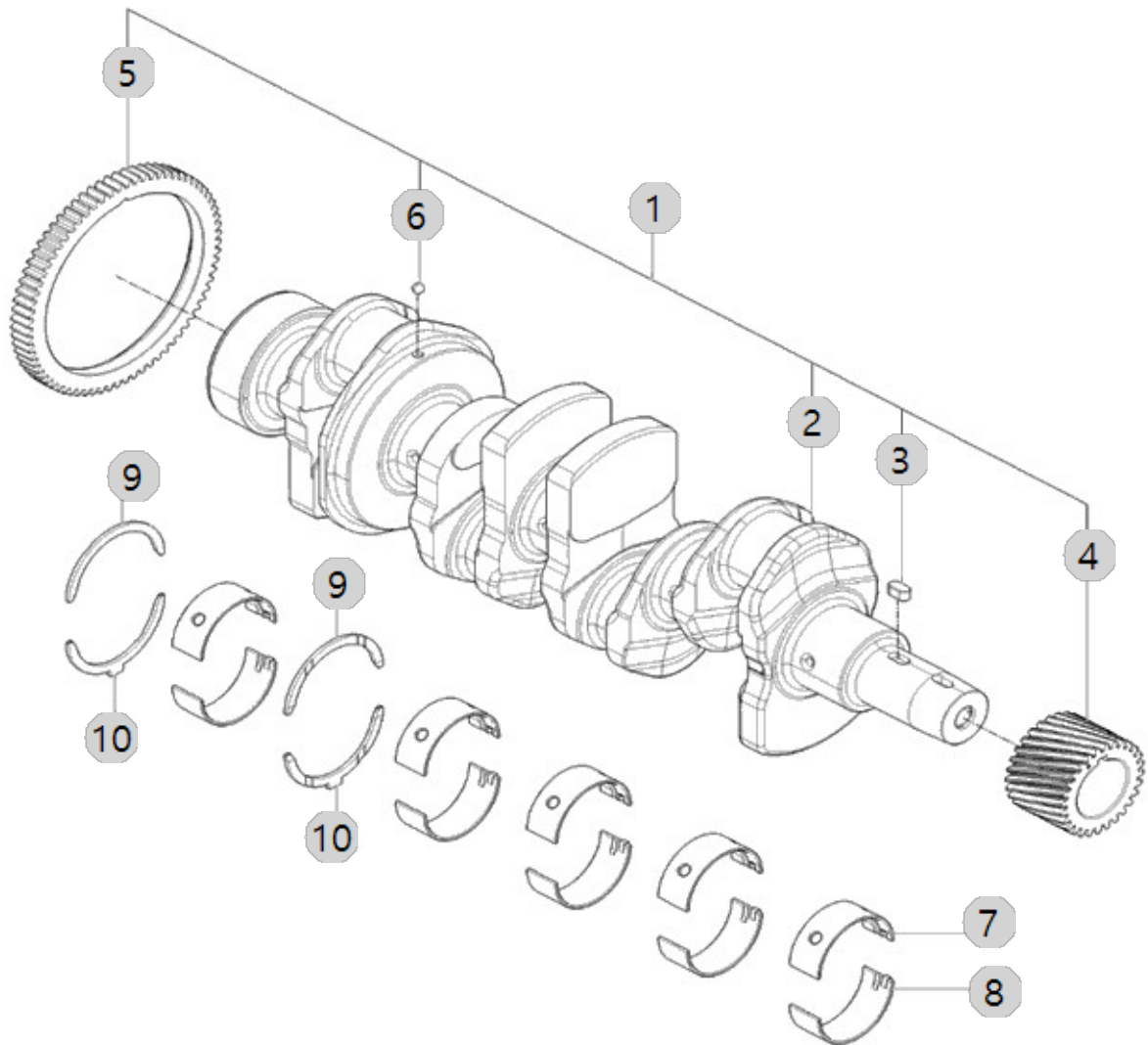
A05_005

A2300T1-UTR_4
(AB00337)

CRANK SHAFT ASS'Y OPTION

Year/Month

2022-12-15



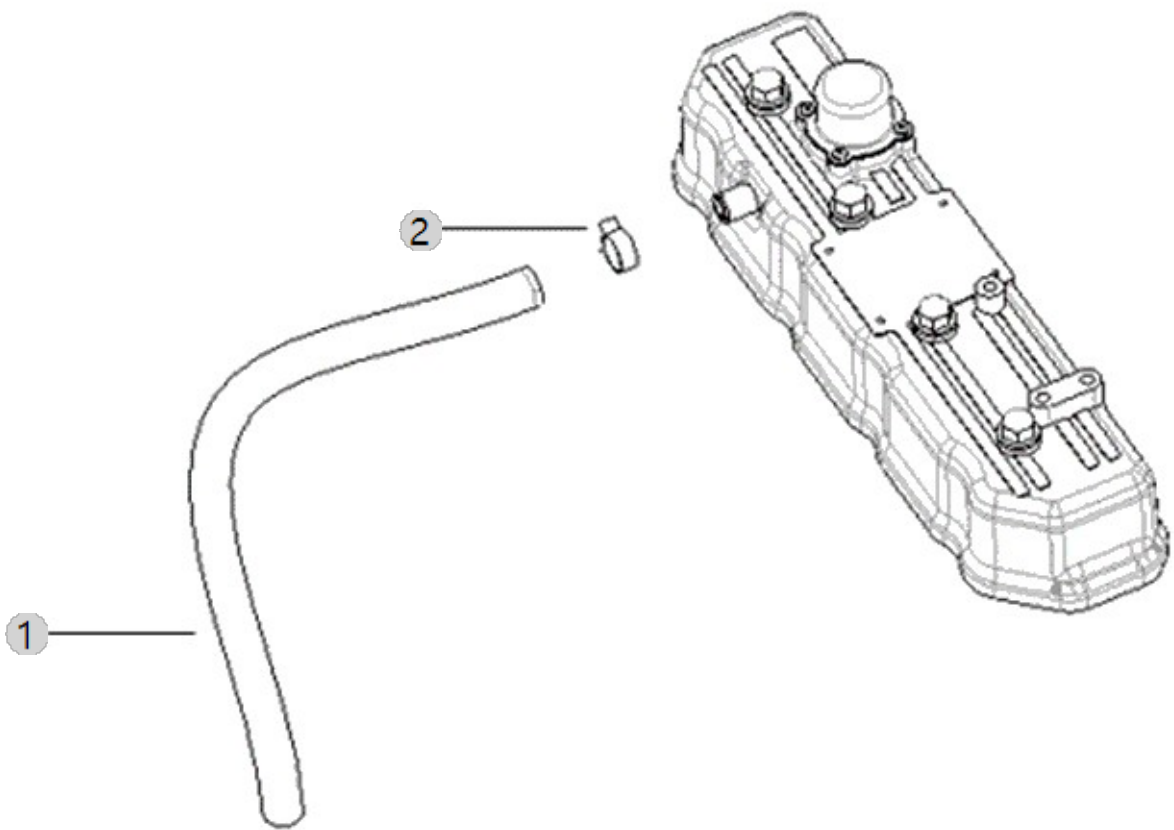
A06_006

A2300T1-UTR_4
(AB00337)

BREATHER OPTION

Year/Month

2022-12-15



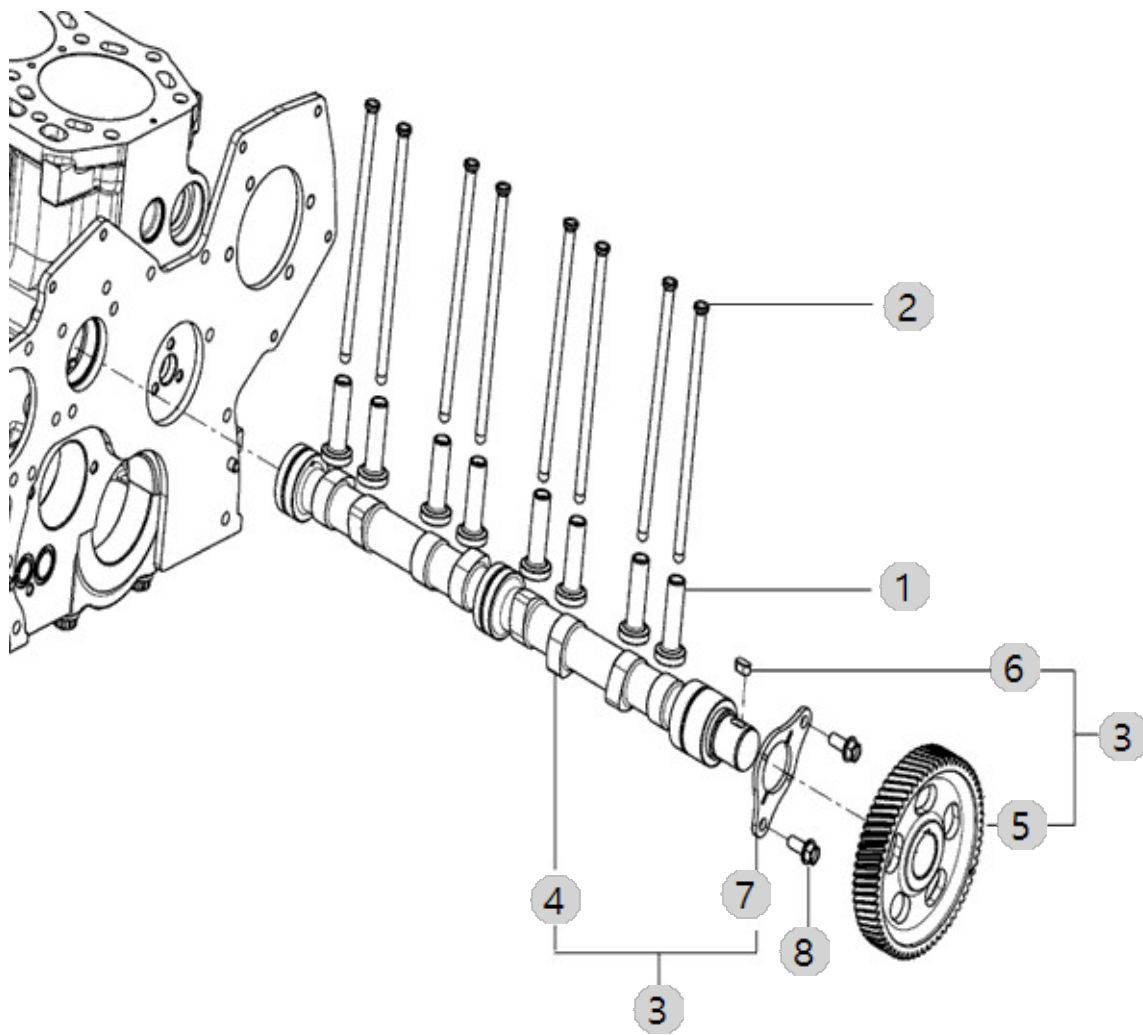
A07_005

A2300T1-UTR_4
(AB00337)

CAMSHAFT

Year/Month

2022-12-15



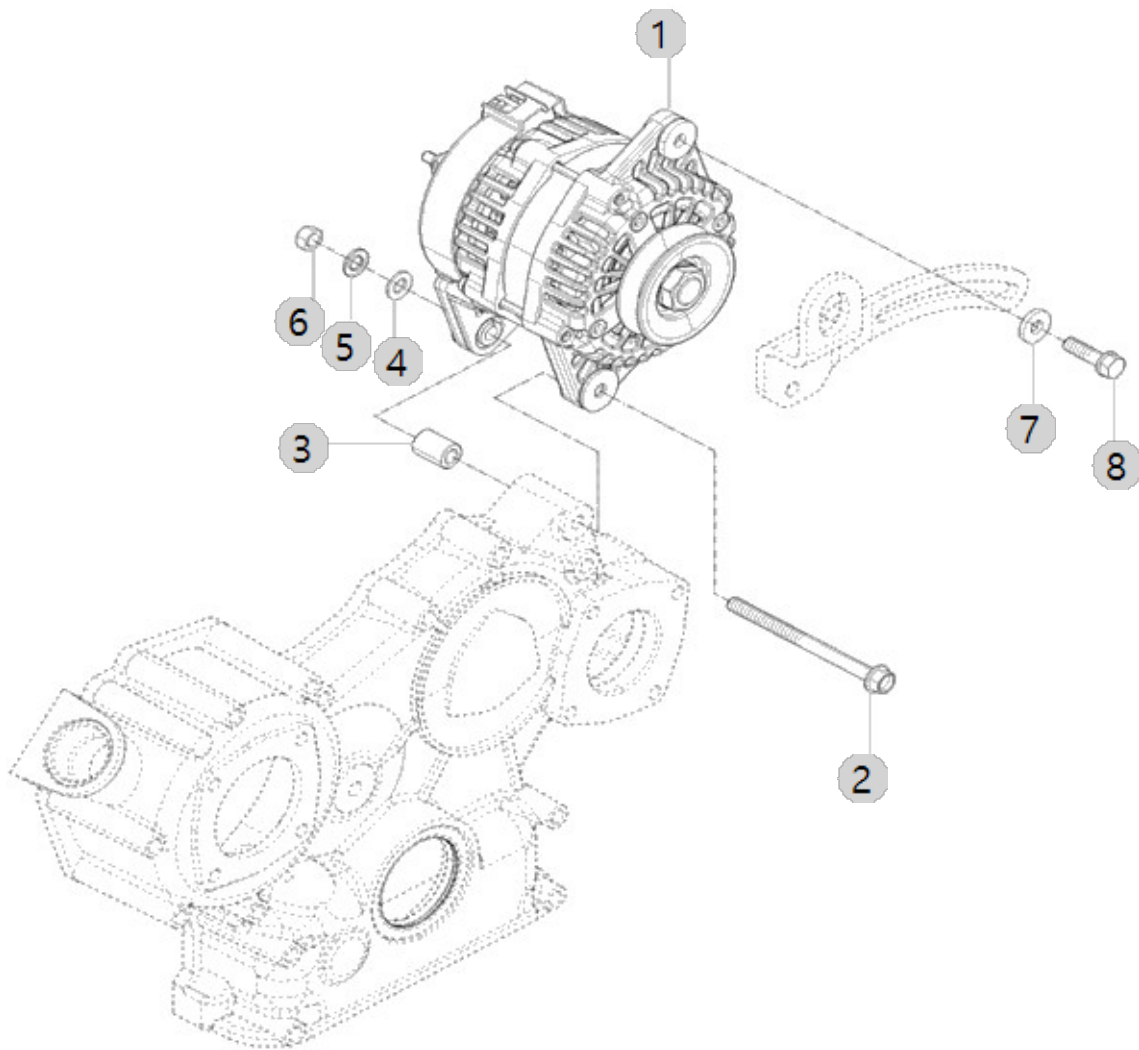
A08_006

A2300T1-UTR_4
(AB00337)

ALTERNATOR

Year/Month

2022-12-15



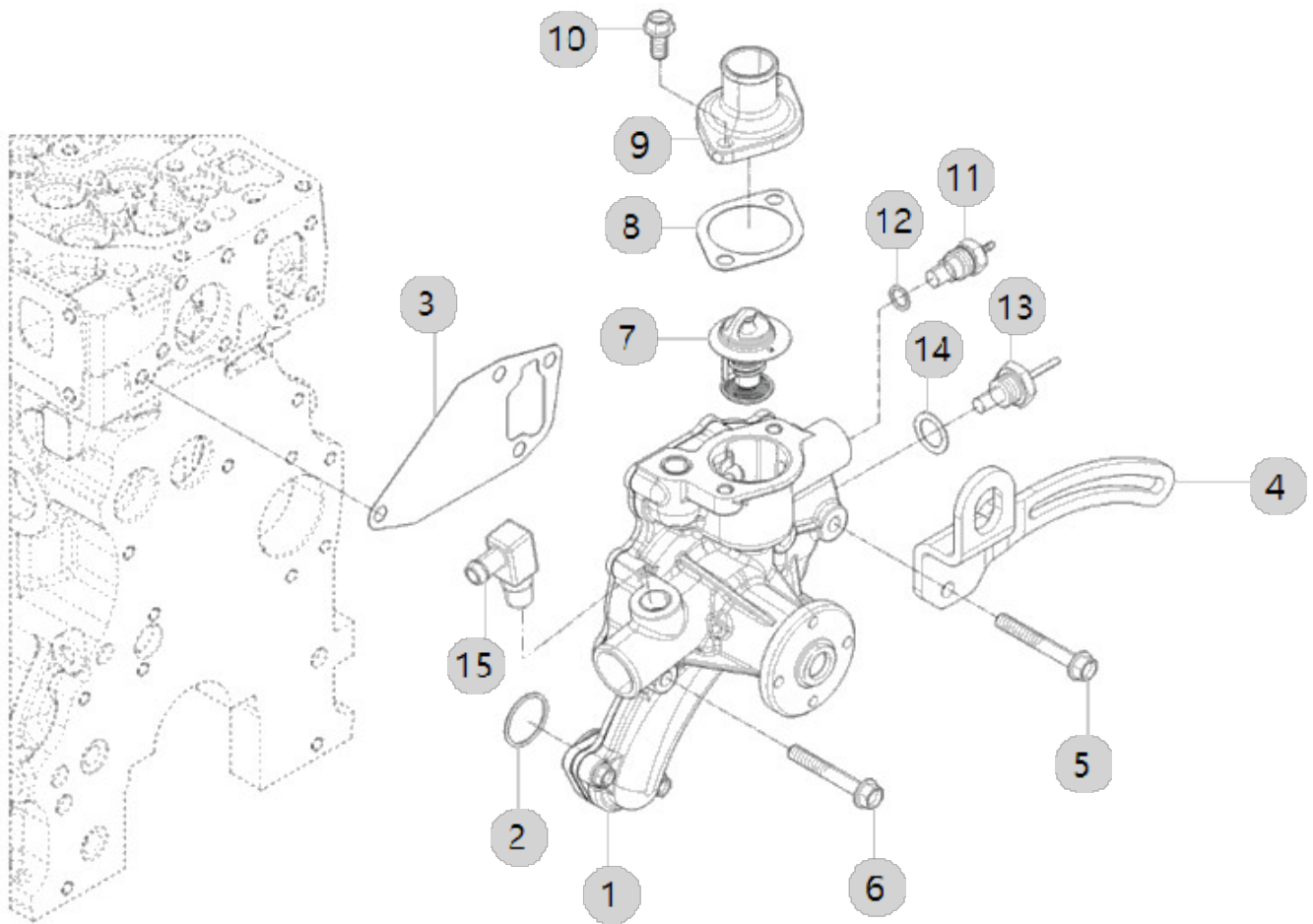
A09_003

A2300T1-UTR_4
(AB00337)

COOLING WATER PUMP

Year/Month

2022-12-15



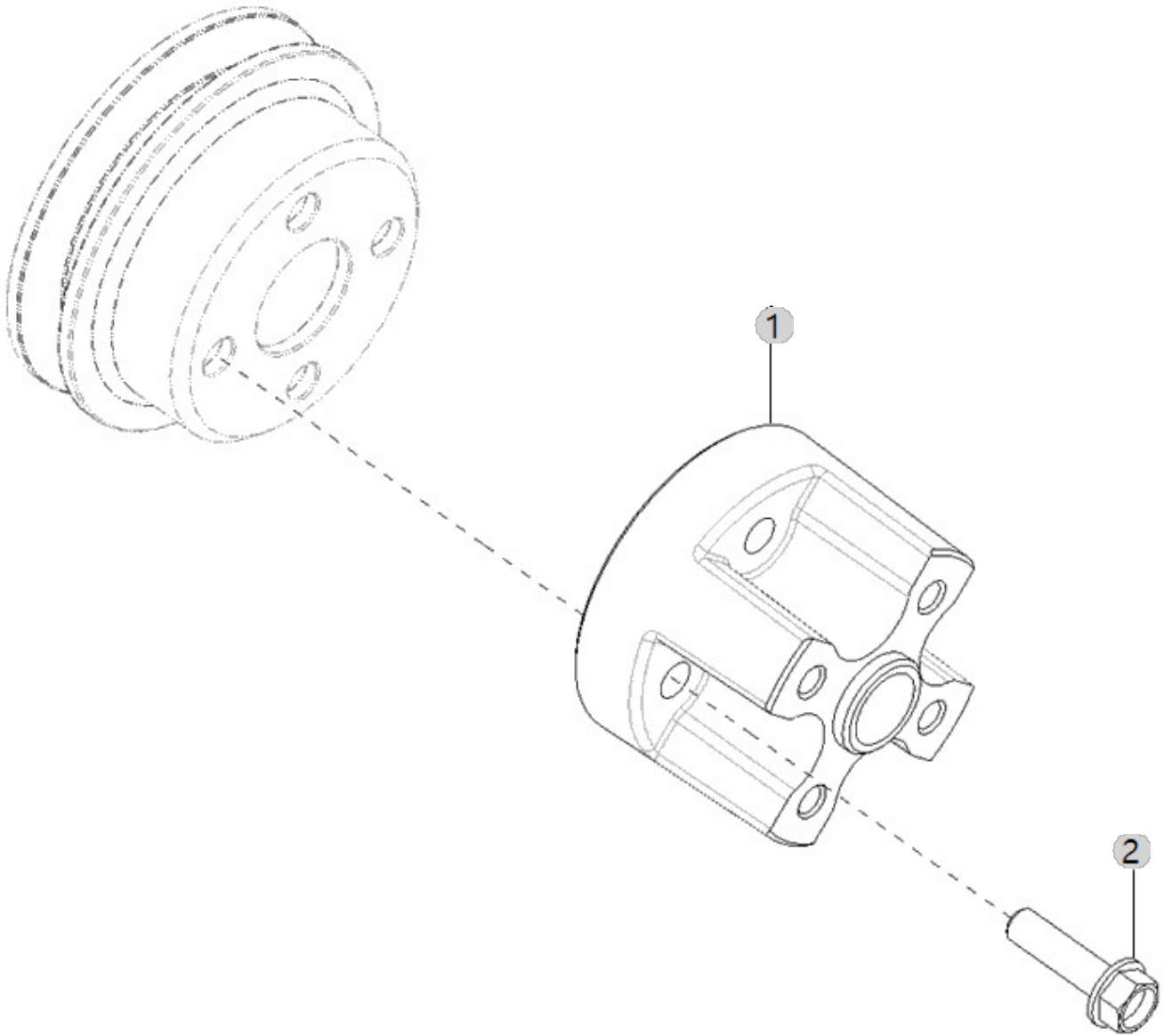
A10_008

A2300T1-UTR_4
(AB00337)

COOLING FAN SPACER

Year/Month

2022-12-15



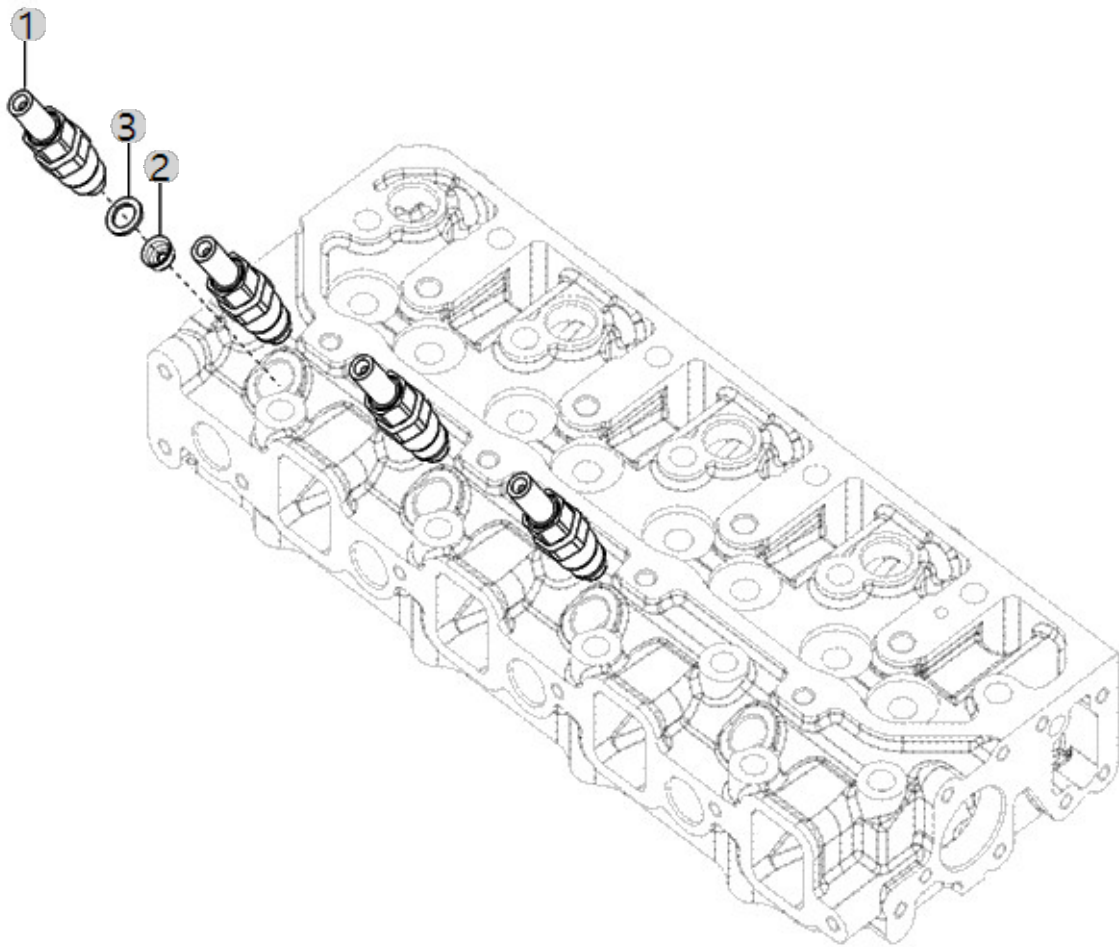
A11_007

A2300T1-UTR_4
(AB00337)

INJECTOR

Year/Month

2022-12-15



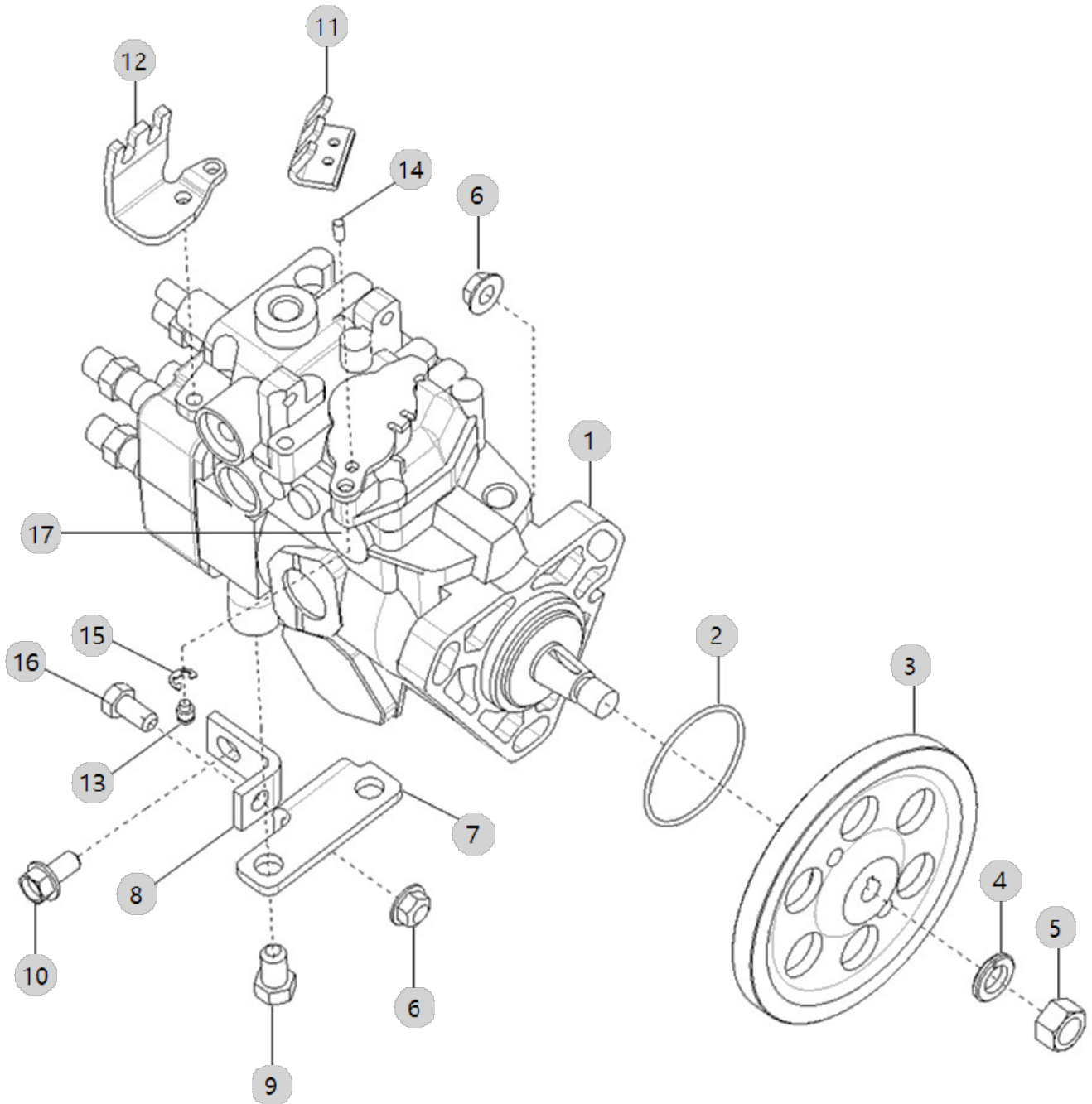
A12_014

A2300T1-UTR_4
(AB00337)

FUEL INJECTOR

Year/Month

2022-12-15



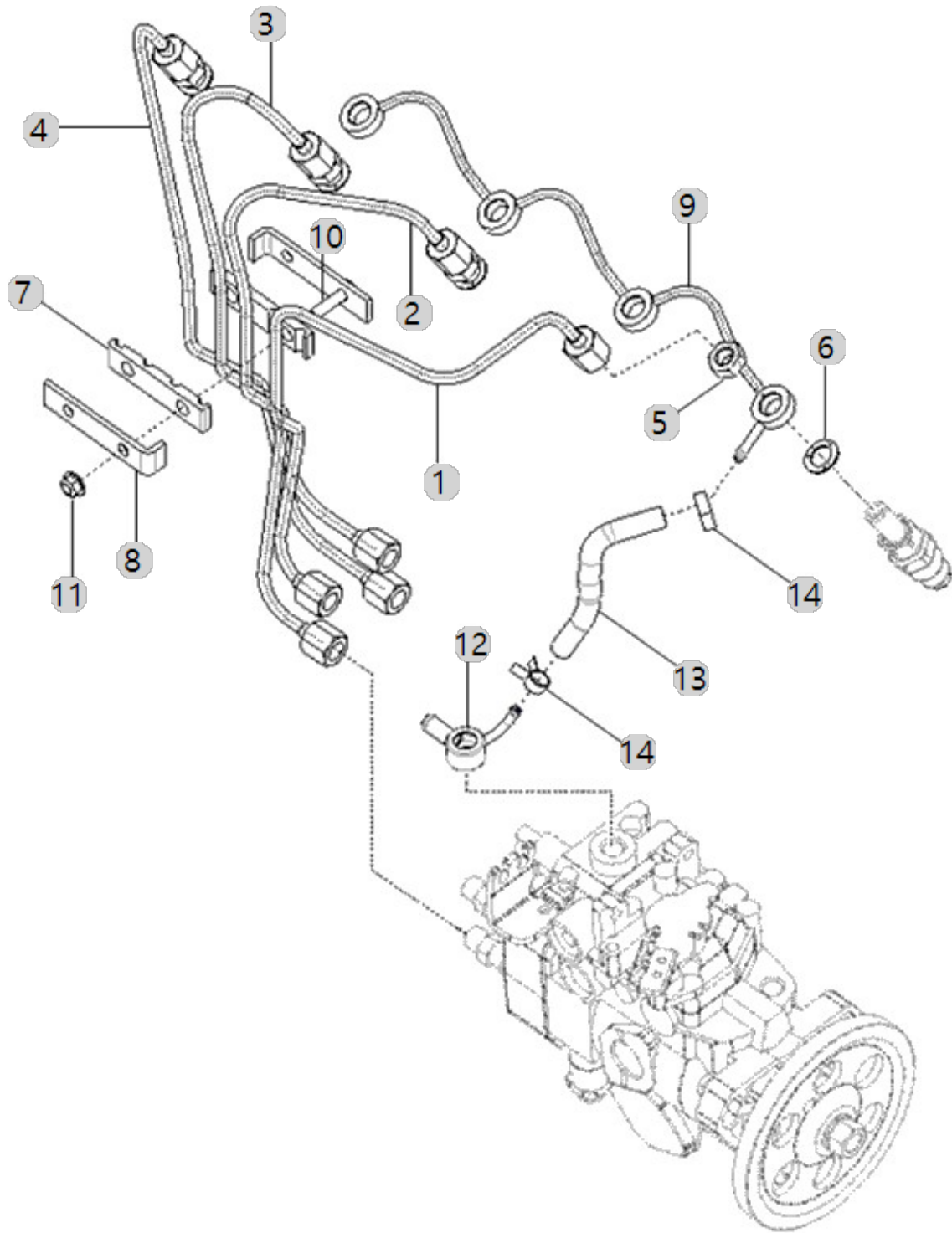
A13_005

A2300T1-UTR_4
(AB00337)

PLUMBING, FUEL

Year/Month

2022-12-15



A13_005 A2300T1-UTR_4 (AB00337)		PLUMBING, FUEL				Year/Month 2022-12-15
순번 (NO)	부품번호 (PART NO)	품명 (PART NAME)	품명 (PART NAME)	수량 (QTY)	규격 (SPEC)	비고 (REMARK)
1	HRA150050DB0	299,A202322,연료파이프조합(A)	PIPE ASSY, FUEL SUPPLY A	1		
1	HRA150050DB0	299,A202322,연료파이프조합(A)	PIPE ASSY, FUEL SUPPLY A	1		
1	HRA150050DB0	299,A202322,연료파이프조합(A)	PIPE ASSY, FUEL SUPPLY A	1		
1	HRA150050DC0	연료파이프조합(A)	TUBE,INJECTOR FUEL SUPPLY	1		
2	HRA150060DB0	300,A202322,연료파이프조합(B)	PIPE ASSY, FUEL SUPPLY (B)	1		
2	HRA150060DC0	연료파이프조합(B)	TUBE,INJECTOR FUEL SUPPLY	1		
2	HRA150060DB0	300,A202322,연료파이프조합(B)	PIPE ASSY, FUEL SUPPLY (B)	1		
2	HRA150060DB0	300,A202322,연료파이프조합(B)	PIPE ASSY, FUEL SUPPLY (B)	1		
3	HRA150070DB0	301,A202322,연료파이프조합(C)	PIPE ASSY, FUEL SUUPPLY C	1		
3	HRA150070DB0	301,A202322,연료파이프조합(C)	PIPE ASSY, FUEL SUUPPLY C	1		
3	HRA150070DC0	연료파이프조합(C)	TUBE,INJECTOR FUEL SUPPLY	1		
3	HRA150070DB0	301,A202322,연료파이프조합(C)	PIPE ASSY, FUEL SUUPPLY C	1		
4	HRA150080DC0	연료파이프조합(D)	TUBE,INJECTOR FUEL SUPPLY	1		
4	HRA150080DB0	302,A202322,연료파이프조합(D)	PIPE ASSY, FUEL SUPPLY D	1		
4	HRA150080DB0	302,A202322,연료파이프조합(D)	PIPE ASSY, FUEL SUPPLY D	1		
4	HRA150080DB0	302,A202322,연료파이프조합(D)	PIPE ASSY, FUEL SUPPLY D	1		
5	HK13450000A4	육각고정너트	NUT,REGULARHEXAGON	4	M12X1.5	
5	HK13450000A4	육각고정너트	NUT,REGULARHEXAGON	4	M12X1.5	
5	HK13450000A4	육각고정너트	NUT,REGULARHEXAGON	4	M12X1.5	
5	HK13450000A4	육각고정너트	NUT,REGULARHEXAGON	4	M12X1.5	
6	HK13440000A4	306,ALL,패킹(조인트)(와류실)	GASKET,FUELMANIFOLD	4		
6	HK13440000A4	306,ALL,패킹(조인트)(와류실)	GASKET,FUELMANIFOLD	4		
6	HK13440000A4	306,ALL,패킹(조인트)(와류실)	GASKET,FUELMANIFOLD	4		
6	HK13440000A4	306,ALL,패킹(조인트)(와류실)	GASKET,FUELMANIFOLD	4		
7	HRA1502700A4	462,ALL,브래킷고무	RUBBER,BRACKET	2		
7	HRA1502700A4	462,ALL,브래킷고무	RUBBER,BRACKET	2		
7	HRA1502700A4	462,ALL,브래킷고무	RUBBER,BRACKET	2		
7	HRA1502700A4	462,ALL,브래킷고무	RUBBER,BRACKET	2		
8	HRA1502800A4	브래킷판	CLAMP,TUBE	1	T 3.2	
8	HRA1502800A4	브래킷판	CLAMP,TUBE	2	T 3.2	
8	HRA1502800A4	브래킷판	CLAMP,TUBE	1	T 3.2	
8	HRA1502800A4	브래킷판	CLAMP,TUBE	1	T 3.2	
8	HRA1502800B4	브래킷판	CLAMP,TUBE	2	T 3.2	
9	HRA1500900C3	퇴유파이프조합	PIPE ASSY, FUEL RETURN	1		
9	HRA1500900D3	퇴유파이프조합	PIPE ASSY, FUEL	1		
9	HRA1500900C3	퇴유파이프조합	PIPE ASSY, FUEL RETURN	1		
9	HRA1500900C3	퇴유파이프조합	PIPE ASSY, FUEL RETURN	1		
10	HRA1502600B4	브래킷(연료파이프)	BRACKET,PIPE	1		
10	HRA1502600B4	브래킷(연료파이프)	BRACKET,PIPE	1		
10	HRA1502600B4	브래킷(연료파이프)	BRACKET,PIPE	1		
10	HRA1502600B4	브래킷(연료파이프)	BRACKET,PIPE	1		
11	26367-060002	플랜지너트	Nut, Hexa (Φ6)	2	M6XP1.0	
11	26367-060002	플랜지너트	Nut, Hexa (Φ6)	2	M6XP1.0	
11	26367-060002	플랜지너트	Nut, Hexa (Φ6)	2	M6XP1.0	
11	26367-060002	플랜지너트	Nut, Hexa (Φ6)	2	M6XP1.0	

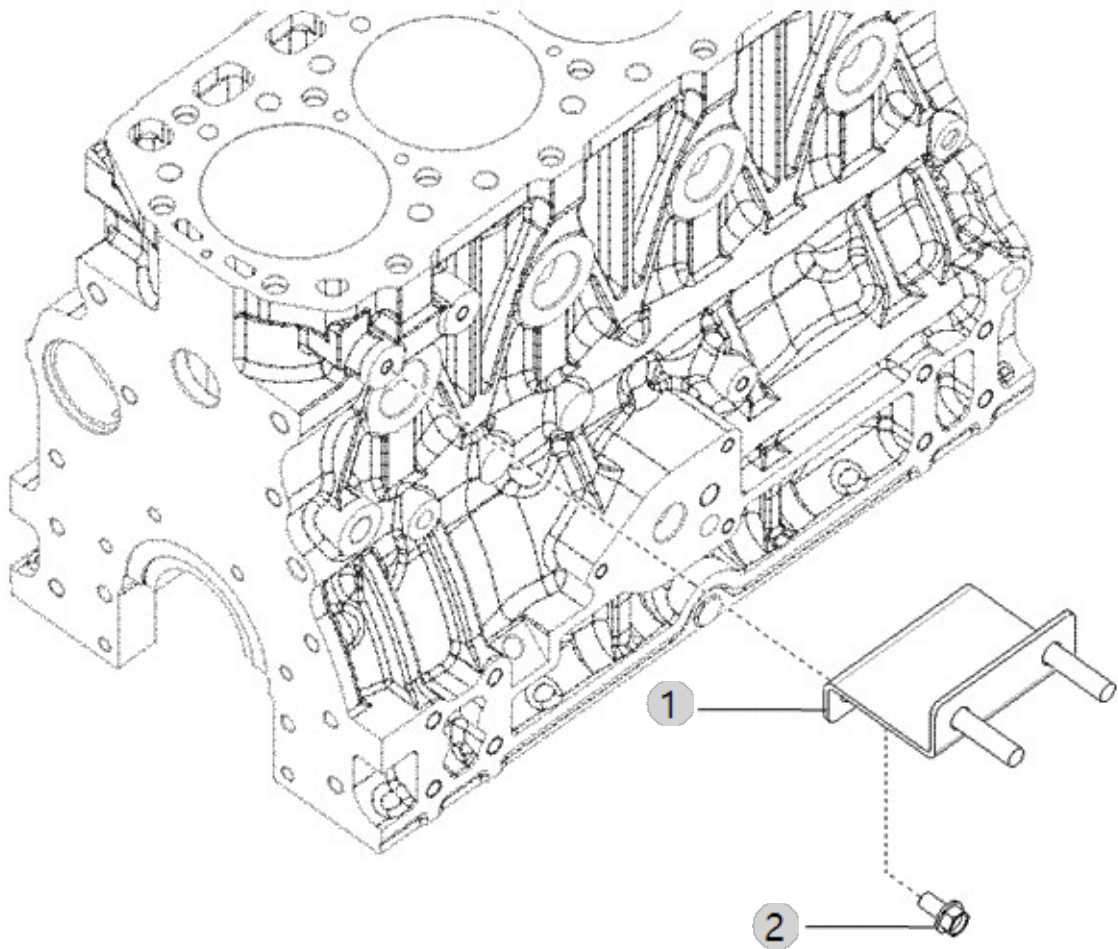
A14_003

A2300T1-UTR_4
(AB00337)

FUEL FILTER BRACKET

Year/Month

2022-12-15



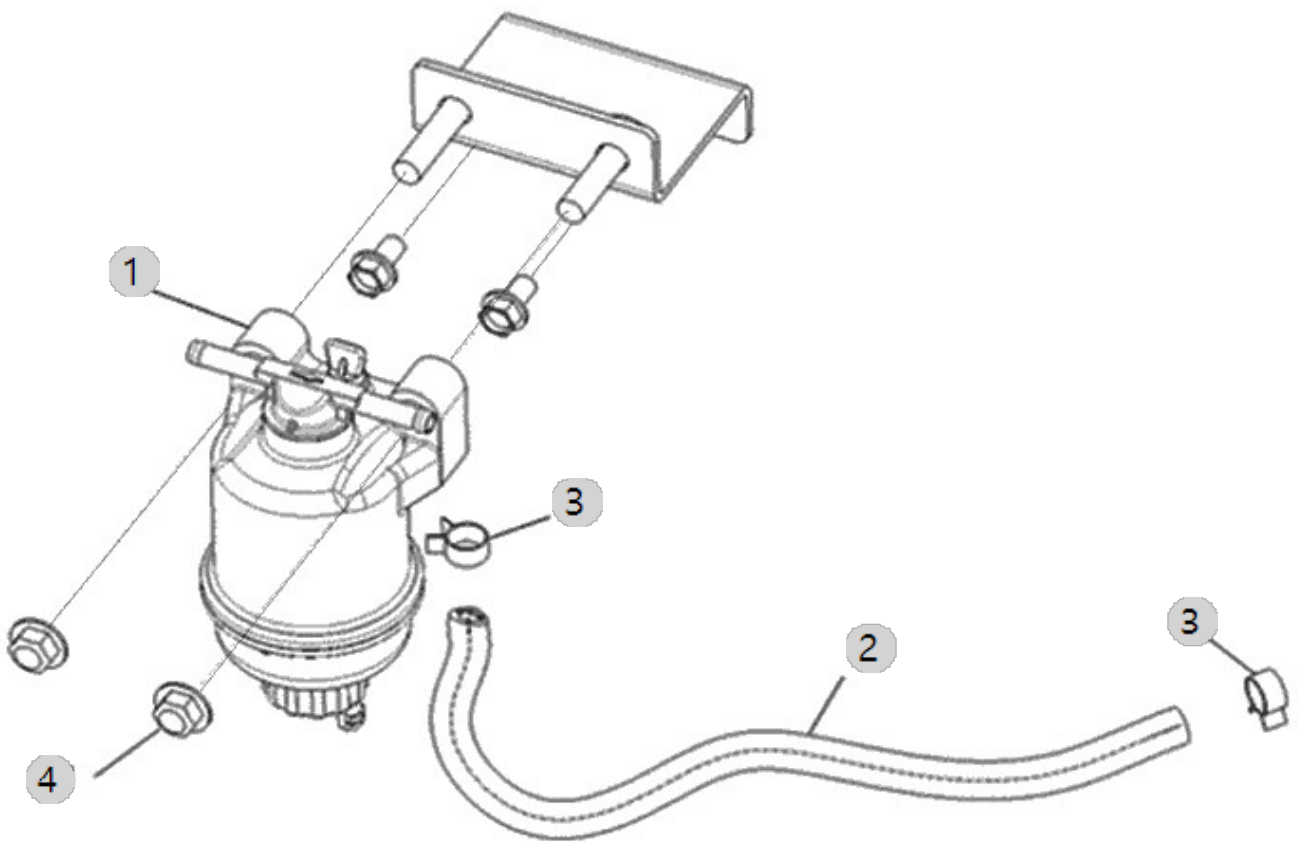
A16_003

A2300T1-UTR_4
(AB00337)

FUEL FILTER ASS'Y OPTION

Year/Month

2022-12-15



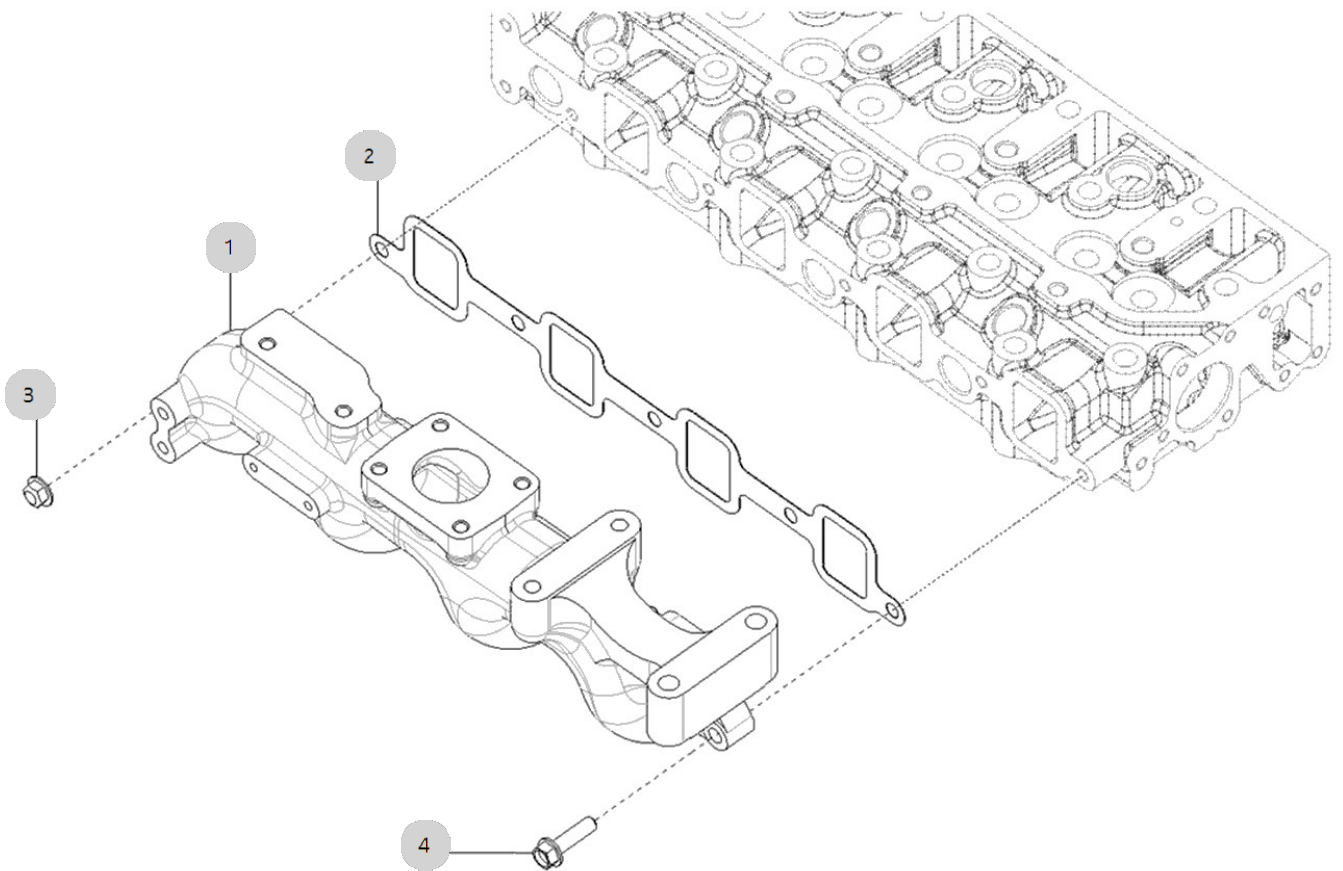
A17_008

A2300T1-UTR_4
(AB00337)

INTAKE MANIFOLD ASS'Y OPTION

Year/Month

2022-12-15



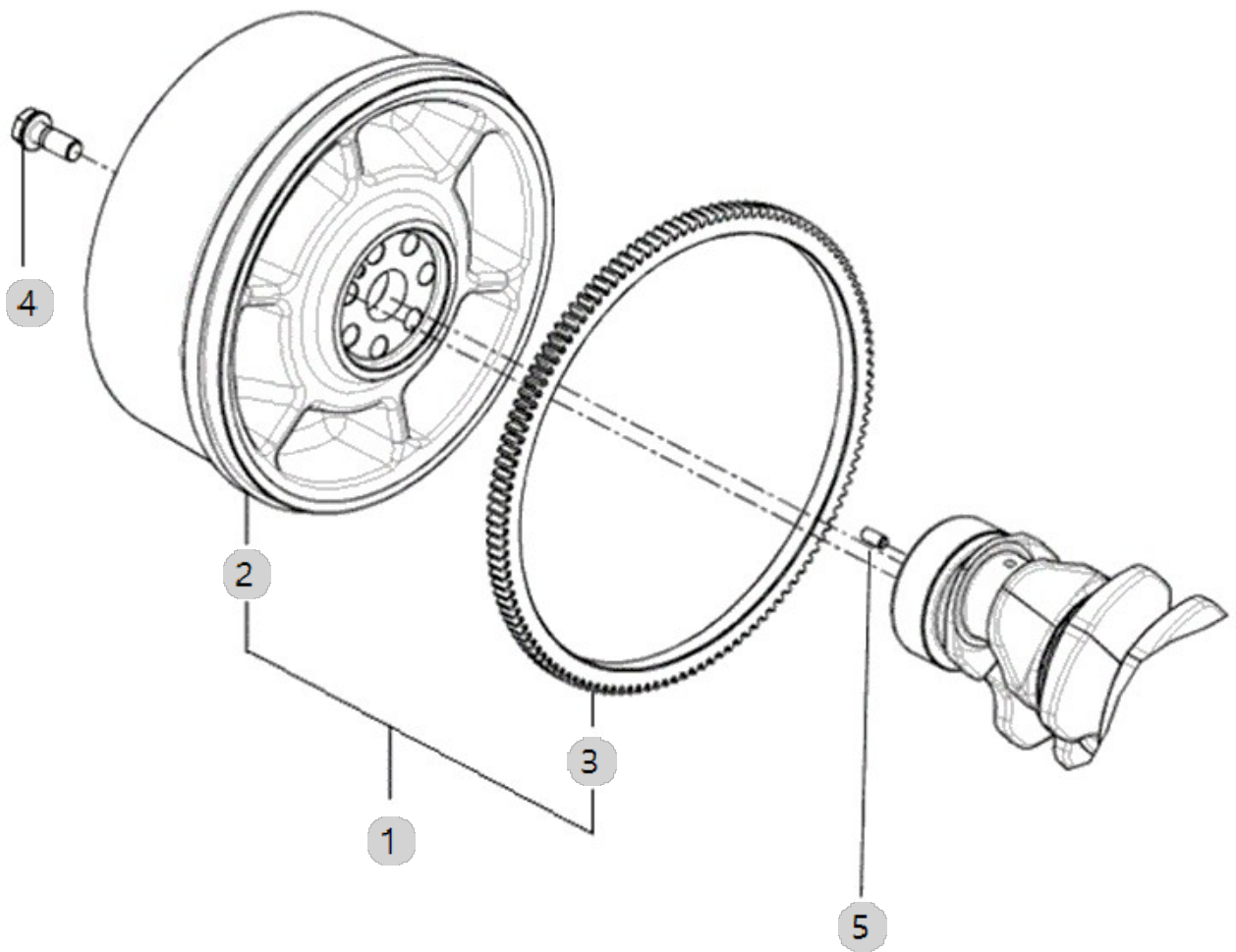
A18_022

A2300T1-UTR_4
(AB00337)

FLYWHEEL

Year/Month

2022-12-15



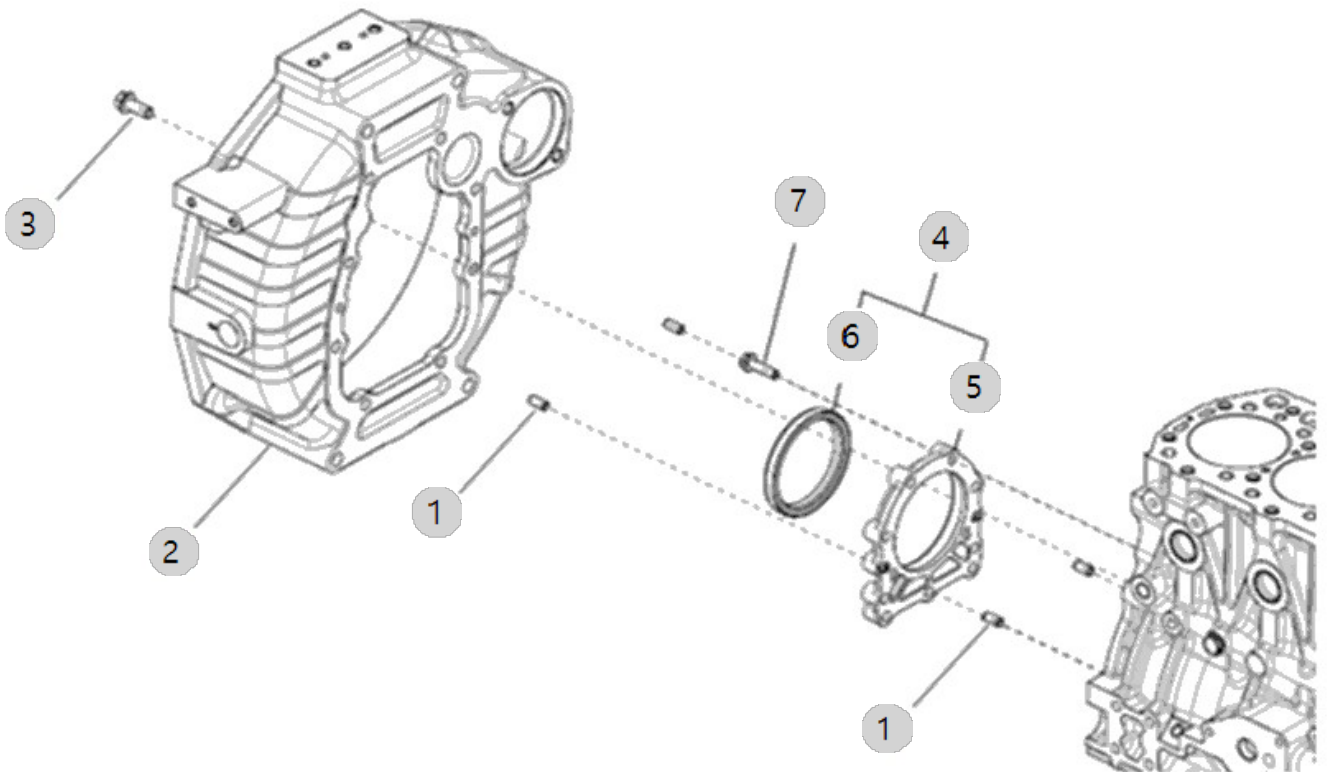
A19_015

A2300T1-UTR_4
(AB00337)

FLYWHEEL HOUSING

Year/Month

2022-12-15



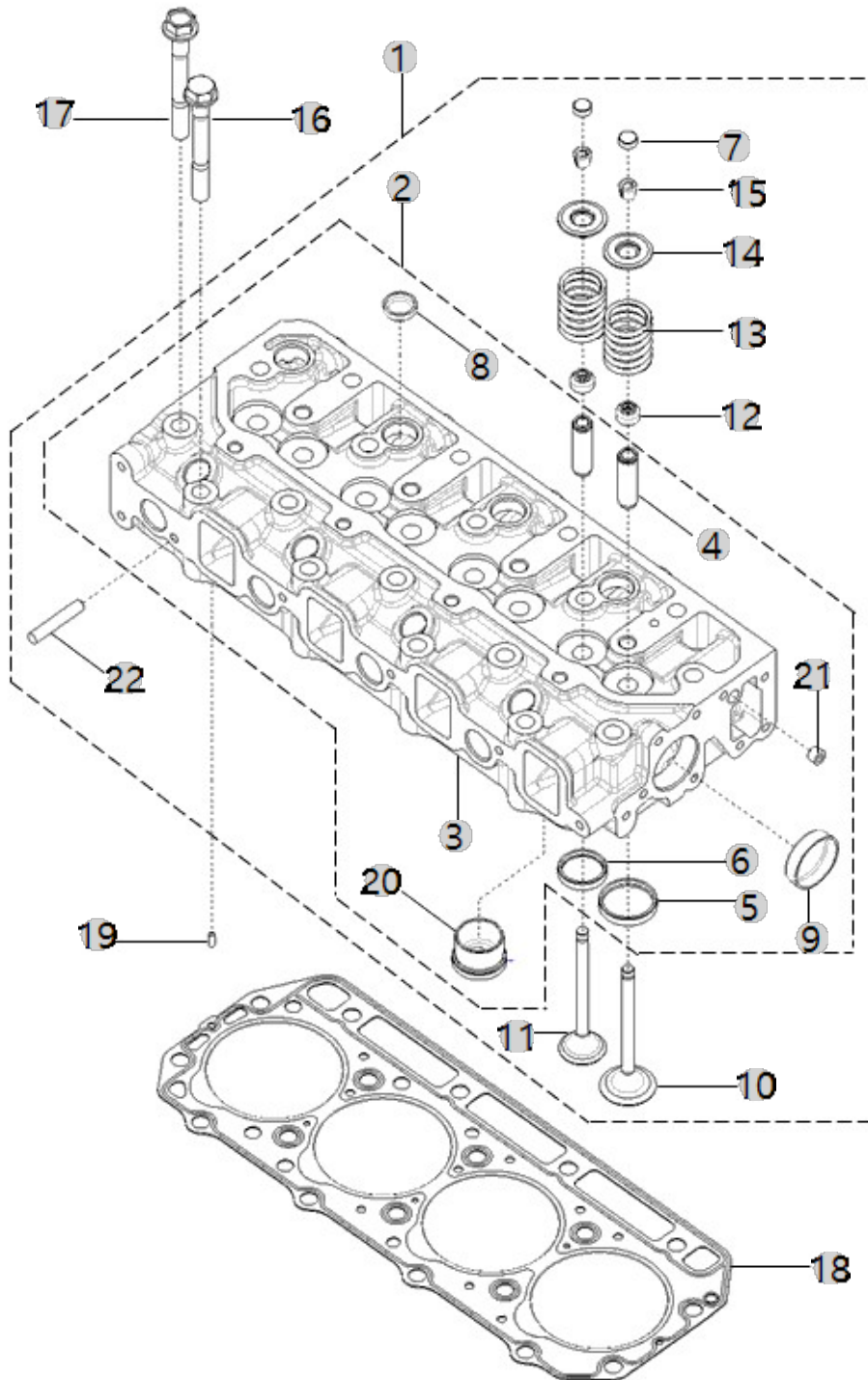
A20_011

A2300T1-UTR_4
(AB00337)

HEAD, CYLINDER

Year/Month

2022-12-15



A20_011 A2300T1-UTR_4 (AB00337)		HEAD, CYLINDER				Year/Month 2022-12-15	
순번 (NO)	부품번호 (PART NO)	품명 (PART NAME)	품명 (PART NAME)	수량 (QTY)	규격 (SPEC)	비고 (REMARK)	
1	EA00004718A	실린더헤드조립-A2300T15-KTR_4	CYLINDER HEAD ASSY	1			
2	EA00000635A	실린더헤드조립	HEAD, CYLINDER	1	NONE		
3	HRU220100MC0	실린더헤드(소재)	HEAD, CYLINDER	1			
3	HRU220100MB0	실린더헤드(소재)	HEAD, CYLINDER	1			
4	HRA0400103C4	배기밸브가이드	GUIDEVALVE STEM	8	D13/D8		
4	HRA0400103C4	배기밸브가이드	GUIDEVALVE STEM	4	D13/D8		
4	HRA0400103B4	배기밸브가이드	GUIDE,VALVESTEM	4			
5	HRA0400104B4	흡기밸브시트	SEAT,ENGINEINTAKEVALVE	4			
6	HRA0400105B4	배기밸브시트	SEAT,ENGINE EXHAUST VALVE	4			
7	HK03680000B4	344,ALL,밸브캡	CAP,VALVE	8			
8	27241-220000	캡형플러그 22	PLUG,EXPANSION	8			
9	27241-400000	캡형플러그 40 (335,ALL,PLUG40)	PLUG (D40)	2			
10	HRA0400200A4	337,ALL,흡기밸브	VALVE,INTAKE	4			
11	HRA0400300A4	338,ALL,배기밸브	VALVE,EXHAUST	4			
12	HA03070000A4	340,ALL,밸브축시일	SEAL,VALVESTEM	8			
13	HRA0400700A4	341,ALL,밸브스프링	SPRING,VALVE	8			
14	HRA0400800A4	342,ALL,밸브스프링리테이너	RETAINER,VALVESPRING	8			
15	HRA0400900A4	343,ALL,밸브스프링코터	COTTER,VALVE	16			
16	HRA0100700A4	347,ALL,볼트(실린더헤드)	SCREW,HEXFLANGEHEADCAP	4	M11X1.5X92		
17	HRA0100500A4	실린더헤드 볼트	SCREW,HEXFLANGEHEADCAP	14	M11X1.5		
18	HRU0100400A2	헤드가스킷-A2300	GASKET,CYLINDER HEAD (A2300)	1			
18	HRU0100400B2	헤드가스킷	GASKET,CYLINDER HEAD	1	T1.28		
19	22312-040100	평행핀	PIN, DOWEL (4-10)	2	D4X10		
20	EA00000083A	예연소실	PRE-CHAMBER	4			
21	23871-010000	테이퍼플러그	PLUG	1	PT1/8		
22	26216-080352	심음볼트(1.5D)	BOLT, STUD 8 X 35	1	M8X1.25X35		

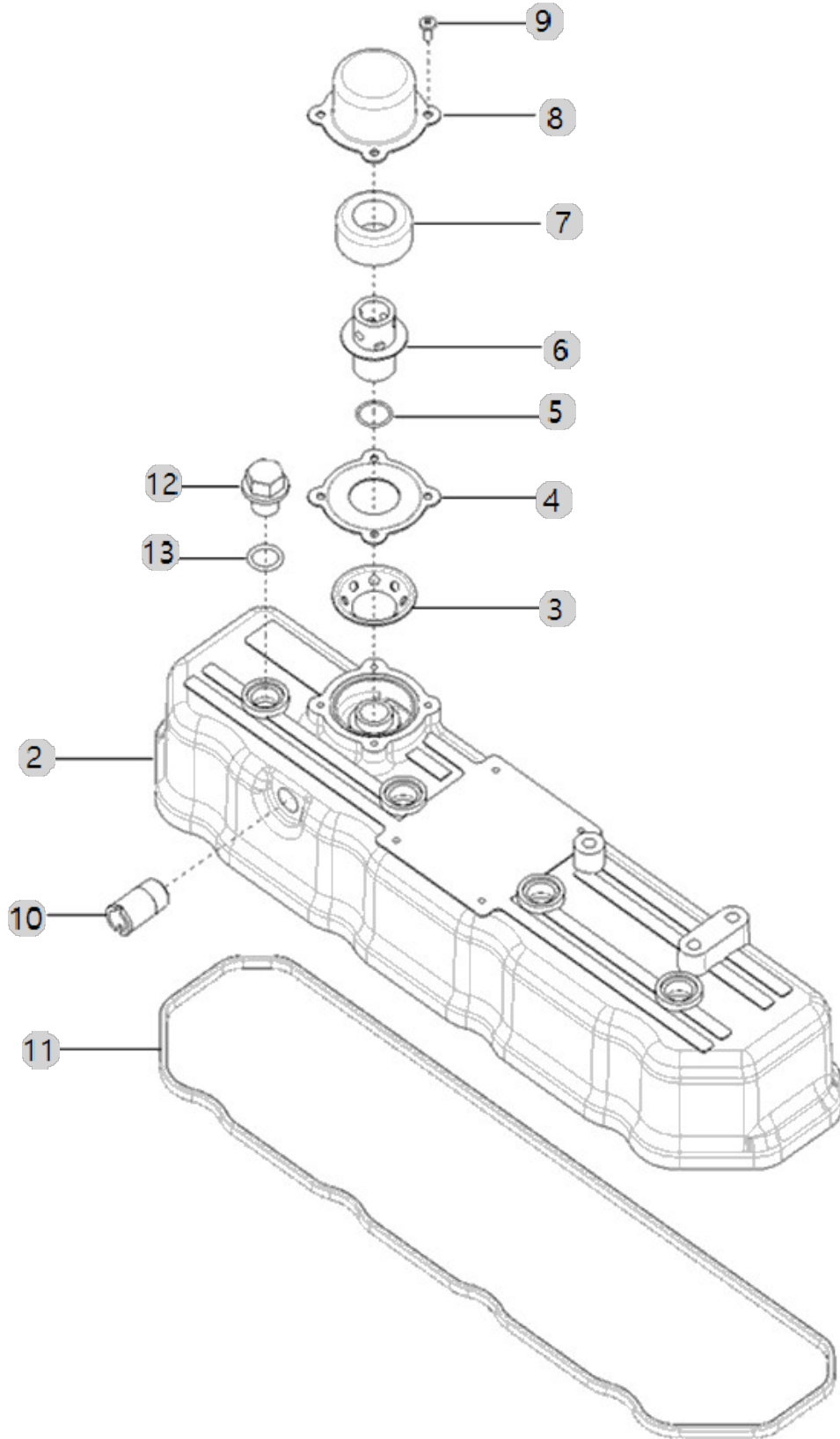
A21_004

A2300T1-UTR_4
(AB00337)

HEAD COVER

Year/Month

2022-12-15



A21_004 A2300T1-UTR_4 (AB00337)	HEAD COVER	Year/Month
		2022-12-15

순번 (NO)	부품번호 (PART NO)	품명 (PART NAME)	품명 (PART NAME)	수량 (QTY)	규격 (SPEC)	비고 (REMARK)
1	EA00004727A	헤드커버조합부	HEAD COVER ASS'Y OPTION	1		
2	HRA0402300F0	헤드커버	COVER, VALVE	1	-	
2	HRA0402300E0	헤드커버	COVER, VALVE	1	-	
3	HRA0403900A4	592,ALL,브리더조절판	PLATE,BREATHERADJUSTING	1	T1.2	
3	HRA0403900B4	브리더조절판	PLATE,BREATHER ADJUSTING	1	T1.2	
4	HRA0403800A4	브리더 커버 가스켓	GASKET,BREATHER	1	T0.5	
5	24341-000160	O-링(S형)	O-RING, FIX (Φ16)	1	S10	
6	HRA0403700A4	590,ALL,가이드조합	Valve, Pressure Relief	1		
6	HRA0403700B4	가이드조합	VALVE,PRESSURE RELIEF	1		
7	HC03720000B4	배플	BAFFLE	1	17MMX155M	
8	HRA0403600A4	589,ALL,브리더커버	COVER,BREATHER	1	T1.2	
8	HRA0403600B4	브리더커버	COVER,BREATHER	1	T1.2	
9	26587-040102	245,ALL,스크로우(3X54X10)	SCREW,FILLISTERHEADCAP	4	M4X10	
10	HRA0404000A4	597,A14172023,연결관	TUBE,BREATHER	1	D17.3XT2.3	
11	HRA0402400B3	헤드커버패킹-A2300	GASKET,HEAD COVER	1		
12	HA03520000B4	440,ALL,상부커버캡	NUT,HEXAGONCAP	4		
13	24311-000140	441,ALL,O-RINGP-14	O-RING, DYNAMIC (Φ14)	4	P14	

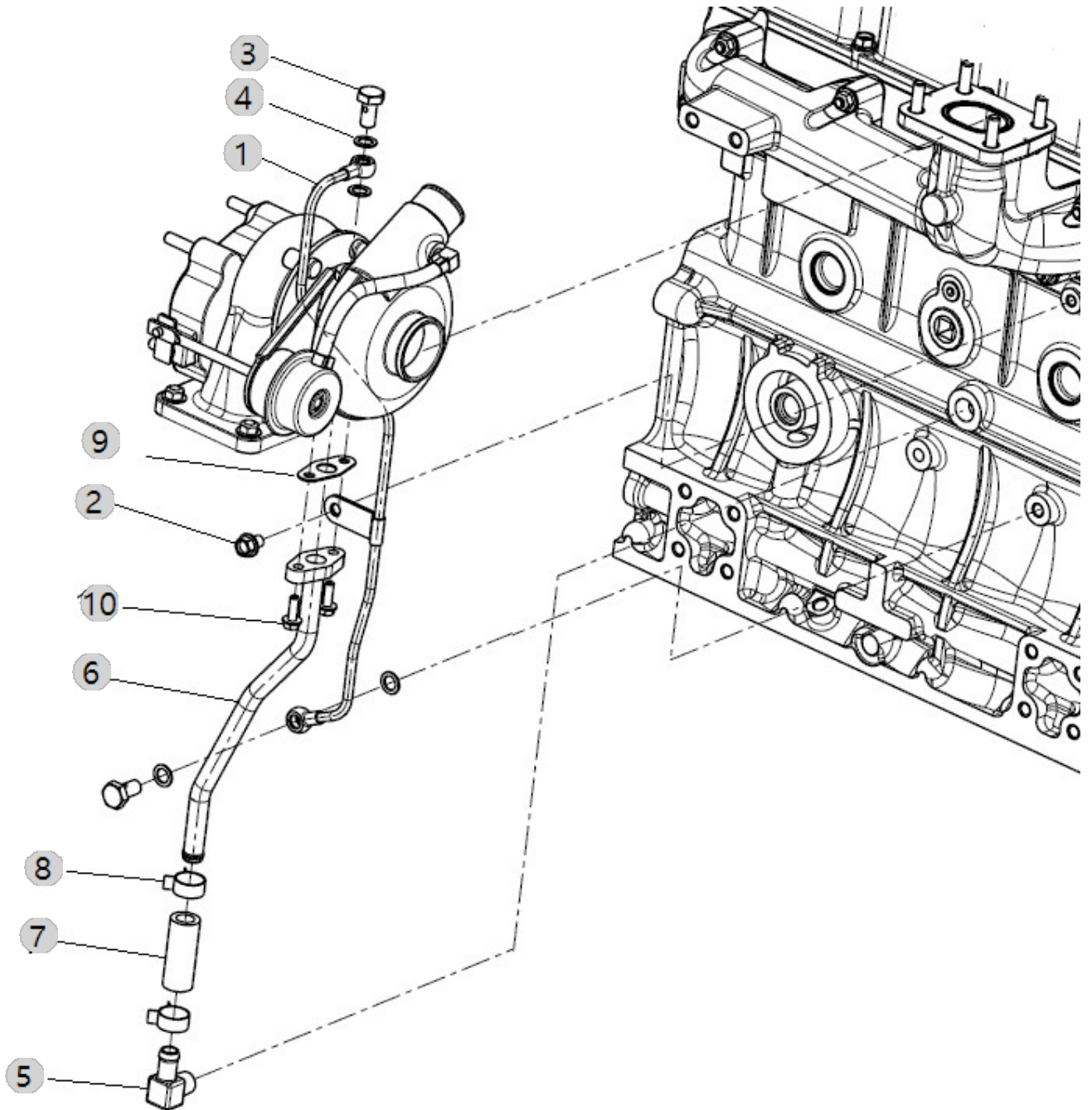
A23_008

A2300T1-UTR_4
(AB00337)

TURBOCHARGER SUPPORT ASS'Y OPTION

Year/Month

2022-12-15



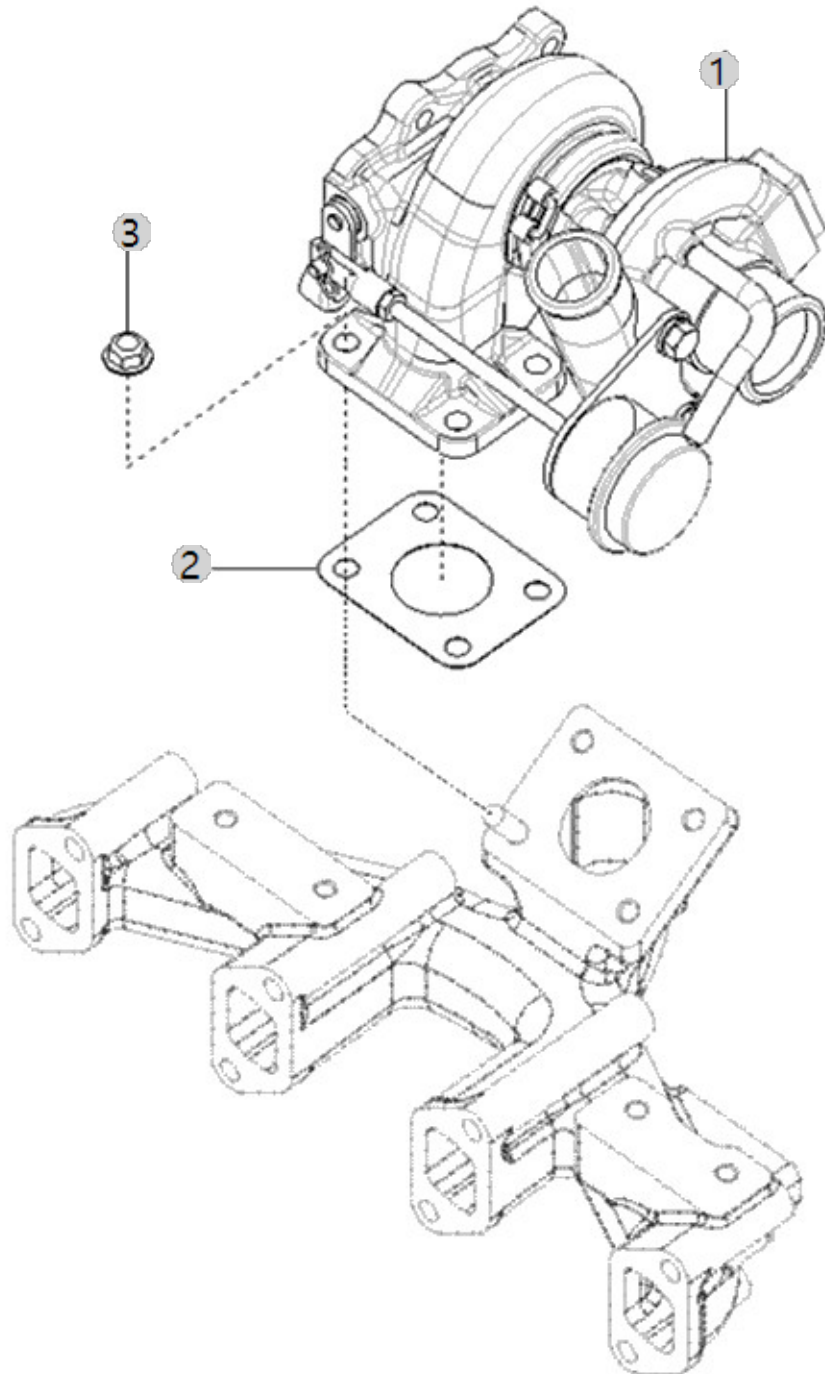
A24_003

A2300T1-UTR_4
(AB00337)

TURBOCHARGER

Year/Month

2022-12-15



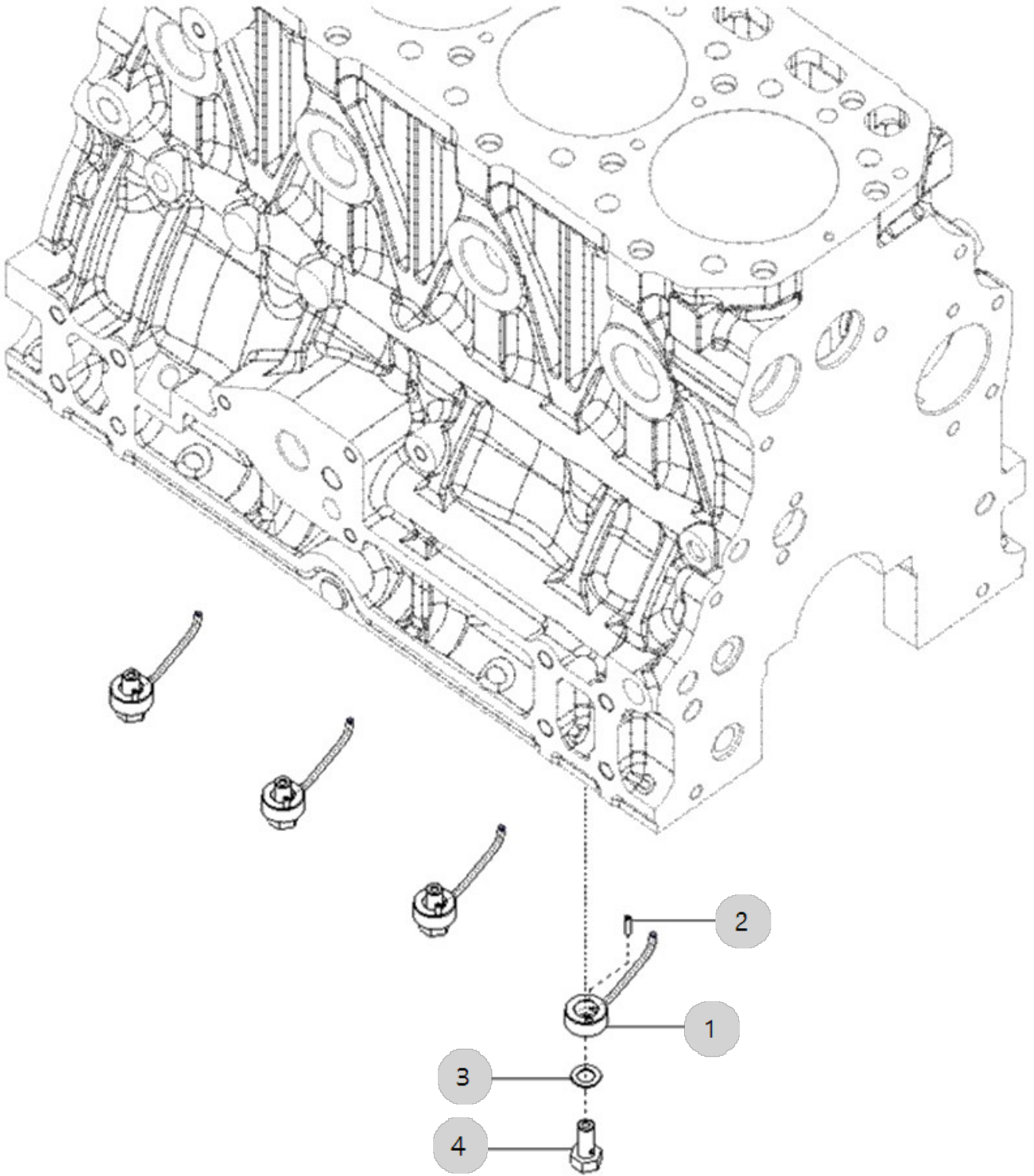
A25_003

A2300T1-UTR_4
(AB00337)

OIL JET ASS'Y OPTION

Year/Month

2022-12-15



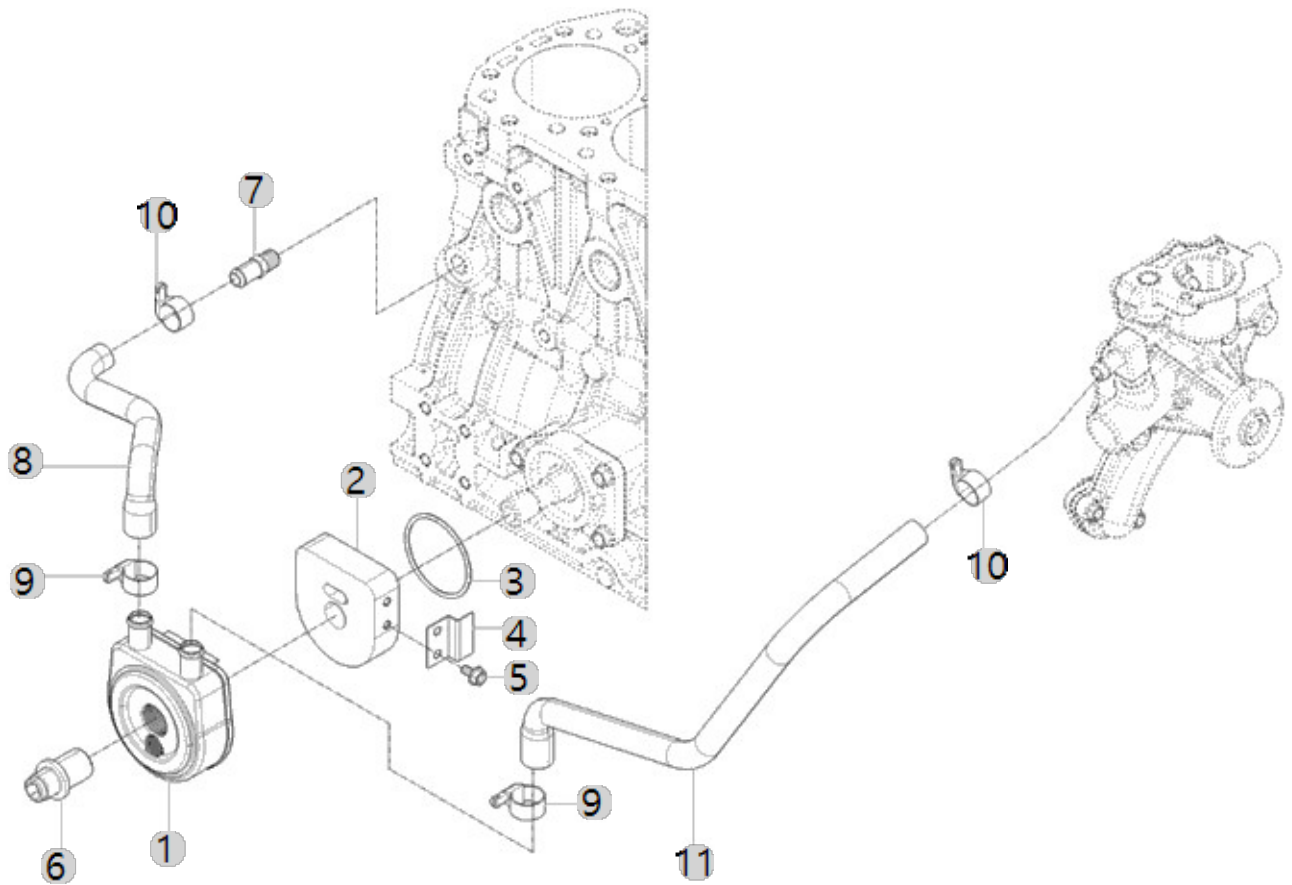
A26_005

A2300T1-UTR_4
(AB00337)

COOLER, ENGINE OIL

Year/Month

2022-12-15



A26_005 A2300T1-UTR_4 (AB00337)		COOLER, ENGINE OIL				Year/Month 2022-12-15
순번 (NO)	부품번호 (PART NO)	품 명 (PART NAME)	품 명 (PART NAME)	수량 (QTY)	규격 (SPEC)	비고 (REMARK)
1	EA00000309A	오일쿨러	OIL COOLER ASSY	1		
2	EA00002818A	스페이서(오일쿨러)	SPACER(PRESSURE C.V)	1		
3	24321-000600	O-링1AG-60(국산)	SEAL,ORING	1	G60	
4	EA00002900B	보강브래킷(오일쿨러스페이서)	REINFORCEMENT BRACKET(COOLER SPACER)	1		
4	EA00002900A	보강브래킷(오일쿨러스페이서)	REINFORCEMENT BRACKET(COOLER SPACER)	1		
5	26106-060122	육각플랜지볼트	HEX BOLT (6-12)	2	M6XP1.0X12	
6	EA00000310A	볼트(오일쿨러)	BOLT, OIL COOLER	1		
7	HRC1204000B4	조인트 PT 1/4	NIPPLE, PLAIN PIPE	1	D13.8XT2.3	
7	HRC1204000A4	369,A22,조인트PT1/4	NIPPLE,PLAINPIPE	1	PT 1/4	
7	HRC1204000C4	조인트 PT 1/4	JOINT, PT 1/4	1	D13.8XT2.3	
8	EA00004503A	오일쿨러냉각호스A	LUB COOLER HOSE(A)	1		
9	EA00006186A	KALE클램프	KALE CLAMP	2		
10	EA00006186A	KALE클램프	KALE CLAMP	2		
11	EA00002855A	오일쿨러냉각호스B	COOLANT HOSE B, OIL COOLER	1		

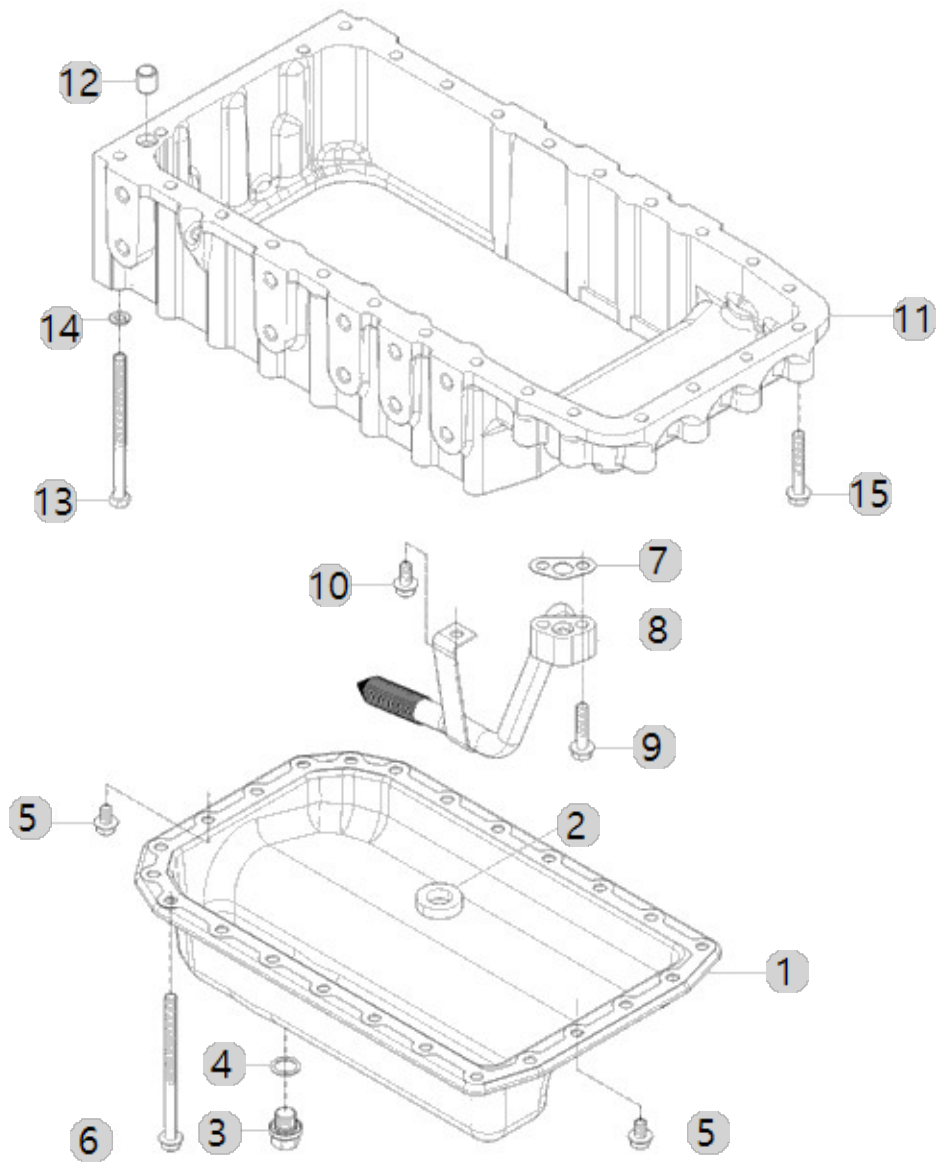
A27_010

A2300T1-UTR_4
(AB00337)

OIL PAN ASS'Y OPTION

Year/Month

2022-12-15



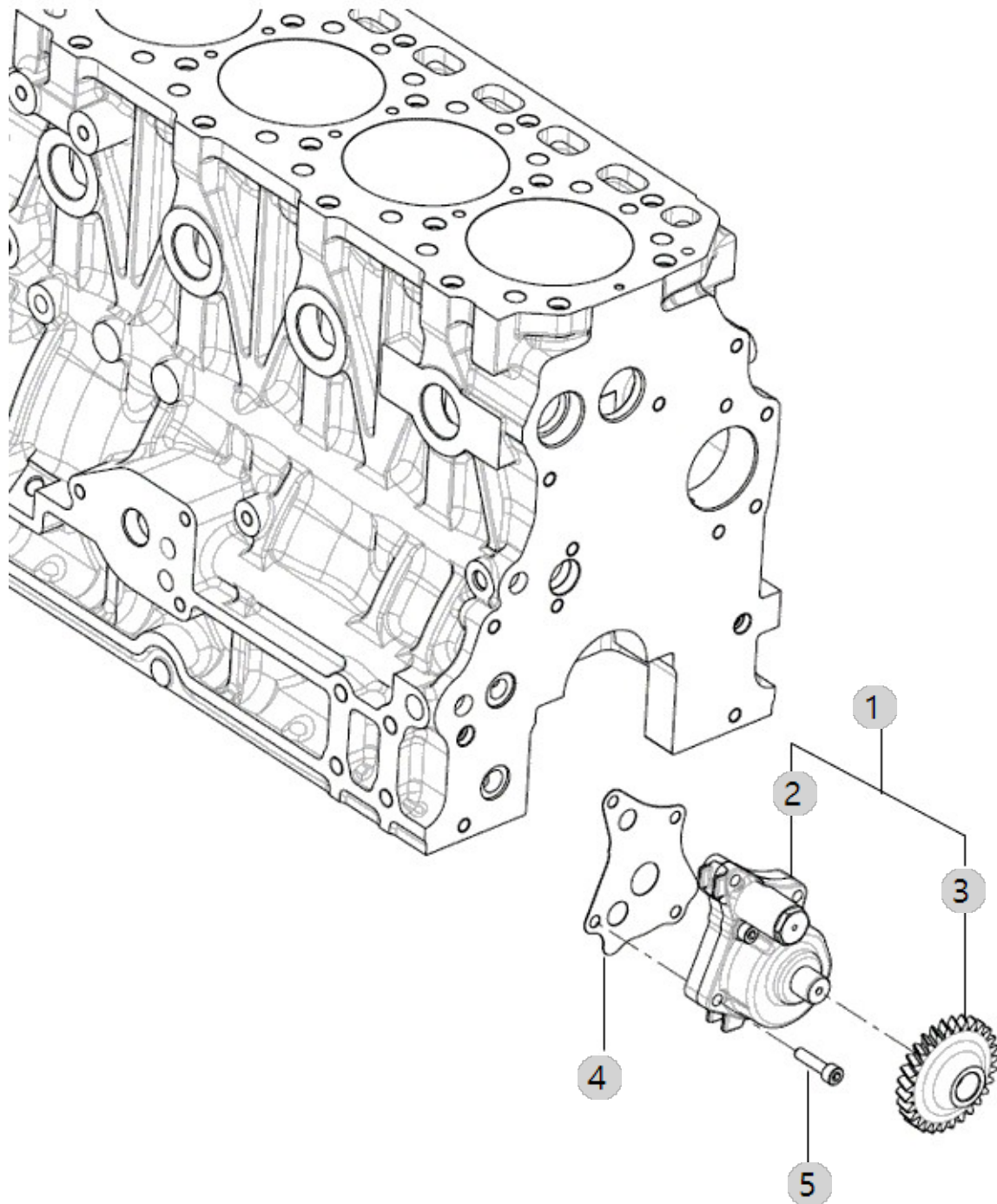
A28_001

A2300T1-UTR_4
(AB00337)

PUMP, LUBRICATING OIL

Year/Month

2022-12-15



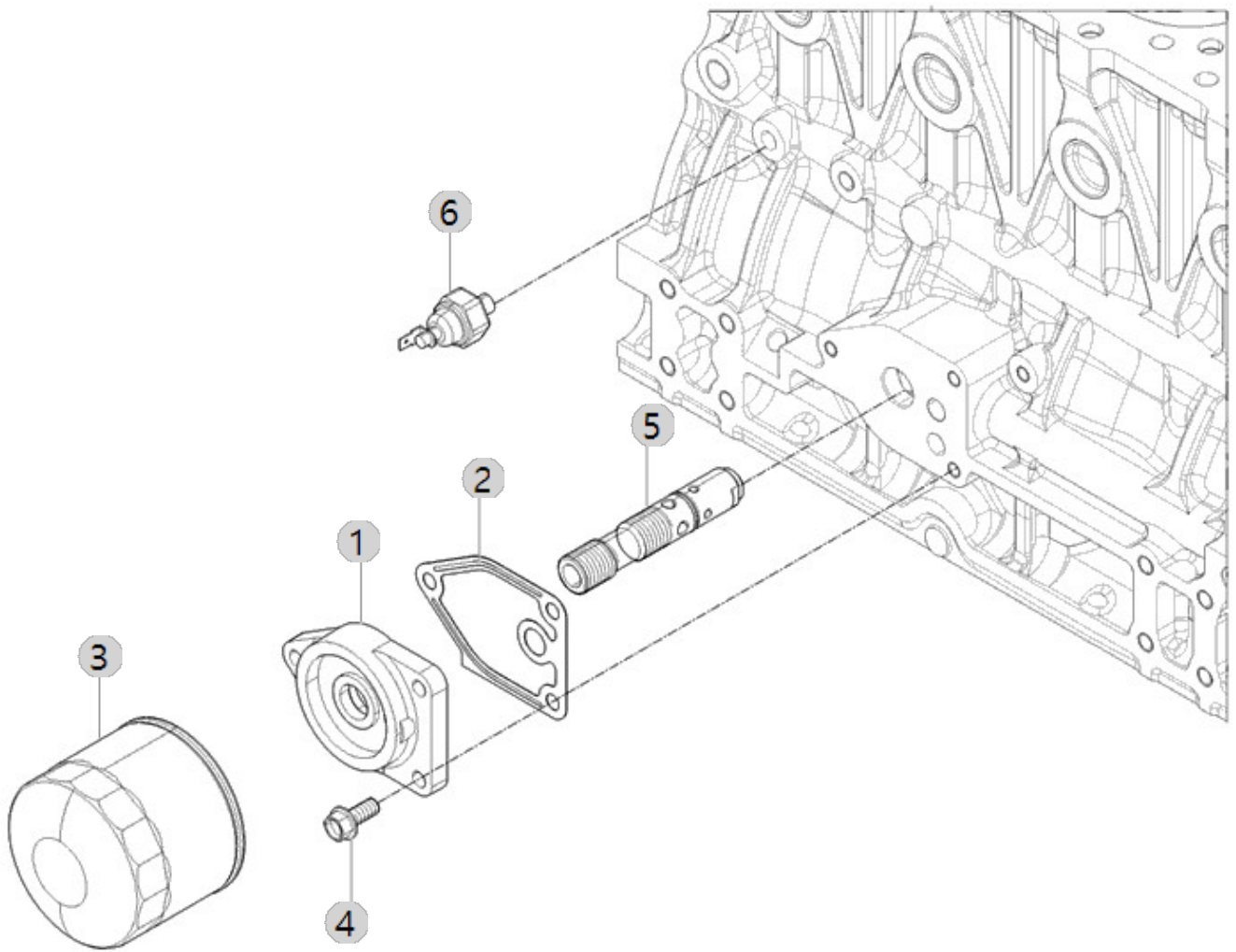
A29_005

A2300T1-UTR_4
(AB00337)

FILTER, LUBRICATING OIL

Year/Month

2022-12-15



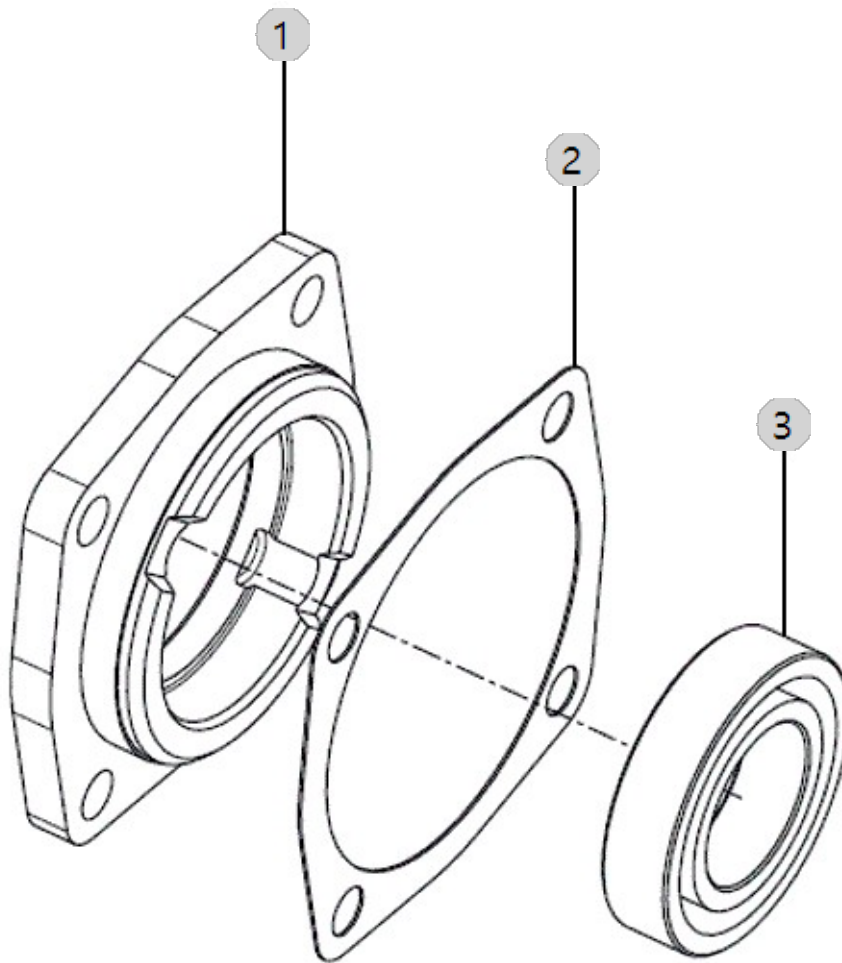
A30_003

A2300T1-UTR_4
(AB00337)

FRONT GEAR ACCESSORY DRIVE

Year/Month

2022-12-15



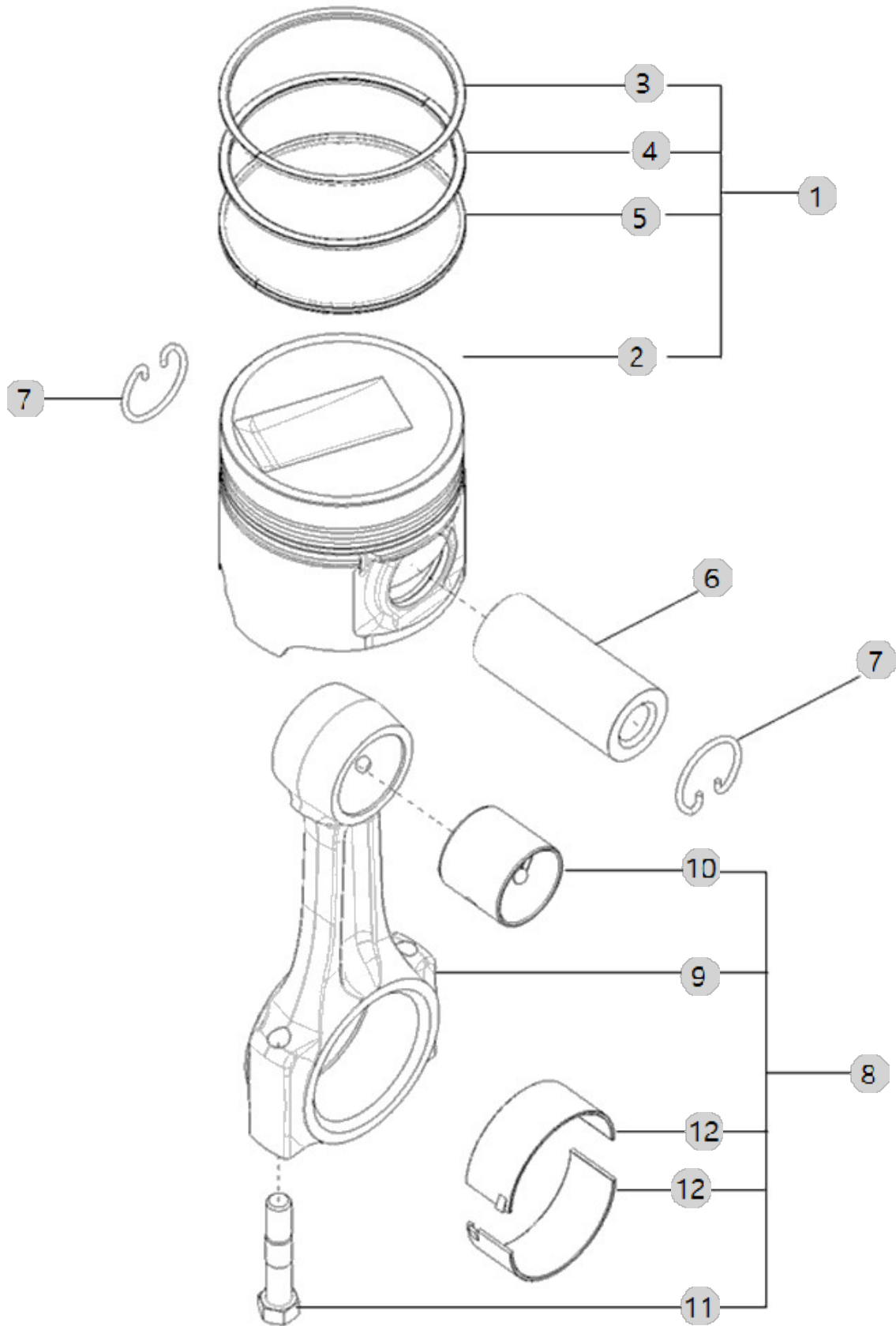
A31_007

A2300T1-UTR_4
(AB00337)

PISTON

Year/Month

2022-12-15



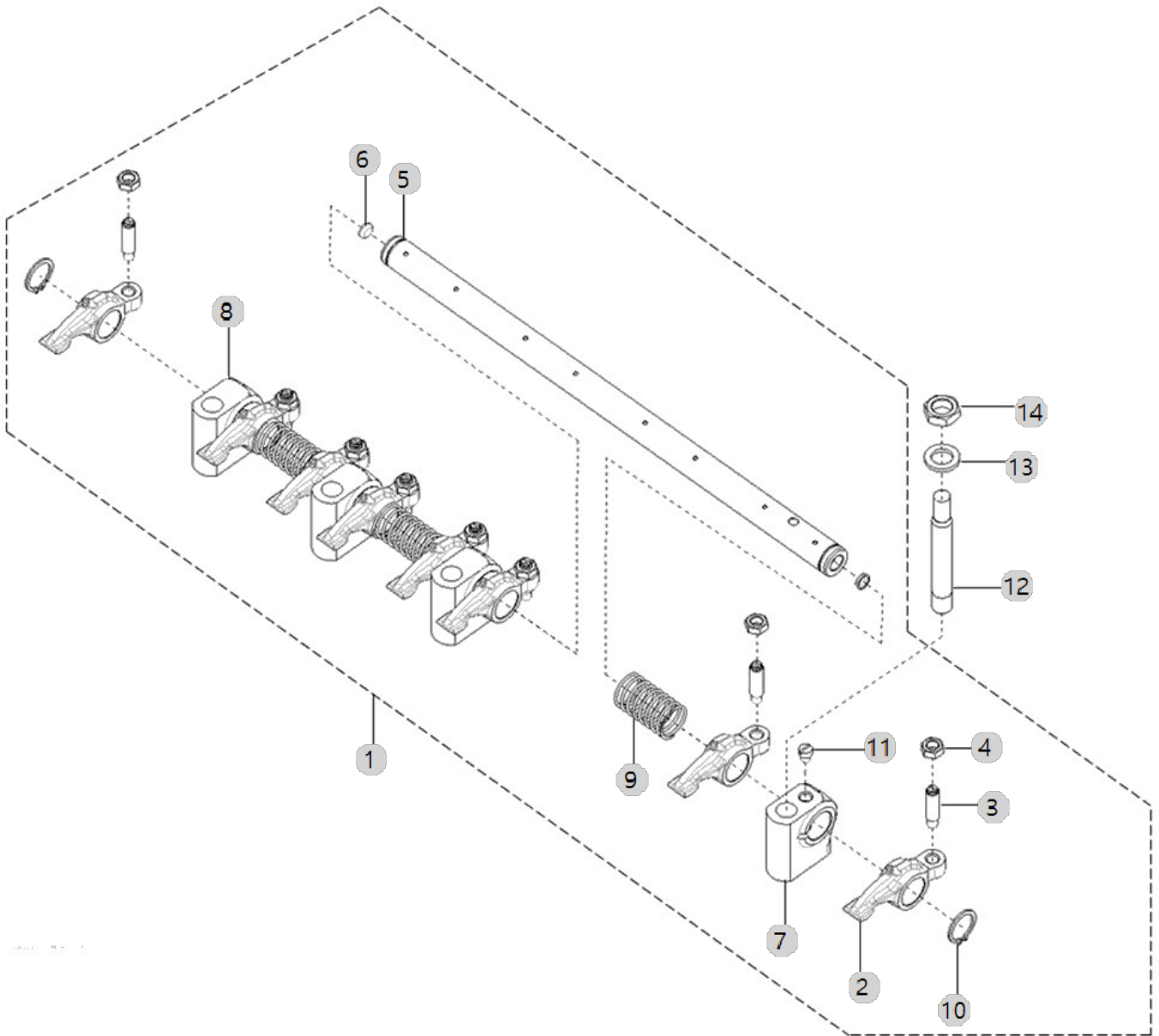
A32_003

A2300T1-UTR_4
(AB00337)

LEVER, LOCKER

Year/Month

2022-12-15



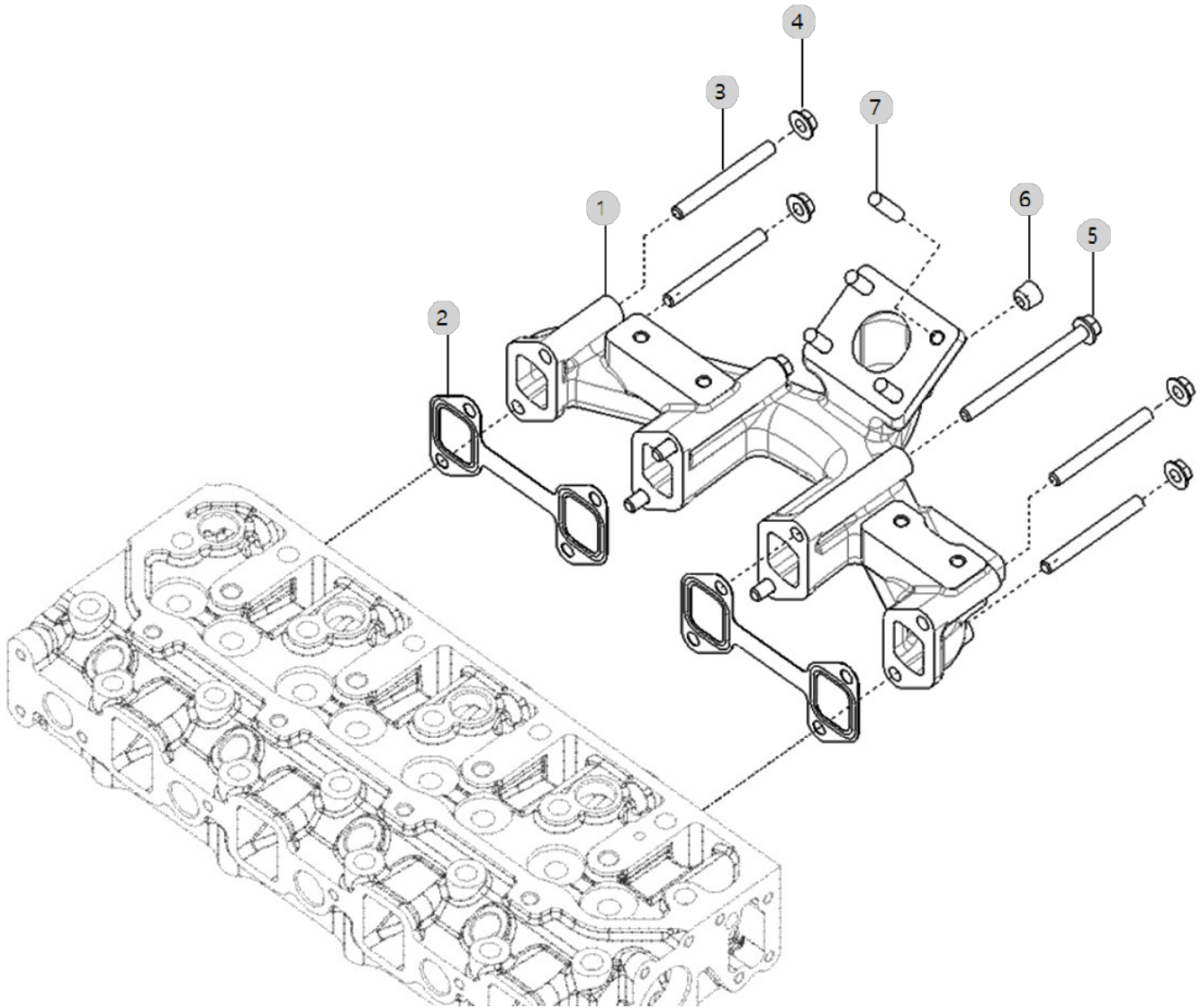
A33_011

A2300T1-UTR_4
(AB00337)

EXHAUST MANIFOLD

Year/Month

2022-12-15



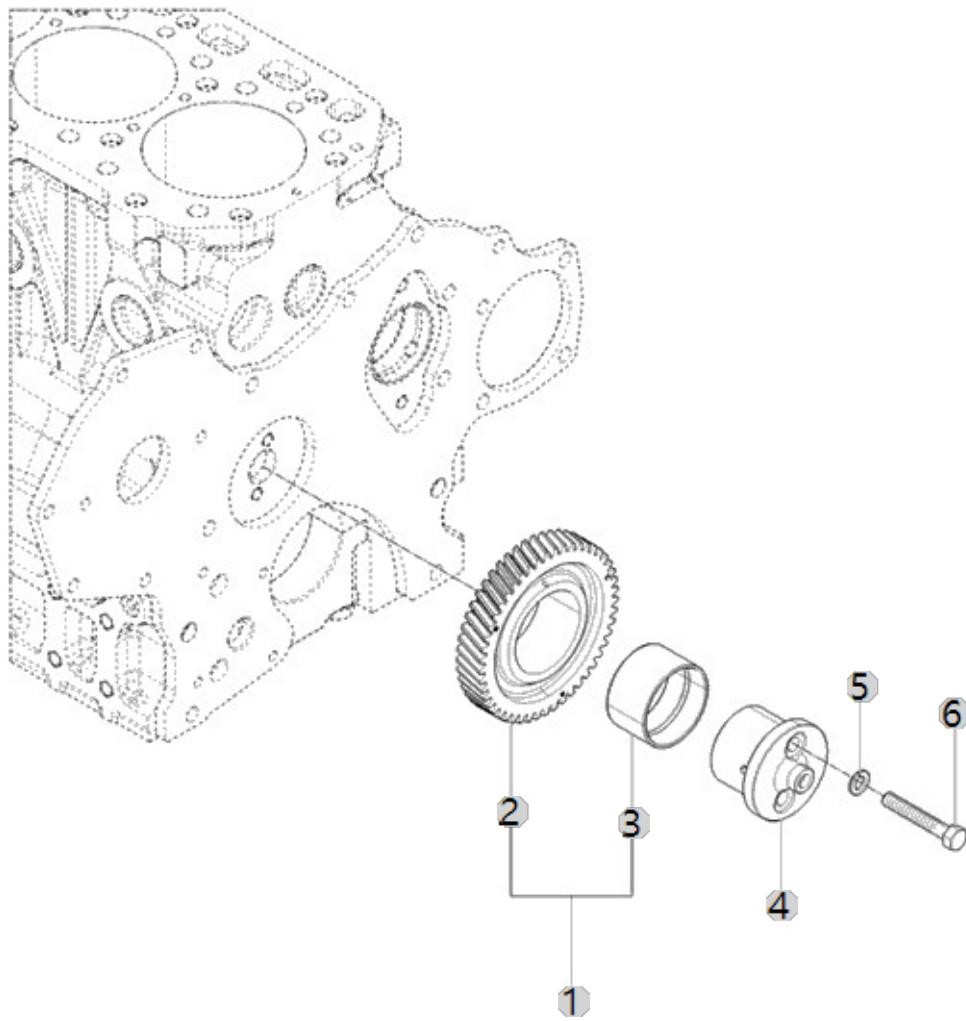
A35_002

A2300T1-UTR_4
(AB00337)

IDLE GEAR

Year/Month

2022-12-15



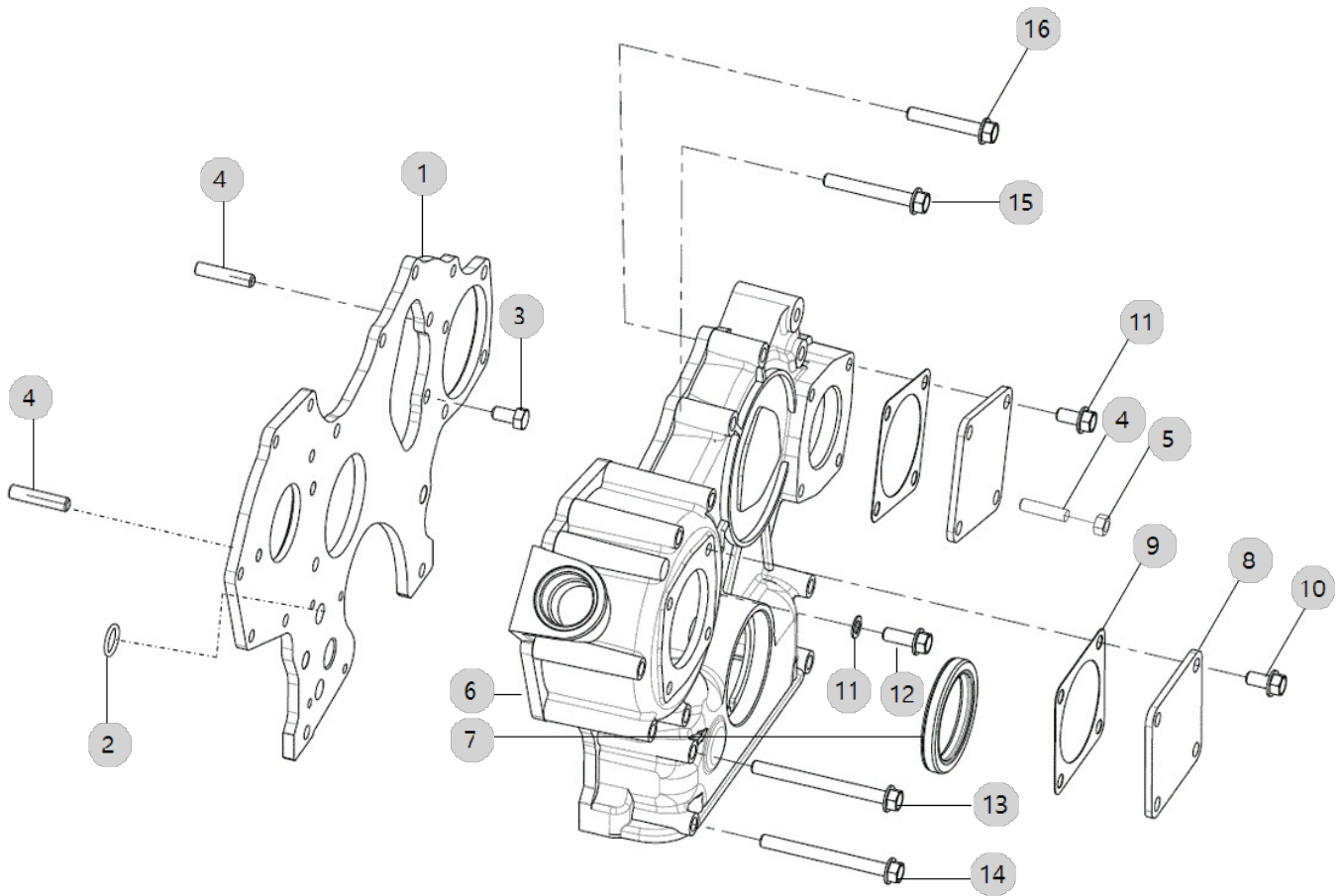
A36_004

A2300T1-UTR_4
(AB00337)

COVER, FRONT GEAR

Year/Month

2022-12-15



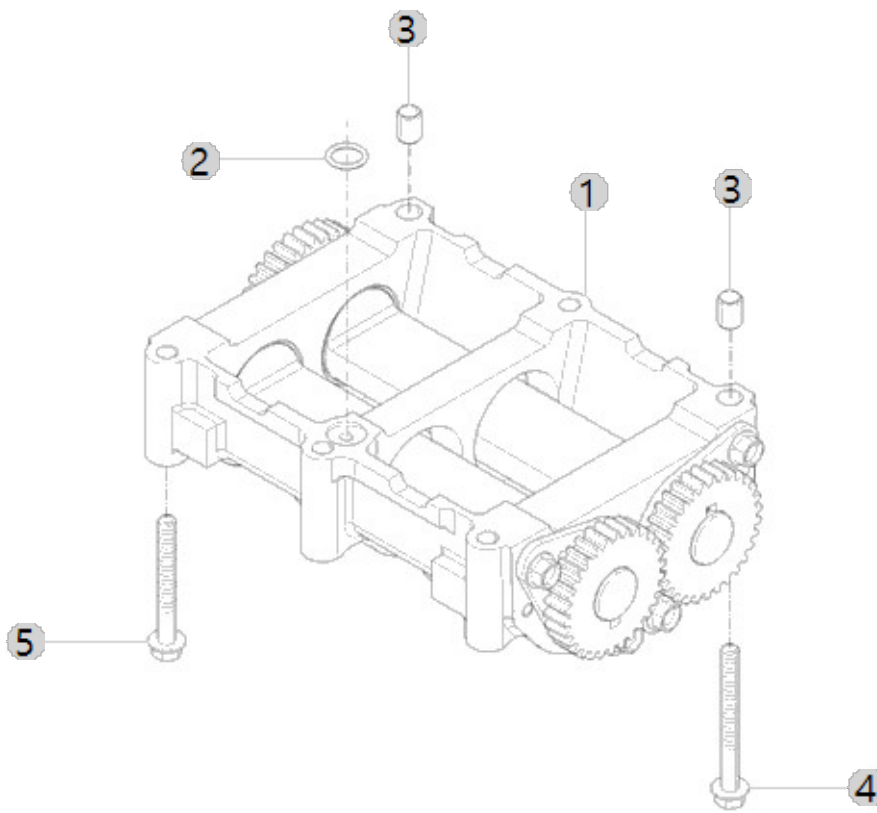
A37_001

A2300T1-UTR_4
(AB00337)

BALANCE ASS'Y

Year/Month

2022-12-15



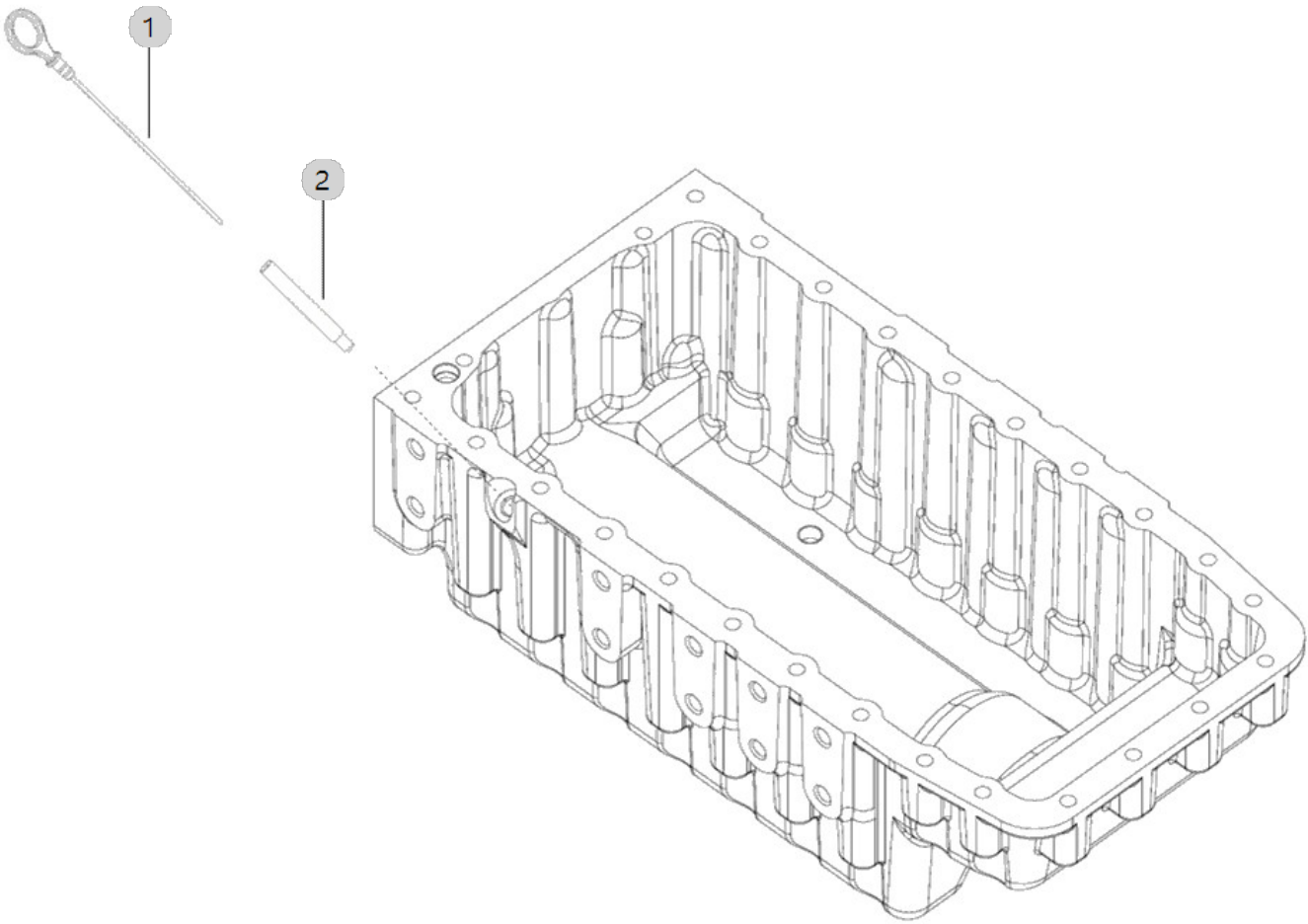
A38_007

A2300T1-UTR_4
(AB00337)

GAUGE, OIL LEVEL

Year/Month

2022-12-15



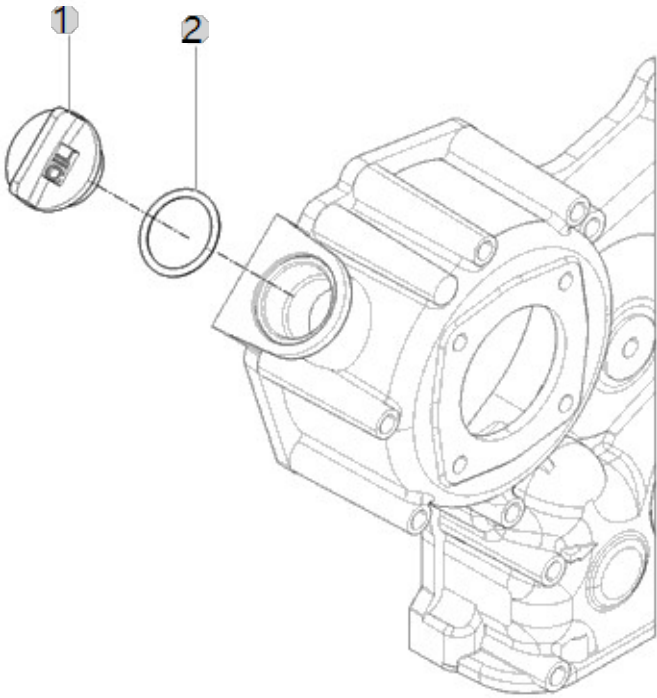
A39_001

A2300T1-UTR_4
(AB00337)

OIL FILLER CAP

Year/Month

2022-12-15



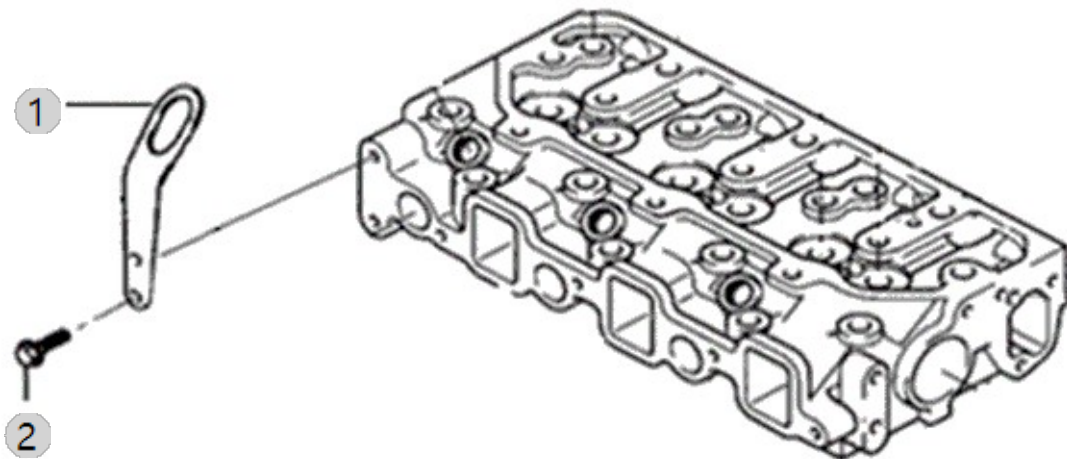
A40_003

A2300T1-UTR_4
(AB00337)

LIFT ASS'Y OPTION

Year/Month

2022-12-15



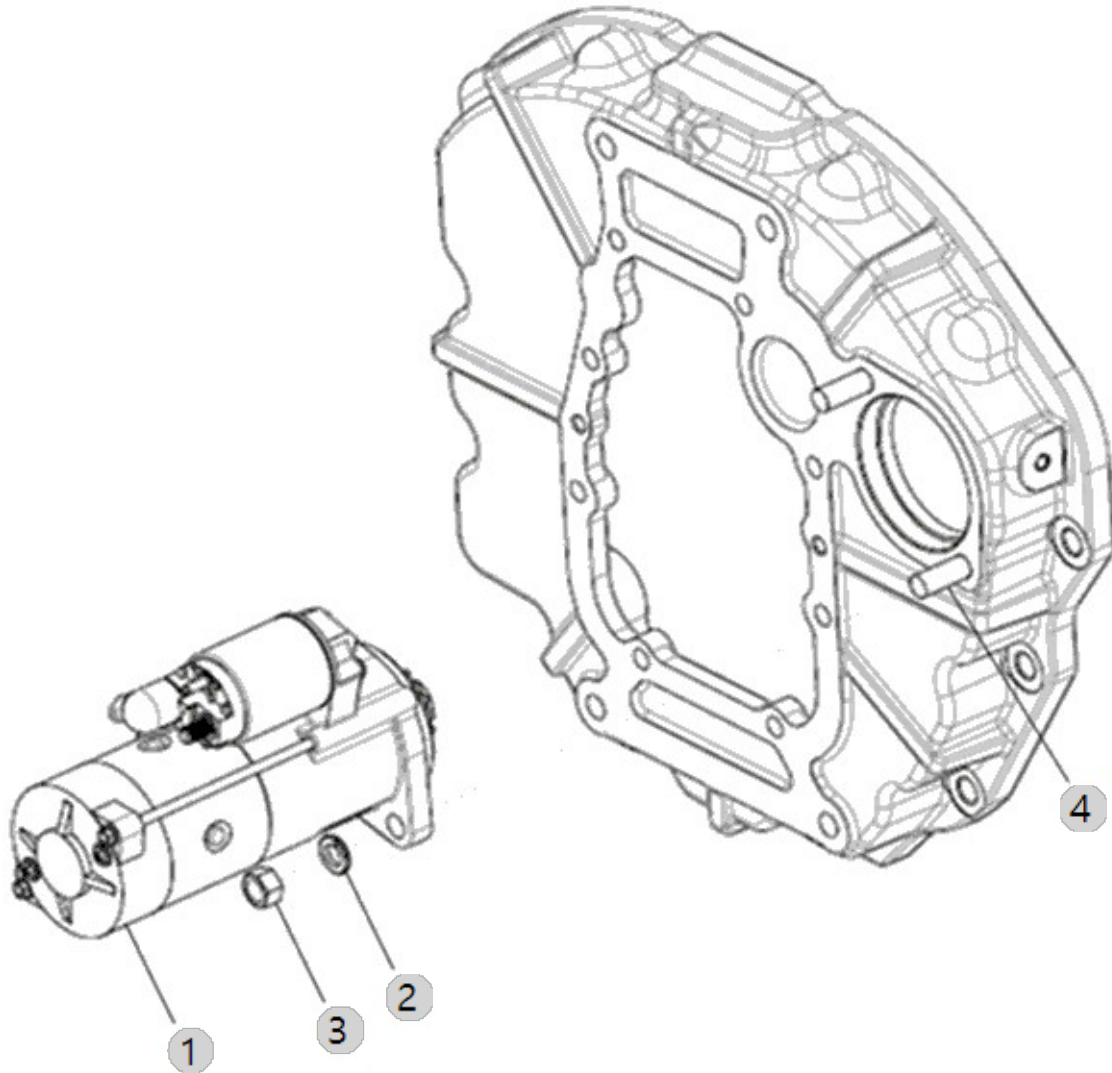
A42_004

A2300T1-UTR_4
(AB00337)

MOTER, STARTIONS

Year/Month

2022-12-15



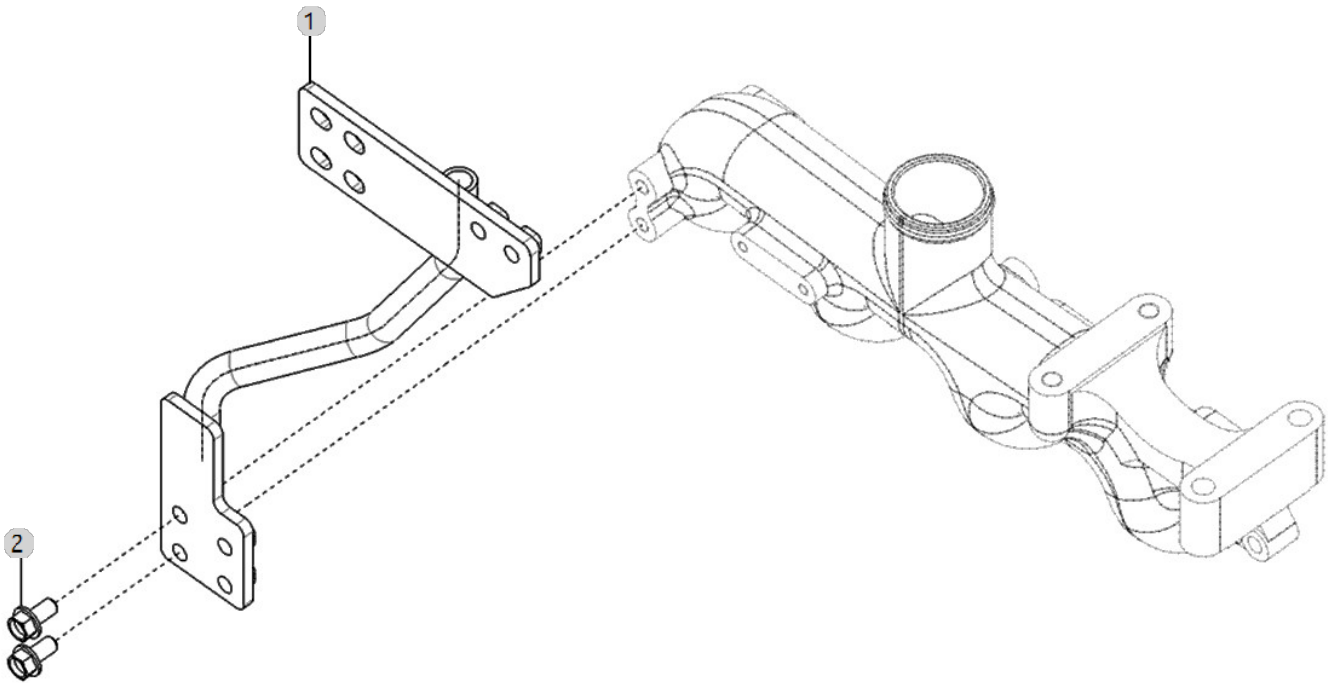
A43_001

A2300T1-UTR_4
(AB00337)

DPF SUPPORT OPTION

Year/Month

2022-12-15



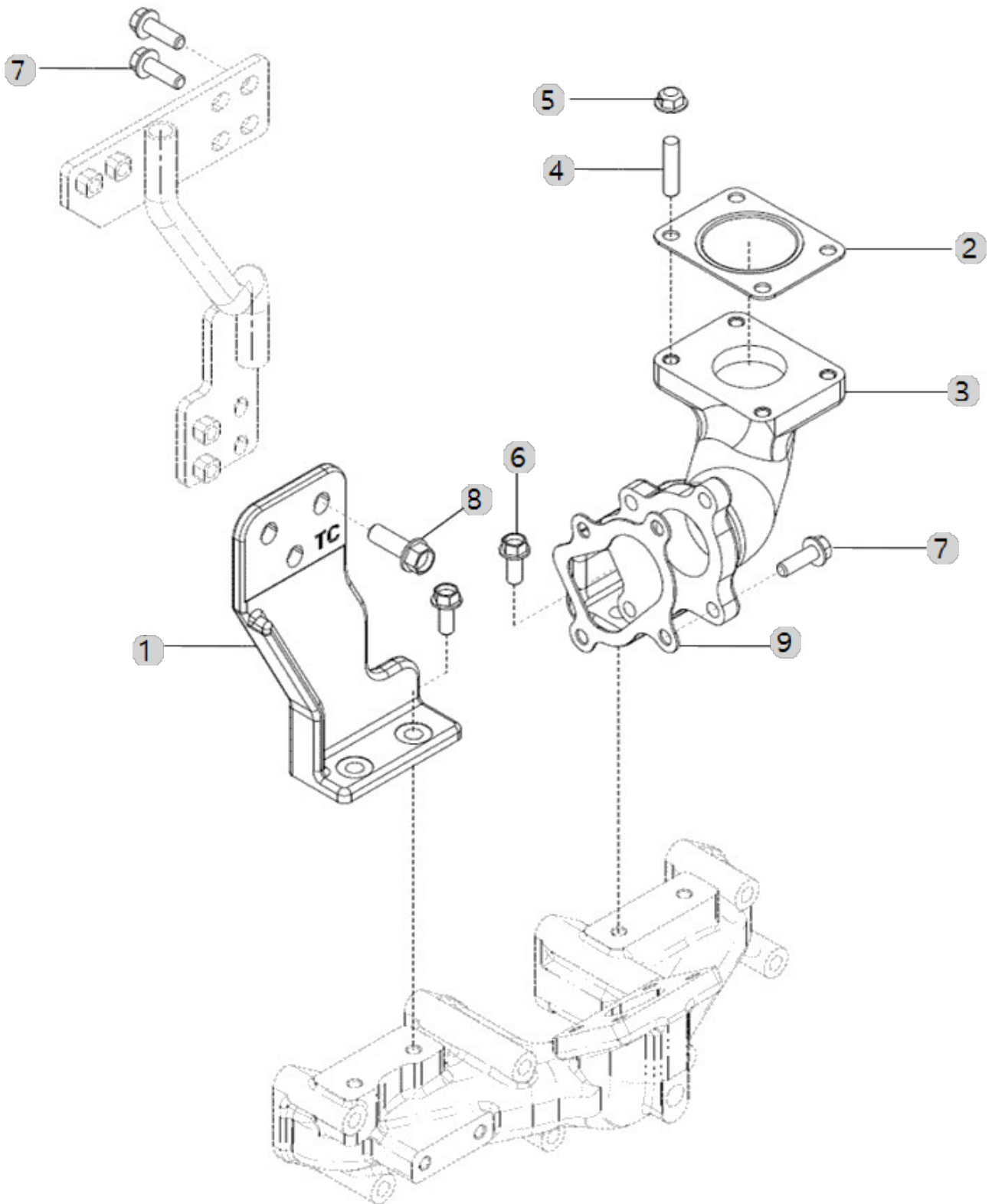
A44_008

A2300T1-UTR_4
(AB00337)

DPF MOUNTING OPTION

Year/Month

2022-12-15



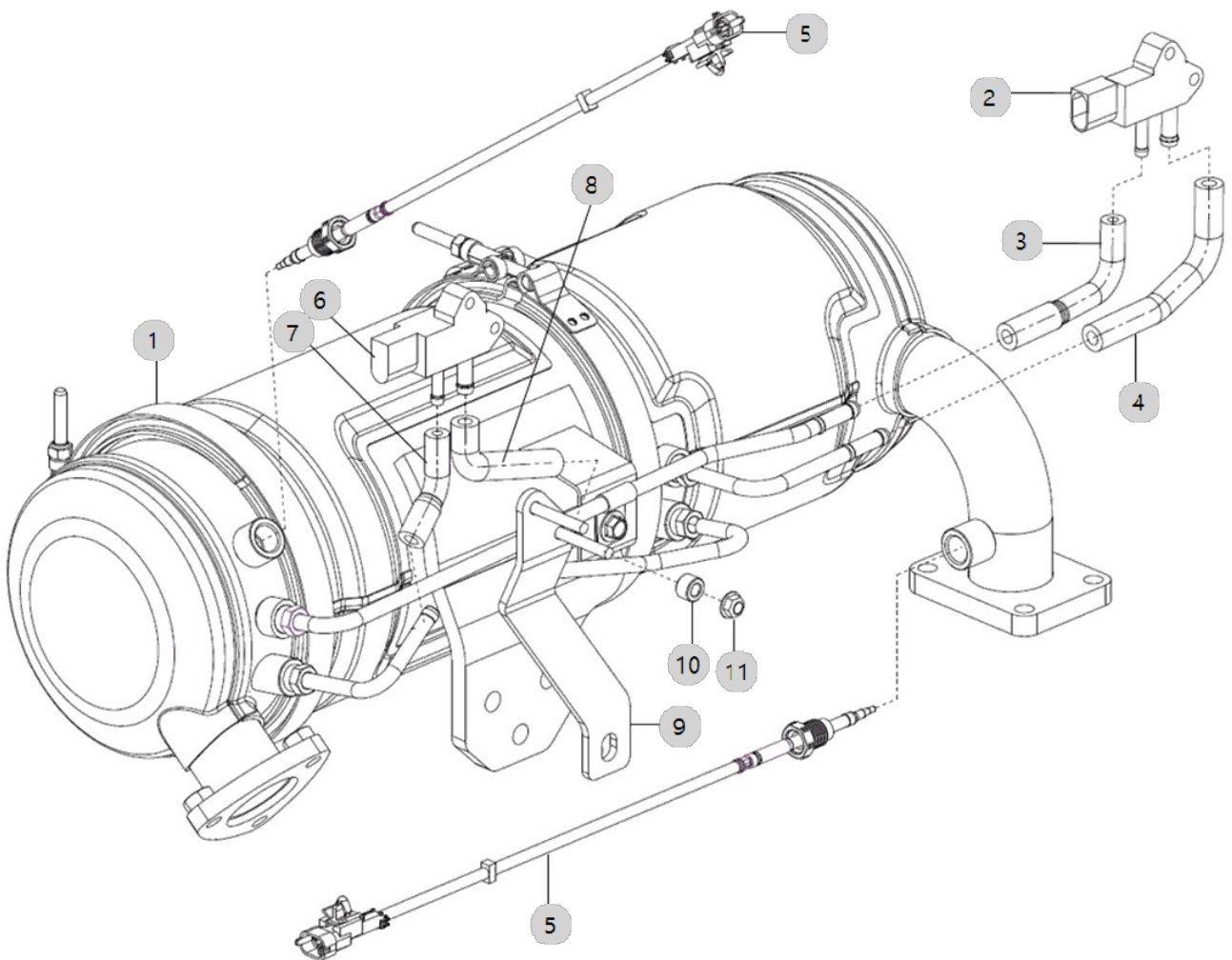
A45_011

A2300T1-UTR_4
(AB00337)

DPF

Year/Month

2022-12-15



A45_011 A2300T1-UTR_4 (AB00337)	DPF	Year/Month
		2022-12-15

순번 (NO)	부품번호 (PART NO)	품명 (PART NAME)	품명 (PART NAME)	수량 (QTY)	규격 (SPEC)	비고 (REMARK)
1	EA00006091A	DPF조합(5.66_수출)	DPF ASS'Y(5.66_EXPORT)	1		
2	EA00003291A	차압센서	DIFFERENTIAL PRESSURE SENSOR	1		
3	EA00003288A	차압센서 호스B	DIFFERENTIAL PRESSURE SENSOR HOSE B	1		
4	EA00003287A	차압센서 호스A	DIFFERENTIAL PRESSURE SENSOR HOSE A	1		
5	EA00005845A	온도센서(DARTS)	TEMP SENSOR(DARTS)	2		
6	EA00005846A	차압센서(18kPa)	DIFF PRESSURE SENSOR(18KPA)	1		
7	EA00005872A	차압센서 호스D	HOSE D, DIFF. PRESS SENSOR	1		
8	EA00005871A	차압센서 호스C	HOSE C, DIFF. SENSOR	1		
9	EA00005867B	차압센서브래킷(NA)	DIFF. SENSOR BRACKET(NA)	1		
9	EA00005867A	차압센서브래킷(NA)	DIFF. SENSOR BRACKET(NA)	1		
10	EA00005886B	스페이서(차압센서)	SPACER(DIFF. SENSOR)	2		
10	EA00005886A	스페이서(차압센서)	SPACER(DIFF. SENSOR)	2		
11	26367-060002	플랜지너트	Nut, Hexa (Φ6)	2	M6XP1.0	

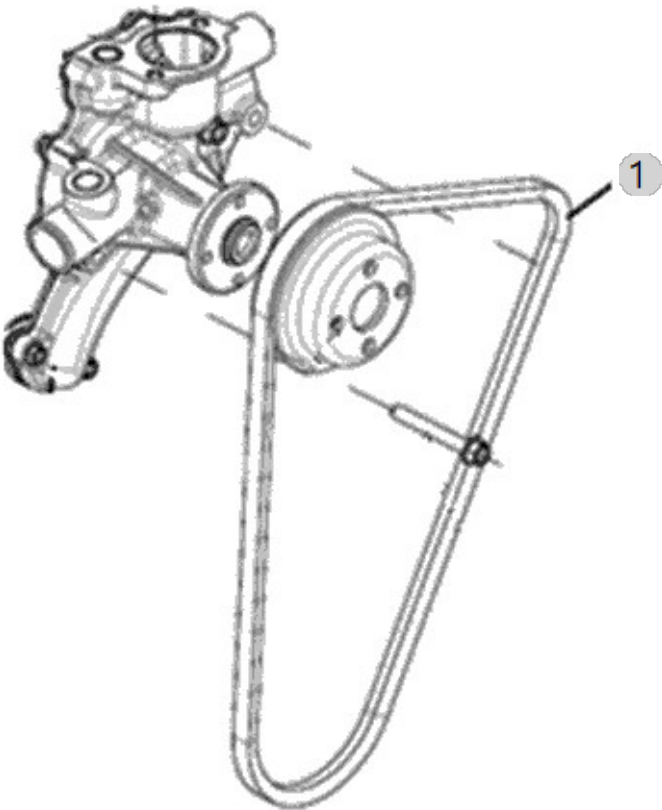
A48_006

A2300T1-UTR_4
(AB00337)

V-BELT

Year/Month

2022-12-15



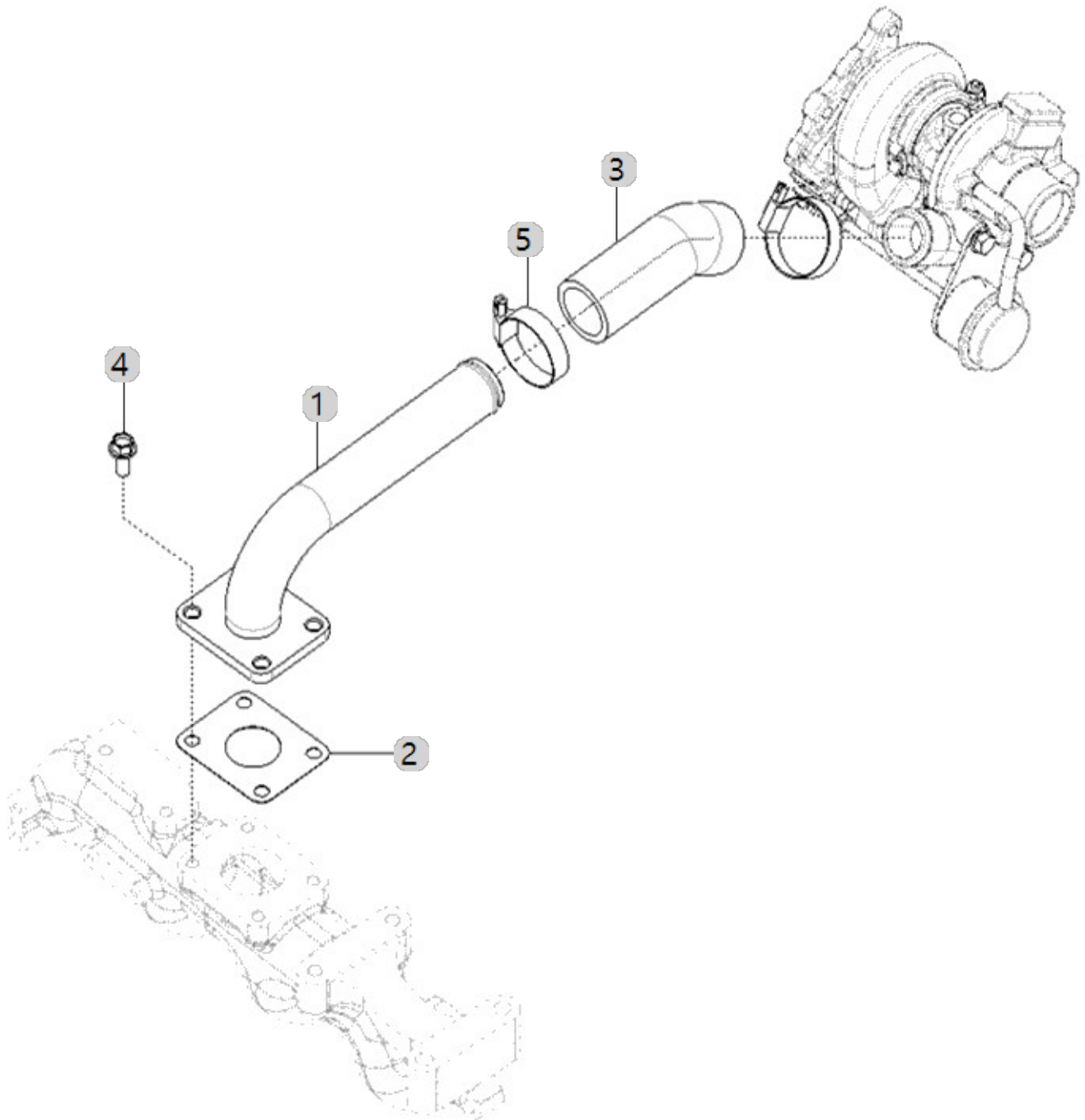
A51_006

A2300T1-UTR_4
(AB00337)

INTAKE HOSE ASSY OPTION

Year/Month

2022-12-15



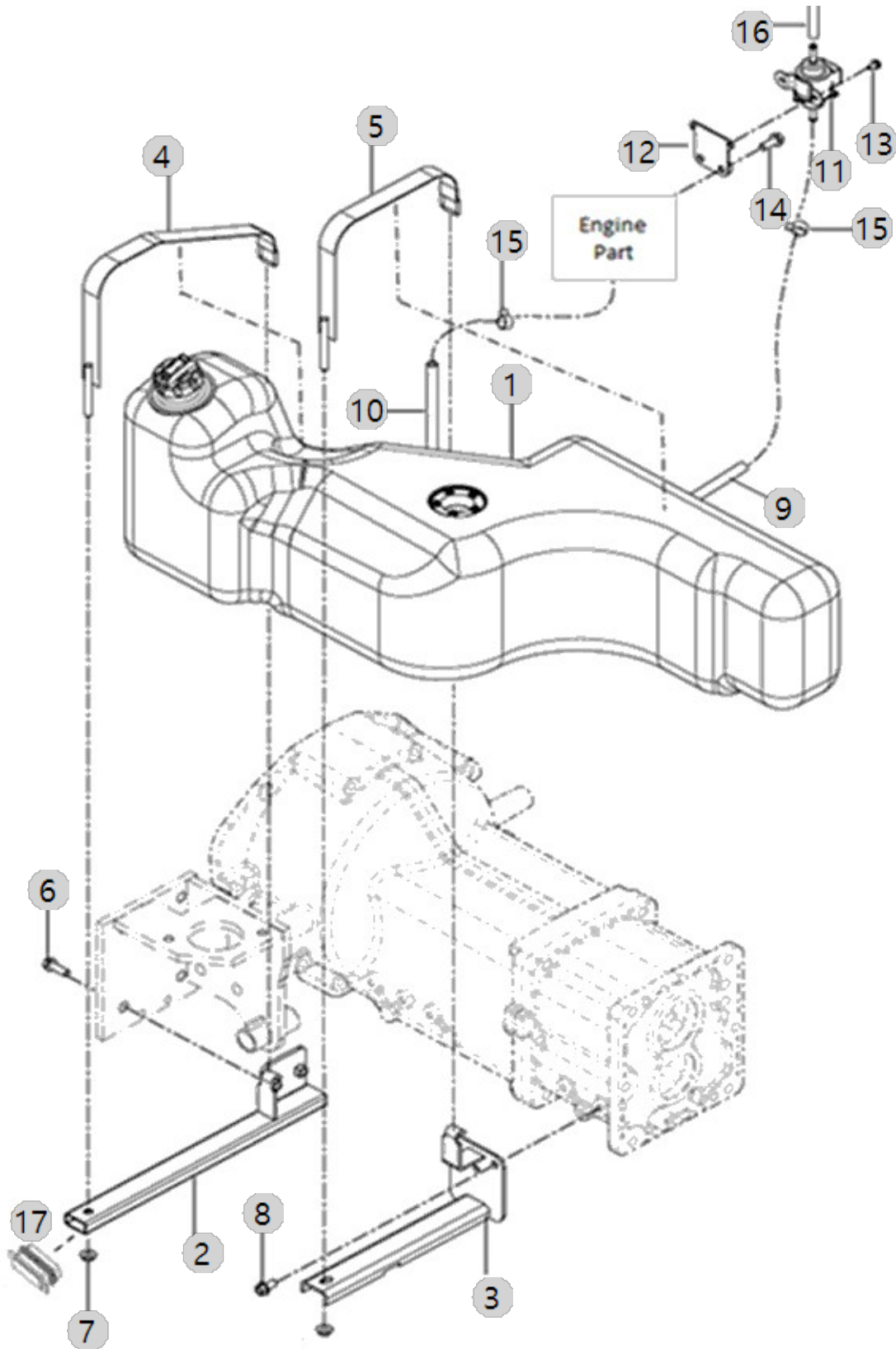
B01010

Year/Month

5835R(AC02113)

(FUEL TANK)

2022-12-15



B01010		(FUEL TANK)				Year/Month
5835R(AC02113)						2022-12-15
순번 (NO)	부품번호 (PART NO)	품명 (PART NAME)	품명 (PART NAME)	수량 (QTY)	규격 (SPEC)	비고 (REMARK)
1	TA00043906B	연료탱크 총조합	FUEL TANK ASSY	1		
1	TA00043906A	연료탱크 총조합	FUEL TANK ASSY	1		
1	TA00043906C	연료탱크 총조합	FUEL TANK ASSY	1		
2	TA00042944C	탱크지지브래킷조합(전)	LOWER TANK BRACKET ASSY(FR)	1		
2	TA00042944B	탱크지지브래킷조합(전)	LOWER TANK BRACKET ASSY(FR)	1		
2	TA00042944D	탱크지지브래킷조합(전)	LOWER TANK BRACKET ASSY(FR)	1		
3	TA00042948C	탱크지지브래킷조합(후)	LOWER TANK BRACKET ASSY(RR)	1		
3	TA00042948D	탱크지지브래킷조합(후)	LOWER TANK BRACKET ASSY(RR)	1		
4	TA00042951D	연료탱크 고정밴드(전)	BAND, FUEL TANK(FR)	1		
4	TA00042951C	연료탱크 고정밴드(전)	BAND, FUEL TANK(FR)	1		
5	TA00042953E	연료탱크 고정밴드(후)	BAND, FUEL TANK(RR)	1		
5	TA00042953D	연료탱크 고정밴드(후)	BAND, FUEL TANK(RR)	1		
6	26106-100302	육각플랜지볼트	HEXFLANGEBOLT	2	M10XP1.5X30	
7	26367-100002	263,ALL, 고정너트(우나사)	NUT,HEXAGONFLANGE	2	M10X1025	
8	26106-100202	육각플랜지볼트	HEX BOLT, (10-20)	3	M10XP1.5X20	
9	TA00036179A	호스(1000)	HOSE	1		
10	TA00036176A	호스(1100)	HOSE	1		
11	HF20190000A2	피드펌프	PUMP ASSY, FUEL FEED	1		
12	TC51420000C4	스테이(펌프)	STAY ASSY	1	T=3.2	
12	TC51420000B4	스테이조합(펌프)	STAY ASSY	1	T=3.2	
13	26106-060122	육각플랜지볼트	HEX BOLT (6-12)	2	M6XP1.0X12	
14	26106-100252	육각플랜지볼트	SCREW,HEXFLANGEHEADCAP	2	M10XP1.5X25	
15	23080-013000	호스 클립	Clamp, Hose (Φ13)	2	D13	
16	TA00059117A	연료호스(A5800)	HOSE_FUEL	1		
17	TA00062769A	사각 캡	CAP, PVC	1		

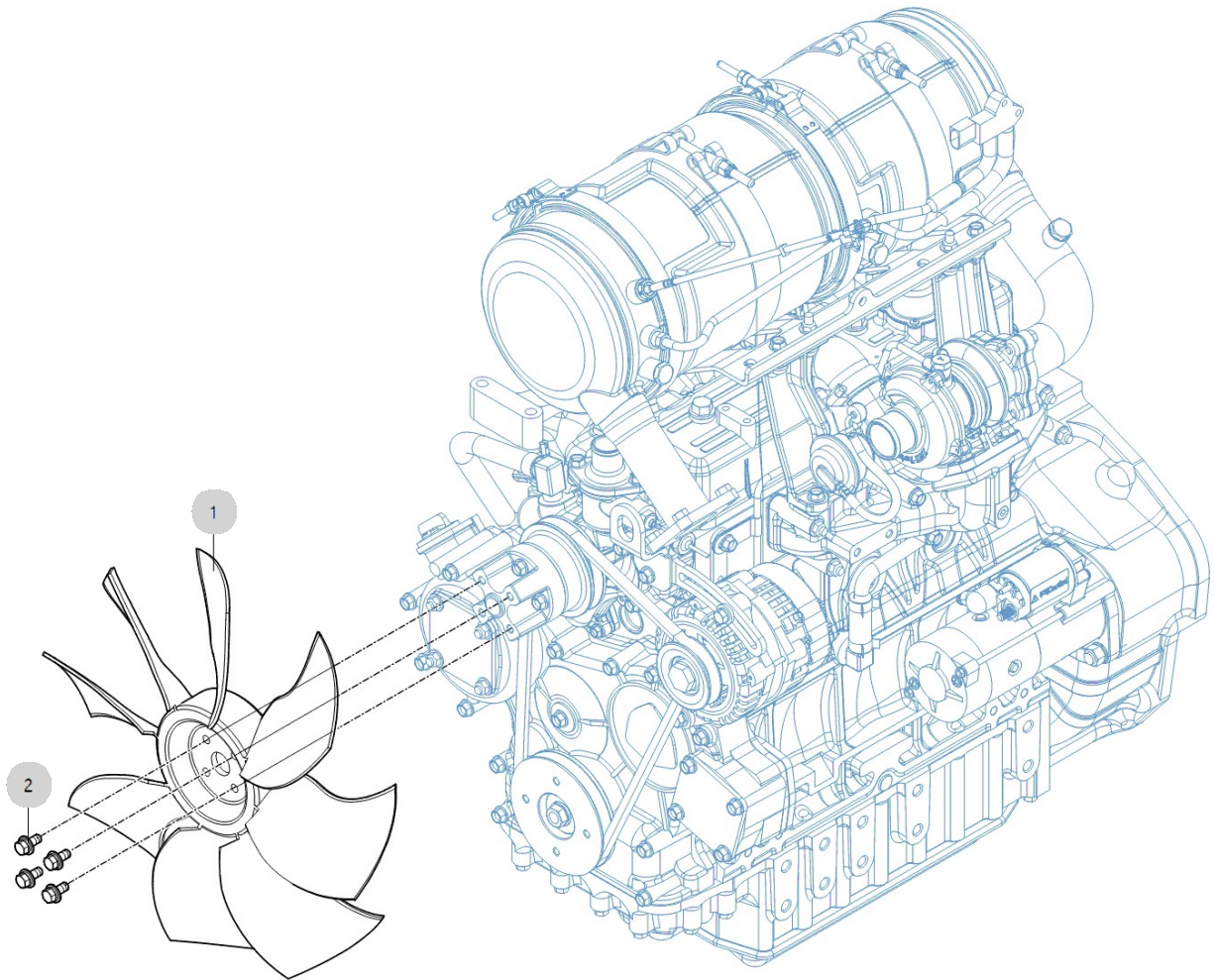
B02010

5835R(AC02113)

(COOLING FAN)

Year/Month

2022-12-15



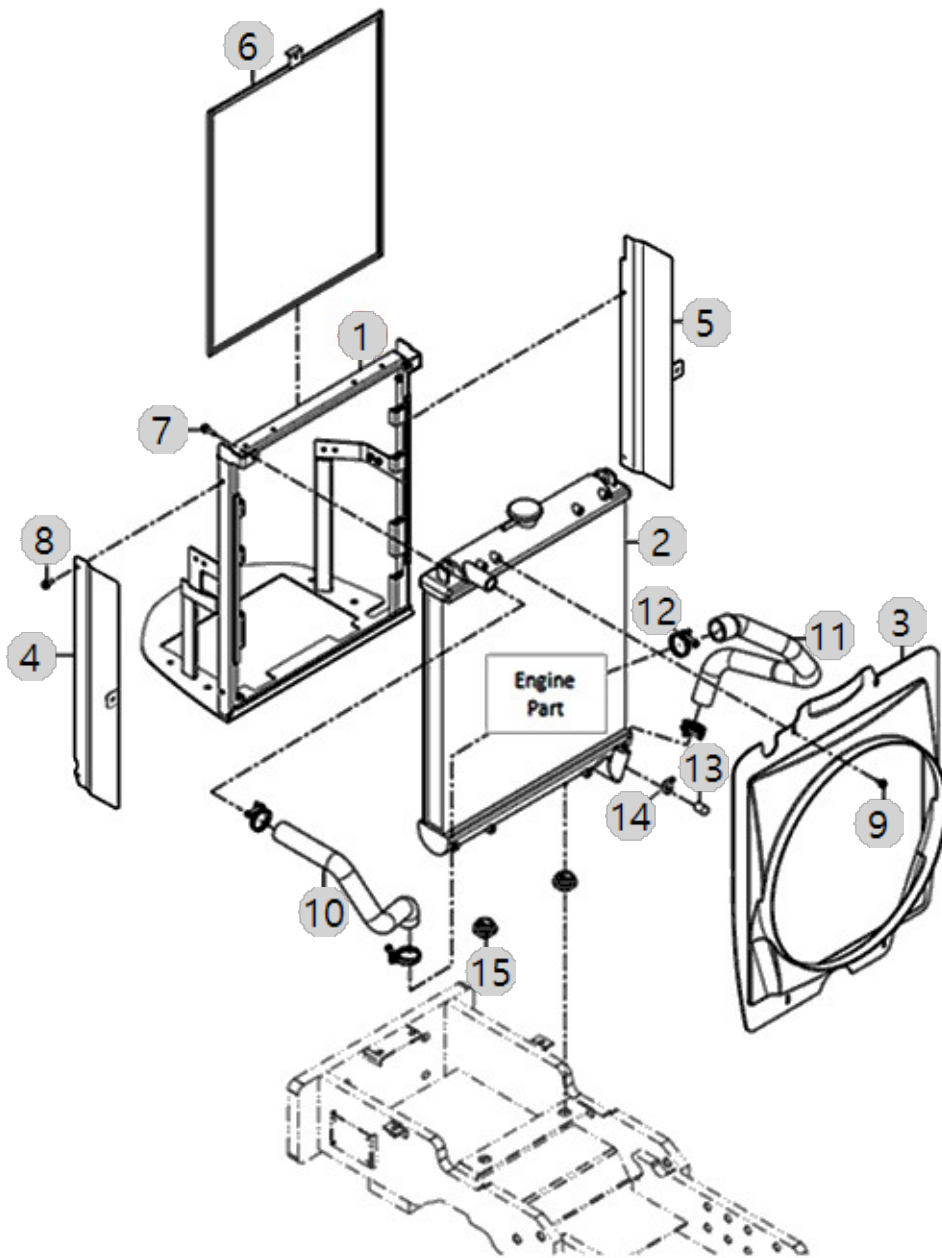
B02020

Year/Month

5835R(AC02113)

(RADIATOR)

2022-12-15



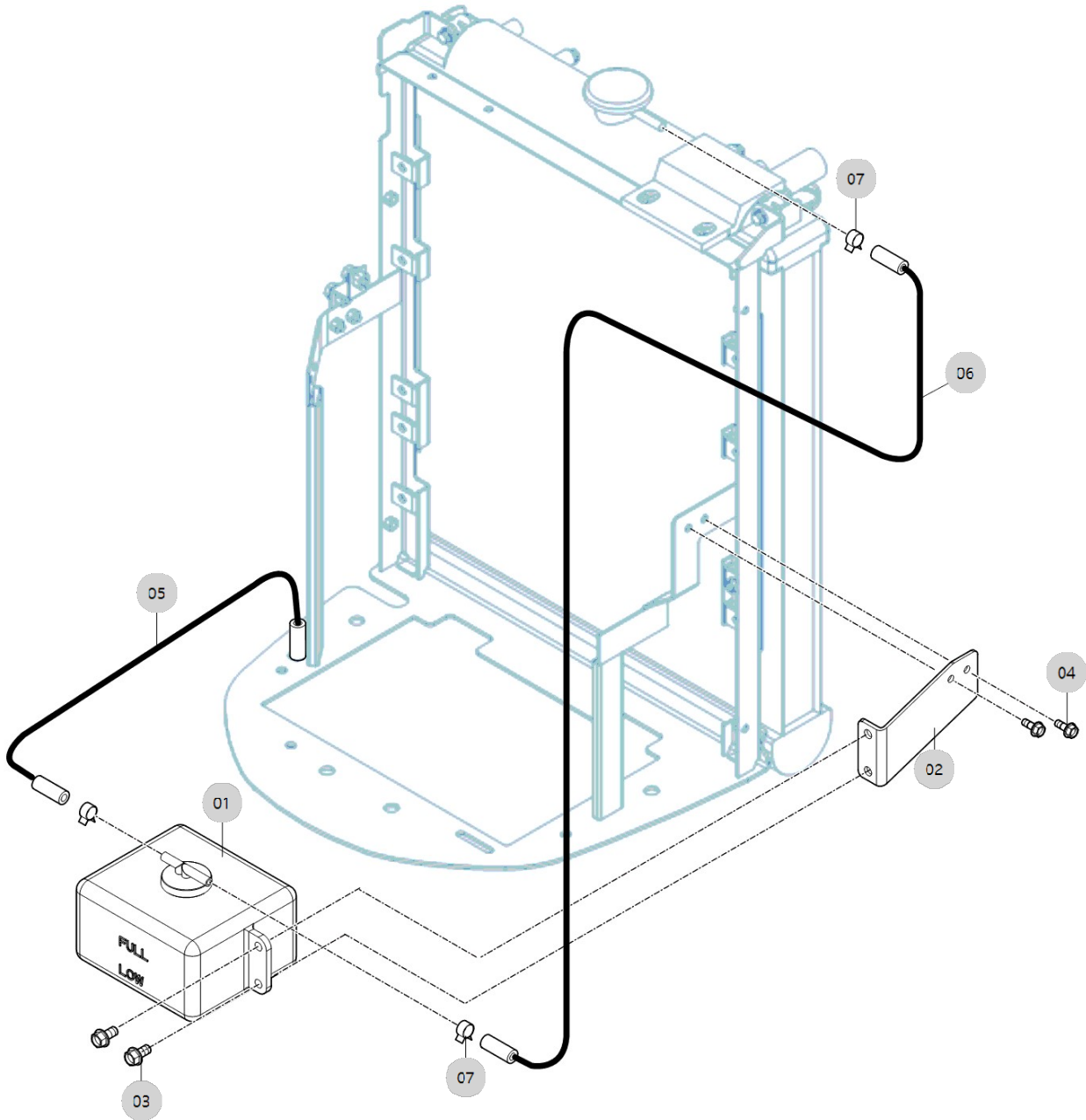
B02050

5835R(AC02113)

(AUXILIARY COOLANT TANK)

Year/Month

2022-12-15



B02050 5835R(AC02113)	(AUXILIARY COOLANT TANK)	Year/Month
		2022-12-15

순번 (NO)	부품번호 (PART NO)	품명 (PART NAME)	품명 (PART NAME)	수량 (QTY)	규격 (SPEC)	비고 (REMARK)
1	TA00041471A	냉각수 보조탱크 조합	SUB TANK ASS'Y	1		
1	TA00041471B	냉각수보조탱크조합	SUB TANK ASS'Y	1		
2	TA00045959B	냉각수 보조탱크 브래킷조	BRACKET ASS'Y, COOLING WATER SUB-TANK	1		
2	TA00045959A	냉각수 보조탱크 브래킷조	BRACKET ASS'Y, COOLING WATER SUB-TANK	1		
3	26106-080162	플랜지볼트8X16	SCREW,HEXFLANGEHEADCAP	2	M8XP1.25X16	
4	26106-060162	육각플랜지 볼트	HEXFLANGE BOLT	2	M6XP1.0X16	
5	23980-730560	플루트호스	FLOAT HOSE	1	7.3x560	
6	TA00044503A	보조 냉각수 호스	HOSE	1		
7	23080-012000	호스클립	CLIP,VBAND	3	D12	

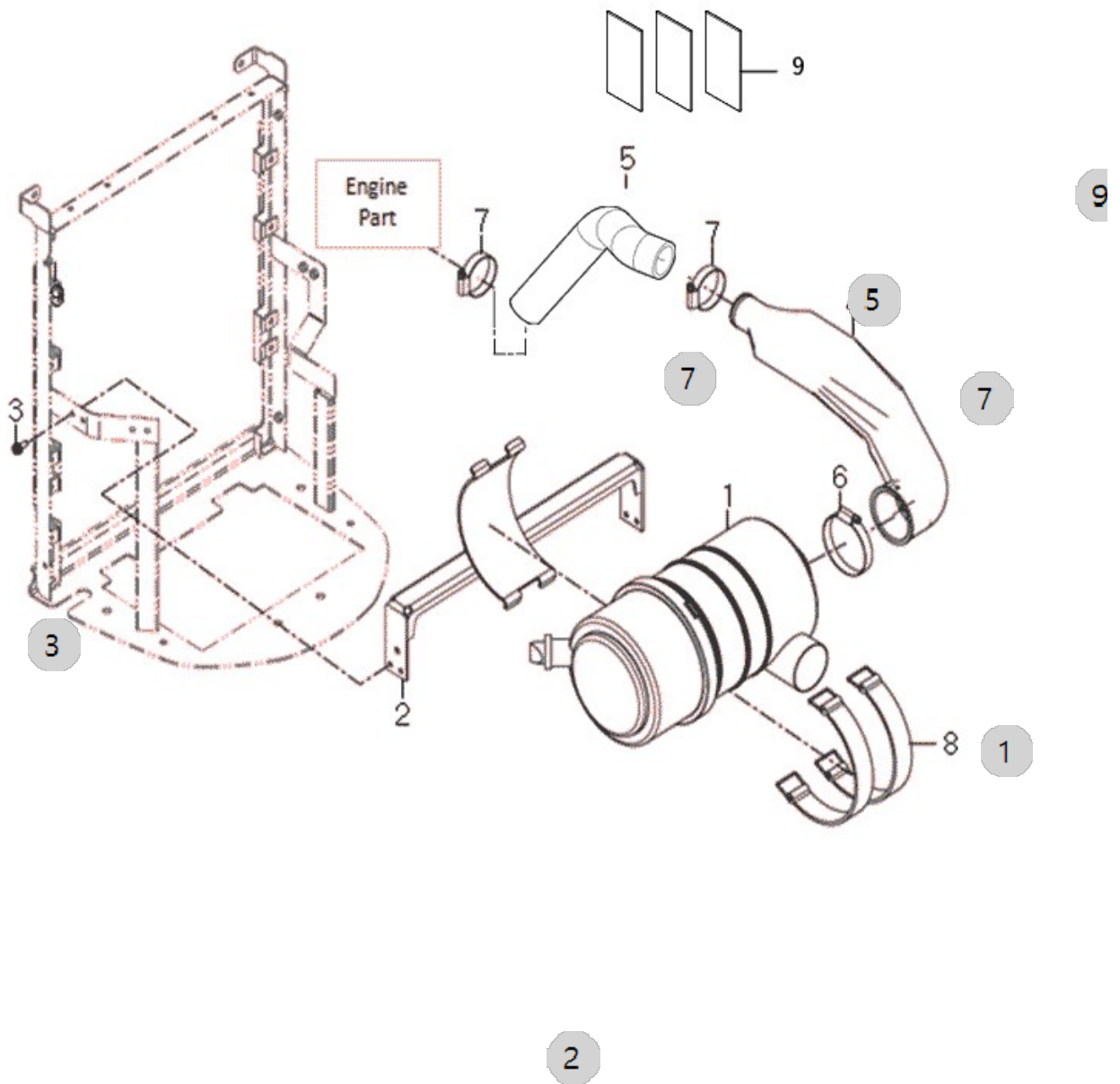
B03010

5835R(AC02113)

AIR CLEANER

Year/Month

2022-12-15



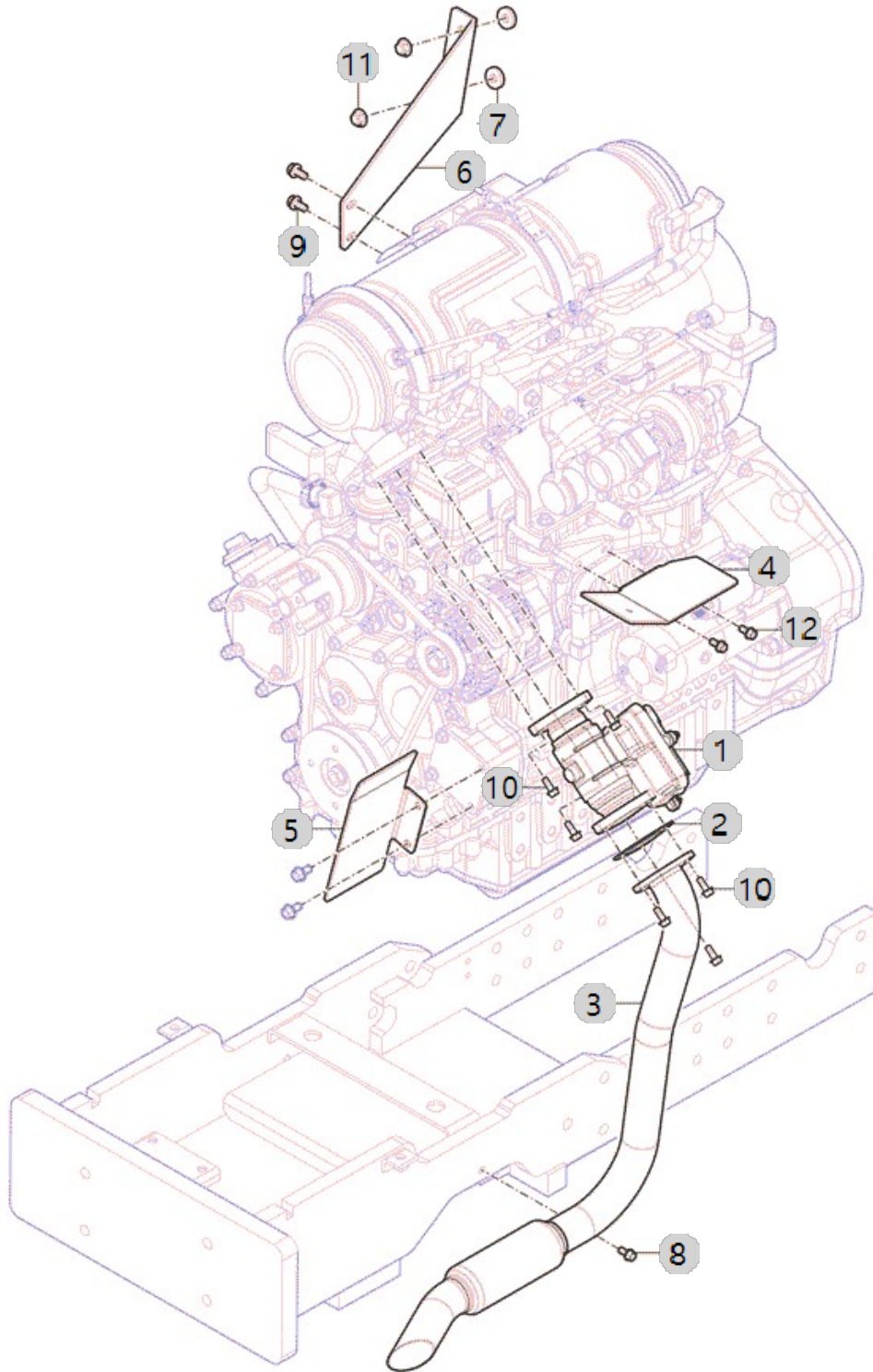
B03030

Year/Month

5835R(AC02113)

(EXHAUST PIPE)

2022-12-15



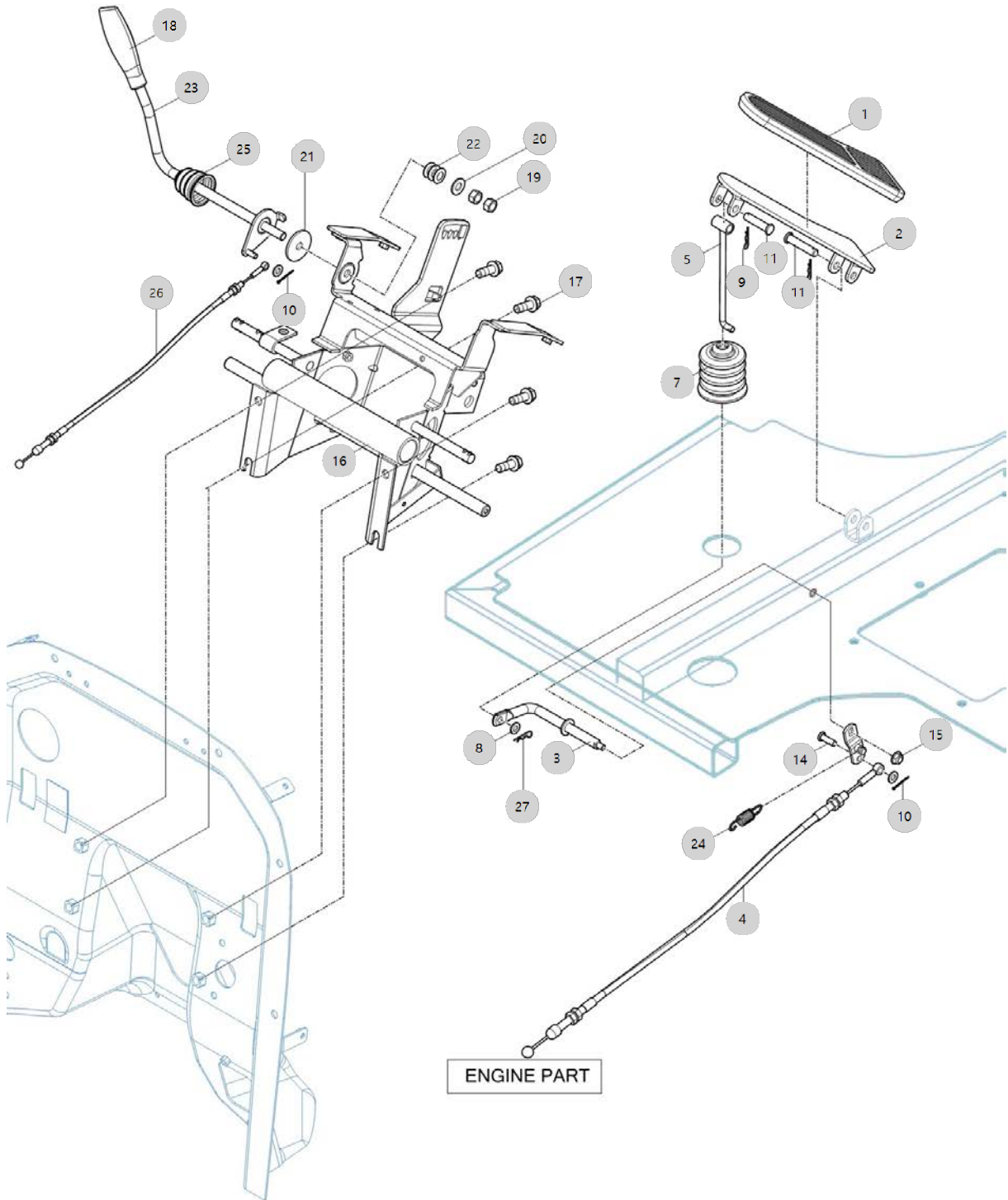
B05010

(ACCELERATION SYSTEM)

Year/Month

5835R(AC02113)

2022-12-15



B05010 5835R(AC02113)	(ACCELERATION SYSTEM)	Year/Month
		2022-12-15

순번 (NO)	부품번호 (PART NO)	품명 (PART NAME)	품명 (PART NAME)	수량 (QTY)	규격 (SPEC)	비고 (REMARK)
1	TT02250000A3	액셀페달커버	COVER	1		
2	TA00022124C	엑셀페달	PEDAL, ACCELERATOR	1		
2	TA00022124B	엑셀페달	PEDAL, ACCELERATOR	1		
3	TA00057257A	로드 조합	ROAD ASSY	1		
3	TA00057257B	로드 조합	ROAD ASSY	1		
4	TA00058167A	엑셀케이블(페달)	WIRE(PEDAL), ACCELERATOR	1		
5	TA00058216B	엑셀로드조합	ROD ASS'Y, EXCELL	1		
5	TA00058216A	엑셀로드조합	ROD ASS'Y, EXCELL	1		
7	TA00020006A	엑셀 페달 자바라	BOOT	1		
8	22137-060000	평와셔	WASHER , PLAIN	2	M6	
9	22360-080000	스냅핀8	PIN , SNAP (8Φ)	2	D8	
10	22417-160180	할핀1.6X18	PIN , COTTER (1-18)	1	D1.6X18	
11	22486-080300	두부핀	평와셔	2	D8X30	
14	NT01150000B4	암(엑셀 조합)	ARM(ACCELASSY)	1		
14	NT01150000A4	암(엑셀조합)	ARM, ACCELERATOR PEDAL	1		
15	26367-060002	플랜지너트	Nut, Hexa (Φ6)	1	M6XP1.0	
16	TA00057192C	컬럼스테이조합	COLUMN STAY ASSY	1		
16	TA00057192B	컬럼스테이조합	COLUMN STAY ASSY	1		
17	26106-080202	육각플랜지볼트	SQR FLANGE BOLT	4	M8XP1.25X20	
18	TA00056003A	엑셀 손잡이 노브 조합	KNOD, ACCELERATOR	1		
19	26716-100002	육각너트	Nut, Hexa (Φ10)	2	M10XP1.5	
20	22137-100000	평와셔 10	WASHER, PLAIN (Φ 10)	1	M10	
21	TC45060000B4	마찰판	FRICITIONPLATE	1	10.1X40X3	
22	TC45010000A4	접시형스프링와셔10	SPRINGWASHER10	3		
22	TC45010000B4	접시 스프링 와셔10	SPRINGWASHER10	3	M10	
23	TA00057273A	레버(엑셀)	LEVER ACEEL	1		
23	TA00057273C	레버(엑셀)	LEVER ACCEL.	1		
23	TA00057273B	레버(엑셀)	LEVER ACCEL.	1		
24	TT98200000A4	리턴스프링	RETURNSPRING	1		
24	TT98200000B4	리턴스프링	RETURNSPRING	1		
25	TA00033698A	부츠	BOOT	1		
26	TA00057851B	엑셀와이어(레버)	WIRE ASS'Y	1		
27	22360-060000	스냅핀	PIN , SNAP (6Φ)	1	D6	

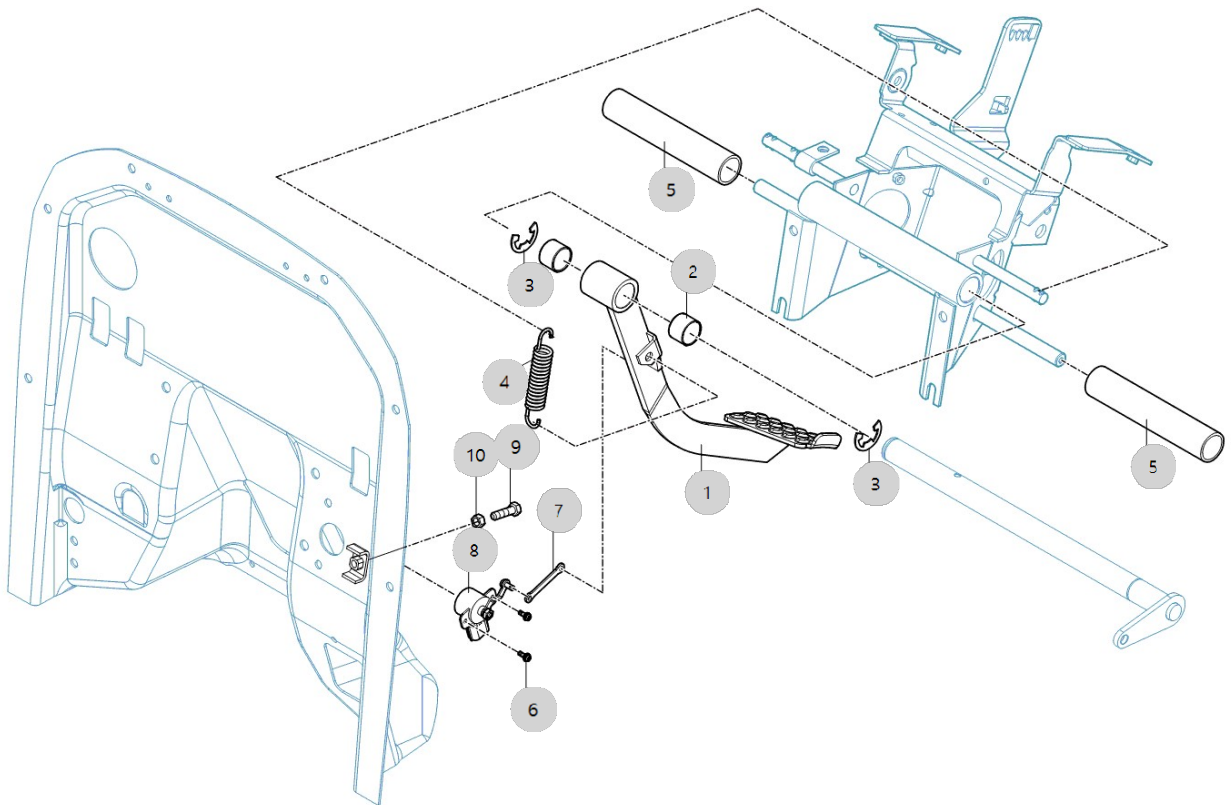
C01030

Year/Month

5835R(AC02113)

(CLUTCH PEDAL)

2022-12-15



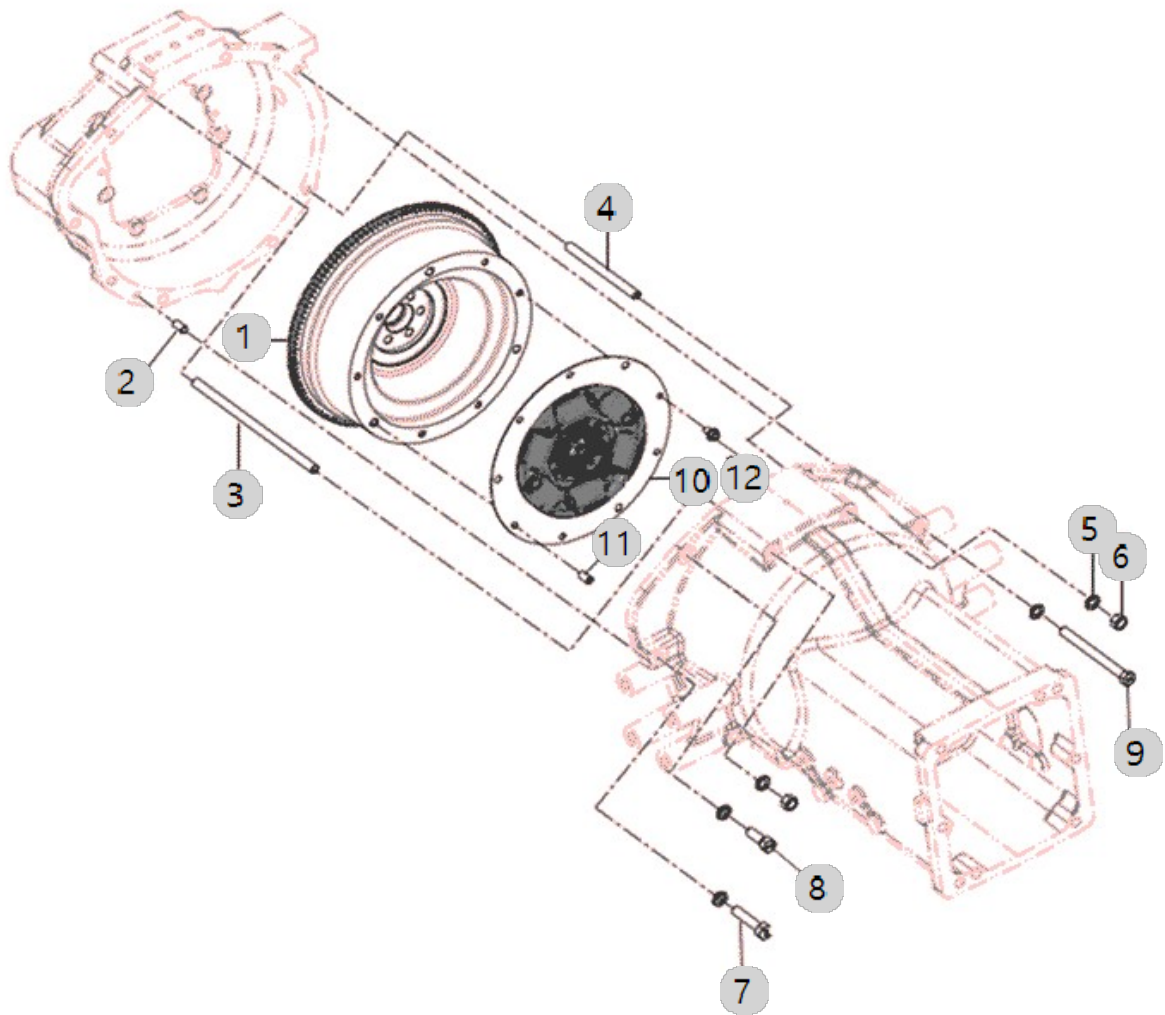
C01050

Year/Month

5835R(AC02113)

(PTO DAMPER)

2022-12-15



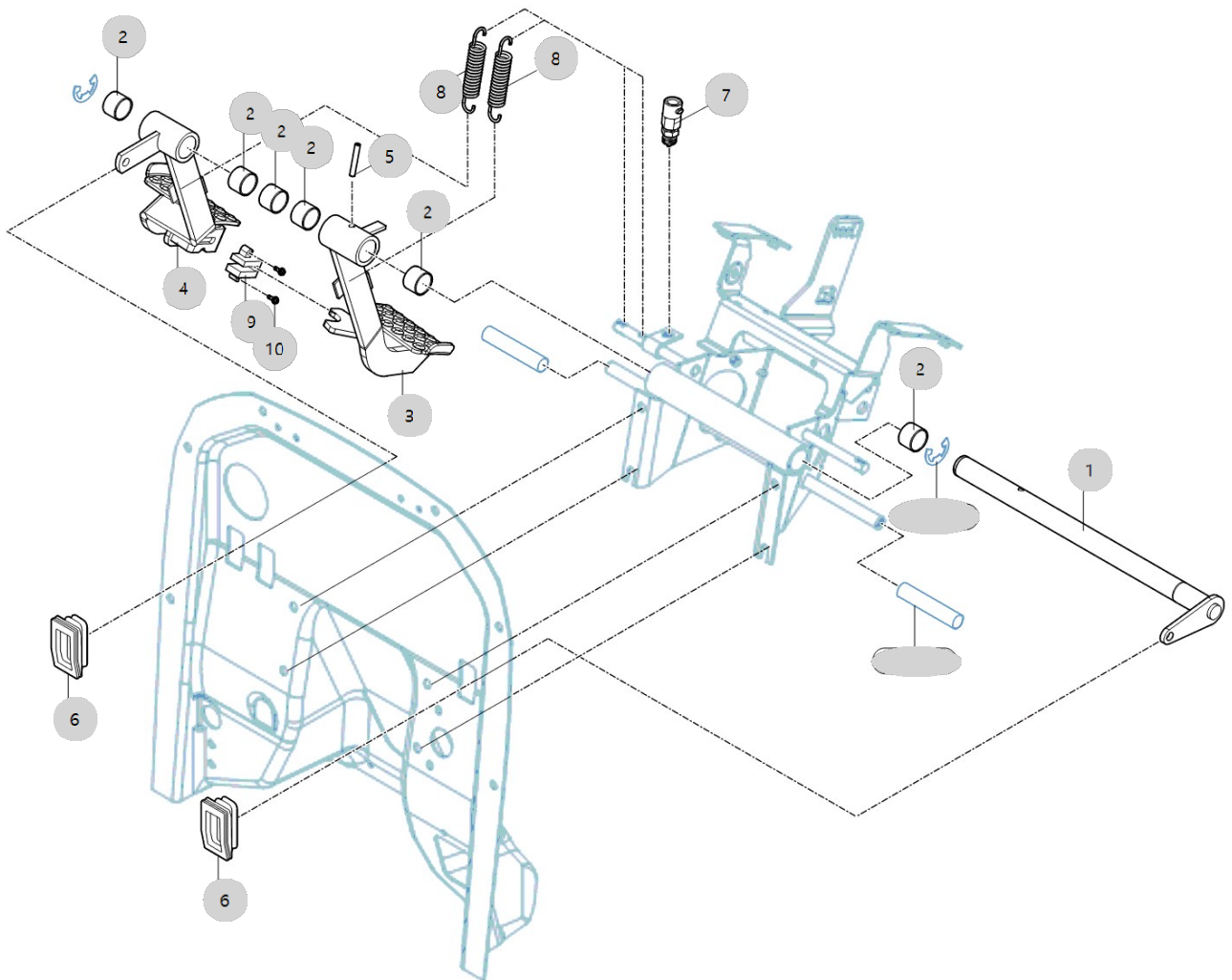
C02010

5835R(AC02113)

(BRAKE PEDAL)

Year/Month

2022-12-15



C02010 5835R(AC02113)		(BRAKE PEDAL)				Year/Month 2022-12-15
순번 (NO)	부품번호 (PART NO)	품명 (PART NAME)	품명 (PART NAME)	수량 (QTY)	규격 (SPEC)	비고 (REMARK)
1	TA00042646B	브레이크 페달축조합	SHAFT ASSY, BRAKE PEDAL	1		
1	TA00042646A	브레이크 페달축조합	SHAFT ASSY, BRAKE PEDAL	1		
2	TC73010200A4	부시25X28X20	BUSH25*28*20	6		
3	TA00057188C	브레이크 페달(L)	PEDAL, BRAKE(L)	1		
3	TA00057188B	브레이크 페달(L)	PEDAL, BRAKE(L)	1		
3	TA00057188A	브레이크 페달(L)	PEDAL, BRAKE(L)	1		
4	TA00057189B	브레이크 페달(R)	PEDAL, BRAKE(R)	1		
4	TA00057189A	브레이크 페달(R)	PEDAL, BRAKE(R)	1		
4	TA00057189C	브레이크 페달(R)	PEDAL, BRAKE(R)	1		
5	22351-060040	스프링핀	PIN, SPRING (6-40)	1	D6X40	
6	TA00047203A	페달부츠	BRACKET B, WIRE	2		
6	TA00047203A	페달부츠	BRACKET B, WIRE	2		
7	TZC5110000A3	스톱램브스위치	STOPLAMPSWITCH	1		
8	TC73090000C4	리턴스프링	RETURN SPRING	2	D2.9	
8	TC73090000B4	리턴스프링	RETURN SPRING	2	D2.9	
8	TC73090000A4	리턴스프링	RETURN SPRING	2		
9	HA00000355A	편브레이크스위치	BARK SWITCH	1	NONE	
10	26023-040162	와셔조립남비작은나사(SW+PW)	SCREW	2	M4X16	

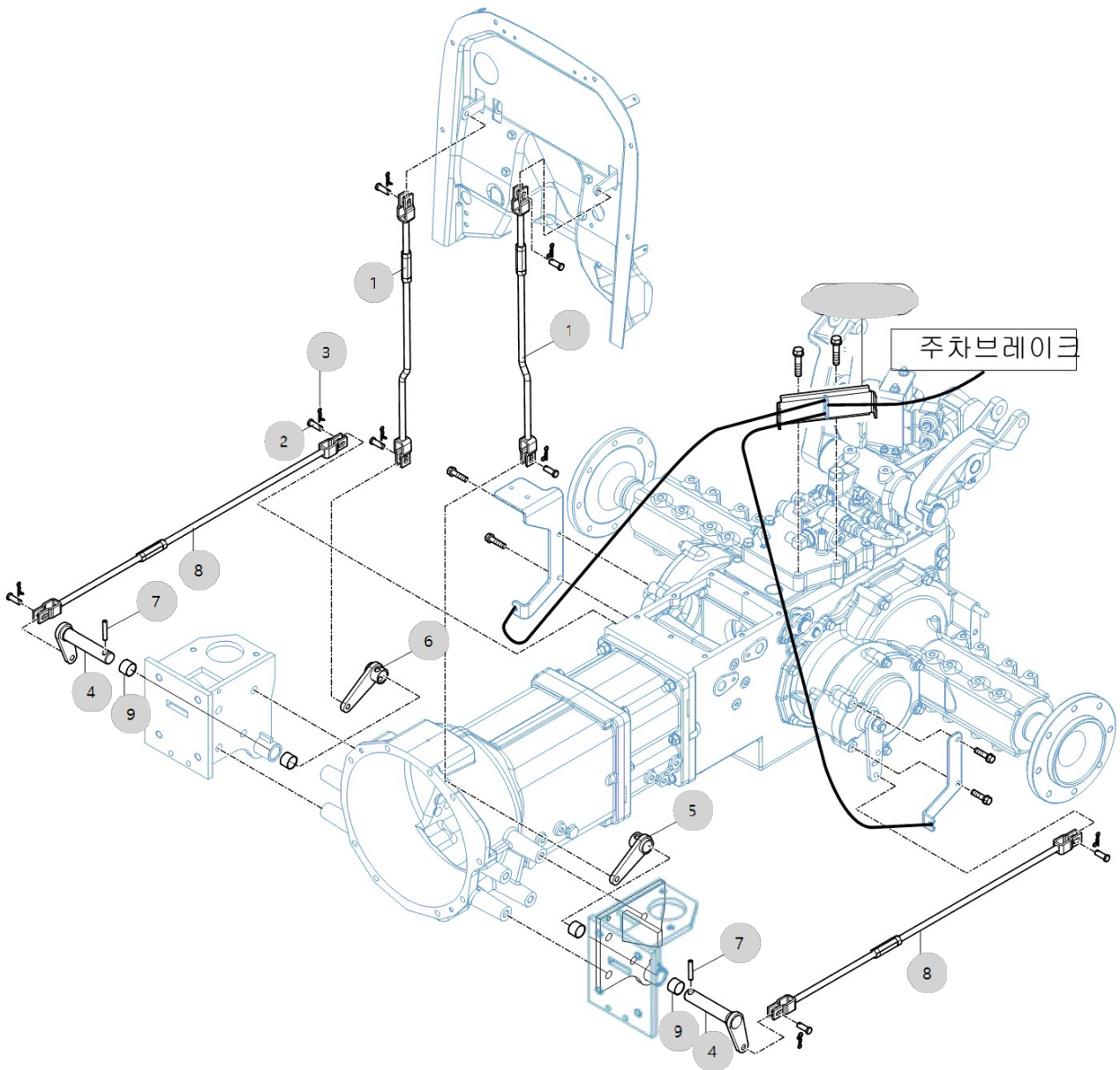
C02030

Year/Month

5835R(AC02113)

(BRAKE ROD)

2022-12-15



C02030 5835R(AC02113)	(BRAKE ROD)	Year/Month
		2022-12-15

순번 (NO)	부품번호 (PART NO)	품명 (PART NAME)	품명 (PART NAME)	수량 (QTY)	규격 (SPEC)	비고 (REMARK)
1	TA00042967D	브레이크 로드조합(상)	ROD ASS'Y, BRAKE(UPPER)	1		
1	TA00042967F	브레이크 로드조합(상)	ROD ASS'Y, BRAKE(UPPER)	2		
1	TA00042967C	브레이크 로드조합(상)	ROD ASS'Y, BRAKE(UPPER)	2		
1	TA00042967E	브레이크 로드조합(상)	ROD ASS'Y, BRAKE(UPPER)	2		
2	TT41090000C4	두부핀 10x23	PIN10X23	8	D10	
2	TT41090000B4	두부핀 10x23	PIN10X23	8	D10	
2	TT41090000A4	두부핀10X23	PIN10X23	8		
3	RR51230000D4	빠짐방지 스톱핀 10	PIN 10, COME-OFF SNAP	8	D1.8	
4	TA00037379D	캠샤프트조합	CAM SHAFT ASS'Y	2		
4	TA00037379A	캠샤프트조합	CAM SHAFT ASSY	2		
4	TA00037379C	캠샤프트조합	CAM SHAFT ASS'Y	2		
4	TA00037379B	캠샤프트조합	CAM SHAFT ASSY	1		
5	TA00043015B	캠조합(좌)	CAM ASS'Y	1		
5	TA00043015A	캠조합(좌)	CAM ASS'Y	1		
6	TA00043020B	캠조합(우)	CAM ASS'Y	1		
6	TA00043020A	캠조합(우)	CAM ASS'Y	1		
7	22351-100032	스프링핀	PIN, SPRING	2	D10X32	
8	TA00042970B	브레이크 로드조합(하)	ROD ASS'Y, BRAKE(LOWER)	2		
8	TA00042970D	브레이크 로드조합(하)	ROD ASS'Y, BRAKE(LOWER)	2		
8	TA00042970A	브레이크 로드조합(하)	ROD ASS'Y, BRAKE(LOWER)	2		
8	TA00042970C	브레이크 로드조합(하)	ROD ASS'Y, BRAKE(LOWER)	2		
9	24550-025200	드라이부시	BUSH,DRY	4	25X20	

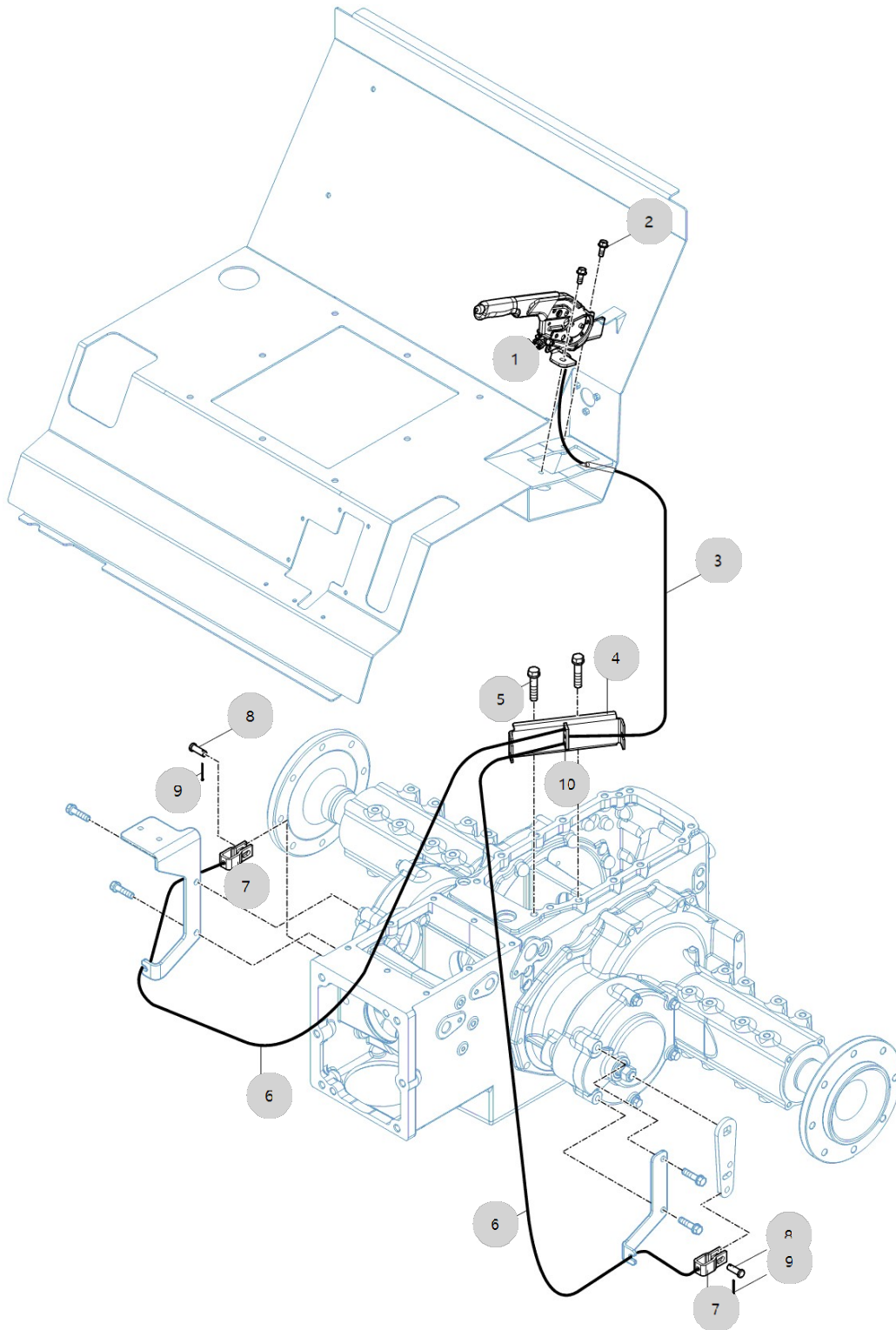
C02061

Year/Month

5835R(AC02113)

(PARKING BRAKE)

2022-12-15



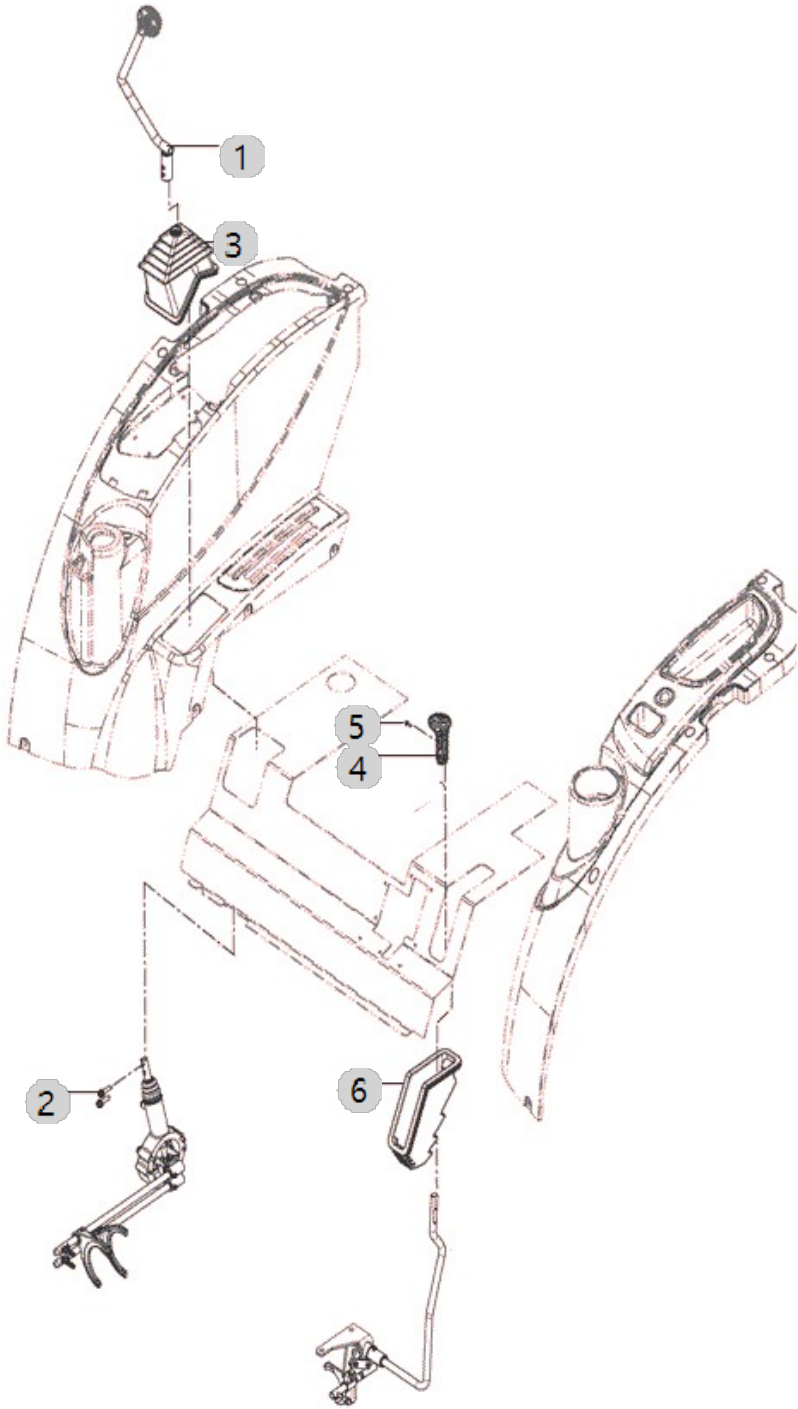
C04030

5835R(AC02113)

(SHIFT LEVER)

Year/Month

2022-12-15



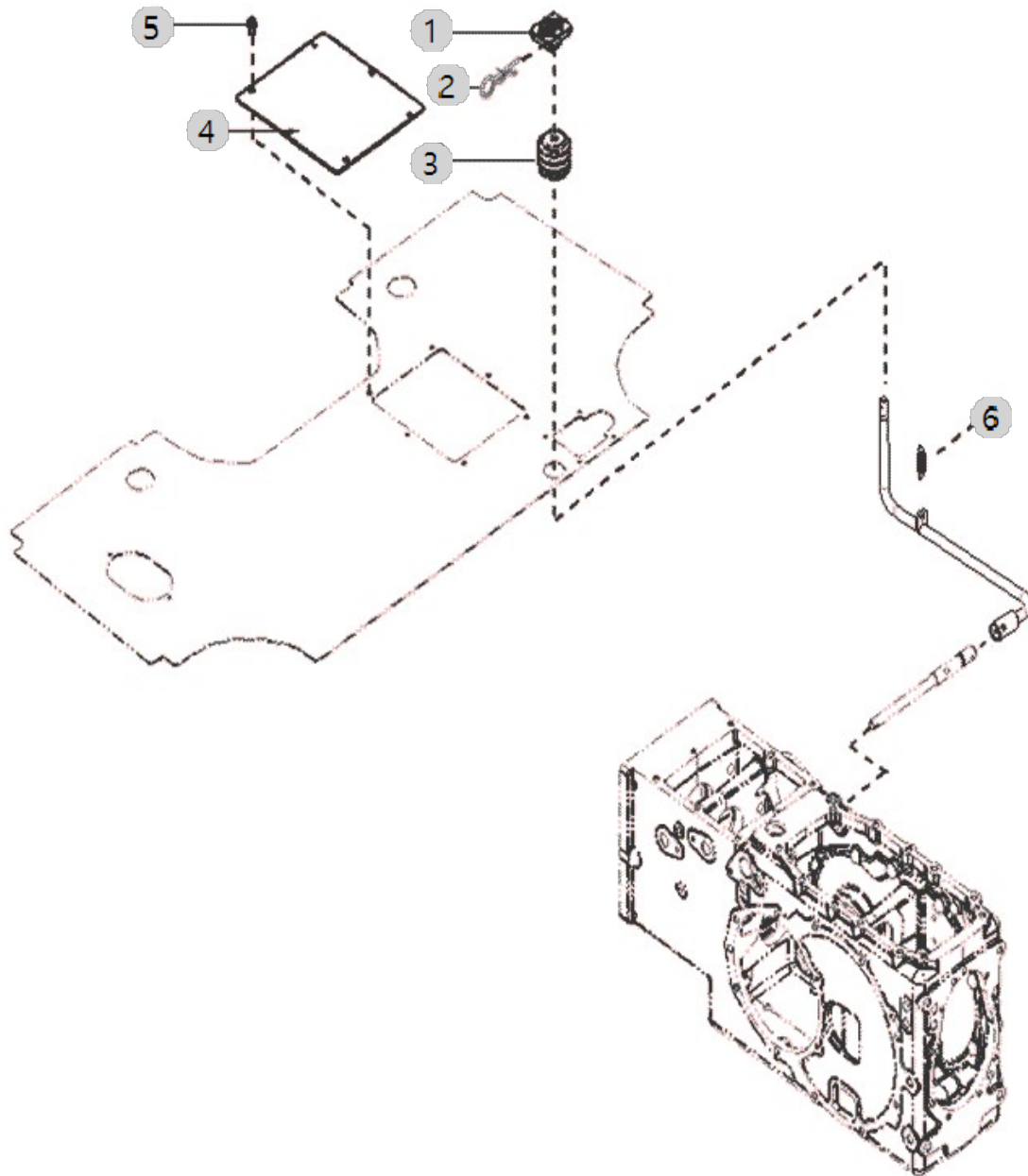
C04040

Year/Month

5835R(AC02113)

(DIFF-LOCK PEDAL)

2022-12-15



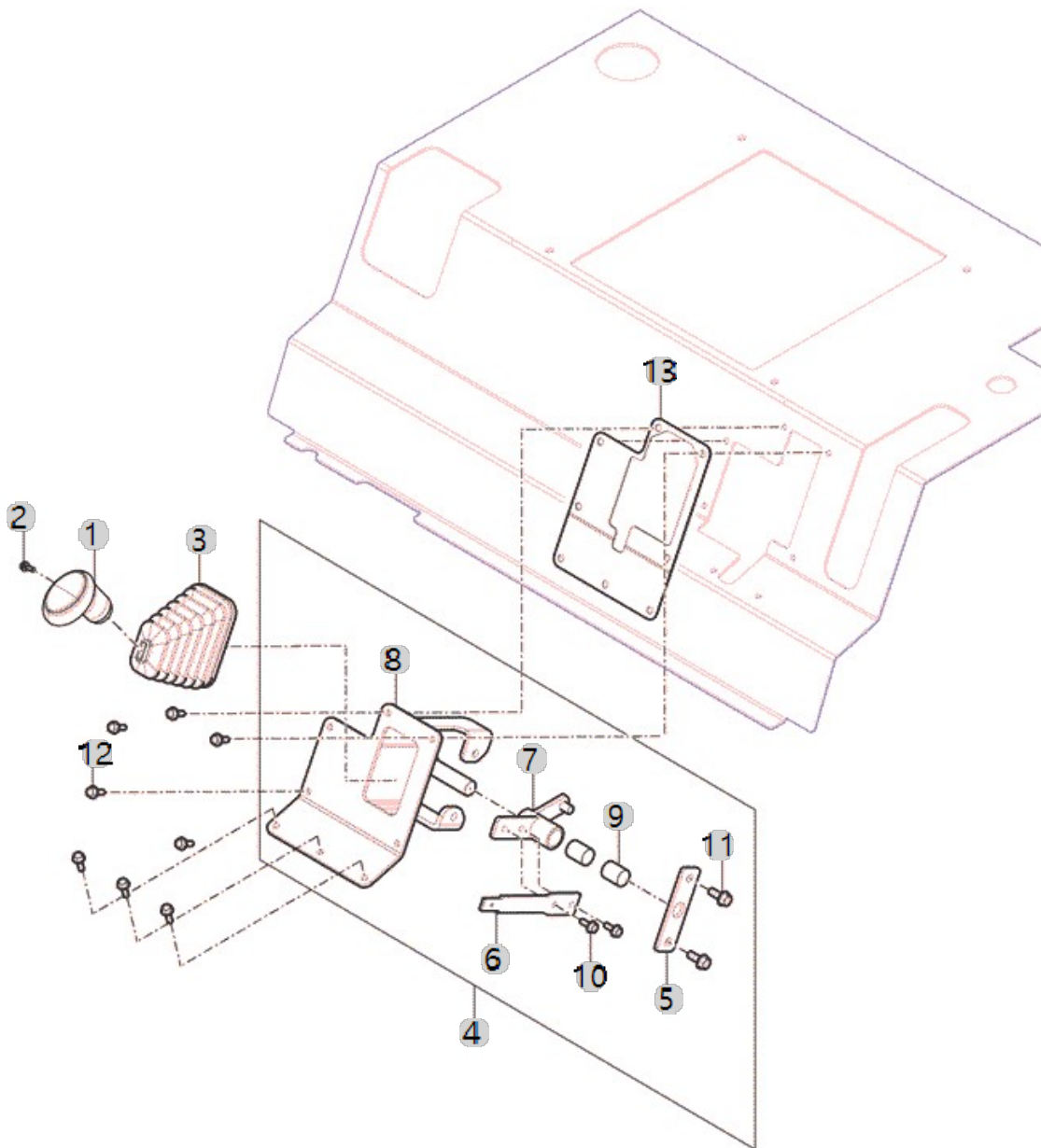
C04071

Year/Month

5835R(AC02113)

(PTO SHIFT)

2022-12-15



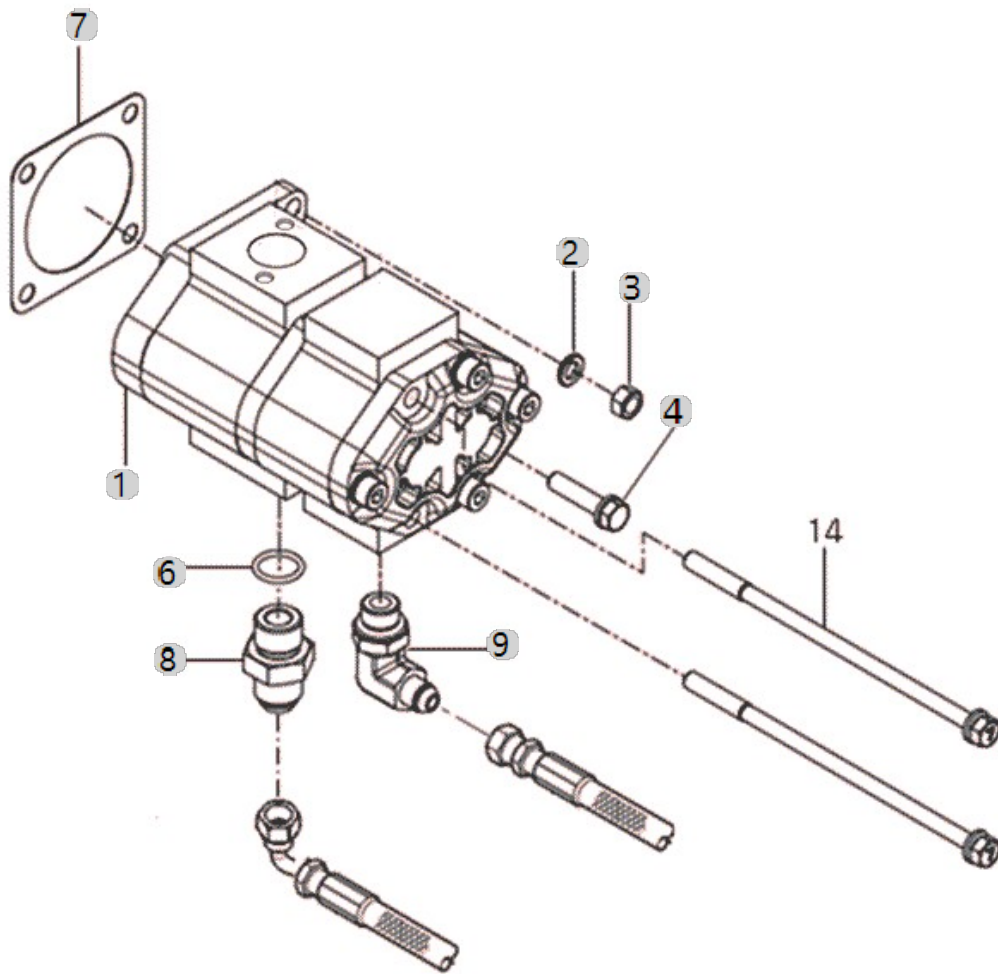
D01010

Year/Month

5835R(AC02113)

(PUMP, HYDRAULIC)

2022-12-15



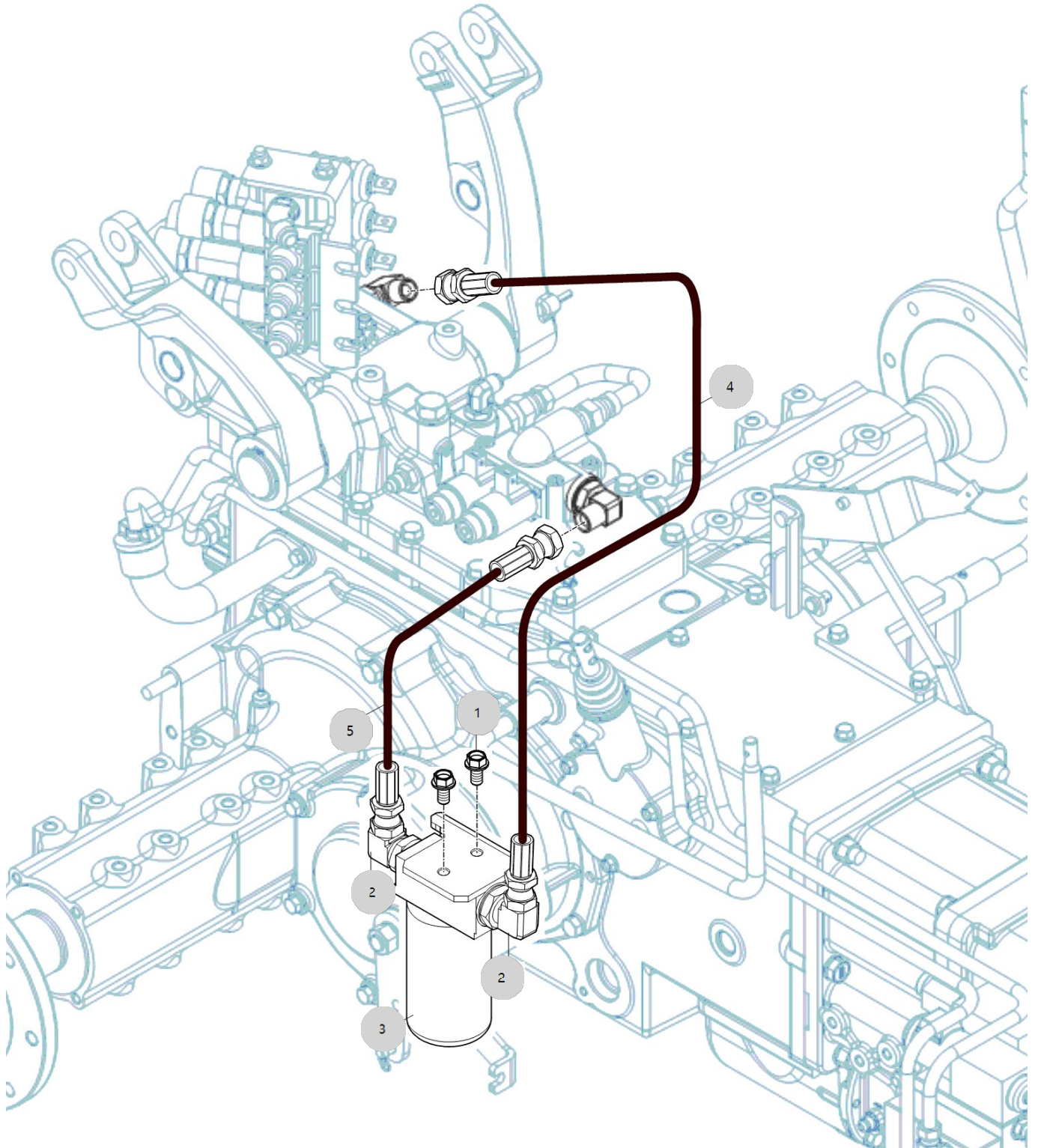
D01030

Year/Month

5835R(AC02113)

(LINE FILTER)

2022-12-15



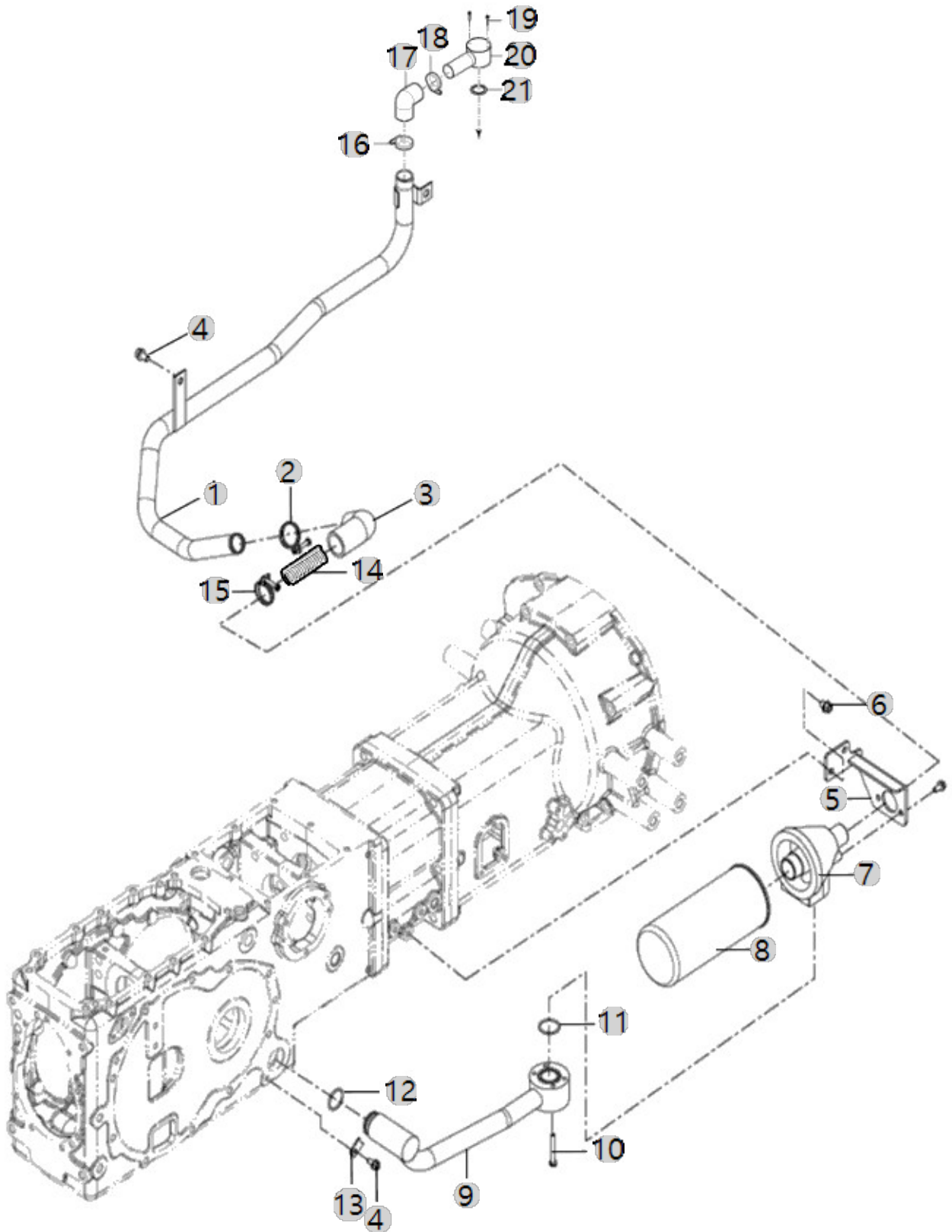
D01040

Year/Month

5835R(AC02113)

(FILTER, HYDRAULIC)

2022-12-15



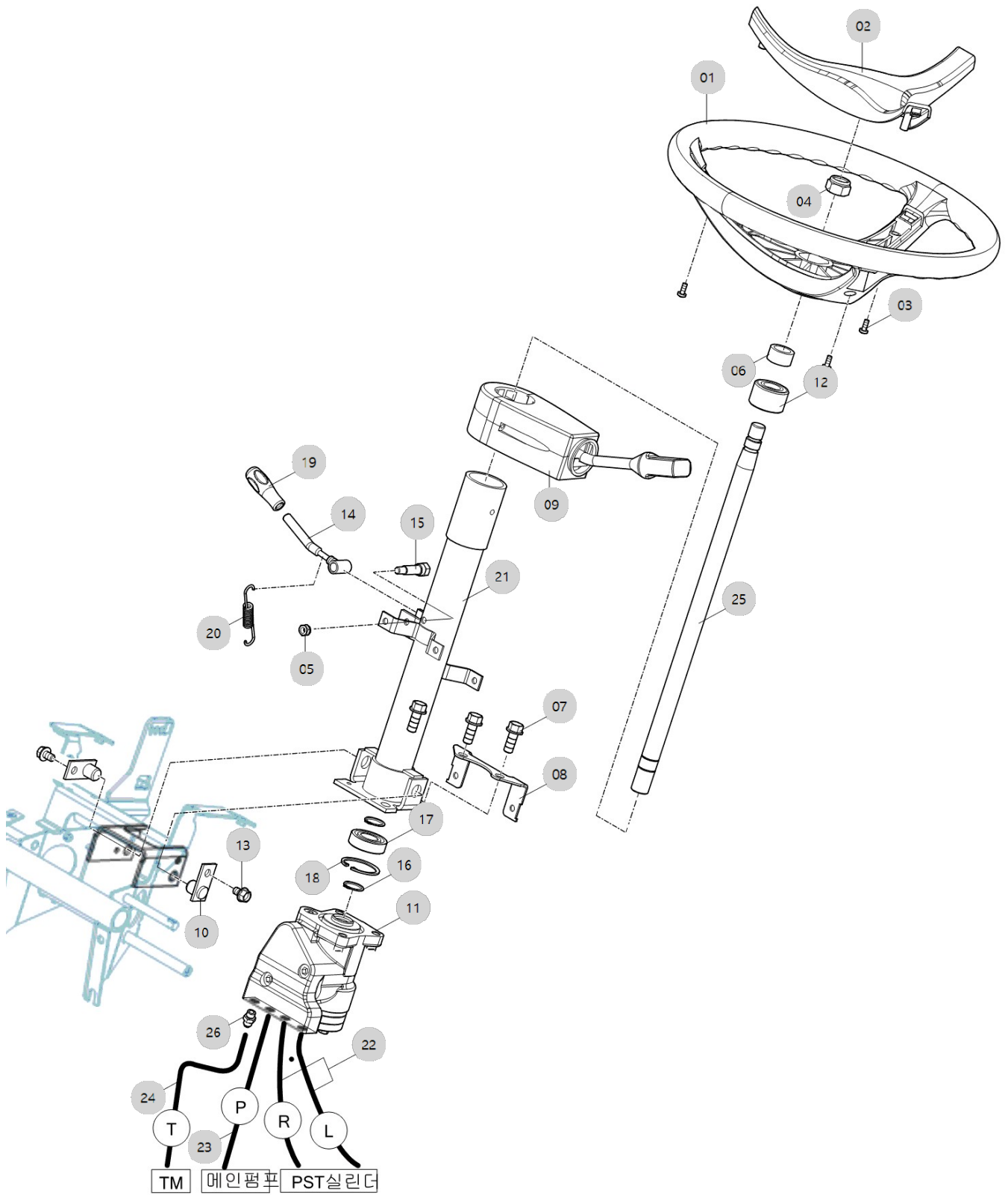
D02010

5835R(AC02113)

(STEERING WHEEL)

Year/Month

2022-12-15



D02010 5835R(AC02113)	(STEERING WHEEL)	Year/Month
		2022-12-15

순번 (NO)	부품번호 (PART NO)	품명 (PART NAME)	품명 (PART NAME)	수량 (QTY)	규격 (SPEC)	비고 (REMARK)
1	TA00048049B	스티어링 휠	STEERING WHEEL	1		
2	TA00048050B	커버	COVER	1		
3	22587-480124	냄비머리태핑나사	TAPPING SCREW	3	4.8X12	
4	TA00048436B	U너트(M16XP1.5)	U-NUT	1		
4	TA00048436A	U너트(M16XP1.5)	U-NUT	1		
5	26347-080002	U너트	Unut	1	M8XP1.25	
6	TC65130000A4	커버(축)	COVER,SHAFT	1		
7	26136-100252	육각플랜지볼트(세목)	SCREW, HEX FLANGE HEAD CAP	3	M10X25	
8	TC65010000B4	브래킷(컬럼커버R)	BRACKET(COLUMCOVERR)	1	2.3T	
8	TC65010000A4	브래킷(컬럼커버R)	BRACKET(COLUMCOVERR)	1	T=2.3	
9	HA00001034C	전후진 스위치(파워셔틀)	F/R SWITCH	1		
9	HA00001034B	전후진 스위치(파워셔틀)	F/R SWITCH	1		
9	HA00001034A	전후진스위치(파워셔틀)	F/R SWITCH	1		
10	TC65060000B4	틸트핀조합	TILTPINASS'Y	2		
10	TC65060000A4	틸트핀조합	TILTPINASS'Y	2		
11	NT33010000C3	pst 밸브	P.S.TVALVE	1	NONE	
11	NT33010000D3	PST 밸브	P.S.TVALVE	1	NONE	
12	TC65020400A9	컬럼부츠	COLUMNBUSH	1		
13	26106-080122	육각플랜지볼트	Bolt, Hexa (8-12)	2	M8XP1.25X12	
14	TC65040000B4	틸트레버	TILTLEVER	1	NONE	
14	TC65040000A4	틸트레버	TILTLEVER	1		
15	TC65030000B4	틸트레버핀	TILTLEVERPIN	1		
15	TC65030000A4	틸트레버핀	TILTLEVERPIN	1		
16	22242-000200	축용스냅링20	SNAP RING, SHAFT (Φ 20)	2	D20(축용)	
17	24107-060044	볼베어링6004ZZ	Bearing, Ball (#6004) Dubble Cap	1	#6004ZZ	
17	TA00060975A	캡 로울러	CAP ROLLER	1		
18	22252-000450	구멍용스냅링45	RING, CIRCLIP (Φ 45)	1	D45	
18	22252-000420	구멍용스냅링42	RING, CIRCLIP (Φ 42)	1	D42	
19	TA00015785A	스탠드 손잡이	LEVER, STAND	1		
20	TC65050000A4	틸트스프링	TILTSPRING	1		
21	TA00058183B	스티어링 컬럼	STEERING COLUMN	1		
21	TA00058183A	스티어링 컬럼	STEERING COLUMN	1		
21	TA00058183D	스티어링 컬럼	STEERING COLUMN	1		
22	TA00015708C	HP 호스 실린더	HOSE, PST STEERING	2	NONE	
23	TA00043301A	유압호스(펌프-PST)	HOSE(PUMP-PST)	1		
24	TA00043303C	유압호스(PST-통합)	HOSE(PST-T V/V)	1		
25	TA00058181A	축	SHAFT	1		
25	TA00058181B	스티어링 축	SHAFT	1		
26	TA00017958A	피팅(1/4")	NIBBLE	1		
26	TA00017958B	피팅(1/4")	NIBBLE	1		
27	TA00063018A	컬럼부츠	BOOTS, COLUMN	1		

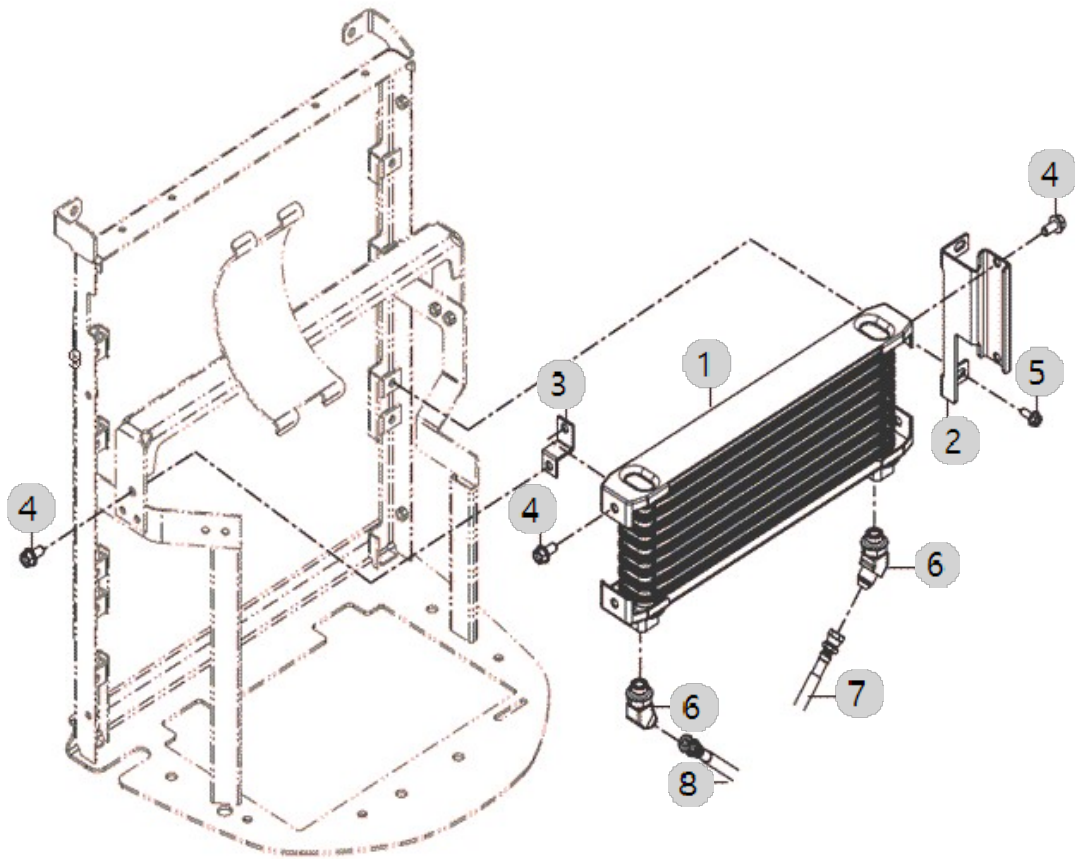
D03010

Year/Month

5835R(AC02113)

(OIL COOLER)

2022-12-15



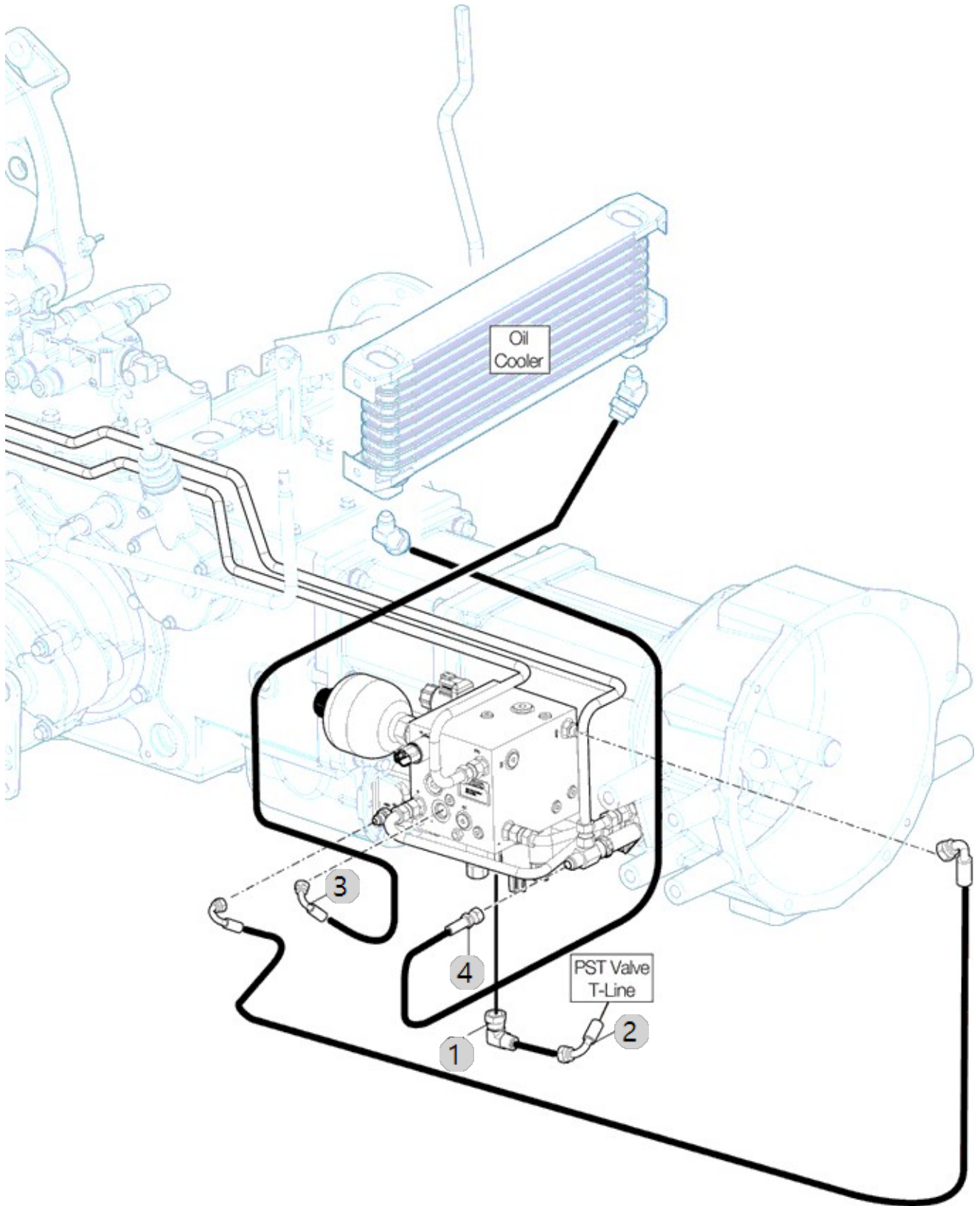
D03011

Year/Month

5835R(AC02113)

(HYD LINE)

2022-12-15



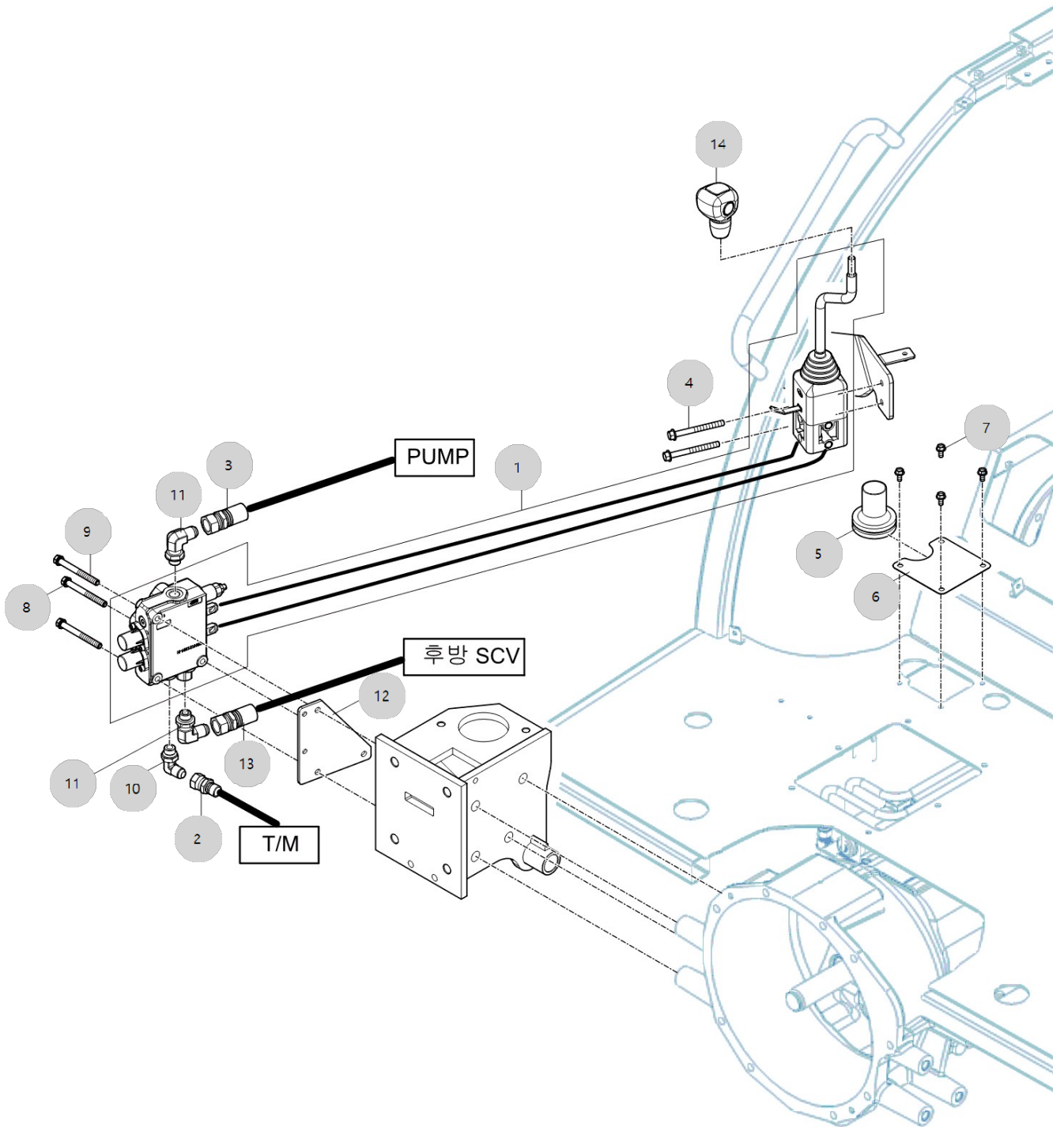
D03030

5835R(AC02113)

(FRONT SCV)

Year/Month

2022-12-15



D03030 5835R(AC02113)	(FRONT SCV)	Year/Month
		2022-12-15

순번 (NO)	부품번호 (PART NO)	품명 (PART NAME)	품명 (PART NAME)	수량 (QTY)	규격 (SPEC)	비고 (REMARK)
1	TA00064268A	전방 SCV 총조합(Floating)	FRONT SCV ASS'Y	1		
1	TA00058703B	전방 SCV/V 총조합	FRONT SCV.V ASS'Y	1		
1	TA00058703A	전방 SCV/V 총조합	FRONT SCV.V ASS'Y	1		
2	TA00022932B	유압호스(PF3/8 650)	HYDRAULIC HOSE(PF3/8 800)	1		
2	TA00059105A	유압호스(PF3/8 650)	HYDRAULIC HOSE	1	PF 3/8" 800M	
3	TA00001408B	고압호스 1/2" (전)	HIGH PRESSURE HOSE 1/2" (F)	1		
4	26106-080802	572,A1417,플랜지볼트8X80	SCREW,HEXFLANGEHEADCAP	2	M8X1.25X80	
5	THB4912000A4	글로멧50	GROMMET 50	1		
6	TA00028613A	커버	COVER	1		
6	TA00028613B	커버	COVER	1		
7	26106-060142	육각플랜지볼트	BOLT	4	M6X1.0X14	
8	26106-080602	육각플랜지볼트	SCREW,HEXFLANGEHEADCAP	3	M8XP1.25X60	
9	26106-080202	육각플랜지볼트	SQR FLANGE BOLT	2	M8XP1.25X20	
10	CEE4050000B4	자리부착엘보3/8	ELBOW(3/8)	1		
10	TA00053806B	커넥터(PF3/8)	CONNECTOR	1		
10	CEE4050000A4	자리부착엘보3/8	ELBOW (3/8)	1		
10	TA00053806A	커넥터(PF3/8)	CONNECTOR	1		
11	TA00035078A	90도 엘보 (PF3/8-1/2)	ELBOW	2		
11	TA00035078B	90도 엘보 (PF3/8-1/2)	ELBOW	2		
12	TA00057495B	밸브브라켓조합	BRACKET ASS'Y, VALVE	1		
12	TA00057495C	밸브브라켓조합	BRACKET ASS'Y, VALVE	1		
13	TA00041510B	고압호스(1/2)	HIGH PRESSURE HOSE(1/2)	1		
13	TA00041510A	고압호스(1/2)	HOSE(1/2)	1		
14	TA00055377A	그립조합	GRIP COMP , JOYSTICK	1		

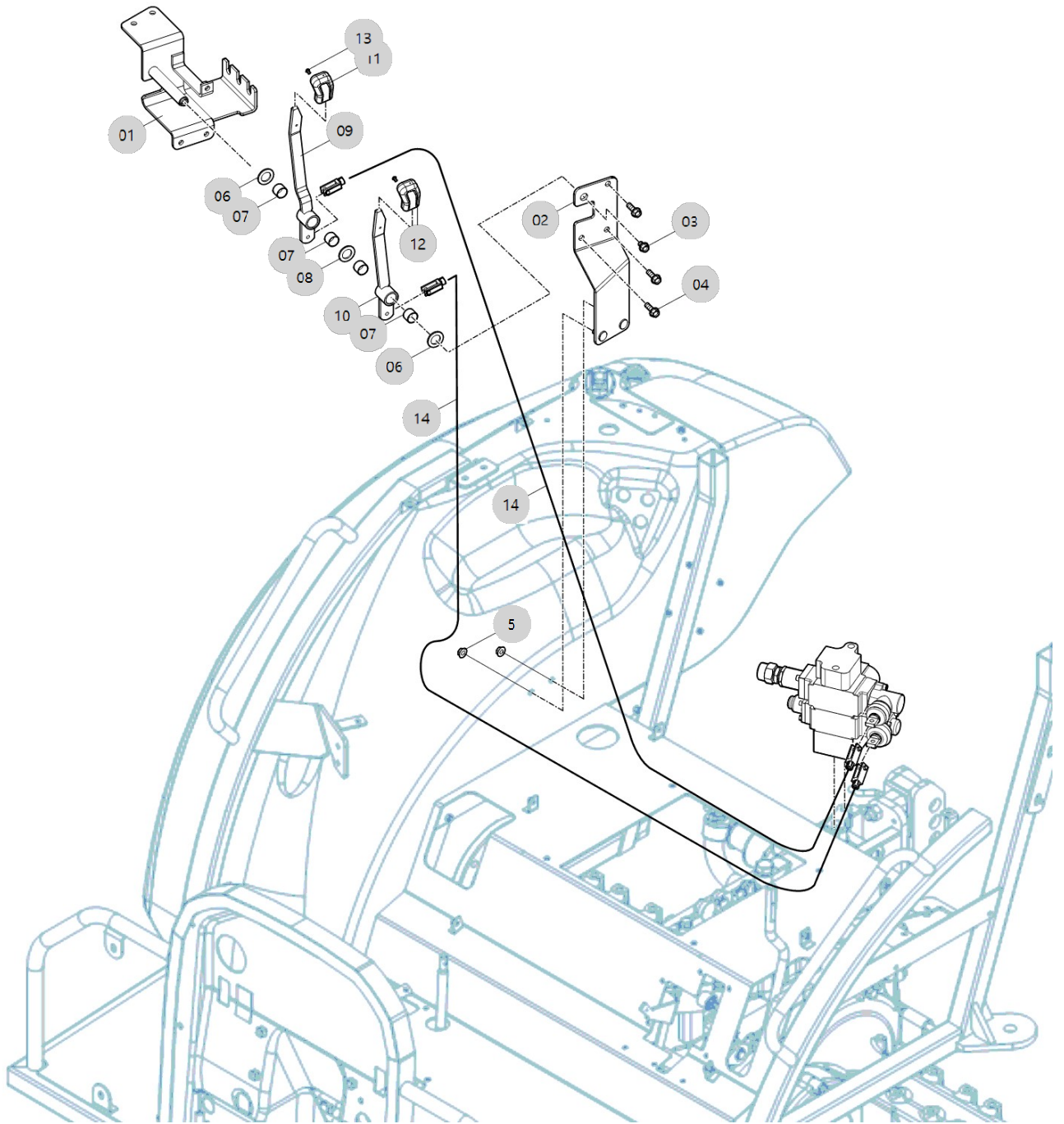
D03060

5835R(AC02113)

(REAR SCV LEVER)

Year/Month

2022-12-15



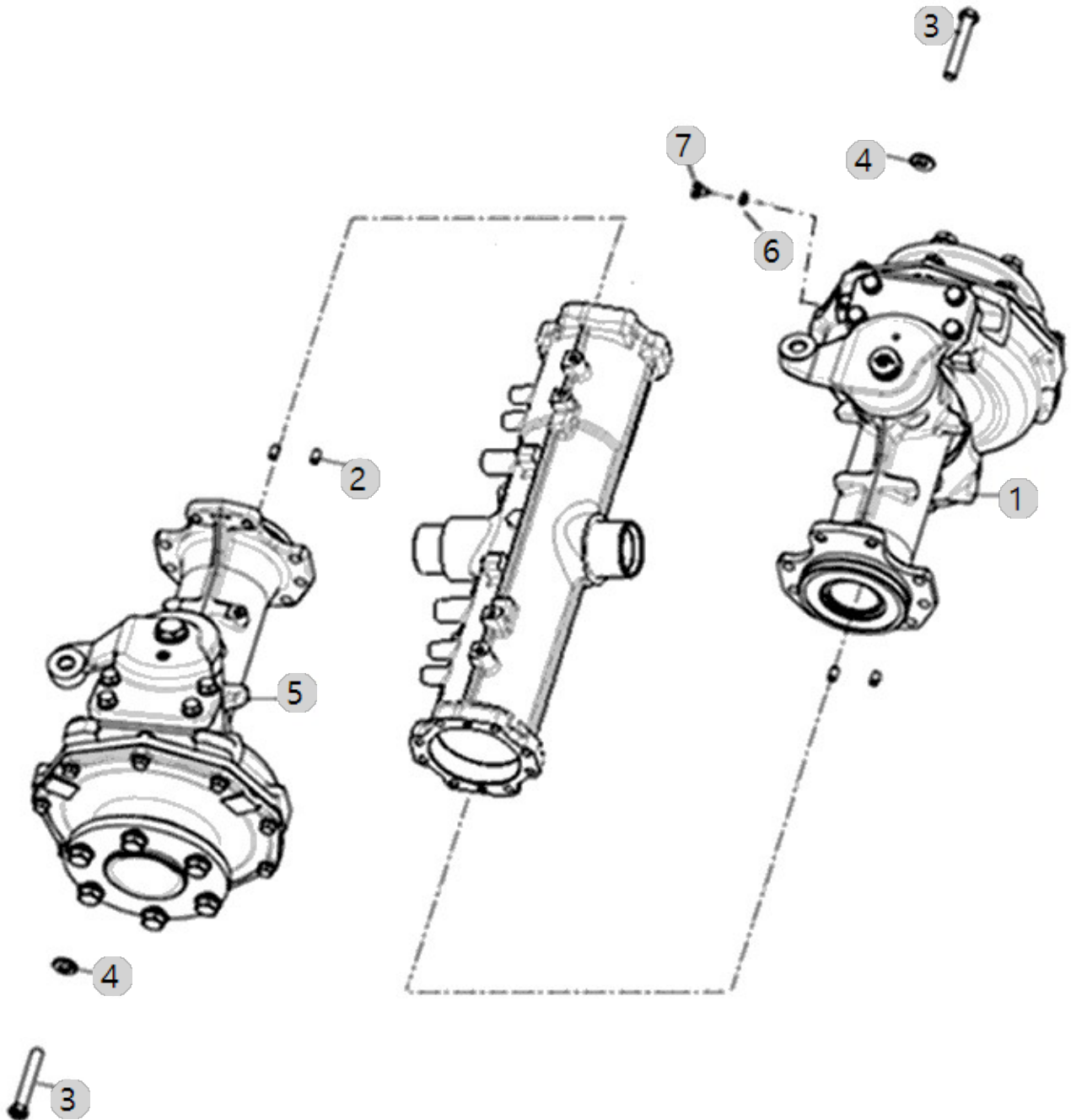
E01010

5835R(AC02113)

(FRONT AXLE CASE)

Year/Month

2022-12-15



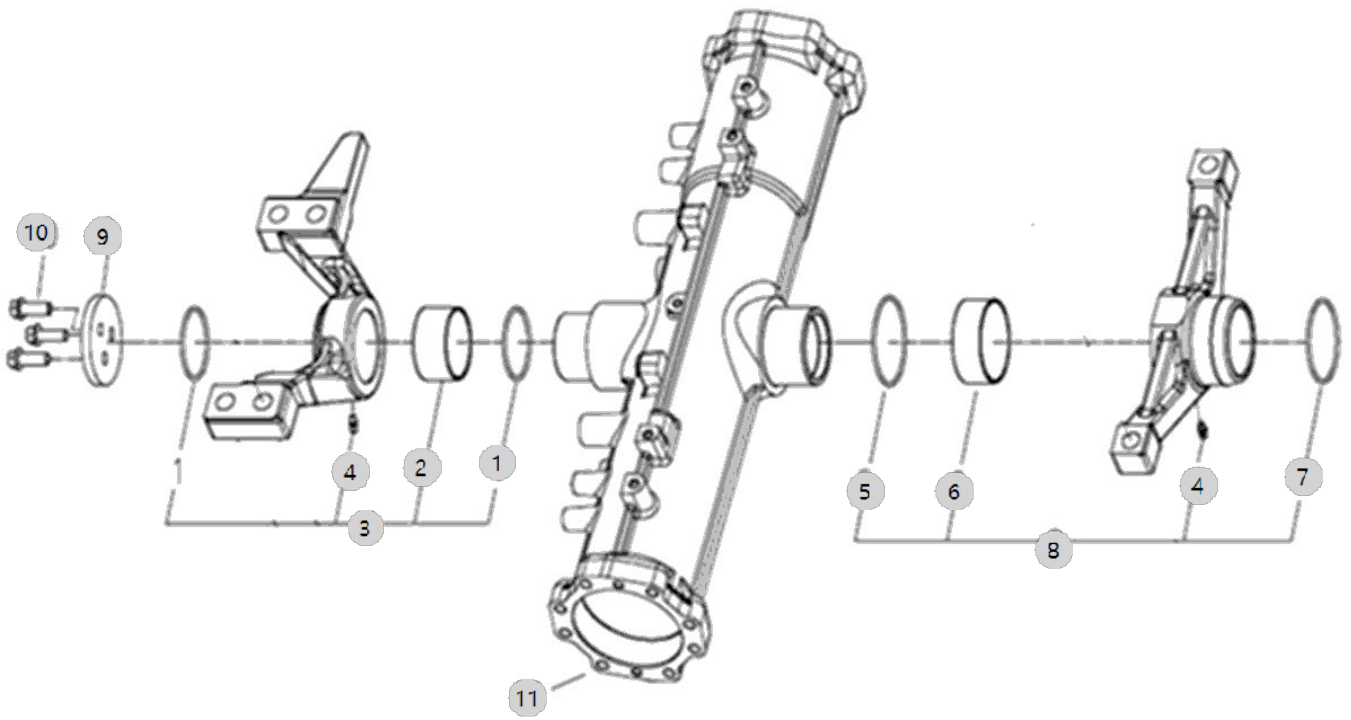
E01015

(FRONT AXLE SUPPROT)

Year/Month

5835R(AC02113)

2022-12-15



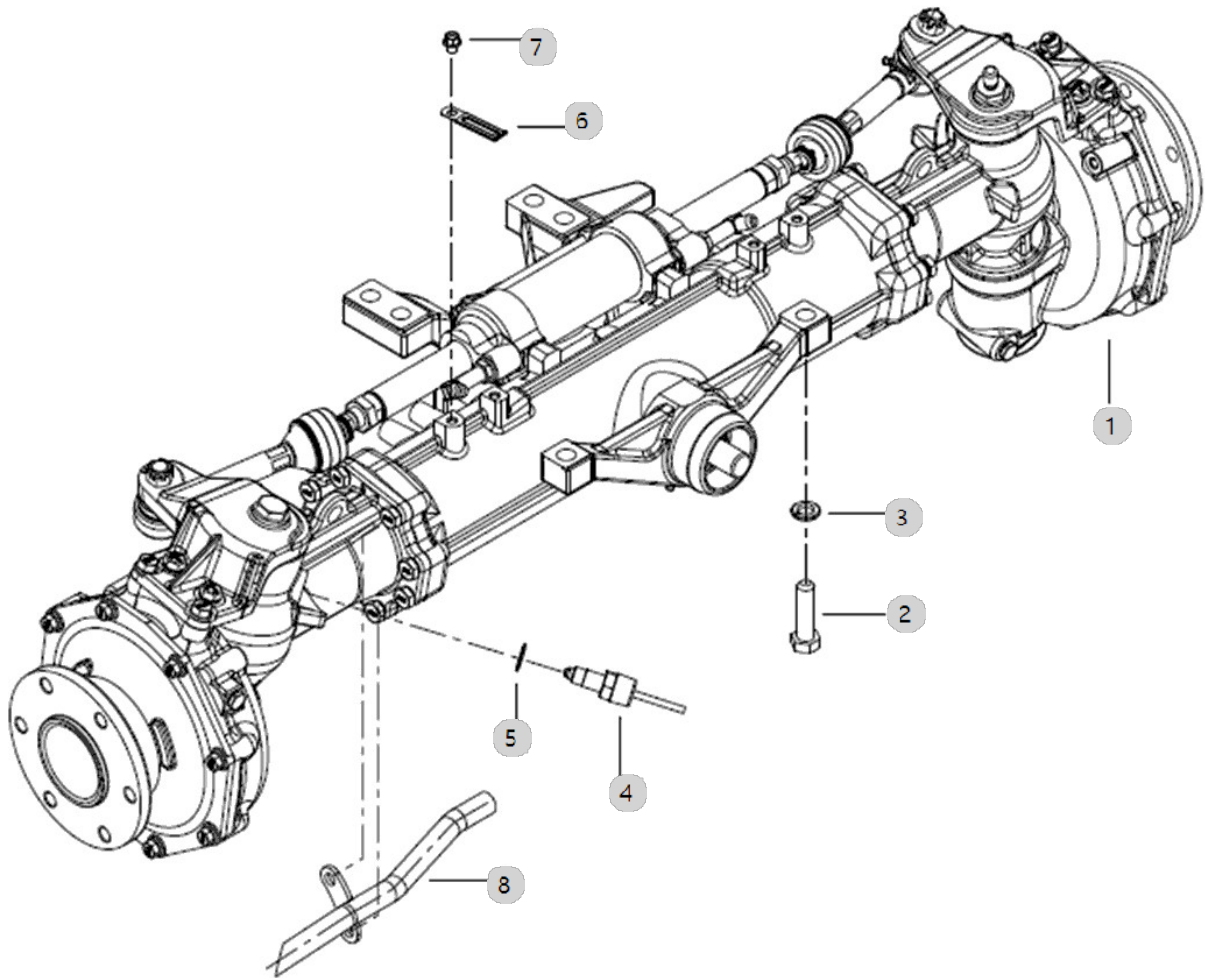
E01015-2

Year/Month

5835R(AC02113)

(FRONT AXLE SUPPROT)

2022-12-15



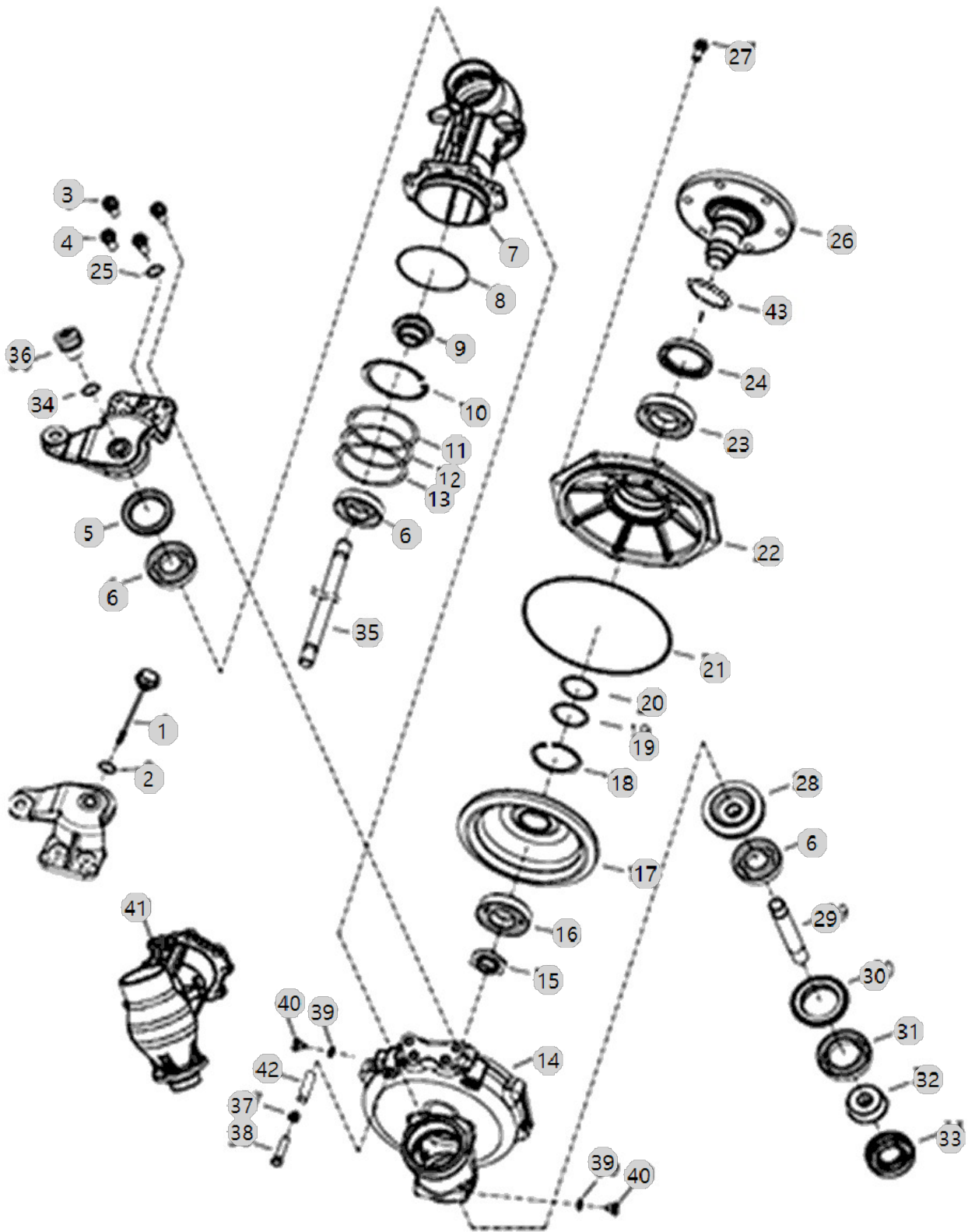
E01030

GEAR CASE, FRONT AXLE

Year/Month

5835R(AC02113)

2022-12-15



E01030		GEAR CASE, FRONT AXLE				Year/Month
5835R(AC02113)						2022-12-15
순번 (NO)	부품번호 (PART NO)	품명 (PART NAME)	품명 (PART NAME)	수량 (QTY)	규격 (SPEC)	비고 (REMARK)
1	TA00033805A	검유봉	OIL GUAGE	1		
2	24311-000220	O-RING1AP-22.0	O-RING, DYNAMIC (Φ22)	2	1A P22.0	
3	TA00033468C	와셔조립육각볼트	BOLT W/ WASHER	4		
4	TA00033475B	리머볼트	SPACER	4		
5	FE78010000B	오일실 (특수) 55x72x13.5	OIL SEAL (55X72X13.5)	2	55X72X13.5	
5	FE78010000A	오일실 (특수) 55x72x13.5	SEAL,OIL -> FE78010000B	2	55X72X13.5	
6	24101-062074	볼베어링6207	BALL BEARING (#6207)	6	#6207	
7	TA00033457C	프런트기어케이스	CASE, FRONT GEAR	1		
8	24321-001050	O-링	O-RING	2		
9	TA00033461B	전1축피니언9T	PINION, FRONT 1ST SHAFT	2		
9	TA00033461A	전1축피니언9T	PINION, FRONT 1ST SHAFT	2		
10	22252-000720	구멍용스냅링72	RING, CIRCLIP (Φ 72)	2	D72	
11	TA00033489A	심 0.2T	SHIM 0.2T	2		
12	TA00033488A	심 0.3T	SHIM 0.3T	2		
13	TA00033487A	심 0.5T	SHIM 0.5T	2		
14	TA00033458C	프런트기어박스	GEAR BOX, FRONT	2		
15	TA000033481A	LOCK NUT	LOCK NUT	2		
16	24101-062084	볼베어링6208	Bearing, Ball (#6208)	2	#6208	
17	TA00033474A	베벨기어 49T	GEAR, BEVEL 49T	2		
18	22252-000850	써클립85H	RING, CIRCLIP (Φ 85)	2		
19	TA00033486A	심 0.2T	SHIM 0.2T	1		
20	TA00033485A	심 0.5T	SHIM 0.5T	1		
21	TA00033939A	O링	O RING	2		
22	TA00033459C	프런트베어링케이스	BEARING CASE, FRONT	1		
23	24101-062094	볼베어링6209	BALL BEARING (#6209)	2	#6209	
24	TA00041352A	오일씰	OILSEAL (AO26 TYPE)	2		
25	22217-120000	스프링와셔	WASHER, SPRING (Φ 12)	4	M12	
26	TA00033460E	프런트스핀들	SPINDLE, FRONT	2		
26	TA00033460D	프런트스핀들	SPINDLE, FRONT	2		
27	TA00033469A	와셔조립육각볼트	BOLT W/ WASHER	16		
28	TA00033463A	전2축기어	FRONT 2ND AXLE LH	2		
29	TA00033464A	전2축	FRONT 2ND SHAFT	2		
30	TC60110000A3	오일실(AJ)	SEAL, OIL	2		
31	24101-060104	볼베어링6010	Bearing, Ball (#6010)	2	#6010	
32	TA00033473A	베벨기어 11T	GEAR, BEVEL 11T	2		
33	TT63050000A4	베어링TMB207	BEARING	2	TMB207	
34	24311-000180	O-RING(P18)	O-RING, DYNAMIC (Φ18)	1	P18	
35	TA00033462A	전1축RH	FRONT 1ST SHAFT RH	1		
36	TC60790000B3	오일캡조합(M20)	CAP(M20),OIL	1		
37	22217-100000	스프링와셔	WASHER, SPRING (Φ 10)	2	M10	
38	26116-100502	육각보울트	HEXAGONBOLT	2	M10XP1.5X50	
39	22190-100000	실와셔	WASHER	4	M10	
40	23887-100002	플러그(미터)	SCREW,HEXAGONHEADCAP	4	M10	
41	TA00044183B	프런트기어케이스L	CASE, FRONT GEAR	1		
42	TA00058614A	스톱퍼(35.5)	STOPPER(35.5)	2		

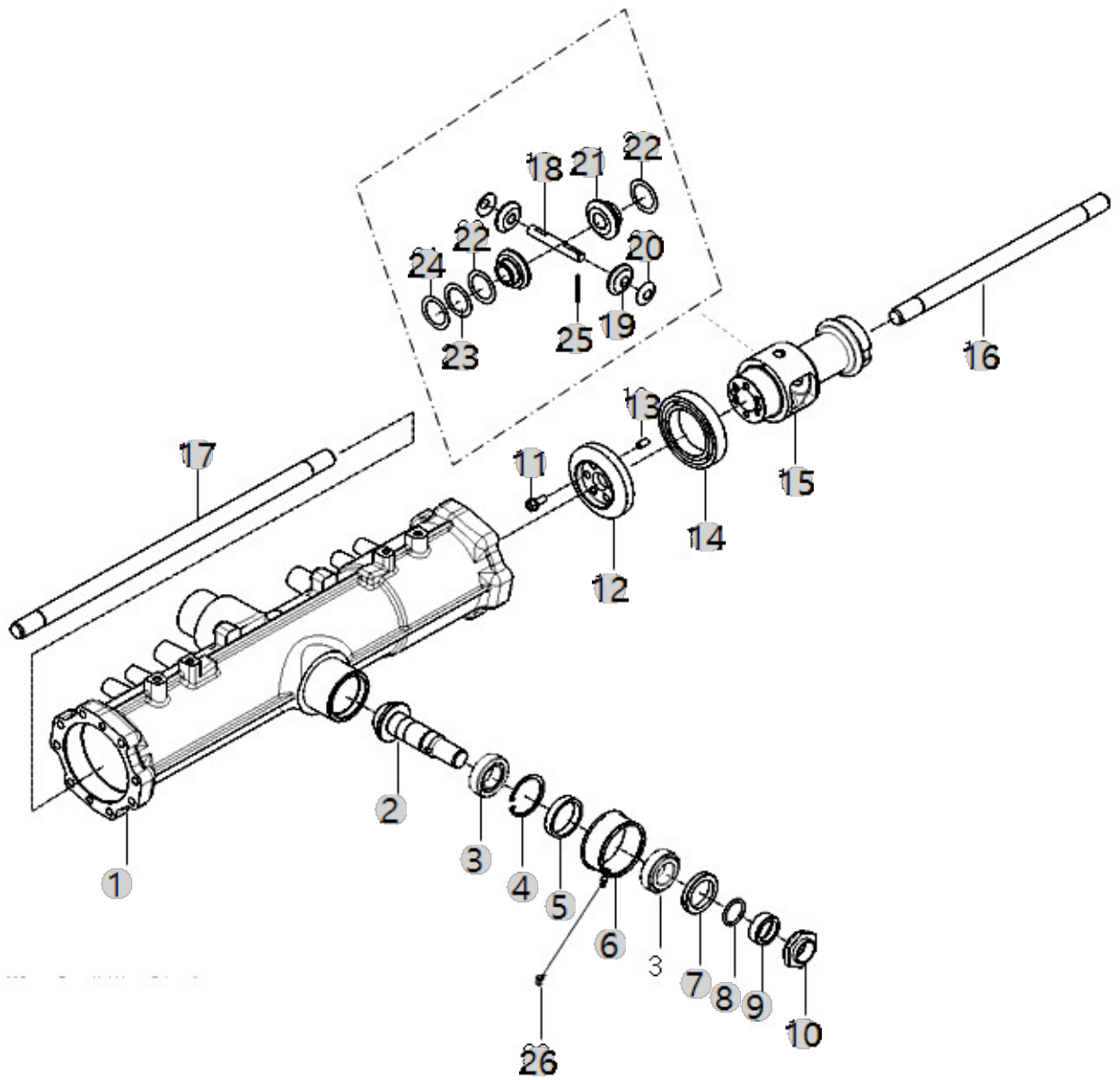
E01071

Year/Month

5835R(AC02113)

(FRONT 1ST SHAFT)

2022-12-15



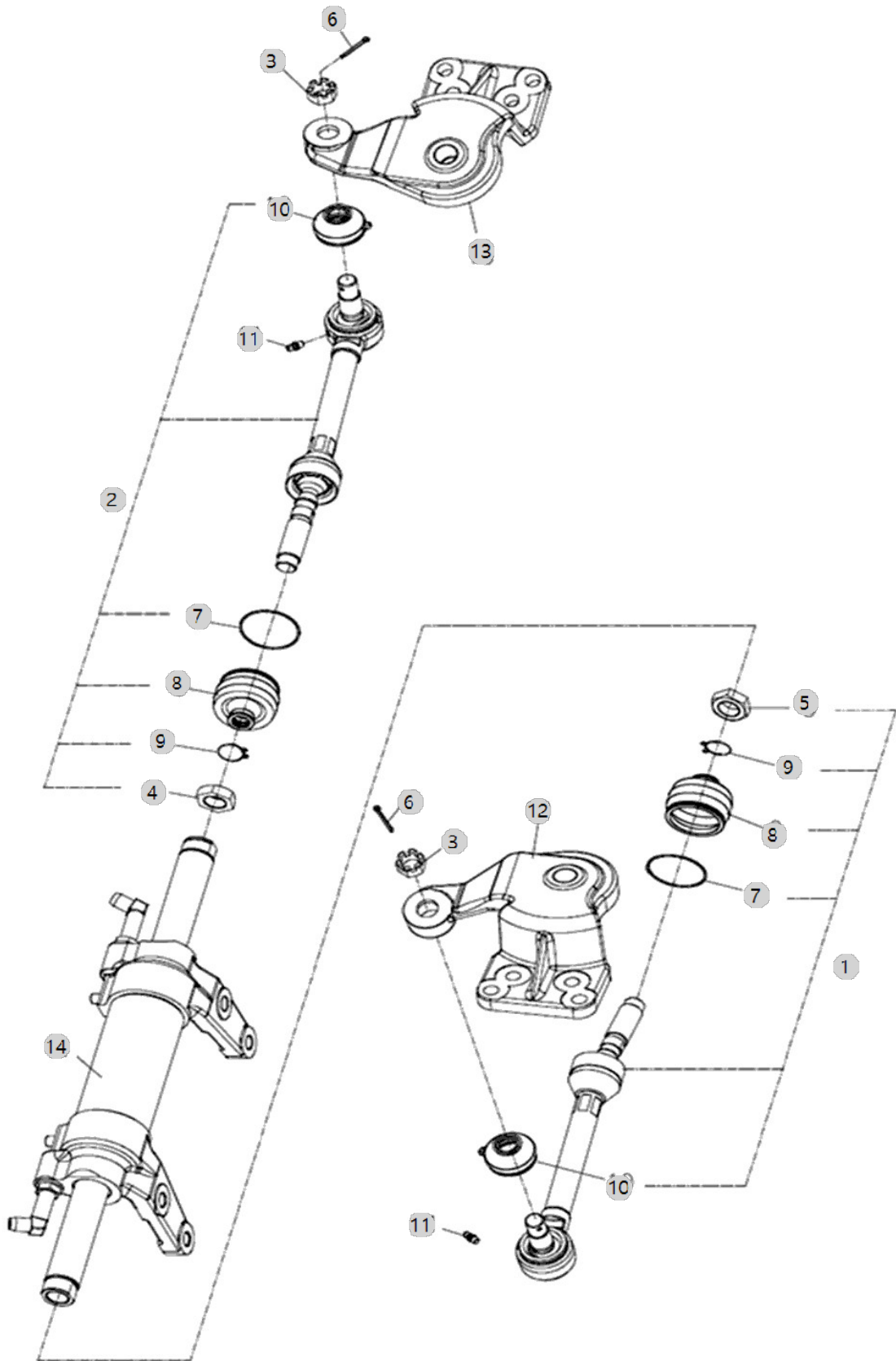
E01080

5835R(AC02113)

(TIE ROD)

Year/Month

2022-12-15



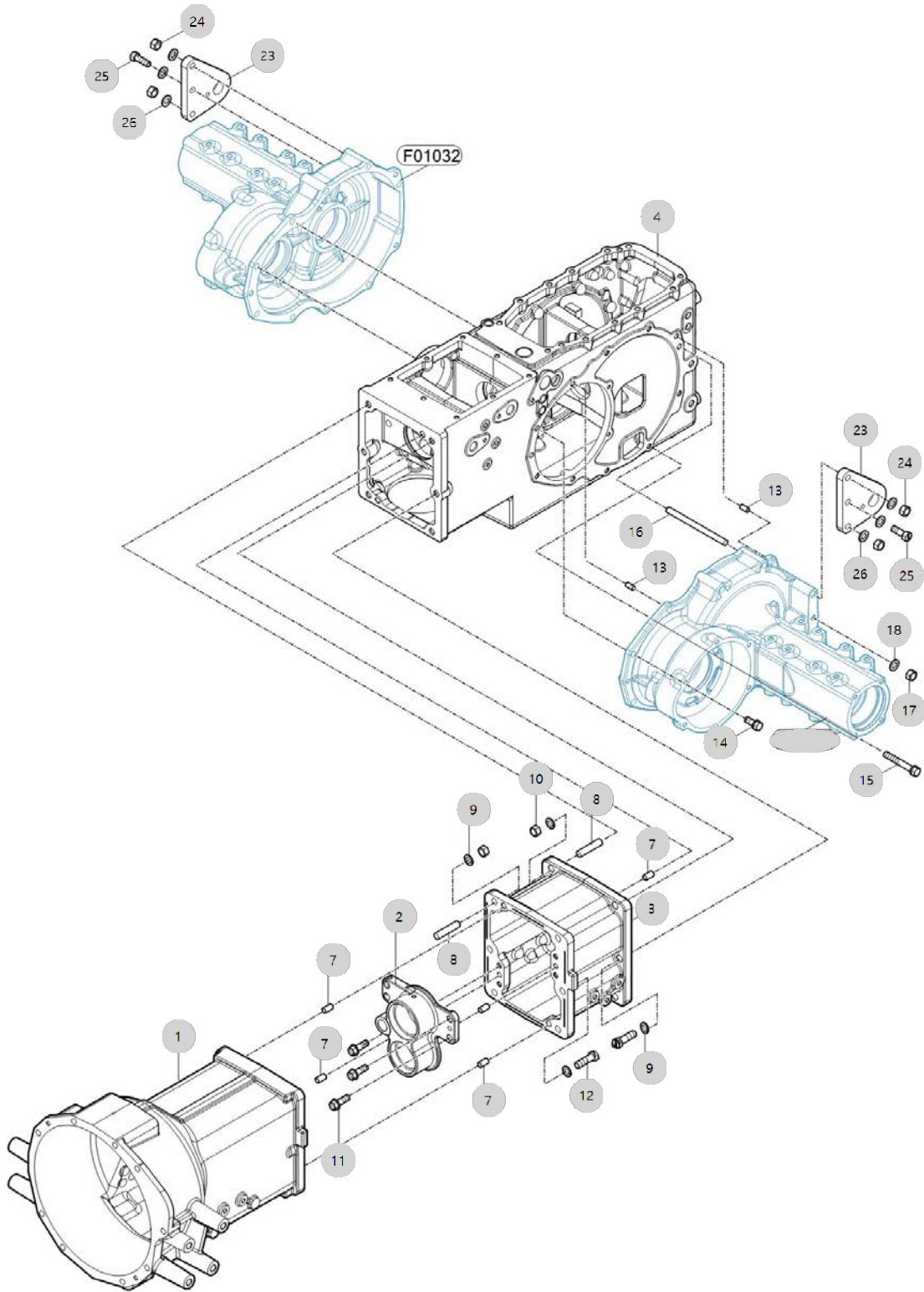
F01020

5835R TM(US)
(AC01722)

(MISSION CASE)

Year/Month

2022-12-15



F01020 5835R TM(US) (AC01722)		(MISSION CASE)				Year/Month 2022-12-15
순번 (NO)	부품번호 (PART NO)	품명 (PART NAME)	품명 (PART NAME)	수량 (QTY)	규격 (SPEC)	비고 (REMARK)
1	TA00042088B	클러치하우징	CLUTCH HOUSING	1		
1	TA00042088C	클러치하우징	CLUTCH HOUSING	1		
1	TA00042088D	클러치하우징	CLUTCH HOUSING	1		
1	TA00042088E	클러치하우징	CLUTCH HOUSING	1		
2	TA00042090B	센터플레이트	CENTER PLATE	1		
3	TA00042089B	미션케이스	TRANSMISSION CASE	1		
3	TA00042089C	미션케이스	TRANSMISSION CASE	1		
3	TA00042089D	미션케이스	TRANS MISSION CASE	1		
4	TA00042430C	후차축 케이스	REAR-AXLE CASE	1		
4	TA00042430D	후차축 케이스	REAR-AXLE CASE	1		
7	22312-120200	평행핀	PIN, DOWEL (12-20)	4		
8	TA00037012A	심음볼트(M14XP2X45)	STUD BOLT(M14XP2X45)	4		
8	TA00037012B	심음볼트(M14XP2X45)	STUD BOLT(M14XP2X45)	4		
9	22217-140000	스프링와셔14	WASHER, SPRING (Φ 14)	12	M14	
9	22217-140000	스프링와셔14	WASHER, SPRING (Φ 14)	16	M14	
9	22217-140000	스프링와셔14	WASHER, SPRING (Φ 14)	12	M14	
10	26716-140002	육각너트	NUT	4	M14X2.0	
11	26106-120352	SCREW	screw	4	M12X1.75X35	
12	FT08090000A4	볼트(M14X45)	BOLT (M14X45)	8	M4X2.0X45	
12	FT08090000B4	볼트(M14X45)		8	M12X45	
12	FT08090000C4	볼트(M14X45)		8	M12X45	
12	FT08090000D4	볼트(M14X45)		8	M12X45	
13	22312-100180	평행핀	PIN, DOWEL (10-18)	4	D10X18	
14	26013-120302	와셔조립육각볼트(+SW)	HEX BOLT W/WASHER	8	M12XP1.75X3	
15	26013-120852	와셔조립육각볼트	BOLT	8		
16	TA00042989A	심음볼트(M12X155)	STUD-BOLT(M12X155)	4		
16	TA00042989B	심음볼트(M12X155)	STUD-BOLT(M12X155)	4		
17	26716-120002	295,ALL,육각너트	HEXA NUT295	4	M12X1.75	
18	22217-120000	스프링와셔	WASHER, SPRING (Φ 12)	4	M12	
23	TA00042991B	실린더 서포터	CYLINDER SUPPORT	2		
24	FT36100000A4	육각너트	HEXAGON NUT	4	M12XP1.75	
25	TH22090000A4	보울트(M12xP1.75x35)	BOLT (M12 P1.75X35)	2	NONE	
25	TH22090000B4	보울트(M12xP1.75x35)		2	-	
26	22217-120000	스프링와셔	WASHER, SPRING (Φ 12)	6	M12	

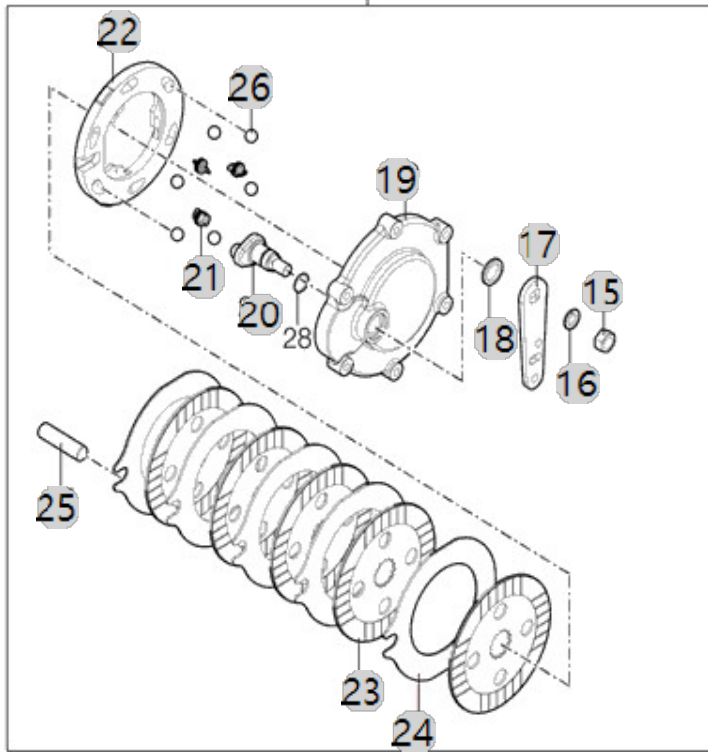
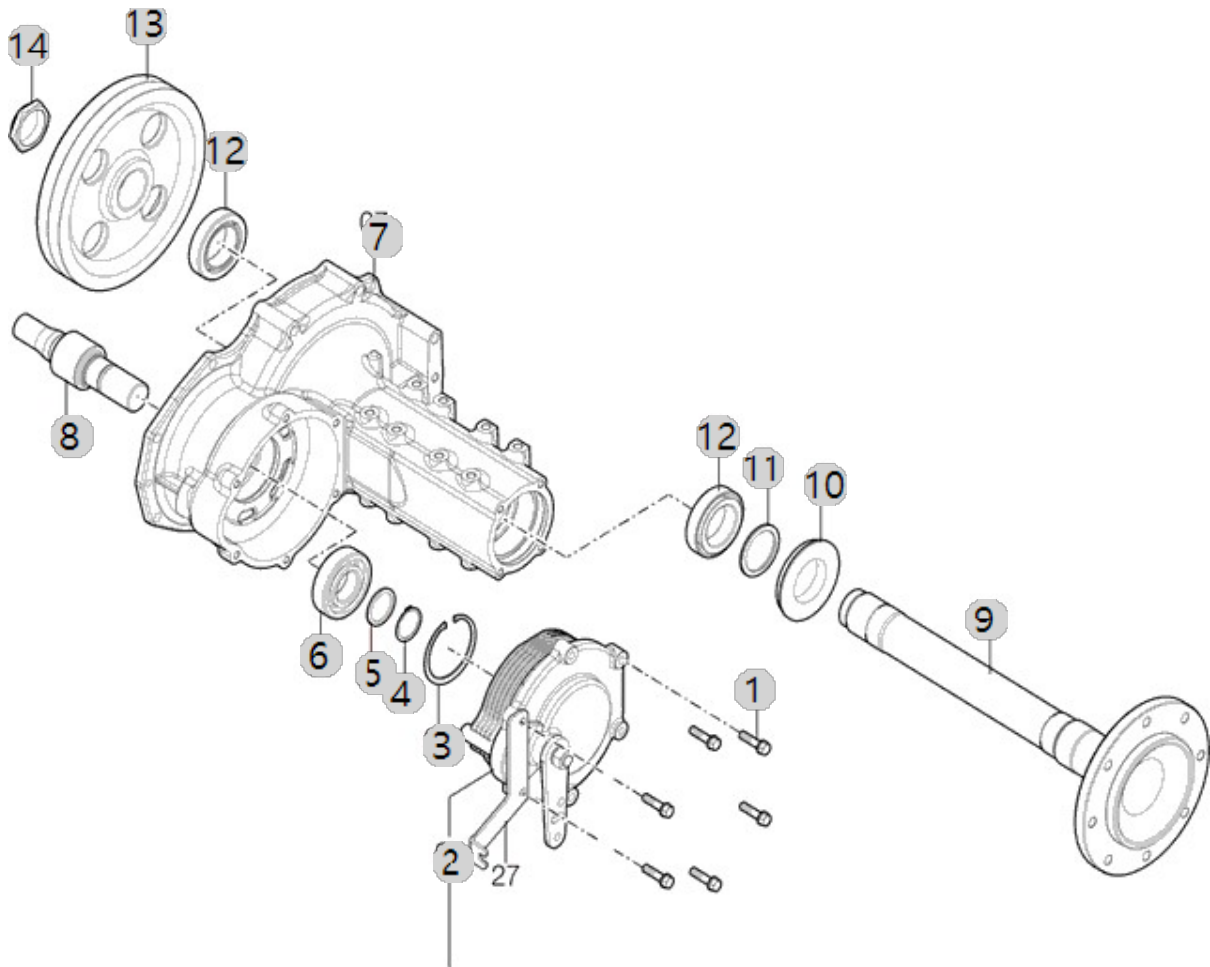
F01031

5835R TM(US)
(AC01722)

(REAR AXEL HOUSING LH)

Year/Month

2022-12-15



F01031 5835R TM(US) (AC01722)	(REAR AXEL HOUSING LH)	Year/Month
		2022-12-15

순번 (NO)	부품번호 (PART NO)	품명 (PART NAME)	품명 (PART NAME)	수량 (QTY)	규격 (SPEC)	비고 (REMARK)
1	26013-100402	와셔조립육각볼트	Bolt, Hexa (10-40)	6		
2	TA00042345E	브레이크조립(좌)	BRAKE ASSY(L)	1		
3	22252-000900	구멍용스냅링90	RING, CIRCLIP (Φ 90)	1	D90	
4	22242-000400	축용스냅링40	SNAP RING, SHAFT (Φ 40)	1	D40	
5	TA00044074A	스페이서(50X40X3T)	SPACER (50x40x3T)	1		
6	TF64190000A4	베어링6308HL1	BALL BEARING (#6308HL1) -> TF64190000A3	1	NJ307R	DEL.20220323
7	TA00042541B	후차축하우징(좌)	REAR-SHAFT HOUSING (LEFT)	1		
8	TA00042343D	파이널 피니언(좌)	FINAL PINION(L)	1		
9	TA00042228B	후차축	REAR-AXLE SHAFT	1		
9	TA00042228C	후차축	REAR-AXLE SHAFT	1		
10	TA00033423A	오일실(후차축)	SEAL, OIL (REAR AXLE)	1		
11	TA00033424A	간격판(후차축)	SPACER, REAR AXLE	1		
12	24141-320110	테이퍼롤러베어링	BEARING	2	NONE	DEL.20220323
13	TA00032602A	후차축 기어LH	GEAR(L)	1		
14	TA00032594A	록 너트	ROCK NUT	1		
14	TA00032594C	락너트(K5,DYNAQ)	ROCK NUT	1		
15	26736-160002	특수NUT	HEXNUT	1	M16XP1.5	
16	22217-160000	스프링와셔	WASHER, SPRING (Φ 16)	1	M16	
17	TA00042921B	브레이크 레버	LEVER, BRAKE	1		
17	TA00042921C	브레이크 레버	LEVER, BRAKE	1		
18	24421-253505	오일실TC253505	Seal, Oil (#25-35-05)	1		
19	TA00046785A	브레이크커버(좌)	COVER L,BRAKE	1		
20	TN50100000B3	브레이크캠	CAP	1		
21	TN50070000A4	스프링	SPRING	3	D2.3	
22	TA00046783A	캠플레이트(좌)	CAM PLATE L	1		
23	TA00033823B	마찰판	PLATE. FRICTION	5		
24	TN50050000A2	플레이트	PLATE	5	T3.2	
25	TA00042347B	브레이크 축	BRAKE SHAFT	1		
26	24190-200001	강구	Ball, Steel	6		
27	TA00043711B	주차브레이크 브라킷(좌)	PARKING BRAKE BRACKET(L)	1		
28	24311-000210	361,A22,O-RING1AP-21.0	O-RING, DYNAMIC (Φ21)	1	P21	

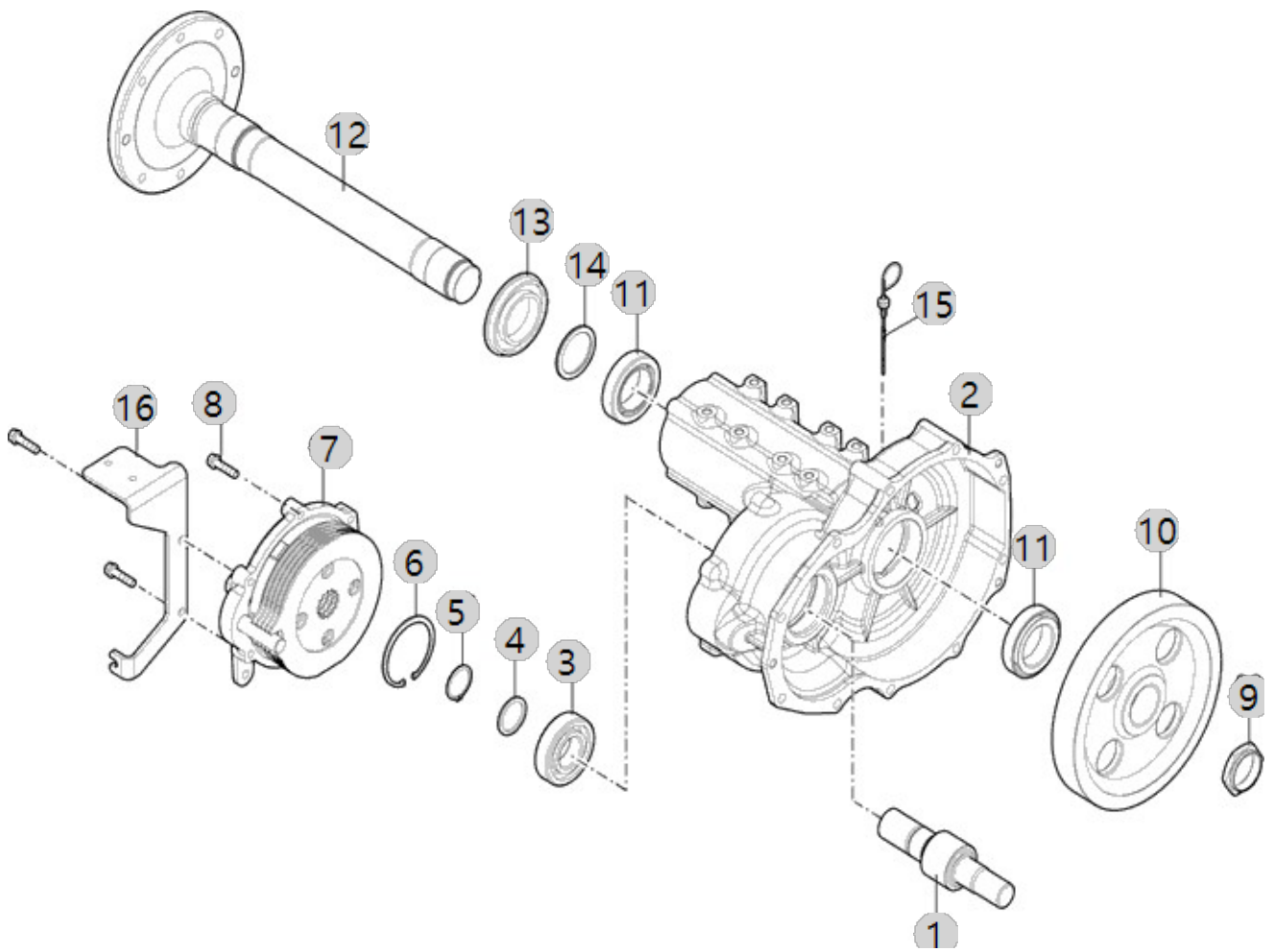
F01032

5835R TM(US)
(AC01722)

(REAR AXEL HOUSING RH)

Year/Month

2022-12-15



F01032 5835R TM(US) (AC01722)		(REAR AXEL HOUSING RH)				Year/Month
					2022-12-15	
순번 (NO)	부품번호 (PART NO)	품명 (PART NAME)	품명 (PART NAME)	수량 (QTY)	규격 (SPEC)	비고 (REMARK)
1	TA00042344C	파이널 피니언(우)	FINAL PINION(R)	1		
2	TA00042151A	후차축하우징(우)	REAR-SHAFT HOUSING(RIGHT)	1		
2	TA00042151B	후차축하우징(우)	REAR-SHAFT HOUSING(RIGHT)	1		
3	TF64190000A4	베어링6308HL1	BALL BEARING (#6308HL1) -> TF64190000A3	1	NJ307R	DEL.20220323
4	TA00044074A	스페이서(50X40X3T)	SPACER (50x40x3T)	1		
5	22242-000400	축용스냅링40	SNAP RING, SHAFT (Φ 40)	1	D40	
6	22252-000900	구멍용스냅링90	RING, CIRCLIP (Φ 90)	1	D90	
7	TA00042346E	브레이크조합(우)	BRAKE ASSY(L)	1		
8	26013-100402	와셔조립육각볼트	Bolt, Hexa (10-40)	6		
9	TA00032594A	록 너트	ROCK NUT	1		
9	TA00032594C	락너트(K5,DYNAQ)	ROCK NUT	1		
10	TA00033829A	후차축기어 RH	GEAR R, REAR AXLE	1		
11	24141-320110	테이퍼롤러베어링	BEARING	2	NONE	DEL.20220323
12	TA00042228B	후차축	REAR-AXLE SHAFT	1		
12	TA00042228C	후차축	REAR-AXLE SHAFT	1		
13	TA00033423A	오일실(후차축)	SEAL, OIL (REAR AXLE)	1		
14	TA00033424A	간격판(후차축)	SPACER, REAR AXLE	1		
15	TA00059239A	검유봉	DIP STICK	1		
16	TA00047427A	주차브레이크 브래킷(우)	PARKING BRAKE BRACKET(R)	1		

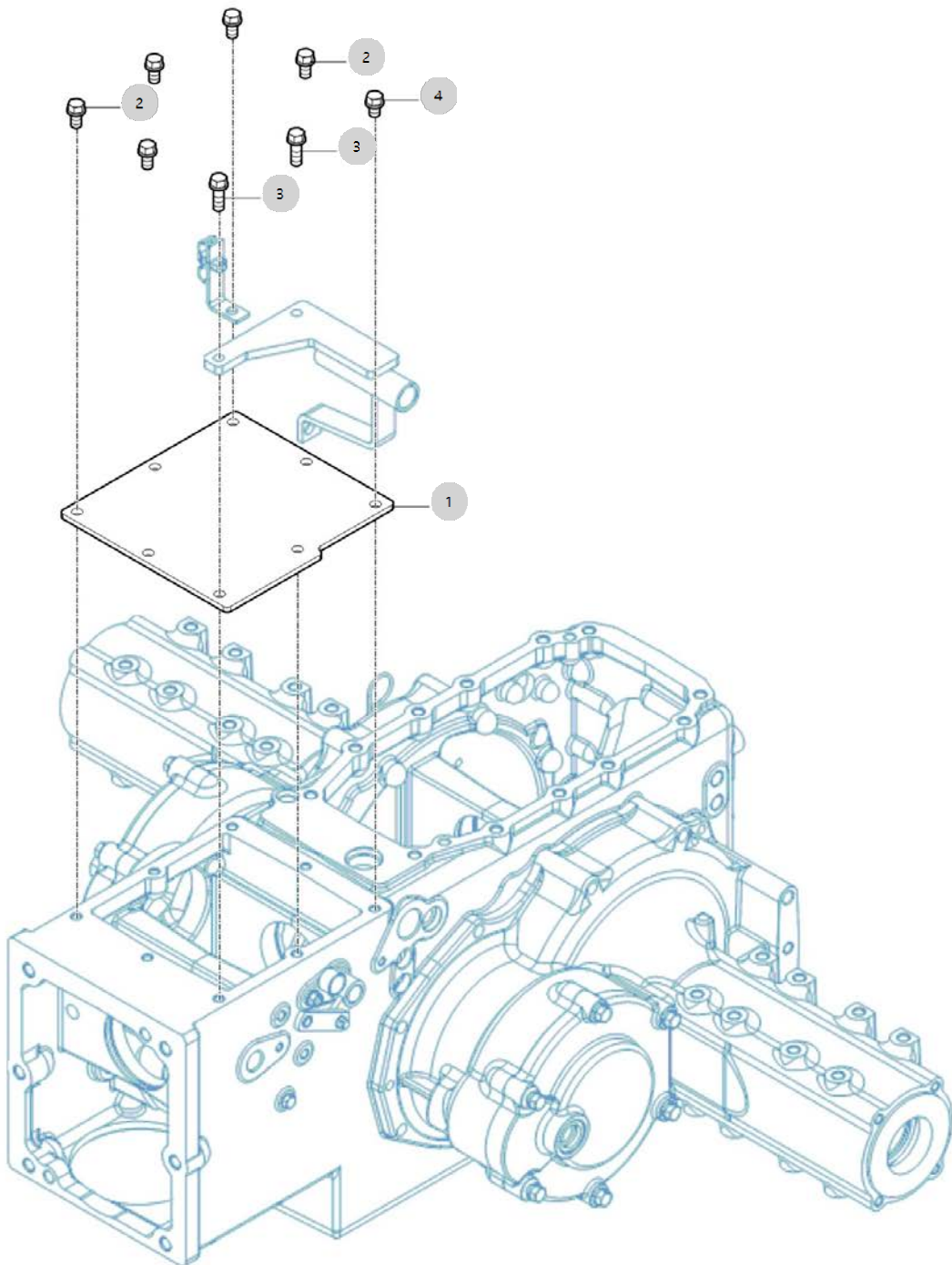
F01040

5835R TM(US)
(AC01722)

(REAR AXLE CASE)

Year/Month

2022-12-15



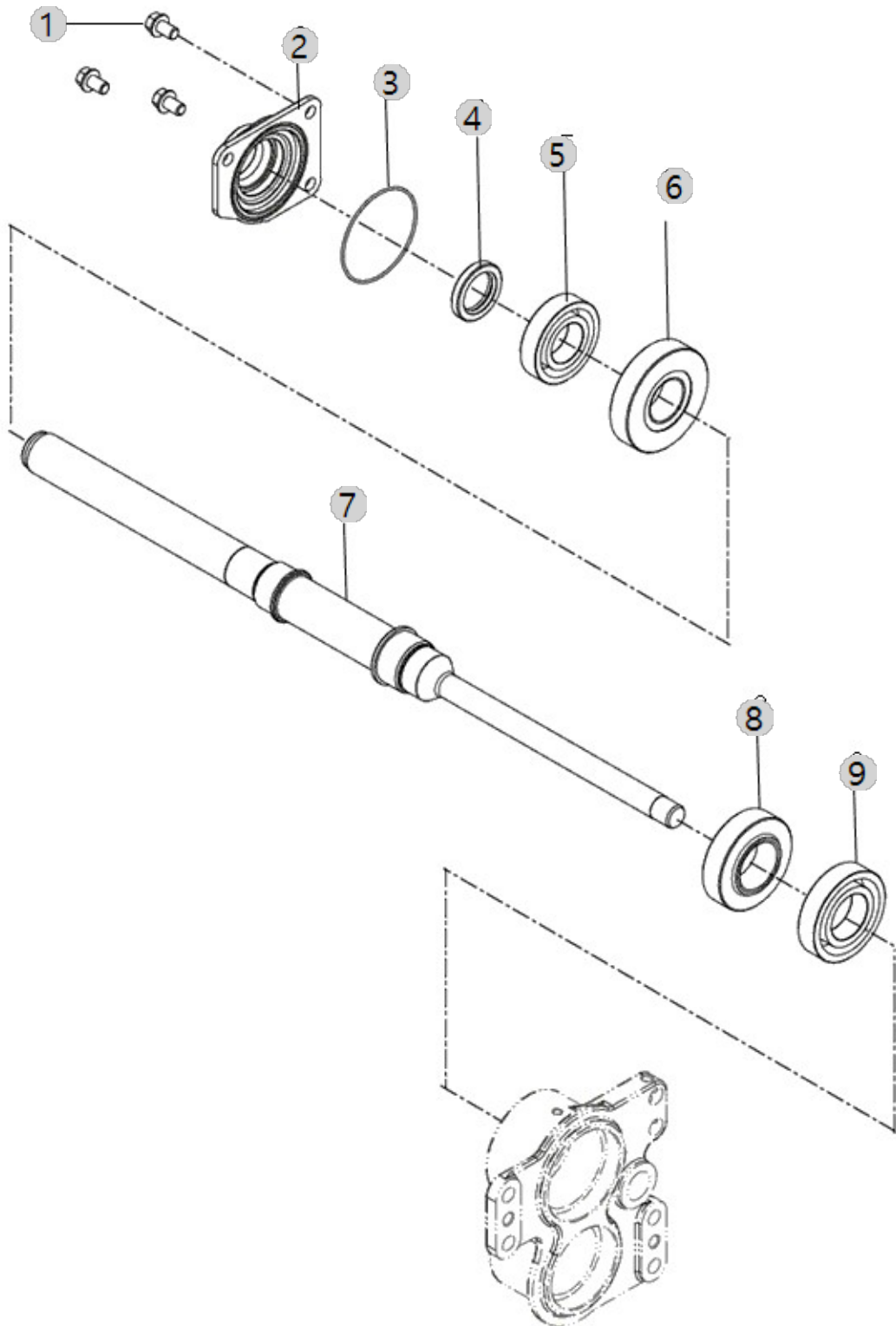
F02022

5835R TM(US)
(AC01722)

(MAIN DRIVE SHAFT)

Year/Month

2022-12-15



F02022 5835R TM(US) (AC01722)	(MAIN DRIVE SHAFT)				Year/Month
					2022-12-15

순번 (NO)	부품번호 (PART NO)	품명 (PART NAME)	품명 (PART NAME)	수량 (QTY)	규격 (SPEC)	비고 (REMARK)
1	26107-100162	육각플랜지볼트	HEX FLANGE BOLT	3		
2	TA00033550C	메인 입력 구동축 홀드	HOLDER, MAIN SHAFT	1		
3	24341-000800	O-RING1AS-80.0	O-RING, FIX (Φ80)	1		
4	FT39150000A4	오일실 TC35X50X8	OILSEAL	1	35X50X8	
5	24101-062074	볼베어링6207	BALL BEARING (#6207)	1	#6207	
5	TA00059186A	볼베어링(6207)	BALL BEARING	1		
6	TA00041711A	전진기어 29T	FORWARD GEAR 29T	1		
7	TA00041710D	메인 입력 구동축	MAIN INPUT DRIVE SHAFT	1		
8	TA00042356B	후진기어 25T	REAR GEAR 25T	1		
9	24101-062084	볼베어링6208	Bearing, Ball (#6208)	1	#6208	
9	TA00059304A	볼베어링(6208)	BALL BEARING	1		

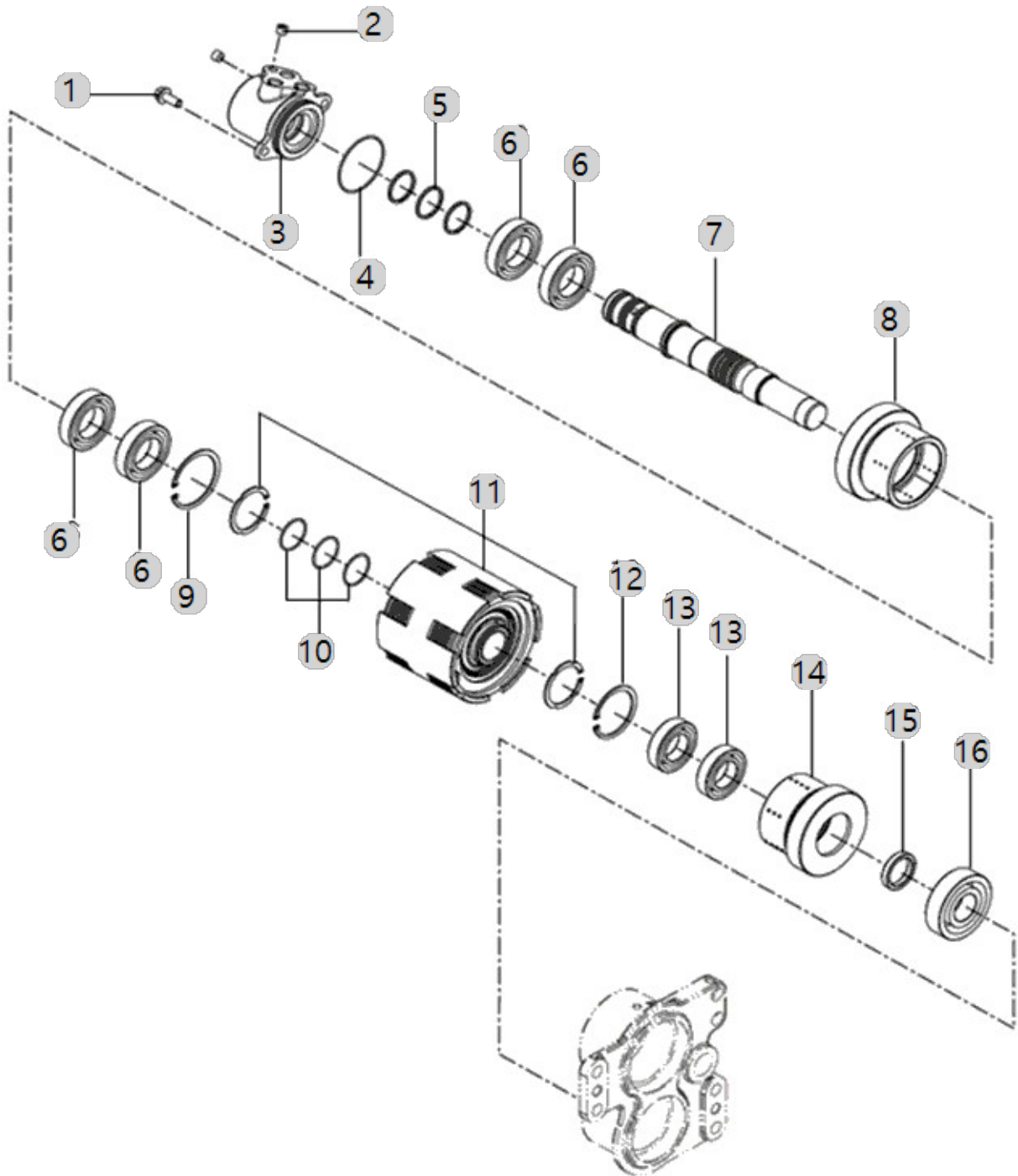
F02023

5835R TM(US)
(AC01722)

(MAIN DRIVE SHAFT)

Year/Month

2022-12-15



F02023 5835R TM(US) (AC01722)	(MAIN DRIVE SHAFT)	Year/Month
		2022-12-15

순번 (NO)	부품번호 (PART NO)	품명 (PART NAME)	품명 (PART NAME)	수량 (QTY)	규격 (SPEC)	비고 (REMARK)
1	26106-080202	육각플랜지볼트	SQR FLANGE BOLT	2	M8XP1.25X20	
2	23871-010000	테이퍼플러그	PLUG	2	PT1/8	
3	TA00042335C	메인 입력 피동축 홀드	HOLDER	1		
4	24341-000590	고정용S형O링	O RINGS	1		
5	TA00033554B	실링(전후진 입력)	SEALING(FR_INPUT)	3		
6	24101-060074	볼베어링6007	Bearing, Ball (#6007)	4	#6007	
6	TA00059305A	볼베어링(6007)_OP	BALL BEARING	4		
7	TA00041716D	메인 입력 피동축	MAIN INPUT DRIVEN SHAFT	1		
8	TA00041714A	전진 클러치기어	CLUTCH GEAR, FORWARD	1		
9	22252-000620	구멍용스냅링62	RING, CIRCLIP (Φ 62)	1	D62(구멍용)	
10	24341-000320	고정용S형O링	O-RING, FIX (Φ32)	3	S32	
11	TA00033558G	전후진 클러치 조합	ASS'Y, FRONT/REAR CLUTCH	1		
12	22252-000550	구멍용스냅링(C형)	RING, CIRCLIP (Φ 55)	1	D55	
13	24101-060064	볼베어링6006	Bearing, Ball (#6006)	2	#6006	
13	TA00059300A	볼베어링(6006)_OP	BALL BEARING	2		
14	TA00041715A	후진 클러치기어	CLUTCH GEAR, REVERSE	1		
15	TA00033557A	스페이스	SPACER, SHUTTLE	1		
16	24101-063064	볼베어링6306	Bearing, Ball (#6306)	1	#6306	
16	TA00059301A	볼베어링(6306)_OP	BALL BEARING	1		

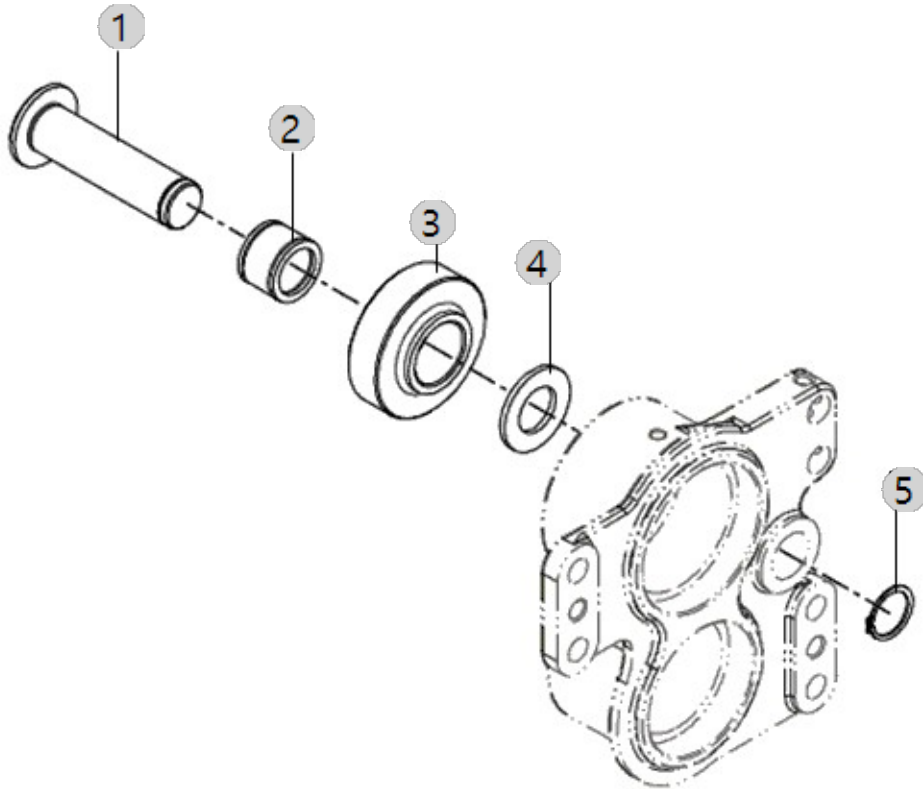
F02060

5835R TM(US)
(AC01722)

(REVERSE IDLE SHAFT)

Year/Month

2022-12-15



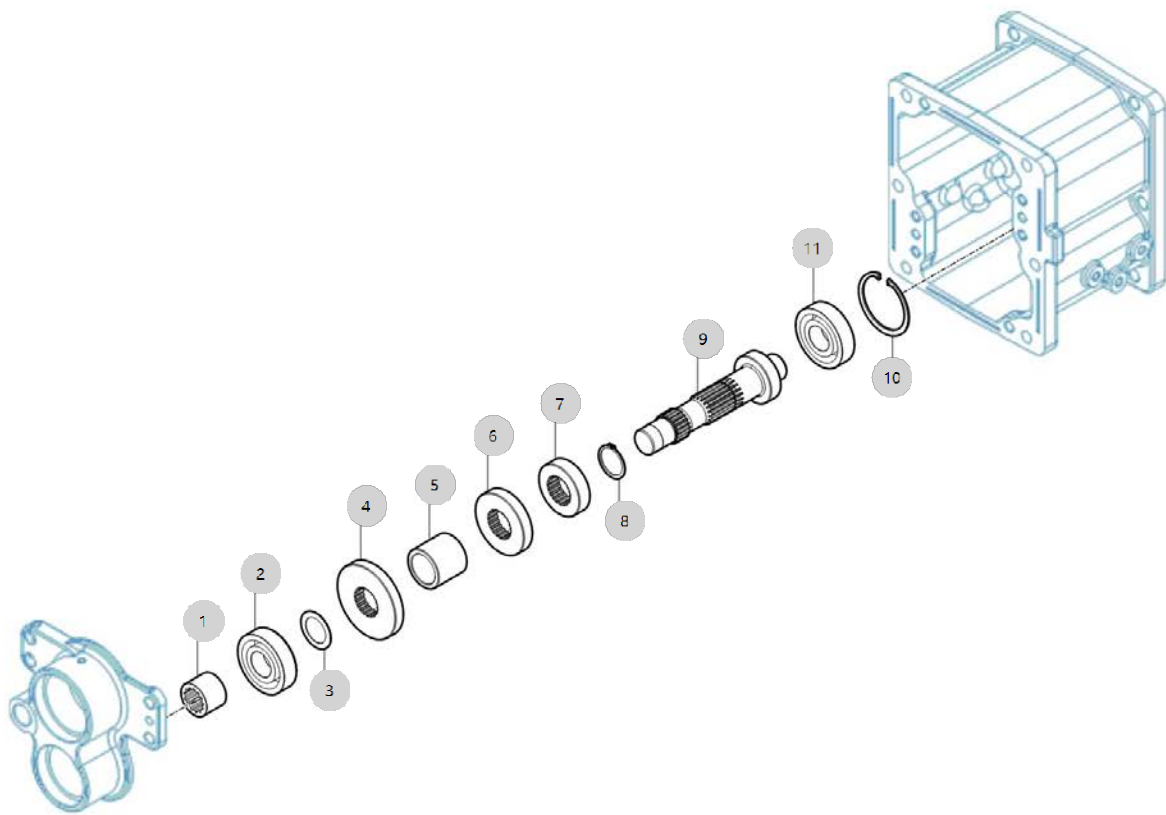
F03010

5835R TM(US)
(AC01722)

(MAIN SHIFT DRIVE SHAFT)

Year/Month

2022-12-15



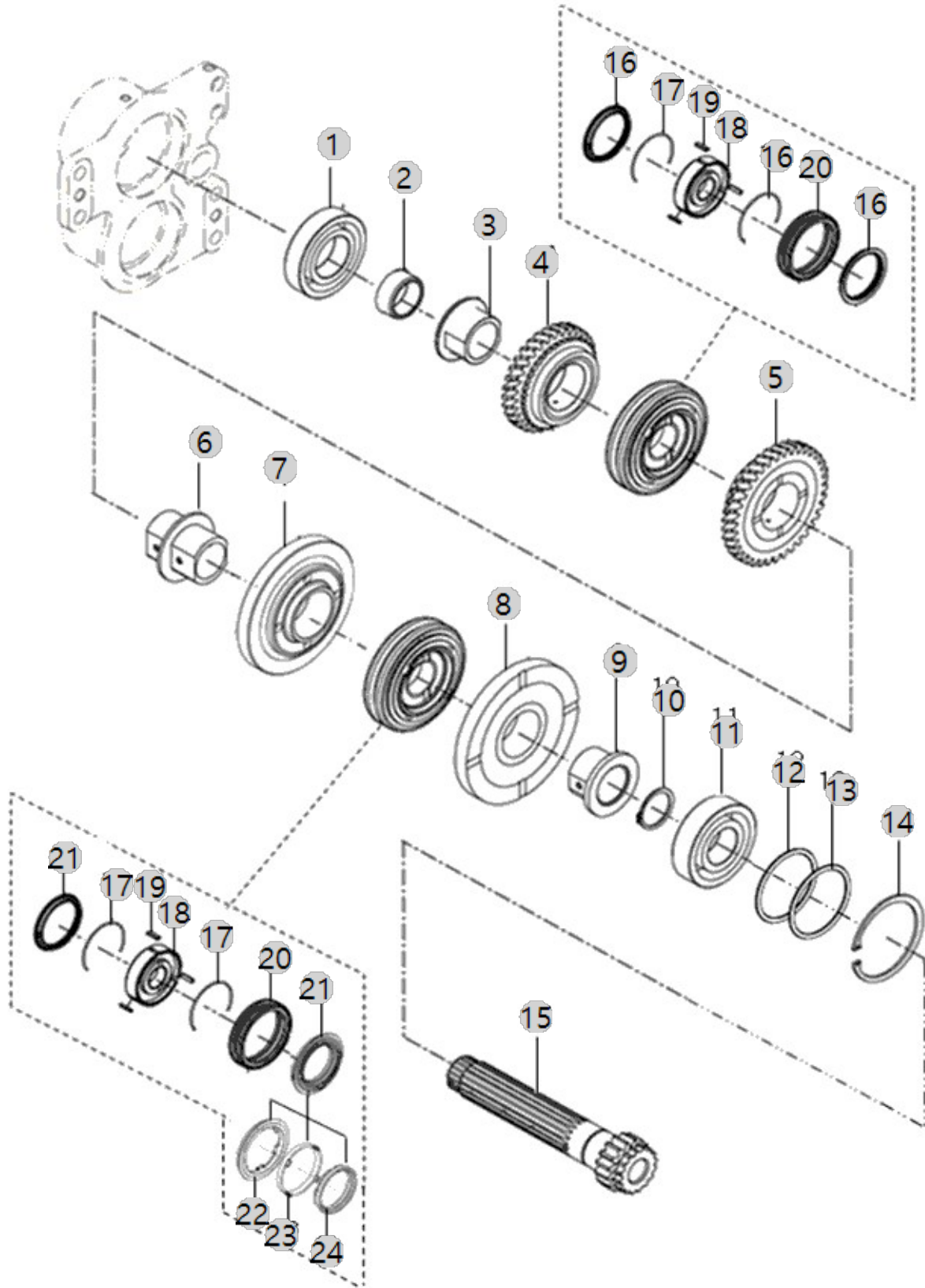
F03020

5835R TM(US)
(AC01722)

(MAIN SHIFT DRIVEN SHAFT)

Year/Month

2022-12-15



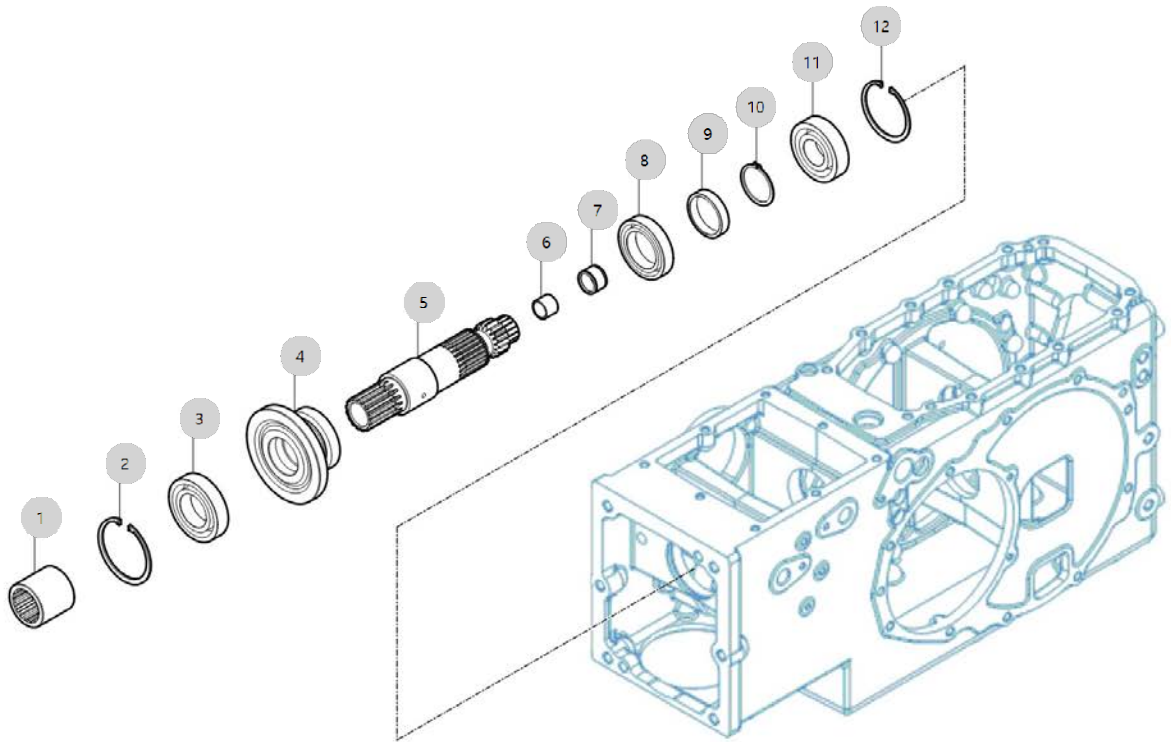
F03040

5835R TM(US)
(AC01722)

(RANGE SHIFT DRIVE SHAFT)

Year/Month

2022-12-15



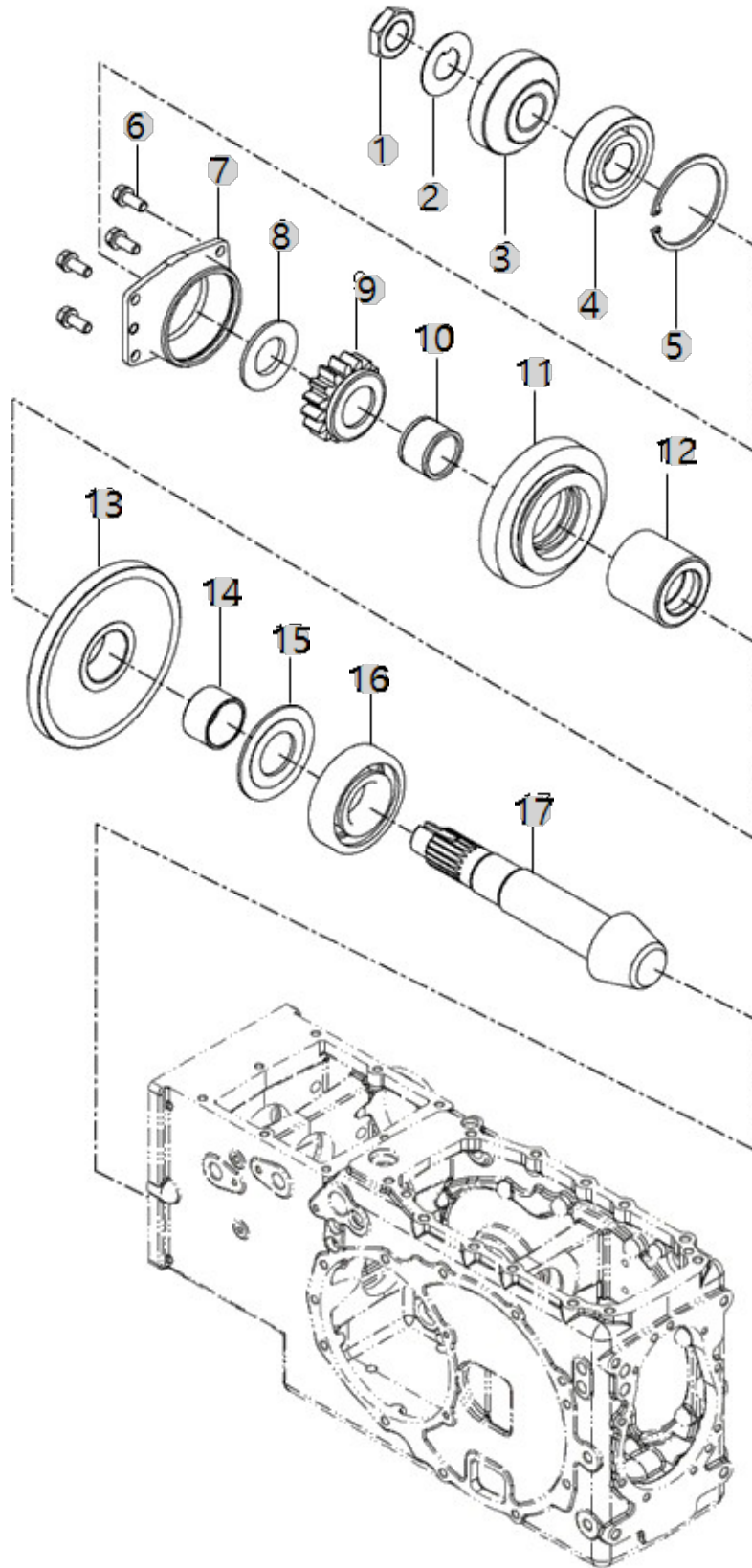
F03050

5835R TM(US)
(AC01722)

(RANGE SHIFT DRIVEN SHAFT)

Year/Month

2022-12-15



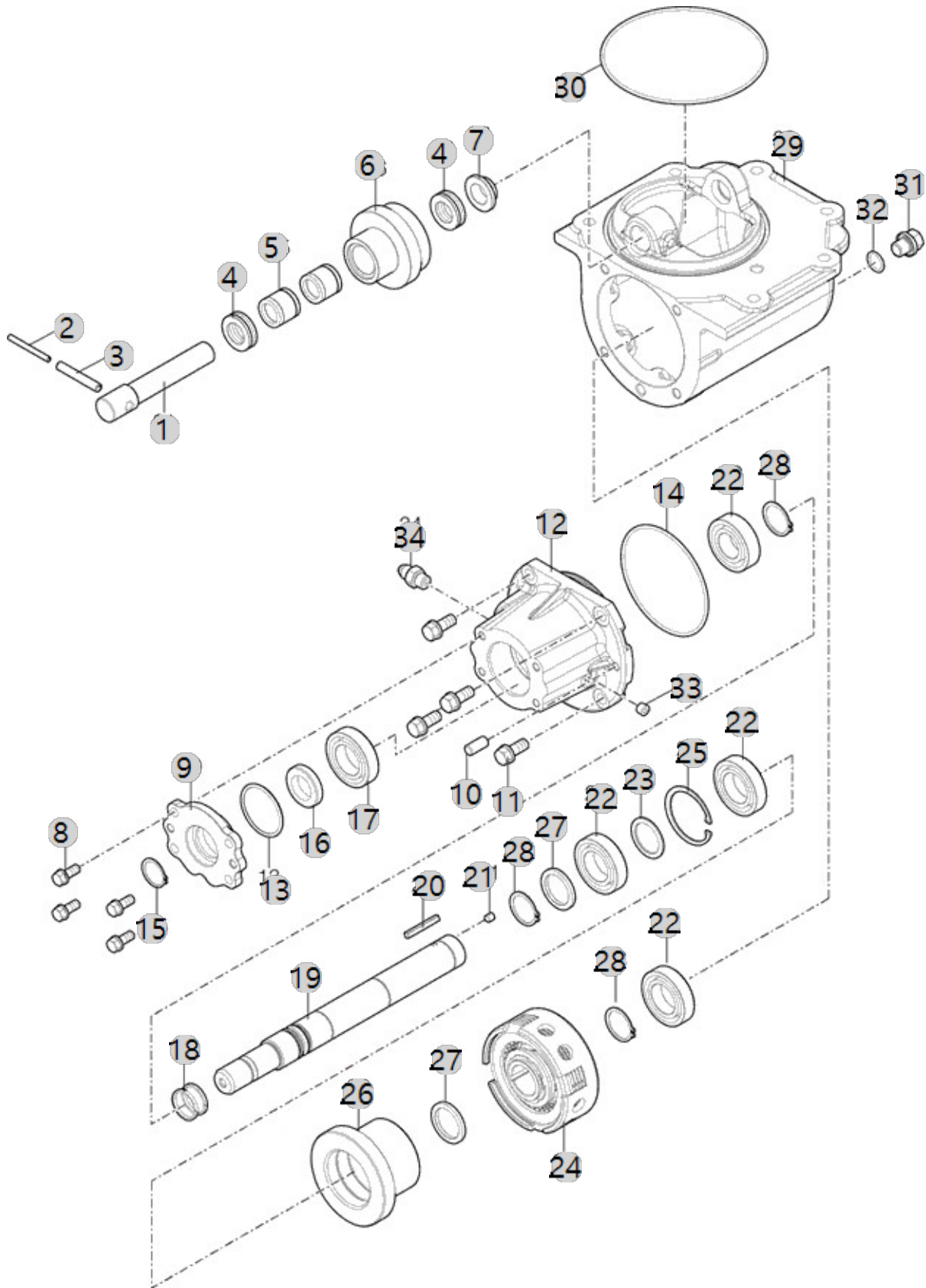
F04000

5835R TM(US)
(AC01722)

(FRONT ASS'Y RELATION)

Year/Month

2022-12-15



F04000 5835R TM(US) (AC01722)		(FRONT ASS'Y RELATION)				Year/Month 2022-12-15
순번 (NO)	부품번호 (PART NO)	품명 (PART NAME)	품명 (PART NAME)	수량 (QTY)	규격 (SPEC)	비고 (REMARK)
1	TA00026433D	전륜 아이들 축	IDLE SHAFT FRONT DRIVE	1		
2	22351-050050	스프링핀	PIN, SPRING (5-05)	1		DEL.20221012
3	22351-080050	스프링핀	PIN, SPRING (8-50)	1		DEL.20221012
4	24520-511040	스러스트볼베어링	THRUST BALL BEARING	2	51104	
5	24161-202825	니들베어링	NEEDLE BEARIN (#20-28-25)	2		DEL.20220323
6	TA00058300A	전륜 아이들 기어	IDLE GEAR, 4WD	1		
6	TA00026406C	전륜 아이들 기어 조합	IDLE GEAR FRONT DRIVE ASS'Y	1	NONE	
6	TA00058300A	전륜 아이들 기어	IDLE GEAR, 4WD	1		
6	TA00058300B	전륜 아이들 기어	IDLE GEAR, 4WD	1		
7	TA00029363A	칼라	COLLAR	1	-	
8	26013-080202	와셔조립육각볼트(+SW)	Bolt, Hexa (8-20)	4	M8XP1.25X20	
9	TN43350000B3	오일시일케이스	CASEOILSEAL	1		
10	22312-100200	평행핀	PIN, DOWEL (10-20)	1	D10X20	
11	26013-100252	와셔조립육각볼트(+SW)	SCREW, CAPTIVE WASHER CAP	4	M10X1.50X02	
12	TA00057069A	베어링 케이스	CASE, BEARING	1		
13	TN43360000A4	O-링(G형)	O-RING	1	45G	
14	24321-001050	O-링	O-RING	1		
15	22242-000250	축용스냅링25	SNAP RING, SHAFT (Φ 25)	1	D25	
16	24421-254008	오일실TC254008(E810,86-13)	Seal, Oil (#25-40-08)	1	TC25X40X8	
17	24101-062054	볼베어링6205	Bearing, Ball (#6205)	1	#6205UU	DEL.20220323
18	TT64070000B4	시일링	SEAL RING	2	26X30X3	
19	TA00057068A	전륜 구동축	SHAFT, FRONT DRIVE	1		
20	22550-050400	평행키	PARALLEL KEY	1	5X5X40	
21	TT64080000A4	멈춤나사 M7X1	RETAININGSCREWM7X1	1	M7XP1.0	
22	24101-060064	볼베어링6006	Bearing, Ball (#6006)	4	#6006	DEL.20220323
23	TA00019399A	칼라 40X30.3X2	COLLAR 40X30.3X2	1		
24	TA00026395B	전륜 클러치팩 조합	4WD CLUTCH ASS'Y	1	-	
25	22252-000550	구멍용스냅링(C형)	RING, CIRCLIP (Φ 55)	1	D55	
26	TA00026354B	클러치기어(FWDH)31T.L	CLUTCH GEAR	1	-	
27	TA00037525A	칼라(40X30.3X3.8)	COLLAR	2		
27	TA00037525B	칼라(40X30.3X3.8)	COLLAR	2		
28	22242-000300	축용스냅링30	SNAP RING, SHAFT (Φ 30)	3	D30	
29	TA00026427B	전륜기어 케이스	FRONT GEAR CASE	1	-	
29	TA00026427C	전륜기어 케이스	FRONT GEAR CASE	1	-	
30	24321-001450	오링	O RING	1	G145	
31	TB28120000C4	퇴유플러그	DRAIN PLUG	1	M14XP1.5	DEL.20210331
31	TB28120000D4	퇴유플러그	PLUG	1	D23	DEL.20210331
32	24311-000160	O-링 P 16	O-RING, DYNAMIC (Φ16)	1	P16	DEL.20210331
33	23871-010000	테이퍼플러그	PLUG	1	PT1/8	
34	TA00017958A	피팅(1/4")	NIBBLE	1		
34	TA00017958B	피팅(1/4")	NIBBLE	1		

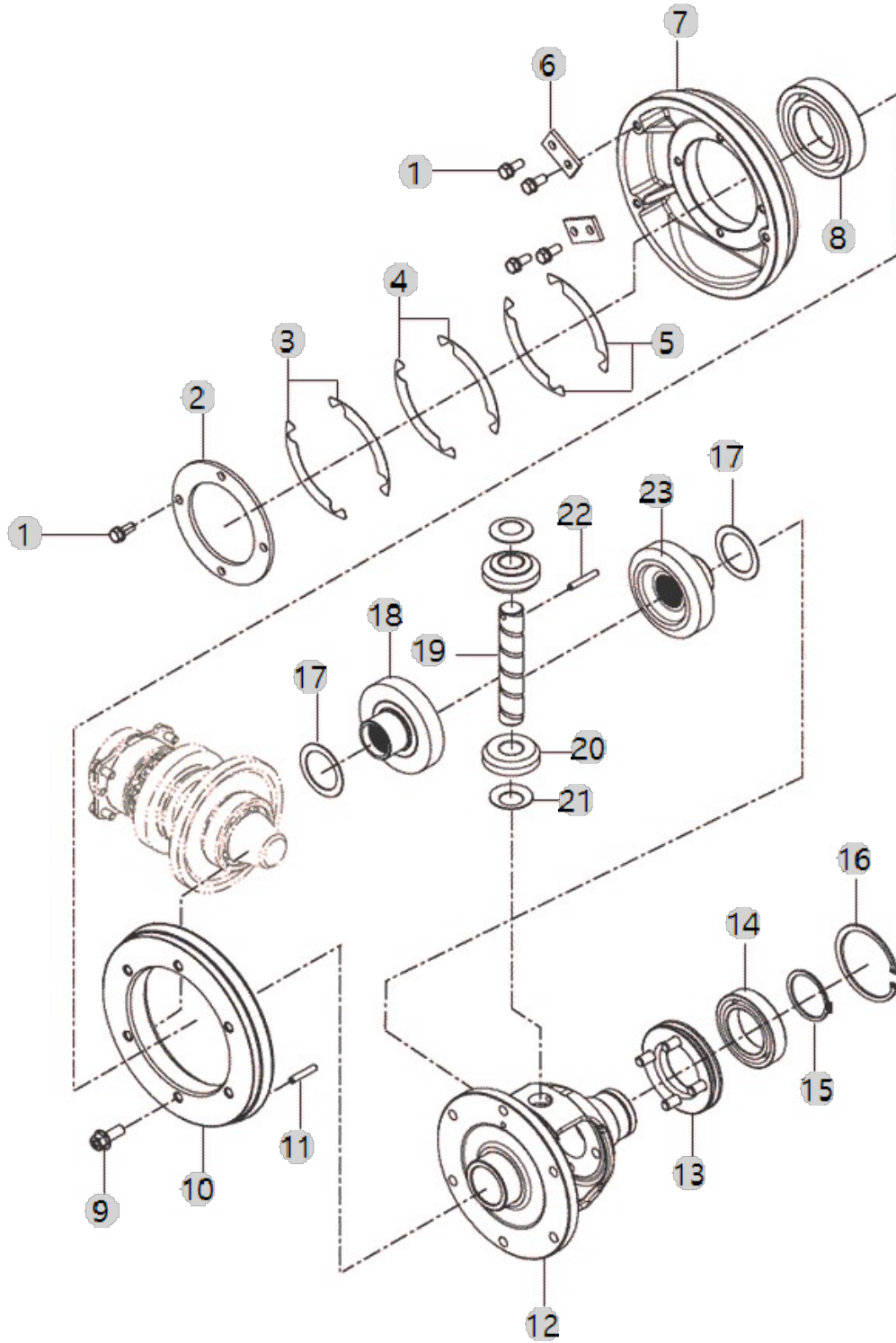
F05020

5835R TM(US)
(AC01722)

(REAR DIFFERENTIAL)

Year/Month

2022-12-15



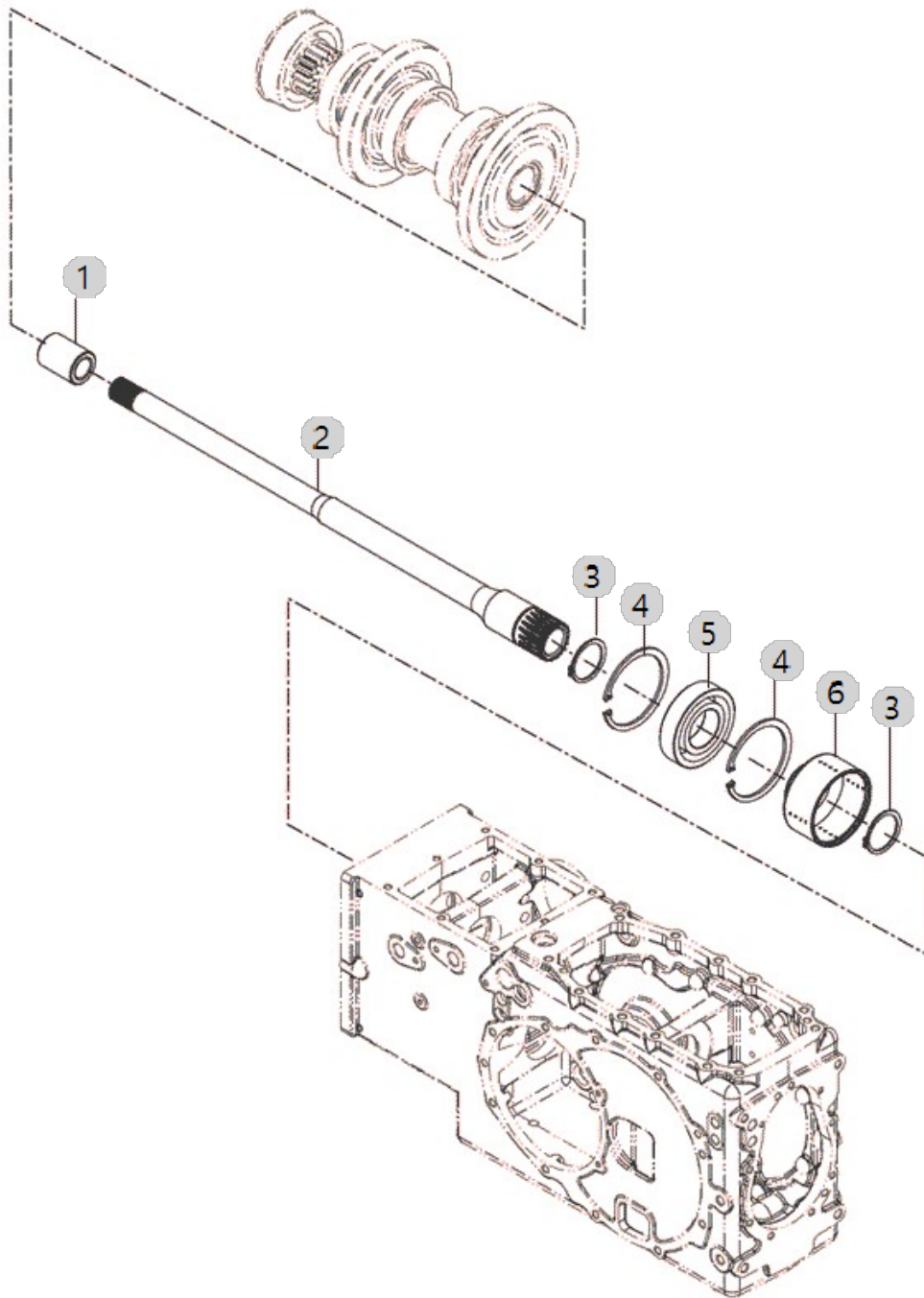
F07010

5835R TM(US)
(AC01722)

(PTO EXTENSION SHAFT)

Year/Month

2022-12-15



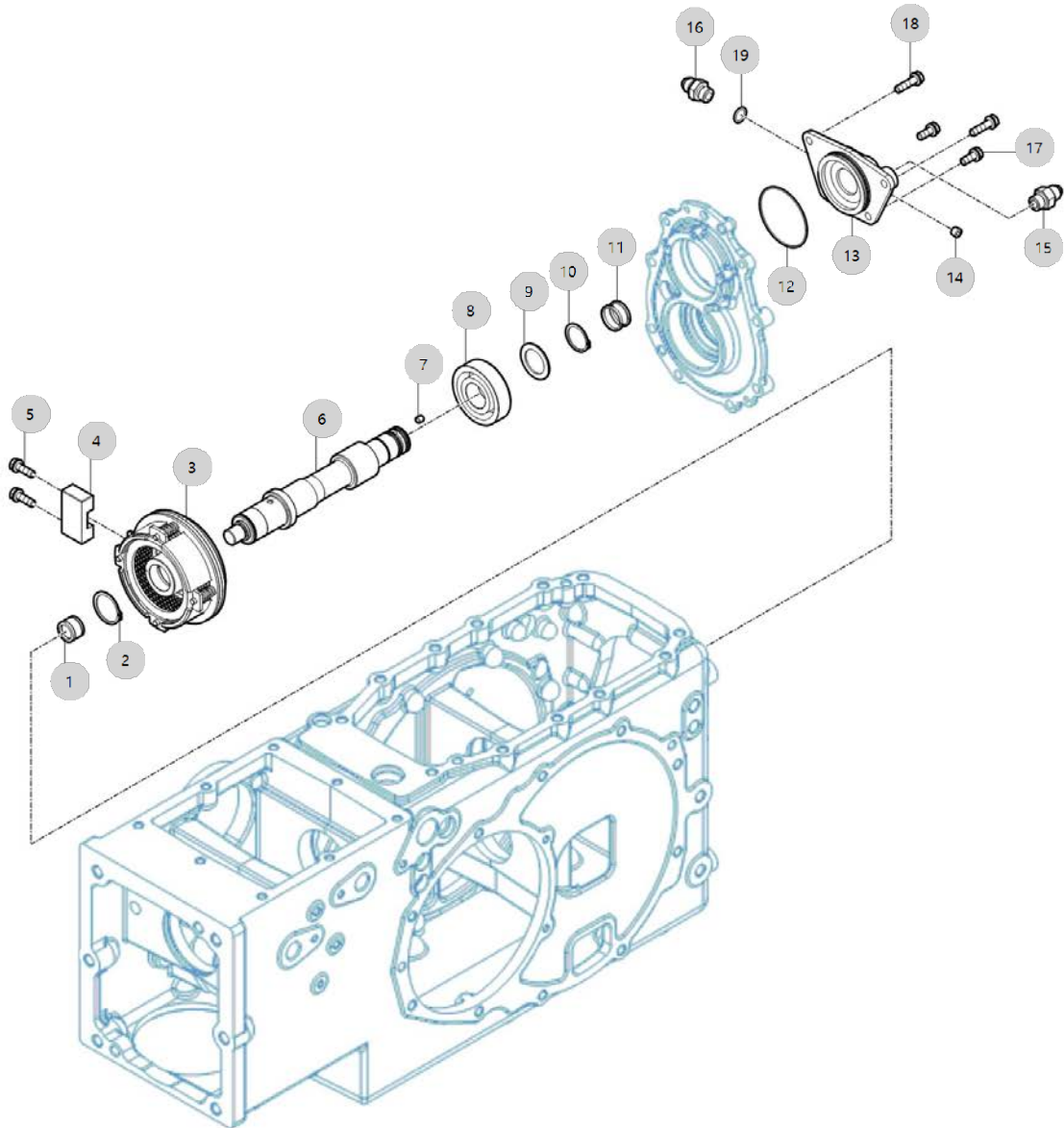
F07030

5835R TM(US)
(AC01722)

(PTO DRIVE SHAFTY)

Year/Month

2022-12-15



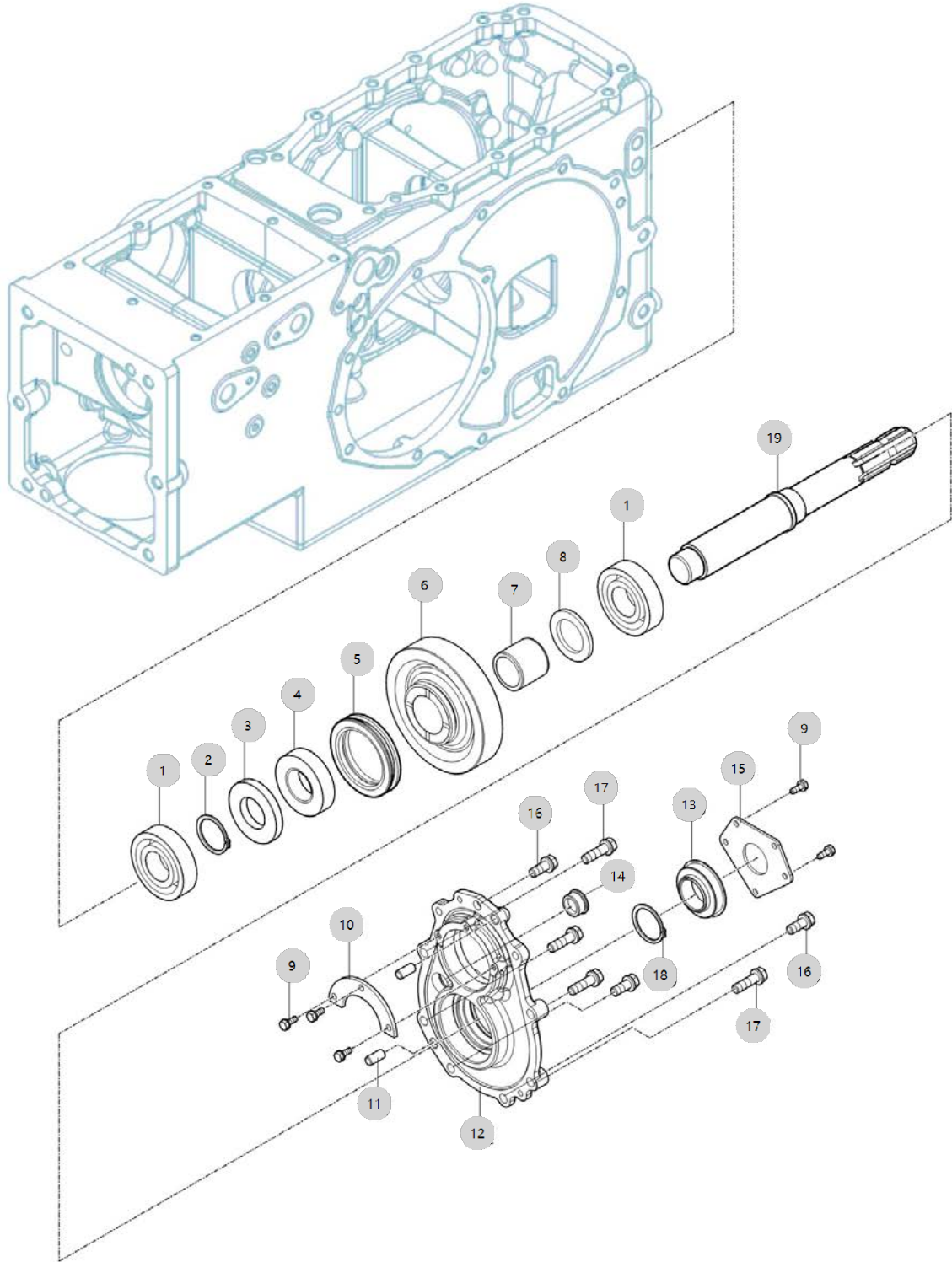
F07040

5835R TM(US)
(AC01722)

(PTO DRIVE SHAFT)

Year/Month

2022-12-15



F07040 5835R TM(US) (AC01722)		(PTO DRIVE SHAFT)				Year/Month 2022-12-15
순번 (NO)	부품번호 (PART NO)	품명 (PART NAME)	품명 (PART NAME)	수량 (QTY)	규격 (SPEC)	비고 (REMARK)
1	24101-063074	볼베어링6307	Bearing, Ball (#6307)	2	#6307	DEL.20220323
2	22242-000400	축용스냅링40	SNAP RING, SHAFT (Φ 40)	1	D40	
3	TA00061426A	와셔	WASHER	1		
4	TZ45100000B3	PTO허브	HUB,P.T.O	1		
5	TZ45110000C4	PTO슬리브	SLEEVE,P.T.O	1		
6	TA00033212B	PTO기어49T	GEAR 49T, PTO	1		
6	TA00033212C	PTO기어49T	GEAR 49T, PTO	1		
7	TA00033209A	니들부시B	NEEDLE BUSH B	1		
8	TZ45140000A4	칼라	COLLAR	1		
8	TZ45140000B4	칼라	COLLAR	1	5T	
9	26013-060162	와셔조립육각볼트(+SW)	Bolt, Hexa (6-16)	6	M6XP1.0X16	
10	NT45640000A4	베어링커버	Bearing Cover	1		
11	22312-100200	평행핀	PIN, DOWEL (10-20)	2	D10X20	
12	NT45510000B1	PTO축하우징	HOUSING, PTO SHAFT	1		
13	TT62040000A3	PTO 오일실 QLF35X60X19	PTO OIL SEAL QLF35X60X19	1	35X60X19	
14	TCA8130000A4	검유창	SIGHTGLASS -> NT45690000A4	1		
15	NT45720000A4	플레이트	Plate	1	T3.2	
15	NT45720000B4	플레이트	PLATE	1	3.2T	
16	26013-100252	와셔조립육각볼트(+SW)	SCREW, CAPTIVE WASHER CAP	3	M10X1.50X02	
17	26013-100352	볼트	Bolt, Hexa (10-35)	4		
18	22242-000350	축용스냅링35	SNAP RING, SHAFT (Φ 35)	1	D35	
19	TA00060515A	PTO 축	SHAFT, PTO	1		

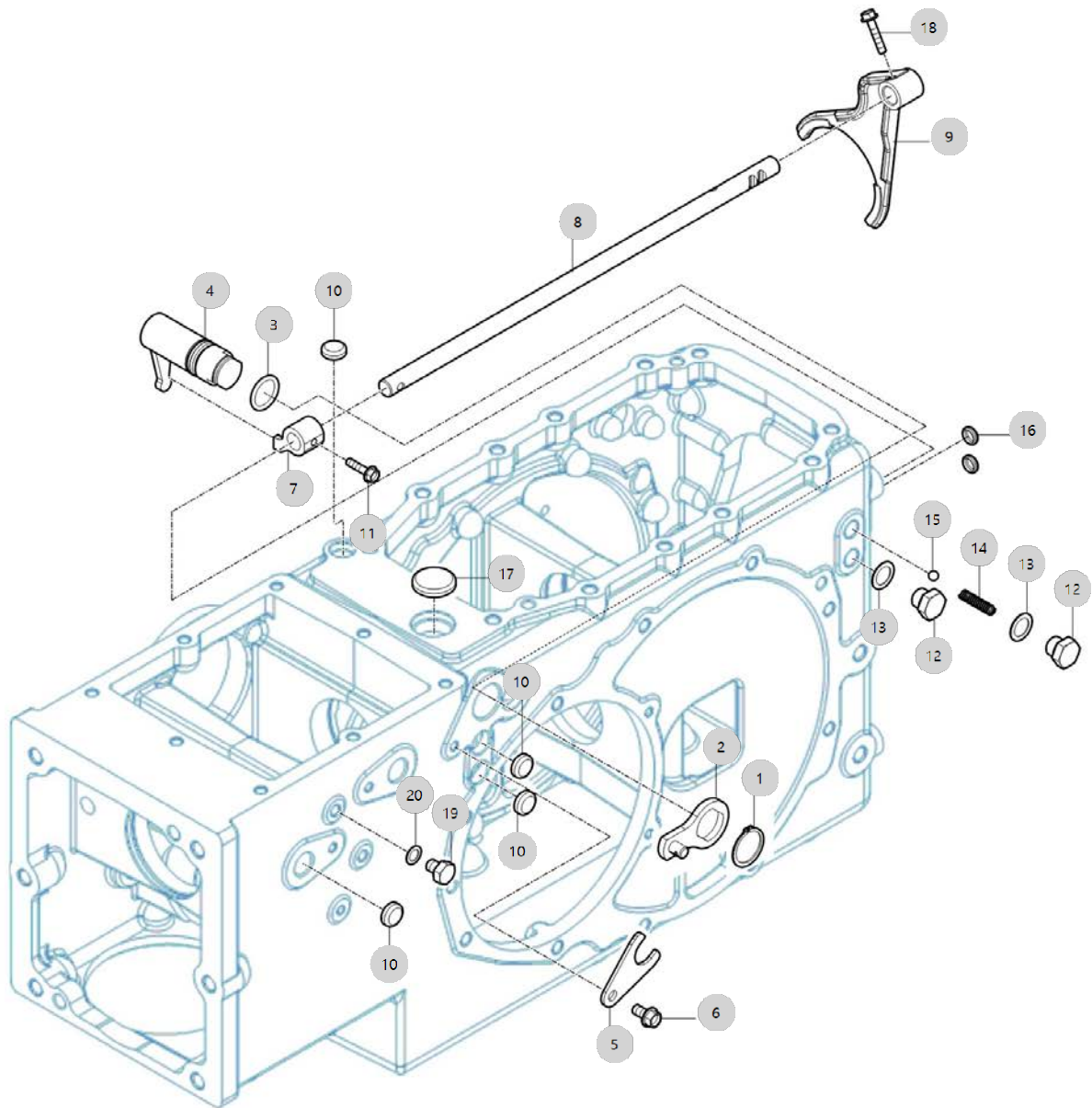
F08060

5835R TM(US)
(AC01722)

(PTO SHIFT FORK)

Year/Month

2022-12-15



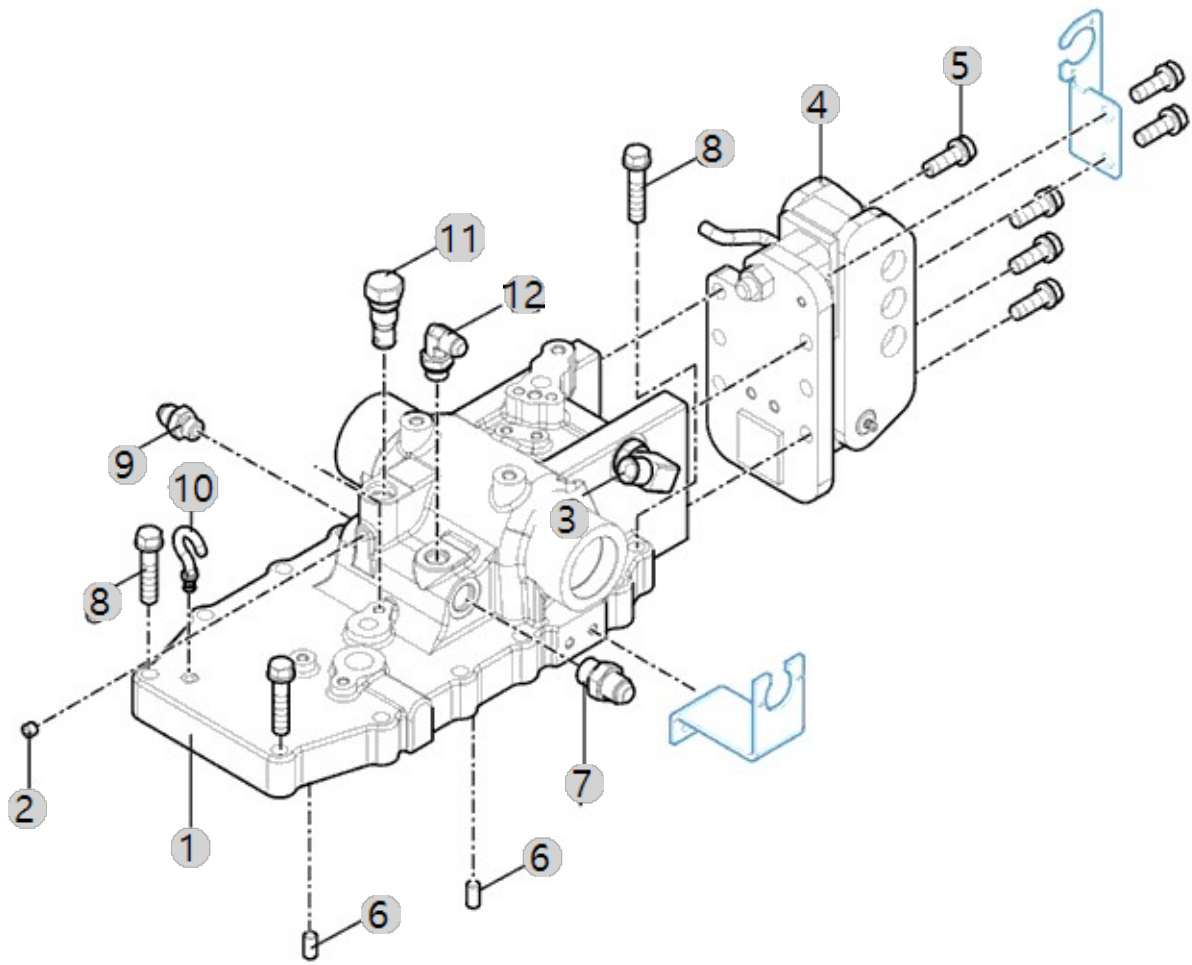
F10010

5835R TM(US)
(AC01722)

(HYD-CYLINDER CASE)

Year/Month

2022-12-15



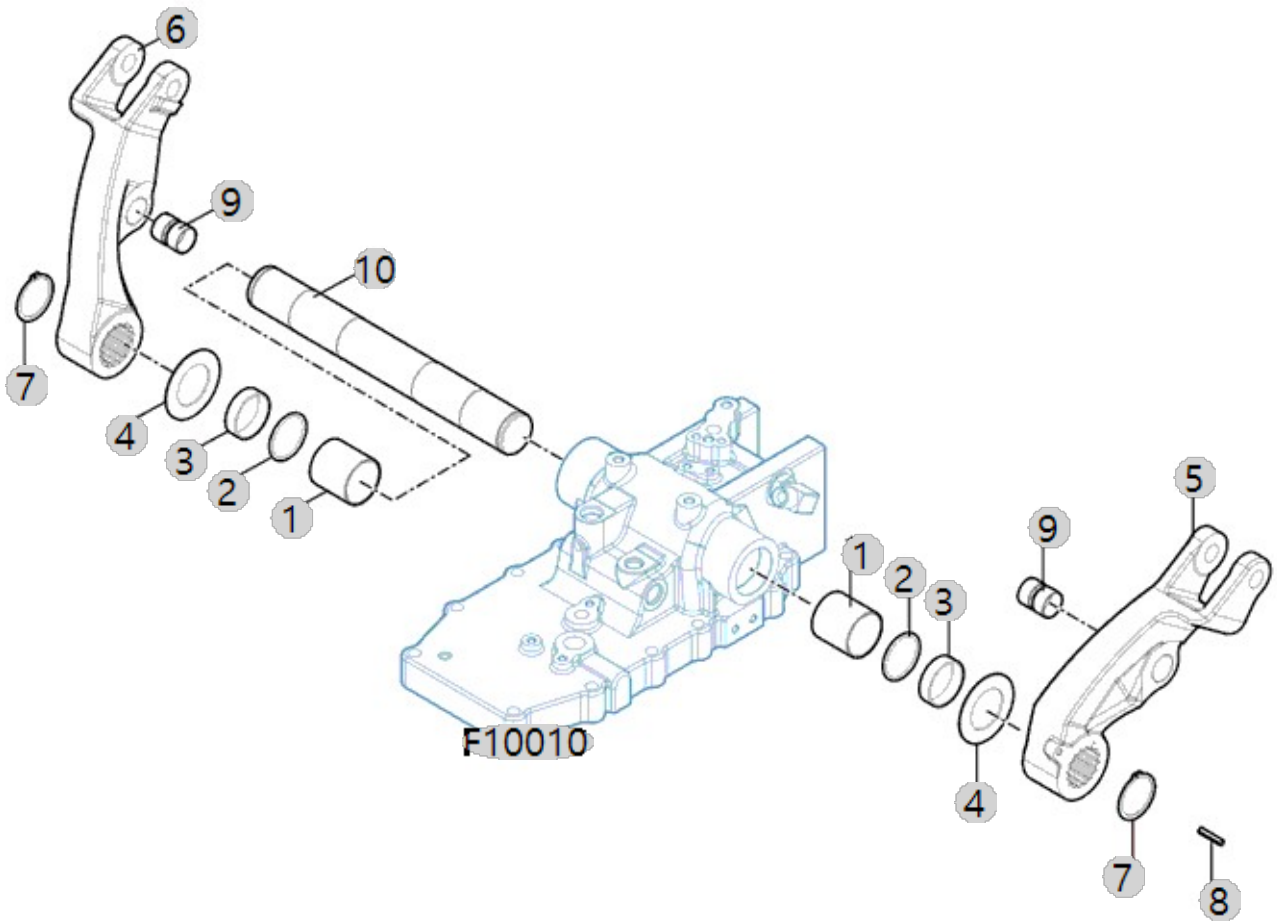
F10020

5835R TM(US)
(AC01722)

(LIFT ARM)

Year/Month

2022-12-15



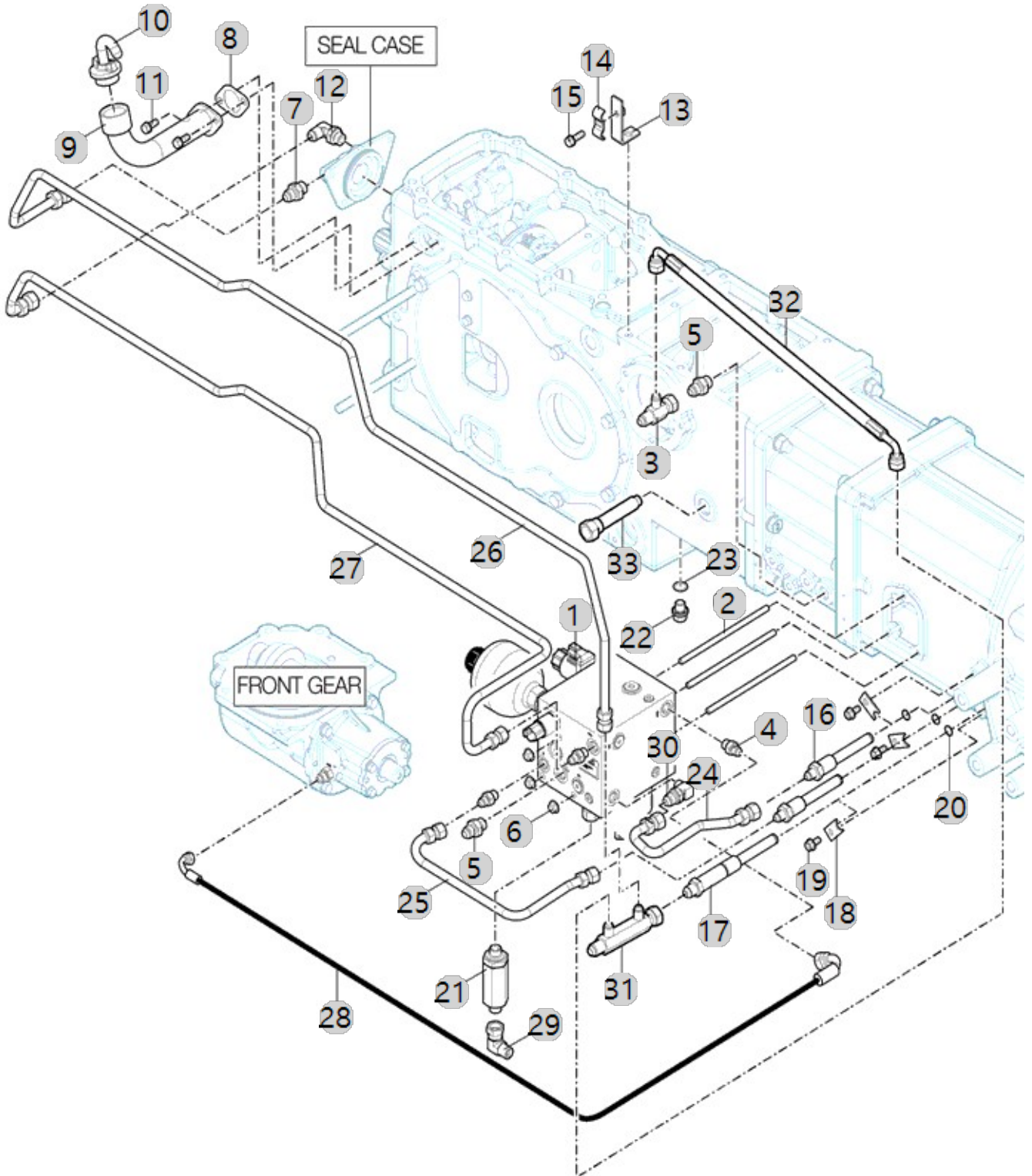
F10080

5835R TM(US)
(AC01722)

(HYD VALVE)

Year/Month

2022-12-15



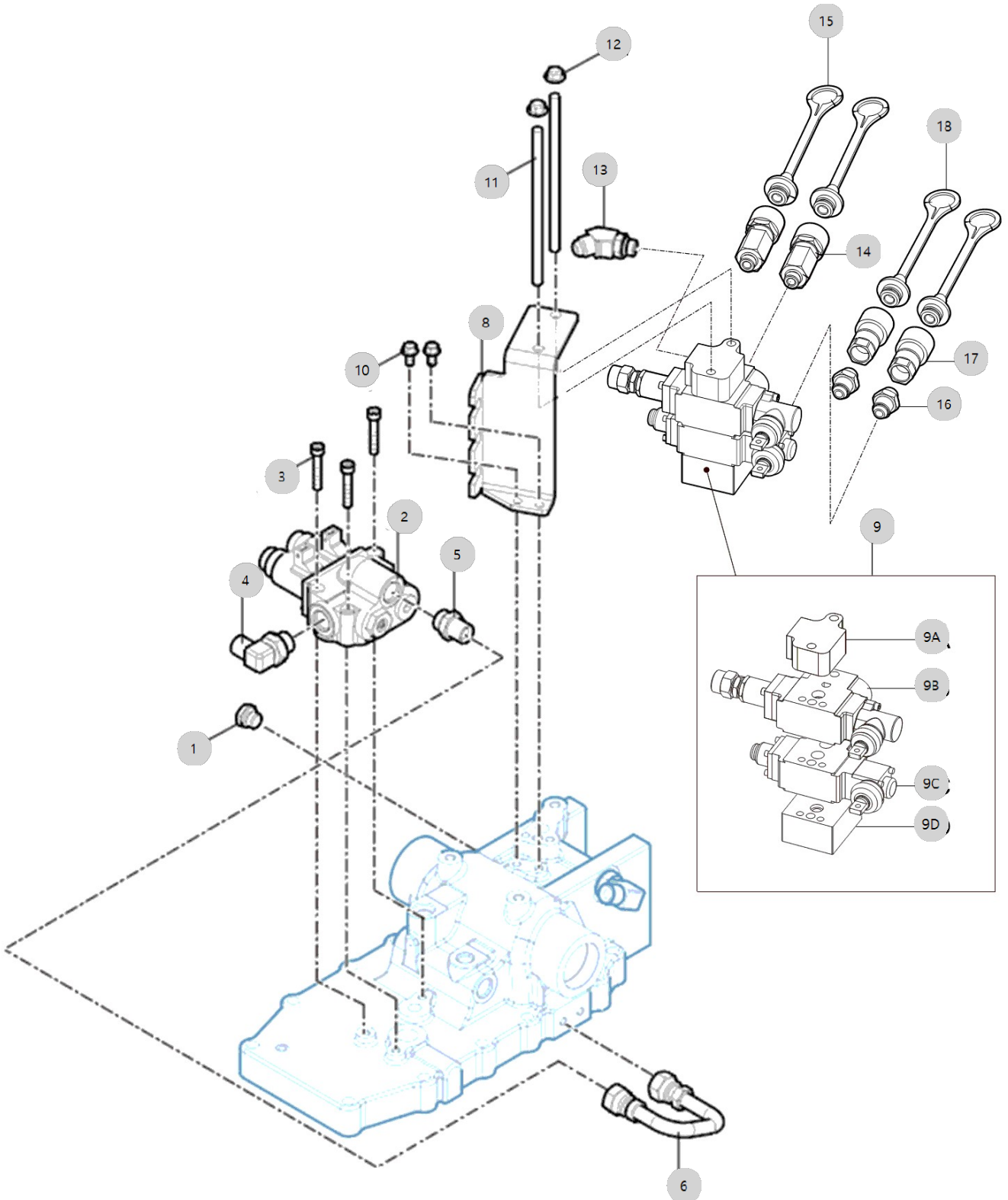
F10120

5835R TM(US)
(AC01722)

(VALVE, REAR SC)

Year/Month

2022-12-15



F10120		(VALVE, REAR SC)				Year/Month
5835R TM(US) (AC01722)						2022-12-15
순번 (NO)	부품번호 (PART NO)	품명 (PART NAME)	품명 (PART NAME)	수량 (QTY)	규격 (SPEC)	비고 (REMARK)
1	NTA1130000A4	플러그	PLUG	1	PF3/8	
1	NTA1130000B4	플러그	PLUG	1		
2	TA00000398B	승강밸브	HYD. CONTROL VALVE	1	NONE	
3	26450-080452	육각구멍붙이볼트		3		
4	TA00000393A	엘보우(1/2")	ELBOW(1/2")	1		
4	TA00000393B	엘보우(1/2")	ELBOW(1/2")	1		
5	TA00016642A	커넥트	FORK SHAFT	1		
5	TA00016642B	커넥트	FORK SHAFT	1		
6	TA00042836B	승강파이프조합	PIPE ASSY	1		
7	CVE4020000B4	니플1/2	NIPPLE 1/2	1		
8	TA00057796A	SCV케이블 브래킷	BRACKET, SCV CABLE	1		
9	TA00061884A	SCV조합	SCV ASS'Y	1		
9	TA00061884B	SCV조합	SCV ASS'Y	1		
9	TA00061884C	SCV조합	SCV ASS'Y	1		
9A	TA00028232A	SCV커버	COVER	1		
9B	TA00061885C	SCV(4Position)	SCV(4POSITION)	1		
9C	TA00041917C	SCV	SCV	1		
9D	TA00062215	블록		1		
10	26106-080162	플랜지볼트8X16	SCREW,HEXFLANGEHEADCAP	2	M8XP1.25X16	
11	TA00036523A	심음볼트(M10XP1.5X179)	STUD BOLT	2		
11	TA00036523B	심음볼트(M10XP1.5X179)	STUD BOLT	2		
12	26367-100002	263,ALL,고정너트(우나사)	NUT,HEXAGONFLANGE	2	M10X1025	
13	TA00043381B	엘보우45도 (PF1/2-3/8)	ELBOW 45'(PF1/2-3/8)	1		
13	TA00043381C	엘보우45도 (PF1/2-3/8)	ELBOW 45'(PF1/2-3/8)	1		
14	TA00045252A	퀵커플러(1/2")	QUICK COUPLUNG(1/2")	2		
14	TA00045252B	퀵커플러(1/2")	QUICK COUPLUNG(1/2")	2		
15	TA00032979C	조인트고무마개(빨)	JOINT CAP	2		
16	TA00042245C	아댑터(PF1/2)	ADAPTER	2		
17	FBA3150000A3	조인트(1/2")	QUICK COUPLER (1/2")	2		
18	TA00032978C	조인트고무마개(노)	JOINT CAP	2		

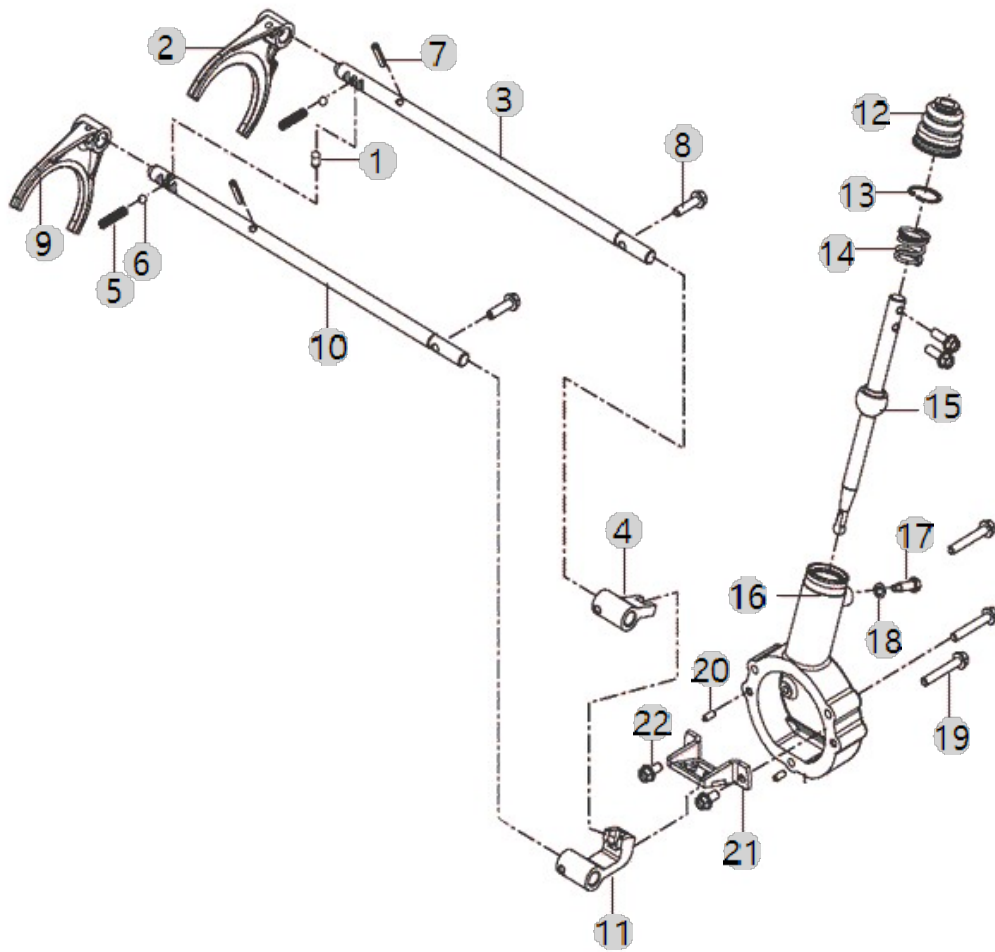
F11010

5835R TM(US)
(AC01722)

(MAIN SHIFT LEVER)

Year/Month

2022-12-15



F11010 5835R TM(US) (AC01722)	(MAIN SHIFT LEVER)	Year/Month
		2022-12-15

순번 (NO)	부품번호 (PART NO)	품명 (PART NAME)	품명 (PART NAME)	수량 (QTY)	규격 (SPEC)	비고 (REMARK)
1	TN41070000A4	더블기어방지핀	PIN	1		
2	TN41170000D3	주변속포오크(1-2)	FORK1ST~2ND,MAINSHIFT	1		
3	TA00042380B	주변속 포크축(3-4)	MAIN-SHIFT FORK SHAFT(3-4)	1		
4	TA00033688A	주변속 링크(3-4)	MAIN SHIFT LINK (3-4)	1		
5	TA00045167A	리턴 스프링	RETURN SPRING	2		
6	24190-10001	강구5/16	Ball, Steel (5/16)	2	5/16"	
7	22351-060030	스프링핀	PIN, SPRING (6-30)	2		
8	26106-080302	육각플랜지볼트	HEX BOLT, FLANGE	2	M8XP1.25X30	DEL.20220731
9	TN41180000D3	주변속포오크(3-4)	FORK3-4MAINSHAFT	1		
10	TA00042381B	주변속 포크축(1-2)	MAIN-SHIFT FORK SHAFT(1-2)	1		
11	TA00033687A	주변속 링크(1-2)	MAIN SHIFT LINK (1-2)	1		
12	TA00033698A	부츠	BOOT	1		
13	22252-000320	구멍용스냅링32	RING, CIRCLIP (Φ 32)	1	D32	
14	TA00035672A	원추코일스프링	COIL SPRING	1		
14	TA00035672B	원추코일스프링	COIL SPRING	1		
15	TA00038445A	주변속 레버(하)조합	SUB-SHIFT LEVER(LOWER) ASSY	1		
16	TA00033692A	주변속 케이스	CASE, MAIN SHIFT	1		
17	TA00036948A	단볼이볼트	BOLT	1		
17	TA00036948B	단볼이볼트	BOLT	1		
18	23414-080000	320,ALL,패킹8	WASHER, PLAIN (Φ8)	1	M8	
19	26106-080502	328,ALL,육각플랜지볼트	SCREW,HEXFLANGEHEADCAP	3	M8X1.25X50	
20	22312-060120	PARALLELPIN6X12	PIN, DOWEL (6-12)	2	D6X12	
21	TA00036900B	주변속가이드	GUIDE, MAIN-SHIFT	1		
22	26106-080162	플랜지볼트8X16	SCREW,HEXFLANGEHEADCAP	2	M8XP1.25X16	

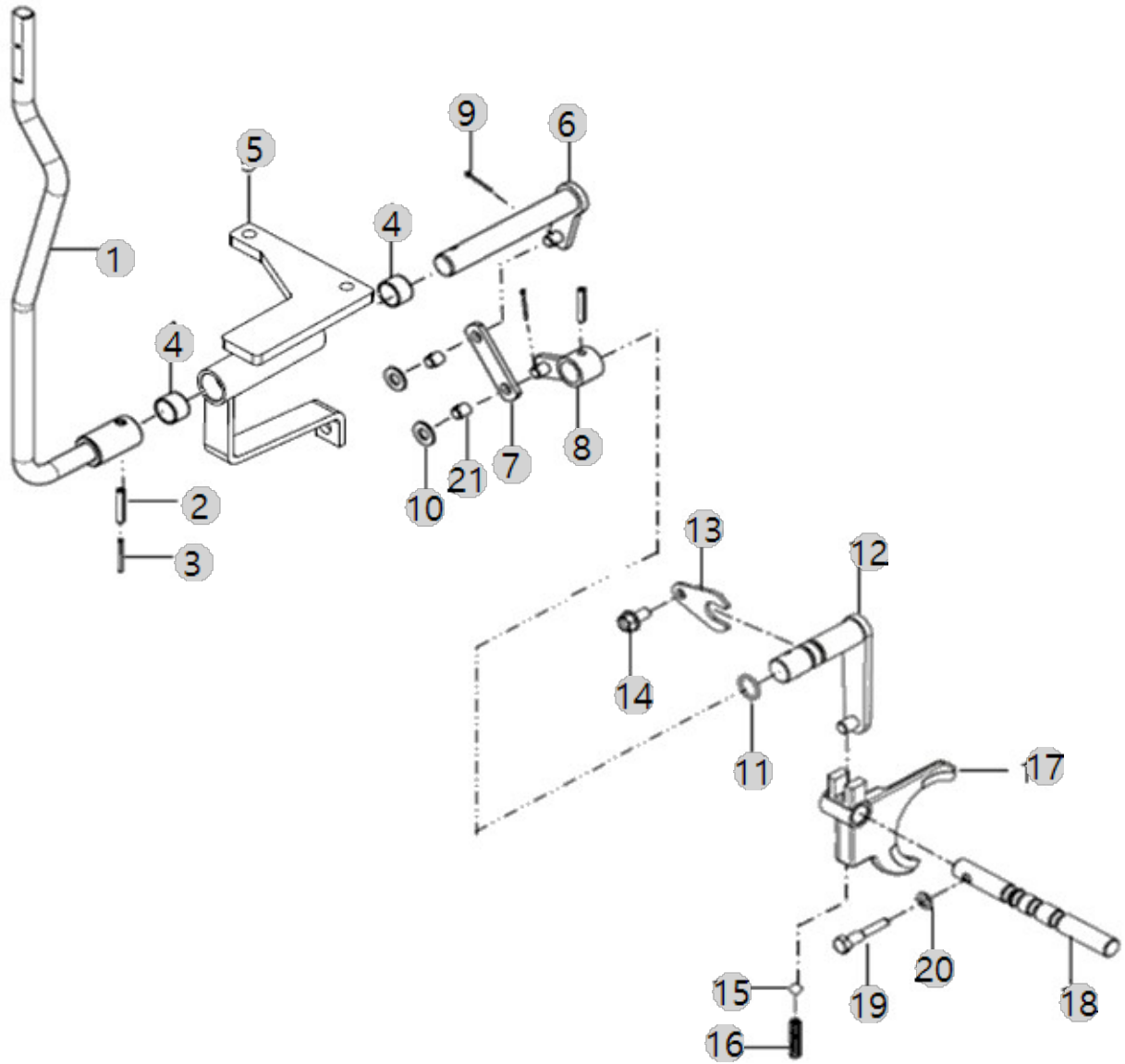
F11020

5835R TM(US)
(AC01722)

(SUB SHIFT LEVER)

Year/Month

2022-12-15



F11020 5835R TM(US) (AC01722)	(SUB SHIFT LEVER)	Year/Month
		2022-12-15

순번 (NO)	부품번호 (PART NO)	품명 (PART NAME)	품명 (PART NAME)	수량 (QTY)	규격 (SPEC)	비고 (REMARK)
1	TA00045198A	부변속 레버	SUB-SHIFT LEVER	1		
2	22351-060030	스프링핀	PIN, SPRING (6-30)	2		
3	22351-035032	스프링핀	PIN, SPRING (3.5-32)	1	D3.5X32	
4	24550-020150	드라이부시		2	D20X15	
5	TA00045191B	부변속 변속 브래킷	SUB-SHIFT BRACKET	1		
5	TA00045191C	부변속 변속 브래킷	SUB-SHIFT BRACKET	1		
6	TA00045195B	부변속 변속 축	SUB-SHIFT SHAFT	1		
6	TA00045195C	부변속 변속 축	SHAFT, RANGE SHIFT	1		
7	TA00044909C	부변속 로드	ROD, SUB-SHIFT	1		
8	TA00044899B	부변속 변속 암	ARM, SUB-SHIFT	1		
9	22417-250250	가름핀 2.5X25	PIN, COTTER (2-25)	2	D2.5X25	
10	22137-100000	평와셔 10	WASHER, PLAIN (Φ 10)	2	M10	
11	24311-000160	O-링 P 16	O-RING, DYNAMIC (Φ16)	1	P16	
12	TA00042551B	부변속 암	ARM, SUB-SHIFT	1		
13	TA00042005A	고정 플레이트	PLATE	1		
13	TA00042005B	고정 플레이트	PLATE	1		
14	26106-080162	플랜지볼트 8X16	SCREW, HEXFLANGEHEADCAP	1	M8XP1.25X16	
15	24190-100001	강구 5/16	Ball, Steel (5/16)	1	5/16"	
16	TT42020000A4	스프링	SPRING	1		DEL.20220707
17	TN44420000B3	부변속 포오크	FORKRANGESHIFT	4		
18	TN44410000D3	부변속 포크축	SHAFT, RANGESHIFTFORK	1	D15X160	
19	TN44400000A4	단볼이볼트	BOLT	1		
19	TN44400000B4	단볼이볼트	BOLT	1		
20	23414-080000	320, ALL, 패킹 8	WASHER, PLAIN (Φ8)	1	M8	
21	24550-010060	드라이부시		2	10X6	

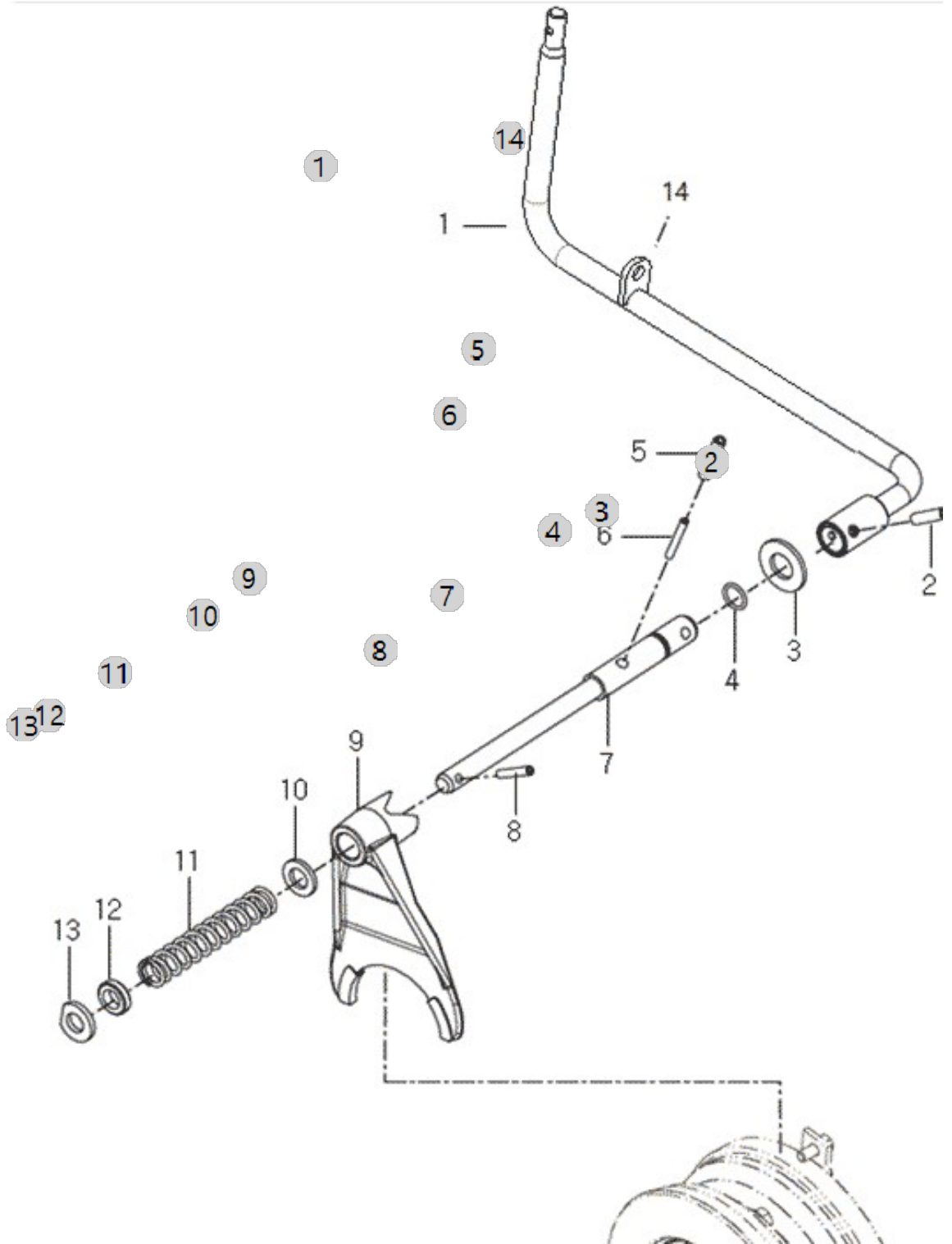
F11100

5835R TM(US)
(AC01722)

(DIFF. LOCK PEDA)

Year/Month

2022-12-15



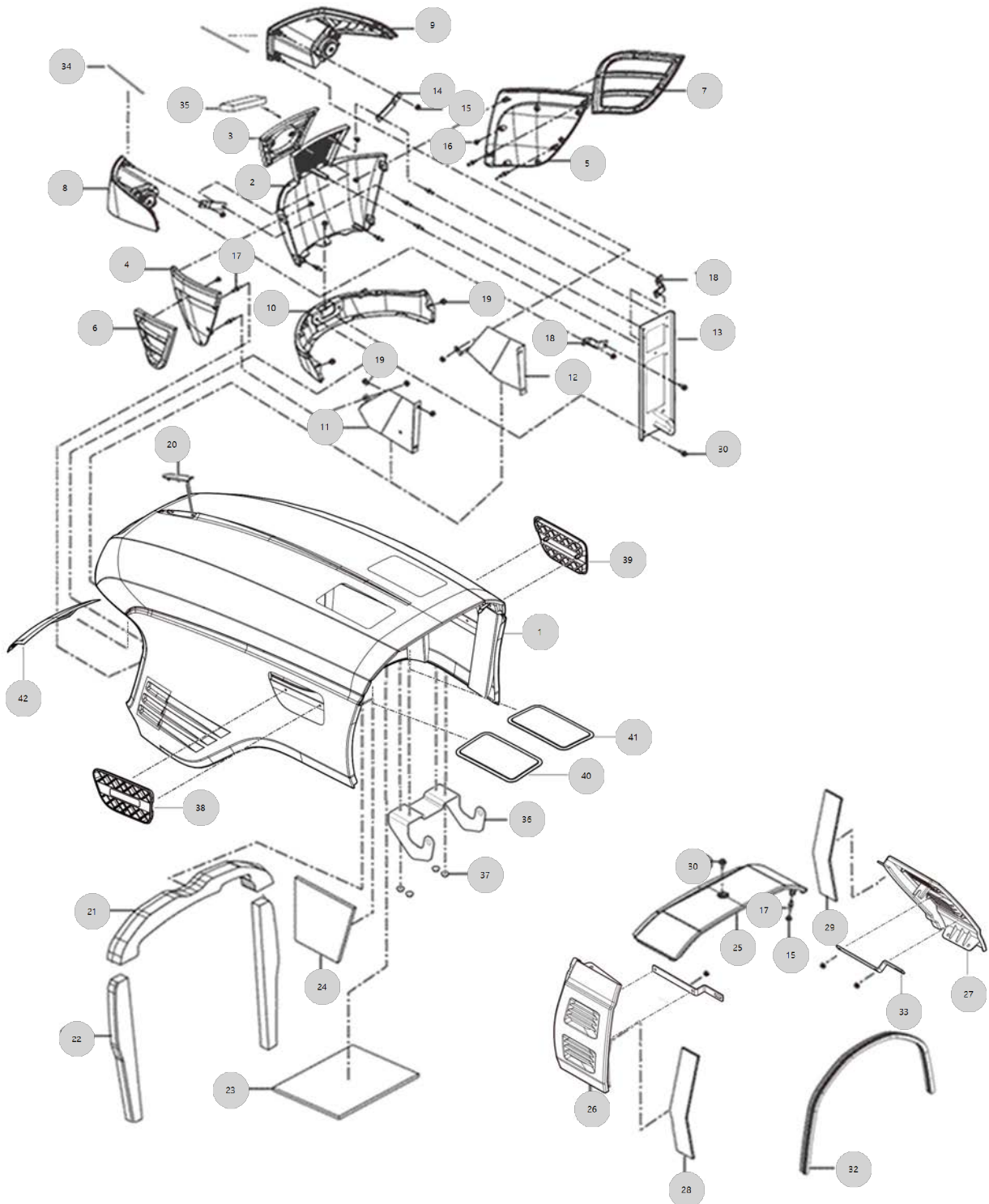
G01020

5835R(AC02113)

(BONNET)

Year/Month

2022-12-15



G01020		(BONNET)				Year/Month
5835R(AC02113)						2022-12-15
순번 (NO)	부품번호 (PART NO)	품명 (PART NAME)	품명 (PART NAME)	수량 (QTY)	규격 (SPEC)	비고 (REMARK)
1	TA00072394B	본네트 프레임 조립	BONNET FRAME ASSY(5800)	1		
2	TA00042482B	프런트마스크(전)	FRONT MASK, MIDDLE	1		
3	TA00072764A	TYM엠블렘 조립	EMBLEM ASS'Y	1		
4	TA00042483B	프런트마스크(좌)	FRONT MASK, LH	1		
5	TA00042485B	프런트마스크(우)	FRONT MASK, RH	1		
6	TA00042486B	프런트마스크 그릴(우)	FRONT MASK GRIL, RH	1		
7	TA00042484B	프런트마스크 그릴(좌)	FRONT MASK GRIL, LH	1		
8	HA00001143B	전조등조립L	HEAD LAMP(L)	1		
9	HA00001144B	전조등조립R	HEAD LAMP(R)	1		
10	TA00072395A	후드(하)조립	HOOD(UNDER) ASSY	1		
11	TA00044323A	타공망조립(좌)	WIRE NETTING ASS'Y(L)	1		
12	TA00044325A	타공망조립(우)	WIRE NETTING ASS'Y(R)	1		
13	TA00053541B	지지브라켓조립(25유립)	BRACKET ASSY	1		
14	TA00044134A	램프 고정 브라켓 A	LAMP BRACKET A	2		
15	26367-060002	플랜지너트	Nut, Hexa (Φ6)	25	M6XP1.0	
16	22587-480124	냄비머리태핑나사	TAPPING SCREW	20	4.8X12	
17	TA00001332A	인서트볼트 M6	INSERT BOLT(M6)	17	M6	
18	TA00044136A	램프 고정 브라켓 B	LAMP BRACKET B	2		
19	26106-060162	육각플랜지 볼트	HEXFLANGE BOLT	11	M6XP1.0X16	
20	TA00020285A	엠블렘	EMBLEM	1		
21	TA00036482A	스폰지	SEAL	1		
22	TA00044322A	본네트 실(SIDE)	SEAL, BONNET	2		
23	TA00068275A	방열판(상)	HEATER PLATE	2		
24	TA00059278A	단열판	HEATER PLATE	1		
25	TA00072396A	후부 본네트(상)	BACK BONNET(UP)	1		
26	TA00072397A	후부 본네트(좌)	BACK BONNET(LH)	1		
27	TA00072398A	후부 본네트(우)	BACK BONNET(RH)	1		
28	TA00043484A	후부분네트 방열판(좌)	INSULATOR	1		
29	TA00043485A	후부분네트 방열판(우)	INSULATOR	1		
30	26106-080162	플랜지볼트 8X16	SCREW,HEXFLANGEHEADCAP	3	M8XP1.25X16	
32	TA00044882B	본네트 스트립(후)	STRIP, BONNET	1		
33	TA00046298A	후부분네트 지지브라켓	BRACKET A	2		
34	TA00055321A	전조등 실	HEADL LAMP SEAL	2		
35	TA00055322A	프런트 마스크 실	FRONT MASK, SEAL	1		
36	TA00072939A	힌지브라켓	BRACKET	1		
37	26367-080002	259, 육각플랜지너트	HEX FLANGE NUT (Φ8)	4	M8XP1.25	
38	TA00044110A	사이드 그릴(좌)	SIDE GRILL L	1		
39	TA00044111A	사이드 그릴(우)	SIDE GRILL R	1		
40	TA00060450B	상타공망(좌)	TOP GRIDIRON, LH	1		
41	TA00060451B	상타공망(우)	TOP GRIDIRON, RH	1		
42	TA00060449B	프런트타공망	FRONT GRILL MESH	1		

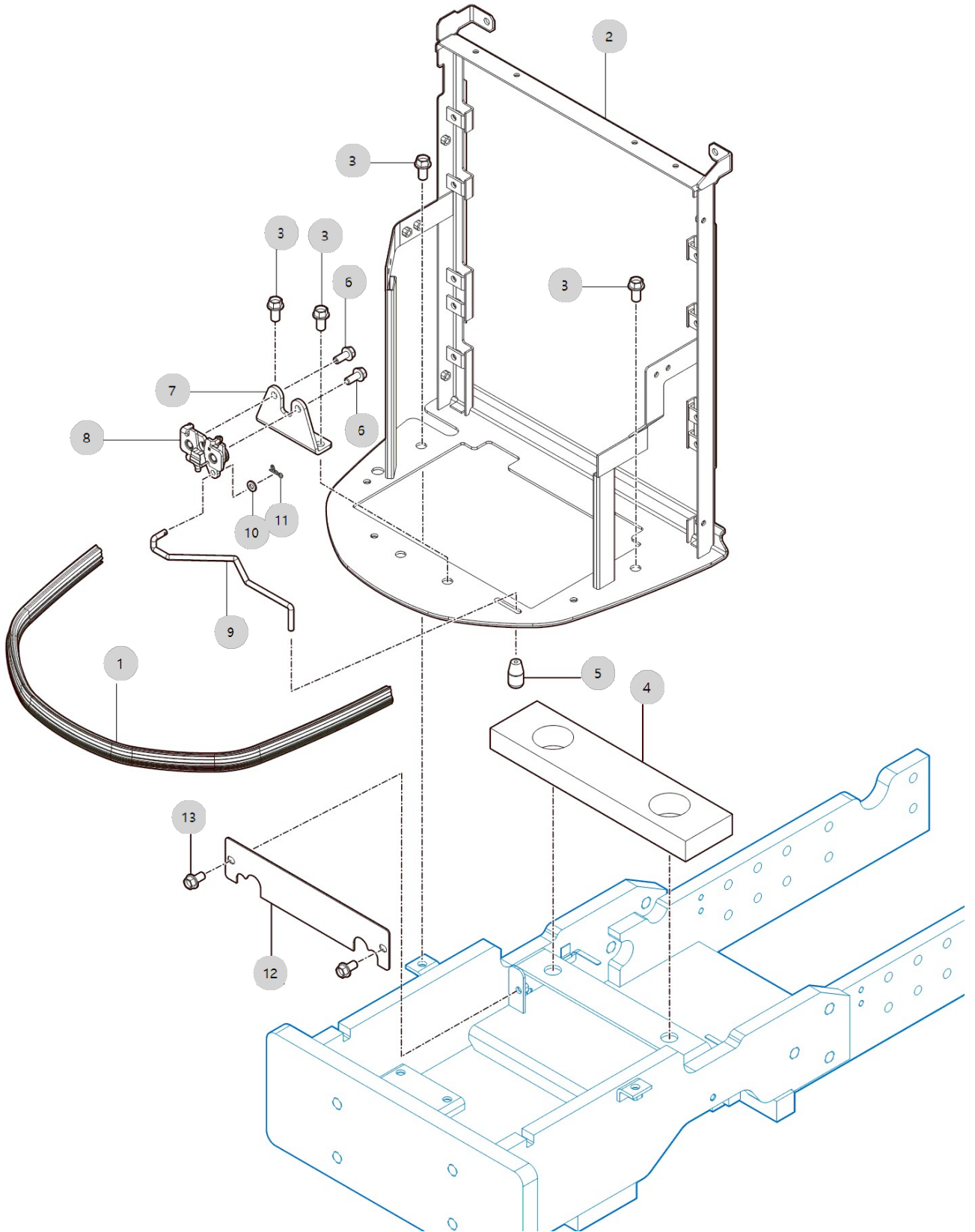
G01040

5835R(AC02113)

BONNET LOCKING ASS'Y

Year/Month

2022-12-15



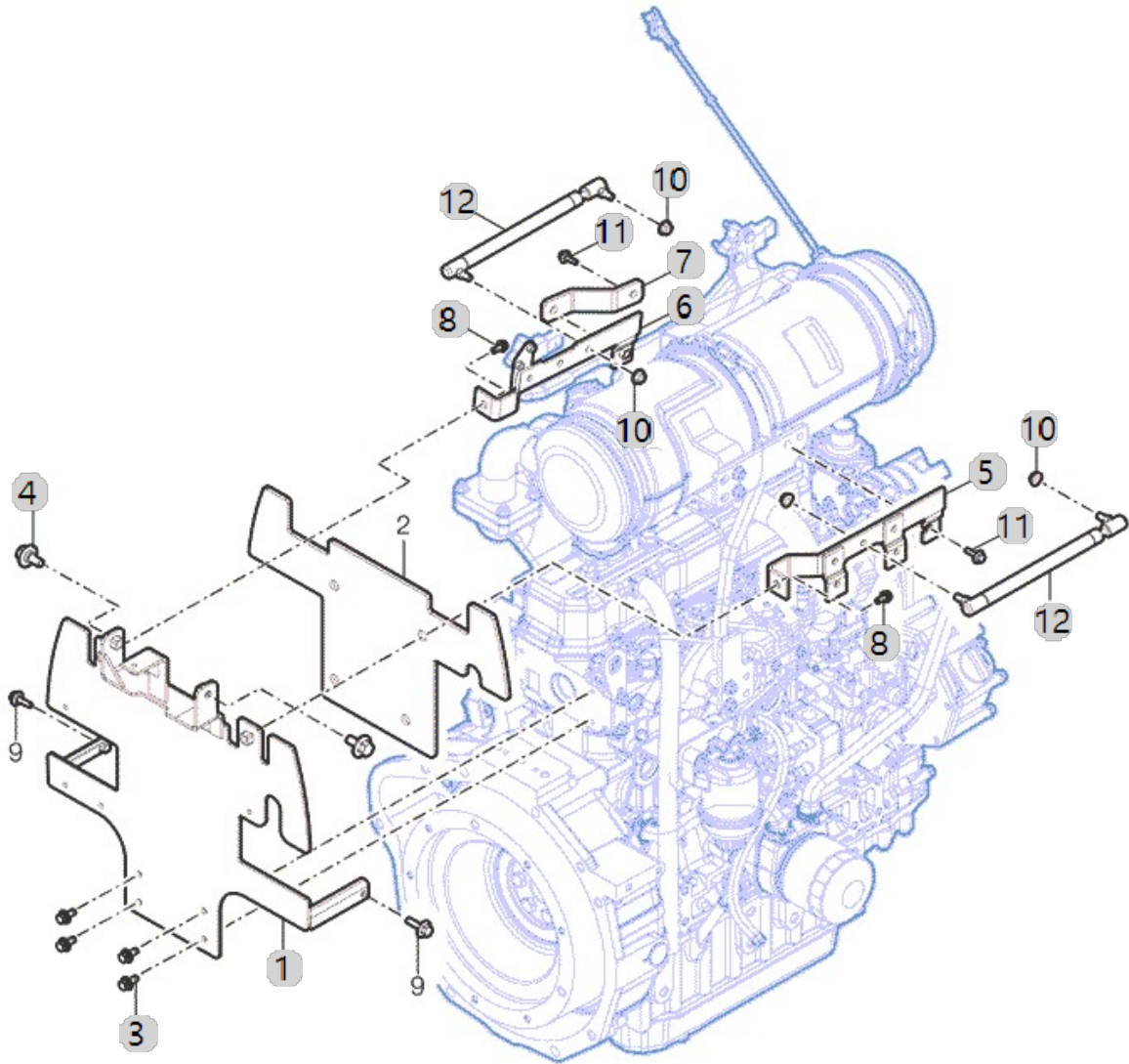
G01060

Year/Month

5835R(AC02113)

(FIXED BRACKET, BONNET)

2022-12-15



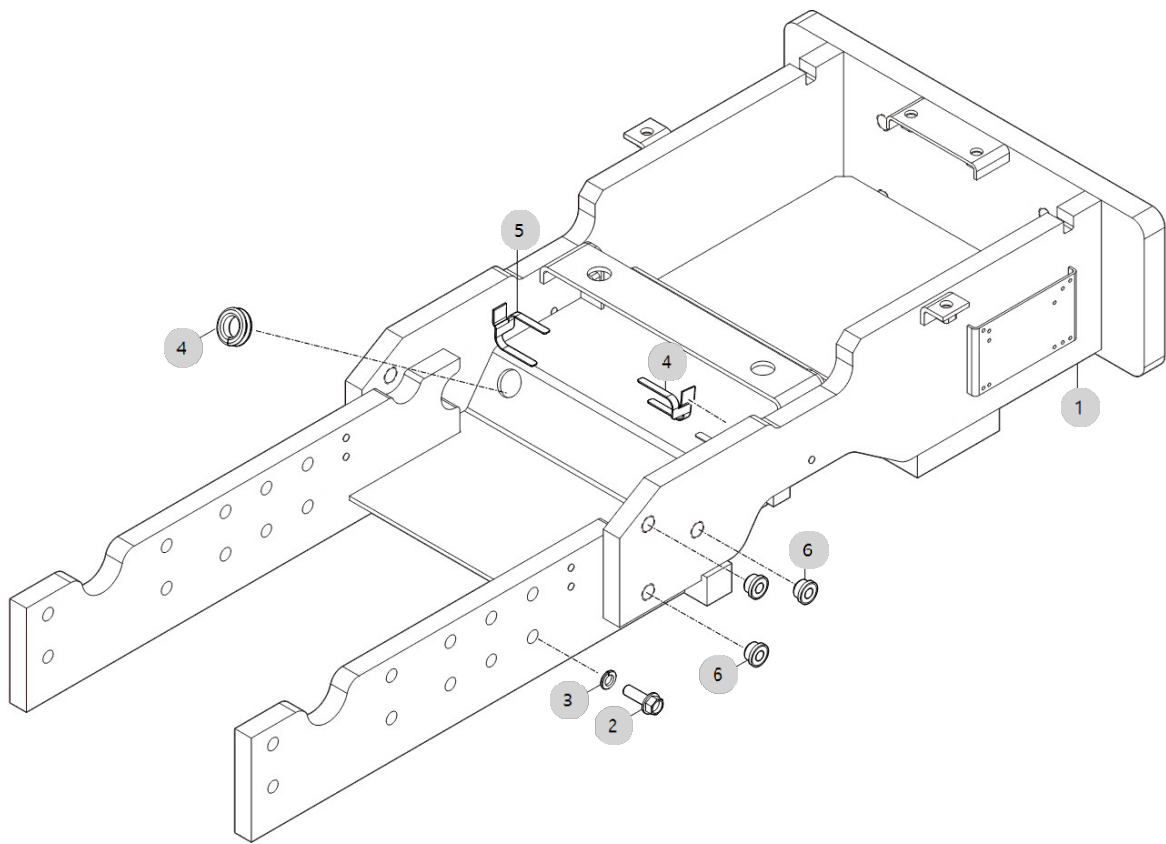
G01080

5835R(AC02113)

(BRACKET, FRONT AXLE)

Year/Month

2022-12-15



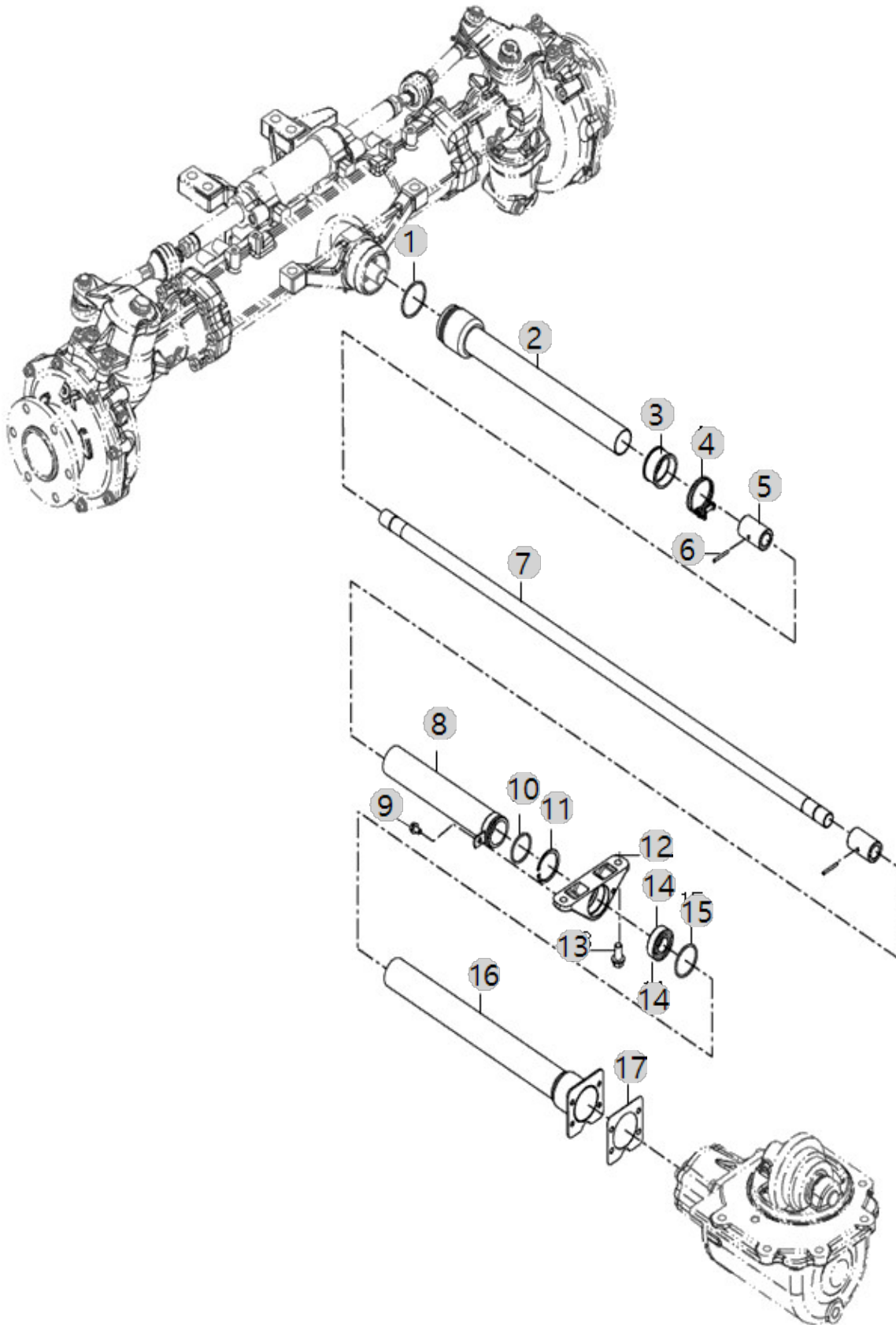
G01100

Year/Month

5835R(AC02113)

(PROPELLER SHAFT)

2022-12-15



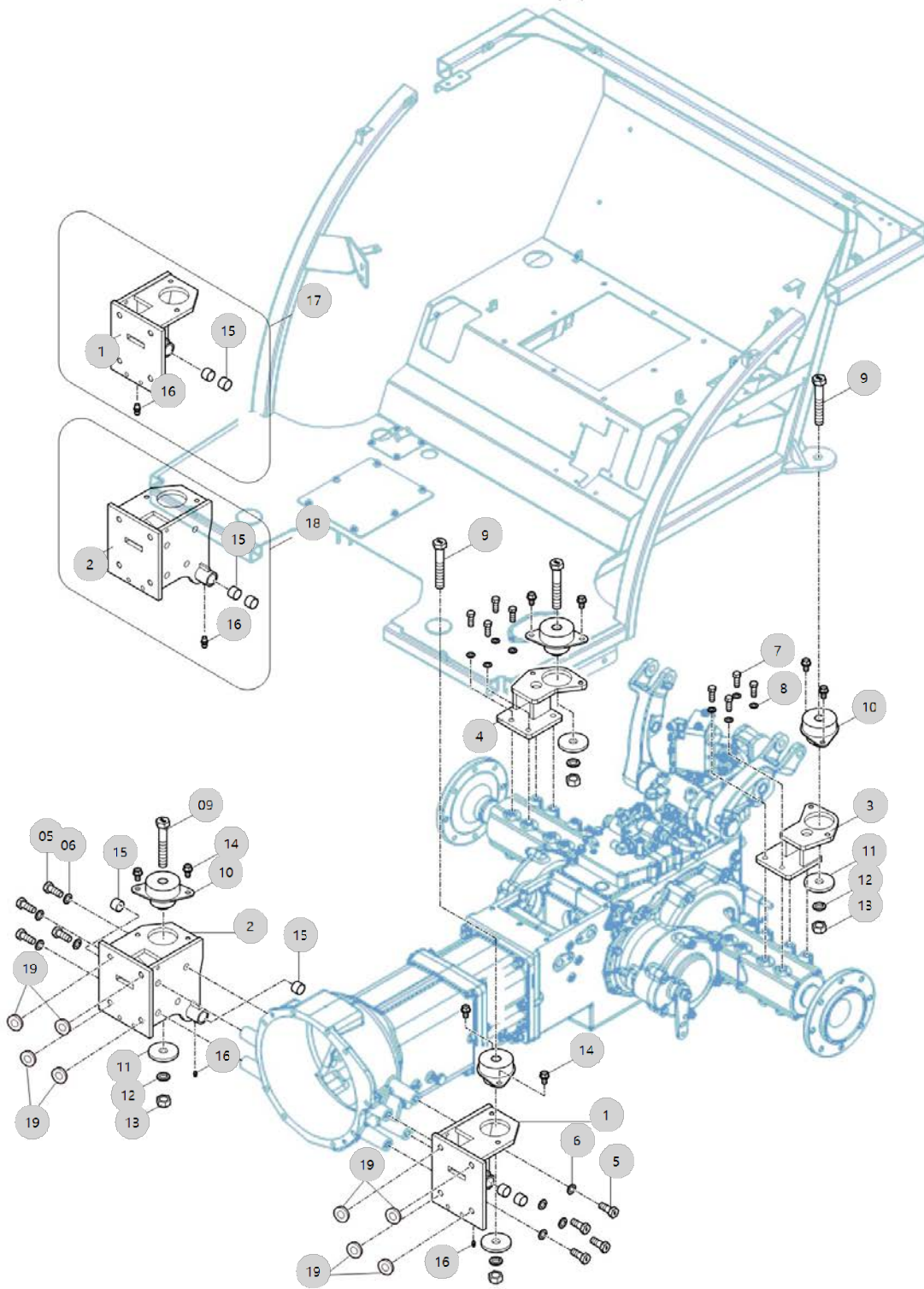
G01110

Year/Month

5835R(AC02113)

(CABIN MOUNTING ASS'Y)

2022-12-15



G01110		(CABIN MOUNTING ASS'Y)				Year/Month
5835R(AC02113)						2022-12-15
순번 (NO)	부품번호 (PART NO)	품명 (PART NAME)	품명 (PART NAME)	수량 (QTY)	규격 (SPEC)	비고 (REMARK)
1	TA00042514C	캐빈취부브래킷(좌)	CABIN BRACKET ASS'Y(L)	1		
1	TA00042514D	캐빈취부브래킷(좌)	CABIN BRACKET ASS'Y(L)	1		
2	TA00042519D	캐빈취부브래킷(우)	CABIN BRACKET ASS'Y(R)	1		
2	TA00042519C	캐빈취부브래킷(우)	CABIN BRACKET ASS'Y(R)	1		
3	TA00062163A	캐빈취부브래킷후(좌)	BRACKET LH	1		
3	TA00042996B	캐빈취부브래킷후(좌)	BRACKET RL	1		
3	TA00042996C	캐빈취부브래킷후(좌)	BRACKET RL	1		
4	TA00062164A	캐빈취부브래킷후(우)	BRACKET RH	1		
4	TA00042997B	캐빈취부브래킷후(우)	BRACKET RR	1		
4	TA00042997C	캐빈취부브래킷후(우)	BRACKET RR	1		
5	TA00018261A	볼트(M16X40XP2.0)	BOLT	8	-	
5	TA00018261C	볼트(M16X40XP2.0)	BOLT(M16X40XP2.0)	8	-	
5	TA00018261B	볼트(M16X40XP2.0)	BOLT	8	-	
6	22217-160000	스프링와셔	WASHER, SPRING (Φ 16)	8	M16	
7	TH19170000B4	육각볼트		8	M12X32	
7	TH19170000A4	볼트(강도보강10.9)	BOLT	8		
7	TH19170000C4	육각볼트		8	M12X32	
8	22217-120000	스프링와셔	WASHER, SPRING (Φ 12)	8	M12	
9	FTK1320000C4	캐빈취부볼트	BOLT	0	M20XP2.0X12	
9	FTK1320000B4	캐빈취부볼트	BOLT	4	M20XP2.0X12	
9	FTK1320000A4	캐빈취부볼트	BOLT	4	M20XP2.0X12	
10	TA00017825B	방진고무조합	CUSHION RUBBER, FRONT	4		
11	TH51050000A4	와셔	WASHER	4	8.0T	
11	TH51050000B4	와셔	WASHER	4	8T	
12	22217-200000	스프링 와셔	WASHER, SPRING (Φ 20)	4	M20 X 60 X P	
13	26716-200002	육각너트	NUT	4	M20XP2.5	
14	26106-120202	육각플랜지볼트	BOLT	8		
15	24550-025200	드라이부시	BUSH, DRY	4	25X20	
16	TA27160000B4	그리스니플	NIPPLE	2	M6XP1.0	
16	TA27160000A4	그리스니플	GREASE NIPPLE	2	M6XP1.0	
16	TA27160000C4	그리스니플	NIPPLE	2	M6XP1.0	
17	TA00064793B	캐빈취부브래킷조합(좌)	BRACKET ASS'Y, CABIN_LH	1		
17	TA00064793A	캐빈취부브래킷조합(좌)	BRACKET ASS'Y, CABIN_LH	1		
18	TA00064796B	캐빈취부브래킷조합(우)	BRACKET ASS'Y, CABIN-RH	1		
18	TA00064796A	캐빈취부브래킷조합(우)	BRACKET ASS'Y, CABIN-RH	1		
19	TA00055258A	고무플러그(14)	PLUG(14)	8		

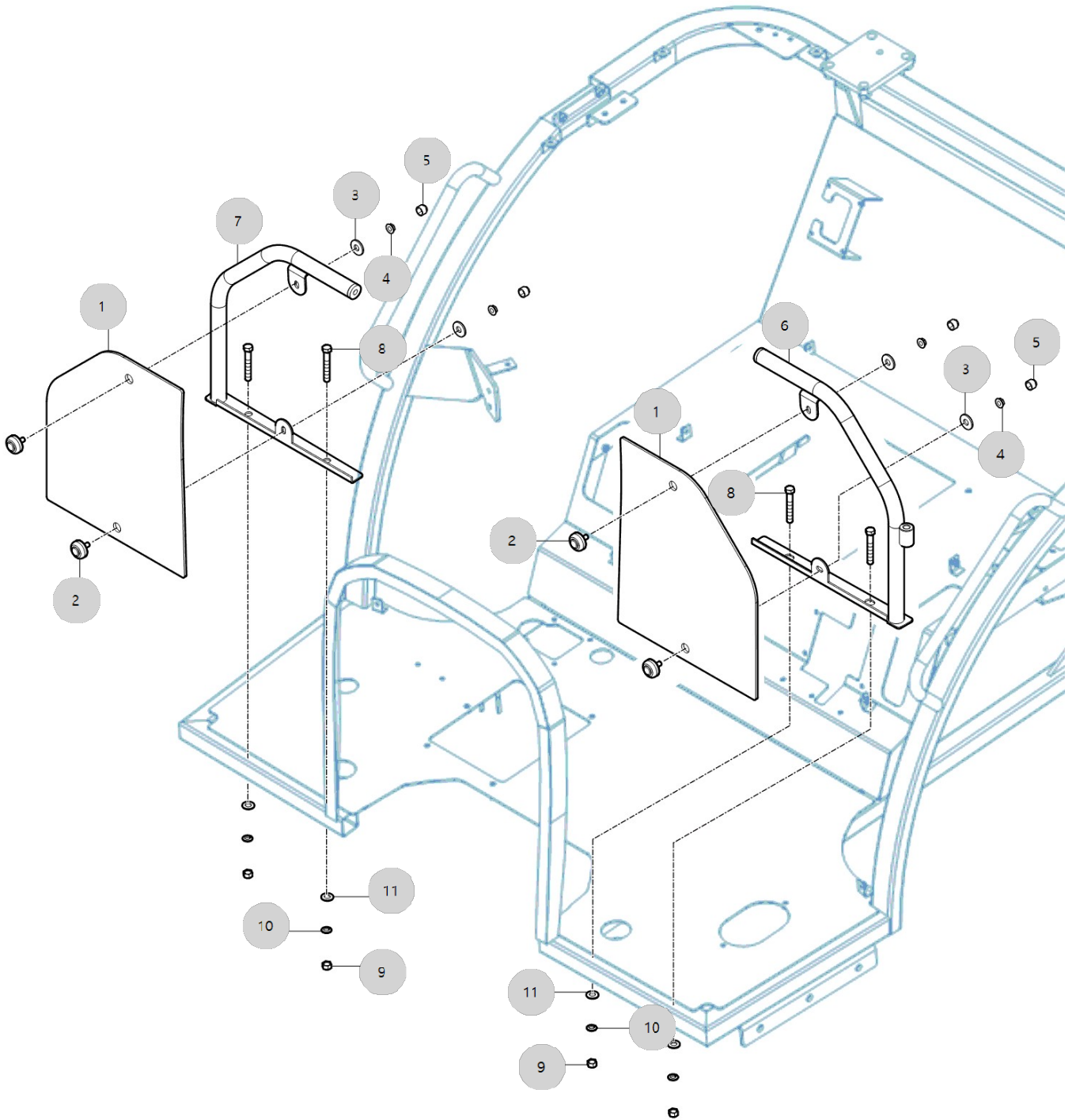
G04010

5835R(AC02113)

(WINDSHIELD)

Year/Month

2022-12-15



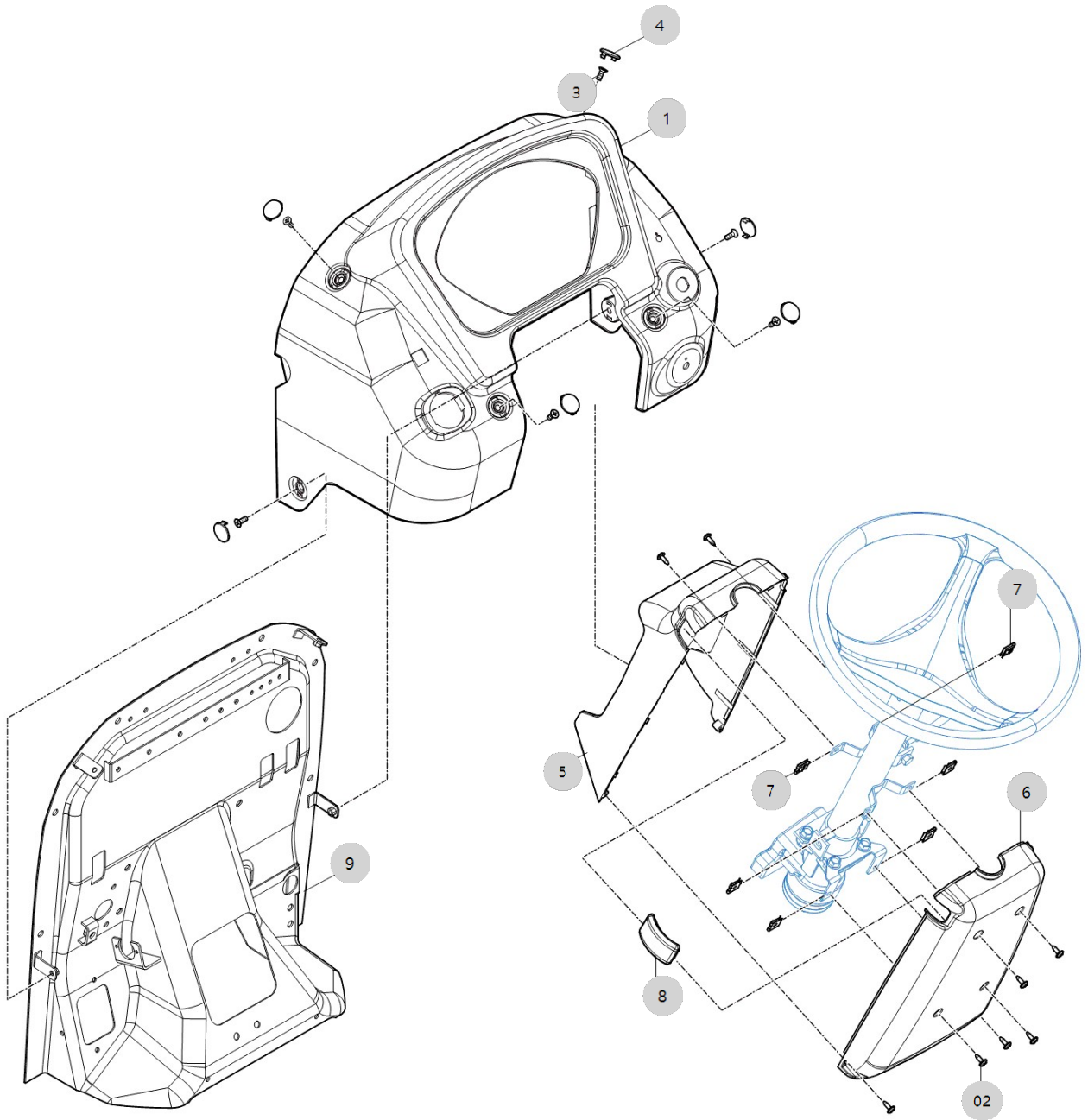
G04020

5835R(AC02113)

(DASH BOARD)

Year/Month

2022-12-15



G04020 5835R(AC02113)	(DASH BOARD)	Year/Month
		2022-12-15

순번 (NO)	부품번호 (PART NO)	품명 (PART NAME)	품명 (PART NAME)	수량 (QTY)	규격 (SPEC)	비고 (REMARK)
1	TA00045407C	대쉬보드	DASH BOARD	1		
1	TA00045407B	대쉬보드	DASH BOARD	1		
1	TA00045407A	대쉬보드	DASH BOARD	1		
2	TTD7090000B4	(+)자 홈볼이 탭핑 나사	CROSS RECESSED HEAD TAPPING SCREW	4	M5X16	
2	TTD7090000A4	(+)자 홈볼이 탭핑 나사	CROSSRECESSEDHEADTAPPINGSCREW	8	M5X16	
2	TTD7090000C4	(+)자 홈볼이 탭핑 나사	CROSS RECESSED HEAD TAPPING SCREW	4	M5X16	
3	26577-060162	(+)자홈접시작은나사	screw	6	M6X1.0X16	
4	TA00039429A	캡	CAP	6		
5	TA00023577B	컬럼 커버(전)	COLUM COVER(FRONT)	1		
5	TA00023577A	컬럼커버(전)	COLUMN COVER(FRONT)	1		
6	TA00058170B	컬럼 커버(후)	COLUMN COVER R	1		
6	TA00058170A	컬럼 커버(후)	COLUMN COVER R	1		
7	TTD7110000A4	스피드 너트 NS5008	SPEEDNUTNS5008	6	0.7TX17X55	
7	TTD7110000C4	스피드 너트 5008	SPEED NUT NS5008	6	0.7T	
7	TTD7110000B4	스피드 너트 5008	SPEED NUT NS5008	6	0.7T	
8	TA00001511B	마개(전후진셔틀)	TAMPION	1		
8	TA00001511A	마개(전후진셔틀)	TAMPION	1		
9	TA00057208B	방풍판 조합	HEAT INSULATOR ASS'Y	1		
9	TA00057208C	방풍판 조합	WINDSHIELD ASS'Y	1		

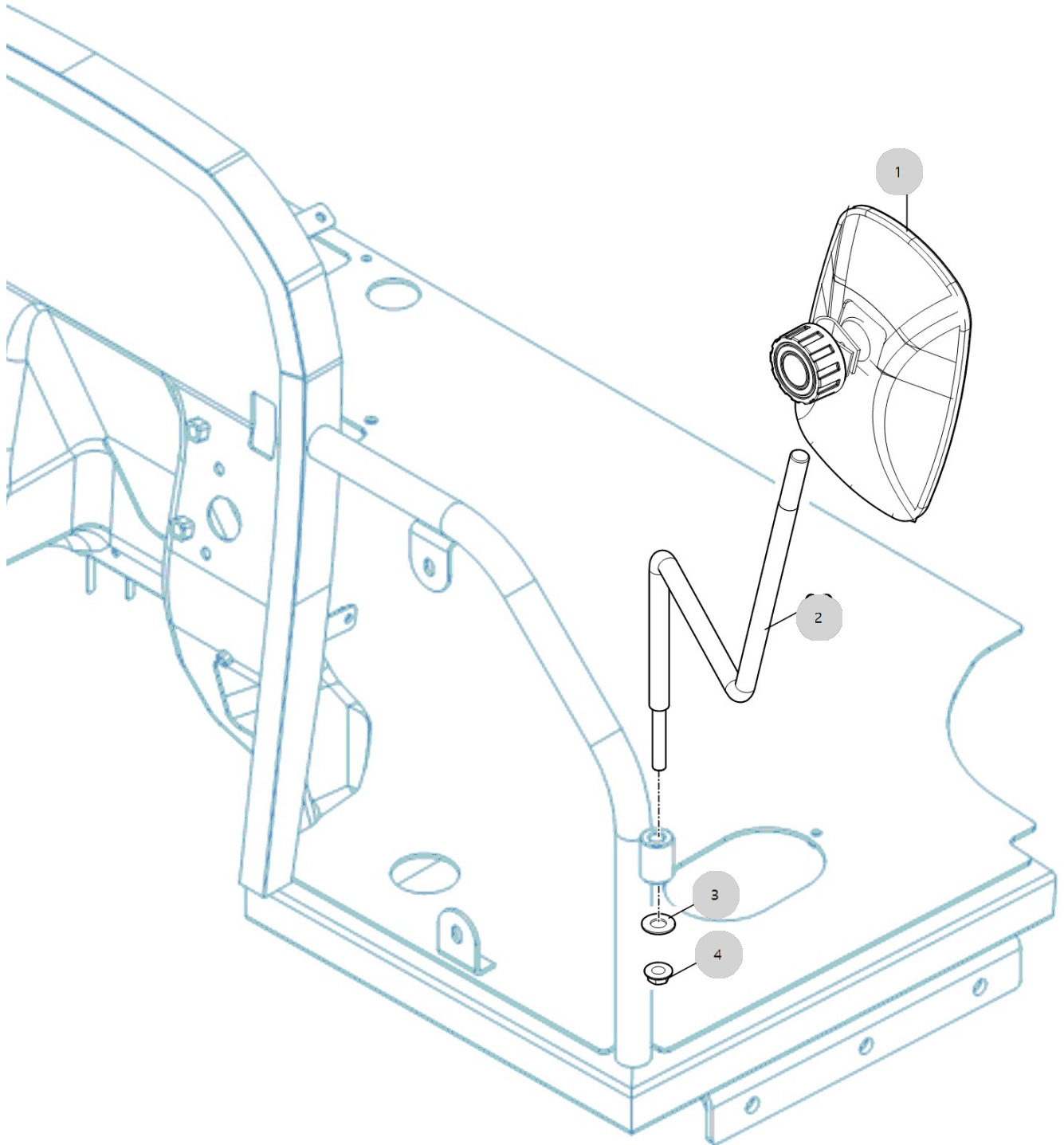
G04030

(SIDE-VIEW MIRROR)

Year/Month

5835R(AC02113)

2022-12-15



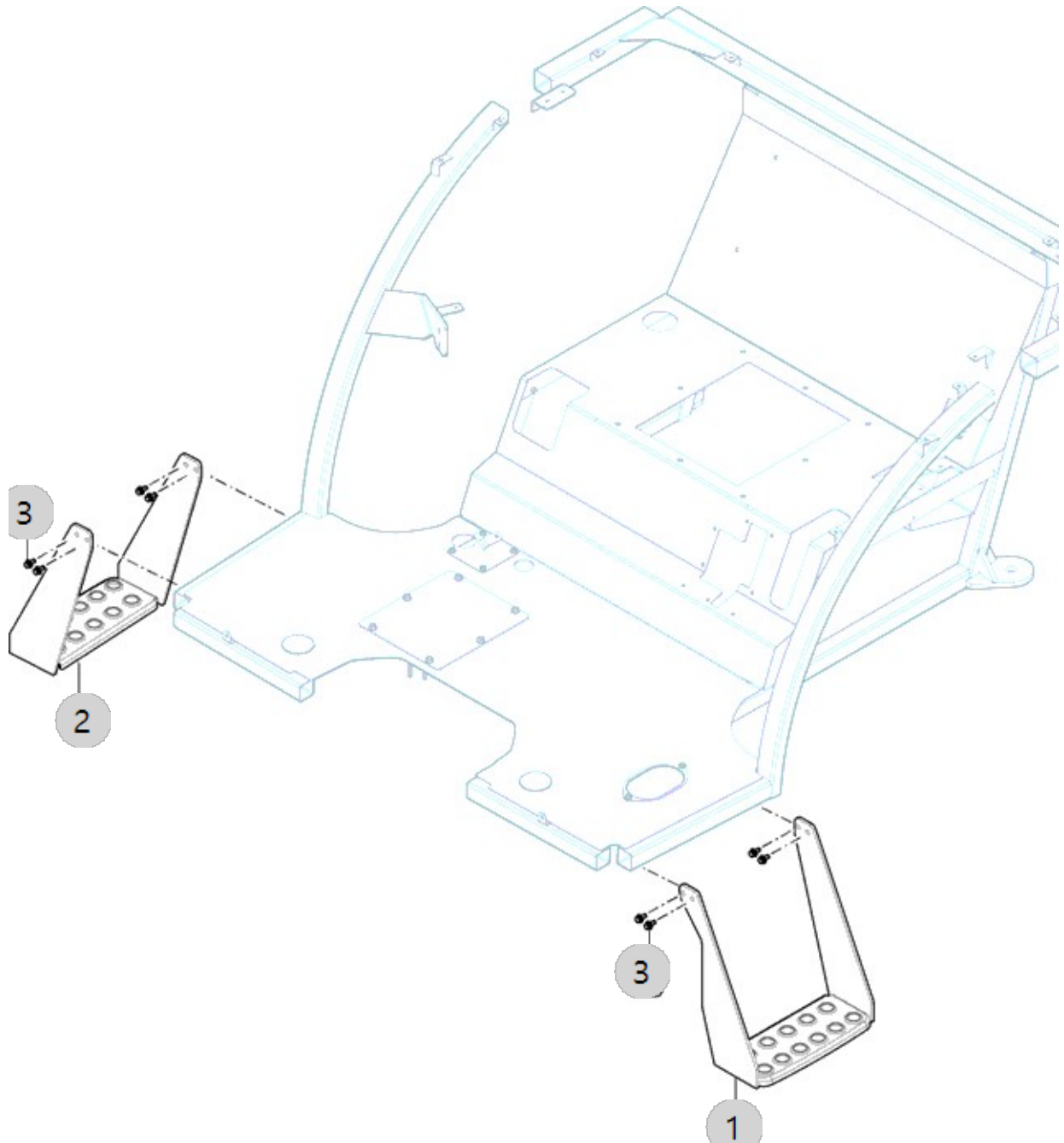
G04062

Year/Month

5835R(AC02113)

(SUB STEP)

2022-12-15



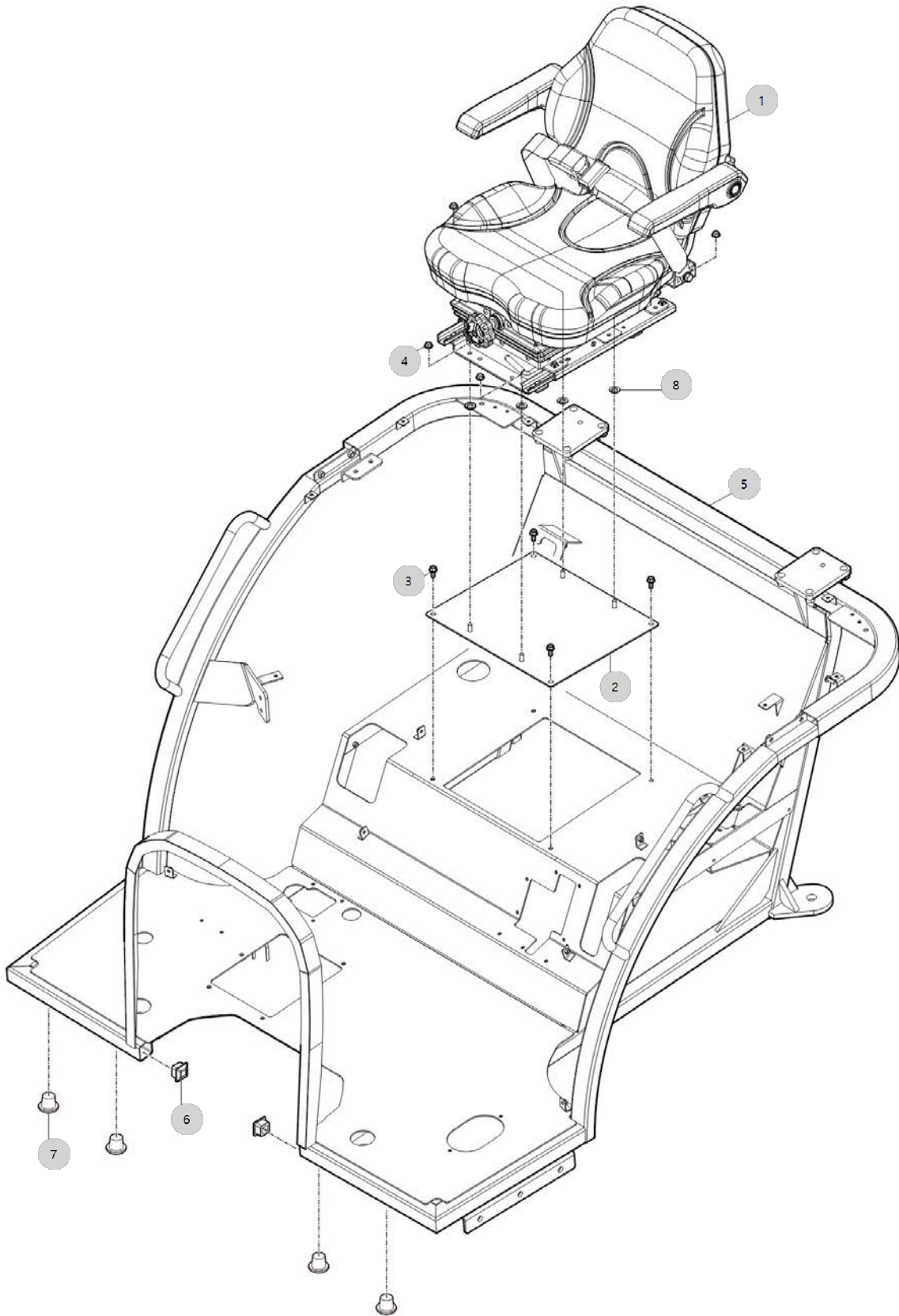
G04070

Year/Month

5835R(AC02113)

(DRIVER'S SEAT)

2022-12-15



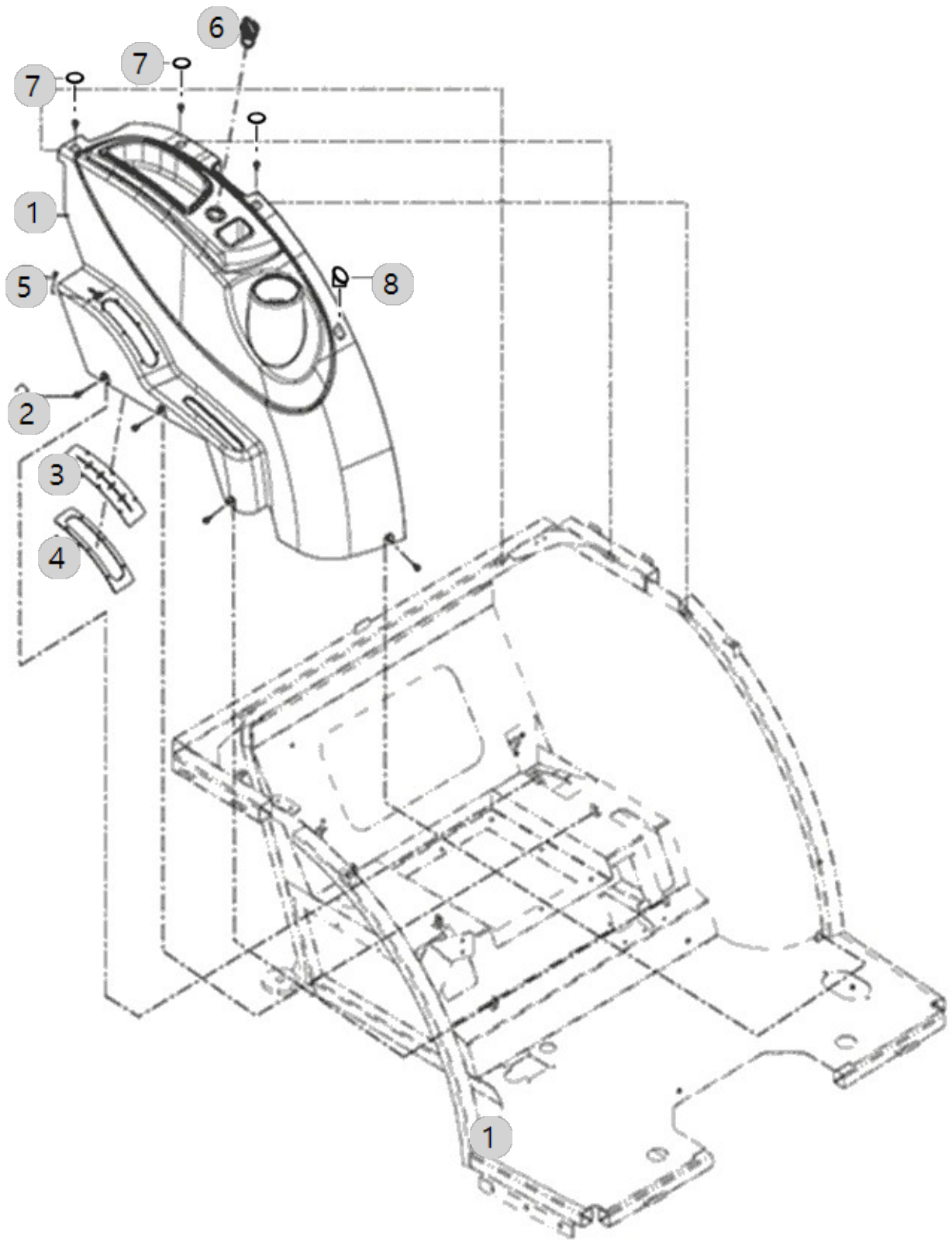
G04081

Year/Month

5835R(AC02113)

(FENDER COVER LH)

2022-12-15



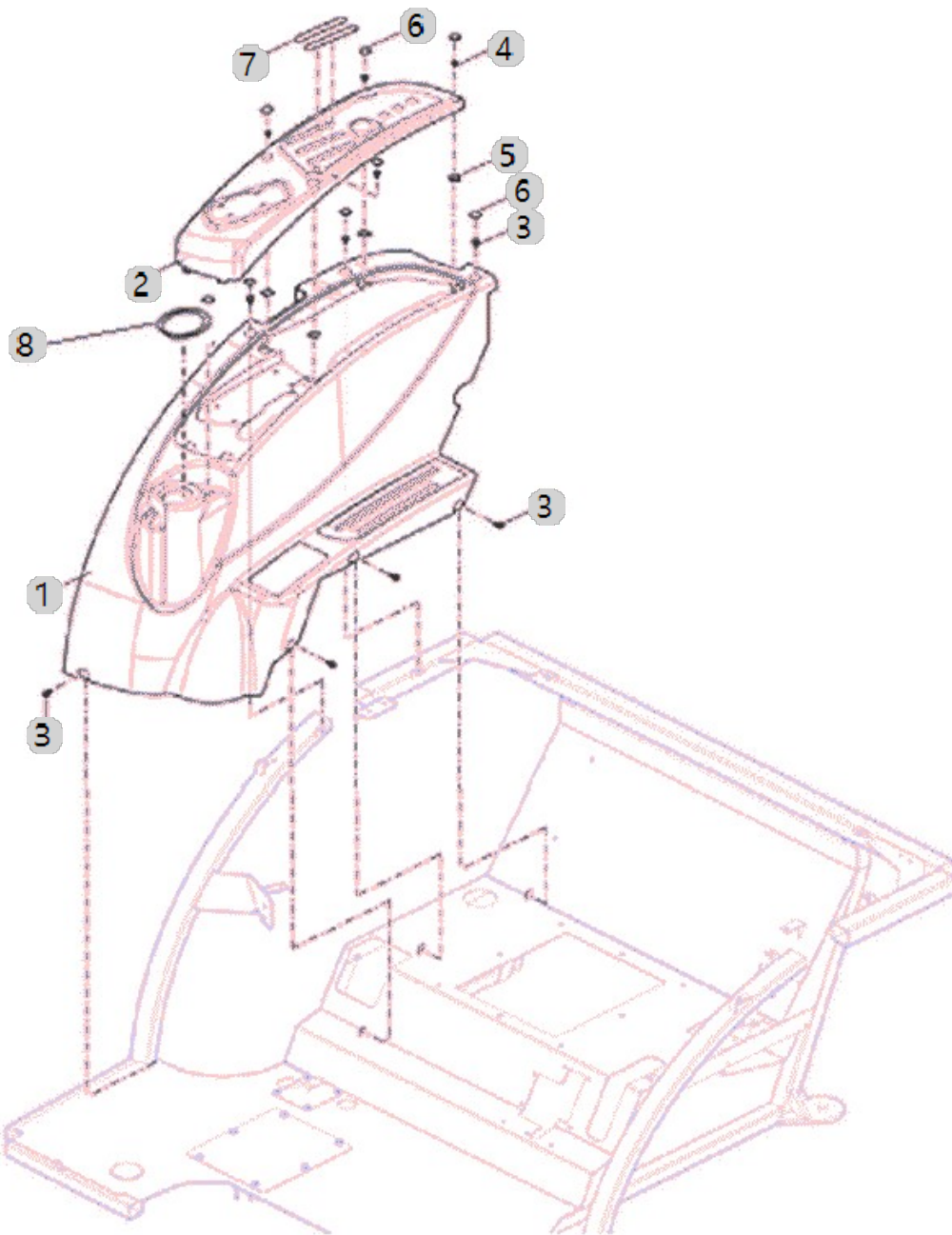
G04082

Year/Month

5835R(AC02113)

(FENDER COVER RH)

2022-12-15



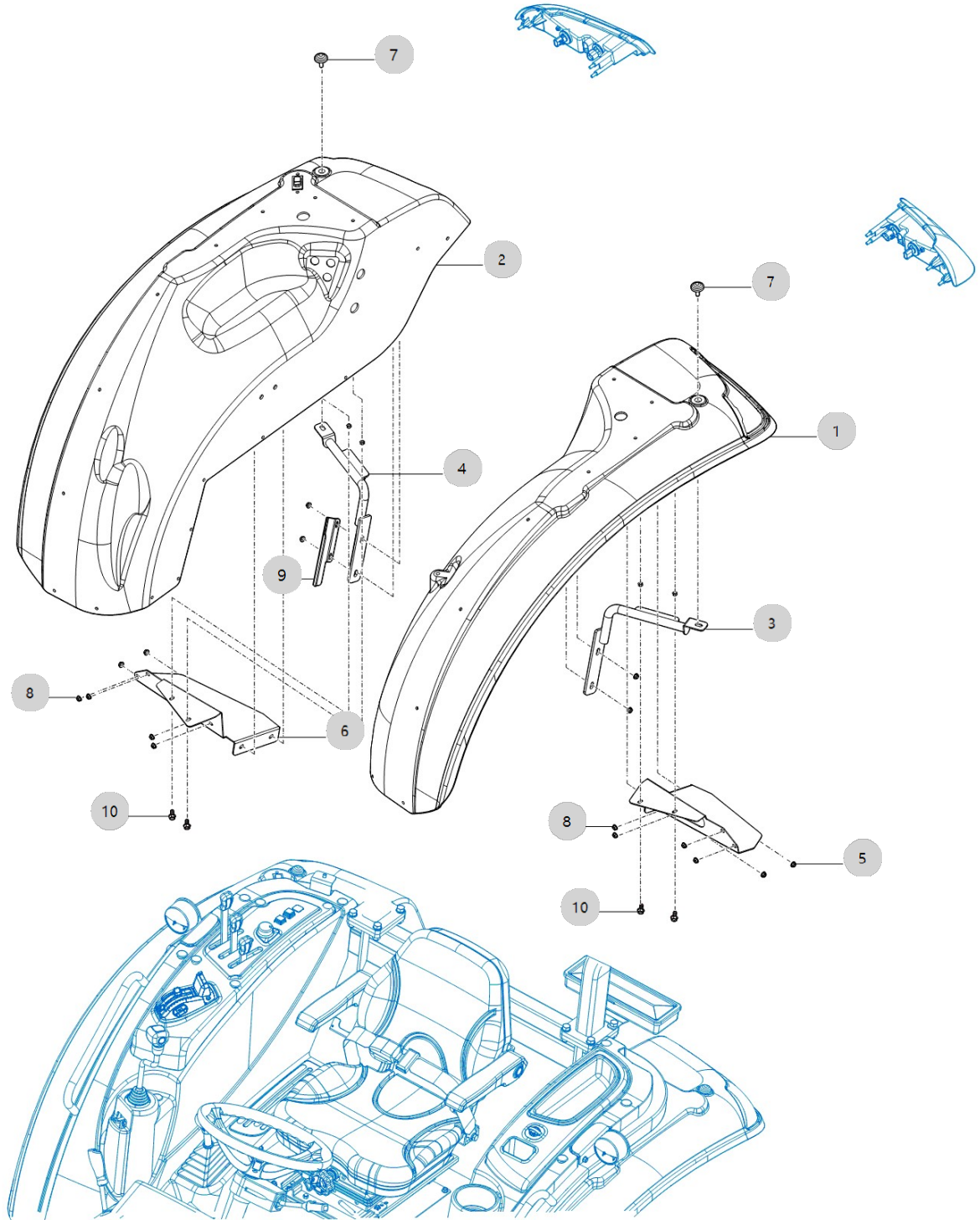
G04090

5835R(AC02113)

(FENDER)

Year/Month

2022-12-15



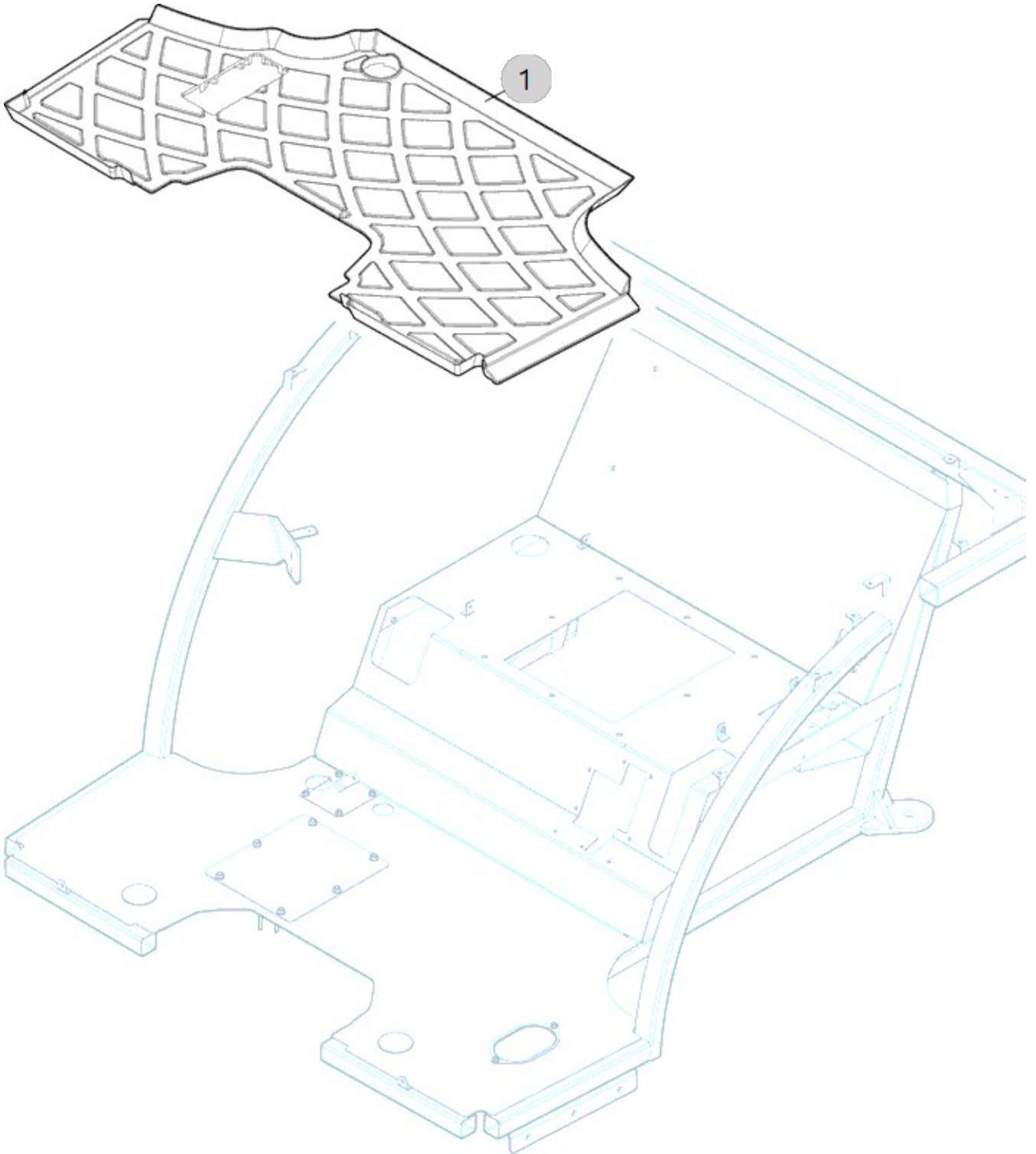
G04100

(MAT)

Year/Month

5835R(AC02113)

2022-12-15



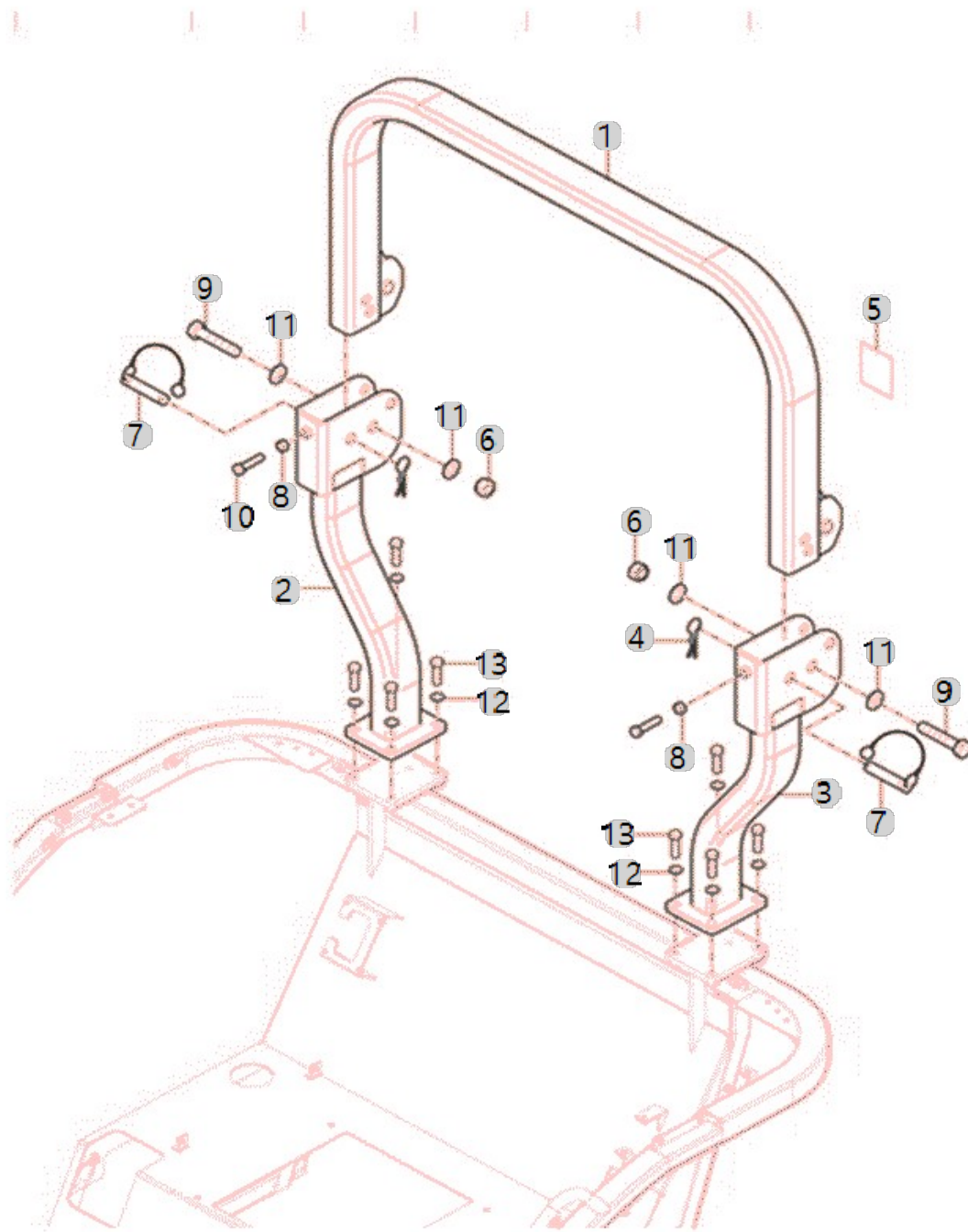
G04120

Year/Month

5835R(AC02113)

(ROPS FRAME)

2022-12-15



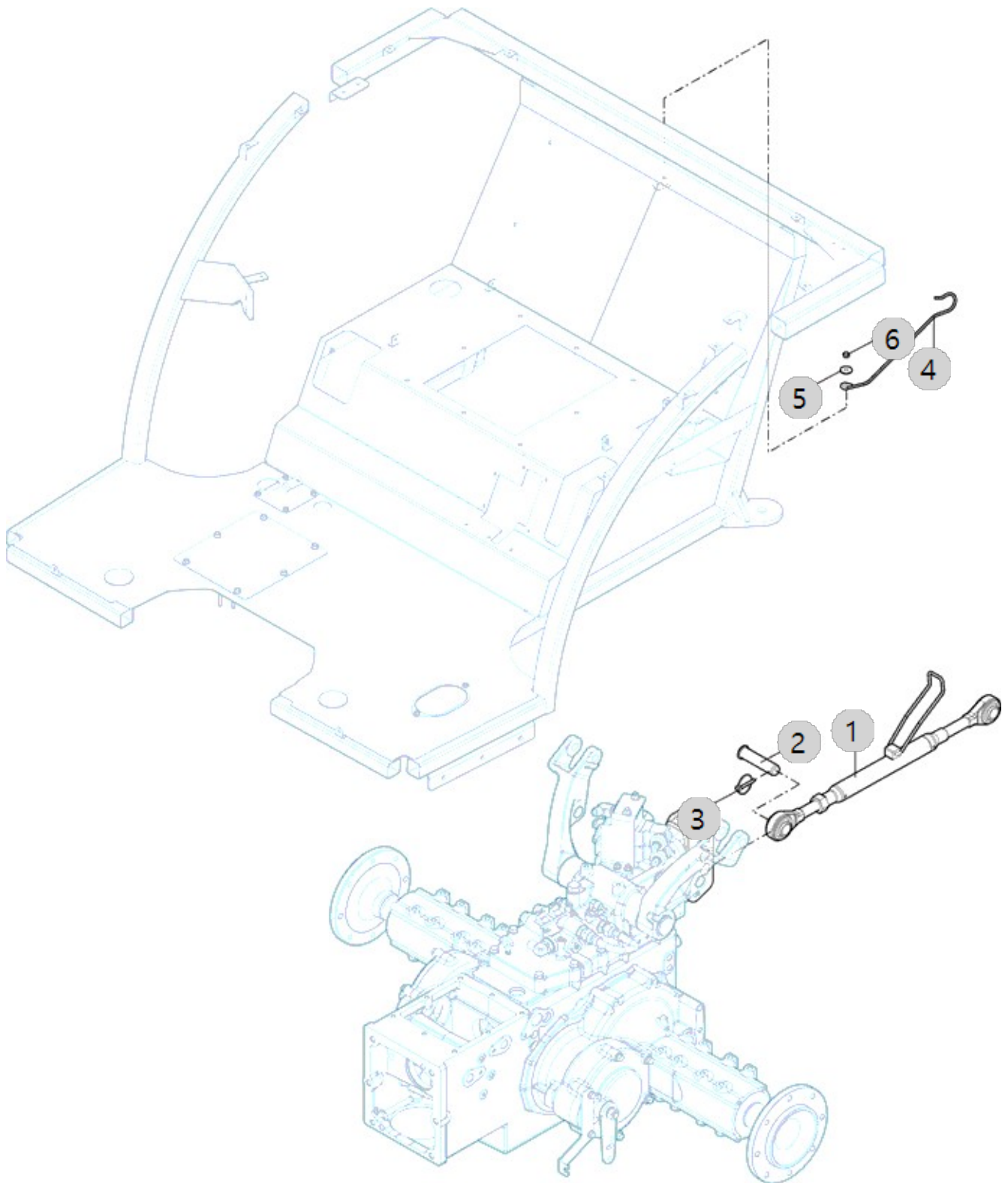
G05020

Year/Month

5835R(AC02113)

(TOP LINK)

2022-12-15



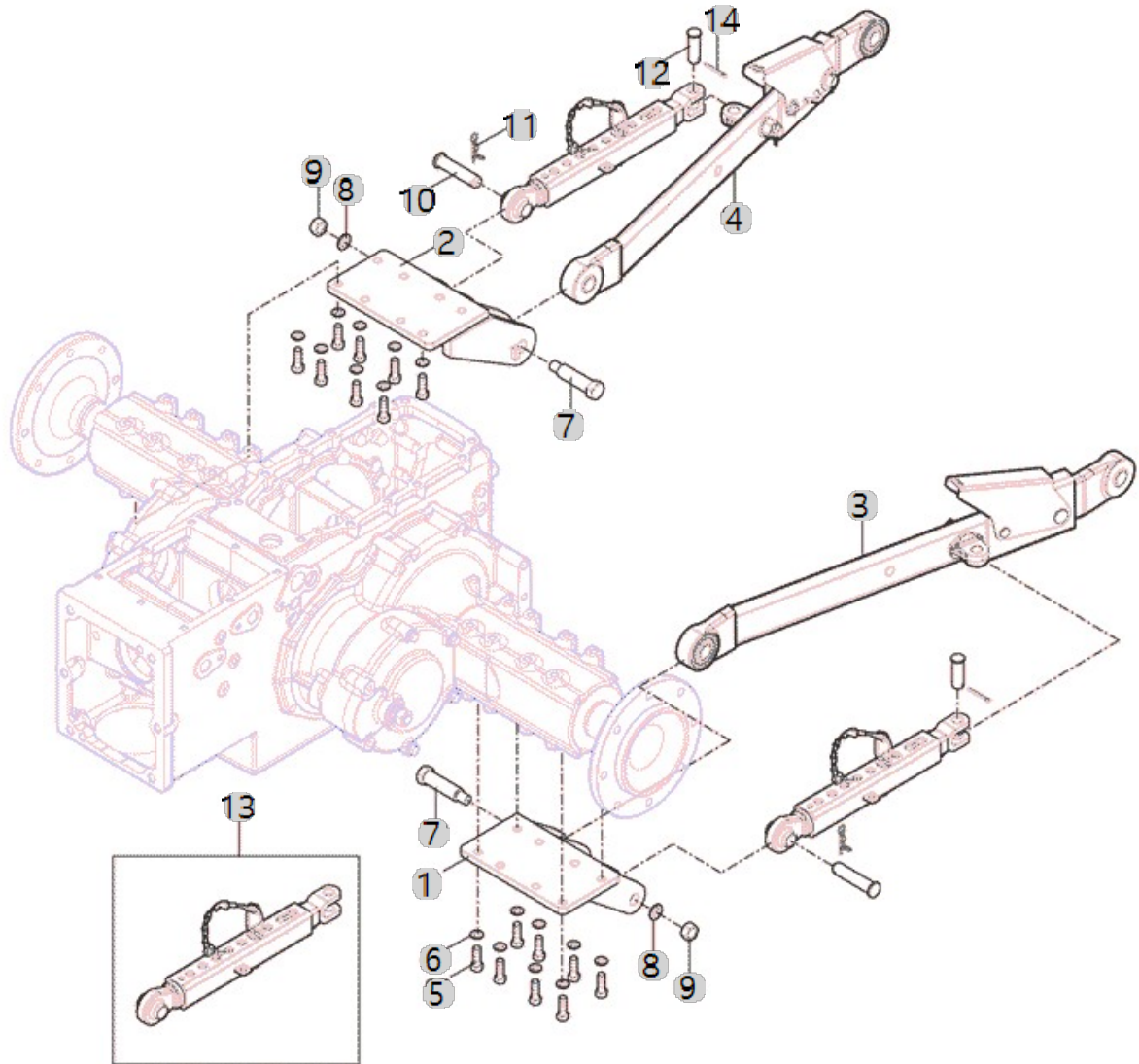
G05030

Year/Month

5835R(AC02113)

(LOWER LINK)

2022-12-15



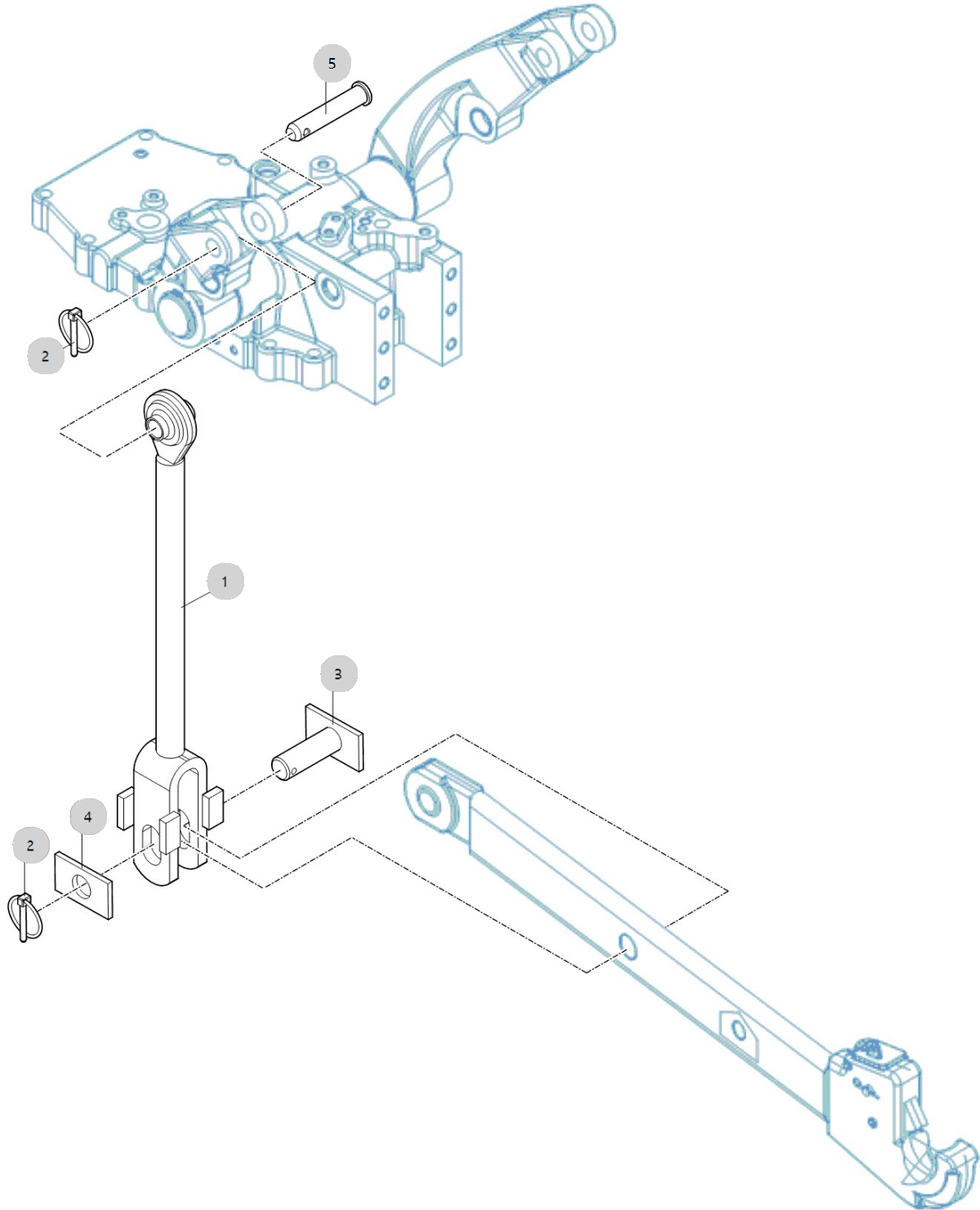
G05051

Year/Month

5835R(AC02113)

(LIFT LINK LH)

2022-12-15



G05051 5835R(AC02113)	(LIFT LINK LH)	Year/Month
		2022-12-15

순번 (NO)	부품번호 (PART NO)	품 명 (PART NAME)	품 명 (PART NAME)	수량 (QTY)	규격 (SPEC)	비고 (REMARK)
1	TA00057763A	리프트링크조합(L)	LIFT LINK ASS'Y, LH	1		
1	TA00057763B	리프트링크조합(L)	LIFT LINK ASS'Y, LH	1		
2	TJ30110000B4	링핀조합	RINGPINASS'Y	2		
2	TJ30110000A4	RING PIN	RING PIN	2		
2	TJ30110000D4	링핀조합	RINGPINASS'Y	2		
3	FTE7300000D4	리프트요오크핀	Lift Yoke Pin	1		
3	FTE7300000A4	리프트요오크핀	Pin.Lift York	1		
3	FTE7300000C4	리프트요오크핀	Lift Yoke Pin	1		
3	FTE7300000E4	리프트요오크핀	LIFT YORK PIN	1		
3	FTE7300000B4	리프트요크핀	Lift York Pin	1		
4	FTE7300200B4	스토퍼	STOPPER	1	6.0T	
4	FTE7300200C4	스토퍼	STOPPER	1	6.0T	
4	FTE7300200A4	스토퍼	Stopper	1	6.0T	
5	TA00037125C	핀(리프트링크)	PIN, LIFTLINK	1		
5	TA00037125E	핀(리프트링크)	PIN, LIFTLINK	1		
5	TA00037125B	핀(리프트링크)	PIN, LIFTLINK	1		
5	TA00037125D	핀(리프트링크)	PIN, LIFTLINK	1		
5	TA00037125F	핀(리프트링크)	PIN, LIFTLINK	1		
5	TA00037125A	핀(리프트링크)	PIN, LIFTLINK	1		

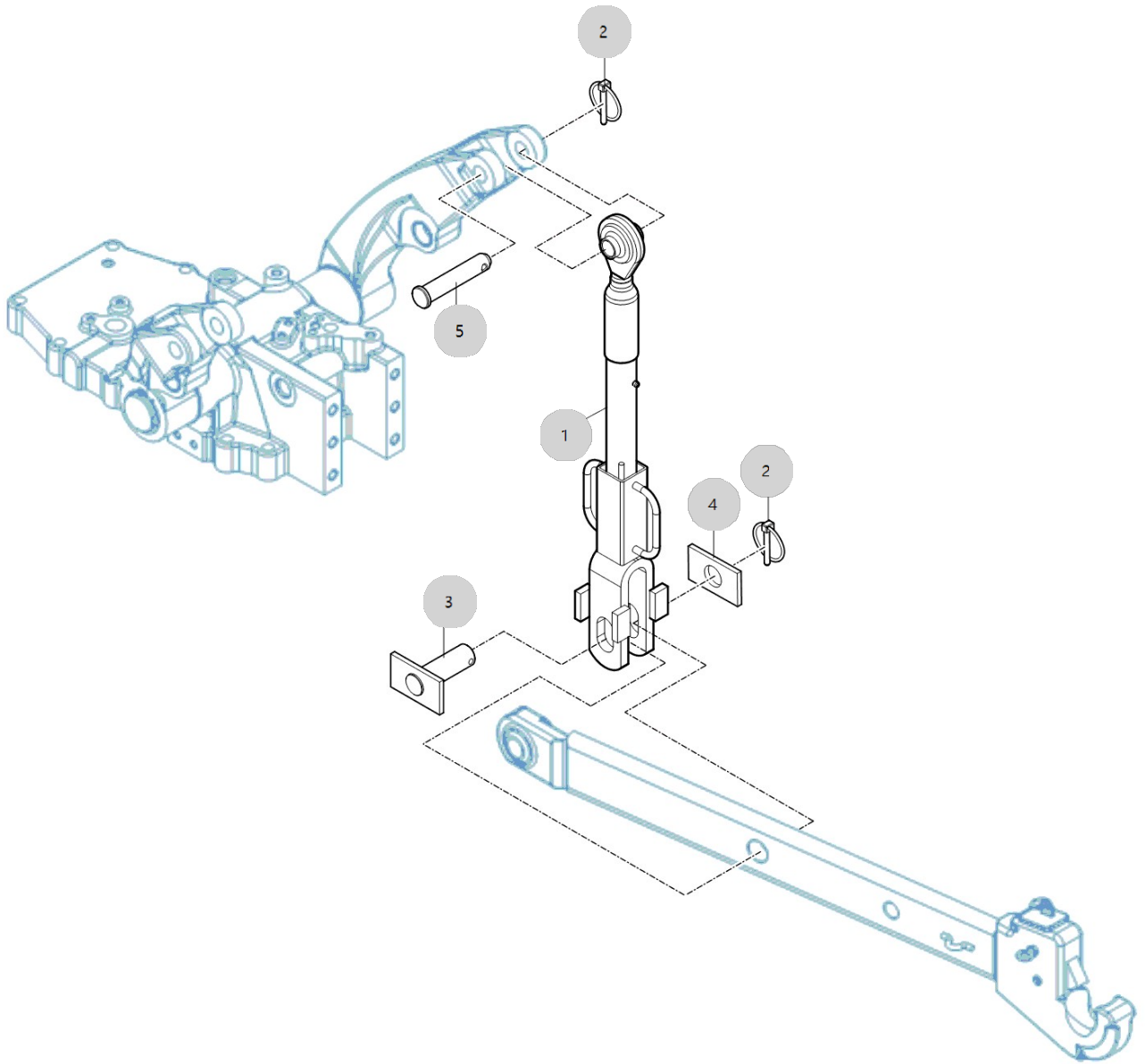
G05052

Year/Month

5835R(AC02113)

(LIFT LINK RH)

2022-12-15



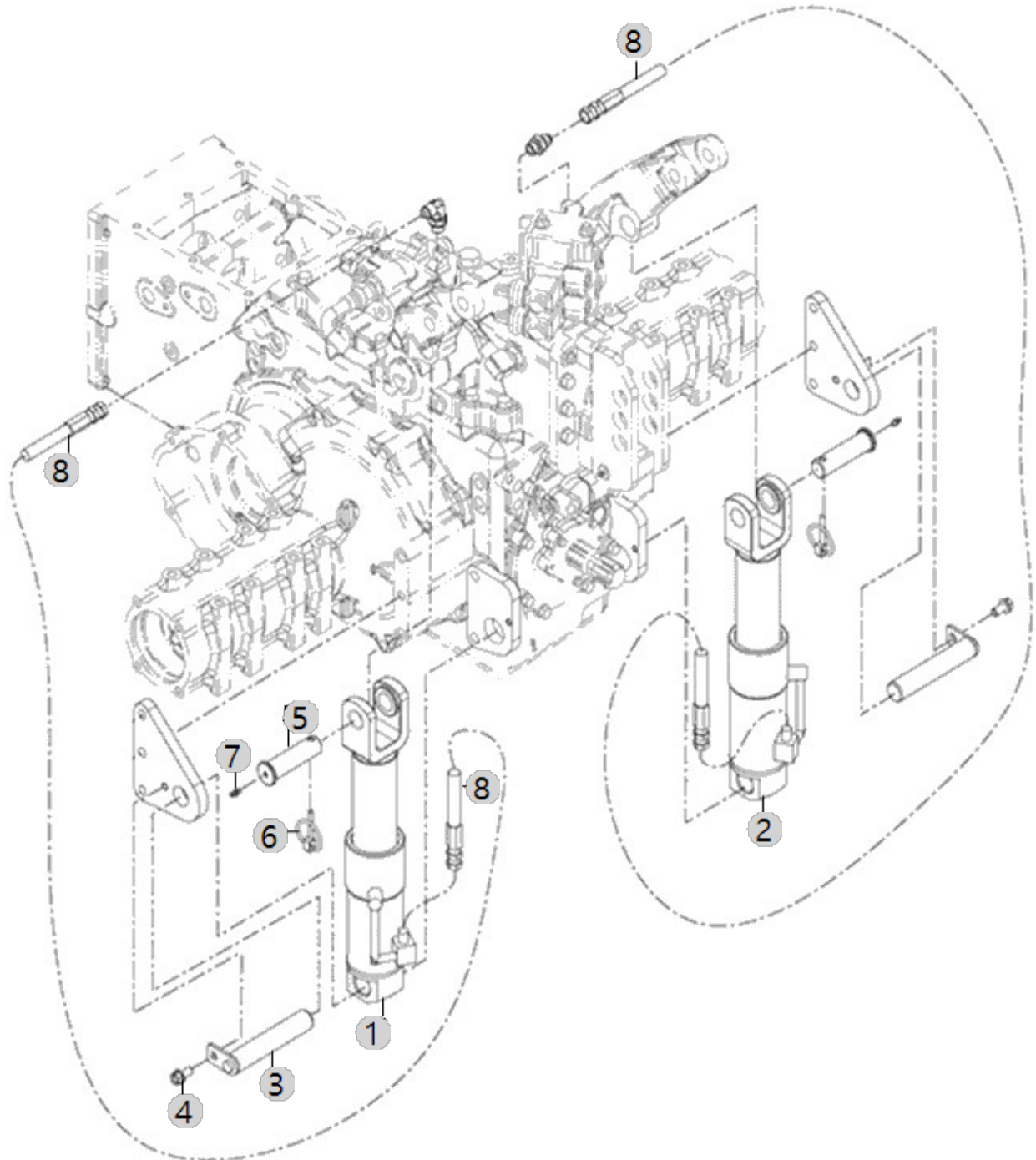
G05060

Year/Month

5835R(AC02113)

(LIFT CYLINDER)

2022-12-15



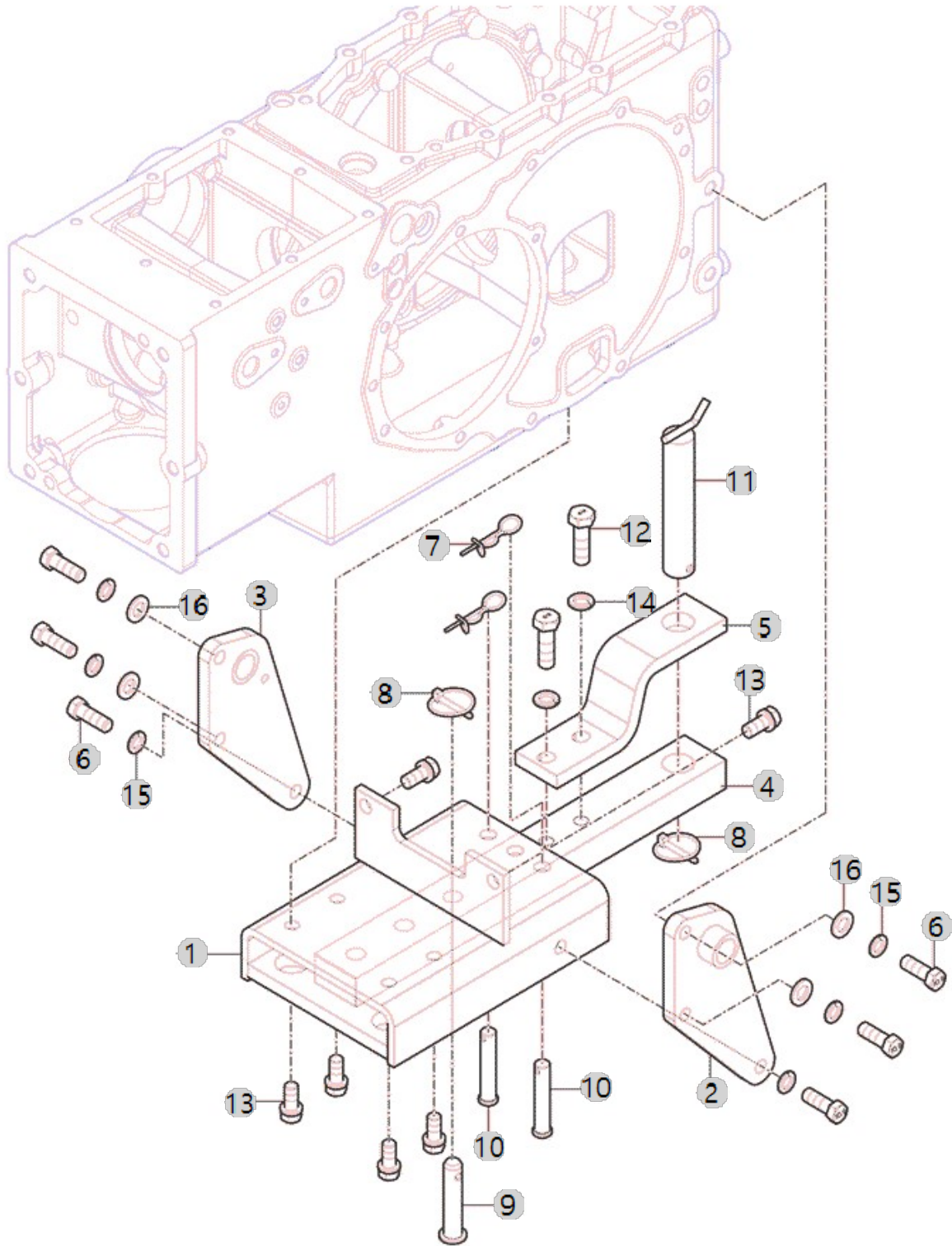
G05070

5835R(AC02113)

DRAWBAR

Year/Month

2022-12-15



G05070 5835R(AC02113)	DRAWBAR	Year/Month
		2022-12-15

순번 (NO)	부품번호 (PART NO)	품 명 (PART NAME)	품 명 (PART NAME)	수량 (QTY)	규격 (SPEC)	비고 (REMARK)
1	TA00042977E	드로우바 히치 브래킷	DRAWBAR HITCH BRACKET	1		
1	TA00042977D	드로우바 히치 브래킷	DRAWBAR HITCH BRACKET	1		
2	TA00044117D	드로우바 지지대(우)	DRAWBAR BRACKET(R)	1		
2	TA00044117C	드로우바 지지대(우)	DRAWBAR BRACKET(R)	1		
3	TA00044116C	드로우바 지지대(좌)	DRAWBAR BRACKET(L)	1		
3	TA00044116D	드로우바 지지대(좌)	DRAWBAR BRACKET(L)	1		
4	TA00042974C	드로우바	DRAWBAR	1		
4	TA00042974D	드로우바	DRAWBAR	1		
5	TA00042975C	클리비스	CLEVIS	1		
5	TA00042975D	클리비스	CLEVIS	1		
6	TA00044506B	육각볼트(M14XP2.0X39)	BOLT(M14X2.0X35)	6		
6	TA00044506A	육각볼트(M14XP2.0X39)	BOLT(M14X2.0X35)	6		
7	TA00060910B	빠짐방지 스톱핀18	SNAP PIN	2		
7	TA00060910A	빠짐방지 스톱핀18	SNAP PIN	2		
8	TJ30110000C4	링핀조합	RINGPINASS'Y	2		
8	TJ30110000B4	링핀조합	RINGPINASS'Y	2		
8	TJ30110000D4	링핀조합	RINGPINASS'Y	2		
8	TJ30110000A4	RING PIN	RING PIN	2		
9	TA00038245A	드로우바 고정핀	PIN	1		
9	TA00038245C	드로우바 고정핀	DRAWBAR PIN	1		
9	TA00038245B	드로우바 고정핀	DRAWBAR PIN	1		
10	TA00038252C	두부핀	PIN	2		
10	TA00038252B	두부핀	PIN	2		
10	TA00038252A	두부핀	PIN	2		
11	TA00033328B	히치핀	PIN	1		
11	TA00033328A	히치핀	PIN	1		
12	TA00019061A	육각볼트(M16XP2.0X50)	BOLT	2		
13	26013-140302	와셔조립육각볼트(+SW)	BOLT(+SW)	6	M14X2.00X03	
14	22217-160000	스프링와셔	WASHER, SPRING (Φ 16)	2	M16	
15	22217-140000	스프링와셔14	WASHER, SPRING (Φ 14)	6	M14	
16	22127-140000	플라인와셔14	WASHER, PLAIN (Φ 14)	4	M14	

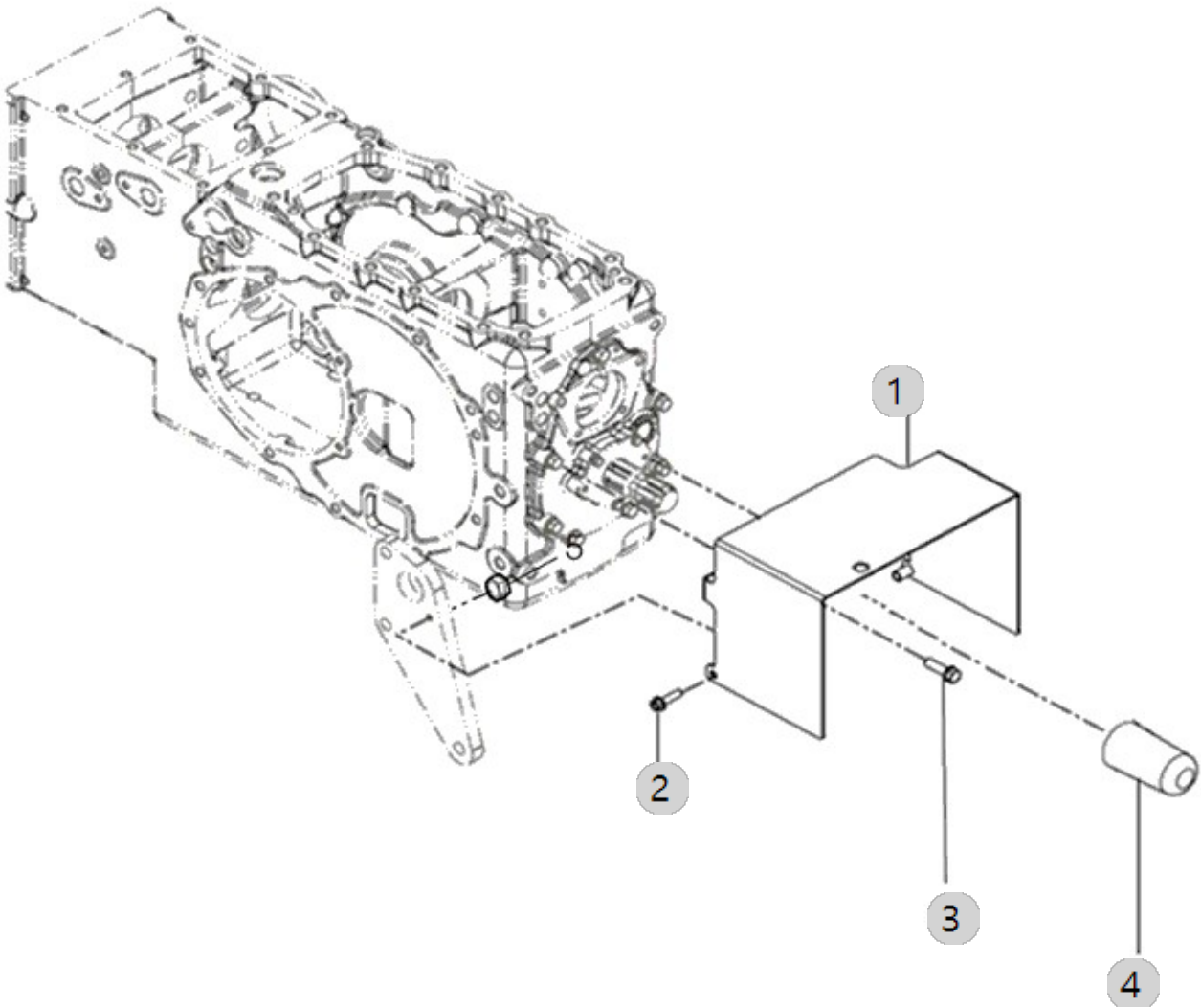
G05090

5835R(AC02113)

(PTO COVER)

Year/Month

2022-12-15



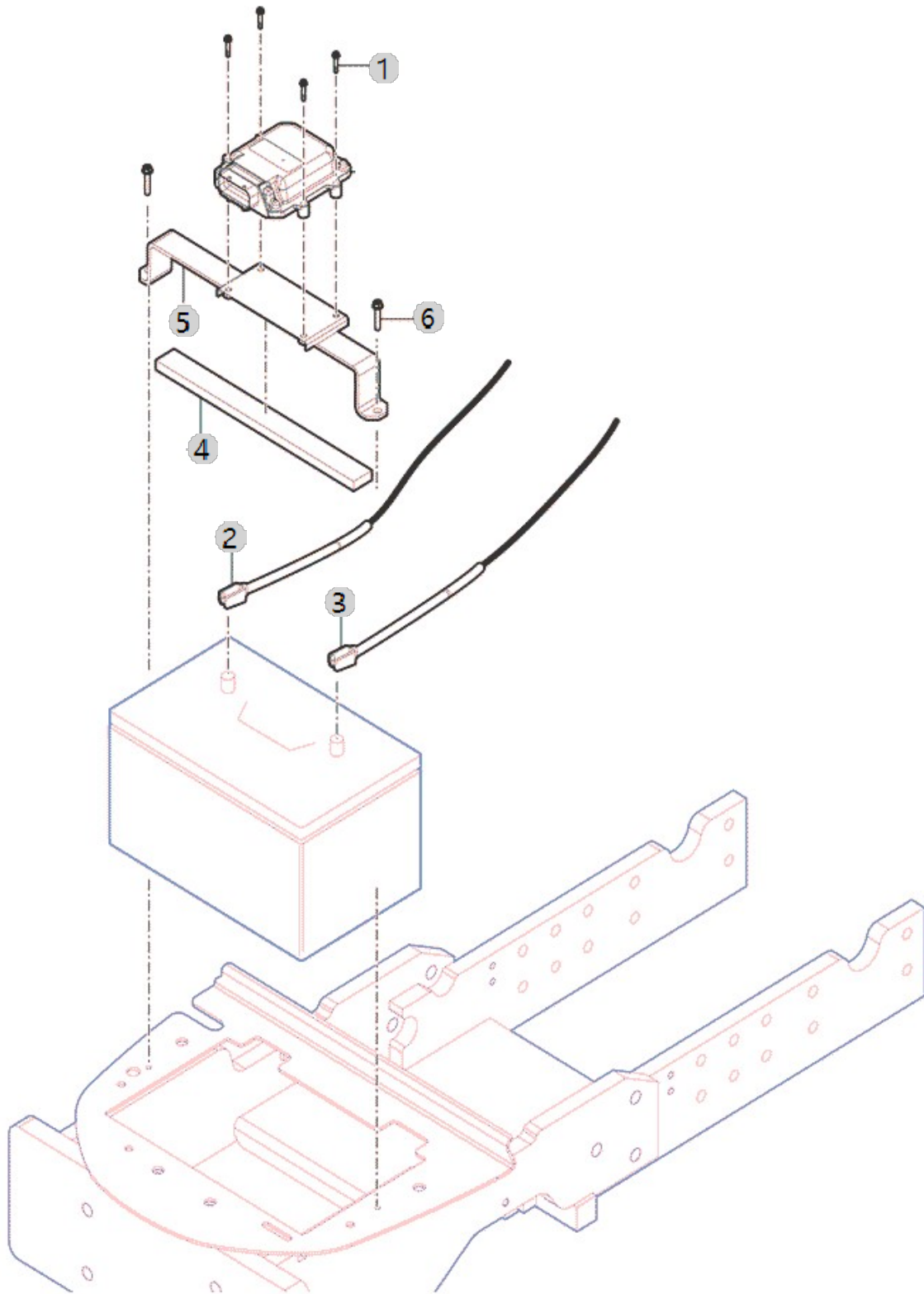
H01030

5835R(AC02113)

(BATTERY)

Year/Month

2022-12-15



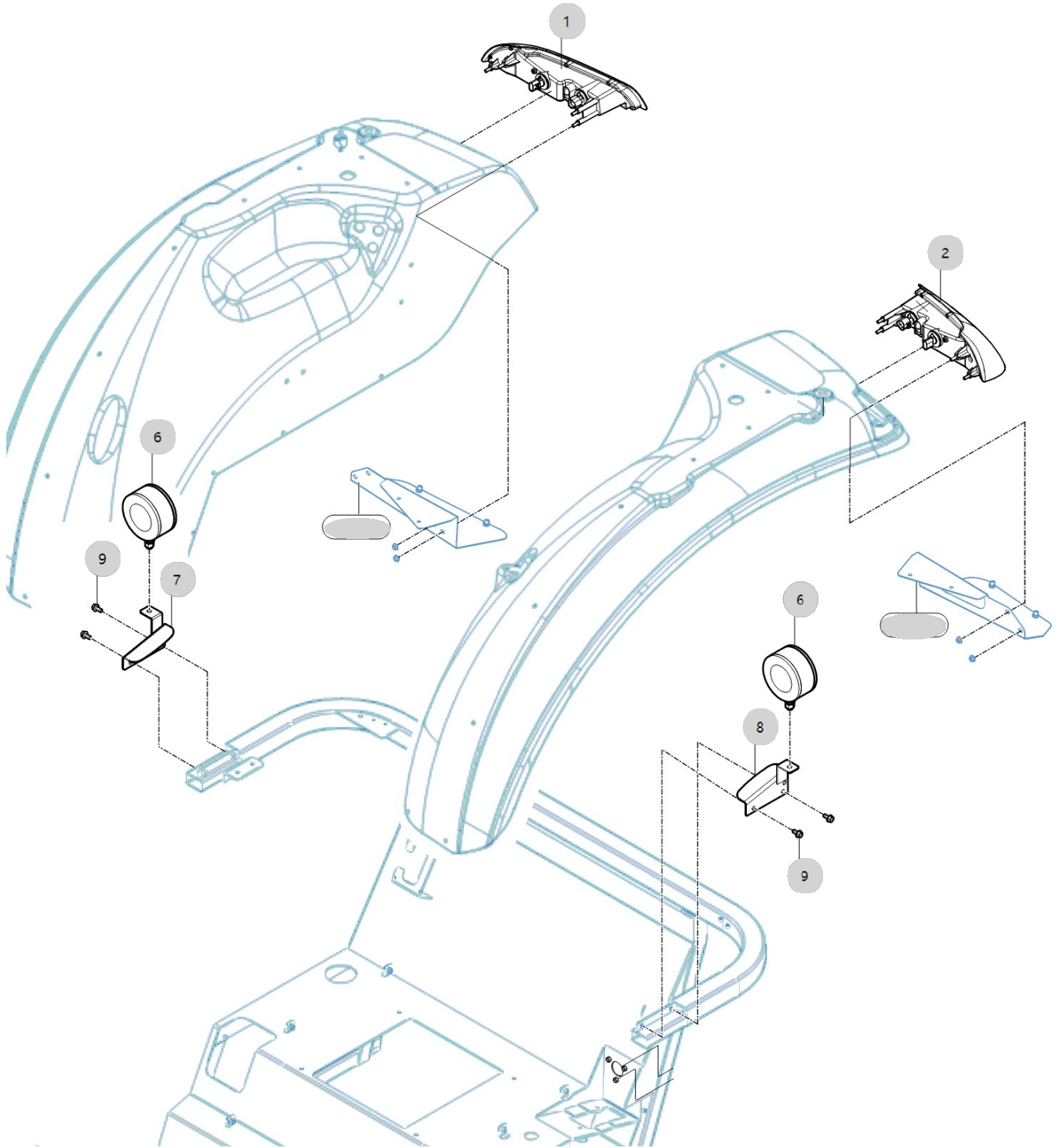
H02020

5835R(AC02113)

(COMBINATION LAMP)

Year/Month

2022-12-15



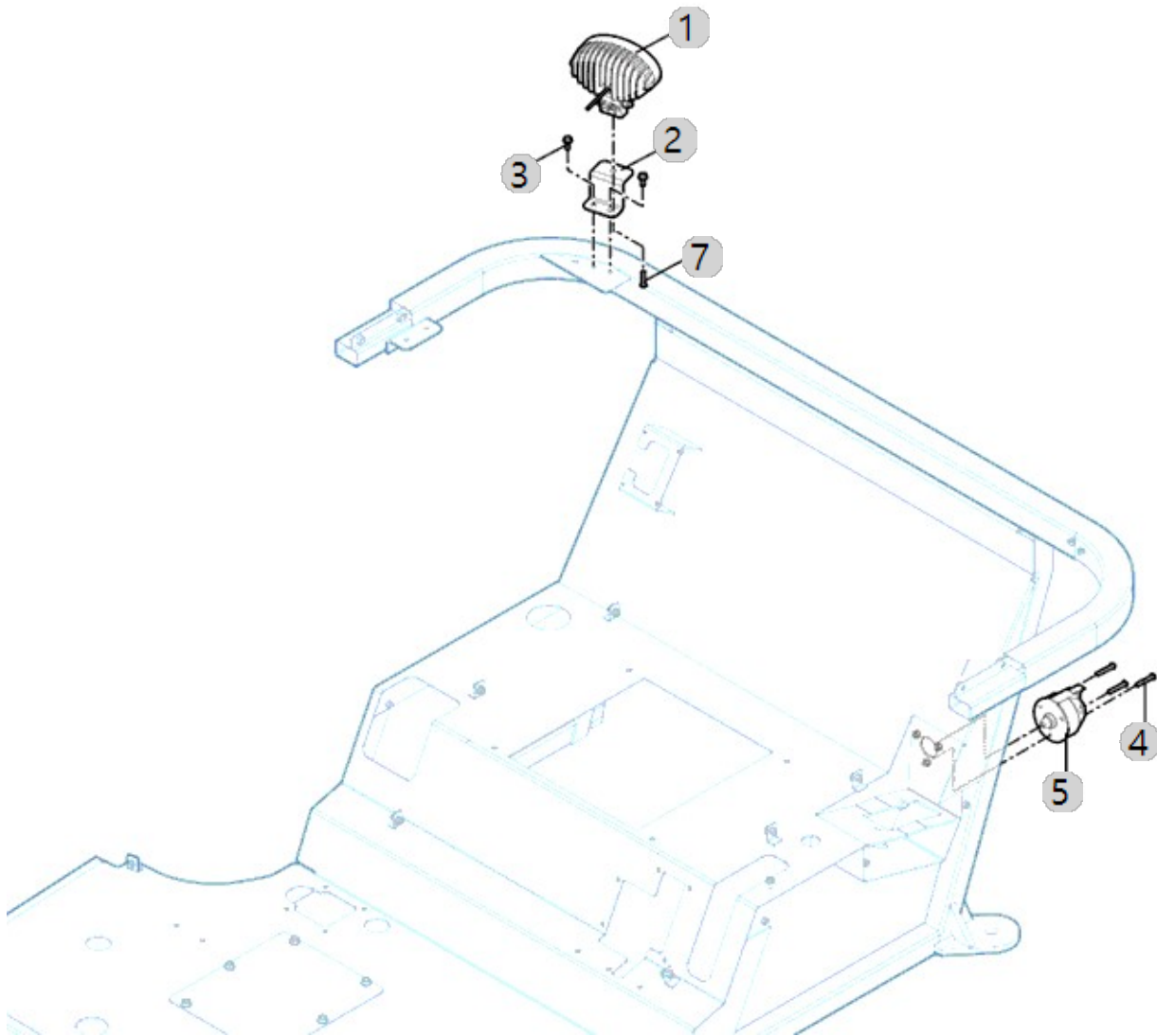
H02032

Year/Month

5835R(AC02113)

(WORK LAMP)

2022-12-15



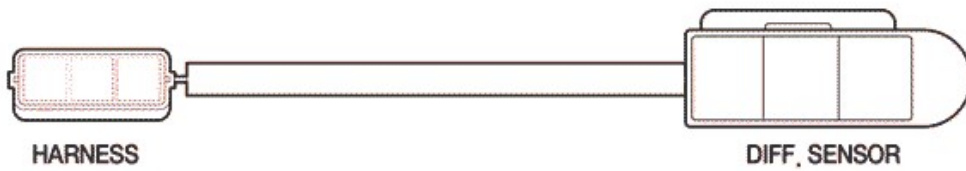
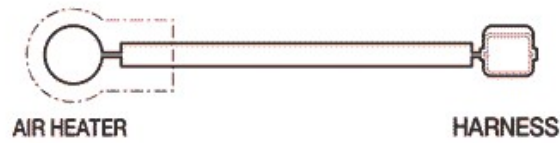
H03000

5835R(AC02113)

(HARNESS)

Year/Month

2022-12-15



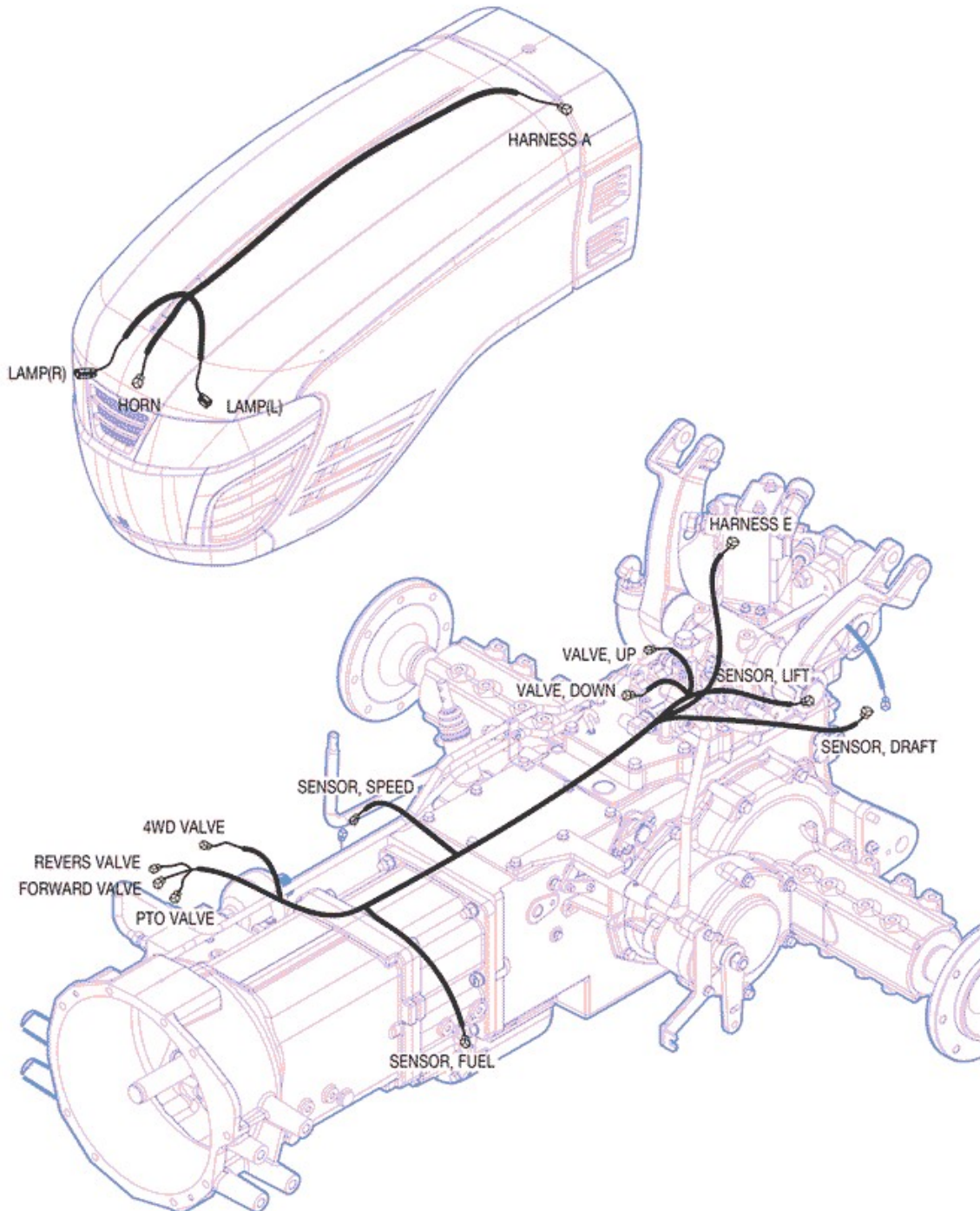
H03030

5835R(AC02113)

(HARNESS)

Year/Month

2022-12-15



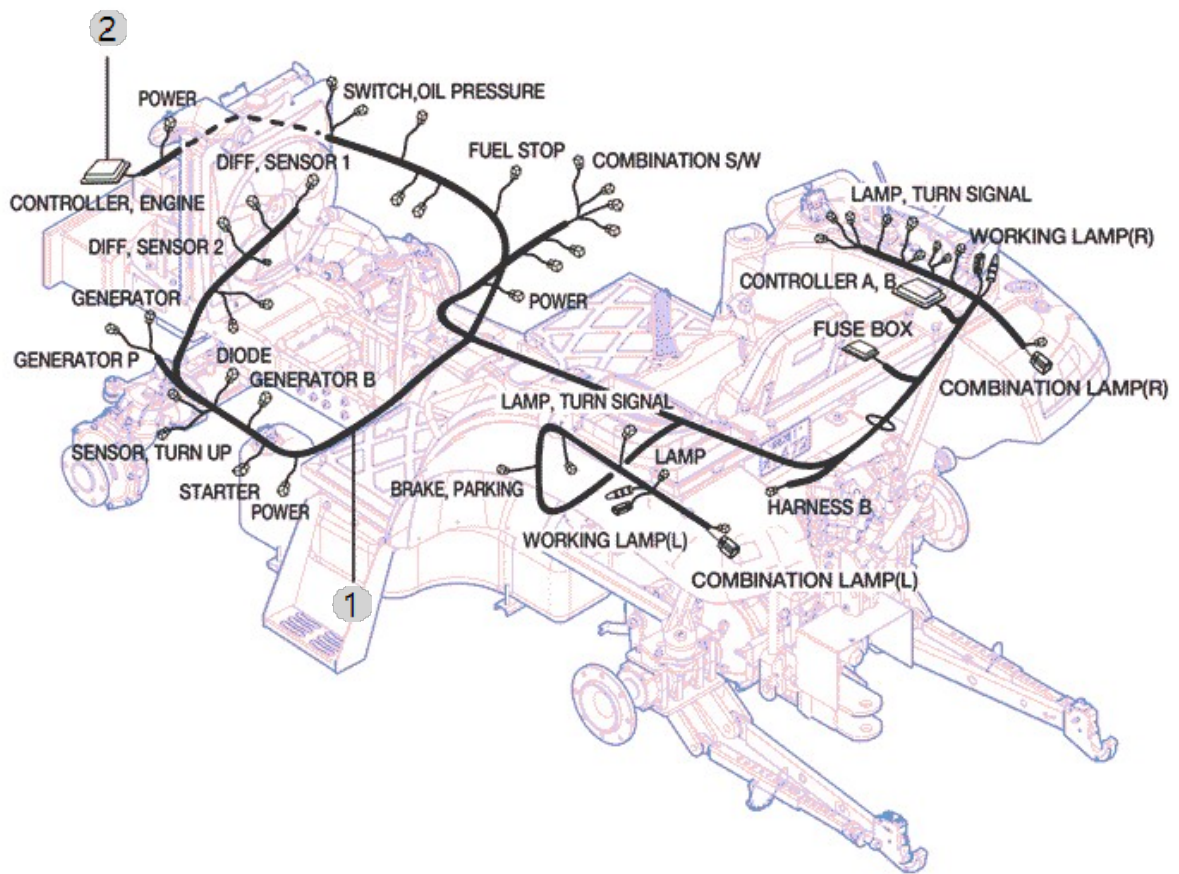
H03040

(MAIN HARNESS)

Year/Month

5835R(AC02113)

2022-12-15



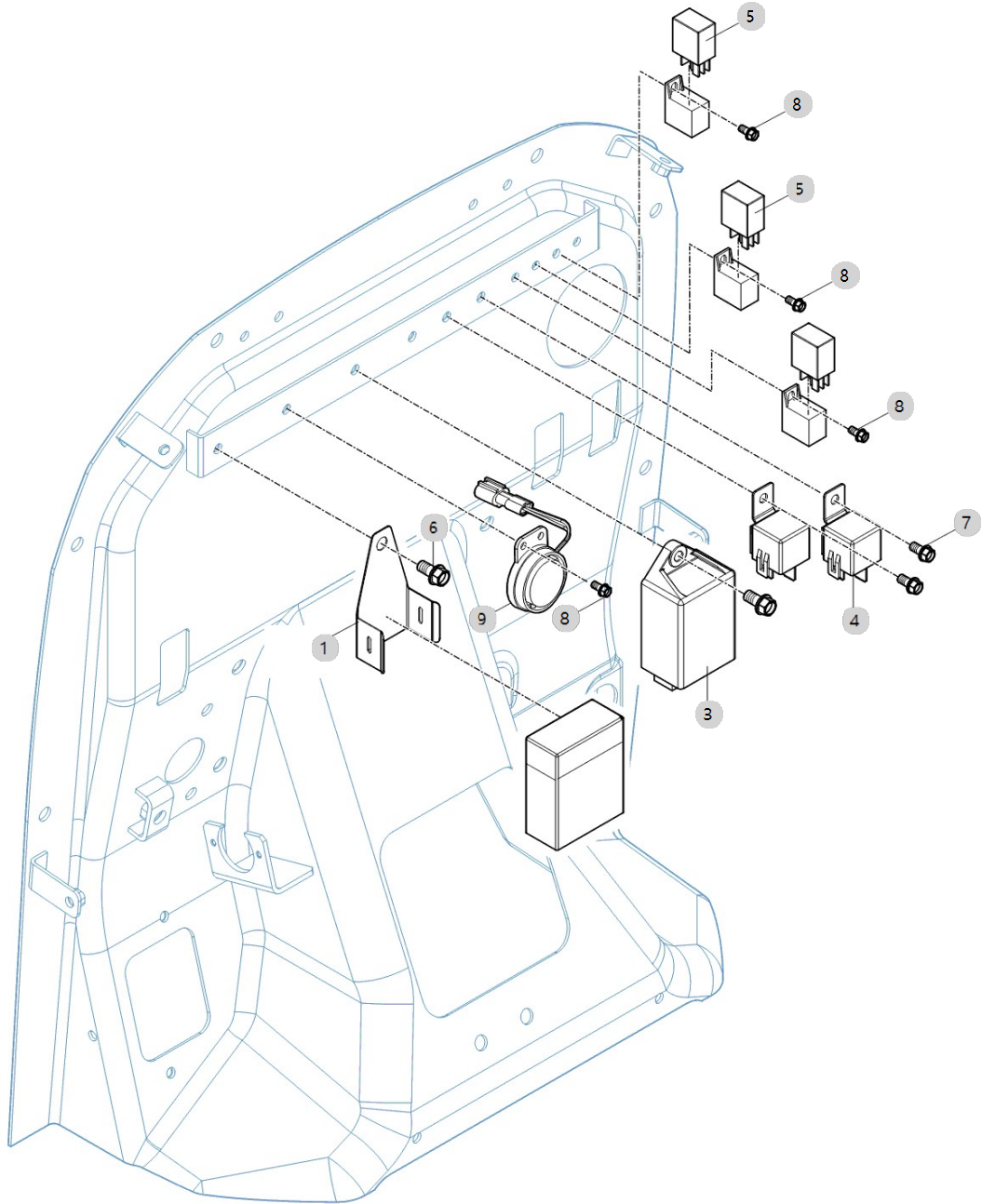
H04020

5835R(AC02113)

(RELAY)

Year/Month

2022-12-15



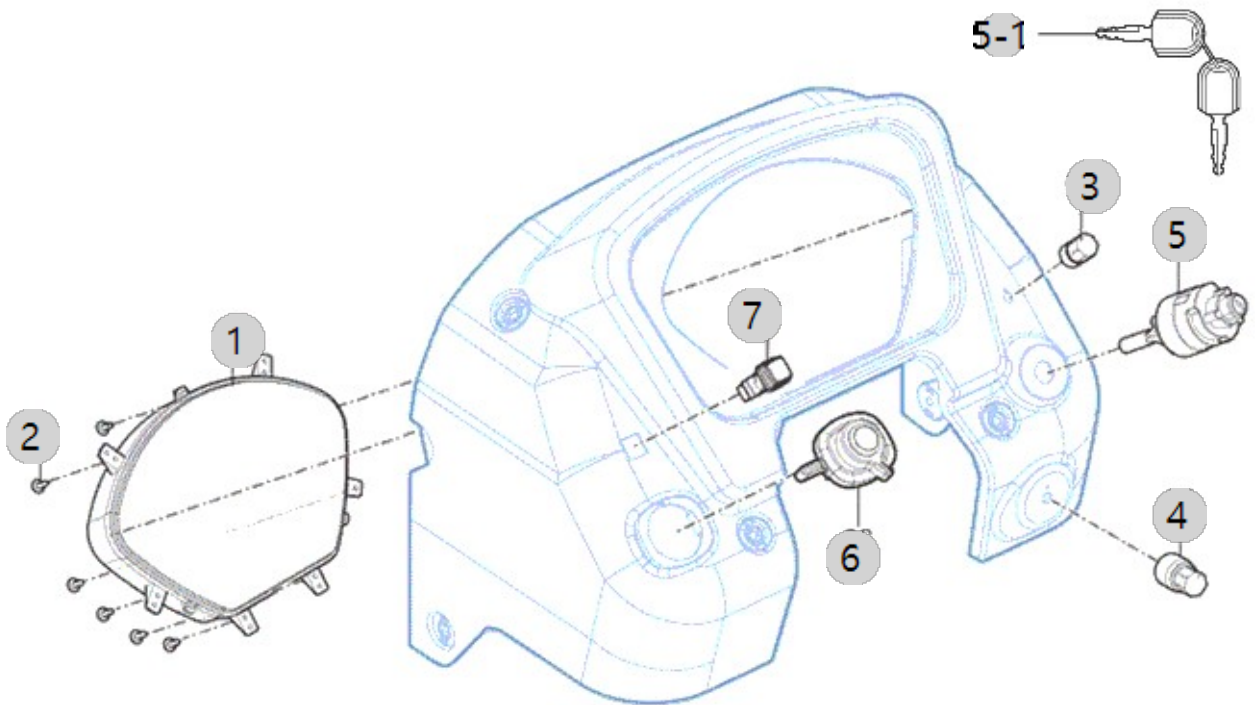
H04051

5835R(AC02113)

(SWITCH/DASHBOARD)

Year/Month

2022-12-15



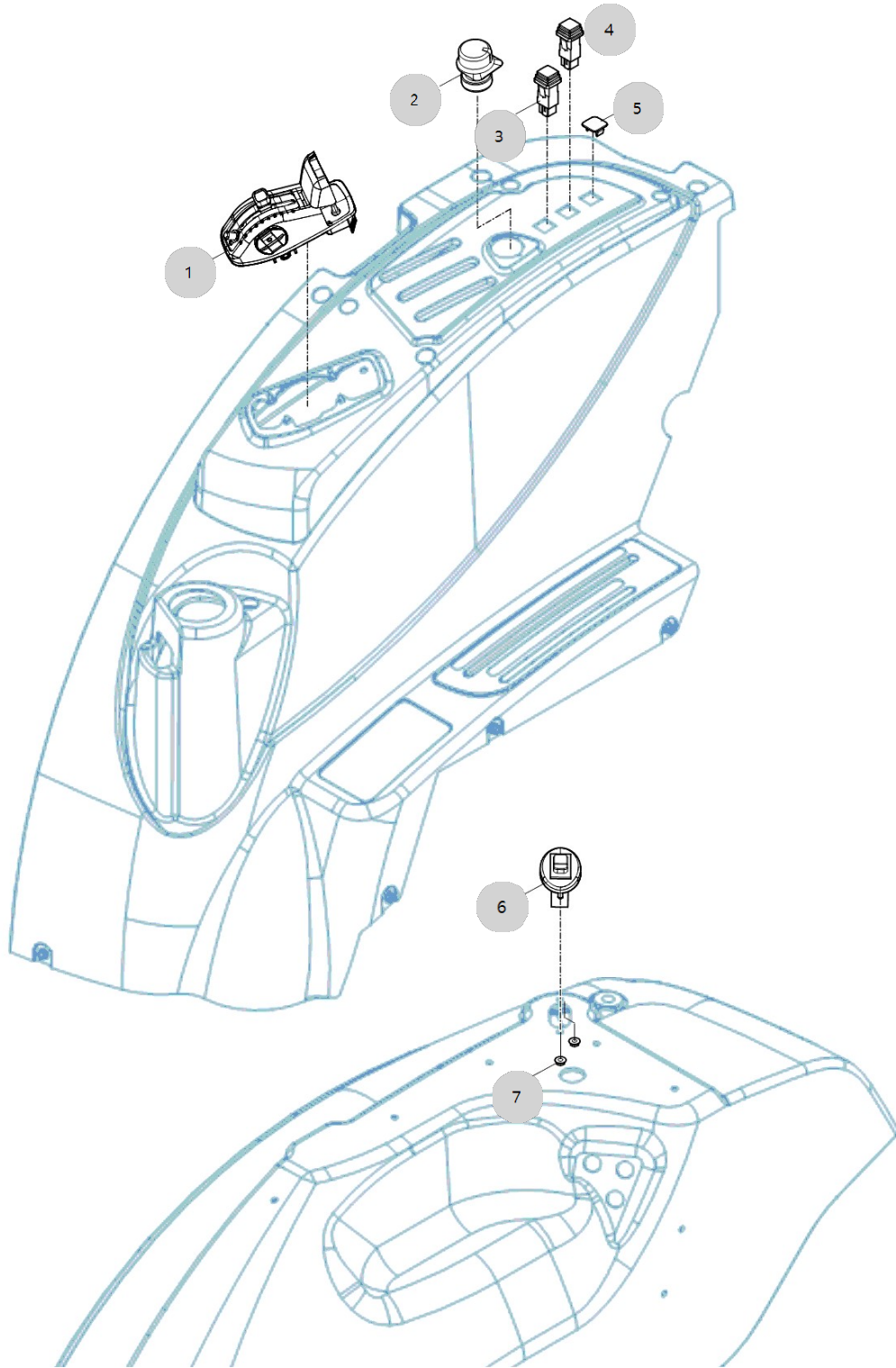
H04052

5835R(AC02113)

(SWITCH/FENDER)

Year/Month

2022-12-15



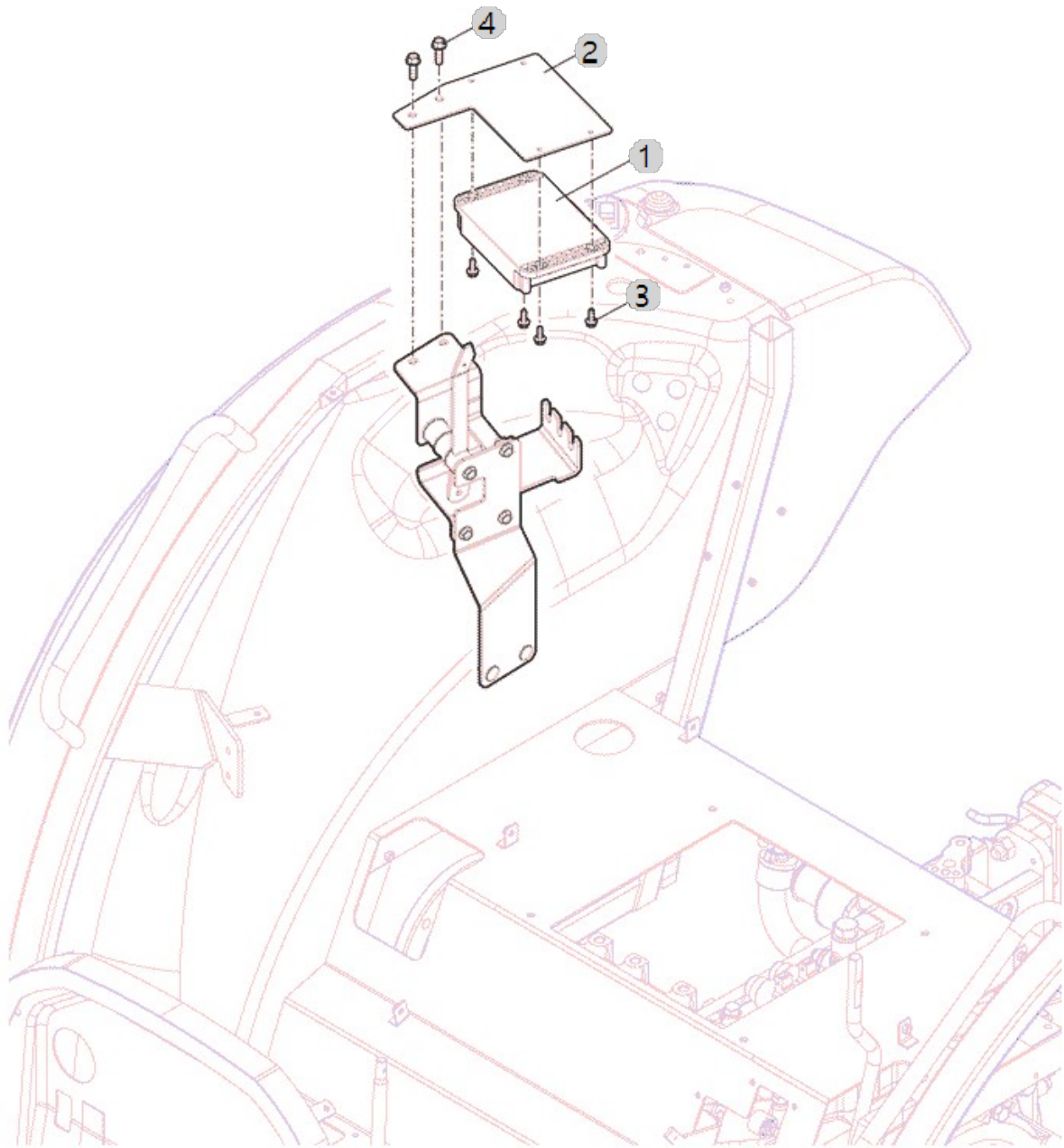
H04070

Year/Month

5835R(AC02113)

(CONTROLLER ASSY)

2022-12-15



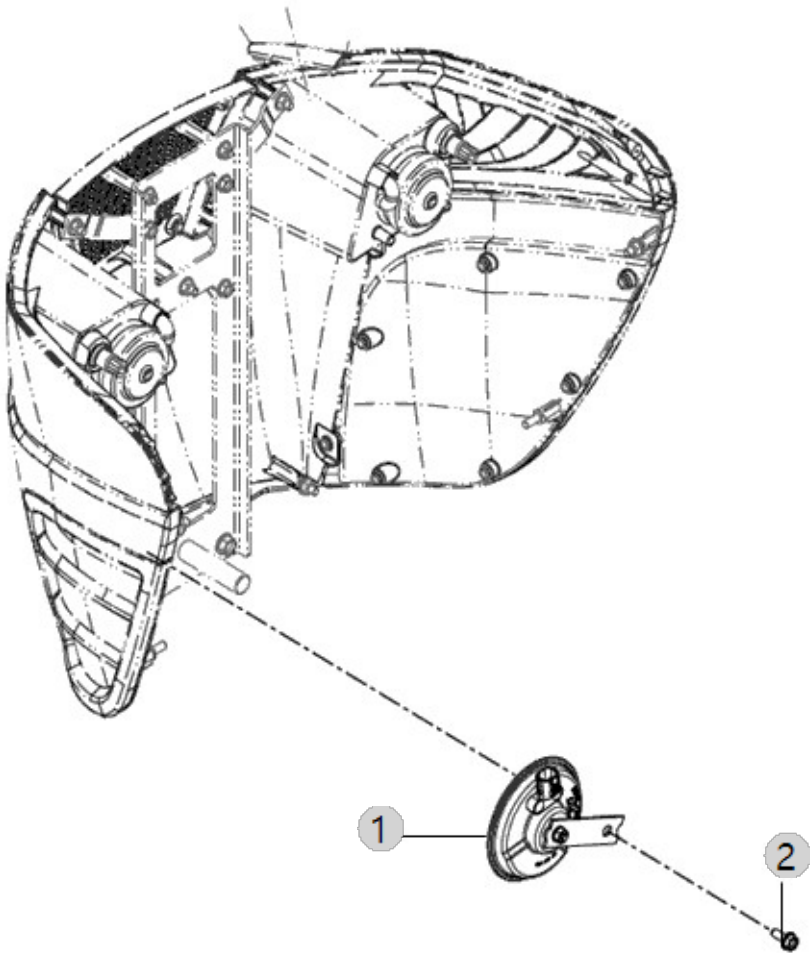
H04090

5835R(AC02113)

(HORN)

Year/Month

2022-12-15



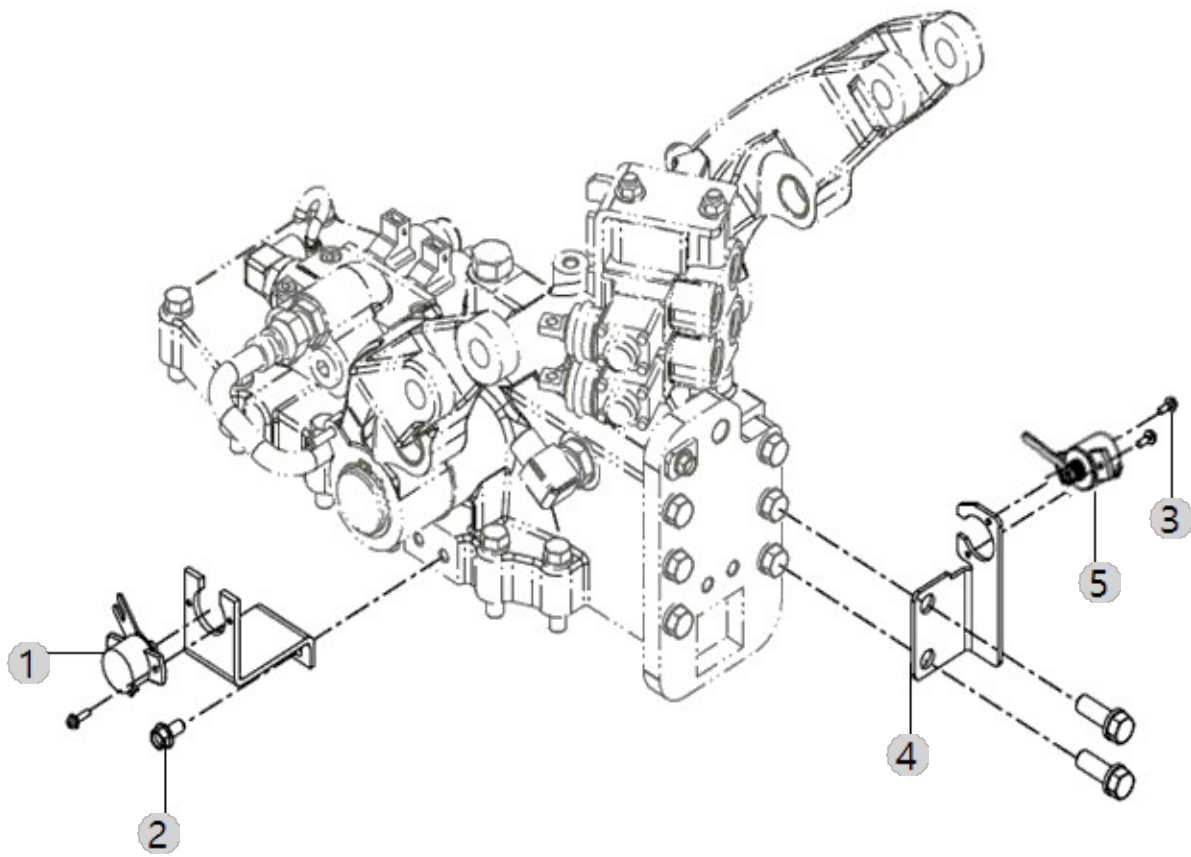
H04110

Year/Month

5835R(AC02113)

(HITCH SENSOR)

2022-12-15



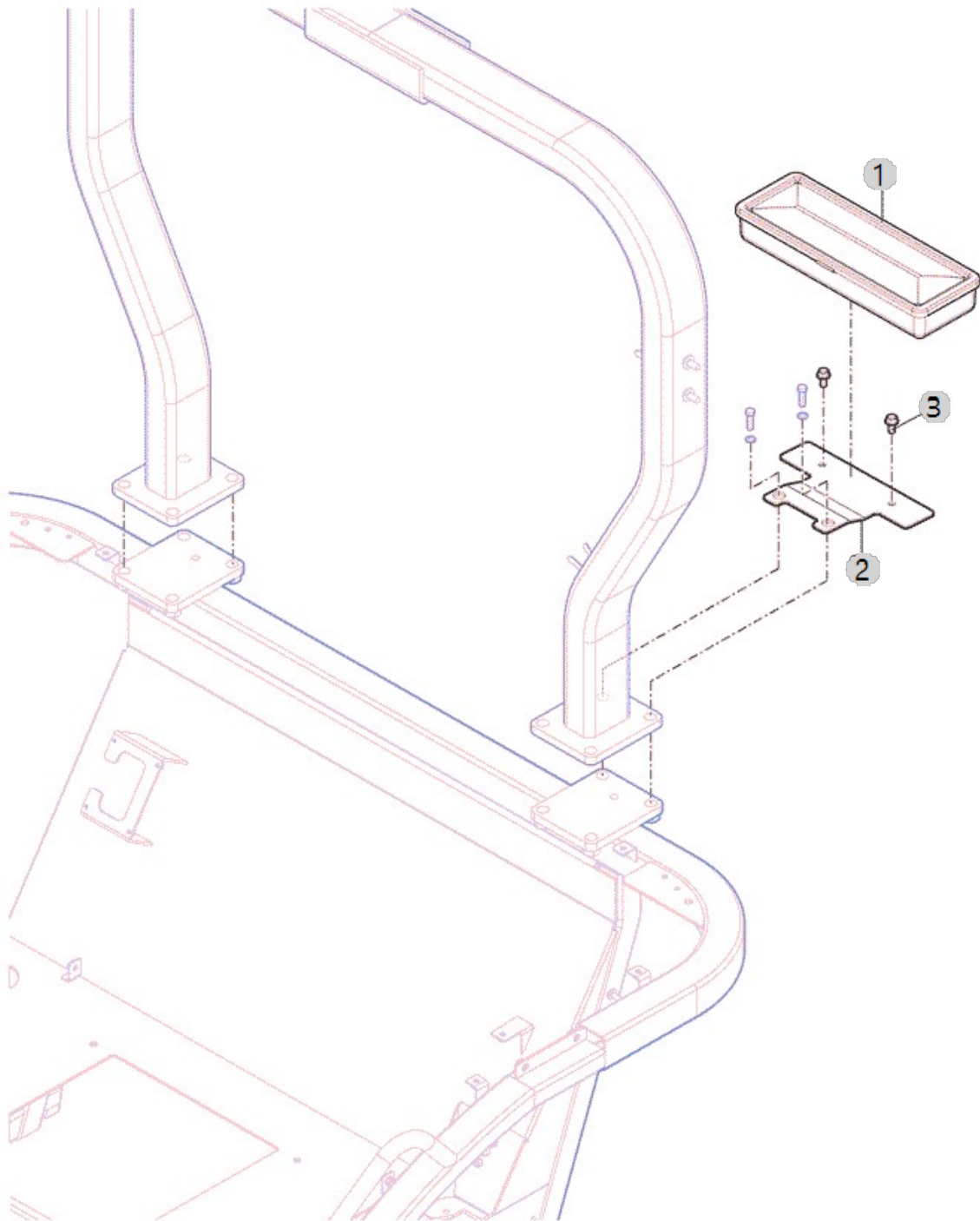
I02010

Year/Month

5835R(AC02113)

(TOOL BOX)

2022-12-15



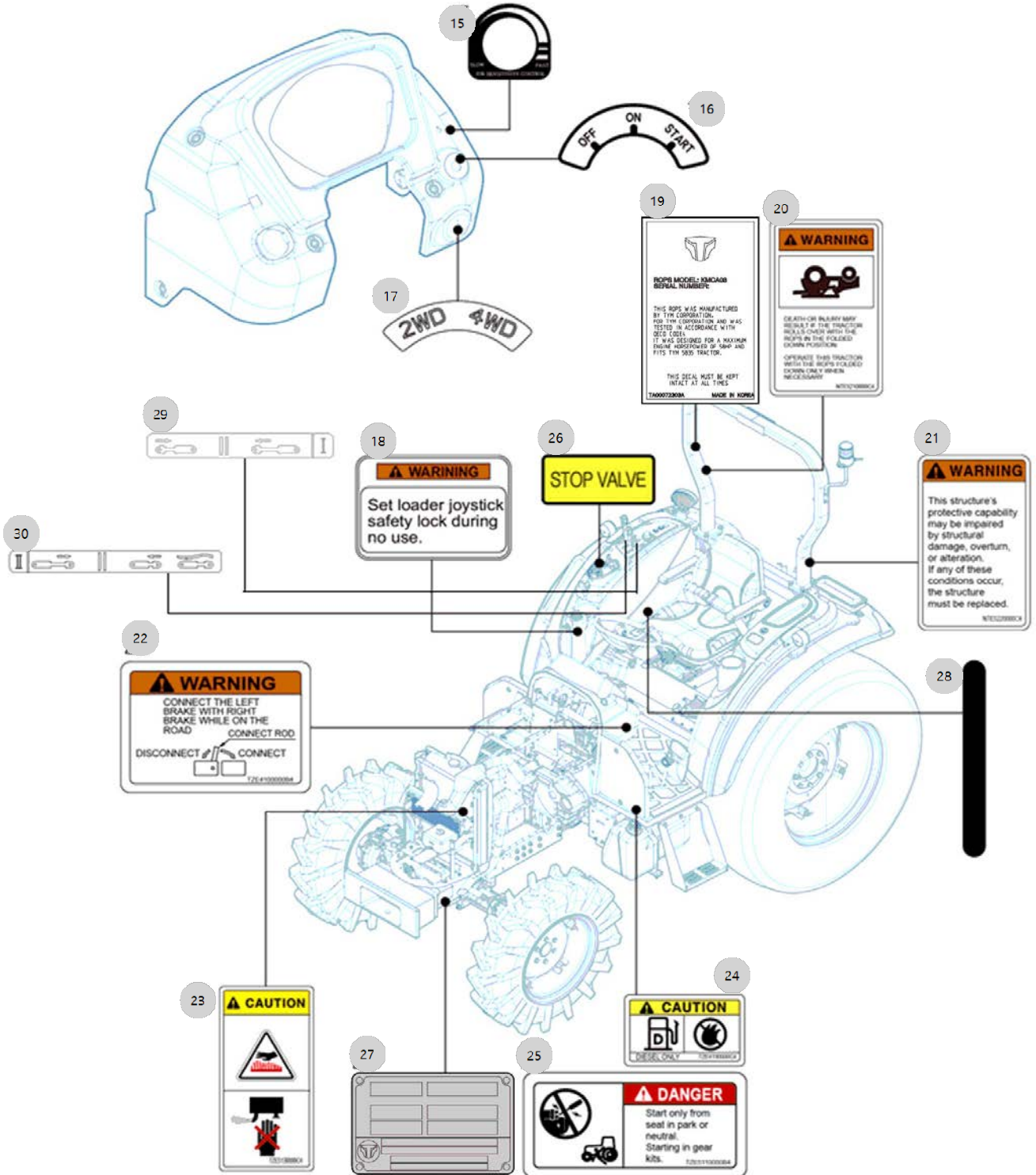
I03020

5835R(AC02113)

(LABEL)

Year/Month

2022-12-15



103021

5835R(AC02113)

(LABEL)

Year/Month

2022-12-15

2

WARNING

BEFORE DismOUNTING TRACTOR:

1. PARK ON LEVEL, UNLESS OTHERWISE SPECIFIED. If parking on a gradient, position tractor at right angles to the slope.
2. ALWAYS SET PARKING BRAKE. Lowering transmission or gear with the engine stopped will not prevent tractor from rolling.
3. LOWER ALL IMPLEMENTS TO THE GROUND. Failure to comply to this warning may allow the wheels to slip and result in loss of control or death.
4. LOCK SHUTTLE SHIFT LEVER IN NEUTRAL POSITION AND STOP THE ENGINE.

TZE1400000



A
B
N
C

1

5835R

14

TYM

31

ECO dynamics



5



TZE4130000B4


6

WARNING

TO AVOID PERSONAL INJURY OR DEATH FROM ROLL-OVER:

1. OPERATOR recommends the use of a Roll-Over Protective Structure (ROPS) and seat belt in all applications.
2. Remove the ROPS only when it substantially interferes with operation or field events in a safety risk. Examples include work in orchards and vineyards. ALWAYS REINSTALL IT BEFORE LEAVING THE TRACTOR IN OTHER APPLICATIONS.
3. Never get out the seat belt or out the ROPS. They must be used together. For further details, consult your Operator's Manual or your local dealer.

TZE1700000



4

V6P119000V.L

789



7

WARNING



8

CAUTION

TO AVOID PERSONAL INJURY (OPERATING ON SLOPES):

1. If descending a slope, never disengage the clutch or shift levers to neutral.
2. Doing so could cause the tractor to speed up out of control.
3. Slow down for slopes, especially when transporting heavy, rear-mounted equipment.
4. Before descending a slope, shift to a gear low enough to control speed without using brakes.

TZE5700000

9

CAUTION

TO AVOID PERSONAL INJURY:

1. Read and understand the operator's manual before operation.
2. Before starting the engine, make sure that everyone is at a safe distance from the tractor and that the PTO is OFF.
3. Do not allow passengers on the tractor at any time.
4. Before allowing anyone to use the tractor, have them read the operator's manual.
5. Check the tightness of all nuts and bolts regularly.
6. Remove all debris, oil stains and sharp edges from all moving parts.
7. Lock the two brake pedals together before driving on the road.
8. Slow down for turns, on rough roads, or when approaching individual brakes.
9. On public roads use SAEV emblem and hazard lights, if required by local traffic and safety regulations.
10. Pull only from the drawbar.
11. Before dismounting lower the implement, set the parking brake, stop the engine and remove the key.

TZE1600000

10

WARNING

Breathing diesel engine exhaust exposes you to chemicals known to the state of California to cause cancer and birth defects or other reproductive harm.

- Always start and operate the engine in a well-ventilated area.
- If in an enclosed area, vent the exhaust to the outside.
- Do not modify or tamper with the exhaust system.
- Do not idle the engine except as necessary.

For more information go to www.P65warnings.ca.gov/diesel.

WARNING Cancer and Reproductive Harm - www.P65warnings.ca.gov.

11

WARNING



Use seat belt

12

WARNING

TO AVOID PERSONAL INJURY:

1. Attach pulled or towed loads to the drawbar only.
2. Use the 3-point hitch only with equipment designed for 3-point hitch usage.

TZE5120000B4

13

WARNING

TO AVOID PERSONAL INJURY:

1. Never PTO ahead or after at all times.
2. Do not operate the PTO at speeds faster than the speed recommended by the implement manufacturer.
3. For towing PTO-driven implements use the operator's manual.
4. Brake hands. Feet and clamping away.

TZE1700000

