

T754SMEUA

Parts Catalog

# 목 차

---

## 0. TRACTOR KIT PART NO. TK1

FIG 001 REAR REMOTE VALVE(6P) KIT	6
-----------------------------------	---

## 2. Engine Accessories PART NO. T2

FIG 201 AIR CLEANER	9
FIG 202 RADIATOR	11
FIG 203 MUFFLER & EXHAUST PIPE	13
FIG 204 FUEL TANK	16
FIG 205 FUEL FILTER & FUEL PUMP	18

## 3. Clutch/Brake/Steering PART NO. T3

FIG 301 CLUTCH	21
FIG 302 CLUTCH PEDAL	23
FIG 303 BRAKE PEDAL & LINK	26
FIG 304 FRONT WHEEL	28
FIG 305 REAR WHEEL	30
FIG 306 POWER STEERING WHEEL	32
FIG 307 POWER STEERING VALVE	34
FIG 308 POWER STEERING CYLINDER	36
FIG 309 HAND BRAKE & BRAKE	38
FIG 310 CLUTCH CONTROL	40

## 4. Transmission PART NO. T4

FIG 401 CASE , RR TRANSMISSION	43
FIG 402 SUB CHANGE GEARS	45
FIG 403 REAR DIFFERENTIAL GEARS	47
FIG 404 P.T.O CHANGE GEARS	49
FIG 405 P.T.O CHANGE SHIFTER	51
FIG 406 HOUSING , RR AXLE	53

FIG 407 P.T.O DRIVE SHAFT	55
FIG 408 CREEP CHANGE	57
FIG 409 INPUT & COUNTER GEARS	59
FIG 410 CHANGE GEARS	61
FIG 411 REVERSE GEARS	63
FIG 412 MAIN CHANGE LEVER	65
FIG 413 SUB CHANGE LEVER	67
FIG 414 TRANSMISSION MID CASE	69
FIG 415 SUB CHANGE SHIFTER	71
FIG 416 4WD CHANGE LEVER	73
FIG 417 TRANSMISSION FRONT CASE	75
FIG 418-2(EU) DRIVE GEARS(EU)	77

## 5. Front Axle PART NO. T5

FIG 501 FRONT AXLE SUPPORT	80
FIG 502 FRONT DRIVE SHAFT	82
FIG 503 FRONT AXLE HOUSING	84
FIG 504 FRONT DIFFERENTIAL GEARS	86
FIG 505 FRONT GEAR CASE (1)	88
FIG 506 FRONT GEAR CASE (2)	90
FIG 507 FRONT GEAR CASE (3)	92

## 6. Hydraulic/3P-Link PART NO. T6

FIG 601 CYLINDER CASE	95
FIG 602-2 LIFT ARM(EUA)	97
FIG 603 CYLINDER	99
FIG 604 POSITION LINK	101
FIG 605 CONTROL VALVE	103
FIG 606 DRAFT LINK	105
FIG 607 POSITION & DRAFT LEVER	107
FIG 608-2(EU) EXTERIOR HYD. VALVE(EUA)	110
FIG 609 HYDRAULIC PIPE	112
FIG 610 JOYSTICK	114
FIG 611-2 HITCH & 3-POINT LINK	116
FIG 612 LOWER LINK & LIFT ROD	119
FIG 613-2(EU) HYDRAULIC HOSE(EU)	121

## 7. Sheet Metal & Cabin PART NO. T7

FIG 701 HOOD	124
FIG 702 FRONT FRAME	126
FIG 703 SIDE SUPPORT & FRAME HOOD	128
FIG 704 LEVER COVER & STEP	131
FIG 705 FRONT & REAR MOUNTING	133
FIG 706 SEAT & MAT	135
FIG 709 DOOR	137
FIG 710 FRONT GLASS	140
FIG 711 SIDE GLASS	142
FIG 712 REAR GLASS	144
FIG 713 SUB FENDER & COVER	146
FIG 714 MIRROR	148
FIG 715 HEATER & AIR-CON	150
FIG 715-2 HEATER & AIR-CON	152
FIG 716 FENDER COVER	154
FIG 717 ROOF	156
FIG 718 CABIN INTERIOR	158

## 8. Electrical System PART NO. T8

FIG 801 BATTERY & MOUNTING	161
FIG 802 HARNESS	163
FIG 803 LIGHT & BACK LAMP	165
FIG 804 INSTRUMENT PANEL	167
FIG 805 ELECTRIC SYSTEM (1)	169
FIG 806 ELECTRIC SYSTEM (2)	171

## 9. Label/Option PART NO. T9

FIG 901 TOOL & ACCESSORY	174
FIG 902(EU) WEIGHT	176
FIG 903 LABEL	178

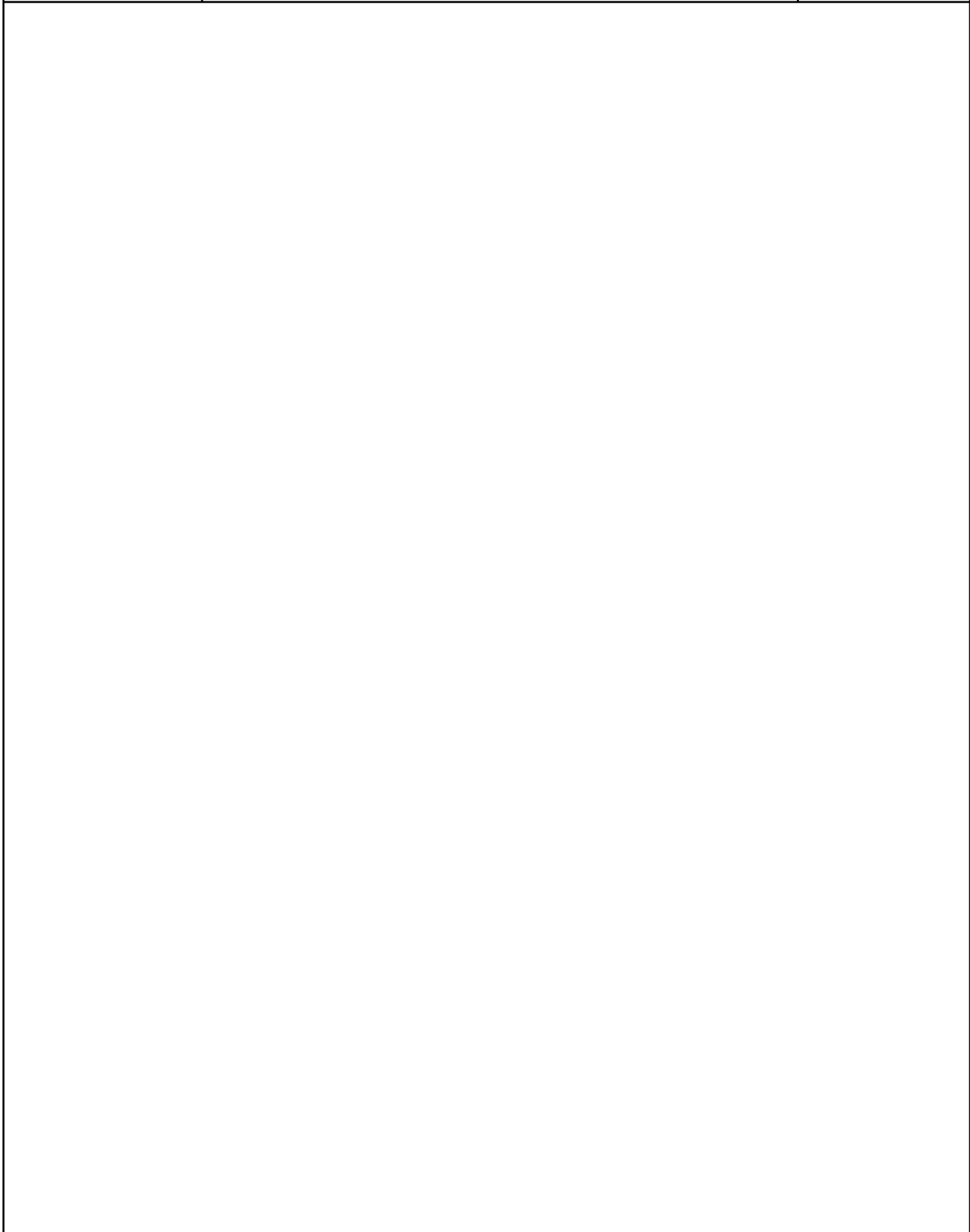


0. TRACTOR KIT PART NO. TK1

FIG 001 REAR REMOTE VALVE(6P) KIT

6

FIG 001 T754SMEUA	REAR REMOTE VALVE(6P) KIT	년/월 Year/Month 2022-12
----------------------	---------------------------	------------------------------



NOTE	
------	--



## 2. Engine Accessories PART NO. T2

FIG 201 AIR CLEANER	9
FIG 202 RADIATOR	11
FIG 203 MUFFLER & EXHAUST PIPE	13
FIG 204 FUEL TANK	16
FIG 205 FUEL FILTER & FUEL PUMP	18

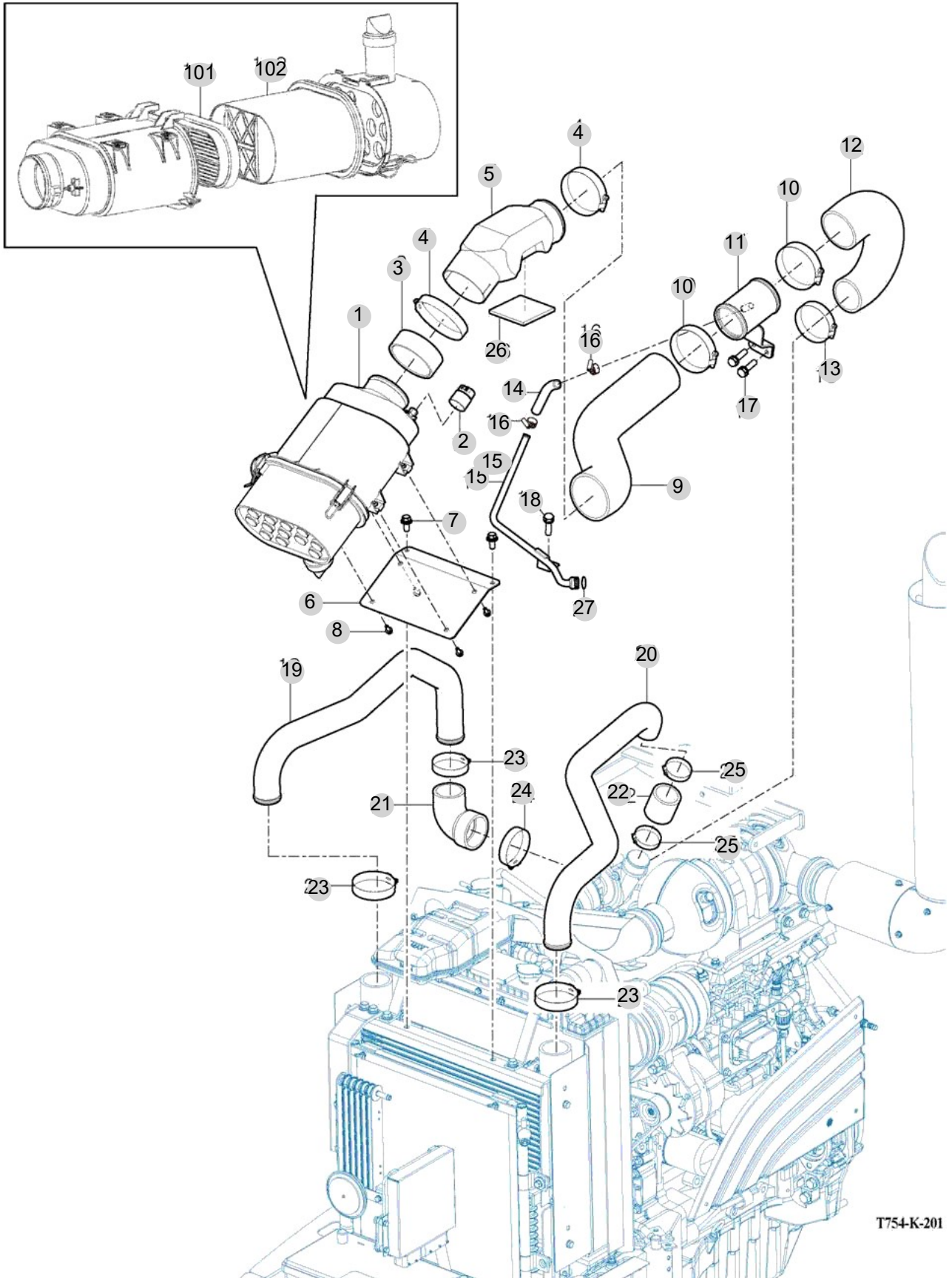
FIG 201

AIR CLEANER

년/월  
Year/Month

2022-12

T754SMEUA



NOTE



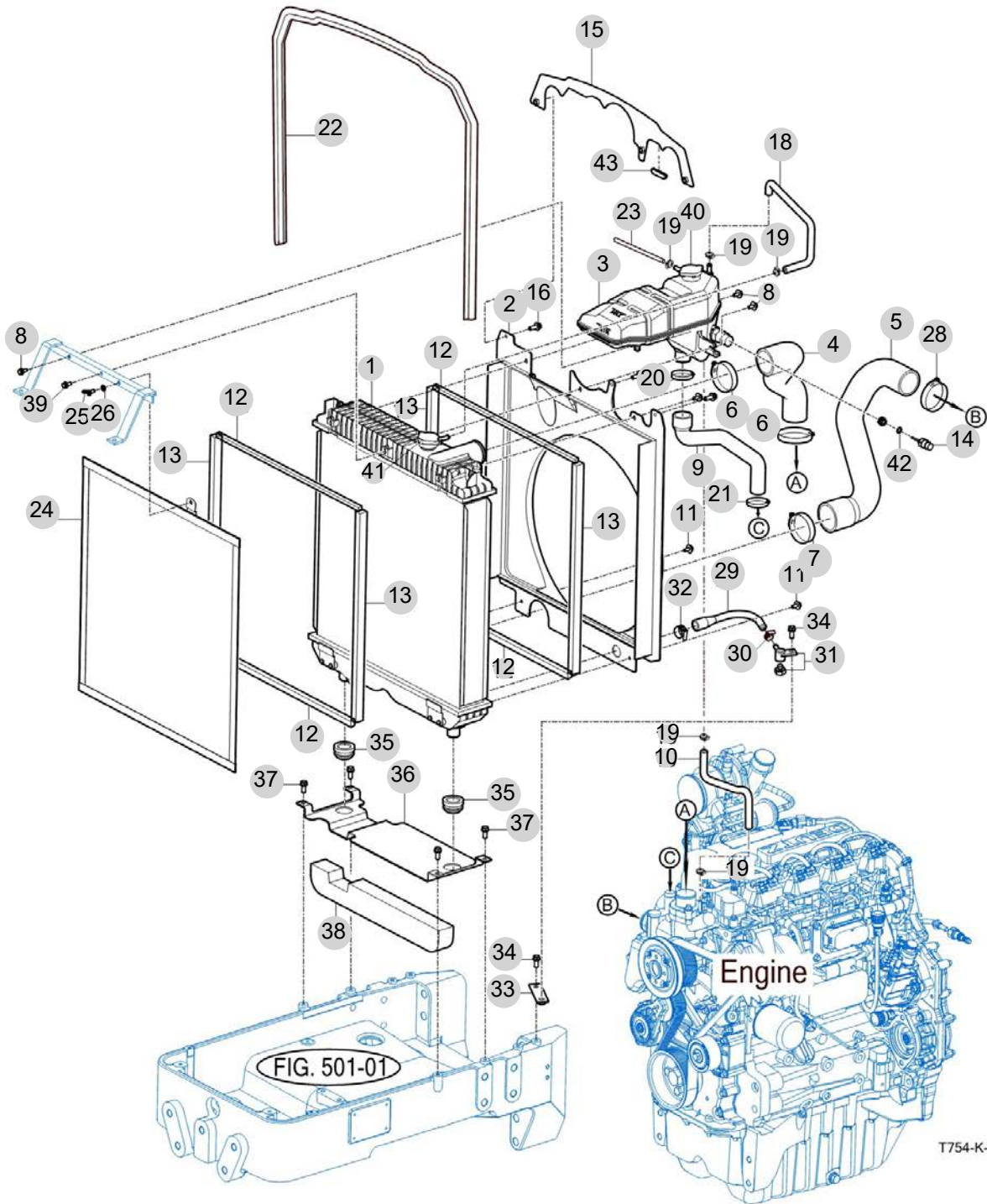
FIG 202

RADIATOR

년/월  
Year/Month

2022-12

T754SMEUA



NOTE

FIG 202 T754SMEUA		RADIATOR					년/월 Year/Month	
							2022-12	
KEY NO	PART NO	DESCRIPTION	SPEC	QTY	REPAIR	EFFECTIVE DATE	REMARKS	
202	1	18021042500	RADIATOR ASSY		1			
202	2	18021042201	SHROUD		1			
202	3	18021041002	RESERVE TANK		1			
202	3	18021041003	RESERVOIR TANK		1			
202	4	18021040010	HOSE , RADIATOR INLET		1			
202	5	18021040020	HOSE , RADIATOR/OUTLET		1			
202	6	18027090600	BAND CLAMP 60 EMBO TYPE		2			
202	7	18027090700	BAND CLAMP 70 EMBO TYPE		1			
202	8	V2193606025	BOLT , HEX/SPL	M6X25	3			
202	9	18021040030	HOSE ID22		1			
202	10	18028200081	HOSE 290		1			
202	11	V2193606016	BOLT , HEX/SPL	M6X16	3			
202	12	16601042340	SPONGE , 495		4			
202	13	10011042360	SPONGE , 20X15	20X15X490	4			
202	14	04218100	LEVEL SWITCH		1			
202	15	18021042300GB	PLATE COMP , SEAL C		1			
202	16	V2123606016	BOLT , HEX /SP	M6X16	3			
202	18	18021040041	HOSE RD TANK		1			
202	19	14501410050	BAND CLAMP 16		2			
202	19	18027090160	BAND CLAMP 16 EMBO TYPE	1X1X1	5			
202	20	14241010050	WIRE CLAMP 42		1			
202	20	18027090500	BAND CLAMP 50 EMBO TYPE		1			
202	21	18027090400	BAND CLAMP 40 EMBO TYPE		1			
202	22	10031040320	INSULATOR		1			
202	23	18021040050	HOSE , BREATHER 500		1			
202	24	17811042300GB	NET COMP , RADIATOR		1			
202	25	V2712606012	BOLT , WING	M6X12	1			
202	26	V4111600060	WASHER , PLAIN	M6	1			
202	28	18027090600	BAND CLAMP 60 EMBO TYPE		1			
202	29	19021040091	HOSE(210)	1X1X1	1			
202	30	18027090160	BAND CLAMP 16 EMBO TYPE		1			
202	31	15231041000	CONNECTOR		1			
202	32	18027090250	BAND CLAMP 25 EMBO TYPE		1			
202	33	16991041100GB	PLATE COMP , CONNECTOR	1X1X1	1			
202	34	V2183608025	BOLT , HEX/SP	M8X25	1			
202	35	19021040020	CUSHION RADIATOR	1X1X1	2			
202	36	17131142100GB	SUPPORT , RADIATOR	480X150X38.5	1			
202	37	V2183608020	BOLT , HEX/SP	M8X20	4			
202	38	18021040500	INSULATOR , RADIATOR		1			
202	39	V2323606016	BOLT , C/R HEX/SP	M6X16	1			
202	40	13011042110	CAP 0.9bar	1X1X1	1			
202	41	18021042110	CAP ASSY OKPa		1			
202	42	1148836	SEALING RING		1			
202	42	01148836	SEALING RING		1			
202	43	36806060040	INSULATOR , 30	1X1X1	1			
NOTE								



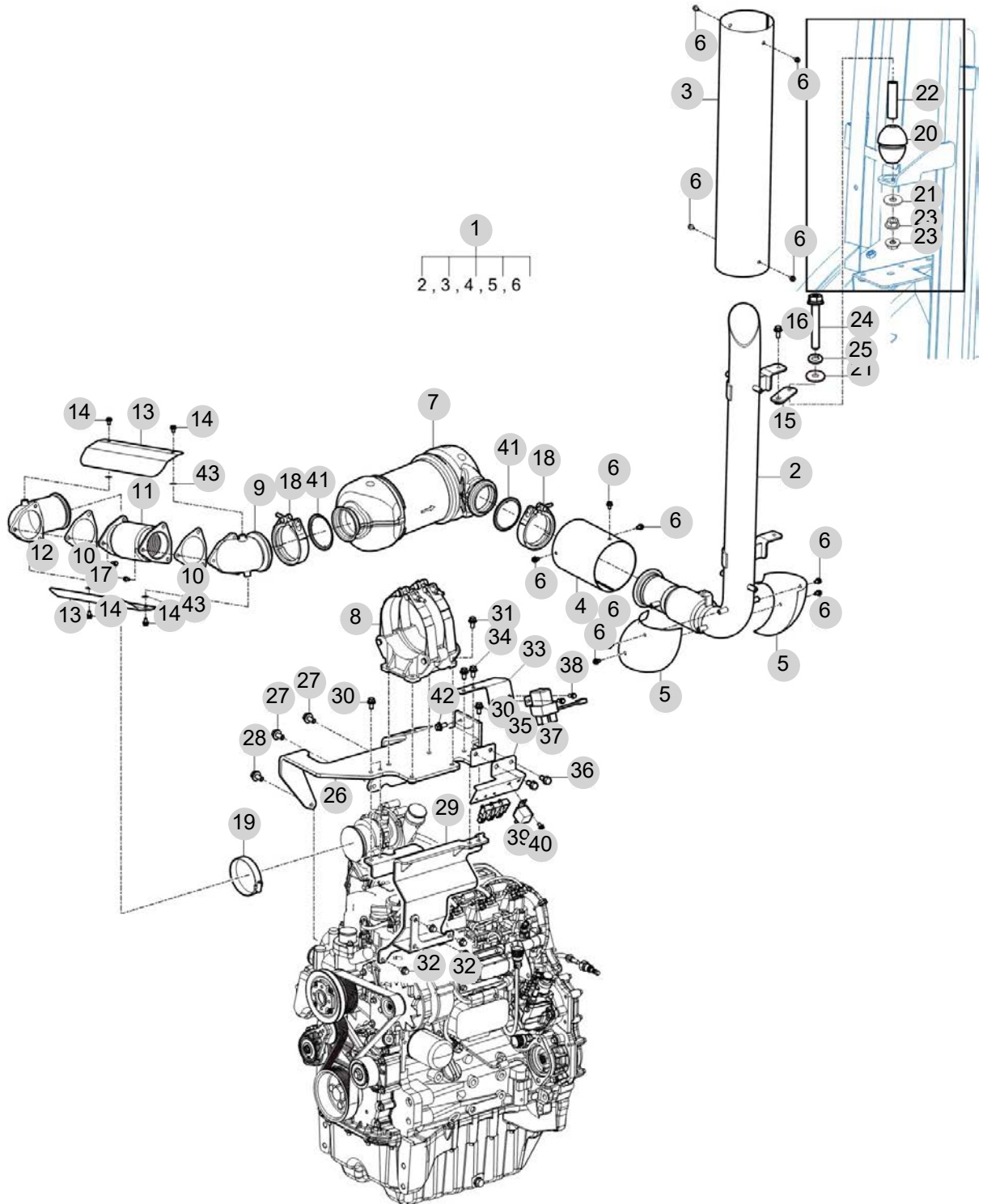
FIG 203

MUFFLER & EXHAUST PIPE

년/월  
Year/Month

2022-12

T754SMEUA



NOTE

FIG 203 T754SMEUA		MUFFLER & EXHAUST PIPE					년/월 Year/Month	
							2022-12	
KEY NO	PART NO	DESCRIPTION	SPEC	QTY	REPAIR	EFFECTIVE DATE	REMARKS	
203	1	18021061001	EXHAUST PIPE ASSY			1		
203	1	18021061002	EXHAUST PIPE ASSY			1		
203	1	18021061003	EXHAUST PIPE ASSY			1		
203	2	18021061102DD	PIPE COMP			1		
203	3	18021061213GB	COVER , UPPER			1		
203	4	18021061221GB	COVER , LOWER			1		
203	5	18501133300GB	COVER, ELBOW			2		
203	6	V2327006012	BOLT , C/R HEX/SP			11		
203	7	04603915	CATALYST ax rd 90(DOC)			1		
203	7	04605726	CATALYST ax rd 90(DOC)			1		
203	8	04604243	BRACKET (DOC MOUNT)			1		
203	8	04605741	BRACKET (DOC MOUNT)			1		
203	9	18021061600DD	ELBOW / DOC			1		
203	10	18021061800	GASKET , BELLOWS			2		
203	11	18021061700DD	BELLOWS COMP			1		
203	12	18021061500DD	ELBOW / TC			1		
203	13	18021062100DD	PLATE , INSULATOR			2		
203	14	V2123606016	BOLT , HEX /SP	M6X16		4		
203	15	18021061900GB	CONNECTOR COMP			1		
203	16	V2183608020	BOLT , HEX/SP	M8X20		1		
203	17	V2173608020	BOLT , HEX/S	M8X20		6		
203	18	04603585	CLIP			1		
203	18	04607110	CLIP			2		
203	19	04602018	CLIP			1		
203	20	18501058010	RUBBER, VIBRATION	1X1X1		2		
203	21	35605033020	WASHER , WIRE WITHDRAWAL	T=1.6		4		
203	22	18501058020	SPACER	1X1X1		2		
203	23	V3802600060	NUT , HEX FLANGE	M6		4		
203	24	V2053606080	BOLT , HEX C/R	M6X80		2		
203	25	V4011600060	WASHER , SPRING	M6X12		2		
203	26	18021051502GB	BRACKET COMP , DOC			1		
203	26	18021051503GB	BRACKET COMP , DOC			1		
203	27	V2183608025	BOLT , HEX/SP	M8X25		2		
203	28	V2183608025	BOLT , HEX/SP	M8X25		1		
203	29	18021052500GB	BRACKET COMP , DOC SIDE			1		
203	30	V2183608030	BOLT , HEX/SP	M8X30		4		
203	31	V2183608035	BOLT , HEX/SP	M8X35		4		
203	32	V2183608020	BOLT , HEX/SP	M8X20		5		
203	33	18021051601GB	BKT COMP , GLOW RELAY			1		
203	34	V2183608025	BOLT , HEX/SP	M8X25		2		
203	35	18021052101GB	BKT COMP , FUSE			1		
203	36	V2183608025	BOLT , HEX/SP	M8X25		2		
203	37	10036802800	RELAY ASSY , GLOW			1		
203	38	V2123606016	BOLT , HEX /SP	M6X16		2		
203	39	11616212900	RELAY 5P			1		
NOTE								



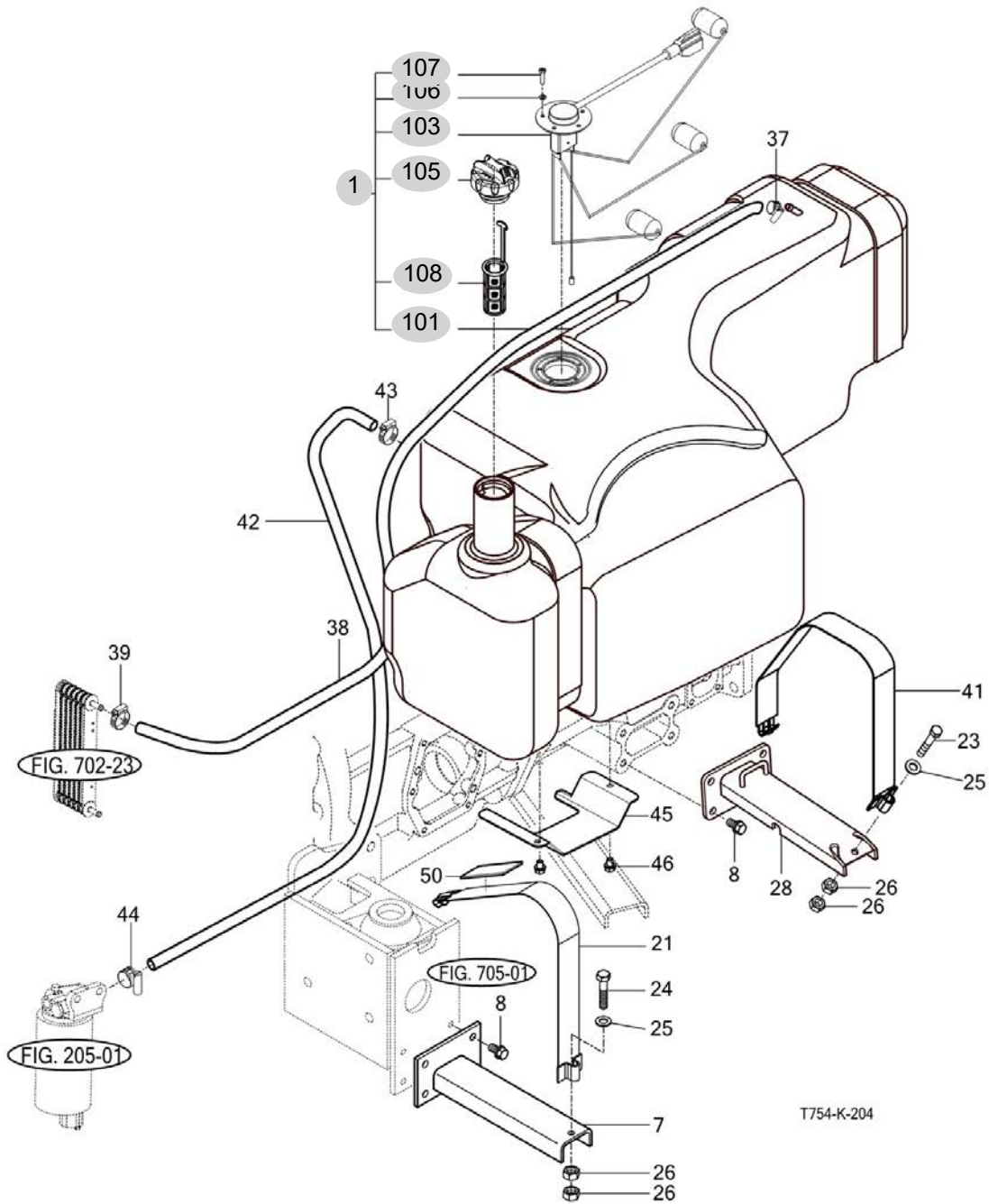
FIG 204

T754SMEUA

FUEL TANK

년/월  
Year/Month

2022-12



T754-K-204

NOTE



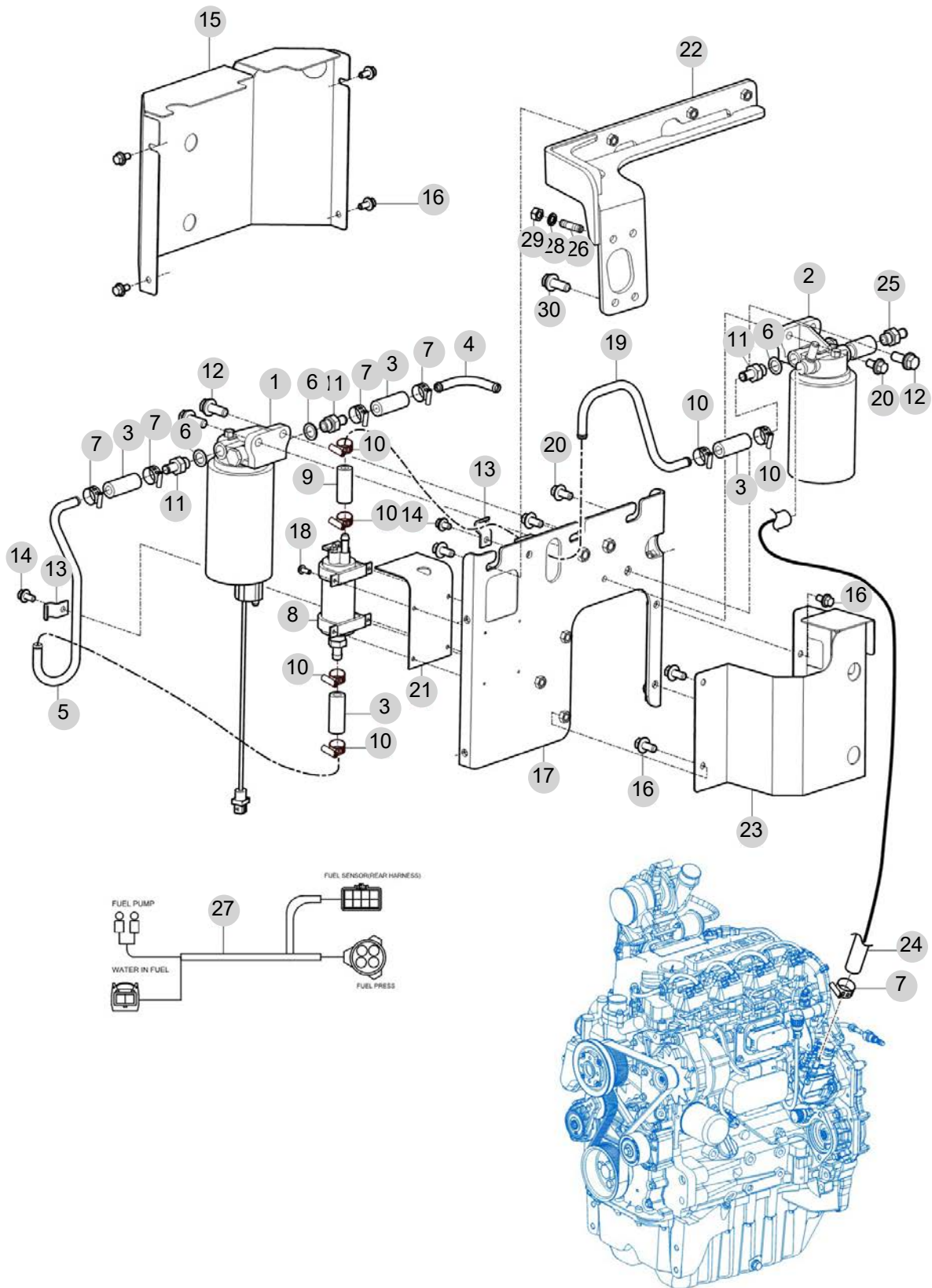
FIG 205

FUEL FILTER & FUEL PUMP

년/월  
Year/Month

2022-12

T754SMEUA



NOTE



### 3. Clutch/Brake/Steering PART NO. T3

FIG 301 CLUTCH	21
FIG 302 CLUTCH PEDAL	23
FIG 303 BRAKE PEDAL & LINK	26
FIG 304 FRONT WHEEL	28
FIG 305 REAR WHEEL	30
FIG 306 POWER STEERING WHEEL	32
FIG 307 POWER STEERING VALVE	34
FIG 308 POWER STEERING CYLINDER	36
FIG 309 HAND BRAKE & BRAKE	38
FIG 310 CLUTCH CONTROL	40



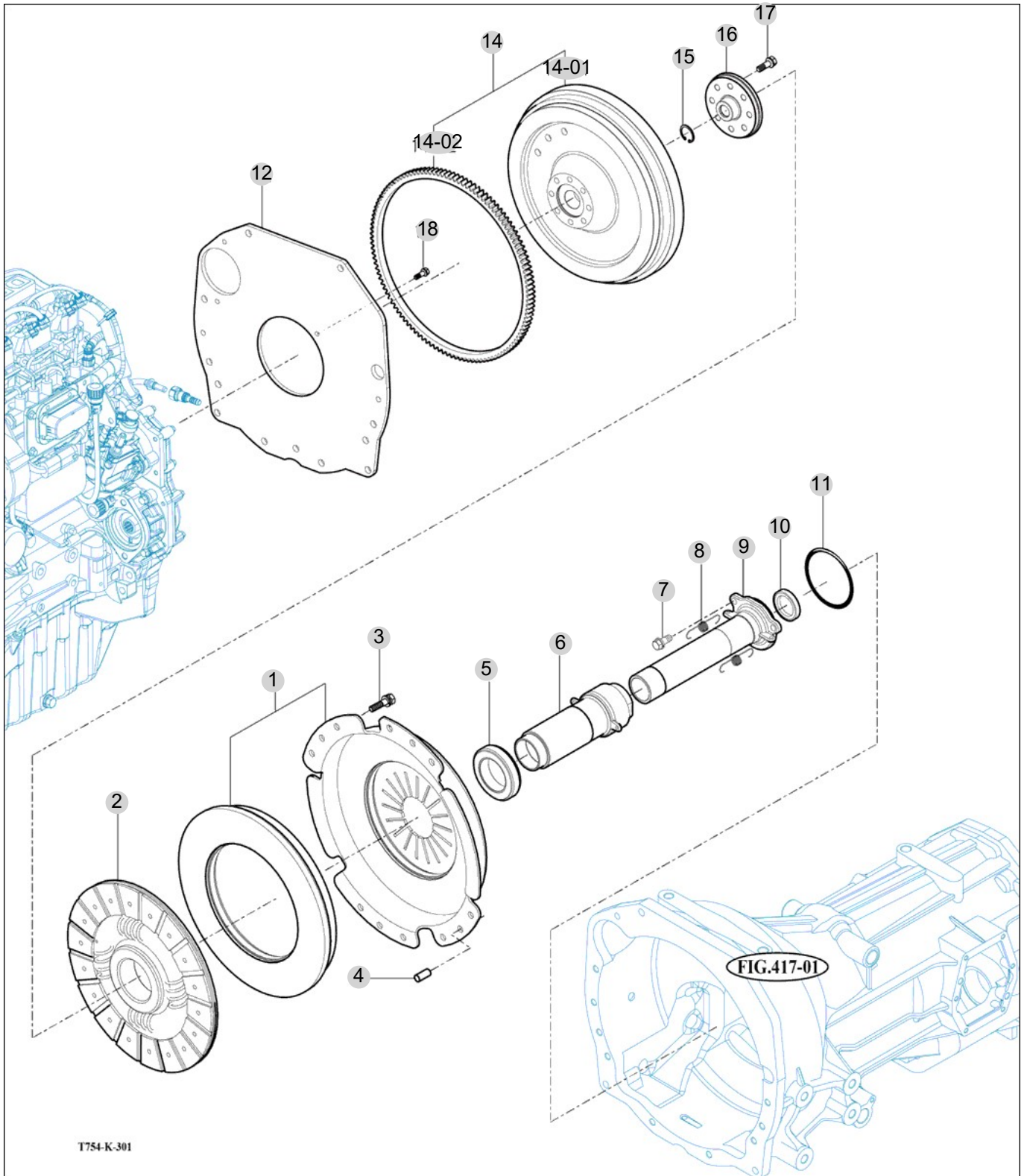
FIG 301

T754SMEUA

CLUTCH

년/월  
Year/Month

2022-12



NOTE



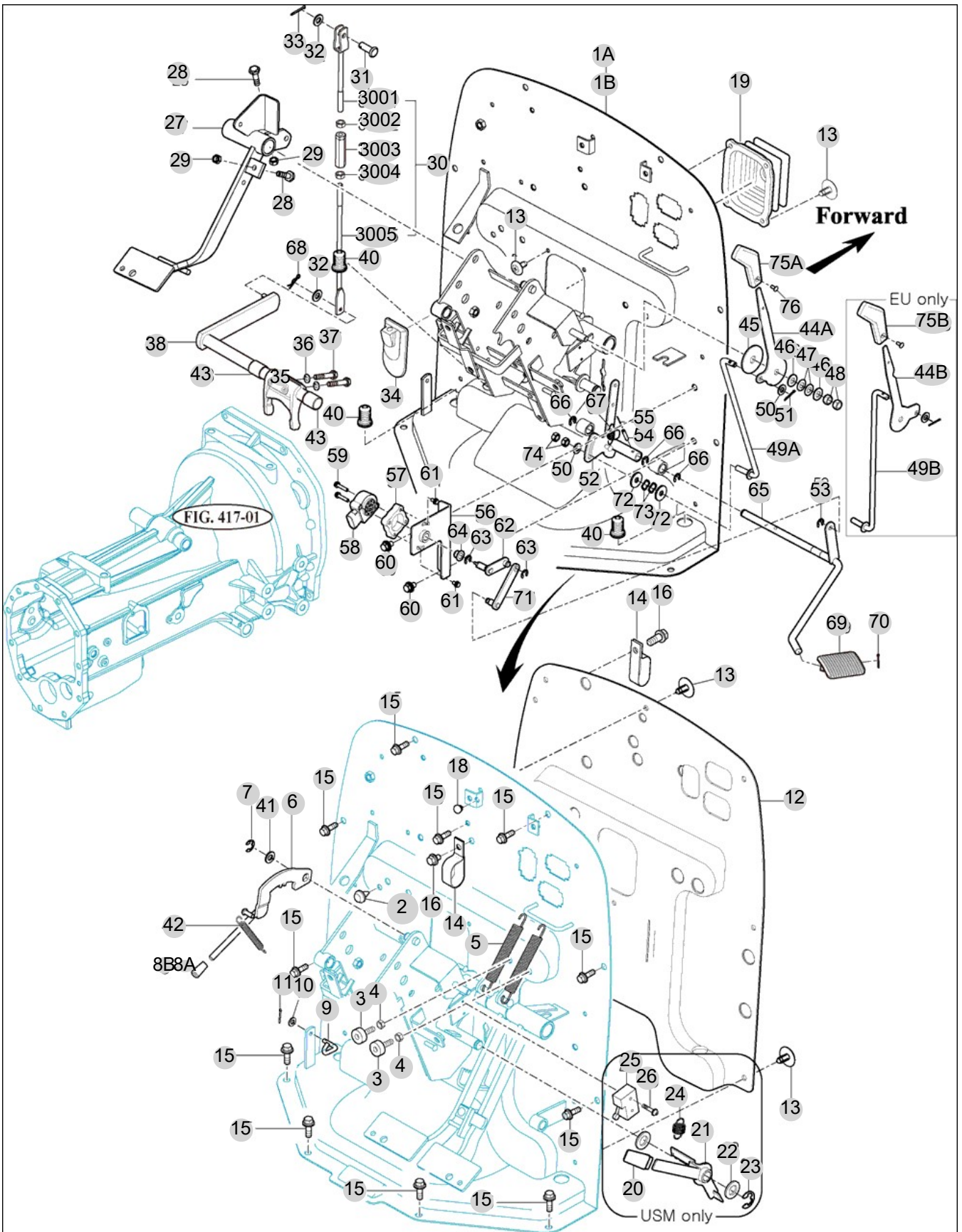
FIG 302

CLUTCH PEDAL

년/월  
Year/Month

2022-12

T754SMEUA



NOTE

FIG 302		CLUTCH PEDAL					년/월 Year/Month		
							2022-12		
T754SMEUA		KEY NO	PART NO	DESCRIPTION	SPEC	QTY	REPAIR	EFFECTIVE DATE	REMARKS
302	1B	18026304201GB	DASH PANEL COMP			1			
302	1B	18096304200GB	DASH PANEL COMP			1			
302	2	14326160020	RUBBER , CUSHION	1X1X1		1			
302	3	14216020051	RUBBER , CUSHION B	1X1X1		2			
302	4	V3043600080	NUT , HEX/2	M8		2			
302	5	14041200080	RETURN SPRING , CLUTCH	HL2000공용		2			
302	6	14724042401GB	LEVER COMP , TILT	1X1X1		1			
302	7	V7081400090	E-RING	9		1			
302	8B	14445070030	GRIP , LEVER			1			
302	9	15441230050	ROD	D=5.25 5.3		1			
302	10	V4111600060	WASHER , PLAIN	M6		1			
302	11	V5001920020	PIN , SPLIT	2X20		1			
302	12	18027071991	INSULATOR,DASH			1			
302	13	17686040020	RIVET SET , black	SV625		13			
302	14	14441010161	CLAMP , RADIATOR HOSE	1X1X1		2			
302	15	V2183608016	BOLT , HEX/SP	M8X16		10			
302	16	V2183608020	BOLT , HEX/SP	M8X20		2			
302	18	15276040020	CLIP , TRIM	1X1X1		2			
302	19	19996300010	BOOT,STEERING/HOSE	T=1.5		1			
302	27	18011334102GB	PEDAL COMP , CLUTCH			1			
302	27	18011334103GB	PEDAL COMP , CLUTCH			1			
302	28	V2013608030	BOLT , HEX	M8X30		2			
302	29	V3043600080	NUT , HEX/2	M8		2			
302	30	18011330001GB	ROD SUB , CLUTCH			1			
302	30	18011330001	ROD SUB , CLUTCH			1			
302	30	18011330001	ROD SUB , CLUTCH			1			
302	3001	18011333600	ROD COMP , L	1X1X1		1			
302	3002	V3042600080	NUT , HEX/2	M8		1			
302	3003	17701220020	TURNBUCKLE , M8 L72			1			
302	3004	15601320073	NUT , HEX LH	"2종,M8"		1			
302	3005	18011333201	ROD COMP , R			1			
302	31	14322420010	PIN	D=8		1			
302	32	V4111600100	WASHER , PLAIN	M10		2			
302	33	V5001925020	PIN D2.5x20	2.5X20		1			
302	34	14546301230	INSULATOR , CLUTCH PEDAL	1X1X1		1			
302	35	18011300010M	FORK , RELEASE			1			
302	36	V4011600080	WASHER , SPRING	M8		2			
302	37	16791300020	BOLT , FORK/RELEASE			2			
302	38	18011302000	BAR SET	W16.5X9.75		1			
302	40	14521160090	BOOT , BRAKE ROD	1X1X1		2			
302	41	V4111600120	WASHER , PLAIN	M12		1			
302	42	16001200080	RETURN SPRING , BRAKE	1X1X1		1			
302	43	14521302150	BUSH , BAR COMP	1X1X1		2			
302	44B	19991162111	PLATE , THROTTLE LEVER			1			
302	44B	18181162110	PLATE , THROTTLE LEVER			1			
NOTE									





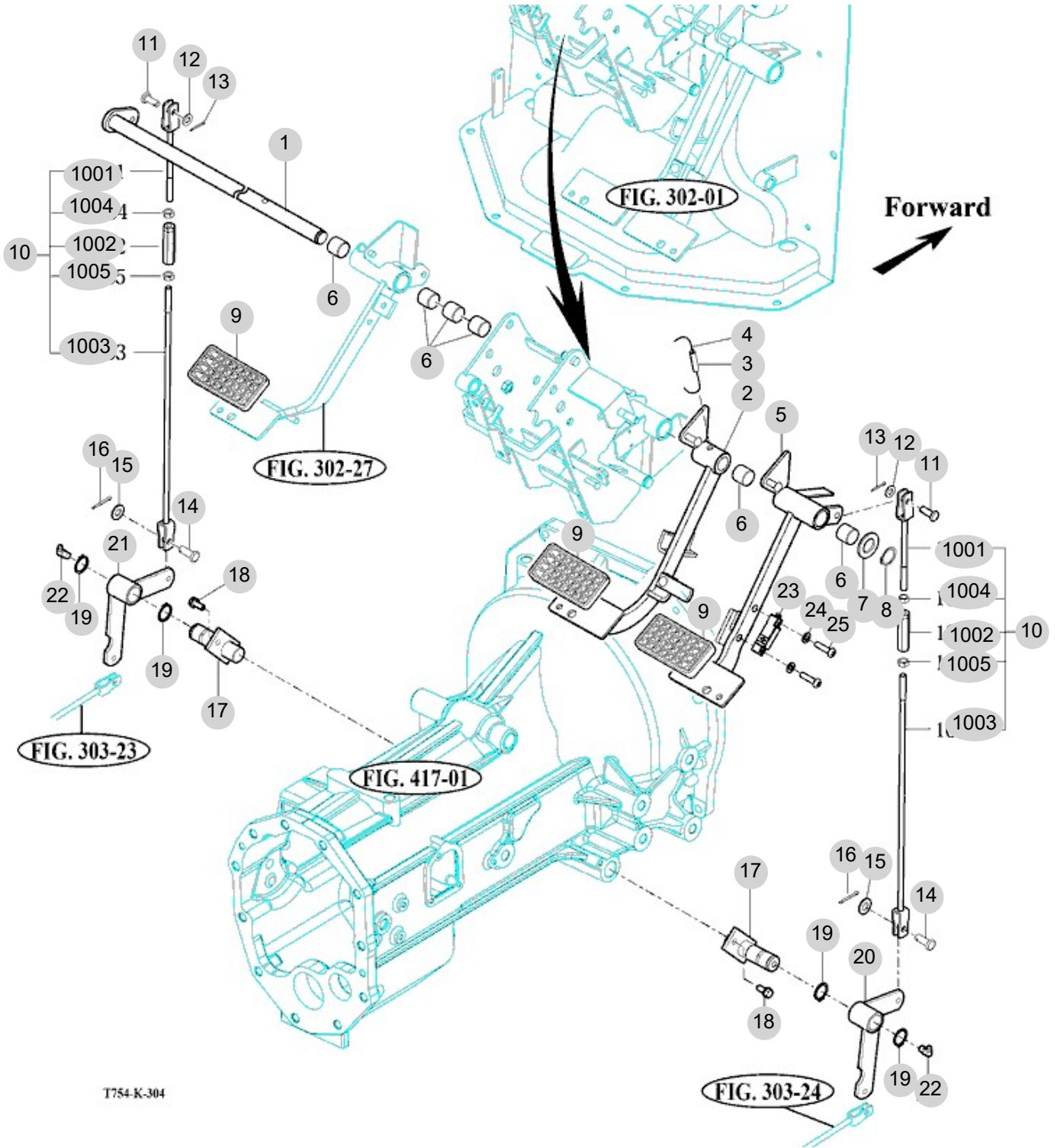
FIG 303

BRAKE PEDAL & LINK

년/월  
Year/Month

2022-12

T754SMEUA



T754-K-304

NOTE



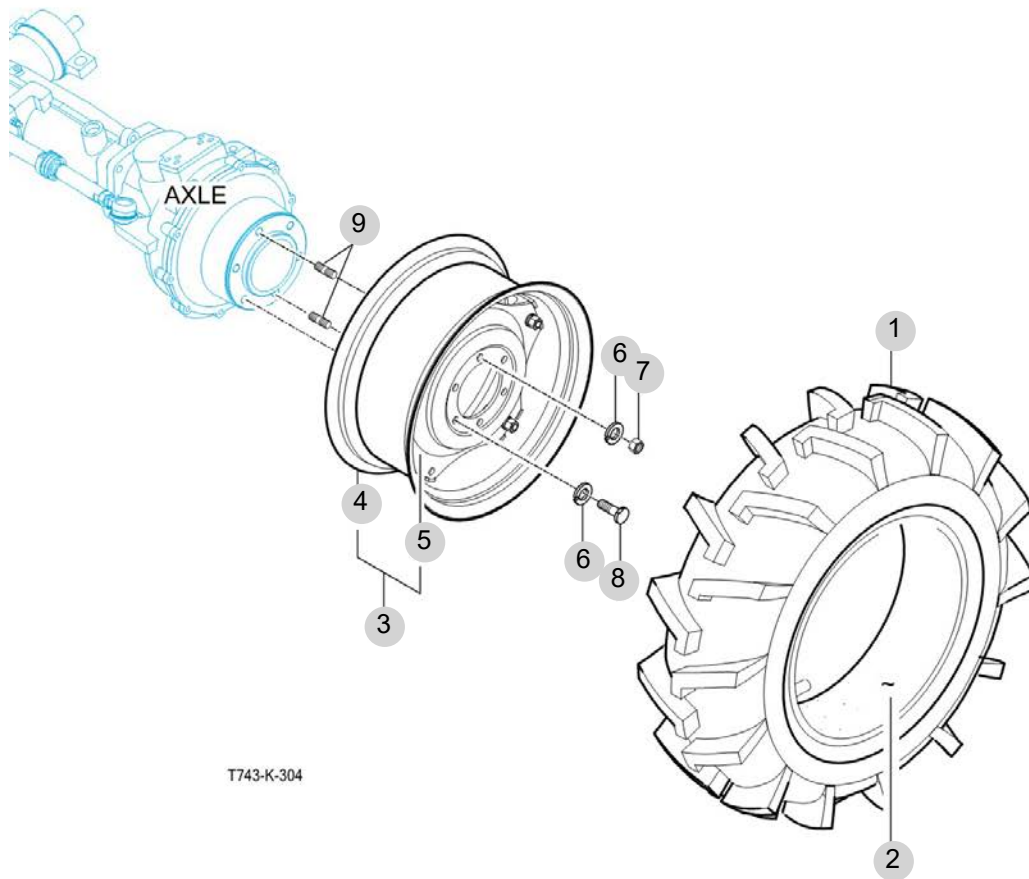
FIG 304

T754SMEUA

FRONT WHEEL

년/월  
Year/Month

2022-12



NOTE





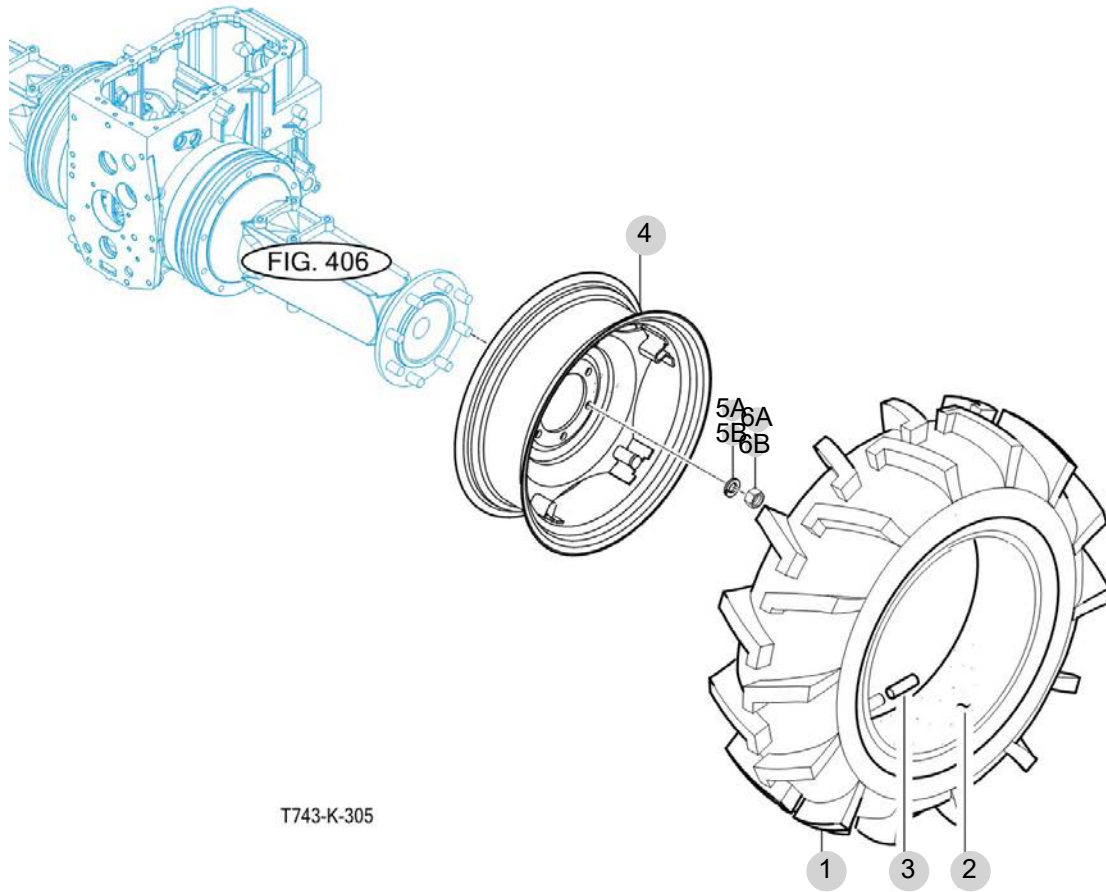
FIG 305

T754SMEUA

REAR WHEEL

년/월  
Year/Month

2022-12



NOTE



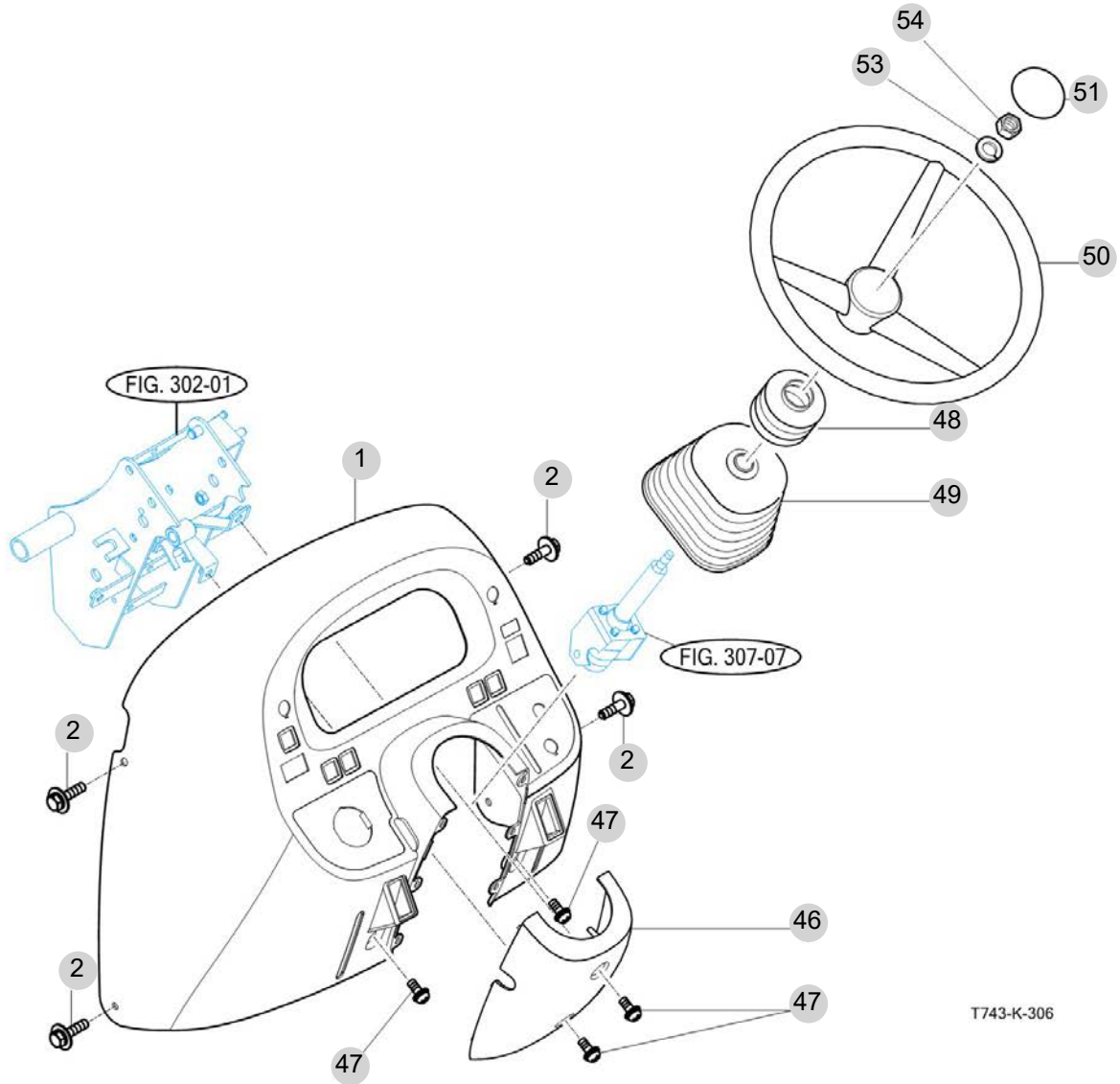
FIG 306

T754SMEUA

POWER STEERING WHEEL

년/월  
Year/Month

2022-12



T743-K-306

NOTE



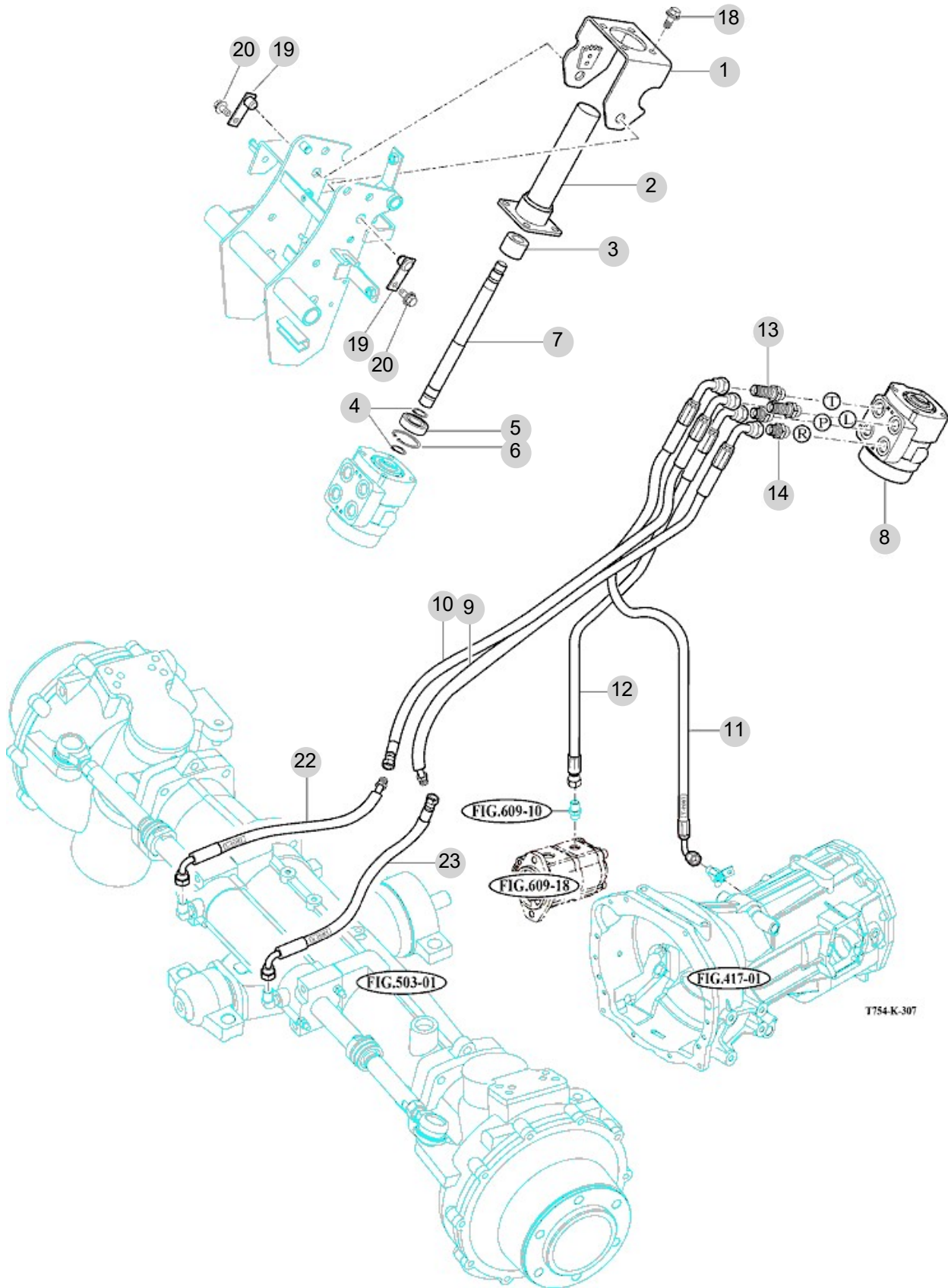
FIG 307

T754SMEUA

POWER STEERING VALVE

년/월  
Year/Month

2022-12



NOTE



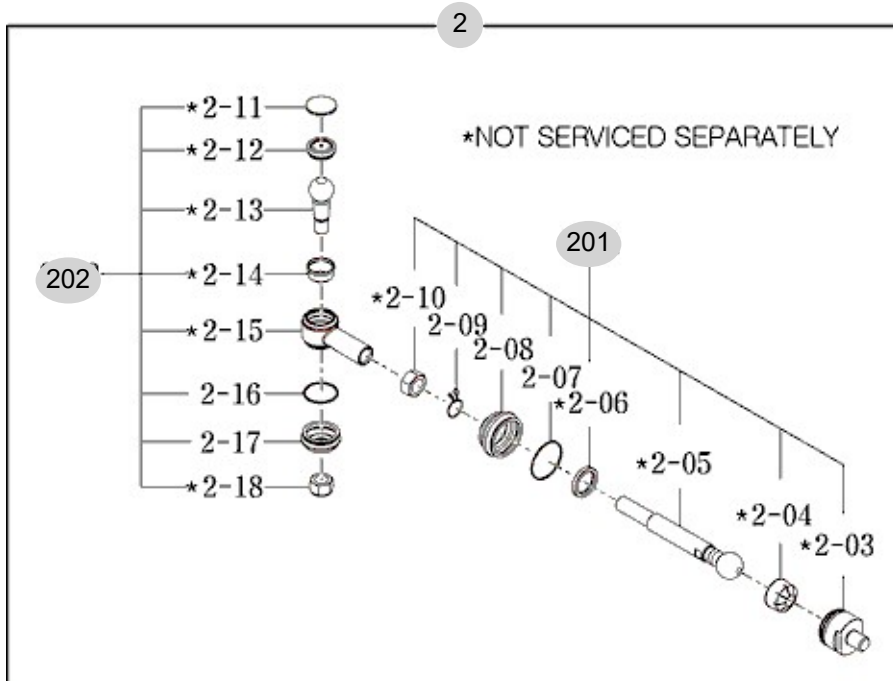
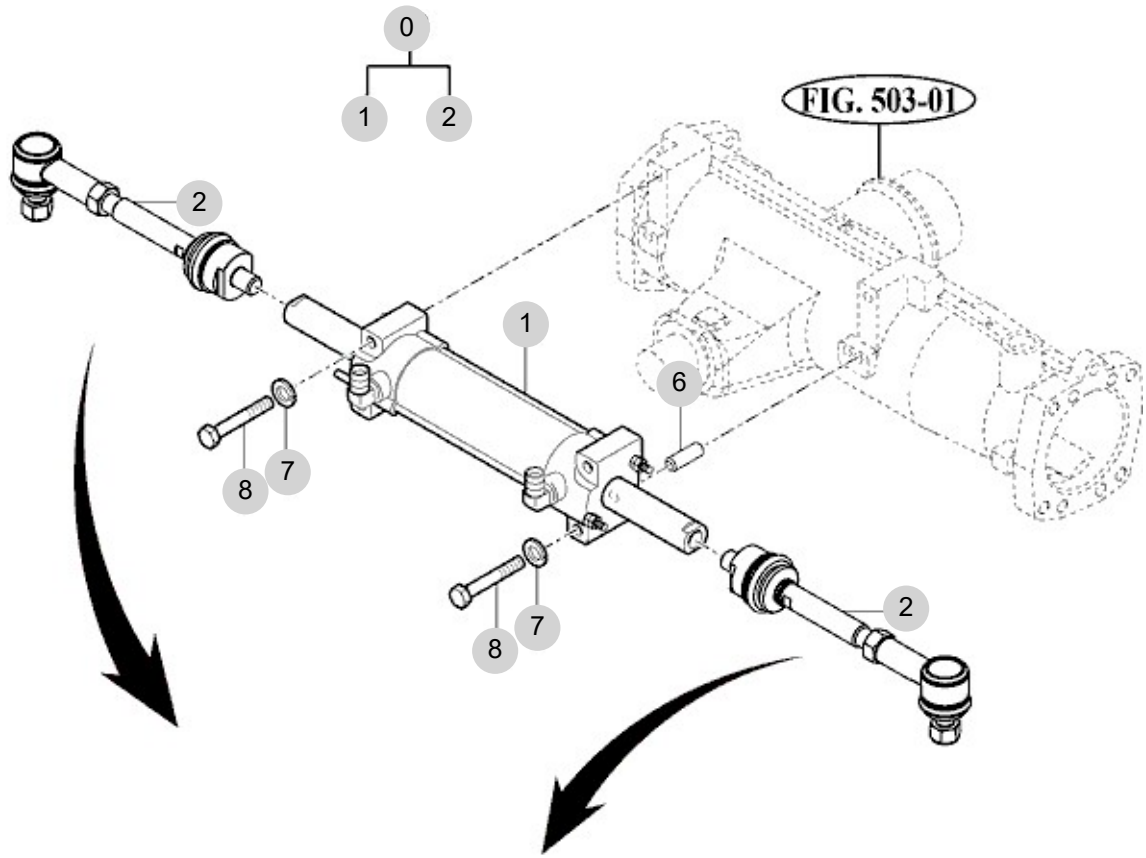
FIG 308

POWER STEERING CYLINDER

년/월  
Year/Month

2022-12

T754SMEUA



TX553/653/703-K-309

NOTE





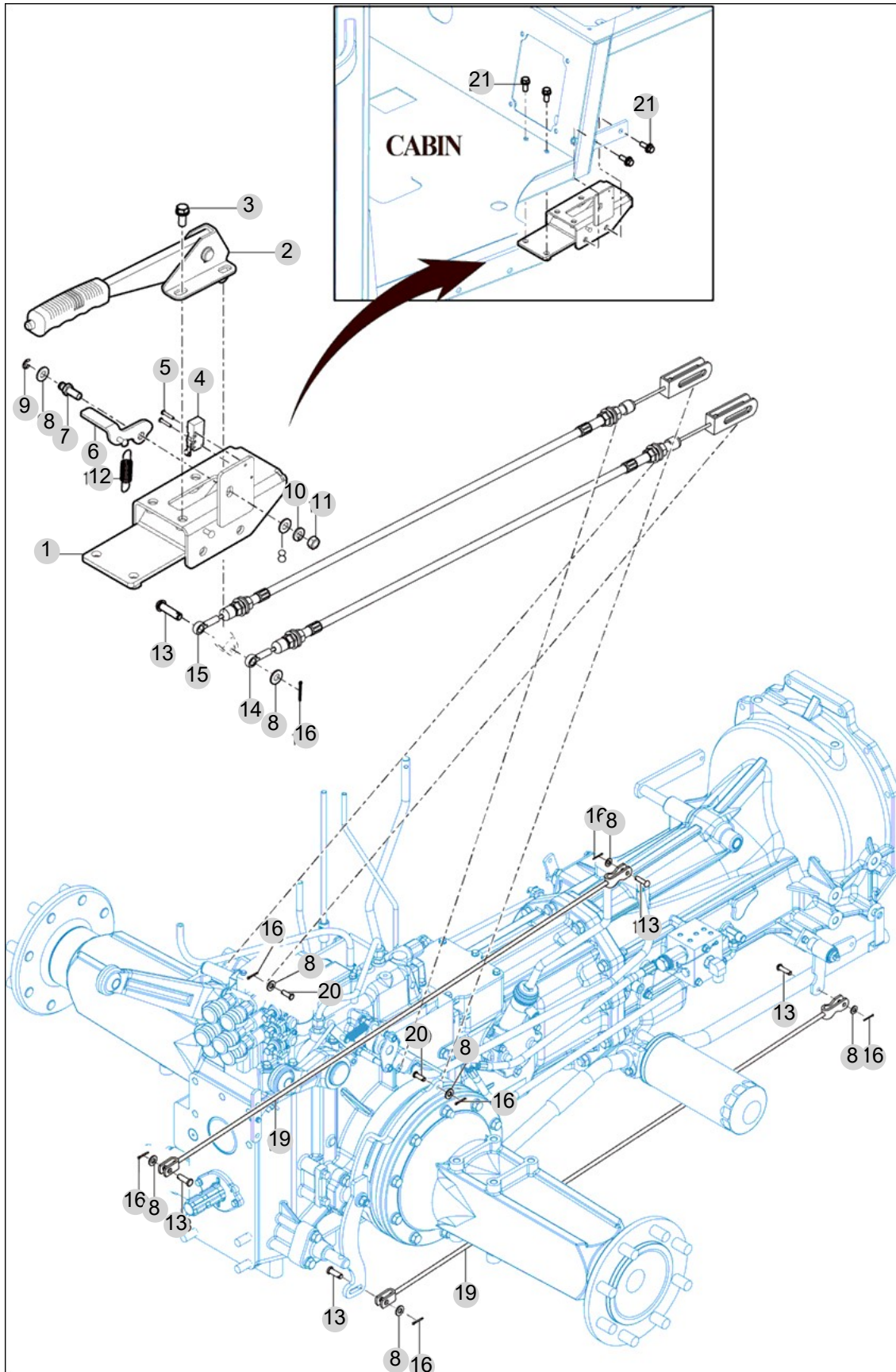
FIG 309

HAND BRAKE & BRAKE

년/월  
Year/Month

2022-12

T754SMEUA



NOTE



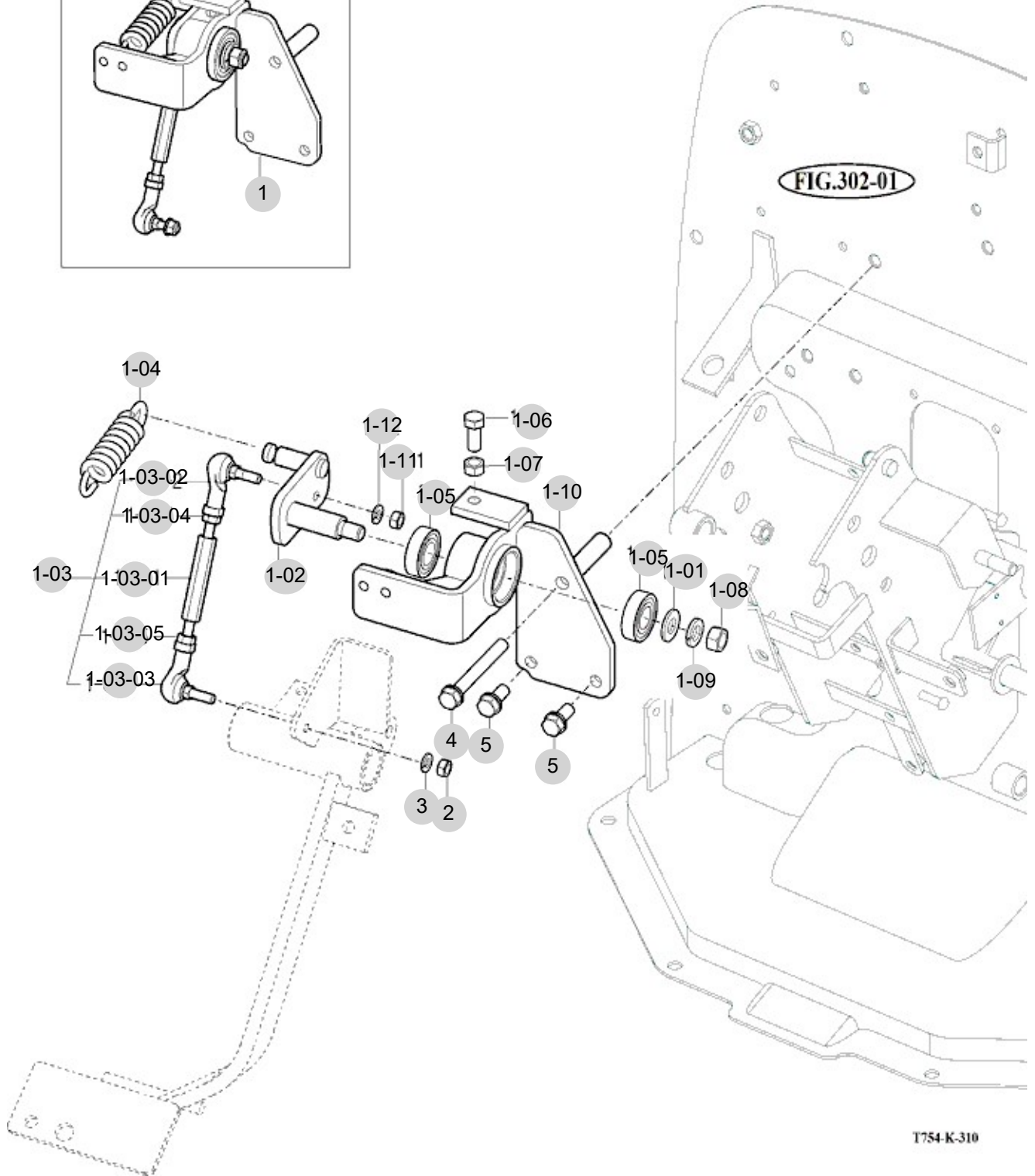
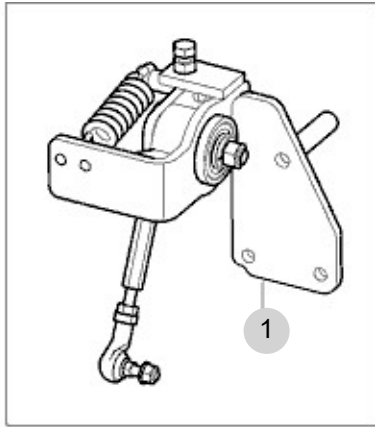
FIG 310

CLUTCH CONTROL

년/월  
Year/Month

2022-12

T754SMEUA



T754-K-310

NOTE



## 4. Transmission PART NO. T4

FIG 401 CASE , RR TRANSMISSION	43
FIG 402 SUB CHANGE GEARS	45
FIG 403 REAR DIFFERENTIAL GEARS	47
FIG 404 P.T.O CHANGE GEARS	49
FIG 405 P.T.O CHANGE SHIFTER	51
FIG 406 HOUSING , RR AXLE	53
FIG 407 P.T.O DRIVE SHAFT	55
FIG 408 CREEP CHANGE	57
FIG 409 INPUT & COUNTER GEARS	59
FIG 410 CHANGE GEARS	61
FIG 411 REVERSE GEARS	63
FIG 412 MAIN CHANGE LEVER	65
FIG 413 SUB CHANGE LEVER	67
FIG 414 TRANSMISSION MID CASE	69
FIG 415 SUB CHANGE SHIFTER	71
FIG 416 4WD CHANGE LEVER	73
FIG 417 TRANSMISSION FRONT CASE	75
FIG 418-2(EU) DRIVE GEARS(EU)	77

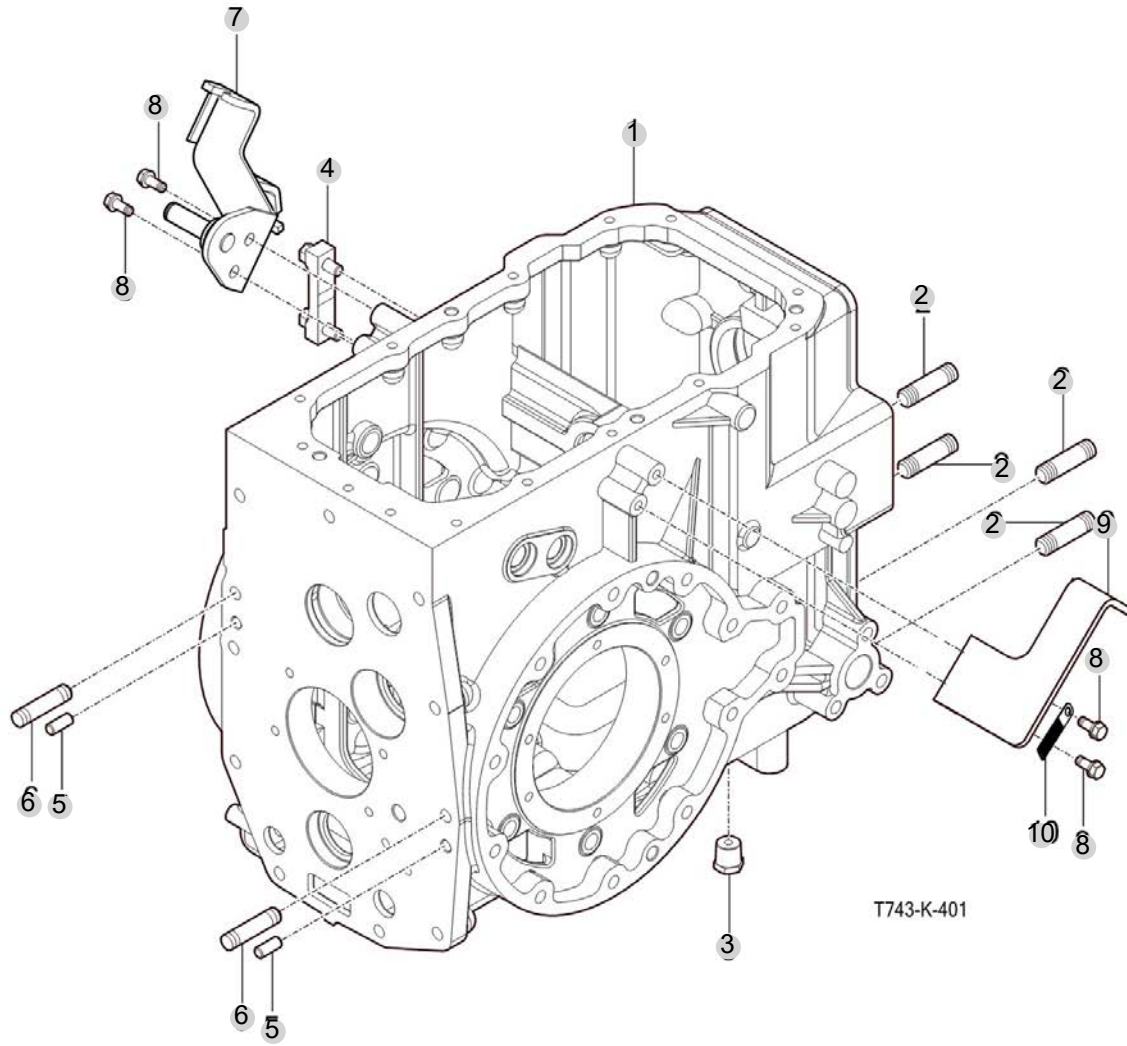
FIG 401

CASE , RR TRANSMISSION

년/월  
Year/Month

2022-12

T754SMEUA



NOTE





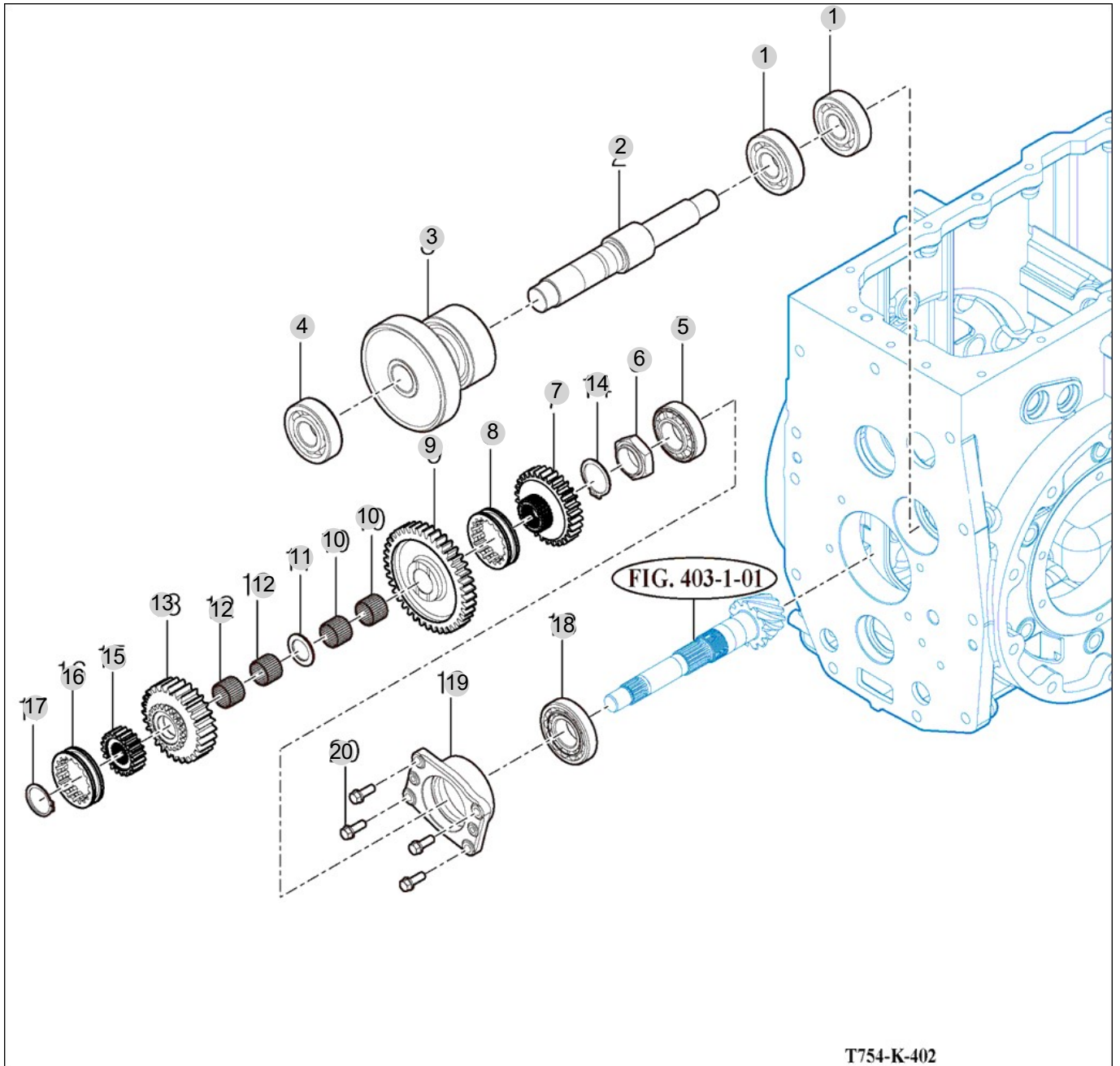
FIG 402

SUB CHANGE GEARS

년/월  
Year/Month

2022-12

T754SMEUA



T754-K-402

NOTE



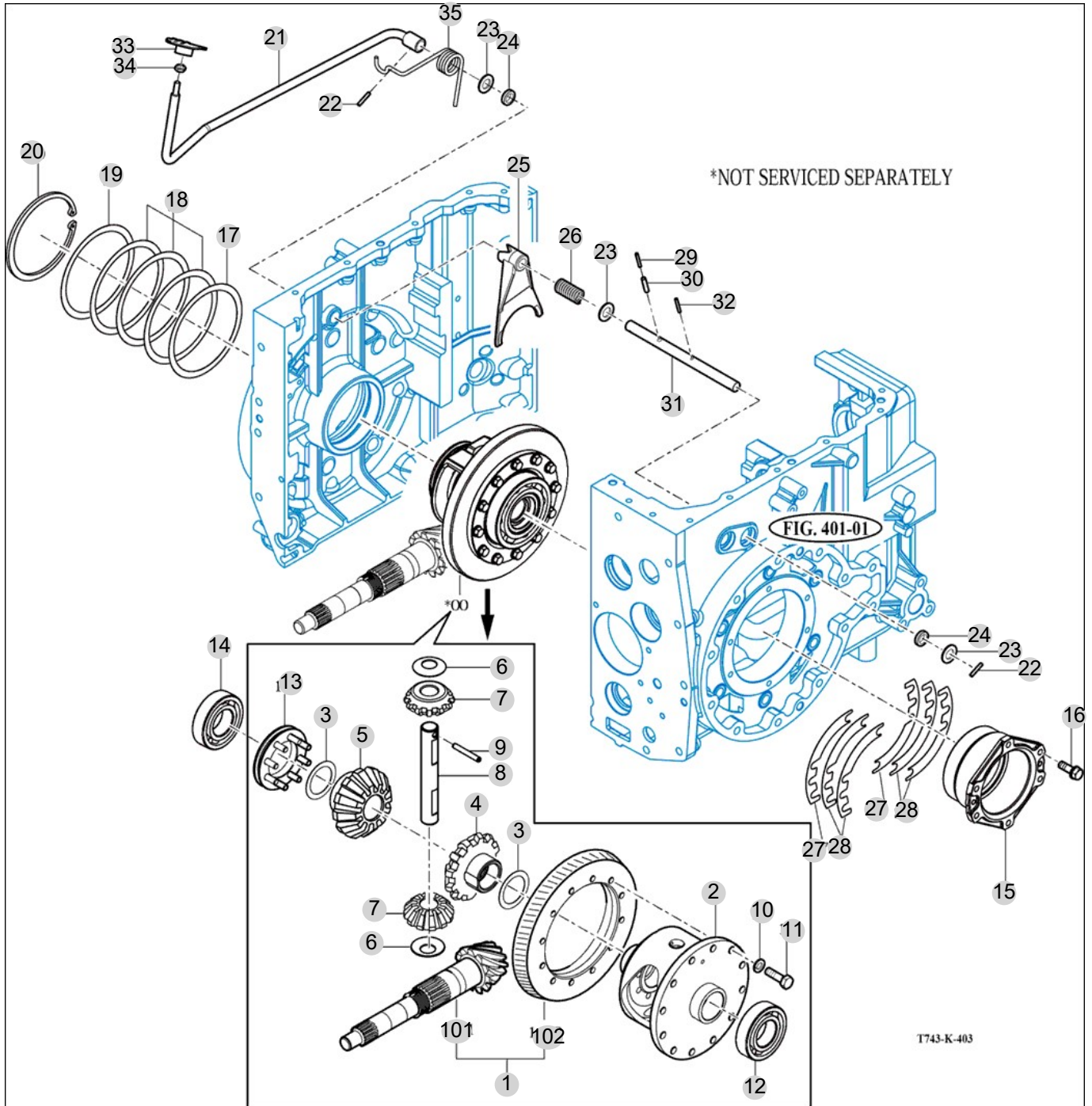
FIG 403

REAR DIFFERENTIAL GEARS

년/월  
Year/Month

2022-12

T754SMEUA



NOTE



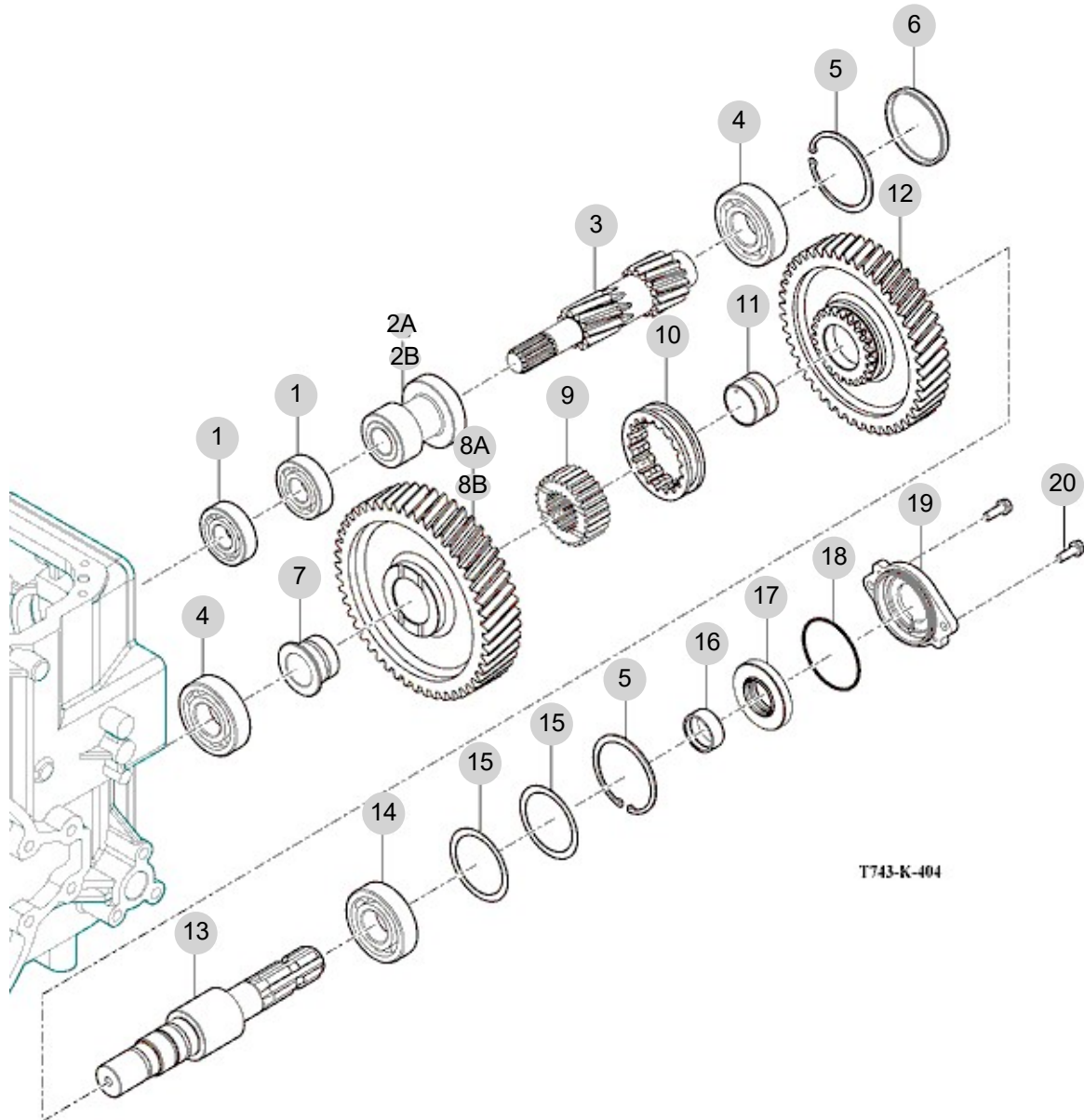
FIG 404

T754SMEUA

P.T.O CHANGE GEARS

년/월  
Year/Month

2022-12



T743-K-404

NOTE





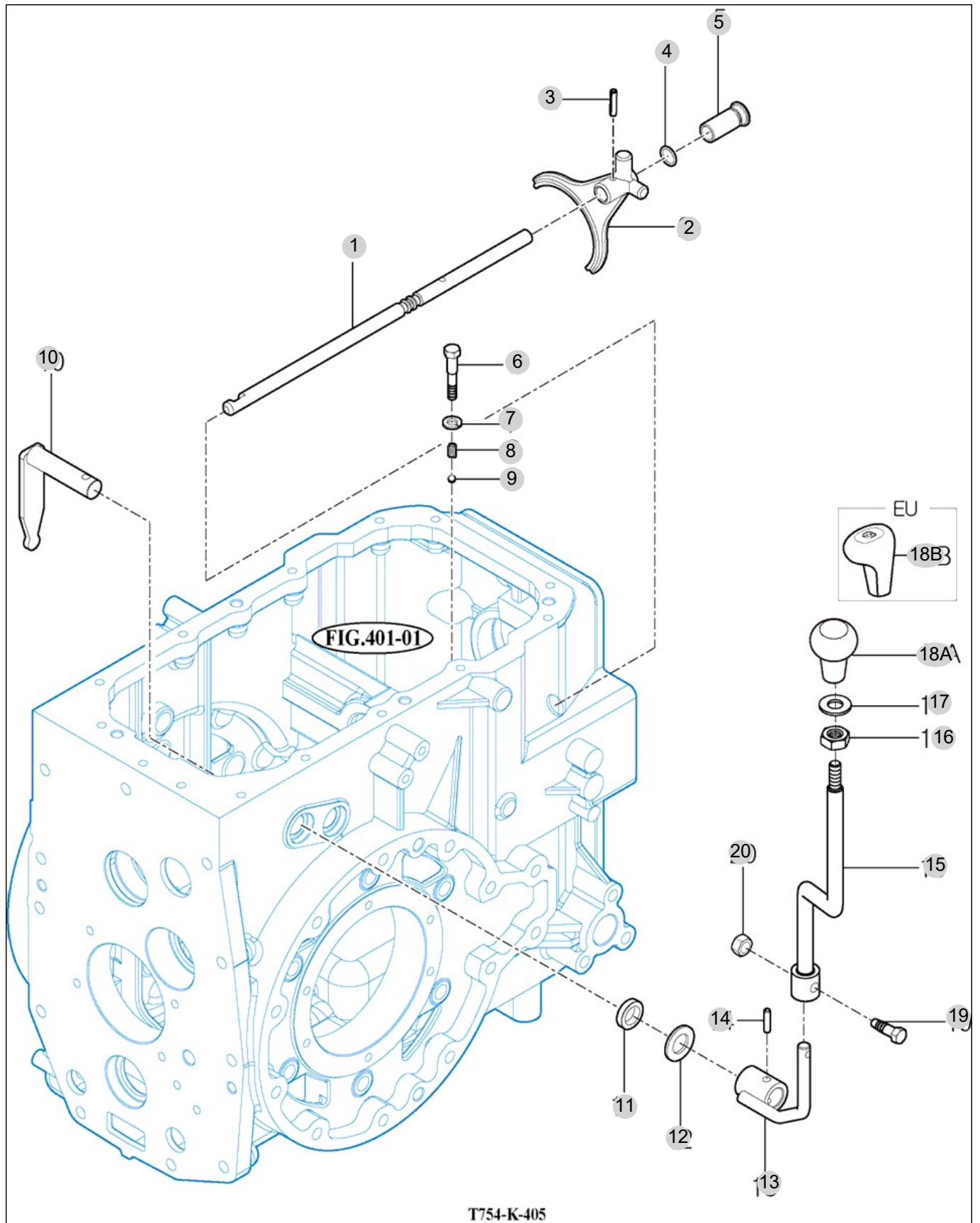
FIG 405

P.T.O CHANGE SHIFTER

년/월  
Year/Month

2022-12

T754SMEUA



NOTE





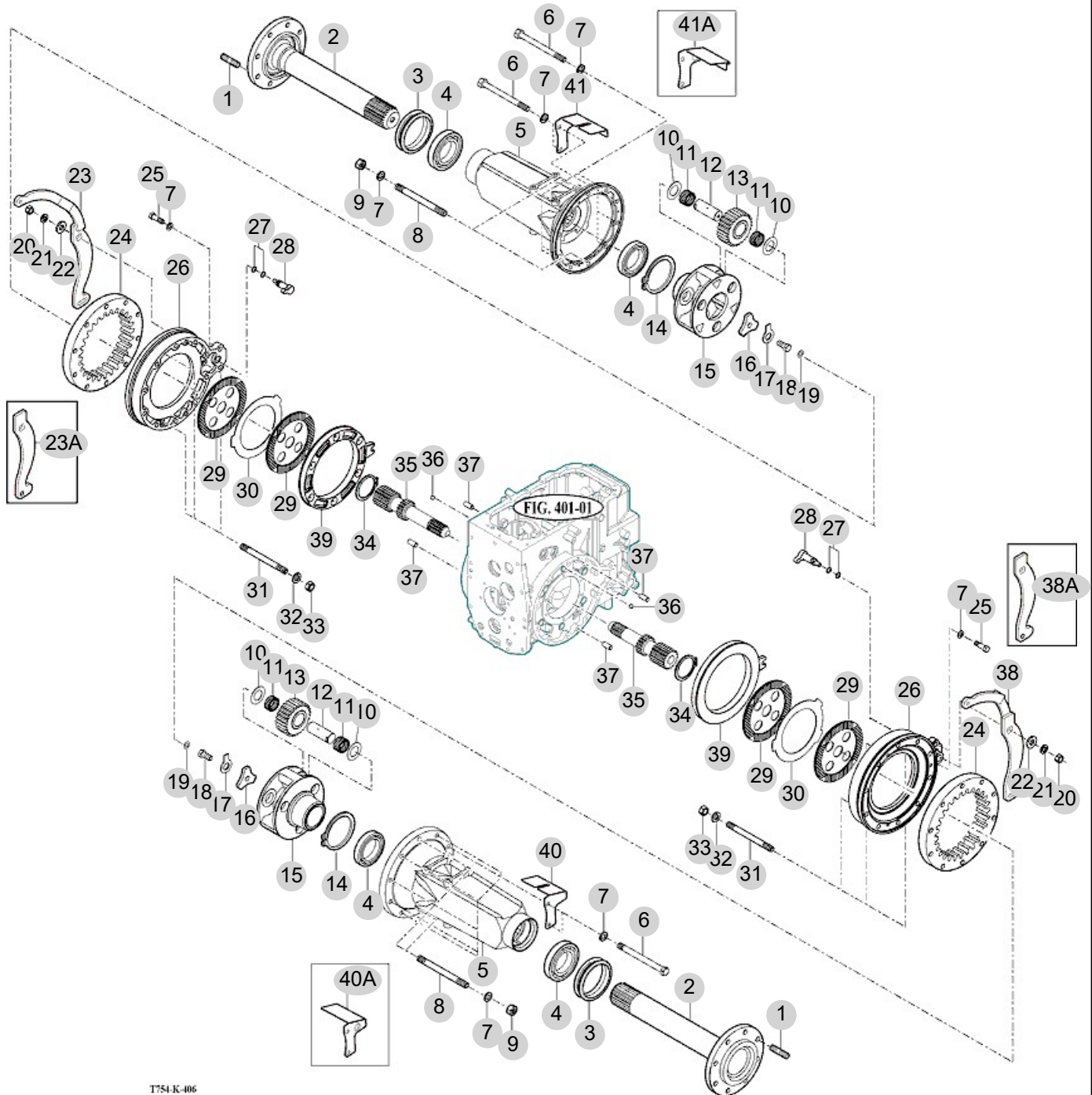
FIG 406

HOUSING , RR AXLE

년/월  
Year/Month

2022-12

T754SMEUA



T754-K-406

NOTE



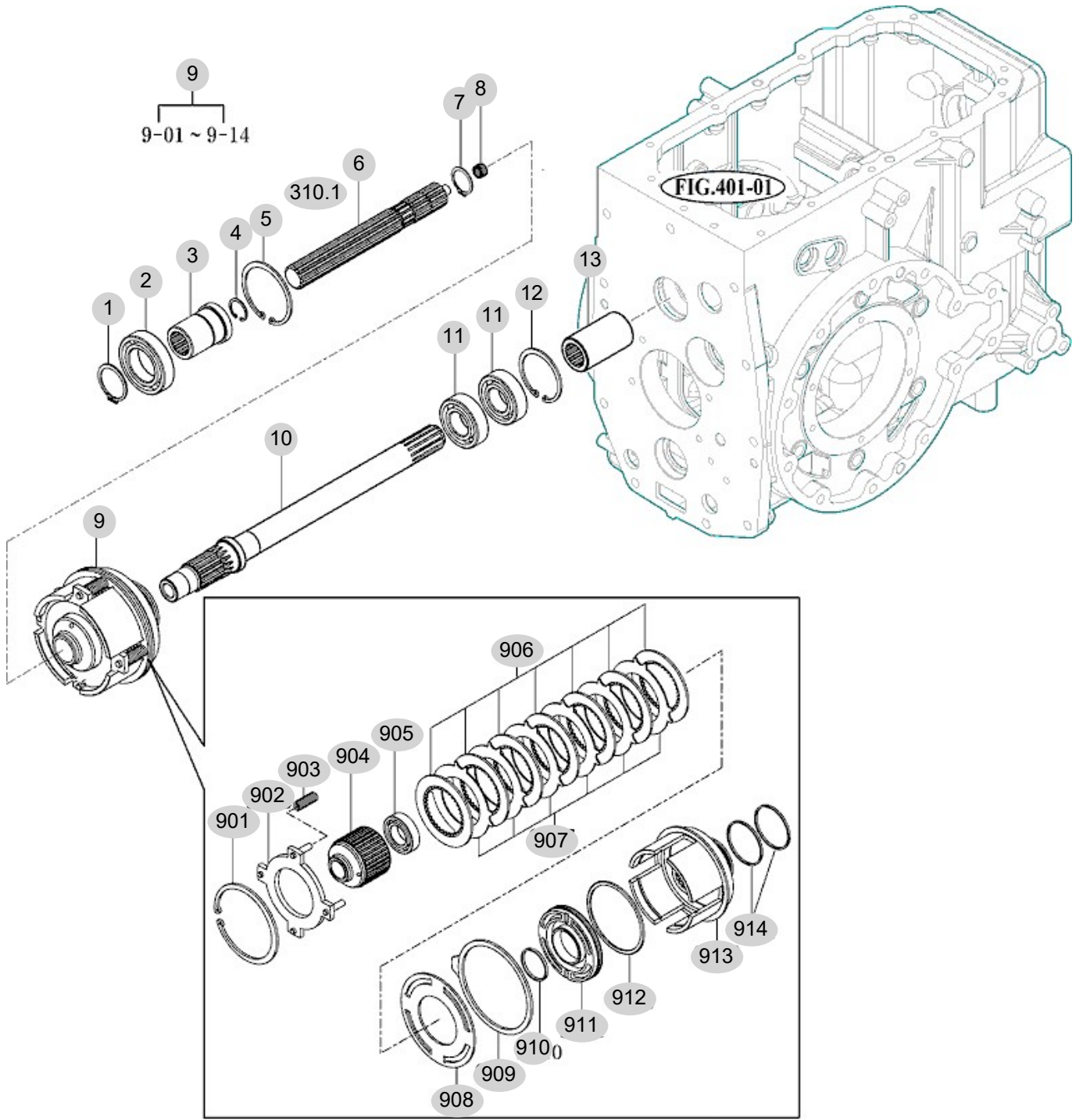
FIG 407

T754SMEUA

P.T.O DRIVE SHAFT

년/월  
Year/Month

2022-12



T743-K-407

NOTE



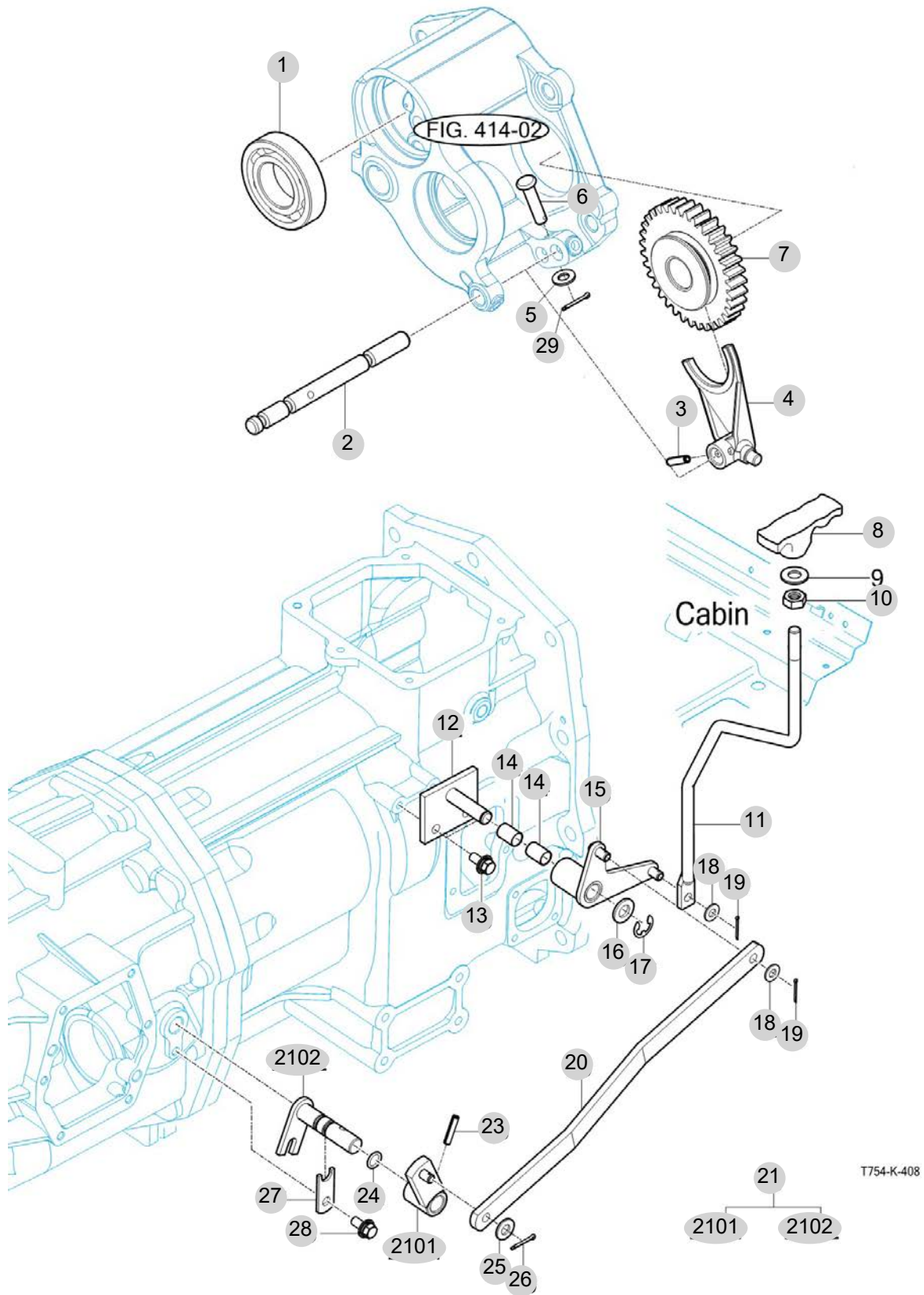
FIG 408

T754SMEUA

CREEP CHANGE

년/월  
Year/Month

2022-12



NOTE





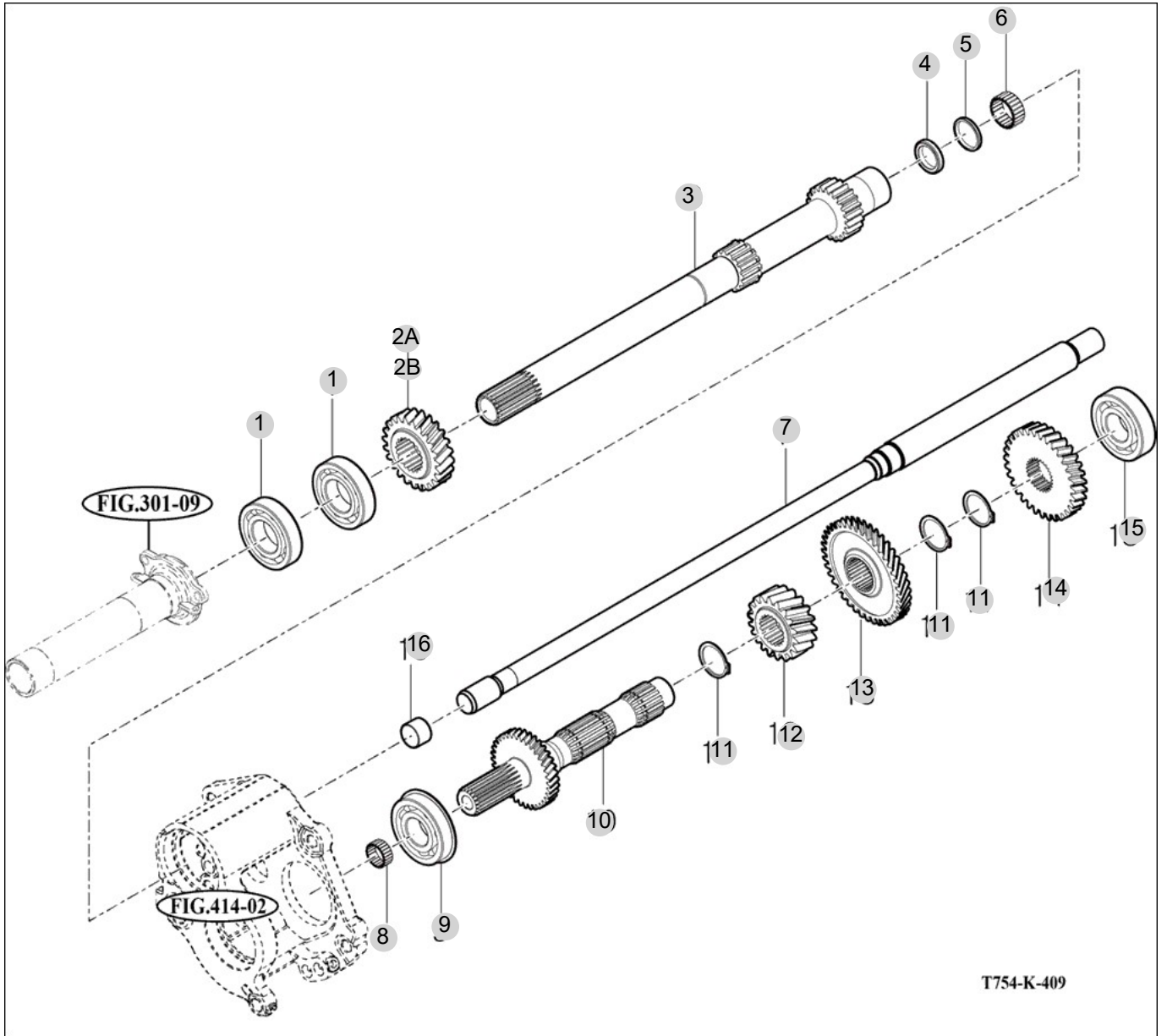
FIG 409

T754SMEUA

INPUT & COUNTER GEARS

년/월  
Year/Month

2022-12



NOTE





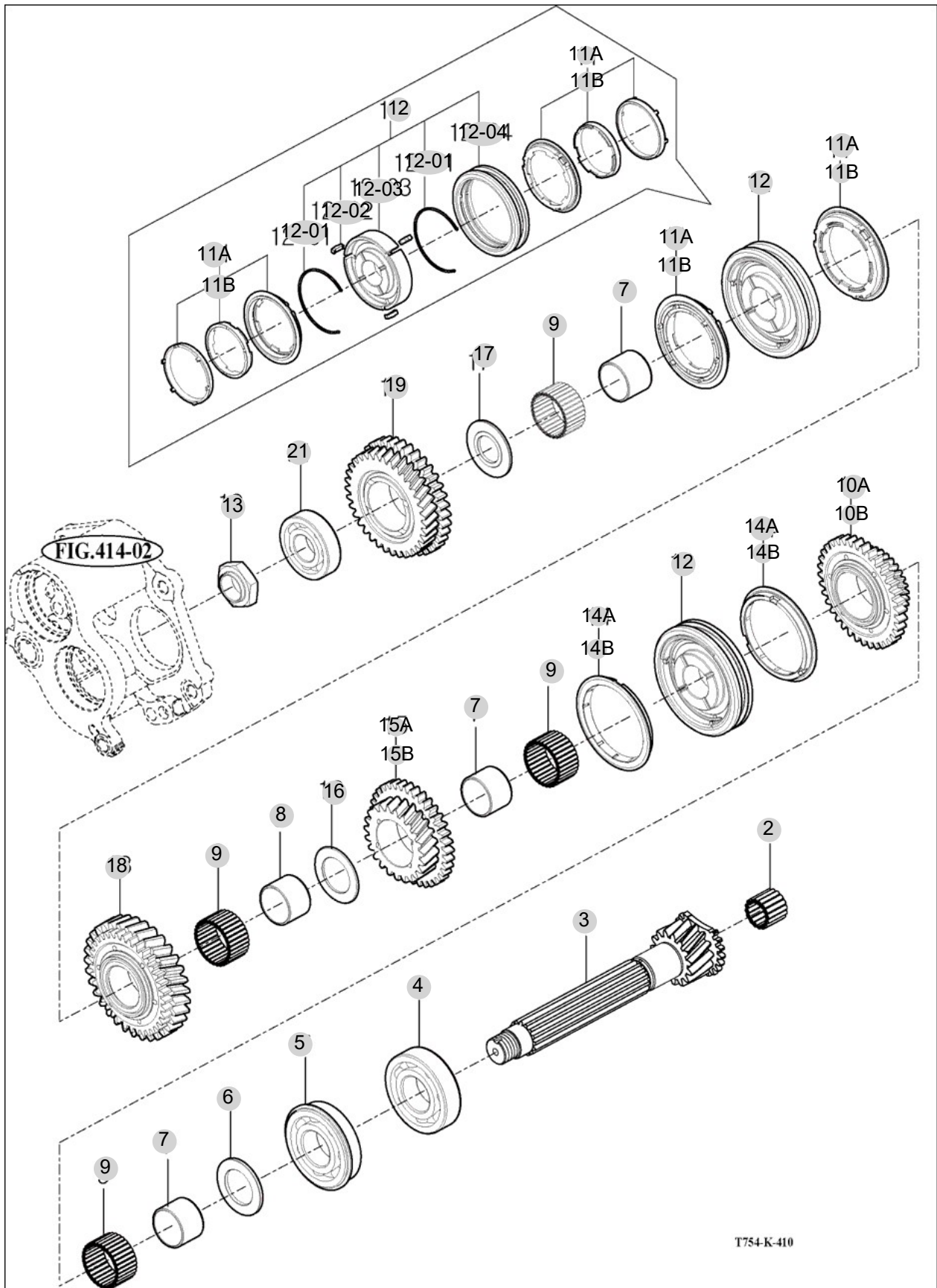
FIG 410

CHANGE GEARS

년/월  
Year/Month

2022-12

T754SMEUA



T754-K-410

NOTE



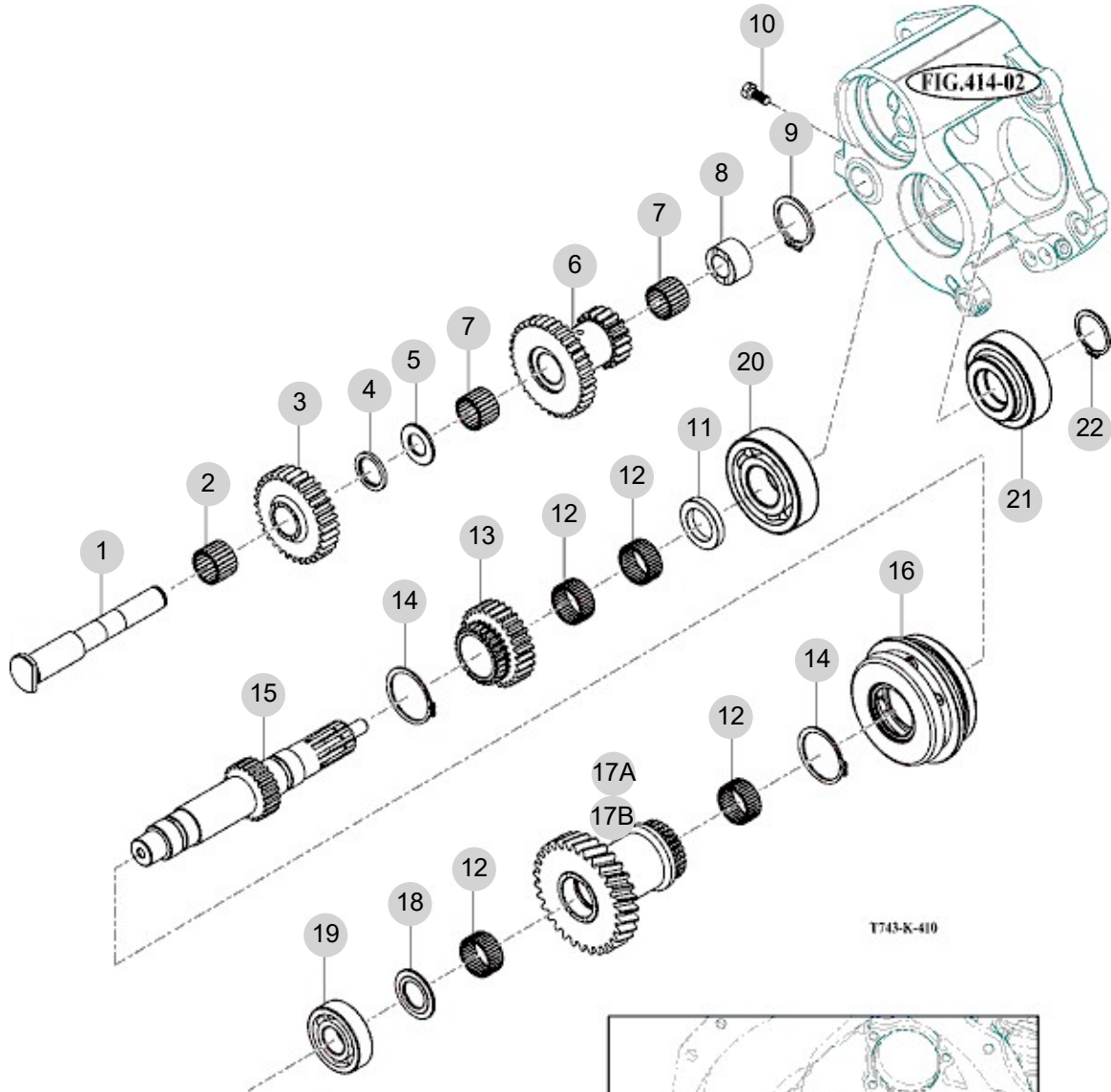
FIG 411

REVERSE GEARS

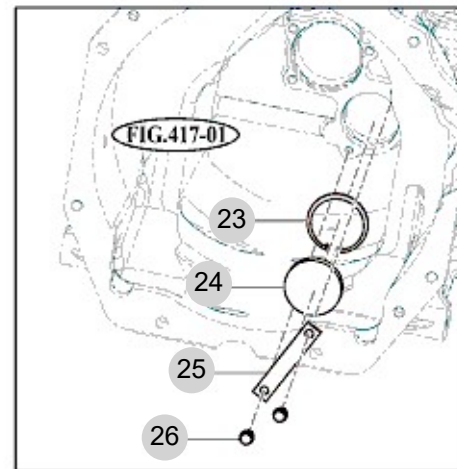
년/월  
Year/Month

2022-12

T754SMEUA



T743-K-410



NOTE



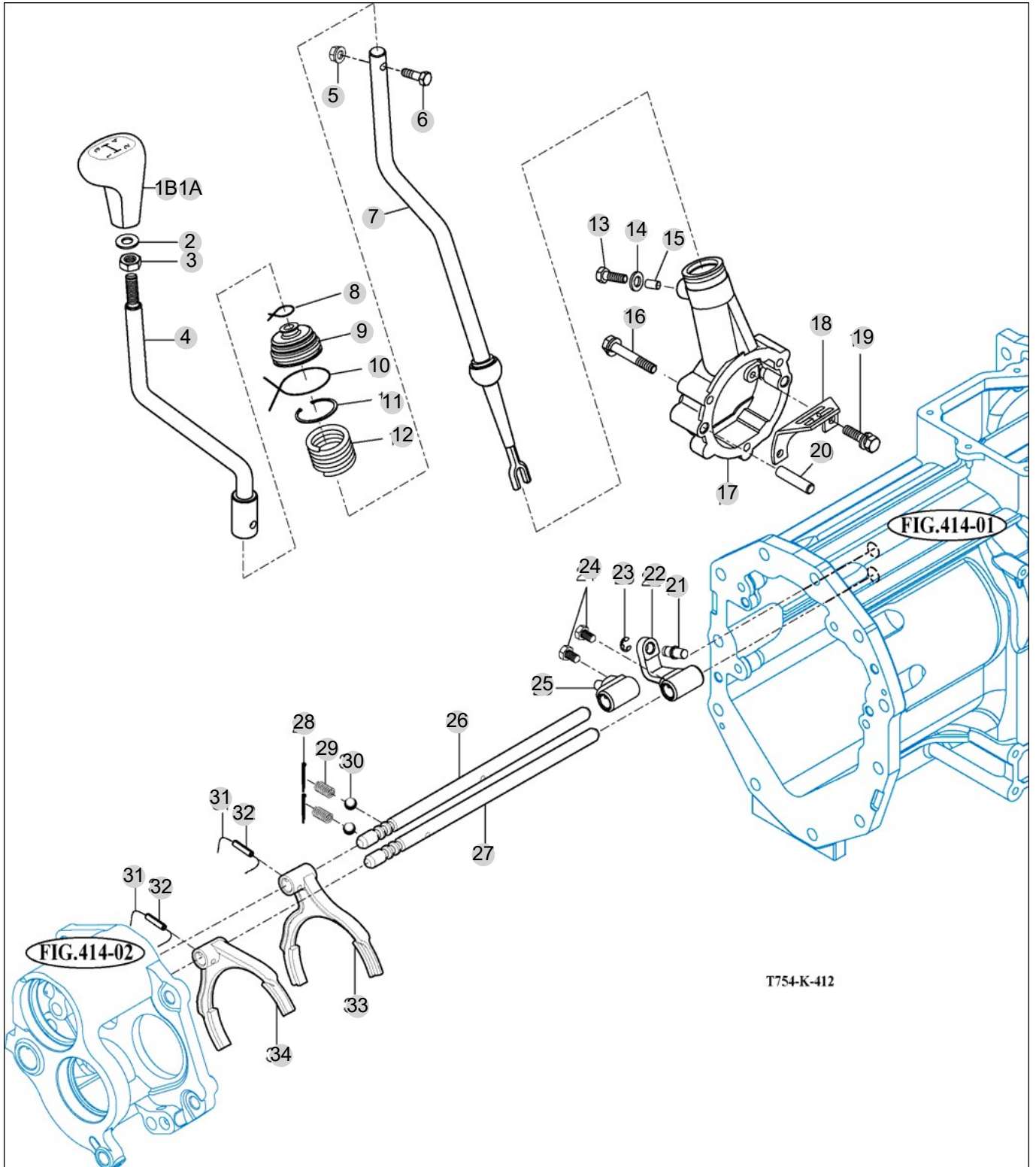
FIG 412

MAIN CHANGE LEVER

년/월  
Year/Month

2022-12

T754SMEUA



T754-K-412

NOTE





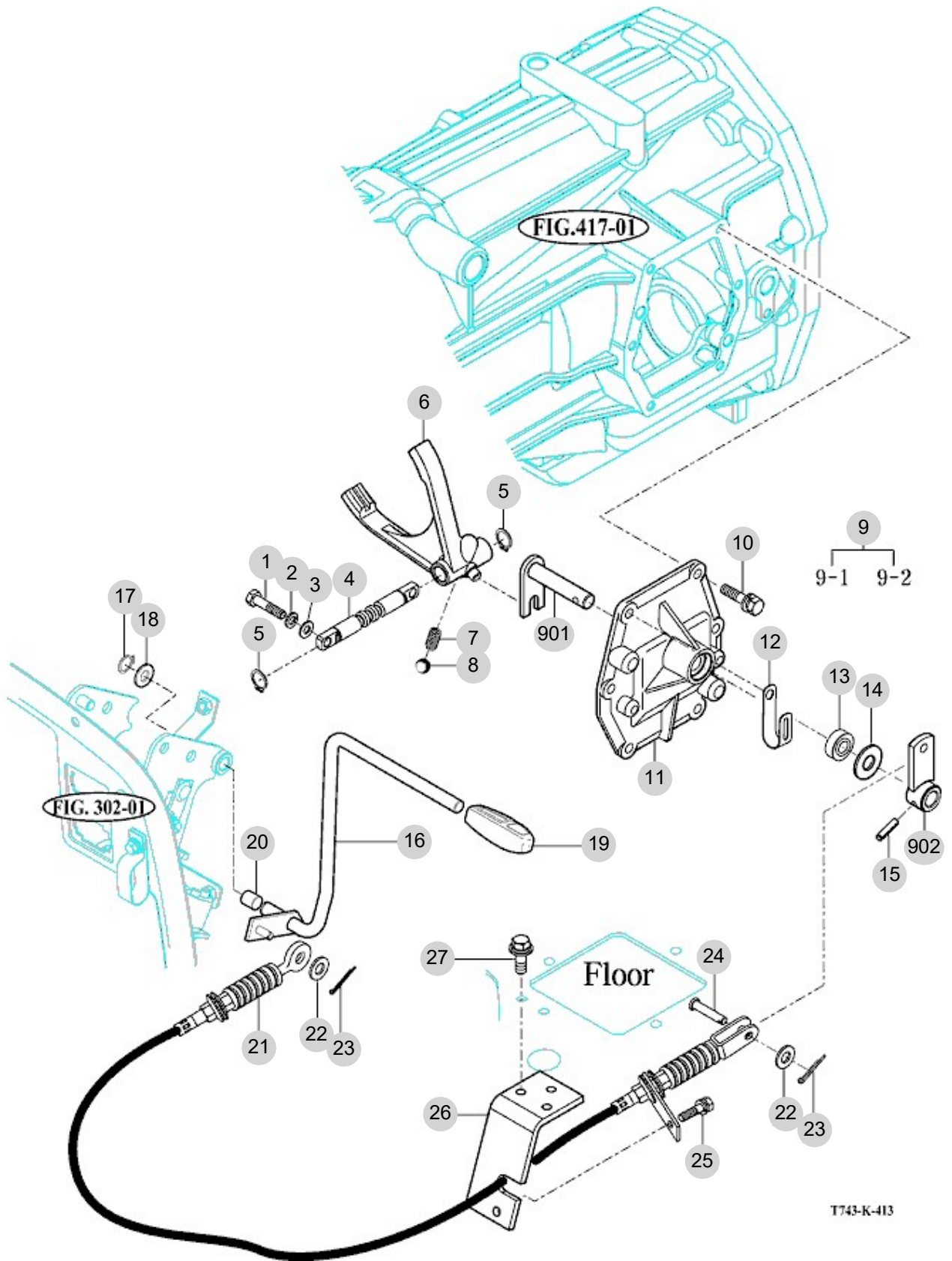
FIG 413

SUB CHANGE LEVER

년/월  
Year/Month

2022-12

T754SMEUA



T743-K-413

NOTE





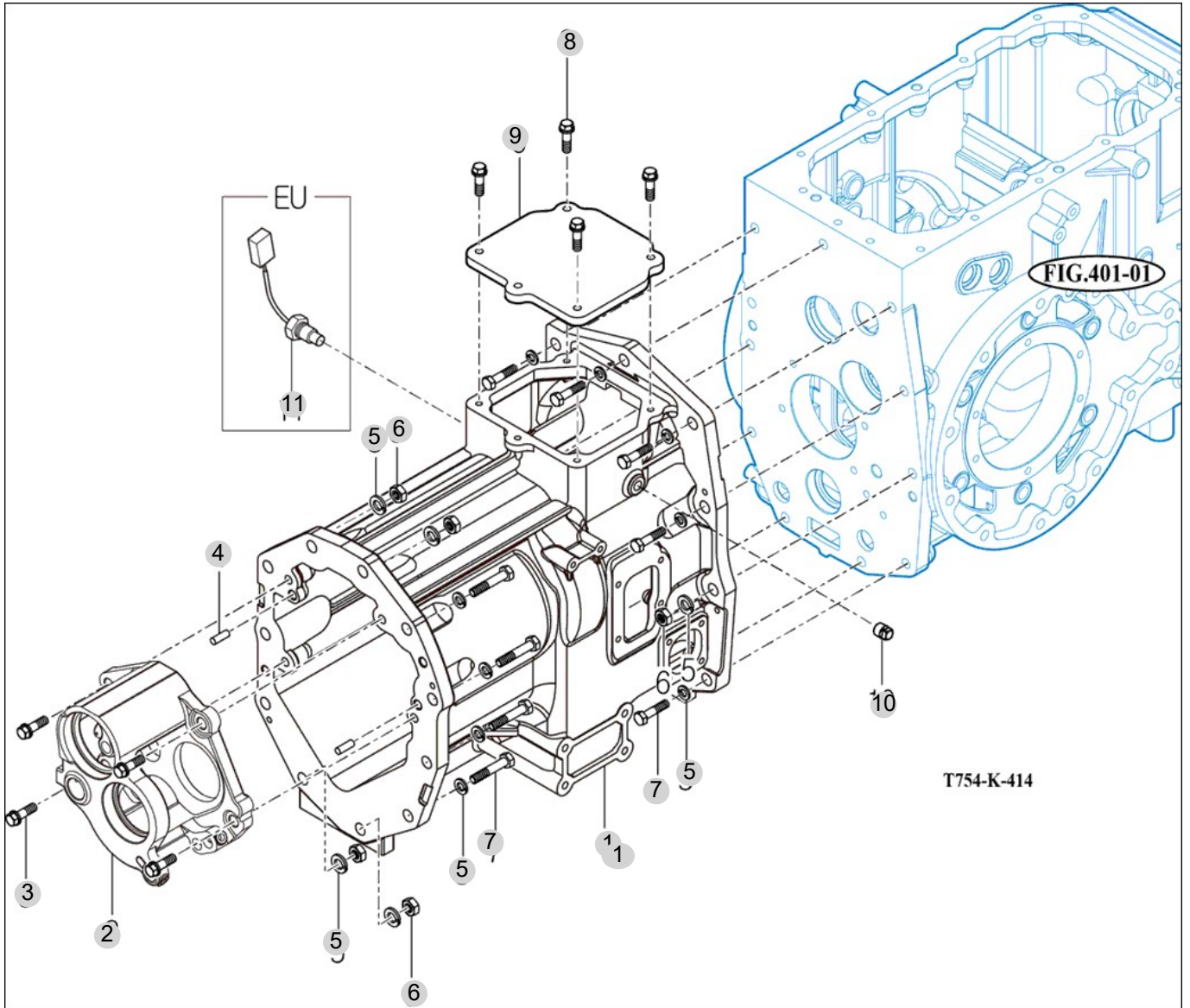
FIG 414

TRANSMISSION MID CASE

년/월  
Year/Month

2022-12

T754SMEUA



NOTE



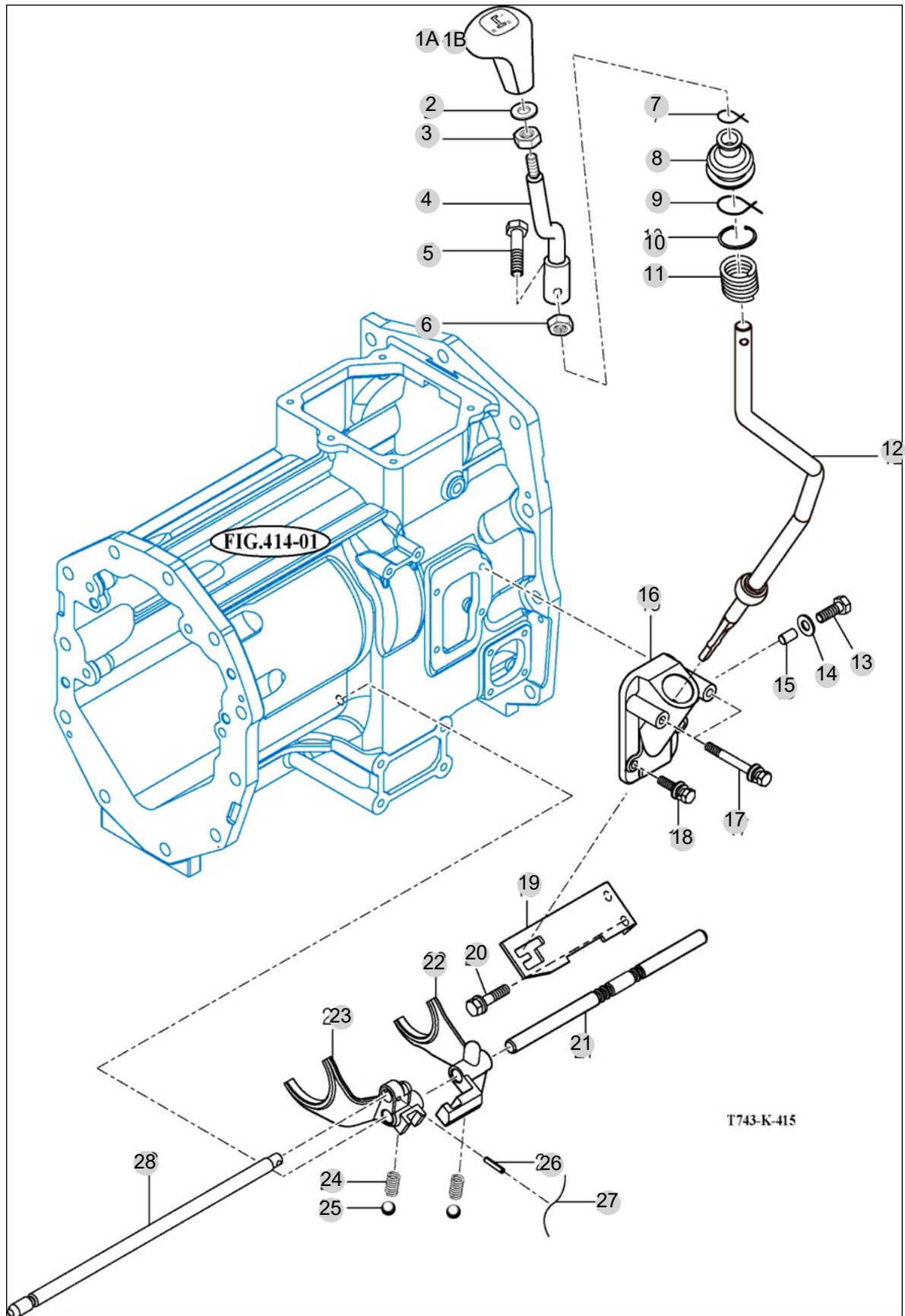
FIG 415

SUB CHANGE SHIFTER

년/월  
Year/Month

2022-12

T754SMEUA



NOTE



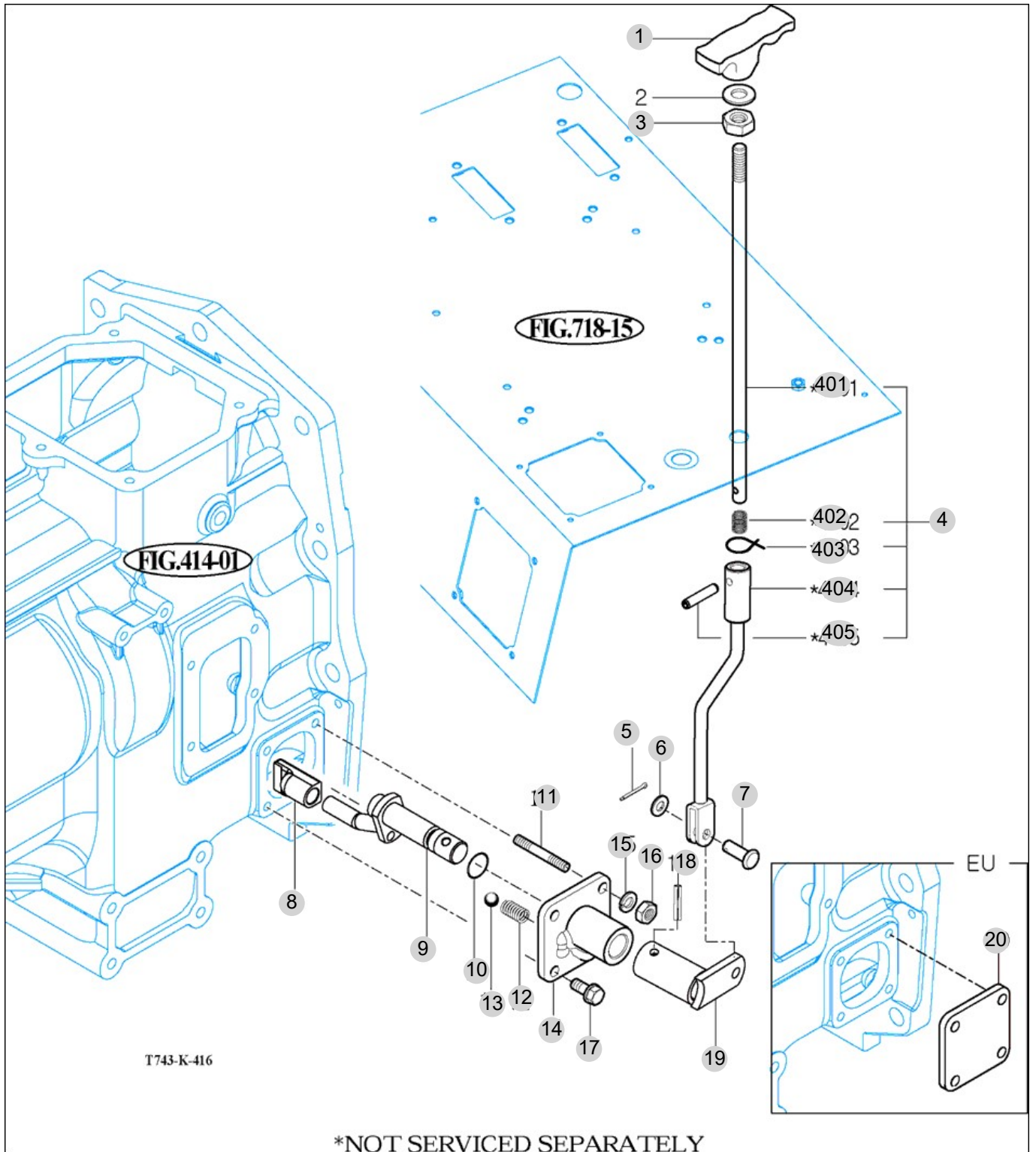
FIG 416

4WD CHANGE LEVER

년/월  
Year/Month

2022-12

T754SMEUA



NOTE





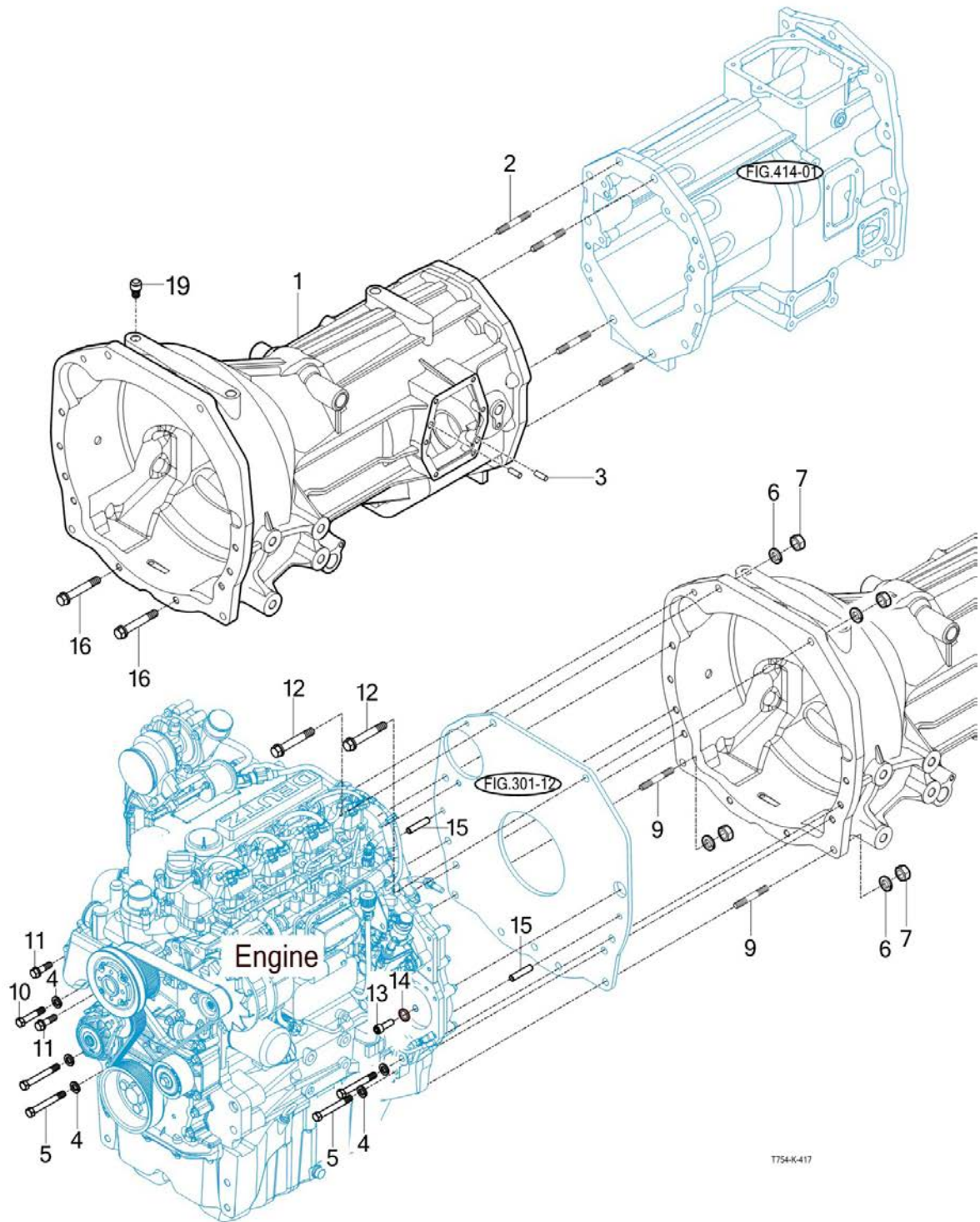
FIG 417

TRANSMISSION FRONT CASE

년/월  
Year/Month

2022-12

T754SMEUA



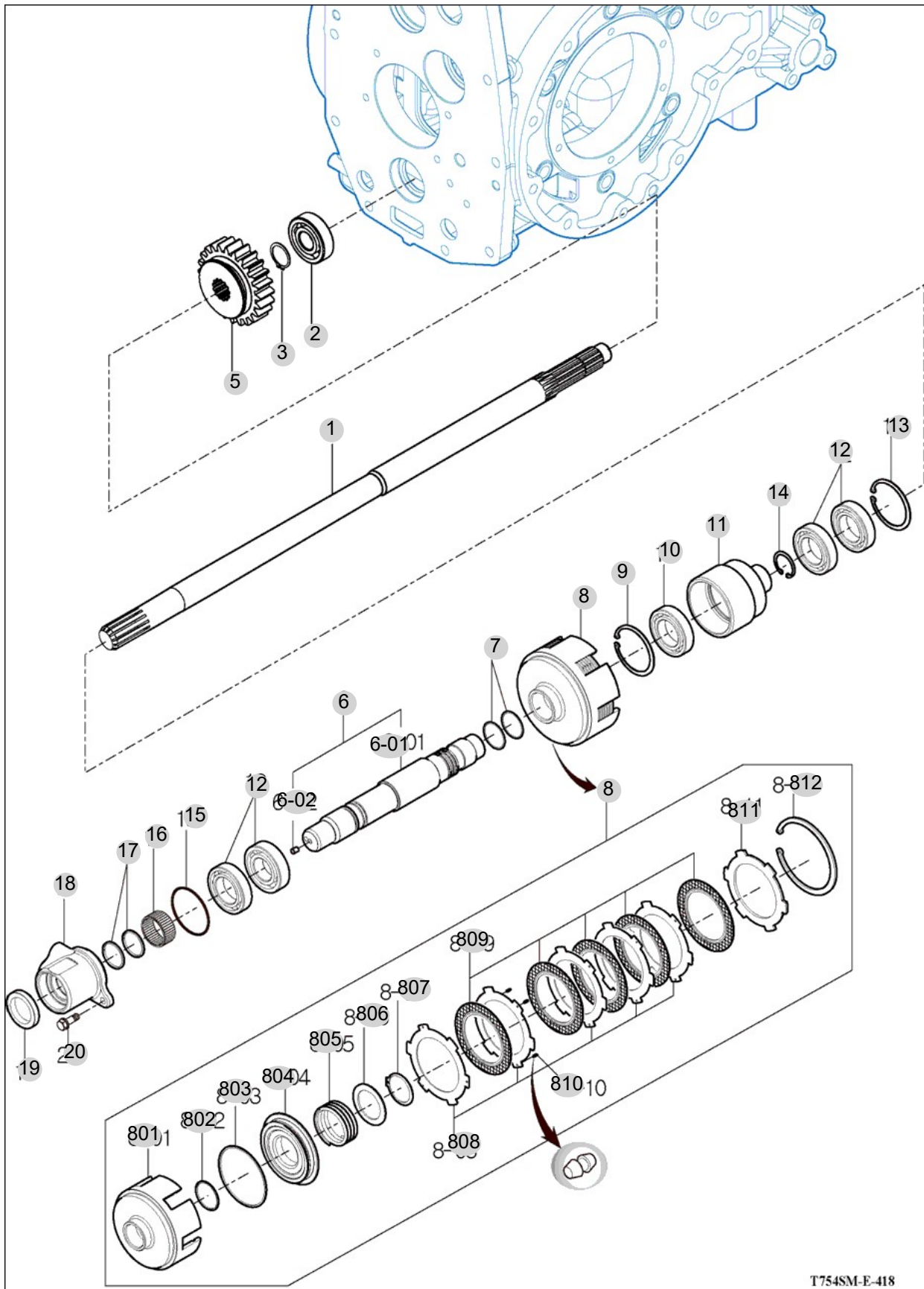
T754-K417

NOTE





T754SMEUA



NOTE



## 5. Front Axle PART NO. T5

FIG 501 FRONT AXLE SUPPORT	80
FIG 502 FRONT DRIVE SHAFT	82
FIG 503 FRONT AXLE HOUSING	84
FIG 504 FRONT DIFFERENTIAL GEARS	86
FIG 505 FRONT GEAR CASE (1)	88
FIG 506 FRONT GEAR CASE (2)	90
FIG 507 FRONT GEAR CASE (3)	92

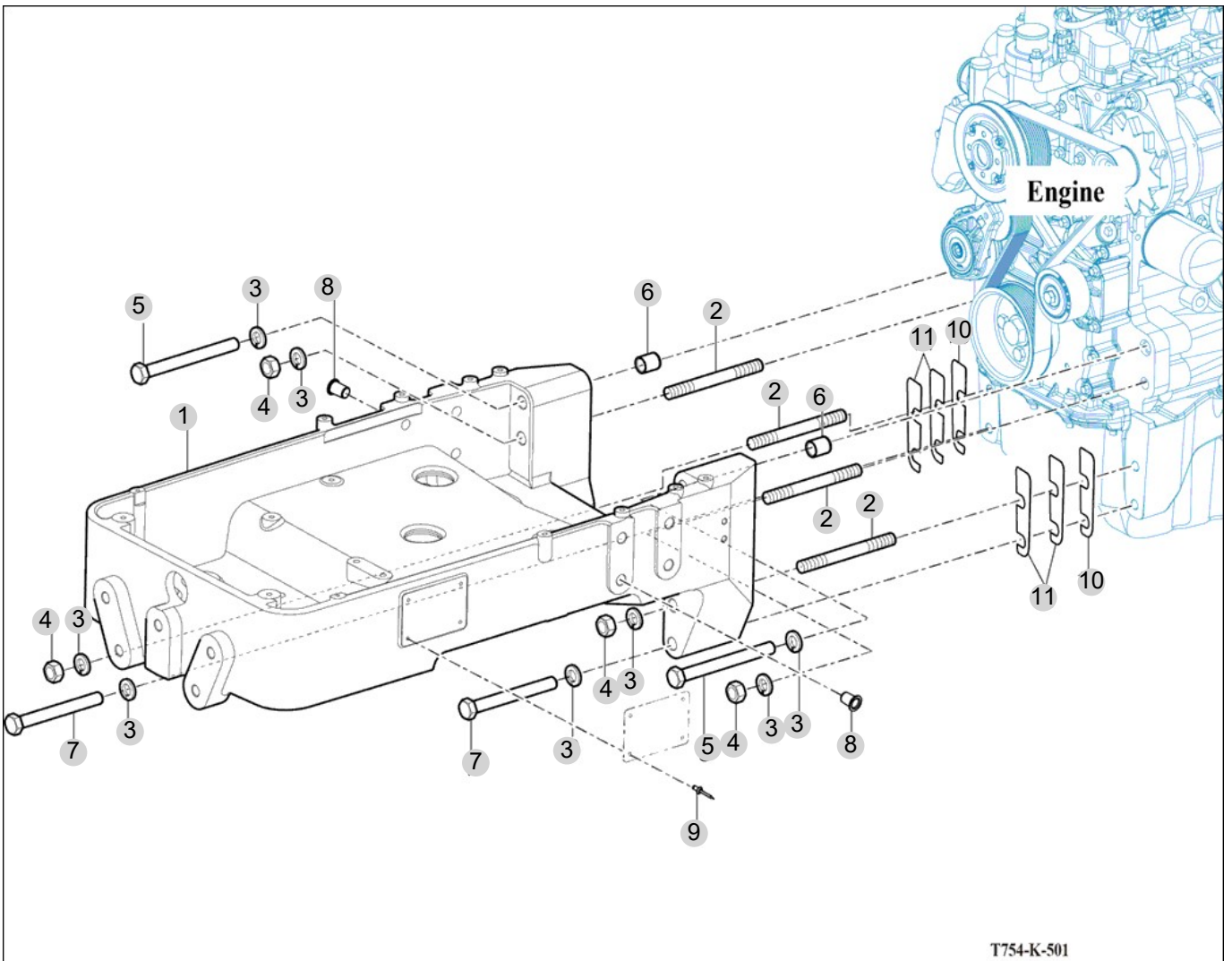
FIG 501

FRONT AXLE SUPPORT

년/월  
Year/Month

2022-12

T754SMEUA



T754-K-501

NOTE



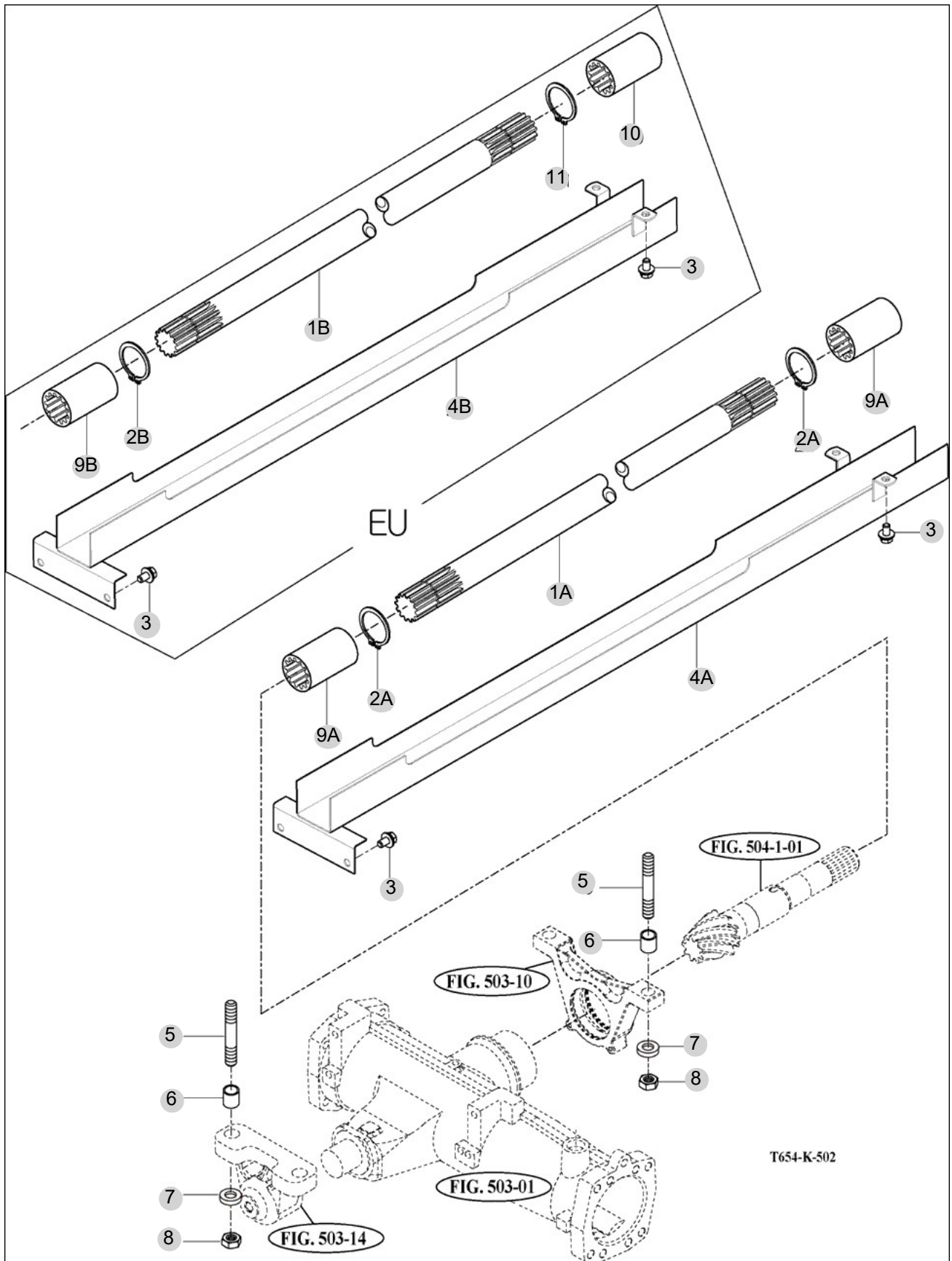
FIG 502

FRONT DRIVE SHAFT

년/월  
Year/Month

2022-12

T754SMEUA



T654-K-502

NOTE



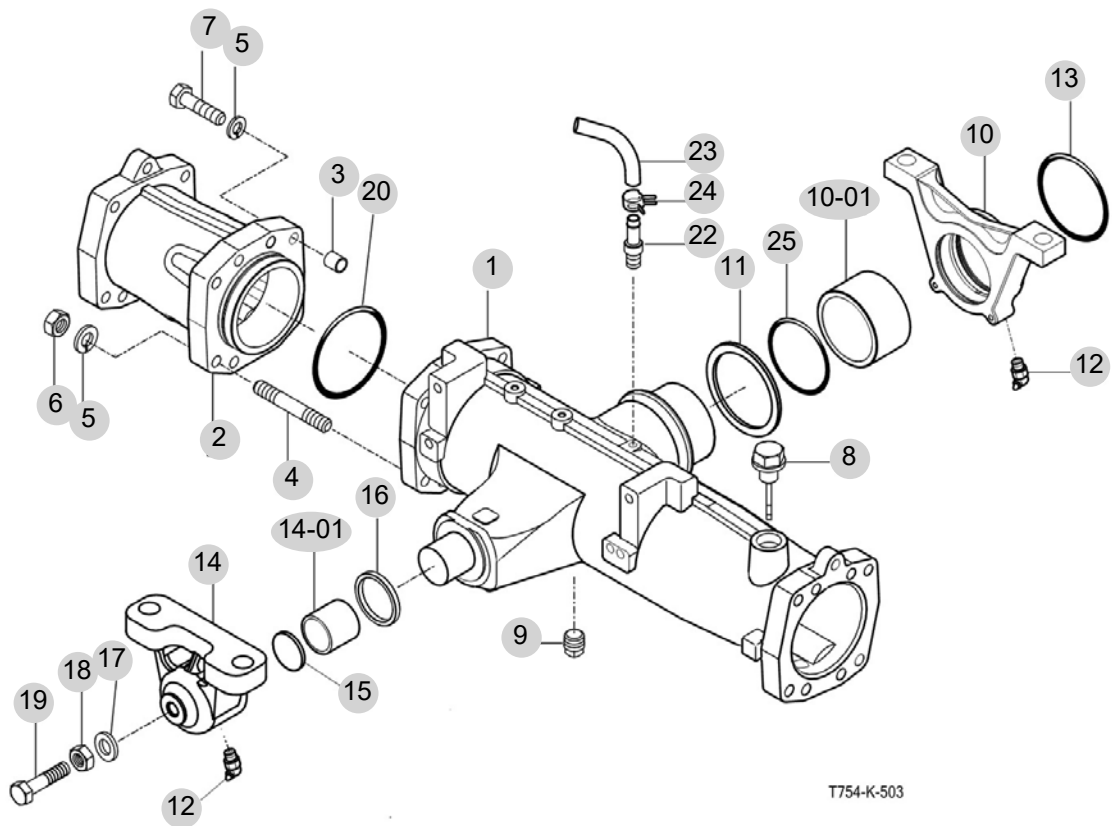
FIG 503

FRONT AXLE HOUSING

년/월  
Year/Month

2022-12

T754SMEUA



T754-K-503

NOTE



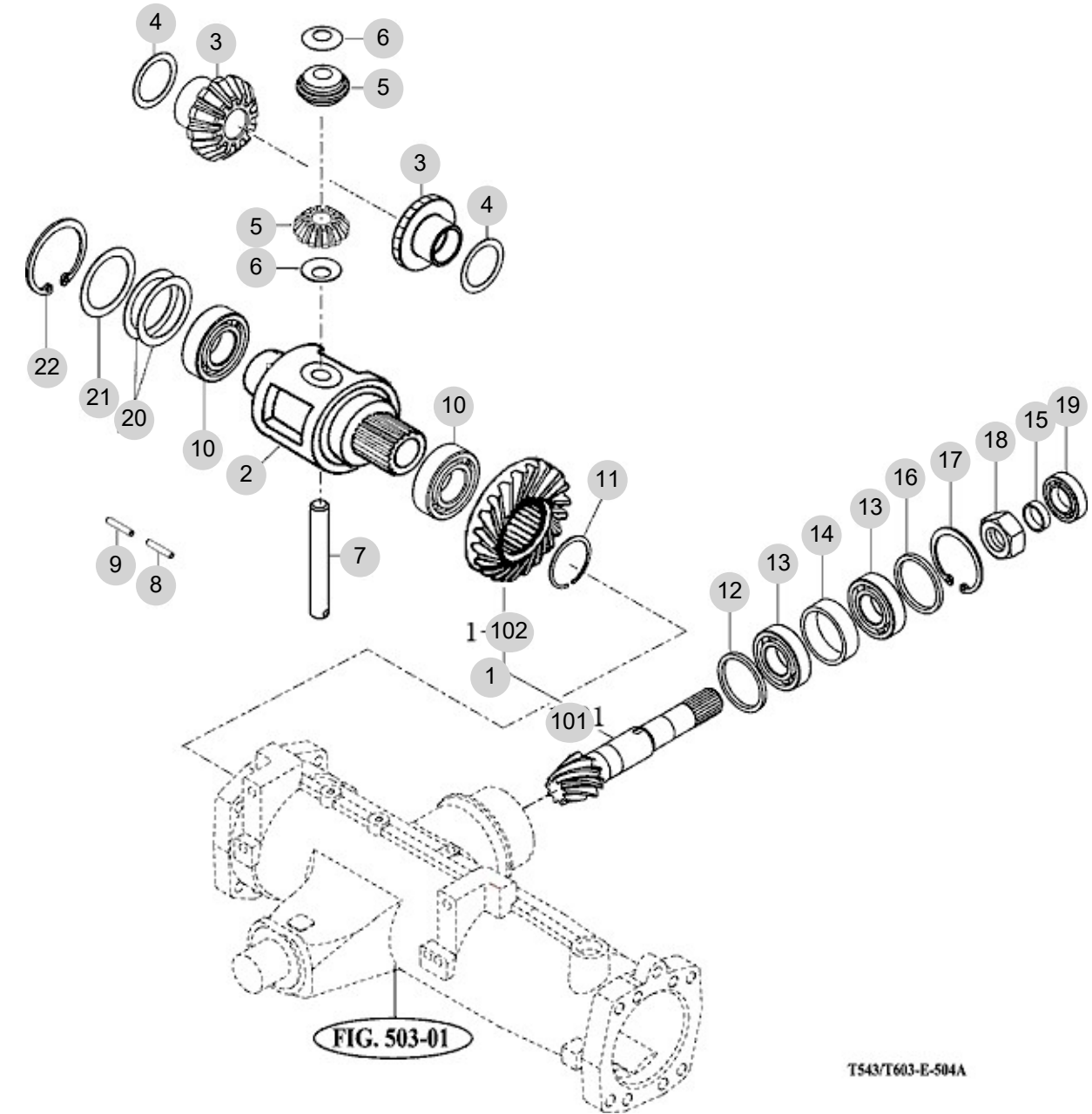


FIG 504

FRONT DIFFERENTIAL GEARS

년/월  
Year/Month

2022-12



NOTE



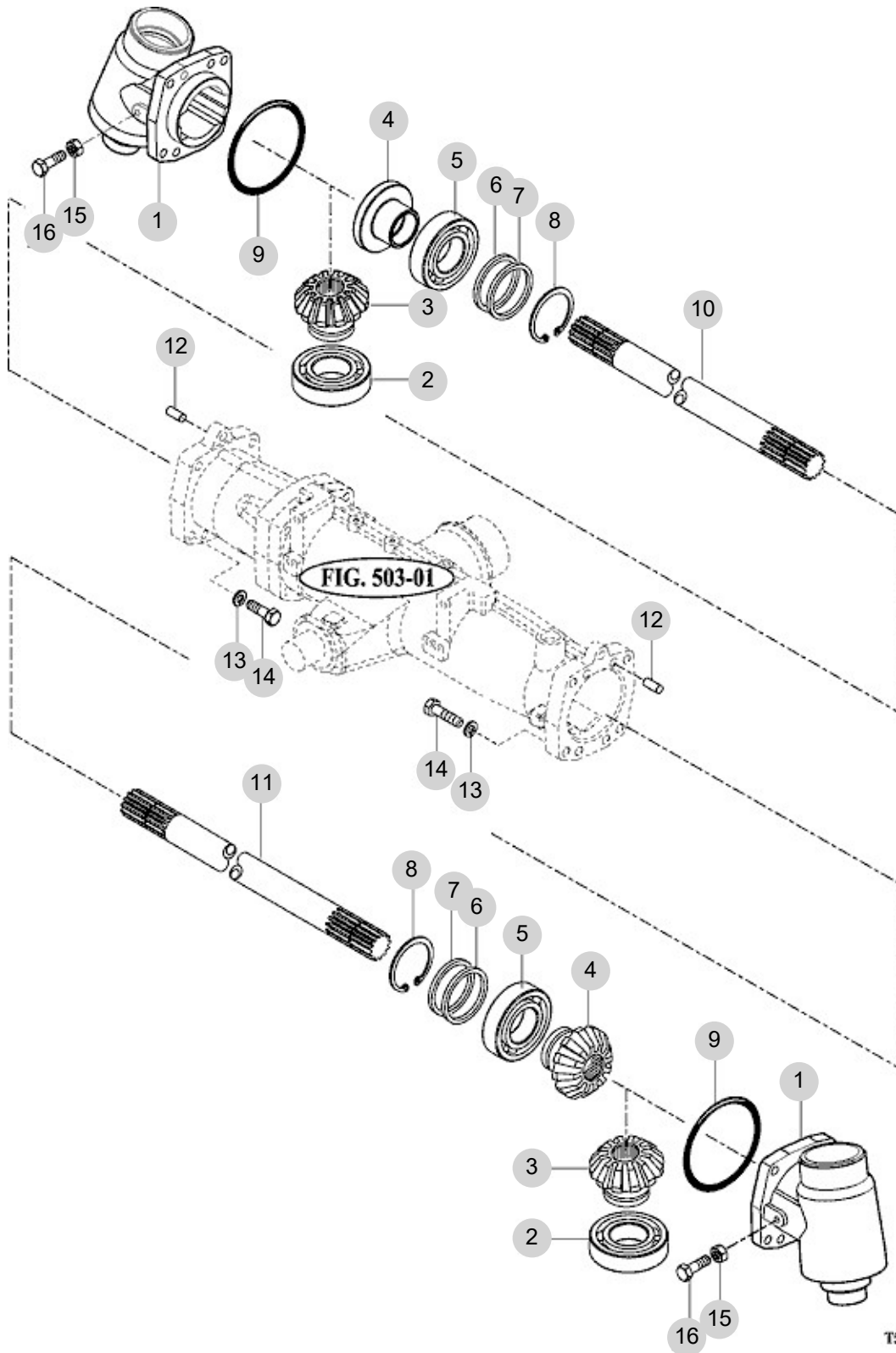
FIG 505

FRONT GEAR CASE (1)

년/월  
Year/Month

2022-12

T754SMEUA



T543/T603-E-505A

NOTE



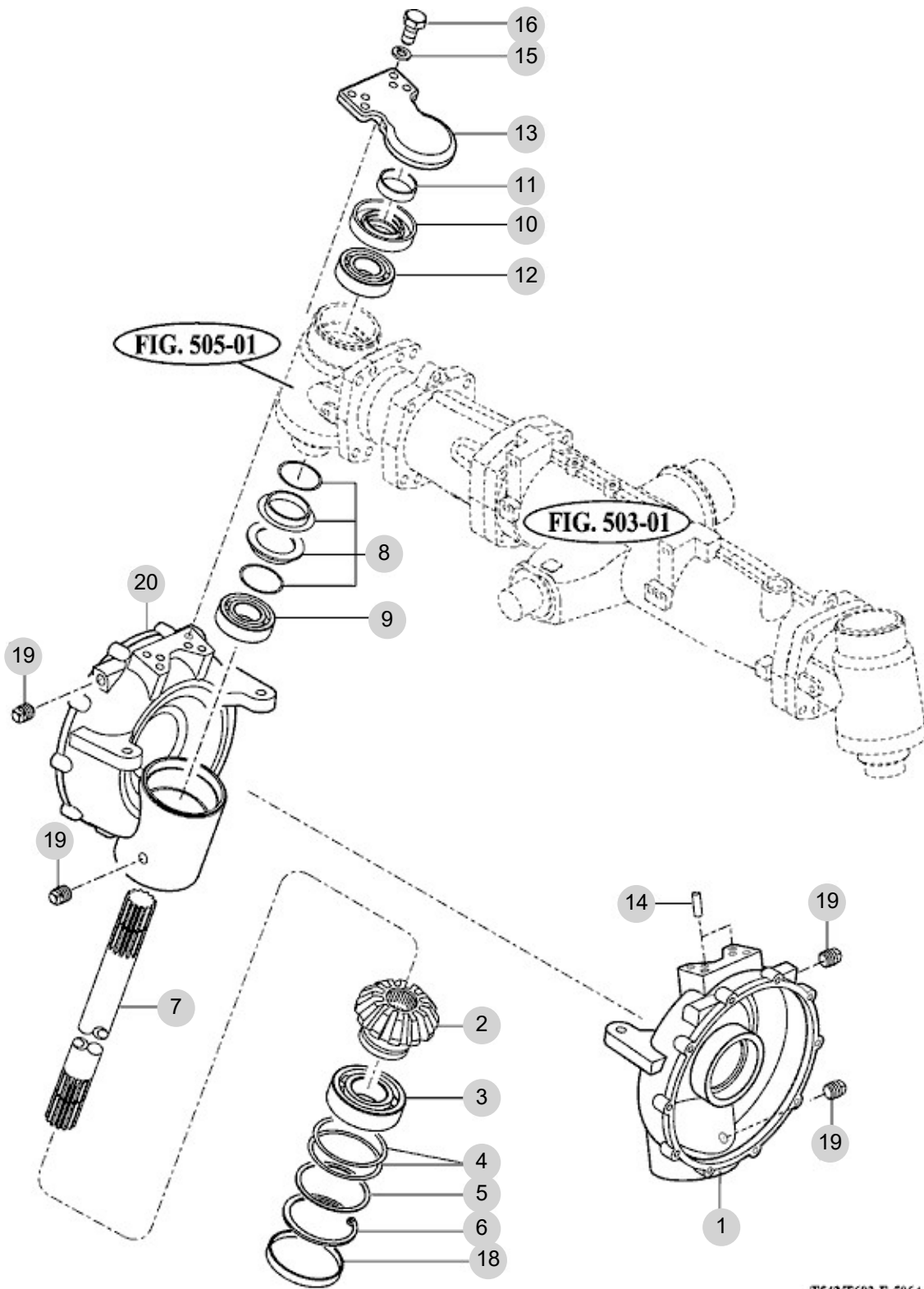
FIG 506

T754SMEUA

FRONT GEAR CASE (2)

년/월  
Year/Month

2022-12



T543/T603-E-506A

NOTE



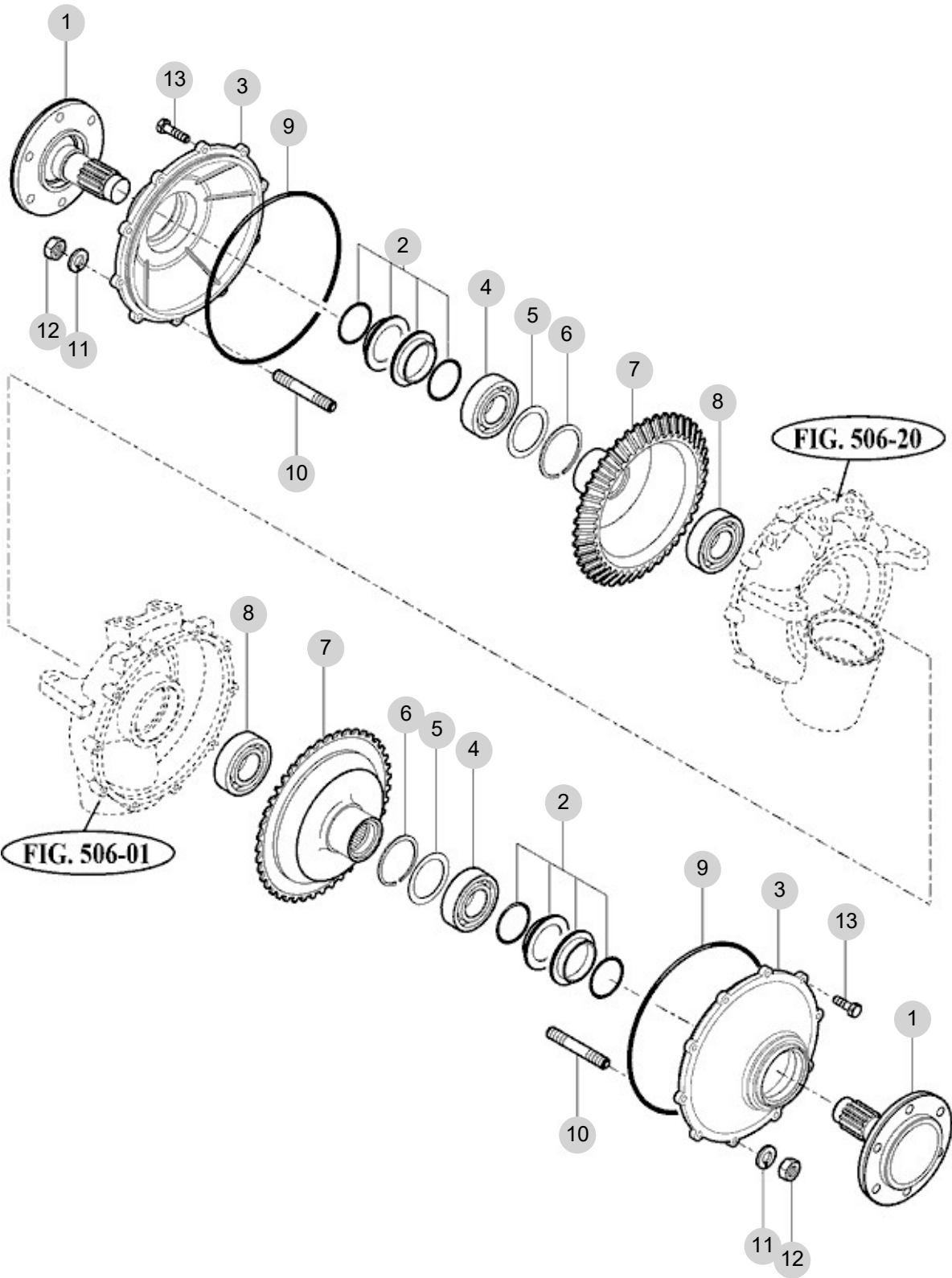
FIG 507

T754SMEUA

FRONT GEAR CASE (3)

년/월  
Year/Month

2022-12



T754-E-507

NOTE





## 6. Hydraulic/3P-Link PART NO. T6

FIG 601 CYLINDER CASE	95
FIG 602-2 LIFT ARM(EUA)	97
FIG 603 CYLINDER	99
FIG 604 POSITION LINK	101
FIG 605 CONTROL VALVE	103
FIG 606 DRAFT LINK	105
FIG 607 POSITION & DRAFT LEVER	107
FIG 608-2(EU) EXTERIOR HYD. VALVE(EUA)	110
FIG 609 HYDRAULIC PIPE	112
FIG 610 JOYSTICK	114
FIG 611-2 HITCH & 3-POINT LINK	116
FIG 612 LOWER LINK & LIFT ROD	119
FIG 613-2(EU) HYDRAULIC HOSE(EU)	121

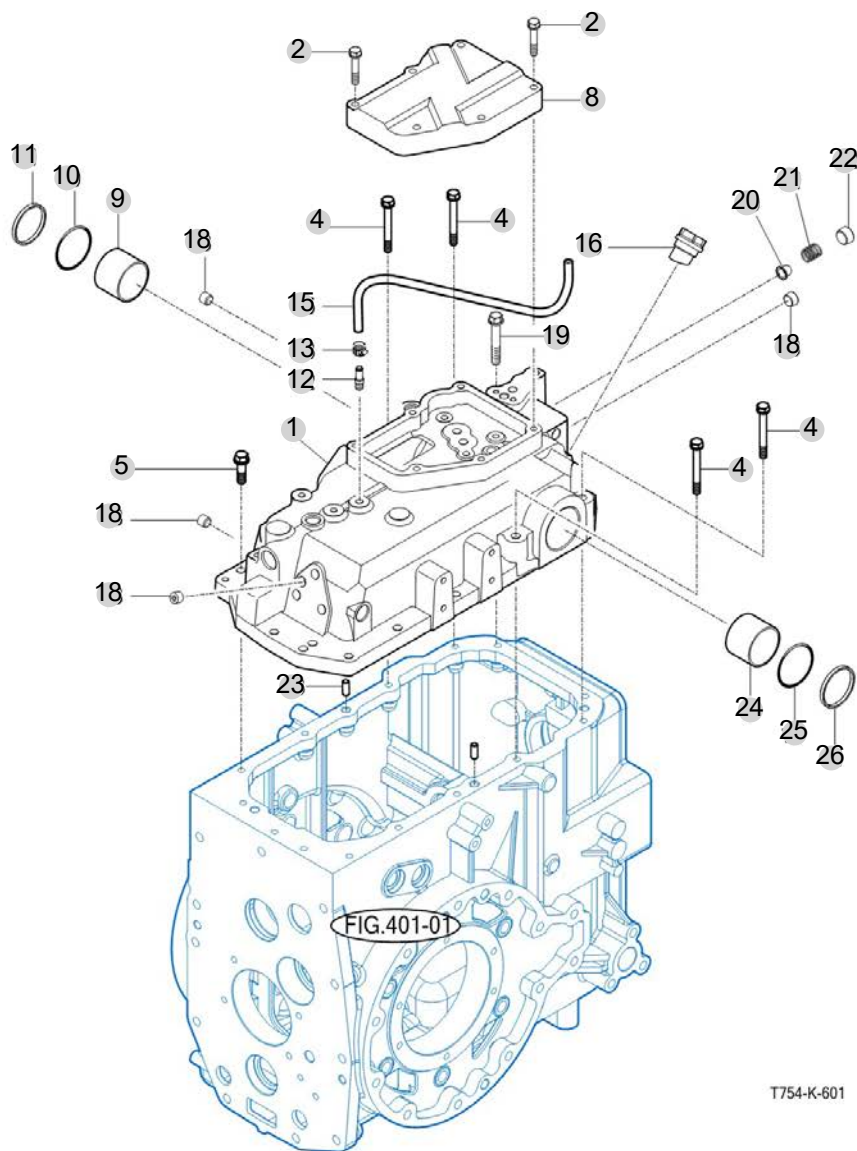
FIG 601

T754SMEUA

CYLINDER CASE

년/월  
Year/Month

2022-12



NOTE



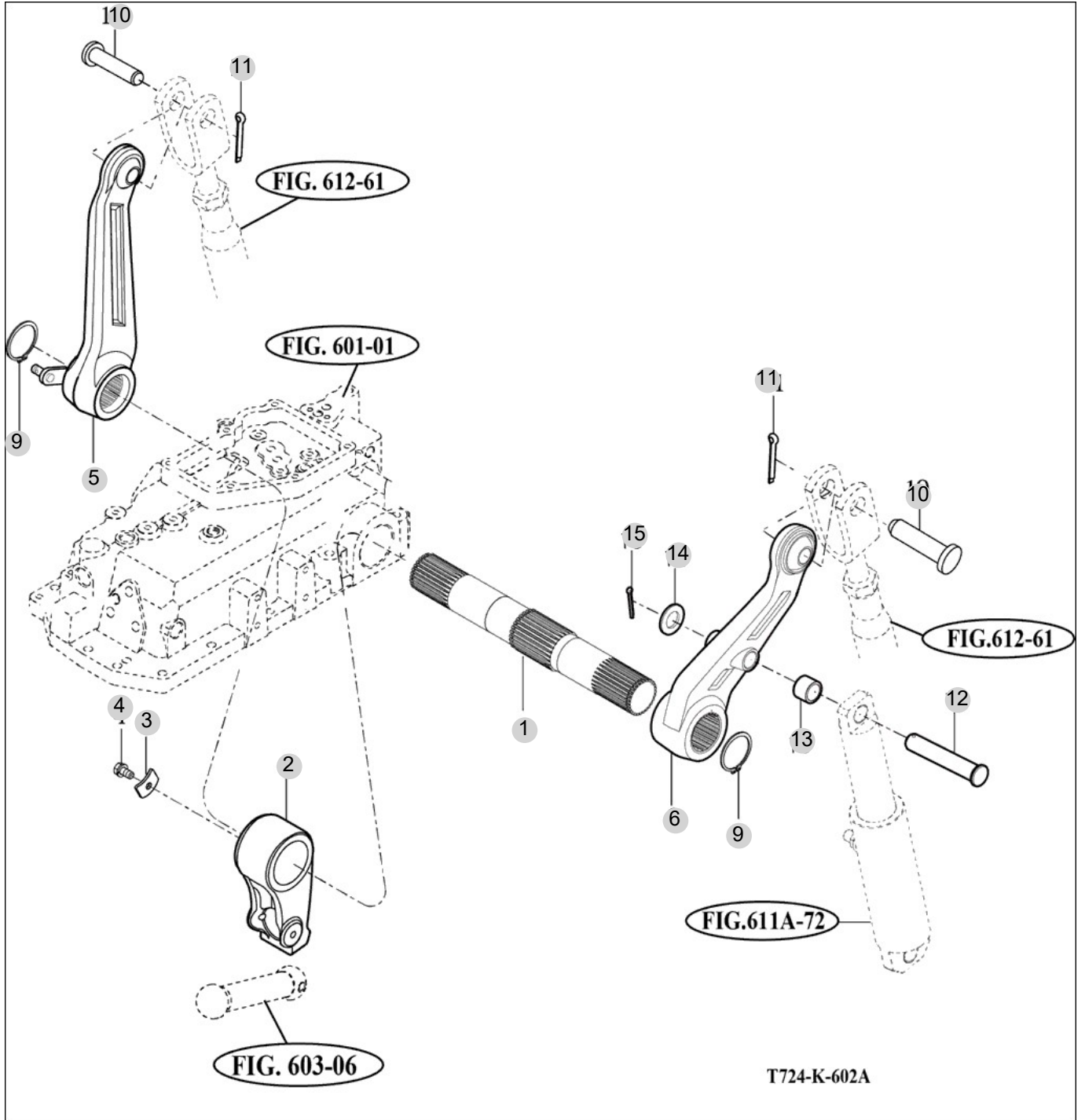
FIG 602-2

T754SMEUA

LIFT ARM(EUA)

년/월  
Year/Month

2022-12



NOTE



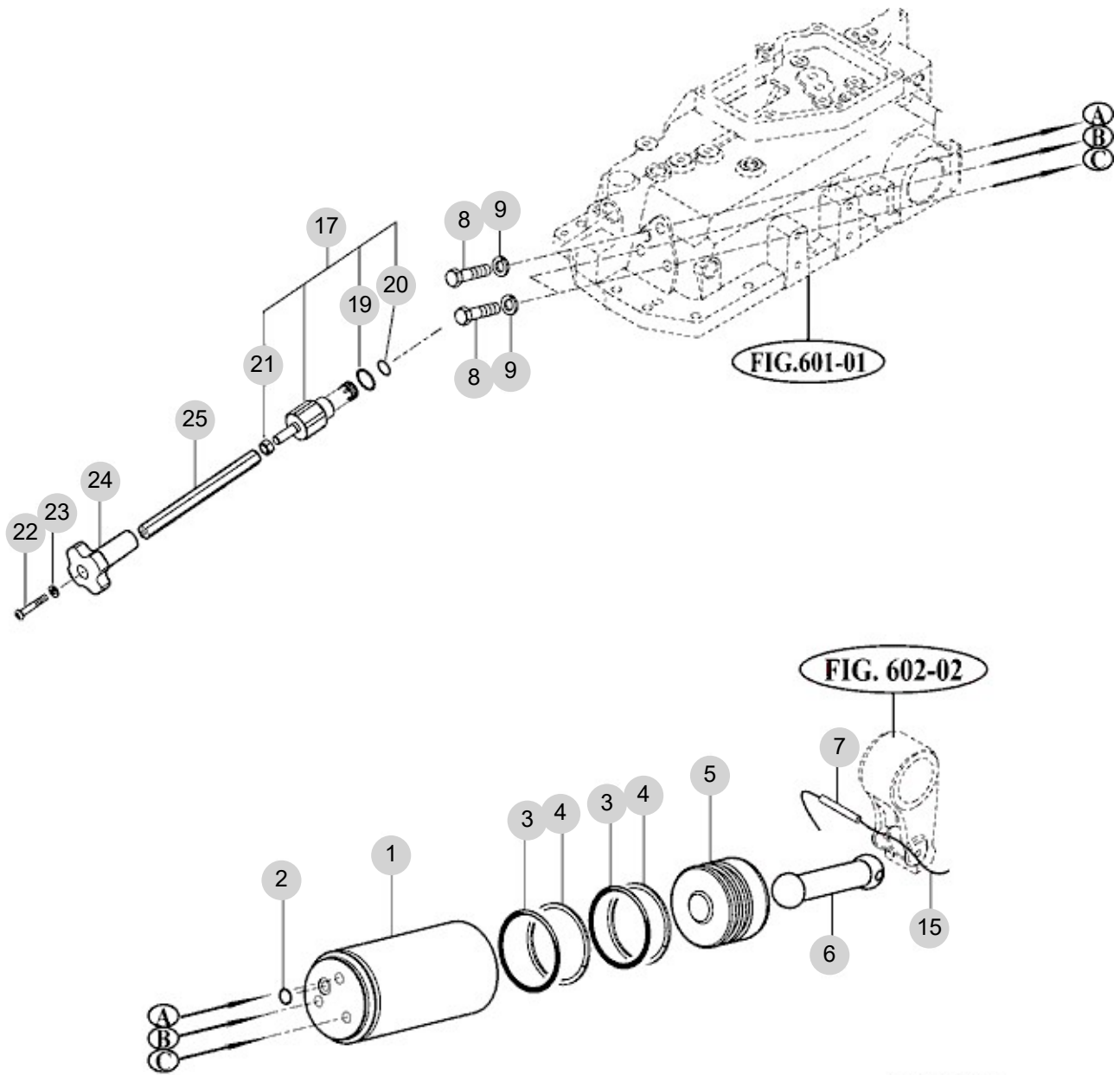
FIG 603

T754SMEUA

CYLINDER

년/월  
Year/Month

2022-12



NOTE





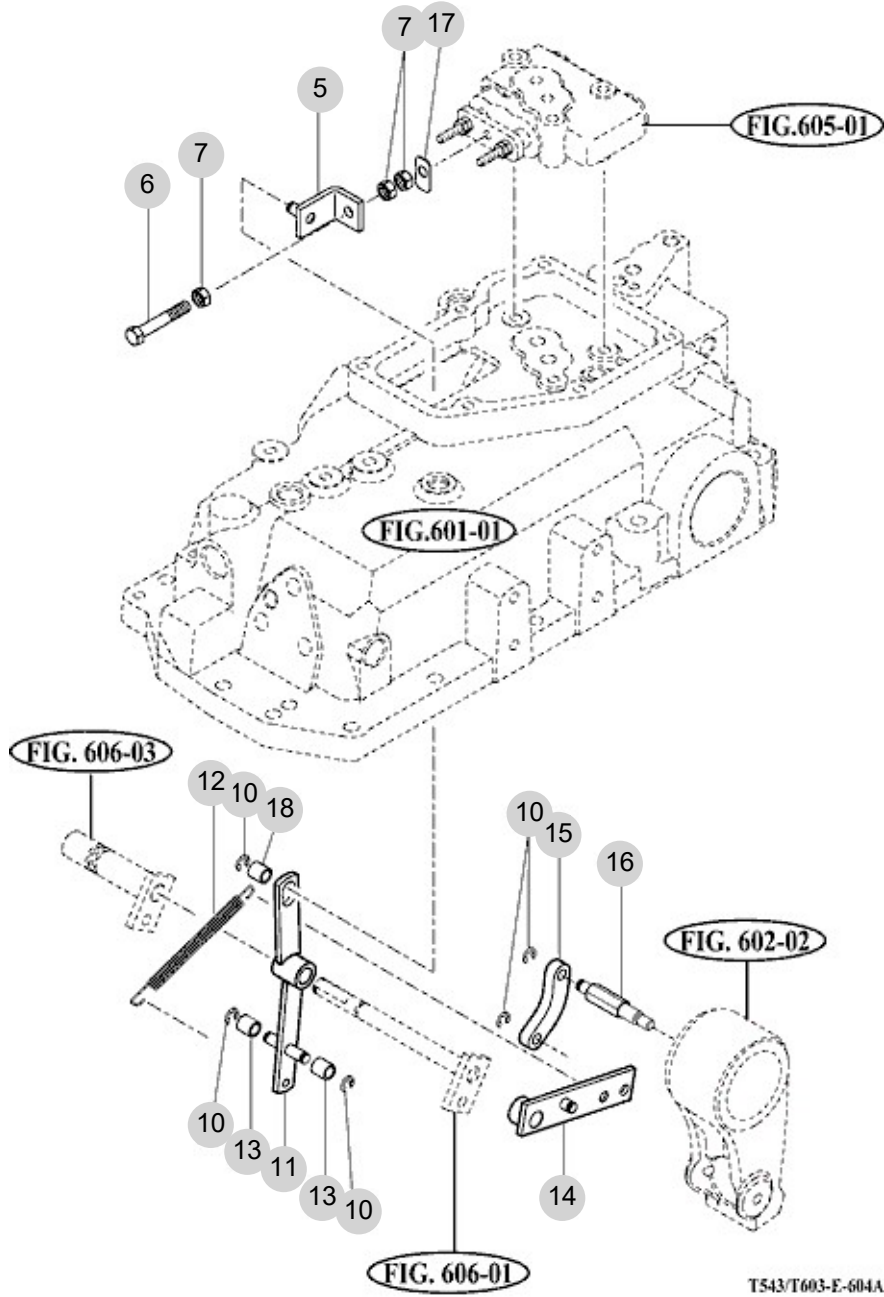
FIG 604

T754SMEUA

POSITION LINK

년/월  
Year/Month

2022-12



NOTE



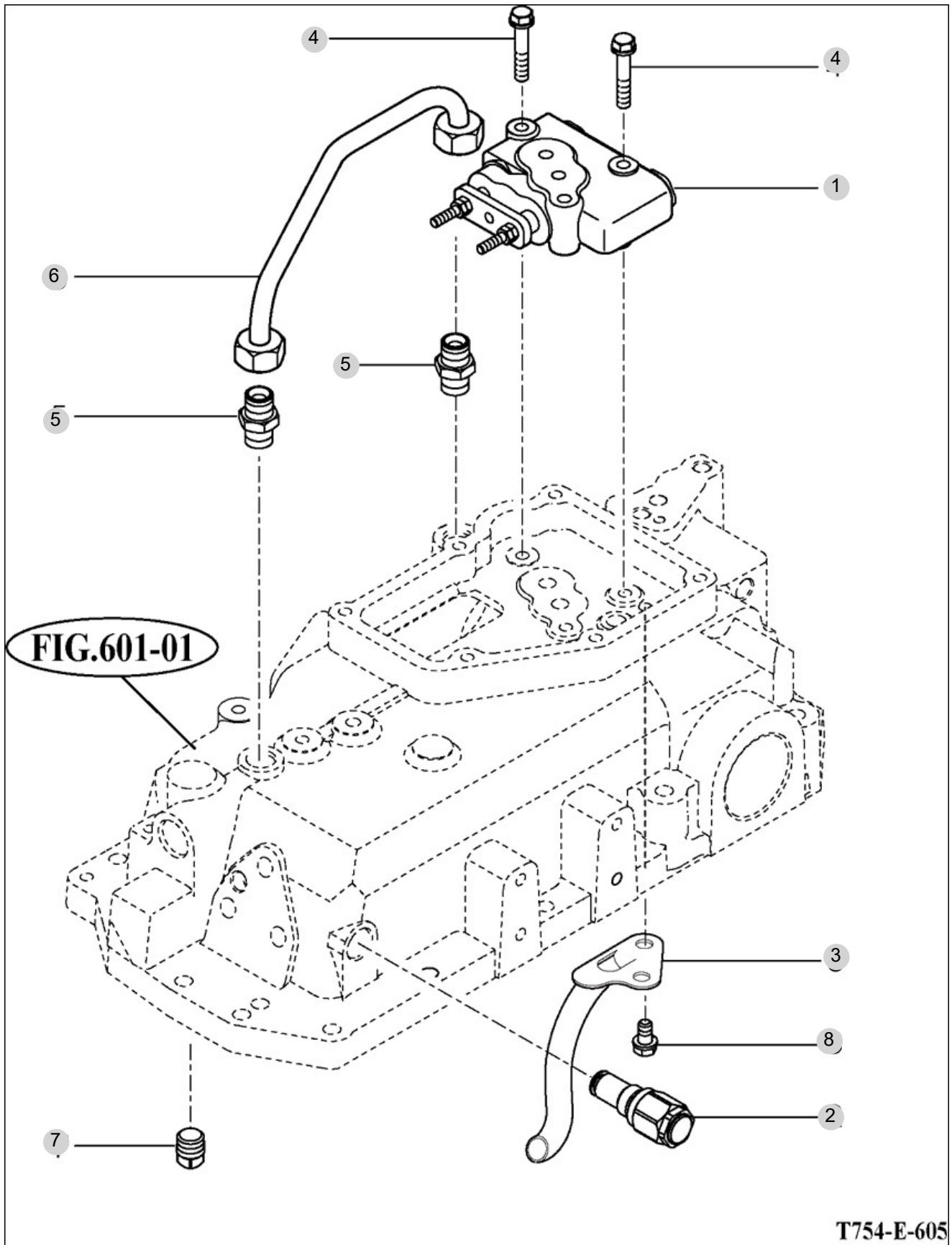
FIG 605

CONTROL VALVE

년/월  
Year/Month

2022-12

T754SMEUA



NOTE



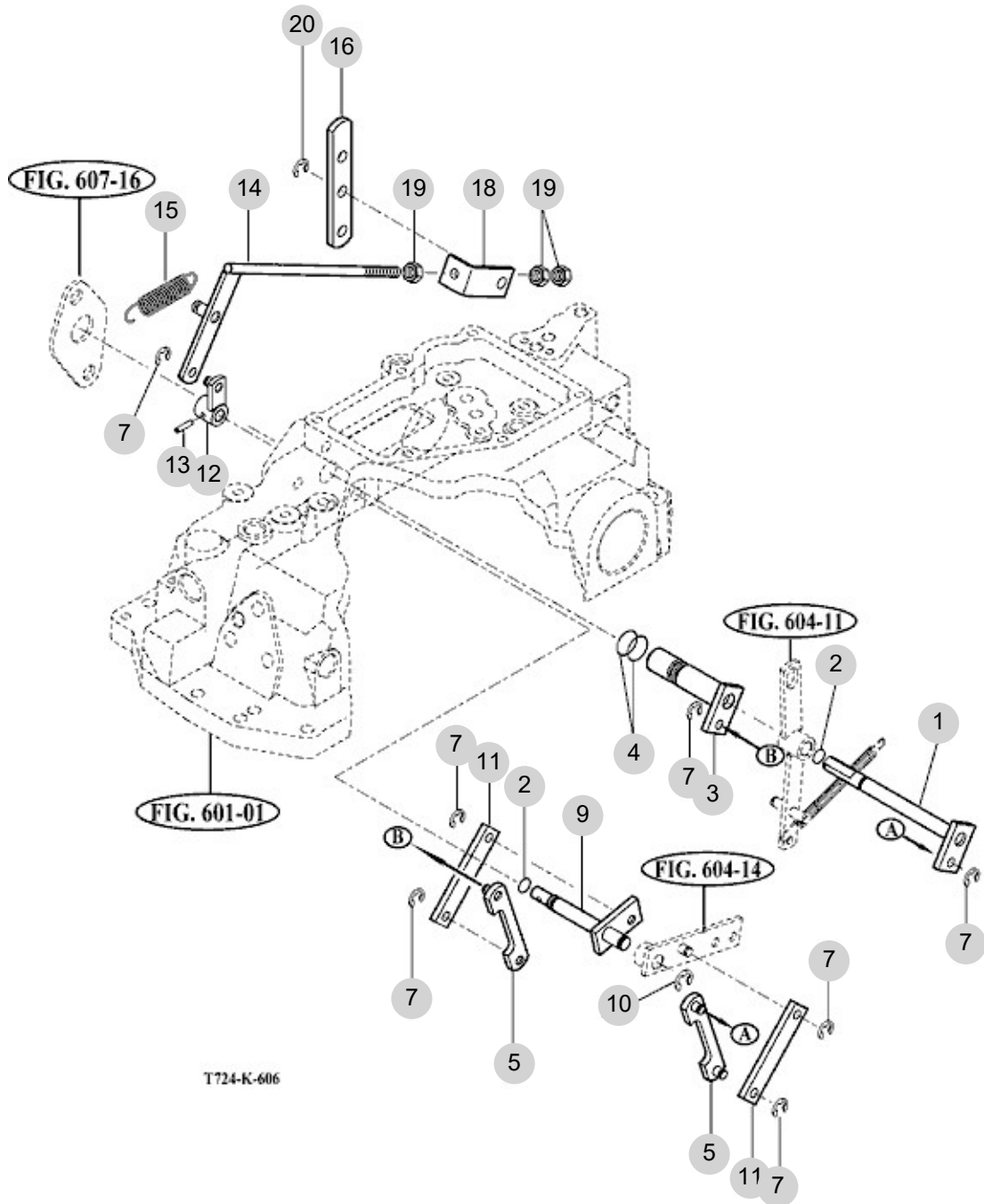
FIG 606

T754SMEUA

DRAFT LINK

년/월  
Year/Month

2022-12



NOTE

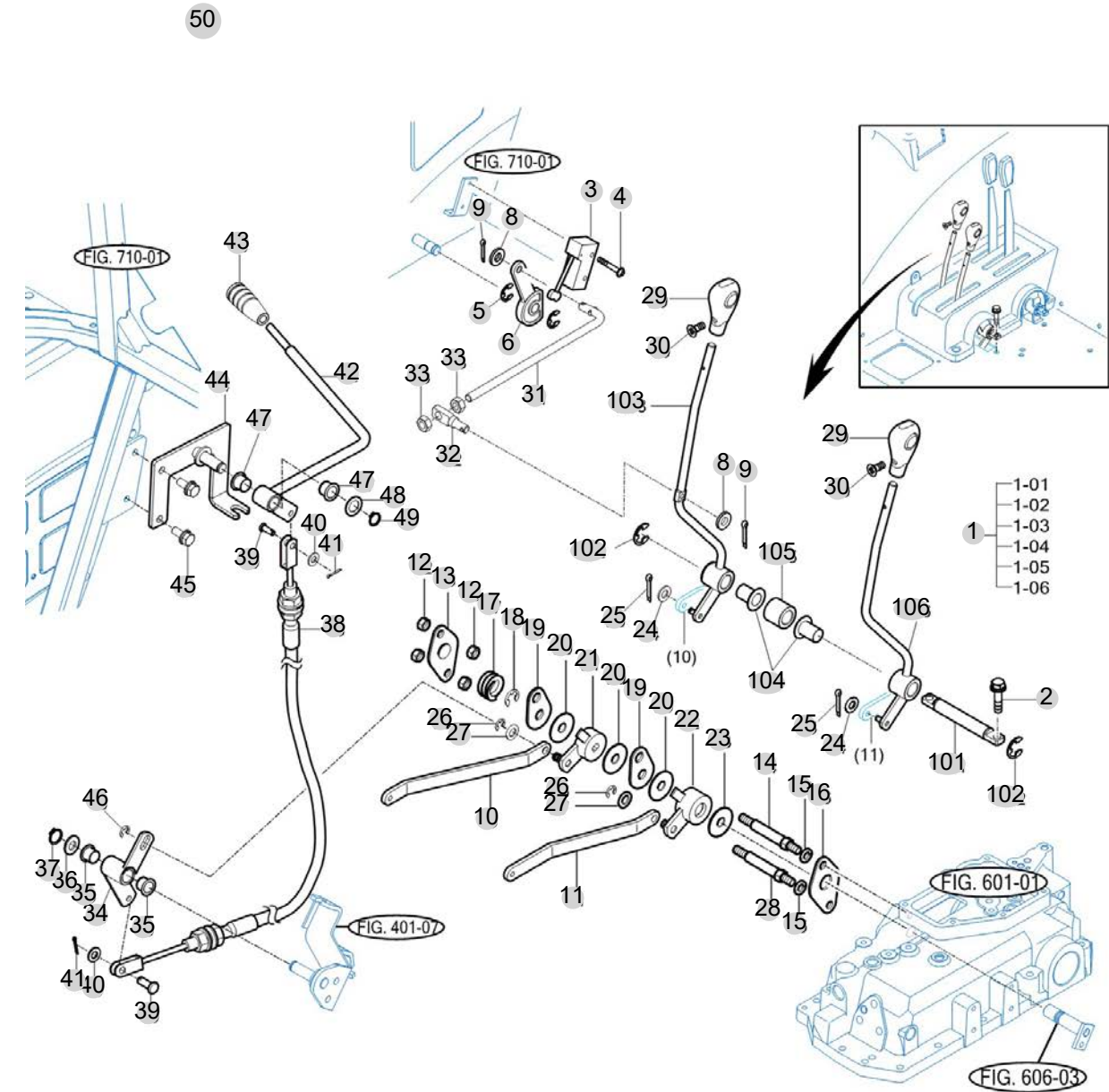


FIG 607

POSITION & DRAFT LEVER

년/월  
Year/Month

2022-12



T754-K-607

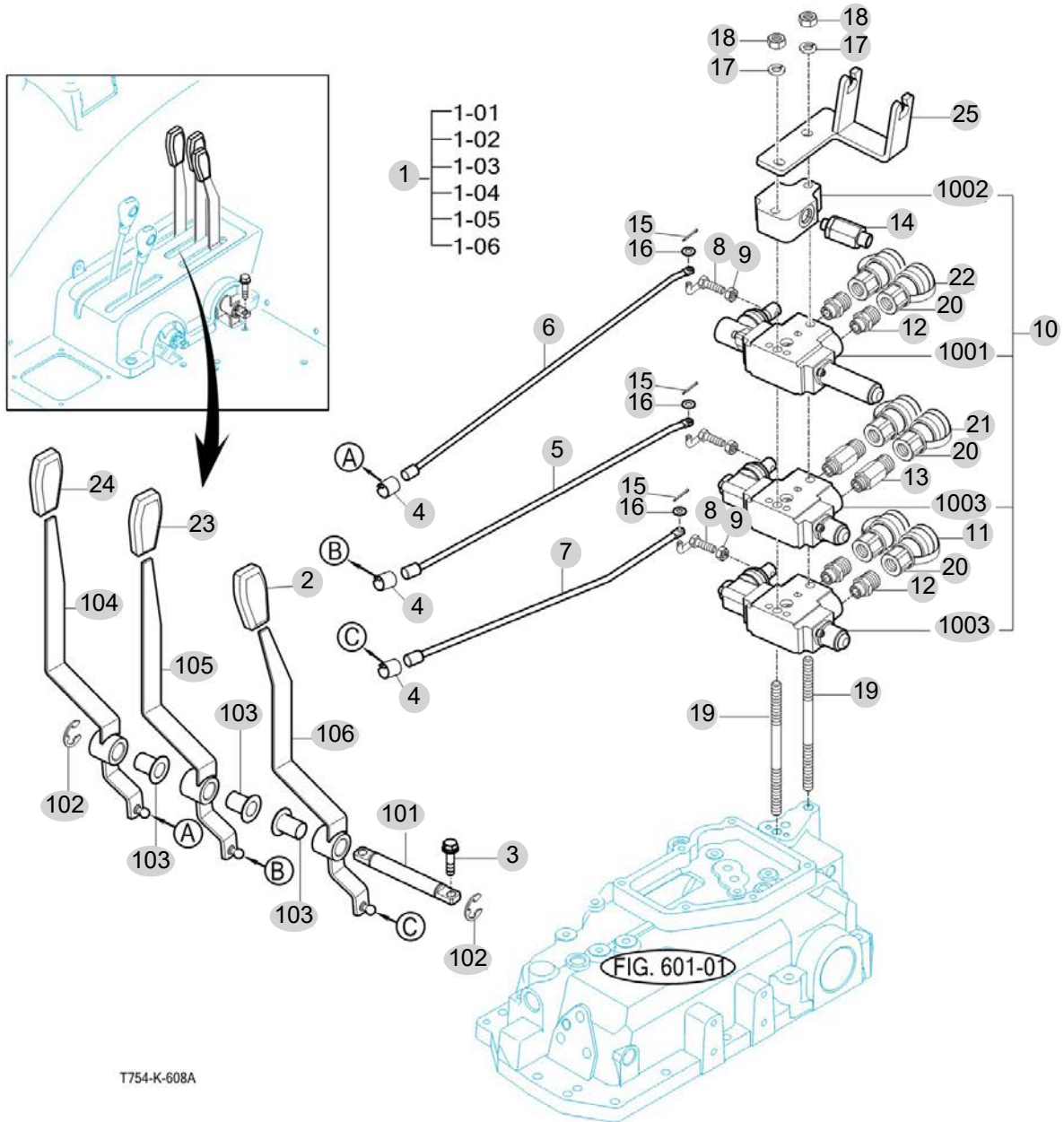
NOTE

FIG 607 T754SMEUA		POSITION & DRAFT LEVER					년/월 Year/Month	
							2022-12	
KEY NO	PART NO	DESCRIPTION	SPEC	QTY	REPAIR	EFFECTIVE DATE	REMARKS	
607	1	19997092101	REVER SUB , POSITION/DRAFT	1X1X1	1			
607	101	14527092110	SHAFT	D=16	1			
607	102	V7081400150	E-RING	15	2			
607	103	19997092201GB	LEVER COMP , POSITION	400*50*100	1			
607	104	14527092120	BUSH, NYLON/16X18X27	1X1X1	2			
607	105	14527092251	COLLER , SPACE	D=30	1			
607	106	19997092301GB	LEVER COMP , DRAFT	400*50*100	1			
607	2	V2183608020	BOLT , HEX/SP	M8X20	2			
607	3	16606742301	SWITCH ASSY . LIMIT		1			
607	4	V1222604025	SCREW , C/R PAN/SP	M4X25	2			
607	5	V7081400080	E-RING	8	2			
607	6	14527090020	CAM , SENSER	1X1X1	1			
607	8	V4111600060	WASHER , PLAIN	M6	2			
607	9	V5001920020	PIN , SPLIT	2X20	2			
607	10	18015070120	PLATE , POSITION	19X6T	1			
607	11	18015070140	PLATE , DRAFTER	19X6T	1			
607	12	V3043600100	NUT , HEX/2	M10	4			
607	13	17995070140	PLATE , C	3.2T	1			
607	14	17995070150	BOLT , SUPPORT	H14X108.9	1			
607	15	V4011600100	WASHER , SPRING	M10	2			
607	16	17995070170	PLATE , D	3.2TX90X50	1			
607	17	17995070180	SPRING	33X23	1			
607	18	V7081400120	E-RING	12	1			
607	19	17995070200	PLATE , A	3.2TX40X62	2			
607	20	17995070211	PLATE , FRICTION	13X40X2T	3			
607	20	13835070210	PLATE , FRICTION		3			
607	21	14525070221	ARM COMP , POSITION	1X1X1	1			
607	22	14525070230	ARM COMP , DRAFT LEVER		1			
607	23	17995070241	PLATE , FRICTION	21*40*2T	1			
607	23	13835070220	PLATE , FRICTION		1			
607	24	V4111600060	WASHER , PLAIN	M6	2			
607	25	V5001920020	PIN , SPLIT	2X20	2			
607	26	V7081400080	E-RING	8	2			
607	27	V4111600100	WASHER , PLAIN	M10	2			
607	28	17995070340	BOLT , SUPPORT		1			
607	29	19027592011	KNOB , AUX LEVER	1X1X1	2			
607	30	V1122804012	SCREW , C/R FLAT	M4X12	2			
607	31	19997090010	ROD,SWITCH	6*150*28	1			
607	32	19997090210	PIN , POSITION ROD	10.6*32*8	1			
607	33	V3002600060	NUT , HEX/1	M6	2			
607	34	18025070500GB	ARM COMP , AUX POSITION		1			
607	35	15602870024	BUSH , 16X24X15		2			
607	36	36212110030	WASHER , TENSION ARM	T=1.6	2			
607	37	V7041400160	C-RING , SHAFT	16	2			
607	38	18175070700	CABLE, EXTERNAL POSITION ASSY		1			
NOTE								





T754SMEUA



NOTE



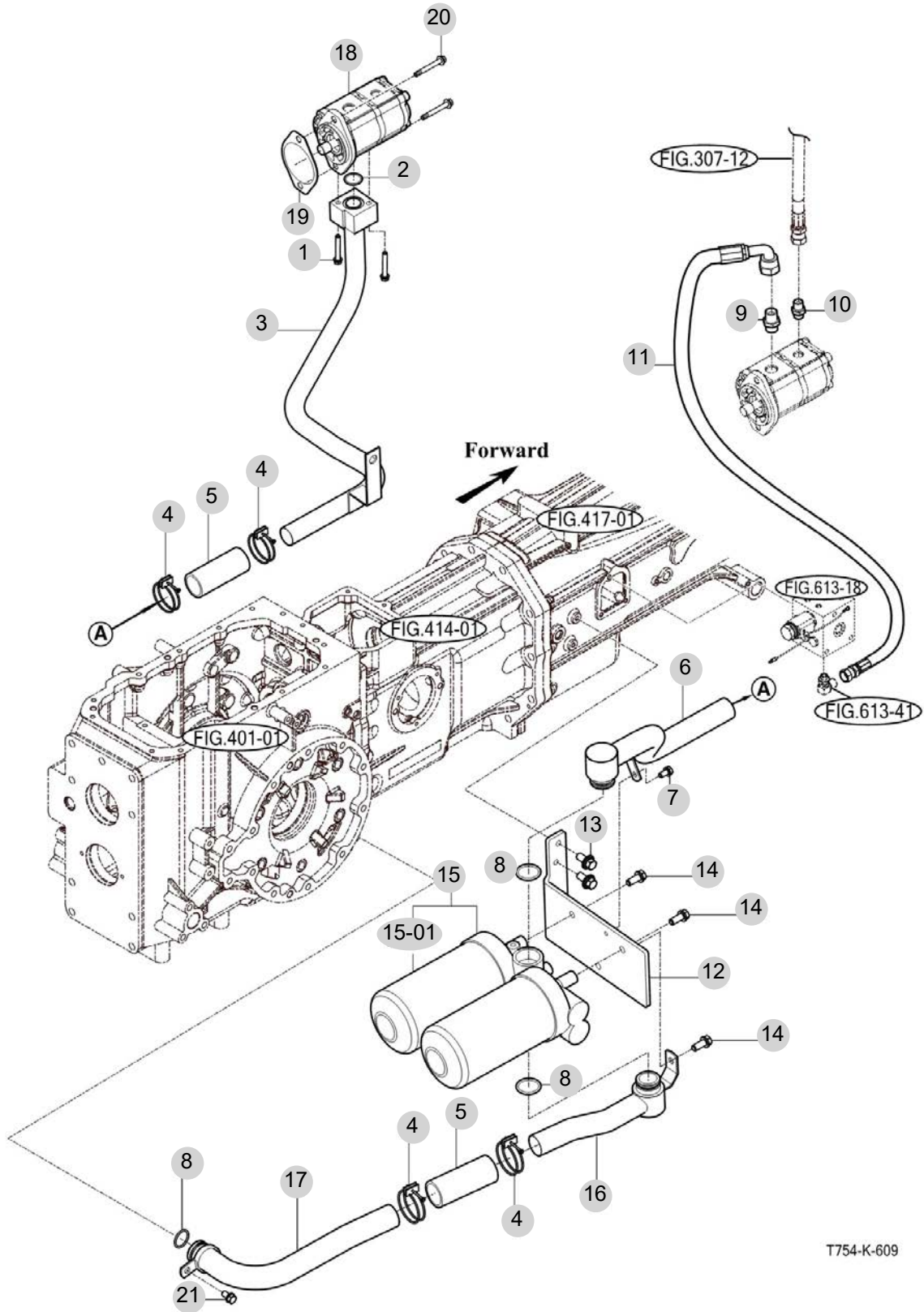
FIG 609

HYDRAULIC PIPE

년/월  
Year/Month

2022-12

T754SMEUA



T754-K-609

NOTE









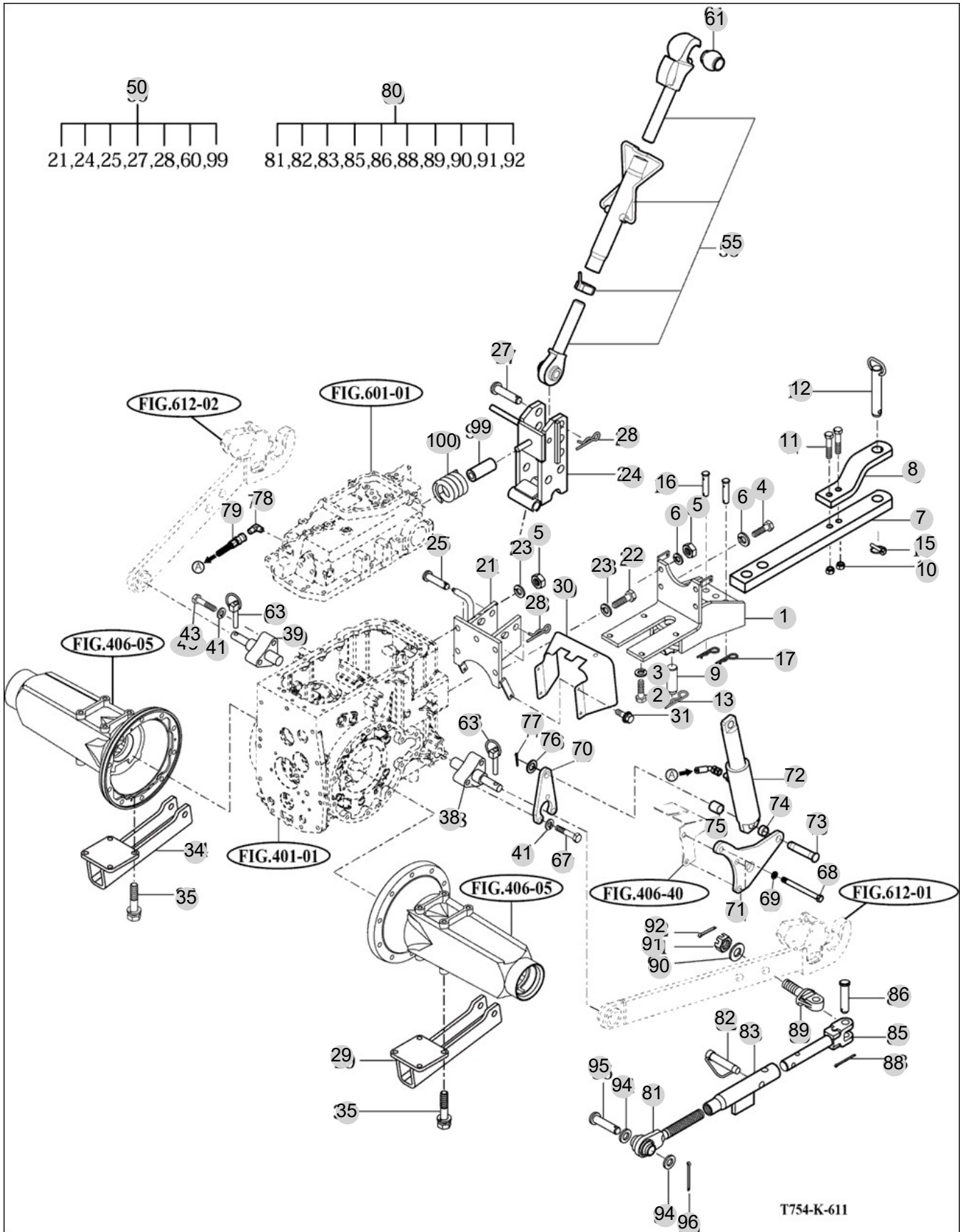
FIG 611-2

HITCH & 3-POINT LINK

년/월  
Year/Month

2022-12

T754SMEUA



NOTE



FIG 611-2		HITCH & 3-POINT LINK						년/월 Year/Month	
								2022-12	
T754SMEUA		KEY NO	PART NO	DESCRIPTION	SPEC	QTY	REPAIR	EFFECTIVE DATE	REMARKS
611-2	1	18015202000GB	BRACKET COMP , DRAW BAR/SWING	246*20*440	1				
611-2	2	V2013614035	BOLT , HEX	M14X35	4				
611-2	3	V4011600140	WASHER , SPRING	M14	4				
611-2	4	V2013616035	BOLT , HEX	M16X35	2				
611-2	5	V3043600160	NUT , HEX/2	M16	4				
611-2	6	V4011600160	WASHER , SPRING	M16	4				
611-2	7	17332470010GB	LINK , DRAW BAR SWING	65X35X660	1				
611-2	8	18992470020GB	LINK , HITCH	1X1X1	1				
611-2	9	17332472010	PIN , DRAWBAR	D=28	1				
611-2	10	15189240160	NUT , NYLON , M16	1X1X1	2				
611-2	11	V2004616080	BOLT , HEX	M16X80	2				
611-2	12	S0973063031	PIN ASSY	D=19	2				
611-2	13	V2173610020	BOLT , HEX/S		1				
611-2	13	S2169908420	PIN , SNAP/28	1X1X1	1				
611-2	15	14215020020	PIN , LINK		1				
611-2	16	15645220011	PIN , 19X86	D=19	2				
611-2	17	14445140051	PIN , 19	D=4.5	2				
611-2	21	18015222000GB	BRACKET COMP	1X1X1	1				
611-2	22	V2013616035	BOLT , HEX	M16X35	3				
611-2	23	V4011600080	WASHER , SPRING	M8	5				
611-2	24	17975222102GB	LINK COMP	13.0X18.3X23.4	1				
611-2	25	15645250010	PIN , 19X122	D=19	2				
611-2	27	15645220020	PIN , 19X95	D=19	1				
611-2	28	14445140051	PIN , 19	D=4.5	3				
611-2	29	18015254100GB	BRACKET COMP		1				
611-2	29	18015254101GB	BRACKET COMP		1				
611-2	30	13605200012GB	COVER , SHIELD	1X1X1	1				
611-2	31	V2183608016	BOLT , HEX/SP	M8X16	4				
611-2	34	18015254101GB	BRACKET COMP		1				
611-2	35	V2013614030	BOLT , HEX	M14X30	8				
611-2	38	17975252710	PIN , LOWER LINK		1				
611-2	39	17975252810	PIN , LOWER LINK	1X1X1	1				
611-2	41	V4011600140	WASHER , SPRING	M14	6				
611-2	43B	V2013614060	BOLT , HEX	M14X60	3				
611-2	50	18015200500	BRACKET ASSY	1X1X1	1				
611-2	55	18025201000GB	LINK ASSY . TOP		1				
611-2	61	17995201500	BALL , TOP LINK	1X1X1	1				
611-2	63	14215020020	PIN , LINK		2				
611-2	67	V2013614070	BOLT , HEX	M14X70	3				
611-2	68	V2004614140	BOLT , HEX	M14X140	3				
611-2	69	V4011600140	WASHER , SPRING	M14	3				
611-2	70	18095800080	PLATE , LOW SUPPORT		1				
611-2	71	18095800090	PLATE , UPR SUPPORT		1				
611-2	72	18095803001	CYLINDER ASSY , AUX		1				
611-2	73	18095800060	PIN , 20X97		1				
NOTE									



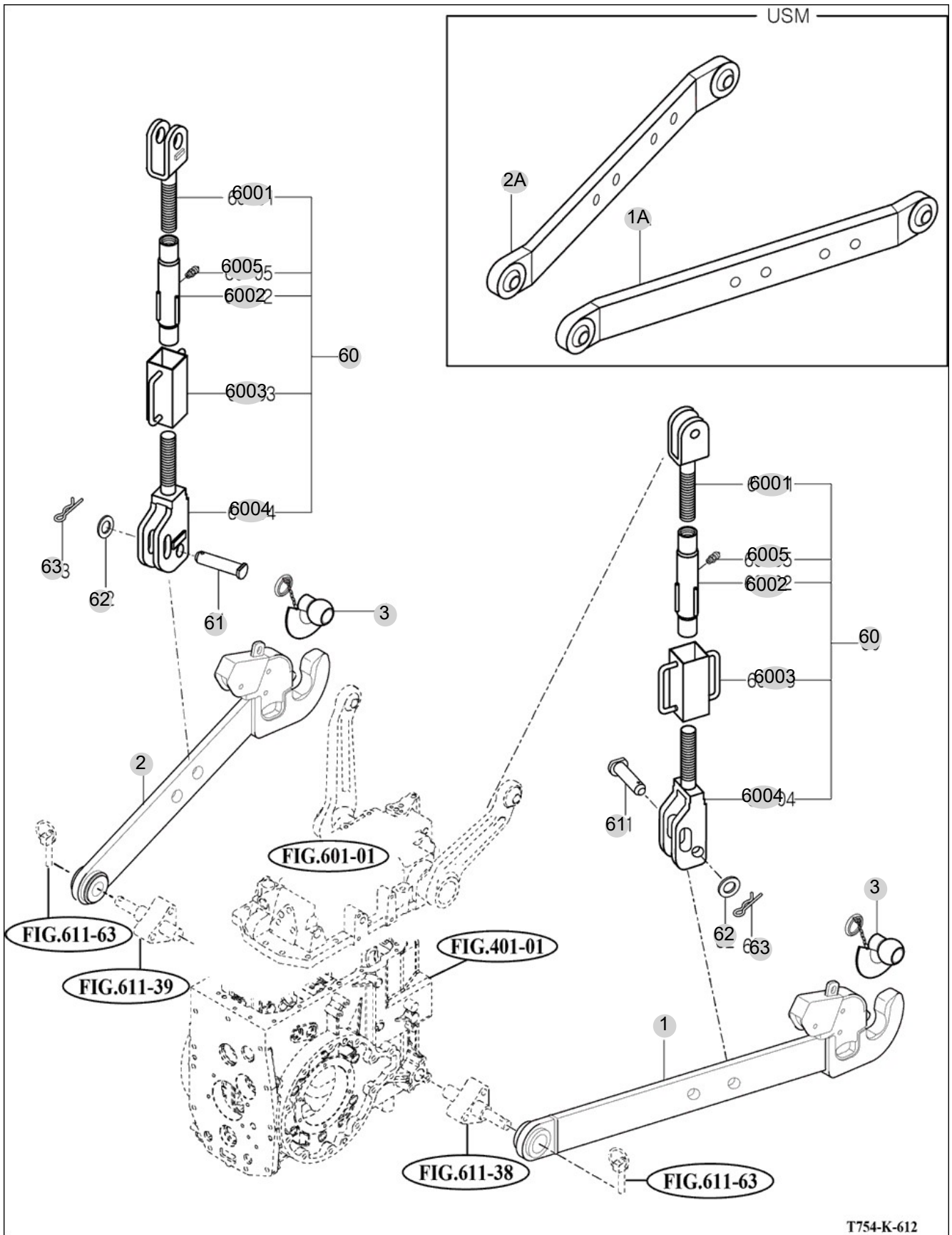
FIG 612

LOWER LINK & LIFT ROD

년/월  
Year/Month

2022-12

T754SMEUA



NOTE



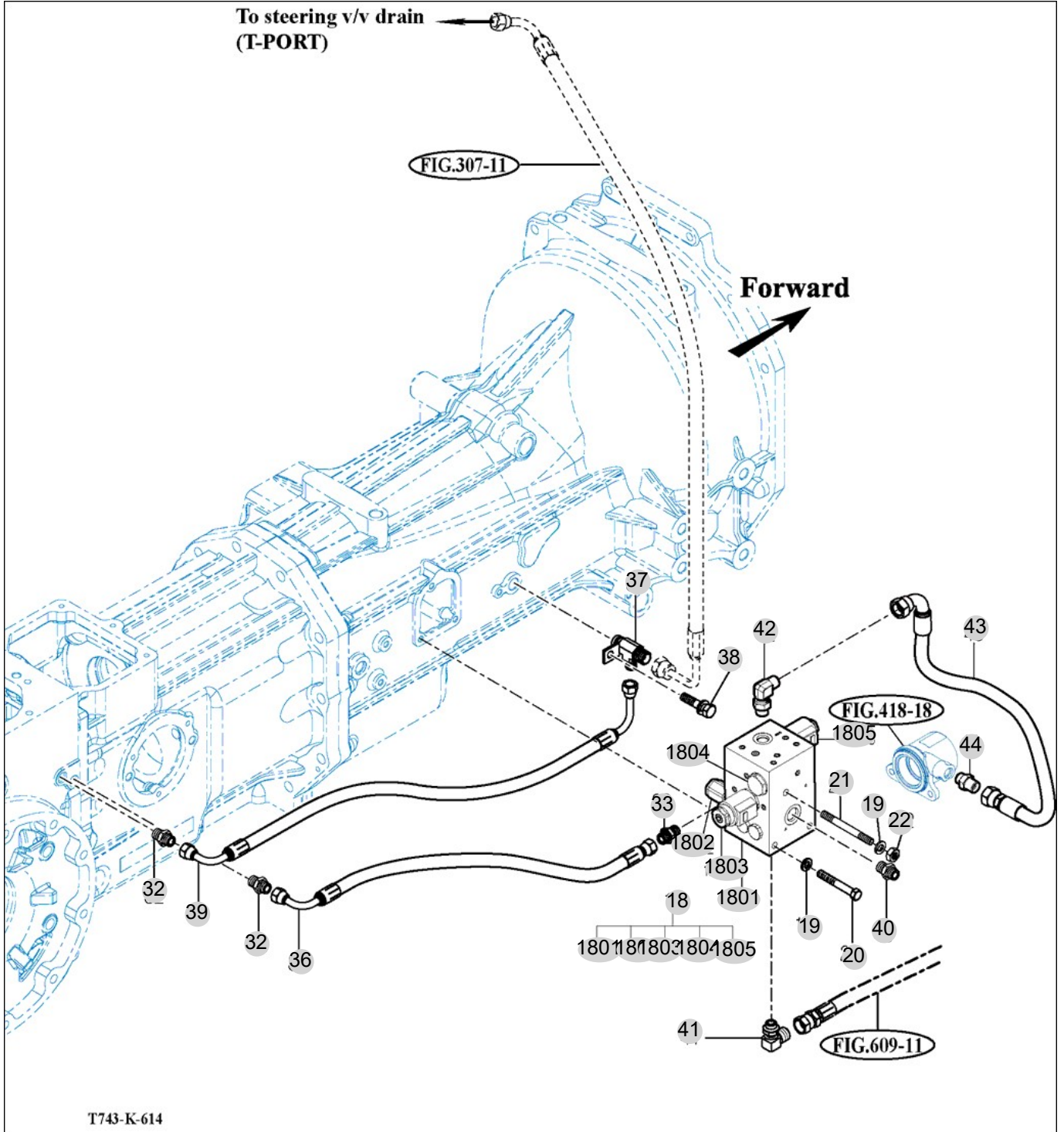
FIG 613-2(EU)

HYDRAULIC HOSE(EU)

년/월  
Year/Month

2022-12

T754SMEUA



NOTE



## 7. Sheet Metal & Cabin PART NO. T7

FIG 701 HOOD	124
FIG 702 FRONT FRAME	126
FIG 703 SIDE SUPPORT & FRAME HOOD	128
FIG 704 LEVER COVER & STEP	131
FIG 705 FRONT & REAR MOUNTING	133
FIG 706 SEAT & MAT	135
FIG 709 DOOR	137
FIG 710 FRONT GLASS	140
FIG 711 SIDE GLASS	142
FIG 712 REAR GLASS	144
FIG 713 SUB FENDER & COVER	146
FIG 714 MIRROR	148
FIG 715 HEATER & AIR-CON	150
FIG 715-2 HEATER & AIR-CON	152
FIG 716 FENDER COVER	154
FIG 717 ROOF	156
FIG 718 CABIN INTERIOR	158

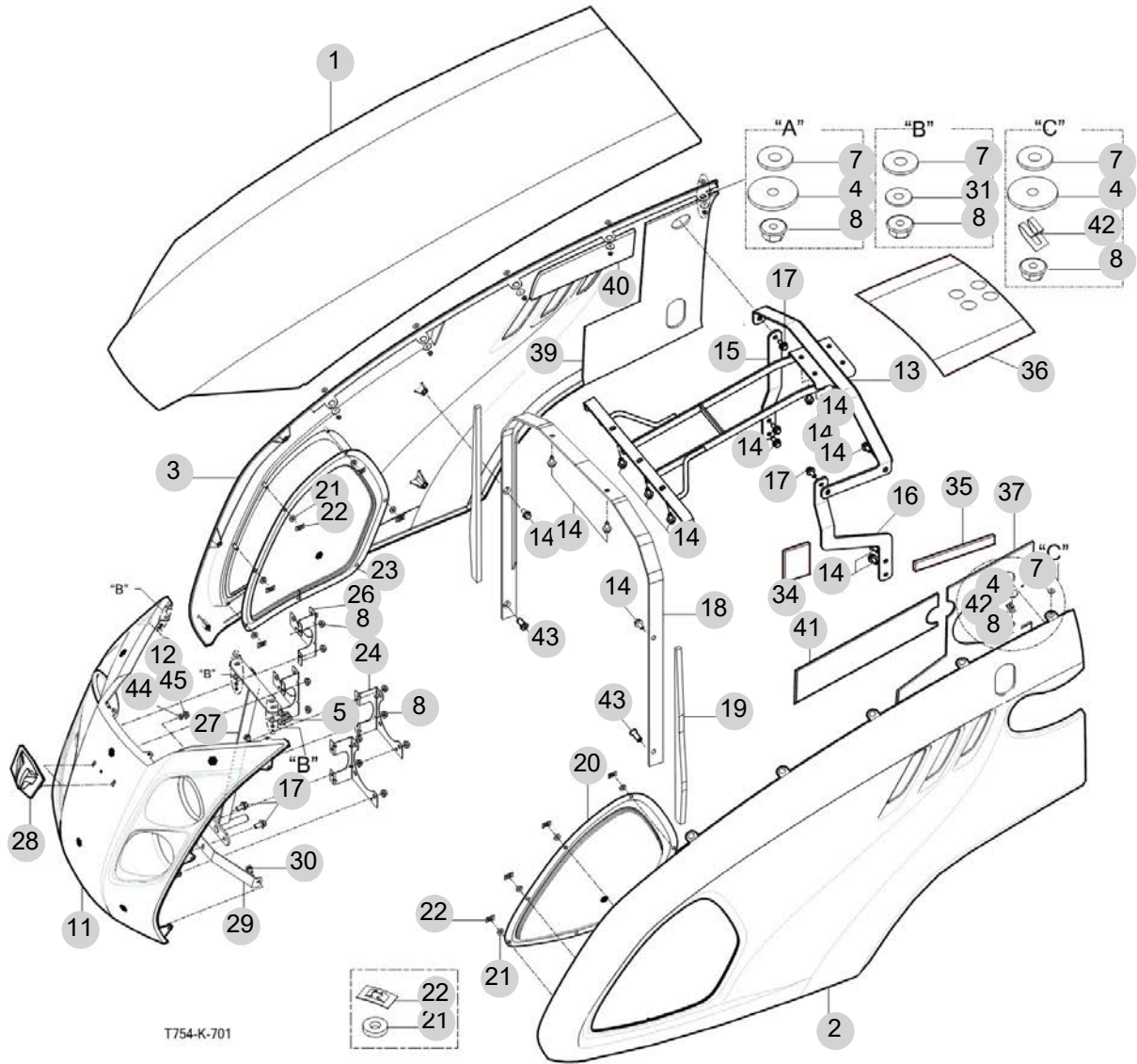
FIG 701

T754SMEUA

HOOD

년/월  
Year/Month

2022-12



NOTE





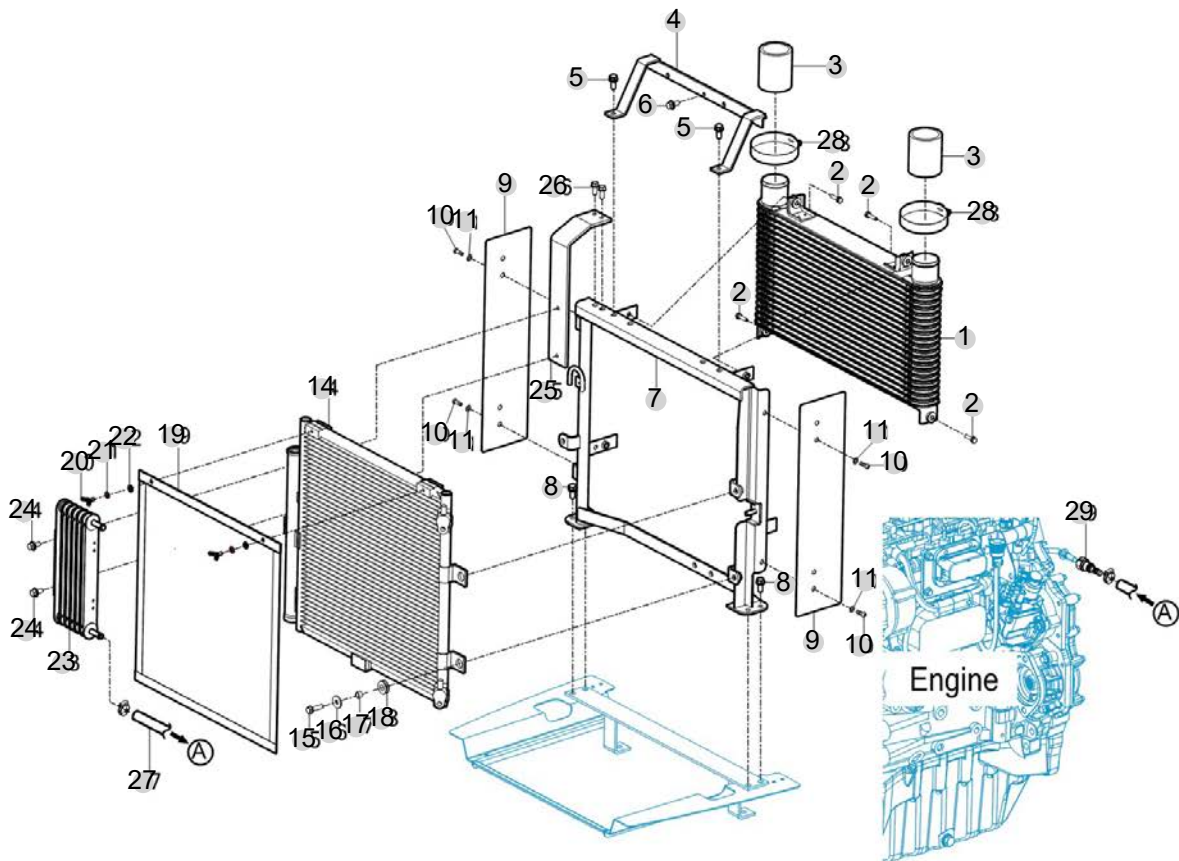
FIG 702

FRONT FRAME

년/월  
Year/Month

2022-12

T754SMEUA



T754-K-702

NOTE



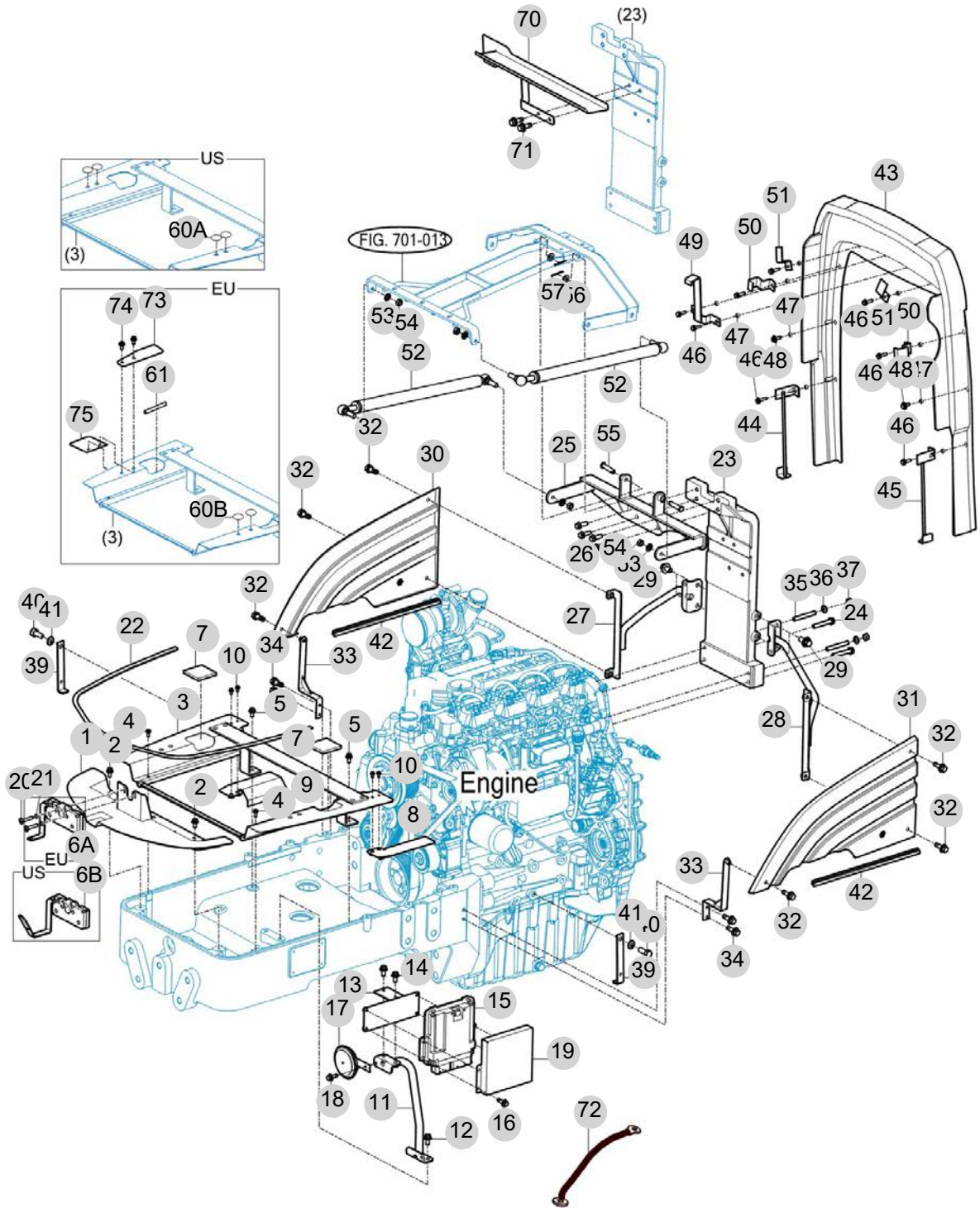
FIG 703

SIDE SUPPORT & FRAME HOOD

년/월  
Year/Month

2022-12

T754SMEUA



T754-K-703

NOTE

FIG 703 T754SMEUA		SIDE SUPPORT & FRAME HOOD					년/월 Year/Month	
							2022-12	
KEY NO	PART NO	DESCRIPTION	SPEC	QTY	REPAIR	EFFECTIVE DATE	REMARKS	
703	1	18014103101GB	PLATE COMP, LOW/FR		1			
703	2	V2173608020	BOLT , HEX/S	M8X20	2			
703	3	18026022102GB	FRAME COMP , BETTERY		1			
703	4	V2113606016	BOLT , HEX /S	M6X16	2			
703	5	V2183608020	BOLT , HEX/SP	M8X20	2			
703	6A	18026014800	LOCK COMP , HOOD		1			
703	7	10031040020	INSULATOR , RADIATOR	T=10	2			
703	8	17136012400GB	COVER COMP , LH	170X64X37	1			
703	9	17136012300GB	COVER COMP , RH	170X64X37	1			
703	10	V2123606012	BOLT , HEX /SP	M6X12	4			
703	11	18021051100	ECU STAND COMP		1			
703	12	V2184610025	BOLT , HEX/SP	M10X25	2			
703	13	18021051200	BRACKET COMP , ECU		1			
703	13	18021051200GB	BRACKET COMP , ECU		1			
703	14	V2184608020	BOLT , HEX/SP	M8X20	2			
703	15	02959610	CONTROL UNIT (ECU)		1			
703	16	V2123606025	BOLT , HEX /SP	M6X25	4			
703	17	13266212003	HORN		1			
703	18	V2123606016	BOLT , HEX /SP	M6X16	1			
703	19	18021025200GB	COVER , ECU		1			
703	20	V2053606035	BOLT , HEX C/R	M6X35	2			
703	21	V3802600060	NUT , HEX FLANGE	M6	2			
703	22	10034100010	INSULATOR, HOOD		1			
703	23	18026050011GB	HOOD SUPPORT		1			
703	24	V2173608050	BOLT . HEX/S	M8X50	2			
703	25	17136052102GB	HINGE COMP , HOOD		1			
703	25	17136052103GB	HINGE COMP , HOOD		1			
703	26	V2173610035	BOLT , HEX/S	M10X35	4			
703	27	18026022500GB	STAY COMP , RH		1			
703	28	18026022400GB	STAY COMP , LH		1			
703	29	V2183610020	BOLT , HEX/SP	M10X20	4			
703	30	17136113021GB	SUPPORT , RH SIDE		1			
703	31	17136113011GB	SUPPORT , LH SIDE		1			
703	32	V2123806012	BOLT . HEX /SP	M6X12	6			
703	33	18026022600GB	FRAME COMP , SIDE		2			
703	34	V2183608020	BOLT , HEX/SP	M8X20	4			
703	35	V2513408050	BOLT , STUD/2	M8X50	2			
703	36	V4011600080	WASHER , SPRING	M8	2			
703	37	V3042600080	NUT , HEX/2	M8	2			
703	39	18024050010GB	BRACKET , STEERING HOSE		2			
703	40	V2013614030	BOLT , HEX	M14X30	2			
703	41	V4011600140	WASHER , SPRING	M14	2			
703	42	17136040050	INSULATOR , SUPPORT		2			
703	43	18026301040	EXTENSION COVER		1			
703	44	18027071400GB	BRACKET COMP, EXTENTION COVER/RH		1			
NOTE								









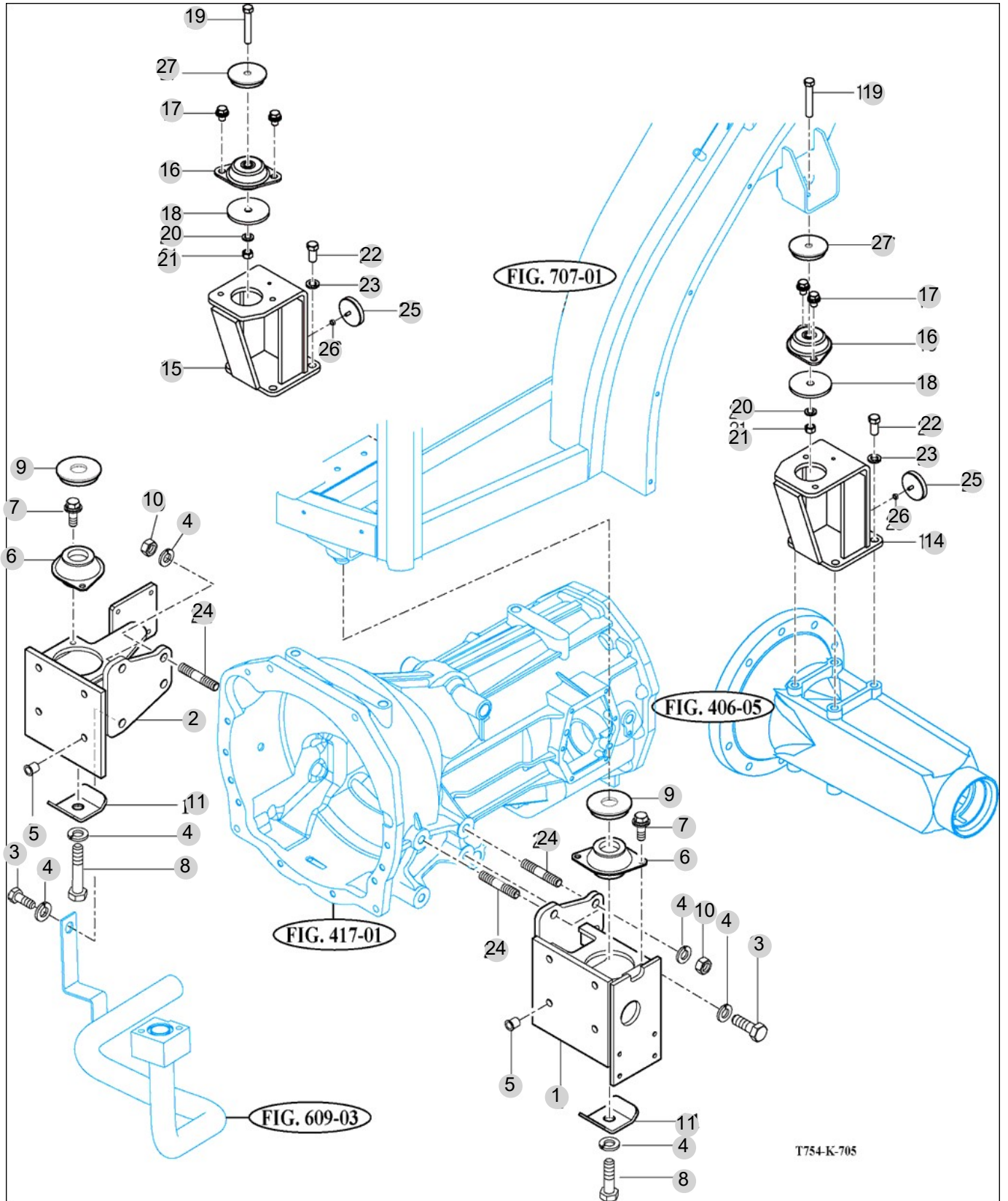
FIG 705

T754SMEUA

FRONT & REAR MOUNTING

년/월  
Year/Month

2022-12



T754-K-705

NOTE







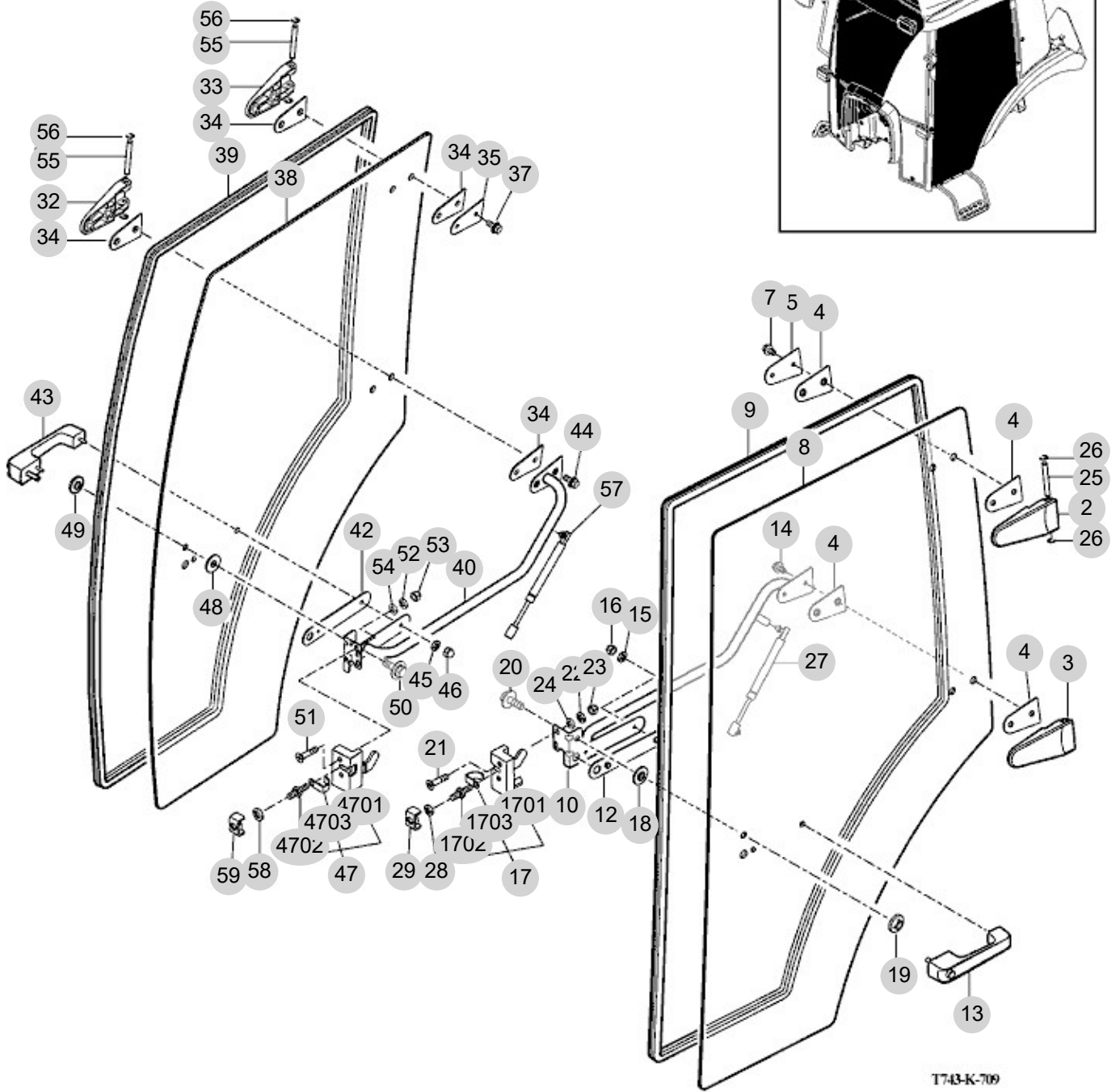
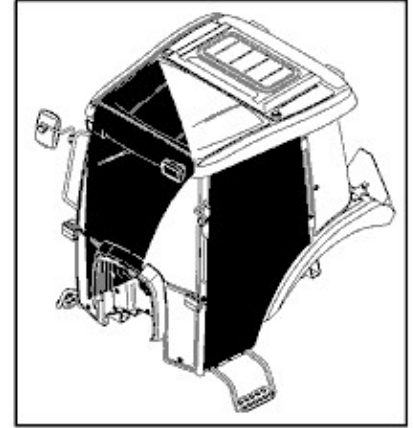
FIG 709

T754SMEUA

DOOR

년/월  
Year/Month

2022-12



NOTE

FIG 709		DOOR					년/월 Year/Month		
							2022-12		
T754SMEUA		KEY NO	PART NO	DESCRIPTION	SPEC	QTY	REPAIR	EFFECTIVE DATE	REMARKS
709	2	14527052300	HINGE COMP , UPR/LH	1X1X1	1				
709	3	14527052400	HINGE COMP , UPR/RH	1X1X1	1				
709	4	14527052110	GASKET , DOOR HINGE	1X1X1	4				
709	5	14527052120GB	PLATE , DOOR HINGE	1X1X1	1				
709	7	V2183608020	BOLT , HEX/SP	M8X20	2				
709	8	14527052131	GLASS , LH/ DOOR	6T	1				
709	9	14527052140	INSULATOR/DOOR	1X1X1	1				
709	10	14527052500GB	GUIDE COMP ,LH/ DOOR	1X1X1	1				
709	12	14527052150	GASKET,DOOR GRIP	1X1X1	1				
709	13	14527052600	GRIP ASSY, LOCK/HANDLE	1X1X1	1				
709	14	V2183608020	BOLT , HEX/SP	M8X20	2				
709	15	V4011600060	WASHER , SPRING	M6	2				
709	16	V3402700060	NUT , HEX CAP	M6	2				
709	17	14527052700	LOCK SET , LH/DOOR	1X1X1	1				
709	1701	14527052710	LOCK ASSY, LH/DOOR	1X1X1	1				
709	1702	14527052720	STRIKER	1X1X1	1				
709	1703	14527052730	GUARD	1X1X1	1				
709	18	15817401130	GROMMET , 13X17X02		1				
709	19	14527042500	NUT COMP , GLASS	1X1X1	1				
709	20	V2193606012	BOLT , HEX/SPL	M6X12	1				
709	21	V1122608040	SCREW , C/R FLAT	M8X40	2				
709	22	V4011600080	WASHER , SPRING	M8	2				
709	23	V3412700080	NUT , SMALL CAP	M8	2				
709	24	V4111600080	WASHER , PLAIN	M8	2				
709	25	14527041110	PIN, HINGE DOOR	D=8	2				
709	26	V7082400070	E-RING	7	4				
709	27	14527301080	DAMPER ASSY , DOOR	1X1X1	1				
709	28	V4011600100	WASHER , SPRING	M10	1				
709	29	14527062500GB	BRACKET COMP , DOOR LOCK	1X1X1	1				
709	32	14527052300	HINGE COMP , UPR/LH	1X1X1	1				
709	33	14527052400	HINGE COMP , UPR/RH	1X1X1	1				
709	34	14527052110	GASKET , DOOR HINGE	1X1X1	4				
709	35	14527052120GB	PLATE , DOOR HINGE	1X1X1	1				
709	37	V2183608020	BOLT , HEX/SP	M8X20	2				
709	38	14527053131	GLASS , RH/ DOOR	6T	1				
709	39	14527052140	INSULATOR/DOOR	1X1X1	1				
709	40	14527053500GB	GUIDE COMP ,RH/DOOR	1X1X1	1				
709	42	14527052150	GASKET,DOOR GRIP	1X1X1	1				
709	43	14527052600	GRIP ASSY, LOCK/HANDLE	1X1X1	1				
709	44	V2183608020	BOLT , HEX/SP	M8X20	2				
709	45	V4011600060	WASHER , SPRING	M6	2				
709	46	V3402700060	NUT , HEX CAP	M6	2				
709	47	14527053700	LOCK SET , RH/DOOR	1X1X1	1				
709	4701	14527053710	LOCK ASSY, RH/DOOR	1X1X1	1				
709	4702	14527052720	STRIKER	1X1X1	1				
NOTE									





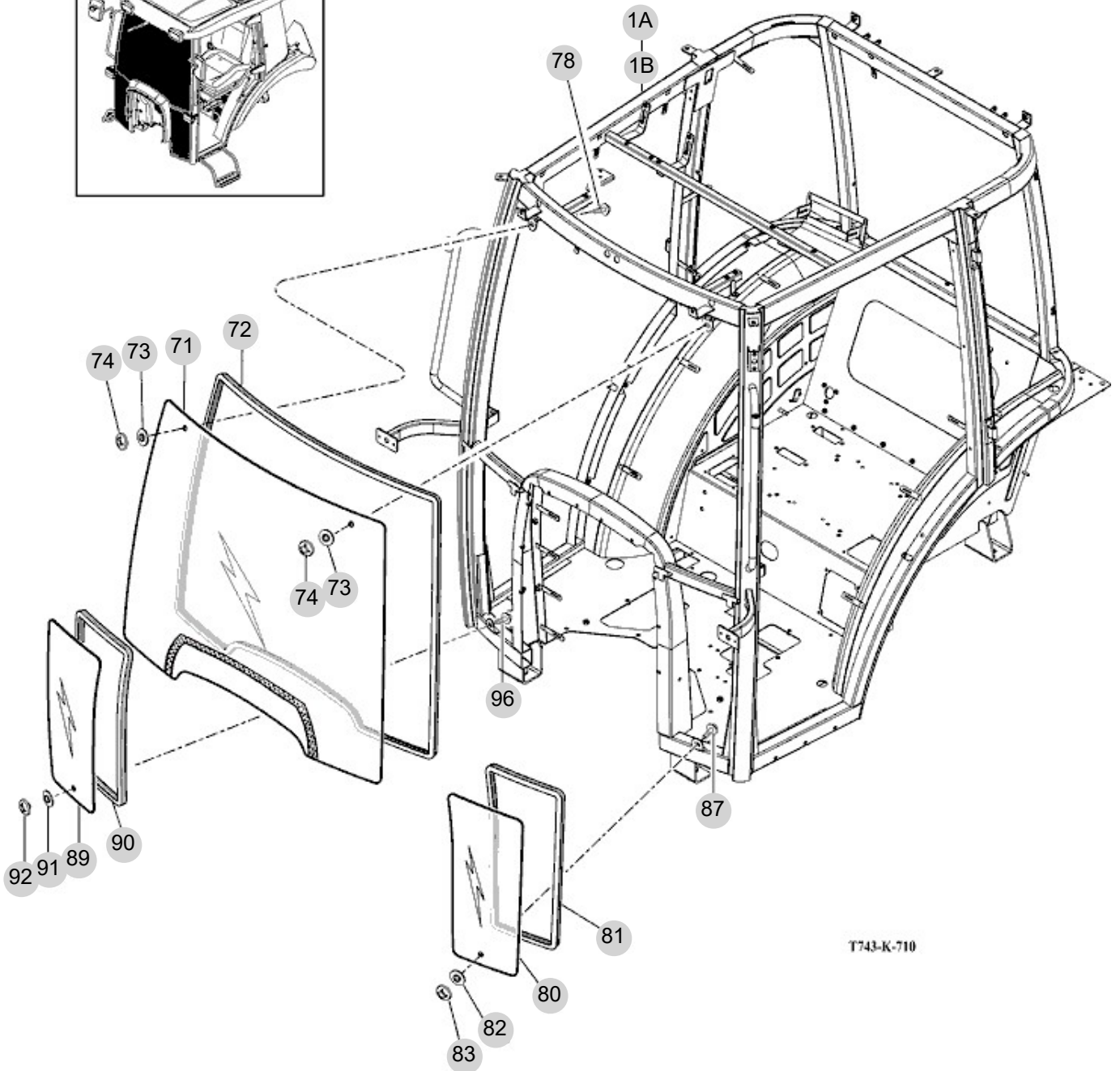
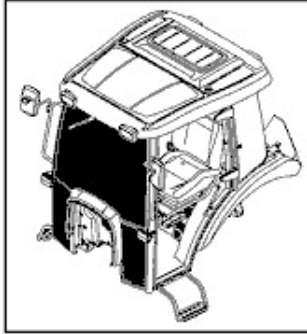
FIG 710

FRONT GLASS

년/월  
Year/Month

2022-12

T754SMEUA



T743-K-710

NOTE



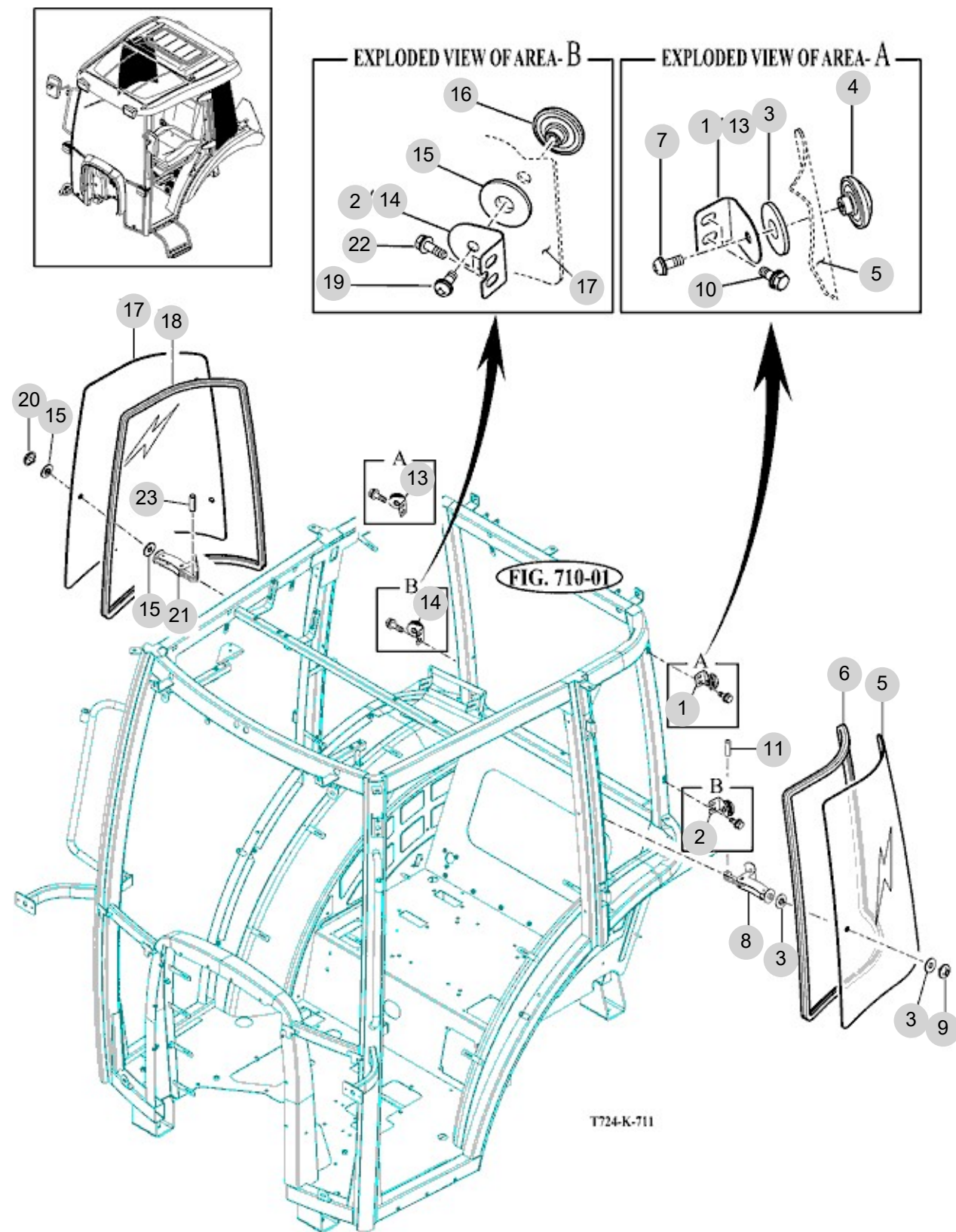


FIG 711

SIDE GLASS

년/월  
Year/Month

2022-12



NOTE



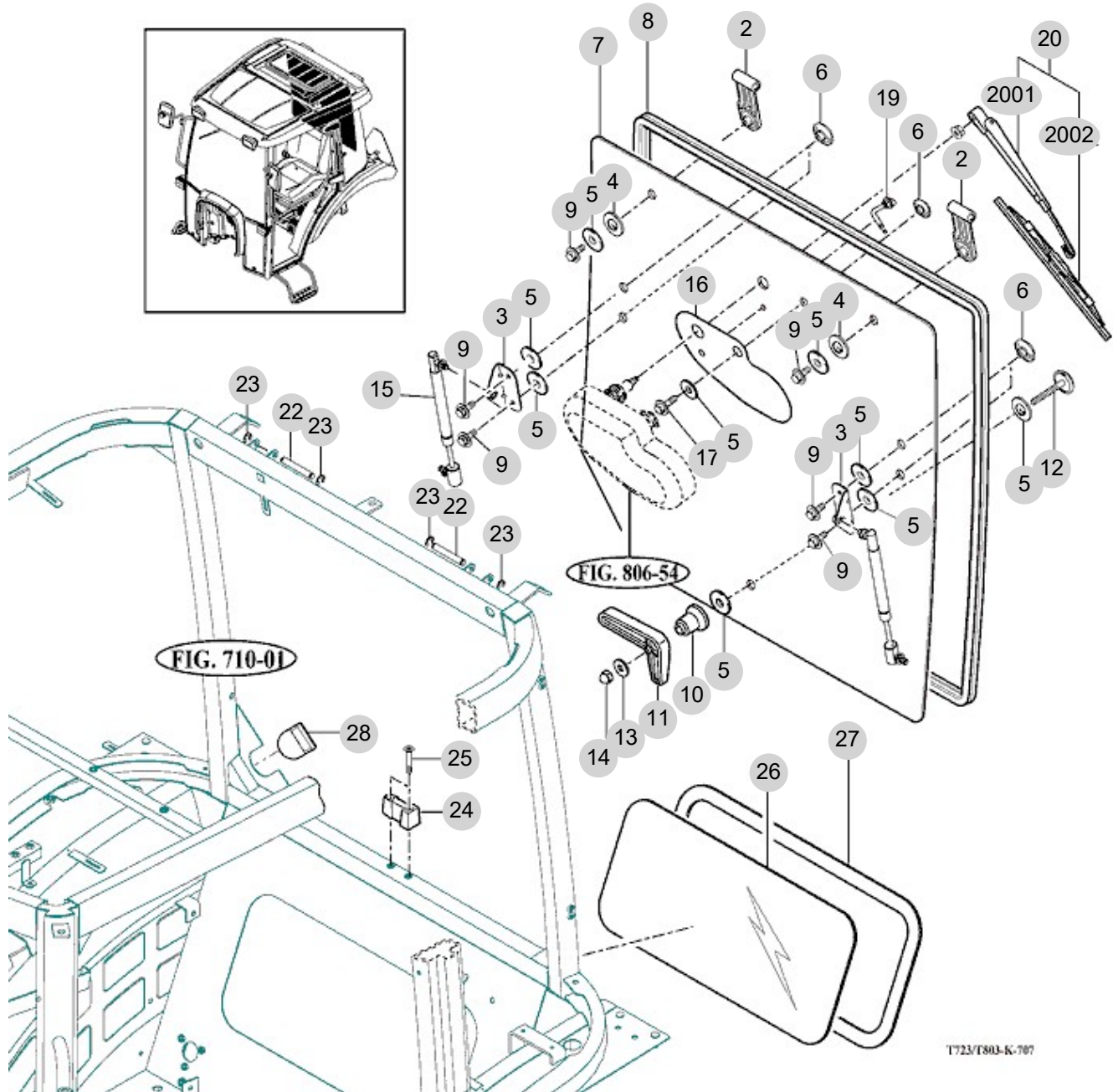
FIG 712

REAR GLASS

년/월  
Year/Month

2022-12

T754SMEUA



T723/T803-K-707

NOTE



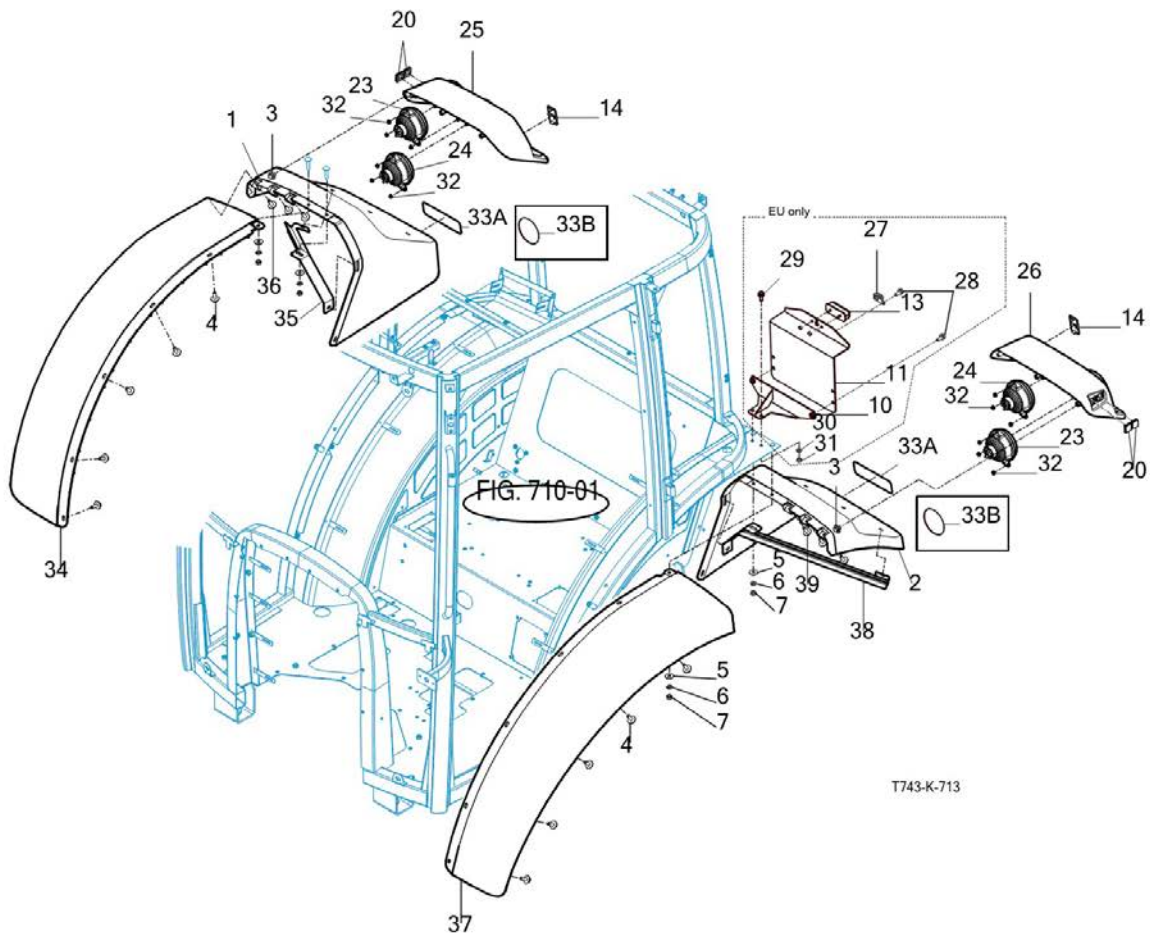
FIG 713

SUB FENDER & COVER

년/월  
Year/Month

2022-12

T754SMEUA



NOTE

<b>FIG 713</b> T754SMEUA	<b>SUB FENDER &amp; COVER</b>						년/월 Year/Month

KEY NO	PART NO	DESCRIPTION	SPEC	QTY	REPAIR	EFFECTIVE DATE	REMARKS
713	1	18017064012SR	FENDER , RH				
713	1	11447064020SR	FENDER , RH				
713	2	18017063012SR	FENDER , LH				
713	2	11447063020SR	FENDER , LH				
713	3	V2193606012	BOLT , HEX/SPL				
713	4	V2193606020	BOLT , HEX/SPL				
713	5	16997013020	WASHER , EVAPORATOR COVER				
713	6	V4011600060	WASHER , SPRING				
713	7	V3012600060	NUT , HEX/2				
713	10	18017015500GB	BRACKET COMP , NUMBER PLATE				
713	11	13607010012GB	NUMBER PLATE				
713	13	13607024000	LAMP ASSY , NUMBER PLATE				
713	14	14527063311	CAP,SWITCH				
713	14	14527063311	CAP,SWITCH				
713	20	19156460020	PLUG , SWITCH				
713	23	11447023300	LAMP ASSY , RR COMBINATION				
713	24	13367023400	LAMP ASSY , STOP				
713	24	11447023400	LAMP ASSY , STOP				
713	25	10017064022	COVER , LAMP/RH				
713	25	10017064023	COVER , LAMP/RH				
713	25	10017064024	COVER , LAMP/RH				
713	26	10017063025	RAMP COVER , LH				
713	26	10017063022	COVER , LAMP/LH				
713	26	10017063023	COVER , LH/LAMP				
713	26	10017063024	COVER , LH/LAMP				
713	26	10017063025	RAMP COVER , LH				
713	27	14256210040	CLAMP , 9				
713	28	V2183608020	BOLT , HEX/SP				
713	29	V2183608025	BOLT , HEX/SP				
713	30	V4011600080	WASHER , SPRING				
713	31	V3042600080	NUT , HEX/2				
713	32	V3802600060	NUT , HEX FLANGE				
713	33B	11446571000	REAR REFLECTOR				
713	34	11447064100SR	FENDER , RH				
713	35	11447052000GB	BRACKET COMP , EXTENTION COVER/LH				
713	36	V2193606020	BOLT , HEX/SPL				
713	37	11447063100SR	FENDER , LH FORNT				
713	38	11447051000GB	BRACKET COMP , EXTENTION COVER/LH				
713	39	V2193606020	BOLT , HEX/SPL				

NOTE	
------	--



FIG 714

MIRROR

년/월  
Year/Month

2022-12

T754SMEUA

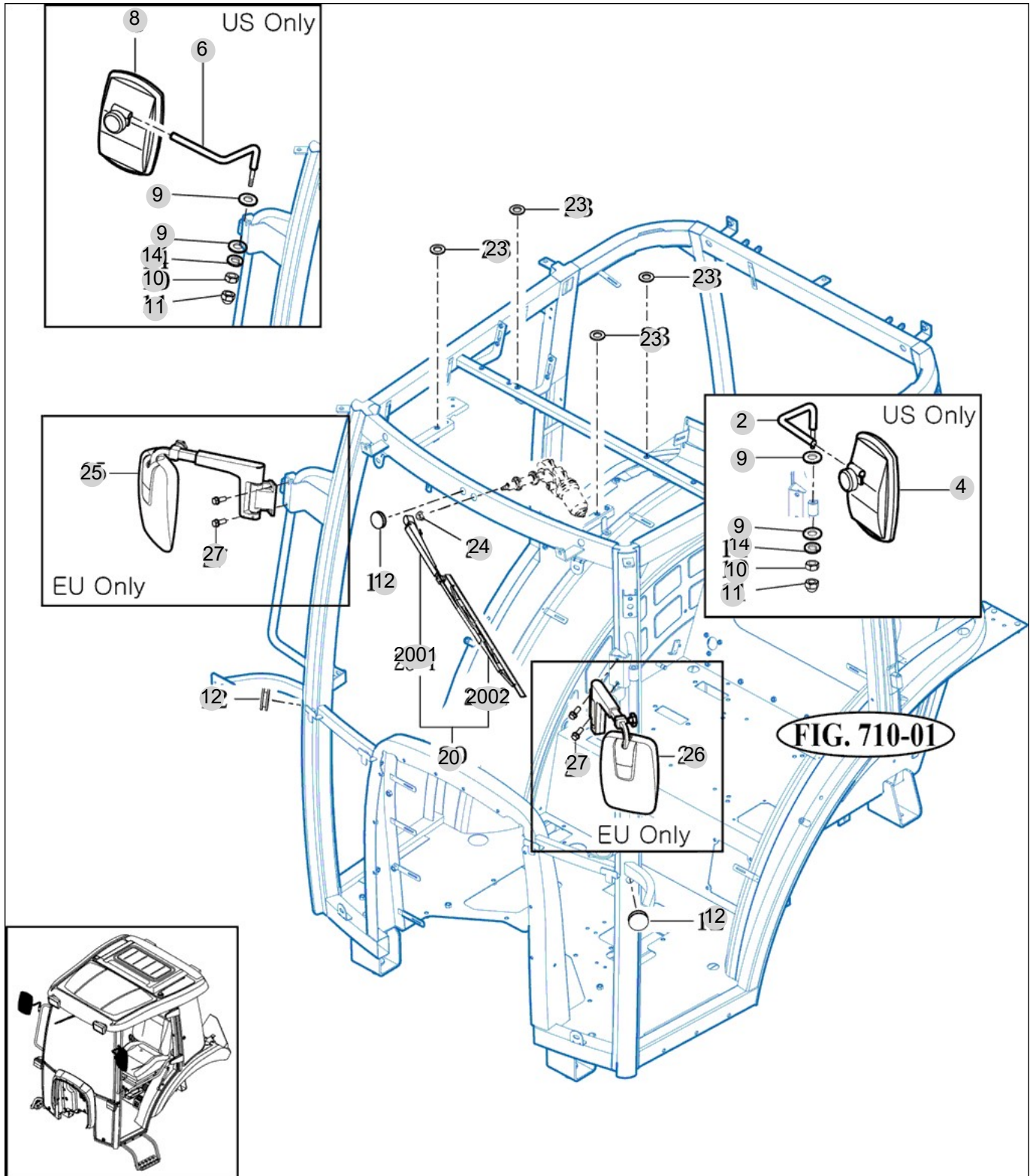


FIG. 710-01

T743-K-714

NOTE





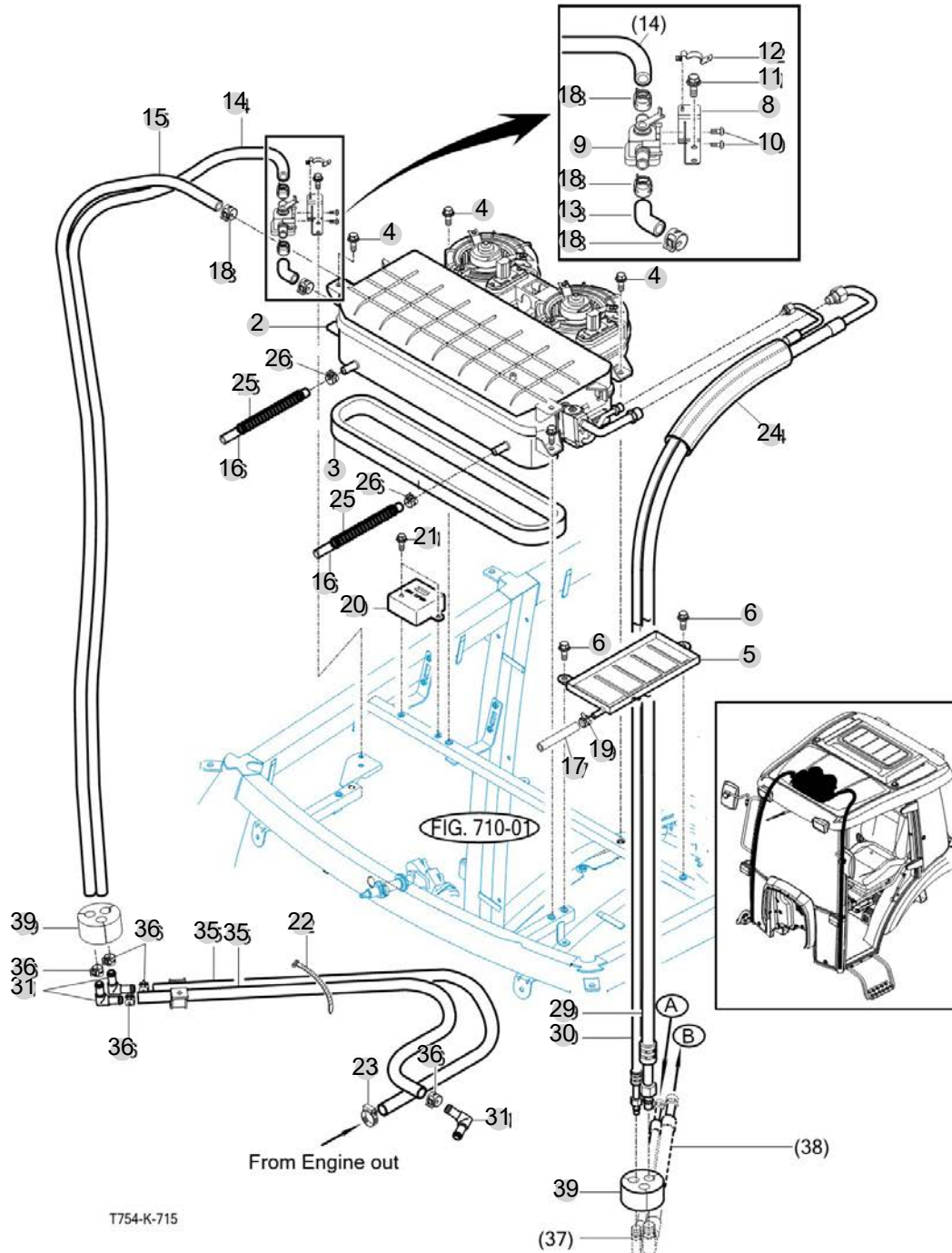
FIG 715

HEATER & AIR-CON

년/월  
Year/Month

2022-12

T754SMEUA



NOTE

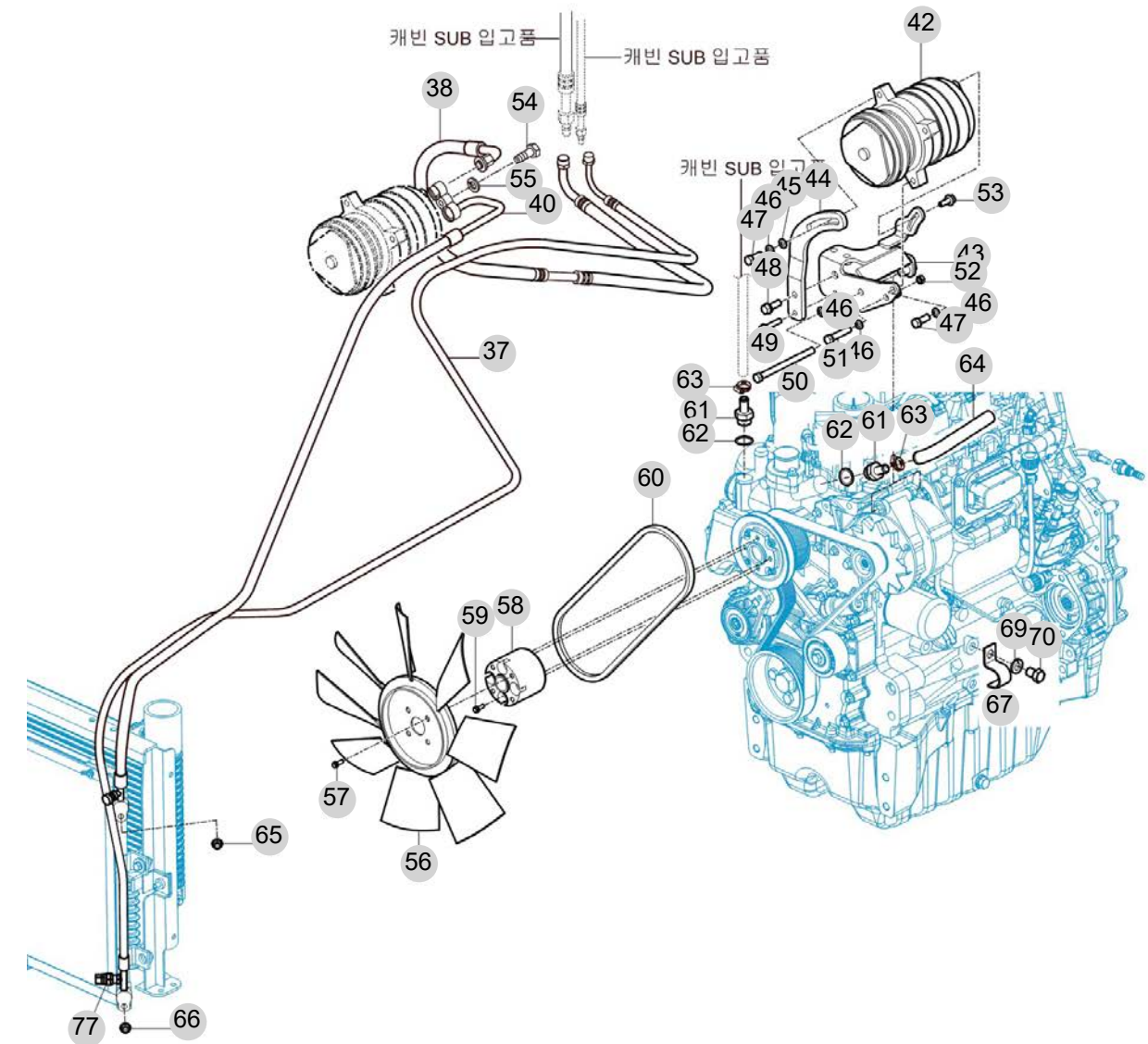


FIG 715-2

HEATER & AIR-CON

년/월  
Year/Month

2022-12



NOTE



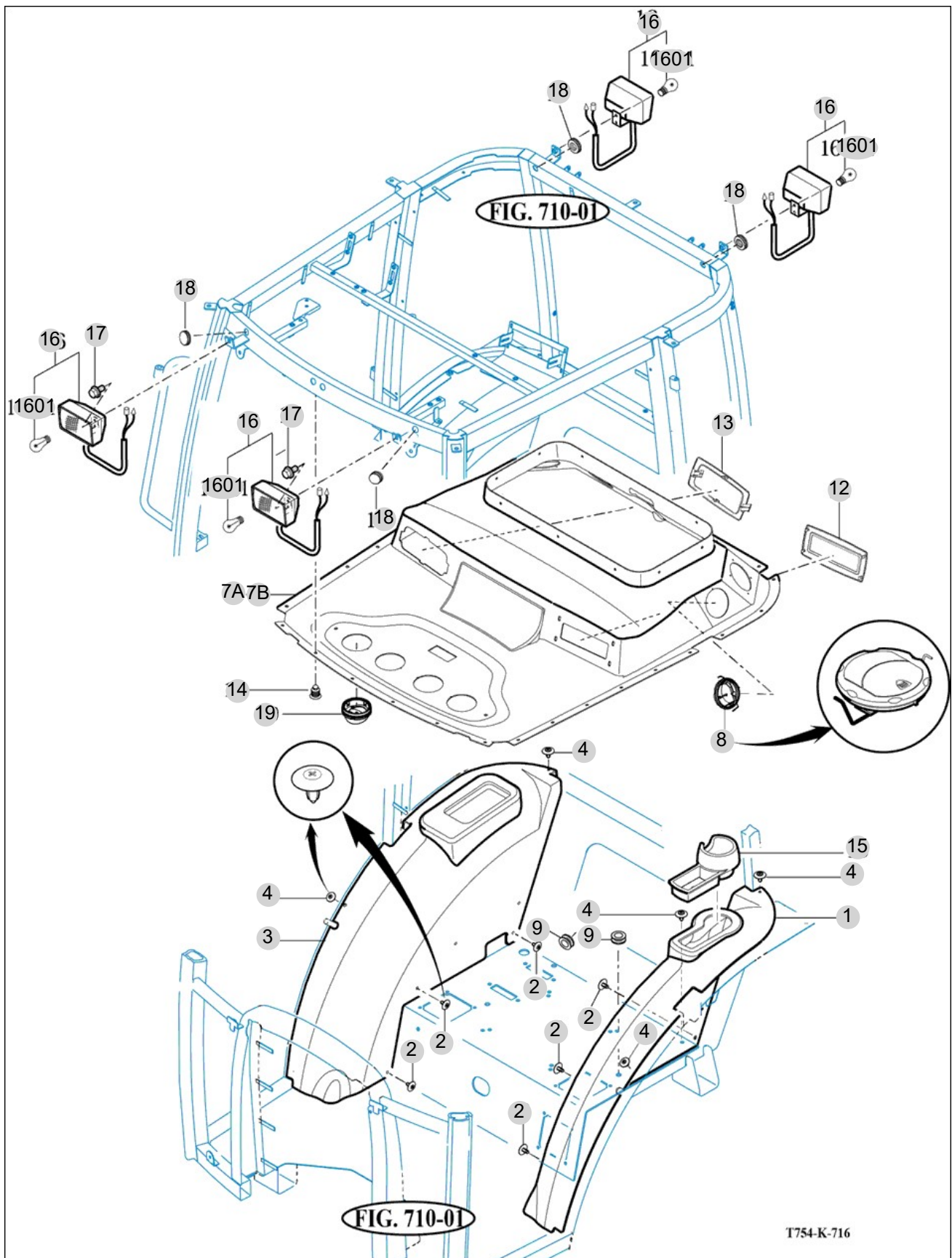
FIG 716

FENDER COVER

년/월  
Year/Month

2022-12

T754SMEUA



T754-K-716

NOTE





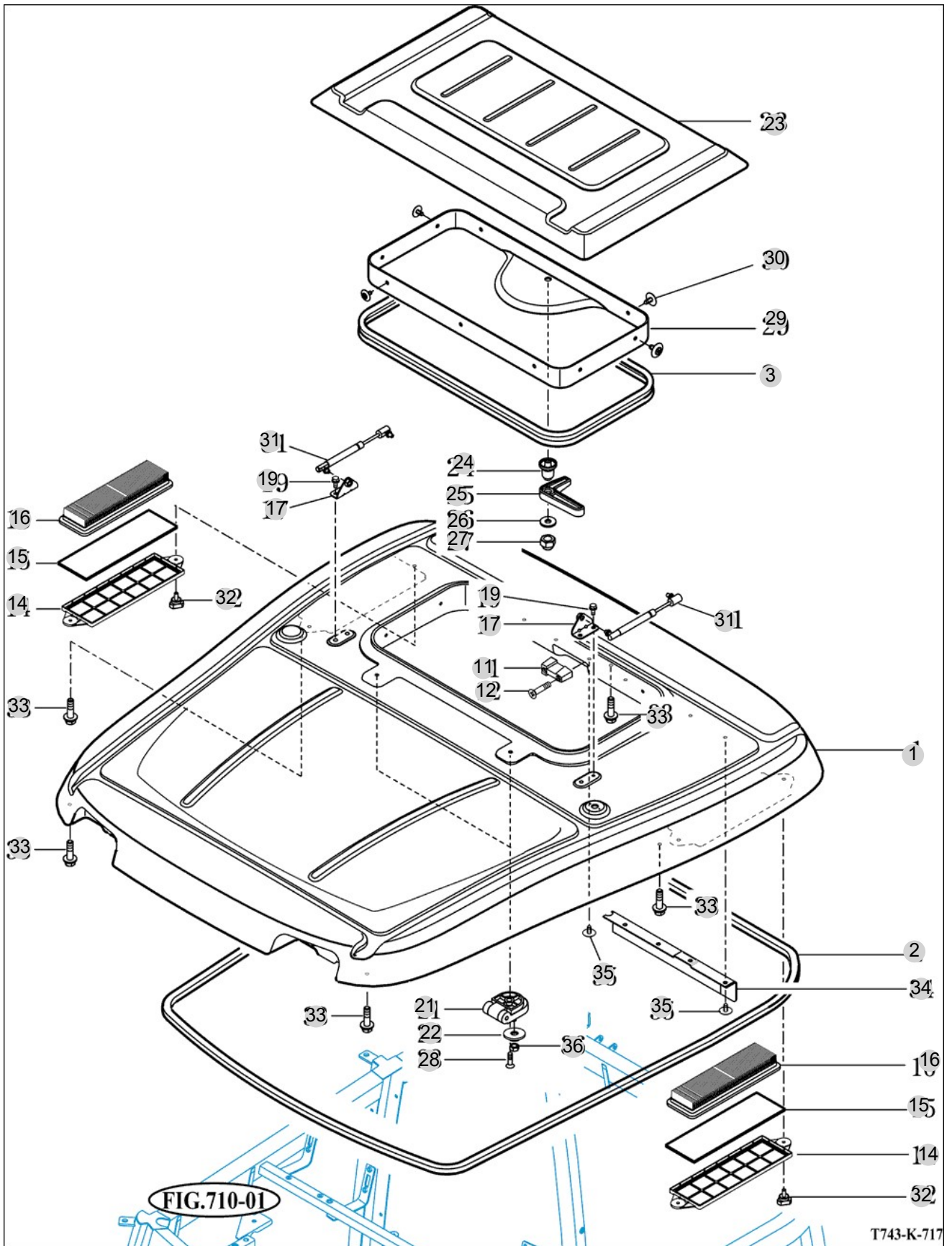
FIG 717

T754SMEUA

ROOF

년/월  
Year/Month

2022-12



NOTE





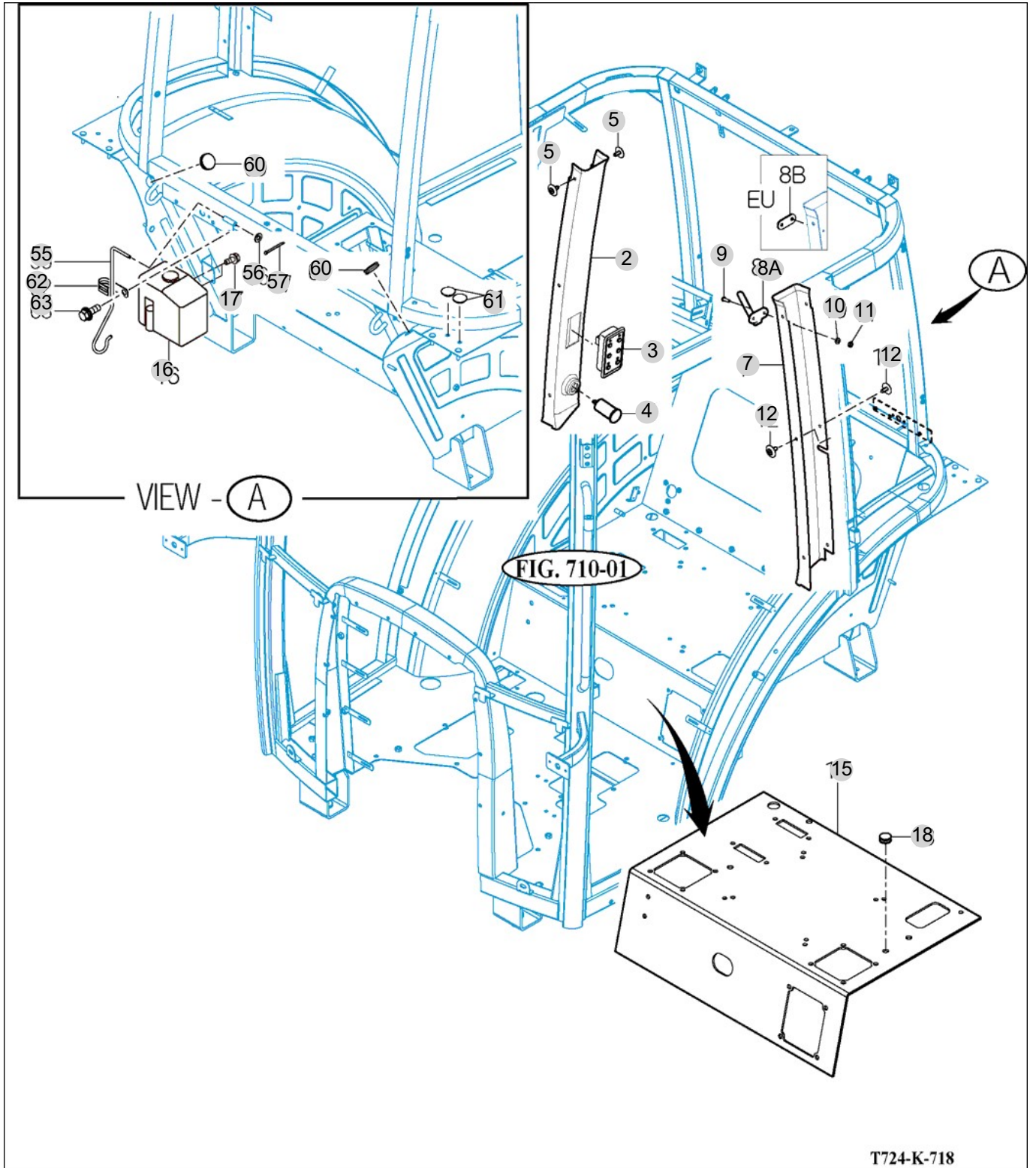
FIG 718

CABIN INTERIOR

년/월  
Year/Month

2022-12

T754SMEUA



NOTE



## 8. Electrical System PART NO. T8

FIG 801 BATTERY & MOUNTING	161
FIG 802 HARNESS	163
FIG 803 LIGHT & BACK LAMP	165
FIG 804 INSTRUMENT PANEL	167
FIG 805 ELECTRIC SYSTEM (1)	169
FIG 806 ELECTRIC SYSTEM (2)	171

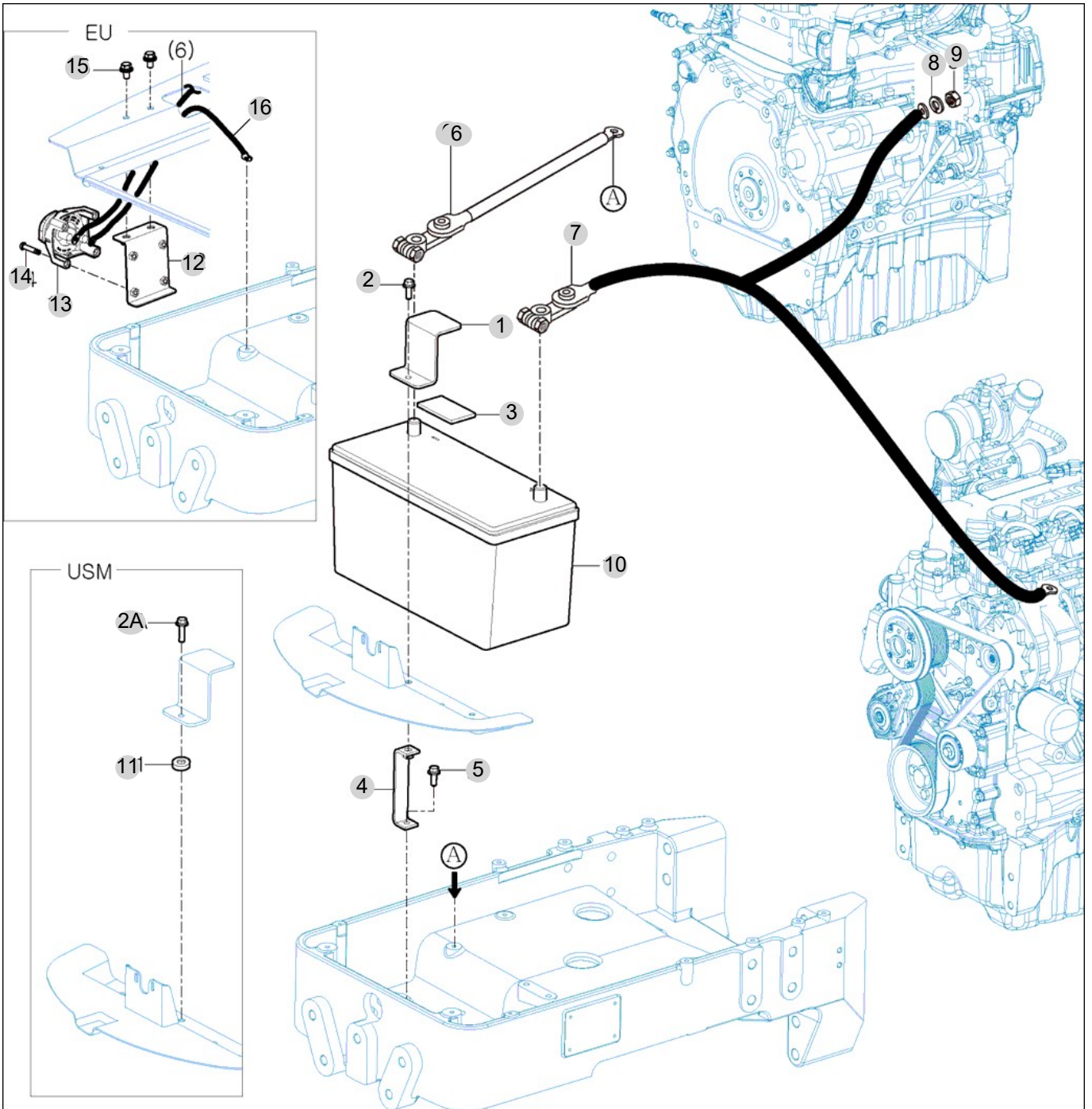
FIG 801

BATTERY & MOUNTING

년/월  
Year/Month

2022-12

T754SMEUA



NOTE





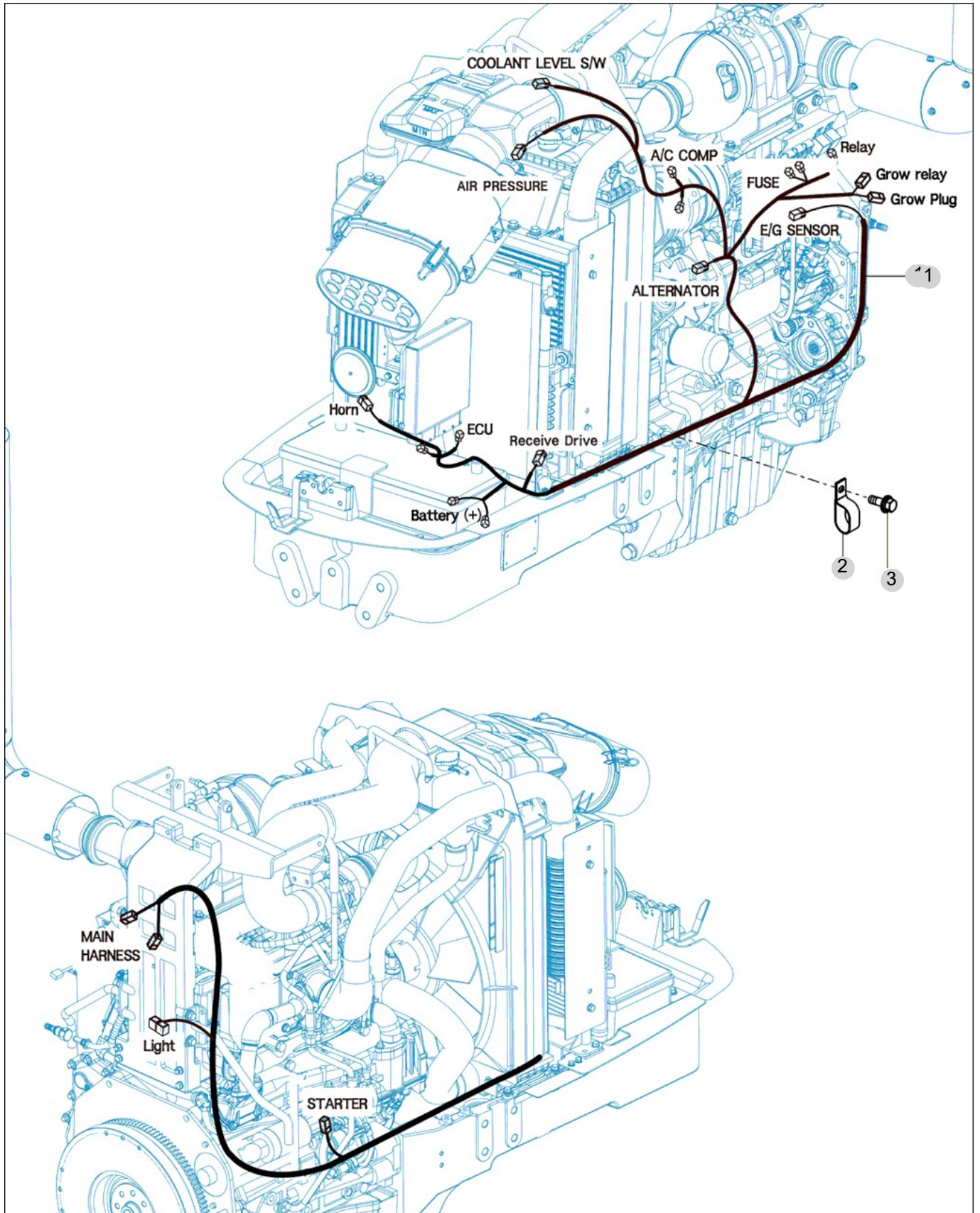
FIG 802

HARNESS

년/월  
Year/Month

2022-12

T754SMEUA



NOTE





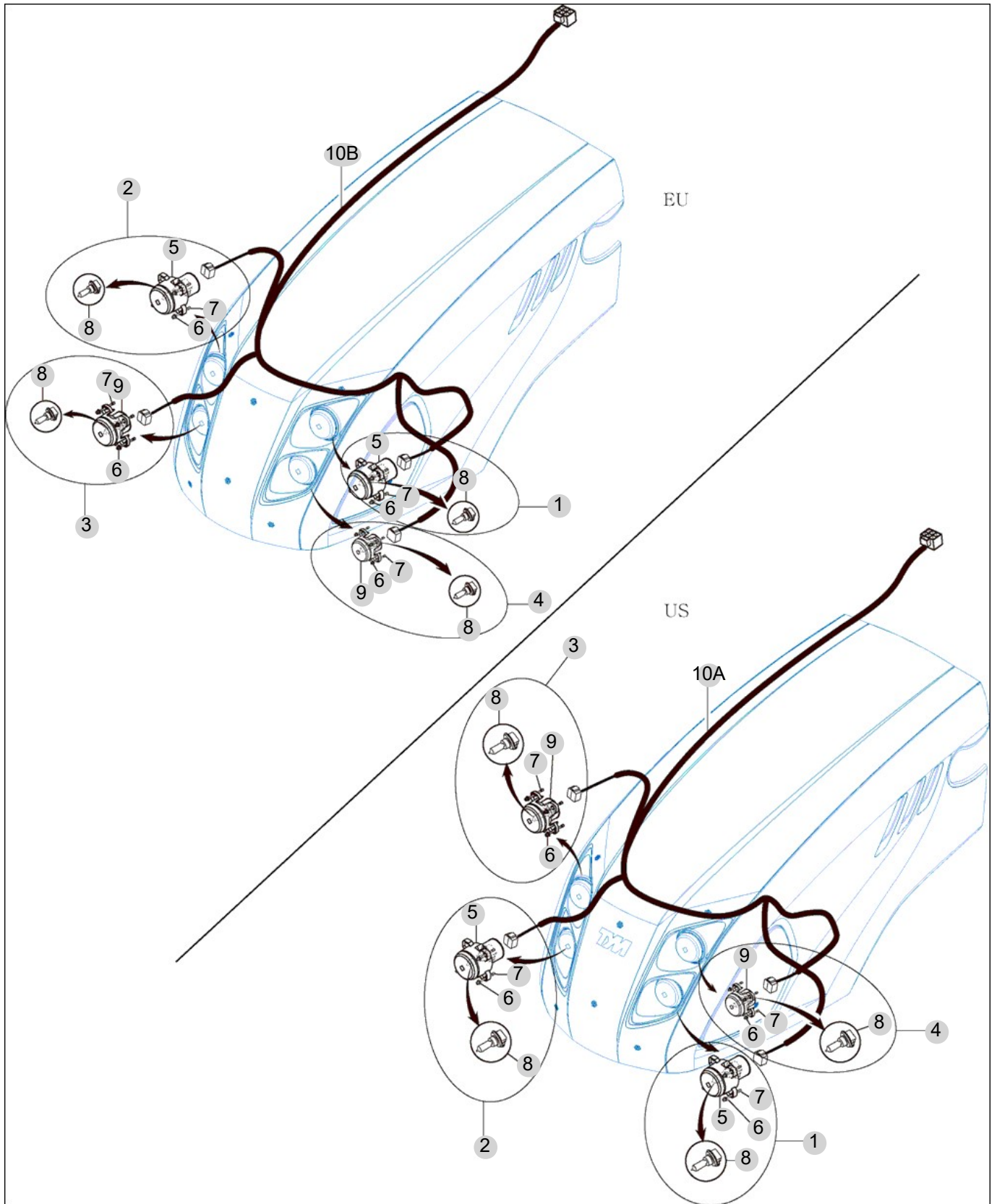
FIG 803

LIGHT & BACK LAMP

년/월  
Year/Month

2022-12

T754SMEUA



NOTE



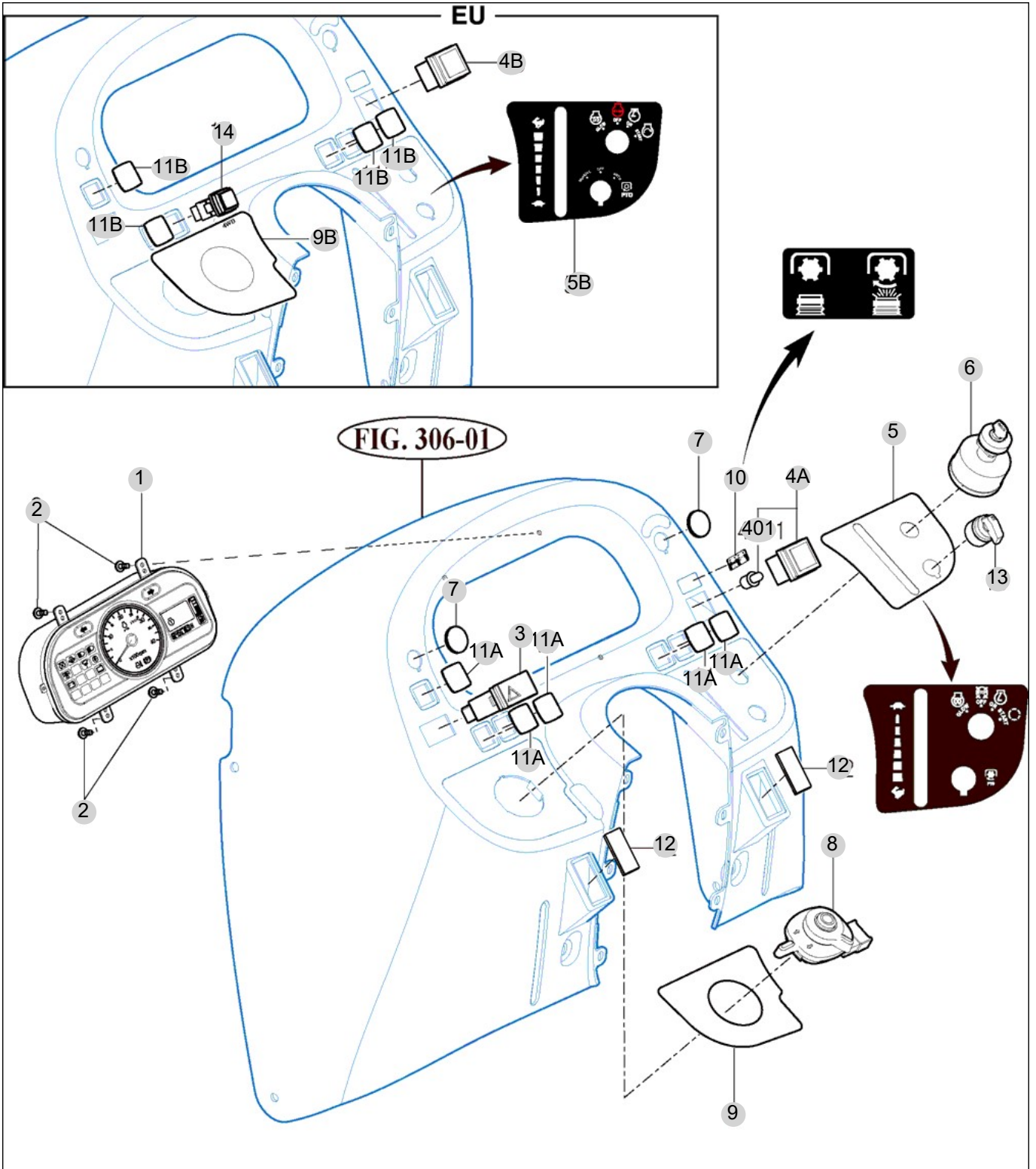
FIG 804

INSTRUMENT PANEL

년/월  
Year/Month

2022-12

T754SMEUA



NOTE



FIG 805

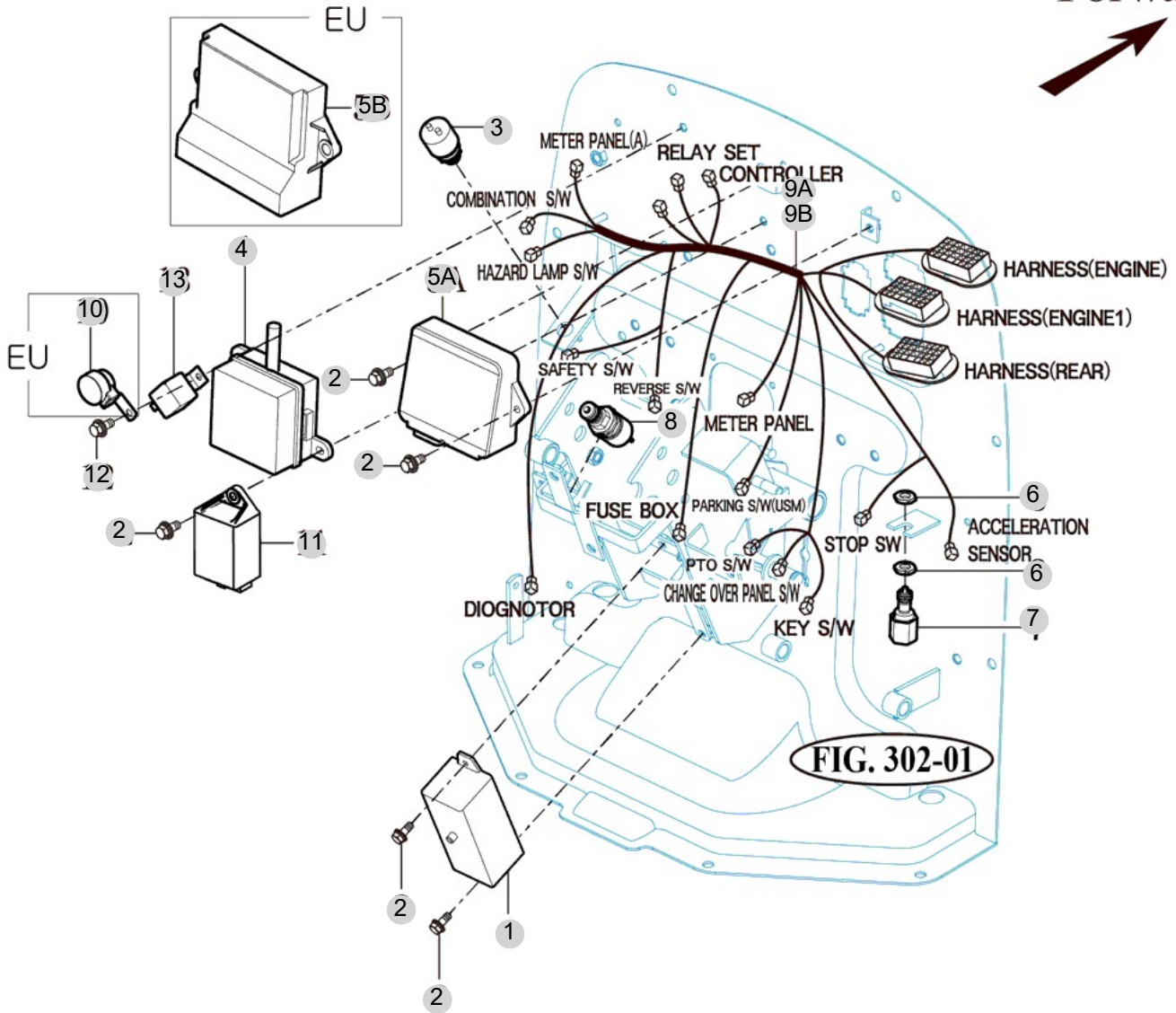
ELECTRIC SYSTEM (1)

년/월  
Year/Month

2022-12

T754SMEUA

**Forward**



**FIG. 302-01**

T754-K-805

NOTE





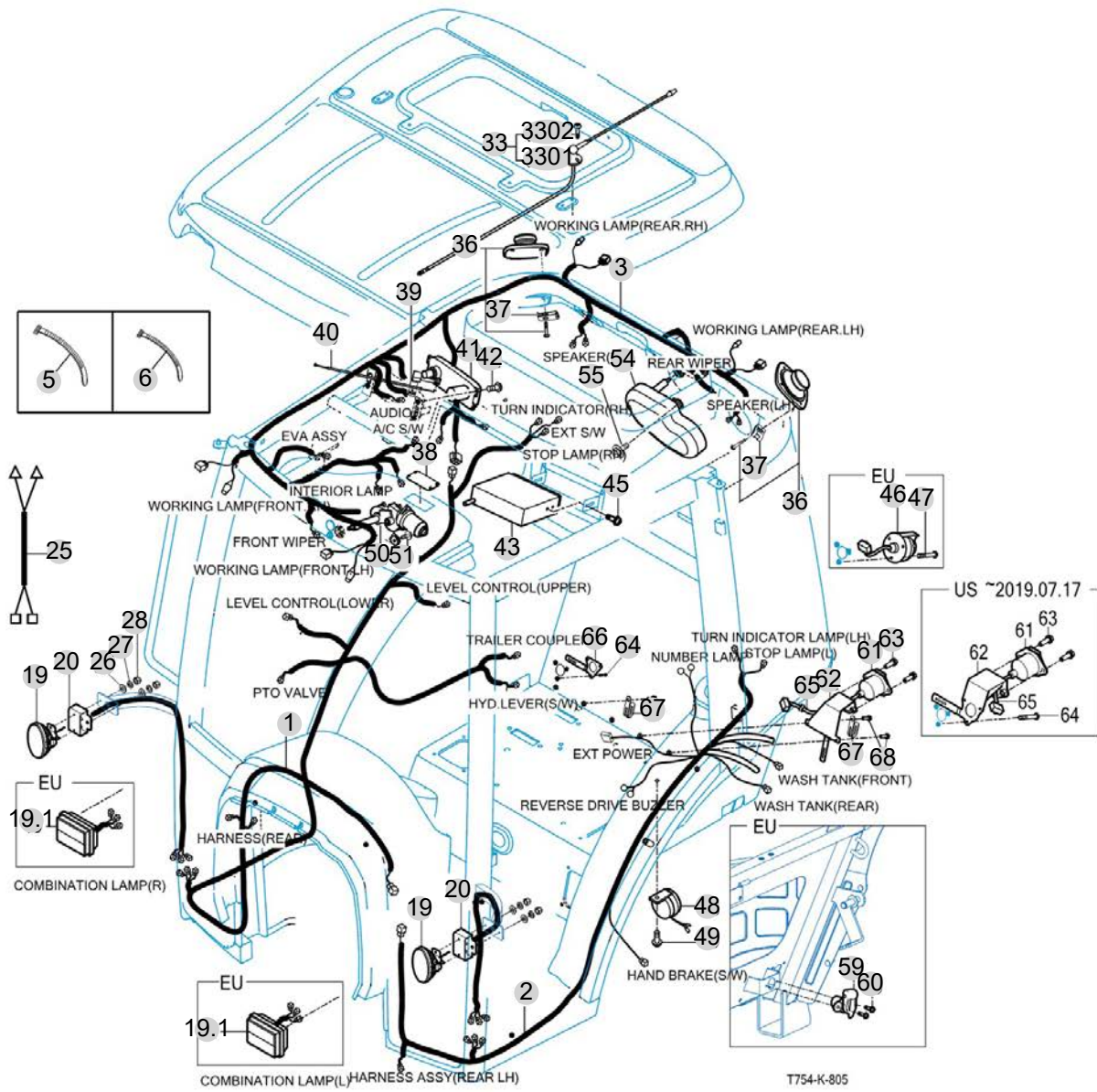
FIG 806

ELECTRIC SYSTEM (2)

년/월  
Year/Month

2022-12

T754SMEUA



NOTE

FIG 806 T754SMEUA		ELECTRIC SYSTEM (2)					년/월 Year/Month	
							2022-12	
KEY NO	PART NO	DESCRIPTION	SPEC	QTY	REPAIR	EFFECTIVE DATE	REMARKS	
806	1	18016683102	HARNESS ASSY , REAR			1		
806	1	18016683103	HARNESS ASSY , REAR			1		
806	1	18016683104	HARNESS ASSY , REAR			1		
806	1	18016683105	HARNESS ASSY , REAR			1		
806	1	18016683106	HARNESS ASSY , REAR			1		
806	2	18016683201	HARNESS ASSY , REAR LH			1		
806	2	18016683201	HARNESS ASSY , REAR LH			1		
806	2	18016683202	HARNESS ASSY , REAR LH			1		
806	2	18016683203	HARNESS ASSY , REAR LH			1		
806	2	18016683204	HARNESS ASSY , REAR LH			1		
806	3	14527024905	HARNESS ,CABIN			1		
806	3	14527024906	HARNESS ,CABIN	1X1X1		1		
806	5	13424020060	CABLE TIE , 300	1X1X1		5		
806	6	13764020030	CABLE TIE , 140			5		
806	19.1	13606562000	LAMP , POSITION	1X1X1		2		
806	26	V4111600050	WASHER , PLAIN			4		
806	27	V4011600050	WASHER , SPRING			4		
806	28	V3402700050	NUT , CAP			4		
806	33	14527072300	ANTENNA ASSY	1X1X1		1		
806	3301	14527072310	ANTENNA	1X1X1		1		
806	3302	V1907004020	SCREW , TAPPING C/R PAN	M4X20		2		
806	36	14527025501	SPEAKER ASSY			2		
806	37	14527073120	SPRING NUT, SCREW	M4		8		
806	38	16997024500	LAMP ASSY , ROOM	12V 10W		1		
806	39	17687025300	CLIP , CABLE	1X1X1		1		
806	40	14527082230	CABLE ASSY, WATER VALVE	1X1X1		1		
806	41	14527082220	CONTROLLER ASSY, AIR CON	1X1X1		1		
806	42	V1112605012	SCREW , C/R PAN	M5X12		4		
806	43	17817024804	CD PLAYER ASSY			1		
806	43	10547024801	BLUETOOTH PLAYER ASSY			1		
806	45	V1222605016	SCREW , C/R PAN/SP	M5X16		2		
806	46	13267028202	SOCKET ASSY , TRAILER			1		
806	47	V1112605030	SCREW , C/R PAN	M5X30		3		
806	48	34522812402	BUZZER ASSY			1		
806	49	V2183608020	BOLT , HEX/SP	M8X20		1		
806	50	14527062600	MOTOR ASSY, FR/ WIPER	1X1X1		1		
806	50	14527062600	MOTOR ASSY, FR/ WIPER			1		
806	50	14527062601	MOTOR ASSY, FR/ WIPER			1		
806	51	V2193606020	BOLT , HEX/SPL	M6X20		1		
806	54	16997032000	MOTOR ASSY , WIPER			1		
806	54	16997032000	MOTOR ASSY , WIPER			1		
806	54	16997032001	MOTOR ASSY , WIPER			1		
806	55	V2193606020	BOLT , HEX/SPL	M6X20		1		
806	59	18717028201	POWER SOCKET ASSY			1		
806	60	V1222805016	SCREW , C/R PAN/SP	M5X16		2		
NOTE								



## 9. Label/Option PART NO. T9

FIG 901 TOOL & ACCESSORY	174
FIG 902(EU) WEIGHT	176
FIG 903 LABEL	178
FIG 903 LABEL	180

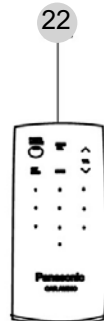
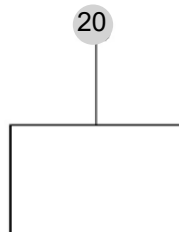
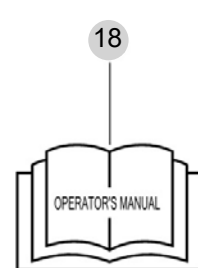
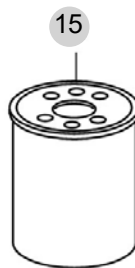
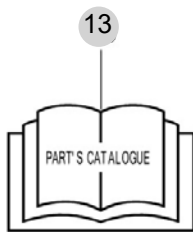
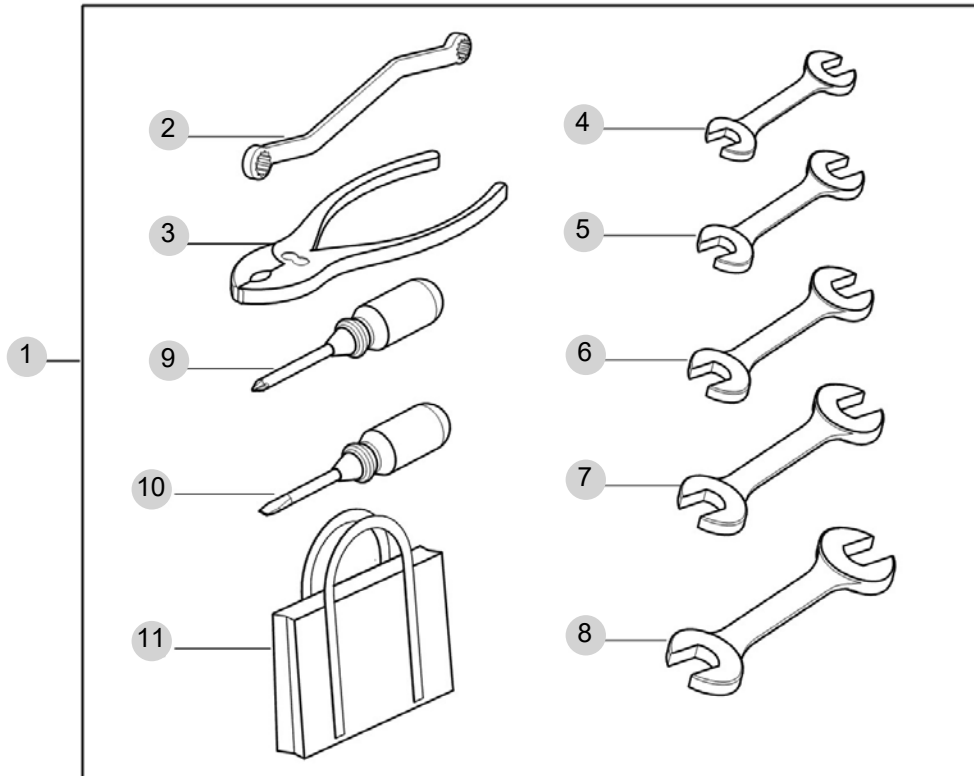
FIG 901

T754SMEUA

TOOL & ACCESSORY

년/월  
Year/Month

2022-12



T754-E-901

NOTE



FIG 902(EU)

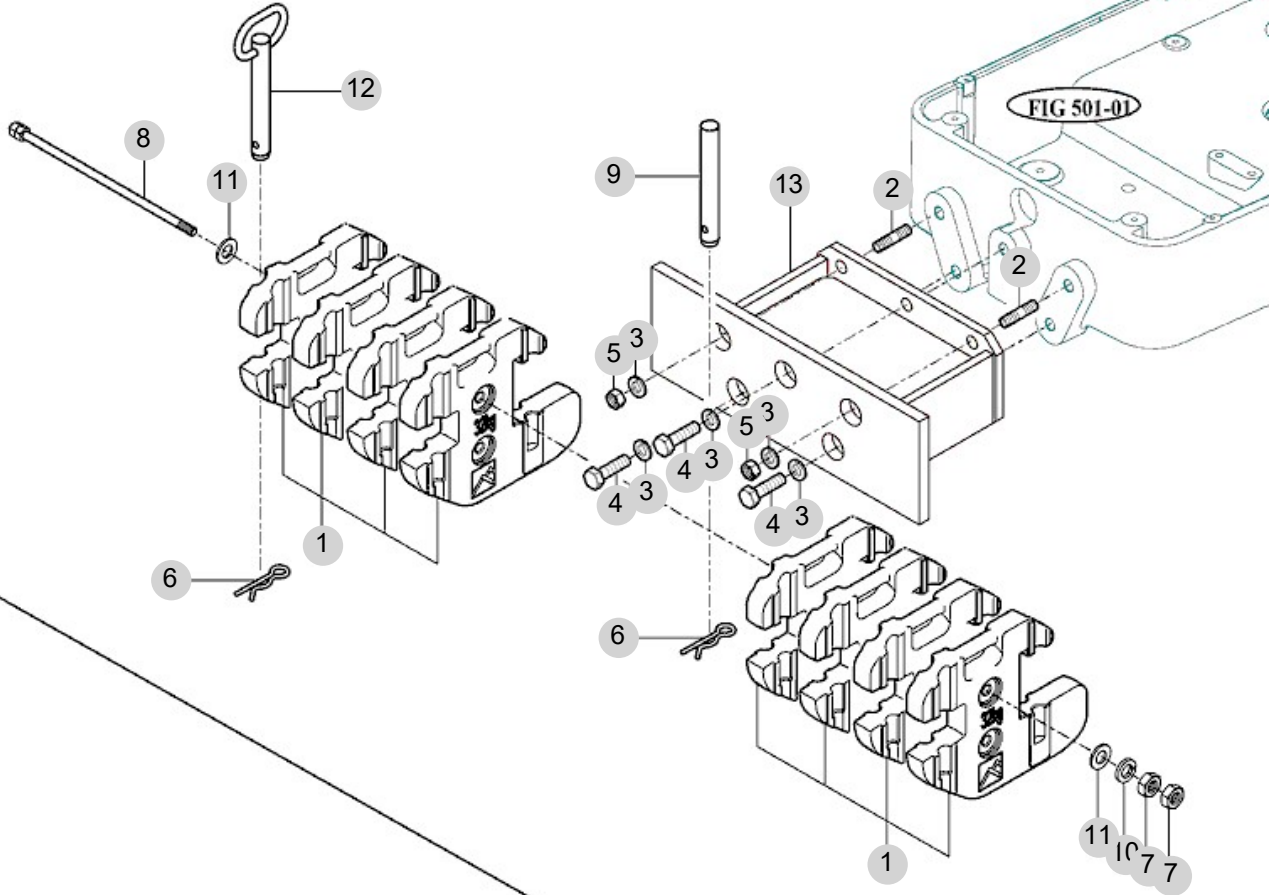
WEIGHT

년/월  
Year/Month

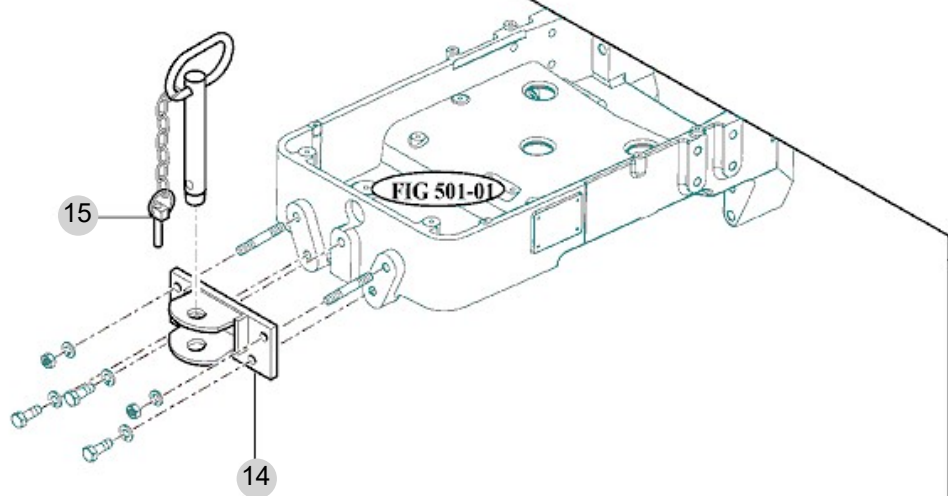
T754SMEUA

2022-12

**(WEIGHT)**



**(TOWING HOOK)**



NOTE



FIG 903

LABEL

년/월  
Year/Month

T754SMEUA

2022-12

**Inner/Outer air Ventilation**

- When grills of rear and both sides are opened, inner air will ventilate in.
- For effective use, open it when operate heater or air conditioner and close when ventilate fresh air.

1200-904-122-1

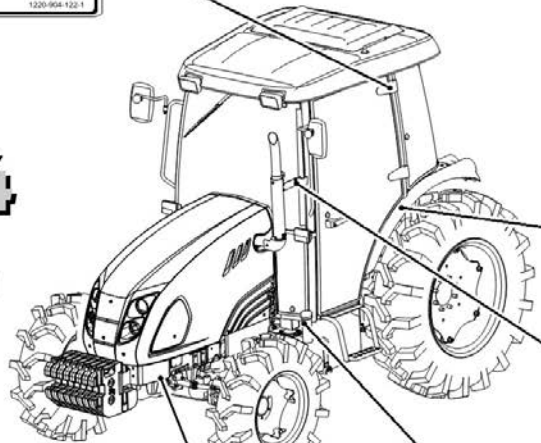
18

**T754**

51

**TYM**

90



**⚠ DANGER**

Do not ride except operator.

1200-910-016-0

6

**⚠ CAUTION**

Do not touch while the system is hot. It cause serious burns.

1200-910-024-6

33

**TYM-USA, Inc.**  
Whitney, North Carolina, USA

MODEL \_\_\_\_\_

Product Identification Number \_\_\_\_\_

MADE IN KOREA  
www.tym.co.kr

32B

**TYM CORPORATION**

VIN \_\_\_\_\_

EUTYPE APPROVAL NUMBER \_\_\_\_\_

CATEGORY	T-1	T-2	T-3
B-1	12	12	12
B-2	12	12	12
B-3	12	12	12
B-4	12	12	12

32A

**⚠ WARNING**

Do not refuel the tractor while smoking or near naked flame or sparks. always stop engine before refueling tractors.

1200-910-025-6

17



92

**⚠ WARNING**

Breathing diesel engine exhaust exposes you to chemicals known to the State of California to cause cancer and birth defects or other reproductive harm.

Always start and operate the engine in a well-ventilated area.

If in an enclosed area, vent the exhaust to the outside.

Do not modify or tamper with the exhaust system.

Do not idle the engine except as necessary.

For more information go to [www.P65warnings.ca.gov/diesel](http://www.P65warnings.ca.gov/diesel)

1144-910-022-0

98

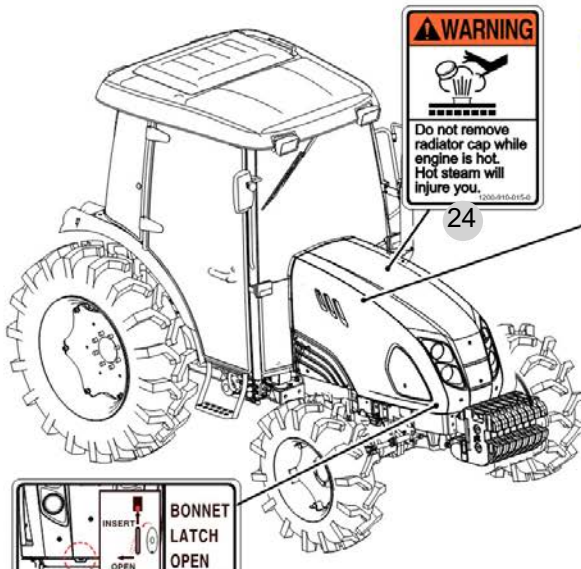
**⚠ WARNING**

Cancer and Reproductive Harm

[www.P65Warnings.ca.gov](http://www.P65Warnings.ca.gov)

1144-910-022-0

99



**⚠ WARNING**

Do not remove radiator cap while engine is hot. Hot steam will injure you.

1200-910-017-6

24

**⚠ CAUTION**

Keep hands and clothing away from rotating fan and belts to prevent serious injury.

1200-910-012-0

23

**BONNET LATCH OPEN**

1200-910-023-0

93

NOTE



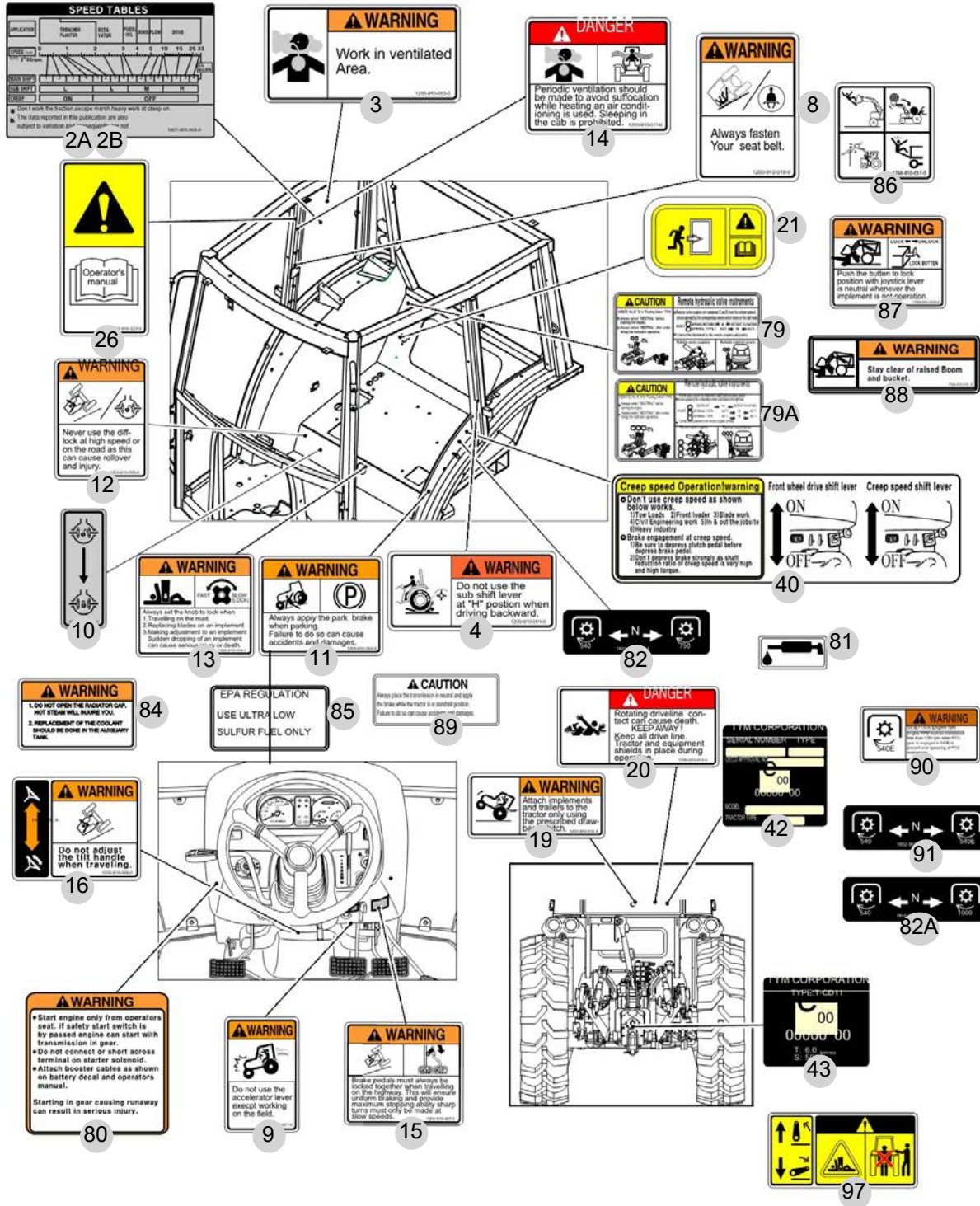
FIG 903

LABEL

년/월  
Year/Month

T754SMEUA

2022-12



NOTE



