

5520R(AC02109) TRACTOR

Parts Catalogue



CONTENTS

GROUP NO	GROUP NAME	PAGE
G. ENGINE		
A01_007	CYLINDER BLOCK	6
A02_005	DRIVE PULLY	8
A03_004	CRANK SHAFT PULLEY	10
A04_005	GLOW PLUG ASS'Y OPTION	12
A05_005	CRANK SHAFT ASS'Y OPTION	14
A06_006	BREATHER OPTION	16
A07_005	CAMSHAFT	18
A08_003	ALTERNATOR	20
A09_003	COOLING WATER PUMP	22
A10_008	COOLING FAN SPACER	24
A11_007	INJECTOR	26
A12_016	FUEL INJECTON	28
A13_005	PLUMBING, FUEL	30
A14_003	FUEL FILTER BRACKET	33
A16_018	FUEL FILTER ASS'Y OPTION	35
A17_008	INTAKE MANIFOLD ASS'Y OPTION	37
A18_011	FLYWHEEL	39
A19_009	FLYWHEEL HOUSING	41
A20_011	HEAD, CYLINDER	43
A21_004	HEAD COVER	45
A23_008	TURBOCHARGER SUPPORT ASS'Y OPTION	47
A24_003	TURBOCHARGER	49
A25_003	OIL JET ASS'Y OPTION	51
A26_005	COOLER, ENGINE OIL	53
A27_010	OIL PAN ASS'Y OPTION	55
A28_001	PUMP, LUBRICATING OIL	57
A29_005	FILTER, LUBRICATING OIL	59
A30_003	FRONT GEAR ACCESSORY DRIVE	61
A31_007	PISTON	63
A32_003	LEVER, LOCKER	65
A33_011	EXHAUST MANIFOLD	67
A35_002	IDLE GEAR	69
A36_004	COVER, FRONT GEAR	71
A37_001	BALANCE ASS'Y	73

CONTENTS

GROUP NO	GROUP NAME	PAGE
G. ENGINE		
A38_007	GAUGE, OIL LEVEL	75
A39_001	OIL FILLER CAP	77
A40_003	LIFT ASS'Y OPTION	79
A42_003	MOTER, STARTIONS	81
A44_008	DPF MOUNTING OPTION	83
A45_003	DPF	85
A48_006	V-BELT	87
A51_006	INTAKE HOSE ASSY OPTION	89
B. ENGINE ACCESSORIES		
B01010	FUEL TANK	91
B02020	RADIATOR	94
B03010	AIR CLEANER	96
B05011	LEVER ACCELERATOR	98
C. CLUTCH, BREAK, LEVER		
C01010	CLUTCH DISC & COVER	100
C01020	CLUTCH RELEASE	102
C01030	CLUTCH PEDAL	104
C02010	BRAKE PEDAL	106
C02031	BRAKE ROD/LH	108
C02032	BRAKE ROD/RH	110
C02060	BRAKE LEVER	112
C04000	LEVER	114
C04010	SHUTTLE LEVER	116
C04031	LEVER, MAIN SHIFT	118
D. HYDRAULIC		
D01010	HYD PUMP	120
D01040	HYDRAULIC FILTER	122
D01041	HYDRAULIC FILTER-LINE	124
D02010	STEERING WHEEL	126
D02030	PST HOSE	128
D02040	P.S.T CYLINDER	130
D03030	FRONT SCV	132
D03040	JOYSTICK	134
E. FRONT AXLE		

CONTENTS

GROUP NO	GROUP NAME	PAGE
E. FRONT AXLE		
E01010	FRONT AXLE CASE	136
E01014	FRONT AXLE CASE / HOLDER	138
E01030	GEAR CASE, FRONT AXLE	140
E01071	FRONT 1ST SHAFT	143
E01080	TIE ROD	145
F. TRANSMISSION		
F01010	CLUTCH HOUSING	147
F01020	TRANSMISSION CASE	149
F01030	HOUSING, REAR AXLE	152
F01040	REAR AXLE CASE	154
F01060	PTO COVER	156
F02060	REVERSE IDLE SHAFT	158
F03010	MAIN SHIFT DRIVE SHAFT	160
F03020	MAIN SHIFT DRIVEN SHAFT	162
F03040	RANGE SHIFT DRIVE SHAFT	164
F03050	RANGE SHIFT DRIVEN SHAFT	166
F04010	FRONT WHEEL DRIVE SHAFT	168
F04030	FRONT WHEEL DRIVE IDLE SHAFT	170
F05020	REAR DIFFERENTIAL	172
F06030	BRAKE	175
F06031	SUPPORT, BRAKE	177
F07000	GEAR,IND PTO SPEED CHANGE	179
F07030	PTO DRIVE SHAFT	182
F07050	PTO VALVE	184
F07070	PTO SHAFT	186
F08022	RANGE SHIFT FORK	188
F10010	CASE, HYD CYLINDER	190
F10020	LIFT ARM	192
F10030	SAFTY VALVE	194
F10040	STOP VALVE	196
F10061	DRAFT/POSITION CONTROL LEVER	198
F10070	SHAFT, CONTROL LEVER	200
F10100	BRACKET, TOP LINK	202
F10120	REAR SCV	204

CONTENTS

GROUP NO	GROUP NAME	PAGE
F. TRANSMISSION		
F11020	RANGE SHIFT LEVER	207
F11030	PTO SHIFT GEAR LEVER	209
F11080	4WD LEVER	211
G. SHEET METAL, CABIN		
G01020	BONNET	213
G01060	FIXED BRACKET, BONNET	216
G01080	FRONT ALXE BRACKET	218
G01100	PROPELLER SHAFT	220
G04020	DASH BOARD	222
G04060	FOOT REST ASS'Y	224
G04070	DRIVER'S SEAT	226
G04090	FENDER	228
G04120	ROPS	230
G05020	TOP LINK	232
G05030	LOWER LINK	234
G05050	LIFT LINK/LH,RH	236
G05070	DRAWBAR	238
G05090	PTO COVER	240
H. ELECTRICALS, HARNESS		
H01030	BATTERY	242
H02022	COMBINATION LAMP / RR	244
H03030	HARNESS	246
H04030	METER ASS'Y	248
H04050	SWITCH / DASHBOARD	250
H04090	HORN	252
I. WEIGHT, TOOLS, TIRE		
I03021	LABEL, ROPS/LH	254
I03022	LABEL, ROPS/RH	256

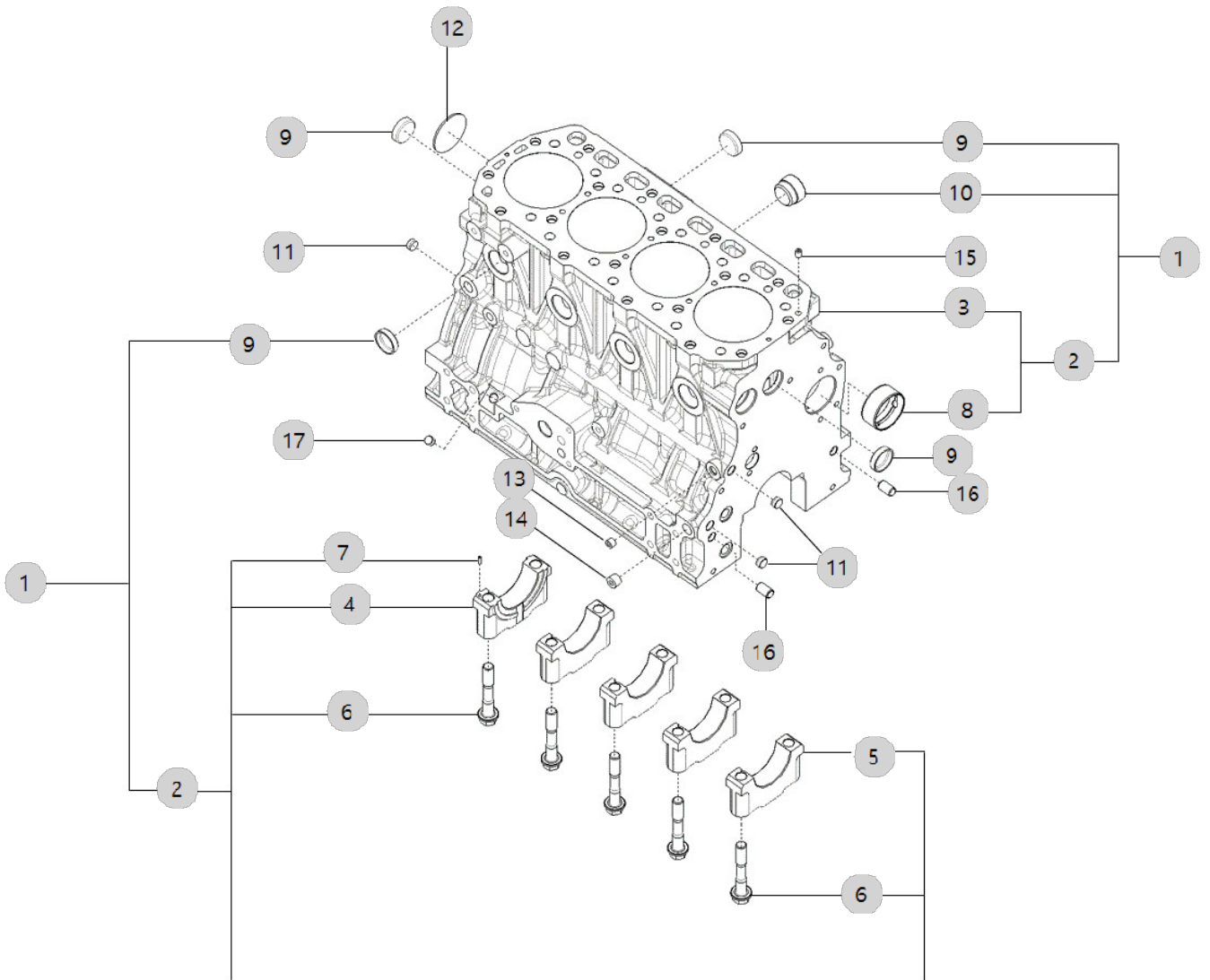
A01_007

A2300T3-UTR_4
(AB00160)

CYLINDER BLOCK

Year/Month

2022-12-15



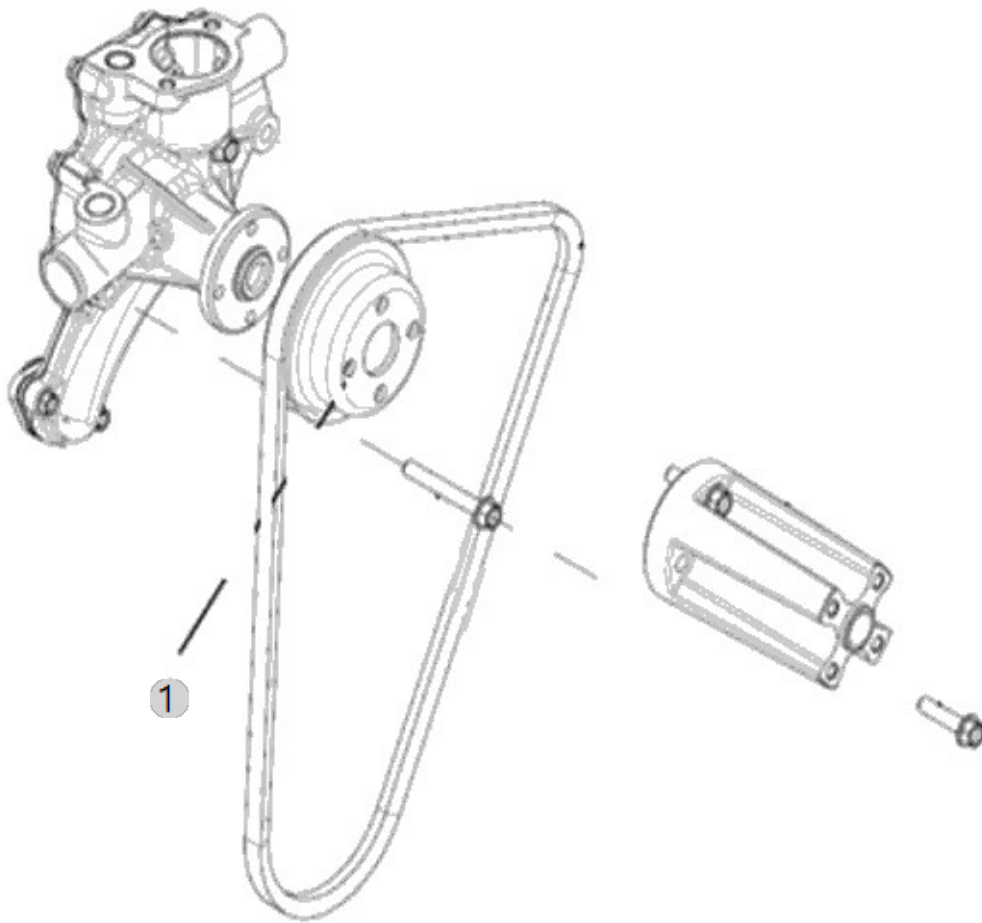
A02_005

A2300T3-UTR_4
(AB00160)

DRIVE PULLEY

Year/Month

2022-12-15



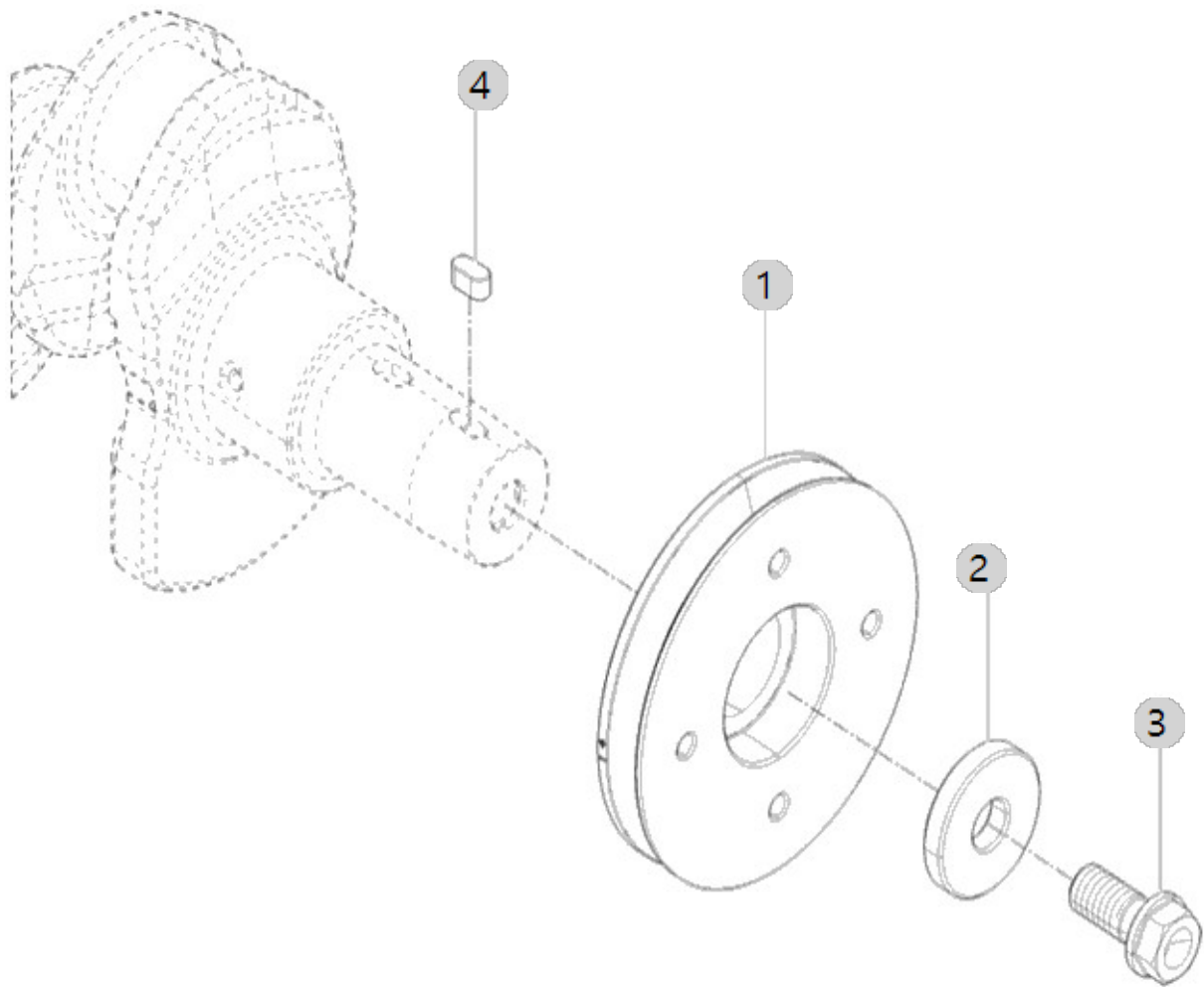
A03_004

A2300T3-UTR_4
(AB00160)

CRANK SHAFT PULLEY

Year/Month

2022-12-15



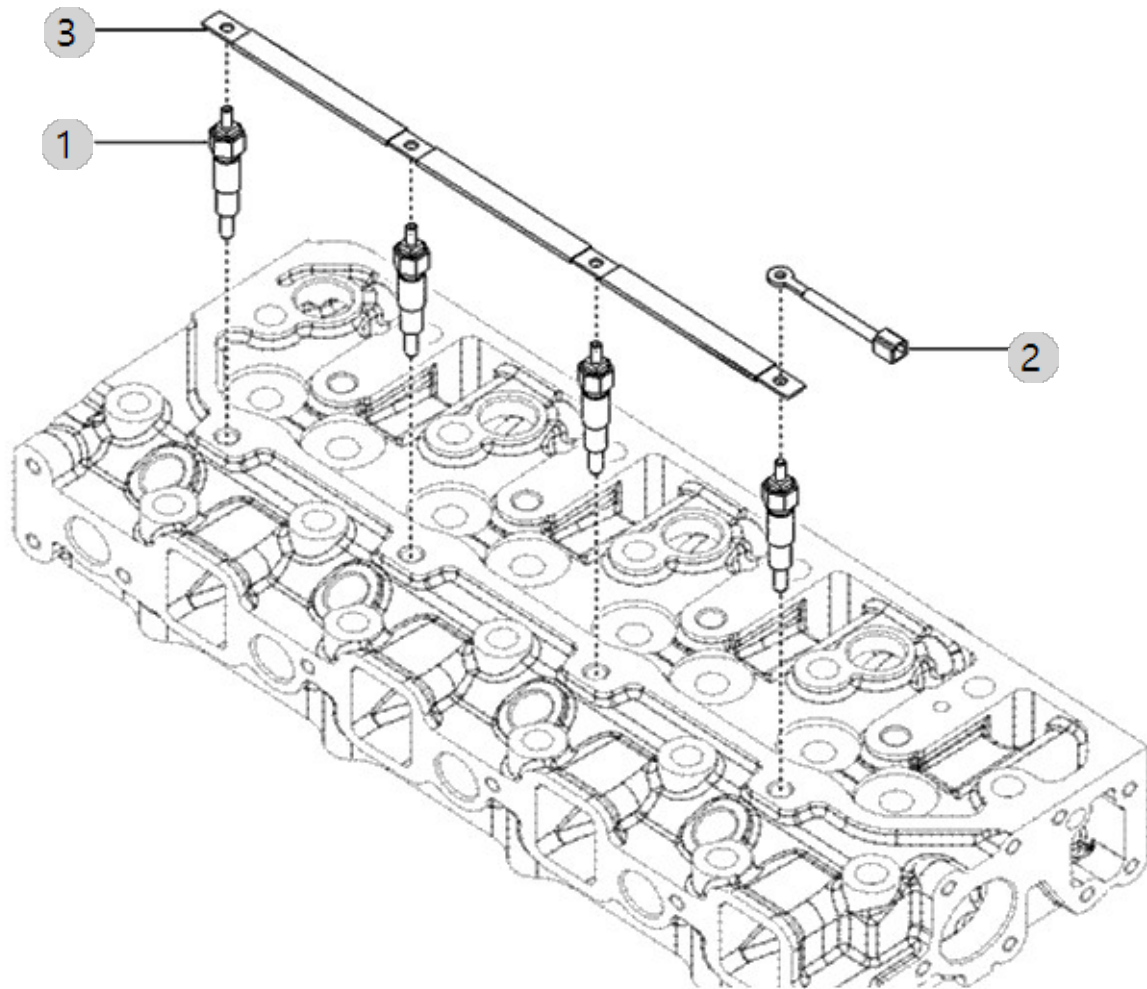
A04_005

A2300T3-UTR_4
(AB00160)

GLOW PLUG ASS'Y OPTION

Year/Month

2022-12-15



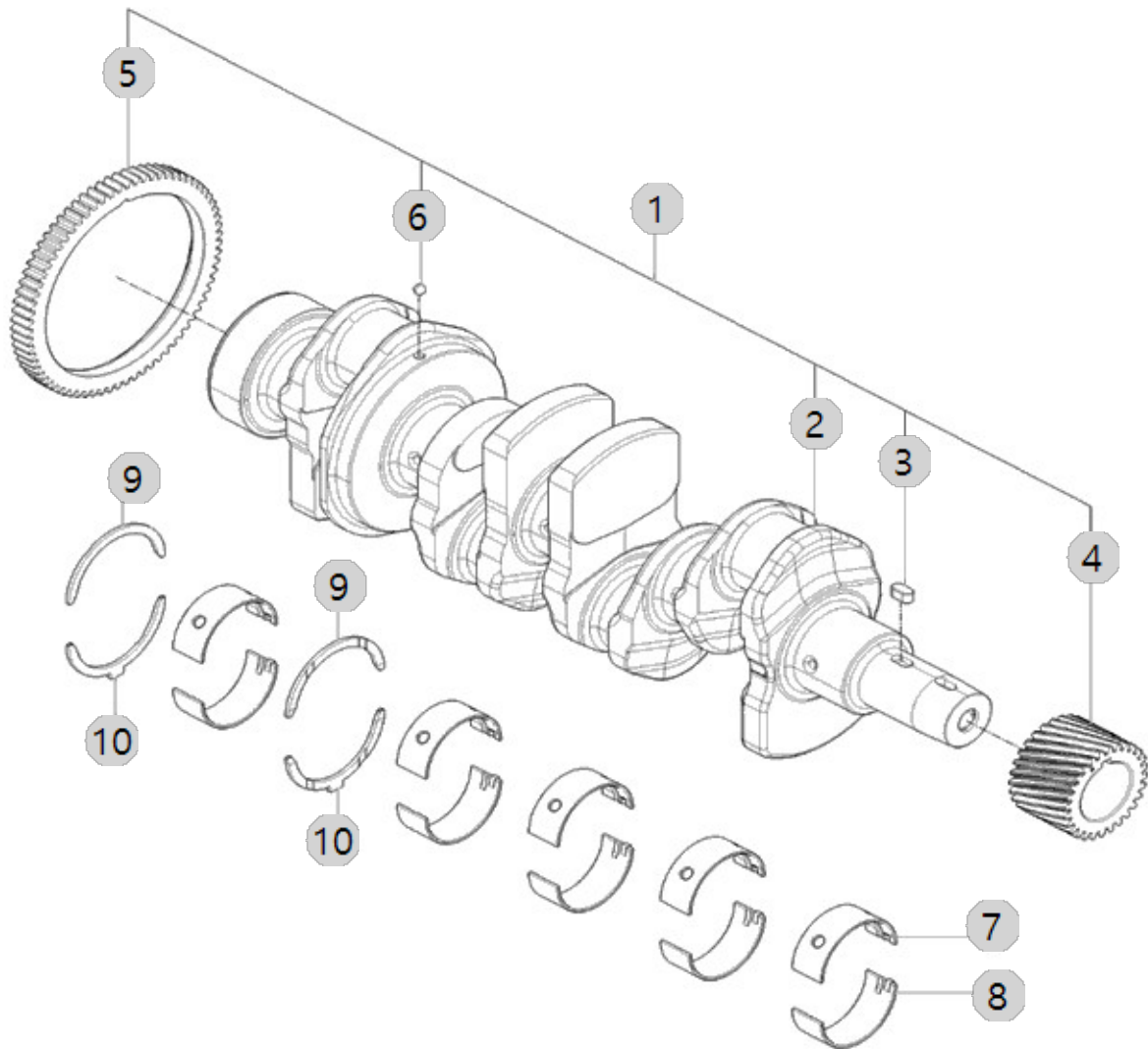
A05_005

A2300T3-UTR_4
(AB00160)

CRANK SHAFT ASS'Y OPTION

Year/Month

2022-12-15



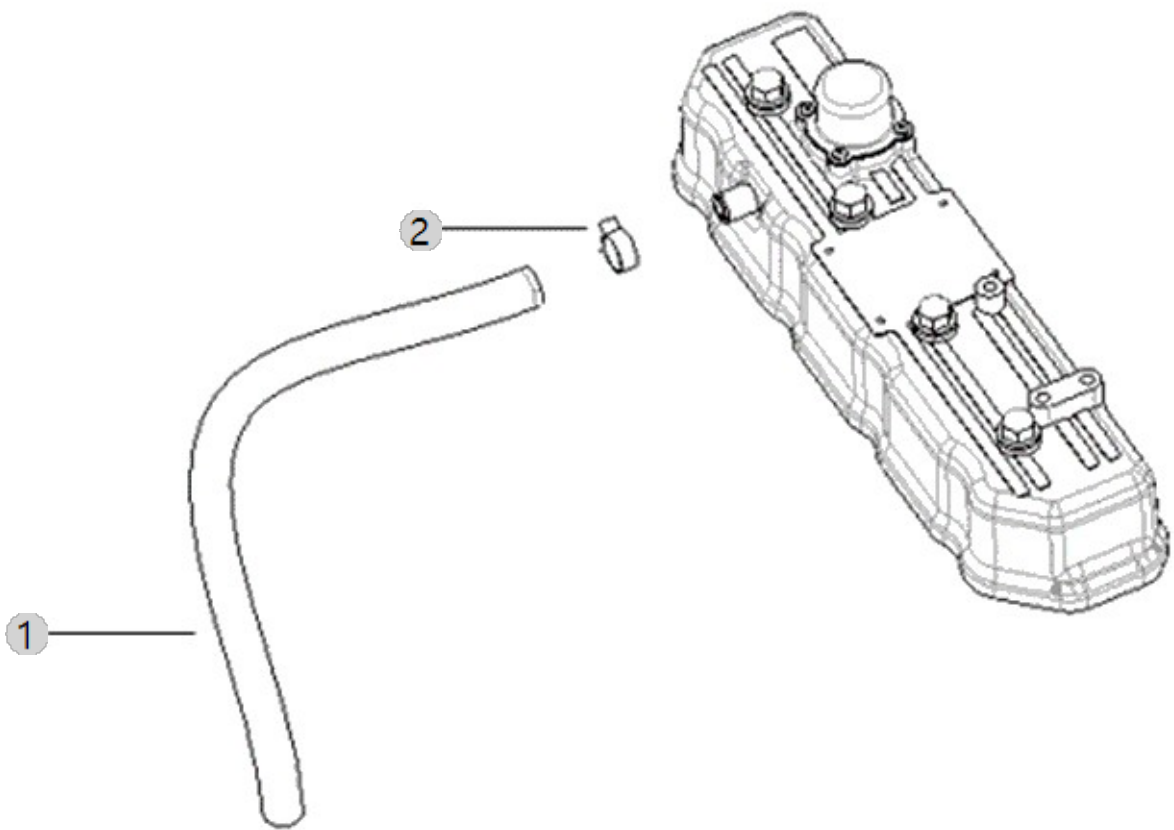
A06_006

A2300T3-UTR_4
(AB00160)

BREATHER OPTION

Year/Month

2022-12-15



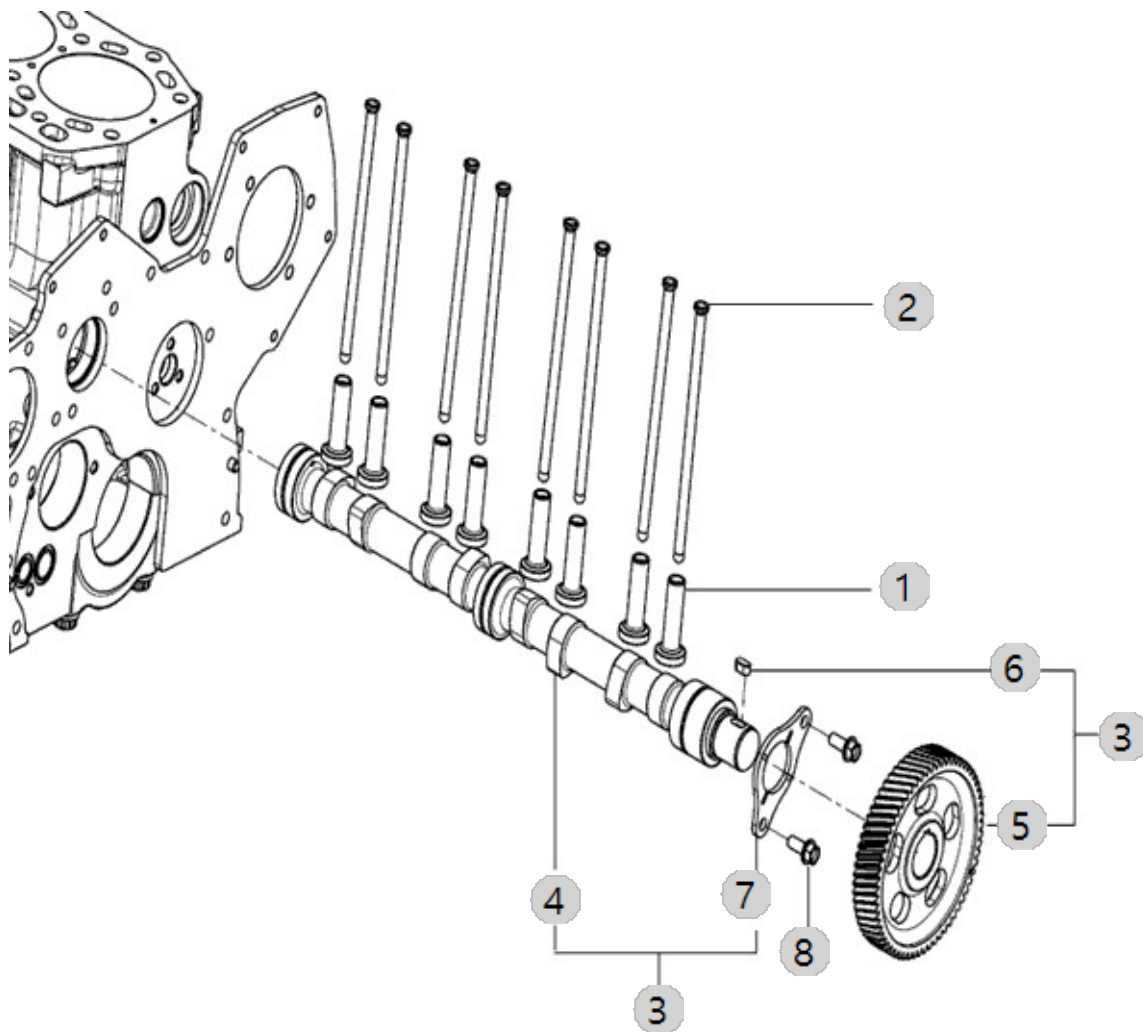
A07_005

A2300T3-UTR_4
(AB00160)

CAMSHAFT

Year/Month

2022-12-15



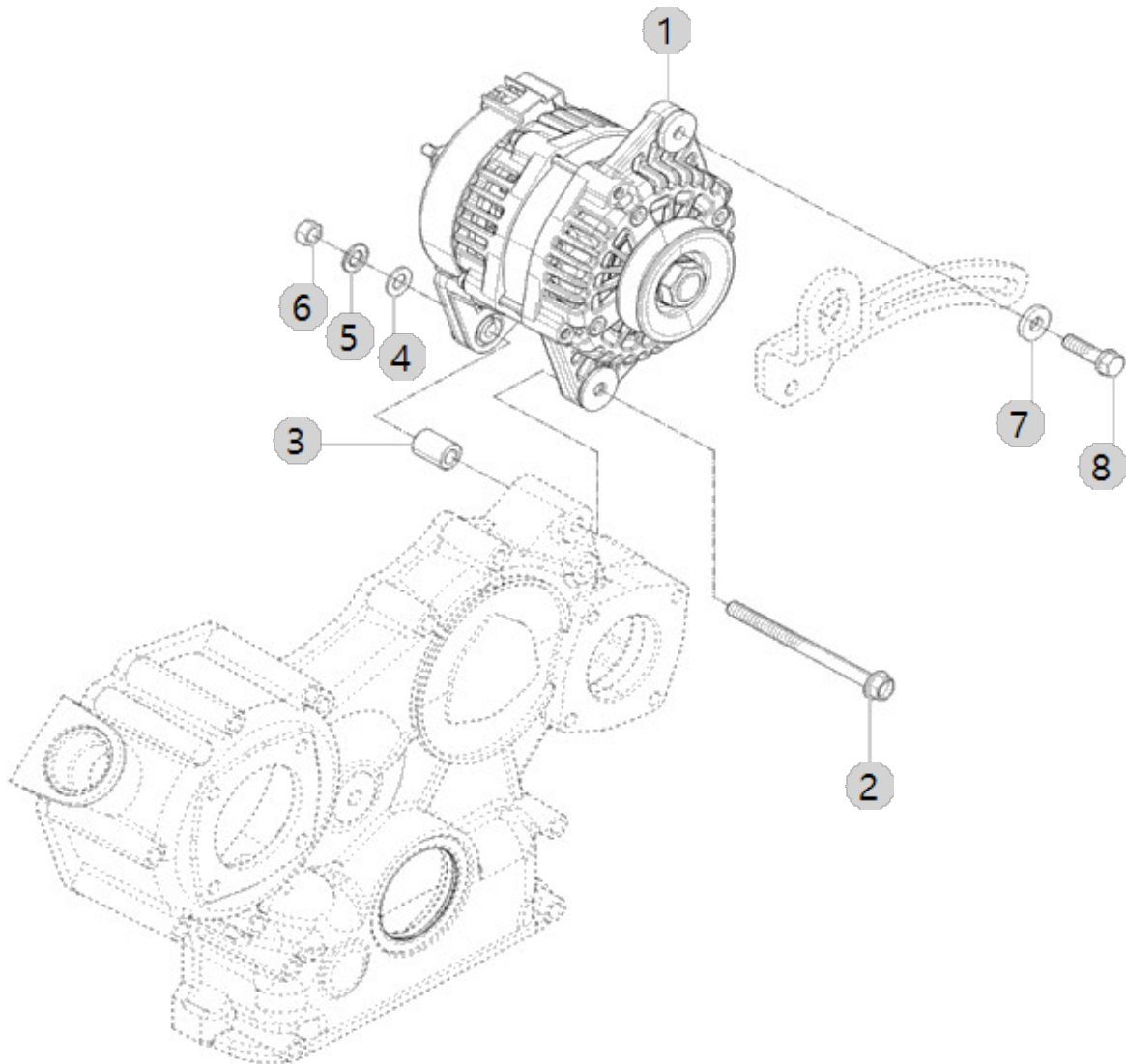
A08_003

A2300T3-UTR_4
(AB00160)

ALTERNATOR

Year/Month

2022-12-15



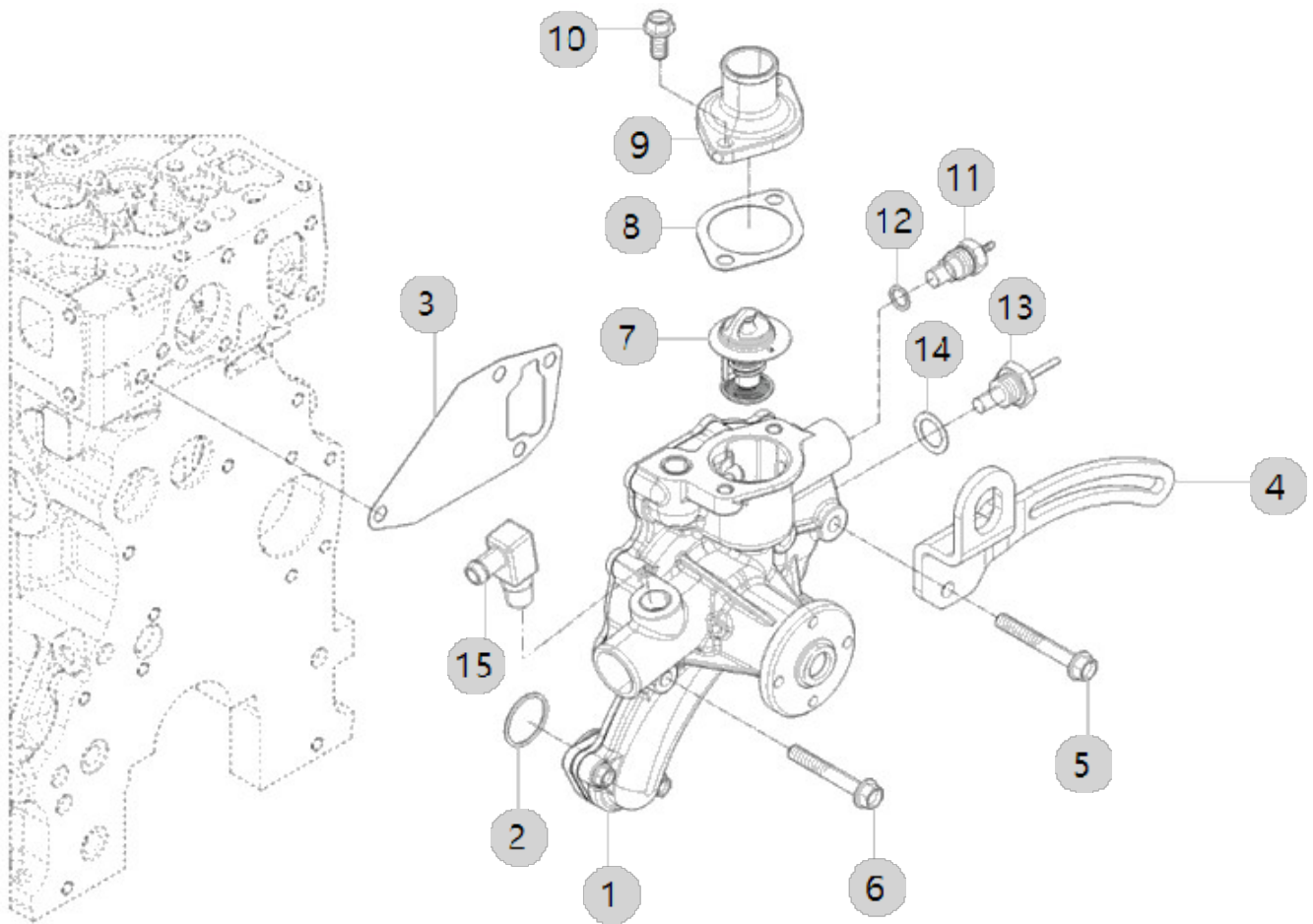
A09_003

A2300T3-UTR_4
(AB00160)

COOLING WATER PUMP

Year/Month

2022-12-15



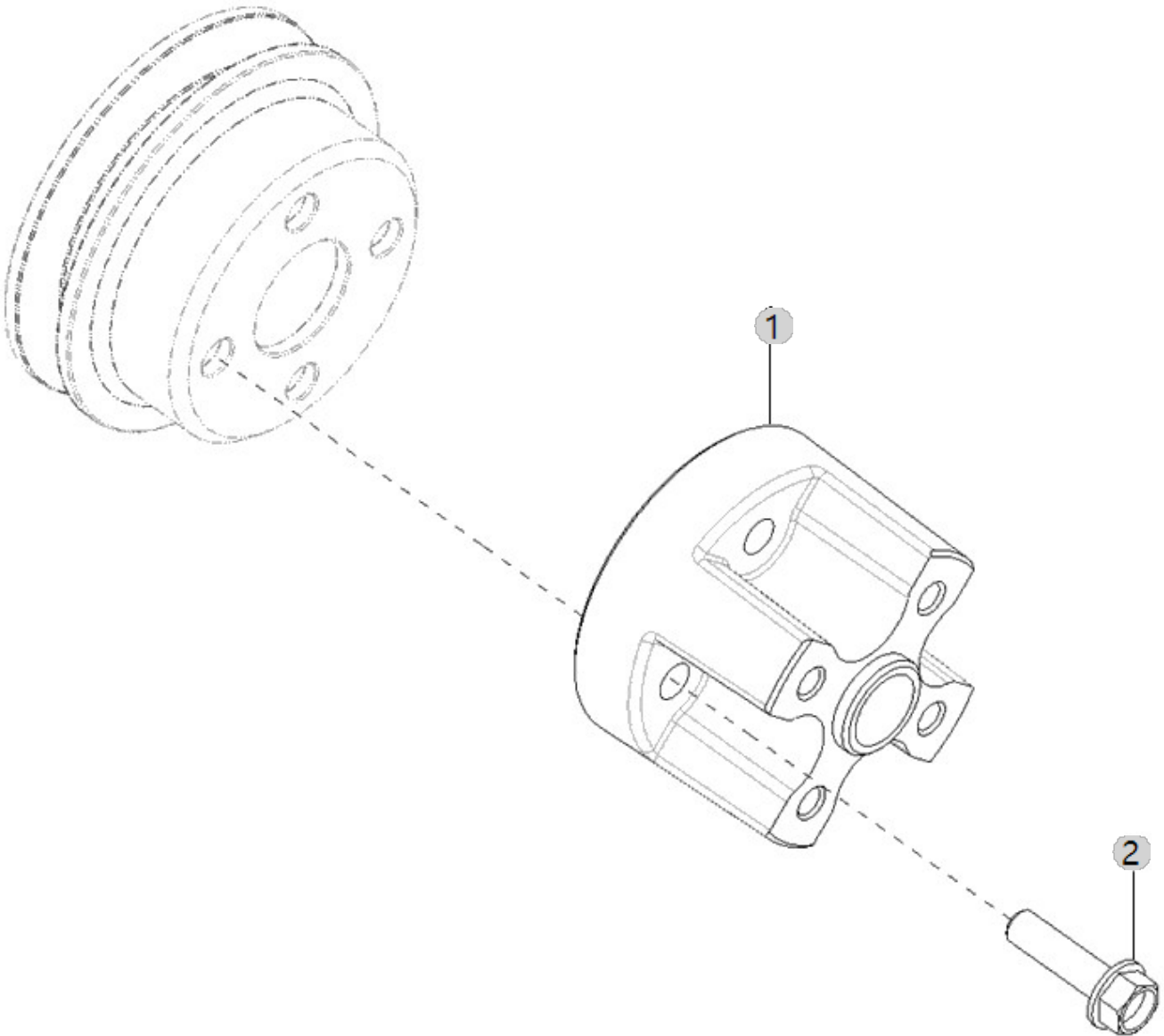
A10_008

A2300T3-UTR_4
(AB00160)

COOLING FAN SPACER

Year/Month

2022-12-15



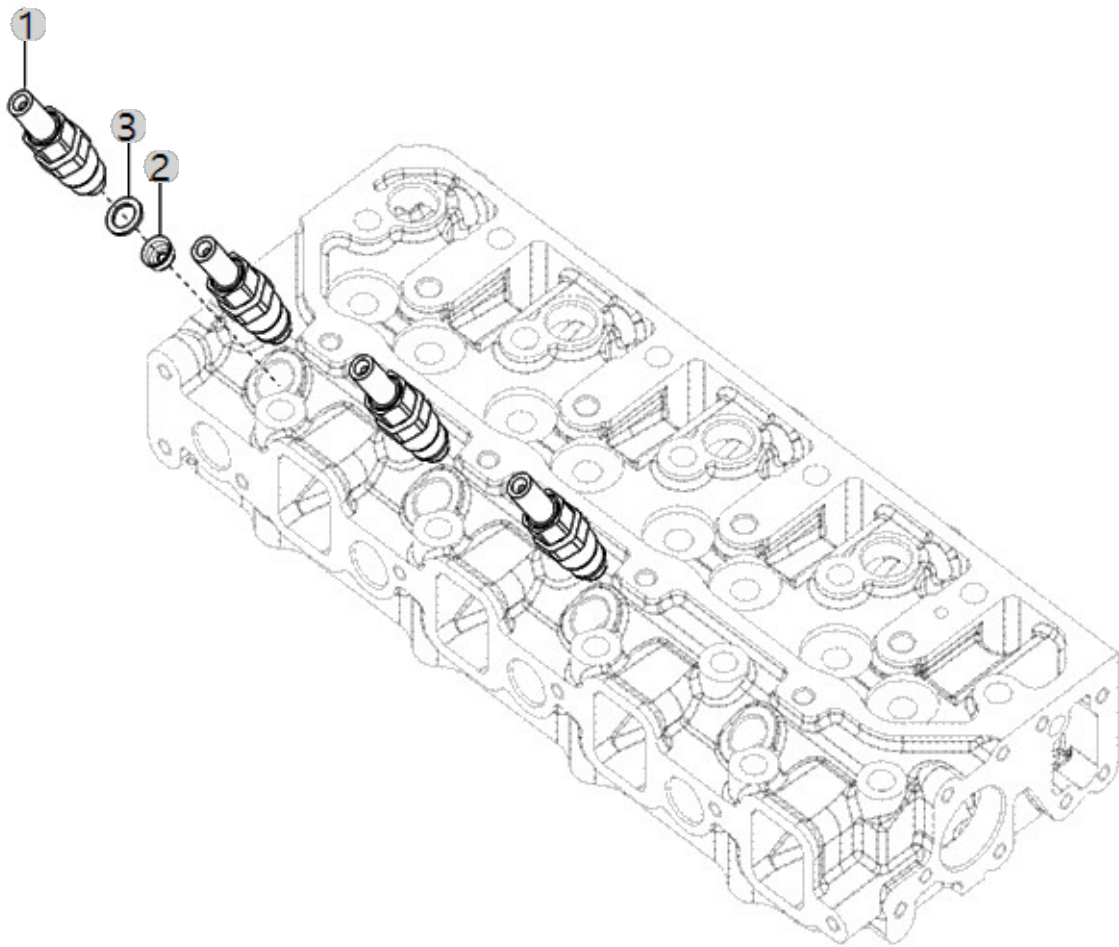
A11_007

A2300T3-UTR_4
(AB00160)

INJECTOR

Year/Month

2022-12-15



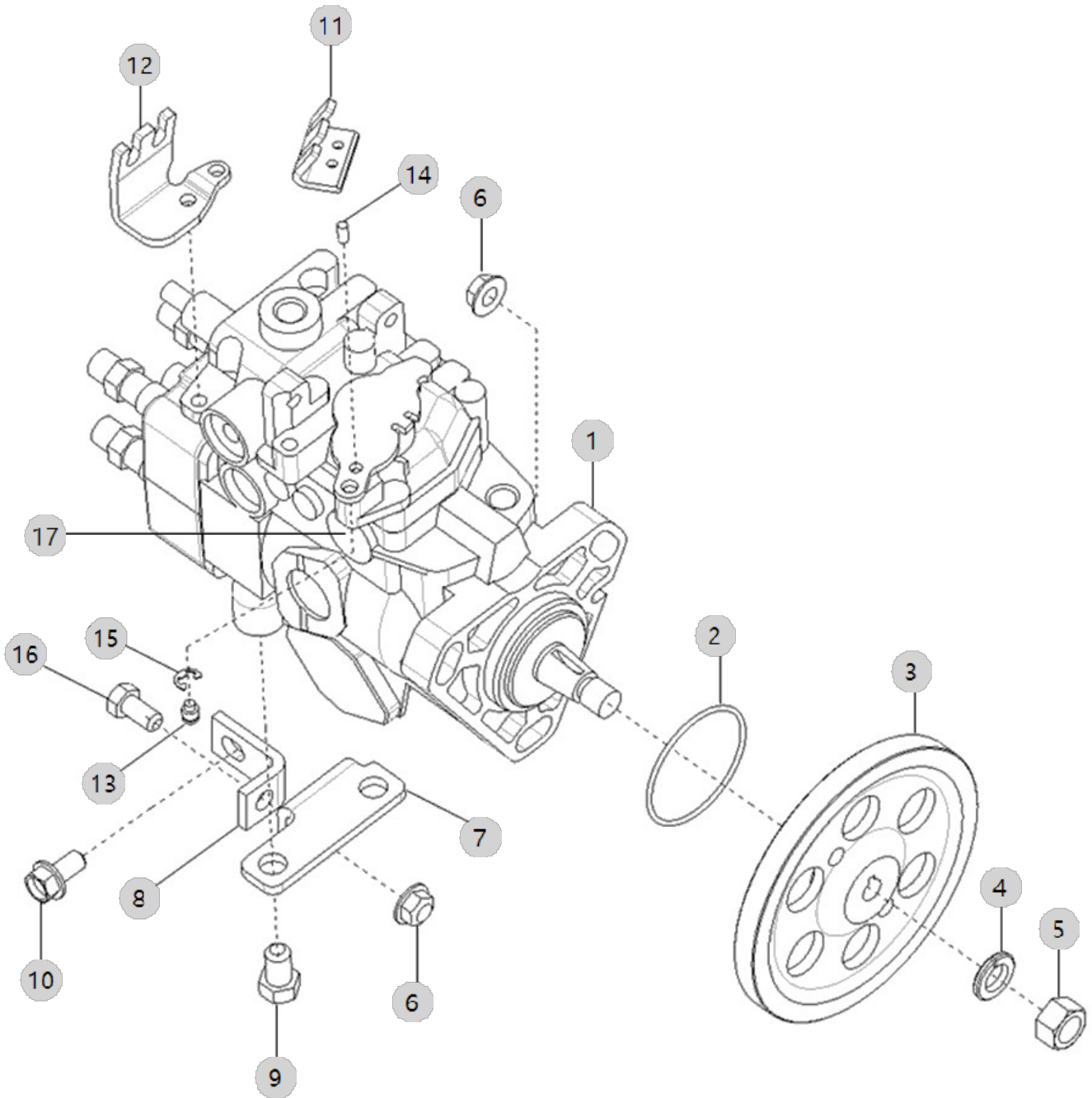
A12_016

A2300T3-UTR_4
(AB00160)

FUEL INJECTOR

Year/Month

2022-12-15



A13_005 A2300T3-UTR_4 (AB00160)		PLUMBING, FUEL				Year/Month 2022-12-15
순번 (NO)	부품번호 (PART NO)	품명 (PART NAME)	품명 (PART NAME)	수량 (QTY)	규격 (SPEC)	비고 (REMARK)
1	HRA150050DC0	연료파이프조합(A)	TUBE,INJECTOR FUEL SUPPLY	1		
1	HRA150050DB0	299,A202322,연료파이프조합(A)	PIPE ASSY, FUEL SUPPLY A	1		
1	HRA150050DB0	299,A202322,연료파이프조합(A)	PIPE ASSY, FUEL SUPPLY A	1		
1	HRA150050DB0	299,A202322,연료파이프조합(A)	PIPE ASSY, FUEL SUPPLY A	1		
2	HRA150060DB0	300,A202322,연료파이프조합(B)	PIPE ASSY, FUEL SUPPLY (B)	1		
2	HRA150060DC0	연료파이프조합(B)	TUBE,INJECTOR FUEL SUPPLY	1		
2	HRA150060DB0	300,A202322,연료파이프조합(B)	PIPE ASSY, FUEL SUPPLY (B)	1		
2	HRA150060DB0	300,A202322,연료파이프조합(B)	PIPE ASSY, FUEL SUPPLY (B)	1		
3	HRA150070DB0	301,A202322,연료파이프조합(C)	PIPE ASSY, FUEL SUUPPLY C	1		
3	HRA150070DB0	301,A202322,연료파이프조합(C)	PIPE ASSY, FUEL SUUPPLY C	1		
3	HRA150070DB0	301,A202322,연료파이프조합(C)	PIPE ASSY, FUEL SUUPPLY C	1		
3	HRA150070DC0	연료파이프조합(C)	TUBE,INJECTOR FUEL SUPPLY	1		
4	HRA150080DB0	302,A202322,연료파이프조합(D)	PIPE ASSY, FUEL SUPPLY D	1		
4	HRA150080DC0	연료파이프조합(D)	TUBE,INJECTOR FUEL SUPPLY	1		
4	HRA150080DB0	302,A202322,연료파이프조합(D)	PIPE ASSY, FUEL SUPPLY D	1		
4	HRA150080DB0	302,A202322,연료파이프조합(D)	PIPE ASSY, FUEL SUPPLY D	1		
5	HK13450000A4	육각고정너트	NUT,REGULARHEXAGON	4	M12X1.5	
5	HK13450000A4	육각고정너트	NUT,REGULARHEXAGON	4	M12X1.5	
5	HK13450000A4	육각고정너트	NUT,REGULARHEXAGON	4	M12X1.5	
5	HK13450000A4	육각고정너트	NUT,REGULARHEXAGON	4	M12X1.5	
6	HK13440000A4	306,ALL,패킹(조인트)(와류실)	GASKET,FUELMANIFOLD	4		
6	HK13440000A4	306,ALL,패킹(조인트)(와류실)	GASKET,FUELMANIFOLD	4		
6	HK13440000A4	306,ALL,패킹(조인트)(와류실)	GASKET,FUELMANIFOLD	4		
6	HK13440000A4	306,ALL,패킹(조인트)(와류실)	GASKET,FUELMANIFOLD	4		
7	HRA1502700A4	462,ALL,브래킷고무	RUBBER,BRACKET	2		
7	HRA1502700A4	462,ALL,브래킷고무	RUBBER,BRACKET	2		
7	HRA1502700A4	462,ALL,브래킷고무	RUBBER,BRACKET	2		
7	HRA1502700A4	462,ALL,브래킷고무	RUBBER,BRACKET	2		
8	HRA1502800A4	브래킷판	CLAMP,TUBE	1	T 3.2	
8	HRA1502800A4	브래킷판	CLAMP,TUBE	2	T 3.2	
8	HRA1502800A4	브래킷판	CLAMP,TUBE	1	T 3.2	
8	HRA1502800A4	브래킷판	CLAMP,TUBE	1	T 3.2	
8	HRA1502800B4	브래킷판	CLAMP,TUBE	2	T 3.2	
9	HRA1500900C3	퇴유파이프조합	PIPE ASSY, FUEL RETURN	1		
9	HRA1500900C3	퇴유파이프조합	PIPE ASSY, FUEL RETURN	1		
9	HRA1500900D3	퇴유파이프조합	PIPE ASSY, FUEL	1		
9	HRA1500900C3	퇴유파이프조합	PIPE ASSY, FUEL RETURN	1		
10	HRA1502600B4	브래킷(연료파이프)	BRACKET,PIPE	1		
10	HRA1502600B4	브래킷(연료파이프)	BRACKET,PIPE	1		
10	HRA1502600B4	브래킷(연료파이프)	BRACKET,PIPE	1		
10	HRA1502600B4	브래킷(연료파이프)	BRACKET,PIPE	1		
11	26367-060002	플랜지너트	Nut, Hexa (Φ6)	2	M6XP1.0	
11	26367-060002	플랜지너트	Nut, Hexa (Φ6)	2	M6XP1.0	
11	26367-060002	플랜지너트	Nut, Hexa (Φ6)	2	M6XP1.0	
11	26367-060002	플랜지너트	Nut, Hexa (Φ6)	2	M6XP1.0	

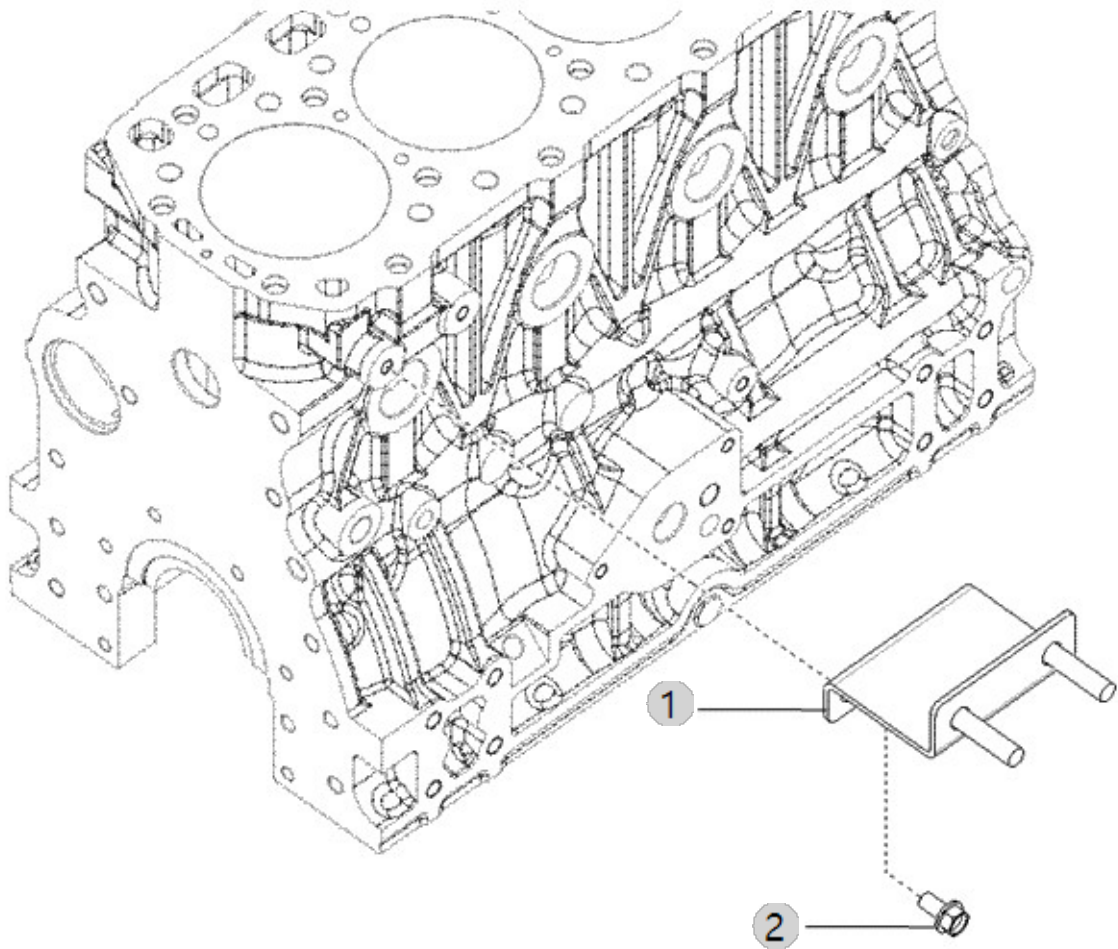
A14_003

A2300T3-UTR_4
(AB00160)

FUEL FILTER BRACKET

Year/Month

2022-12-15



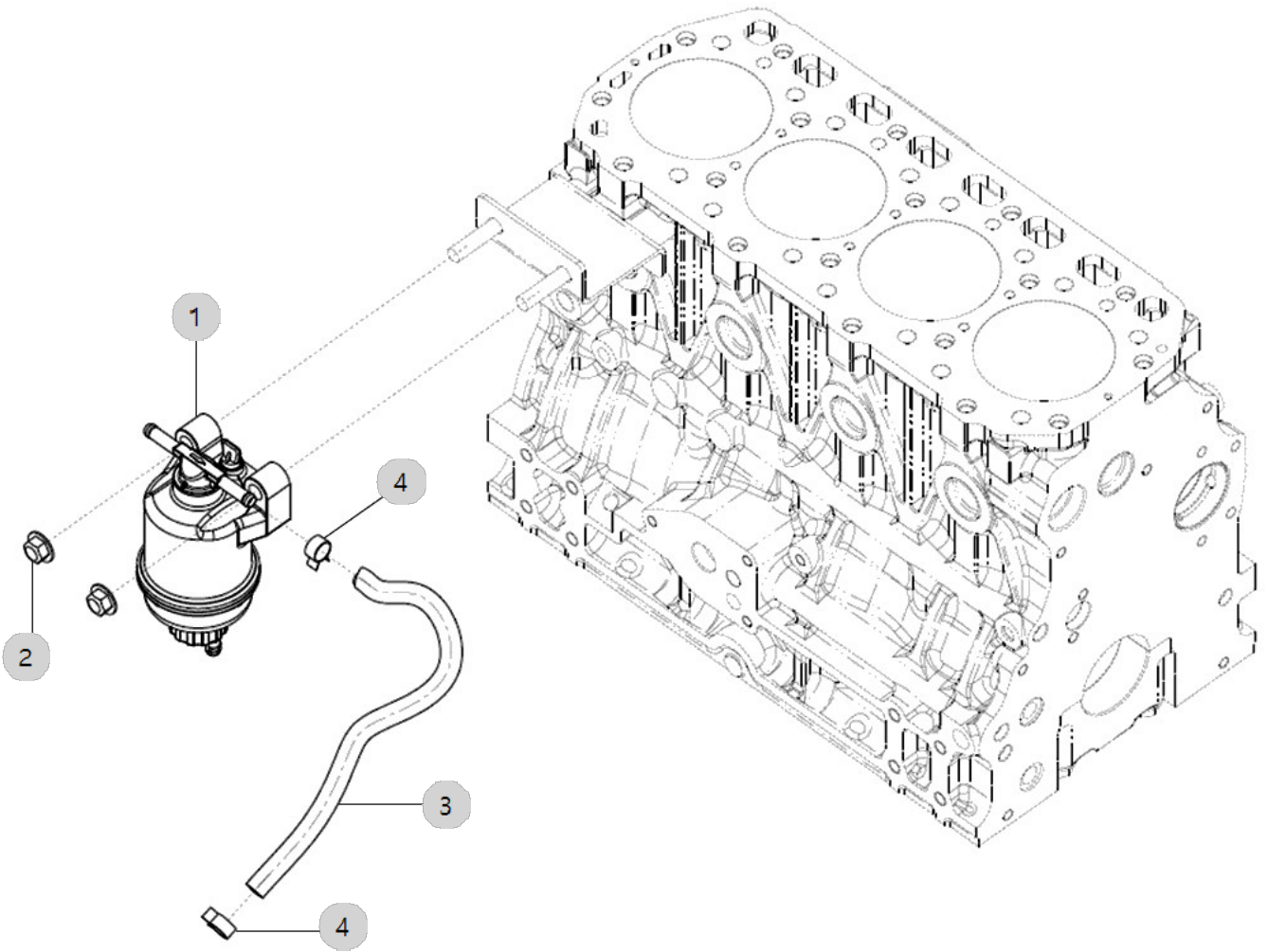
A16_018

A2300T3-UTR_4
(AB00160)

FUEL FILTER ASS'Y OPTION

Year/Month

2022-12-15



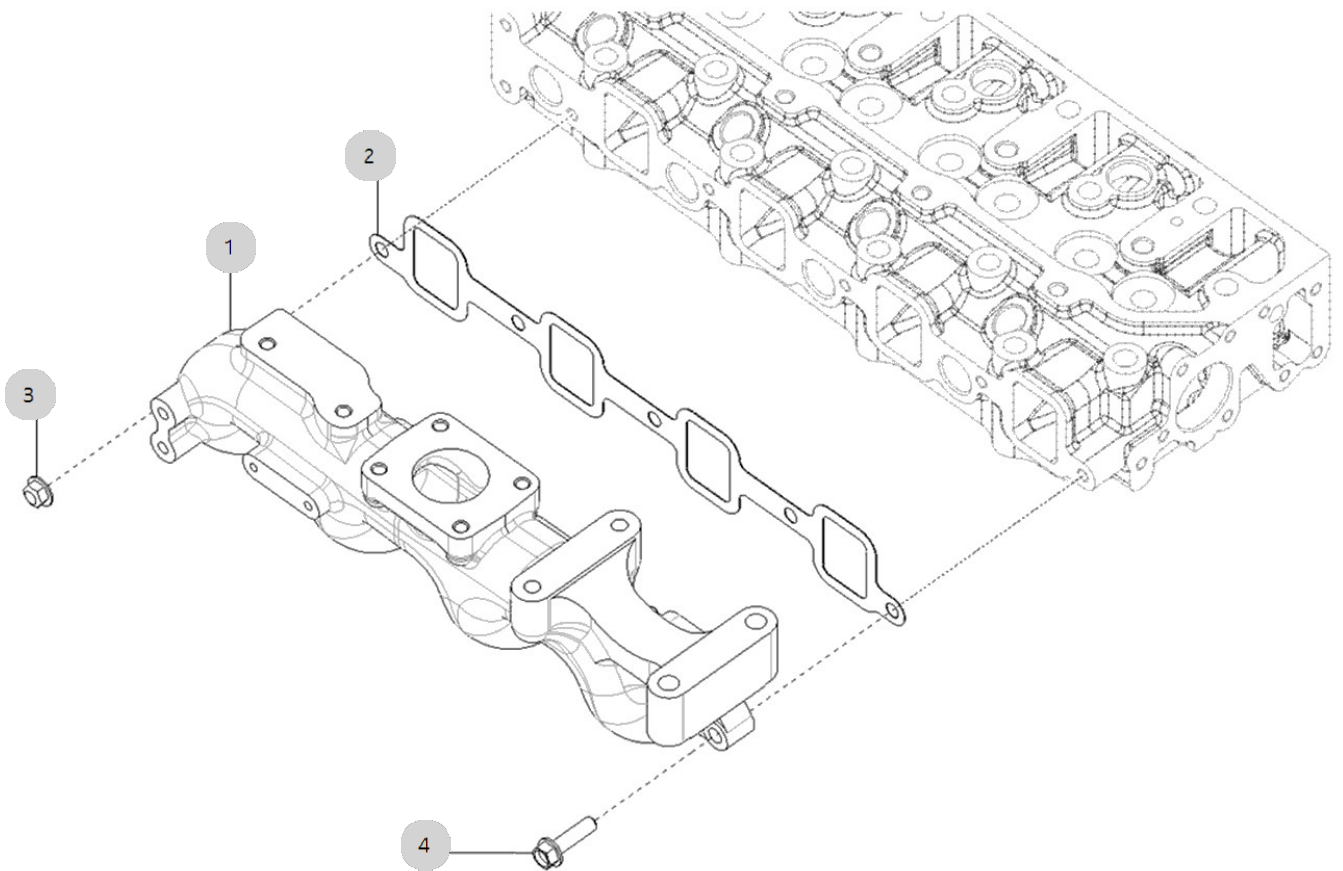
A17_008

A2300T3-UTR_4
(AB00160)

INTAKE MANIFOLD ASS'Y OPTION

Year/Month

2022-12-15



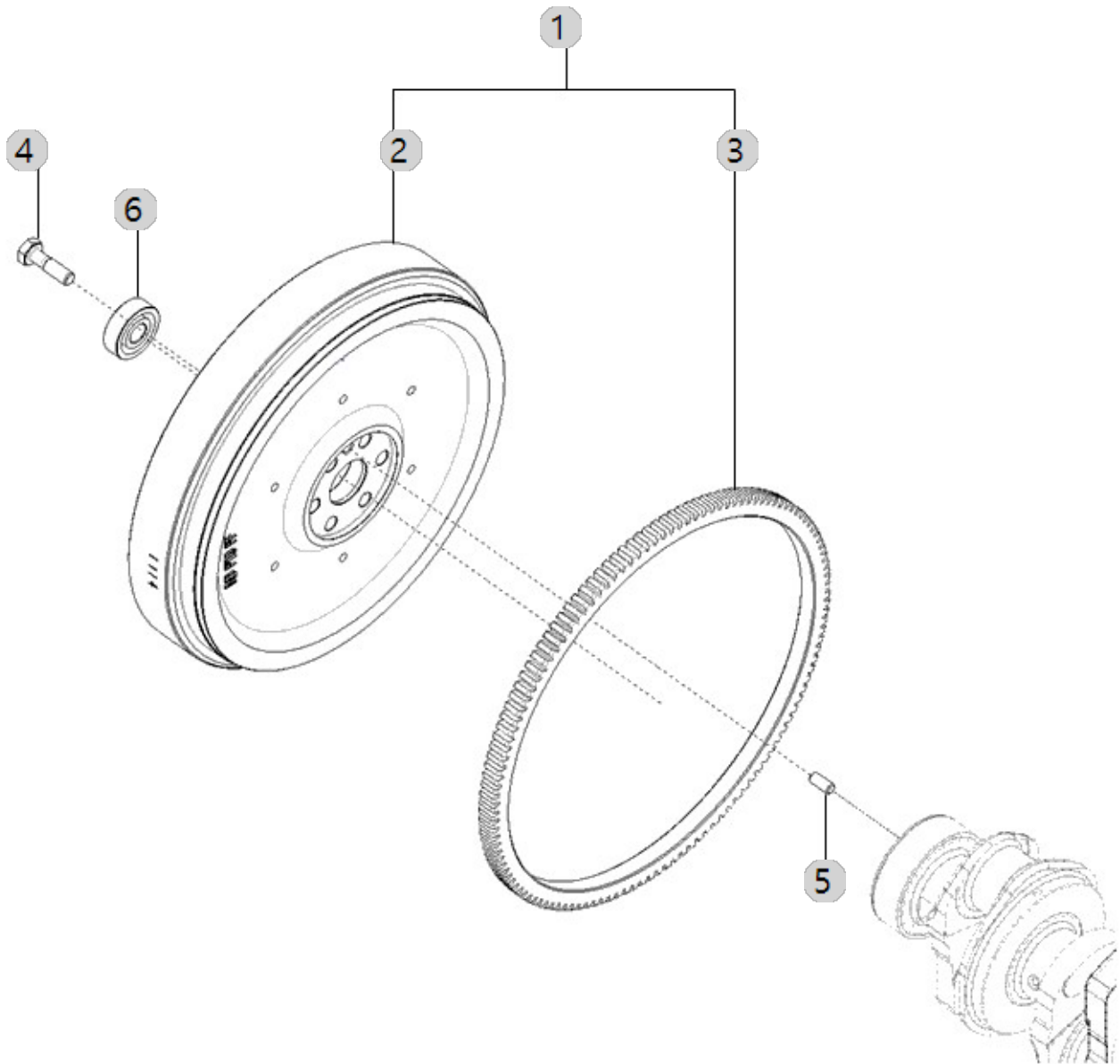
A18_011

A2300T3-UTR_4
(AB00160)

FLYWHEEL

Year/Month

2022-12-15



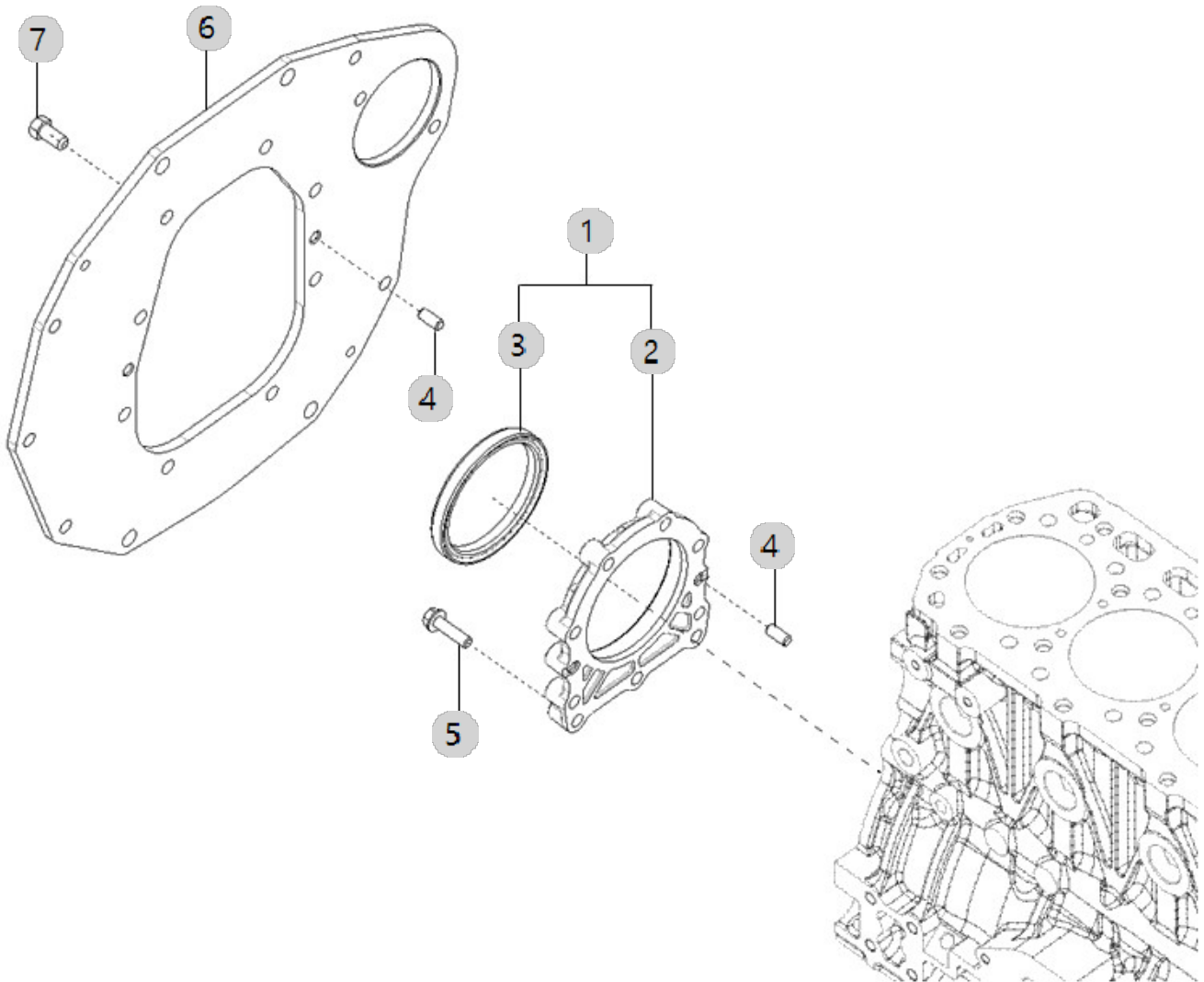
A19_009

A2300T3-UTR_4
(AB00160)

FLYWHEEL HOUSING

Year/Month

2022-12-15



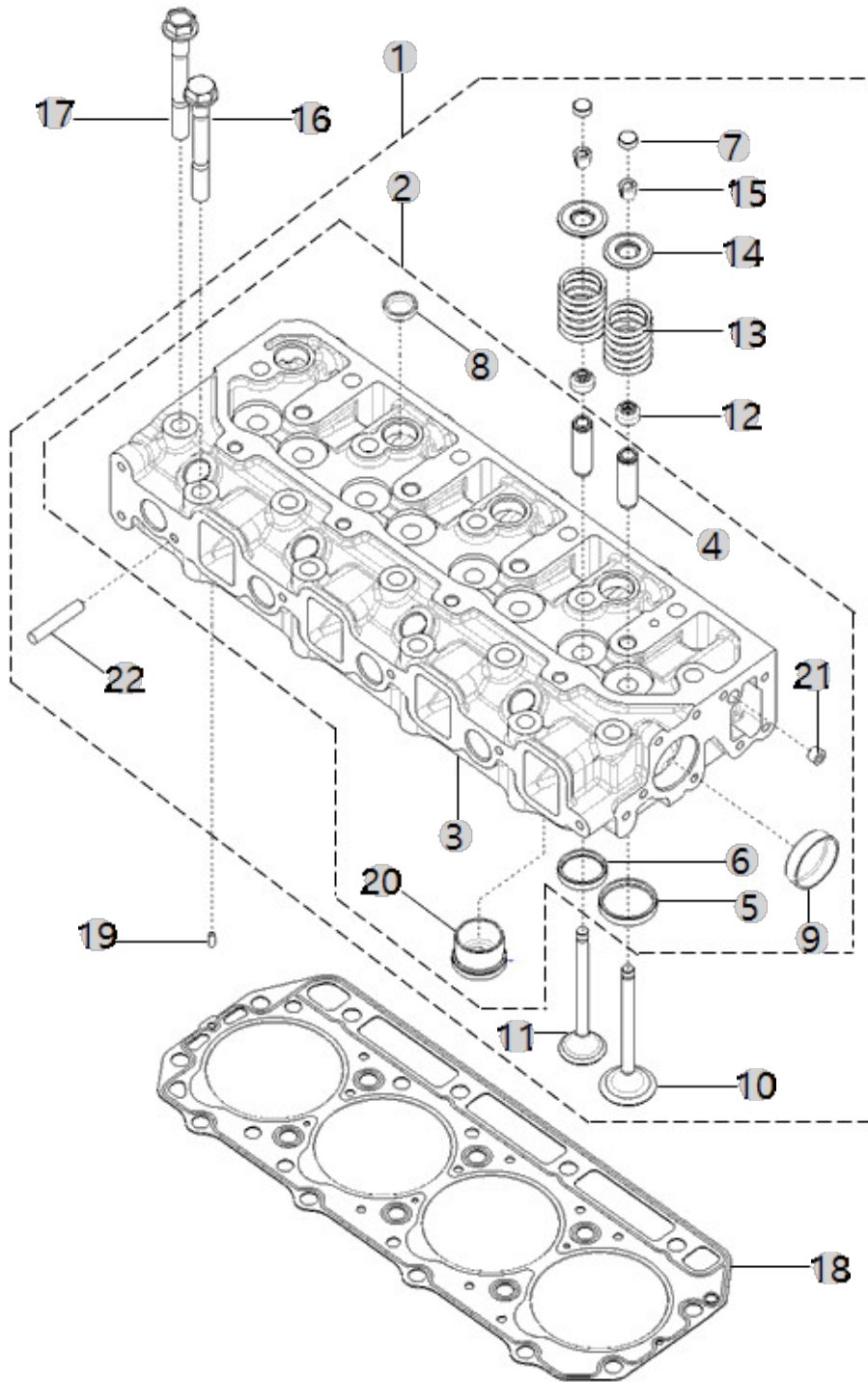
A20_011

A2300T3-UTR_4
(AB00160)

HEAD, CYLINDER

Year/Month

2022-12-15



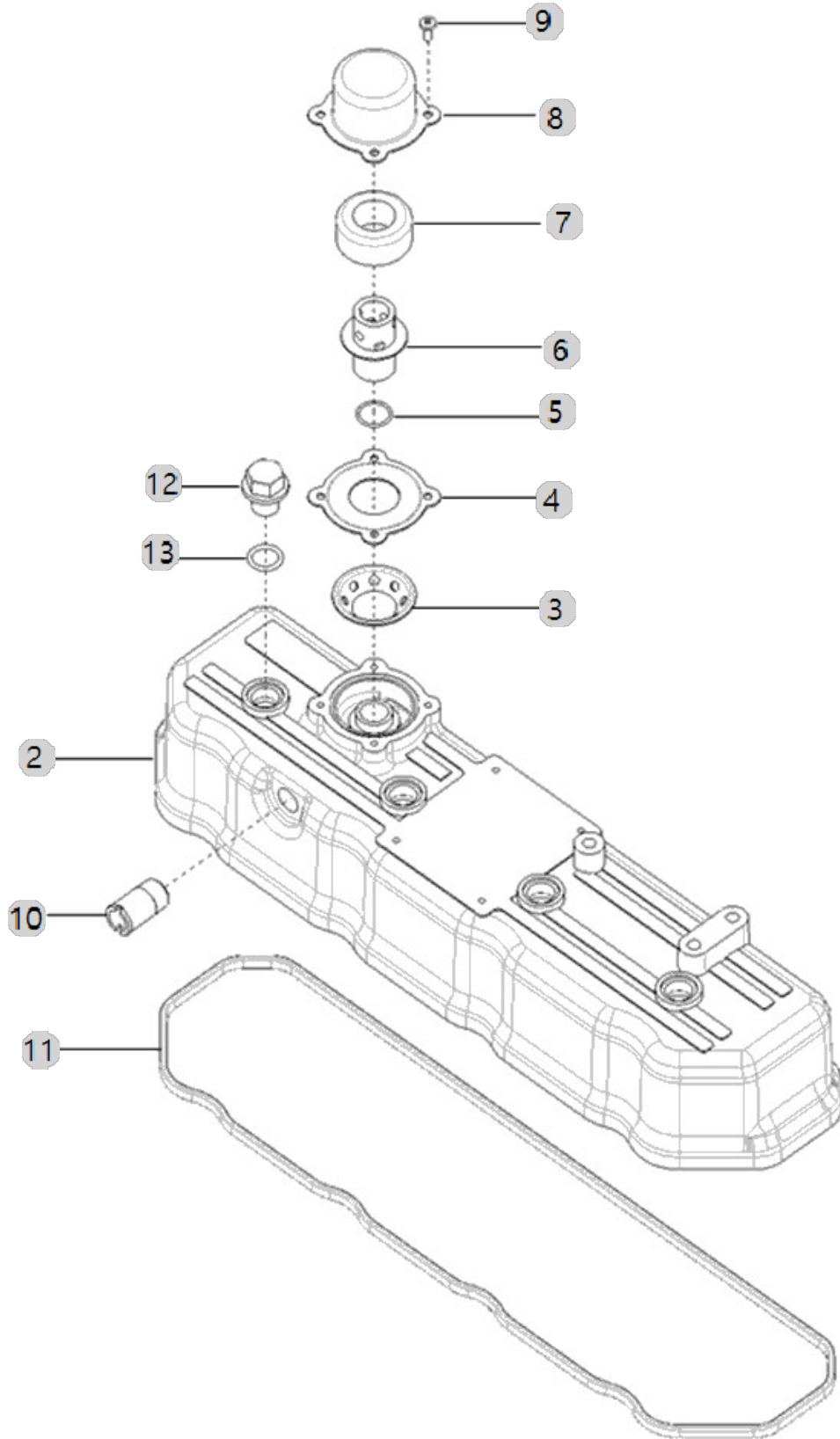
A21_004

A2300T3-UTR_4
(AB00160)

HEAD COVER

Year/Month

2022-12-15



A21_004	HEAD COVER			Year/Month
A2300T3-UTR_4 (AB00160)				2022-12-15

순번 (NO)	부품번호 (PART NO)	품명 (PART NAME)	품명 (PART NAME)	수량 (QTY)	규격 (SPEC)	비고 (REMARK)
1	EA00004727A	헤드커버조합부	HEAD COVER ASS'Y OPTION	1		
2	HRA0402300F0	헤드커버	COVER, VALVE	1	-	
2	HRA0402300E0	헤드커버	COVER, VALVE	1	-	
3	HRA0403900A4	592,ALL,브리더조절판	PLATE,BREATHERADJUSTING	1	T1.2	
3	HRA0403900B4	브리더조절판	PLATE,BREATHER ADJUSTING	1	T1.2	
4	HRA0403800A4	브리더 커버 가스켓	GASKET,BREATHER	1	T0.5	
5	24341-000160	O-링(S형)	O-RING, FIX (Φ16)	1	S10	
6	HRA0403700A4	590,ALL,가이드조합	Valve, Pressure Relief	1		
6	HRA0403700B4	가이드조합	VALVE,PRESSURE RELIEF	1		
7	HC03720000B4	배플	BAFFLE	1	17MMX155M	
8	HRA0403600A4	589,ALL,브리더커버	COVER,BREATHER	1	T1.2	
8	HRA0403600B4	브리더커버	COVER,BREATHER	1	T1.2	
9	26587-040102	245,ALL,스크로우(3X54X10)	SCREW,FILLISTERHEADCAP	4	M4X10	
10	HRA0404000A4	597,A14172023,연결관	TUBE,BREATHER	1	D17.3XT2.3	
11	HRA0402400B3	헤드커버패킹-A2300	GASKET,HEAD COVER	1		
12	HA03520000B4	440,ALL,상부커버캡	NUT,HEXAGONCAP	4		
13	24311-000140	441,ALL,O-RINGP-14	O-RING, DYNAMIC (Φ14)	4	P14	

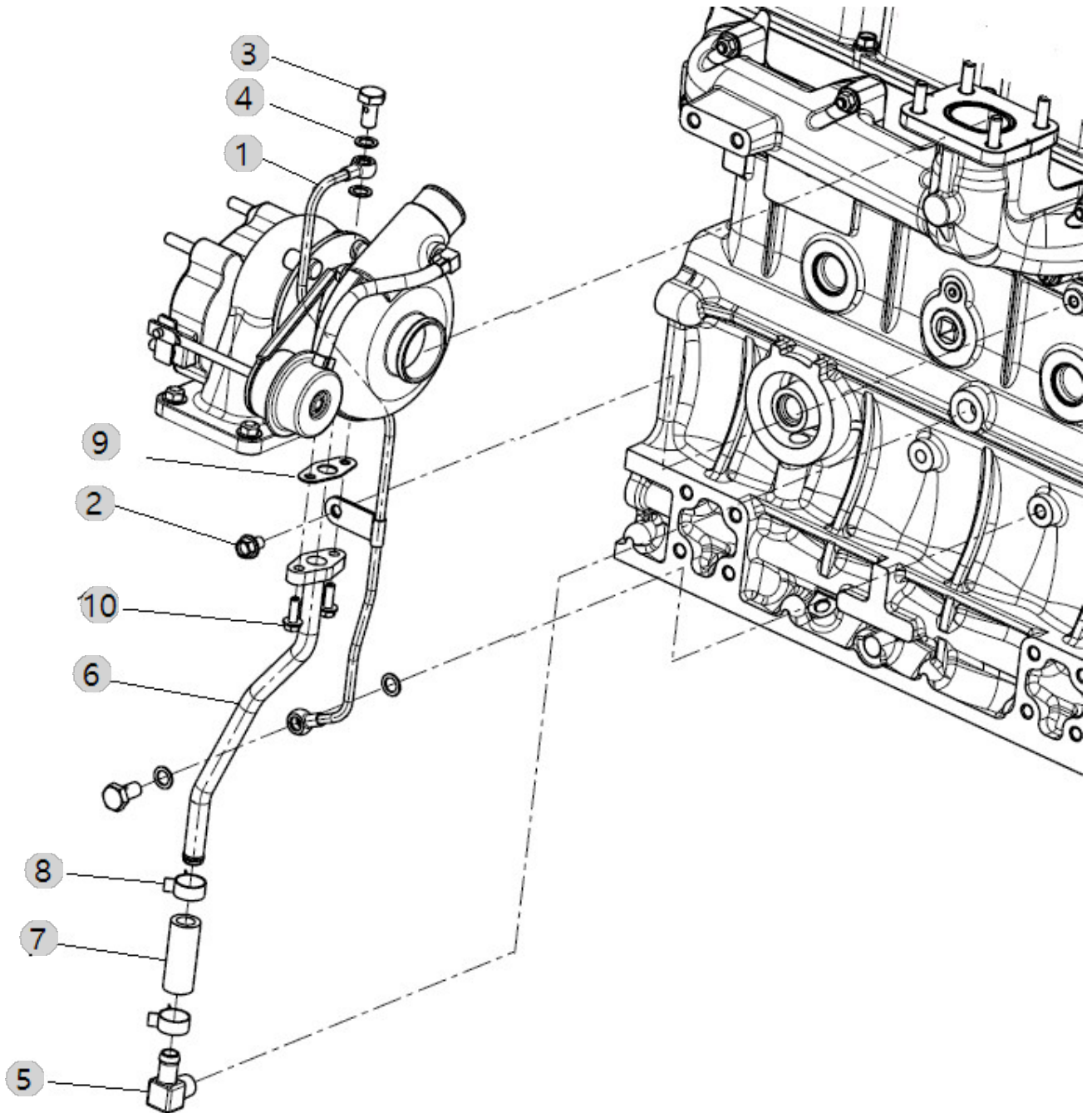
A23_008

A2300T3-UTR_4
(AB00160)

TURBOCHARGER SUPPORT ASS'Y OPTION

Year/Month

2022-12-15



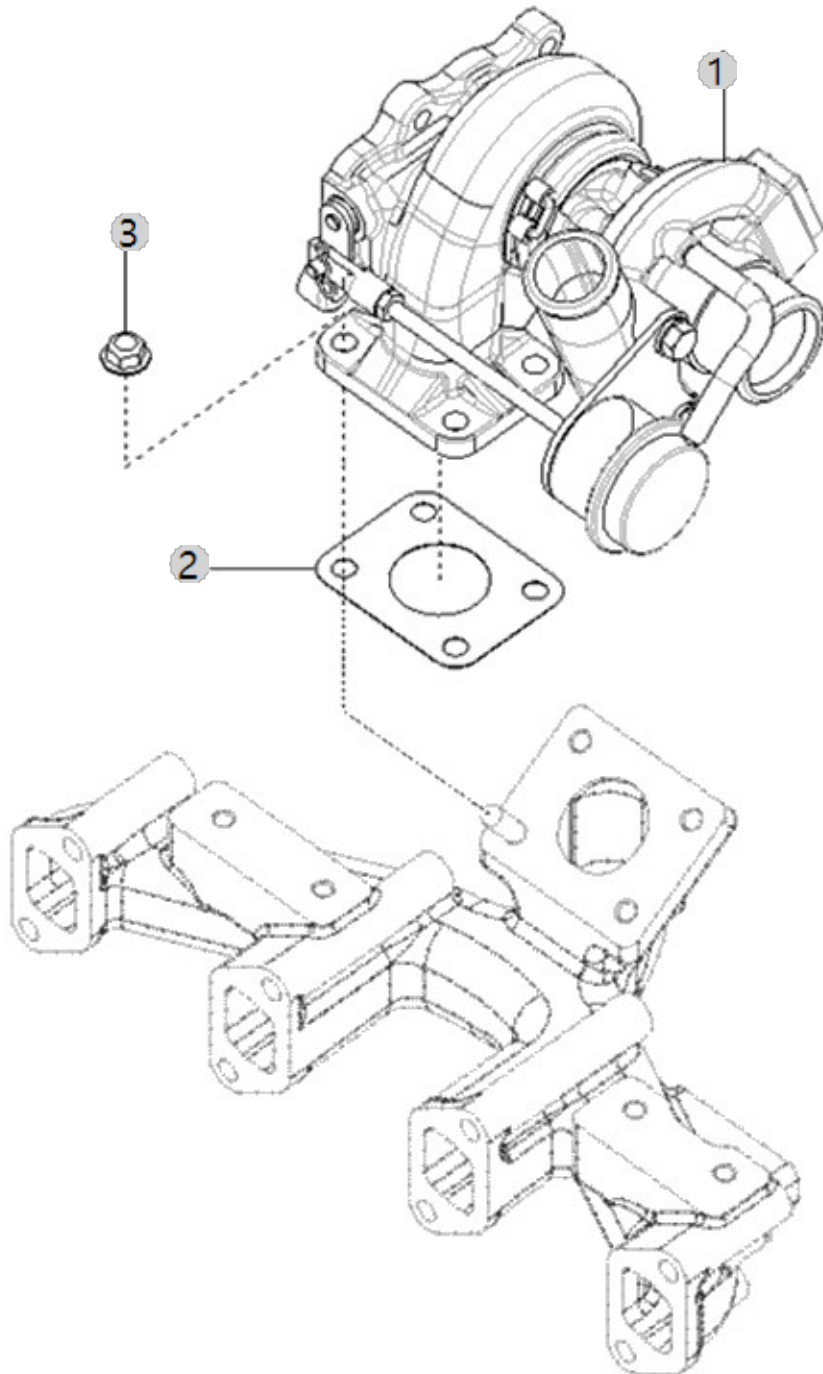
A24_003

A2300T3-UTR_4
(AB00160)

TURBOCHARGER

Year/Month

2022-12-15



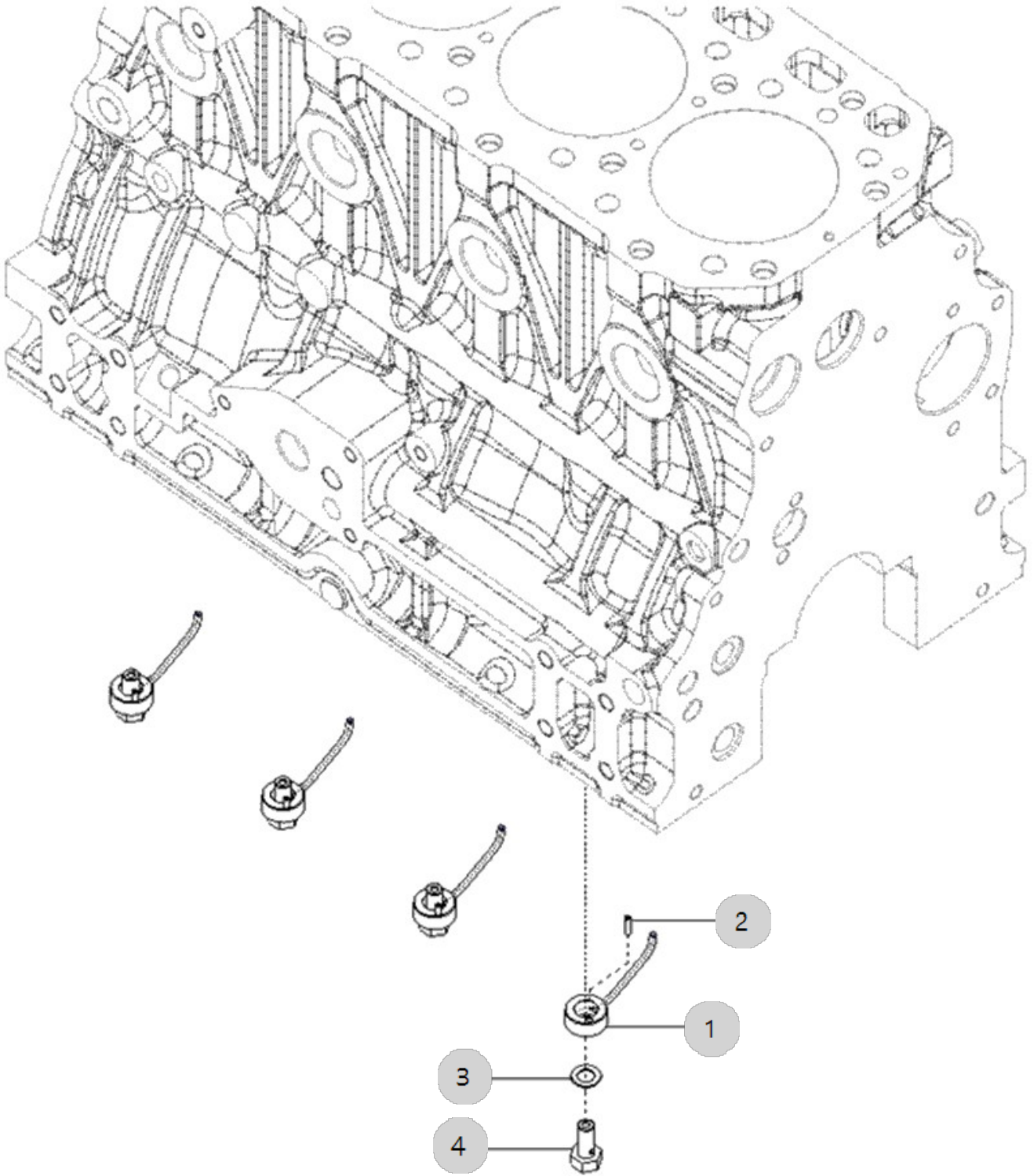
A25_003

A2300T3-UTR_4
(AB00160)

OIL JET ASS'Y OPTION

Year/Month

2022-12-15



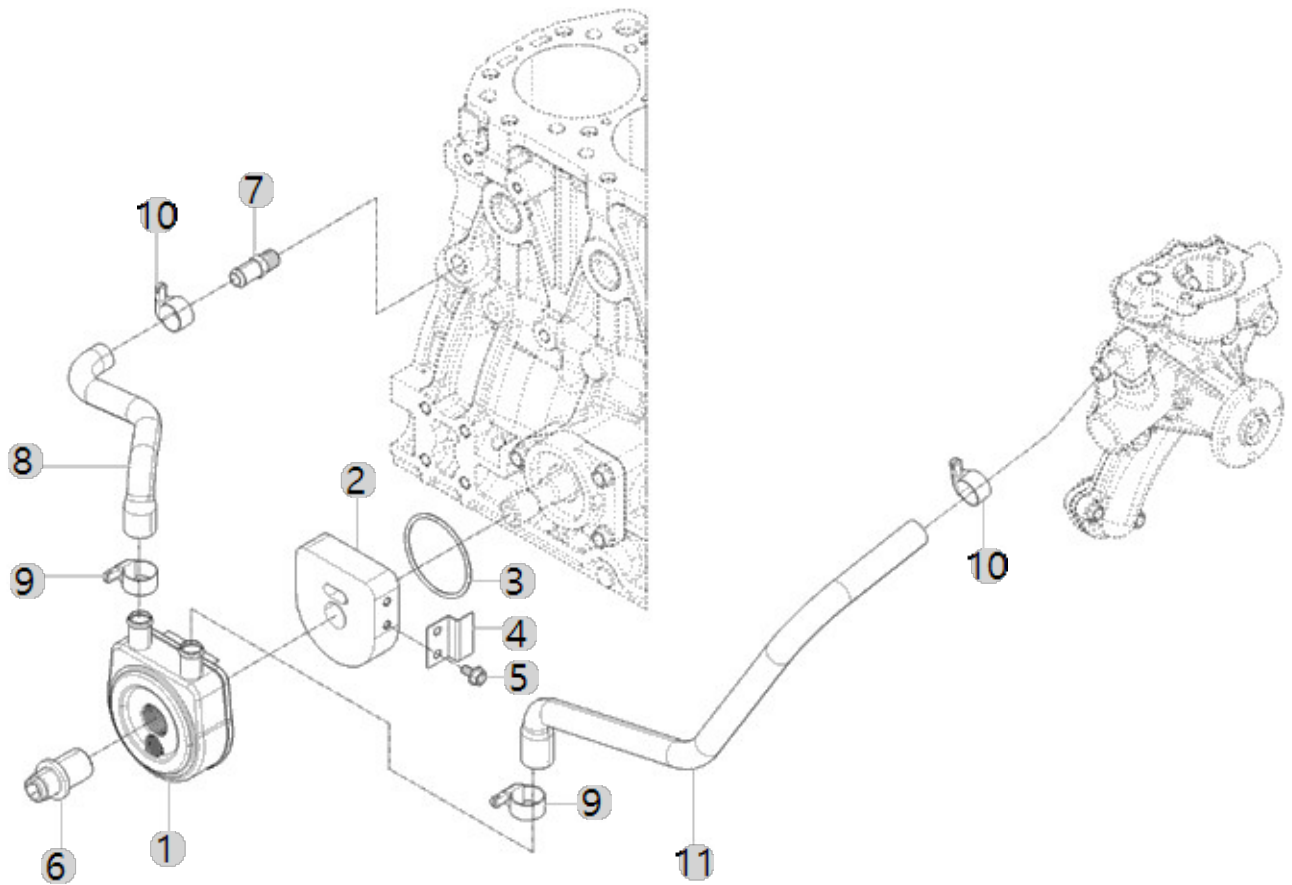
A26_005

A2300T3-UTR_4
(AB00160)

COOLER, ENGINE OIL

Year/Month

2022-12-15



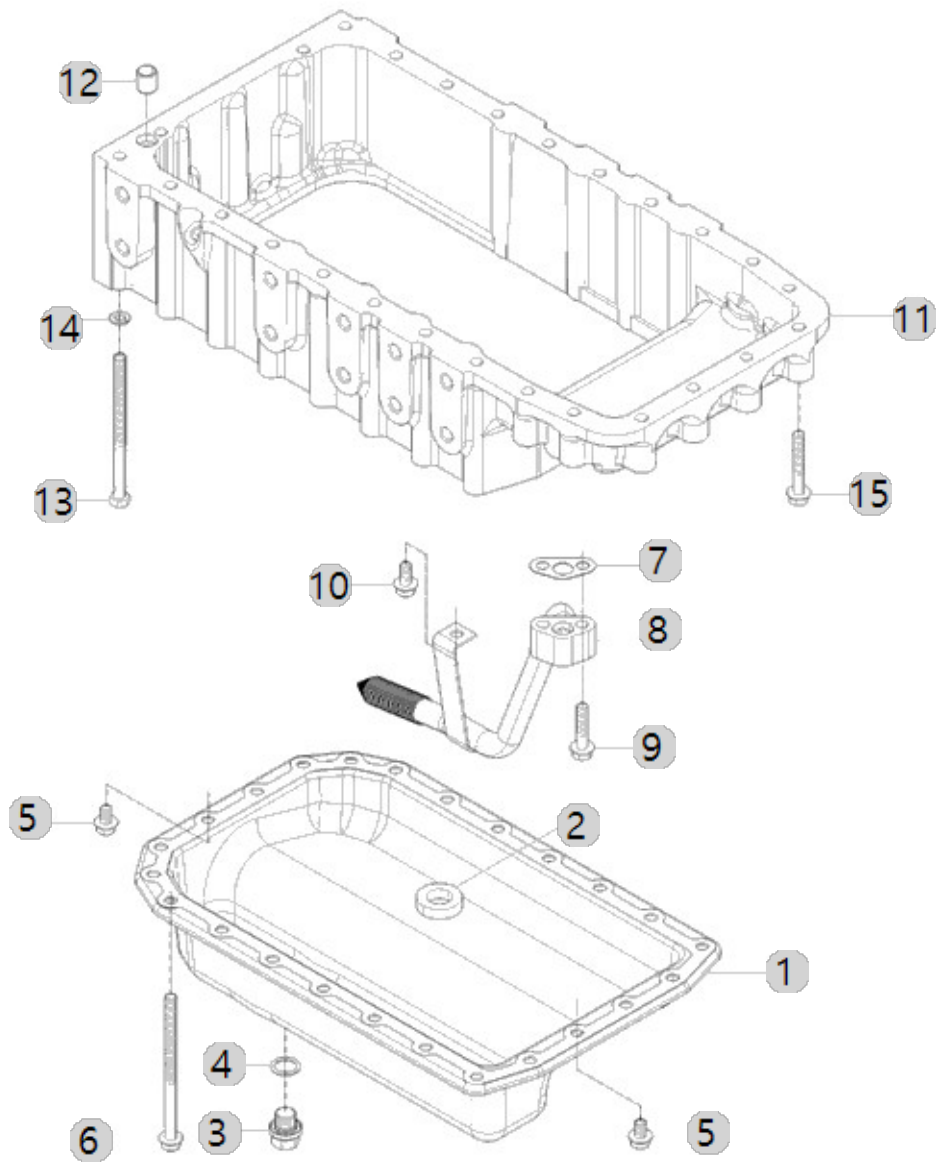
A27_010

A2300T3-UTR_4
(AB00160)

OIL PAN ASS'Y OPTION

Year/Month

2022-12-15



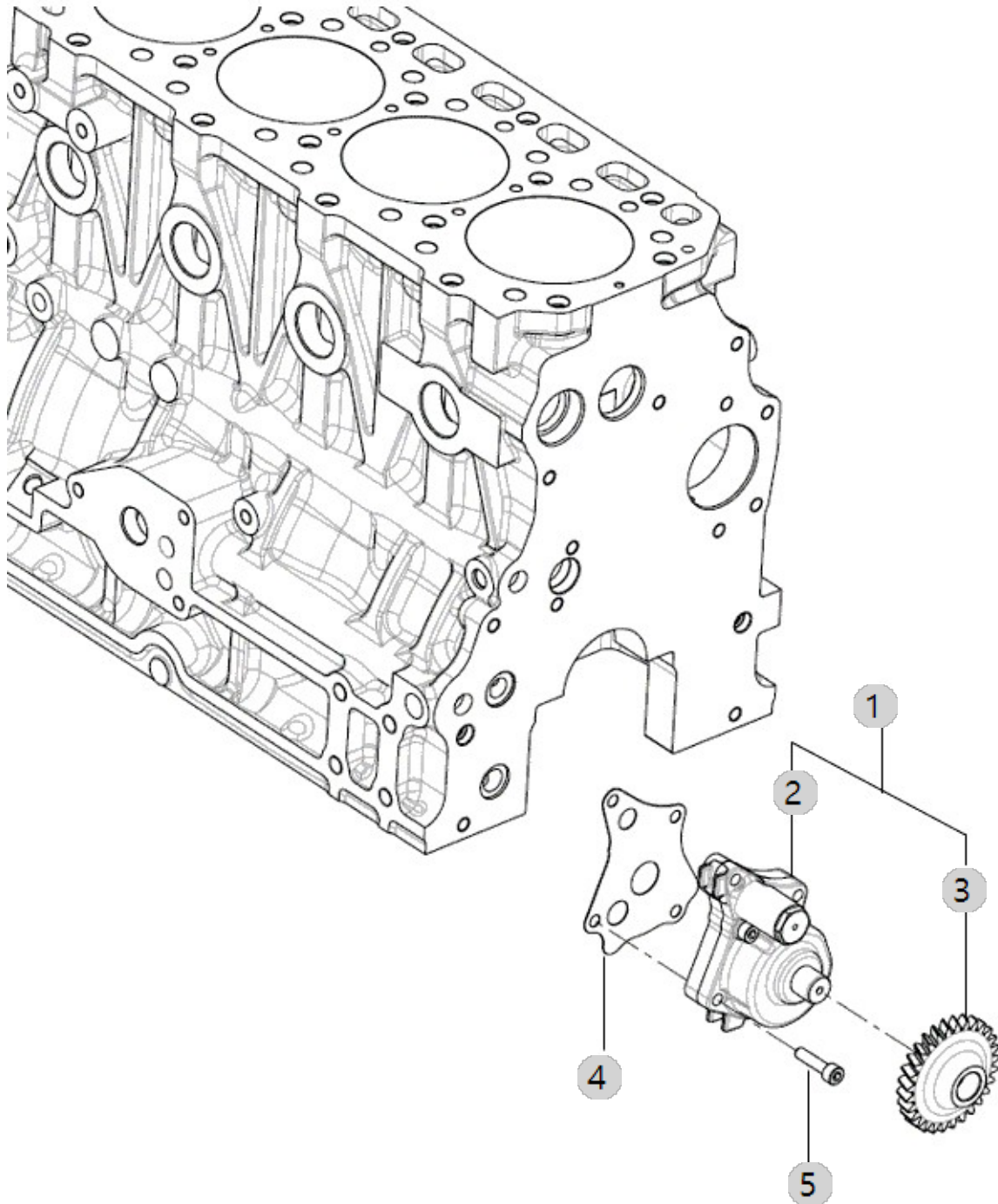
A28_001

A2300T3-UTR_4
(AB00160)

PUMP, LUBRICATING OIL

Year/Month

2022-12-15



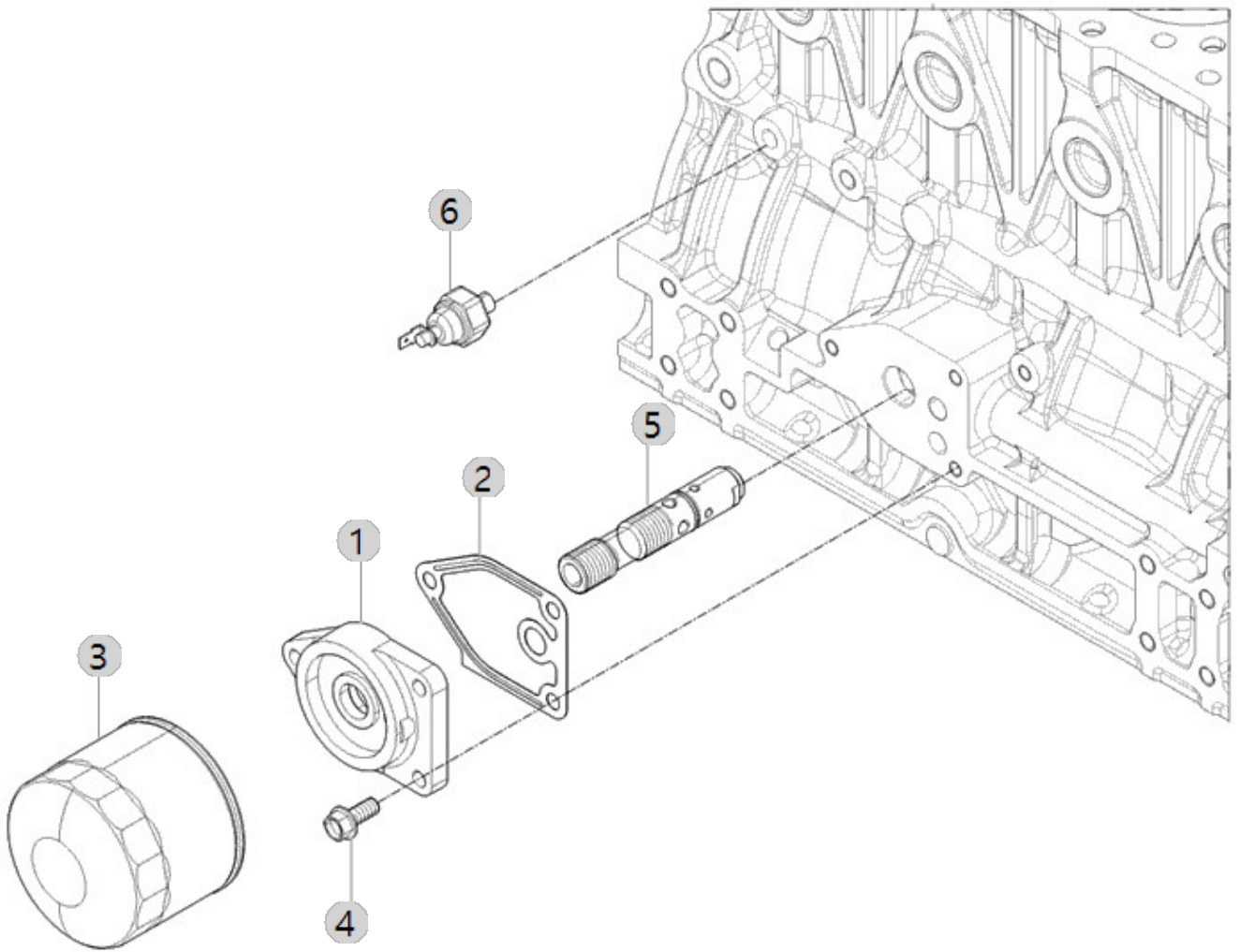
A29_005

A2300T3-UTR_4
(AB00160)

FILTER, LUBRICATING OIL

Year/Month

2022-12-15



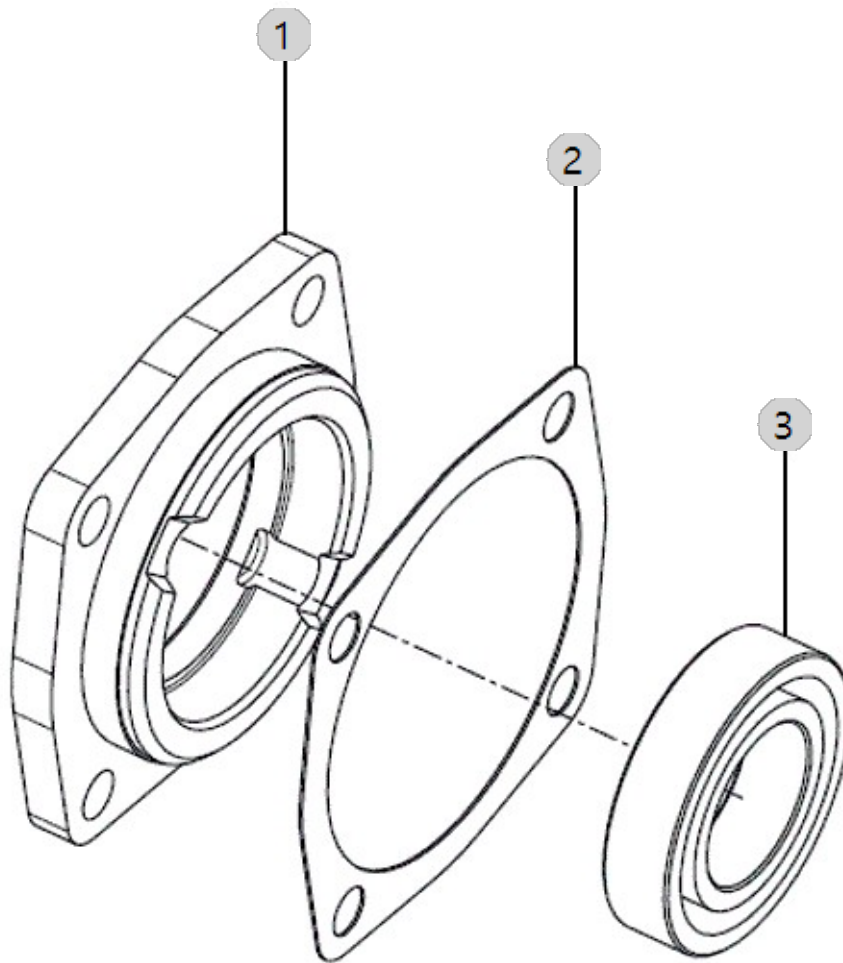
A30_003

A2300T3-UTR_4
(AB00160)

FRONT GEAR ACCESSORY DRIVE

Year/Month

2022-12-15



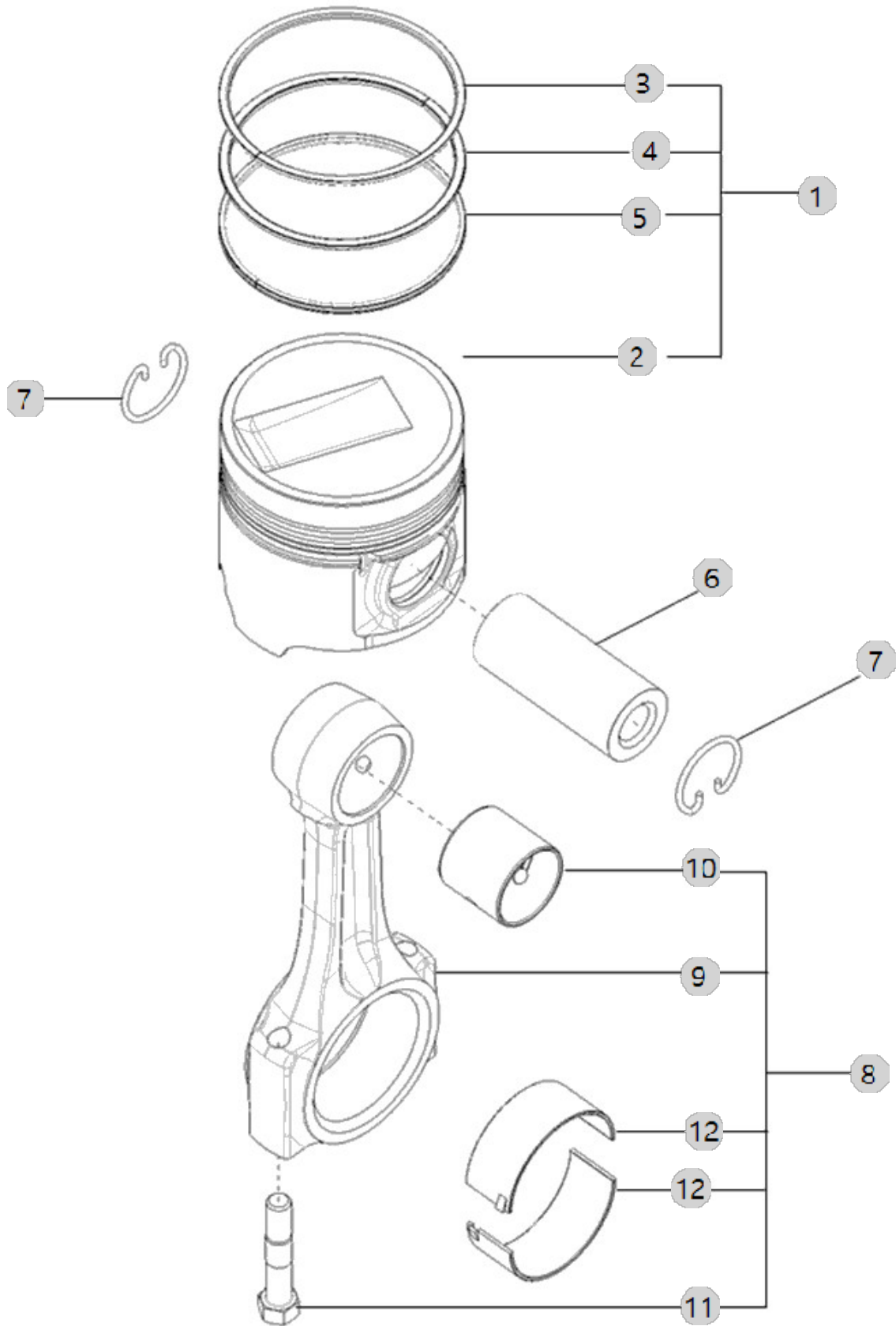
A31_007

A2300T3-UTR_4
(AB00160)

PISTON

Year/Month

2022-12-15



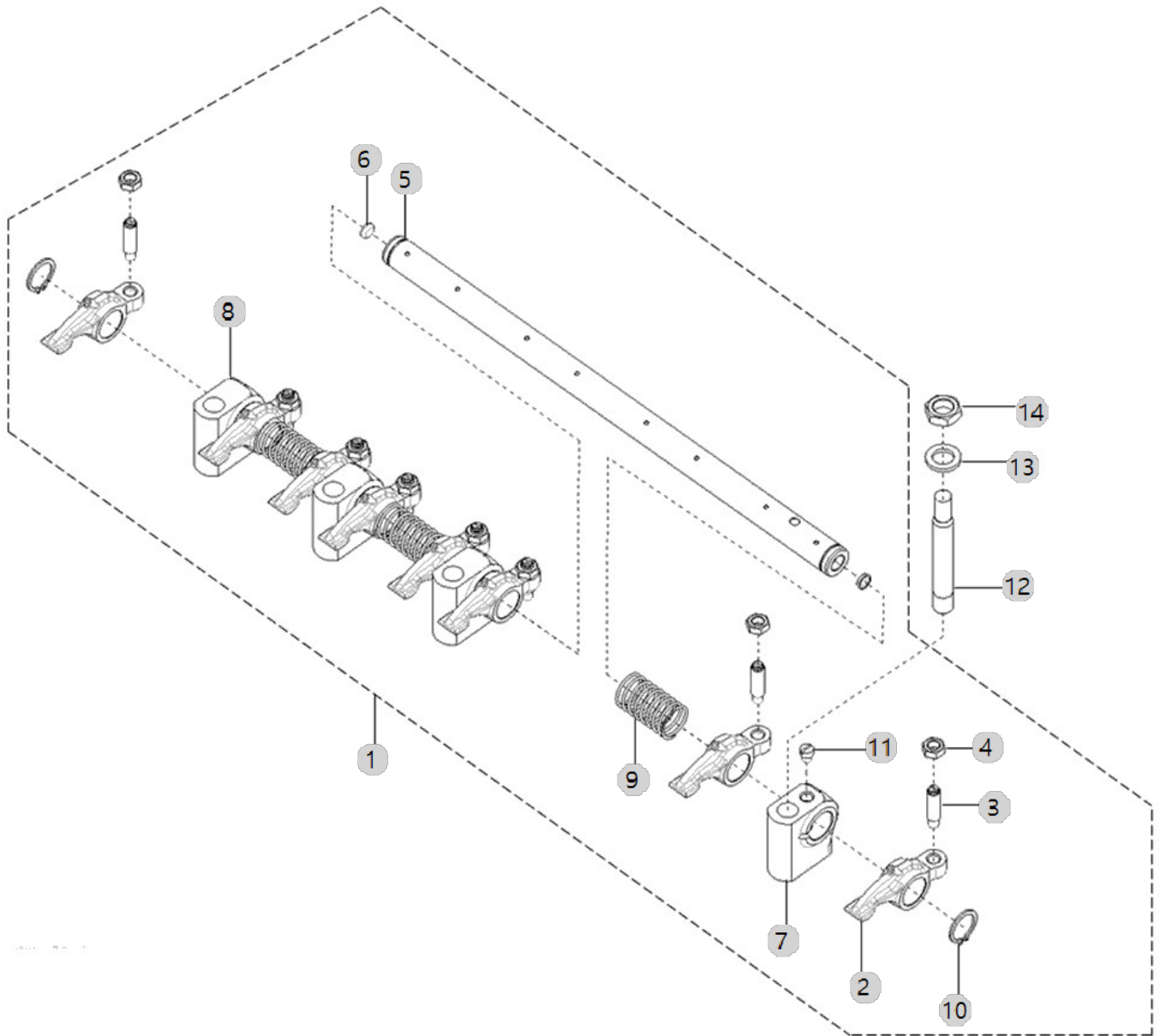
A32_003

A2300T3-UTR_4
(AB00160)

LEVER, LOCKER

Year/Month

2022-12-15



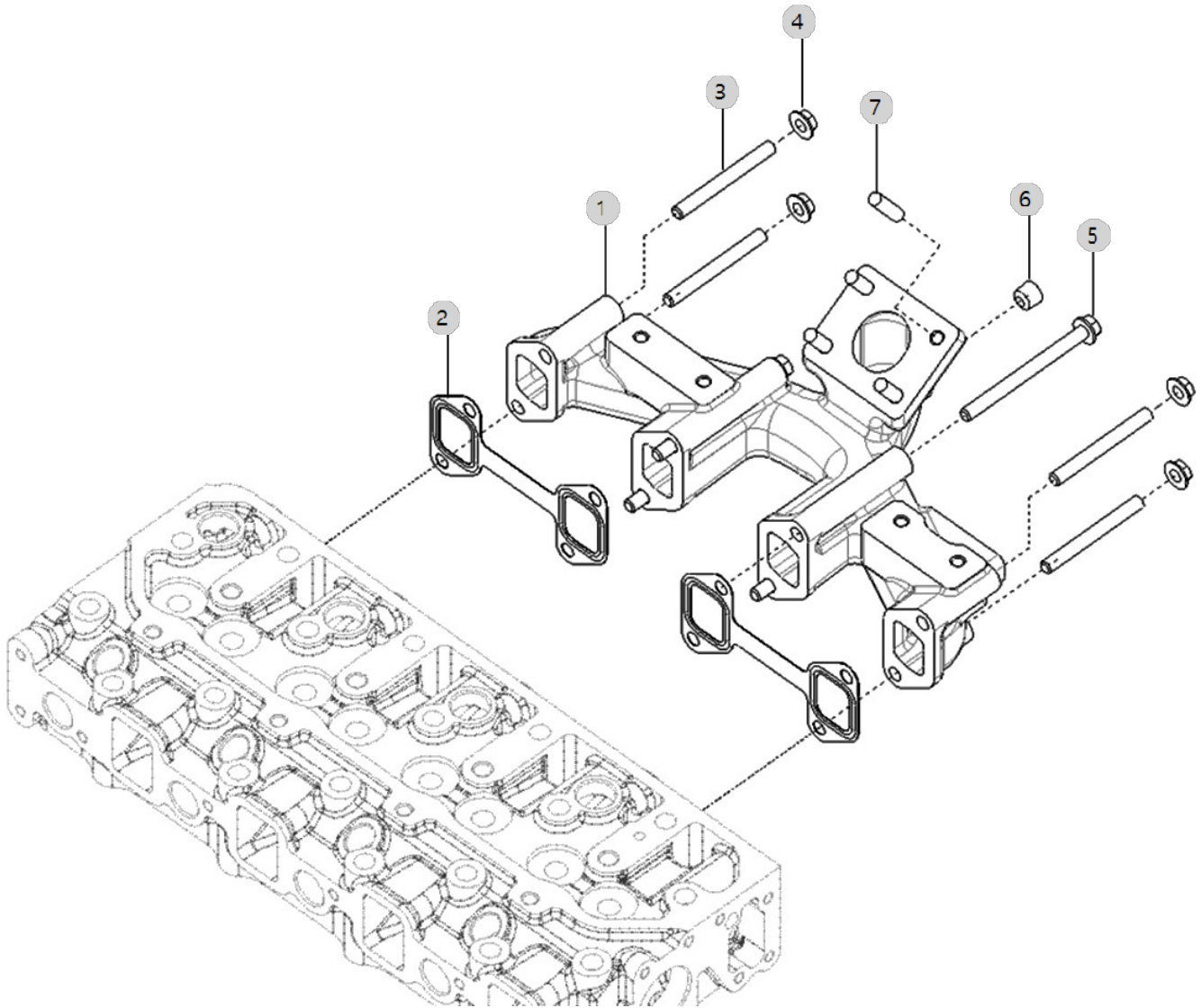
A33_011

A2300T3-UTR_4
(AB00160)

EXHAUST MANIFOLD

Year/Month

2022-12-15



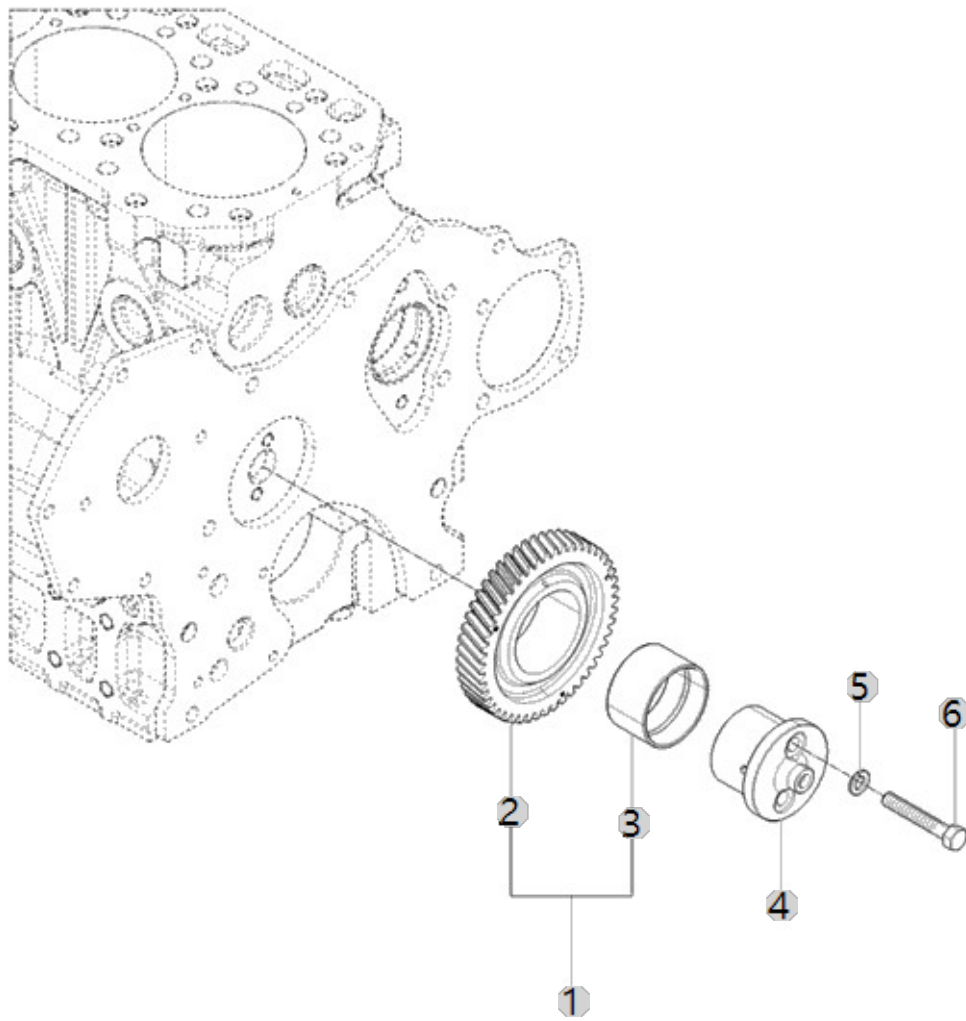
A35_002

A2300T3-UTR_4
(AB00160)

IDLE GEAR

Year/Month

2022-12-15



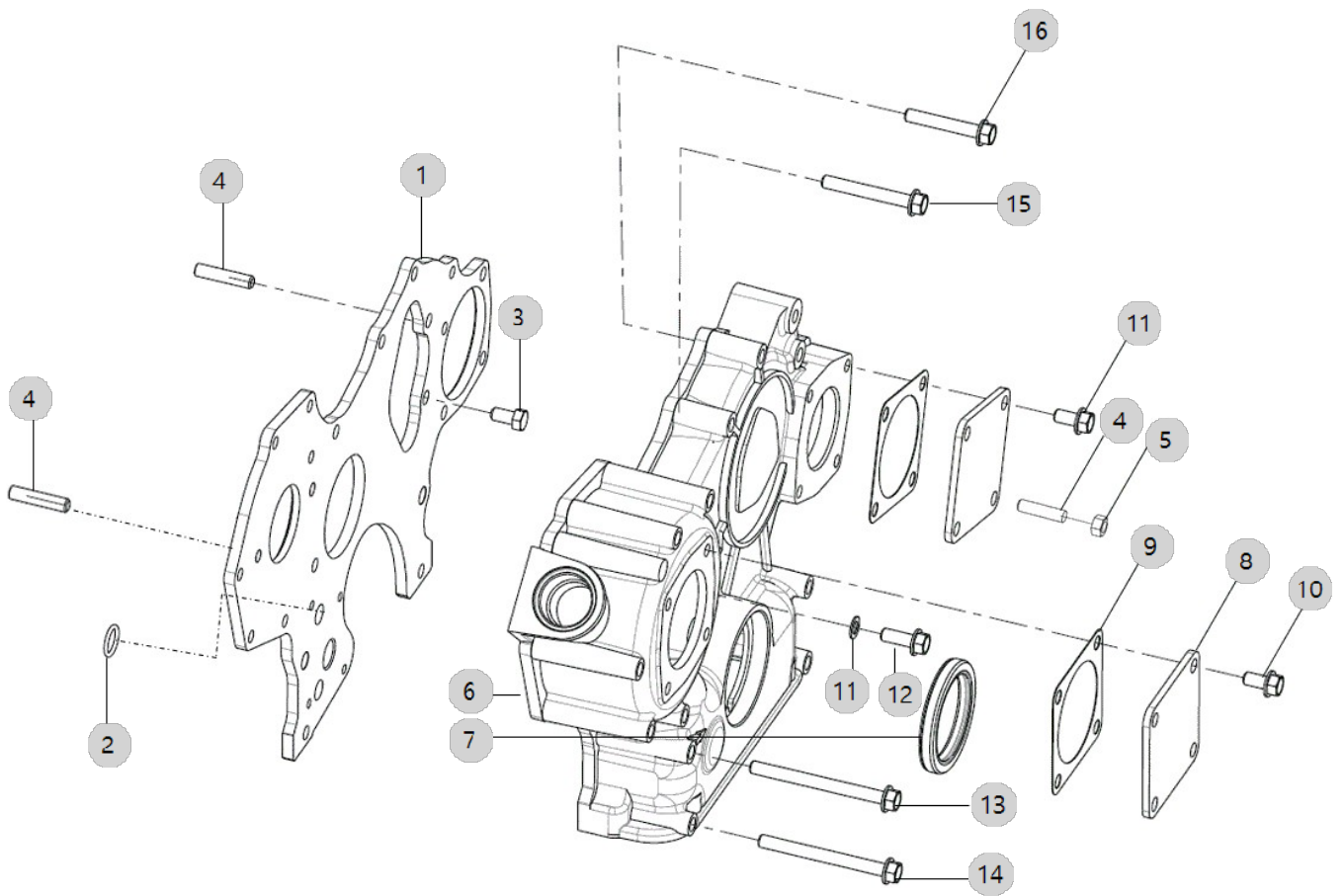
A36_004

A2300T3-UTR_4
(AB00160)

COVER, FRONT GEAR

Year/Month

2022-12-15



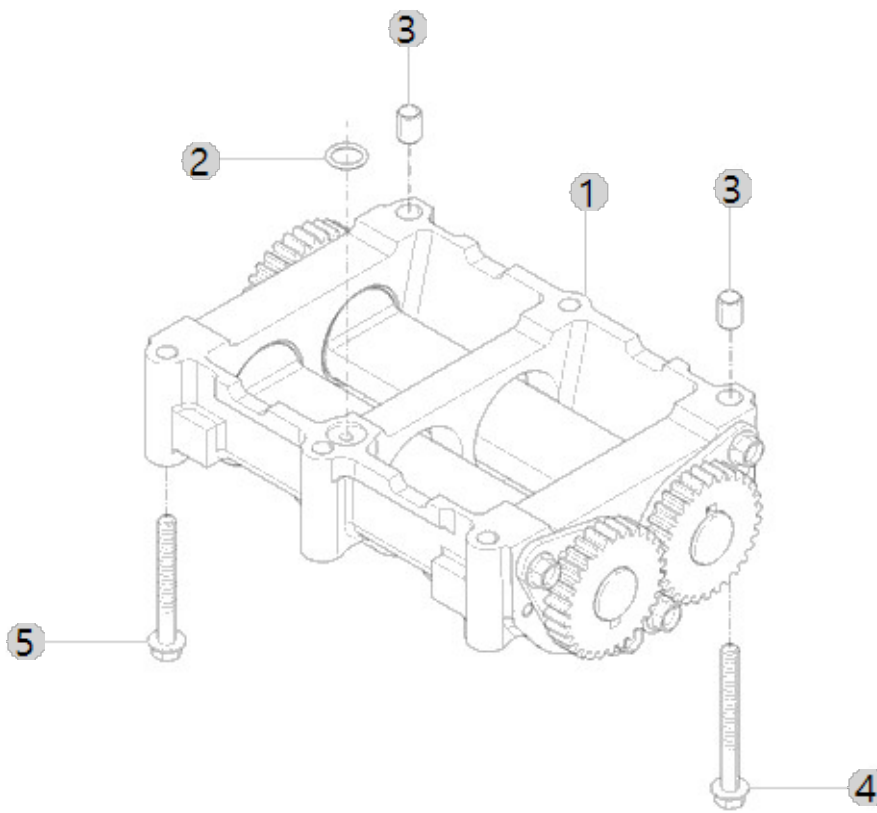
A37_001

A2300T3-UTR_4
(AB00160)

BALANCE ASS'Y

Year/Month

2022-12-15



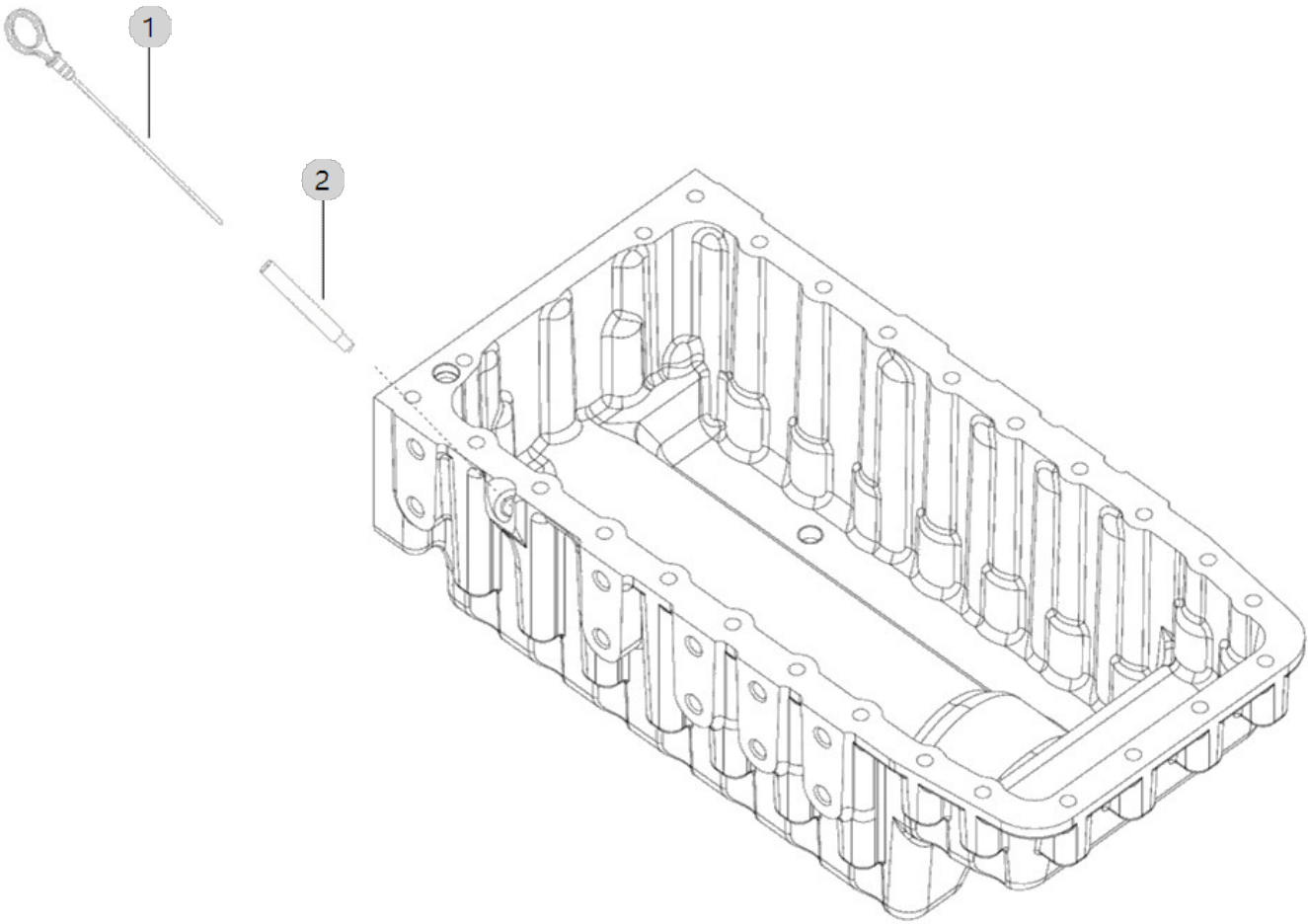
A38_007

A2300T3-UTR_4
(AB00160)

GAUGE, OIL LEVEL

Year/Month

2022-12-15



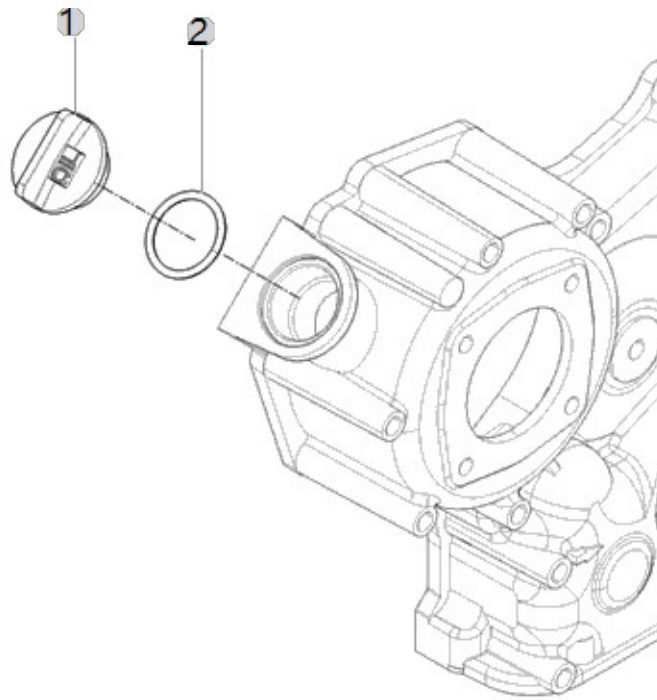
A39_001

A2300T3-UTR_4
(AB00160)

OIL FILLER CAP

Year/Month

2022-12-15



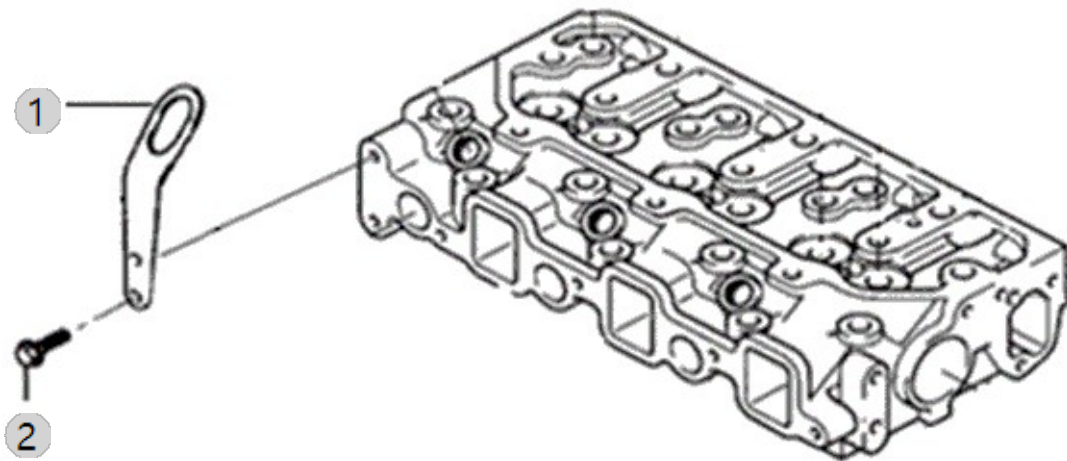
A40_003

A2300T3-UTR_4
(AB00160)

LIFT ASS'Y OPTION

Year/Month

2022-12-15



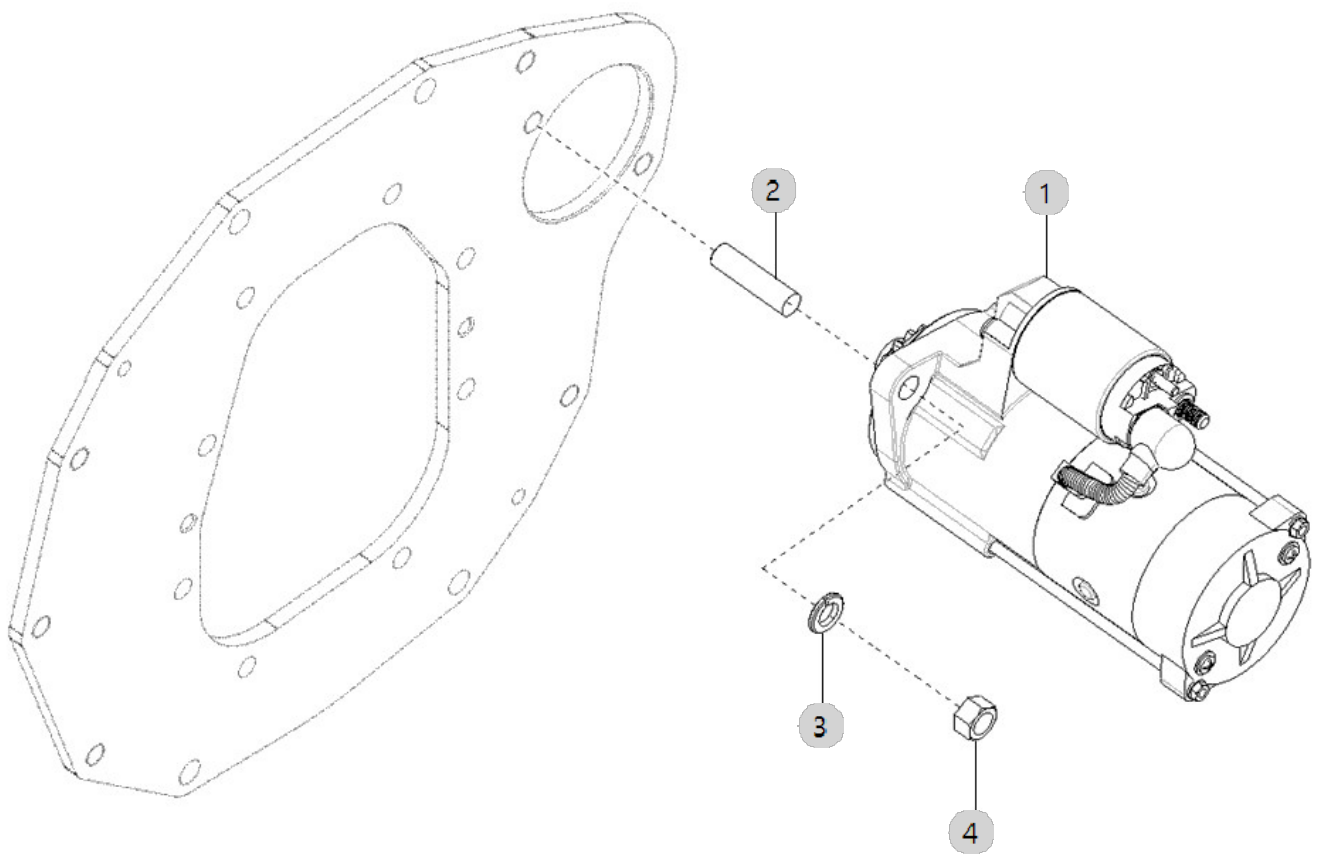
A42_003

A2300T3-UTR_4
(AB00160)

MOTER, STARTIONS

Year/Month

2022-12-15



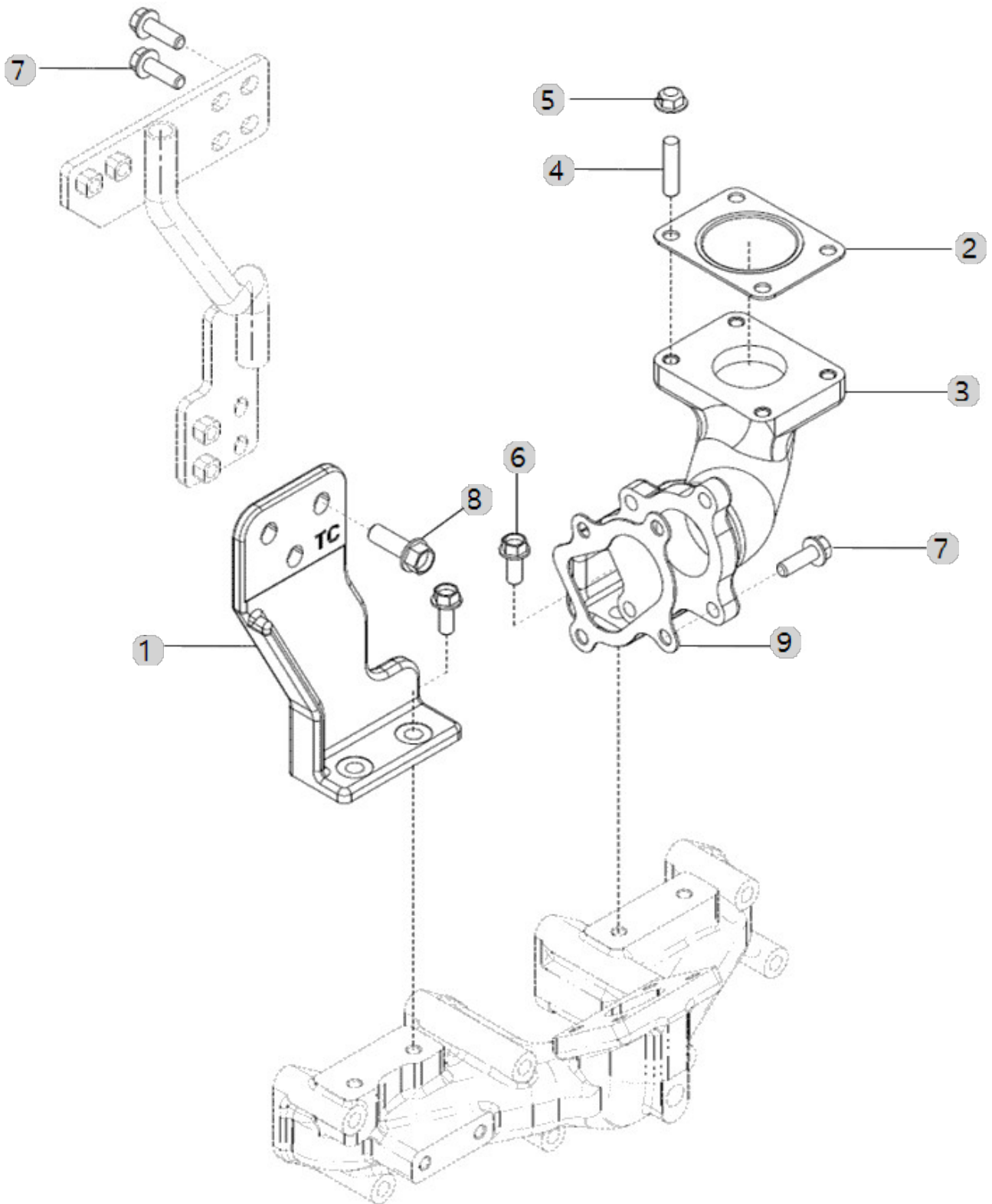
A44_008

A2300T3-UTR_4
(AB00160)

DPF MOUNTING OPTION

Year/Month

2022-12-15



A44_008 A2300T3-UTR_4 (AB00160)	DPF MOUNTING OPTION				Year/Month	
					2022-12-15	

순번 (NO)	부품번호 (PART NO)	품명 (PART NAME)	품명 (PART NAME)	수량 (QTY)	규격 (SPEC)	비고 (REMARK)
1	EA00006021A	DPF 고정 브라켓(A)	DPF SUPPORT(A)	1		
2	EA00005692A	가스켓(DPF IN)	GASKET(DPF IN)	1		
3	EA00006020A	DPF 고정 하우징	DPF FIX HOUSING	1		
4	2621D-080252	심음볼트	BOLT	4		
5	2636A-080002	육각플랜지너트	NUT	4		
6	26106-080202	육각플랜지볼트	SQR FLANGE BOLT	4	M8XP1.25X20	
7	2610D-080252	육각플랜지볼트	HEXAGON_FLANGE	6		
8	26106-100302	육각플랜지볼트	HEXFLANGETBOLT	3	M10XP1.5X30	
9	HP0524000EA4	가스켓(T/OUT)	GASKET (T/OUT)	1		

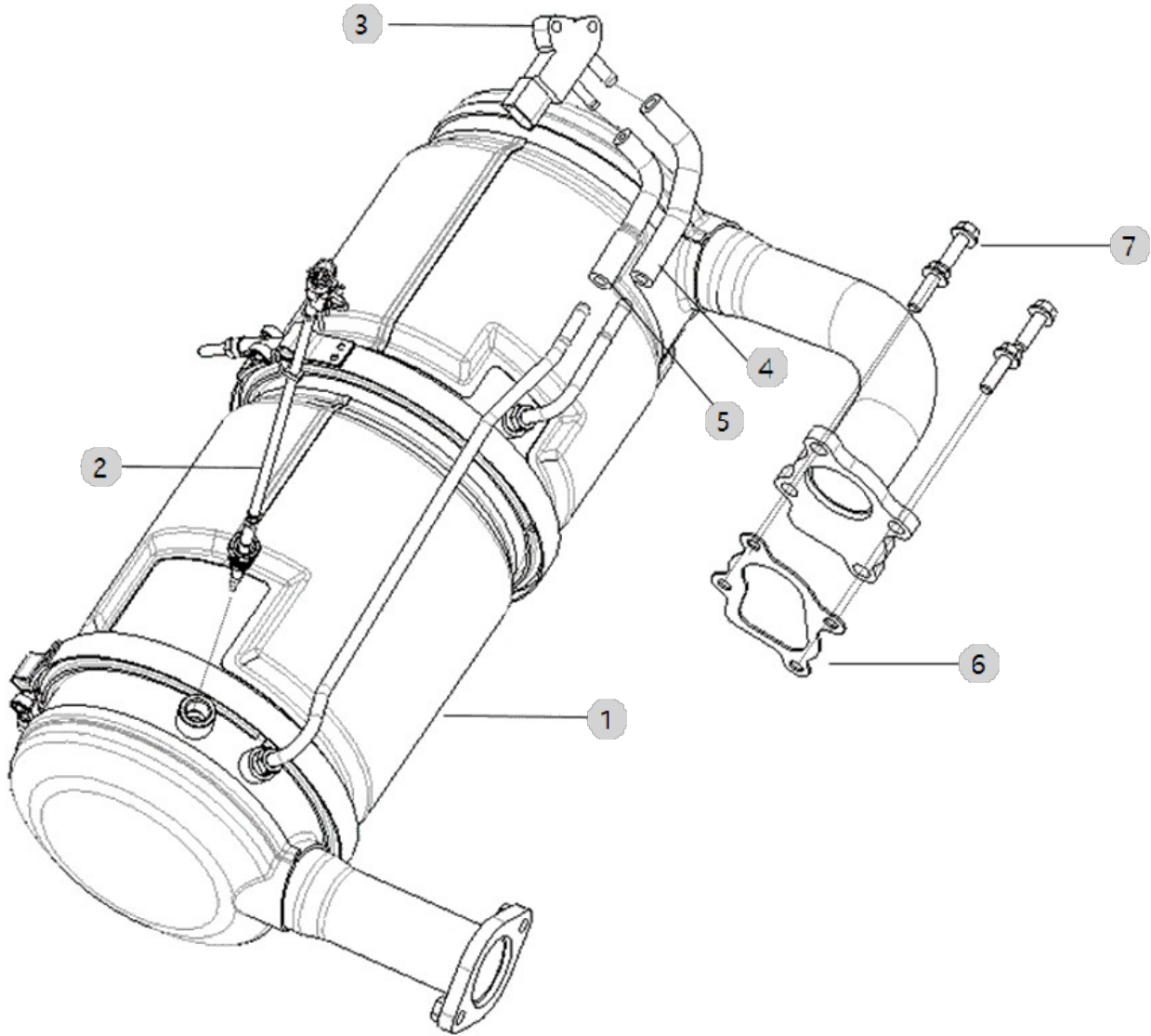
A45_003

A2300T3-UTR_4
(AB00160)

DPF

Year/Month

2022-12-15



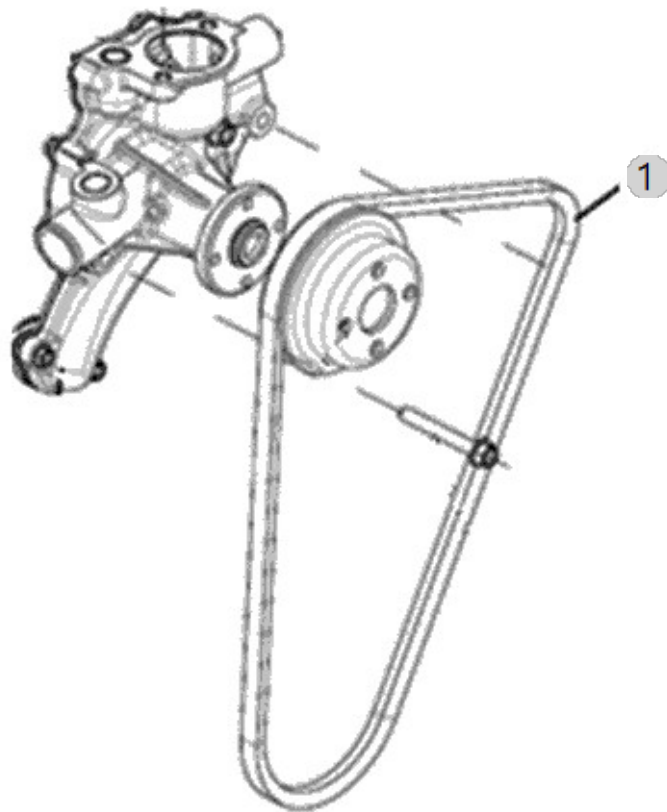
A48_006

A2300T3-UTR_4
(AB00160)

V-BELT

Year/Month

2022-12-15



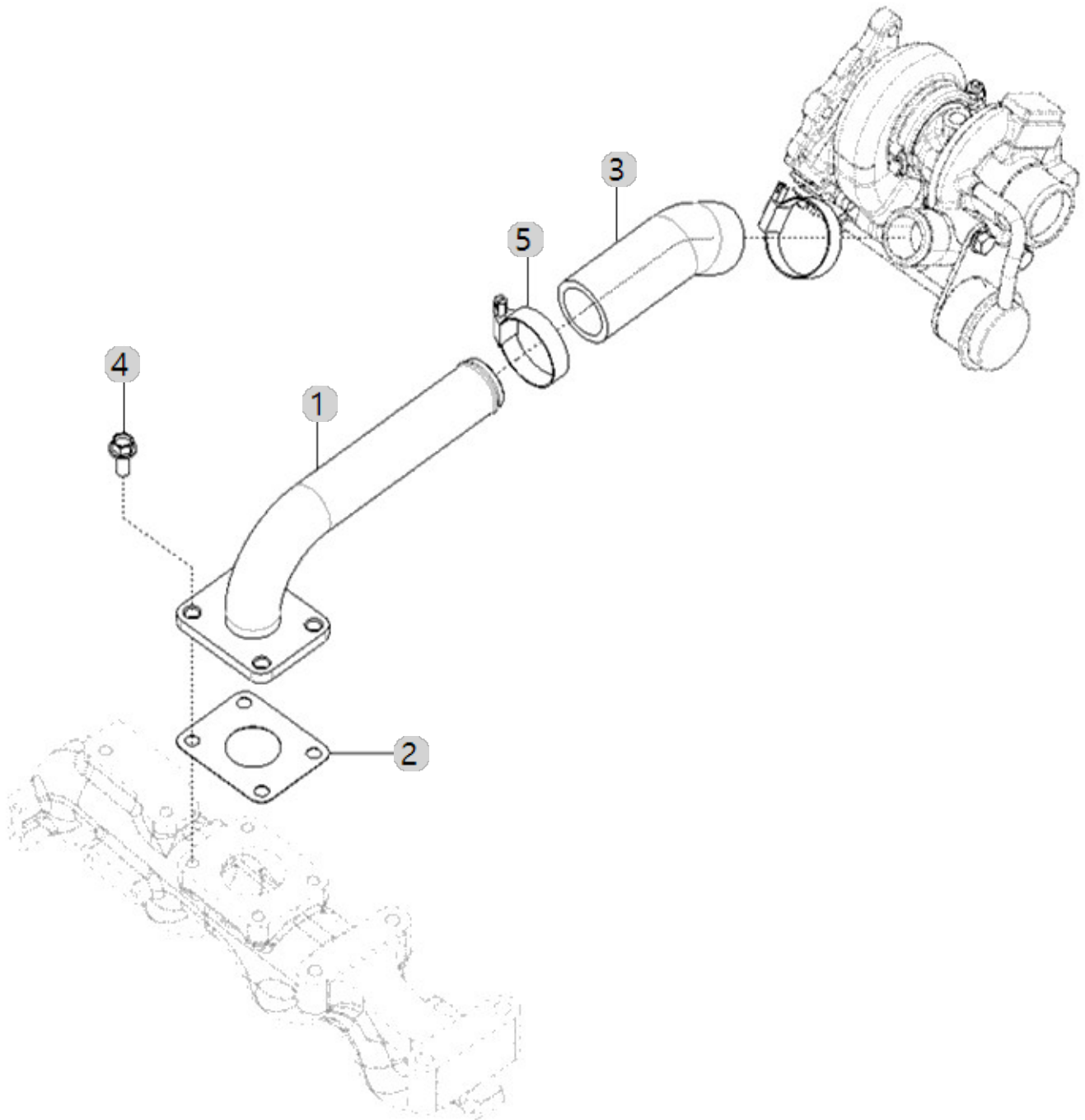
A51_006

A2300T3-UTR_4
(AB00160)

INTAKE HOSE ASSY OPTION

Year/Month

2022-12-15



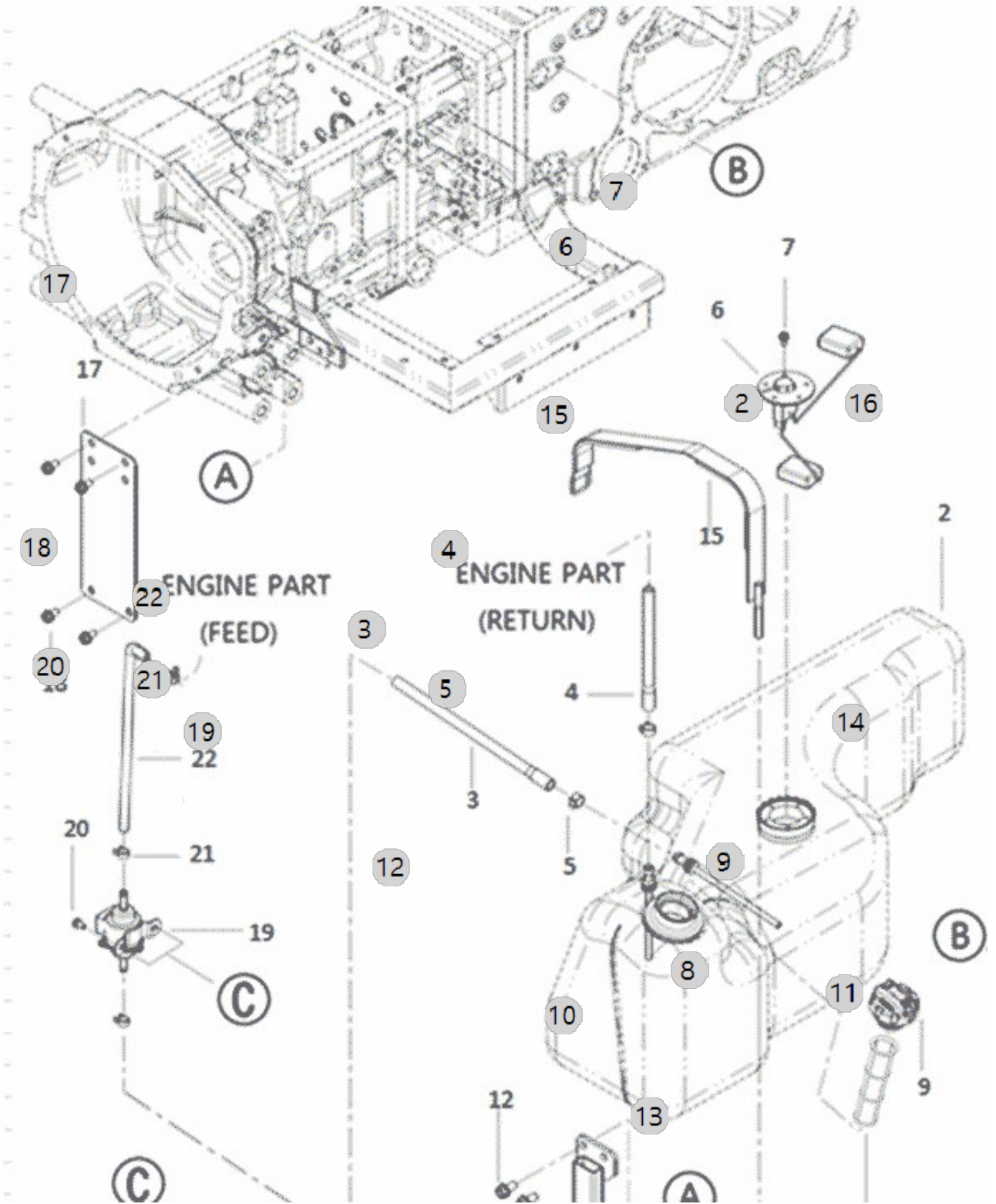
B01010

5520R(AC02109)

FUEL TANK

Year/Month

2022-12-15



B01010		FUEL TANK				Year/Month
5520R(AC02109)						2022-12-15
순번 (NO)	부품번호 (PART NO)	품명 (PART NAME)	품명 (PART NAME)	수량 (QTY)	규격 (SPEC)	비고 (REMARK)
1	TA00037917C	연료탱크 총조합	FUEL TANK ASSY	1		
1	TA00037917B	연료탱크 총조합	FUEL TANK ASSY	1		
2	TA00035291C	연료탱크조합	FUEL TANK ASSY	1		
2	TA00035291B	연료탱크조합	FUEL TANK ASSY	1		
2	TA00035291D	연료탱크조합	FUEL TANK ASSY	1		
3	TA00036178C	연료호스(850)조합	FUEL LINE(1000)	1		
3	TA00036178B	연료호스(850)조합	FUEL LINE(1000)	1		
4	TA00036175C	연료호스(1100)조합	FUEL LINE(1100)	1		
4	TA00036175B	연료호스(1100)조합	FUEL LINE(1100)	1		
5	23080-015000	호스클램프	Clamp, Hose (Φ15)	2	D15	
6	HA00000855A	연료센서(EXCELLENT)	FUEL SENSOR	1		
7	26106-050142	육각플랜지볼트	HEX FLANGE BOLT (5-14)	5		
8	TA00056576A	연료여과망	FUEL TANK STRAINER	1		
9	TA00037880A	주유구 캡	FUEL CAP	1		
10	TA00035817E	연료탱크전방서포트	TANK SUPPORT, FRONT	1		
10	TA00035817G	연료탱크전방서포트	FUEL TANK SUPPORT ASSY	1		
10	TA00035817D	연료탱크전방서포트	TANK SUPPORT ASSY	1		
10	TA00035817F	연료탱크전방서포트	FUEL TANK SUPPORT ASSY	1		
10	TA00035817I	연료탱크전방서포트	FUEL TANK SUPPORT ASSY	1		
10	TA00035817C	연료탱크전방서포트	TANK SUPPORT ASSY	1		
11	TA00054743C	연료탱크후방서포트(4단)	FUEL TANK REAR SUPPORT	1		
11	TA00054743A	연료탱크후방서포트(4단)	FUEL TANK REAR SUPPORT	1		
12	26106-100202	육각플랜지볼트	HEX BOLT, (10-20)	6	M10XP1.5X20	
13	26367-100002	263,ALL,고정너트(우나사)	NUT,HEXAGONFLANGE	2	M10X1025	
14	26106-080252	육각플랜지볼트	SCREW,HEXFLANGEHEADCAP	1	M8XP1.25X25	
15	TA00035957C	전방밴드조합	FRONT BAND ASSY	1		
15	TA00035957E	전방밴드조합	FRONT BAND ASSY	1		
15	TA00035957B	전방밴드조합	FRONT BAND ASSY	1		
15	TA00035957D	전방밴드조합	FRONT BAND ASSY	1		
15	TA00035957G	전방밴드조합	FRONT BAND ASSY	1		
16	TA00035974E	후방밴드조합	BAND REAR ASSY	1		
16	TA00035974H	후방밴드조합	BAND REAR ASSY	1		
16	TA00035974B	후방밴드조합	BAND REAR ASSY	1		
16	TA00035974D	후방밴드조합	FUEL TANK BAND, REAR	1		
16	TA00035974F	후방밴드조합	BAND REAR ASSY	1		
16	TA00035974C	후방밴드조합	BAND REAR ASSY	1		
17	TA00035811D	연료탱크 커버	FUEL TANK COVER	1		
17	TA00035811C	연료탱크 커버	COVER	1		
17	TA00035811B	연료탱크 커버	COVER	1		
18	26106-080162	플랜지볼트 8X16	SCREW,HEXFLANGEHEADCAP	4	M8XP1.25X16	
19	HF20190000A2	피드펌프	PUMP ASSY, FUEL FEED	1		
20	26106-060122	육각플랜지볼트	HEX BOLT (6-12)	2	M6XP1.0X12	
21	23080-013000	호스 클립	Clamp, Hose (Φ13)	2	D13	
22	TA00055012C	연료호스(PF)	HOSE, FUEL	1		
22	TA00055012B	연료호스(PF)	HOSE, FUEL	1		

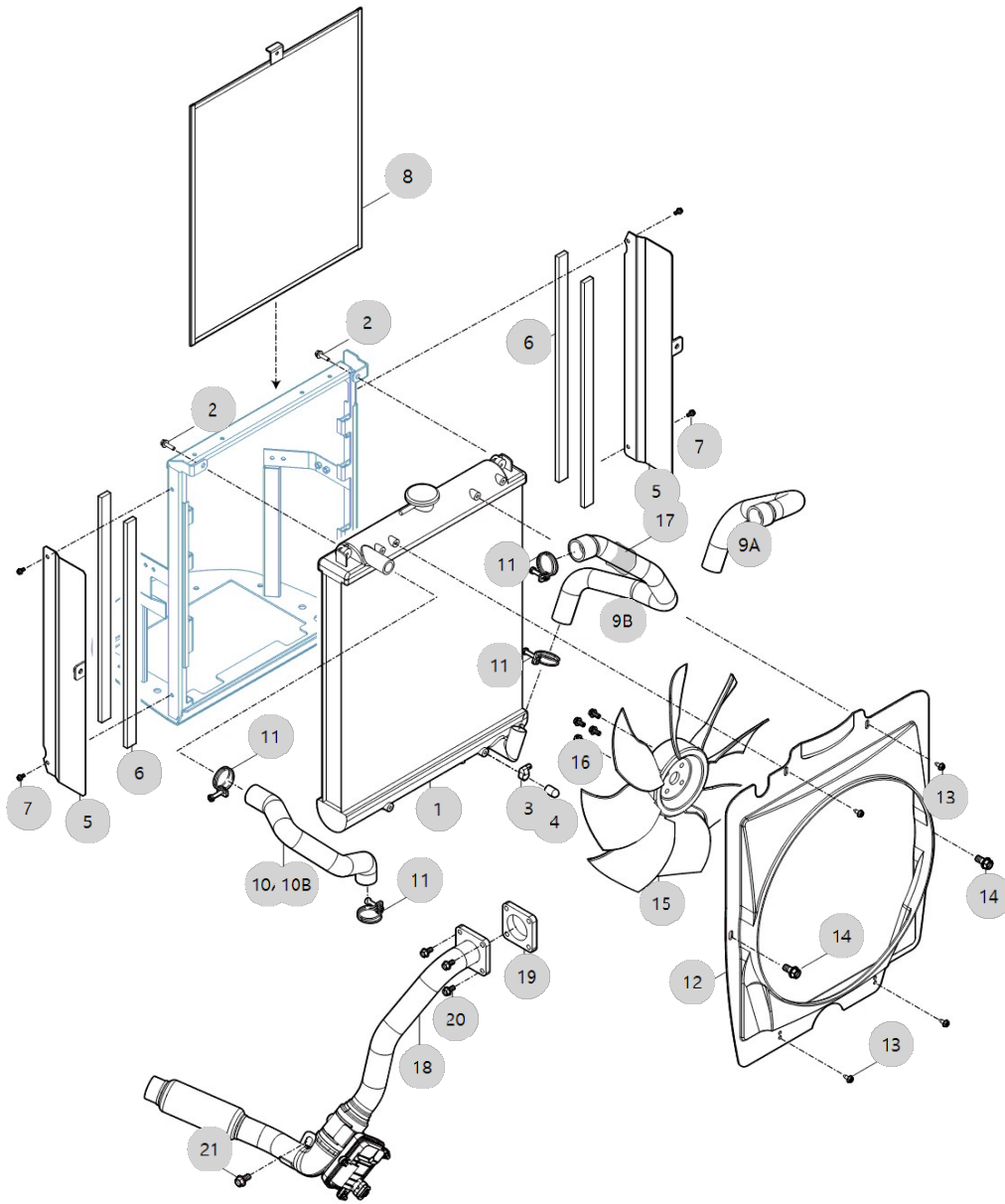
B02020

5520R(AC02109)

RADIATOR

Year/Month

2022-12-15



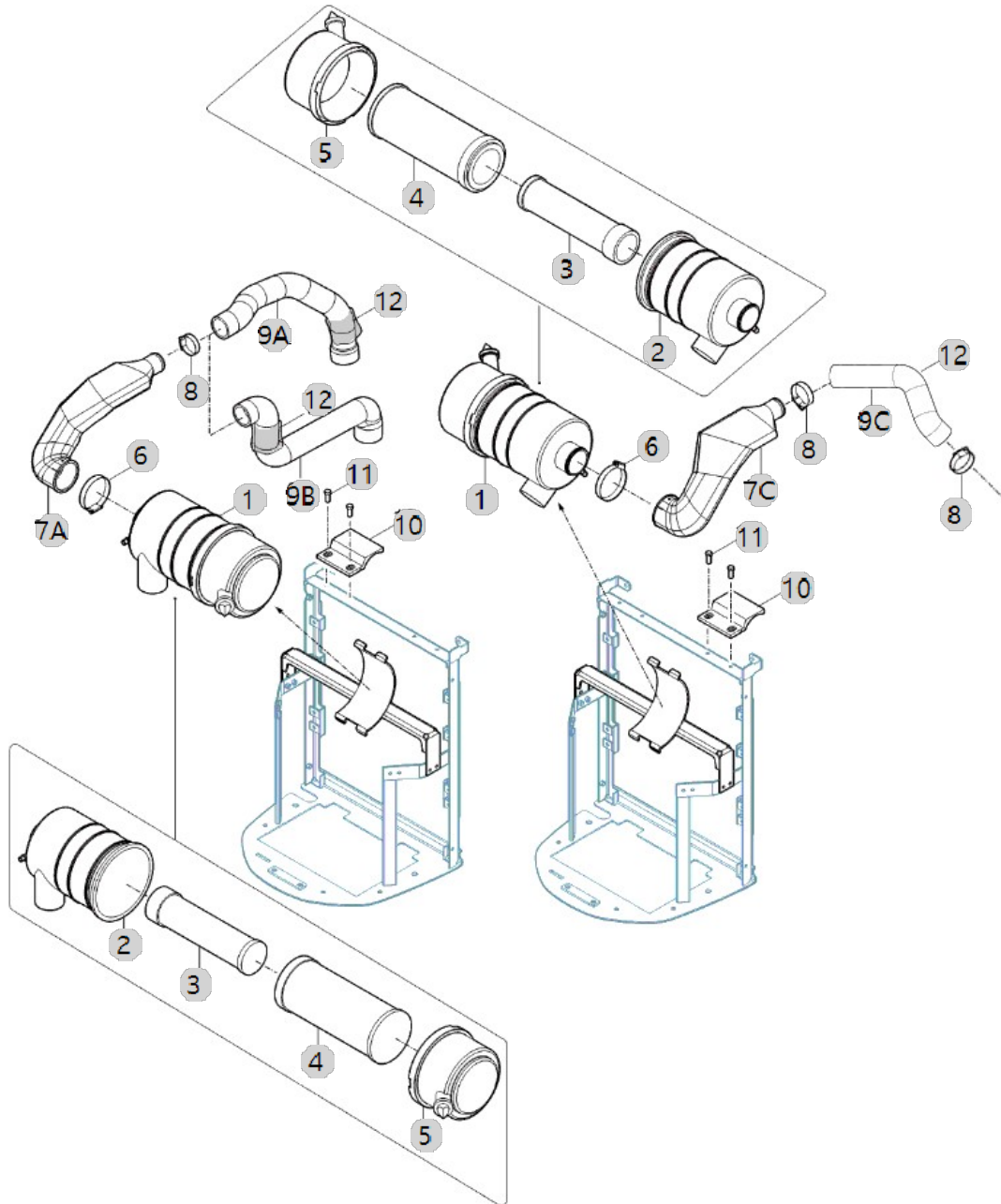
B03010

5520R(AC02109)

AIR CLEANER

Year/Month

2022-12-15



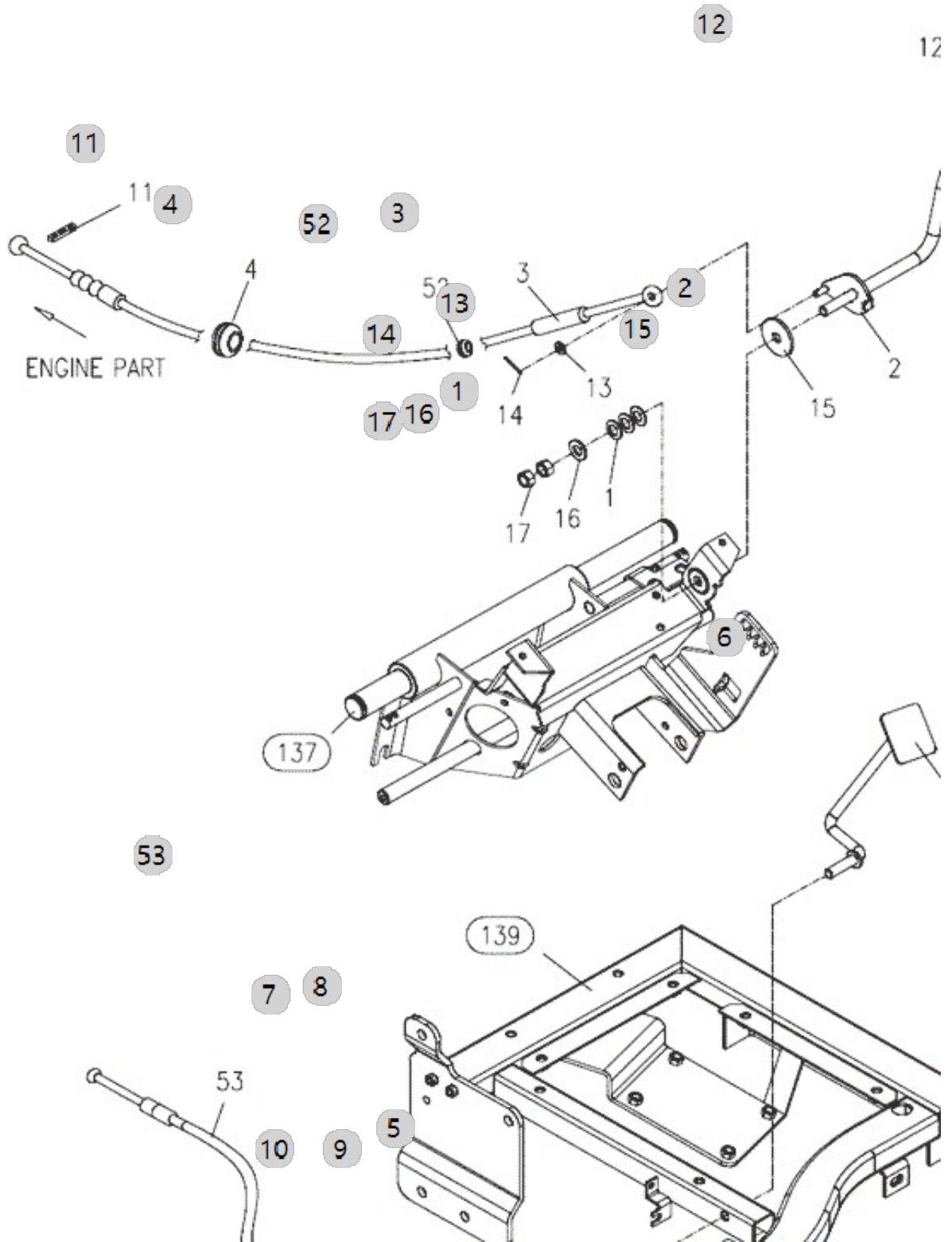
B05011

5520R(AC02109)

LEVER ACCELERATOR

Year/Month

2022-12-15



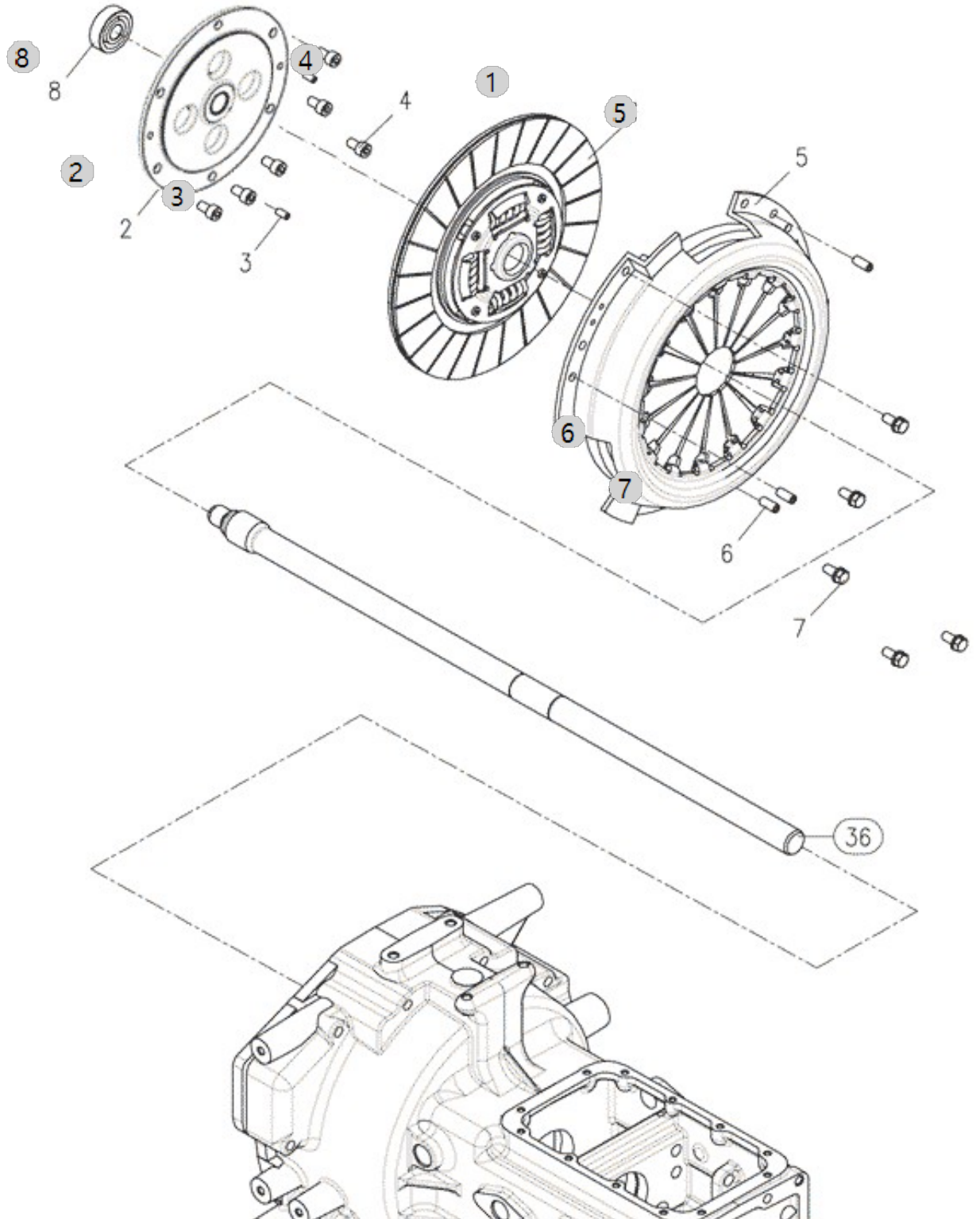
C01010

5520R(AC02109)

CLUTCH DISC & COVER

Year/Month

2022-12-15



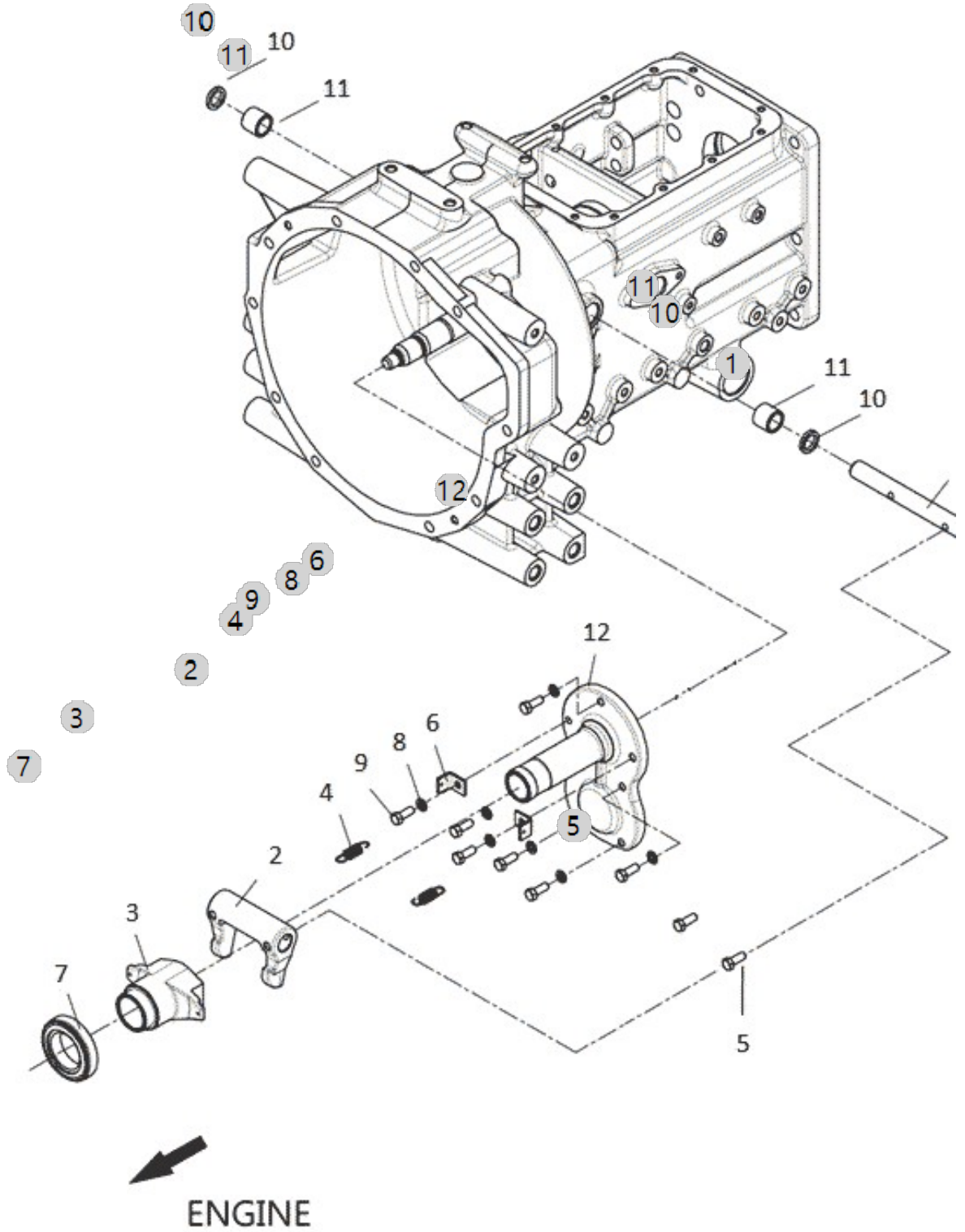
C01020

5520R(AC02109)

CLUTCH RELEASE

Year/Month

2022-12-15



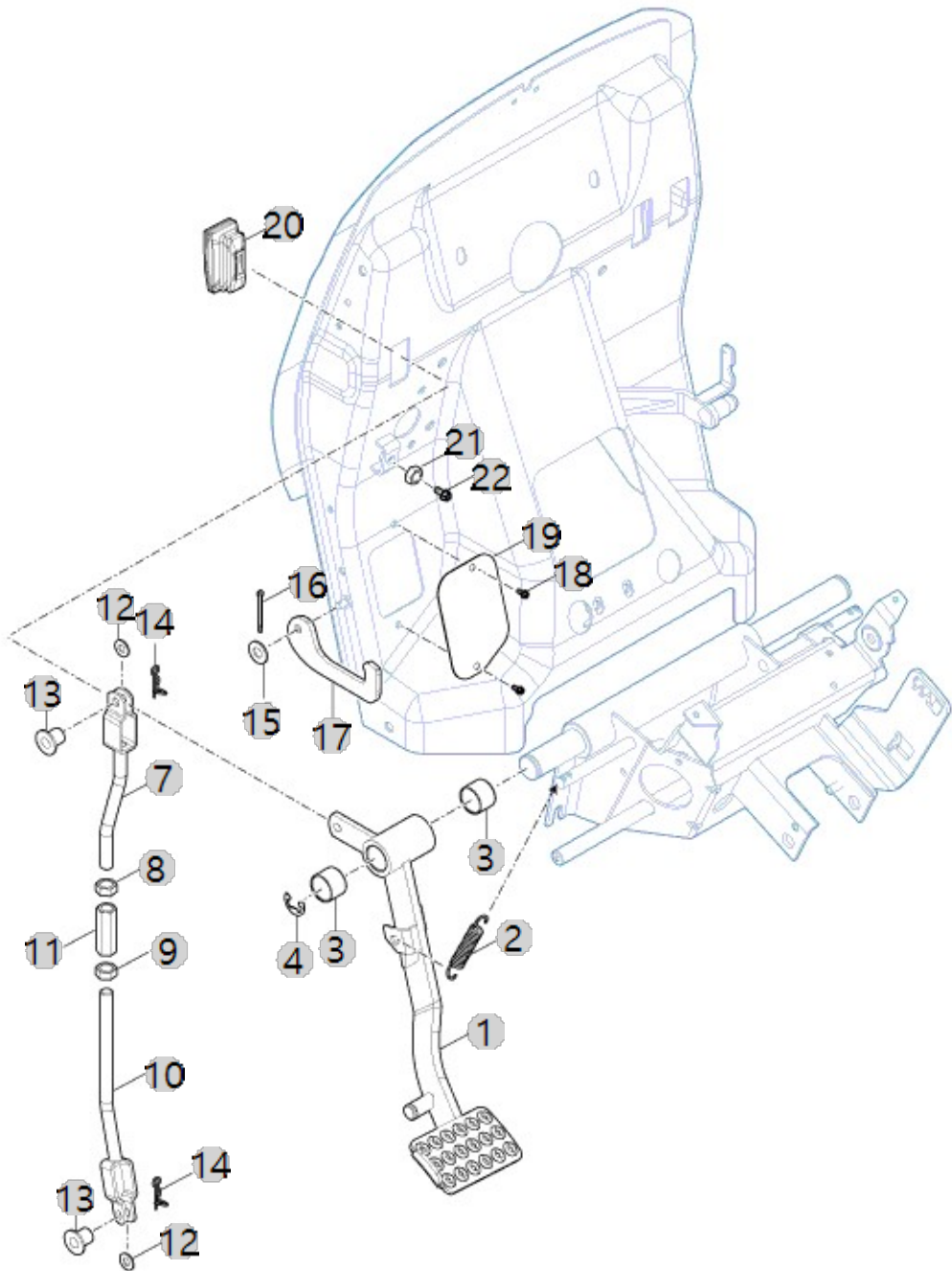
C01030

5520R(AC02109)

CLUTCH PEDAL

Year/Month

2022-12-15



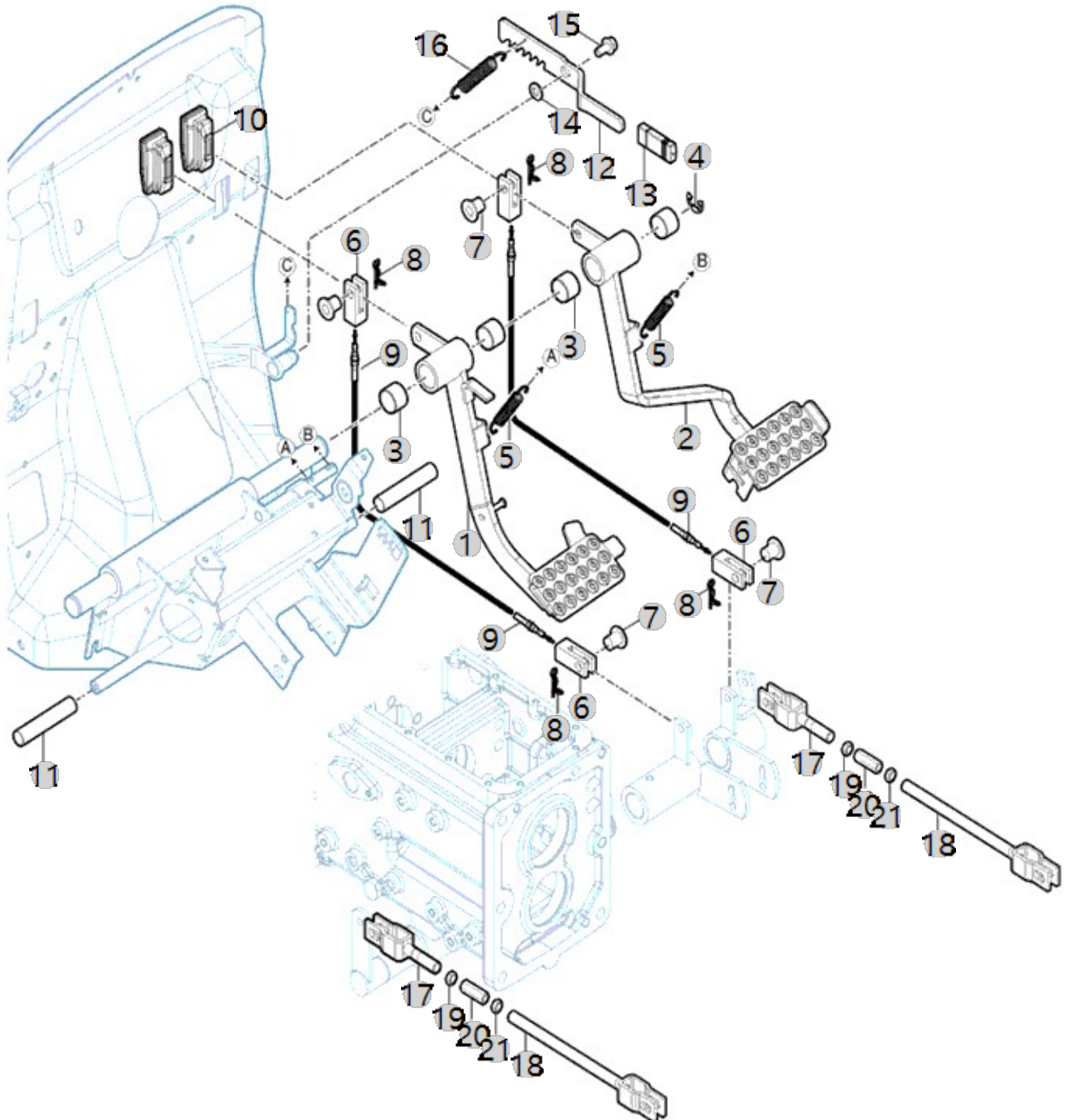
C02010

Year/Month

5520R(AC02109)

BRAKE PEDAL

2022-12-15



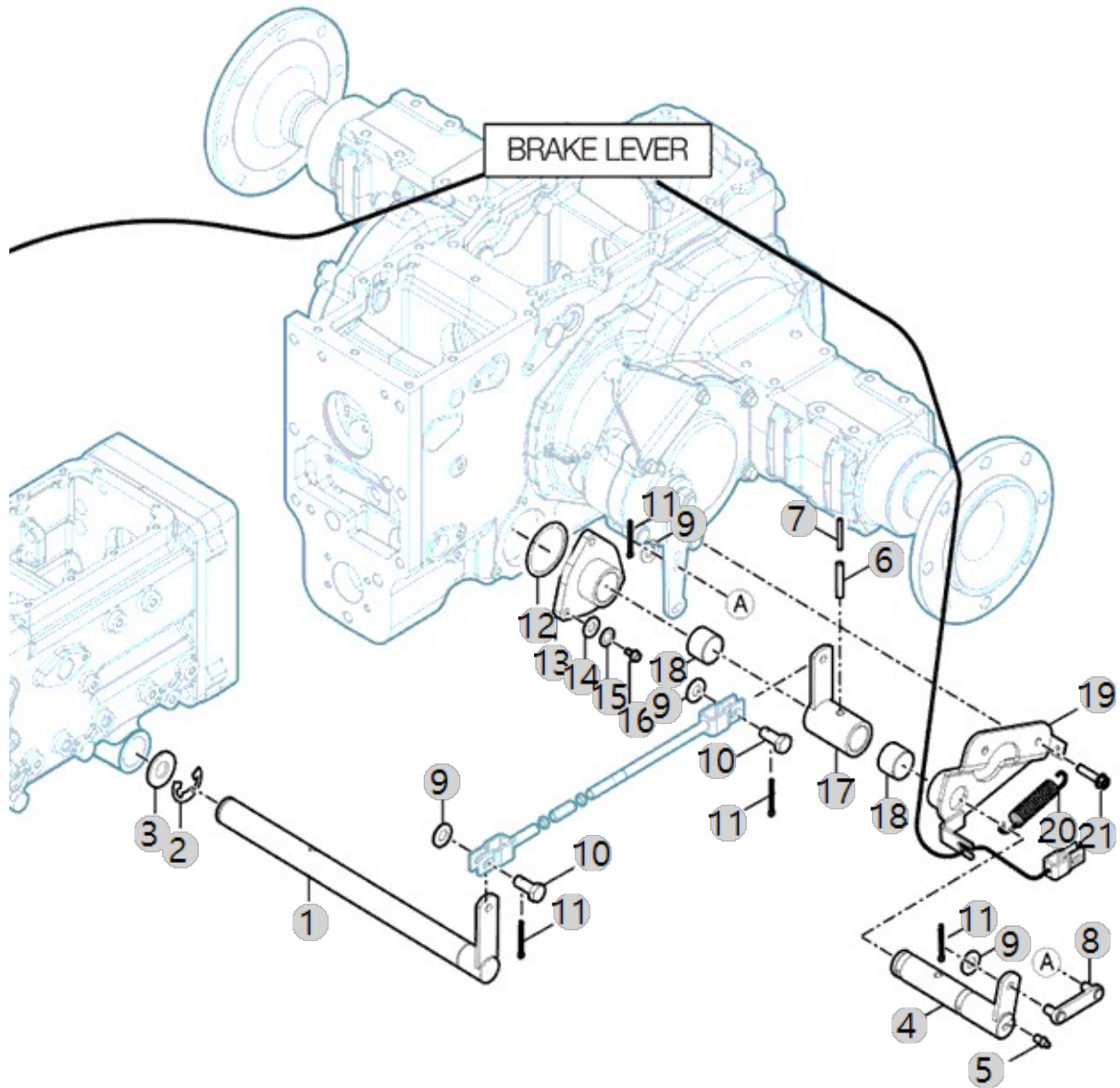
C02031

Year/Month

5520R(AC02109)

BRAKE ROD/LH

2022-12-15



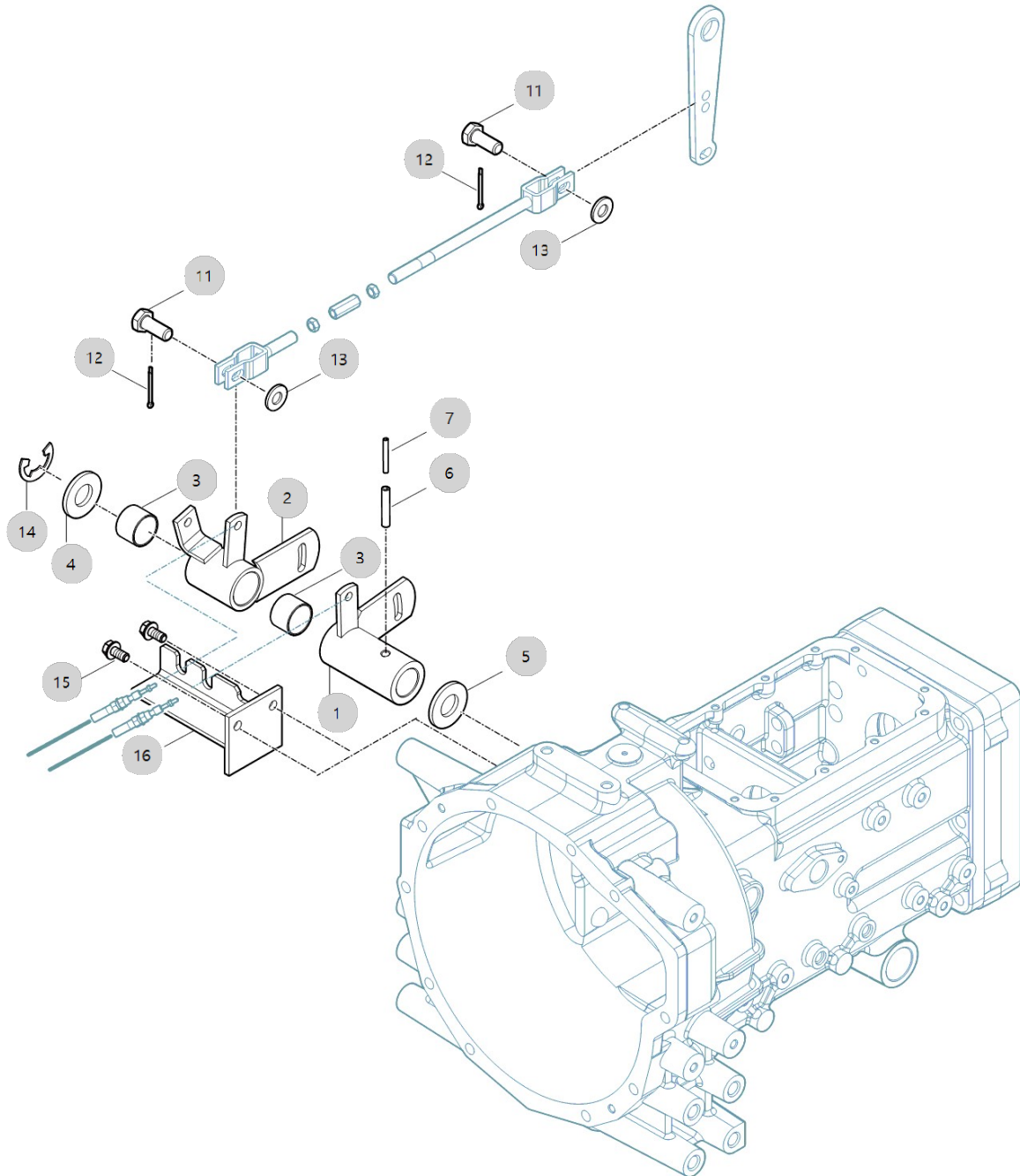
C02032

5520R(AC02109)

BRAKE ROD/RH

Year/Month

2022-12-15



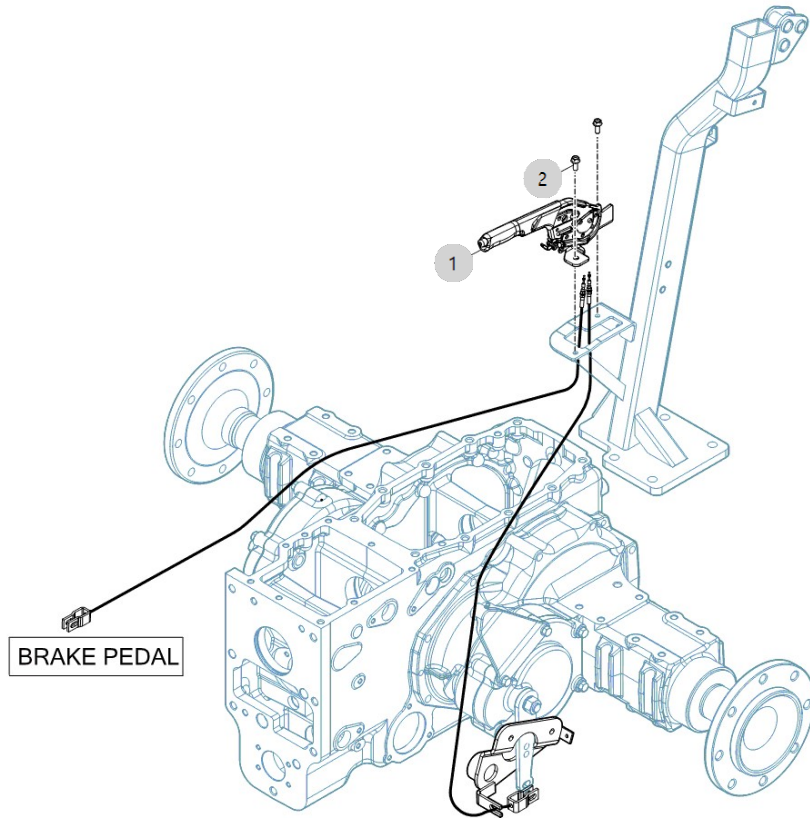
C02060

5520R(AC02109)

BRAKE LEVER

Year/Month

2022-12-15



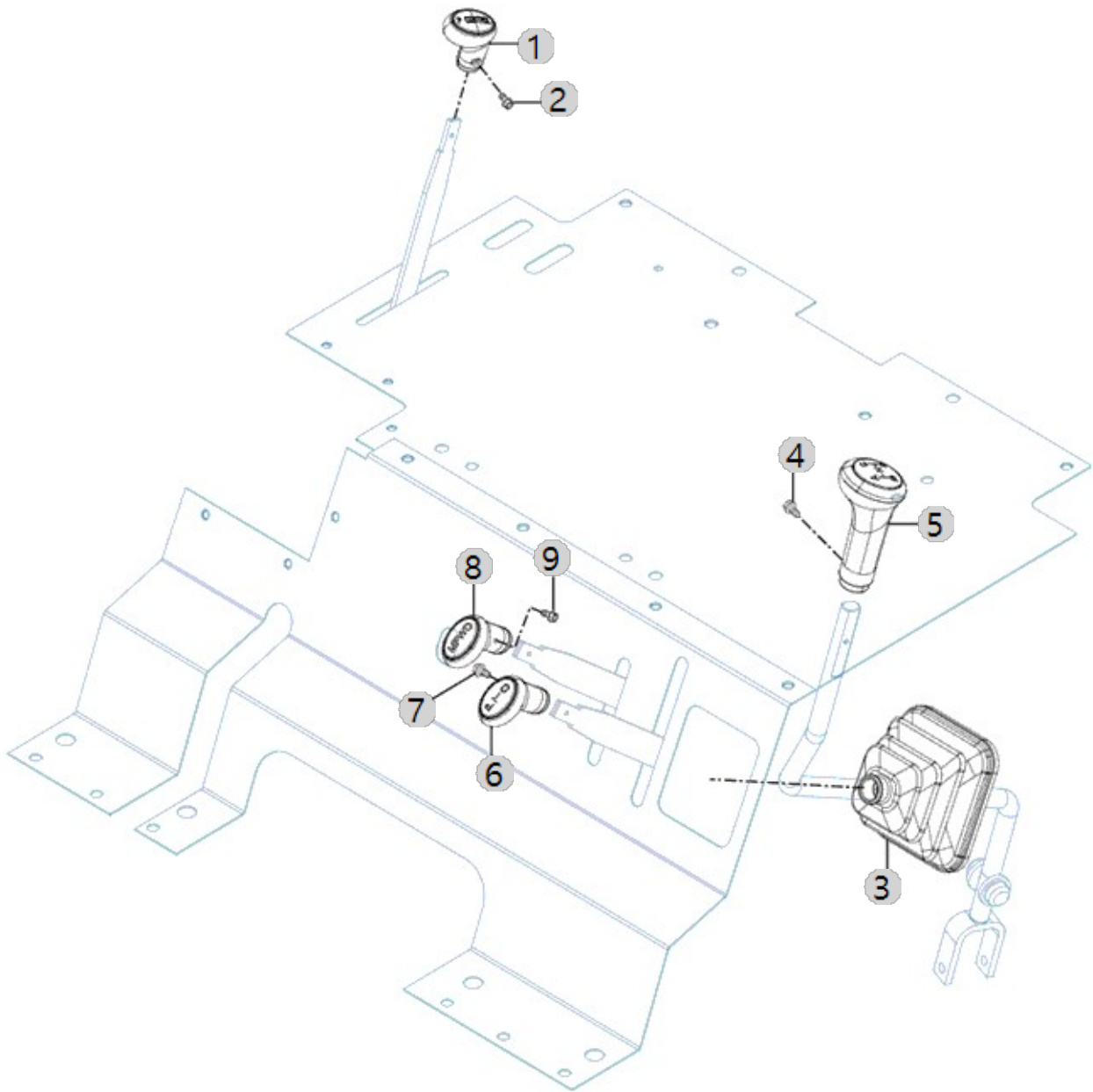
C04000

Year/Month

5520R(AC02109)

LEVER

2022-12-15



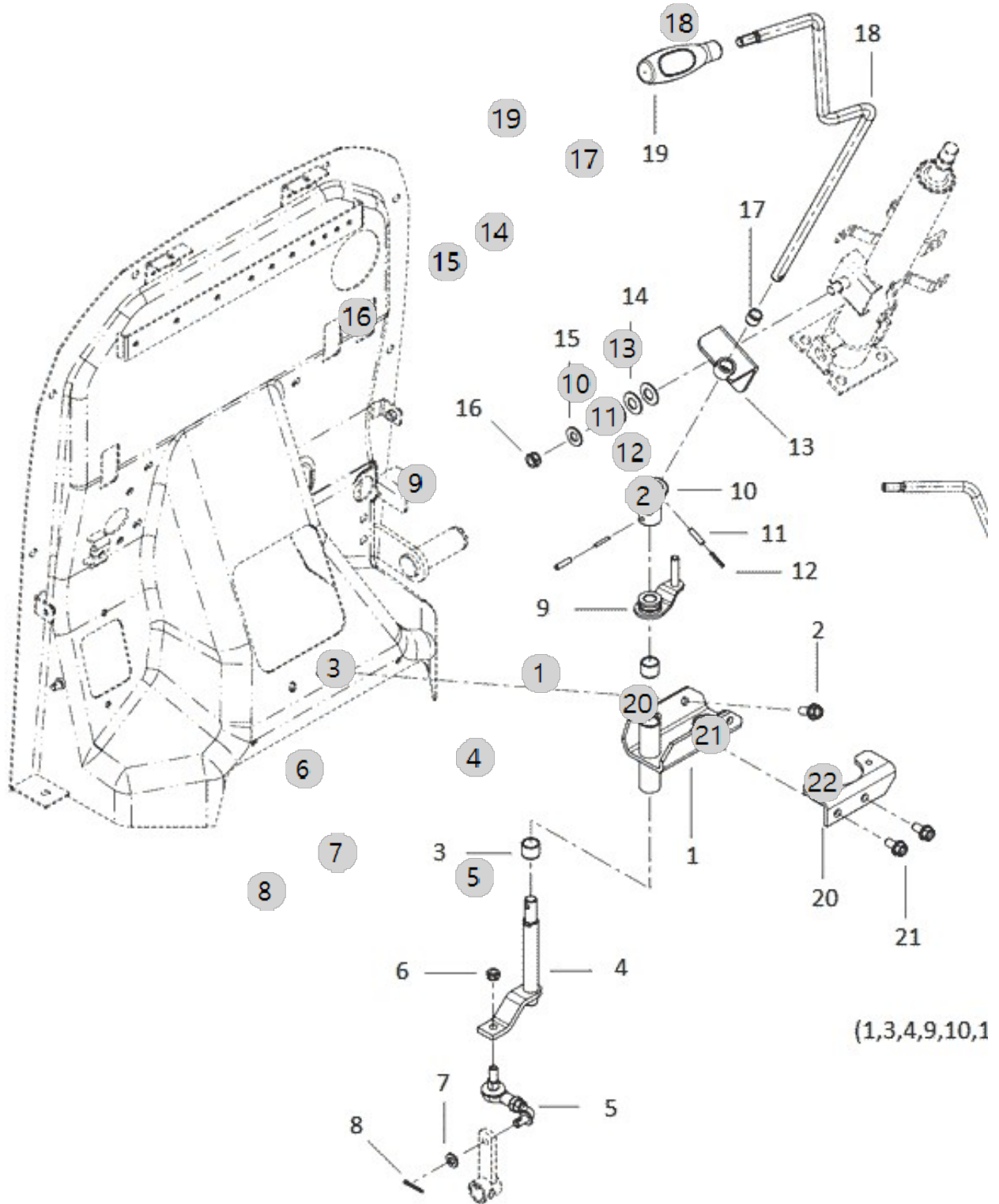
C04010

5520R(AC02109)

SHUTTLE LEVER

Year/Month

2022-12-15



(1,3,4,9,10,11)

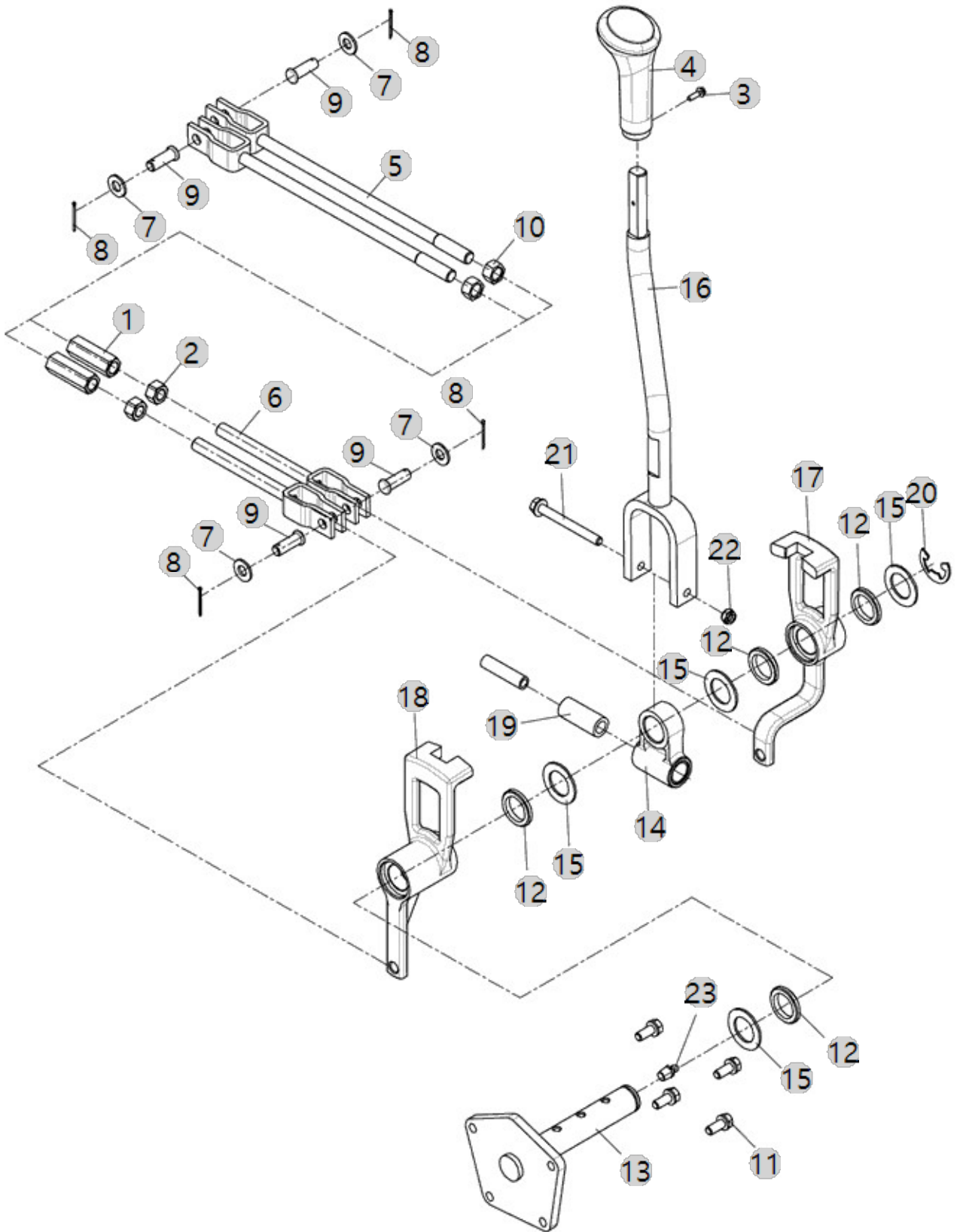
C04031

5520R(AC02109)

LEVER, MAIN SHIFT

Year/Month

2022-12-15



C04031 5520R(AC02109)		LEVER, MAIN SHIFT				Year/Month 2022-12-15
순번 (NO)	부품번호 (PART NO)	품명 (PART NAME)	품명 (PART NAME)	수량 (QTY)	규격 (SPEC)	비고 (REMARK)
1	TT67010000C4	터언 버클	TURN BUCKLE	1	육각 17	
1	TT67010000B4	터언 버클	TURN_BUCKLE	1	육각 17	
1	TT67010000D4	터언 버클	TURN BUCKLE	1	육각 17	
1	TT67010000A4	턴버클	TURN BUCKLE	2		
2	TT67040000C4	너트-좌나사 12	NUT	1	M12XP1.75 좌	
2	TT67040000B4	너트-좌나사 12	NUT_LEFT_12	1	M12XP1.75 좌	
2	TT67040000D4	너트-좌나사 12	NUT	1	M12XP1.75 좌	
2	TT67040000A4	너트(좌나사12)	NUT.LH	2		
3	26023-040162	와셔조립남비작은나사(SW+PW)	SCREW	1	M4X16	
4	TA00056009A	주변속 노브 조합	MAIN KNOB	1		
5	TN53250000B4	로드(우)	ROD(R)	2		
5	TN53250000A4	로드(우)	ROD(R)	2		
6	TA00018709A	로드(좌)	LEFT LOAD	2	-	
6	TA00018709B	로드(좌)	LEFT LOAD	2	-	
7	22137-100000	평와셔 10	WASHER, PLAIN (Φ 10)	4	M10	
8	22417-200250	할핀2X25	PIN , COTTER (2-25)	4	D2.0X30	
9	22487-100240	두부핀 10X24	PIN, HEAD (10-24)	4	D10X24	
10	26716-120002	295,ALL,육각너트	HEXA NUT295	2	M12X1.75	
11	26013-080252	와셔조립육각볼트(+SW)	Bolt, Hexa (8-25)	4	M8XP1.25X25	
12	24430-253505	오일실VC253505	Seal, Oil (#25-35-05)	4		
13	NT67610000A2	주변속레버축	SHAFT,MAINSHIFTLEVER	1		
14	NT67620000A4	주변속레버홀더	HOLDER,MAINSHIFTLEVER	1		
15	NT67630000A4	와셔	WASHER	4		
16	TA00067535C	주변속레버	LEVER, MAIN SHIFT	1		
16	TA00067535B	주변속레버	LEVER, MAIN SHIFT	1		
17	NT67650000B2	주변속아암B	ARM-B	1		
18	NT67660000B2	주변속아암A	ARM-A	1		
19	FT67670000A4	고무스프링	RUBBERSPRING	1		
20	22272-000190	E형스냅링	RING, CIRCLIP (Φ 19)	1	D19	
21	26106-080752	육각플랜지볼트	SCREW,HEXFLANGEHEADCAP	1	M8XP1.25X75	
22	26347-080002	U너트	Unut	1	M8XP1.25	
23	24764-020000	그리스니플	GREASENIPPLE	1	PT1/8	

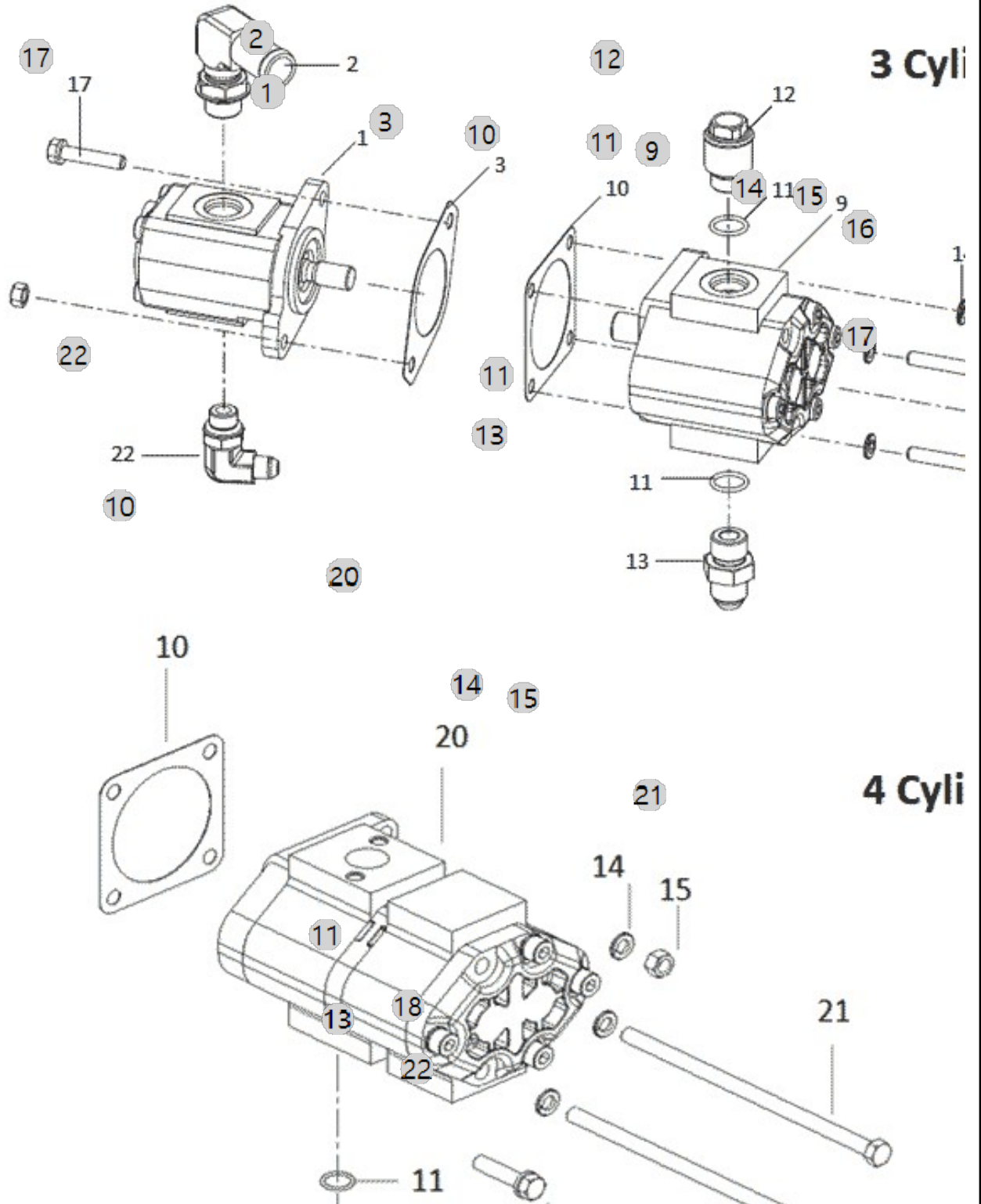
D01010

5520R(AC02109)

HYD PUMP

Year/Month

2022-12-15



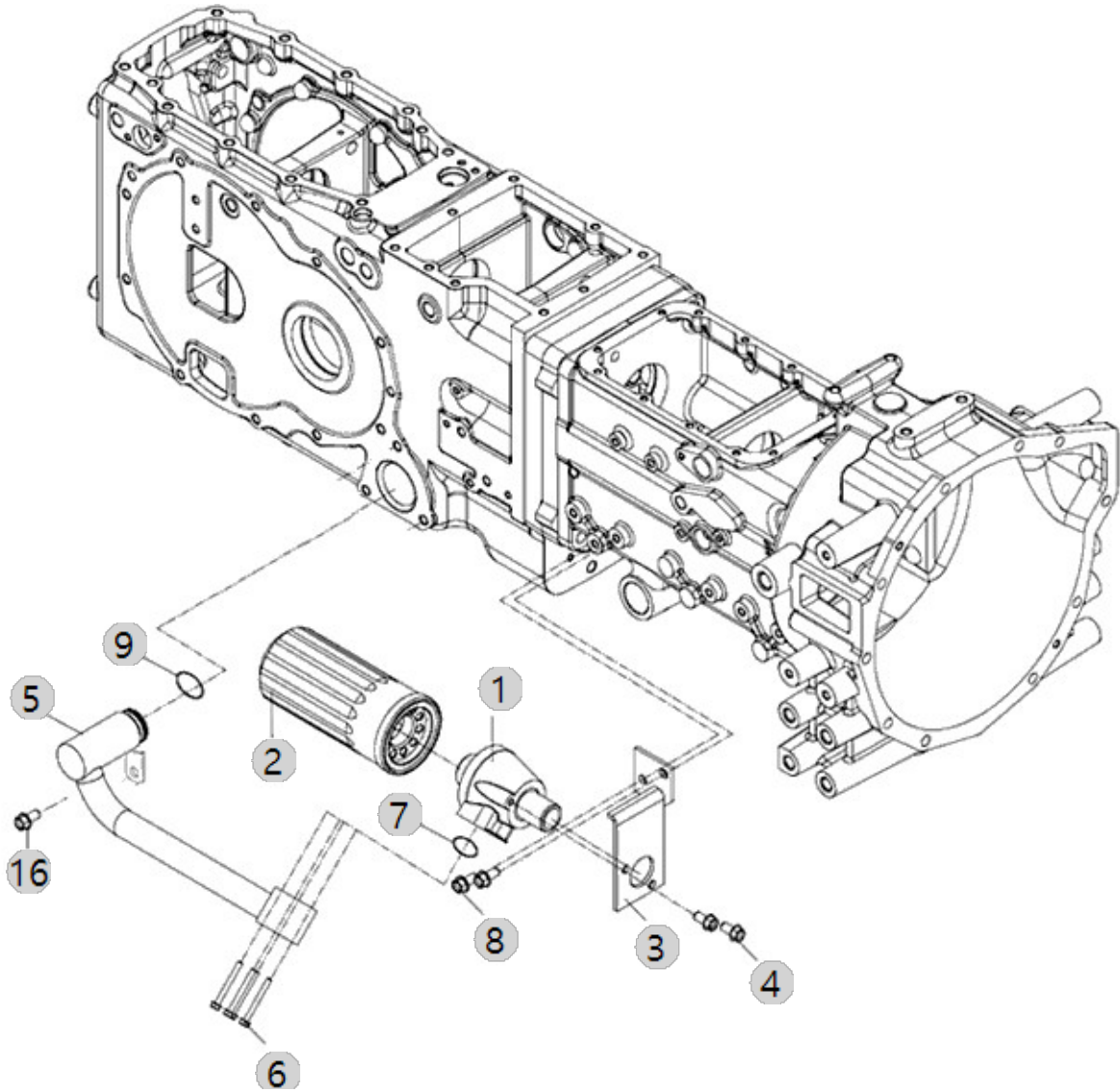
D01040

Year/Month

5520R(AC02109)

HYDRAULIC FILTER

2022-12-15



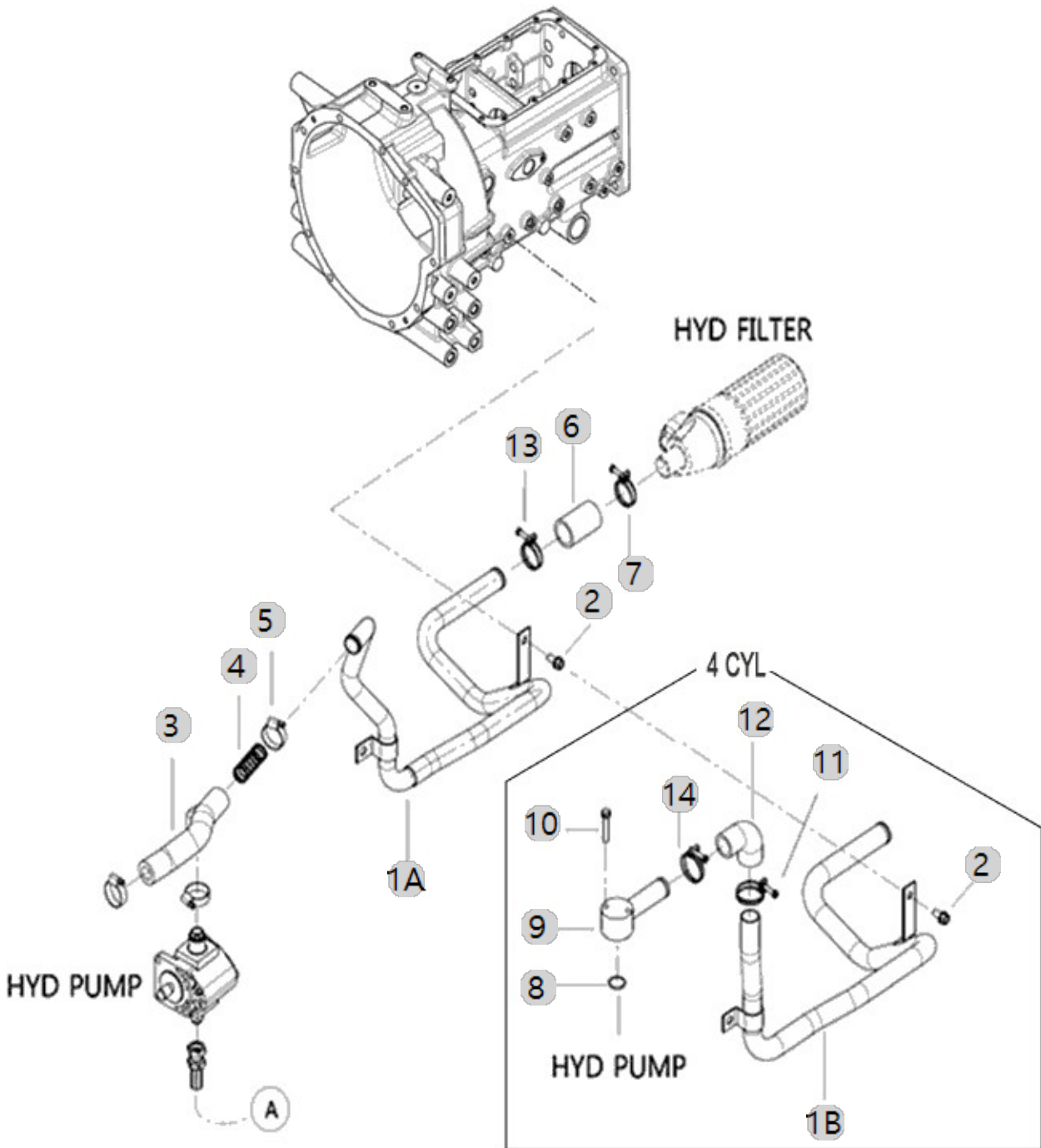
D01041

5520R(AC02109)

HYDRAULIC FILTER-LINE

Year/Month

2022-12-15



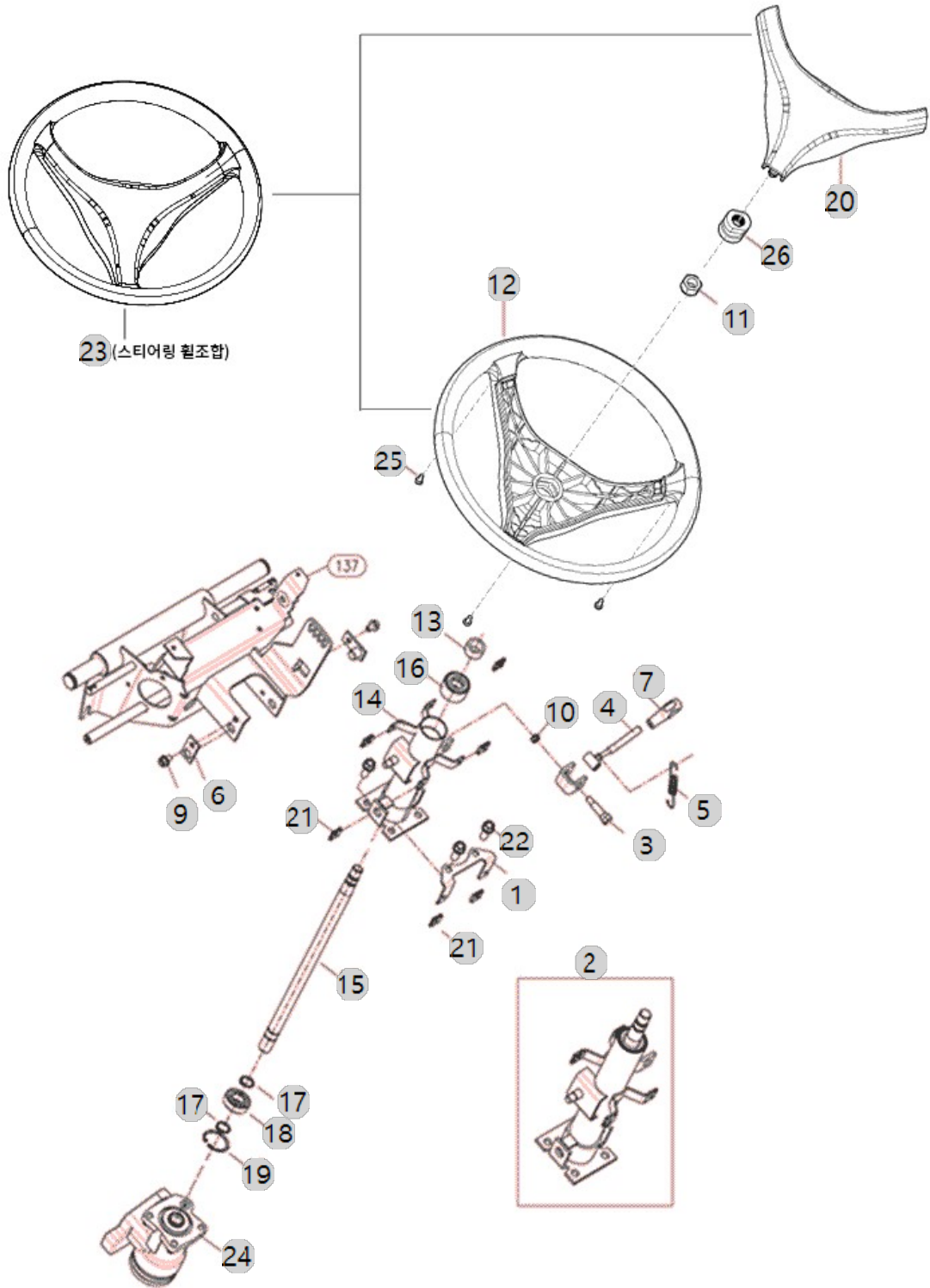
D02010

5520R(AC02109)

STEERING WHEEL

Year/Month

2022-12-15



D02010		STEERING WHEEL				Year/Month
5520R(AC02109)						2022-12-15
순번 (NO)	부품번호 (PART NO)	품명 (PART NAME)	품명 (PART NAME)	수량 (QTY)	규격 (SPEC)	비고 (REMARK)
1	TC65010000B4	브래킷(컬럼커버)	BRACKET(COLUMCOVER)	1	2.3T	
2	TA00058976C	컬럼조합	COLUMN ASS'Y	1		
2	TA00058976E	컬럼조합	COLUMN ASS'Y	1		
2	TA00058976B	컬럼조합	COLUMN ASS'Y	1		
2	TA00058976D	컬럼조합	COLUMN ASS'Y	1		
3	TC65030000B4	틸트레버핀	TILTLEVERPIN	1		
4	TC65040000B4	틸트레버	TILTLEVER	1	NONE	
5	TC65050000A4	틸트스프링	TILTSRING	1		
6	TC65060000B4	틸트핀조합	TILTPINASS'Y	2		
7	TA00015785A	스탠드 손잡이	LEVER, STAND	1		
9	26106-080122	육각플랜지볼트	Bolt, Hexa (8-12)	2	M8XP1.25X12	
10	26347-080002	U너트	Unut	1	M8XP1.25	
11	TA00048436B	U너트(M16XP1.5)	U-NUT	1		
12	TA00048049B	스티어링 휠	STEERING WHEEL	1		
13	TC65130000A4	커버(축)	COVER,SHAFT	1		
14	NT0141A100B2	스티어링컬럼	STEERINGCOLUMN	1		
14	NT0141A100D2	스티어링컬럼	STEERING COLUMN	1		
14	NT0141A100C2	스티어링컬럼	STEERING COLUMN	1		
15	TA00054109C	스티어링축(수출)	SHAFT, STEERING	1		
15	TA00054109B	스티어링축(수출)	SHAFT, STEERING	1		
16	TC65020400A9	컬럼부츠	COLUMNBUSH	1		
17	22242-000200	축용스냅링20	SNAP RING, SHAFT (Φ 20)	2	D20(축용)	
18	TA00060975A	캡 로올러	CAP ROLLER	1		
19	22252-000450	구멍용스냅링45	RING, CIRCLIP (Φ 45)	1	D45	
20	TA00048050B	커버	COVER	1		
21	26136-100252	육각플랜지볼트(세목)	SCREW, HEX FLANGE HEAD CAP	3	M10X25	
22	TA00048048B	스티어링 휠조합	STEERING WHEEL ASS'Y	1		
22	TA00048048C	스티어링 휠조합	STEERING WHEEL ASS'Y	1		
23	NT33010000B3	pst 밸브	P.S.TVALVE	1	NONE	
23	NT33010000D3	PST 밸브	P.S.TVALVE	1	NONE	
24	TTD7110000C4	스피드 너트 5008	SPEED NUT NS5008	6	0.7T	
24	TTD7110000B4	스피드 너트 5008	SPEED NUT NS5008	6	0.7T	
25	22587-480124	냄비머리태핑나사	TAPPING SCREW	3	4.8X12	
26	TA00001598A	인서트너트	NUT	1	M8XP1.25	

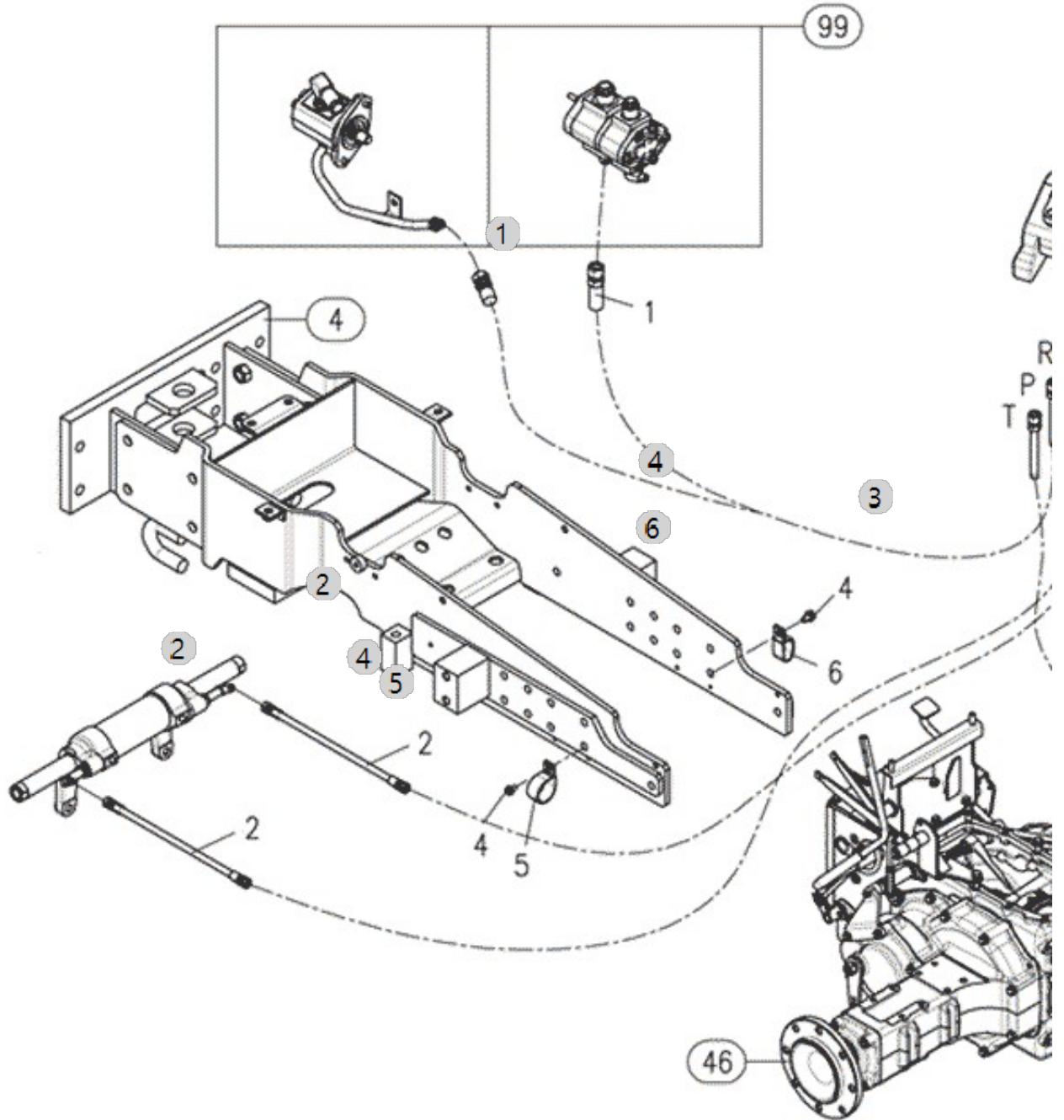
D02030

Year/Month

5520R(AC02109)

PST HOSE

2022-12-15



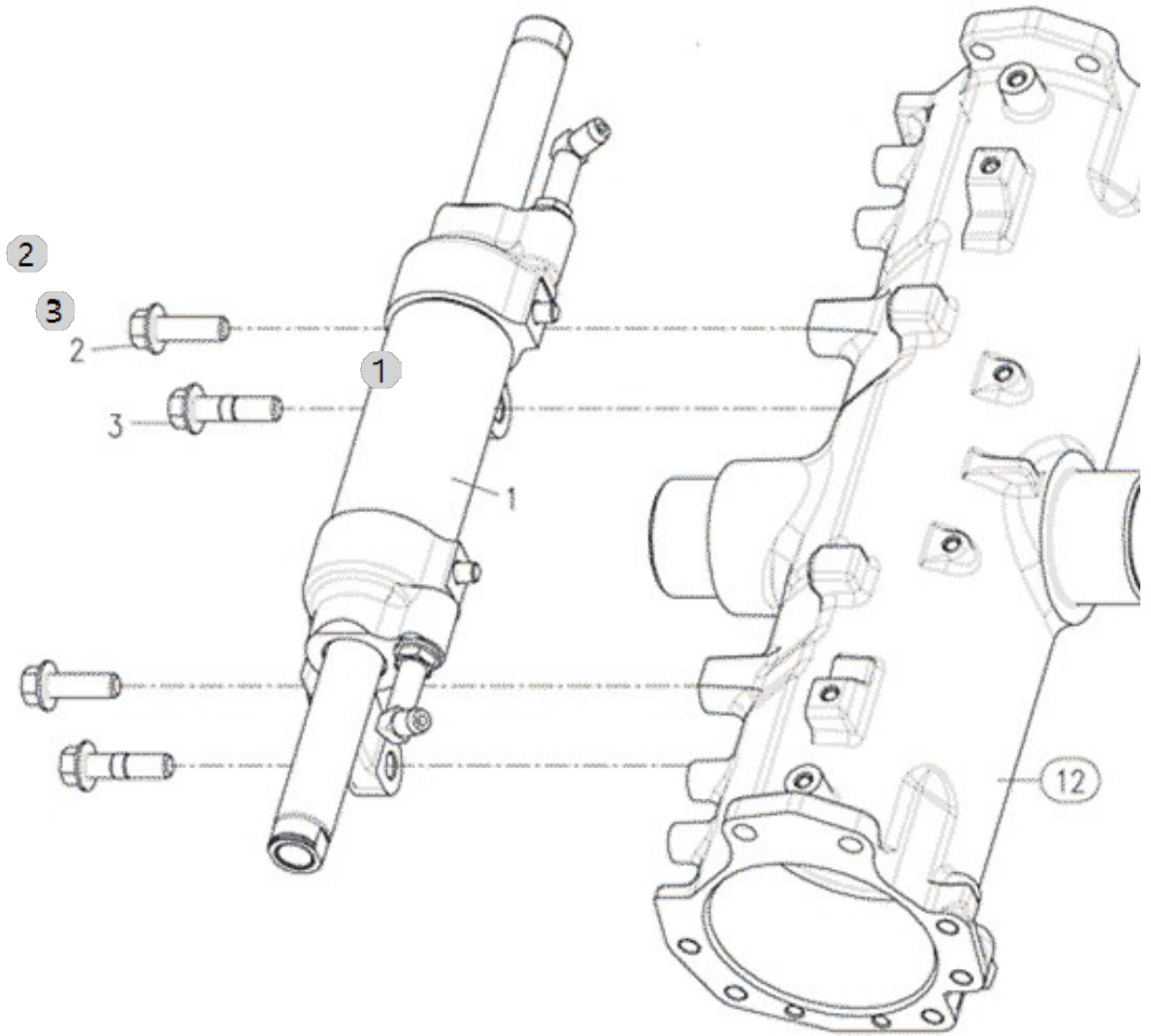
D02040

5520R(AC02109)

P.S.T CYLINDER

Year/Month

2022-12-15



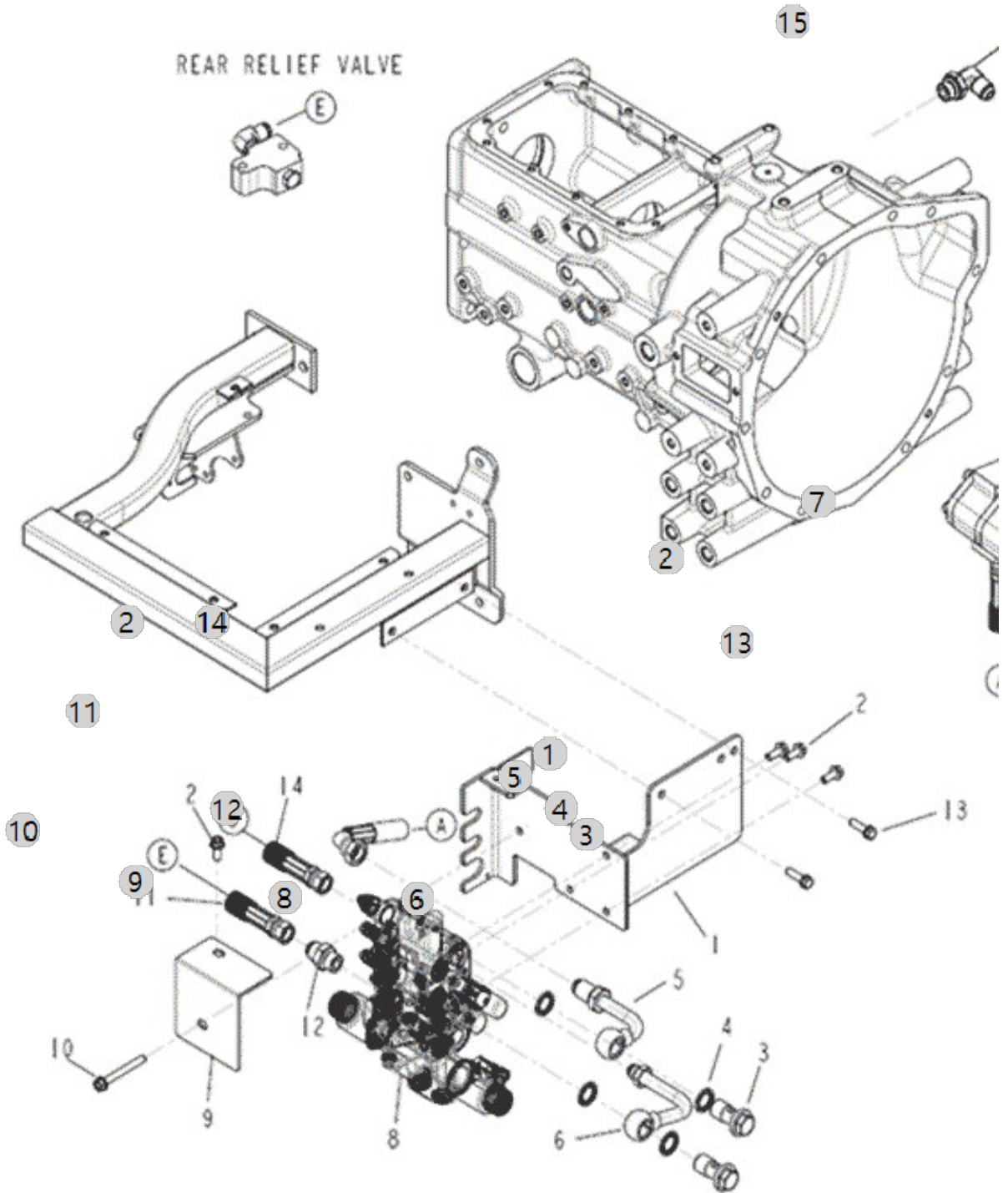
D03030

5520R(AC02109)

FRONT SCV

Year/Month

2022-12-15



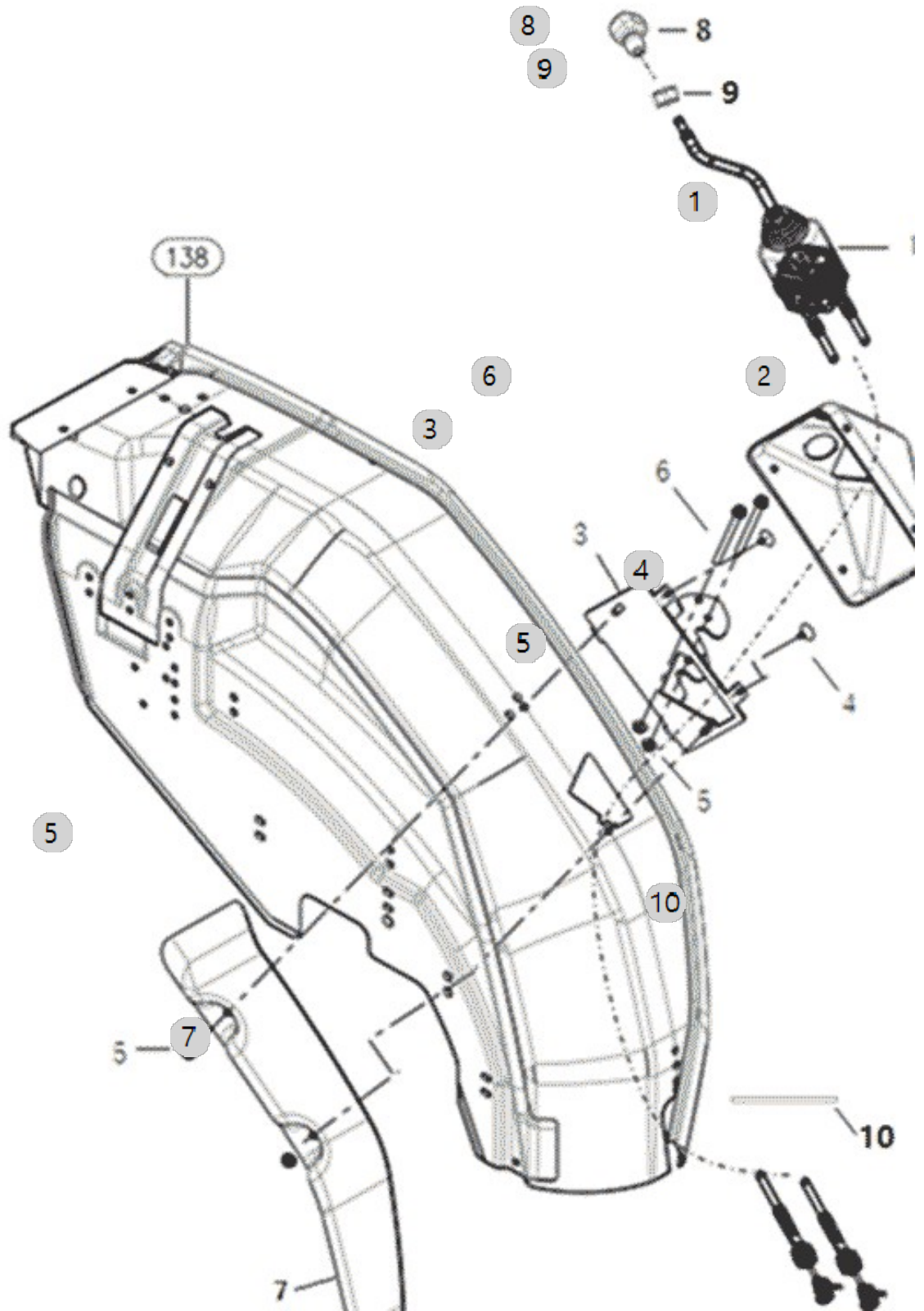
D03040

Year/Month

5520R(AC02109)

JOYSTICK

2022-12-15



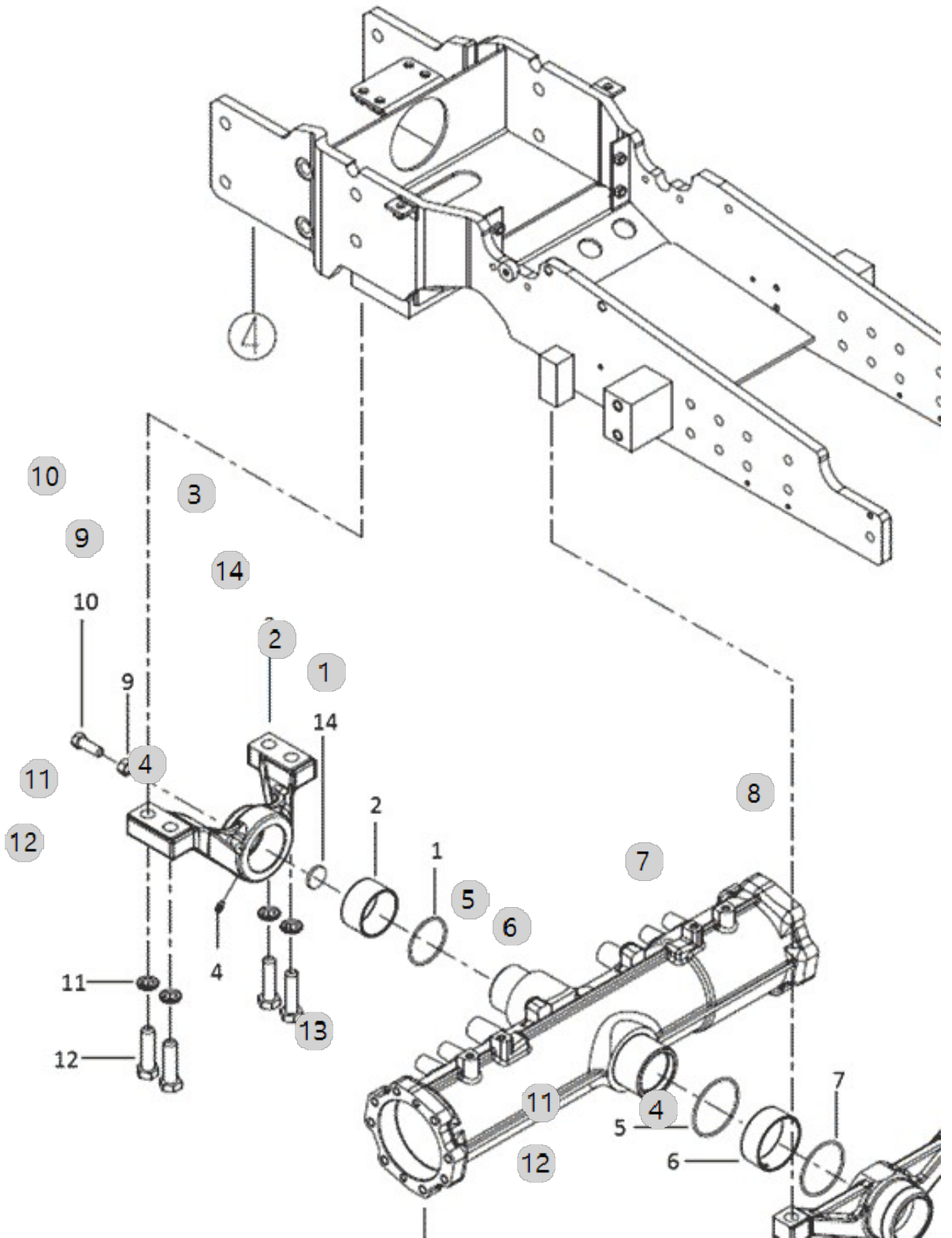
E01010

5520R(AC02109)

FRONT AXLE CASE

Year/Month

2022-12-15



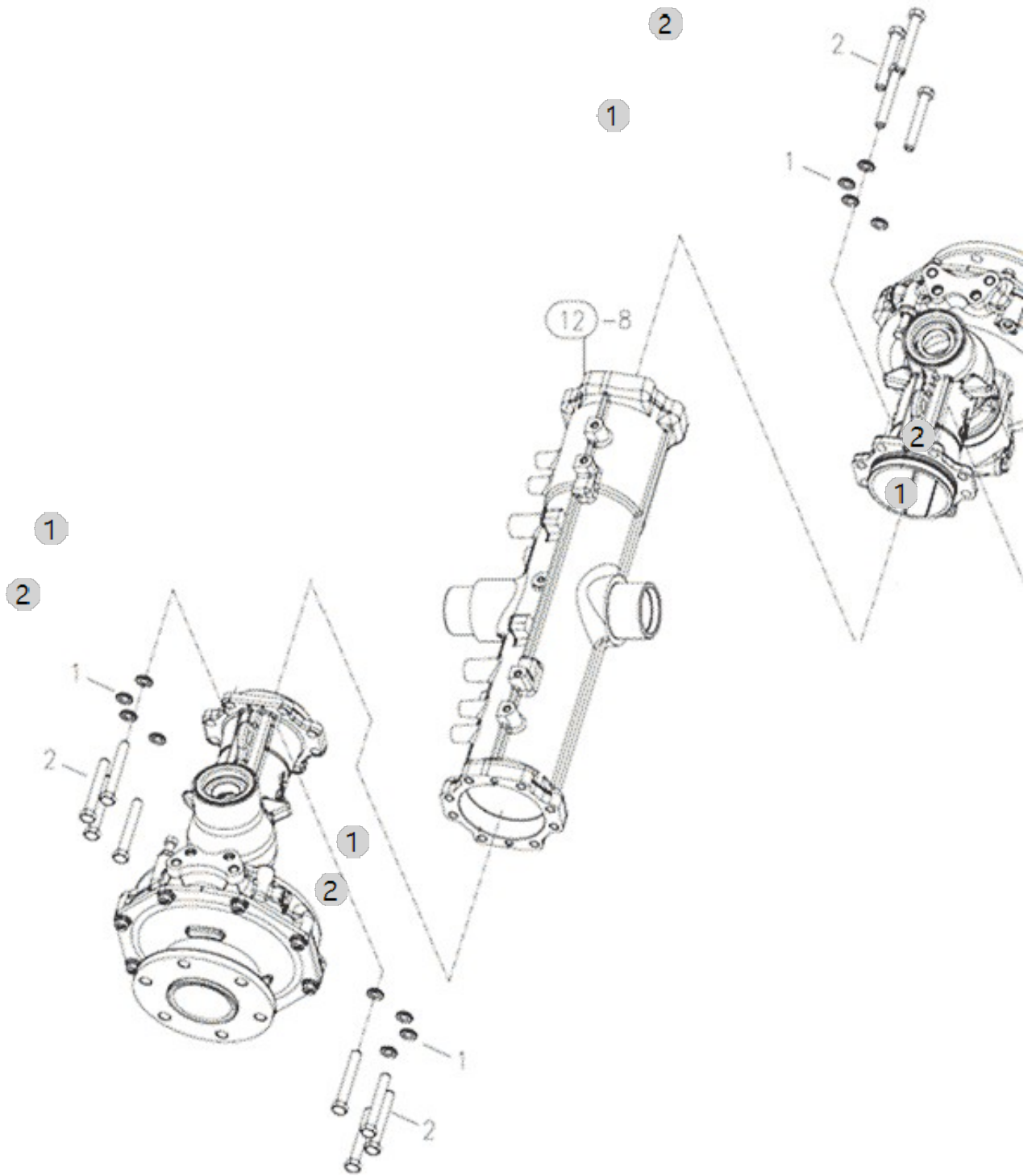
E01014

5520R(AC02109)

FRONT AXLE CASE / HOLDER

Year/Month

2022-12-15



E01030 5520R(AC02109)		GEAR CASE, FRONT AXLE				Year/Month 2022-12-15
순번 (NO)	부품번호 (PART NO)	품명 (PART NAME)	품명 (PART NAME)	수량 (QTY)	규격 (SPEC)	비고 (REMARK)
1	TA00033805A	검유봉	OIL GUAGE	1		
2	24311-000220	O-RING1AP-22.0	O-RING, DYNAMIC (Φ22)	2	1A P22.0	
3	TA00033468B	와셔조립육각볼트	BOLT W/ WASHER	4		
3	TA00033468C	와셔조립육각볼트	BOLT W/ WASHER	4		
4	TA00033475B	리머볼트	SPACER	4		
5	FE78010000B	오일실 (특수) 55x72x13.5	OIL SEAL (55X72X13.5)	2	55X72X13.5	
6	24101-062074	볼베어링6207	BALL BEARING (#6207)	6	#6207	
7	TA00048728A	프런트기어케이스(20)	CASE, FRONT GEAR	2		
8	24321-001050	O-링	O-RING	2		
9	TA00033461B	전1축피니언9T	PINION, FRONT 1ST SHAFT	2		
9	TA00033461A	전1축피니언9T	PINION, FRONT 1ST SHAFT	2		
10	22252-000720	구멍용스냅링72	RING, CIRCLIP (Φ 72)	2	D72	
11	TA00033489A	심 0.2T	SHIM 0.2T	2		
12	TA00033488A	심 0.3T	SHIM 0.3T	2		
13	TA00033487A	심 0.5T	SHIM 0.5T	2		
14	TA00033458C	프런트기어박스	GEAR BOX, FRONT	2		
14	TA00033458B	프런트기어박스	GEAR BOX, FRONT	2		
15	TA00033481A	로크너트	LOCK NUT	2		
16	24101-062084	볼베어링6208	Bearing, Ball (#6208)	2	#6208	
17	TA00033474A	베벨기어 49T	GEAR, BEVEL 49T	2		
18	22252-000850	써클립85H	RING, CIRCLIP (Φ 85)	2		
19	TA00033486A	심 0.2T	SHIM 0.2T	1		
20	TA00033485A	심 0.5T	SHIM 0.5T	1		
21	TA00033939A	O링	O RING	2		
22	TA00033459B	프런트베어링케이스	BEARING CASE, FRONT	1		
22	TA00033459C	프런트베어링케이스	BEARING CASE, FRONT	2		
23	24101-062094	볼베어링6209	BALL BEARING (#6209)	2	#6209	
24	TA00041352A	오일실	OILSEAL (AO26 TYPE)	2		
25	22217-120000	스프링와셔	WASHER, SPRING (Φ 12)	2	M12	
26	TA00033460D	프런트스핀들	SPINDLE, FRONT	2		
26	TA00033460D	프런트스핀들	SPINDLE, FRONT	2		
26	TA00033460E	프런트스핀들	SPINDLE, FRONT	2		
26	TA00033460B	프런트스핀들	SPINDLE, FRONT	2		
27	TA00033469B	와셔조립육각볼트	BOLT W/ WASHER	16		
28	TA00033463A	전2축기어	FRONT 2ND AXLE LH	2		
29	TA00033464A	전2축	FRONT 2ND SHAFT	2		
30	TC60110000A3	오일실(AJ)	SEAL, OIL	2		
31	24101-060104	볼베어링6010	Bearing, Ball (#6010)	2	#6010	
32	TA00033473A	베벨기어 11T	GEAR, BEVEL 11T	2		
33	TT63050000A4	베어링TMB207	BEARING	2	TMB207	
34	TD23120000B4	프런트 허브 볼트(M14X28)	BOLT	12	M14XP1.5	
35	22217-140000	스프링와셔14	WASHER, SPRING (Φ 14)	12	M14	
36	TA00049842B	에어브리더(STEEL)	AIR BREATHER	1		
36	TA00049842A	에어브리더(STEEL)	AIR BREATHER	1		
37	TA00058614A	스토퍼(35.5)	STOPPER(35.5)	2		

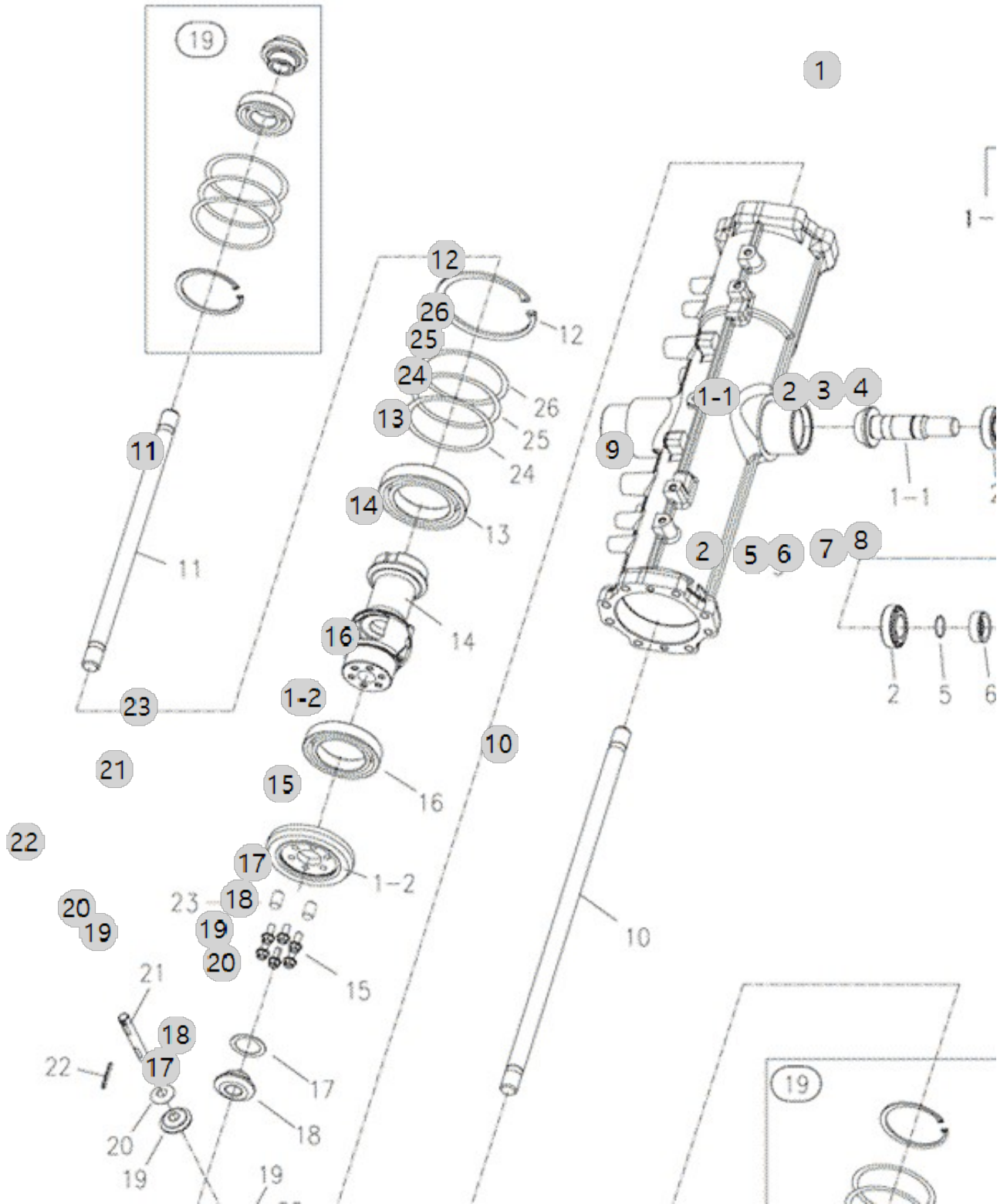
E01071

Year/Month

5520R(AC02109)

FRONT 1ST SHAFT

2022-12-15



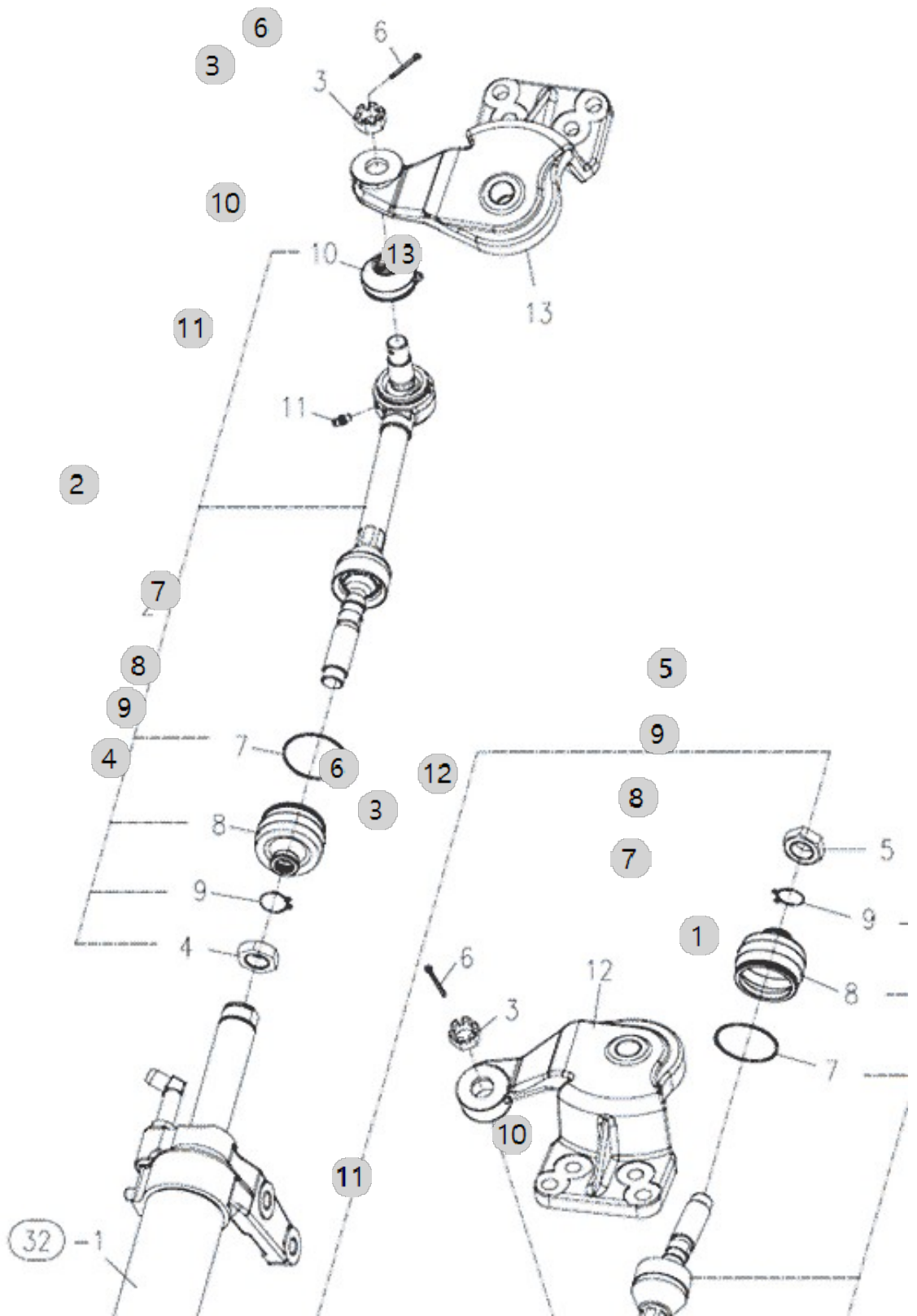
E01080

5520R(AC02109)

TIE ROD

Year/Month

2022-12-15



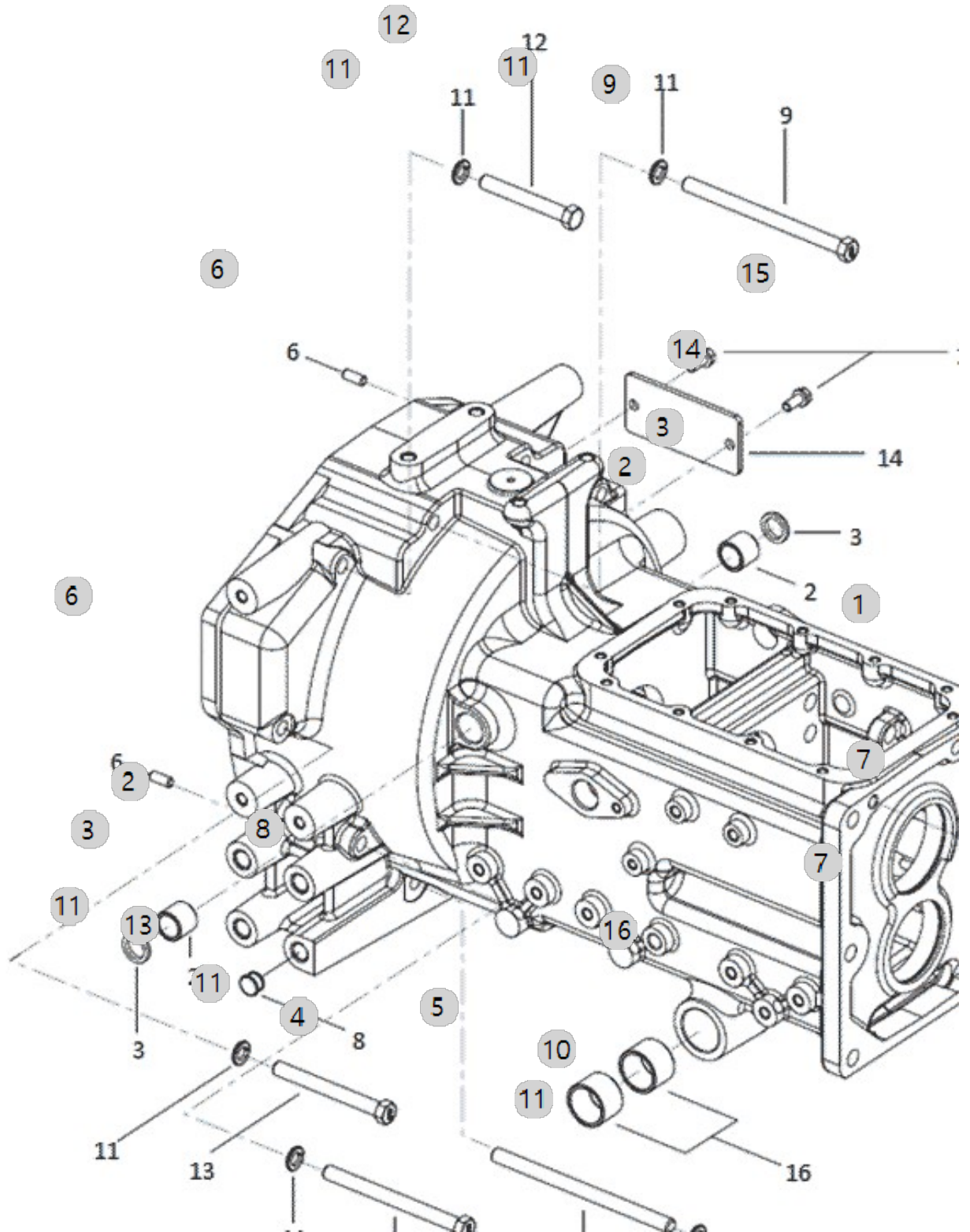
F01010

20R TM(US)_RANGE 4
(AC01714)

CLUTCH HOUSING

Year/Month

2022-12-15



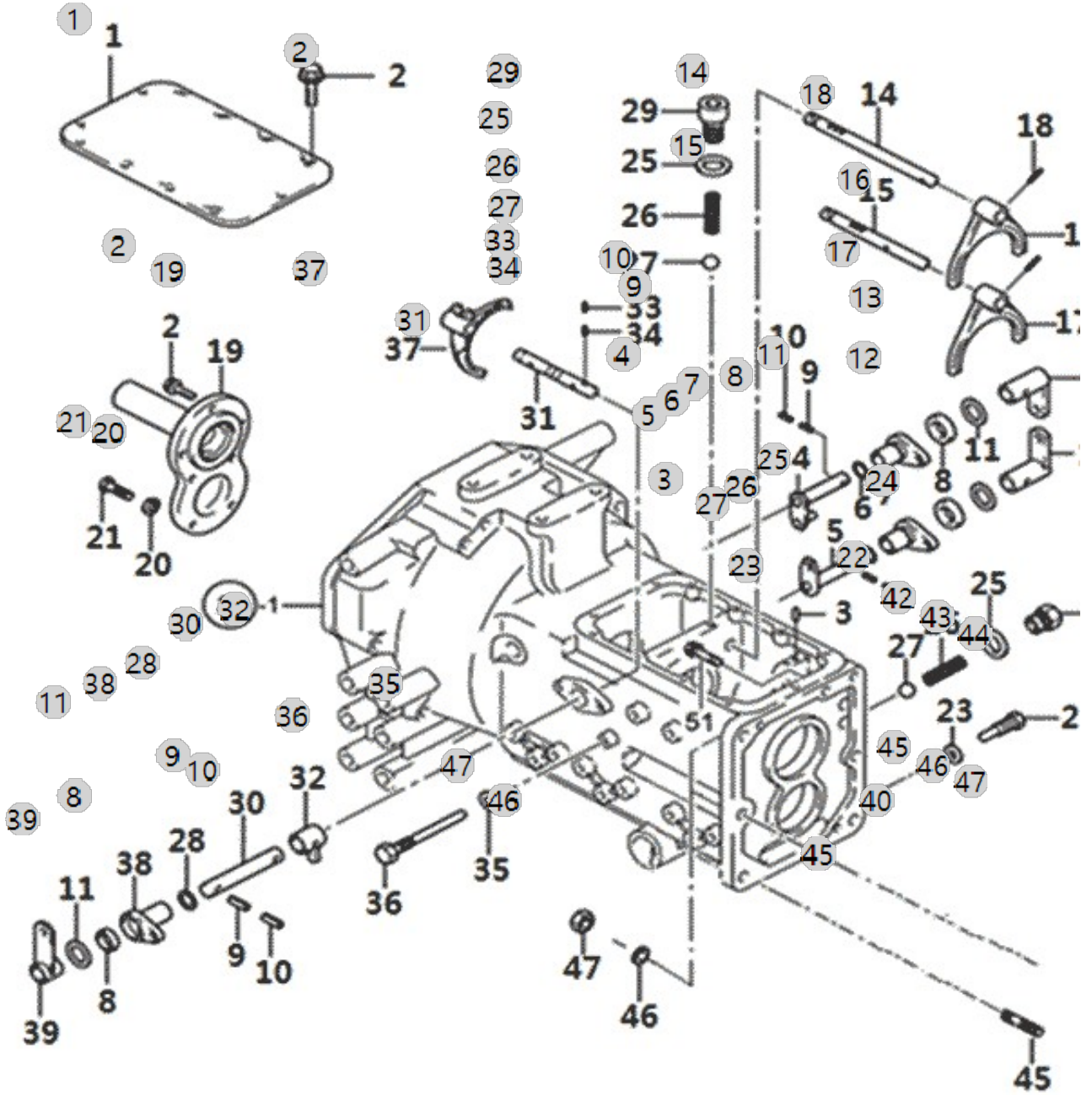
F01020

20R TM(US)_RANGE 4
(AC01714)

TRANSMISSION CASE

Year/Month

2022-12-15



F01020 20R TM(US)_RANGE 4 (AC01714)		TRANSMISSION CASE				Year/Month 2022-12-15
순번 (NO)	부품번호 (PART NO)	품명 (PART NAME)	품명 (PART NAME)	수량 (QTY)	규격 (SPEC)	비고 (REMARK)
1	NT41010000C3	미션상커버	UPPERCOVER,T/M	1	9.0T	
2	26013-080252	와셔조립육각볼트(+SW)	Bolt, Hexa (8-25)	19	M8XP1.25X25	
3	TN41070000A4	더블기어방지핀	PIN	1		
4	NT41080000A4	주변속시프트레버(3-4)	LEVER3-4	1		
4	NT41080000B4	주변속시프트레버(3-4)	MAIN SHIFTER LEVER-4	1		
5	NT41600000A4	주변속시프트레버(1-2)	LEVER[1ST-2ND],MAINSHIFT	1		
5	NT41600000B4	주변속시프트레버(1-2)	LEVER(1ST-2ND),MAIN SHIFT	1		
6	24311-000210	361,A22,O-RING1AP-21.0	O-RING, DYNAMIC (Φ21)	3	P21	
7	TN41100000A4	주변속시프트홀더	HOLDERMAINSHIFT	2		
8	24421-173007	오일실TC173007	Seal, Oil (#17-30-07)	3	TC17X30X7	
9	22351-080028	스프링핀8X28	PIN, SPRING (8-28)	2	D8X28	
10	22351-050028	스프링핀5X28	PIN, SPRING (5-02)	2	D5X28	
11	TT65120000A4	칼라B	COLLARB	3	T2.3X45X45	
12	NT41130000B4	주변속아암3-4단	ARM(3-4), MAIN SHIFT	1		
12	NT41130000C4	주변속아암3-4단	ARM(3-4), MAIN SHIFT	1		
13	NT41140000A4	주변속아암(1-2)	ARM(1-2),MAINSHIFT	1		
13	NT41140000B4	주변속아암(1-2)	ARM(1-2),MAINSHIFT	1		
14	NT41150000A3	주변속3-4단포크축	FORKSHAFT[3-4],MAINSHIFT	1	D15	
15	NT41160000A3	주변속1-2단포크축	FORKSHAFT(1-2),MAINSHIFT	1	D15	
16	TN41170000D3	주변속포오크(1-2)	FORK1ST~2ND,MAINSHIFT	1		
16	TN41170000C3	주변속포오크(1-2)	FORK1ST~2ND,MAINSHIFT	1		
17	TN41180000C3	주변속포오크(3-4)	FORK3-4MAINSHAFT	1		
17	TN41180000D3	주변속포오크(3-4)	FORK3-4MAINSHAFT	1		
18	22351-060030	스프링핀	PIN, SPRING (6-30)	2		
19	NT41580000B2	주축오일실케이스_4기통	OIL SEAL CASE	1		
19	NT41580000A2	주축오일실케이스_4기통	oil seal case	1		
19	NT41580000C2	주축오일실케이스_4기통	OIL SEAL CASE	1		
20	22217-080000	스프링와셔8	WASHER, SPRING (Φ 08)	5	M8	
21	26116-080222	볼트7T(8X22)	BOLT7T(8X22)	5	M8X1.25X22	
22	TN41250000B4	단붙이고정볼트	FIXINGBOLT	1		
23	23414-100000	429,A202322,패킹10	PLAIN WASHER (D10)	1	M10	
24	NT41270000B4	캡 볼트	CAPBOLT	1		
25	23414-160000	동패킹	WASHER,SEALING	2	M16	
26	TT42020000A4	스프링	SPRING	3		
27	24190-100001	강구5/16	Ball, Steel (5/16)	3	5/16"	
28	24311-000110	O-링 495-11	O-RING, DYNAMIC (Φ11)	1	P11	
29	23871-010000	테이퍼플러그	PLUG	1	PT1/8	
30	NT41350000A4	축(셔틀체인지)	SHAFT, SHUTTLE CHANGE	1		
30	NT41350000B4	축(셔틀체인지)	SHAFTSHUTTLECHANGE	1	D17	
31	TN41360000A3	셔틀시프터포오크축	SHAFTSH.FORK	1	D15X127	
32	NT41380000A4	셔틀샙프트레버	LEVERSHUTTLESHAFT	1		
32	NT41380000B4	셔틀시프트레버	LEVER SHUTTLE SHAFT	1		
33	22351-060025	SPRINGPIN6X25	PIN, SPRING (6-25)	2	D6X25	
34	22351-080028	스프링핀8X28	PIN, SPRING (8-28)	1	D8X28	
35	23414-080000	320,ALL,패킹8	WASHER, PLAIN (Φ8)	1	M8	

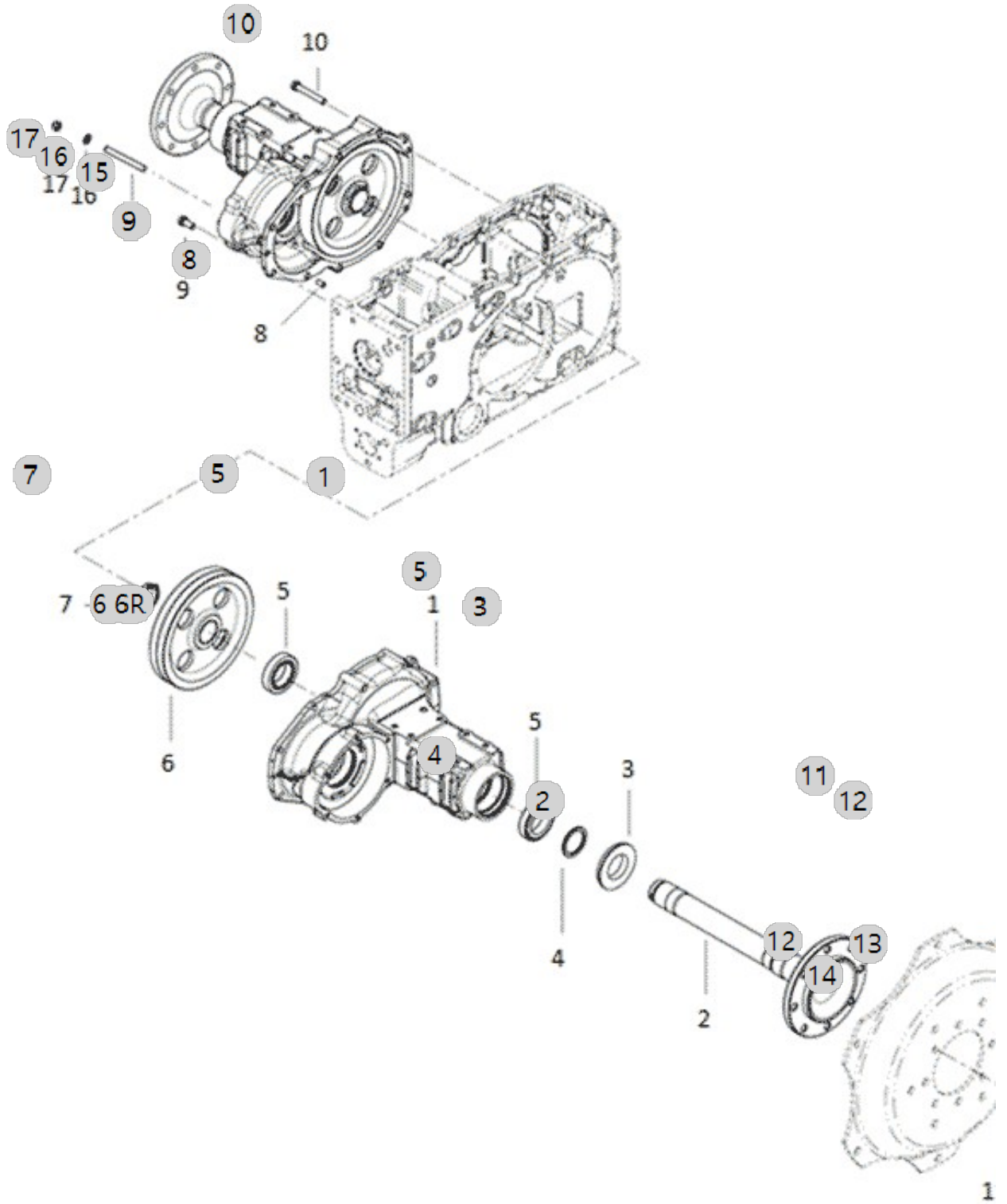
F01030

20R TM(US)_RANGE 4
(AC01714)

HOUSING, REAR AXLE

Year/Month

2022-12-15



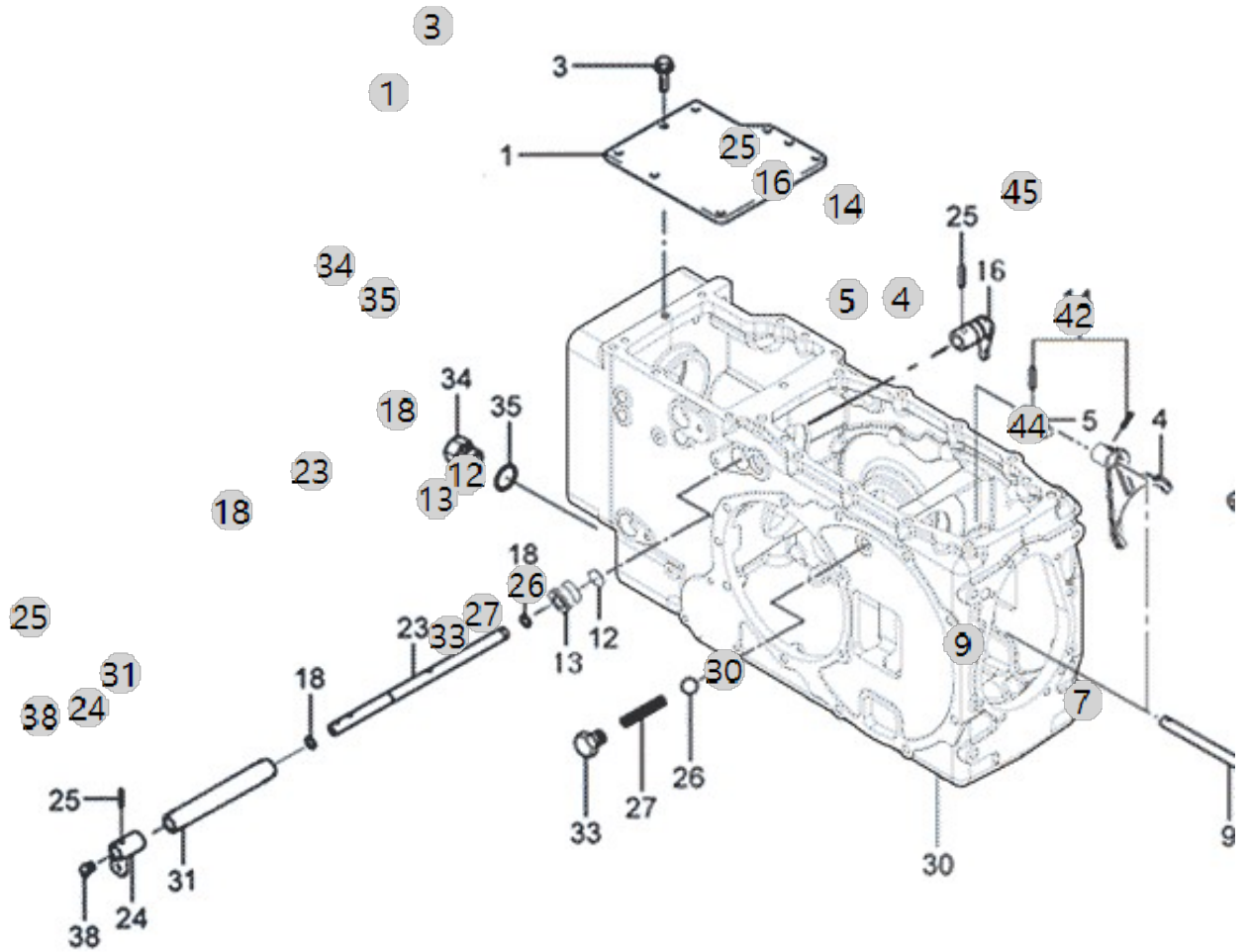
F01040

20R TM(US)_RANGE 4
(AC01714)

REAR AXLE CASE

Year/Month

2022-12-15



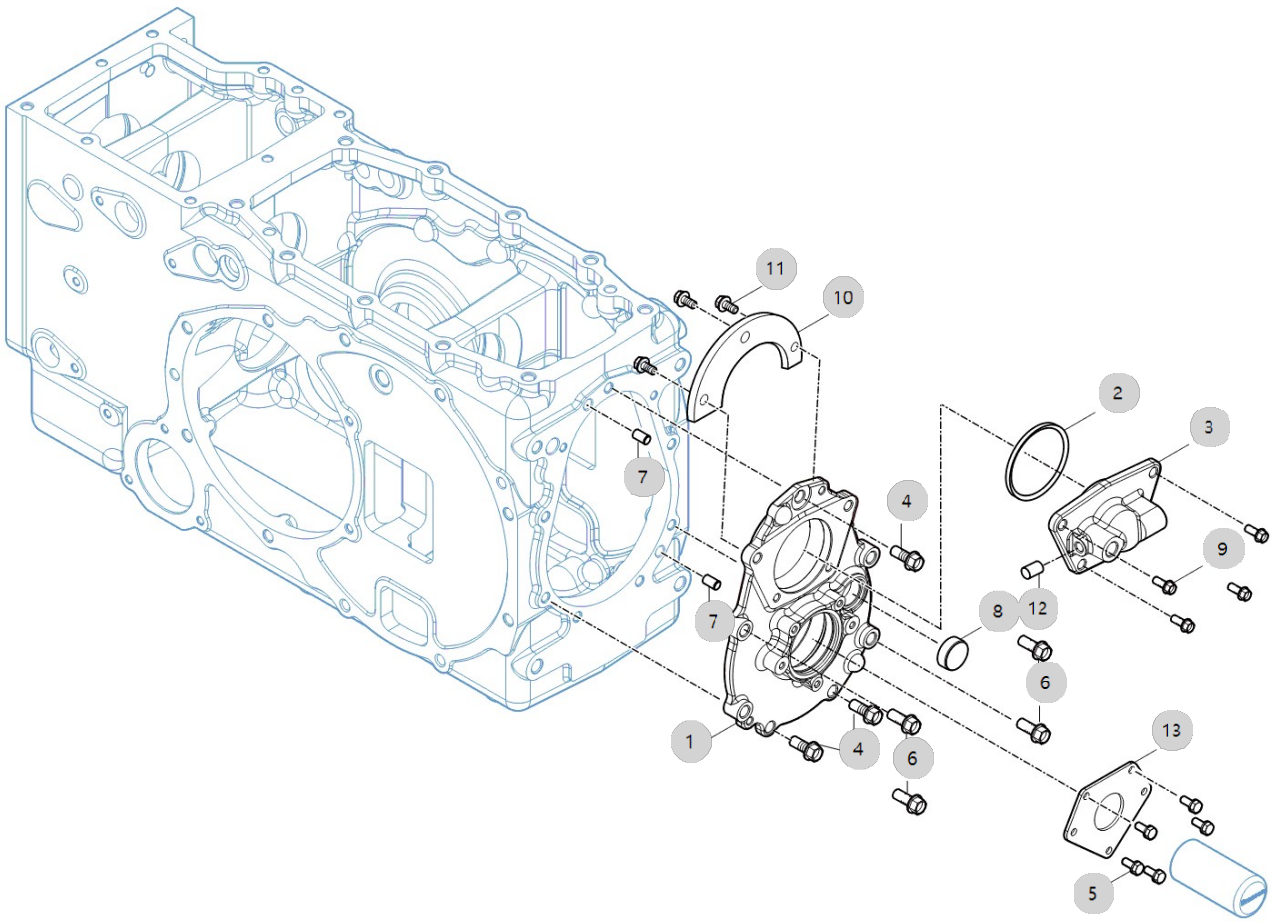
F01060

20R TM(US)_RANGE 4
(AC01714)

PTO COVER

Year/Month

2022-12-15



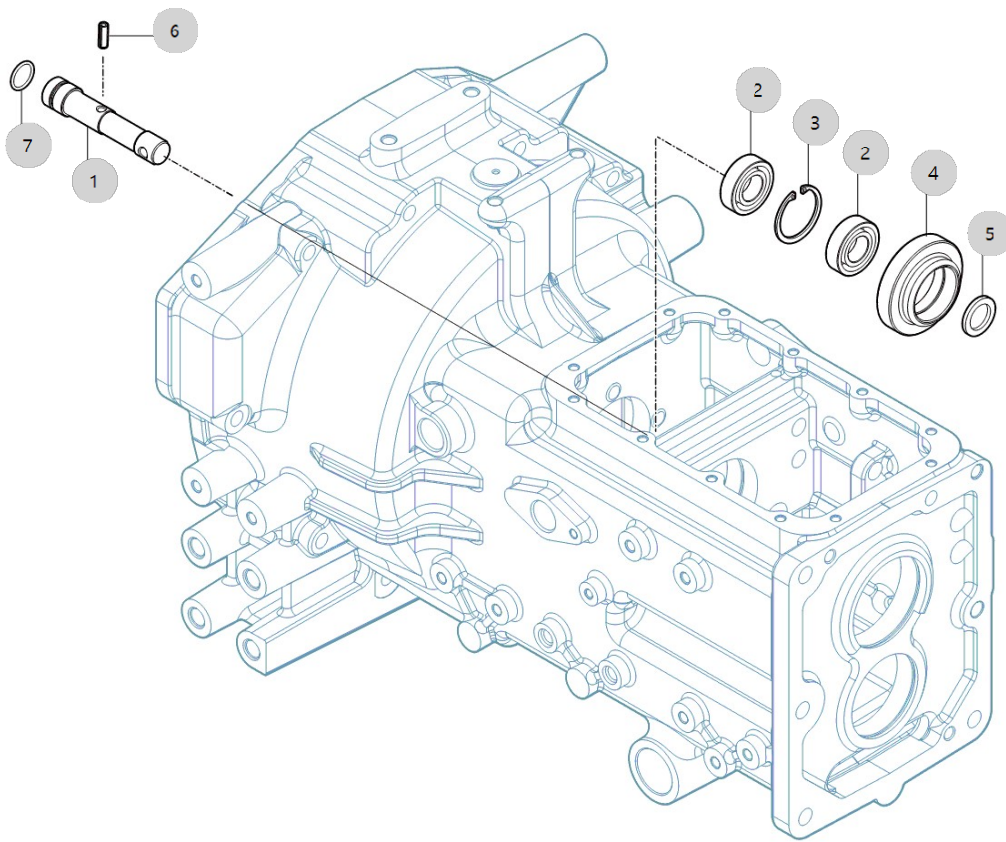
F02060

20R TM(US)_RANGE 4
(AC01714)

REVERSE IDLE SHAFT

Year/Month

2022-12-15



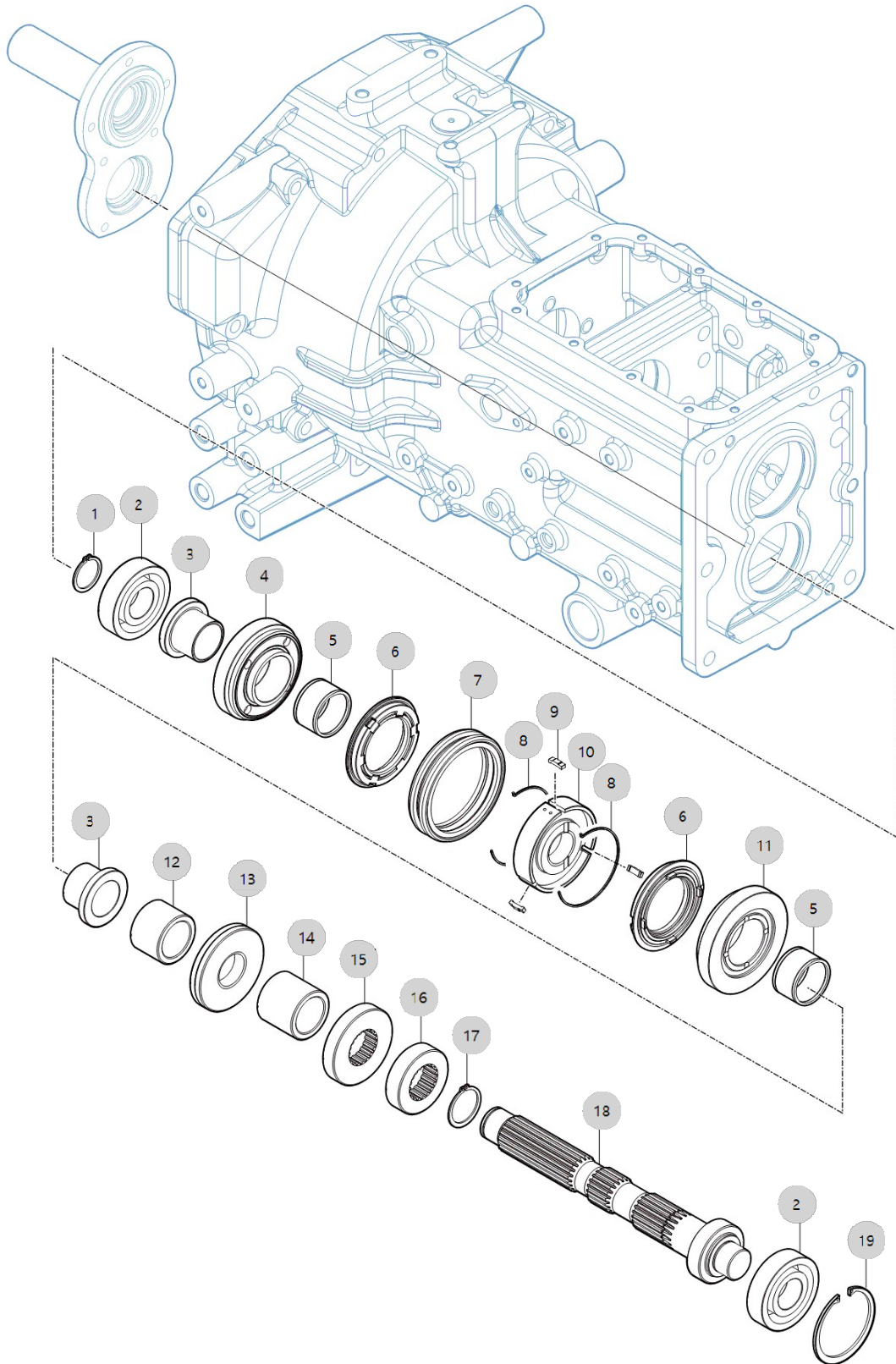
F03010

20R TM(US)_RANGE 4
(AC01714)

MAIN SHIFT DRIVE SHAFT

Year/Month

2022-12-15



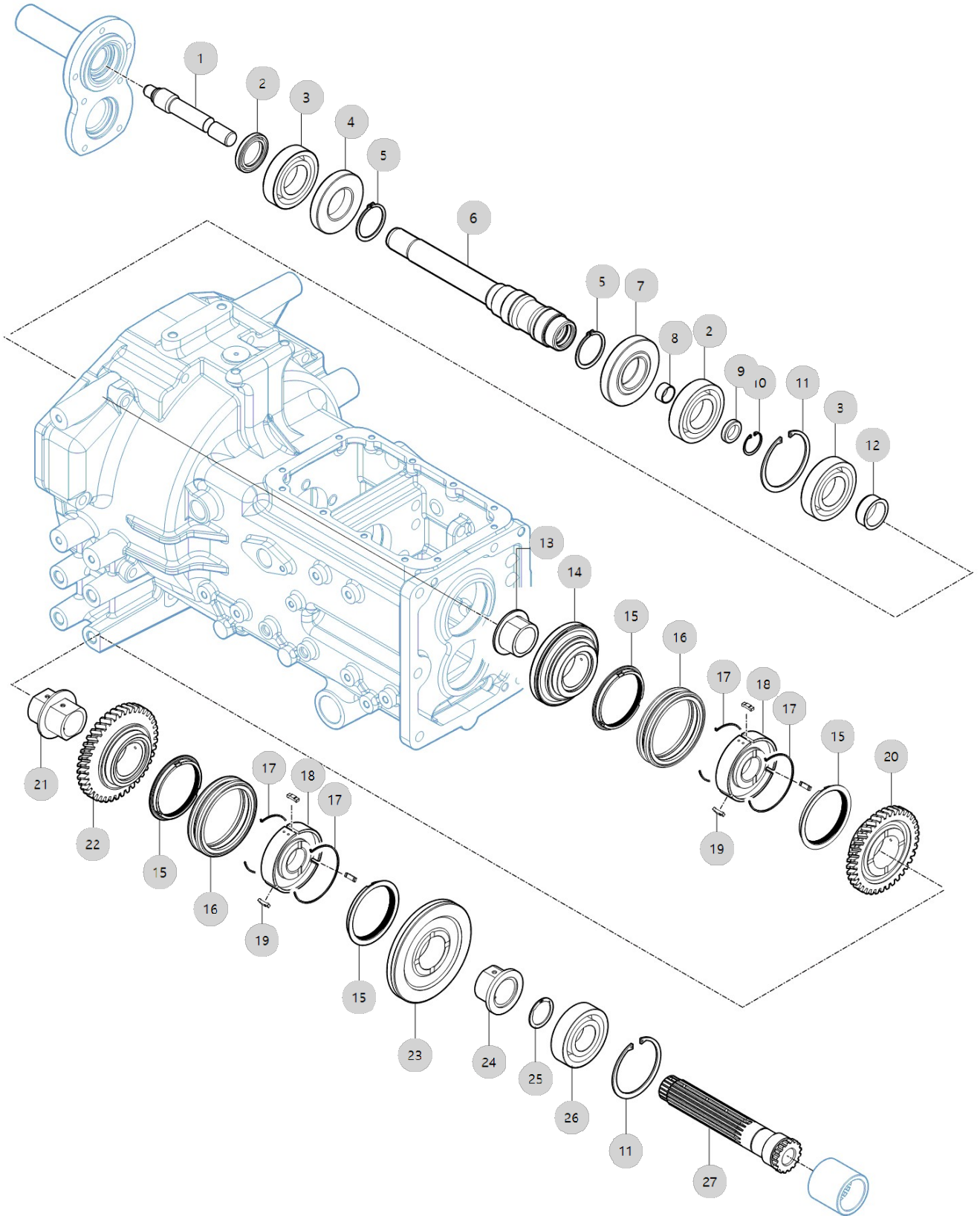
F03020

20R TM(US)_RANGE 4
(AC01714)

MAIN SHIFT DRIVEN SHAFT

Year/Month

2022-12-15



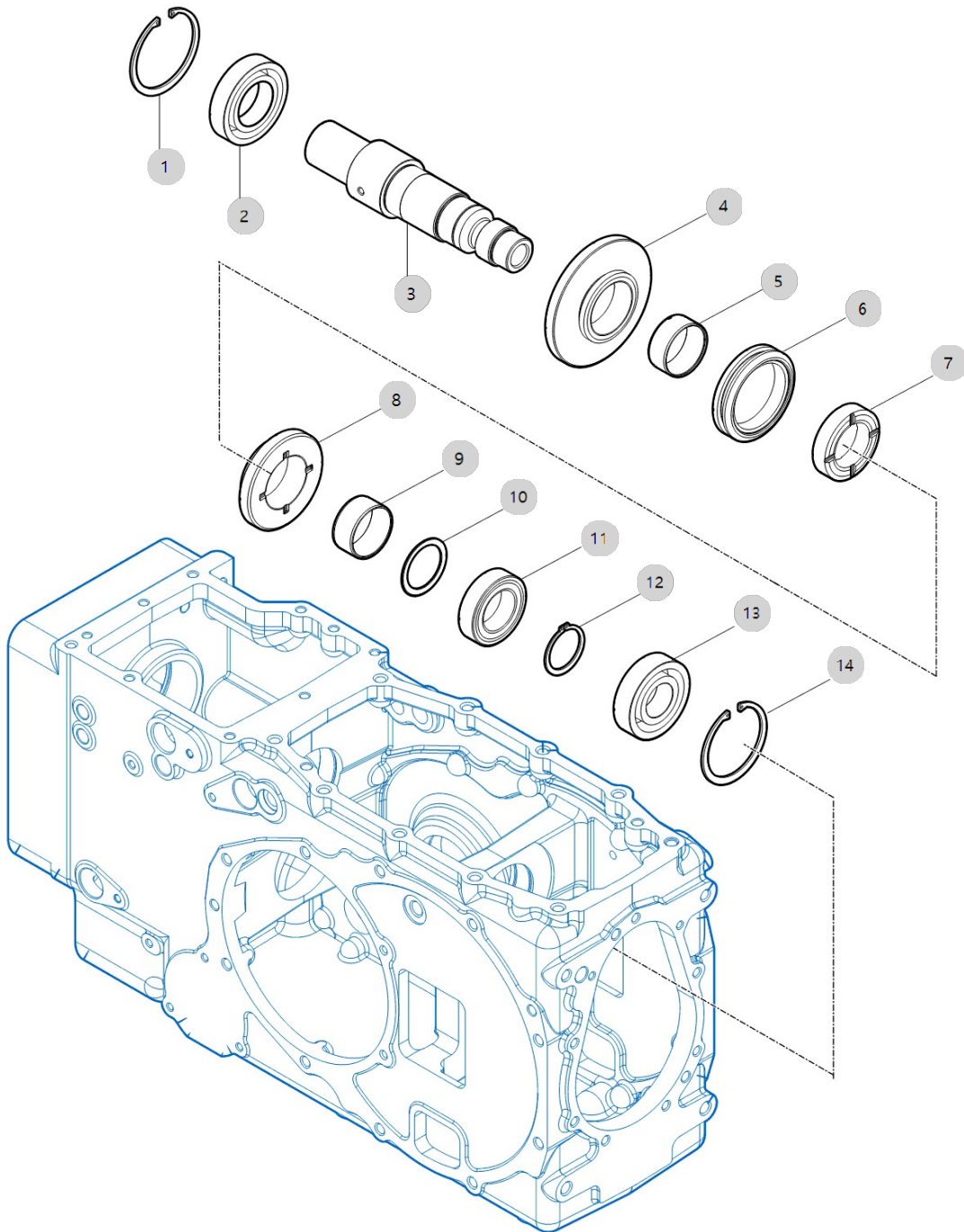
F03040

20R TM(US)_RANGE 4
(AC01714)

RANGE SHIFT DRIVE SHAFT

Year/Month

2022-12-15



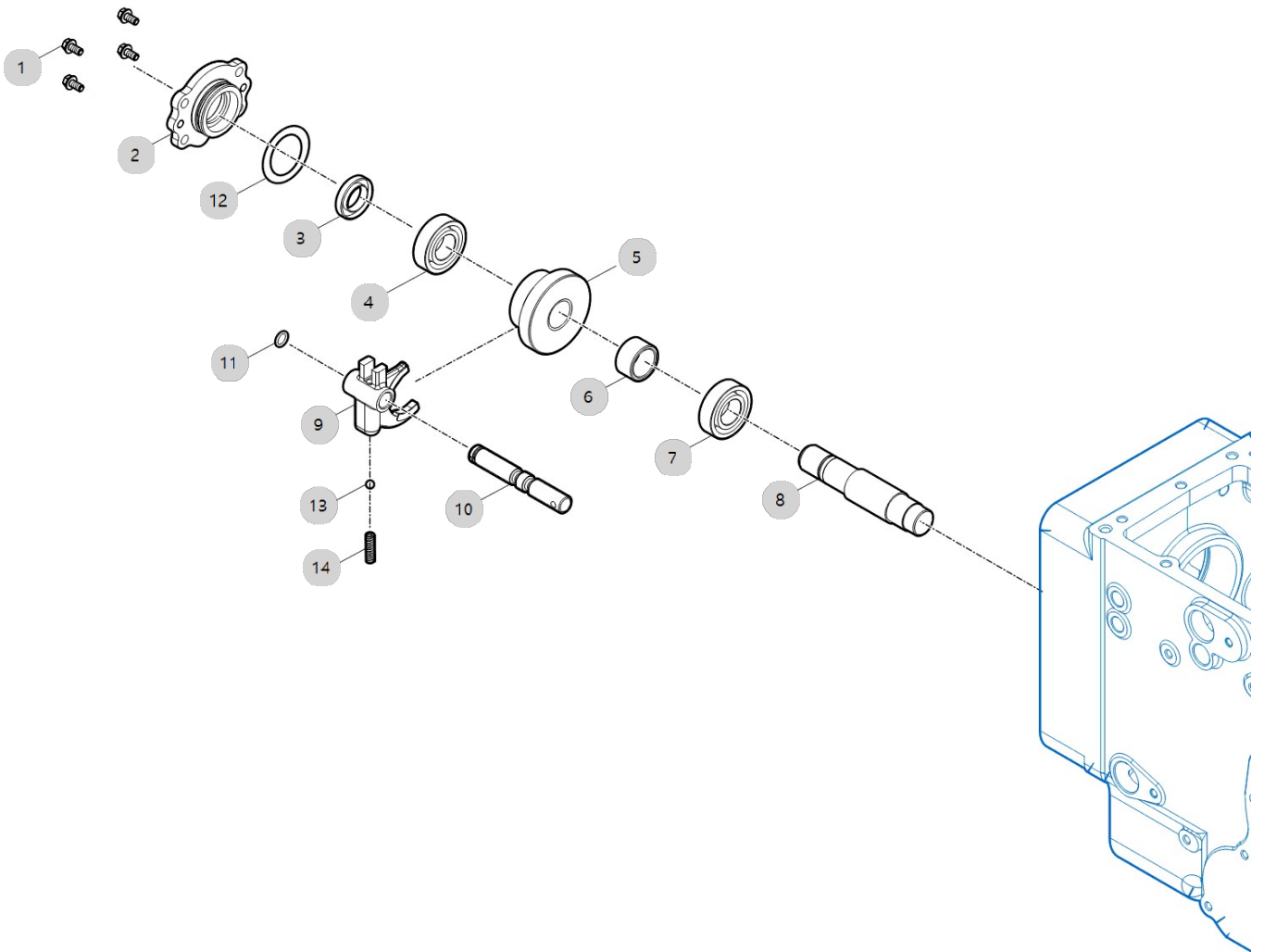
F04010

20R TM(US)_RANGE 4
(AC01714)

FRONT WHEEL DRIVE SHAFT

Year/Month

2022-12-15



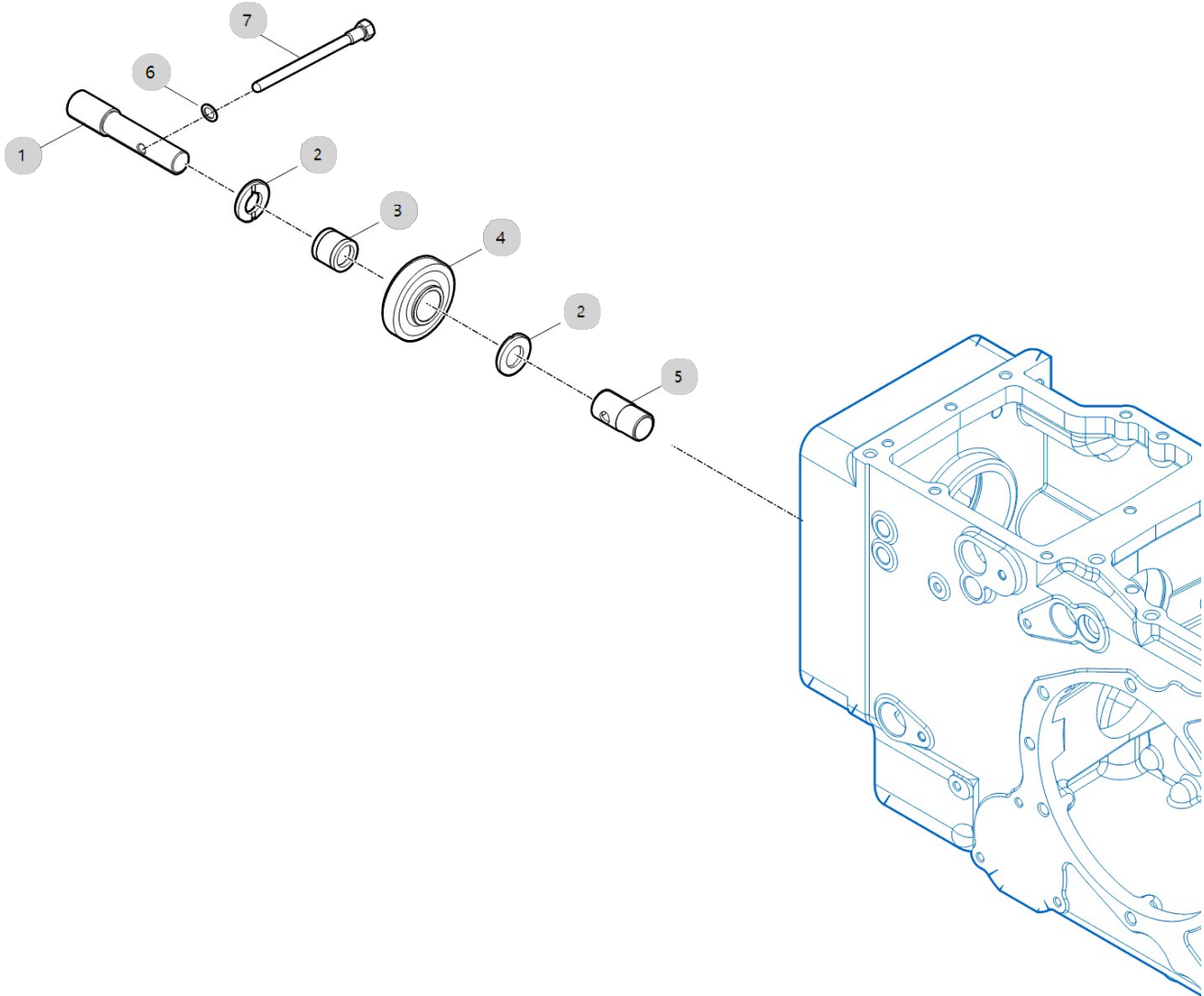
F04030

20R TM(US)_RANGE 4
(AC01714)

FRONT WHEEL DRIVE IDLE SHAFT

Year/Month

2022-12-15



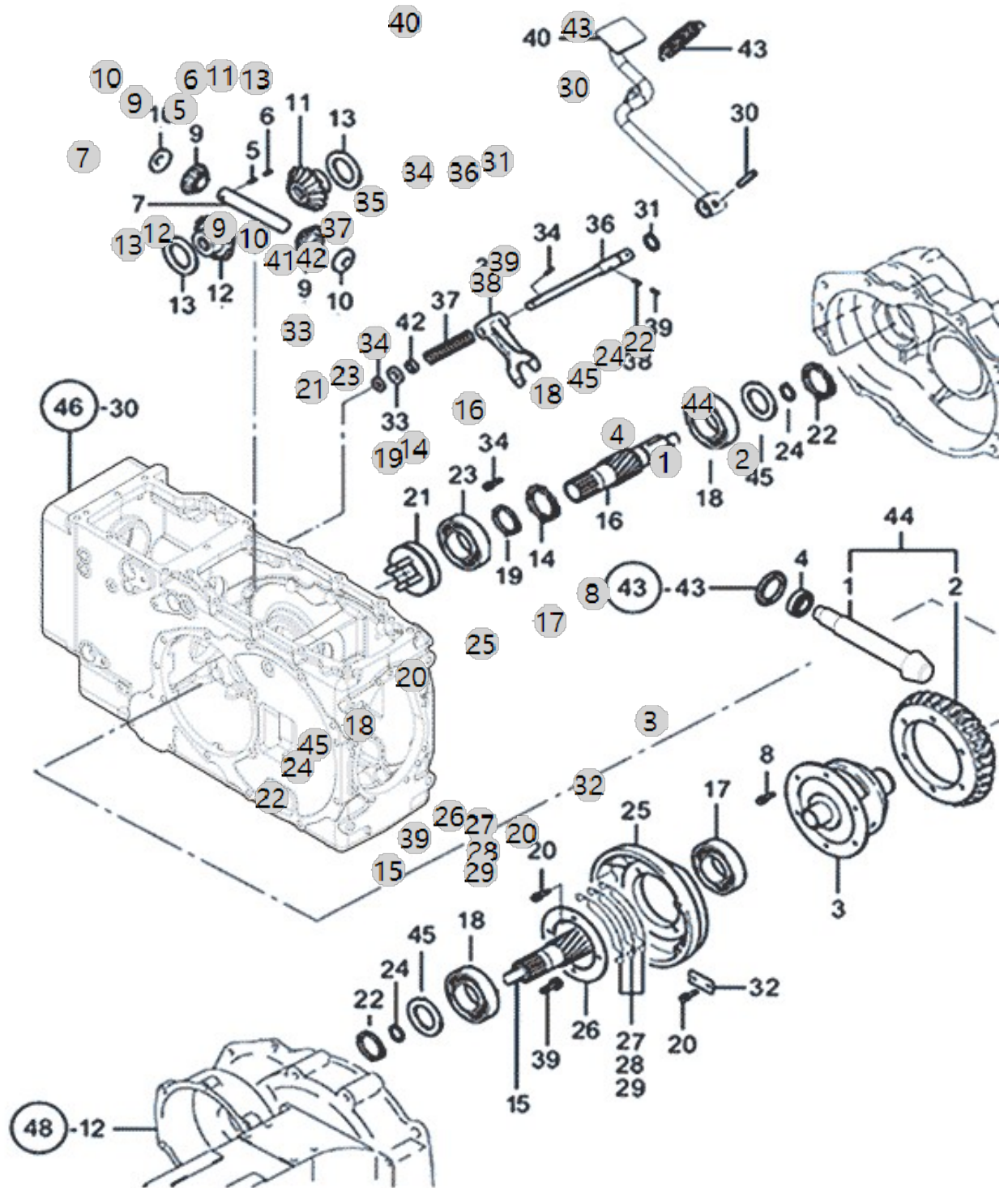
F05020

20R TM(US)_RANGE 4
(AC01714)

REAR DIFFERENTIAL

Year/Month

2022-12-15



F05020 20R TM(US)_RANGE 4 (AC01714)		REAR DIFFERENTIAL				Year/Month 2022-12-15
순번 (NO)	부품번호 (PART NO)	품명 (PART NAME)	품명 (PART NAME)	수량 (QTY)	규격 (SPEC)	비고 (REMARK)
1	TA00054487B	카운터축	COUNTER SHAFT	1		
1	TA00054487C	카운터축	COUNTER SHAFT	1		
2	TN49520000D2	링기어	RINGGEAR	1		
3	TN49030000E2	차동케이스	CASE,DIFFERENTIAL	1		
4	TT78020000A3	베어링NJ307R	BEARINGNJ307R	1	NJ307R	DEL.20220323
5	22312-060360	평행핀	PIN, DOWEL (6-36)	1	D6X36	
6	22351-060032	스프링핀	PIN, SPRING (6-32)	1	D6X32	
7	TF64080000A4	피니언축	PINIONSHAFT	1		
8	TF64090000A4	볼트	BOLT	6	M10X1.25X25	
8	TF64090000B4	볼트	BOLT	6		
9	TF64100000B3	차동피니언	PINION	2		
10	TF64110000A4	피니언라이너	PINIONLINER	2	T1.0	
11	TF64120000A3	차동사이드기어(A)	DIFF.SIDEGEAR(A)	1		
12	TF64130000A3	차동사이드기어(B)	DIFF.SIDEGEAR(B)	1		
13	TF64140000B4	사이드기어라이너	SIDEGEARLINER	2		
14	22252-000800	구멍용스냅링80	RING, CIRCLIP (Φ 80)	1	D80	
15	TA00032603B	파이널 기어(좌)	FINAL PINION(L)	1		
15	TA00032603D	파이널 기어(좌)	FINAL PINION(L)	1		
15	TA00032603C	파이널 기어(좌)	FINAL PINION(L)	1		
15	TA00032603E	파이널 피니언(좌)	FINAL PINION(L)	1		
16	TA00032596C	파이널 피니언(우)	FINAL PINION(R)	1		
16	TA00032596B	파이널 피니언(우)	FINAL PINION(R)	1		
16	TA00032596D	파이널 피니언(우)	FINAL PINION(R)	1		
16	TA00032596E	파이널 피니언(우)	FINAL PINION(R)	1		
17	24101-062114	볼베어링6211	Bearing, Ball (#6211)	1	#6211	
18	TF64190000A4	베어링6308HL1	BALL BEARING (#6308HL1) -> TF64190000A3	2	NJ307R	DEL.20220323
19	22242-000500	축용스냅링50	SNAP RING, SHAFT (Φ50)	1	D50	
20	26013-080202	와셔조립육각볼트(+SW)	Bolt, Hexa (8-20)	4	M8XP1.25X20	
21	TF64250000B3	데프록스러스트	THRUST, DIFF-LOCK ASSY	1		
22	22252-000900	구멍용스냅링90	RING, CIRCLIP (Φ 90)	2	D90	
23	24101-060104	볼베어링6010	Bearing, Ball (#6010)	1	#6010	
24	22242-000400	축용스냅링40	SNAP RING, SHAFT (Φ 40)	2	D40	
25	TN49550000B2	캐리어	CARRIOR	1		
26	TN49590000A4	리테이너	RETAINER	1		
27	TZ49560000A4	심A(0.5)	SHIMA	3		
28	TZ49570000A4	심B(0.3)	SHIMB	3		
29	TZ49580000A4	심C(0.1)	SHIMC	2		
30	22351-080032	스프링핀	PIN, SPRING (8-32)	2	D8X32	
31	24311-000160	O-링 P 16	O-RING, DYNAMIC (Φ16)	1	P16	
32	TB32360000A4	리테이너	RETAINER	2	T4.5X25X50	
33	TN49380000A4	와셔	WASHER	1	T4.2X30X30	
34	26013-080202	와셔조립육각볼트(+SW)	Bolt, Hexa (8-20)	10	M8XP1.25X20	
35	TN49400000B2	차동포크	FORKDIFFERENTIALLOCK	1		
36	TN49410000B3	포크축	SHAFT,DIFFLOCKFORK	1		
36	TN49410000C3	포크축	FORK SHAFT	1		

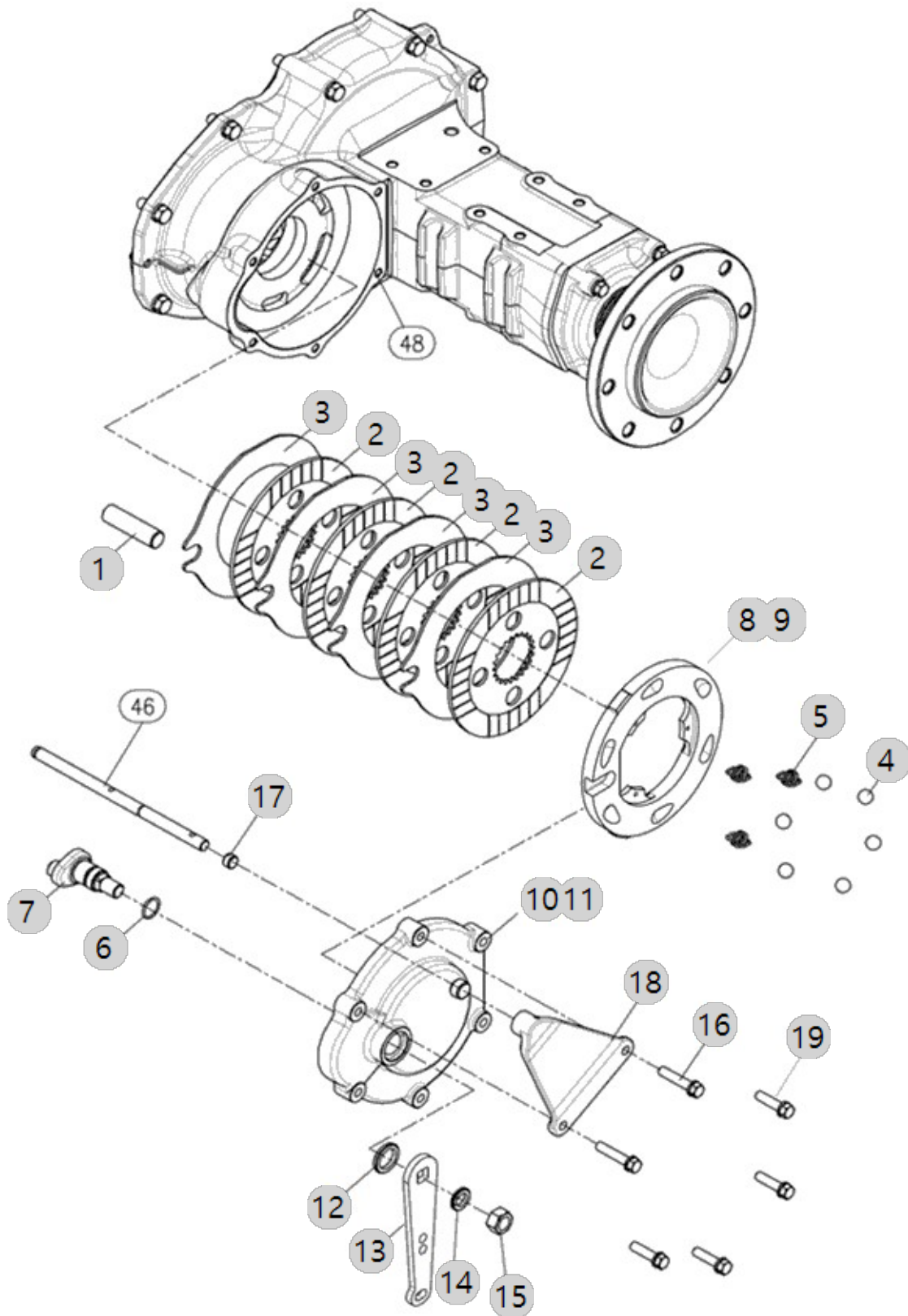
F06030

20R TM(US)_RANGE 4
(AC01714)

BRAKE

Year/Month

2022-12-15



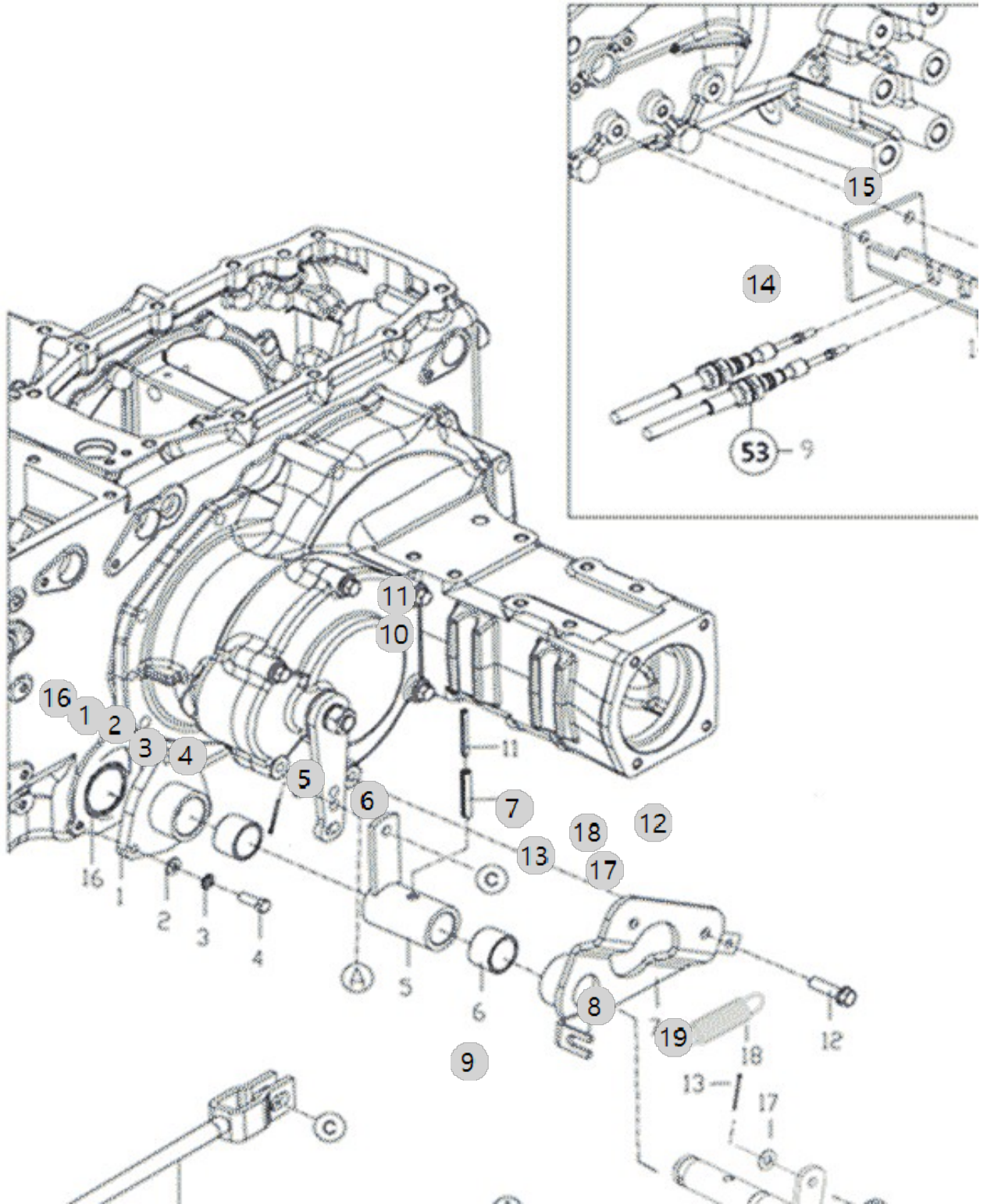
F06031

20R TM(US)_RANGE 4
(AC01714)

SUPPORT, BRAKE

Year/Month

2022-12-15



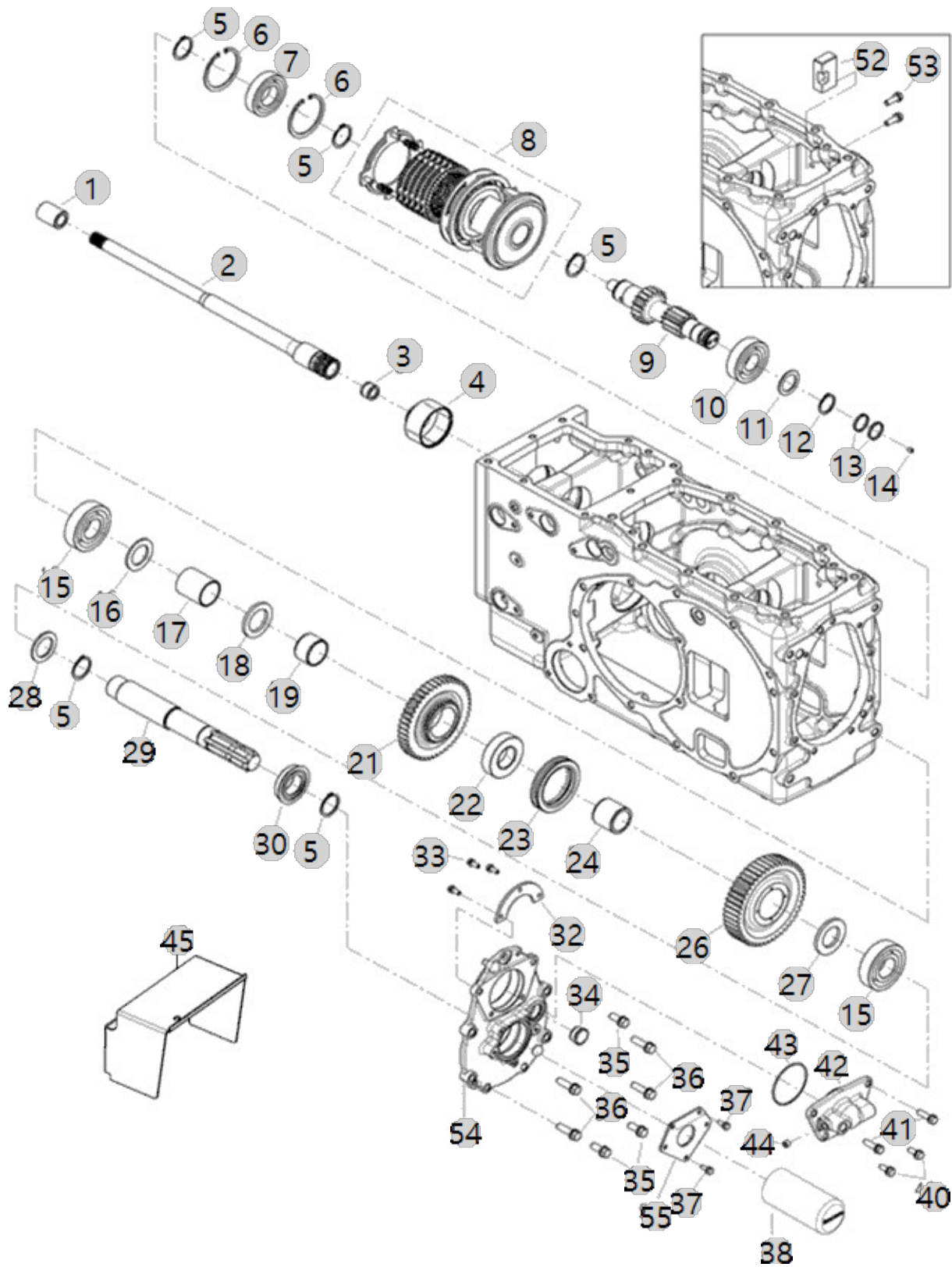
F07000

20R TM(US)_RANGE 4
(AC01714)

GEAR,IND PTO SPEED CHANGE

Year/Month

2022-12-15



F07000 20R TM(US)_RANGE 4 (AC01714)		GEAR,IND PTO SPEED CHANGE				Year/Month 2022-12-15
순번 (NO)	부품번호 (PART NO)	품명 (PART NAME)	품명 (PART NAME)	수량 (QTY)	규격 (SPEC)	비고 (REMARK)
1	TN4520000A4	조인트	JOINT	1		
2	TZ4522000C3	PTO연결축	SHAFT, PTO CONNECTION	1		
3	24161-182417	니들베어링	Bearing, Needle (#18-24-17)	1	KT182417	
4	NT4548000A3	PTO커플링	PTO COUPLING	1		
5	22242-000350	축용스냅링35	SNAP RING, SHAFT (Φ 35)	5	D35	
6	22252-000720	구멍용스냅링72	RING, CIRCLIP (Φ 72)	2	D72	
7	24101-062074	볼베어링6207	BALL BEARING (#6207)	1	#6207	
8	TA00026514D	PTO클러치팩	PTO CLUTCH PACK	1		
9	NT4592000A2	PTO변속축	SHAFT, PTO SHIFT	1		
10	24101-063064	볼베어링6306	Bearing, Ball (#6306)	1	#6306	
11	TN4552000A4	칼라	COLLAR	1		
12	22242-000300	축용스냅링30	SNAP RING, SHAFT (Φ 30)	1	D30	
13	TT6407000B4	시일링	SEAL RING	2	26X30X3	
14	TT6408000A4	멈춤나사 M7X1	RETAININGSCREWM7X1	1	M7XP1.0	
15	24101-063074	볼베어링6307	Bearing, Ball (#6307)	2	#6307	
16	NT4567000B4	스러스트와셔	THRUST WASHER	1	3.0T	
17	NT4568000B4	스페이서	SPACER	1	D45XT2.6	
18	NT4544000B4	칼라	COLLAR	1		
19	TA00033210A	니들부시D	NEEDLE BUSH D	2		
20	TA00033211A	PTO기어46T	GEAR 46T, PTO	1		
21	TZ4510000A3	PTO허브	HUB,P.T.O	2		
22	TZ4511000B4	PTO슬리브	SLEEVE,P.T.O	2		
23	TA00033209A	니들부시B	NEEDLE BUSH B	1		
24	TA00033212A	PTO기어49T	GEAR 49T, PTO	1		
25	TZ4514000A4	칼라	COLLAR	1		
26	TN4512000A4	와셔	WASHER	1	T3.0X60X60	
27	NT4513000B3	PTO축	shaft, PTO	1		
28	TT6204000A3	PTO 오일실 QLF35X60X19	PTO OIL SEAL QLF35X60X19	1	35X60X19	
29	NT4564000A4	베어링커버	Bearing Cover	1		
30	26013-060162	와셔조립육각볼트(+SW)	Bolt, Hexa (6-16)	3	M6XP1.0X16	
31	TCA813000A4	검유창	SIGHTGLASS -> NT4569000A4	1		
32	26013-100252	와셔조립육각볼트(+SW)	SCREW, CAPTIVE WASHER CAP	3	M10X1.50X02	
33	26013-100352	볼트	Bolt, Hexa (10-35)	4		
34	26013-060162	와셔조립육각볼트(+SW)	Bolt, Hexa (6-16)	3	M6XP1.0X16	
35	TA00046868A	PTO축커버	COVER, PTO	1		
36	26013-080202	와셔조립육각볼트(+SW)	Bolt, Hexa (8-20)	2	M8XP1.25X20	
37	26013-080302	와셔조립육각볼트(+SW)	HEX BOLT W/WASHER	2	M8XP1.25X30	
38	NT4562000A3	실케이스	SEAL CASE	1		
39	24341-000700	O링(70-S)	O-RING, FIX (Φ70)	1	1A S70.0	
40	23871-010000	테이퍼플러그	PLUG	1	PT1/8	
41	TA00062857A	PTO커버	COVER, PTO	1		
41	TA00062857B	PTO커버	COVER, PTO	1		
42	NT4598000A4	브레이크잡이	BRAKE HOLDER	1		
43	26013-080252	와셔조립육각볼트(+SW)	Bolt, Hexa (8-25)	2	M8XP1.25X25	
44	NT4551000B1	PTO축하우징	HOUSING, PTO SHAFT	1		

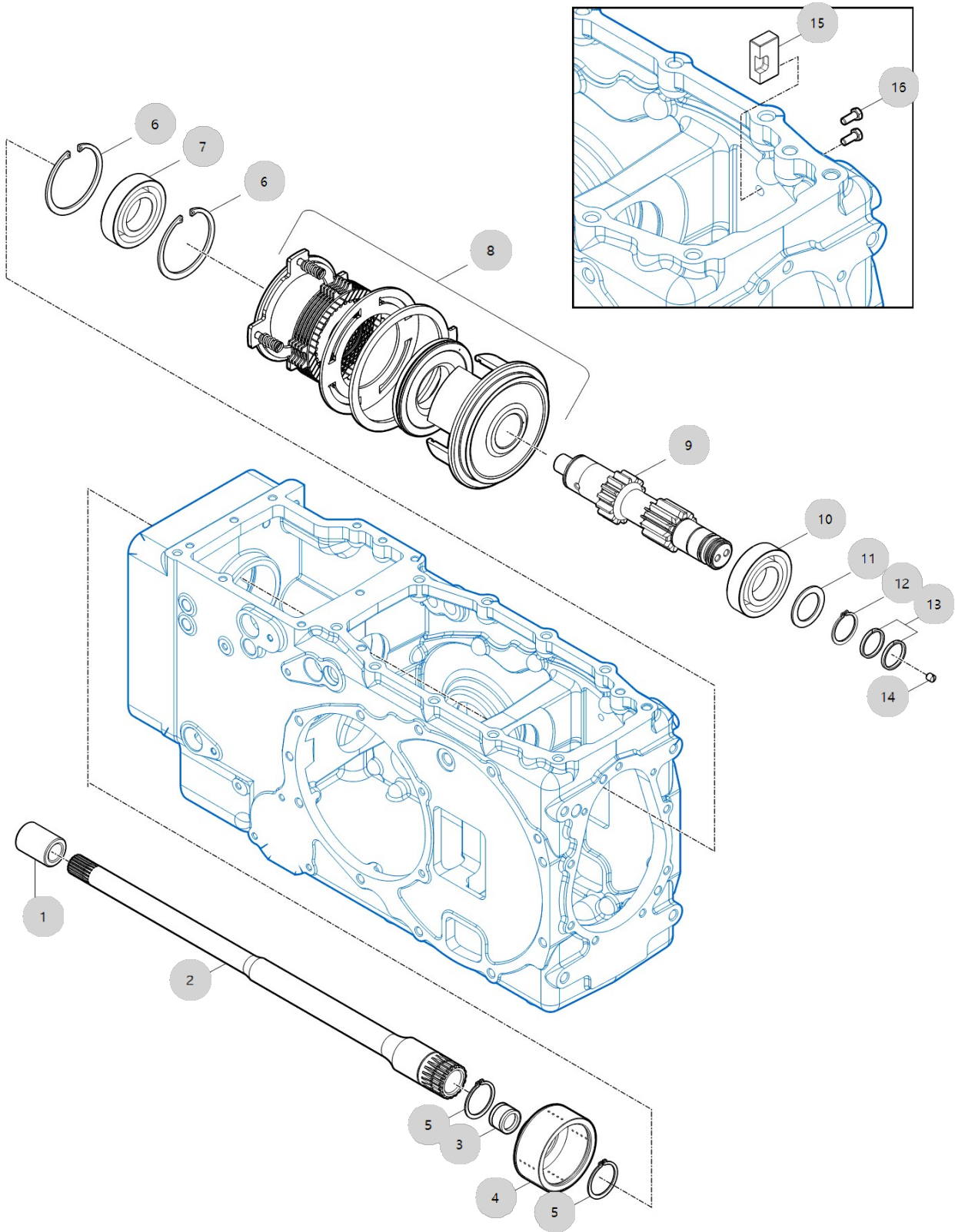
F07030

20R TM(US)_RANGE 4
(AC01714)

PTO DRIVE SHAFT

Year/Month

2022-12-15



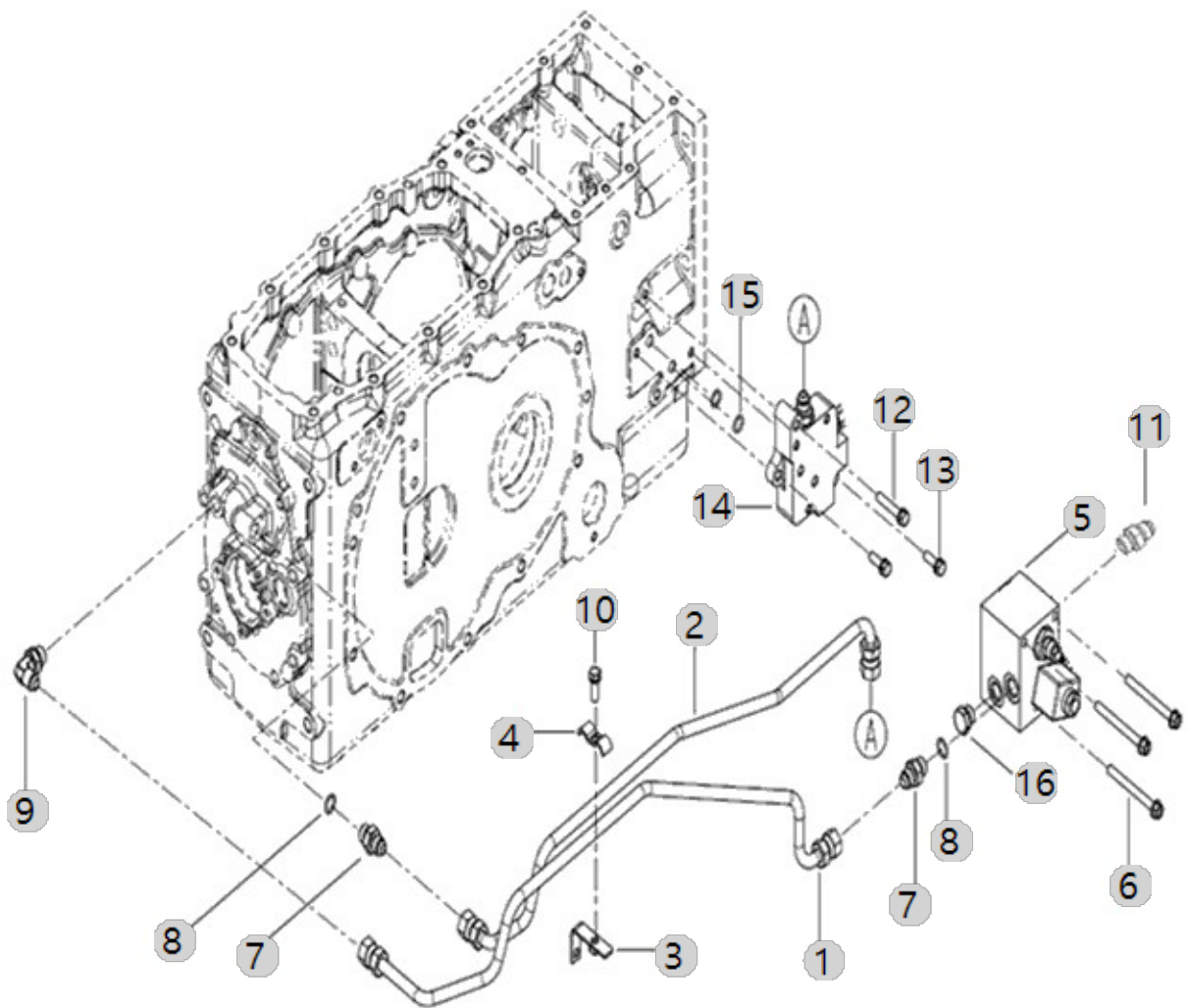
F07050

20R TM(US)_RANGE 4
(AC01714)

PTO VALVE

Year/Month

2022-12-15



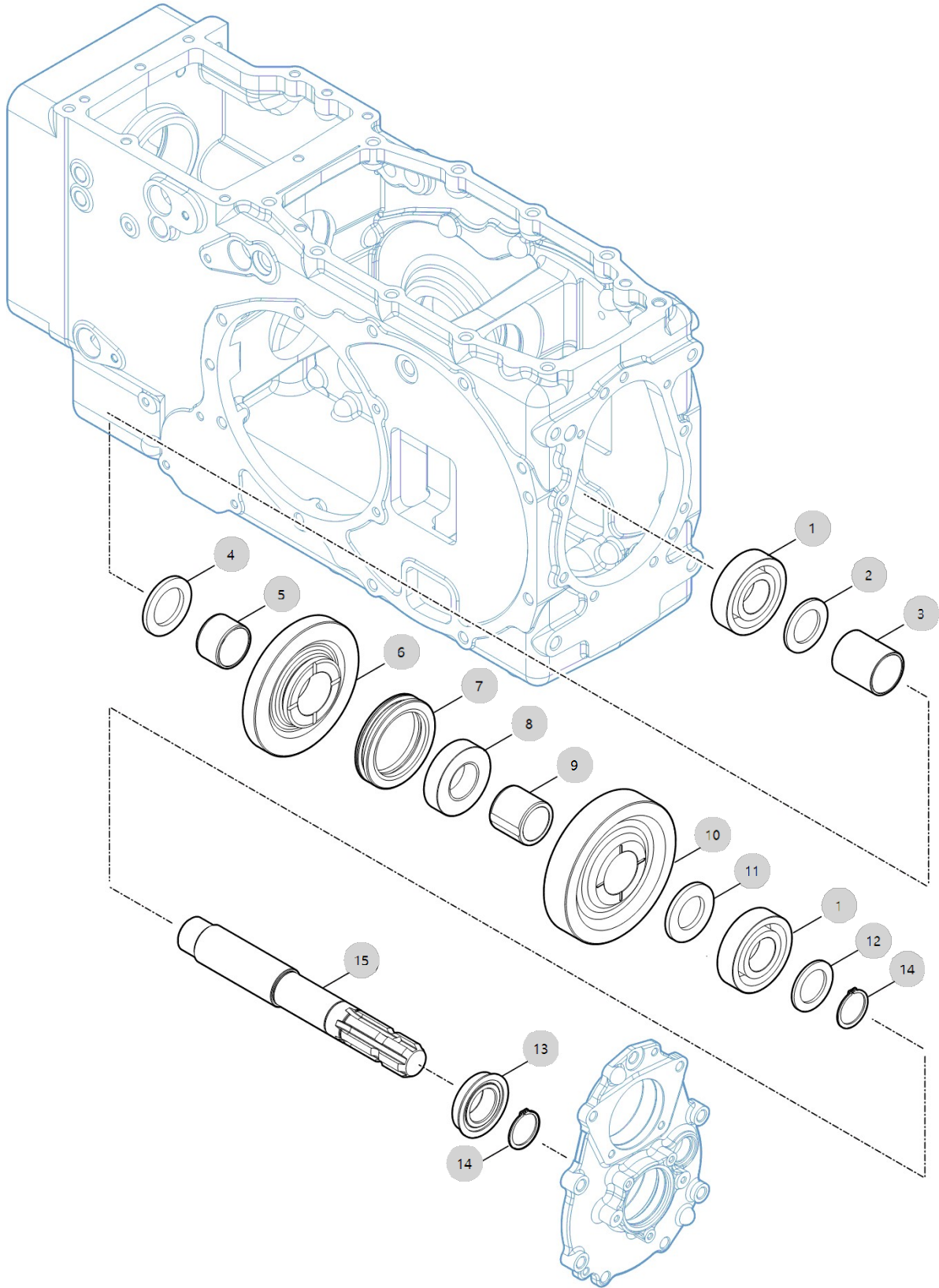
F07070

20R TM(US)_RANGE 4
(AC01714)

PTO SHAFT

Year/Month

2022-12-15



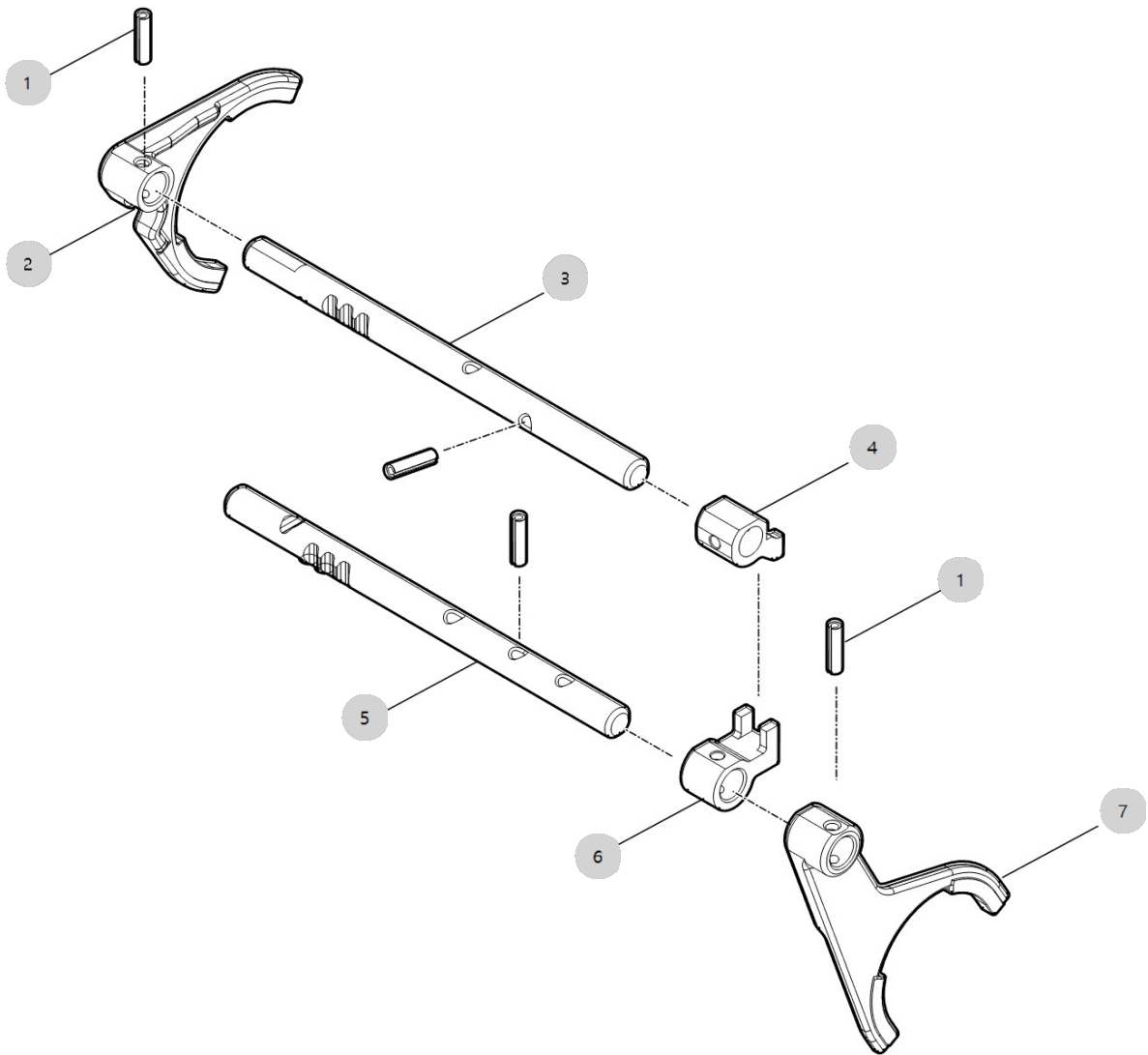
F08022

20R TM(US)_RANGE 4
(AC01714)

RANGE SHIFT FORK

Year/Month

2022-12-15



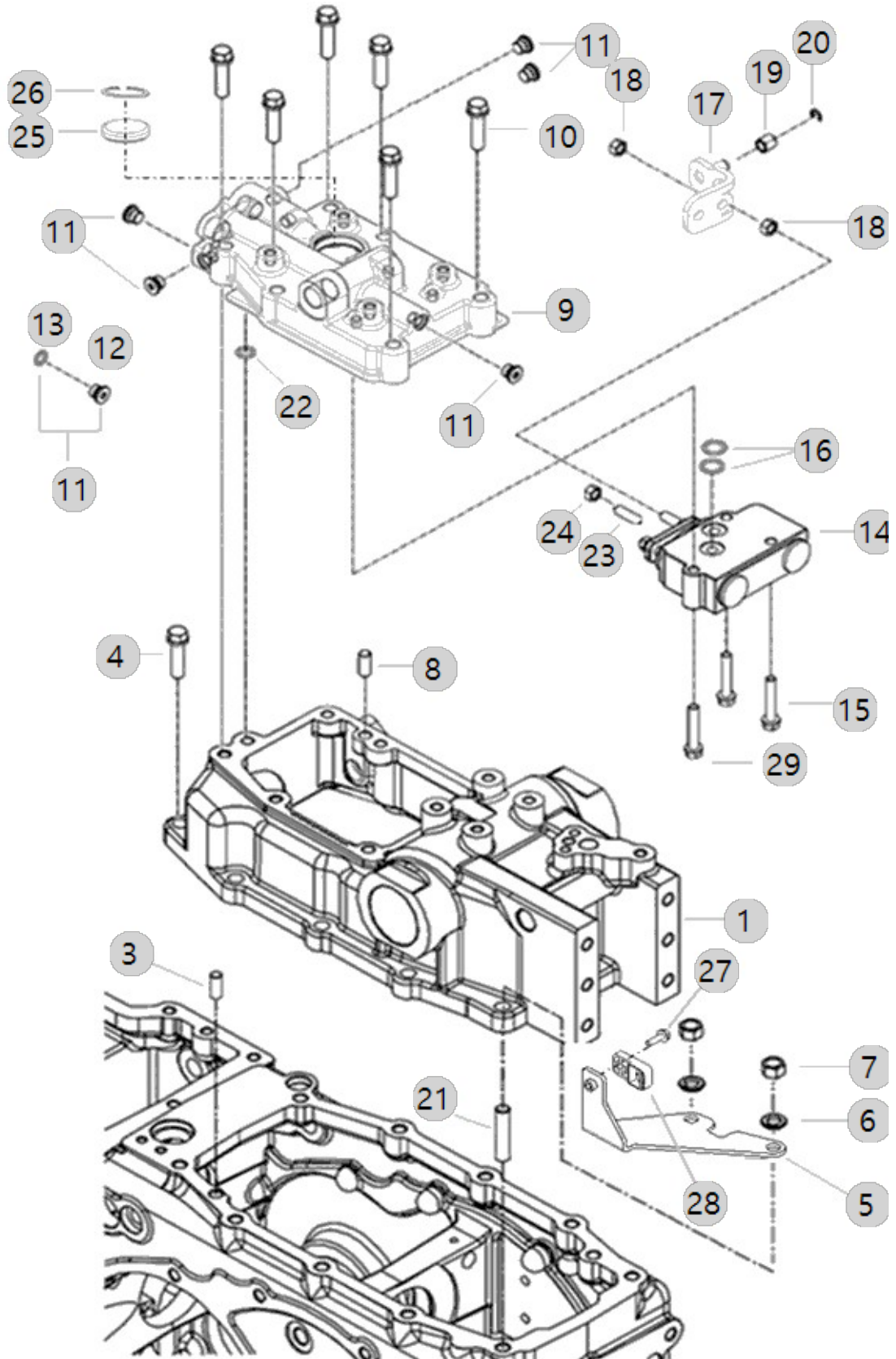
F10010

20R TM(US)_RANGE 4
(AC01714)

CASE, HYD CYLINDER

Year/Month

2022-12-15



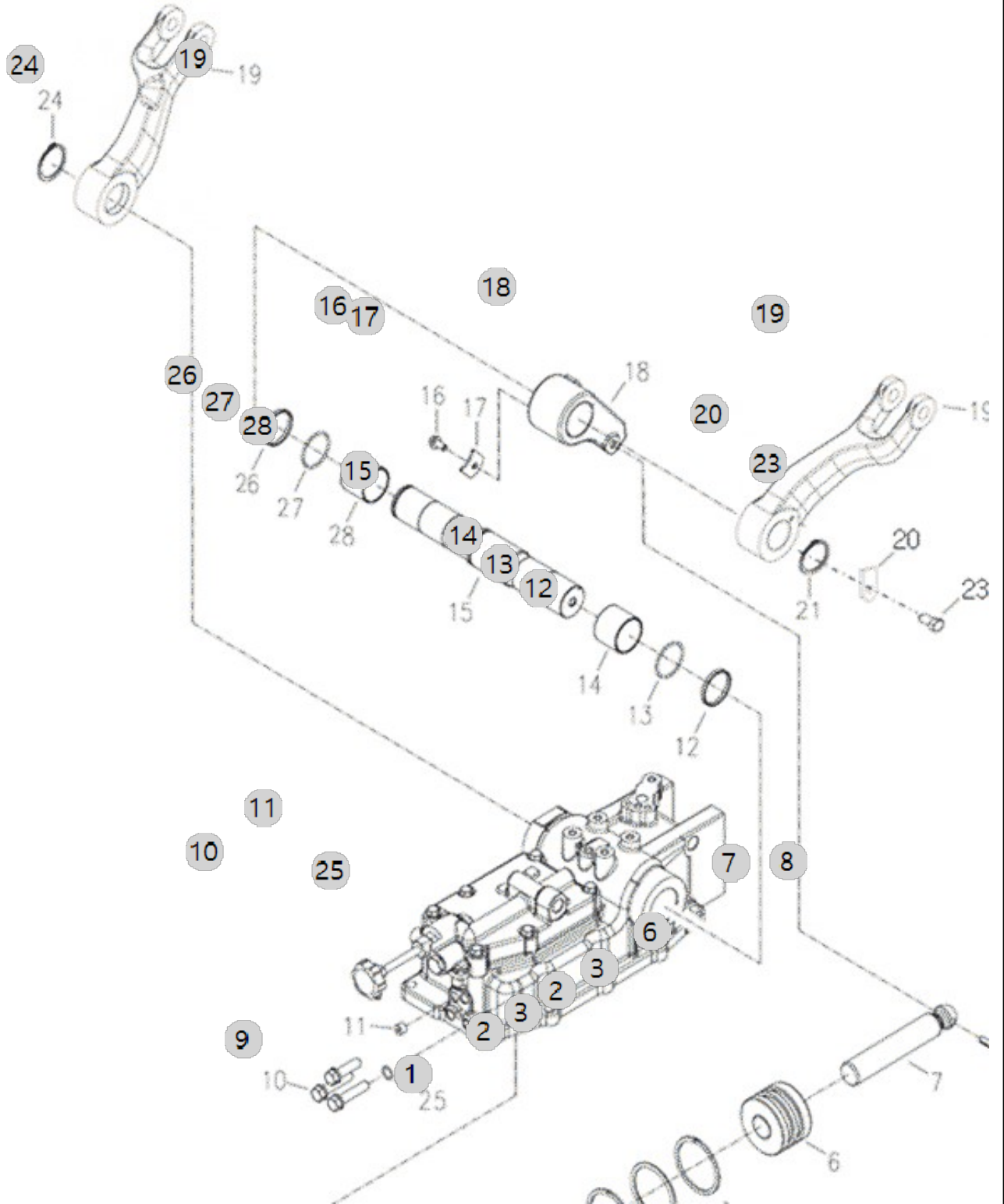
F10020

20R TM(US)_RANGE 4
(AC01714)

LIFT ARM

Year/Month

2022-12-15



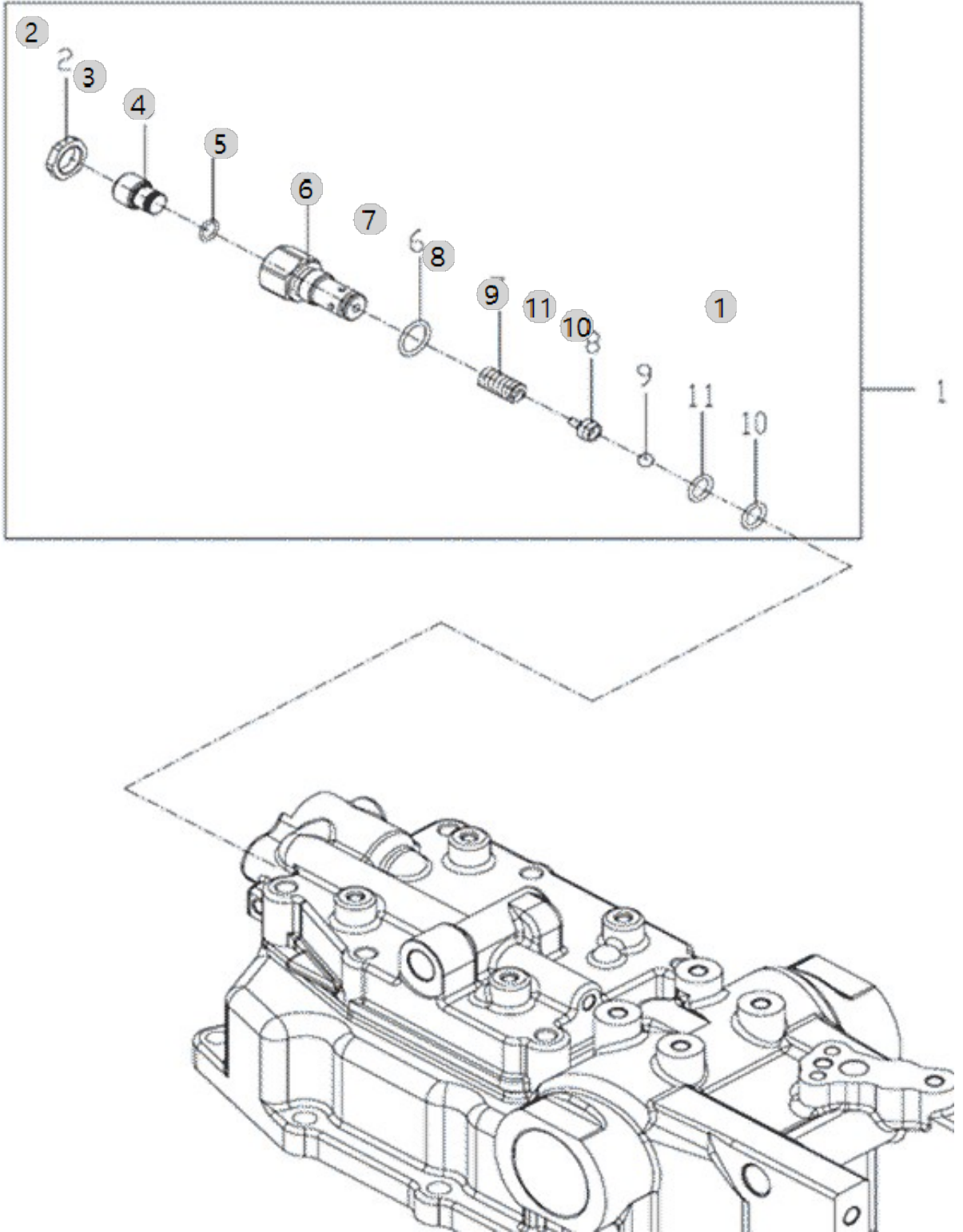
F10030

20R TM(US)_RANGE 4
(AC01714)

SAFTY VALVE

Year/Month

2022-12-15



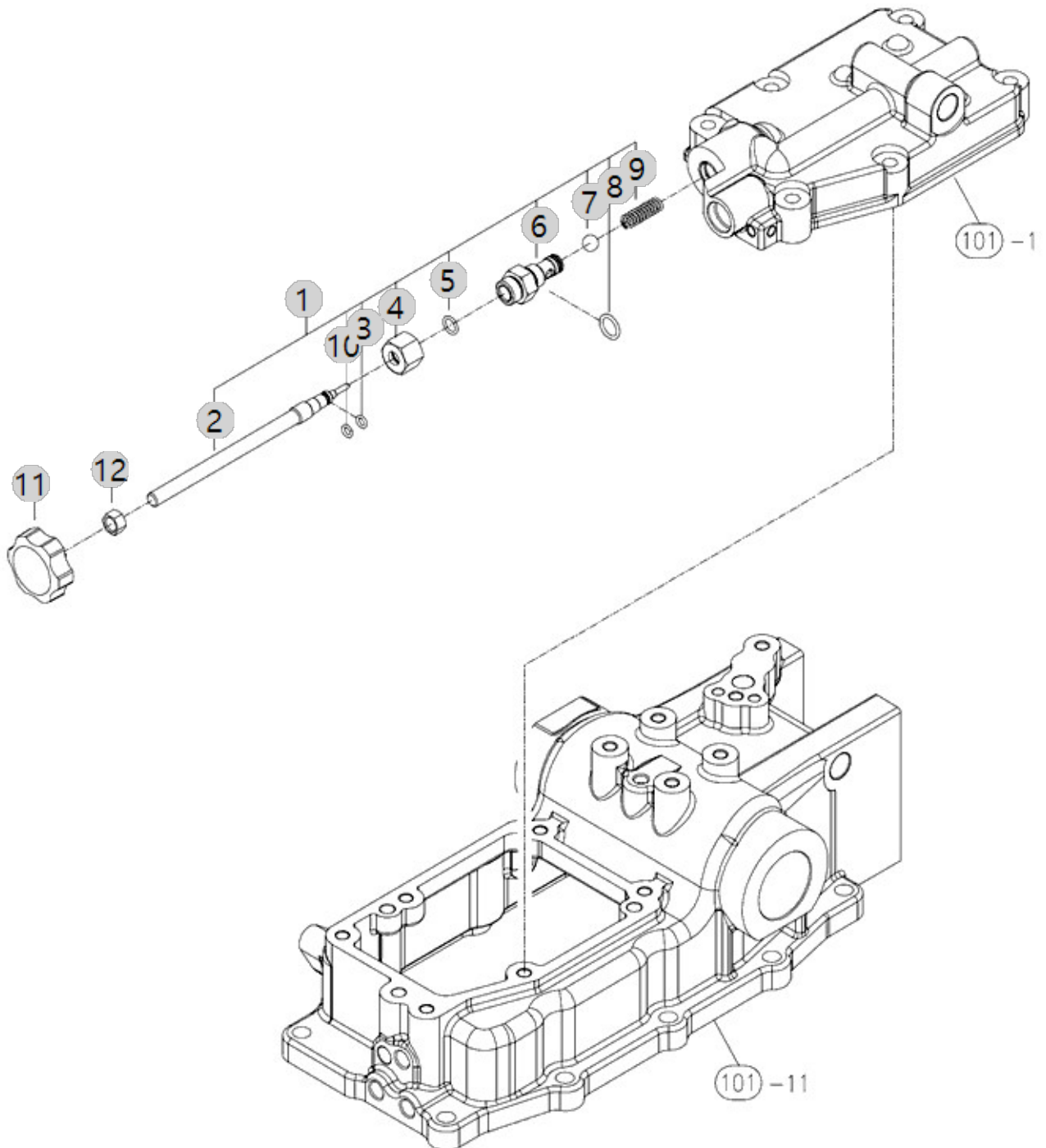
F10040

20R TM(US)_RANGE 4
(AC01714)

STOP VALVE

Year/Month

2022-12-15



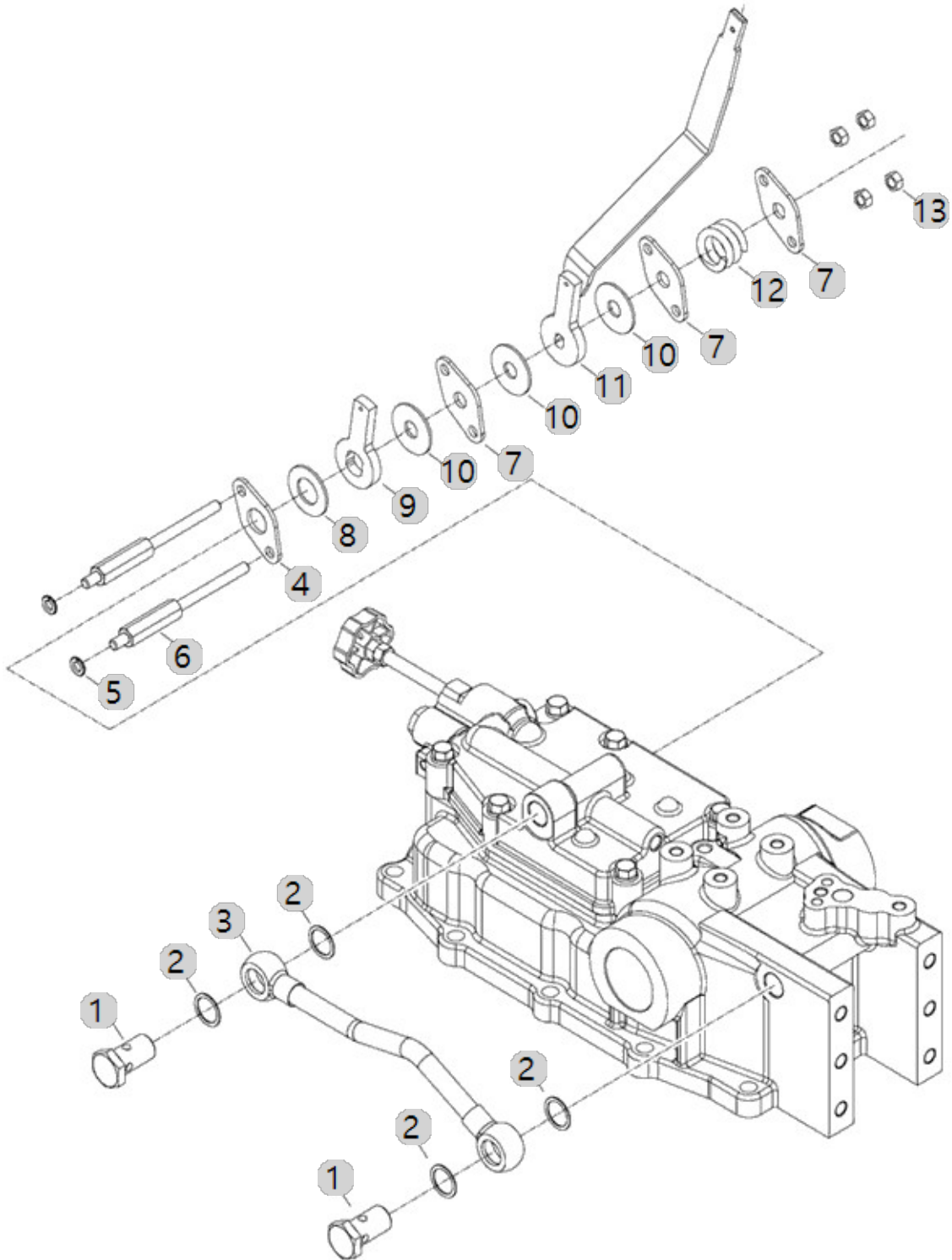
F10061

20R TM(US)_RANGE 4
(AC01714)

DRAFT/POSITION CONTROL LEVER

Year/Month

2022-12-15



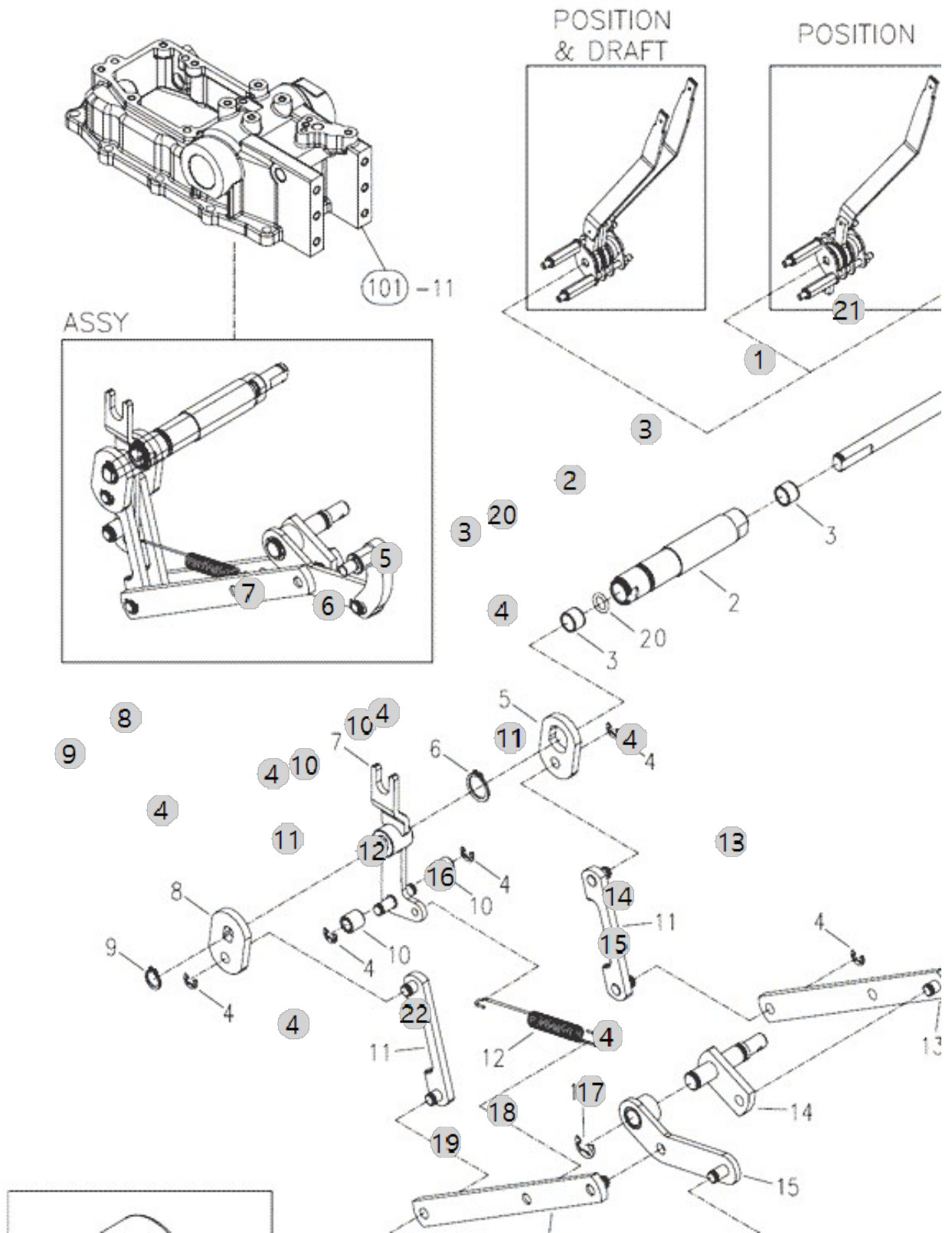
F10070

20R TM(US)_RANGE 4
(AC01714)

SHAFT, CONTROL LEVER

Year/Month

2022-12-15



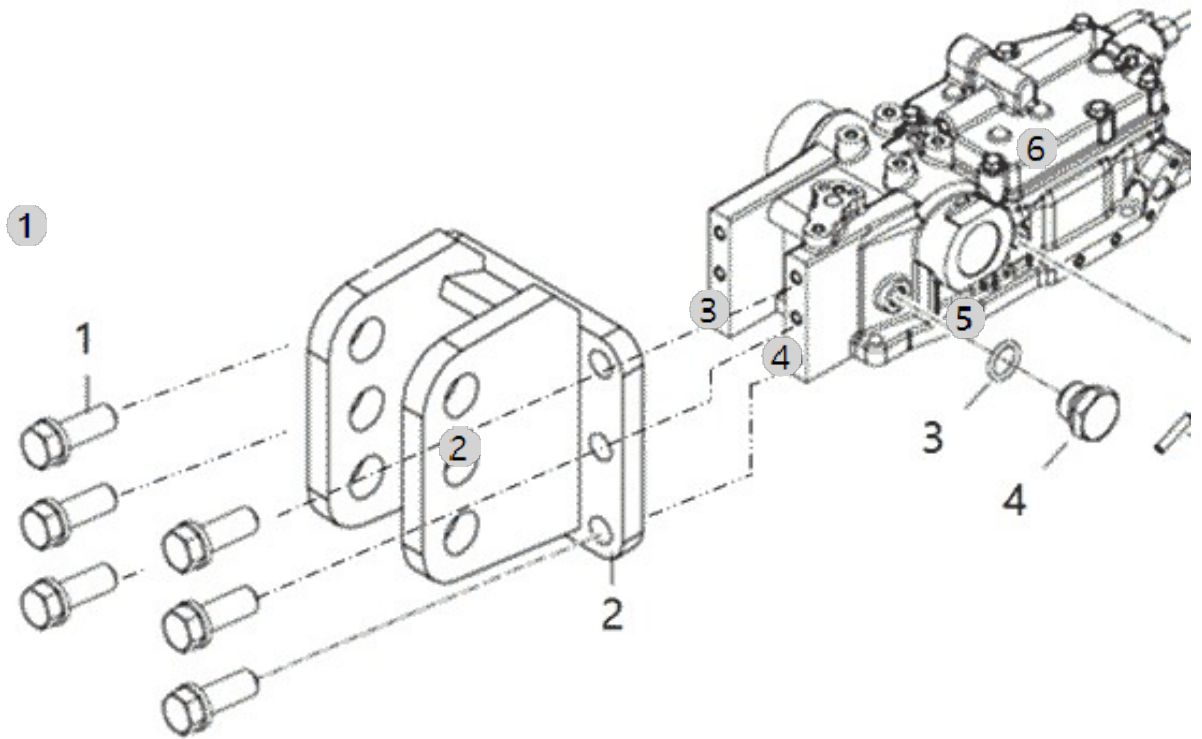
F10100

20R TM(US)_RANGE 4
(AC01714)

BRACKET, TOP LINK

Year/Month

2022-12-15



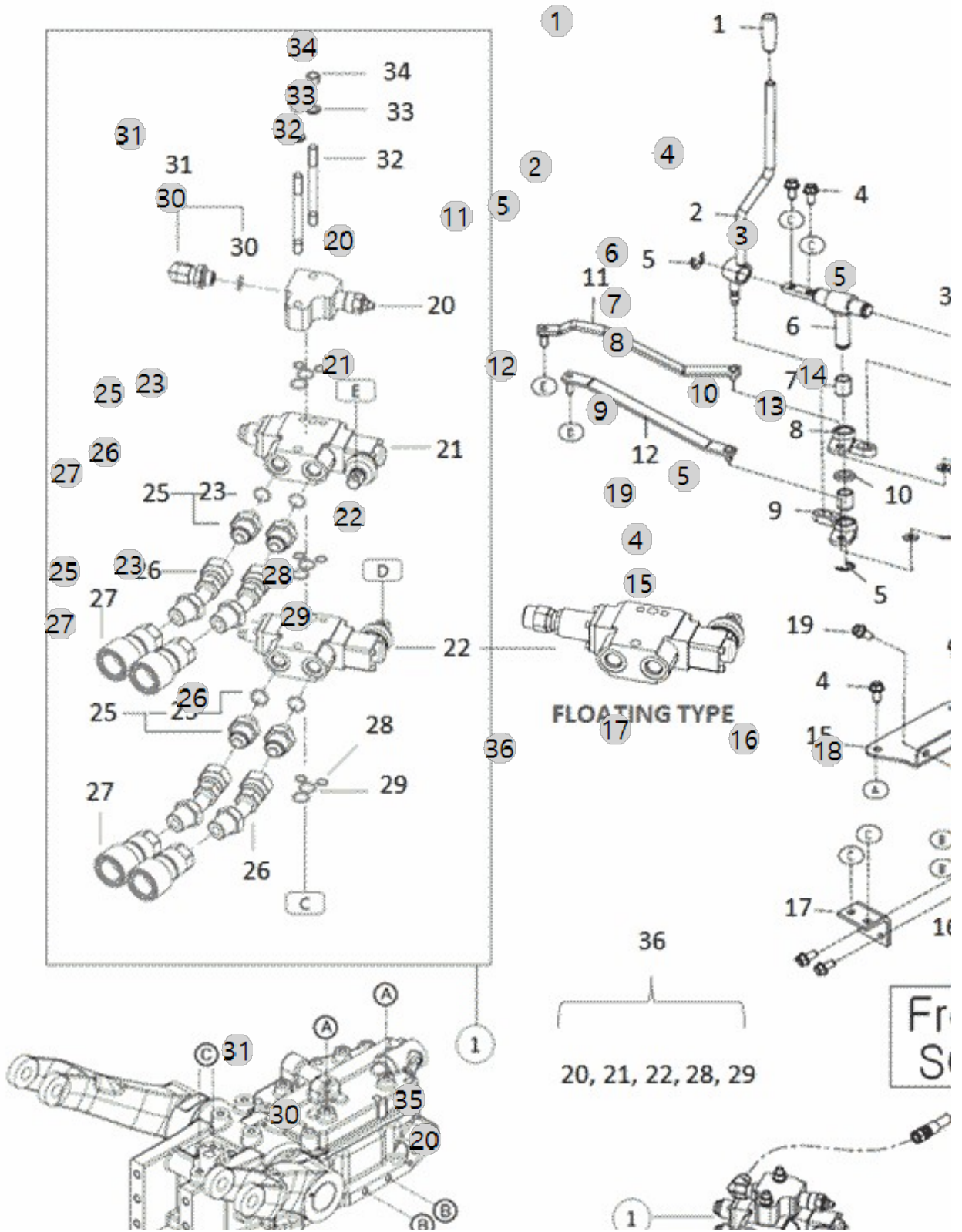
F10120

20R TM(US)_RANGE 4
(AC01714)

REAR SCV

Year/Month

2022-12-15



F10120		REAR SCV				Year/Month
20R TM(US)_RANGE 4 (AC01714)						2022-12-15
순번 (NO)	부품번호 (PART NO)	품명 (PART NAME)	품명 (PART NAME)	수량 (QTY)	규격 (SPEC)	비고 (REMARK)
1	VD05460000A4	손잡이(흑)	LEVER(BLACK)	2		
2	TA00034047C	레버 A 조합	LEVER A ASS'Y	1		
2	TA00034047B	레버 A 조합	LEVER A ASS'Y	1		
3	TA00034049B	레버 B 조합	LEVER B ASS'Y	1		
3	TA00034049C	레버 B 조합	LEVER B ASS'Y	1		
4	26106-080162	플랜지볼트8X16	SCREW,HEXFLANGEHEADCAP	6	M8XP1.25X16	
5	22272-000120	E형스냅링12	RING, CIRCLIP (Φ 12)	3	D12	
6	TA00034042D	축 조합	SHAFT ASS'Y	1		
6	TA00034042C	축 조합	SHAFT ASS'Y	1		
6	TA00034042B	축 조합	SHAFT ASS'Y	1		
7	24550-016200	드라이부시16X20	DRY BUSH 16X20	4		
8	TA00036430B	보스 A 조합 PTO 3단	BOSS B ASS'Y PTO 3SD	1		
9	TA00036429B	보스 B 조합 PTO 3단	BOSS B ASS'Y PTO 3SD	1		
10	TA00034062A	플레이트	PLATE	1		
11	TA00036297C	링크 2 조합	LINK ASSY 2	1		
11	TA00036297B	링크 2 조합	LINK ASSY 2	1		
12	TA00034019B	링크1조합	LINK 1 ASS'Y	1		
13	22137-080000	와셔8	WASHER, PLAIN (Φ 08)	4	M8	
14	22417-200200	할핀	PIN , COTTER (2-20)	4	D1.8	
15	TA00036443C	브래킷	BRACKET	1		
16	TA00036941B	SCV 고정 레버 브래킷 조합	HOLDING BRACKET, SCV LEVER	1		
17	TA00036949B	고정브라켓	BRACKET	1		
18	26106-100162	플랜지볼트M10X16	SCREW,HEXFLANGEHEADCAP	2	M10XP1.5X16	
19	26106-080182	444,ALL,플랜지볼트	SCREW,HEXFLANGEHEADCAP	4		
20	TA00033977B	컨트롤 릴리프	COVER RELIEF	1		
20	TA00033977C	컨트롤 릴리프	COVER RELIEF	1		
21	TA00037393A	SCV2(D)	SCV2(D)	1		
22	TA00028226B	SCV 1	SCV	1		
22	TA00028226A	SCV 1	REAR SCV 1	1		
22	TA00028226C	SCV 1	SCV 1	1		
22	TA00048561B	SCV(FLOATING)	SCV(FLOATING)	1		
22	TA00048561A	SCV(FLOATING)	SCV(FLOATING)	1		
22	TA00048561C	SCV(FLOATING)	SCV(FLOATING)	1		
23	24311-000160	O-링 P 16	O-RING, DYNAMIC (Φ16)	4	P16	
25	TA00042245C	아댑터(PF1/2)	ADAPTER	2		
25	TA00042245B	아댑터(PF1/2)	ADAPTER	2		
26	TA00042242B	SCV연결파이프(K3)	PIPE, SCV	2		
26	TA00042242D	SCV연결파이프(K3)	SCV EXTENSION PIPE(K3)	2		
26	TA00042242C	SCV연결파이프(K3)	PIPE, SCV	2		
27	FBA3150000B3	조인트암(1/2")	"ARM, JOINT(1/2")"	2		
27	FBA3150000A4	조인트(1/2")	ARM, JOINT(1/2") -> FBA3150000A3	2		
28	24311-000100	O-링1AP10.0	O-RING, DYNAMIC (Φ10)	4	P10	
29	24311-000160	O-링 P 16	O-RING, DYNAMIC (Φ16)	4	P16	
30	24311-000140	441,ALL,O-RINGP-14	O-RING, DYNAMIC (Φ14)	1	P14	
31	TA00035078A	90도 엘보 (PF3/8-1/2)	ELBOW	1		

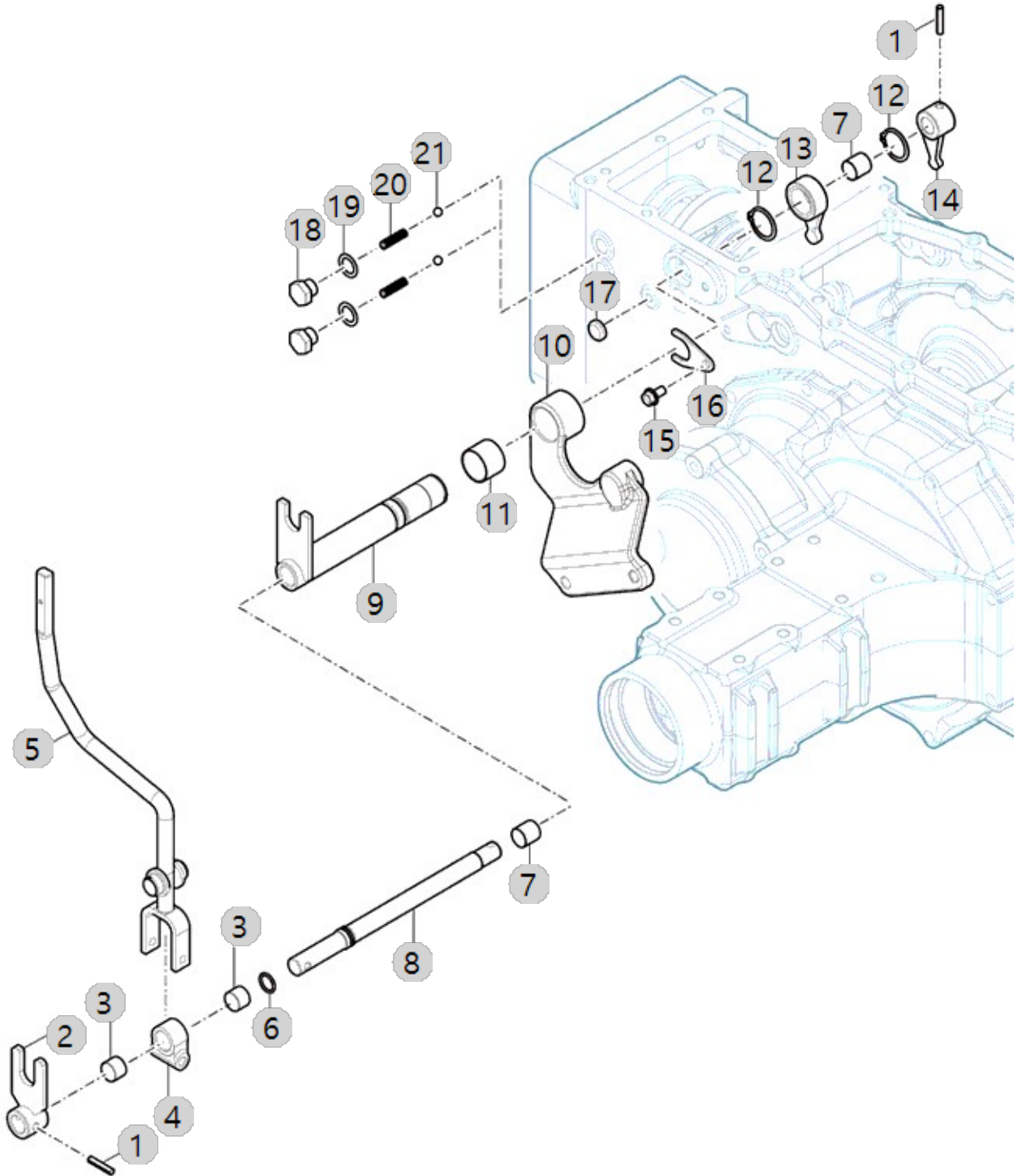
F11020

20R TM(US)_RANGE 4
(AC01714)

RANGE SHIFT LEVER

Year/Month

2022-12-15



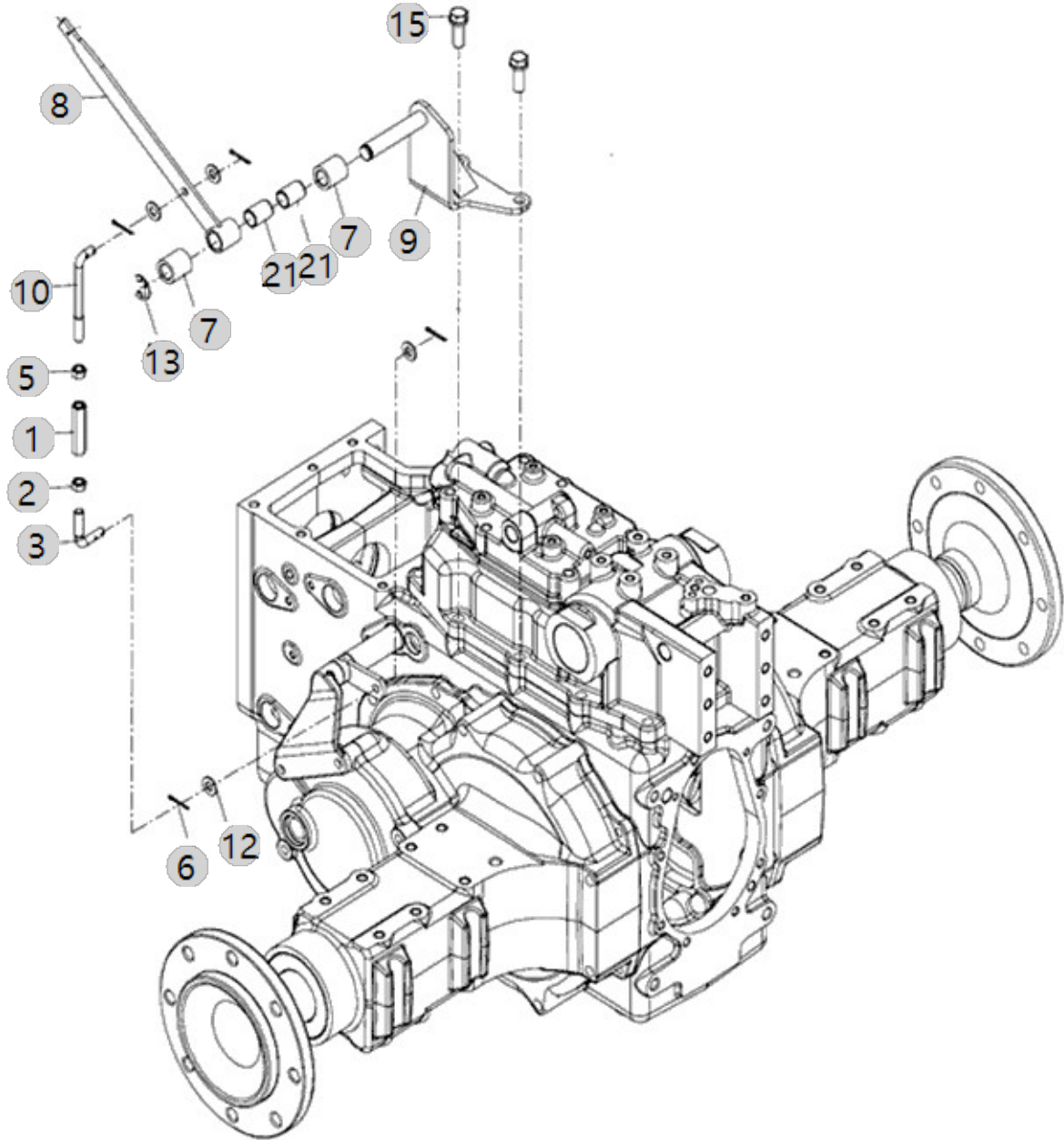
F11030

20R TM(US)_RANGE 4
(AC01714)

PTO SHIFT GEAR LEVER

Year/Month

2022-12-15



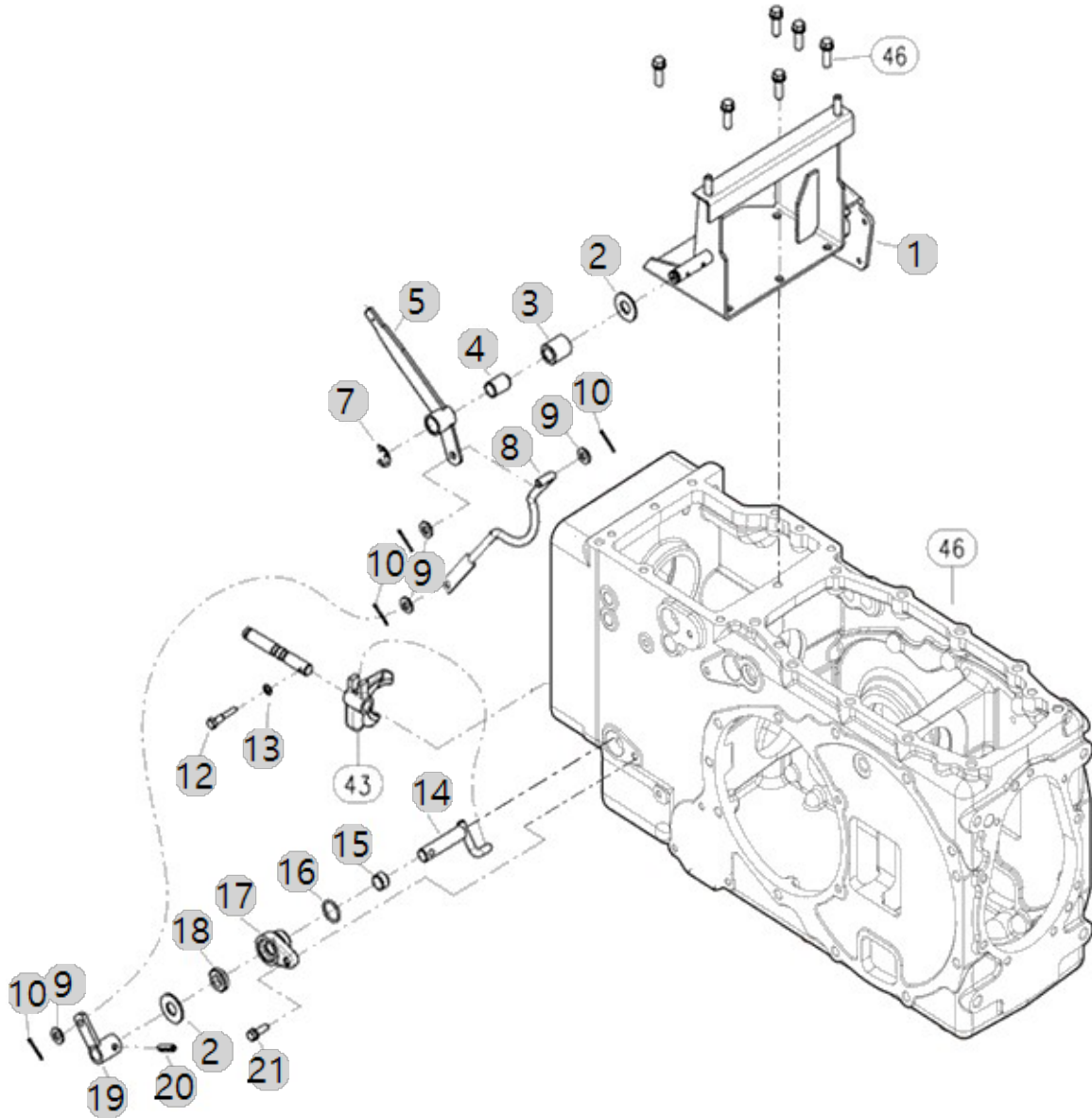
F11080

20R TM(US)_RANGE 4
(AC01714)

4WD LEVER

Year/Month

2022-12-15



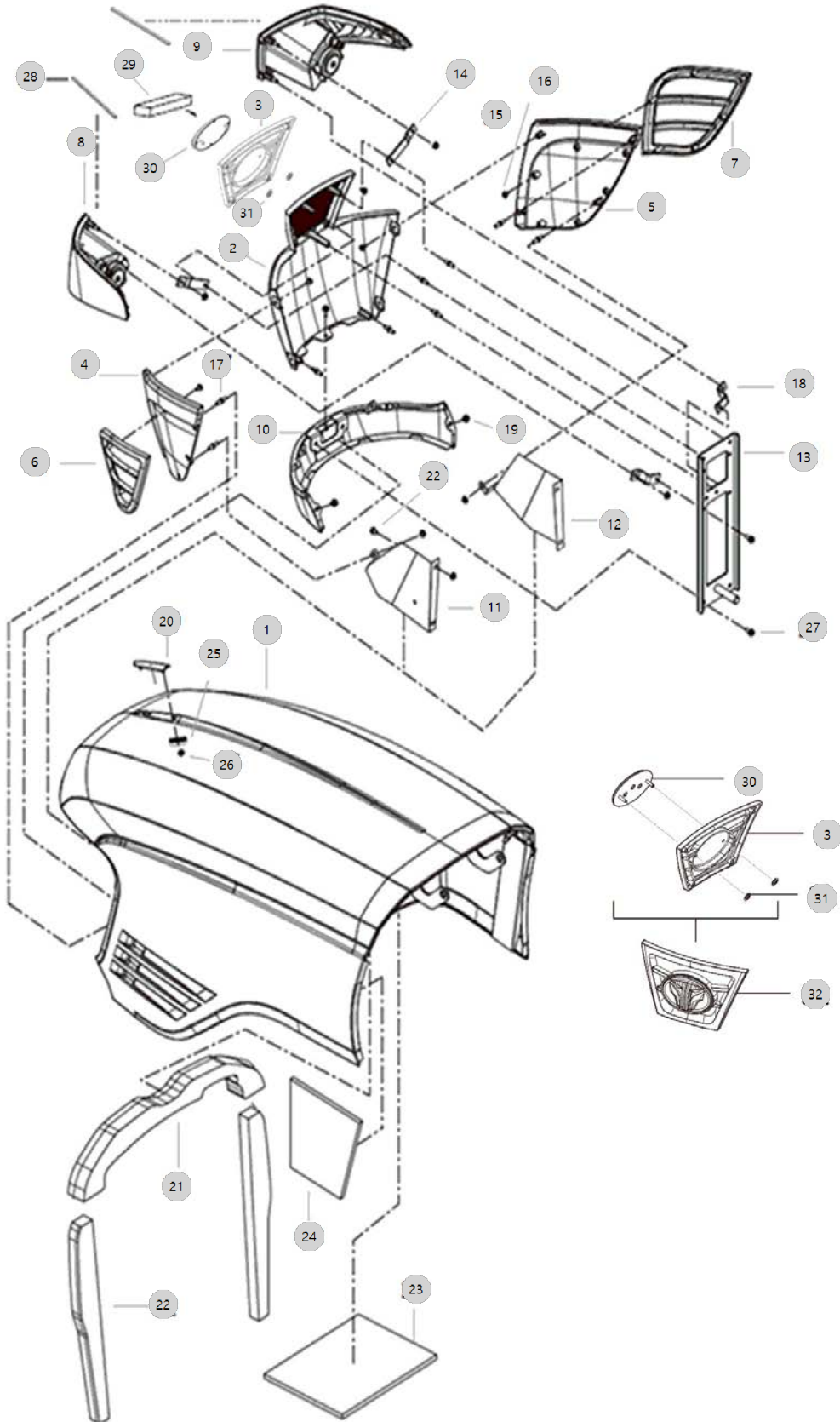
G01020

5520R(AC02109)

BONNET

Year/Month

2022-12-15



G01020 5520R(AC02109)		BONNET				Year/Month 2022-12-15
순번 (NO)	부품번호 (PART NO)	품명 (PART NAME)	품명 (PART NAME)	수량 (QTY)	규격 (SPEC)	비고 (REMARK)
1	TA00072438A	본넷 프레임 조합	BONNET FRAME ASSY	1		
2	TA00042482C	프런트마스크(전)	FRONT MASK, MIDDLE	1		
2	TA00042482B	프런트마스크(전)	FRONT MASK, MIDDLE	1		
3	TA00052249B	프런트 마스크 그릴(전)	GRILL, FRONT MASK	1		
3	TA00052249A	프런트 마스크 그릴(전)	GRILL, FRONT MASK	1		
4	TA00042483B	프런트마스크(좌)	FRONT MASK, LH	1		
5	TA00042485B	프런트마스크(우)	FRONT MASK, RH	1		
6	TA00042484C	프런트마스크 그릴(좌)	FRONT MASK GRIL, LH	1		
6	TA00042484B	프런트마스크 그릴(좌)	FRONT MASK GRIL, LH	1		
7	TA00042486C	프런트마스크 그릴(우)	FRONT MASK GRIL, RH	1		
7	TA00042486B	프런트마스크 그릴(우)	FRONT MASK GRIL, RH	1		
8	HA00001143B	전조등조합L	HEAD LAMP(L)	1		
8	HA00001143D	전조등조합L	HEAD LAMP(L)	1		
8	HA00001143C	전조등조합L	HEAD LAMP(L)	1		
8	HA00001143E	전조등조합L	HEAD LAMP(L)	1		
9	HA00001144C	전조등조합R	HEAD LAMP(R)	1		
9	HA00001144E	전조등조합R	HEAD LAMP(R)	1		
9	HA00001144B	전조등조합R	HEAD LAMP(R)	1		
9	HA00001144D	전조등조합R	HEAD LAMP(R)	1		
10	TA00072395A	후드(하)조합	HOOD(UNDER) ASSY	1		
11	TA00045591A	타공망조합(좌)	WIRE NETTING ASSY(L)	1		
11	TA00045591B	타공망조합(좌)	WIRE NETTING ASSY(L)	1		
12	TA00045592A	타공망조합(우)	WIRE NETTING ASSY(R)	1		
12	TA00045592B	타공망조합(우)	WIRE NETTING ASSY(R)	1		
13	TA00042503C	지지브래킷조합	BRACKET ASSY, SUPPORT	1		
13	TA00042503E	지지브래킷조합	BRACKET ASSY, SUPPORT	1		
13	TA00042503B	지지브래킷조합	BRACKET ASSY, SUPPORT	1		
13	TA00042503D	지지브래킷조합	BRACKET ASSY, SUPPORT	1		
13	TA00042503F	지지브래킷조합	BRACKET ASSY, SUPPORT	1		
14	TA00044134A	램프 고정 브래킷 A	LAMP BRACKET A	2		
15	26367-060002	플랜지너트	Nut, Hexa (Φ6)	21	M6XP1.0	
16	22587-480124	냄비머리태핑나사	TAPPING SCREW	20	4.8X12	
17	TA00001332A	인서트볼트 M6	INSERT BOLT(M6)	17	M6	
17	TA00001332B	인서트볼트 M6	INSERT BOLT(M6)	17	M6	
18	TA00044136A	램프 고정 브래킷 B	LAMP BRACKET B	2		
19	26106-060162	육각플랜지 볼트	HEXFLANGE BOLT	11	M6XP1.0X16	
20	TA00020285A	엠블렘	EMBLEM	1		
21	TA00036482B	스폰지	SEAL	1		
22	TA00044322A	본넷 실(SIDE)	SEAL, BONNET	2		
23	TA00020835A	방열판(하)	HEAT INSULATOR, HOOD	1		
24	TA00020834A	방열판(상)	HEAT INSULATOR, HOOD	1		
25	TTD6440000A4	쿠션고무	CUSHION, RUBBER	2		
26	TB41290000A4	평너트	NUT	2	0.4TX12X22	
26	TB41290000D4	평너트	NUT	2	0.4T	
26	TB41290000B4	평너트	NUT	2	0.4T	

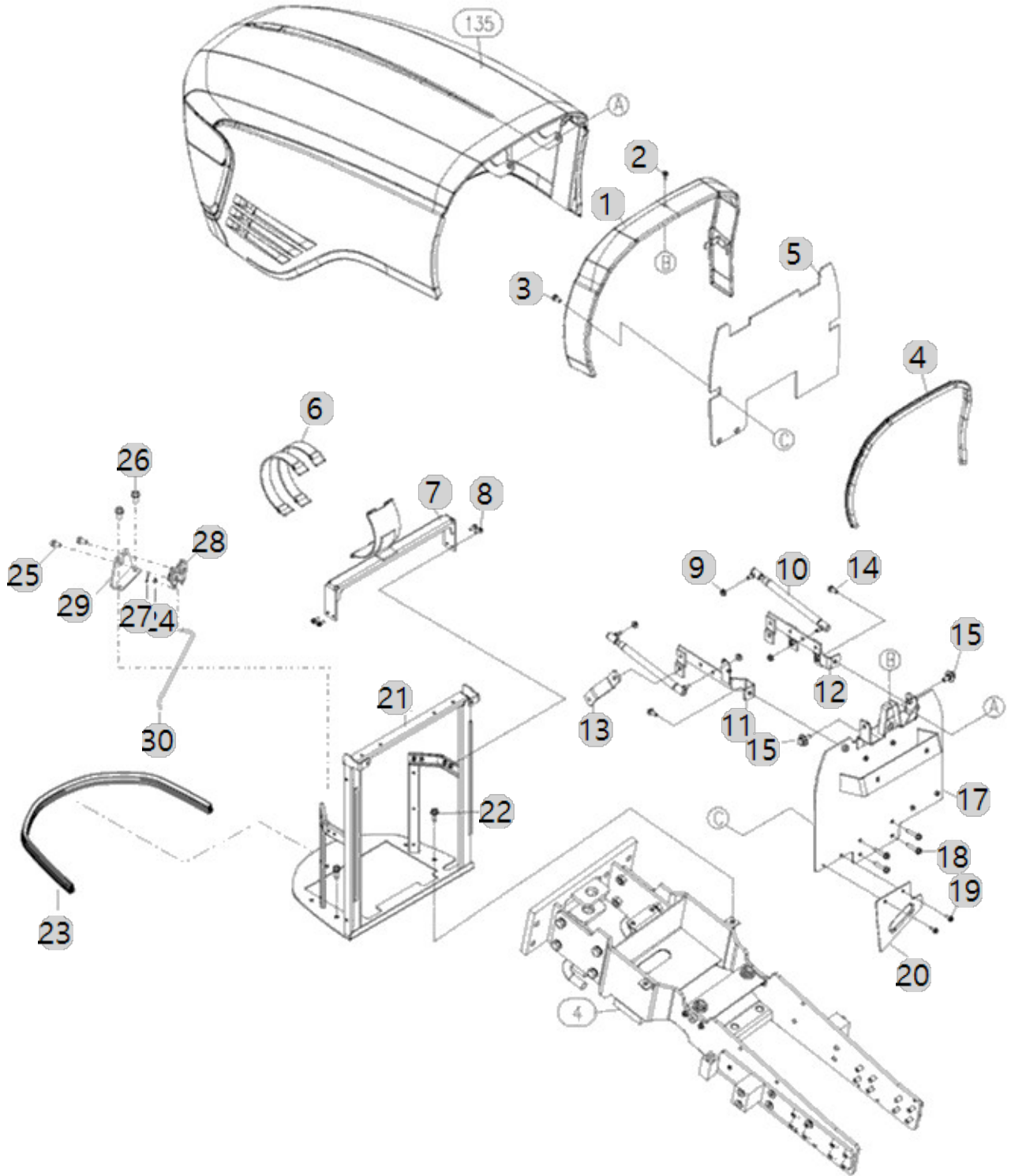
G01060

5520R(AC02109)

FIXED BRACKET, BONNET

Year/Month

2022-12-15



G01060 5520R(AC02109)		FIXED BRACKET, BONNET				Year/Month 2022-12-15
순번 (NO)	부품번호 (PART NO)	품명 (PART NAME)	품명 (PART NAME)	수량 (QTY)	규격 (SPEC)	비고 (REMARK)
1	TA00072439A	연장판 조합	EXTENSION COVER ASSY	1		
2	26106-060142	육각플랜지볼트	BOLT	2	M6X1.0X14	
3	26106-080162	플랜지볼트8X16	SCREW,HEXFLANGEHEADCAP	4	M8XP1.25X16	
4	TA00033052A	방풍판 스트립(갈매기)	STRIP	1		
5	TA00023917B	막이판 스폰지	SPONGE	1	T5.0	
6	TZD6890000B4	에어클리너 취부 밴드	BAND, AIR CLEANER	2		
6	TZD6890000A4	에어클리너취부밴드	BAND,AIRCLEANERHOLDING	2		
7	TA00025580E	에어 클리너 브래킷 조합	BRACKET AIR-CLEANER ASSY	1	-	
7A	TA00025580D	에어 클리너 브래킷 조합	BRACKET AIR-CLEANER ASSY	1	-	
7	TA00025580C	에어 클리너 브래킷 조합	BRACKET AIR-CLEANER ASSY	1	-	
7	TA00034921D	에어 크리너 브래킷 조합	BRACKET, AIR-CLEANER	1		
7	TA00034921B	에어 크리너 브래킷 조합	BRACKET, AIR-CLEANER	1		
8	26106-060122	육각플랜지볼트	HEX BOLT (6-12)	4	M6XP1.0X12	
9	26367-080002	259, 육각플랜지너트	HEX FLANGE NUT (Φ8)	4	M8XP1.25	
10	TA00023455B	가스 스프링	GAS SPRING	2	NONE	
11	TA00034874C	브래킷 조합 (좌)	BRACKET A	1		
11	TA00034874D	브래킷 조합 (좌)	BRACKET A	1		
12	TA00034873C	브래킷 조합	BRACKET ASSY	1		
12	TA00034873D	브래킷 조합	BRACKET ASSY	1		
13	TA00035176B	연결 브래킷	BRACKET	1		
13	TA00035176A	연결 브래킷	BRACKET	1		
14	26106-080182	444,ALL,플랜지볼트	SCREW,HEXFLANGEHEADCAP	2		
15	TA00022981B	본네트취부볼트	BONNET BOLT	2	M10XP1.5	
16	TA00025920A	브래킷	BRACKET	1		
17	TA00029767D	본네트 지지대 조합	BONNET SUPPORT ASM	1		
17	TA00029767C	본네트 지지대 조합	BONNET SUPPORT ASM	1		
18	26106-080402	451,ALL,플랜지볼트	SCREW,HEXFLANGEHEADCAP	4		
18	26106-080202	육각플랜지볼트	SQR FLANGE BOLT	4	M8XP1.25X20	
19	26106-060162	육각플랜지 볼트	HEXFLANGEBOLT	10	M6XP1.0X16	
20	TA00025502C	플레이트	PLATE	1	1.6T	
20	TA00025502B	플레이트	PLATE	1	1.6T	
21	TA00046742C	그릴프레임조합(DynaQ)	GRILL FRAME ASSY	1		
21	TA00046742E	그릴프레임조합(DynaQ)	GRILL FRAME ASSY(DYNAQ)	1		
22	26106-100202	육각플랜지볼트	HEX BOLT, (10-20)	4	M10XP1.5X20	
23	TA00038101A	스트립	STRIP	1	A	
24	22137-060000	평와셔	WASHER , PLAIN	1	M6	
25	26106-080162	플랜지볼트8X16	SCREW,HEXFLANGEHEADCAP	2	M8XP1.25X16	
26	26106-100202	육각플랜지볼트	HEX BOLT, (10-20)	2	M10XP1.5X20	
27	RR47070000C4	빠짐방지 스프링 6	PIN 6, COME-OFF SNAP	1	D1.2	
28	TA00053140A	래치조합	LATCH ASSY	1		
29	TA00053544B	래치브라켓	LATCH BRACKET	1		
29	TA00053544A	래치브라켓	LATCH BRACKET	1		
30	TA00058562A	로드	LOAD	1		
30	TA00058562B	로드	ROD	1		

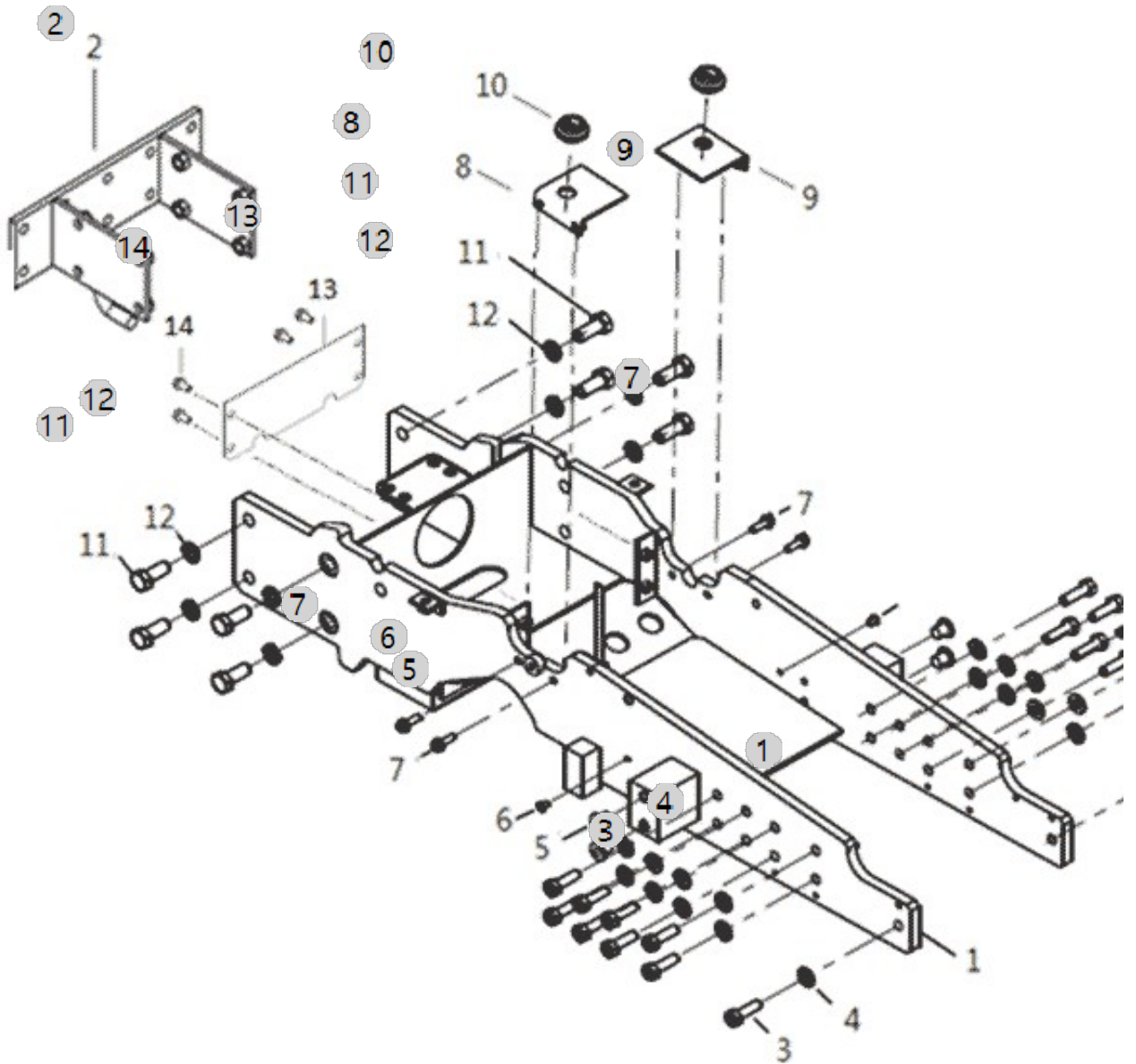
G01080

5520R(AC02109)

FRONT ALXE BRACKET

Year/Month

2022-12-15



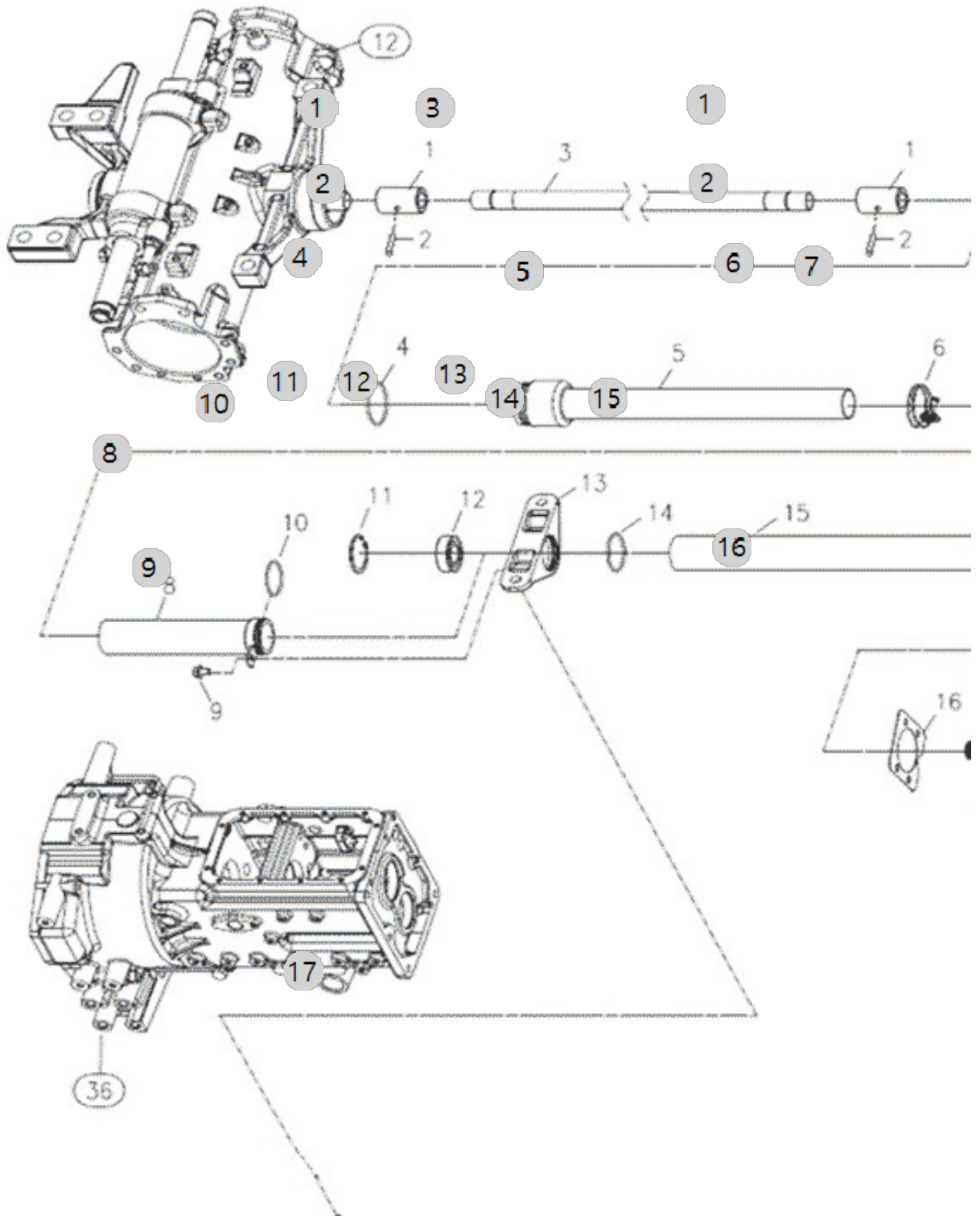
G01100

5520R(AC02109)

PROPELLER SHAFT

Year/Month

2022-12-15



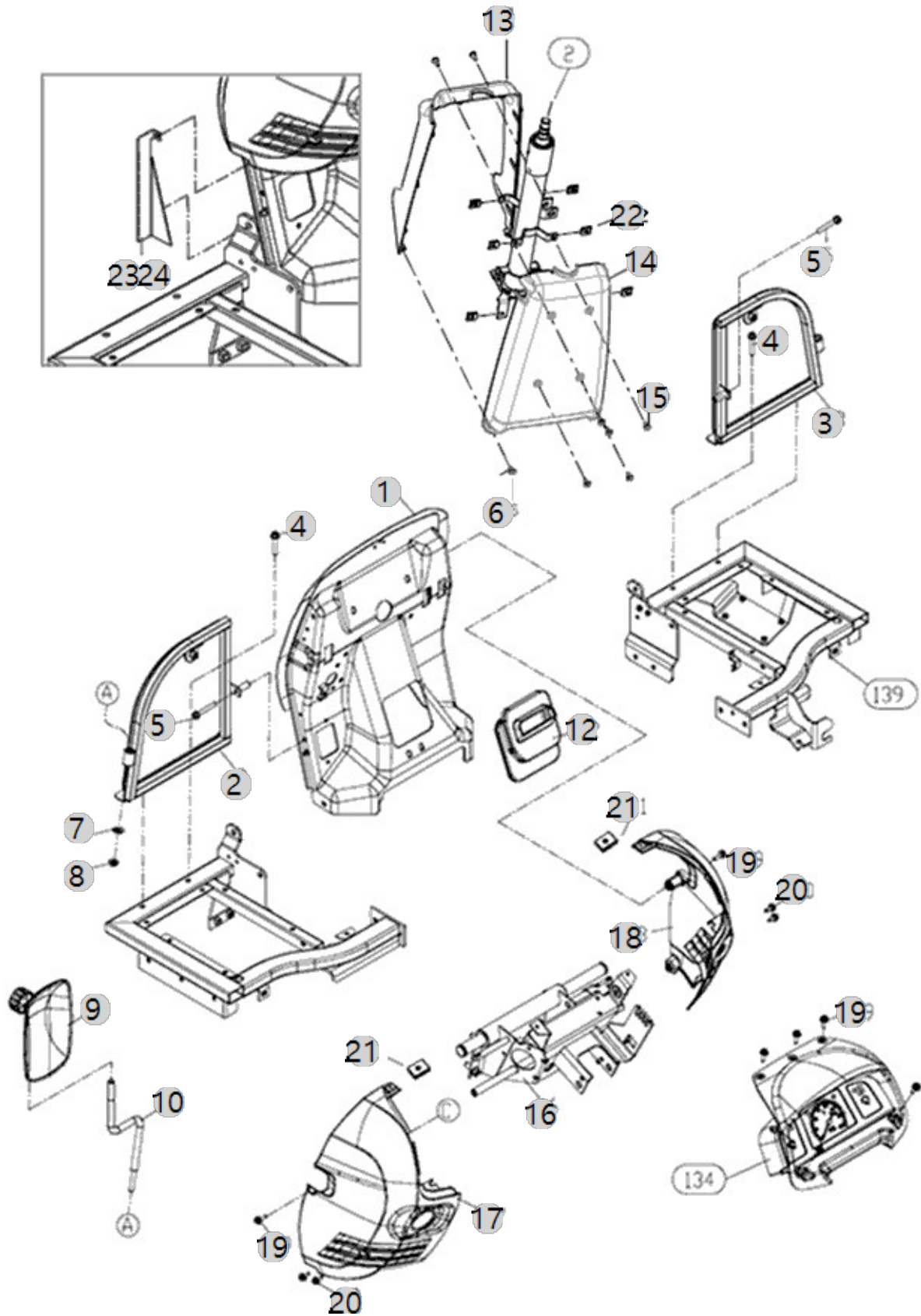
G04020

5520R(AC02109)

DASH BOARD

Year/Month

2022-12-15



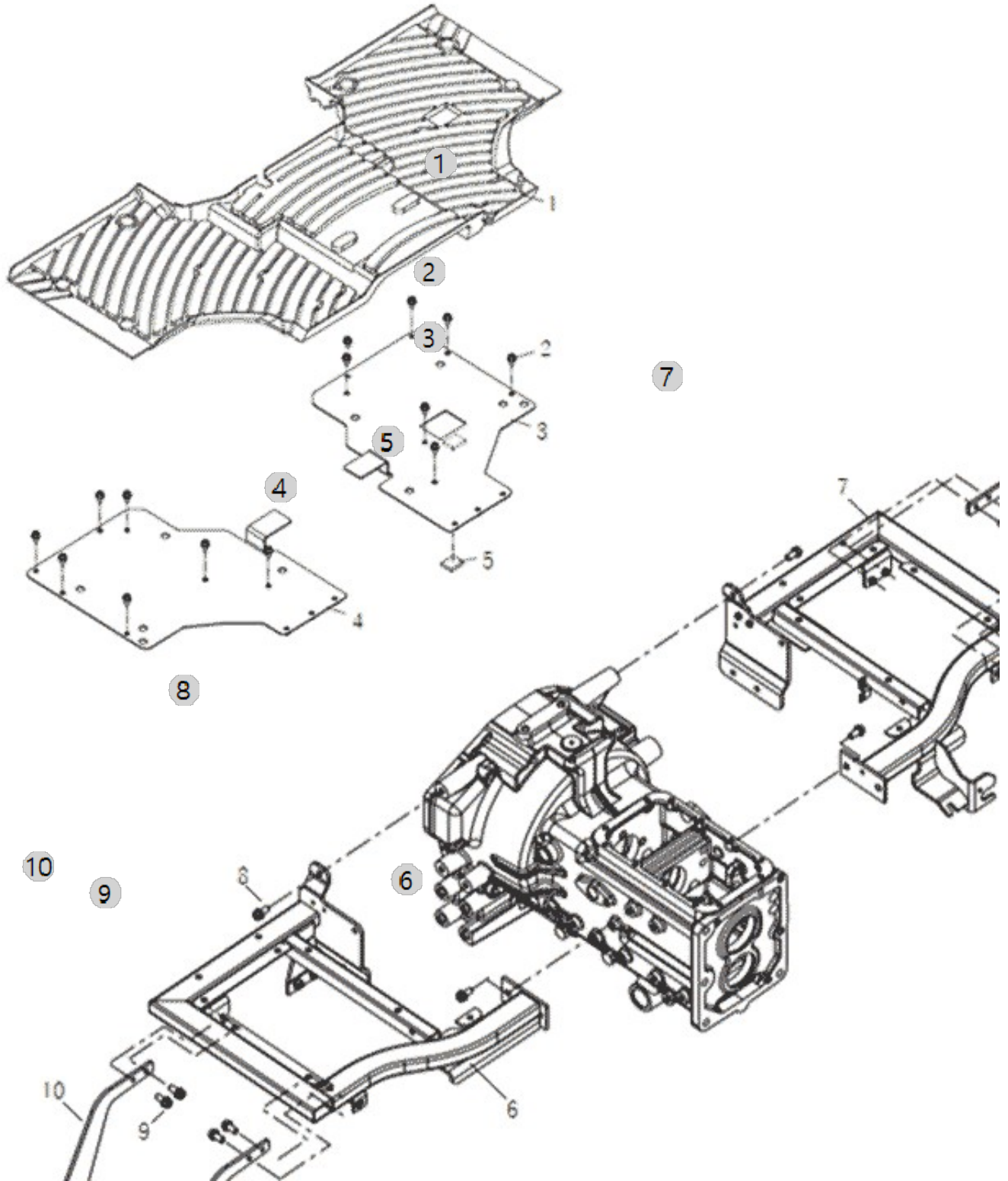
G04060

5520R(AC02109)

FOOT REST ASS'Y

Year/Month

2022-12-15



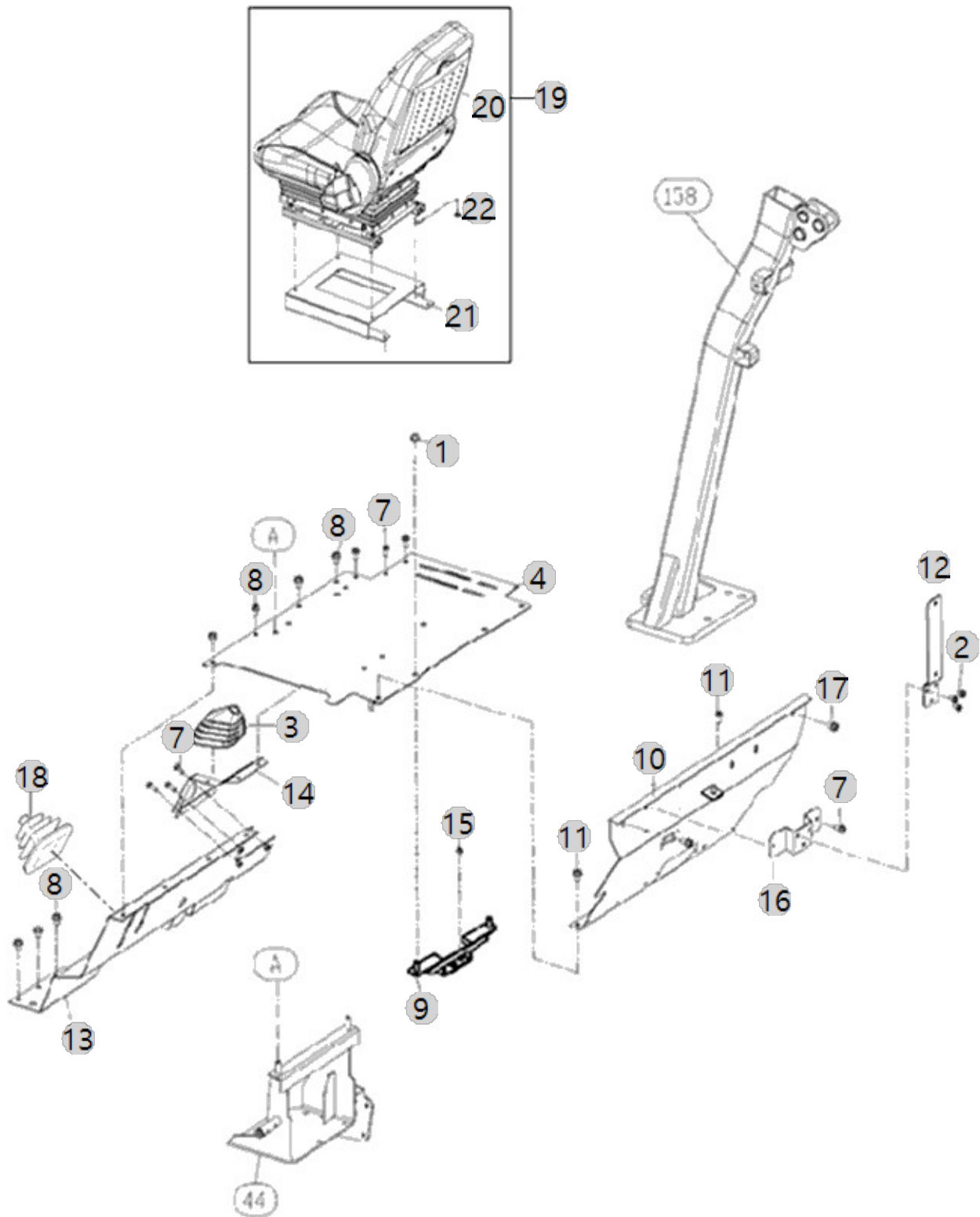
G04070

5520R(AC02109)

DRIVER'S SEAT

Year/Month

2022-12-15



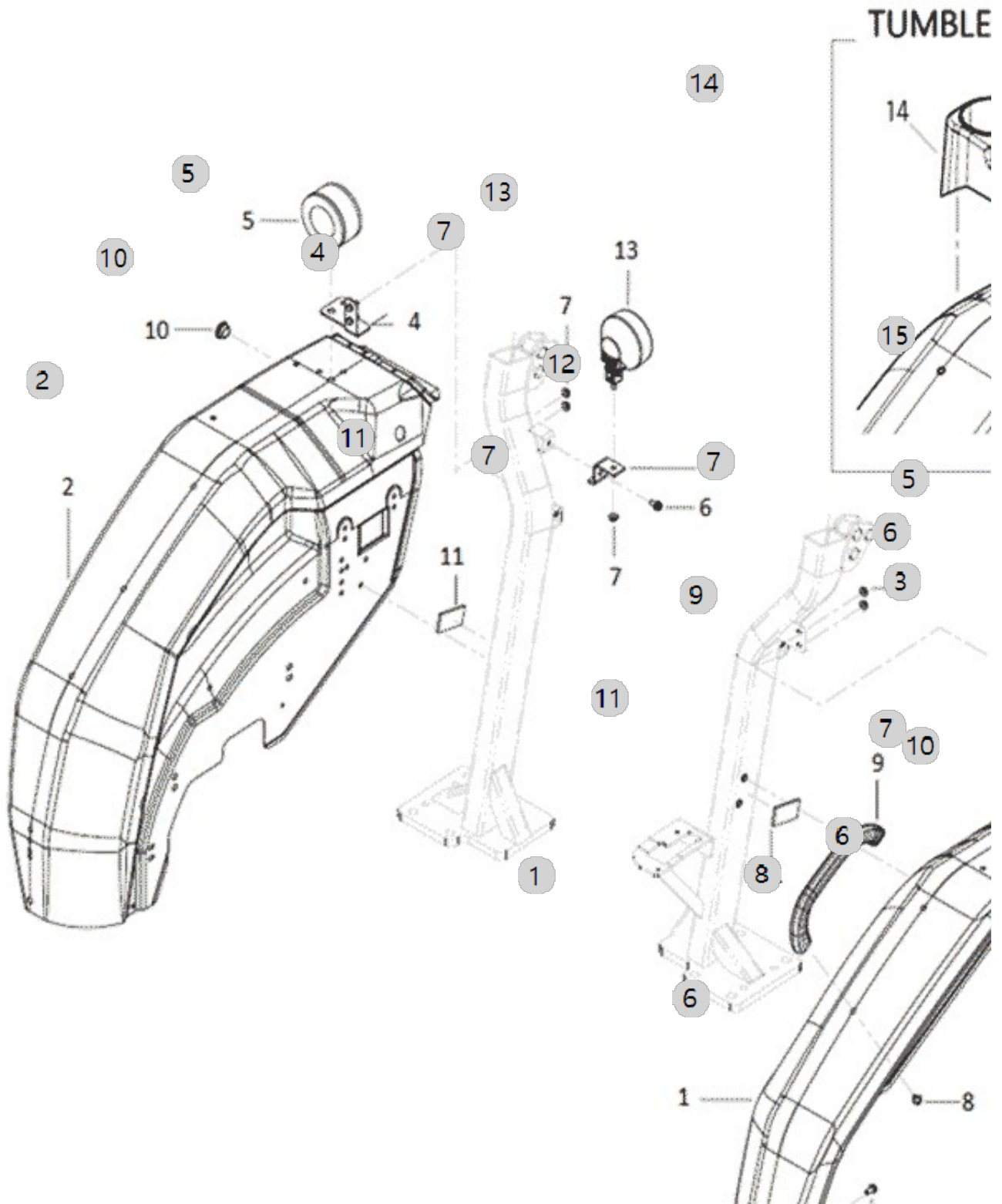
G04090

5520R(AC02109)

FENDER

Year/Month

2022-12-15



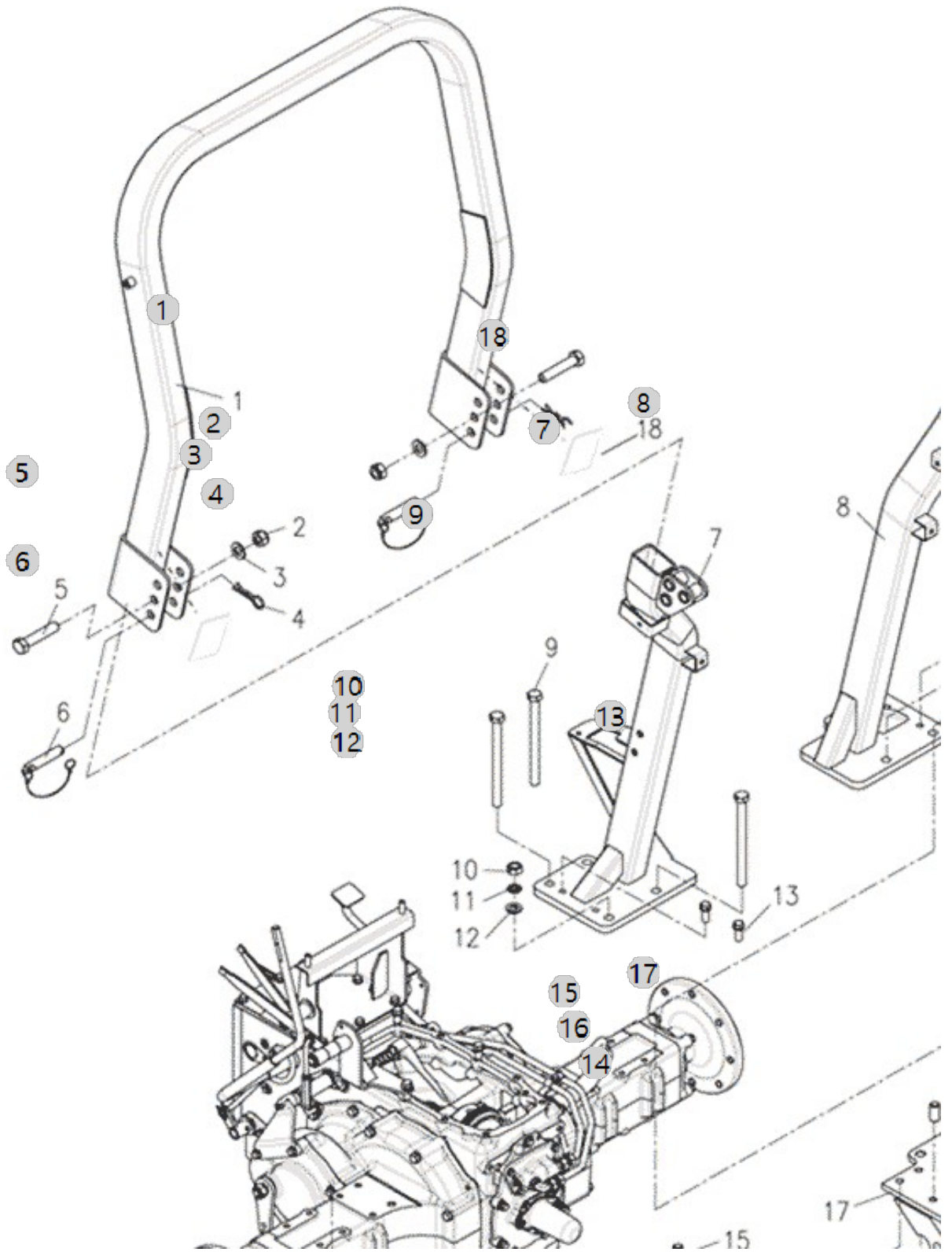
G04120

Year/Month

5520R(AC02109)

ROPS

2022-12-15



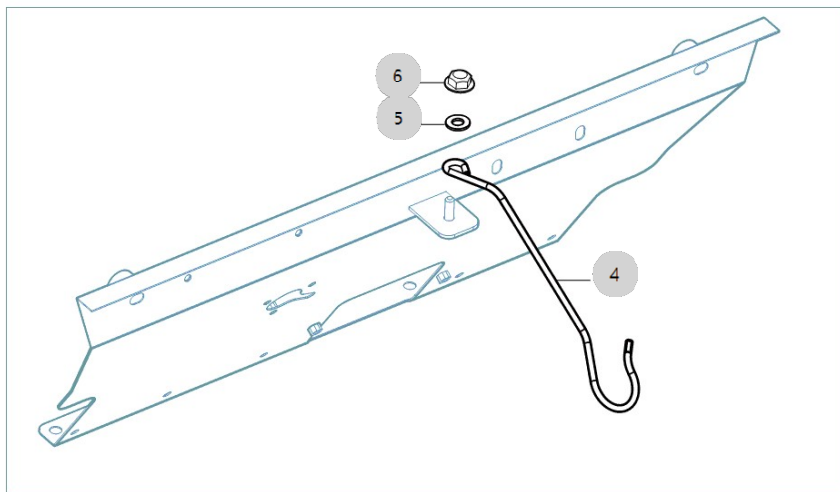
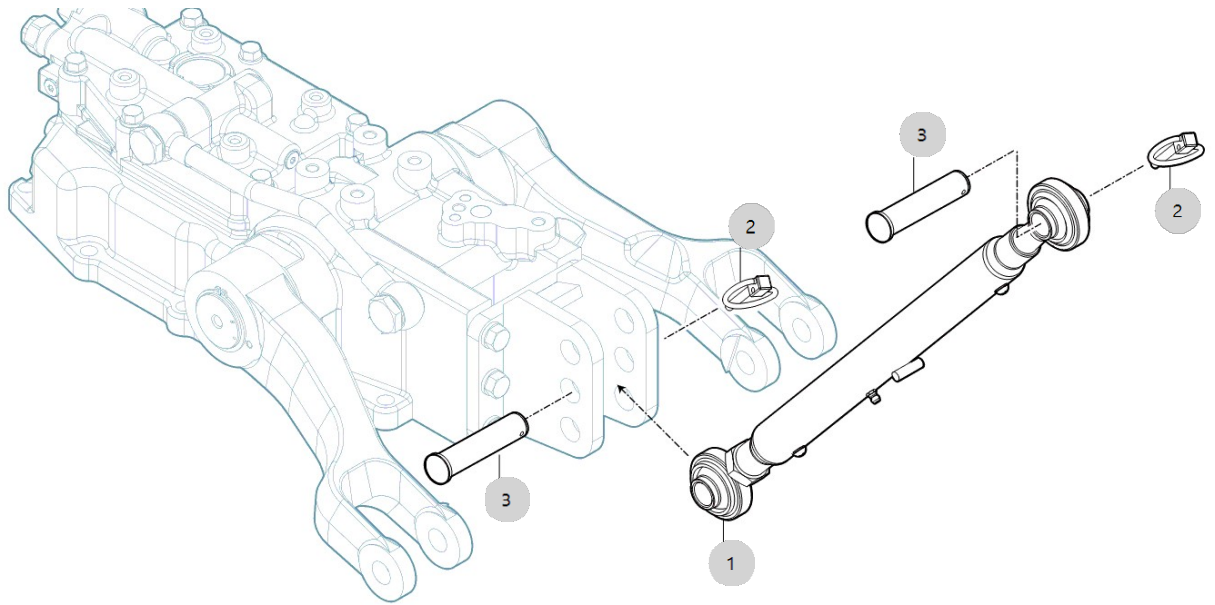
G05020

5520R(AC02109)

TOP LINK

Year/Month

2022-12-15



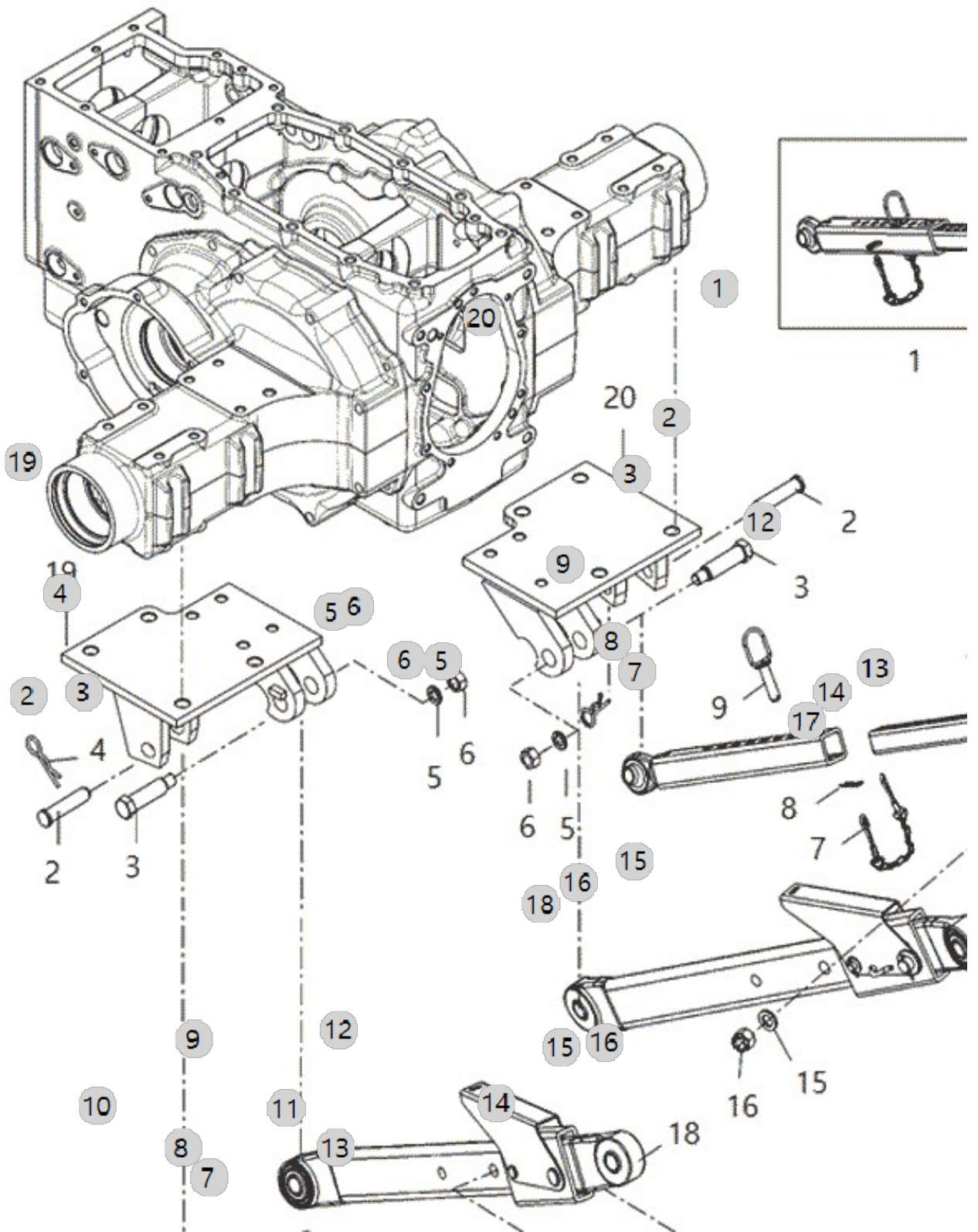
G05030

5520R(AC02109)

LOWER LINK

Year/Month

2022-12-15



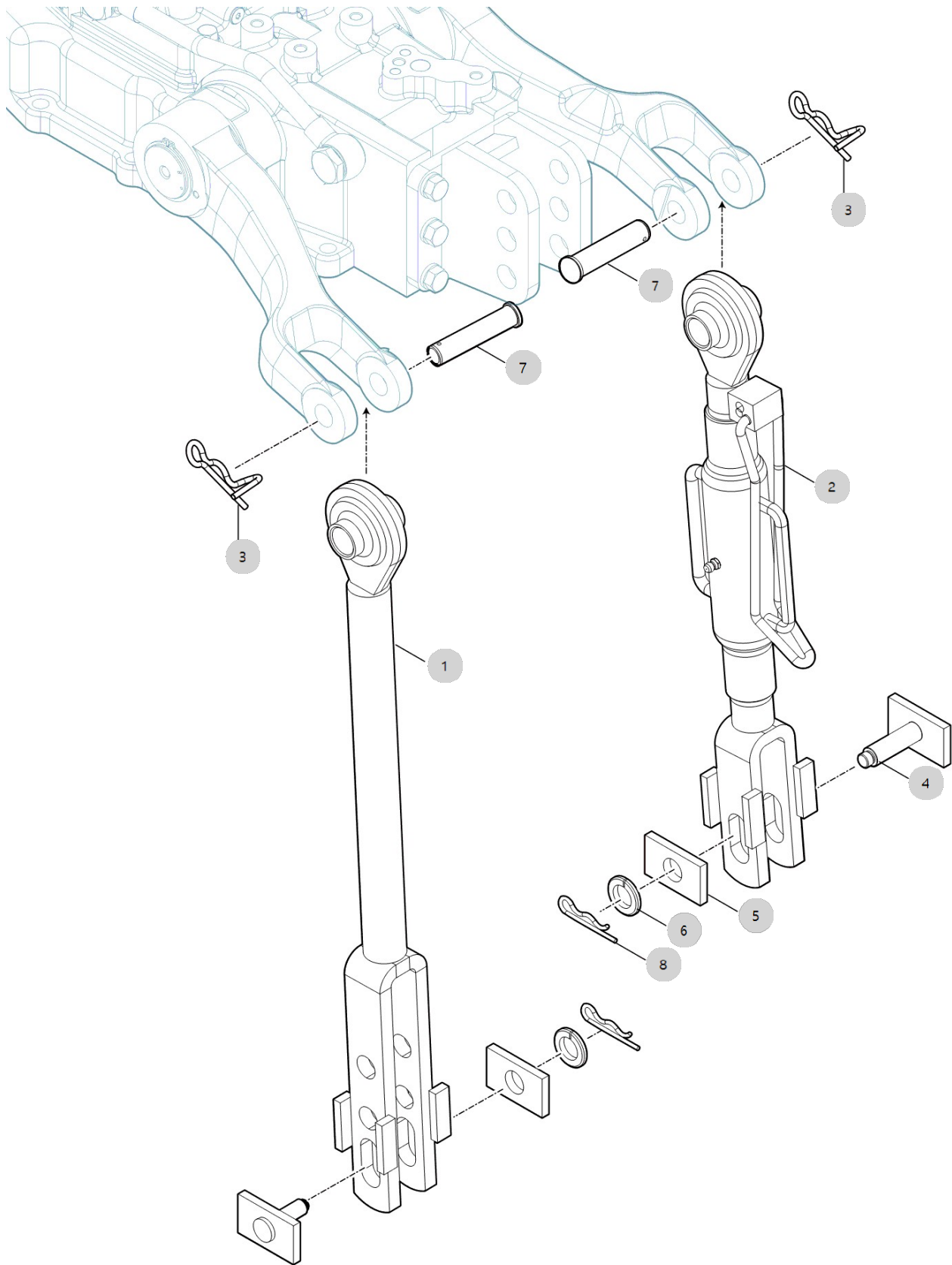
G05050

Year/Month

5520R(AC02109)

LIFT LINK/LH,RH

2022-12-15



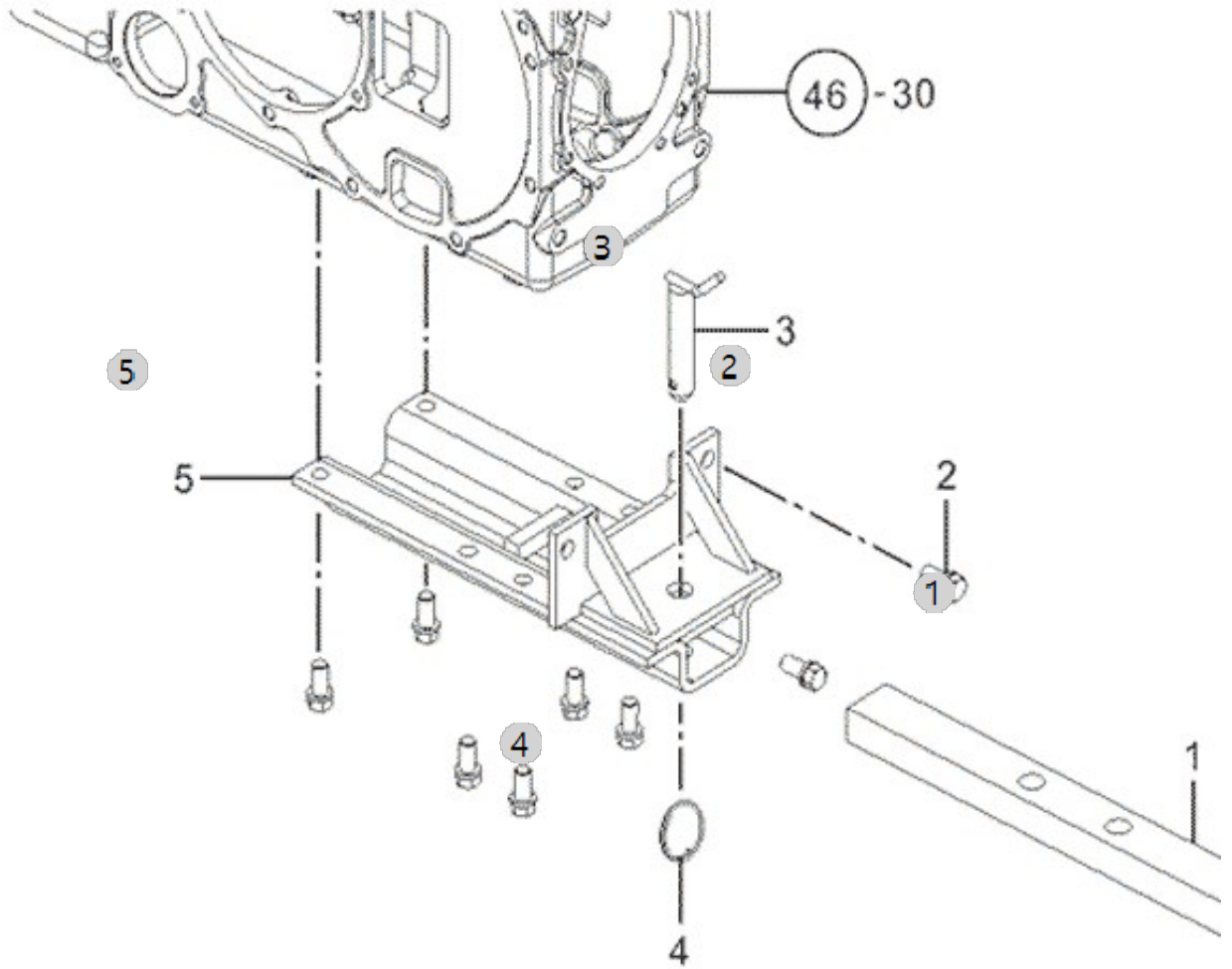
G05070

Year/Month

5520R(AC02109)

DRAWBAR

2022-12-15



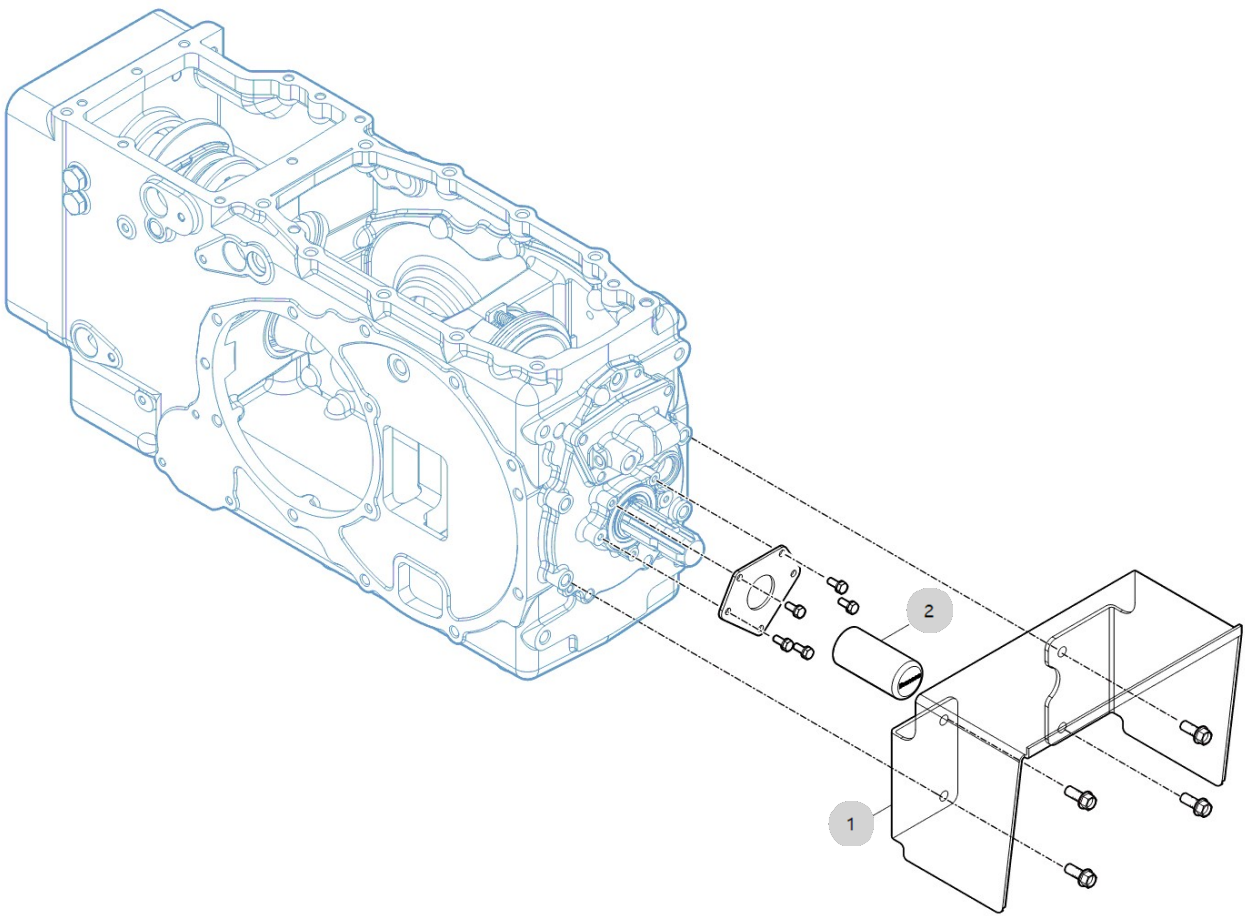
G05090

Year/Month

5520R(AC02109)

PTO COVER

2022-12-15



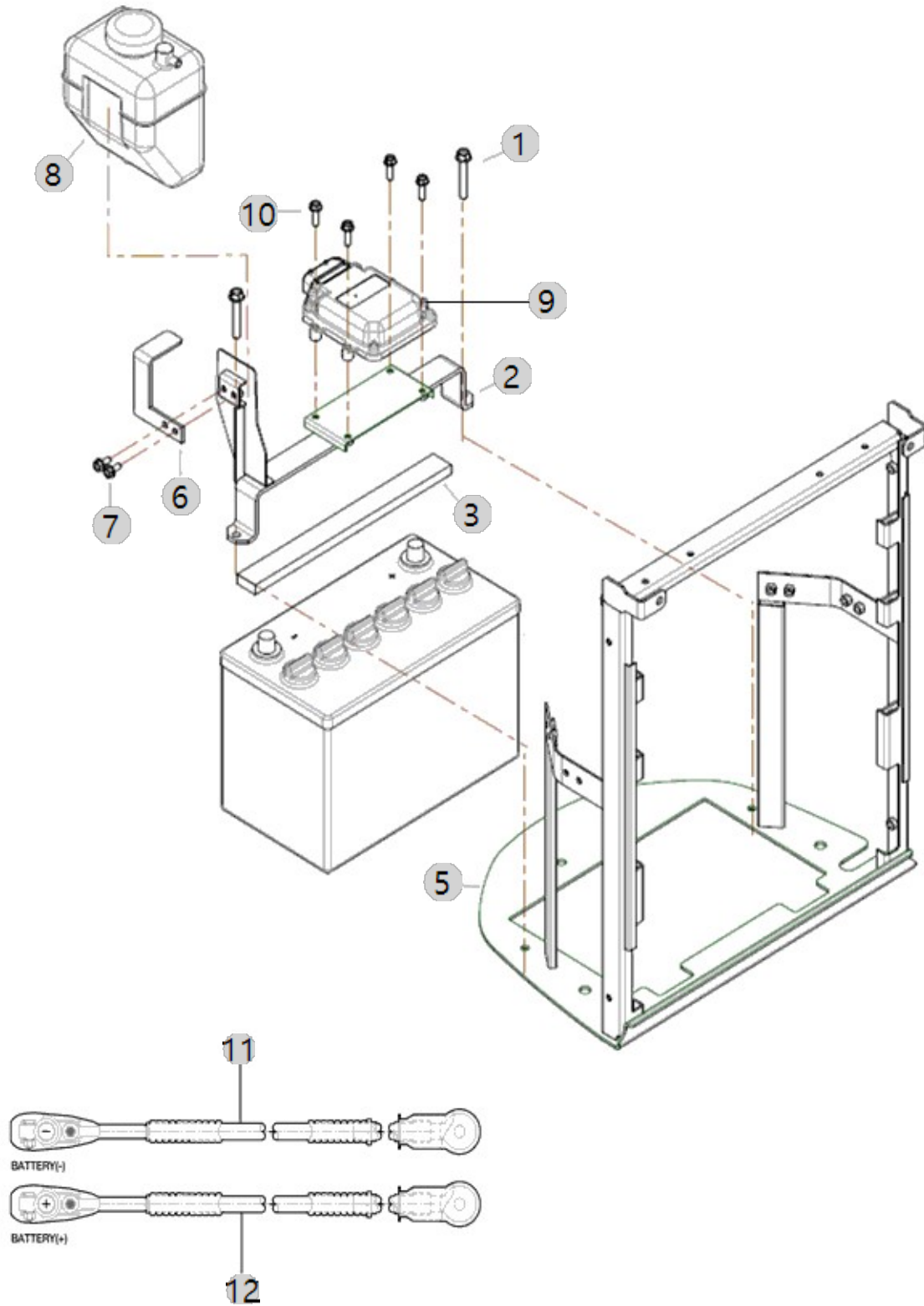
H01030

5520R(AC02109)

BATTERY

Year/Month

2022-12-15



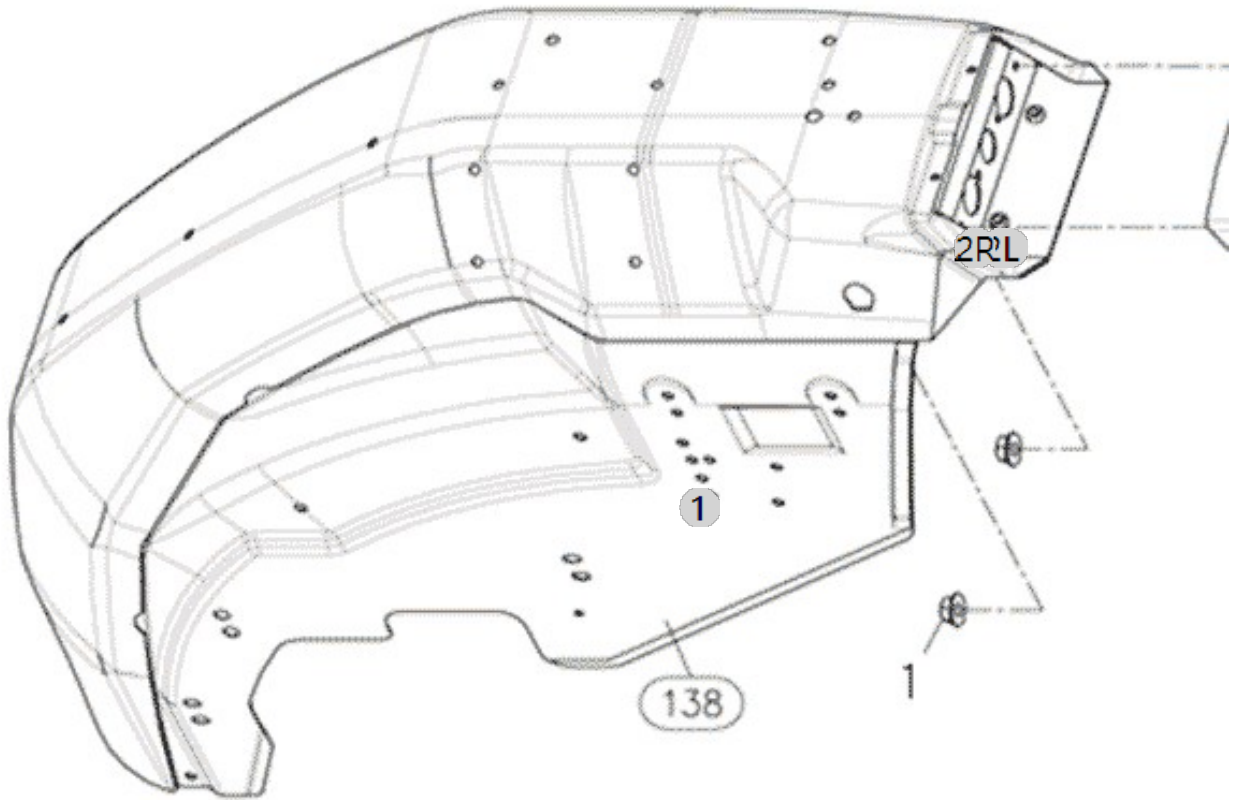
H02022

Year/Month

5520R(AC02109)

COMBINATION LAMP / RR

2022-12-15



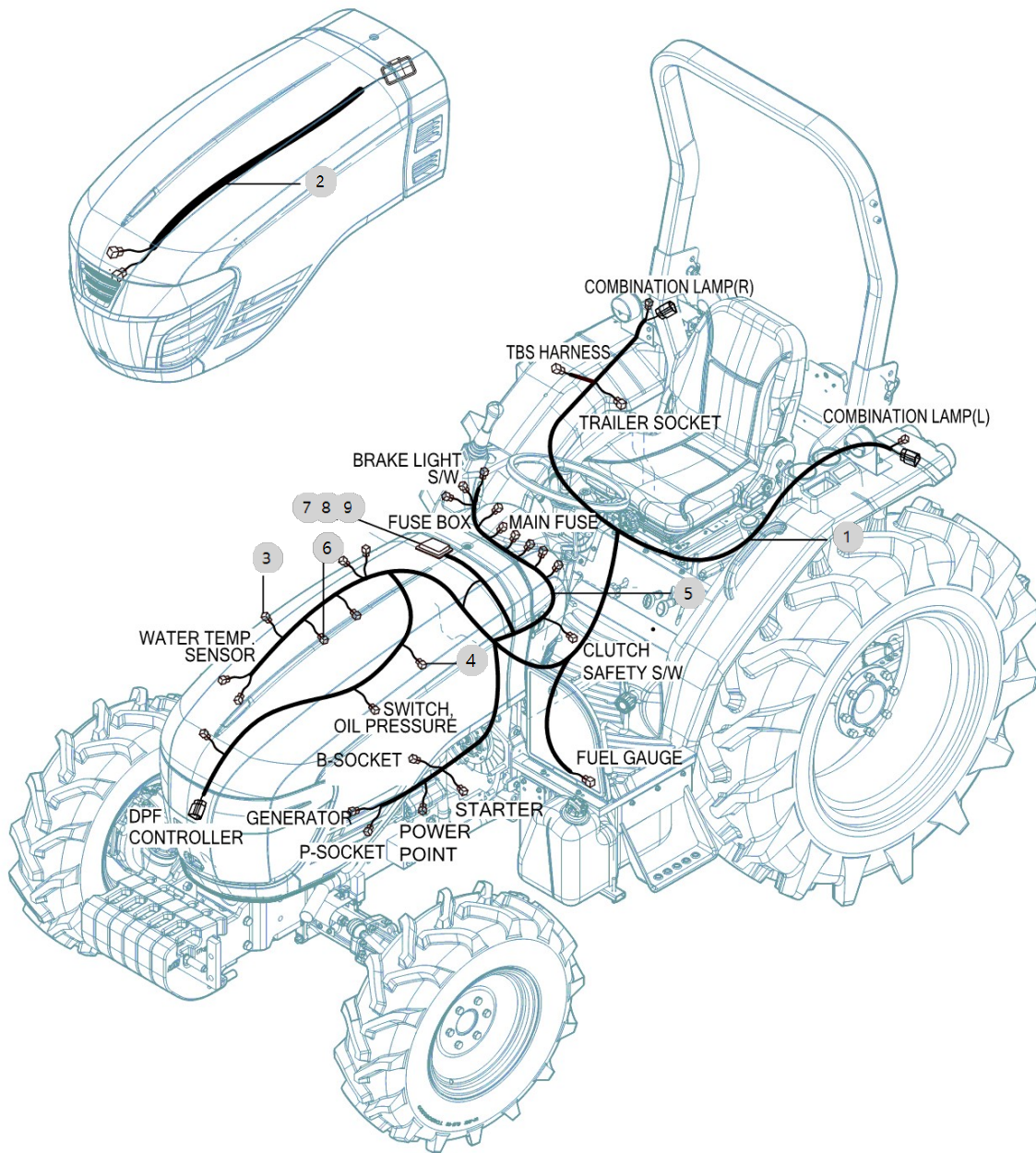
H03030

5520R(AC02109)

HARNESS

Year/Month

2022-12-15



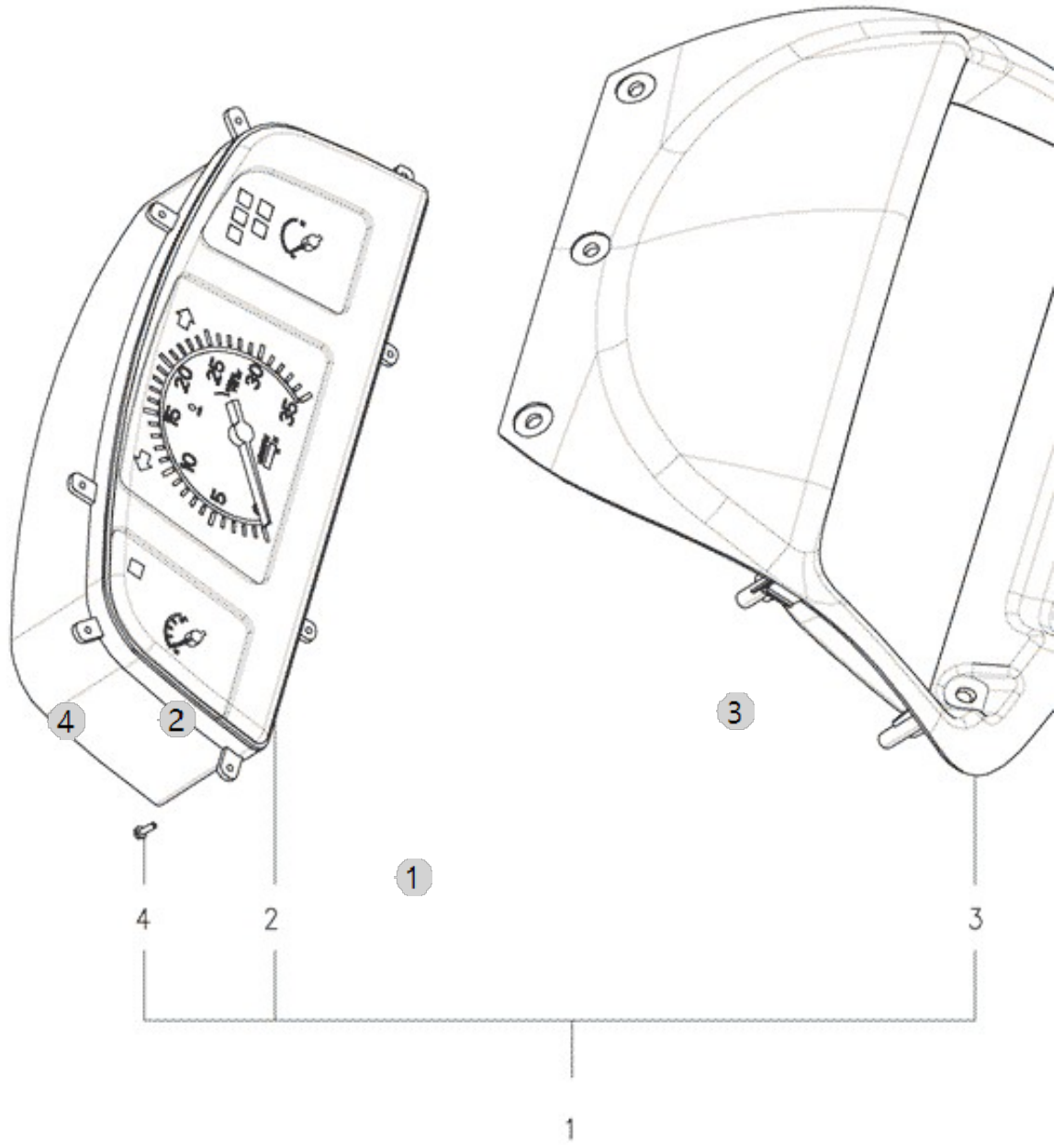
H04030

5520R(AC02109)

METER ASS'Y

Year/Month

2022-12-15



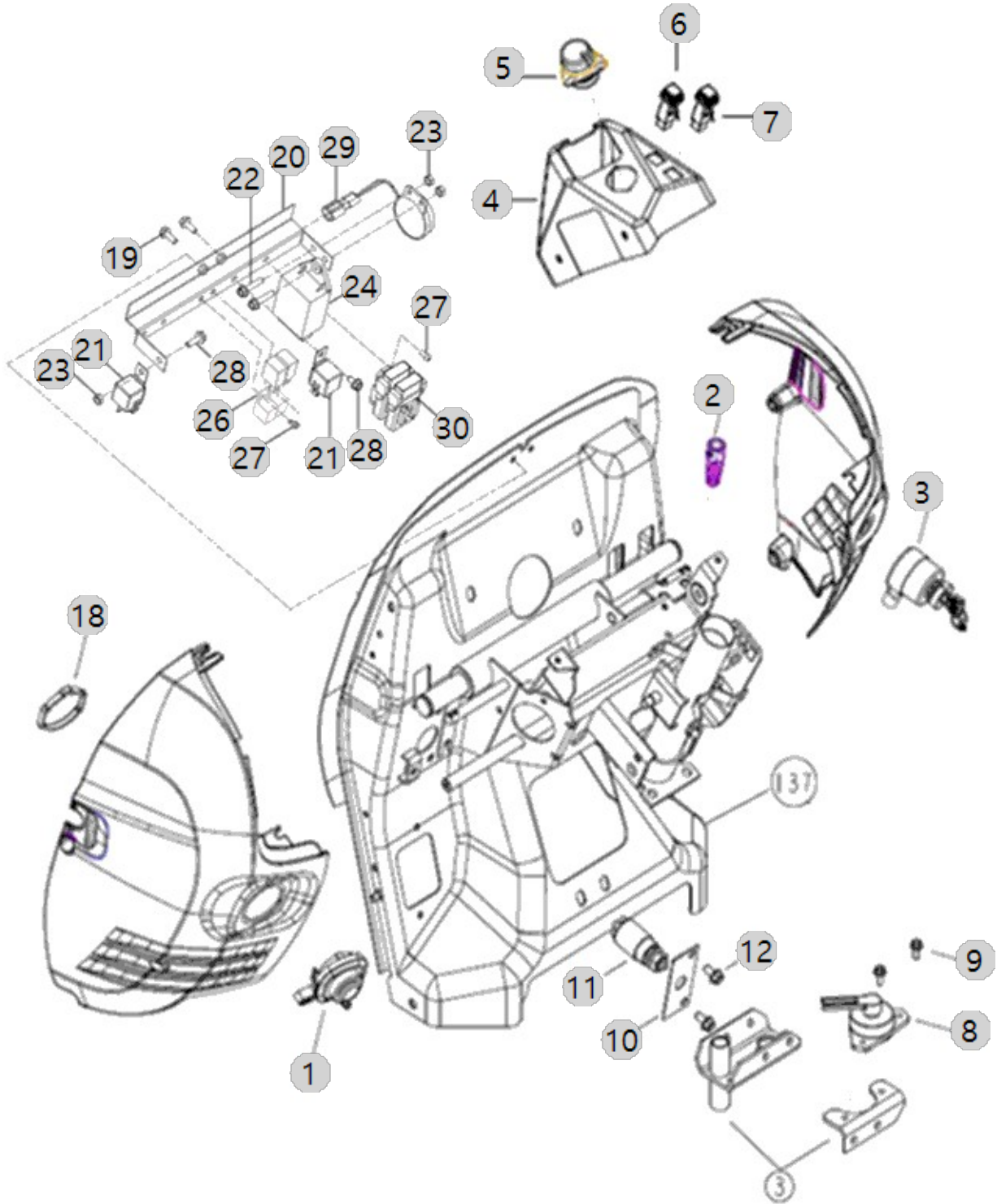
H04050

5520R(AC02109)

SWITCH / DASHBOARD

Year/Month

2022-12-15



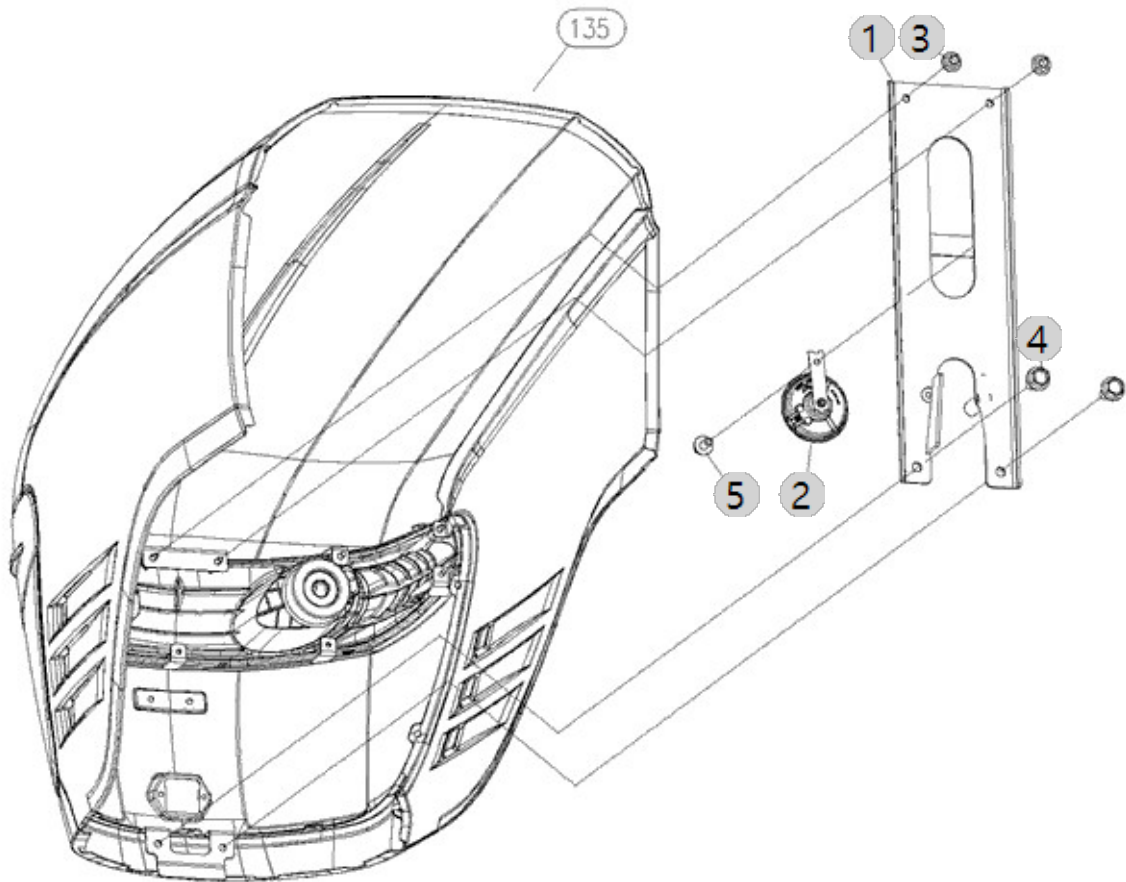
H04090

Year/Month

5520R(AC02109)

HORN

2022-12-15



103021

5520R(AC02109)

LABEL, ROPS/LH

Year/Month

2022-12-15

3620R
4820R
5520R

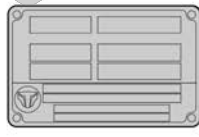


WARNING
Set loader joystick safety lock during no use.



WARNING
TO AVOID PERSONAL INJURY OR DEATH FROM ROLL-OVER:
1. BRANDON recommends the use of a Roll-Over Protection Structure(ROPS) and seat belt in almost all applications.
2. Remove the ROPS only when it substantially interferes with operation or itself presents a safety risk. (Examples include work in orchards and vineyards.) ALWAYS REINSTALL IT BEFORE USING THE TRACTOR IN OTHER APPLICATIONS.
3. Never use just the seat belt as just the ROPS. They must be used together. For further details, consult your Operator's Manual or your local dealer.
TZE11900002

WARNING
BEFORE DISMOUNTING TRACTOR:
1. PARK ON LEVEL GROUND WHENEVER POSSIBLE. If parking on a gradient, position tractor at right angles to the slope.
2. ALWAYS SET PARKING BRAKE. Leaving transmission in gear with the engine stopped will not prevent tractor from rolling.
3. LOWER ALL IMPLEMENTS TO THE GROUND. Failure to comply to this warning may allow the wheels to slip, and could cause injury or death.
4. LOCK SHUTTLE SHIFT LEVER IN NEUTRAL POSITION AND STOP THE ENGINE.
TZE11900003

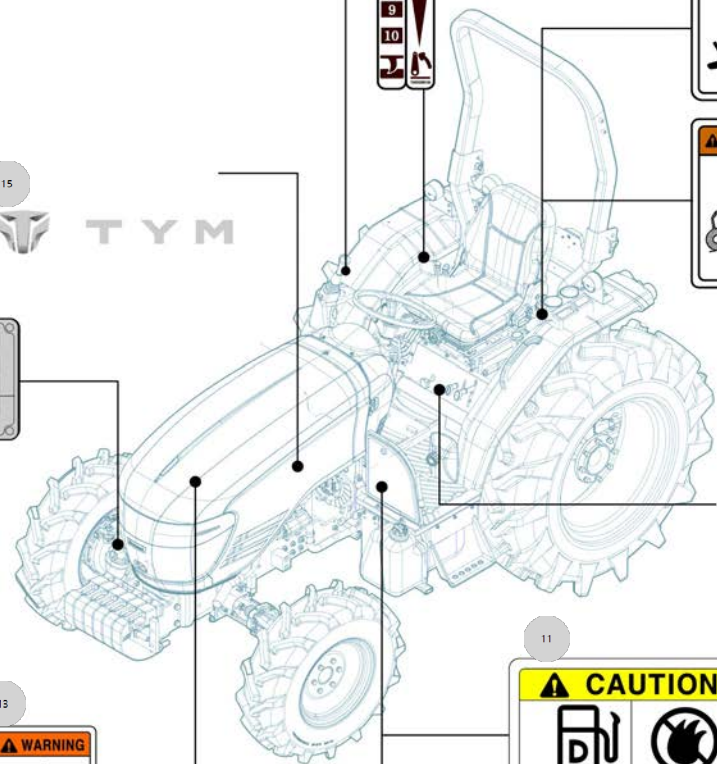


CAUTION
TZE1190000C4

WARNING

CAUTION
DIESEL ONLY TZE4190000C4

DANGER
Start only from seat in park or neutral. Starting in gear kits. TZE1190000B4



12

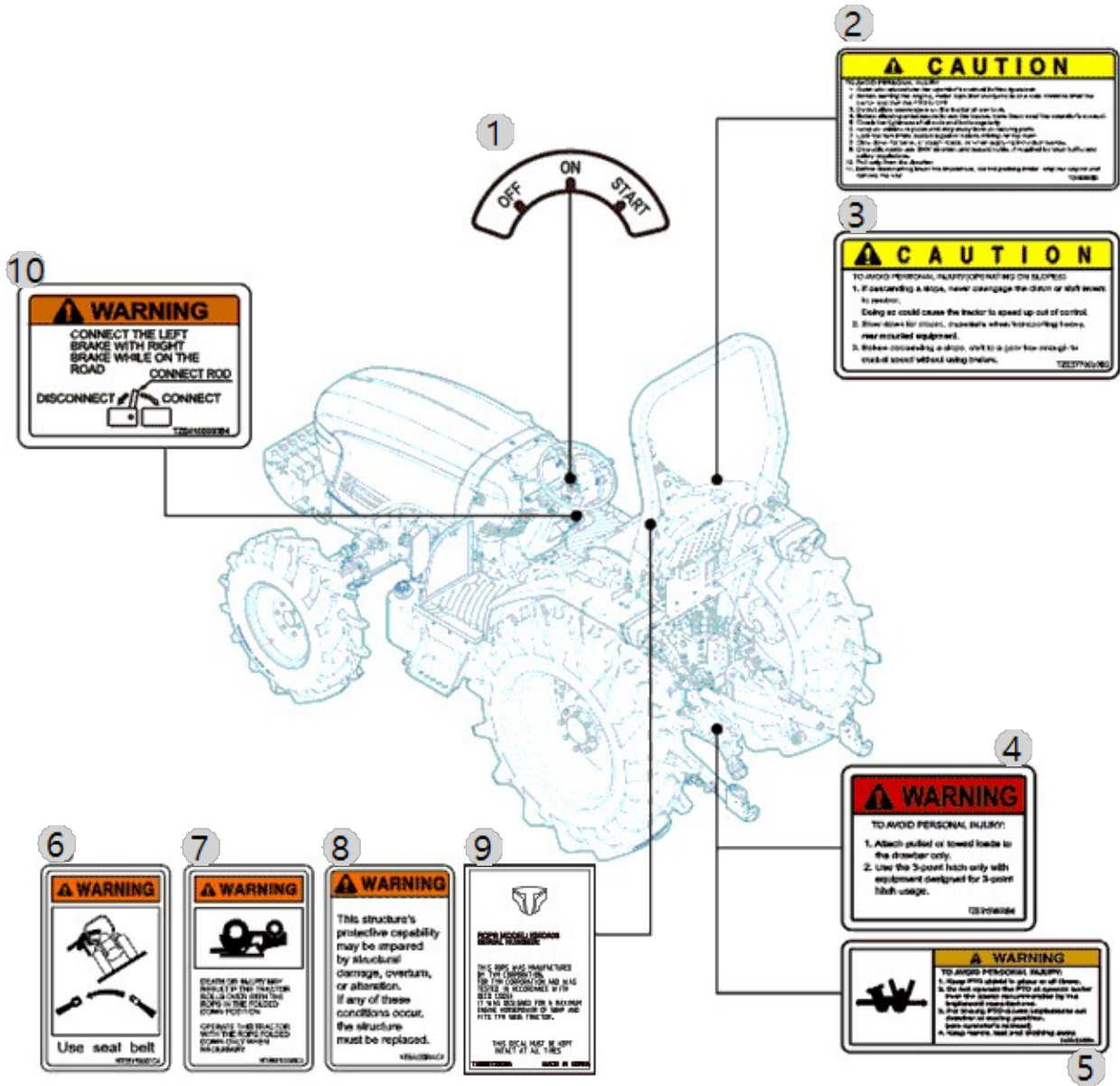
103022

5520R(AC02109)

LABEL, ROPS/RH

Year/Month

2022-12-15



CAUTION

TO AVOID PERSONAL INJURY:

1. Always wear your seat belt when operating this equipment.
2. Always use proper tie-off technique. Never tie off at a knot, unless specifically instructed to do so.
3. Always use proper tie-off technique. Never tie off at a knot, unless specifically instructed to do so.
4. Always use proper tie-off technique. Never tie off at a knot, unless specifically instructed to do so.
5. Always use proper tie-off technique. Never tie off at a knot, unless specifically instructed to do so.
6. Always use proper tie-off technique. Never tie off at a knot, unless specifically instructed to do so.
7. Always use proper tie-off technique. Never tie off at a knot, unless specifically instructed to do so.
8. Always use proper tie-off technique. Never tie off at a knot, unless specifically instructed to do so.
9. Always use proper tie-off technique. Never tie off at a knot, unless specifically instructed to do so.
10. Always use proper tie-off technique. Never tie off at a knot, unless specifically instructed to do so.

CAUTION

TO AVOID PERSONAL INJURY/OPERATING ON SLOPES:

1. If ascending a slope, never change the clutch or shift levers to reverse.
2. Do not allow the tractor to speed up out of control.
3. Slow down for curves, crests, or when transiting holes, ruts, or uneven terrain.
4. When descending a slope, shift to a gear low enough to start a second gear without using the clutch.

WARNING

TO AVOID PERSONAL INJURY:

1. Attach pulled or towed loads to the drawbar only.
2. Use the 3-point hitch only with equipment designed for 3-point hitch usage.

WARNING

TO AVOID PERSONAL INJURY:

1. Keep PTO shields in place at all times.
2. Do not operate the PTO at speeds higher than the speed recommended by the implement manufacturer.
3. Do not touch PTO shafts or implements at any time.
4. Keep hands, feet and clothing away from PTO shafts.

WARNING

CONNECT THE LEFT BRAKE WITH RIGHT BRAKE WHILE ON THE ROAD

CONNECT ROD

DISCONNECT / CONNECT

WARNING

Use seat belt

WARNING

DEATH OR INJURY MAY RESULT IF THE PROTECTIVE STRUCTURE IS NOT LOCKED INTO THE FOLDED DOWN POSITION

OPERATE THIS TRACTOR WITH THE ROPS FOLDED DOWN ONLY WHEN NECESSARY

WARNING

This structure's protective capability may be impaired by structural damage, overturn, or alteration. If any of these conditions occur, the structure must be replaced.

ROPS MODEL NUMBER IDENTIFICATION

THIS ROPS WAS MANUFACTURED BY THE ORIGINAL MANUFACTURER AND HAS BEEN RE-CERTIFIED BY THE ORIGINAL MANUFACTURER FOR A SECOND YEAR OF USE AND FITS THE ORIGINAL USE.

THIS ROPS MUST BE RE-CERTIFIED BY THE ORIGINAL MANUFACTURER.

