

T754SCEUA

Parts Catalog

# 목 차

---

## 0. TRACTOR KIT PART NO. TK1

FIG 001 REAR REMOTE VALVE(6P) KIT	7
-----------------------------------	---

## 1. Engine PART NO. EG

FIG 00 EG	10
FIG 01 0512 4184, 0512 4259, 0512 4281, 0512 4051	12
FIG 02 0512 4368	14
FIG 05 0512 4036, 0512 4130, 0512 4238, 0512 4321	16
FIG 06 0512 4003	18
FIG 07 0512 4005	20
FIG 08 0512 4312, 0512 4050, 0512 4246	22
FIG 09 0512 4044, 0512 4320	24
FIG 10 0512 4284	26
FIG 11 0512 4004, 0512 4045, 0512 4046	28
FIG 14 0512 4027	30
FIG 15 0512 4120, 0506 4400, 0512 4000	32
FIG 16 0512 4261	34
FIG 17 0512 4052	36
FIG 19 0512 4047	38
FIG 20 0512 4224	40
FIG 21 0512 4009, 0512 4008, 0512 4299	42
FIG 22 0512 4345, 0512 4392	44
FIG 27 0511 8909	46
FIG 37 0512 4331	48
FIG 38 0512 4055	50
FIG 41 0512 4143, 0512 4058, 0512 4097, 0512 4257	52
FIG 43 0512 4384	54
FIG 44 0512 4062, 0512 4256, 0512 4393, 0512 4400	56
FIG 48-1 0511 7723, 0512 4011, 0512 4098, 0512 4127, 0512 4292	58
FIG 48-2 0512 4128, 0512 4293, 0512 4334, 0512 4338, 0512 4343	60
FIG 51 0512 4060, 0512 4104, 0512 4300, 0512 4329	62

FIG 63 0512 4010	64
FIG 83 0512 4176, 0512 4180, 0512 4251, 0512 4337, 0512 4339, 0512	66
FIG 90 0512 4355	68

## 2. Engine Accessories PART NO. T2

FIG 201 AIR CLEANER	71
FIG 202 RADIATOR	73
FIG 203 MUFFLER & EXHAUST PIPE	76
FIG 204 FUEL TANK	79
FIG 205 FUEL FILTER & FUEL PUMP	81
FIG 206 OIL COOLER	83

## 3. Clutch/Brake/Steering PART NO. T3

FIG 301 CLUTCH	86
FIG 302 CLUTCH PEDAL	88
FIG 303 BRAKE PEDAL & LINK	91
FIG 304 FRONT WHEEL	93
FIG 305 REAR WHEEL	95
FIG 306 POWER STEERING WHEEL	97
FIG 307 POWER STEERING VALVE	99
FIG 308 POWER STEERING CYLINDER	101
FIG 309 HAND BRAKE & BRAKE	103

## 4. Transmission PART NO. T4

FIG 401 CASE , RR TRANSMISSION	106
FIG 402 SUB CHANGE GEARS	108
FIG 403 REAR DIFFERENTIAL GEARS	110
FIG 404 P.T.O CHANGE GEARS	112
FIG 405 P.T.O CHANGE SHIFTER	114
FIG 406 HOUSING , RR AXLE	116
FIG 407 P.T.O DRIVE SHAFT	118
FIG 408 CREEP CHANGE	120
FIG 409 INPUT & COUNTER GEARS	122
FIG 410 CHANGE GEARS	124
FIG 411 REVERSE GEARS	126

FIG 412 MAIN CHANGE LEVER	128
FIG 413 SUB CHANGE LEVER	130
FIG 414 TRANSMISSION MID CASE	132
FIG 415 SUB CHANGE SHIFTER	134
FIG 416 4WD CHANGE LEVER	136
FIG 417 TRANSMISSION FRONT CASE	138
FIG 418-2 DRIVE GEARS(EU)	140

## 5. Front Axle PART NO. T5

FIG 501 FRONT AXLE SUPPORT	143
FIG 502 FRONT DRIVE SHAFT	145
FIG 503 FRONT AXLE HOUSING	147
FIG 504 FRONT DIFFERENTIAL GEAR	149
FIG 505 FRONT GEAR CASE (1)	151
FIG 506 FRONT GEAR CASE (2)	153
FIG 507 FRONT GEAR CASE (3)	155

## 6. Hydraulic/3P-Link PART NO. T6

FIG 601 CYLINDER CASE	158
FIG 602-2 LIFT ARM (EUA)	160
FIG 603 CYLINDER	162
FIG 604 POSITION LINK	164
FIG 605 CONTROL VALVE	166
FIG 606 DRAFT LINK	168
FIG 607 POSITION & DRAFT LEVER	170
FIG 608-2 EXTERIOR HYD. VALVE (EUA)	173
FIG 609 HYDRAULIC PIPE	175
FIG 610 JOYSTICK	177
FIG 611-2 HITCH & 3-POINT LINK(EU,EUA)	179
FIG 612 LOWER LINK & LIFT ROD	182
FIG 613 HYDRAULIC HOSE	184

## 7. Sheet Metal & Cabin PART NO. T7

FIG 701 HOOD	187
FIG 702 FRONT FRAME	189



FIG 703 SIDE SUPPORT & FRAME HOOD	191
FIG 704 LEVER COVER & STEP	194
FIG 705 FRONT & REAR MOUNTING	196
FIG 706 SEAT & MAT	198
FIG 709 DOOR	200
FIG 710 FRONT GLASS	203
FIG 711 SIDE GLASS	205
FIG 712 REAR GLASS	207
FIG 713 SUB FENDER & COVER	209
FIG 714 MIRROR	211
FIG 715 HEATER & AIR-CON	213
FIG 715-2 HEATER & AIR-CON	215
FIG 716 FENDER COVER	217
FIG 717 ROOF	219
FIG 718 CABIN INTERIOR	221

## 8. Electrical System PART NO. T8

FIG 801 BATTERY & MOUNTING	224
FIG 802 HARNESS	226
FIG 803 LIGHT & BACK LAMP	228
FIG 804 INSTRUMENT PANEL	230
FIG 805 ELECTRIC SYSTEM (1)	232
FIG 806 ELECTRIC SYSTEM (2)	234

## 9. Label/Option PART NO. T9

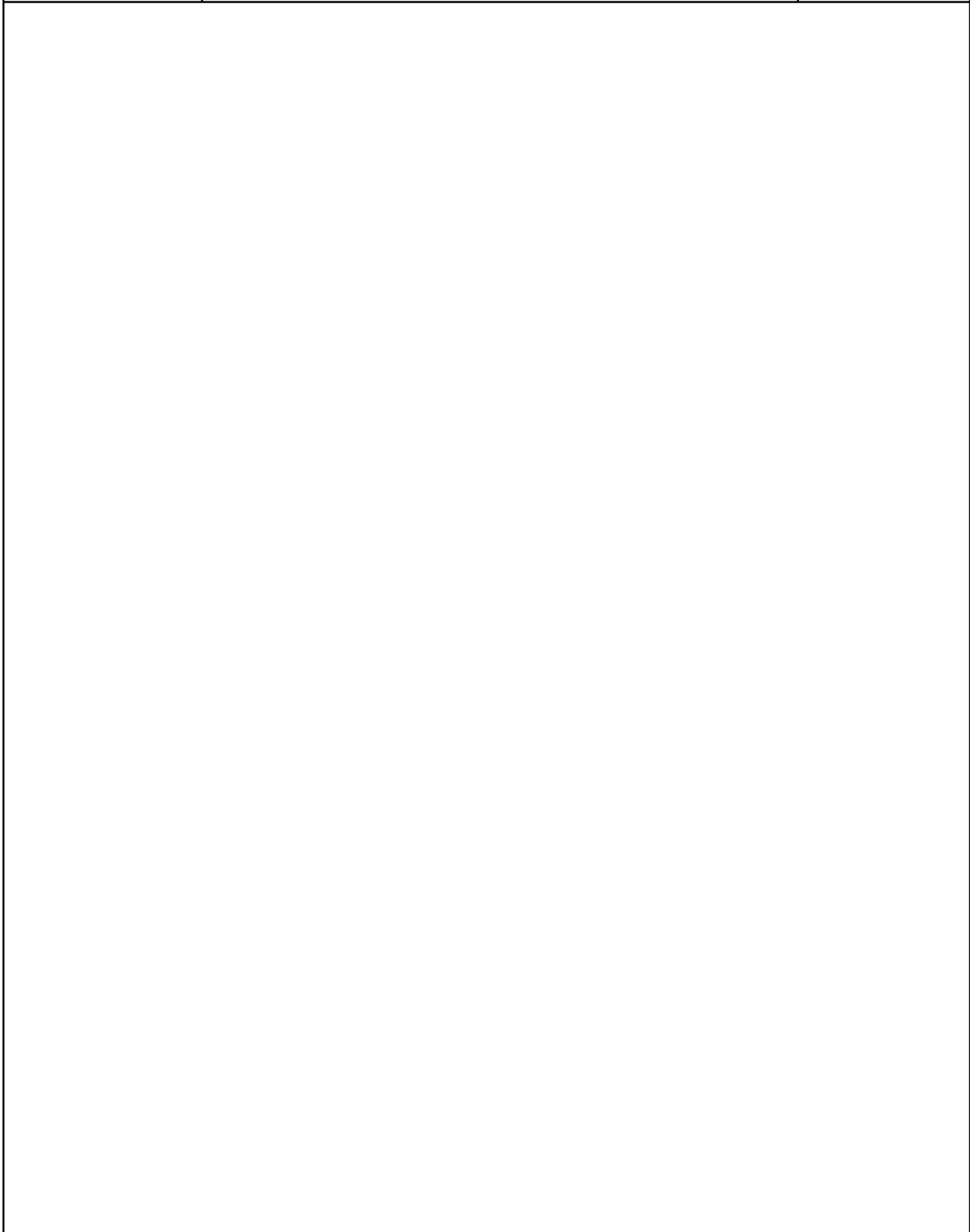
FIG 901 TOOL & ACCESSORY	237
FIG 902 WEIGHT	239
FIG 903 LABEL	241

0. TRACTOR KIT PART NO. TK1

FIG 001 REAR REMOTE VALVE(6P) KIT

7

FIG 001 T754SCEUA	REAR REMOTE VALVE(6P) KIT	년/월 Year/Month 2022-12
----------------------	---------------------------	------------------------------



NOTE	
------	--



# 1. Engine PART NO. EG

FIG 00 EG	10
FIG 01 0512 4184, 0512 4259, 0512 4281, 0512 4051	12
FIG 02 0512 4368	14
FIG 05 0512 4036, 0512 4130, 0512 4238, 0512 4321	16
FIG 06 0512 4003	18
FIG 07 0512 4005	20
FIG 08 0512 4312, 0512 4050, 0512 4246	22
FIG 09 0512 4044, 0512 4320	24
FIG 10 0512 4284	26
FIG 11 0512 4004, 0512 4045, 0512 4046	28
FIG 14 0512 4027	30
FIG 15 0512 4120, 0506 4400, 0512 4000	32
FIG 16 0512 4261	34
FIG 17 0512 4052	36
FIG 19 0512 4047	38
FIG 20 0512 4224	40
FIG 21 0512 4009, 0512 4008, 0512 4299	42
FIG 22 0512 4345, 0512 4392	44
FIG 27 0511 8909	46
FIG 37 0512 4331	48
FIG 38 0512 4055	50
FIG 41 0512 4143, 0512 4058, 0512 4097, 0512 4257	52
FIG 43 0512 4384	54
FIG 44 0512 4062, 0512 4256, 0512 4393, 0512 4400	56
FIG 48-1 0511 7723, 0512 4011, 0512 4098, 0512 4127, 0512 4292	58
FIG 48-2 0512 4128, 0512 4293, 0512 4334, 0512 4338, 0512 4343	60
FIG 51 0512 4060, 0512 4104, 0512 4300, 0512 4329	62
FIG 63 0512 4010	64
FIG 83 0512 4176, 0512 4180, 0512 4251, 0512 4337, 0512 4339, 0512	66
FIG 90 0512 4355	68

FIG 00 T754SCEUA	EG	년/월 Year/Month 2022-12
---------------------	----	------------------------------

--	--

NOTE	
------	--



FIG 01

0512 4184, 0512 4259, 0512 4281, 0512 4051

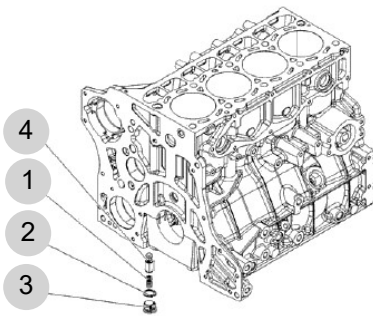
년/월  
Year/Month

2022-12

T754SCEUA

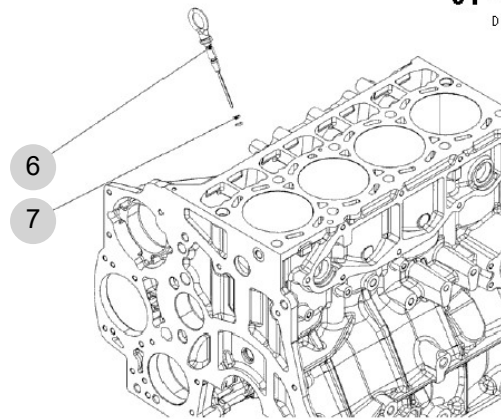
**01 - 0512 4051**

PRESSURESTAT



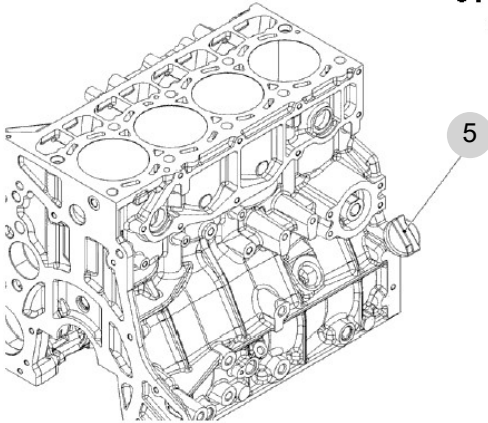
**01 - 0512 4259**

DIPSTICK



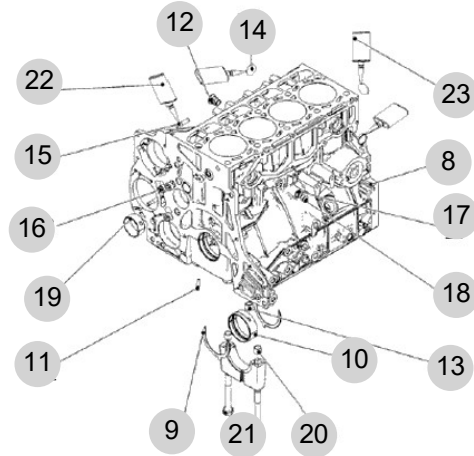
**01 - 0512 4184**

FILLER CAP



**01 - 0512 4281**

CRANKCASE



NOTE





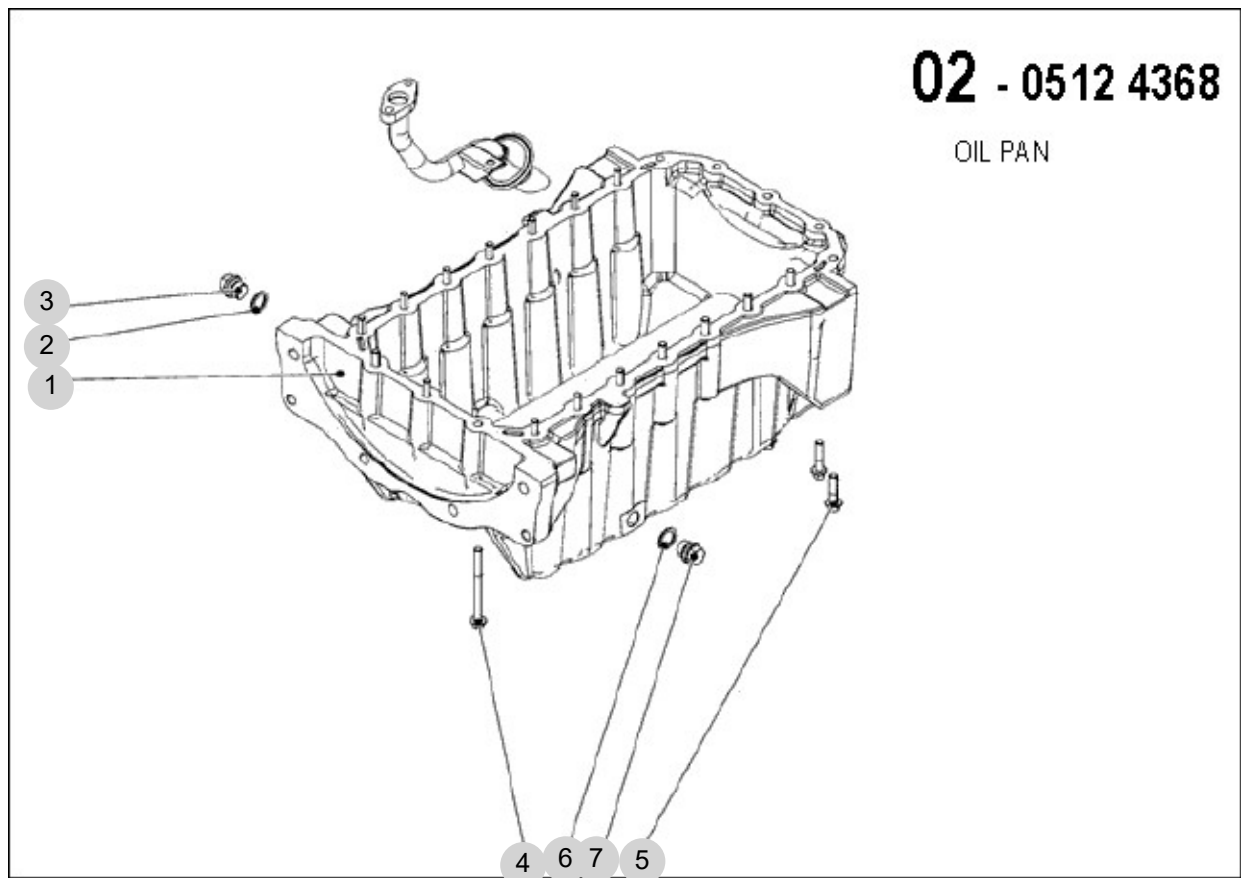
FIG 02

0512 4368

년/월  
Year/Month

2022-12

T754SCEUA



NOTE



FIG 05

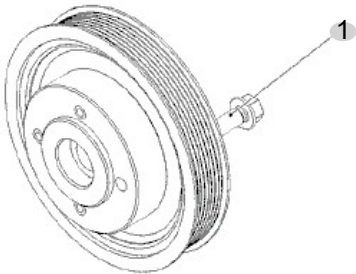
0512 4036, 0512 4130, 0512 4238, 0512 4321

년/월  
Year/Month

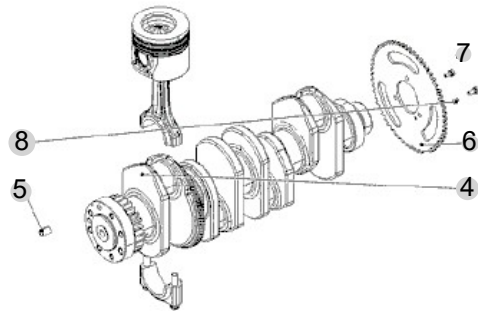
2022-12

T754SCEUA

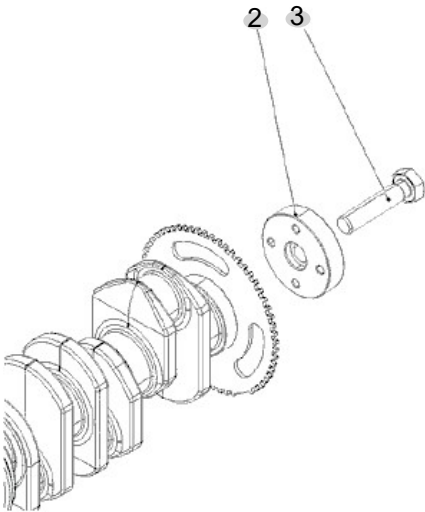
**05 - 0512 4036**  
FASTENINGS



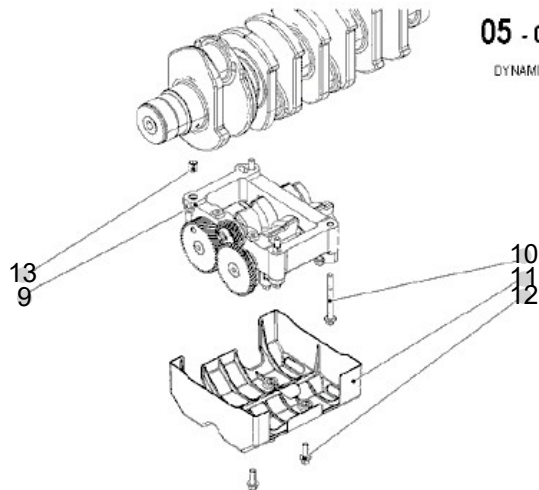
**05 - 0512 4238**  
CRANKSHAFT



**05 - 0512 4130**  
CRANKSHAFT ACCESS.



**05 - 0512 4321**  
DYNAMIC BALANCER



NOTE



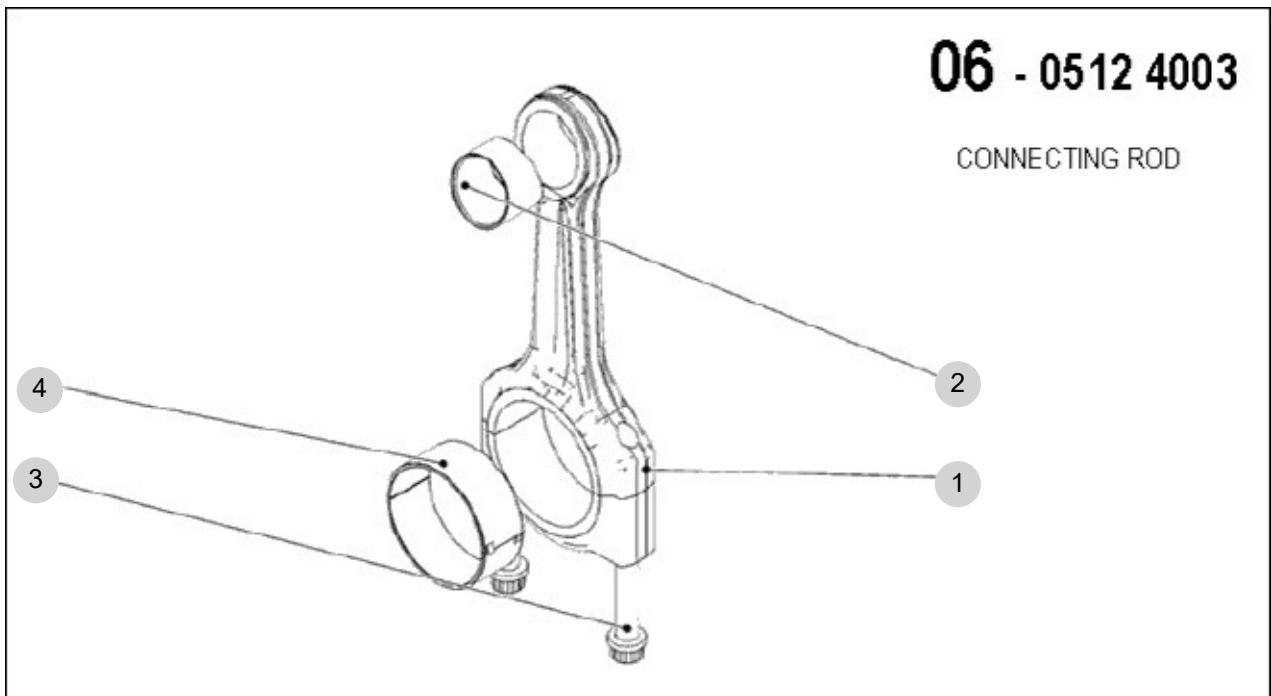
FIG 06

0512 4003

년/월  
Year/Month

2022-12

T754SCEUA



NOTE



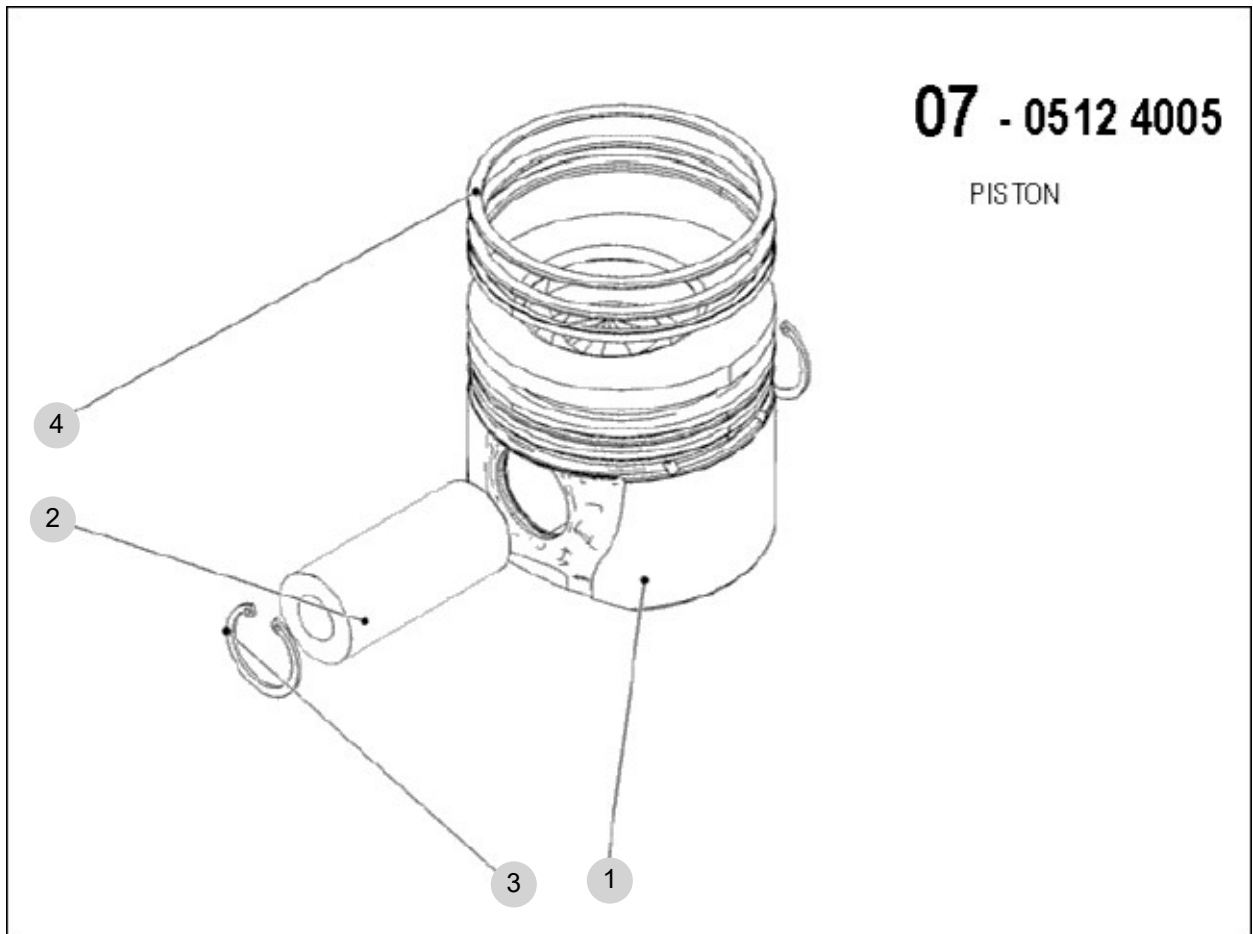
FIG 07

0512 4005

년/월  
Year/Month

2022-12

T754SCEUA



NOTE





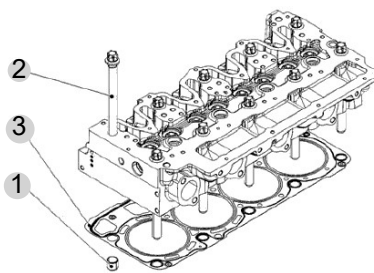
FIG 08

T754SCEUA

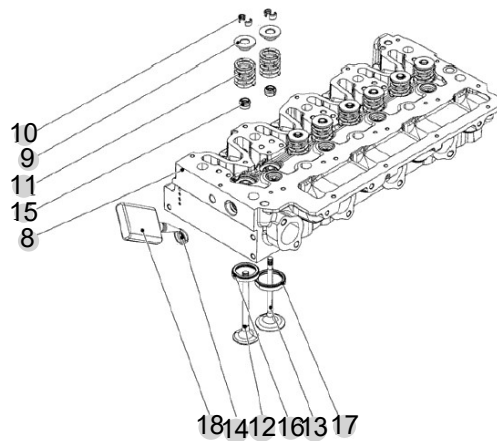
0512 4312, 0512 4050, 0512 4246

년/월  
Year/Month

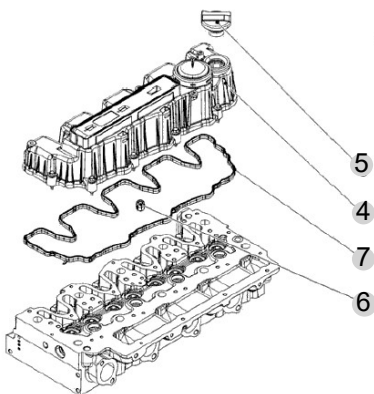
2022-12



**08 - 0512 4050**  
FASTENINGS



**08 - 0512 4312**  
CYLINDER HEAD



**08 - 0512 4246**  
VALVE MECHAN COVER

NOTE



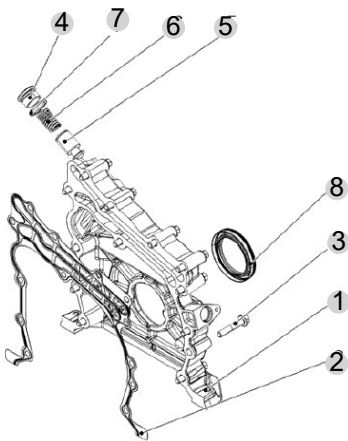
FIG 09

0512 4044, 0512 4320

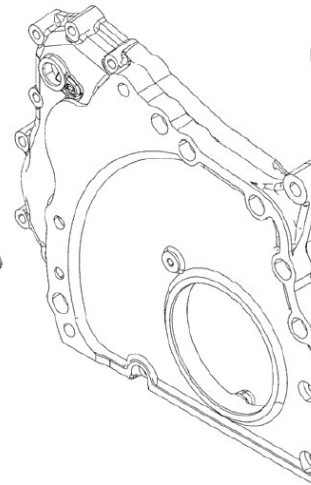
년/월  
Year/Month

2022-12

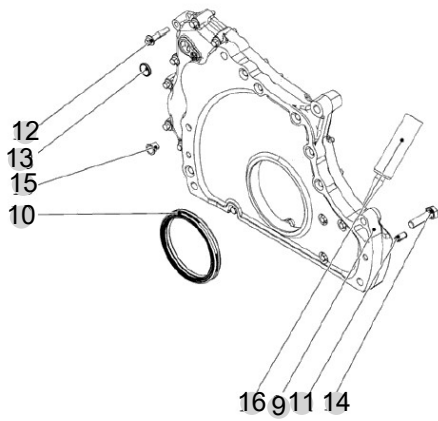
T754SCEUA



**09 - 0512 4044**  
FRONT COVER



**09 - 0512 4406**  
SEALING RING



**09 - 0512 4320**  
GEARCASE

NOTE



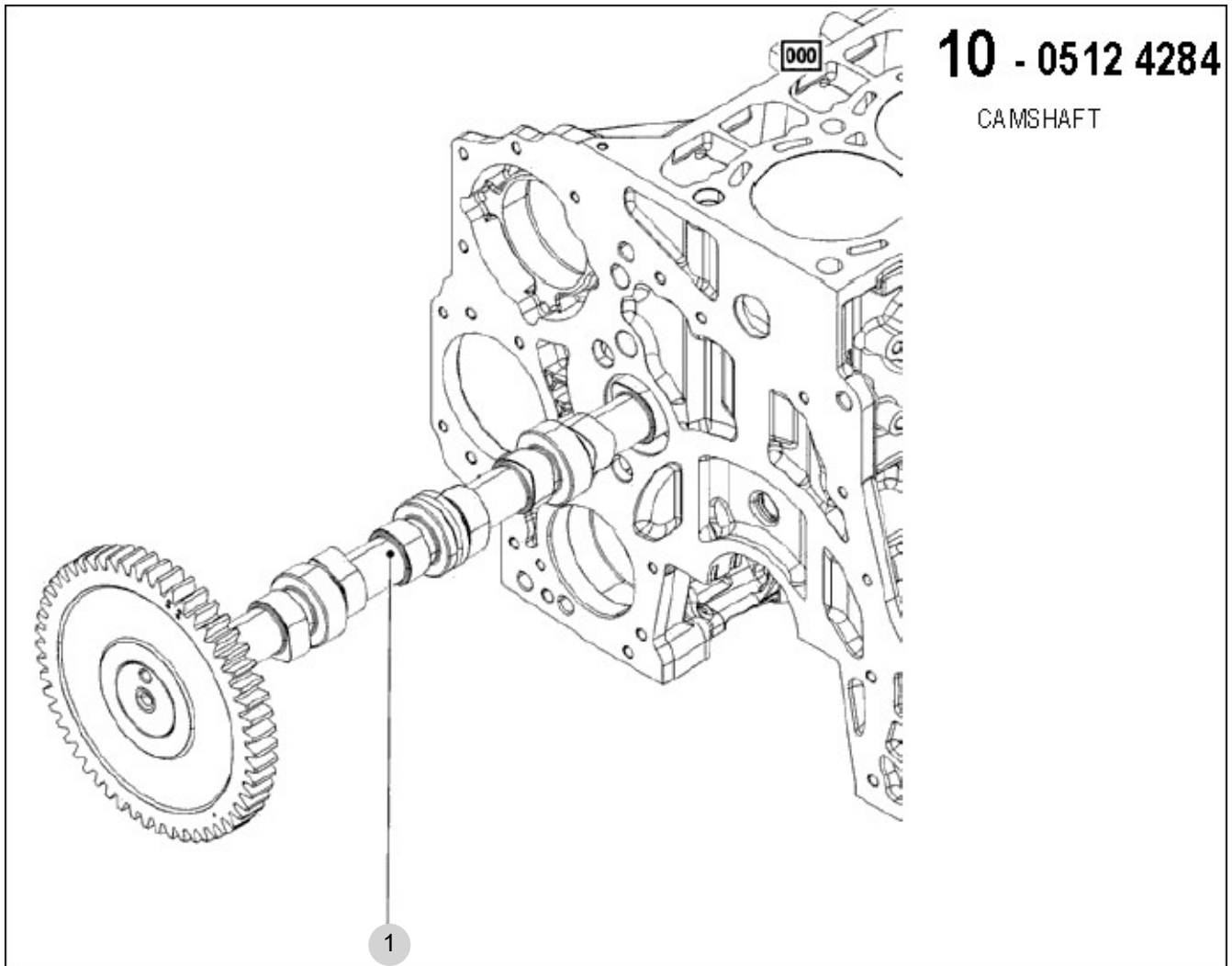
FIG 10

0512 4284

년/월  
Year/Month

2022-12

T754SCEUA



NOTE



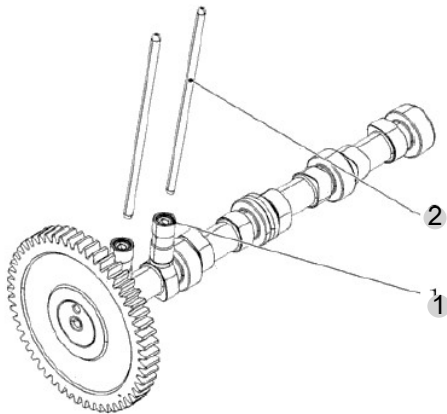
FIG 11

0512 4004, 0512 4045, 0512 4046

년/월  
Year/Month

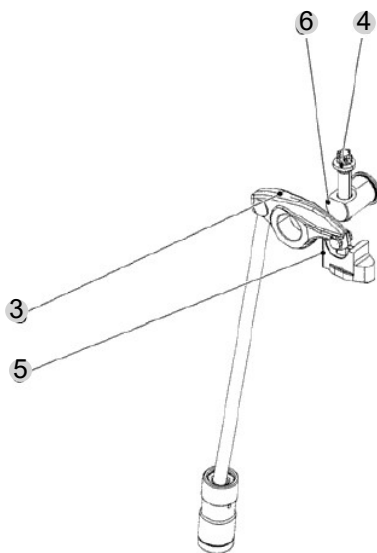
2022-12

T754SCEUA



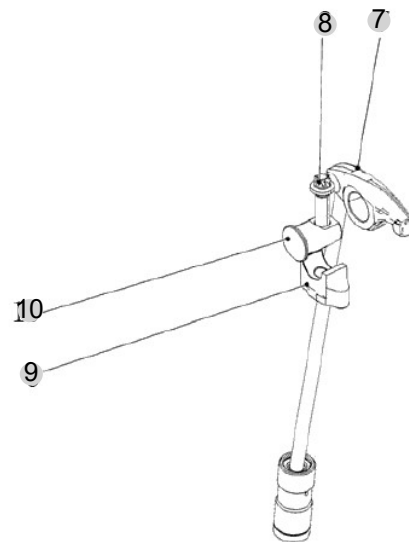
**11 - 0512 4004**

VALVE DRIVE



**11 - 0512 4045**

ROCKER ARM OUTLET



**11 - 0512 4046**

ROCKER ARM INLET

NOTE





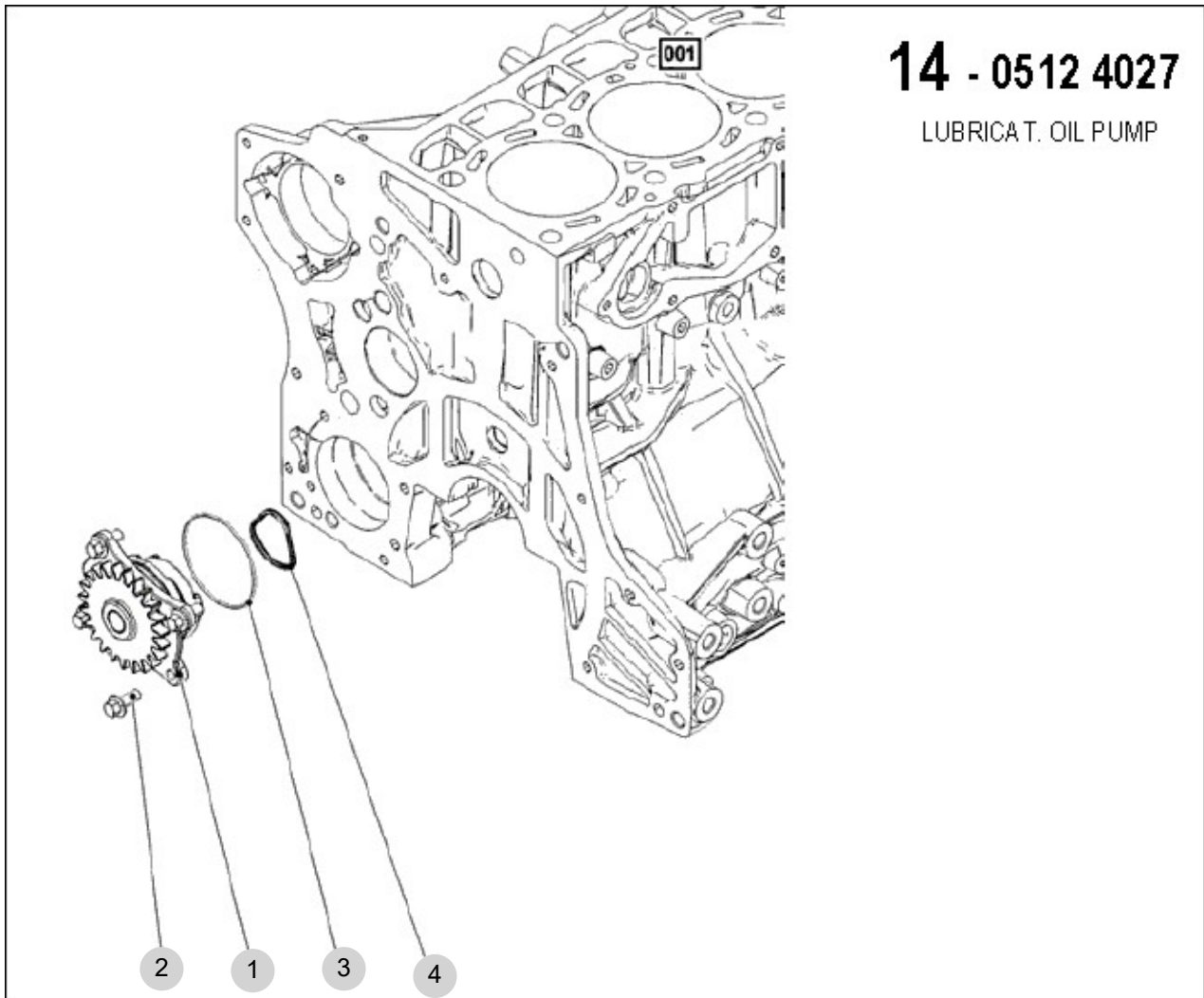
FIG 14

0512 4027

년/월  
Year/Month

2022-12

T754SCEUA



NOTE



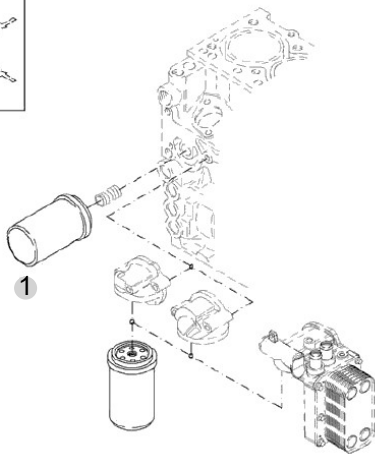
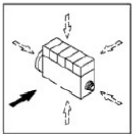
FIG 15

T754SCEUA

0512 4120, 0506 4400, 0512 4000

년/월  
Year/Month

2022-12

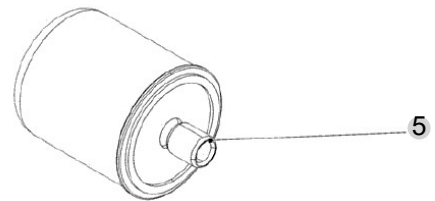


**15 - 0506 4400**

LUBRIC. OIL FILTER

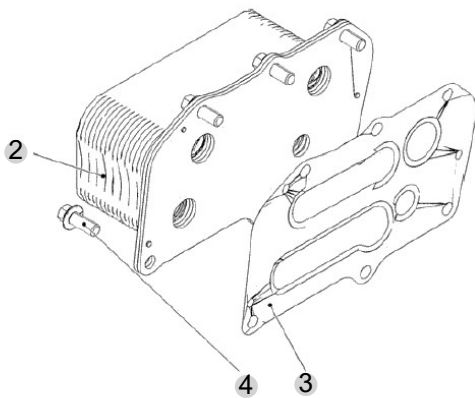
**15 - 0512 4120**

OIL FILTER ASSY



**15 - 0512 4000**

OIL COOLER



NOTE



FIG 16

T754SCEUA

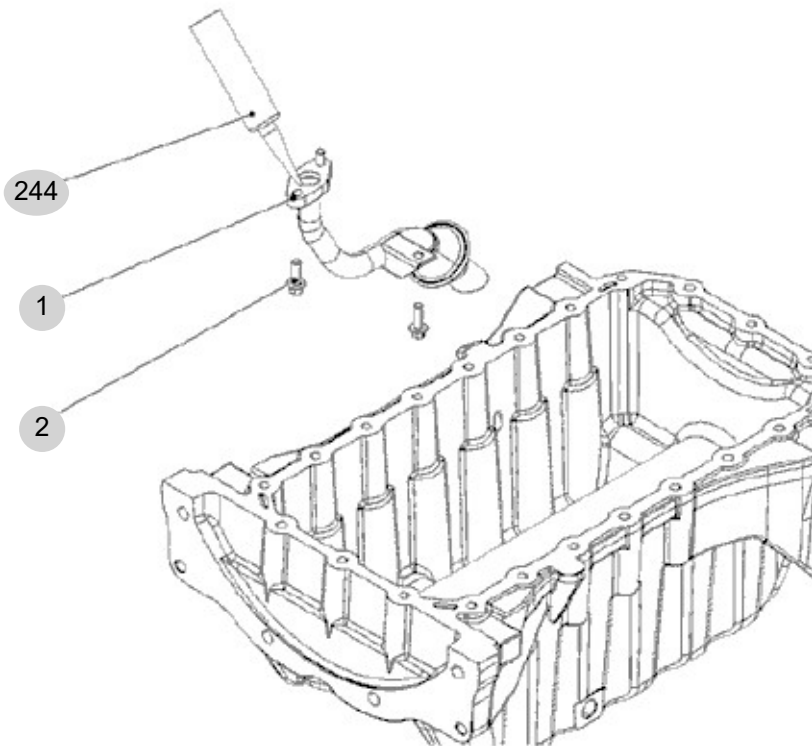
0512 4261

년/월  
Year/Month

2022-12

**16 - 0512 4261**

OIL SUCTION PIPE



NOTE



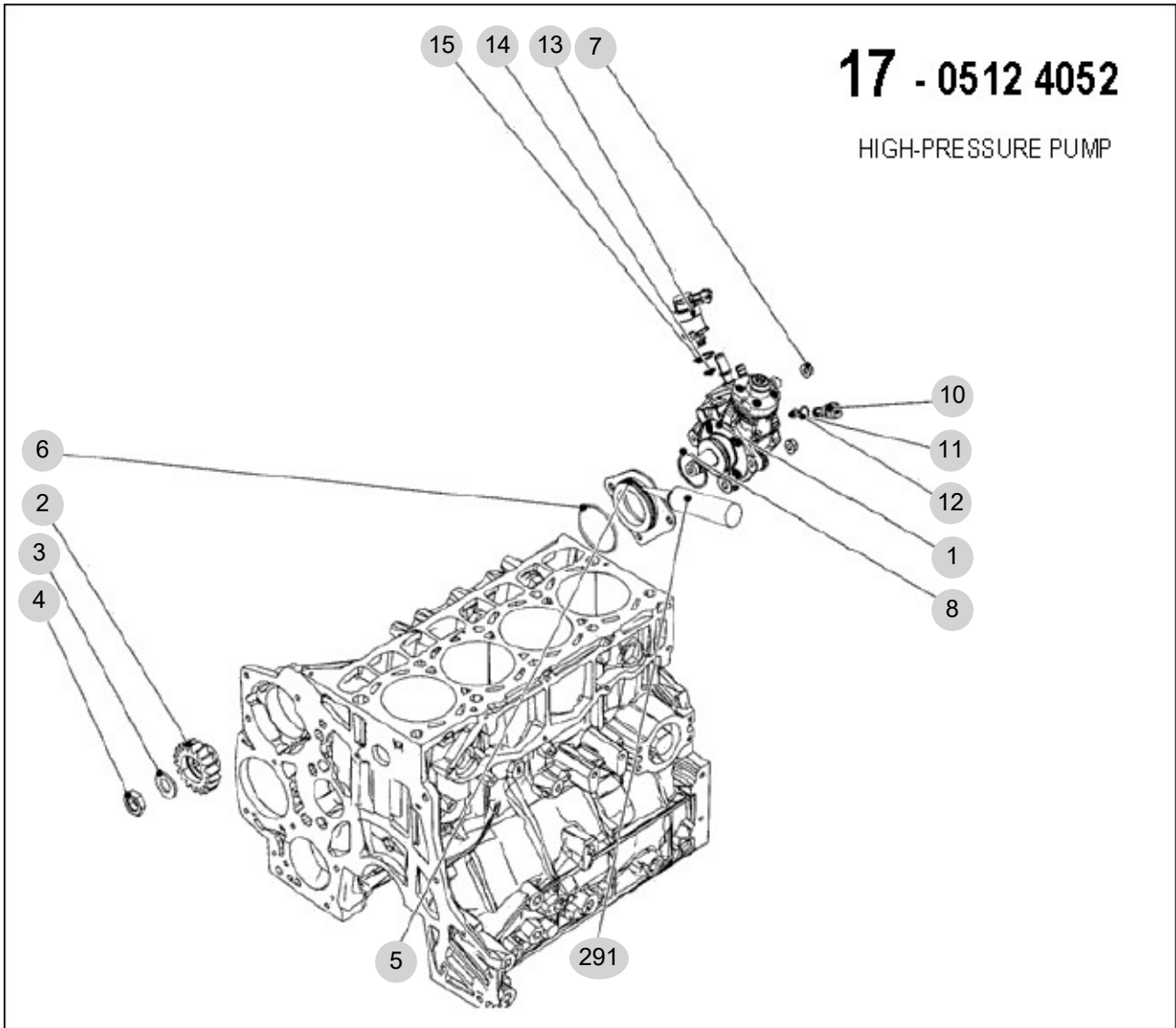
FIG 17

0512 4052

년/월  
Year/Month

2022-12

T754SCEUA



NOTE





FIG 19

0512 4047

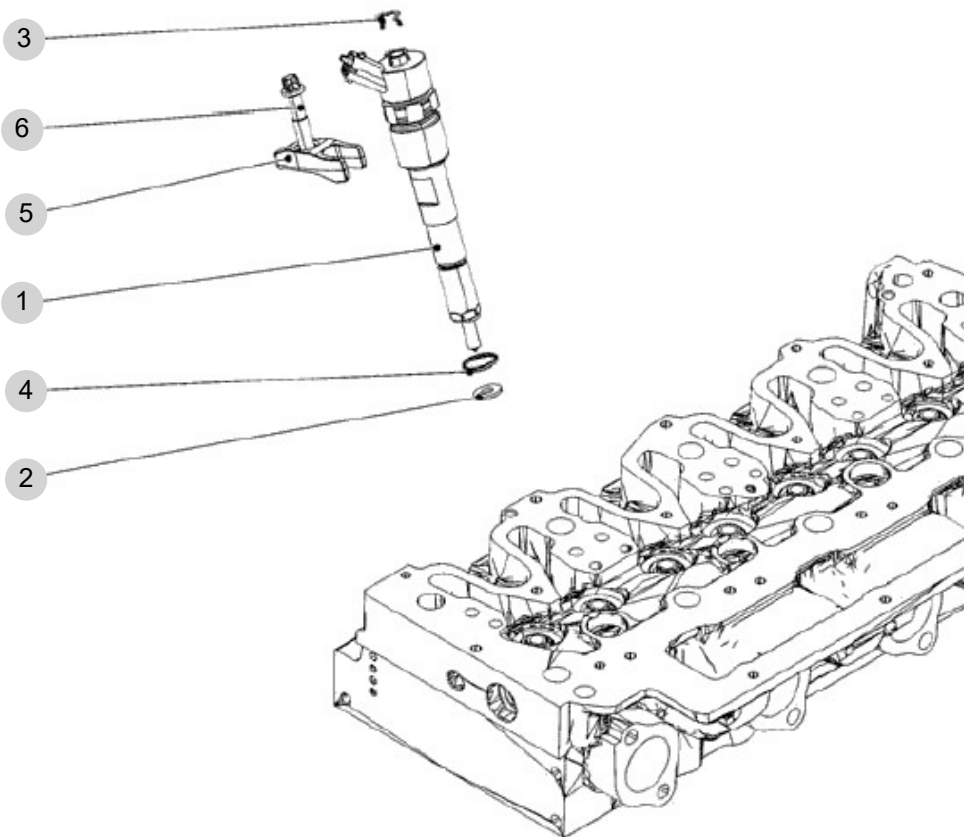
년/월  
Year/Month

2022-12

T754SCEUA

**19 - 0512 4047**

FUEL INJECTOR



NOTE

<b>FIG 19</b> T754SCEUA	<b>0512 4047</b>	년/월 Year/Month
		2022-12

KEY NO	PART NO	DESCRIPTION	SPEC	QTY	REPAIR	EFFECTIVE DATE	REMARKS
19	1	0413 2014	INJEKTOR	1			
19	2	0211 3778	SEALING WASHER	1			
19	3	0412 3075	CLAMP	1			
19	4	0412 3016	O-SEAL	1			
19	5	0413 0374	CLAMPING PAD/SHOE	1			
19	6	4012 3112	TORX-HEAD BOLT	1			

NOTE

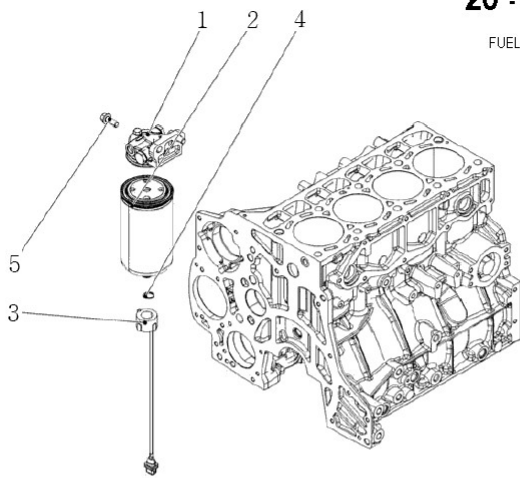
FIG 20

T754SCEUA

0512 4224

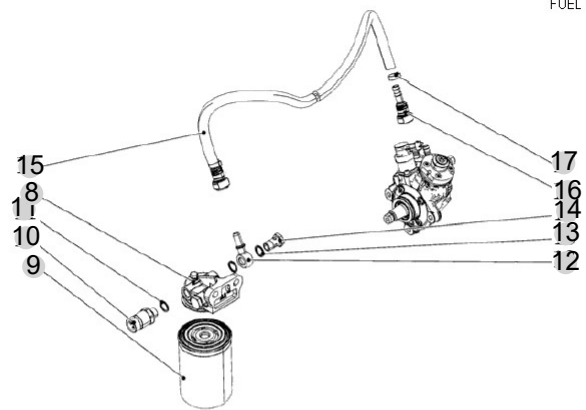
년/월  
Year/Month

2022-12



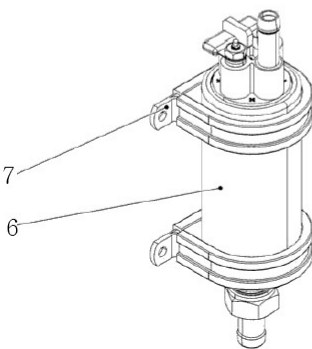
**20 - 0512 4064**

FUEL PREFILTER



**20 - 0512 4224**

FUEL FILTER



**20 - 0512 4140**

FUEL SUPPLY PUMP

NOTE



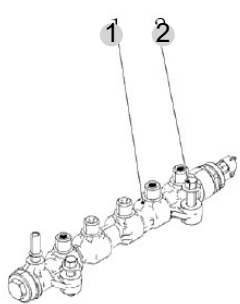
FIG 21

0512 4009, 0512 4008, 0512 4299

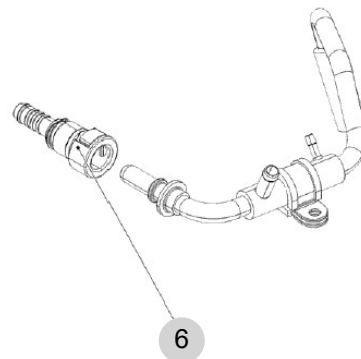
년/월  
Year/Month

2022-12

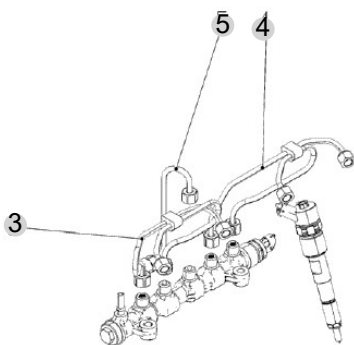
T754SCEUA



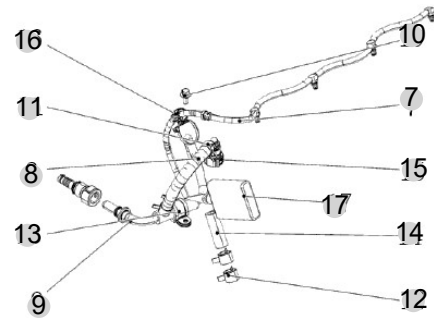
**21 - 0512 4008**  
RAIL



**21 - 0512 4286**  
QUICK-CLUTCH COUP.



**21 - 0512 4009**  
HIGH PRESSURE PIPE



**21 - 0512 4299**  
FUEL LINE

NOTE



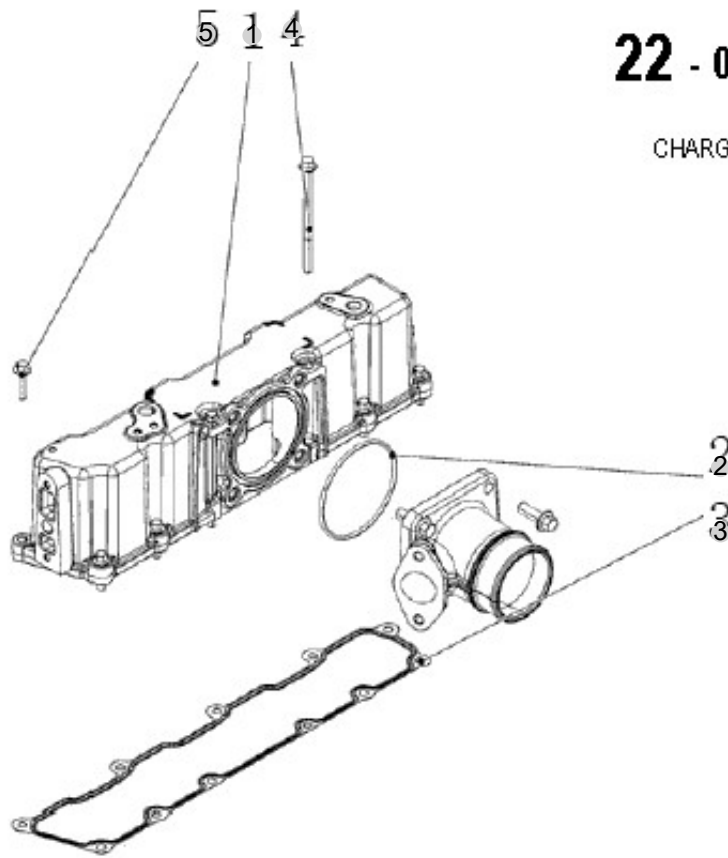
FIG 22

0512 4345, 0512 4392

년/월  
Year/Month

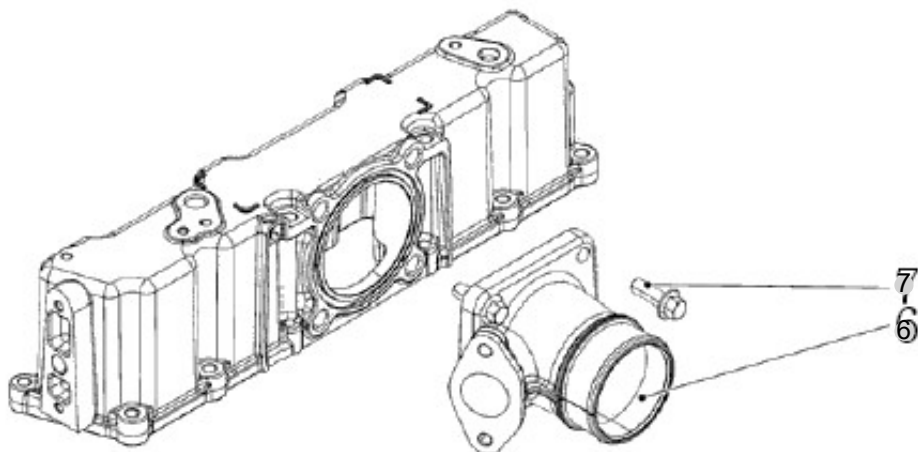
2022-12

T754SCEUA



**22 - 0512 4392**

CHARGE AIR ELBOW



NOTE



FIG 22 T754SCEUA		0512 4345, 0512 4392					년/월 Year/Month	
							2022-12	
KEY NO	PART NO	DESCRIPTION	SPEC	QTY	REPAIR	EFFECTIVE DATE	REMARKS	
22	1	0413 3350	CHARGE AIR PIPE	1				
22	2	0118 1402	O-SEAL	1				
22	3	0412 5801	GASKET	1				
22	4	0118 3779	HEXAGON BOLT	2				
22	5	0114 8634	HEXAGON BOLT	9				
22	6	0413 3279	CHARGE AUR ELBOW	1				
22	7	0118 1416	HEXAGON BOLT	3				
NOTE								

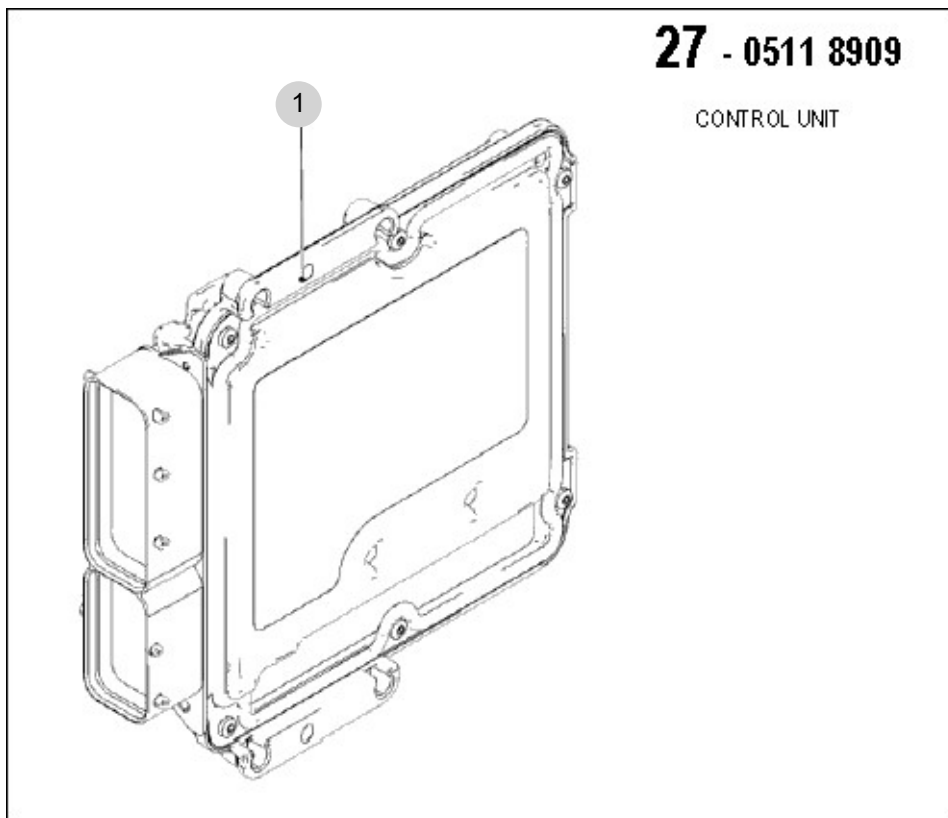
FIG 27

0511 8909

년/월  
Year/Month

2022-12

T754SCEUA



NOTE



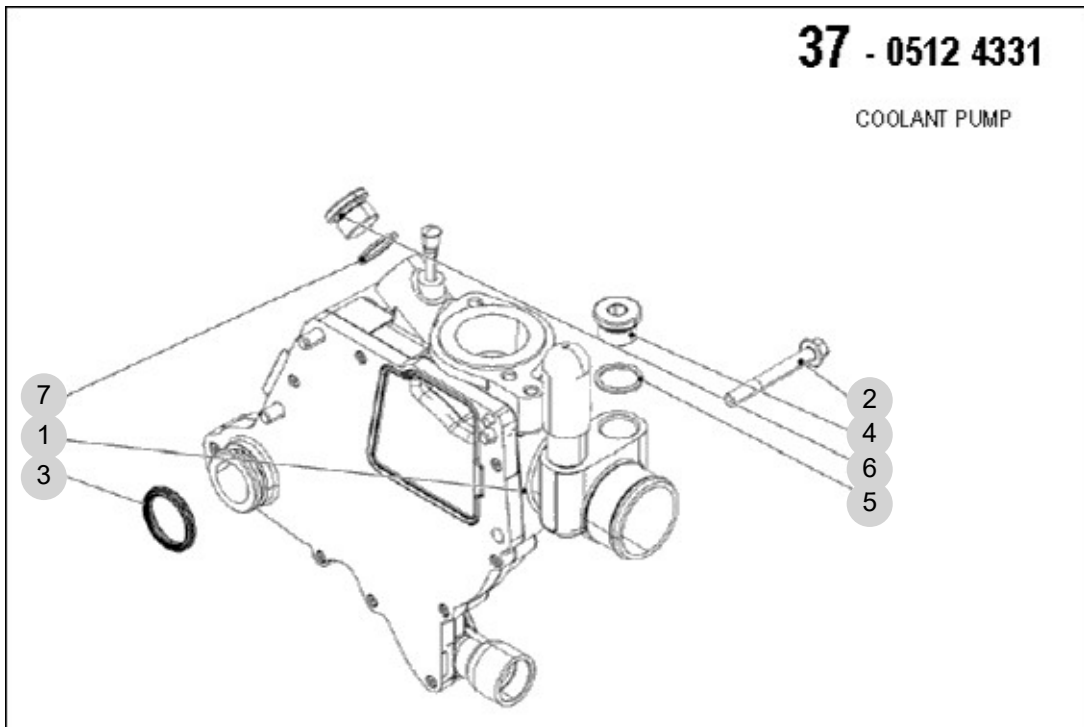
FIG 37

0512 4331

년/월  
Year/Month

2022-12

T754SCEUA



NOTE



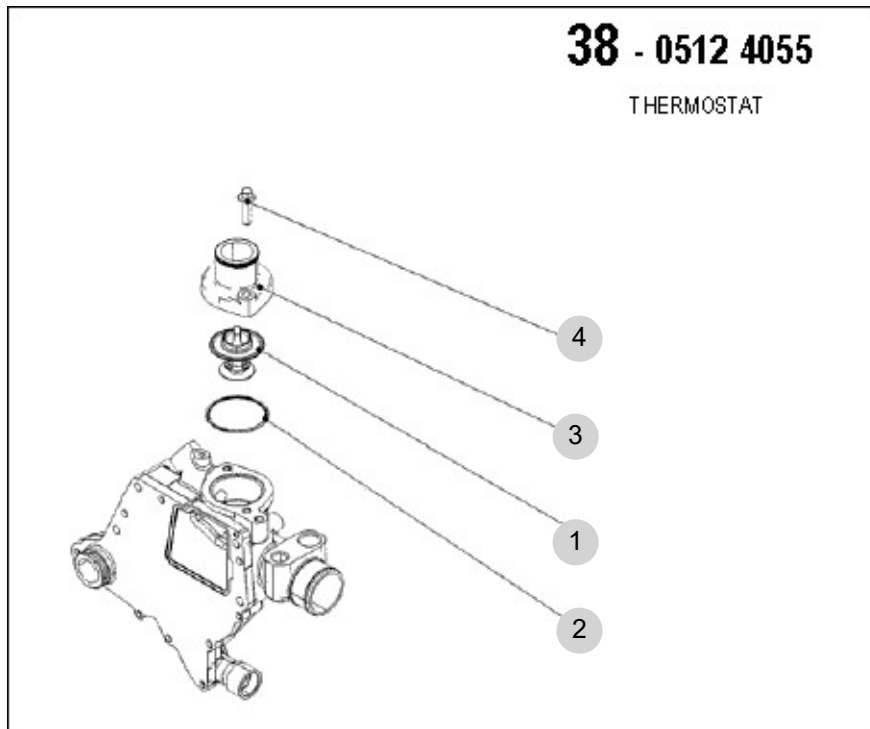
FIG 38

0512 4055

년/월  
Year/Month

2022-12

T754SCEUA



NOTE



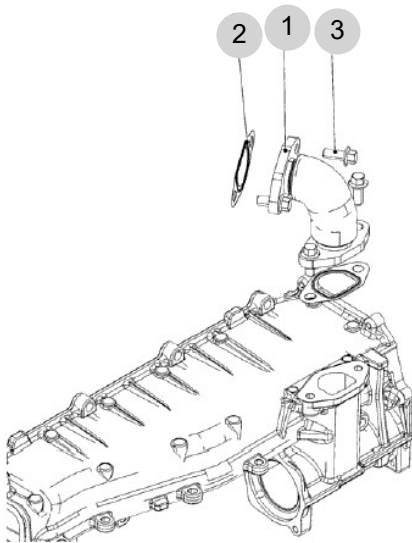
FIG 41

0512 4143, 0512 4058, 0512 4097, 0512 4257

년/월  
Year/Month

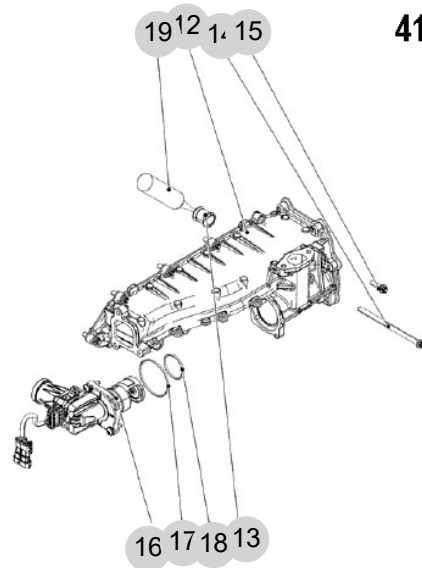
2022-12

T754SCEUA



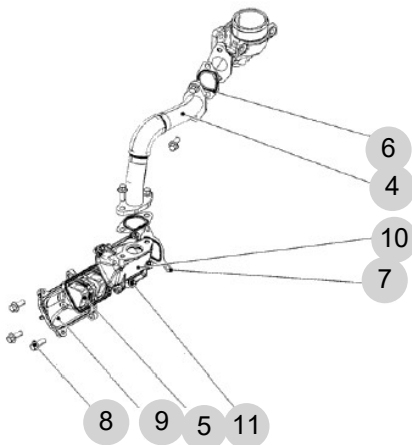
**41 - 0512 4058**

PIPELINE/LEAD



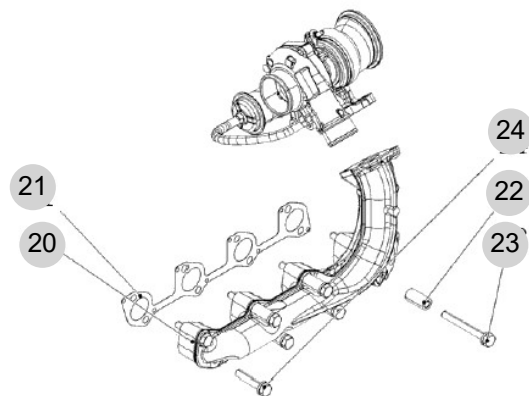
**41 - 0512 4143**

EGR-MODULE



**41 - 0512 4097**

PIPELINE/LEAD



**41 - 0512 4257**

EXHAUST MANIFOLD

NOTE





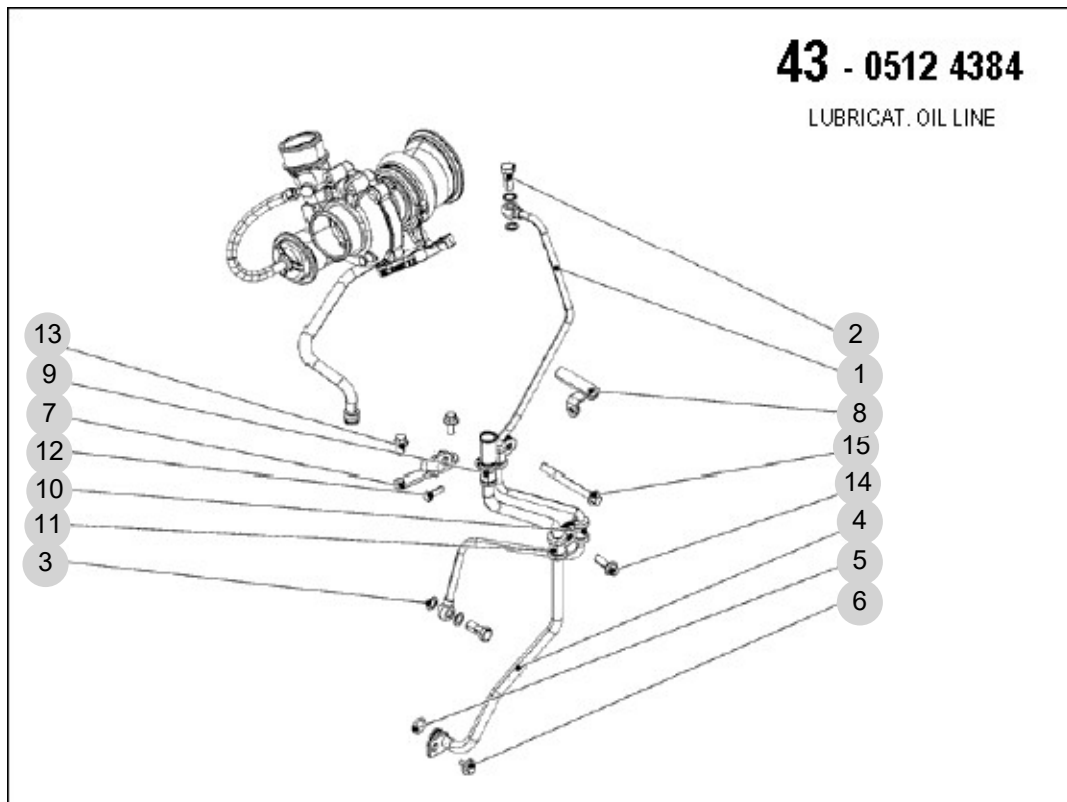
FIG 43

0512 4384

년/월  
Year/Month

2022-12

T754SCEUA



NOTE



FIG 44

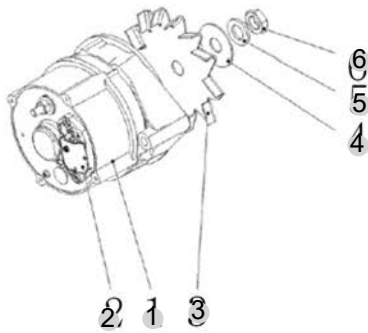
0512 4062, 0512 4256, 0512 4393, 0512 4400

년/월  
Year/Month

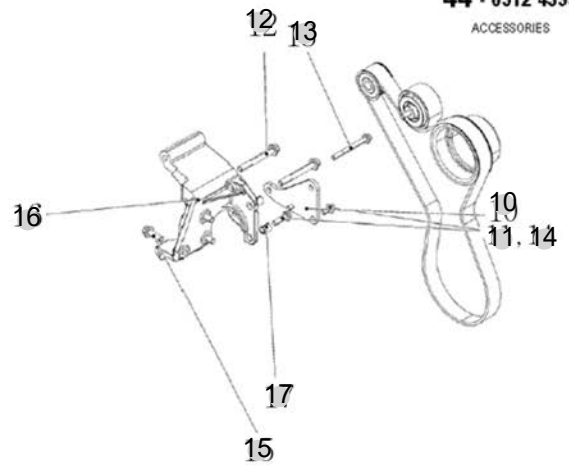
2022-12

T754SCEUA

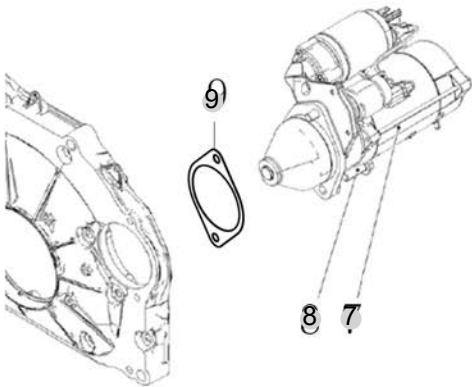
**44 - 0512 4062**  
GENERATOR



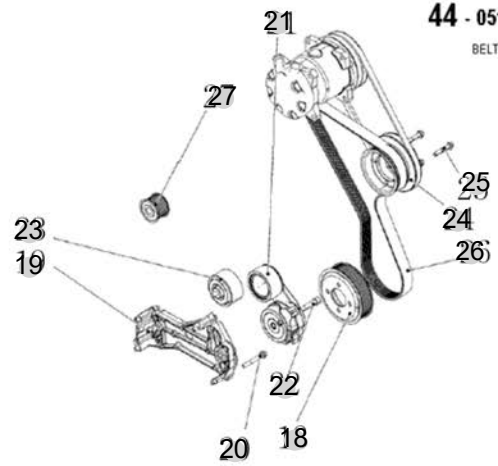
**44 - 0512 4393**  
ACCESSORIES



**44 - 0512 4256**  
STARTER



**44 - 0512 4400**  
BELT DRIVE



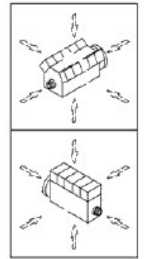
NOTE



FIG 48-1  
T754SCEUA

0511 7723, 0512 4011, 0512 4098, 0512 4127,  
0512 4292

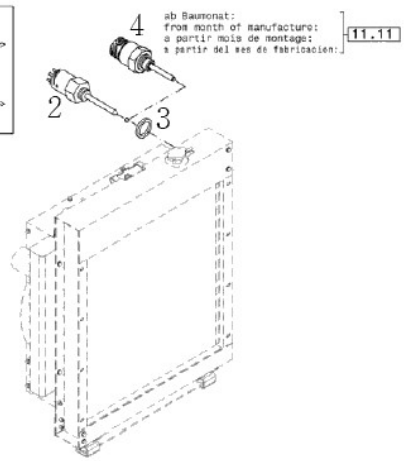
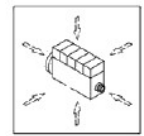
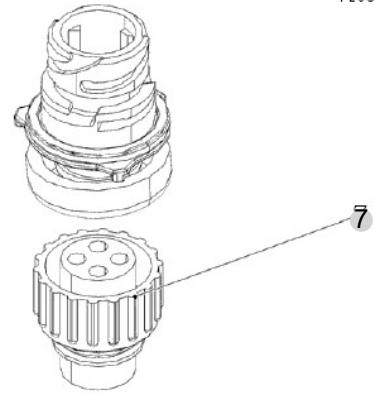
년/월  
Year/Month  
2022-12



**48 - 0511 7723**  
ATTACHMENT PLUG

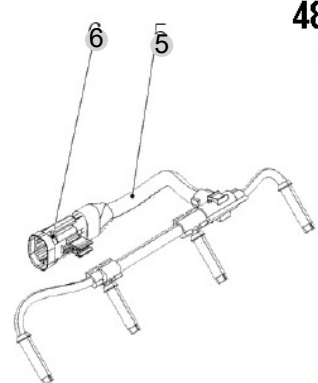
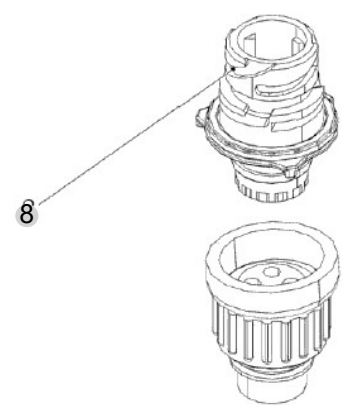


**48 - 0512 4098**  
PLUG-IN CONNECTOR

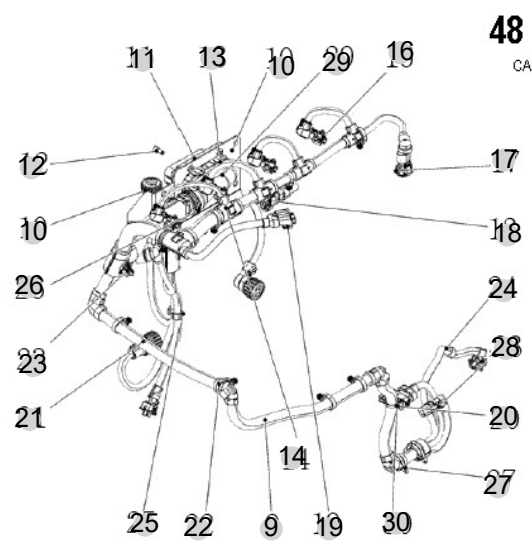


**48 - 0511 8568**  
LEVEL SWITCH

**48 - 0512 4127**  
PLUG-IN CONNECTOR



**48 - 0512 4011**  
CABLE HARNESS



**48 - 0512 4292**  
CABLE HARNESS

NOTE

FIG 48-1 T754SCEUA	0511 7723, 0512 4011, 0512 4098, 0512 4127, 0512 4292	년/월 Year/Month
		2022-12

KEY NO	PART NO	DESCRIPTION	SPEC	QTY	REPAIR	EFFECTIVE DATE	REMARKS
48-1	1	0421 8154	PLUG IN CONNECTOR		1		
48-1	5	0421 8420	CABLE HARNESS		1		
48-1	6	0421 8711	PLUG IN CONNECTOR		1		
48-1	7	0421 5408	PLUG IN CONNECTOR		1		
48-1	8	0421 6723	PLUG IN CONNECTOR		1		
48-1	9	0421 2269	CABLE HARNESS		1		
48-1	9	0421 1037	CABLE HARNESS		1		
48-1	10	0413 1765	RETAINING PLATE		1		
48-1	11	0421 3944	ADAPTER		1		
48-1	12	0118 3501	CHEESE HEAD SCREW		4		
48-1	13	0421 3943	FIXING BRACKET		1		
48-1	14	0421 6974	BRACKET		2		
48-1	15	0421 6798	PLUG-IN CONNECTOR		1		
48-1	16	0421 5404	PLUG-IN CONNECTOR		5		
48-1	17	0421 5409	PLUG-IN CONNECTOR		3		
48-1	18	0421 5412	PLUG-IN CONNECTOR		1		
48-1	19	0421 5403	PLUG-IN CONNECTOR		1		
48-1	20	0421 6073	PLUG-IN CONNECTOR		1		
48-1	21	0421 5408	PLUG-IN CONNECTOR		2		
48-1	22	0421 4077	CLAMPING BAND		8		
48-1	23	0421 3120	FIXING CLIP		1		
48-1	24	0419 9421	BRACKET		1		
48-1	25	0421 6271	SUPPORT		1		
48-1	26	0421 7807	WIRE FASTENER		1		
48-1	27	0421 4334	CLAMPING BAND		4		
48-1	28	0421 6072	PLUG-IN CONNECTOR		1		
48-1	29	0421 3653	CAP		1		
48-1	30	0421 6135	CLAMPING BAND		1		

NOTE	
------	--

FIG 48-2

0512 4128, 0512 4293, 0512 4334, 0512 4338,  
0512 4343

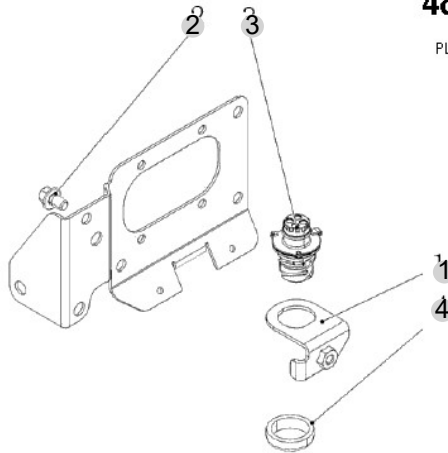
년/월  
Year/Month

2022-12

T754SCEUA

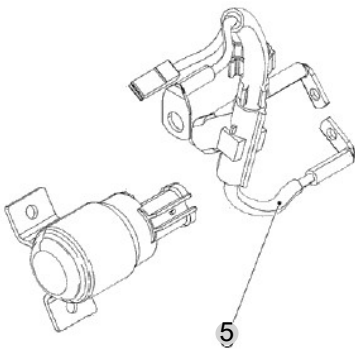
**48 - 0512 4128**

PLUG-IN CONNECTOR



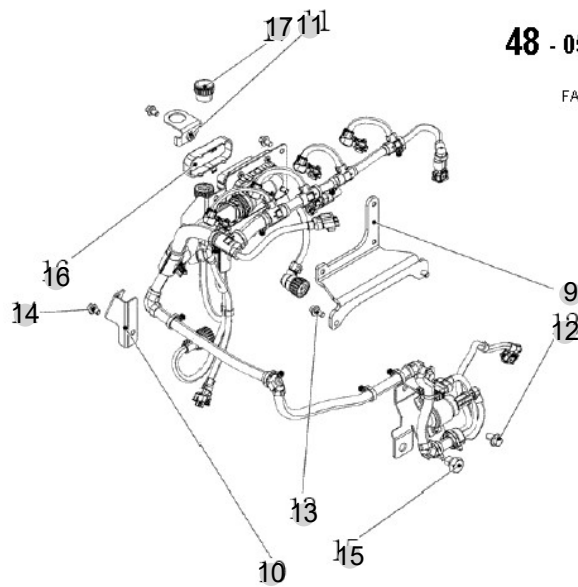
**48 - 0512 4293**

CONNECTING PIPE



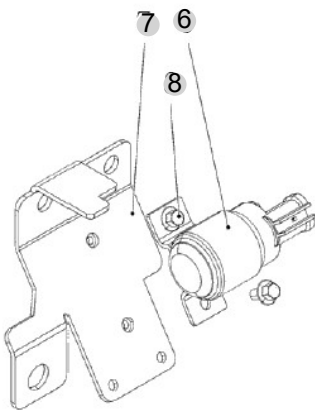
**48 - 0512 4338**

FASTENINGS



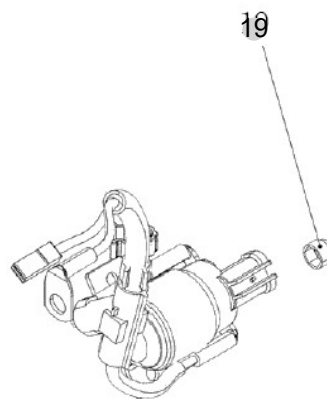
**48 - 0512 4334**

RELAY



**48 - 0512 4343**

PROTECTING CAP



NOTE





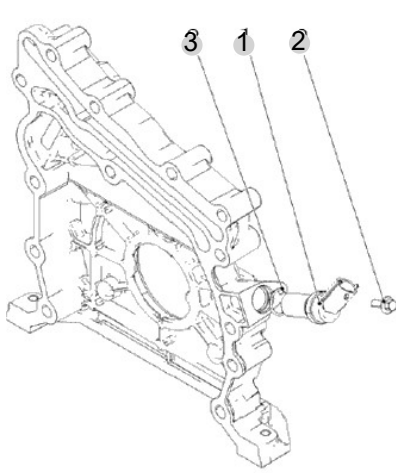
FIG 51

0512 4060, 0512 4104, 0512 4300, 0512 4329

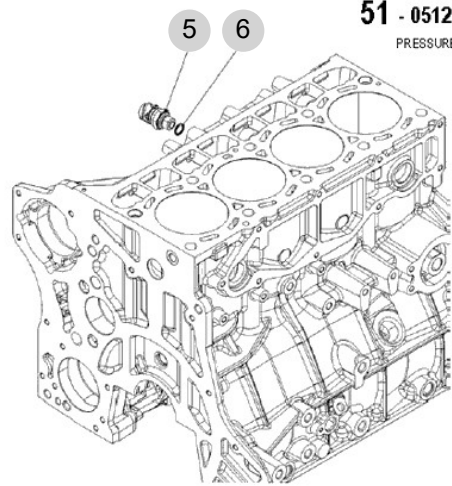
년/월  
Year/Month

2022-12

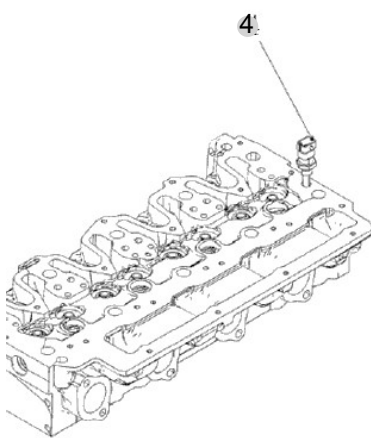
T754SCEUA



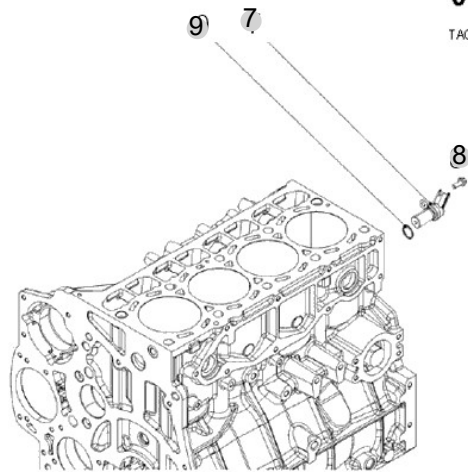
**51 - 0512 4060**  
TACHO-GENERATOR



**51 - 0512 4105**  
PRESSURE SENSOR

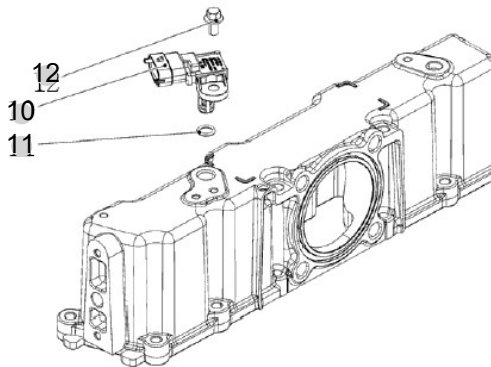


**51 - 0512 4104**  
TEMPER.TRANSMITTER



**51 - 0512 4300**  
TACHO-GENERATOR

**51 - 0512 4329**  
SENSOR



NOTE

KEY NO		PART NO	DESCRIPTION	SPEC	QTY	REPAIR	EFFECTIVE DATE	REMARKS
51		0421 3840	TACHO-GENERATOR		1			
51		0118 1439	HEXAGON BOLT		1			
51		0134 0597	O-SEAL		1			
51		0421 3839	TEMPER.TRANSMITTER		1			
51		0421 3842	PRESSURE SENSOR		1			
51		0421 0381	O-SEAL		1			
51		0421 0197	TACHO-GENERATOR		1			
51		0118 0254	CHEESE HEAD SCREW		1			
51		0421 1700	SEALING RING		1			
51		0421 6645	PRESSURE SENSOR		1			
51		0118 1086	O-SEAL		1			
51		0118 1442	HEXAGON BOLT		1			
NOTE								

FIG 63

0512 4010

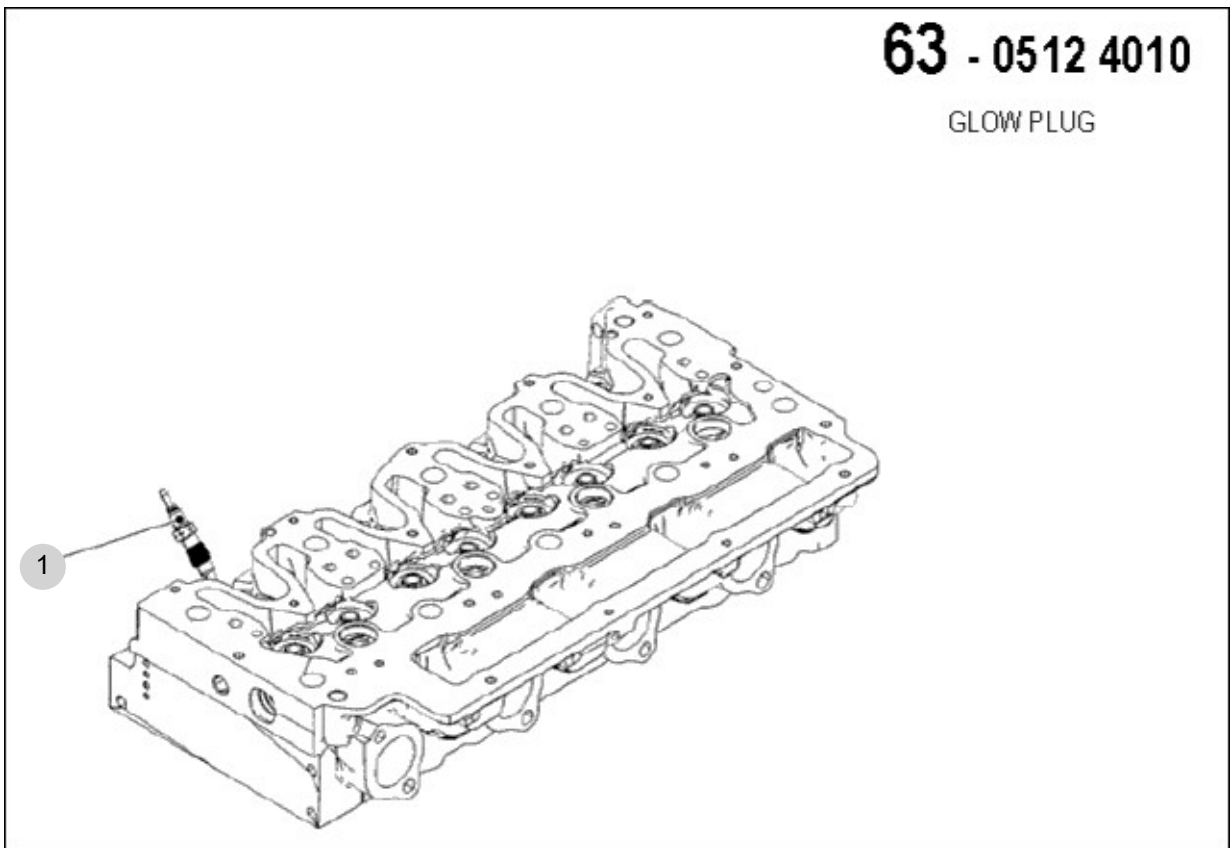
년/월  
Year/Month

2022-12

T754SCEUA

**63 - 0512 4010**

GLOW PLUG



NOTE



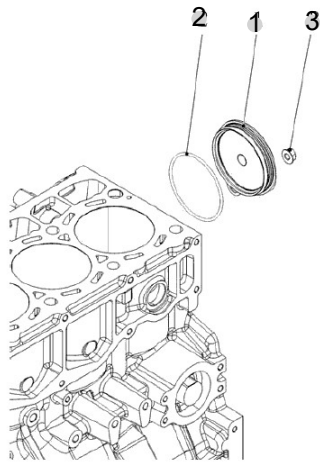
FIG 83

T754SCEUA

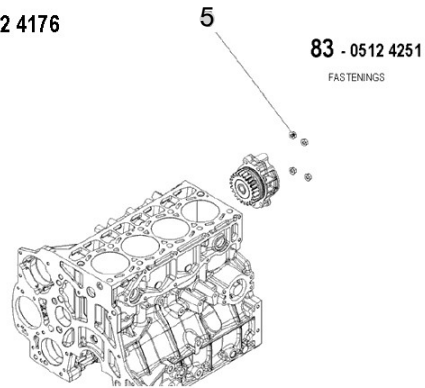
0512 4176, 0512 4180, 0512 4251, 0512 4337,  
0512 4339, 0512

년/월  
Year/Month

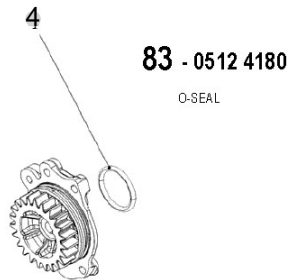
2022-12



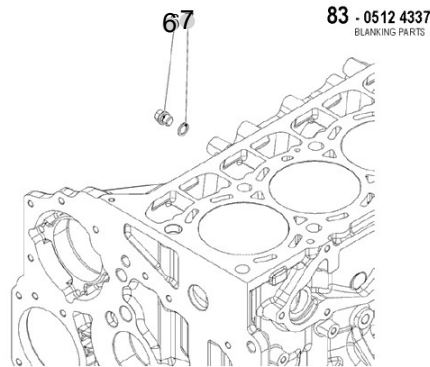
83 - 0512 4176  
COVER



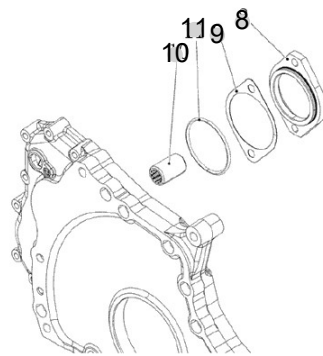
83 - 0512 4251  
FASTENINGS



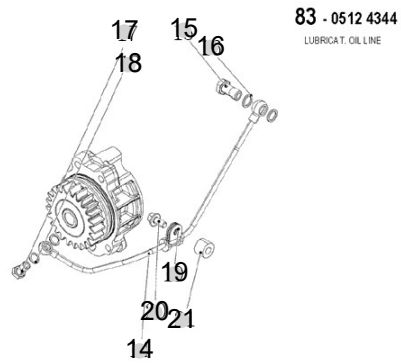
83 - 0512 4180  
O-SEAL



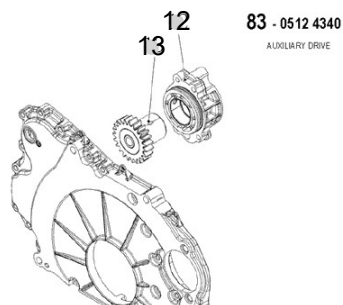
83 - 0512 4337  
BLANKING PARTS



83 - 0512 4339  
ADAPTERFLANSCH



83 - 0512 4344  
LUBRICAT. OIL LINE



83 - 0512 4340  
AUXILIARY DRIVE

NOTE



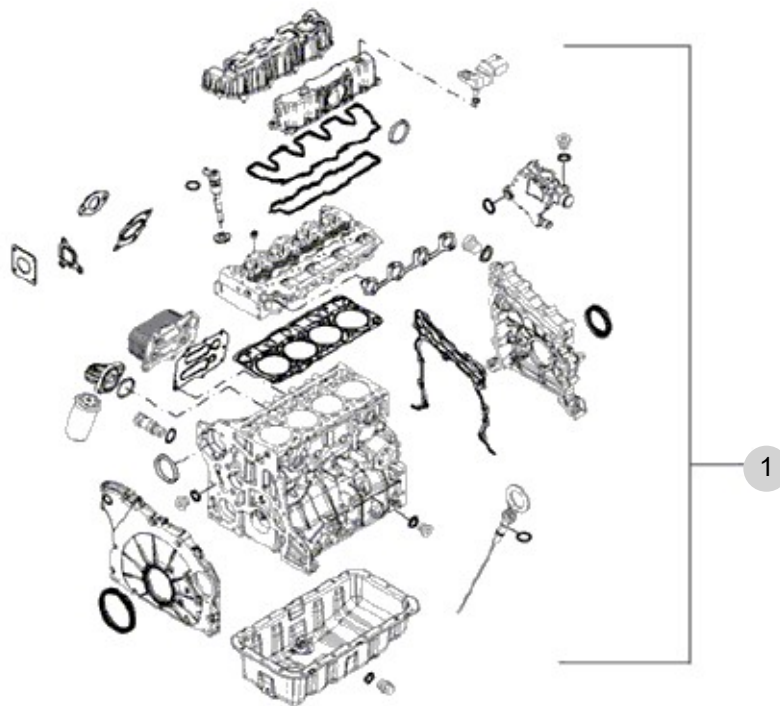
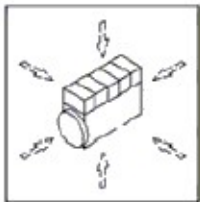
FIG 90

T754SCEUA

0512 4355

년/월  
Year/Month

2022-12



**90 - 0512 4355**

GASKET SET

1

NOTE





## 2. Engine Accessories PART NO. T2

FIG 201 AIR CLEANER	71
FIG 202 RADIATOR	73
FIG 203 MUFFLER & EXHAUST PIPE	76
FIG 204 FUEL TANK	79
FIG 205 FUEL FILTER & FUEL PUMP	81
FIG 206 OIL COOLER	83

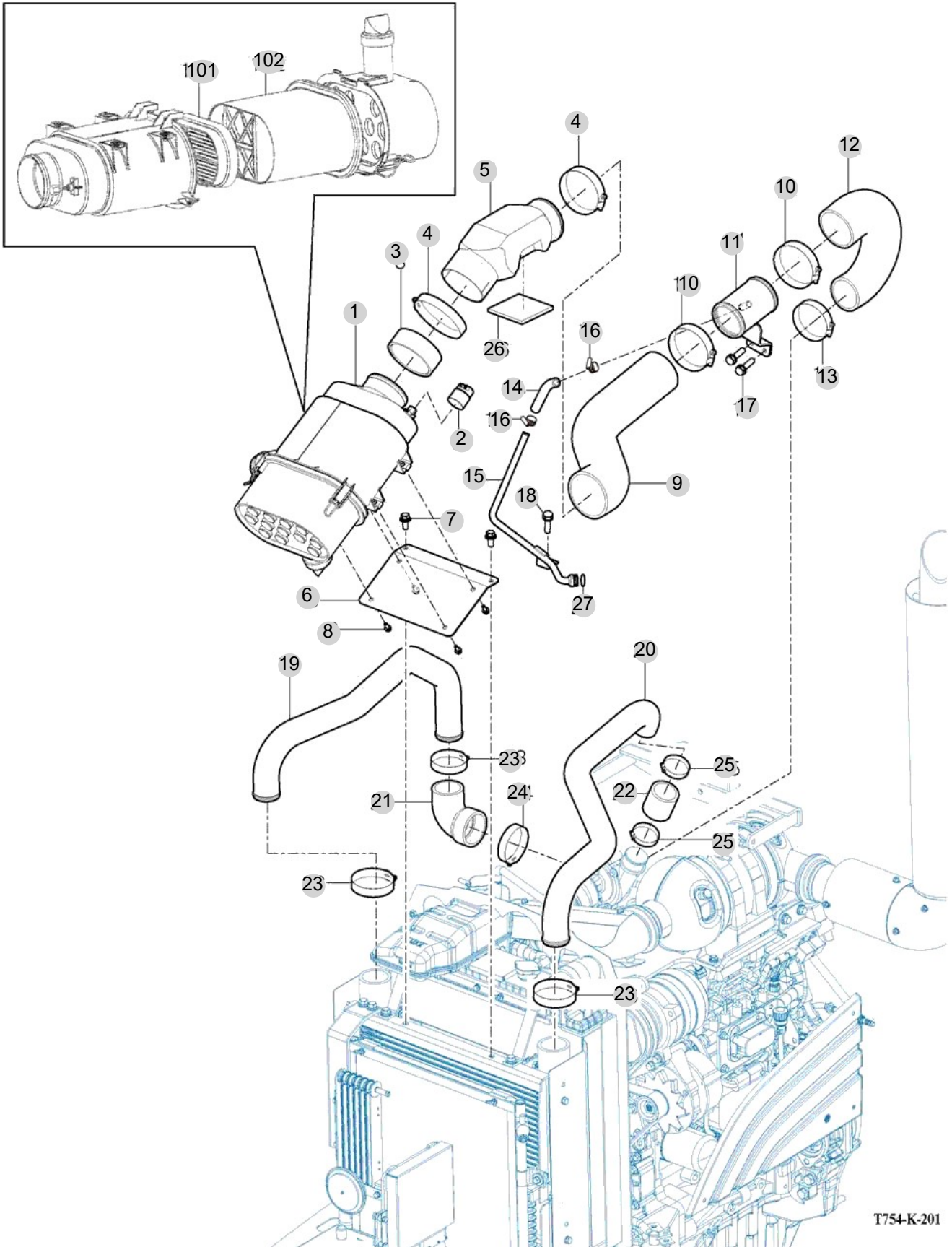
FIG 201

AIR CLEANER

년/월  
Year/Month

2022-12

T754SCEUA



T754-K-201

NOTE



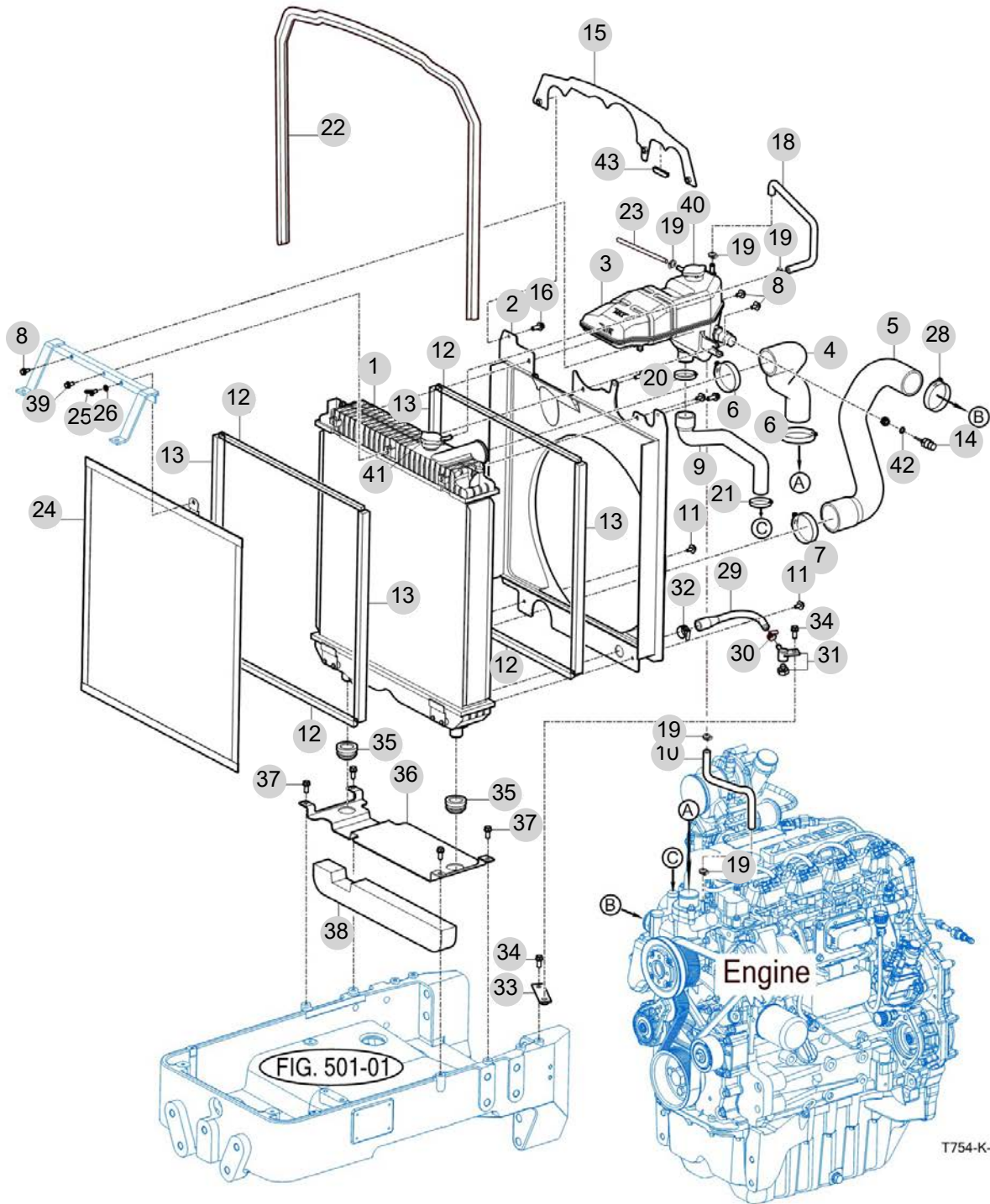
FIG 202

RADIATOR

년/월  
Year/Month

2022-12

T754SCEUA



NOTE

FIG 202 T754SCEUA		RADIATOR					년/월 Year/Month	
							2022-12	
KEY NO	PART NO	DESCRIPTION	SPEC	QTY	REPAIR	EFFECTIVE DATE	REMARKS	
202	1	18021042500	RADIATOR ASSY		1			
202	2	18021042201	SHROUD		1			
202	3	18021041002	RESERVE TANK		1			
202	3	18021041003	RESERVOIR TANK		1			
202	4	18021040010	HOSE , RADIATOR INLET		1			
202	5	18021040020	HOSE , RADIATOR/OUTLET		1			
202	6	18027090600	BAND CLAMP 60 EMBO TYPE		2			
202	7	18027090700	BAND CLAMP 70 EMBO TYPE		1			
202	8	V2193606025	BOLT , HEX/SPL	M6X25	3			
202	9	18021040030	HOSE ID22		1			
202	10	18028200081	HOSE 290		1			
202	11	V2193606016	BOLT , HEX/SPL	M6X16	3			
202	12	16601042340	SPONGE , 495		4			
202	13	10011042360	SPONGE , 20X15		4			
202	14	04218100	LEVEL SWITCH		1			
202	15	18021042300GB	PLATE COMP , SEAL C		1			
202	16	V2123606016	BOLT , HEX /SP	M6X16	3			
202	18	18021040041	HOSE RD TANK		1			
202	19	14501410050	BAND CLAMP 16		2			
202	19	18027090160	BAND CLAMP 16 EMBO TYPE		5			
202	20	14241010050	WIRE CLAMP 42		1			
202	20	18027090500	BAND CLAMP 50 EMBO TYPE		1			
202	21	18027090400	BAND CLAMP 40 EMBO TYPE		1			
202	22	10031040320	INSULATOR		1			
202	23	18021040050	HOSE , BREATHER 500		1			
202	24	17811042300GB	NET COMP , RADIATOR		1			
202	25	V2712606012	BOLT , WING	M6X12	1			
202	26	V4111600060	WASHER , PLAIN	M6	1			
202	28	18027090600	BAND CLAMP 60 EMBO TYPE		1			
202	29	19021040091	HOSE(210)		1			
202	30	37481850030	BAND CLAMP 18		1			
202	31	15231041000	CONNECTOR		1			
202	32	37681850160	BAND CLAMP 25		1			
202	32	18027090250	BAND CLAMP 25 EMBO TYPE		1			
202	33	16991041100GB	PLATE COMP , CONNECTOR		1			
202	34	V2183608025	BOLT , HEX/SP	M8X25	1			
202	35	19021040020	CUSHION RADIATOR		2			
202	36	17131142100GB	SUPPORT , RADIATOR		1			
202	37	V2183608020	BOLT , HEX/SP	M8X20	4			
202	38	18021040500	INSULATOR , RADIATOR		1			
202	39	V2323606016	BOLT , C/R HEX/SP	M6X16	1			
202	40	13011042110	CAP 0.9bar		1			
202	41	18021042110	CAP ASSY OKPa		1			
202	42	1148836	SEALING RING		1			
202	42	01148836	SEALING RING		1			
NOTE								



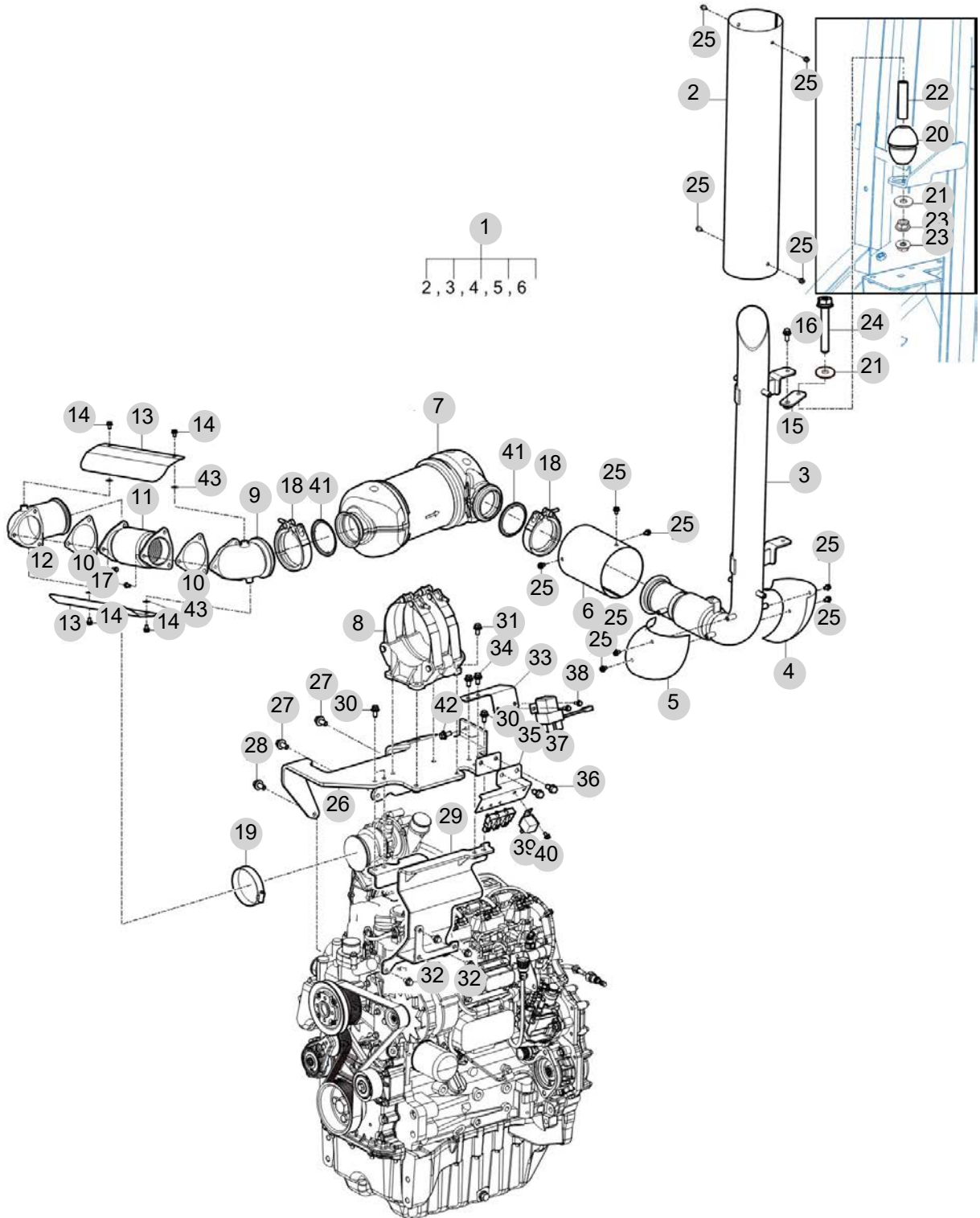
FIG 203

MUFFLER & EXHAUST PIPE

년/월  
Year/Month

2022-12

T754SCEUA



NOTE



FIG 203 T754SCEUA		MUFFLER & EXHAUST PIPE					년/월 Year/Month	
							2022-12	
KEY NO	PART NO	DESCRIPTION	SPEC	QTY	REPAIR	EFFECTIVE DATE	REMARKS	
203	1	18021061001	EXHAUST PIPE ASSY			1		
203	1	18021061002	EXHAUST PIPE ASSY			1		
203	1	18021061003	EXHAUST PIPE ASSY			1		
203	7	04603915	CATALYST ax rd 90(DOC)			1		
203	7	04605726	CATALYST ax rd 90(DOC)			1		
203	8	04604243	BRACKET (DOC MOUNT)			1		
203	8	04605741	BRACKET (DOC MOUNT)			1		
203	9	18021061600DD	ELBOW / DOC			1		
203	10	18021061800	GASKET , BELLOWS			2		
203	11	18021061700DD	BELLOWS COMP			1		
203	12	18021061500DD	ELBOW / TC			1		
203	13	18021062100DD	PLATE , INSULATOR			1		
203	13	18021062400DD	PLATE COMP , INSULATION			1		
203	14	V2123606016	BOLT , HEX /SP	M6X16		4		
203	15	18021061900GB	CONNECTOR COMP			1		
203	16	V2183608020	BOLT , HEX/SP	M8X20		1		
203	17	V2173608020	BOLT , HEX/S	M8X20		6		
203	18	04603585	CLIP			1		
203	18	04607110	CLIP			2		
203	19	04602018	CLIP			1		
203	20	18501058010	RUBBER, VIBRATION			2		
203	21	35605033020	WASHER , WIRE WITHDRAWAL			4		
203	22	18501058020	SPACER			2		
203	23	V3802600060	NUT , HEX FLANGE	M6		4		
203	24	V2053606080	BOLT , HEX C/R	M6X80		2		
203	25	V2327006012	BOLT , C/R HEX/SP	M6X12		11		
203	26	18021051502GB	BRACKET COMP , DOC			1		
203	26	18021051503GB	BRACKET COMP , DOC			1		
203	27	V2183608025	BOLT , HEX/SP			6		
203	27	V2183608025	BOLT , HEX/SP	M8X25		2		
203	28	V2183608025	BOLT , HEX/SP	M8X25		1		
203	29	18021052500GB	BRACKET COMP , DOC SIDE			1		
203	30	V2183608030	BOLT , HEX/SP	M8X30		4		
203	31	V2183608035	BOLT , HEX/SP	M8X35		4		
203	32	V2183608020	BOLT , HEX/SP	M8X20		5		
203	33	18021051601GB	BKT COMP , GLOW RELAY			1		
203	34	V2183608025	BOLT , HEX/SP	M8X25		2		
203	35	18021052101GB	BKT COMP , FUSE			1		
203	36	V2183608025	BOLT , HEX/SP	M8X25		2		
203	37	10036802800	RELAY ASSY , GLOW			1		
203	38	V2123606016	BOLT , HEX /SP	M6X16		2		
203	39	11616212900	RELAY 5P			1		
203	40	V2123606016	BOLT , HEX /SP			1		
203	41	04600004	GASKET DOC			2		
203	42	V2183608025	BOLT , HEX/SP			2		
NOTE								



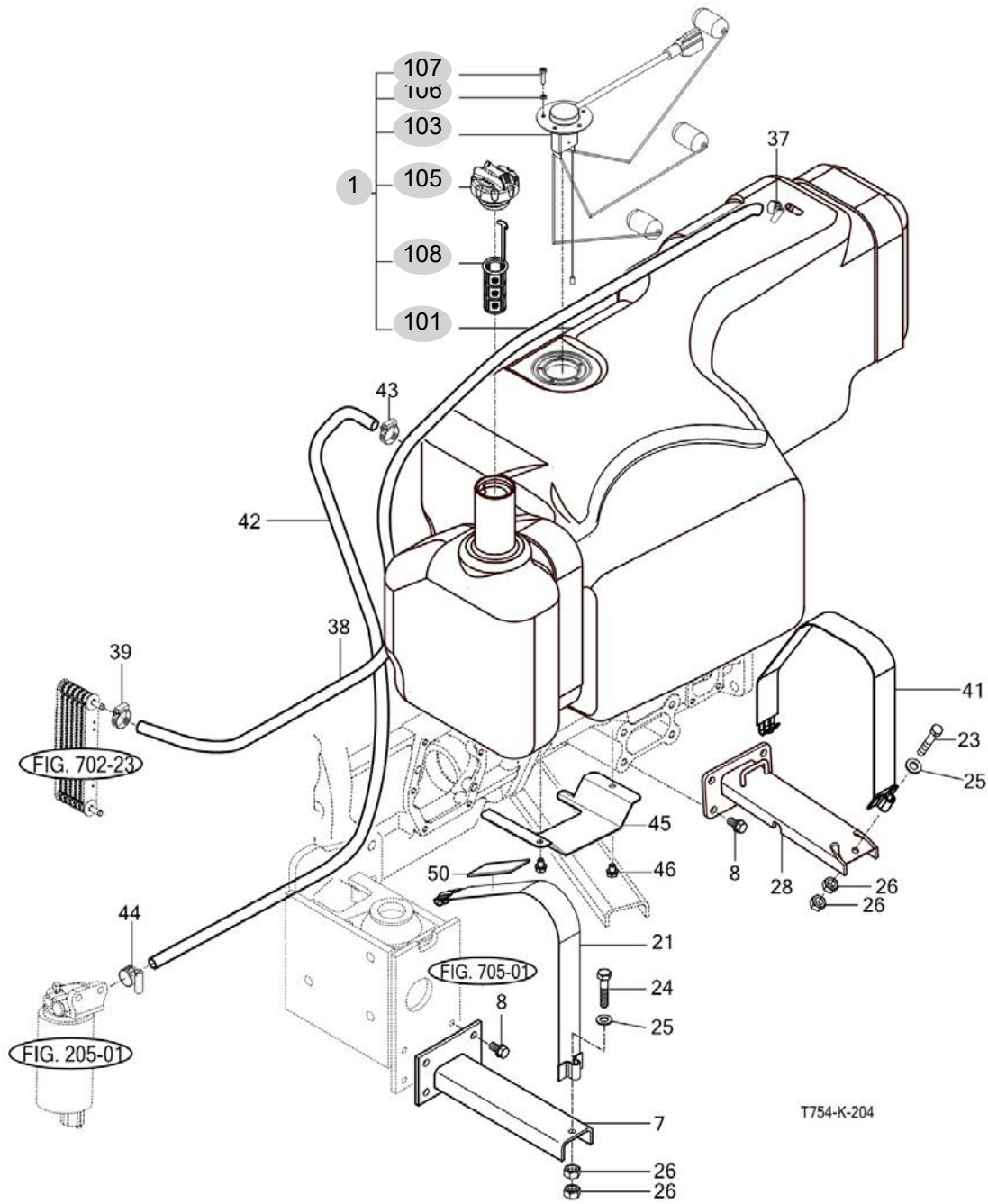
FIG 204

FUEL TANK

년/월  
Year/Month

2022-12

T754SCEUA



NOTE

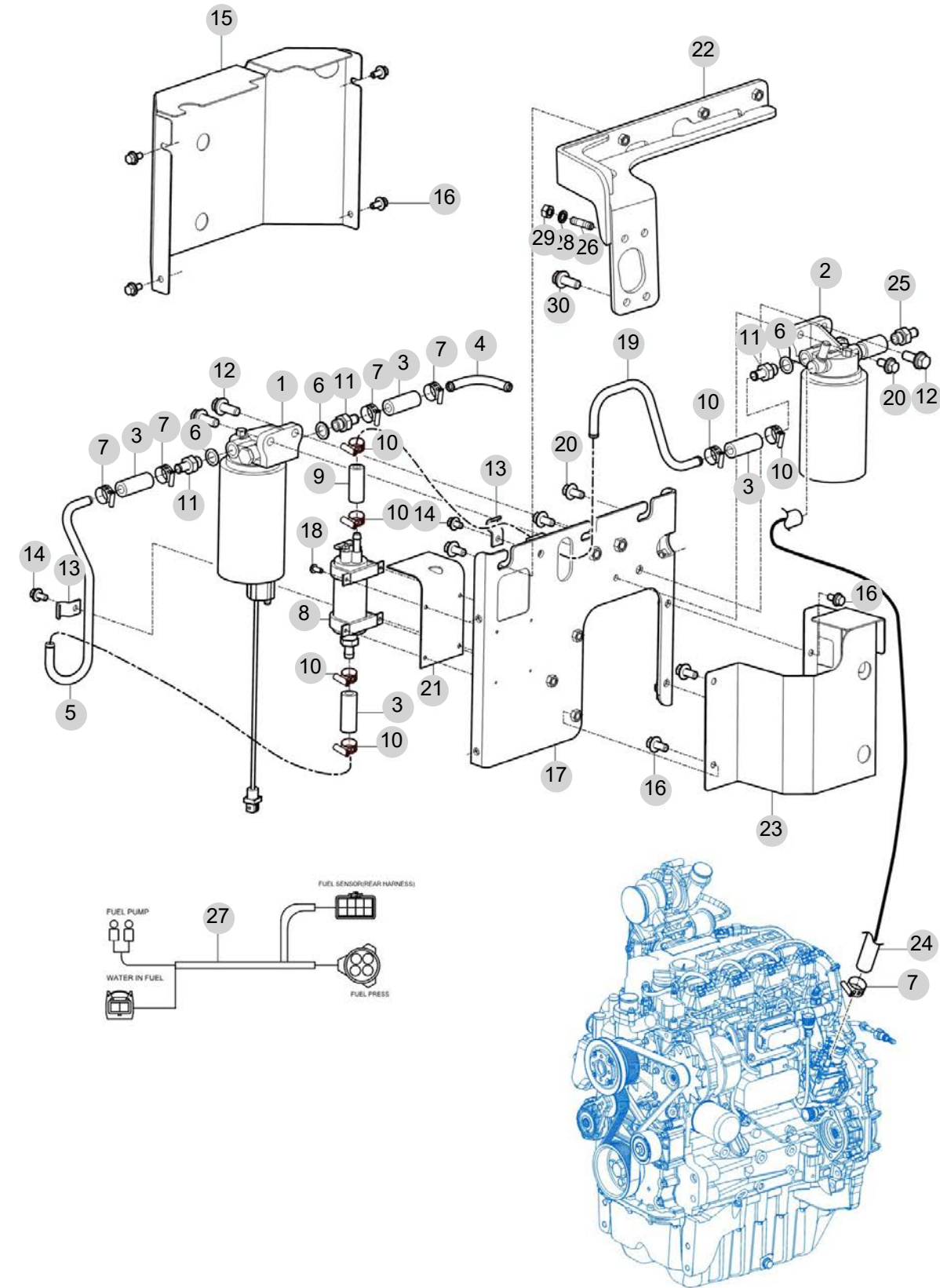


FIG 205

FUEL FILTER & FUEL PUMP

년/월  
Year/Month

2022-12



NOTE



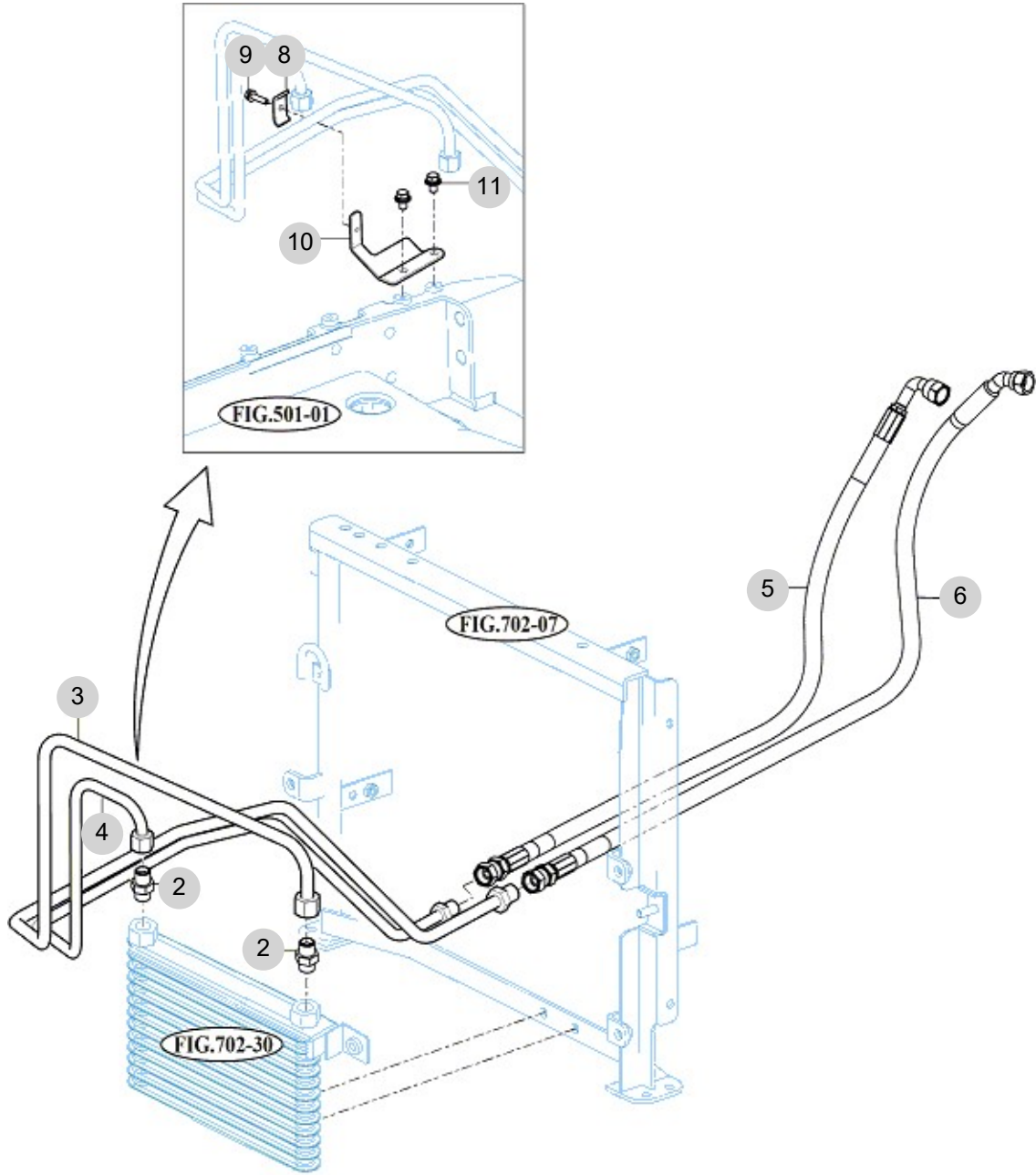
FIG 206

T754SCEUA

OIL COOLER

년/월  
Year/Month

2022-12



X750P-K-207

NOTE





### 3. Clutch/Brake/Steering PART NO. T3

FIG 301 CLUTCH	86
FIG 302 CLUTCH PEDAL	88
FIG 303 BRAKE PEDAL & LINK	91
FIG 304 FRONT WHEEL	93
FIG 305 REAR WHEEL	95
FIG 306 POWER STEERING WHEEL	97
FIG 307 POWER STEERING VALVE	99
FIG 308 POWER STEERING CYLINDER	101
FIG 309 HAND BRAKE & BRAKE	103

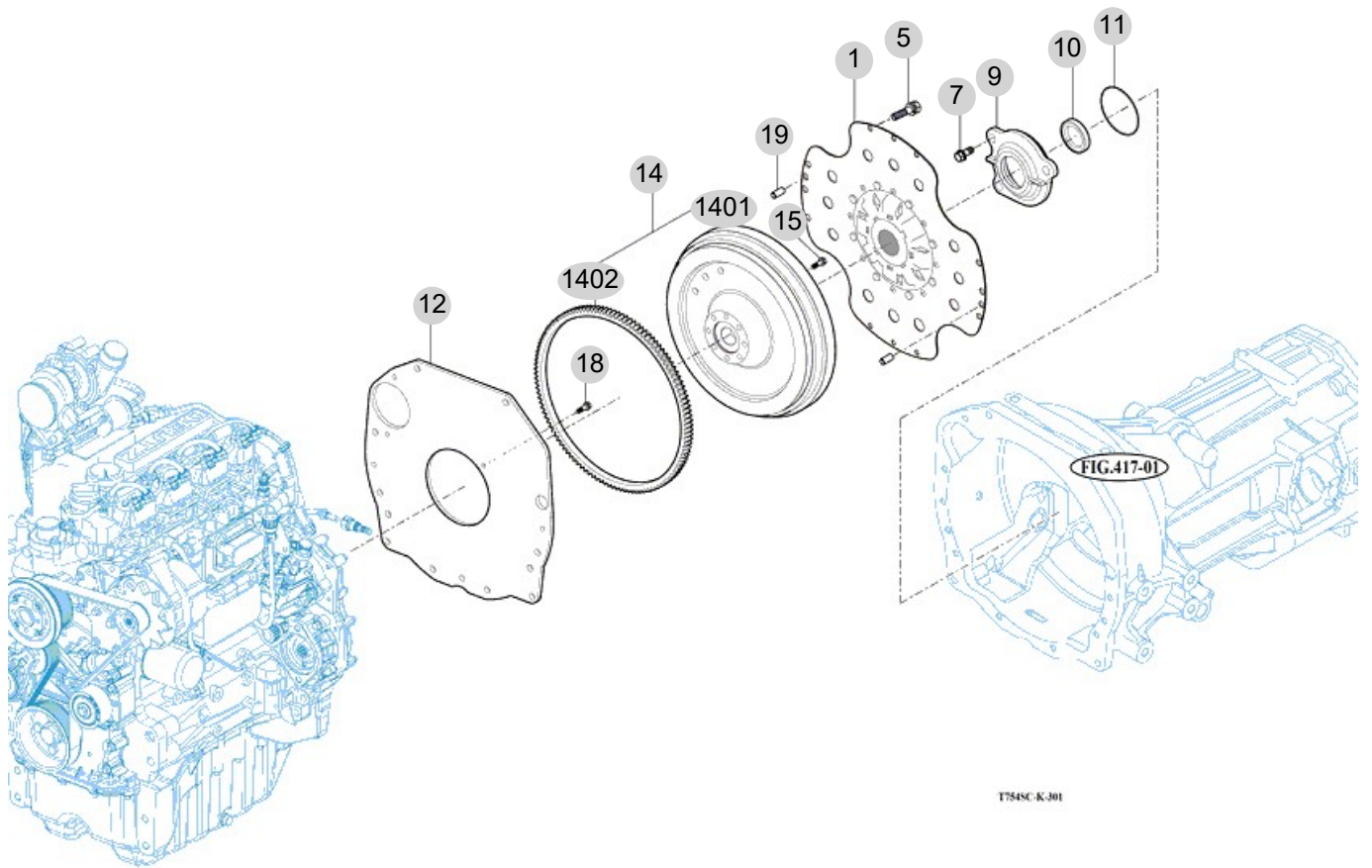
FIG 301

T754SCEUA

CLUTCH

년/월  
Year/Month

2022-12



T754SC\_K.301

NOTE



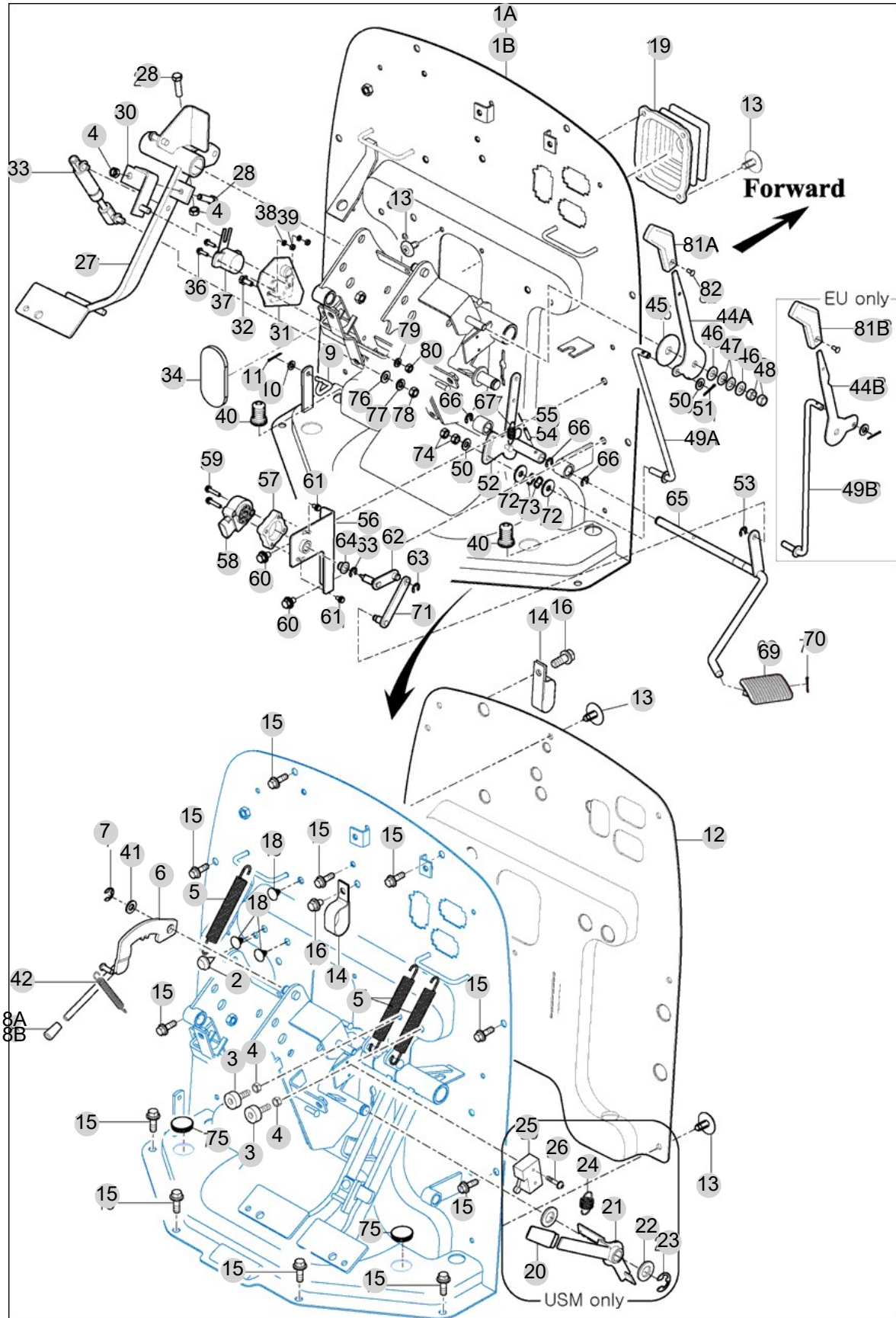
FIG 302

CLUTCH PEDAL

년/월  
Year/Month

2022-12

T754SCEUA



NOTE

FIG 302 T754SCEUA		CLUTCH PEDAL					년/월 Year/Month	
							2022-12	
KEY NO	PART NO	DESCRIPTION	SPEC	QTY	REPAIR	EFFECTIVE DATE	REMARKS	
302	1B	18186304200GB	PANEL COMP , DASH		1			
302	2	14326160020	RUBBER , CUSHION	1X1X1	1			
302	3	14216020051	RUBBER , CUSHION B	1X1X1	2			
302	4	V3043600080	NUT , HEX/2	M8	4			
302	5	14041200080	RETURN SPRING , CLUTCH	HL2000공용	3			
302	6	14724042401GB	LEVER COMP , TILT	1X1X1	1			
302	7	V7081400090	E-RING	9	1			
302	8B	14445070030	GRIP , LEVER		1			
302	9	15441230050	ROD	D=5.25 5.3	1			
302	10	V4111600060	WASHER , PLAIN	M6	1			
302	11	V5001920020	PIN , SPLIT	2X20	1			
302	12	18027071991	INSULATOR,DASH		1			
302	13	17686040020	RIVET SET , black	SV625	13			
302	14	14441010161	CLAMP , RADIATOR HOSE	1X1X1	2			
302	15	V2183608016	BOLT , HEX/SP	M8X16	10			
302	16	V2183608020	BOLT , HEX/SP	M8X20	2			
302	18	15276040020	CLIP , TRIM	1X1X1	3			
302	19	19996300010	BOOT,STEERING/HOSE	T=1.5	1			
302	27	19991332100GB	PEDAL COMP , CLUTCH	340*100*150	1			
302	28	V2013608030	BOLT , HEX	M8X30	2			
302	30	14541332400	PLATE COMP , SENSOR PIN	1X1X1	1			
302	31	14546303400	PLATE COMP , SENSOR	1X1X1	1			
302	32	V2113606016	BOLT , HEX /S	M6X16	1			
302	33	14541332200	DAMPER ASSY , CLUTCH	1X1X1	1			
302	34	14546301230	INSULATOR , CLUTCH PEDAL	1X1X1	1			
302	36	V1222604016	SCREW , C/R PAN/SP	M4X16	2			
302	37	14545300020	POTENTIOMETER ASSY	1X1X1	1			
302	38	V4011600040	WASHER , SPRING	M4	2			
302	39	V3002600040	NUT , HEX/1	M4	2			
302	40	14521160090	BOOT , BRAKE ROD	1X1X1	2			
302	41	V4111600120	WASHER , PLAIN	M12	1			
302	42	16001200080	RETURN SPRING , BRAKE	1X1X1	1			
302	44B	18181162110	PLATE , THROTTLE LEVER		1			
302	45	14141170050	LINING , 13X50X3	T=3	1			
302	46	V4111600100	WASHER , PLAIN	M10	2			
302	47	14527060010	WASHER , JERBSI SPRING/10	M10	1			
302	48	V3342600100	NUT , HEX FINE/2	M10	1			
302	49B	18181162500	ROD COMP , THROTTLE		1			
302	50	V4111600080	WASHER , PLAIN	M8	2			
302	51	V5001920020	PIN , SPLIT	2X20	1			
302	52	17461162400	PEDAL ARM COMP , ACCEL		1			
302	53	V7081400060	E-RING	6	1			
302	54	V5801405025	PIN , SPRING	5X25	1			
302	55	V5901010070	WIRE , STEEL	1.0X70	1			
302	56	17467552200	SENSOR PLATE COMP		1			
NOTE								

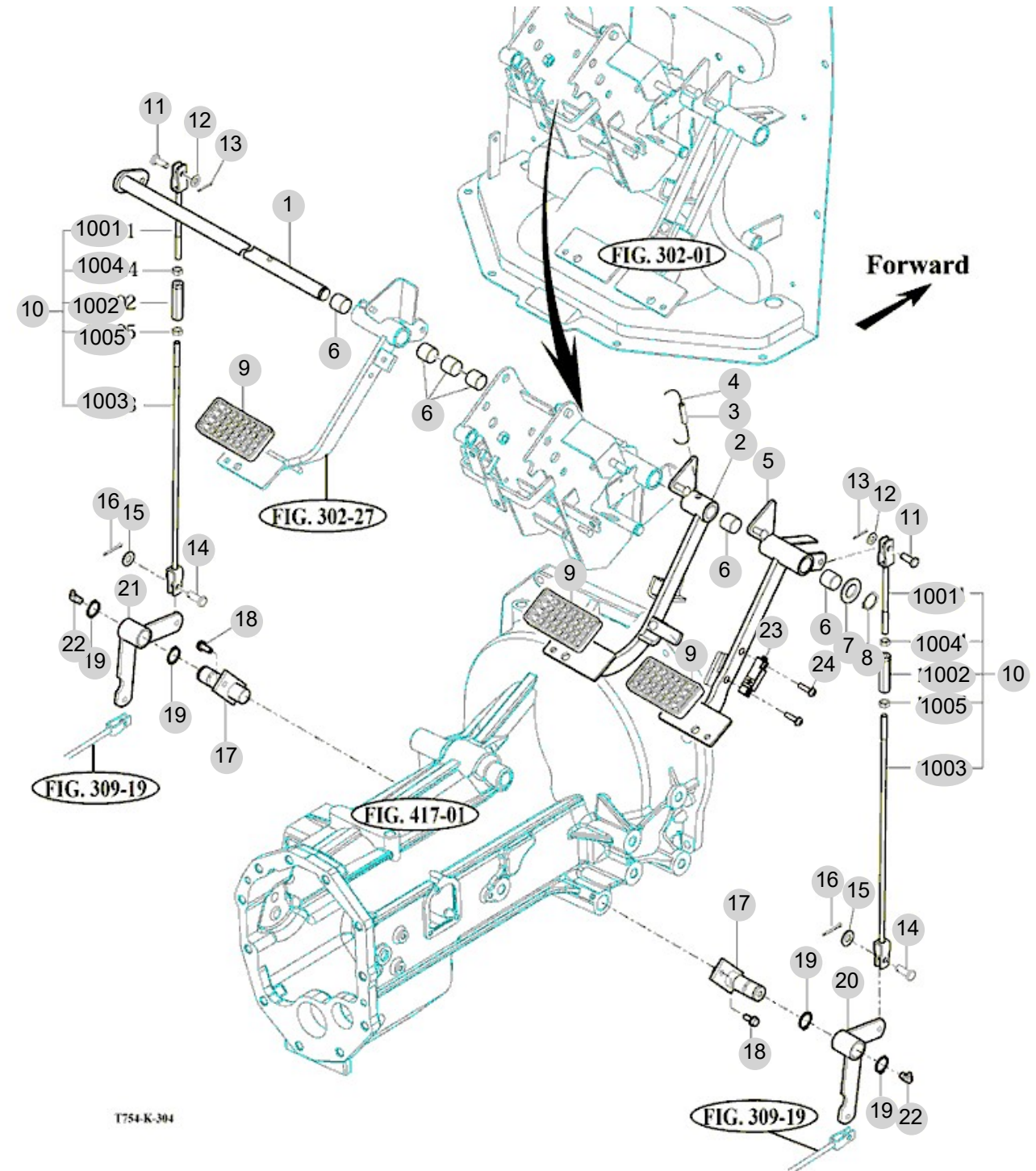


FIG 303

BRAKE PEDAL & LINK

년/월  
Year/Month

2022-12



T754-K-304

NOTE





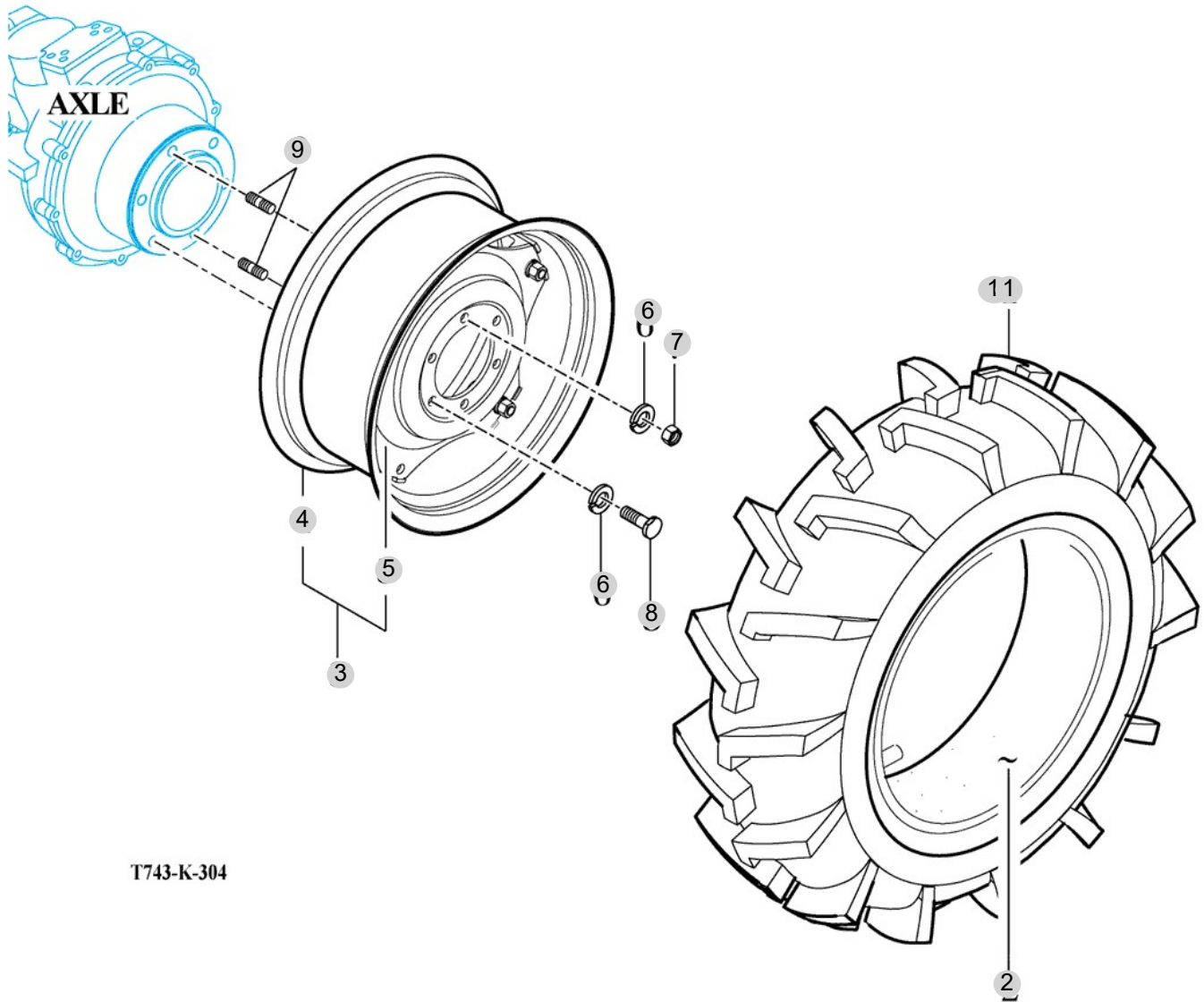
FIG 304

FRONT WHEEL

년/월  
Year/Month

2022-12

T754SCEUA



T743-K-304

NOTE



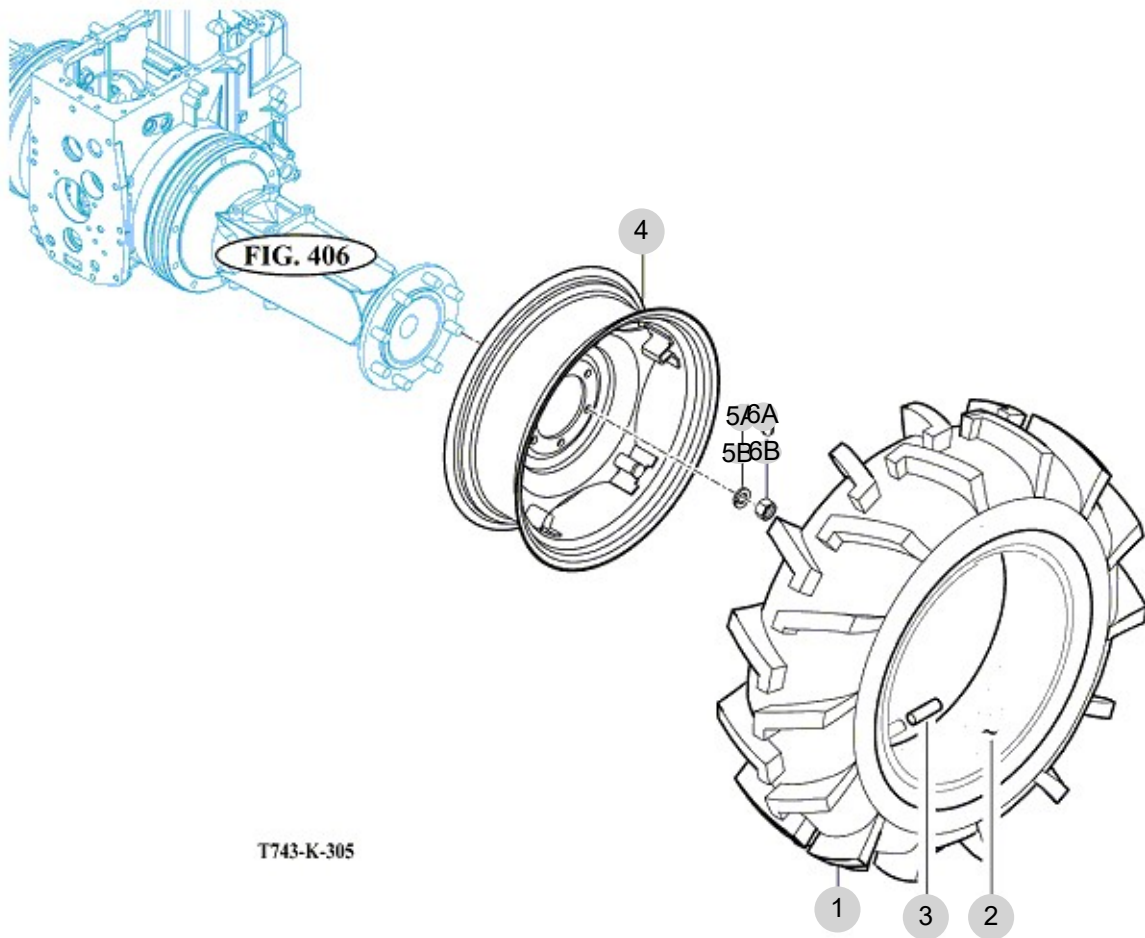
FIG 305

T754SCEUA

REAR WHEEL

년/월  
Year/Month

2022-12



T743-K-305

NOTE



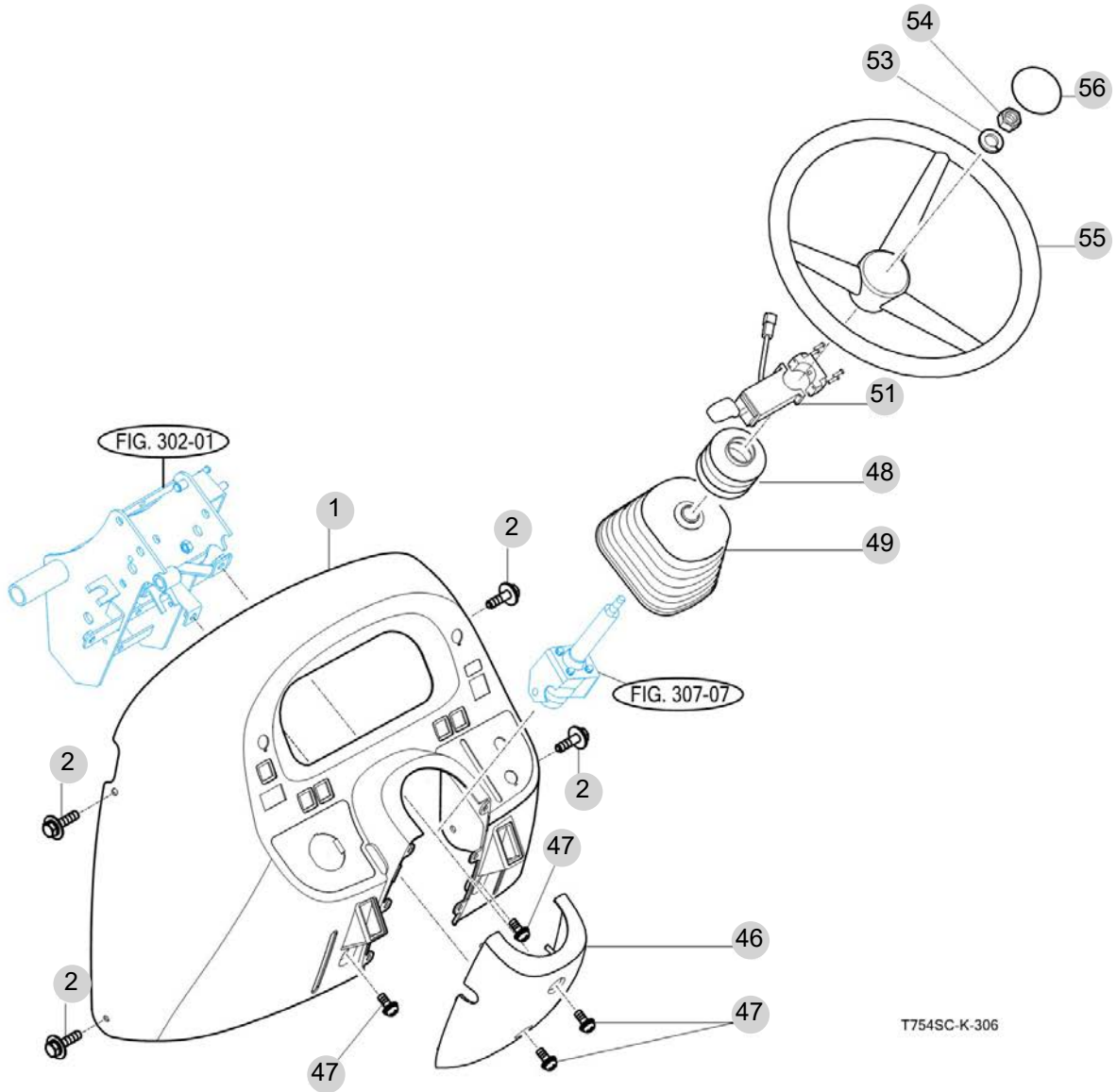
FIG 306

POWER STEERING WHEEL

년/월  
Year/Month

2022-12

T754SCEUA



T754SC-K-306

NOTE



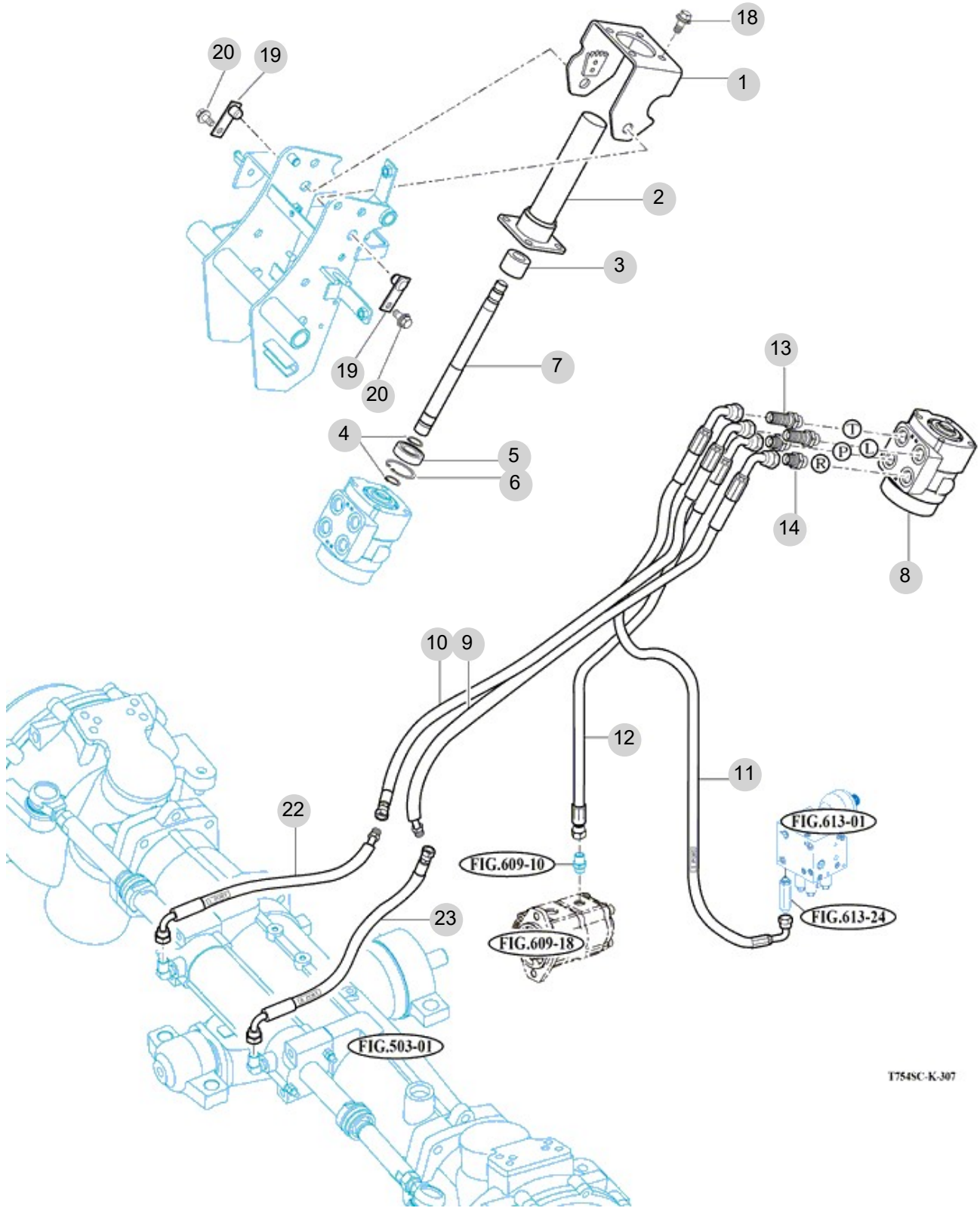
FIG 307

POWER STEERING VALVE

년/월  
Year/Month

2022-12

T754SCEUA



T754SC-K-307

NOTE





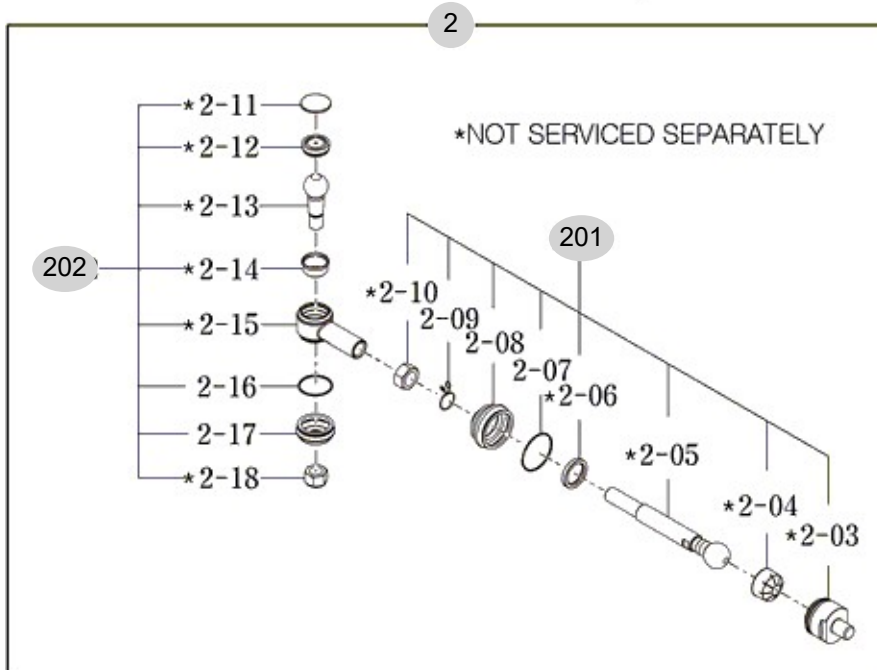
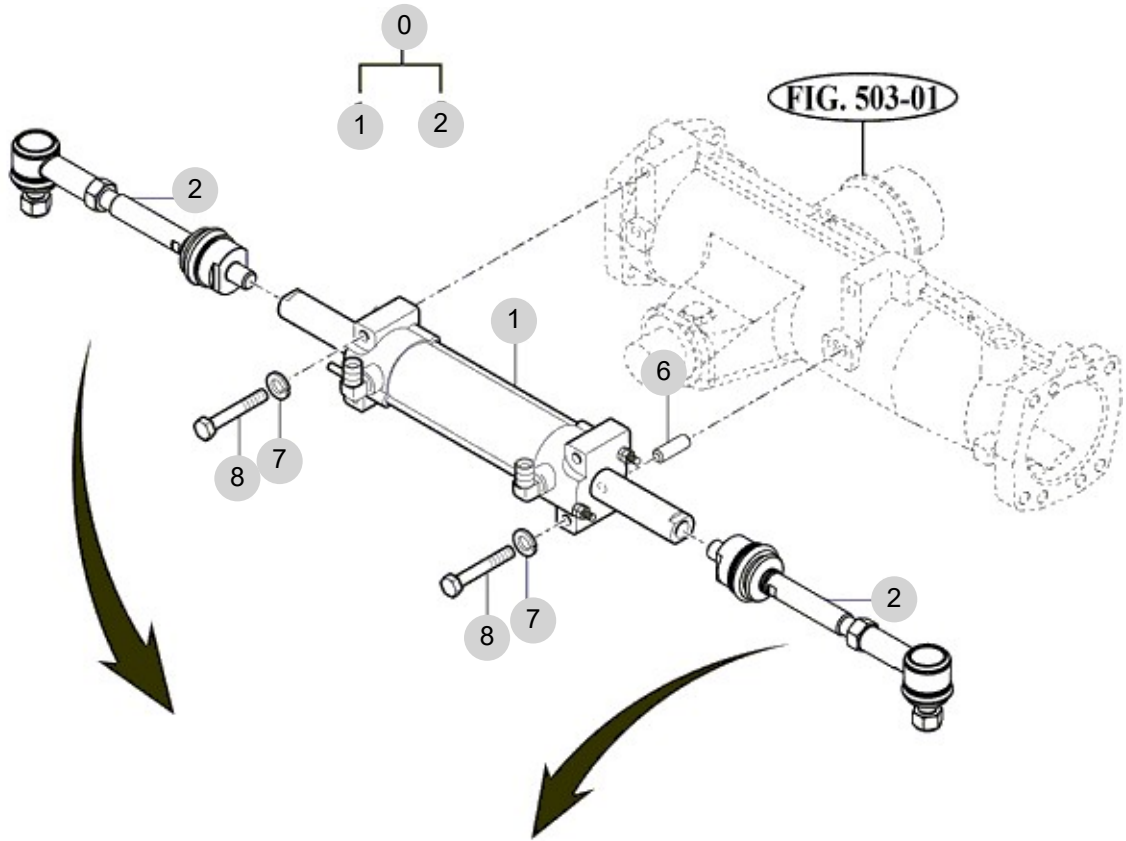
FIG 308

POWER STEERING CYLINDER

년/월  
Year/Month

2022-12

T754SCEUA



TX553/653/703-K.309

NOTE



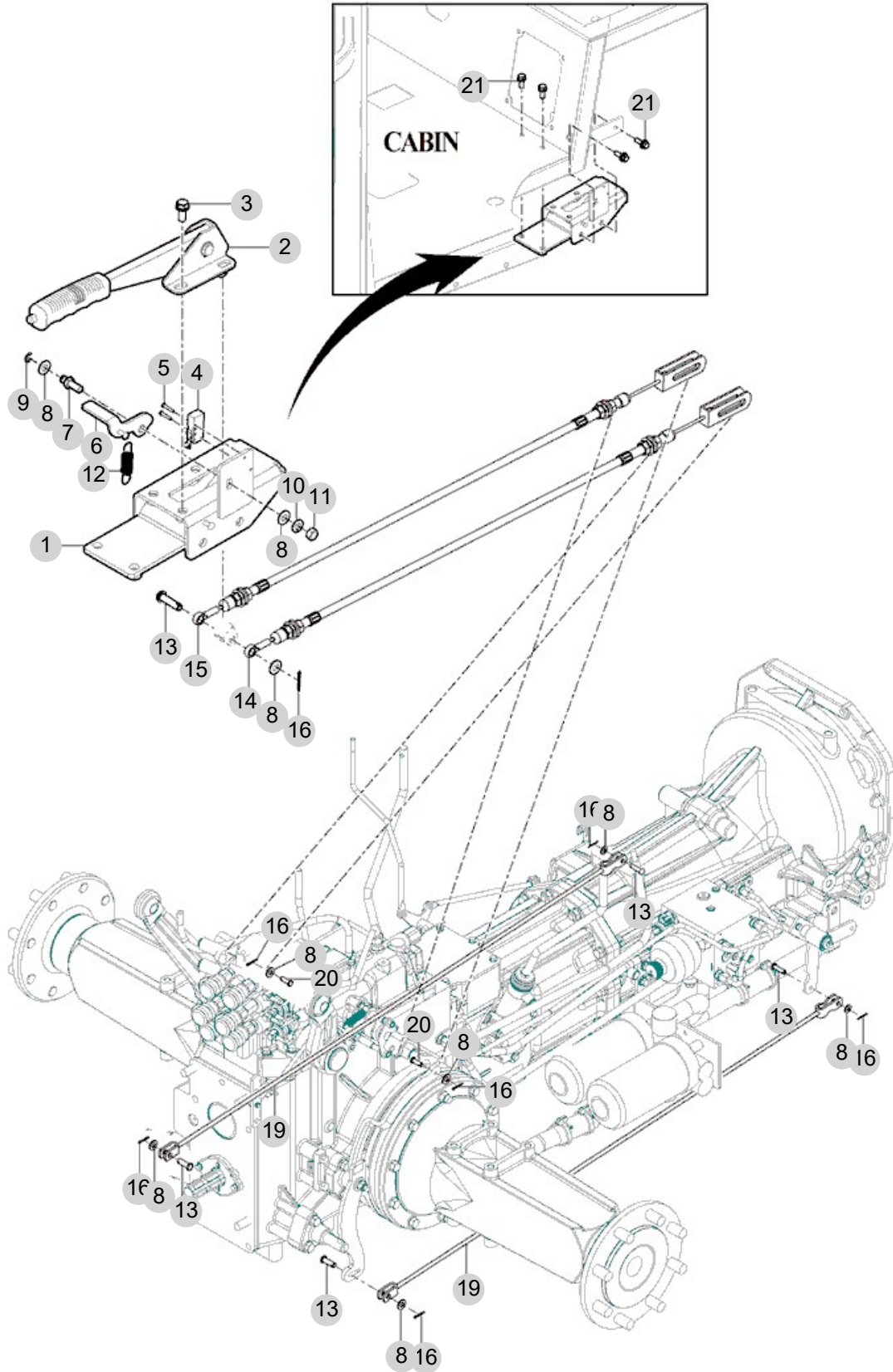
FIG 309

HAND BRAKE & BRAKE

년/월  
Year/Month

2022-12

T754SCEUA



NOTE



## 4. Transmission PART NO. T4

FIG 401 CASE , RR TRANSMISSION	106
FIG 402 SUB CHANGE GEARS	108
FIG 403 REAR DIFFERENTIAL GEARS	110
FIG 404 P.T.O CHANGE GEARS	112
FIG 405 P.T.O CHANGE SHIFTER	114
FIG 406 HOUSING , RR AXLE	116
FIG 407 P.T.O DRIVE SHAFT	118
FIG 408 CREEP CHANGE	120
FIG 409 INPUT & COUNTER GEARS	122
FIG 410 CHANGE GEARS	124
FIG 411 REVERSE GEARS	126
FIG 412 MAIN CHANGE LEVER	128
FIG 413 SUB CHANGE LEVER	130
FIG 414 TRANSMISSION MID CASE	132
FIG 415 SUB CHANGE SHIFTER	134
FIG 416 4WD CHANGE LEVER	136
FIG 417 TRANSMISSION FRONT CASE	138
FIG 418-2 DRIVE GEARS(EU)	140

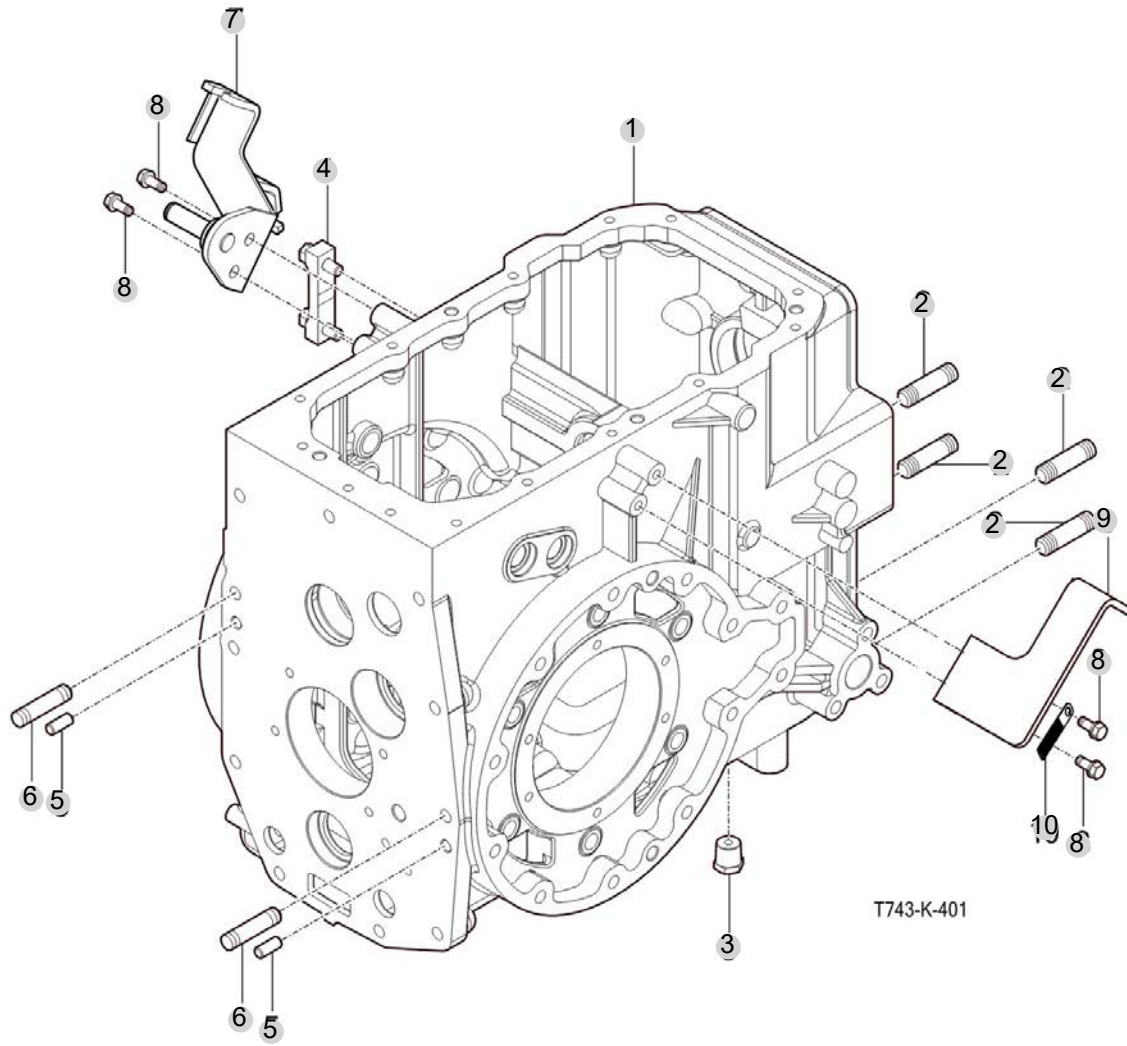
FIG 401

CASE , RR TRANSMISSION

년/월  
Year/Month

2022-12

T754SCEUA



T743-K-401

NOTE



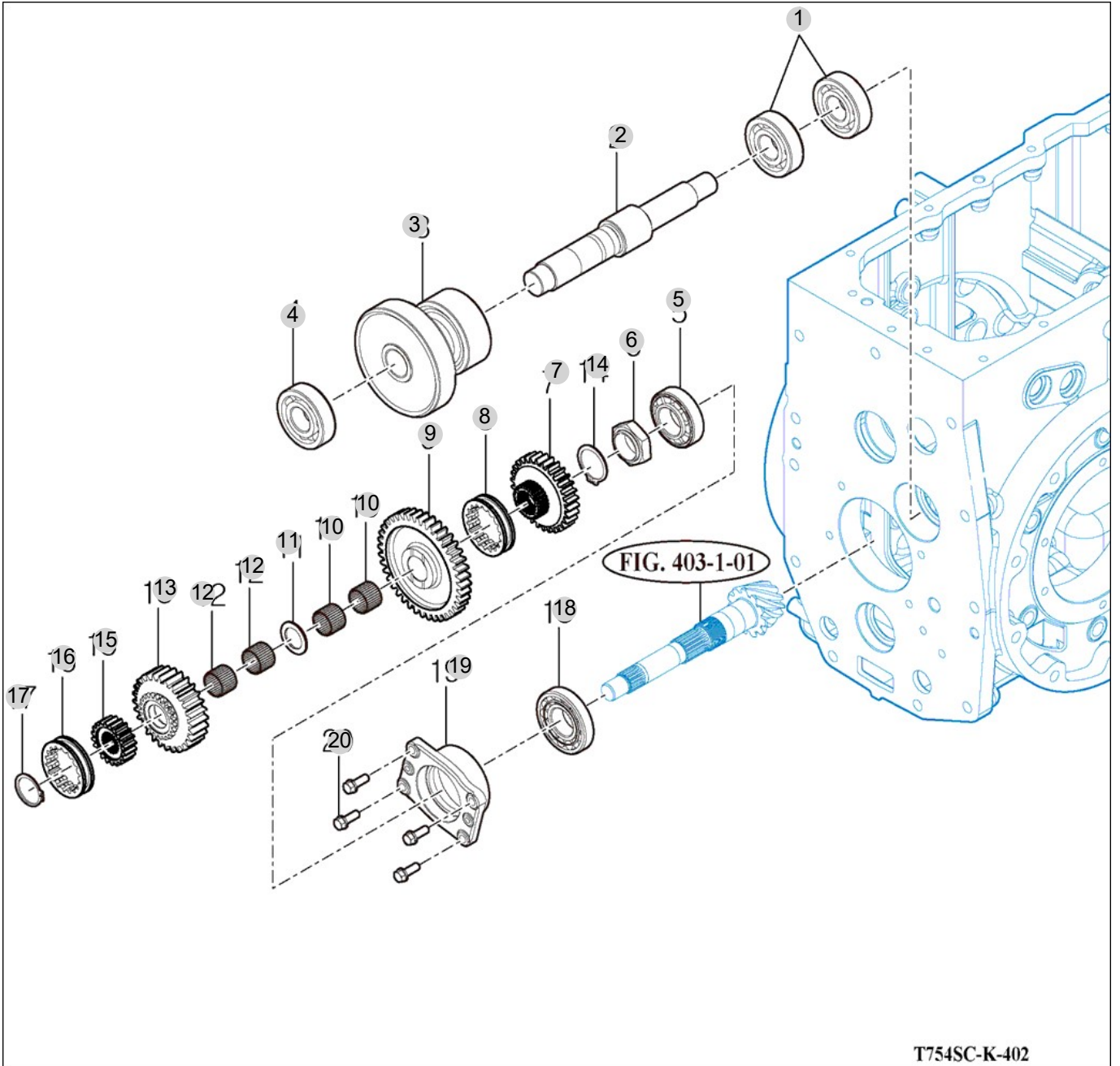
FIG 402

SUB CHANGE GEARS

년/월  
Year/Month

2022-12

T754SCEUA



T754SC-K-402

NOTE





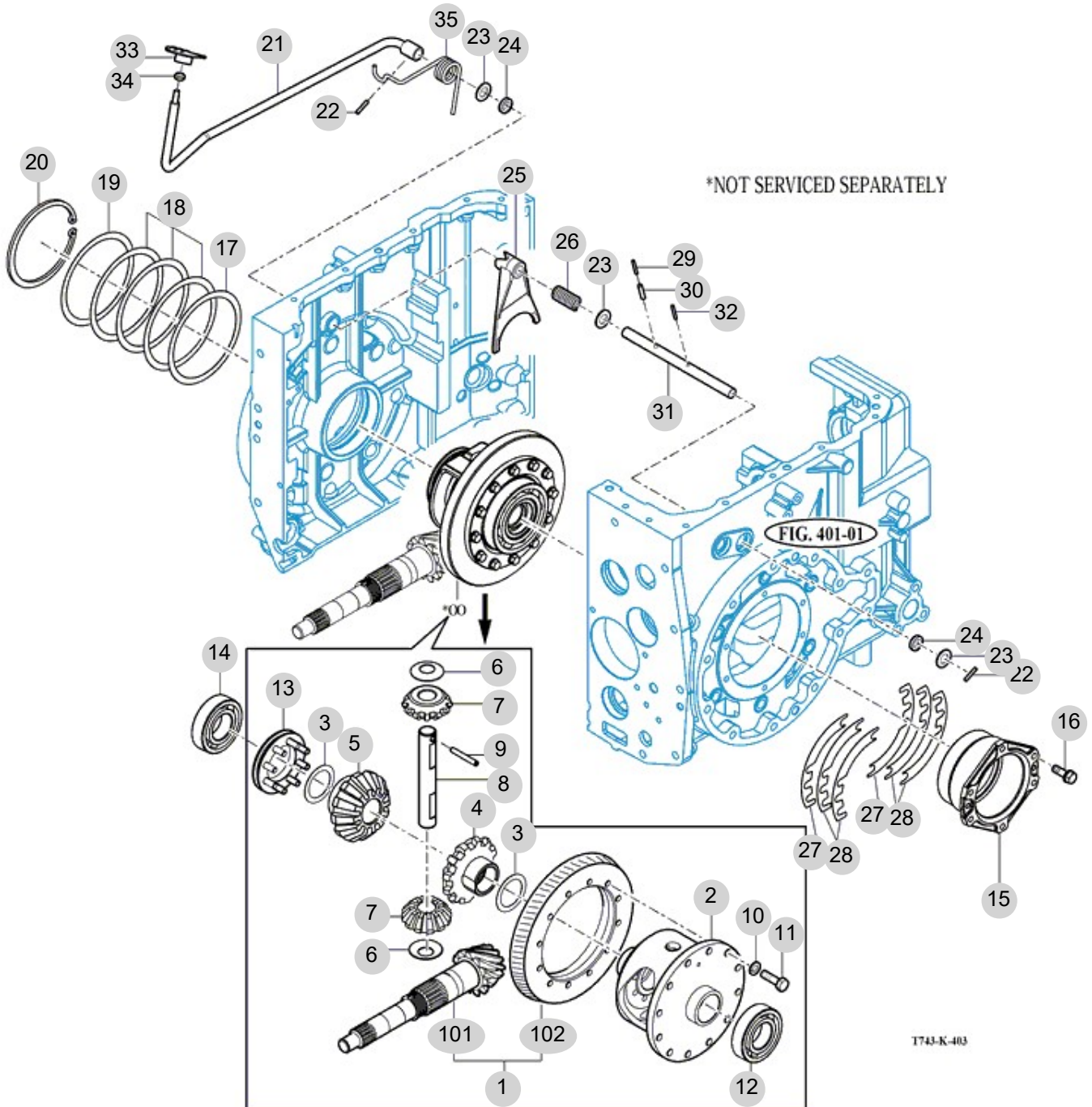
FIG 403

REAR DIFFERENTIAL GEARS

년/월  
Year/Month

2022-12

T754SCEUA



T743-K-403

NOTE



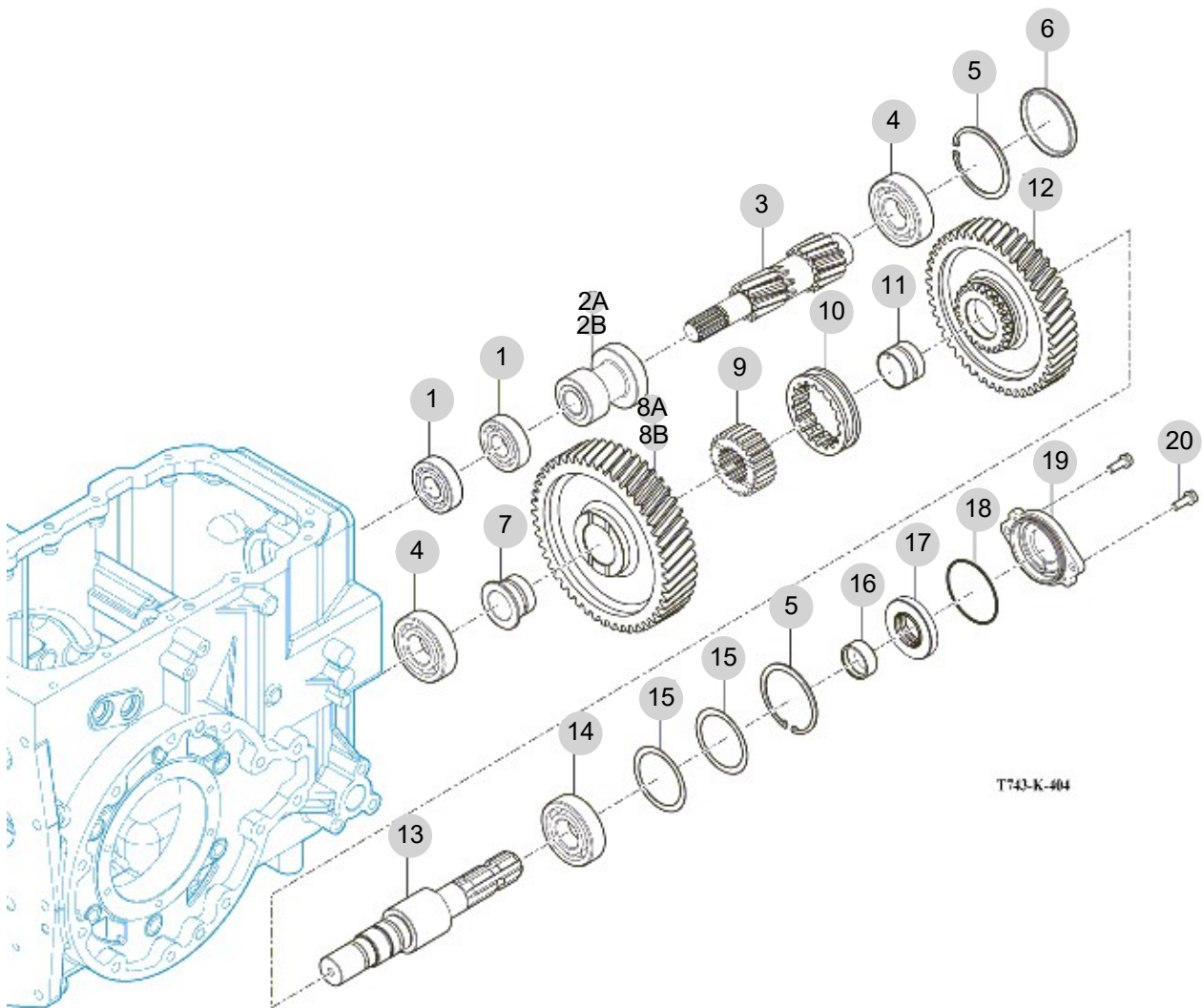
FIG 404

T754SCEUA

P.T.O CHANGE GEARS

년/월  
Year/Month

2022-12



NOTE



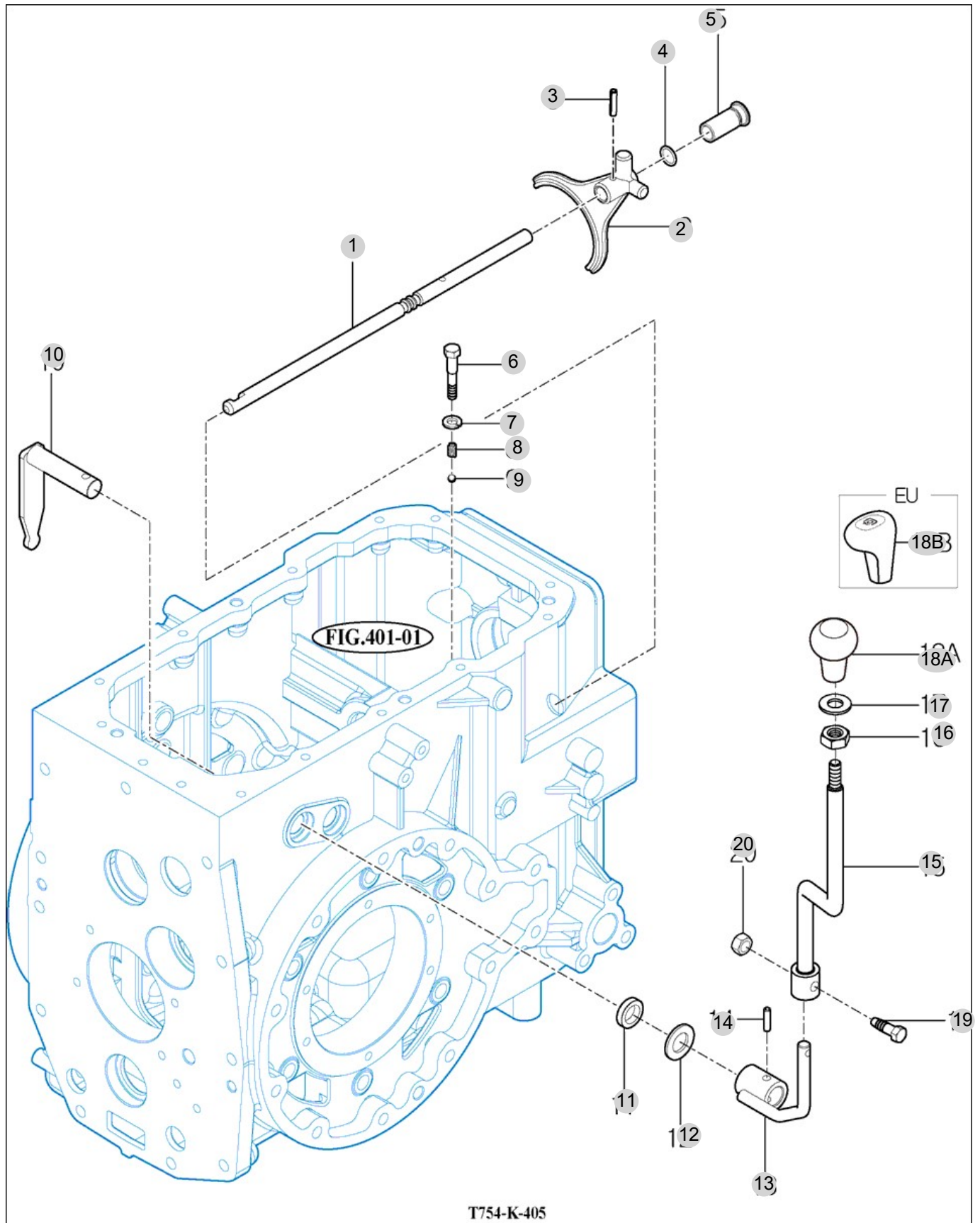
FIG 405

P.T.O CHANGE SHIFTER

년/월  
Year/Month

2022-12

T754SCEUA



NOTE





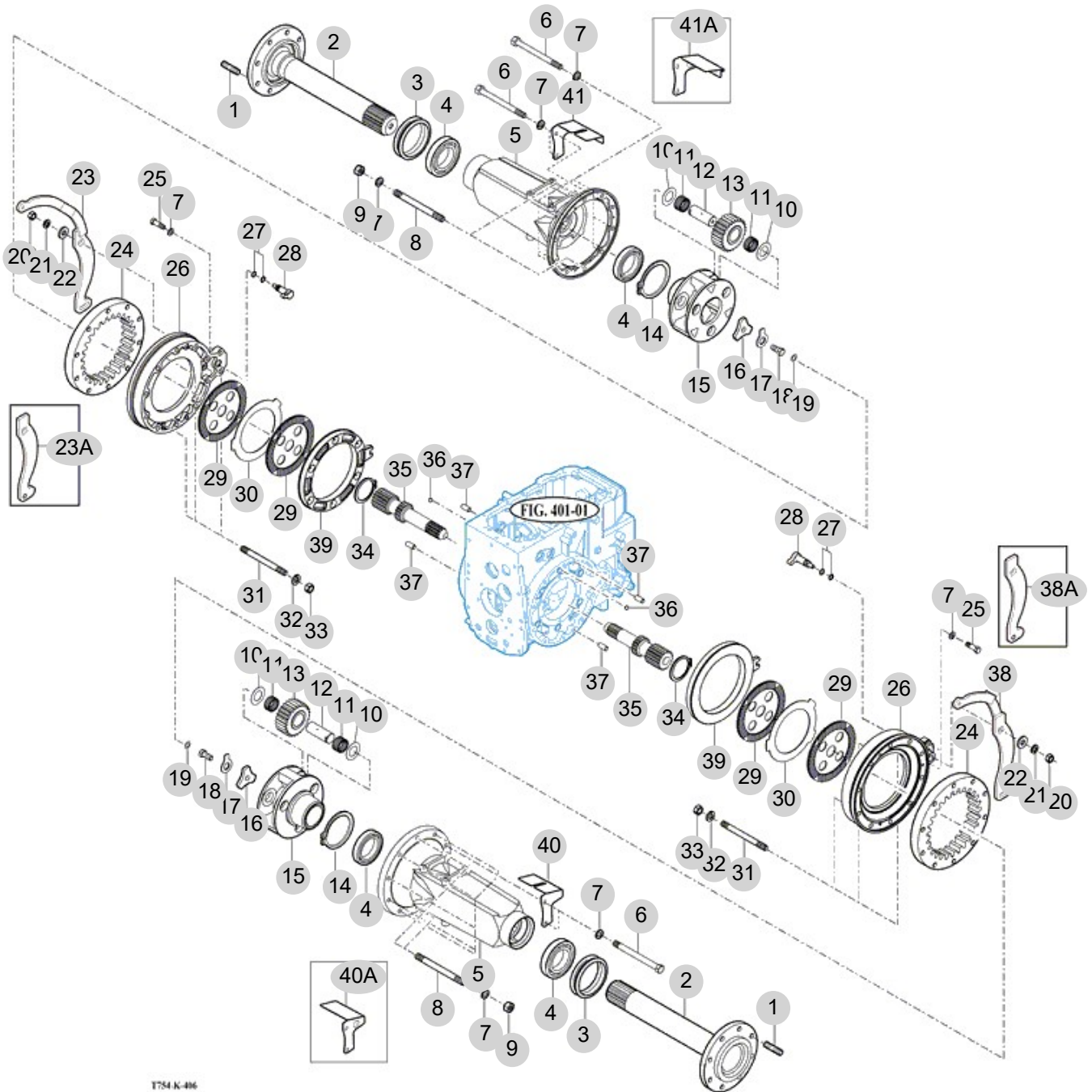
FIG 406

HOUSING , RR AXLE

년/월  
Year/Month

2022-12

T754SCEUA



T754 K-406

NOTE



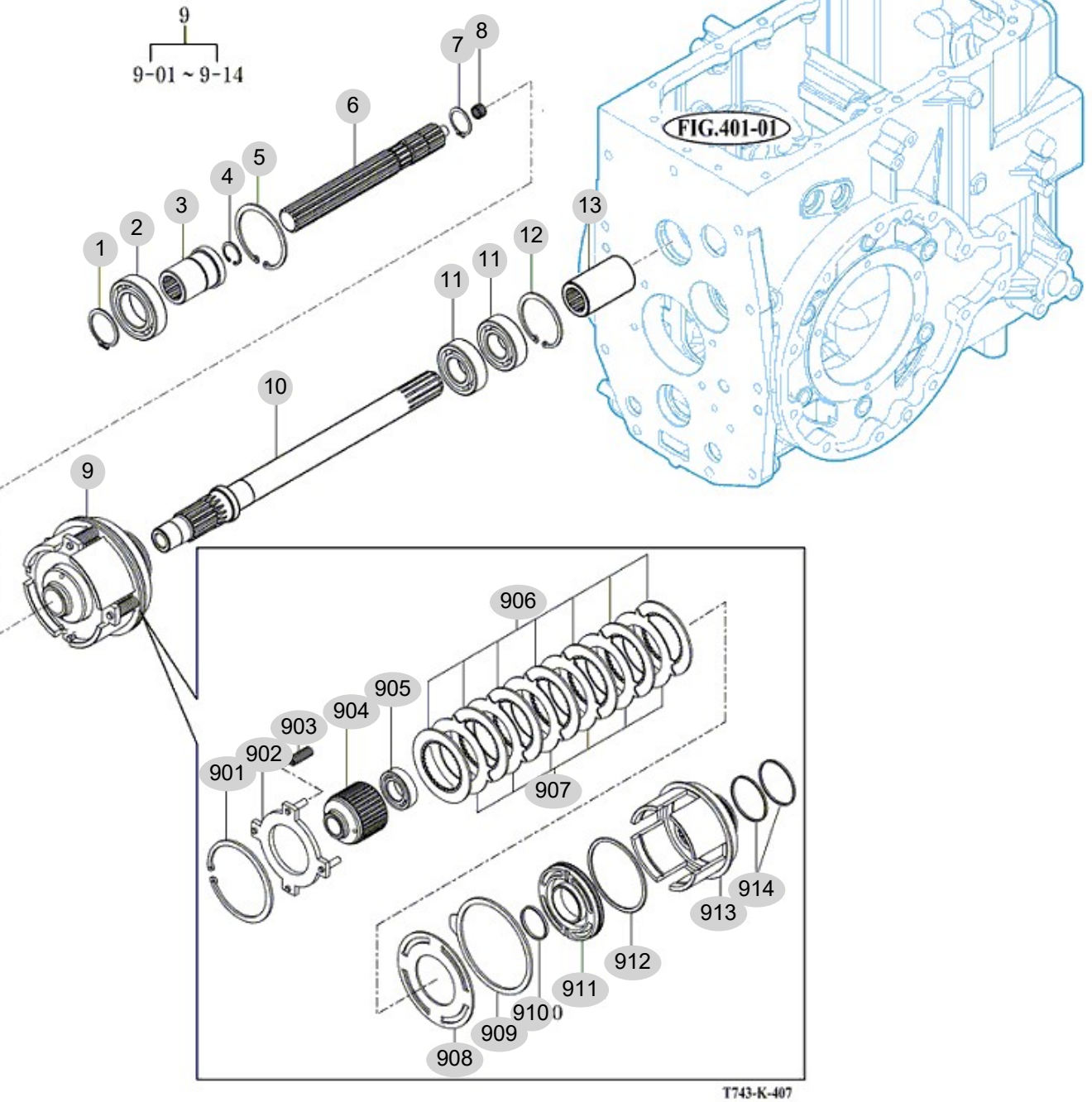
FIG 406 T754SCEUA		HOUSING , RR AXLE					년/월 Year/Month	
							2022-12	
KEY NO		PART NO	DESCRIPTION	SPEC	QTY	REPAIR	EFFECTIVE DATE	REMARKS
406	1	17973040050	BOLT , STUD		16			
406	2	10012450022	SHAFT, RR WHEEL		2			
406	3	17973041000	SEAL ASSY , MECHANICAL		2			
406	4	V6321132012	BEARING , TAPER-ROLLER(32012J)	32012DJ	4			
406	5	10012450013M	AXLE HOUSING, RR		2			
406	6	V2014614125	BOLT , HEX	M14X125	16			
406	7	V4011600140	WASHER , SPRING	M14	24			
406	8	V2514414130	BOLT , STUD/2	M14X130	4			
406	9	V3043600140	NUT , HEX/2		4			
406	10	10012470040	COLLAR , 31X58X1		12			
406	11	V6544304220	BEARING , NEEDLE.ROLLER-K304220		12			
406	12	10012470061	PIN30X83		6			
406	13	10012470051	GEAR , SPUR 25T		6			
406	14	V7041401250	C-RING , SHAFT		2			
406	15	10012470031M	CARRIER , PLANET		2			
406	16	19022470070	WASHER , STOP		2			
406	17	19022470081	STOPPER		2			
406	18	10012470070	BOLT, HEX FINE		2			
406	19	V7201024022	O-RING , P		2			
406	20	V3043600120	NUT , HEX/2	M12	2			
406	21	V4011600120	WASHER , SPRING		2			
406	22	14723270061	WASHER , 13X30X4		2			
406	23	18013273200	ARM COMP(RH) , BRAKE	9T	1			
406	24	10012470021	GEAR , RING65T		2			
406	25	V2013614045	BOLT , HEX		4			
406	26	10012480031M	CASE, BRAKE		2			
406	27	V7201024018	O-RING , P		4			
406	28	10012480040M	CAM , BRAKE		2			
406	29	10012482100	PLATE COMP.DISC		4			
406	30	10012480020	PLATE , SEPARATE	T=3.2	2			
406	31	V2513408080	BOLT , STUD/2	M8X80	6			
406	32	V4011600080	WASHER , SPRING	M8	6			
406	33	V3042600080	NUT , HEX/2	M8	6			
406	34	V7041400650	C-RING , SHAFT	65	2			
406	35	10012470010	GEAR , SPUR13T		2			
406	36	V6802000019	BALL , STEEL	19/32	12			
406	37	V5201012025	PIN , PARALLEL/A	12X25	4			
406	38	18013273100	ARM COMP(LH) , BRAKE	9T	1			
406	39	10012480011M	METAL, BRAKE		2			
406	40	18023272100	COVER COMP , LH BRAKE		1			
406	41	18023272200	COVER COMP , RH BRAKE		1			
NOTE								

FIG 407

P.T.O DRIVE SHAFT

년/월  
Year/Month

2022-12



NOTE

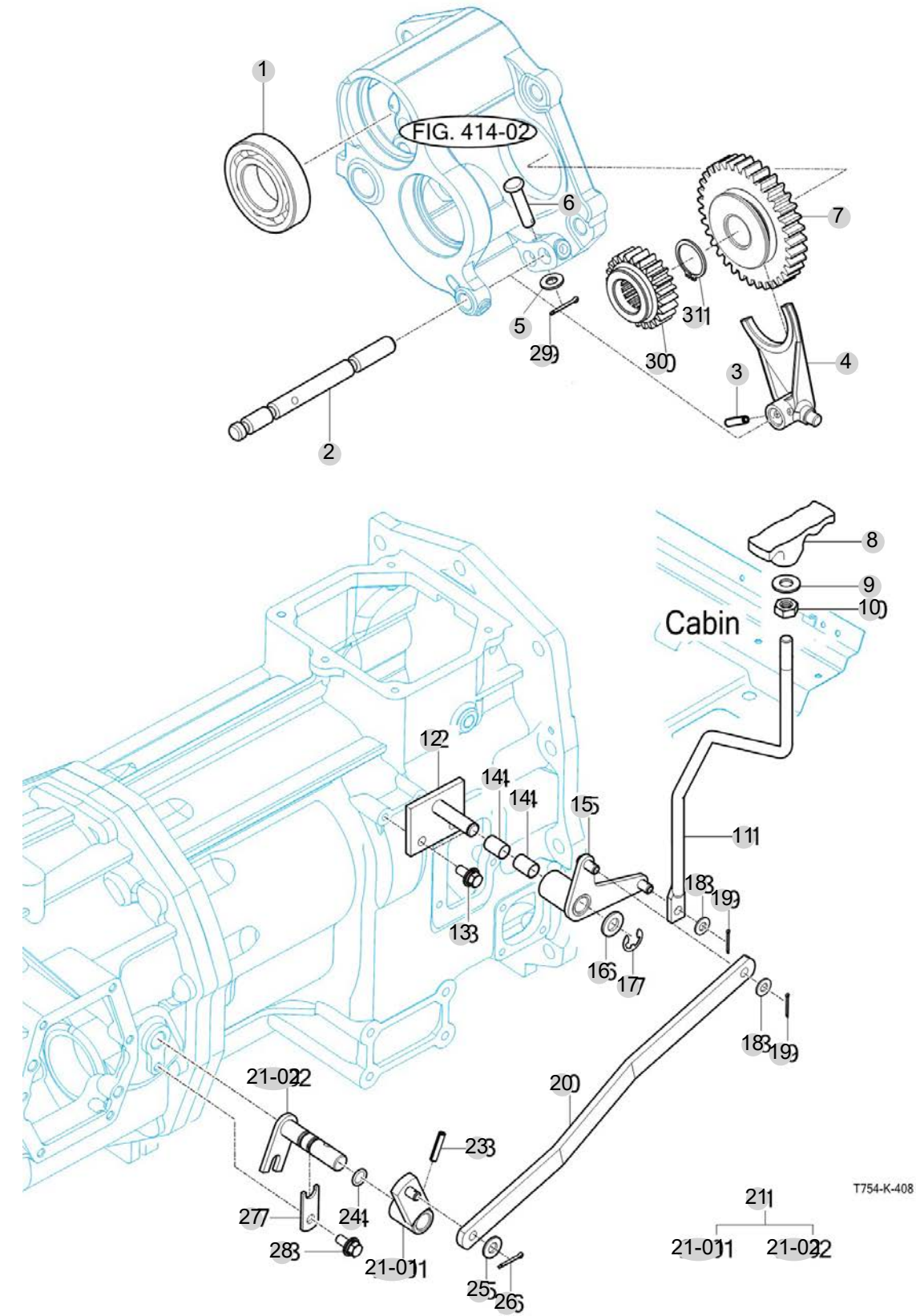


FIG 408

CREEP CHANGE

년/월  
Year/Month

2022-12



NOTE



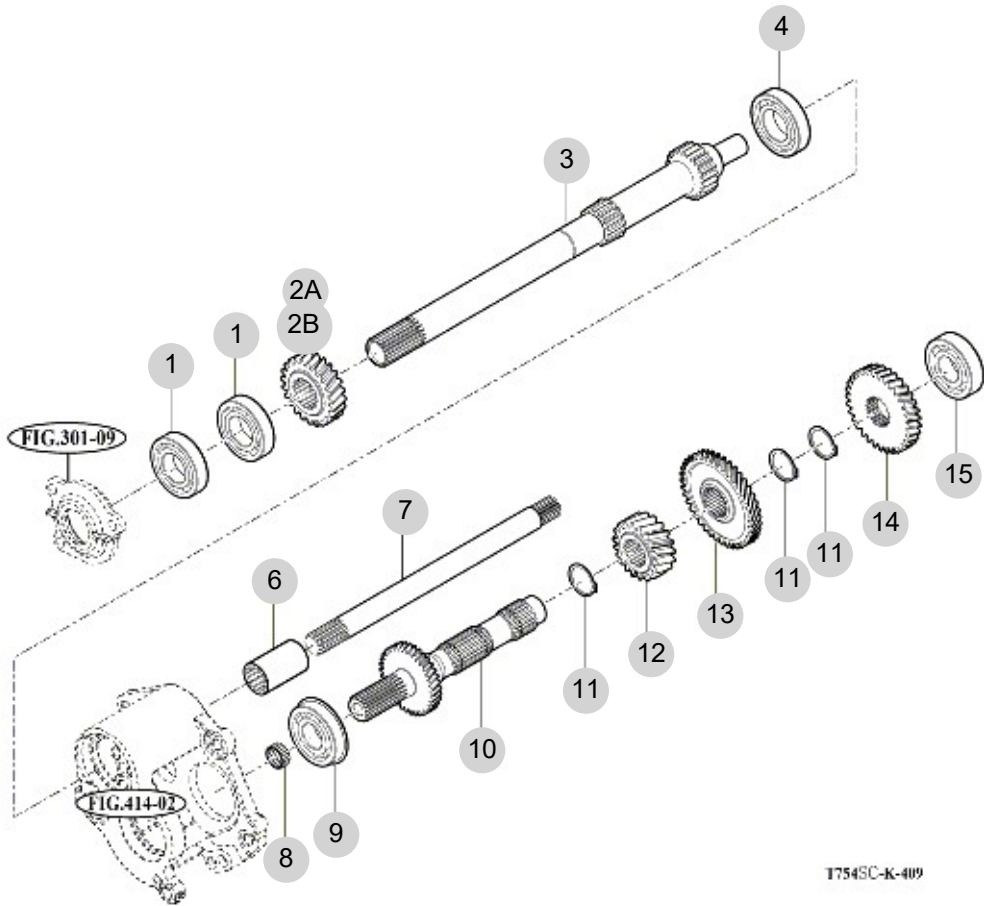
FIG 409

T754SCEUA

INPUT & COUNTER GEARS

년/월  
Year/Month

2022-12



NOTE





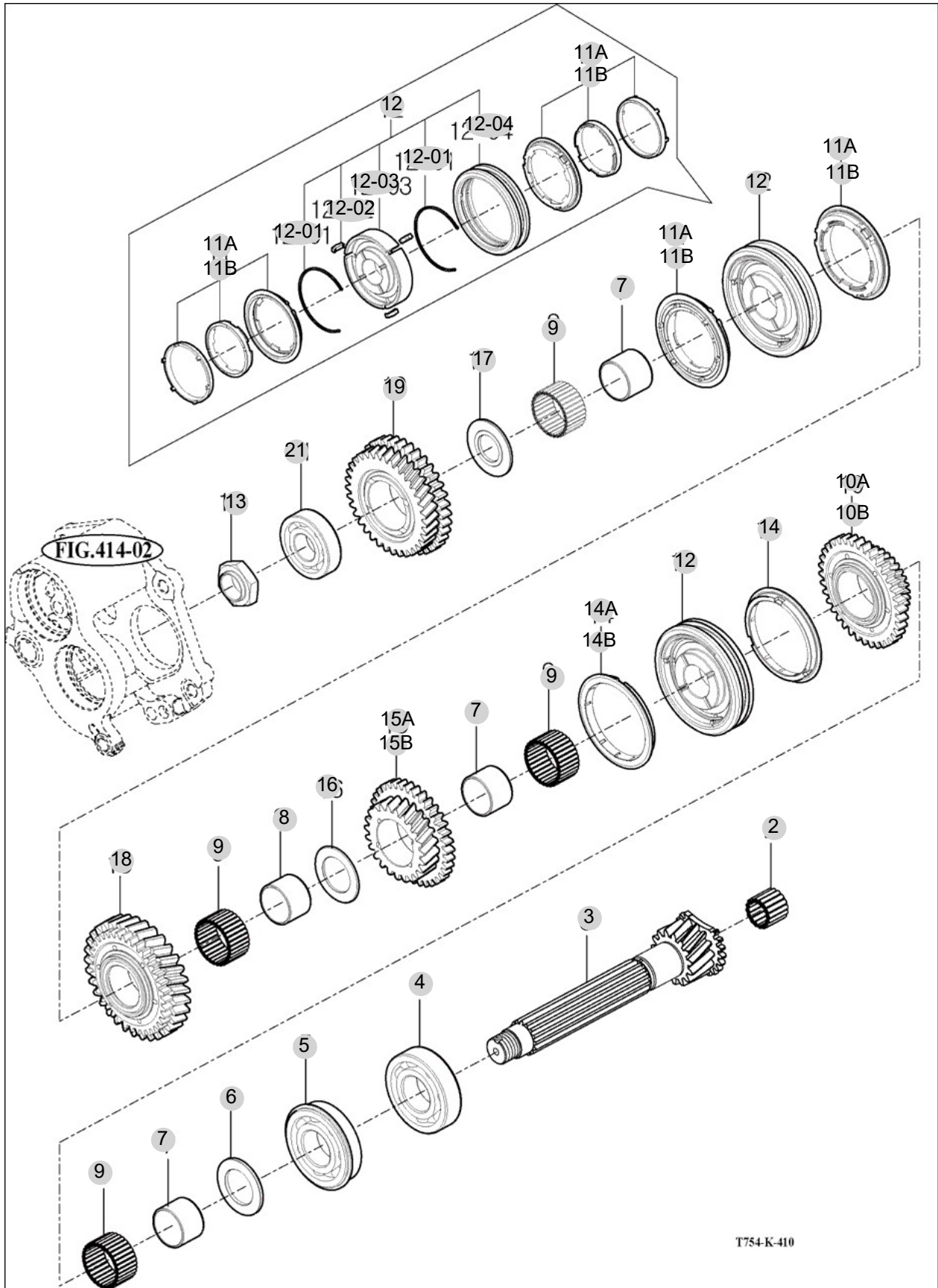
FIG 410

CHANGE GEARS

년/월  
Year/Month

2022-12

T754SCEUA



NOTE





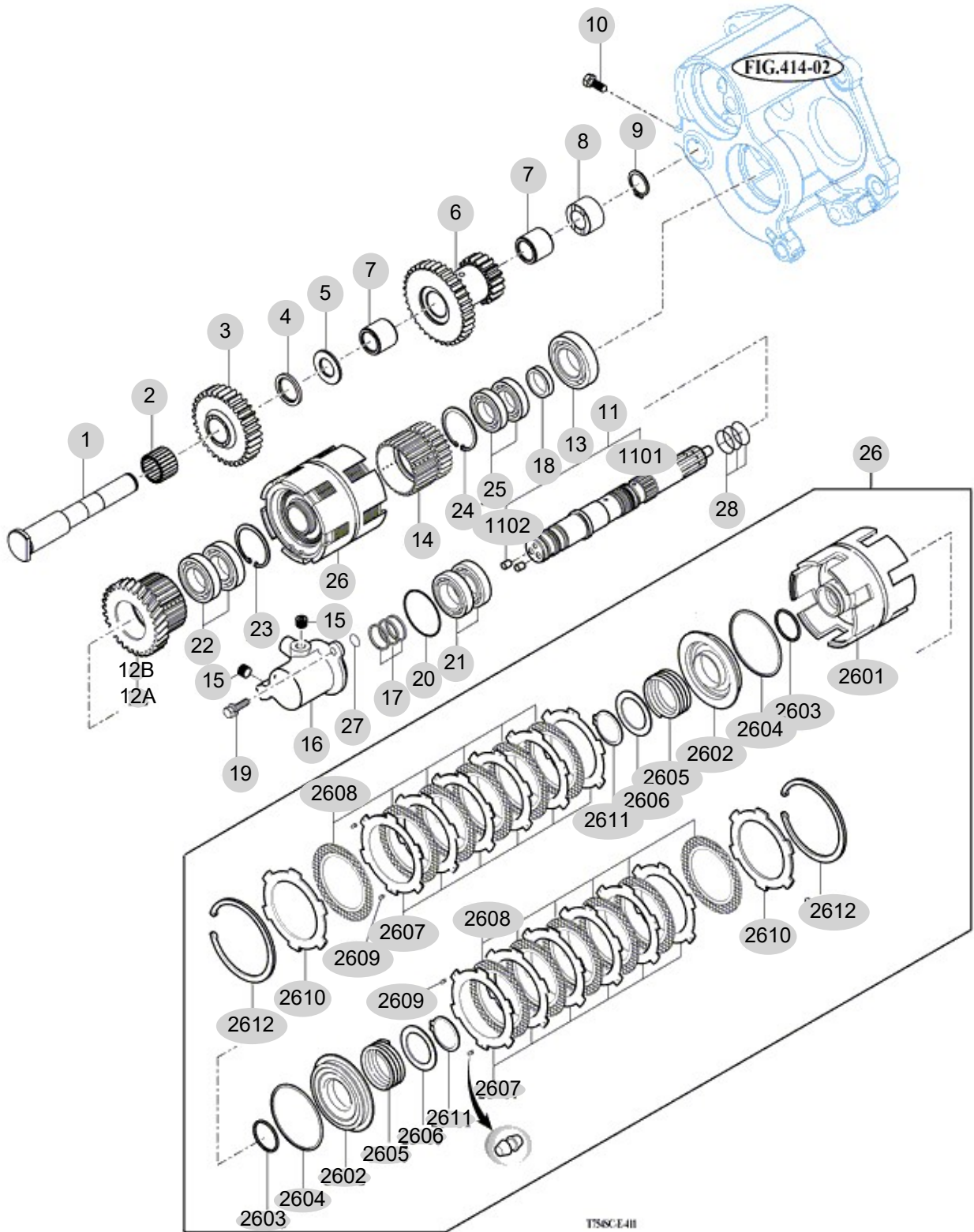
FIG 411

REVERSE GEARS

년/월  
Year/Month

2022-12

T754SCEUA



T754SCEUA

NOTE

FIG 411 T754SCEUA		REVERSE GEARS						년/월 Year/Month	
								2022-12	
KEY NO	PART NO	DESCRIPTION	SPEC	QTY	REPAIR	EFFECTIVE DATE	REMARKS		
411	1	19962170161	SHAFT	D30	1				
411	2	15683020010	BEARING , NEEDLE 253224		1				
411	3	18012173210	GEAR , SPUR 32T		1				
411	4	15933070521	COLLAR , 26X35X03	T=3	1				
411	5	16992990040	COLLAR , 38X20.1X3.0		1				
411	6	17972820020	GEAR , .SPUR 35-18T		1				
411	7	16992610070	BEARING , NEEDLE CAGED	KT20*28*25	2				
411	8	17972820080	HUB		1				
411	9	V7041400200	C-RING , SHAFT	20	1				
411	10	17972141600	BOLT , SET SEAL LOCK	M8X25	1				
411	10	17972141610	BOLT , SET M8X25		1				
411	11	18172172000	SHAFT , REVERSE SUB		1				
411	1101	18172172170	SHAFT , REVERSE		1				
411	1102	19022123110	AVSEAL(6)		2				
411	12B	18182172210	GEAR (H/28)		1				
411	13	V6001106306	BEARING , BALL		1				
411	14	19962170101	GEAR (S/28T)		1				
411	15	V7801000002	PLUG , HEX-SOCKET	R1/8	1				
411	16	19962170251M	METEA (F/R)		1				
411	17	19962170271	SEALING		3				
411	18	19962170281	COLLOR (30X40X9.45)		1				
411	19	V2173608020	BOLT , HEX/S	M8X20	2				
411	20	19961020059	O RING (S59)	S59	1				
411	21	V6001106007	BEARING , BALL	6007	2				
411	22	V6001106007	BEARING , BALL	6007	2				
411	23	V7051400620	C-RING , HOLE	62	1				
411	24	V7051400550	C-RING , HOLE	55	1				
411	25	V6001106006	BEARING , BALL	6006	2				
411	26	19962092002	CLUTCH PACK , F/R		1				
411	2601	19962092110	CLUTCH BODY		1				
411	2602	19962093200	PISTON (F/Q)		2				
411	2603	19962093300	D RING		2				
411	2604	19962093400	D RING		2				
411	2605	19962093500	RETURN SPRING		2				
411	2606	19962093600	SPRING SEAT		2				
411	2607	19962093700	CLUTCH PAN T		12				
411	2608	19842093801	CLUTCH DISK		12				
411	2609	19962093900	GAP RUBBER		18				
411	2610	19962094000	PRESS, PLATE		2				
411	2611	19962094120	SNARING (F/Q)		2				
411	2612	V7041400450	C-RING , SHAFT	45	2				
411	27	V7201024012	O-RING , P	P12	1				
411	28	V7231020032	O-RING , S32	S32	3				
NOTE									

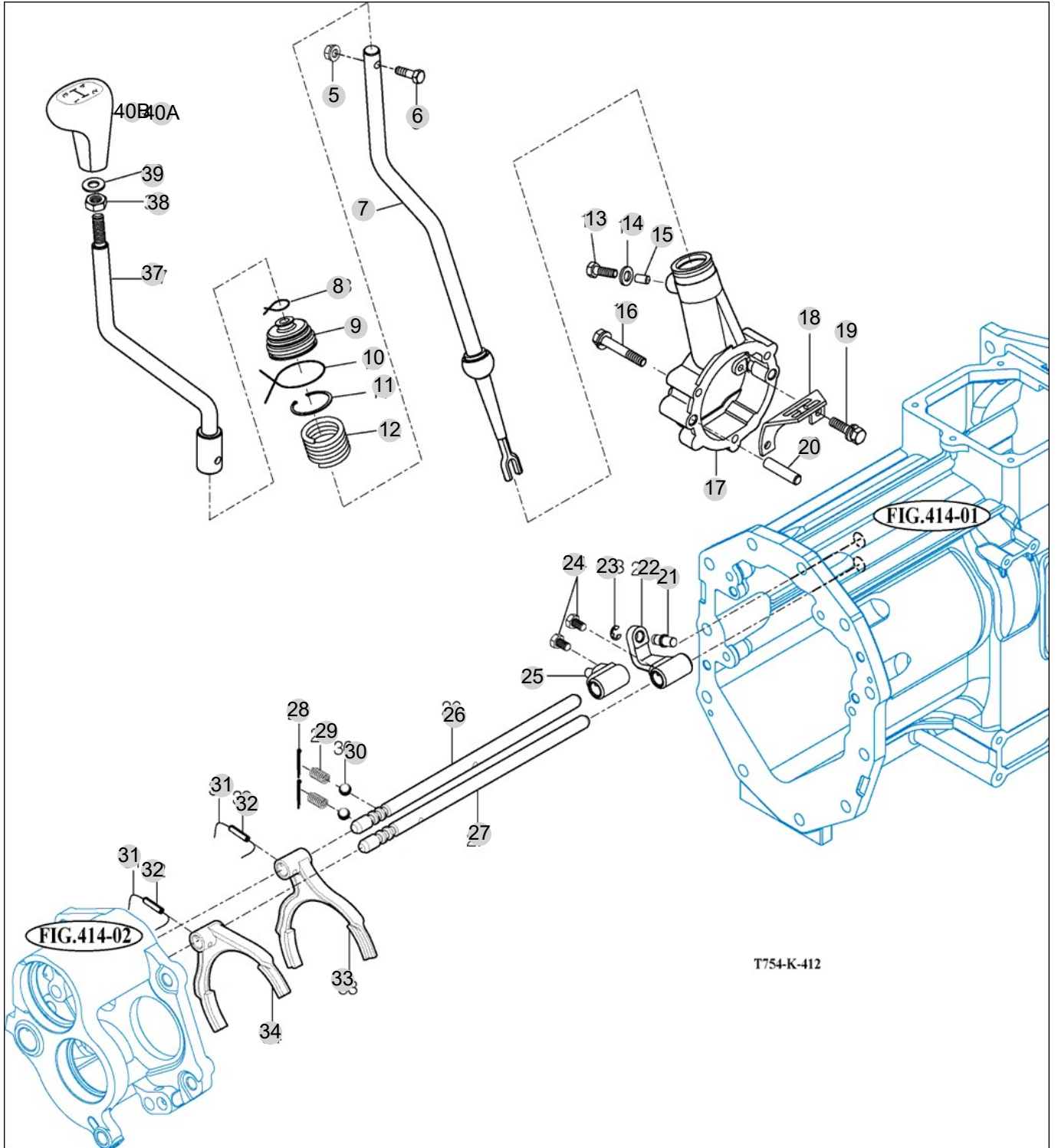
FIG 412

MAIN CHANGE LEVER

년/월  
Year/Month

2022-12

T754SCEUA



NOTE



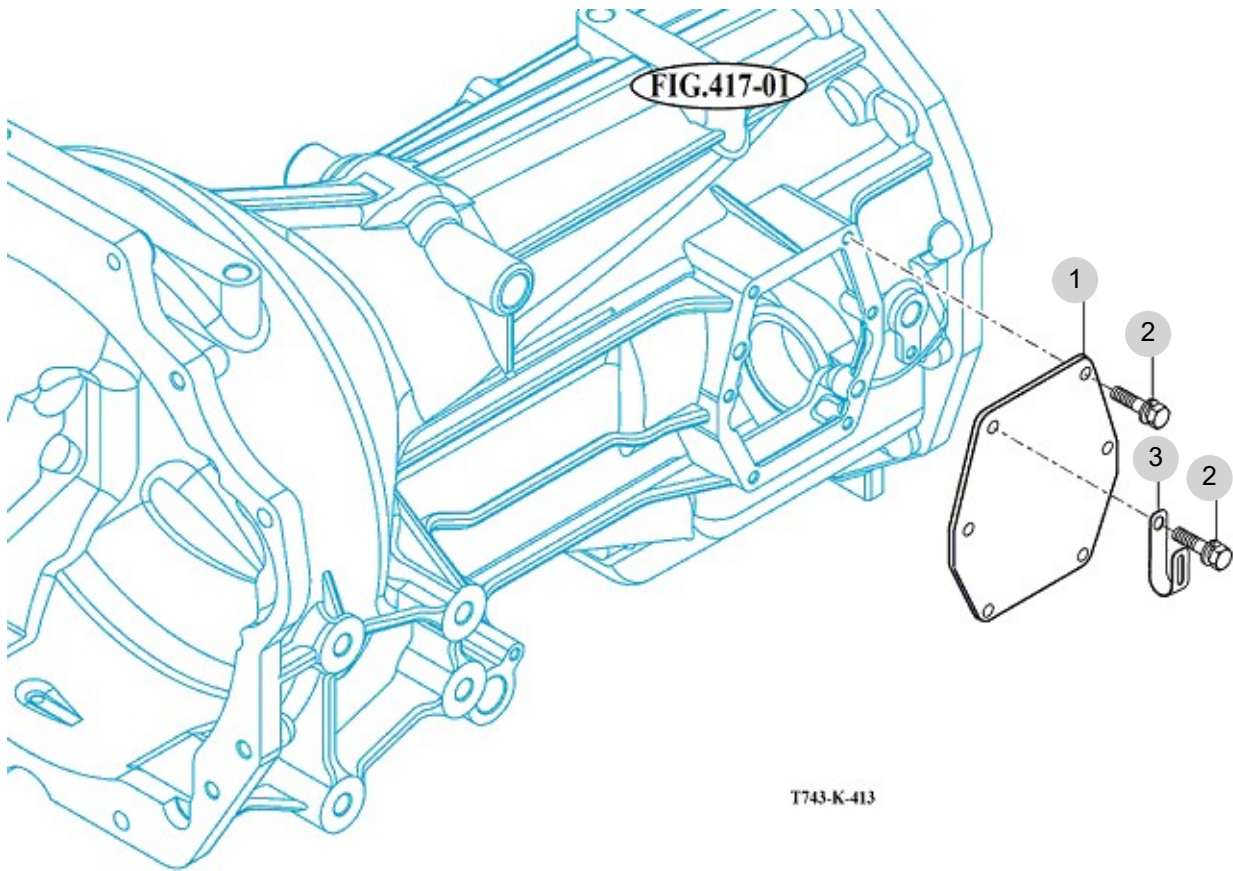
FIG 413

SUB CHANGE LEVER

년/월  
Year/Month

2022-12

T754SCEUA



T743-K-413

NOTE



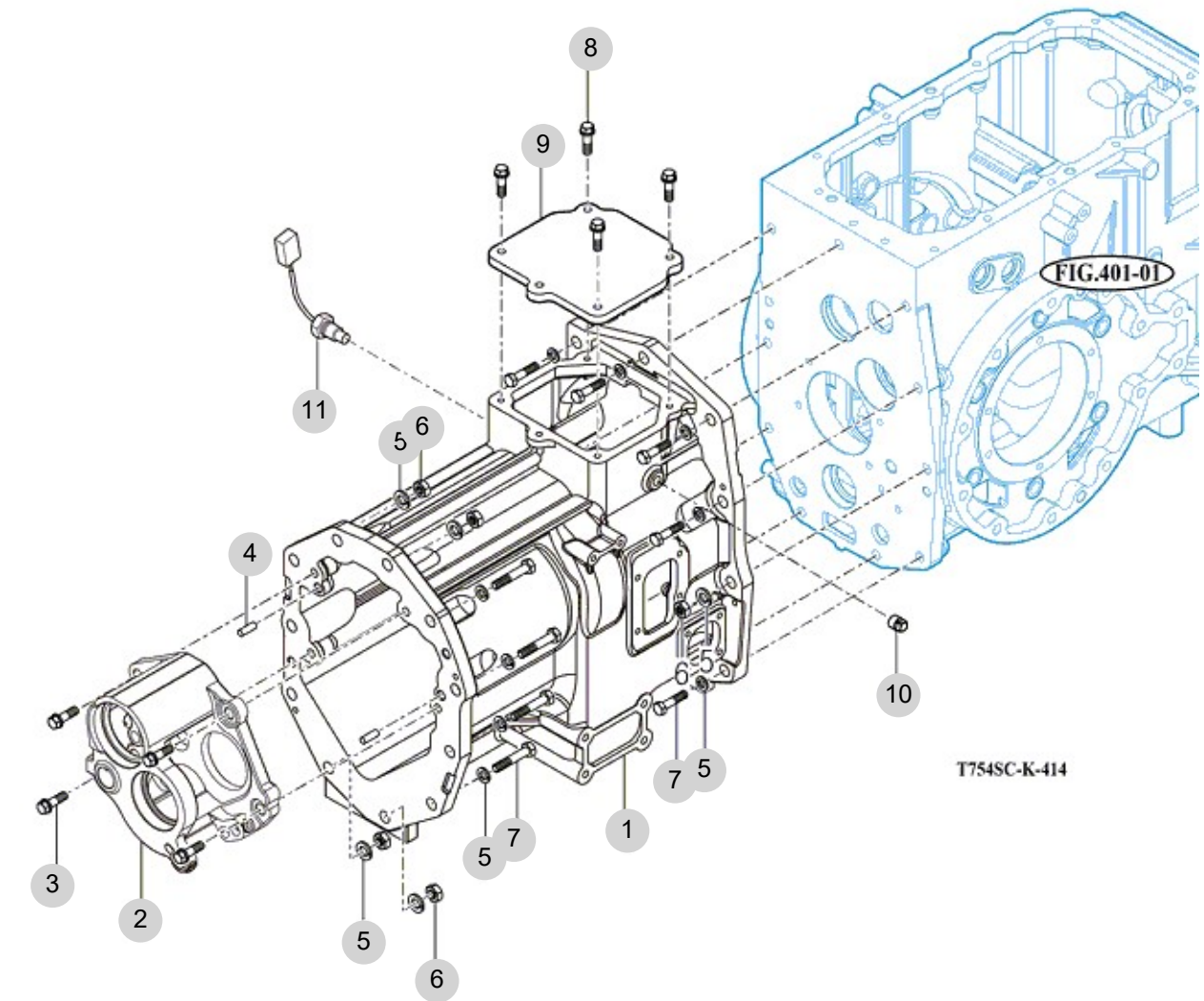


FIG 414

TRANSMISSION MID CASE

년/월  
Year/Month

2022-12



NOTE





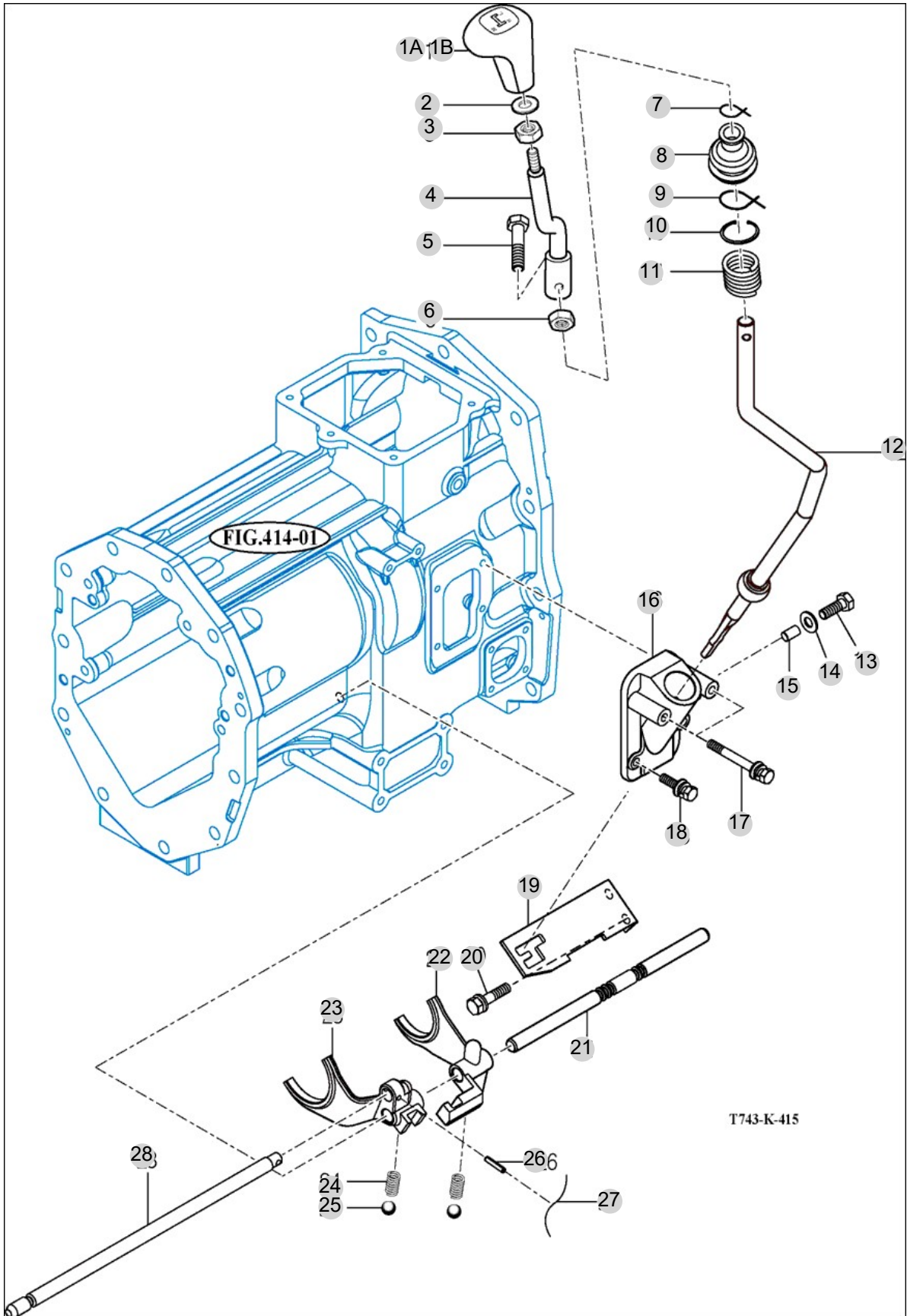
FIG 415

SUB CHANGE SHIFTER

년/월  
Year/Month

2022-12

T754SCEUA



NOTE



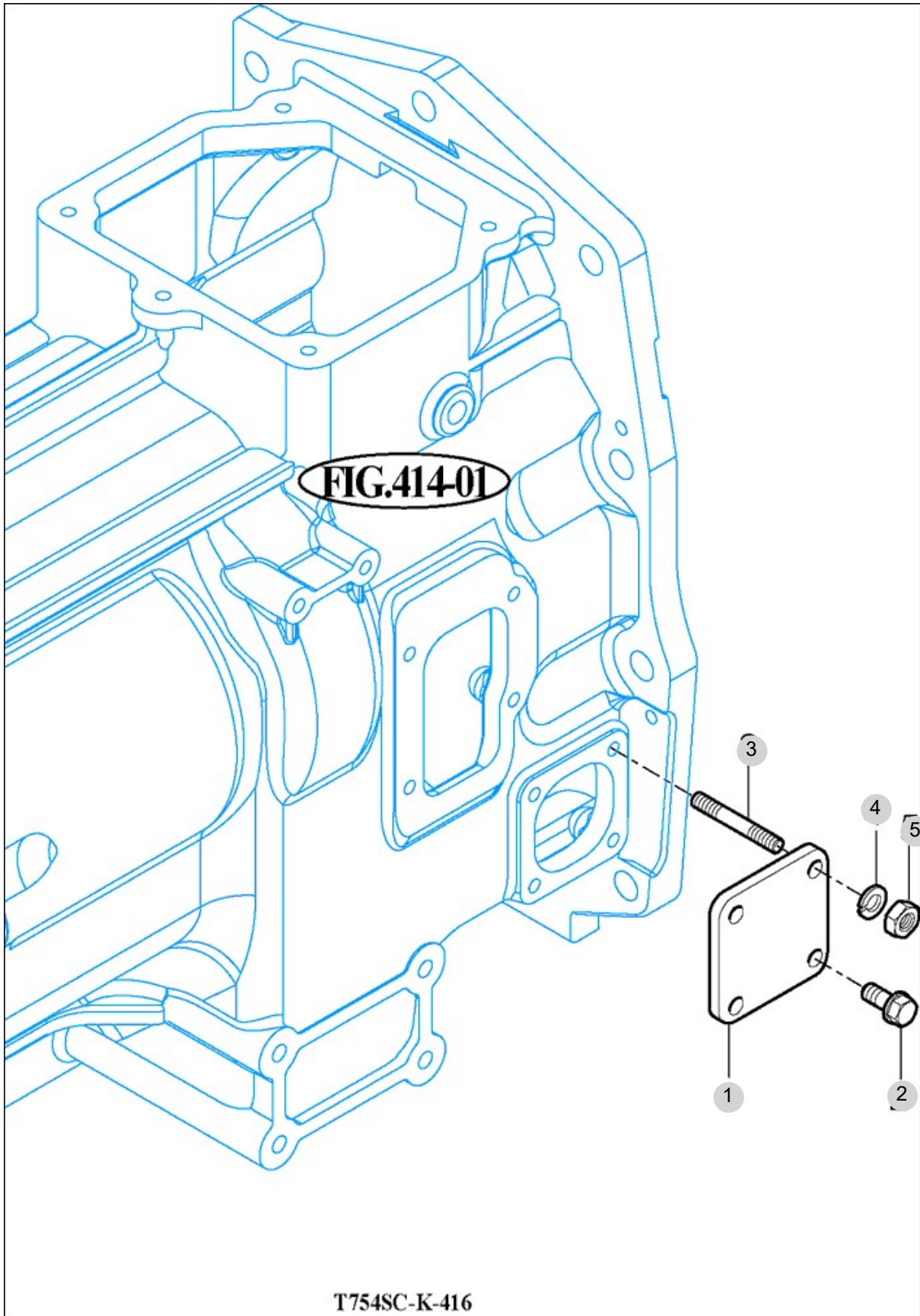
FIG 416

4WD CHANGE LEVER

년/월  
Year/Month

2022-12

T754SCEUA



NOTE



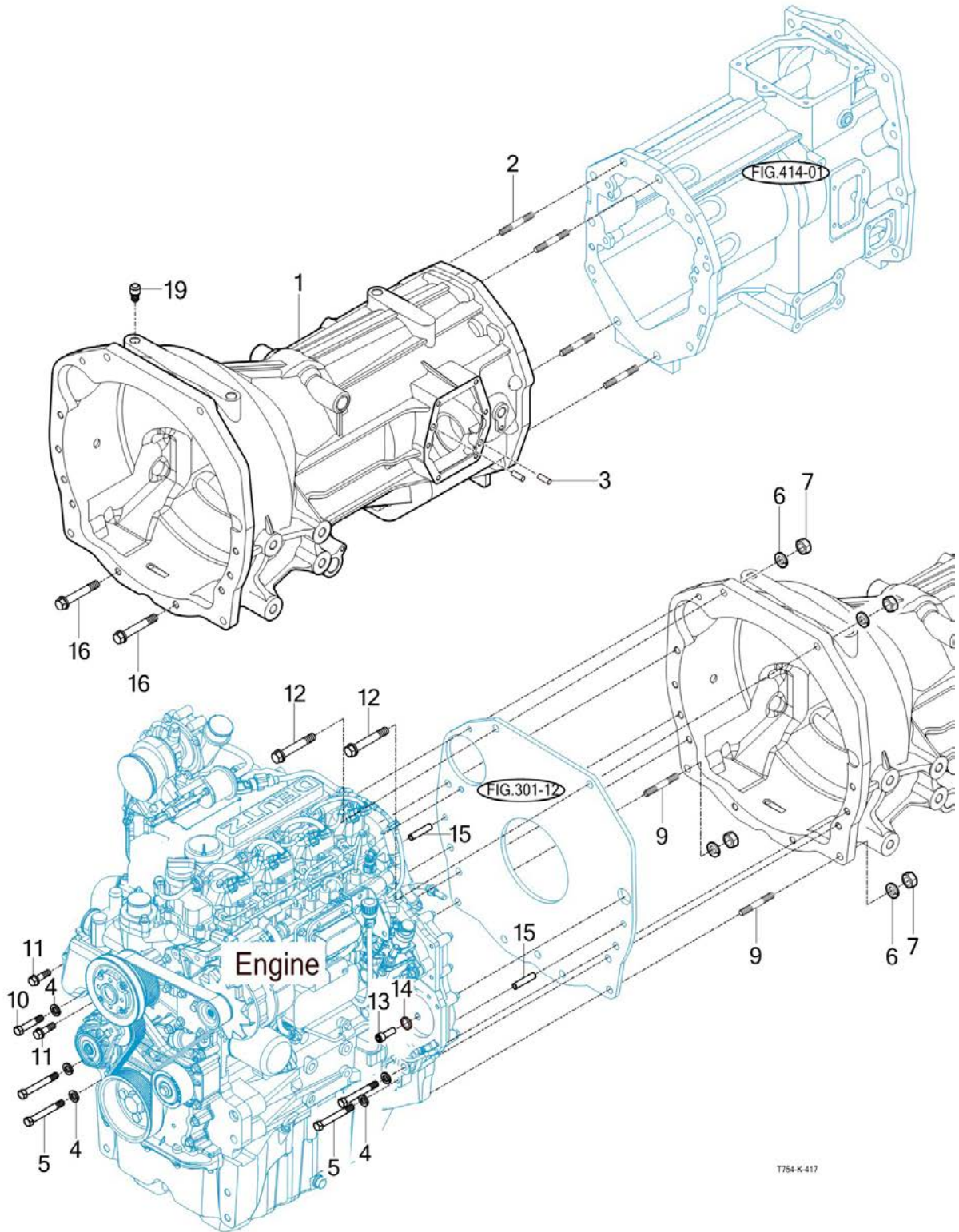
FIG 417

TRANSMISSION FRONT CASE

년/월  
Year/Month

2022-12

T754SCEUA



T754-K-417

NOTE











## 5. Front Axle PART NO. T5

FIG 501 FRONT AXLE SUPPORT	143
FIG 502 FRONT DRIVE SHAFT	145
FIG 503 FRONT AXLE HOUSING	147
FIG 504 FRONT DIFFERENTIAL GEAR	149
FIG 505 FRONT GEAR CASE (1)	151
FIG 506 FRONT GEAR CASE (2)	153
FIG 507 FRONT GEAR CASE (3)	155

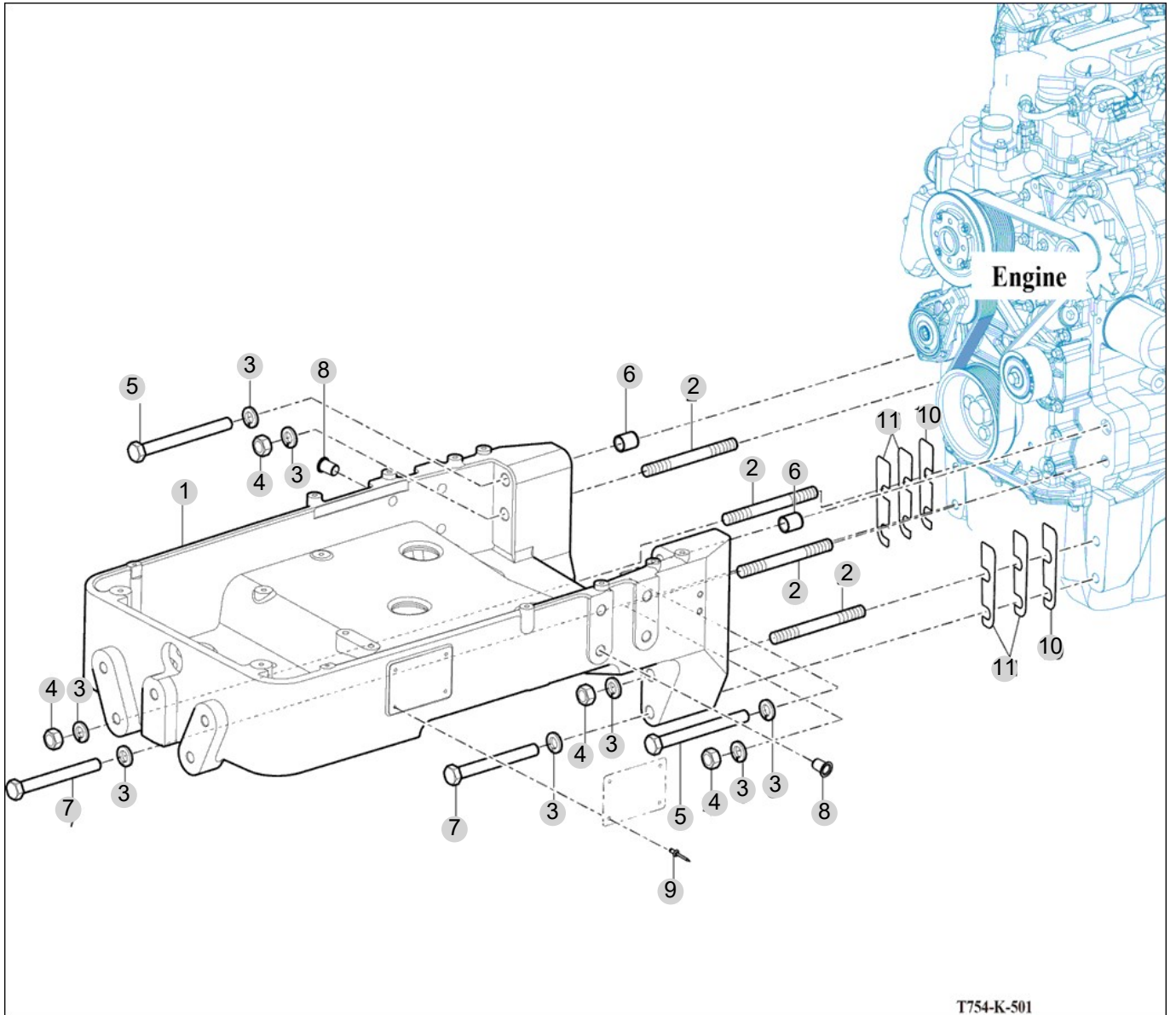
FIG 501

FRONT AXLE SUPPORT

년/월  
Year/Month

2022-12

T754SCEUA



T754-K-501

NOTE



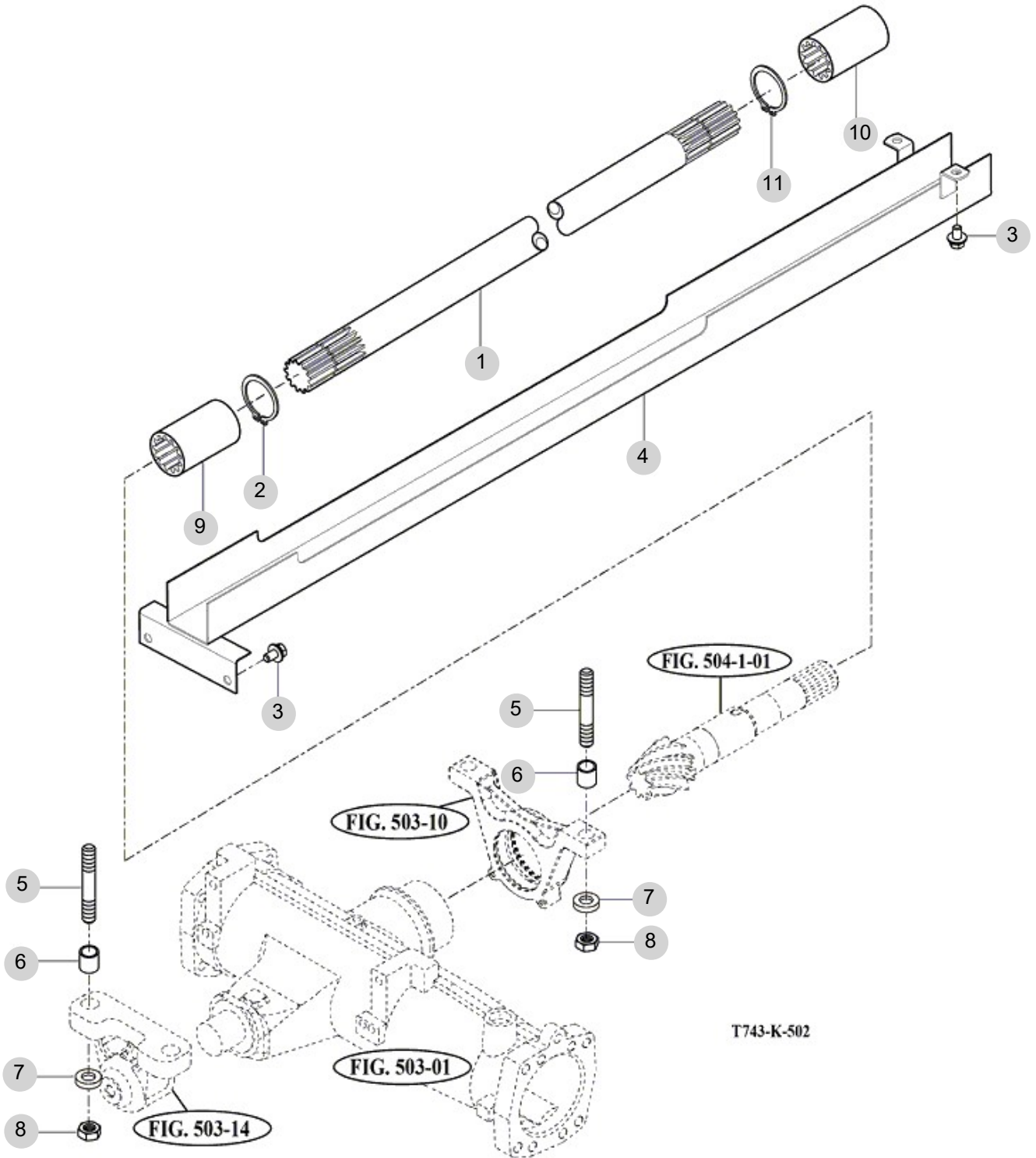
FIG 502

FRONT DRIVE SHAFT

년/월  
Year/Month

2022-12

T754SCEUA



NOTE



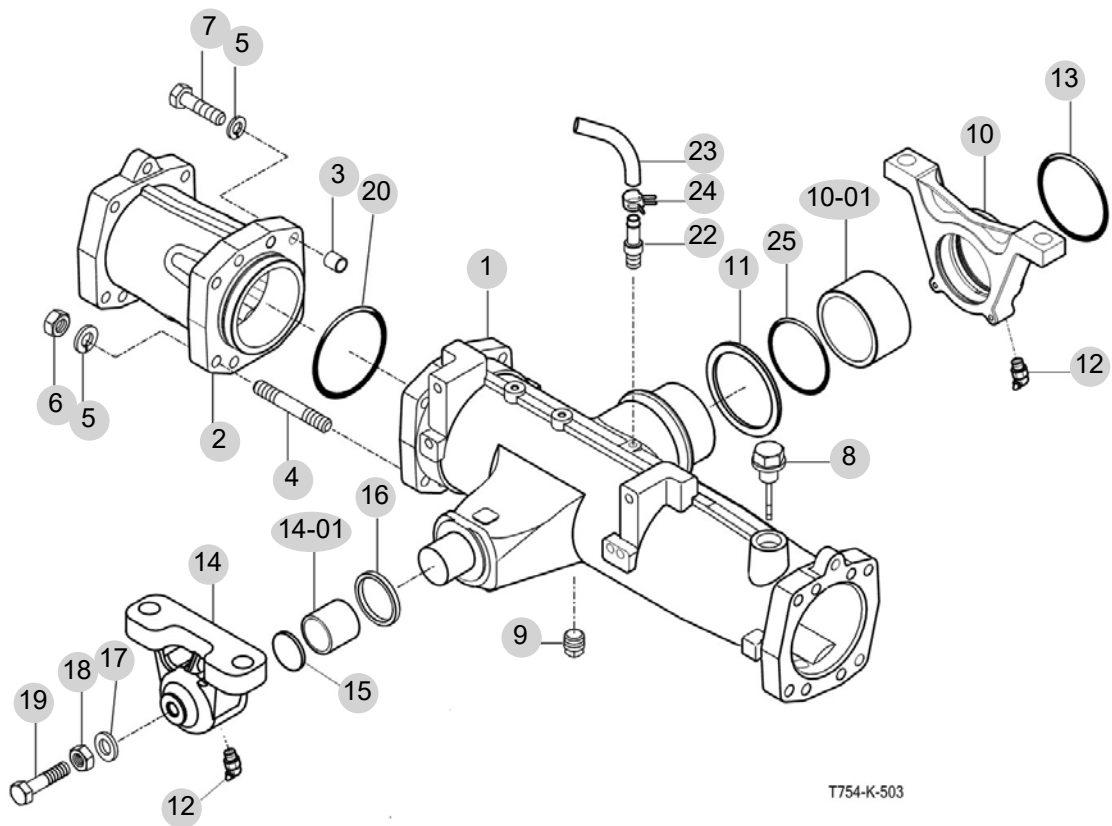
FIG 503

FRONT AXLE HOUSING

년/월  
Year/Month

2022-12

T754SCEUA



T754-K-503

NOTE



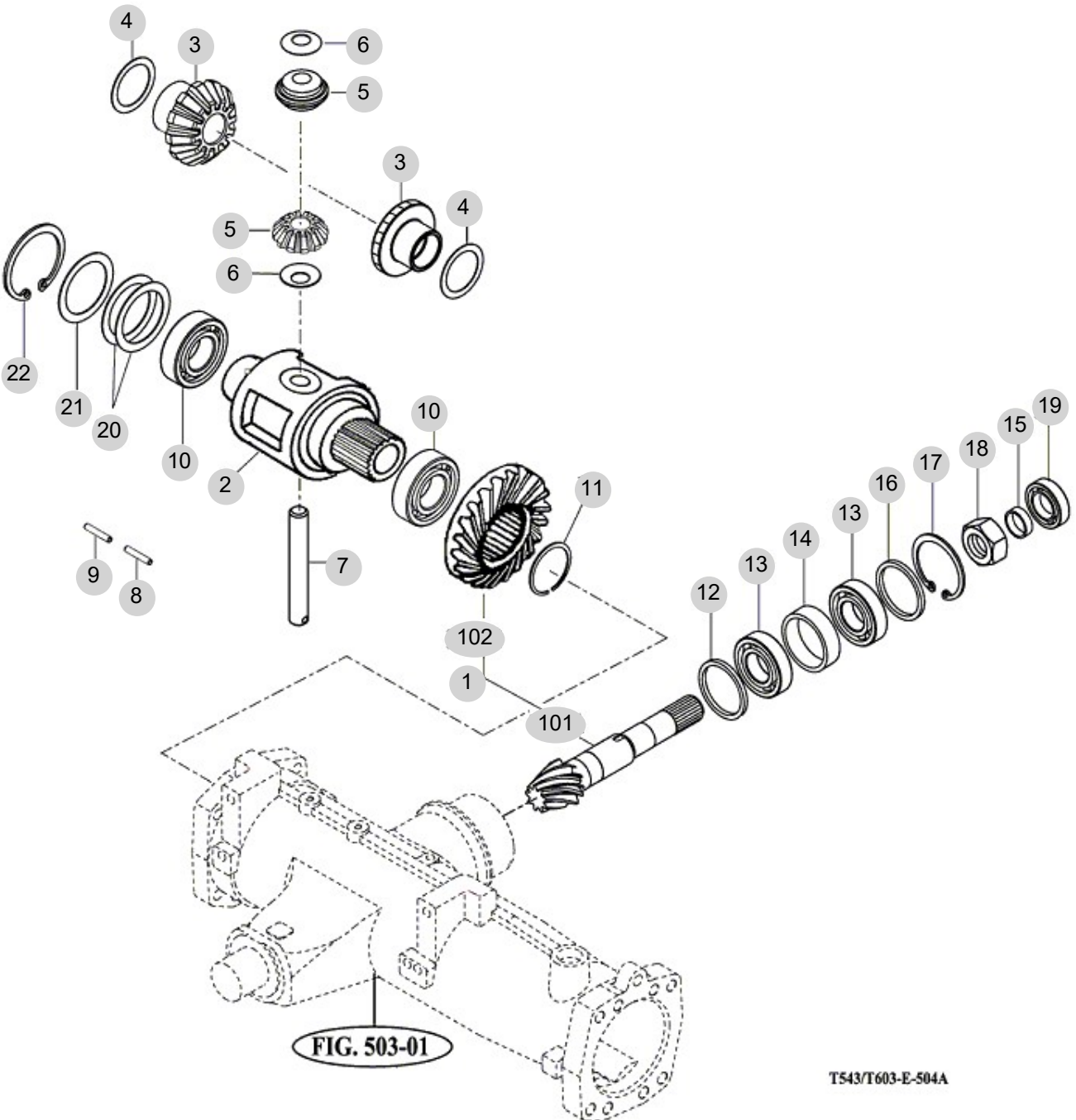


FIG 504

FRONT DIFFERENTIAL GEAR

년/월  
Year/Month

2022-12



NOTE



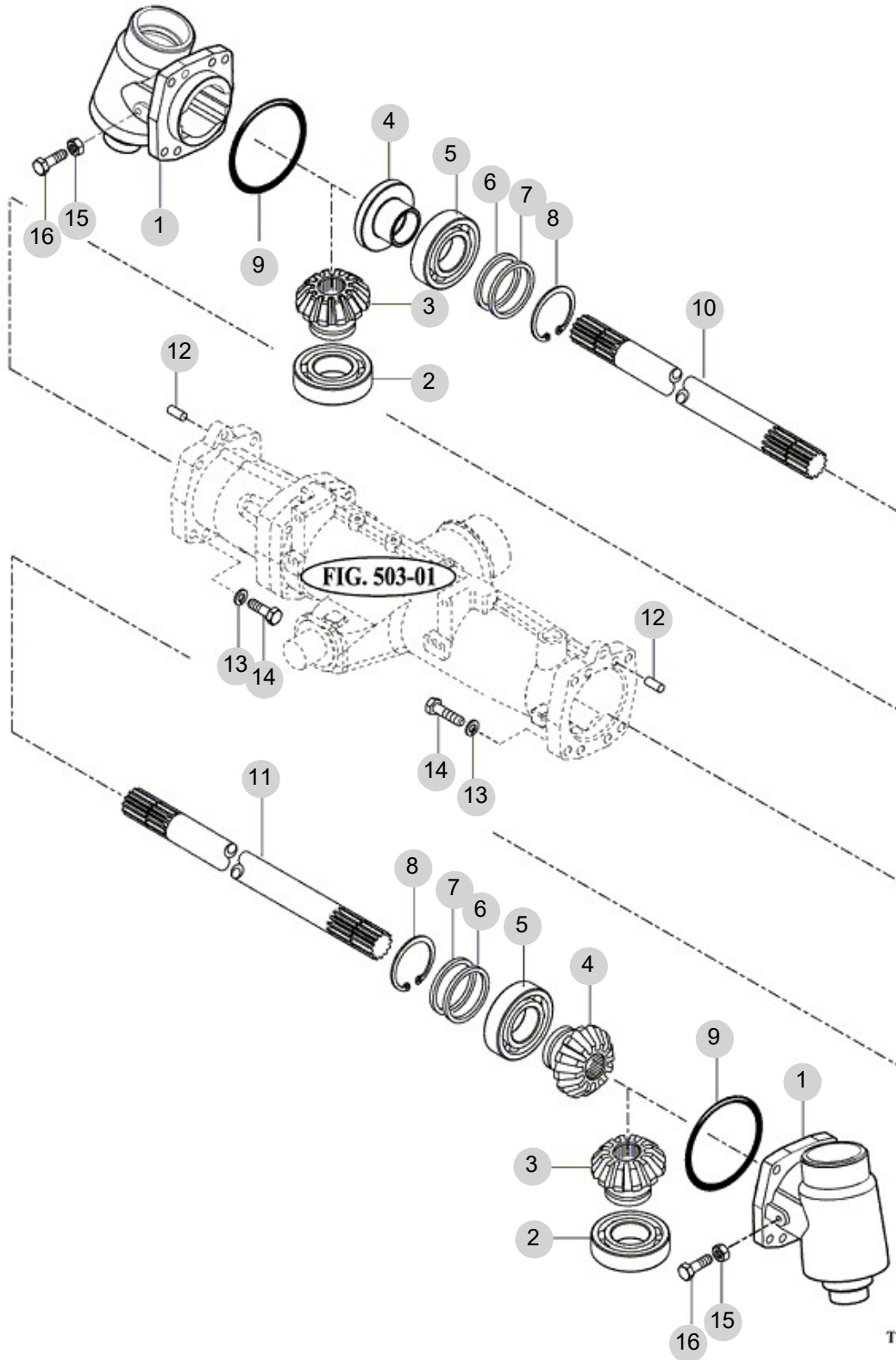
FIG 505

FRONT GEAR CASE (1)

년/월  
Year/Month

2022-12

T754SCEUA



T543/T603-E-505A

NOTE



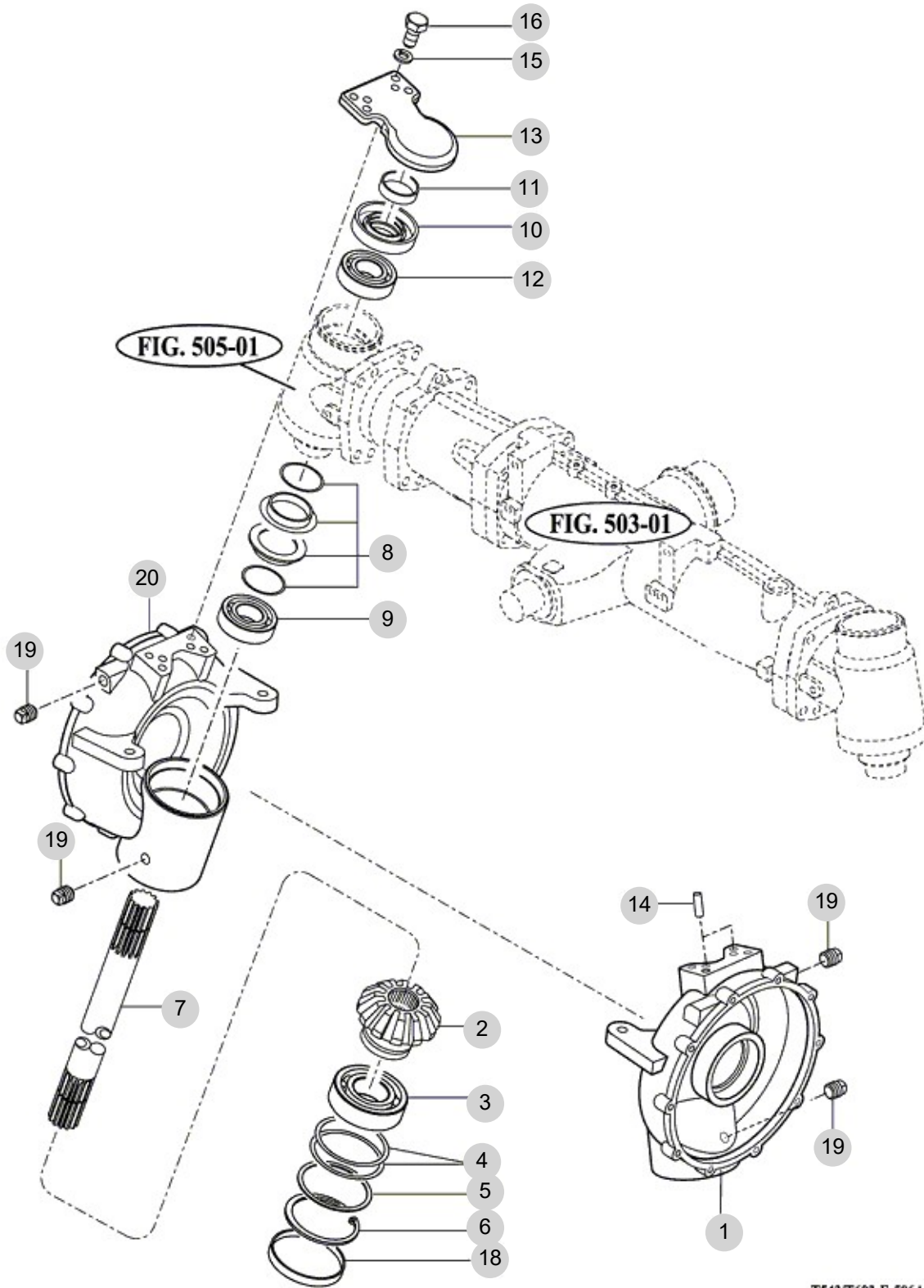
FIG 506

T754SCEUA

FRONT GEAR CASE (2)

년/월  
Year/Month

2022-12



T543/T603-E-506A

NOTE

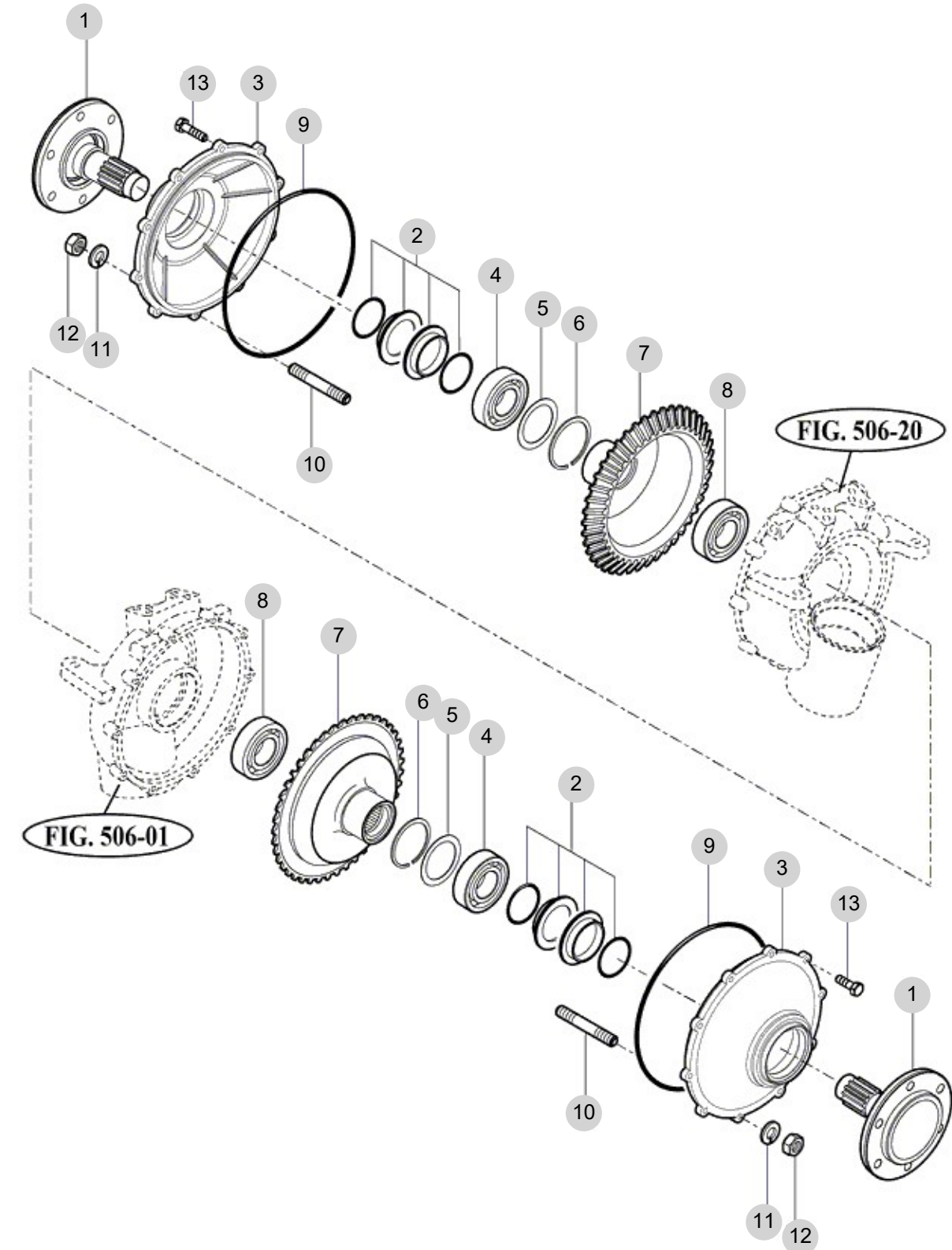


FIG 507

FRONT GEAR CASE (3)

년/월  
Year/Month

2022-12



T754-E-507

NOTE





## 6. Hydraulic/3P-Link PART NO. T6

FIG 601 CYLINDER CASE	158
FIG 602-2 LIFT ARM (EUA)	160
FIG 603 CYLINDER	162
FIG 604 POSITION LINK	164
FIG 605 CONTROL VALVE	166
FIG 606 DRAFT LINK	168
FIG 607 POSITION & DRAFT LEVER	170
FIG 608-2 EXTERIOR HYD. VALVE (EUA)	173
FIG 609 HYDRAULIC PIPE	175
FIG 610 JOYSTICK	177
FIG 611-2 HITCH & 3-POINT LINK(EU,EUA)	179
FIG 612 LOWER LINK & LIFT ROD	182
FIG 613 HYDRAULIC HOSE	184

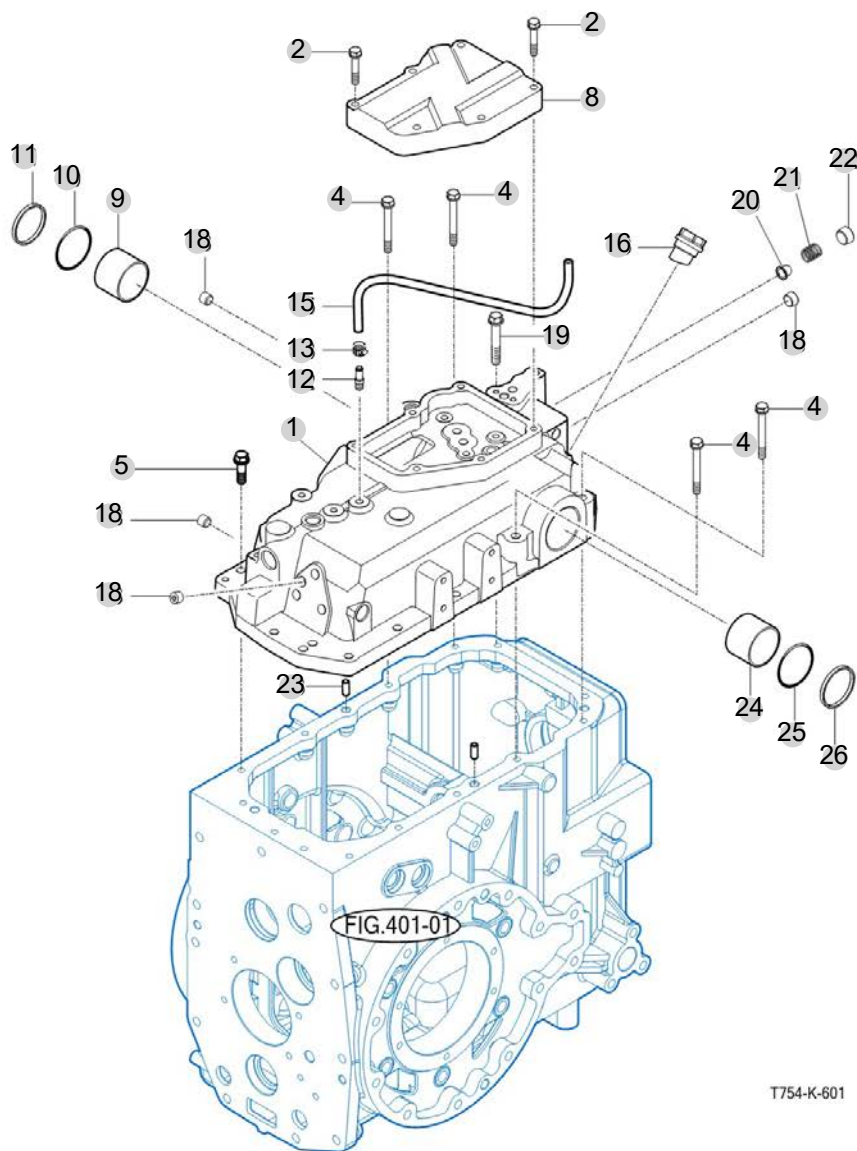
FIG 601

CYLINDER CASE

년/월  
Year/Month

2022-12

T754SCEUA



T754-K-601

NOTE



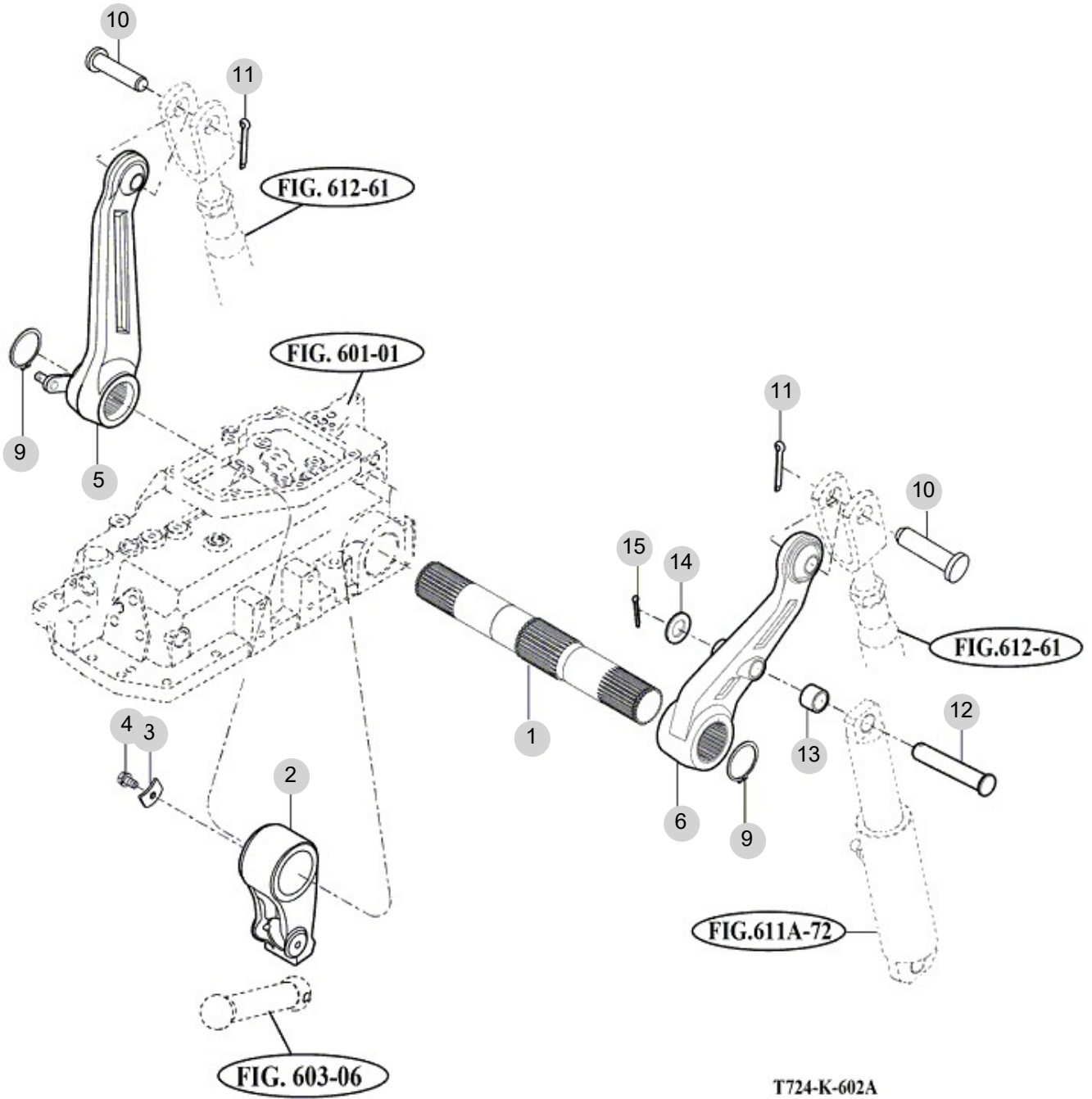
FIG 602-2

T754SCEUA

LIFT ARM (EUA)

년/월  
Year/Month

2022-12



T724-K-602A

NOTE



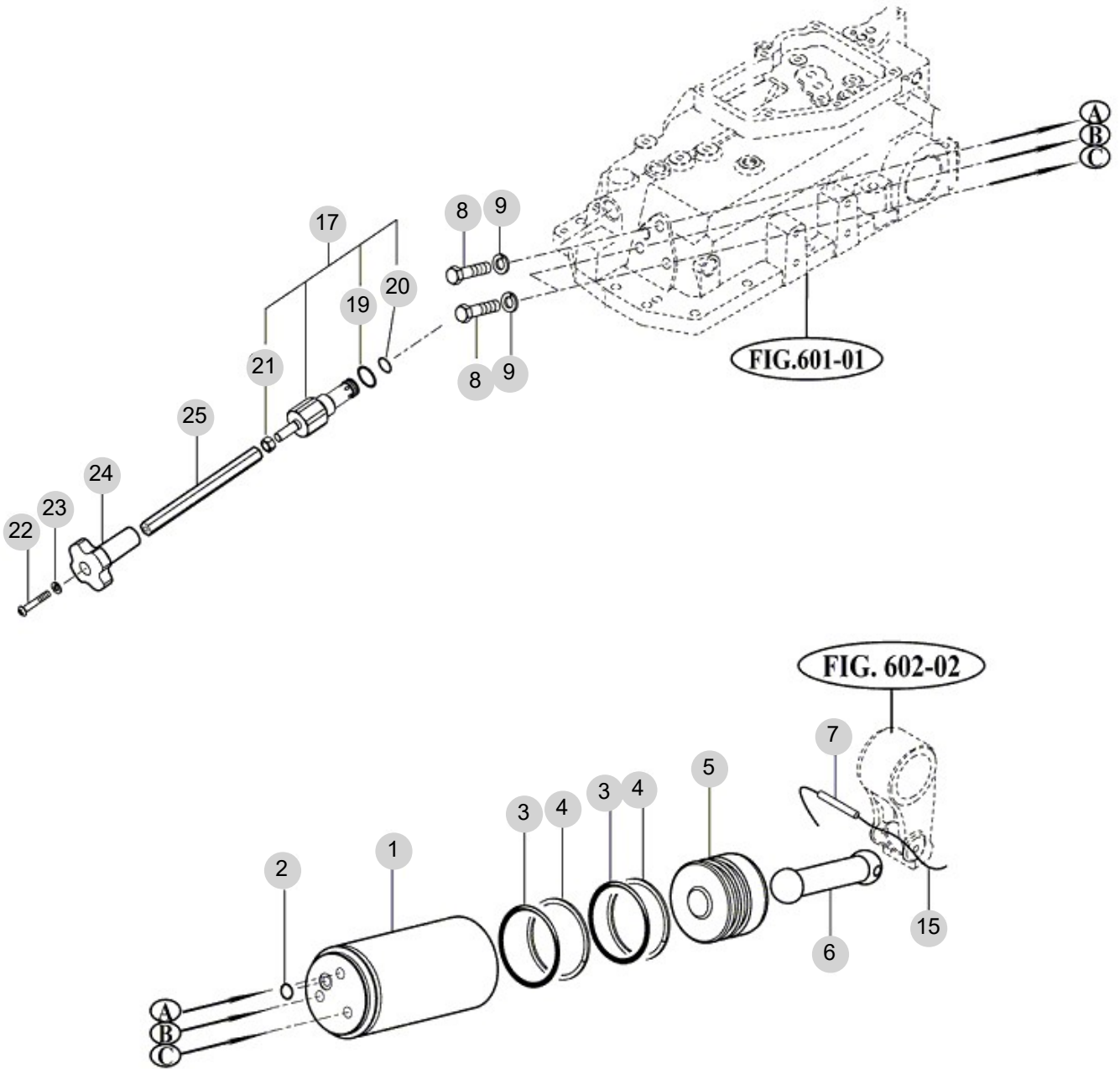
FIG 603

CYLINDER

년/월  
Year/Month

2022-12

T754SCEUA



T543/T603-E-603A

NOTE



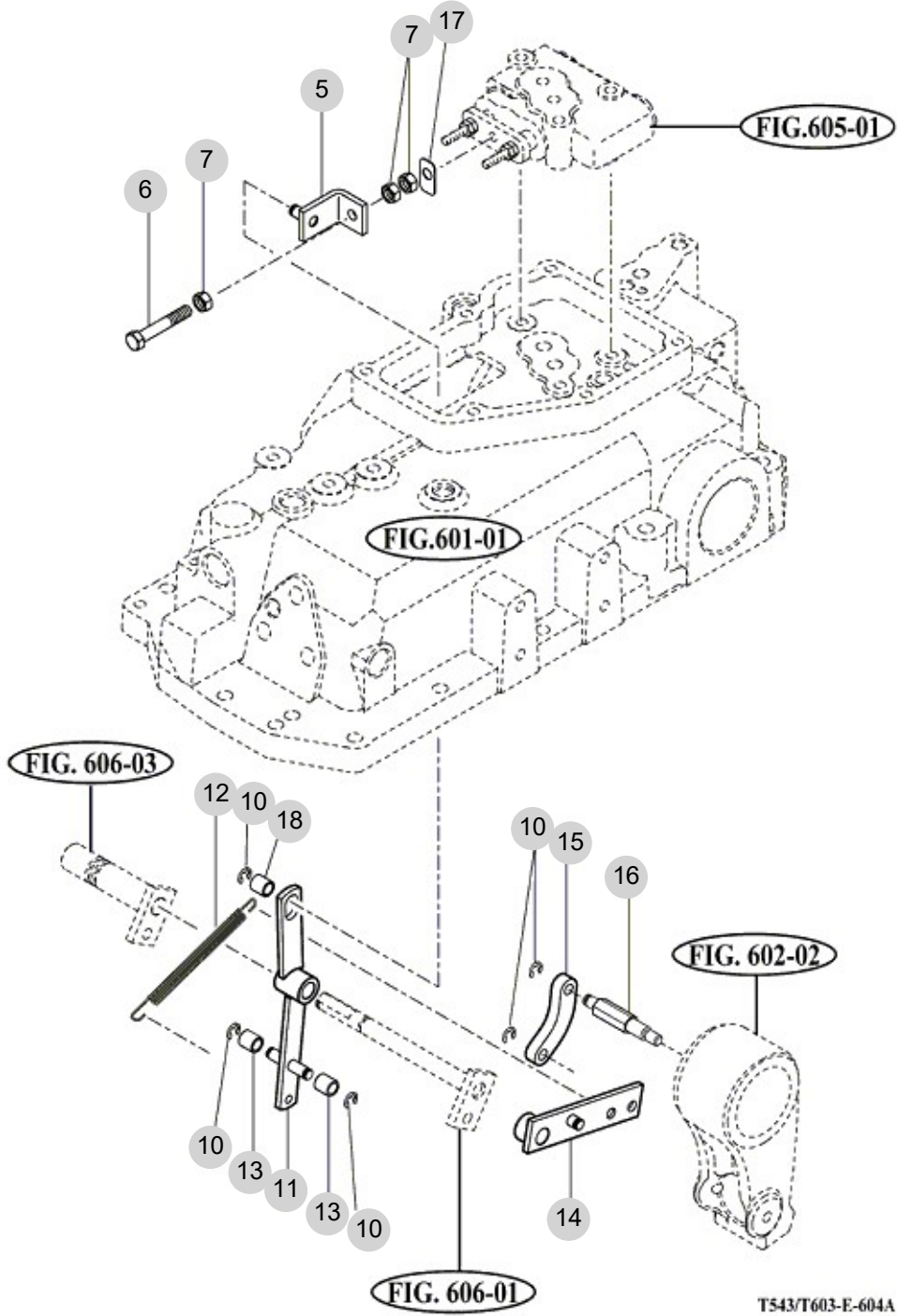
FIG 604

POSITION LINK

년/월  
Year/Month

2022-12

T754SCEUA



T543/T603-E-604A

NOTE





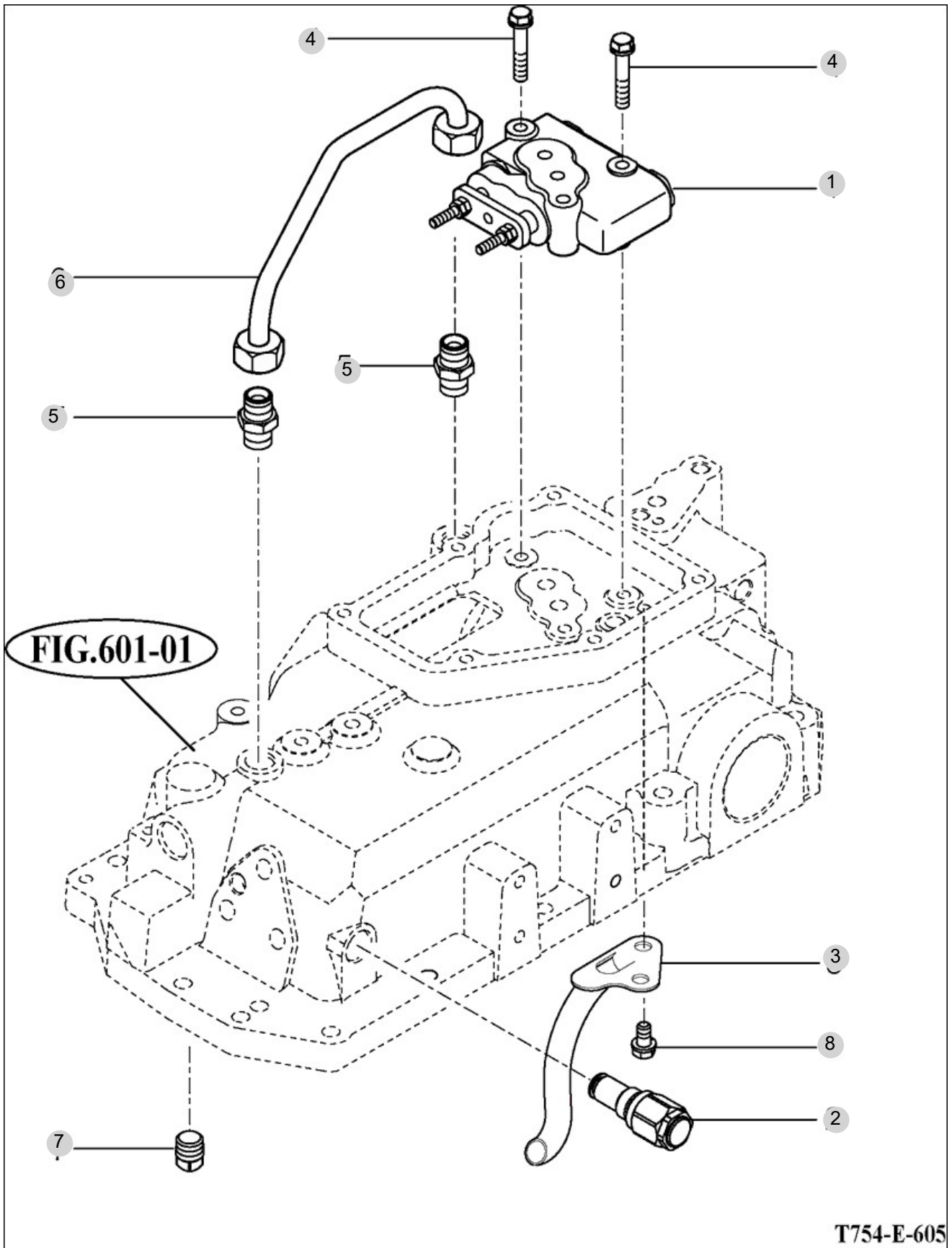
FIG 605

CONTROL VALVE

년/월  
Year/Month

2022-12

T754SCEUA



NOTE



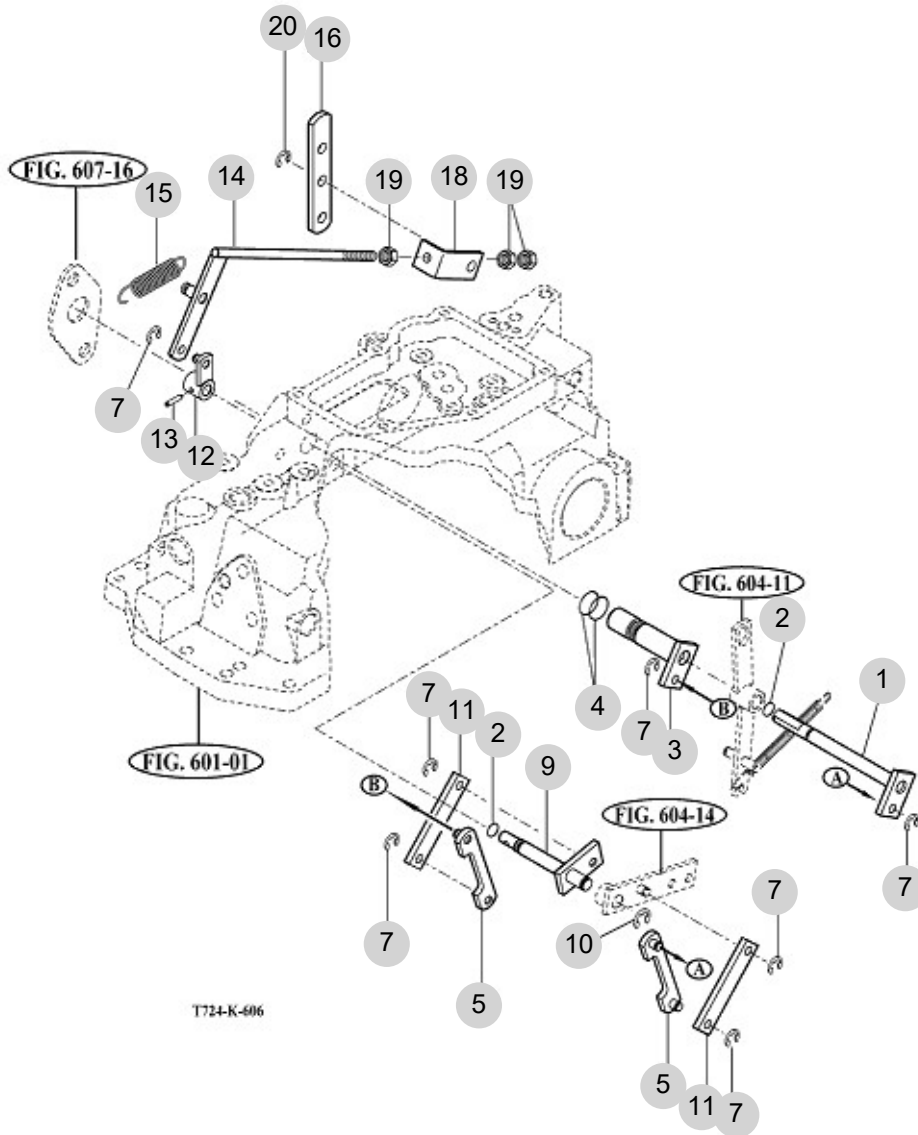
FIG 606

DRAFT LINK

년/월  
Year/Month

2022-12

T754SCEUA



NOTE

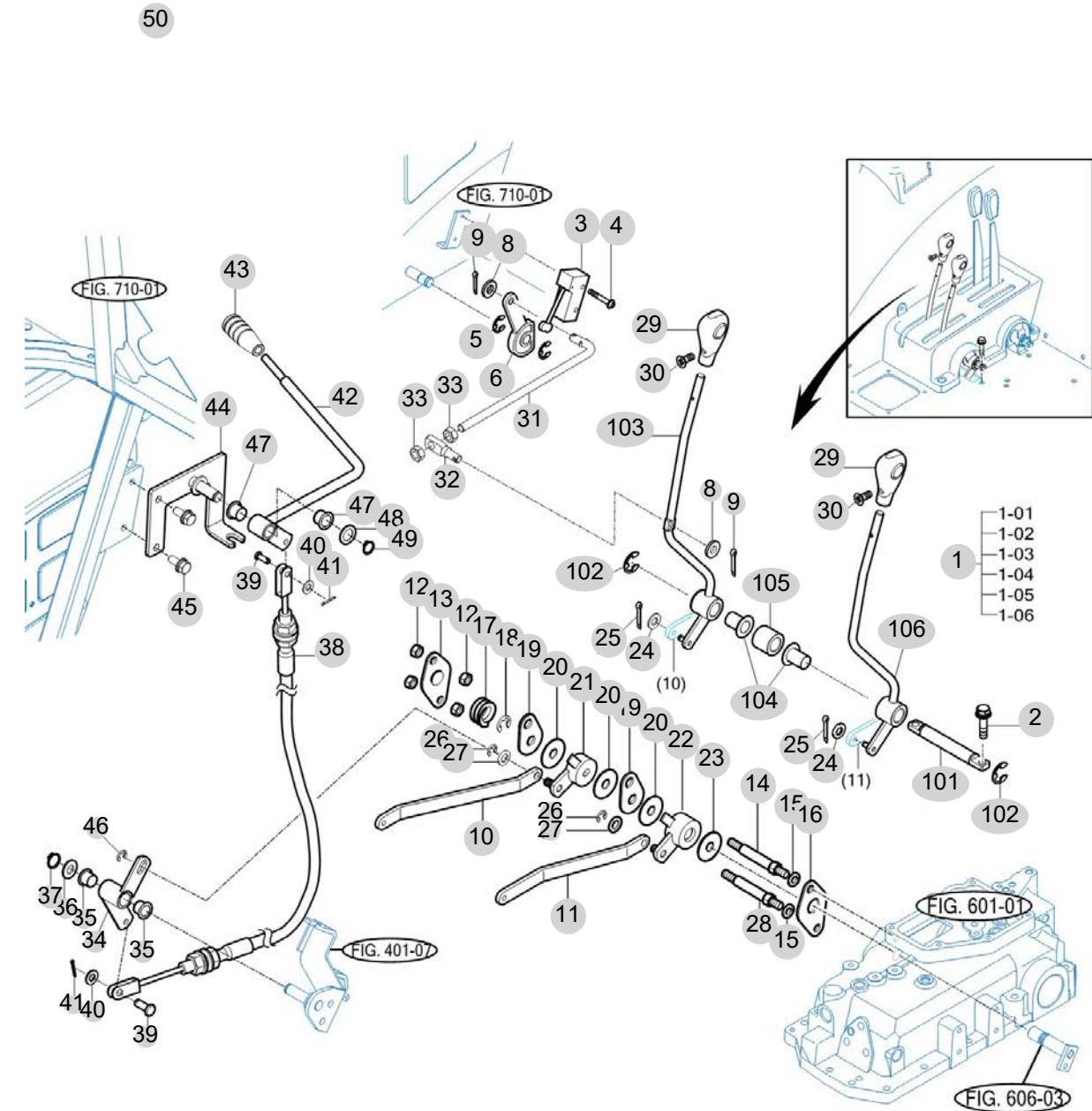


FIG 607

POSITION & DRAFT LEVER

년/월  
Year/Month

2022-12



T754-K-607

NOTE

FIG 607 T754SCEUA		POSITION & DRAFT LEVER					년/월 Year/Month	
							2022-12	
KEY NO	PART NO	DESCRIPTION	SPEC	QTY	REPAIR	EFFECTIVE DATE	REMARKS	
607	1	19997092101	REVER SUB , POSITION/DRAFT	1X1X1	1			
607	101	14527092110	SHAFT	D=16	1			
607	102	V7081400150	E-RING	15	2			
607	103	19997092201GB	LEVER COMP , POSITION	400*50*100	1			
607	104	14527092120	BUSH, NYLON/16X18X27	1X1X1	2			
607	105	14527092251	COLLER , SPACE	D=30	1			
607	106	19997092301GB	LEVER COMP , DRAFT	400*50*100	1			
607	2	V2183608020	BOLT , HEX/SP	M8X20	2			
607	3	16606742301	SWITCH ASSY . LIMIT		1			
607	4	V1222604025	SCREW , C/R PAN/SP	M4X25	2			
607	5	V7081400080	E-RING	8	2			
607	6	14527090020	CAM , SENSER	1X1X1	1			
607	8	V4111600060	WASHER , PLAIN	M6	2			
607	9	V5001920020	PIN , SPLIT	2X20	2			
607	10	18015070120	PLATE , POSITION	19X6T	1			
607	11	18015070140	PLATE , DRAFTER	19X6T	1			
607	12	V3043600100	NUT , HEX/2	M10	4			
607	13	17995070140	PLATE , C	3.2T	1			
607	14	17995070150	BOLT , SUPPORT	H14X108.9	1			
607	15	V4011600100	WASHER , SPRING	M10	2			
607	16	17995070170	PLATE , D	3.2TX90X50	1			
607	17	17995070180	SPRING	33X23	1			
607	18	V7081400120	E-RING	12	1			
607	19	17995070200	PLATE , A	3.2TX40X62	2			
607	20	17995070211	PLATE , FRICTION	13X40X2T	3			
607	20	13835070210	PLATE , FRICTION		3			
607	21	14525070221	ARM COMP , POSITION	1X1X1	1			
607	22	14525070230	ARM COMP , DRAFT LEVER		1			
607	23	17995070241	PLATE , FRICTION	21*40*2T	1			
607	23	13835070220	PLATE , FRICTION		1			
607	24	V4111600060	WASHER , PLAIN	M6	2			
607	25	V5001920020	PIN , SPLIT	2X20	2			
607	26	V7081400080	E-RING	8	2			
607	27	V4111600100	WASHER , PLAIN	M10	2			
607	28	17995070340	BOLT , SUPPORT		1			
607	29	19027592011	KNOB , AUX LEVER	1X1X1	2			
607	30	V1122804012	SCREW , C/R FLAT	M4X12	2			
607	31	19997090010	ROD,SWITCH	6*150*28	1			
607	32	19997090210	PIN , POSITION ROD	10.6*32*8	1			
607	33	V3002600060	NUT , HEX/1	M6	2			
607	34	18025070500GB	ARM COMP , AUX POSITION		1			
607	35	15602870024	BUSH , 16X24X15		2			
607	36	36212110030	WASHER , TENSION ARM	T=1.6	2			
607	37	V7041400160	C-RING , SHAFT	16	2			
607	38	18175070700	CABLE, EXTERNAL POSITION ASSY		1			
NOTE								









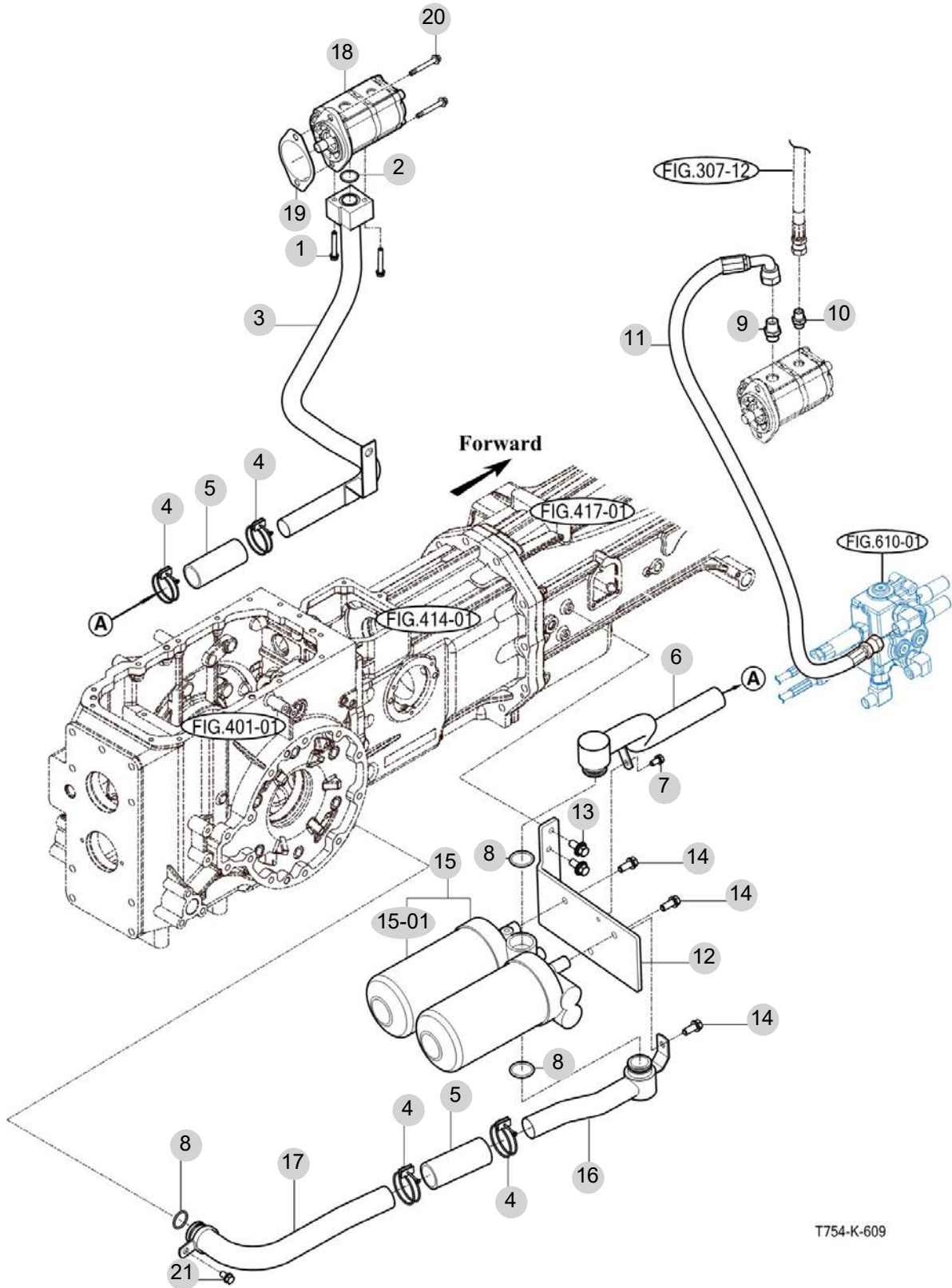
FIG 609

HYDRAULIC PIPE

년/월  
Year/Month

2022-12

T754SCEUA



T754-K-609

NOTE



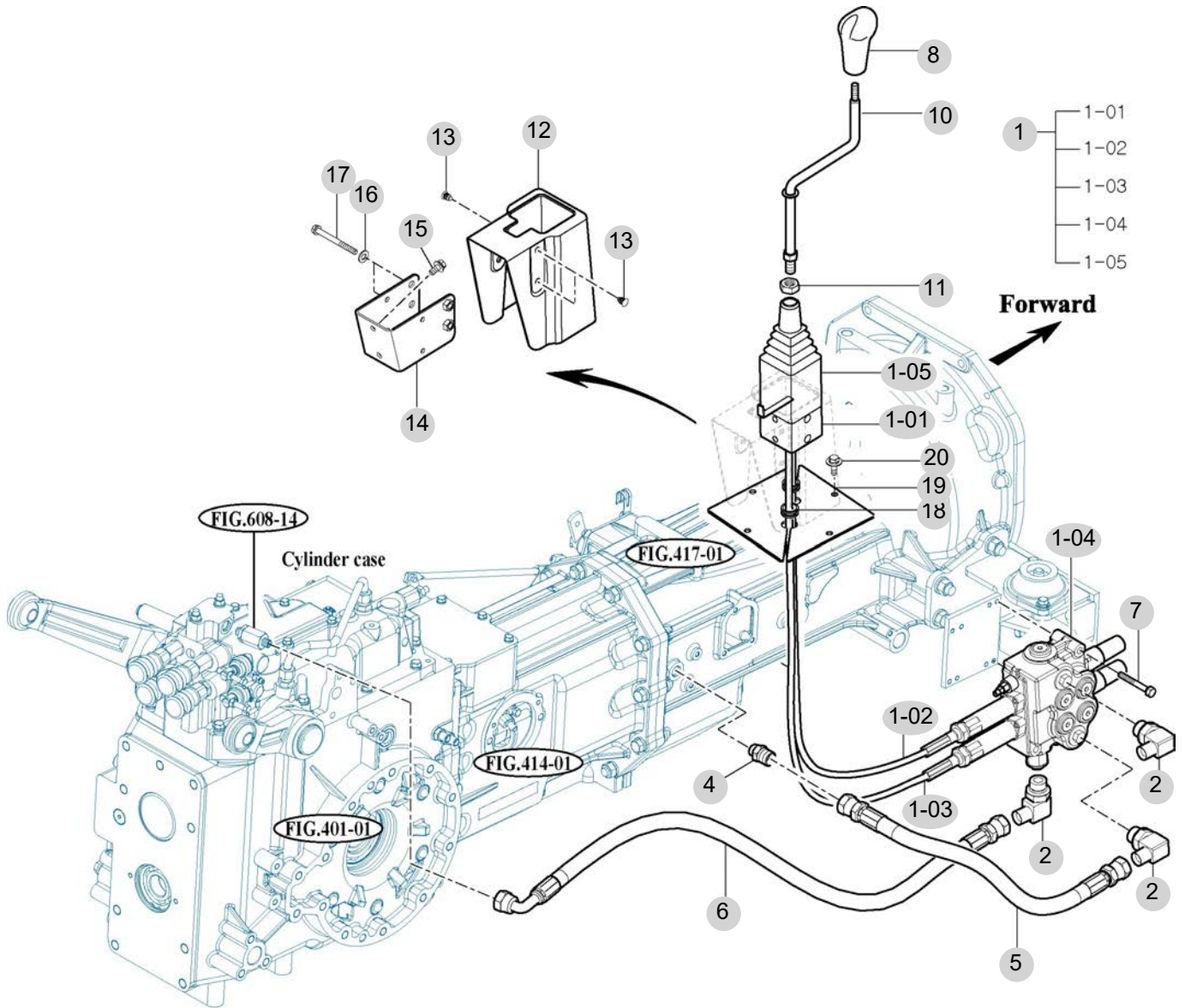
FIG 610

JOYSTICK

년/월  
Year/Month

2022-12

T754SCEUA



T754-K-610

NOTE





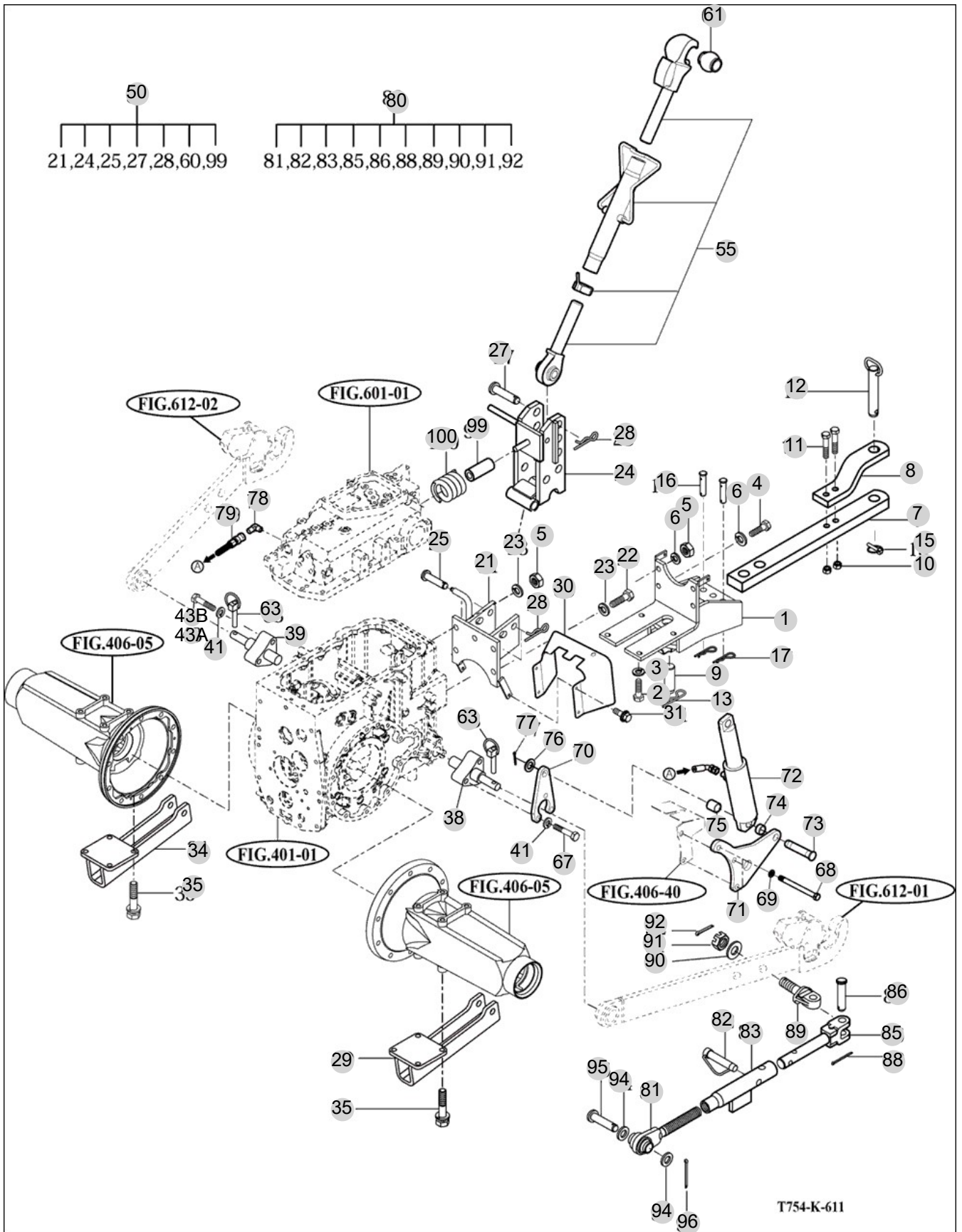
FIG 611-2

HITCH & 3-POINT LINK(EU,EUA)

년/월  
Year/Month

2022-12

T754SCEUA



NOTE

FIG 611-2 T754SCEUA		HITCH & 3-POINT LINK(EU,EUA)					년/월 Year/Month	
							2022-12	
KEY NO	PART NO	DESCRIPTION	SPEC	QTY	REPAIR	EFFECTIVE DATE	REMARKS	
611-2	1	18015202000GB	BRACKET COMP , DRAW BAR/SWING	246*20*440	1			
611-2	2	V2013614035	BOLT , HEX	M14X35	4			
611-2	3	V4011600140	WASHER , SPRING	M14	4			
611-2	4	V2013616035	BOLT , HEX	M16X35	2			
611-2	5	V3043600160	NUT , HEX/2	M16	4			
611-2	6	V4011600160	WASHER , SPRING	M16	4			
611-2	7	17332470010GB	LINK , DRAW BAR SWING	65X35X660	1			
611-2	8	18992470020GB	LINK , HITCH	1X1X1	1			
611-2	9	17332472010	PIN , DRAWBAR	D=28	1			
611-2	10	15189240160	NUT , NYLON , M16	1X1X1	2			
611-2	11	V2004616080	BOLT , HEX	M16X80	2			
611-2	12	S0973063031	PIN ASSY	D=19	2			
611-2	13	S2169908420	PIN , SNAP/28	1X1X1	1			
611-2	15	14215020020	PIN , LINK		1			
611-2	16	15645220011	PIN , 19X86	D=19	2			
611-2	17	14445140051	PIN , 19	D=4.5	2			
611-2	21	18015222000GB	BRACKET COMP	1X1X1	1			
611-2	22	V2013616035	BOLT , HEX	M16X35	3			
611-2	23	V4011600080	WASHER , SPRING	M8	5			
611-2	24	17975222102GB	LINK COMP	13.0X18.3X23.4	1			
611-2	25	15645250010	PIN , 19X122	D=19	2			
611-2	27	15645220020	PIN , 19X95	D=19	1			
611-2	28	14445140051	PIN , 19	D=4.5	3			
611-2	29	18015254101GB	BRACKET COMP		1			
611-2	30	13605200012GB	COVER , SHIELD	1X1X1	1			
611-2	31	V2183608016	BOLT , HEX/SP	M8X16	4			
611-2	34	18015254101GB	BRACKET COMP		1			
611-2	35	V2013614030	BOLT , HEX	M14X30	8			
611-2	38	17975252710	PIN , LOWER LINK		1			
611-2	39	17975252810	PIN , LOWER LINK	1X1X1	1			
611-2	41	V4011600140	WASHER , SPRING	M14	6			
611-2	43B	V2013614060	BOLT , HEX	M14X60	3			
611-2	50	18015200500	BRACKET ASSY	1X1X1	1			
611-2	55	18025201000GB	LINK ASSY . TOP		1			
611-2	61	17995201500	BALL , TOP LINK	1X1X1	1			
611-2	63	14215020020	PIN , LINK		2			
611-2	67	V2013614070	BOLT , HEX	M14X70	3			
611-2	68	V2004614140	BOLT , HEX	M14X140	3			
611-2	69	V4011600140	WASHER , SPRING	M14	3			
611-2	70	18095800080	PLATE , LOW SUPPORT		1			
611-2	71	18095800090	PLATE , UPR SUPPORT		1			
611-2	72	18095803001	CYLINDER ASSY , AUX		1			
611-2	73	18095800060	PIN , 20X97		1			
611-2	74	18095800050	SPACER , 20.4X27.2X12.8		1			
611-2	75	18095800030	SPACER , 20.4X27.2X29.4		1			
NOTE								





FIG 612

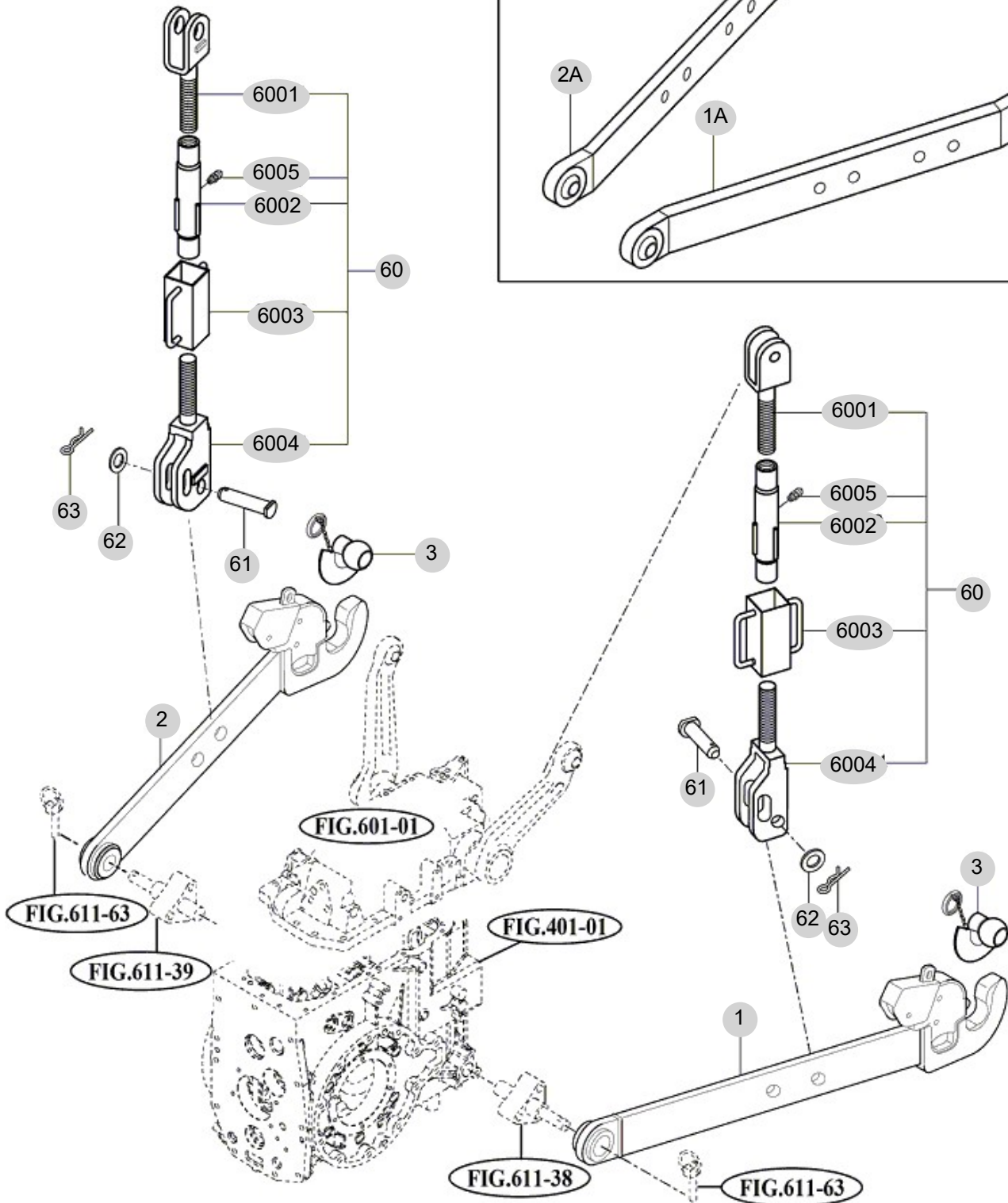
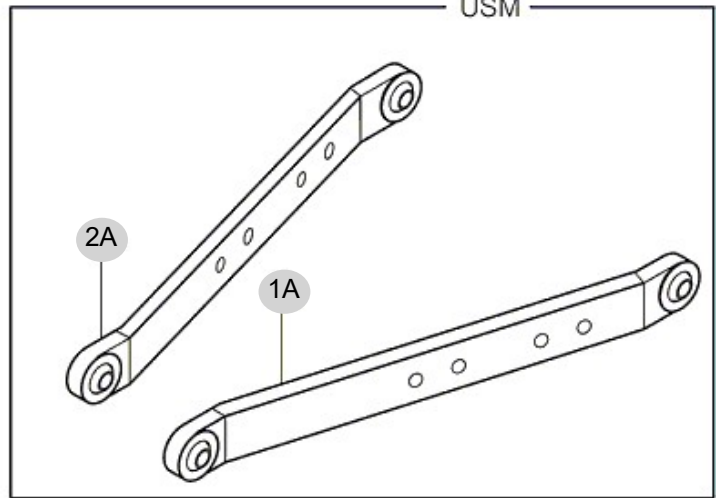
LOWER LINK & LIFT ROD

년/월  
Year/Month

2022-12

T754SCEUA

USM



T754-K-612

NOTE

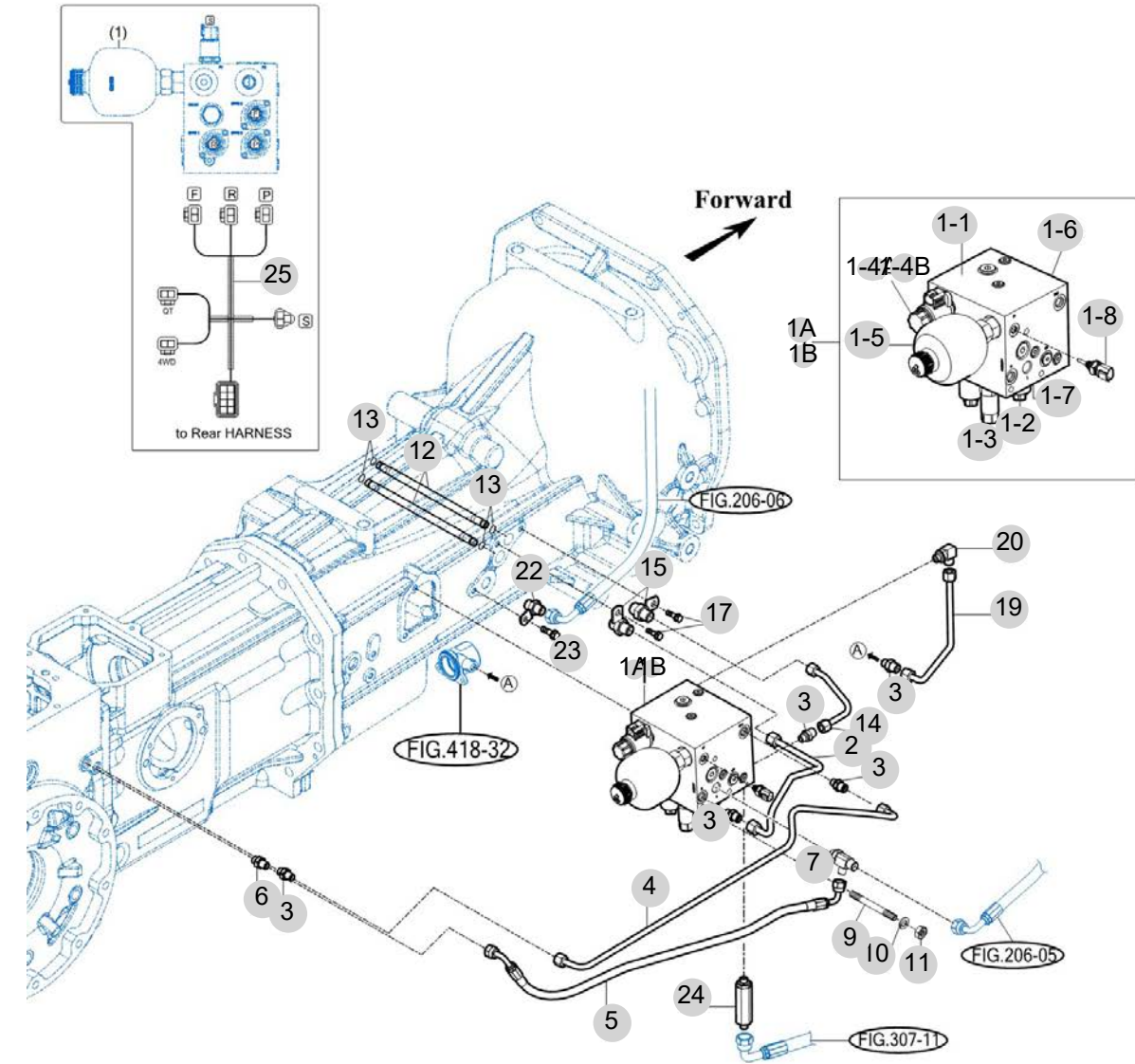


FIG 613

HYDRAULIC HOSE

년/월  
Year/Month

2022-12



T754SC-K-613

NOTE



## 7. Sheet Metal & Cabin PART NO. T7

FIG 701 HOOD	187
FIG 702 FRONT FRAME	189
FIG 703 SIDE SUPPORT & FRAME HOOD	191
FIG 704 LEVER COVER & STEP	194
FIG 705 FRONT & REAR MOUNTING	196
FIG 706 SEAT & MAT	198
FIG 709 DOOR	200
FIG 710 FRONT GLASS	203
FIG 711 SIDE GLASS	205
FIG 712 REAR GLASS	207
FIG 713 SUB FENDER & COVER	209
FIG 714 MIRROR	211
FIG 715 HEATER & AIR-CON	213
FIG 715-2 HEATER & AIR-CON	215
FIG 716 FENDER COVER	217
FIG 717 ROOF	219
FIG 718 CABIN INTERIOR	221

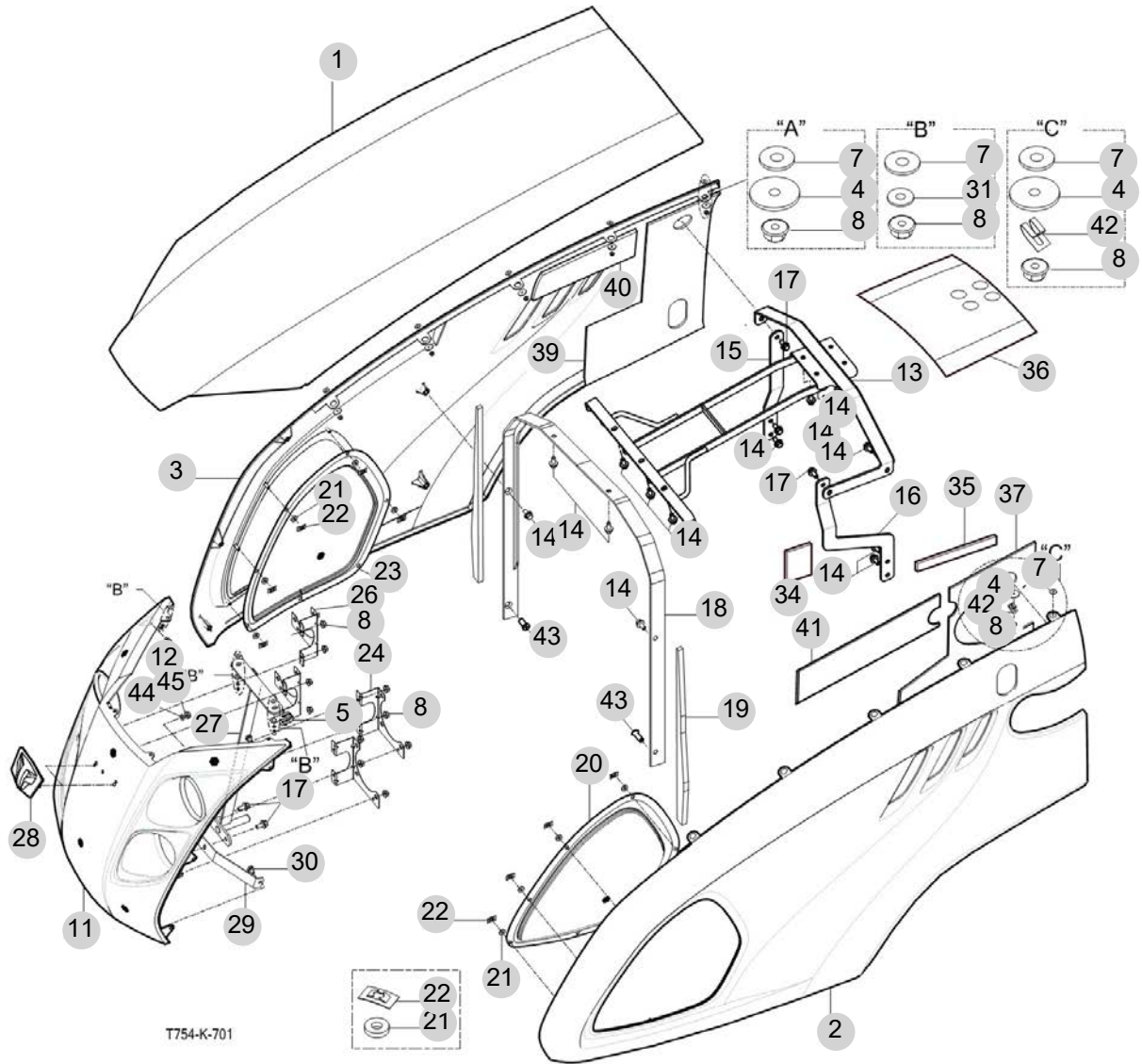
FIG 701

T754SCEUA

HOOD

년/월  
Year/Month

2022-12



NOTE



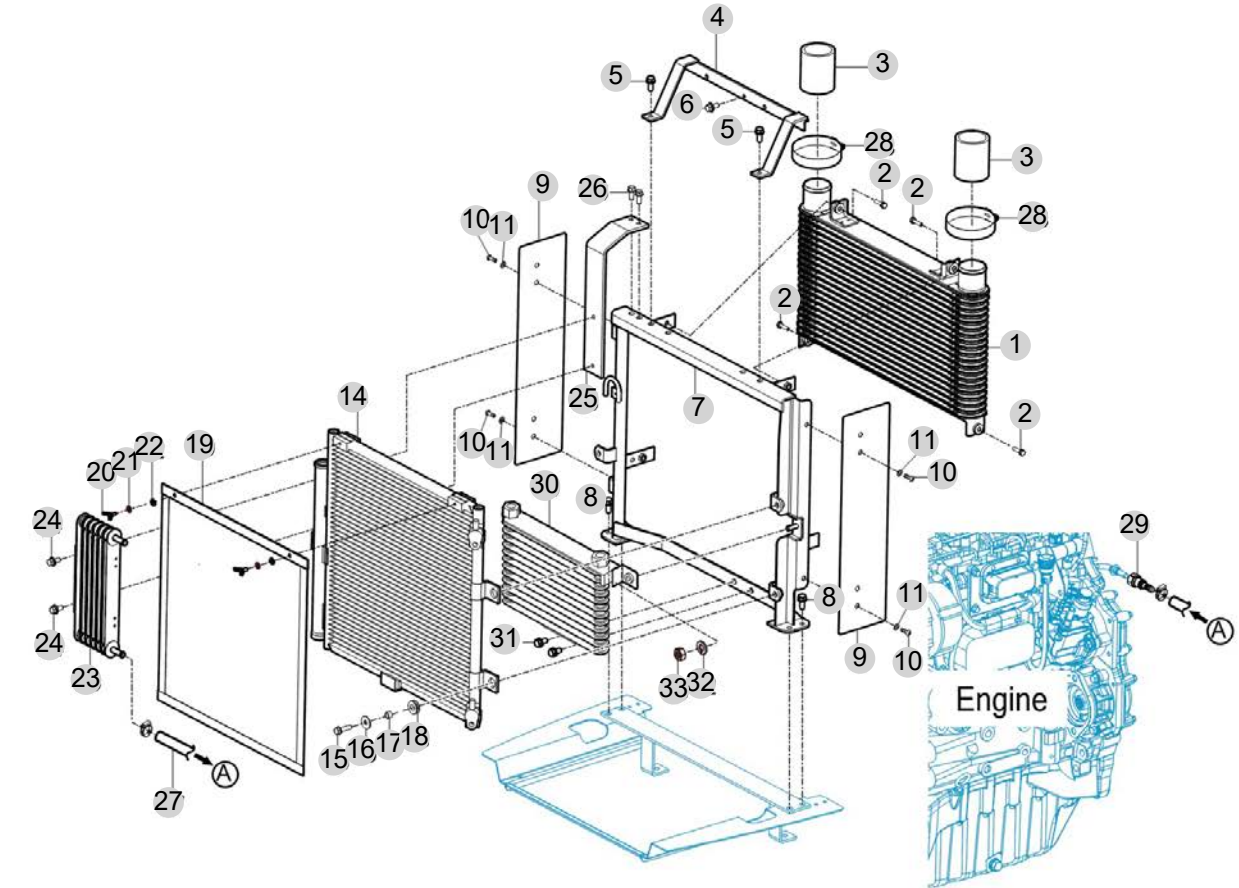


FIG 702

FRONT FRAME

년/월  
Year/Month

2022-12



T754-K-702

NOTE

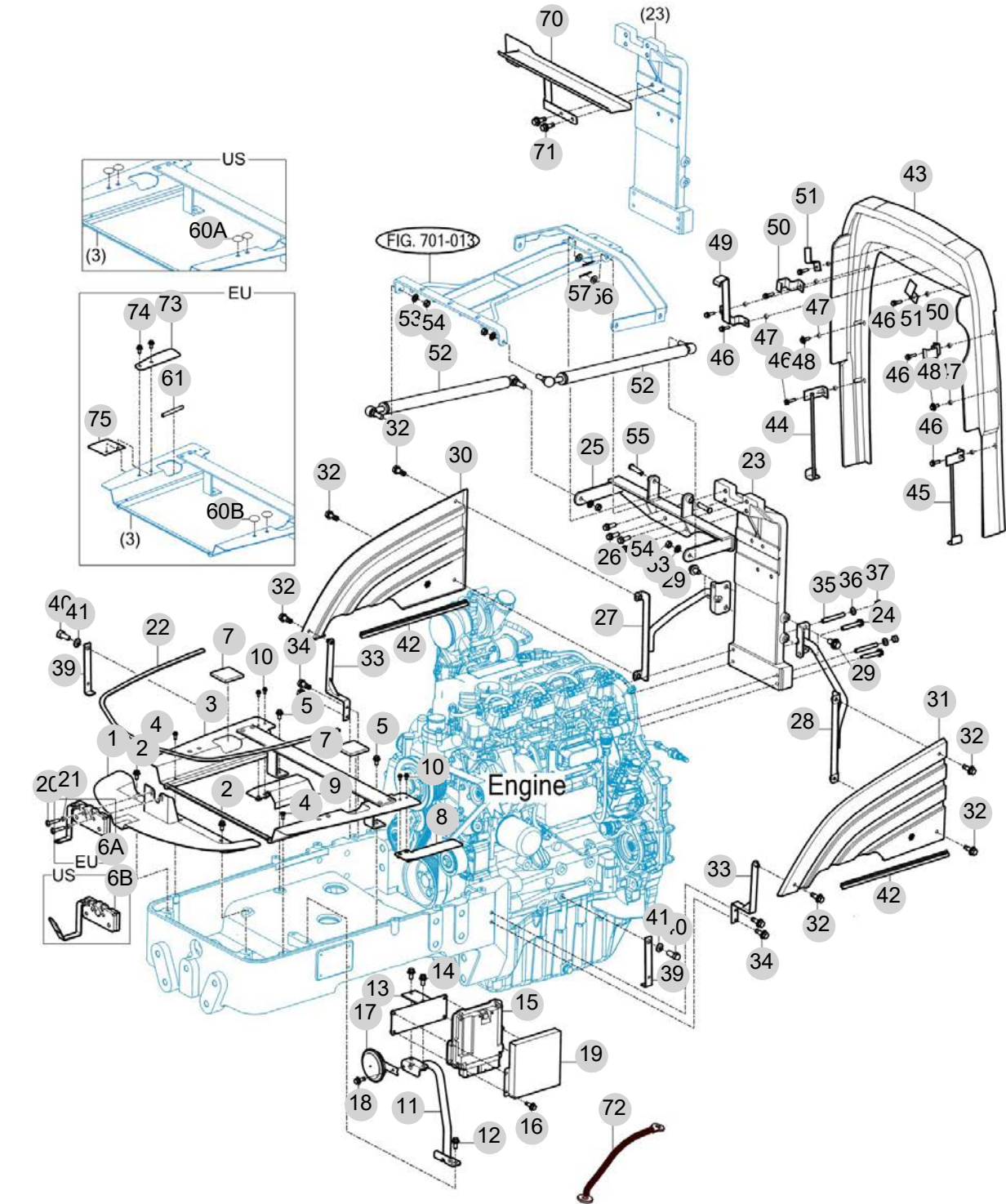


FIG 703

SIDE SUPPORT & FRAME HOOD

년/월  
Year/Month

2022-12



T754-K-703

NOTE

FIG 703 T754SCEUA		SIDE SUPPORT & FRAME HOOD					년/월 Year/Month	
							2022-12	
KEY NO	PART NO	DESCRIPTION	SPEC	QTY	REPAIR	EFFECTIVE DATE	REMARKS	
703	1	18014103101GB	PLATE COMP, LOW/FR			1		
703	2	V2173608020	BOLT , HEX/S	M8X20		2		
703	3	18026022102GB	FRAME COMP , BETTERY			1		
703	4	V2113606016	BOLT , HEX /S	M6X16		2		
703	5	V2183608020	BOLT , HEX/SP	M8X20		2		
703	6A	18026014800	LOCK COMP , HOOD			1		
703	7	10031040020	INSULATOR , RADIATOR	T=10		2		
703	8	17136012400GB	COVER COMP , LH	170X64X37		1		
703	9	17136012300GB	COVER COMP , RH	170X64X37		1		
703	10	V2123606012	BOLT , HEX /SP	M6X12		4		
703	11	18021051100	ECU STAND COMP			1		
703	11	18021051100GB	ECU STAND COMP			1		
703	12	V2184610025	BOLT , HEX/SP	M10X25		2		
703	13	18021051200	BRACKET COMP , ECU			1		
703	13	18021051200GB	BRACKET COMP , ECU			1		
703	14	V2184608020	BOLT , HEX/SP	M8X20		2		
703	15	02959610	CONTROL UNIT (ECU)			1		
703	16	V2123606025	BOLT , HEX /SP	M6X25		4		
703	17	13266212003	HORN			1		
703	18	V2123606016	BOLT , HEX /SP	M6X16		1		
703	19	18021025200GB	COVER , ECU			1		
703	20	V2053606035	BOLT , HEX C/R	M6X35		2		
703	21	V3802600060	NUT , HEX FLANGE	M6		2		
703	22	10034100010	INSULATOR, HOOD			1		
703	23	18026050011GB	HOOD SUPPORT			1		
703	24	V2173608050	BOLT . HEX/S	M8X50		2		
703	25	17136052102GB	HINGE COMP , HOOD			1		
703	25	17136052103GB	HINGE COMP , HOOD			1		
703	26	V2173610035	BOLT , HEX/S	M10X35		4		
703	27	18026022500GB	STAY COMP , RH			1		
703	28	18026022400GB	STAY COMP , LH			1		
703	29	V2183610020	BOLT , HEX/SP	M10X20		4		
703	30	17136113021GB	SUPPORT , RH SIDE			1		
703	31	17136113011GB	SUPPORT , LH SIDE			1		
703	32	V2123806012	BOLT . HEX /SP	M6X12		6		
703	33	18026022600GB	FRAME COMP , SIDE			2		
703	34	V2183608020	BOLT , HEX/SP	M8X20		4		
703	35	V2513408050	BOLT , STUD/2	M8X50		2		
703	36	V4011600080	WASHER , SPRING	M8		2		
703	37	V3042600080	NUT , HEX/2	M8		2		
703	38	14541063080	SEAL , LH	1X1X1		1		
703	39	18024050010GB	BRACKET , STEERING HOSE			2		
703	40	V2013614030	BOLT , HEX	M14X30		2		
703	41	V4011600140	WASHER , SPRING	M14		2		
703	42	17136040050	INSULATOR , SUPPORT			2		
NOTE								



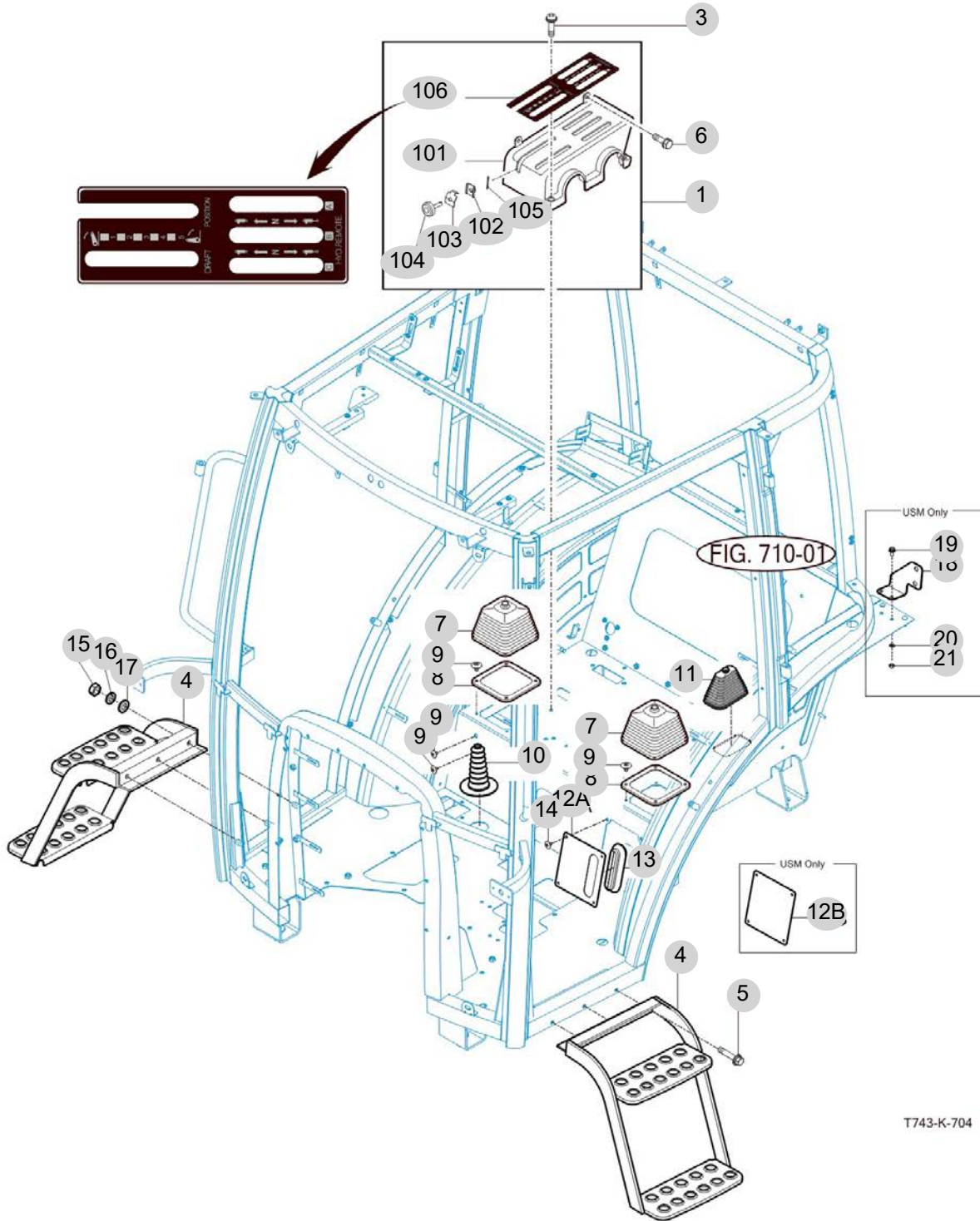
FIG 704

LEVER COVER & STEP

년/월  
Year/Month

2022-12

T754SCEUA



NOTE





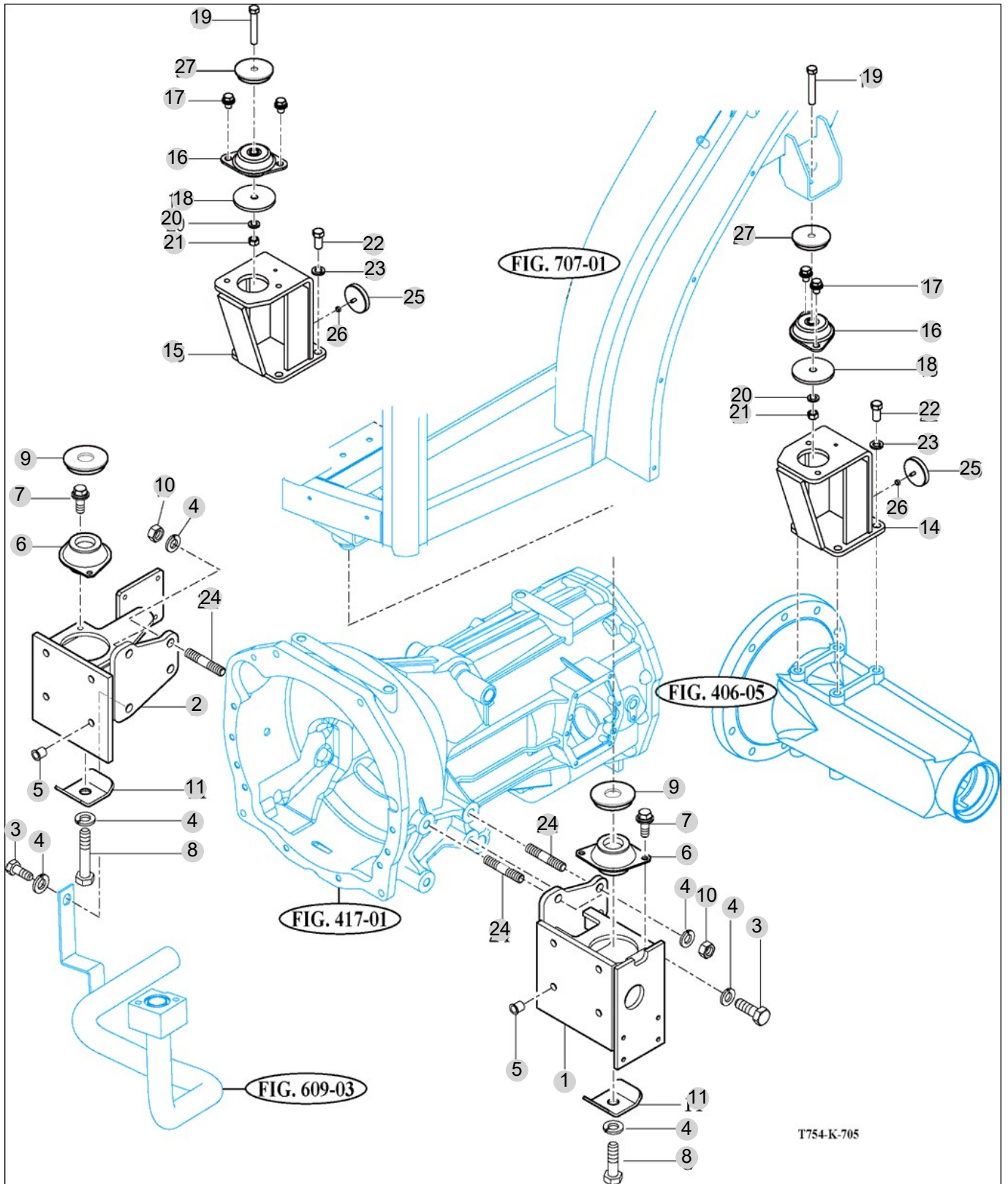
FIG 705

T754SCEUA

FRONT & REAR MOUNTING

년/월  
Year/Month

2022-12



NOTE





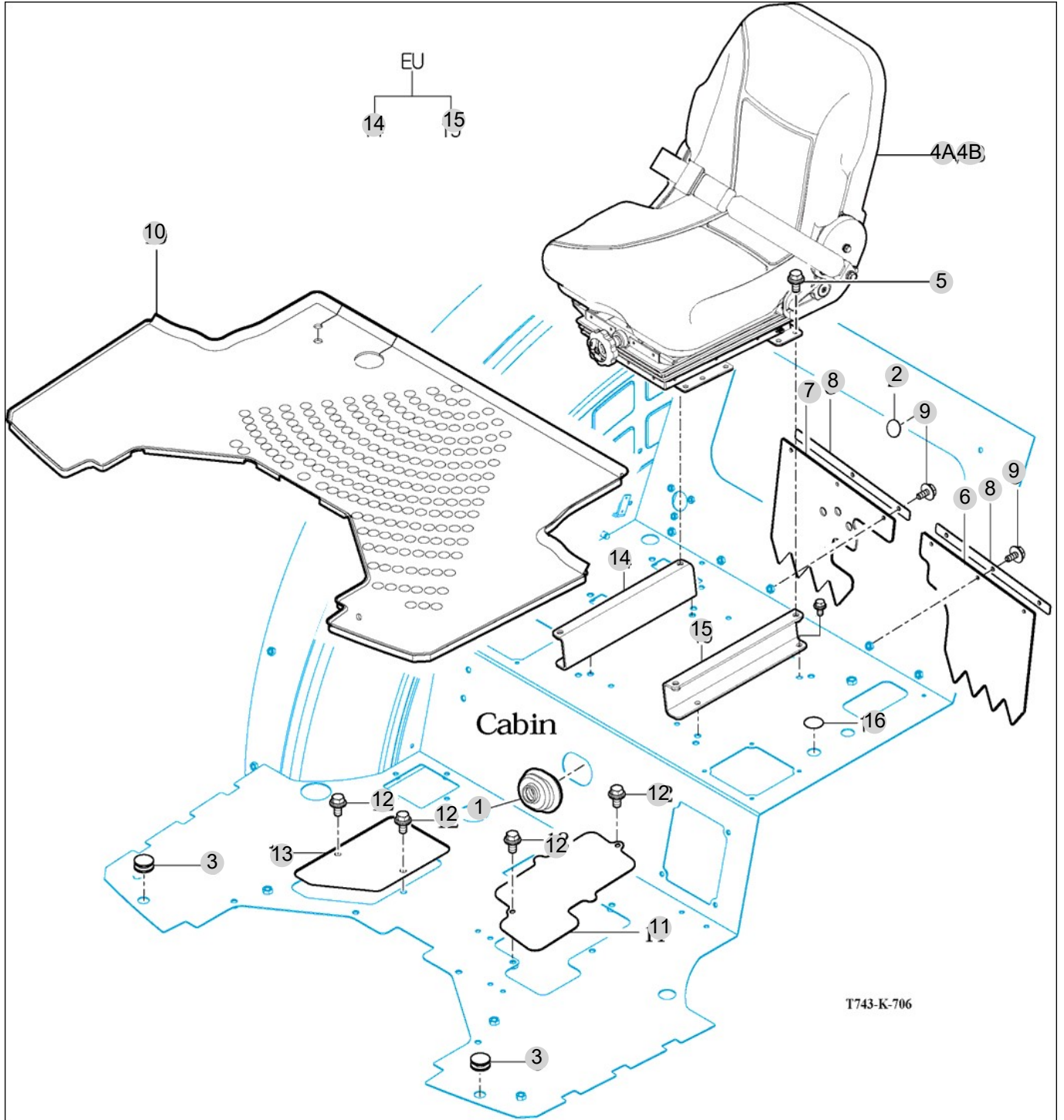
FIG 706

SEAT & MAT

년/월  
Year/Month

2022-12

T754SCEUA



NOTE

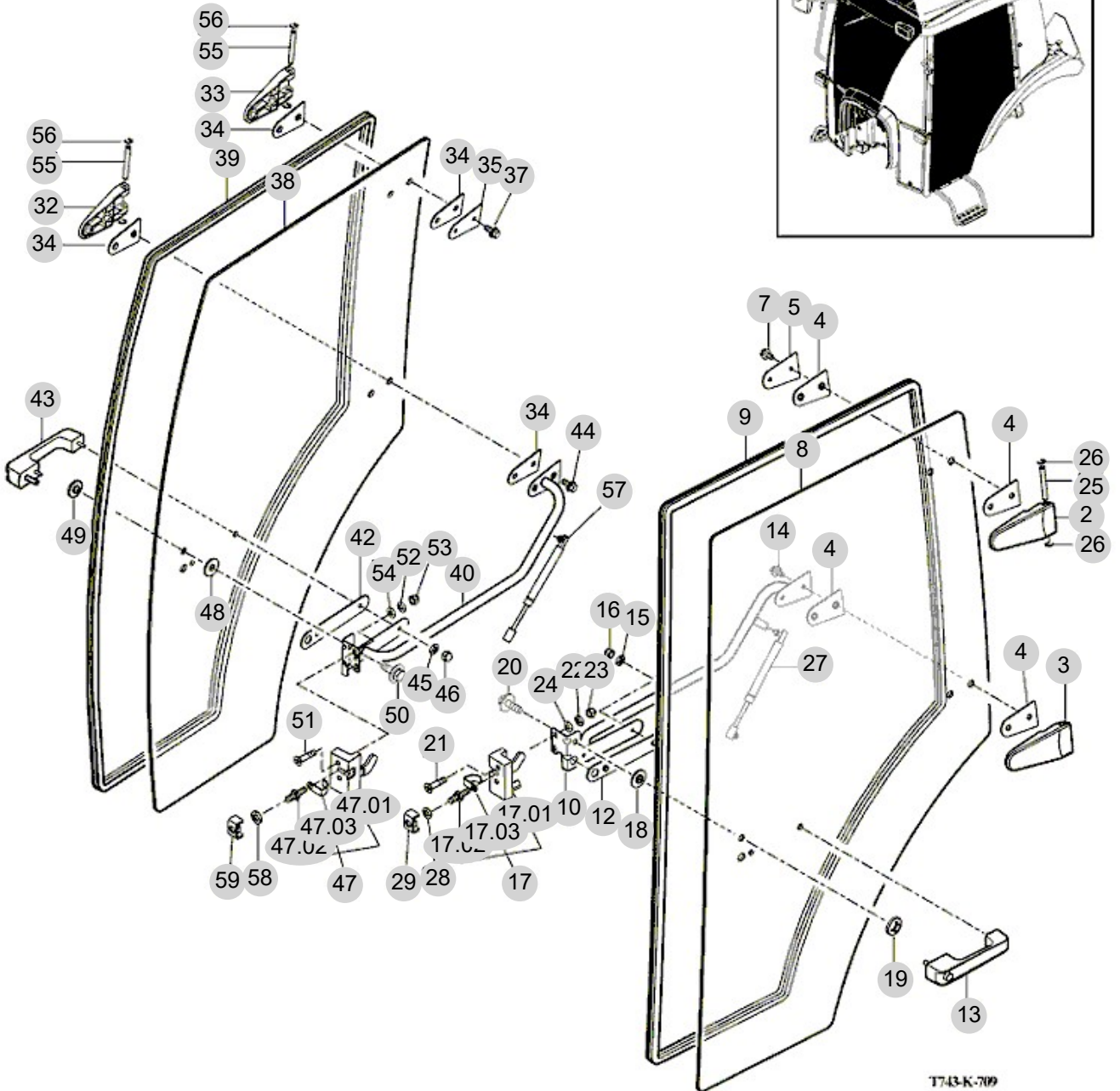


FIG 709

DOOR

년/월  
Year/Month

2022-12



NOTE

FIG 709 T754SCEUA		DOOR					년/월 Year/Month	
							2022-12	
KEY NO	PART NO	DESCRIPTION	SPEC	QTY	REPAIR	EFFECTIVE DATE	REMARKS	
709	2	14527052300	HINGE COMP , UPR/LH			1		
709	3	14527052400	HINGE COMP , UPR/RH			1		
709	4	14527052110	GASKET , DOOR HINGE			4		
709	5	14527052120GB	PLATE , DOOR HINGE			1		
709	7	V2183608020	BOLT , HEX/SP	M8X20		2		
709	8	14527052131	GLASS , LH/ DOOR	6t		1		
709	9	14527052140	INSULATOR/DOOR			1		
709	10	14527052500GB	GUIDE COMP ,LH/ DOOR			1		
709	12	14527052150	GASKET,DOOR GRIP			1		
709	13	14527052600	GRIP ASSY, LOCK/HANDLE			1		
709	14	V2183608020	BOLT , HEX/SP	M8X20		2		
709	15	V4011600060	WASHER , SPRING	M6		2		
709	16	V3402700060	NUT , HEX CAP	M6		2		
709	17	14527052700	LOCK SET , LH/DOOR			1		
709	1701	14527052710	LOCK ASSY, LH/DOOR			1		
709	1702	14527052720	STRIKER			1		
709	1703	14527052730	GUARD			1		
709	18	15817401130	GROMMET , 13X17X02			1		
709	19	14527042500	NUT COMP , GLASS			1		
709	20	V2193606012	BOLT , HEX/SPL	M6X12		1		
709	21	V1122608040	SCREW , C/R FLAT	M8X40		2		
709	22	V4011600080	WASHER , SPRING	M8		2		
709	23	V3412700080	NUT , SMALL CAP	M8		2		
709	24	V4111600080	WASHER , PLAIN			2		
709	25	14527041110	PIN, HINGE DOOR	D=8		2		
709	26	V7082400070	E-RING	7		4		
709	27	14527301080	DAMPER ASSY , DOOR	20KG		1		
709	28	V4011600100	WASHER , SPRING	M10		1		
709	29	14527062500GB	BRACKET COMP , DOOR LOCK			1		
709	32	14527052300	HINGE COMP , UPR/LH			1		
709	33	14527052400	HINGE COMP , UPR/RH			1		
709	34	14527052110	GASKET , DOOR HINGE			4		
709	35	14527052120GB	PLATE , DOOR HINGE			1		
709	37	V2183608020	BOLT , HEX/SP	M8X20		2		
709	38	14527053131	GLASS , RH/ DOOR	6t		1		
709	39	14527052140	INSULATOR/DOOR			1		
709	40	14527053500GB	GUIDE COMP ,RH/DOOR			1		
709	42	14527052150	GASKET,DOOR GRIP			1		
709	43	14527052600	GRIP ASSY, LOCK/HANDLE			1		
709	44	V2183608020	BOLT , HEX/SP	M8X20		2		
709	45	V4011600060	WASHER , SPRING	M6		2		
709	46	V3402700060	NUT , HEX CAP	M6		2		
709	47	14527053700	LOCK SET , RH/DOOR			1		
709	4701	14527053710	LOCK ASSY, RH/DOOR			1		
709	4702	14527052720	STRIKER			1		
NOTE								

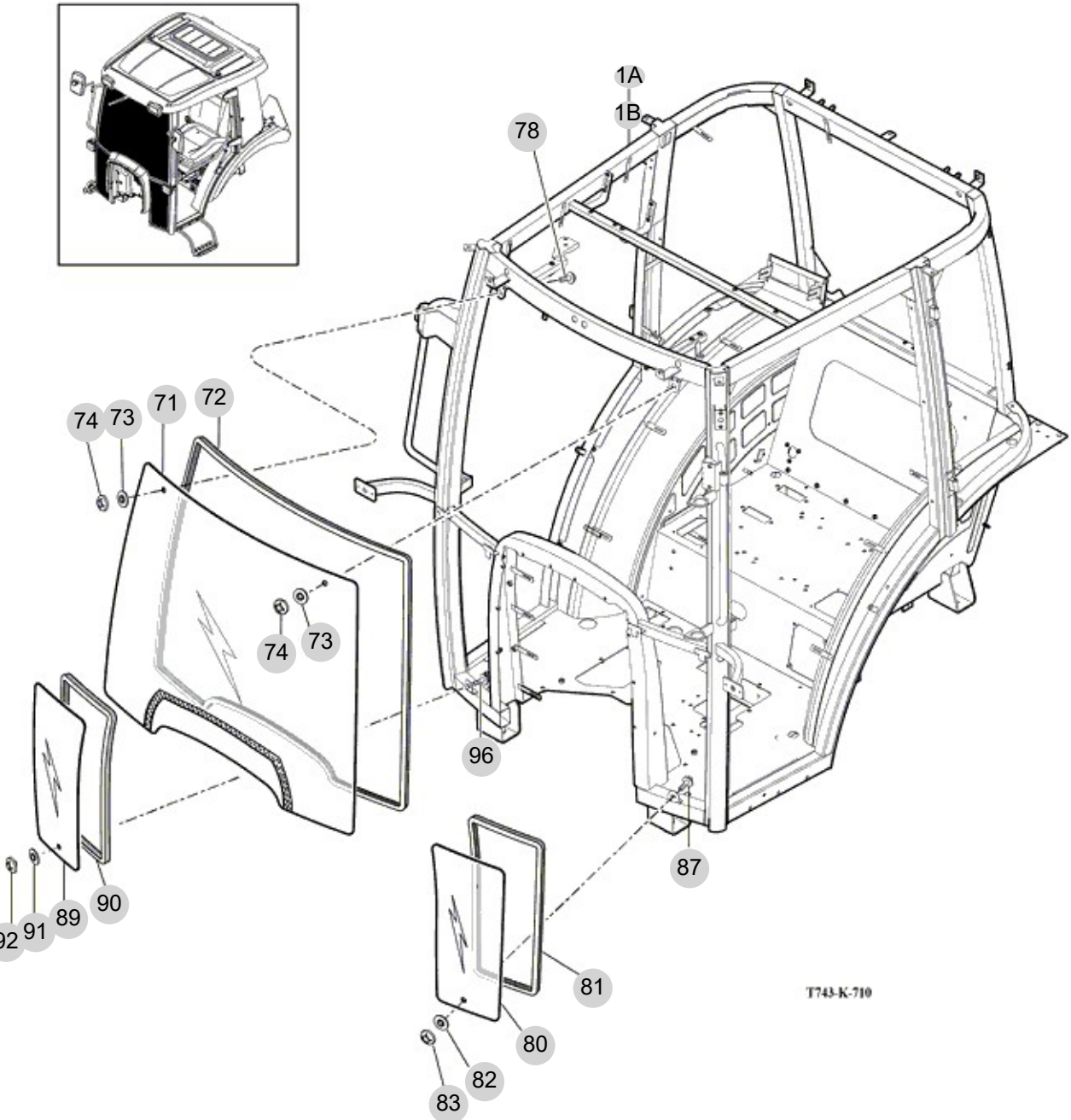


FIG 710

FRONT GLASS

년/월  
Year/Month

2022-12



NOTE





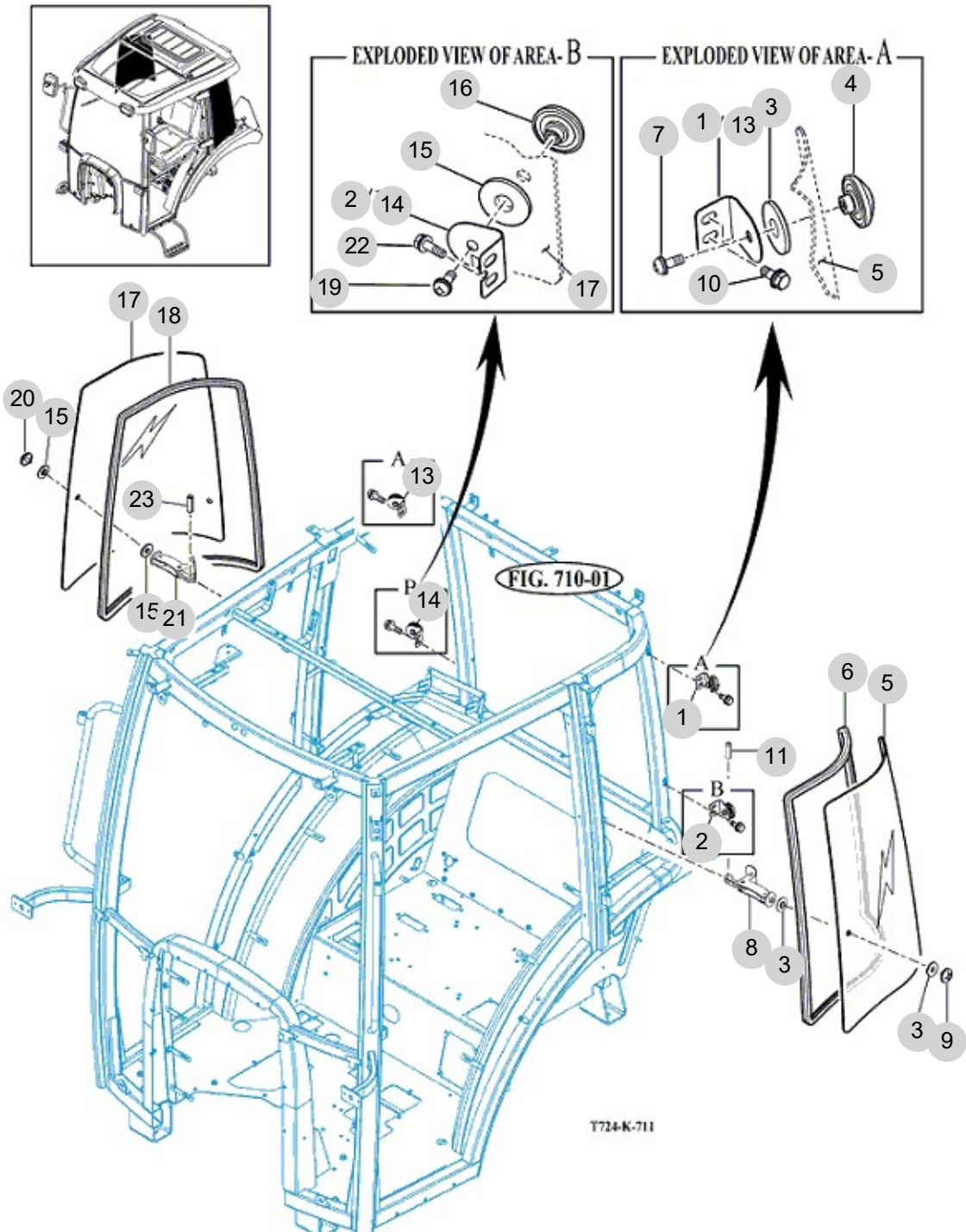
FIG 711

SIDE GLASS

년/월  
Year/Month

2022-12

T754SCEUA



NOTE



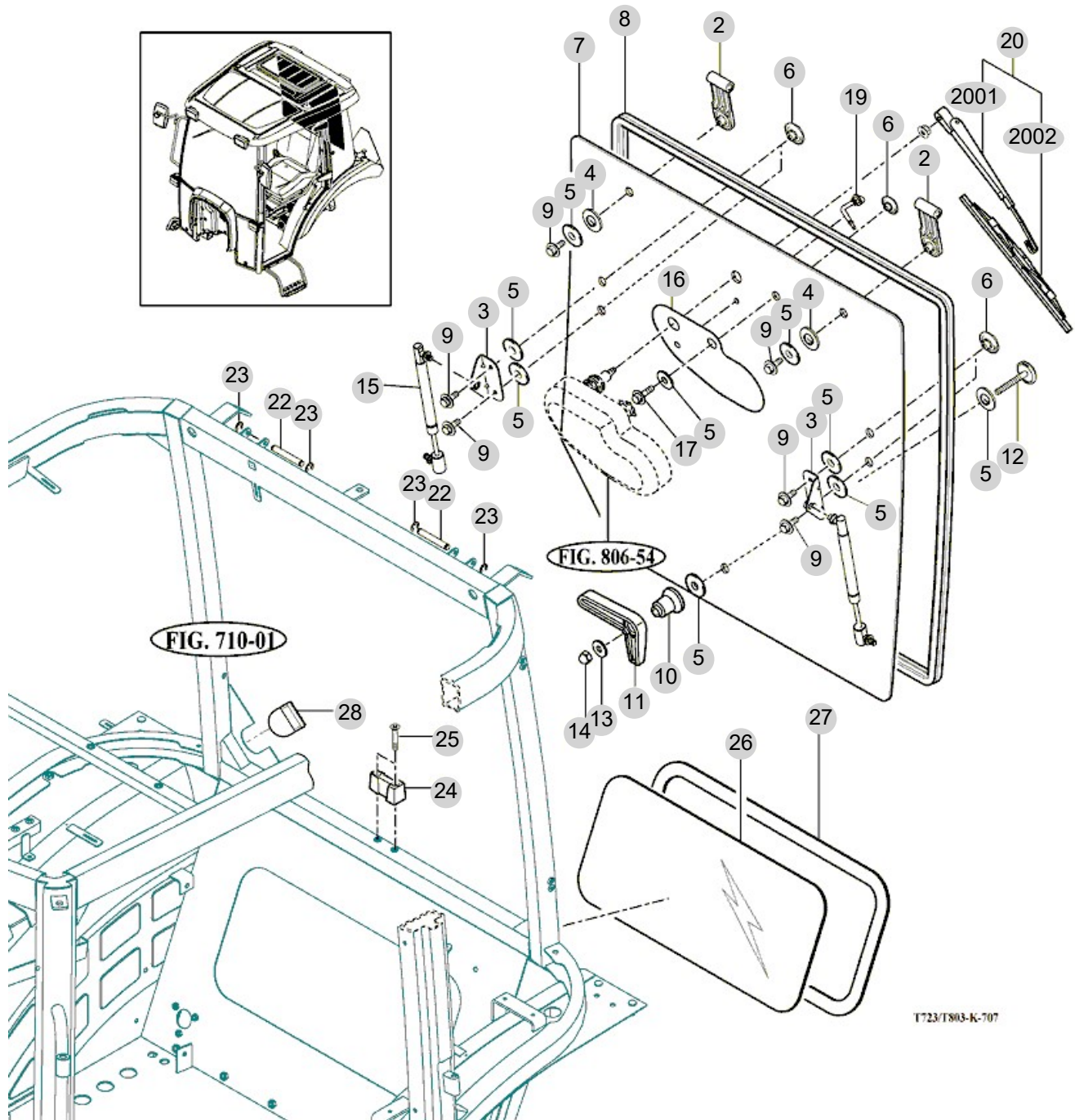
FIG 712

REAR GLASS

년/월  
Year/Month

2022-12

T754SCEUA



NOTE



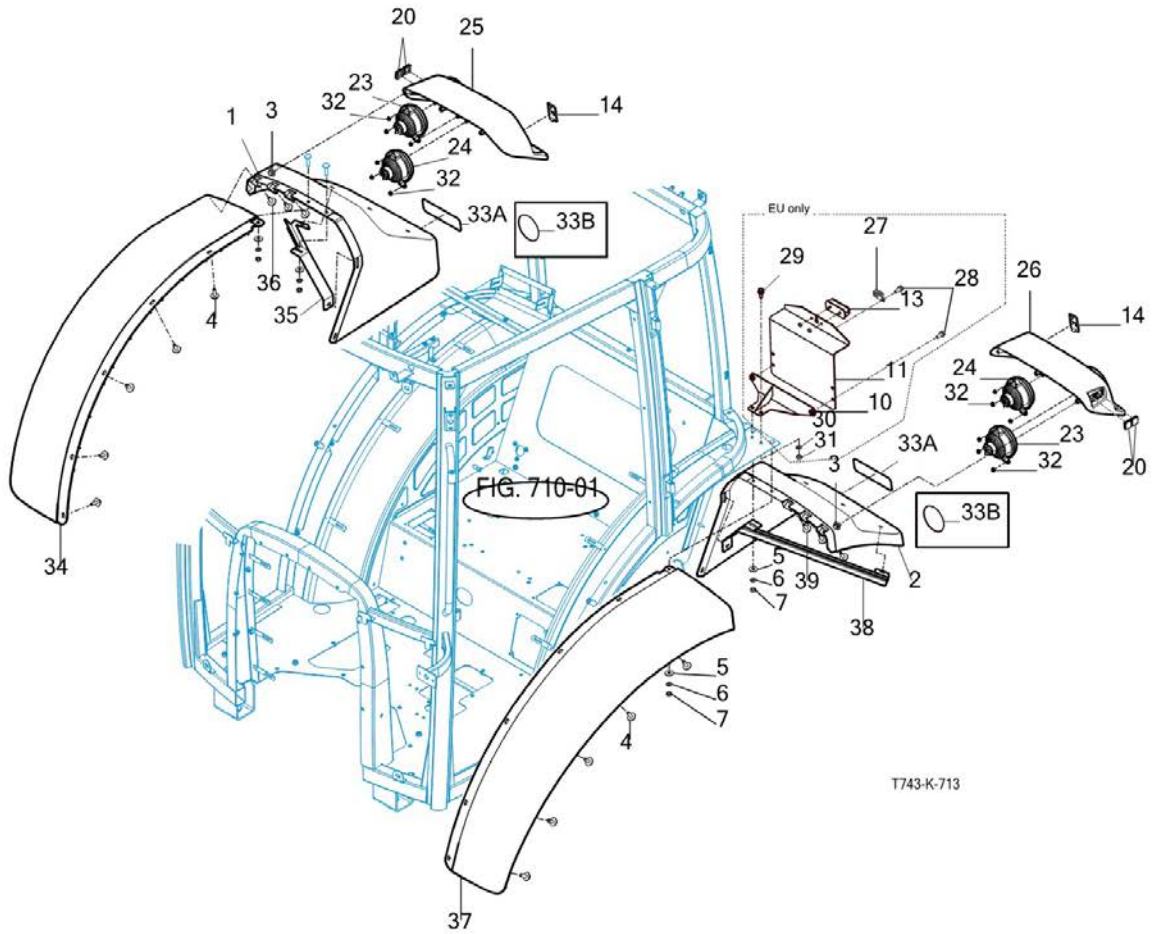
FIG 713

SUB FENDER & COVER

년/월  
Year/Month

2022-12

T754SCEUA



NOTE





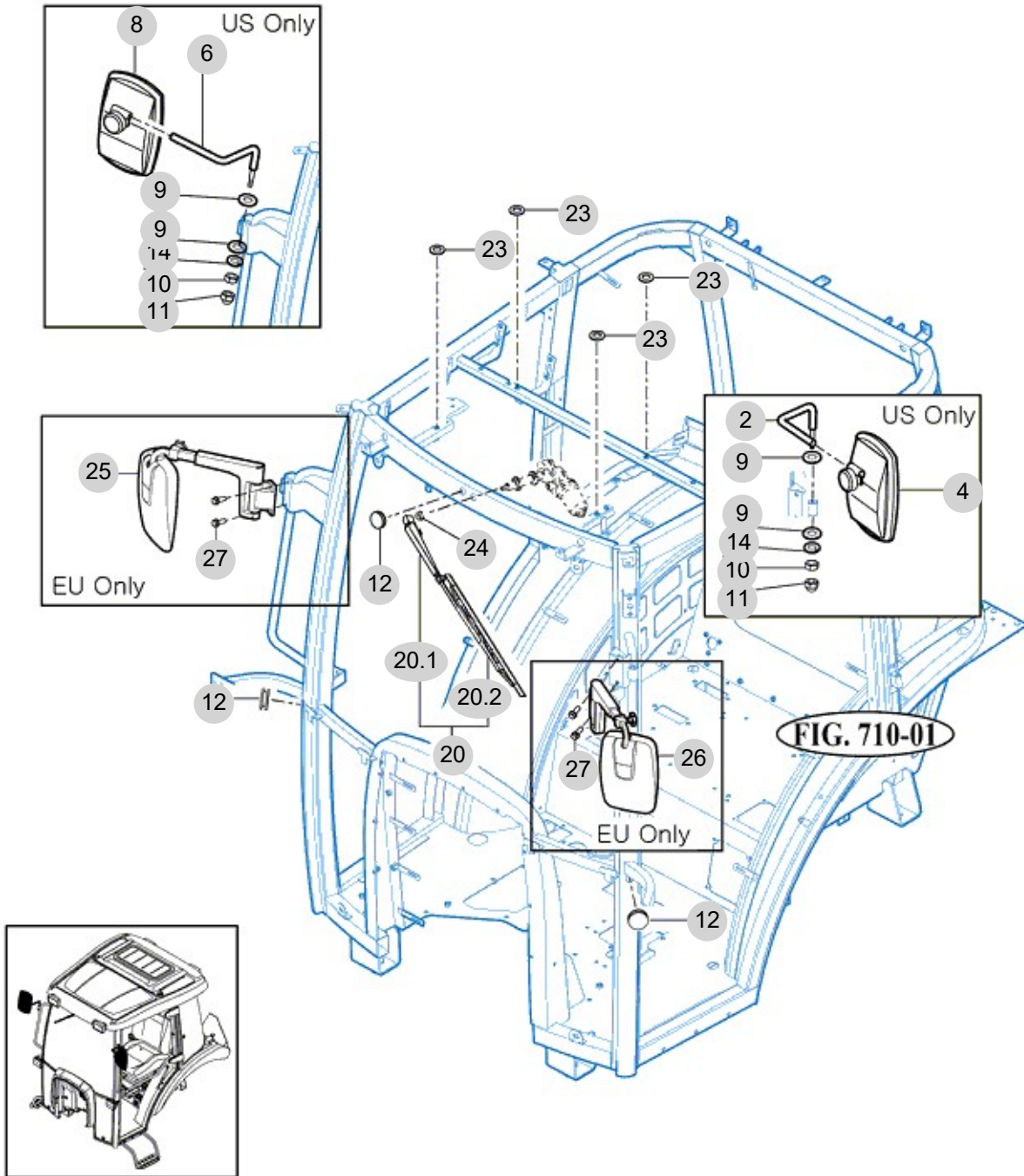
FIG 714

MIRROR

년/월  
Year/Month

2022-12

T754SCEUA



T743-K-714

NOTE





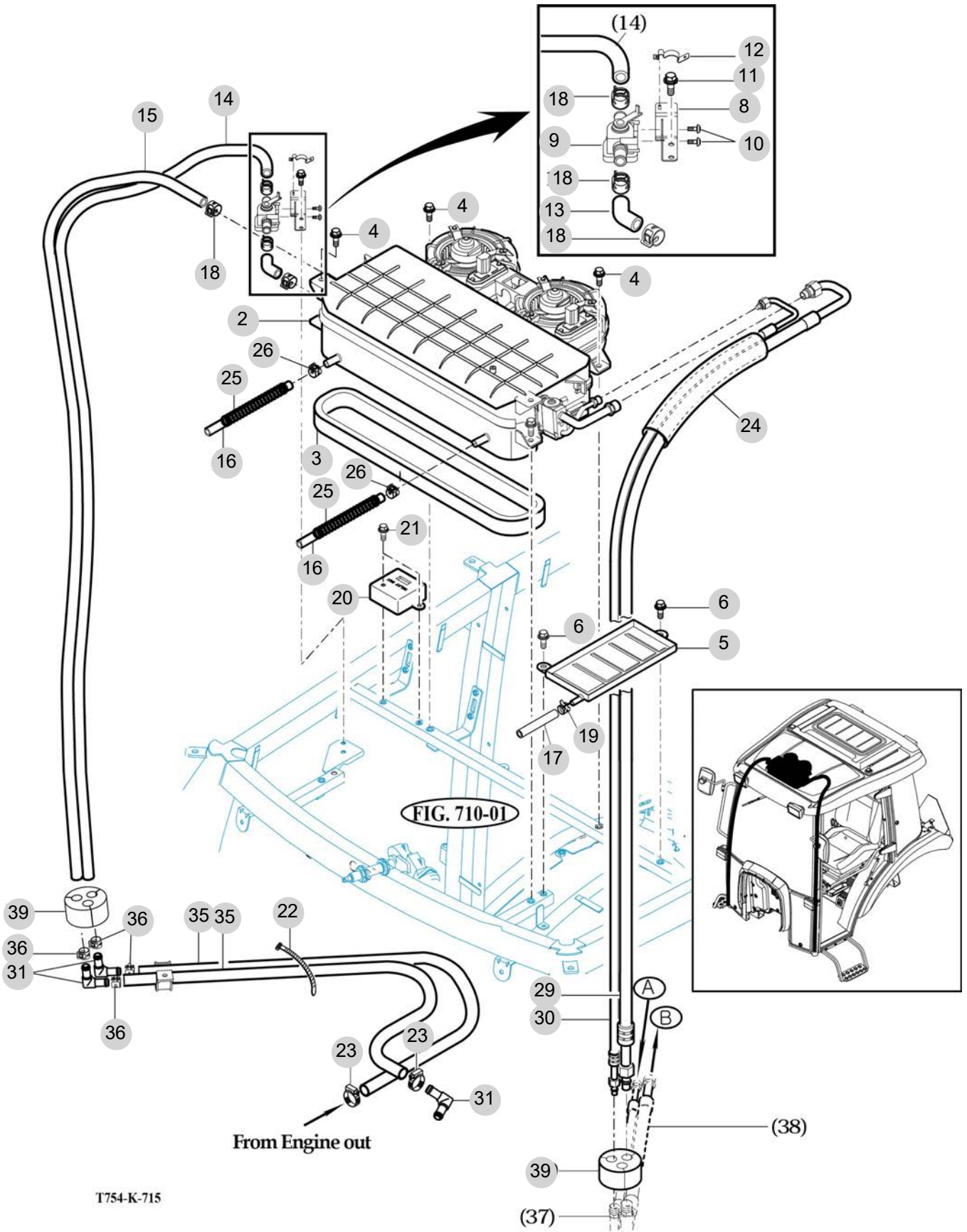
FIG 715

HEATER & AIR-CON

년/월  
Year/Month

2022-12

T754SCEUA



NOTE



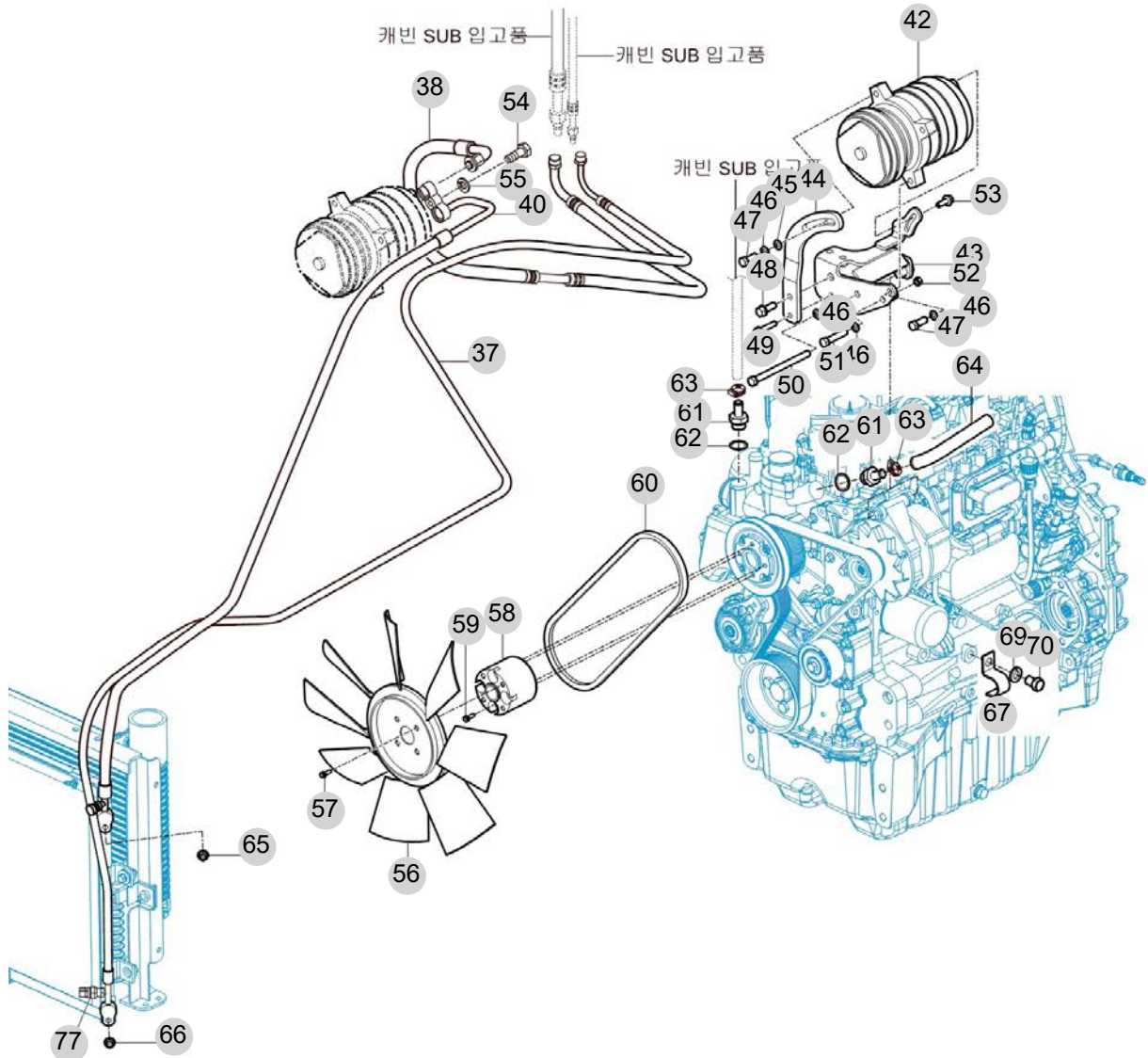
FIG 715-2

T754SCEUA

HEATER & AIR-CON

년/월  
Year/Month

2022-12



NOTE

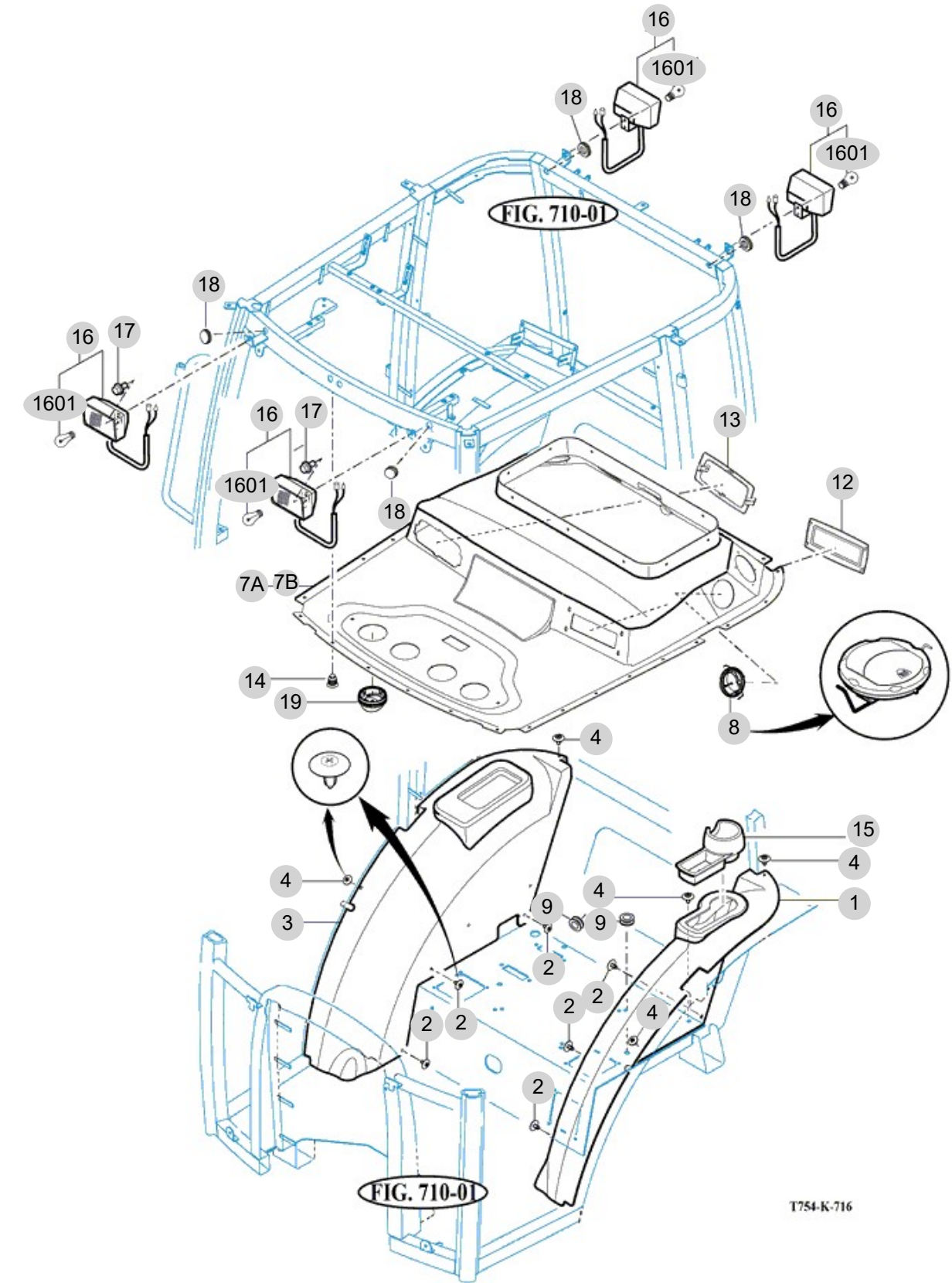


FIG 716

FENDER COVER

년/월  
Year/Month

2022-12



T754-K-716

NOTE





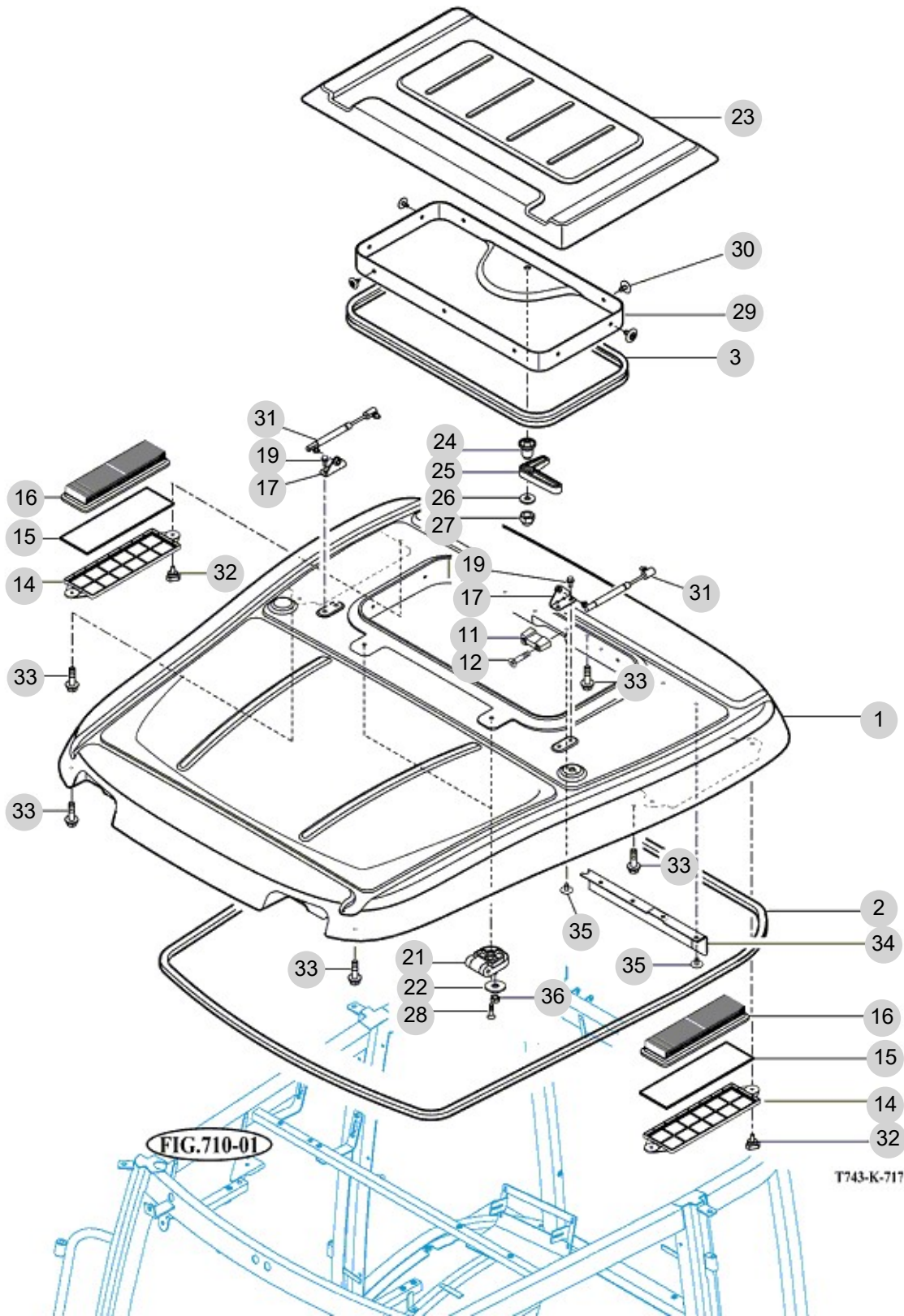
FIG 717

T754SCEUA

ROOF

년/월  
Year/Month

2022-12



NOTE





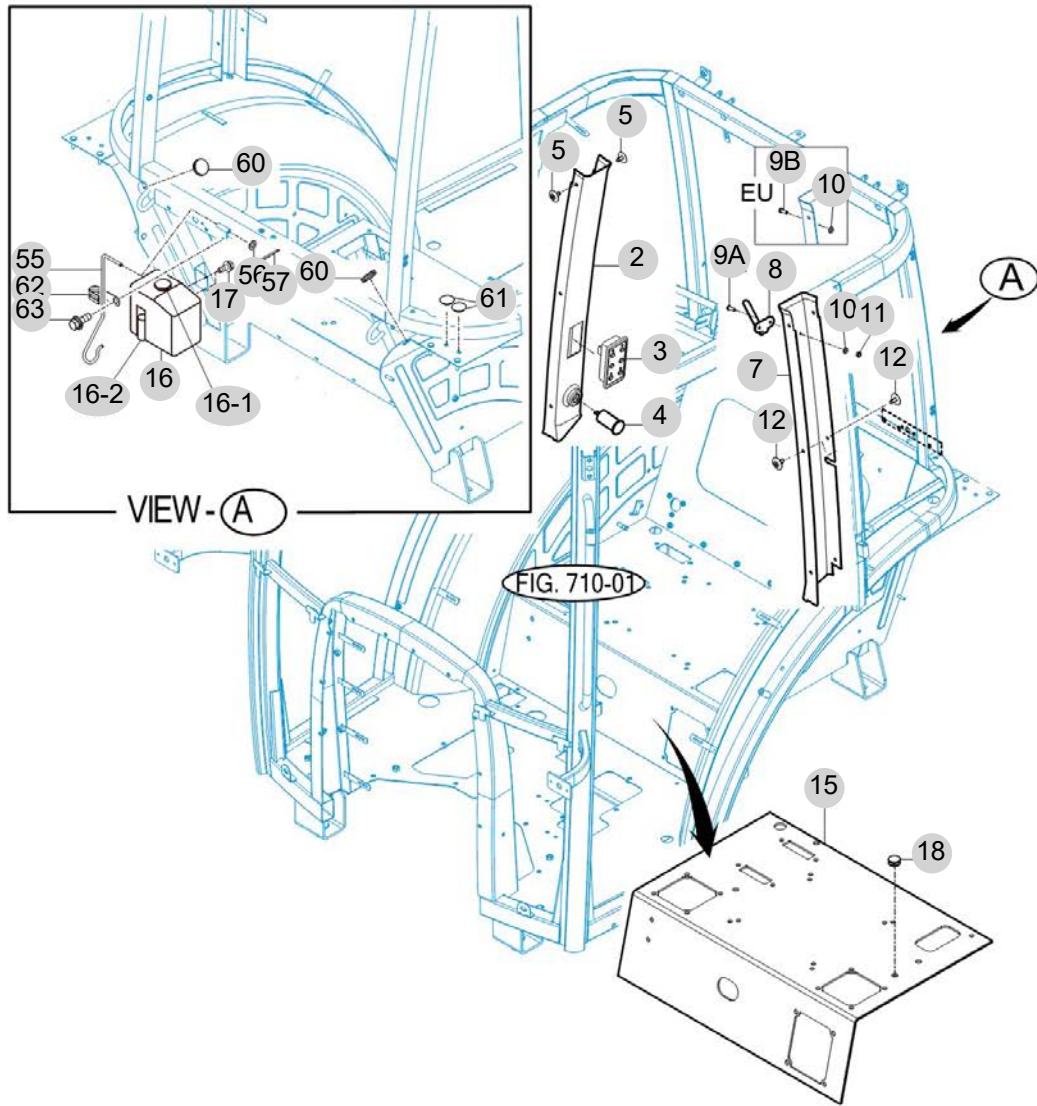
FIG 718

CABIN INTERIOR

년/월  
Year/Month

2022-12

T754SCEUA



T724-K-718

NOTE



## 8. Electrical System PART NO. T8

FIG 801 BATTERY & MOUNTING	224
FIG 802 HARNESS	226
FIG 803 LIGHT & BACK LAMP	228
FIG 804 INSTRUMENT PANEL	230
FIG 805 ELECTRIC SYSTEM (1)	232
FIG 806 ELECTRIC SYSTEM (2)	234

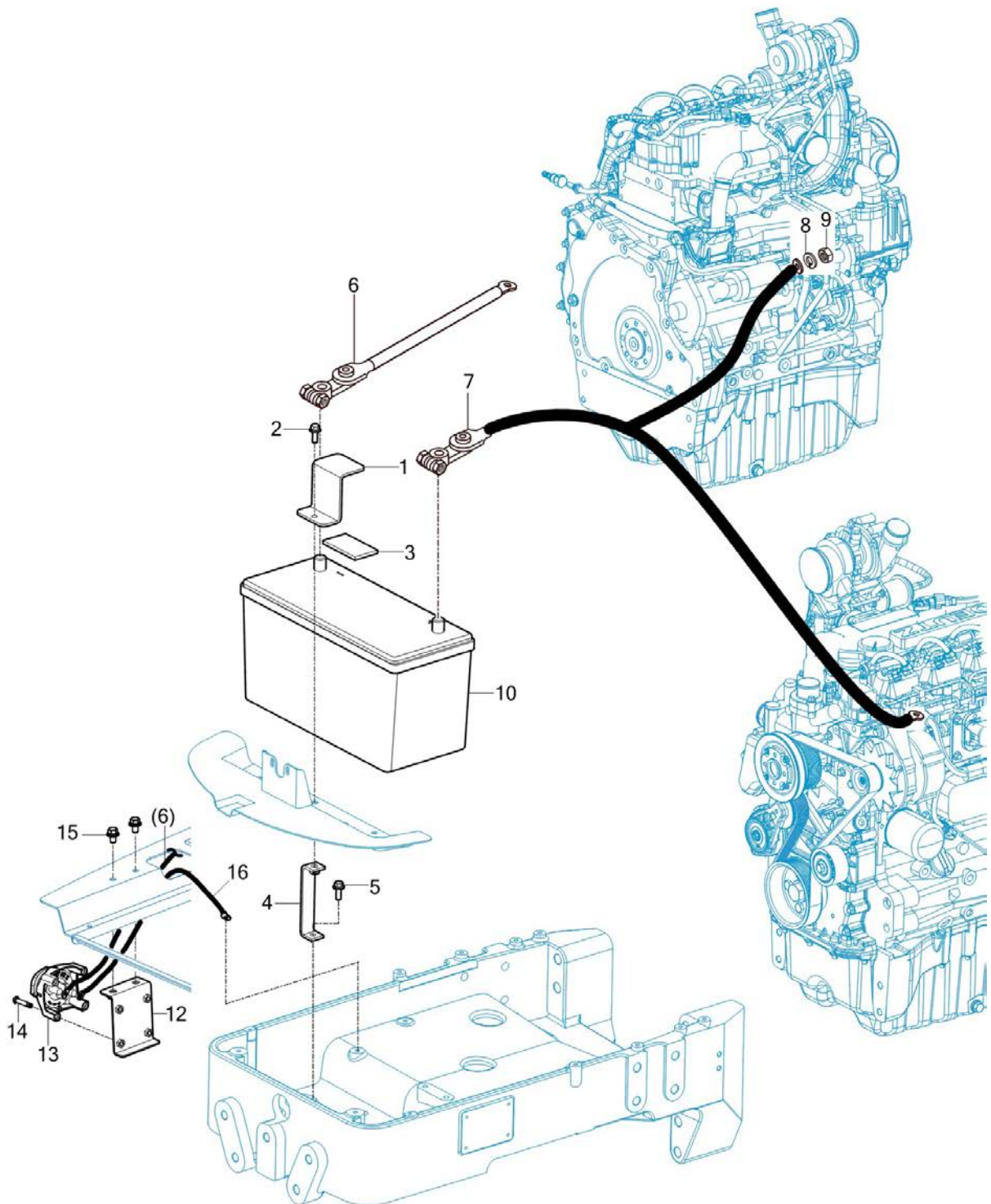
FIG 801

BATTERY & MOUNTING

년/월  
Year/Month

2022-12

T754SCEUA



NOTE



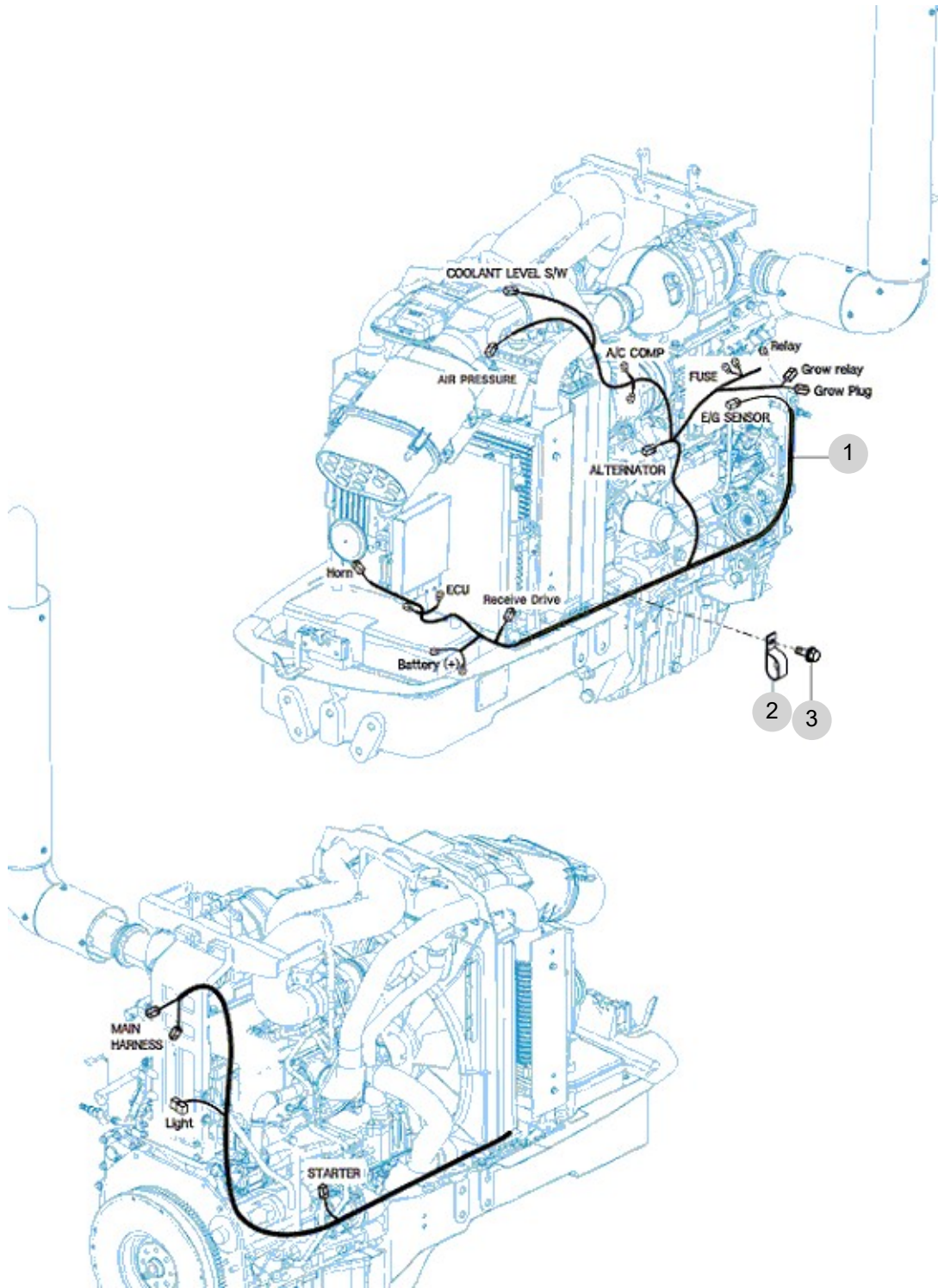
FIG 802

HARNESS

년/월  
Year/Month

2022-12

T754SCEUA



NOTE





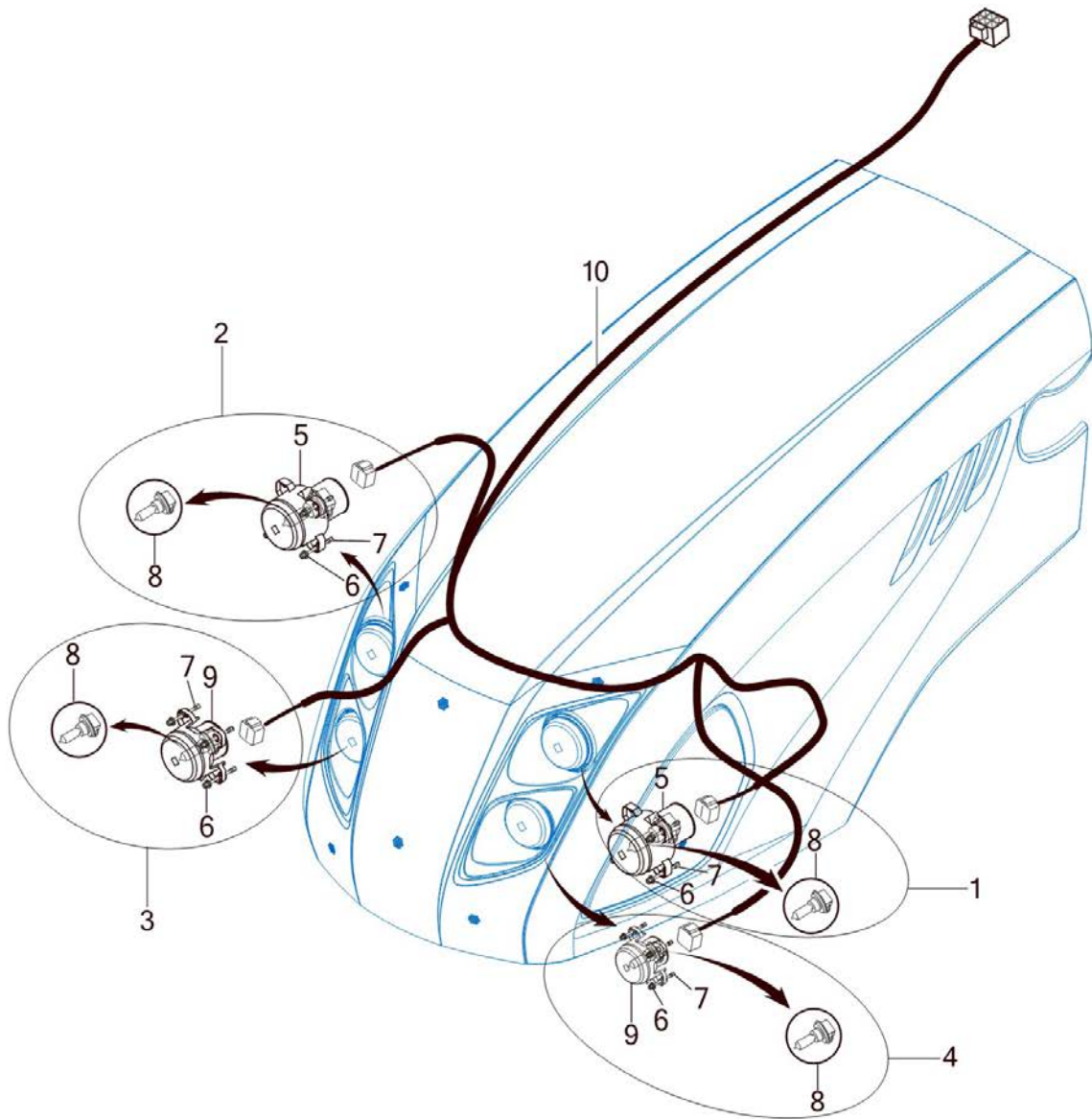
FIG 803

LIGHT & BACK LAMP

년/월  
Year/Month

2022-12

T754SCEUA



T754\_EU

NOTE





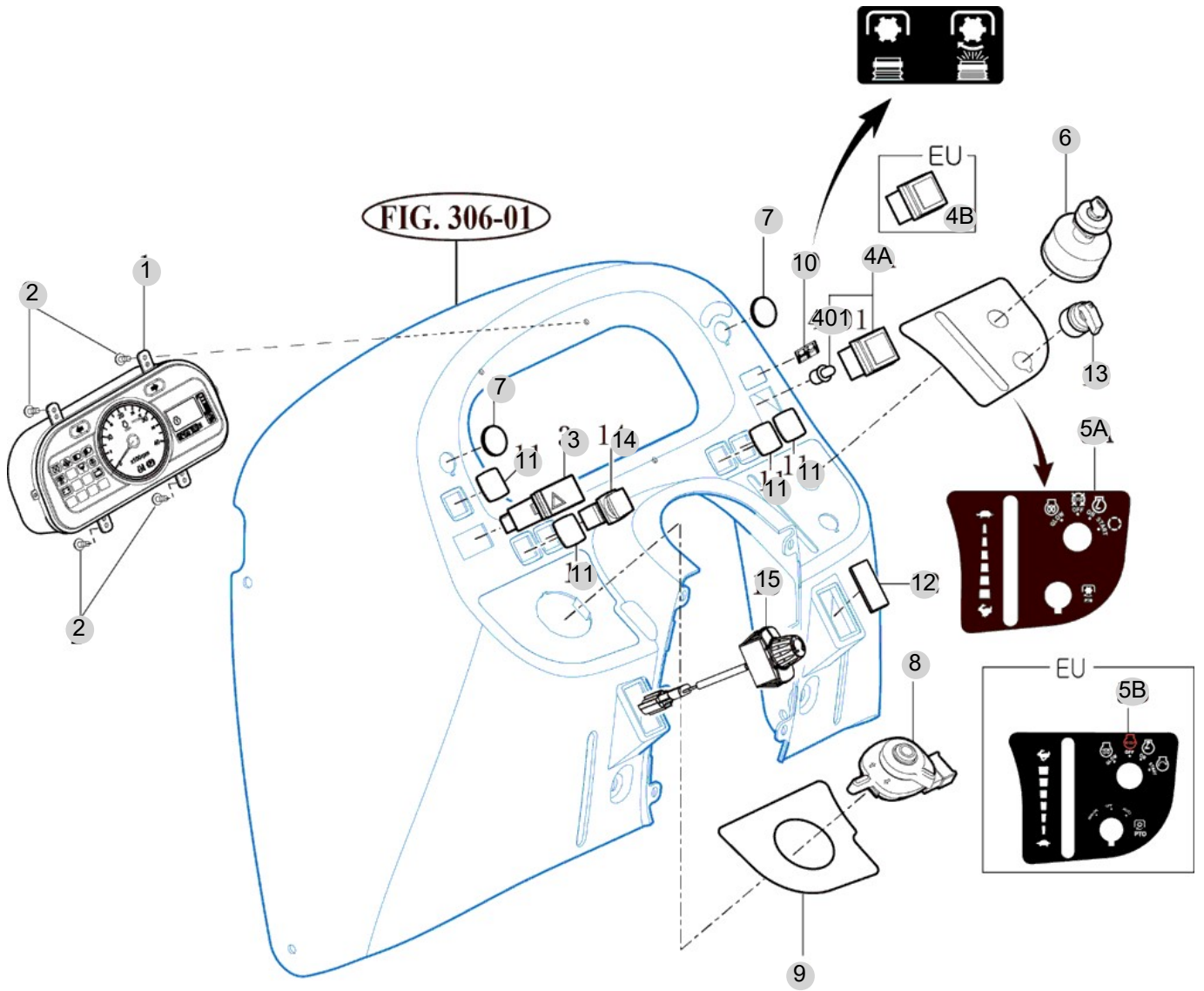
FIG 804

INSTRUMENT PANEL

년/월  
Year/Month

2022-12

T754SCEUA



T754-K-804

NOTE



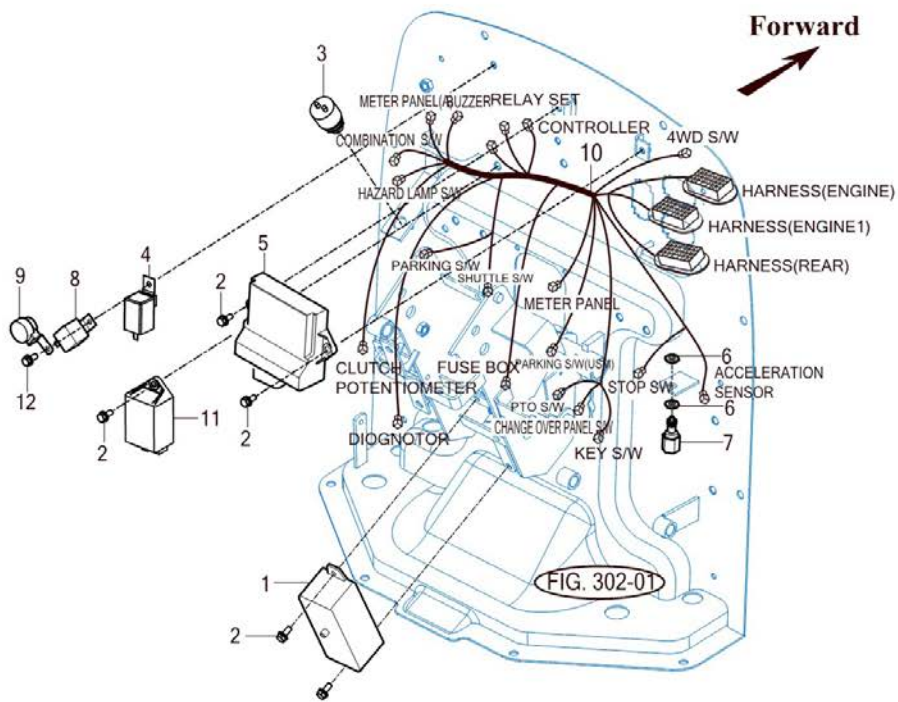
FIG 805

T754SCEUA

ELECTRIC SYSTEM (1)

년/월  
Year/Month

2022-12



T754SC\_EU-K-805

NOTE



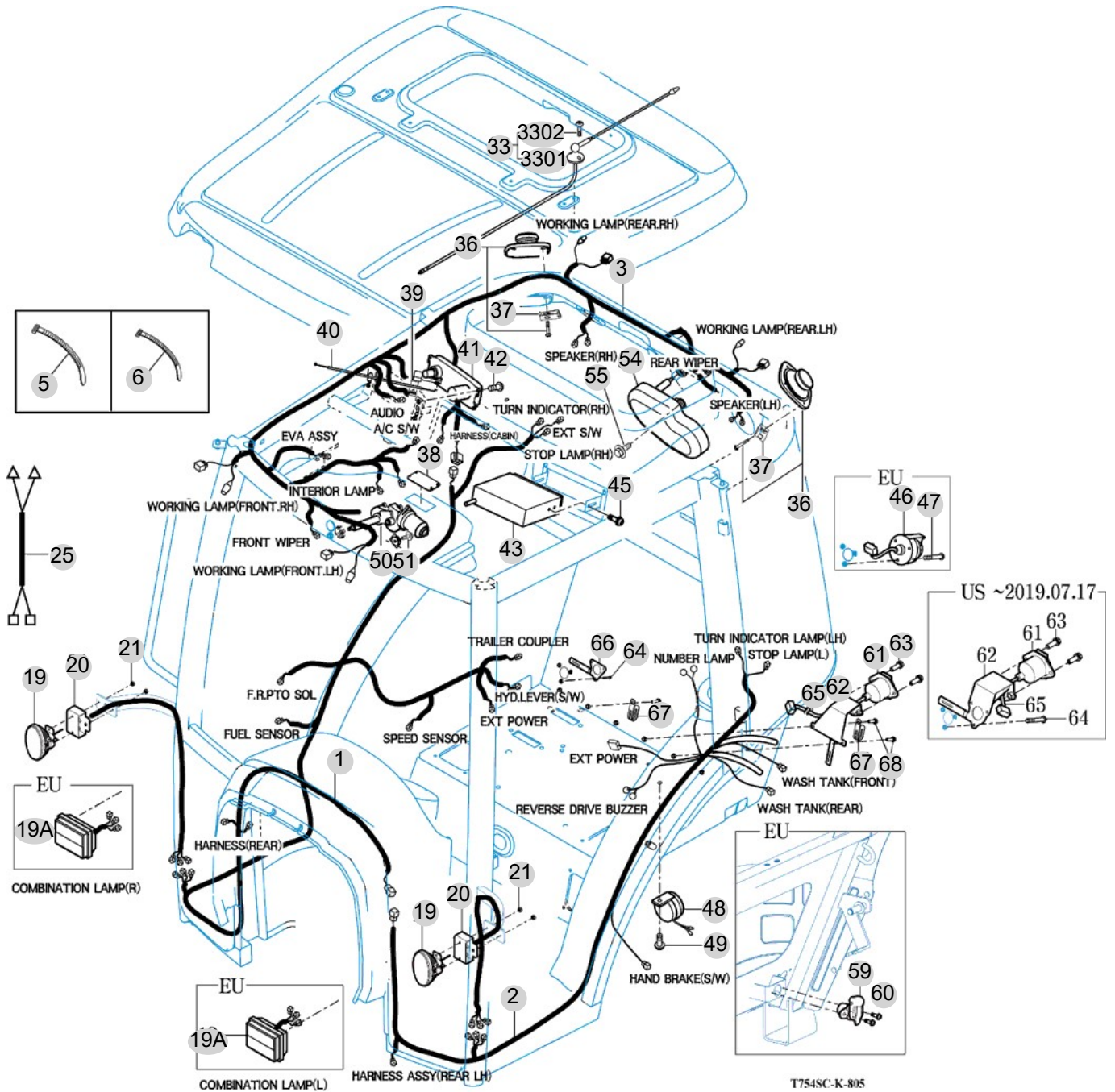
FIG 806

ELECTRIC SYSTEM (2)

년/월  
Year/Month

2022-12

T754SCEUA



T754SC-K-805

NOTE



## 9. Label/Option PART NO. T9

FIG 901 TOOL & ACCESSORY	237
FIG 902 WEIGHT	239
FIG 903 LABEL	241
FIG 903-2 LABEL	243



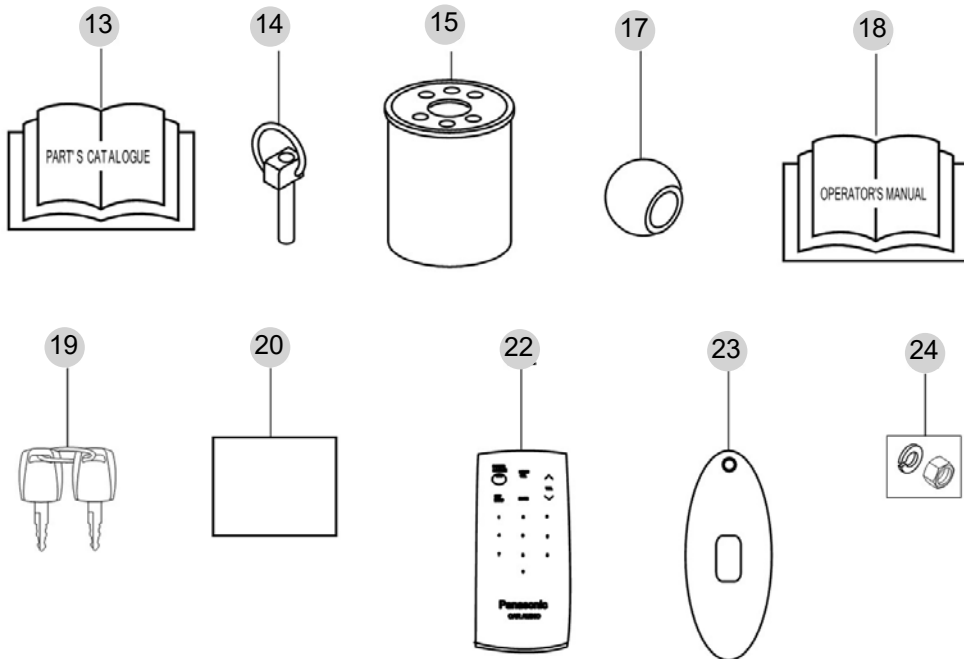
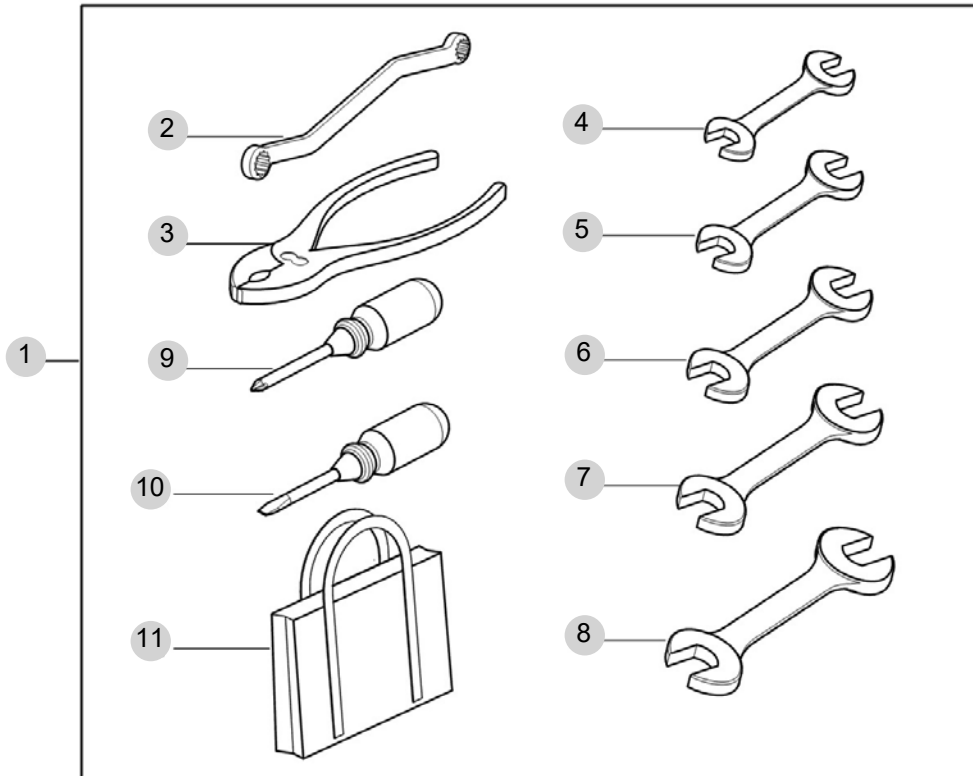
FIG 901

T754SCEUA

TOOL & ACCESSORY

년/월  
Year/Month

2022-12



T754-E-901

NOTE







FIG 903

LABEL

년/월  
Year/Month

T754SCEUA

2022-12

**Inner/Outer air Ventilation**

- When grills of rear and both sides are opened, inner air will ventilate in.
- For effective use, open it when operate heater or air conditioner and close when ventilate fresh air.

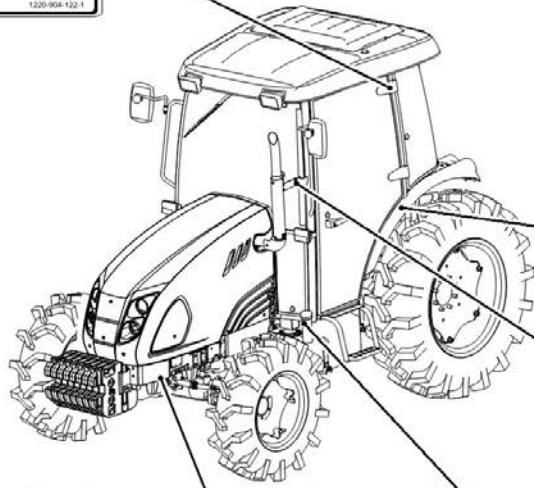
1220-904-122-1

18

# T754

51

90



**⚠ DANGER**

Do not ride except operator.

1200-910-016-0

6

**⚠ CAUTION**

Do not touch while the system is hot. It cause serious burns

1200-910-024-6

33

TYM-USA, Inc.  
Waukegan, Illinois, U.S.A.

MODEL \_\_\_\_\_

Product Identification Number \_\_\_\_\_

MADE IN KOREA  
www.tym.com

32B

TYM CORPORATION

VIN \_\_\_\_\_

SU TYPE APPROVAL NUMBER \_\_\_\_\_

CATEGORY	TOTAL		
	A1	A2	U
T-1			
T-2			
T-3			
B-1			
B-2			
B-3			
B-4			

32A

**⚠ WARNING**

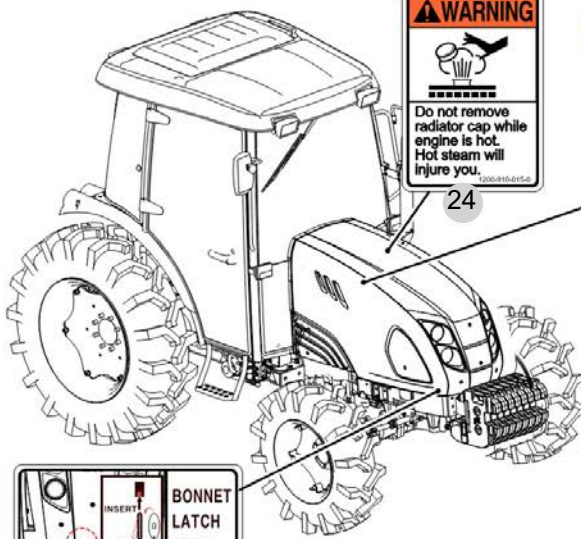
Do not refuel the tractor while smoking or near naked flame or sparks. always stop engine before refueling tractors.

1200-910-025-6

17

**5 YEAR**  
Limited Warranty

93



**⚠ WARNING**

Do not remove radiator cap while engine is hot. Hot steam will injure you.

1200-910-017-6

24

**⚠ CAUTION**

Keep hands and clothing away from rotating fan and belts to prevent serious injury.

1200-910-012-0

23

**BONNET LATCH OPEN**

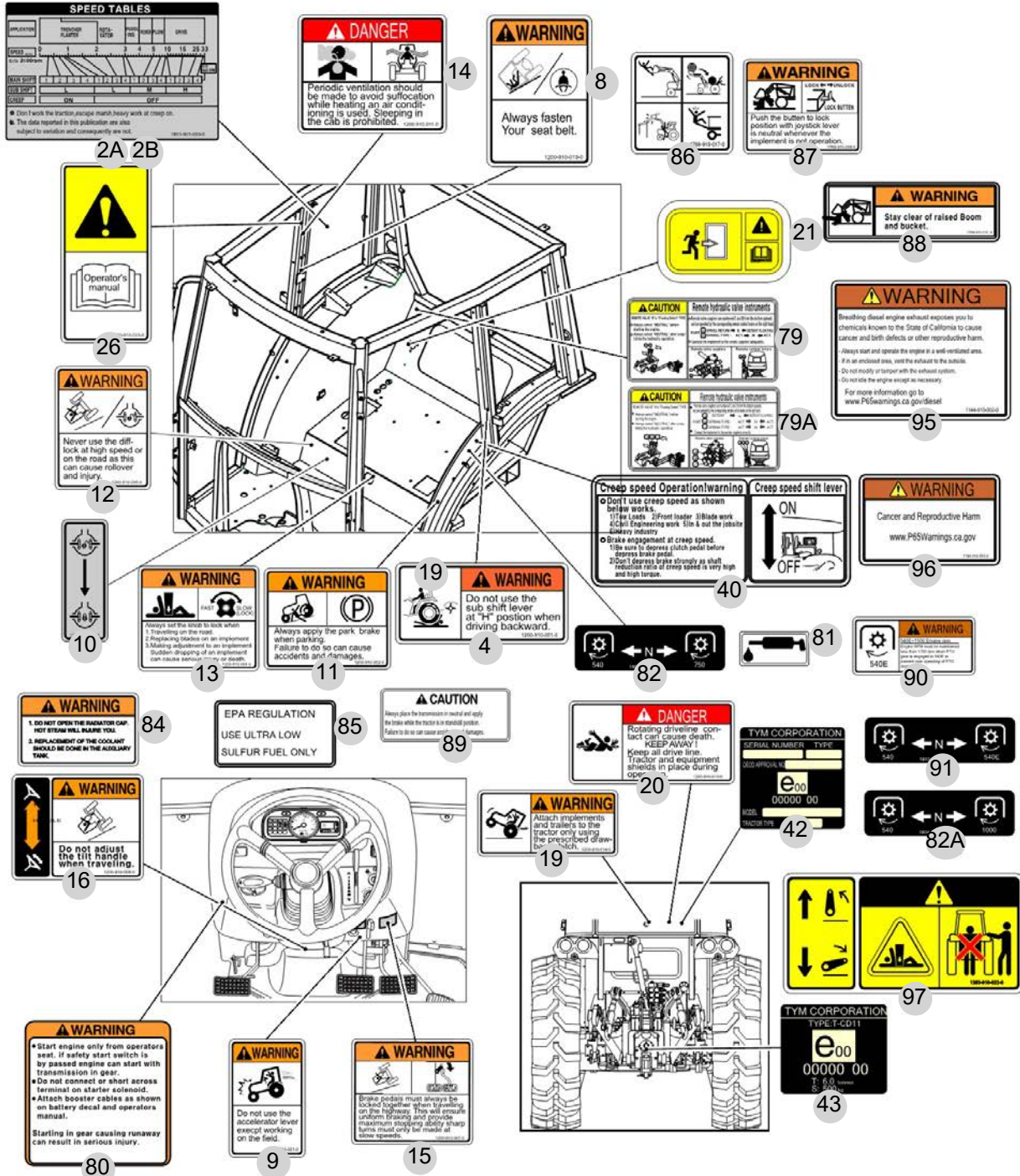
INSERT [diagram] OPEN [diagram]

1200-910-122-0

94

NOTE





NOTE

