

T25

Parts Catalog

목 차

0. TRACTOR KIT PART NO. TK1

FIG 001 ADAPTER KIT	7
FIG 002 MID P.T.O KIT	9
FIG 003 DRAWBAR KIT	11

1. Engine PART NO. EG

FIG 100 ENGINE ASSY	14
FIG 101 CYLINDER BLOCK	16
FIG 102 GEAR HOUSING	18
FIG 103 OIL SUMP	20
FIG 104 CYLINDER HEAD & BONNET	22
FIG 105 EXHAUST MANIFOLD	25
FIG 106 CAMSHAFT & DRIVING GEAR	27
FIG 107 CRANKSHAFT & PISTON	29
FIG 108 LUB. OIL SYSTEM	31
FIG 109 COOLING WATER SYSTEM	33
FIG 110 FUEL INJECTION PUMP	35
FIG 111 GOVERNOR	37
FIG 112 FUEL INJECTION VALVE	39
FIG 113 FUEL FILTER	41
FIG 114 STARTING MOTOR	43
FIG 115 GENERATOR	45
FIG 116 ACCESORY	47

2. Engine Accessories PART NO. T2

FIG 201 AIR CLEANER	50
FIG 202 RADIATOR	52
FIG 203 MUFFLER	54
FIG 204 FUEL TANK & FUEL LINE	56
FIG 205 ACCELERATOR	58

FIG 206 OIL COOLER	60
--------------------	----

3. Clutch/Brake/Steering PART NO. T3

FIG 301 FLYWHEEL COVER	63
FIG 302 SPEED CONTROL	65
FIG 303 BRAKE	68
FIG 304 BRAKE PEDAL & LINKAGE	70
FIG 305 STEERING WHEEL & DASH COVER	72
FIG 306 STEERING VALVE	74
FIG 307 STEERING CYLINDER	76
FIG 308 FRONT WHEEL	78
FIG 309 REAR WHEEL	80

4. Transmission PART NO. T4

FIG 401 INPUT SHAFT	83
FIG 402 HST	85
FIG 403 4WD DRIVE GEAR	87
FIG 404 RANGE GEARS	89
FIG 405 P.T.O DRIVE SHAFT	91
FIG 406 P.T.O SHAFT	93
FIG 408 DIFF LOCK	95
FIG 409 REAR TRANSMISSION CASE	97
FIG 410 REAR AXLE HOUSINGS	99
FIG 411 RANGE SHIFT LEVER	101
FIG 412 P.T.O CHANGE LEVER	103
FIG 413 4WD CHANGE LEVER	105

5. Front Axle PART NO. T5

FIG 501 FRAME	108
FIG 502 FRONT DIFFERENTIAL GEARS & SHAFT	110
FIG 503 FRONT AXLE HOUSING	112
FIG 504 FRONT GEAR CASE (1)	114
FIG 505 FRONT GEAR CASE (2)	116

6. Hydraulic/3P-Link PART NO. T6

FIG 601 CYLINDER CASE	119
-----------------------	-----

FIG 602 LIFT ARM	121
FIG 603 FLOW CONTROL VALVE	123
FIG 604 CONTROL VALVE LINKAGE	125
FIG 605 MAIN CONTROL VALVE	127
FIG 606 REMOTE CONTROL VALVE	129
FIG 607 POSITION LEVER LINKAGE	131
FIG 608 GEAR PUMP	133
FIG 609 HYDRAULIC HOSE (1)	135
FIG 610 HYDRAULIC HOSE (2)	137
FIG 611 PTO VALVE	139
FIG 612 3-POINT LINKAGE	141
FIG 613 JOYSTICK LEVER	144
FIG 614 HITCH & COVER	146

7. Sheet Metal & Cabin PART NO. T7

FIG 701 BONNET	149
FIG 702 DASH PANEL	151
FIG 703 FLOOR	153
FIG 704 SEAT	156
FIG 705 ROPS	158
FIG 706 CAB FRAME & DOOR(OPTION)	161
FIG 707 FRONT GLASS(OPTION)	163
FIG 708 SIDE & REAR GLASS(OPTION)	165
FIG 709 ROOF(OPTION)	167
FIG 710 HEATER(OPTION)	169
FIG 711 INTERIOR PART(OPTION)	171
FIG 712 SEAL(OPTION)	173
FIG 713 FRONT & REAR MOUNTING(OPTION)	175

8. Electrical System PART NO. T8

FIG 801 BATTERY & MOUNTING	178
FIG 802 LIGHTS	180
FIG 803 INSTRUMENT PANEL	182
FIG 804 ELECTRIC SYSTEM	184
FIG 805 HARNESS	186
FIG 806 HARNESS	188

9. Label/Option PART NO. T9

FIG 901 TOOL & ACCESSORY	191
FIG 903 LABEL	193
FIG 904 OPTION	195

0. TRACTOR KIT PART NO. TK1

FIG 001 ADAPTER KIT

7

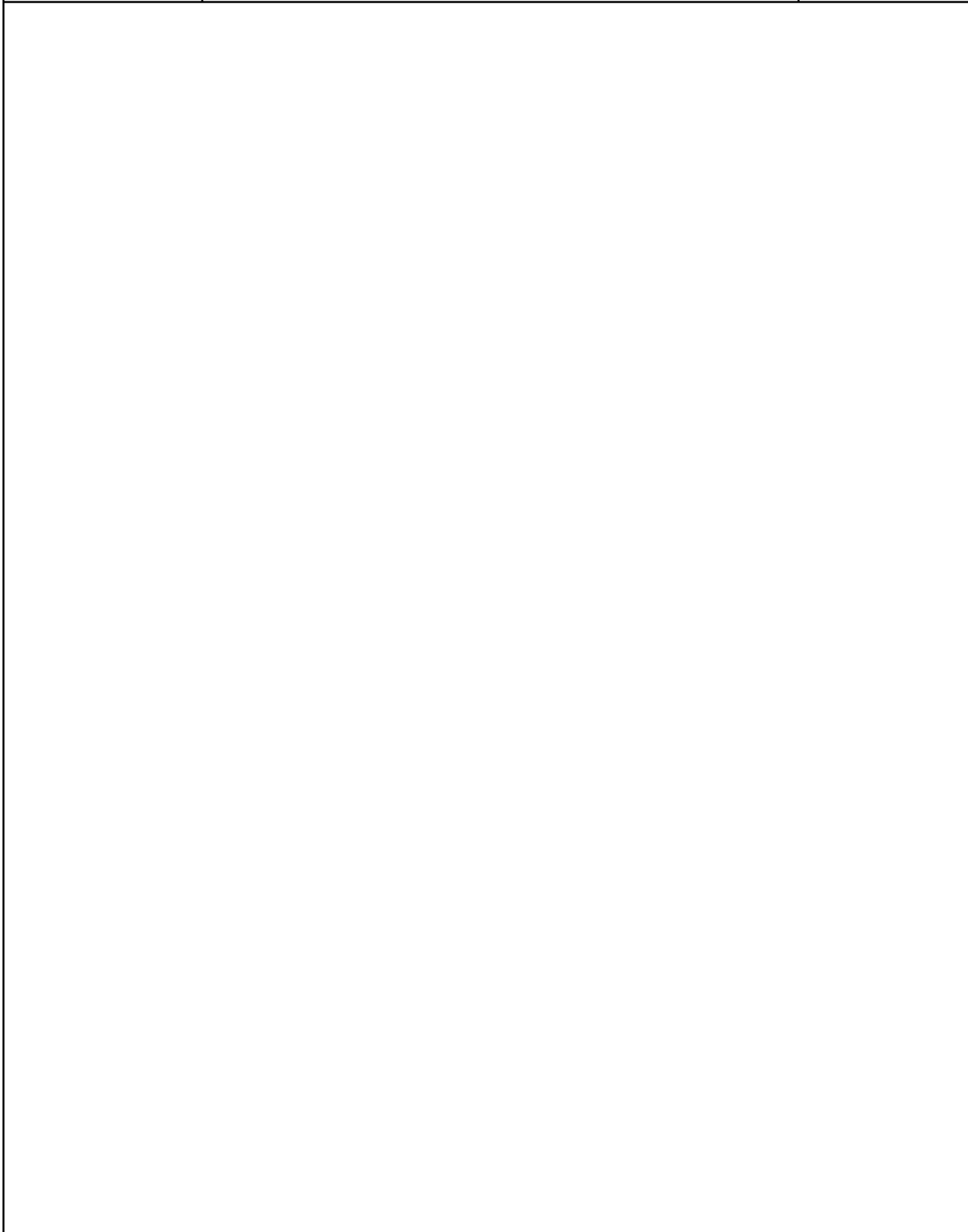
FIG 002 MID P.T.O KIT

9

FIG 003 DRAWBAR KIT

11

FIG 001 T25	ADAPTER KIT	년/월 Year/Month 2022-12
----------------	-------------	------------------------------



NOTE	
------	--

FIG 002 T25	MID P.T.O KIT	년/월 Year/Month
		2022-12

--	--

NOTE	
------	--

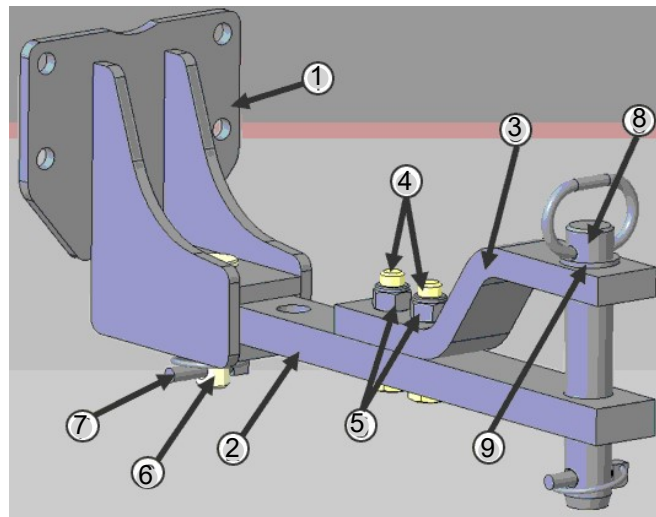
FIG 003

T25

DRAWBAR KIT

년/월
Year/Month

2022-12



NOTE

1. Engine PART NO. EG

FIG 100 ENGINE ASSY	14
FIG 101 CYLINDER BLOCK	16
FIG 102 GEAR HOUSING	18
FIG 103 OIL SUMP	20
FIG 104 CYLINDER HEAD & BONNET	22
FIG 105 EXHAUST MANIFOLD	25
FIG 106 CAMSHAFT & DRIVING GEAR	27
FIG 107 CRANKSHAFT & PISTON	29
FIG 108 LUB. OIL SYSTEM	31
FIG 109 COOLING WATER SYSTEM	33
FIG 110 FUEL INJECTION PUMP	35
FIG 111 GOVERNOR	37
FIG 112 FUEL INJECTION VALVE	39
FIG 113 FUEL FILTER	41
FIG 114 STARTING MOTOR	43
FIG 115 GENERATOR	45
FIG 116 ACCESORY	47

FIG 100 T25	ENGINE ASSY	년/월 Year/Month
		2022-12

ENGINE

1

NOTE	
------	--

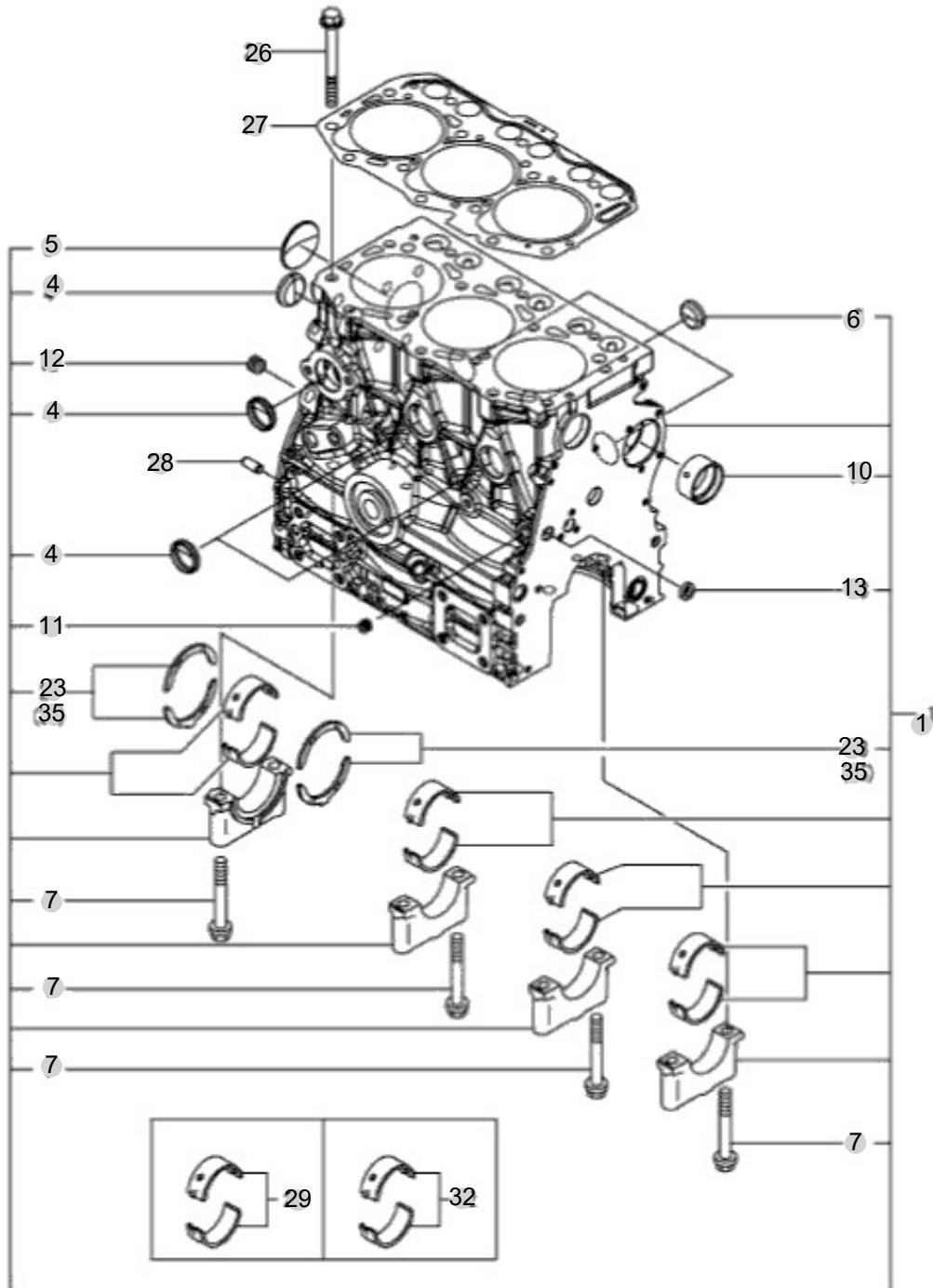
FIG 101

CYLINDER BLOCK

년/월
Year/Month

2022-12

T25



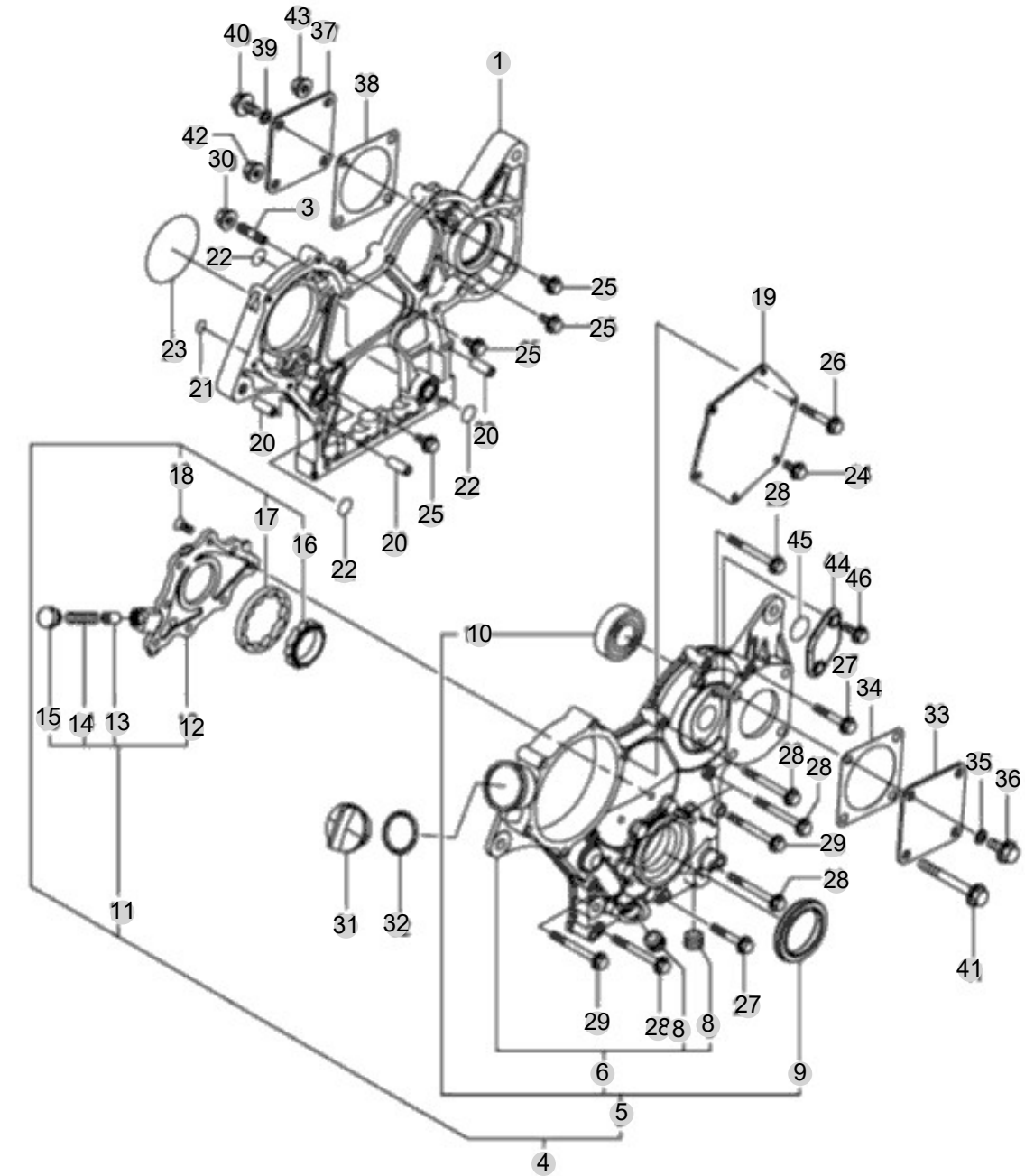
NOTE

FIG 102

GEAR HOUSING

년/월
Year/Month

2022-12



NOTE

FIG 102 T25		GEAR HOUSING					년/월 Year/Month	
							2022-12	
KEY NO	PART NO	DESCRIPTION	SPEC	QTY	REPAIR	EFFECTIVE DATE	REMARKS	
102	1	119740-01501	CASE, GEAR		1			
102	3	119717-01570	STUD		3			
102	4	119751-01590	COVER ASSY, CASE		1			
102	5	719751-01500	COVER ASSY, CASE		1			
102	6	119751-01521	COVER, GEAR CASE		1			
102	8	23876-030000	PLUG, R03		2			
102	9	119717-01800	SEAL, OIL		1			
102	10	24101-062024	BEARING, BALL 6202		1			
102	11	119717-32100	COVER ASSY, PUMP		1			
102	12	119717-32080	COVER, OIL PUMP		1			
102	13	129900-32130	VALVE, RELIEF		1			
102	14	129001-32320	SPRING		1			
102	15	129001-32330	PLUG		1			
102	16	119717-32110	ROTOR, INNER		1			
102	17	119717-32120	ROTOR, OUTER		1			
102	18	119802-32130	SCREW, M6X16		8			
102	19	119717-01750	COVER, PUMP		1			
102	20	119660-01911	PIPE, KNOCK 6X17		4			
102	21	119624-32040	O-RING, P12.0		1			
102	22	119717-32050	O-RING, P17.0		3			
102	23	121850-51960	O-RING, FUEL PUMP		1			
102	24	26106-060122	BOLT, M6X 12 PLATED		1			
102	25	26106-060162	BOLT, M6X 16 PLATED		4			
102	26	26106-060402	BOLT, M6X 40 PLATED		4			
102	27	26106-060402	BOLT, M6X 40 PLATED		2			
102	28	26106-060602	BOLT, M6X 60 PLATED		7			
102	29	26106-060652	BOLT, M6X 65 PLATED		2			
102	30	26306-080002	NUT, M8		3			
102	31	124160-01751	CAP, FILLER		1			
102	32	24311-000320	O-RING, 1AP32.0		1			
102	33	124240-01871	COVER, HYDRAULIC PUMP		1			
102	34	129C26-01890	GASKET, PUMP		1			
102	35	22190-080002	WASHER, SEAL 8		1			
102	36	26106-080142	BOLT, M8X 14 PLATED		1			
102	37	124240-01871	COVER, HYDRAULIC PUMP		1			
102	38	129C26-01890	GASKET, PUMP		1			
102	39	22190-080002	WASHER, SEAL 8		1			
102	40	26106-080142	BOLT, M8X 14 PLATED		1			
102	41	26106-080702	BOLT, M8X 70 PLATED		3			
102	42	26306-080002	NUT, M8		1			
102	43	26306-080002	NUT, M8		2			
102	44	121023-01551	COVER, TACHOMETER		1			
102	45	24341-000240	O-RING, 1AS24.0		1			
102	46	26106-060162	BOLT, M6X 16 PLATED		2			
NOTE								

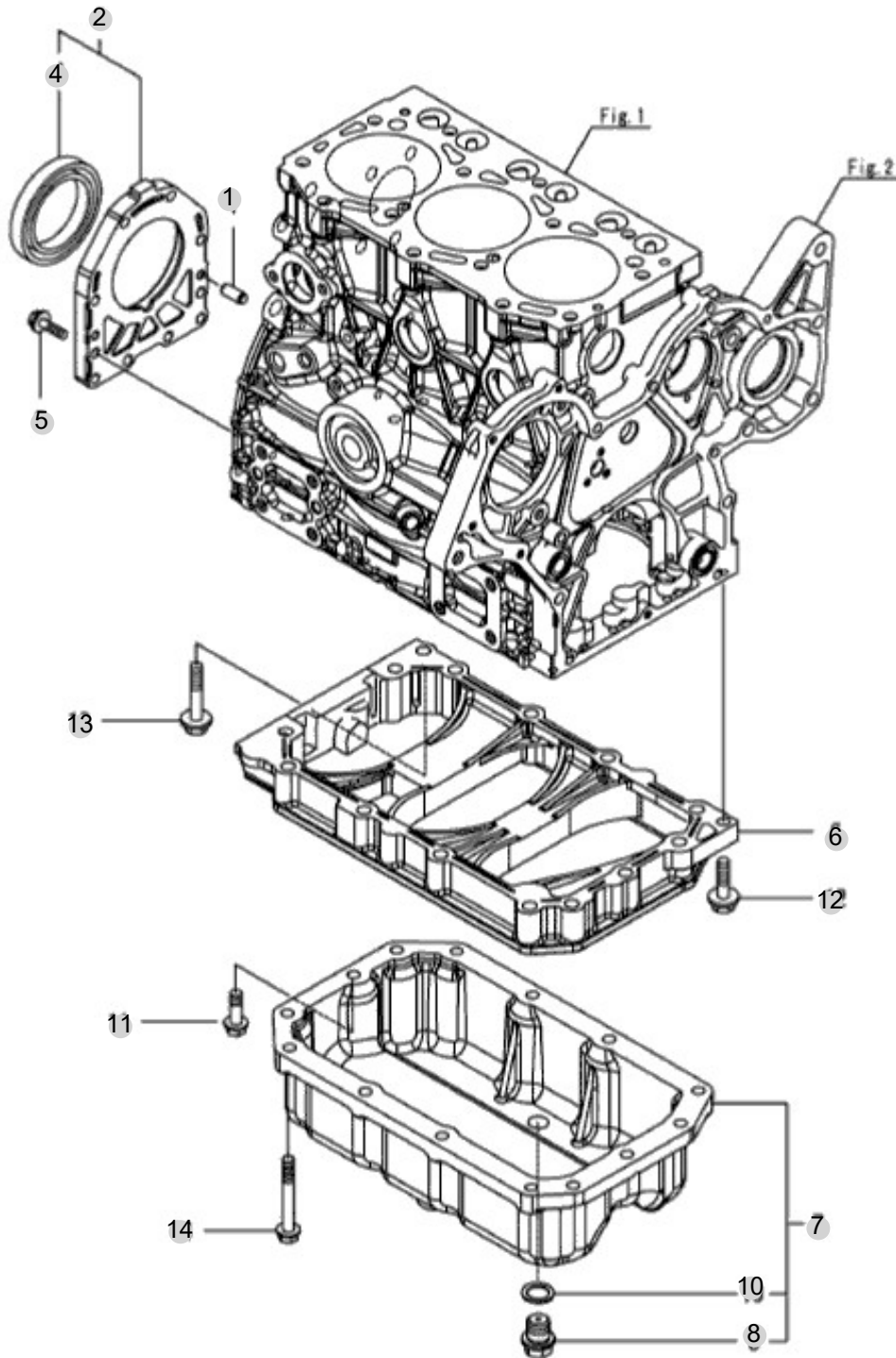
FIG 103

T25

OIL SUMP

년/월
Year/Month

2022-12



NOTE

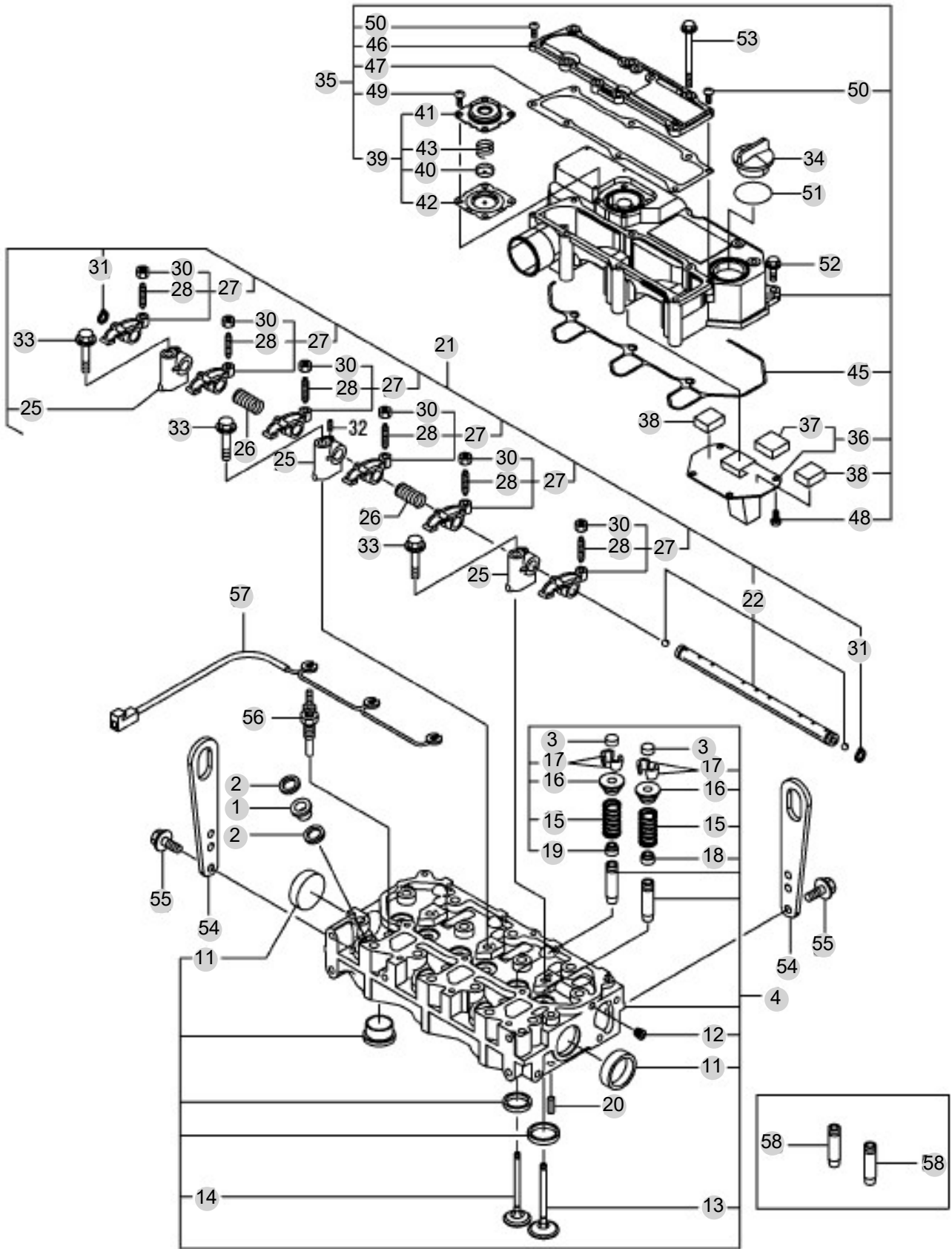
FIG 104

CYLINDER HEAD & BONNET

년/월
Year/Month

2022-12

T25



NOTE

FIG 104 T25		CYLINDER HEAD & BONNET					년/월 Year/Month	
							2022-12	
KEY NO	PART NO	DESCRIPTION	SPEC	QTY	REPAIR	EFFECTIVE DATE	REMARKS	
104	1	129901-11450	PROTECTOR, NOZZLE		3			
104	2	119600-11460	GASKET, NOZZLE		6			
104	3	105010-11490	CAP, VALVE		6			
104	4	119E10-11750	HEAD ASSY, CYLINDER		1			
104	11	119285-11990	PLUG, 35		2			
104	12	23876-005000	PLUG, R005		1			
104	13	119E10-11100	VALVE, INTAKE		3			
104	14	119E10-11110	VALVE, EXHAUST		3			
104	15	119717-11131	SPRING, VALVE		6			
104	16	129508-11180	RETAINER, SPRING		6			
104	17	119717-11190	COTTER, VALVE		12			
104	18	119717-11340	SEAL, VALVE STEM		3			
104	19	119717-11350	SEAL, VALVE STEM		3			
104	20	22351-060012	PIN, SPRING 6.0X12		2			
104	21	119717-11200	SUPPORT ASSY, ROCKER		1			
104	22	119717-11240	SHAFT ASSY, ARM		1			
104	25	119717-11260	SUPPORT, ROCKER ARM		3			
104	26	119620-11280	SPRING, SHAFT		2			
104	27	119717-11650	ARM ASSY, ROCKER INT		6			
104	28	129150-11230	SCREW, VALVE ADJUST		6			
104	30	129150-11750	NUT, M8XP1.0		6			
104	31	22242-000120	RING, 12		2			
104	32	119260-11270	SCREW		1			
104	33	26106-080402	BOLT, M8X 40 PLATED		3			
104	34	124160-01751	CAP, FILLER		1			
104	35	119717-11381	BONNET ASSY, HEAD		1			
104	36	119717-03031	PLATE, BAFFLE		1			
104	37	119717-03070	BAFFLE, BREATHER		1			
104	38	119717-03070	BAFFLE, BREATHER		2			
104	39	119802-03100	DIAPHRAGM ASSY		1			
104	40	119802-03110	PLATE, DIAPHRAGM		1			
104	41	119802-03121	COVER, DIAPHRAGM		1			
104	42	119802-03131	DIAPHRAGM, BREATHER		1			
104	43	119802-03141	SPRING, DIAPHRAGM		1			
104	45	119718-11310	GASKET, BONNET		1			
104	46	119717-11320	COVER, BONNET		1			
104	47	119717-11331	GASKET, BONNET COVER		1			
104	48	22857-500100	SCREW, 5X10		4			
104	49	22857-500100	SCREW, 5X10		4			
104	50	22857-500160	SCREW, 5X16		2			
104	51	24311-000320	O-RING, 1AP32.0		1			
104	52	26106-060202	BOLT, M6X 20 PLATED		3			
104	53	26106-060752	BOLT, M6X 75 PLATED		6			
104	54	129900-07900	LIFTER, ENGINE		2			
104	55	26106-080162	BOLT, M8X 16 PLATED		4			
NOTE								

FIG 105

EXHAUST MANIFOLD

년/월
Year/Month

2022-12

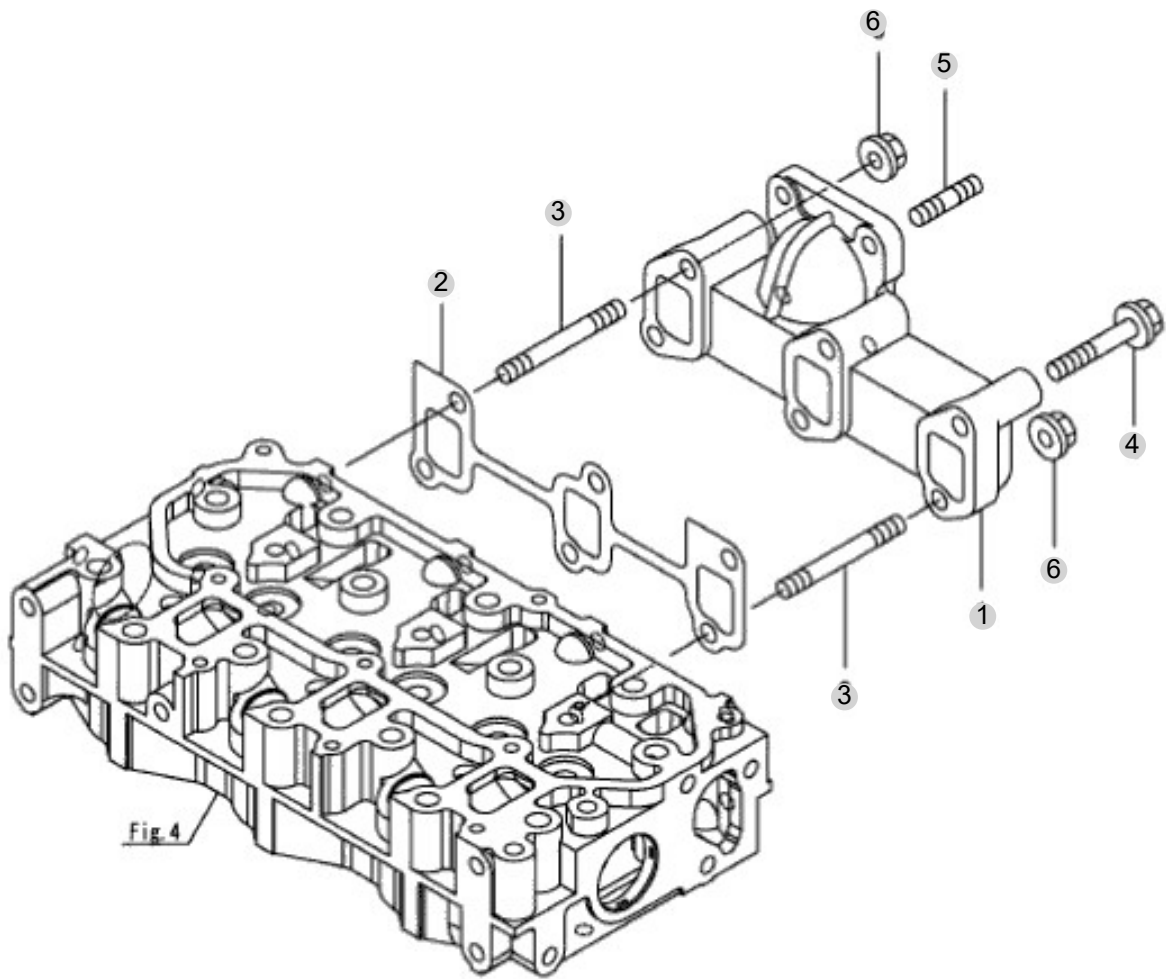


Fig. 4

NOTE

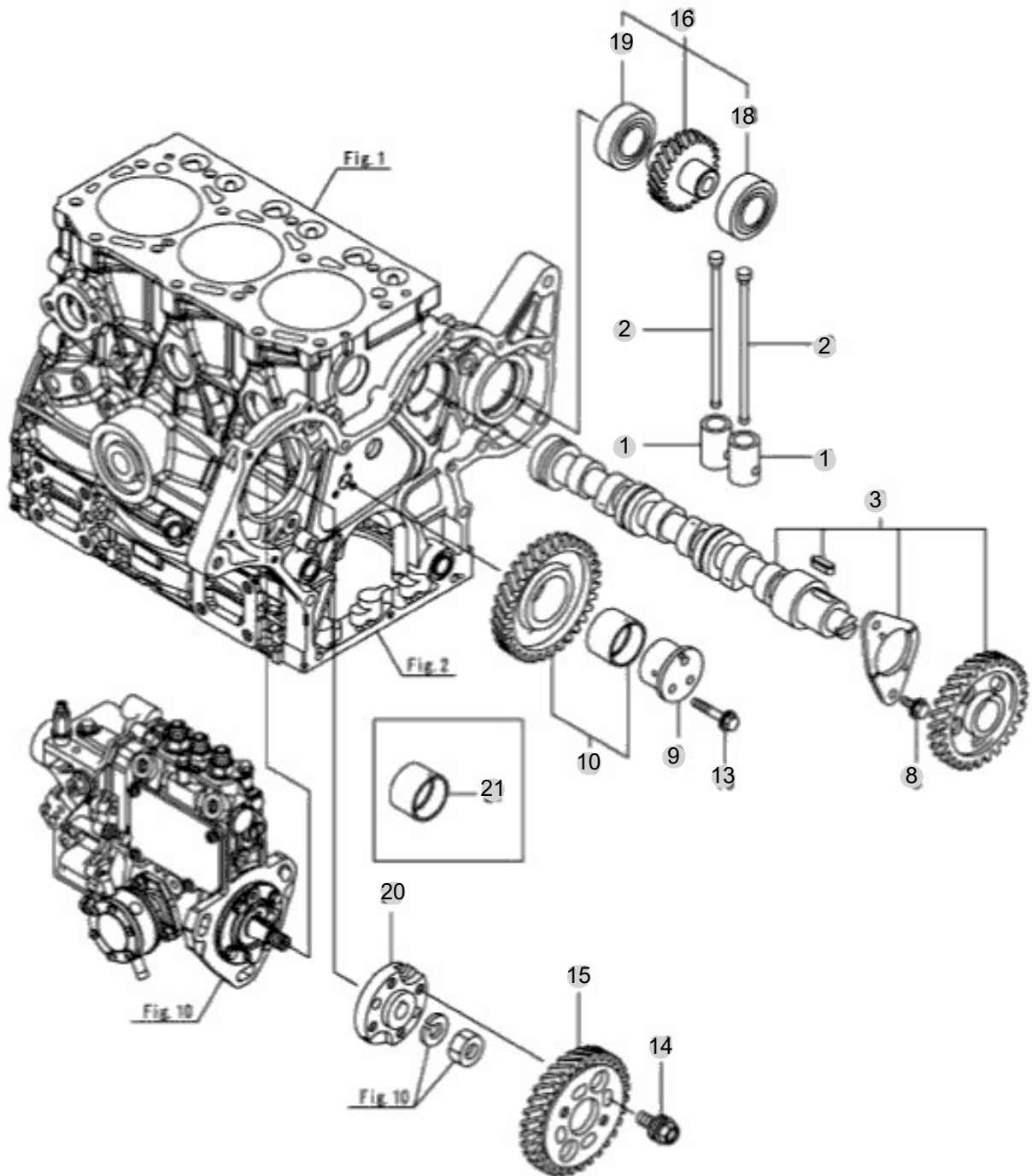
FIG 106

T25

CAMSHAFT & DRIVING GEAR

년/월
Year/Month

2022-12



NOTE

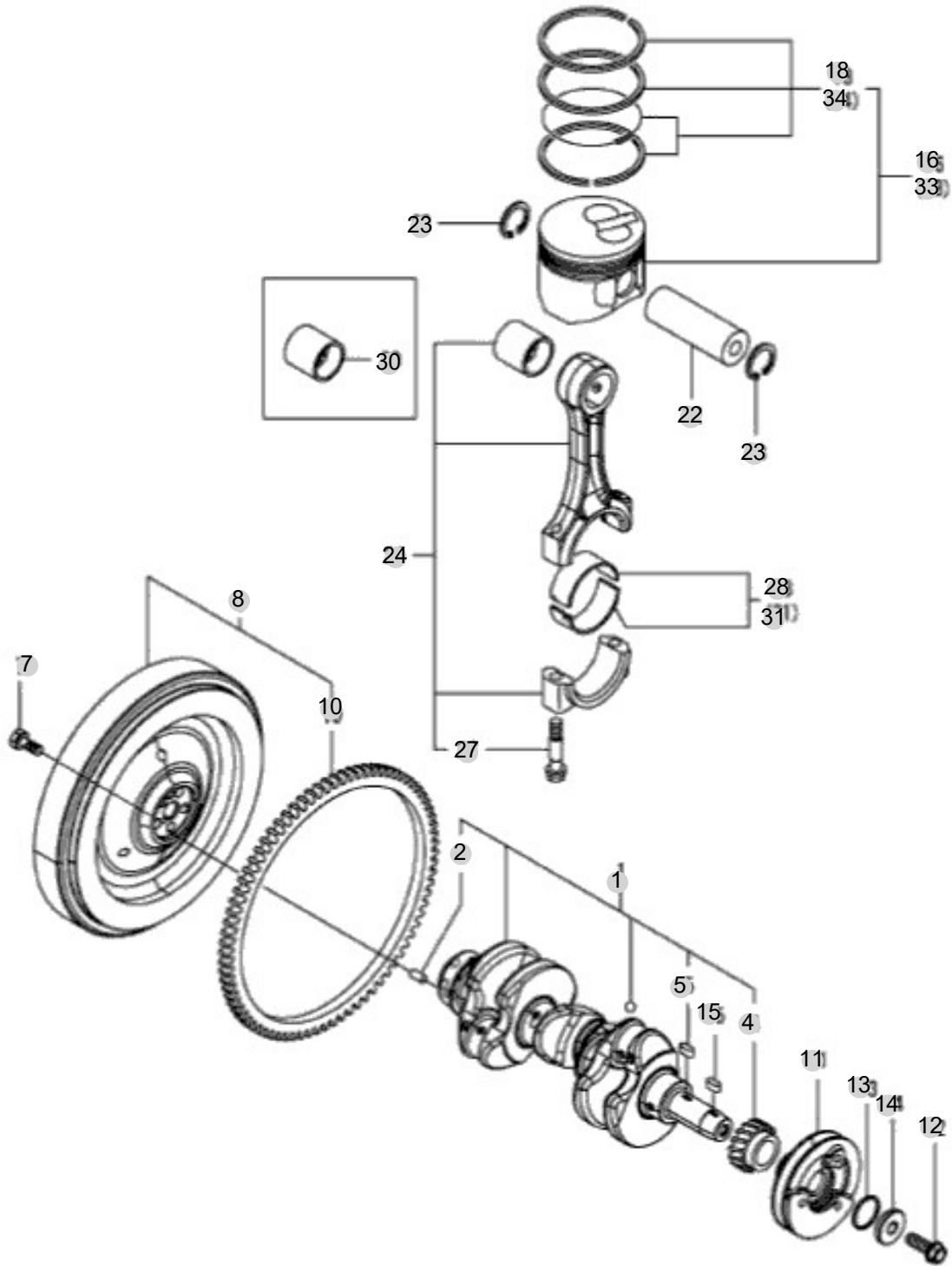
FIG 107

CRANKSHAFT & PISTON

년/월
Year/Month

2022-12

T25



NOTE

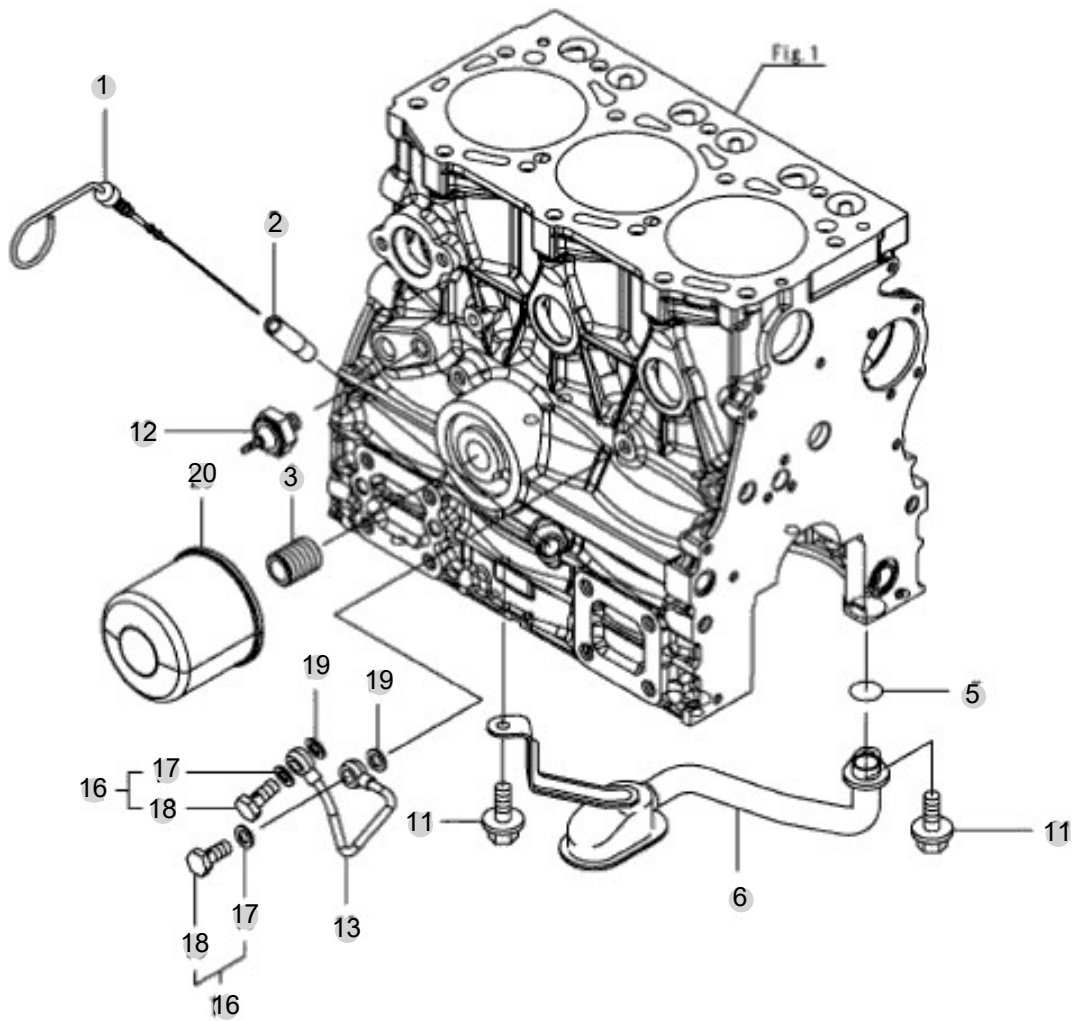
FIG 108

LUB. OIL SYSTEM

년/월
Year/Month

2022-12

T25



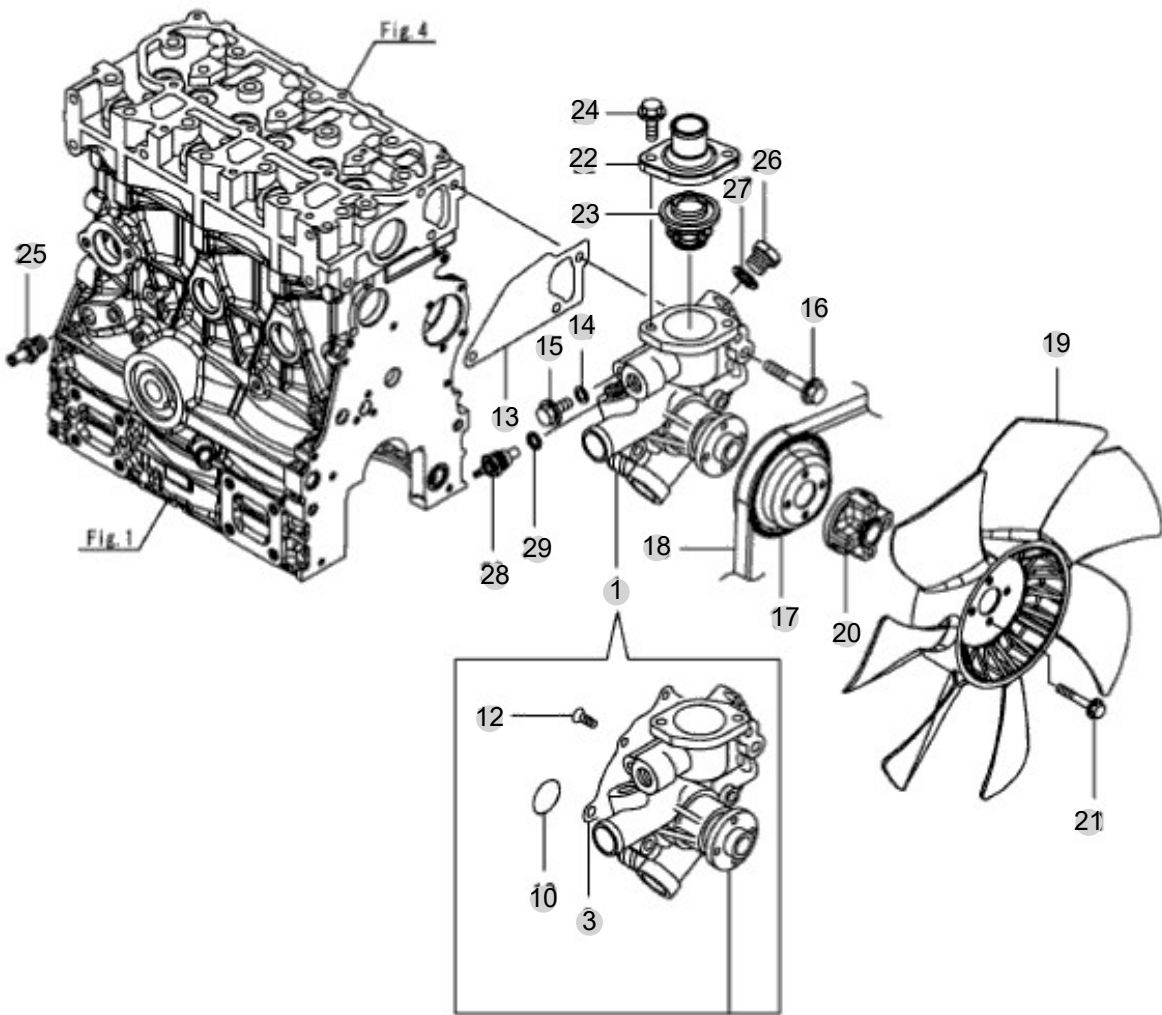
NOTE

FIG 109

COOLING WATER SYSTEM

년/월
Year/Month

2022-12



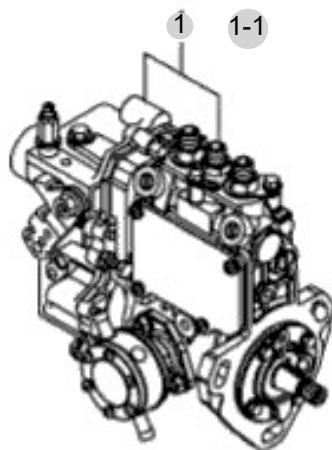
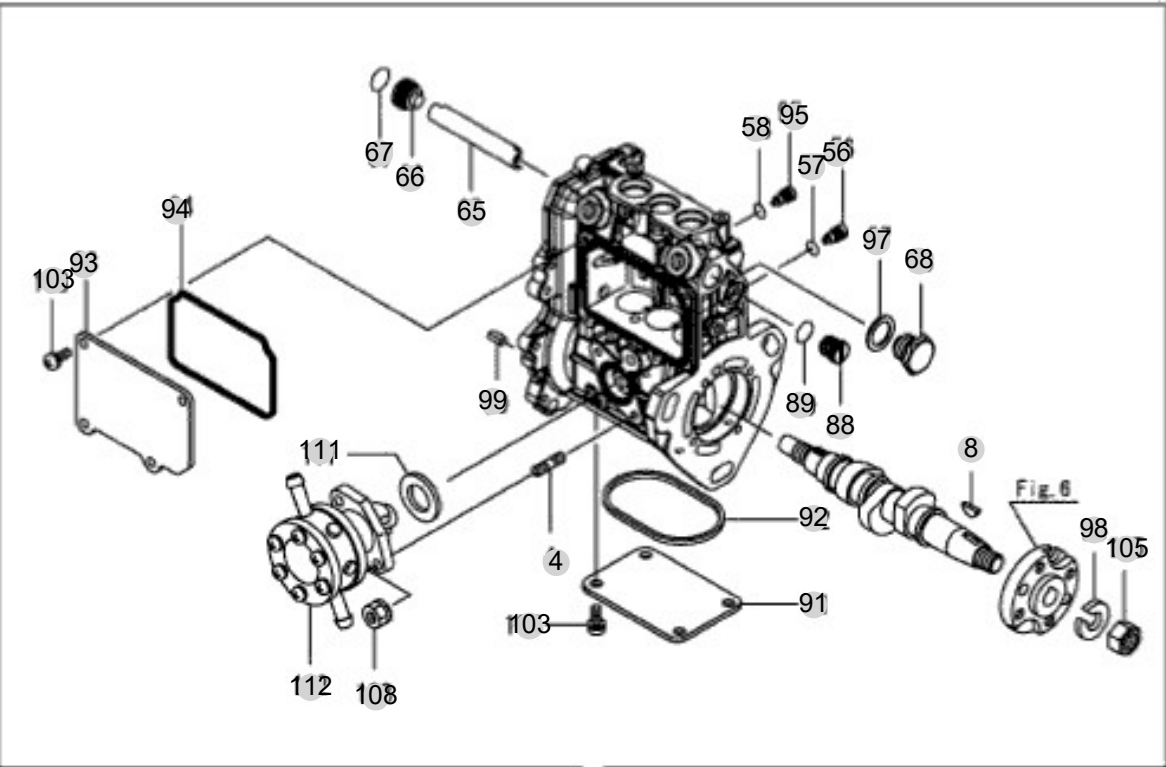
NOTE

FIG 110

FUEL INJECTION PUMP

년/월
Year/Month

2022-12



NOTE

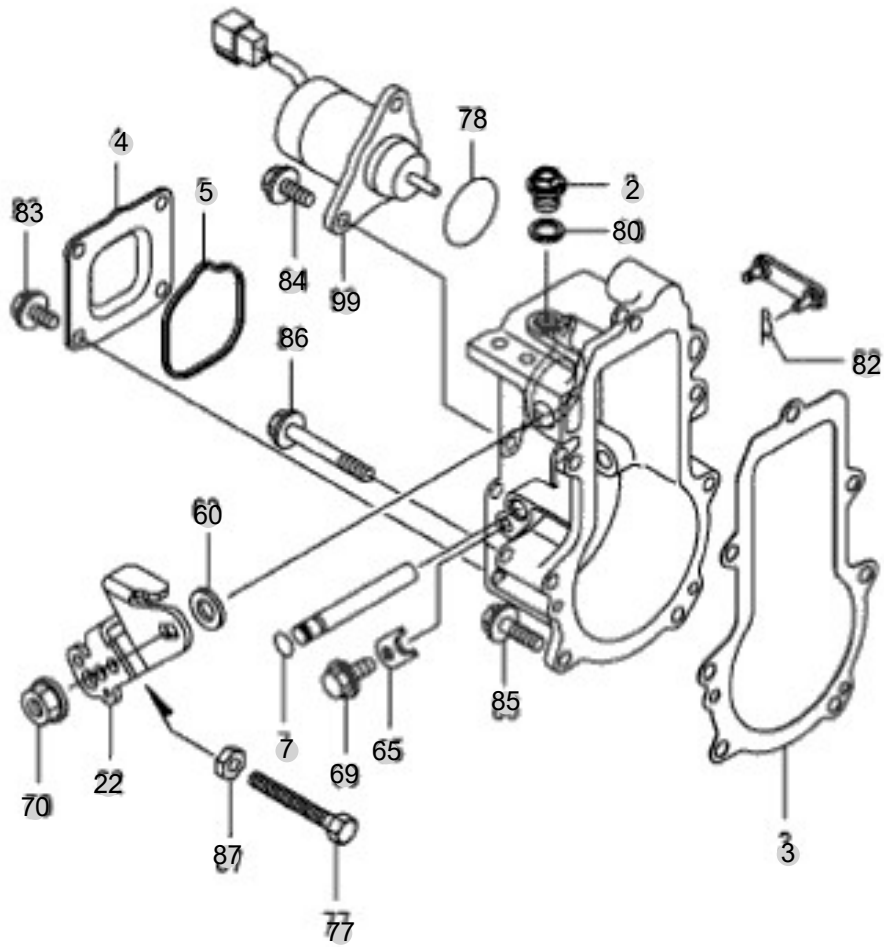
FIG 111

T25

GOVERNOR

년/월
Year/Month

2022-12



NOTE

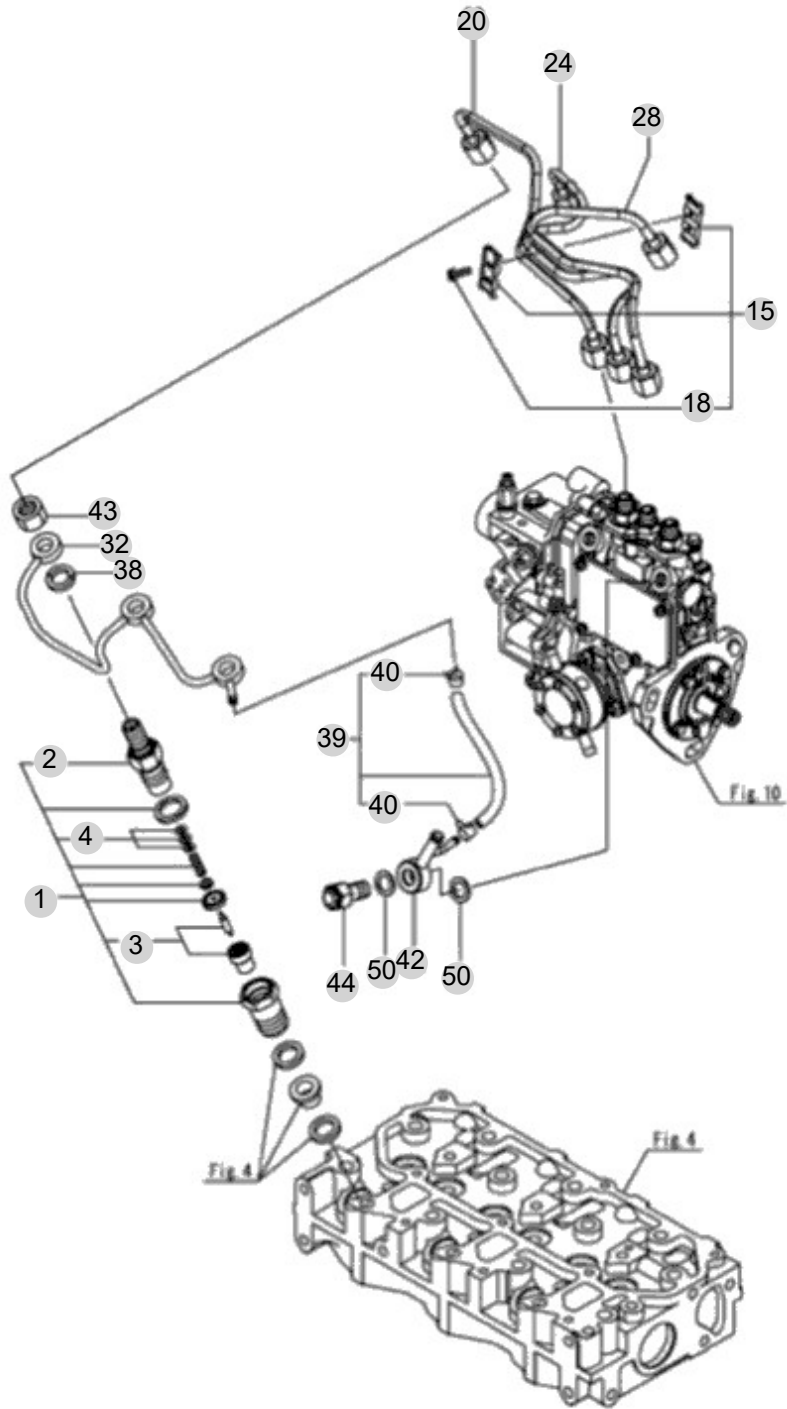
FIG 112

T25

FUEL INJECTION VALVE

년/월
Year/Month

2022-12



NOTE

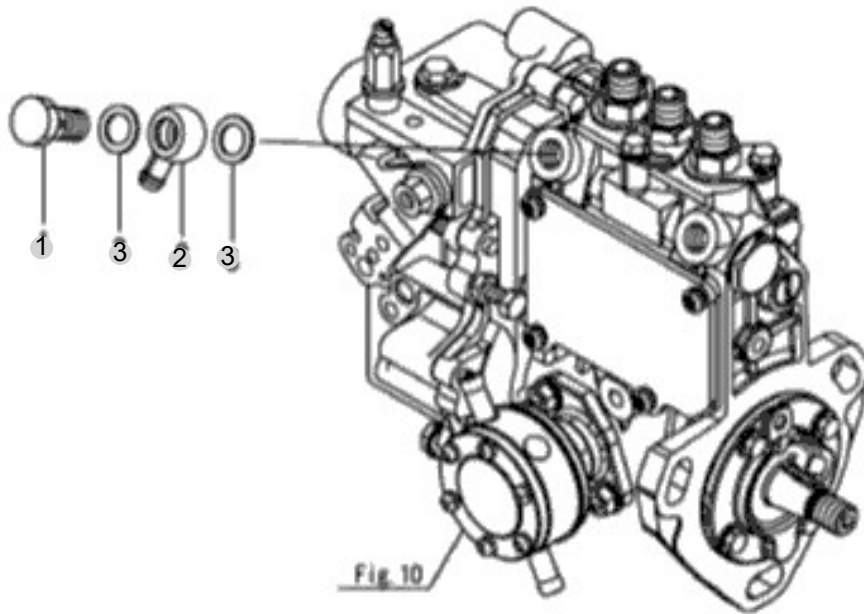
FIG 113

T25

FUEL FILTER

년/월
Year/Month

2022-12



NOTE

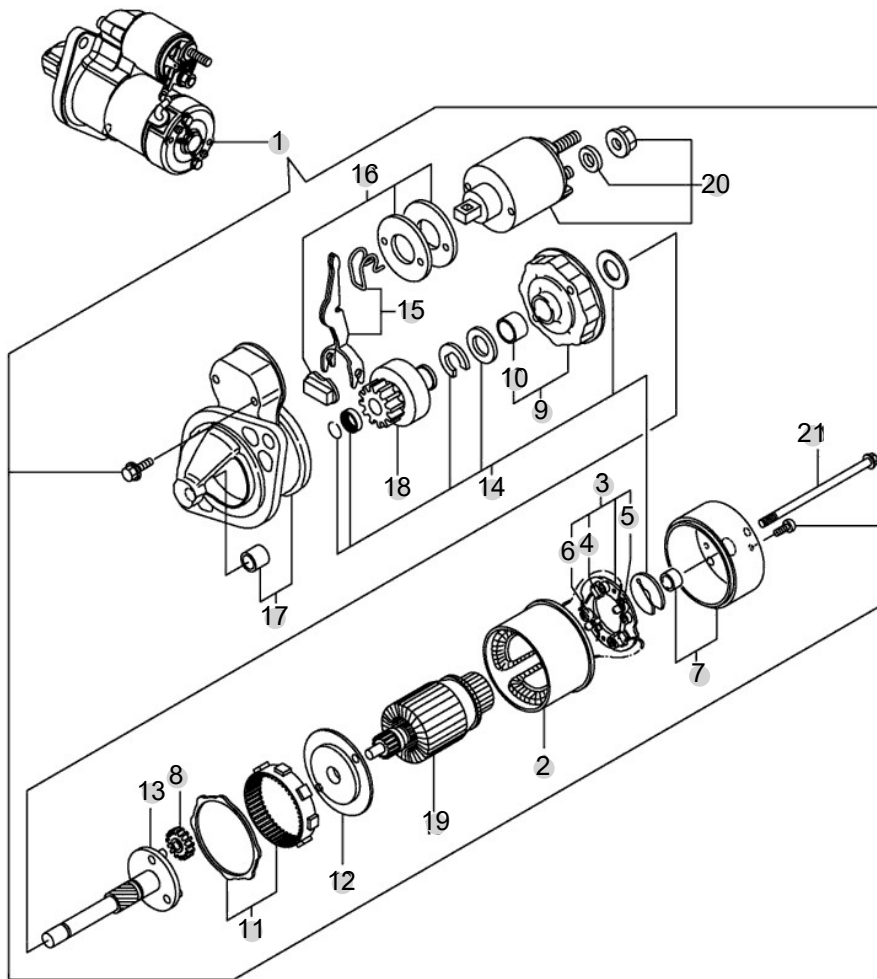
FIG 114

STARTING MOTOR

년/월
Year/Month

2022-12

T25



NOTE

FIG 115

GENERATOR

년/월
Year/Month

2022-12

T25

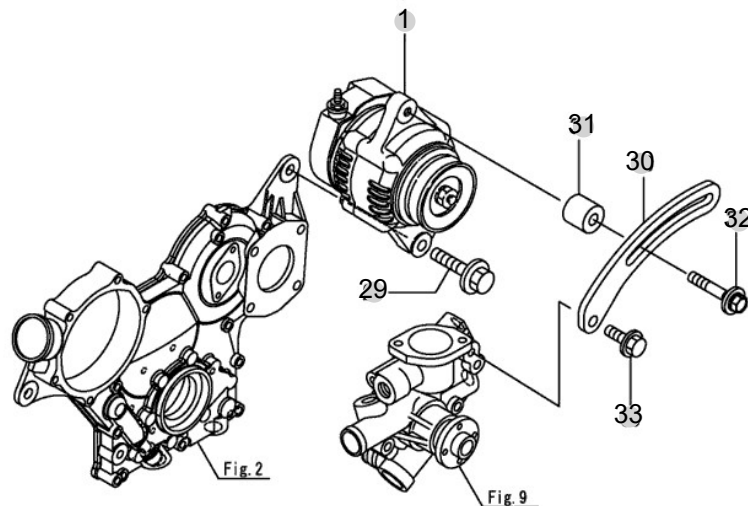
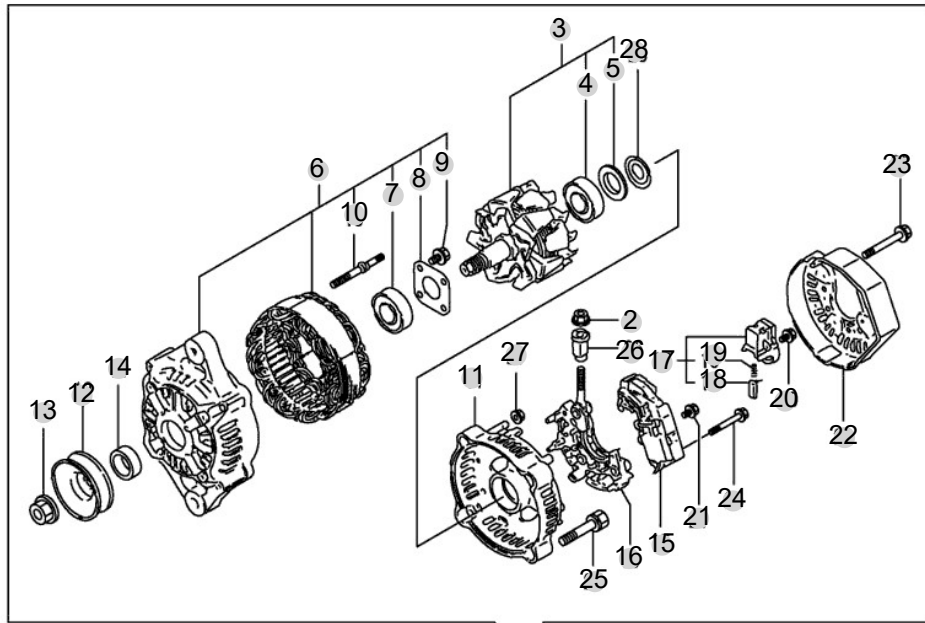


Fig.2

Fig.9

NOTE

FIG 115 T25	GENERATOR	년/월 Year/Month
		2022-12

KEY NO	PART NO	DESCRIPTION	SPEC	QTY	REPAIR	EFFECTIVE DATE	REMARKS
115	1	129423-77210	ALTERNATOR, 12V-40A	1			
115	2	129240-79310	NUT	1			
115	3	119620-77380	ROTOR ASSY	1			
115	4	123501-79240	BEARING, BALL	1			
115	5	119620-79250	COVER, BEARING	1			
115	6	119620-77421	FRAME ASSY, DRIVE	1			
115	7	119620-79200	BEARING, BALL	1			
115	8	119620-79210	PLATE, RETAINER	1			
115	9	119620-79220	SCREW	4			
115	10	119620-79230	STUD	2			
115	11	119620-77440	FRAME ASSY, REAR	1			
115	12	119620-77461	PULLEY, GENERATOR	1			
115	13	119620-77471	NUT	1			
115	14	119620-77490	COLLAR	1			
115	15	129423-77730	REGULATOR ASSY	1			
115	16	119620-79260	HOLDER ASSY	1			
115	17	129052-79270	HOLDER ASSY, BRUSH	1			
115	18	119620-77480	BRUSH ASSY, SUB	2			
115	19	119620-79280	SPRING	2			
115	20	119620-79290	SCREW	6			
115	21	119620-79300	SCREW	1			
115	22	129240-79300	COVER	1			
115	23	119620-79310	BOLT	3			
115	24	119620-79320	SCREW, W/WASHER	2			
115	25	119620-79330	BOLT	2			
115	26	119620-79340	BUSH, INSULATION	1			
115	27	119620-79350	NUT	2			
115	28	119620-79360	WASHER, THRUST	1			
115	29	26106-100452	BOLT, M10X 45 PLATED	1			
115	30	119515-77330	ADJUSTER, BELT	1			
115	31	124732-77340	SPACER, ADJUSTER	1			
115	32	129972-77341	BOLT, ADJUSTER L=50	1			
115	33	26106-080202	BOLT, M8X 20 PLATED	1			

NOTE

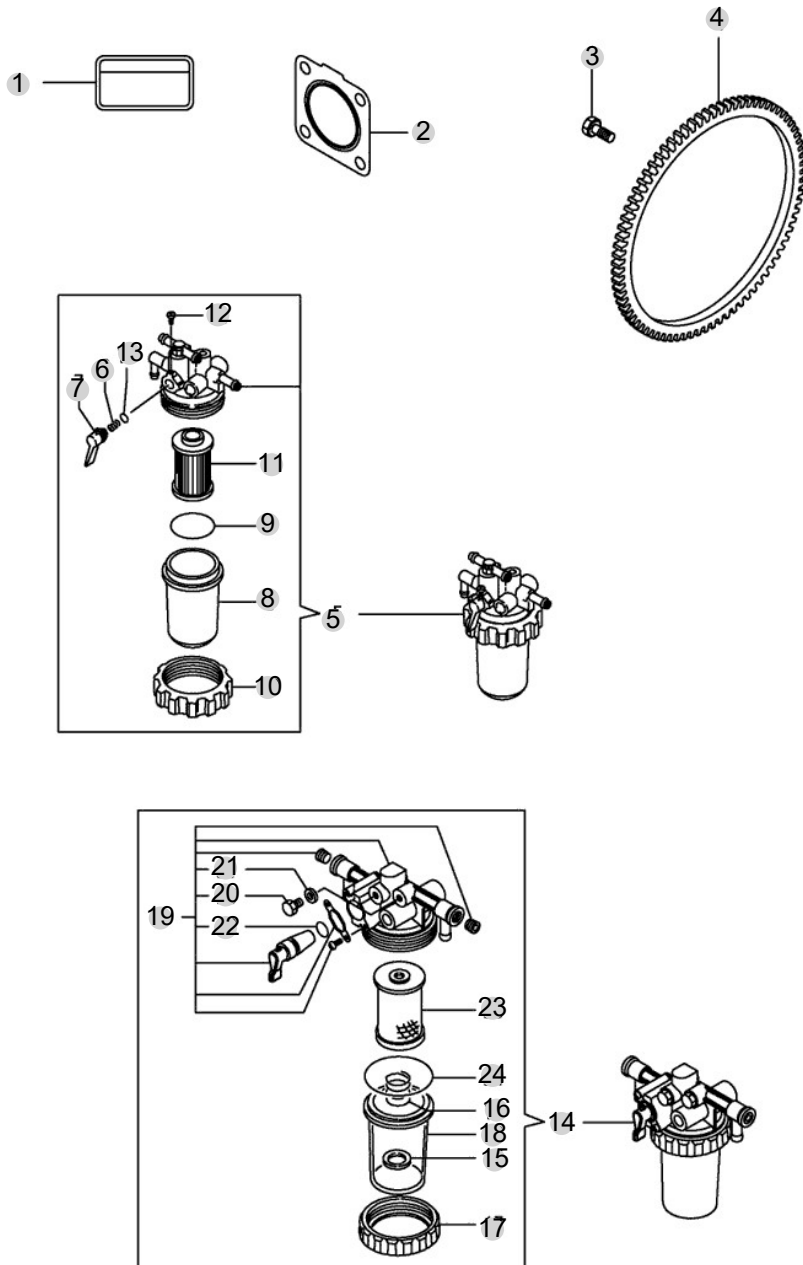
FIG 116

T25

ACCESSORY

년/월
Year/Month

2022-12



NOTE

2. Engine Accessories PART NO. T2

FIG 201 AIR CLEANER	50
FIG 202 RADIATOR	52
FIG 203 MUFFLER	54
FIG 204 FUEL TANK & FUEL LINE	56
FIG 205 ACCELERATOR	58
FIG 206 OIL COOLER	60

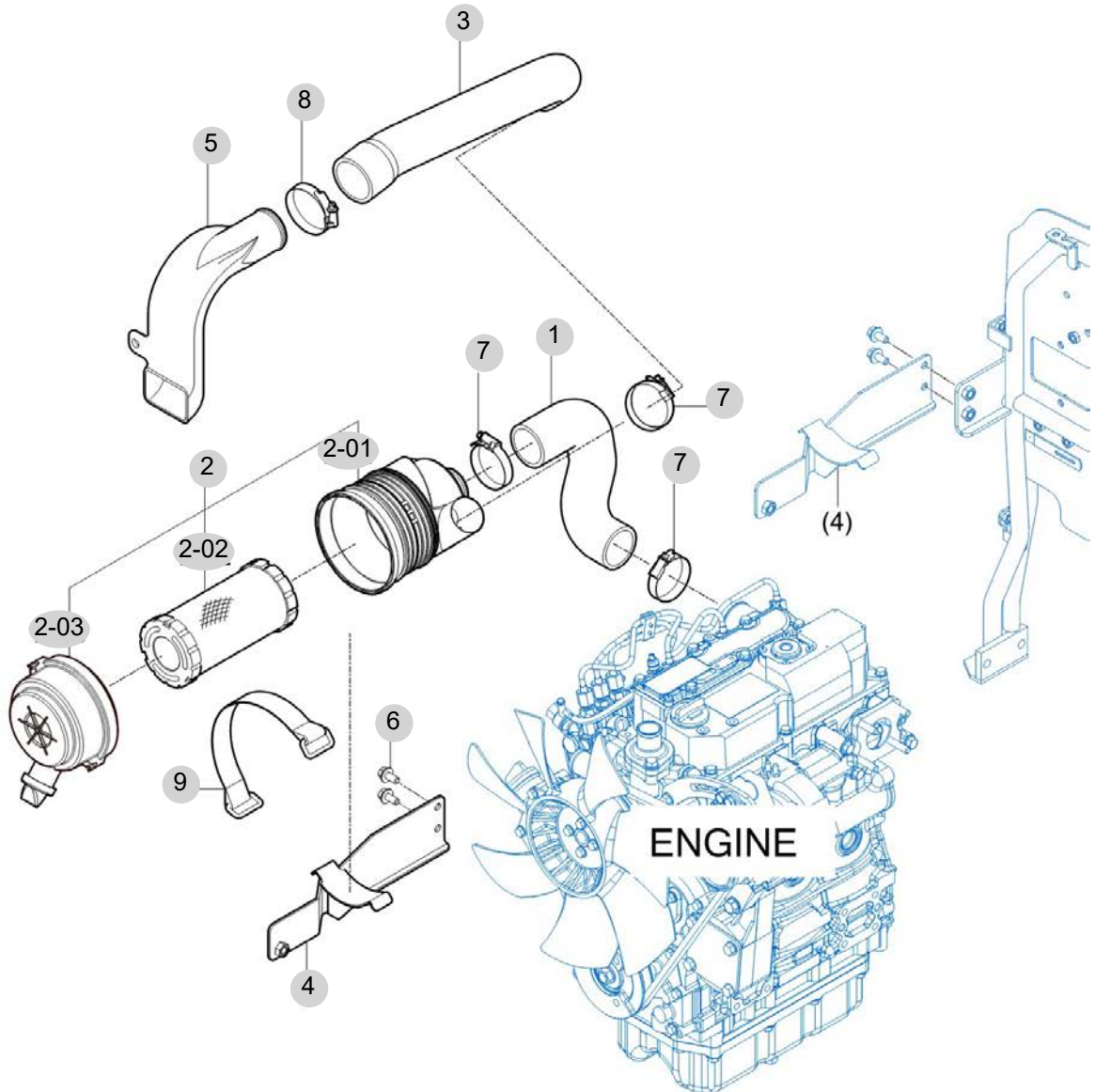
FIG 201

AIR CLEANER

년/월
Year/Month

2022-12

T25



NOTE

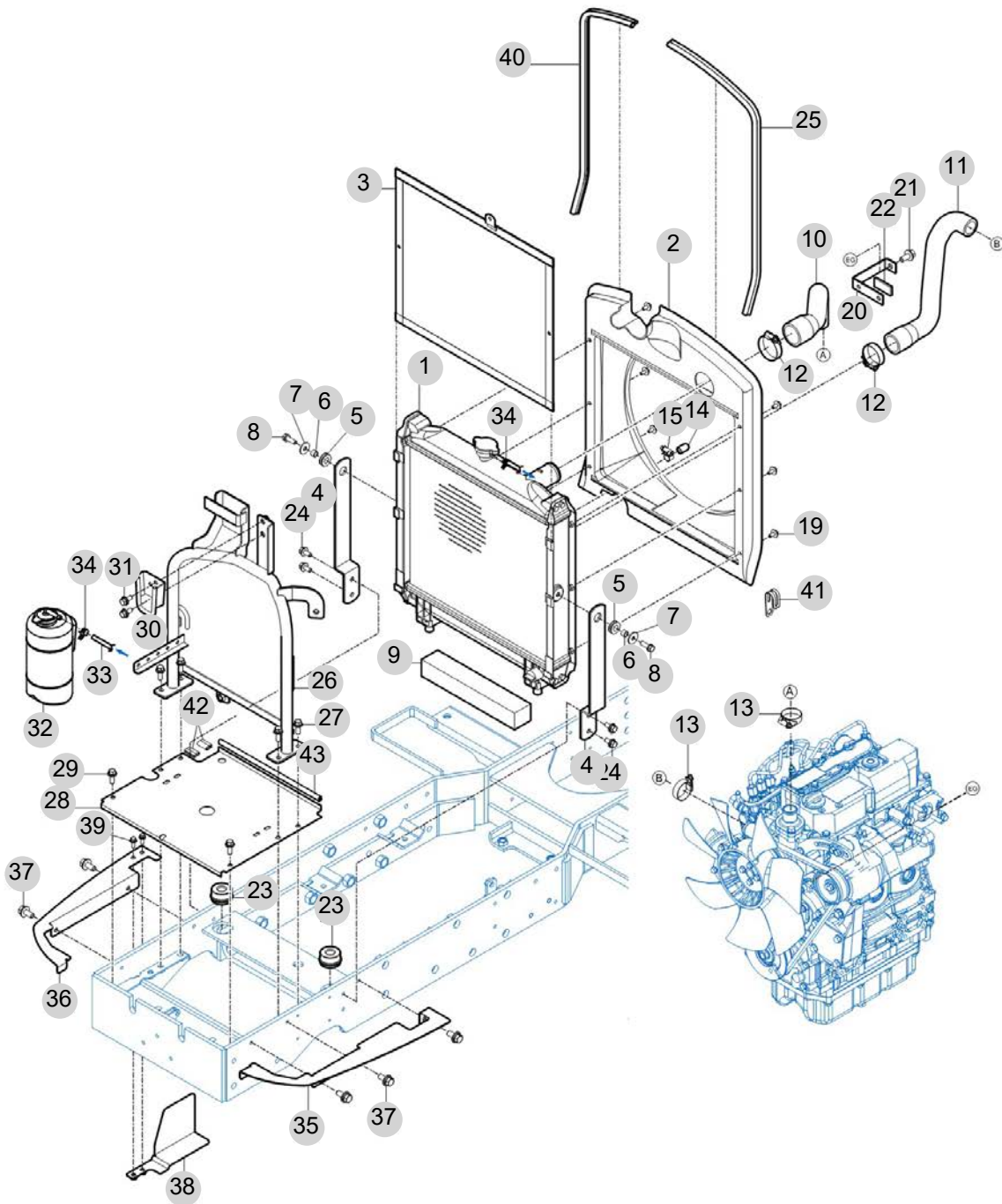
FIG 202

RADIATOR

년/월
Year/Month

2022-12

T25



NOTE

FIG 202		RADIATOR					년/월 Year/Month	
							2022-12	
T25								
KEY NO	PART NO	DESCRIPTION	SPEC	QTY	REPAIR	EFFECTIVE DATE	REMARKS	
202	1	13151043000	RADIATOR COMP		1			
202	2	11811521300	SHROUD		1			
202	3	13151042302GB	RADIATOR NET COMP		1			
202	4	13151040031GB	PLATE , RADIATOR FIX		2			
202	5	14046210300	GROMMET		2			
202	6	15991040050	COLLAR , 08X12X08		2			
202	7	35602010150	WASHER , BIND SHAFT		2			
202	8	V2173608025	BOLT , HEX/S		2			
202	9	11811030500	INSULATOR , RADIATOR		1			
202	10	11971511100	HOSE , RADIATOR INLET		1			
202	11	11971511200	HOSE , RADIATOR OUTLET		1			
202	12	18027090500	BAND CLAMP 50 EMBO TYPE		2			
202	13	18027090400	BAND CLAMP 40 EMBO TYPE		2			
202	14	12651040300	CAP , RADIATOR		1			
202	15	18027090160	BAND CLAMP 16 EMBO TYPE		1			
202	19	V2193606016	BOLT , HEX/SPL		6			
202	20	11111040120GB	BRACKET , RD HOSE FIX		1			
202	21	V2183610025	BOLT , HEX/SP		1			
202	22	11101032400	SPONGE , AIRCLEANER		1			
202	23	13151040040	CUSHION , RADIATOR		2			
202	24	V2183608020	BOLT , HEX/SP		4			
202	25	11811512300	INSULATOR , RH/SHROUD		1			
202	26	11811021100GB	FRAME COMP , FRONT		1			
202	27	V2183608025	BOLT , HEX/SP		4			
202	28	11811811210GB	BASE PLATE		1			
202	29	V2183608016	BOLT , HEX/SP		2			
202	30	36753302201GB	HOLDER COMP , TANK/RESERVE		1			
202	31	V2183608020	BOLT , HEX/SP		2			
202	32	16003302101	TANK ASSY , RESERVE		1			
202	33	11811513100	HOSE , 470/RESERVOIR TANK		1			
202	34	36423600080	CLIP , HOSE D=12.5		2			
202	35	11811811310GB	BASE PLATE , LH		1			
202	36	11811811410GB	BASE PLATE , RH		1			
202	37	V2183608016	BOLT , HEX/SP		5			
202	38	11811811600GB	BRACKET COMP , RH/WIND GUIDE		1			
202	39	V2123606016	BOLT , HEX /SP		2			
202	40	11811512400	INSULATOR , LH/SHROUD		1			
202	41	37371720090	CLAMP , W/HARNESS		1			
202	42	11811811700	WEATHER STRIP , E40		2			
202	42	12626010200	INSULATOR , SIDE COVER/LOWER		2			
202	42	16991600090	PROTECTOR , 70		1			
202	42	12626010200	INSULATOR , SIDE COVER/LOWER		2			
202	42	11811811700	WEATHER STRIP , E40		2			
202	43	16997021960	INSULATOR , 32		1			
202	43	17136040050	INSULATOR , SUPPORT		1			
NOTE								

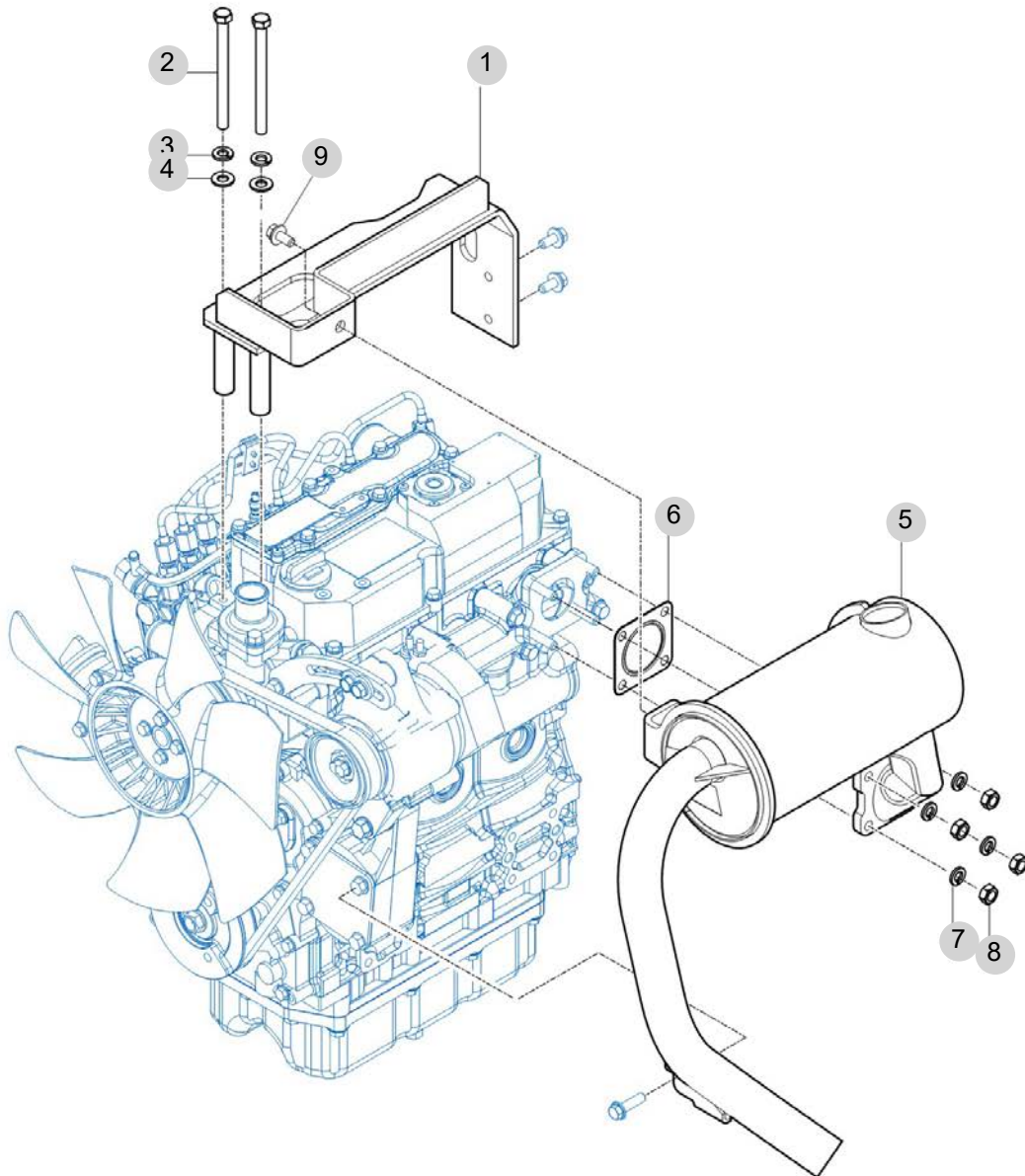
FIG 203

T25

MUFFLER

년/월
Year/Month

2022-12



NOTE

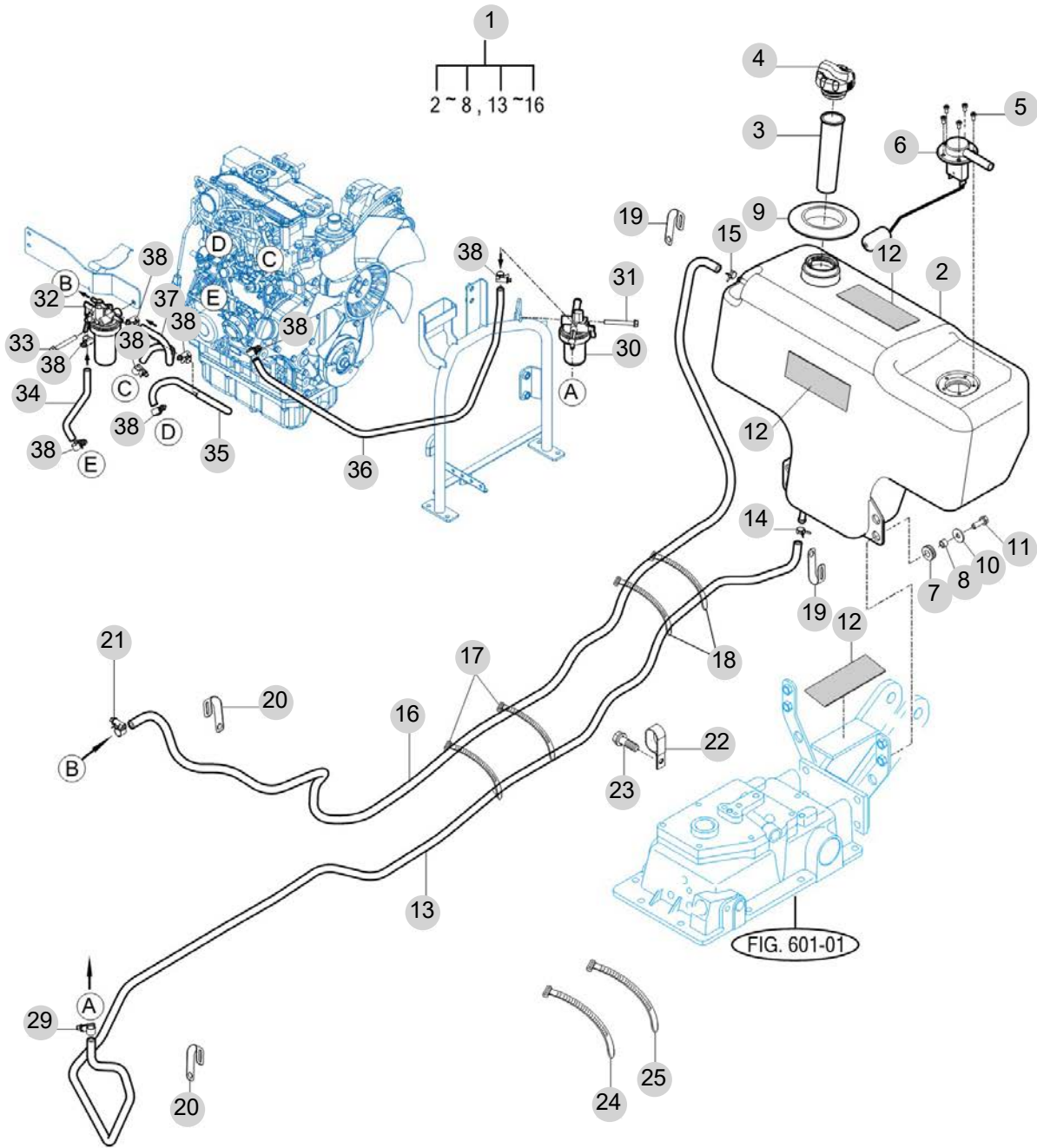
FIG 204

T25

FUEL TANK & FUEL LINE

년/월
Year/Month

2022-12



NOTE

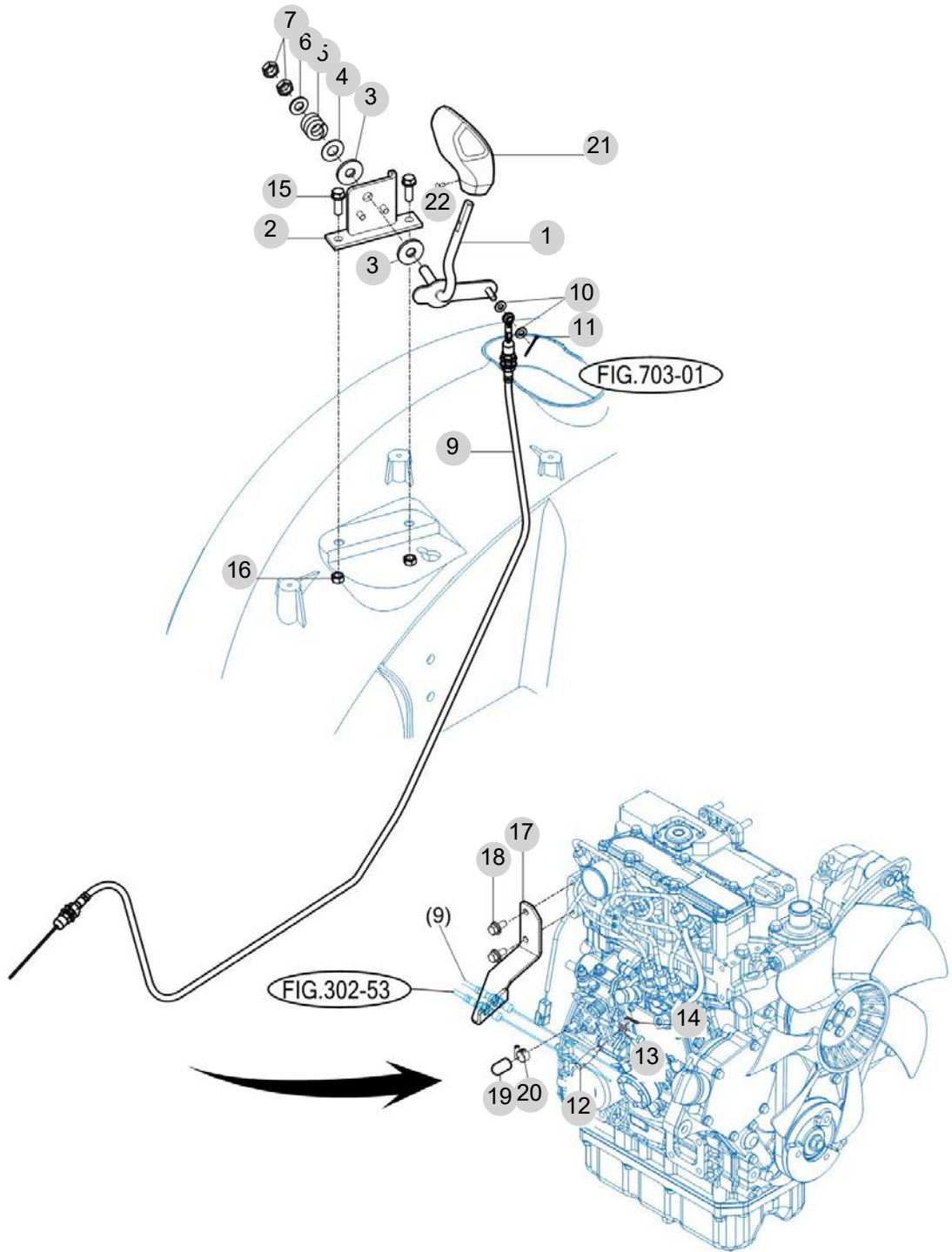
FIG 205

ACCELERATOR

년/월
Year/Month

2022-12

T25



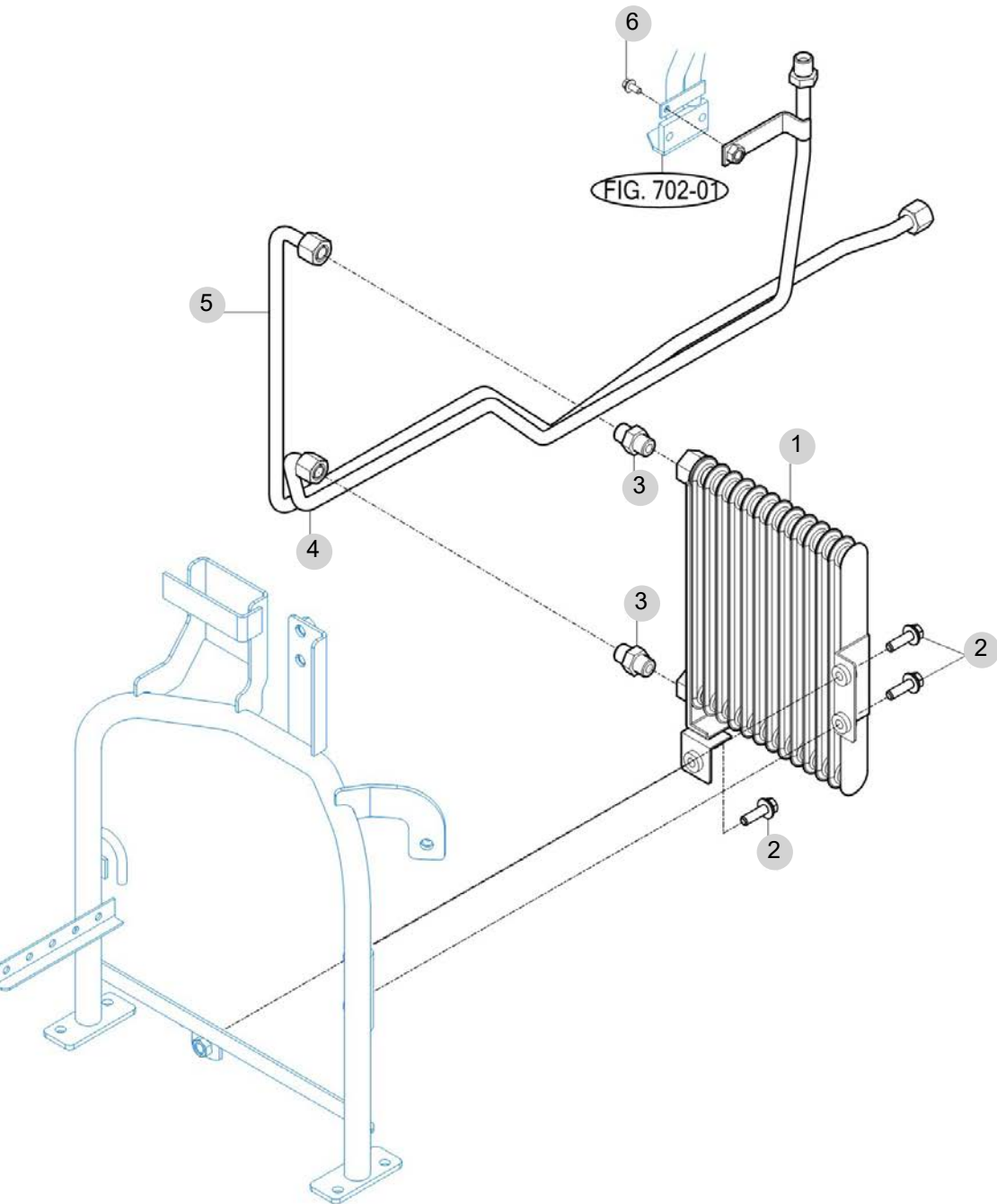
NOTE

FIG 206

OIL COOLER

년/월
Year/Month

2022-12



NOTE

3. Clutch/Brake/Steering PART NO. T3

FIG 301 FLYWHEEL COVER	63
FIG 302 SPEED CONTROL	65
FIG 303 BRAKE	68
FIG 304 BRAKE PEDAL & LINKAGE	70
FIG 305 STEERING WHEEL & DASH COVER	72
FIG 306 STEERING VALVE	74
FIG 307 STEERING CYLINDER	76
FIG 308 FRONT WHEEL	78
FIG 309 REAR WHEEL	80

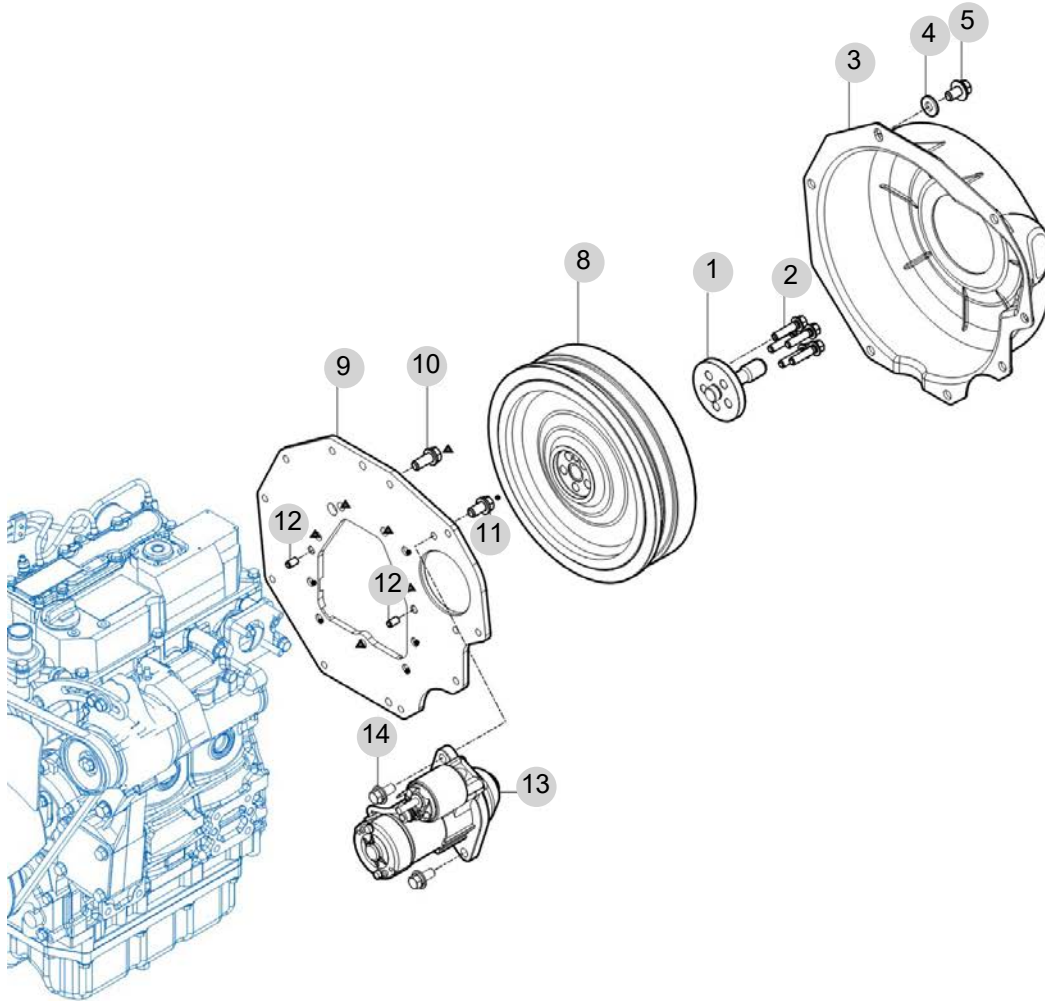
FIG 301

T25

FLYWHEEL COVER

년/월
Year/Month

2022-12



NOTE

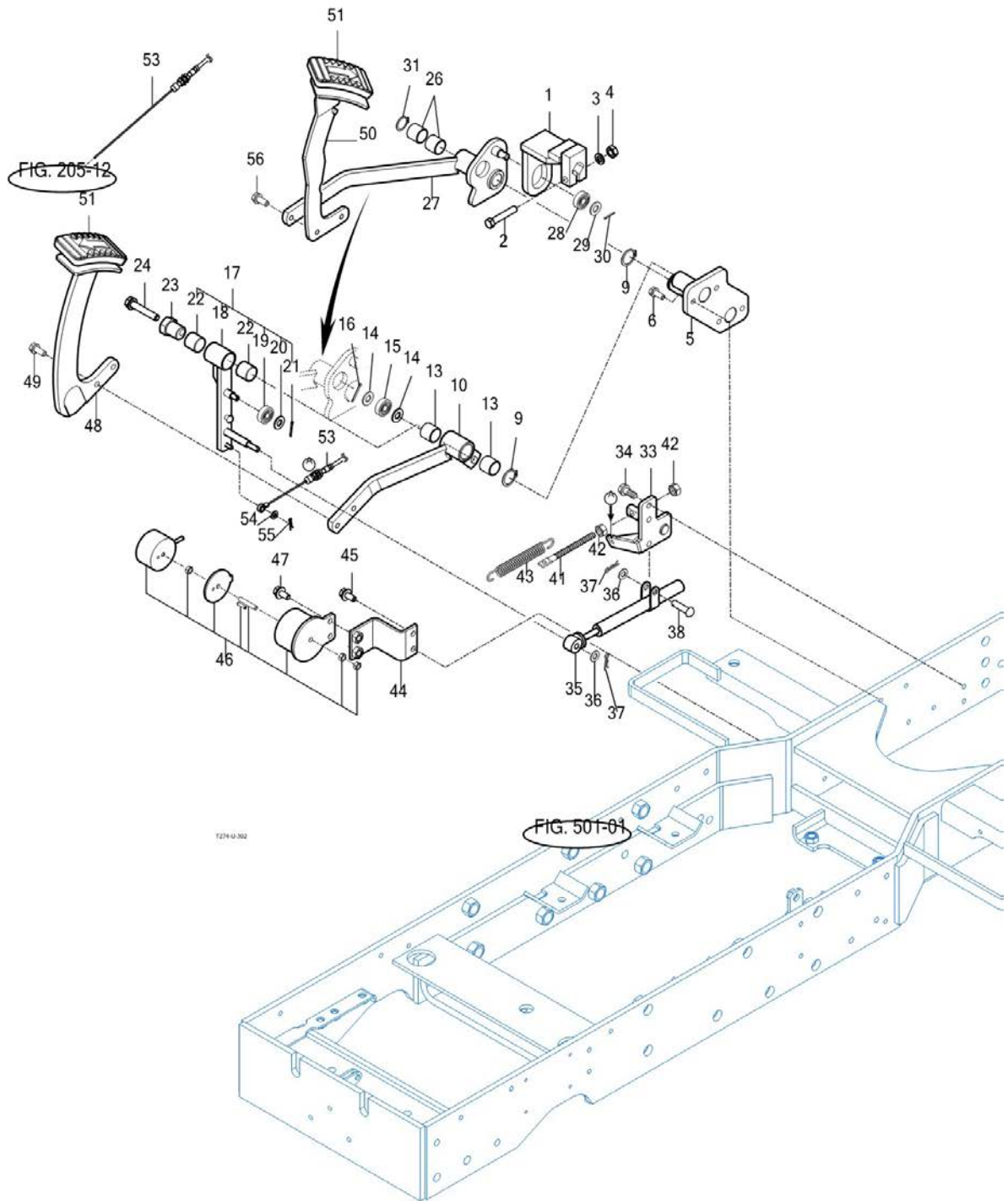
FIG 302

T25

SPEED CONTROL

년/월
Year/Month

2022-12



NOTE

FIG 302		SPEED CONTROL					년/월 Year/Month		
							2022-12		
T25		KEY NO	PART NO	DESCRIPTION	SPEC	QTY	REPAIR	EFFECTIVE DATE	REMARKS
302	1	11972322100	HOLDER COMP			1			
302	1	11972322101	HOLDER COMP			1			
302	1	11972322101	HOLDER COMP			1			
302	2	V2013610055	BOLT , HEX	M10X55		1			
302	2	V2013608045	BOLT , HEX			1			
302	2	V2013608045	BOLT , HEX			1			
302	3	V4011600100	WASHER , SPRING	M10		1			
302	3	V4011600080	WASHER , SPRING			1			
302	3	V4011600080	WASHER , SPRING			1			
302	4	V3042600100	NUT , HEX/2	M10		1			
302	4	V3042600080	NUT , HEX/2			1			
302	4	V3042600080	NUT , HEX/2			1			
302	5	11972322200GB	PIN COMP			1			
302	6	V2173608020	BOLT , HEX/S	M8X20		4			
302	9	V7041400200	C-RING , SHAFT	20		2			
302	10	11972323200GB	ARM COMP , FORWARD			1			
302	13	11972320030	DU BUSH , 25X28X20			2			
302	14	V4111600100	WASHER , PLAIN	M10		2			
302	15	V6001506000	BEARING , BALL	6000DD		1			
302	16	V5001920015	PIN , SPLIT	2X15		1			
302	17	11972324000	CAM SUB ASSY			1			
302	18	11972324100GB	ARM COMP , CAM			1			
302	19	14722310060	BEARING , BALL			1			
302	20	V4111600080	WASHER , PLAIN	M8		1			
302	21	V5001920015	PIN , SPLIT	2x15		1			
302	22	11972320030	DU BUSH , 25X28X20			2			
302	23	11972320020	PIN , NEUTRAL			1			
302	24	V2143610080	BOLT , HEX FINE /S	M10X50		1			
302	26	11972320040	DU BUSH , 25X28X30			2			
302	27	11972322300GB	ARM COMP , REVERSE			1			
302	28	V6001506000	BEARING , BALL	6000DD		1			
302	29	V4111600100	WASHER , PLAIN	M10		1			
302	30	V5001920015	PIN , SPLIT	2X15		1			
302	31	V7041400250	C-RING , SHAFT			1			
302	33	11972325100GB	PIN COMP , SPRING			1			
302	34	V2173608025	BOLT , HEX/S	M8X25		2			
302	35	13152312400	DAMPER , OIL			1			
302	36	V4111600080	WASHER , PLAIN	M8		4			
302	37	V5601600008	PIN , SNAP	8		4			
302	38	14043120060	PIN , YOKE			1			
302	41	34522150080	ROD , CHAIN(TENSION)(82)			1			
302	42	V3043600080	NUT , HEX/2	M8		2			
302	43	14722310033	SPRING , RETURN			1			
302	44	13152332103DG	BRACKET COMP , CRUISE			1			
302	44	13152332103GB	BRACKET COMP , CRUISE			1			
NOTE									

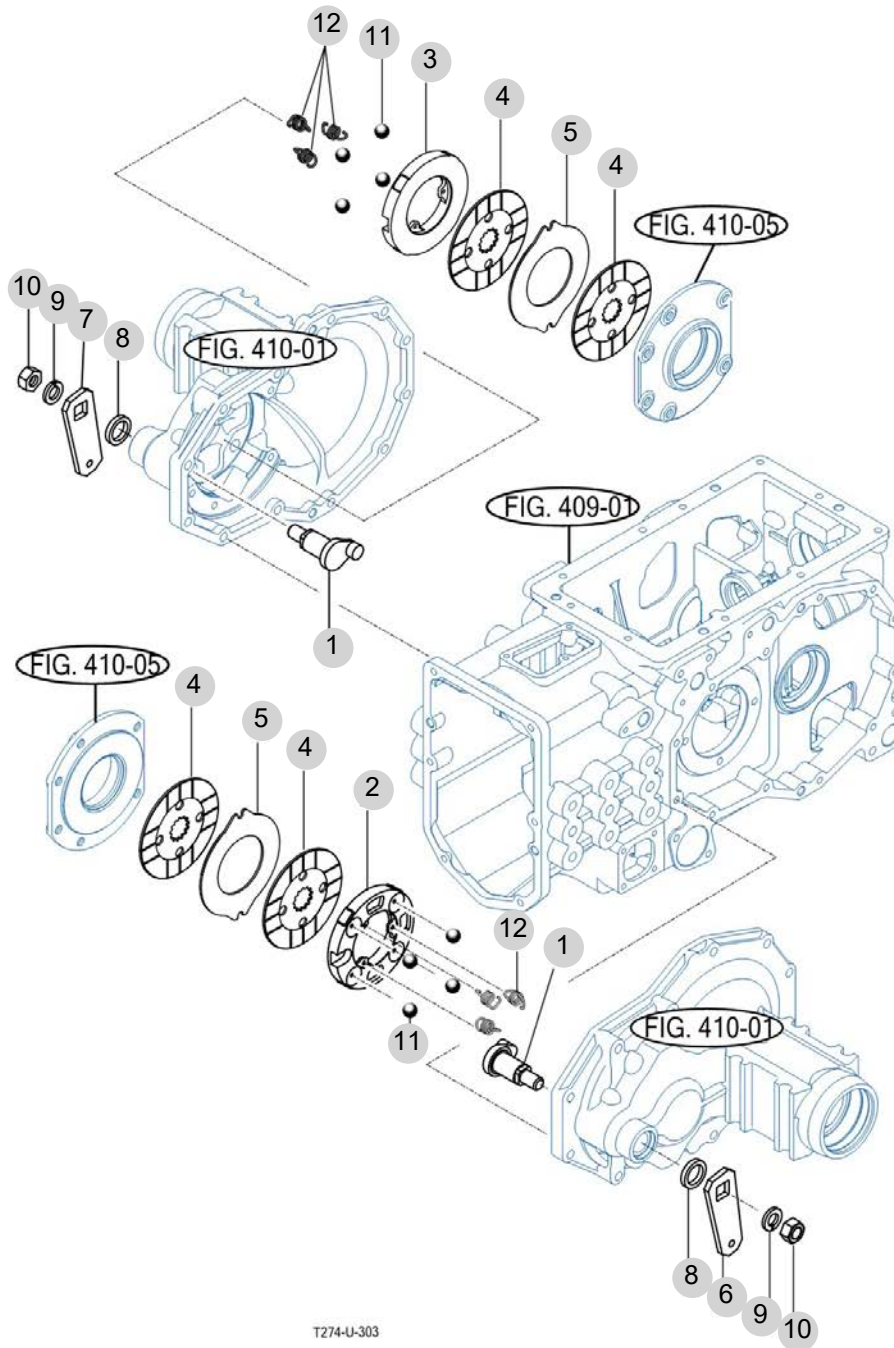
FIG 303

T25

BRAKE

년/월
Year/Month

2022-12



T274-U-303

NOTE

FIG 303 T25		BRAKE					년/월 Year/Month	
							2022-12	
KEY NO	PART NO	DESCRIPTION	SPEC	QTY	REPAIR	EFFECTIVE DATE	REMARKS	
303	1	16703270011	CAM	1				
303	2	13153270021M	METAL ,BRAKE LH	1				
303	3	13153270041M	METAL ,BRAKE RH	1				
303	4	13153272100	PLATE COMP , DISC	4				
303	5	13153270030	PLATE , SEPARATE	2				
303	6	13153270090	ARM , BRAKE	1				
303	7	13153270090	ARM , BRAKE	1				
303	8	V7441253506	SEAL , OIL/D	2				
303	9	V4011600160	WASHER , SPRING	2				
303	10	V3343600160	NUT , HEX FINE/2	2				
303	11	V6802000019	BALL , STEEL	8				
303	12	16703272030	SPRING , RETURN	6				
NOTE								

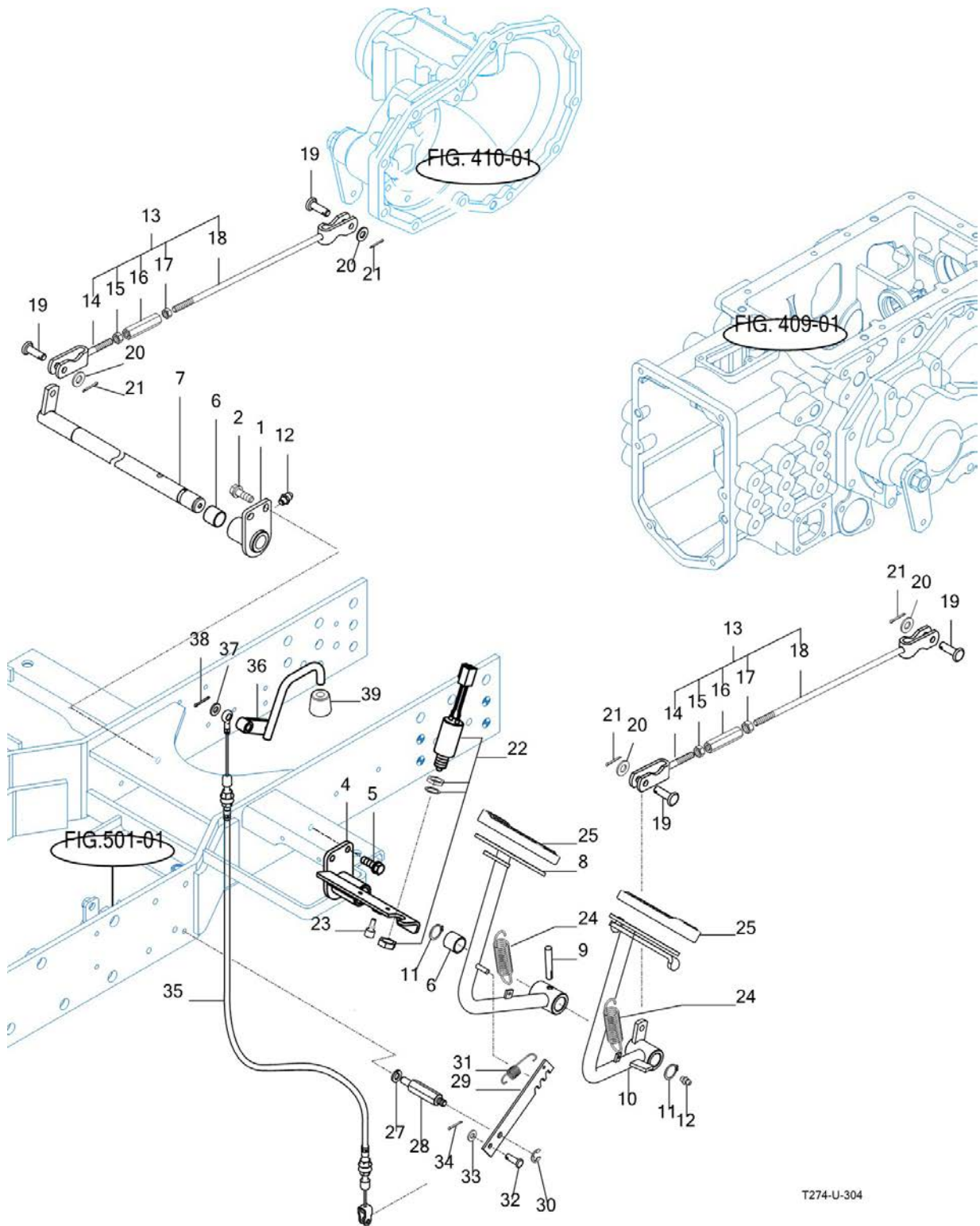
FIG 304

T25

BRAKE PEDAL & LINKAGE

년/월
Year/Month

2022-12



T274-U-304

NOTE

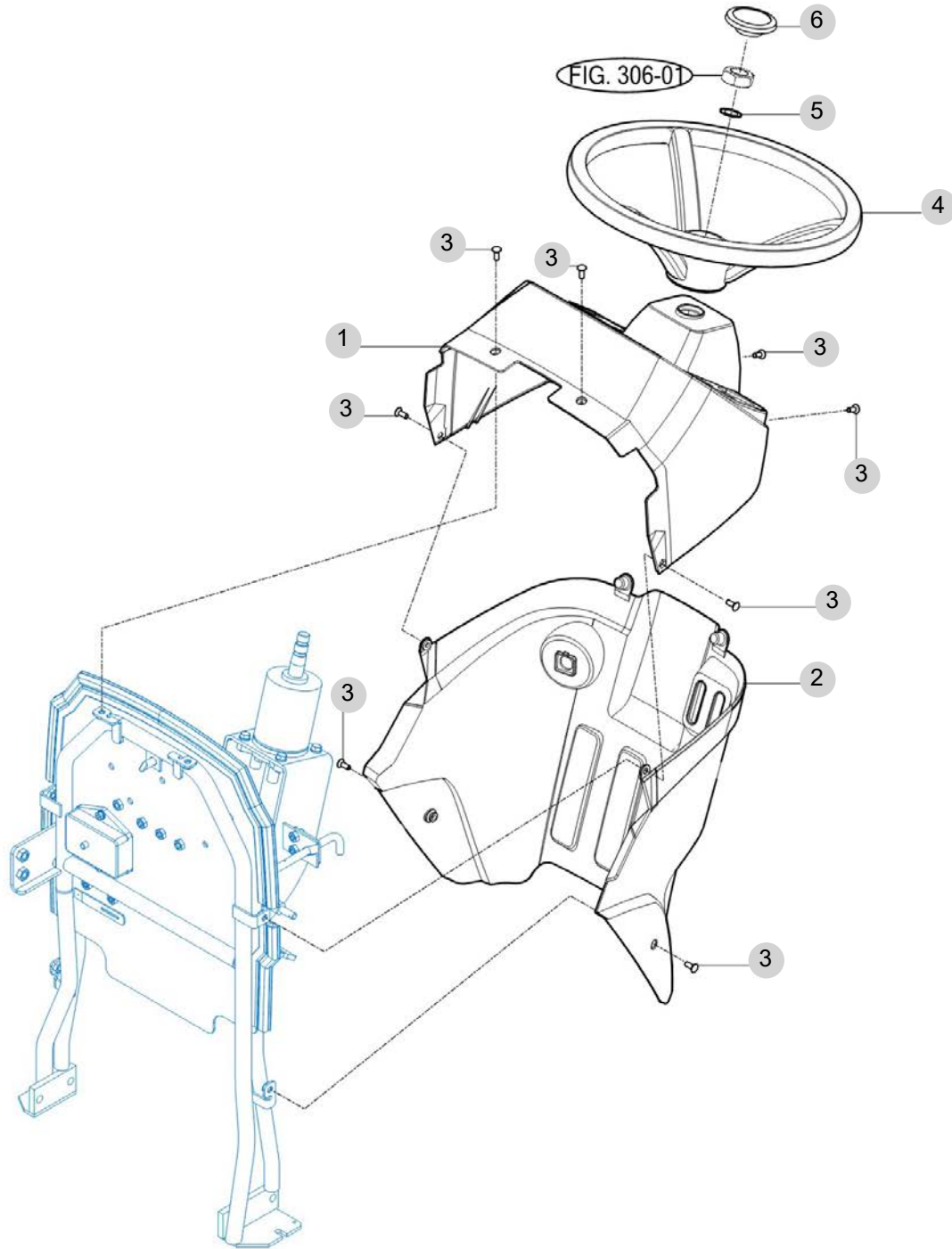
FIG 305

T25

STEERING WHEEL & DASH COVER

년/월
Year/Month

2022-12



NOTE

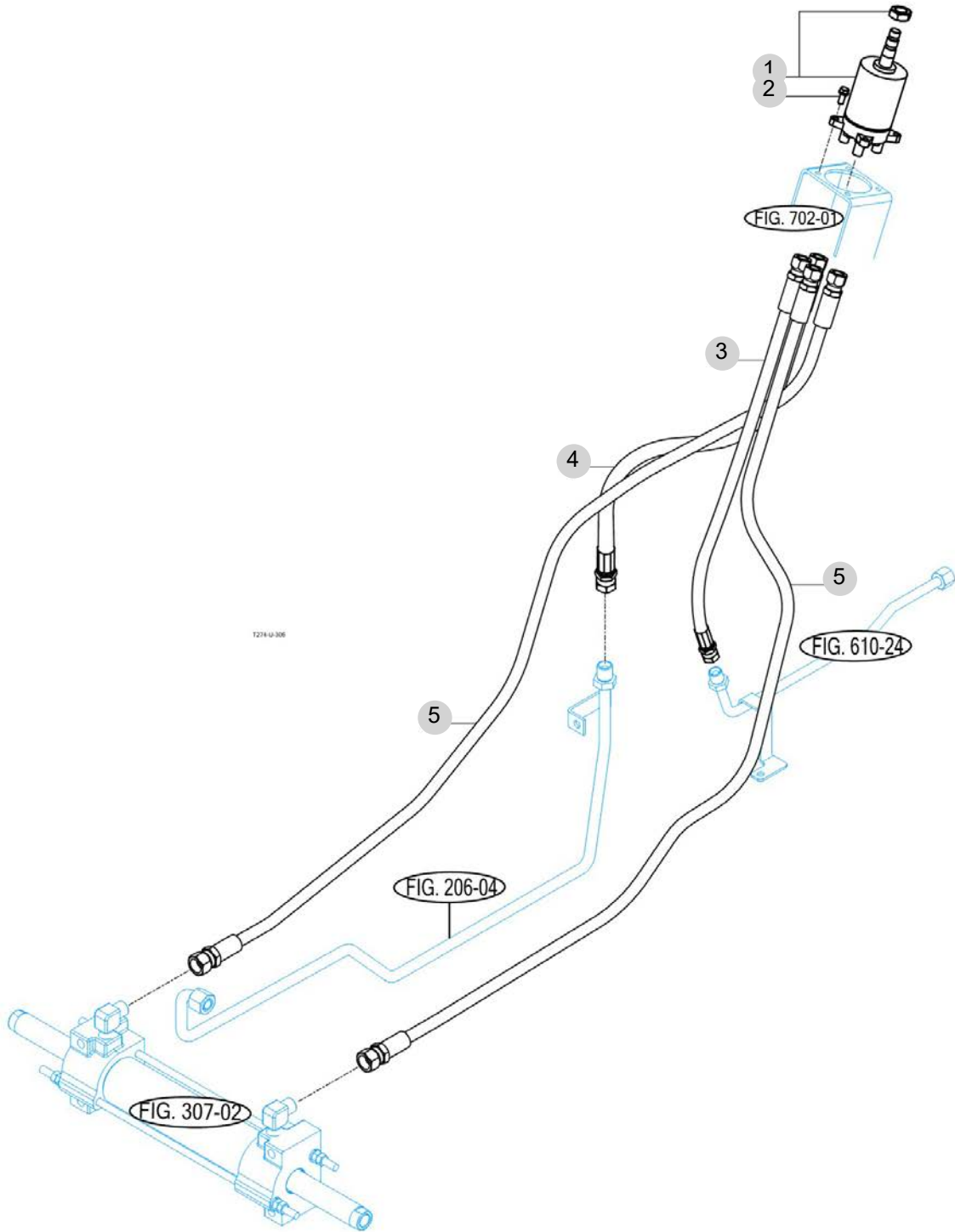
FIG 306

T25

STEERING VALVE

년/월
Year/Month

2022-12



NOTE

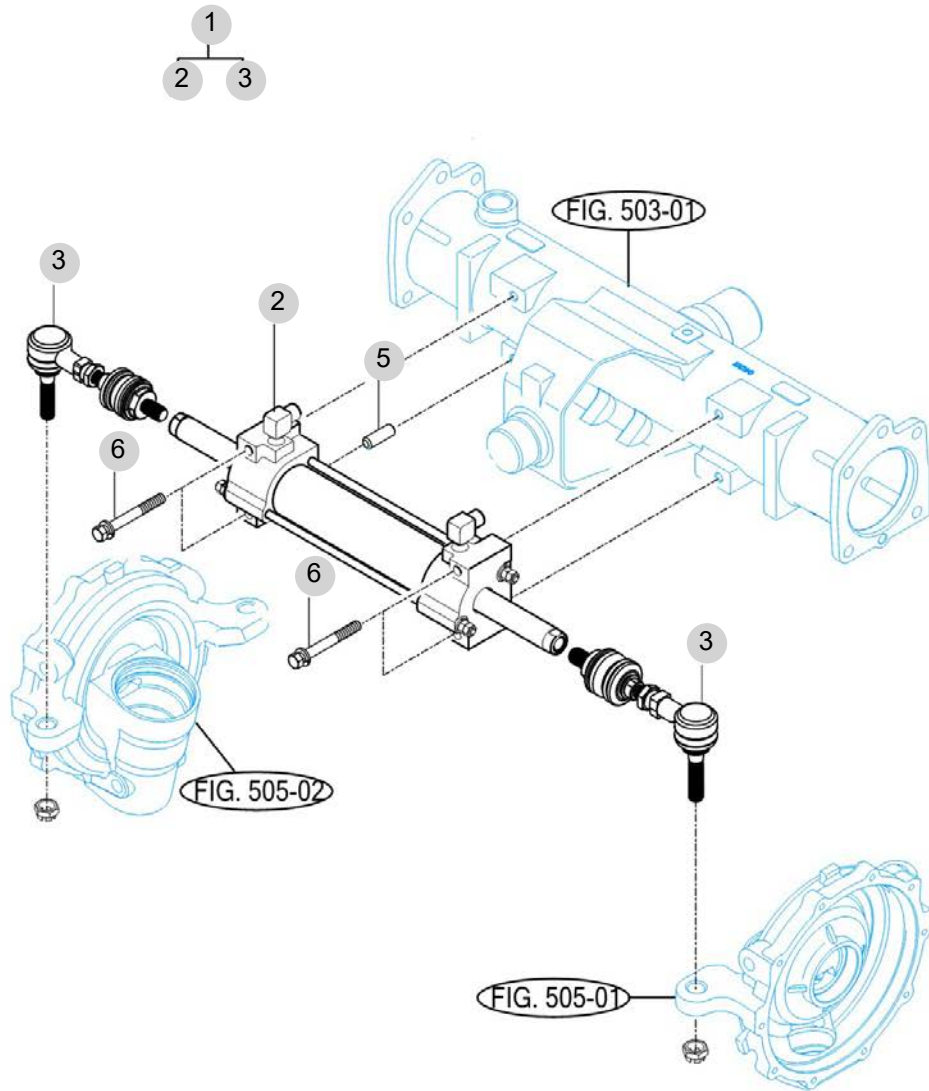
FIG 307

T25

STEERING CYLINDER

년/월
Year/Month

2022-12



NOTE

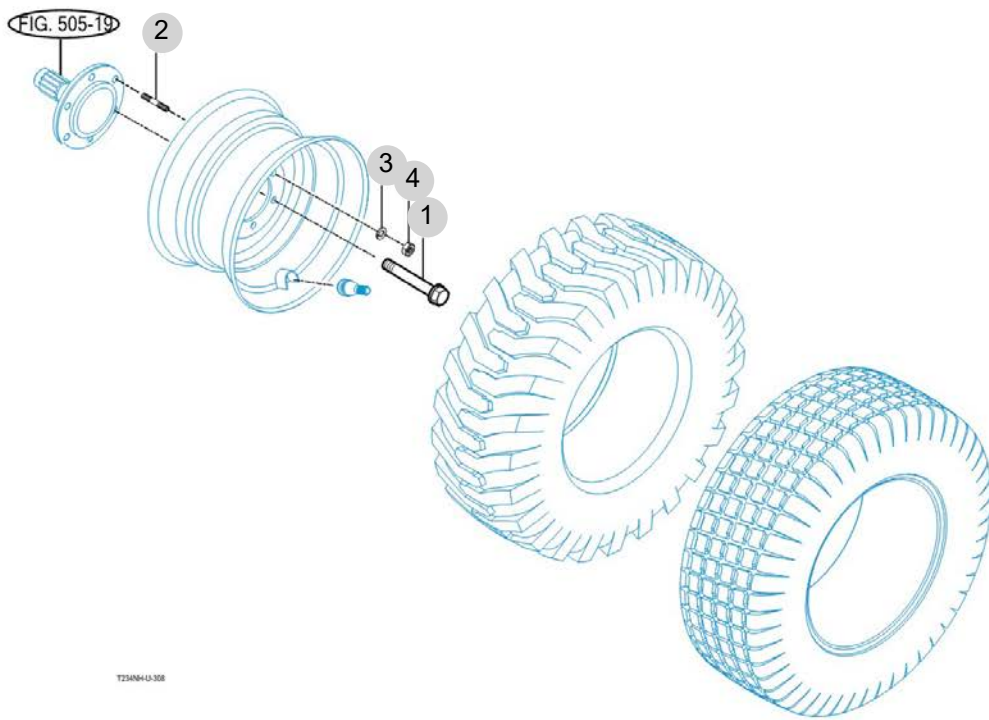
FIG 308

T25

FRONT WHEEL

년/월
Year/Month

2022-12



T25064-U3-308

NOTE

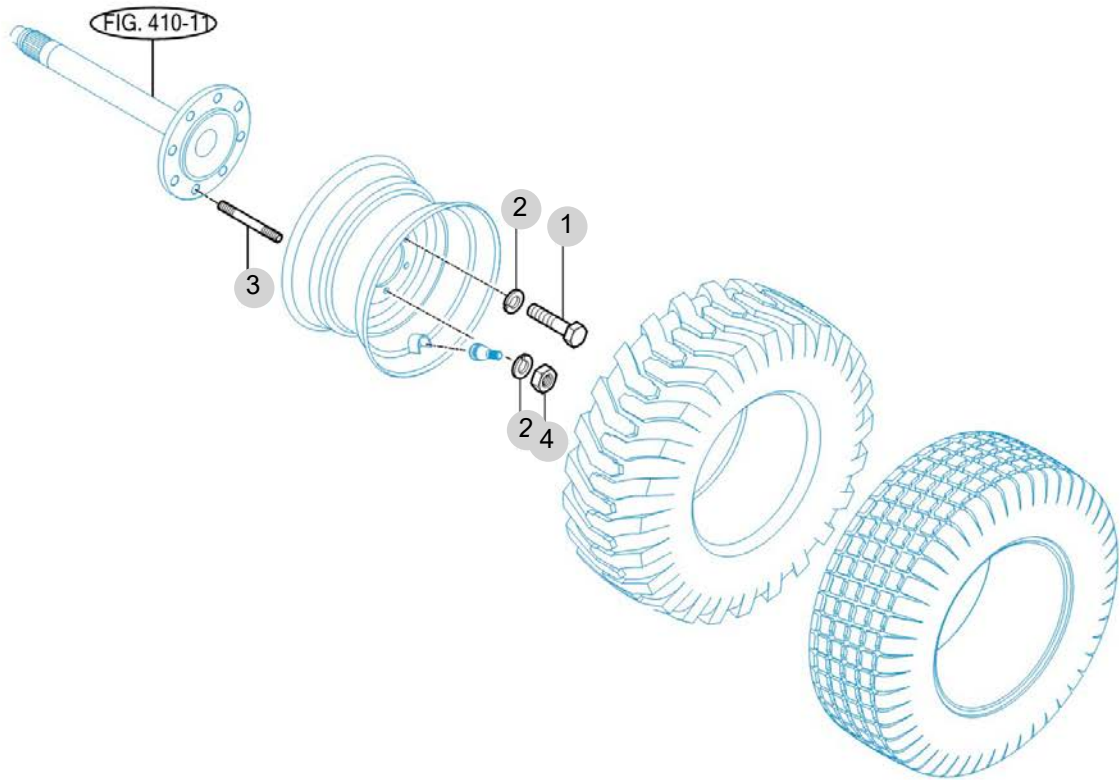
FIG 309

T25

REAR WHEEL

년/월
Year/Month

2022-12



NOTE

4. Transmission PART NO. T4

FIG 401 INPUT SHAFT	83
FIG 402 HST	85
FIG 403 4WD DRIVE GEAR	87
FIG 404 RANGE GEARS	89
FIG 405 P.T.O DRIVE SHAFT	91
FIG 406 P.T.O SHAFT	93
FIG 408 DIFF LOCK	95
FIG 409 REAR TRANSMISSION CASE	97
FIG 410 REAR AXLE HOUSINGS	99
FIG 411 RANGE SHIFT LEVER	101
FIG 412 P.T.O CHANGE LEVER	103
FIG 413 4WD CHANGE LEVER	105

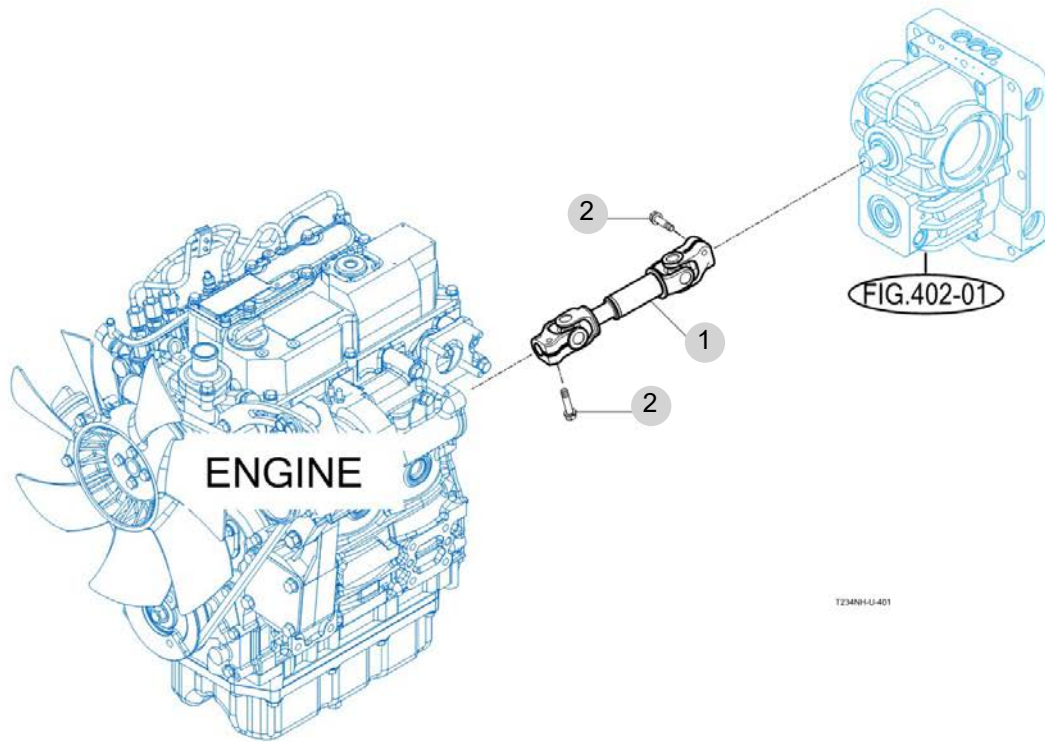
FIG 401

T25

INPUT SHAFT

년/월
Year/Month

2022-12



NOTE

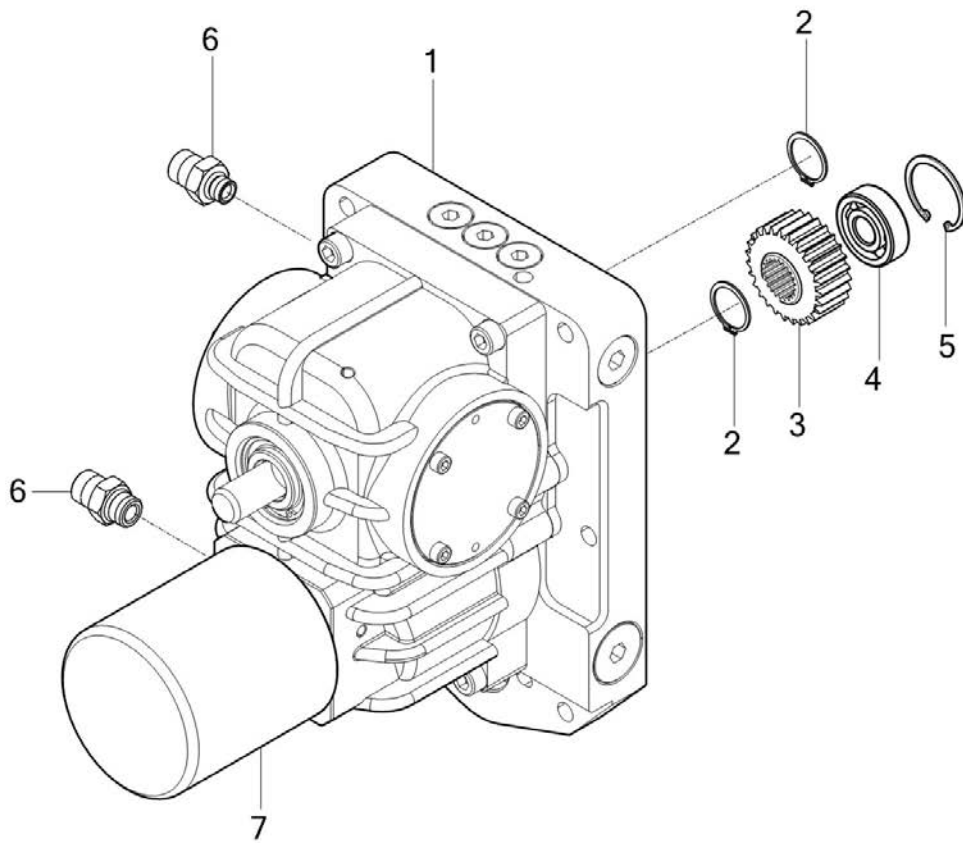
FIG 402

T25

HST

년/월
Year/Month

2022-12



NOTE

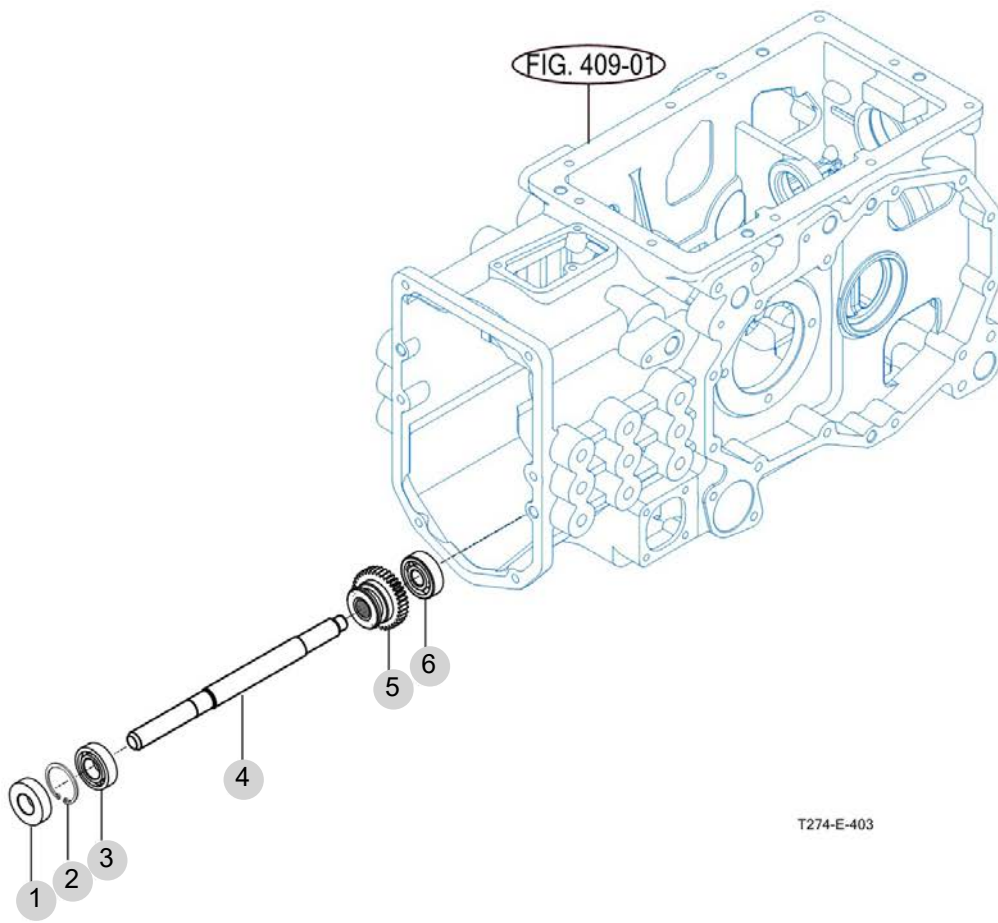
FIG 403

T25

4WD DRIVE GEAR

년/월
Year/Month

2022-12



T274-E-403

NOTE

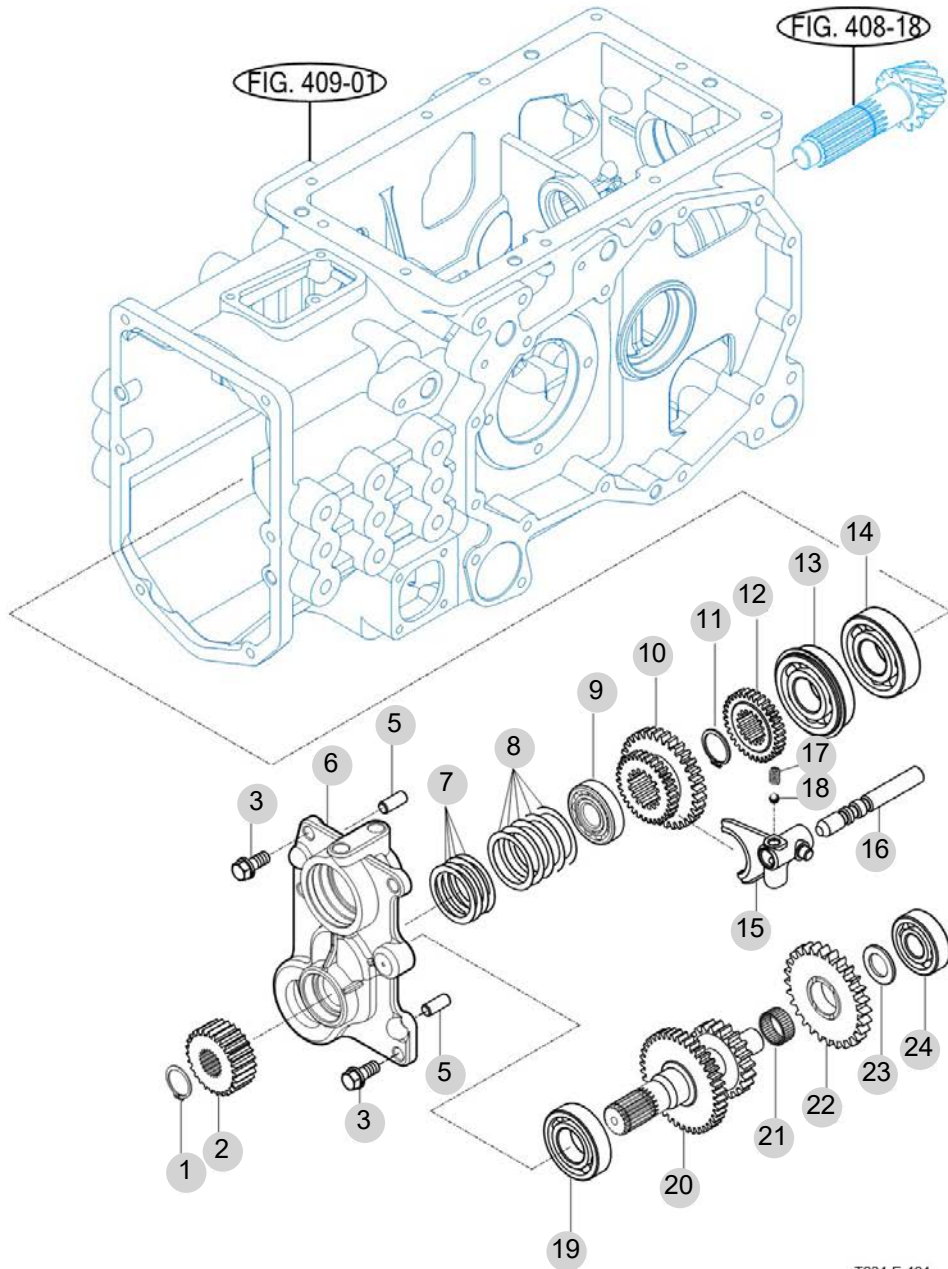
FIG 404

RANGE GEARS

년/월
Year/Month

2022-12

T25



T234-E-404

NOTE

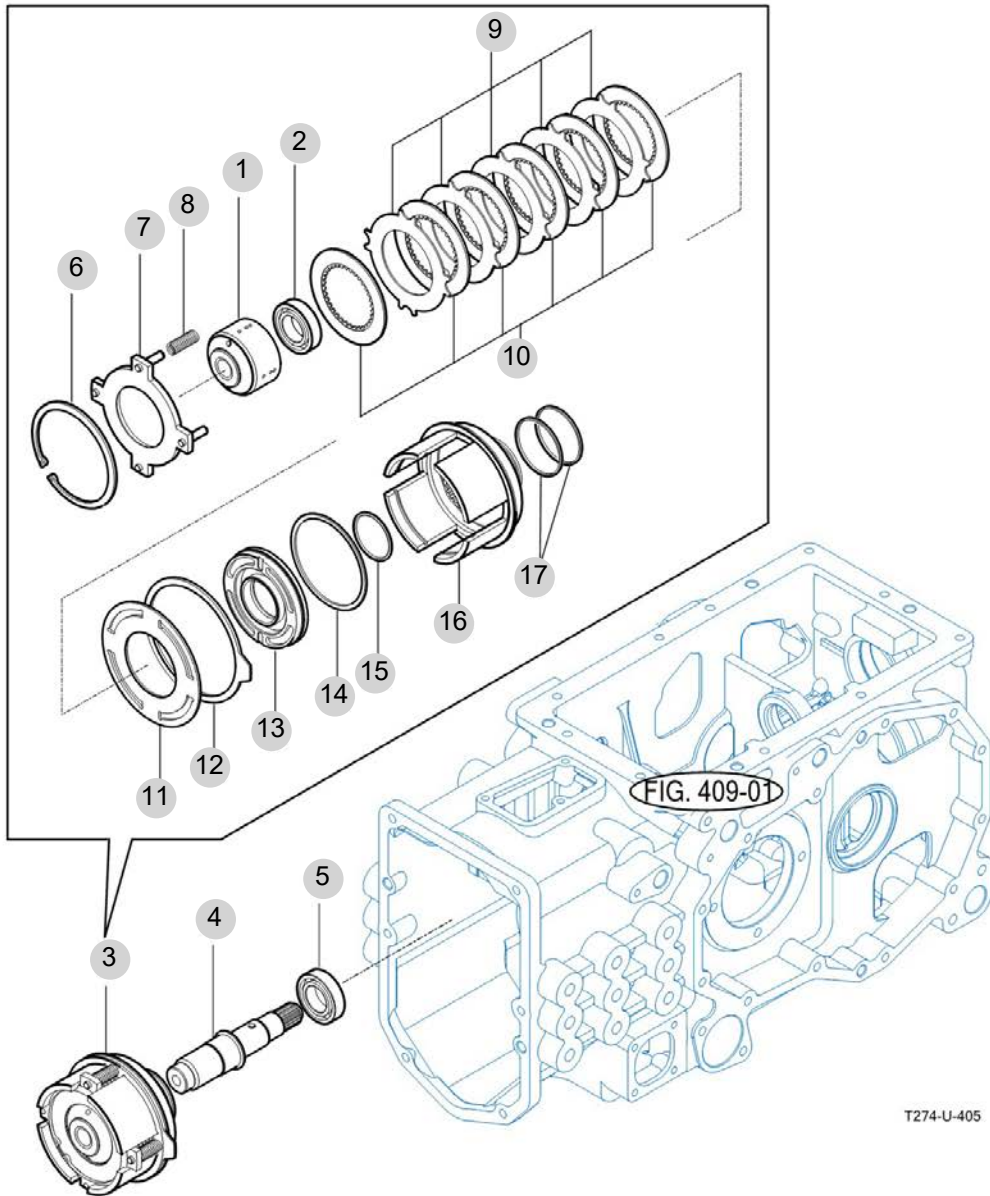
FIG 405

T25

P.T.O DRIVE SHAFT

년/월
Year/Month

2022-12



NOTE

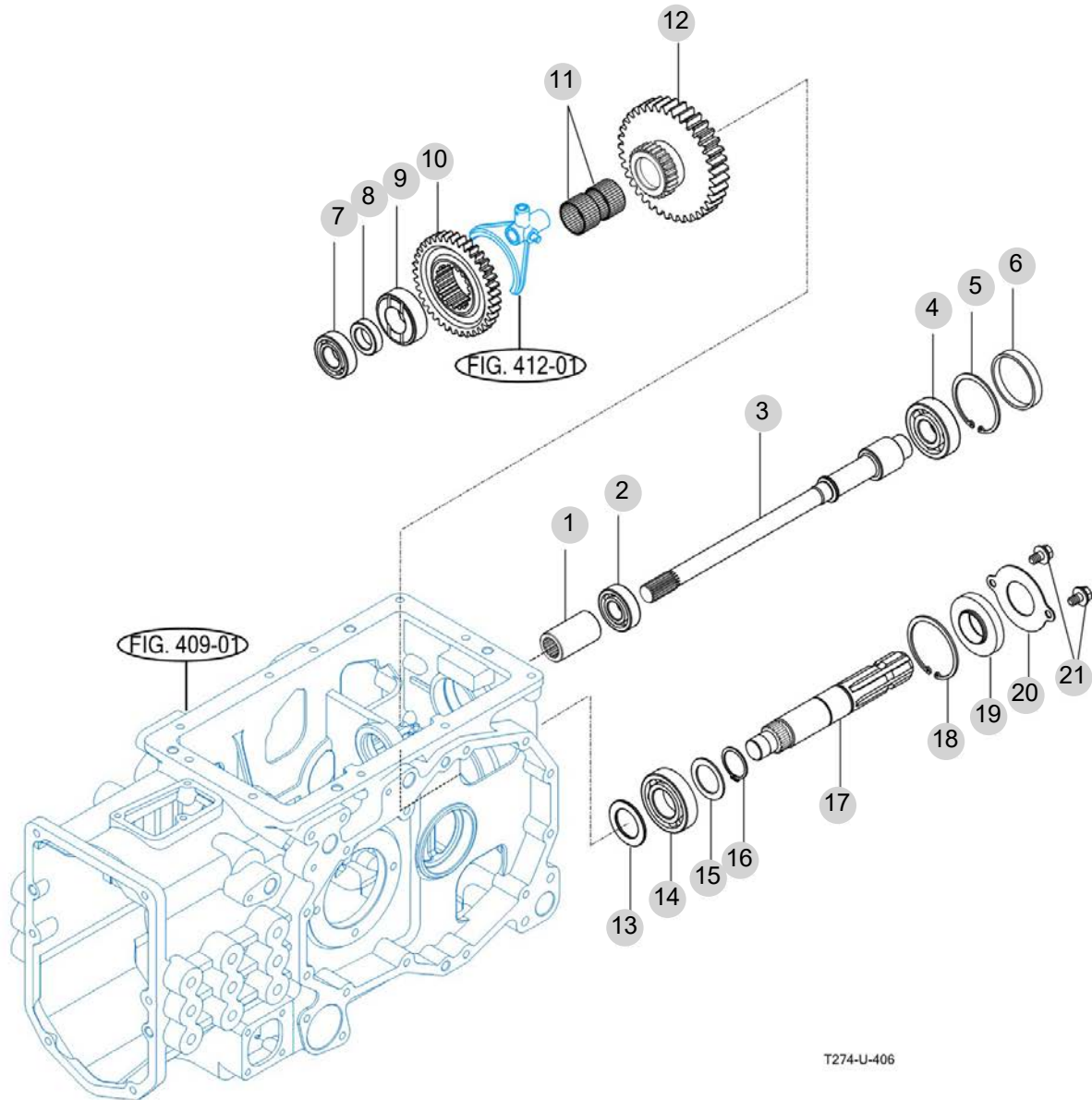
FIG 406

T25

P.T.O SHAFT

년/월
Year/Month

2022-12



NOTE

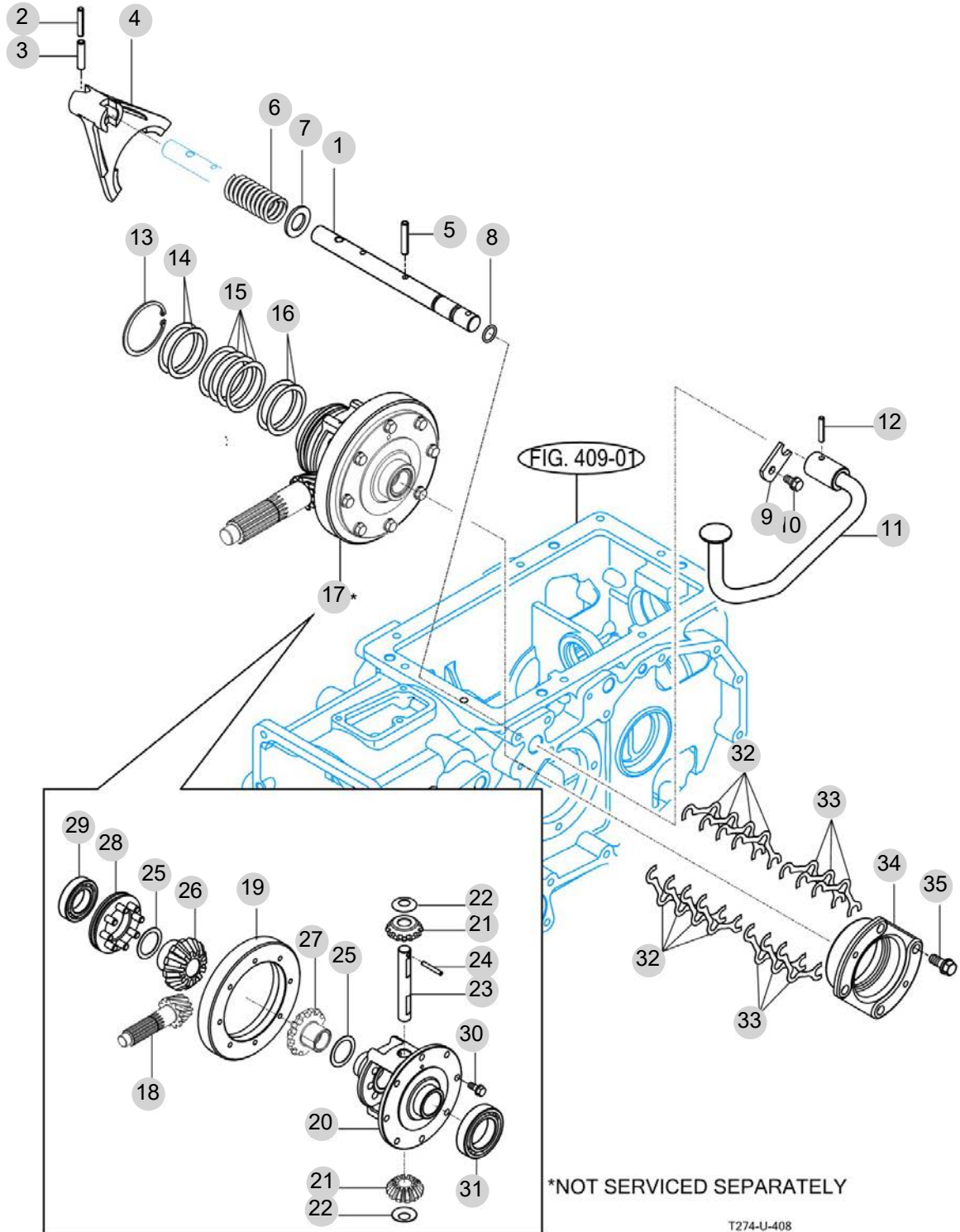
FIG 408

T25

DIFF LOCK

년/월
Year/Month

2022-12



NOTE

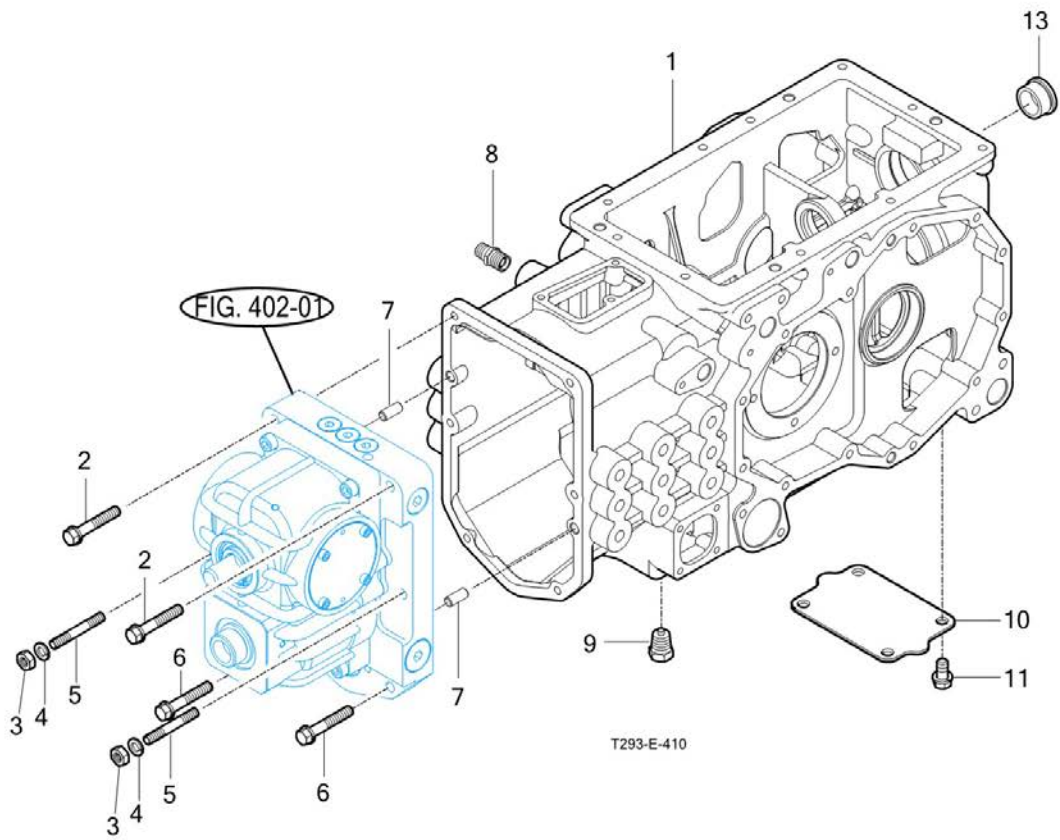
FIG 409

T25

REAR TRANSMISSION CASE

년/월
Year/Month

2022-12



NOTE

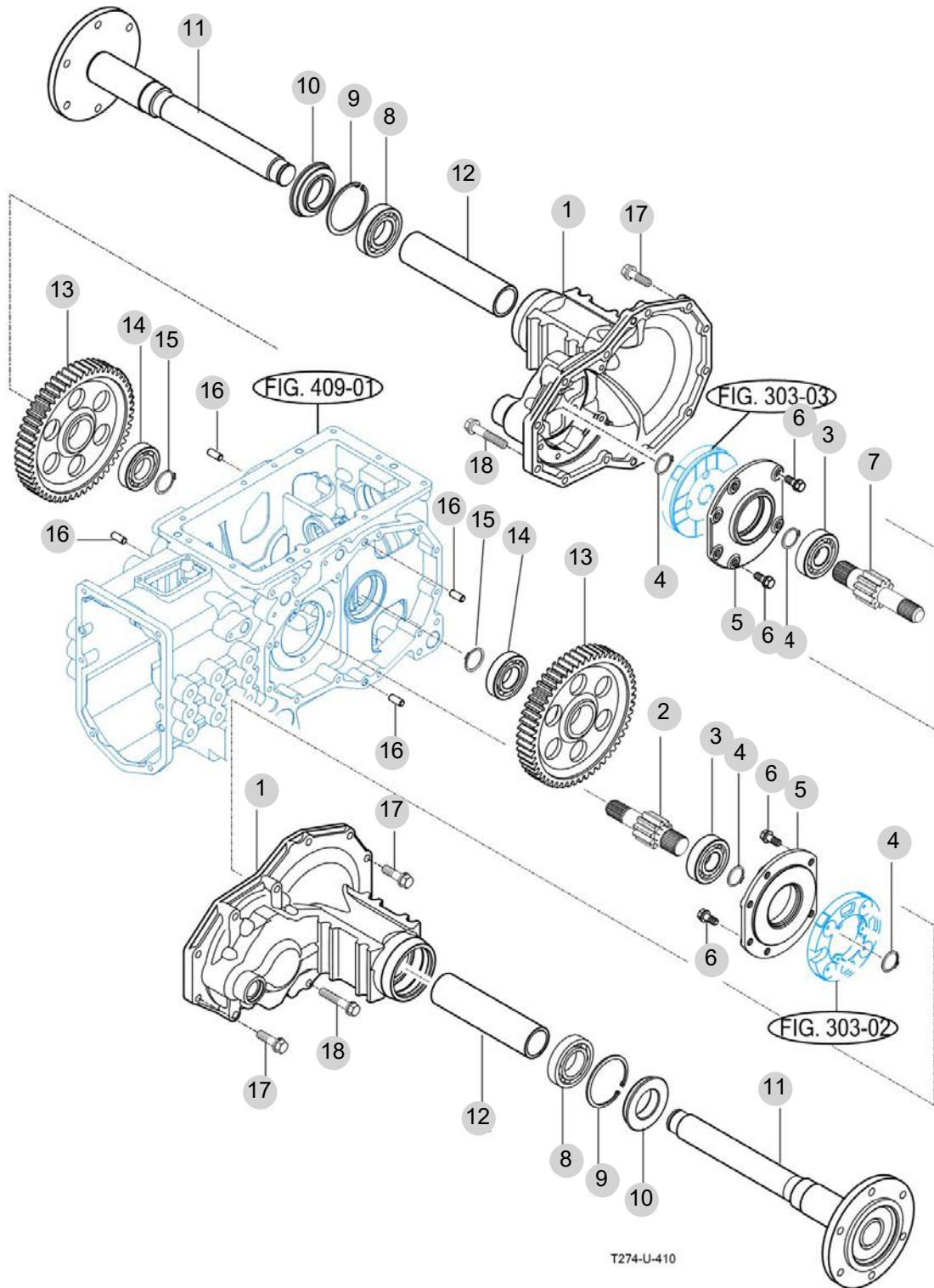
FIG 410

REAR AXLE HOUSINGS

년/월
Year/Month

2022-12

T25



T274-U-410

NOTE

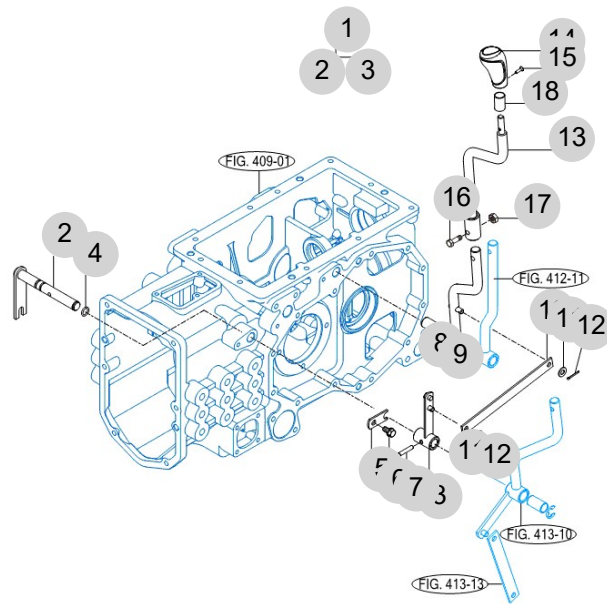
FIG 411

T25

RANGE SHIFT LEVER

년/월
Year/Month

2022-12



NOTE

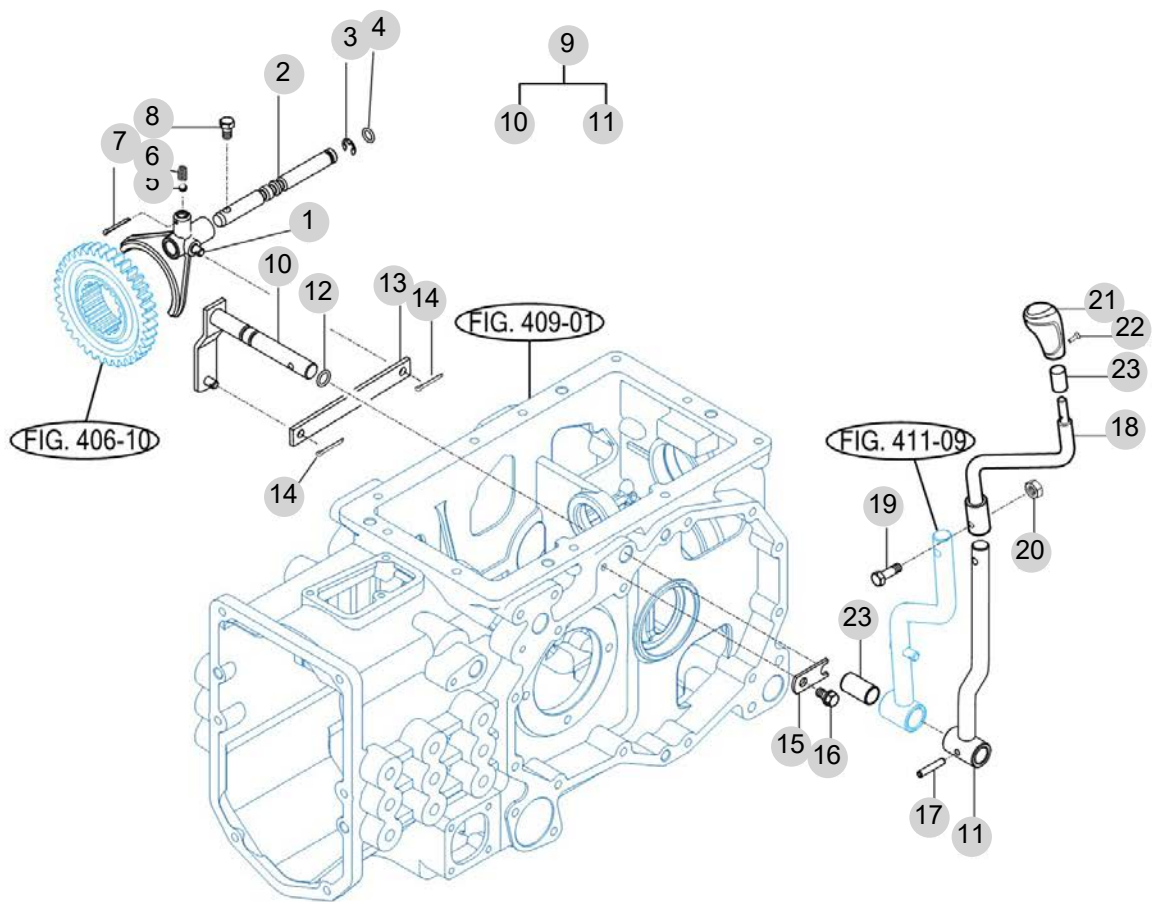
FIG 412

T25

P.T.O CHANGE LEVER

년/월
Year/Month

2022-12



T274-U-412

NOTE

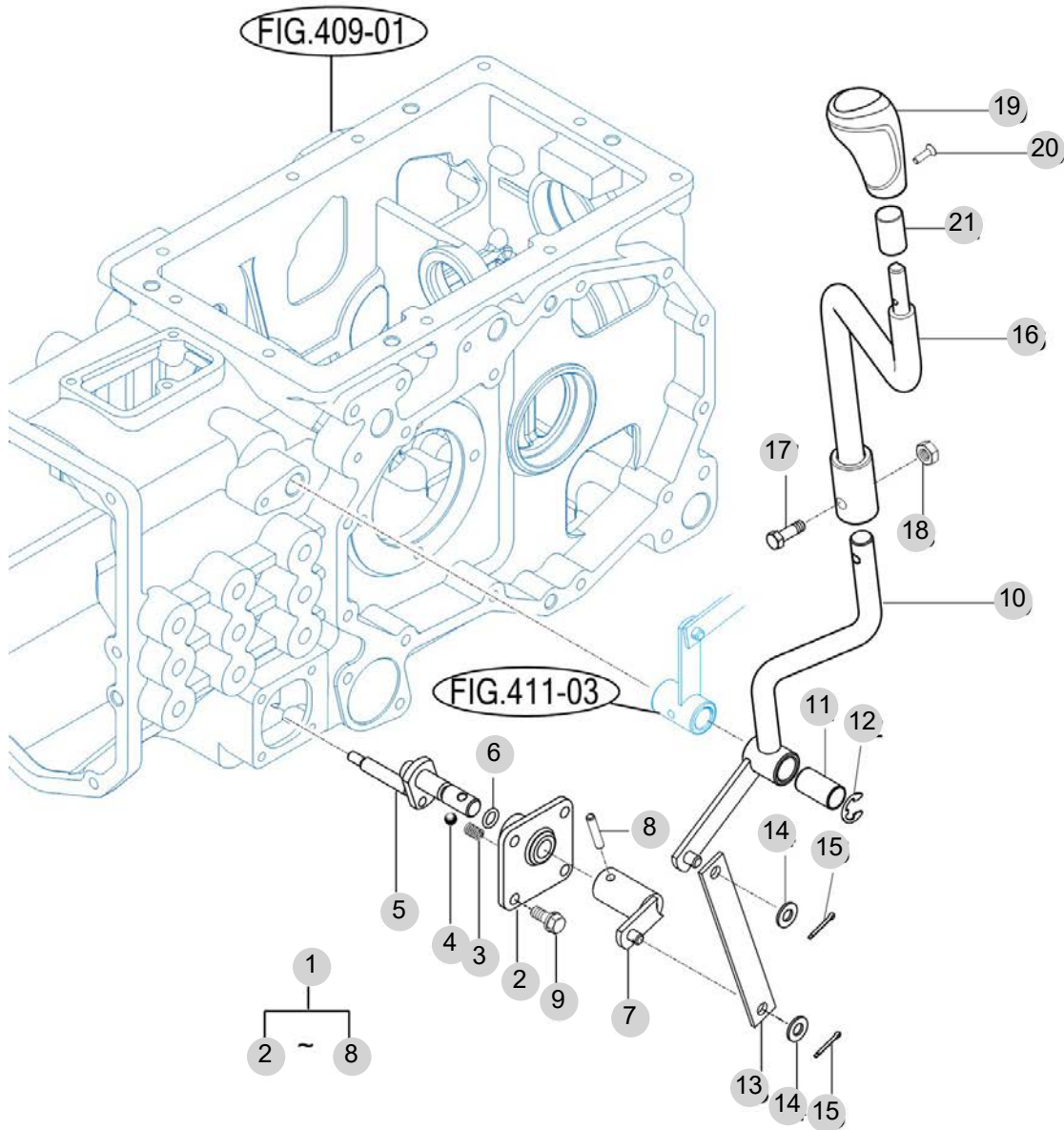
FIG 413

4WD CHANGE LEVER

년/월
Year/Month

2022-12

T25



T274-U-413

NOTE

5. Front Axle PART NO. T5

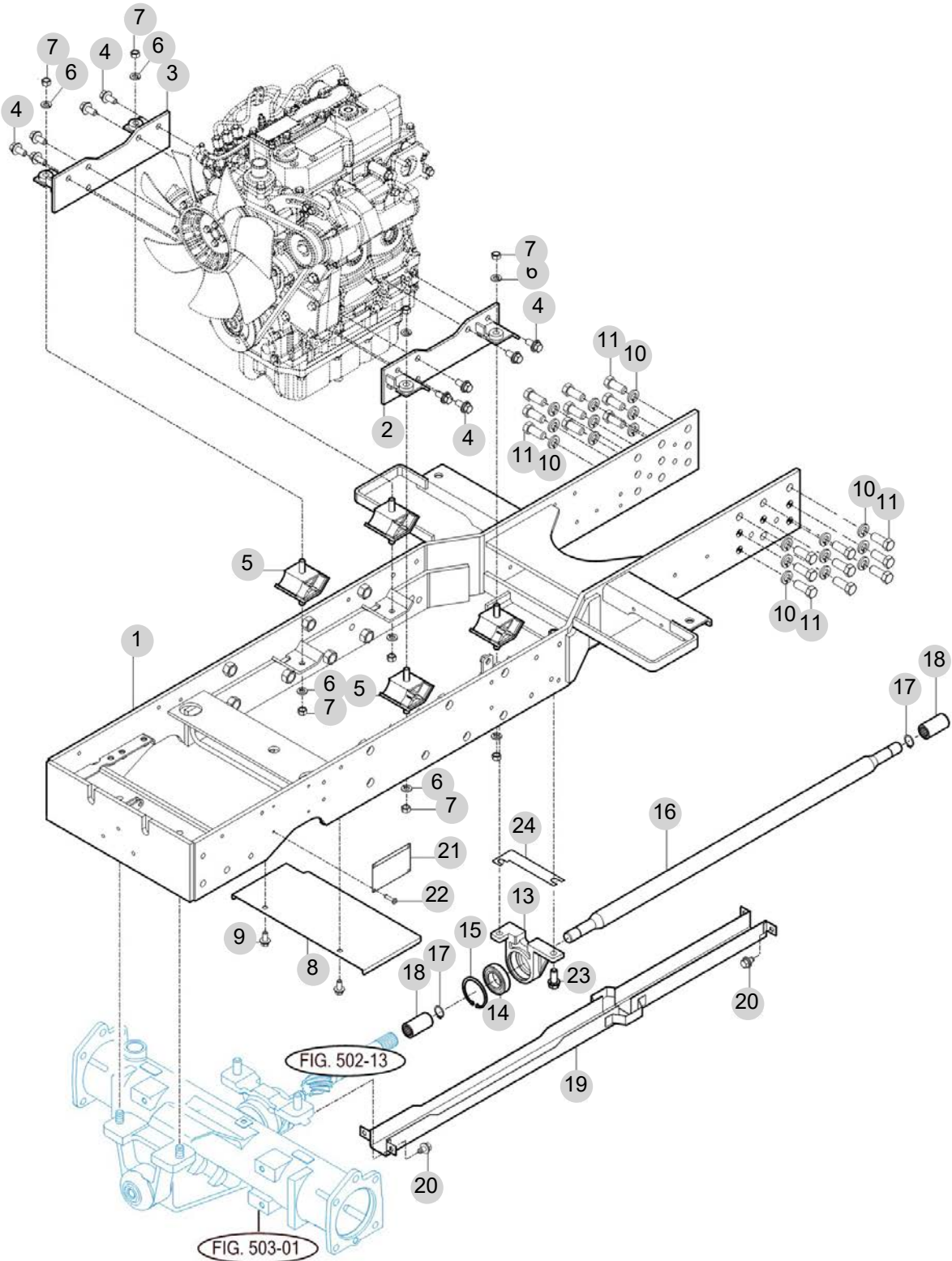
FIG 501 FRAME	108
FIG 502 FRONT DIFFERENTIAL GEARS & SHAFT	110
FIG 503 FRONT AXLE HOUSING	112
FIG 504 FRONT GEAR CASE (1)	114
FIG 505 FRONT GEAR CASE (2)	116

FIG 501

FRAME

년/월
Year/Month

2022-12



NOTE

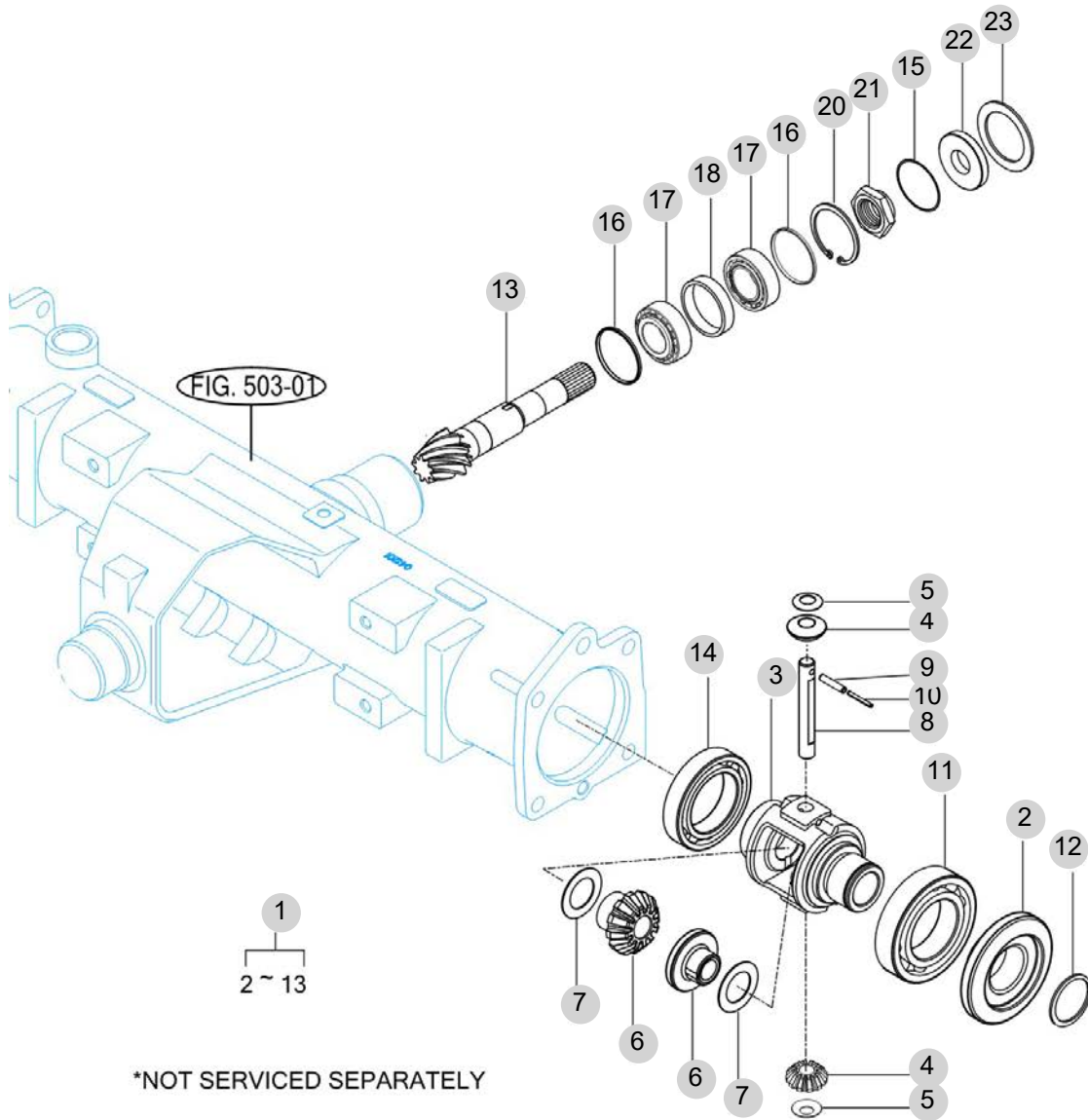
FIG 502

FRONT DIFFERENTIAL GEARS & SHAFT

년/월
Year/Month

2022-12

T25



*NOT SERVICED SEPARATELY

T293-E-502

NOTE

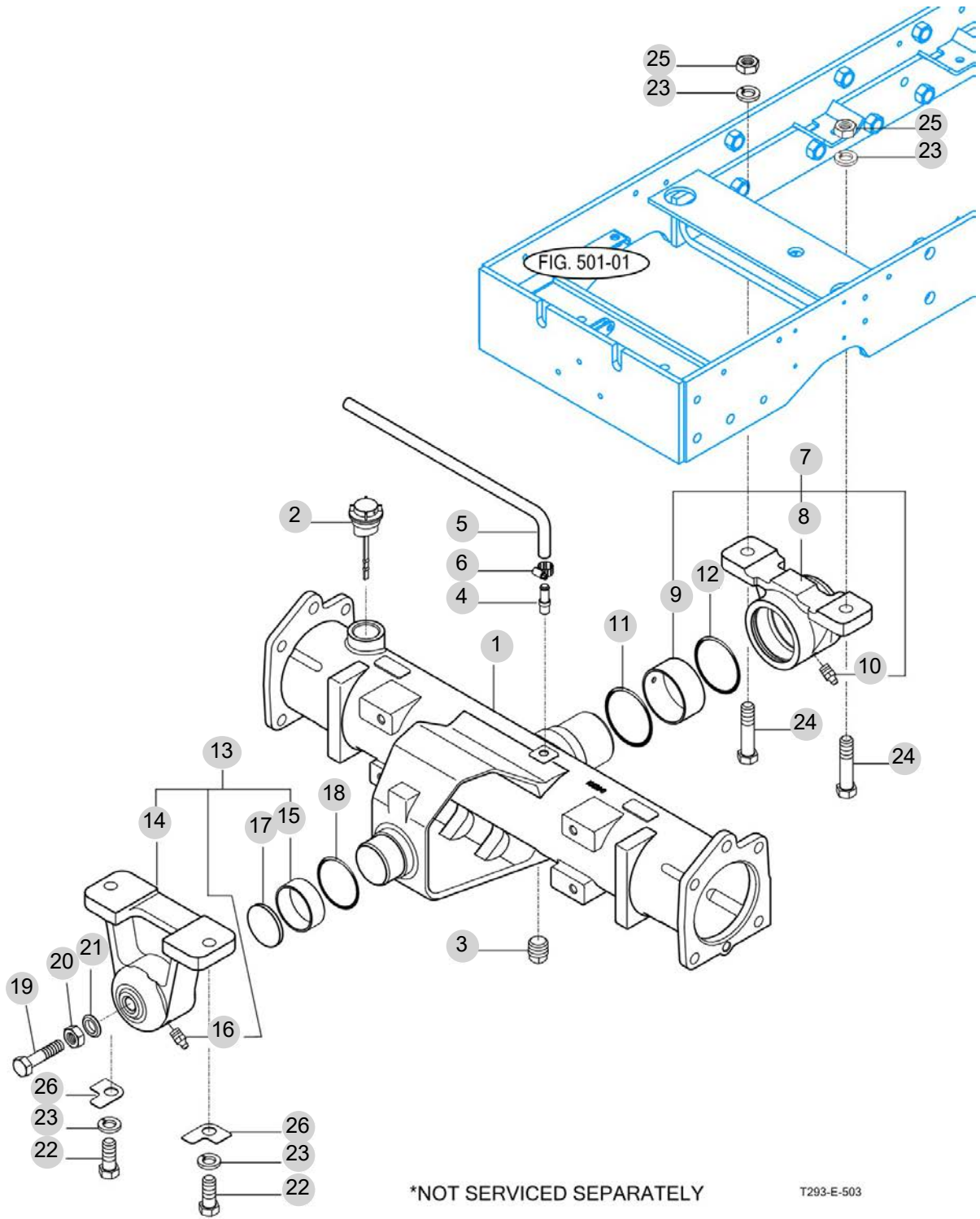
FIG 503

FRONT AXLE HOUSING

년/월
Year/Month

2022-12

T25



NOTE

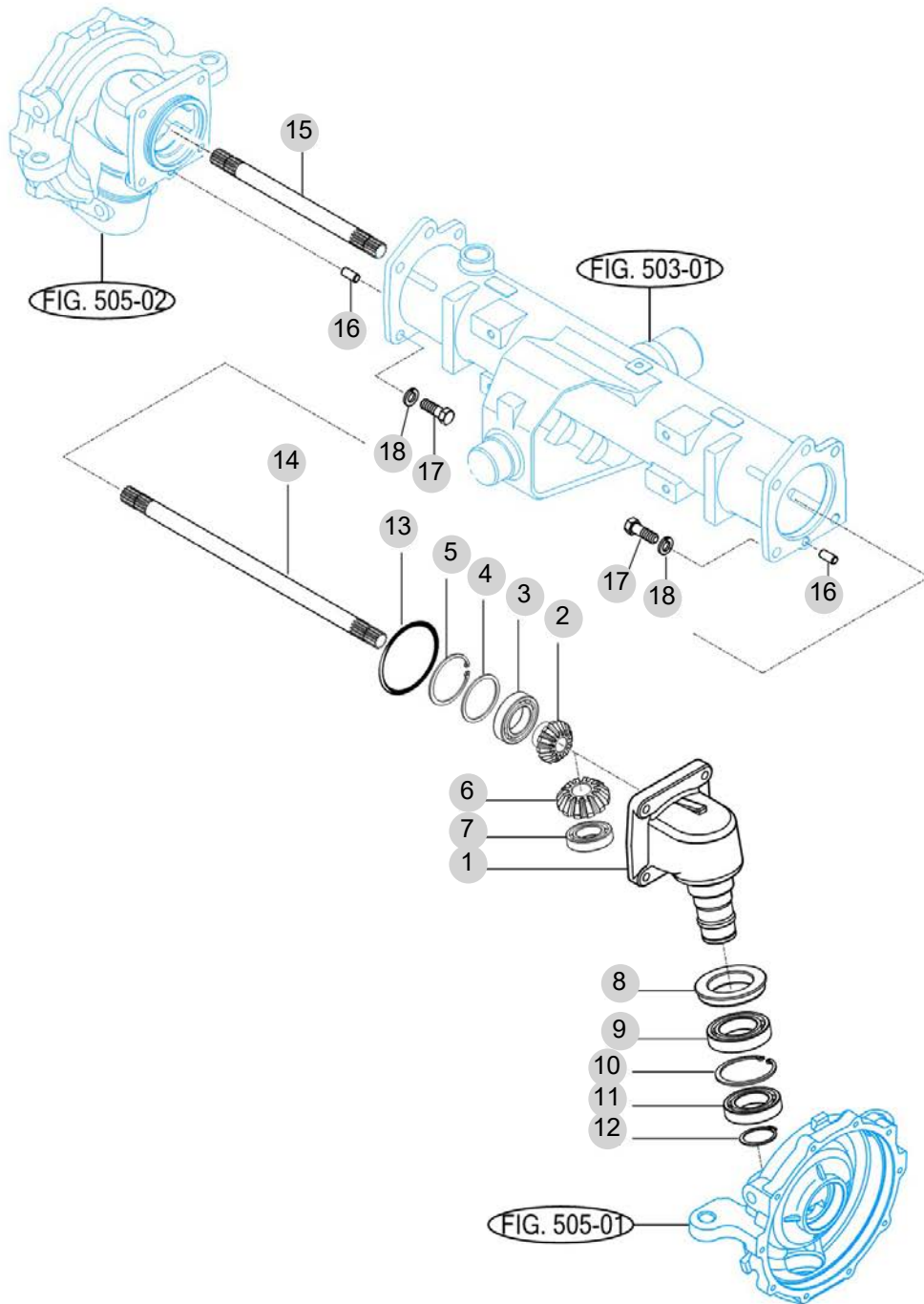
FIG 504

T25

FRONT GEAR CASE (1)

년/월
Year/Month

2022-12



T293-E-504

NOTE

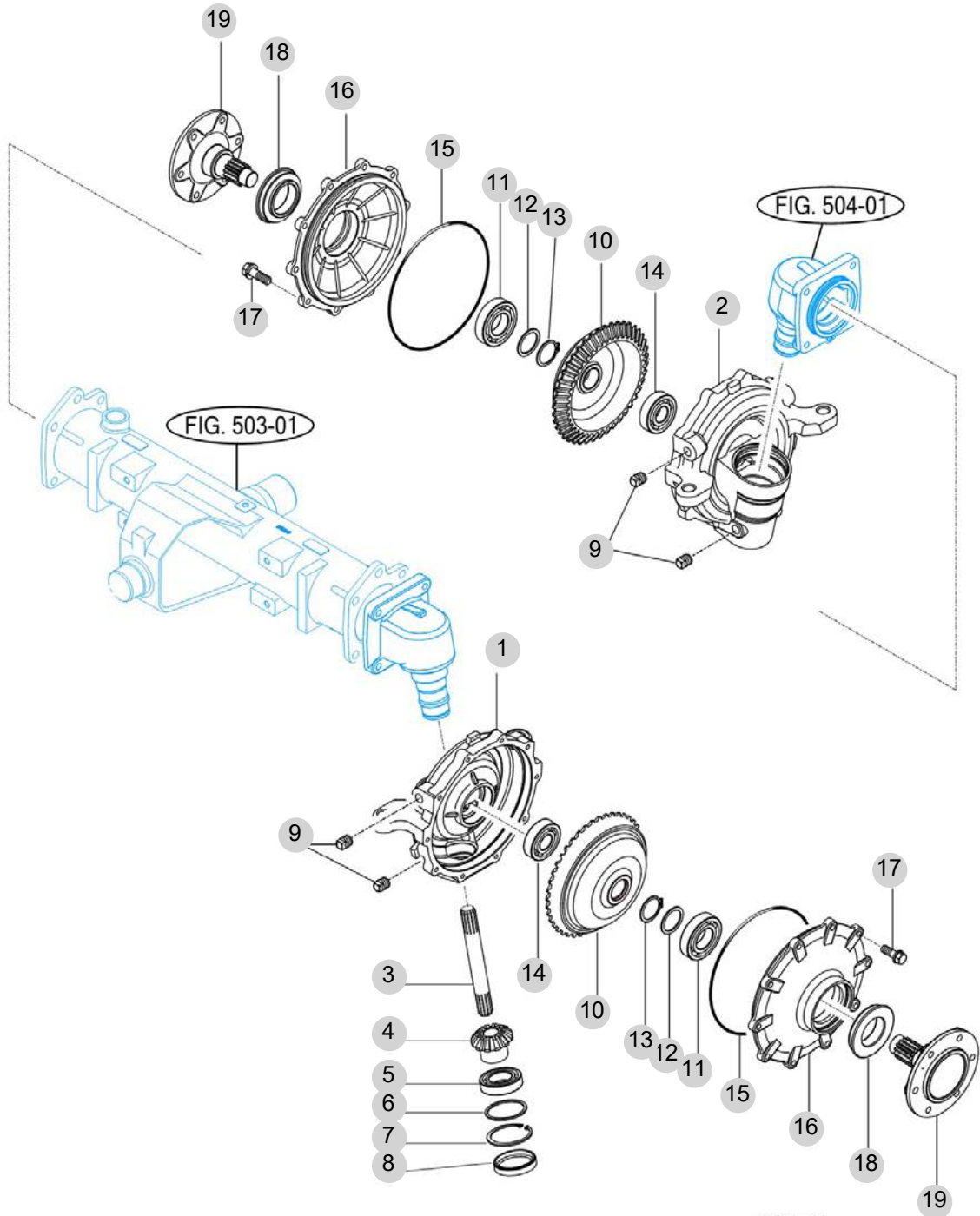
FIG 505

T25

FRONT GEAR CASE (2)

년/월
Year/Month

2022-12



T293-E-505

NOTE

6. Hydraulic/3P-Link PART NO. T6

FIG 601 CYLINDER CASE	119
FIG 602 LIFT ARM	121
FIG 603 FLOW CONTROL VALVE	123
FIG 604 CONTROL VALVE LINKAGE	125
FIG 605 MAIN CONTROL VALVE	127
FIG 606 REMOTE CONTROL VALVE	129
FIG 607 POSITION LEVER LINKAGE	131
FIG 608 GEAR PUMP	133
FIG 609 HYDRAULIC HOSE (1)	135
FIG 610 HYDRAULIC HOSE (2)	137
FIG 611 PTO VALVE	139
FIG 612 3-POINT LINKAGE	141
FIG 613 JOYSTICK LEVER	144
FIG 614 HITCH & COVER	146

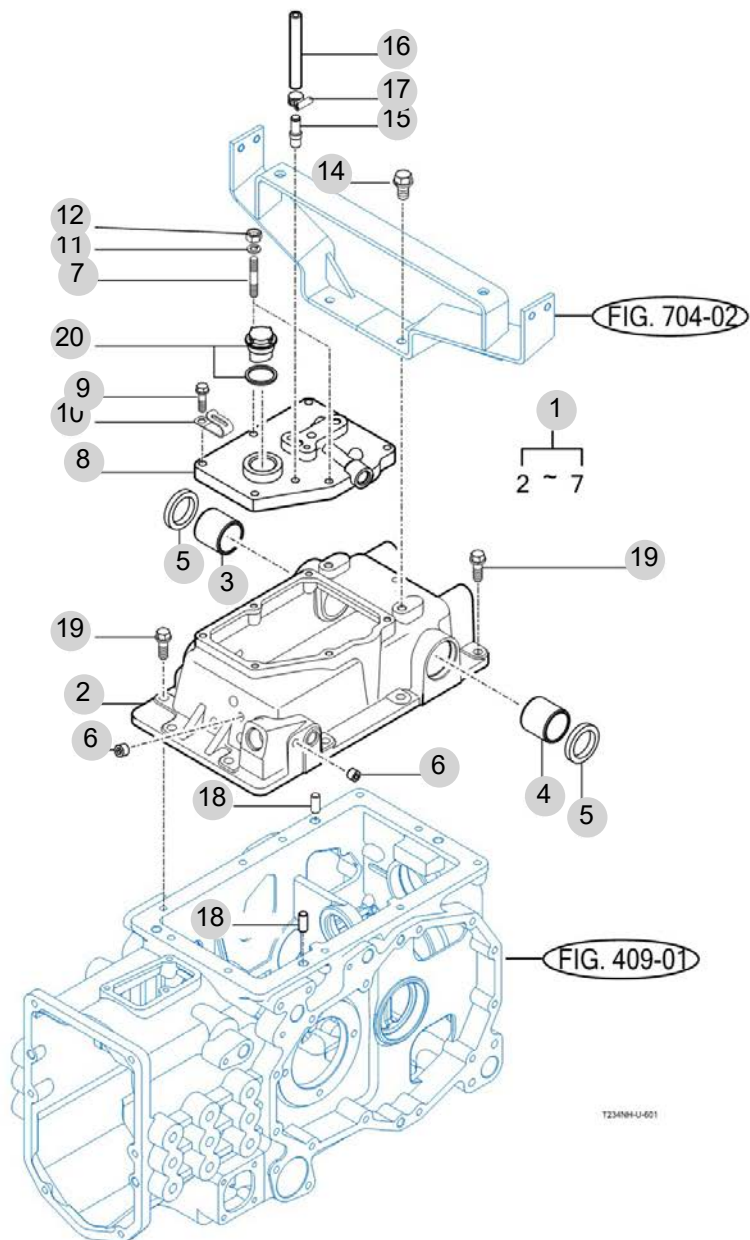
FIG 601

T25

CYLINDER CASE

년/월
Year/Month

2022-12



NOTE

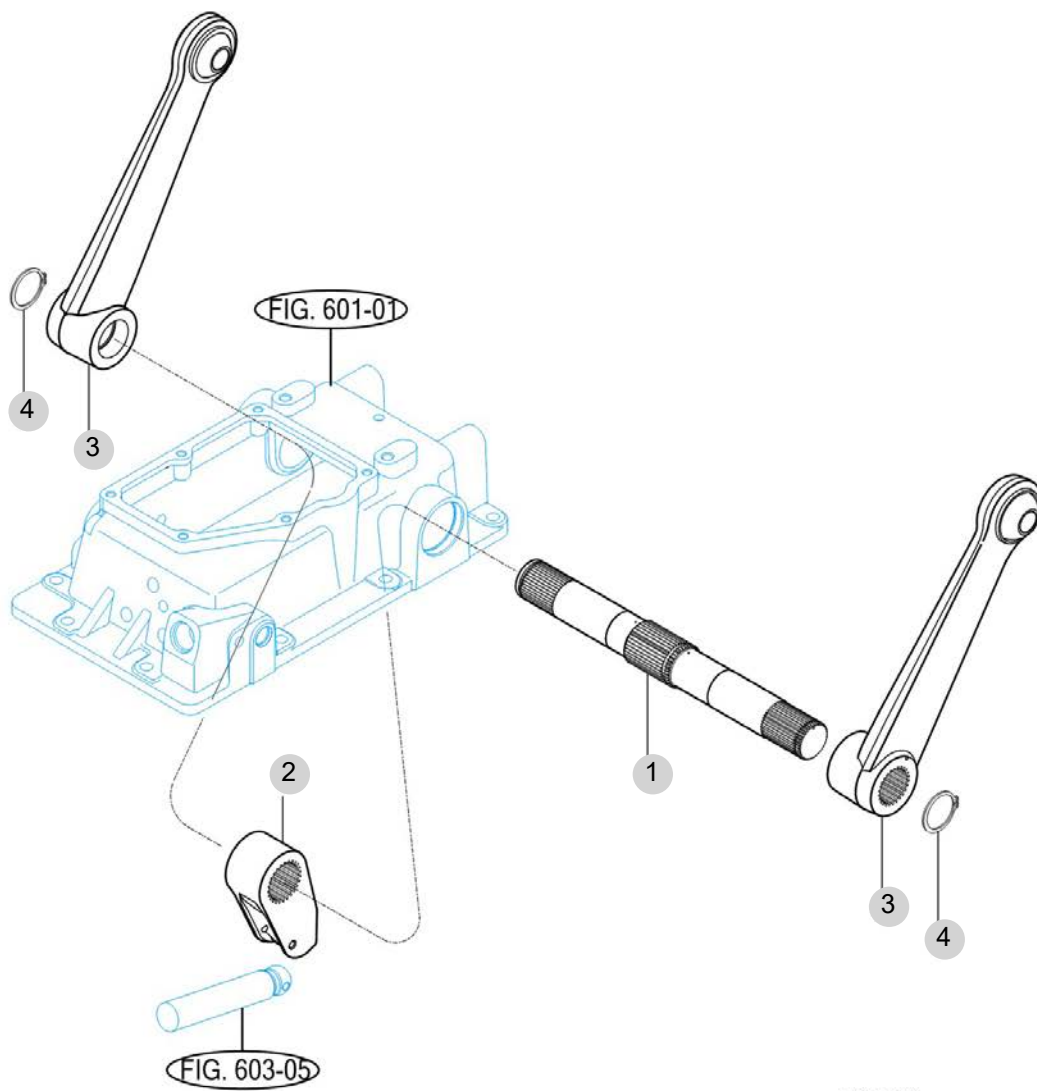
FIG 602

T25

LIFT ARM

년/월
Year/Month

2022-12



NOTE

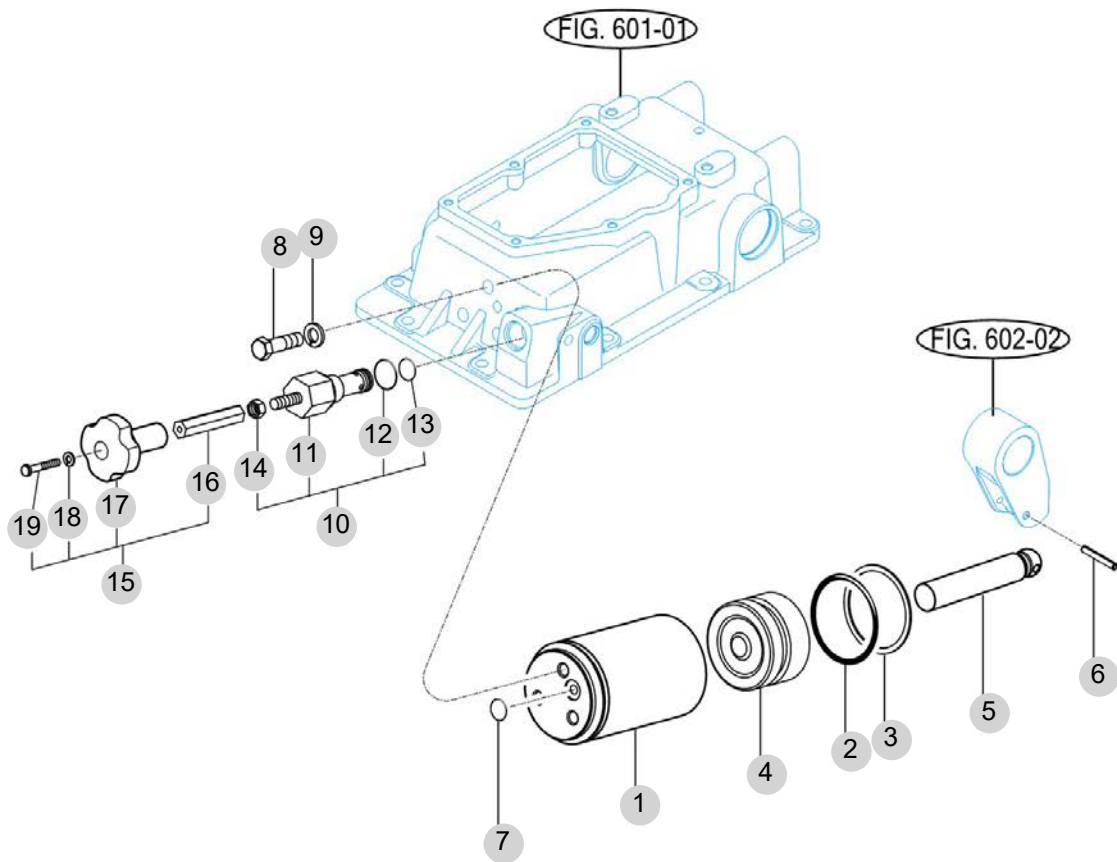
FIG 603

T25

FLOW CONTROL VALVE

년/월
Year/Month

2022-12



T293-E-603

NOTE

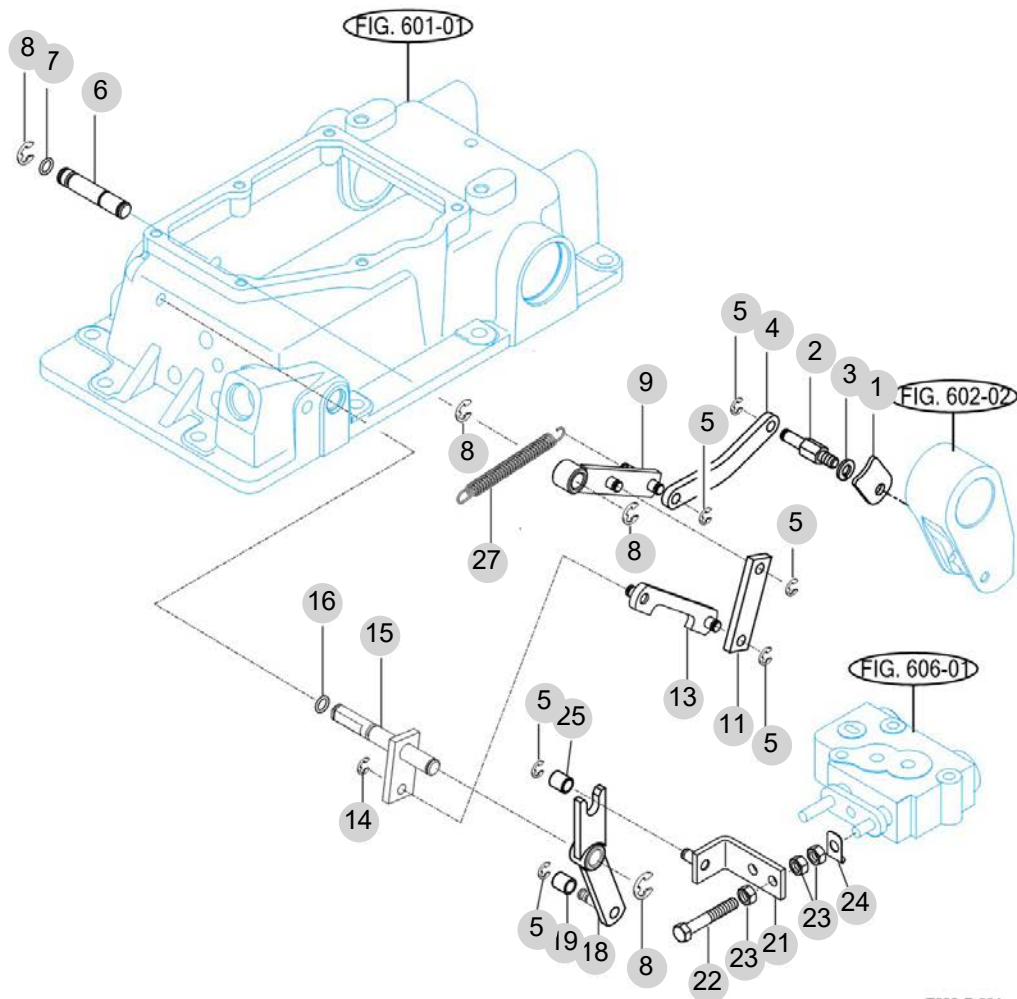
FIG 604

CONTROL VALVE LINKAGE

년/월
Year/Month

2022-12

T25



T293-E-604

NOTE

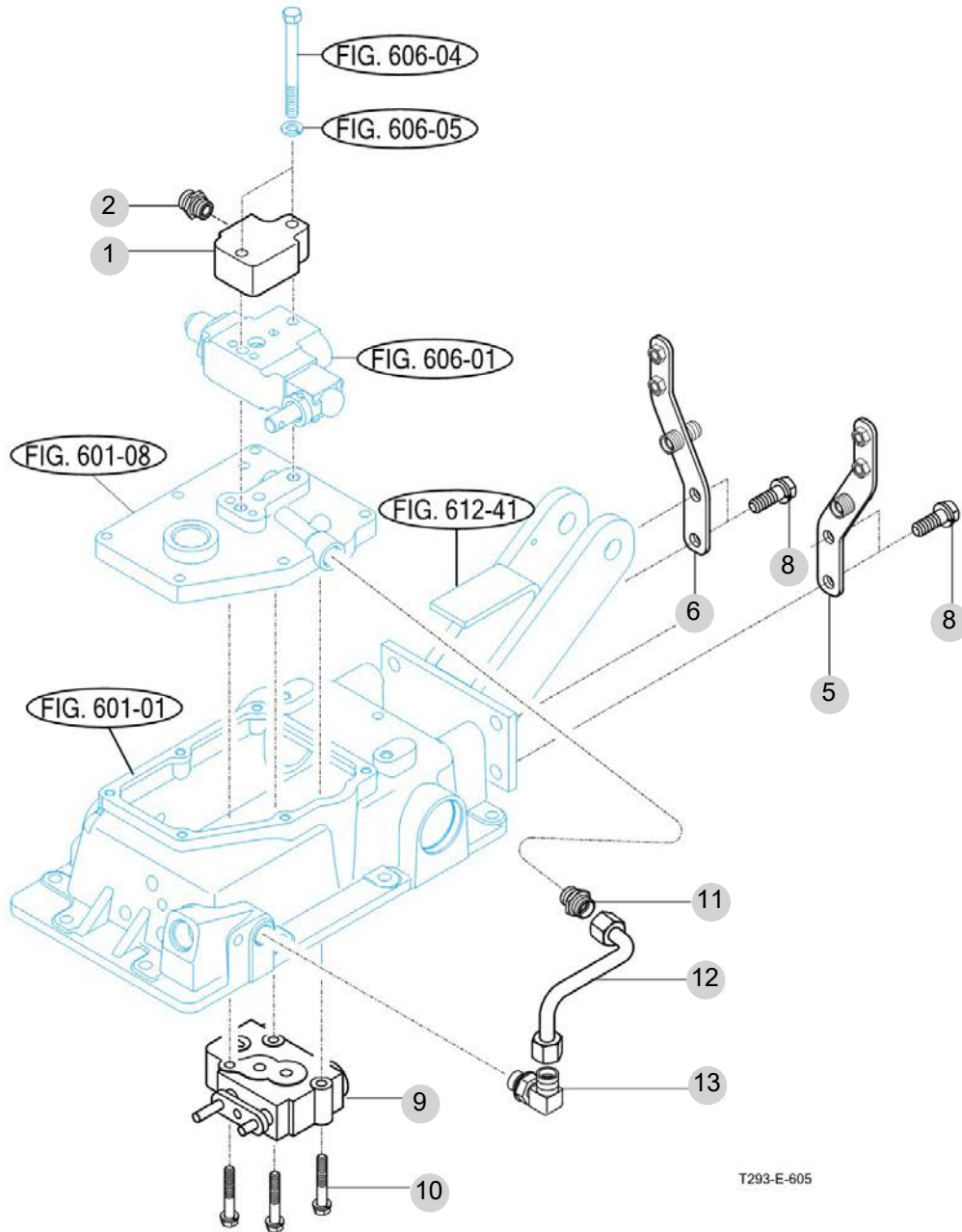
FIG 605

MAIN CONTROL VALVE

년/월
Year/Month

2022-12

T25



NOTE

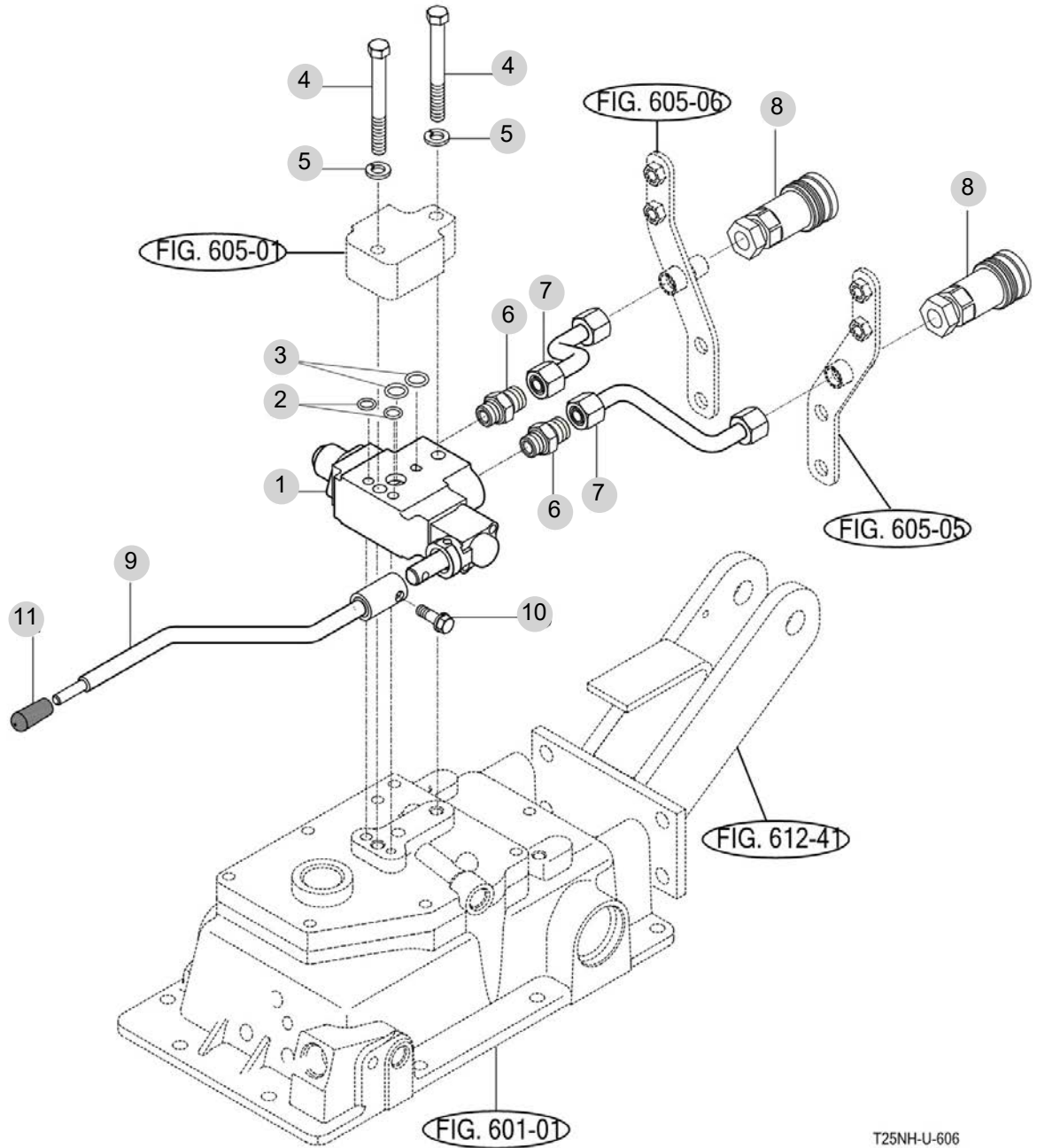
FIG 606

T25

REMOTE CONTROL VALVE

년/월
Year/Month

2022-12



T25NH-U-606

NOTE

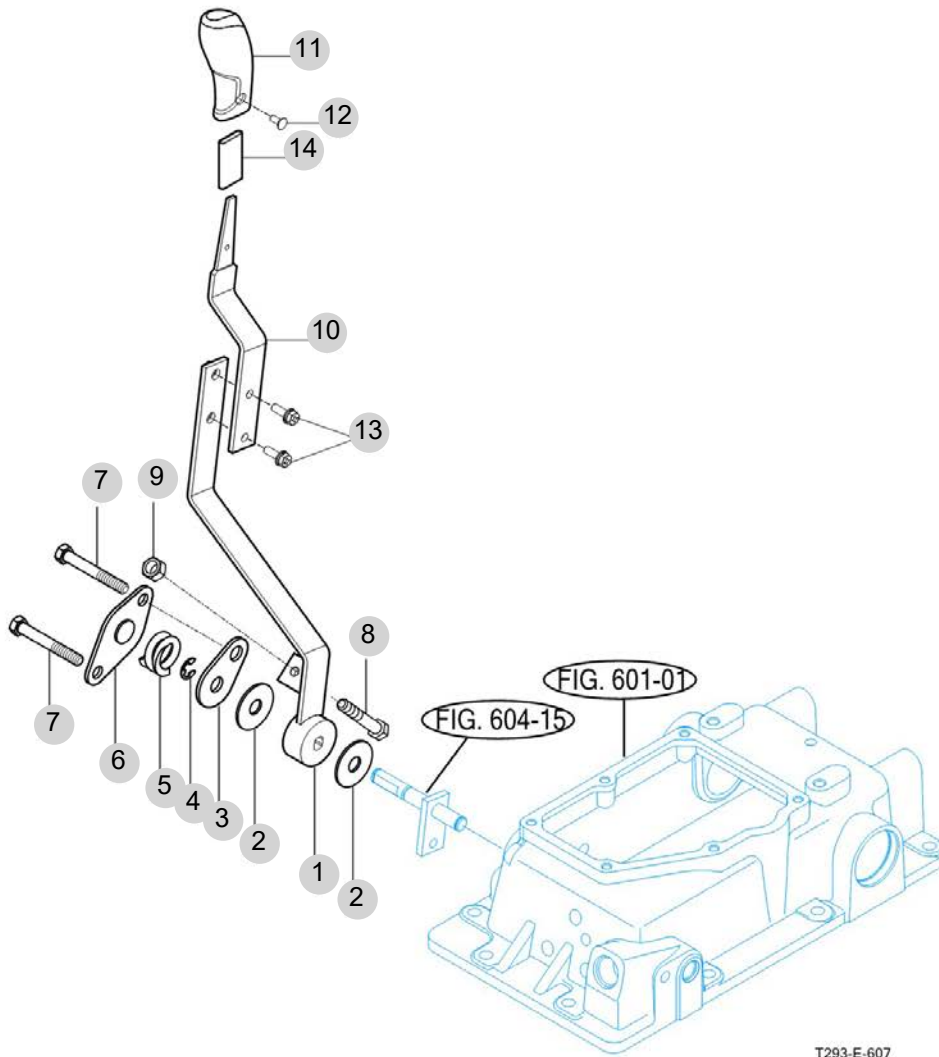
FIG 607

T25

POSITION LEVER LINKAGE

년/월
Year/Month

2022-12



T293-E-607

NOTE

FIG 607 T25		POSITION LEVER LINKAGE						년/월 Year/Month	
								2022-12	
KEY NO		PART NO	DESCRIPTION	SPEC	QTY	REPAIR	EFFECTIVE DATE	REMARKS	
607	1	11815062100	LEVER COMP , POSITION		1				
607	2	13835070210	PLATE , FRICTION		2				
607	3	17995070200	PLATE , A		1				
607	4	V7081400090	E-RING	9	1				
607	5	17995070180	SPRING		1				
607	6	17995070170	PLATE , D		1				
607	7	V2013610060	BOLT , HEX	M10X60	2				
607	8	V2013608050	BOLT , HEX	M8X50	1				
607	9	V3042600080	NUT , HEX/2	M8	1				
607	10	11815062110	POSITION LEVER (UPR)		1				
607	11	11817513500	GRIP(POSITION)		1				
607	12	V1122605012	SCREW , C/R FLAT		1				
607	13	V2323606020	BOLT , C/R HEX/SP		2				
607	14	11815060010	TUBE , 50		1				
NOTE									

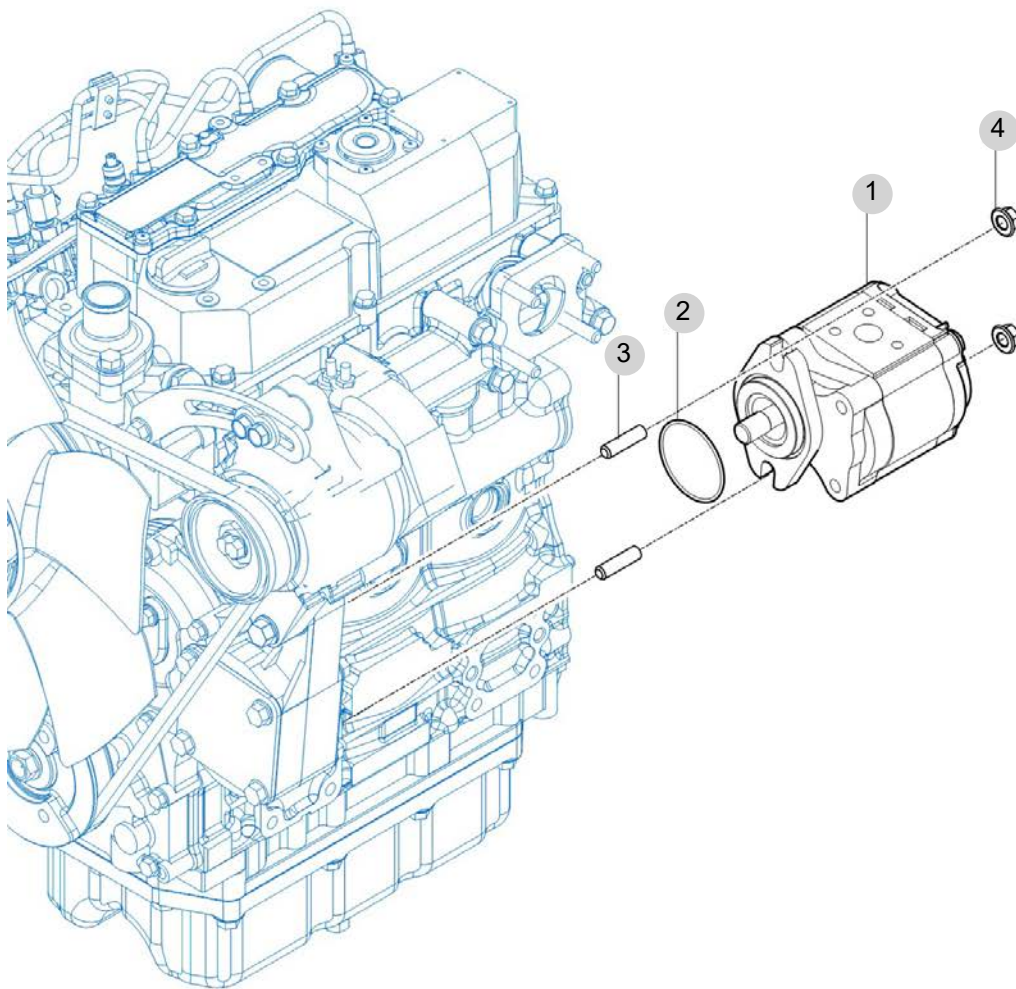
FIG 608

GEAR PUMP

년/월
Year/Month

2022-12

T25



NOTE

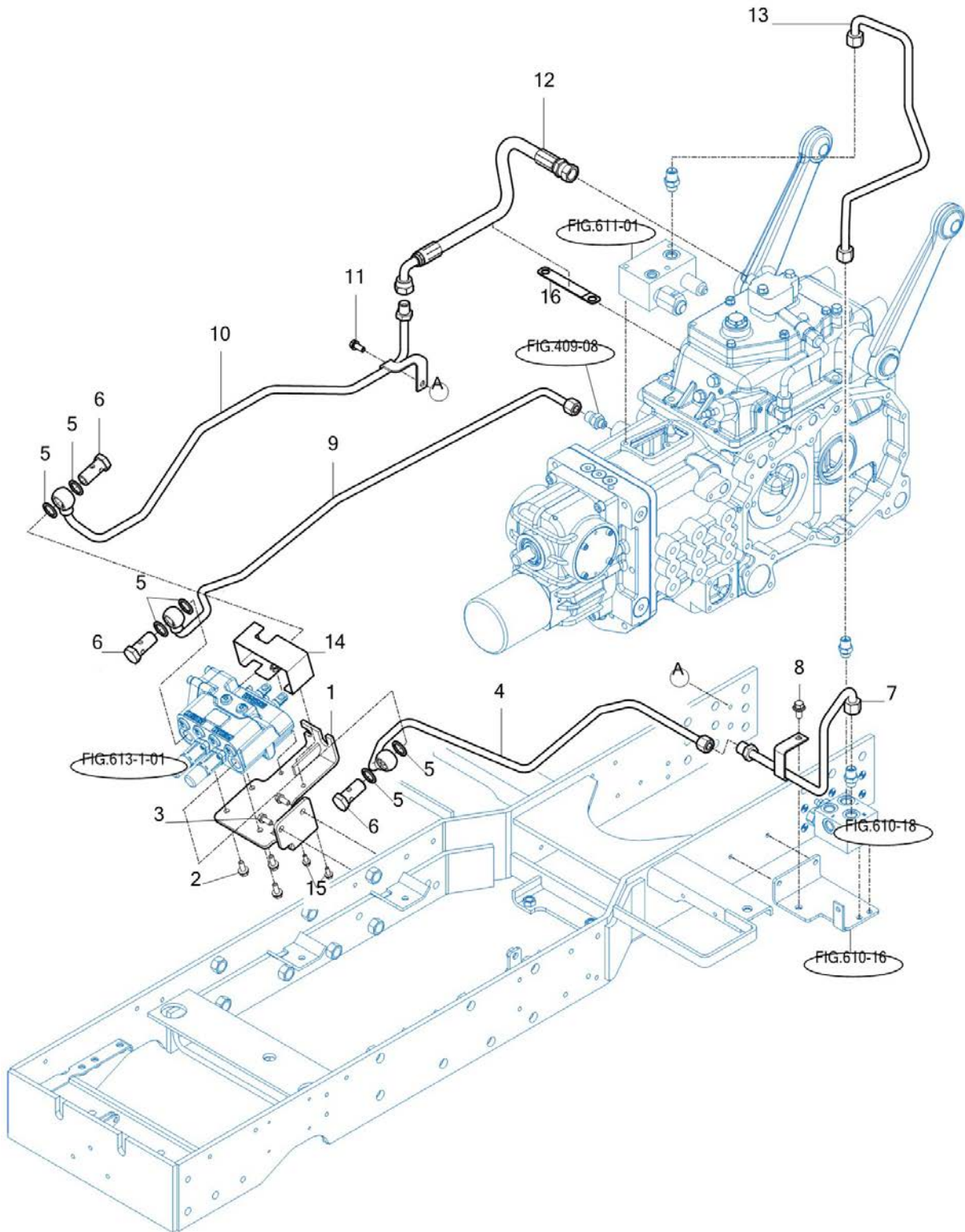
FIG 609

T25

HYDRAULIC HOSE (1)

년/월
Year/Month

2022-12



NOTE

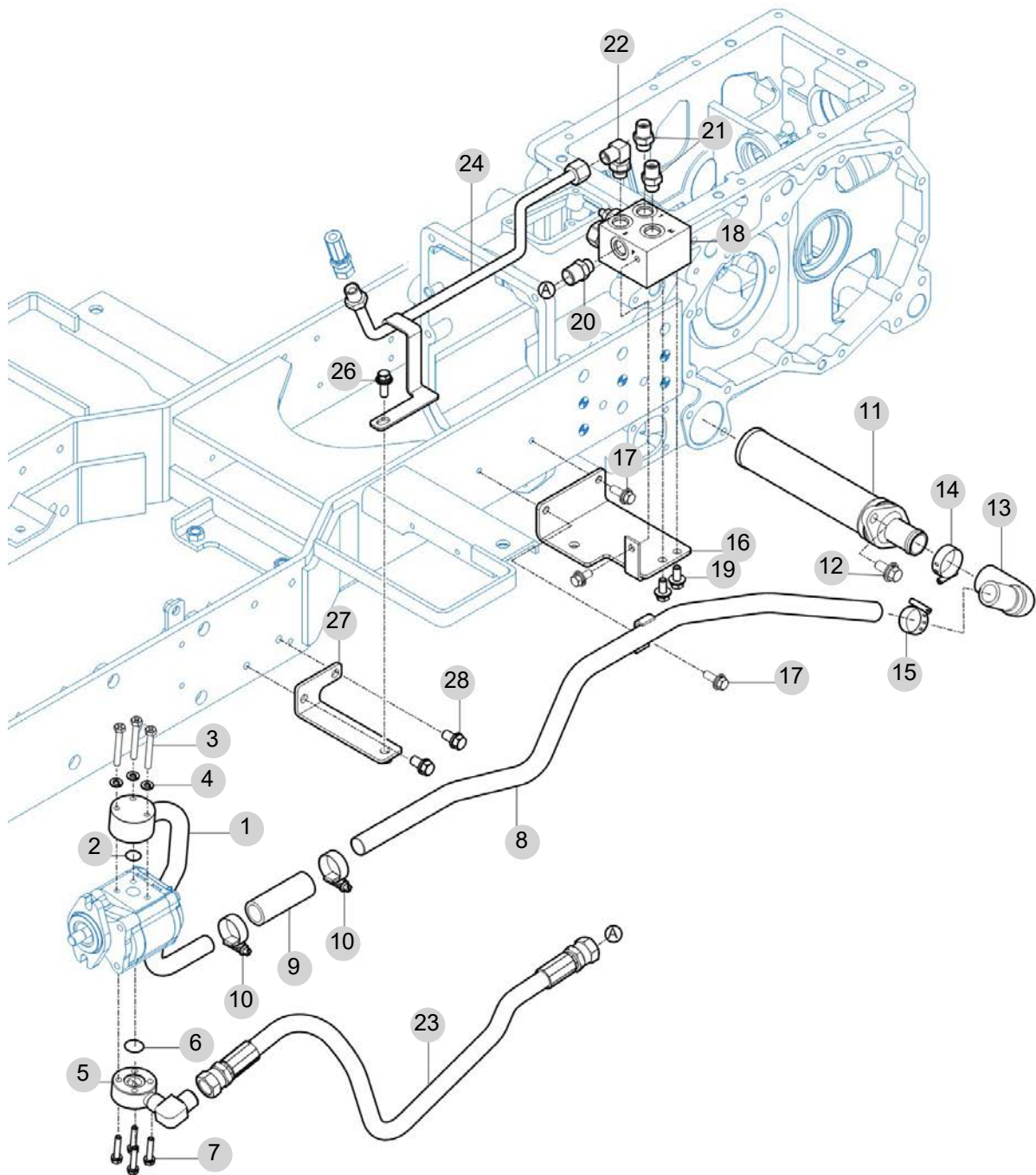
FIG 610

HYDRAULIC HOSE (2)

년/월
Year/Month

2022-12

T25



NOTE

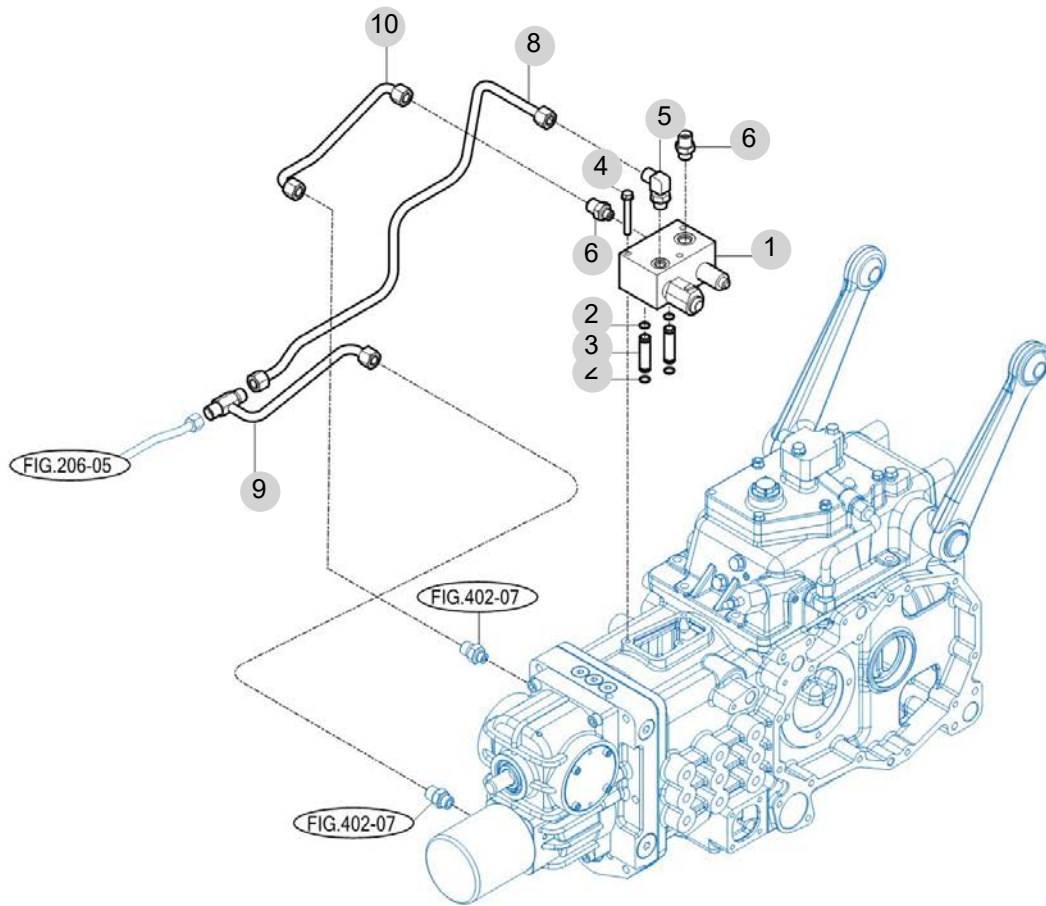
FIG 611

T25

PTO VALVE

년/월
Year/Month

2022-12



NOTE

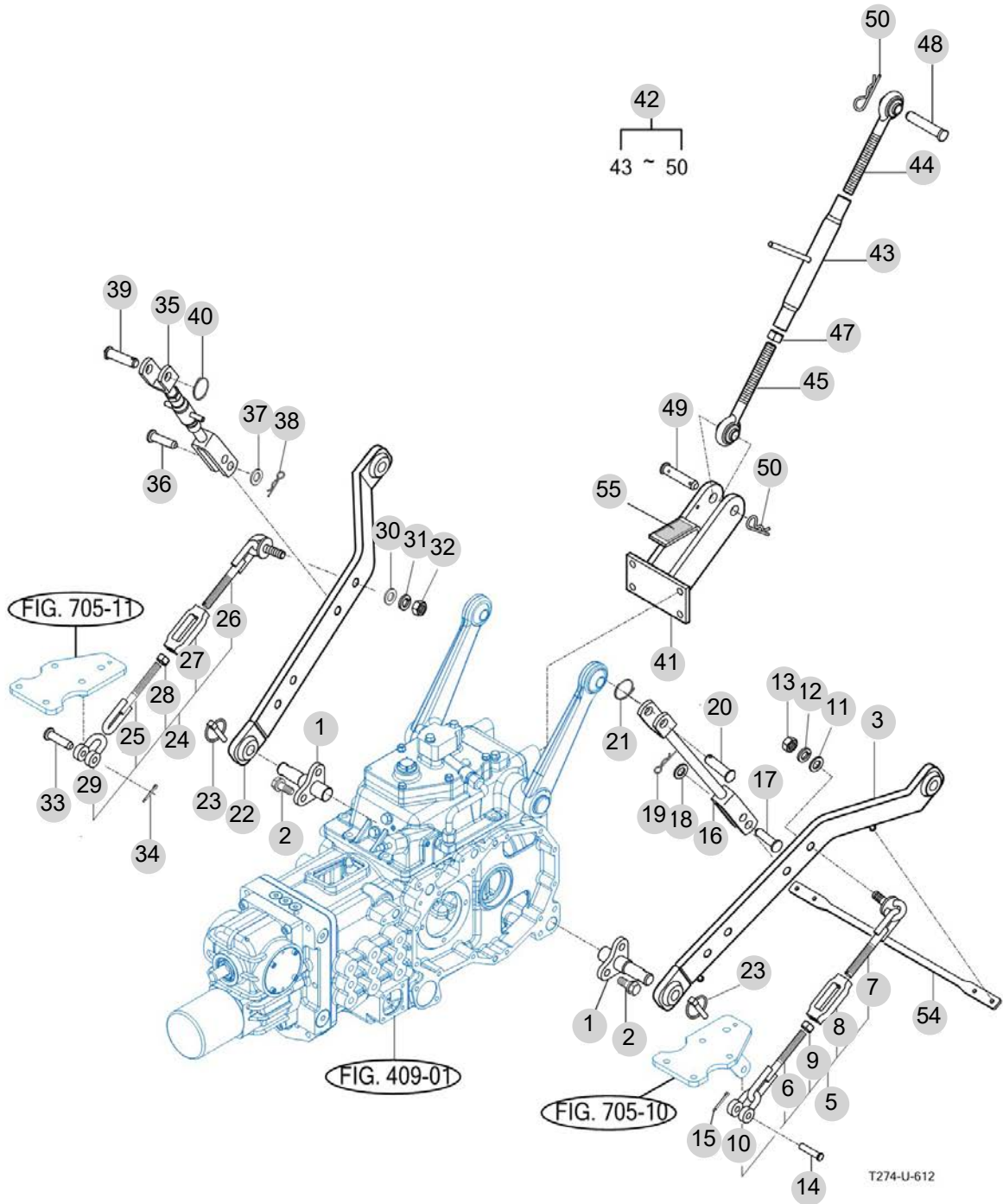
FIG 612

3-POINT LINKAGE

년/월
Year/Month

T25

2022-12



NOTE

FIG 612		3-POINT LINKAGE					년/월 Year/Month		
							2022-12		
T25		KEY NO	PART NO	DESCRIPTION	SPEC	QTY	REPAIR	EFFECTIVE DATE	REMARKS
612	1	13155205100	PIN COMP, 115			2			
612	2	V2173612030	BOLT, HEX/S	M12X30		4			
612	3	13155202202	LOWER LINK COMP, LH			1			
612	5	13155202501	CHAIN ASSY, CHECK			1			
612	6	14585142600	CHAIN COMP, RH CHECK			1			
612	7	14585142700	CHAIN COMP, LH CHECK			1			
612	8	13155202511	TURNBUCKLE			1			
612	9	V3012600140	NUT, HEX/2	M14		1			
612	10	14585142520	SHACKLE, CHECK CHAIN			1			
612	11	V4111600160	WASHER, PLAIN	M16		1			
612	12	V4011600160	WASHER, SPRING	M16		1			
612	13	V3313600160	NUT, HEX FINE/2	M16		1			
612	14	79636110030	PIN, 12X48			1			
612	15	V5001930020	PIN, SPLIT	3X20		1			
612	15	V5001930020	PIN, SPLIT			1			
612	16	13155202401	LIFT ROD COMP, LH			1			
612	17	79636130050	PIN, 16X60			1			
612	18	V4111600160	WASHER, PLAIN	M16		1			
612	19	13059310030	PIN			1			
612	20	12505243500	PIN			1			
612	21	12505240060	Spring			1			
612	22	13155203102	LOWER LINK COMP, RH			1			
612	23	14215020020	PIN, LINK			2			
612	24	13155202501	CHAIN ASSY, CHECK			1			
612	25	14585142600	CHAIN COMP, RH CHECK			1			
612	26	14585142700	CHAIN COMP, LH CHECK			1			
612	27	13155202511	TURNBUCKLE			1			
612	28	V3012600140	NUT, HEX/2	M14		1			
612	29	14585142520	SHACKLE, CHECK CHAIN			1			
612	30	V4111600160	WASHER, PLAIN	M16		1			
612	31	V4011600160	WASHER, SPRING	M16		1			
612	32	V3313600160	NUT, HEX FINE/2	M16		1			
612	33	79636110030	PIN, 12X48			1			
612	34	V5001930020	PIN, SPLIT	3X20		1			
612	34	V5001930020	PIN, SPLIT			1			
612	35	13155203201	LIFT ROD ASSY, RH			1			
612	36	79636130050	PIN, 16X60			1			
612	37	V4111600160	WASHER, PLAIN	M16		1			
612	38	13059310030	PIN			1			
612	39	12505243500	PIN			1			
612	40	12505240060	Spring			1			
612	41	13155204104	BRACKET COMP, TOP LINK			1			
612	42	13155206002	TOP LINK ASSY			1			
612	42	13155206003	TOP LINK ASSY			1			
612	42	13155206004	TOP LINK ASSY			1			
NOTE									

<p style="text-align: center;">FIG 612</p> <p style="text-align: center;">T25</p>	<h2 style="margin: 0;">3-POINT LINKAGE</h2>	년/월 Year/Month <hr/> 2022-12
-----------------------------------------------------------------------------------	---------------------------------------------	------------------------------------

KEY NO		PART NO	DESCRIPTION	SPEC	QTY	REPAIR	EFFECTIVE DATE	REMARKS
612	43	13155206111	TURN BUCKLE		1			
612	44	13155206121	JOINT , LH		1			
612	45	13155206131	JOINT , RH		1			
612	47	V3042600200	NUT , HEX/2	M20	1			
612	48	15645220020	PIN , 19X95		1			
612	49	15645220011	PIN , 19X86		1			
612	50	14445140051	PIN , 19		3			
612	54	15605250030	BAND , 470		1			
612	55	13151112011	INSULATOR , 40X70		1			

NOTE

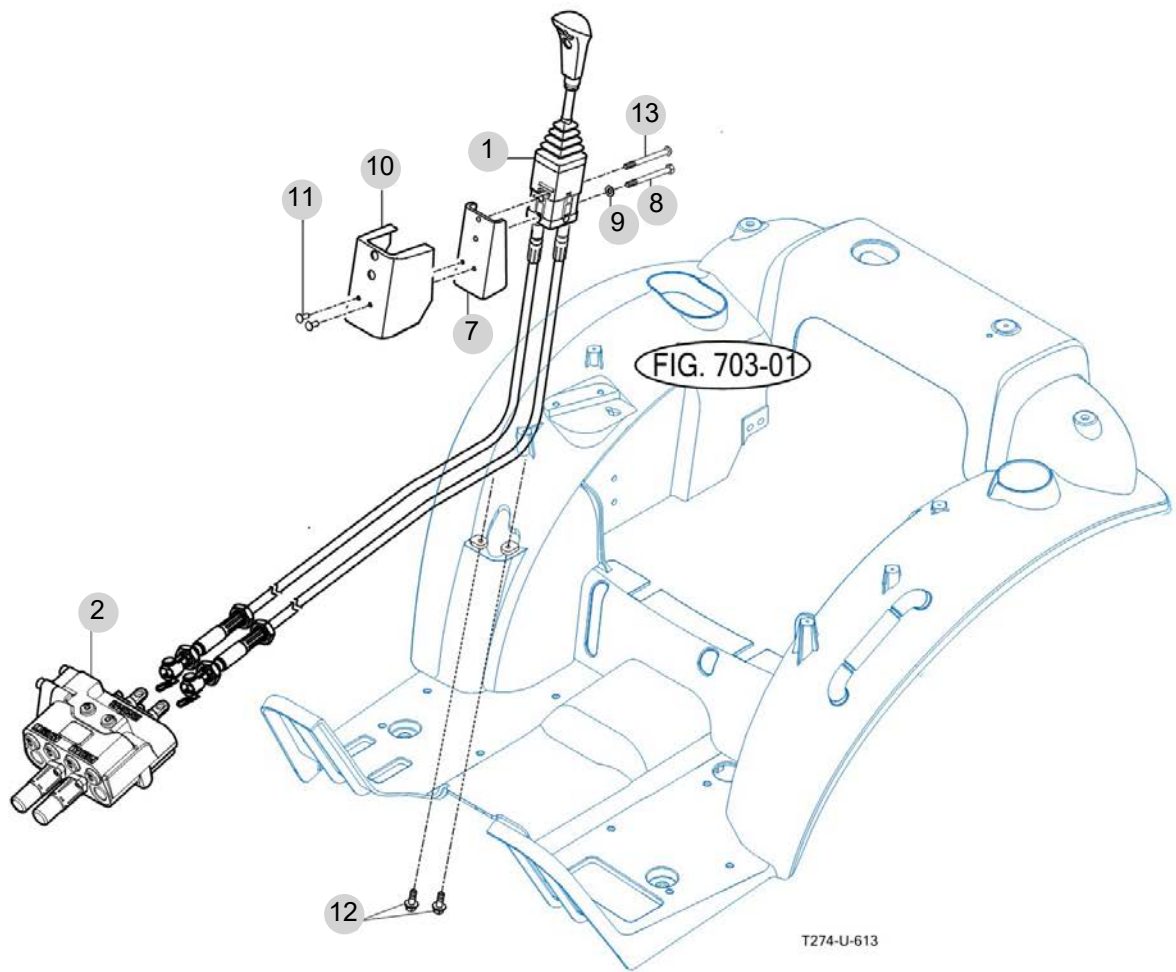
FIG 613

JOYSTICK LEVER

년/월
Year/Month

2022-12

T25



NOTE

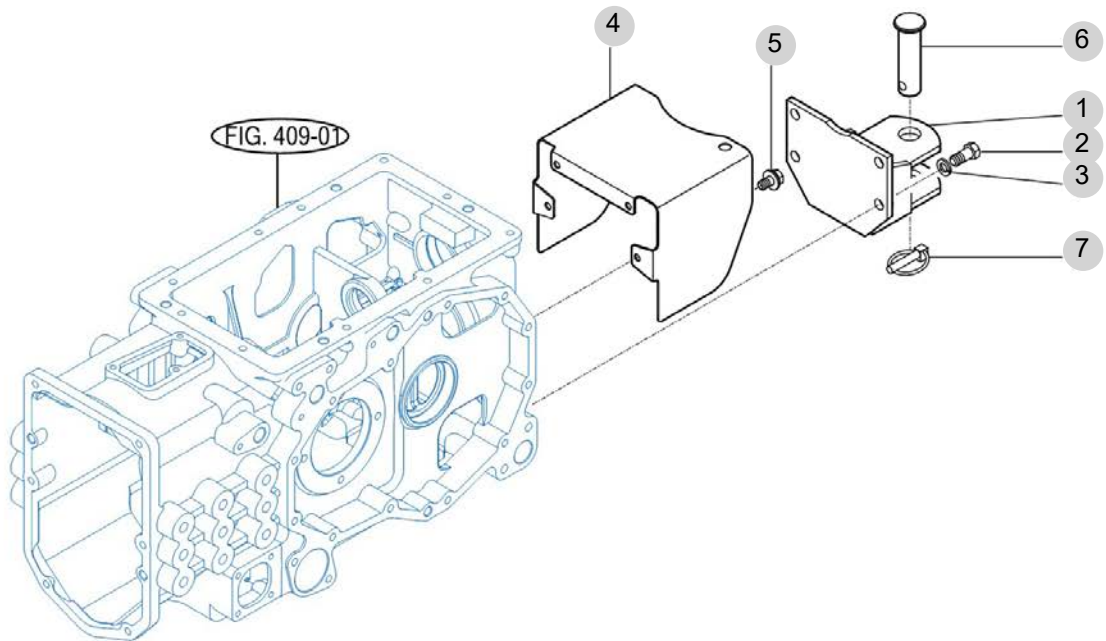
FIG 614

T25

HITCH & COVER

년/월
Year/Month

2022-12



NOTE

7. Sheet Metal & Cabin PART NO. T7

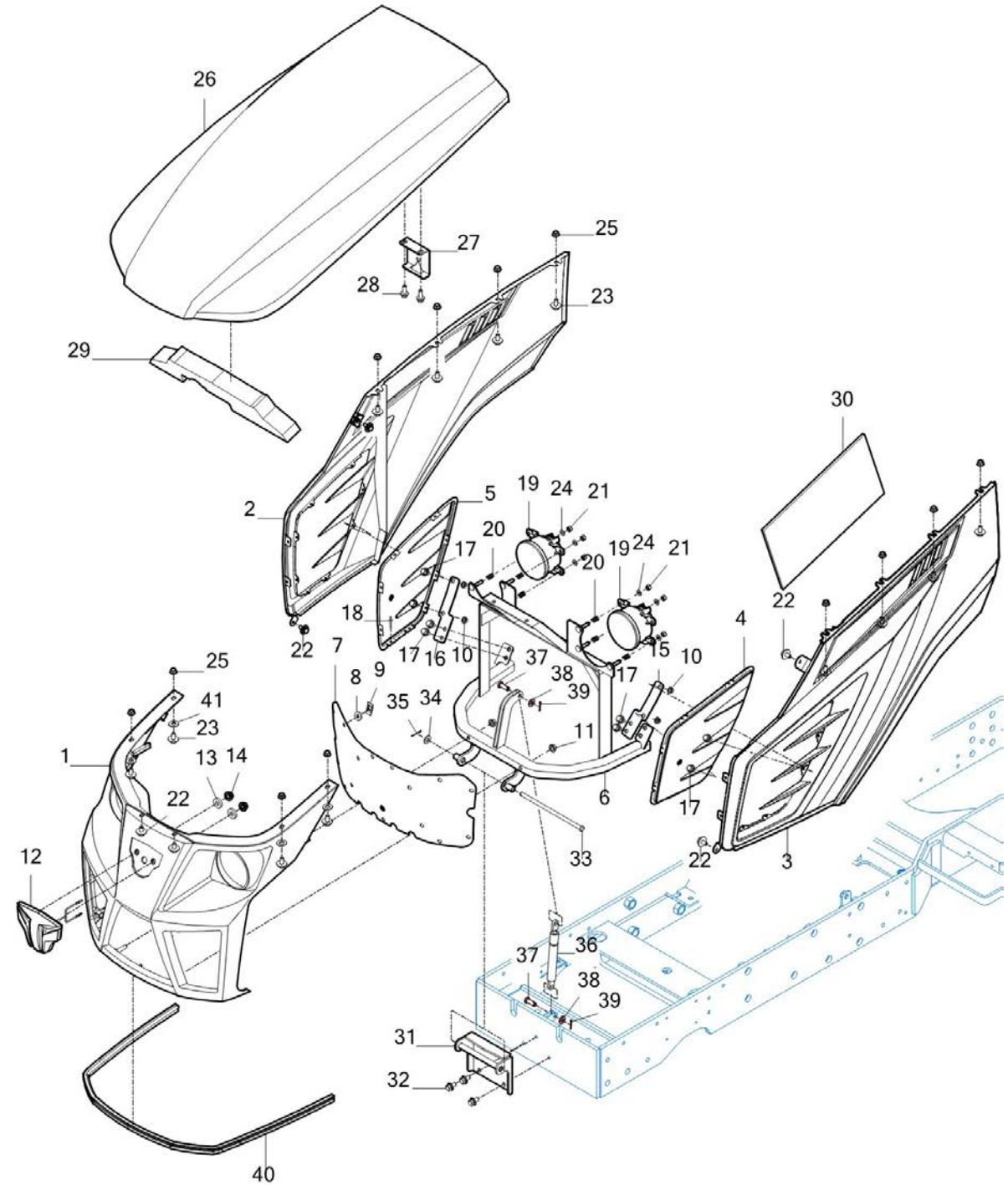
FIG 701 BONNET	149
FIG 702 DASH PANEL	151
FIG 703 FLOOR	153
FIG 704 SEAT	156
FIG 705 ROPS	158
FIG 706 CAB FRAME & DOOR(OPTION)	161
FIG 707 FRONT GLASS(OPTION)	163
FIG 708 SIDE & REAR GLASS(OPTION)	165
FIG 709 ROOF(OPTION)	167
FIG 710 HEATER(OPTION)	169
FIG 711 INTERIOR PART(OPTION)	171
FIG 712 SEAL(OPTION)	173
FIG 713 FRONT & REAR MOUNTING(OPTION)	175

FIG 701

BONNET

년/월
Year/Month

2022-12



NOTE

FIG 701		BONNET					년/월 Year/Month	
T25							2022-12	
KEY NO	PART NO	DESCRIPTION	SPEC	QTY	REPAIR	EFFECTIVE DATE	REMARKS	
701	1	11816012400GB	GRILL COMP		1			
701	2	11816012300SR	SIDE PANEL COMP , RH		1			
701	3	11816012200SR	SIDE PANEL COMP , LH		1			
701	4	11816020020GB	NET , LH / SIDE PANEL		1			
701	5	11816020030GB	NET , RH / SIDE PANEL		1			
701	6	11816022100GB	HOOD FRAME COMP		1			
701	7	11816020010GB	NET , FR / GRILL		1			
701	8	14446010150	WASHER , NET		15			
701	9	V3501600060	NUT , PUSH-ON SPRING		15			
701	10	V3802600060	NUT , HEX FLANGE		4			
701	10	V3802600060	NUT , HEX FLANGE		4			
701	11	V3802600060	NUT , HEX FLANGE		2			
701	11	V3802600060	NUT , HEX FLANGE		4			
701	12	11816010100	EMBLEM ASSY , LED		1			
701	13	V4111600060	WASHER , PLAIN		2			
701	14	V3802600060	NUT , HEX FLANGE		2			
701	15	11816022210GB	FIX PLATE , LH		1			
701	16	11816022310GB	FIX PLATE , RH		1			
701	17	V2193606016	BOLT , HEX/SPL		8			
701	18	V5502040093	RIVET , BLIND		14			
701	19	11816020090	HEAD LAMP, LED		2			
701	20	16998010080	SPRING , HC016		6			
701	21	19027210060	NUT , NYLON , M6		6			
701	22	V2193606016	BOLT , HEX/SPL		6			
701	23	V2193606016	BOLT , HEX/SPL		12			
701	24	V4111600060	WASHER , PLAIN		6			
701	25	V3802600060	NUT , HEX FLANGE		12			
701	26	11816012100SR	HOOD		1			
701	27	13156012213	BRACKET , STAY		1			
701	28	V2183608020	BOLT , HEX/SP		2			
701	29	11816020060	INSULATOR , UPPER / HOOD		1			
701	30	16506010140	SPONGE		1			
701	31	11816013100GB	BRACKET COMP , HINGE		1			
701	32	V2173608020	BOLT , HEX/S		3			
701	32	V2183608025	BOLT , HEX/SP		3			
701	33	13016202060	PIN , HOOD		1			
701	34	V4111600080	WASHER , PLAIN		1			
701	35	V5001925020	PIN D2.5x20		1			
701	36	11816022400	GAS SPRING , 70kgf		1			
701	37	14322420010	PIN		2			
701	38	V4111600080	WASHER , PLAIN		2			
701	39	V5001925015	PIN , SPLIT		2			
701	40	11816020040	INSULATOR , LOW / HOOD		1			
701	41	19026112050	WASHER , 6X30X2.3		4			
NOTE								

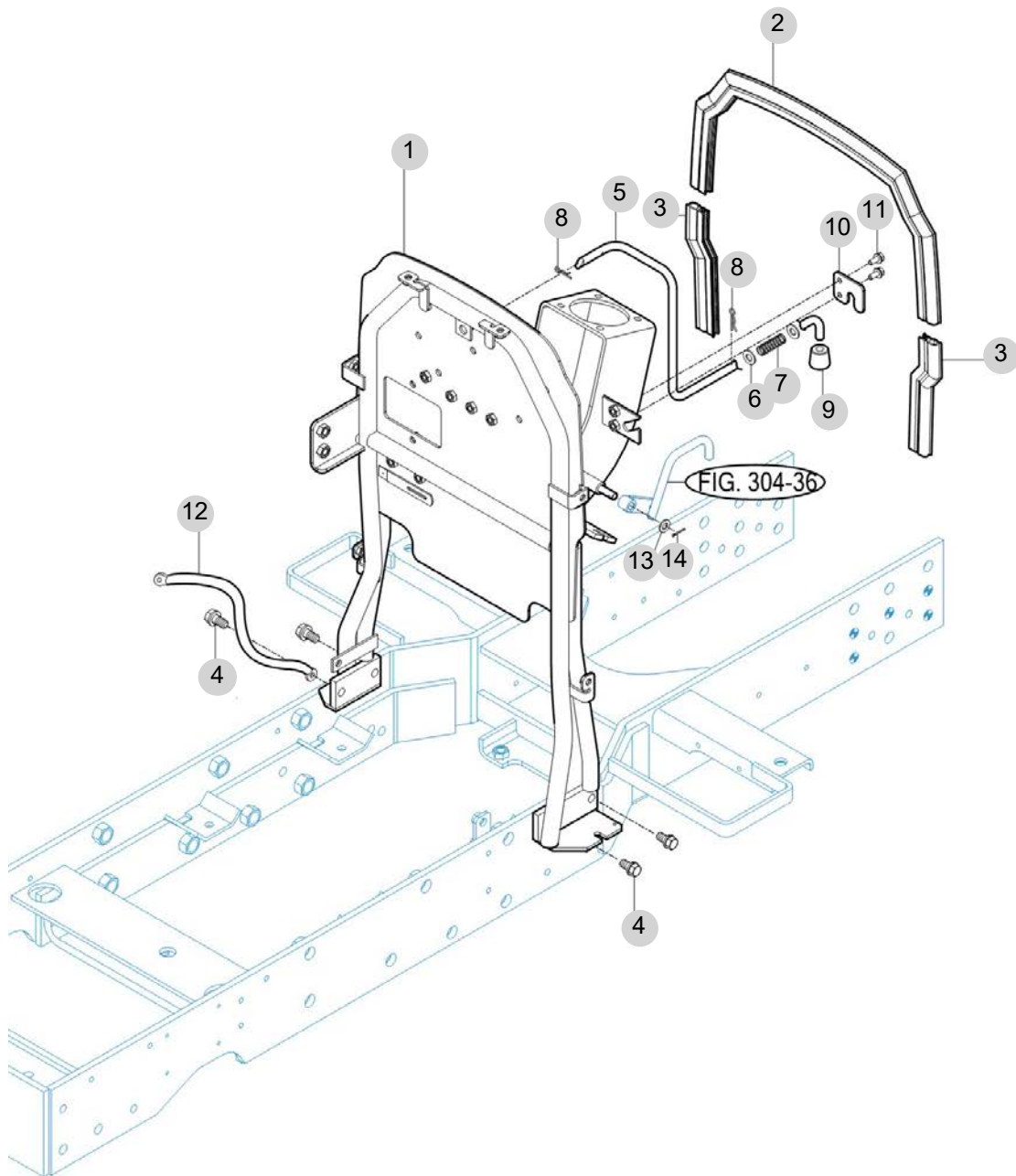
FIG 702

T25

DASH PANEL

년/월
Year/Month

2022-12



NOTE

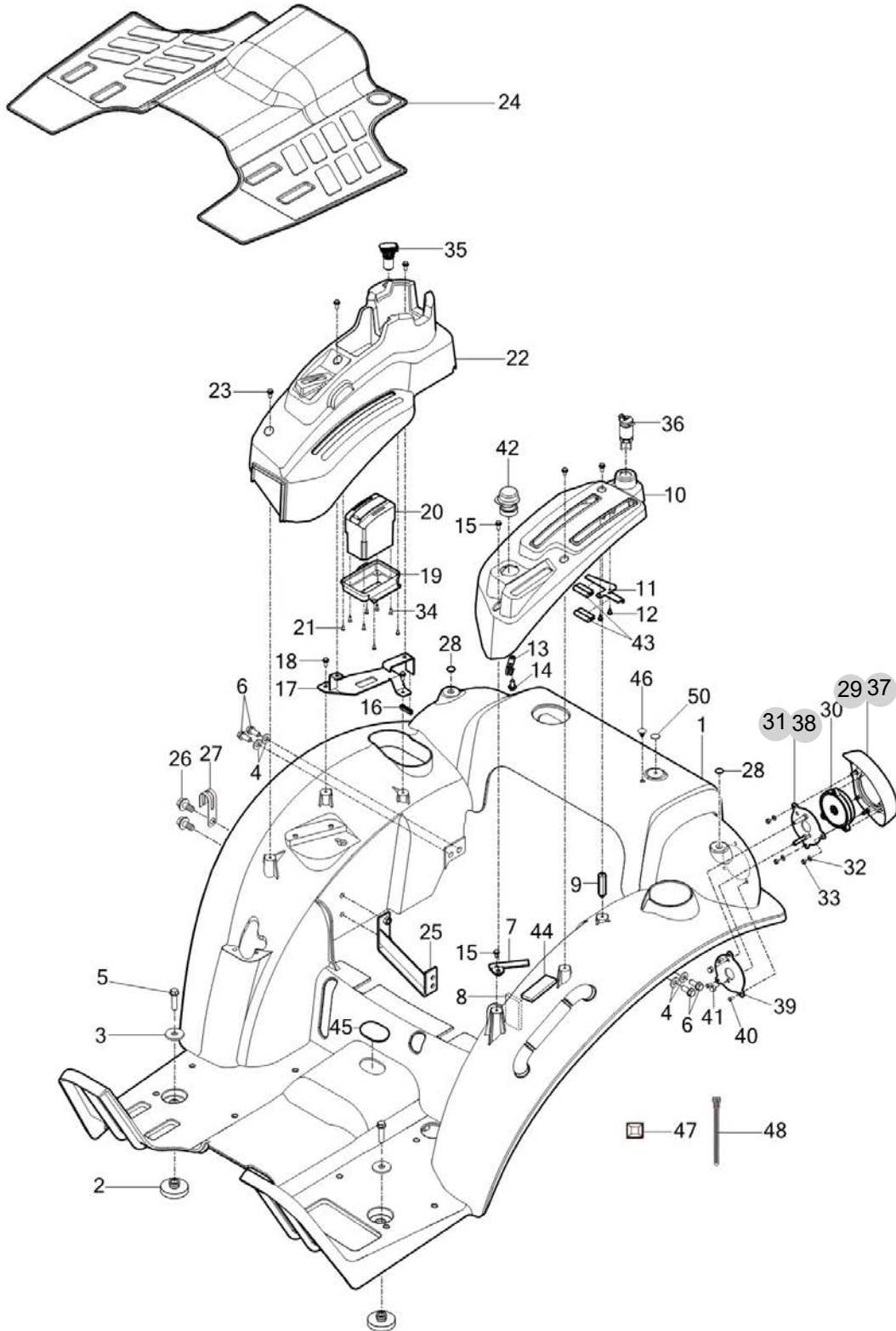
FIG 703

T25

FLOOR

년/월
Year/Month

2022-12



NOTE

FIG 703 T25		FLOOR					년/월 Year/Month	
							2022-12	
KEY NO	PART NO	DESCRIPTION	SPEC	QTY	REPAIR	EFFECTIVE DATE	REMARKS	
703	1	13156402114SR	PANEL , FLOOR			1		
703	2	13156252121	INSULATOR			2		
703	3	13156252110	PLATE			2		
703	4	V4111600100	WASHER , PLAIN	M10		4		
703	5	V2173612040	BOLT , HEX/S	M12X40		2		
703	6	V2173610040	BOLT , HEX/S	M10X40		4		
703	7	11817082300GB	BRACKET COMP , FR/LEVER COVER			1		
703	8	11816400010	INSULATOR , 4WD			1		
703	9	11817095440	BOLT , COVER			1		
703	10	11817082100	LEVERCOVER SUB , LH			1		
703	11	11816400020GB	PLATE, PTO LEVER			1		
703	12	V1902605012	SCREW , TAPPING C/R PAN/3			2		
703	13	37371720090	CLAMP , W/HARNESS			1		
703	14	19406110080	TAPPING SCREW , TRUSS/6X16			1		
703	15	V1222806012	SCREW , C/R PAN/SP			4		
703	16	11816030020	INSULATOR , RH / LEVER COVER			1		
703	17	11817082400GB	BRACKET COMP , LEVER COVER			1		
703	18	V1222806012	SCREW , C/R PAN/SP			2		
703	19	11817082220NG	LEVER COVER , LOW / RH			1		
703	19	11817082220	LEVER COVER , LOW / RH			1		
703	20	11816602300	WIRELESS CHARGE ASSY			1		
703	21	V1922604012	SCREW , TAPPING			4		
703	22	11817082210NG	LEVER COVER , UPPER /RH			1		
703	23	V1222806012	SCREW , C/R PAN/SP			3		
703	24	13186412110	MAT , FLOOR			1		
703	25	13196253100GB	PLATE COMP, RH SUPPROT FENDER			1		
703	26	V2183608025	BOLT , HEX/SP			2		
703	27	14256210040	CLAMP , 9			1		
703	28	16606070031	CAP , 9			2		
703	29	11817023500NG	LAMP COMP , STOP COVER LH			1		
703	30	11817023400	LAMP ASSY . STOP			2		
703	31	11817023700	FIX PLATE COMP , LH / STOP LAMP			1		
703	32	V4011600060	WASHER , SPRING			6		
703	33	V3412700080	NUT , SMALL CAP			6		
703	34	V1122804012	SCREW , C/R FLAT			4		
703	35	11817018500	USB SOCKET ASSY			1		
703	36	10037018500	SOCKET ASSY , POWER			1		
703	37	11817023600NG	STOP LAMP COVER , RH			1		
703	38	11817023800	FIX PLATE COMP , RH / STOP LAMP			1		
703	39	11817023710	FIX PLATE , STOP LAMP			2		
703	40	V1922605012	SCREW , TAPPING			6		
703	40	13366050120	SCREW , TAPPING C/R PAN/4			6		
703	40	V1922605012	SCREW , TAPPING			6		
703	41	V3412700080	NUT , SMALL CAP			4		
703	42	11106644000	SWITCH ASSY , PTO			1		
NOTE								

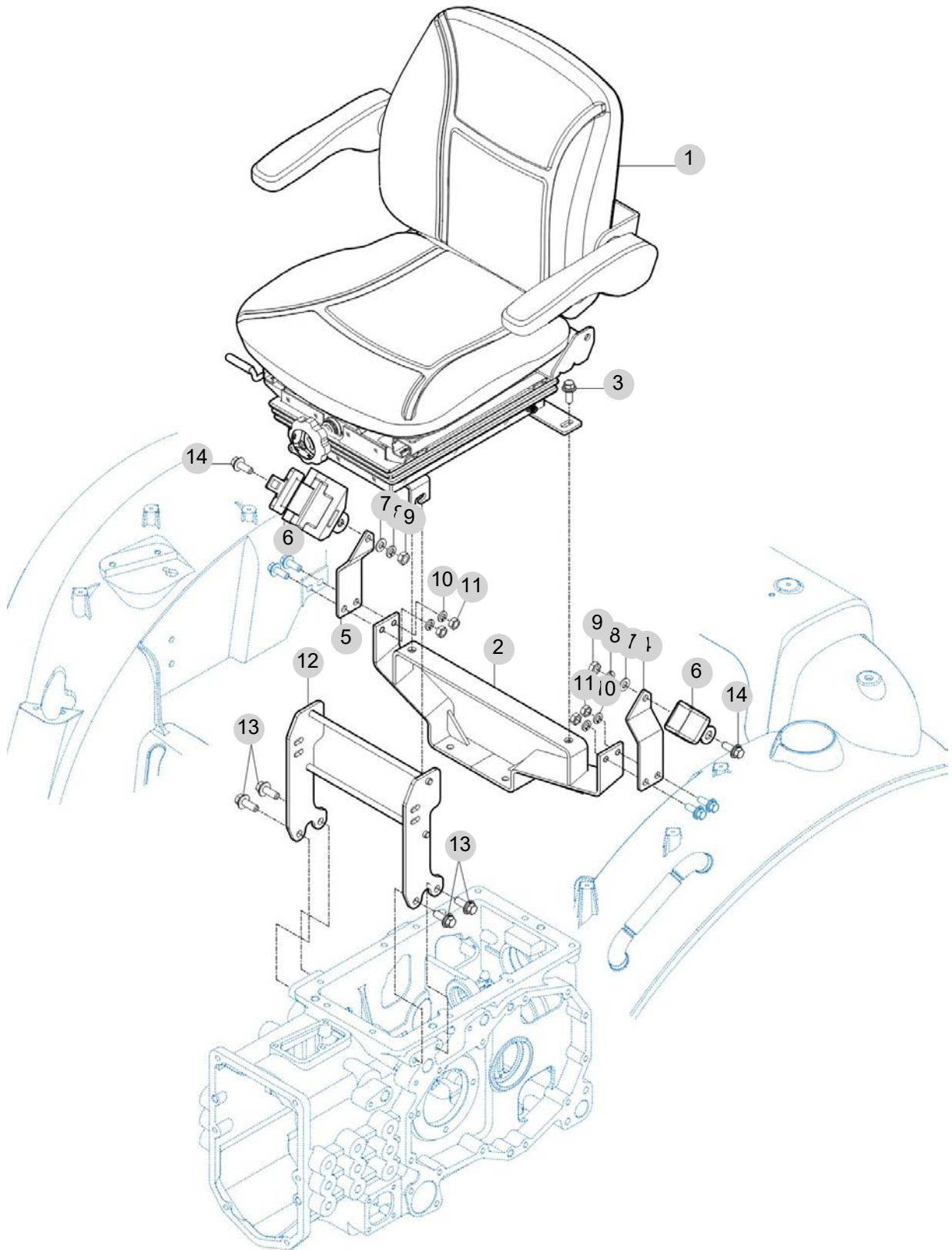
FIG 704

SEAT

년/월
Year/Month

2022-12

T25



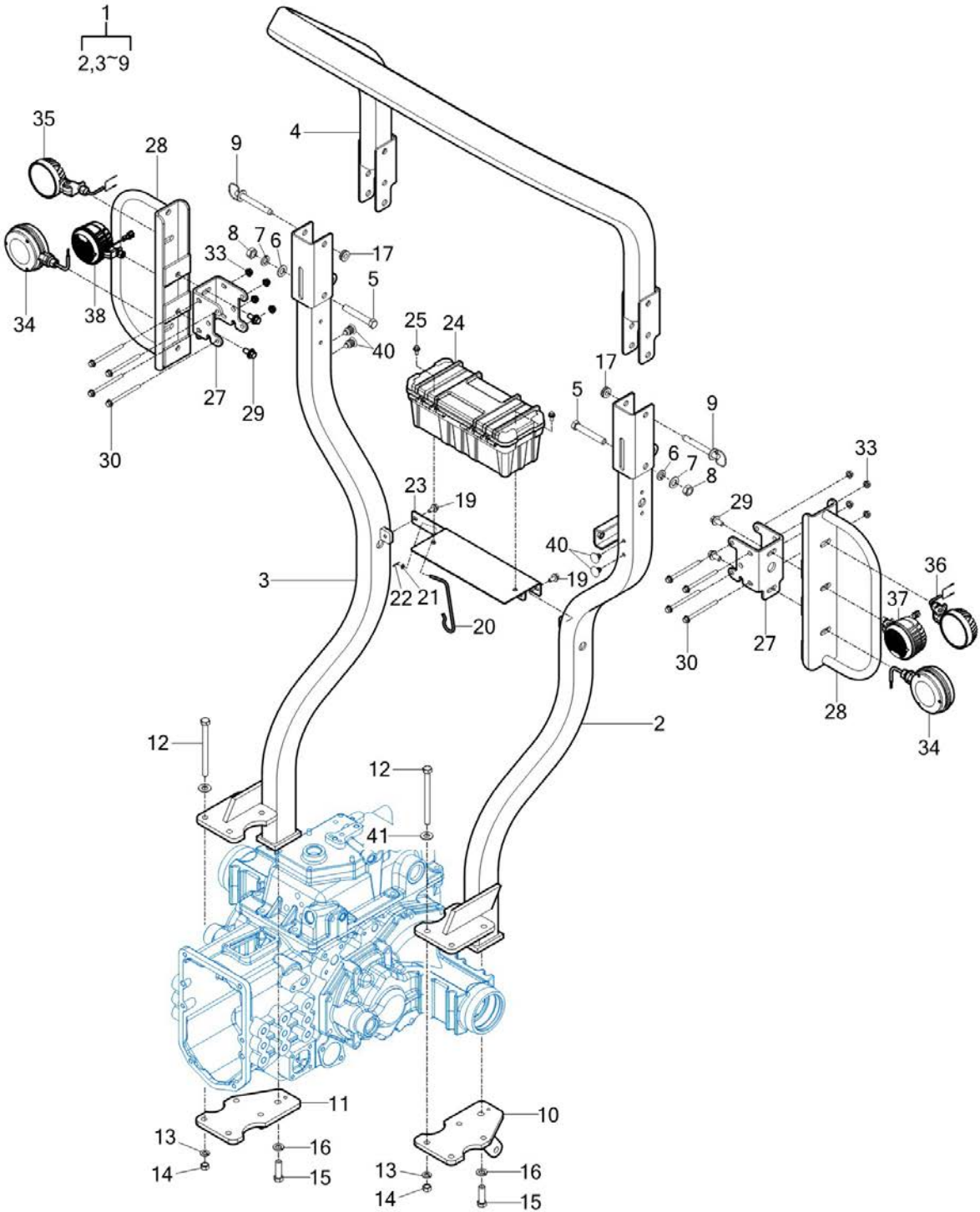
NOTE

FIG 705

ROPS

년/월
Year/Month

2022-12



NOTE

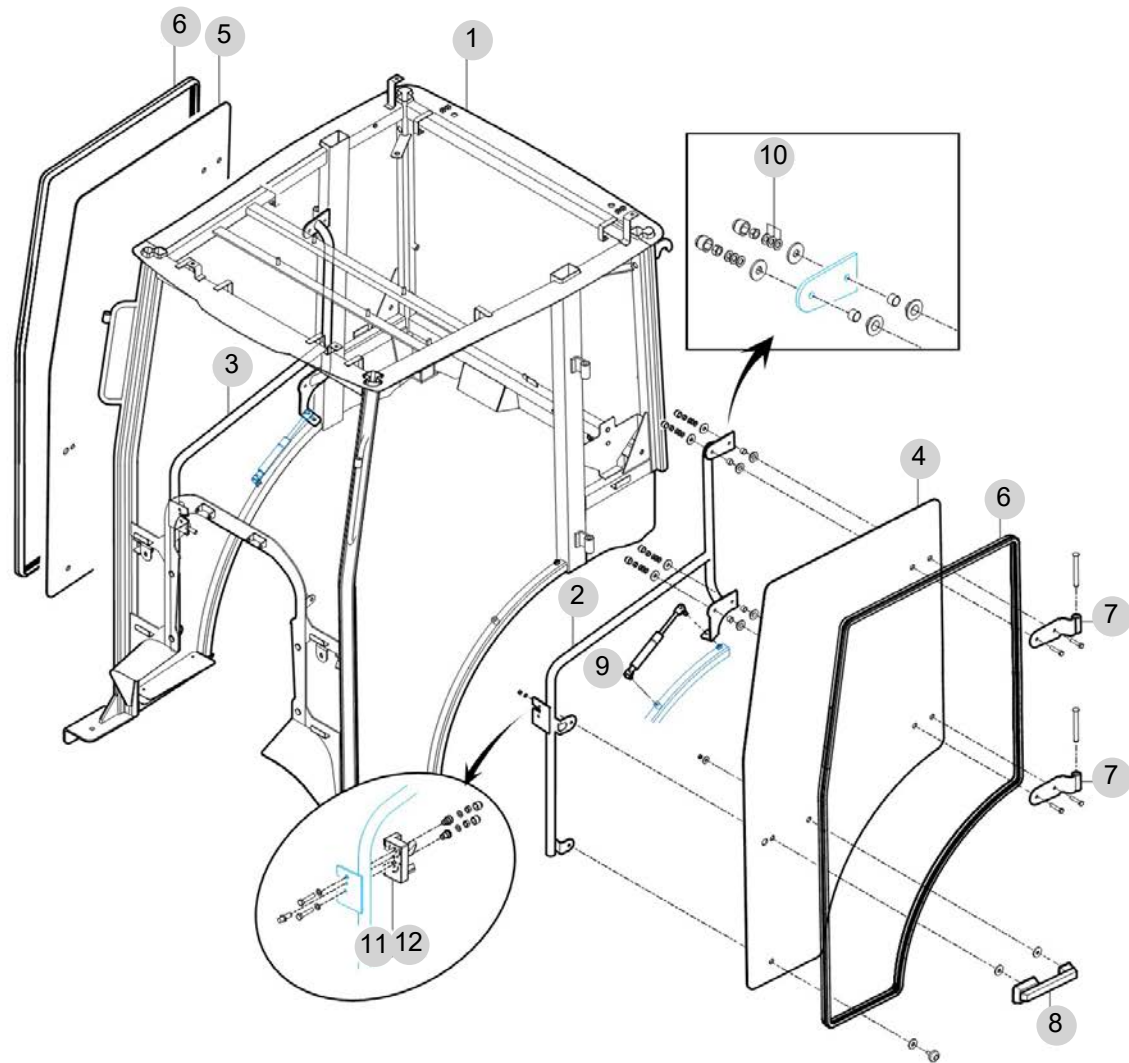
FIG 705		ROPS					년/월 Year/Month	
							2022-12	
T25								
KEY NO	PART NO	DESCRIPTION	SPEC	QTY	REPAIR	EFFECTIVE DATE	REMARKS	
705	1	11817022000	ROPS ASSY		1			
705	2	11817022101GB	FRAME COMP , LH		1			
705	2	11817022100GB	FRAME COMP , LH		1			
705	3	11817023100GB	FRAME COMP , RH		1			
705	4	13397024100GB	FRAME COMP , UPR		1			
705	5	V2004614090	BOLT , HEX		2			
705	6	V4111600140	WASHER , PLAIN		2			
705	7	V4011600140	WASHER , SPRING		2			
705	8	V3043600140	NUT , HEX/2		2			
705	9	16507027500	PIN COMP , FIXED		2			
705	10	11817022201GB	BRACKET COMP , LH		1			
705	11	11817023201GB	BRACKET COMP , RH		1			
705	12	V2004612150	BOLT , HEX		8			
705	13	V4011600120	WASHER , SPRING		8			
705	14	V3043600120	NUT , HEX/2		8			
705	15	V2013614045	BOLT , HEX		2			
705	16	V4011600120	WASHER , SPRING		2			
705	17	14046210300	GROMMET		2			
705	18	13197035401GB	BRACKET COMP		1			
705	19	V2183608025	BOLT , HEX/SP		2			
705	20	16705251100	HOOK , TOPLINK		1			
705	20	14527071350	HOOK , TOPLINK		1			
705	20	14527071350	HOOK , TOPLINK		1			
705	21	V4111600050	WASHER , PLAIN		1			
705	22	V5001920015	PIN , SPLIT		1			
705	23	11817035400GB	BRACKET COMP , TOOLBOX		1			
705	23	11817011100GB	BRACKET COMP , TOOLBOX		1			
705	23	11817035400GB	BRACKET COMP , TOOLBOX		1			
705	24	V2183606016	BOLT , HEX/SP		2			
705	24	13836081180	TOOL BOX		1			
705	25	V2183608020	BOLT , HEX/SP		2			
705	26	V2183606020	BOLT , HEX/SP		2			
705	27	11817120010GB	PLATE , COMBI		2			
705	28	11817122100GB	BRACKET COMP , COMBI LAMP		2			
705	29	V2183610025	BOLT , HEX/SP		4			
705	30	V2013608100	BOLT , HEX		8			
705	30	V2183608100	BOLT , HEX/SP		8			
705	31	V4111600080	WASHER , PLAIN		8			
705	32	V4011600080	WASHER , SPRING		8			
705	33	V3802600080	NUT , HEX FLANGE		8			
705	34	11616562000	LAMP ASSY , DOUBLE-SIDE		2			
705	35	11817025800	LAMP ASSY , WORKING RH		1			
705	36	11817025700	LAMP ASSY , WORKING LH		1			
705	37	11817025500	W.P SPEAKER ASSY(LH)		1			
705	38	11817025600	W.P SPEAKER ASSY (RH)		1			
NOTE								

FIG 706

CAB FRAME & DOOR(OPTION)

년/월
Year/Month

2022-12



NOTE

FIG 706 T25	CAB FRAME & DOOR(OPTION)	년/월 Year/Month
		2022-12

KEY NO	PART NO	DESCRIPTION	SPEC	QTY	REPAIR	EFFECTIVE DATE	REMARKS
706	1	11817032000GB	FRAME COMP,CABIN(T25)		1		
706	2	11817024200GB	DOOR FRAME COMP , LH		1		
706	2	11817023500GB	FRAME ASSY , DOOR (LH)		1		
706	3	11817024300GB			1		
706	3	11817023600GB	FRAME ASSY , DOOR (RH)		1		
706	4	13187023140	GLASS , DOOR (LH)		1		
706	5	13187023150	GLASS , DOOR (RH)		1		
706	6	13347023220	INSULATOR (GLASS,DOOR)		2		
706	7	13347024200	HINGE ASSY , DOOR		4		
706	8	13347024700	GRIP , DOOR		2		
706	9	11817023900	DAMPER , DOOR		2		
706	10	13347023480	PACKING , RUBBER		24		
706	11	13347024400	LOCK ASSY , LH		1		
706	12	13347024500	LOCK ASSY , RH		1		

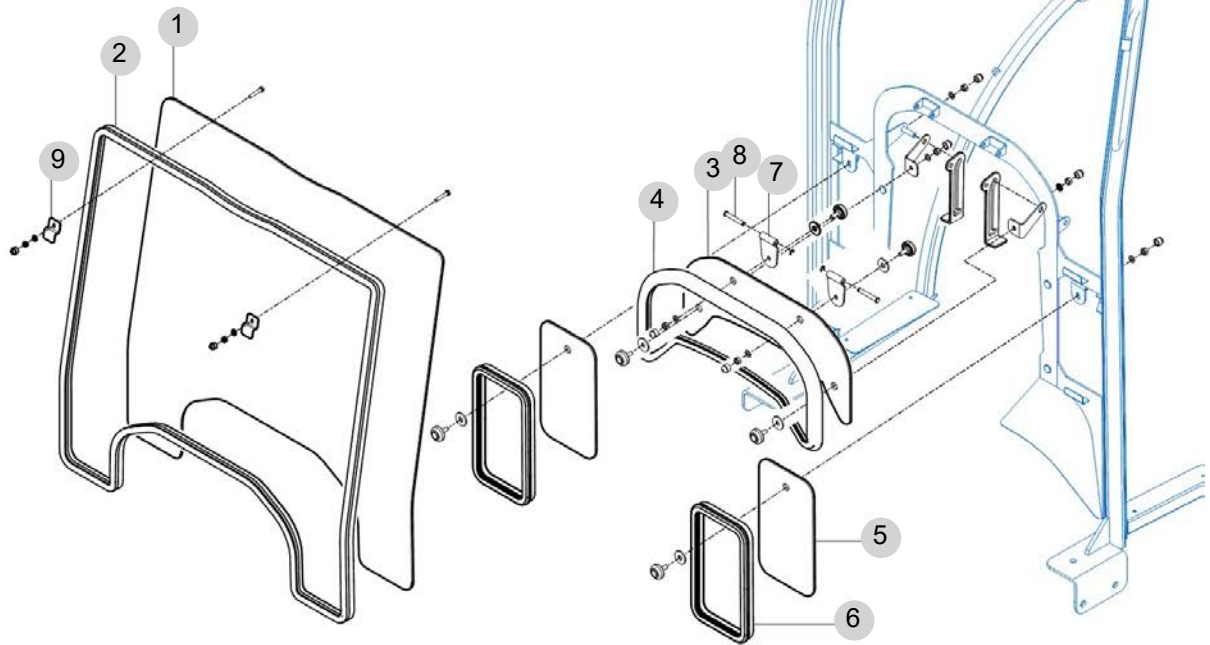
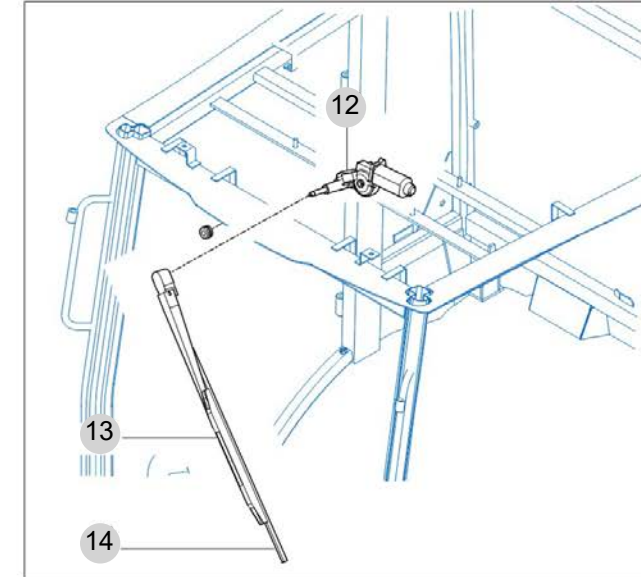
NOTE	
------	--

FIG 707

FRONT GLASS(OPTION)

년/월
Year/Month

2022-12



NOTE

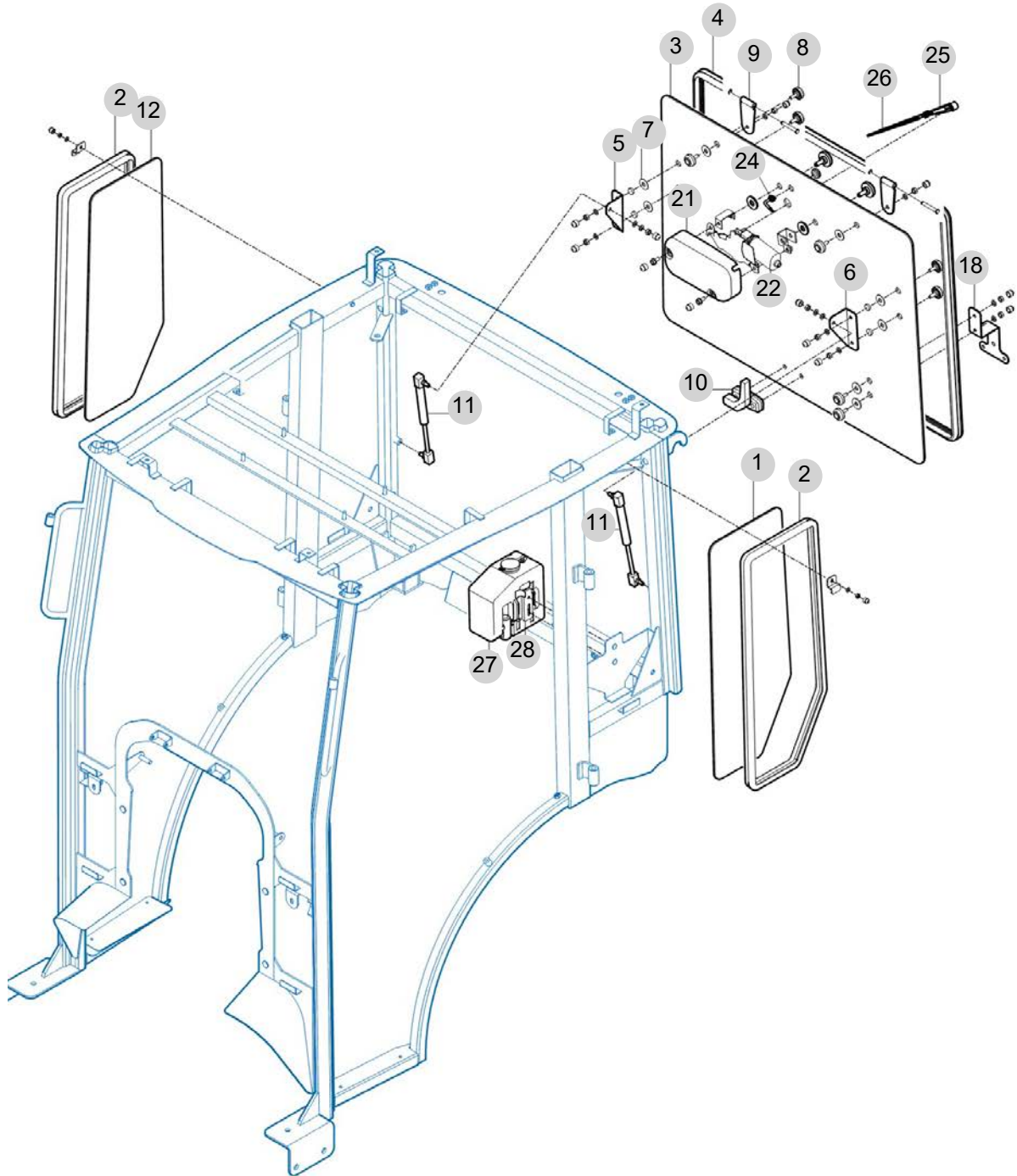
FIG 708

SIDE & REAR GLASS(OPTION)

년/월
Year/Month

2022-12

T25



NOTE

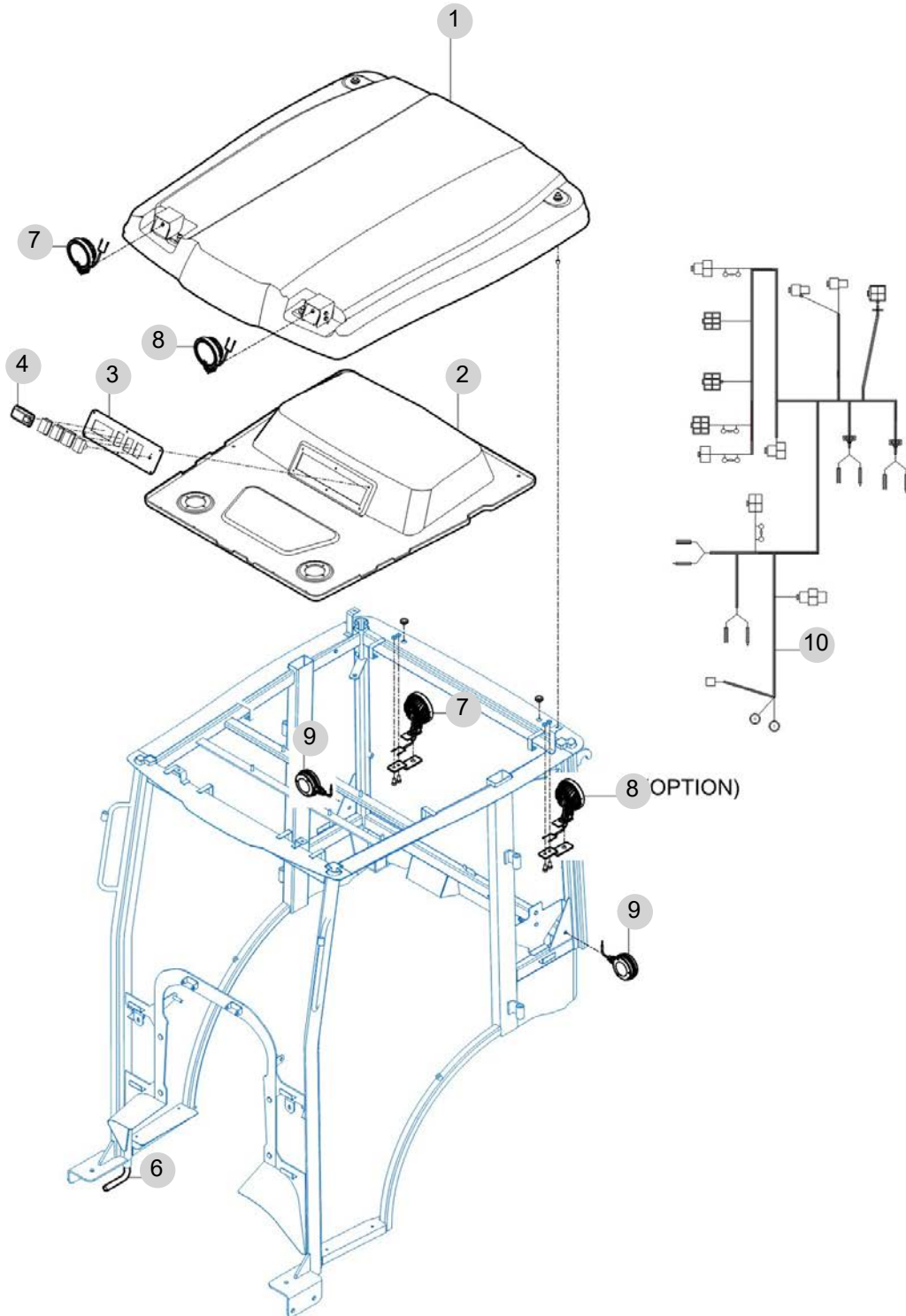
FIG 709

ROOF(OPTION)

년/월
Year/Month

2022-12

T25



NOTE

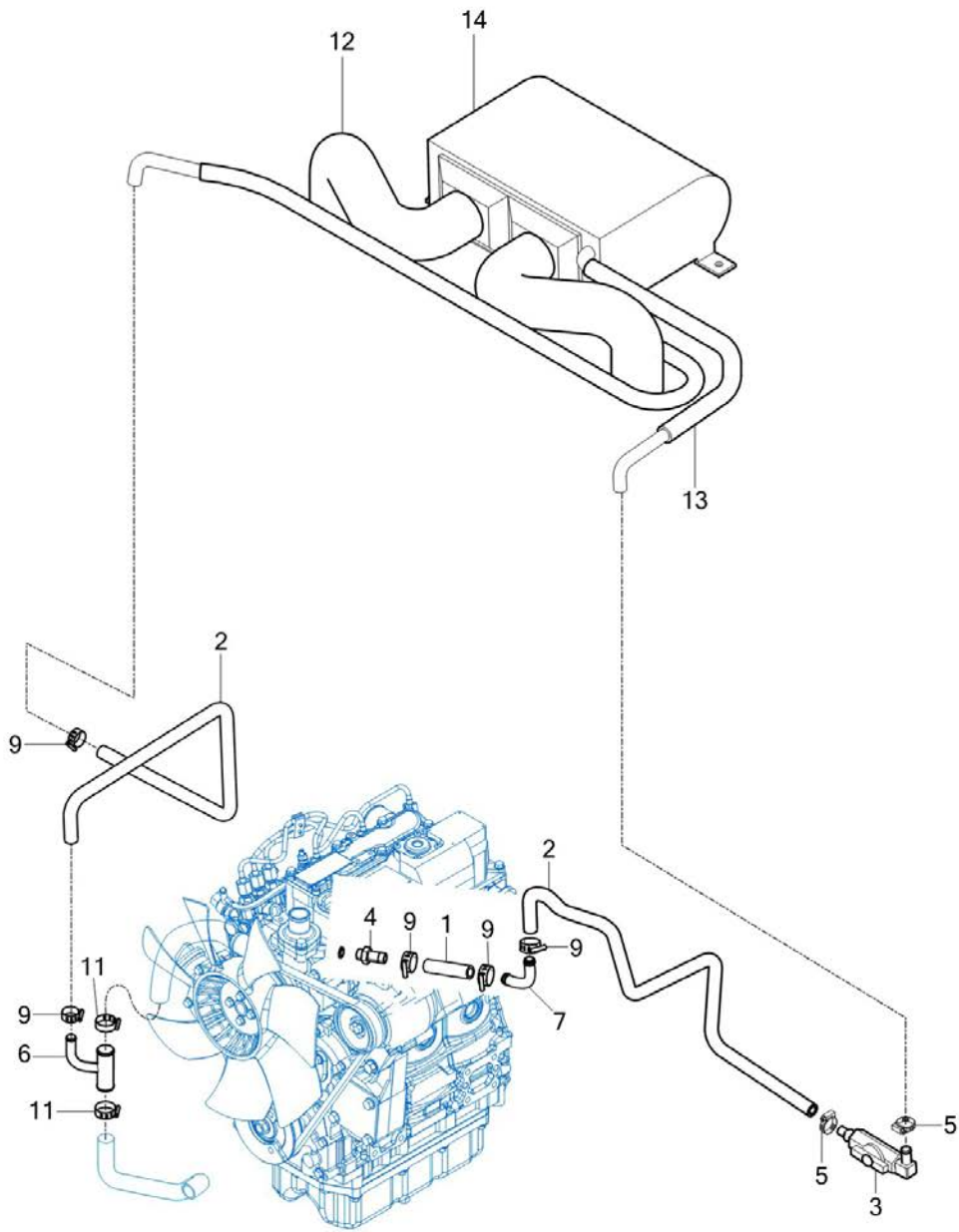
FIG 710

T25

HEATER(OPTION)

년/월
Year/Month

2022-12



NOTE

FIG 710 T25	HEATER(OPTION)						년/월 Year/Month

KEY NO		PART NO	DESCRIPTION	SPEC	QTY	REPAIR	EFFECTIVE DATE	REMARKS
710	1	11817081120	HOSE , ENGINE/OUT		1			
710	2	11817081130	HEATER HOSE , THERMOSTAT		2			
710	3	11818202100	VALVE ASSY , HEATER		1			
710	4	13347033170	ADAPTOR(M16X1.5)		1			
710	5	37681850160	BAND CLAMP 25		2			
710	6	11108202700	PIPE COMP		1			
710	7	13347023400	PIPE , CONNECTOR		1			
710	9	1802709320	BAND CLAMP 32		5			
710	11	18027090500	BAND CLAMP 50 EMBO TYPE		2			
710	12	13347023360	HOSE , DUCT		2			
710	13	13347026400	HOSE , HEATER		2			
710	14	13347026300	HEATER ASSY		1			

NOTE

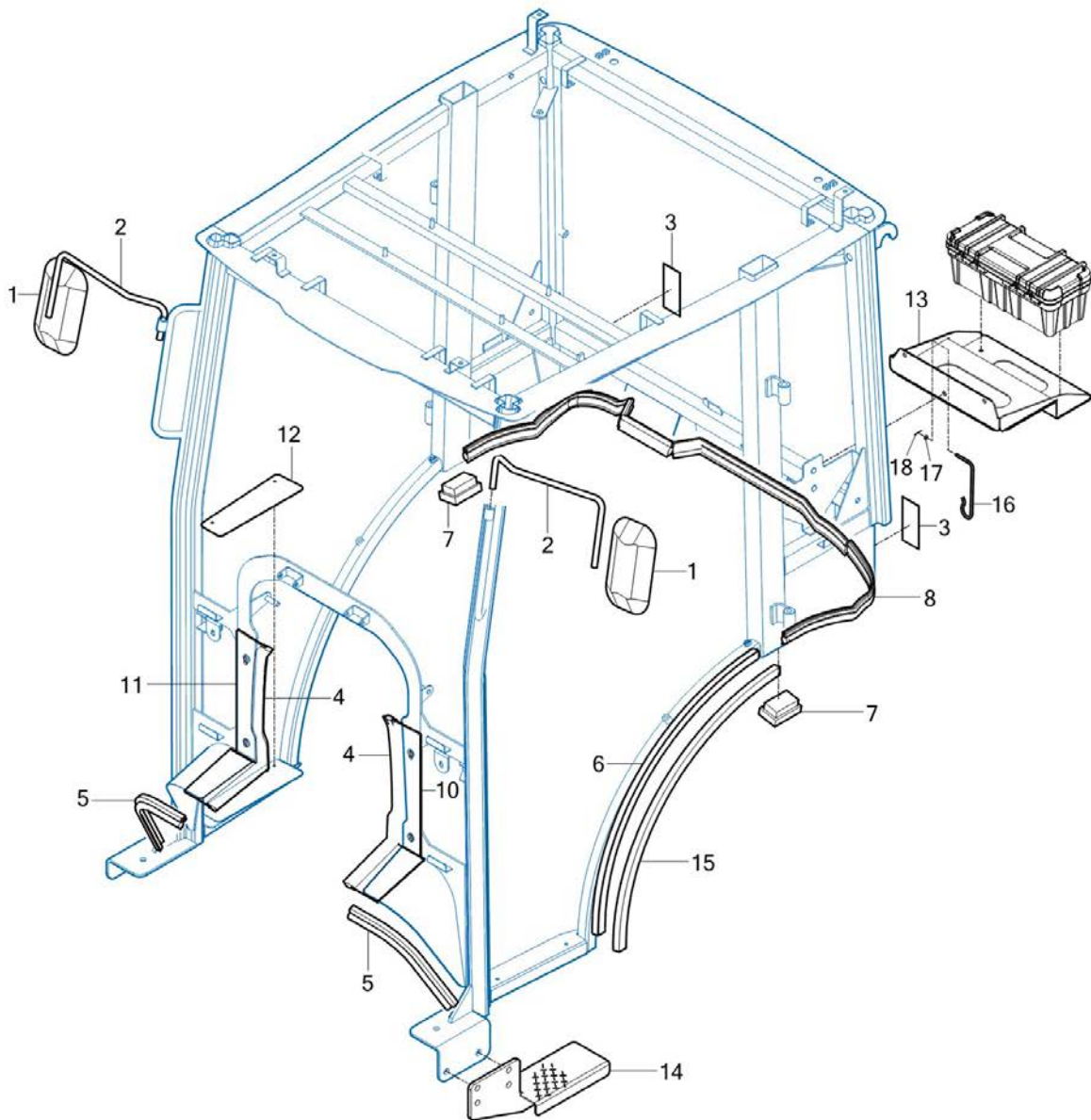
FIG 711

T25

INTERIOR PART(OPTION)

년/월
Year/Month

2022-12



NOTE

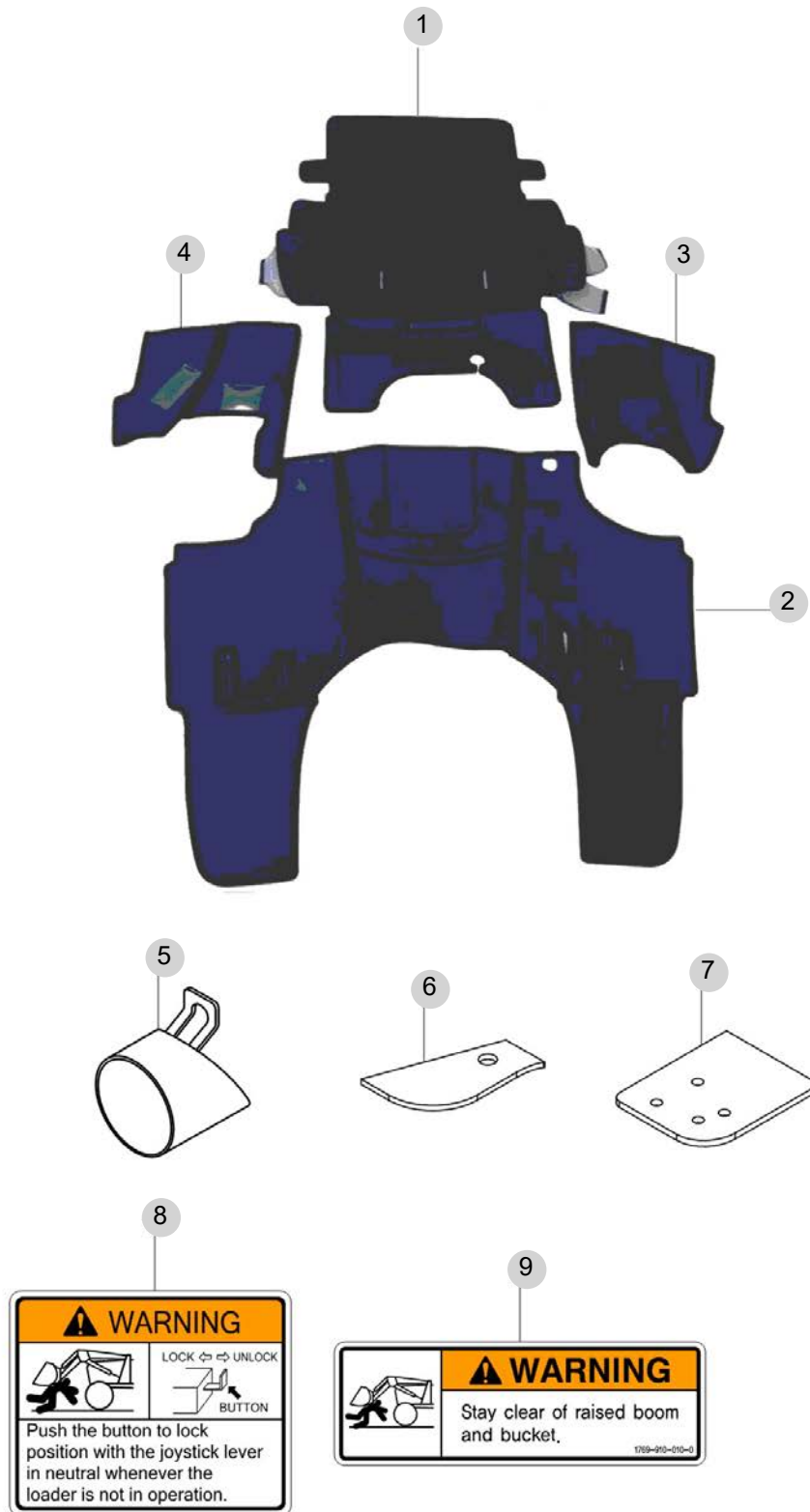
FIG 712

T25

SEAL(OPTION)

년/월
Year/Month

2022-12



NOTE

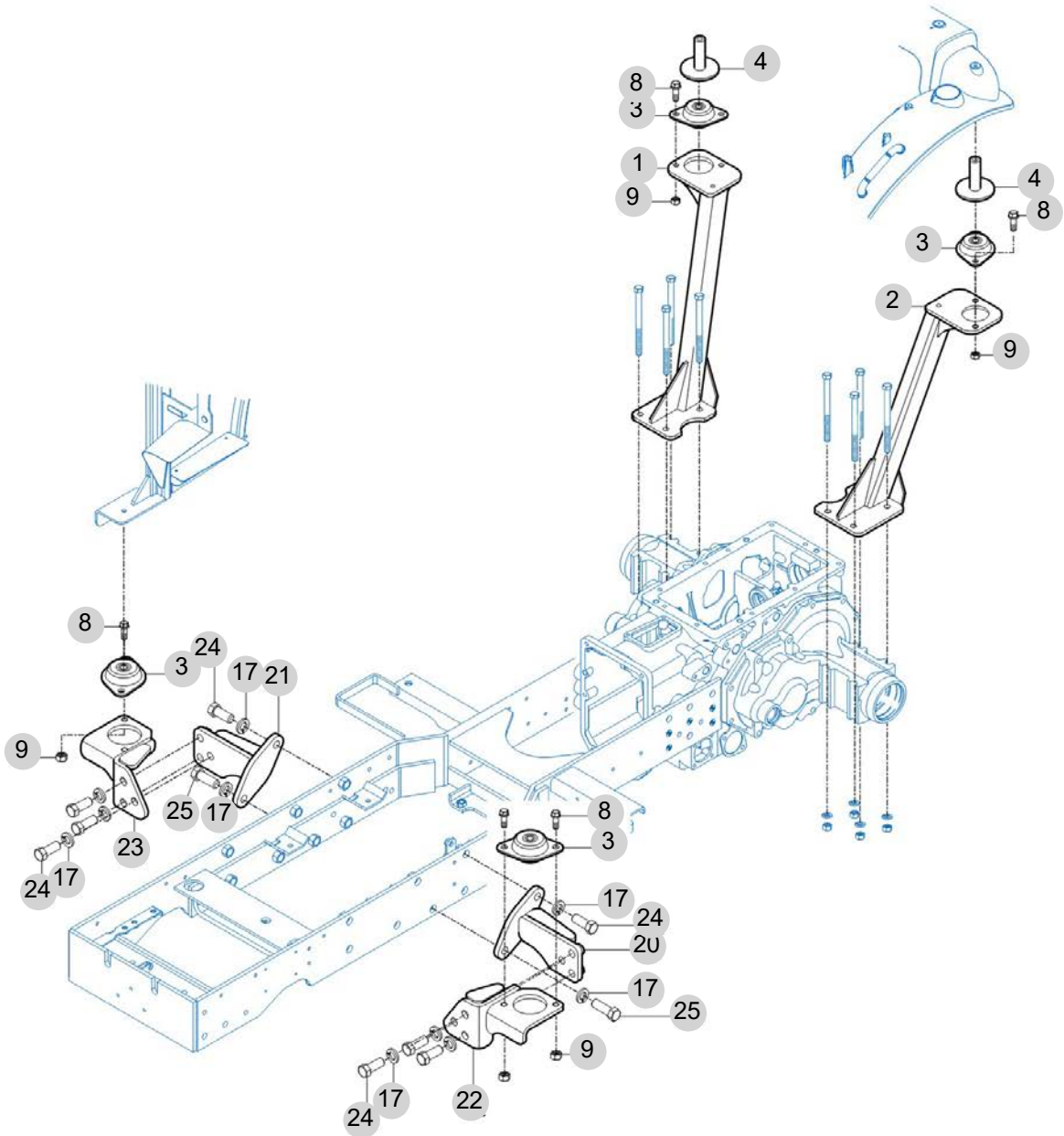
FIG 713

T25

FRONT & REAR MOUNTING(OPTION)

년/월
Year/Month

2022-12



NOTE

8. Electrical System PART NO. T8

FIG 801 BATTERY & MOUNTING	178
FIG 802 LIGHTS	180
FIG 803 INSTRUMENT PANEL	182
FIG 804 ELECTRIC SYSTEM	184
FIG 805 HARNESS	186
FIG 806 HARNESS	188

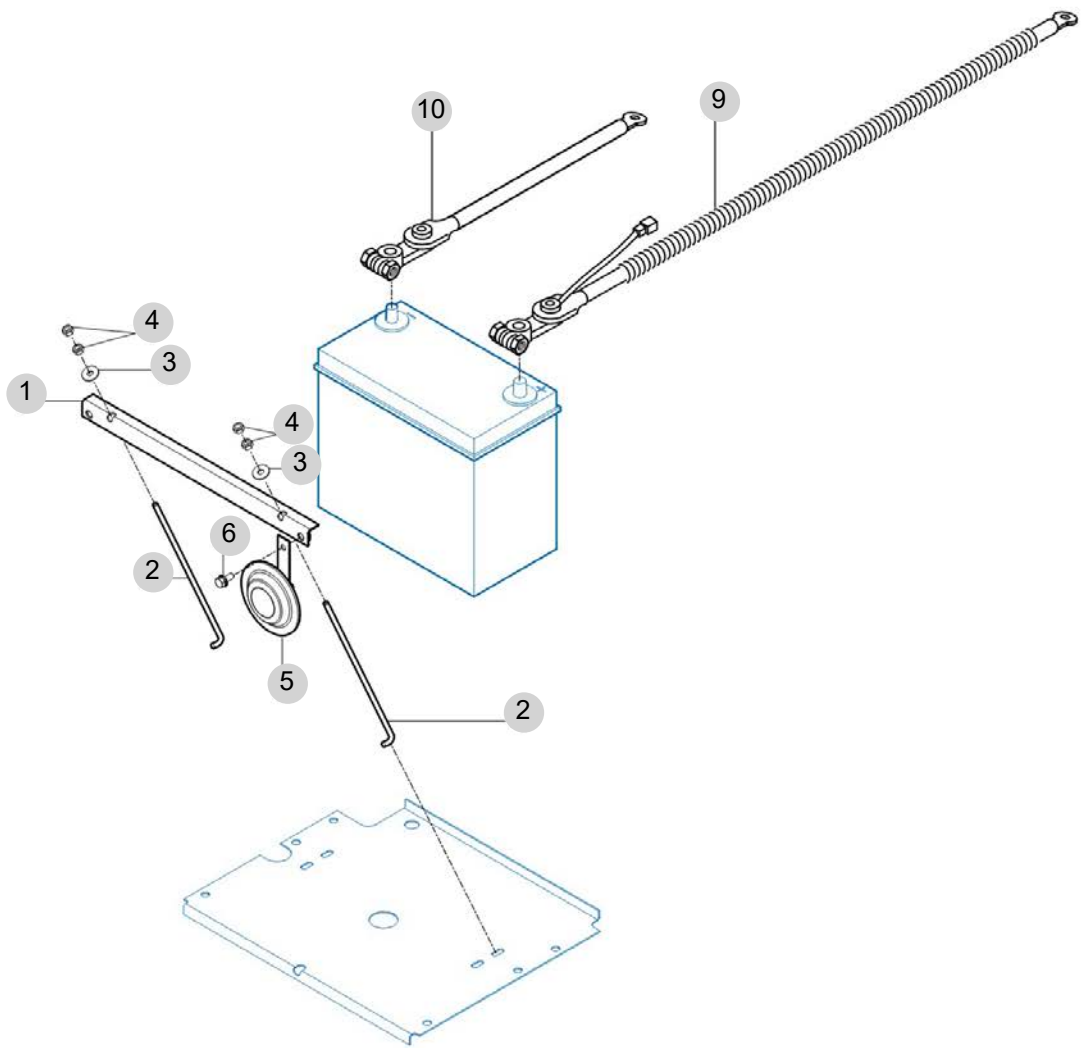
FIG 801

T25

BATTERY & MOUNTING

년/월
Year/Month

2022-12



NOTE

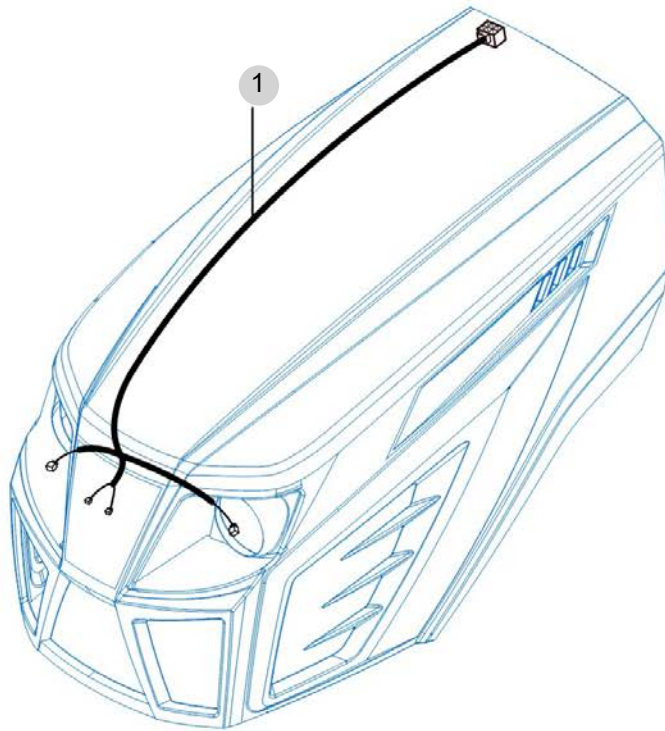
FIG 802

T25

LIGHTS

년/월
Year/Month

2022-12



NOTE

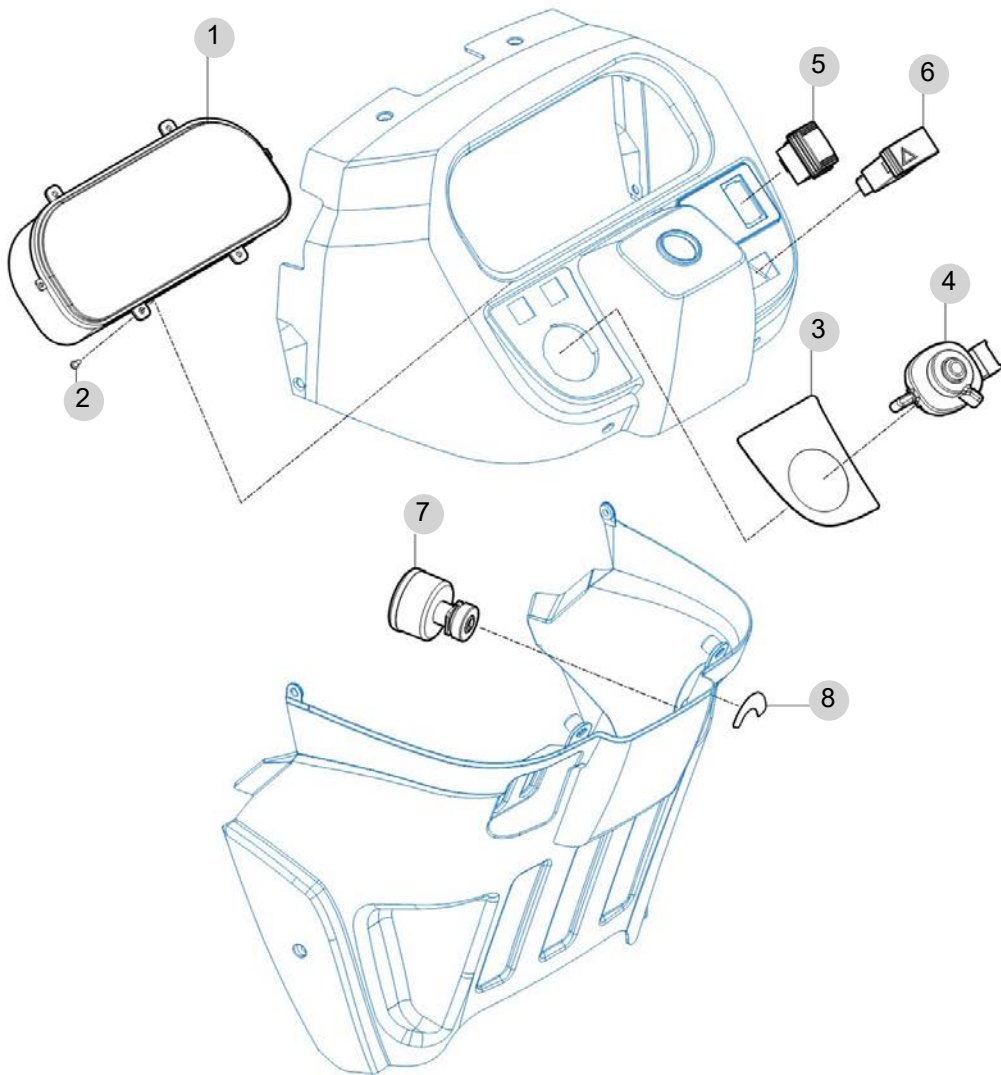
FIG 803

T25

INSTRUMENT PANEL

년/월
Year/Month

2022-12



NOTE

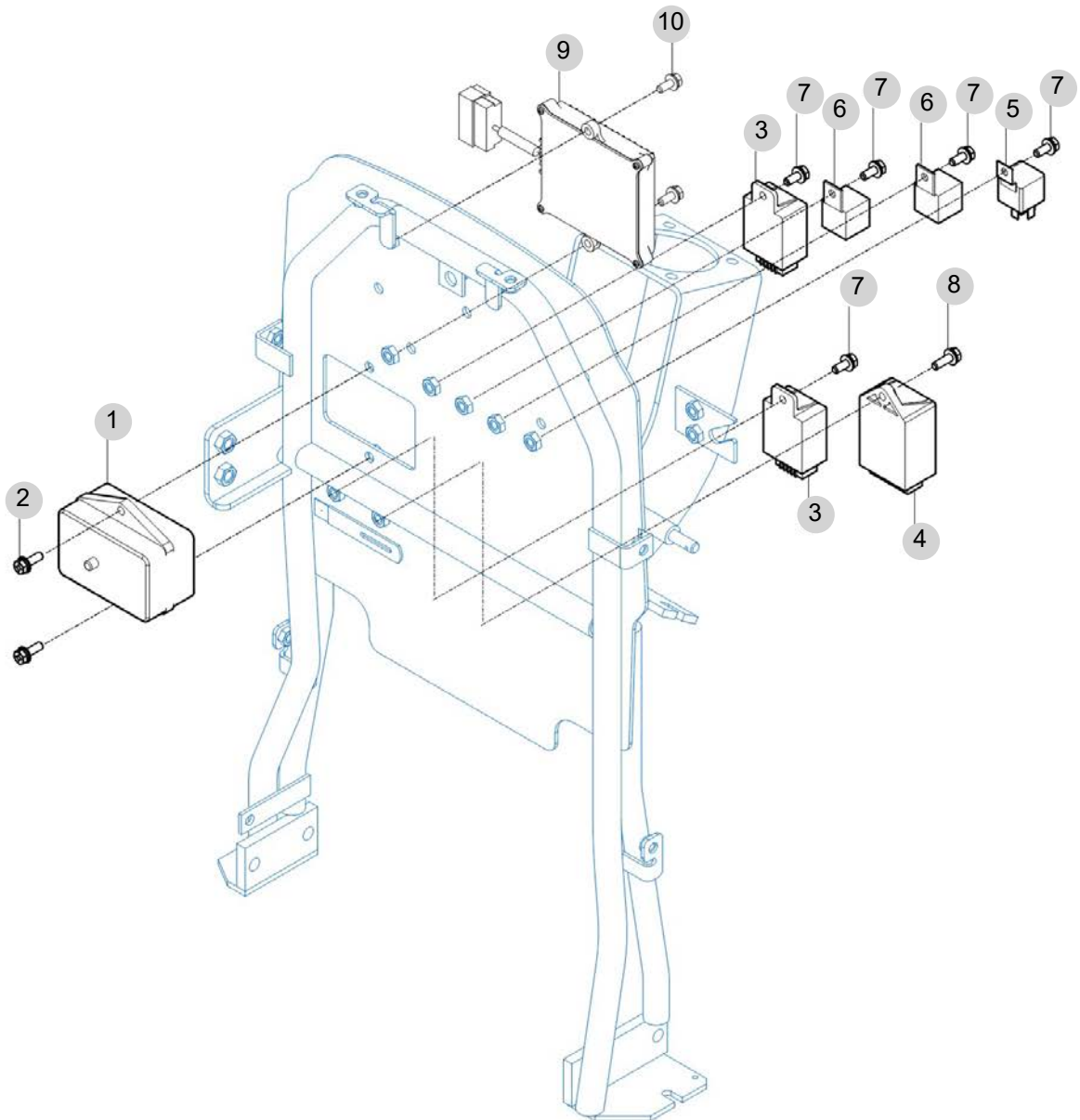
FIG 804

T25

ELECTRIC SYSTEM

년/월
Year/Month

2022-12



NOTE

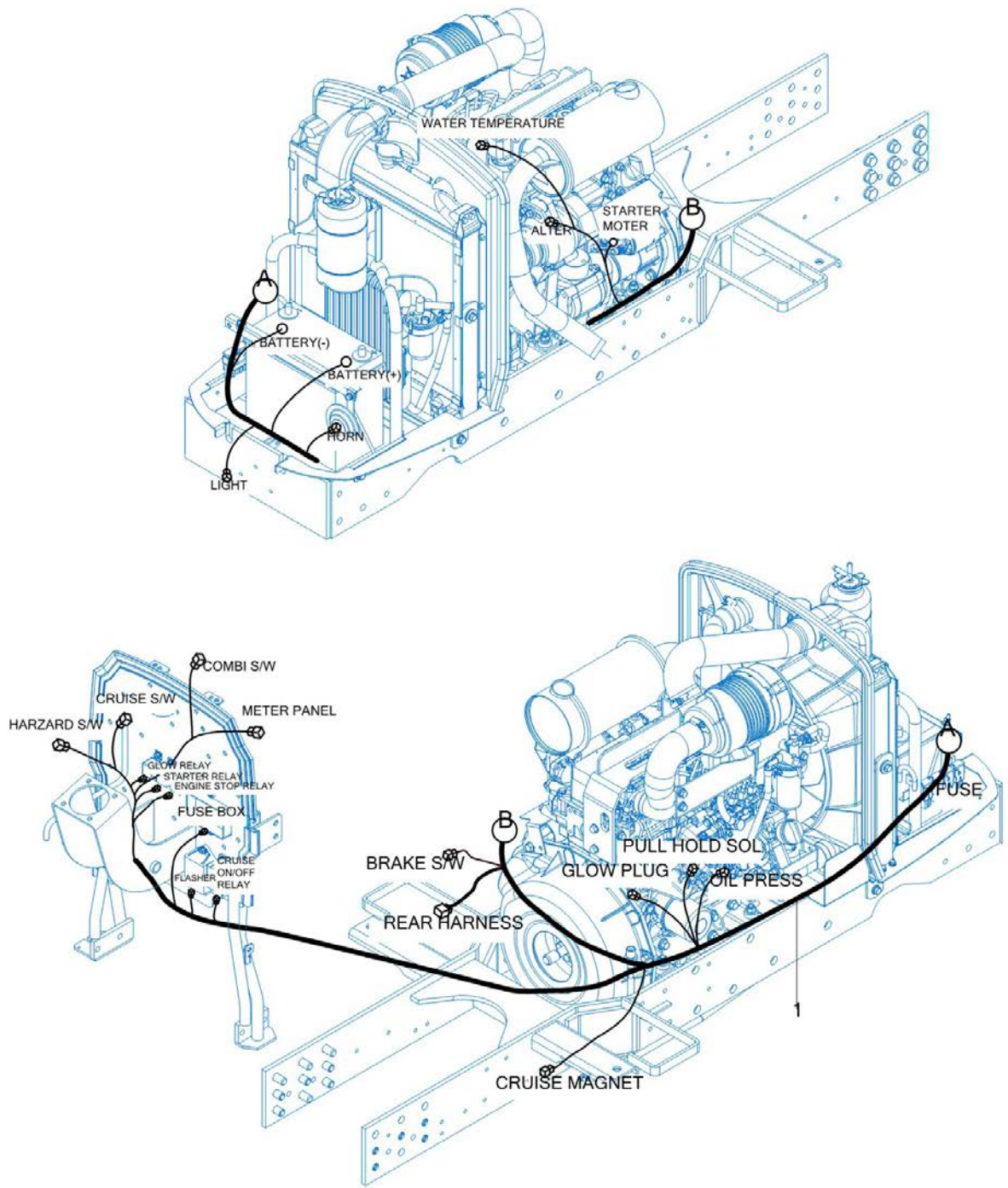
FIG 805

HARNESS

년/월
Year/Month

T25

2022-12



NOTE

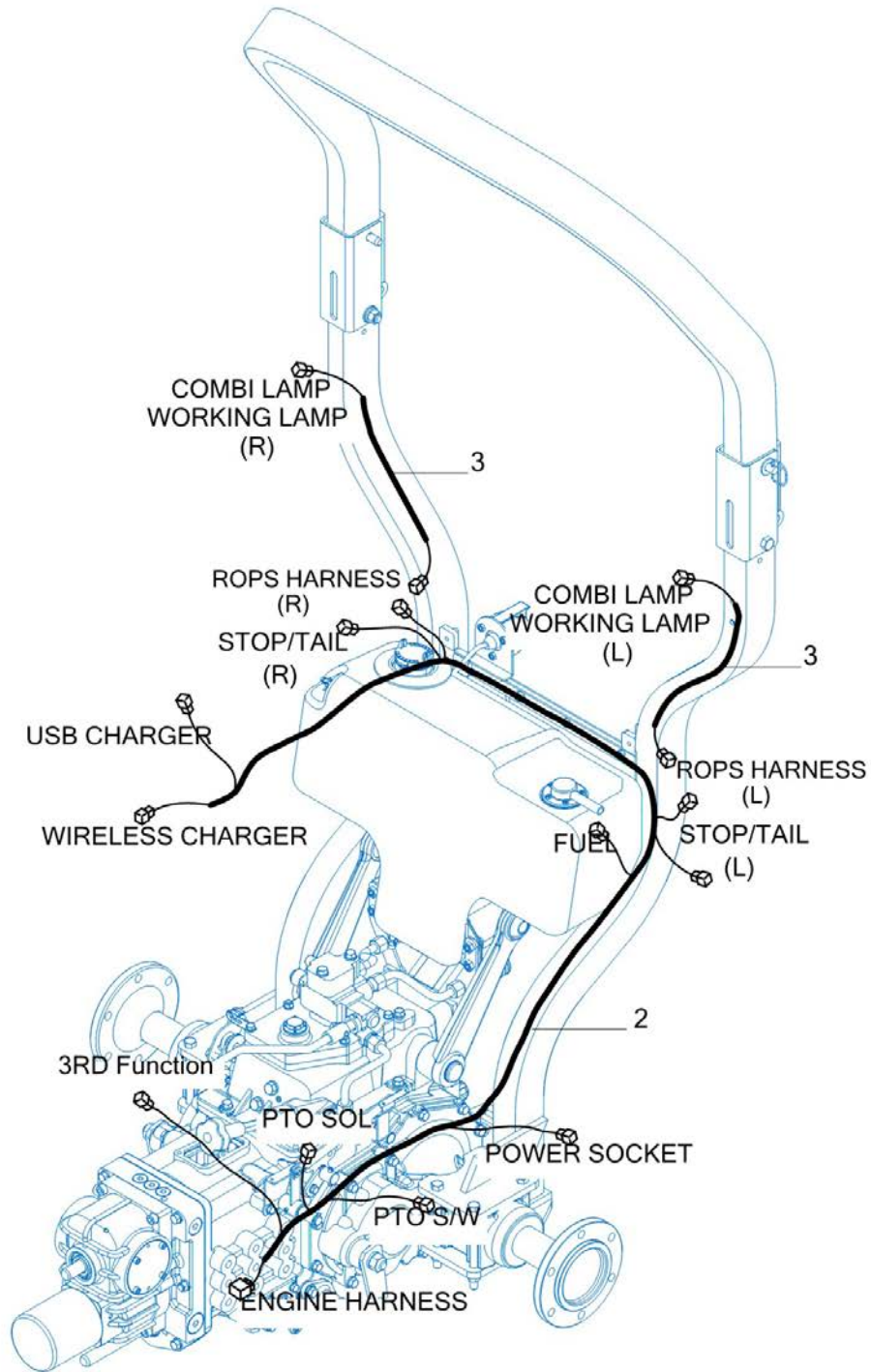
FIG 806

HARNESS

년/월
Year/Month

2022-12

T25



NOTE

FIG 806 T25		HARNESS					년/월 Year/Month	REMARKS
							2022-12	
KEY NO		PART NO	DESCRIPTION	SPEC	QTY	REPAIR	EFFECTIVE DATE	
806	2	11816683600	HARNESS ASSY , RR		1			
806	3	11816683700	HARNESS ASSY , ROPS		2			
NOTE								

9. Label/Option PART NO. T9

FIG 901 TOOL & ACCESSORY	191
FIG 903 LABEL	193
FIG 904 OPTION	195
FIG 905 MID P.T.O OPTION	197

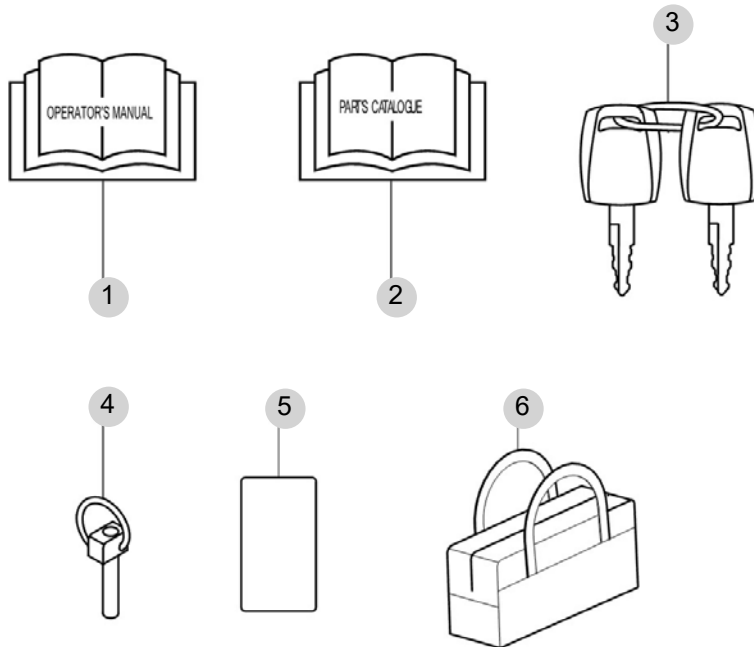
FIG 901

T25

TOOL & ACCESSORY

년/월
Year/Month

2022-12



T2744-901

NOTE

FIG 901 T25		TOOL & ACCESSORY						년/월 Year/Month
								2022-12
KEY NO	PART NO		DESCRIPTION	SPEC	QTY	REPAIR	EFFECTIVE DATE	REMARKS
901	1	11819120020	OPERATOR'S MANUAL , K2X		1			
901	2	11819120030	PARTS CATALOGUE , K2X		1			
901	3	12147078721	KEY SET		1			
901	4	14215020020	PIN , LINK		2			
901	5	11506571000	REAR REFLECTOR		2			
901	6	94009050020	BAG , ACCESSORY/MIDDLE		1			
NOTE								

FIG 903

LABEL

년/월
Year/Month

T25

2022-12

WARNING

Always apply the park brake when parking. Failure to do so can cause accidents and damages.

1200-910-022-0

1

WARNING

Always set the knob to lock when

1. Travelling on the road.
2. Replacing blades on an implement
3. Making adjustment to an implement

Sudden dropping of an implement can cause serious injury or death.

1200-910-026-0

3

WARNING

Do not refuel the tractor while smoking or near naked flame or sparks. always stop engine before refueling tractors.

1200-910-028-0

4

WARNING

Never use the diff-lock at high speed or on the road as this can cause rollover and injury.

1200-910-026-0

5

WARNING

Brake pedals must always be locked together when travelling on the highway. This will ensure uniform braking and provide maximum stopping ability sharp turns must only be made at slow speeds.

1200-910-027-0

6

CAUTION

Keep hands and clothing away from rotating fan and belts to prevent serious injury.

1200-910-012-0

7

DANGER

Rotating driveline contact can cause death. **KEEP AWAY!** Keep all drive line. Tractor and equipment shields in place during operation.

1200-910-013-0

8

WARNING

Attach implements and trailers to the tractor only using the prescribed draw-bar or hitch.

1200-910-014-0

9

WARNING

Do not remove radiator cap while engine is hot. Hot steam will injure you.

1200-910-016-0

10



40

DANGER

Do not ride except operator.

1200-910-018-0

11

WARNING

Always fasten Your seat belt.

1200-910-019-0

12

CAUTION

Do not touch while the system is hot. It cause serious burns.

1200-910-024-0

14

T25

18

Operator's manual

1200-910-023-0

13

1760-920-025-0

1760-910-017-0

15

16

PARKING BRAKE

Press down the master brake pedal and lock the parking lever at the same time

1177-900-011-0

21

EPA REGULATION

USE ULTRA LOW SULFUR FUEL ONLY

26



WARNING

Additions, alterations, cracking, damage or corrosion to this structure may adversely affect the performance of the ROPS.

23

WARNING

Do not use the accelerator lever except working on the field.

1200-910-021-0

31



35



27

This ROPS frame was tested in accordance with OECD standard(Code7) for use on TYM tractor model T25 with a reference mass of 965kg. Manufactured by TYM, KOREA

1181-910-005-0

36

WARNING

Cancer and Reproductive Harm

www.P65Warnings.ca.gov

39

DANGER

This Tractor may tip over unexpectedly and quicker than an operator is able to jump free

1. Never operate a tractor without a proper Roll over Protection Structure.(ROPS)
2. Always wear your seat belt when operating this tractor equipped with roll over protection
3. Never pull from above or from the rear axle.
4. Do not operate the tractor on steep slopes or near drop offs
5. Avoid sharp high speed turns

Serious injury or death may result from tractor upsets.

1220-904-5011-0

24

WARNING

Death or injury may result if this tractor over turns with the ROPS in the folded down position. Operate this tractor with the ROPS folded down only when necessary. Do not wear seat belt if operated with ROPS folded down

1220-904-502-0

25

WARNING

Push the button to lock position with joystick lever is neutral whenever the implement is not operation.

1200-910-020-0

32

WARNING

Stay clear of raised Boom and bucket.

1760-910-011-0

33

WARNING

Breathing diesel engine exhaust exposes you to chemicals known to the State of California to cause cancer and birth defects or other reproductive harm. Always start and operate the engine in a well-ventilated area. Do not inhale any fuel or exhaust in the vicinity. Do not modify or tamper with the exhaust system. Do not idle the engine except as necessary. For more information go to: www.P65Warnings.ca.gov/ diesel

1760-910-020-0

38

NOTE

FIG 903 T25		LABEL					년/월 Year/Month	
							2022-12	
KEY NO		PART NO	DESCRIPTION	SPEC	QTY	REPAIR	EFFECTIVE DATE	REMARKS
903	1	12009100020	LABEL , WARNING PARKING		1			
903	3	12009100040	LABEL , WARNING STOP VALVE		1			
903	4	12009100050	LABEL , WARNING FIRE		1			
903	5	12009100060	LABEL , WARNING DIFF		1			
903	6	12009100070	LABEL , WARNING BRAKE		1			
903	7	12009100120	LABEL , CAUTION FAN		2			
903	8	12009100130	LABEL , DANGER PTO		1			
903	9	12009100140	LABEL , WARNING DRAW		1			
903	10	12009100150	LABEL , WARNING RADIATOR		1			
903	11	12009100160	LABEL , DANGER RIDING		1			
903	12	12009100190	LABEL , WARNING BELT		1			
903	13	12009100230	LABEL , CAUTION OPERATION		1			
903	14	12009100240	LABEL , CAUTION MUFFLER		1			
903	15	17689200050	LABEL , DIFF		1			
903	16	17689100170	LABEL , CAUTION SAFETY		1			
903	18	11819020040	LABEL , MODEL NAME		2			
903	18	11269020012			2			
903	21	14729040130	LABEL , CAUTION PARKING		1			
903	23	12209045051	LABEL , ROPS WARNING/REMODELING		1			
903	24	12209045010	LABEL , ROPS DANGER		1			
903	25	12209045020	LABEL , ROPS WARNING		1			
903	26	18711201100	LABEL , ULTRA LOW SULFUR		1			
903	27	12127025110	LABEL , STARTER		1			
903	31	12009100210	LABEL , WARNING THROTTLE		1			
903	32	17699100090	LABEL , WARNING JOYSTICK		1			
903	33	17699100100	LABEL , WARNING JOYSTICK		1			
903	35	13379100150	6YEAR WARRANTY LABEL		1			
903	36	11819100050	LABEL , NAME/ROPS		1			
903	38	11449100020	LABEL , WARNING/CA P65 A		1			
903	39	11449100030	LABEL , WARNING/CA P65 B		1			
903	40	11619010020	LABEL , /TYM 30		1			
NOTE								

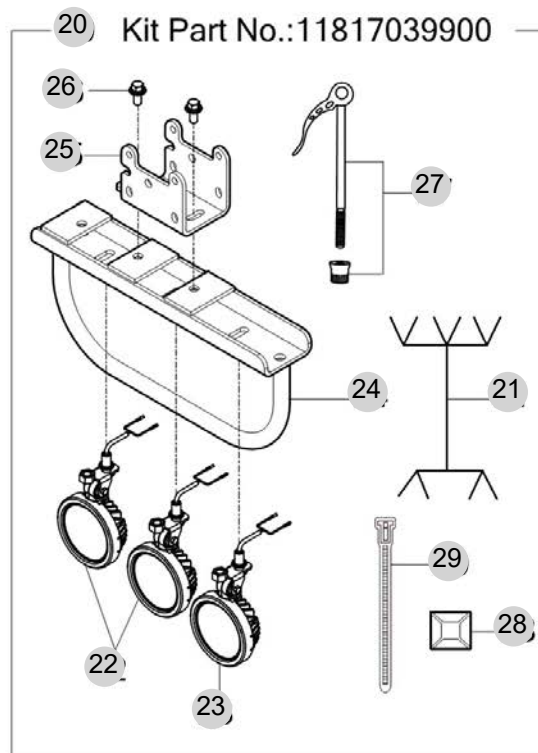
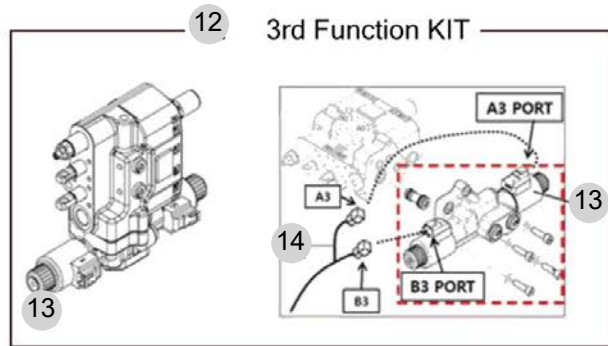
FIG 904

T25

OPTION

년/월
Year/Month

2022-12



NOTE

FIG 905

MID P.T.O OPTION

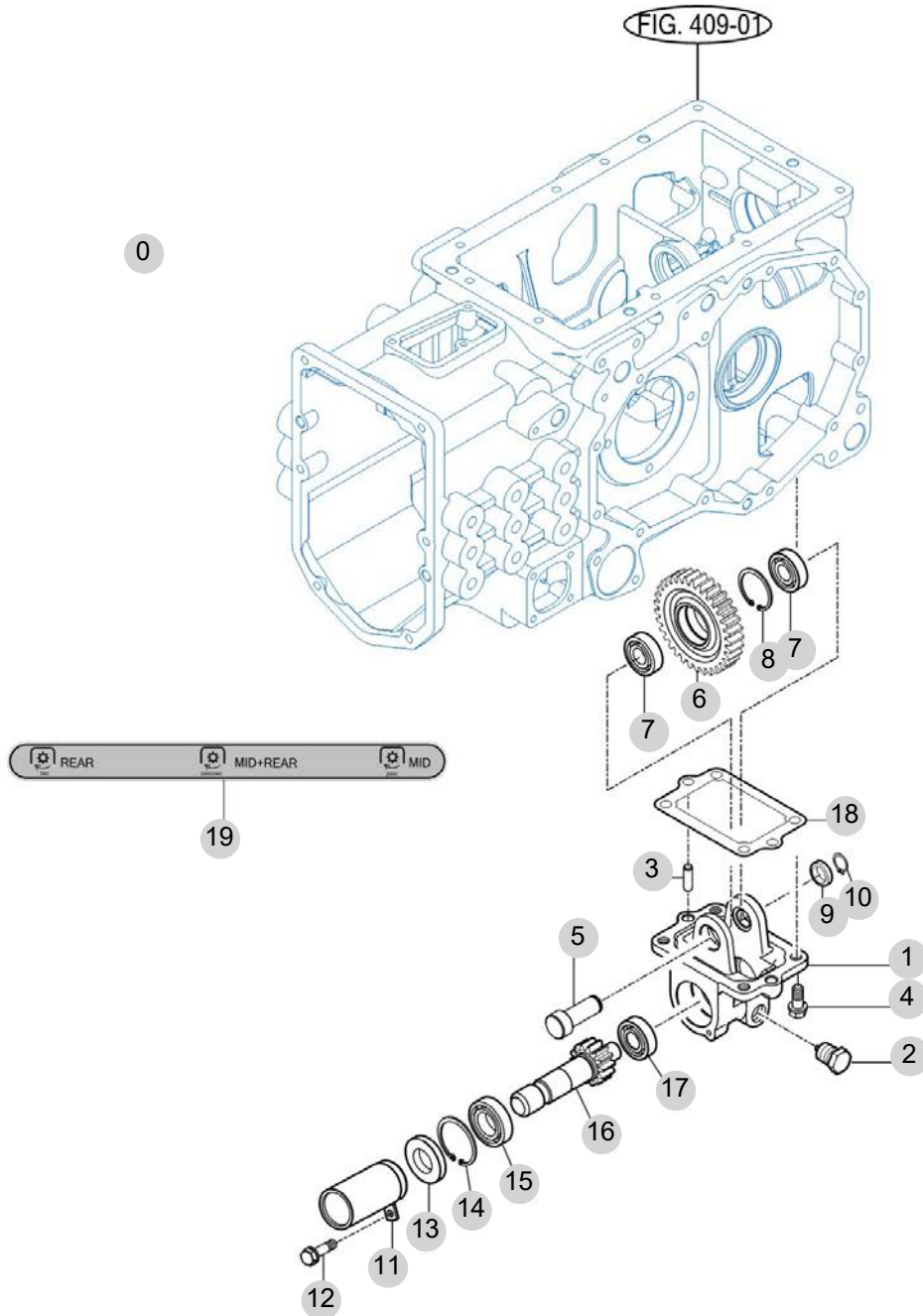
년/월
Year/Month

2022-12

T25

0

FIG. 409-01



NOTE

FIG 905		MID P.T.O OPTION					년/월 Year/Month	
T25							2022-12	
KEY NO	PART NO	DESCRIPTION	SPEC	QTY	REPAIR	EFFECTIVE DATE	REMARKS	
905	0	13152700000	MID PTO KIT					
905	1	13152700011M	MID PTO CASE					
905	2	16701015001	PLUG ASSY , DRAIN (MAGNET)					
905	3	V5201010022	PIN , PARALLEL/A	10X22				
905	4	V2173610025	BOLT , HEX/S	M10X25				
905	5	13152710020	SHAFT, MID PTO COUNTER					
905	6	13152712110	GEAR , SPUR 32T					
905	7	V6001106203	BEARING , BALL	6203				
905	8	V7051400400	C-RING , HOLE	40				
905	9	14722710040	COLLAR , 17X24X6					
905	10	V7041400170	C-RING , SHAFT	17				
905	11	14722702100	CAP COMP , MID PTO SHAFT					
905	12	V2113606012	BOLT , HEX /S	M6X12				
905	13	V7441254708	SEAL , OIL/D	D25478				
905	14	V7051400470	C-RING , HOLE	47				
905	15	V6001106005	BEARING , BALL	6005				
905	16	13152710010	MID PTO SHAFT					
905	17	V6001106203	BEARING , BALL	6203				
905	18	13152401021	GASKET(MID PTO)					
905	19	13139100040	LABEL(PTO, M+R)					
NOTE								