

F50RN_EU_FL(AC02146) TRACTOR

Parts Catalogue



CONTENTS

GROUP NO	GROUP NAME	PAGE
G. ENGINE		
A01_007	CYLINDER BLOCK	4
A02_005	DRIVE PULLY	6
A03_004	CRANK SHAFT PULLEY	8
A04_005	GLOW PLUG ASS'Y OPTION	10
A05_005	CRANK SHAFT ASS'Y OPTION	12
A06_004	BREATHER OPTION	14
A07_005	CAMSHAFT	16
A08_003	ALTERNATOR	18
A09_003	COOLING WATER PUMP	20
A10_010	COOLING FAN SPACER	22
A11_007	INJECTOR	24
A12_014	FUEL INJECTON	26
A13_005	PLUMBING, FUEL	28
A14_003	FUEL FILTER BRACKET	31
A16_018	FUEL FILTER ASS'Y OPTION	33
A17_014	INTAKE MANIFOLD ASS'Y OPTION	35
A18_011	FLYWHEEL	37
A19_007	FLYWHEEL HOUSING	39
A20_010	HEAD, CYLINDER	41
A21_004	HEAD COVER	43
A23_009	TURBOCHARGER SUPPORT ASS'Y OPTION	45
A25_002	OIL JET ASS'Y OPTION	47
A26_005	COOLER, ENGINE OIL	49
A27_005	OIL PAN ASS'Y OPTION	51
A28_001	PUMP, LUBRICATING OIL	53
A29_005	FILTER, LUBRICATING OIL	55
A30_003	FRONT GEAR ACCESSORY DRIVE	57
A31_007	PISTON	59
A32_003	LEVER, LOCKER	61
A33_013	EXHAUST MANIFOLD	63
A35_002	IDLE GEAR	65
A36_004	COVER, FRONT GEAR	67
A37_001	BALANCE ASS'Y	69
A38_009	GAUGE, OIL LEVEL	71

CONTENTS

GROUP NO	GROUP NAME	PAGE
G. ENGINE		
A39_001	OIL FILLER CAP	73
A40_003	LIFT ASS'Y OPTION	75
A42_003	MOTER, STARTIONS	77
A43_001	DPF SUPPORT OPTION	79
A44_006	DPF MOUNTING OPTION	81
A45_011	DPF	83
A48_006	V-BELT	85

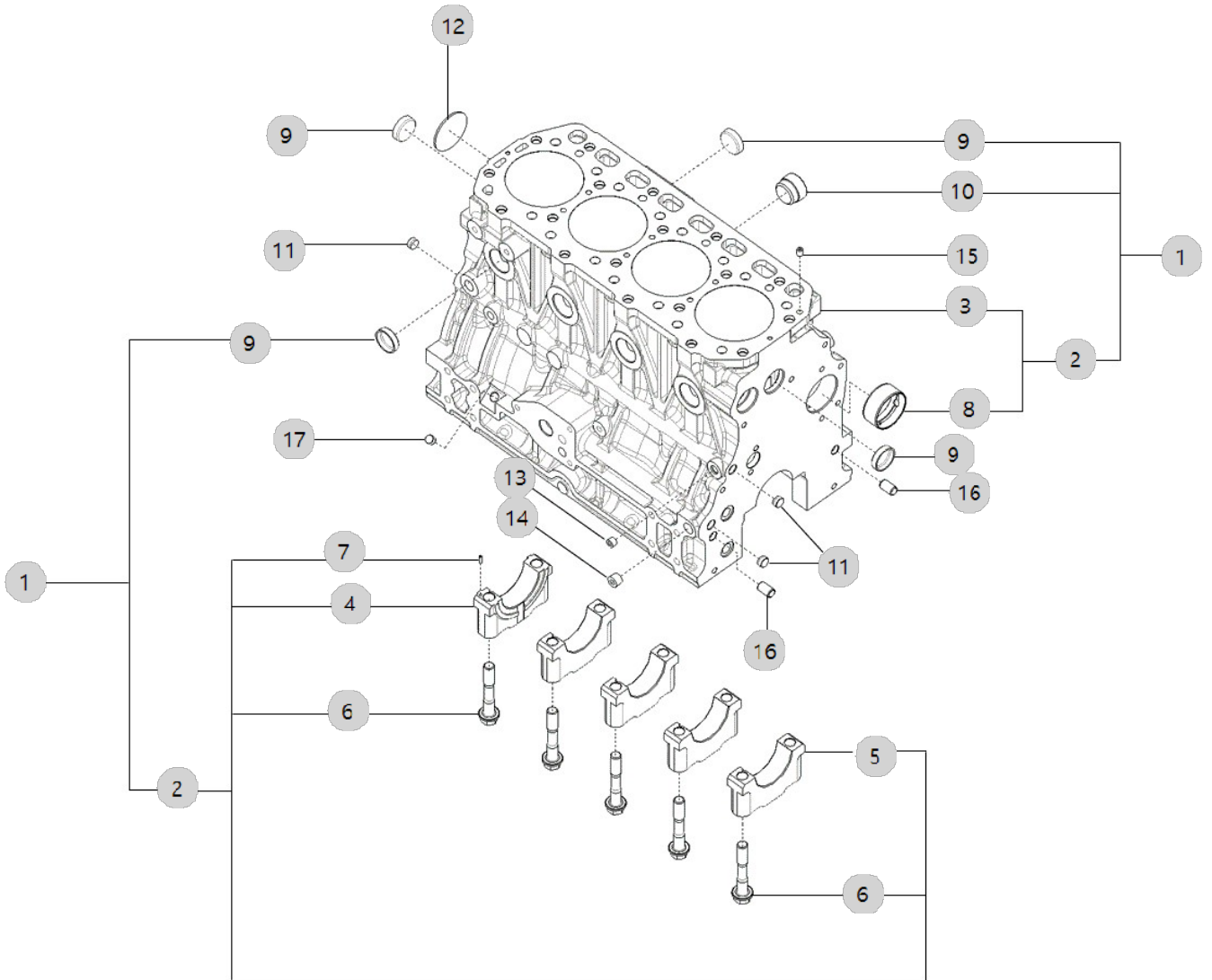
A01_007

A2300N4-ETR_5
(AB00330)

CYLINDER BLOCK

Year/Month

2022-12-16



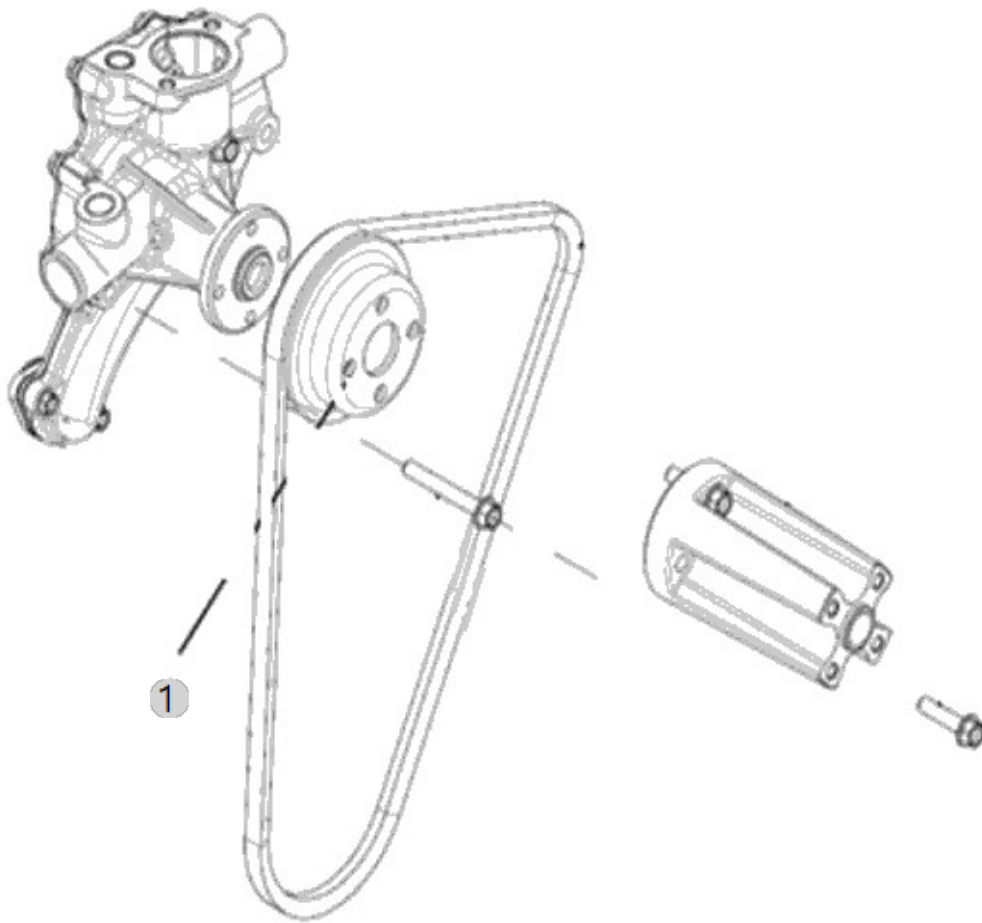
A02_005

A2300N4-ETR_5
(AB00330)

DRIVE PULLEY

Year/Month

2022-12-16



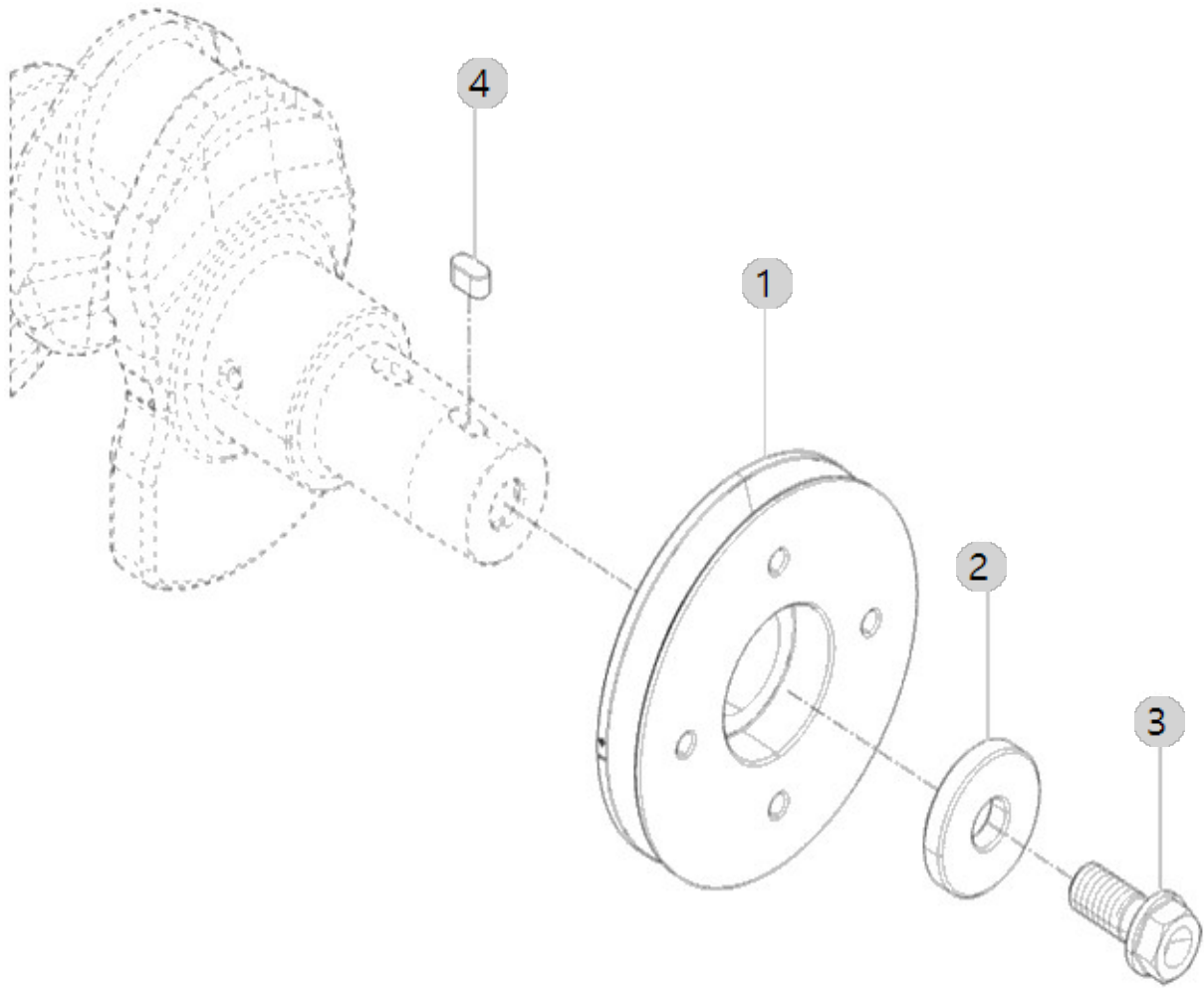
A03_004

A2300N4-ETR_5
(AB00330)

CRANK SHAFT PULLEY

Year/Month

2022-12-16



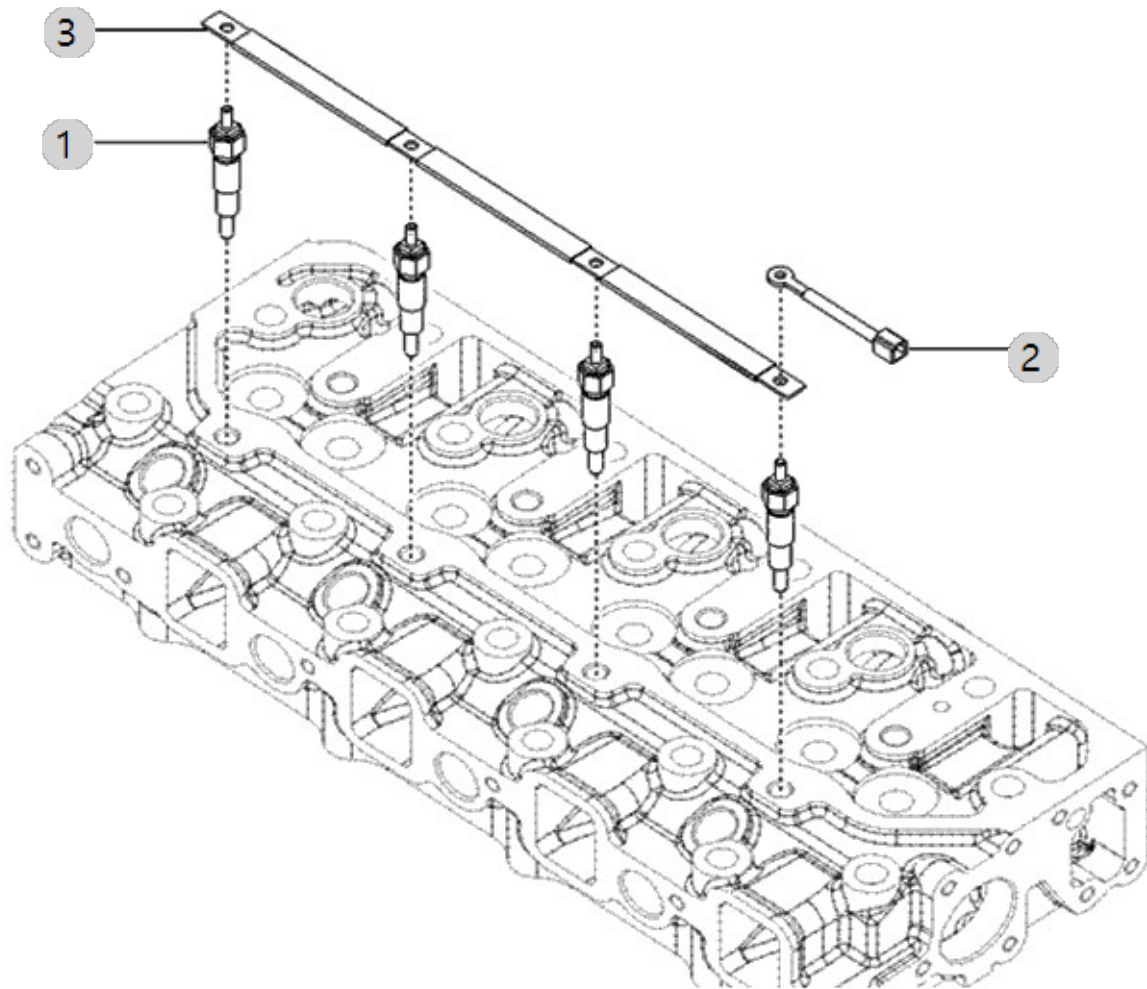
A04_005

A2300N4-ETR_5
(AB00330)

GLOW PLUG ASS'Y OPTION

Year/Month

2022-12-16



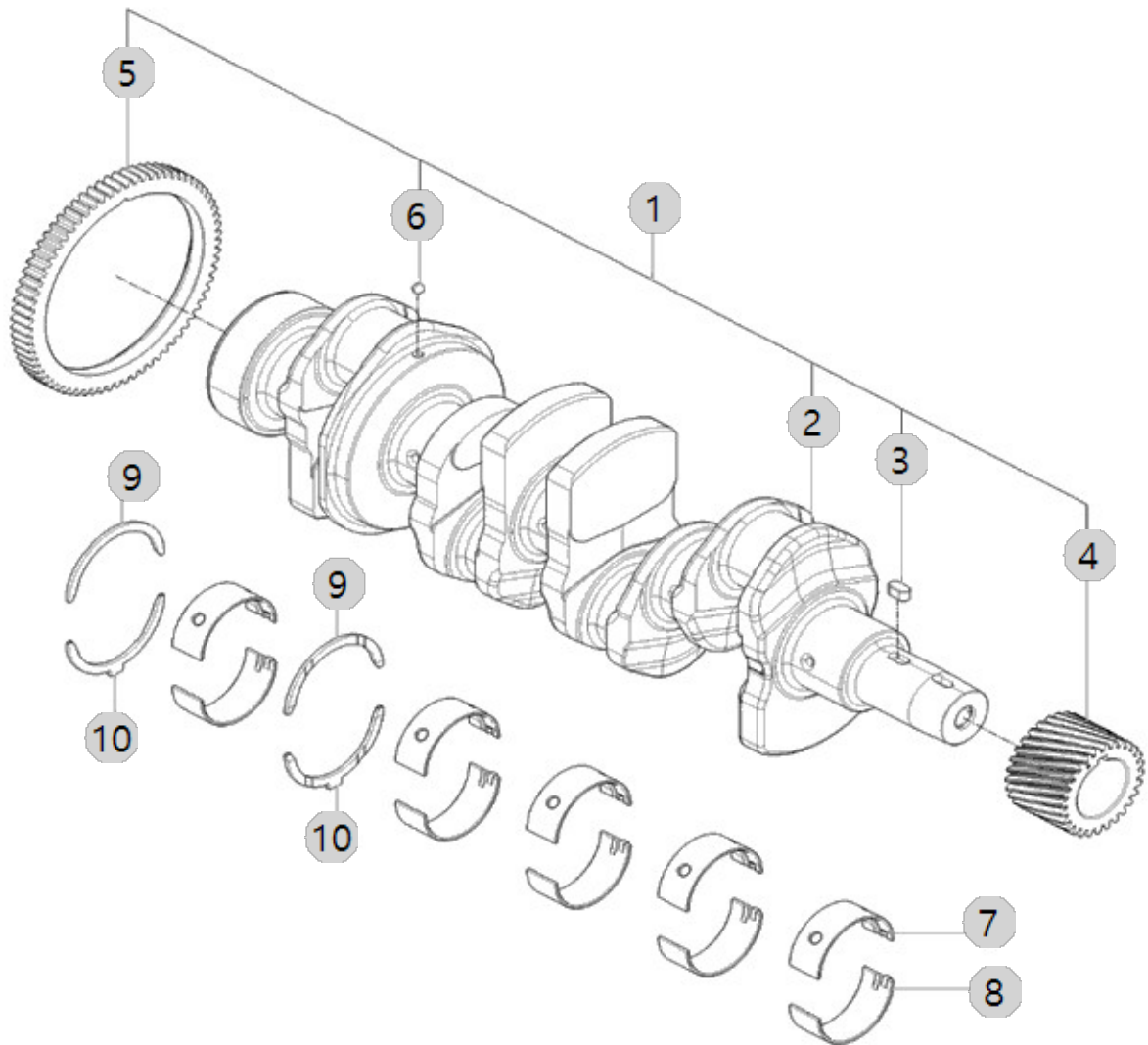
A05_005

A2300N4-ETR_5
(AB00330)

CRANK SHAFT ASS'Y OPTION

Year/Month

2022-12-16



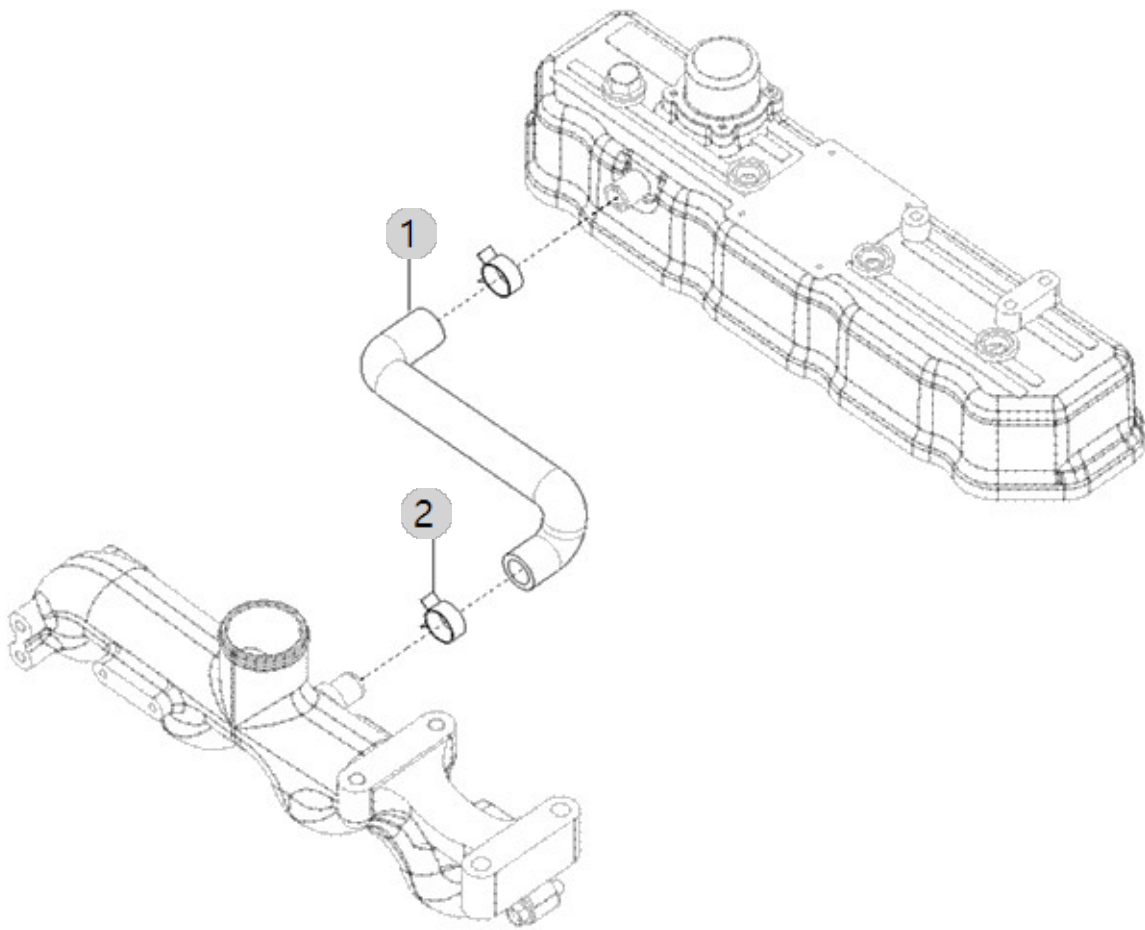
A06_004

A2300N4-ETR_5
(AB00330)

BREATHER OPTION

Year/Month

2022-12-16



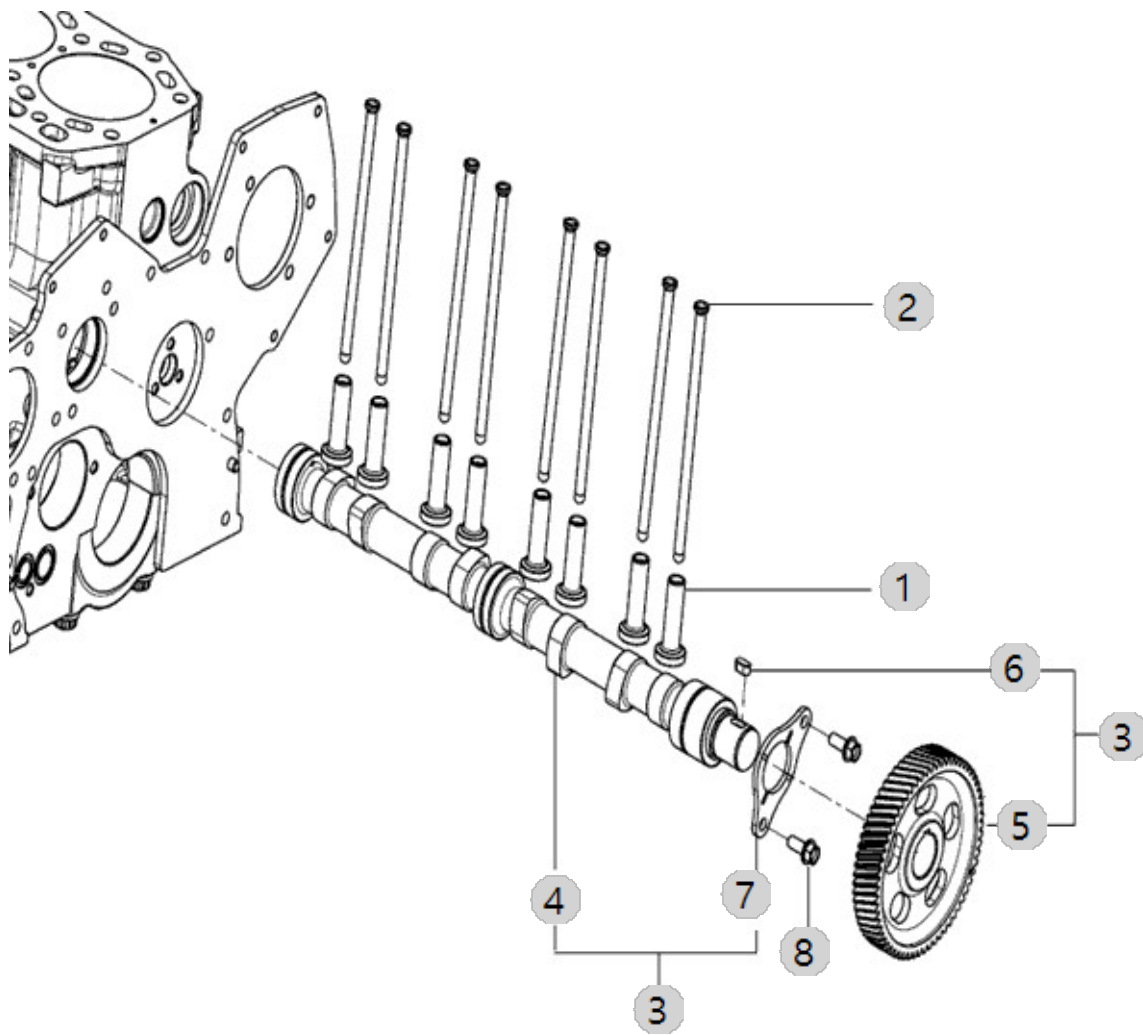
A07_005

A2300N4-ETR_5
(AB00330)

CAMSHAFT

Year/Month

2022-12-16



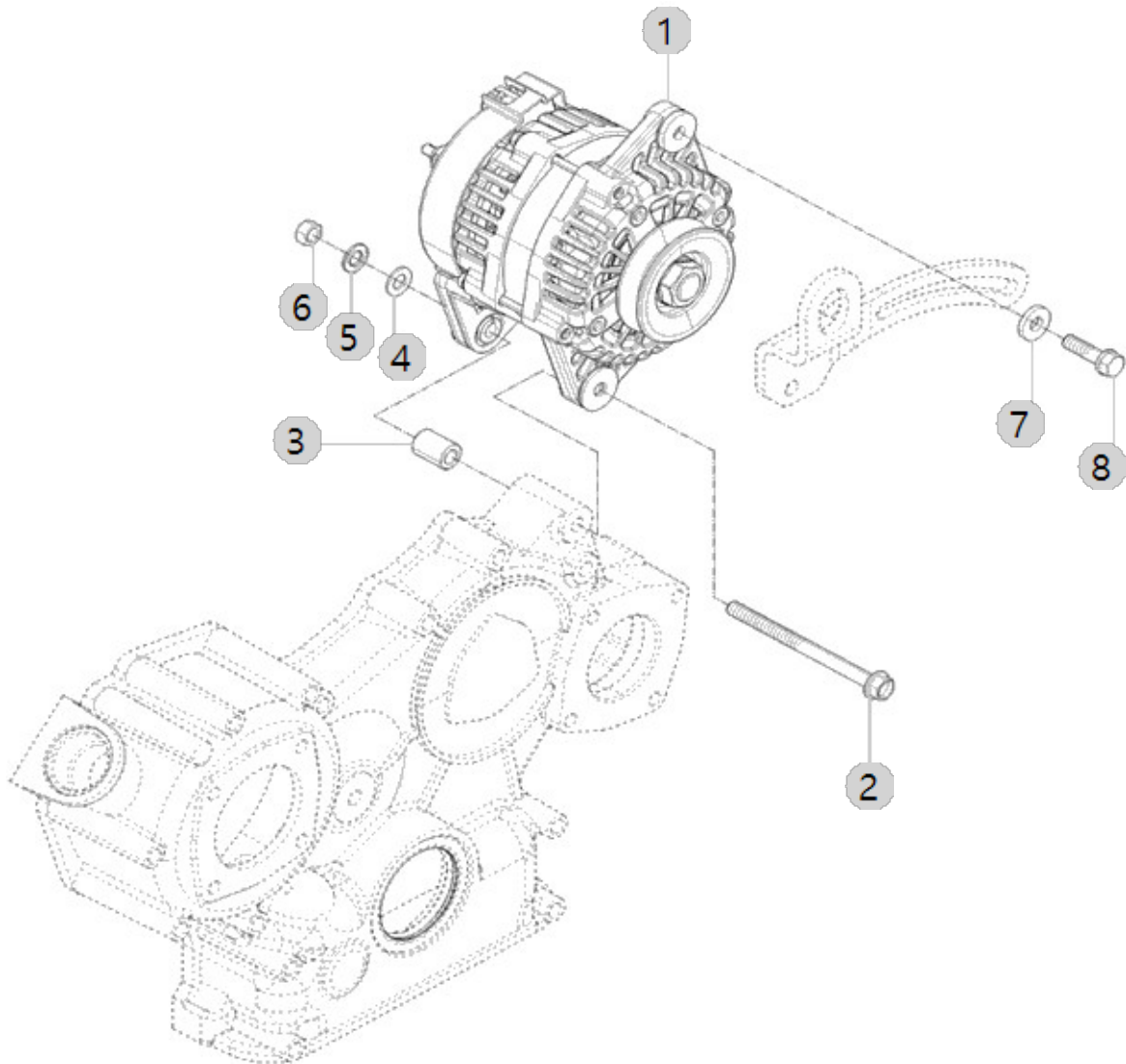
A08_003

A2300N4-ETR_5
(AB00330)

ALTERNATOR

Year/Month

2022-12-16



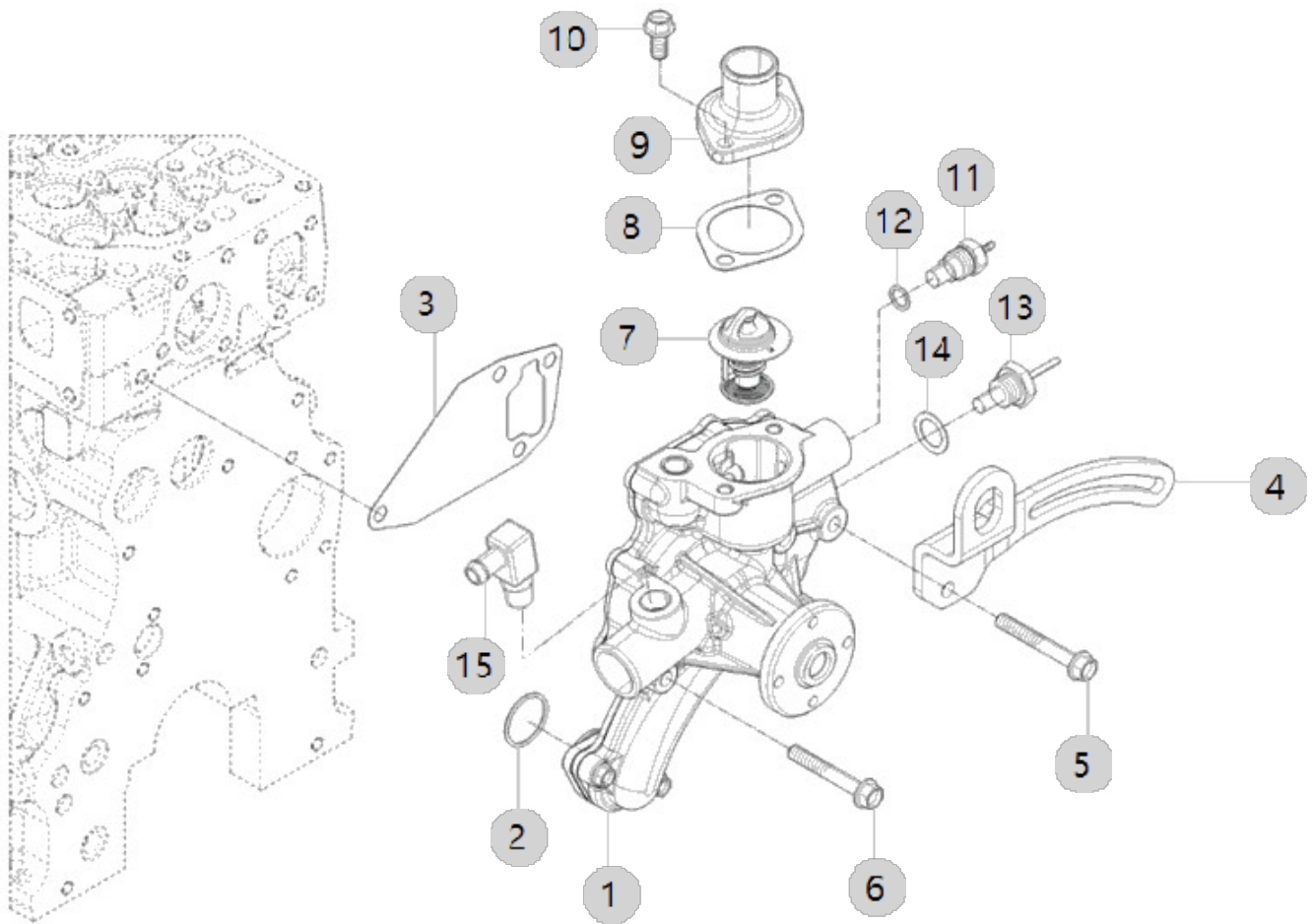
A09_003

A2300N4-ETR_5
(AB00330)

COOLING WATER PUMP

Year/Month

2022-12-16



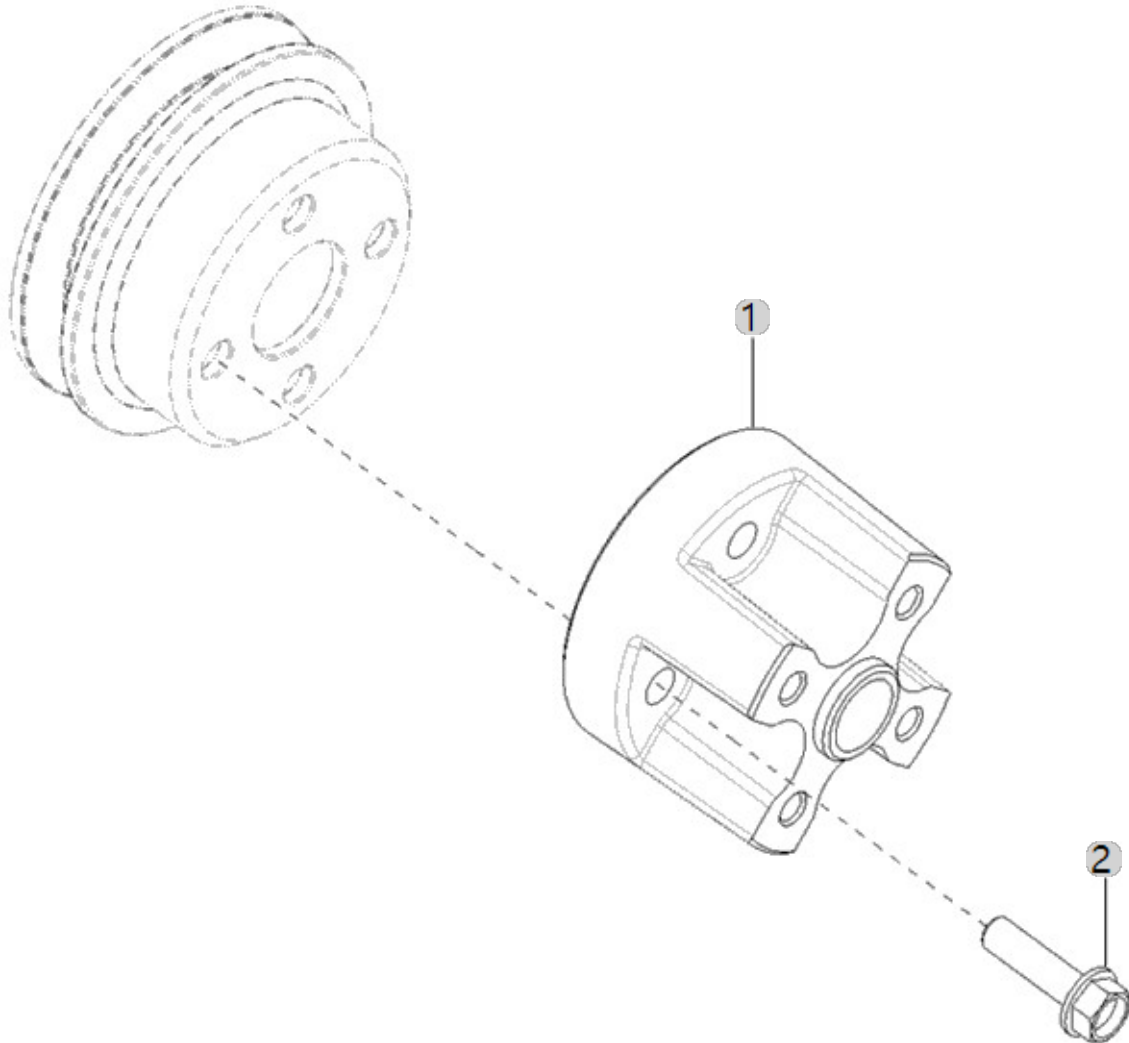
A10_010

A2300N4-ETR_5
(AB00330)

COOLING FAN SPACER

Year/Month

2022-12-16



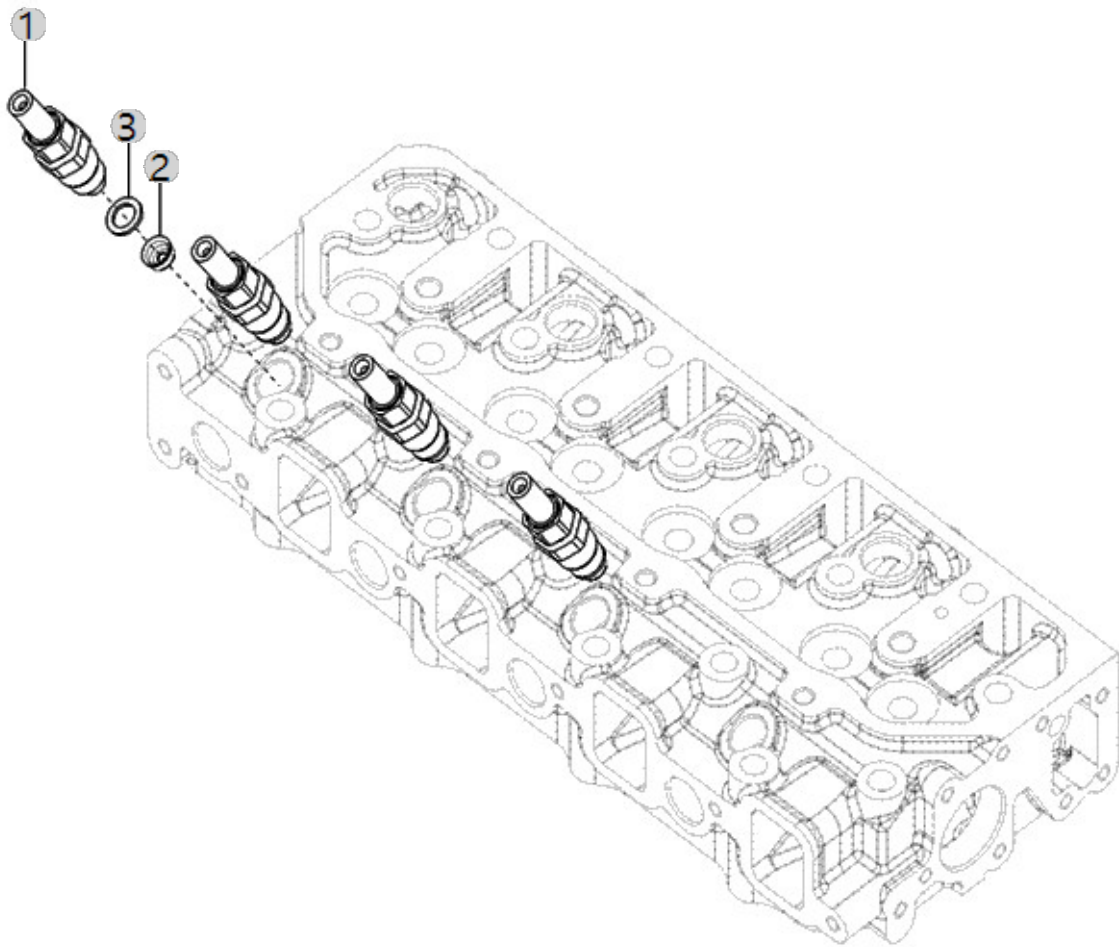
A11_007

A2300N4-ETR_5
(AB00330)

INJECTOR

Year/Month

2022-12-16



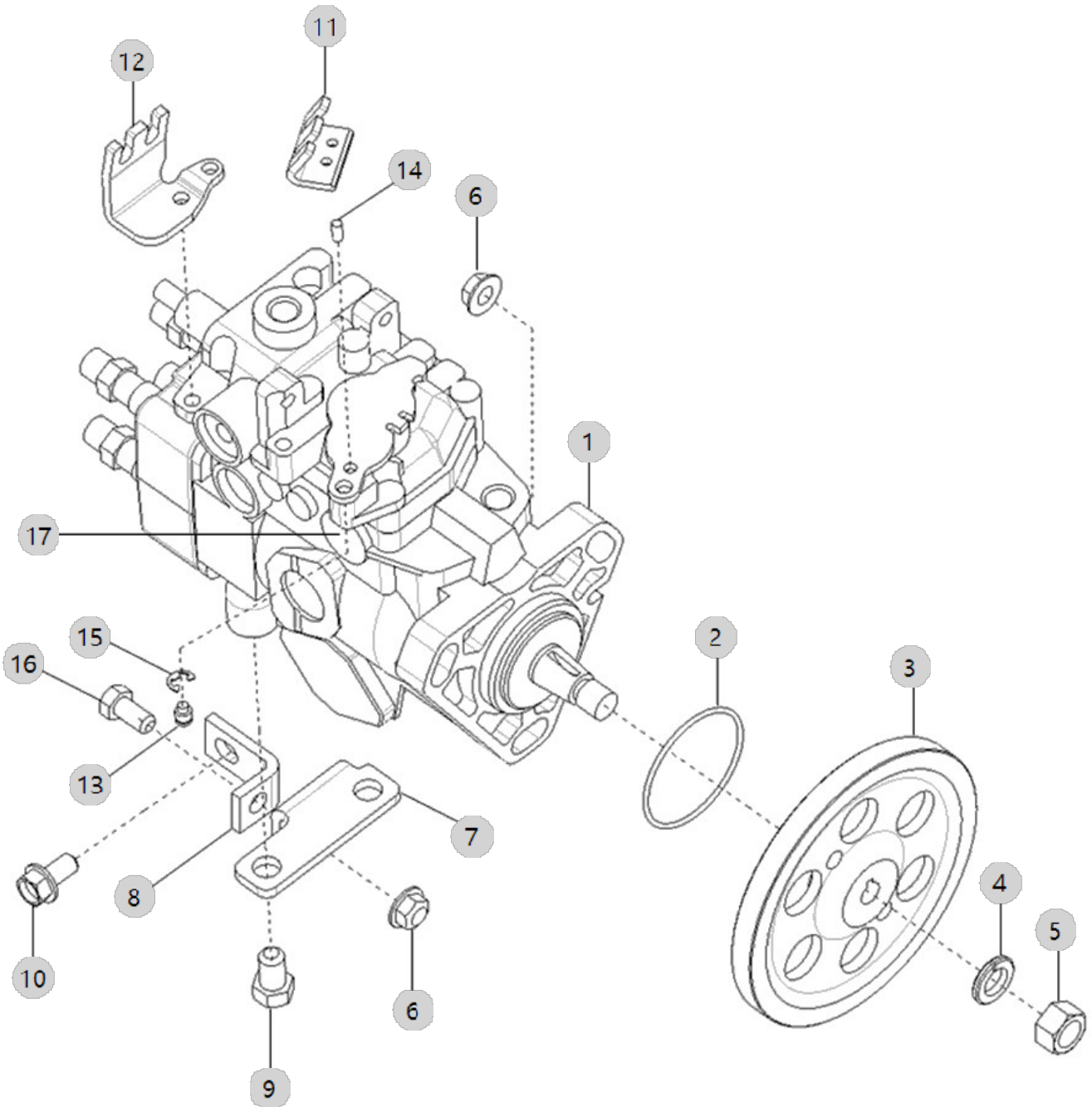
A12_014

A2300N4-ETR_5
(AB00330)

FUEL INJECTOR

Year/Month

2022-12-16



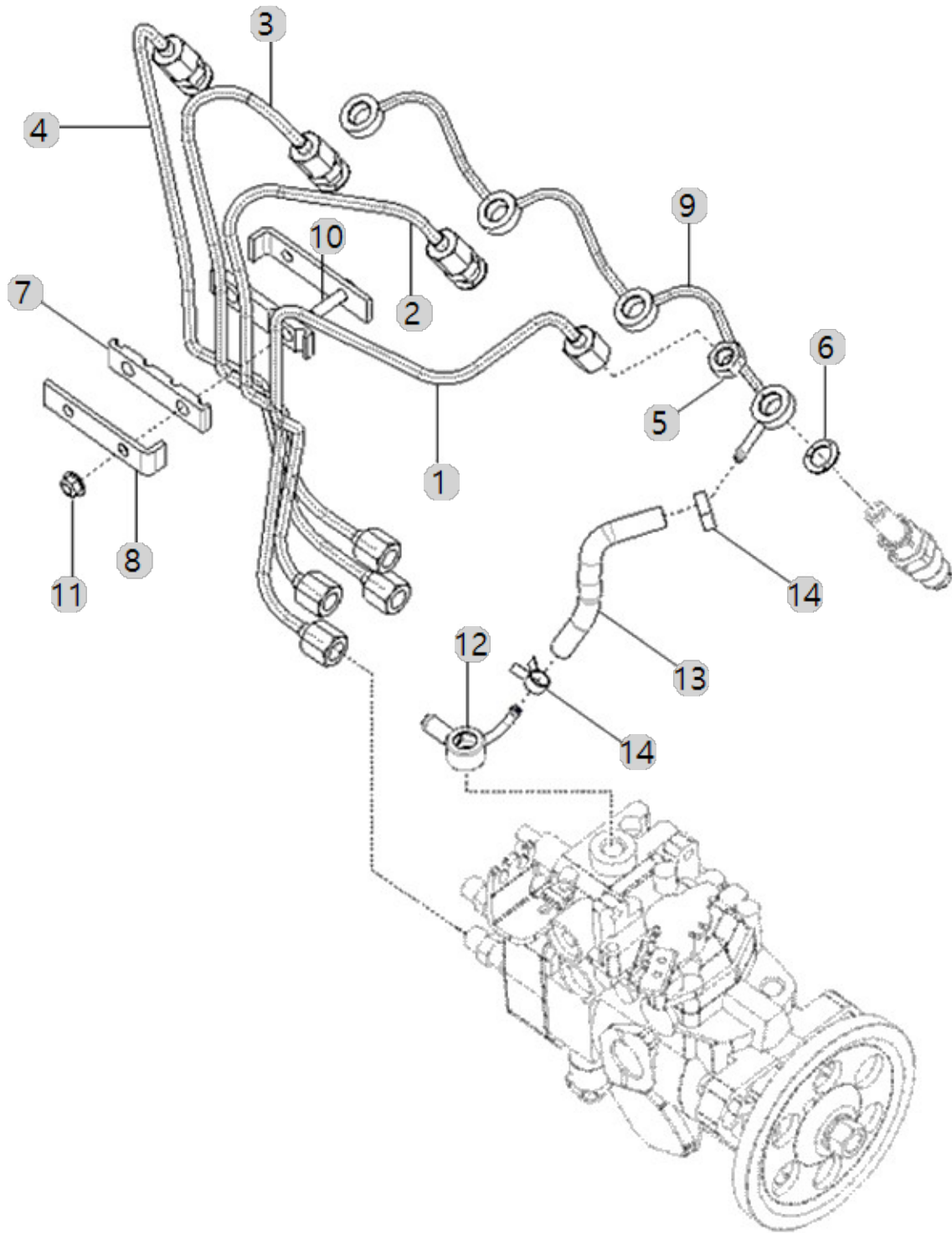
A13_005

A2300N4-ETR_5
(AB00330)

PLUMBING, FUEL

Year/Month

2022-12-16



A13_005 A2300N4-ETR_5 (AB00330)		PLUMBING, FUEL				Year/Month 2022-12-16
순번 (NO)	부품번호 (PART NO)	품명 (PART NAME)	품명 (PART NAME)	수량 (QTY)	규격 (SPEC)	비고 (REMARK)
1	HRA150050DB0	299,A202322,연료파이프조합(A)	PIPE ASSY, FUEL SUPPLY A	1		
1	HRA150050DC0	연료파이프조합(A)	TUBE,INJECTOR FUEL SUPPLY	1		
1	HRA150050DB0	299,A202322,연료파이프조합(A)	PIPE ASSY, FUEL SUPPLY A	1		
1	HRA150050DB0	299,A202322,연료파이프조합(A)	PIPE ASSY, FUEL SUPPLY A	1		
2	HRA150060DB0	300,A202322,연료파이프조합(B)	PIPE ASSY, FUEL SUPPLY (B)	1		
2	HRA150060DB0	300,A202322,연료파이프조합(B)	PIPE ASSY, FUEL SUPPLY (B)	1		
2	HRA150060DB0	300,A202322,연료파이프조합(B)	PIPE ASSY, FUEL SUPPLY (B)	1		
2	HRA150060DC0	연료파이프조합(B)	TUBE,INJECTOR FUEL SUPPLY	1		
3	HRA150070DB0	301,A202322,연료파이프조합(C)	PIPE ASSY, FUEL SUUPPLY C	1		
3	HRA150070DC0	연료파이프조합(C)	TUBE,INJECTOR FUEL SUPPLY	1		
3	HRA150070DB0	301,A202322,연료파이프조합(C)	PIPE ASSY, FUEL SUUPPLY C	1		
3	HRA150070DB0	301,A202322,연료파이프조합(C)	PIPE ASSY, FUEL SUUPPLY C	1		
4	HRA150080DB0	302,A202322,연료파이프조합(D)	PIPE ASSY, FUEL SUPPLY D	1		
4	HRA150080DB0	302,A202322,연료파이프조합(D)	PIPE ASSY, FUEL SUPPLY D	1		
4	HRA150080DC0	연료파이프조합(D)	TUBE,INJECTOR FUEL SUPPLY	1		
4	HRA150080DB0	302,A202322,연료파이프조합(D)	PIPE ASSY, FUEL SUPPLY D	1		
5	HK13450000A4	육각고정너트	NUT,REGULARHEXAGON	4	M12X1.5	
5	HK13450000A4	육각고정너트	NUT,REGULARHEXAGON	4	M12X1.5	
5	HK13450000A4	육각고정너트	NUT,REGULARHEXAGON	4	M12X1.5	
5	HK13450000A4	육각고정너트	NUT,REGULARHEXAGON	4	M12X1.5	
6	HK13440000A4	306,ALL,패킹(조인트)(와류실)	GASKET,FUELMANIFOLD	4		
6	HK13440000A4	306,ALL,패킹(조인트)(와류실)	GASKET,FUELMANIFOLD	4		
6	HK13440000A4	306,ALL,패킹(조인트)(와류실)	GASKET,FUELMANIFOLD	4		
6	HK13440000A4	306,ALL,패킹(조인트)(와류실)	GASKET,FUELMANIFOLD	4		
7	HRA1502700A4	462,ALL,브래킷고무	RUBBER,BRACKET	2		
7	HRA1502700A4	462,ALL,브래킷고무	RUBBER,BRACKET	2		
7	HRA1502700A4	462,ALL,브래킷고무	RUBBER,BRACKET	2		
7	HRA1502700A4	462,ALL,브래킷고무	RUBBER,BRACKET	2		
8	HRA1502800A4	브래킷판	CLAMP,TUBE	1	T 3.2	
8	HRA1502800A4	브래킷판	CLAMP,TUBE	1	T 3.2	
8	HRA1502800A4	브래킷판	CLAMP,TUBE	1	T 3.2	
8	HRA1502800A4	브래킷판	CLAMP,TUBE	2	T 3.2	
8	HRA1502800B4	브래킷판	CLAMP,TUBE	2	T 3.2	
9	HRA1500900D3	퇴유파이프조합	PIPE ASSY, FUEL	1		
9	HRA1500900C3	퇴유파이프조합	PIPE ASSY, FUEL RETURN	1		
9	HRA1500900C3	퇴유파이프조합	PIPE ASSY, FUEL RETURN	1		
9	HRA1500900C3	퇴유파이프조합	PIPE ASSY, FUEL RETURN	1		
10	HRA1502600B4	브래킷(연료파이프)	BRACKET,PIPE	1		
10	HRA1502600B4	브래킷(연료파이프)	BRACKET,PIPE	1		
10	HRA1502600B4	브래킷(연료파이프)	BRACKET,PIPE	1		
10	HRA1502600B4	브래킷(연료파이프)	BRACKET,PIPE	1		
11	26367-060002	플랜지너트	Nut, Hexa (Φ6)	2	M6XP1.0	
11	26367-060002	플랜지너트	Nut, Hexa (Φ6)	2	M6XP1.0	
11	26367-060002	플랜지너트	Nut, Hexa (Φ6)	2	M6XP1.0	
11	26367-060002	플랜지너트	Nut, Hexa (Φ6)	2	M6XP1.0	

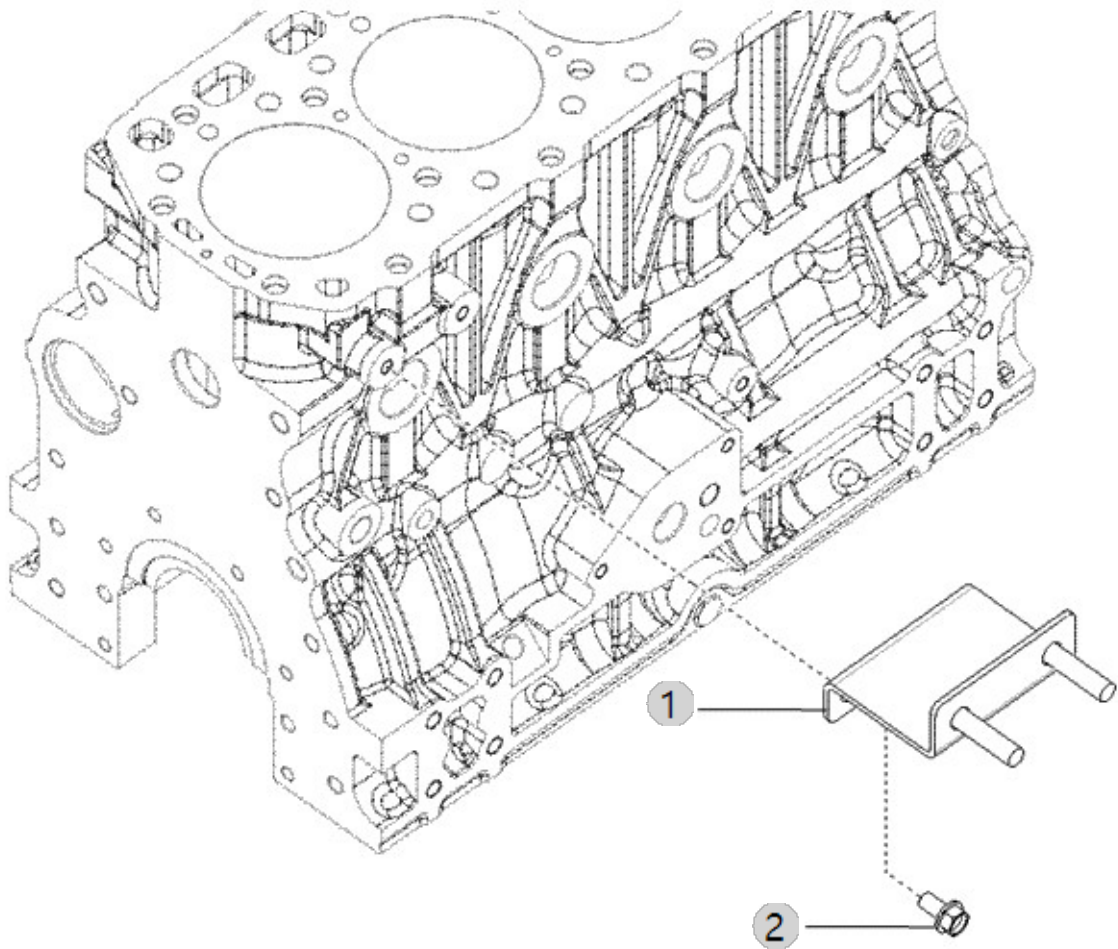
A14_003

A2300N4-ETR_5
(AB00330)

FUEL FILTER BRACKET

Year/Month

2022-12-16



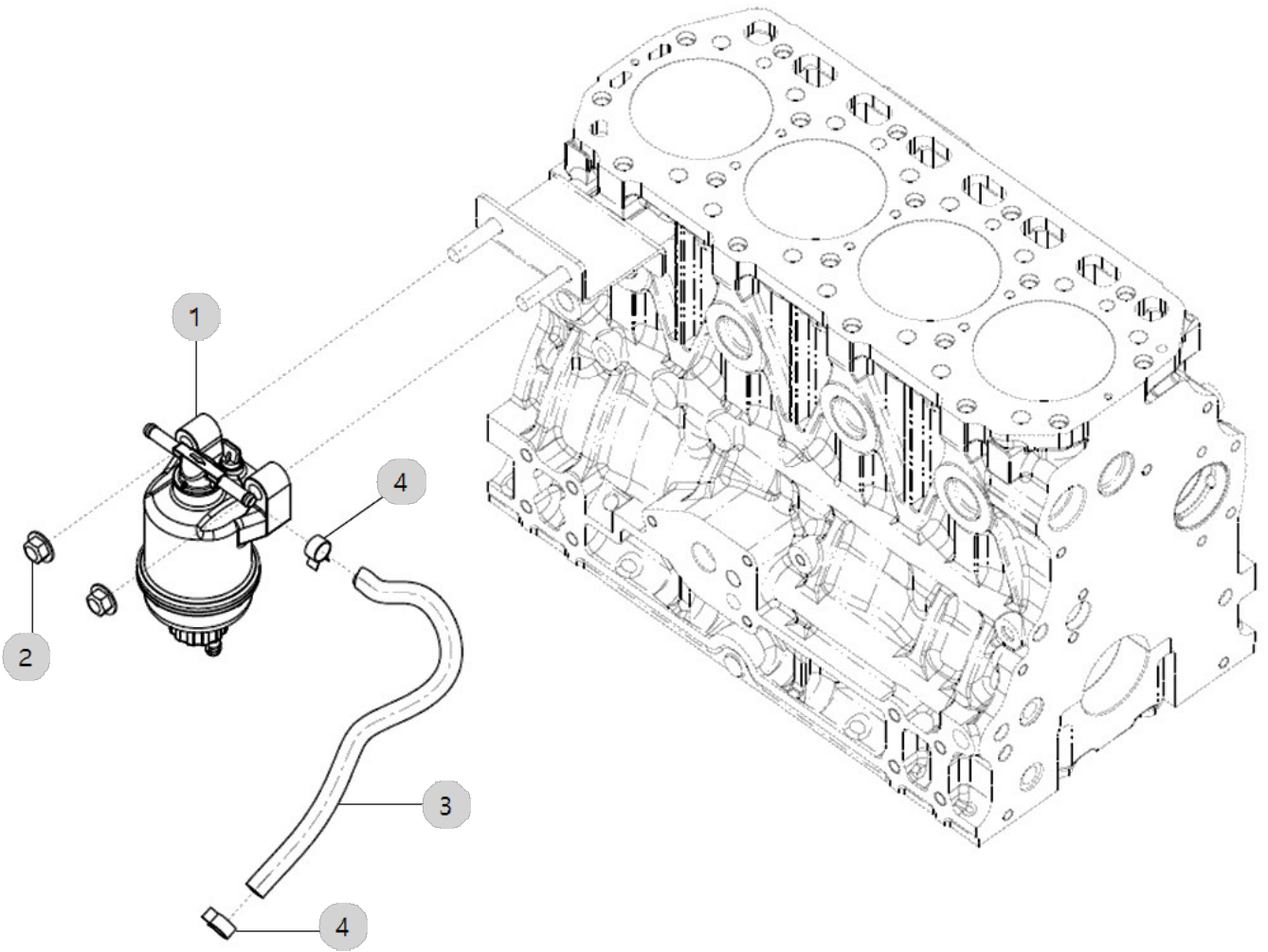
A16_018

A2300N4-ETR_5
(AB00330)

FUEL FILTER ASS'Y OPTION

Year/Month

2022-12-16



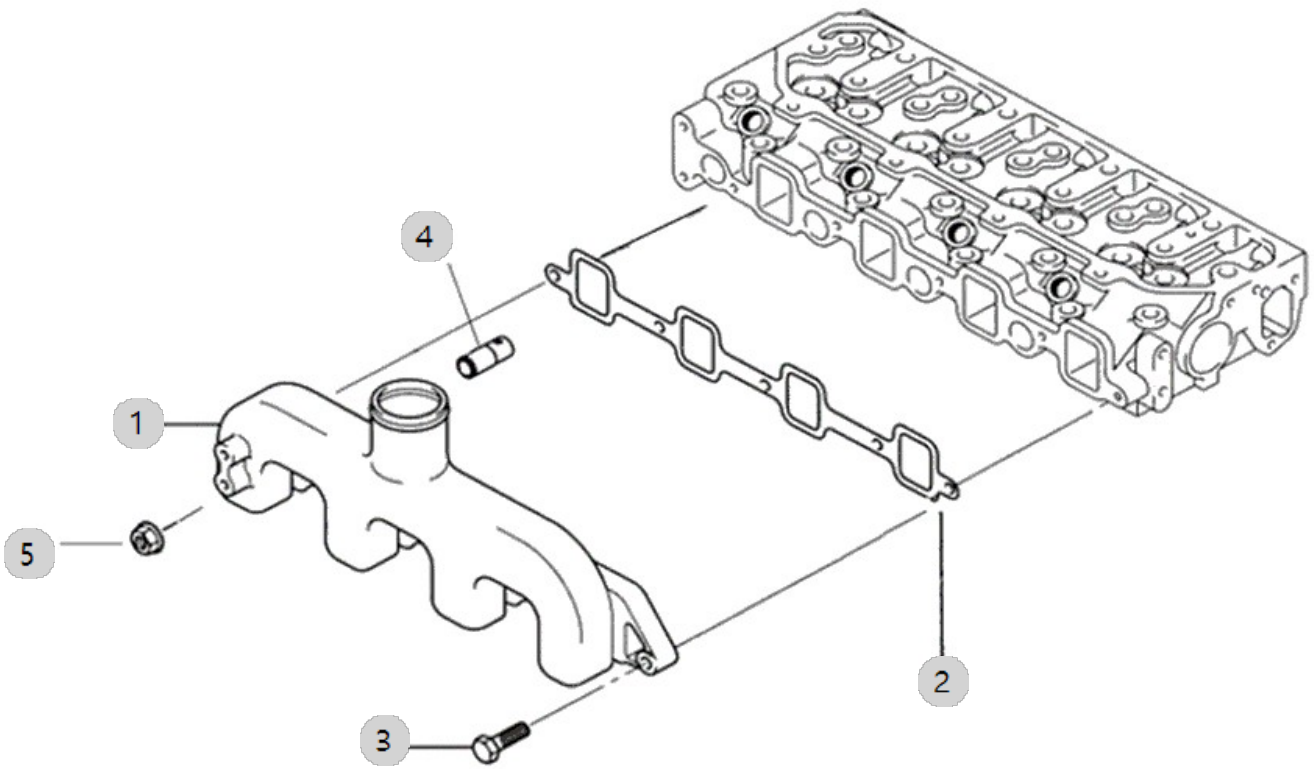
A17_014

A2300N4-ETR_5
(AB00330)

INTAKE MANIFOLD ASS'Y OPTION

Year/Month

2022-12-16



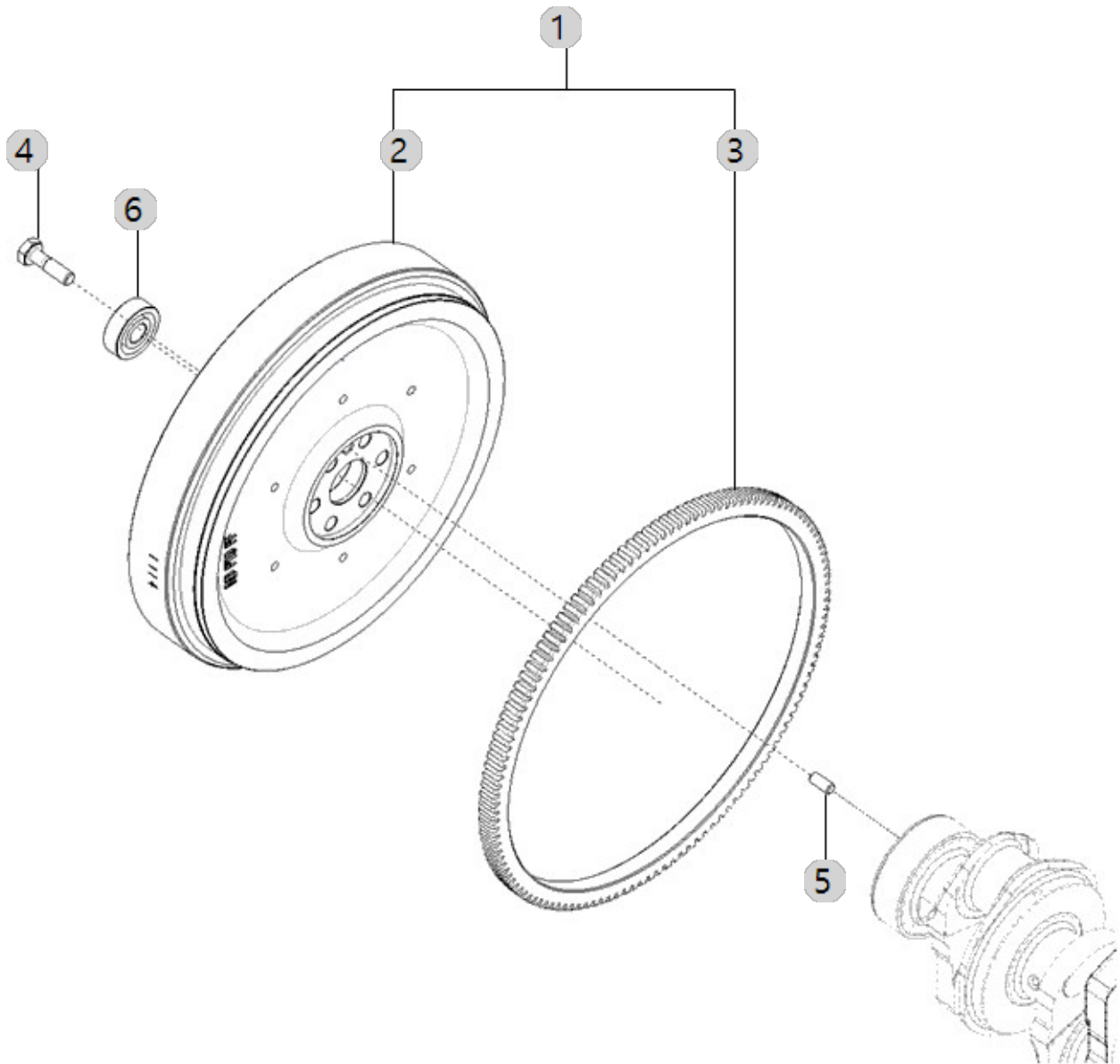
A18_011

A2300N4-ETR_5
(AB00330)

FLYWHEEL

Year/Month

2022-12-16



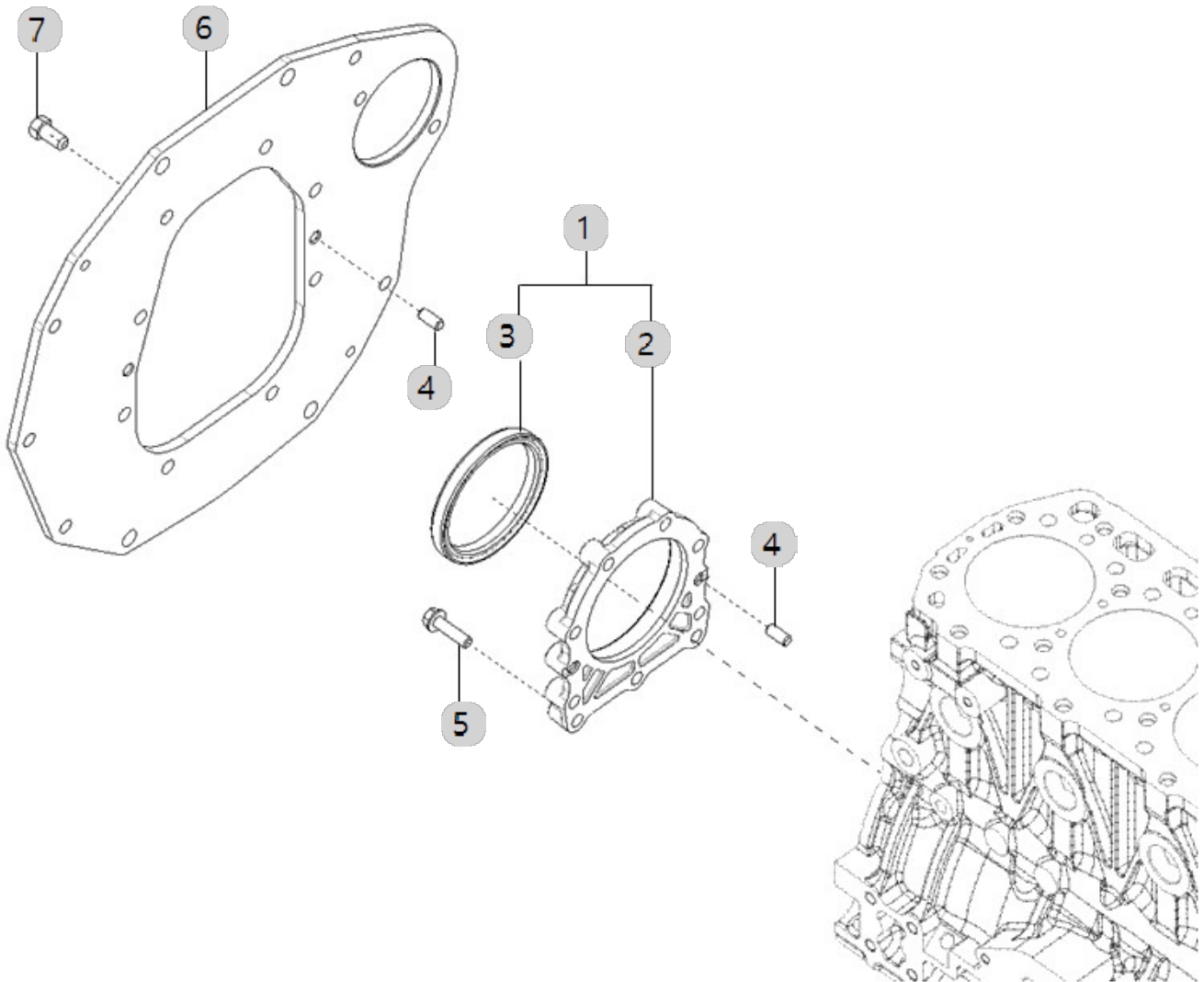
A19_007

A2300N4-ETR_5
(AB00330)

FLYWHEEL HOUSING

Year/Month

2022-12-16



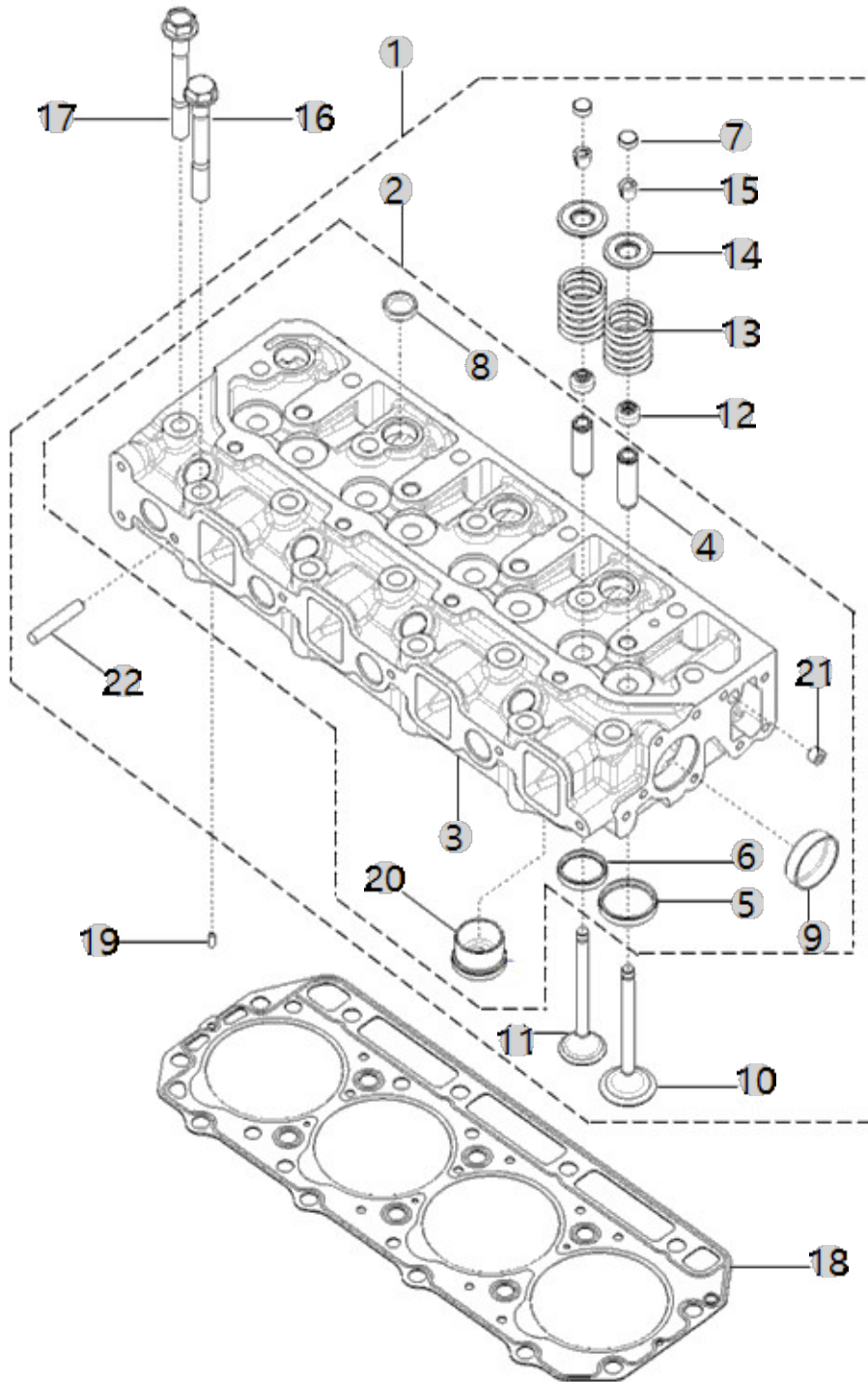
A20_010

A2300N4-ETR_5
(AB00330)

HEAD, CYLINDER

Year/Month

2022-12-16



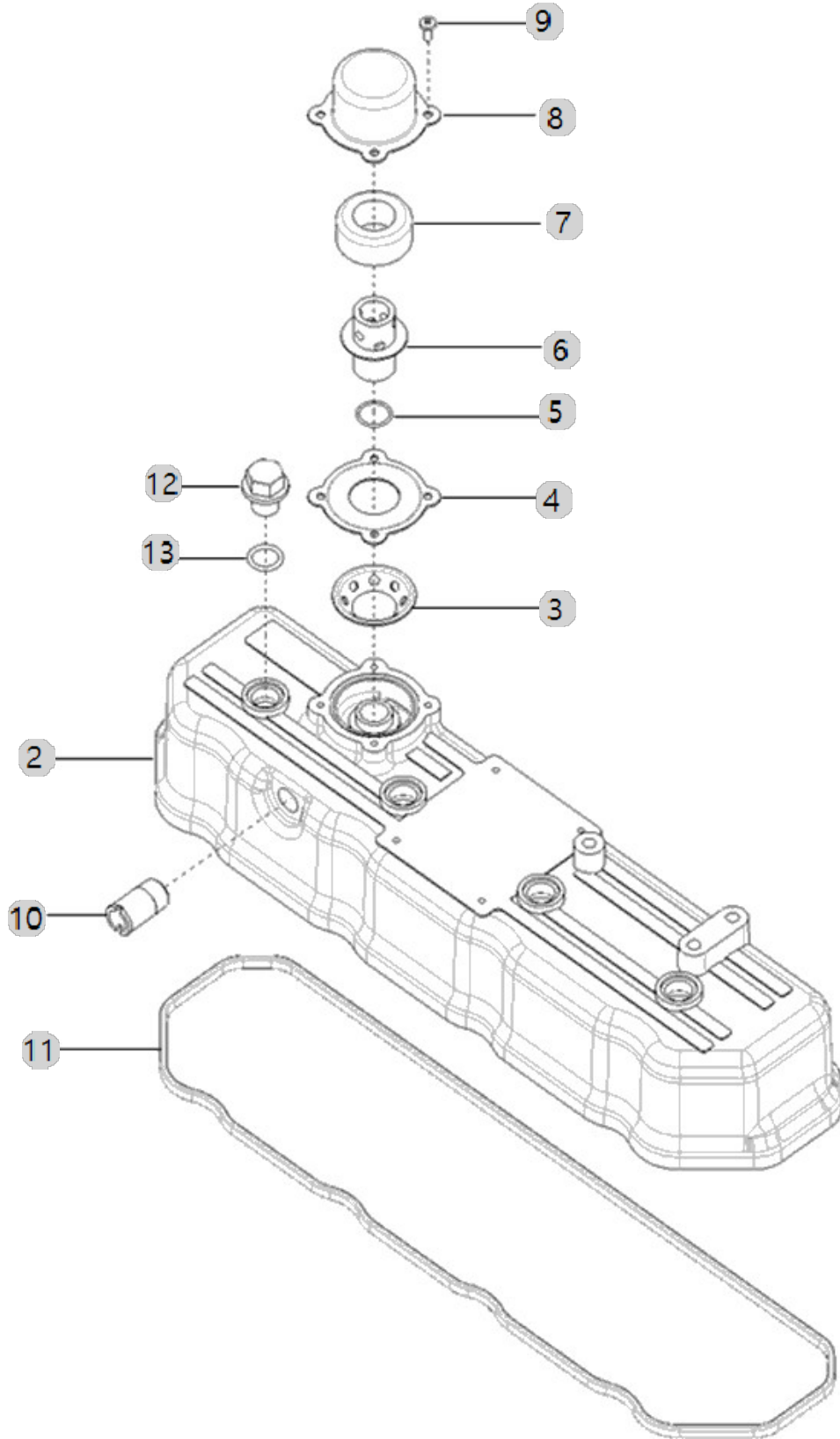
A21_004

A2300N4-ETR_5
(AB00330)

HEAD COVER

Year/Month

2022-12-16



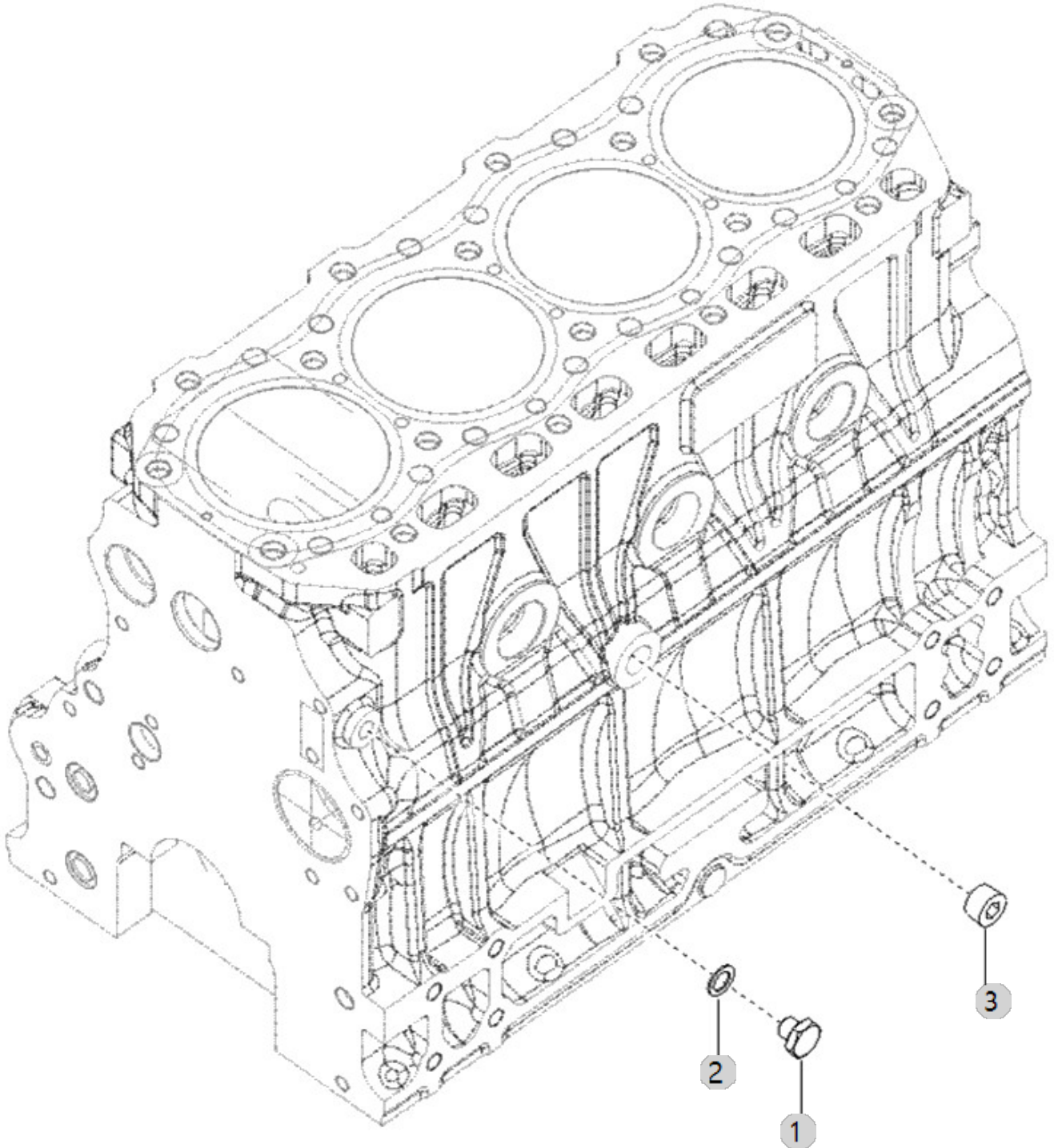
A23_009

A2300N4-ETR_5
(AB00330)

TURBOCHARGER SUPPORT ASS'Y OPTION

Year/Month

2022-12-16



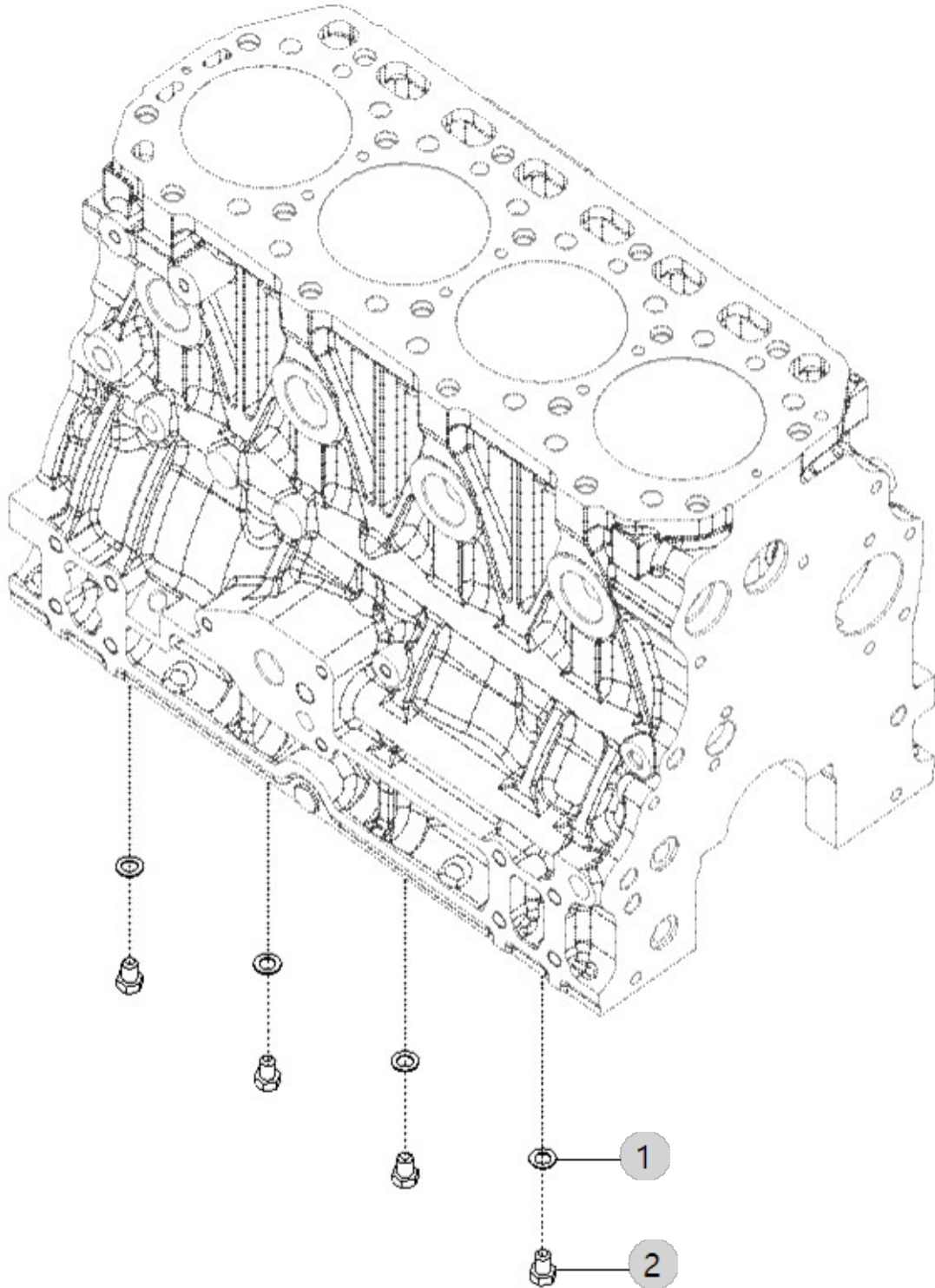
A25_002

A2300N4-ETR_5
(AB00330)

OIL JET ASS'Y OPTION

Year/Month

2022-12-16



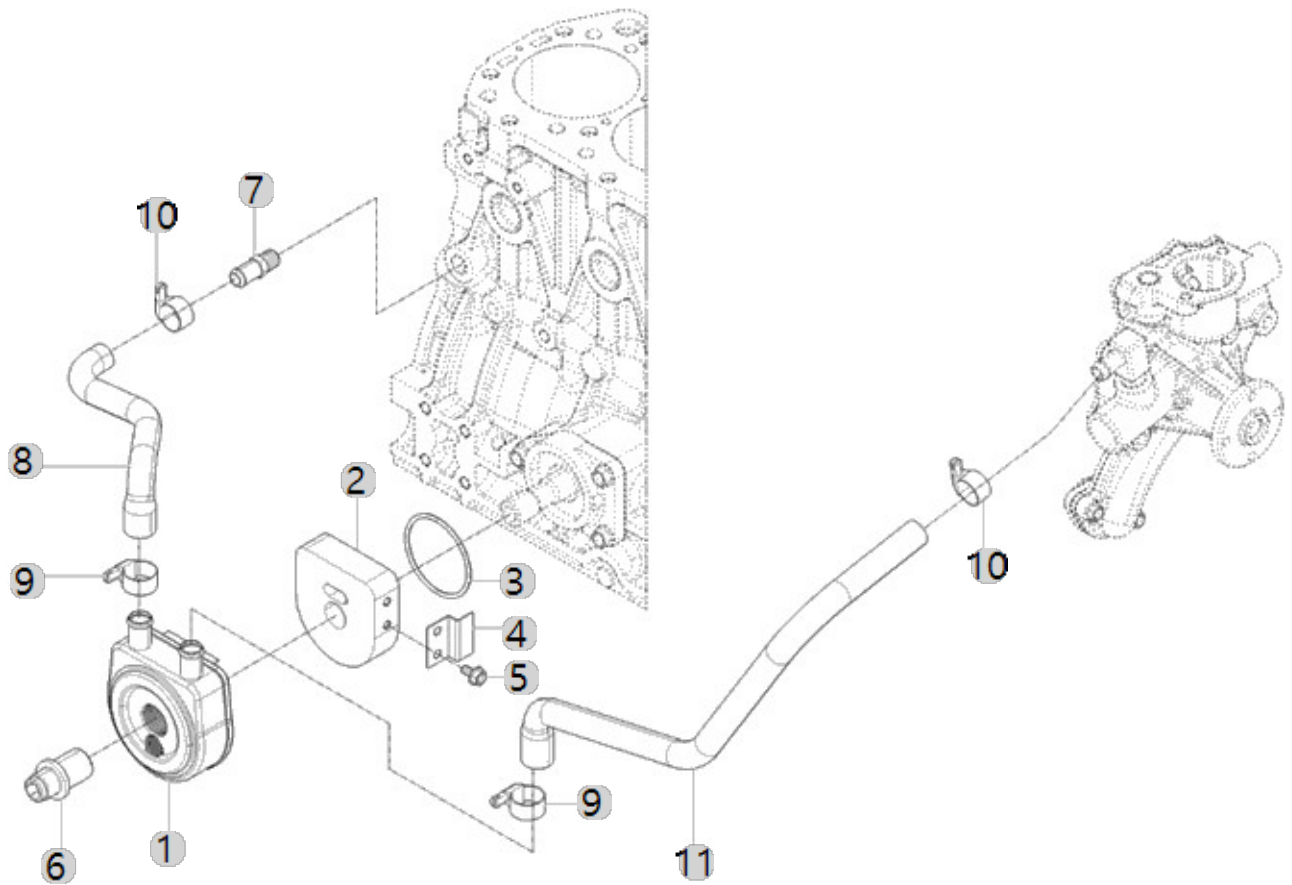
A26_005

A2300N4-ETR_5
(AB00330)

COOLER, ENGINE OIL

Year/Month

2022-12-16



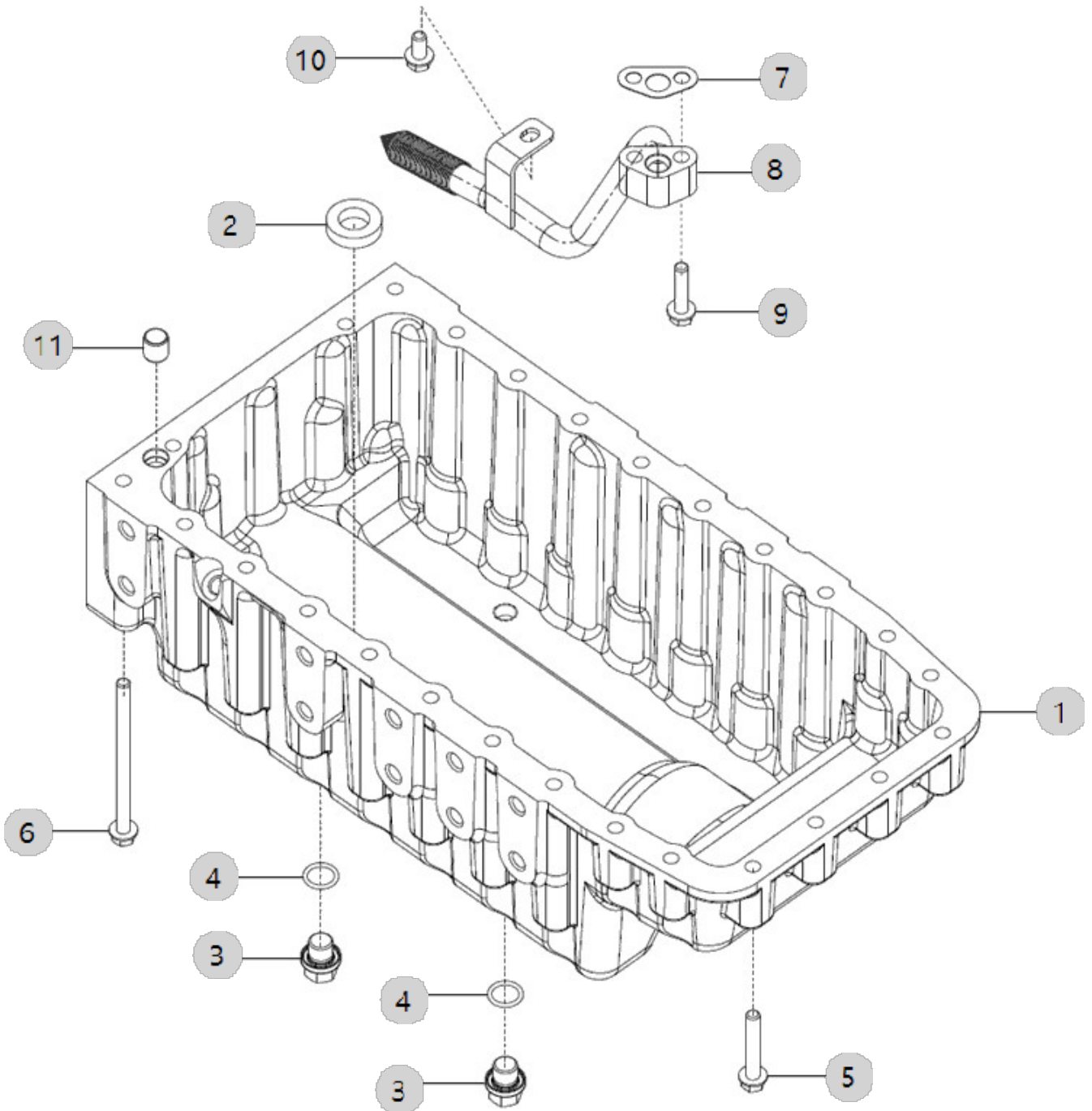
A27_005

A2300N4-ETR_5
(AB00330)

OIL PAN ASS'Y OPTION

Year/Month

2022-12-16



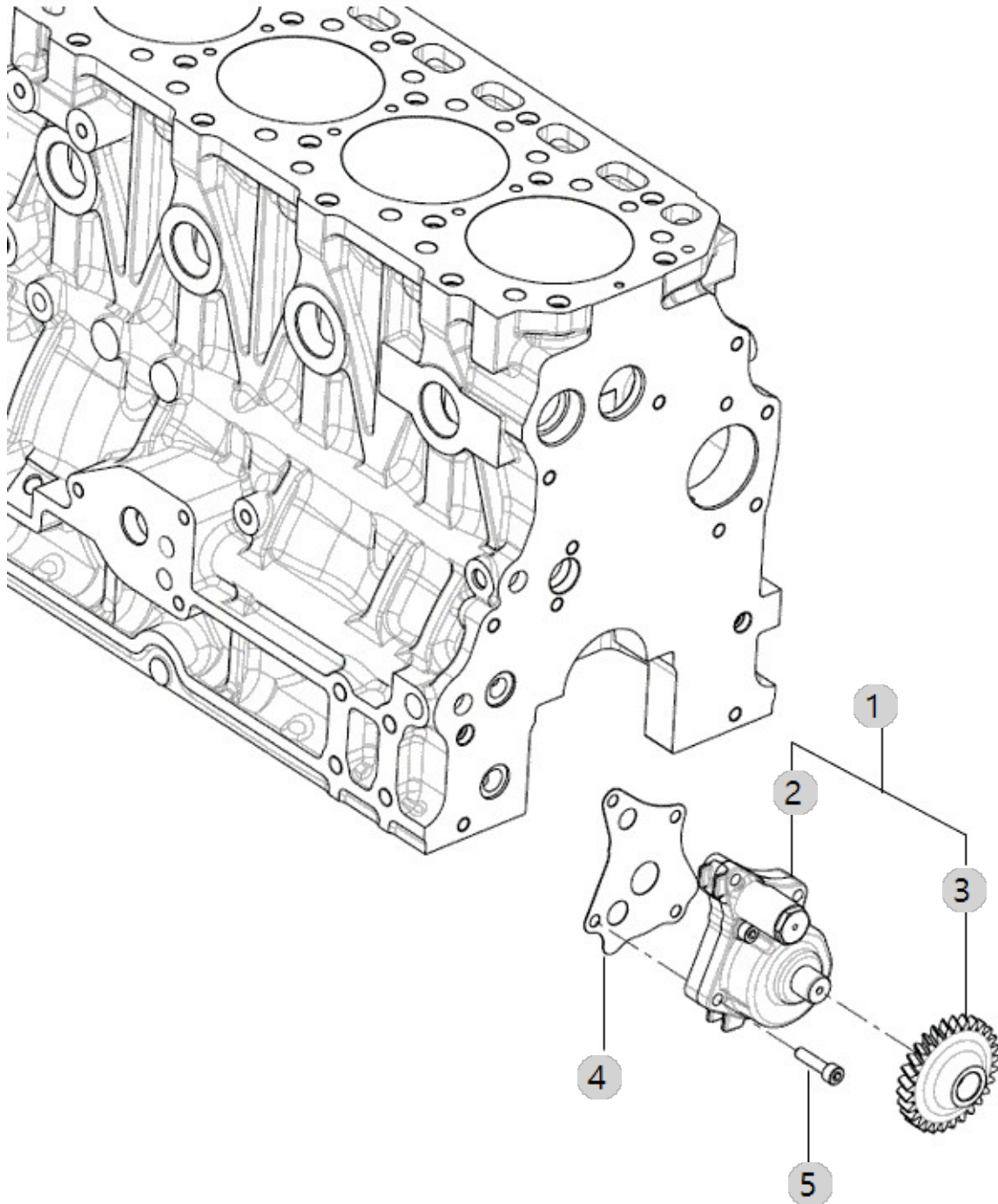
A28_001

A2300N4-ETR_5
(AB00330)

PUMP, LUBRICATING OIL

Year/Month

2022-12-16



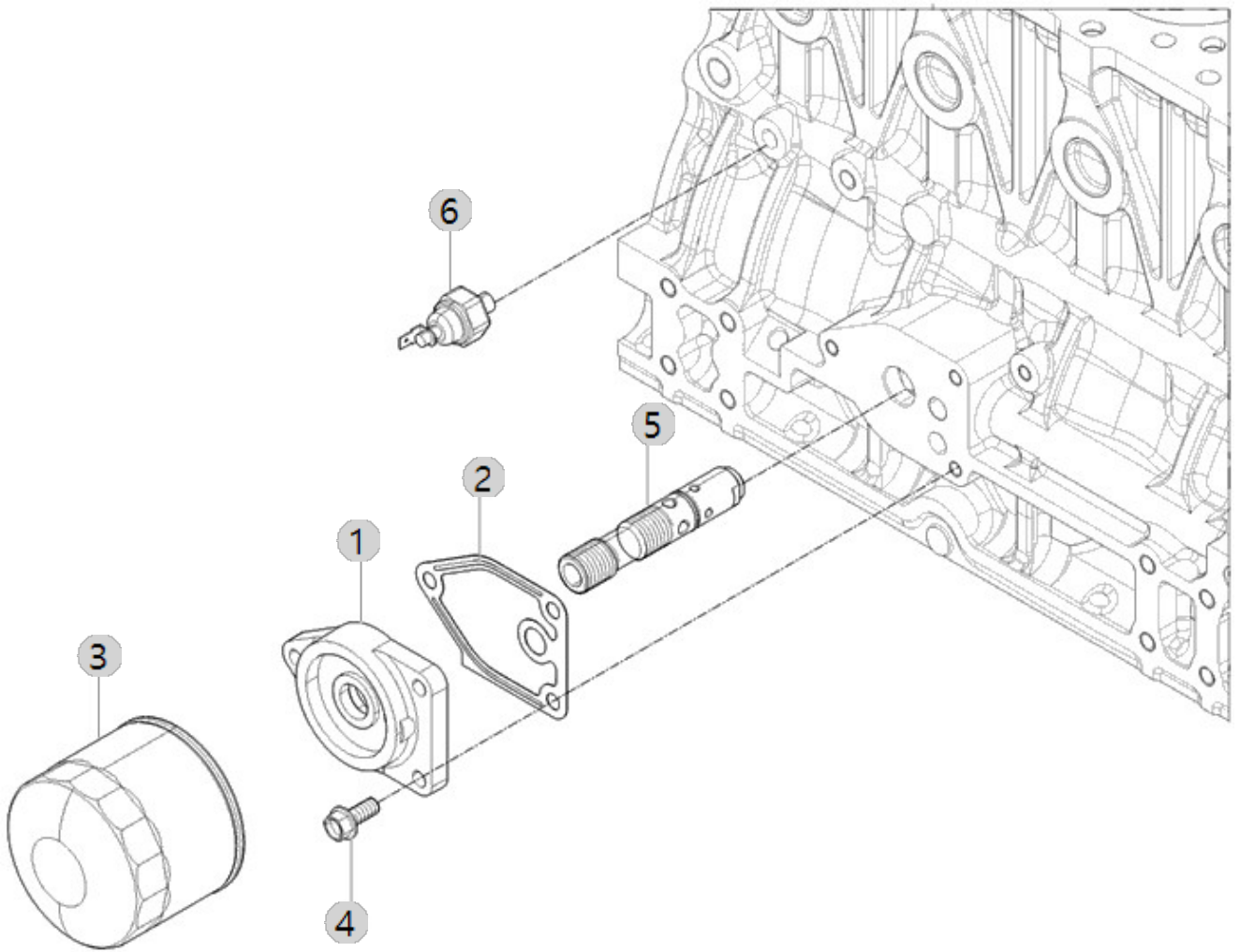
A29_005

A2300N4-ETR_5
(AB00330)

FILTER, LUBRICATING OIL

Year/Month

2022-12-16



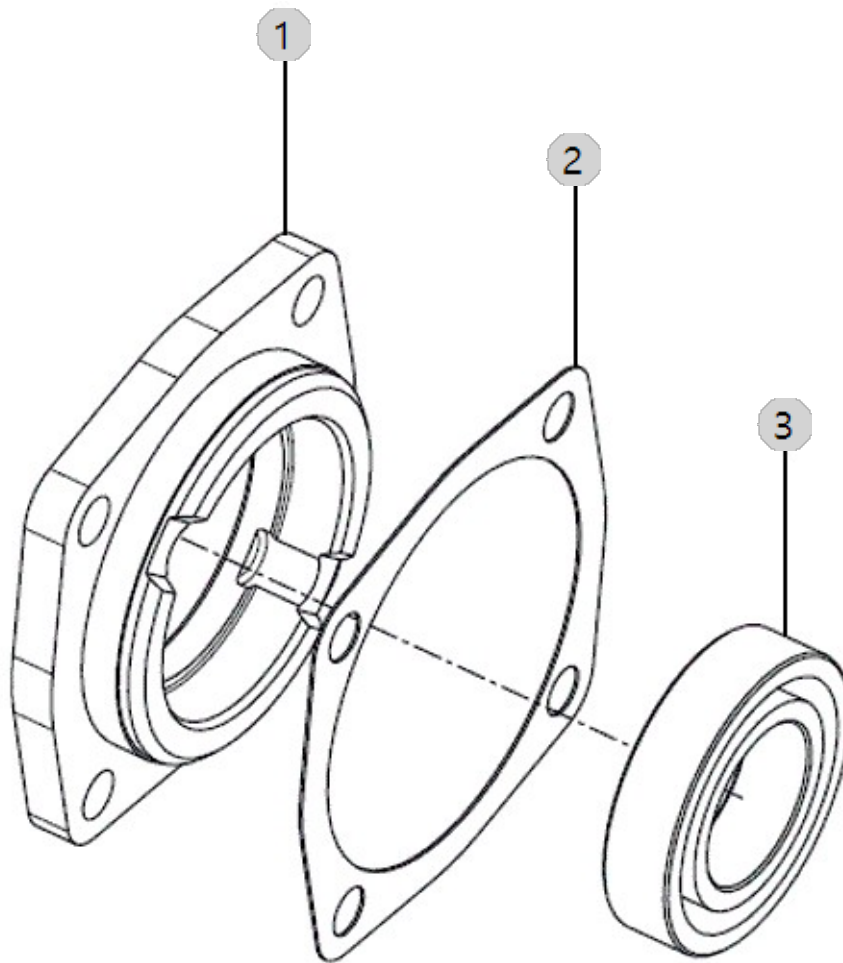
A30_003

A2300N4-ETR_5
(AB00330)

FRONT GEAR ACCESSORY DRIVE

Year/Month

2022-12-16



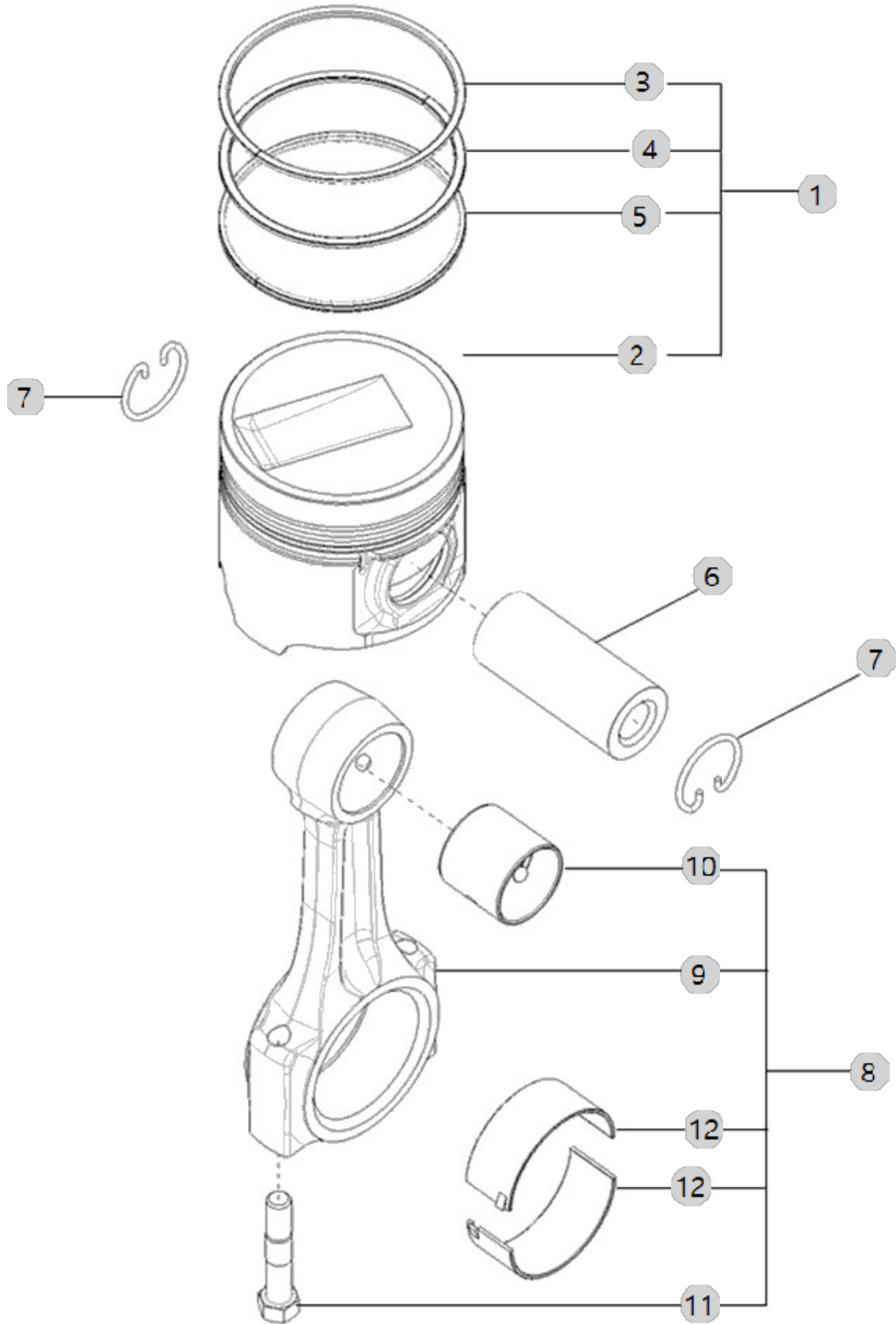
A31_007

A2300N4-ETR_5
(AB00330)

PISTON

Year/Month

2022-12-16



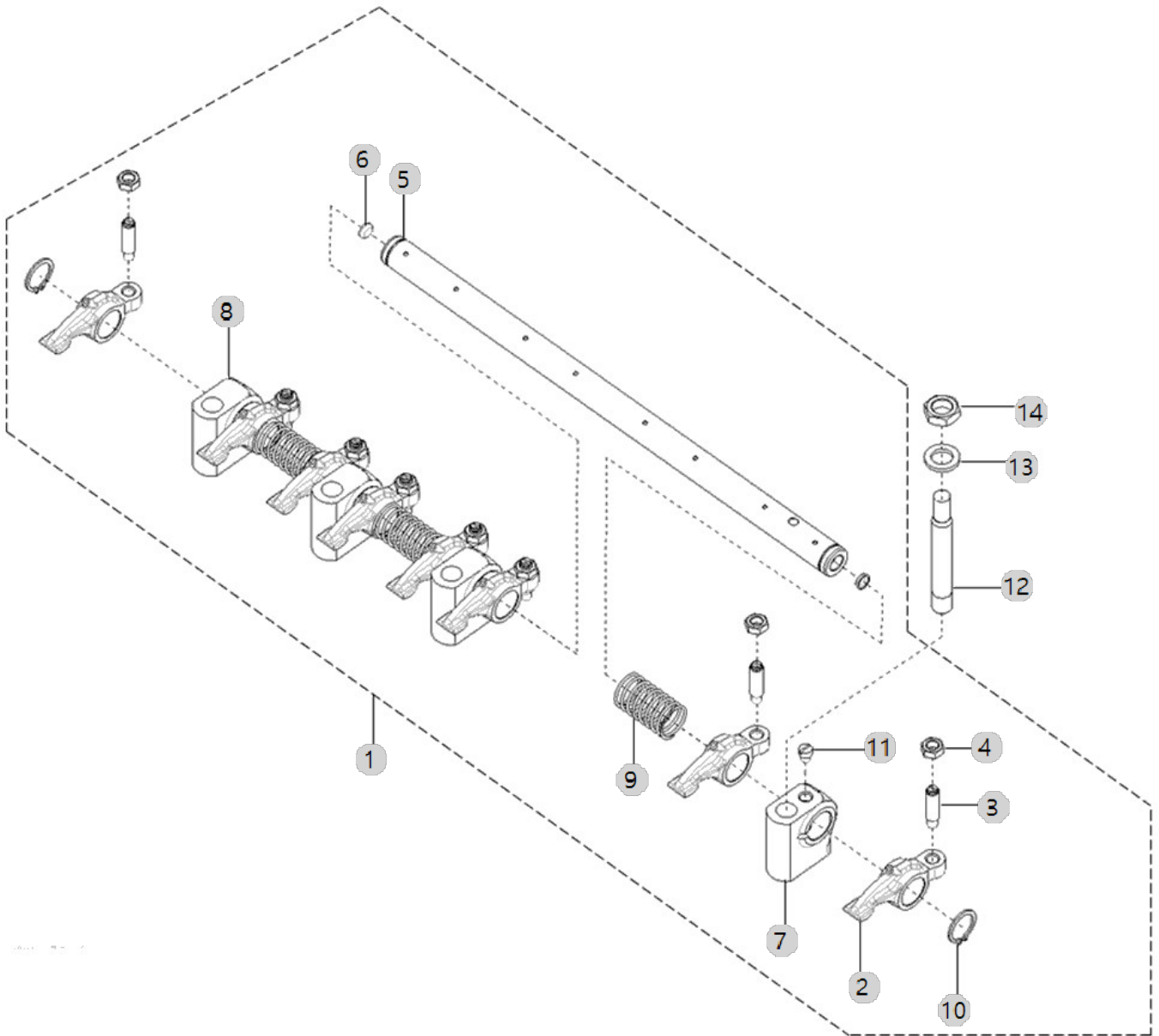
A32_003

A2300N4-ETR_5
(AB00330)

LEVER, LOCKER

Year/Month

2022-12-16



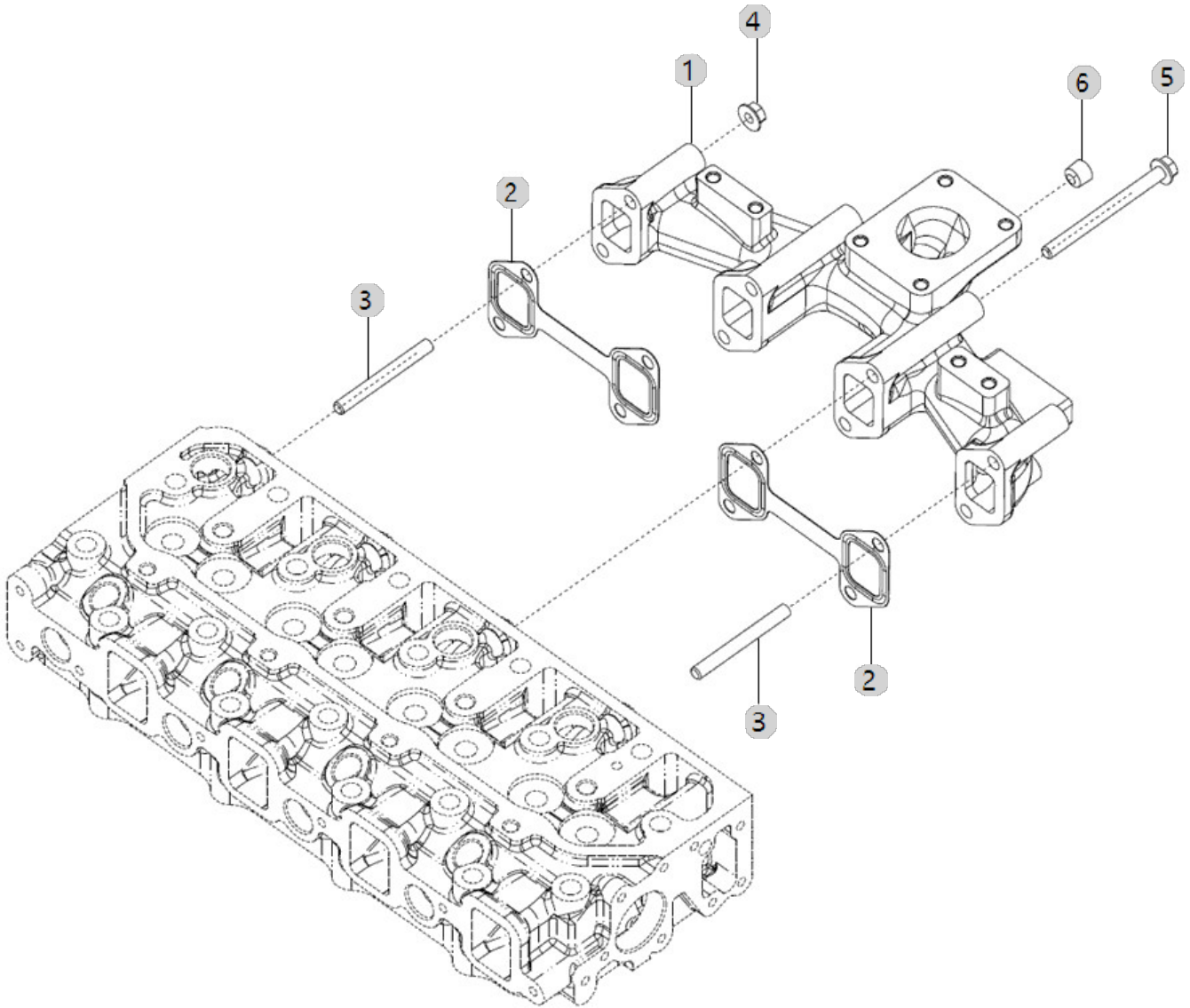
A33_013

A2300N4-ETR_5
(AB00330)

EXHAUST MANIFOLD

Year/Month

2022-12-16



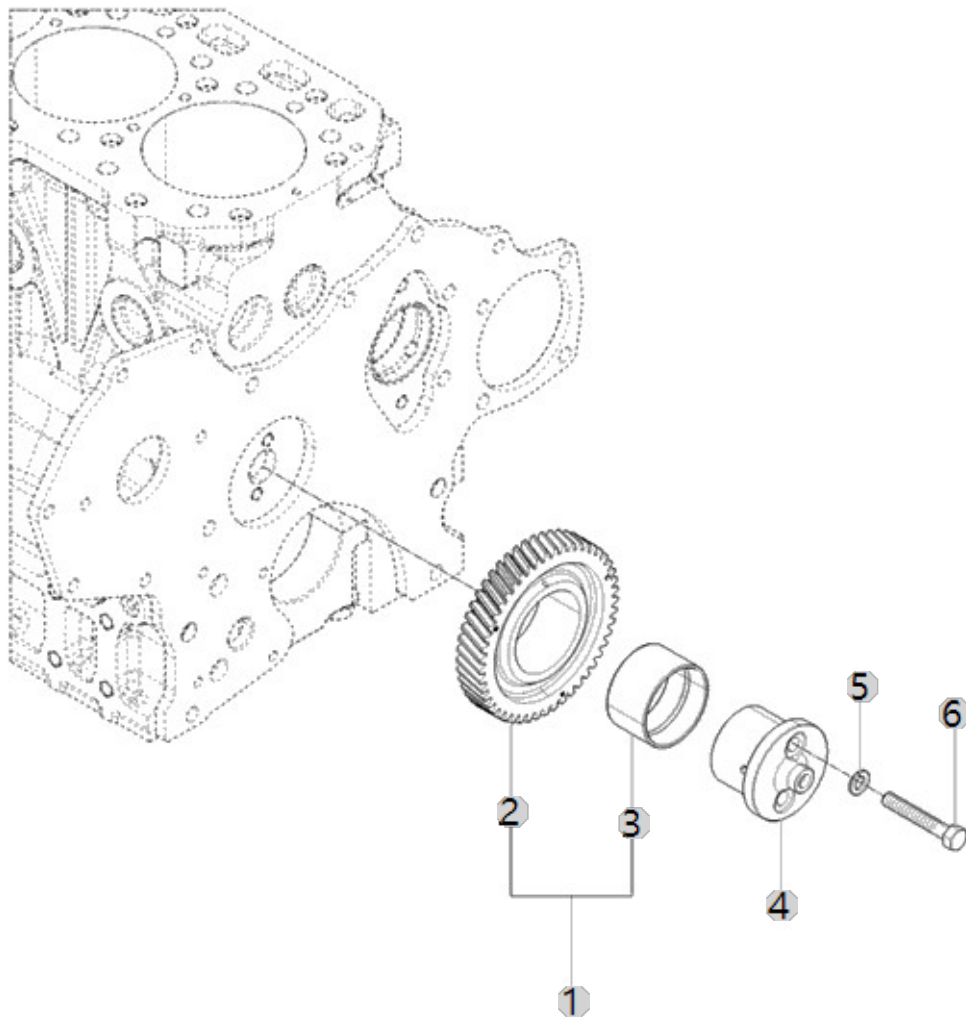
A35_002

A2300N4-ETR_5
(AB00330)

IDLE GEAR

Year/Month

2022-12-16



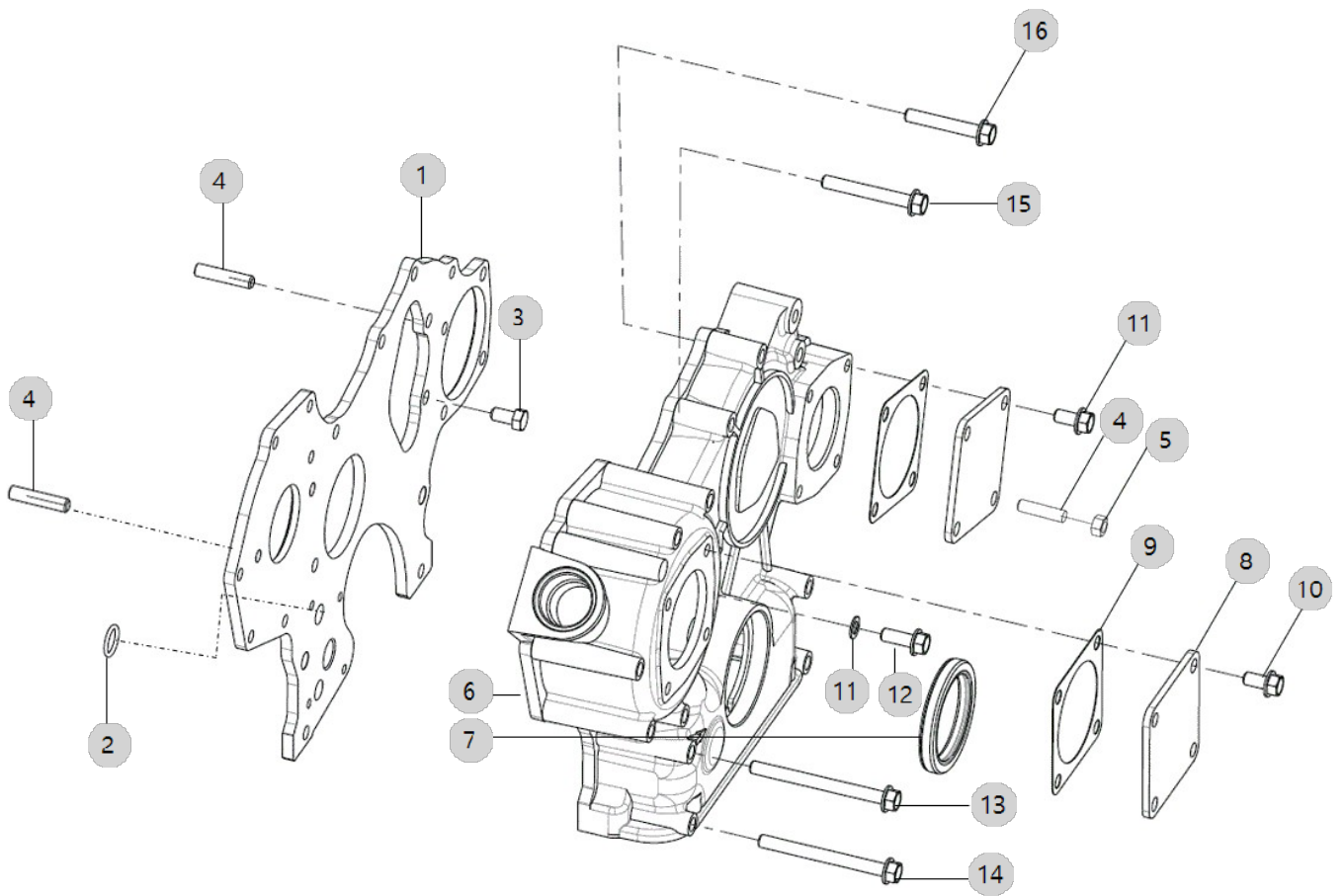
A36_004

A2300N4-ETR_5
(AB00330)

COVER, FRONT GEAR

Year/Month

2022-12-16



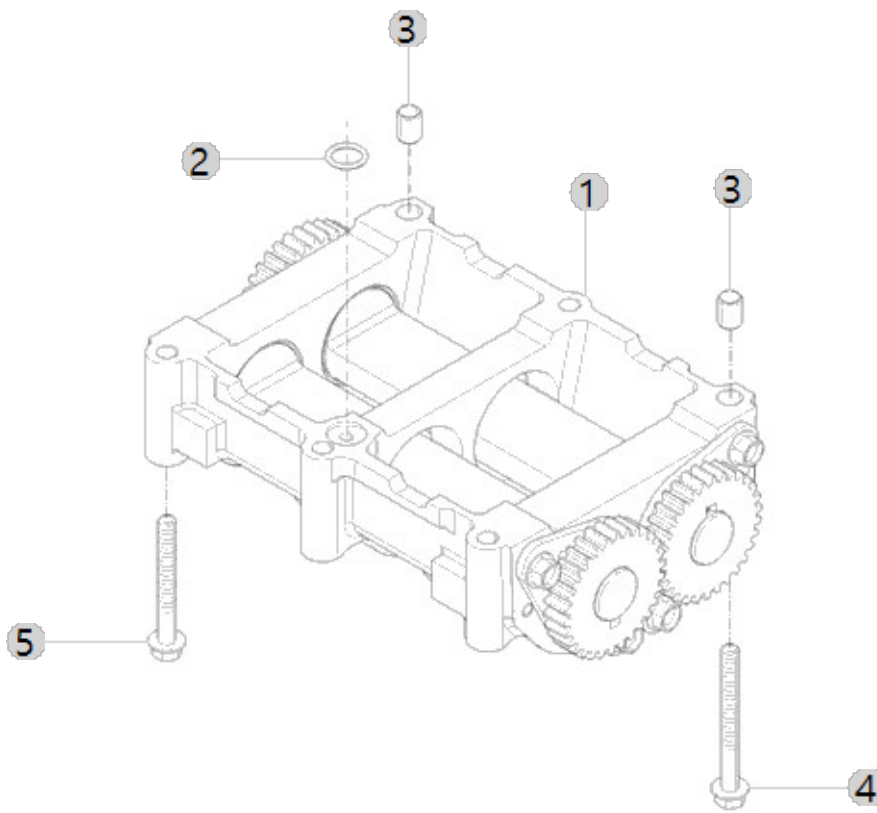
A37_001

A2300N4-ETR_5
(AB00330)

BALANCE ASS'Y

Year/Month

2022-12-16



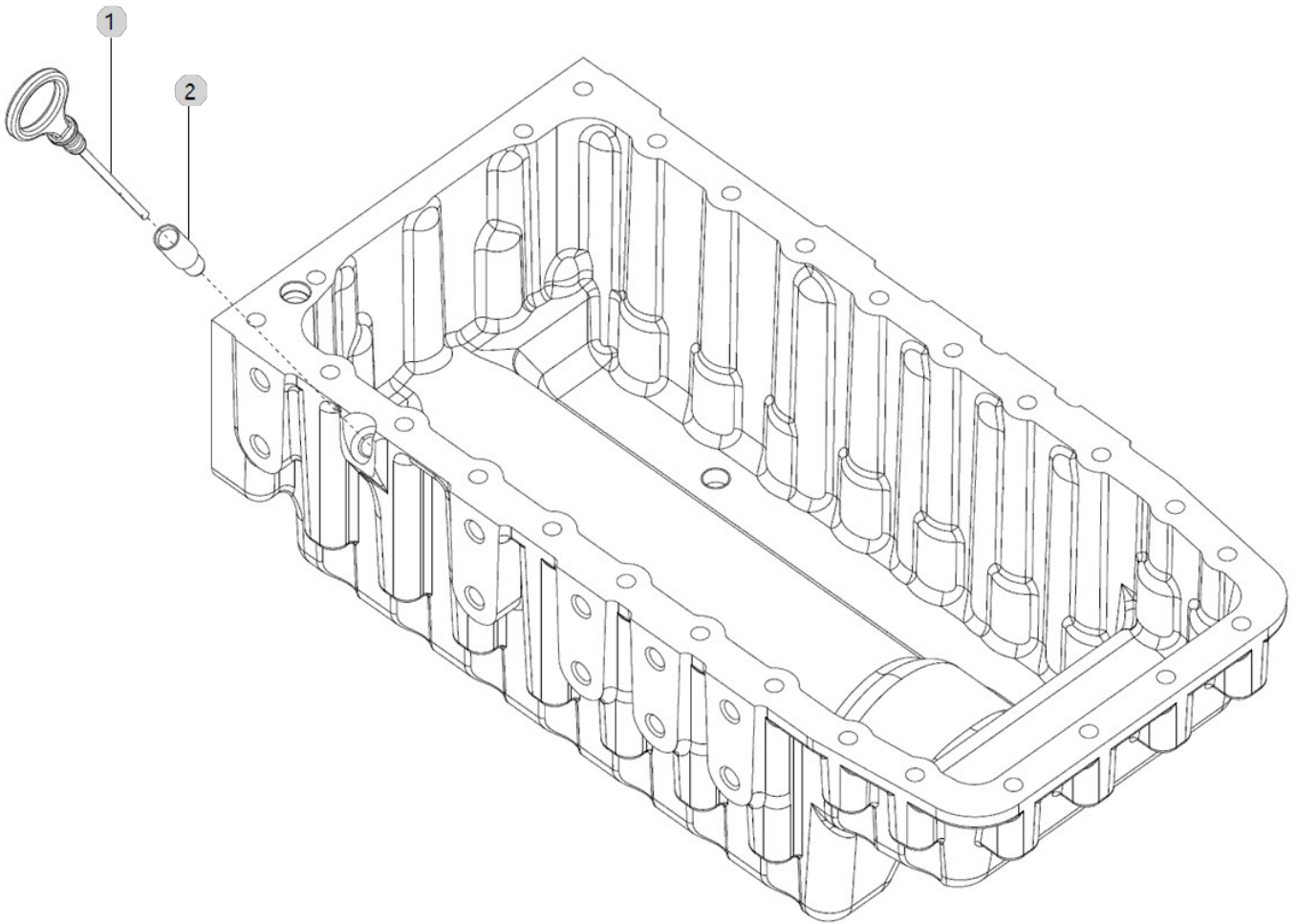
A38_009

A2300N4-ETR_5
(AB00330)

GAUGE, OIL LEVEL

Year/Month

2022-12-16



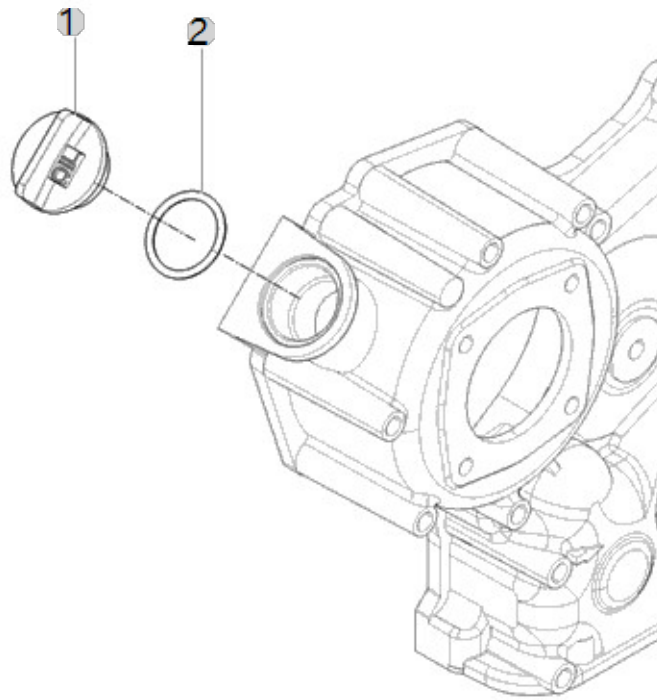
A39_001

A2300N4-ETR_5
(AB00330)

OIL FILLER CAP

Year/Month

2022-12-16



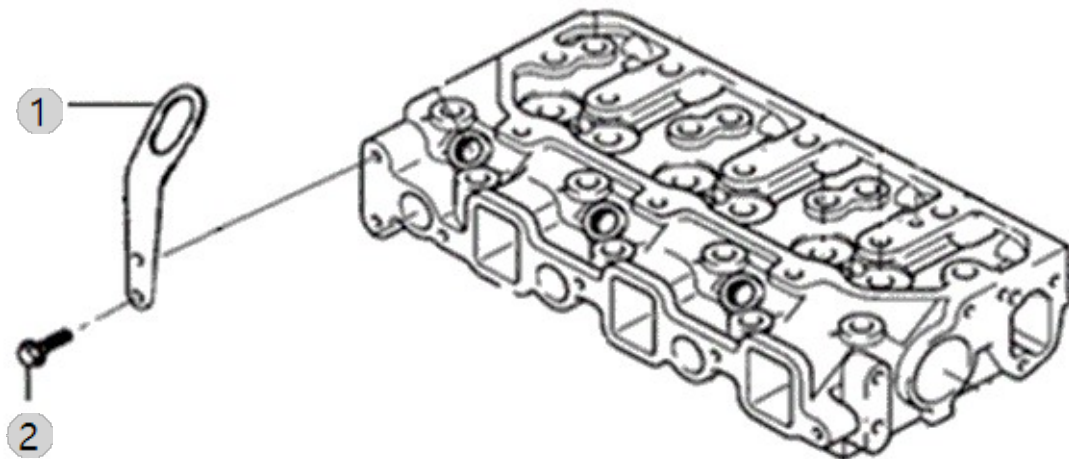
A40_003

A2300N4-ETR_5
(AB00330)

LIFT ASS'Y OPTION

Year/Month

2022-12-16



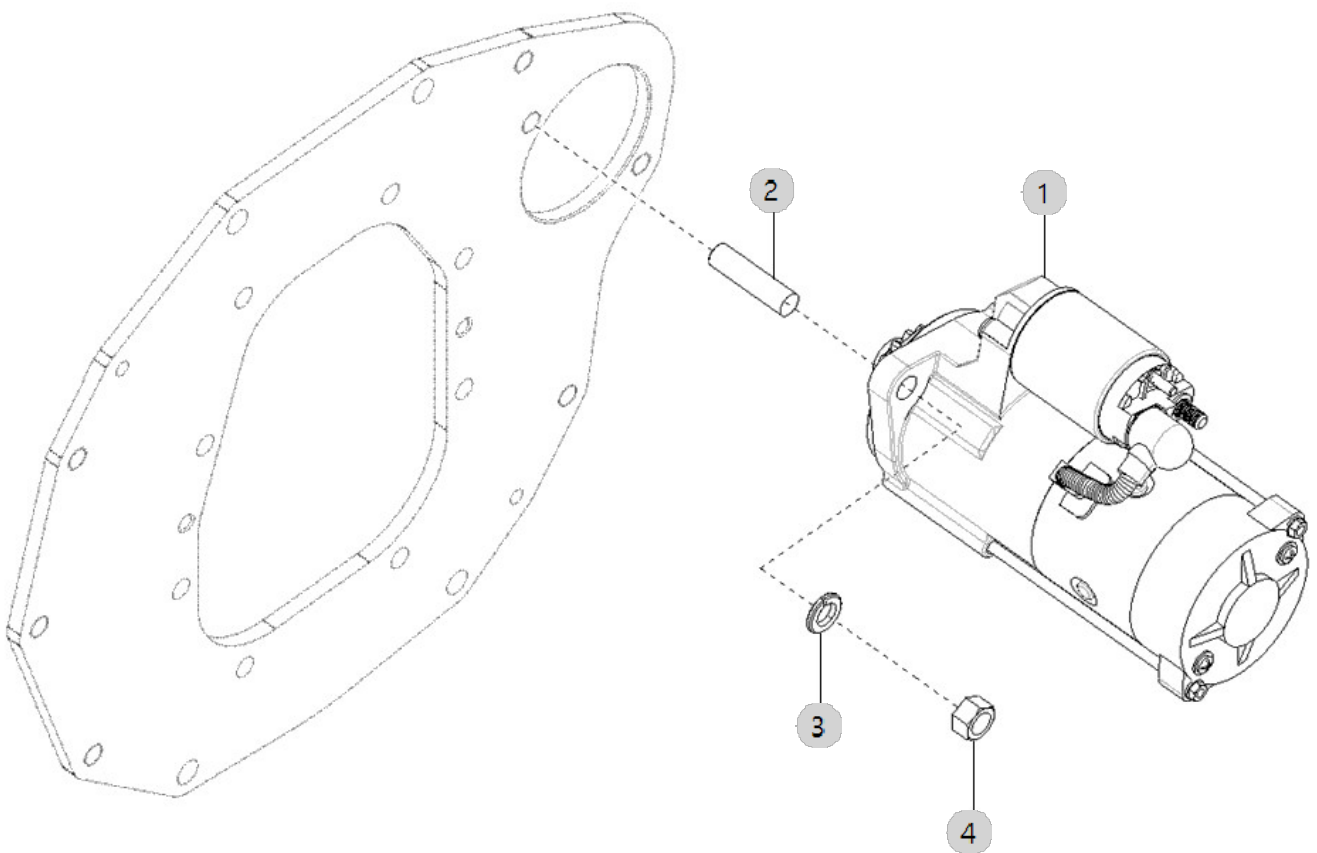
A42_003

A2300N4-ETR_5
(AB00330)

MOTER, STARTIONS

Year/Month

2022-12-16



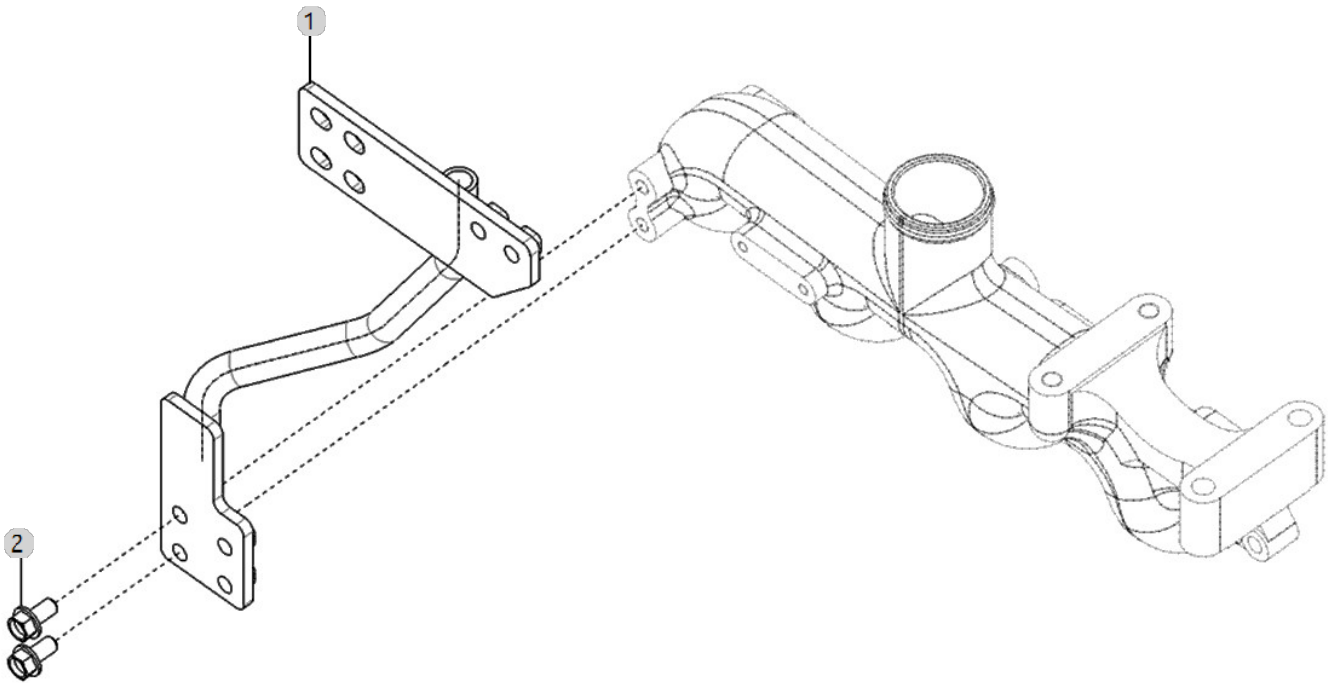
A43_001

A2300N4-ETR_5
(AB00330)

DPF SUPPORT OPTION

Year/Month

2022-12-16



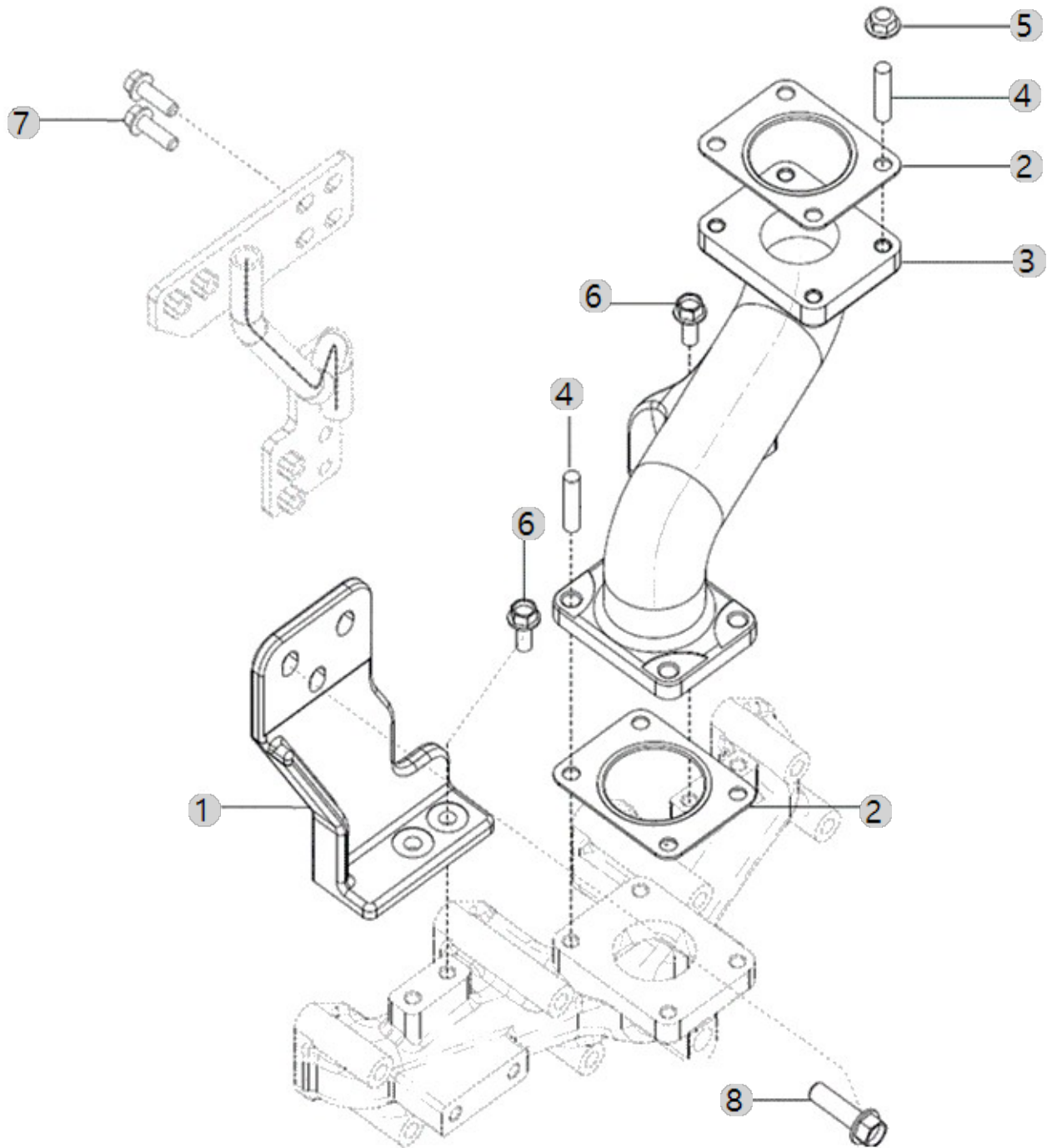
A44_006

A2300N4-ETR_5
(AB00330)

DPF MOUNTING OPTION

Year/Month

2022-12-16



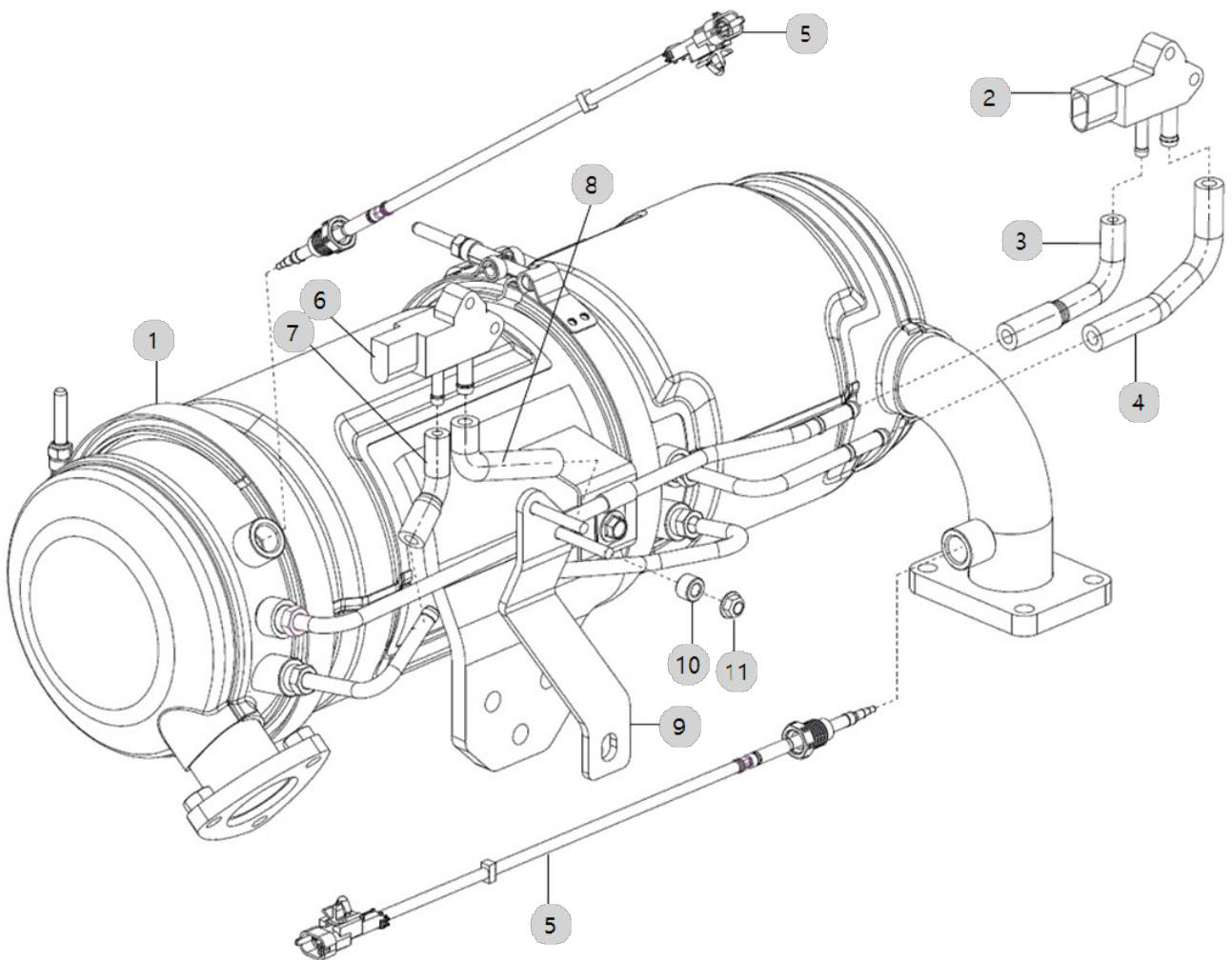
A45_011

A2300N4-ETR_5
(AB00330)

DPF

Year/Month

2022-12-16



A48_006

A2300N4-ETR_5
(AB00330)

V-BELT

Year/Month

2022-12-16

