

T494ST

Parts Catalog

목 차

0. TRACTOR KIT PART NO. TK1

FIG 000 TRAILER SOCKET KIT 8

1. Engine PART NO. EG

FIG 100 ENGINE	12
FIG 101 CYLINDER BLOCK	14
FIG 102B OILJET ASS'Y OPTION(T494)	16
FIG 103 CRANK SHAFT	18
FIG 104 PISTON	20
FIG 105 CYLINDER HEAD	22
FIG 106 ROCKER LEVER	24
FIG 107 HEAD COVER	26
FIG 108 GEAR CASE	28
FIG 109 IDLE GEAR	30
FIG 110 CAM SHAFT	32
FIG 111 OIL PUMP	34
FIG 112 HYD. PUMP DRIVE	36
FIG 113 2ND BALANCE	38
FIG 114 OIL PAN	40
FIG 115B INTAKE MANIFOLD(T494)	42
FIG 116B EXHAUST MANIFOLD(T494)	44
FIG 117B TURBOCHARGER ASS'Y(T494)	46
FIG 118B TURBOCHARGER PLUMBING OPTION(T494)	48
FIG 119B BREATHER(T494)	50
FIG 120 FUEL INJECTION PUMP	52
FIG 121 FUEL INJECTION VALVE	54
FIG 122 FUEL PIPE ASS'Y	56
FIG 123 OIL FILTER	58
FIG 124 OIL COOLER	60
FIG 125 OIL GAUGUE	62
FIG 126 OIL FILLER CAP	64

FIG 127 COOLING WATER PUMP	66
FIG 128 CRANK SHAFT PULLEY	68
FIG 129 V-PULLEY	70
FIG 130 COOLING FAN	72
FIG 131 FLYWHEEL HOUSING	74
FIG 132 FLYWHEEL	76
FIG 133 GLOW PLUG ASS'Y OPTION	78
FIG 134 STARTING MOTOR	80
FIG 135 FUEL FILTER BRACKET ASS'Y	82
FIG 136 ALTERNATOR	84
FIG 137 V-BELT	86
FIG 138 FUEL FILTER	88
FIG 139B DPF SUPPORT (T494)	90
FIG 140 DATAPLATE	92
FIG 142B DPF ASS'Y (T494)	94
FIG 143 LIFT ASS'Y	96
FIG 144 COMP . DRIVE PULLEY ASS'Y OPTION	98
FIG 147 LOOSED PARTS	100

2. Engine Accessories PART NO. T2

FIG 201B AIR CLEANER (T494)	103
FIG 202 RADIATOR	105
FIG 203 MUFFLER	107
FIG 204 FUEL HOSE & FILTER	109
FIG 205 FUEL TANK	111
FIG 206 ACCELERATOR	113

3. Clutch/Brake/Steering PART NO. T3

FIG 301 CLUTCH	116
FIG 302 CLUTCH PEDAL	118
FIG 303 BRAKE	121
FIG 304 BRAKE PEDAL & LINK	123
FIG 305 FRONT WHEEL	125
FIG 306 REAR WHEEL	127
FIG 307 POWER STEERING WHEEL	129
FIG 308 POWER STEERING VALVE	131

FIG 309 POWER STEERING CYLINDER	133
---------------------------------	-----

4. Transmission PART NO. T4

FIG 401 TRANSMISSION FRONT CASE	136
FIG 402 FORWARD & BACKWARD GEARS	138
FIG 403 IDLE & COUNTER GEARS	140
FIG 404 MAIN SHIFT GEARS	142
FIG 405 P.T.O DRIVE SHAFT	144
FIG 406 MAIN CHANGE LEVER	146
FIG 407 REVERSE CHANGE LEVER	148
FIG 408 TRANSMISSION MID CASE	150
FIG 409 TRANSMISSION REAR CASE	152
FIG 410 SUB CHANGE GEARS	154
FIG 411 SUB CHANGE SHIFTER	156
FIG 413 DRIVE GEARS	158
FIG 414 4WD CHANGE LEVER	160
FIG 415 P.T.O CHANGE GEARS	162
FIG 417 REAR DIFFERENTIAL GEARS	164
FIG 418 REAR AXLE HOUSING	167

5. Front Axle PART NO. T5

FIG 501 FRONT AXLE SUPPORT	170
FIG 502 FRONT DRIVE SHAFT	172
FIG 503 FRONT AXLE HOUSING	174
FIG 504 FRONT DIFFERENTIAL GEARS	176
FIG 505 FRONT GEAR CASE (1)	178
FIG 506 FRONT GEAR CASE (2)	180
FIG 507 FRONT GEAR CASE (3)	182

6. Hydraulic/3P-Link PART NO. T6

FIG 601 CYLINDER CASE	185
FIG 602 LIFT ARM	187
FIG 603 CYLINDER	189
FIG 604 POSITION LINK	191
FIG 605 CONTROL VALVE	193

FIG 606 DRAFT LINK	195
FIG 607A POSITION & DRAFT LEVER (1)	197
FIG 607B POSITION & DRAFT LEVER (2)	199
FIG 608 EXTERIOR HYD. VALVE	201
FIG 609 HYDRAULIC PIPE	203
FIG 610 JOYSTICK	205
FIG 612 HITCH & 3-POINT LINK	208
FIG 613 LOWER LINK & LIFT ROD	211

7. Sheet Metal & Cabin PART NO. T7

FIG 701 BONNET FRAME	214
FIG 702A BONNET (1)	216
FIG 702B BONNET (2)	218
FIG 703 EXTENSION COVER	220
FIG 704A LEVER COVER & STEP	222
FIG 705 FRONT & REAR MOUNTING	224
FIG 706 SEAT & MAT	226
FIG 709 DOOR	228
FIG 710A FRONT GLASS	231
FIG 711 SIDE GLASS	233
FIG 712 REAR GLASS	235
FIG 713A SUB FENDER & COVER	237
FIG 714A MIRROR	239
FIG 715A HEATER & AIR-CON	241
FIG 715B HEATER & AIR-CON	243
FIG 716 FENDER COVER	245
FIG 717 ROOF	247
FIG 718 CABIN INTERIOR	249

8. Electrical System PART NO. T8

FIG 801 BATTERY & MOUNTING	252
FIG 802 HARNESS LAMP	254
FIG 803 INSTRUMENT PANEL	256
FIG 804 ELECTRIC SYSTEM (1)	258
FIG 805A ELECTRIC SYSTEM (2)	260
FIG 806 ELECTRIC SYSTEM (3)	262

9. Label/Option PART NO. T9

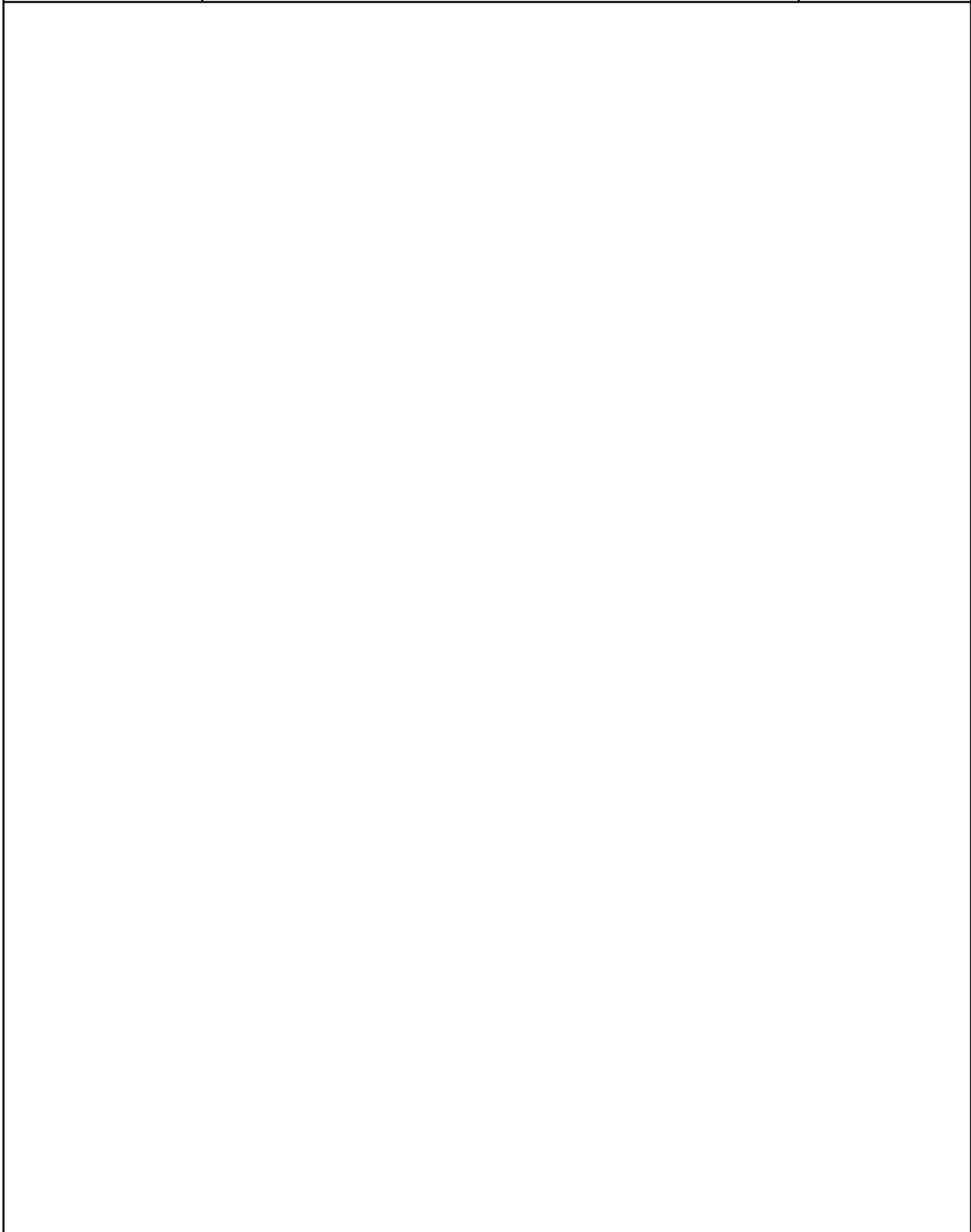
FIG 901 TOOL & ACCESSORY	265
FIG 902 LABEL	267
FIG 902 LABEL	269

0. TRACTOR KIT PART NO. TK1

FIG 000 TRAILER SOCKET KIT

8

FIG 000 T494ST	TRAILER SOCKET KIT	년/월 Year/Month 2022-12
-------------------	--------------------	------------------------------



NOTE	
------	--

1. Engine PART NO. EG

FIG 100 ENGINE	12
FIG 101 CYLINDER BLOCK	14
FIG 102B OILJET ASS'Y OPTION(T494)	16
FIG 103 CRANK SHAFT	18
FIG 104 PISTON	20
FIG 105 CYLINDER HEAD	22
FIG 106 ROCKER LEVER	24
FIG 107 HEAD COVER	26
FIG 108 GEAR CASE	28
FIG 109 IDLE GEAR	30
FIG 110 CAM SHAFT	32
FIG 111 OIL PUMP	34
FIG 112 HYD. PUMP DRIVE	36
FIG 113 2ND BALANCE	38
FIG 114 OIL PAN	40
FIG 115B INTAKE MANIFOLD(T494)	42
FIG 116B EXHAUST MANIFOLD(T494)	44
FIG 117B TURBOCHARGER ASS'Y(T494)	46
FIG 118B TURBOCHARGER PLUMBING OPTION(T494)	48
FIG 119B BREATHER(T494)	50
FIG 120 FUEL INJECTION PUMP	52
FIG 121 FUEL INJECTION VALVE	54
FIG 122 FUEL PIPE ASS'Y	56
FIG 123 OIL FILTER	58
FIG 124 OIL COOLER	60
FIG 125 OIL GAUGUE	62
FIG 126 OIL FILLER CAP	64
FIG 127 COOLING WATER PUMP	66
FIG 128 CRANK SHAFT PULLEY	68
FIG 129 V-PULLEY	70
FIG 130 COOLING FAN	72
FIG 131 FLYWHEEL HOUSING	74
FIG 132 FLYWHEEL	76
FIG 133 GLOW PLUG ASS'Y OPTION	78
FIG 134 STARTING MOTOR	80
FIG 135 FUEL FILTER BRACKET ASS'Y	82
FIG 136 ALTERNATOR	84
FIG 137 V-BELT	86

FIG 138 FUEL FILTER	88
FIG 139B DPF SUPPORT (T494)	90
FIG 140 DATAPLATE	92
FIG 142B DPF ASS'Y (T494)	94
FIG 143 LIFT ASS'Y	96
FIG 144 COMP . DRIVE PULLEY ASS'Y OPTION	98
FIG 147 LOOSED PARTS	100

FIG 100 T494ST	ENGINE	년/월 Year/Month
		2022-12



NOTE	
------	--

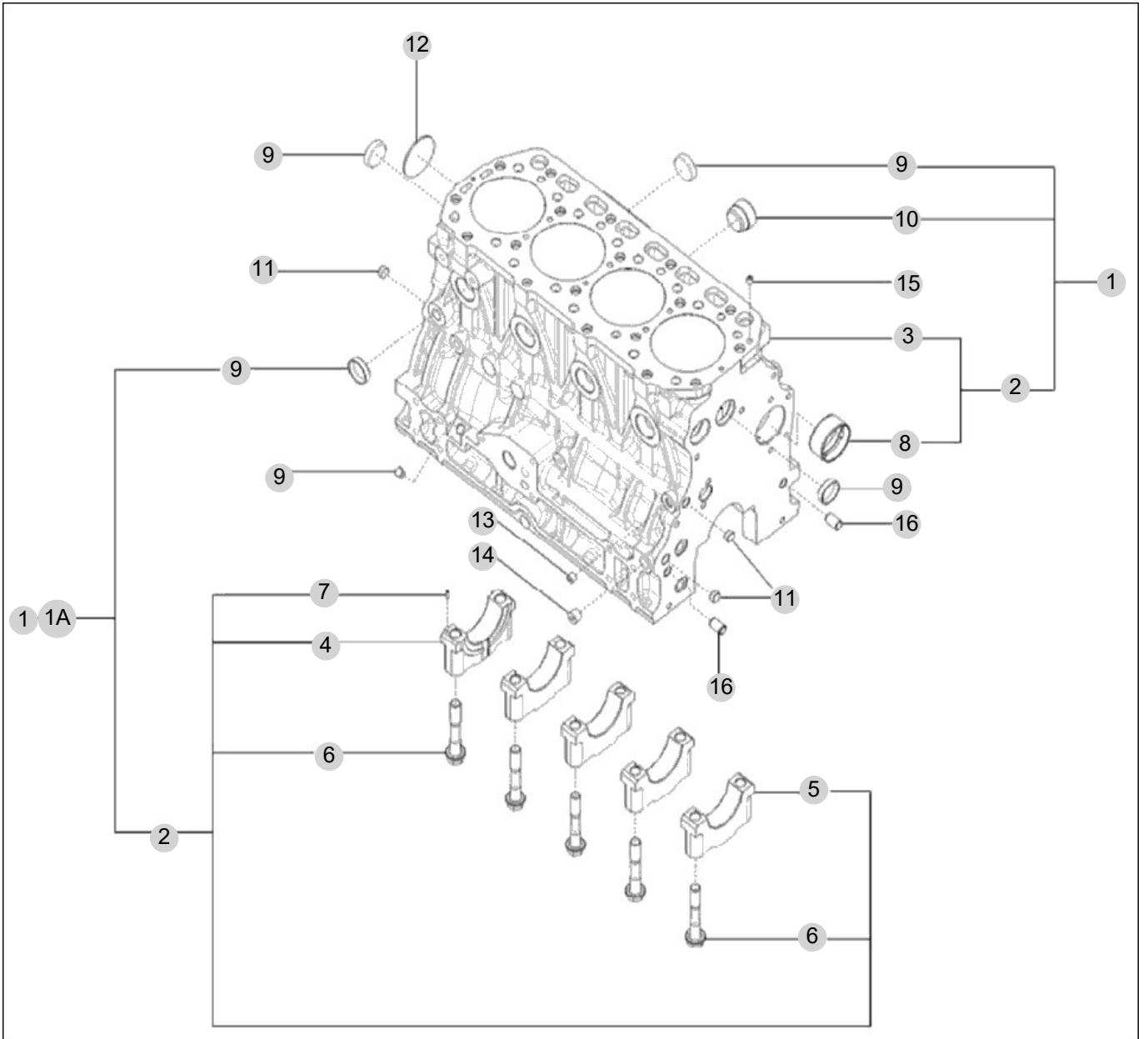
FIG 101

CYLINDER BLOCK

년/월
Year/Month

2022-12

T494ST



NOTE

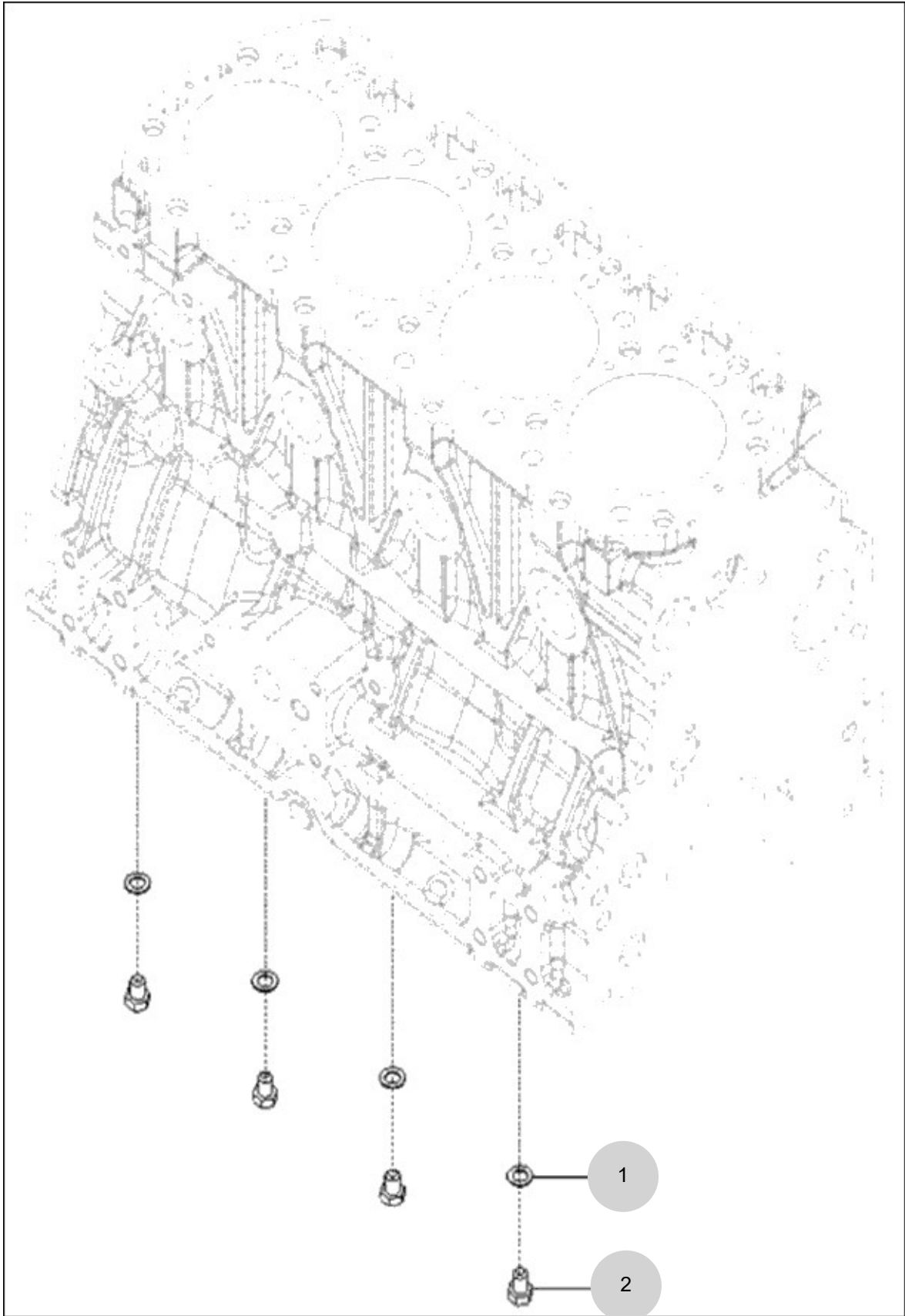
FIG 102B

OILJET ASS'Y OPTION(T494)

년/월
Year/Month

2022-12

T494ST



NOTE

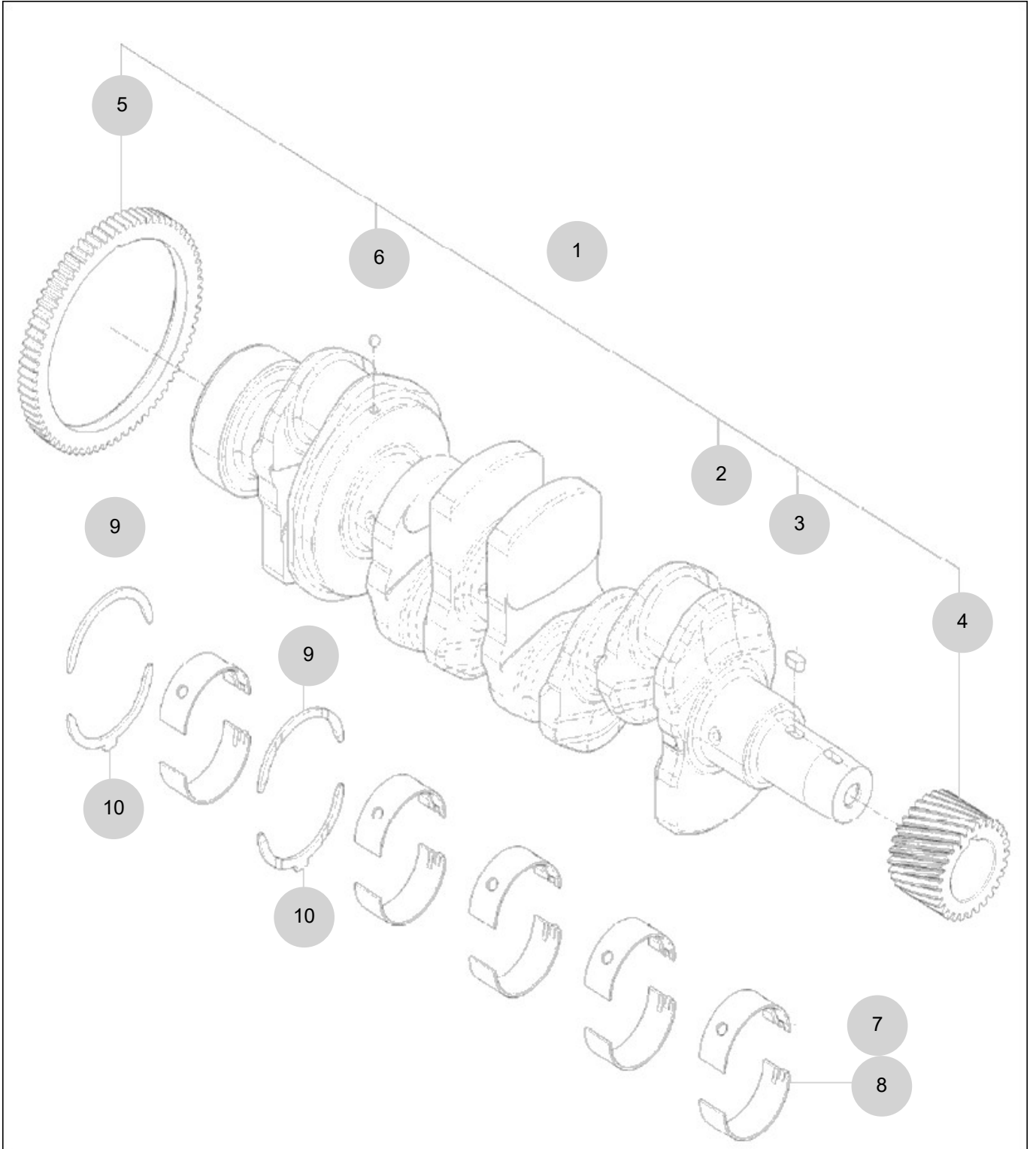
FIG 103

T494ST

CRANK SHAFT

년/월
Year/Month

2022-12



NOTE

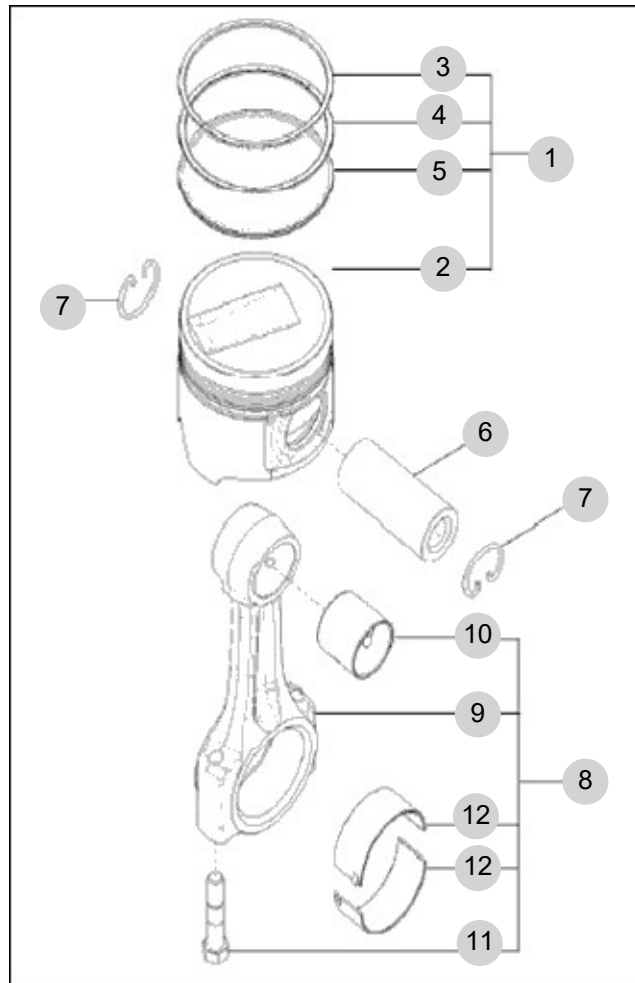
FIG 104

T494ST

PISTON

년/월
Year/Month

2022-12



NOTE

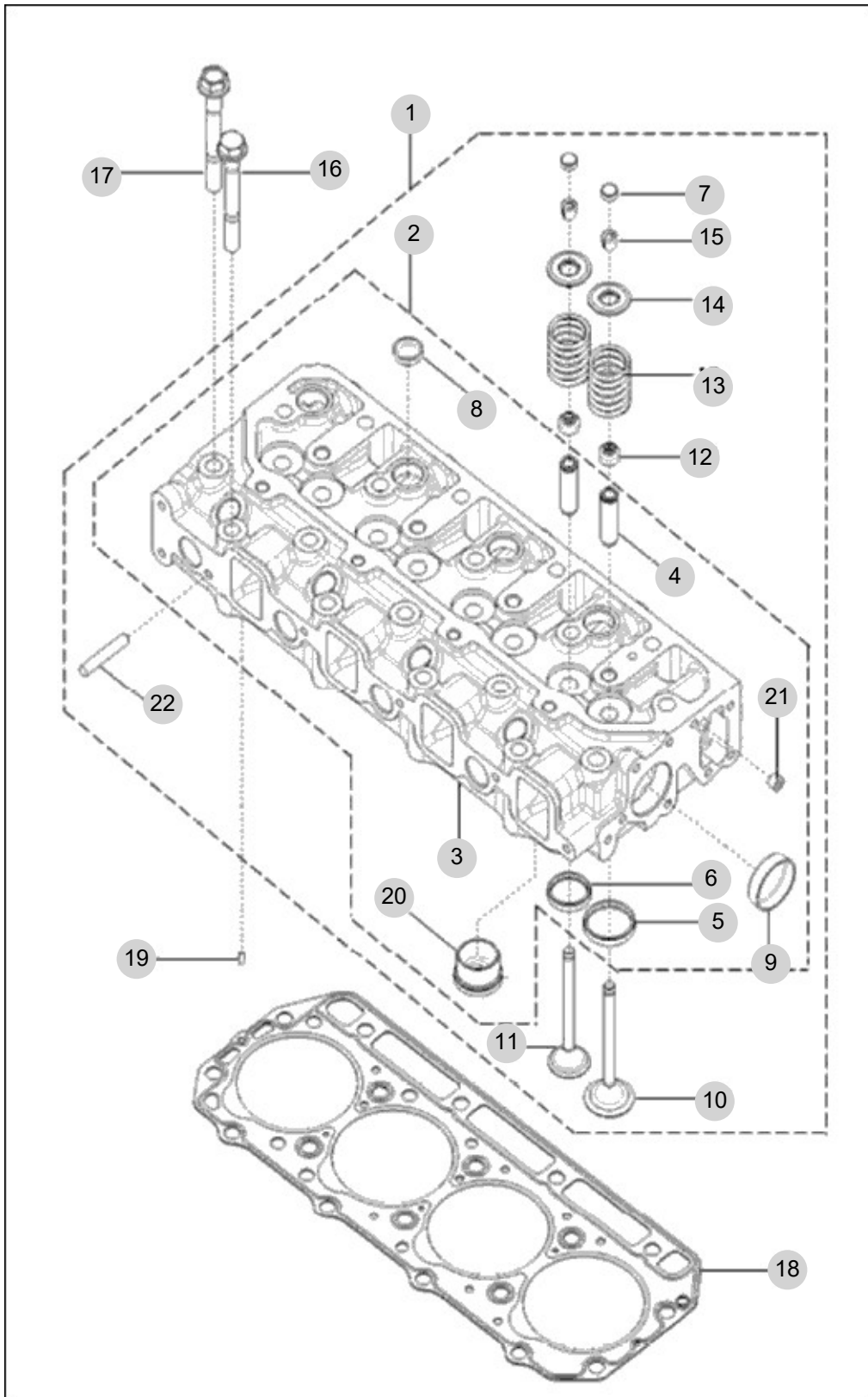
FIG 105

CYLINDER HEAD

년/월
Year/Month

2022-12

T494ST



NOTE

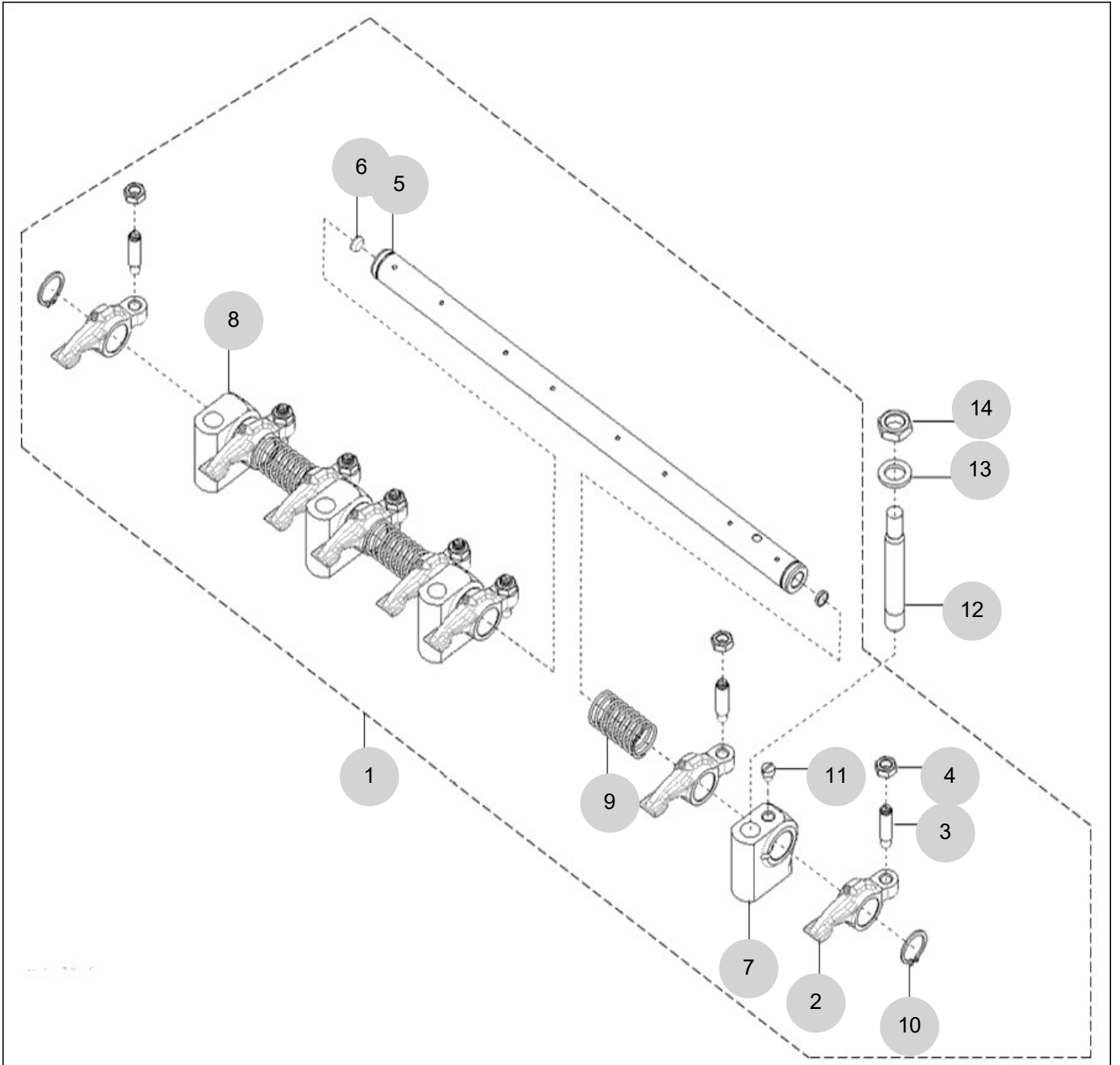
FIG 106

ROCKER LEVER

년/월
Year/Month

T494ST

2022-12



NOTE

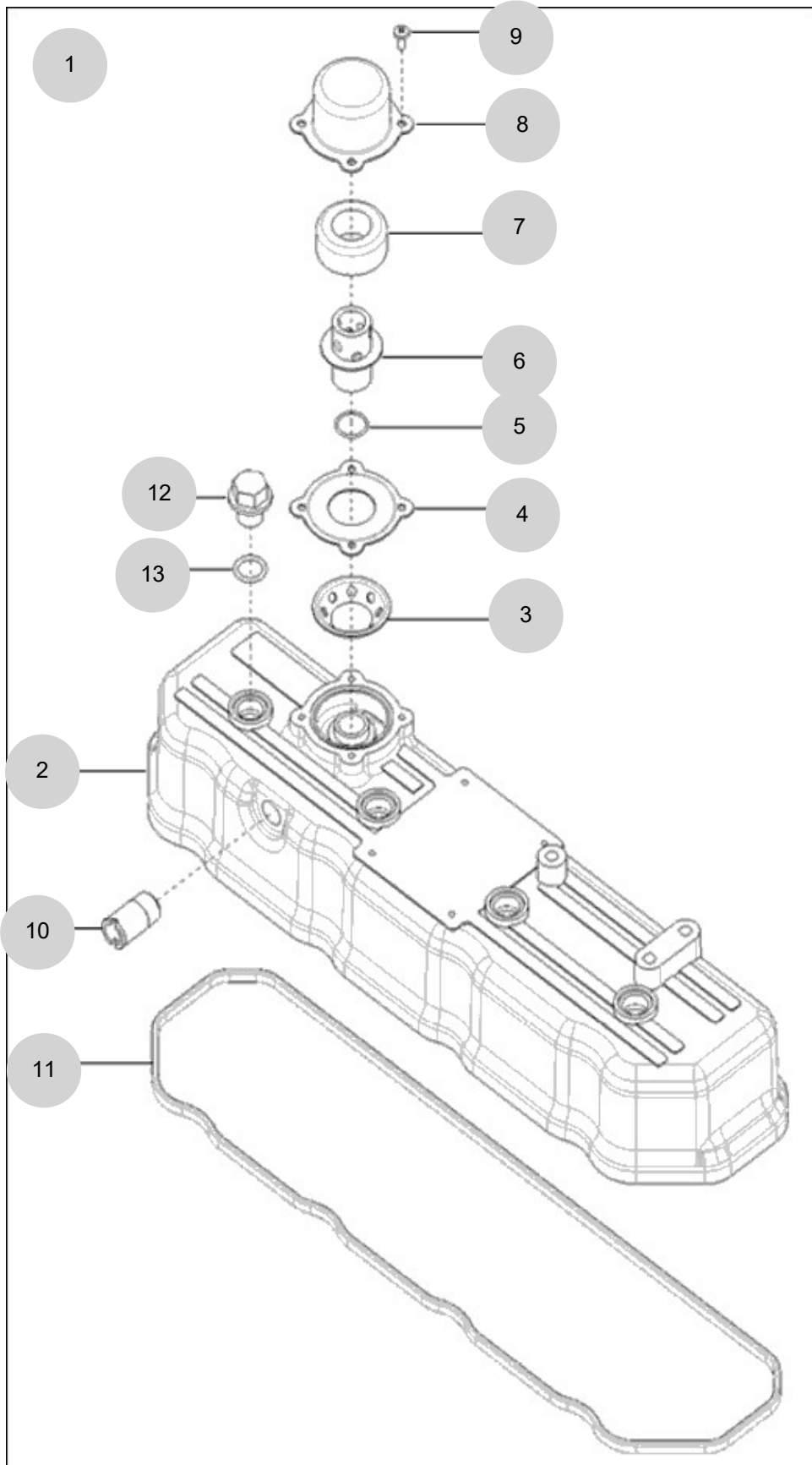
FIG 107

T494ST

HEAD COVER

년/월
Year/Month

2022-12



NOTE

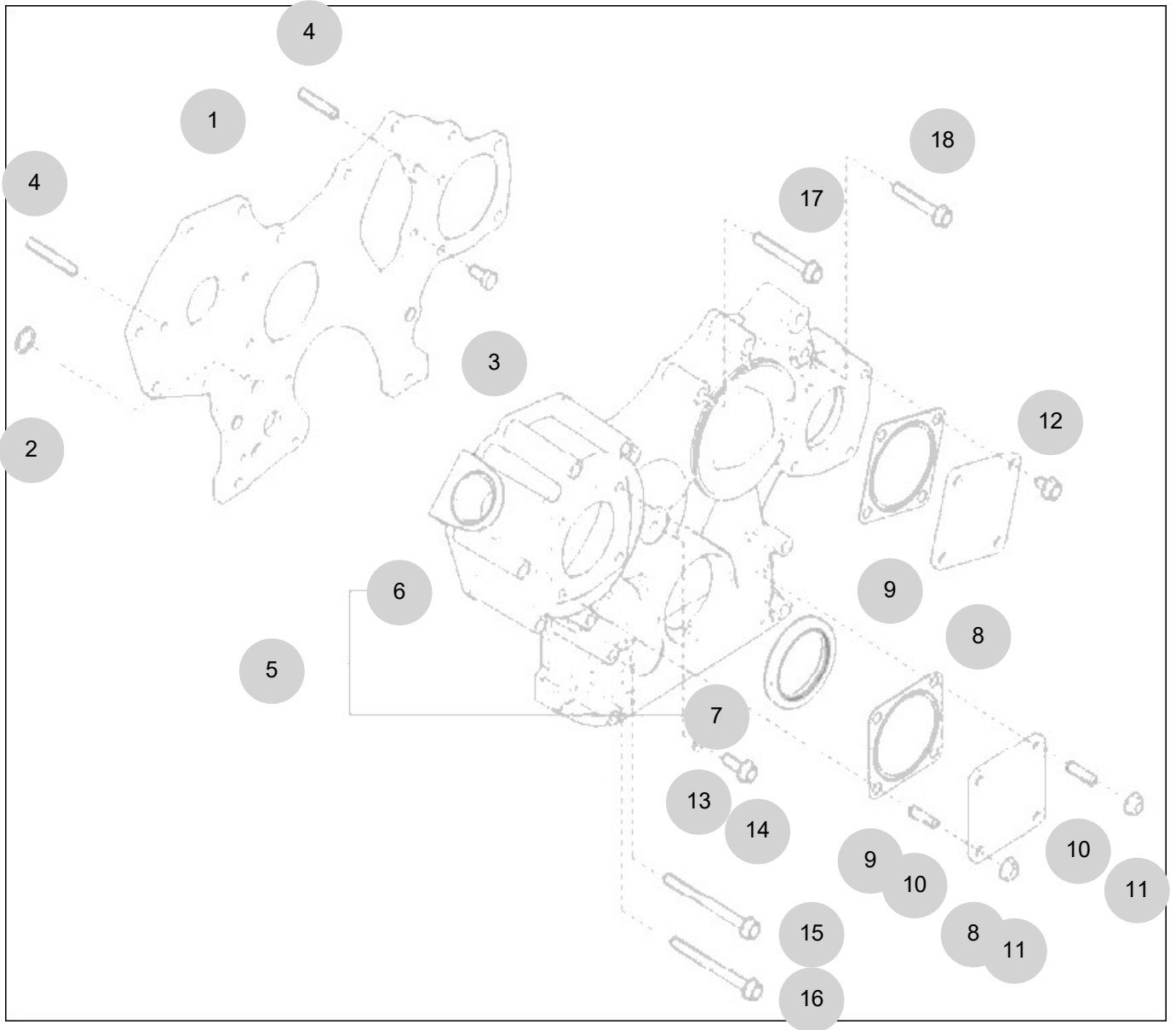
FIG 108

T494ST

GEAR CASE

년/월
Year/Month

2022-12



NOTE

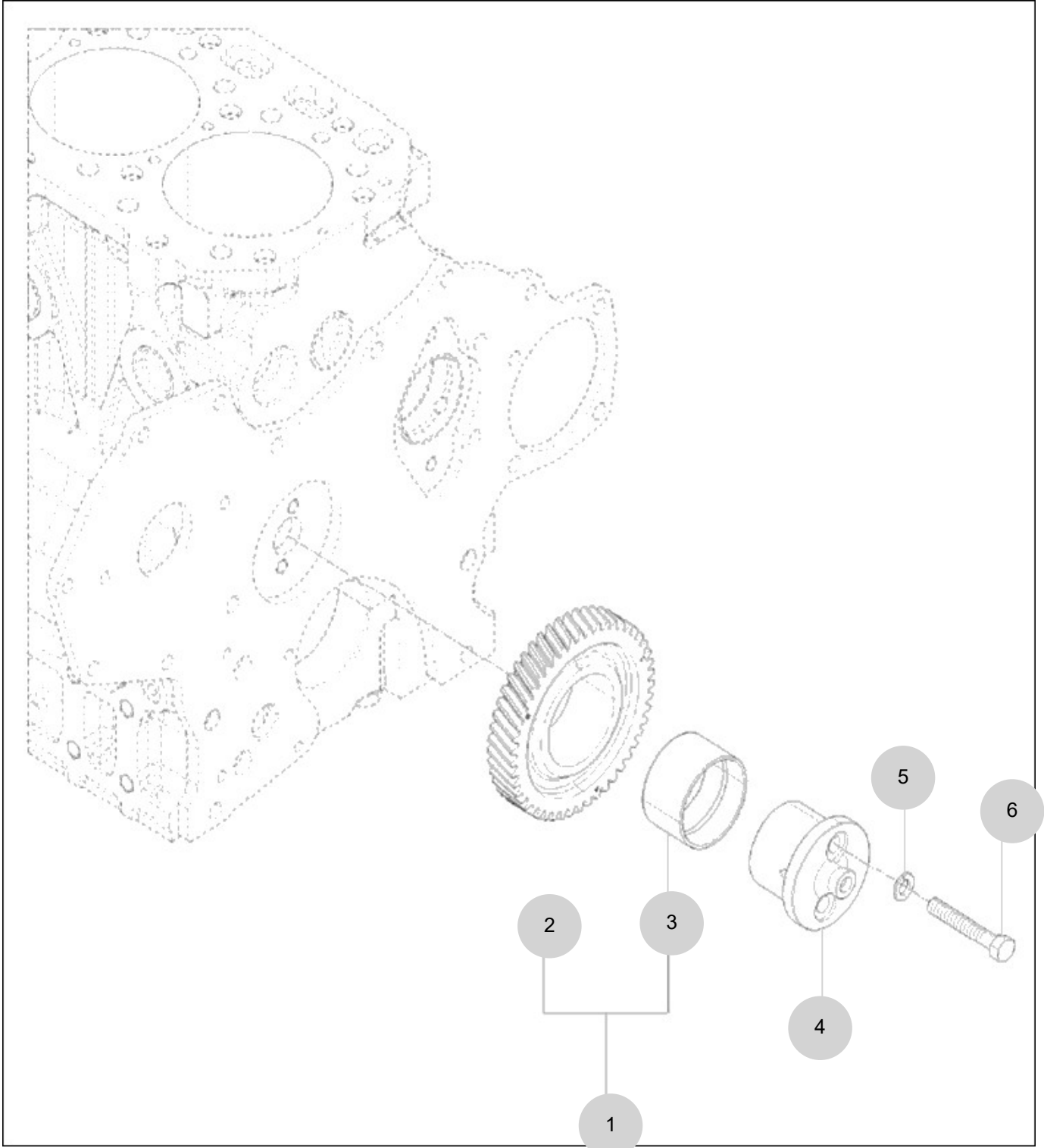
FIG 109

IDLE GEAR

년/월
Year/Month

T494ST

2022-12



NOTE

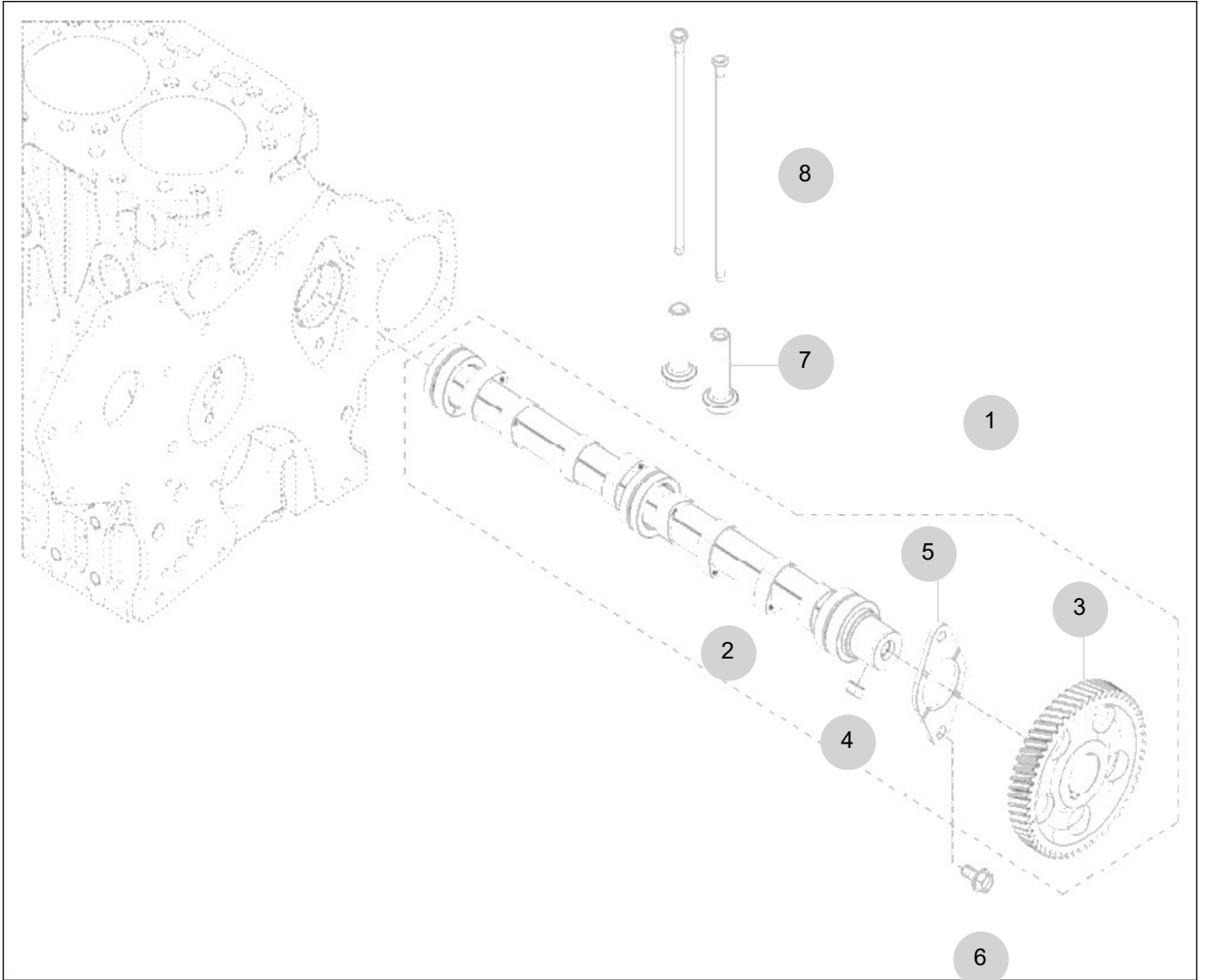
FIG 110

T494ST

CAM SHAFT

년/월
Year/Month

2022-12



NOTE

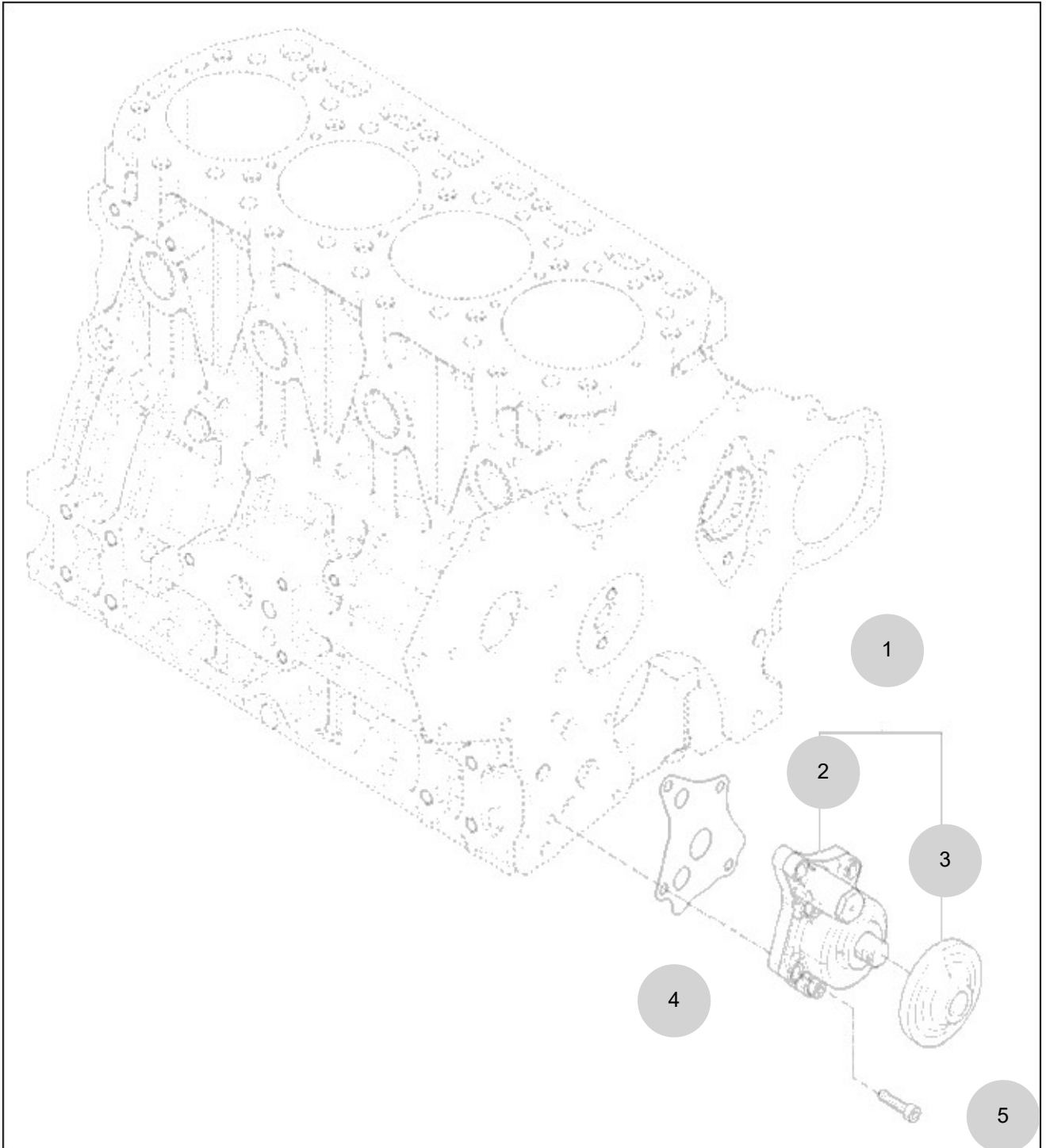
FIG 111

OIL PUMP

년/월
Year/Month

T494ST

2022-12



NOTE

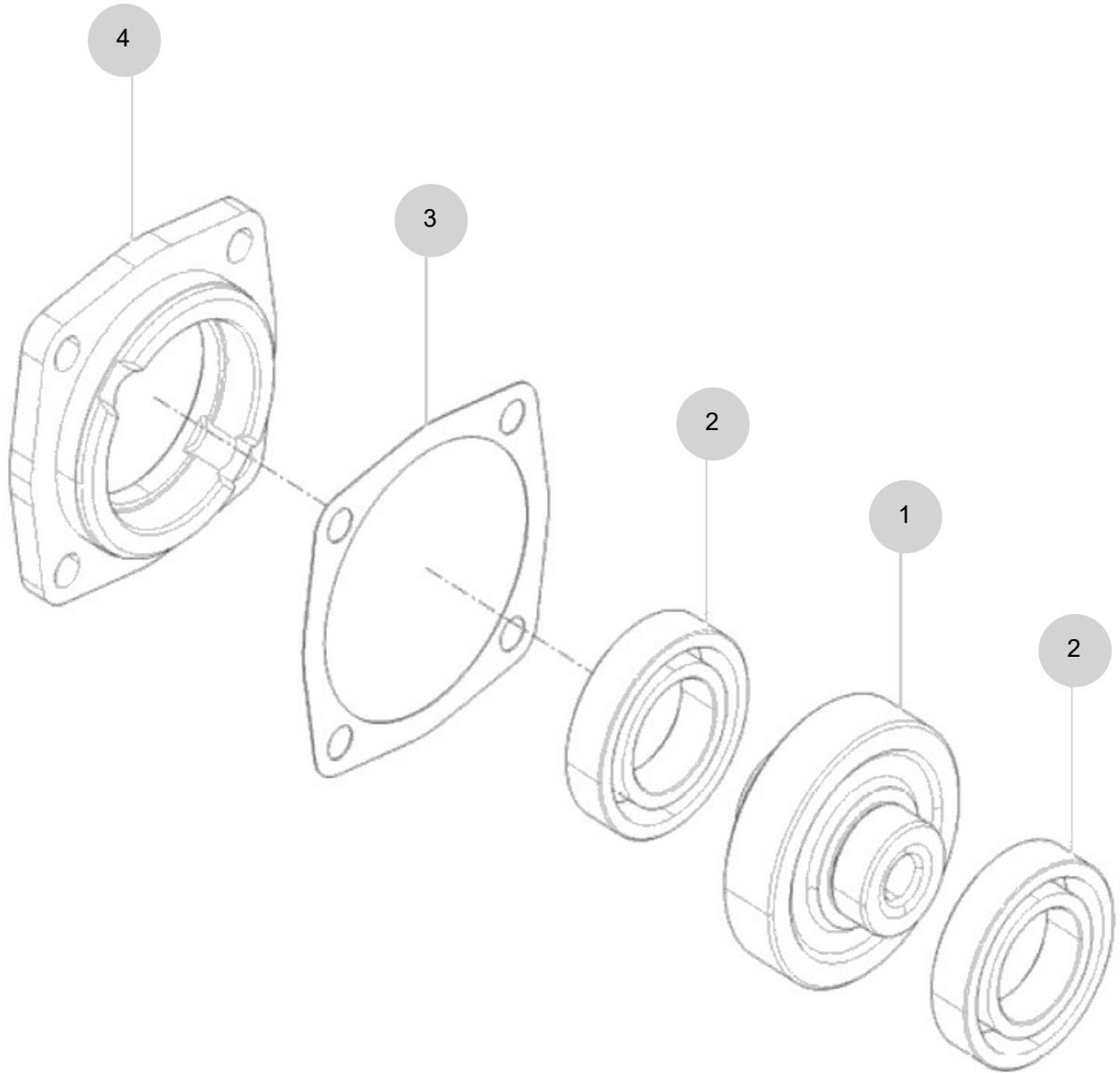
FIG 112

T494ST

HYD. PUMP DRIVE

년/월
Year/Month

2022-12



NOTE

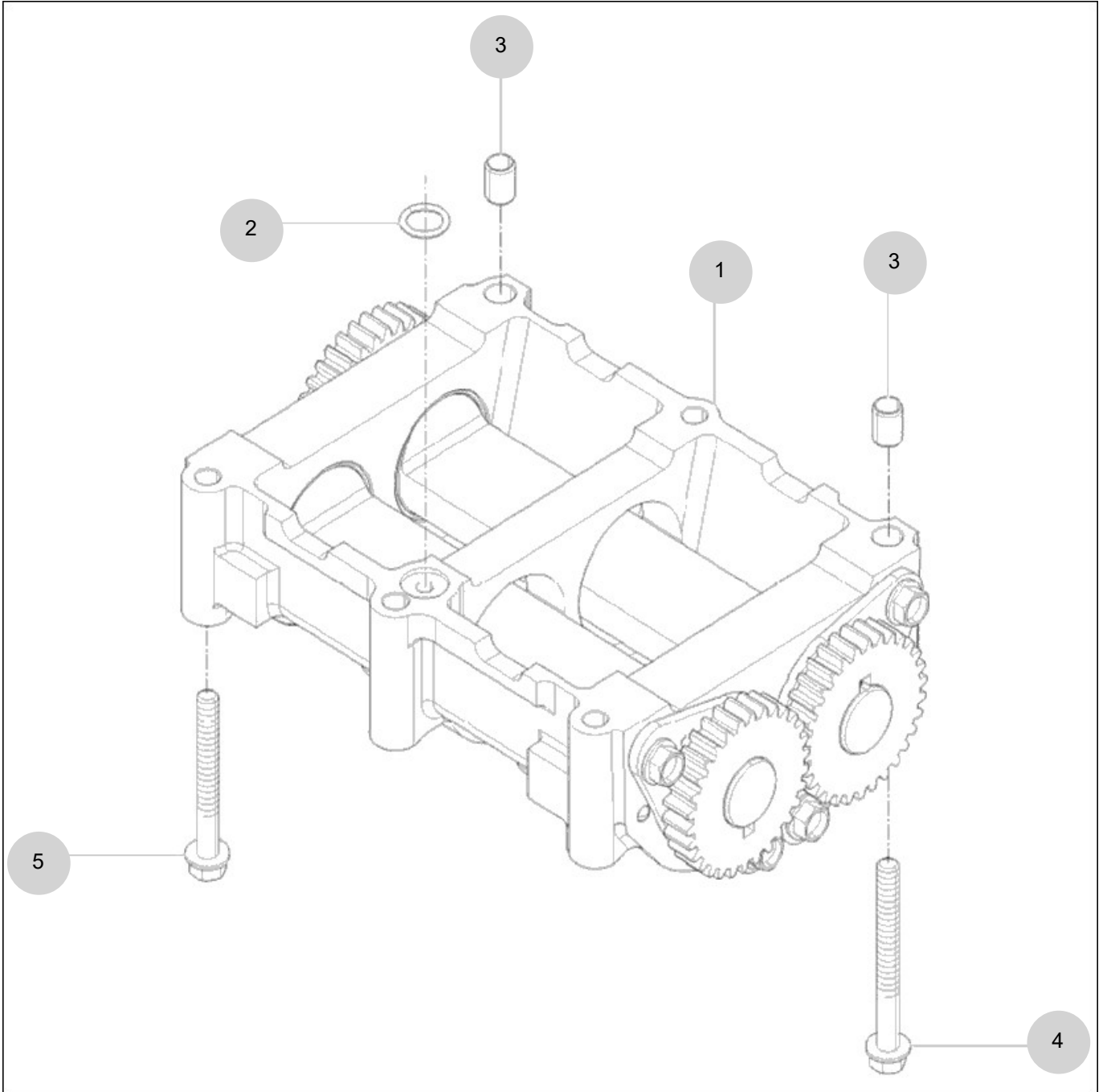
FIG 113

2ND BALANCE

년/월
Year/Month

T494ST

2022-12



NOTE

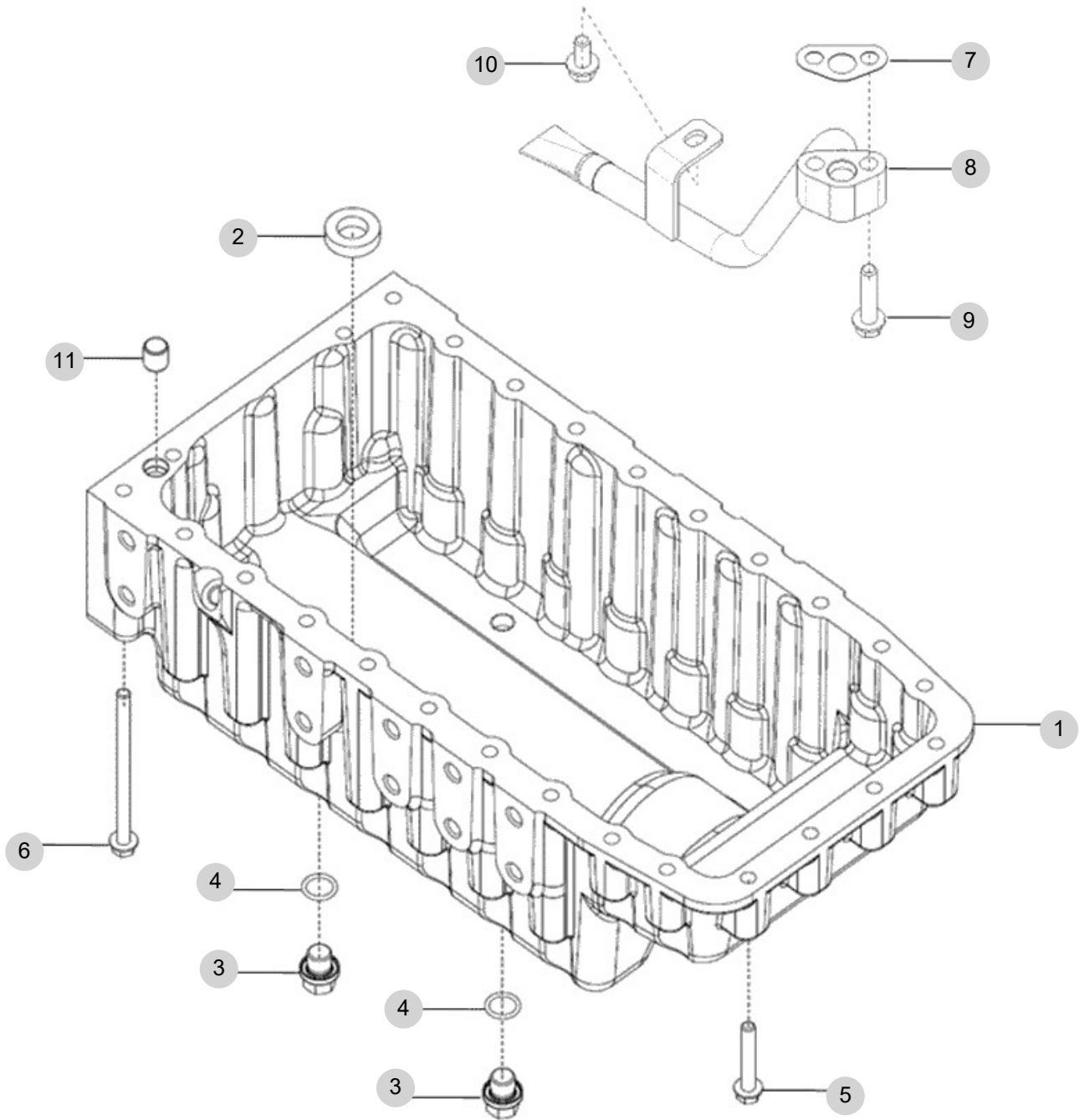
FIG 114

T494ST

OIL PAN

년/월
Year/Month

2022-12



NOTE

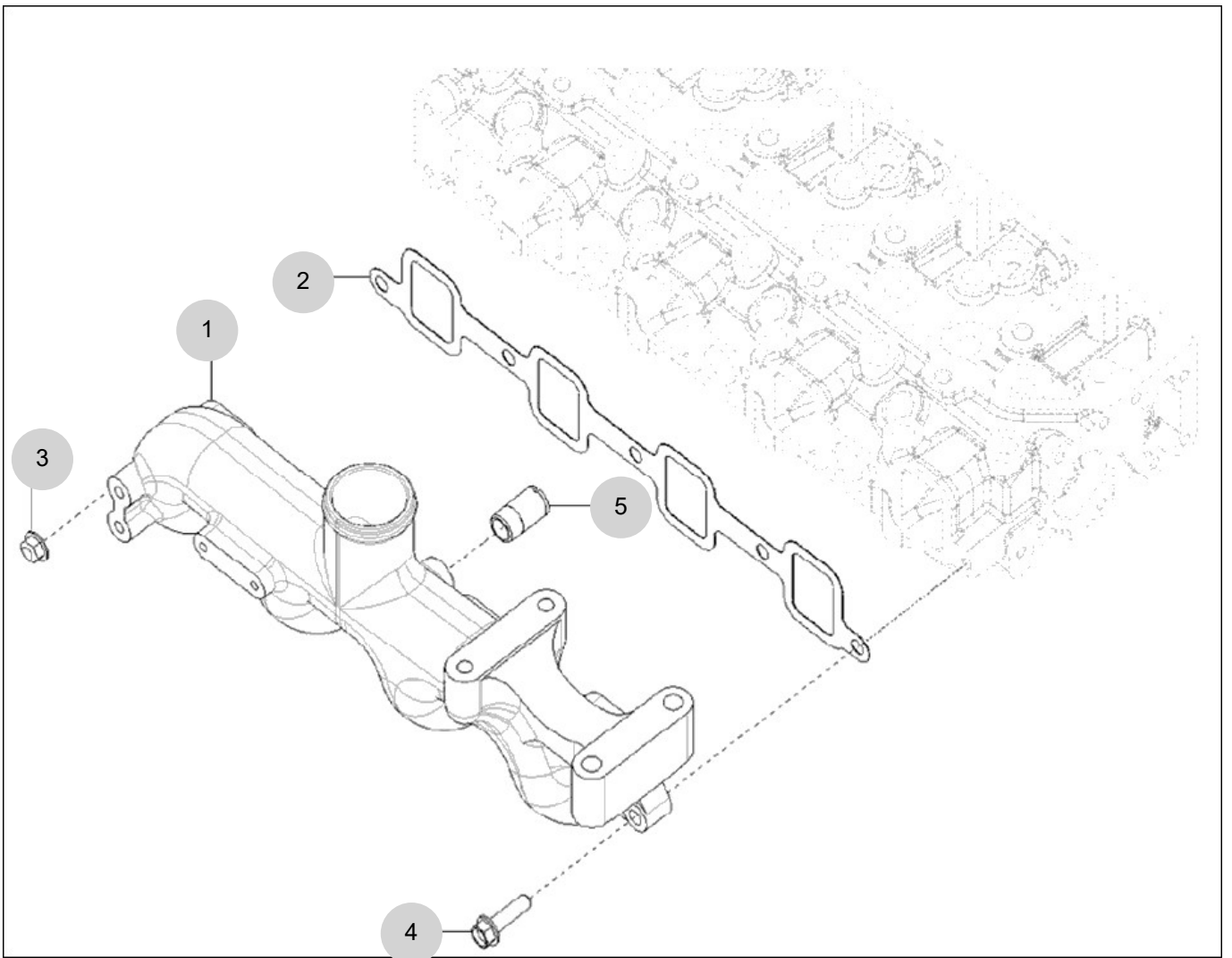
FIG 115B

T494ST

INTAKE MANIFOLD(T494)

년/월
Year/Month

2022-12



NOTE

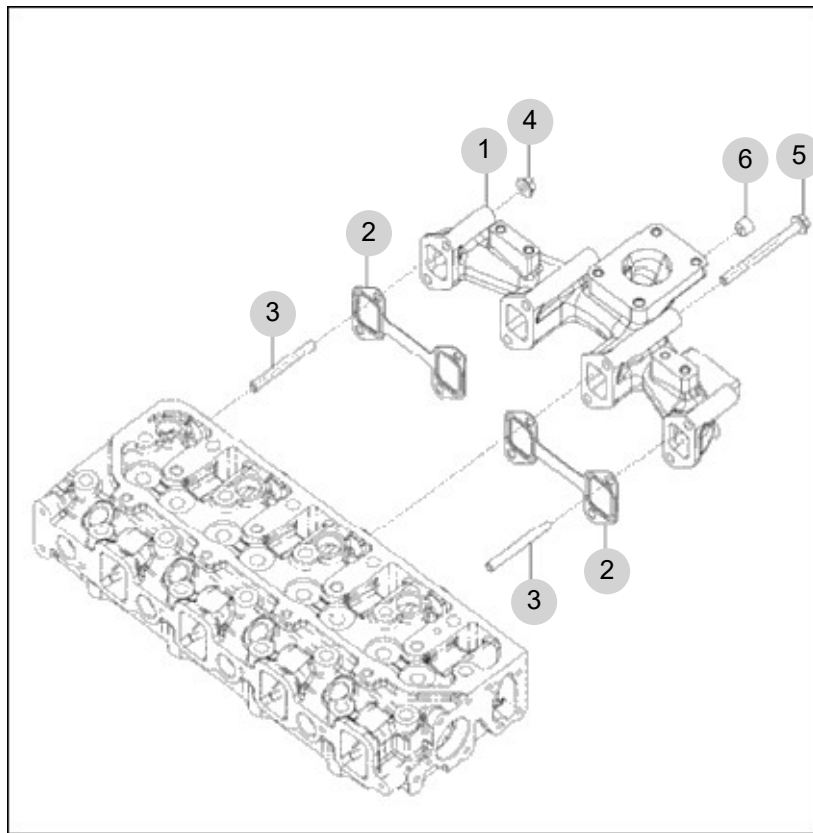
FIG 116B

T494ST

EXHAUST MANIFOLD(T494)

년/월
Year/Month

2022-12



NOTE

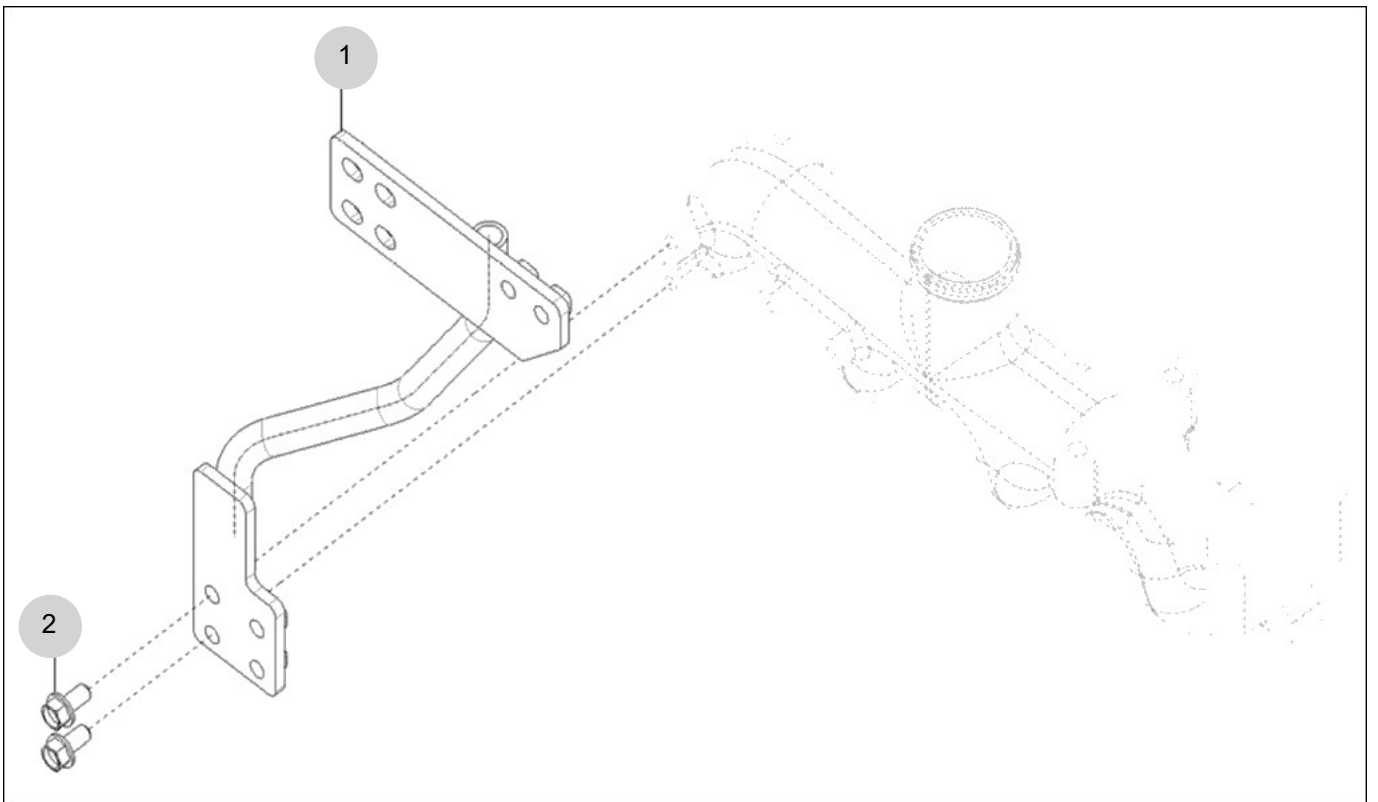
FIG 117B

TURBOCHARGER ASS'Y(T494)

년/월
Year/Month

T494ST

2022-12



NOTE

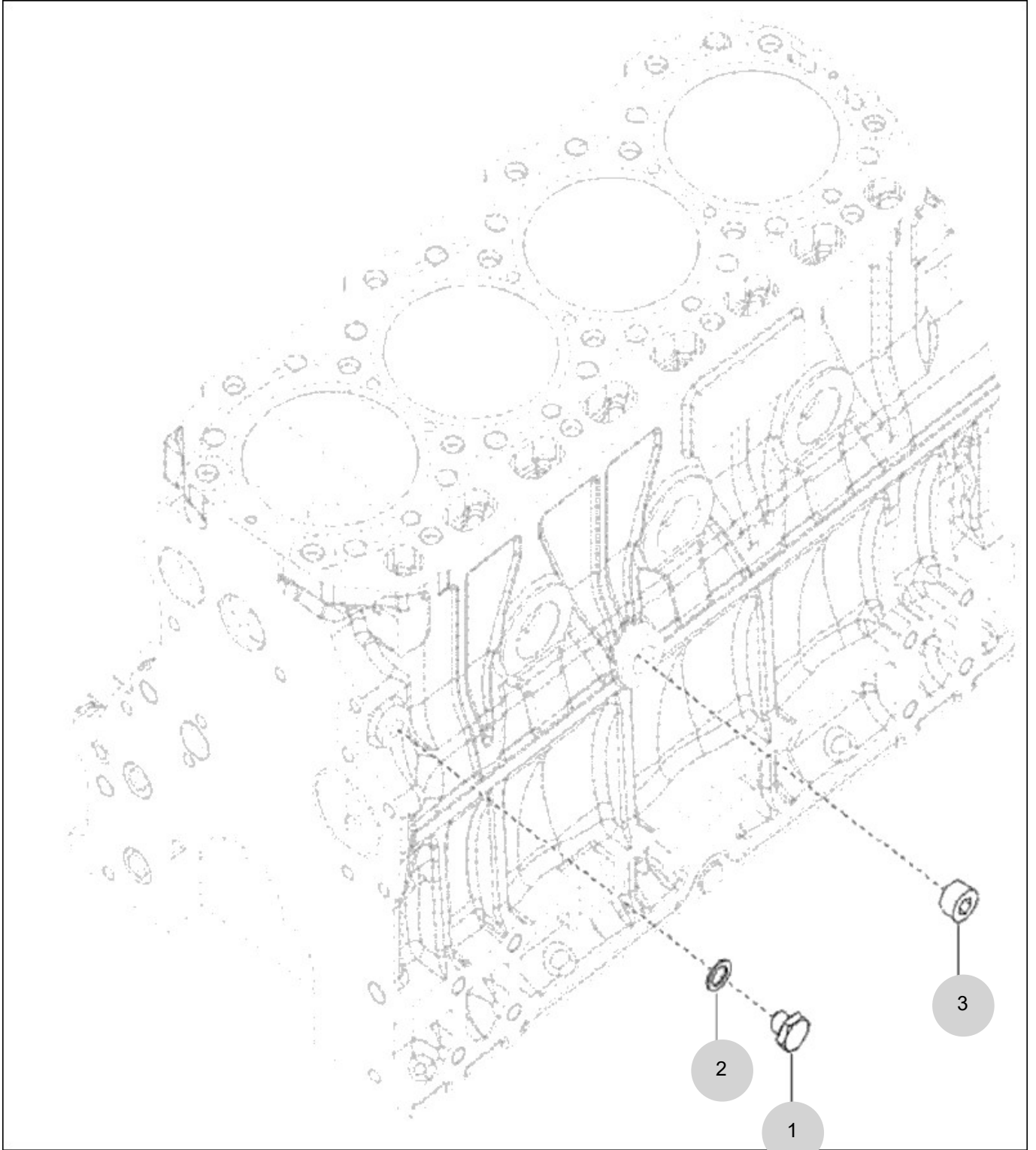
FIG 118B

TURBOCHARGER PLUMBING OPTION(T494)

년/월
Year/Month

2022-12

T494ST



NOTE

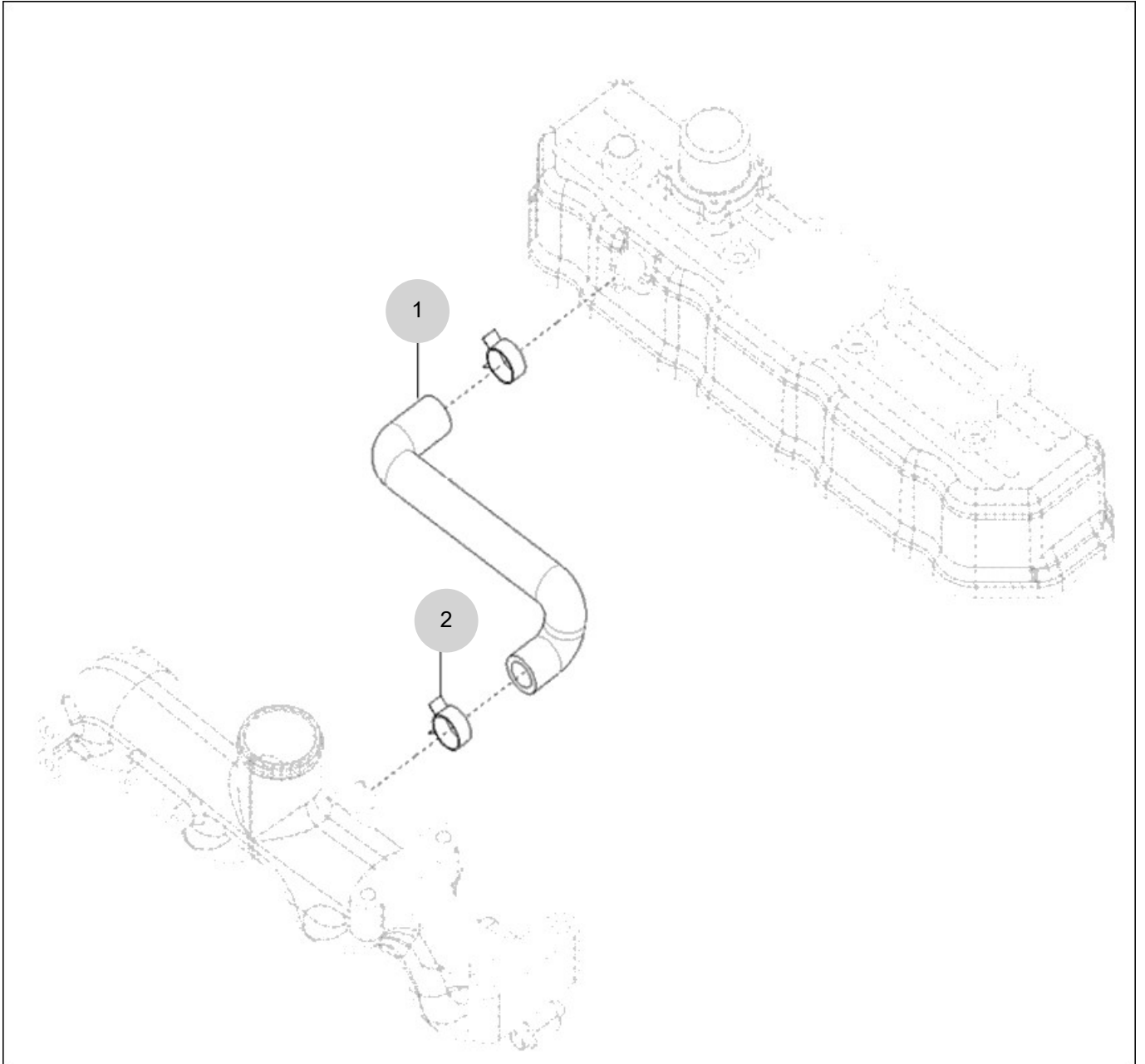
FIG 119B

BREATHING(T494)

년/월
Year/Month

T494ST

2022-12



NOTE

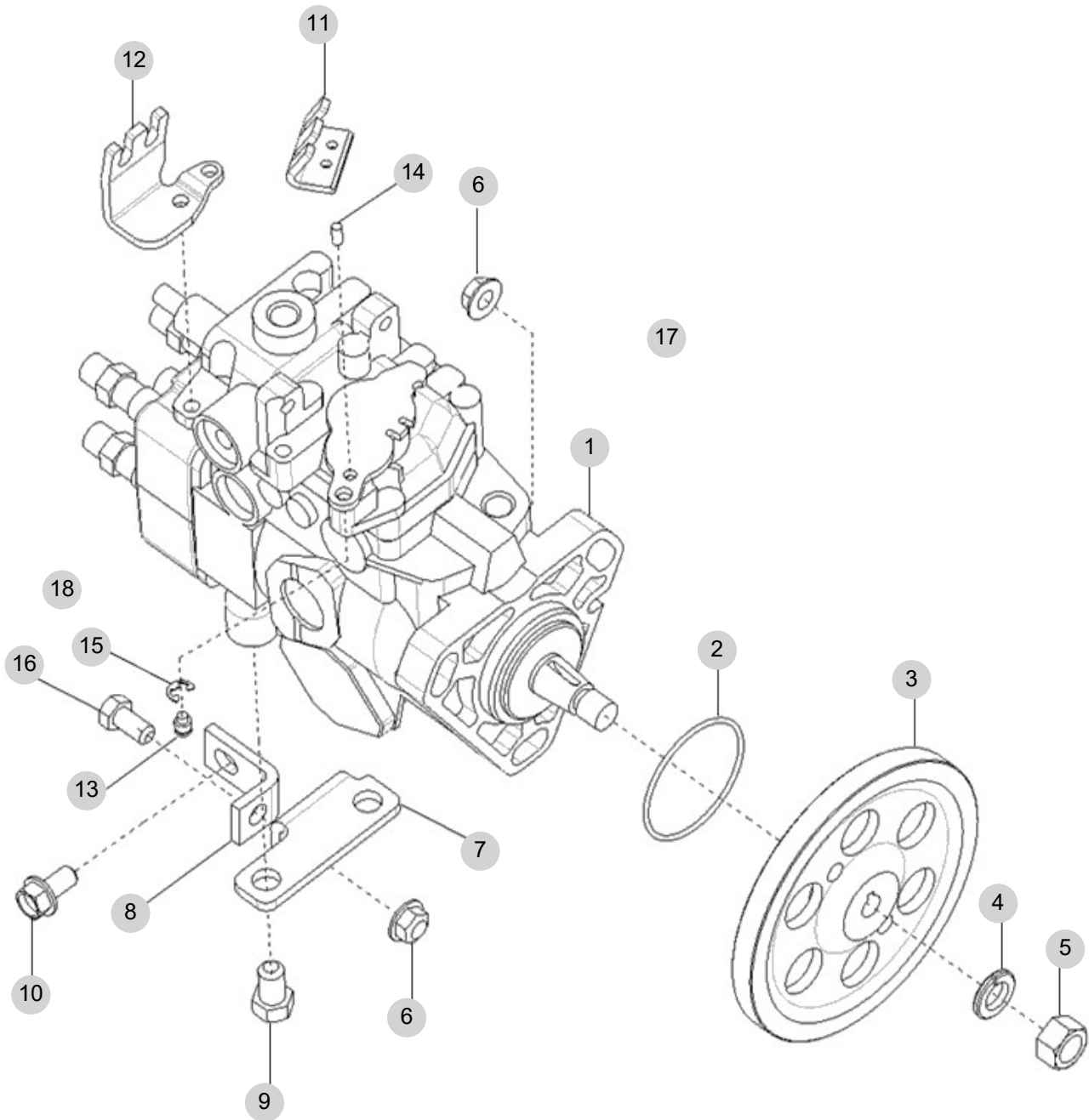
FIG 120

FUEL INJECTION PUMP

년/월
Year/Month

2022-12

T494ST



NOTE

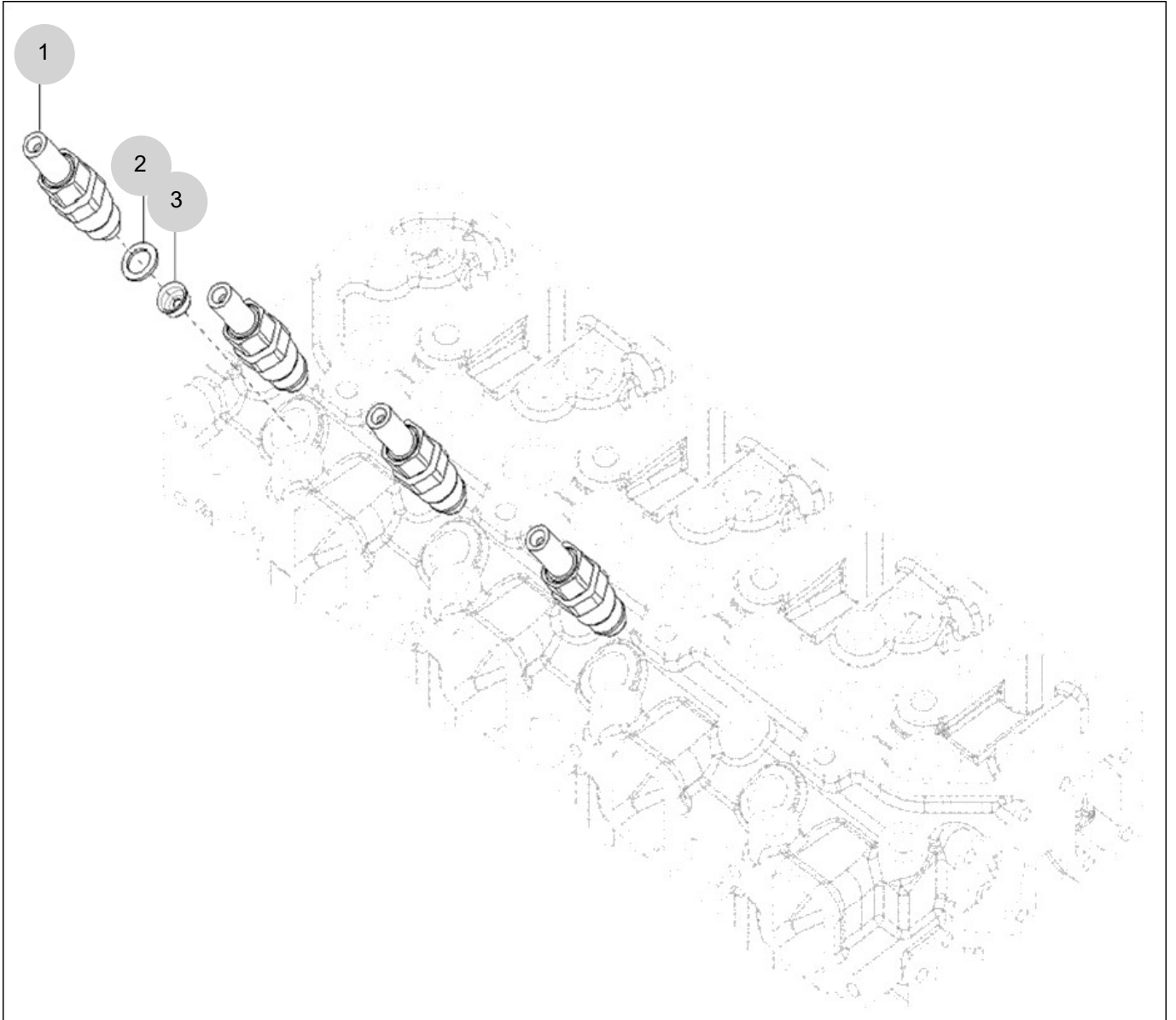
FIG 121

T494ST

FUEL INJECTION VALVE

년/월
Year/Month

2022-12



NOTE

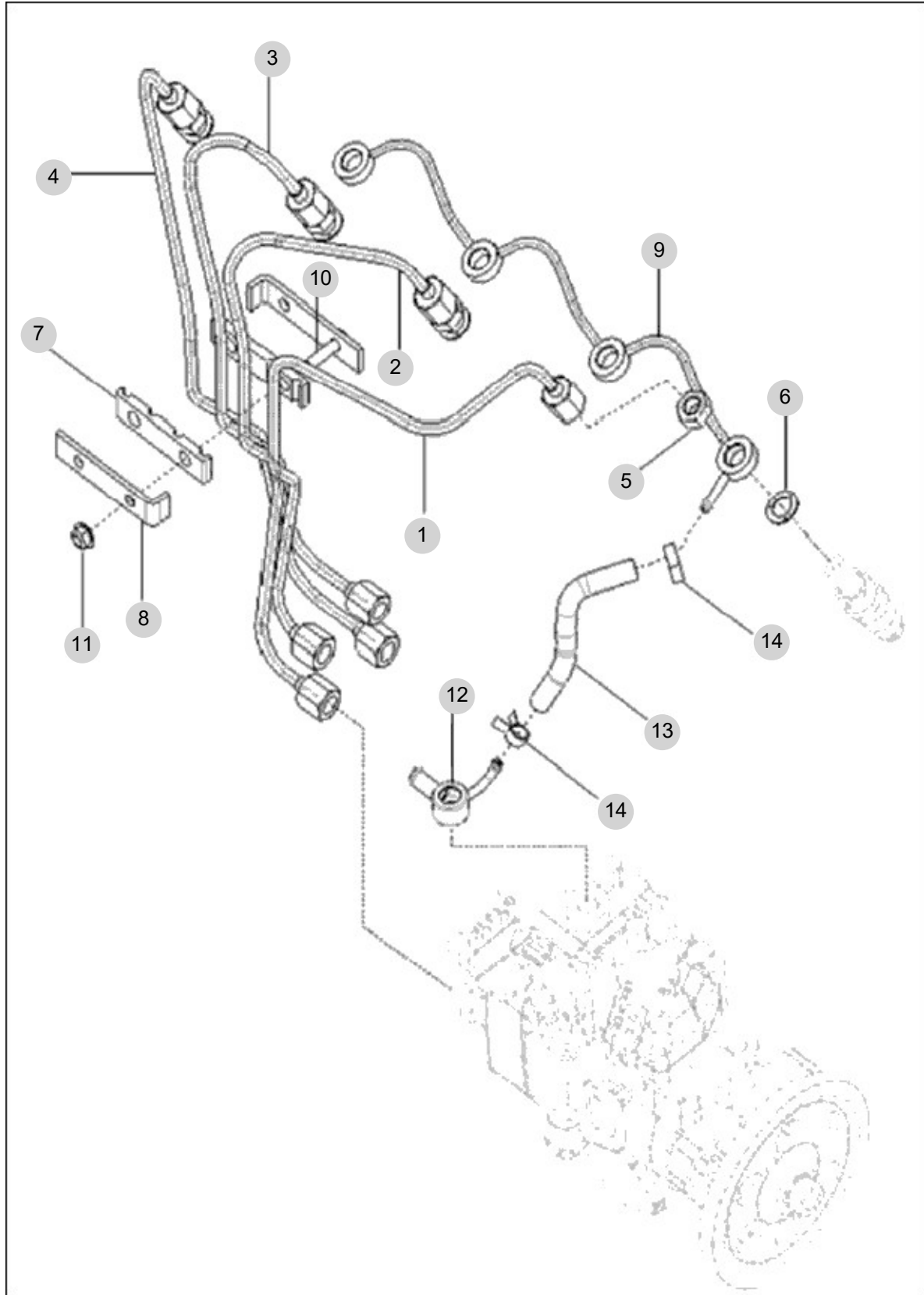
FIG 122

FUEL PIPE ASS'Y

년/월
Year/Month

2022-12

T494ST



NOTE

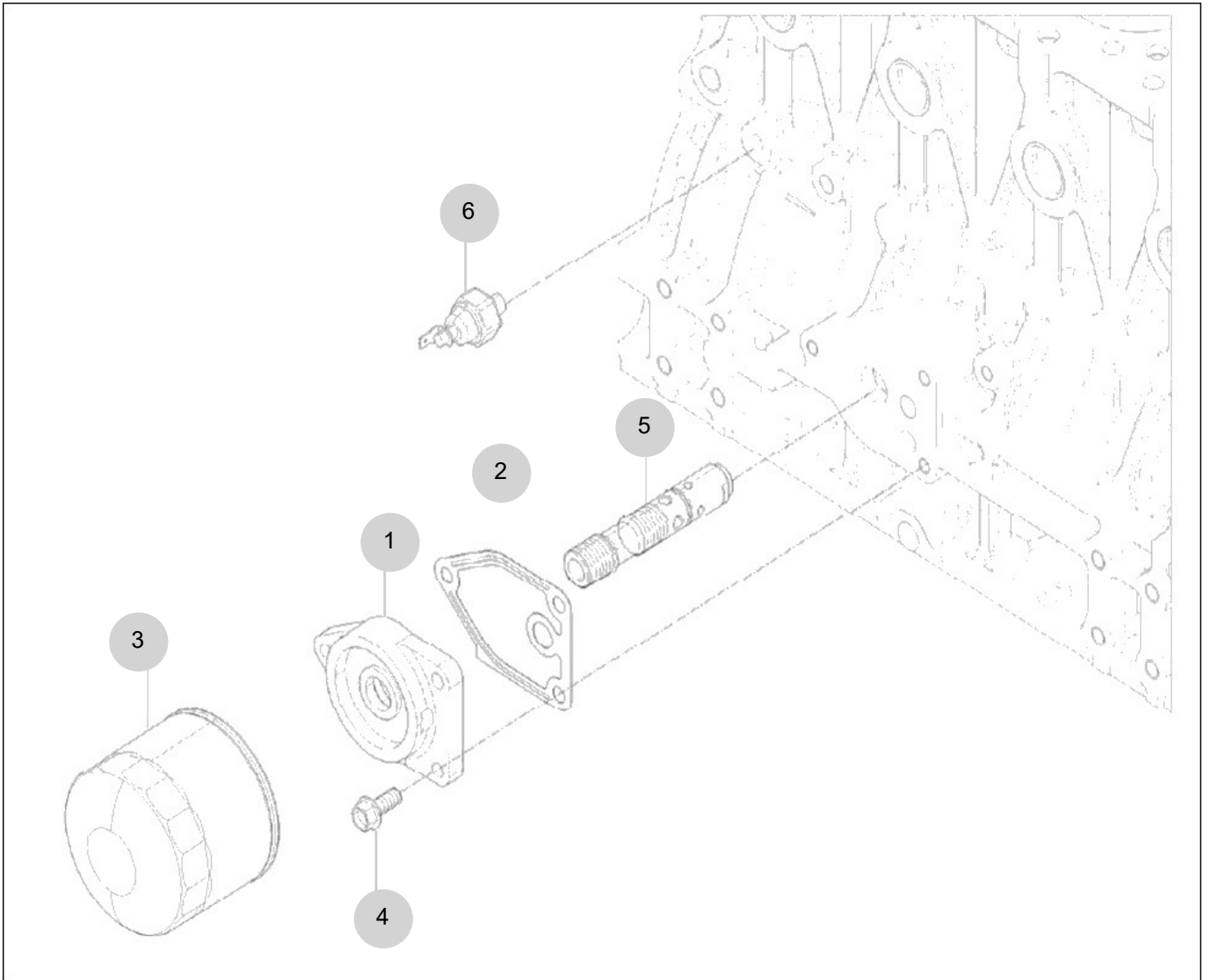
FIG 123

T494ST

OIL FILTER

년/월
Year/Month

2022-12



NOTE

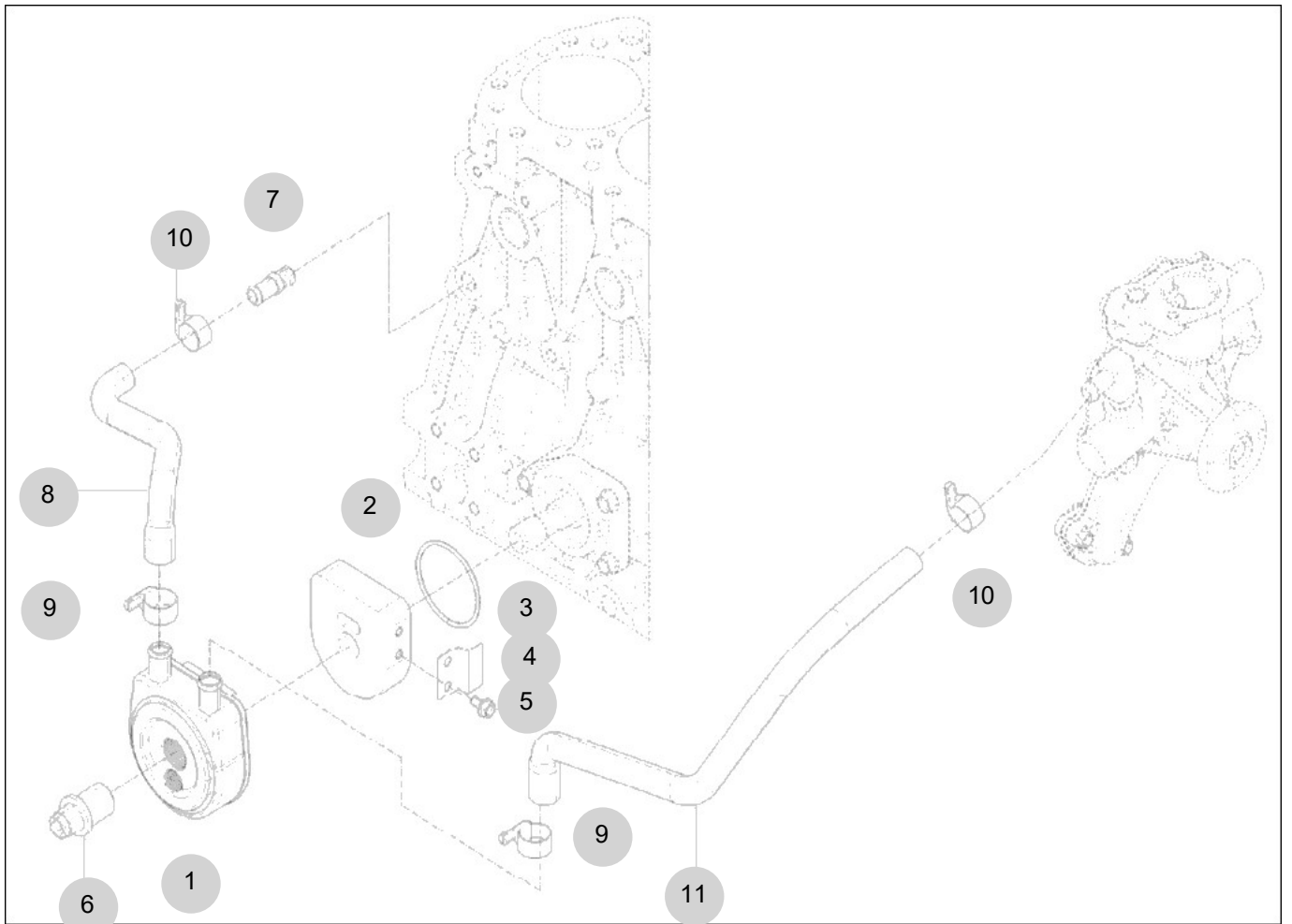
FIG 124

OIL COOLER

년/월
Year/Month

T494ST

2022-12



NOTE

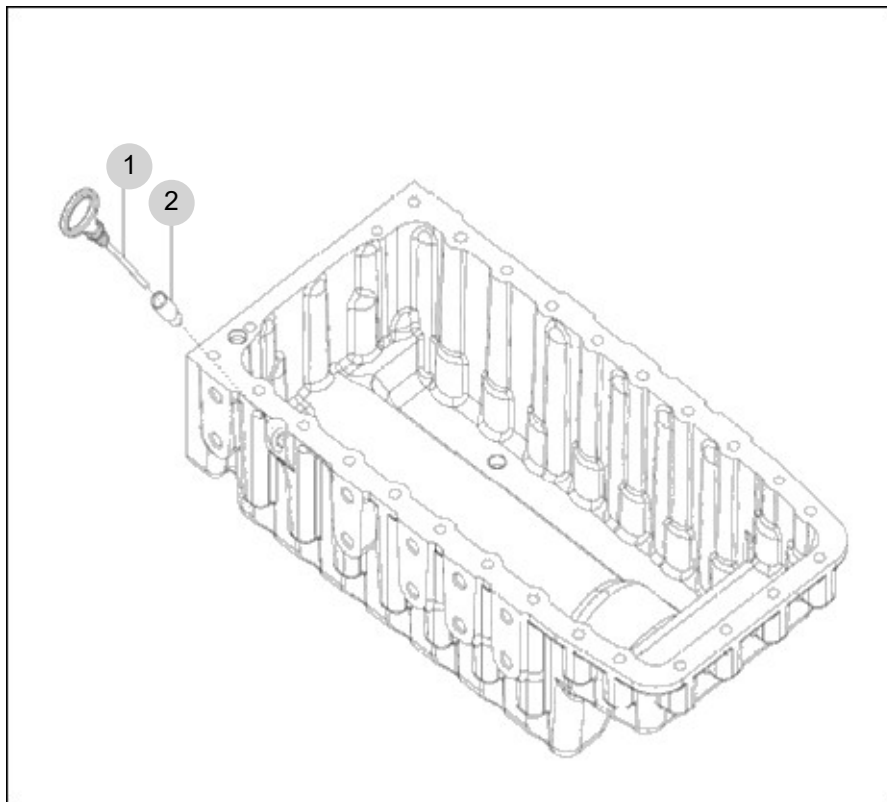
FIG 125

OIL GAUGUE

년/월
Year/Month

T494ST

2022-12



NOTE

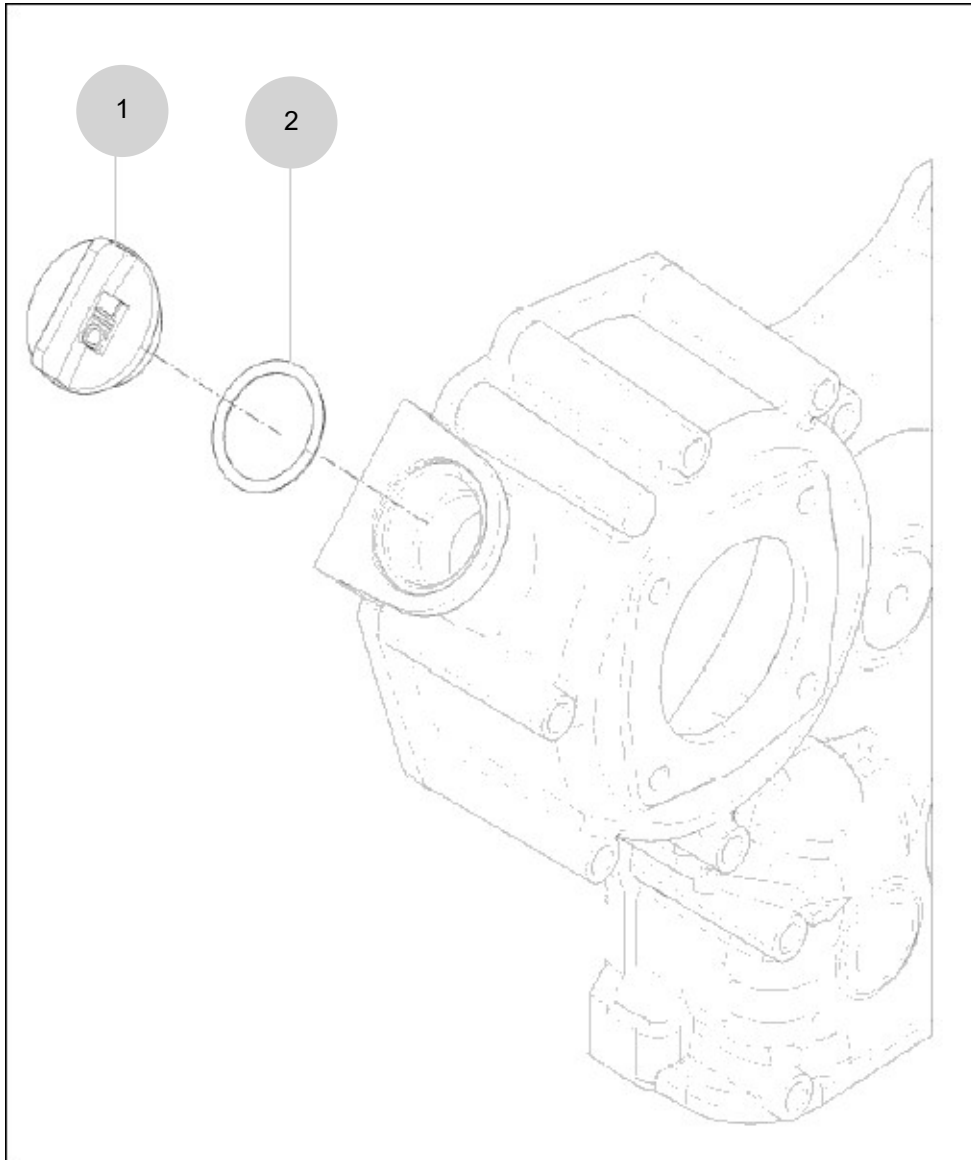
FIG 126

T494ST

OIL FILLER CAP

년/월
Year/Month

2022-12



NOTE

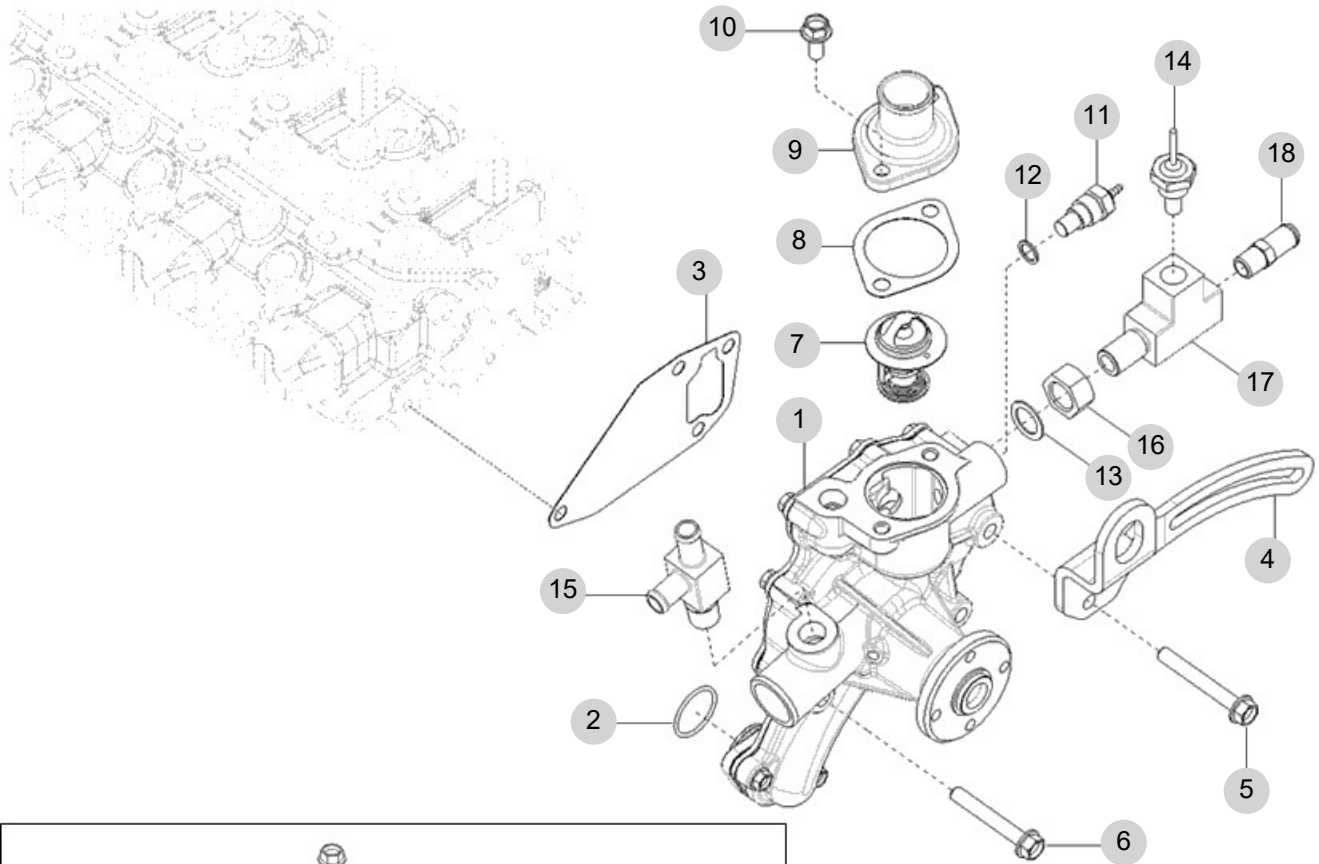
FIG 127

COOLING WATER PUMP

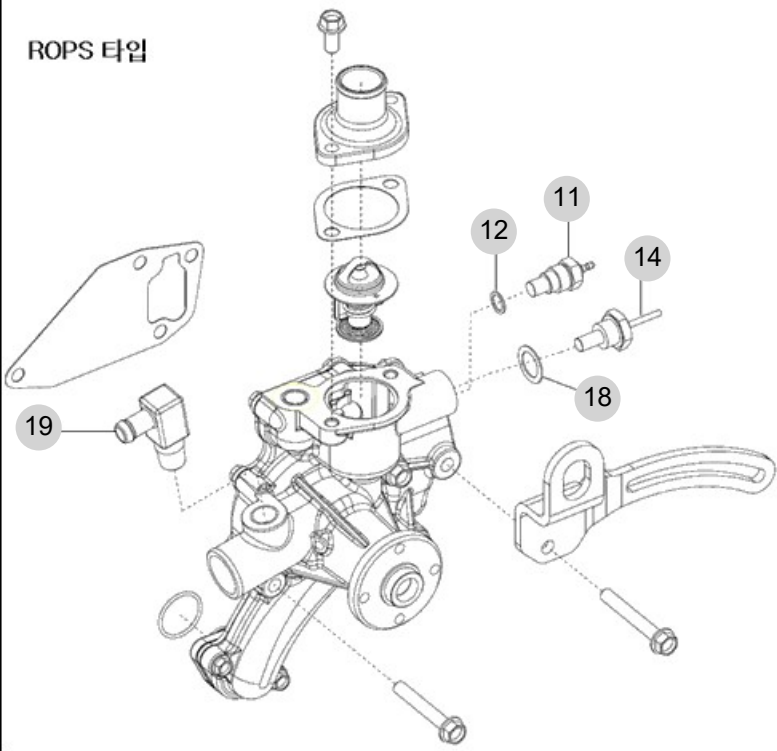
년/월
Year/Month

2022-12

T494ST



ROPS 타입



NOTE

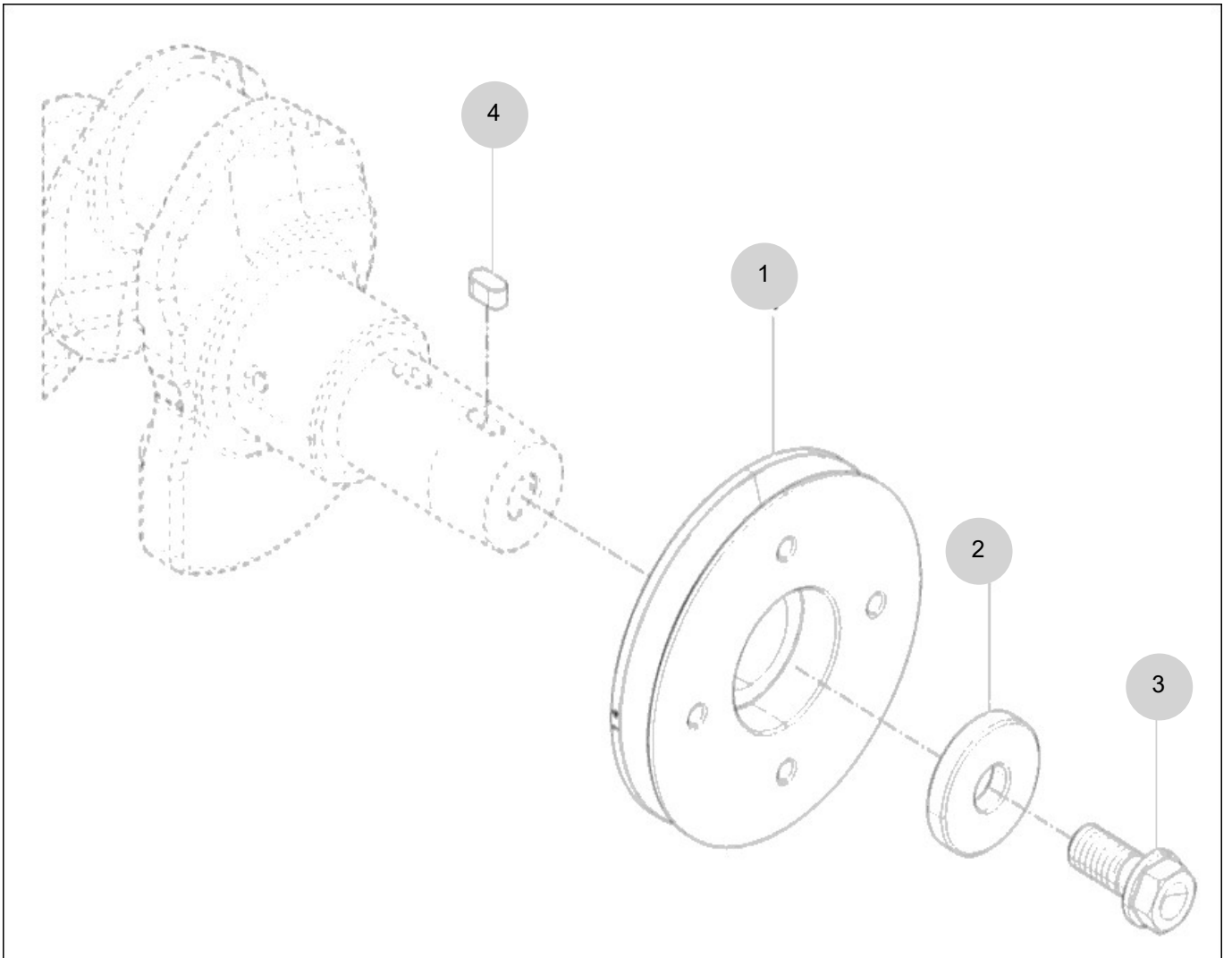
FIG 128

T494ST

CRANK SHAFT PULLEY

년/월
Year/Month

2022-12



NOTE

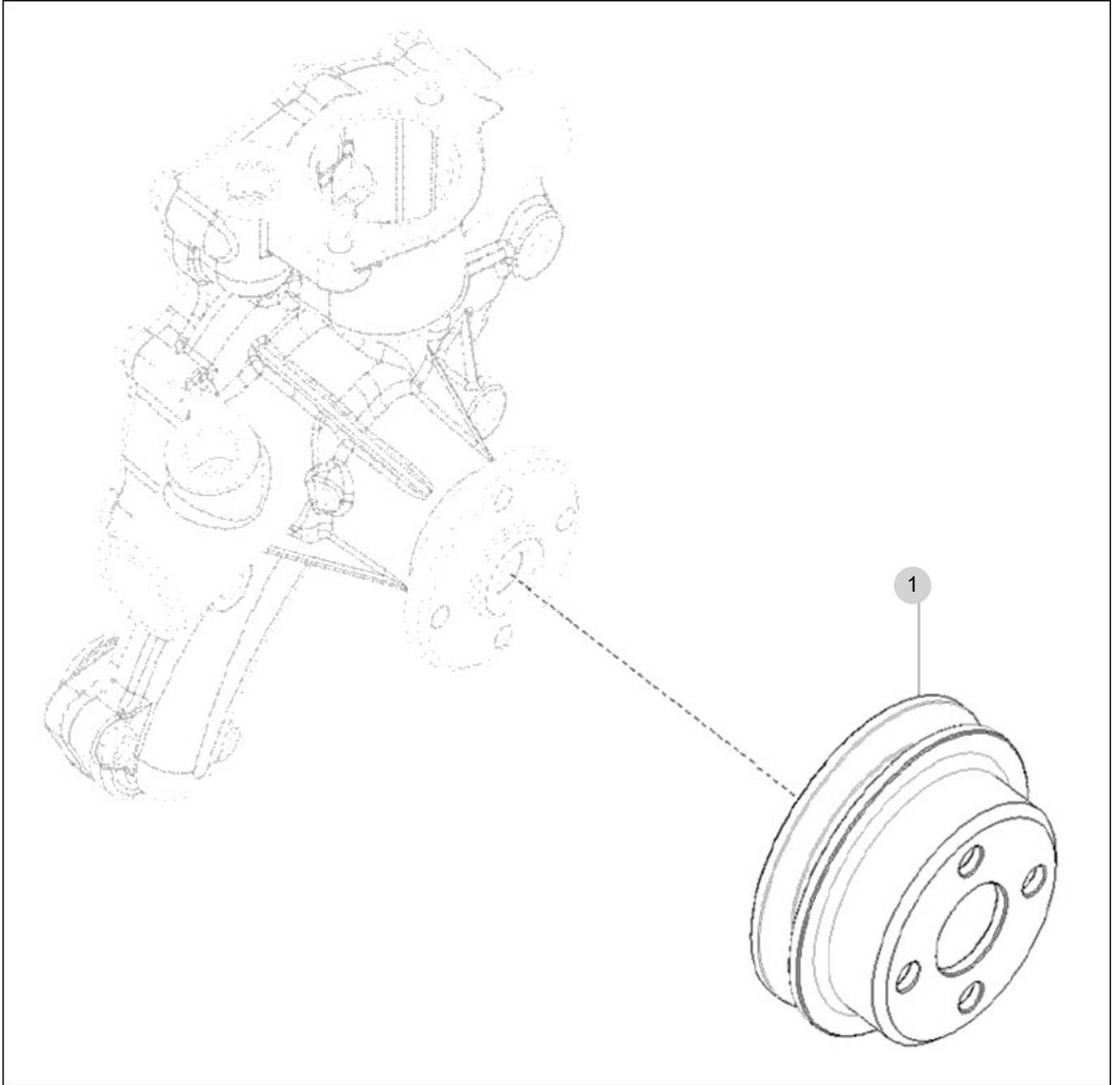
FIG 129

V-PULLEY

년/월
Year/Month

T494ST

2022-12



NOTE

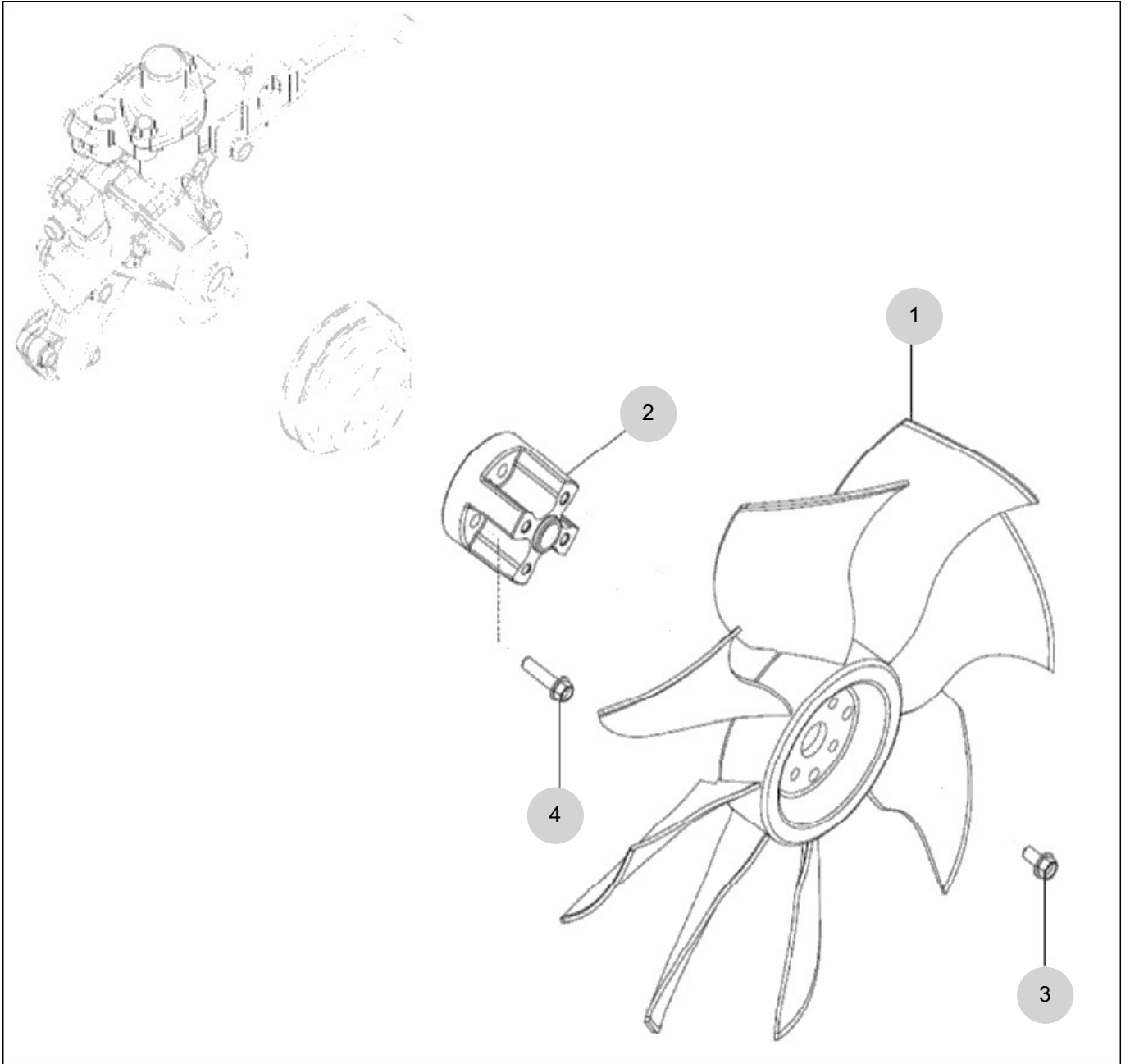
FIG 130

COOLING FAN

년/월
Year/Month

T494ST

2022-12



NOTE

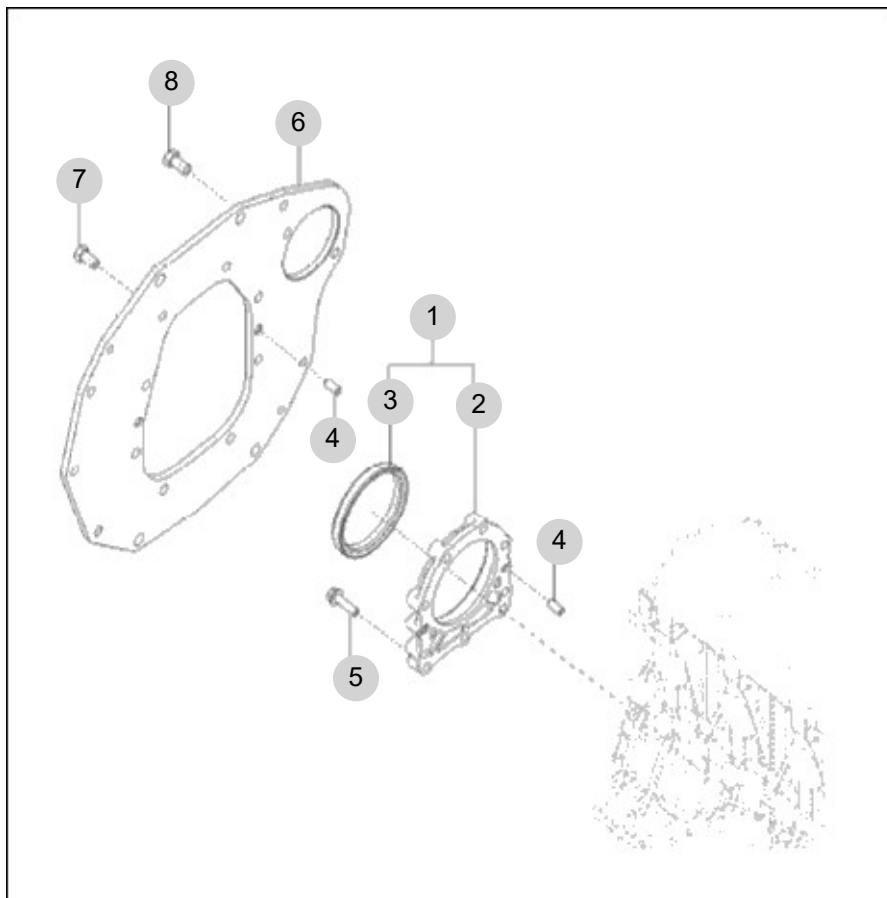
FIG 131

T494ST

FLYWHEEL HOUSING

년/월
Year/Month

2022-12



NOTE

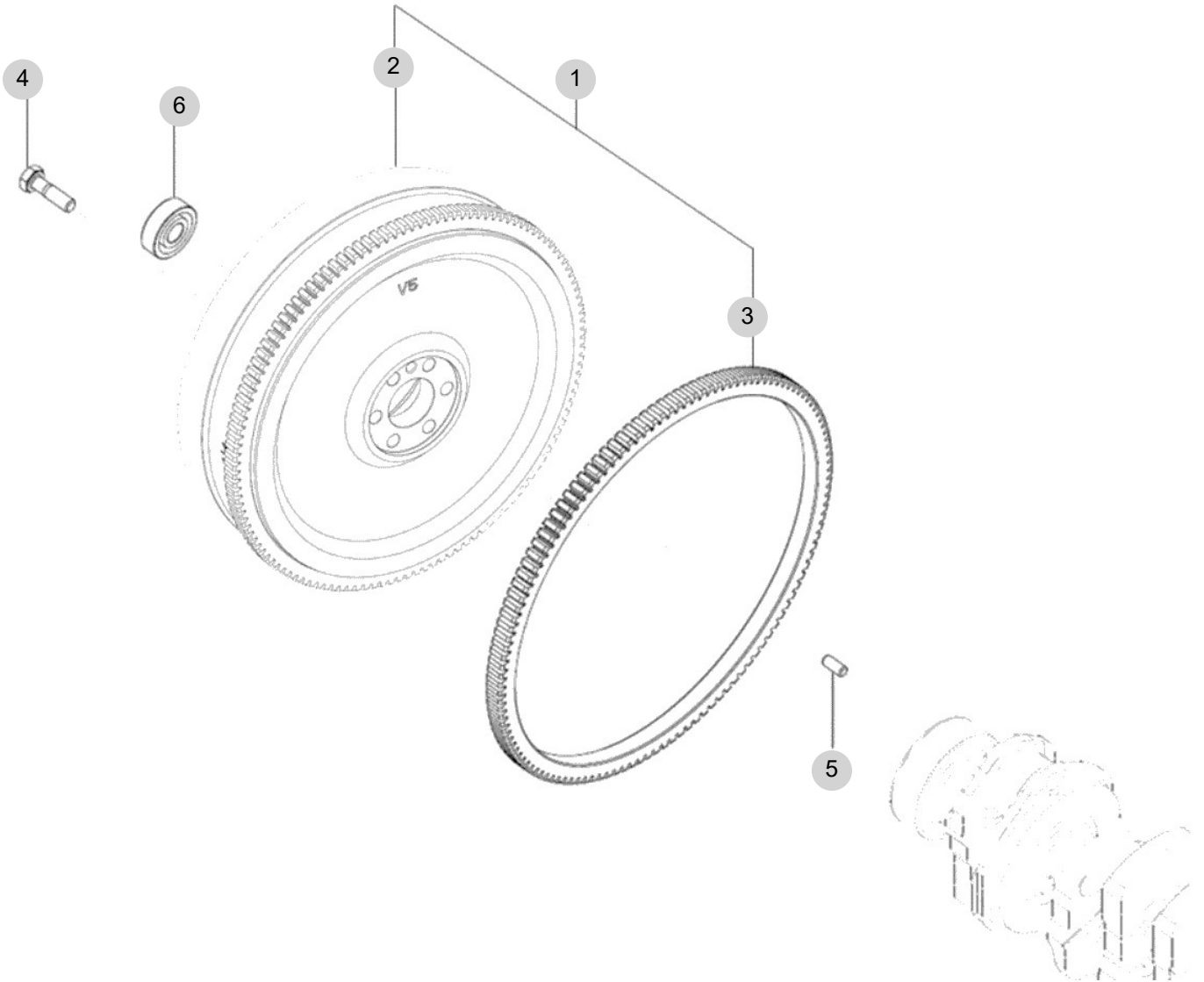
FIG 132

T494ST

FLYWHEEL

년/월
Year/Month

2022-12



NOTE

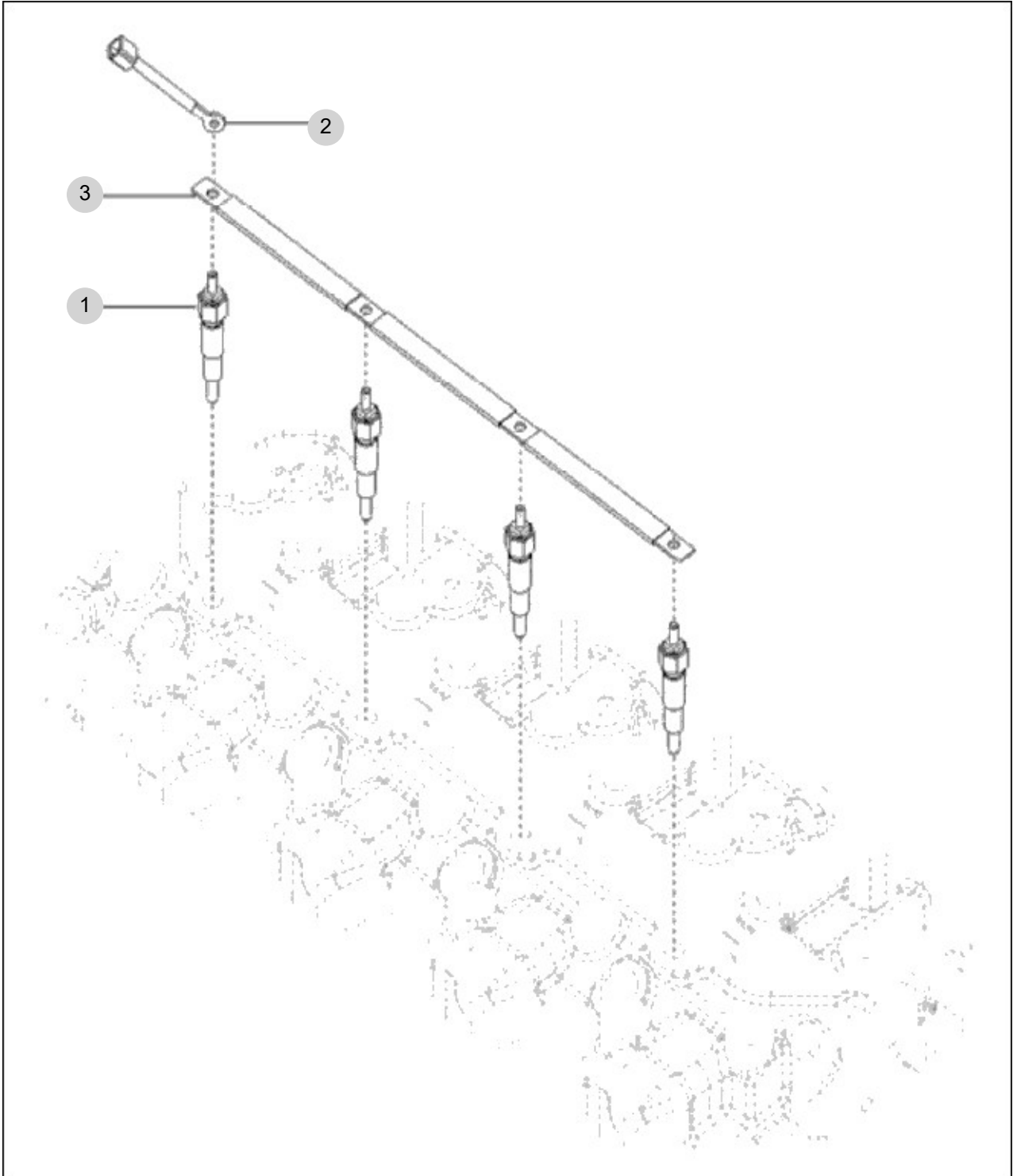
FIG 133

T494ST

GLOW PLUG ASS'Y OPTION

년/월
Year/Month

2022-12



NOTE

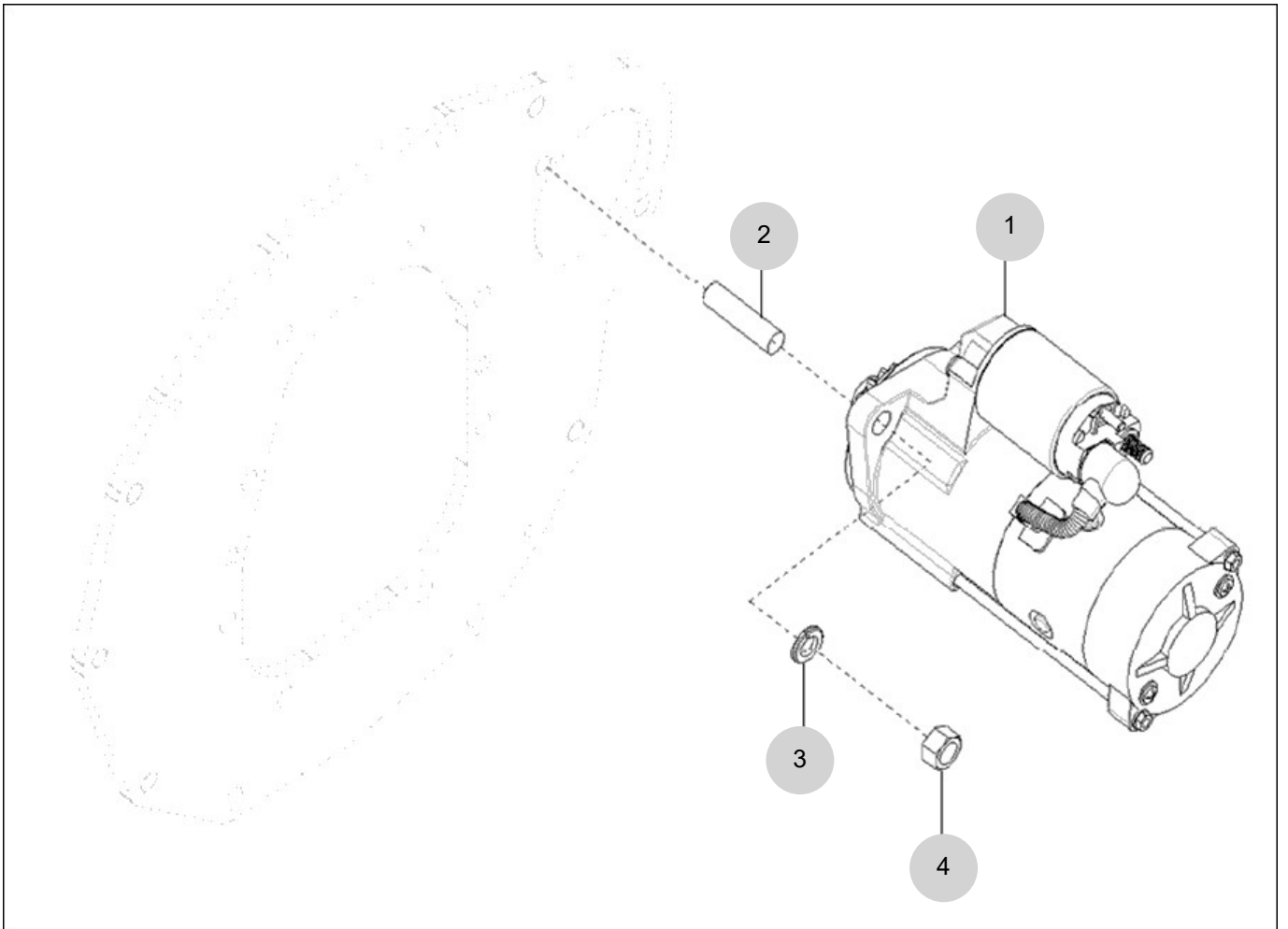
FIG 134

STARTING MOTOR

년/월
Year/Month

2022-12

T494ST



NOTE

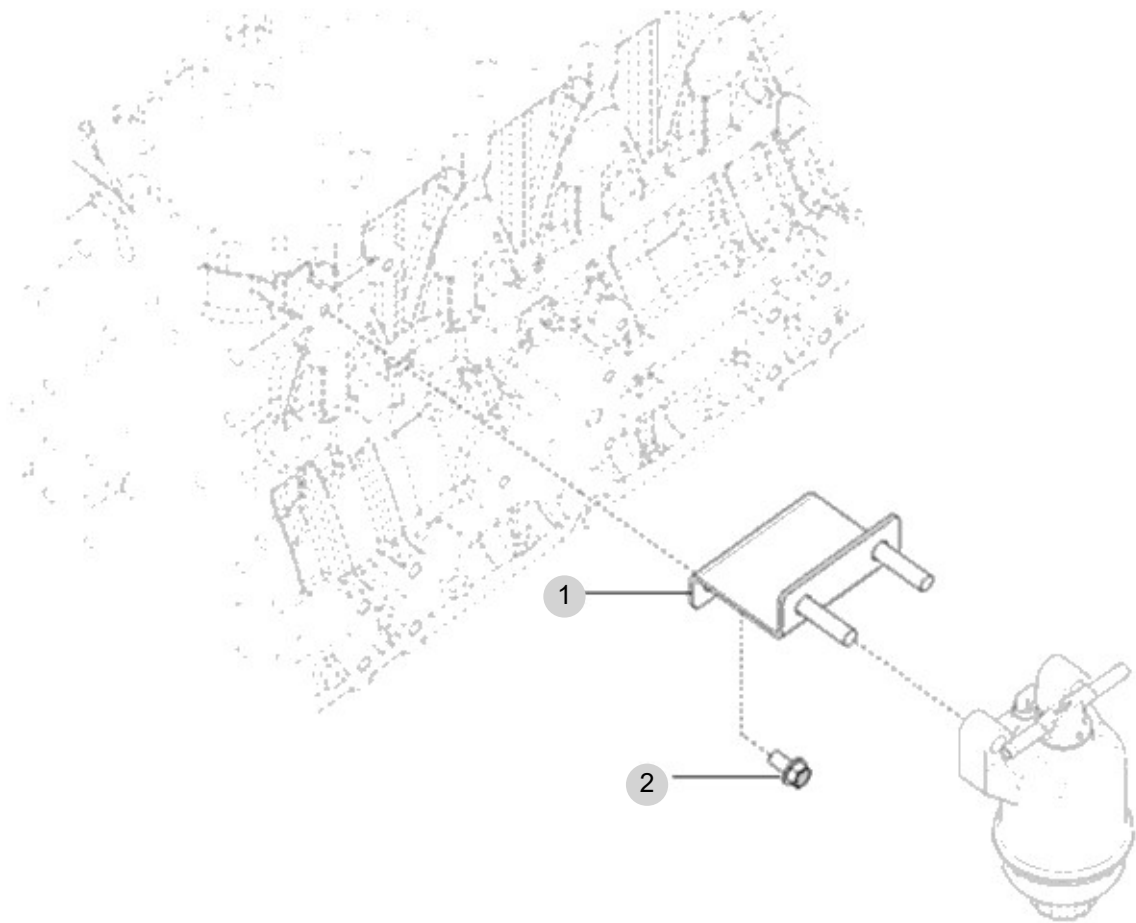
FIG 135

T494ST

FUEL FILTER BRACKET ASS'Y

년/월
Year/Month

2022-12



NOTE

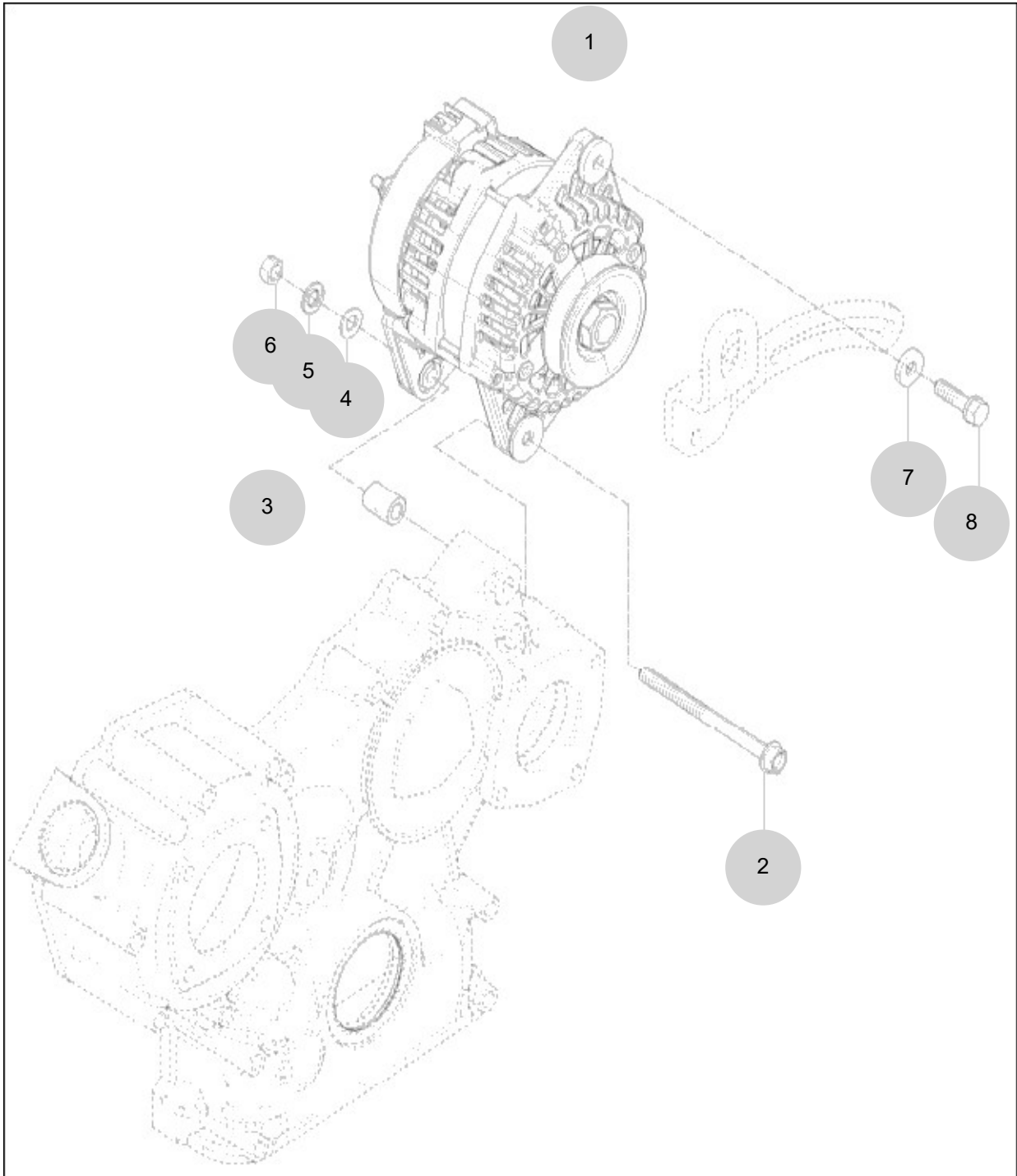
FIG 136

ALTERNATOR

년/월
Year/Month

T494ST

2022-12



NOTE

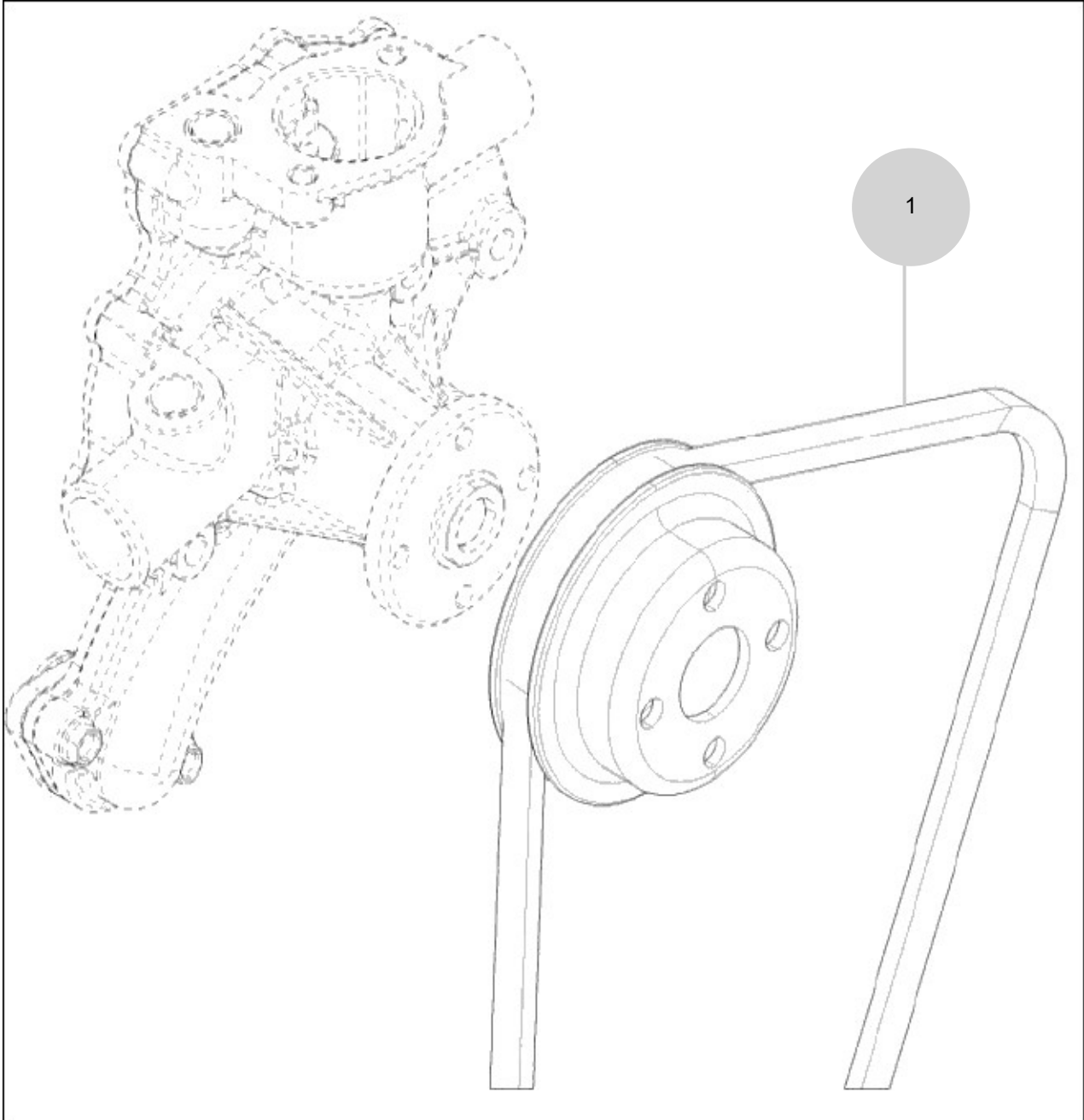
FIG 137

T494ST

V-BELT

년/월
Year/Month

2022-12



NOTE

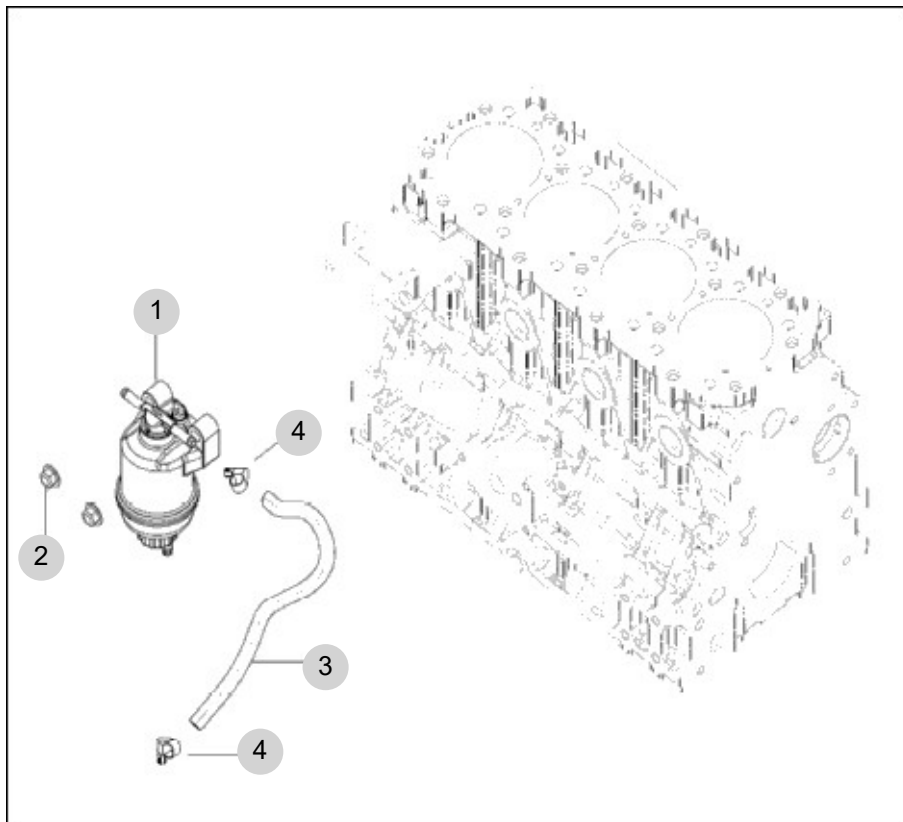
FIG 138

T494ST

FUEL FILTER

년/월
Year/Month

2022-12



NOTE

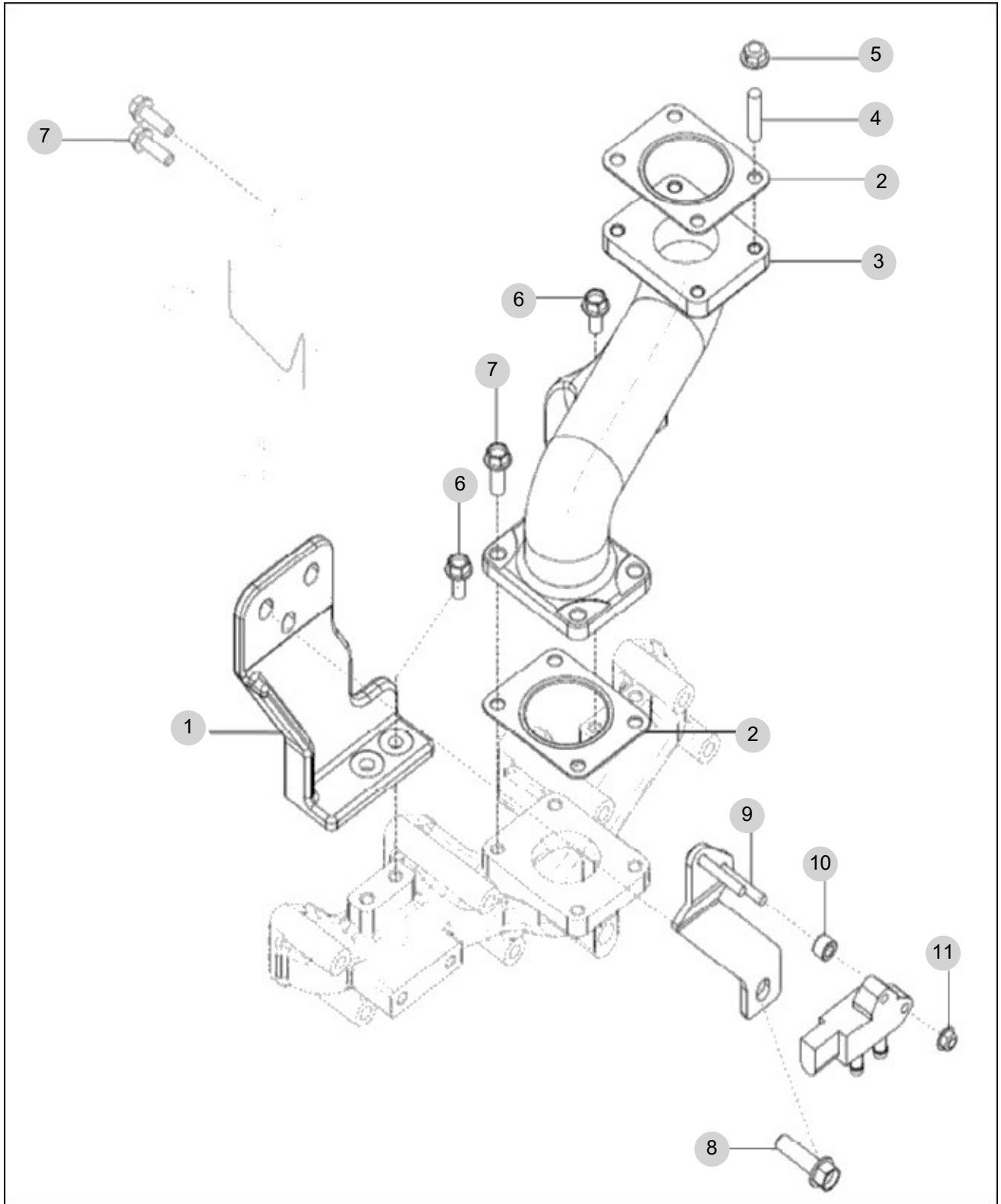
FIG 139B

DPF SUPPORT (T494)

년/월
Year/Month

T494ST

2022-12



NOTE

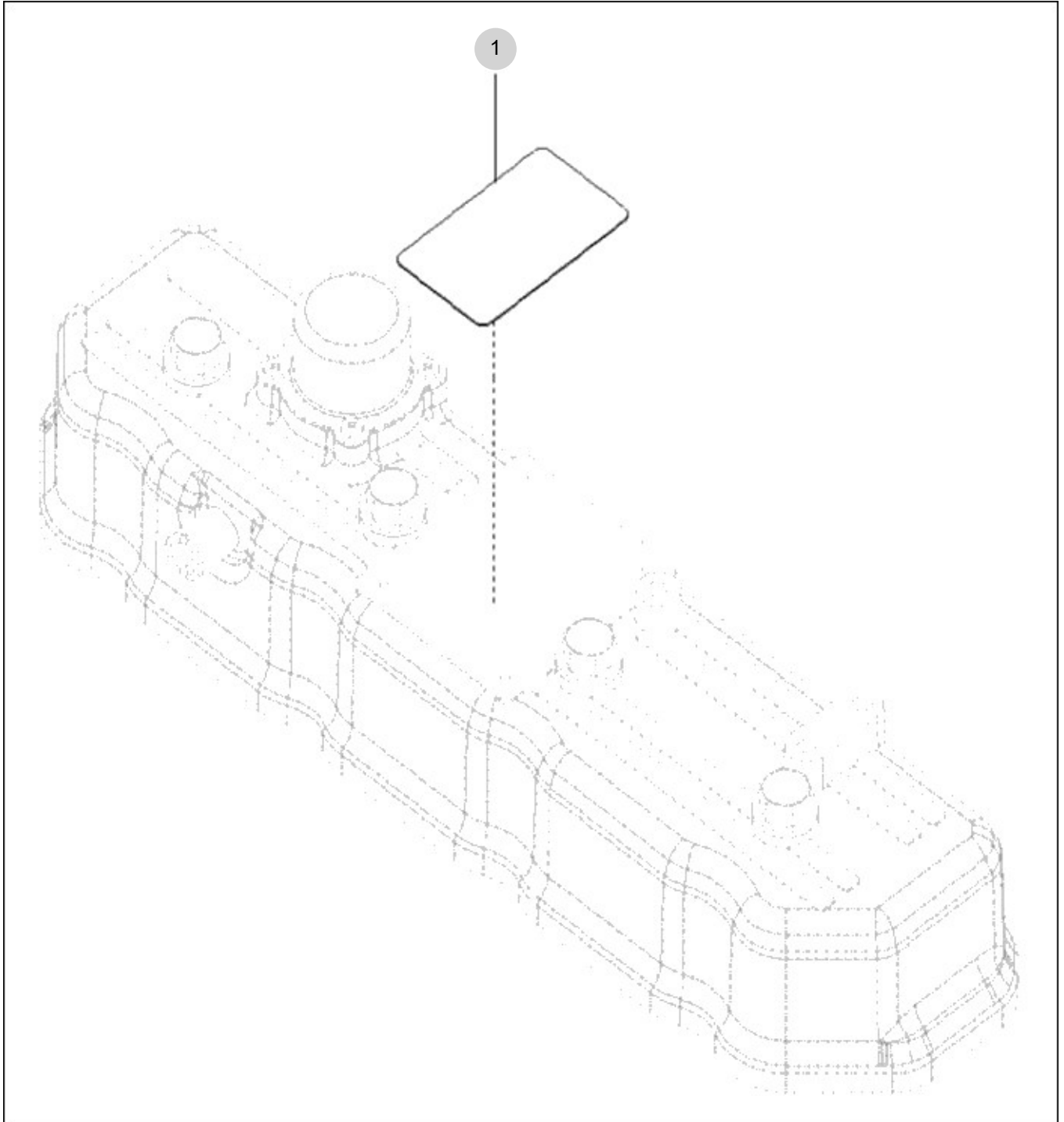
FIG 140

T494ST

DATAPLATE

년/월
Year/Month

2022-12



NOTE

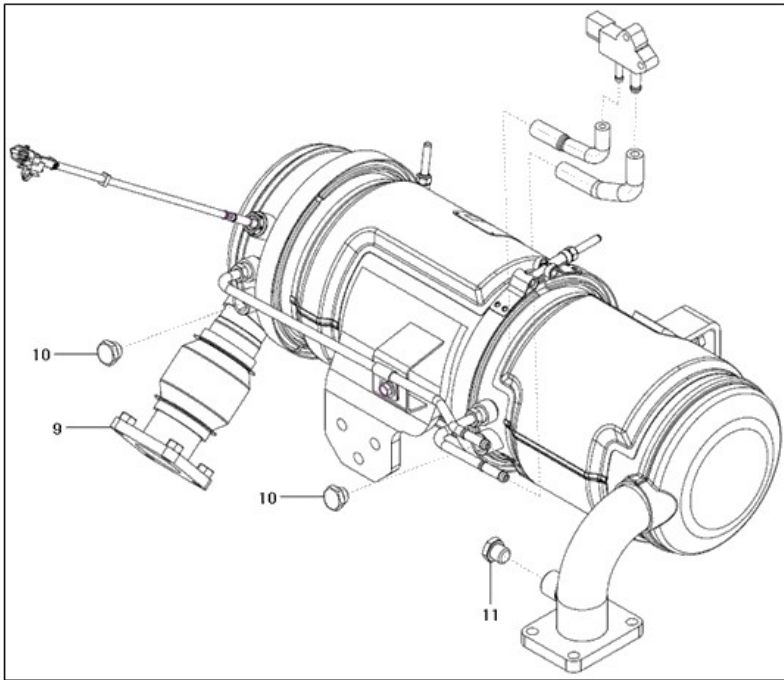
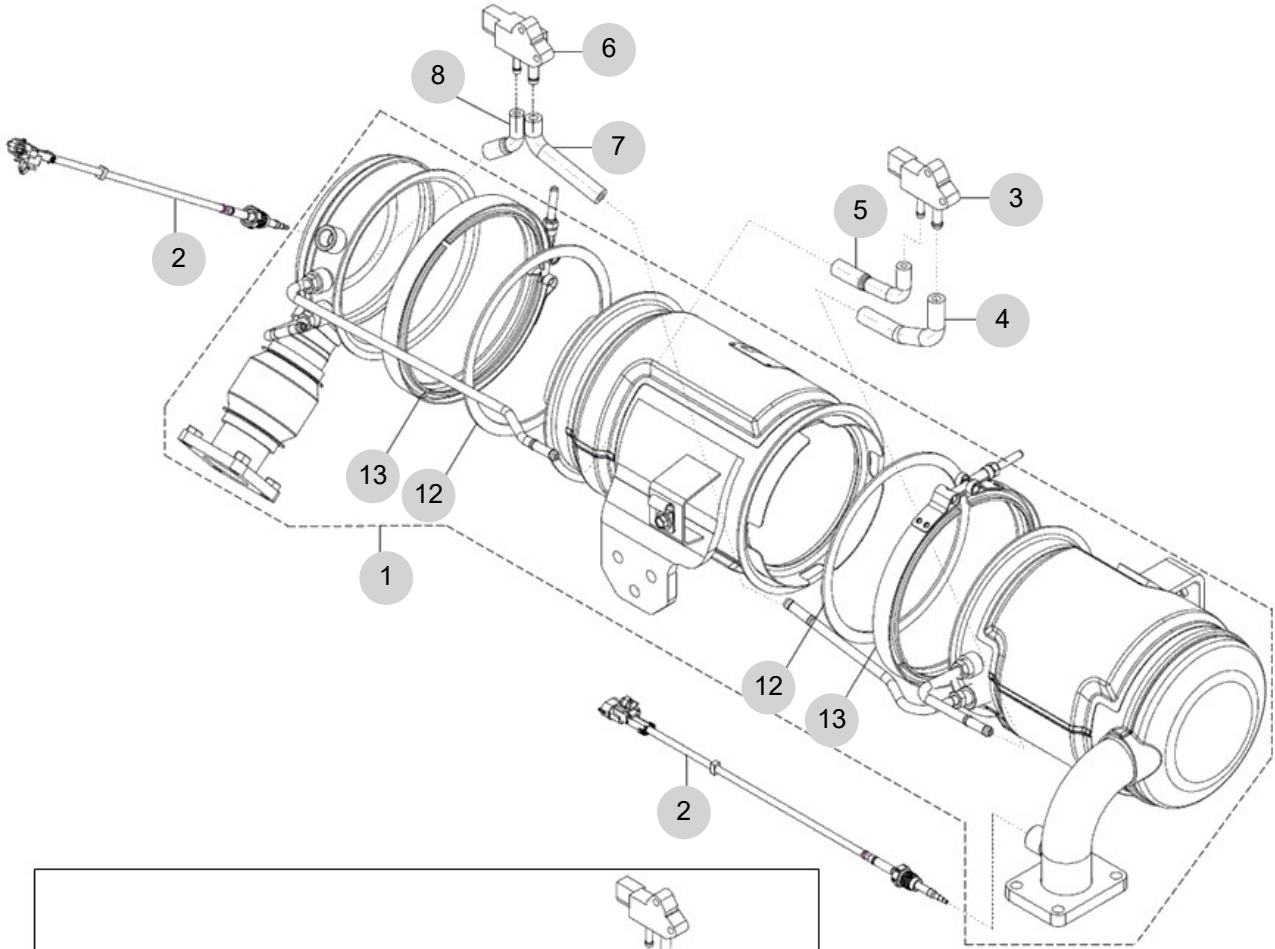
FIG 142B

DPF ASS'Y (T494)

년/월
Year/Month

2022-12

T494ST



NOTE

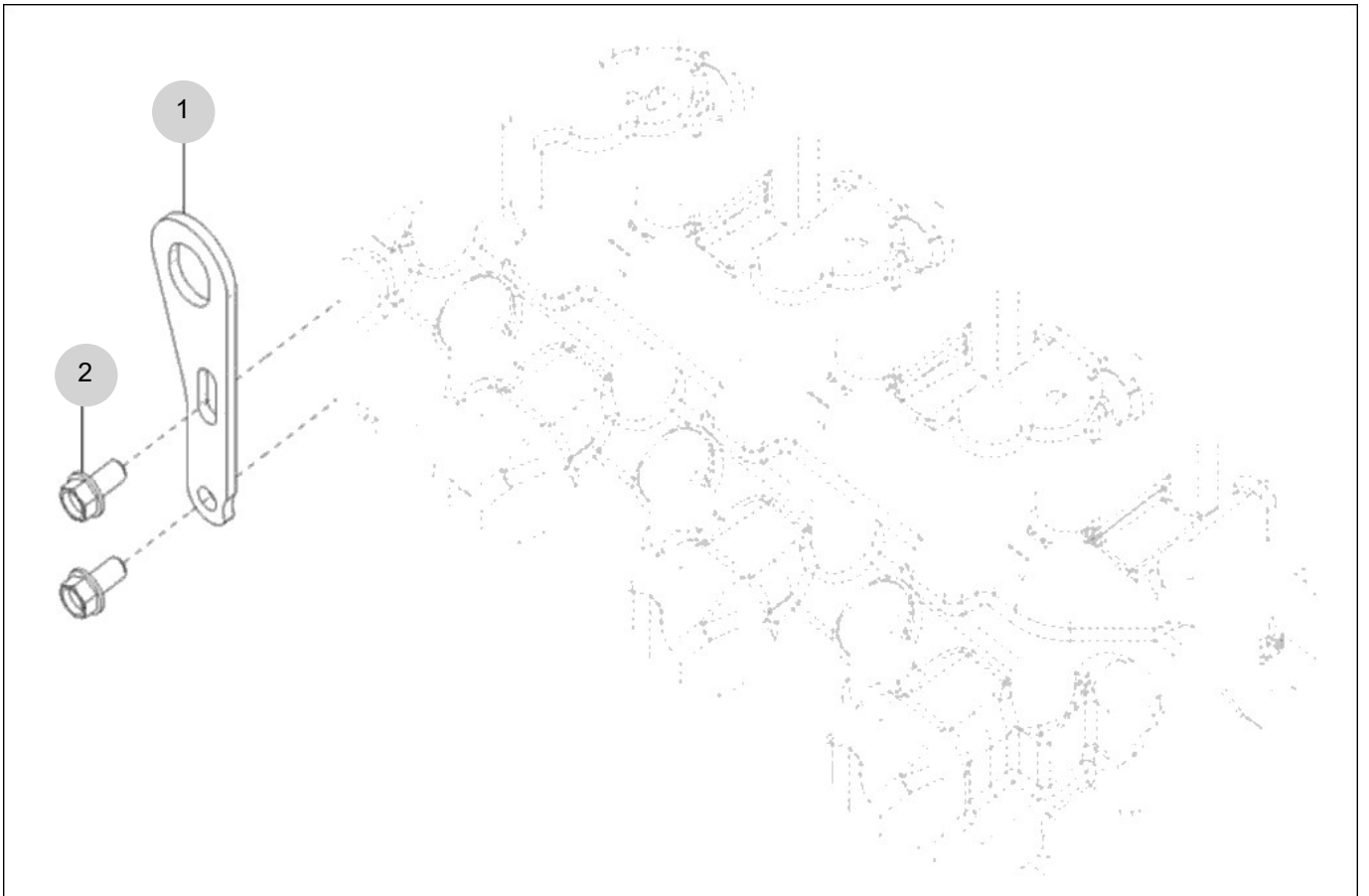
FIG 143

LIFT ASS'Y

년/월
Year/Month

T494ST

2022-12



NOTE

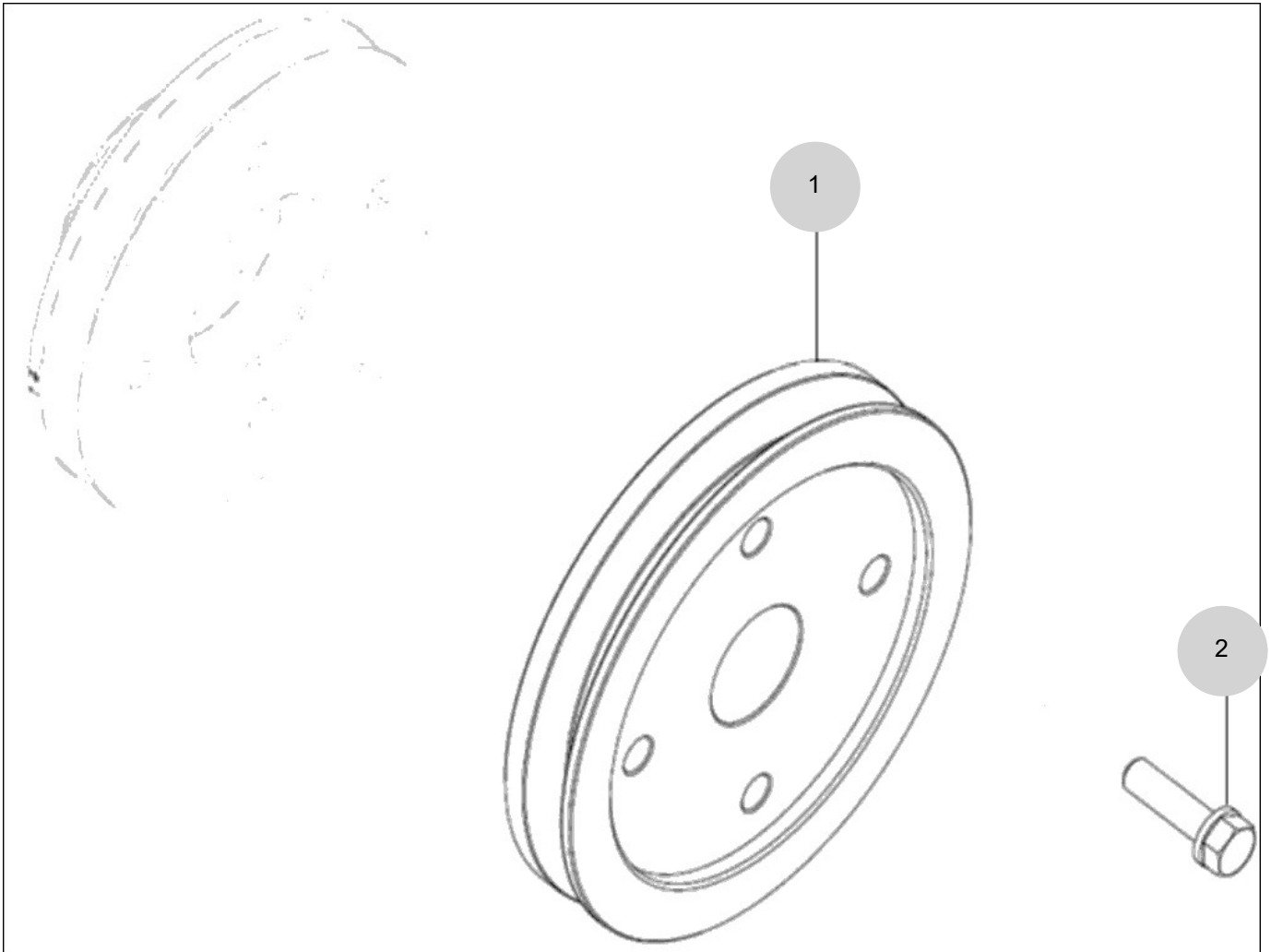
FIG 144

T494ST

COMP . DRIVE PULLEY ASS'Y OPTION

년/월
Year/Month

2022-12



NOTE

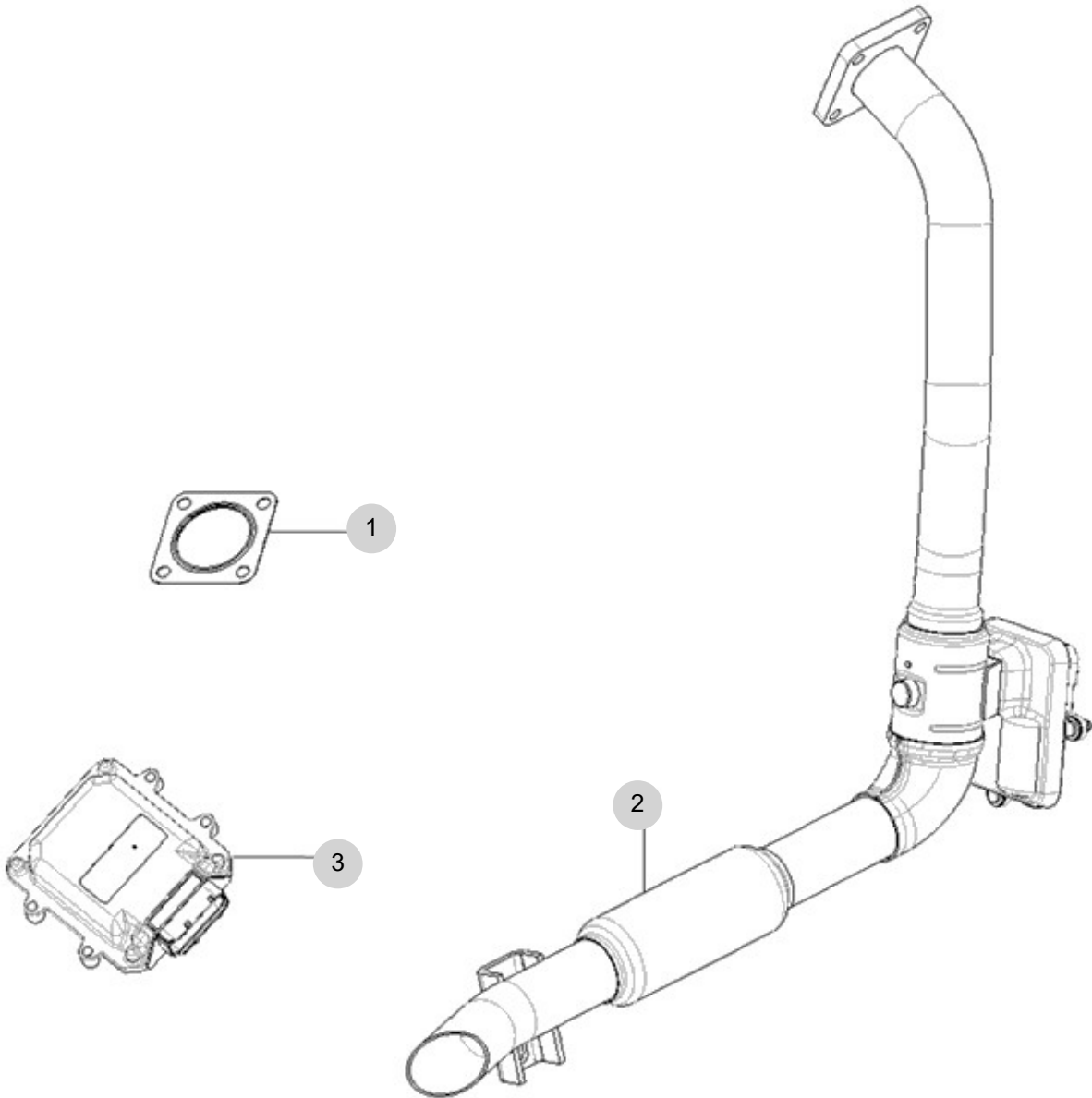
FIG 147

T494ST

LOOSED PARTS

년/월
Year/Month

2022-12



NOTE

2. Engine Accessories PART NO. T2

FIG 201B AIR CLEANER (T494)	103
FIG 202 RADIATOR	105
FIG 203 MUFFLER	107
FIG 204 FUEL HOSE & FILTER	109
FIG 205 FUEL TANK	111
FIG 206 ACCELERATOR	113

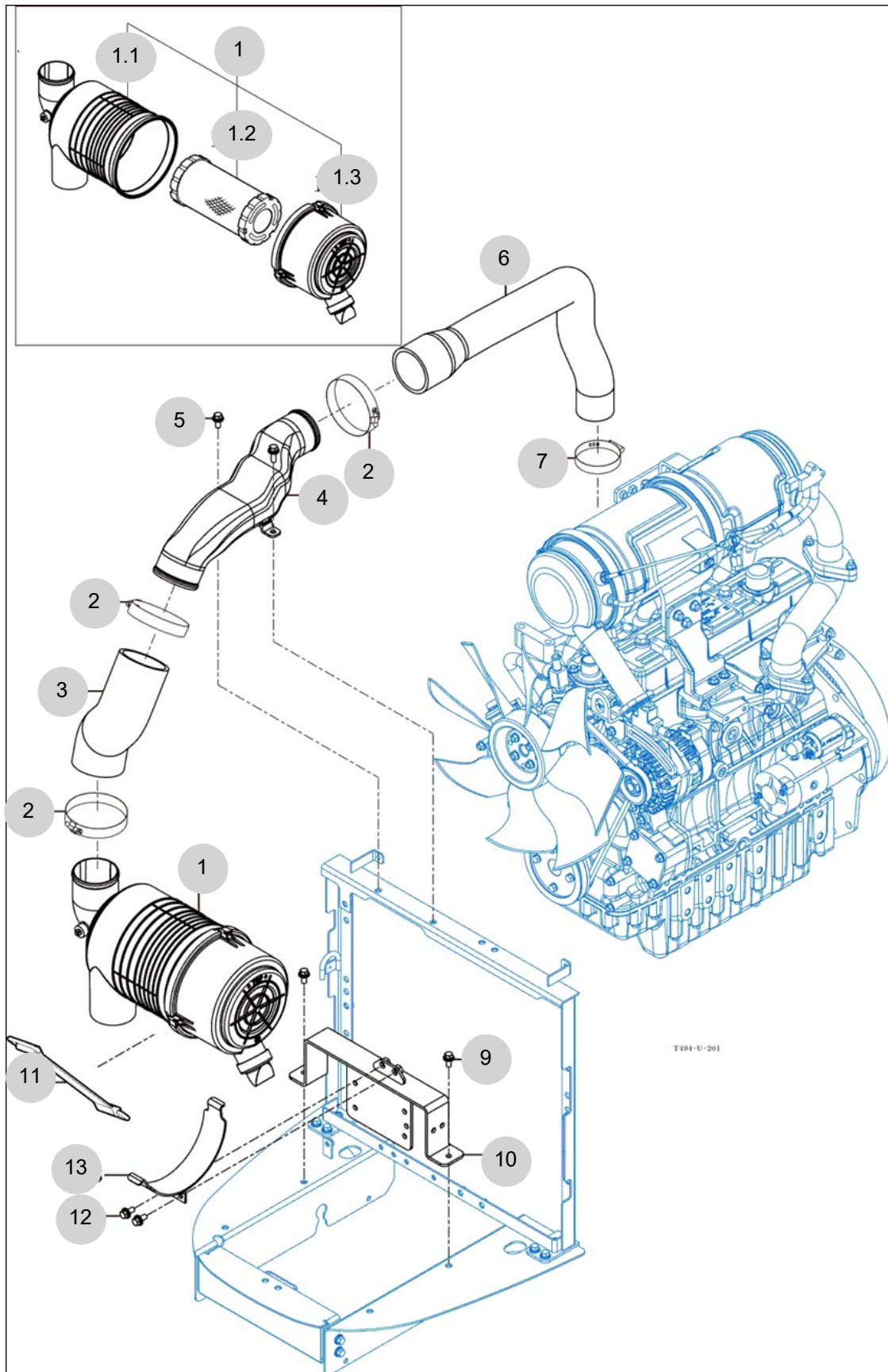
FIG 201B

AIR CLEANER (T494)

년/월
Year/Month

2022-12

T494ST



NOTE

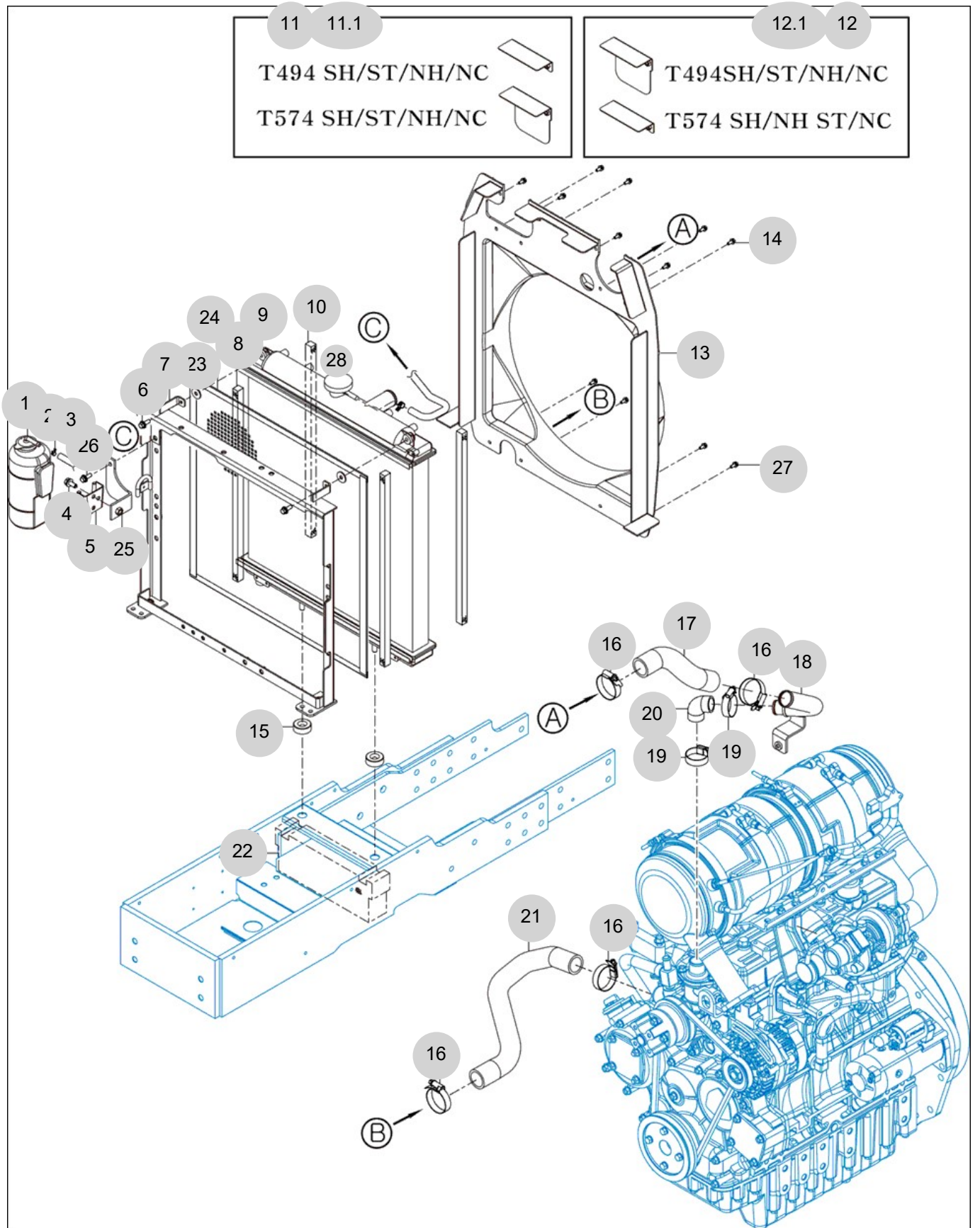
FIG 202

RADIATOR

년/월
Year/Month

2022-12

T494ST



NOTE

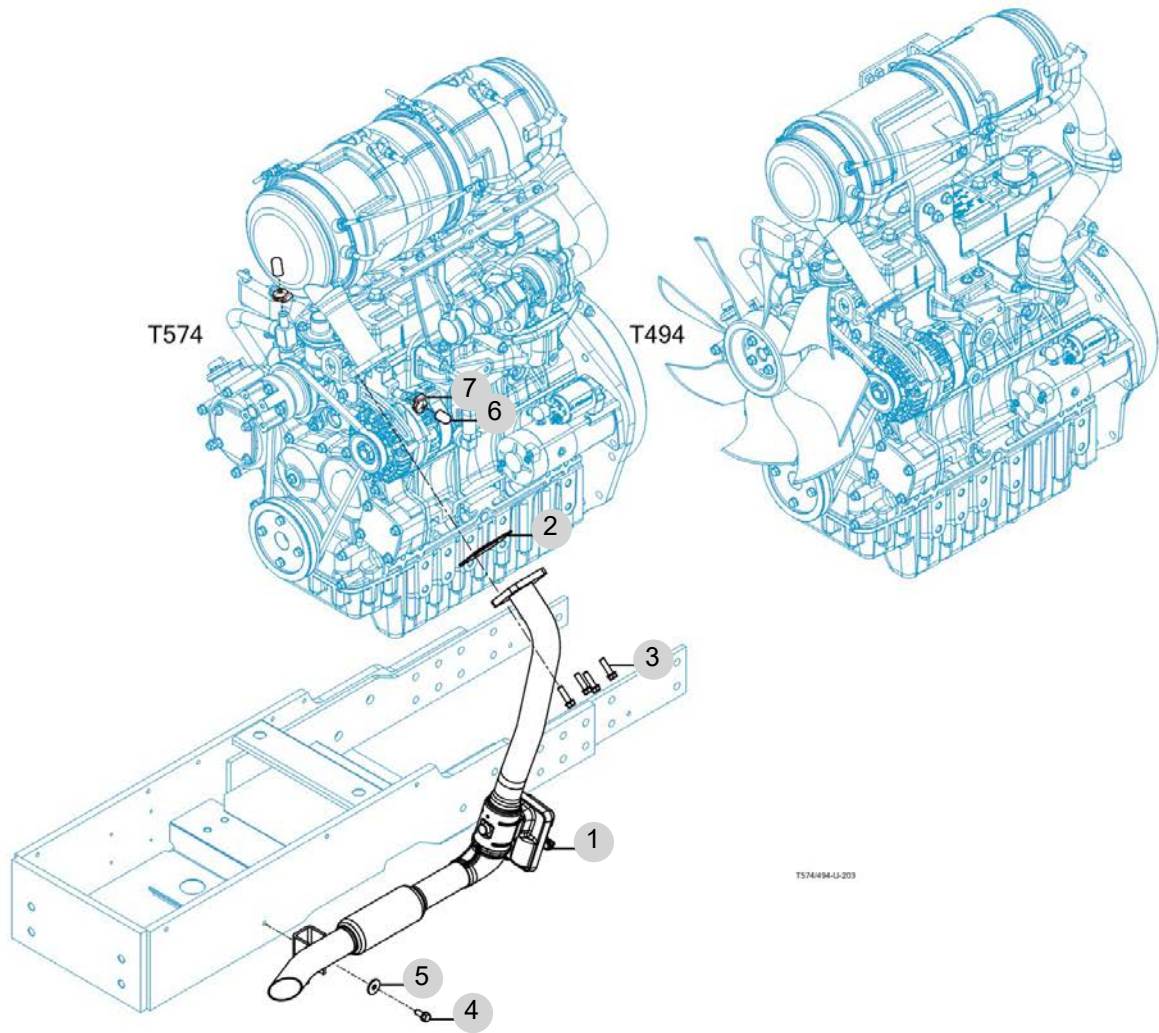
FIG 203

MUFFLER

년/월
Year/Month

T494ST

2022-12



NOTE

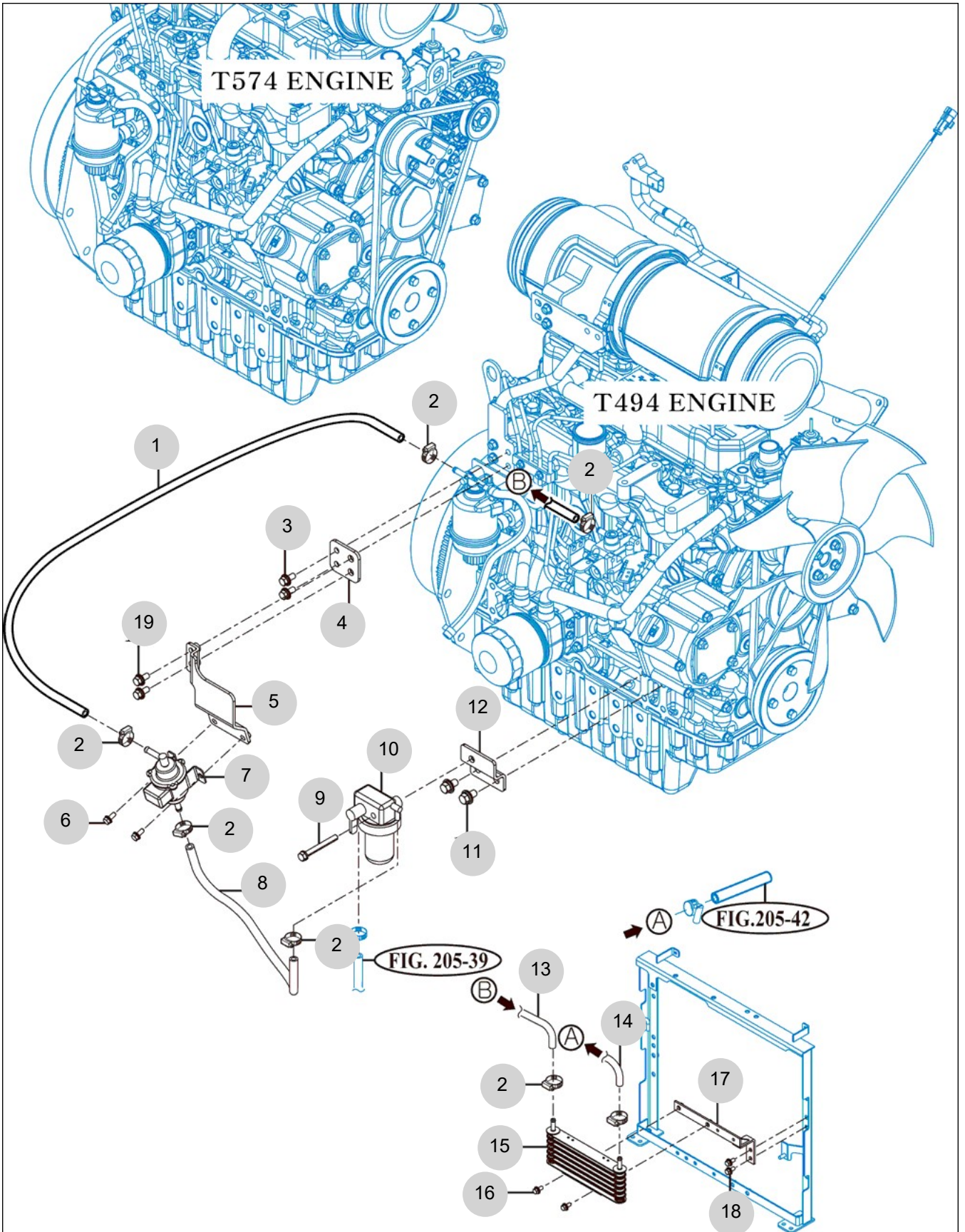
FIG 204

FUEL HOSE & FILTER

년/월
Year/Month

2022-12

T494ST



NOTE

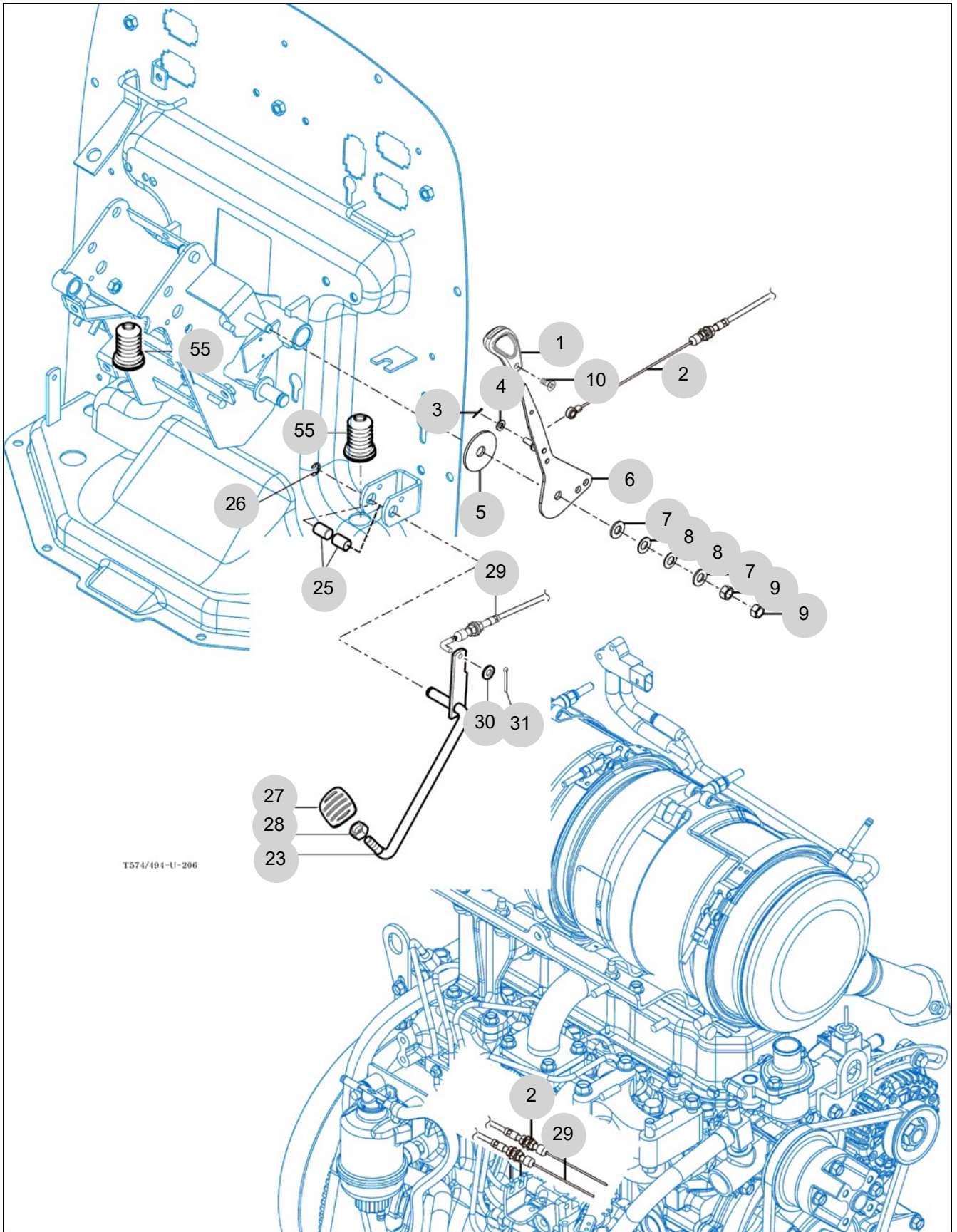
FIG 206

ACCELERATOR

년/월
Year/Month

2022-12

T494ST



NOTE

3. Clutch/Brake/Steering PART NO. T3

FIG 301 CLUTCH	116
FIG 302 CLUTCH PEDAL	118
FIG 303 BRAKE	121
FIG 304 BRAKE PEDAL & LINK	123
FIG 305 FRONT WHEEL	125
FIG 306 REAR WHEEL	127
FIG 307 POWER STEERING WHEEL	129
FIG 308 POWER STEERING VALVE	131
FIG 309 POWER STEERING CYLINDER	133

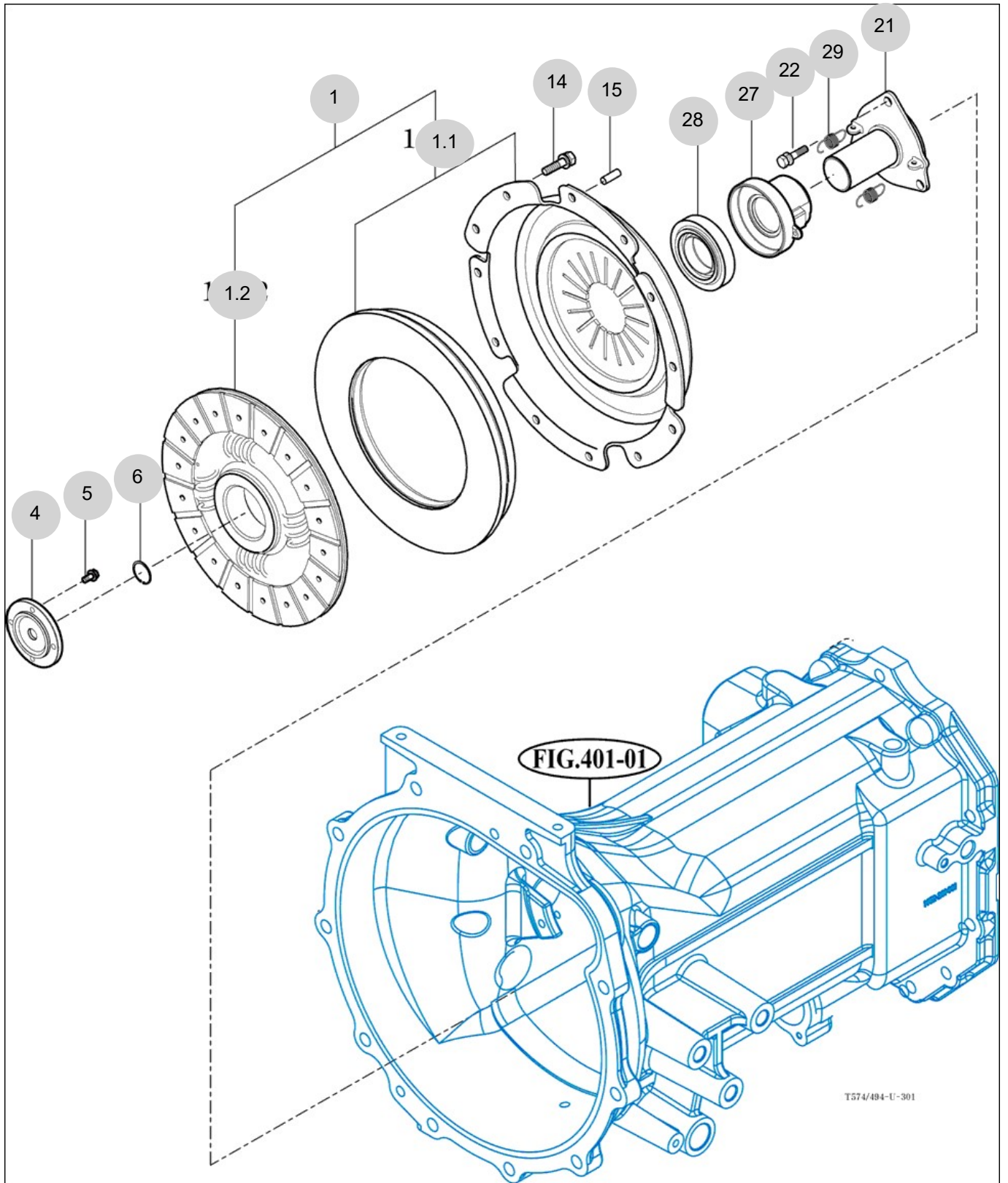
FIG 301

T494ST

CLUTCH

년/월
Year/Month

2022-12



T574/494-U-301

NOTE

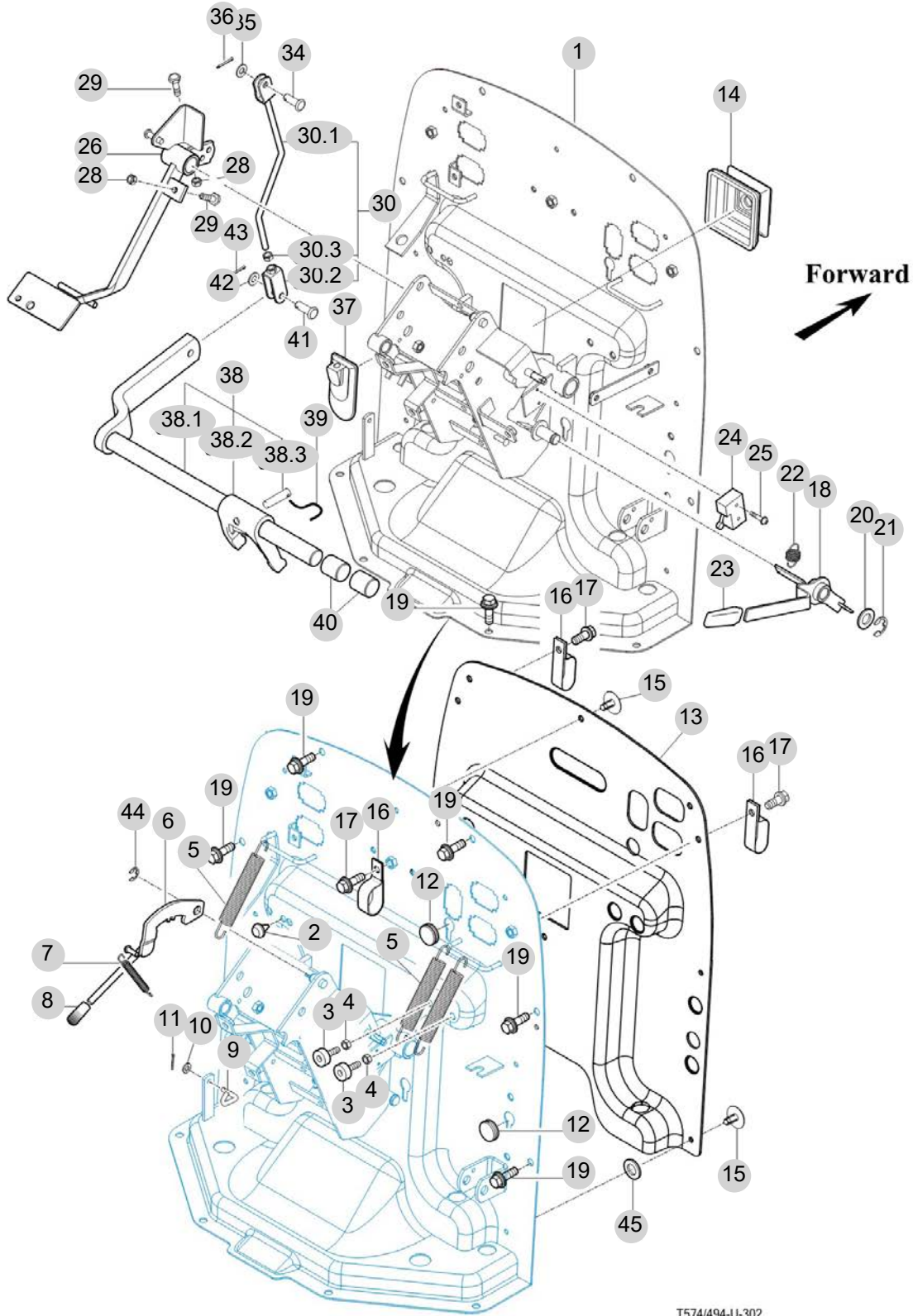
FIG 302

CLUTCH PEDAL

년/월
Year/Month

2022-12

T494ST



T574/494-U-302

NOTE

FIG 302		CLUTCH PEDAL						년/월 Year/Month	
								2022-12	
T494ST		KEY NO	PART NO	DESCRIPTION	SPEC	QTY	REPAIR	EFFECTIVE DATE	REMARKS
302	1	13866303200GB	DASH PANEL COMP			1			
302	2	14326160020	RUBBER , CUSHION	1X1X1		1			
302	3	14216020051	RUBBER , CUSHION B	1X1X1		2			
302	4	V3043600080	NUT , HEX/2	M8		2			
302	5	14041200080	RETURN SPRING , CLUTCH	HL2000공용		3			
302	6	14724042401GB	LEVER COMP , TILT	1X1X1		1			
302	7	16001200080	RETURN SPRING , BRAKE	1X1X1		1			
302	8	21615250020	GRIP , LEVER/RED			1			
302	9	15441230050	ROD	D=5.25 5.3		1			
302	10	V4111600060	WASHER , PLAIN	M6		1			
302	11	V5001920020	PIN , SPLIT	2X20		1			
302	12	14326510210	CAP , RUBBER 20	1X1X1		2			
302	13	17467071991	INSULATOR , DASH	T=10		1			
302	14	14526300011	BOOT,STEERING/HOSE	T=1.5		1			
302	15	17686040020	RIVET SET , black	SV625		9			
302	16	14441010161	CLAMP , RADIATOR HOSE	1X1X1		3			
302	17	V2183608020	BOLT , HEX/SP	M8X20		3			
302	18	14523293301GB	LEVER COMP,PARKING	1X1X1		1			
302	19	V2183608016	BOLT , HEX/SP	M8X16		10			
302	20	V4111600160	WASHER , PLAIN	M16		1			
302	21	V7081400150	E-RING	15		1			
302	22	14321200040	SPRING , TENSION 31	D=1.2		1			
302	23	34523030020	GRIP , THROTTLE	1X1X1		1			
302	24	16756214701	SWITCH ASSY , SAFETY	1X1X1		1			
302	25	V1222604025	SCREW , C/R PAN/SP	M4X25		2			
302	26	14571332100GB	PEDAL COMP , CLUTCH	1X1X1		1			
302	28	V3043600080	NUT , HEX/2	M8		2			
302	29	V2013608030	BOLT , HEX	M8X30		2			
302	30	14521330002GB	ROD SUB , CLUTCH			1			
302	30	14521330002	ROD SUB , CLUTCH	398*87		1			
302	30	14521330002	ROD SUB , CLUTCH			1			
302	30.1	14521333103	ROD COMP, CLUTCH	346*87		1			
302	30.2	14521333200	HOOK COMP	1X1X1		1			
302	30.3	V3042600080	NUT , HEX/2	M8		1			
302	34	14322420010	PIN	D=8		1			
302	35	V4111600080	WASHER , PLAIN	M8		1			
302	36	V5001925020	PIN D2.5x20	2.5X20		1			
302	37	14526300210	BOOT,CLUTCH PEDAL	1X1X1		1			
302	38	14521302000	BAR SET	1X1X1		1			
302	38.1	14521302101	BAR COMP			1			
302	38.2	14521300011	FORK , RELEASE	1X1X1		1			
302	38.3	15601300010	PIN , 08X40	1X1X1		1			
302	39	V5901012150	WIRE , STEEL	1.2X150		1			
302	40	14521302150	BUSH , BAR COMP	1X1X1		2			
302	41	14043120060	PIN , YOKE	D=8		1			
NOTE									

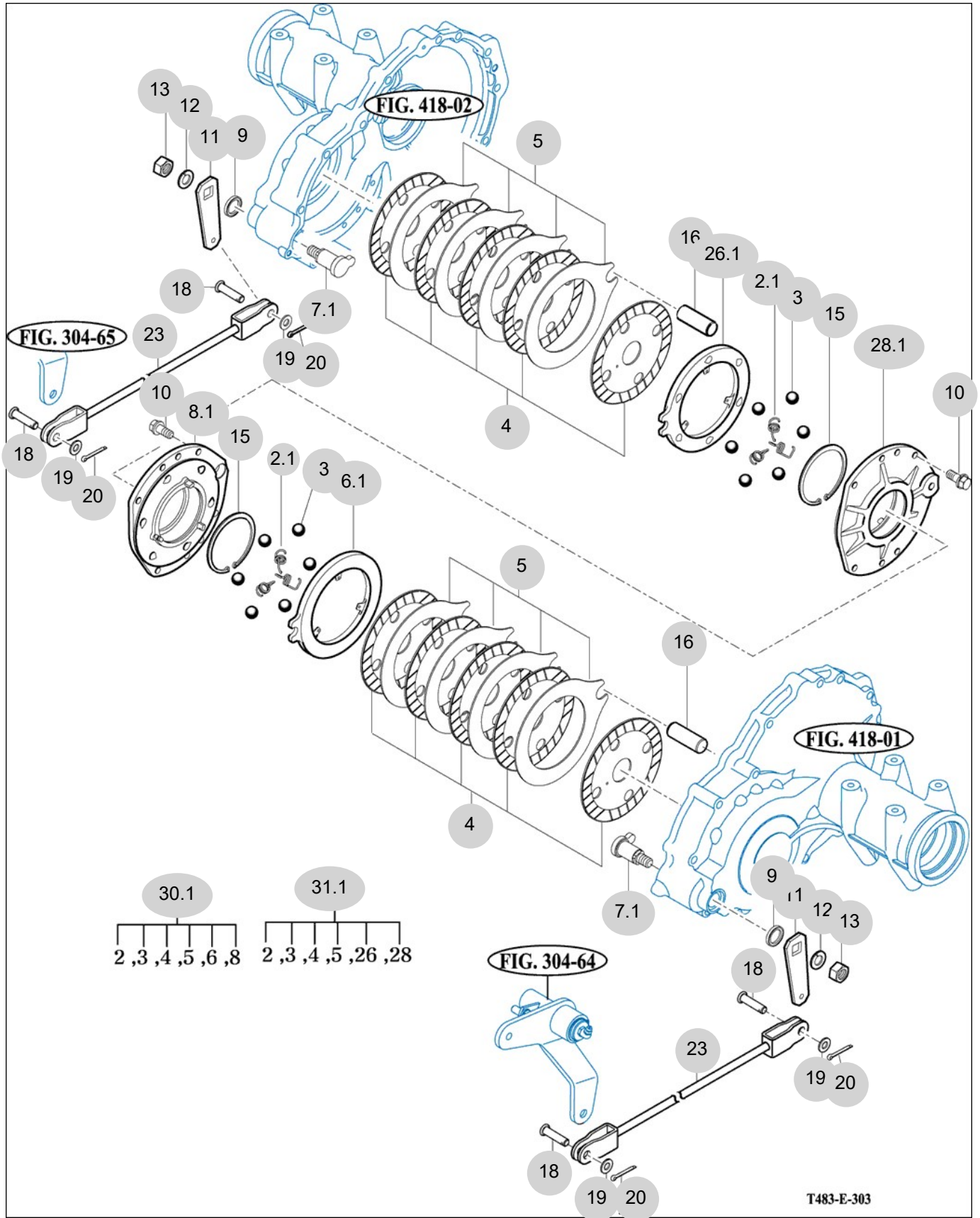
FIG 303

BRAKE

년/월
Year/Month

T494ST

2022-12



T483-E-303

NOTE

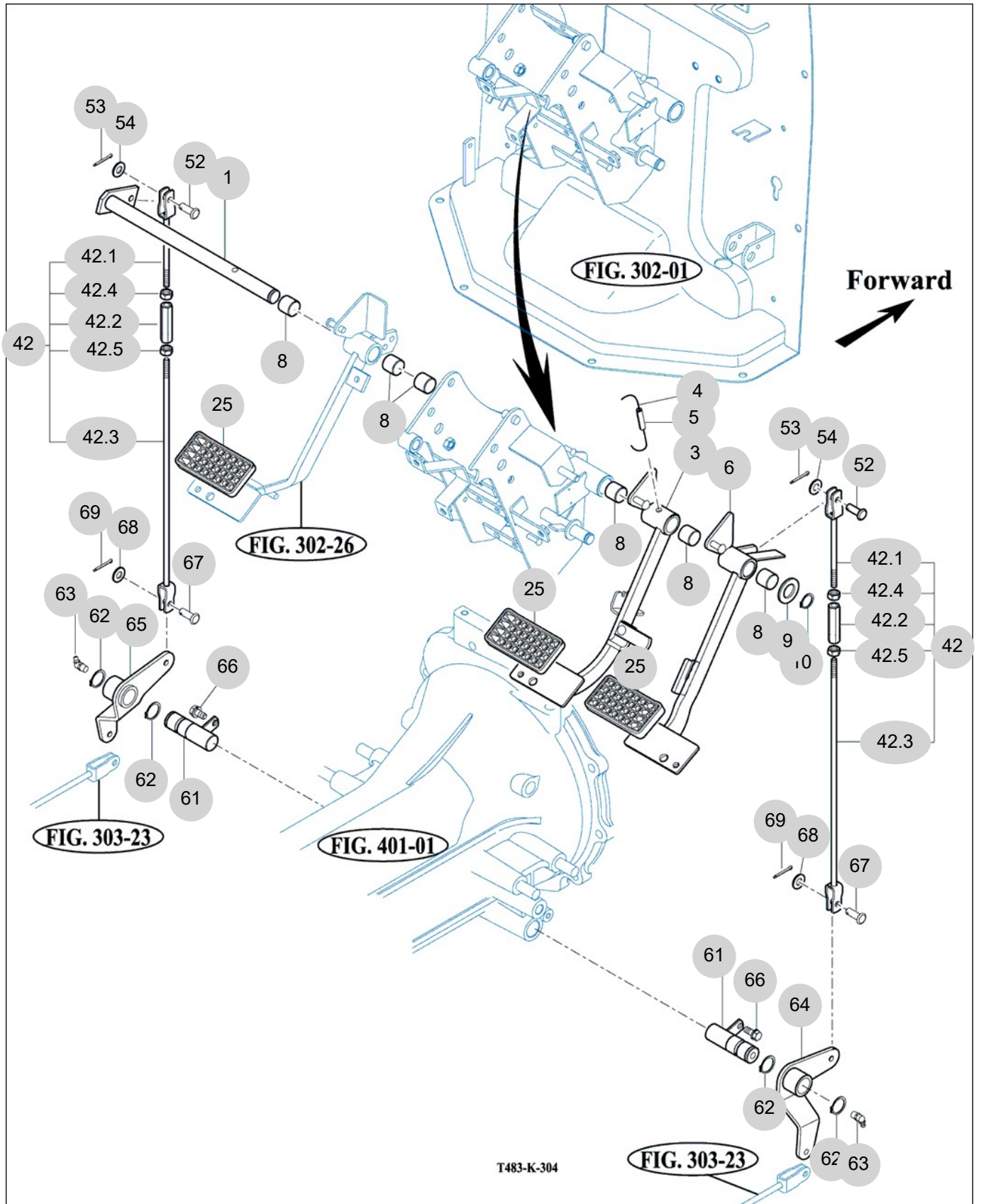
FIG 304

BRAKE PEDAL & LINK

년/월
Year/Month

2022-12

T494ST



T483-K-304

FIG. 303-23

NOTE

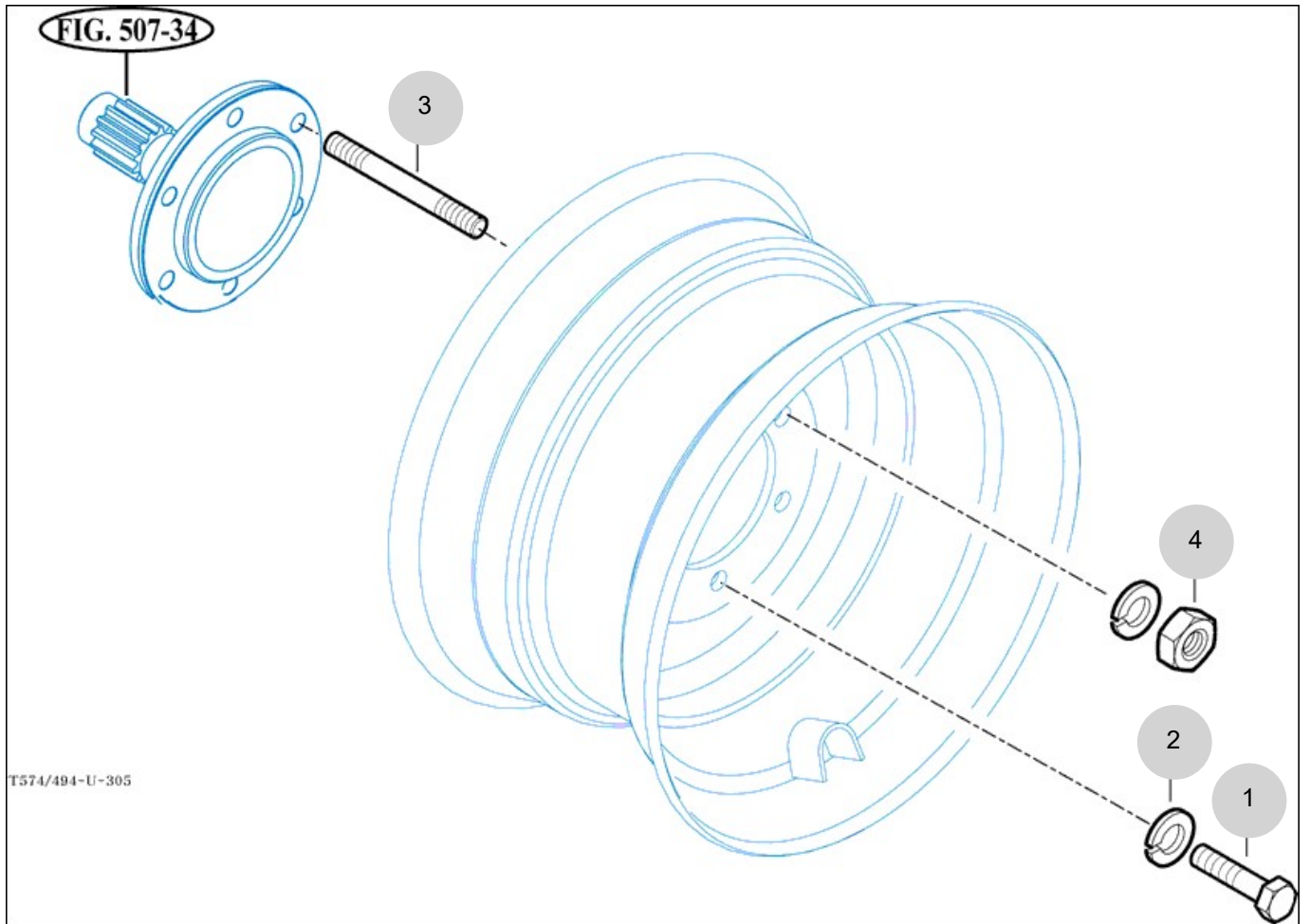
FIG 305

T494ST

FRONT WHEEL

년/월
Year/Month

2022-12



NOTE

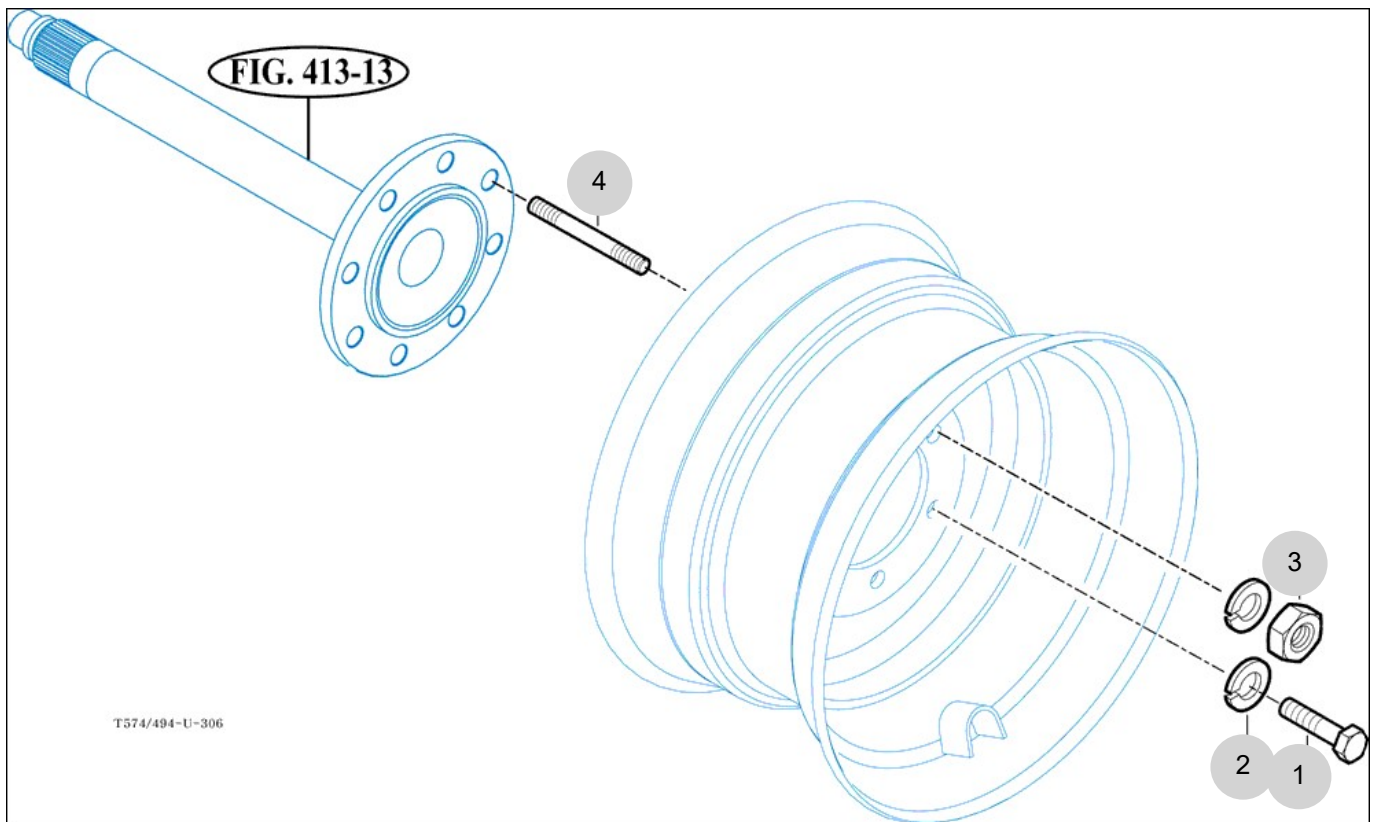
FIG 306

T494ST

REAR WHEEL

년/월
Year/Month

2022-12



NOTE

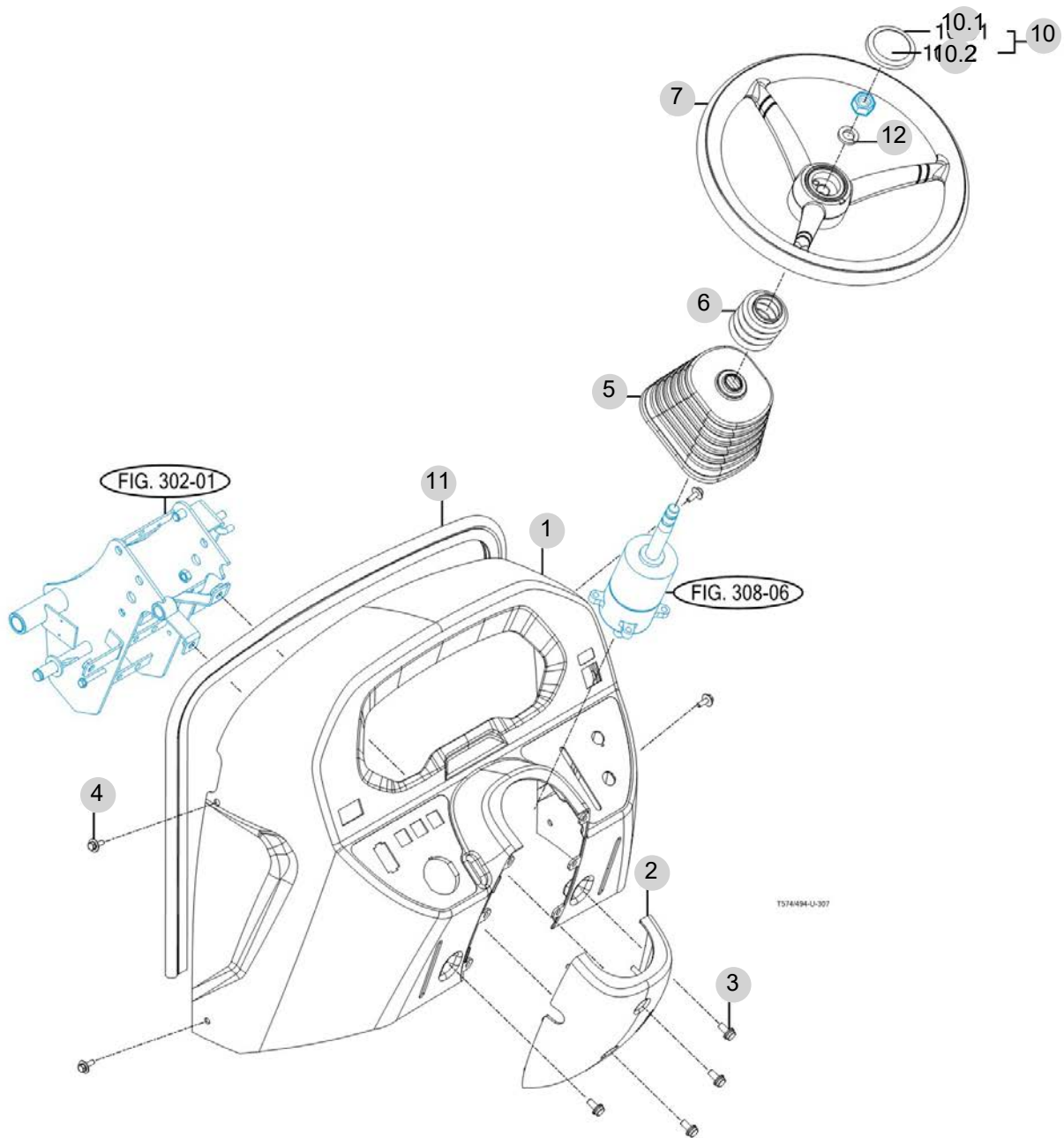
FIG 307

T494ST

POWER STEERING WHEEL

년/월
Year/Month

2022-12



NOTE

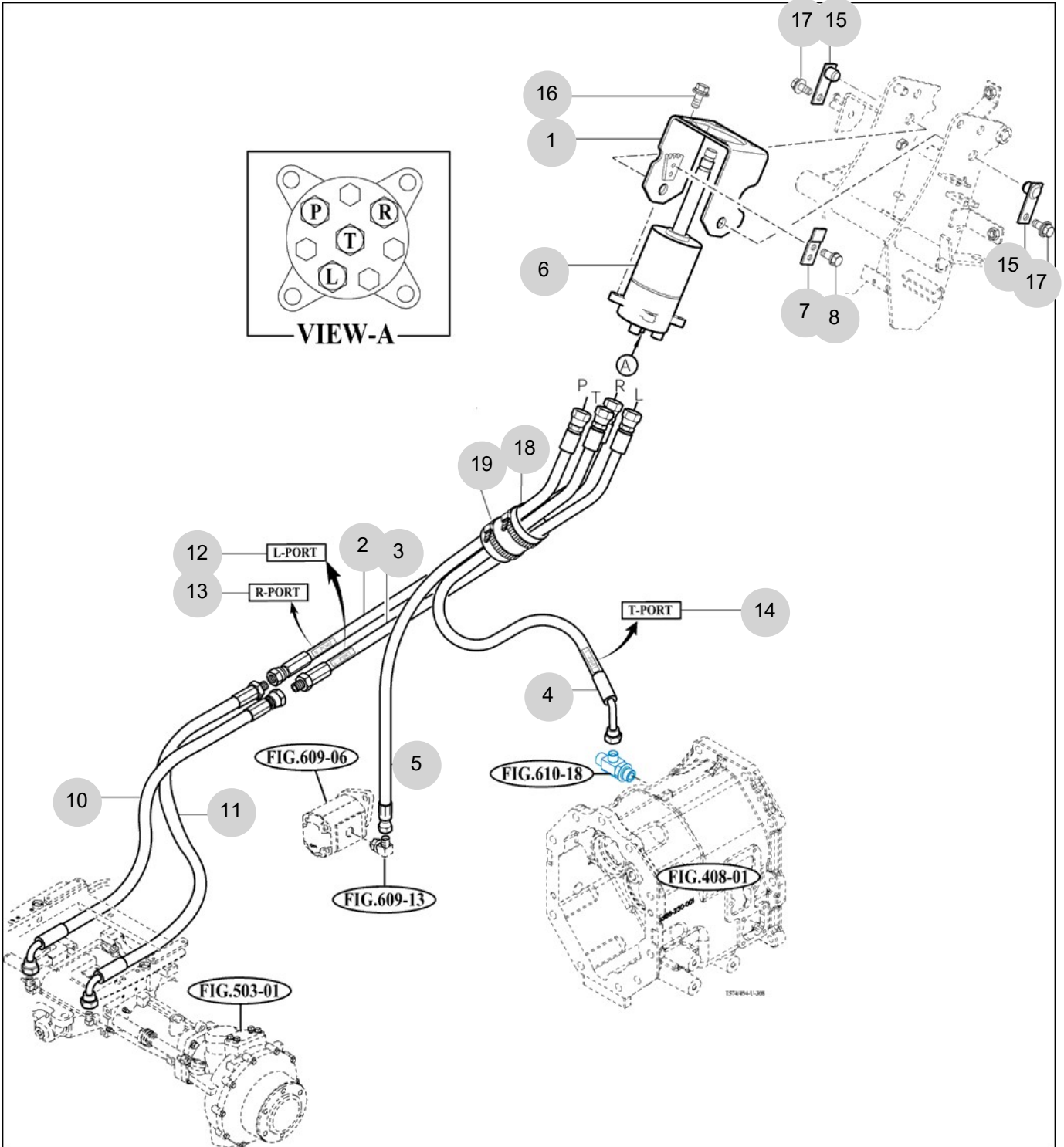
FIG 308

POWER STEERING VALVE

년/월
Year/Month

2022-12

T494ST



NOTE

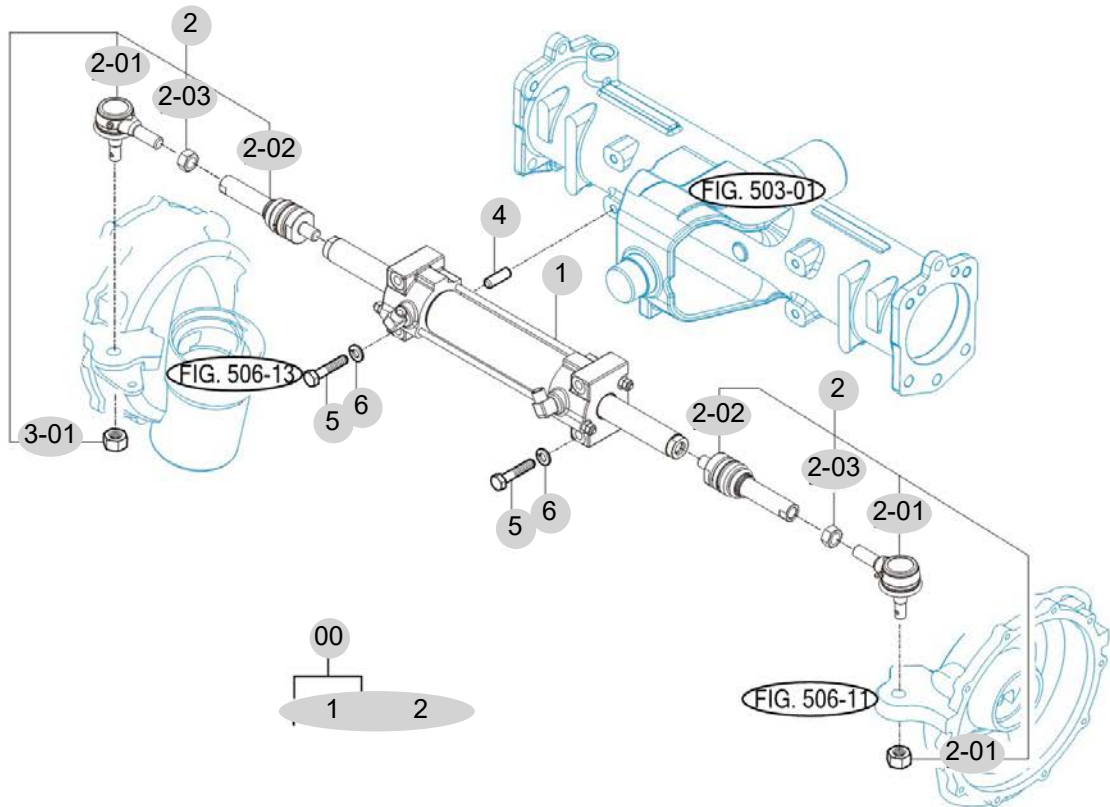
FIG 309

T494ST

POWER STEERING CYLINDER

년/월
Year/Month

2022-12



NOTE

4. Transmission PART NO. T4

FIG 401 TRANSMISSION FRONT CASE	136
FIG 402 FORWARD & BACKWARD GEARS	138
FIG 403 IDLE & COUNTER GEARS	140
FIG 404 MAIN SHIFT GEARS	142
FIG 405 P.T.O DRIVE SHAFT	144
FIG 406 MAIN CHANGE LEVER	146
FIG 407 REVERSE CHANGE LEVER	148
FIG 408 TRANSMISSION MID CASE	150
FIG 409 TRANSMISSION REAR CASE	152
FIG 410 SUB CHANGE GEARS	154
FIG 411 SUB CHANGE SHIFTER	156
FIG 413 DRIVE GEARS	158
FIG 414 4WD CHANGE LEVER	160
FIG 415 P.T.O CHANGE GEARS	162
FIG 417 REAR DIFFERENTIAL GEARS	164
FIG 418 REAR AXLE HOUSING	167

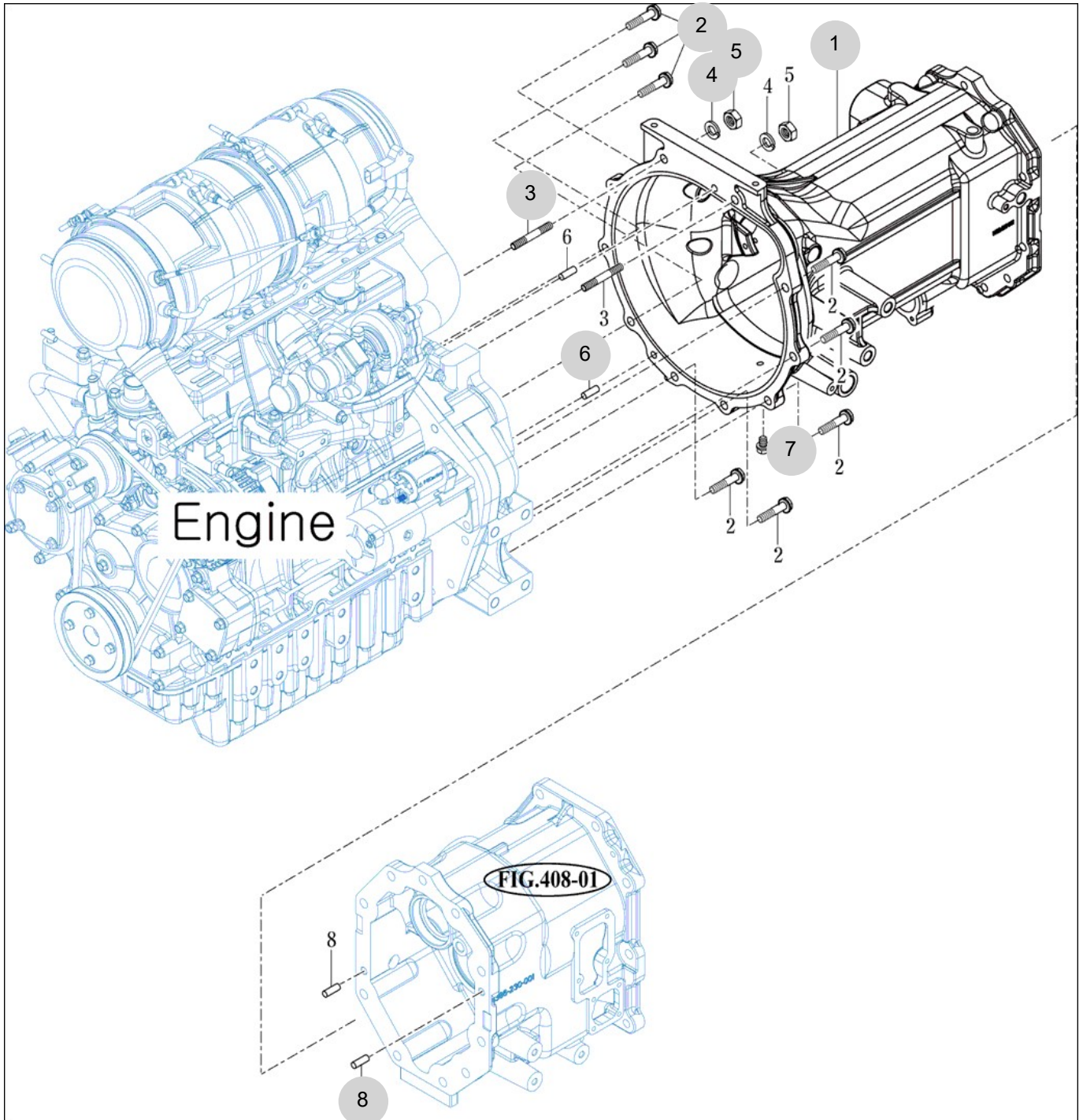
FIG 401

TRANSMISSION FRONT CASE

년/월
Year/Month

2022-12

T494ST



NOTE

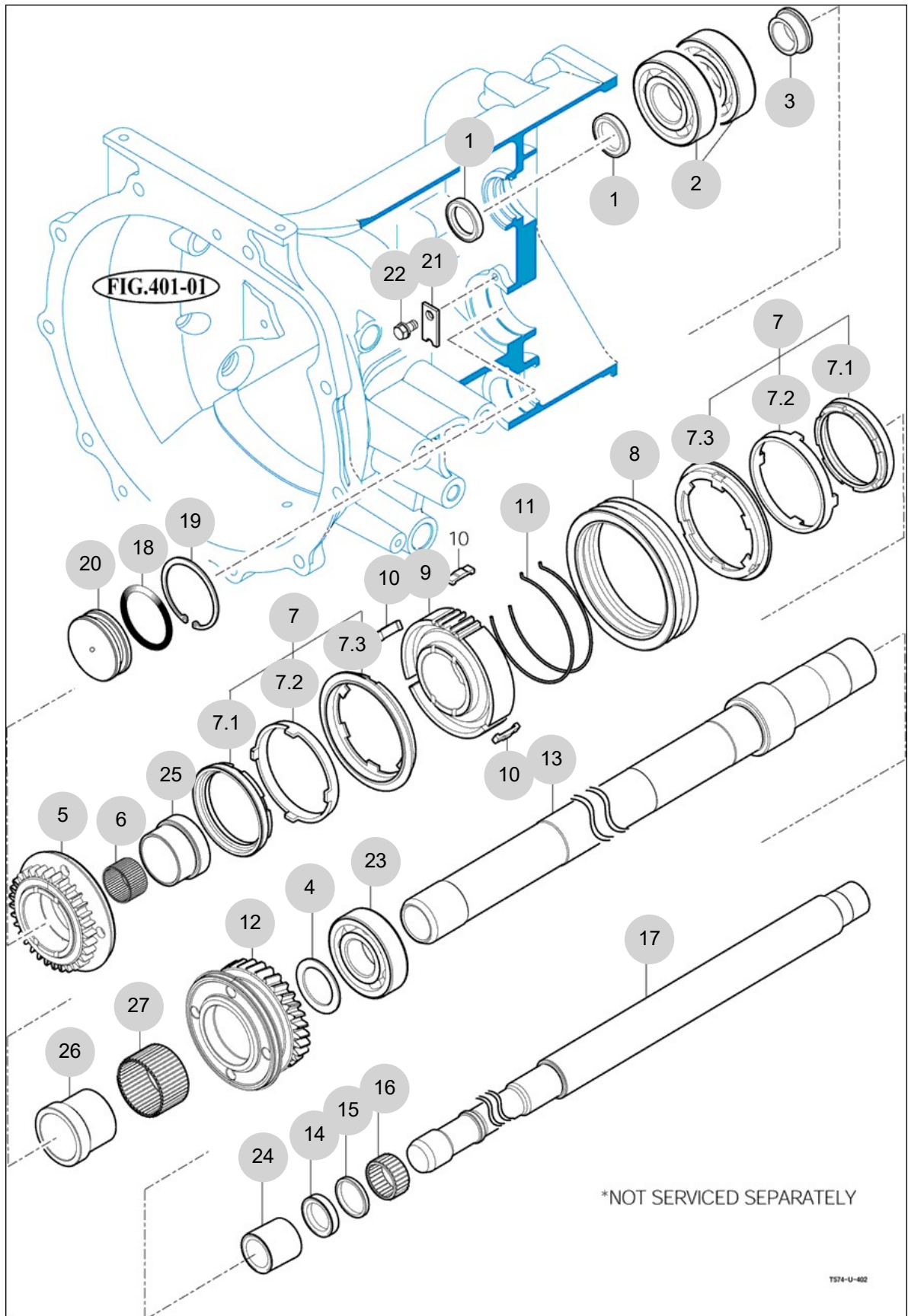
FIG 402

FORWARD & BACKWARD GEARS

년/월
Year/Month

2022-12

T494ST



NOTE

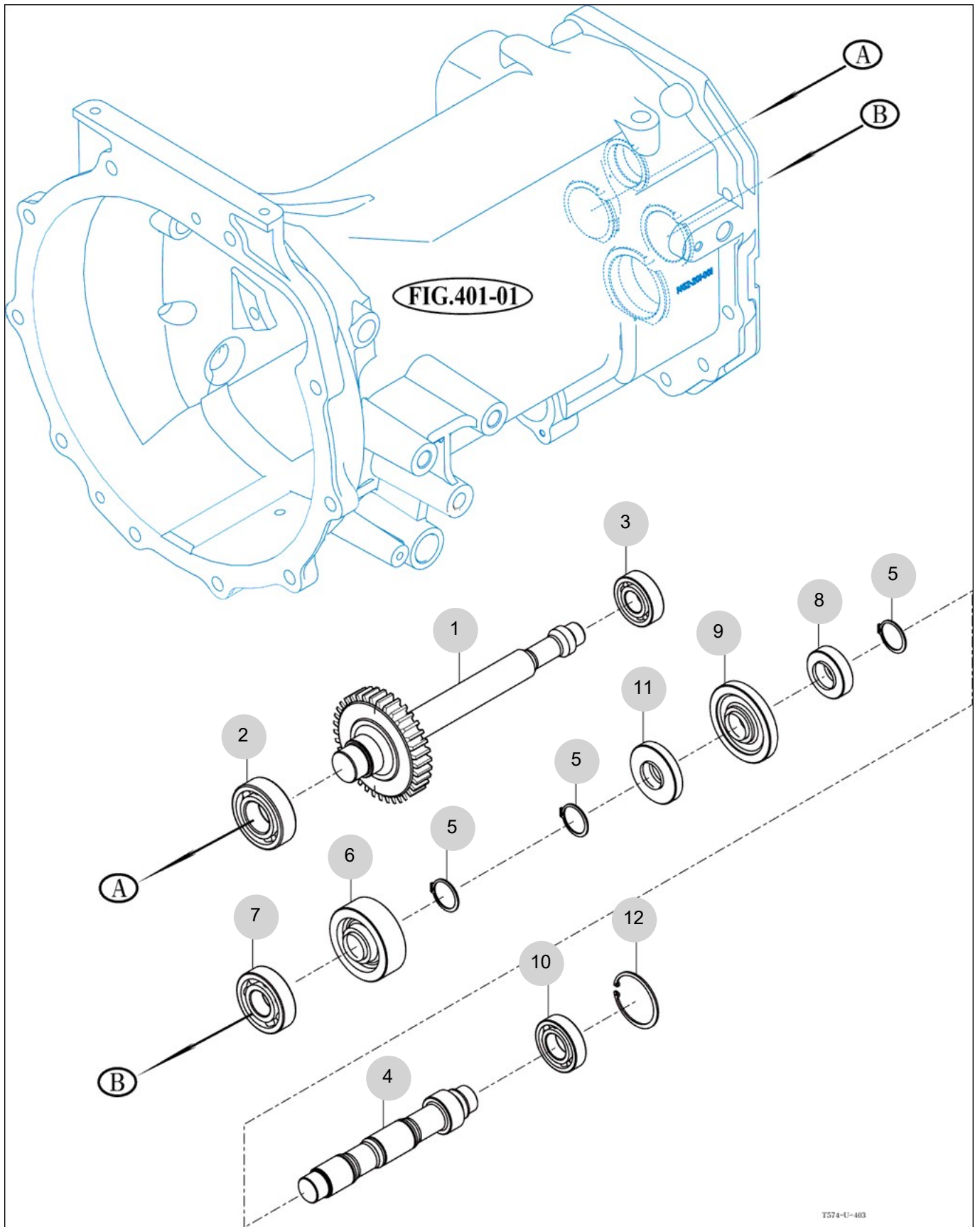
FIG 403

IDLE & COUNTER GEARS

년/월
Year/Month

T494ST

2022-12



NOTE

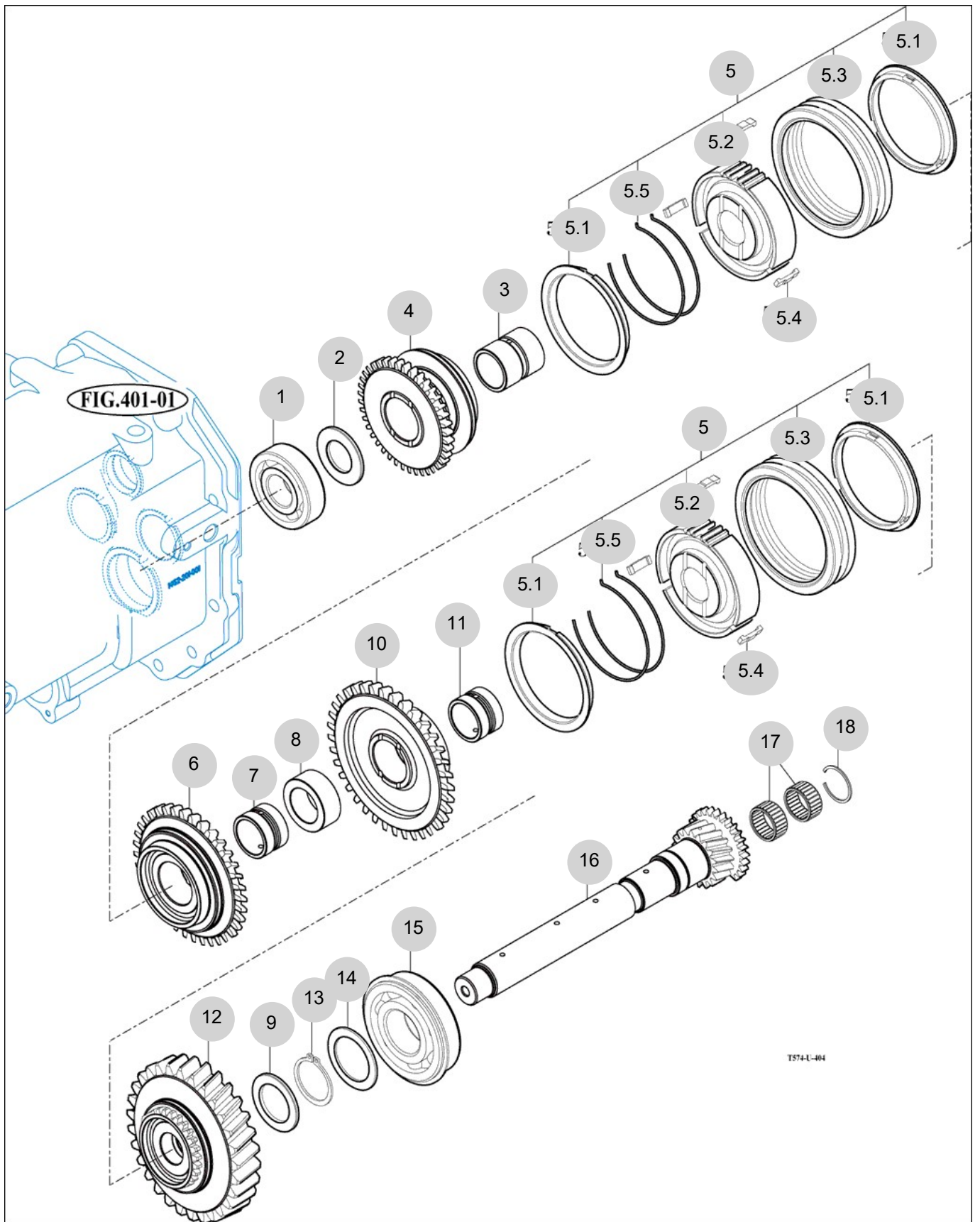
FIG 404

MAIN SHIFT GEARS

년/월
Year/Month

T494ST

2022-12



NOTE

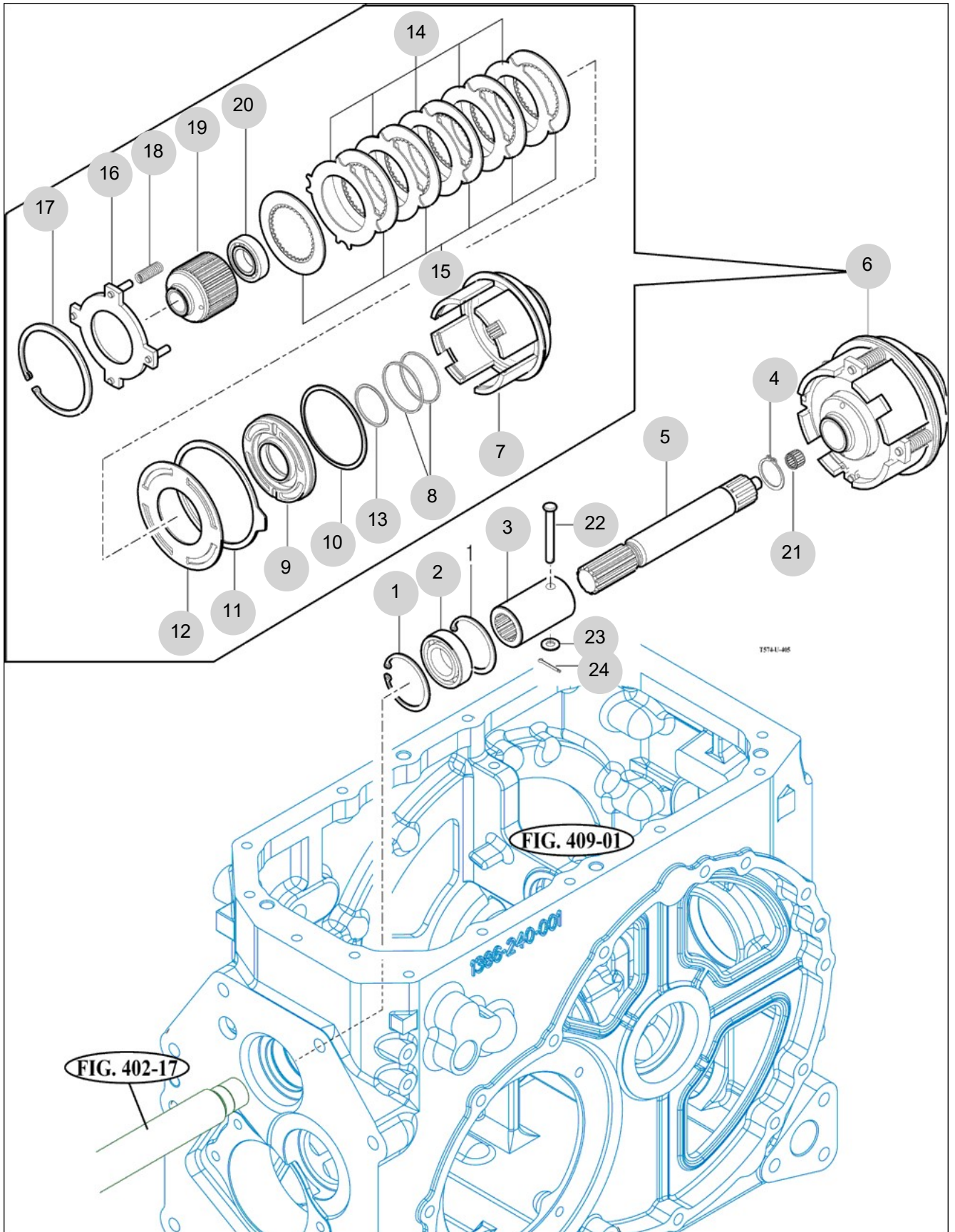
FIG 405

T494ST

P.T.O DRIVE SHAFT

년/월
Year/Month

2022-12



T574-L-065

NOTE

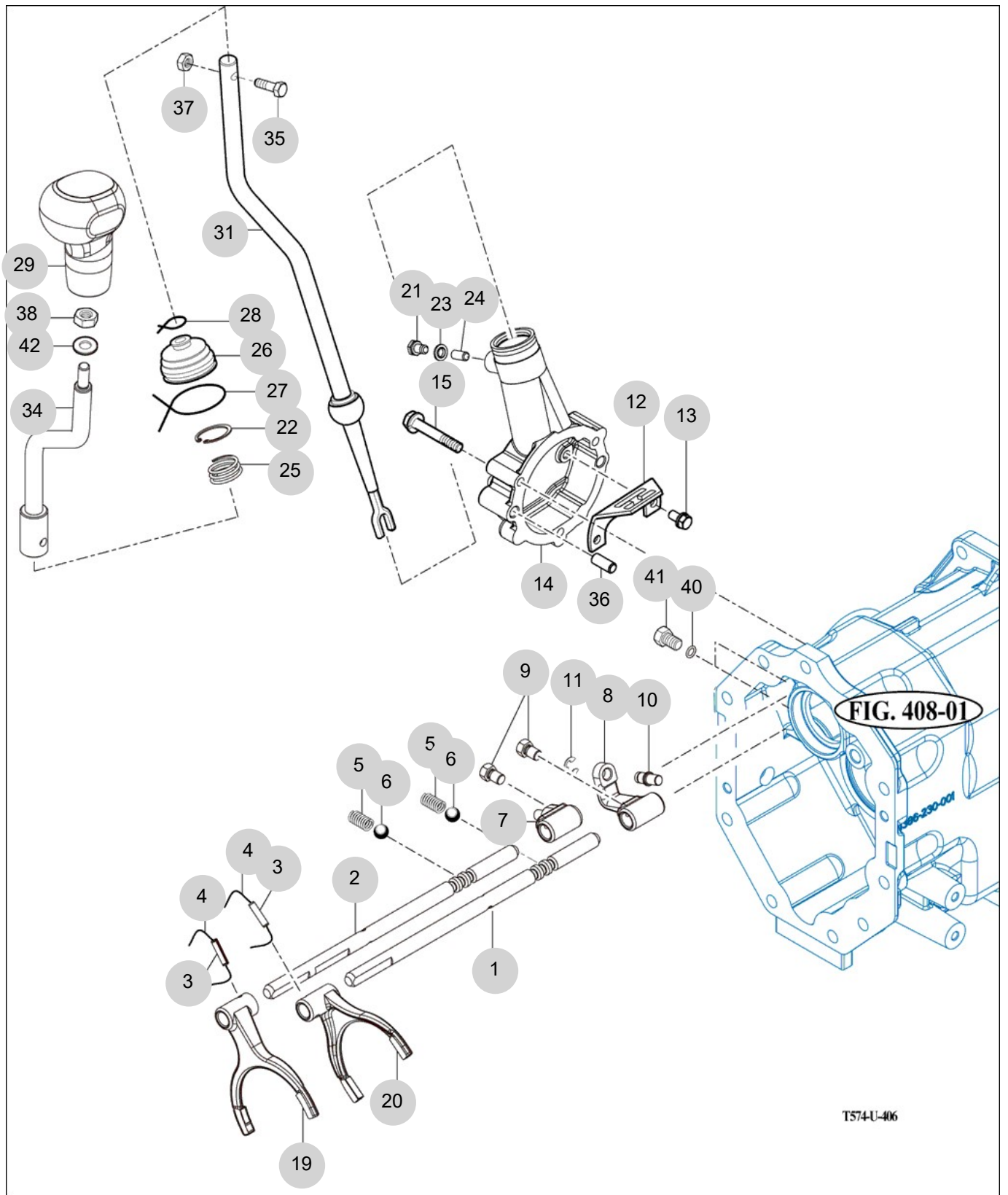
FIG 406

T494ST

MAIN CHANGE LEVER

년/월
Year/Month

2022-12



NOTE

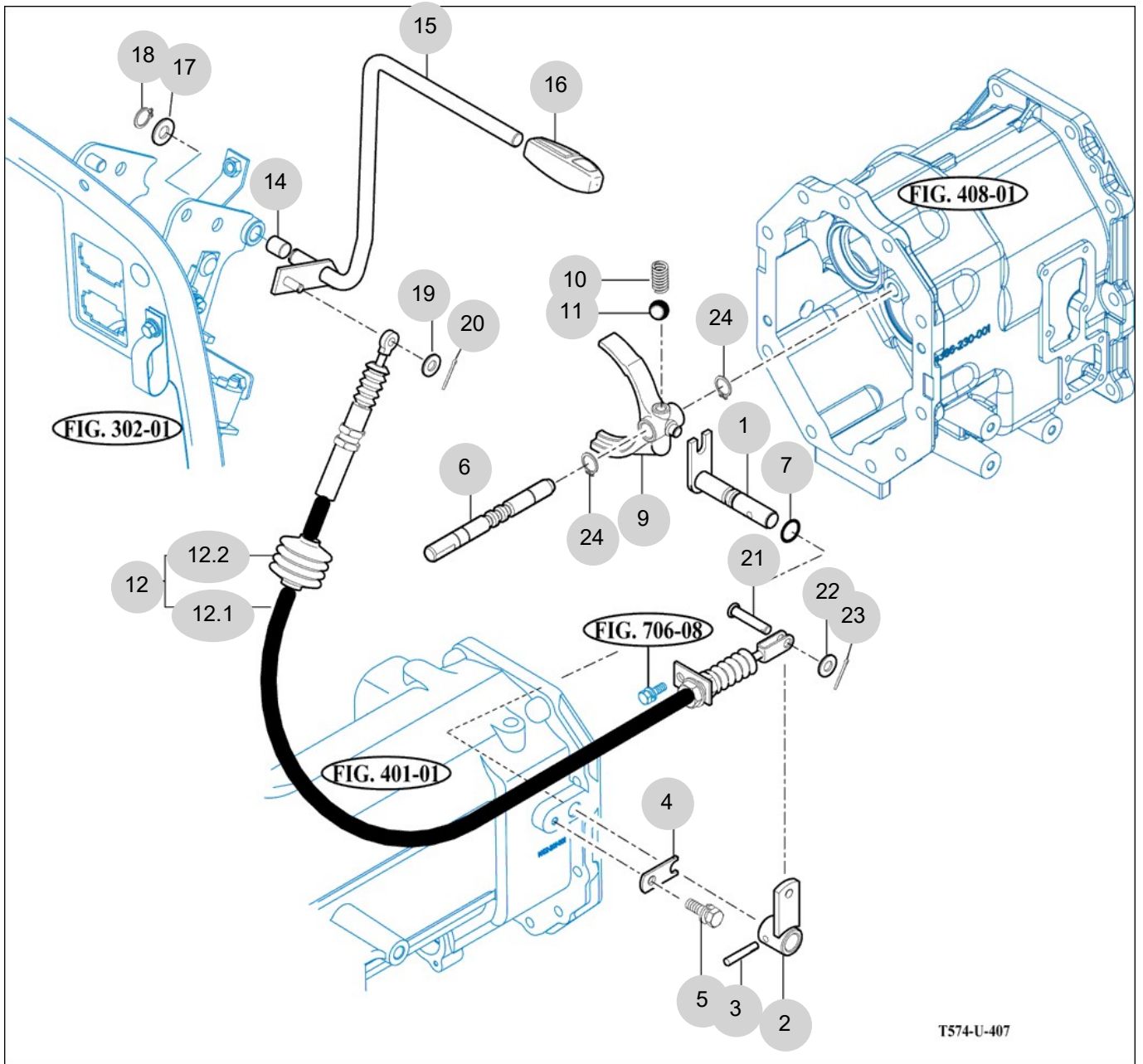
FIG 407

T494ST

REVERSE CHANGE LEVER

년/월
Year/Month

2022-12



T574-U-407

NOTE

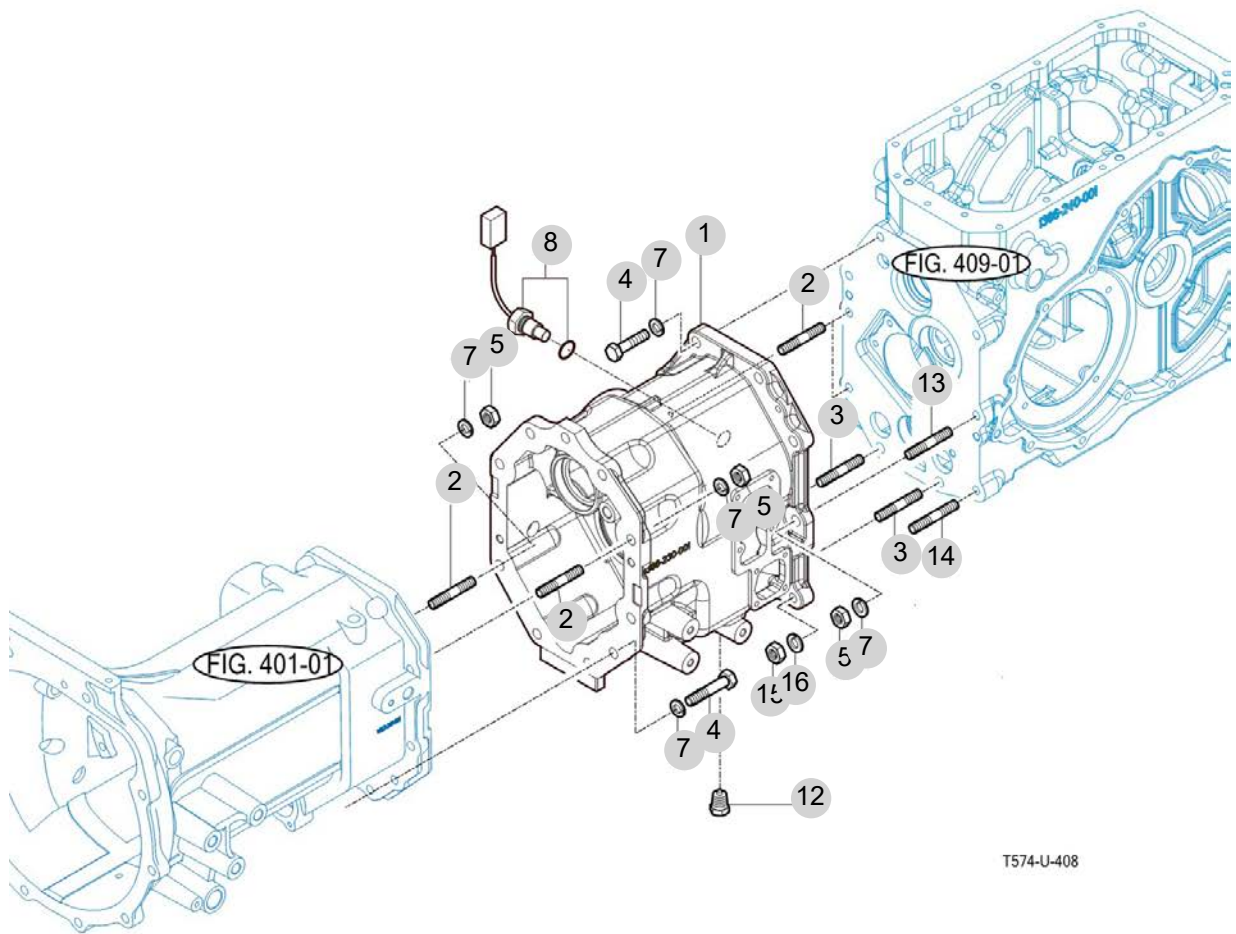
FIG 408

T494ST

TRANSMISSION MID CASE

년/월
Year/Month

2022-12



T574-U-408

NOTE

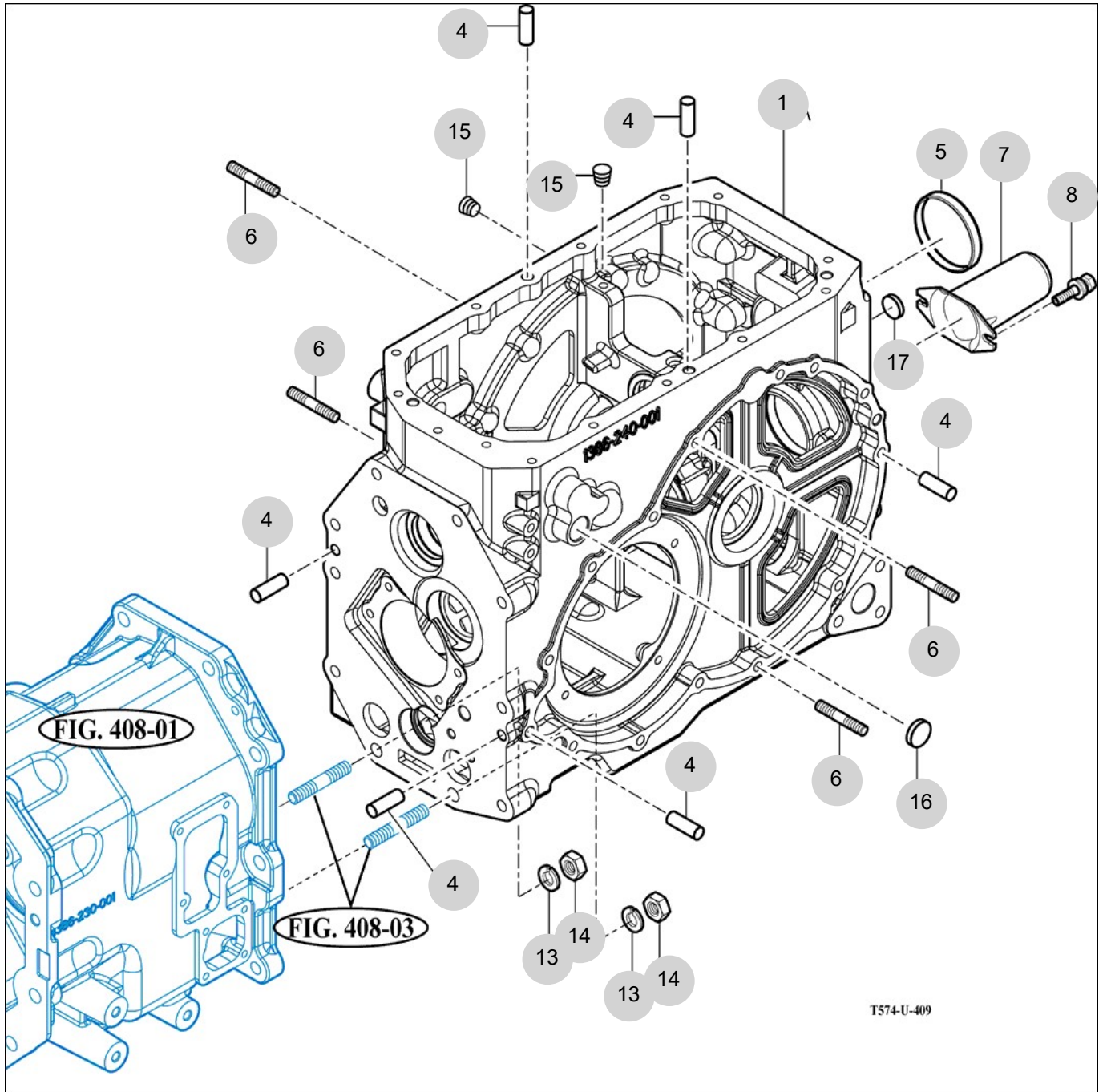
FIG 409

T494ST

TRANSMISSION REAR CASE

년/월
Year/Month

2022-12



T574-U-409

NOTE

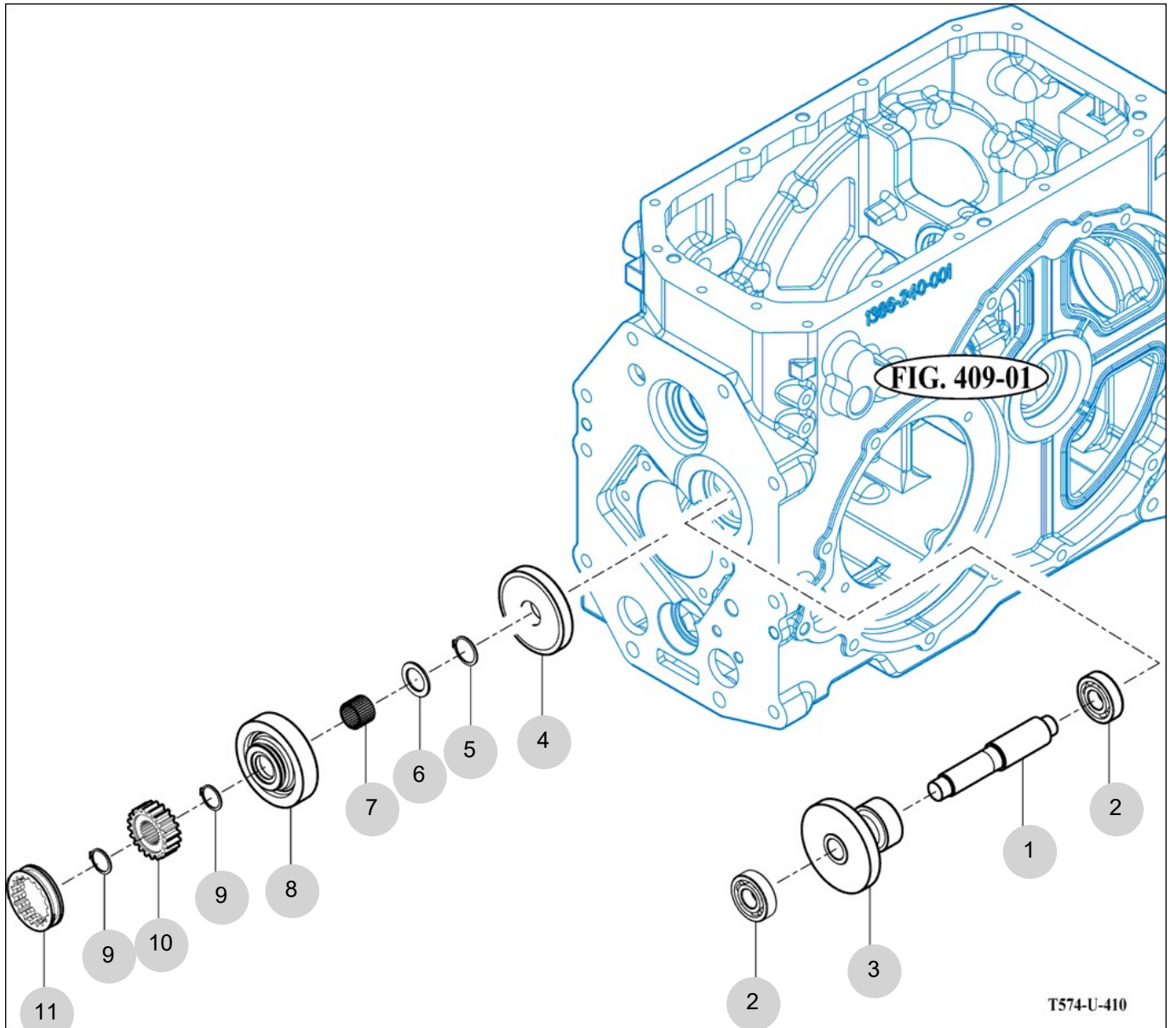
FIG 410

T494ST

SUB CHANGE GEARS

년/월
Year/Month

2022-12



NOTE

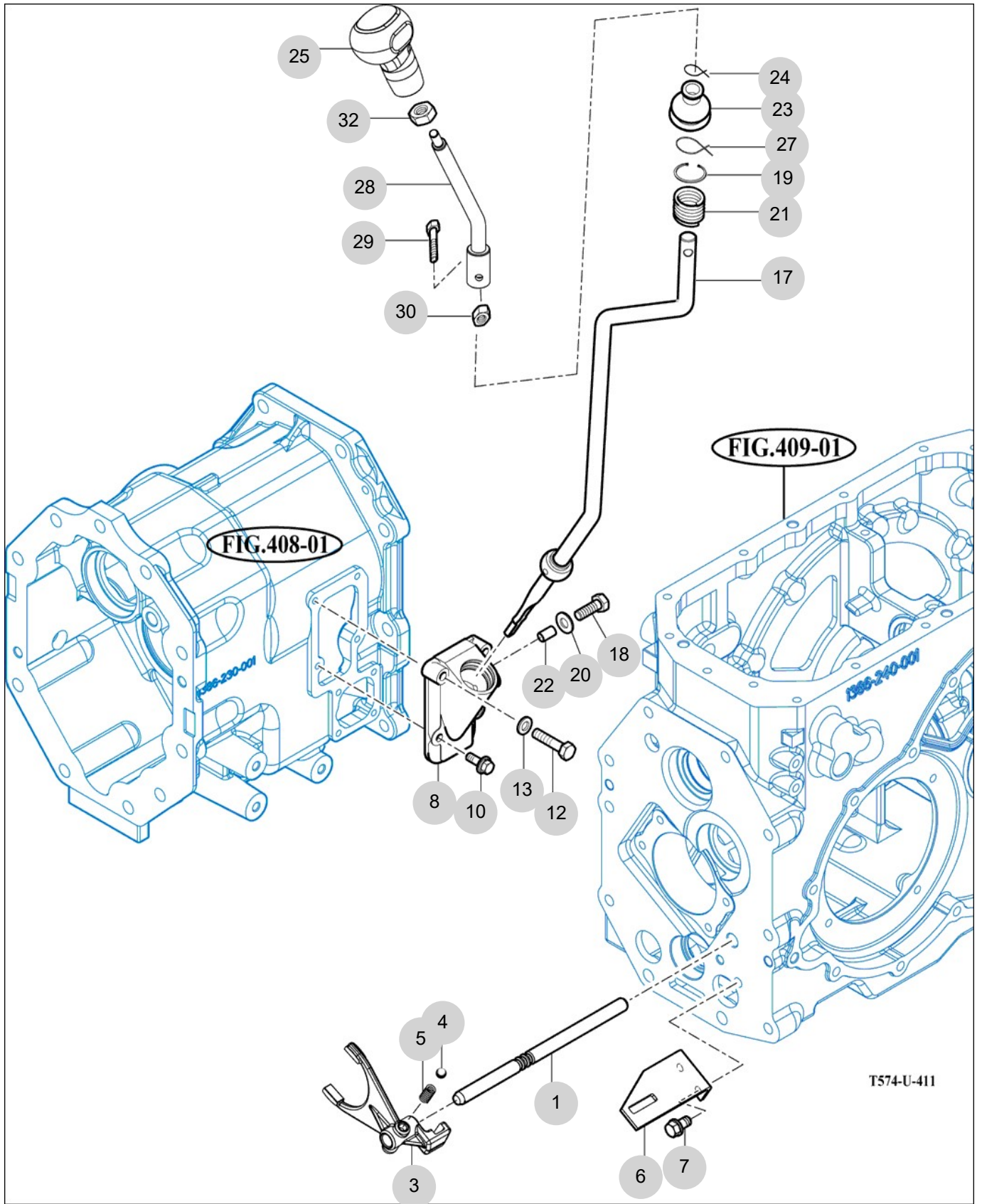
FIG 411

T494ST

SUB CHANGE SHIFTER

년/월
Year/Month

2022-12



NOTE

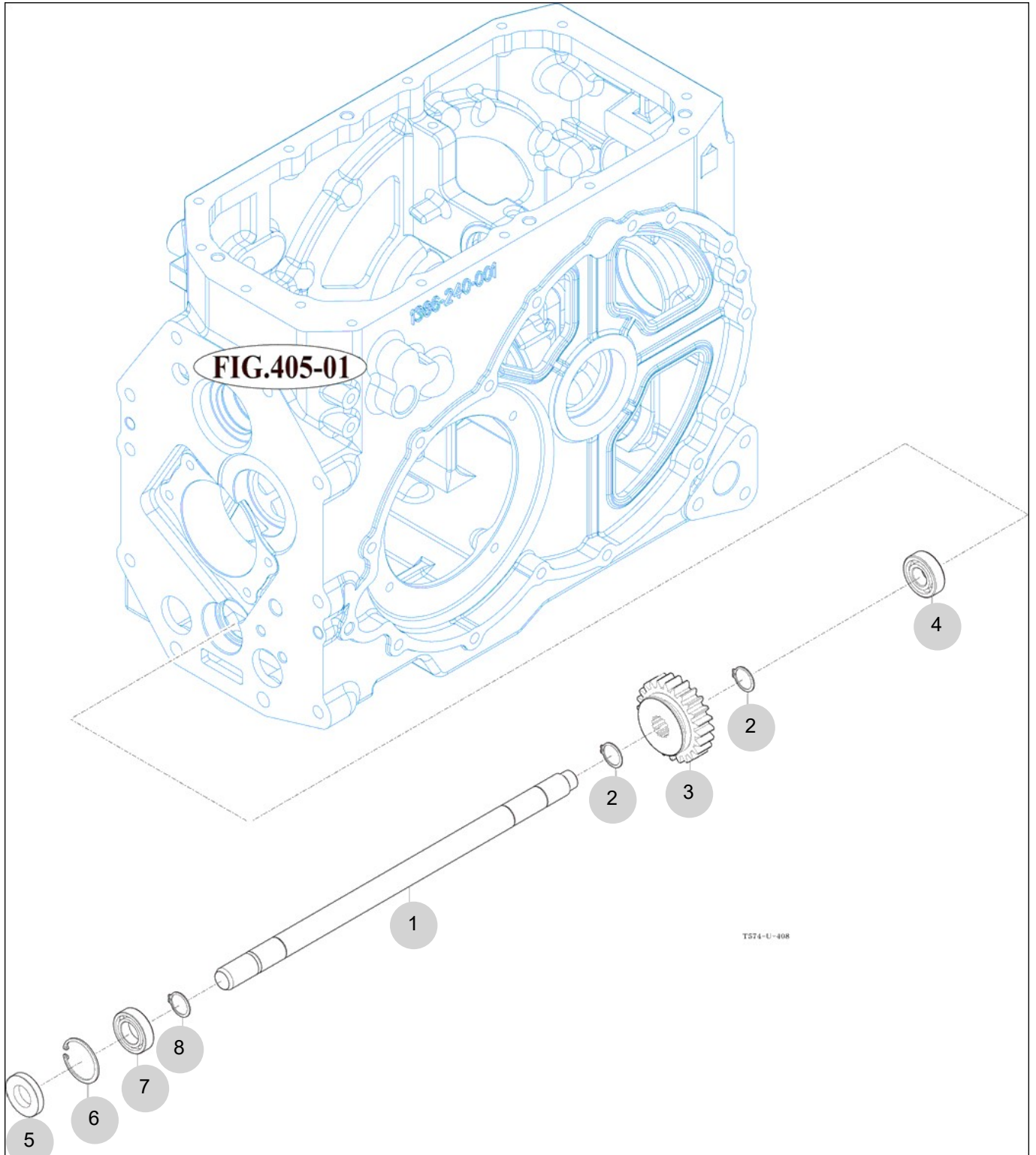
FIG 413

DRIVE GEARS

년/월
Year/Month

T494ST

2022-12



NOTE

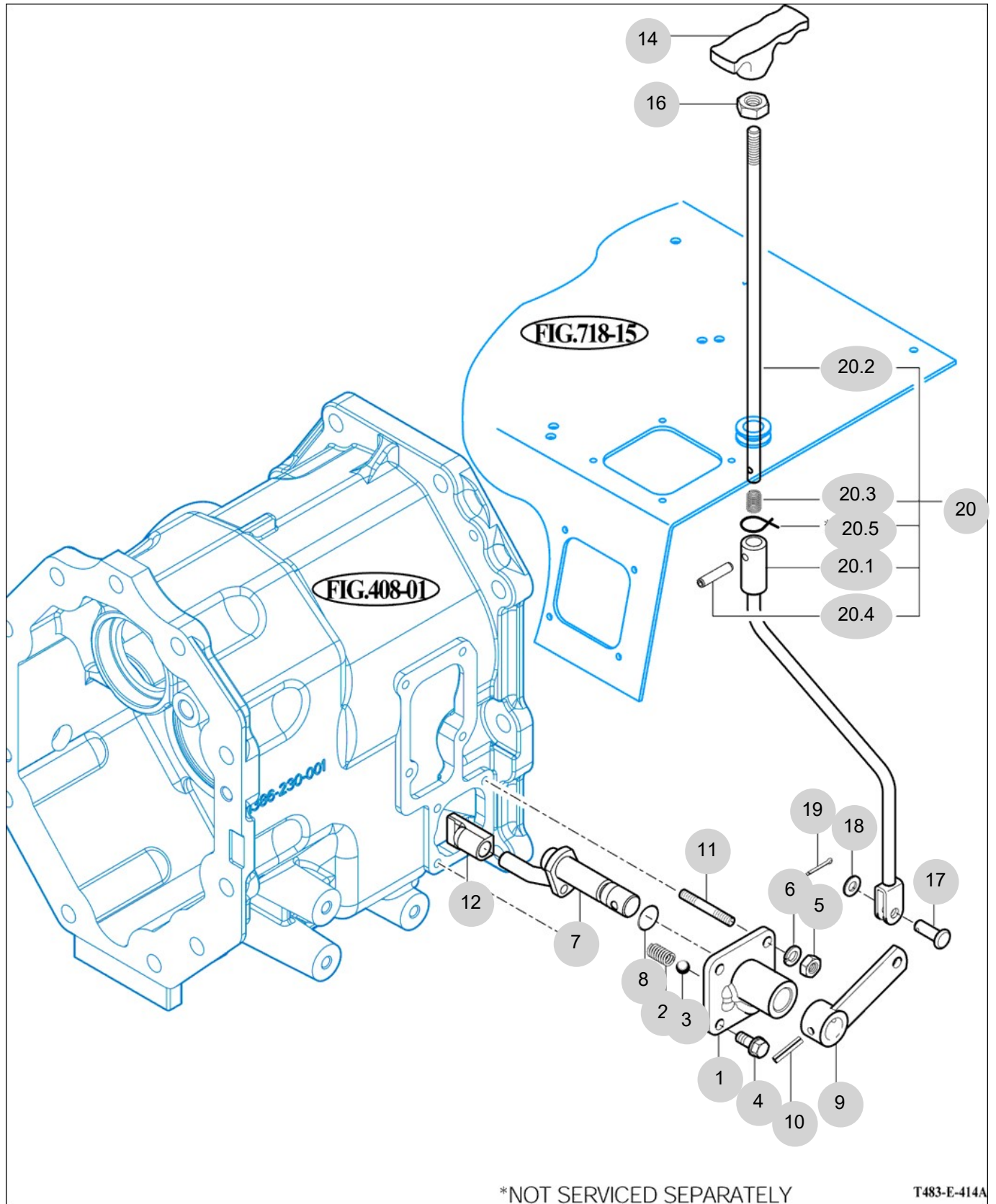
FIG 414

4WD CHANGE LEVER

년/월
Year/Month

T494ST

2022-12



NOTE

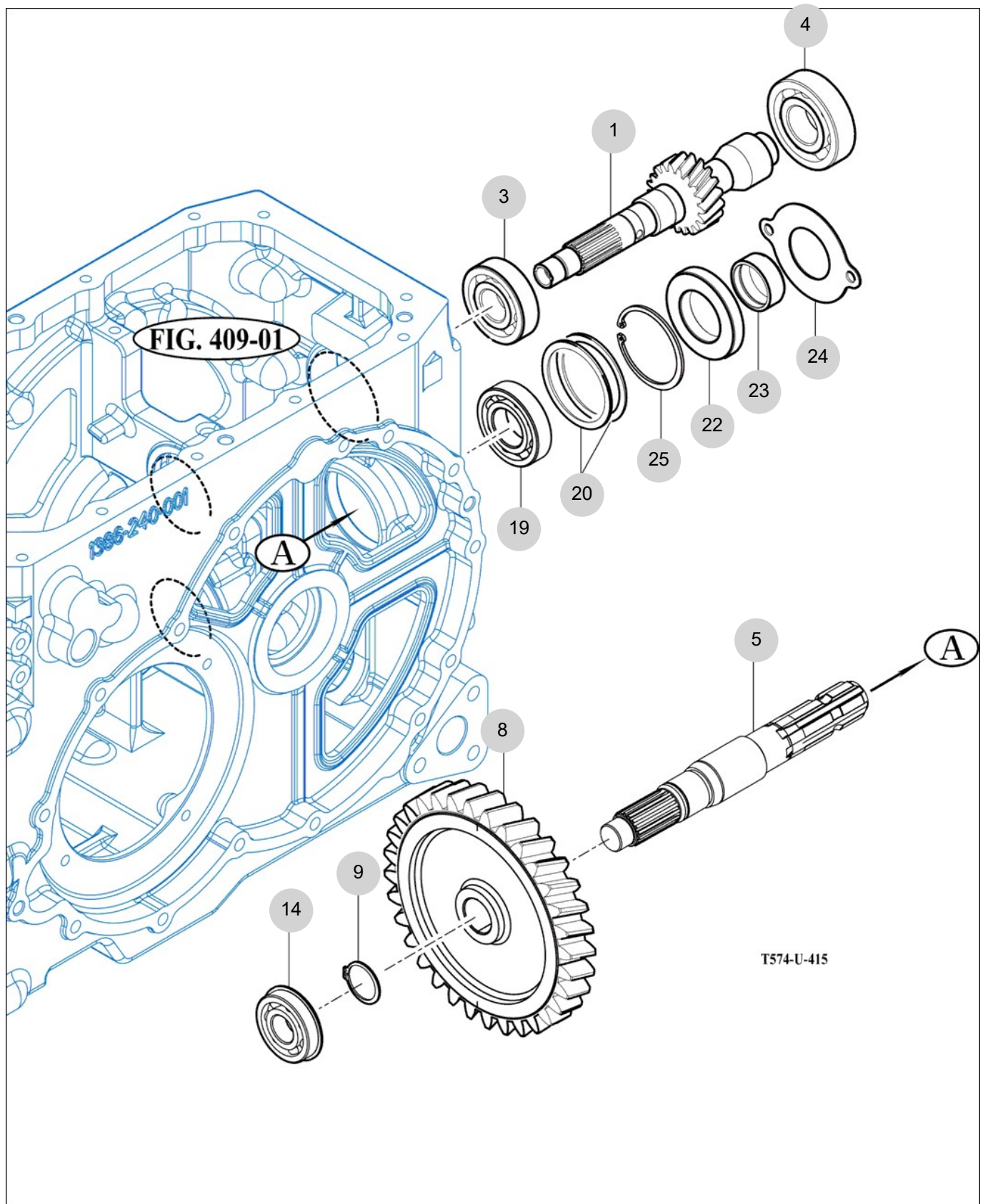
FIG 415

T494ST

P.T.O CHANGE GEARS

년/월
Year/Month

2022-12



NOTE

FIG 417

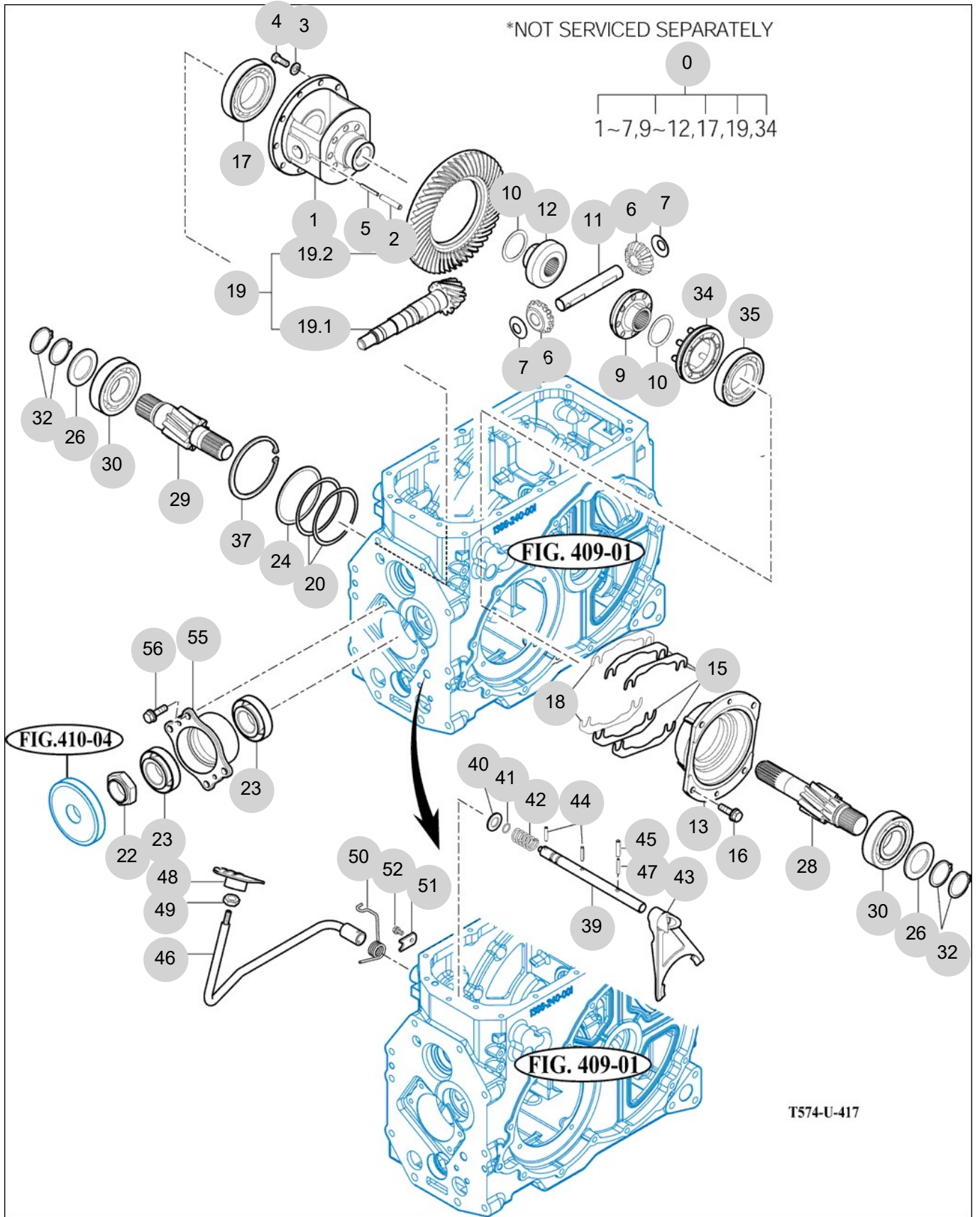
REAR DIFFERENTIAL GEARS

년/월
Year/Month

2022-12

T494ST

*NOT SERVICED SEPARATELY



T574-U-417

NOTE

FIG 417		REAR DIFFERENTIAL GEARS					년/월 Year/Month		
							2022-12		
T494ST		KEY NO	PART NO	DESCRIPTION	SPEC	QTY	REPAIR	EFFECTIVE DATE	REMARKS
417	0	13863031000	DIFF ASSY, RR			1			
417	1	14523030010M	CASE , DIFF			1			
417	2	V5801408040	PIN , SPRING	8X50		1			
417	3	V4011600100	WASHER , SPRING	M10		10			
417	4	V2024610025	BOLT , HEX FINE	M10X25		10			
417	5	V5801405036	PIN , SPRING	5X36		1			
417	6	14523180041	PINION , DIFF	1X1X1		2			
417	7	14523030080	COLLAR , PINION	T=1.0		2			
417	9	14523180061	PINION , BEVEL 16T LH	1X1X1		1			
417	10	14523030100	WASHER , THRUST	D=52.5		2			
417	11	14523030110	SHAFT , DIFF PINION	D=23		1			
417	12	14523180031	PINION , BEVEL 16T RH	1X1X1		1			
417	13	14523030131M	METAL , DIFF CASE LH			1			
417	15	14523010090	SHIM , B	T=0.2		4			
417	16	V2173610025	BOLT , HEX/S	M10X25		4			
417	17	V6001106212	BEARING , BALL	6212		1			
417	18	14523010080	SHIM , A	T=0.1		2			
417	19	13863022100	GEAR SET , 10-41T			1			
417	19.1	13863022110	PINION, BEVEL			1			
417	19.2	14523022120	GEAR , SPIRAL BEVEL			1			
417	20	14523010050	SHIM , 0.1	T=0.1		2			
417	22	15533030020	NUT , M40 P1,5	육각B=55		1			
417	23	V6321132208	BEARING , TAPER-ROLLER	32208CR		2			
417	24	14523010100	SHIM , 0.2	T=0.2		1			
417	26	15133060030	COLLAR , THRUST 45X68X4			2			
417	28	14523060010	PINION , LH HERICAL11T			1			
417	28	14523060011	PINION , LH HERICAL11T			1			
417	29	14523060020	PINION , RH HERICAL11T			1			
417	29	14523060021	PINION , RH HERICAL11T			1			
417	30	V6001106309	BEARING , BALL	6309		2			
417	30	V6041106309	BEARING , BALL/HL1			1			
417	32	V7041400450	C-RING , SHAFT	45		4			
417	34	14523033400	SLEEVE COMP			1			
417	35	V6001106211	BEARING , BALL	6211		1			
417	37	V7051401100	C-RING , HOLE	110		1			
417	39	14523032002	SHAFT , DIFF LOCK	D=20		1			
417	40	V4111600200	WASHER , PLAIN	M20		1			
417	41	V7201024016	O-RING , P	P16		1			
417	42	17973030420	SPRING	(D=3.6) X22.5X74.5		1			
417	43	14523190011M	FORK , DIFF LOCK			1			
417	44	V5801406032	PIN , SPRING	6X32		2			
417	45	V5801408036	PIN , SPRING	8X36		1			
417	46	14543162101	PEDAL COMP , DIFF LOCK			1			
417	47	V5801405036	PIN , SPRING	5X36		1			
417	48	14521220120	PEDAL COMP,ACCEL	1X1X1		1			
NOTE									

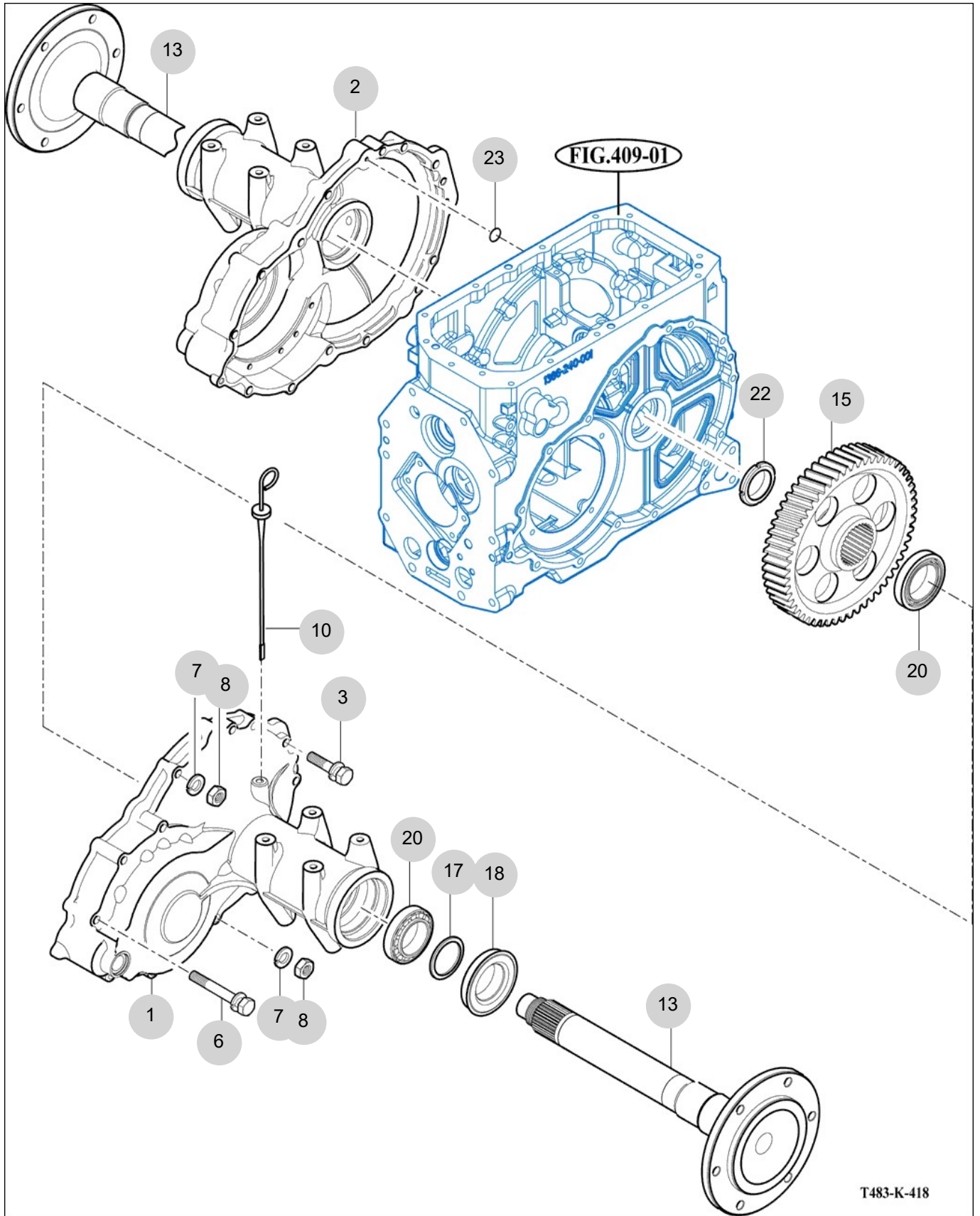
FIG 418

REAR AXLE HOUSING

년/월
Year/Month

T494ST

2022-12



T483-K-418

NOTE

5. Front Axle PART NO. T5

FIG 501 FRONT AXLE SUPPORT	170
FIG 502 FRONT DRIVE SHAFT	172
FIG 503 FRONT AXLE HOUSING	174
FIG 504 FRONT DIFFERENTIAL GEARS	176
FIG 505 FRONT GEAR CASE (1)	178
FIG 506 FRONT GEAR CASE (2)	180
FIG 507 FRONT GEAR CASE (3)	182

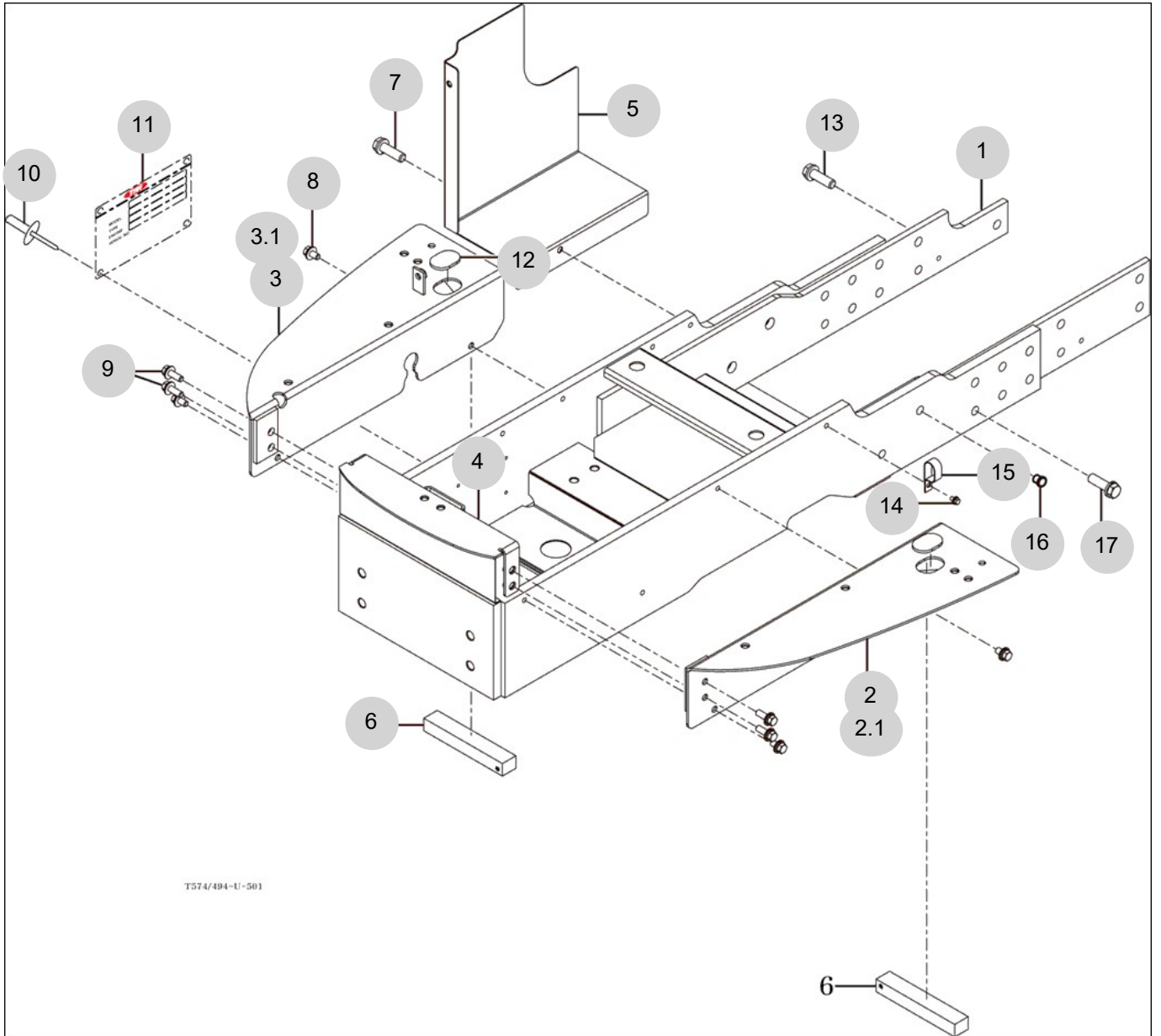
FIG 501

T494ST

FRONT AXLE SUPPORT

년/월
Year/Month

2022-12



NOTE

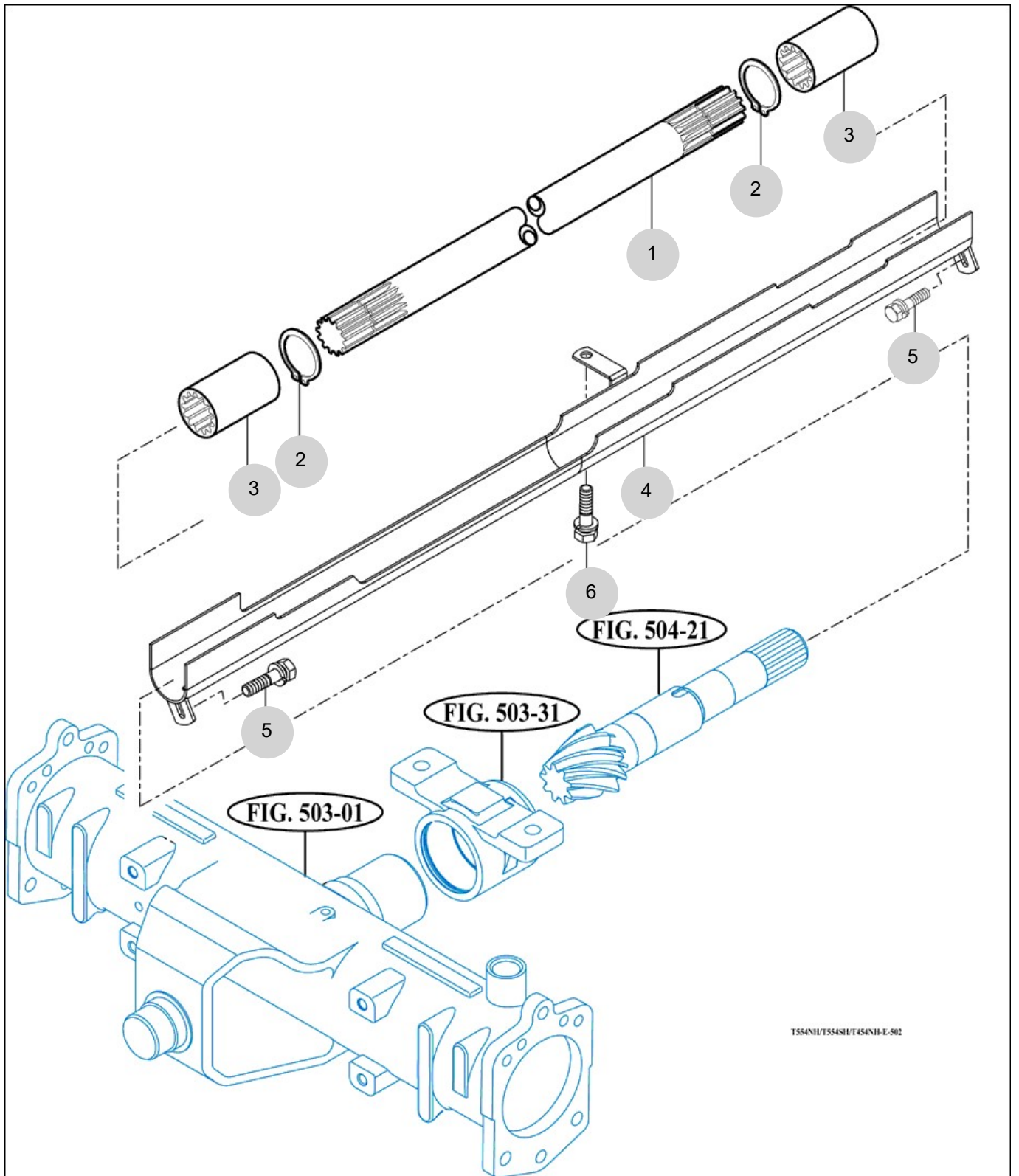
FIG 502

T494ST

FRONT DRIVE SHAFT

년/월
Year/Month

2022-12



T554NH/T554SH/T454NH-E-502

NOTE

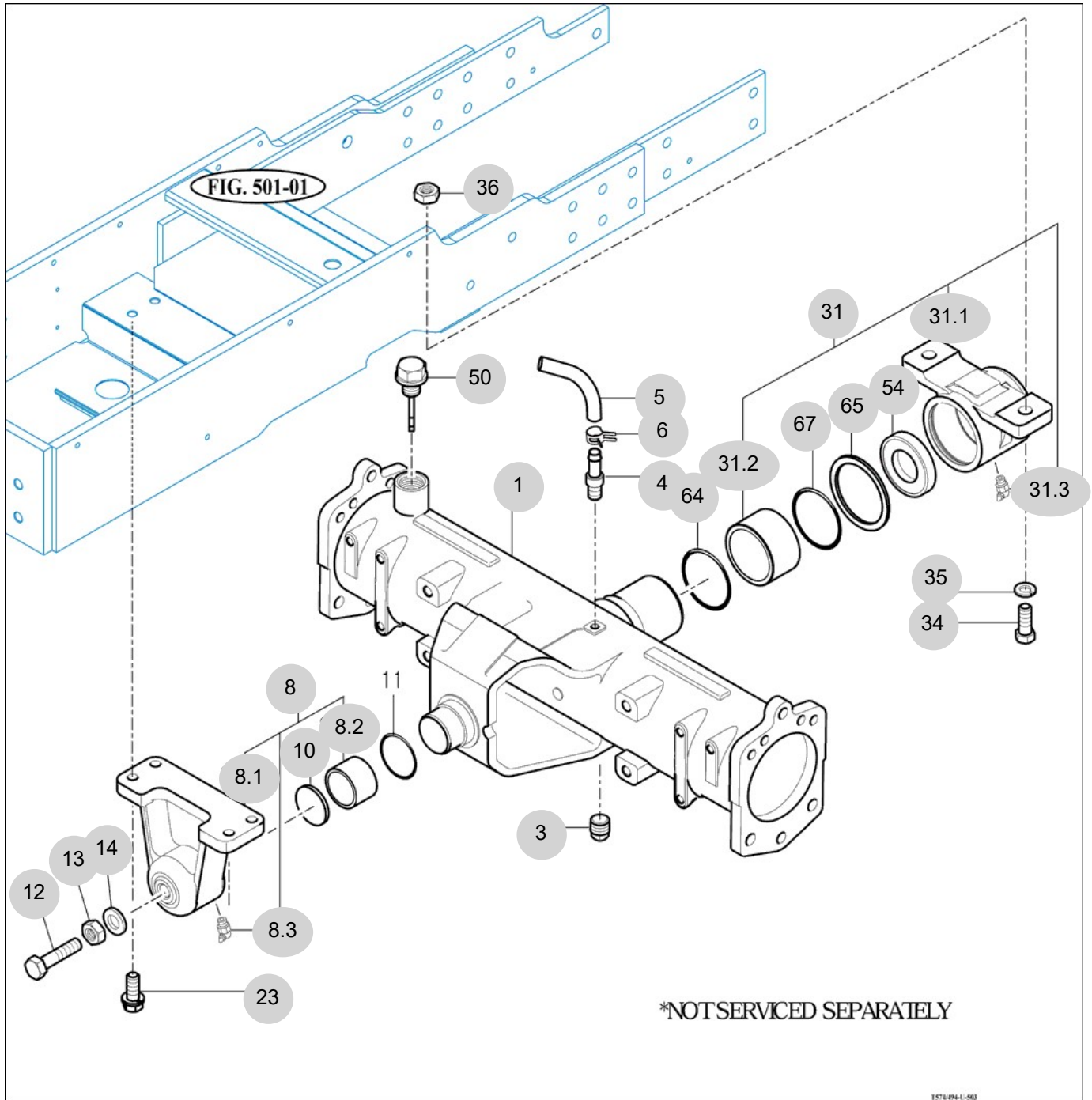
FIG 503

FRONT AXLE HOUSING

년/월
Year/Month

T494ST

2022-12



NOTE

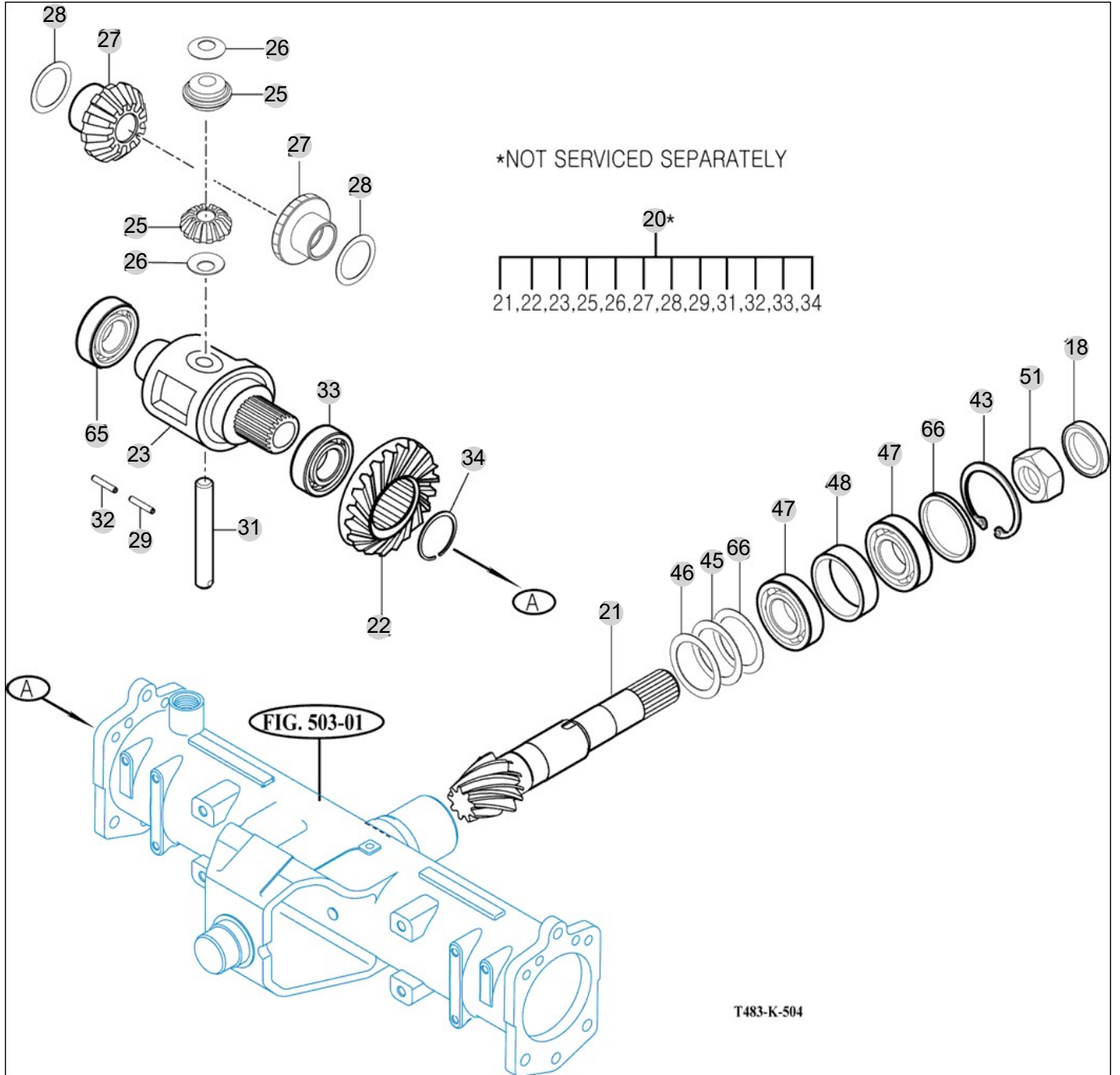
FIG 504

FRONT DIFFERENTIAL GEARS

년/월
Year/Month

2022-12

T494ST



NOTE

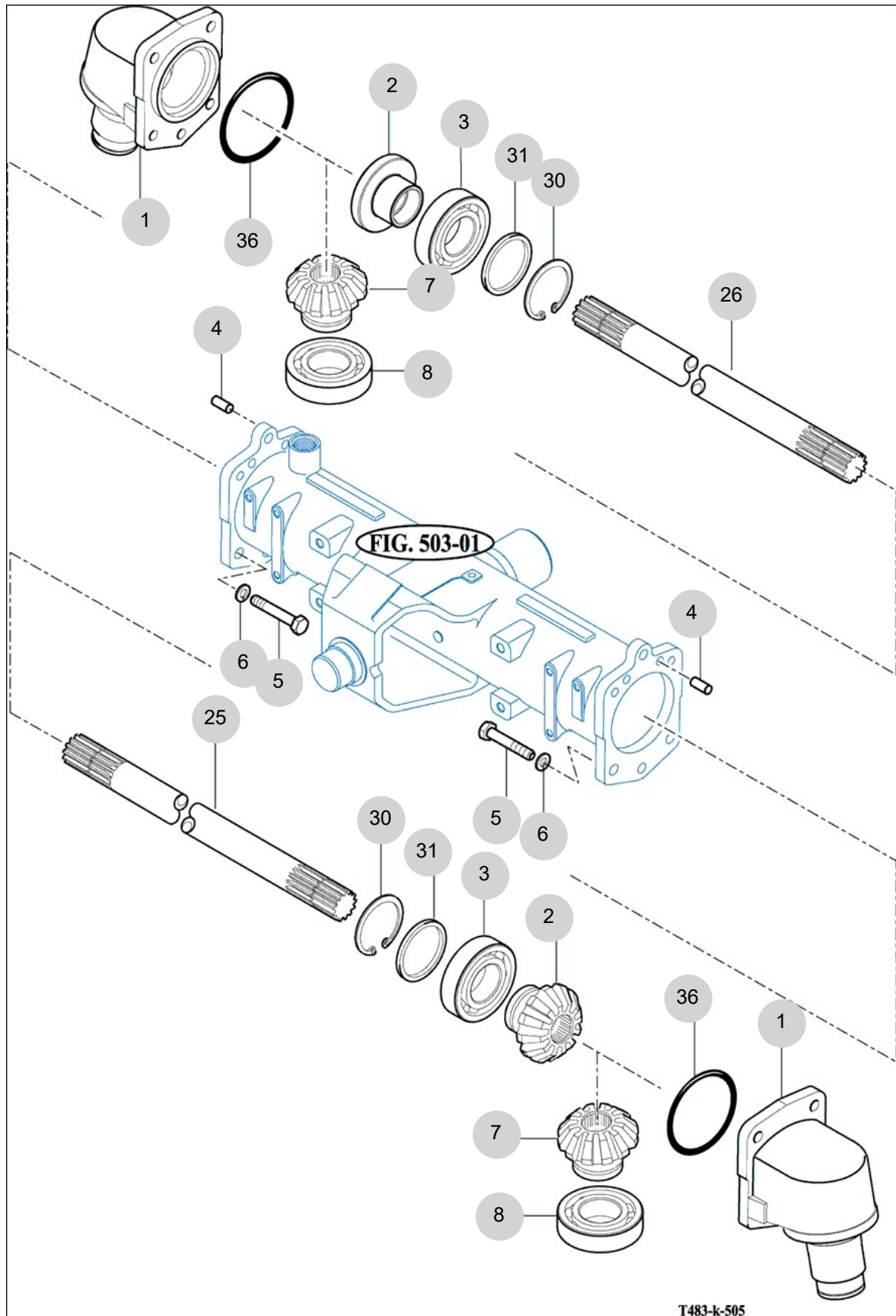
FIG 505

T494ST

FRONT GEAR CASE (1)

년/월
Year/Month

2022-12



NOTE

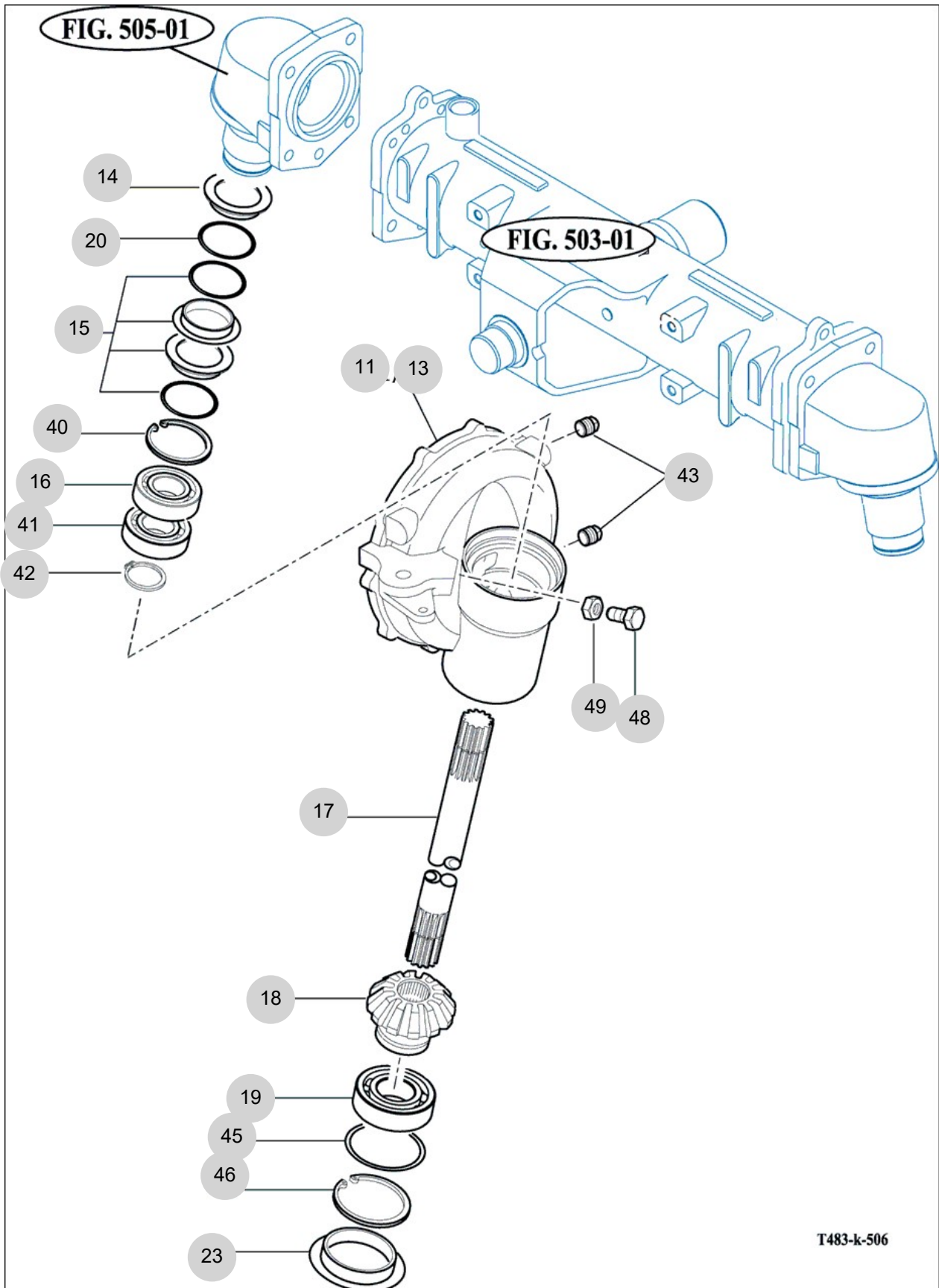
FIG 506

FRONT GEAR CASE (2)

년/월
Year/Month

2022-12

T494ST



T483-k-506

NOTE

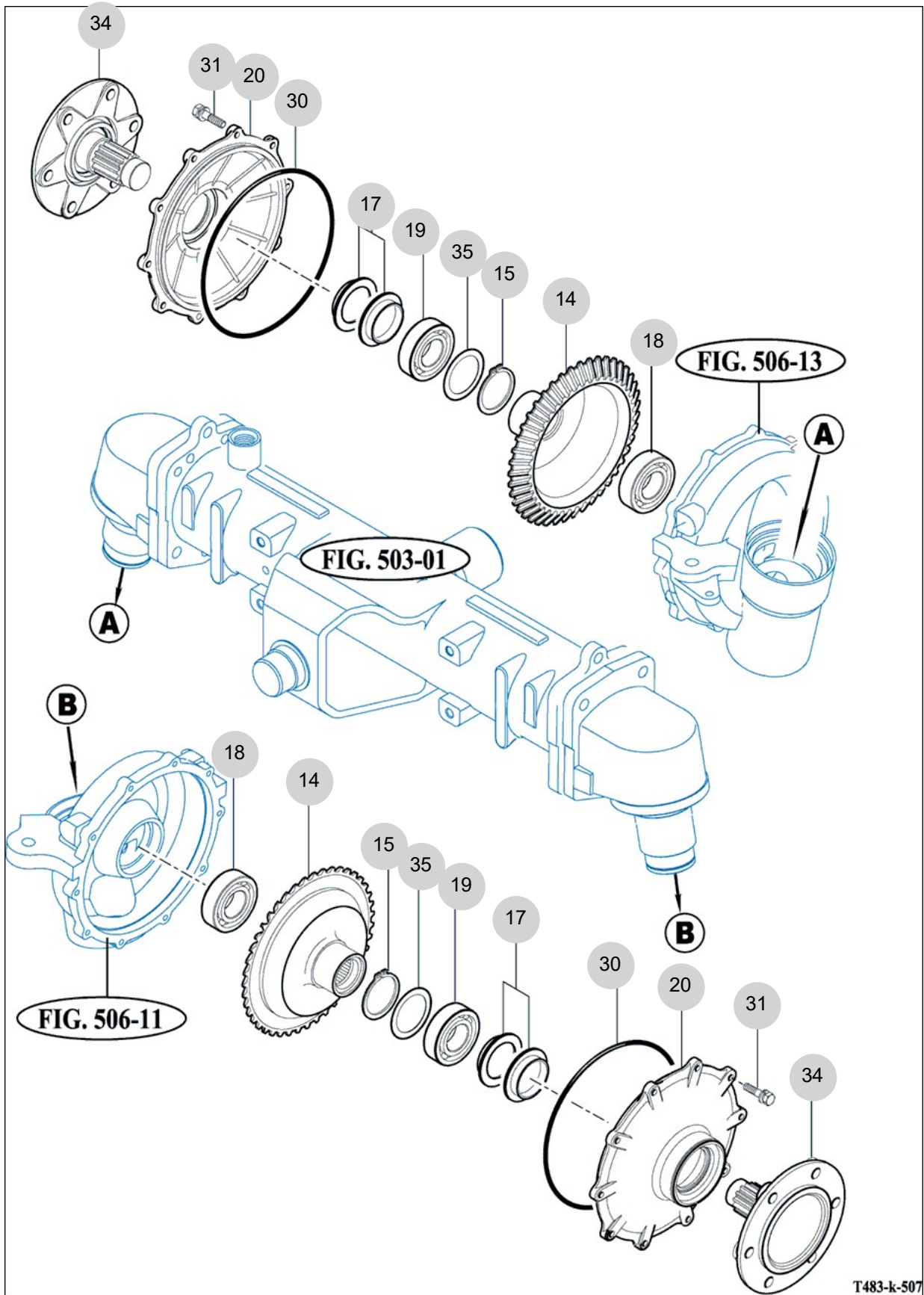
FIG 507

T494ST

FRONT GEAR CASE (3)

년/월
Year/Month

2022-12



NOTE

6. Hydraulic/3P-Link PART NO. T6

FIG 601 CYLINDER CASE	185
FIG 602 LIFT ARM	187
FIG 603 CYLINDER	189
FIG 604 POSITION LINK	191
FIG 605 CONTROL VALVE	193
FIG 606 DRAFT LINK	195
FIG 607A POSITION & DRAFT LEVER (1)	197
FIG 607B POSITION & DRAFT LEVER (2)	199
FIG 608 EXTERIOR HYD. VALVE	201
FIG 609 HYDRAULIC PIPE	203
FIG 610 JOYSTICK	205
FIG 612 HITCH & 3-POINT LINK	208
FIG 613 LOWER LINK & LIFT ROD	211

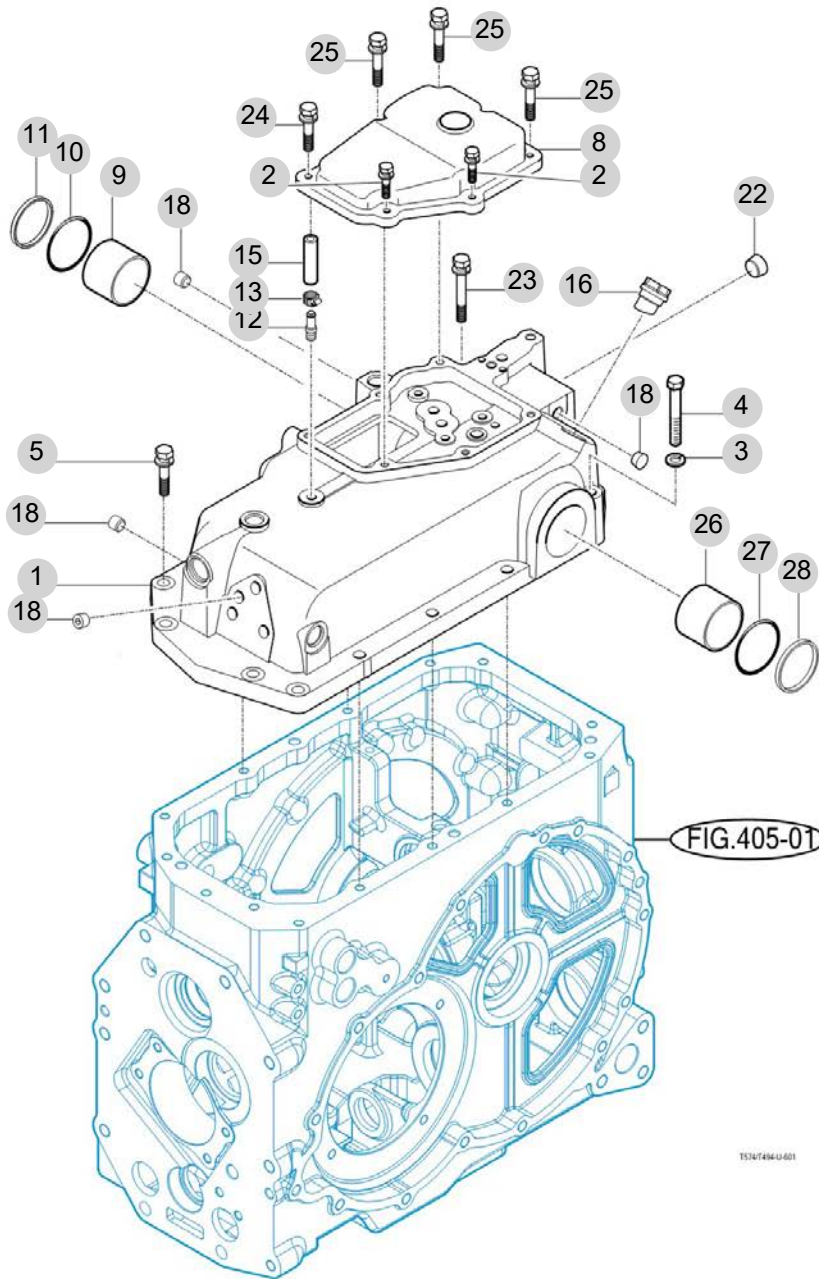
FIG 601

CYLINDER CASE

년/월
Year/Month

2022-12

T494ST



NOTE

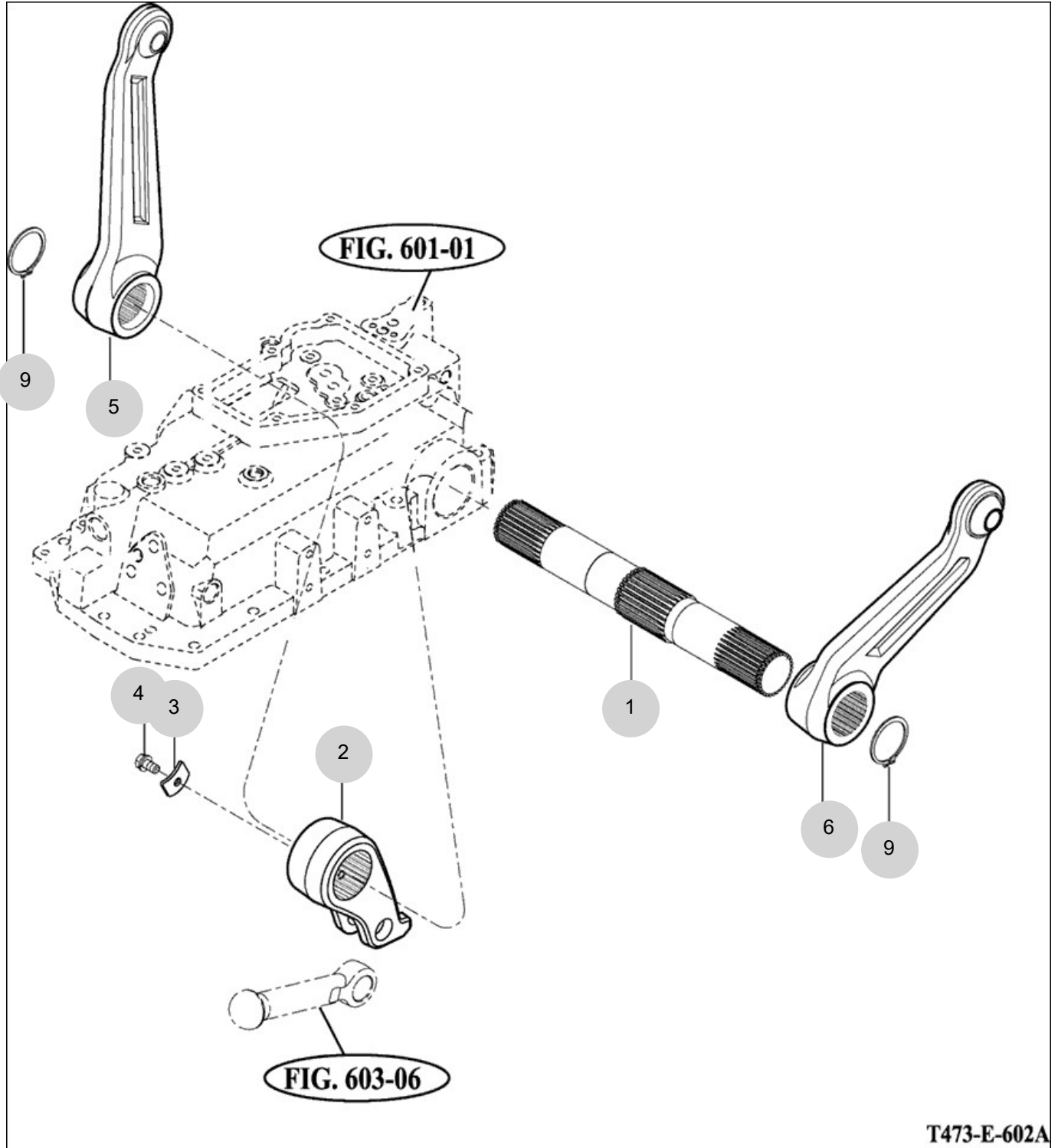
FIG 602

T494ST

LIFT ARM

년/월
Year/Month

2022-12



NOTE

FIG 603

T494ST

CYLINDER

년/월
Year/Month

2022-12

This technical drawing shows an exploded view of a cylinder assembly. At the top right is the cylinder head, labeled FIG.601-01. Below and to the left is the piston and connecting rod assembly, with the piston labeled FIG.602-02. Various components are numbered: 1 (cylinder barrel), 2 (piston pin), 3 (cylinder rings), 4 (cylinder rings), 5 (cylinder head gasket), 6 (connecting rod gudgeon pin), 6.1 and 6.2 (connecting rod pin ends), 7 (piston pin), 8 and 9 (bolts), 10 (washers), 11 (o-ring), 12 (piston pin), 13 (connecting rod), 14 (connecting rod pin), 15 (connecting rod), 16 (connecting rod gudgeon pin), 17 (piston pin), 18 (o-ring), 19 (o-ring), 20 (o-ring), 21 (piston pin), 22 (connecting rod pin), 23 (connecting rod pin), 24 (connecting rod), 25 (connecting rod). Callouts A, B, and C are located at the cylinder head flange (top right) and the piston pin (bottom left).

T483-K-603

NOTE

- 189 -

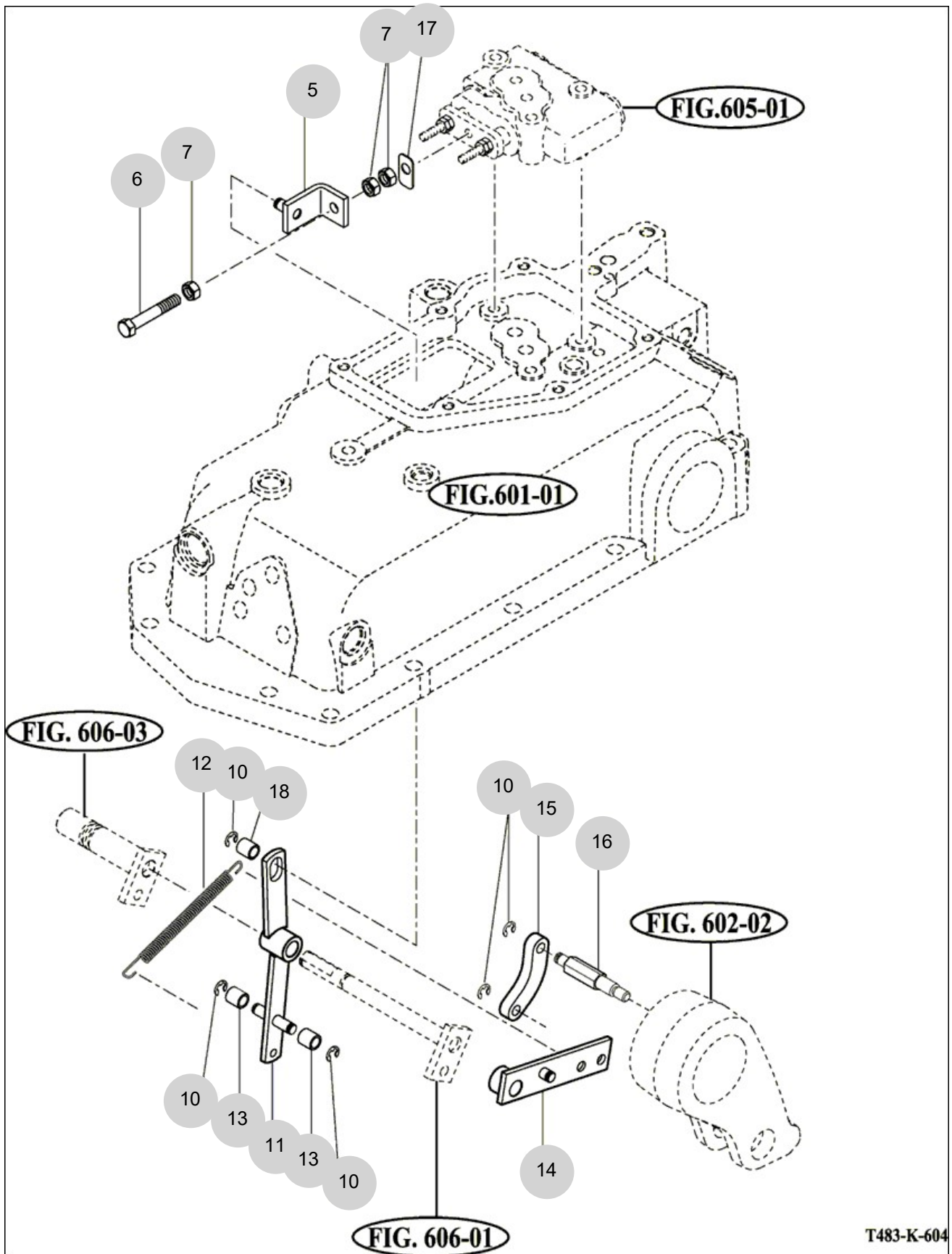
FIG 604

POSITION LINK

년/월
Year/Month

T494ST

2022-12



T483-K-604

NOTE

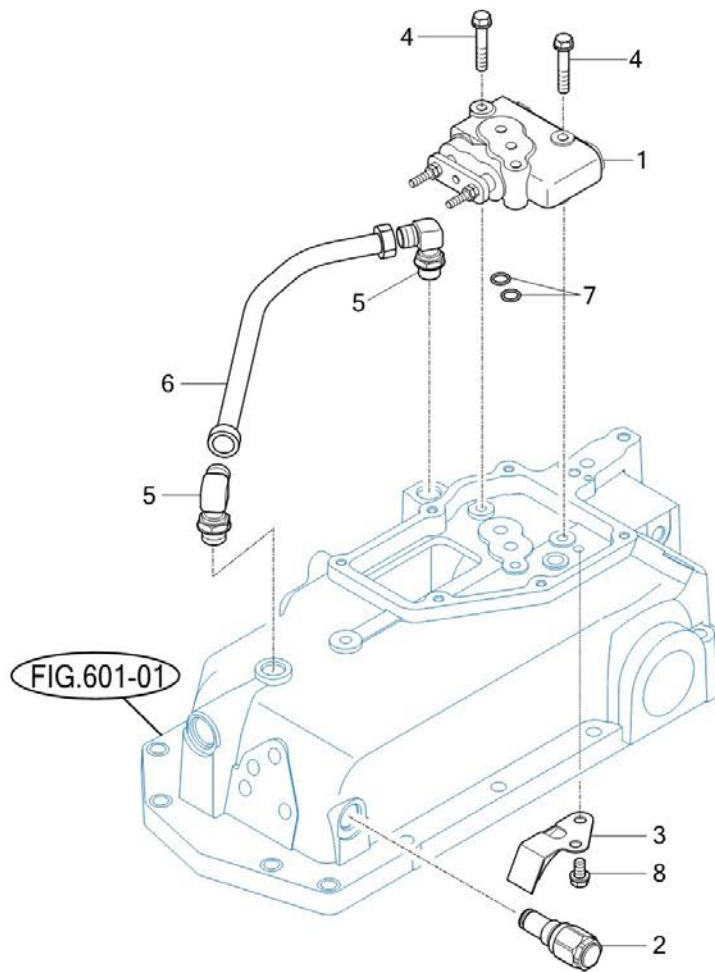
FIG 605

T494ST

CONTROL VALVE

년/월
Year/Month

2022-12



T374-U-605

NOTE

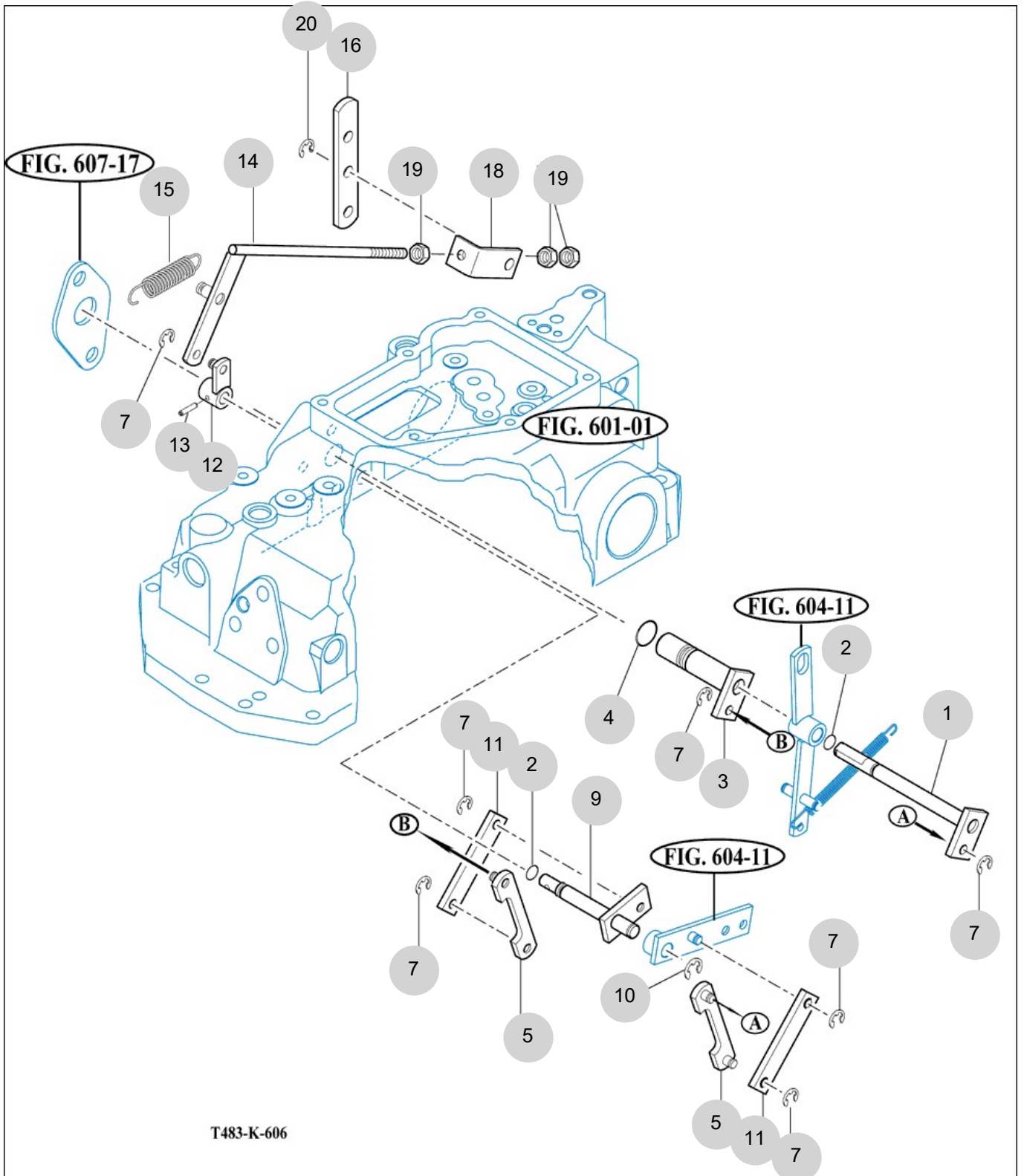
FIG 606

T494ST

DRAFT LINK

년/월
Year/Month

2022-12



NOTE

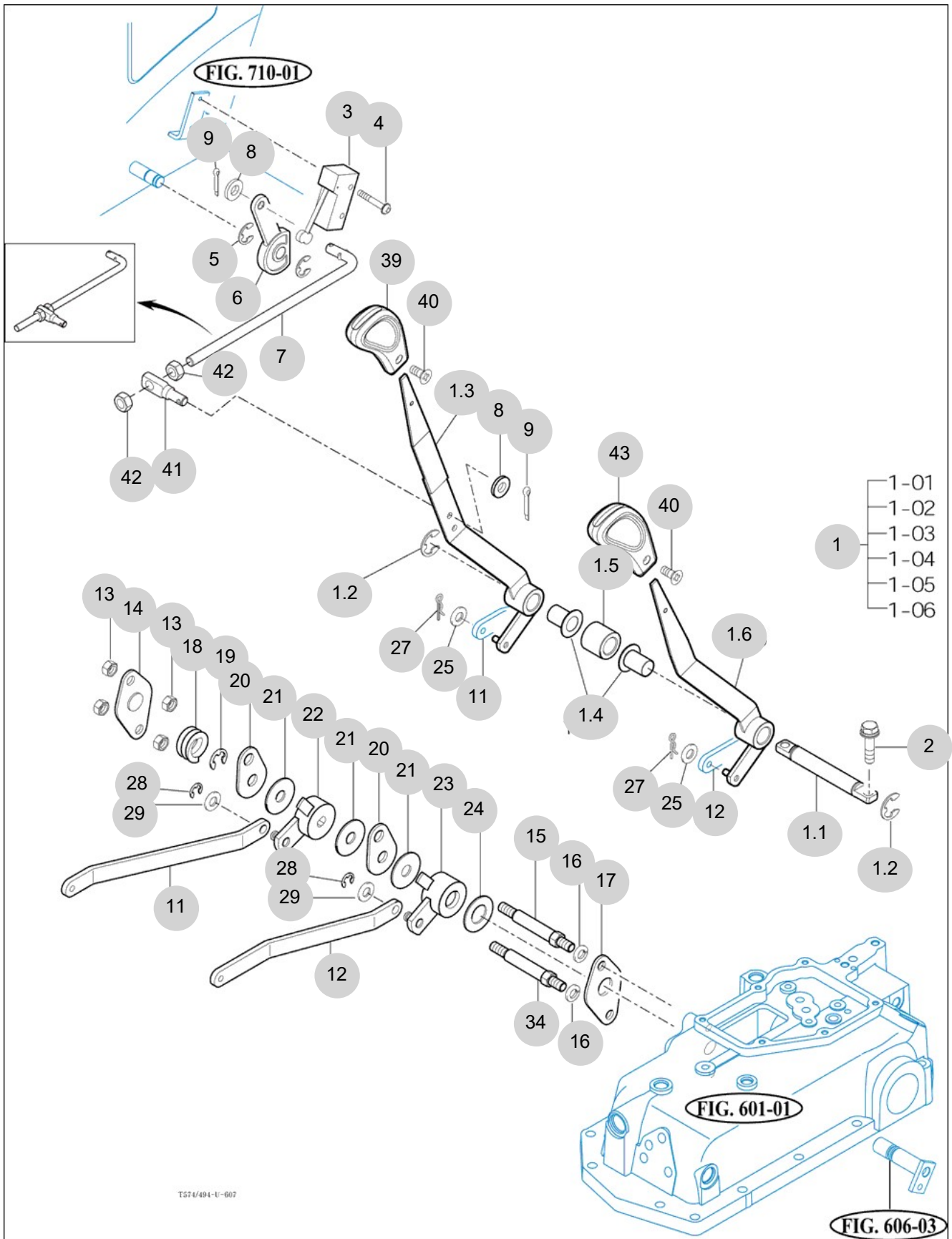
FIG 607A

POSITION & DRAFT LEVER (1)

년/월
Year/Month

2022-12

T494ST



T574/494-U-007

NOTE

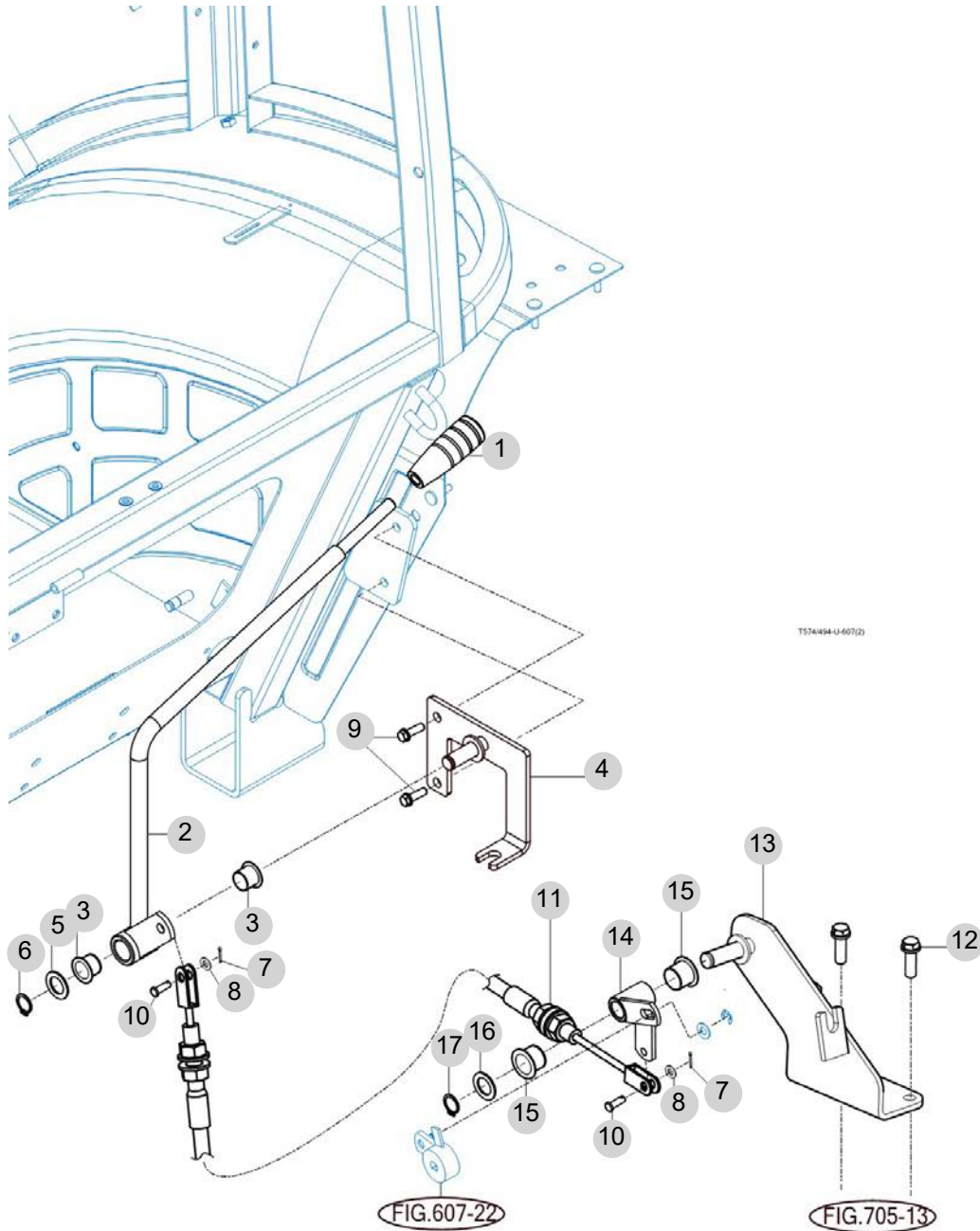
FIG 607B

T494ST

POSITION & DRAFT LEVER (2)

년/월
Year/Month

2022-12



NOTE

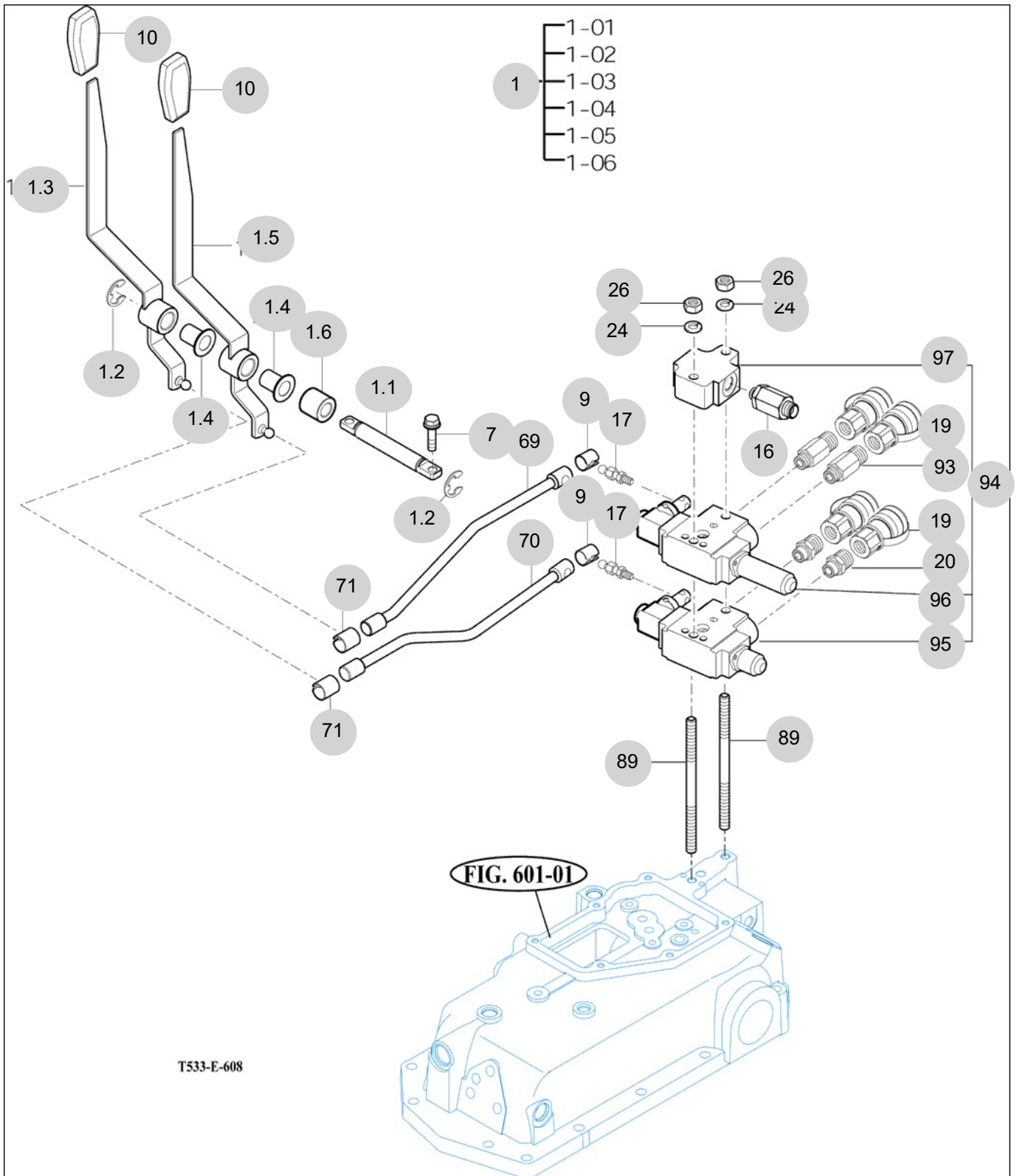
FIG 608

EXTERIOR HYD. VALVE

년/월
Year/Month

2022-12

T494ST



NOTE

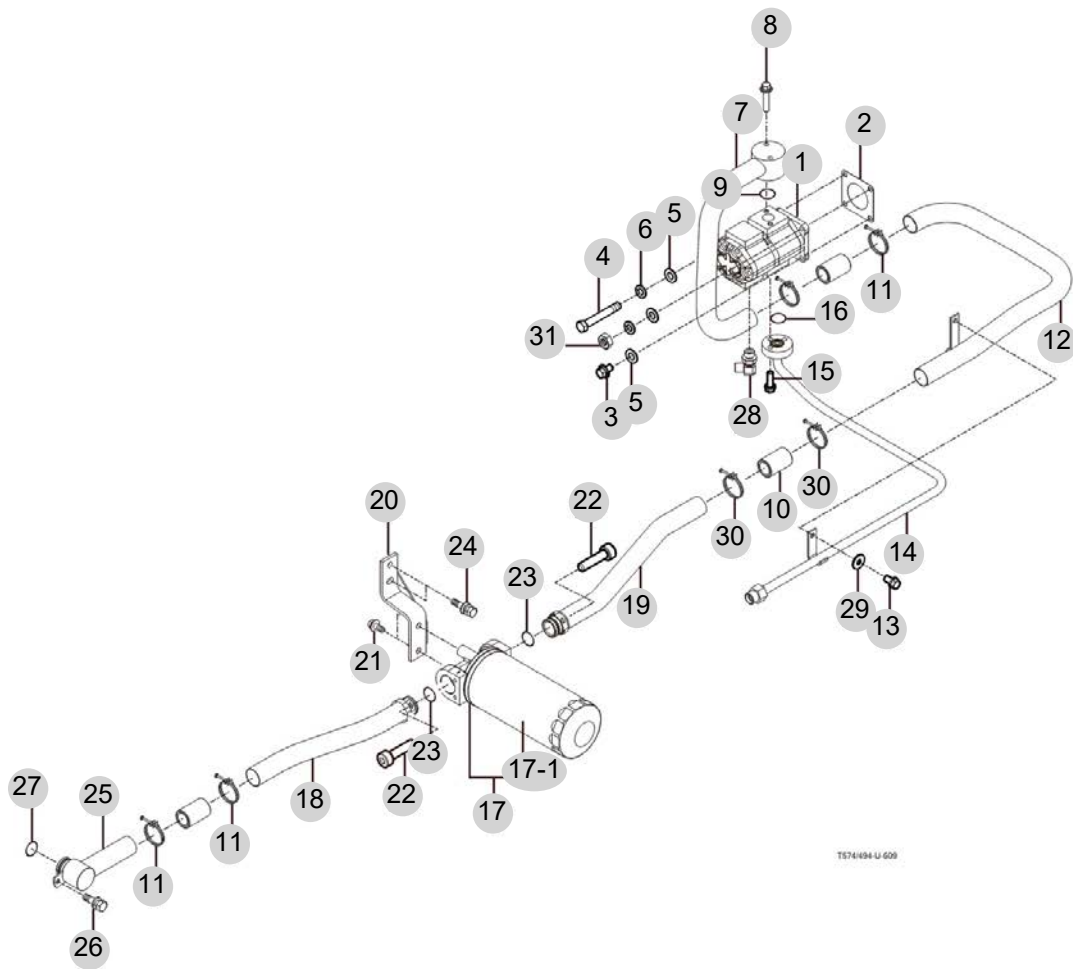
FIG 609

HYDRAULIC PIPE

년/월
Year/Month

2022-12

T494ST



NOTE

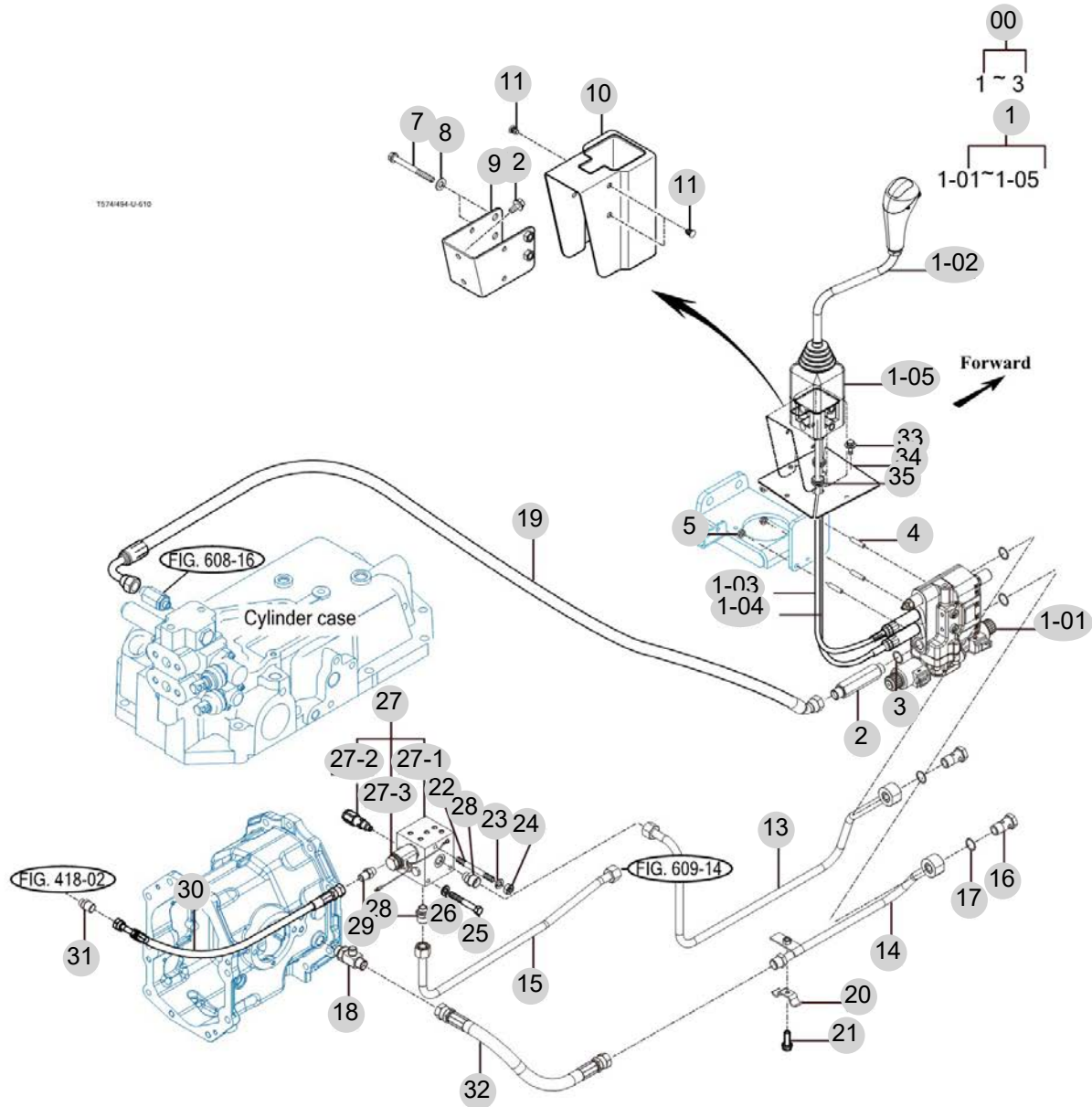
FIG 610

T494ST

JOYSTICK

년/월
Year/Month

2022-12



NOTE

FIG 610		JOYSTICK					년/월	
							Year/Month	
T494ST		2022-12						
KEY NO	PART NO	DESCRIPTION	SPEC	QTY	REPAIR	EFFECTIVE DATE	REMARKS	
610	0	13877753000	LOADER VALVE SUB		1			
610	1	13877752000	JOYSTIC ASSY , LOADER VALVE		1			
610	1.1	13877752100	LOADER VALVE ASSY		1			
610	1.2	13877752200	JOYSTIC LEVER ASSY		1			
610	1.3	13877752300	JOYSTIC CABLE ASSY ,UPR(720)		1			
610	1.4	13877752400	JOYSTIC CABLE ASSY ,LOW(770)		1			
610	1.5	13877752500	BOOT ASSY		1			
610	2	13805410050	UNION , PF1/2-130		1			
610	3	19557753010	BONDED SEAL , PF1/2		1			
610	4	V2513408025	BOLT , STUD/2	M8X25	3			
610	5	V3802600080	NUT , HEX FLANGE	M8	3			
610	7	V2173608085	BOLT , HEX/S	M8X85	2			
610	8	V4111600080	WASHER , PLAIN	M8	2			
610	9	14527103100GB	BRACKET , JOYSTICK	T=3.2	1			
610	10	14527100010	COVER , JOYSTICK T483	T=2.5	1			
610	11	15276040020	CLIP , TRIM	1X1X1	3			
610	12	V2183608020	BOLT , HEX/SP	M8X20	2			
610	13	13865412100GB	PIPE COMP , LOADER P		1			
610	13	13865412101GB	PIPE COMP , LOADER P		1			
610	14	13875412200GB	PIPE COMP , LOADER T		1			
610	14	13875412201GB	PIPE COMP , LOADER T		1			
610	15	13865102200	PIPE COMP , MAIN RR		1			
610	16	13875410081	BOLT , EYE JOINT(PF1/2)		2			
610	16	13875410080	BOLT , EYE JOINT(PF1/2)		2			
610	16	13875410082	BOLT , EYE JOINT(PF1/2)		2			
610	17	19555410060	WASHER , GASKET PF1/2		4			
610	17	19557753010	BONDED SEAL , PF1/2		4			
610	18	15165161130	ELBOW T (PF1/2,PF3/8)		1			
610	19	13875202300	HOSE ASSY , HYD 1550		1			
610	20	18715404700	CLIP		1			
610	21	V2173608016	BOLT , HEX/S	M8X16	1			
610	22	V2513408090	BOLT , STUD/2	M8X90	1			
610	23	V4011600080	WASHER , SPRING	M8	1			
610	24	V3042600080	NUT , HEX/2	M8	1			
610	25	V2013608090	BOLT , HEX	M8X90	2			
610	26	V4011600080	WASHER , SPRING	M8	1			
610	27	13875182000	VALVE ASSY , PTO		1			
610	27	17975182001	VALVE ASSY , PTO		1			
610	27-1	14725182100	VALVE , PTO		1			
610	27-2	16490110001	VALVE ASSY , RELIEF		1			
610	27-3	14725182210	SOLENOID COIL		1			
610	28	14135160010	UNION, PF3/8 M22		2			
610	29	37681850141	ADAPTER , STRAIGHT		1			
610	30	14525180361	HOSE ASSY . HYD 690	1X1X1	1			
610	31	17971850140	ADAPTER , STRAIGHT PF1/4	1X1X1	1			
NOTE								

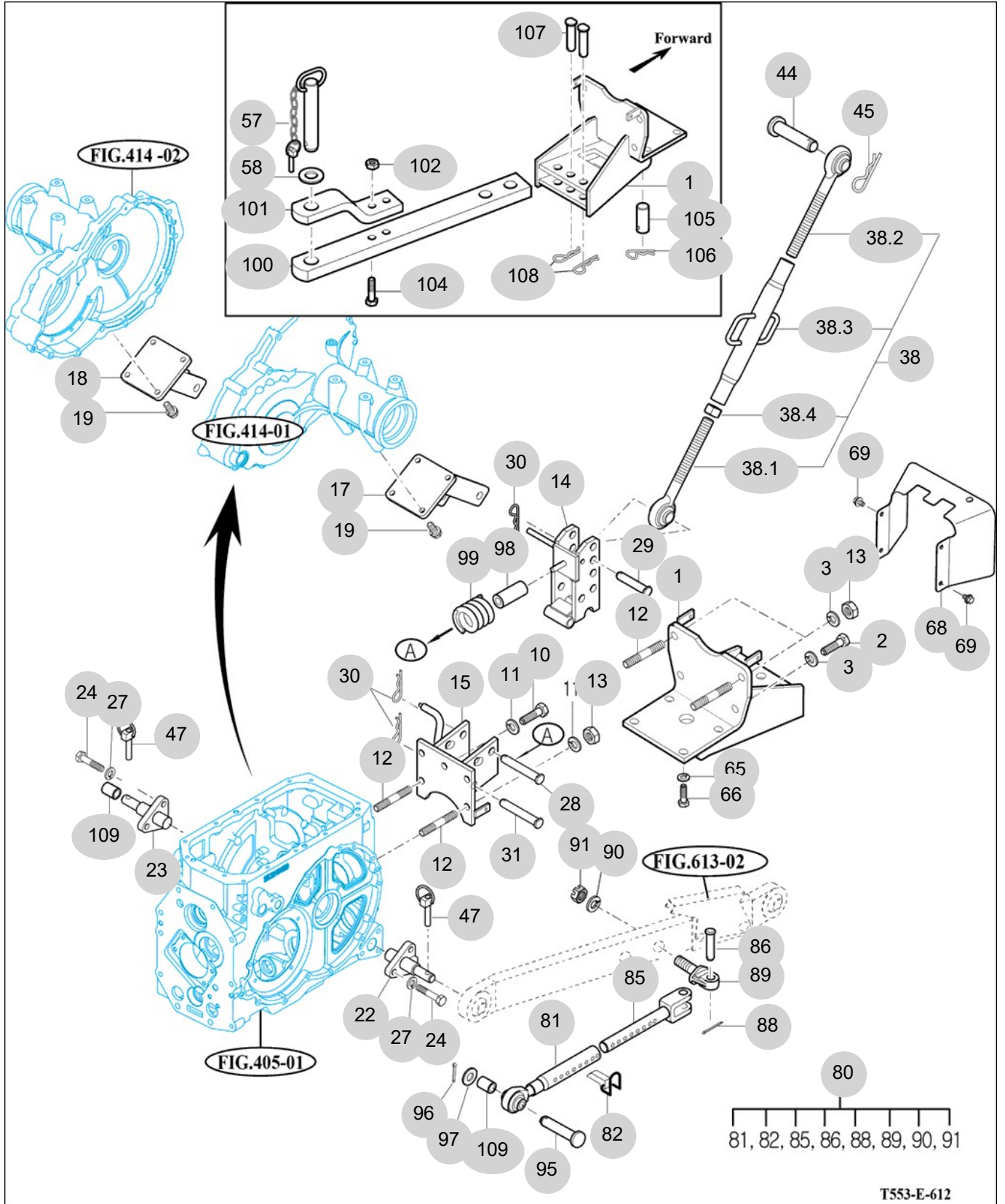
FIG 612

HITCH & 3-POINT LINK

년/월
Year/Month

2022-12

T494ST



T553-E-612

NOTE

FIG 612		HITCH & 3-POINT LINK						년/월 Year/Month	
								2022-12	
T494ST		KEY NO	PART NO	DESCRIPTION	SPEC	QTY	REPAIR	EFFECTIVE DATE	REMARKS
612	1	15175202001GB	BRACKET COMP, SWING DRAW BAR			1			
612	1	15175202002GB	BRACKET COMP, SWING DRAW BAR			1			
612	1	15175202003GB	BRACKET COMP, SWING DRAW BAR			1			
612	2	V2013616035	BOLT, HEX	M16X35		2			
612	3	V4011600160	WASHER, SPRING	M16		4			
612	10	V2013616035	BOLT, HEX	M16X35		3			
612	11	V4011600160	WASHER, SPRING	M16		5			
612	12	V2513416035	BOLT, STUD/2	M16X35		4			
612	13	V3043600160	NUT, HEX/2	M16		4			
612	14	16735222102GB	LINK COMP	1X1X1		1			
612	15	15185222000GB	BRACKET COMP			1			
612	17	14525254100GB	BRACKET COMP, RR			1			
612	18	14525254100GB	BRACKET COMP, RR			1			
612	19	V2173612030	BOLT, HEX/S	M12X30		8			
612	22	15685252204	PIN COMP, LH			1			
612	23	15685252801	PIN COMP, RH			1			
612	24	V2013614040	BOLT, HEX	M14X40		6			
612	27	V4011600140	WASHER, SPRING	M14		6			
612	28	15645250010	PIN, 19X122	D=19		1			
612	29	15645220020	PIN, 19X95	D=19		1			
612	30	14445140051	PIN, 19	D=4.5		3			
612	31	15645250010	PIN, 19X122	D=19		1			
612	38	16505245501GB	LINK ASSY, TOP LINK			1			
612	38	16505245502GB	TOP LINK ASSY			1			
612	38.1	16505245510	LINK COMP, RH TOP LINK	1X1X1		1			
612	38.2	16505245520	LINK COMP, LH TOP LINK	1X1X1		1			
612	38.3	14555140251	TURNBUCKLE COMP			1			
612	38.4	16505245530	NUT, HEX	1X1X1		1			
612	44	15645220011	PIN, 19X86	D=19		1			
612	45	14445140051	PIN, 19	D=4.5		1			
612	47	14215020020	PIN, LINK			2			
612	57	S0973063031	PIN ASSY	1X1X1		1			
612	58	15252470010	RUBBER, CUSHION			1			
612	65	V4011600140	WASHER, SPRING	M14		4			
612	66	V2013614035	BOLT, HEX	M14X35		4			
612	68	13605200012GB	COVER, SHIELD	1X1X1		1			
612	69	V2183608016	BOLT, HEX/SP	M8X16		4			
612	80	15155253000GB	LINK ASSY, ADJUSTER	570*60*50		2			
612	81	15155253100	ROD SUB, FR	44*320*60		2			
612	82	17705254200	PIN	1X1X1		2			
612	85	15155253300	ROD SUB, REAR	340*50*50		2			
612	86	15155253400	PIN, ø20X59	ø20X59		2			
612	88	V5001940035	PIN, SPLIT	4X35		2			
612	89	15155253500	EYEBOLT	66*60*40		2			
612	90	V4111600220	WASHER, PLAIN	M22		2			
NOTE									

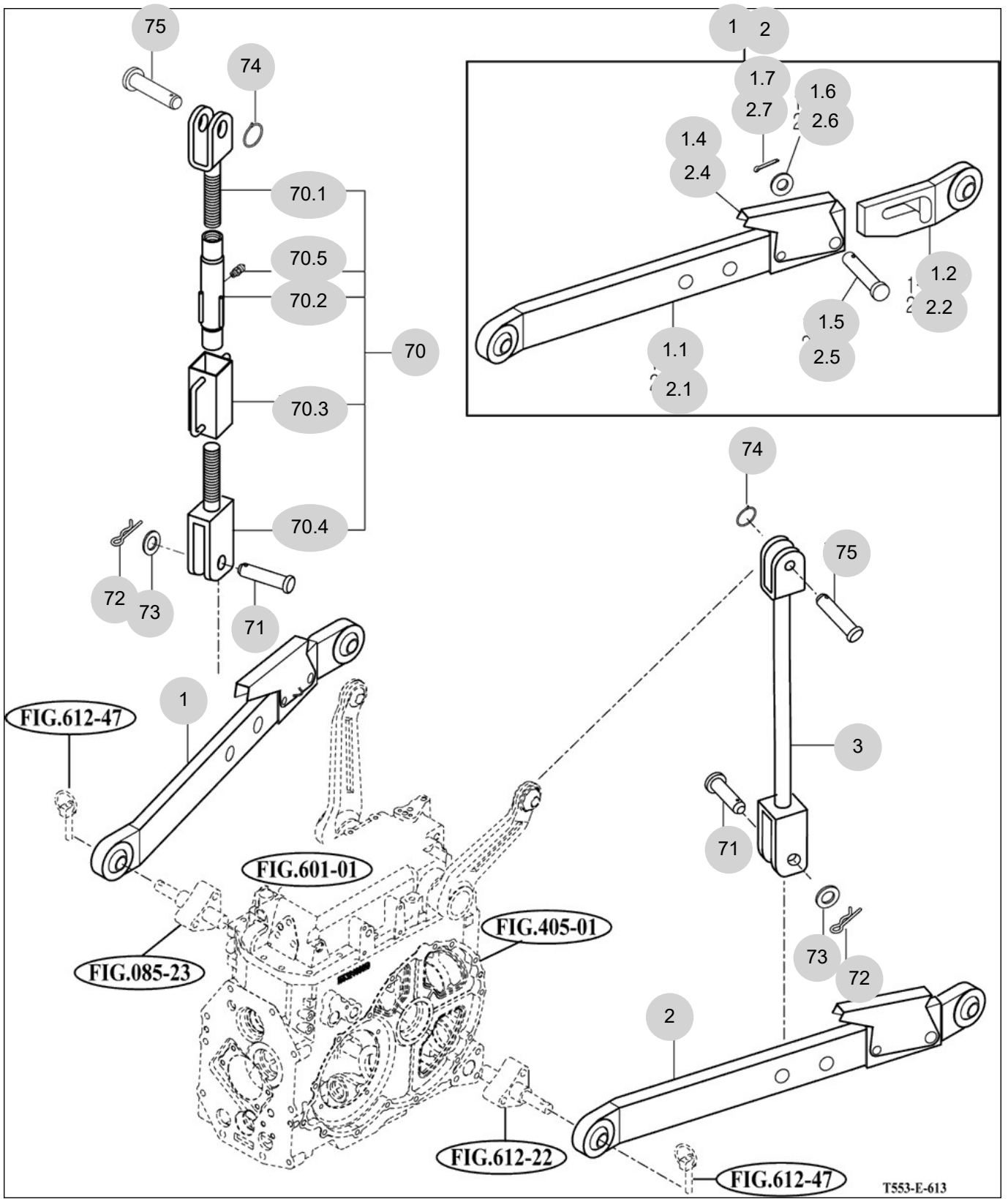
FIG 613

LOWER LINK & LIFT ROD

년/월
Year/Month

2022-12

T494ST



NOTE

7. Sheet Metal & Cabin PART NO. T7

FIG 701 BONNET FRAME	214
FIG 702A BONNET (1)	216
FIG 702B BONNET (2)	218
FIG 703 EXTENSION COVER	220
FIG 704A LEVER COVER & STEP	222
FIG 705 FRONT & REAR MOUNTING	224
FIG 706 SEAT & MAT	226
FIG 709 DOOR	228
FIG 710A FRONT GLASS	231
FIG 711 SIDE GLASS	233
FIG 712 REAR GLASS	235
FIG 713A SUB FENDER & COVER	237
FIG 714A MIRROR	239
FIG 715A HEATER & AIR-CON	241
FIG 715B HEATER & AIR-CON	243
FIG 716 FENDER COVER	245
FIG 717 ROOF	247
FIG 718 CABIN INTERIOR	249

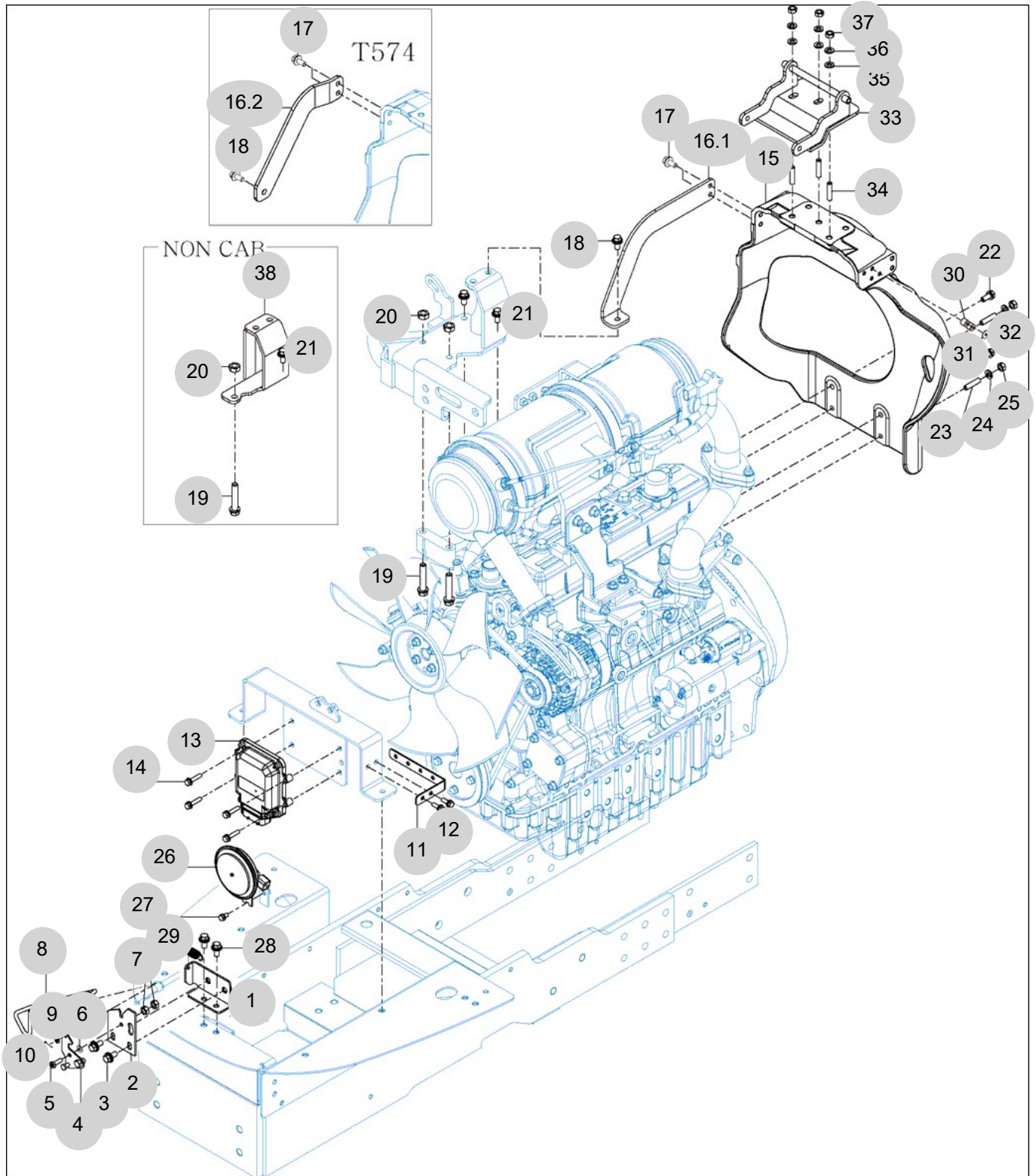
FIG 701

BONNET FRAME

년/월
Year/Month

T494ST

2022-12



NOTE

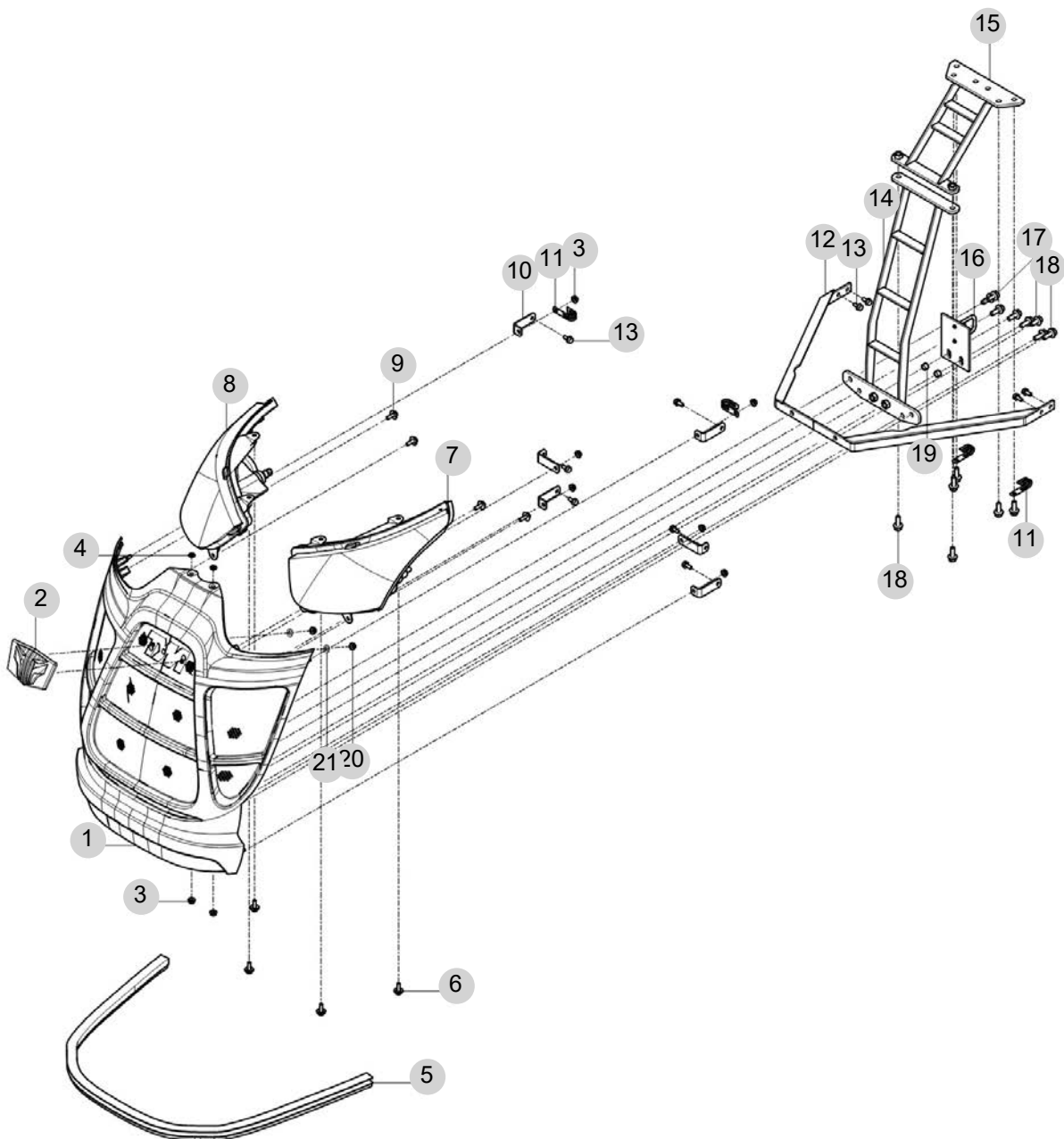
FIG 702A

T494ST

BONNET (1)

년/월
Year/Month

2022-12



NOTE

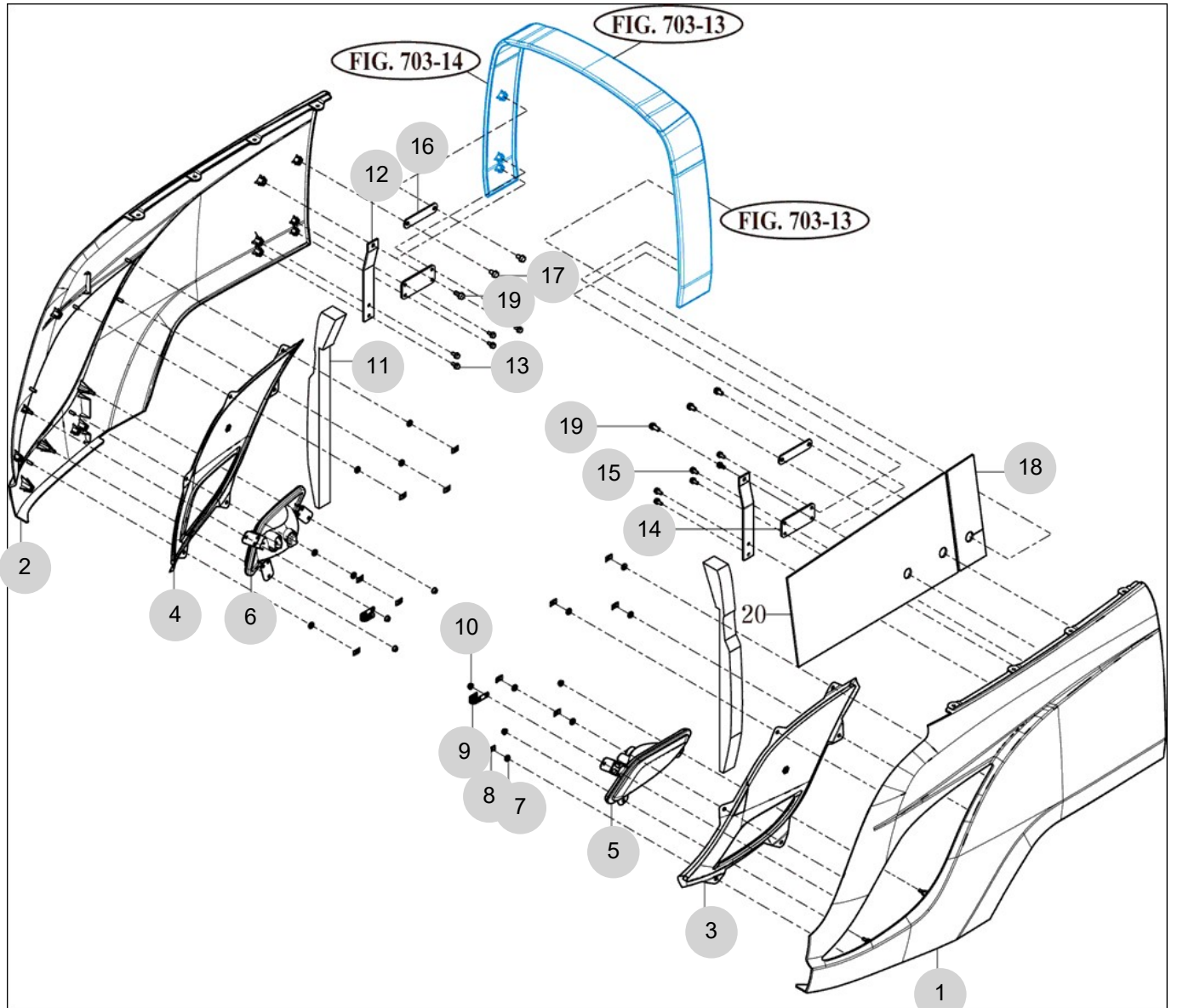
FIG 702B

T494ST

BONNET (2)

년/월
Year/Month

2022-12



NOTE

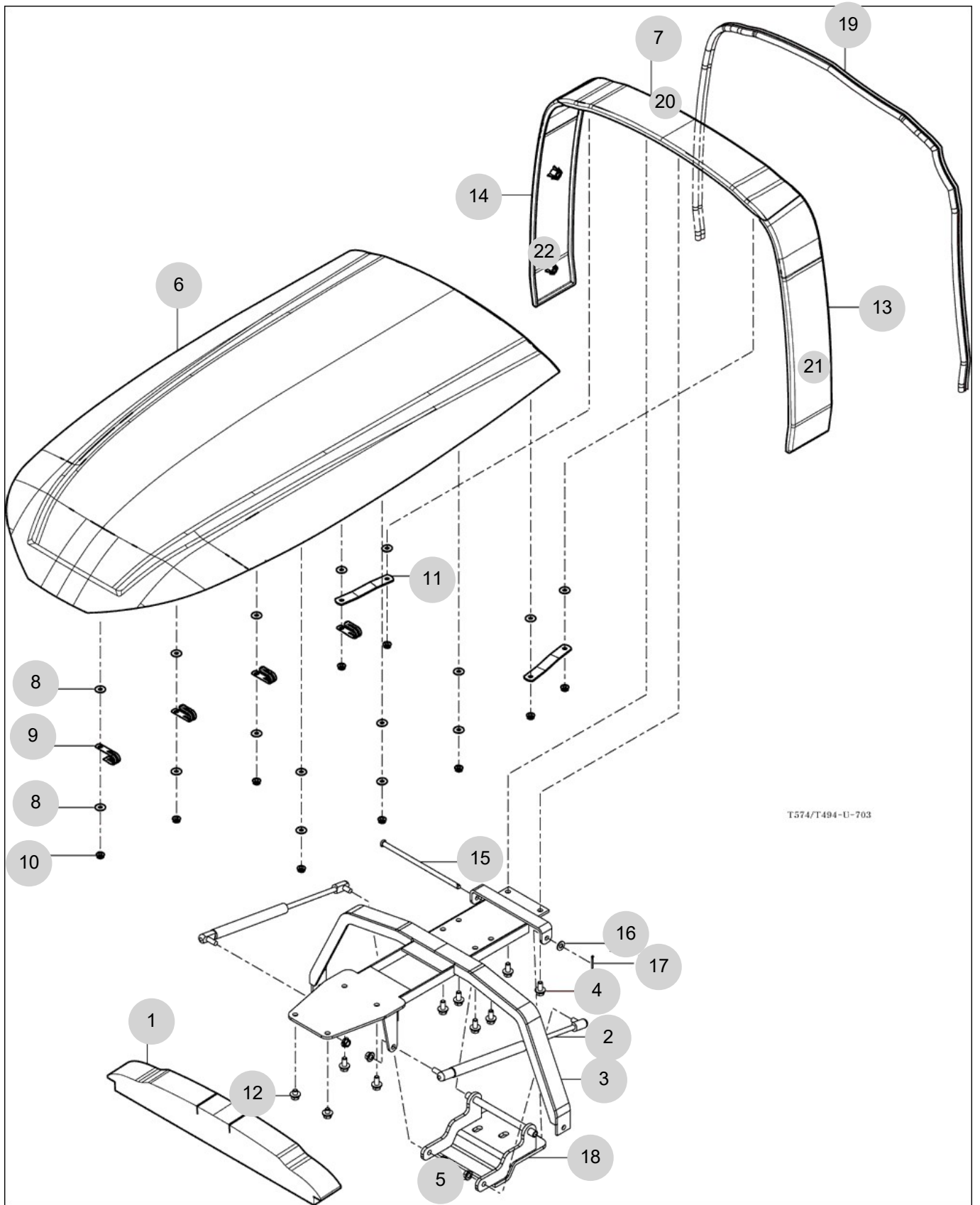
FIG 703

EXTENSION COVER

년/월
Year/Month

2022-12

T494ST



T574/T494-U-703

NOTE

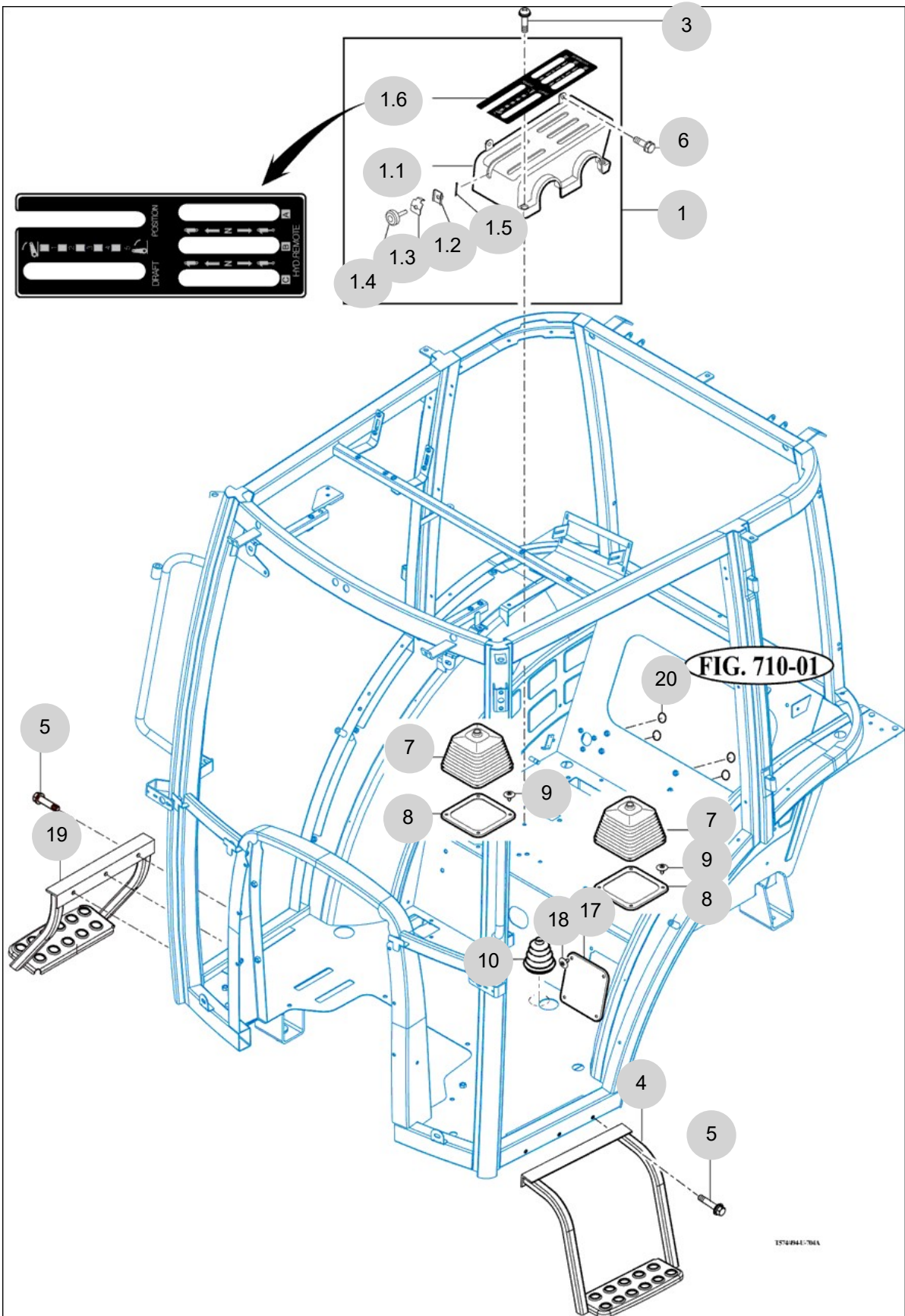
FIG 704A

LEVER COVER & STEP

년/월
Year/Month

2022-12

T494ST



NOTE

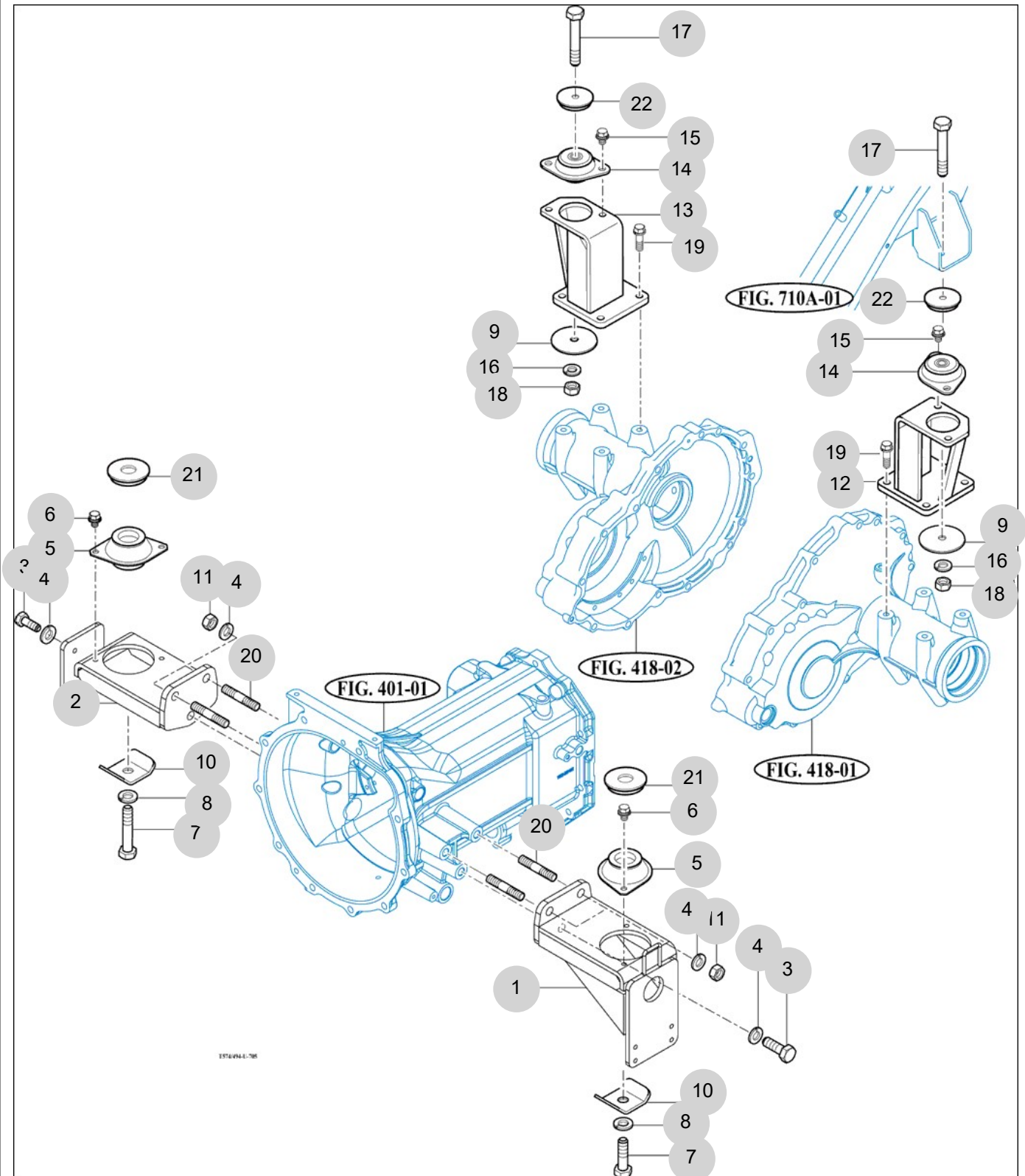
FIG 705

T494ST

FRONT & REAR MOUNTING

년/월
Year/Month

2022-12



NOTE

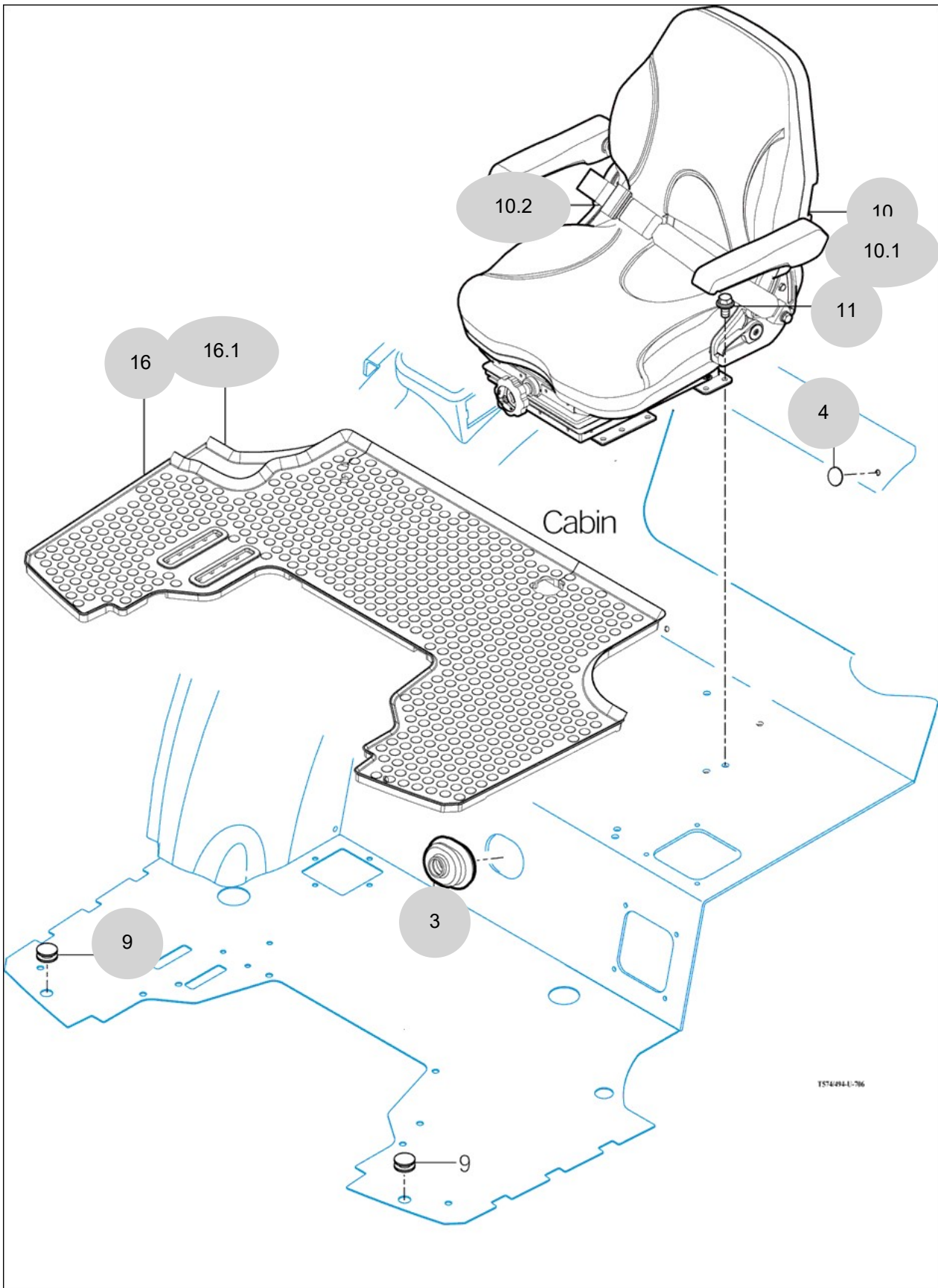
FIG 706

SEAT & MAT

년/월
Year/Month

T494ST

2022-12



157494-L-706

NOTE

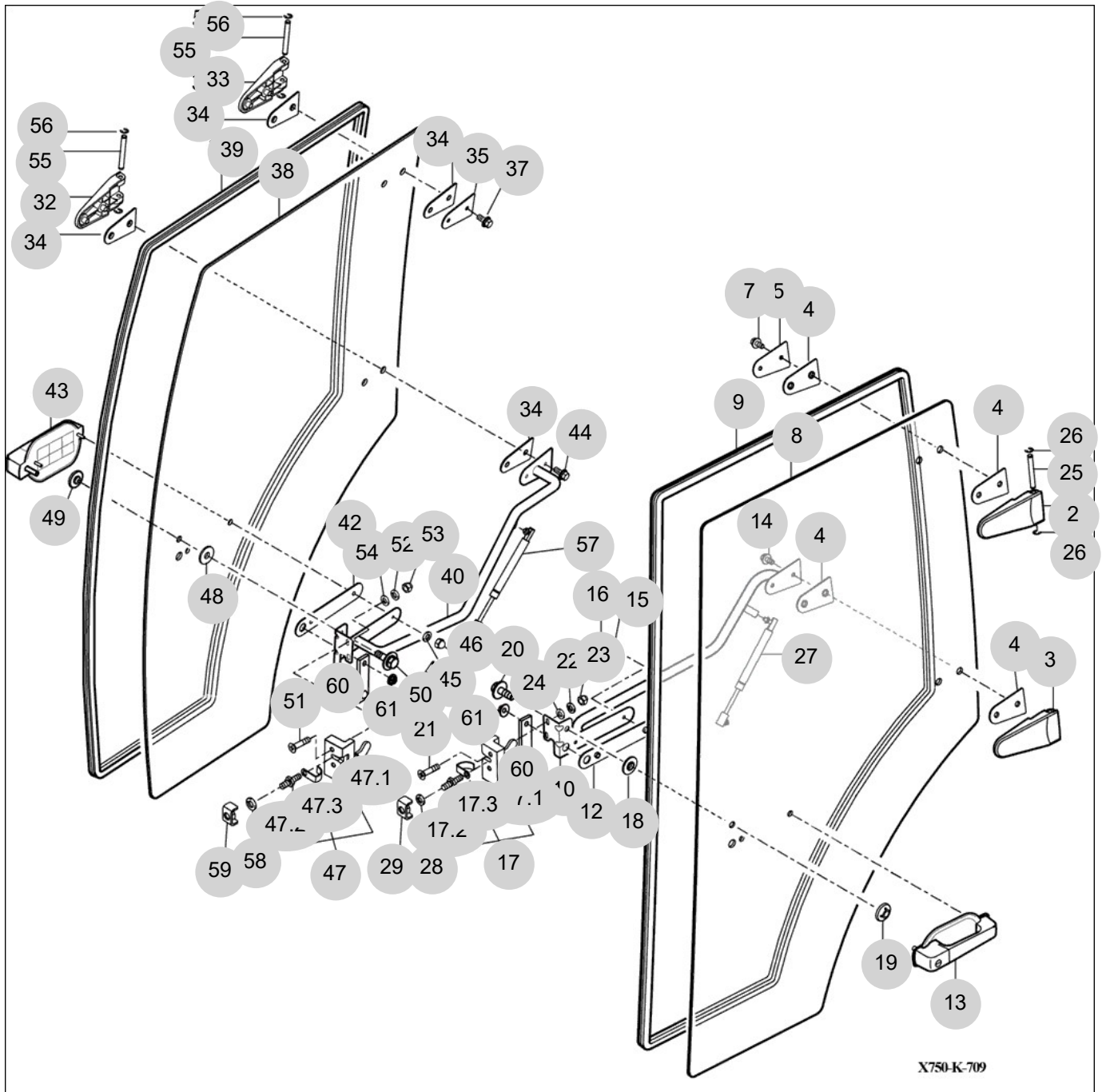
FIG 709

DOOR

년/월
Year/Month

T494ST

2022-12



NOTE

FIG 709		DOOR					년/월 Year/Month		
							2022-12		
T494ST		KEY NO	PART NO	DESCRIPTION	SPEC	QTY	REPAIR	EFFECTIVE DATE	REMARKS
709	2	14527052300	HINGE COMP , UPR/LH	1X1X1	1				
709	3	14527052400	HINGE COMP , UPR/RH	1X1X1	1				
709	4	14527052110	GASKET , DOOR HINGE	1X1X1	4				
709	5	14527052120GB	PLATE , DOOR HINGE	1X1X1	1				
709	7	V2183608020	BOLT , HEX/SP	M8X20	2				
709	8	14527052131	GLASS , LH/ DOOR	6T	1				
709	9	14527052140	INSULATOR/DOOR	1X1X1	1				
709	10	14527052500GB	GUIDE COMP ,LH/ DOOR	1X1X1	1				
709	12	14527052150	GASKET,DOOR GRIP	1X1X1	1				
709	13	17827052600	GRIP ASSY, LOCK/HANDLE		1				
709	14	V2183608020	BOLT , HEX/SP	M8X20	2				
709	15	V4011600060	WASHER , SPRING	M6	2				
709	16	V3402700060	NUT , HEX CAP	M6	2				
709	17	17827052700	LATCH SET , LH/DOOR		1				
709	17.1	17827052710	LOCK ASSY, LH/DOOR		1				
709	17.2	14527052720	STRIKER	1X1X1	1				
709	17.3	14527052730	GUARD	1X1X1	1				
709	18	15817401130	GROMMET , 13X17X02		1				
709	19	14527042500	NUT COMP , GLASS	1X1X1	1				
709	20	V2193606012	BOLT , HEX/SPL	M6X12	1				
709	21	V1122608040	SCREW , C/R FLAT	M8X40	2				
709	22	V4011600080	WASHER , SPRING	M8	2				
709	23	V3412700080	NUT , SMALL CAP	M8	2				
709	24	V4111600080	WASHER , PLAIN	M8	2				
709	25	14527041110	PIN, HINGE DOOR	D=8	2				
709	26	V7082400070	E-RING	7	4				
709	27	14527301080	DAMPER ASSY , DOOR	1X1X1	1				
709	28	V4011600100	WASHER , SPRING	M10	1				
709	29	14527062500GB	BRACKET COMP , DOOR LOCK	1X1X1	1				
709	32	14527052300	HINGE COMP , UPR/LH	1X1X1	1				
709	33	14527052400	HINGE COMP , UPR/RH	1X1X1	1				
709	34	14527052110	GASKET , DOOR HINGE	1X1X1	4				
709	35	14527052120GB	PLATE , DOOR HINGE	1X1X1	1				
709	37	V2183608020	BOLT , HEX/SP	M8X20	2				
709	38	14527053131	GLASS , RH/ DOOR	6T	1				
709	39	14527052140	INSULATOR/DOOR	1X1X1	1				
709	40	17827053500GB	GUIDE COMP , RH/DOOR		1				
709	42	14527052150	GASKET,DOOR GRIP	1X1X1	1				
709	43	17827052600	GRIP ASSY, LOCK/HANDLE		1				
709	44	V2183608020	BOLT , HEX/SP	M8X20	2				
709	45	V4011600060	WASHER , SPRING	M6	2				
709	46	V3402700060	NUT , HEX CAP	M6	2				
709	47	17827053700	LATCH SET , RH/DOOR		1				
709	47.1	17827053710	LOCK ASSY , RH/DOOR		1				
709	47.2	14527052720	STRIKER	1X1X1	1				
NOTE									

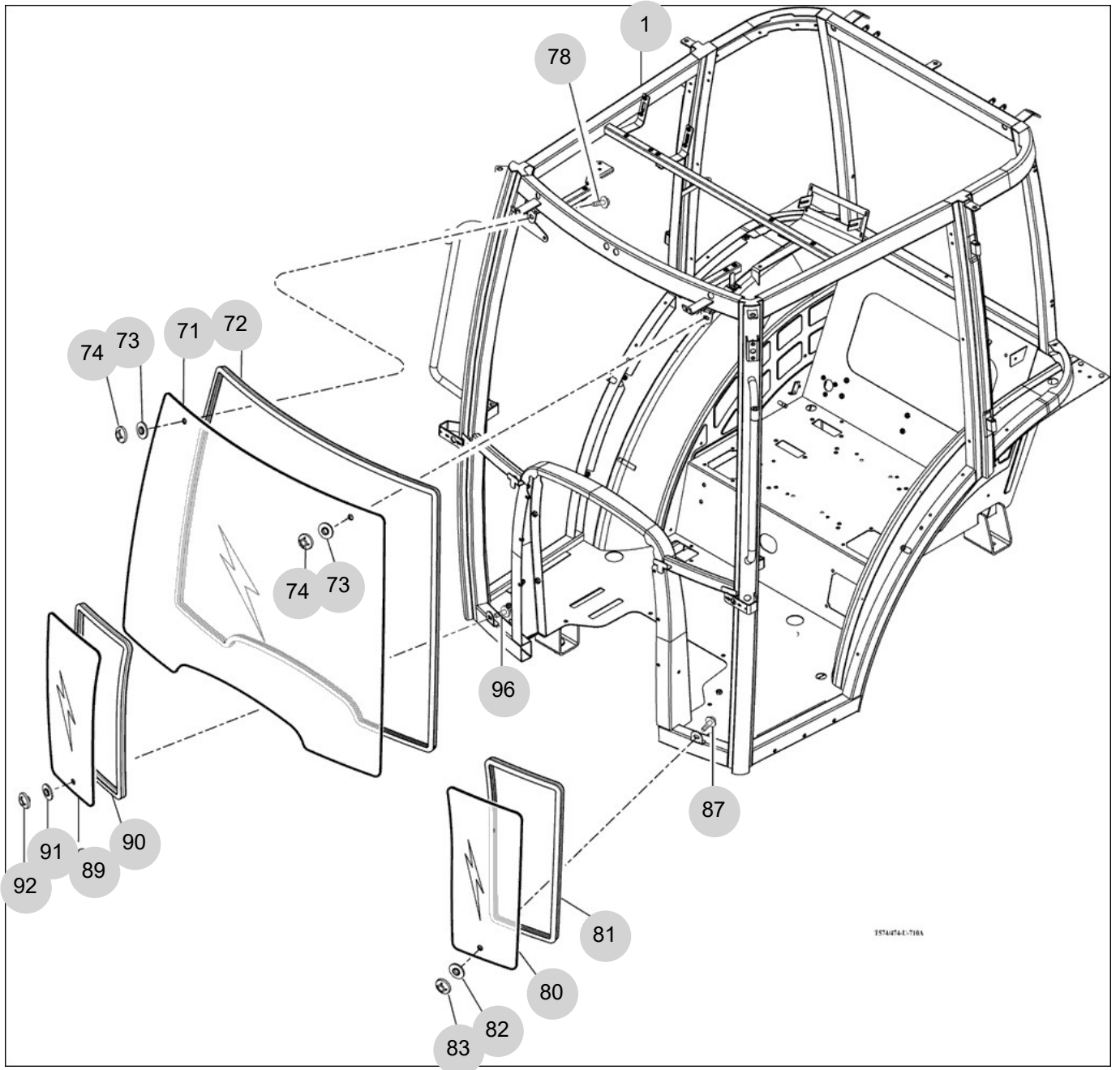
FIG 710A

FRONT GLASS

년/월
Year/Month

T494ST

2022-12



NOTE

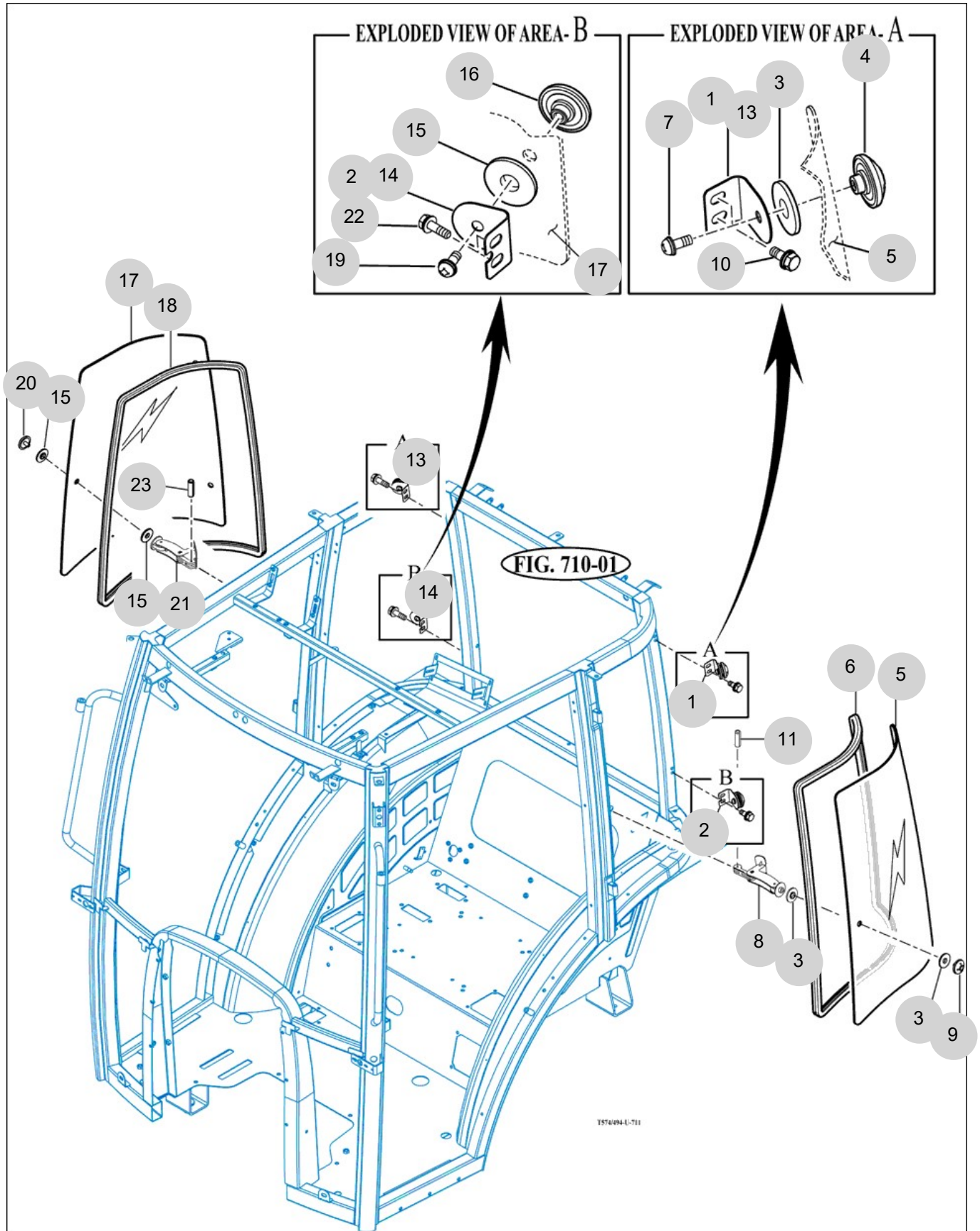
FIG 711

SIDE GLASS

년/월
Year/Month

2022-12

T494ST



NOTE

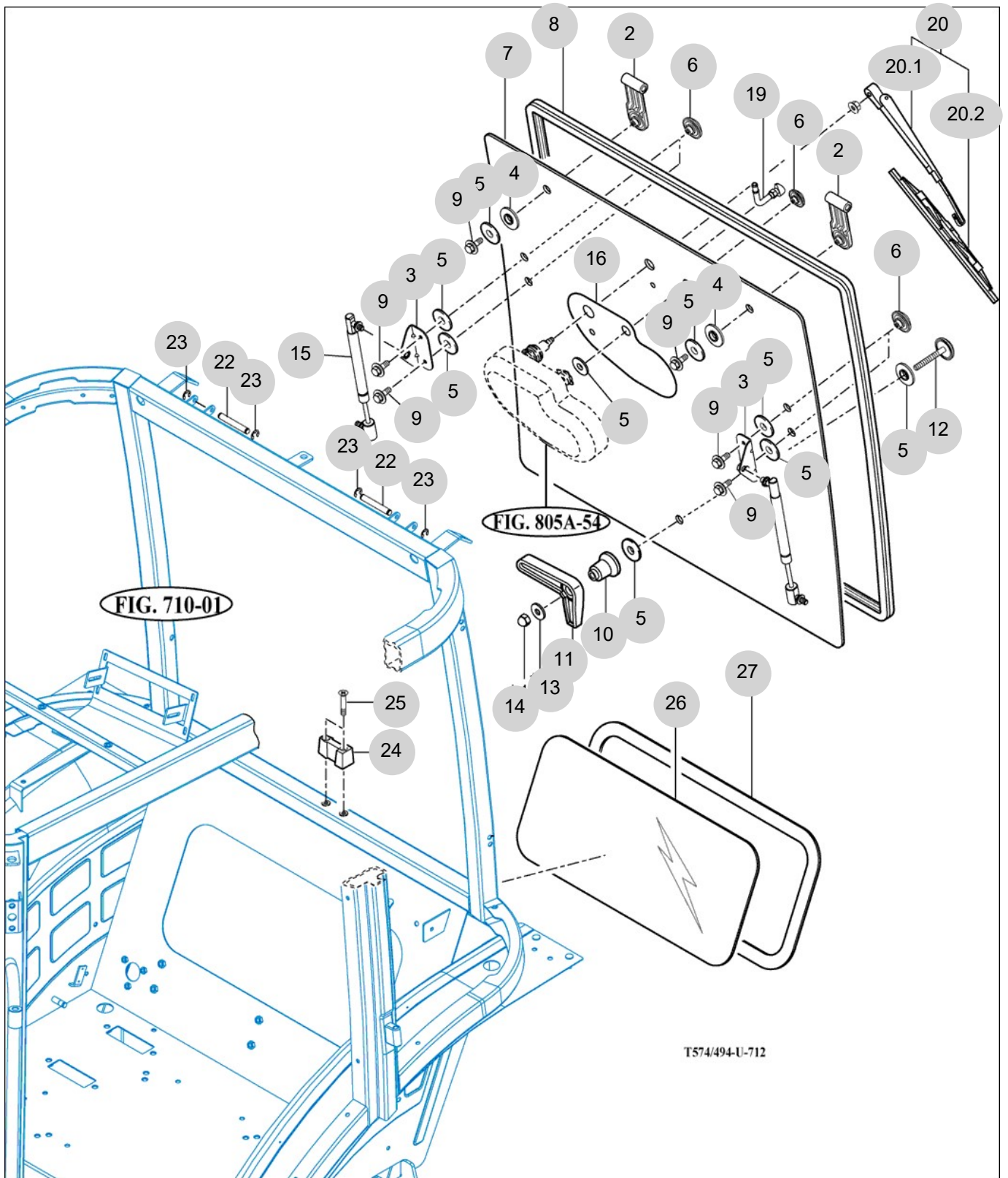
FIG 712

REAR GLASS

년/월
Year/Month

T494ST

2022-12



T574/494-U-712

NOTE

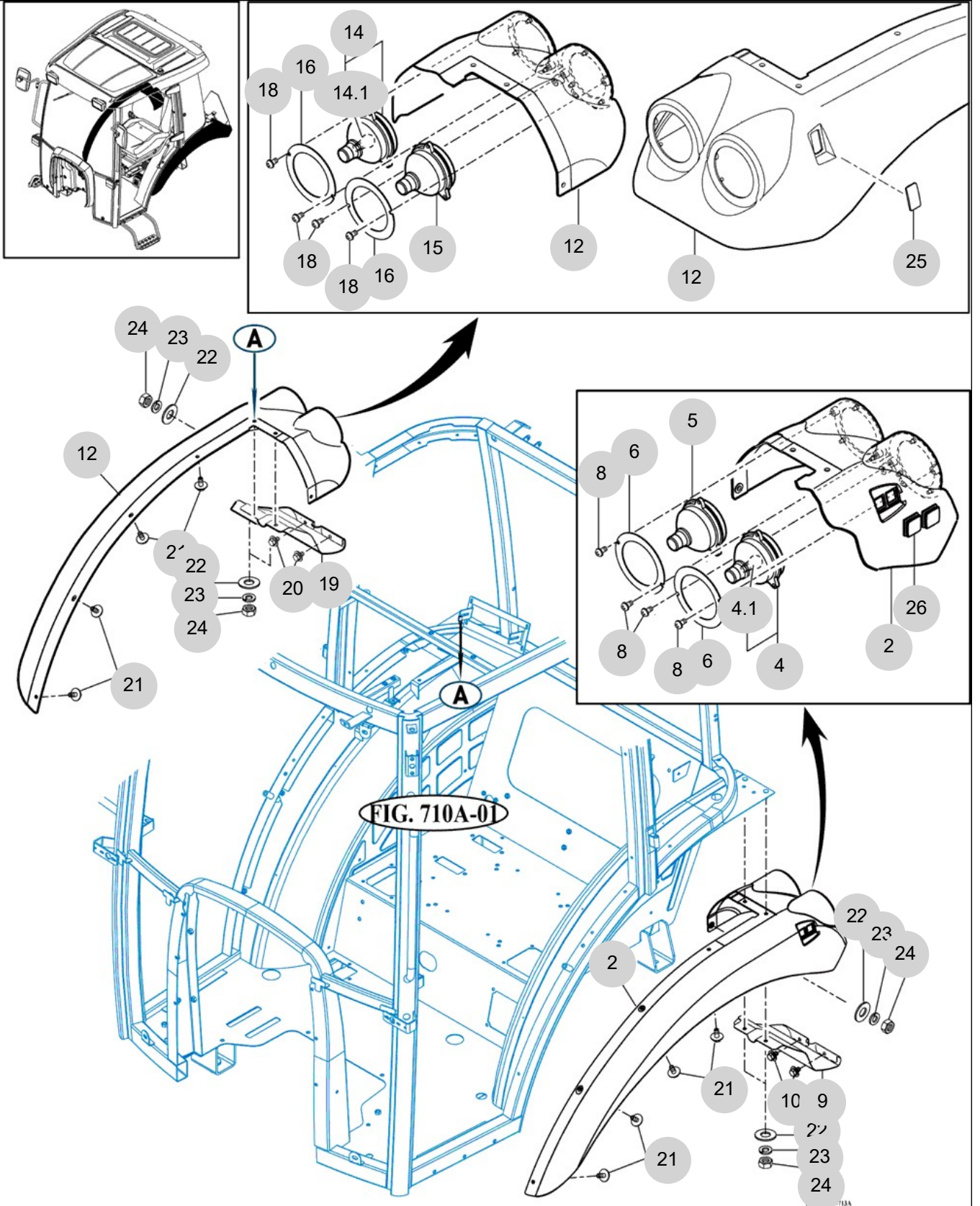
FIG 713A

SUB FENDER & COVER

년/월
Year/Month

2022-12

T494ST



NOTE

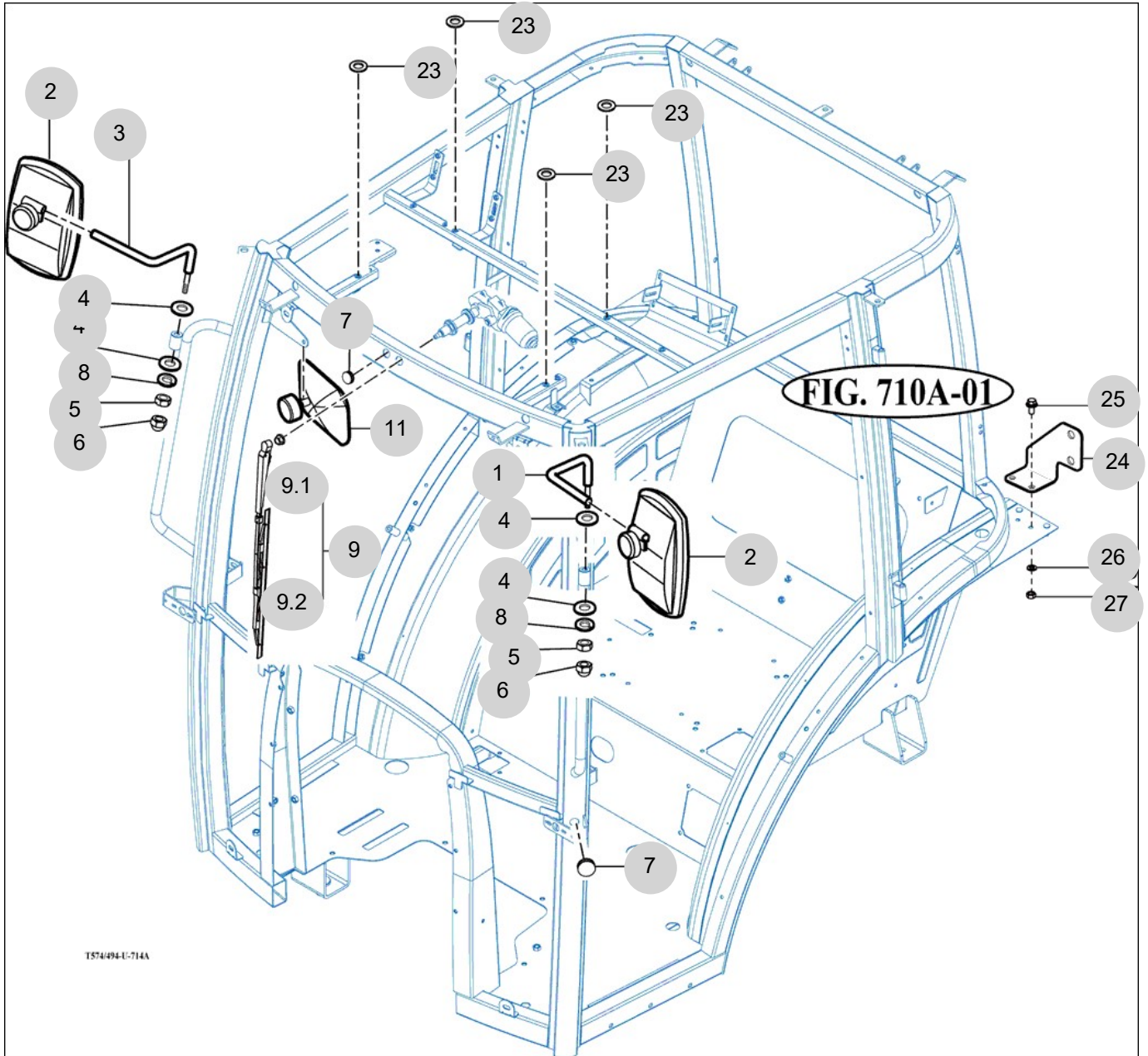
FIG 714A

MIRROR

년/월
Year/Month

T494ST

2022-12



NOTE

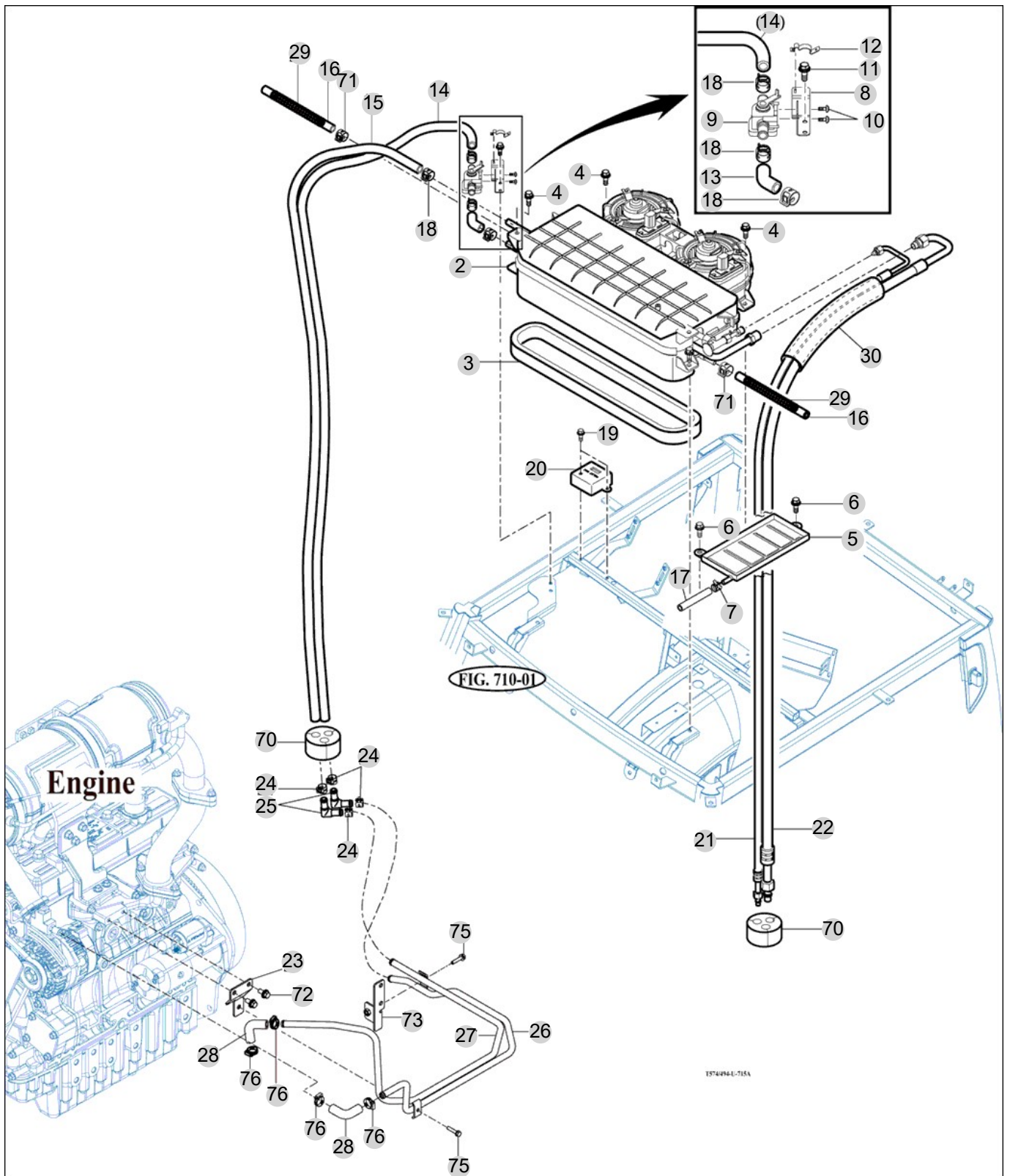
FIG 715A

HEATER & AIR-CON

년/월
Year/Month

2022-12

T494ST



NOTE

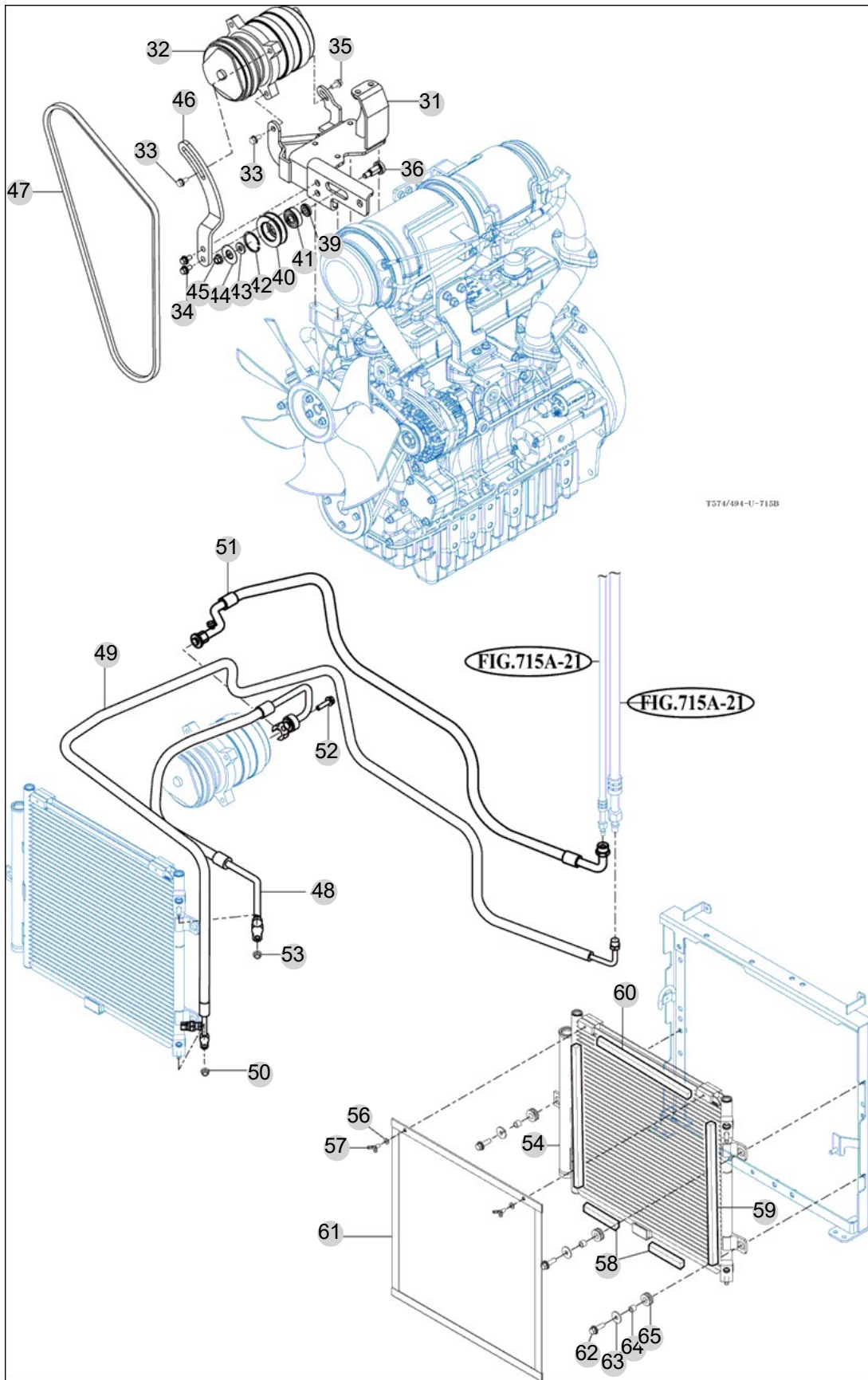
FIG 715B

HEATER & AIR-CON

년/월
Year/Month

2022-12

T494ST



NOTE

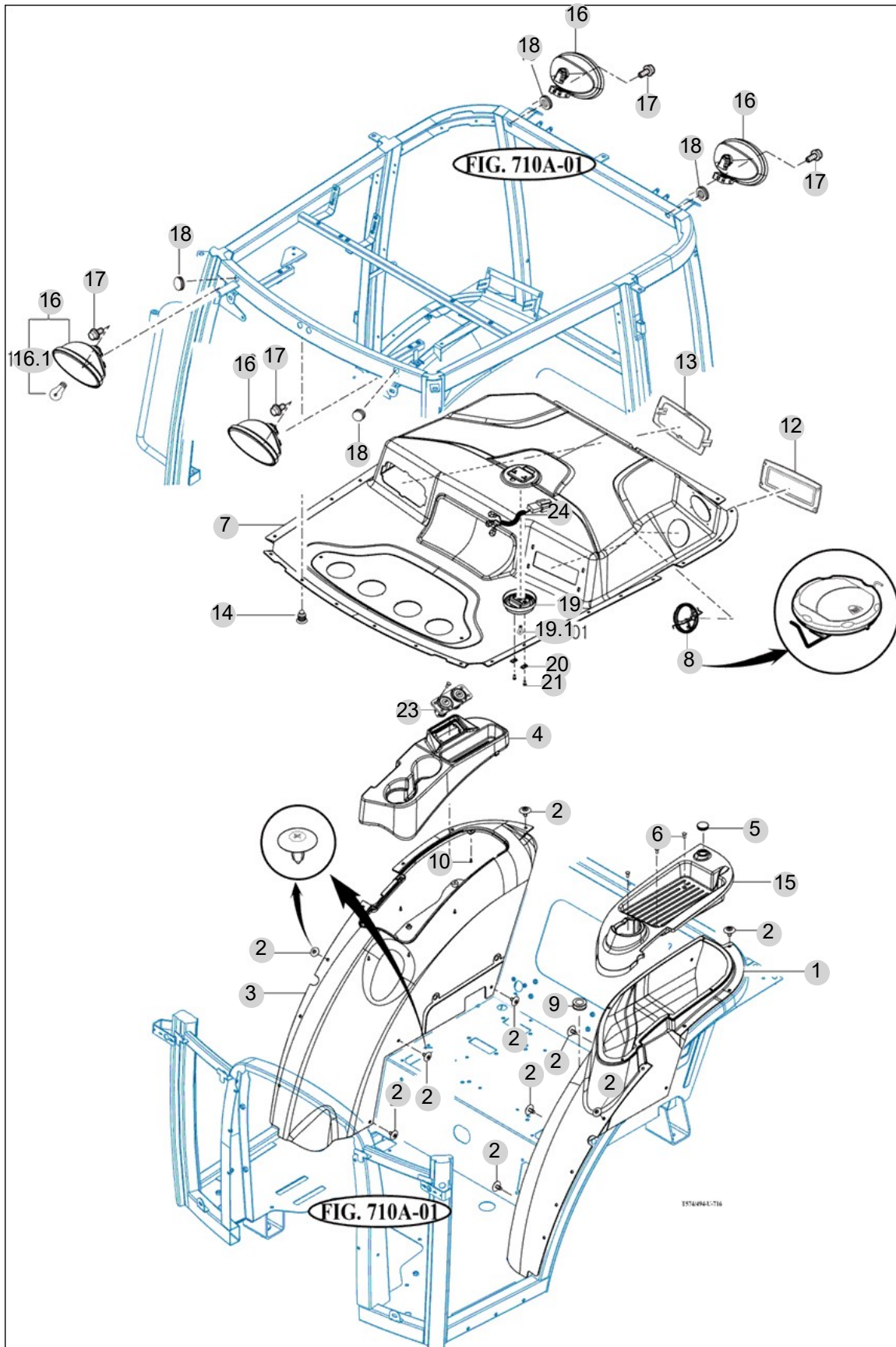
FIG 716

FENDER COVER

년/월
Year/Month

2022-12

T494ST



NOTE

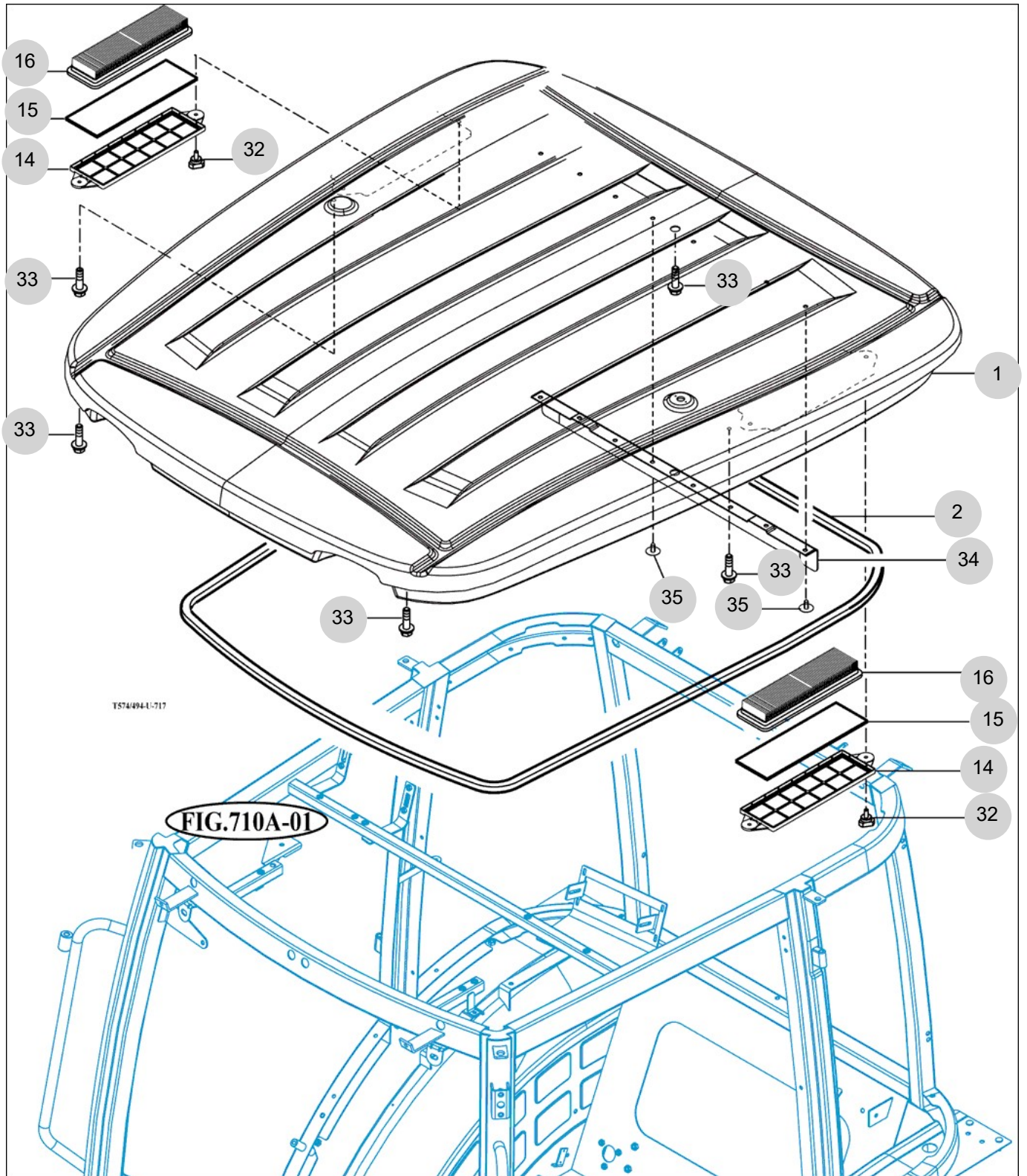
FIG 717

T494ST

ROOF

년/월
Year/Month

2022-12



NOTE

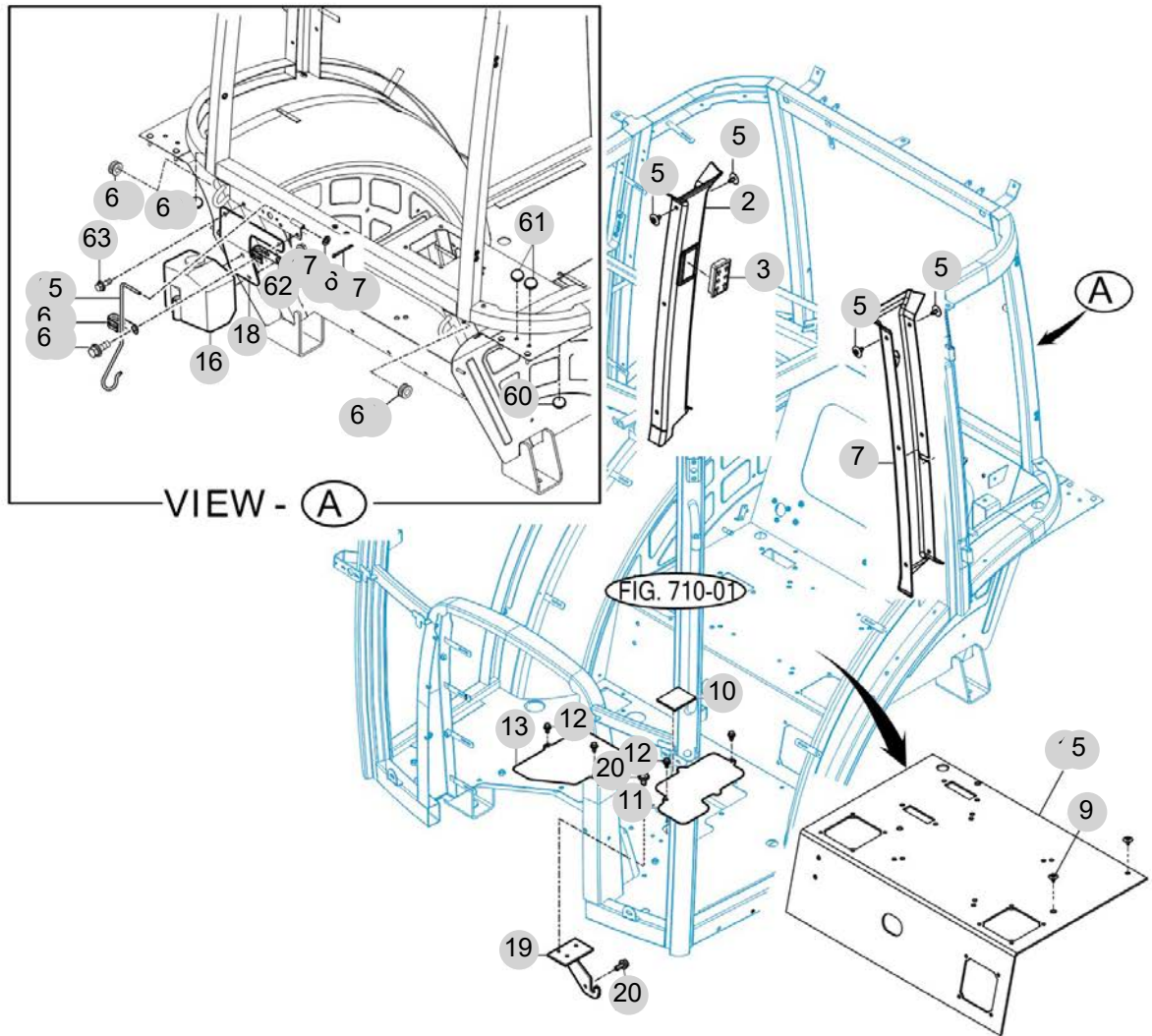
FIG 718

CABIN INTERIOR

년/월
Year/Month

T494ST

2022-12



T374494G-718

NOTE

8. Electrical System PART NO. T8

FIG 801 BATTERY & MOUNTING	252
FIG 802 HARNESS LAMP	254
FIG 803 INSTRUMENT PANEL	256
FIG 804 ELECTRIC SYSTEM (1)	258
FIG 805A ELECTRIC SYSTEM (2)	260
FIG 806 ELECTRIC SYSTEM (3)	262

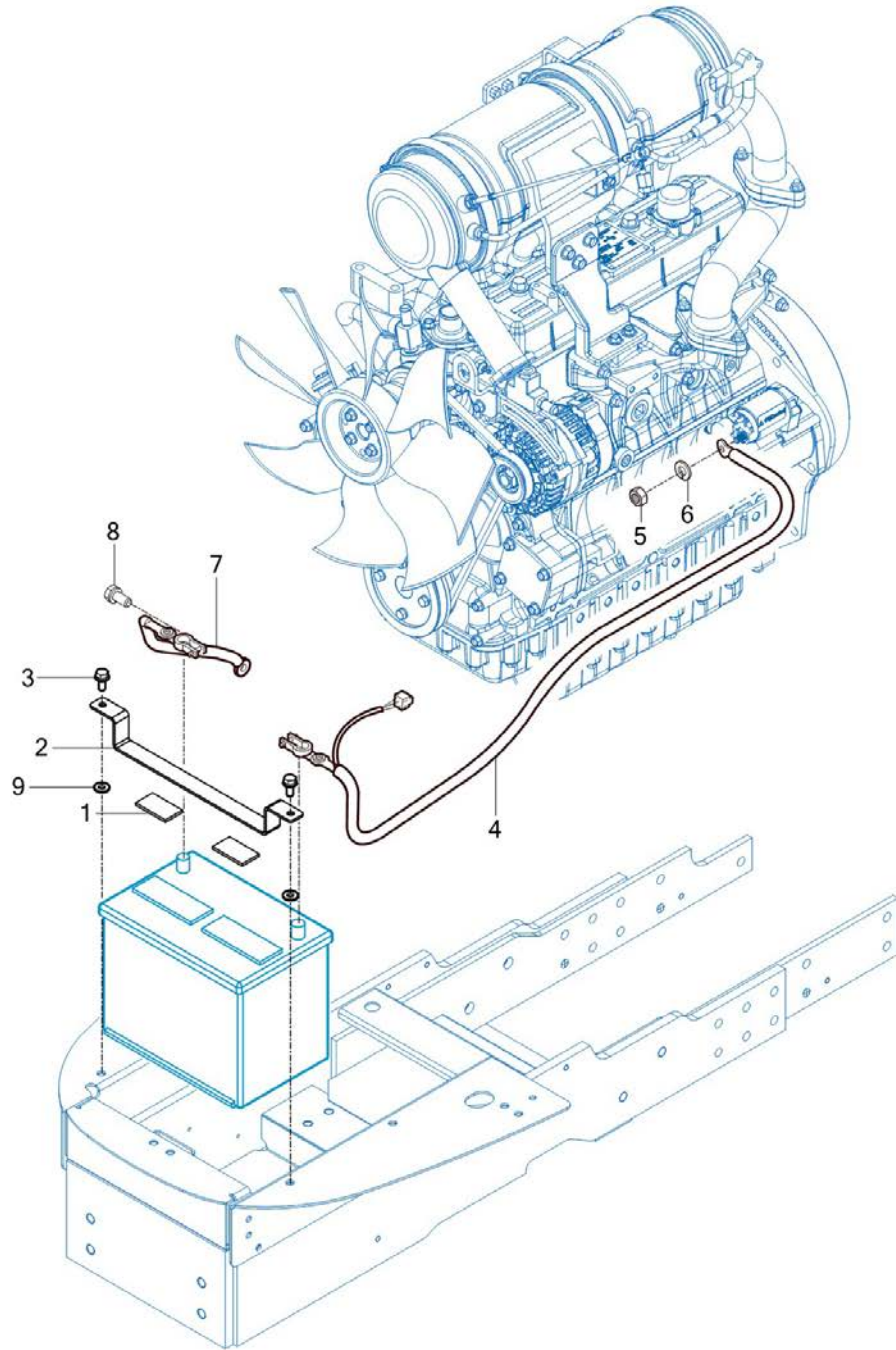
FIG 801

T494ST

BATTERY & MOUNTING

년/월
Year/Month

2022-12



NOTE

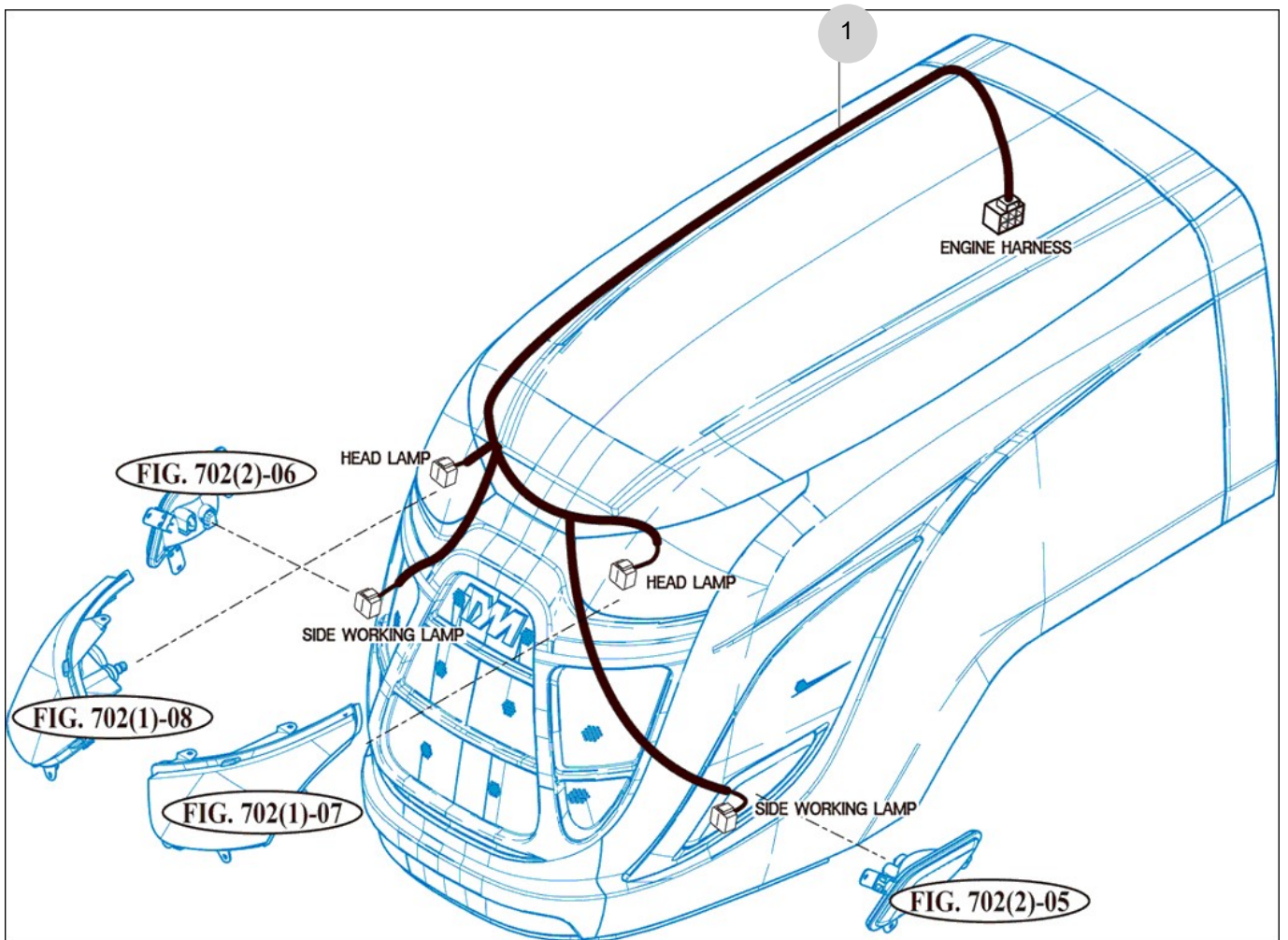
FIG 802

T494ST

HARNESS LAMP

년/월
Year/Month

2022-12



NOTE

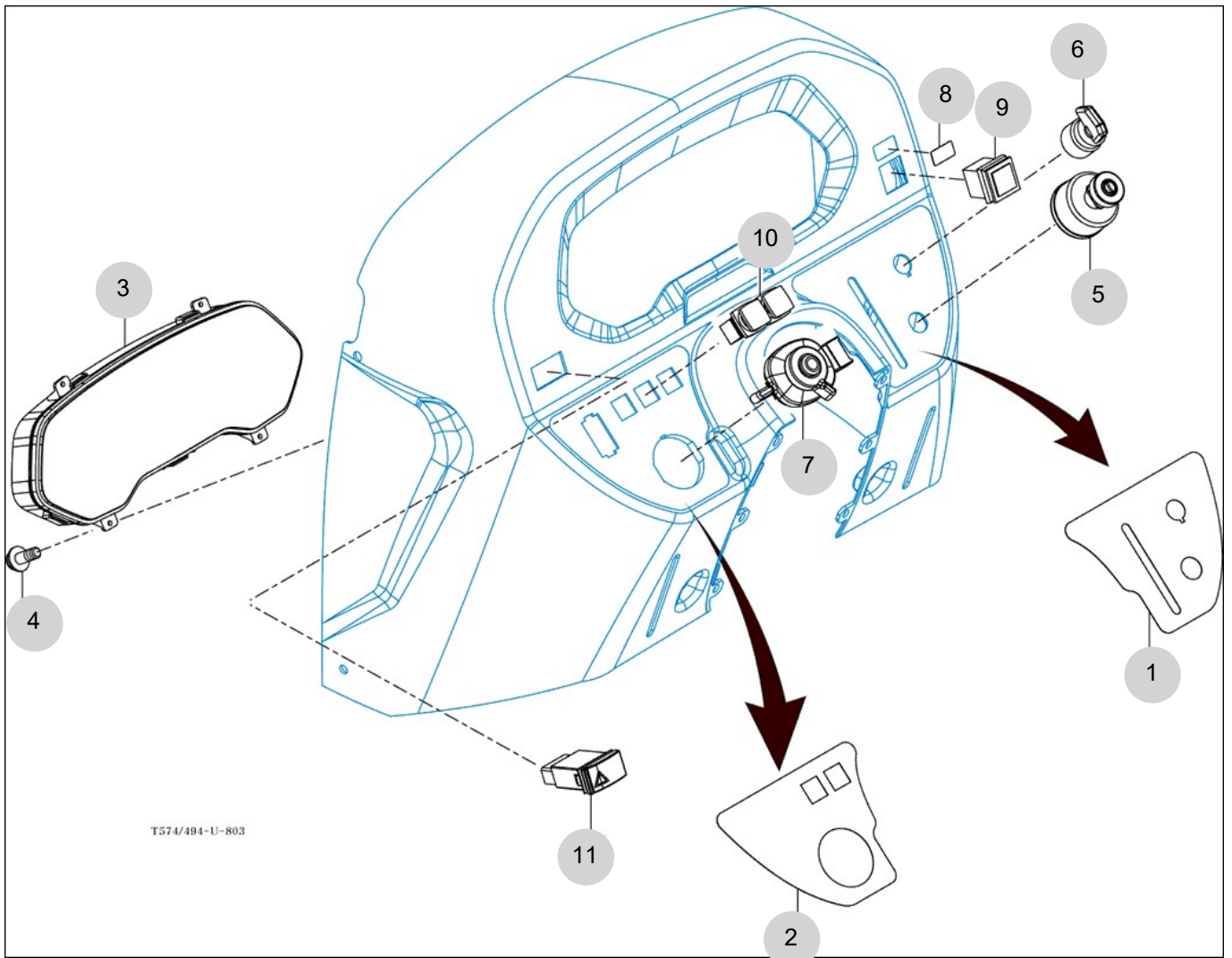
FIG 803

INSTRUMENT PANEL

년/월
Year/Month

T494ST

2022-12



NOTE

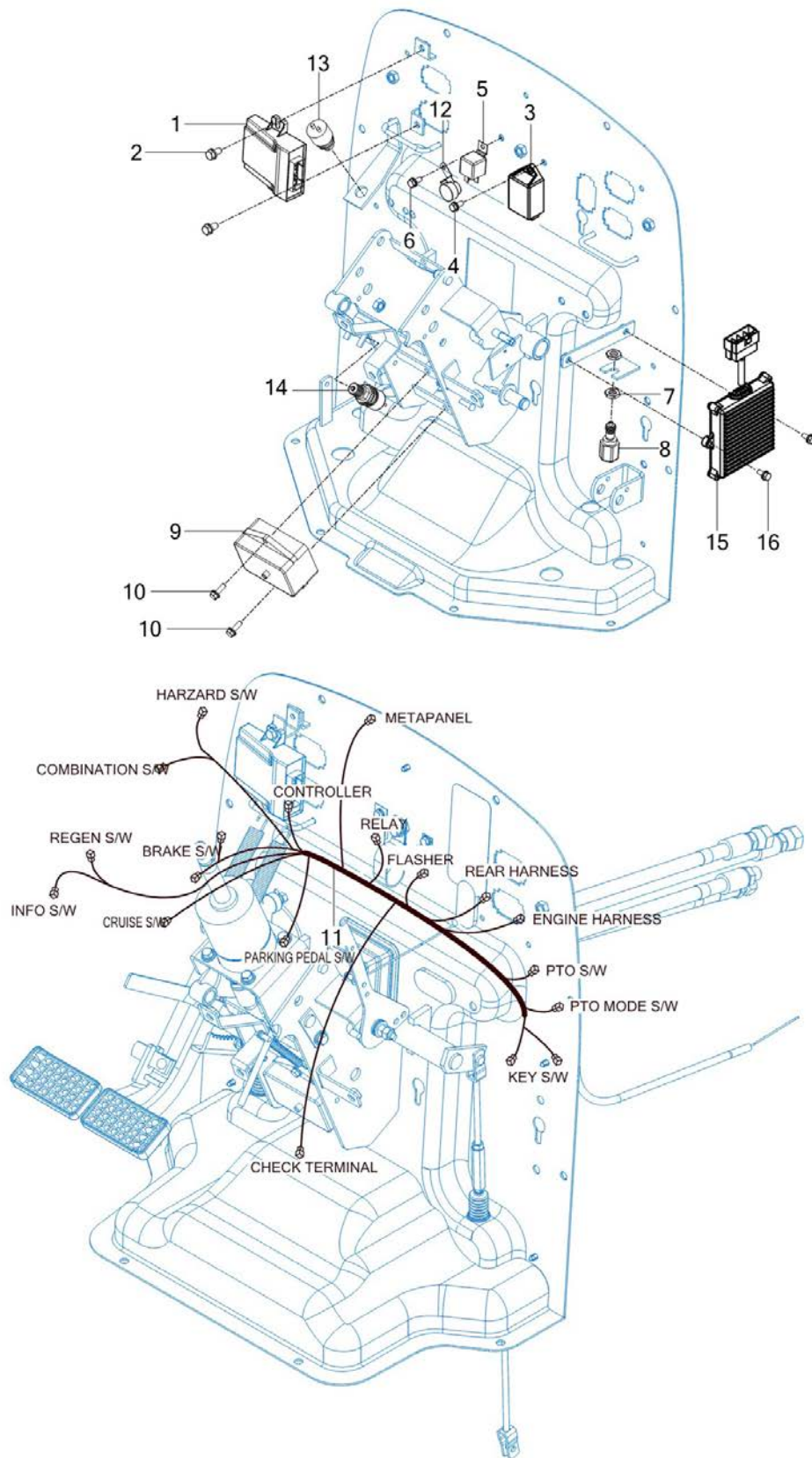
FIG 804

T494ST

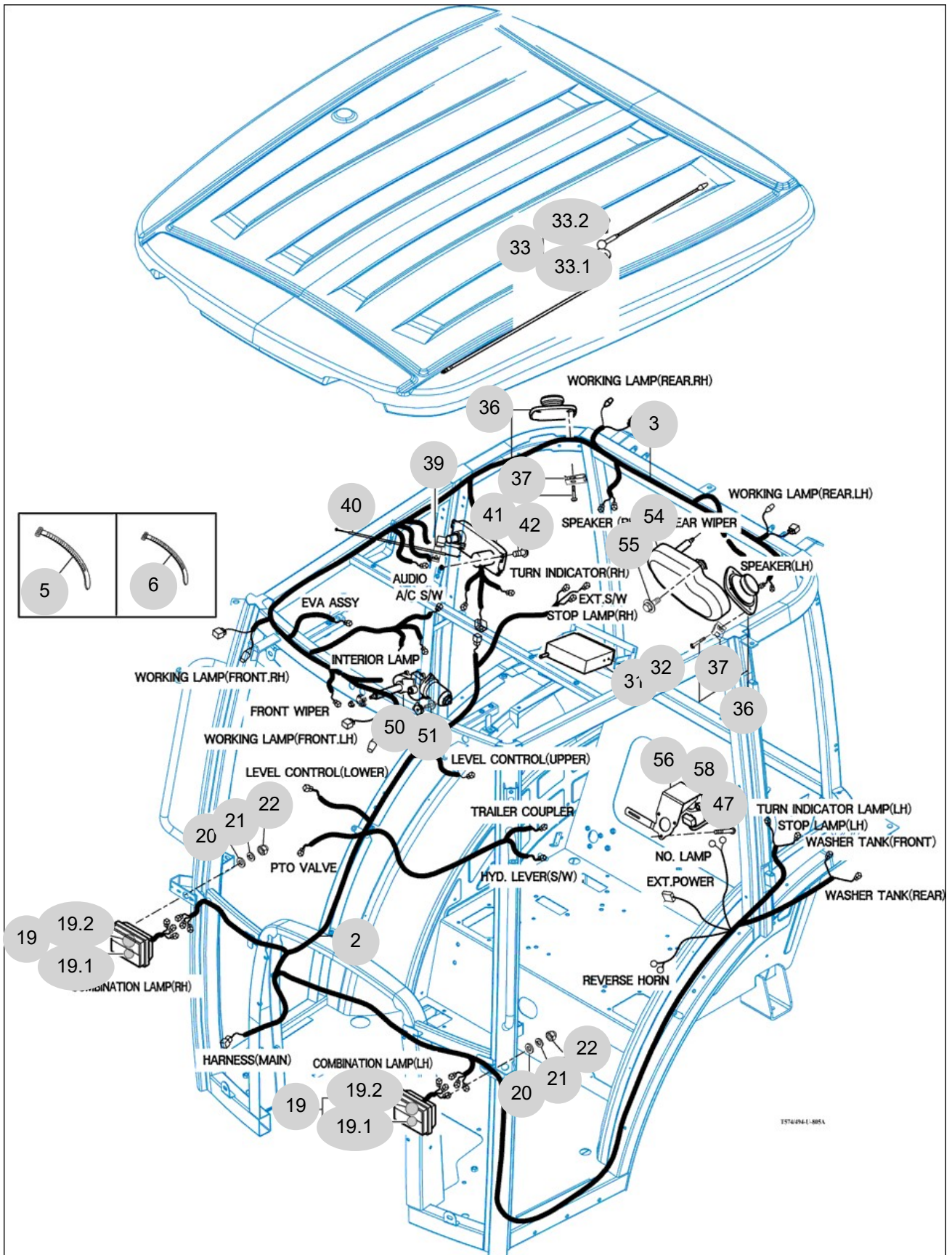
ELECTRIC SYSTEM (1)

년/월
Year/Month

2022-12



NOTE



TST494L-885A

NOTE

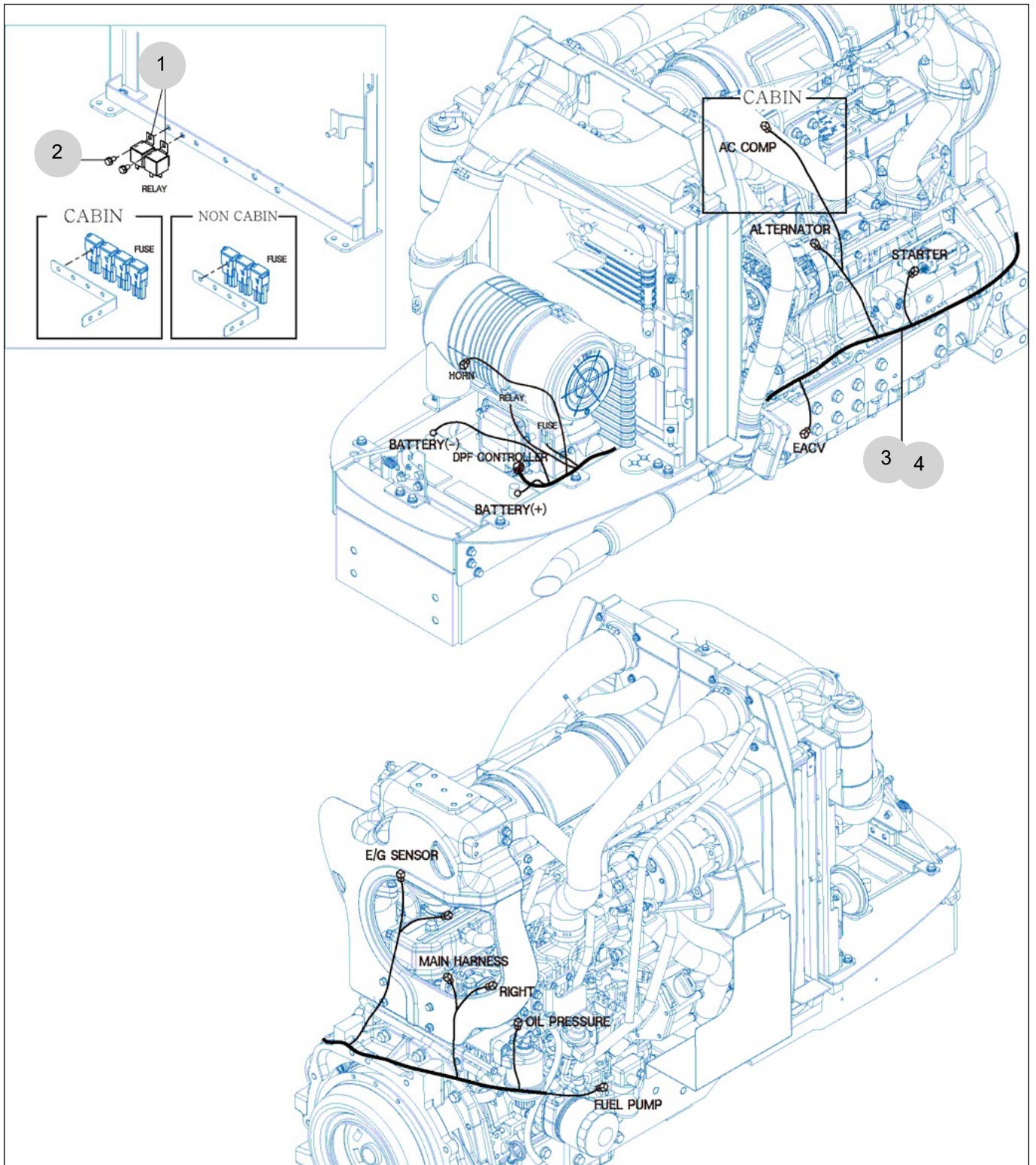
FIG 806

ELECTRIC SYSTEM (3)

년/월
Year/Month

T494ST

2022-12



NOTE

9. Label/Option PART NO. T9

FIG 901 TOOL & ACCESSORY	265
FIG 902 LABEL	267
FIG 902 LABEL	269
FIG 903 OPTION	271

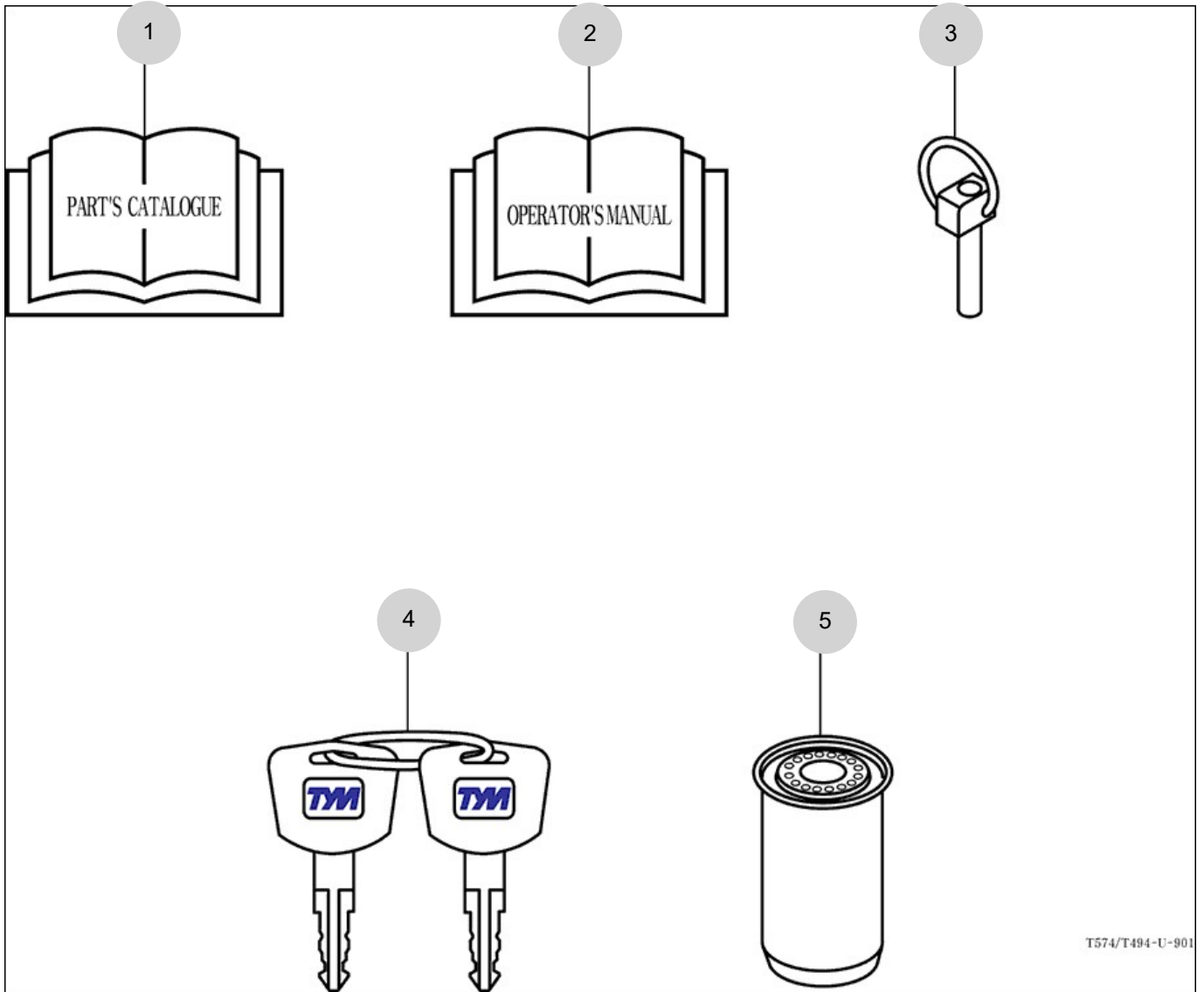
FIG 901

T494ST

TOOL & ACCESSORY

년/월
Year/Month

2022-12



NOTE

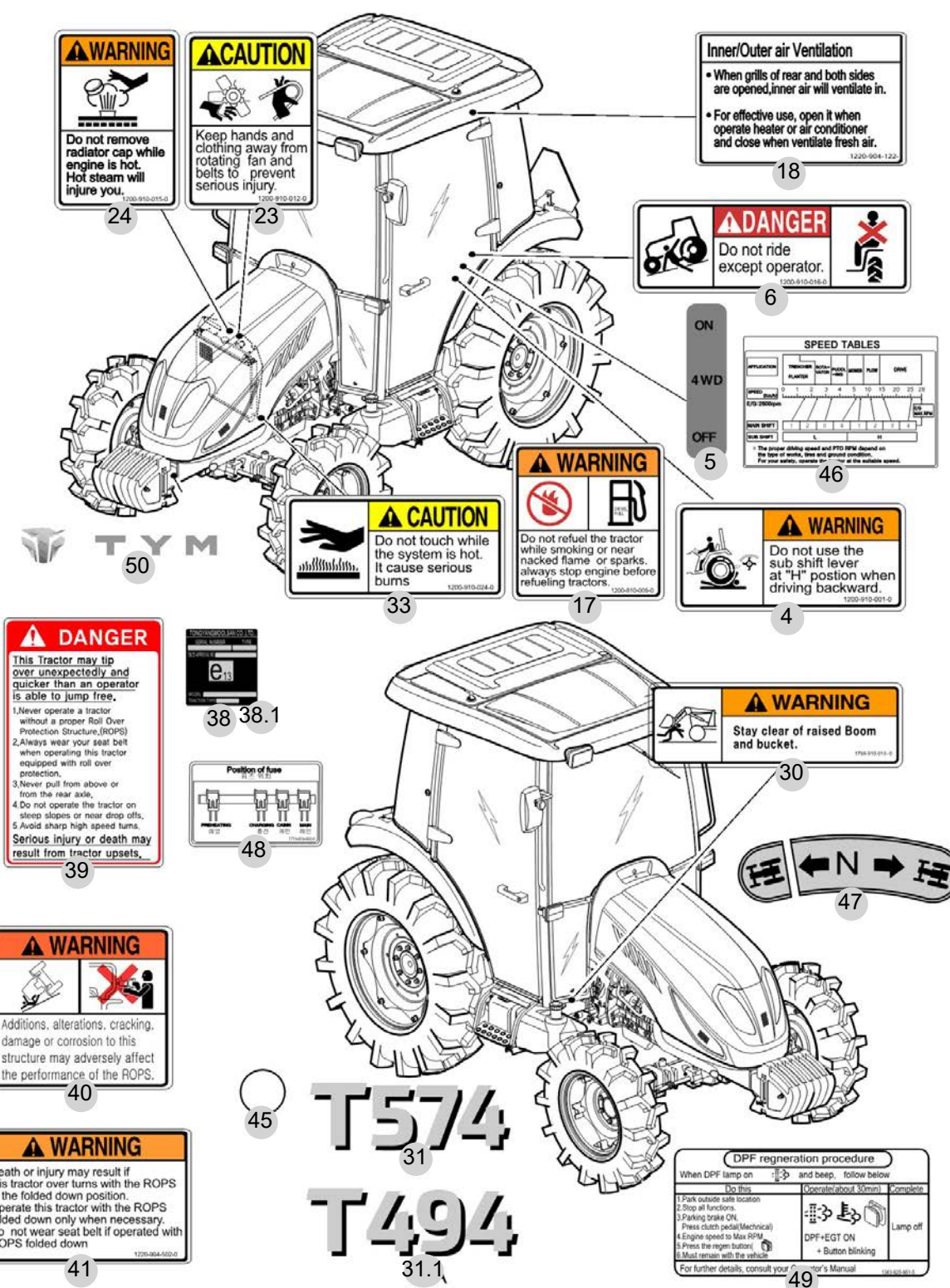
FIG 902

LABEL

년/월
Year/Month

T494ST

2022-12



DANGER

This Tractor may tip over unexpectedly and quicker than an operator is able to jump free.

- Never operate a tractor without a proper Roll Over Protection Structure.(ROPS)
- Always wear your seat belt when operating this tractor equipped with roll over protection.
- Never pull from above or from the rear axle.
- Do not operate the tractor on steep slopes or near drop offs.
- Avoid sharp high speed turns.

Serious injury or death may result from tractor upsets.

Inner/Outer air Ventilation

- When grills of rear and both sides are opened,inner air will ventilate in.
- For effective use, open it when operate heater or air conditioner and close when ventilate fresh air.

SPEED TABLES

APPLICATION	REVERSE		FORWARD		P4WD	P4WD	DRIVE
	1	2	1	2			
FIELD	1	2	1	2	1	2	1
ROAD	1	2	1	2	1	2	1

* The proper driving speed and PFD RPM depend on the type of work, area and ground condition.
For your safety, operate at the suitable speed.

DPF regeneration procedure

When DPF lamp on	Do this	Operate(about 30min)	Complete
1.Park outside safe location			
2.Stop all functions			
3.Parking brake ON			
4.Engine speed to Max RPM			
5.Press the regen button			
6.Must remain with the vehicle			

For further details, consult your Owner's Manual

NOTE

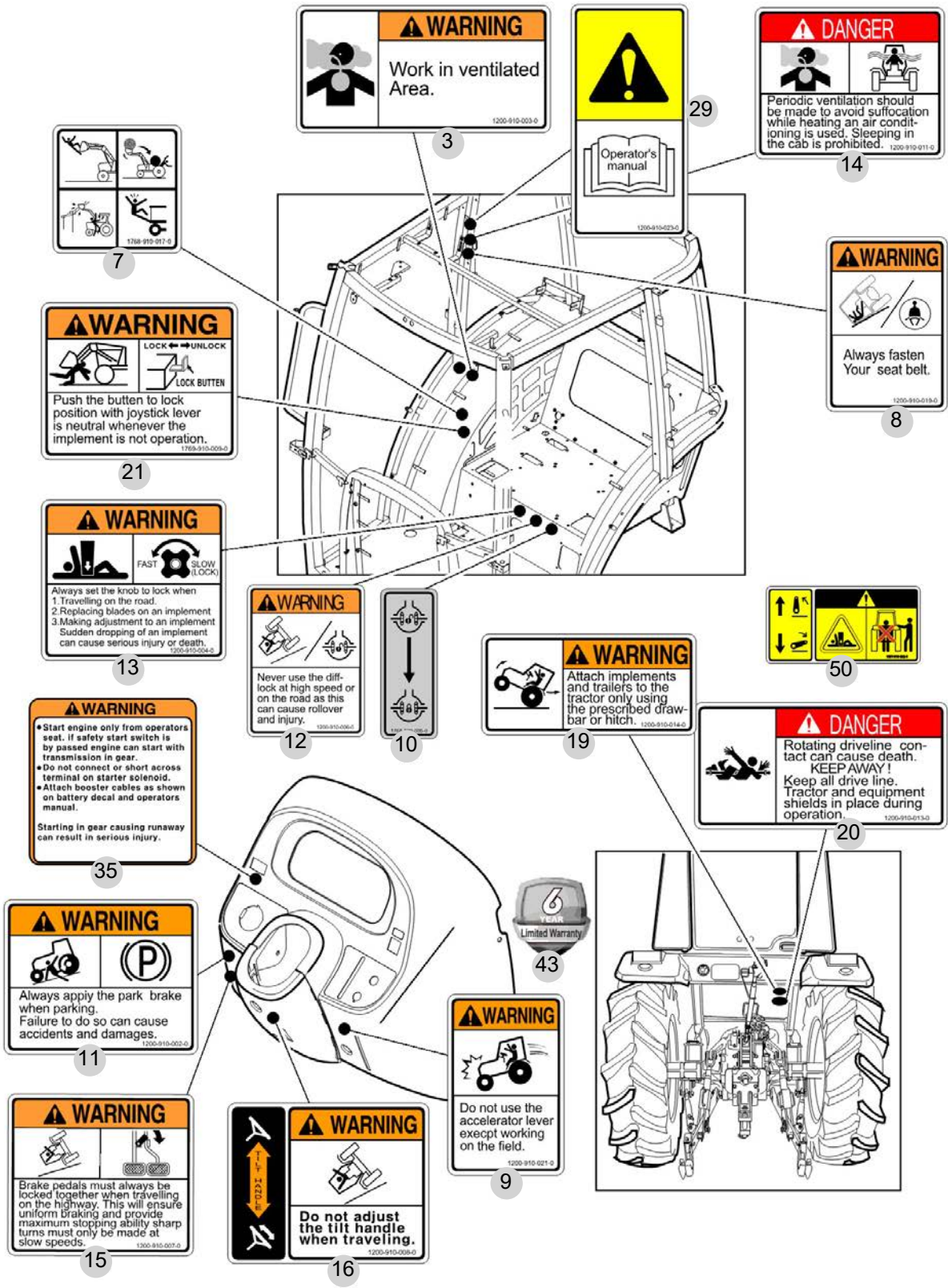
FIG 902

LABEL

년/월
Year/Month

T494ST

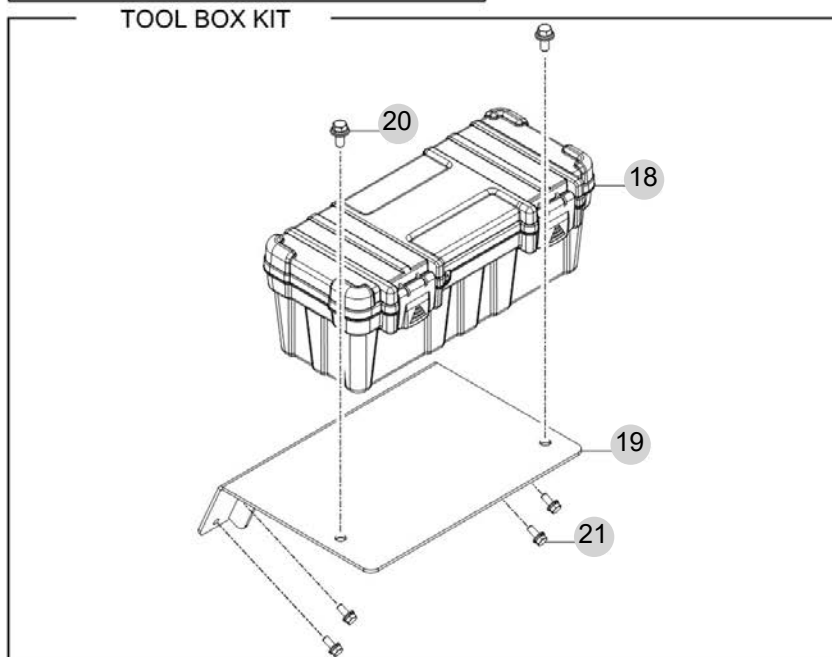
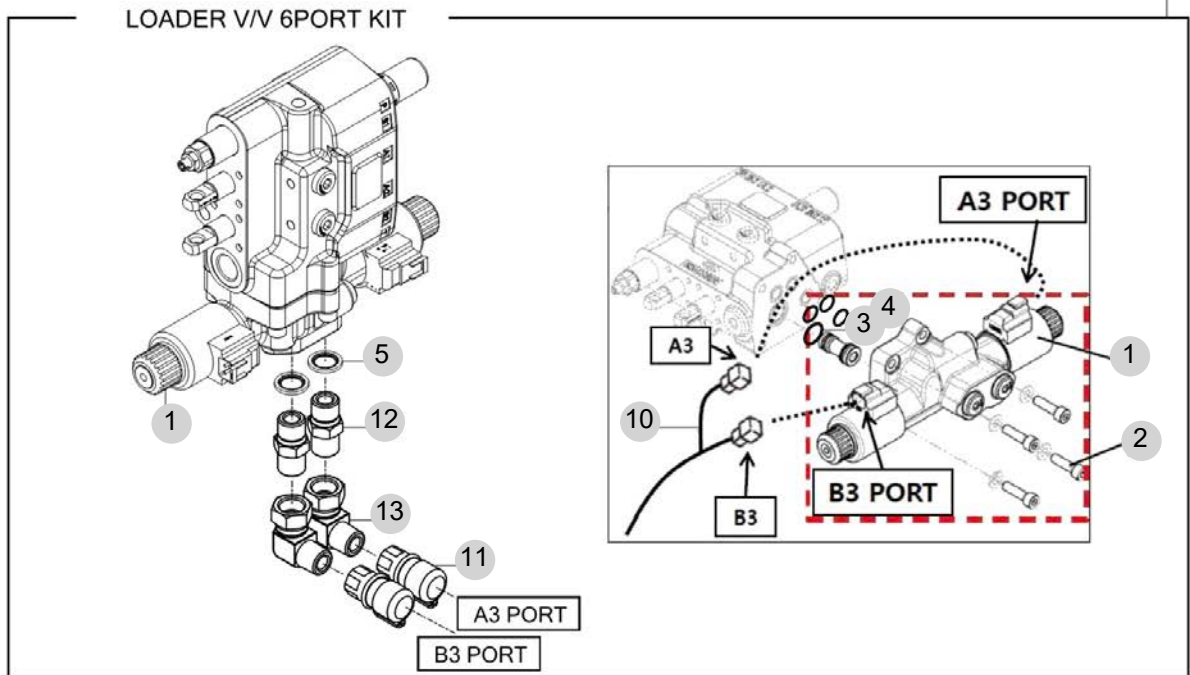
2022-12



NOTE

T494ST

0



NOTE

