

# TYM

## OPERATOR'S MANUAL

### FOR

## TRACTORS

(T454/T554)



**TYM**  
[www.tym.co.kr](http://www.tym.co.kr)

BYUCKSAN GROUP  
**TONGYANG MOOLSAN CO., LTD.**



# YANMAR

# WARRANTIES

## YANMAR LIMITED WARRANTY

### What is Covered by this Warranty?

YANMAR warrants to the original retail purchaser that a new YANMAR TNV common rail series industrial engine will be free from defects in material and/or workmanship for the duration of the warranty period.

Note: YANMAR engines may be equipped with external components including, but not limited to: wiring harnesses, electrical devices, control panels, radiator, air filters, fuel/or exhaust systems that are supplied and/or installed by manufacturers other than YANMAR. For warranty information on such external components, please contact the machine or component manufacturer directly or see your authorized YANMAR dealer or distributor.

This warranty is provided in lieu of all other warranties, express or implied. YANMAR specifically disclaims any implied warranties of merchantability or fitness for a particular purpose, except where such disclaimer is prohibited by law. If such disclaimer is prohibited by law, then implied warranties shall be limited in duration to the life of the express warranty.

### How Long is the Warranty Period?

The YANMAR standard limited warranty period runs for a period of **twenty-four (24) months or Two-thousand(2000) engine operation hours**, whichever occurs first. An extended limited warranty of thirty-six(36) months or three thousand(3000) engine operating hours, whichever occurs first, is provided for these specific parts only: the cylinder block, cylinder head, crankshaft forging, connecting rods, flywheel, flywheel housing, camshaft, timing gear, and gear case. The warranty period for both the Standard limited warranty and the extended limited warranty (by duration or operation hours) begins on the date of delivery to the original retail purchaser and is valid only until the applicable warranted duration has passed or the operation hours are exceeded, whichever comes first.

# **YANMAR limited warranty- continued**

## **What the Engine Owner must Do:**

If you believe your YANMAR engine has experienced a failure due to a defect in material and/or workmanship, you must contact an authorized YANMAR industrial engine dealer or distributor within thirty (30) Days of discovering the failure, You must provide proof of ownership of the engine, proof of the date of the engine purchase and delivery, and documentation of the engine operation hours. Acceptable forms of proof of delivery date include, but are not limited to: the original warranty registration of sales receipts or other documents maintained in the ordinary course of business by YANMAR dealers and/or distributors, indicating the date of delivery of the YANMAR product to the original retail purchaser, This information is necessary to establish whether the YANMAR product is still within the warranty period. Thus, YANMAR strongly recommends you register your engine as soon as possible after purchase in order to facilitate any future warranty matters.

You are responsible for the transportation of the engine to and from the repair location as designated by YANMAR.

## **To Locate an Authorized YANMAR Industrial Engine Dealer or Distributor:**

You can locate your nearest authorized YANMAR industrial engine dealer or distributor by visiting the YANMAR Co., Ltd. Website at:

<http://www.yanmar.co.jp> (The Japanese language page will be displayed.) For English language “click” on “English Page.”)

- “click” on “Network” in the website heading to view the “YANMAR Worldwide Network.”
- Choose and “Click” on the desired product group.
- “Click” on the Icon closest to your region.
- “Click” on the desired country or associate company to locate your nearest authorized YANMAR Industrial engine dealer or distributor.

You may also contact YANMAR by clicking on “Inquiry” in the website heading and typing in your question or comment.

## **What YANMAR will DO:**

YANMAR warrants to the original retail purchaser of a new YANMAR engine that YANMAR will make such repairs and/or replacements at YANMAR’s option, of any part(s) of the YANMAR product covered by this warranty found to be defective in material and/or workmanship. Such repairs and/or replacements will be made at a location designated by YANMAR at no cost to the purchaser for parts or labor.

# YANMAR limited warranty- continued

## What is no Covered by this Warranty?

This warranty does not cover parts affected by or damaged by any reason other than defective materials or workmanship, including, but not limited to, accident, misuse, abuse, "Acts of God," neglect, improper installation, improper maintenance, improper storage, the use of unsuitable attachments or parts, the use of contaminated fuels, the use of fuels, oils, lubricants, or fluids other than those recommended in your YANMAR Operation Manual, unauthorized alterations or modifications, ordinary wear and tear, and rust or corrosion. This warranty does not cover the cost of parts and/or labor required to perform normal/scheduled maintenance on your YANMAR engine. This warranty does not cover consumable parts such as, but not limited to, filters, belts, hoses, fuel injector, lubricants and cleaning fluids. This warranty does not cover the cost of shipping the product to or from the warranty repair facility.

## Warranty Limitations:

**The foregoing is YANMAR's only obligation to you and your exclusive remedy for breach of Warranty.** Failure to follow the requirements for submitting a claim under this warranty may result in a waiver of all claims for damages and other relief. **In no event shall YANMAR or any authorized Industrial engine dealer or distributor be liable for incidental, special or consequential damages.** Such consequential damages may include, but not be limited to, loss of revenue, loan payments, cost of rental of substitute equipment, insurance coverage, storage, lodging, transportation, fuel mileage, and telephone costs. The limitations in this warranty apply regardless of whether your claims are based on breach of contract, tort (including negligence and strict liability) or any other theory. Any action arising hereunder must be brought within one (1) year after the cause of action accrues or it shall be barred. Some states and countries do not allow certain limitations on warranties or for breach of warranties. **This warranty gives you specific legal rights, and you may also have other rights which vary from state to state and country to country.** Limitations set forth in this paragraph shall not apply to the extent that they are prohibited by law.

## Warranty Modifications:

Except as modified in writing and signed by the parties, this warranty is and shall remain the complete and exclusive agreement between the parties with respect to warranties, superseding all prior agreements, written and oral, and all other communications between the parties relating to warranties. **No person or entity is authorized to give any other warranty or to assume any other obligation on behalf of YANMAR, either orally or in writing.**

## Questions:

If you have any questions or concerns regarding this warranty, please call or write to the nearest authorized YANMAR industrial engine dealer or distributor or other authorized facility.

# EMISSION SYSTEM WARRANTY

## YANMAR CO., LTD. LIMITED EMISSION CONTROL SYSTEM WARRANTY – USA ONLY

### Your Warranty Rights and Obligations:

#### ■ California

The California Air Resources Board (CARB), the Environmental Protection Agency (EPA) and YANMAR Co., Ltd. hereafter referred to as YANMAR, are pleased to explain the **emission control system warranty** on your industrial compression-ignition engine. In California, model year 2000 or later off-road compression-ignition engines must be designed, built and equipped to meet the state's stringent anti-smog standards. In all states, 1998 and later non-road compression-ignition engines must be designed, built and equipped to meet the United States EPA emissions standards. YANMAR warrants the emission control system on your engine for the periods of time listed below provided there has been no abuse, neglect or improper maintenance of your engine.

Your emission control system may include parts such as the fuel injection system, the air induction system, the electronic control system, EGR(Exhaust Gas Recirculation) system and Diesel Particulate Filter. Also included may be hoses, belts, connectors and other emission-related assemblies.

Where a warrantable condition exists, YANMAR will repair your non-rod compression-ignition engine at no charge to you including diagnosis, parts and labor.

### Manufacturer's Warranty Period:

The model year 1998 or later certified and labeled non-road compression-ignition engines are warranted for the periods listed below. If any emission-related part on your engine is found to be defective during the applicable warranty period, the part will be replaced by YANMAR.

<b>If your engine is certified as</b>	<b>And its maximum Power is</b>	<b>And its rated speed is</b>	<b>Then its warranty period is</b>
Variable speed or Constant speed	kW<19	Any speed	1,500 hours or two (2) years whichever comes first. In the absence of a device to measure the hours of use, The engine has a warranty period of two(2) years.
Constant speed	$19 \leq \text{kW} < 37$	3,000rpm or higher	1,500 hours or two (2) years whichever comes first. In the absence of a device to measure the hours of use, The engine has a warranty period of two(2) years/
Constant speed	$19 \leq \text{kW} < 37$	Less than 3,000rpm	3,000hours of five (5) years whichever comes first. In the absence of a device to measure the hours of use, the Engine has a warranty period of five(5) years.
Variable speed	$19 \leq \text{kW} < 37$	Any speed	3,000 hours or five (5) years whichever comes first. In the absence of a device to measure the hours of use, the engine has a warranty period of five (5) years.
Variable speed or Constant speed	$\text{kW} \geq 37$	Any speed	3,000 hours or (5) years whichever comes first. In the absence of a device to measure the hours of use, The engine has a warranty period of five (5) years.

# Limited emission control system warranty – USA only – continued

## Warranty Coverage:

This warranty is transferable to each subsequent purchaser for the duration of the warranty period. Repair or replacement of any warranted part will be performed at an authorized YANMAR industrial engine dealer or distributor.

Warranted parts not scheduled for replacement as required maintenance in the operation manual shall be warranted for the warranty period. Warranted parts scheduled for replacement as required maintenance in the operation manual are warranted for the period of time prior to the first scheduled replacement. Any part repaired or replaced under warranty shall be warranted for the remaining warranty period.

During the warranty period, YANMAR is liable for damages to other engine components caused by the failure of any warranted part during the warranty period.

Any replacement part which is functionally identical to the original equipment part in all respects may be used in the maintenance or repair of your engine, and shall not reduce YANMAR's warranty obligations. Add-on or modified parts that are not exempted may not be used. The use of any non-exempted add-on or modified parts shall be grounds for disallowing a warranty.

## Warranted Parts:

This warranty covers engine components that are a part of the emission control system of the engine as Delivered by YANMAR to the original retail purchaser, Such components may include the following:

- Fuel injection system
- Electronic control system
- Cold start enrichment system
- Intake manifold
- Turbocharger systems
- Exhaust manifold
- EGR system
- Positive crankcase ventilation system
- Hoses, belts, connectors and assemblies associated with emission control systems
- Exhaust gas after treatment (Diesel Particulate Filter (DPF))

Since emissions-related parts may vary slightly between models, certain models may not contain all of These parts and other models may contain the functional equivalents.

## Limited emission control system warranty – USA only – continued

### Exclusions:

Failures other than those arising from defects in material and/or workmanship are not covered by this warranty. The warranty does not extend to the following: malfunctions caused by abuse, misuse, improper Adjustment, modification, alteration, tampering, disconnection, improper or inadequate maintenance or use Of non-recommended fuels and lubricating oils; accident-caused damage, and replacement of expendable Items made in connection with scheduled maintenance. YANMAR disclaims any responsibility for Incidental or consequential damages such as loss of time, inconvenience, loss of use of equipment/engine Or commercial loss.

### Owner's Warranty Responsibilities:

**As the engine owner, you are responsible for the performance of the required maintenance listed in Your owner's manual.** YANMAR recommends that you retain all documentation, including receipts, covering maintenance on your non-road compression-ignition engine, but YANMAR cannot deny Warranty solely for the lack of receipts, or for your failure to ensure the performance of all scheduled maintenance.

YANMAR may deny your warranty coverage of your non-road compression-ignition engine if a part has Failed due to abuse, neglect, improper maintenance or unapproved modifications.

Your engine is designed to operate on diesel fuel only. Use of any other fuel may result in your engine no Longer operating in compliance with applicable emissions requirements.

You are responsible for initiating the warranty process. You must present your engine to a YANMAR dealer As soon as a problem exists. The warranty repairs should be completed by the dealer as expeditiously as Possible. If you have any questions regarding your warranty rights and responsibilities, or would like Information on the nearest YANMAR dealer or authorized service center, you should contact YANMAR America Corporation.

Website: ([www.yanmar.com](http://www.yanmar.com))

E-mail: [CSsupport@yanmar.com](mailto:CSsupport@yanmar.com)

Toll free telephone number: 1-800-872-2867, 1-855-416-7091



## FOREWARD

Thank you very much for purchasing our tractor which, we feel sure, will give you many years of trouble free service.

The introduction in this manual set out the correct manner of operating, maintaining and checking the tractor to ensure long-term durability.

Please ensure correct operation of the tractor as incorrect operation can cause substantial mechanical damage as well as cause accidents with the associated injuries.

Please note that in some cases differences can exist between this manual and your tractor due to the manufacture's policy of constant product improvement.

In the event that you strike a problem not covered by this manual please contact your nearest dealer who will assist you in resolving your problem.






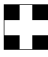
**WARNING**

### **CALIFORNIA Proposition 65 Warning**

The Engine Exhaust from this product contains chemicals known to the state of California to cause cancer, birth defects or other reproductive harm

#### WARNING SIGNS IN THIS MANUAL

The following warning signs in this manual draw additional attention to items of importance for the safe and correct operation of the tractor.

<b>SIGN</b>	<b>MEANING OF THE SIGN</b>
 Danger	Serious hazard with a very high level of risk of either serious injury or death.
 Warning	Hazard or unsafe practice that can lead to severe injury or death.
 Caution	Hazard or unsafe practice that can lead in injury or death.
 Important	Instructions for the correct operation of the machine which, if followed, will ensure that it performs at it's best.

All information, illustrations and specifications in this manual are based on latest information available at the time of publication. The right is reserved to make changes at any time without notice.

## CONTENTS

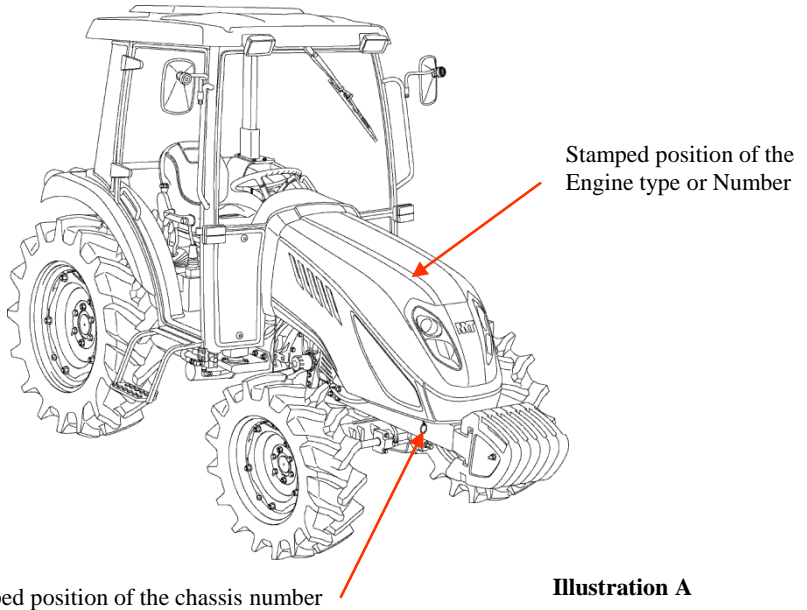
Sr. No.	Description	Page No.
1.	Tractor Identification .....	9
2.	About this manual .....	10
3.	Introduction & Description .....	11~13
4.	Owner assistance .....	14
5.	ROPS (Roll over protection structures) .....	15~17
6.	Safety instructions, Do's & Don'ts .....	18~30
7.	Safety signs .....	31~33
8.	Universal symbols .....	34
<b>Section A</b>		
9.	Controls, Instruments & Operations .....	35~61
<b>Section B</b>		
10.	Lubrication & maintenance .....	62~83
<b>Section C</b>		
11.	CABIN .....	84~95
<b>Section D</b>		
12.	Specifications .....	96~100
13.	Fuel saving Tips .....	101~102
14.	Fault tracing .....	103~106
15.	Wiring Diagram .....	107~112
16.	Tractor history card .....	113
17.	Service record .....	114
18.	Daily operating Log .....	115
19.	Part replacement record .....	116

All information, illustrations and specifications in this manual are based on latest information available at the time of publication. The right is reserved to make changes at any time without notice.

## TRACTOR IDENTIFICATION

The engine number is stamped on the left hand side of the engine block.

The chassis number is shown on the left hand side of the tractor as shown in the drawing.



### **WARRANTY OF THE PRODUCT.**

The manufacturer warrants this product and full details of the warranty are provided on a separate warranty schedule.

### **SERVICE.**

Service is available from any TYM dealer in the country.

### **PARTS.**

To obtain spare parts please contact your nearest dealer and give him the details listed below.

Tractor model

Tractor serial number

Tractor engine number

Part number and description

Quantity required.

## ABOUT THIS MANUAL

This manual has been prepared to assist you in following/adopting the correct procedure for running-in operation and maintenance of your new Tong Yang Moolsan CO.,LTD (Here in after refer to TYM) Tractor.

Your Tractor has been designed and built to give maximum performance, with good fuel economy and ease of operation under a wide variety of operating conditions. Prior to delivery, The tractor was carefully inspected, both at the factory and by your TYM Dealer/Distributor, to ensure that it reaches you in optimum conditions .To maintain this condition and ensure trouble free performance. it is important that the routine services, as specified in this manual, are carried out at the recommended intervals.

Read this Manual carefully and keep it in a convenient place for future reference. If at any time you require advice concerning your Tractor, do not hesitate to contact your Authorized TYM dealer/Distributor. He has trained personnel, genuine parts and necessary equipments to undertake all your service requirements.

Manufacturer's policy is one of continuous improvement, and the right to change prices, specifications or equipments at any time without notice is reserved.

All data given in this book is subject to production variations. Dimensions & weight are approximate only and the illustrations do not necessarily show Tractors in standard condition. For exact information about any particular Tractor, please consult your TYM dealer/Distributor.

## INTRODUCTION & DESCRIPTION

### **TRACTOR AN INTRODUCTION**

The word, 'Tractor' has been derived from 'Traction' which means pulling.

A Tractor is required to pull or haul an equipment, implement or trolley which are coupled to the Tractor body through suitable linkage. A Tractor can also be used as a prime mover as it has a power outlet source which is also called Power Take or PTO shaft.

In this book the operating, maintenance and storage instructions for all models of TYM Diesel Tractors has been compiled. This material has been prepared in detail to help you in the better understanding of maintenance and efficient operation of the machine.

If you need any information not given in this manual, or require the services of a trained mechanic, please get in touch with the TYM Dealer/Distributor in your locality. Dealer/Distributors are kept informed of the latest methods of servicing Tractors. They stock genuine spare parts and are backed by the Company's full support.

Through this manual. The use of the terms LEFT, RIGHT, FRONT and REAR must be understood, to avoid any confusion when following the introductions. The LEFT and RIGHT means left and right sides of the Tractor when facing forward in the driver's seat, Reference to the FRONT indicates the radiator end of the Tractor, while the REAR, indicates the drawbar end (illustration B)

When spare parts are required, always specify the Tractor and engine serial number when ordering these parts.(See illustration A).This will facilitate faster delivery and help ensure that the correct parts for your particular Tractor is received. The tractor serial number is punched on a plate attached to the left hand side of the engine body (illust.A),For easy reference, we suggest you to write the number in the space provided in the owner's personal data.

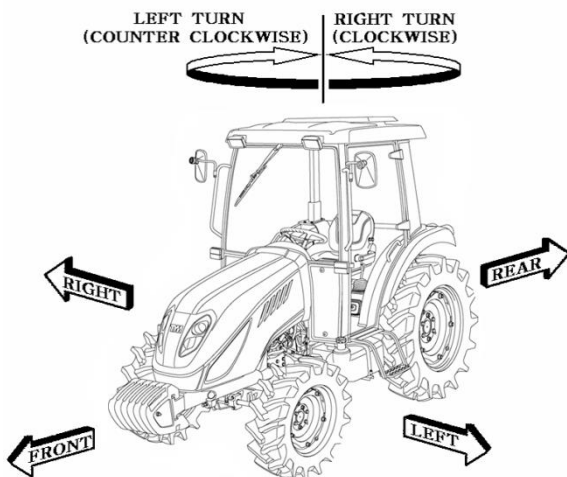


illustration B

( Front, Rear,Left,Right Portion)

## DESCRIPTION

### ■ **General construction**

The transmission case, Clutch, Clutch housing, Engine and Front Axle Support are bolted together to form a rigid unit

### ■ **Front Axle & Wheels**

The 4WD front axle is a center-pivot, reverse Eliot type. The front wheel drive mechanism is incorporated as a part of the axle.

The front wheel drive power is taken off the rear transmission and transmitted to the differential in the front axle where the power is divided into right and left and to the respective final cases.

In the final cases, the transmitted revolution is reduced by the level gears to drive the front wheel. The 4WD mechanism with level gears provides wider steering and greater durability.

### ■ **Engine**

The tractors are fitted with fuel efficient **Non-Turbo charged engine** with 4 cylinders of **T454** designed by Yanmar and **T554** is fitted with fuel efficient **Turbo charged engine**.

### ■ **Clutch and Transmission**

A single plate dry clutch (10.24" diameter) is used on these tractors. Tractor with IPTO (Independent Power Take Off) are fitted with hydraulic Clutch Assy. The transmission Gear box has 16 forward & 16 reverse speeds of **T454/T554**. Presently, TYM Tractors are fitted with partial synchro mesh type gears.

### ■ **Brakes**

TYM tractors are provided with independent disc brakes operated by two road travel. A foot brake lever is fitted for parking.

### ■ **Rear axle & Wheels**

This is mounted on ball bearings and is enclosed in removable housing which are bolted to the transmission case. The rim & Disc fitted with Rear tires are bolted to the outer flange of Rear Axle.

### ■ **Hydraulic system & Linkages.**

TYM Tractors are fitted with Live (i.e. system is in operation even when clutch is disengaged.) independent, very touch of hydraulic System. Three point Linkages can be used for USA-Category 1 type, EU-Category 2 type of implements.

## ■ Steering

It consists of Hydrostatic Power steering system, which has a hydraulic cylinder and tandem type hydraulic pump

## ■ Electrical System

A 12 Volt Lead Acid Propylene Battery is used to activate the Engine through the Starter Motor and the Electrical system comprising Horn, Head Lamp. Side indicator Lamps, Brake Light, Gauge lamp, Hazard Lamp. Generator or Alternator, Fuse box also from part of the Electrical system.



Warning

When operating the tractor at High speed, Do not attempt to make sharp turns by using the brakes. This may result in overturning of the Tractor causing serious injury or DEATH.

## OWNER ASSISTANCE

We at TYM CO.,LTD and your TYM Dealer/Distributor wants you to be completely satisfied with your investment. Normally any problems with your equipment will be handled by your Dealer/Distributor's Service Departments, however, misunderstanding can occur. If you feel that your problem has not been handled to your satisfaction, we suggest the following.

Contact the owner or General Manager of the Dealership, explain the problem, and request assistance. When additional assistance is needed, Your Dealer/Distributor has direct access to your office. If you cannot obtain satisfaction by doing this, contact the TYM CO.,LTD. Office and provide them with;

- Your name, address and telephone number
- Model and Tractor serial number
- Dealer/Distributor Name & Address
- Machine purchase date and Hours used
- Nature of problem

Before contacting TYM CO.,LTD office, be aware that your problem will likely to be resolved in the Dealership using the Dealer's/Distributor's facilities, equipment and personnel. So it is important that your initial contact be with the Dealer/Distributor.



## **(ROPS) Roll Over Protective Structures**

### **Roll Over Protective Structures (ROPS)**

TYM Tractors are equipped with a frame for the protection of operators.

In the case of cab tractors the frame is incorporated in the cab structure.

The objective of the frame or cab structure is to protect the operator in the event of a roll over and they are designed to support the entire weight of the tractor in that event.

Each TYM ROPS frame or cab structure is designed and has been tested to meet industry and or Government standards.

Included in these tests were all mounting bases and bolts or other fasteners.

### **DANGER**

**For ROPS frames to be effective and protect the operator, the seat belt provided must be worn in order to keep operators within the ROPS protected area in the event of a roll over. Failure to use the seat belt can still cause serious injury or death.**

On some models the ROPS frame has a fold down feature, which can be used to enter low buildings etc.

Take care when lowering the upper section of the ROPS frame and take extreme care while driving the tractor with the ROPS frame lowered.

Do not wear the seat belt with the ROPS lowered and please remember that the fold down facility is for special circumstances only and must not be lowered for general use.

**Use of the tractor with the ROPS lowered can cause fatal injuries.**

As the ROPS frame or cab together with the seat belt was designed to meet certain standards, they must be maintained in good order and condition.

To achieve this objective, both the structure and the seat belt should be inspected on a regular basis (every time the tractor is serviced)

In the event that the seat belt is damaged or frayed, it should be replaced and in the event that the ROPS frame or any part of the mounting structure is damaged or cracked, the faulty component must be replaced with a new unit.

Such a unit must meet all of the test criteria of the original unit.

Fitment of an inferior item or items affects the certification of the entire ROPS structure and the effectiveness of the structure in the event of an accident.

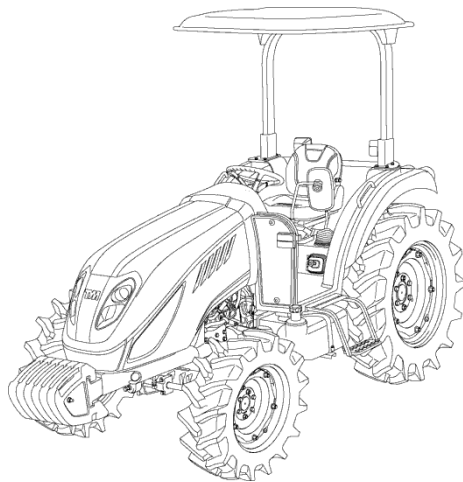
**Drilling or welding of the ROPS structure is forbidden.**

## **Damage of the ROPS**

If the tractor has rolled over or the ROPS has damaged (such as striking an overhead object during transport), It must be replaced to provide the original protection. After an accident, check for damages to the 1.ROPS.2.Seat 3.seat belt & seat mountings. Before you operate a Tractor, replace all damaged parts.



**(CABIN type)**



**(Roll-bar type)**

## **DO NOT WELD, DRILL OR STRAIGHTEN THE ROPS**



Warning

Never attach chains, ropes to the ROPS for pulling purposes; this will cause the Tractor to tip backwards. Always pull from the Tractor drawbar. Be careful when driving through door opening or under low overhead objects. Make sure there is sufficient overhead clearance for the ROPS fatal injuries



Warning

If the ROPS is removed or replaced, make certain that the proper hardware is used to replace the ROPS and the recommended torque values are applied to the attaching bolts



Warning

Always wear your seat belt if the tractor is equipped with ROPS

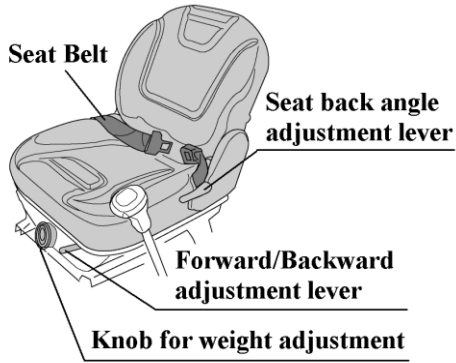



Fig.1


**NOTE:** Do not use solvents to clean the seat. Use warm water with a little detergent added.

Before operating a Tractor it is important to adjust the seat to the most comfortable position & check whether it is properly locked in its position. Figure 1 identifies the seat fitted to your Tractor.

**FOR SLIDING SEAT**

To select Seat position, move Adjusting lever and slide Seat closer to or away from Dash panel and controls.

 Danger	Check whether the seat properly locked in its position before driving the tractor.
---	--

 Danger	Always use the seat belt when the ROPS is installed. Do not use the seat belt if a foldable ROPS is down or there is no ROPS. Check the seat belt regularly and replace if frayed or damaged.
---	---

# SAFETY INSTRUCTIONS

## RECOGNIZE SAFETY INFORMATION

This symbol means **ATTENTION! YOUR SAFETY IS INVOLVED.** The message that follows the symbol contains important information about safety. Carefully read the message



## SIGNAL WORDS.

A signal word—**DANGER, WARNING OR CAUTION**—is used with safety alert symbol. **DANGER** identifies the most serious hazards. Safety signs with signal Word —**DANGER OR WARNING**—are typically near specific hazards. General precautions are listed on **CAUTION** safety signs.



**DANGER**



**WARNING**



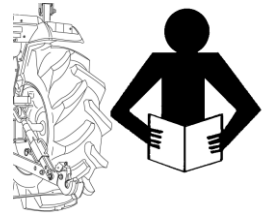
**CAUTION**

## READ SAFETY INSTRUCTION

Carefully read all safety instructions given in this manual for your safety. Tempering with any of the safety devices can cause serious injuries or death. Keep all safety signs in good condition.

Replace missing or damaged safety signs.

Keep your tractor in proper condition and do not allow any unauthorized modifications to be carried out on the Tractor, which may impair the function/safety and affect Tractor life.



## PROTECTION CHILDREN

Keep children and others away from the Tractor while operating.

### BEFORE YOU REVERSE

- Look behind Tractor for children.
- Do not let children to ride on Tractor or any implement.



## USE OF ROPS AND SEAT BELT

The Roll Over Protective Structure (ROPS) has been certified to industry and/or government standards. Any damage or alteration to the ROPS, mounting hardware, or seat belt voids the certification and will reduce or eliminate protection for the operator in the event of a roll-over. The ROPS, mounting hardware, and seat belt should be checked after the first 100 hours of Tractor and every 500 hours thereafter for any evidence of damage, wear or cracks. In the event of damage or alteration, the ROPS must be replaced prior to further operation of the Tractor.

The seat belt must be worn during machine operation when the machine is equipped with a certified ROPS.

Failure to do so will reduce or eliminate protection for the operator in the event of a roll over.



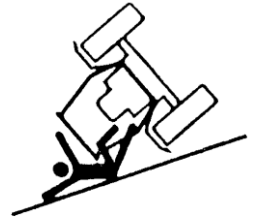
## PRECAUTION TO AVOID TIPPING

Do not drive where the Tractor could slip or tip.

Stay alert for holes and rocks in the terrain, and other hidden hazards.

Slow down before you make a sharp turn.

Driving forward out of a ditch or mired condition could cause Tractor to tip over backward. Back out of these situations if possible



## PARK TRACTOR SAFELY

Before working on the Tractor ;

Lower all equipment to the ground.

Stop the engine and remove the key



## KEEP RIDERS OFF TRACTOR

Do not allow riders on the Tractor.

Riders on Tractor are subject to injury such as being stuck by foreign objects and being thrown off of the Tractor



### **HANDLE FUEL SAFELY-AVOID FIRES**

Handle fuel with care; it is highly flammable. Do not refuel the Tractor while smoking or near open flame or sparks.  
Always stop engine before refueling Tractors.  
Always keep your tractor clean of accumulated grease, and debris.  
Always clean up spilled fuel.



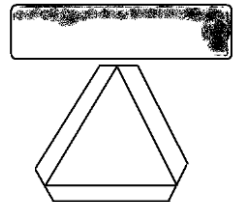
### **STAY CLEAR OF ROTATING SHAFTS**

Entanglement in rotating shaft can cause serious injury or death.  
Keep PTO shield in place at all times.  
Wear close fitting clothing. Stop the engine and be sure PTO drive is stopped before making adjustments, connections, or cleaning out PTO driven equipment.



### **ALWAYS USE SAFETY LIGHTS AND DEVICES**

Use of hazard warning lights and turn signals are recommended when towing equipment on public roads unless prohibited by state or local regulations.  
Use slow moving vehicle (SMV) sign when driving on public road during both day & night time, unless prohibited by law



### **PRACTICE SAFE MAINTENANCE**

Understand service procedure before doing work.  
Keep the surrounding area of the Tractor clean and dry.  
Do not attempt to service Tractor when it is in motion.  
Keep body and clothing away from rotating shafts.  
Always lower equipment to the ground. Stop the engine.  
Remove the key. Allow Tractor to cool before any work repair is caused on it.  
Securely support any Tractor elements that must be raised for service work.  
Keep all parts in good condition and properly installed.  
Replace worn or broken parts. Replace damage/missing decals.  
Remove any buildup of grease or oil from the Tractor.  
Disconnect battery ground cable(-) before making adjustments on electrical systems or welding on Tractor



### **AVOID HIGH-PRESSURE FLUIDS**

Escaping fluid under pressure can penetrate the skin causing serious injury. Keep hands and body away from pinholes and nozzles, which eject fluids under high pressure. If ANY fluid is injected into the skin. Consult your doctor immediately.



### **PREVENT BATTERY EXPLOSIONS**

Keep sparks, lighted matches, and open flame away from the top of battery. Battery gas can explode.  
Never check battery charge by placing a metal object across the poles.



### **PREVENT ACID BURNS**

Sulfuric acid in battery electrolyte is poisonous. It is strong enough to burn skin, cause holes in clothing and cause blindness if found entry into eyes.

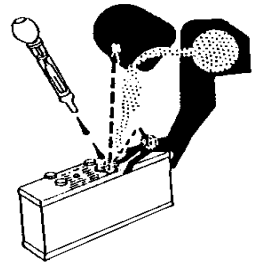
For adequate safety always;

- 1.Fill batteries in a well-ventilated area.
- 2.Wear eye protection and acid proof hand gloves
3. Avoid breathing direct fumes when electrolyte is added.
4. Do not add water to electrolyte as it may splash off causing severe burns.

If you spill acid on yourself;

- 1.Flush your skin with water.
- 2.Flush your eyes with water for 10-15 minutes.

Get medical attention immediately.



### **SERVICE TRACTOR SAFELY**

Do not wear a necktie, scarf or loose clothing when you work near moving parts. If these items were to get caught, severe injury could result.  
Remove rings and other jeweler to prevent electrical shorts and entanglement in moving parts.



### **WORK IN VENTILATED AREA**

Do not start the Tractor in an enclosed building unless the doors & windows are open for proper ventilation, as tractor fumes can cause sickness or death. If it is necessary to run an engine in an enclosed area remove the exhaust fumes by connecting exhaust pipe extension.



### **TRACTOR RUNAWAY**

1. The tractor can start even if the transmission is engaged position causing Tractor to runaway and serious injury to the people standing nearby the tractor.
2. For additional safety keep the pull to stop knob (fuel shut off control) in fully pulled out position. Transmission in neutral position, Foot brake engaged and PTO lever in disengaged position while attending to Safety Starter Switch or any other work on Tractor.

### **SAFETY STARTER SWITCH**

1. Clutch operated safety switch is provided on all Tractors which allow the starting system to become operational only when the Clutch pedal is fully pressed.
2. Do not By-pass this safety starter switch or work on it. Only Authorized Dealers are recommended to work on safety starter switch.
3. On some models Safety Starter switch is provided on transmission High-low shifter lever and in PTO shifter lever. The tractor can be started only if High-low shifter lever is in neutral position.



Caution

Safety Starter Switch is to be replaced after every 2000 hours/4 years, whichever is earlier



## SAFE OPERATION OF YOUR TRACTOR

The manufacturer of your tractor has made every effort to make it as safe as is humanly possible.

Beyond this point it is the responsibility of the operator to avoid accidents and we ask that you read and implement our suggestions for your safety.

**Ensure that only trained and competent operators use this tractor and ensure that they are fully conversant with the machine and aware of all it's control and safety features.**

Operators should not operate the tractor or associated machinery while tired or untrained.

To avoid accidents please ensure that the operator wears clothing which will not get entangled in the moving parts of the tractor or machine and protect him or her from the elements.

When spraying or using chemicals, please ensure that clothing and protective equipment is worn which prevents respiratory or skin problems.

For full details consult the manufacturer of the chemicals.

To avoid lengthy exposure to noise ensure that ear protection is worn.

If adjustment to the tractor or machinery need to be made ensure the tractor or machine are turned off beforehand.

Use of certified Roll Over Protection Structure (ROPS) is a must while operating a tractor.

Use of seat belt is a must while operating a tractor.

In summary, ensure at all times that the safety of the operator and any other worker is paramount.

## **SAFETY TIPS DURING MAINTENANCE**

1. At least on a daily basis check all oil levels. Water level in the radiator and electrolyte level in the battery and perform services according to the service schedule.
2. Ensure tire pressure are even and the correct pressure for the job being done is maintained.
3. Check to ensure that the all controls and preventative mechanisms of the Tractor and implement work correctly and effectively.
4. Ensure that an adequate set of the correct tools is available for maintenance and minor repairs.
5. Ensure that all service work and repairs are carried out on a flat area with a concrete or similar floor.

Do not carry out service work on a tractor until it is switched off, and the parking brake applied and wheels chocked.

Where a tractor is started in a confined area, ensure that the area is well ventilated as exhaust gases are very harmful, and can cause death.

6. Do not work under raised implements.
7. When changing wheels or tires ensure that a suitable wheel stand is placed under the axle prior to removing the wheel and the wheels are chocked.
8. Where guards or shields need to be removed to perform a service or repair, ensure that the guard or shield is correctly reinstalled before starting the Tractor.
9. Never refuel near an open flame or with an overheated engine. Ensure to turn off Engine before refueling.
10. The cooling system operates under pressure, take care when removing the Radiator cap on a hot engine to prevent being scalded by steam or hot water. Do not add water in the radiator when the engine is hot. Add water to the radiator only after the engine cools down completely.
11. To prevent fires keep the tractor including the engine clean and free from inflammable material and well away from fuels and other inflammable material.

## ► MOUNTING AND DEMOUNTING IMPLEMENTS

- (1) Ensure that all mounting and removal of implements is done on safe flat ground. Ensure no one is between the Tractor and implement and do not get under the implement to avoid accidental injuries.
- (2) After mounting the implement, ensure that all sway chains are correctly adjusted and, where PTO shafts are used that the shaft is fitted and secured correctly.
- (3) Where heavy implements are used, ensure that the combination is well balanced or use proper ballast to achieve balance.
- (4) Before leaving the tractor at any time, lower the implement, stop the PTO shaft where applicable, set the parking brake and switch off the engine.
- (5) While operating the implements with the PTO keep all bystanders away from any moving parts and do not attempt to make adjustments while the machine is running.
- (6) Only the driver should ride on the Tractor with the ROPS frame fitted and with the seat belt properly fastened.
- (7) Where young children are present, particular care should be taken and the tractor should not be moved until the whereabouts of all children is known.
- (8) Only trained operators should operate the Tractor and so taking care to ensure that other workers are not injured. In particular they should take care during dusty operations, which will reduce visibility substantially.
- (9) Never start the tractor unless the transmission is out of gear, the operator is in the seat and all round safety has been checked.
- (10) Only operate the tractor seated in the drivers seat and never turn or brake suddenly at high speed as this can cause a roll-over and serious injury or death.
- (11) When traveling on a public road ensure that the tractor and driver both meet all laws relating to safety and licensing. When traveling with wide implements use red flags on the extremities and observe all legal including escort requirements.
- (12) When operating under adverse conditions, hilly terrain or on bad ground adjust the speed of the tractor to suit the conditions, safety comes first. Never drive down hill at high speed or with the transmission in neutral. Use of the braking capacity of the engine as well as the service brakes. Do not try to change gear going up or down a steep slope, select the correct gear before starting.
- (13) Take care when traveling uphill with a heavy implement to ensure that it does not overbalance and tip up the front end.
- (14) Never remove or modify the seat belt.
- (15) Never remove, modify or repair the ROPS frame.

**PLEASE REMEMBER THAT A LITTLE BIT OF EXTRA CARE CAN PREVENT SERIOUS INJURY OR TEATH AND AVOID DAMAGE TO YOUR TRACTOR.**

## The following precautions are suggested to help prevent accidents.

A careful operator is the best operator.

Most accidents can be avoided by observing certain precautions.

Read and take the following precautions before operating the Tractor to prevent accidents.

Tractor should be operated only by those who are responsible and properly trained to do so.

### ■ **The Tractor**

1. Read the operator's manual carefully before using the tractor.

Lack of operating knowledge can lead to accidents.

2. Use an approved rollover bar and seat belt for safe operation.

Overturning of a tractor without a rollover bar can result in death or injury.

**3. Do not remove ROPS (Roll Over Protective Structure).** Always use the seat belt.

4. Fiberglass canopy does not give any protection.

5. To prevent falls, keep steps and platform clear of mud and oil.

6. Do not permit anyone but the operator to ride on the Tractor.

There is no safety place for extra riders.

7. Replace all missing, illegible or damaged safety signs.

**8. Keep safety signs clean of dirt and grease**

### ■ **Servicing the Tractor**

1. keep the tractor in good operating condition for your safety.

An improperly maintained Tractor can be hazardous.

2. Stop the engine before performing any service on the tractor.

3. The cooling system operates under pressure, which is controlled by the radiator cap.

**It is dangerous to remove the cap while the system is hot.**

First turn the cap slowly to stop and allow the pressure to escape before removing the cap entirely.

**4. Do not smoke while the refueling the tractor. Keep away any type of open flame.**

5. The fuel in the injection system is under high pressure and can penetrate the skin.

Unqualified persons should not remove or attempt to adjust a pump, injector, nozzle or any part of the fuel injection system.

Failure to follow these instructions can result in serious injury.

**6. Keep open flame away from battery or cold weather starting aids to prevent fire or explosions.**

**7. Do not modify or alter or permit anyone else to modify or alter this tractor or any of its components or any tractor functions**

## ■ Operating the tractor

1. Before starting the tractor apply the parking brake, place the PTO (Power Take Off) lever in the “OFF” position, the hydraulic control levers in the downward position, the remote control valve levers in the neutral position( if fitted) and the transmission in neutral.
2. Do not start the engine or controls while standing besides the tractor.  
Always sit on the tractor seat when the engine or operating controls.
3. Safety starter switch.  
**In order to prevent the accidental starting of the tractor, a safety switch has been provided.**  
The starting system of the tractor is connected through this switch, which becomes operative only when the clutch pedal is depressed.  
On some models shuttle shifter lever and PTO button should also be in neutral position for completing the starting circuit.  
**Do not bypass the safety starter switch.**  
Consult your TYM Tractor Dealer/Distributor if safety- starting switch malfunctions.
4. Avoid accidental contact with the gear shifter lever while the engine is running.  
Unexpected Tractor movement can result from such contact.
5. Do not get off or climb the tractor while it is in motion.
6. Shut off the engine, remove the key and apply the parking brake before getting off the tractor.
7. Do not operate the tractor in an enclosed building without adequate ventilation.  
Exhaust fumes can cause death.
8. Do not park the tractor on a steep slope.
9. **If power steering or Engine seizes to operate, stop the tractor immediately.**
10. Pull only from the swinging draw bar or the lower link drawbar in the down position.  
Use only a drawbar pin that locks in place.  
Pulling from the tractor rear axle carriers or any point above the rear axle may cause the Tractor’s front end to lift.
11. If the front end of the tractor tends to rise when heavy implements are attached to the three-point linkage, install front end or front wheel weights.  
Do not operate the tractor with a light front end.
12. Always use hydraulic position control lever when attaching equipments/implement and when transporting equipment.  
Be sure that the hydraulic couplers are properly mounted and will disconnect safely in case of accidental detachment of implement.
13. Do not leave equipment/implement in the raised position.
14. Use the flasher/ Turn signal lights and Slow Moving Vehicle (SMV) signs when driving on public roads during both day and night time, unless prohibited by law.
15. Dim tractor lights when meeting a vehicle at night.  
Be sure the lights are adjusted to prevent the blinding on the eyes of coming vehicle operator.
16. Emergency stopping instruction; If tractor fails to stop even after application of brakes, Pull the knob of fuel shut off control rod.

### ■ Driving the tractor

1. Watch where you are going especially at row ends, on roads, around trees and low hanging obstacles.
2. To avoid upsets, drive the tractor with care and at speeds compatible with safety, especially when operating over rough ground, crossing ditches or slopes, and when turning at corners.
3. Lock the tractor brake pedals together when transporting on roads to provide proper wheel braking.
4. Keep the tractor in the same gear when going downhill as used when going uphill.  
Do not coast or free wheel down hills.
5. Any towed vehicle and/or trailer whose total weight exceeds that of the towing Tractor, must be equipped with its own brakes for safe operation.
6. When the tractor is stuck or tires are frozen to the ground, back out to prevent upset.
7. Always check overhead clearance, especially when transporting the tractor.

### ■ Operating the PTO (Power Take Off)

1. When operating PTO driven equipment, shut off the engine and wait until the PTO stops before getting off the tractor and disconnecting the equipment.
2. Do not wear loose clothing when operating the power take-off or near rotating equipment.
3. When operating stationery PTO driven equipment, always apply the tractor parking brake and block the rear wheels from front and rear side.
4. To avoid injury, always move down flip part of PTO. Do not clean, adjust or service PTO driven equipment when the tractor engine is running.
5. Make sure the PTO master shield is installed at all times and always replace the PTO shield cap When the PTO is not in use.

### ■ Diesel fuel

1. Keep the equipment clean and properly maintained.
2. Under no circumstances should gasoline, alcohol or blended fuels be added to diesel fire or explosive hazard. Such blends are more explosive than pure gasoline.  
In a closed container, such as a fuel tank. **DO NOT USE THESE BLENDS.**
3. Never remove the fuel cap or refuel the tractor with the engine running.
4. Do not smoke while refueling or when standing near fuel.
5. Maintain control of the fuel filler pipe when filling the tank.
6. Do not fill the fuel tank to capacity. Allow room for expansion.
7. Wipe up spilled fuel immediately.
8. Always tighten the fuel cap securely.
9. If the original fuel tank cap is lost, replace it with genuine cap.  
A none approved cap may not be safe.
10. Do not drive equipment near open fire.
11. Never use fuel for cleaning purpose.
12. Arrange fuel purchases so that winter grade fuel are not held over and used in the spring.

**N.B: It is suggested that after repairs if any of the Safety Decal/sign is peeled/defaced, the same may be replaced immediately in interest of your safety.**

## DO'S AND DON'T'S

### DO'S-For Better performance

- DO**-Ensure that safety shields are in place and in good condition.
- DO**-Read all operating instructions before commencing to operate Tractor.
- DO**-Carry out all maintenance tasks without fail.
- DO**-Keep the air cleaner clean.
- DO** -Ensure that the correct grade of lubricating oils is used and that they are replenished and changed at the recommended intervals.
- DO**-Fit new sealing rings when the filter elements are changed.
- DO**-Watch the oil pressure gauge or warning light and investigate any abnormality immediately.
- DO**-Keep the radiator filled with clean water and in cold weather use anti-freeze mixture. Drain the system only in an emergency and fill before starting the engine.
- DO**-Ensure that the transmission is in neutral before starting the engine.
- DO**-Keep all fuel in clean storage and use a filter when filling the tank.
- DO**-Attend to minor adjustments and repairs as soon as necessity is apparent.
- DO**-Allow the engine to cool before removing the radiator filler cap and adding water, remove the radiator cap slowly.
- DO**-Shift into low gear when driving down steep hills.
- DO**-Latch the brake pedals together when driving on a highway.
- DO**-Keep draft control lever fully down when not in use.



### Don'ts-For safe operation

- DON'T**-Run the engine with the air cleaner disconnected.
- DON'T**-Start the tractor in an enclosed building unless the doors and windows are open for proper ventilation.
- DON'T**-Operate the tractor or engine while lubricating or cleaning.
- DON'T**-Allow the tractor to run out of diesel fuel otherwise it will be necessary to vent the system.
- DON'T**-Temper the fuel injection pump, If seal is broken the warranty becomes void.
- DON'T**-Allow the engine to run idle for a long period.
- DON'T**-Run the engine if it is not firing on all cylinders.
- DON'T**-Ride the brake or clutch pedal. This will result in excessive wear of the brake lining, clutch driven member and clutch release bearing.

**DON'T**-Use the independent brakes for making turns on the highway or at high speeds.

**DON'T**-Refuel the tractor with the engine running.

**DON'T**-Mount or dismount from the right side of the tractor.

**DON'T**-Temper the hydraulic control levers' upper limit stops.

**DON'T**-Use draft control lever for lifting of implements.

**DON'T**-Start the engine with the PTO engaged.

**DON'T**-Use the governor Control Lever (Hand throttle) while driving on roads.

**DON'T**-Move the hydraulic levers rearward.



## SAFETY SIGNS

(Replace all missing, damaged or illegible signs)

### GENERAL SAFETY INFORMATION

**IMPORTANT:** This “General safety Information” should be kept with the machine at all times as reference data.



This symbol means **ATTENTION! YOUR SAFETY IS INVOLVED.**

The message that follows the symbol contains important information about safety. Follow recommended precautions and safe operating practice.

### DECALS ON THE DASH COVER



Part No.:1260-904-062-0



Part No.:1200-910-002-0



Part No.:1200-910-008-0



Part No.:1200-910-021-0



Part No.: 1200-910-007-0

# DECALS ON THE CABIN

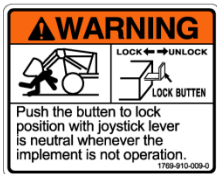
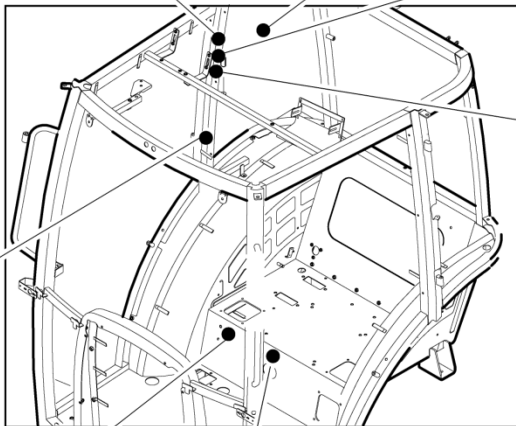
Part No.:1200-910-023-0



Part No.:1200-910-003-0



Part No.:1200-910-011-0



Part No.:1769-910-009-0



Part No.:1200-910-019-0



Part No.:1200-910-006-0



Part No.:1200-910-004-0

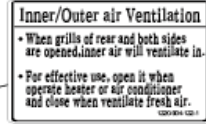
**DECALS ON THE CABIN**

Part No.:1220-904-122-1

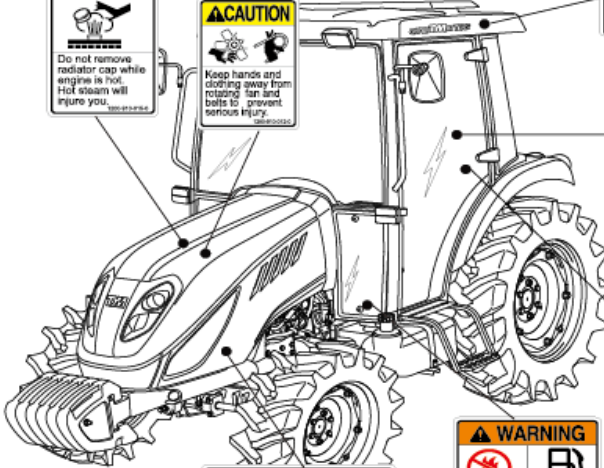
Part No.:1200-910-015-0



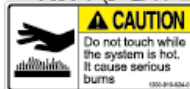
Part No.:1200-910-012-0



Part No.:1200-910-001-0



Part No.:1200-910-016-0



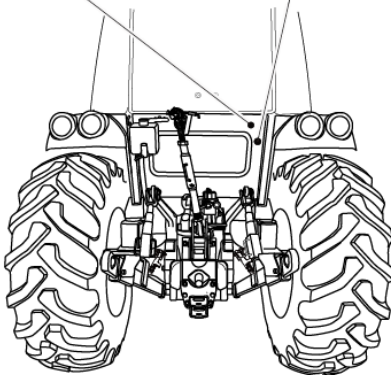
Part No.:1200-910-024-0

Part No.:1200-910-005-0

Part No.:1200-910-011-0




























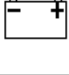




Part No.:1200-910-013-0

Part No.:1769-910-009-0



## UNIVERSAL SYMBOLS

Some of the universal symbols have been shown below with an indication of their meaning

 Engine speed rev/min(X100)	 Pressured- open slowly	 Corrosive substance
 Hours, recorded	 Continuous variable	 "Tortoise" Slow or minimum Setting
 Engine coolant temperature	 Warning	 "Hare" fast or maximum setting
 Fuel level	 Hazard warning	 Transmission oil pressure
 Engine Stop control	 Neutral	 Turn signal
 Lights	 Fan	 Transmission oil temperature
 Horn	 Power take off engaged	 Parking brake
 Engine oil pressure	 Power take off disengaged	 Work lamps
 Air filter	 Lift arm/raise	 Differential lock
 Battery charge	 Lift arm/lower	 See operator's manual
<b>Regen Request Lamp</b>	 <b>RegenDisable Lamp</b>	 <b>Exhaust Temp Lamp</b>

# Controls, Instruments And Operations

The following pages in this section detail the location and function of various instruments, switches and controls on your Tractor.

Even if you operate other Tractors, you should read through this section of the manual and ensure that you are thoroughly familiar with the location and function of all the features of your New Tractor.

Do not start the engine or attempt to drive or operate the Tractor until you are fully accustomed to all the controls.

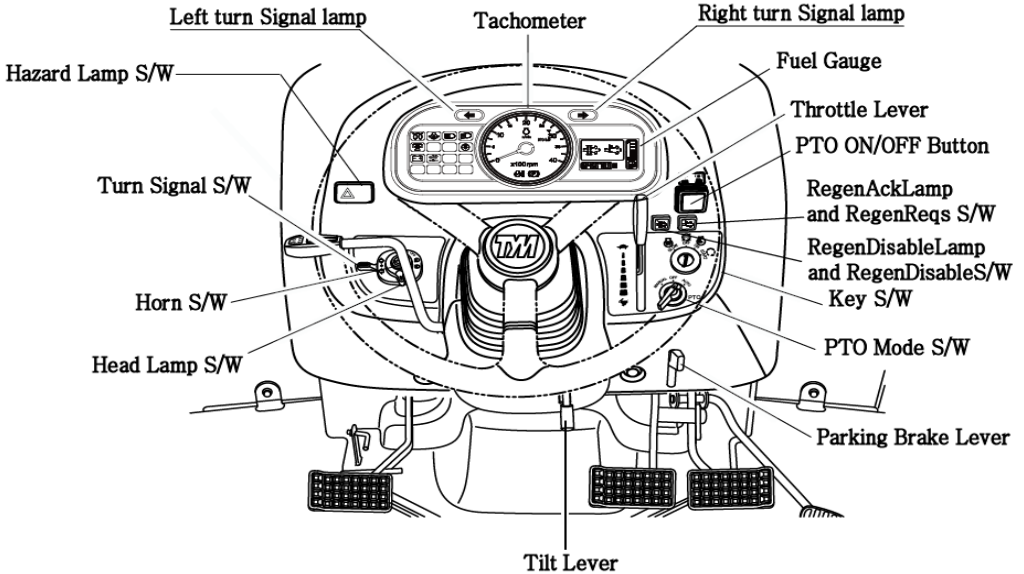
It is too late to learn once the Tractor is moving.

If in doubt about any aspect of the operation of the tractor consult your TYM Tractor Dealer/Distributor.

Particular attention should be paid to the recommendations for running-in to ensure that your tractor will give long life and dependable service for which it was intended.

# DESCRIPTION OF TRACTOR CONTROLS

## INSTRUMENT AND SWITCHES



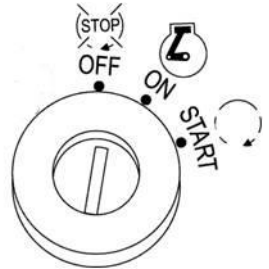
### ► MAIN SWITCH (KEY SWITCH)

[OFF] - The key can be inserted or removed

[ON] - The electric circuit is on & preheat function

[START] - The starter motor is engaged.

When the key is released it will return to the ON position



### ► HEAD LAMP, TURN SIGNAL SWITCH AND HORN

#### ■ HEAD LAMP SWITCH

High and low beam are operated On the main switch

Position ①. Low beam

Position ②. High beam

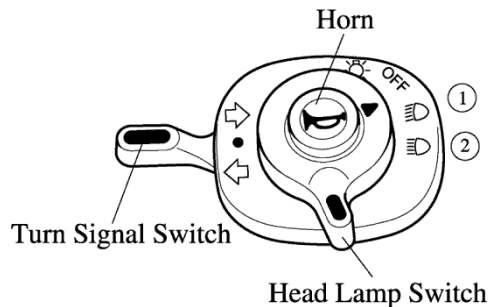
#### ■ TURN SIGNAL SWITCH

Pull the turn signal lever down to signal a left turn.

Push the turn signal lever up to signal a right turn.

#### ■ HORN

Push the Red button.



### ► HOUR METER

The hour meter consists of five digits where the last digit indicates 1/10th of an hour



### ► TACHOMETER

This meter shows the revolutions of the engine and the PTO shafts as well as the travel speed in top gear.



### ► WATER TEMPERATURE WARNING LAMP

This comes on when the coolant temperature is over 110 degrees.



### ► FUEL GAUGE

Shows the amount of fuel in the tank when the ignition switch is ON.

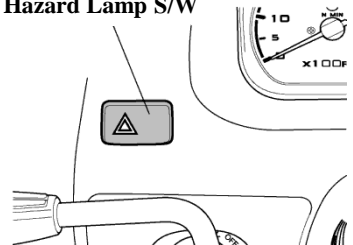


### ► HAZARD LAMP SWITCH

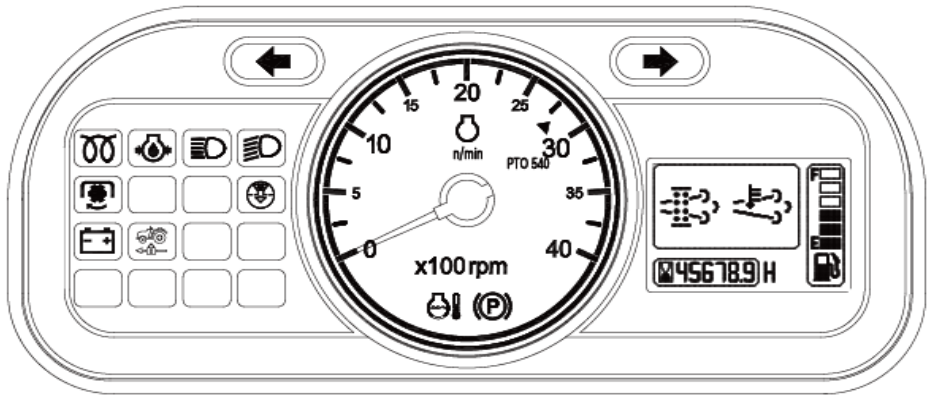
Push the hazard warning signal once to operate the hazard warning light. (Left and right turn indicators flash).

Push the hazard warning light switch again to switch off the hazard warning lights.

### Hazard Lamp S/W



## ► PANEL INSTRUMENT LAMP



High beam lamp is operated on the combination switch.



Low beam lamp is operated on the combination switch



Parking brake is operated when footbrake is engaged.



### **PTO monitor Lamp**

Shows the revolution of PTO. Refer to monitor lamp on Page 40



### **Fuel Level**

If it comes on while the engine is running, Fill the tank with fuel.



### **Oil pressure lamp**

Will go out as soon as the engine starts if the oil pressure is correct.

If it comes on while the engine is running, stop the engine and get expert advice.



### **Charge lamp**

This light will go off as soon as the engine starts to run to indicate that the alternator is changing.

(Please note, as broken fan belt can cause the light to come on, please stop the engine as overheating can occur if not rectified immediately)



Glow signal Lamp indicates preheating





### **Air cleaner filter contamination indicator**

This comes on when the air cleaner is clogged by foreign materials.

When this comes on, open the cover and clean the inside of the cleaner. Also, blow air through the filter in the direction of intake air to clean it or replace the filter with a new one.



### **Regen Request Lamp**

See 43Page.



### **Exhaust Temp Lamp**

This lamp is illuminated when the DPF temperature is over 400 degrees.

■ **THE PTO MONITOR LAMP** on the dash panel indicates the state of the PTO shaft.

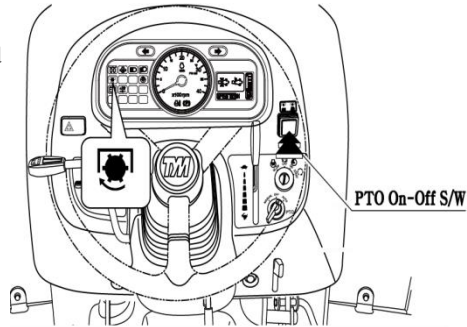
1. If the monitor glows: The PTO is rotating
2. If the monitor is off: The PTO is off
3. If the monitor blinks: The PTO is presently stationary but will instantly start rotating of the clutch pedal is released or the implements lowered.



**PTO monitor Lamp**

Two switches operate the independent PTO.

**1. PTO ON/OFF SWITCH:** PTO ON/OFF switch is located on the LHS. on the steering column and can be identified easily with its built in red colored indicator. When the switch is pushed down to start the PTO indicator glows to indicate that the switch and the PTO are in ON position, If the switch is pushed down again the indicator goes off signaling that the PTO is OFF.



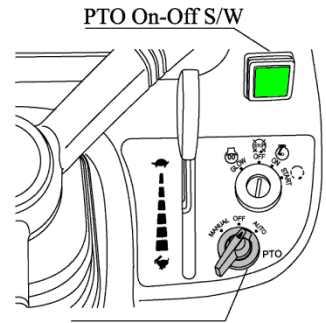
**PTO ON, Off switch**

**2. PTO CONTROL SWITCH:** This switch is located near the starting key location on the dash panel. There are three positions marked for this switch.

- **OFF** at the center
- **MANUAL** at the left
- **AUTO AT THE RIGHT.**

**The PTO shaft will not rotate if either of the two switches is in OFF position.**

The following table explains how the PTO operates at the two different (Manual & Auto) positions of the PTO control switch with the PTO ON/OFF switch in the on position.



**PTO Mode S/W**

**PTO Control Switch**

PTO ON/OFF Switch	PTO Control Switch	Clutch Pedal	Hydraulic Position Control Lever.	PTO Monitor Lamp on the dash panel	PTO SHAFT
On	Manual Mode	Either pressed or released	Either raised or lowered	Glow	Rotates
On	Auto Mode	Pressed	Either raised or lowered	Blinks	Stationary
On	Auto Mode	Either pressed or released	Raised	Blinks	Stationary
On	Auto Mode	Released	Lowered	Glow	Rotates

- From the table above we learn about the safety features of the PTO.

When the monitor on the dash panel is blinking it indicates to the operator that the PTO is in the on position but temporarily not rotating either because the clutch pedal is pressed or the implement is lifted off the ground or both.

The PTO will start rotating instantaneously when either the clutch pedal is released and/or the implement is lowered to the ground.

- The operator must use this blinking signal to clear the area around the tractor off bystanders/onlookers as the rotating blades of certain implements can accidentally cause injuries to the persons standing near the tractor.
- The stopping of the PTO when the implement is lifted off the ground with the position control prevents the damage to the implement or the PTO shaft.



**Warning**

1. When the PTO control switch is in manual position the PTO does not stop rotating even if the clutch pedal is pressed. If working on hard soils, pavements with a rotary implement the PTO ON/OFF switch must be put to the OFF position to stop the PTO from rotating. If this is not done the rotating blades of the implement will push on the hard ground below and in turn push the tractor toward causing accident which can lead to serious injuries or death.

- Extra precaution must be taken to clear the area of bystanders/onlookers when using PTO driven implements. The rotating blades of the implements can cause serious injuries on contact. The warning that is indicated by the blinking PTO monitor is to make the operator aware that the PTO is in on position and will instantly start rotating if the clutch pedal is released or implement is lowered or both.
- In no case the specified rotating speeds indicated by the implement manufacturer be crossed as the same can lead to serious damage to the tractor/equipment and can lead to serious injuries to persons around.

## ■ Regeneration operation and cautions

### ▶ Lamp functions



RegenReqLamp ExhaustTempLamp

Engine Warning Lamp

RegenAck Lamp

RegenDisable Lamp

& RegenReqSW

& RegenDisableSW

### ▶ Automatic regeneration

The regeneration process is automatically being performed when the exhaust temperature lamp comes on during work.

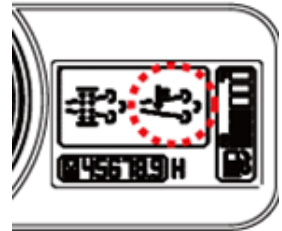
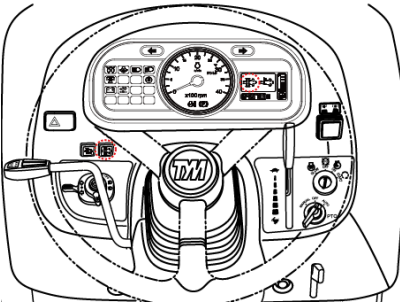
### ▶ Disable switch

Press this switch to stop automatic regeneration.



Run the system in a well-ventilated area to secure your safety. If running the system in a poorly-ventilated area, such as greenhouses, it can lead to gas poisoning.

▶ It is necessary to activate the regeneration function manually if the engine warning lamp and regeneration request lamp are illuminated during work.



+



+



Engine Warning Lamp

RegenReqLamp

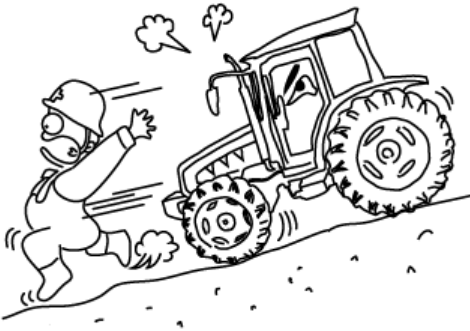
ACK Lamp

1. Stop working and park the vehicle on level ground or in a safe place.



Caution

Never move the vehicle to another place during regeneration process. Sudden movement can result in an accident.



2. Before starting regeneration, apply the parking brake and idle the engine.

Then, the ACK lamp blinks. However, the regeneration process is not performed if the regeneration activation conditions are not satisfied.

3. Press and hold the ACK button for 3 seconds and release it.

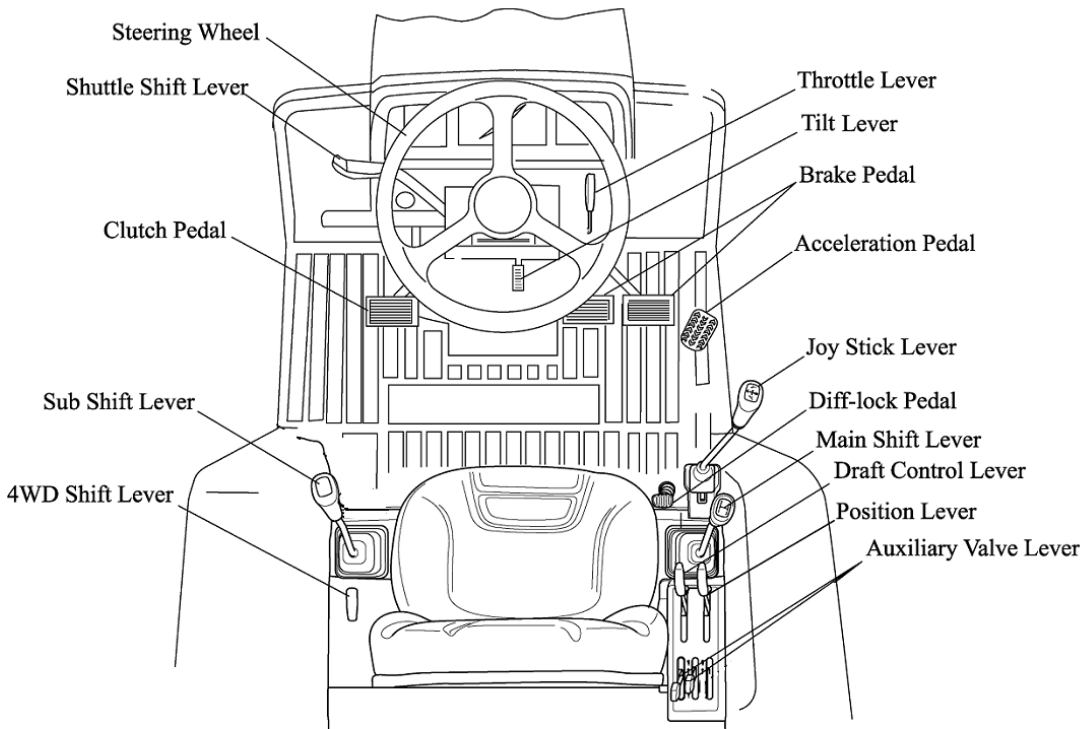
Then, the ACK lamp and exhaust temperature lamp are illuminated and the engine speed is increased up to 2200 RPM to perform the regeneration process for approx. 30 minutes.



**ExhaustTempLamp    ACK Lamp**

4. As soon as the regeneration process is completed, all the lamps are turned off.

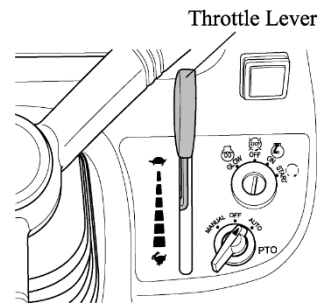
## TRACTOR CONTROLS



### ► **THROTTLE LEVER (HAND THROTTLE)**

Pulling the hand throttle towards the driver increase revolutions.

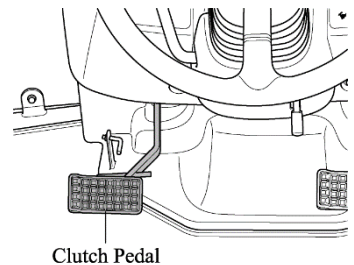
Pushing it away from the driver decreases revolution.



### ► **CLUTCH PEDAL**

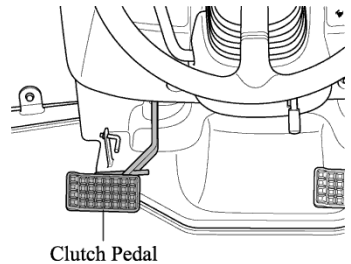
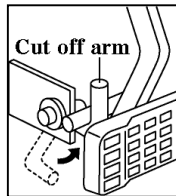
When the clutch pedal is pressed on models with mechanical transmissions, drive is disengaged and the gear range and forward or reverse travel can be selected.


When moving off, smoothly release the pedal to set the tractor moving.



### ► CLUTCH CUT-OFF ARM


For long term storage of the Tractor it is possible to latch the clutch in the disengaged position. Push the clutch down and engage the latch to hold it there.



 warning	Do not attempt to start engine when this arm is being used.
---	---

### ► BRAKE PEDAL

Right and left brake pedals are provided to assist in turning the tractor in the field.

 Caution	A connecting latch is provided to connect the right and left brake pedals for high speed or road use. In the interest of safety always use it on the road or at high speed as using one side only can cause rollovers. When servicing the tractor ensure that the adjustment on both sides is the same.
---	---

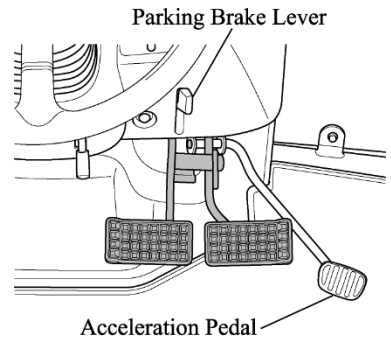
### ► FOOT OPERATED ACCELERATOR

This pedal can override a fixed hand throttle setting

### ► PARKING BRAKE LEVER

Connect the brake pedals, push them down while pulling the park brake up to engage.

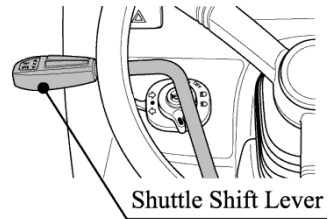
Press the parking brake pedal and push the Brake pedal to release.



## ► SHUTTLE SHIFT LEVER

This control allows shifting from forward to reverse & reverse to forward. When stationary set the lever to N for neutral

- ① Push the lever away from the driver engages forward.
- ② Pulling the lever towards the driver engages reverse.



important

1. Press clutch pedal fully before operating shuttle shift lever.
2. When changing from forward to reverse or back to forward again while in high range make sure the tractor comes to a stop before changing direction. Failure to do so is likely to result in damage to the mechanism and place the driver at risk of injury.



Caution

- Operate the shuttle shift only while seated on the tractor.
- Do not use the shuttle shift lever to start the tractor for towing or traveling uphill, use the clutch instead.
- Always stop the tractor before getting off.

## ► MAIN GEAR LEVER

This lever can be shifted by using the clutch, both when the tractor is stationary or mobile.

It is located on the RHS of the driver seat.

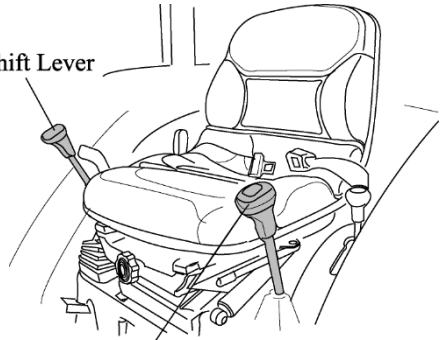
## ► SUB GEAR LEVER (LINEAR SHIFT LEVER)

Operate the sub gear lever using clutch to select the appropriate speed for different applications.

It is located on the LHS of driver seat.



Main Shift Lever



Sub-Shift Lever

Main gear lever

Sub gear lever (Linear shift lever)



important

Avoid damage!

Select the proper speed range and gear for the job.

- The machine maybe operated in any gear with engine speeds at 950-2600 rpm. Within these limits, the engine can be placed under varying load operations.
- Never overload engine by lugging machine at low idle speeds.
- Raise engine speed the match expected loads. If a slight increase engine rpm occurs simultaneously with moving hand throttle lever forward, the engine is not overloaded.



► The Main shift lever provides four speed ranges. The Sub shift lever provides four gear positions. The Shuttle shift lever controls travel direction.

Use all three levers in different combinations to achieve Sixteen forward and Sixteen reverse speeds. Machine motion must stop and the clutch pedal must be depressed before changing ranges. Gear may be changed while machine is in motion if clutch pedal is completely depressed.



important

Do not operate gear levers without stopping the tractor & without using the clutch.

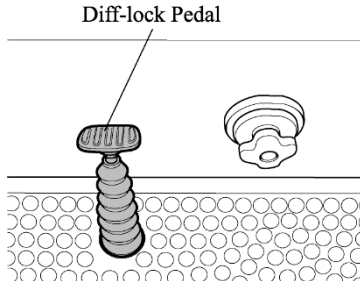
### ► TO AVOID PERSONAL INJURY:

- When you leave the tractor, be sure to apply the parking brake and stop the engine
- In applying the brakes:
  - The torque of wheel axle is extremely high while creep speed is being used. Be sure to step down on the clutch pedal completely before applying the brakes, or they will not work.
  - When starting to operate the tractor, be sure to release the parking brakes. Misuse of the brakes may cause damage to the transmission and is therefore not acceptable to TYM for coverage under the warranty.

### ► DIFF-LOCK PEDAL

In case of wheel slippage use the diff-lock by pushing down on the diff lock pedal.

To release it remove the foot from the pedal.



Danger

Tractor will be difficult to turn if the Diff-lock is engaged, ensure the lock is disengaged before turning the steering wheel.



important

Do not use high engine RPM when engaging Diff lock. If the diff lock does not release after removing the foot from the diff lock pedal, alternatively brake with the left and right brake until it gets released.



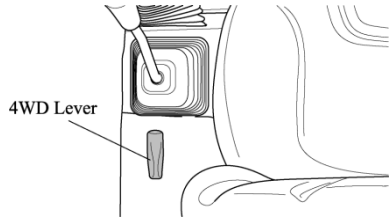
Caution

Never use the diff lock at high speed or on the road as this can cause roll over and injury.

### ► FRONT WHEEL DRIVE LEVER

In the ON position the front wheels are engaged and in the OFF position they are disengaged.

Engage & disengage the front wheel drive with the front wheels in the straight position and at low Engine RPM.



4WD Lever



important

Do not use front wheel drive at high speed or on the road as premature wear of components will result.



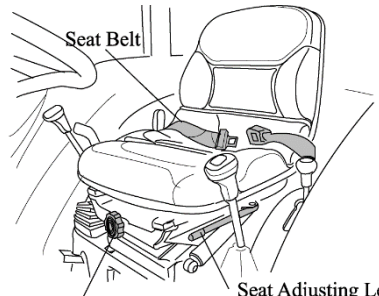
important

Always use the clutch when using the front wheel drive lever.

Use of front wheel drive improves traction performance.

### ► DRIVER'S SEAT

To adjust the seat backwards and forwards lift the lever at the front of the seat and set it to the desired position



Seat Belt

Seat Adjusting Lever

Cushion Control Knob

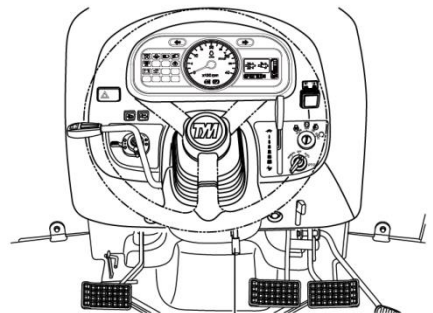
### ► TILT LEVER

To adjust the inclination of the steering wheel with a 3 stages and set it to the desired position.



Danger

Ensure that the tilt lever has locked before moving the tractor.



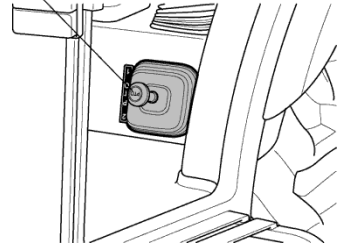
Tilt Lever

## PTO GEAR SELECTION LEVER

Your tractor is equipped with 1 Speed PTO to suit range of applications and conditions.

MODEL	POSITION		
	1st	2nd	3rd
T454/T554	540		

PTO Lever



important

Always use the clutch when engaging or disengaging the PTO or changing PTO speed. Let the PTO driven implement come to a complete stop before changing.



Caution

Do not operate any implement at a high speed than is specified for it.  
When making adjustments to the implement stop the engine to avoid serious injury.  
When leaving the tractor stop the engine, and remove the key. Set the parking brake.

## OPERATING THE HYDRAULICS.

The hydraulics are powered with an engine driven hydraulic pump and controlled with a position control lever mounted beside the driver.

### **POSITION CONTROL**

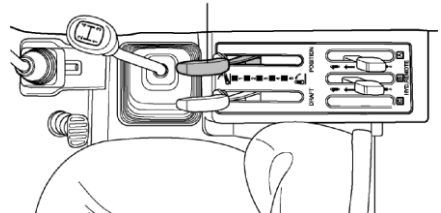
► Implements can be raised and lowered with the hydraulic position control lever and can be stopped at any position by stopping the lever.

To ensure a consistent working depth the adjustable stop can be set to ensure that the implement returns to the same depth every time.

To raise the implement: Pull the lever back

To lower the implement: Push the lever forward.

Position Control Lever



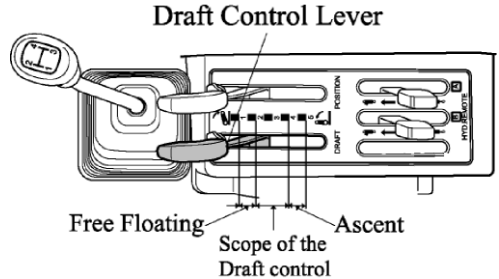


Warning

After finishing the work, always lower the implement to the ground and switch off the engine, Set the parking brake to avoid injuries and accidents .

### ► DRAFT CONTROL LEVER

Soil engaging implements can be set for precision work by using draft control. By mounting the lever forward. The depth increase & by moving the lever backwards the depth increases.



### ► LOWERING SPEED CONTROL KNOB FOR THE 3 POINT HITCH

This knob controls the downward speed of the hydraulics three point linkage and is positioned at the front of the driver's seat.

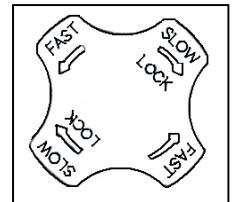
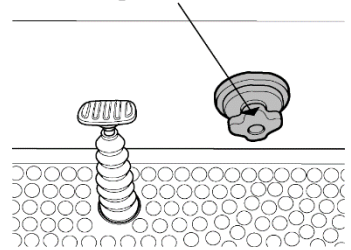
To slow the downward speed- Turn the knob clockwise.

To increase the downward speed, turn the knob anticlockwise.

To lock the knob clockwise.

Do not over tighten the knob.

Adjusting Knob of Hydraulic decent Speed



Caution

Always set the knob to lock when

- 1.Traveling on the road
- 2.Replacing tires or blades on an implement.
- 3.Making adjustments to an implement. Sudden dropping of an implement due to hydraulic problems can cause serious injury or death.

## **EXTERIOR HYDRAULIC LEVER (OPTIONAL)**

Move the lever up or down and hold. This will raise or lower the implement (rotavator or hydraulic plow).

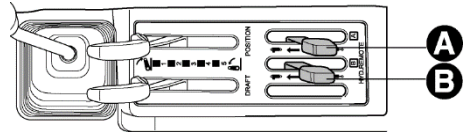
A type : Spring type – Double-acting with self-return.

B type : Detent type – Double-acting with Detent

Important:

-Do not hold the lever in the “pull” or “Push” position once the remote cylinder has reached the end of the stroke, as this will cause oil to flow through the relief valve. Forcing oil through the relief valve for extended periods will overheat the oil.

-When Using the tractor hydraulic system to power front loader, do not operate the boom and bucket cylinders simultaneously.



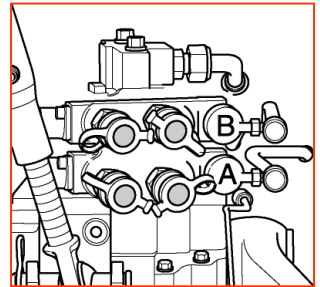
### **► REMOTE HYDRAULIC CONTROL VALVE COUPLER CONNECTING AND DISCONNECTING.**

#### **■ Connecting**

1. Clean both couplers.
2. Remove dust plugs.
3. Insert the implement coupler to the tractor hydraulic coupler
4. Pull the implement coupler slightly to make sure couplers are firmly connected.

#### **■ Disconnecting**

1. Lower the implement first to the ground to release hydraulic pressure in the hoses.
2. Clean the couplers
3. Relieve pressure by moving hydraulic control levers with engine shut off. Pull the hose straight from the hydraulic coupler to release it
4. Clean oil and dust from the coupler, then replace the dust plugs.



### **► JOY STICK LEVER**

This simple joystick lever can control the use of a front-end loader.

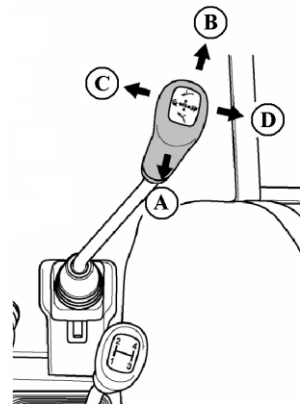
And lift-retract, dump-rollback smoothly and act as one handle lever.

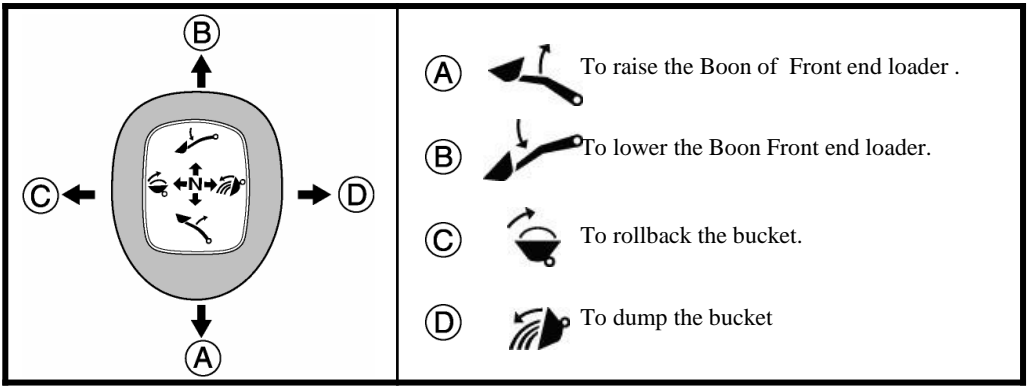
To raise the front end loader : pull the lever to lift position.

To lower the front end loader : push the lever to retract position.

To rollback the bucket : pull the stick to rollback position.

To dump the bucket : push the stick to dump position.



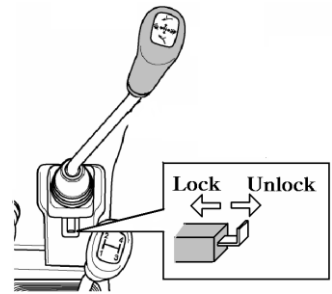



NOTE :

The Joystick control and valve can also be used for other applications if a front end loader is not fitted.

► **SAFETY IMPLEMENT FOR JOYSTICK LEVER**

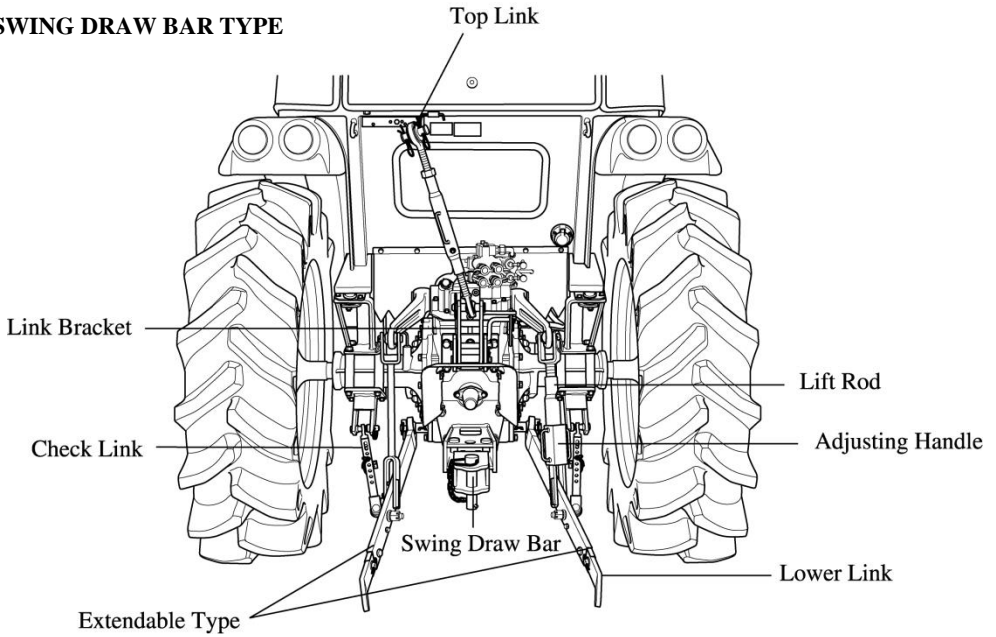
This simple **Safety** locking system can lock the joystick by pushing the Button and unlocked by pulling .



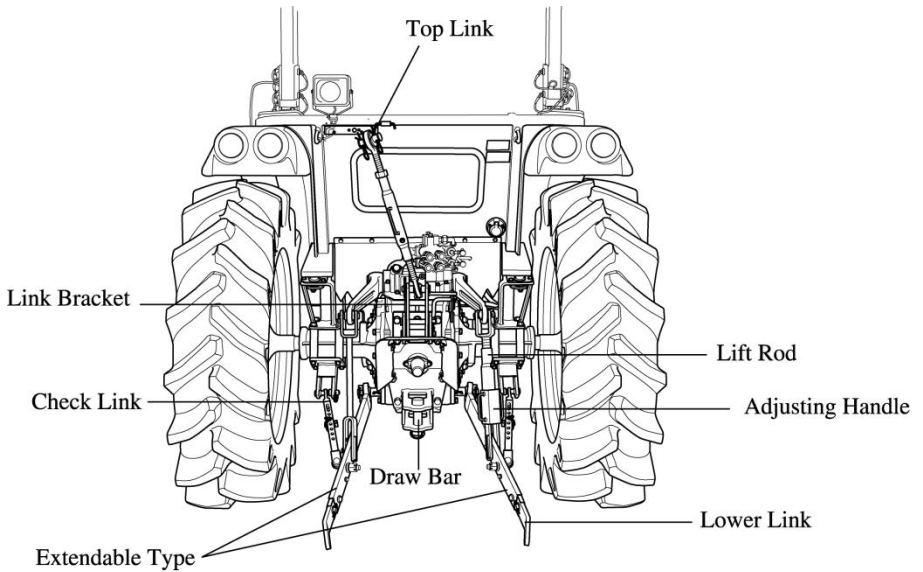
 <b>Warning</b>	<p>Hydraulic fluid escaping under pressure can have enough force to penetrate the skin. Hydraulic fluid may also infect a minor cut or opening in the skin. If injured by escaping fluid. See a doctor at once. Serious infection or reaction can result if medical treatment is not given immediately. Make sure all connections are tight and that hoses and lines are in good condition before applying pressure to the system. Release all pressure before disconnecting the lines or performing other work on the hydraulic system. To find a leak under pressure use a small piece of cardboard or wood. Never use hands.</p>
---	---

## OPERATING THE 3 POINT LINKAGE (TPL)

### ► SWING DRAW BAR TYPE



### ► DRAW BAR TYPE



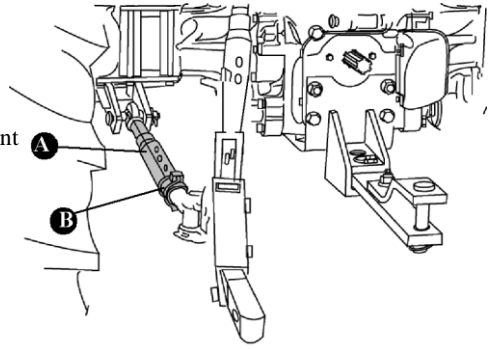
### ► TELESCOPIC STABILIZERS ADJUSTMENT

The stabilizers are intended for limiting or preventing implement side movement.

There should be no clearance (Position A) during implement transport and when working with grades, rollers mowers, seeders, drills and similar implements. However, a slight play is necessary (Position B) when working with ploughs, harrows, ditchers, cultivators and the like:

That is when working with “draft control”.

The length of stabilizers is adjusted by removing the pin and rotating the turn buckle barrel by which the threaded ends are interconnected.

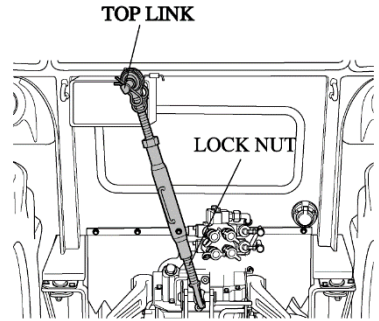


### ► ADJUSTMENT OF THE TOP LINK

Lengthening or shortening the top link will change the angle of the implement.

The locating hole of the top link varies with the type of implement used.

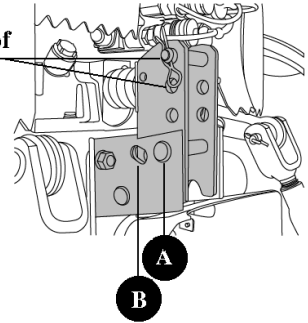
The most common locations are the 1st and 2nd hole from the top.



1) For general implement :Use the Pin to “A”point

2) For Draft control :Use the Pin to “B”point

Position of  
Top Link



### ► ADJUSTMENT OF LOWER LINK

The adjustment is done with the adjusting handle on the Right hand Lift rod.

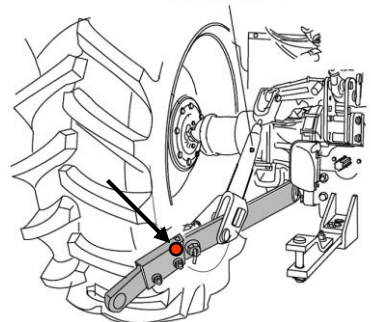
To shorten it wind the handle clockwise and to lengthen it wind it counter clockwise.

When adjusted correctly hold the turn buckle with the stopper provided.

Lift Rod

### ► LOWER LINK (IF EQUIPPED EXTENDABLE TYPE)

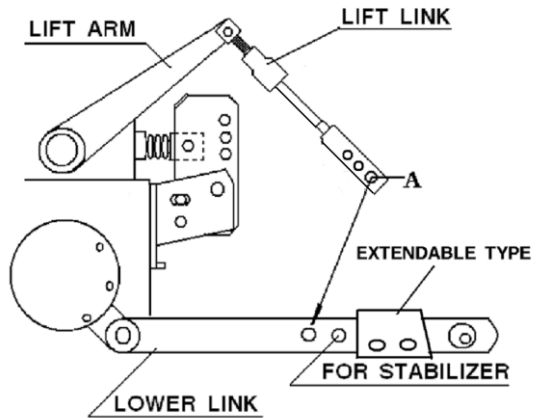
Push the point area and pull the end of the lower link to adjust the length of lower link.





## ► ADJUSTMENT OF THE LIFT LINK ON THE LOWER LINK

For different applications change the position of the lift rod on the lower links as shown and insert the pin in the direction of the arrow.



Danger

Only use drawbar to tow and keep the 3 point linkage in raised position when toeing with the drawbar.

Position can create unbalance causing the Tractor to roll-over & Result the death or serious injury.

## ► MOUNTING IMPLEMENT

If the PTO is used, remove the safety cover off the PTO shaft.  
Adjust the yoke rod on the lower links to suit the implement in use.

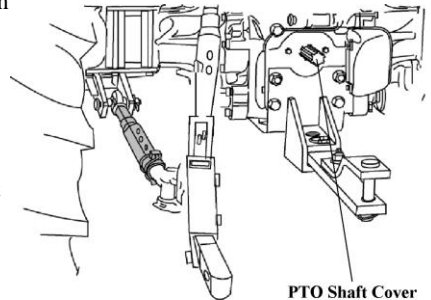
Attach the left lower link, then attach the right lower link using the adjusting handle on the leveling box if required.

Attach the top link.

Attach the PTO shaft to the tractor if used, making sure that it is locked in place.

Adjust the check chains to suit the implement and tighten the locknuts.

To remove an implement reverses the procedure



Caution

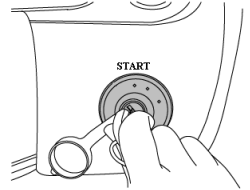
Do not attach a PTO shaft with the engine running and ensure all safety shields are in place.

## DRIVING THE TRACTOR

### STARTING THE ENGINE

Before starting the engine carry out the pre-operational checks as set out on page 20.

- (1) Sit on the driver seat
- (2) Apply the footbrake.
- (3) Put the hydraulic lever in the down position.
- (4) Push down the clutch to activate the safety-starting switch.
- (5) Put the main gear lever in neutral
- (6) Insert the ignition key and turn it on
- (7) Ensure that the warning lights are working
- (8) Operator need to turn key to the “ON” position.



The glow circuit automatically activates.

Operator need to wait for glow light to turn off .

As the lamp goes off turn the key to the start position to start the engine.

- (9) Ensure that all the warning lights are off with the engine running.



Important

Never turn the key to the start position while the engine is running as this can cause serious damage to the starter and engine flywheel.

Only engage the starter for a period of not more than 10 seconds.

If Engine does not start, rest the starter for about 20 seconds and try again for a maximum of 10 seconds. If the engine does not start after repeated attempts, refer to the fault tracing guide.



Important

Especially in cold weather, always allow the tractor to idle for a while to warm up & build up sufficient oil pressure to ensure normal operating temperature for longer engine life.

### STOPPING THE ENGINE

-After light work let the engine idle for a while and turn the key off.



Important

After long or heavy work allow the engine to idle for 5- 10 minutes and turn the key off.

## **WARMING UP**

When starting the engine allow it to warm up to operating temperature by allowing it to idle 5-10 minutes to ensure full lubrication and operating temperature.

Failure to do so can shorten engine life substantially.

### **► WARMING UP IN COLD WEATHER**

Cold weather will change the viscosity of the oil, resulting in a reduced oil pumping capacity, which can cause damage to the engine if it is not warmed up correctly. It also causes problems with the hydraulic system and the synchromesh in the transmission.

Correct times for warming up are:

<b>Temperature</b>	<b>Time for warming up</b>
Above 50°F	5~10 min.
50°F~ 32°F	10~20 min.
32°F~14°F	20~30 min.
14°F~-4°F	30~40 min.
Below -4°F	Over 40 min.



Important

Ensure the handbrake (Foot brake) is on during the warming period.

**Failure to warm up correctly can result in problems.**

When the engine is warm push down the clutch and engage the main and auxiliary gear levers to the required position.

Push down on the brake pedals and release the handbrake.

Increase the engine revolutions and let out the clutch smoothly.

Only change gears with main gear lever while moving and ensure that this is done with fully use of the clutch.

### **► STORING ENGINE IN OPERABLE CONDITION FOR 3 MONTHS OR MORE**

When the engine is not operated during storage of three months or more, internal engine parts can rust and lose oil film. As a result, the engine can seize when it is started after storage.

To prevent such a rust, the engine must be operated periodically during storage.



Caution

Do not "ride" the clutch to control speed, use a lower gear.  
Do not travel with your foot on the clutch pedal.



Danger

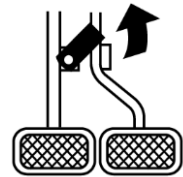
Always connect the brake pedals when traveling on the road.  
Never tow anything except with the drawbar.  
Do not tow loads which are too large for the tractor's capacity to brake effectively especially in hilly terrain.  
Take special care when towing large or wide implements.  
Do not carry passengers.  
At all times observe local legislation and road rules.

### **TIGHT TURNS IN THE FIELD**

Disconnect the latch connecting left and right brake pedals to allow the use of individual pedals.

To make a tight turn use both the steering wheel and the brake pedal at the same time.

For a left turns use the left pedal and a right turn the right pedal.



Caution

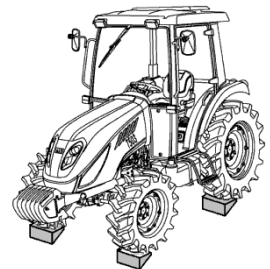
Perform tight turns only at a slow safe speed.  
Doing so at a high speed can cause rollovers and very serious injury or death.

### **NORMAL BRAKING AND PARKING**

Let the engine come back to idle and at the same time push in the clutch and brake simultaneously.

When the tractor has come to a halt, lower any implement to the ground, and put the main gear in neutral.

Apply the park brake, stop the engine, and remove the key.



Illustration



Caution

Always apply the park brake when parking.  
Failure to do so can cause accidents and damage.  
As an extra precaution when parking on a slope, chock the rear wheels.

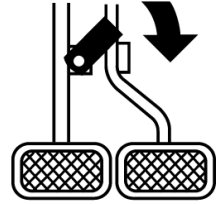
## UPHILL STARTS ON A STEEP SLOPE

With the pedals connected together push down on the brake pedals and push down the clutch.

Set all gear levers to low and the throttle to medium engine speed.

Release the clutch and as it engages release the brake pedals.

Adjust the throttle to the required speed.



### ► DRIVING DOWNHILL

Use the engine's ability to brake when traveling downhill.

Never rely on the brakes only and never travel downhill with the gears in neutral.



Caution

When operating in hilly terrain the risk of the rollover is increased substantially, please drive with extra care.

When towing trailers in hilly terrain ensure that they are equipped with brakes, use a lower gear to get maximum engine braking and do not change gears on a downhill run

## OPERATION OF THE DIFF LOCK

While the diff lock is a very useful feature, care should be taken in its use as misuse can lead to dangerous situations.

The diff lock would only be used in situations where traction is lost on one of the rear wheels.



Warning

Use low engine revolutions when using the diff lock.

If the diff lock does not release after removing the foot from the pedal use the left and right brake pedals in turn to release it.

Do not try to engage or use the diff lock on tight turns as serious damage can result.

## CHECK DURING DRIVING

Constantly monitor the warning lights on the dash and if any comes on stop the tractor to determine the cause.

If the **oil pressure light** comes on check the oil level first of all.

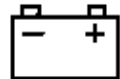
If the oil level is OK ask a qualified dealer to check the reason for the light coming on.

If the **alternator warning light** comes on check all connections and ensure that the fan belt is not broken.

If all connections and the fan belt are intact consult your dealer to determine the cause of the problem.

### ► FUEL GAUGE.

To avoid excessive condensation in the fuel tank refill at the end of each day's work and ensure during the day that it does not drop to a low level where the fuel system will require bleeding to expel air in the system after refilling the tank.



► **ENGINE COOLING WATER.**

If the gauge indicates that the engine is running hot, stop the tractor and check the coolant in the radiator.



► **You must not deliberate tampering with or misuse of the engine emissions control system should take place.**



Warning

[Limitation for using block heater]

Block heater is a start aid device that is useful in  $-20^{\circ}\text{C}$  and below. Do not use block heater in  $-10^{\circ}\text{C}$  and more.

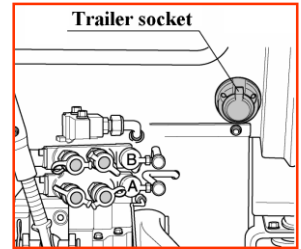
Limitation for use of block heater was set.

<The reason for limitation>

If you use block heater at  $-10^{\circ}\text{C}$  or above, diagnosis at engine start might be effected.

► **TRAILER SOCKET** (Seven Terminal Electrical Socket type)

To operate the Electrical systems of implements, trailer lighting, warning lamp etc.



Danger

Allow the engine to cool down before opening radiator cap as serious burns may result due to hot steam & boiling water.

Also check to ensure that the fins in the radiator core are not clogged or that the tractor has a broken or stretched fan belt.



Caution

When traveling on public or farm roads connect both brake pedals and allow for the weight of any mounted implement to ensure that the unit is not unbalanced.

Also allow for the width when passing other road users.

Where fitted use the hazard lights provided.

Strictly follow the local traffic regulations.



Caution

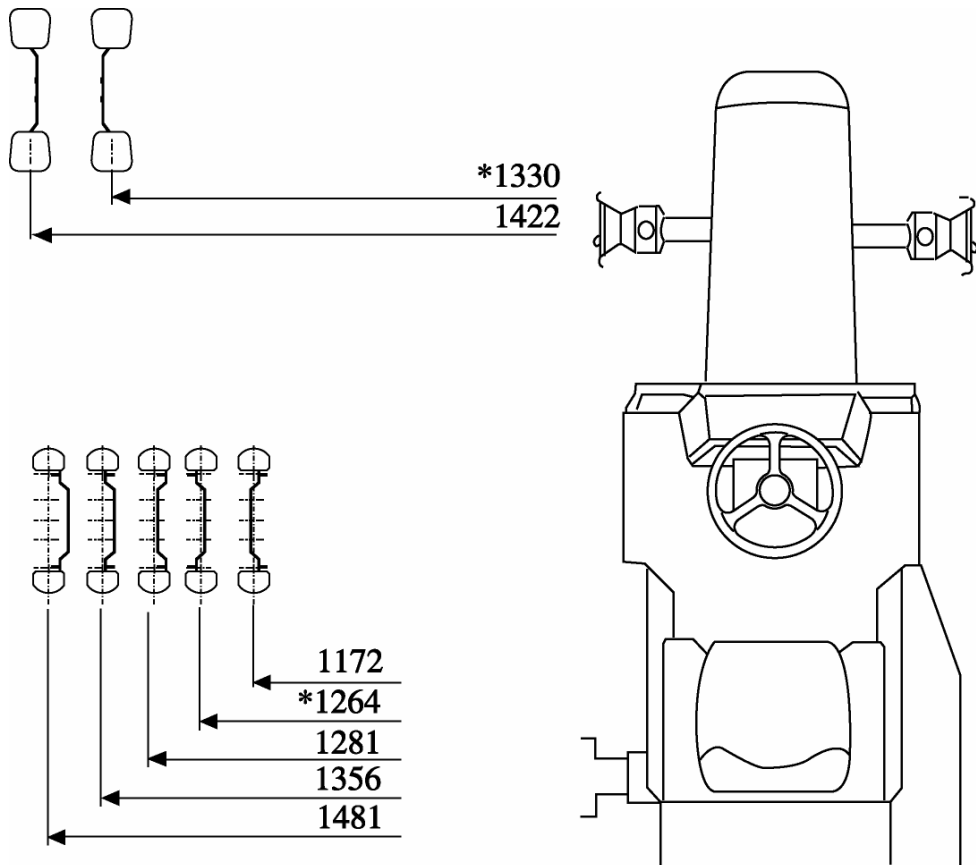
When operating near others with an implement attached take particular care to allow for the width of the implement and avoid accidents.

## ► TRACK ADJUSTMENT

As T454/T554 models of TYM are front wheel assist the front track can be set in 2 positions.

The rear track can be set in 5 positions as illustrated.

MODEL	DIVISION	TYRE	AIR PRESSURE (kgf/cm <sup>2</sup> )	TRACK ADJUSTMENT (*) Marking is STANDARD
T454/T554	FRONT	9.5-16-6PR	2.1	1,330 mm
	REAR	13.6-26-8PR	1.5	1,264 mm



# **Lubrication & Maintenance**

This section gives full details of the service procedures necessary to maintain your Tractor at peak efficiency while the lubrication and maintenance chart provides a ready reference to these requirements.



## CHECKS AND SERVICE

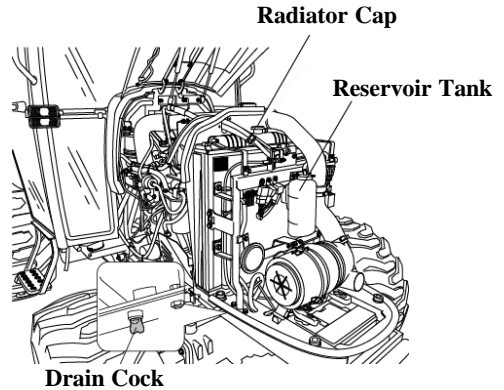
### PRE-START CHECKS

To avoid problems it is recommended that a range of checks be carried out daily before starting the tractor. For full details of the items and frequency please refer to the tables on page 66,67 and 68.

#### ► ENGINE COOLANT

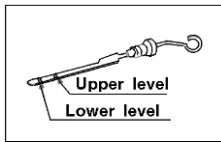
Remove the radiator cap and ensure that the coolant is up to the filler neck and that it is clean with the correct anti-freeze or anti corrosion inhibitor in it.

If the coolant is a rusty color, drain the system completely and refill with the correct mixture of water and anti-freeze or corrosion inhibitor.

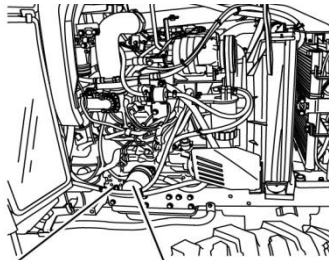


#### ► ENGINE OIL

Pull out the stick, wipe it and dip in the oil sump. Ensure that oil level is between the upper and lower mark near the upper mark. If too low add oil, but never excess 100hrs of service interval.

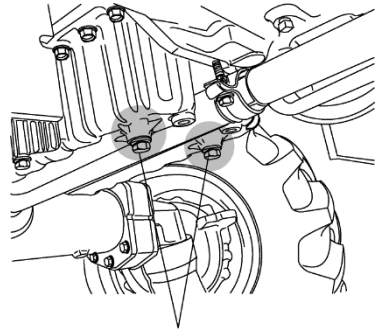


Engine oil gauge



Engine Level Gauge

Engine Oil Filter



Engine oil drain Plug



important

Do not overfill the crankcase with oil.

#### ► TRANSMISSION OIL

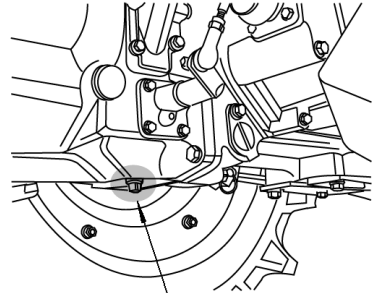
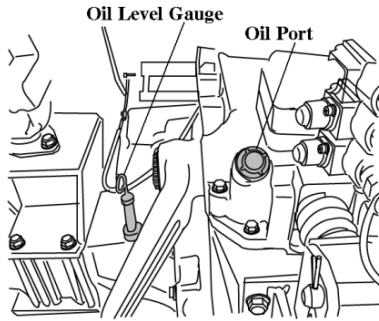
Check the level with the dipstick on top of the transmission in rear of the seat.

If the level is low add oil through the filler hole.

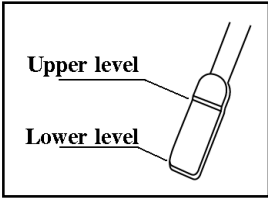


Caution

Always ensure that you use the correct oil for topping up or oil changes



Transmission oil drain Plug

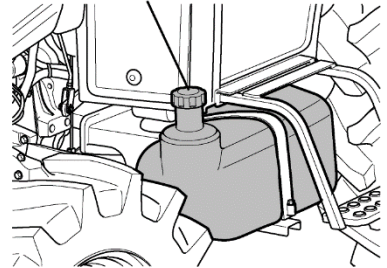


► **FUEL**

Use the fuel gauge to check the fuel level and top up if too low.

It is a good practice to refill the tank immediately after use to avoid condensation

Fuel Tank Cab



► **TYRE PRESSURE**

The air pressure used in the tires has a direct bearing on the life of the tire and its performance in the field.

Ensure that the tire pressures are correct and in accordance with the table on page 98.

To make a visual judgment see the drawing on the right.



**Excess Standard Lack**

<p>important</p>	<p>It is strongly recommended that tire pressures are checked with a proper gauge only &amp; visual inspections are relied upon.</p>
------------------	--

<p>Danger</p>	<p>Excess tire pressure can cause accidents!</p>
---------------	--

## ► STEERING

Ensure that the steering wheel does not have excessive free play.

## ► BRAKE

Ensure that the left and right brakes are adjusted correctly so they operate simultaneously. The correct free play on the brake is 1.18-1.57 in (30~40 mm).

## ► CLUTCH

Ensure that the clutch is adjusted correctly.

Correct free play on the clutch pedal is 0.78-1.18 in (20~30mm).



Caution

Incorrect clutch adjustment can cause excessive wear and reduced tractor performance.

## ► ELECTRICAL

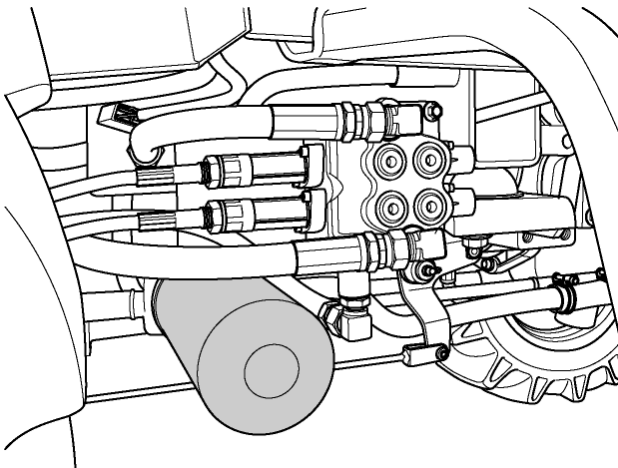
Check the operation of all gauge, switches, horn, lights and indicators.

## ► INSTALLING LOADER

- 1.Connect P port of loader control valve to the line on the tractor marked P(from the PTO valve)
- 2.Connect the T port on the loader control valve to the line on the tractor marked T
- 3.Connect the remaining line from the control valve to the line on the tractor marked P1 ( to the transmission housing)


## ► DETACHING THE LOADER

- 1.Detach the hydraulic hoses of loader
- 2.Assemble the cap (PF3/8) with pipe comp (PF3/8).



# MAINTENANCE AND ADJUSTMENT

## PERIODICAL CHECK AND SERVICE TABLE



**Caution**

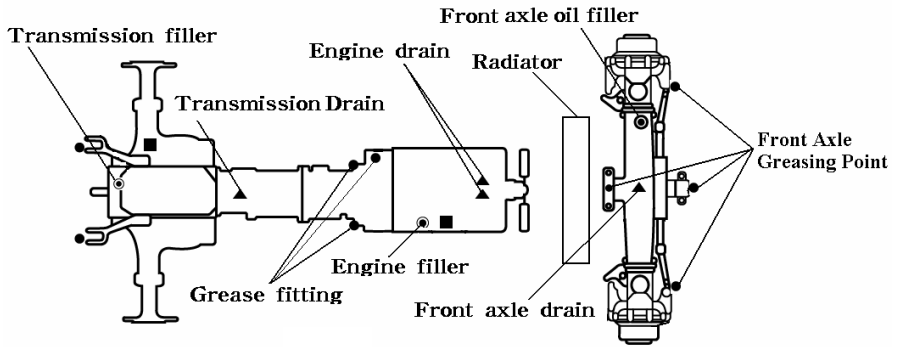
These intervals are for operation under normal conditions and need to be reviewed under severe conditions to a greater frequency

○ Check, Top-up or adjust ● Replacement  
△ Clean or wash ★ First Replacement

Division	Item	Daily	Service interval(hour meter,mark)														Comment						
			500	1000	1500	2000	2500	3000	3500	4000	4500	5000	5500	6000	1 Year	2 Year							
Engine	Engine oil & Cartridge	○	★						●									●		●	Every 250 hours or 12 months after 1 <sup>st</sup> 50 hours		
	Air cleaner							○													●		
	Radiator coolant	○																			●		
	Fuel	○																				Fill tank	
	Fuel filter	○																			●		
	Fan belt	○																					
	Battery			○																			
	Loose nuts and bolts	○																				Tighten	
	Radiator hose clamp	○																				Tighten if required	
Chassis	Transmission oil & cartridge		★						○												●	●	Every 500 hours or 12 months after 1 <sup>st</sup> 50 hours
	Clutch pedal play	○																				(0.78-1.18in)	
	State of both brake pedals	○																					

Division	Item	Daily	Service interval(hour meter,mark)														1 year	2 year	Comment
			50	100	150	200	250	300	350	400	450	500	550	600					
Chassis	Operation of each lever	<input type="radio"/>																Smooth operation	
	Free play of steering wheel	<input type="radio"/>																About 50mm(1.97in) of wheel circumference	
	Toe-in							<input type="radio"/>							<input type="radio"/>				
	Grease in front wheel hub							<input type="radio"/>											
	Check the steering wheel joint							<input type="radio"/>							<input type="radio"/>				
	Wheel nut fastening torque	<input type="radio"/>																	
	Loose bolts and nuts	<input type="radio"/>																Tighten to proper torque	
	Operation of the instrument	<input type="radio"/>																	
	Adjustment of the throttle pedal								<input type="radio"/>										
	Grease each nipple		<input type="radio"/>	<input type="radio"/>	<input type="radio"/>	<input type="radio"/>	<input type="radio"/>	<input type="radio"/>	<input type="radio"/>	<input type="radio"/>	<input type="radio"/>	<input type="radio"/>	<input type="radio"/>	<input type="radio"/>					
	Oil of the 4WD front axle		★						<input type="radio"/>							●	●		
	Check the electric wiring	<input type="radio"/>																Without loose or broken terminals. Or missing wiring. Correctly clamped	
Hydraulic hoses&pipes								<input type="radio"/>											

# FILLING DIAGRAM & CAPACITY TABLE



- Oil filler hole
- Greasing point
- ▲ Drains
- Window

No.	Filling point	Fillings	Quantity Liter (gal.)
		MODEL	T454/T554
1	RADIATOR	50/50 : Ethylene Glycol/Water (L.L.C) ASTM D4985 / D6210	9.3ℓ(2.5US gal)
2	ENGINE	API : CJ-4 grades ( API ACEA E-6, JASO PH-2, GRADE 10W30) <b>Recommended SAE viscosity grades</b> <div style="text-align: center;"> </div> A: Viscosity B: Temperature	5.3ℓ(1.4US gal)
3	TRANSMISSION CASE	API GL-4 Grade Tractor transmission and hydraulic oil Below -4°F(-20°C) ISO VG32 Above -4°F(-20°C) between ISO VG46	35ℓ(9.24 US gal)
4	FRONT AXLE	(API GL-4 Grade ) SAE 80W/90	10ℓ(2.64 US gal)
5	FINAL DRIVE CASE(B)		
6	Clutch pedal shaft	Grease	As required
7	BALL JOINT	Grease	As required
8	FUEL TANK	Diesel fuel	60ℓ(15.85 US gal)

## ► RECOMMENDED TRANSMISSION OIL

- ① RPM Tractor Hydraulic Fluid or Textron TDH Premium (CALTEX)
- ② TDH Oil or TDH Oil special (TEXACO)
- ③ Chevron 1000THF (CHEVRON)

## Opening method of each cover

### ► Opening method of Hood



With the hood up, the Hook release lever can be removed by pulling rearwards, having first detached the hood lamp wiring harness. Hood can be open by itself.

### ► OPENING THE SIDE COVER

To open, grasp the side cover, Pull the forward panel rearward to separate from guide support pin .

And pull the side panel rearward again,



### ► FUEL

Use clean diesel fuel only

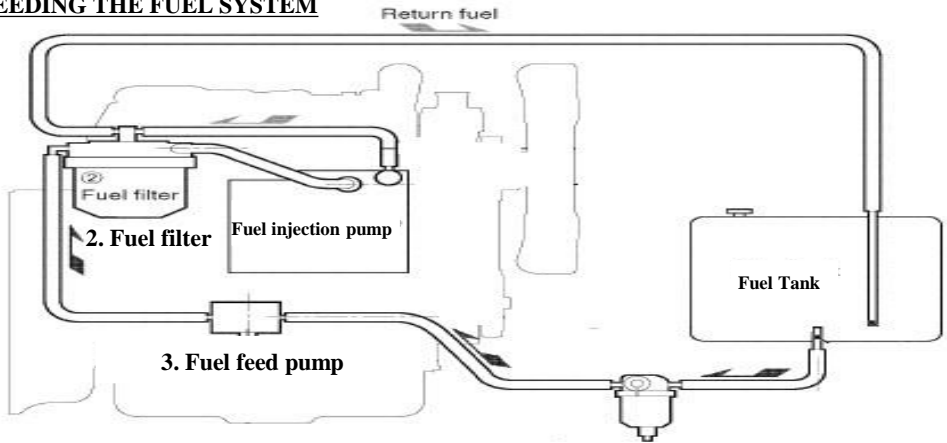


important

As diesel fuel equipment is susceptible to contamination by dust or water,  
Ensure that all dust and water is kept well away from the fuel tank.



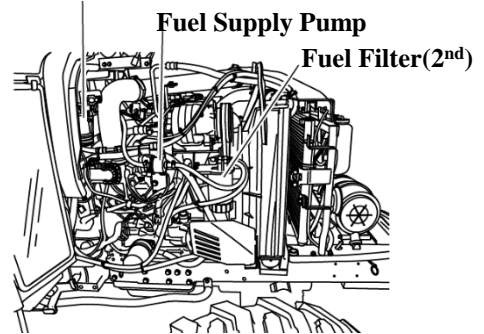
## BLEEDING THE FUEL SYSTEM



### 1. Water separator

#### Fuel filter Water Separator(1<sup>st</sup>)

- 1) Fill the tank with fuel and turn the ignition key to on.
- 2) Loosen the air breather screw of the fuel filter two or three turns.
- 3) When fuel free from air flows (bubbles) from the Air breather screw, tighten the Air breath screw.
- 4) The bleeding of the system is now finished.



## CHANGING THE OILS IN THE TRACTOR

Always use quality oils as engine or transmission oil (refer to the page 66)

Refer to the table on page 66,67 and 68 for the change frequency.

### ► CHANGING ENGINE OIL

Park tractor on level surface, shut-off engine

Remove sump plug & drain oil.

Replace and check the sump plug and refill the engine with oil to the correct level on the dipstick approx. 5.3ℓ(1.4 US gal)

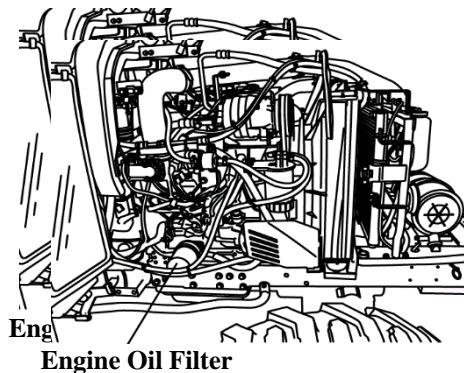
The grade of oil to be used will depend on the ambient temperature.

The tractor is shipped from the factory with 15W/40

For summer use over 77°F use SAE 30

For temperatures from 32°F-77°F use SAE20 or 15W/40

For temperatures below 32°F use SAE 10W







important

When changing the oil always change the filter.

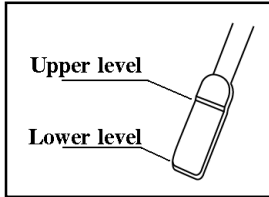
Always use the same oil, as using different oils or specifications can cause damage.

Dispose off the old oil as per local regulations.

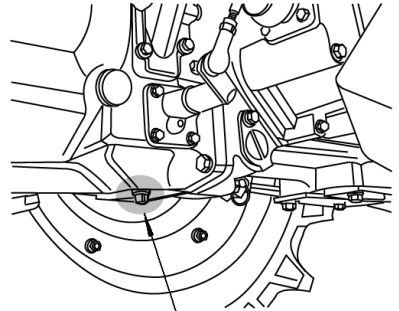
## ► CHANGING THE TRANSMISSION OIL

Remove the drain plug from bottom of the transmission and drain the oil.

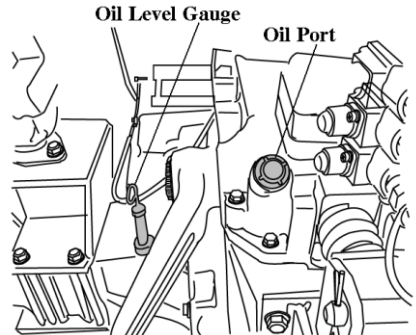
Replace and check the drain plug.



Refill the transmission to the correct level on the dipstick with new oil : Qty 35ℓ(9.24 US gal)



Transmission oil drain Plug



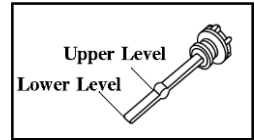
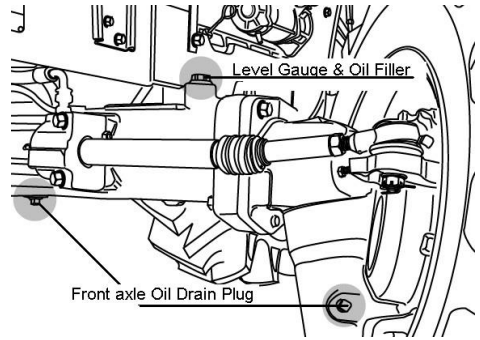
important

Always use the same grade and specified oil as Replacements.

Dispose off the old oil as per local regulations.

## ► CHANGING OIL IN THE FRONT AXLE

1. Drain the oil from the center diff plug and the drain plug in each drive.
2. Replace and tighten all drain plugs.
3. Remove the top plug (Vent plug) from each final drive to vent air from final drives.
4. Remove the dip stick from the filter hole and fill with 2.64 US gal (10 liters) and allow time for the oil to drain into the final drives.
5. Check the oil level with the dipstick and replace the vent plugs on both final drives and tighten



important

Some operators have found that when they fill with the correct amount of oil and dip it, the oil level on the dipstick is too high due to the fact that it takes a while for the oil to run into the final drives.

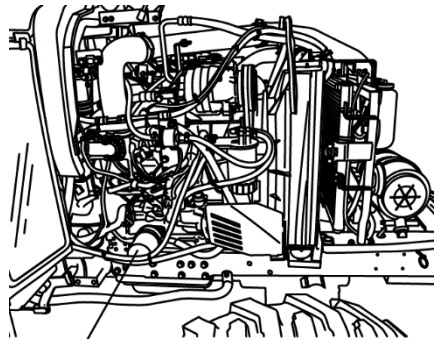
Opening the Vent plugs helps to speed this up.

## CLEANING AND CHANGING FILTERS

### ► ENGINE OIL FILTER

Using a filter wrench turn the filter anti clockwise to remove it.

Lightly smear the rubber seal on the new filter with oil to ensure, turn it clockwise until the seal contacts the base and then turn it another 2/3 turn to tighten it.



Engine Oil filter

## ► FUEL FILTER

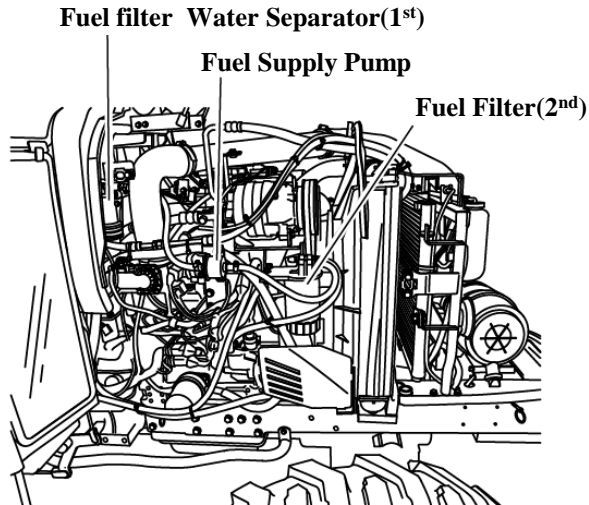
The fuel filter/water separator (if equipped) is not usually supplied by Yanmar.

The following test describes a typical fuel filter/water separator.

Refer to the OEM information for further information in the fuel filter/water separator.

Turn the fuel supply valve (if equipped) to the OFF position before performing this maintenance.

Place a tray under the fuel filter in order to catch any fuel that might spill. Clean up any spilled fuel immediately.



1. Close the fuel supply valve (if equipped).
2. Clean the outside of the fuel filter assembly.

**Note:** If the fuel filter element is not equipped with a drain, remove cap.

Remove the nylon insert in order to reduce the level of fuel in the fuel filter element.

A reduction in the level of fuel in the fuel filter element will help prevent fuel from being spilled when the element is removed.

**Notice:** Do not use a tool in order to remove the fuel filter. Attempting to remove the fuel filter with a filter wrench or a filter strap could damage the locking ring.

3. Hold fuel filter and rotate quick release collar counterclockwise. Removed and discarded.

**Note:** If the element is equipped with a sediment bowl, remove the sediment bowl from the element. Thoroughly clean the sediment bowl.

Inspect the O-ring seals. Install new O-ring seals, if necessary. Install the sediment bowl to the new element. Hand tighten the sediment bowl. Hand tighten the sediment bowl.

Hand tightening is the only method that should be used.

**Notice:** Do not fill fuel filters with fuel before installing them. Contaminated fuel will cause accelerated wear to fuel system parts.

4. Ensure that the fuel filter base is clean. Push a new fuel filter fully into the fuel filler base.
5. Hold the fuel filter in place. Fit locking ring into position. Rotate the locking ring clockwise in order to fasten the fuel filter to the fuel filter base.
6. Open the fuel supply valve (If equipped)



important

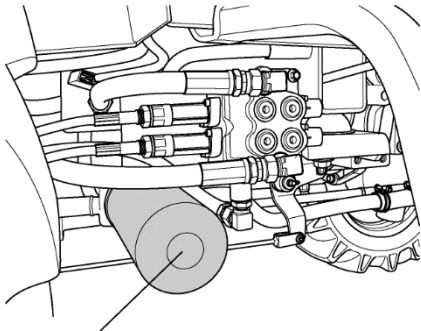
Never use petrol (gasoline) thinner or similar inflammable material to wash the primary fuel filter.

After replacing the filter always bleed the system

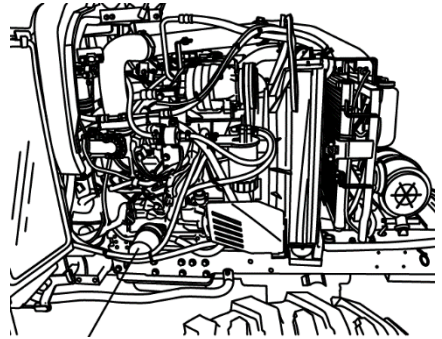
## ► HYDRAULIC OIL FILTER AND ENGINE OIL FILTER CARTRIDGE

Remove the filter with a filter wrench.

To replace, apply oil or grease on the seal, fit by hand until seal contacts bare, then turn it 2/3<sup>rd</sup> turn further to tighten it check for leaks.



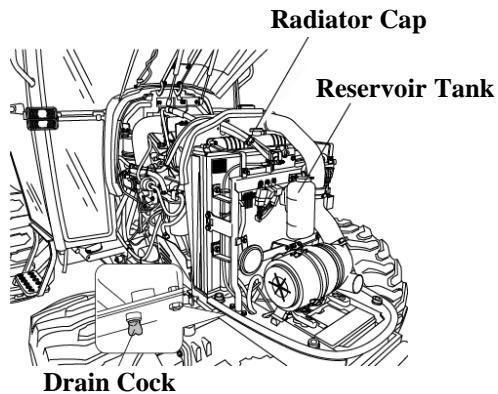
Filter Body



Engine Oil Filter

## CHANGING THE COOLANT

- (1) Remove the hose to drain the coolant.
- (2) Open the radiator cap at the same time.
- (2) To give a thorough clean run a hose into the radiator and flush it out.
- (3) Close the tap and refill the radiator with a coolant mixture of water and corrosion inhibitor or anti freeze.
- (4) Start the engine and allow it to run for approx 5 minutes, check the water level again and top up if required



Radiator Cap

Reservoir Tank

Drain Cock



Caution

Do not remove the radiator cap on a hot engine.

Allow the engine to cool down and then turn the cap slowly to ensure, that there is no excessive pressure in the radiator.



Caution

Serious burns, can result from the contents of pressurized, hot radiators.

Allow the engine to cool down completely before opening radiator cap.

### ► ANTI FREEZE

Frozen cooling water can damage the engine.

Before replacing the anti freeze solution flush the radiator.

Mix the anti freeze solution in accordance with the instructions applicable to the brand of anti freeze and the locals climate.

Replace the solution in the radiator.

In case of loss of solution due to evaporation or overflow, replace with the original mixture ratio.

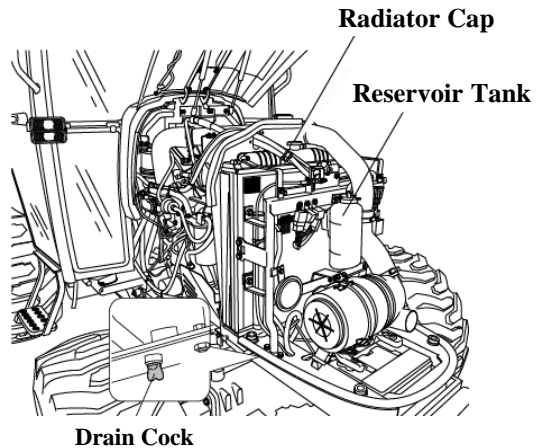
### ► CLEANING THE RADIATOR

Insects, grass straw and dust can all block the radiator ,condenser and reduce its efficiency.

Remove the radiator cover to clean it and the radiator.

Release the bolt and pull to remove the cover.

Then clean the radiator between the fins and tube by using clean water.



important

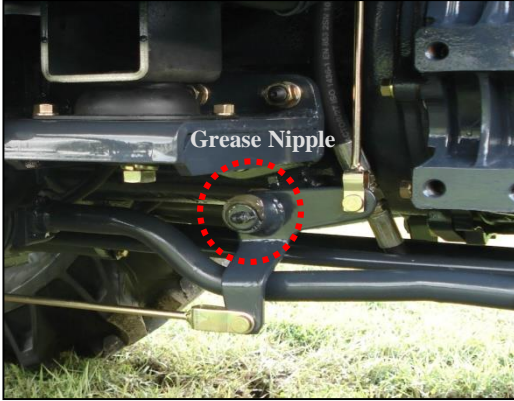
Water or air under high pressure can distort the cooling fins on the radiator and reduce its efficiency.

## GREASING THE TRACTOR

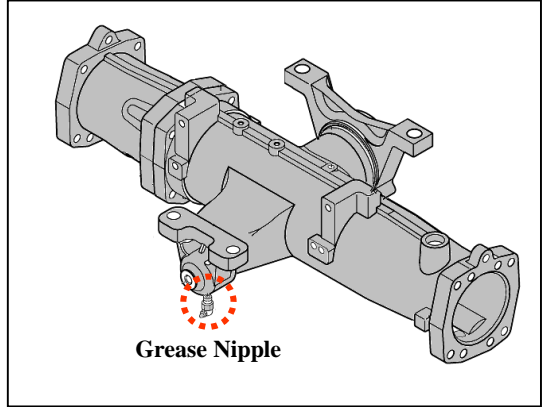
Grease the tractor according to the service schedule (page 66, 67 and 68)

Ensure that grease nipples are cleaned well before any attempt is made to grease them.

### ► BRAKE AREA / CLUTCH AREA



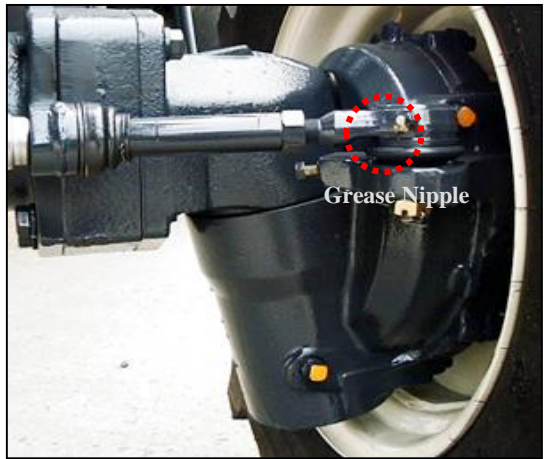
### ► PIVOT METAL



### ► LIFT ROD



### ► FRONT AXLE



## GAP ADJUSTMENT

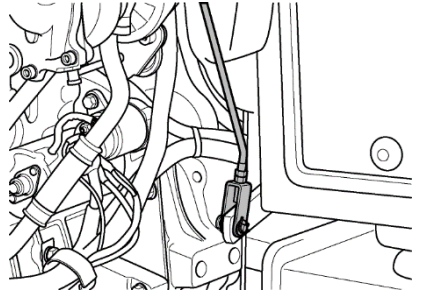
### ADJUSTING THE CLUTCH

Using the clutch over a period of time will increase the free play.

The correct free play of the pedal is 0.78~1.18 in

To adjust, loosen the locknut on the turnbuckle and adjust.

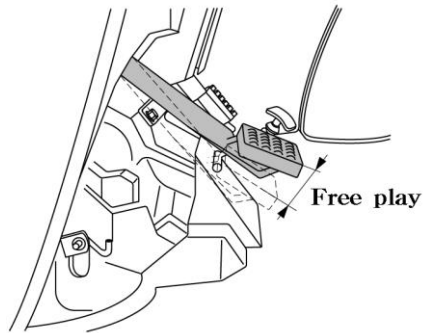
Check the adjustment and tighten the locknut if the free play is correct.



### ADJUSTING THE BRAKES

As is the case with the clutch, use of the brakes will change the pedal free play and the balance between the right and left pedal.

The correct pedal free play is 1.18~1.57 in



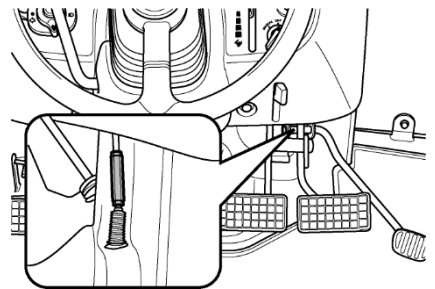
### ADJUSTING METHOD

Loosen the locknuts to adjust the brake.

Turning counterclockwise to increases the free play, or turning clockwise to decreases.

Tighten the locknut and confirm to fix the Nuts.

Check that the free play is correct and the same on both pedals to ensure even braking





Caution

Uneven adjustment of the left and right pedal will result in one sided braking when the pedals are connected and can cause serious accidents, especially at high speeds.  
Double check to ensure free play is the same on both pedals

### **ADJUSTING THE THROTTLE LEVER**

If this lever is either loose or difficult to move please consult your dealer for rectification of the problem.

### **ADJUSTING TOE-IN**

If the toe-in adjustment is incorrect it can cause severe shaking of both the steering wheel and the entire tractor.

The correct toe in is 0.08~0.24in. We recommend that this adjustment is made by the dealer.

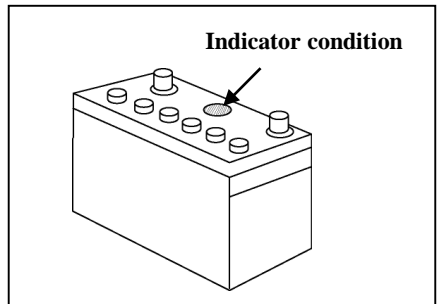
### **CHECKING THE BATTERY**

Check the Indicator condition

Green color – Good condition

Black color – Charging necessary

White color – Replace battery



important

Low electrolyte levels can cause premature battery failure and corrosion.



Caution

Electrolyte contains acid and can cause serious burns.  
Any spillage on skin should be washed off by running water immediately.



## ► BATTERY MAINTENANCE

Low temperatures will affect the performance of batteries so take particular care of it in winter.

For long-term storage of the tractor remove the battery and keep it in a cool dry room.

If it is on the tractor while stored, disconnect the negative terminal.

Batteries will self discharge if left for a period of without use time.

To keep them in good condition charge them once a month in summer and every second month in winter.

When replacing the original battery, ensure that the replacement battery is the same size.

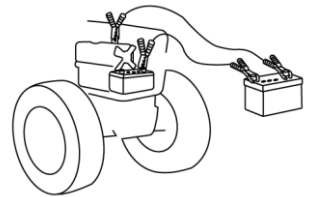
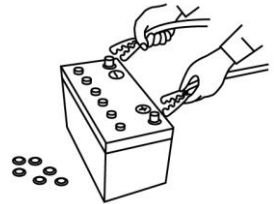
Failure to do so can cause problems with the electrical circuit.

## ► BATTERY CHARGING

-A boost charge is only for emergencies.It will partially charge the battery at a high rate and in a short time.

-When using a boost-charged battery,It is necessary to recharge the battery as early as possible.

Failure to do this will shorten the battery's service life.



Caution

Always disconnect the negative terminal first when removing the battery and always connect the positive terminal first when fitting the battery.

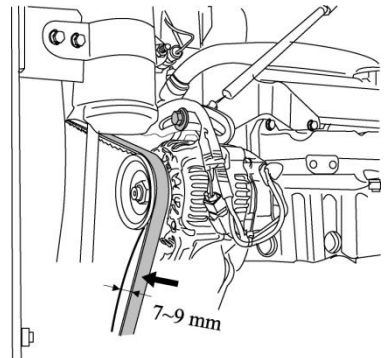
When connecting the battery leads make sure not to reverse the polarity.

Quick charging will reduce battery life.

Disconnect the terminals prior to charging the battery to avoid damage to the circuit and electrical instruments.

## FAN BELT ADJUSTMENT

- 1.Loosen the alternator pivot bolt.
- 2.Move the alternator in order to increase or decrease the belt tension.Tighten the alternator pivot bolt and the link bolt to 22 N.m(16 lb ft)(1)

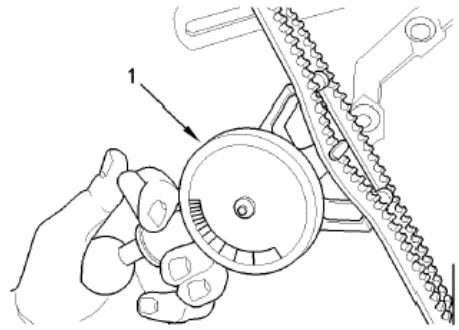


## Alternator Inspect

Yanmar recommends a scheduled inspection of the alternator. Inspect the alternator for loose connections and proper battery charging. Inspect the ammeter (If equipped) during engine operation in order to ensure proper battery performance and/or proper performance of the electrical system.

Make repairs, as required.

Check the alternator and the battery charger for proper operation. If the batteries are properly charged, the ammeter reading should be very near Zero. All batteries should be kept warm because temperature affects the cranking power. If the battery is too cold, the battery will not crank the engine. When the engine is not run for long periods of time or if the engine is run for short periods. The batteries may not fully charge. A battery with a low charge will freeze more easily than a battery with a full charge.



(1) Burroughs gauge.

Fit the gauge(1) at the center of the longest free length and check the tension. The correct tension is 535N(120 lb). If the tension of the belt is below 250N(56 lb) adjust the belt to 535 N (120 lb).

If twin belts are installed, check and adjust the tension on the both belts.

## Alternator and Fan Belts Inspect/Adjust/Replace

For applications that require multiple drive belts, Replace the belts in matched sets. Replacing only one belt of a matched set will cause the new belt to carry more load because the older belt is stretched.

The additional load on the new belt could cause the new belt to break.

If the belts are too loose. Vibration causes unnecessary wear on the belts and pulleys. Loose belt may slip enough to cause overheating.

To accurately check the belt tension, a suitable gauge should be used.

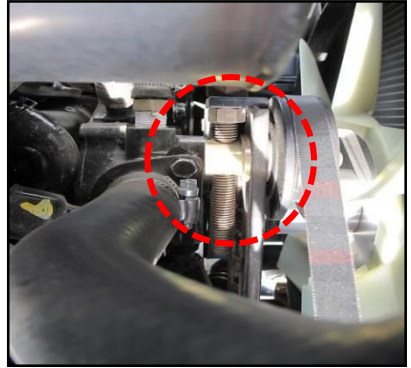
## AIR CONDITIONER COMPRESSOR BELT ADJUSTMENT

Check the compressor belt tension regularly and adjust if required.

The correct tension is if the center of the belt is pushed with a finger it moves in approx. 10 mm (0.39 in) as shown in the picture.

To adjust the belt, loosen the top bolt on the alternator, move the alternator to the desired position and tighten the bolt.

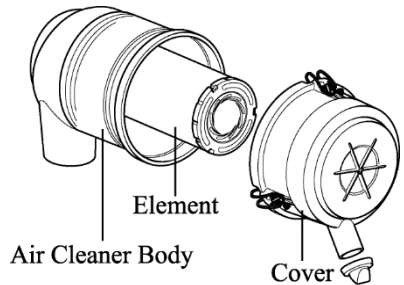
Also ensure that the bottom alternator bolts are tight



## SERVICING THE AIR CLEANER

To remove the dust from the evacuator valve squeeze it between thumb and fingers to let excess dust out and wipe around the valve to keep it clean from outside.

To clean the main element, remove the right fan cover. Remove dust by blowing it out of the element with compressed air. Check the element to ensure it is not damaged. Reassemble the element.



important

Never beat the element on a stone or concrete floor/wall to clean it.

Check all connections and hoses especially on the clean side of the air cleaner to ensure no dusty air can enter the engine.

Check the element for flaws by putting a light inside the element.

When reassembling make sure all surfaces seal correctly to keep dust out.

When working in dusty conditions increase the service frequency.

► Replace the element after cleaning it 5 times or it is damaged.

## CHECKING HOSES AND LINES

The fuel lines, radiator hoses, hydraulic and rubber hoses are consumables, which deteriorate by age and use.

Check them regularly and replace if faulty.



Caution

Damaged fuel lines leak and cause fires.

Damaged radiator hoses can cause hot water burns and in severe cases seize the engine.

## CHECKING THE WIRING HARNESS AND FUSES

Loose wires make inferior connections and damaged wires can cause short circuits, fires burnt wiring or reduce efficiency of components.

Replace or repair any faulty wiring or insulation.

If a fuse burns out again after it has been replaced, do not replace it with wire or a high capacity fuse, find the cause and rectify it or get an auto electrician to do so.

Where insulation is chafed or peeled off, recover the area with a good quality insulation tape. Where wiring comes out of it's fitting replace it correctly with the standard fitting.



important

Incorrect wiring or fuses can cause fires to both the tractor and surrounding area so get the dealer to check it annually.

Likewise fuel pipes and wiring age with use.

Ask your dealer to check it at least once every 2 years and replace as required

### ► REPLACING FUSES

The circuit has 8 blade type fuses in its wiring circuit

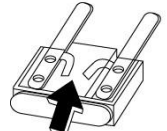
When a fuse has blown replace it with one of the same value.

Using a large capacity fuse or wire burn out the wiring system.

Use fuse tongs to replace fuses



Normal



Blown Out

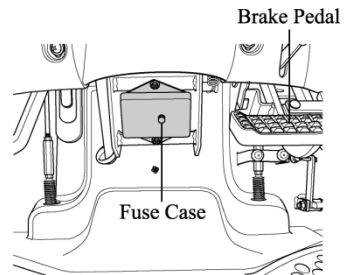
### ► MAIN FUSES

The wiring harness is equipped with 3 main fuses who's function is to preserve the wiring.

However when a main fuse blows the entire circuit is dead.

Always check the reason & rectify before replacing the fuse of the same value.

To indicate that the fuse is blown it will be discolored.



important

Always check the reason for a blown fuse otherwise the new fuse is also likely to blow.

**NEVER EVER USE WIRE** in place of correct grade fuse.

## SERVICE PRIOR TO DAILY AND SHORT TERMS STORAGE.

Wash the tractor and keep it clean.

Fill the tank to avoid condensation and rust.

Lower any attached implement to the ground before parking the tractor.

For long-term storage consult your dealer

### 3. MAINTENANCE

#### **For daily or short term storage**

Clean the tractor and remove all dirt from field work.

Fill the fuel tank to avoid condensation and rust.

Lower the implement to the ground..

Keep it in a machinery shed or, if not available cover the unit if left outside.

In very cold conditions it is advisable to remove the battery and keep it inside in a warm environment.

This will ensure effective starting when the tractor is required.

When the outside temperature is below 32°F, replace the Antifreeze completely or drain the coolant to protect the engine from damage from frozen coolant.



important

When washing the tractor ensure that the water does not get near electrical components or the oil filter points.

To prevent short circuits remove the ignition key.

Do not wash the tractor when the engine is running.

#### **Long-term storage.**

When the tractor will not be used for a long time carry out the cleaning as for short term storage.

Drain the oil and replace with new oil.

Run the engine for approx. 5 min. to ensure that it has new oil throughout the engine.

Drain the coolant from the radiator and remove the ignition key.

Attach a tag both the key and the steering wheel saying” No coolant”.

Lubricate all grease and oil points on the tractor.

Check the pressures and add a small amount of extra pressure.

Lower any implement to the ground or store in a shady dry place.

Disconnect the clutch by using the clutch disconnecting arm.

Place a piece of wood under each tire to preserve the tire.



important

After refilling the engine with the coolant run the engine for approx. 5-10 min. at 1500-2000rpm every month as a corrosion prevention measure.

Either removes the battery or the negative terminal as mouse damage to wiring can cause short circuits and fires.

Remove the ignition key and store in a safe place.

#### **Re-use after long term storage.**

Carry out a full check of all oils and coolant.

Refit the battery and run the engine at idle for 30 min. to ensure optimum engine life.

## Section - C

### CABIN

The cab fully conforms to the international standard as far as safety and soundproofing are concerned.

It can be provided with ventilation, heating and air-conditioning system.

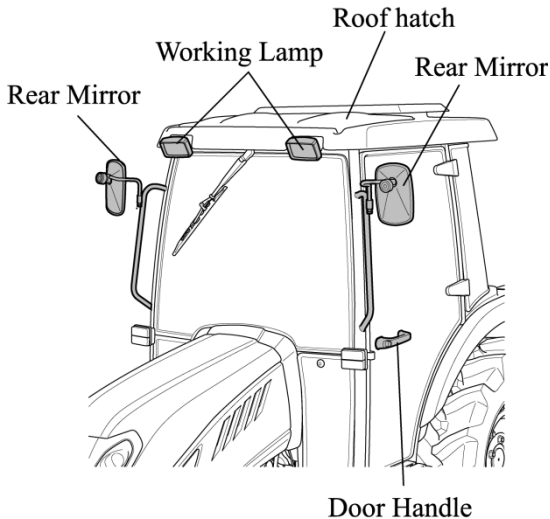
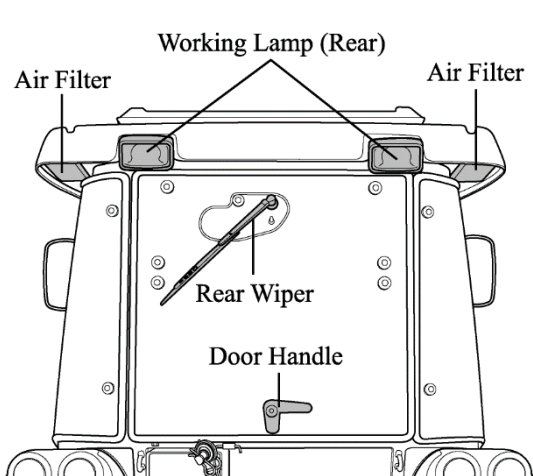
It is available in the following version.:

- Cab with ventilation and heating systems
- Cab with ventilation, heating and air-conditioning systems.



The cab is in full conformity with the international standards as to the cab's soundproofing.

Be very careful when operating in small spaces and always protect your ears whenever other working equipment is generating dangerous noise levels.





Remember that steering, braking and operational performances are highly influenced by the implements mounted, the trailers transported and the ballasts applied to the tractor.



When transporting heavy loads (exceeding the weight of the tractor) reduce the speed under 15 Km/h..



All the implements mounted onto the tractor must be safely secured.



Be very careful during implement hitching and unhitching operations. When using implement supports, be sure they are suitable and sufficiently strong.

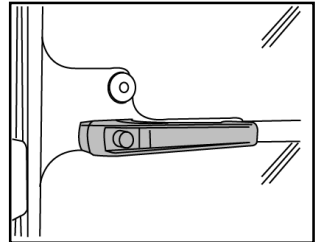
## ► INSTRUMENT AND RELATED PARTS

### ■ Doors:

The doors are provided with key locks.

To open from the outside, when unlocked, depress the push button.

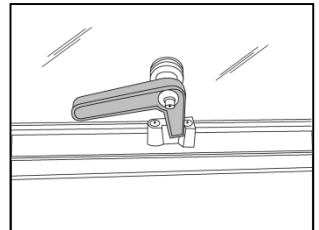
To open from inside, push the lever downwards.



### ■ Rear Window:

The rear window is fitted with central handle for opening.

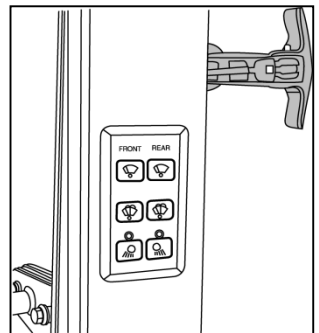
When opened it is held in place by two dampers.



### ■ Side Window:

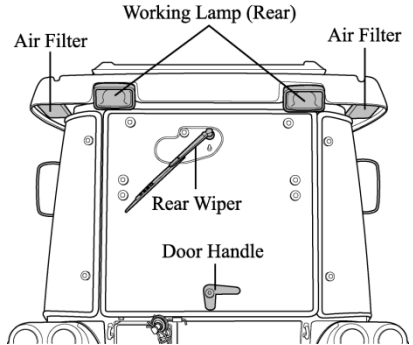
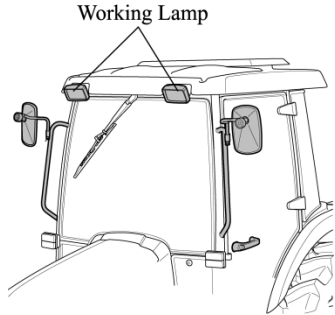
The side window is fitted with central handle for opening.

When opened it is held in place by holder.



### ■ Working lamps (front and rear) :

The working lamps are located on the cab roof (two in the front and two in the rear) .They are switched on by means of the special switches on the roof console



### ■ Rearview mirrors.:

The cab is provided with rearview mirrors on both sides. They can be adjusted and folded, whenever necessary, to avoid interference with external obstacles.

The mirror have a telescopic arm to allow positioning for maximum convenience by the user.

Remember that mirrors must always be positioned in compliance with road traffic regulations when driving on a public highway.

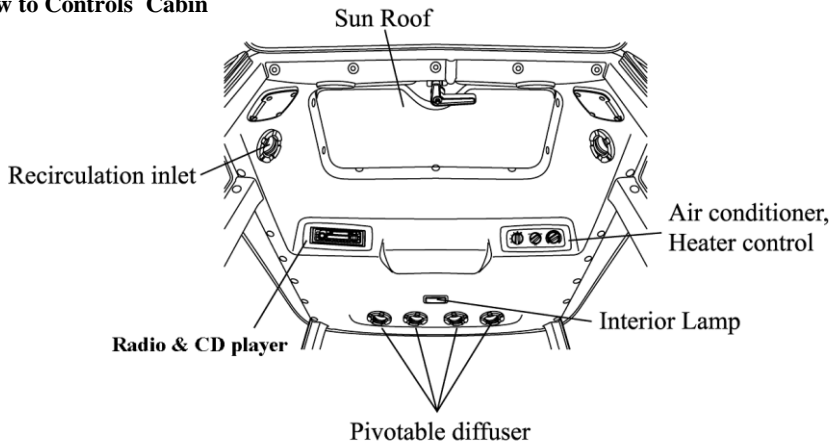
### ■ Cab ceiling:

The ceiling is padded with insulation material to block heat radiation into the cab and keep the temperature down when working in very sunny areas.

The cab platform is covered with a “firm grip” carpet in the most commonly used areas.

It is recommended to keep this carpet clear of earth, mud, etc. so that the operator may get on and off the tractor in full safety.

### ► How to Controls Cabin





## **VENTILATION**

The ventilation unit is housed in the cab ceiling.

To switch it on and adjust it, turn the electrical fan switch to the desired speed.

The cab becomes slightly pressurized when the ventilation system is in operation, so that the fresh air can enter only by way of the filter installed in the rear section of the cab roof.

The fan switch can be operated only after the ignition key is inserted.

The air flow can be regulated and directed by suitable positioning the air diffusers.

Air can be taken in fresh from outside or recirculated from within the cab by way of the relative side inlets

### **■ Re-circulation inlets fully closed:**

Air is taken in entirely from outside the cab through the rear grille and filtered through a paper element positioned behind the grille.

**N.B-**it is very important that the air diffusers never be completely closed so as to allow for a steady air flow.

To obtain a greater pressurization inside the cab, it is necessary to take the air from the outside, therefore the inside air recirculating grille should be fully closed.

### **■ Working lamp switch**

The front and rear working lights are ON when push the button. The work light indicator lamp on the instrument cluster will illuminate.

### **■ Wiper control switch**

- Switch ON

The Wiper switch is ON when Push the Top button.

The Washer switch is ON when Push the Mid-button.

- Switch OFF

Once again push the buttons.

### **■ Windscreen Washer tank**

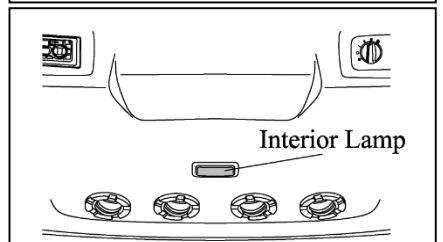
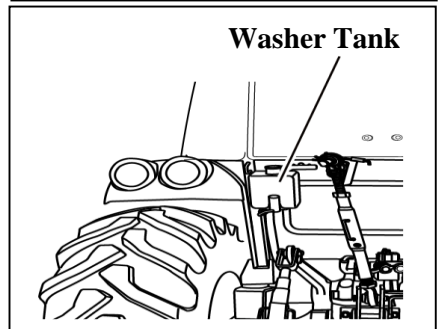
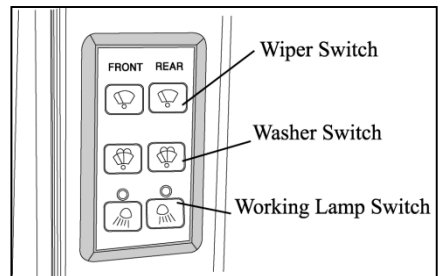
Check the level of windscreen washer fluid in the plastic reservoir located at the Rear of the cab. During winter, it is

Advisable to add a suitable antifreeze or methyl alcohol to the windscreen washer fluid.

### **■ Interior Lamp**

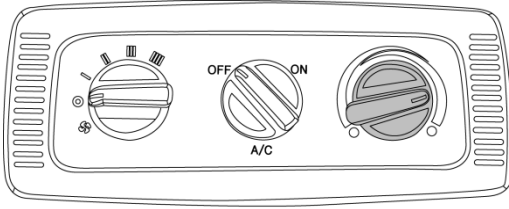
Push the button to light on

And push it again to light off



### ■ Blower control switch

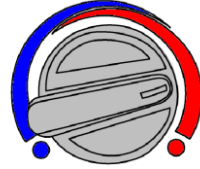
Three position rocker switch



### ■ Temperature control

Set temperature control as required,fully clockwise

For maximum cool and fully counterclockwise for heat.



**Temperature control**

### ■ Air con. switch

To operate the air conditioner,the blower must be on.The blower speed temperature control and all vents must be adjusted to obtain the best cooling for the ambient temperature and dust conditions.

Under normal operating conditions, and the windows and doors closed, temperatures in the cab of 6°C to 15 °C (10 °F to 25 °F) less than the ambient temperature will occur.

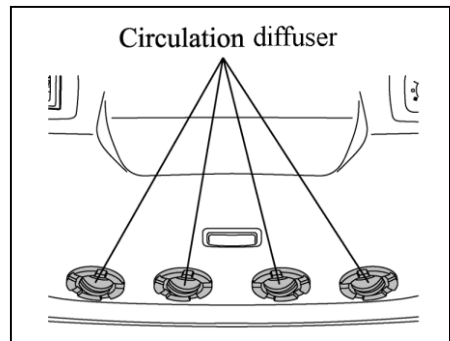
When operating the air conditioner system, the moisture level is decreased.

### NOTE:

- 1) During cold weather,with ambient temperature above 0 °C (32 °F) operate the air conditioner at least once per month,for a period of 10 to 15 minutes.This will lubricate the seals to prevent them becoming brittle and help prevent the loss of refrigerant from the system.
- 2) The system is equipped with an environmentally safe refrigerant,R134a.Never recharge the air conditioning system with refrigerant other than R134a as this will result in loss of cooling and permanent damage to all air conditioning components

### ■ Circulation diffuser

With the circulation vent set in any position outside Air will still be pulled into the cab.



## HEATING SYSTEM

### General description

The heater is switched on and adjusted by rotating the control knob at the roof console, then switching on the blower and setting the selector at the preferred speed .

To warm the cab up quickly, the knob should be rotated fully clockwise and the blower set to speed 3.

The screen is demisted or defrosted by air directed through a slot vent . For defrost or fast demist, all other vents should be closed off.

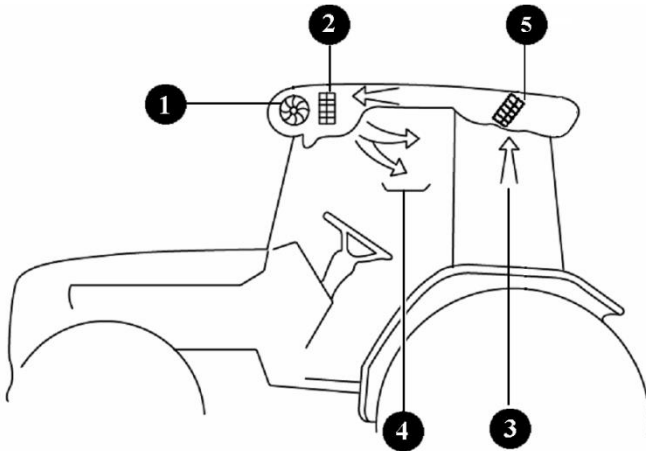
### **IMPORTANT:**

Ventilation is provided by a single blower unit serving both the heating system and the air conditioning system.

After reaching the desired temperature adjust the system to suit your needs.

### **NOTE:**

-For ideal system operation, the engine must run at 1000 rpm



1. Speed heating fan    2. Electric resistances    3. Recirculation inlets  
4. Pivotal air diffuser    5. Air filter



Warning

Before starting the engine, make sure the system is off

(by turning off the ventilation fan) so as not to overload the battery.

After the system at full power for a long period of time, never turn it off suddenly but let it first idle for about 20 seconds.

## **SYSTEM CONFIGURATION**

1. The heating system consists of two units:

1- Electric heater and blower unit installed behind roof console.

2- Power supplying set, consisting of an auxiliary alternator located front of the engine and driven by a belt directly linked to the engine pulley.

If the air does not come out from the diffusers right away as soon as the system is started, turn off immediately and identify the fault.

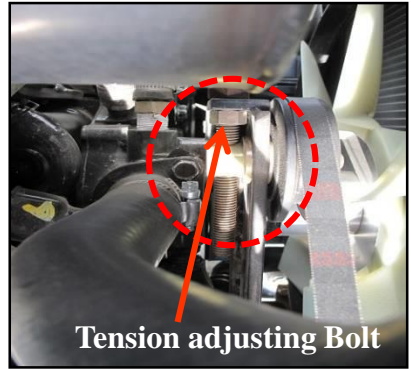
N.B- Never turn on the heating system when working in dusty environments.

## ■ Compressor belt adjustment

Check the compressor belt tension regularly and adjust if required.

The correct tension is if the center of the belt is pushed with a finger it moves in approx. 10 mm (0.39 in) as shown in the picture.

To adjust the belt, loosen or tighten the nut as shown in the picture.

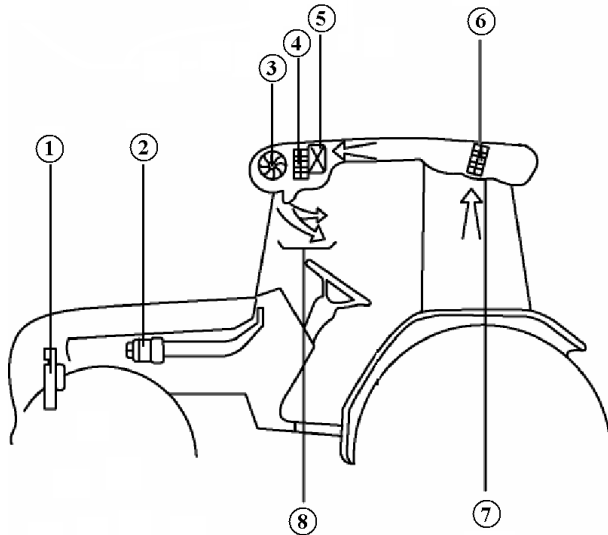


## AIR CONDITIONING SYSTEM

The system is designed to ensure optimum temperature inside the cab and maximum comfort and safety for the operator.

However, it is advisable to consult our specialized workshops whenever repairs or adjustments need to be performed.

Do not approach the system with open flames, as any escape from the circuit may produce a lethal gas.



1. Alternator

2. Compressor

3. Speed fan

4. Electric resistance

5. Evaporator

6. Air filter

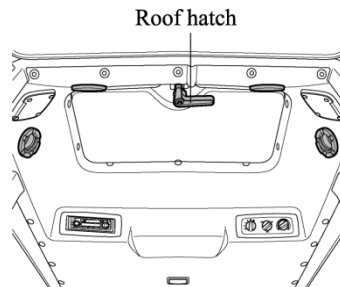
7. Recirculation inlets

8. Pivotal air diffusers

### ■ Roof hatch (if equipped)

Ventilation-push the latch towards the front of the tractor and then push the hatch up.

Emergency Exit-Push firmly upwards to release the support struts from the lower retainer clips.



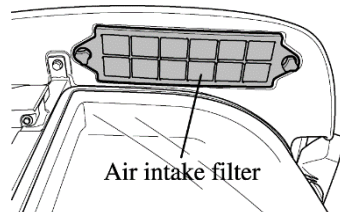
### ■ Circulation diffuser

With the circulation vent set in any position outside Air will still be pulled into the cab.

### ■ Cab Air intake filter

The《Paper》 filter is not suitable for the treatment of pesticides and so must be replaced by an《ACTIVE CARBON》FILTER available optionally. Once the pesticide treatment is finished, it is necessary to once again replace the “ACTIVE CARBON” filter with the paper filter, since this is the only type suited for filtering foreign particles from the air.

Optional ACTIVE CARBONFILTER is informed to parts Catalogue

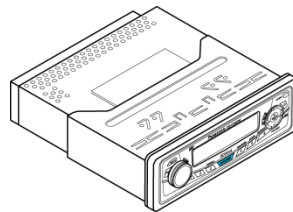


Warning

Cab air filters remove dust in the air, but are not capable of removing chemicals used in spraying crops or in weed control. Many chemicals used for these purposes are toxic when improperly used and can be hazardous to operators and others in the area. Follow the instructions of manufacturers of both the equipment and the chemicals regarding prohibition of dust or spray, personal hygiene practices, and other precautions noted by the manufacturers.

### ■ Radio, CD player ( If equipped)

For operation refer to the Radio, CD player manufacturers instructions.



### ■ Ash tray

Located at right side of near side window in cabin.

### ■ Cup Holder

Put the bottles and Personal belongings.

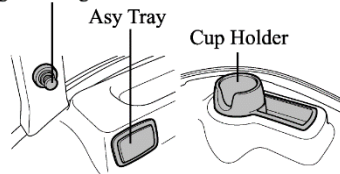
### ■ Cigarette Lighter

Push the button. Use that is return to original position.

Cigarette Lighter

Asy Tray

Cup Holder



## 1. Checking the air conditioning system.

① Economic friendly refrigerant : R134a 0.7~0.85Kg.

The presence of air and water in the system could jeopardize its efficiency.

-The air is uselessly compressed by the compressor and no cooling effect is produced.

-The moisture has a tendency rise to obstructions which prevent the cooling efficiency.

② Check belt tension ; when finger pressure is applied to the mid-point between both pulleys.

③ Condenser fins must always be duly clean using water or an air set.

## 2. Checking the air conditioning system charge

(1) Check the refrigerant charge.

A. Run the engine at 1500rpm

B. Set the air conditioning system in the coldest for 5 minutes.



Caution

If the air conditioning system is operated without being charged, The lubrication in the compressor can cause damage.

### 3.Diagnosing malfunctions.

#### (1) Tracing faults

	SYMPTOM	CONDITION	CAUSE	REMEDY
1.Compressor	Abnormal sound	Inlet sound Outlet sound	Insufficient Lub.	Replenish
			Belt tension release	Adjust
			Release the bracket	Tighten the bolts
			Clutch fail	Check
	Abnormal revolution	Inlet cause	Damaged parts	Check,replace
			Slip the clutch	Check,replace
			Not Lub.	Replenish
		Outlet cause	Belt tension released	Adjust
	Refrigerant or oil leakage	Refrigerant or oil leakage	Sealing washer damaged	replace
			Head bolt released	Tighten the bolts
			D-ring damaged	Replace
	Excessive pressure	Low,High pressure	Insufficient refrigerator	Adjust
Compressor			Replace	



	SYMPTOM	CONDITION	CAUSE	REMEDY
2.Motor	Weak from pressure or don't work	Motor is normal	Air inlet clogged	Remove
			Evaporator freezing	Controlling minimum pressure
			Ventilator switch damage	Replace the switch
			Compressor	Replace
		Motor is abnormal	Motor failure	Replace
			Wire cut	Replace
	Air leakage	Duct leakage	Check,tighten	
	Unable to control the fan	Motor	Air volume control switch failure	Check,tighten
Motor is abnormal		Motor failure	Replace	
3.Clutch	Noise	Regular noise Irregular noise	Interference with pulley	Control the compressor direction
	Disengage	Engaged sometimes	Wire defect	Check wire
		Engaged to push with hand	Clutch gap large	Adjust
			Low voltage	Check battery
	No defect wire	malfunction	Replace	
	Slip	Slip during rotation	Low voltage	Check battery
			Oil stick at clutch	Clean
Malfunction			Replace	

(2) How to check the air conditioning system with the needle of high low gauge

To connect with manifold pressure gauge can find the cause of air conditioning system.  
Because manifold pressure gauge is various sensibly (Ambient Temp. is based on 30~35°C)

**Caution:**

Operating E/G RPM 1500~2000 is must, and so to that you can check the correct cause and air conditioning.

(In case below the figure of indicated pressure gauge has some clearance, confirm with approximate indicated needle data.)

Gauge pressure conversion

●  $\text{lb/in}^2 = \text{PSI}$

●  $1 \text{ kg/cm}^2 = 14,223 \text{ in}^2$

(Ex) 200 PSI = 14 kg/cm<sup>2</sup>

# **Specifications**

The specifications on the following pages are given for your information and guidance.

For further information concerning your Tractor and equipment, consult your Authorized TYM Dealer/Distributor.

TYM CO.,LTD. policy is one of continuous improvement and the right to change prices, specifications or equipment at any time without notice is reserved.

All date given in this book is subject to production variations.

Dimensions and weights are approximate only and the illustrations do not necessary show Tractors in standard condition.

For exact information about any particular Tractor, please consult your TYM Authorized Dealer/Distributor.

# SPECIFICATIONS

**Model: T454/T554**

## ENGINE

### 4 Cycle, Inline, Water-cooled Diesel

Model : T454(4TNV88C-KKTF)  
          : T554(4TNV86CT-KKTF)

No. of cylinders : 4  
Displacement : T454(2,190)Liters  
                  : T554(2,091)Liters  
Bore : T454(88mm(3.5in))  
      : T554(86mm(3.4in))  
Stroke : T454,T554(90mm(3.5in))  
Compression Ratio : 19.1 / 19.2  
Rated power (kW/rpm) : T454 – 34.3/2800 rpm  
                          : T554 – 41.1/2800 rpm

(Manufacturing rating)

Rated Speed : 2,800 rpm  
High idle rpm : 2,950±10RPM  
Low idle rpm : 950 ±10RPM  
Fuel injection pump : Common Rail.  
Cylinder sleeve : -  
Air Cleaner : Dry Filter element,  
                  paper element filtering type.  
DPF: Horizontal External type  
Firing order : 1-3-4-2-1  
Accelerator : Hand & Foot Accelerator

## ELECTRICAL STARTING AND LIGHTING

Battery Capacity : 12 Volt 80AH  
Starter : Solenoid Engaged.  
          Key Start with interlock,  
          Neutral switch  
Alternator : 12V 55A  
Instrumentation : Water Temperature Gauge,  
                  Taco meter, Hour meter,  
                  Electrical fuel level gauge.

Lighting: Head lamps, side indicators,  
          Rear parking brake  
          & indicator light  
          On dash board indicators  
          for battery charging, turn  
          signal, PTO signal, Engine  
          oil pressure, Preheat signal.

## CLUTCH

Type : Diaphragm  
Outer dia. X Inner dia. : Φ260XΦ180

## TRANSMISSION

Type : synchro mesh  
No. of gears : 16 forward,  
              16 reverse speeds  
              with high and low  
              selection lever with  
              Differential Lock  
**STEERING** : Hydraulic power  
              (Power steering)

## POWER TAKE OFF

Rear mounted : 6 splines  
Diameter : 1¾ in.(35mm)  
Standard PTO : ①540

## BRAKES

Foot operated, independent with provision of  
inter lock for simultaneous operation. A foot  
brake is fitted for parking.  
Disc Diameter : Φ183mm(Φin)  
Number of lining : 4 each side  
Total brake thickness : 21.1mm(in.)

## HYDRAULIC SYSTEM

Independent fully"Live"hydraulic pump  
and separate reservoir. Position controls with  
isolating & response control

Piston and cylinder Lift : 1503 kgf  
                              (at lower link top end)  
Pump output :  
Main : 15.0 cc/rev (38.3 ℓ/min)  
Power Steering : 7.2 cc/rev (18.8 ℓ/min)  
Delivery(93% efficiency) : liter(cu.in)mm at  
2800rpm  
3 point linkage : USA -Category 1  
                              adjustable outside stabilizer

► MAIN SPECIFICATIONS

MODEL		T454/T554
Engine	Maker	YANMAR
	Model	T454 (4TNV88C-KKTF) T554 (4TNV86CT-KKTF)
	Type	T454 (4Cycle, Line, Water-cooled Diesel)
		T554 (4Cycle, Line, Water-cooled Diesel turbo charged)
	Output (Kw/rpm)	T454 – 34.3/2,800 rpm T554 – 41.1/2,800 rpm
	Number of Cylinder	4
	Displacement(cc)	T454(2,190) T554(2,091)
	Bore and Stroke	T454(88X90mm), T554(86X90 mm)
	Compression ratio	19.1 / 19.2
	Firing order	1-3-4-2-1
	Injection pump	Direct Injection
	Lubrication system	Forced feed API CJ-4, ACEA E-6 JASO PH-2 Grade : 10W 30
	Cooling system	Water cooled, Forced circulation/ Fan
	Coolant capacity	9.3ℓ
	Air cleaner	Dry Dual Element
	DPF	Horizontal / side
	Fuel	Diesel fuel / Sulfur ≤ 15ppm
	Fuel Tank capacity	60ℓ(15.85 US gal)
Electrical	Battery	12V80AH
	Starting system	Starter motor with pre-heater
	Starter Capacity	2.0KW
Drive Train	Alternator	12V 55A
	Transmission	Constant mesh(Synchromeshed 3 <sup>rd</sup> and 4 <sup>th</sup> in main shift in both forward and reverse)
	MFWD(4WD)	Standard
	Differential lock	Bevel gears with diff-Lock
	Brakes	Wet disc, mechanical
	Steering	hydraulic

<b>MODEL</b>		<b>T454/T554</b>	
<b>Clutch</b>	<b>Main</b>	Dry single disc,mechanic	
	<b>PTO</b>	Multiple wet disk	
<b>Dimensions</b>	<b>Overall length(mm)</b>	3,500 (137.8")	
	<b>Overall width (mm)</b>	1,610 (63.4")	
	<b>Overall Height (mm)</b>	2,765 (108.9")	
	<b>Wheel base (mm) (Distance between shafts)</b>	1,935 (76.2")	
	<b>Min. Ground Clearance (mm)</b>	370 (14.6")	
	<b>T454/T554</b>	<b>Front</b>	9.5-16-8PR
		<b>Rear</b>	13.6-26-8PR
	<b>Axle type</b>	<b>Front</b>	Center pin
<b>Rear</b>		Central axle	

<b>Implement</b>	<b>Operation</b>	Hydraulic
	<b>Mounting method</b>	3-Point hitch
	<b>Drawing method</b>	Trailer hitch
	<b>3-Point hitch category</b>	Category 1
	<b>Hydraulic-control</b>	Position ,draft control

<b>Traveling Speed : Km/hour (mile/hour)</b>			
<b>MODEL</b>		<b>T454/T554</b>	
<b>Range shift</b>	<b>Main shift</b>	<b>Forward</b>	<b>Reverse</b>
<b>LL</b>	<b>1</b>	0.68(0.42)	0.58(0.36)
	<b>2</b>	0.91(0.57)	0.76(0.76)
	<b>3</b>	1.38(0.86)	1.16(0.72)
	<b>4</b>	1.63(1.01)	1.37(0.85)
<b>L</b>	<b>1</b>	1.94(1.21)	1.64(1.02)
	<b>2</b>	2.57(1.60)	2.17(1.35)
	<b>3</b>	3.93(2.40)	3.31(2.06)
	<b>4</b>	4.64(2.88)	3.91(2.43)
<b>M</b>	<b>1</b>	4.05(2.52)	3.42(2.13)
	<b>2</b>	5.38(3.34)	4.53(2.81)
	<b>3</b>	8.21(5.10)	6.92(4.30)
	<b>4</b>	9.69(6.02)	8.17(5.08)
<b>H</b>	<b>1</b>	12.84(7.98)	10.82(6.72)
	<b>2</b>	17.03(10.58)	14.35(8.92)
	<b>3</b>	26.00(16.16)	21.91(13.61)
	<b>4</b>	30.68(19.06)	25.86(16.07)

\*The specifications are subject to change for improvement without notice.

## FUEL SAVING TIPS

To save fuel & oil in your tractor, following things should always be kept in mind.

### A) Air cleaning system

- 1) Clean the air cleaner regularly so that dust does not settle down.
- 2) For every 50 hours & everyday in sandy/dusty conditions.
  - (a) Clean the air cleaner filter element with compressed air.
  - (b) If the rubber ring is cut or expanded then change it with an appropriate one.  
Fix the rubber at the proper location & check for leakages if any.
  - (c) If air is leaking through the hose connection, check & rectify other leakages, too.

**Note:** If air cleaning system is not properly maintained, it will lead to early wear of piston rings & sleeves.

This will lead to problems like loss of engine power,, excessive oil consumption fuel consumption.

### B) Engine

- 1) put the engine oil on load after the engine is heated & the water temperature gauge indicates the needle to be in the green zone.
- 2) If excessive black smoke is visible, then the paper element of air cleaner, Fuel injection Pump or nozzles should be checked.
- 3) Do not run the engine without load for more than 2 minutes.  
It is better to stop the engine rather than run it idle. This will help in saving of fuel.

### C) Clutch & Brakes.

- 1) Do not reduce the power of the power of the engine by depressing the clutch halfway. Instead use low gear.
- 2) If the Tractor has to be stopped for a long period, it is advisable to bring the transmission in neutral position & release the clutch pedal.
- 3) Do not over ride the clutch & brake pedals.
- 4) While coming down from a slope, reduce the engine throttle & use low gear.  
Do not depend only on the brakes for stoppage.

### D) Fuel system

- 1) Always use filtered diesel for the fuel system
- 2) At the end of the day's working, it is preferable to fill the diesel tank so that it may prevent condensation.
- 3) Change the filter, if the system gets choked.  
Do not change both the filters at the same time.  
If the above directives are not adhered to, the fuel injection pump & injection nozzle will lose its life early.  
Also, it will lead to excessive black smoke & excessive diesel consumption.

### **E) Engine system**

- 1) Always use recommended grade of oil.
- 2) Everyday before starting the engine, check the oil level with a dipstick & refill between the minimum & maximum level.
- 3) Change the engine oil, Replace filter & “O” ring, as & when required.

### **F) Cooling system**

- 1) Check the fan belt tension regularly. Adjust, If required.
- 2) Check the coolant level in the radiator fins always clean.
- 3) Replace the radiator cap with a genuine cap only, if required.
- 4) Do not remove the thermostat but replace with a new one, if required.
- 5) Do not change the radiator water often.

#### **Note:**

- 1) Always stop any fuel or oil leakages.
- 2) Carry out the regular maintenance failure to do so might increase the fuel consumption by 25%.
- 3) Carry out the torque of cylinder head bolt & adjustment of valve clearance regularly.  
Consult your dealer for this.
- 4) Check the tire pressure & inflate, as recommended.
- 5) Always buy genuine spares from the authorized Dealer/Distributor.
- 6) Always carry out the service of the Tractor by your authorized Dealer/Distributor.

For any other information, contact your nearest Authorized Dealer/Distributor.



## FAULT TRACING

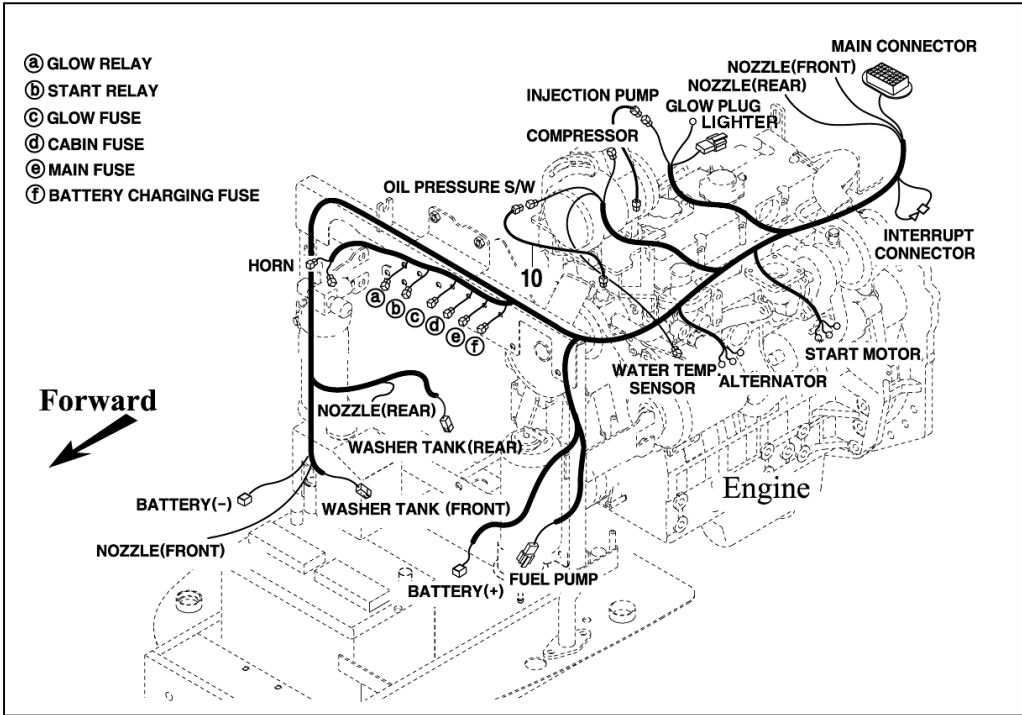
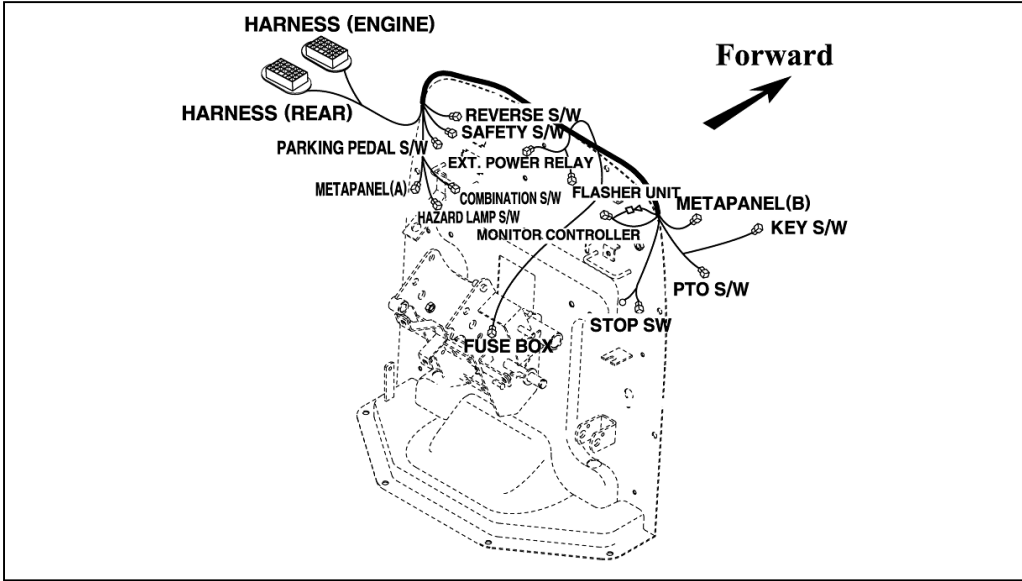
SYMPTOM		CAUSE	REMEDY
Engine	Turning the main switch will not operate the starter	Clutch not pushed in Battery flat  Switch faulty	Push the clutch in Charge or replace the battery Dealer to repair or replace Contact dealer for repair or replace
	Starter operates but not enough to turn the engine	Low battery Bad earth Thick oil	Charge the battery Clean the earth lead and tighten Drain and replace with correct oil
	Starter operates OK but does not start the engine	Air in fuel system Clogged fuel filter No fuel being supplied Glow plug disconnected or not working	Bleed the system Clean or replace both filters Fill tank or turn tap on Contact dealer for repair.
	Engine revolutions are irregular	Air in the fuel system Faulty injector Fuel pipe leak	Bleed the system Contact dealer for repair.
	The engine stops at low revolution	Poor fuel injection Faulty injection pump Wrong valve clearance Wrong idle setting Faulty injector	Contact dealer for repair Contact dealer for repair Contact dealer for repair Contact dealer for repair Contact dealer for repair
	The engine stops suddenly	Lack of fuel  Faulty injectors Seized engine due to lack of oil, the wrong oil or lack of coolant	Fill the tank and bleed the fuel system Contact dealer for repair
	The engine overheats	Lack of coolant Broken or misadjusted fan belt Clogged air filter element Clogged radiator Low oil	Refill with coolant Adjust or replace  Clean or replace air filter Clean the core Replace the oil to correct grade

SYMPTOM		CAUSE	REMEDY
Engine	White smoking from the exhaust	Oil level too high Shortage of or faulty fuel	Reduce to correct quantity Contact dealer for repair
	Reduced performance of the engine	The injectors are clogged, carbon coated and sticking Low compression Leaking valve seat Incorrect valve gap Faulty timing Fuel shortage  Clogged air cleaner	Contact dealer for repair  Contact dealer for repair Contact dealer for repair Contact dealer for repair Contact dealer for repair Fill the tank and check fuel quality Clean the element
	Oil warning light comes on with the engine running	Low oil level Wrong oil Faulty light or switch Clogged oil filter	Fill to correct level Change to correct oil Replace faulty part Contact dealer for repair
	Alternator light comes on with the engine running	Wiring fault Faulty alternator Low water level or faulty battery Broken or loose fan belt	Contact dealer for repair Contact dealer for repair Top up or replace  Replace or adjust

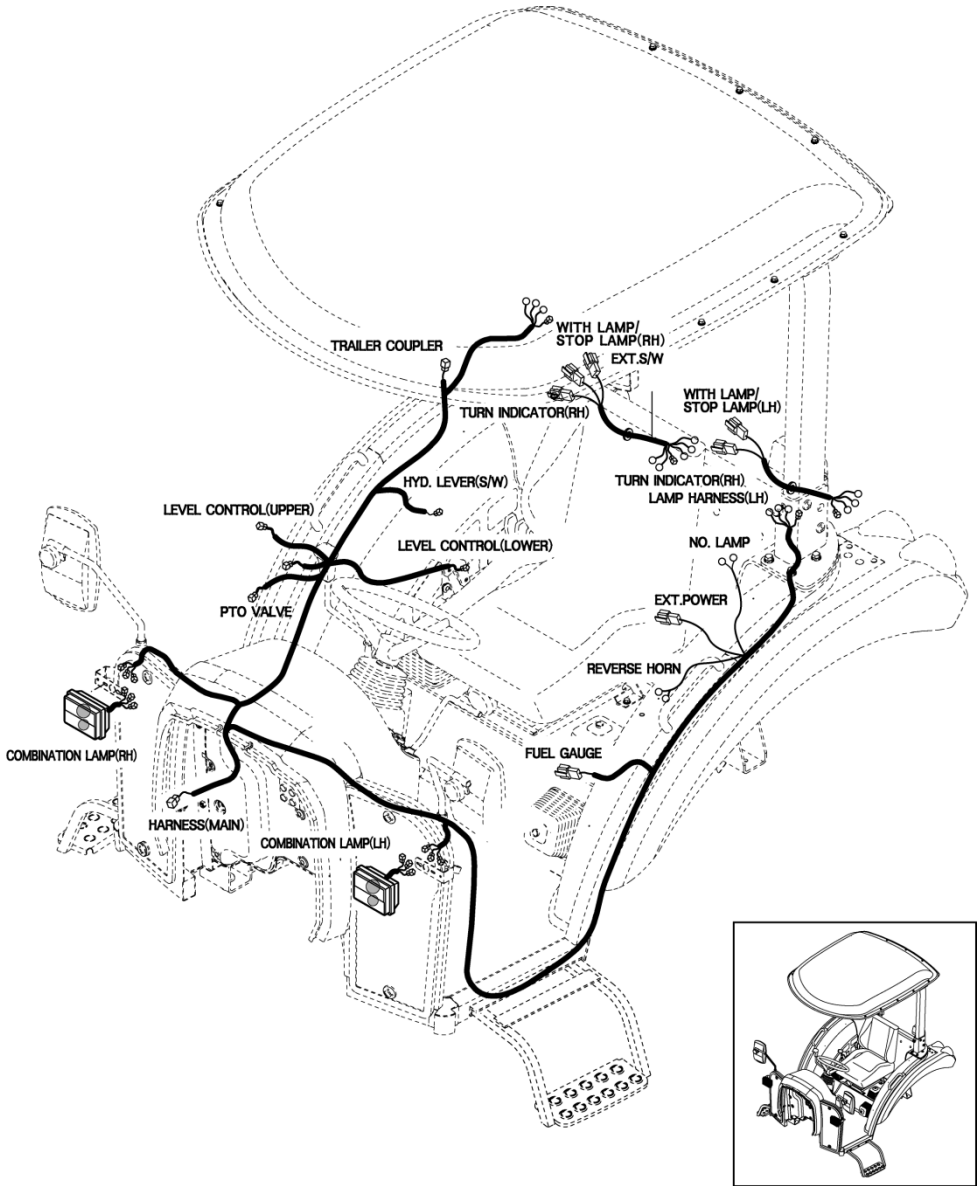
SYMPTOM		CAUSE	REMEDY	
Clutch	The clutch slips	Incorrect adjustment	Adjust to correct free play	
		Worm or burnt lining	Contact dealer for repair	
	The clutch does not disengage	Incorrect adjustment Rusty clutch lining	Adjust to correct free play Contact dealer for repair	
Brake	Brake not working	Incorrect free play Worm or burnt lining Left and right gap different	Adjust to correct free play Contact dealer for repair Equalize	
	Brake pedal not returning	Faulty return spring Lack of grease on the joints	Replace spring Remove rust and lubricate with grease	
Hydraulic system	Hydraulics are not lifting	Engine revs. too low Lack of transmission Oil Air leaking in from a pipe Clogged suction filter Faulty pump Faulty hydraulic valve Faulty cylinder	Increase engine revs. Top up the oil to the correct level Repair or replace pipe or replace O ring on joint and tighten  Clean and change oil Contact dealer for repair Contact dealer for repair Contact dealer for repair	
		Oil leak from pipe	Loose pipe joint Cracked pipe	Tighten joint Replace or repair pipe
		When lifting the relief valve whistles	The stopper has slipped down	Adjust the stopper
For any other hydraulic problems please consult your dealer who has the correct equipment to diagnose and repair the system				

	SYMPTOM	CAUSE	REMEDY
Steering wheel	Steering wheel shaking	Wrong toe-in Unequal tire pressure Loose component	Adjust toe-in Inflate both to correct pressure Tighten or replace if worn
	Excessive play in the steering	Worn steering shaft Worn components	Contact dealer for repair Contact dealer for repair
Electric instruments	Flat battery	Faulty wiring  Faulty alternator Faulty regulator Broken or loose fan belt	Repair, reconnect or tighten as needed Contact dealer for repair Contact dealer for repair Replace or adjust
	Before anything else, check the electrolyte level of the battery and the connections. Top up if required and clean and retighten the terminal		
	Dim head lights	Low battery Faulty wiring	Charge or replace Repair or replace as needed
	Headlights not working	Blown bulb Blown fuse Faulty contact	Replace bulb Replace fuse Repair or replace and check the earth
	Horn not working	Faulty horn button Faulty wiring Faulty horn	Replace button Repair or replace Replace
	Indicator not working	Blown bulb Faulty flasher unit Faulty wiring	Replace bulb Replace unit Repair or replace

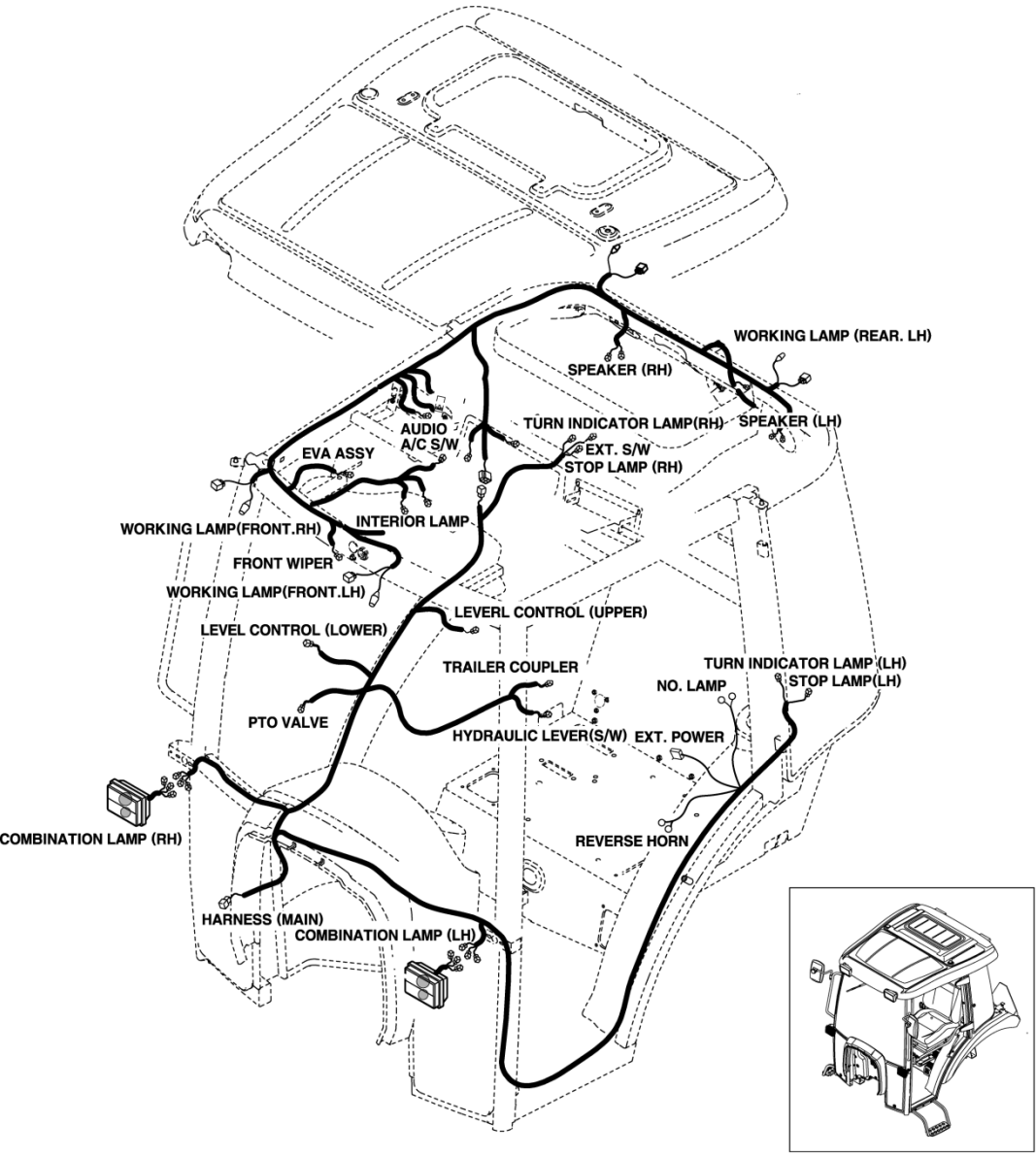
# T454/T554 ELECTRIC SYSTEM DIAGRAM



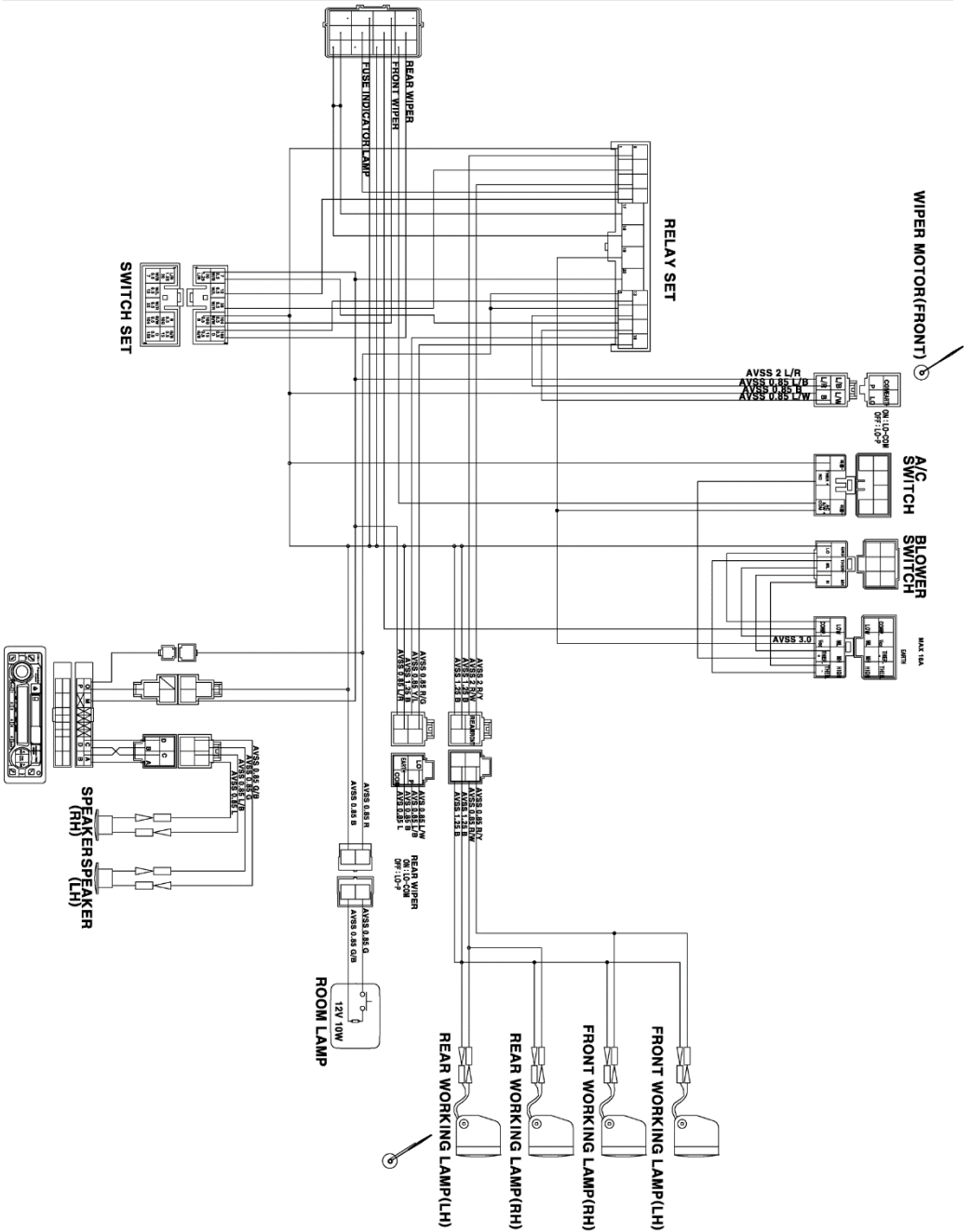
# T454/T554 ROLL-BAR WIRING DIAGRAM



# T454/554 CABIN WIRING DIAGRAM (1)

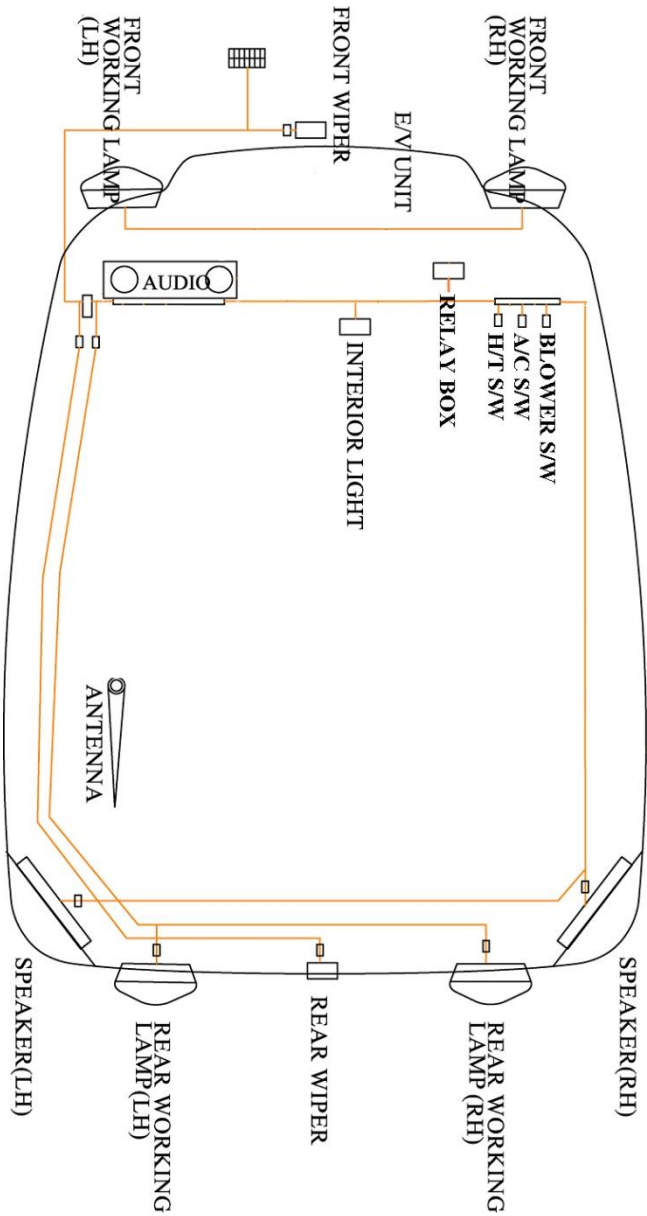


# T454/T554 CABIN WIRING DIAGRAM (2)

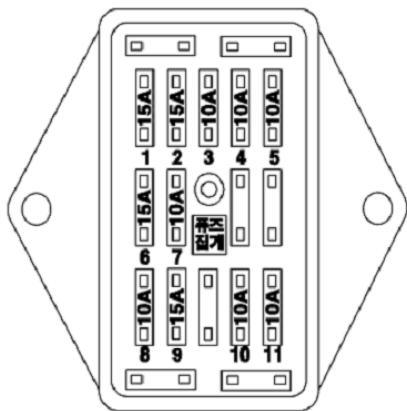




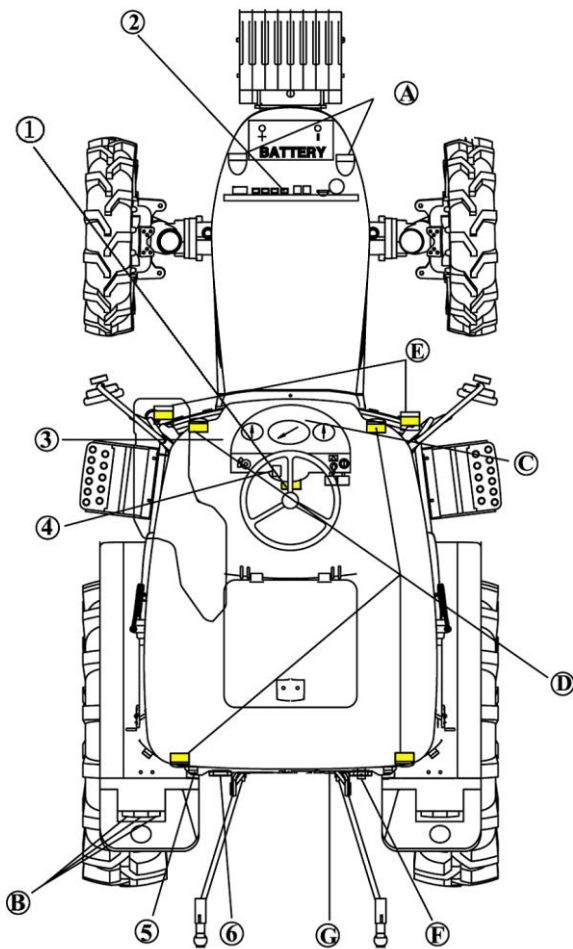
# T454/T554 CABIN WIRING DIAGRAM (3)



- ▶ Drawing for fixing position of the fuse
- ▶ Wiring diagram of the electric instrument



1. PANEL
2. LIGHT, HORN
3. WORKING LIGHT
4. STOP LAMP
5. TURN SIGNAL
6. CONTROLLER
7. ENGINE STOP
8. FUEL PUMP
9. COUPLER
10. AUTO ROLLING
11. QUICK TURN



1	FUSE BOX
2	SLOW BLOW FUSE
3	UNITS FOR DIRECTION SIGNAL RELAY FOR THE POWER
4	PTO MONITOR
5	COUPLER FOR THE POWER MAX RATED AMPERE
6	COUPLER FOR THE TRAILER

A	HEAD LAMP	12V55W
B	DIRECTION SIGNAL LAMP	12V21W
	STOP LAMP BACK LIGHT	21/5W
C	META PANEL LIGHT	12V3.4W
D	WORKING LAMP	12V35W
E	DIRECTION SIGNAL LAMP	12V21W
	SIDE LAMP	21V5W
F	BACK LAMP	12V20W
G	NUMBER LAMP (EU)	12V10W

### TRACTOR HISTORY CARD

DATE	JOB CARD NO.	NATURE OF DEFECT	PARTS REPLACEMENT	W/CLAIM NO. AND DATE	REMARKS

### SERVICE RECORD

DATE	TRACTOR HOURS	NATURE/TYPE OF REPAIR/SERVICE CARRIED OUT

**DAILY OPERATION LOG**

DATE	JOB DONE	MACHINE HOURS		FUEL CONSUMPTION	ENGINE OIL TOPPED UP	REMARKS
		START	END			

**PART REPLACEMENT RECORD**

<b>DATE</b>	<b>PART DESCRIPTION</b>	<b>Q'TY</b>	<b>COST</b>	<b>DATE</b>	<b>PART DESCRIPTION</b>	<b>Q'TY</b>	<b>COST</b>



T454/T554

Operator's Manual for Tractors

Code No.

1746-940-001-0

Printed on August. 2019

1st Edition