

2500HL_EU_FL(AC02165) TRACTOR

Parts Catalogue



CONTENTS

GROUP NO	GROUP NAME	PAGE
G. ENGINE		
A01_007	CYLINDER BLOCK	6
A02_005	DRIVE PULLY	8
A03_004	CRANK SHAFT PULLEY	10
A04_005	GLOW PLUG ASS'Y OPTION	12
A05_005	CRANK SHAFT ASS'Y OPTION	14
A06_004	BREATHER OPTION	16
A07_005	CAMSHAFT	18
A08_005	ALTERNATOR	20
A09_006	COOLING WATER PUMP	22
A10_008	COOLING FAN SPACER	24
A11_007	INJECTOR	26
A12_014	FUEL INJECTON	28
A13_005	PLUMBING, FUEL	30
A14_003	FUEL FILTER BRACKET	33
A16_003	FUEL FILTER ASS'Y OPTION	35
A17_012	INTAKE MANIFOLD ASS'Y OPTION	37
A18_010	FLYWHEEL	39
A19_010	FLYWHEEL HOUSING	41
A20_010	HEAD, CYLINDER	43
A21_004	HEAD COVER	45
A23_009	TURBOCHARGER SUPPORT ASS'Y OPTION	47
A25_002	OIL JET ASS'Y OPTION	49
A26_005	COOLER, ENGINE OIL	51
A27_005	OIL PAN ASS'Y OPTION	53
A28_001	PUMP, LUBRICATING OIL	55
A29_005	FILTER, LUBRICATING OIL	57
A30_003	FRONT GEAR ACCESSORY DRIVE	59
A31_007	PISTON	61
A32_003	LEVER, LOCKER	63
A33_013	EXHAUST MANIFOLD	65
A35_002	IDLE GEAR	67
A36_004	COVER, FRONT GEAR	69
A37_001	BALANCE ASS'Y	71
A38_009	GAUGE, OIL LEVEL	73

CONTENTS

GROUP NO	GROUP NAME	PAGE
G. ENGINE		
A39_001	OIL FILLER CAP	75
A40_003	LIFT ASS'Y OPTION	77
A41_001	COMP,DRIVE PULLEY ASS'Y OPTION	79
A42_003	MOTER, STARTIONS	81
A43_001	DPF SUPPORT OPTION	83
A44_006	DPF MOUNTING OPTION	85
A45_004	DPF	87
A48_006	V-BELT	89
A56_001	LOOSED PARTS	91
B. ENGINE ACCESSORIES		
B01010	FUEL TANK	93
B01032	FUEL LINE	95
B02020	RADIATOR	97
B02040	WATER PIPE	99
B02050	AUXILIARY COOLANT TANK	101
B03010	AIR CLEANER	103
B03031	MUFFLER	105
B05010M	ACCELERATION SYSTEM	107
C. CLUTCH, BREAK, LEVER		
C01010	CLUTCH DISC	109
C01030	CLUTCH PADAL	111
C02010	BRAKE PEDAL	113
C02030	BRAKE ROD	115
C02064	SIDE BRAKE	117
C03010	HST PEDAL	119
C04000M	LEVER&PEDAL ASS'Y	121
C04040M	DIFF. LOCK PEDAL	123
D. HYDRAULIC		
D01010	HYDRAULIC PUMP	125
D01011	HYDRAULIC OIL LINE	127
D01012	HYDRAULIC OIL LINE/DELIVERY	129
D02010	STEERING WHEEL	131
D02011	STEERING MOUNTING	133
D02020	STEERING VALVE	135

CONTENTS

GROUP NO	GROUP NAME	PAGE
D. HYDRAULIC		
D02030	PST HOSE	137
D02041	PST COVER	139
E. FRONT AXLE		
E01010	FRONT AXLE CASE	141
E01030	GEAR CASE, FRONT AXLE	143
E01030-1	GEAR CASE, FRONT AXLE	145
E01040	FRONT DIFFERENTIAL	147
E01050	BEVEL GEAR	149
E01070	FRONT DRIVE SHAFT	151
E01080	TIE ROD	153
F. TRANSMISSION		
F01010	CLUTCH HOUSING	155
F01020B	TRANSMISSION CASE	157
F01040	REAR AXLE CASE	159
F01070	DIFFERENTIAL GEAR CASE	161
F02020	CLUTCH SHAFT	163
F02090	CENTER FRAME	165
F02110B	PROPELLER SHAFT- HST	167
F02120B	FRONT SHAFT- HST	169
F02130B	HYDRAULIC OIL LINE, CLUTCH- HST	171
F03010B	MAIN SHIFT DRIVE SHAFT- HST	173
F03040B	(RANGE SHIFT DRIVE SHAFT)- HST	175
F05020	REAR DIFFERENTIAL	177
F06000	REAR AXLE ASSY	179
F07030B	PTO DRIVE SHAFT- HST	182
F07070B	PTO SHAFT- HST	184
F07080B	MID PTO- HST	186
F07090	NEUTRE HOLDER LINK- HST	188
F08022	RANGE GEAR SHIFT FORK	190
F08040B	4WD FORK- HST	192
F08050	DIFFERENTIAL LOCK SHIFT FORK	194
F08060B	PTO GEAR SHIFT FORK- HST	196
F10020	LIFT ARM	198
F10064	POSITION CONTROL LEVER	200

CONTENTS

GROUP NO	GROUP NAME	PAGE
F. TRANSMISSION		
F10080	HYD VALVE	202
F10090	FEED BACK LEVER- POSITION	204
F10120A	REAR SCV(2PORT)	206
F10160H	HYDRAULIC OIL LINE	208
F11070	DIFFERENTIAL LOCK LEVER- HST	210
F11080	FRONT WHEEL DRIVE LEVER	212
G. SHEET METAL, CABIN		
G01020	BONNET	214
G01060	FIXED BRACKET, BONNE	216
G01080	BRACKET, FRONT AXLE	218
G04020	DASHBOARD	220
G04060	SUB STEP	222
G04070	DRIVER'S SEAT	224
G04071	FLOOR SEAT	226
G04083M	LEVER GUIDE	228
G04090	FENDER	230
G04093	FENDER STAY	232
G04120-A	ROPS	234
G05020	TOP LINK	236
G05030	LOWER LINK	238
G05050	LIFT LINK	240
G05054-A	CHECK CHAIN	242
G05070	DRAW BAR	244
G05090	PTO COVER	246
H. ELECTRICALS, HARNESS		
H01030	BATTERY	248
H02010	HEADLIGHT	250
H02022	COMBINATION LAMP/RR	252
H02050	TURN INDICATOR	254
H03040	MAIN HARNESS	256
H04051	SWITCH/DASHBOARD	258
H04054	SWITCH/BRAKE	260
H04060M	ELETRIC APPARATUS	262
I. WEIGHT, TOOLS, TIRE		

CONTENTS

GROUP NO	GROUP NAME	PAGE
I. WEIGHT, TOOLS, TIRE		
I01010	WEIGHT	264
I02010	TOOL BOX	266
I03020	LABEL	268

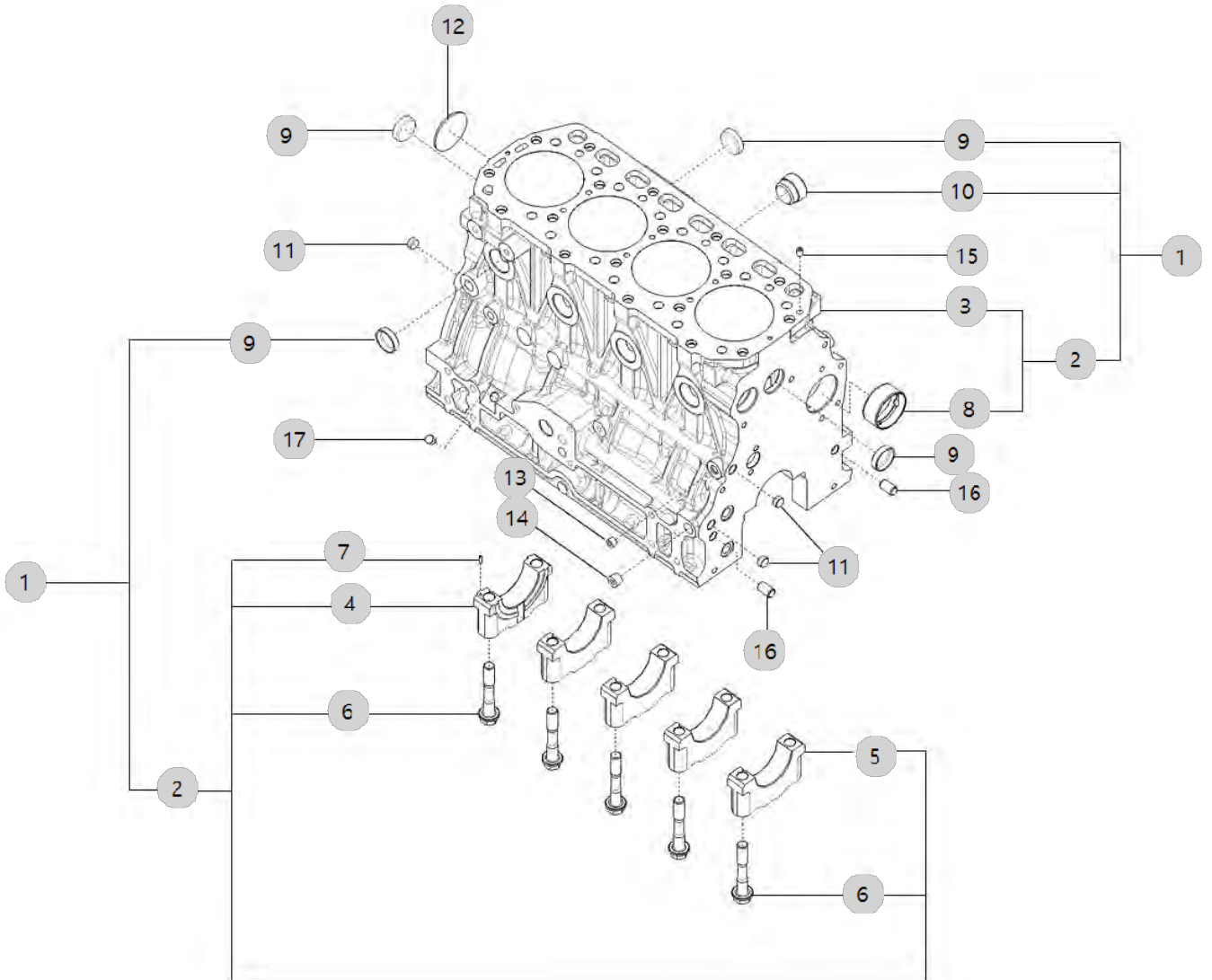
A01_007

A1100N4-ETR_5
(AB00400)

CYLINDER BLOCK

Year/Month

2023-01-17



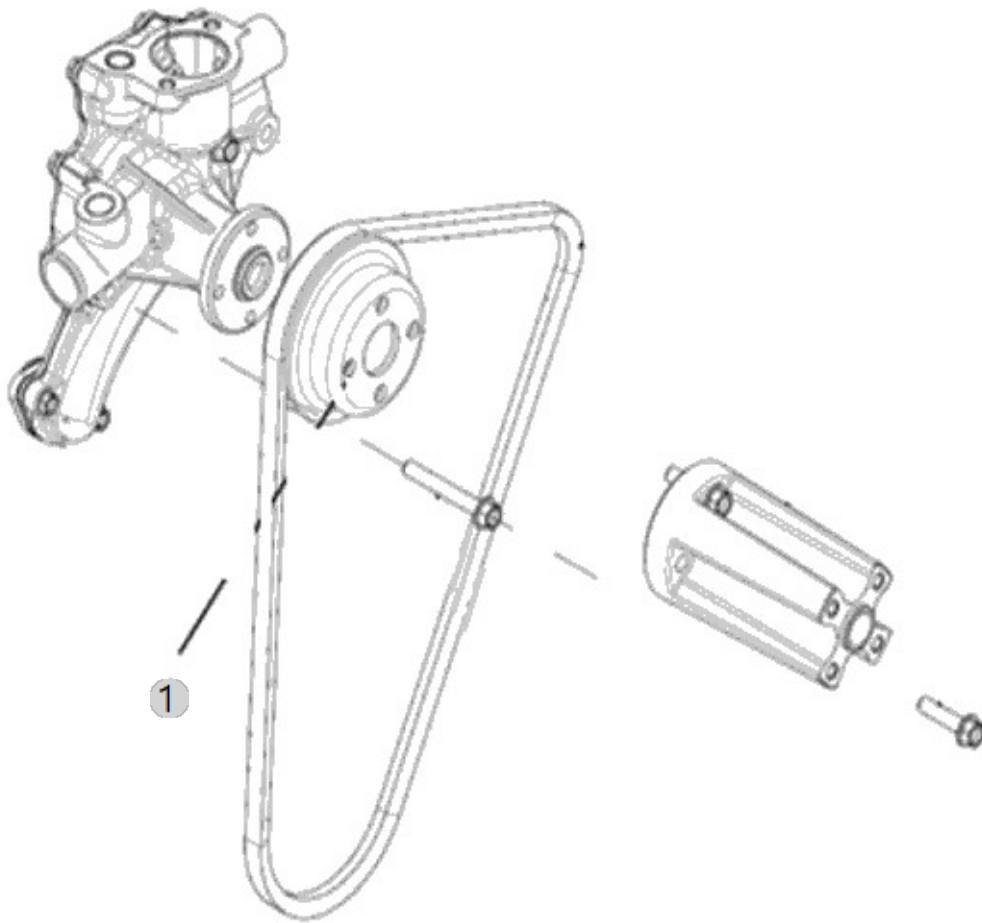
A02_005

A1100N4-ETR_5
(AB00400)

DRIVE PULLY

Year/Month

2023-01-17



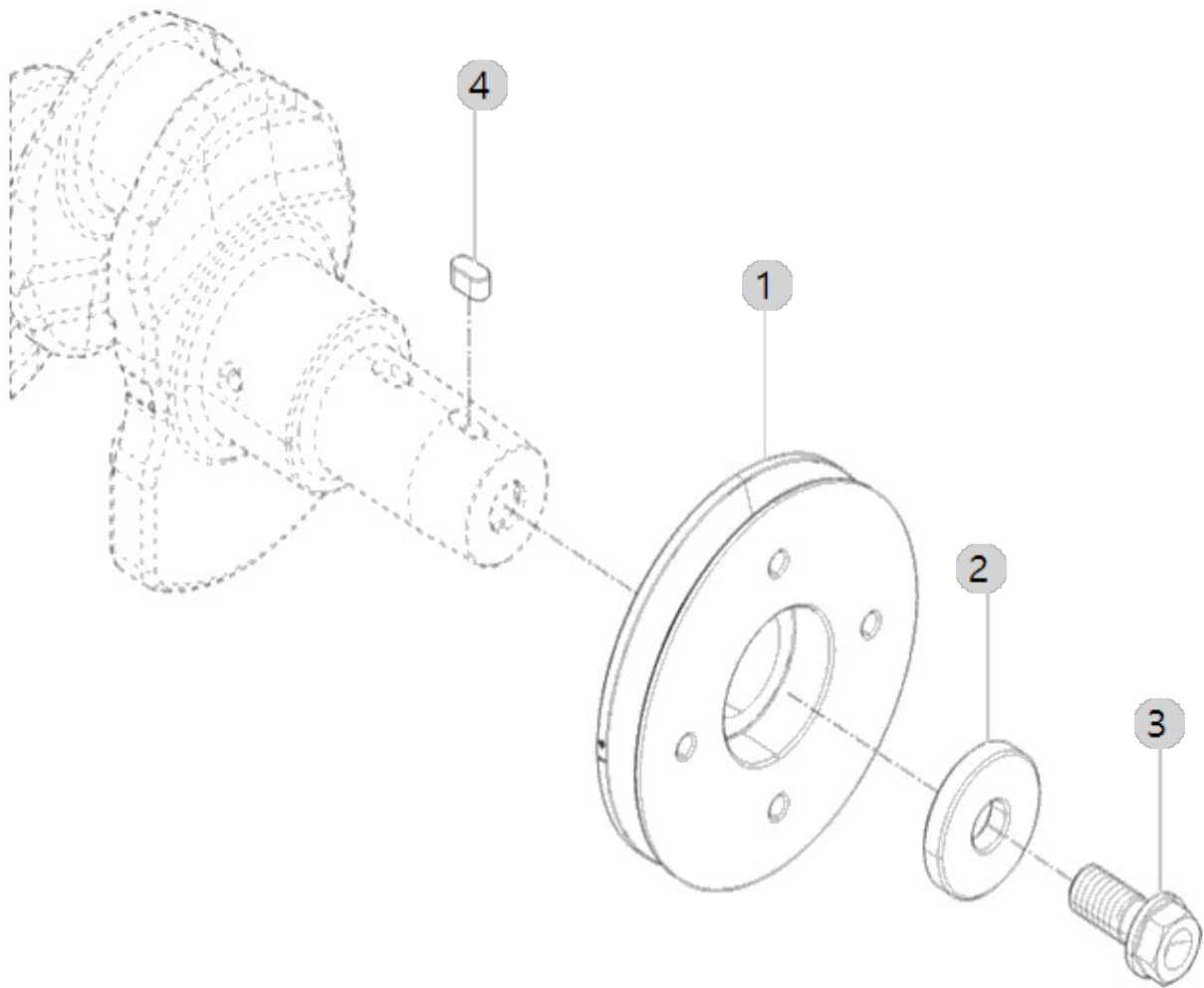
A03_004

A1100N4-ETR_5
(AB00400)

CRANK SHAFT PULLEY

Year/Month

2023-01-17



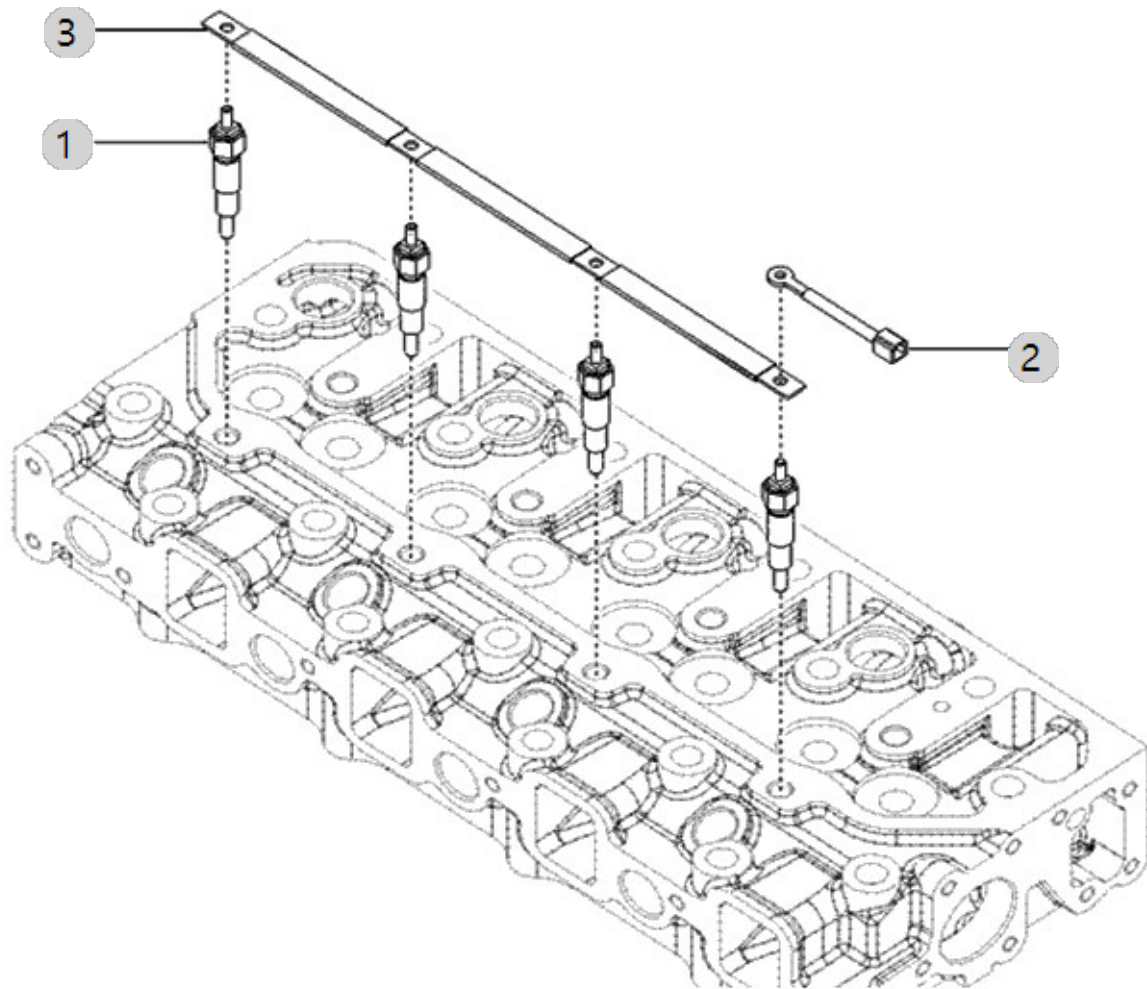
A04_005

A1100N4-ETR_5
(AB00400)

GLOW PLUG ASS'Y OPTION

Year/Month

2023-01-17



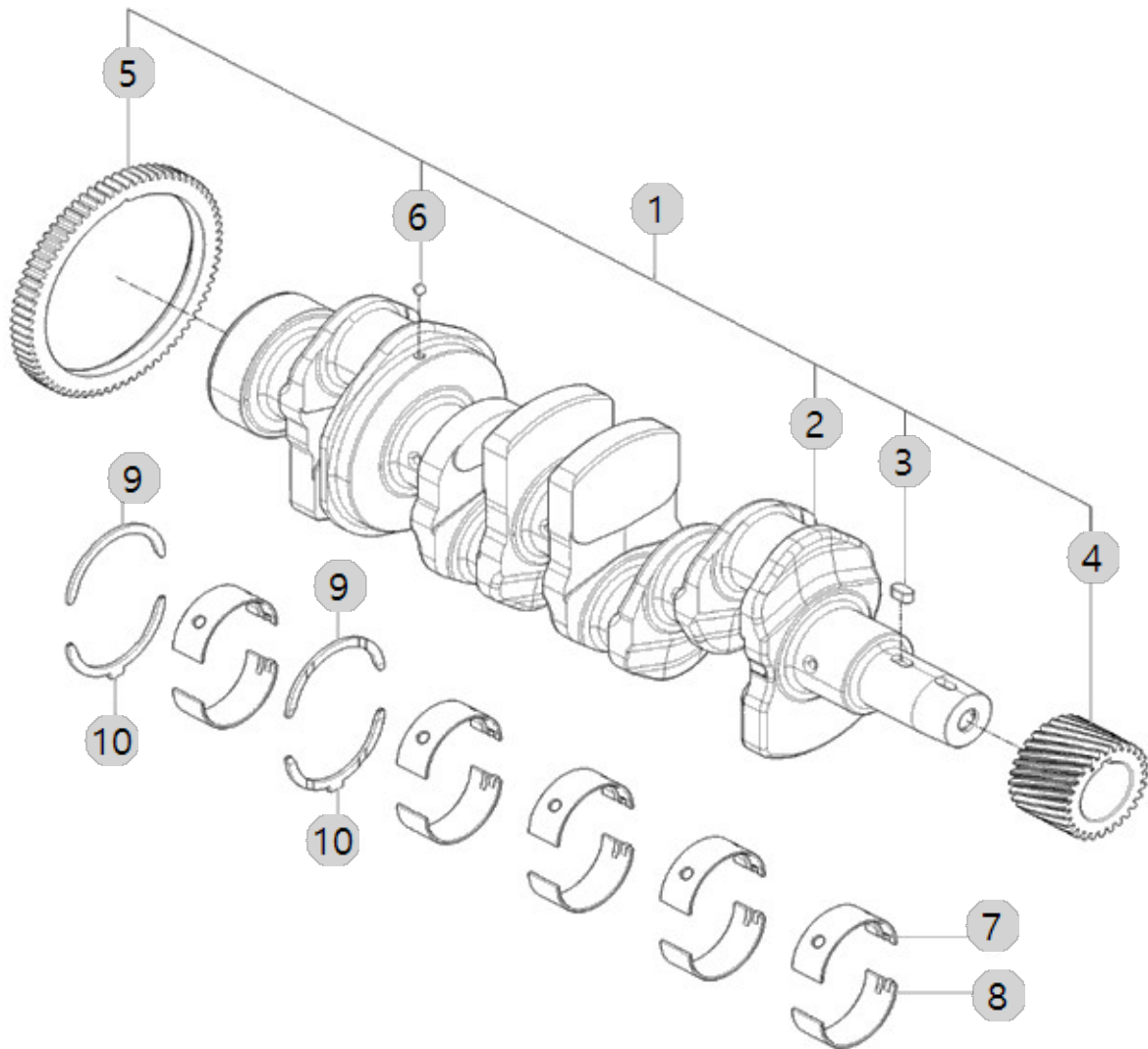
A05_005

A1100N4-ETR_5
(AB00400)

CRANK SHAFT ASS'Y OPTION

Year/Month

2023-01-17



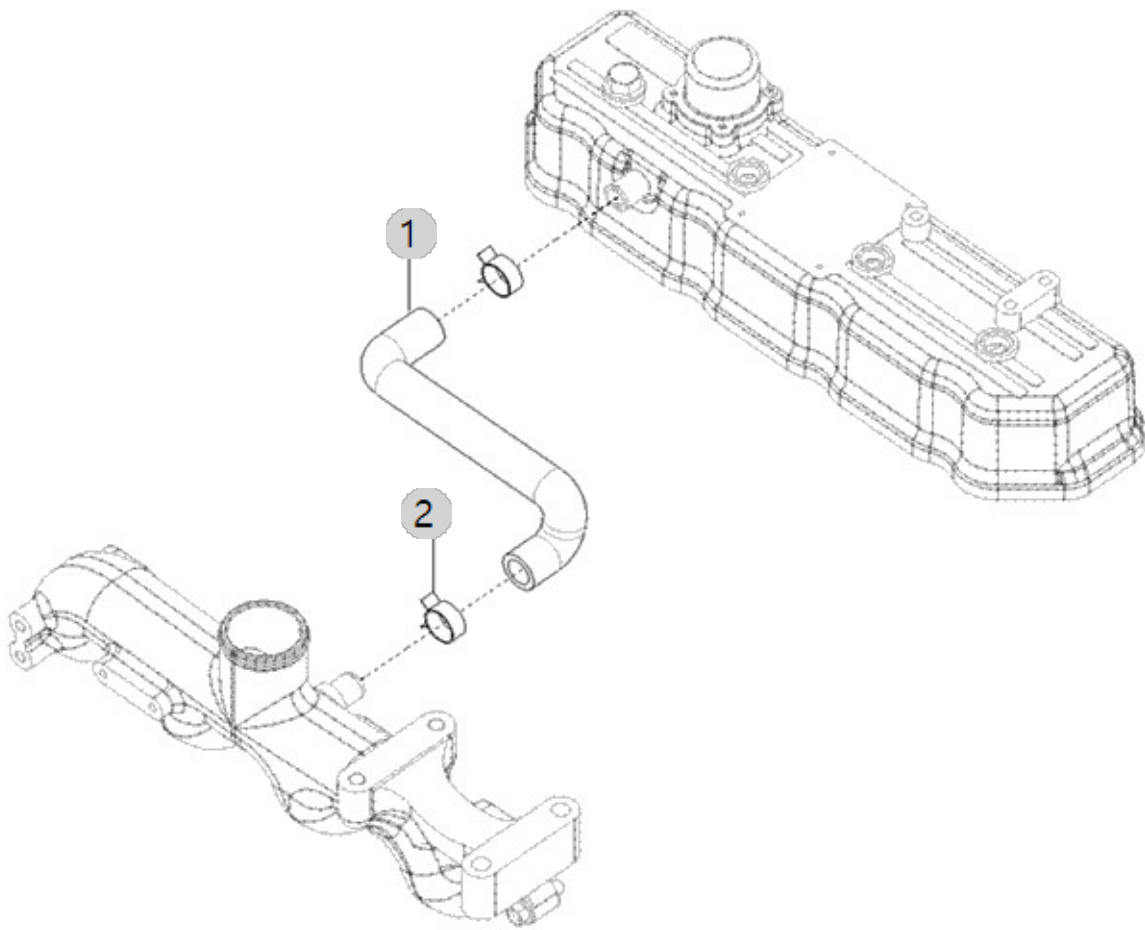
A06_004

A1100N4-ETR_5
(AB00400)

BREATHER OPTION

Year/Month

2023-01-17



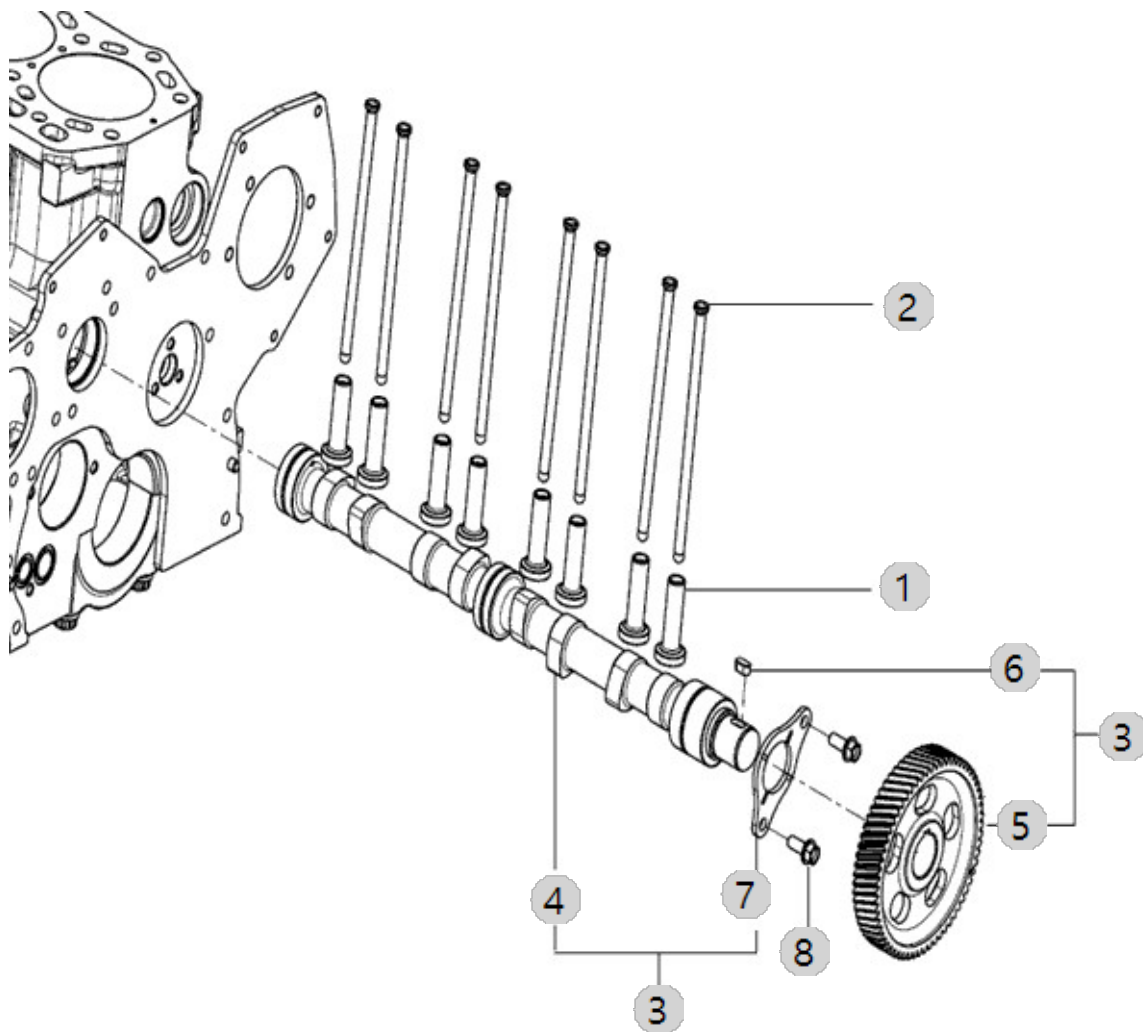
A07_005

A1100N4-ETR_5
(AB00400)

CAMSHAFT

Year/Month

2023-01-17



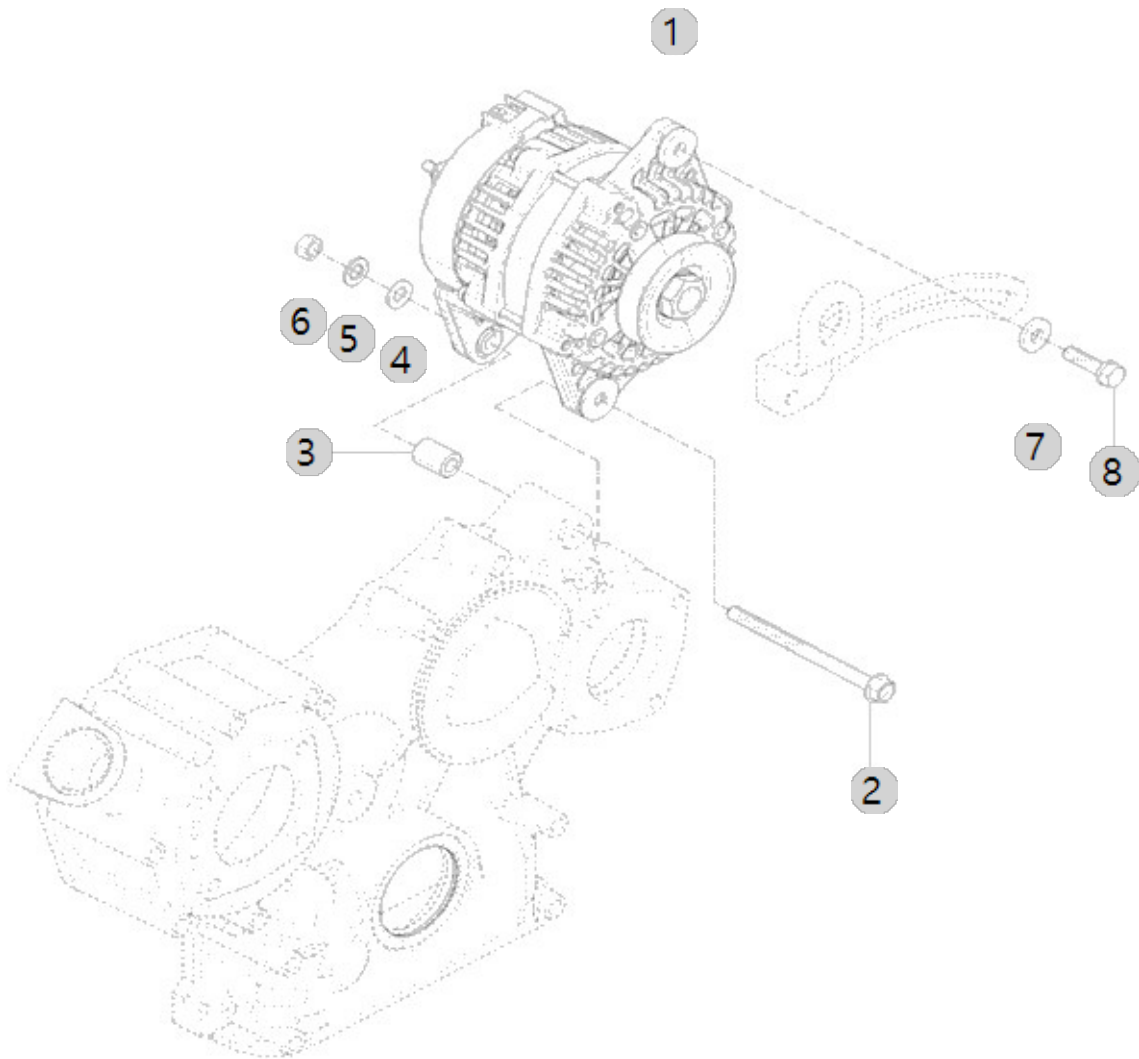
A08_005

A1100N4-ETR_5
(AB00400)

ALTERNATOR

Year/Month

2023-01-17



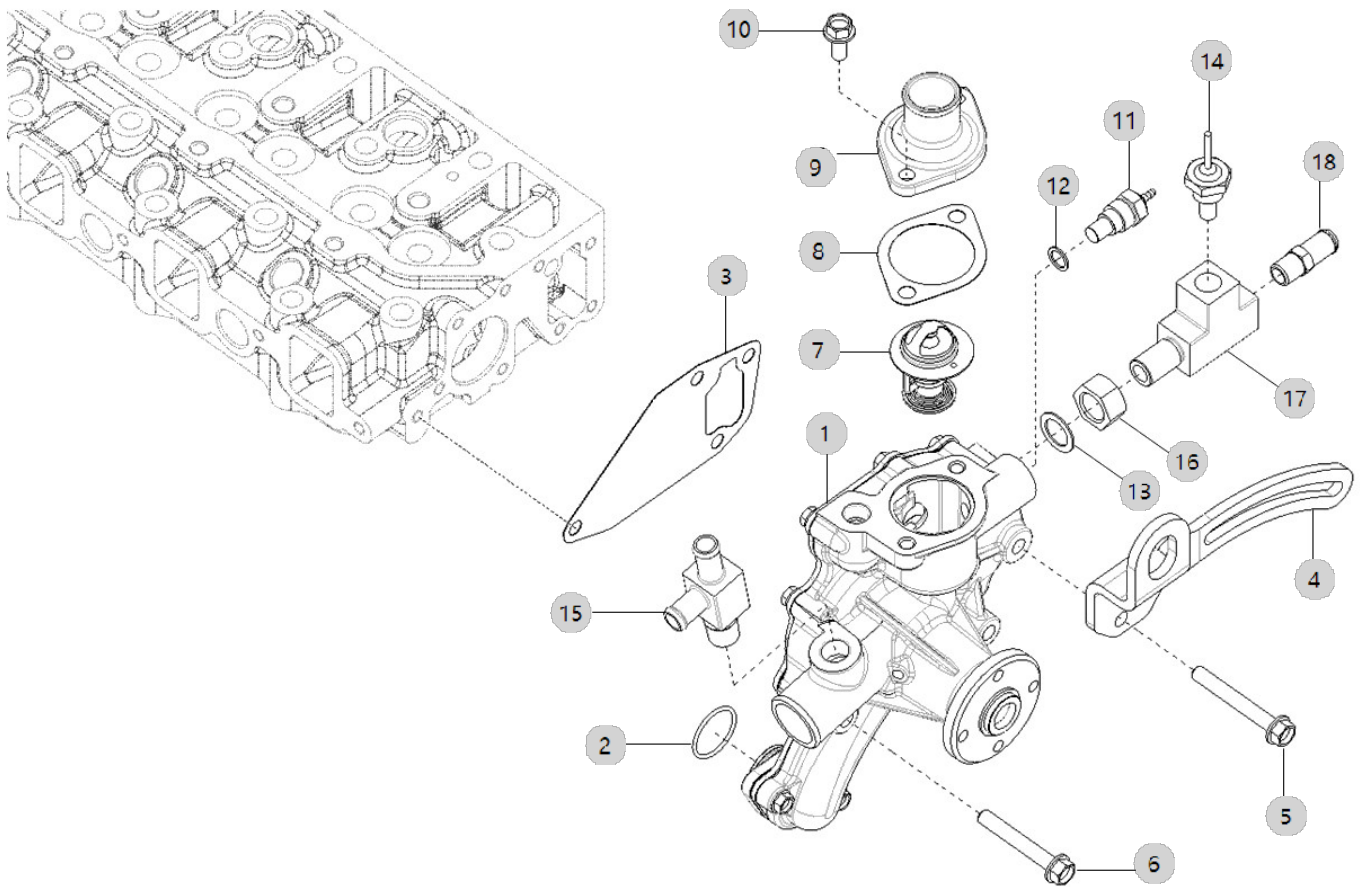
A09_006

A1100N4-ETR_5
(AB00400)

COOLING WATER PUMP

Year/Month

2023-01-17



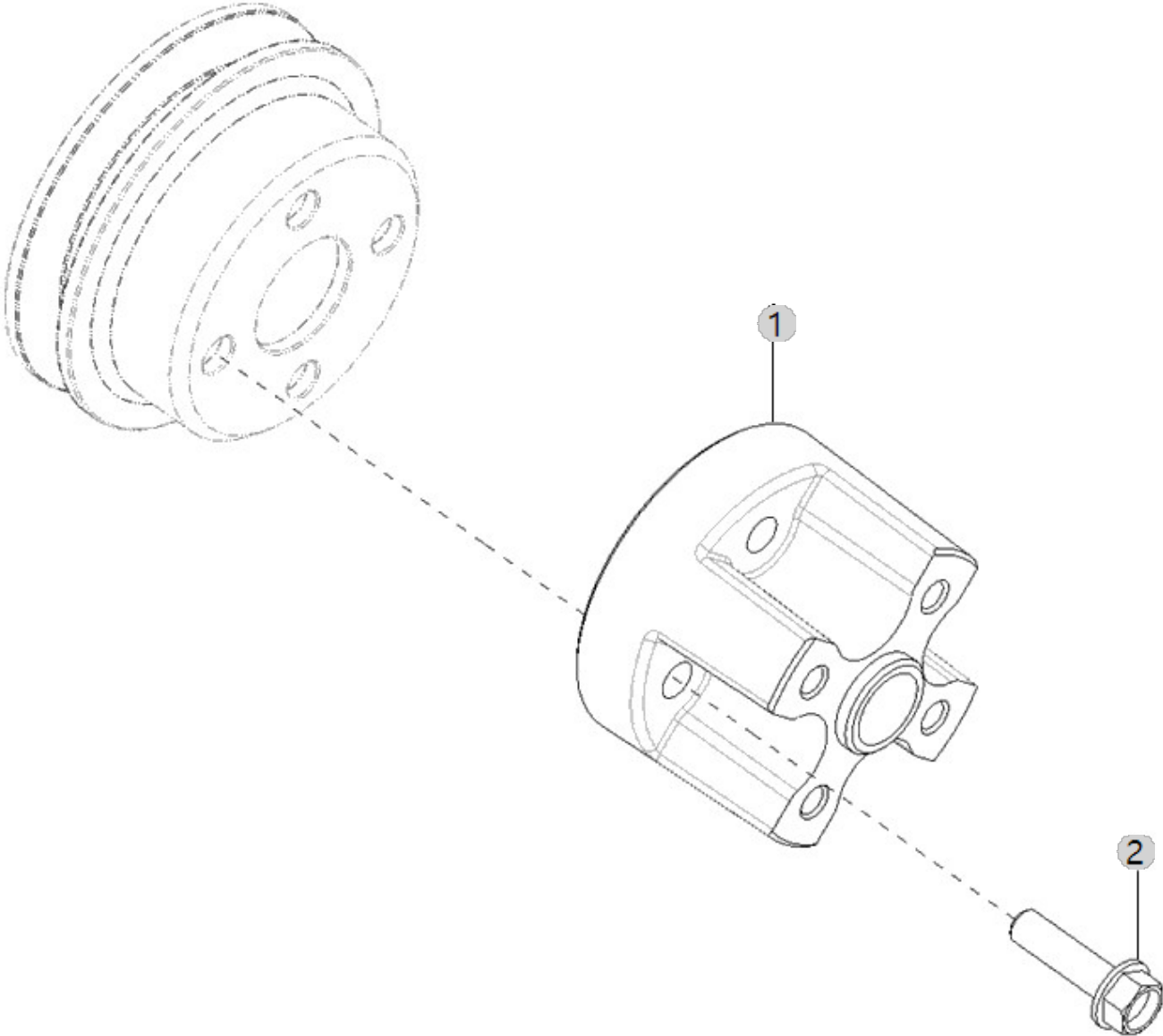
A10_008

A1100N4-ETR_5
(AB00400)

COOLING FAN SPACER

Year/Month

2023-01-17



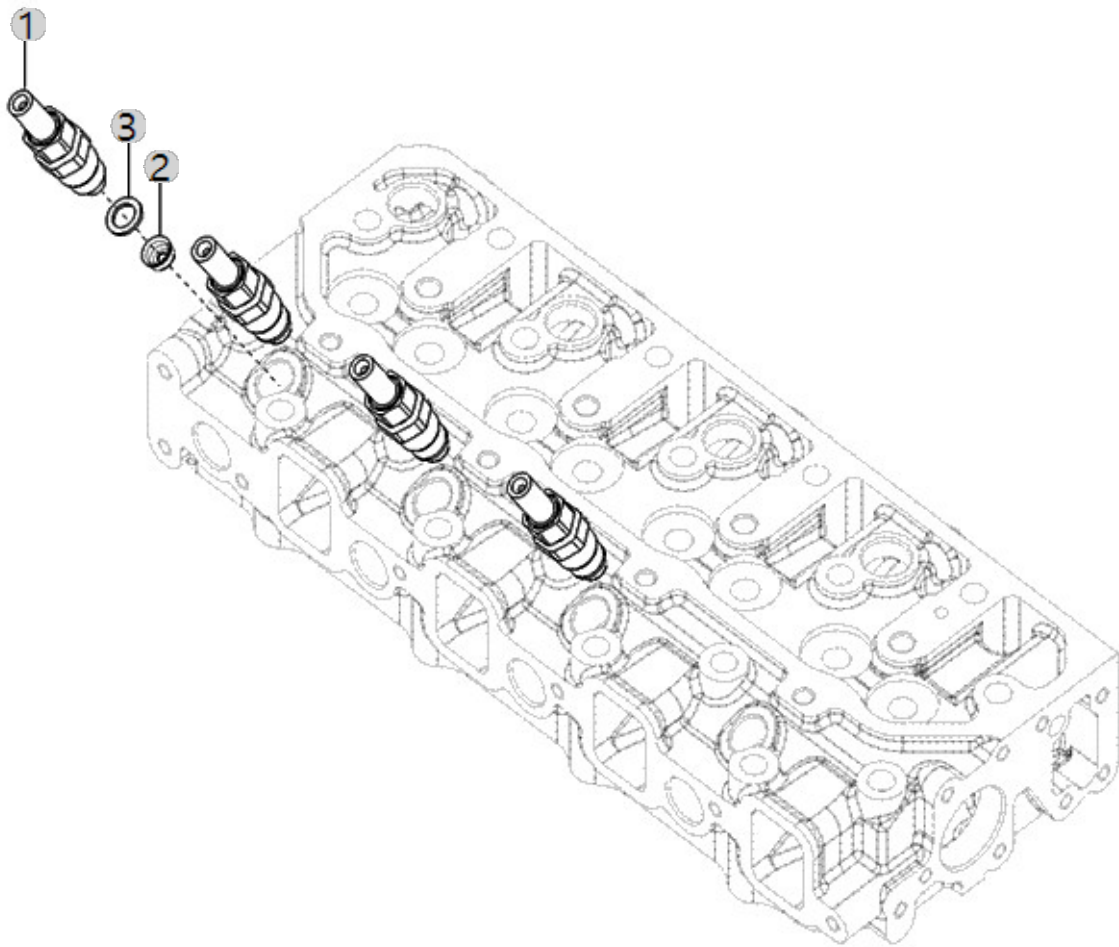
A11_007

A1100N4-ETR_5
(AB00400)

INJECTOR

Year/Month

2023-01-17



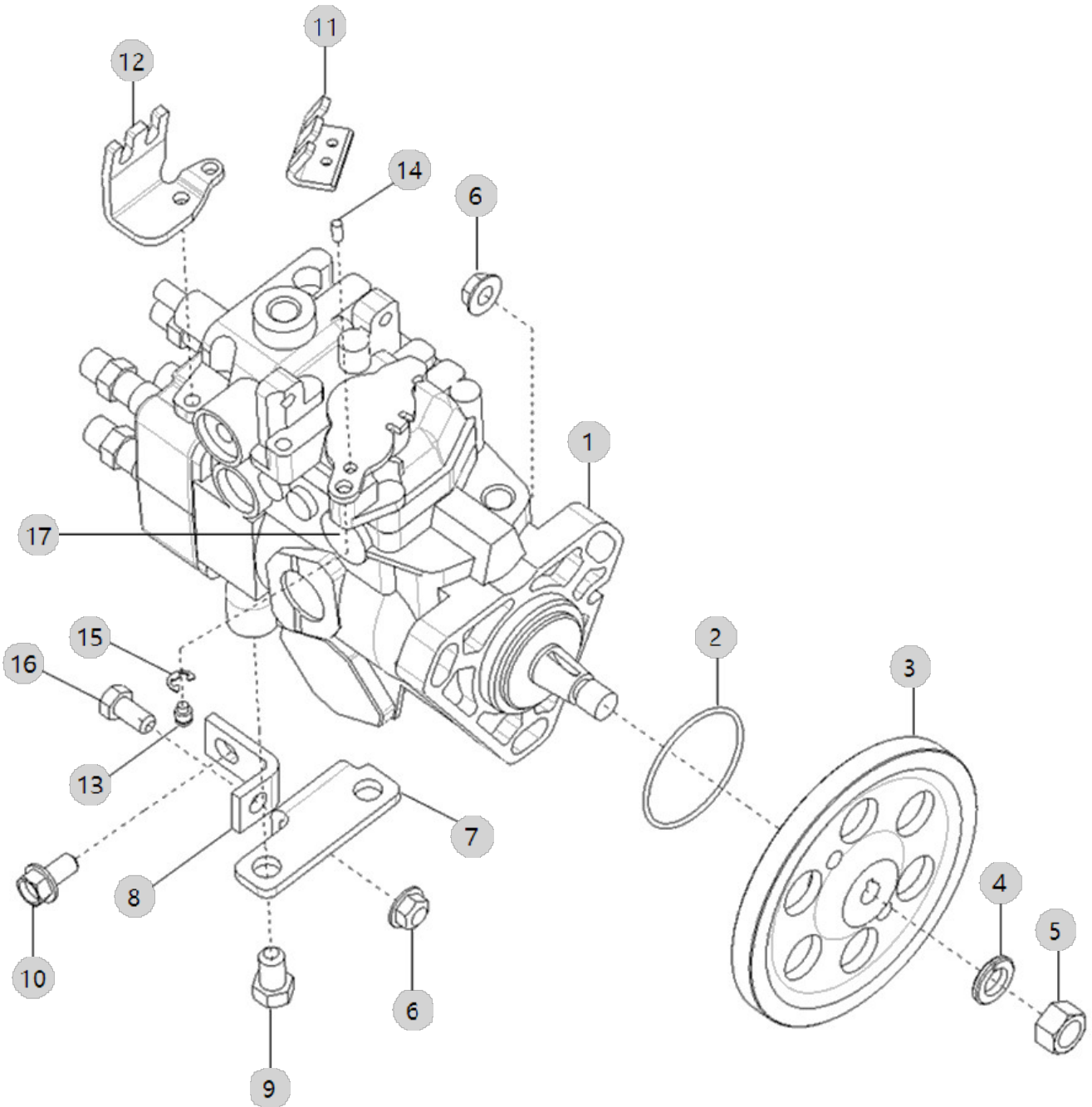
A12_014

A1100N4-ETR_5
(AB00400)

FUEL INJECTOR

Year/Month

2023-01-17



A12_014 A1100N4-ETR_5 (AB00400)		FUEL INJECTON				Year/Month 2023-01-17
순번 (NO)	부품번호 (PART NO)	품명 (PART NAME)	품명 (PART NAME)	수량 (QTY)	규격 (SPEC)	비고 (REMARK)
1	EA00002882B	연료분사펌프조합	FUEL INJECTION PUMP	1		
1	EA00002882A	연료분사펌프조합 - 트랙	FUEL INJECTION PUMP	1		
2	24311-000500	O링	O-RING, DYNAMIC (Φ50)	1	P50	
3	HRA070080DC3	연료분사펌프기어	GEAR,FUEL PUMP	1		
3	HRA070080DB3	연료분사펌프기어	GEAR,FUELPUMP	1		
4	22217-120000	스프링와셔	WASHER, SPRING (Φ 12)	1	M12	
5	26716-120002	295,ALL,육각너트	HEXA NUT295	1	M12X1.75	
6	26367-080002	259, 육각플랜지너트	HEX FLANGE NUT (Φ8)	4	M8XP1.25	
7	HRA130020DA4	296,A202322,VE지지브라켓(A)	BRACKET(B),PUMP	1	T 4.5	
7	HRA130020DB4	VE지지브라켓(A)	BRACKET,PUMP	1	T 4.5	
8	HRA130030DA4	297,A202322,VE지지브라켓(B)	BRACKET(A),PUMP	1	T 4.5	
8	HRA130030DB4	VE지지브라켓(B)	BRACKET,PUMP	1	T 4.5	
9	26116-100162	육각보울트	SCREW,HEXAGONHEADCAP	2	M10X1.5X16	
10	26106-080162	플랜지볼트8X16	SCREW,HEXFLANGEHEADCAP	1	M8XP1.25X16	
11	EA00004970A	후크-엑셀레버	LEVER, HOOK,ACCEL	1		
11	EA00004970B	후크-엑셀레버	LEVER, HOOK,ACCEL	1		
12	EA00006027A	써포트(엑셀레버)	SUPPORT(ACCELERATOR LEVER)	1	T4.0	
12	EA00006027B	써포트(엑셀레버)	SUPPORT(ACCELERATOR LEVER)	1	T4.0	
13	HRA1300702A9	고정핀	PIN	1		
14	EA00002103A	핀	PIN	1	N4	
15	22272-000050	E형스냅링5	RING, CIRCLIP (Φ 05)	1	D5	
16	26116-080162	육각볼트	SCREW,HEXAGONHEADCAP	1	M8X1.25X16	
17	EA00003768A	픽업센서	PICKUP SENSOR	1		

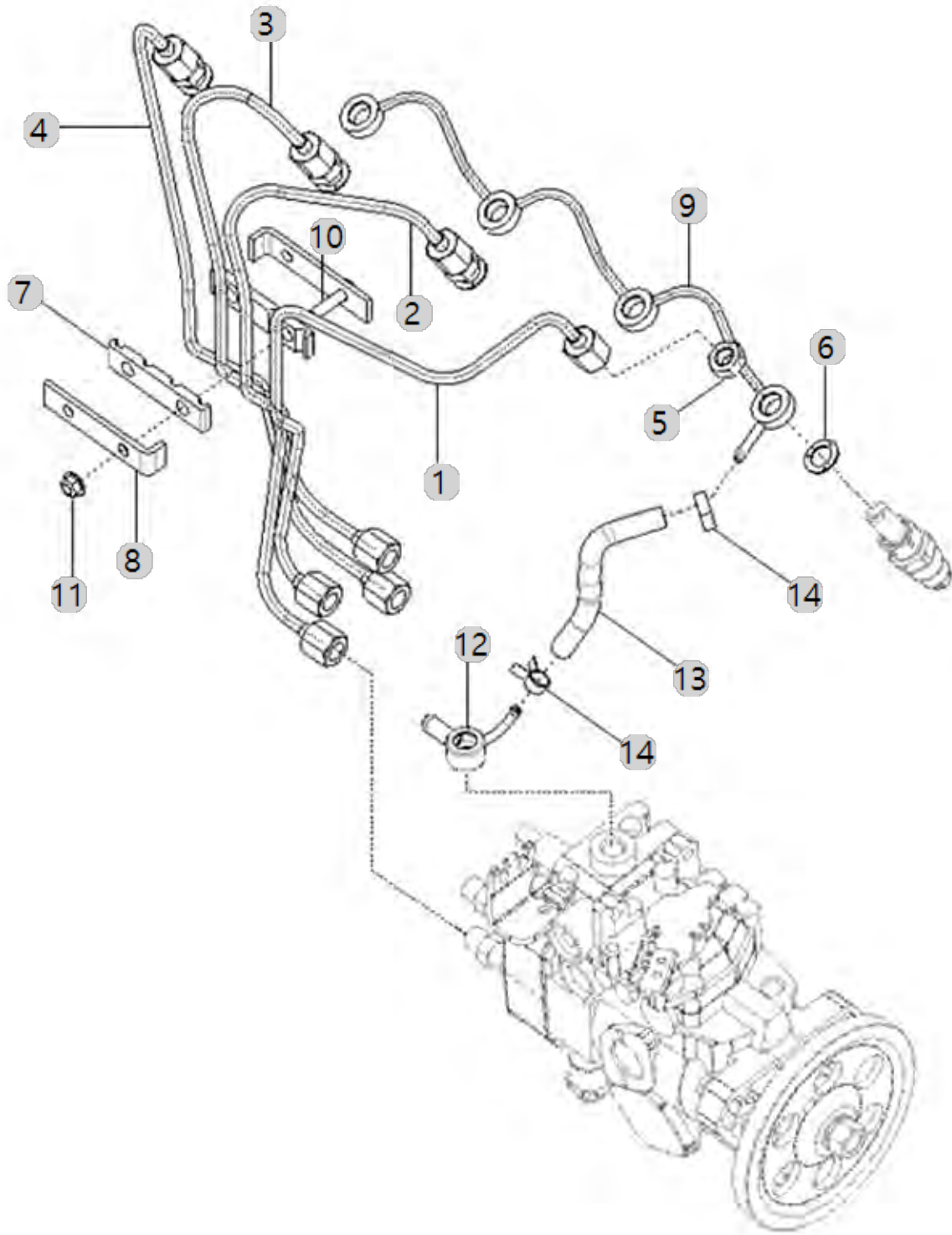
A13_005

A1100N4-ETR_5
(AB00400)

PLUMBING, FUEL

Year/Month

2023-01-17



A13_005 A1100N4-ETR_5 (AB00400)		PLUMBING, FUEL				Year/Month 2023-01-17
순번 (NO)	부품번호 (PART NO)	품명 (PART NAME)	품명 (PART NAME)	수량 (QTY)	규격 (SPEC)	비고 (REMARK)
1	HRA150050DB0	299,A202322,연료파이프조합(A)	PIPE ASSY, FUEL SUPPLY A	1		
1	HRA150050DC0	연료파이프조합(A)	TUBE,INJECTOR FUEL SUPPLY	1		
1	HRA150050DB0	299,A202322,연료파이프조합(A)	PIPE ASSY, FUEL SUPPLY A	1		
1	HRA150050DB0	299,A202322,연료파이프조합(A)	PIPE ASSY, FUEL SUPPLY A	1		
2	HRA150060DB0	300,A202322,연료파이프조합(B)	PIPE ASSY, FUEL SUPPLY (B)	1		
2	HRA150060DB0	300,A202322,연료파이프조합(B)	PIPE ASSY, FUEL SUPPLY (B)	1		
2	HRA150060DC0	연료파이프조합(B)	TUBE,INJECTOR FUEL SUPPLY	1		
2	HRA150060DB0	300,A202322,연료파이프조합(B)	PIPE ASSY, FUEL SUPPLY (B)	1		
3	HRA150070DC0	연료파이프조합(C)	TUBE,INJECTOR FUEL SUPPLY	1		
3	HRA150070DB0	301,A202322,연료파이프조합(C)	PIPE ASSY, FUEL SUUPPLY C	1		
3	HRA150070DB0	301,A202322,연료파이프조합(C)	PIPE ASSY, FUEL SUUPPLY C	1		
3	HRA150070DB0	301,A202322,연료파이프조합(C)	PIPE ASSY, FUEL SUUPPLY C	1		
4	HRA150080DB0	302,A202322,연료파이프조합(D)	PIPE ASSY, FUEL SUPPLY D	1		
4	HRA150080DC0	연료파이프조합(D)	TUBE,INJECTOR FUEL SUPPLY	1		
4	HRA150080DB0	302,A202322,연료파이프조합(D)	PIPE ASSY, FUEL SUPPLY D	1		
4	HRA150080DB0	302,A202322,연료파이프조합(D)	PIPE ASSY, FUEL SUPPLY D	1		
5	HK13450000A4	육각고정너트	NUT,REGULARHEXAGON	4	M12X1.5	
5	HK13450000A4	육각고정너트	NUT,REGULARHEXAGON	4	M12X1.5	
5	HK13450000A4	육각고정너트	NUT,REGULARHEXAGON	4	M12X1.5	
5	HK13450000A4	육각고정너트	NUT,REGULARHEXAGON	4	M12X1.5	
6	HK13440000A4	306,ALL,패킹(조인트)(와류실)	GASKET,FUELMANIFOLD	4		
6	HK13440000A4	306,ALL,패킹(조인트)(와류실)	GASKET,FUELMANIFOLD	4		
6	HK13440000A4	306,ALL,패킹(조인트)(와류실)	GASKET,FUELMANIFOLD	4		
6	HK13440000A4	306,ALL,패킹(조인트)(와류실)	GASKET,FUELMANIFOLD	4		
7	HRA1502700A4	462,ALL,브래킷고무	RUBBER,BRACKET	2		
7	HRA1502700A4	462,ALL,브래킷고무	RUBBER,BRACKET	2		
7	HRA1502700A4	462,ALL,브래킷고무	RUBBER,BRACKET	2		
7	HRA1502700A4	462,ALL,브래킷고무	RUBBER,BRACKET	2		
8	HRA1502800B4	브래킷판	CLAMP,TUBE	2	T 3.2	
8	HRA1502800A4	브래킷판	CLAMP,TUBE	2	T 3.2	
8	HRA1502800A4	브래킷판	CLAMP,TUBE	1	T 3.2	
8	HRA1502800A4	브래킷판	CLAMP,TUBE	1	T 3.2	
8	HRA1502800A4	브래킷판	CLAMP,TUBE	1	T 3.2	
9	HRA1500900C3	퇴유파이프조합	PIPE ASSY, FUEL RETURN	1		
9	HRA1500900D3	퇴유파이프조합	PIPE ASSY, FUEL	1		
9	HRA1500900C3	퇴유파이프조합	PIPE ASSY, FUEL RETURN	1		
9	HRA1500900C3	퇴유파이프조합	PIPE ASSY, FUEL RETURN	1		
10	HRA1502600B4	브래킷(연료파이프)	BRACKET,PIPE	1		
10	HRA1502600B4	브래킷(연료파이프)	BRACKET,PIPE	1		
10	HRA1502600B4	브래킷(연료파이프)	BRACKET,PIPE	1		
10	HRA1502600B4	브래킷(연료파이프)	BRACKET,PIPE	1		
11	26367-060002	플랜지너트	Nut, Hexa (Φ6)	2	M6XP1.0	
11	26367-060002	플랜지너트	Nut, Hexa (Φ6)	2	M6XP1.0	
11	26367-060002	플랜지너트	Nut, Hexa (Φ6)	2	M6XP1.0	
11	26367-060002	플랜지너트	Nut, Hexa (Φ6)	2	M6XP1.0	

A13_005 A1100N4-ETR_5 (AB00400)		PLUMBING, FUEL				Year/Month 2023-01-17
순번 (NO)	부품번호 (PART NO)	품명 (PART NAME)	품명 (PART NAME)	수량 (QTY)	규격 (SPEC)	비고 (REMARK)
12	HRA1502400C4	조인트	CONNECTOR, BANJO	1		
12	HRA1502400D4	조인트	CONNECTOR, BANJO	1		
12	HRA1502400B4	310,ALL,조인트	CONNECTOR,BANJO	1		
12	HRA1502400C4	조인트	CONNECTOR, BANJO	1		
13	EA00000700A	퇴유호스	TUBE, FUEL DRAIN	1	NONE	
13	EA00000700A	퇴유호스	TUBE, FUEL DRAIN	1	NONE	
13	EA00000700A	퇴유호스	TUBE, FUEL DRAIN	1	NONE	
13	EA00000700A	퇴유호스	TUBE, FUEL DRAIN	1	NONE	
14	EA00006187A	Cobra클램프(Ø11)	COBRA CLAMP	2		

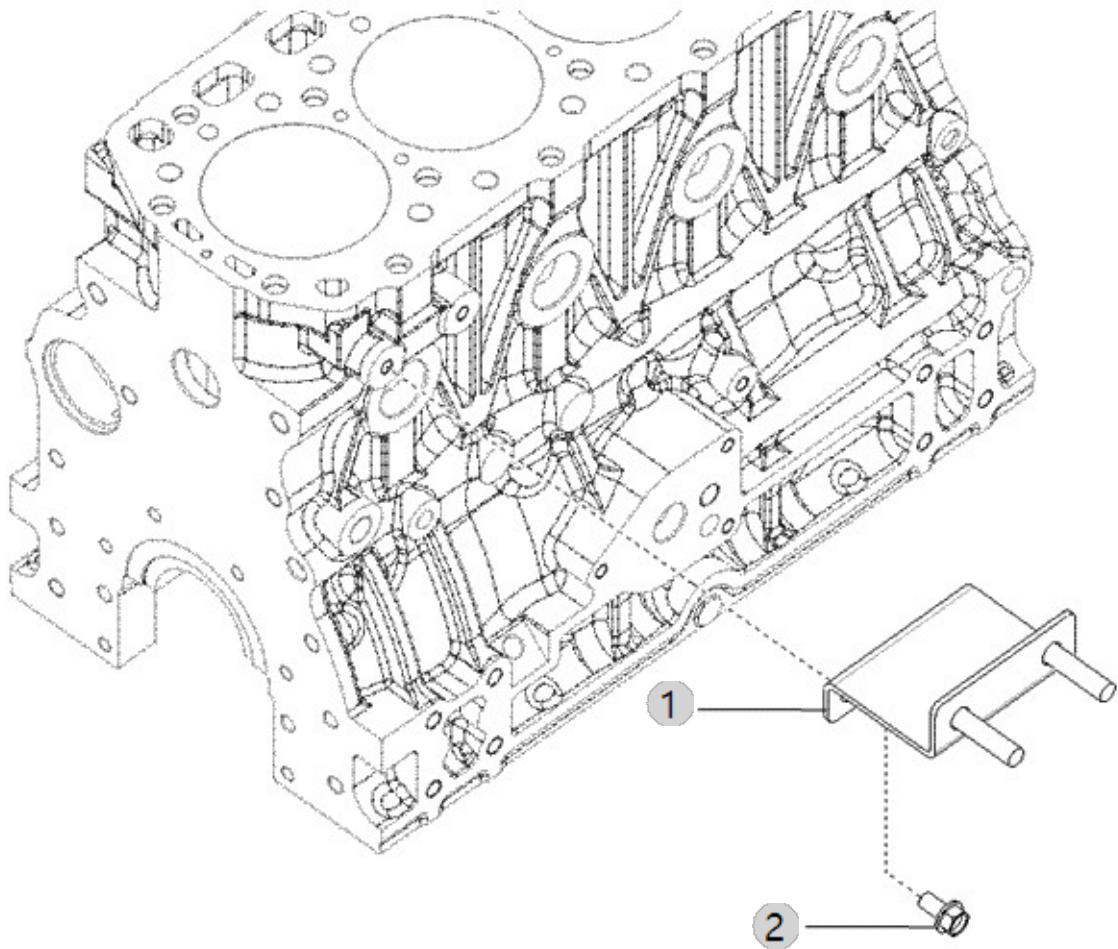
A14_003

A1100N4-ETR_5
(AB00400)

FUEL FILTER BRACKET

Year/Month

2023-01-17



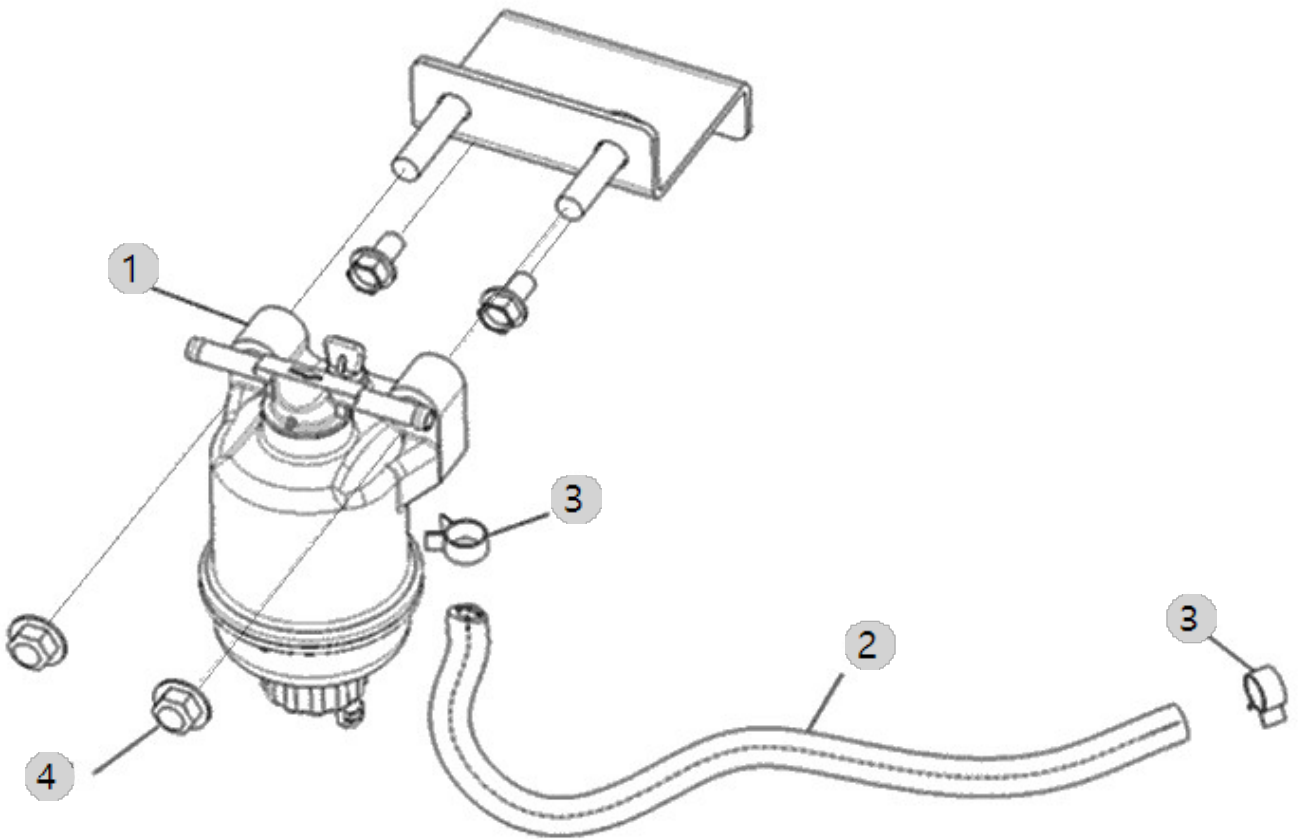
A16_003

A1100N4-ETR_5
(AB00400)

FUEL FILTER ASS'Y OPTION

Year/Month

2023-01-17



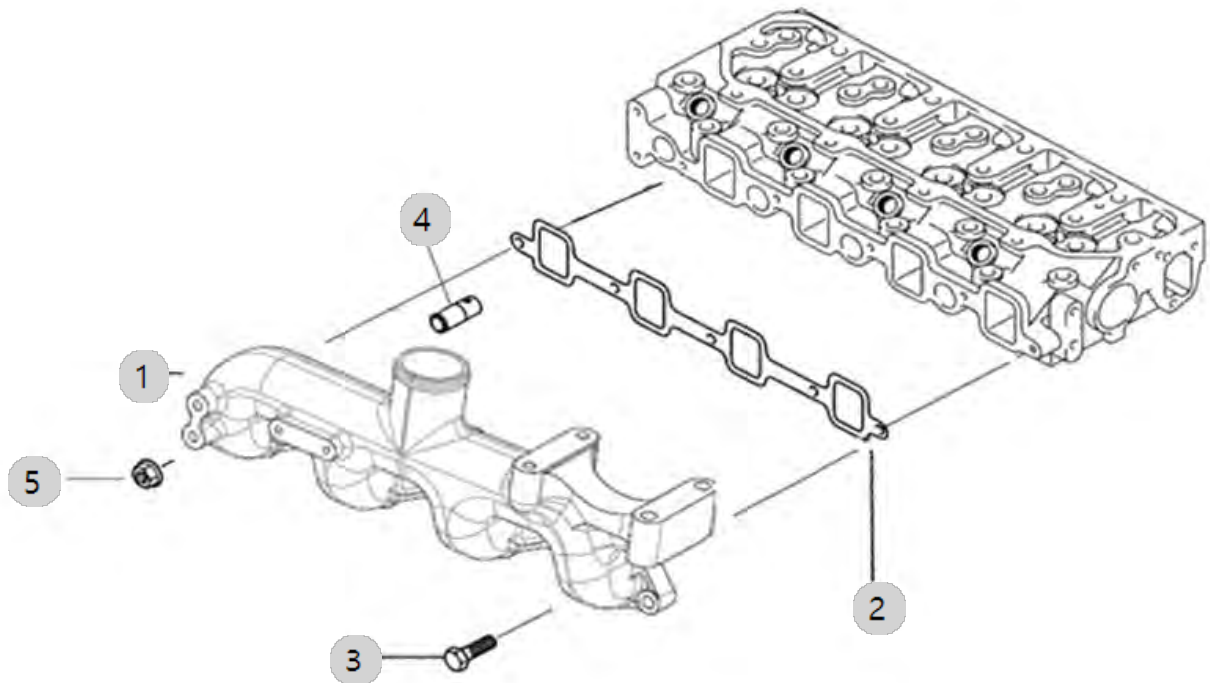
A17_012

A1100N4-ETR_5
(AB00400)

INTAKE MANIFOLD ASS'Y OPTION

Year/Month

2023-01-17



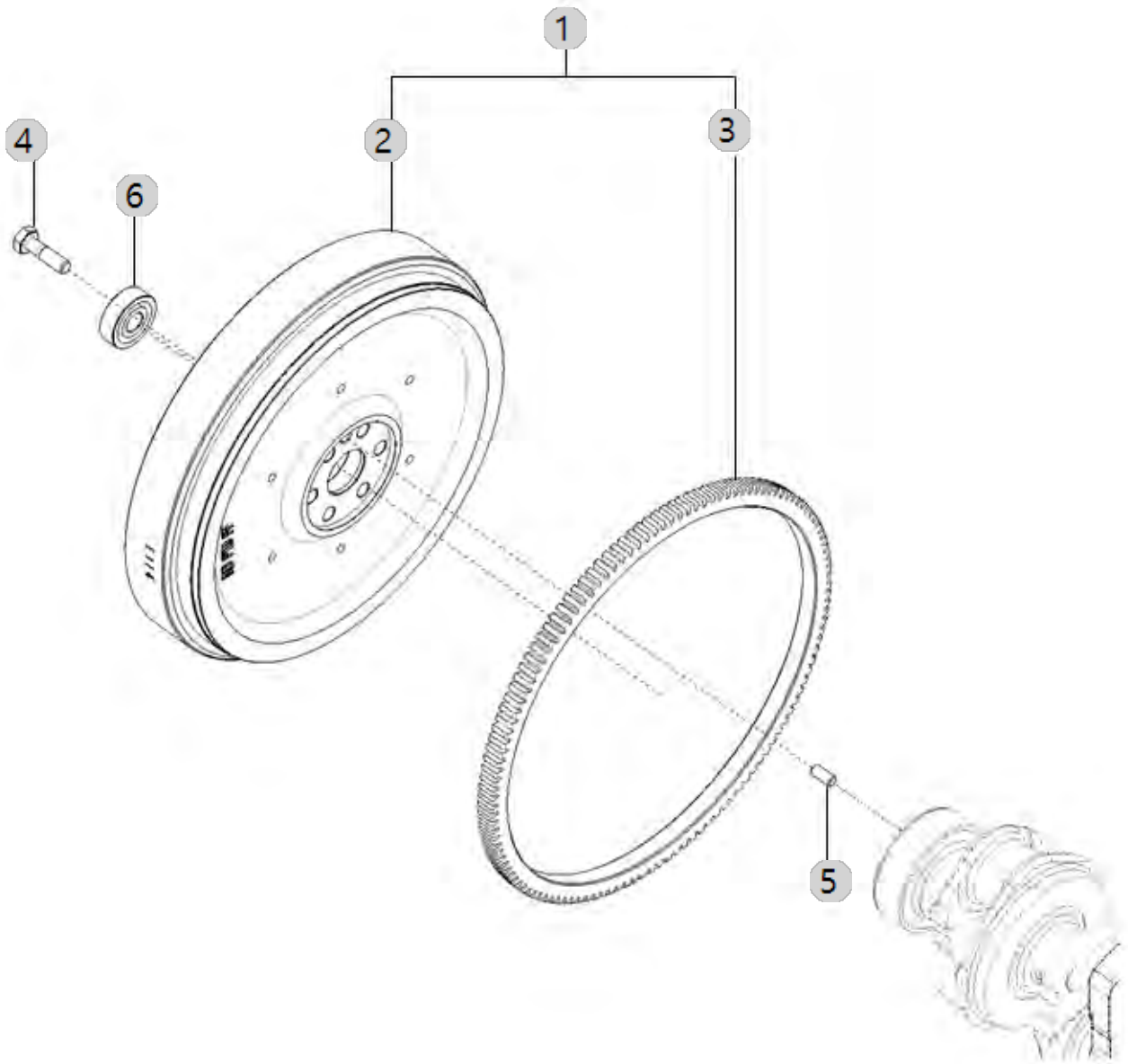
A18_010

A1100N4-ETR_5
(AB00400)

FLYWHEEL

Year/Month

2023-01-17



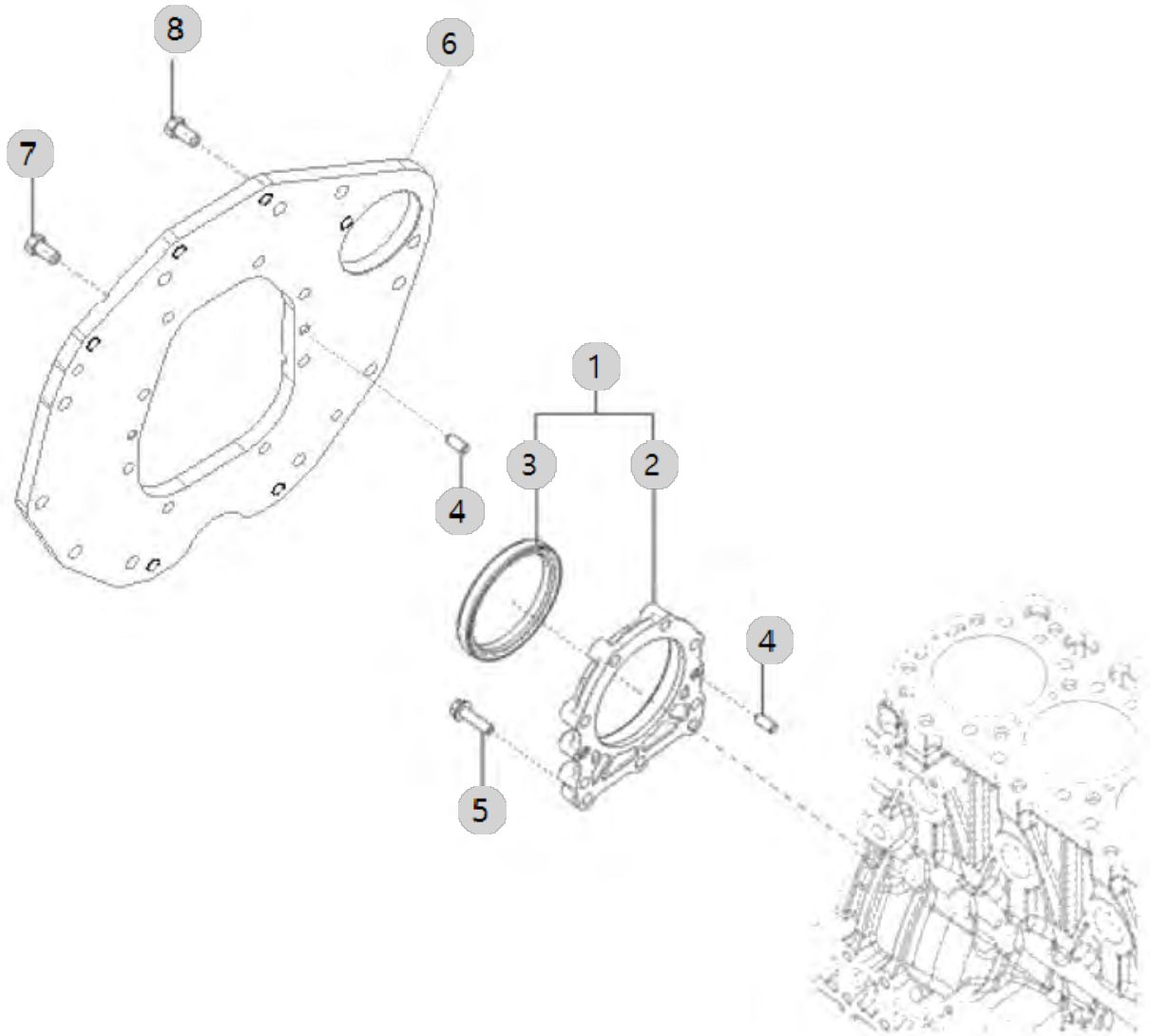
A19_010

A1100N4-ETR_5
(AB00400)

FLYWHEEL HOUSING

Year/Month

2023-01-17



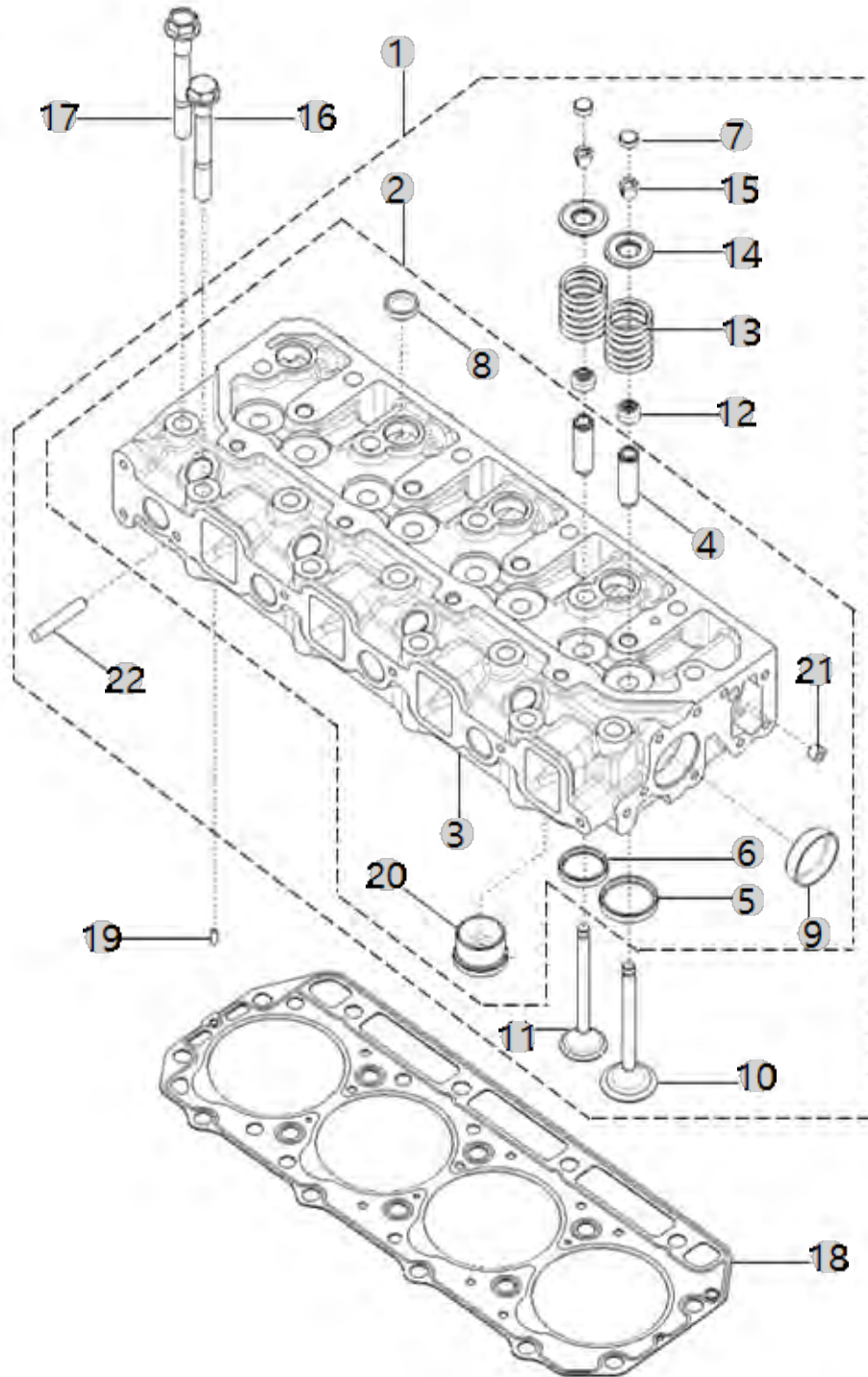
A20_010

A1100N4-ETR_5
(AB00400)

HEAD, CYLINDER

Year/Month

2023-01-17



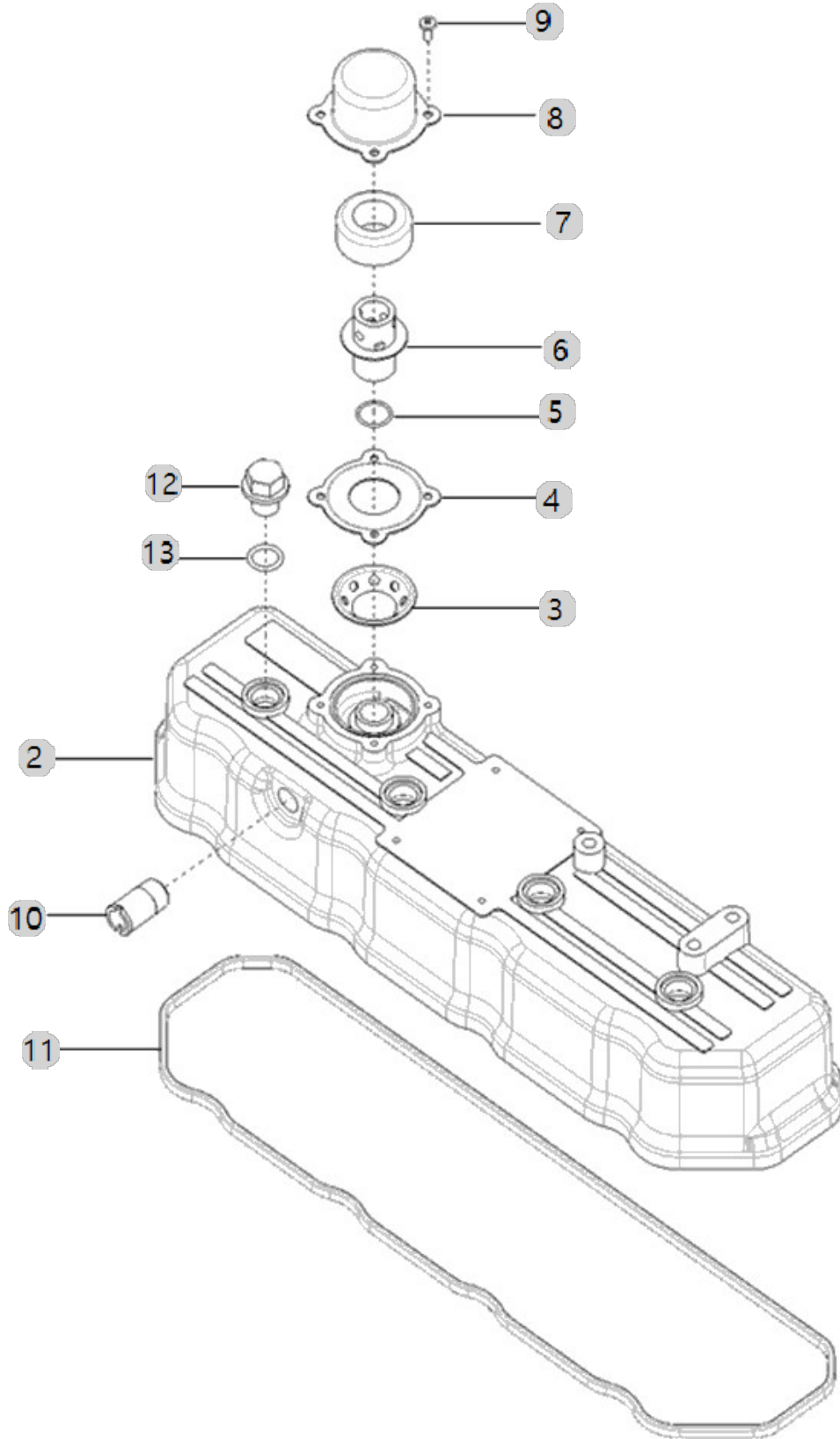
A21_004

A1100N4-ETR_5
(AB00400)

HEAD COVER

Year/Month

2023-01-17



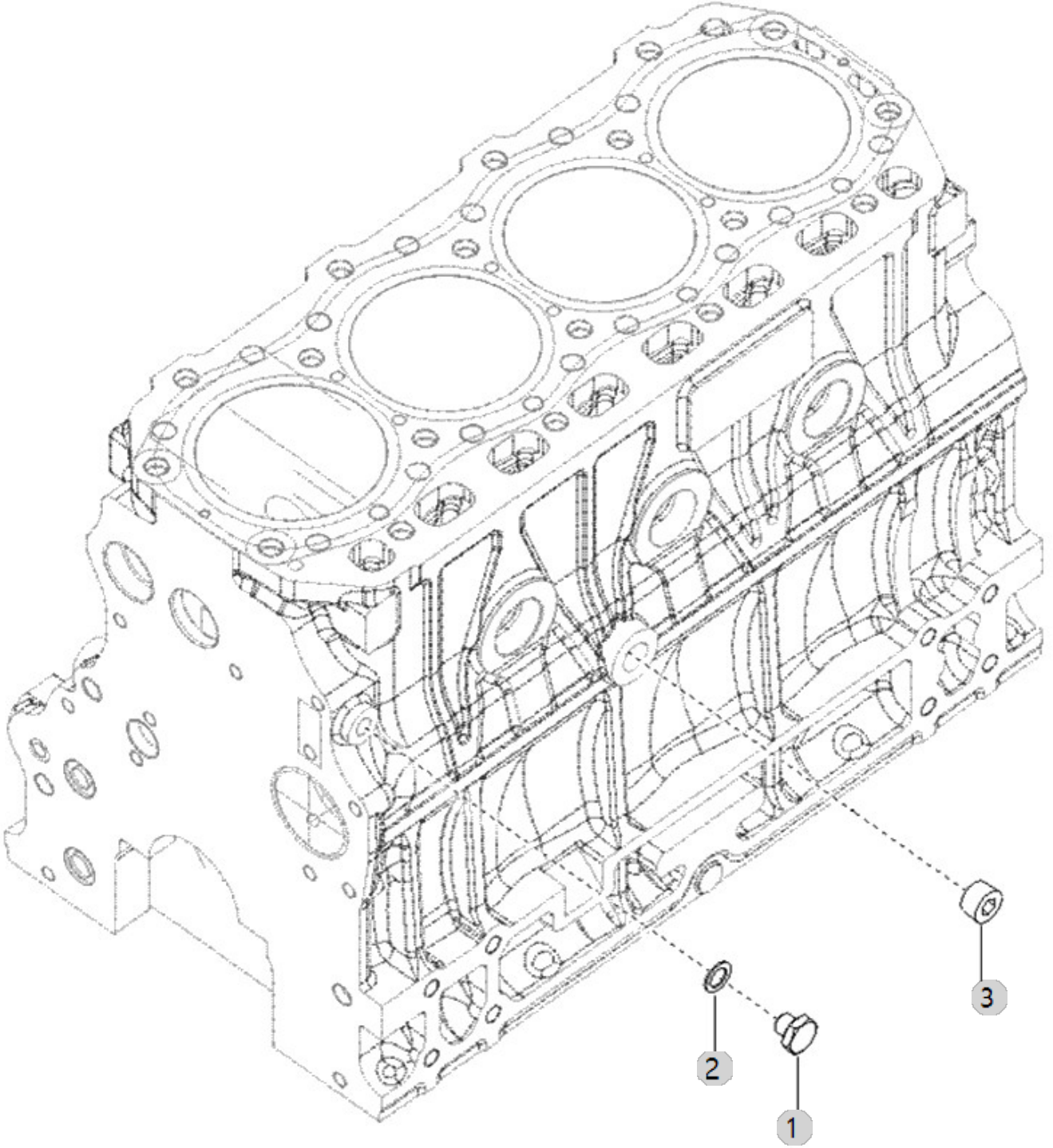
A23_009

A1100N4-ETR_5
(AB00400)

TURBOCHARGER SUPPORT ASS'Y OPTION

Year/Month

2023-01-17



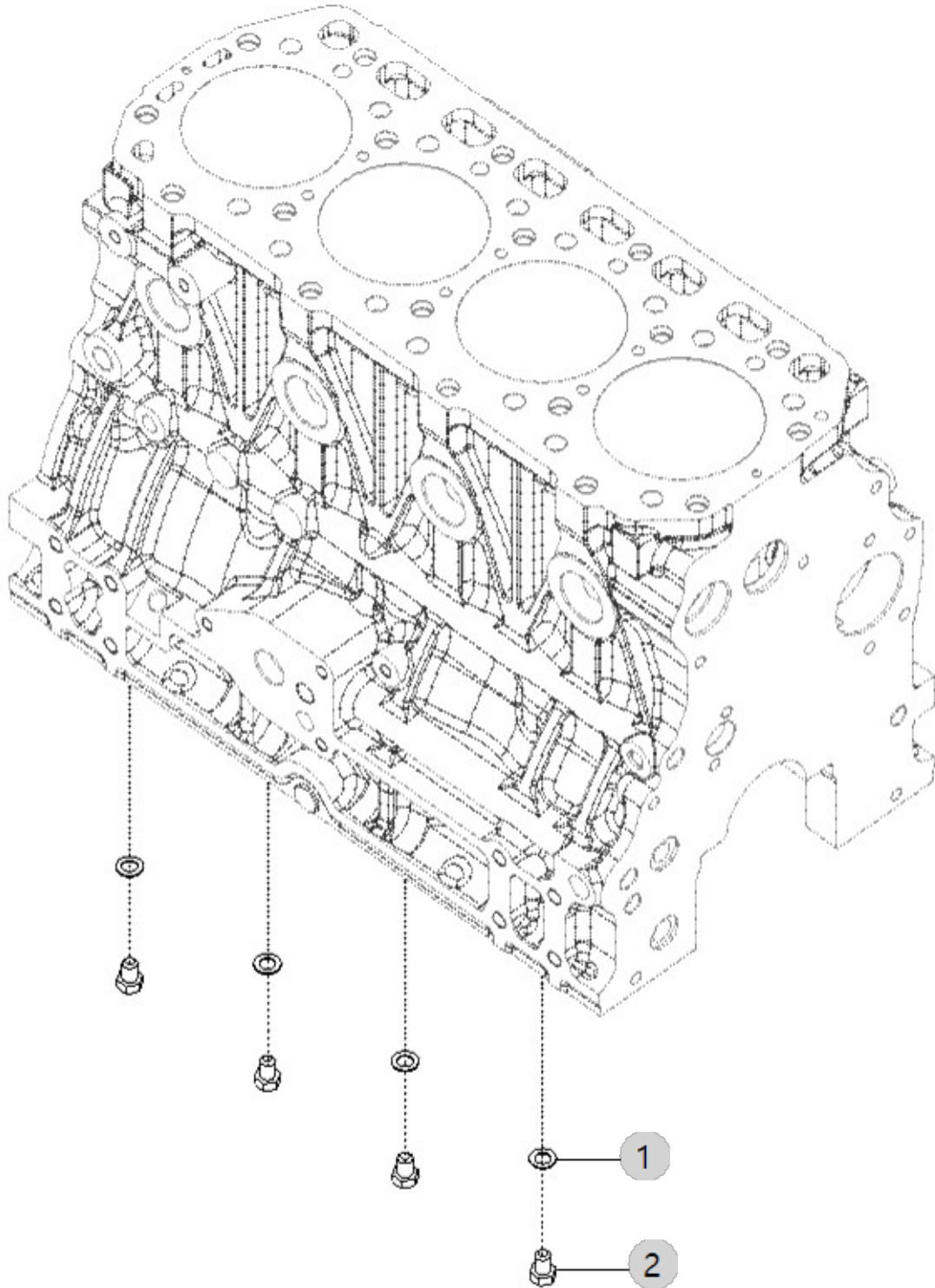
A25_002

A1100N4-ETR_5
(AB00400)

OIL JET ASS'Y OPTION

Year/Month

2023-01-17



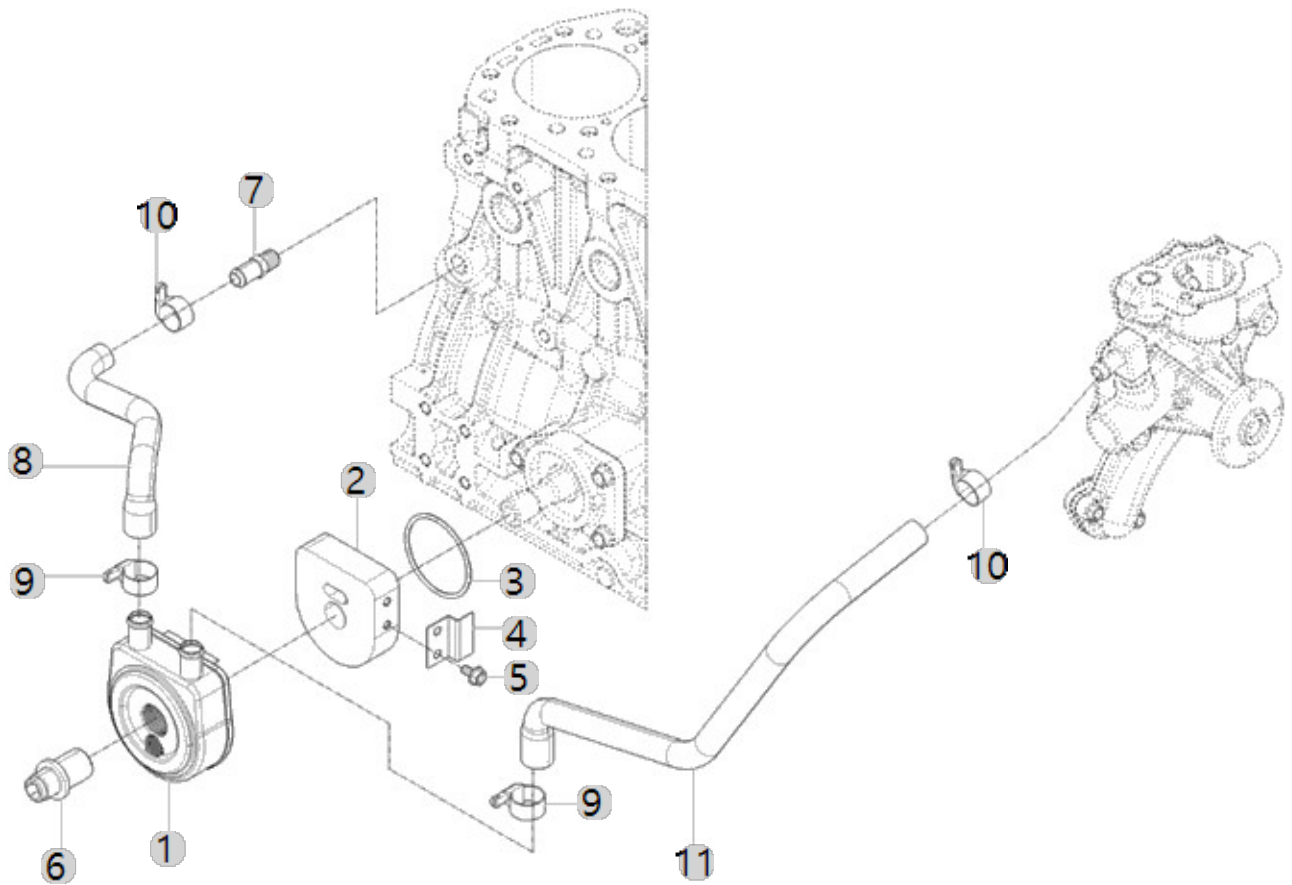
A26_005

A1100N4-ETR_5
(AB00400)

COOLER, ENGINE OIL

Year/Month

2023-01-17



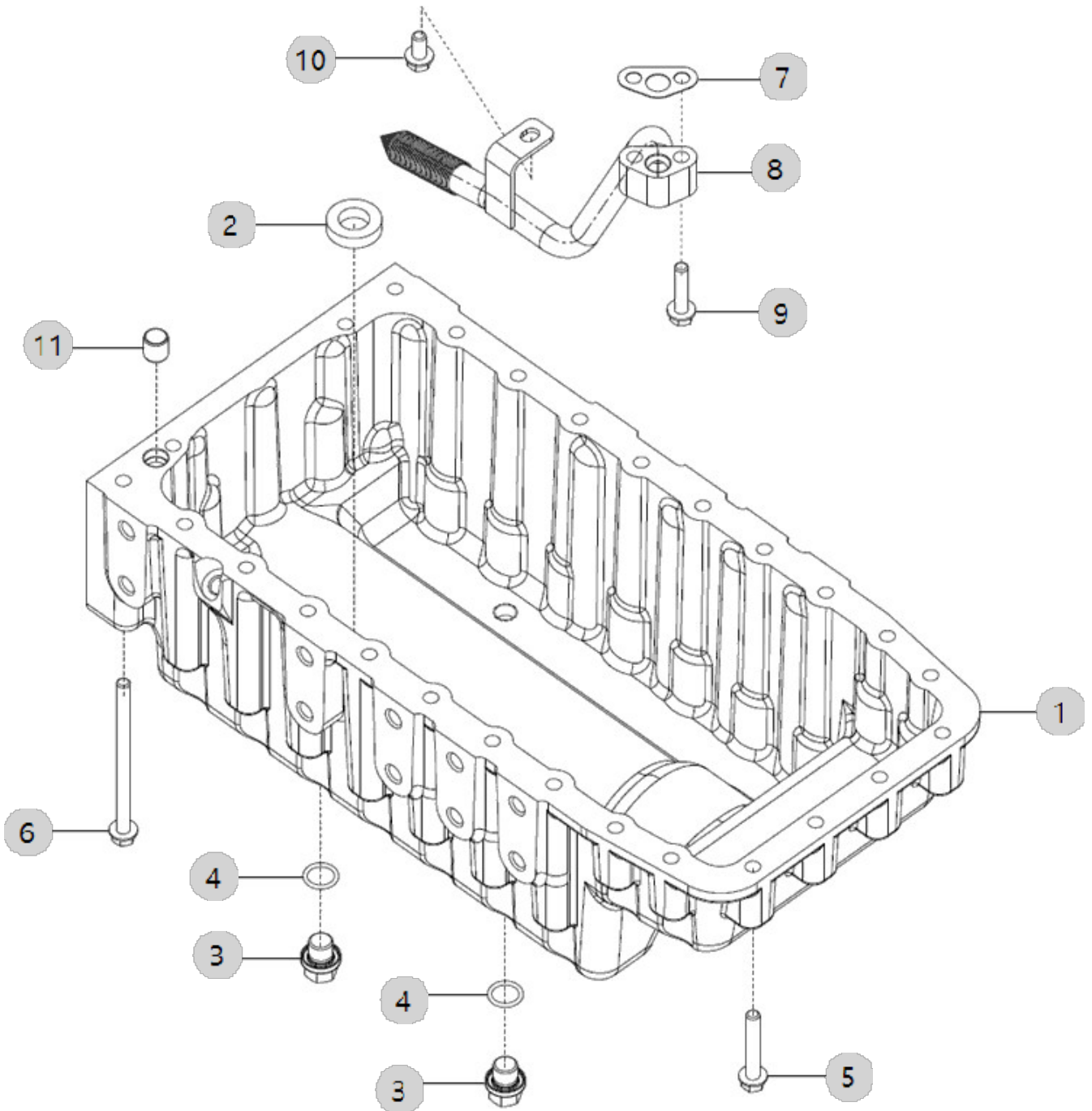
A27_005

A1100N4-ETR_5
(AB00400)

OIL PAN ASS'Y OPTION

Year/Month

2023-01-17



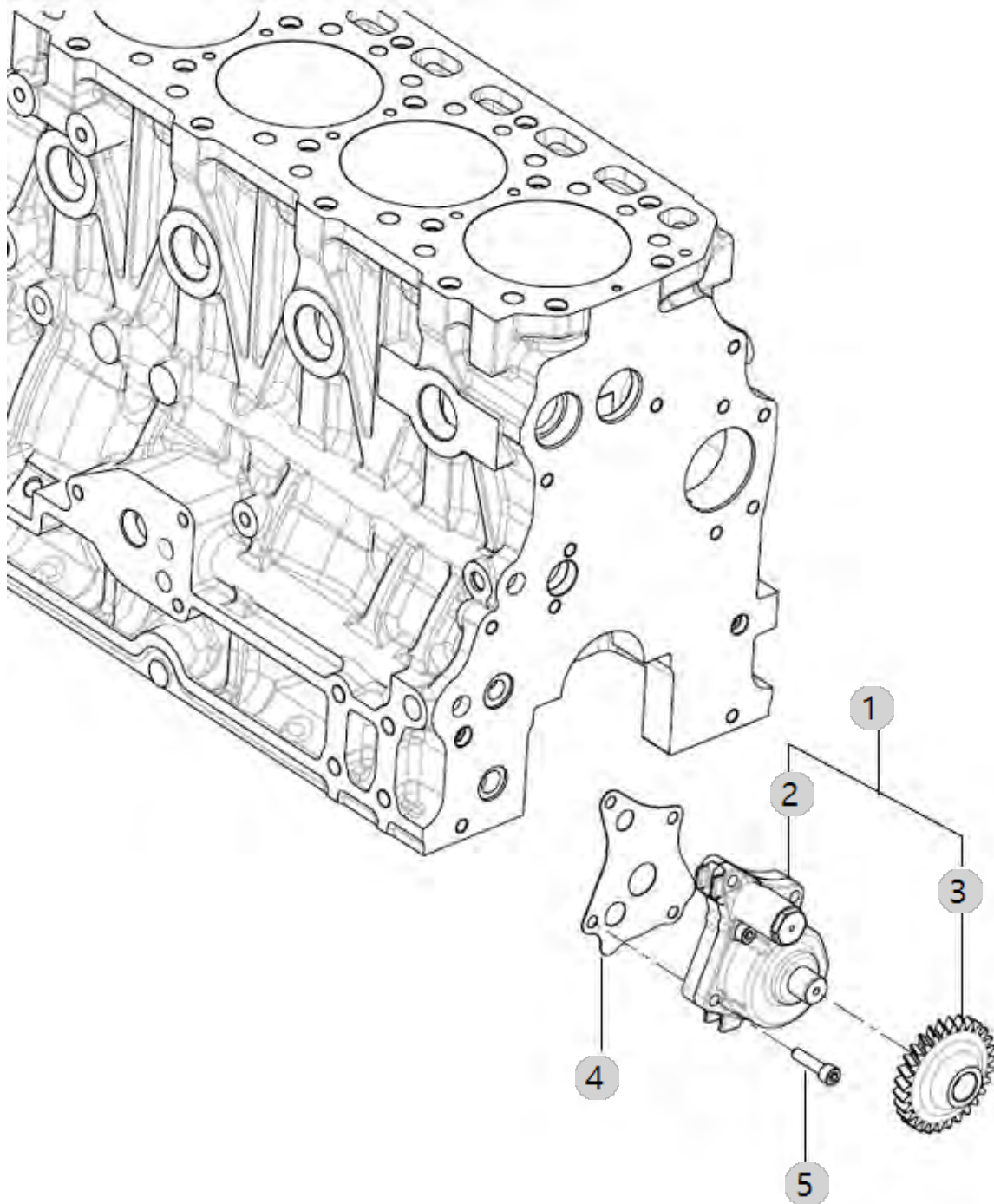
A28_001

A1100N4-ETR_5
(AB00400)

PUMP, LUBRICATING OIL

Year/Month

2023-01-17



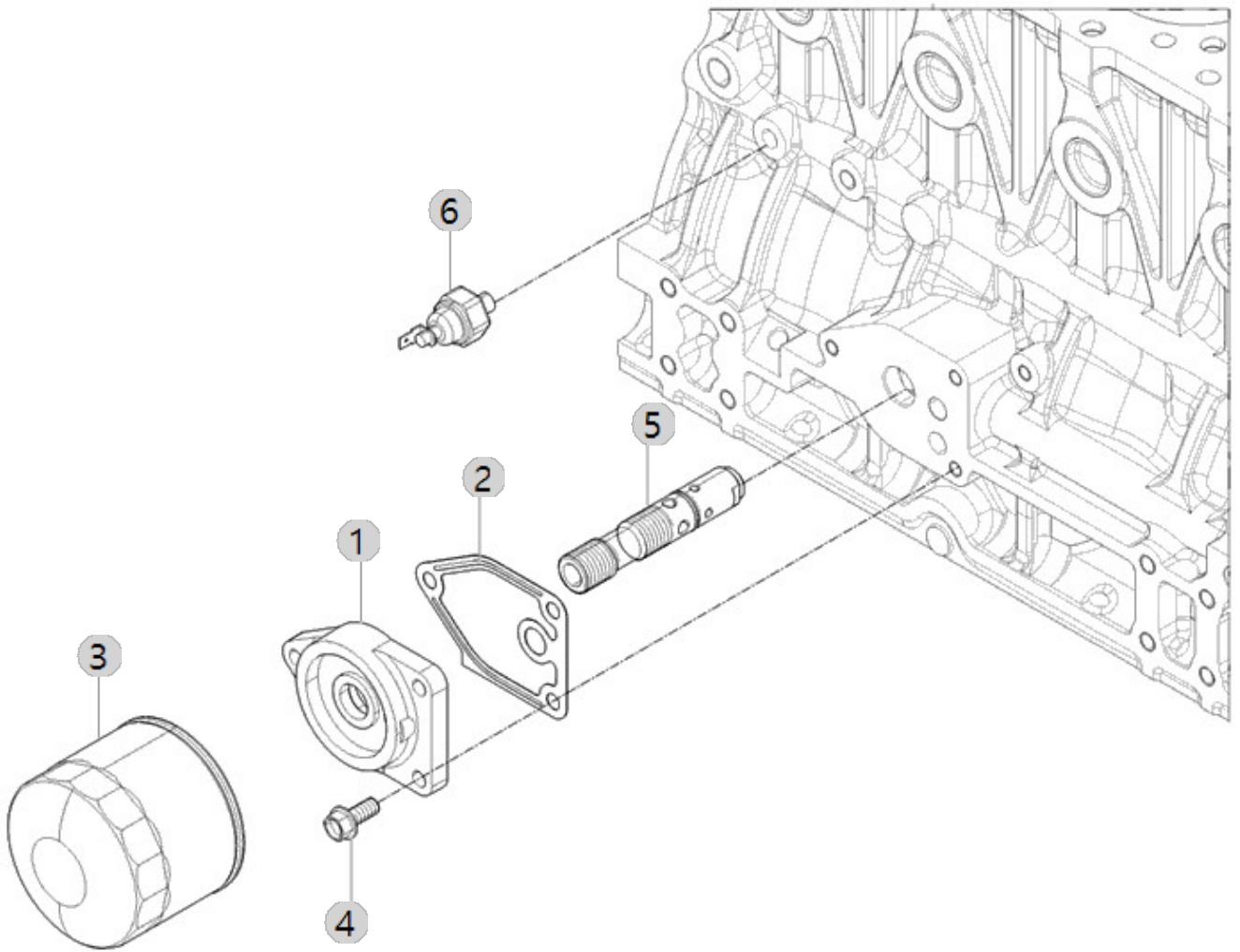
A29_005

A1100N4-ETR_5
(AB00400)

FILTER, LUBRICATING OIL

Year/Month

2023-01-17



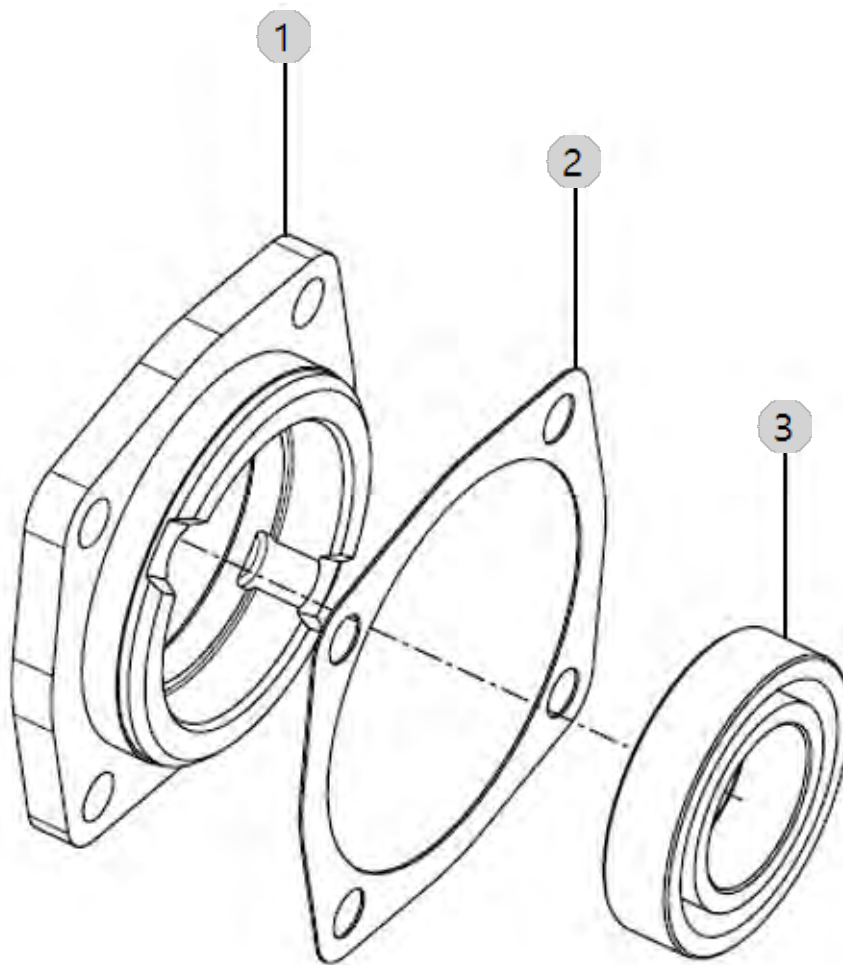
A30_003

A1100N4-ETR_5
(AB00400)

FRONT GEAR ACCESSORY DRIVE

Year/Month

2023-01-17



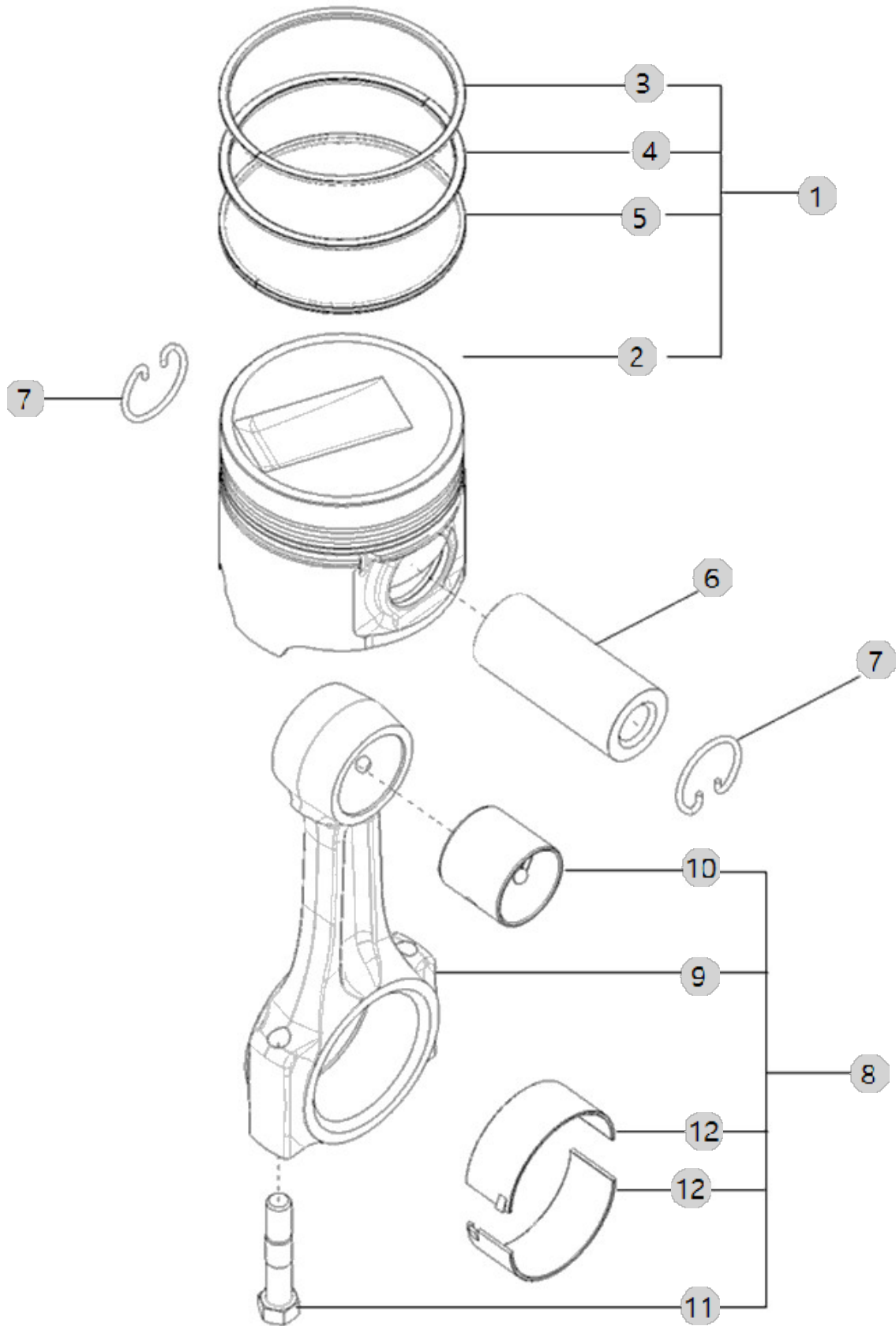
A31_007

A1100N4-ETR_5
(AB00400)

PISTON

Year/Month

2023-01-17



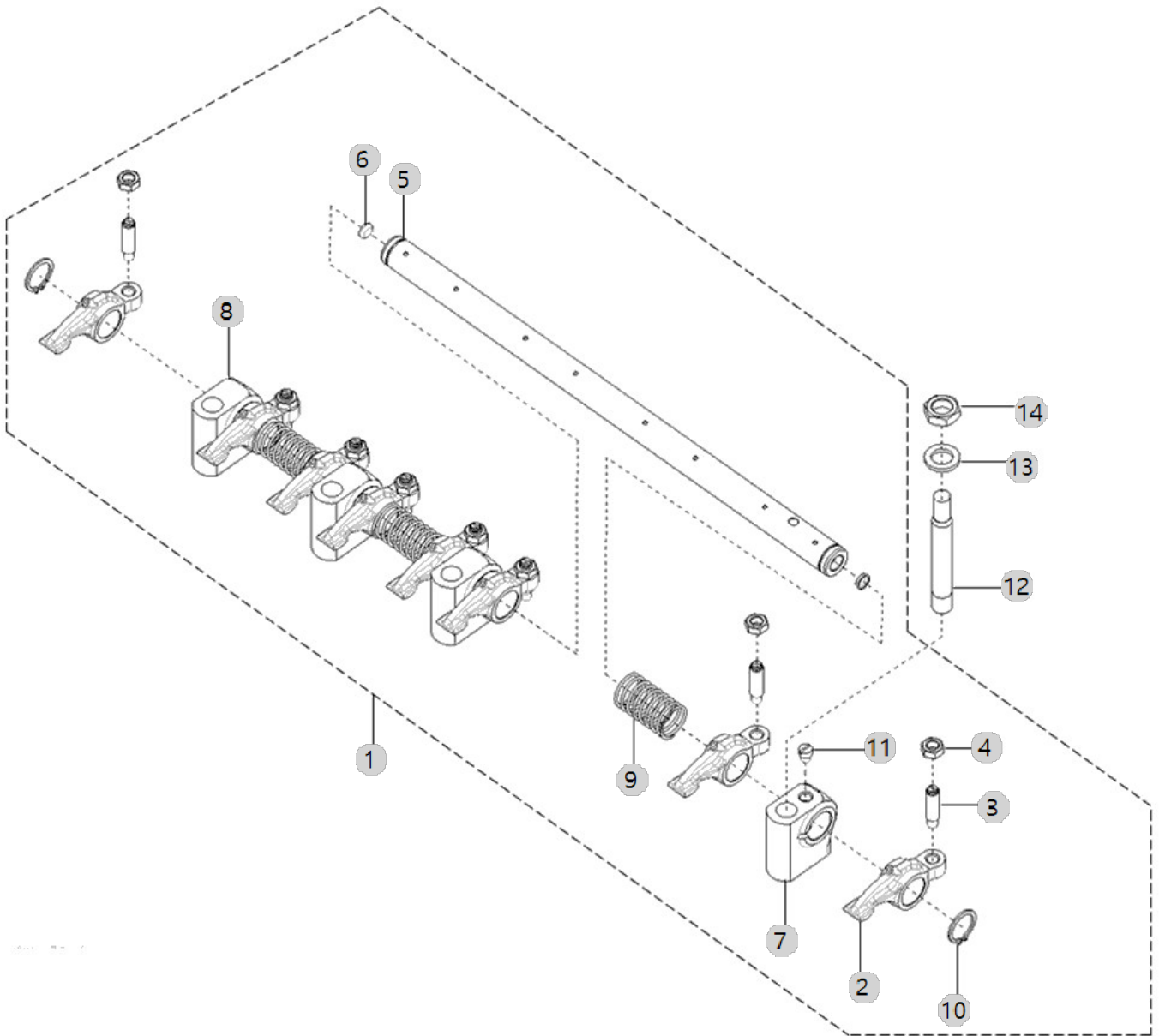
A32_003

A1100N4-ETR_5
(AB00400)

LEVER, LOCKER

Year/Month

2023-01-17



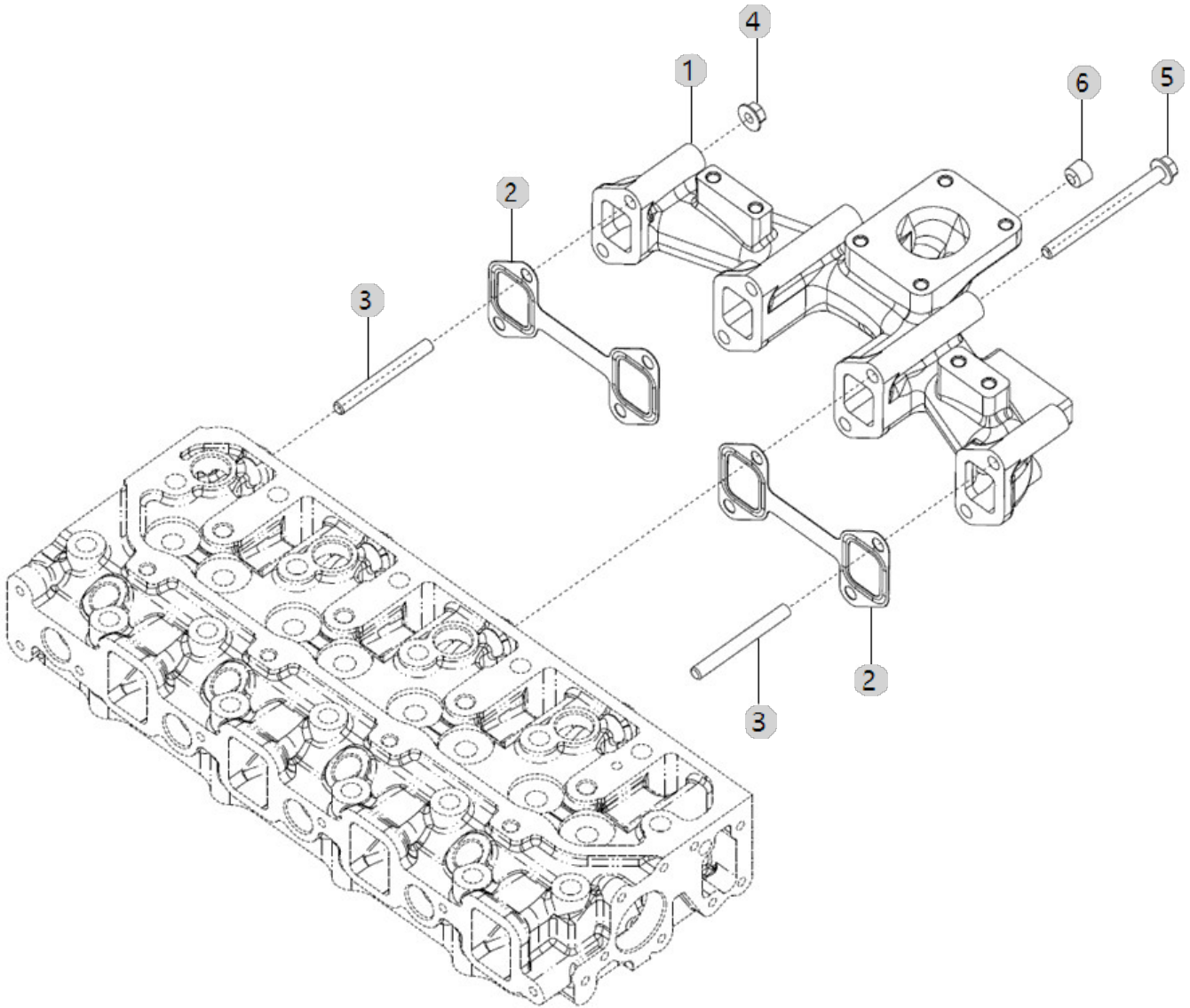
A33_013

A1100N4-ETR_5
(AB00400)

EXHAUST MANIFOLD

Year/Month

2023-01-17



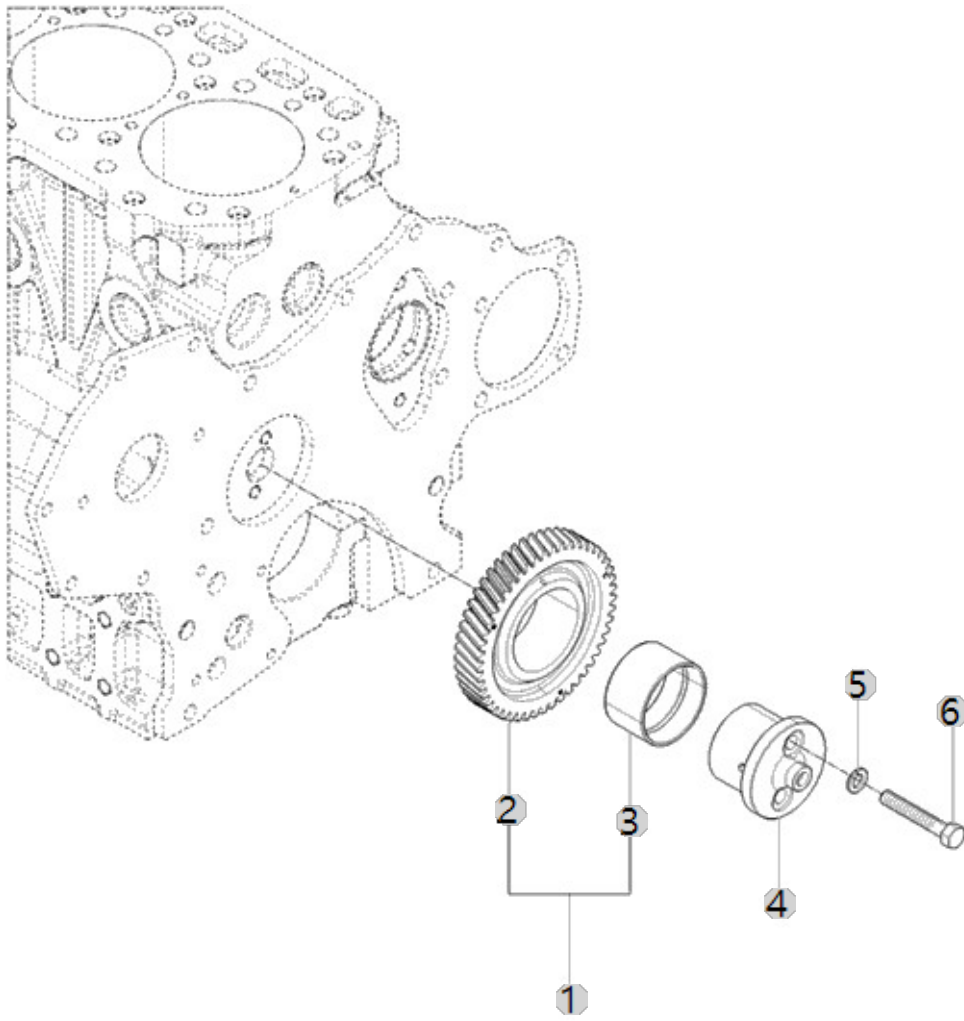
A35_002

A1100N4-ETR_5
(AB00400)

IDLE GEAR

Year/Month

2023-01-17



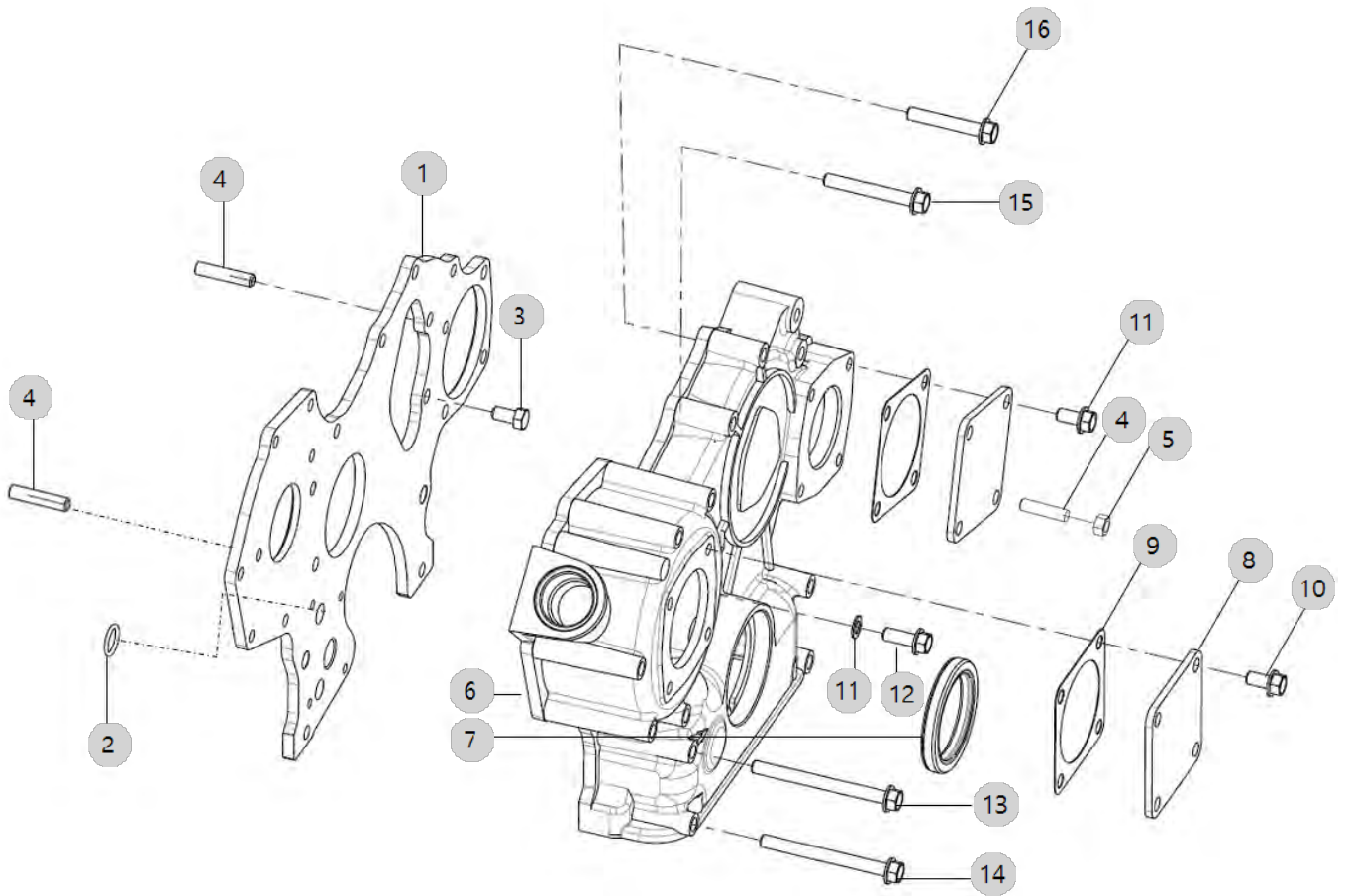
A36_004

A1100N4-ETR_5
(AB00400)

COVER, FRONT GEAR

Year/Month

2023-01-17



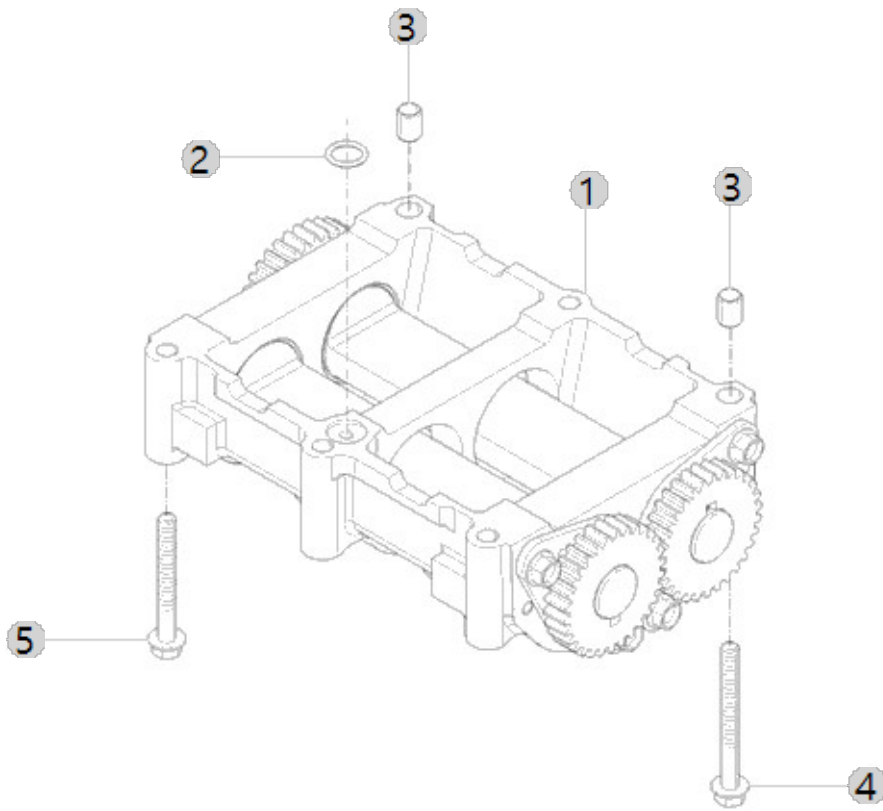
A37_001

A1100N4-ETR_5
(AB00400)

BALANCE ASS'Y

Year/Month

2023-01-17



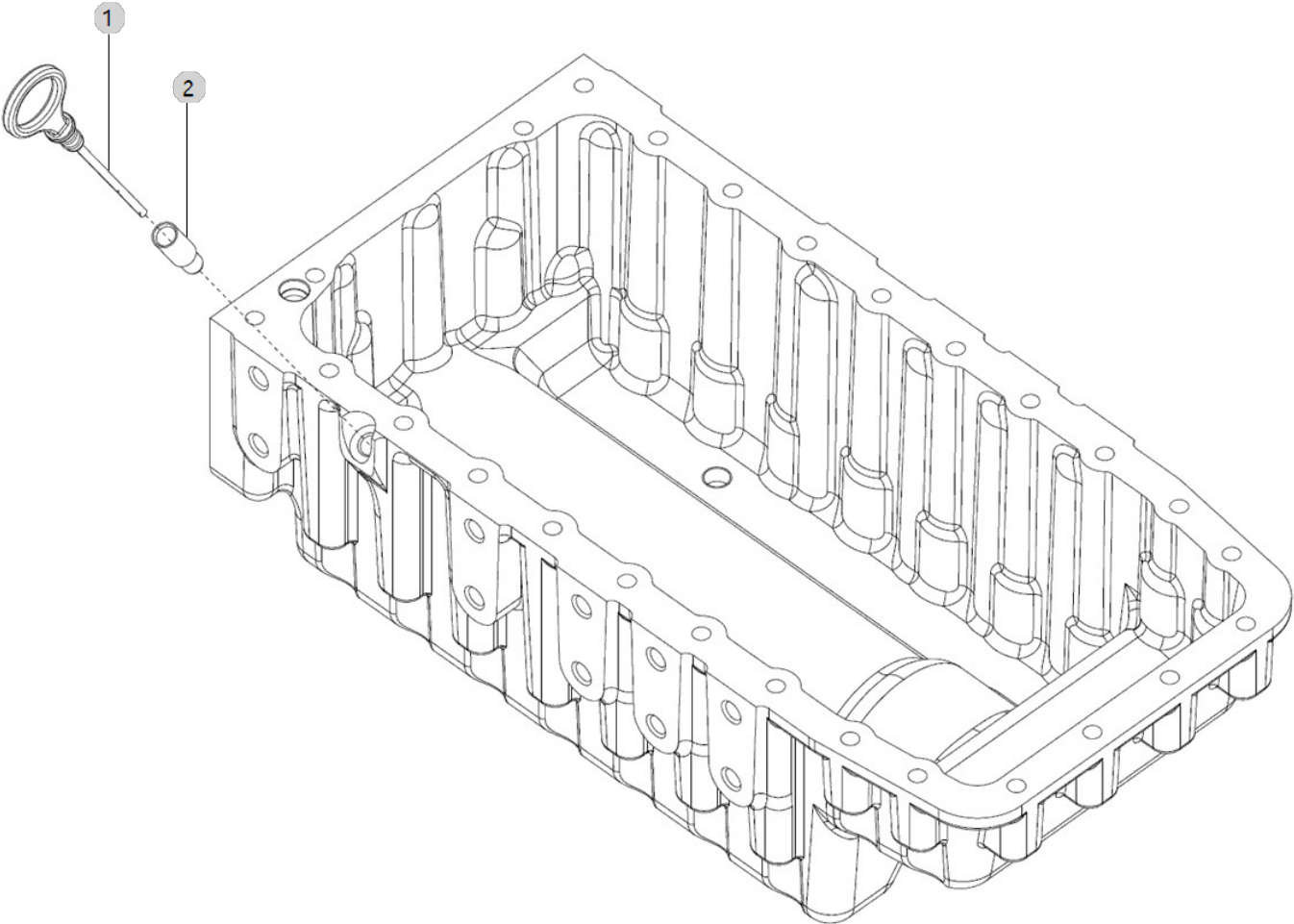
A38_009

A1100N4-ETR_5
(AB00400)

GAUGE, OIL LEVEL

Year/Month

2023-01-17



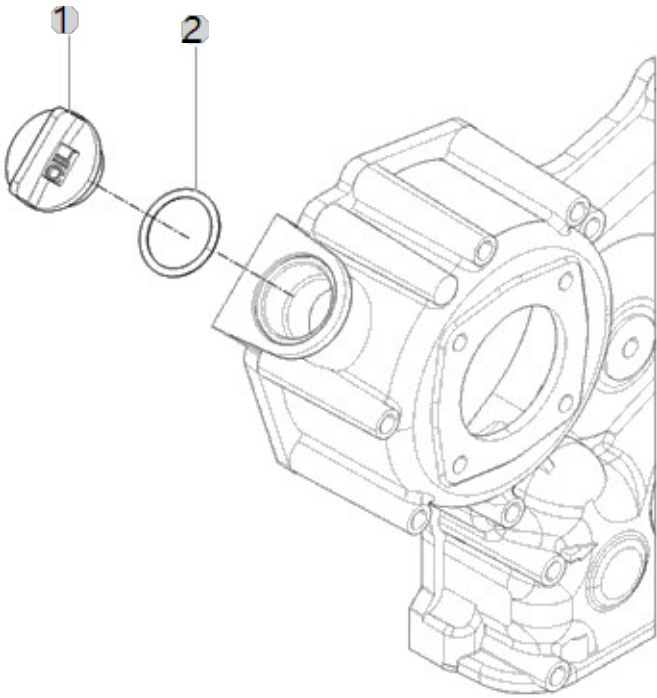
A39_001

A1100N4-ETR_5
(AB00400)

OIL FILLER CAP

Year/Month

2023-01-17



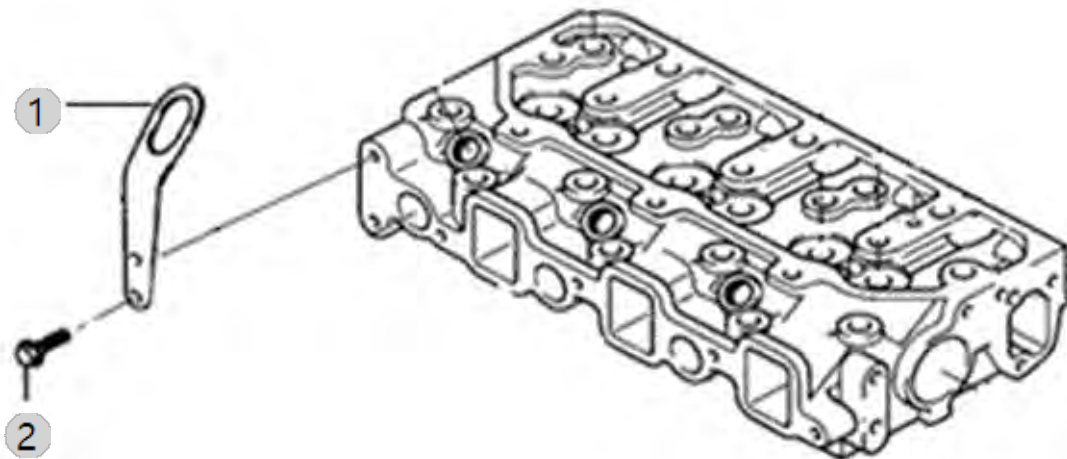
A40_003

A1100N4-ETR_5
(AB00400)

LIFT ASS'Y OPTION

Year/Month

2023-01-17



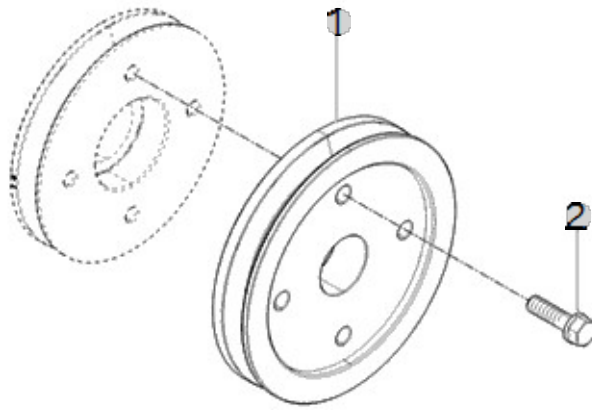
A41_001

A1100N4-ETR_5
(AB00400)

COMP,DRIVE PULLEY ASS'Y OPTION

Year/Month

2023-01-17



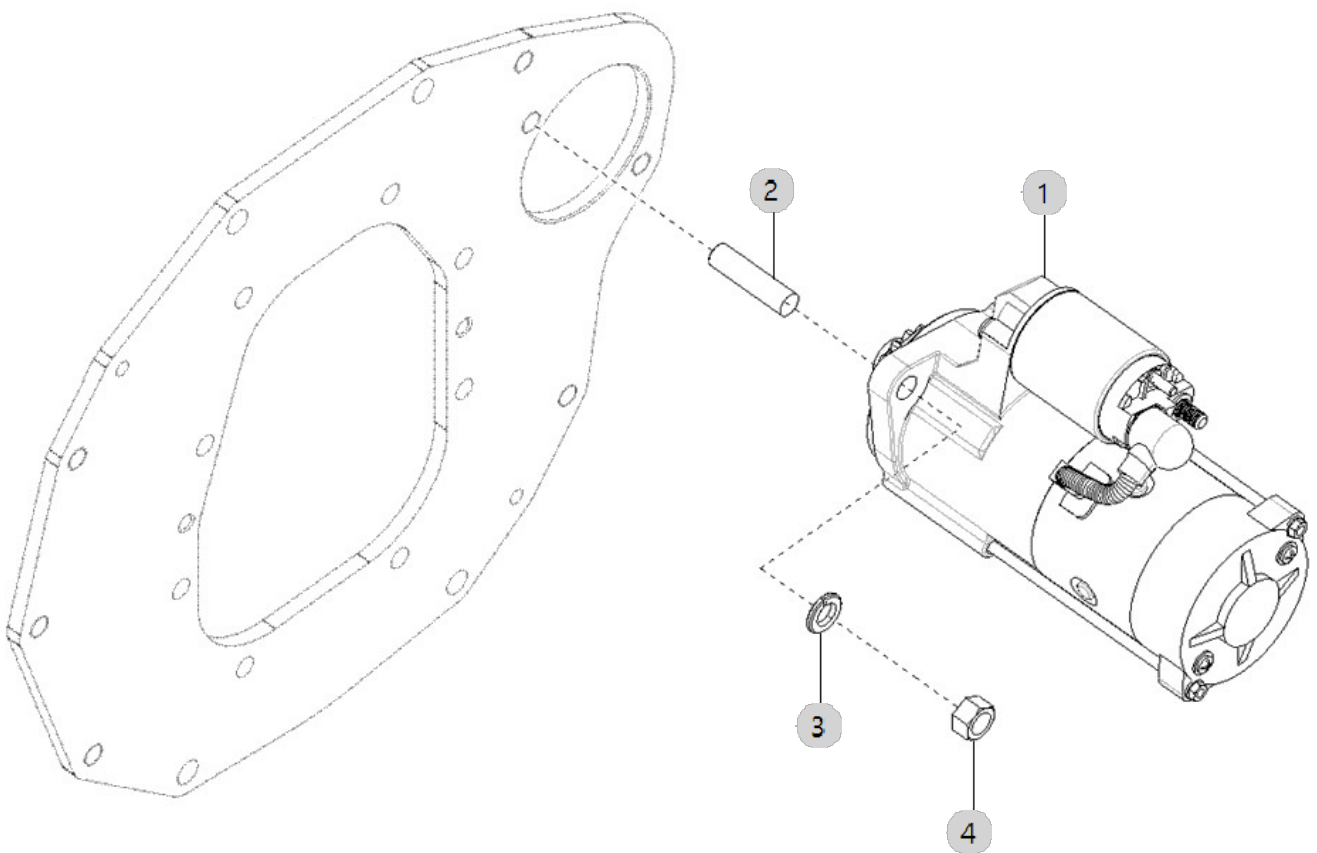
A42_003

A1100N4-ETR_5
(AB00400)

MOTER, STARTIONS

Year/Month

2023-01-17



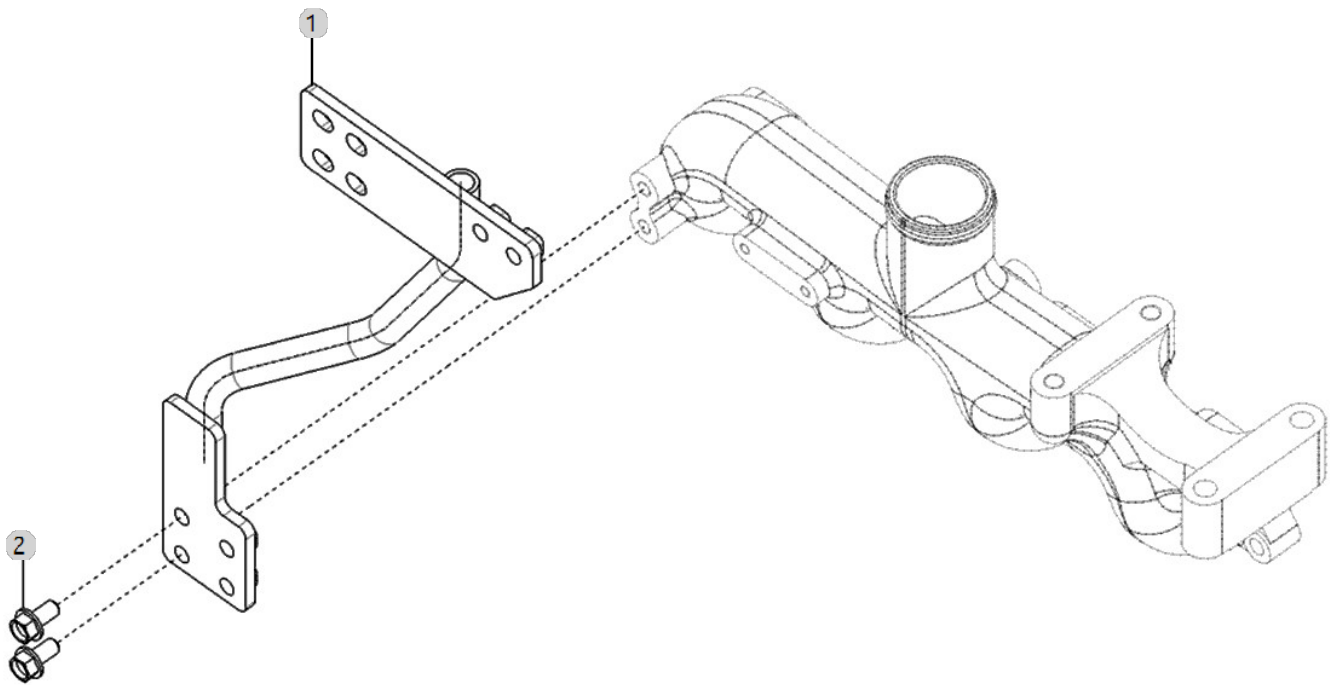
A43_001

A1100N4-ETR_5
(AB00400)

DPF SUPPORT OPTION

Year/Month

2023-01-17



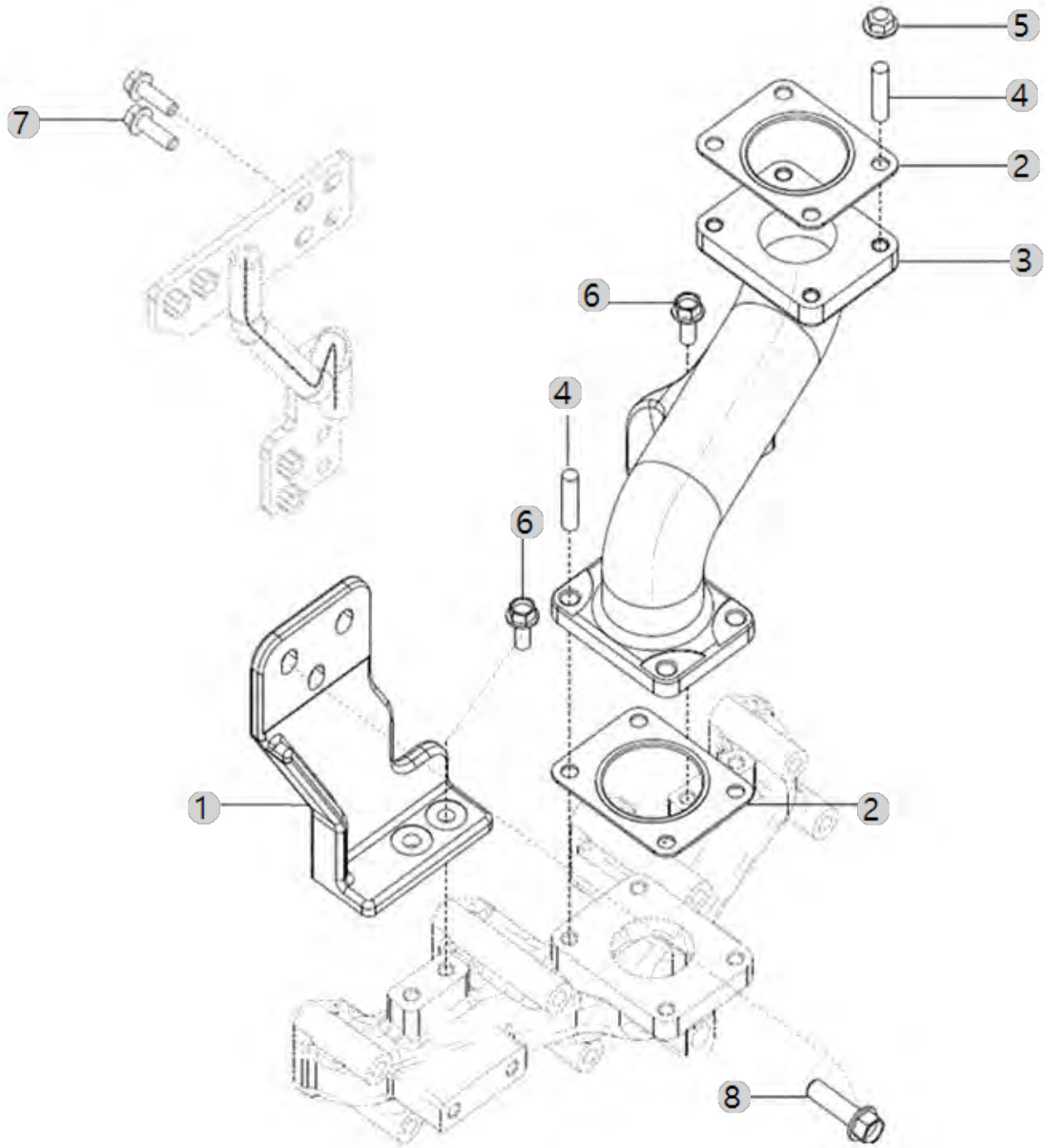
A44_006

A1100N4-ETR_5
(AB00400)

DPF MOUNTING OPTION

Year/Month

2023-01-17



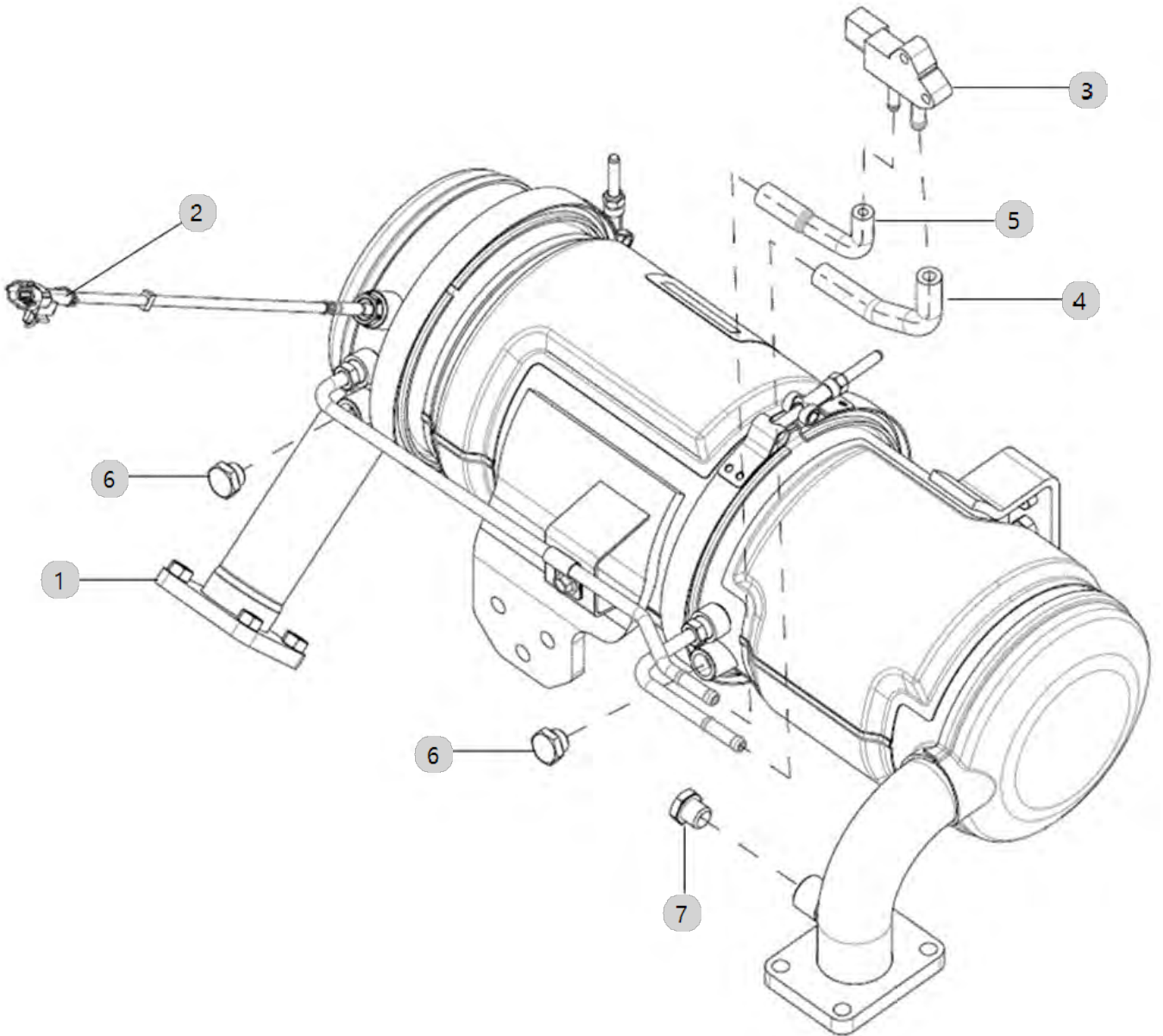
A45_004

A1100N4-ETR_5
(AB00400)

DPF

Year/Month

2023-01-17



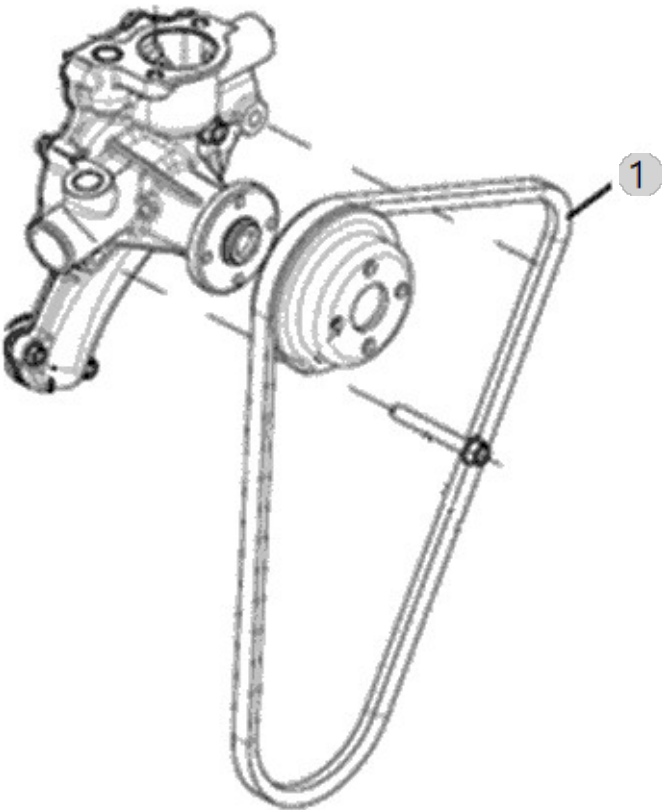
A48_006

A1100N4-ETR_5
(AB00400)

V-BELT

Year/Month

2023-01-17



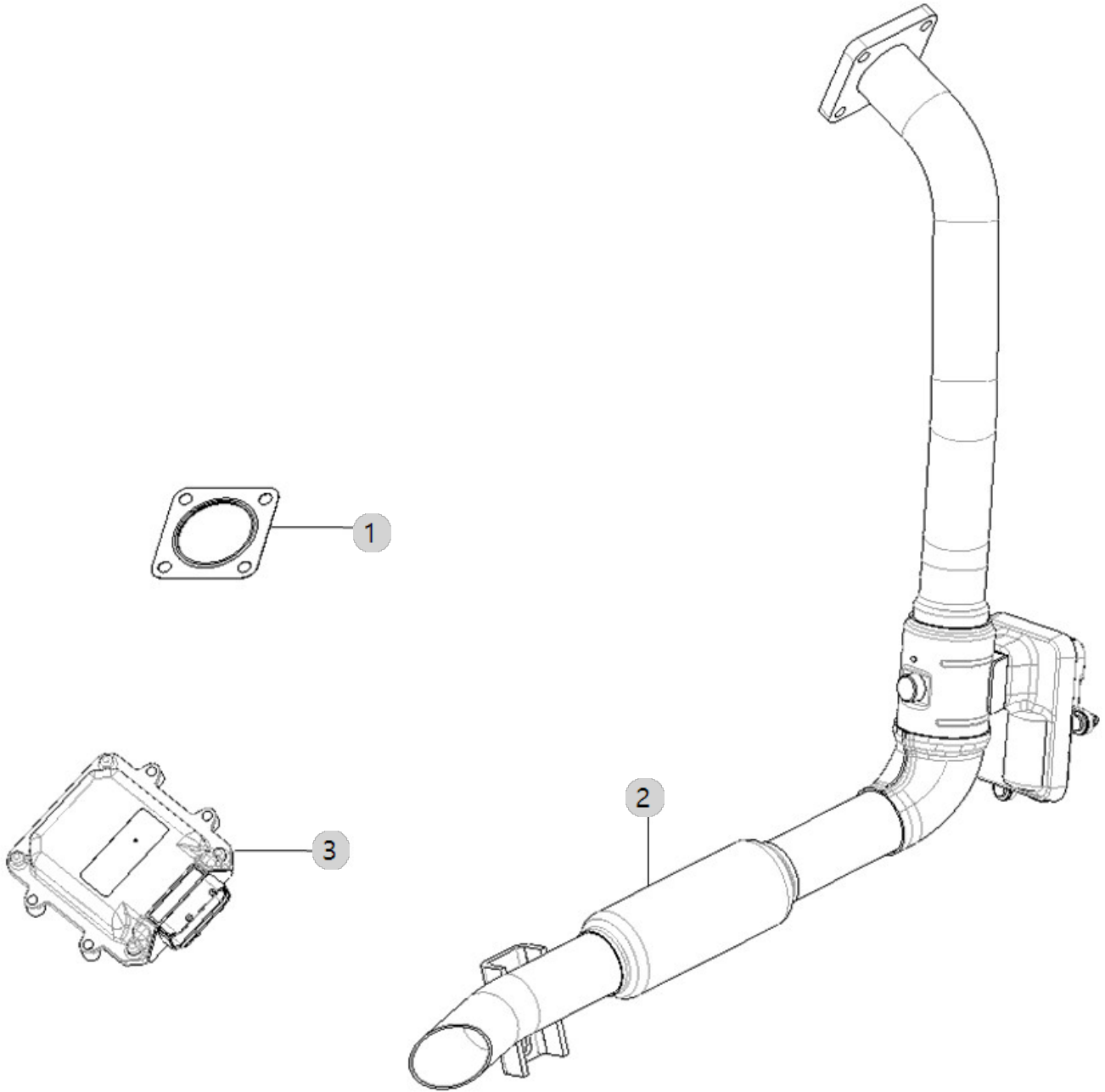
A56_001

A1100N4-ETR_5
(AB00400)

LOOSED PARTS

Year/Month

2023-01-17



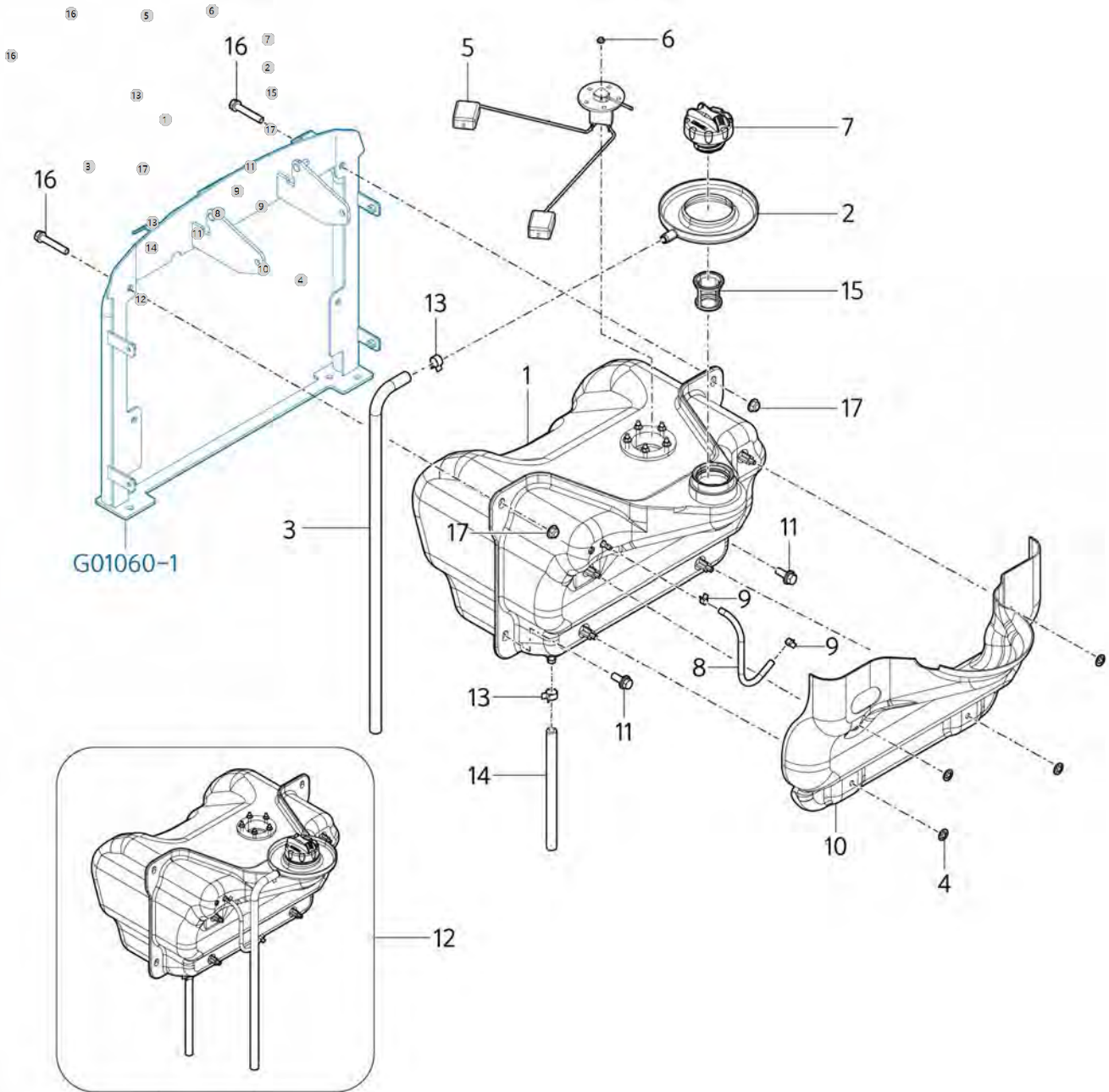
B01010

2500HL_EU_FL
(AC02165)

FUEL TANK

Year/Month

2023-01-17



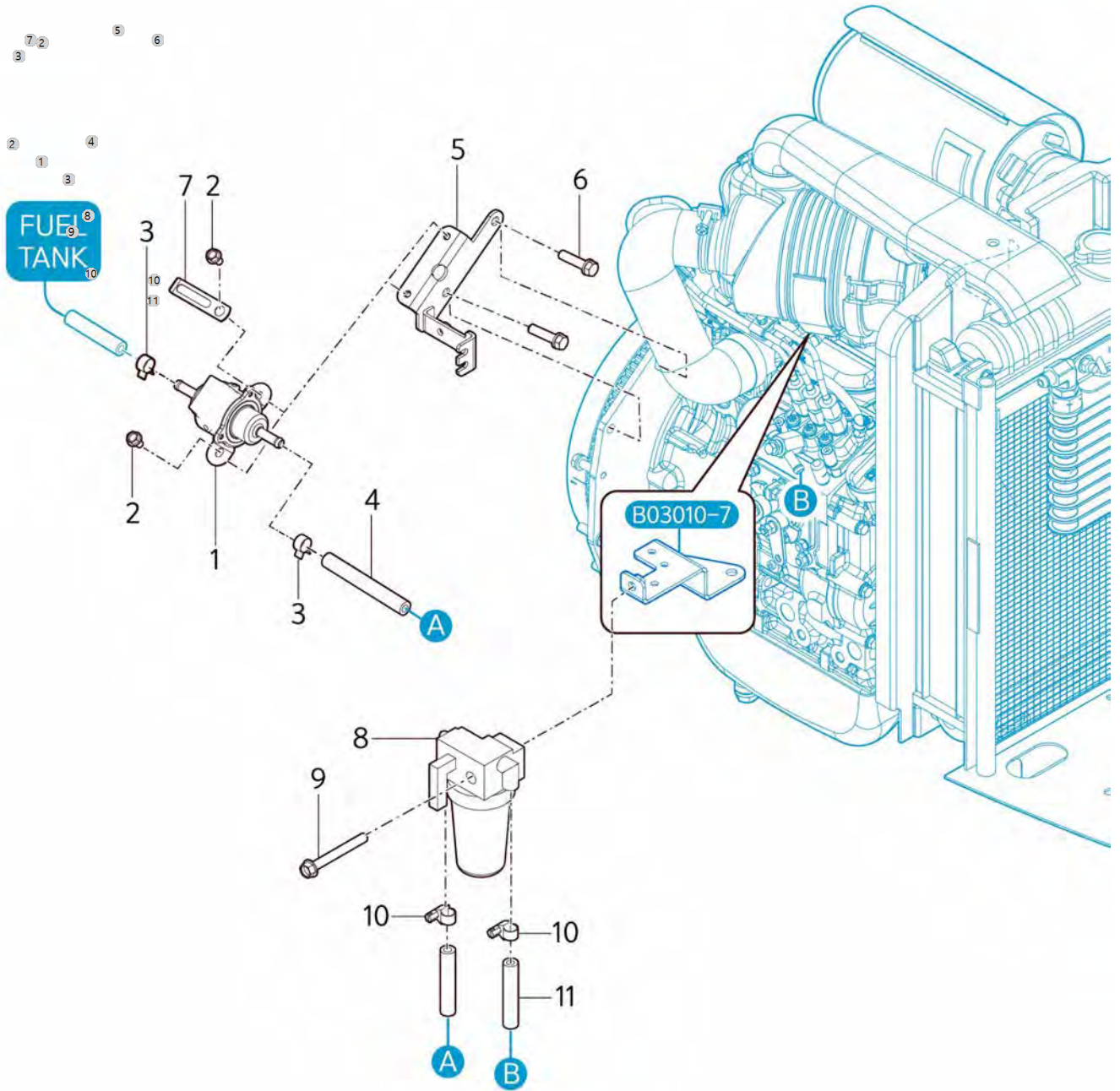
B01032

2500HL_EU_FL
(AC02165)

FUEL LINE

Year/Month

2023-01-17



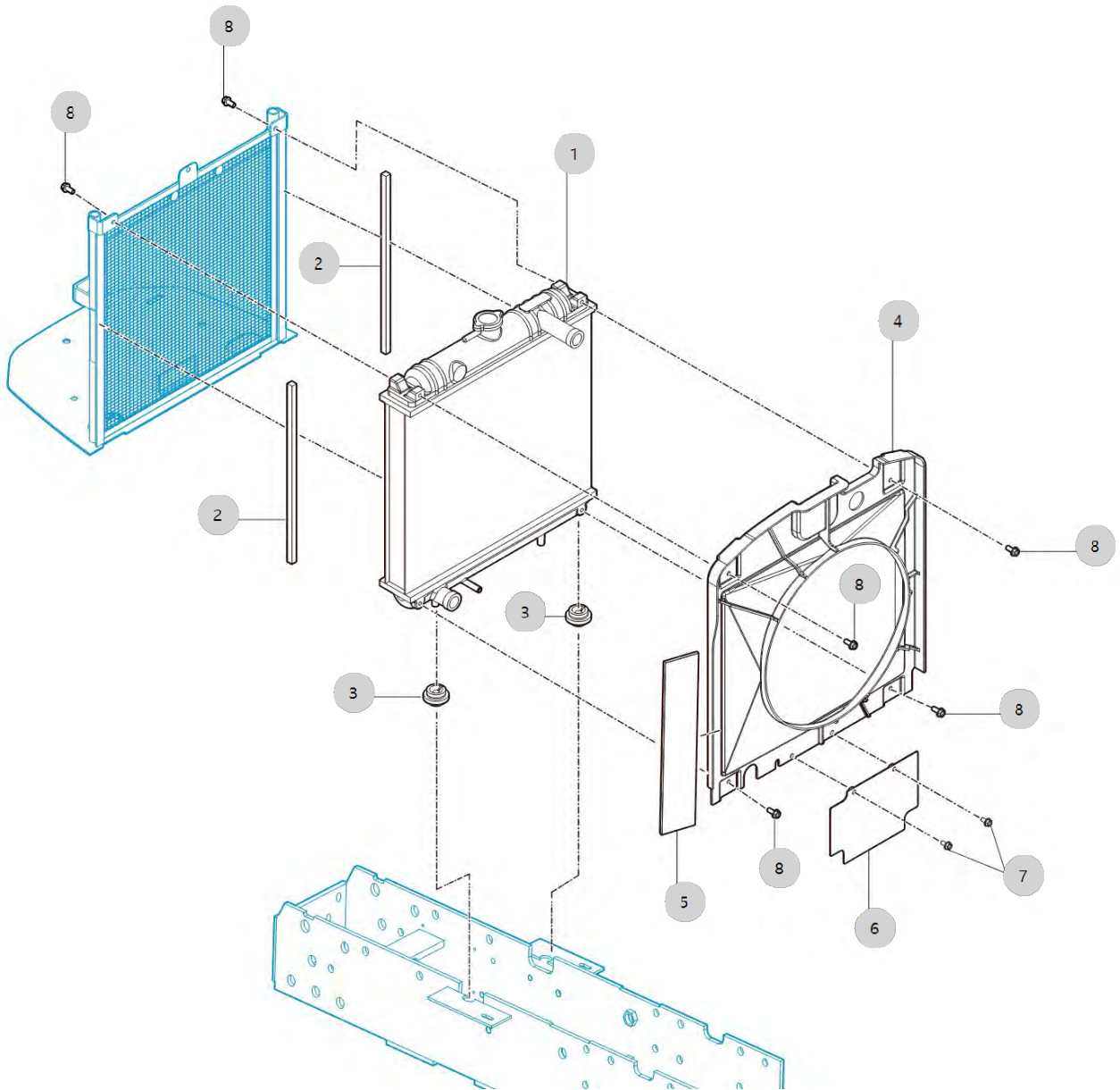
B02020

2500HL_EU_FL
(AC02165)

RADIATOR

Year/Month

2023-01-17



B02020 2500HL_EU_FL (AC02165)	RADIATOR	Year/Month
		2023-01-17

순번 (NO)	부품번호 (PART NO)	품명 (PART NAME)	품명 (PART NAME)	수량 (QTY)	규격 (SPEC)	비고 (REMARK)
1	EA00004429A	라디에이터 조합	RADIATOR	1		
2	FE09110000B	라디에이터 스폰지	RADIATOR SPONGE	2		
3	HRA1203300A4	방진고무	RUBBER, VIBRATION PROOF	2		
4	TA00069140B	슈라우드	SHROUD	1		
5	FE09120000A	단열판	TAPE,RADIATOR	1		
6	TA00069146B	슈라우드 브래킷	SHROUD BRACKET	1		
6	TA00069146A	슈라우드 브래킷	SHROUD BRACKET	1		
7	26106-060122	육각플랜지볼트	HEX BOLT (6-12)	2	M6XP1.0X12	
8	26106-060162	육각플랜지 볼트	HEXFLANGE BOLT	6	M6XP1.0X16	

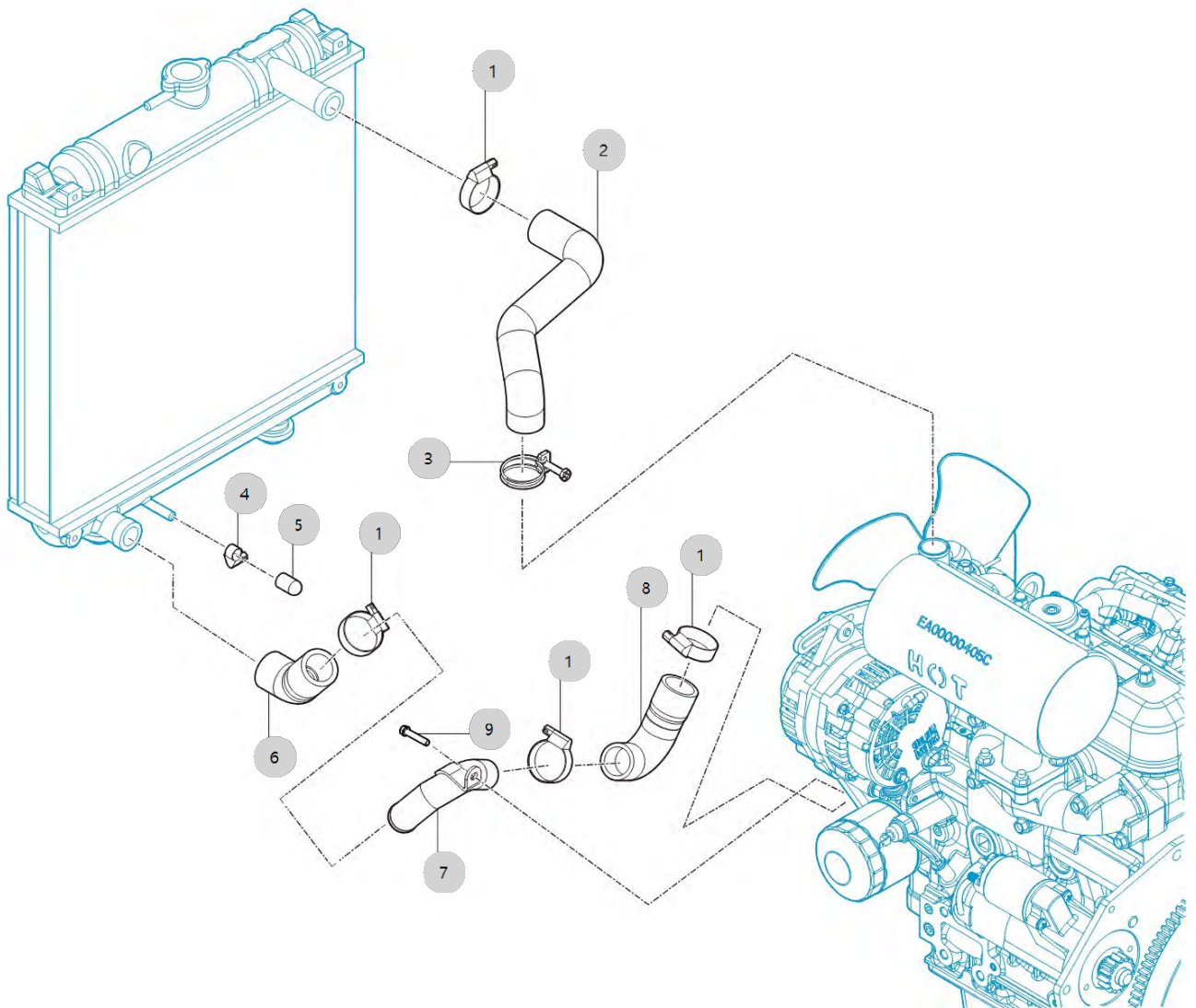
B02040

2500HL_EU_FL
(AC02165)

WATER PIPE

Year/Month

2023-01-17



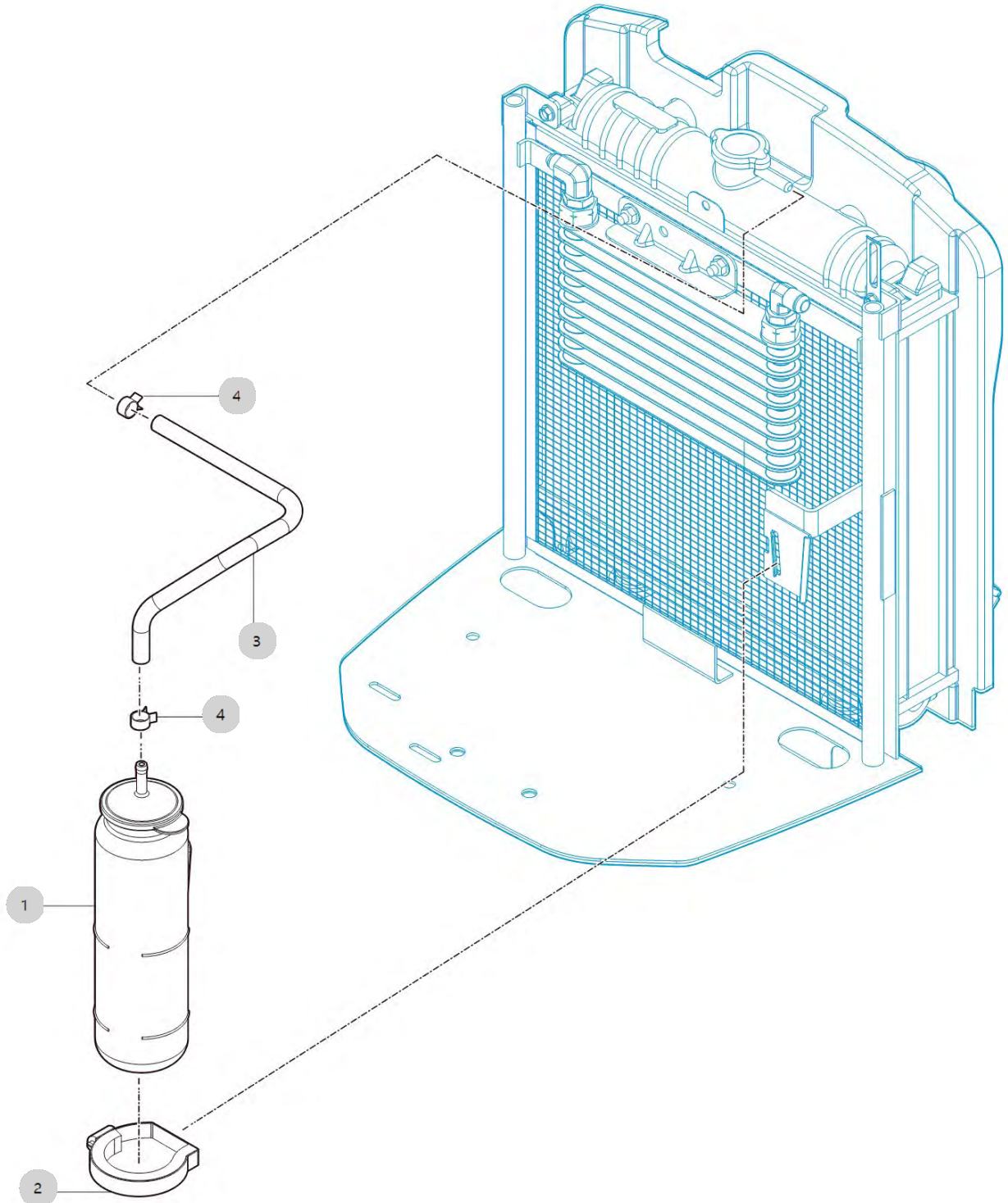
B02050

2500HL_EU_FL
(AC02165)

AUXILIARY COOLANT TANK

Year/Month

2023-01-17



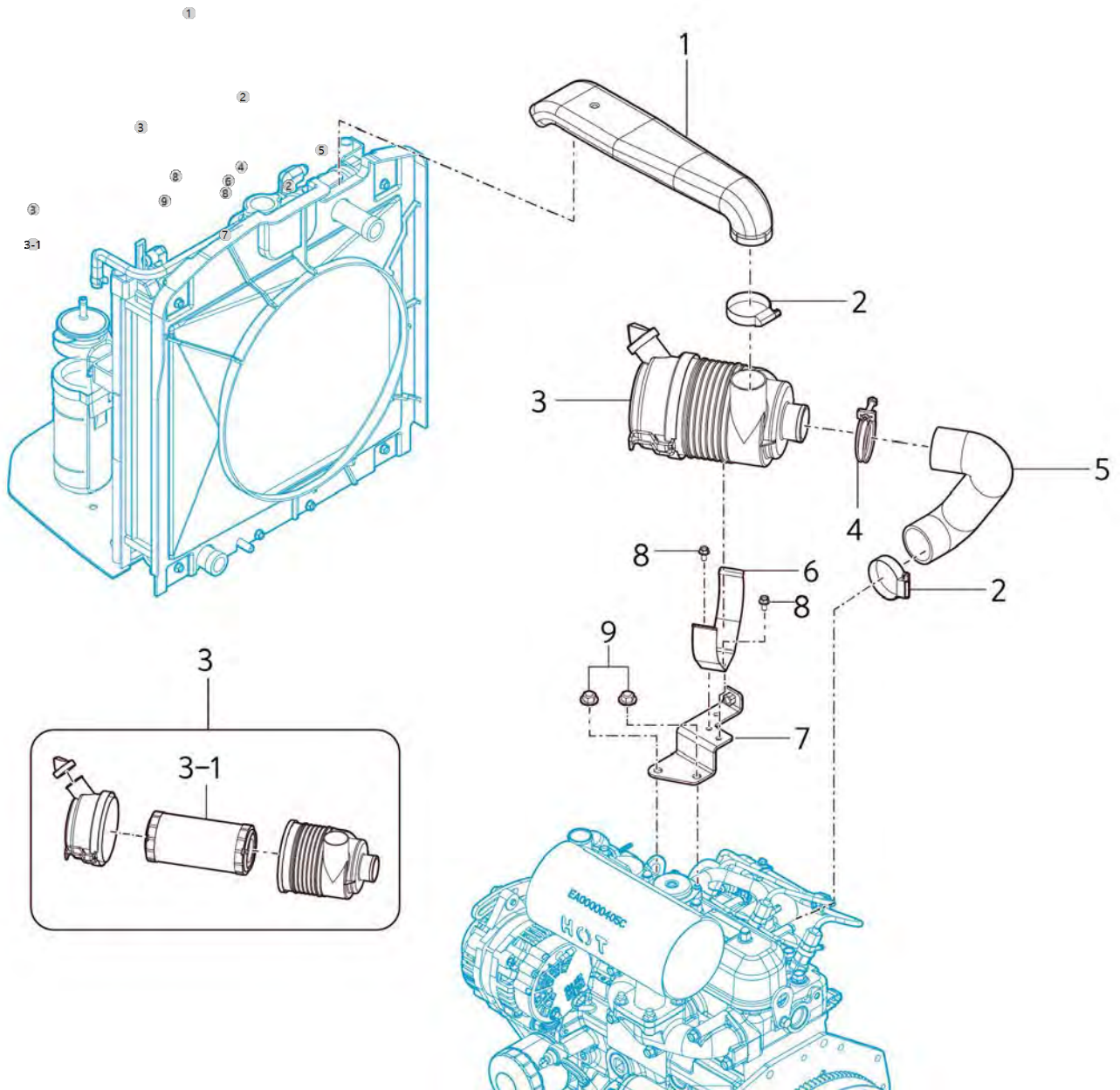
B03010

2500HL_EU_FL
(AC02165)

AIR CLEANER

Year/Month

2023-01-17



B03010 2500HL_EU_FL (AC02165)		AIR CLEANER				Year/Month 2023-01-17
순번 (NO)	부품번호 (PART NO)	품명 (PART NAME)	품명 (PART NAME)	수량 (QTY)	규격 (SPEC)	비고 (REMARK)
1	TA00069141A	에어크리너 덕트	AIR CLEANER DUCT	1		
2	23000-054000	호스클램프54	HOSECLAMP54	2	D54	
3	EA00000431A	에어클리너조립	AIR CLEANER ASSY	1		
3-1	EA00000985A	엘리먼트(PRIMARY)	ELEMENT, AIRCLEANER (PRIMARY)	1		
4	23010-054000	호스밴드54	BAND,AIR CLEANER	1	D54	
5	TA00069151B	에어크리너 호스	HOSE, AIR CLEANER	1		
6	FE11200000B	에어클리너 브래킷	BRACKET	1	1.6T	
7	TA00069145C	에어크리너 브래킷	AIR CLEANER,BRACKET	1		
7	TA00069145B	에어크리너 브래킷	AIR CLEANER,BRACKET	1		
8	26106-060122	육각플랜지볼트	HEX BOLT (6-12)	2	M6XP1.0X12	
9	26376-100002	육각플랜지너트(세목)	BOLT CYLINDER HEAD	2		

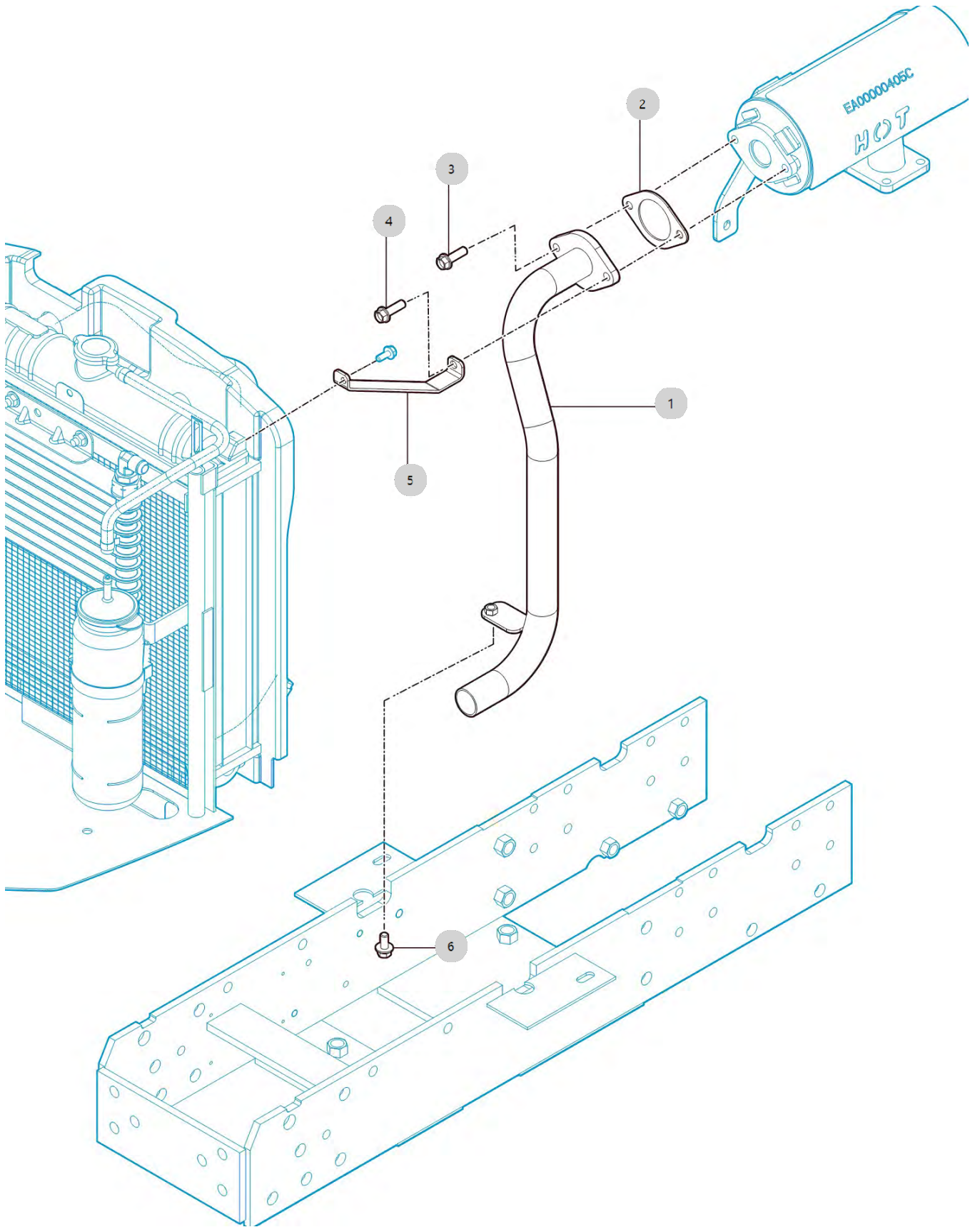
B03031

2500HL_EU_FL
(AC02165)

MUFFLER

Year/Month

2023-01-17



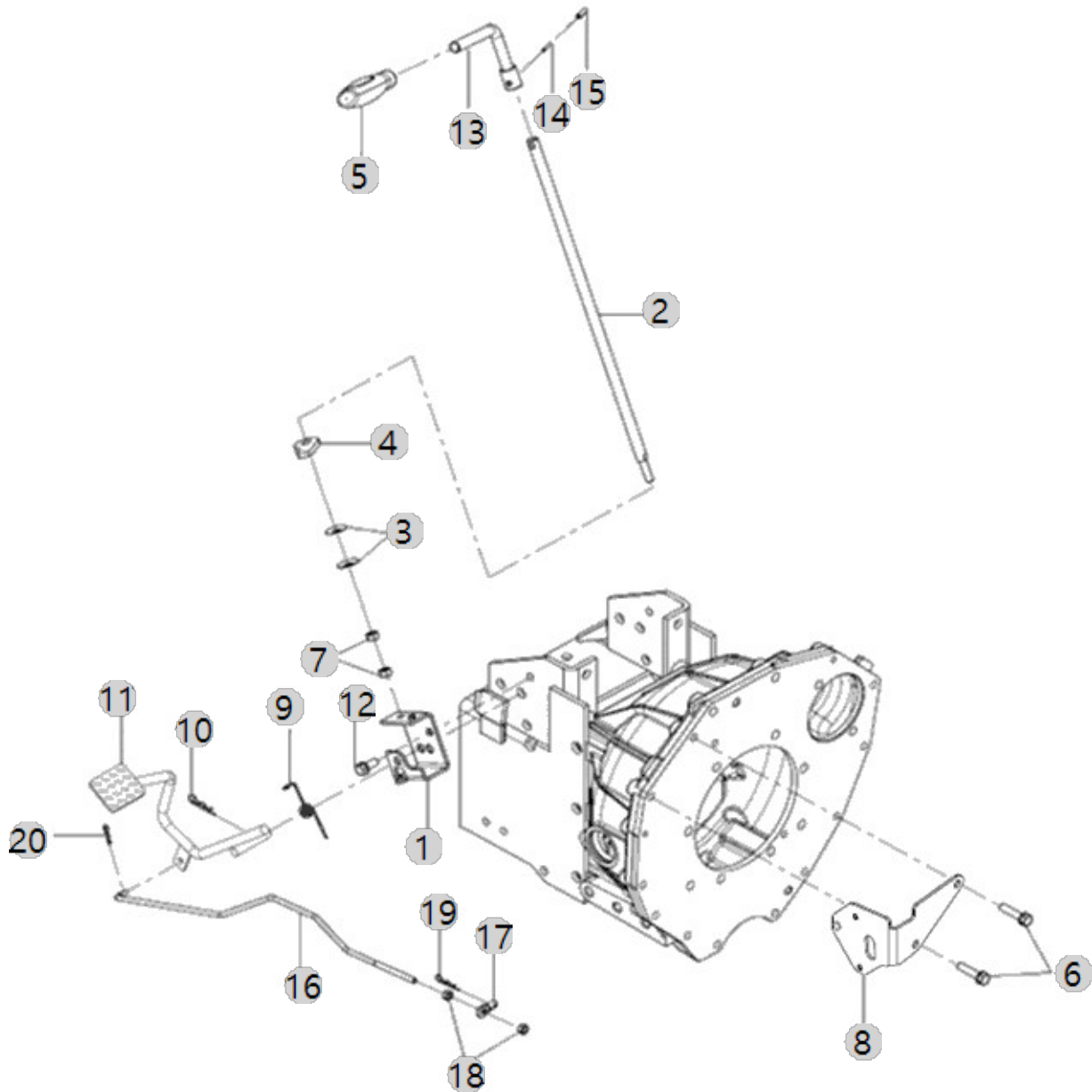
B05010M

2500HL_EU_FL
(AC02165)

ACCELERATION SYSTEM

Year/Month

2023-01-17



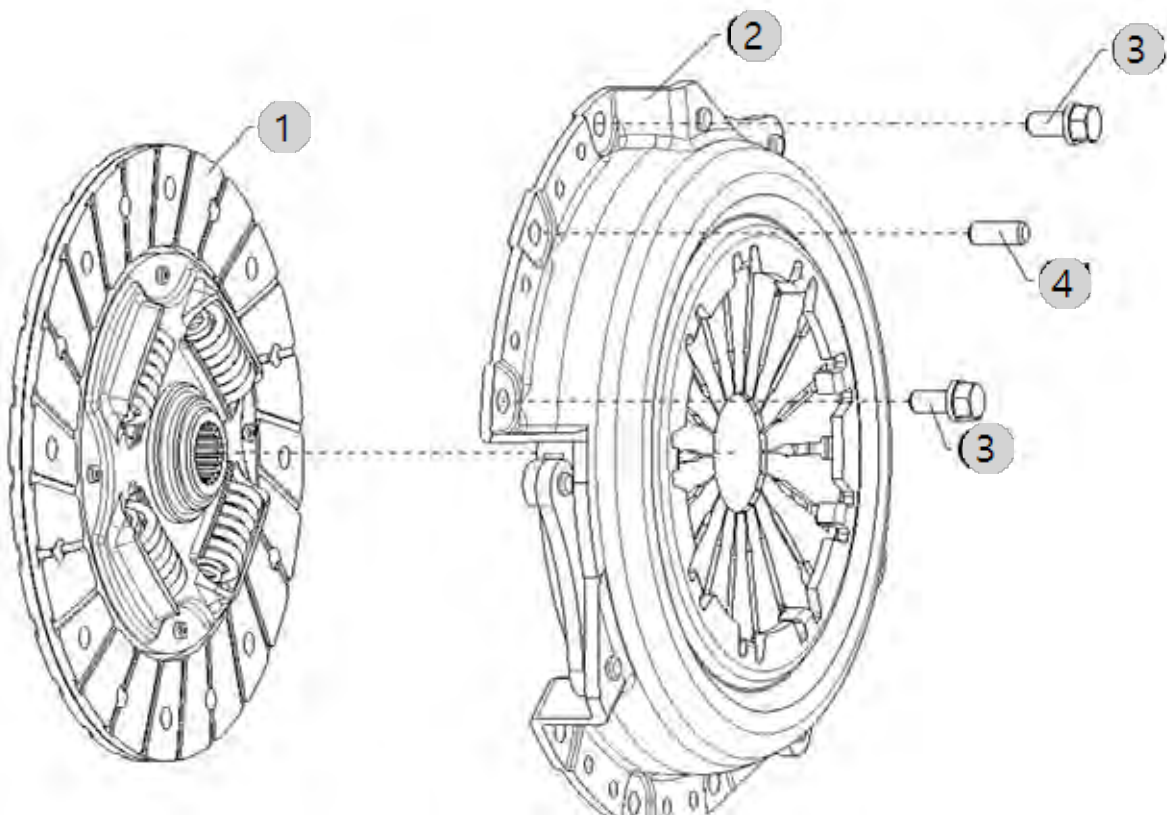
C01010

2500HL_EU_FL
(AC02165)

CLUTCH DISC

Year/Month

2023-01-17



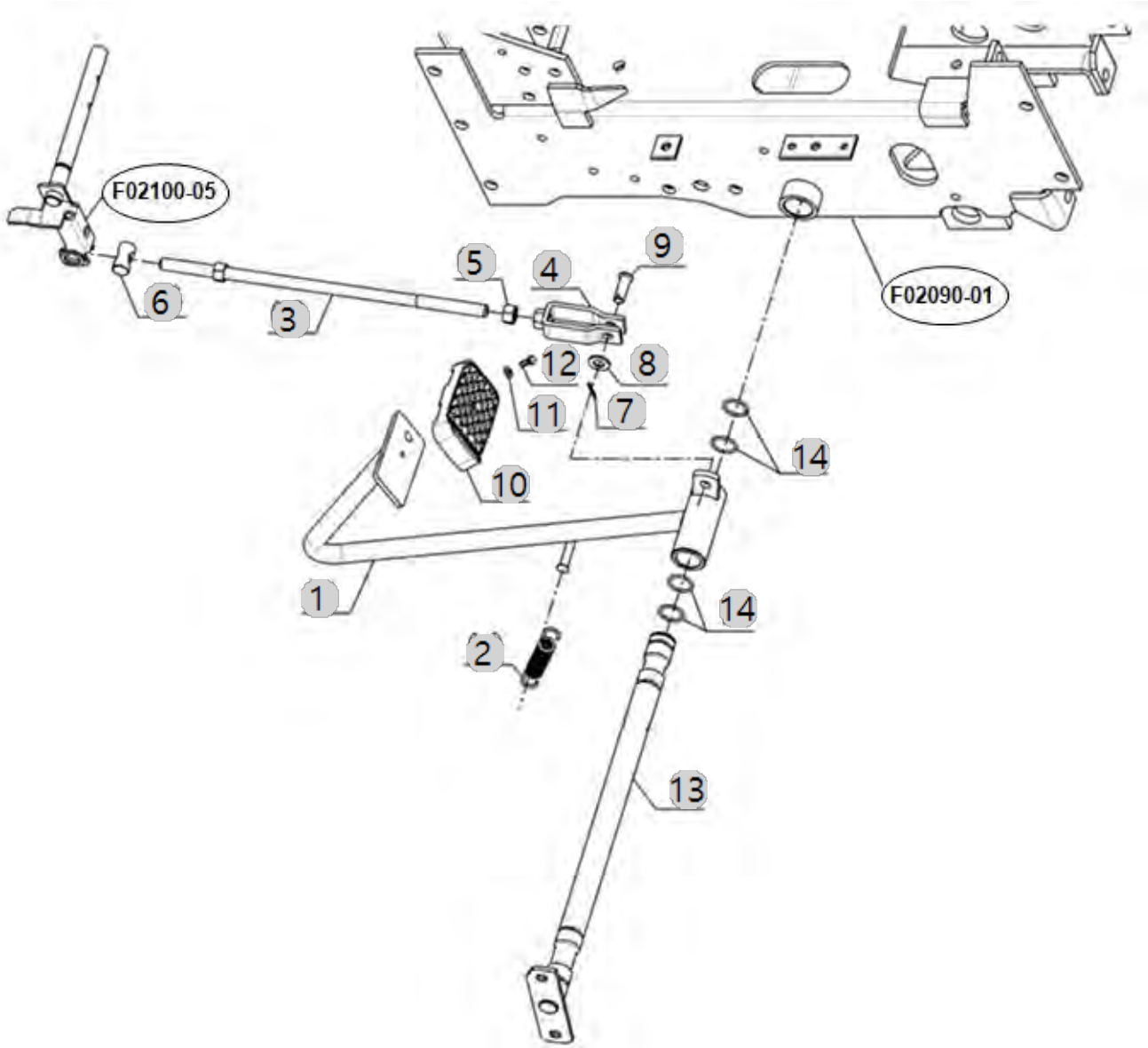
C01030

2500HL_EU_FL
(AC02165)

CLUTCH PADAL

Year/Month

2023-01-17



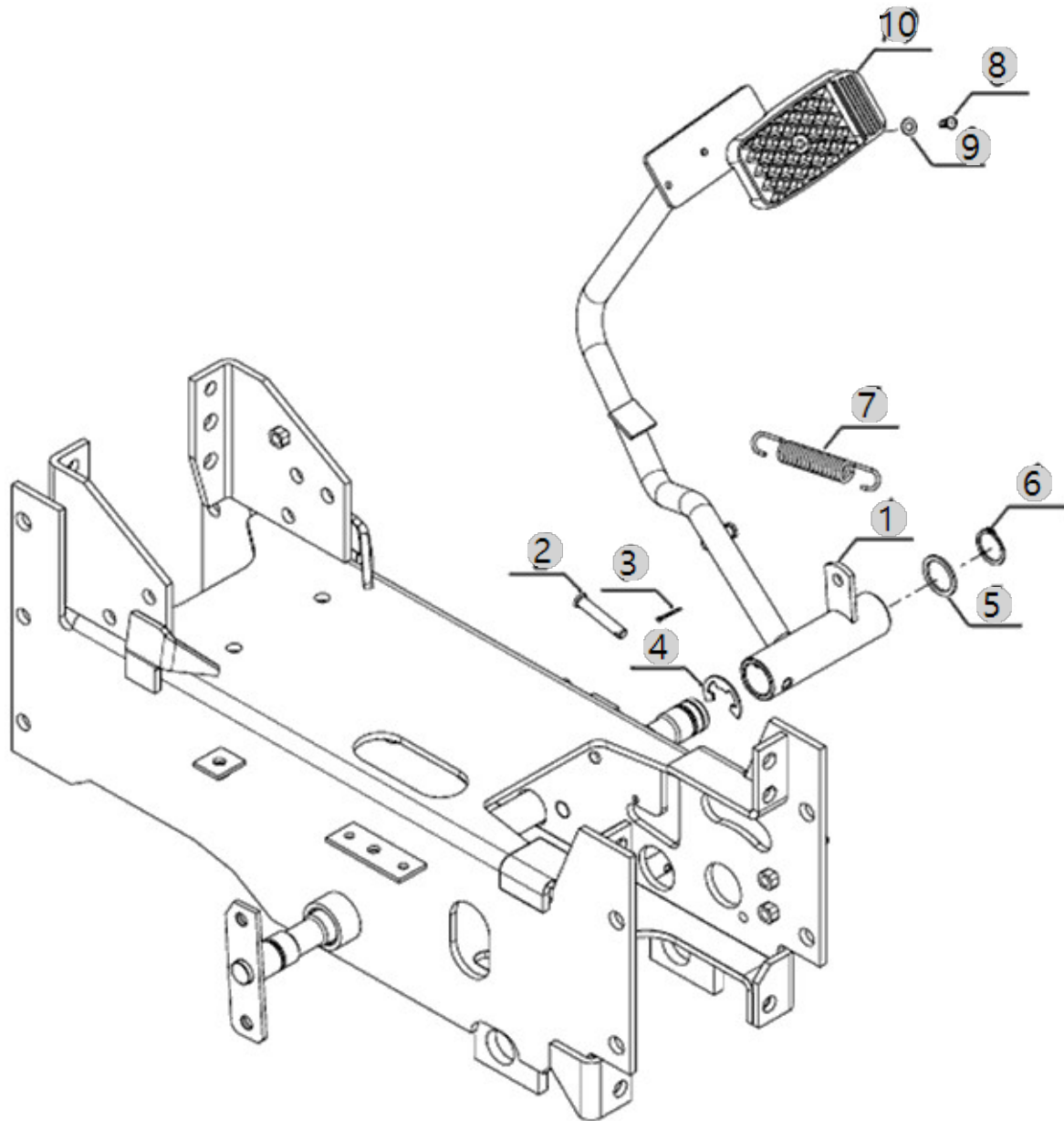
C02010

2500HL_EU_FL
(AC02165)

BRAKE PEDAL

Year/Month

2023-01-17



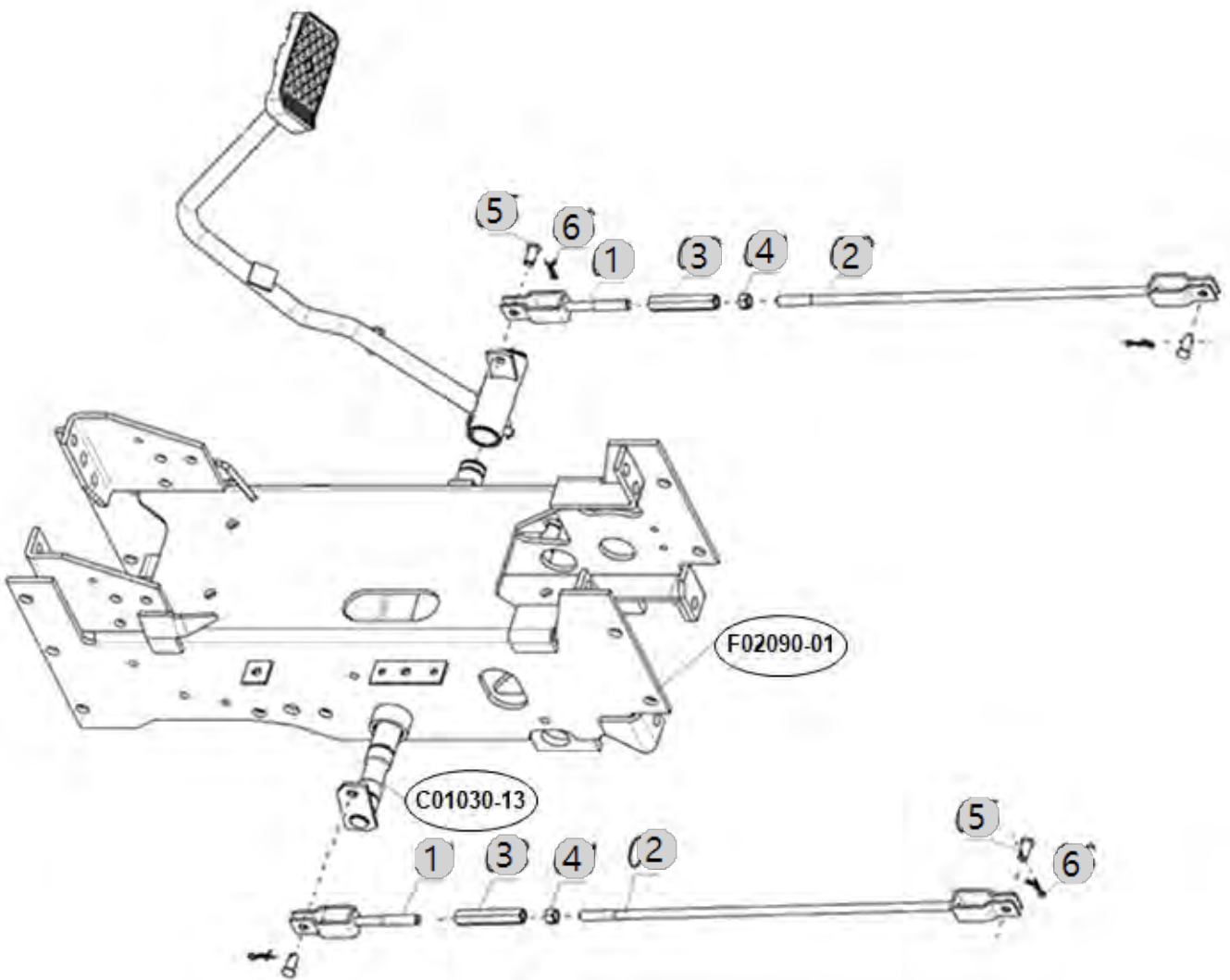
C02030

2500HL_EU_FL
(AC02165)

BRAKE ROD

Year/Month

2023-01-17



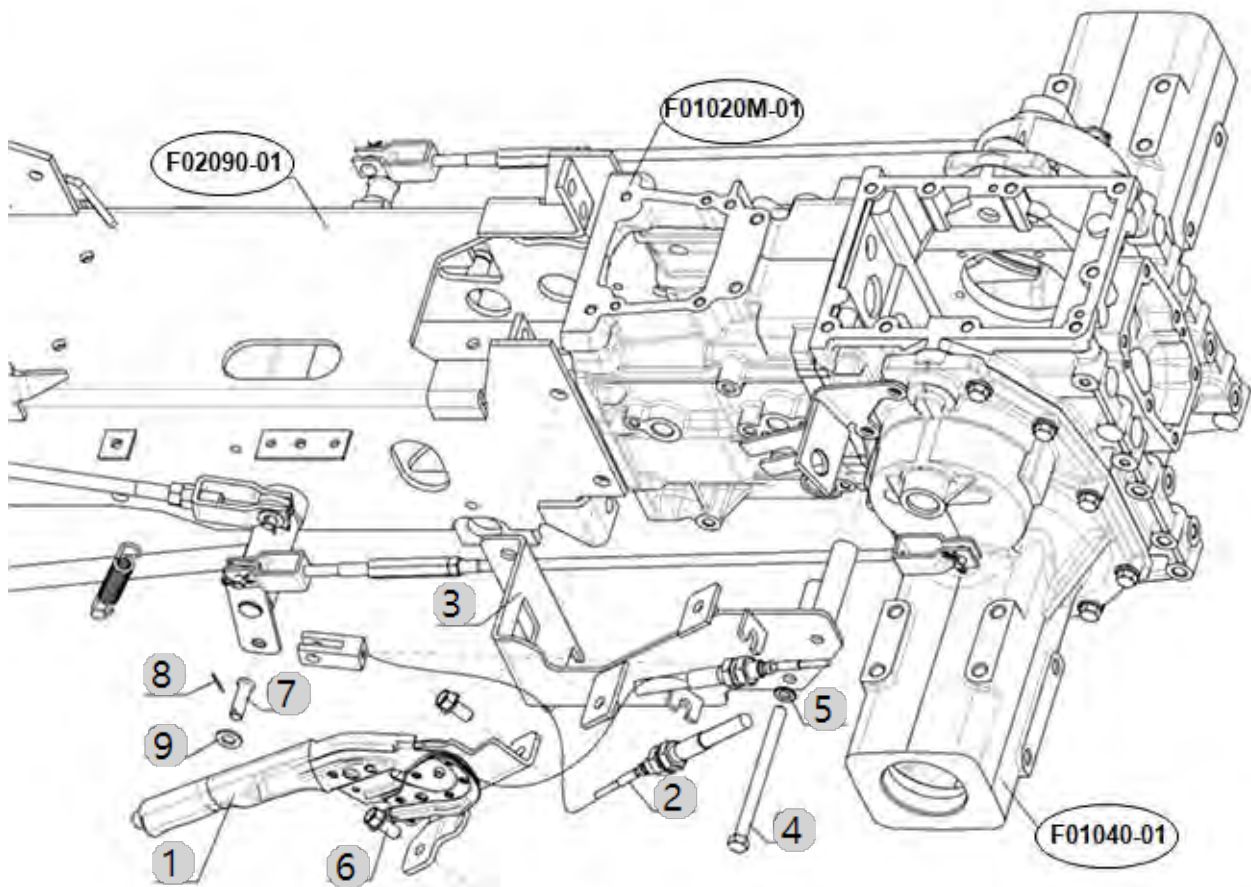
C02064

2500HL_EU_FL
(AC02165)

SIDE BRAKE

Year/Month

2023-01-17



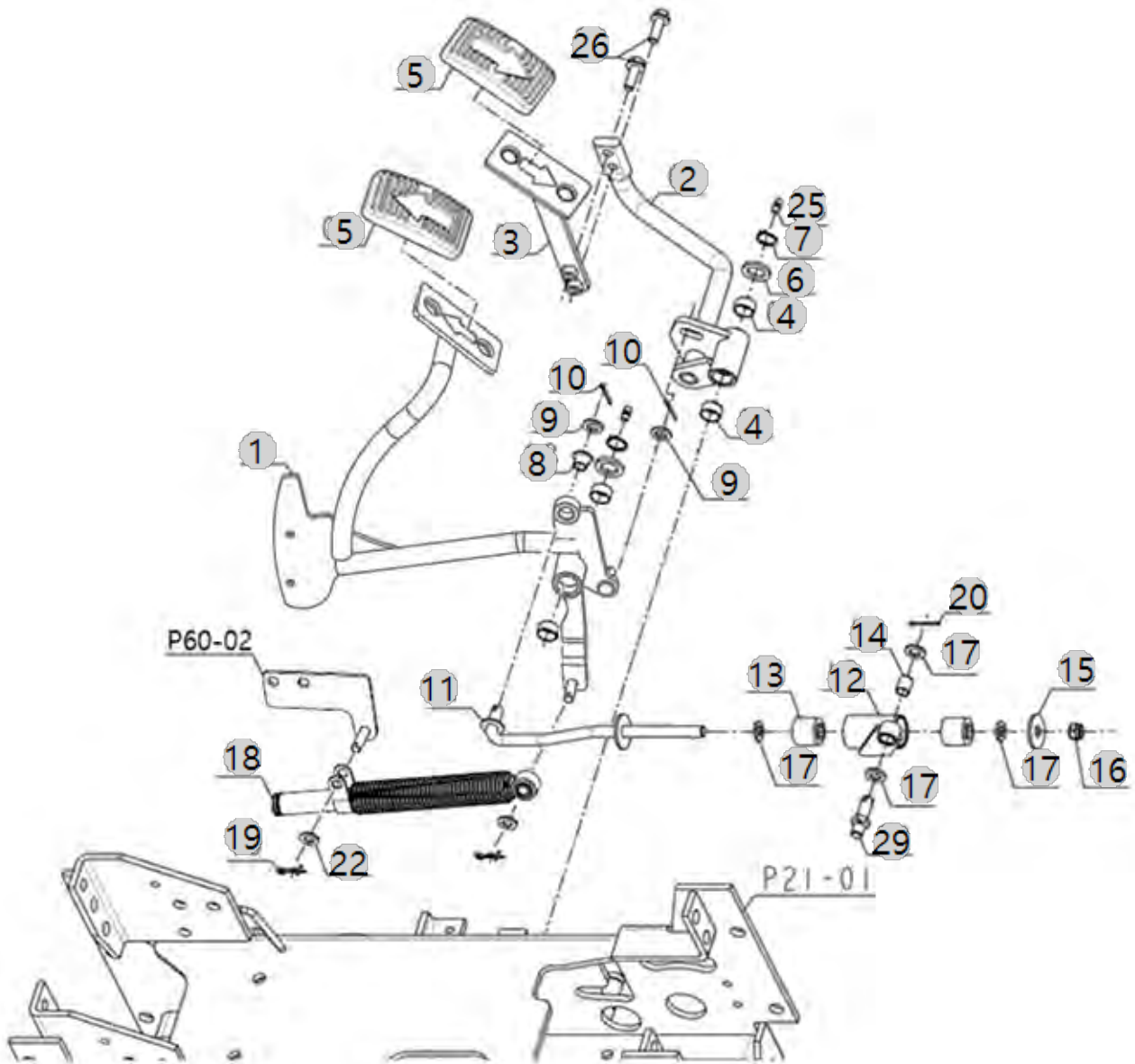
C03010

2500HL_EU_FL
(AC02165)

HST PEDAL

Year/Month

2023-01-17



C03010 2500HL_EU_FL (AC02165)	HST PEDAL			Year/Month
				2023-01-17

순번 (NO)	부품번호 (PART NO)	품명 (PART NAME)	품명 (PART NAME)	수량 (QTY)	규격 (SPEC)	비고 (REMARK)
1	TA00070956C	전진 페달 조합_FL	FORWARD PEDAL ASS'Y	1		
1	TA00070956B	전진 페달 조합_FL	FORWARD PEDAL ASS'Y	1		
1	TA00070956A	전진 페달 조합_FL	FORWARD PEDAL ASS'Y	1		
2	TA00050638B	후진 페달조합 B	REVERSE PEDAL ASS'Y B	1		
2	TA00050638A	후진 페달조합 B	REVERSE PEDAL ASS'Y B	1		
3	TA00017364A	후진페달조합A	PEDAL	1	-	
3	TA00017364B	후진페달조합A	ARM ASS'Y A, REVERSE PEDAL	1	-	
4	24550-016100	드라이부시	DRY BUSH	4	16X10	
5	TA00001508A	전후진패달커버	PEDAL COVER	2		
6	TA00017361B	와셔	PEDAL	2	T3.2	
7	22242-000160	축용스냅링16	SNAP RING, SHAFT (Φ16)	2	D16	
8	TA00017360A	페달암 부시	PEDAL	1	D12	
9	22117-100000	평와셔(소형)	WASHER, PLAIN (Φ 10)	2	M10	
10	22417-250220	할핀	PIN , COTTER (2-22)	2	D2.5X22	
11	TA00060284A	로드 A 조합	ROD A ASS'Y(2510HL)	1		
11	TA00017051A	로드A 조합	ROD ASSY	1	-	
11	TA00050553A	로드A 조합	ROD ASS'Y	1		
11	TA00060284A	로드 A 조합	ROD A ASS'Y(2510HL)	1		
12	TA00017053B	로드B 조합	ROD ASSY	1	-	
13	TA00017057A	방진고무	RUBBER	2	-	
14	24550-010150	드라이부시	DRY_BUSH	1	10X15	
15	22157-100000	평와셔	WASHER, PLAIN (Φ 10)	1	M10	
16	26346-100002	U너트10	Nut, U-type (Φ10)	1	M10X1.5	
17	22117-100000	평와셔(소형)	WASHER, PLAIN (Φ 10)	4	M10	
18	TA00017172A	HST 댐퍼	HST DAMPER	1		
19	22127-080000	플라인와셔8	WASHER, PLAIN (D80)	2	M8	
20	22417-250220	할핀	PIN , COTTER (2-22)	1	D2.5X22	
22	RR64050000C4	빠짐방지 스패핑 8	PIN 8, COME-OFF SNAP	2	D1.6	
25	24764-060000	그리스니플	GREASE NIPPLE	2		
26	26106-080252	육각플랜지볼트	SCREW,HEXFLANGEHEADCAP	2	M8XP1.25X25	
29	TA00017038B	스터드볼트	STUD BOLT	1	D14(육각환봉)	

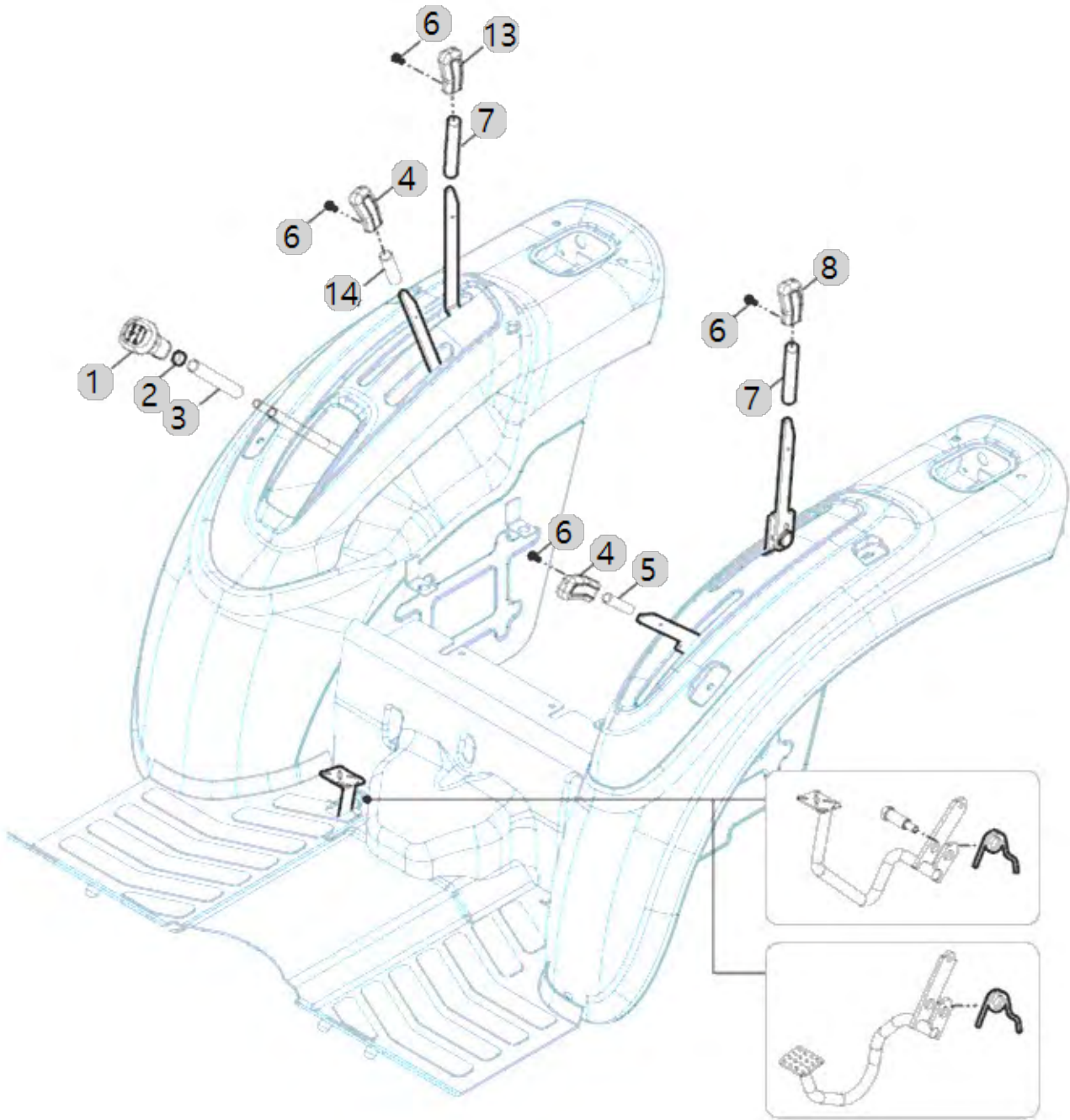
C04000M

2500HL_EU_FL
(AC02165)

LEVER&PEDAL ASS'Y

Year/Month

2023-01-17



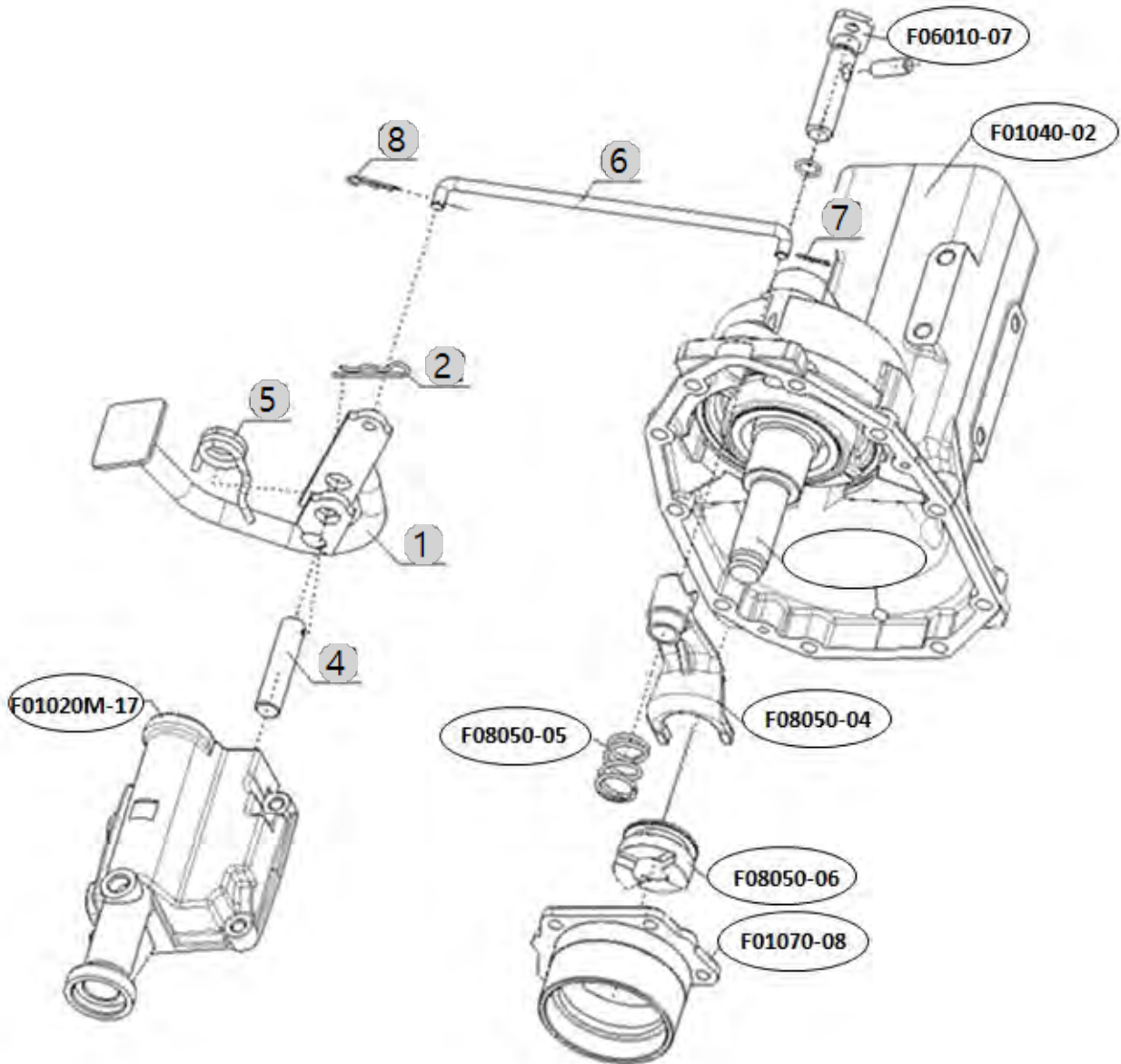
C04040M

2500HL_EU_FL
(AC02165)

DIFF. LOCK PEDAL

Year/Month

2023-01-17



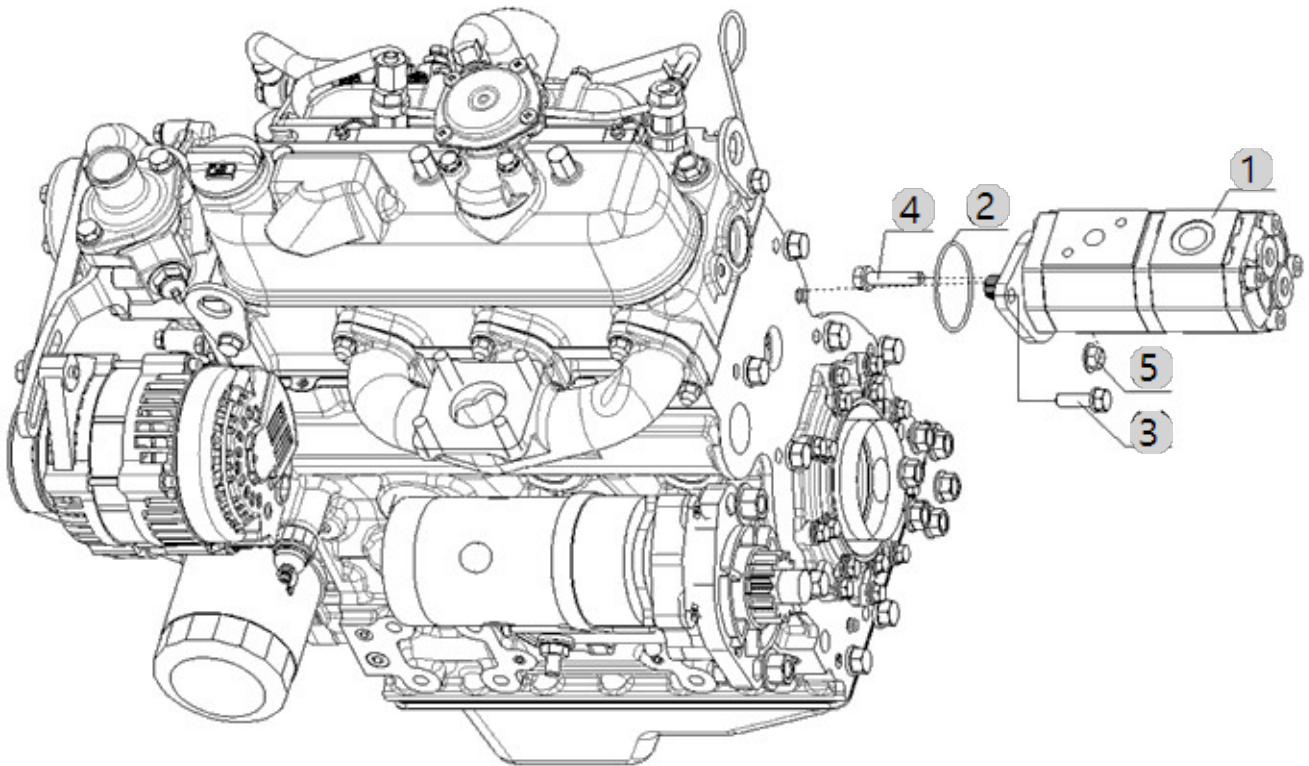
D01010

2500HL_EU_FL
(AC02165)

HYDRAULIC PUMP

Year/Month

2023-01-17



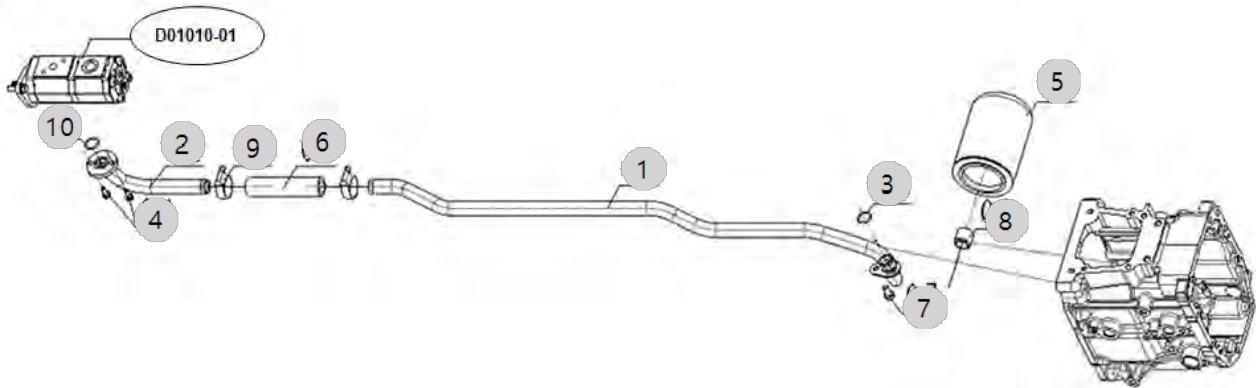
D01011

2500HL_EU_FL
(AC02165)

HYDRAULIC OIL LINE

Year/Month

2023-01-17



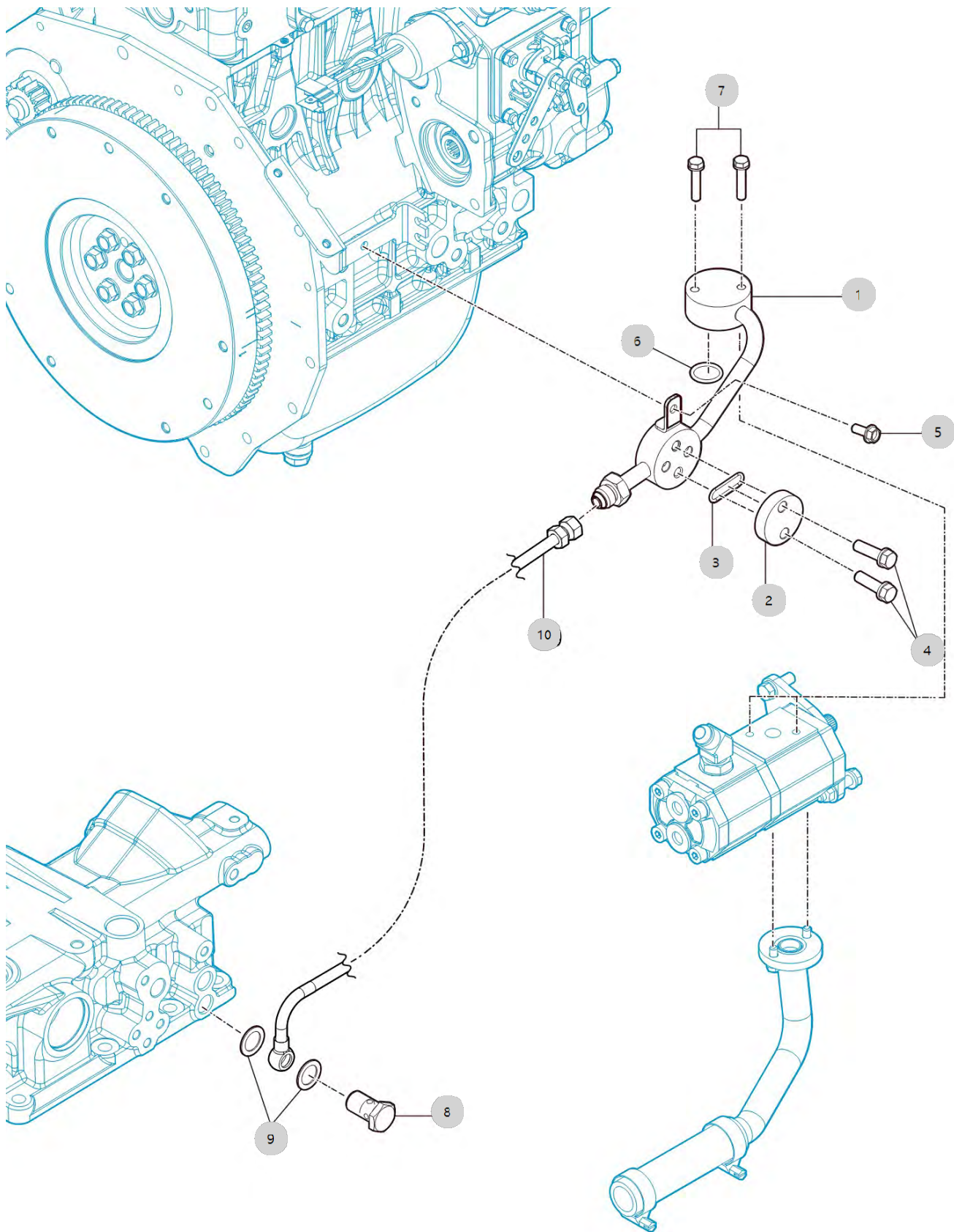
D01012

2500HL_EU_FL
(AC02165)

HYDRAULIC OIL LINE/DELIVERY

Year/Month

2023-01-17



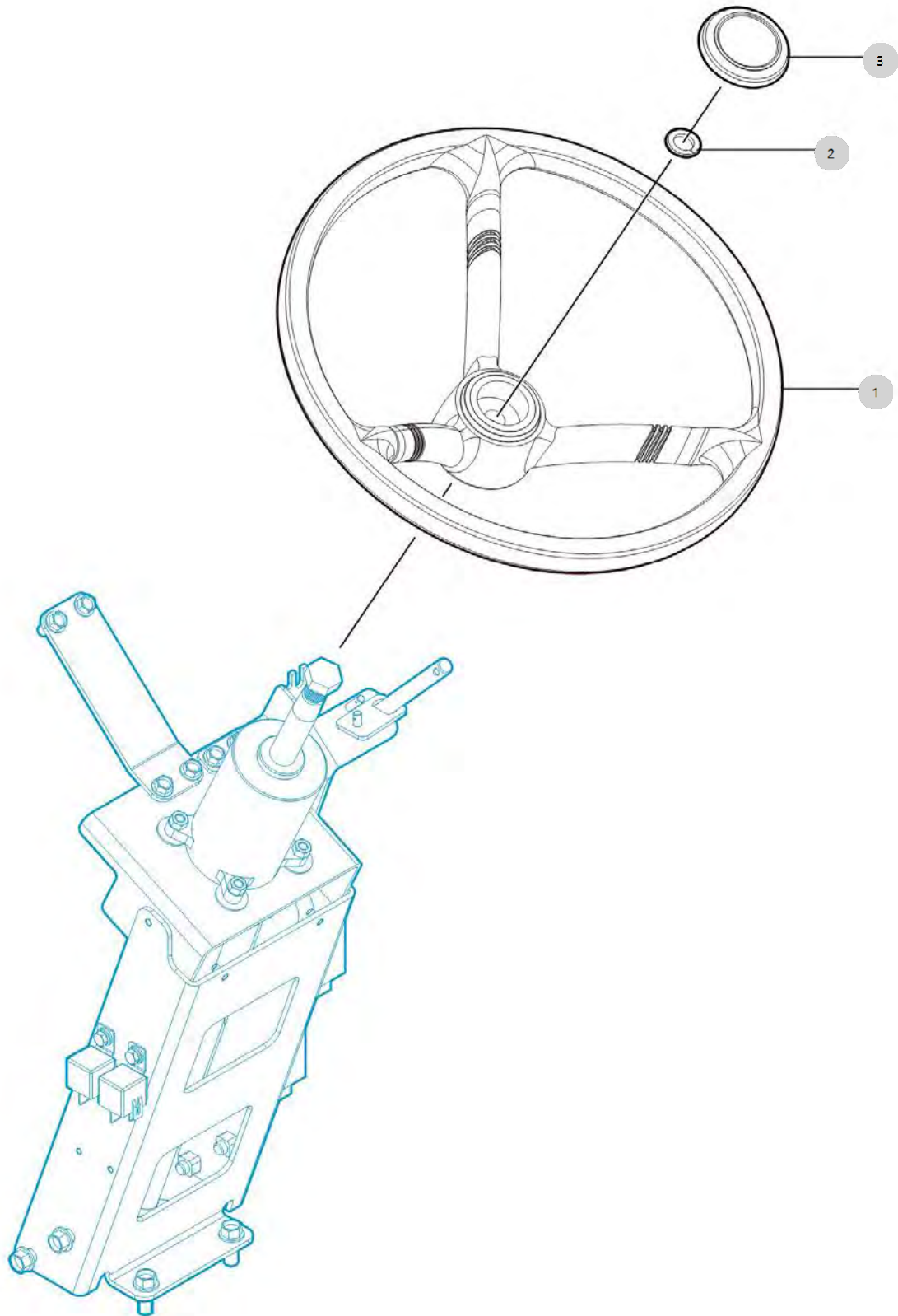
D02010

2500HL_EU_FL
(AC02165)

STEERING WHEEL

Year/Month

2023-01-17



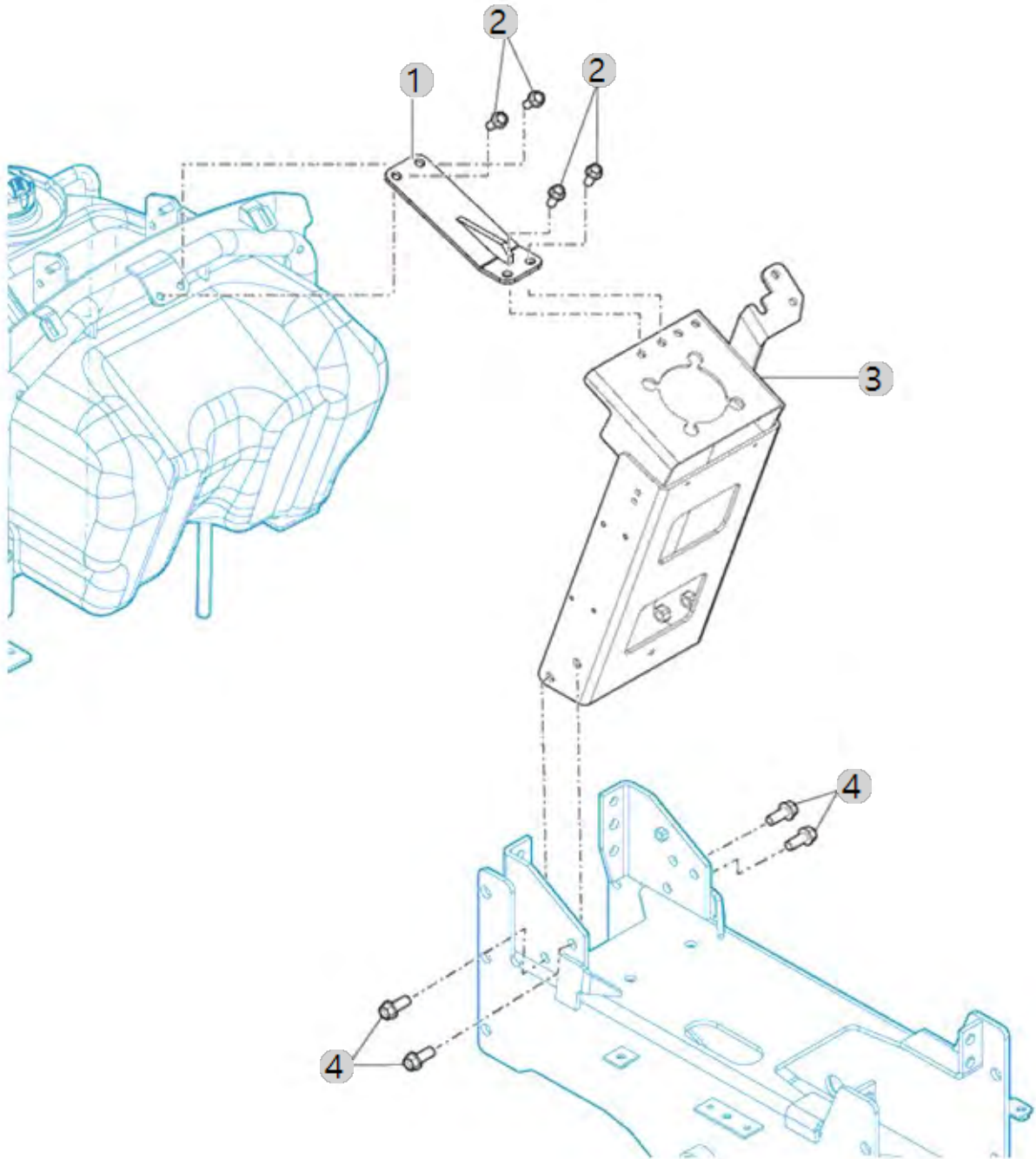
D02011

2500HL_EU_FL
(AC02165)

STEERING MOUNTING

Year/Month

2023-01-17



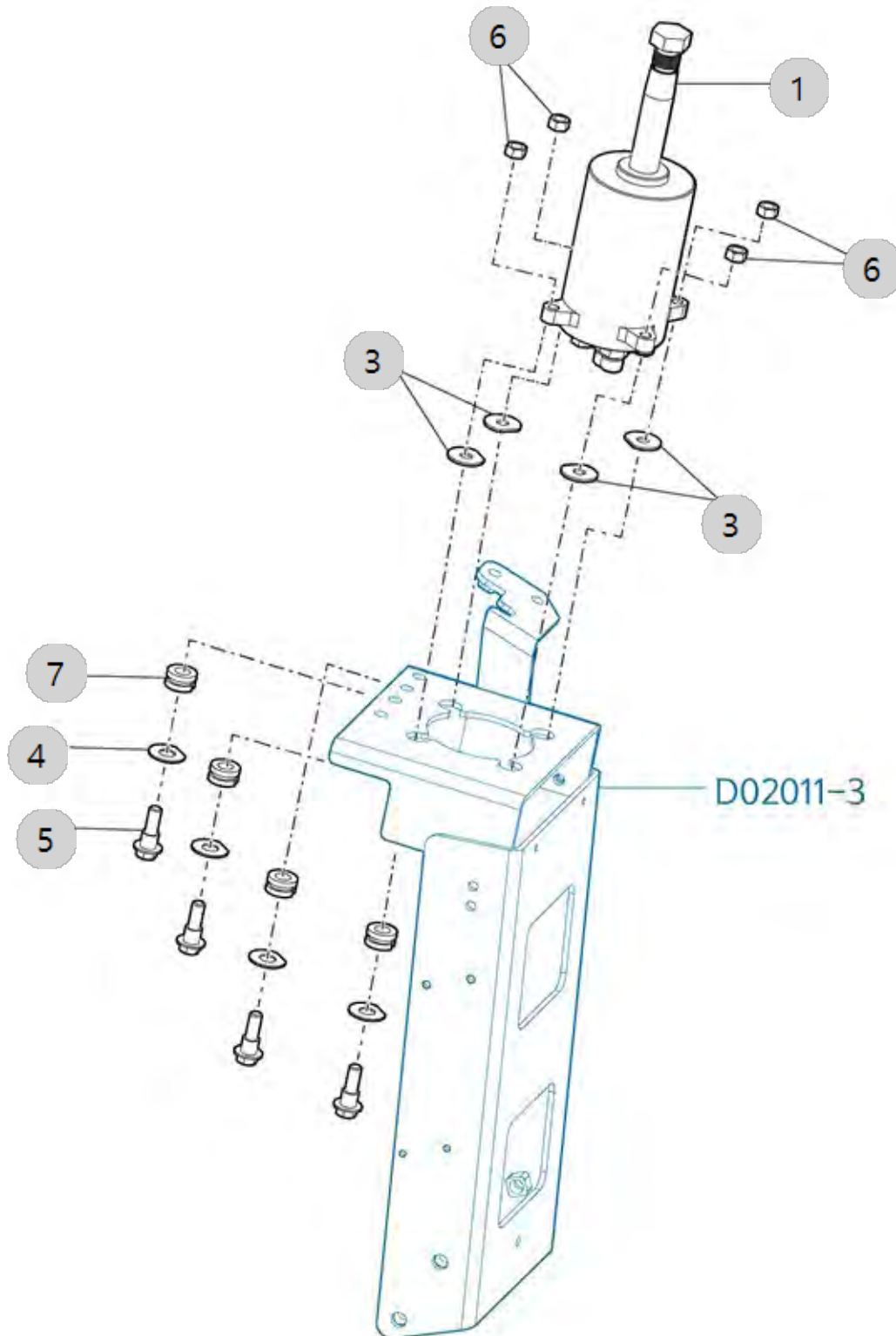
D02020

2500HL_EU_FL
(AC02165)

STEERING VALVE

Year/Month

2023-01-17



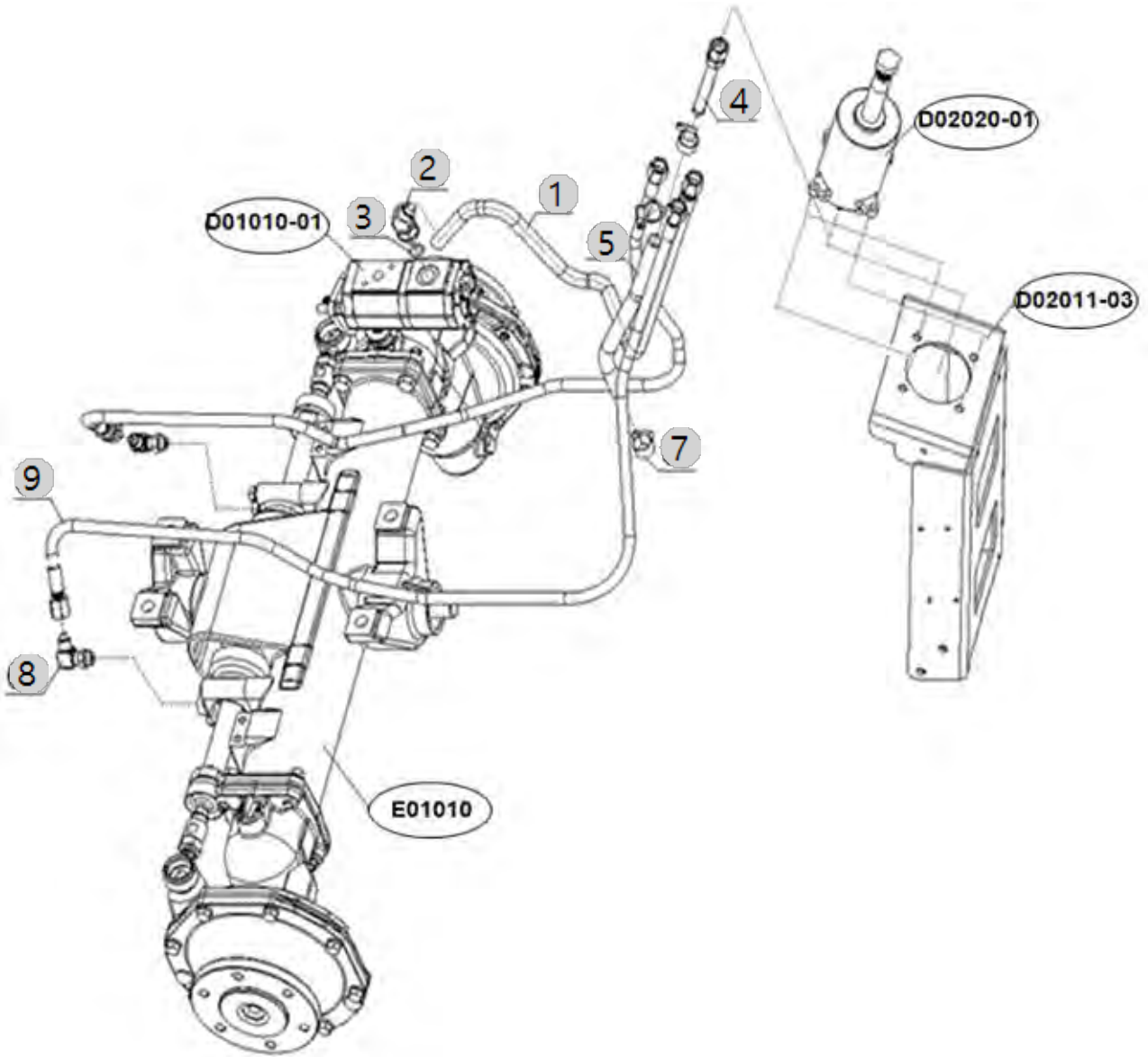
D02030

2500HL_EU_FL
(AC02165)

PST HOSE

Year/Month

2023-01-17



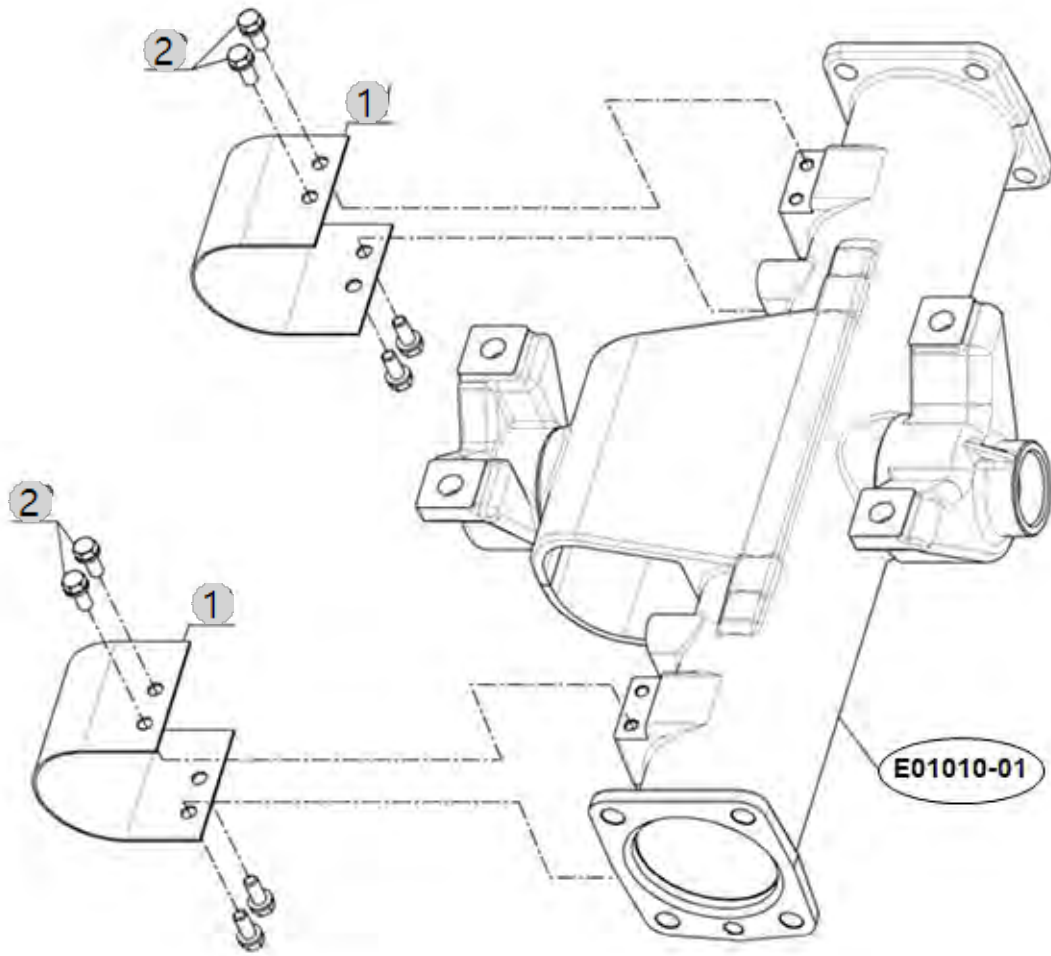
D02041

2500HL_EU_FL
(AC02165)

PST COVER

Year/Month

2023-01-17



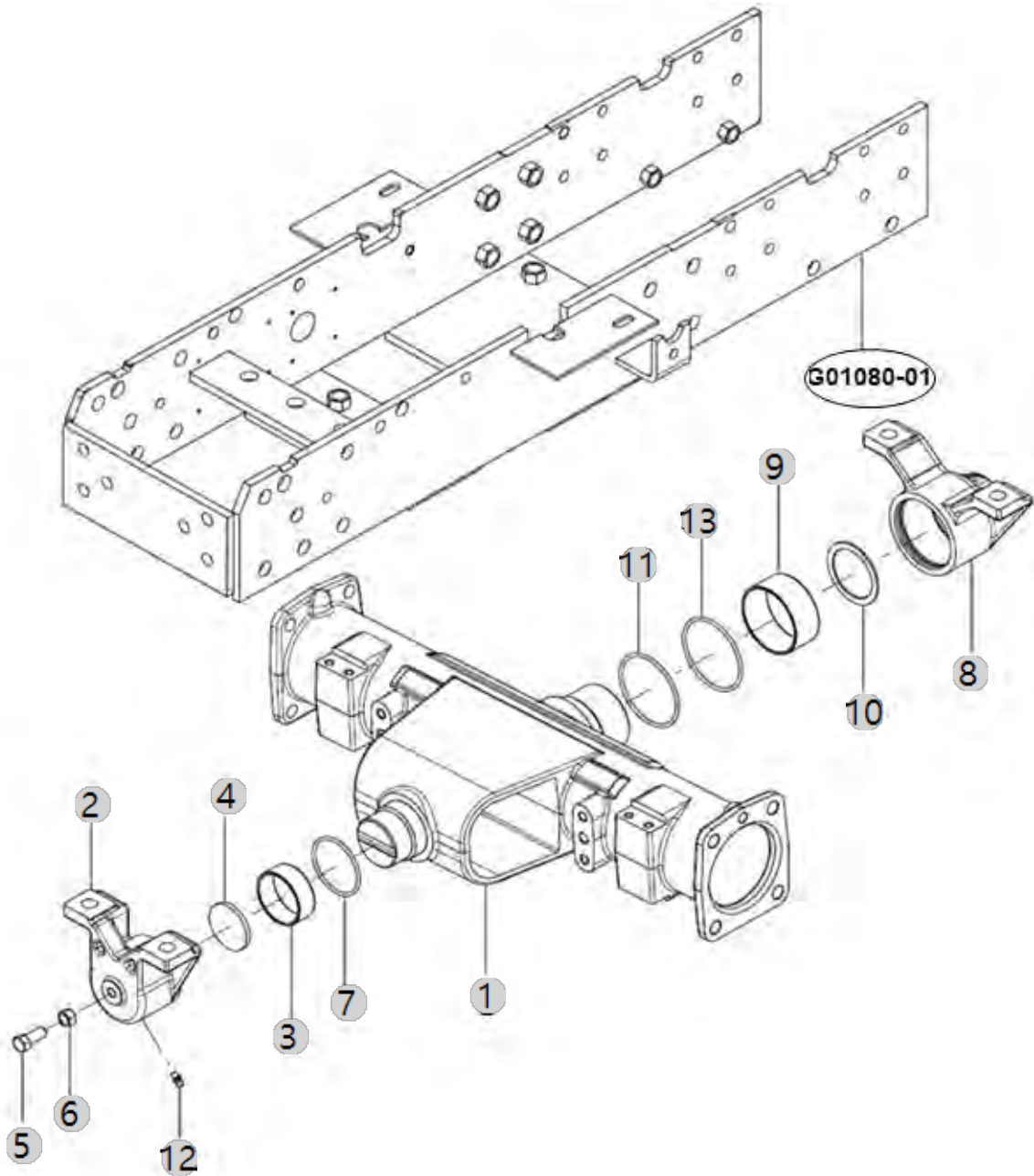
E01010

2500HL_EU_FL
(AC02165)

FRONT AXLE CASE

Year/Month

2023-01-17



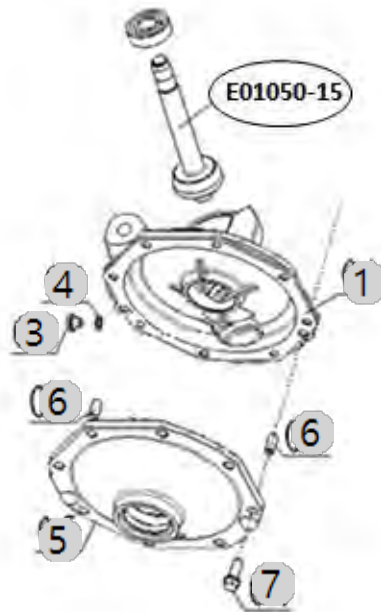
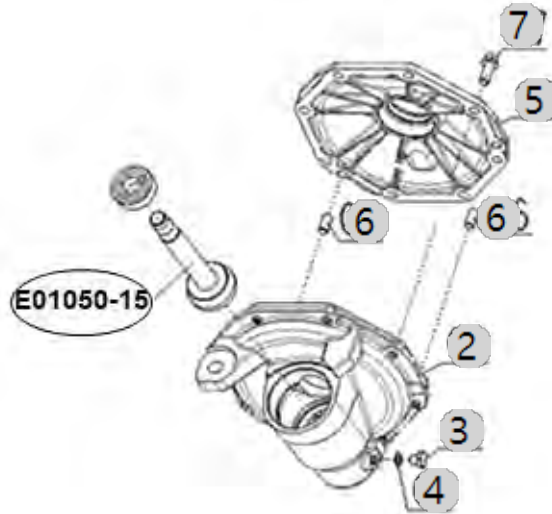
E01030

2500HL_EU_FL
(AC02165)

GEAR CASE, FRONT AXLE

Year/Month

2023-01-17



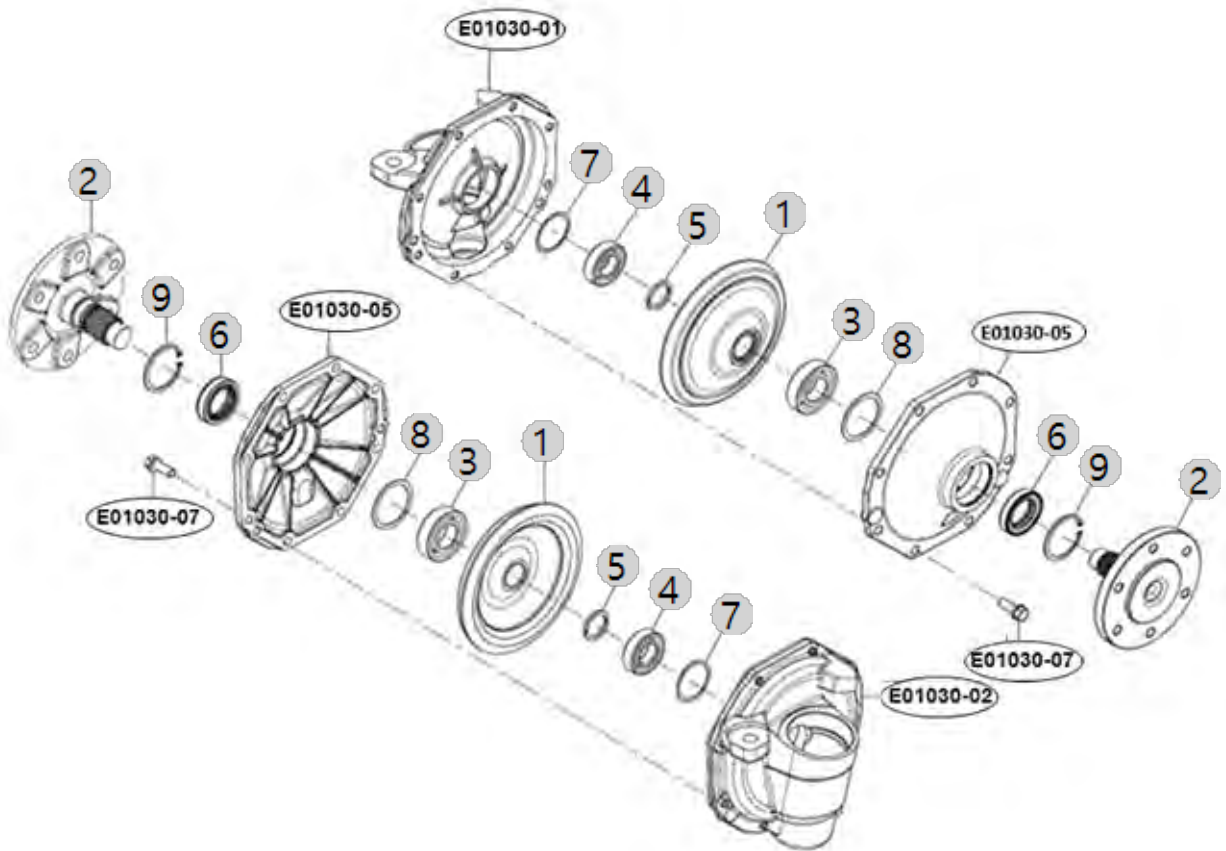
E01030-1

2500HL_EU_FL
(AC02165)

GEAR CASE, FRONT AXLE

Year/Month

2023-01-17



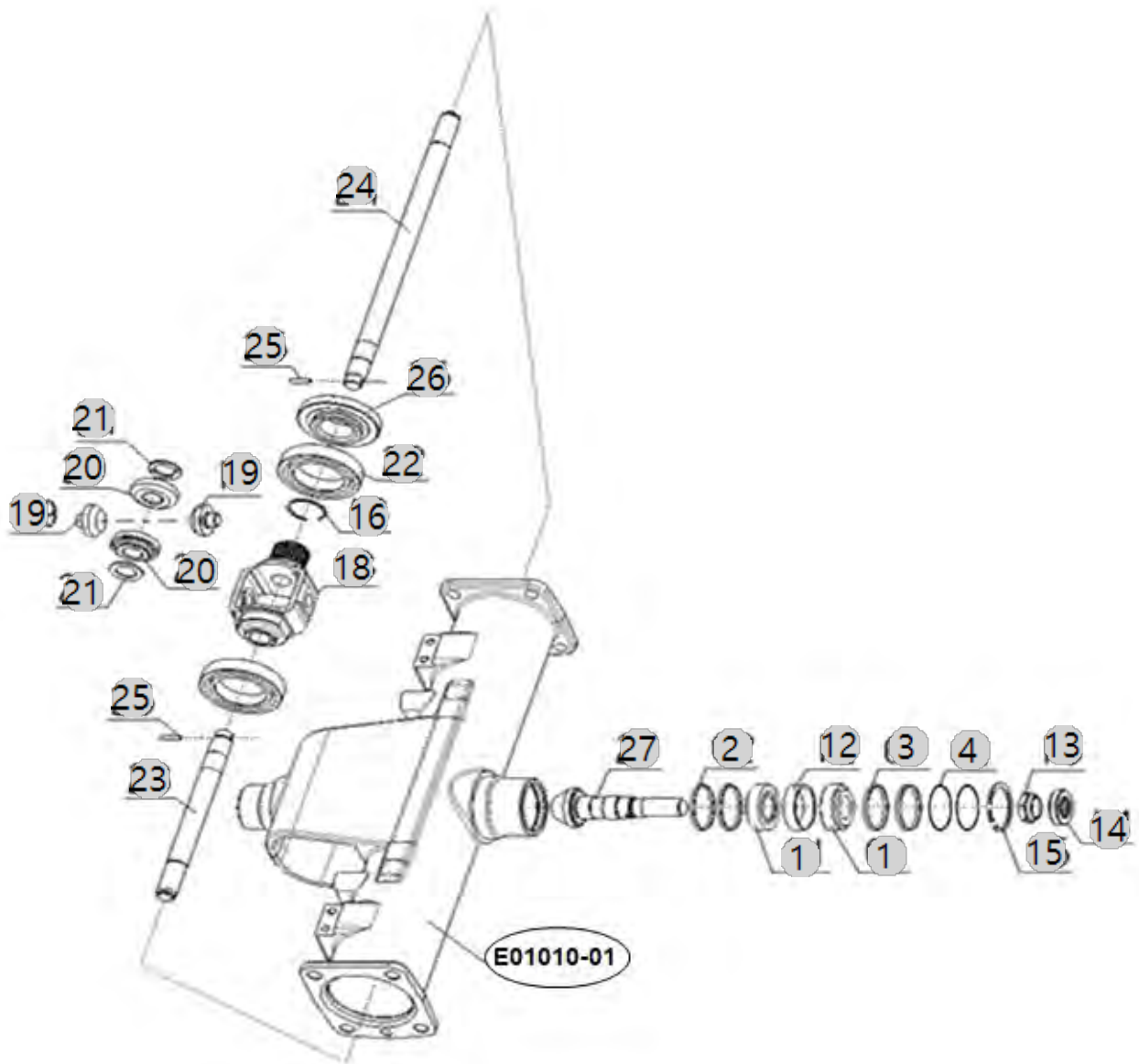
E01040

2500HL_EU_FL
(AC02165)

FRONT DIFFERENTIAL

Year/Month

2023-01-17



E01040 2500HL_EU_FL (AC02165)	FRONT DIFFERENTIAL	Year/Month
		2023-01-17

순번 (NO)	부품번호 (PART NO)	품명 (PART NAME)	품명 (PART NAME)	수량 (QTY)	규격 (SPEC)	비고 (REMARK)
1	24142-302050	테이퍼롤러베어링302050	ROLLER BEARING	2	NONE	
2	TA00060445A	칼라(2.0T)	COLLAR(2.0T)	2		
3	TA00060444A	칼라(1.6T)	COLLAR(1.6T)	2		
4	TA00060446A	심(0.1T)	SHIM(0.1)	2		
4	TA00060447A	심(0.2T)	SHIM(0.2)	2		
4	TA00060448A	심(0.3T)	SHIM(0.3)	2		
12	FE77120000A	칼라	COLLAR	1	50.8X3.6T	
13	FE77130000A	너트	LOCK NUT, PINION	1	-	
14	FE77140000A	오일실 (특수) 20x40x8	OIL SEAL, FRONT AXLE	1	20X40X8	
15	22252-000520	CIRCLIP52	RING, CIRCLIP (Φ 52)	1	D52(구멍용)	
16	24164-000352	니들베어링정지링	STOP RING	1	D35	
18	FE77180000A	전륜차동케이스	Case, Front Differential	1	-	
19	FE77190000A	베벨기어피니언(10)	Pinion, Front Differential Bevel Gear	2	-	
20	FE77200000A	베벨기어(14)	Gear, Bevel 14T	2	-	
21	FE77210000A	칼라	Collar, Front Differential Pinion	2		
22	24101-060104	볼베어링6010	Bearing, Ball (#6010)	2	#6010	
23	FE77230000A	요크축(좌)	Shaft, Front Differential York L	1	-	
24	FE77240000A	요크축(우)	Shaft, Front Differential York R	1	-	
25	22351-050020	스프링핀5X20	PIN, SPRING (5-20)	2	D5X20	
26	FE77260200B	링기어	RING GEAR	1		
27	FE77260100B	드라이브 피니언	GEAR, BEVEL	1		

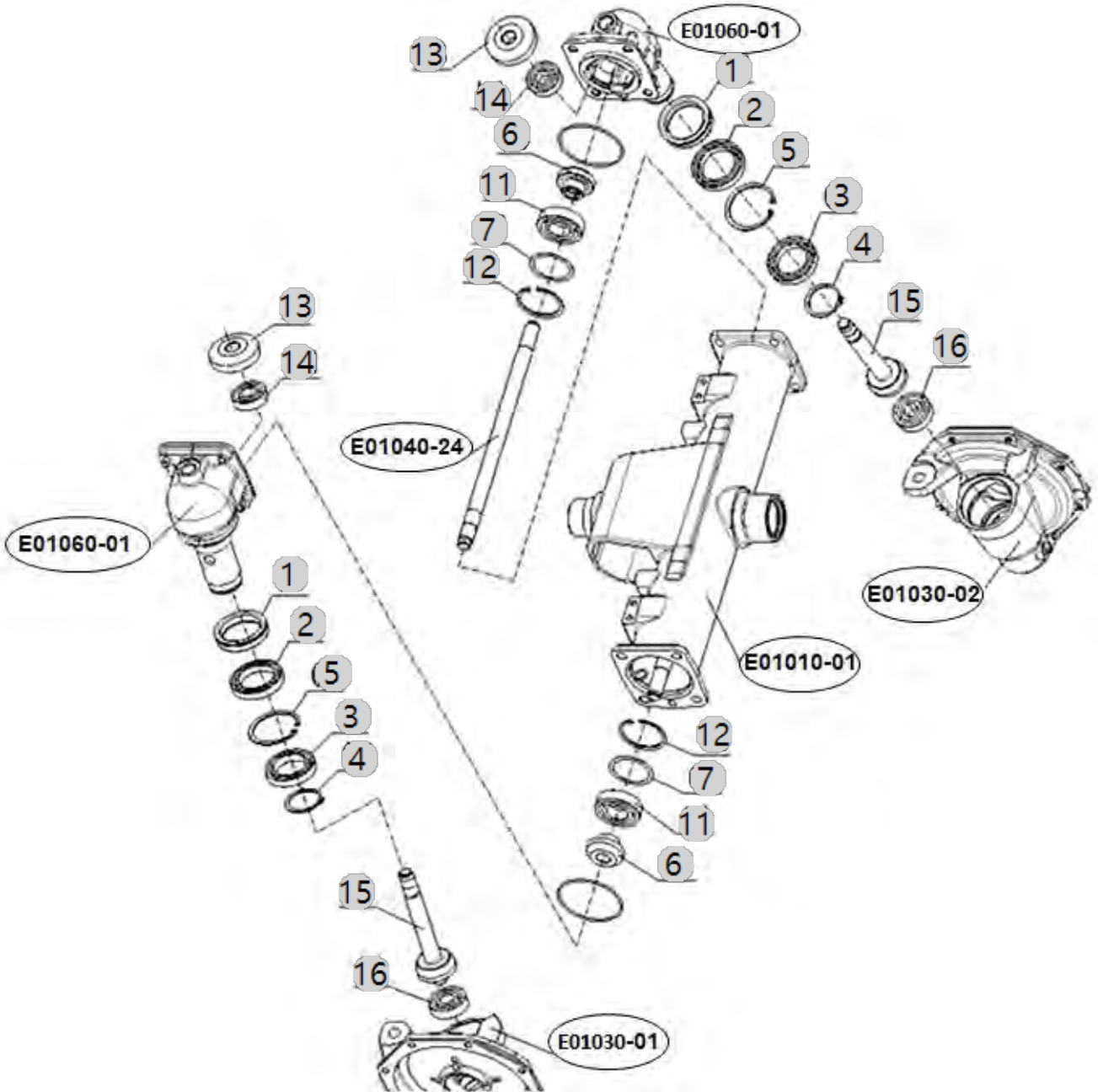
E01050

2500HL_EU_FL
(AC02165)

BEVEL GEAR

Year/Month

2023-01-17



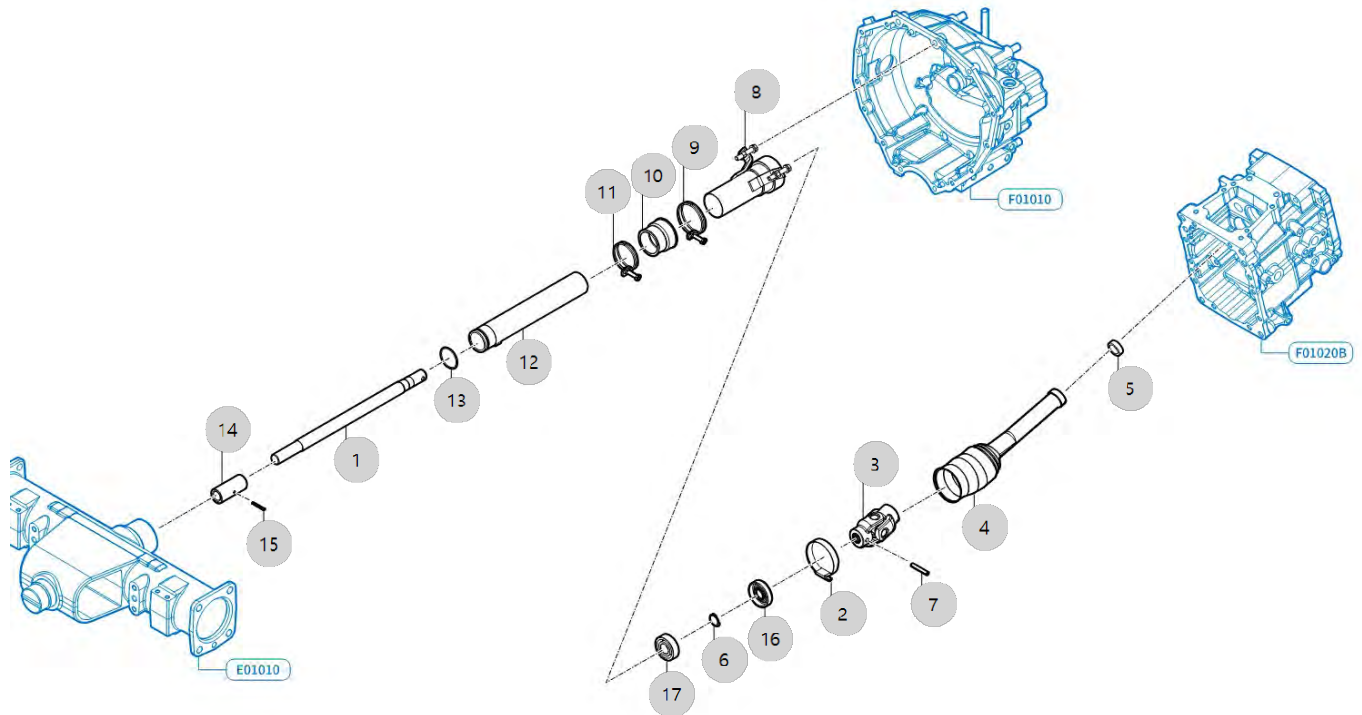
E01070

2500HL_EU_FL
(AC02165)

FRONT DRIVE SHAFT

Year/Month

2023-01-17



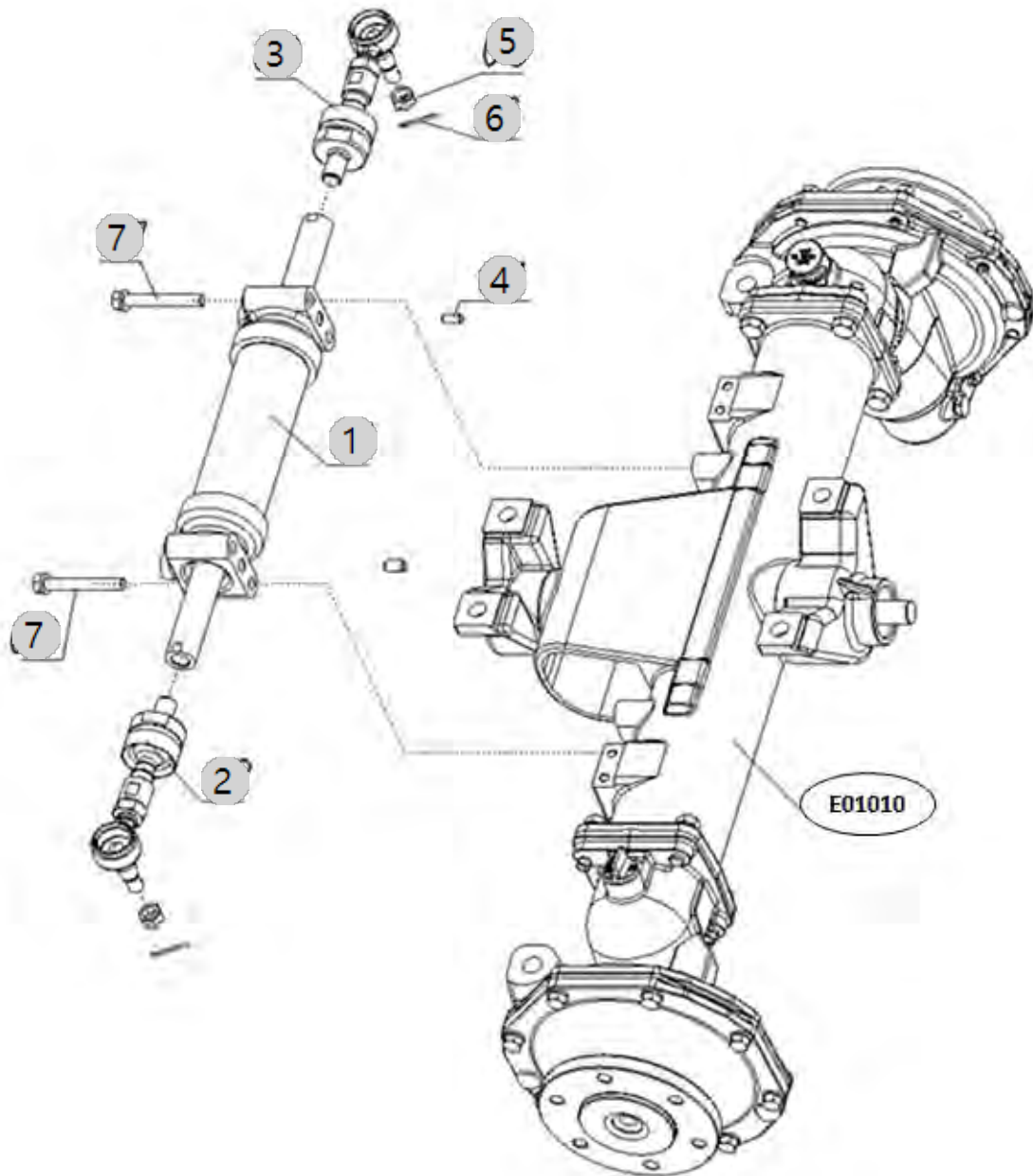
E01080

2500HL_EU_FL
(AC02165)

TIE ROD

Year/Month

2023-01-17



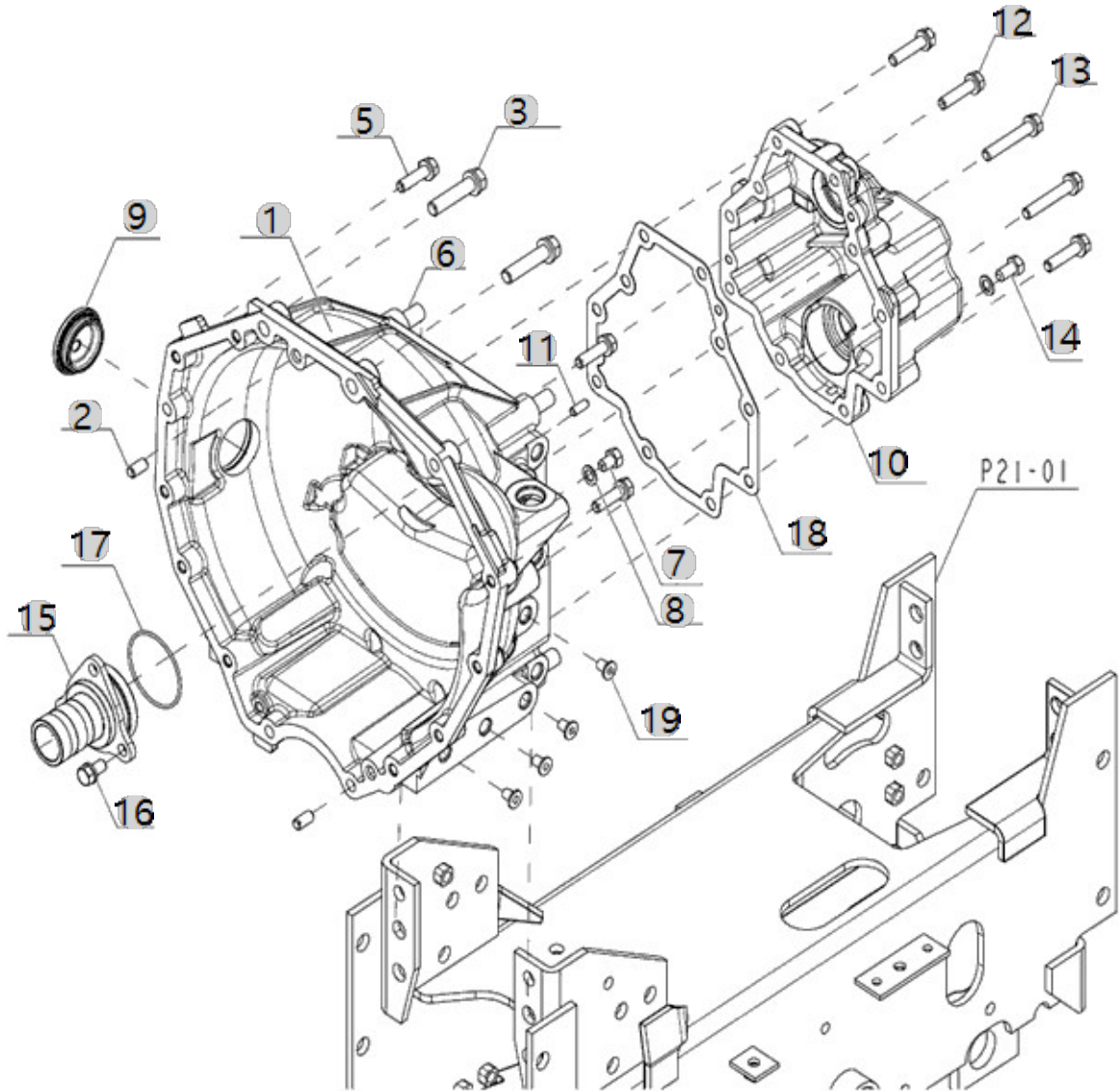
F01010

2500L HST TM
(AC02171)

CLUTCH HOUSING

Year/Month

2023-01-17



F01010 2500L HST TM (AC02171)	CLUTCH HOUSING				Year/Month
					2023-01-17

순번 (NO)	부품번호 (PART NO)	품명 (PART NAME)	품명 (PART NAME)	수량 (QTY)	규격 (SPEC)	비고 (REMARK)
1	FE24010000C	클러치 하우스징	CLUTCH HOUSING	1		
2	22312-080140	평행핀	PIN, DOWEL (8-14)	2	D8X14	
3	26013-100452	와셔조립육각볼트	HEX BOLT W/WASHER	2	M10X1.5X45	
4	26013-080452	와셔조립육각볼트(+SW)	SCREW,CAPTIVEWASHERCAP	2	M8XP1.25X45	
5	26013-080302	와셔조립육각볼트(+SW)	HEX BOLT W/WASHER	11	M8XP1.25X30	
6	26216-120252	심음볼트	STUD BOLT	4	12X25	
7	26116-080122	볼트 7T(8X12)	SCREW,HEXAGONHEADCAP	1	M8X1.25X12	
8	23414-080000	320,ALL,패킹8	WASHER, PLAIN (Φ8)	2	M8	
9	FE24100000A	실캡40/48x11(갓 있음)	CAP,SEAL	1	40/48X11	
10	FE24110000C	클러치하우스징 커버	COVER CLUTCH_HOUSING	1		
11	22312-060140	PARALLEL PIN 6X14	PIN, DOWEL (6-14)	2	D6X14	
12	26013-080352	와셔조립육각볼트(+SW)	SCREW,CAPTIVEWASHERCAP	4	M08X1.25X03	
13	26013-080502	와셔조립육각볼트(+SW)	Bolt, Hexa (8-50)	6	M8XP1.25X05	
14	26116-080162	육각볼트	SCREW,HEXAGONHEADCAP	1	M8X1.25X16	
15	FE24170000A	베어링 케이스	Case, Bearing	1		
16	26013-080162	와셔조립육각볼트(+SW)	Bolt, Hexa (8-16)	3	M8XP1.25X16	
17	24341-000530	고정용S형O링	O-RING, FIX (Φ53)	1		
18	FE24200000A	클러치하우스징 패킹	PACKING,CLUTCH HOUSING	1	T0.5	
19	TB26070000A	플러그11	PLUG	8		

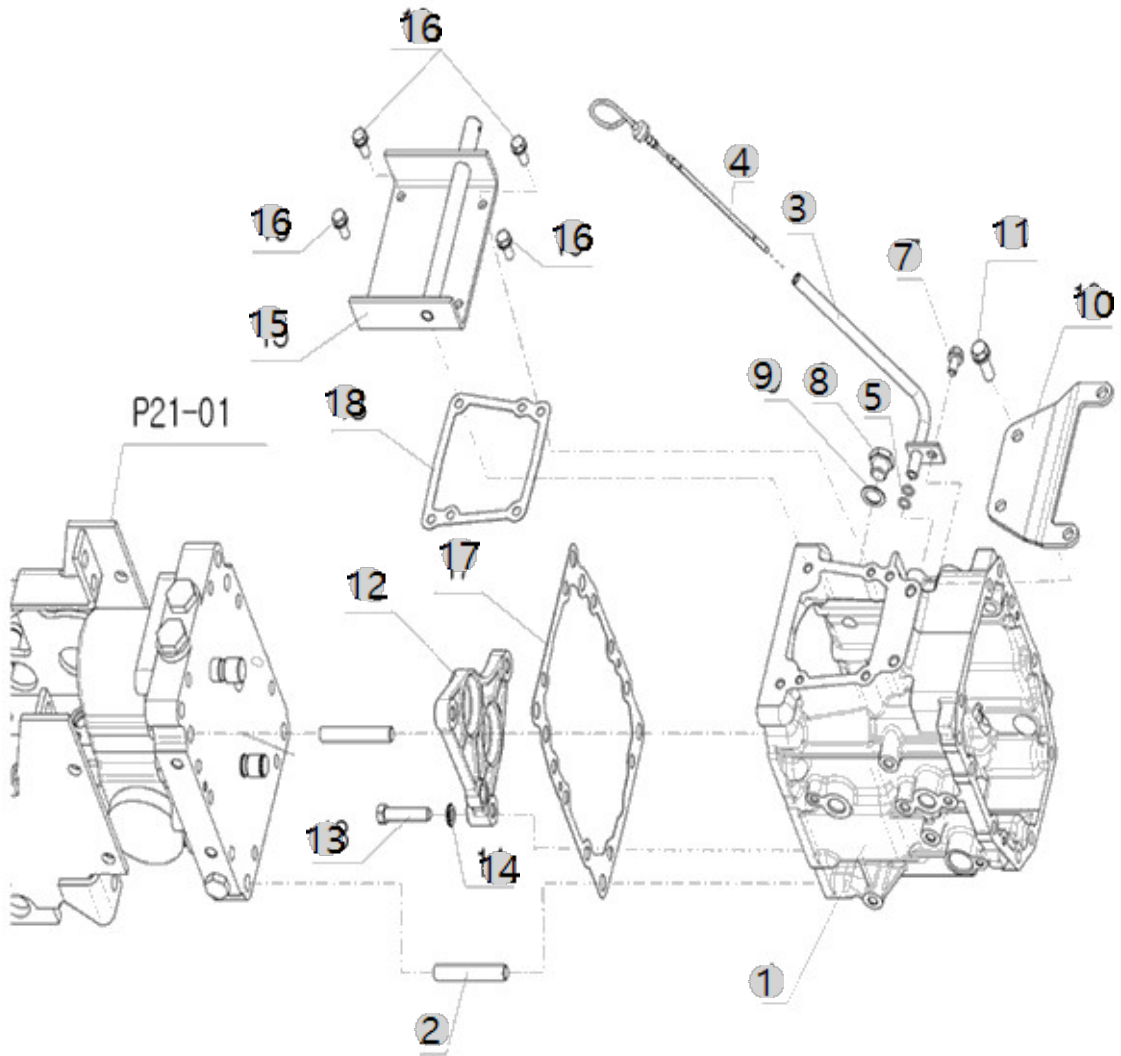
F01020B

2500L HST TM
(AC02171)

TRANSMISSION CASE

Year/Month

2023-01-17



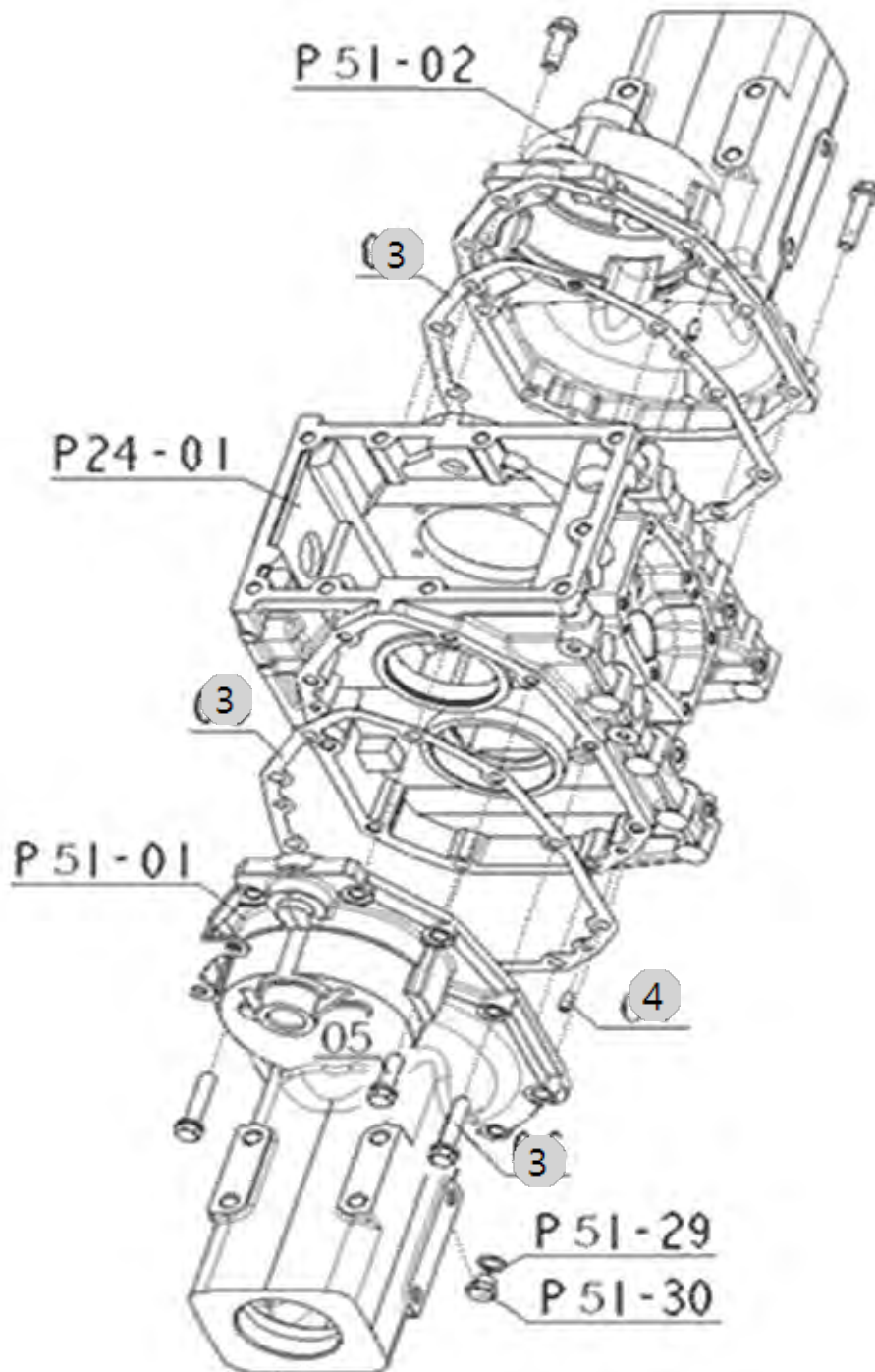
F01040

2500L HST TM
(AC02171)

REAR AXLE CASE

Year/Month

2023-01-17



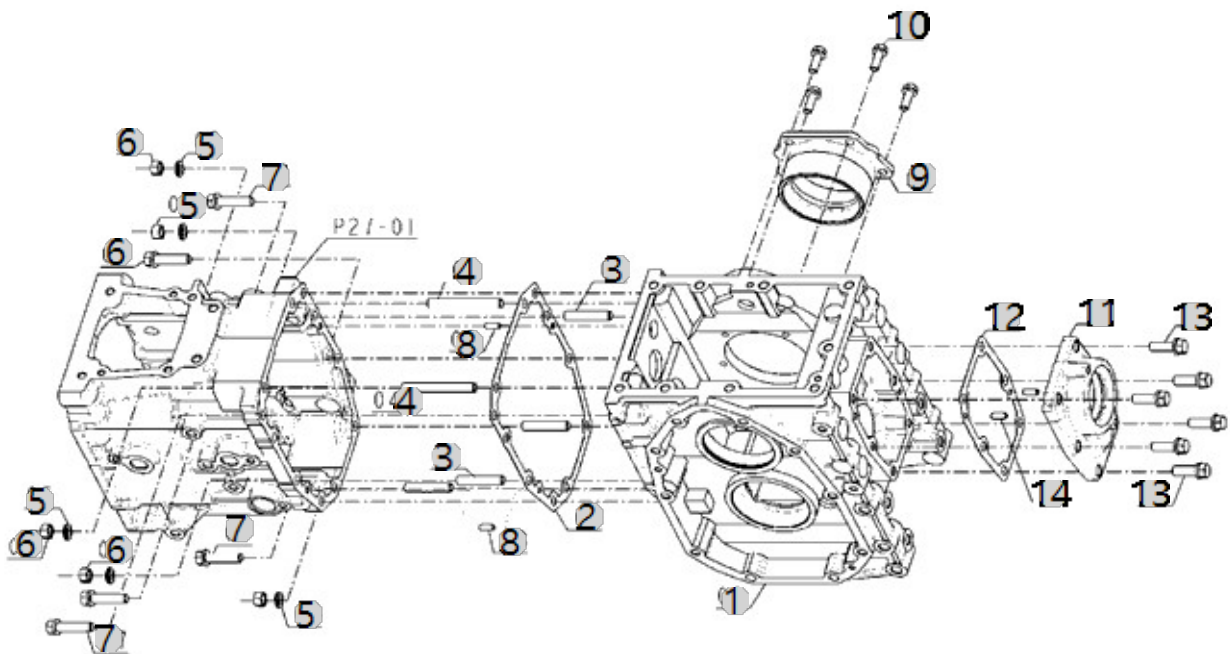
F01070

2500L HST TM
(AC02171)

DIFFERENTIAL GEAR CASE

Year/Month

2023-01-17



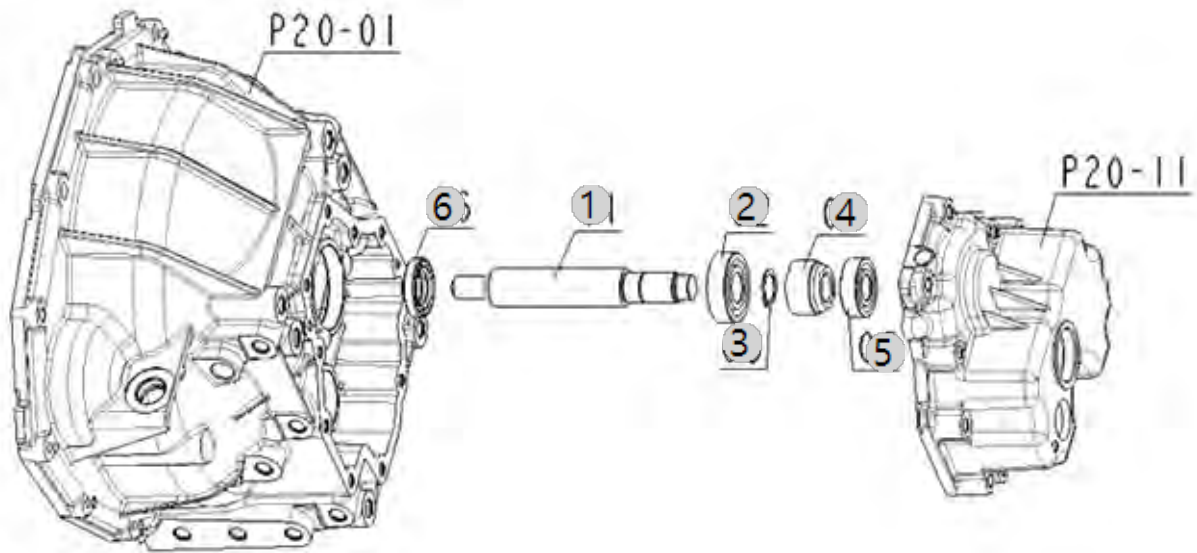
F02020

2500L HST TM
(AC02171)

CLUTCH SHAFT

Year/Month

2023-01-17



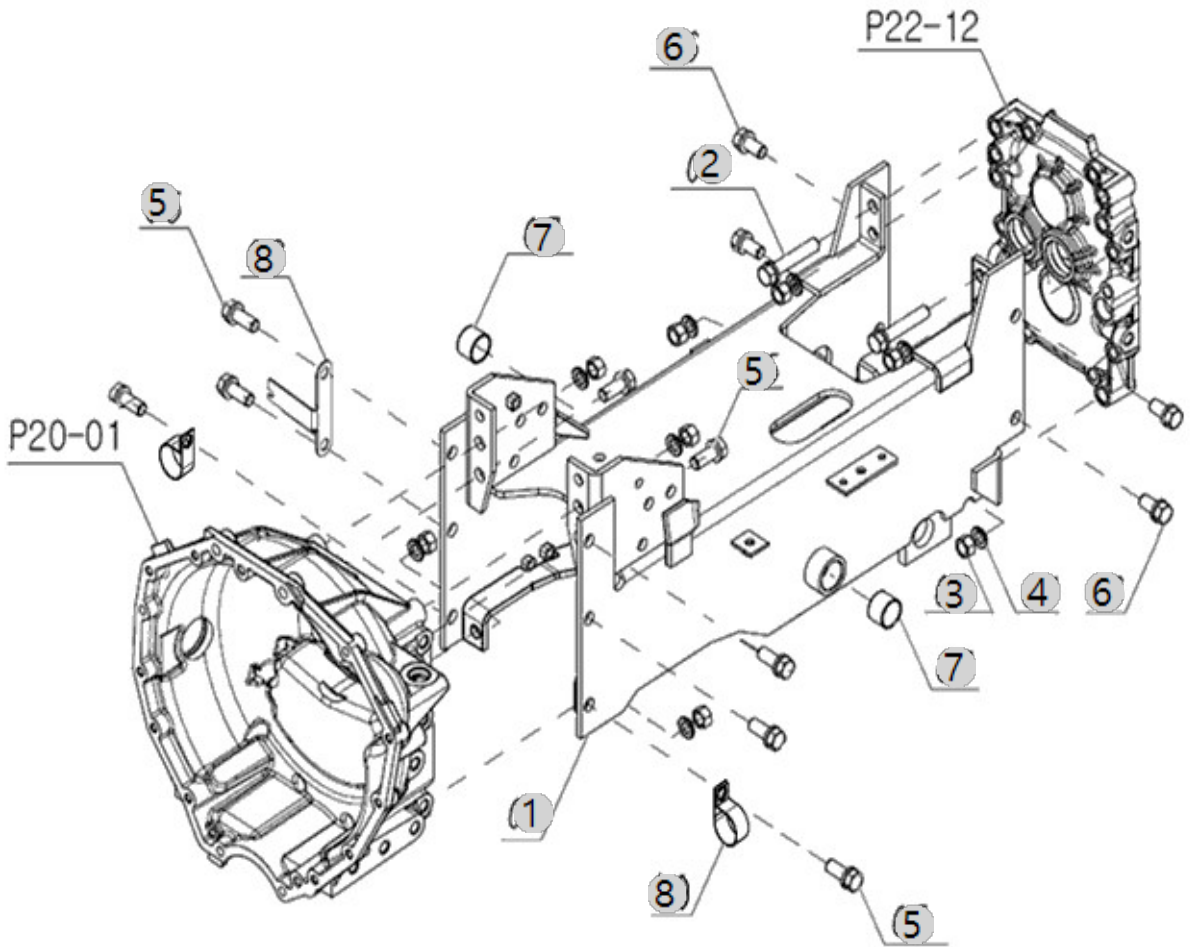
F02090

2500L HST TM
(AC02171)

CENTER FRAME

Year/Month

2023-01-17



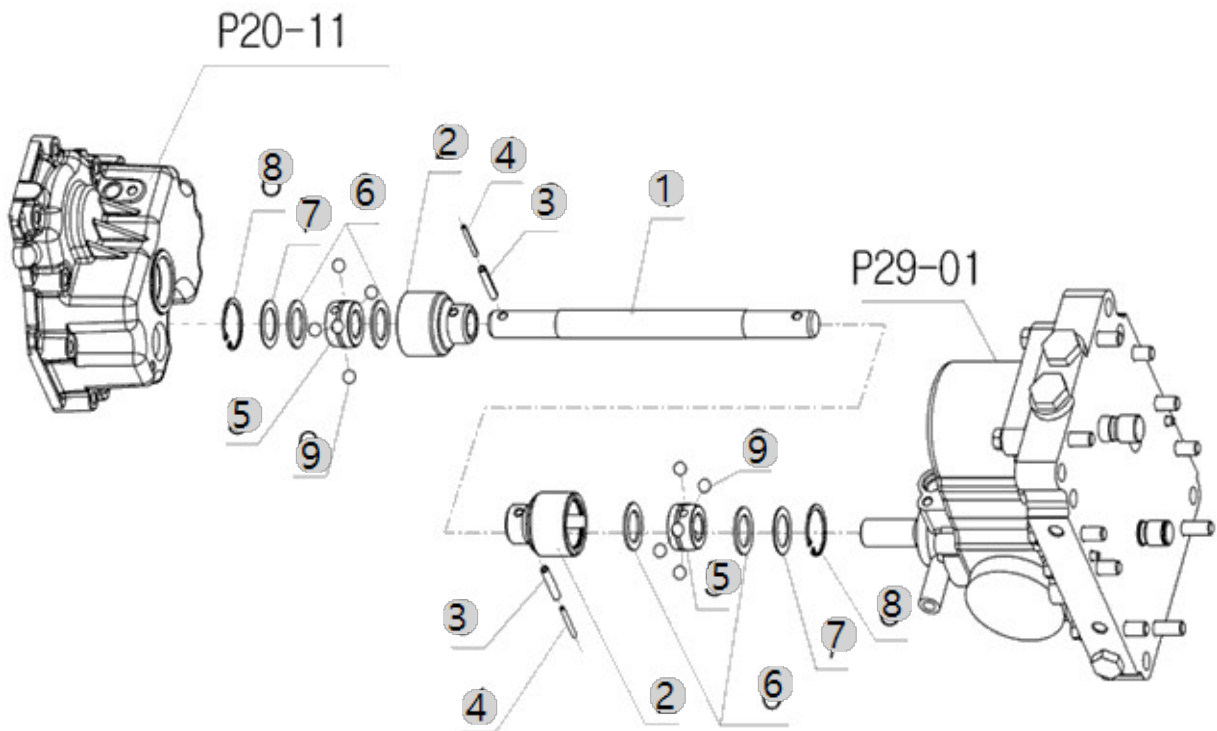
F02110B

2500L HST TM
(AC02171)

PROPELLER SHAFT- HST

Year/Month

2023-01-17



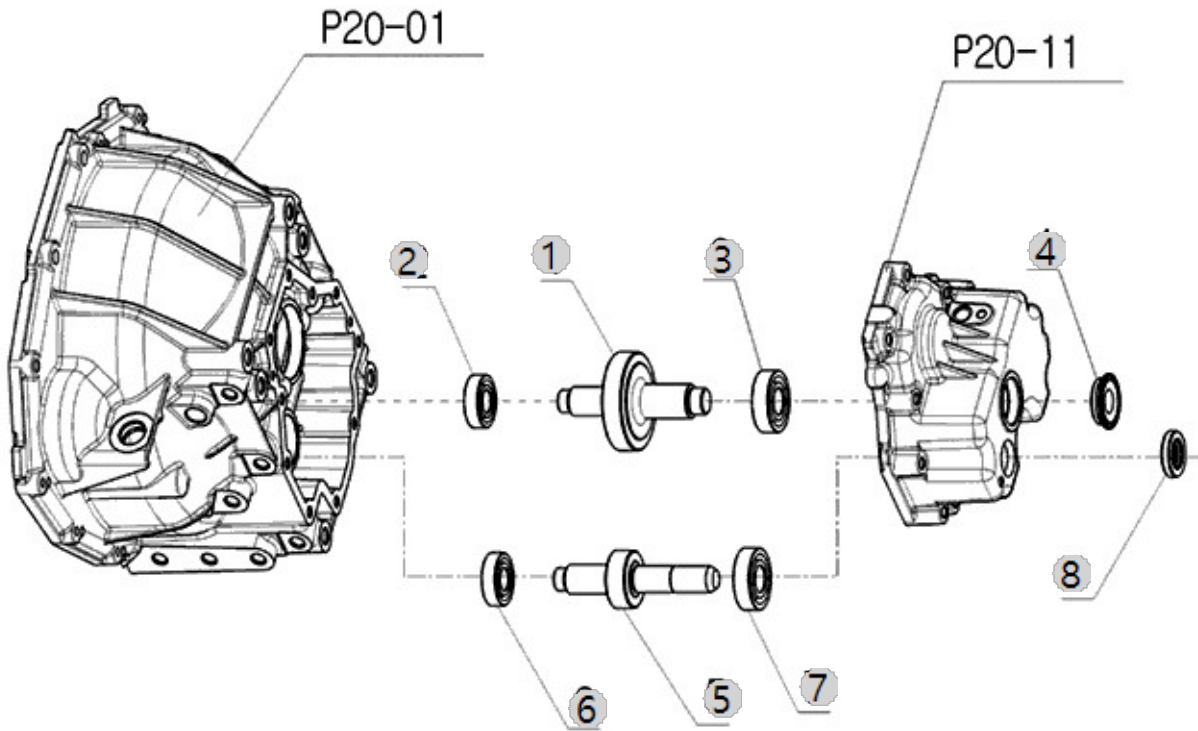
F02120B

2500L HST TM
(AC02171)

FRONT SHAFT- HST

Year/Month

2023-01-17



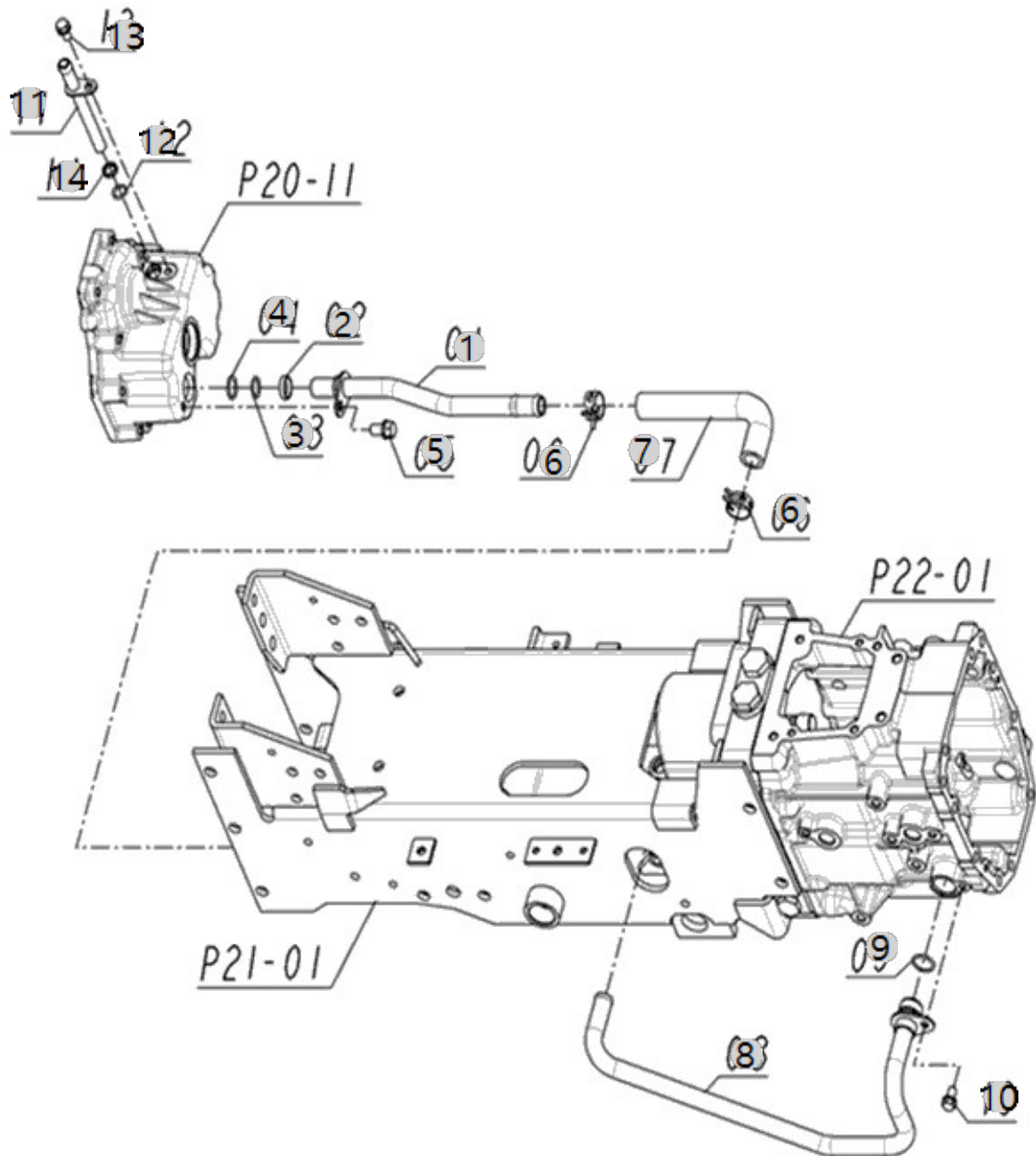
F02130B

2500L HST TM
(AC02171)

HYDRAULIC OIL LINE, CLUTCH- HST

Year/Month

2023-01-17



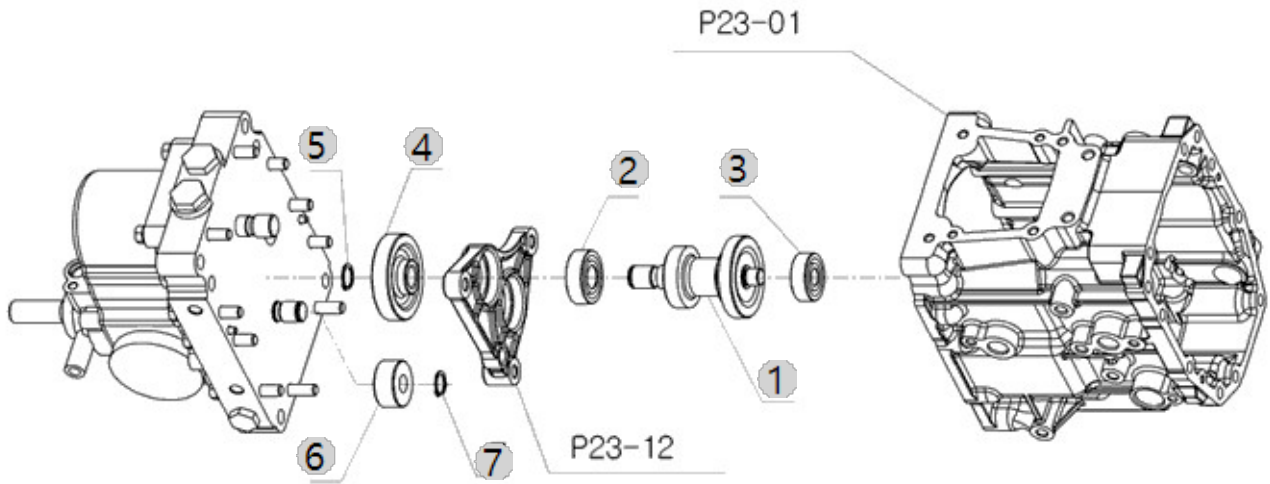
F03010B

2500L HST TM
(AC02171)

MAIN SHIFT DRIVE SHAFT- HST

Year/Month

2023-01-17



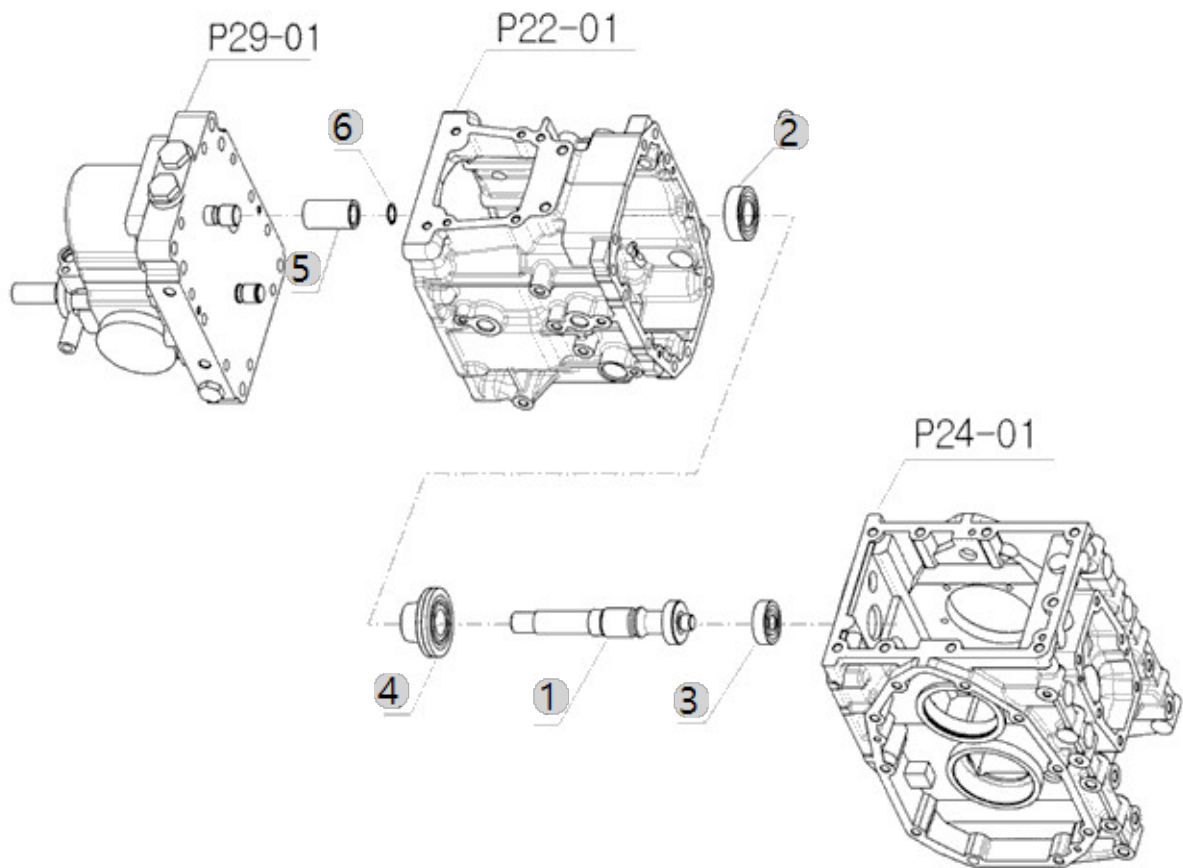
F03040B

2500L HST TM
(AC02171)

(RANGE SHIFT DRIVE SHAFT)- HST

Year/Month

2023-01-17



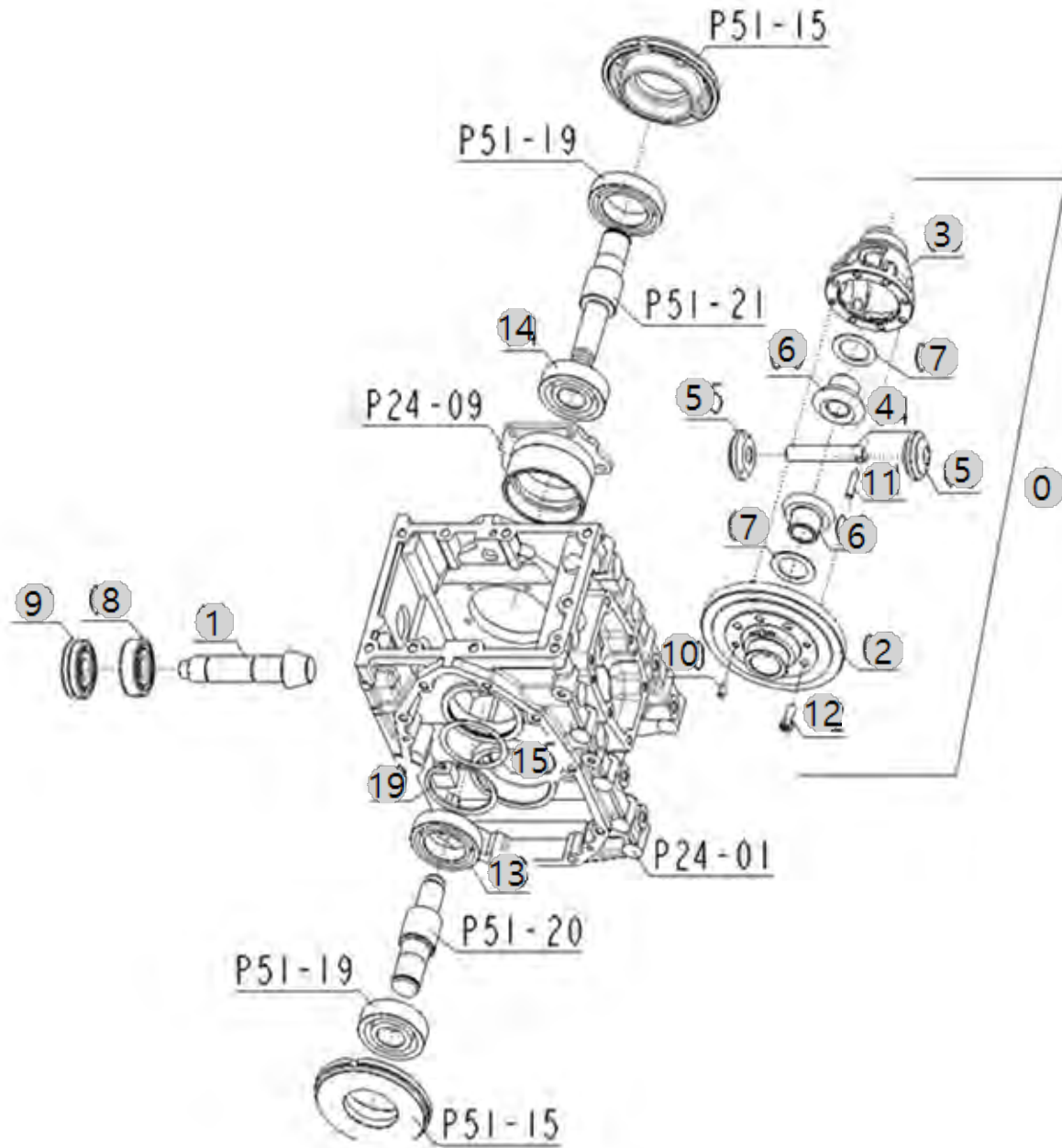
F05020

2500L HST TM
(AC02171)

REAR DIFFERENTIAL

Year/Month

2023-01-17



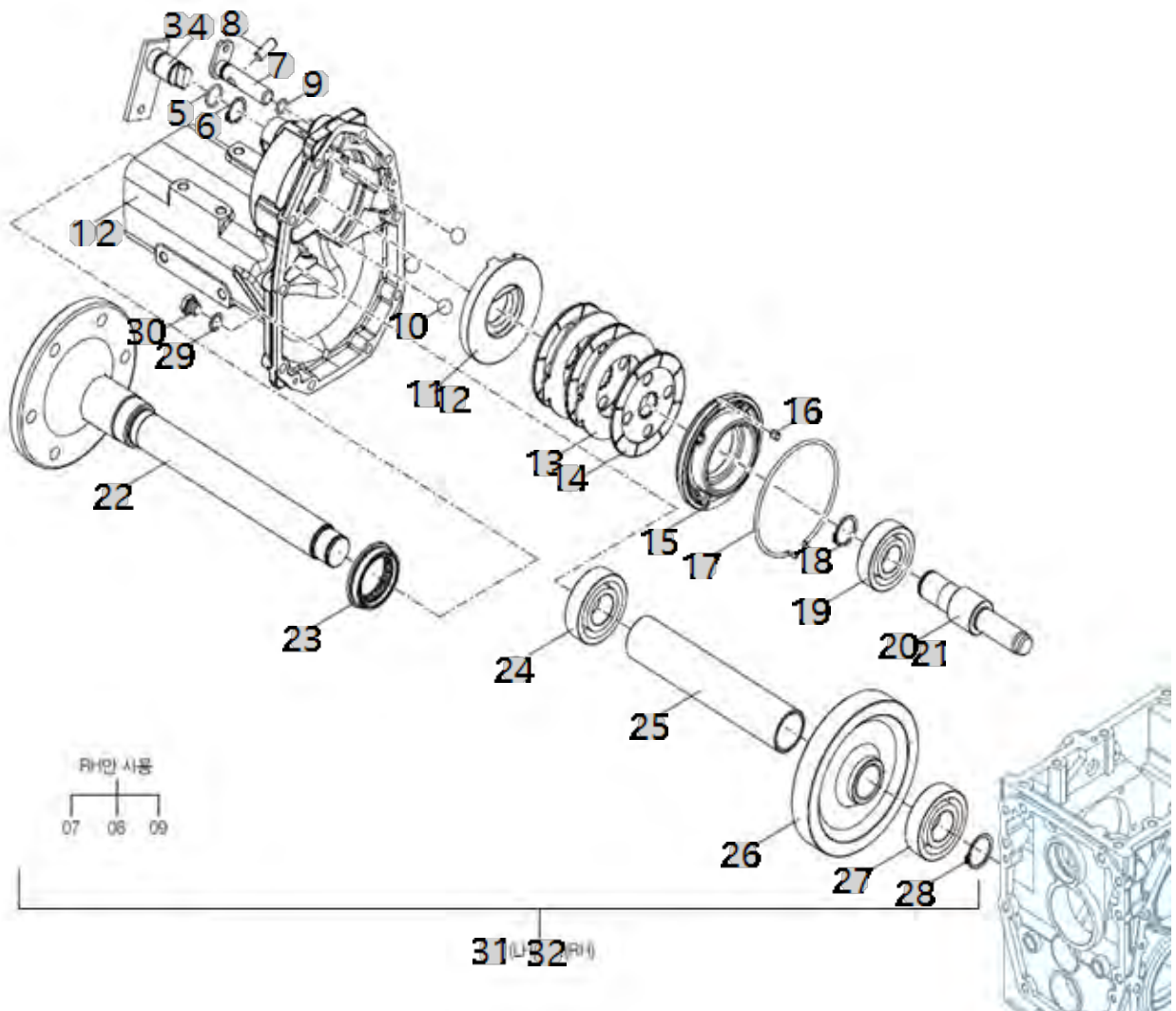
F06000

2500L HST TM
(AC02171)

REAR AXLE ASSY

Year/Month

2023-01-17



F06000 2500L HST TM (AC02171)		REAR AXLE ASSY				Year/Month 2023-01-17
순번 (NO)	부품번호 (PART NO)	품명 (PART NAME)	품명 (PART NAME)	수량 (QTY)	규격 (SPEC)	비고 (REMARK)
32A	TA00056814D	후차축 조합(RH,00)	REAR SHAFT ASSY(RH,00)	1		
31A	TA00056813D	후차축 조합(LH,00)	REAR SHAFT ASSY(LH,00)	1		
1	FE30010000B	후차축케이스(좌)	REAR AXLE CASE, LH	1		
1	FE3001000AA	후차축케이스(좌)(소재)		1		
1	FE30010000C	후차축케이스(좌)	REAR AXLE CASE, LH	1		
2	FE30020000C	후차축케이스(우)	REAR AXLE CASE, RH	1		
2	FE30020000B	후차축케이스(우)	REAR AXLE CASE, RH	1		
3	FE57010000A	브레이크 캠레버(좌)	LEVER(L),BRAKE CAM	1		
4	FE57020000A	브레이크캠레버(우)	LEVER(R),BRAKE CAM	1		
5	24311-000210	361,A22,O-RING1AP-21.0	O-RING, DYNAMIC (Φ21)	2	P21	
6	22242-000250	축용스냅링25	SNAP RING, SHAFT (Φ 25)	2	D25	
7	FE55010000B	포크로드	ROD, FORK	1		
7	FE55010000C	포크로드	ROD, FORK	1		
8	22312-100250	평행핀	PIN, DOWEL (10-25)	1	D10X25	
9	24311-000125	O-링 1AP12.5	O-RING, DYNAMIC (Φ12.5)	1	D12.5	
10	24190-200001	강구	Ball, Steel	6		
11	FE57060000A	액츄에이터(좌)	ACTUATOR(L)	1	-	
12	FE57070000A	액츄에이터(우)	ACTUATOR...	1		
13	FE57080000A	브레이크마찰판	Plate, Brake Friction	6		
14	FE57090000A	플레이트	Plate, Brake Iron	4	2.0T	
15	FE57100000A	베어링홀더	HOLDER,BEARING	2		
16	FE57110000A	핀	PIN	2	N8X9.3	
17	FE57120000A	클립	CLIP	2	D4.0	
18	22242-000300	축용스냅링30	SNAP RING, SHAFT (Φ 30)	2	D30	
19	24101-063064	볼베어링6306	Bearing, Ball (#6306)	2	#6306	
20	FE41200000A	차동기어축(좌)	SHAFT(L),DEFFENTIAL GEAR	1	-	
21	FE41210000A	차동기어축(우)	SHAFT(R),DIFFERENTIAL GEAR	1		
22A	FE56010000B	후차축	AXLE, REAR	2		
22B	TA00039489B	후차축	REAR SHAFT	2		
23	FE56070000A	오일실 (특수) 50x68x11.5/16	SEAL,OIL	2	50X68X11.5/1	
24	24101-062084	볼베어링6208	Bearing, Ball (#6208)	2	#6208	
25	FE56050000A	칼라 152	COLLAR 152	2	D48.6X3.5T	
26	FE56040000A	기어(57)	GEAR(57)	2	-	
26	FE56040000B	기어(57)	GEAR	1	-	
27	24101-063074	볼베어링6307	Bearing, Ball (#6307)	2	#6307	
28	22242-000350	축용스냅링35	SNAP RING, SHAFT (Φ 35)	2	D35	
29	TA00036405A	본디드실(M20)	BONDED SEAL	2		
30	TA00065959A	마그넷 플러그	PLUG, MAGNET	2		
31B	TA00056815D	후차축 조합(LH,3100)	REAR SHAFT ASSY(LH,3100)	1		
31A	TA00056813C	후차축 조합(LH,00)	ASS'Y, REAR SHAFT(LH,00)	1		
31A	TA00056813E	후차축 조합(LH,00)	ASS'Y, REAR SHAFT(LH,00)	1		
31B	TA00056815C	후차축 조합(LH,3100)	ASS'Y, REAR SHAFT(LH,3100)	1		
31B	TA00056815E	후차축 조합(LH,3100)	ASS'Y, REAR SHAFT(LH,3100)	1		
32B	TA00056816D	후차축 조합(RH,3100)	ASS'Y, REAR SHAFT(RH,3100)	1		
32A	TA00056814E	후차축 조합(RH,00)	ASS'Y, REAR SHAFT(RH,00)	1		

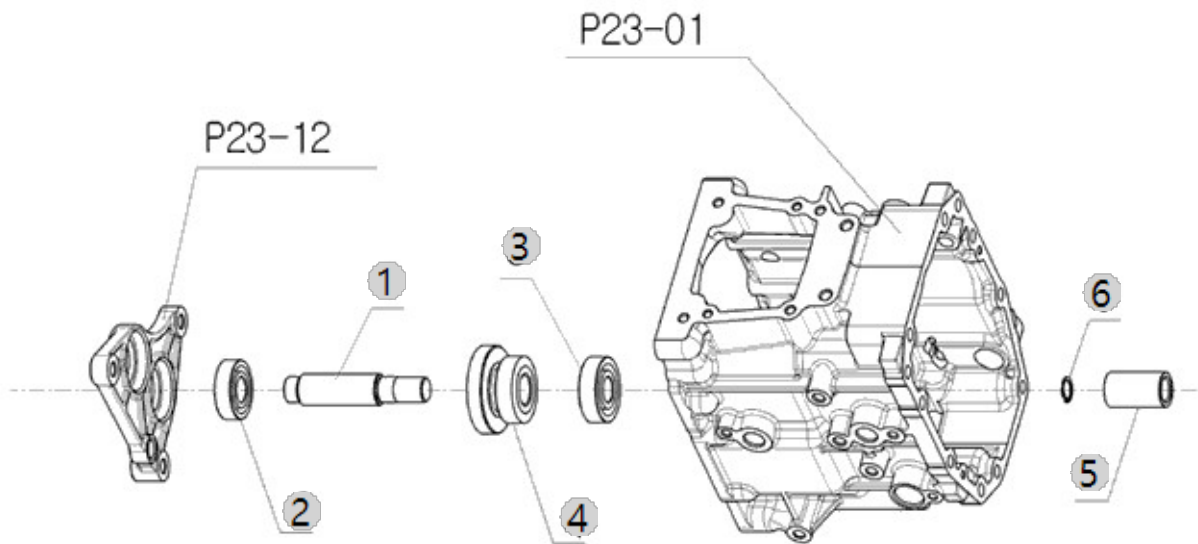
F07030B

2500L HST TM
(AC02171)

PTO DRIVE SHAFT- HST

Year/Month

2023-01-17



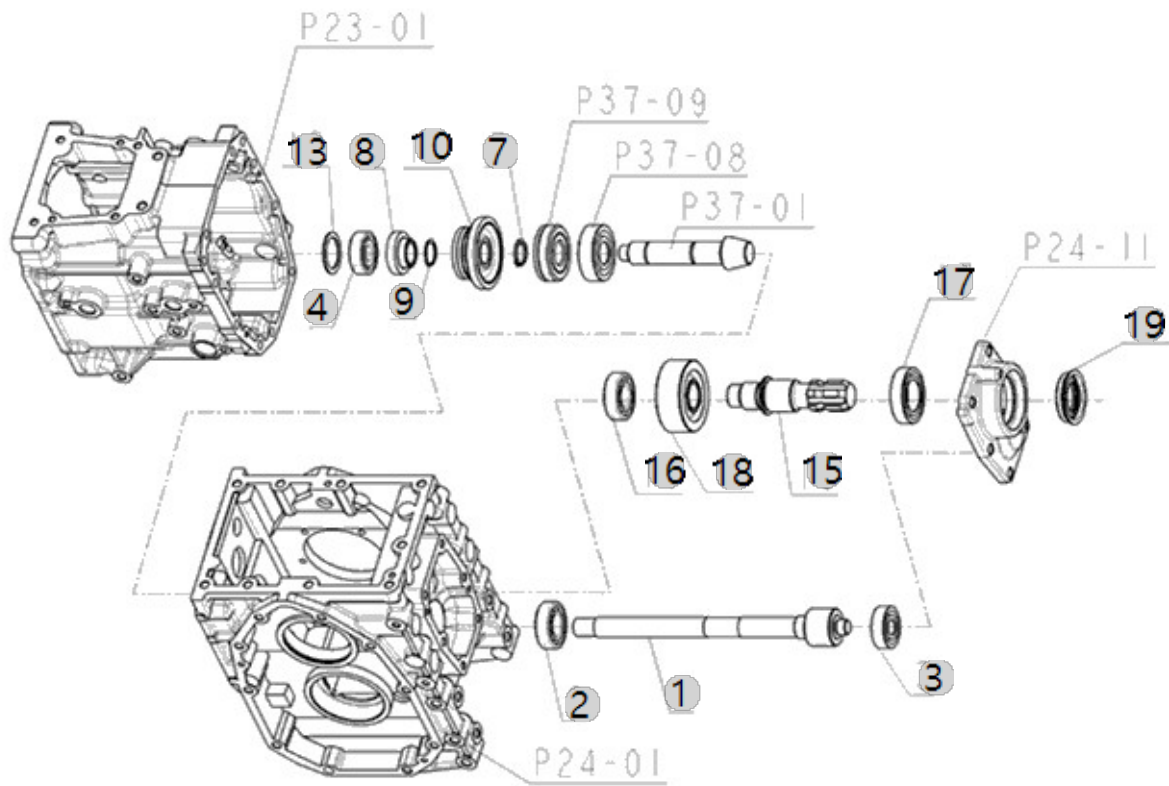
F07070B

2500L HST TM
(AC02171)

PTO SHAFT- HST

Year/Month

2023-01-17



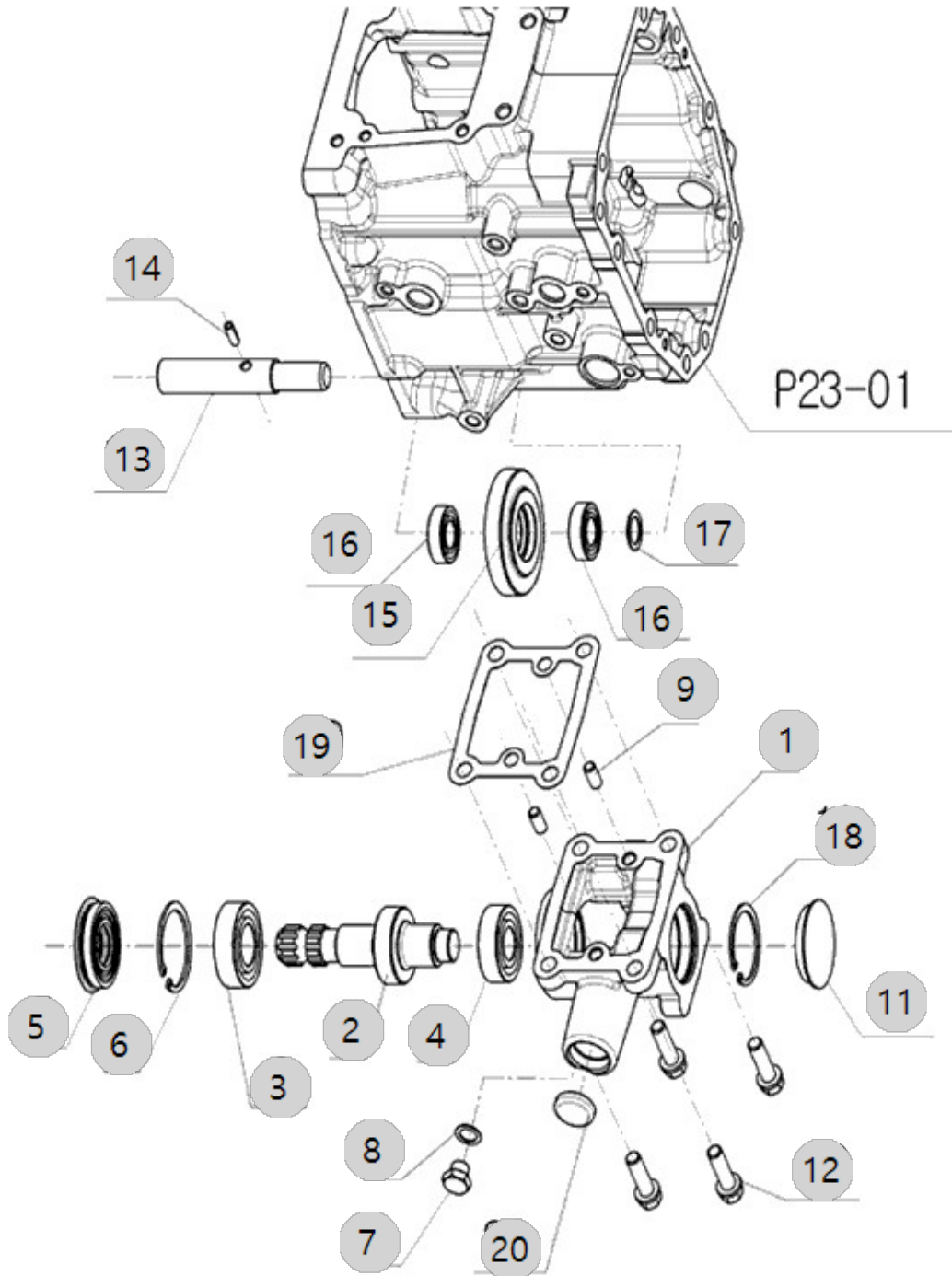
F07080B

2500L HST TM
(AC02171)

MID PTO- HST

Year/Month

2023-01-17



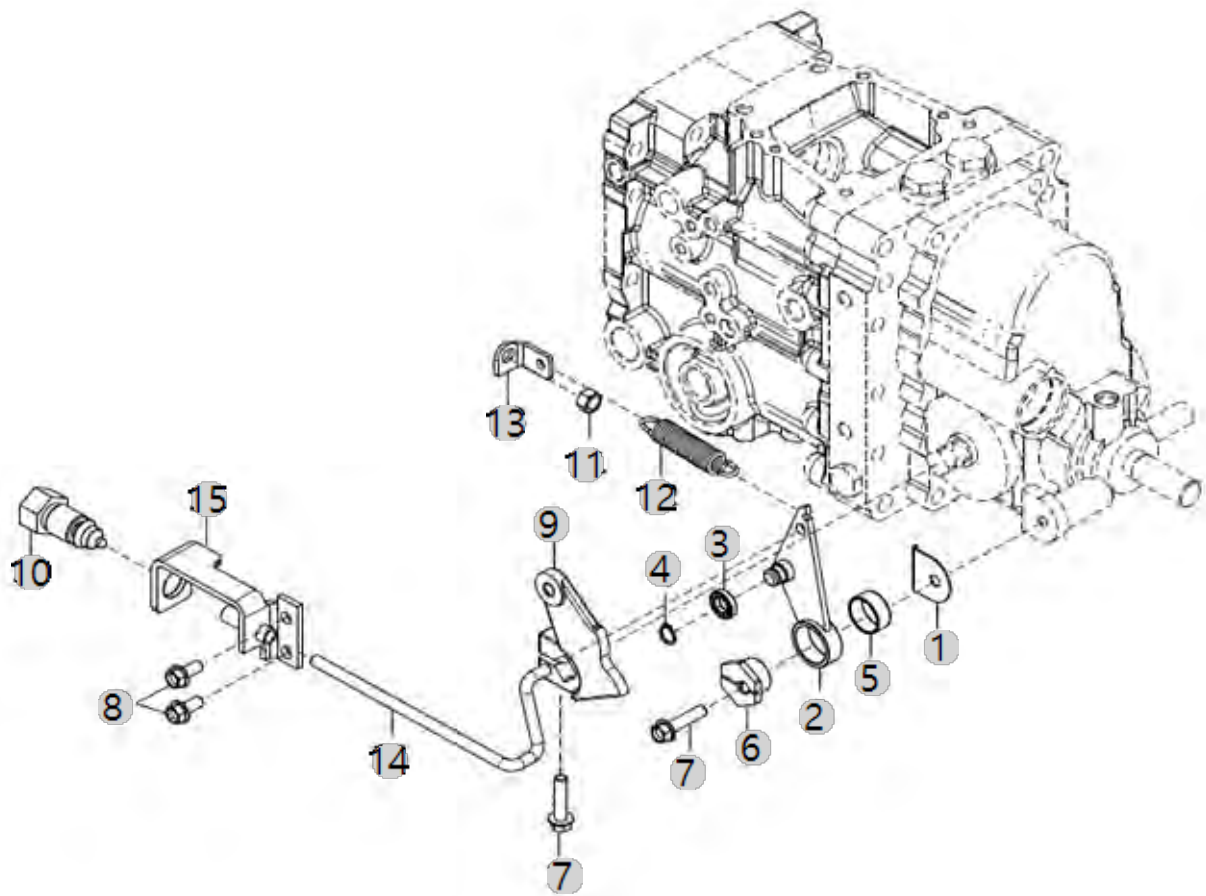
F07090

2500L HST TM
(AC02171)

NEUTRE HOLDER LINK- HST

Year/Month

2023-01-17



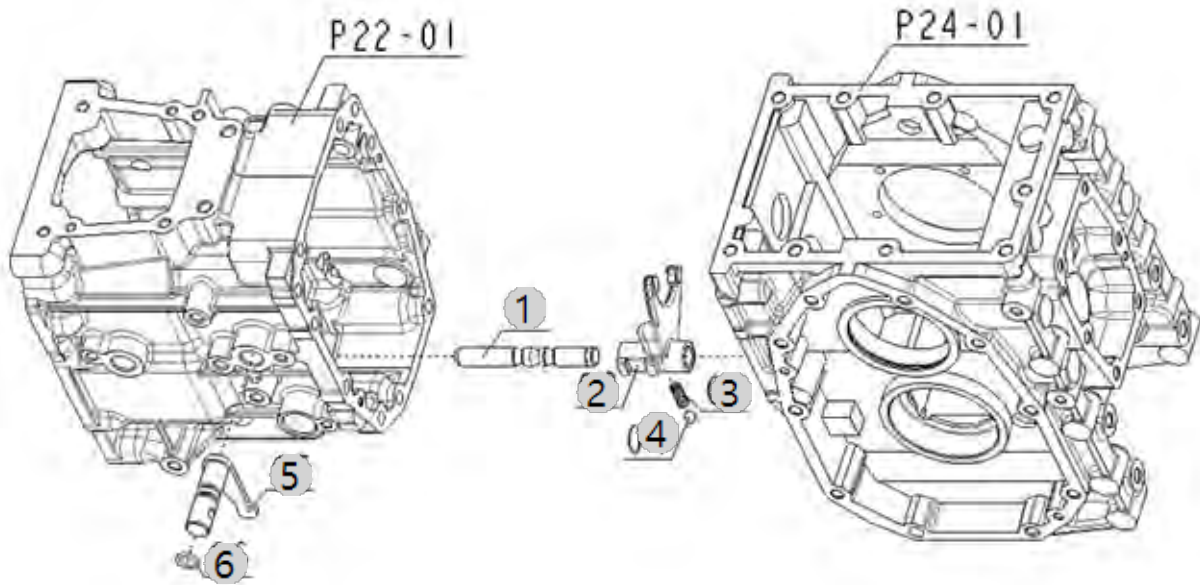
F08022

2500L HST TM
(AC02171)

RANGE GEAR SHIFT FORK

Year/Month

2023-01-17



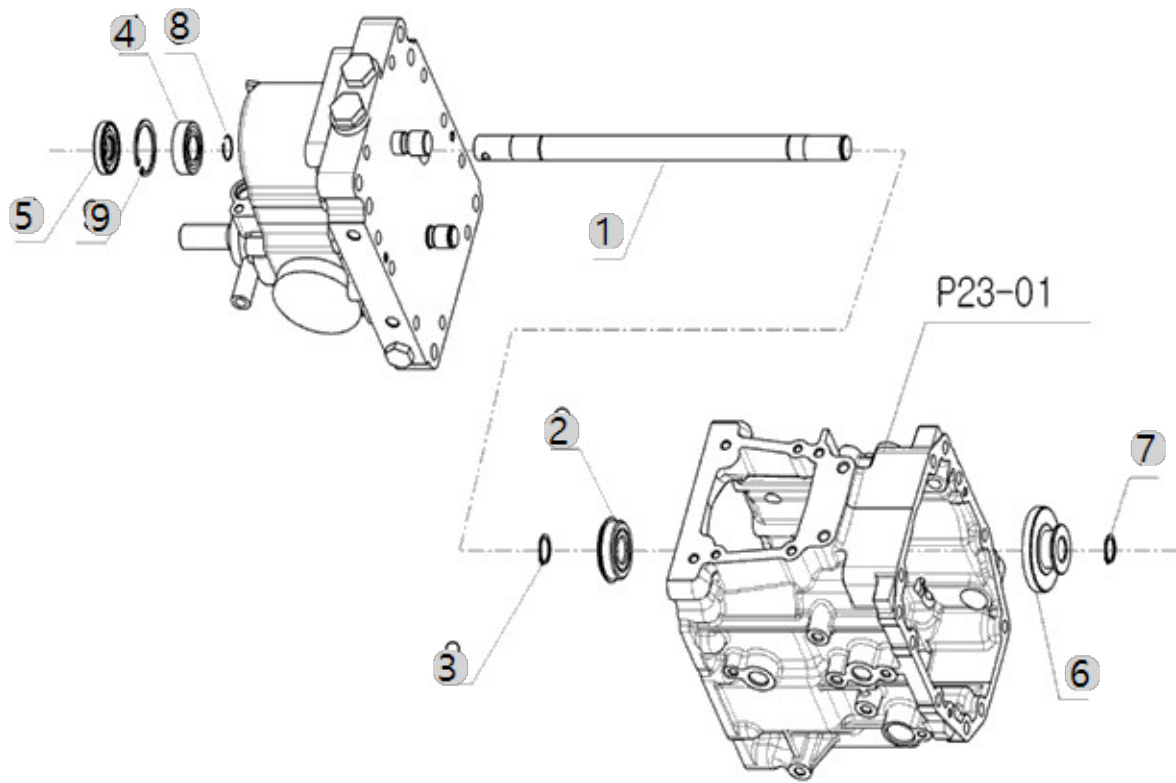
F08040B

2500L HST TM
(AC02171)

4WD FORK- HST

Year/Month

2023-01-17



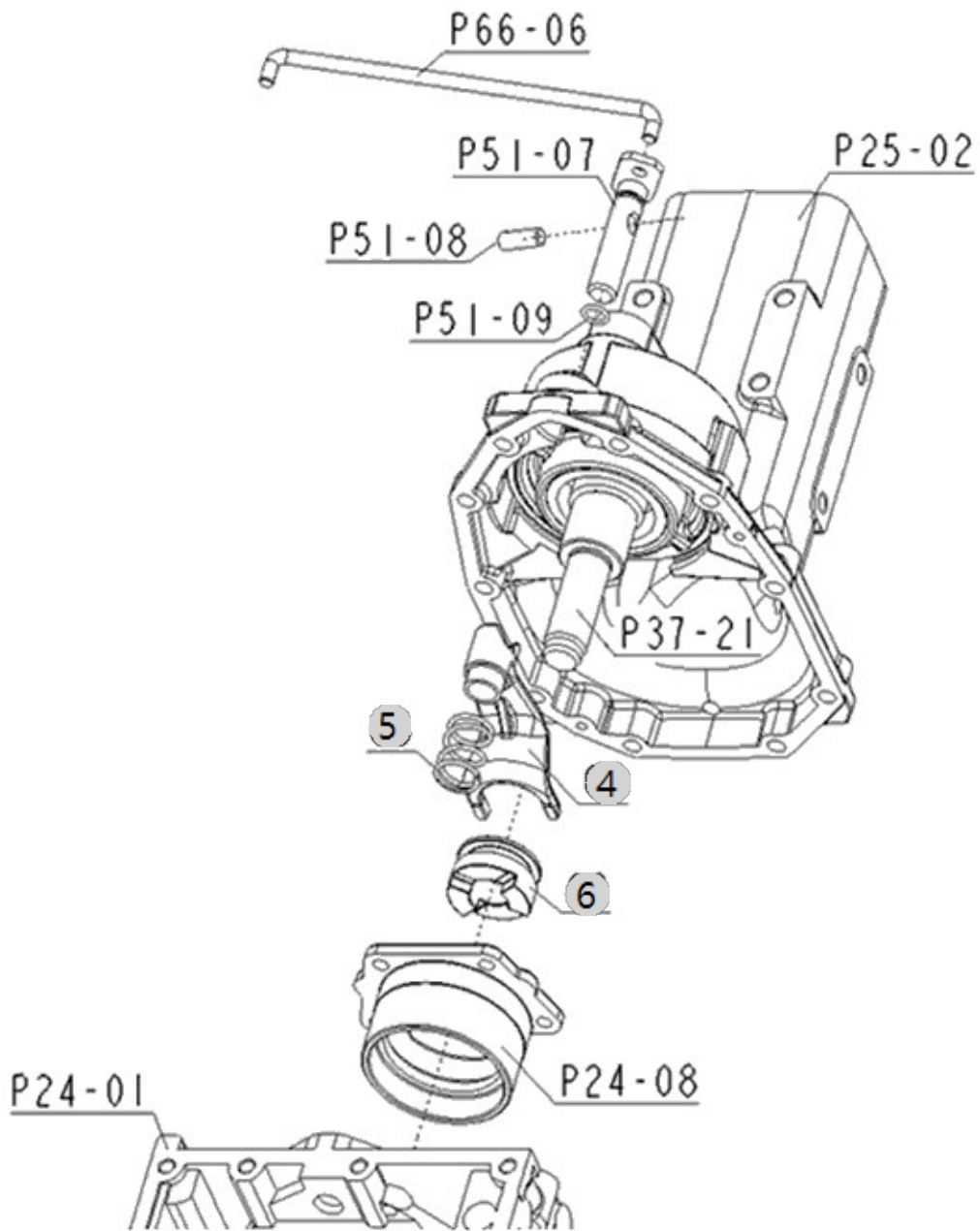
F08050

2500L HST TM
(AC02171)

DIFFERENTIAL LOCK SHIFT FORK

Year/Month

2023-01-17



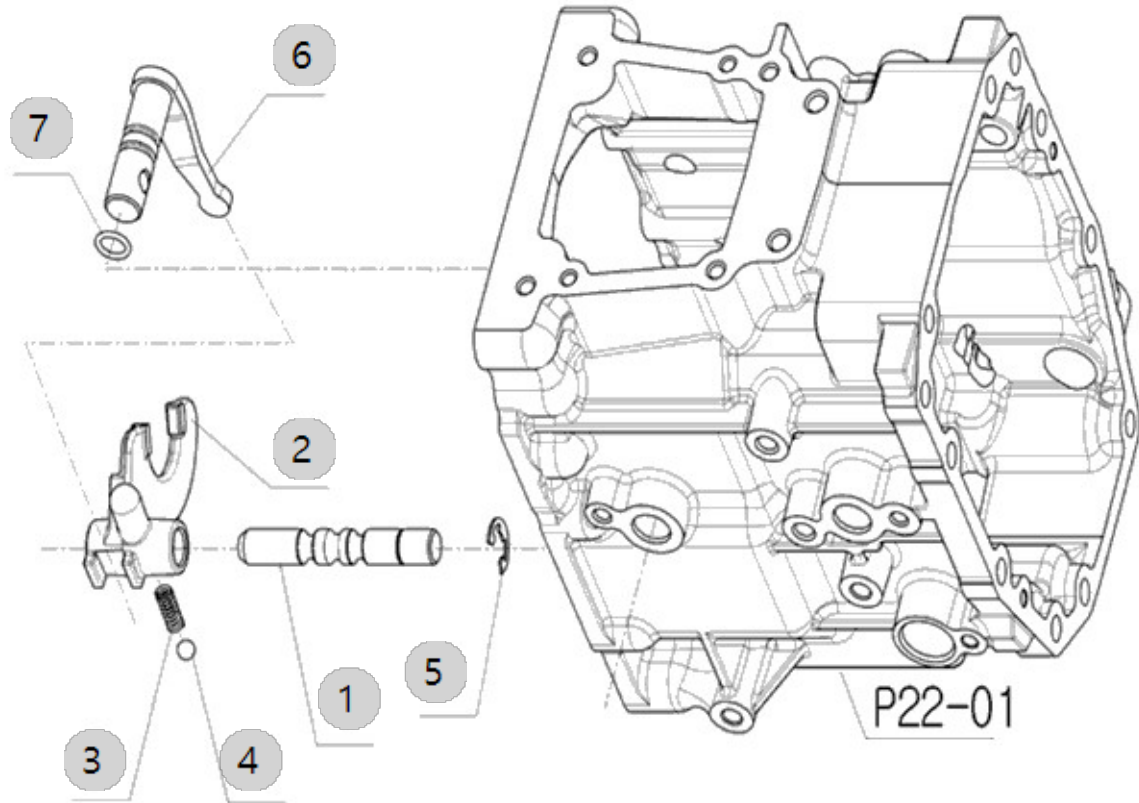
F08060B

2500L HST TM
(AC02171)

PTO GEAR SHIFT FORK- HST

Year/Month

2023-01-17



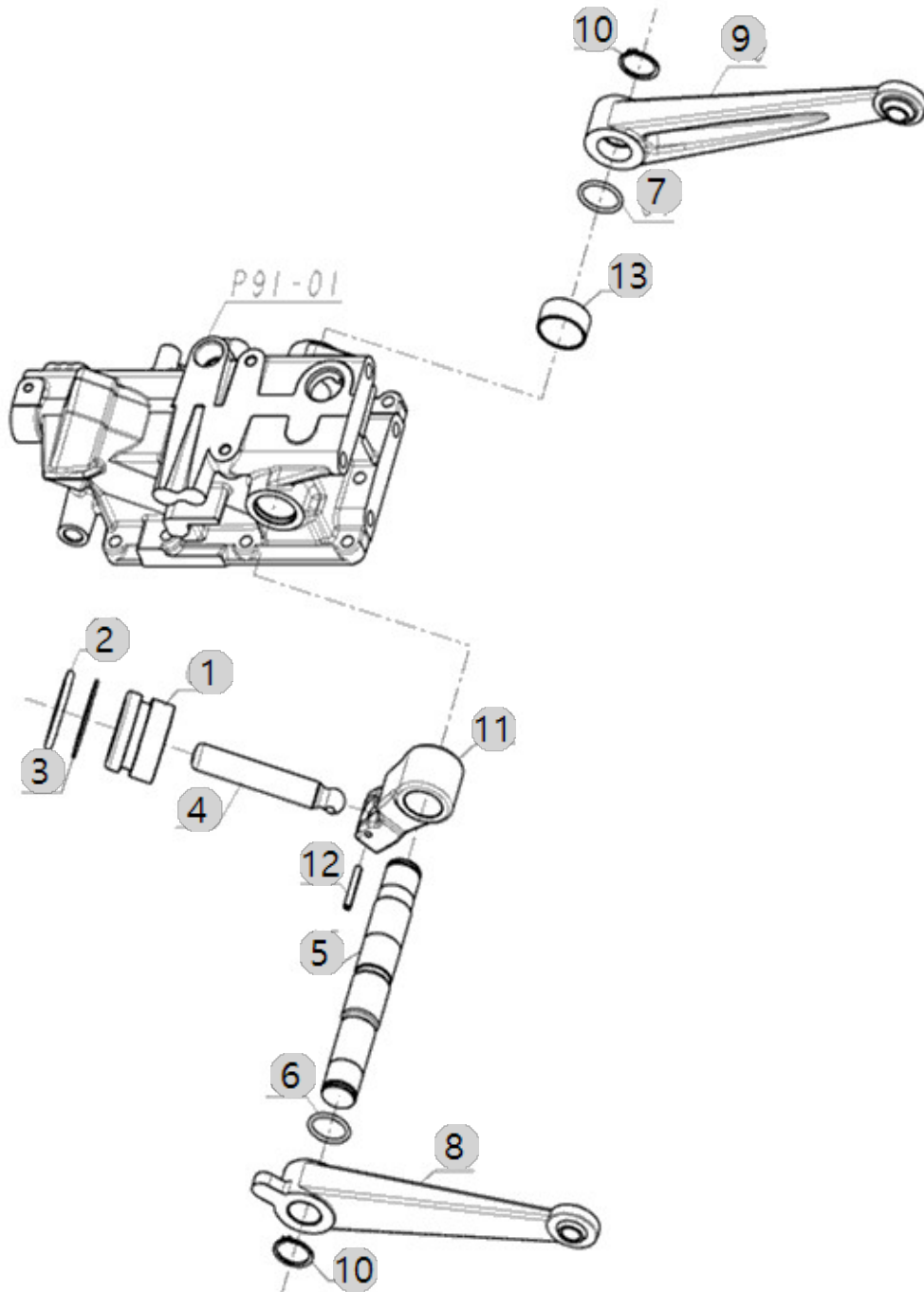
F10020

2500L HST TM
(AC02171)

LIFT ARM

Year/Month

2023-01-17



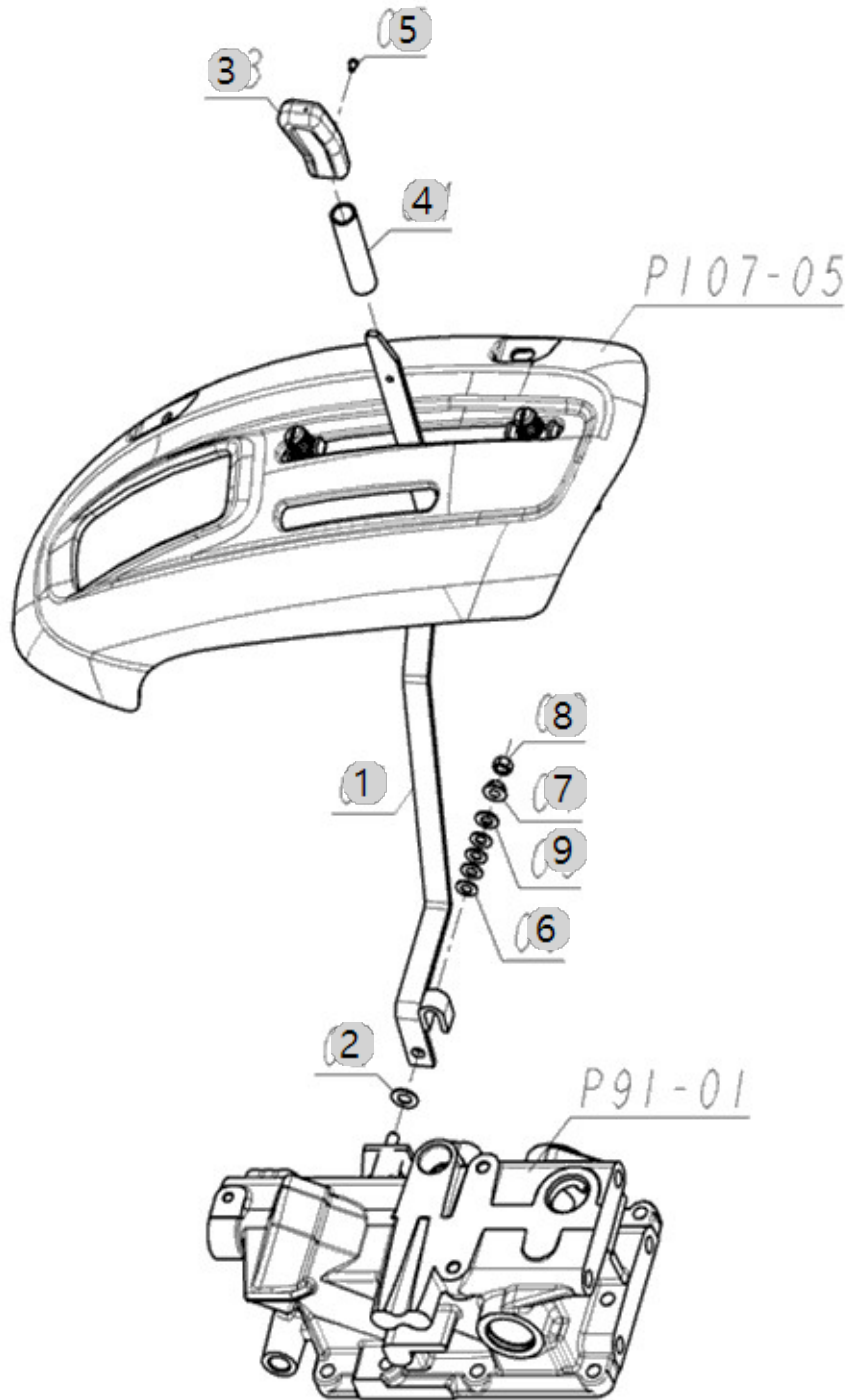
F10064

2500L HST TM
(AC02171)

POSITION CONTROL LEVER

Year/Month

2023-01-17



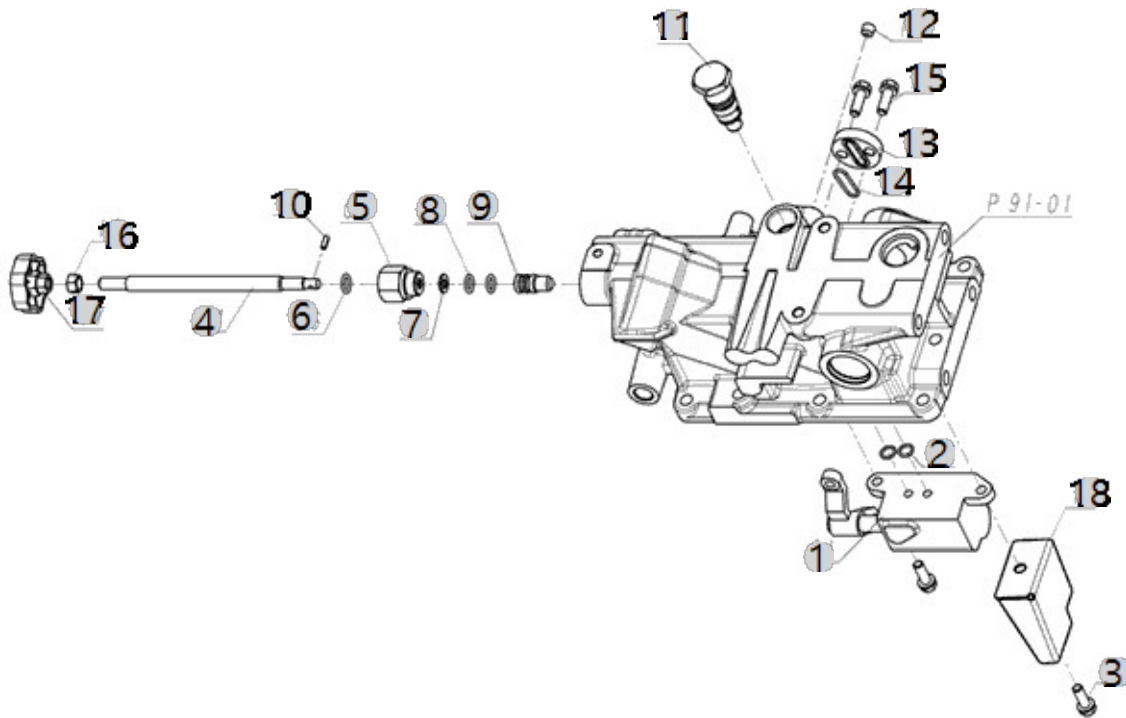
F10080

2500L HST TM
(AC02171)

HYD VALVE

Year/Month

2023-01-17



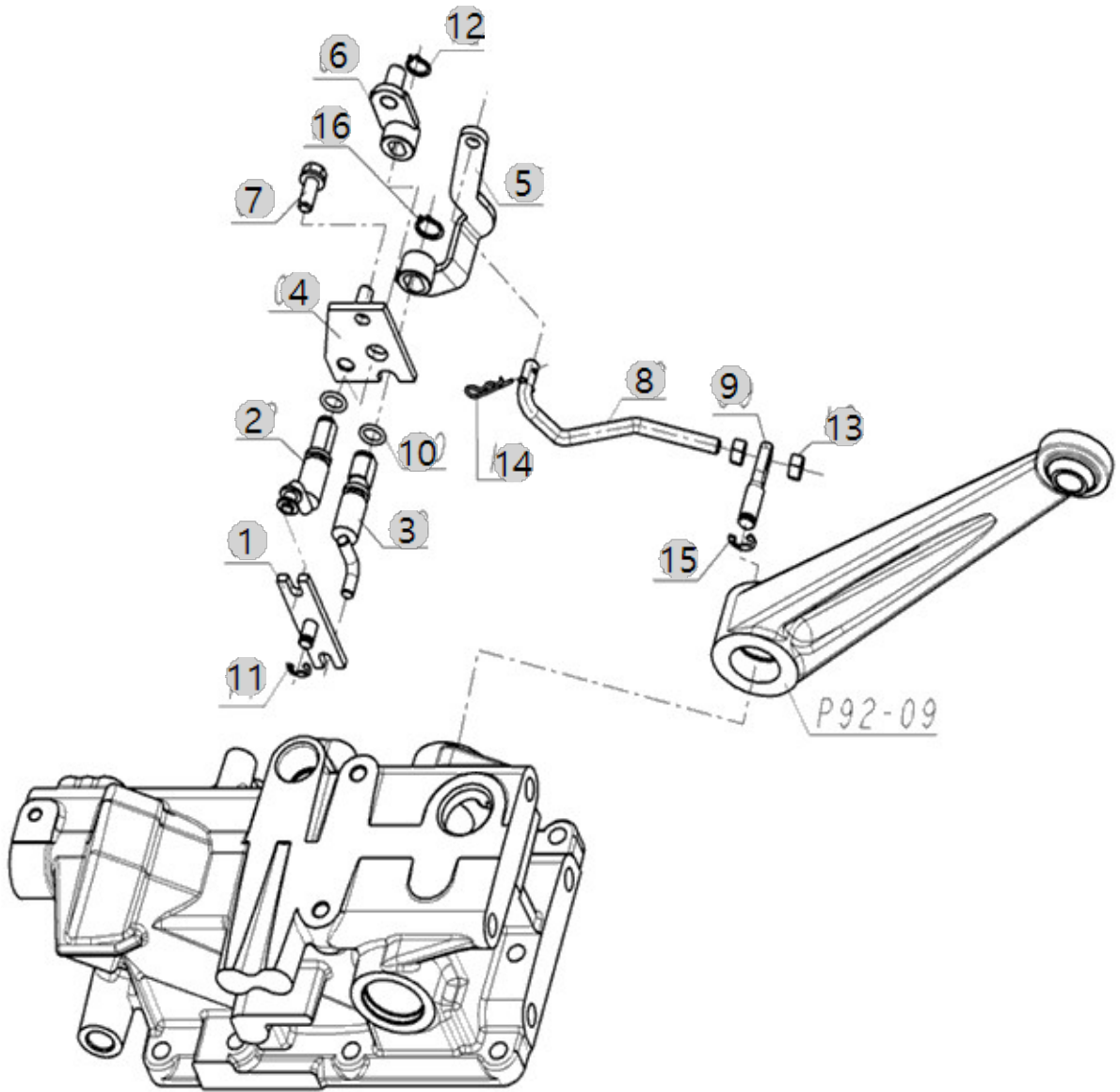
F10090

2500L HST TM
(AC02171)

FEED BACK LEVER- POSITION

Year/Month

2023-01-17



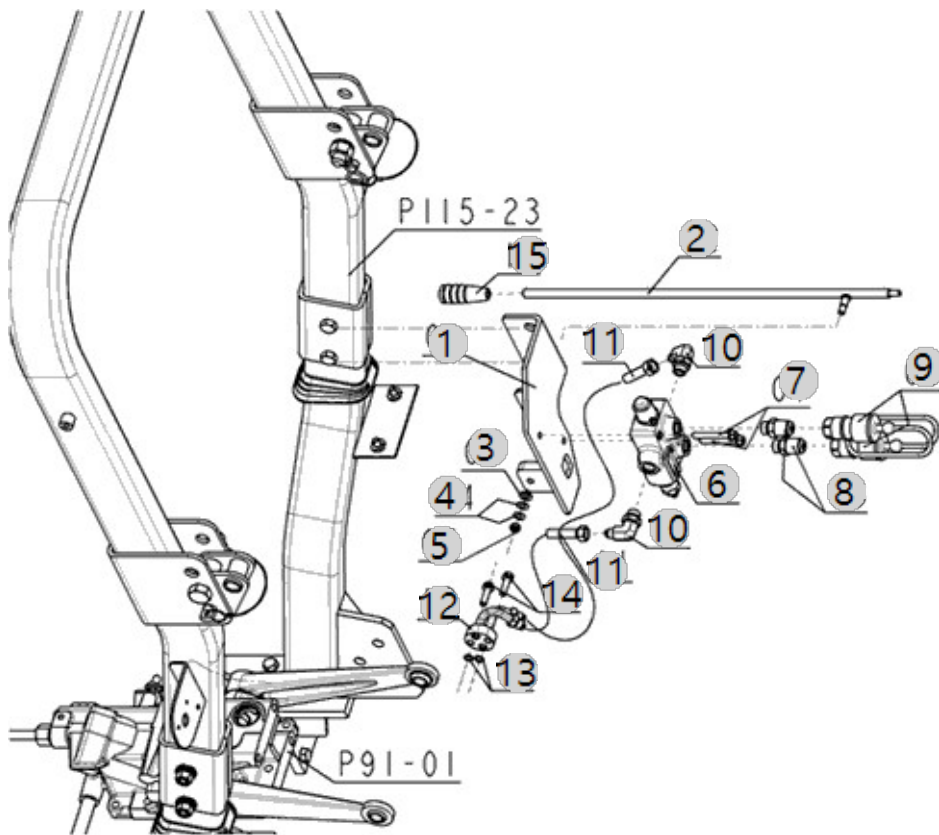
F10120A

2500L HST TM
(AC02171)

REAR SCV(2PORT)

Year/Month

2023-01-17



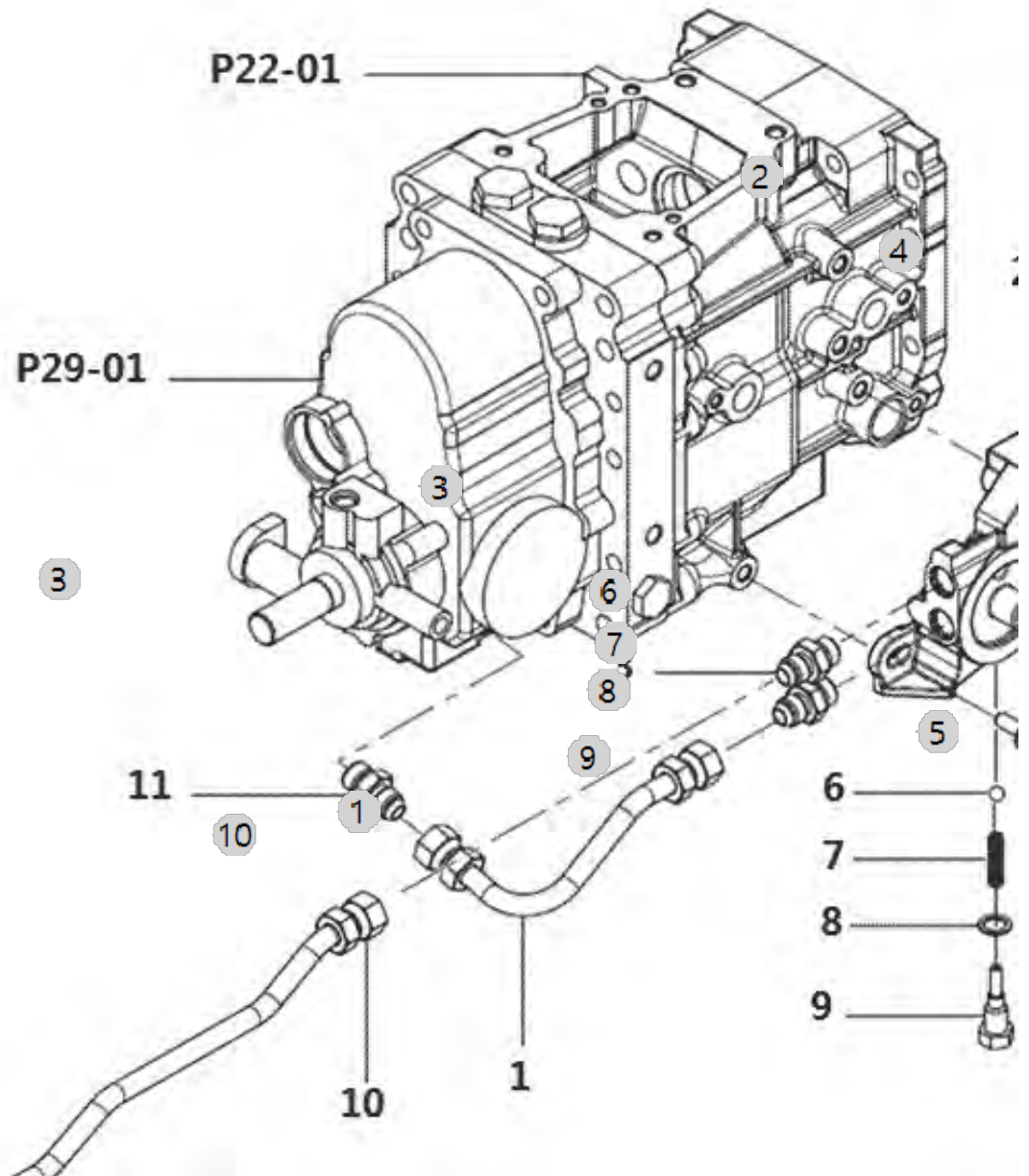
F10160H

2500L HST TM
(AC02171)

HYDRAULIC OIL LINE

Year/Month

2023-01-17



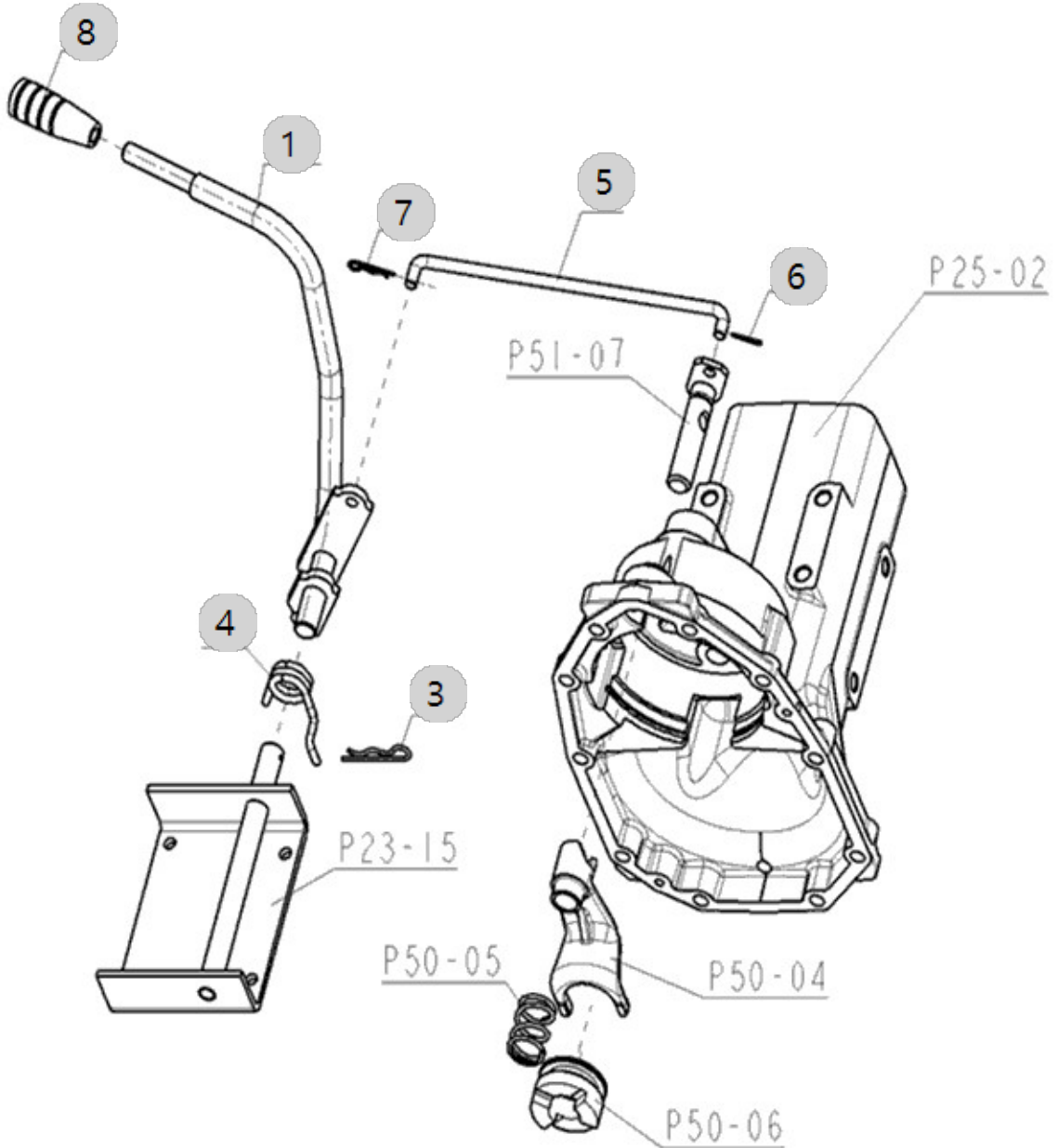
F11070

2500L HST TM
(AC02171)

DIFFERENTIAL LOCK LEVER- HST

Year/Month

2023-01-17



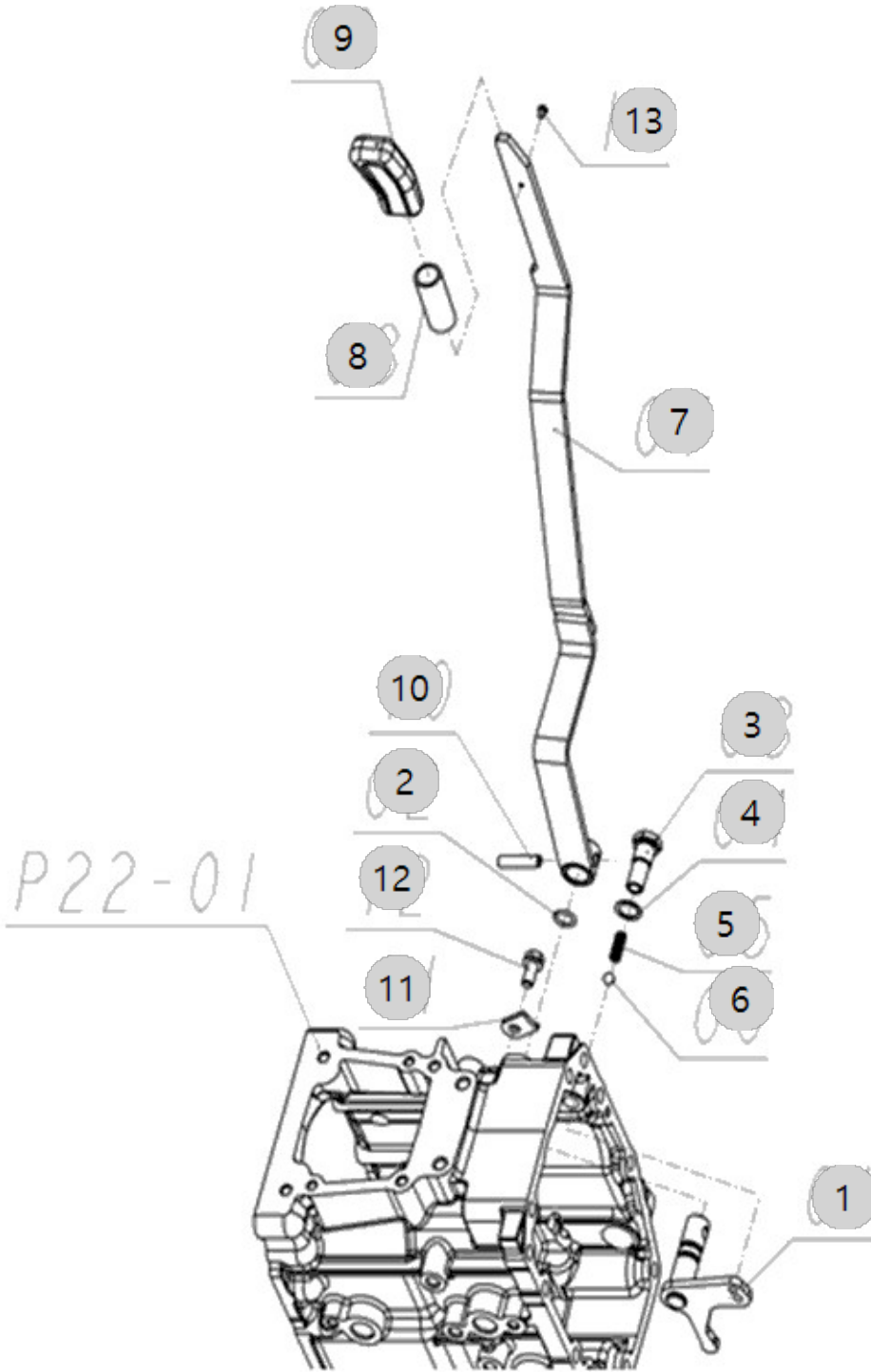
F11080

2500L HST TM
(AC02171)

FRONT WHEEL DRIVE LEVER

Year/Month

2023-01-17



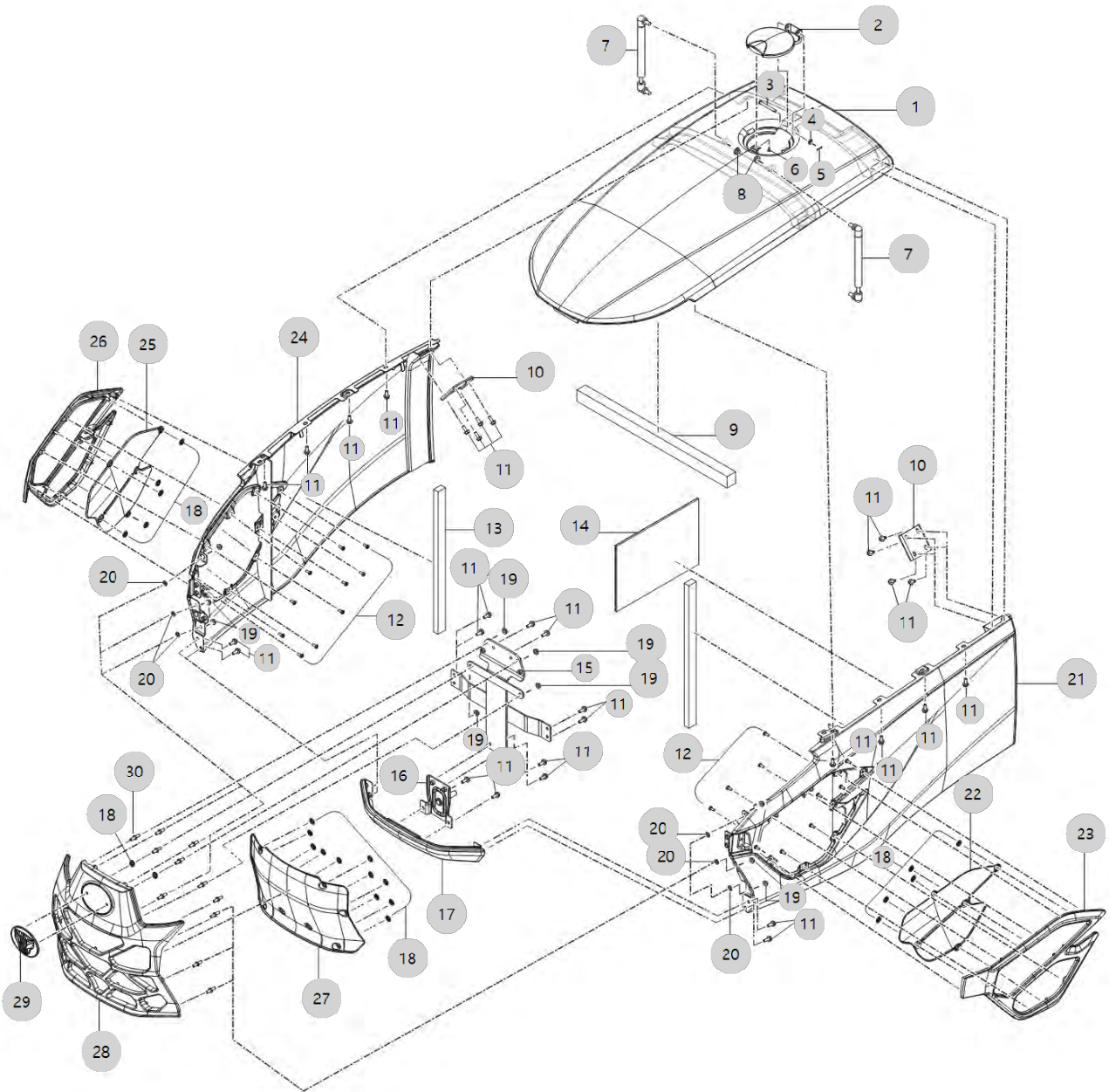
G01020

2500HL_EU_FL
(AC02165)

BONNET

Year/Month

2023-01-17



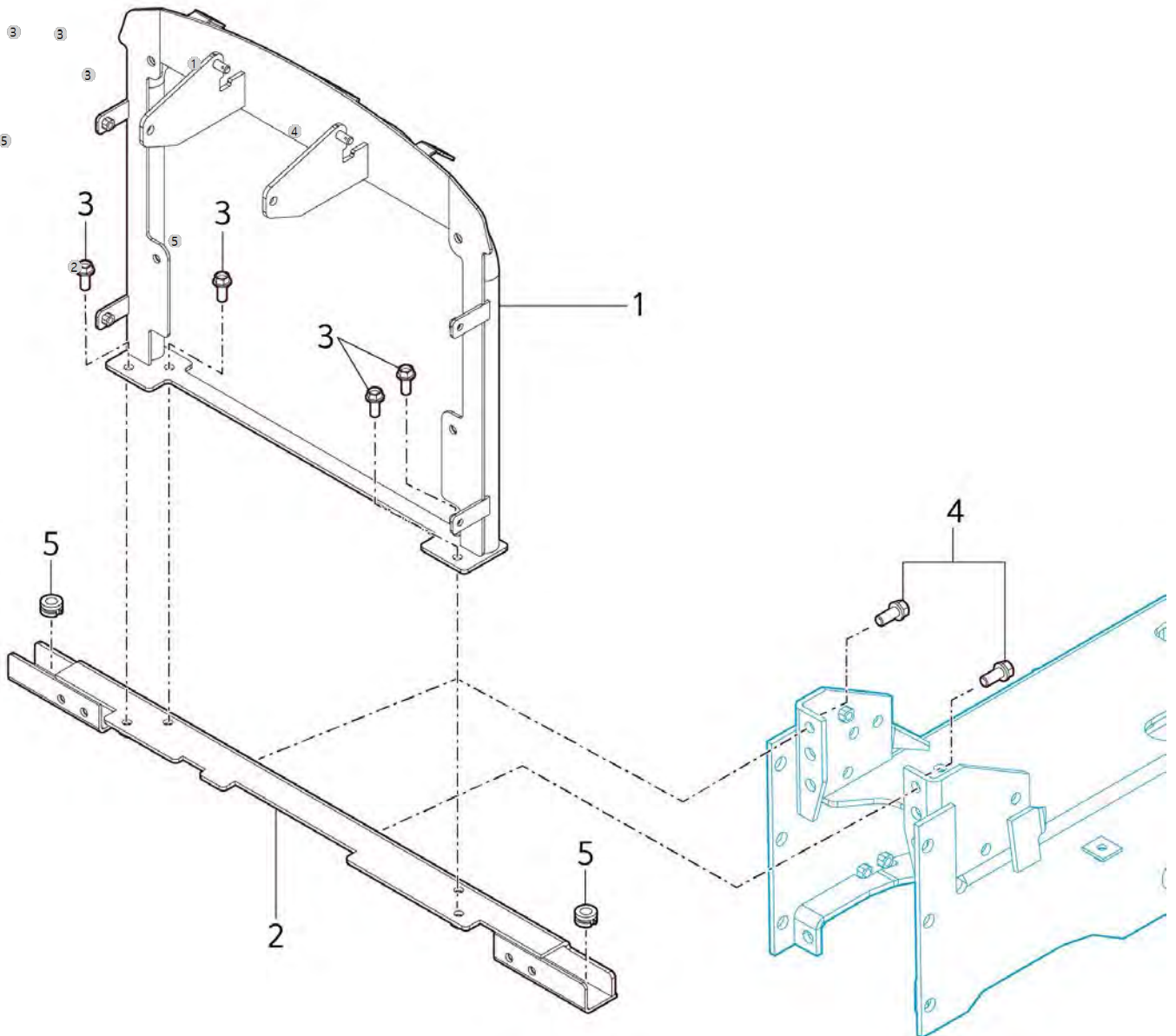
G01060

2500HL_EU_FL
(AC02165)

FIXED BRACKET, BONNE

Year/Month

2023-01-17



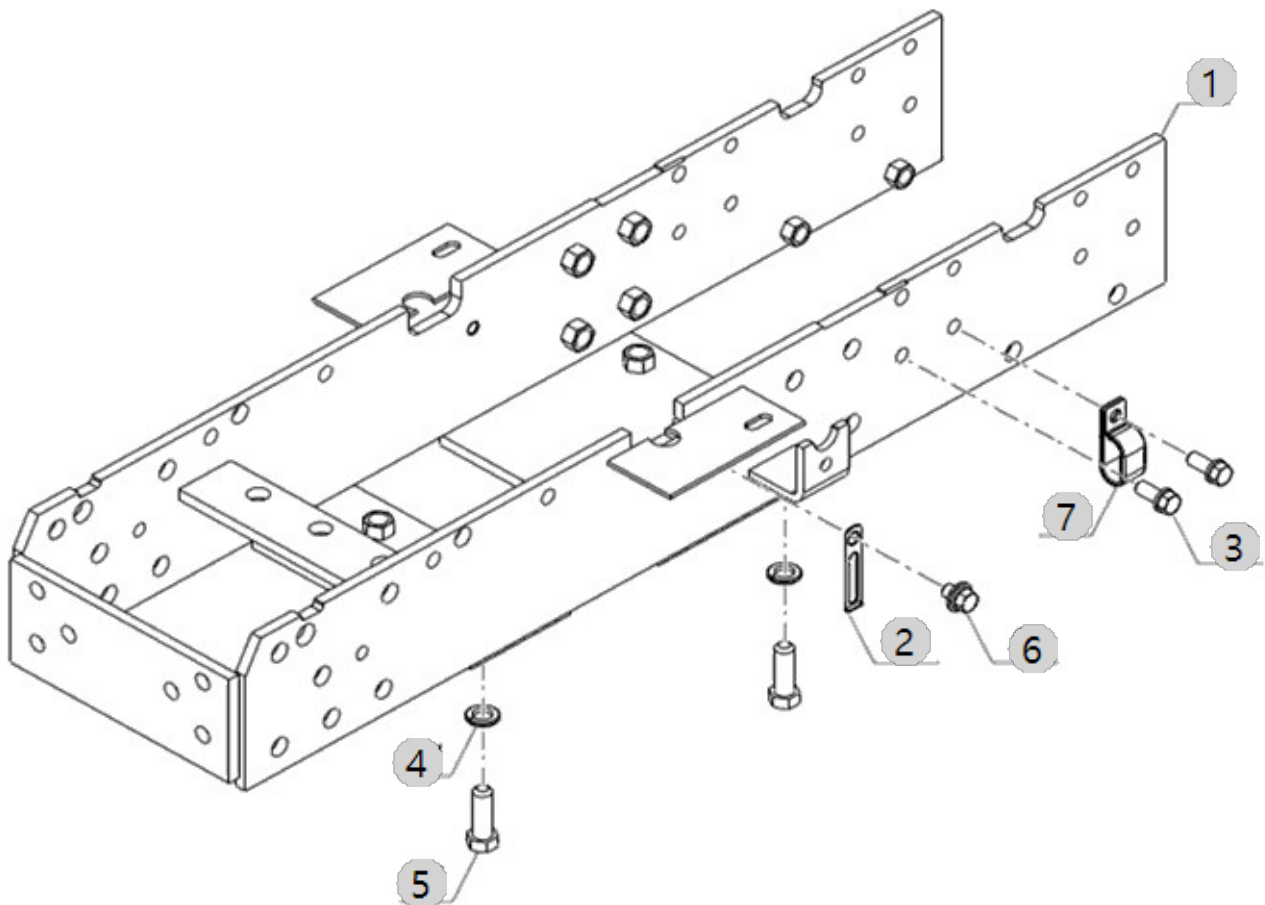
G01080

2500HL_EU_FL
(AC02165)

BRACKET, FRONT AXLE

Year/Month

2023-01-17



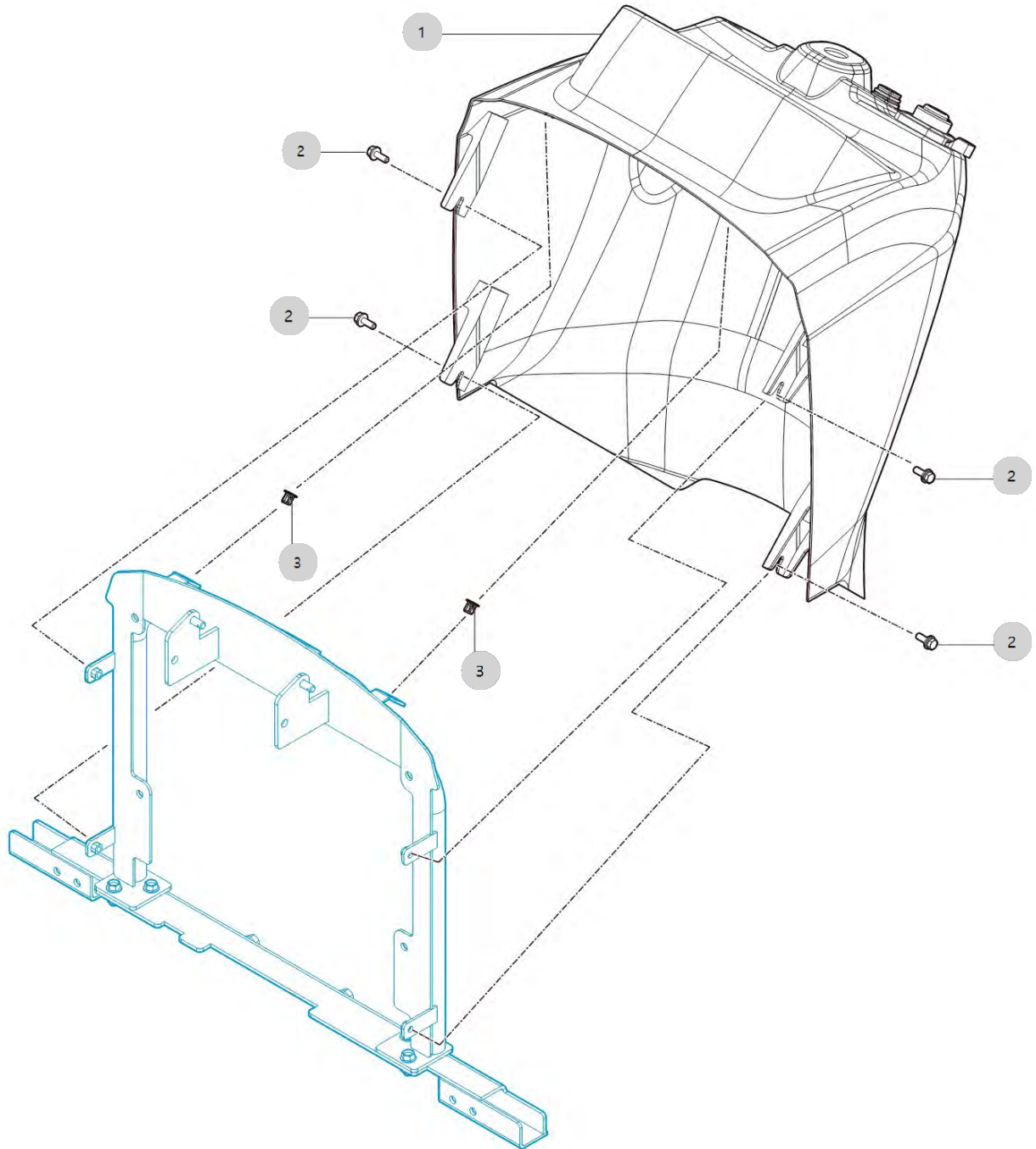
G04020

2500HL_EU_FL
(AC02165)

DASHBOARD

Year/Month

2023-01-17



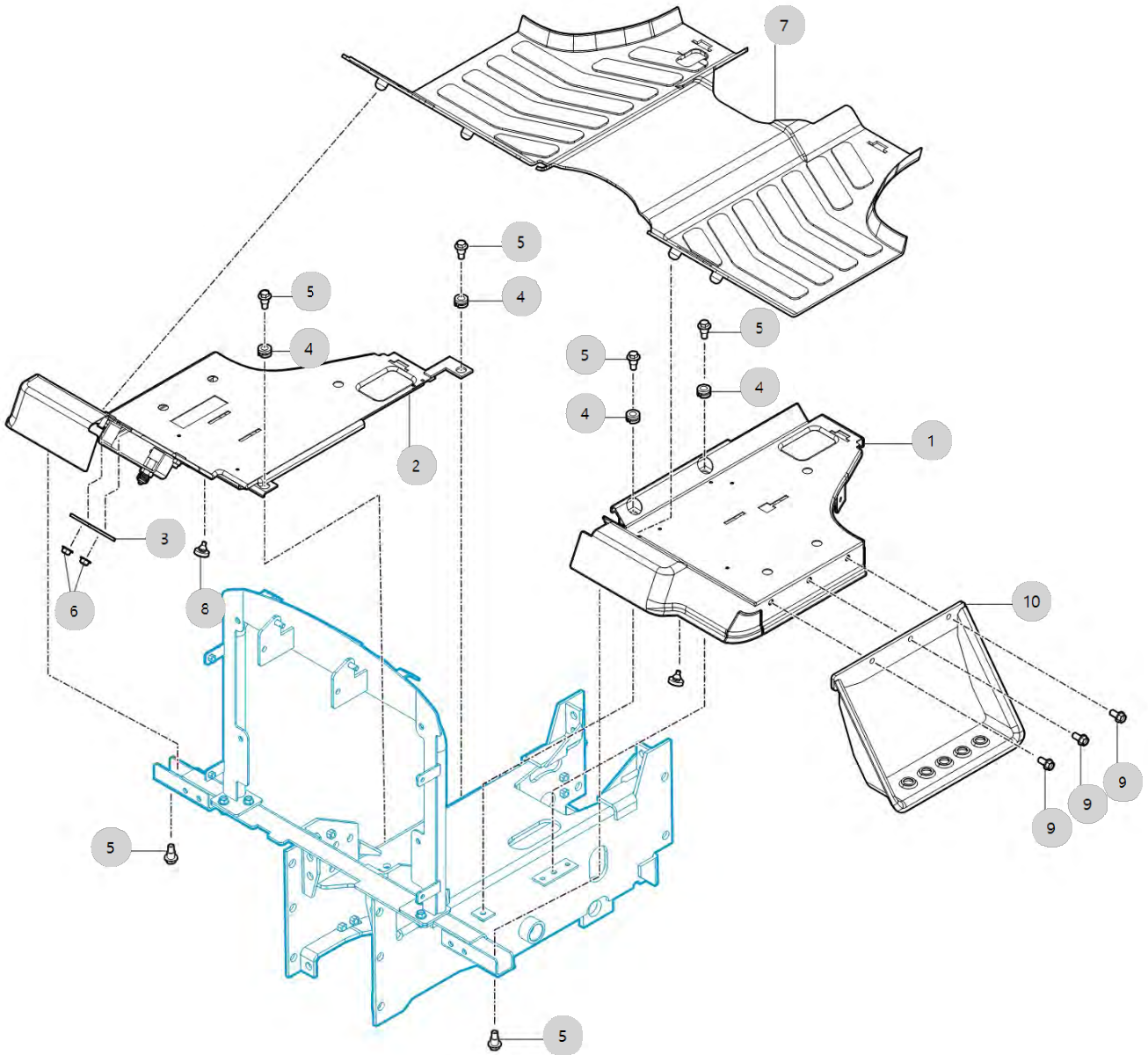
G04060

2500HL_EU_FL
(AC02165)

SUB STEP

Year/Month

2023-01-17



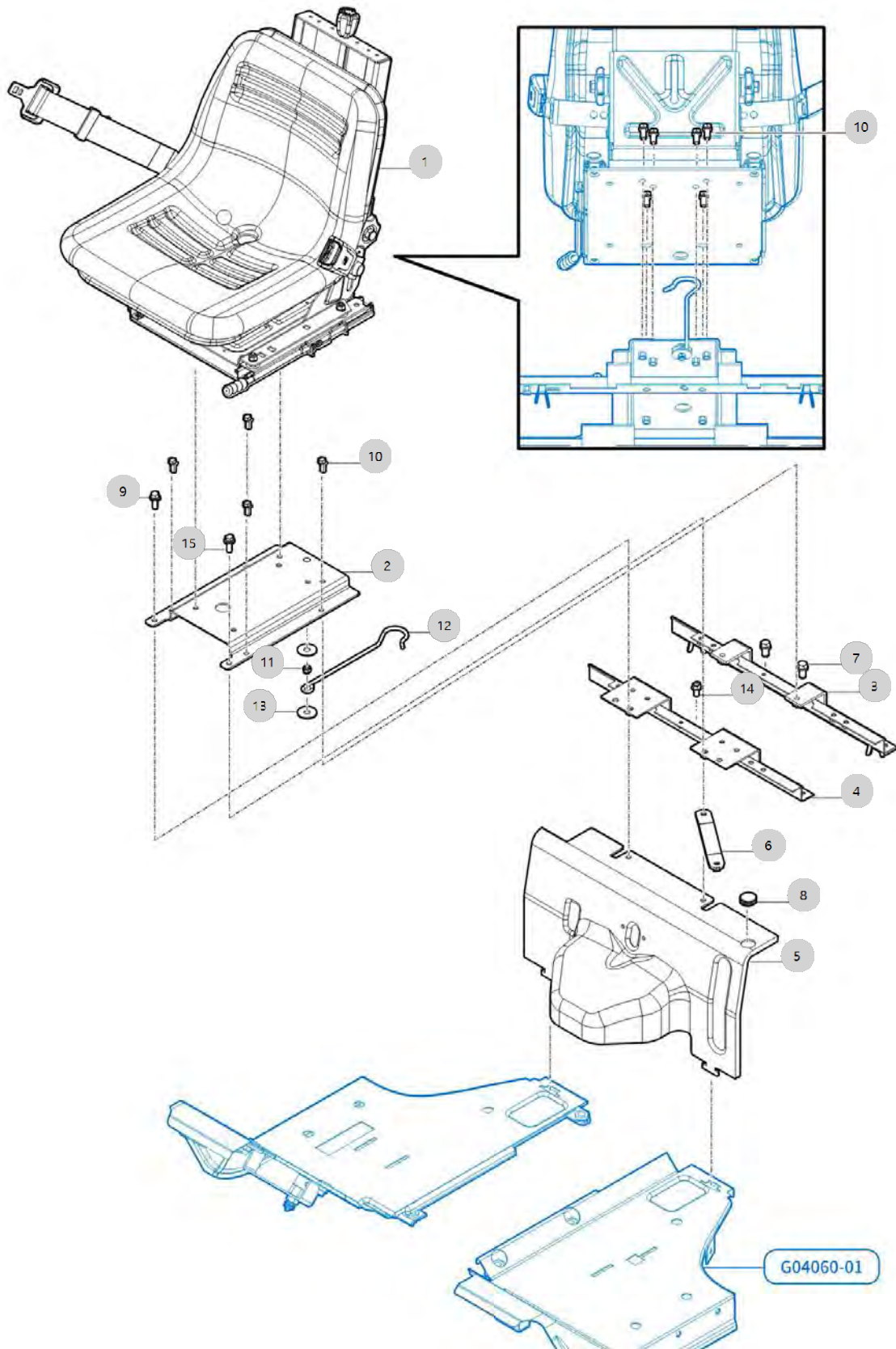
G04070

2500HL_EU_FL
(AC02165)

DRIVER'S SEAT

Year/Month

2023-01-17



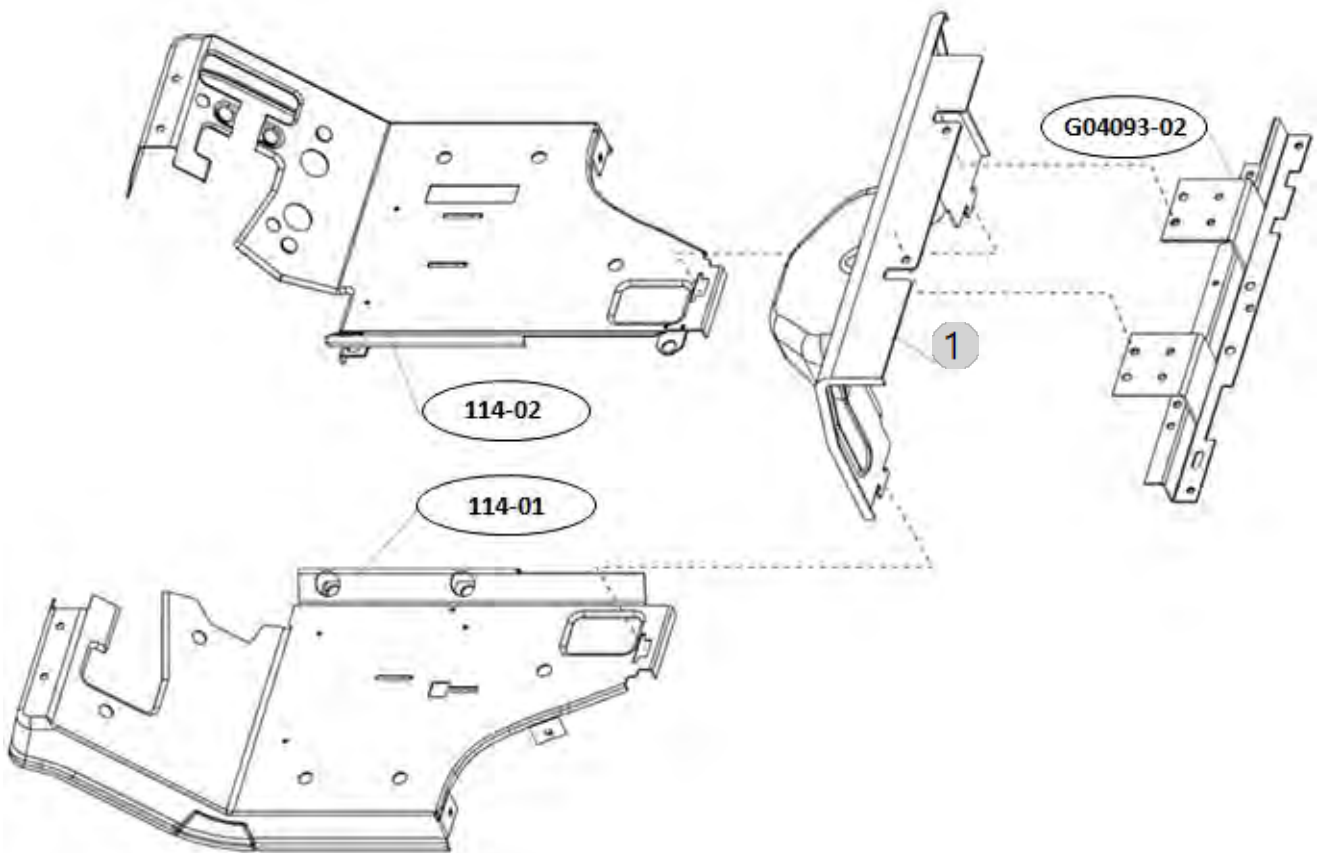
G04071

2500HL_EU_FL
(AC02165)

FLOOR SEAT

Year/Month

2023-01-17



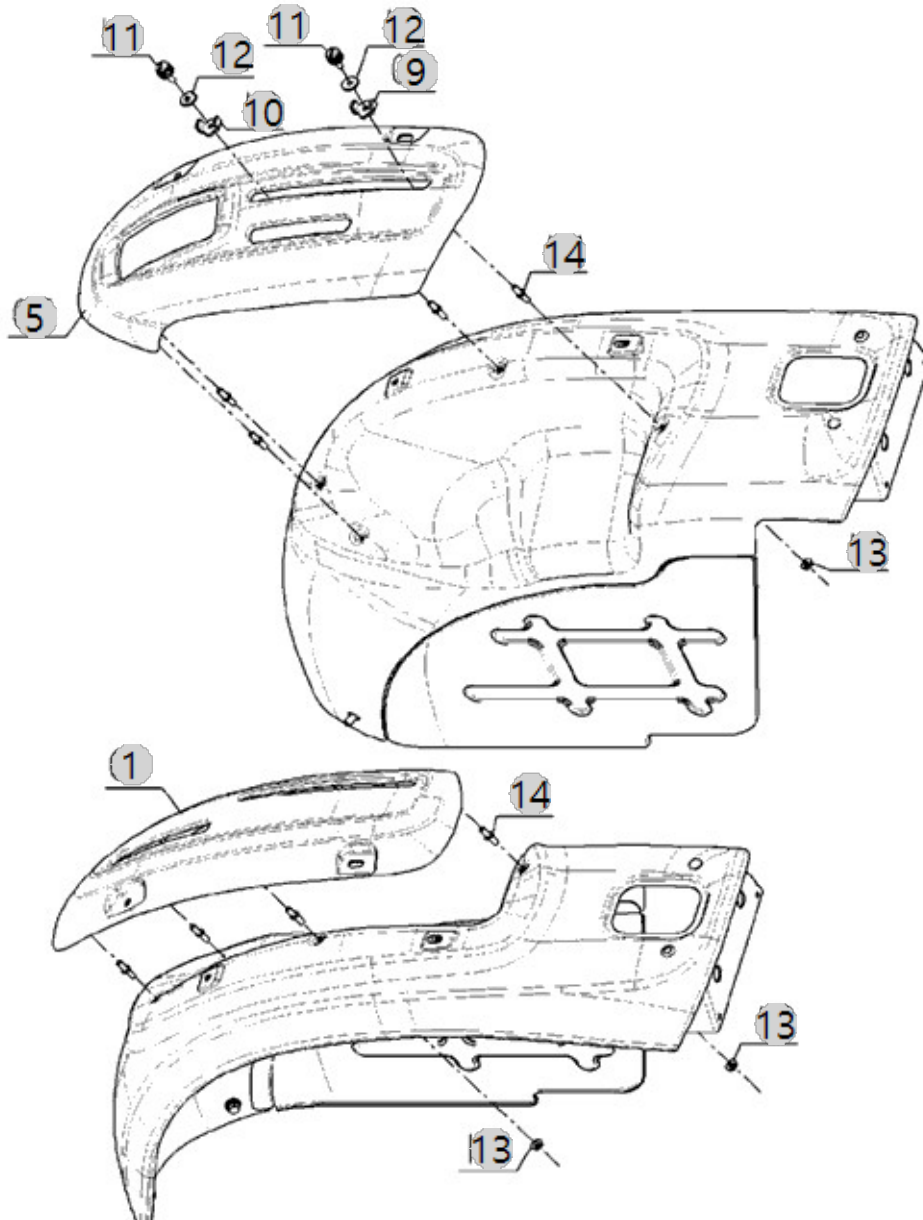
G04083M

2500HL_EU_FL
(AC02165)

LEVER GUIDE

Year/Month

2023-01-17



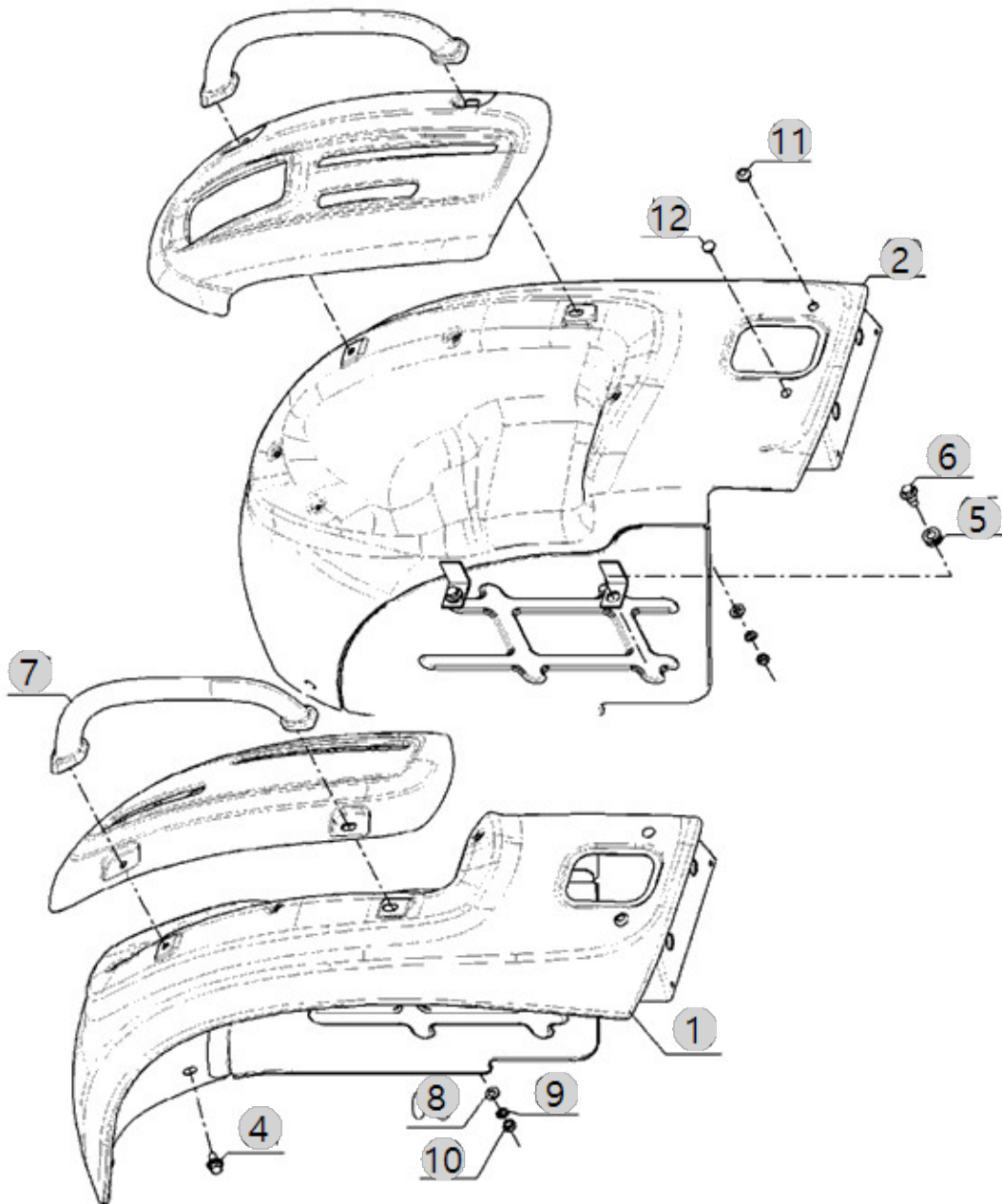
G04090

2500HL_EU_FL
(AC02165)

FENDER

Year/Month

2023-01-17



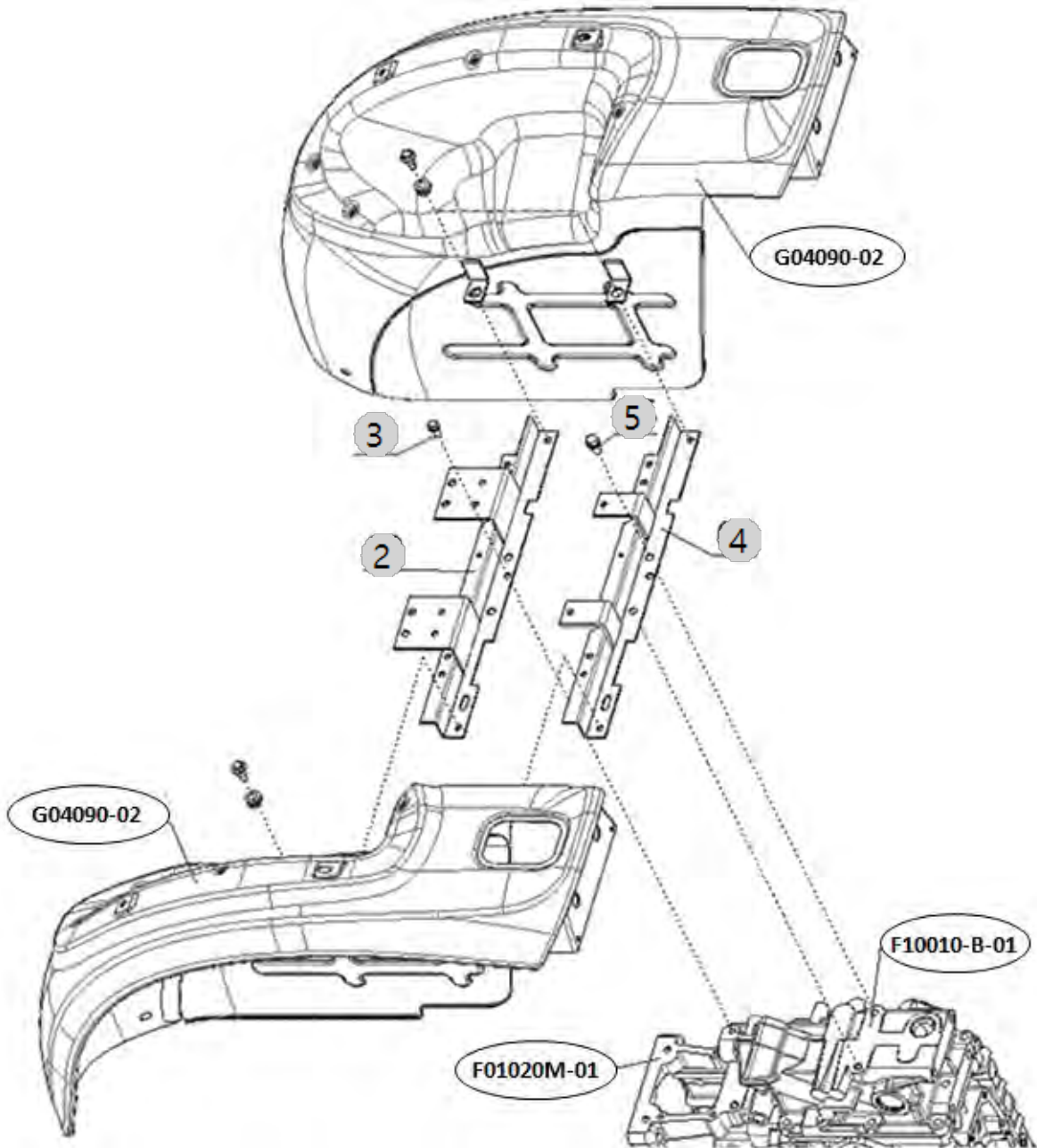
G04093

2500HL_EU_FL
(AC02165)

FENDER STAY

Year/Month

2023-01-17



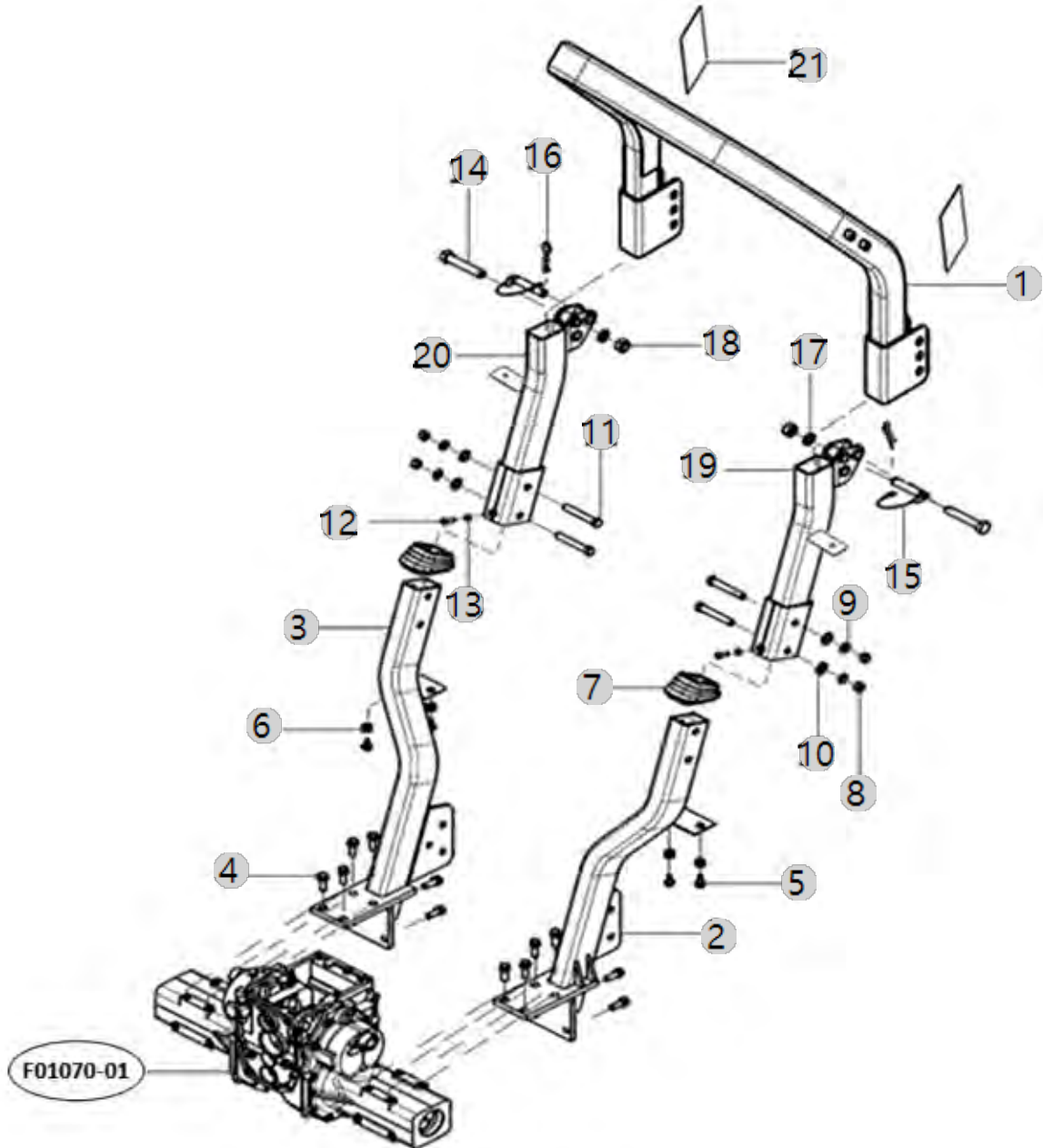
G04120-A

2500HL_EU_FL
(AC02165)

ROPS

Year/Month

2023-01-17



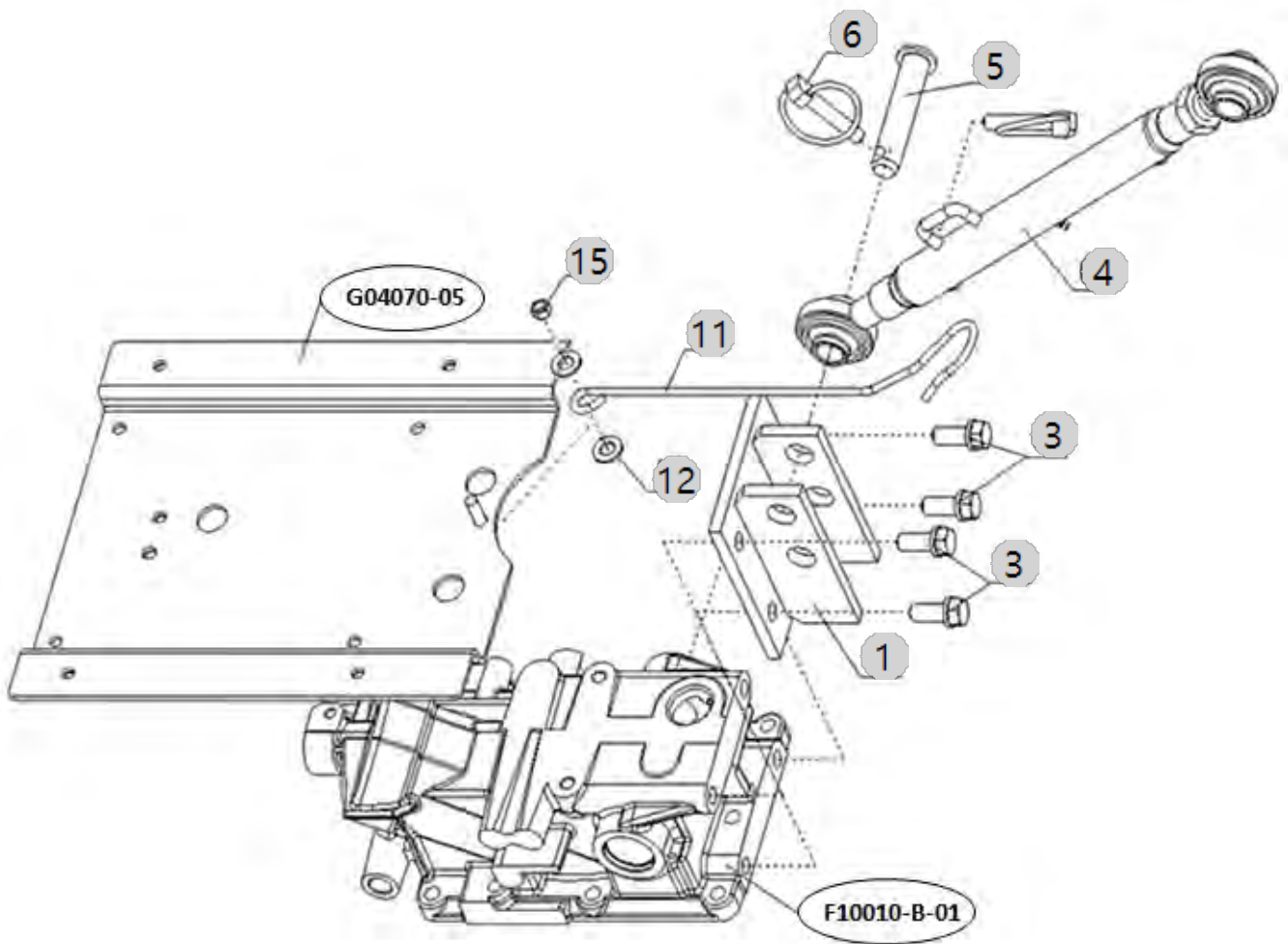
G05020

2500HL_EU_FL
(AC02165)

TOP LINK

Year/Month

2023-01-17



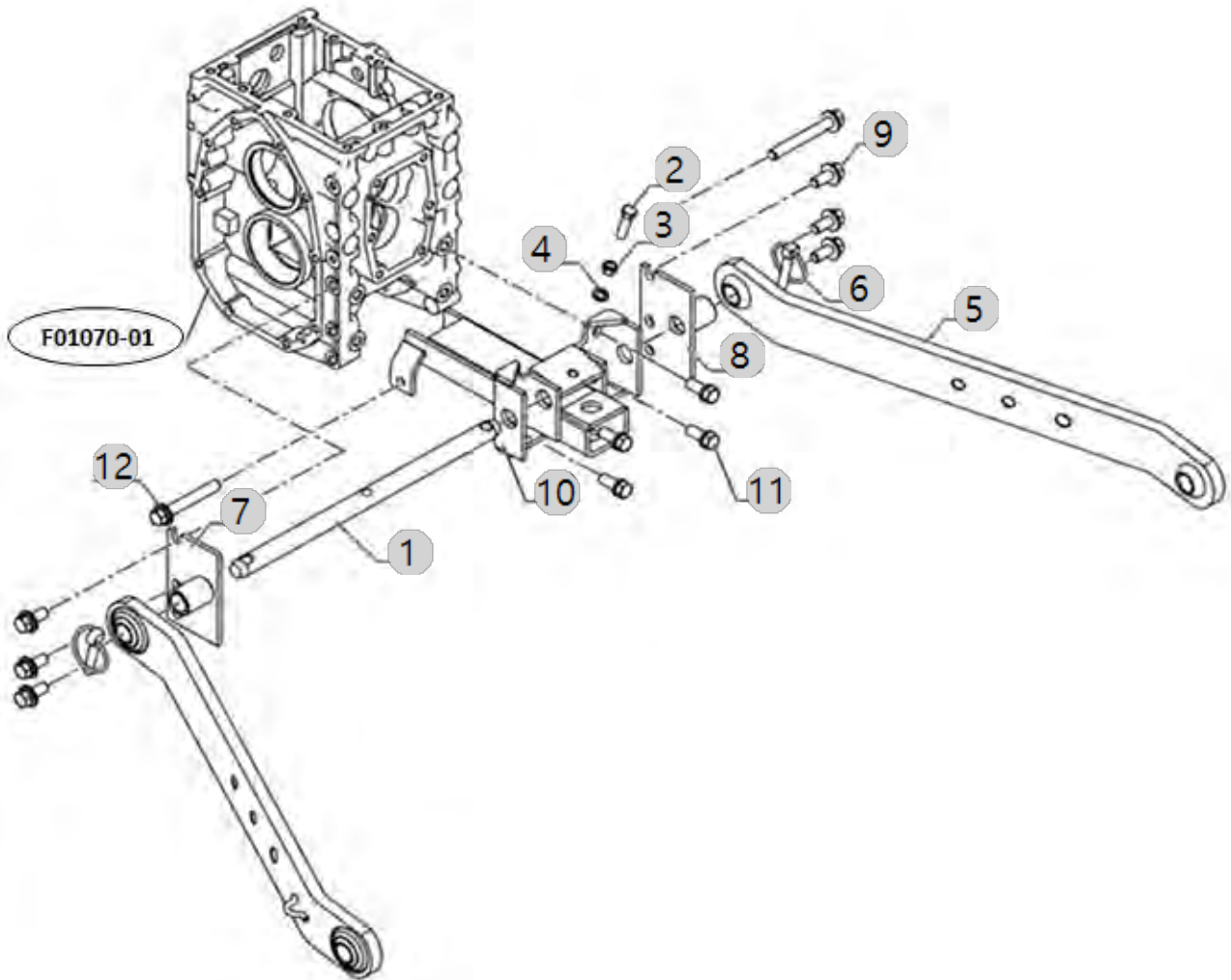
G05030

2500HL_EU_FL
(AC02165)

LOWER LINK

Year/Month

2023-01-17



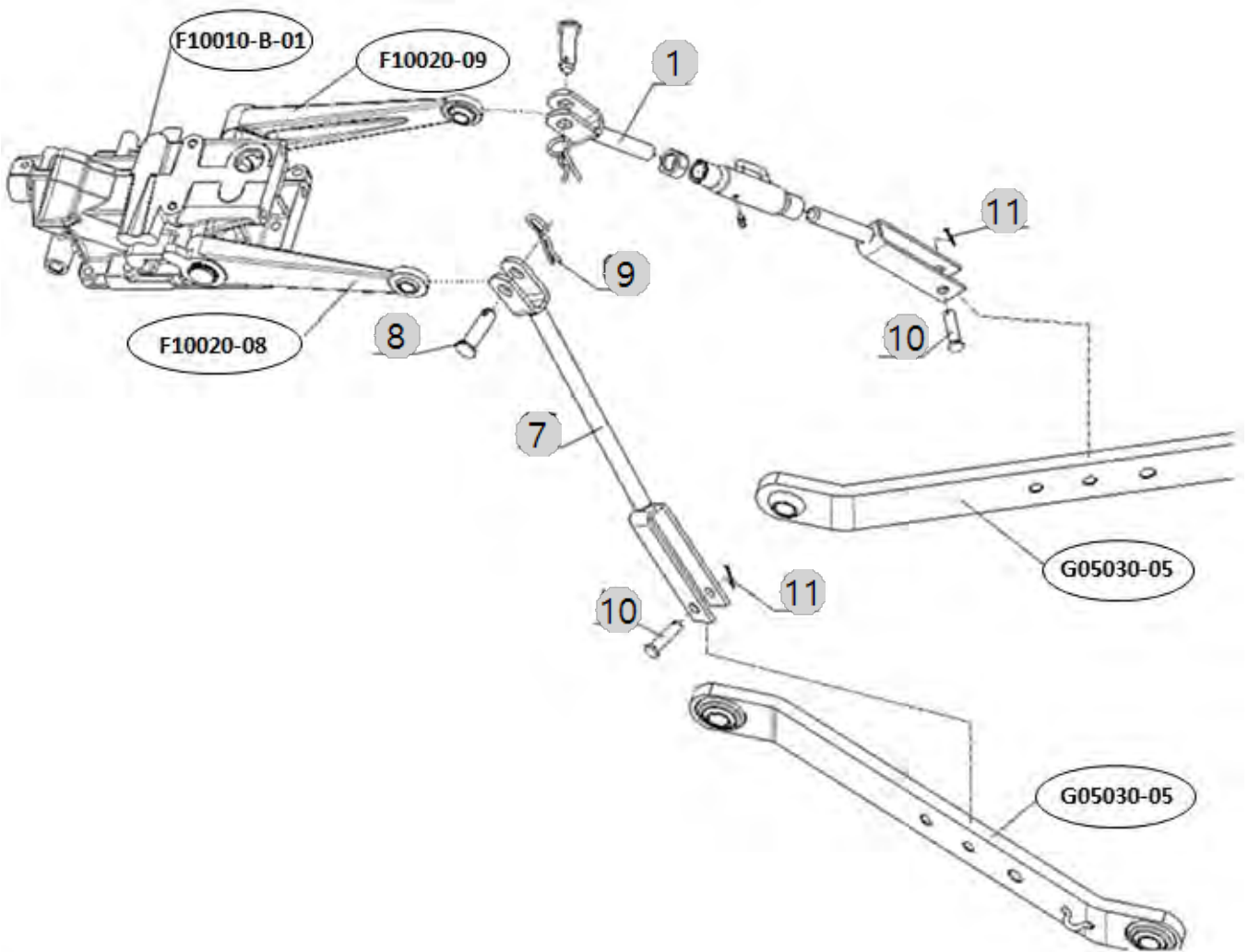
G05050

2500HL_EU_FL
(AC02165)

LIFT LINK

Year/Month

2023-01-17



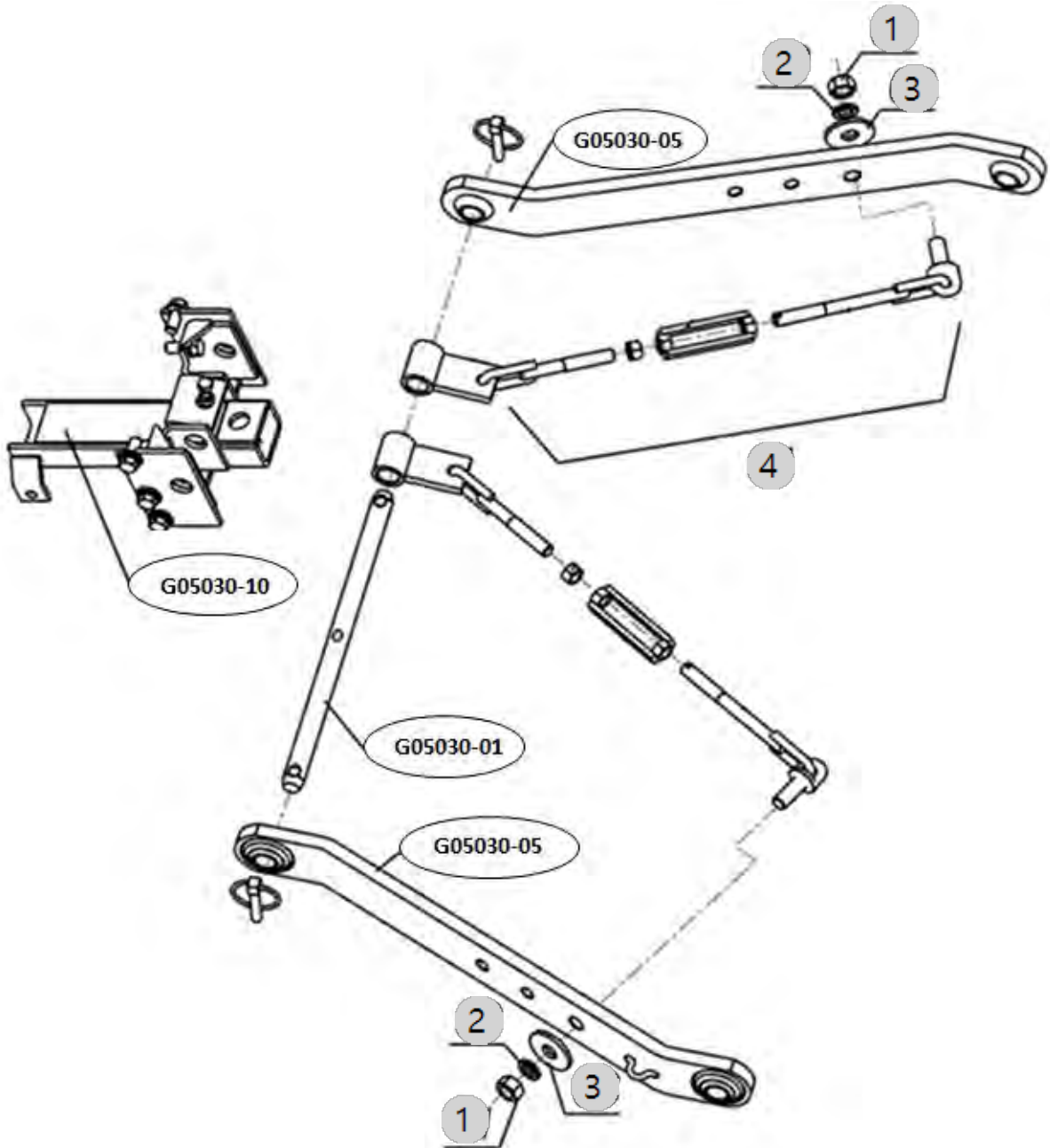
G05054-A

2500HL_EU_FL
(AC02165)

CHECK CHAIN

Year/Month

2023-01-17



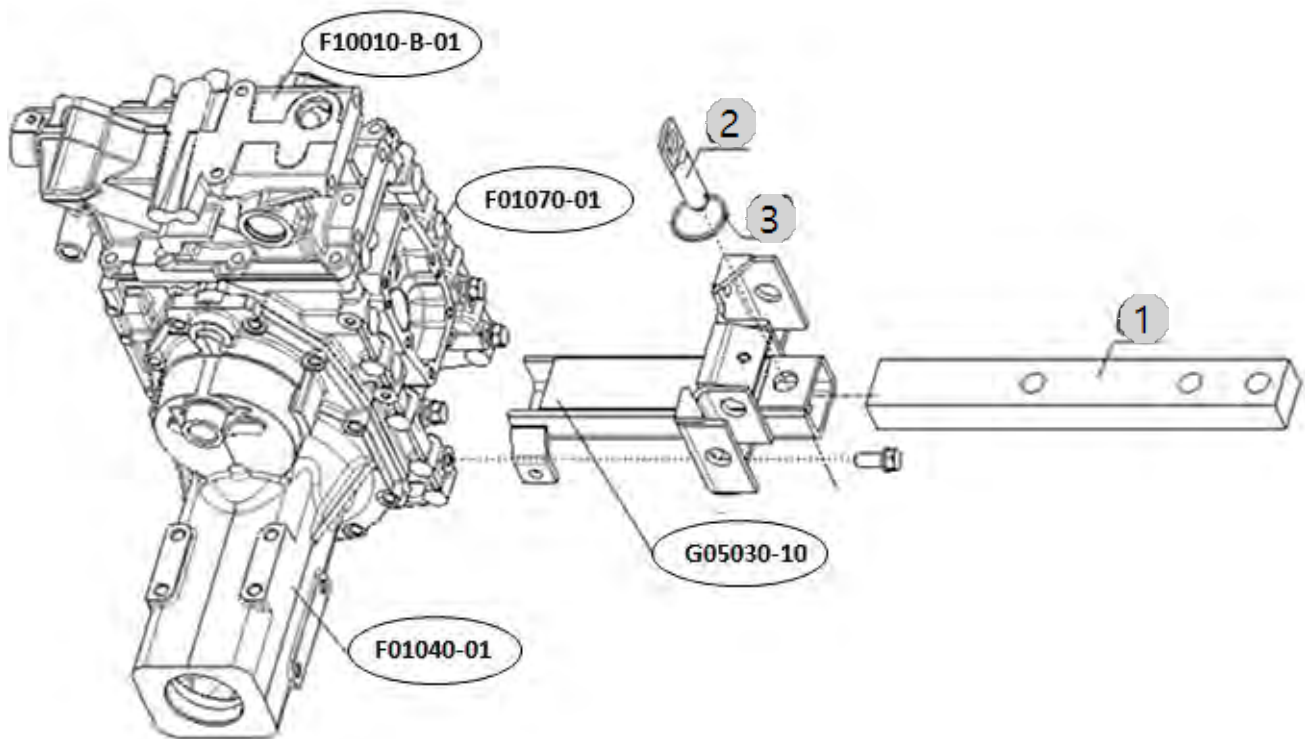
G05070

2500HL_EU_FL
(AC02165)

DRAW BAR

Year/Month

2023-01-17



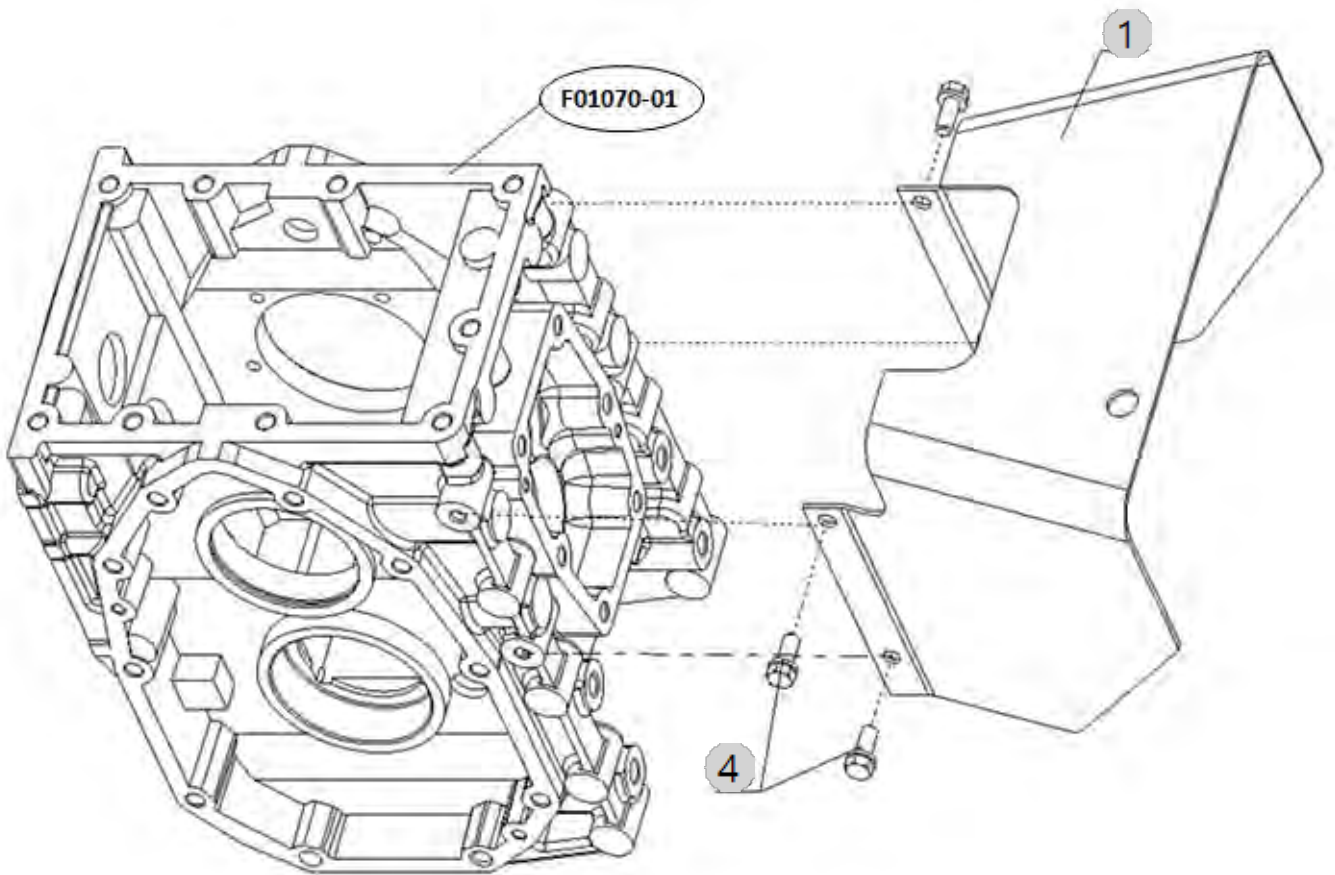
G05090

2500HL_EU_FL
(AC02165)

PTO COVER

Year/Month

2023-01-17



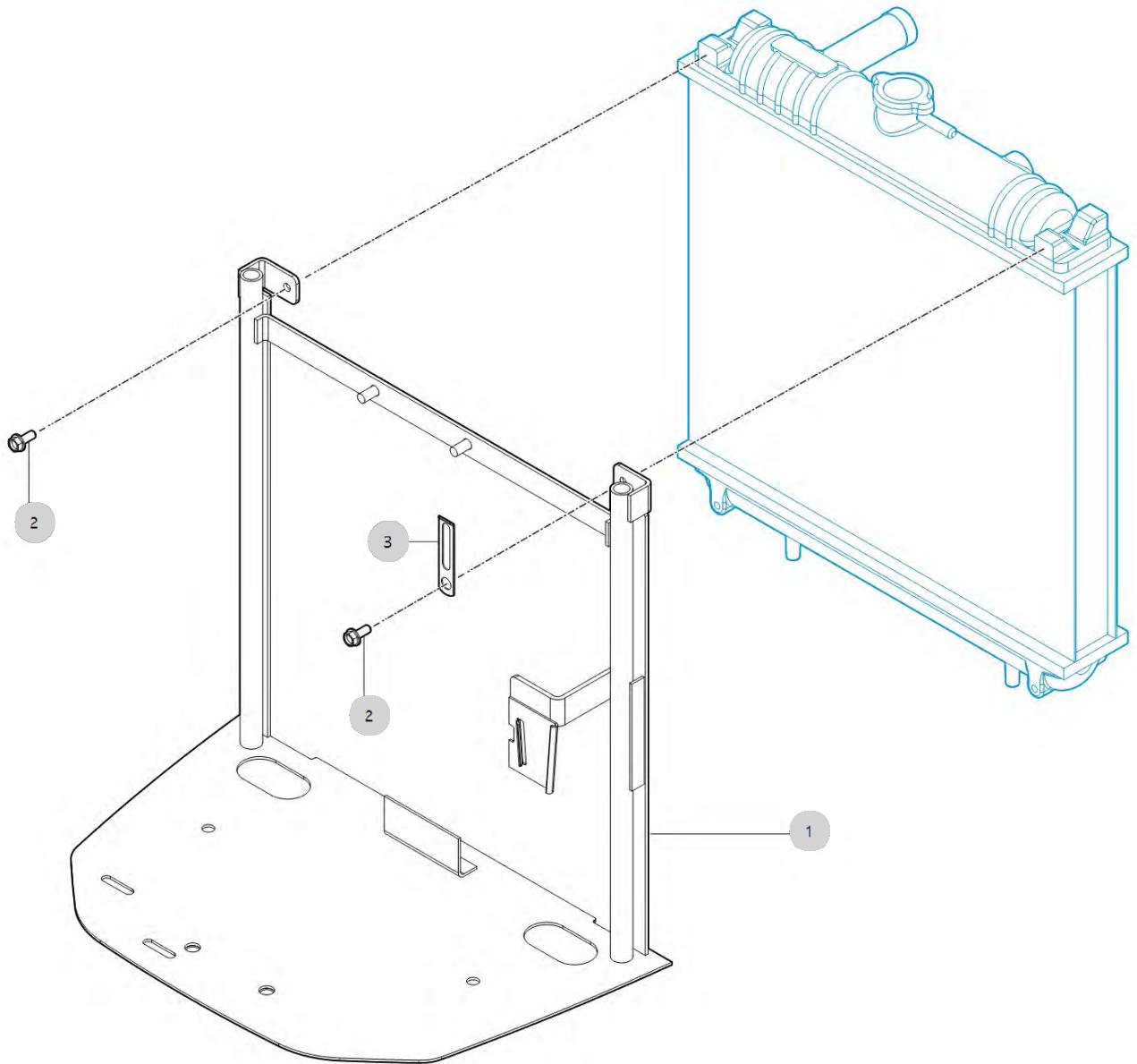
H01030

2500HL_EU_FL
(AC02165)

BATTERY

Year/Month

2023-01-17



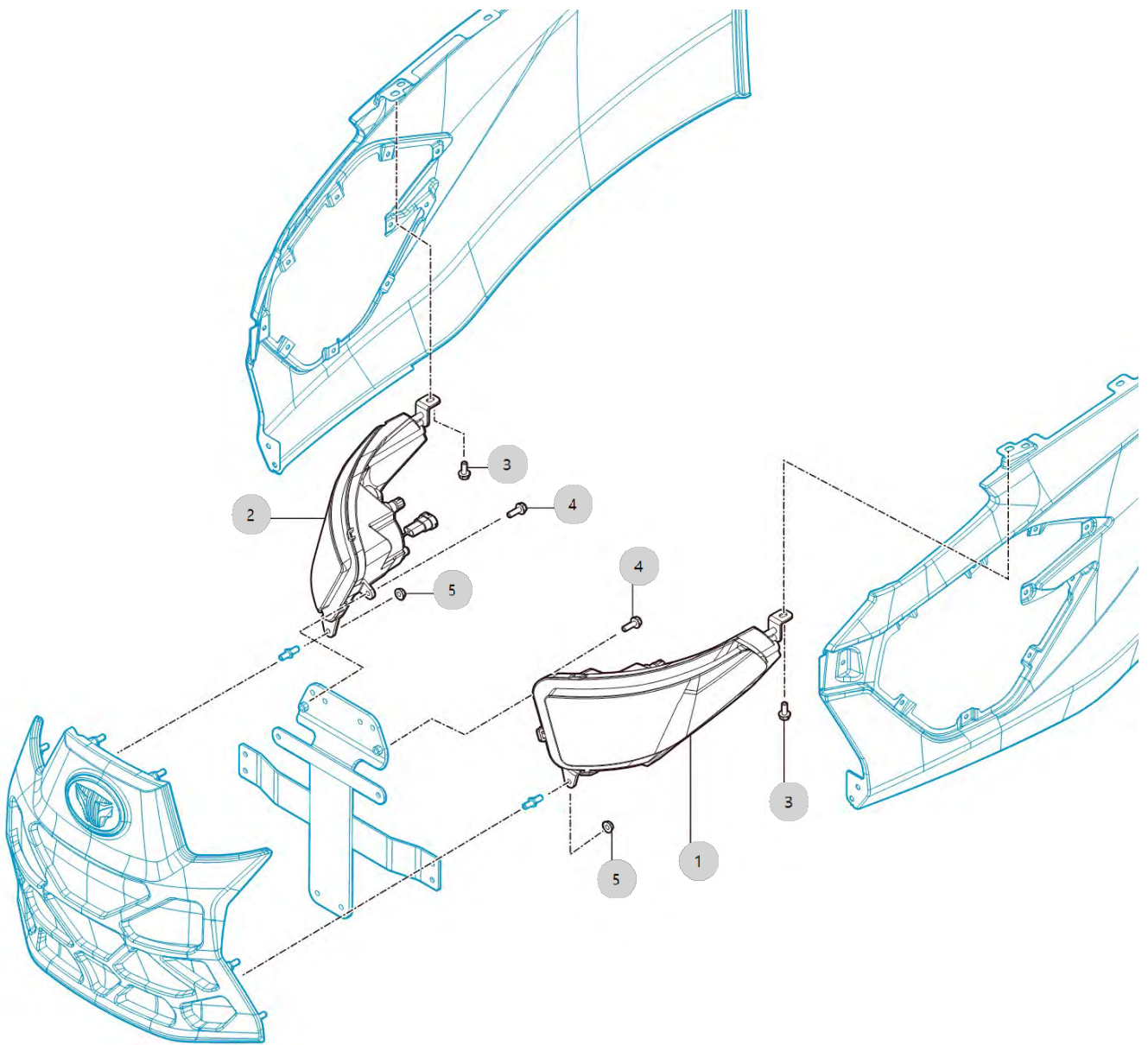
H02010

2500HL_EU_FL
(AC02165)

HEADLIGHT

Year/Month

2023-01-17



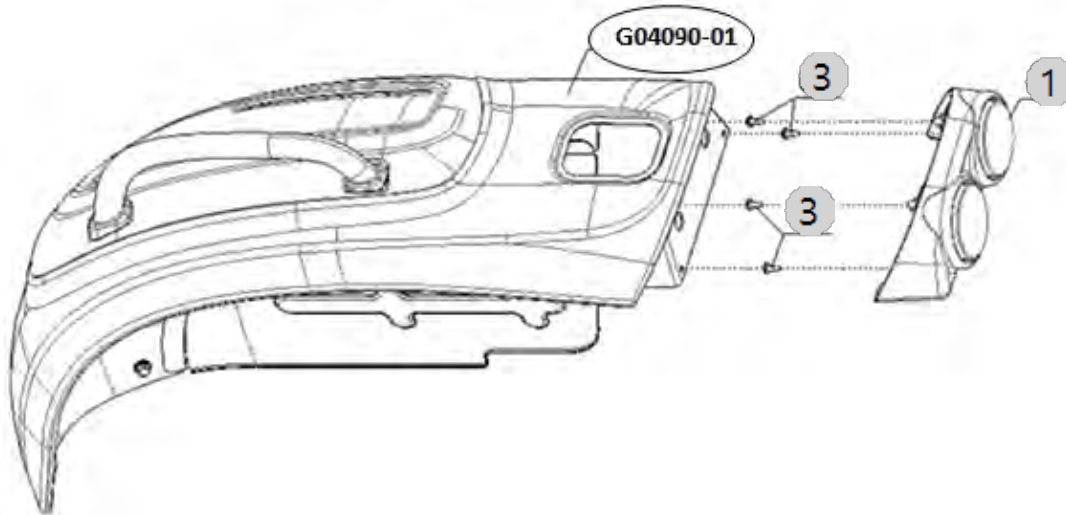
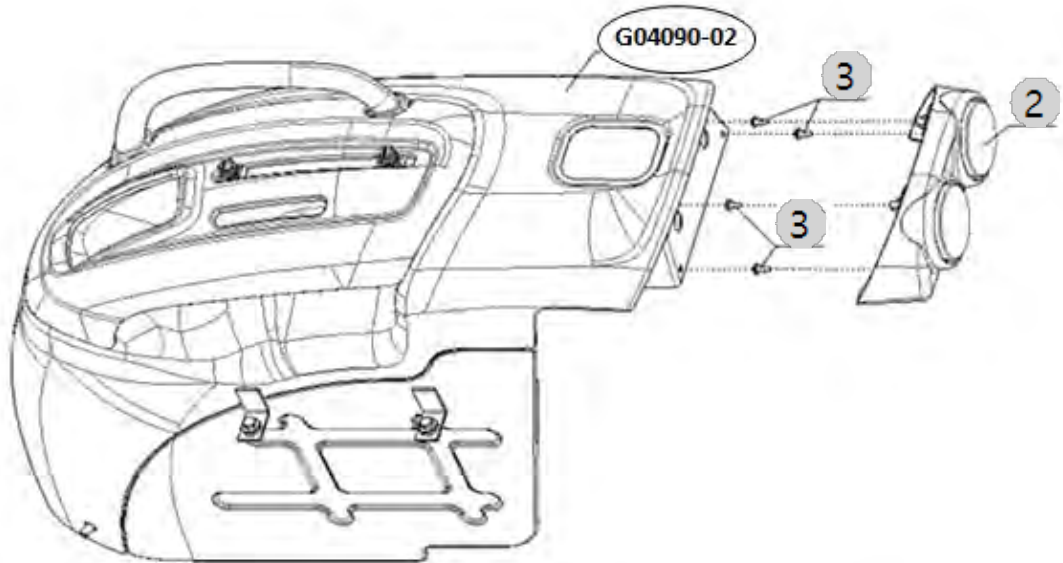
H02022

2500HL_EU_FL
(AC02165)

COMBINATION LAMP/RR

Year/Month

2023-01-17



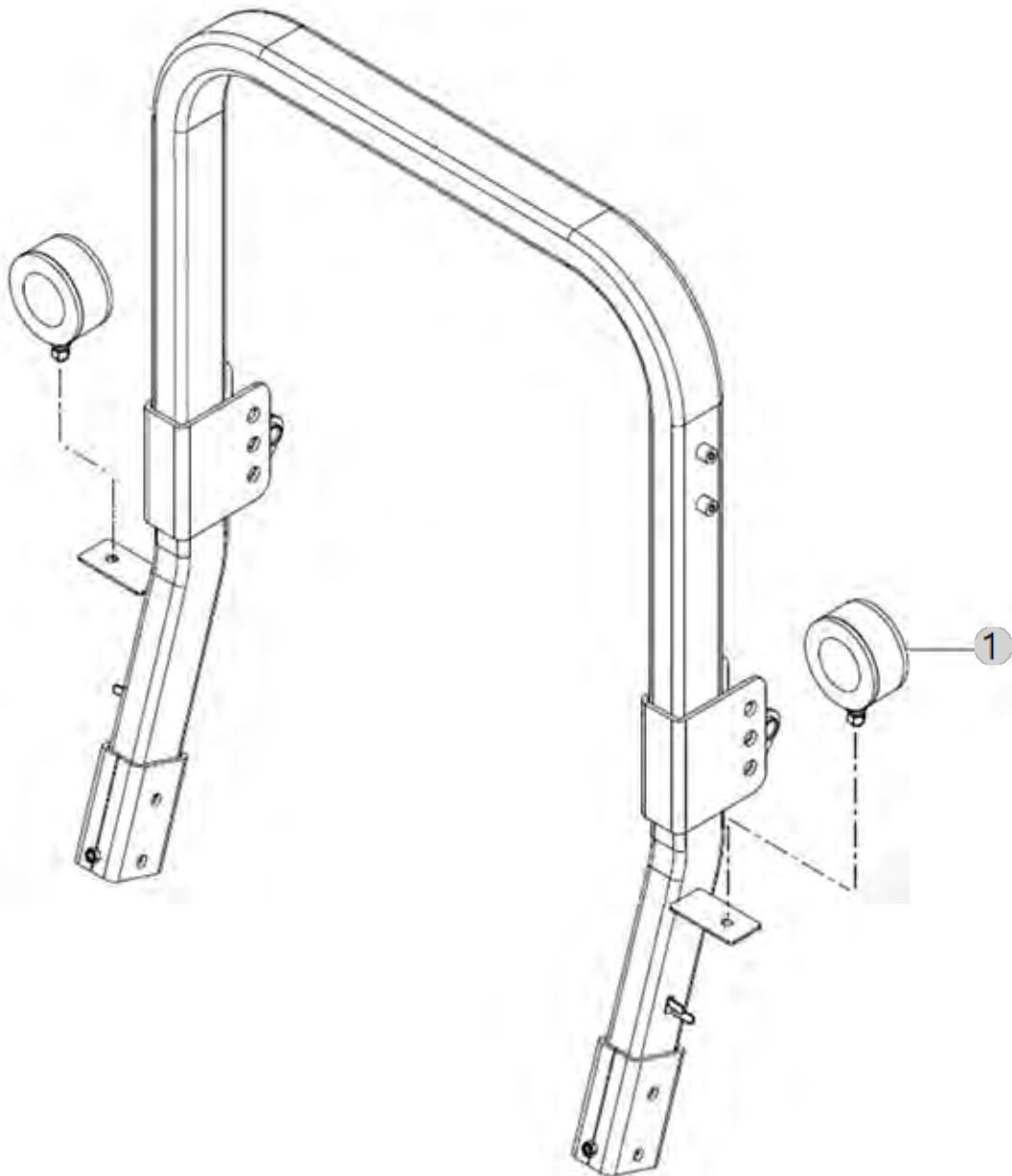
H02050

2500HL_EU_FL
(AC02165)

TURN INDICATOR

Year/Month

2023-01-17



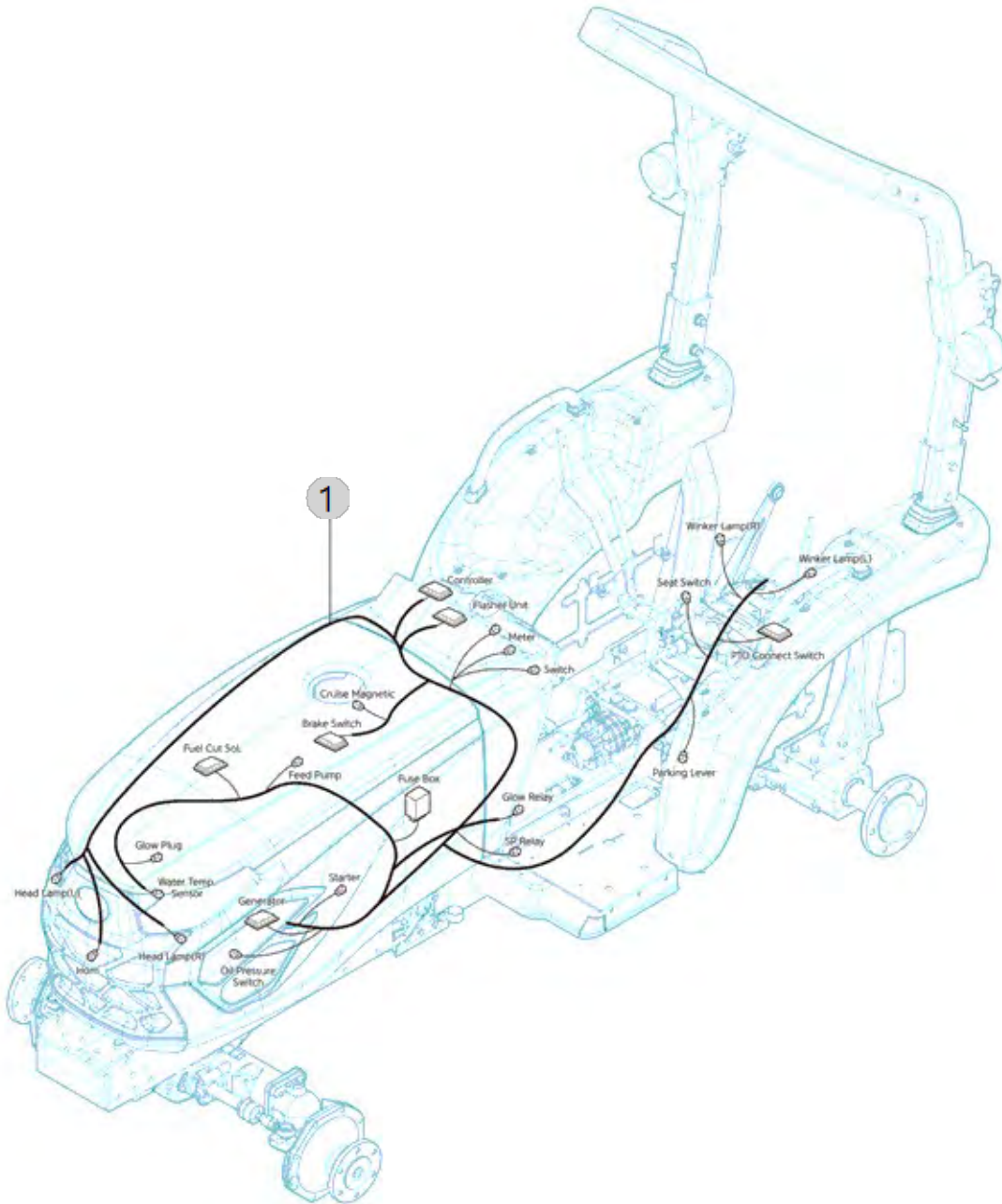
H03040

2500HL_EU_FL
(AC02165)

MAIN HARNESS

Year/Month

2023-01-17



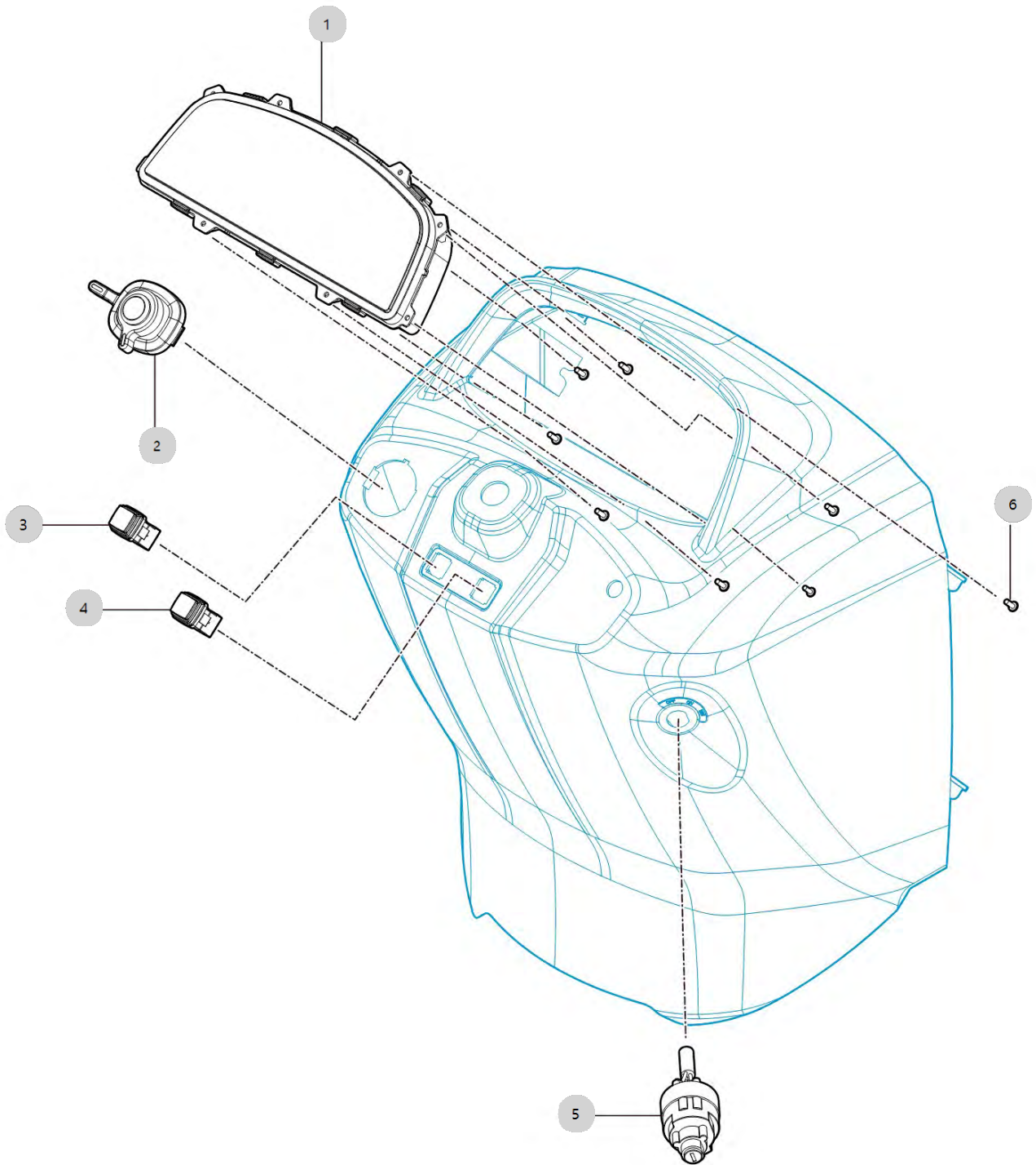
H04051

2500HL_EU_FL
(AC02165)

SWITCH/DASHBOARD

Year/Month

2023-01-17



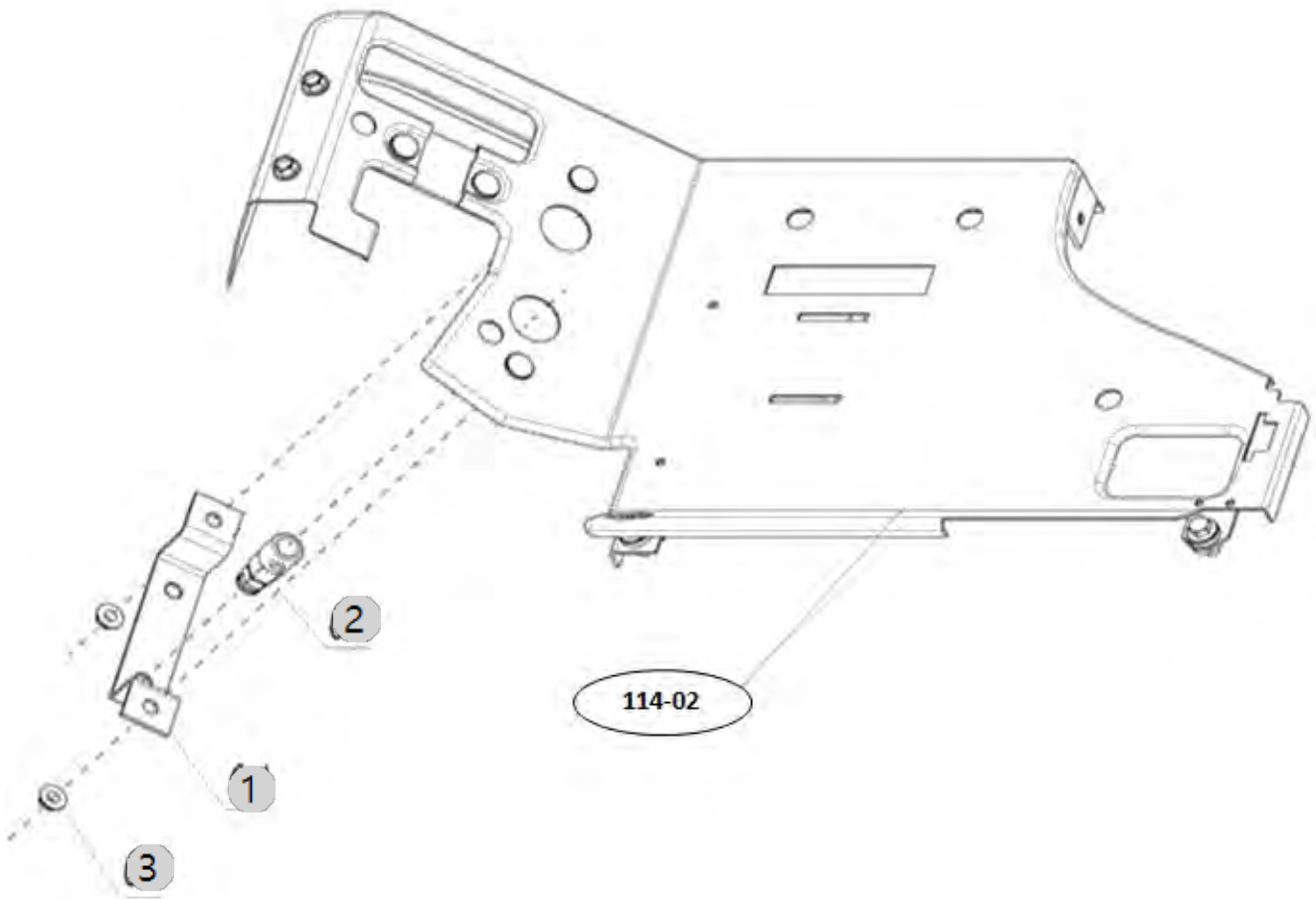
H04054

2500HL_EU_FL
(AC02165)

SWITCH/BRAKE

Year/Month

2023-01-17



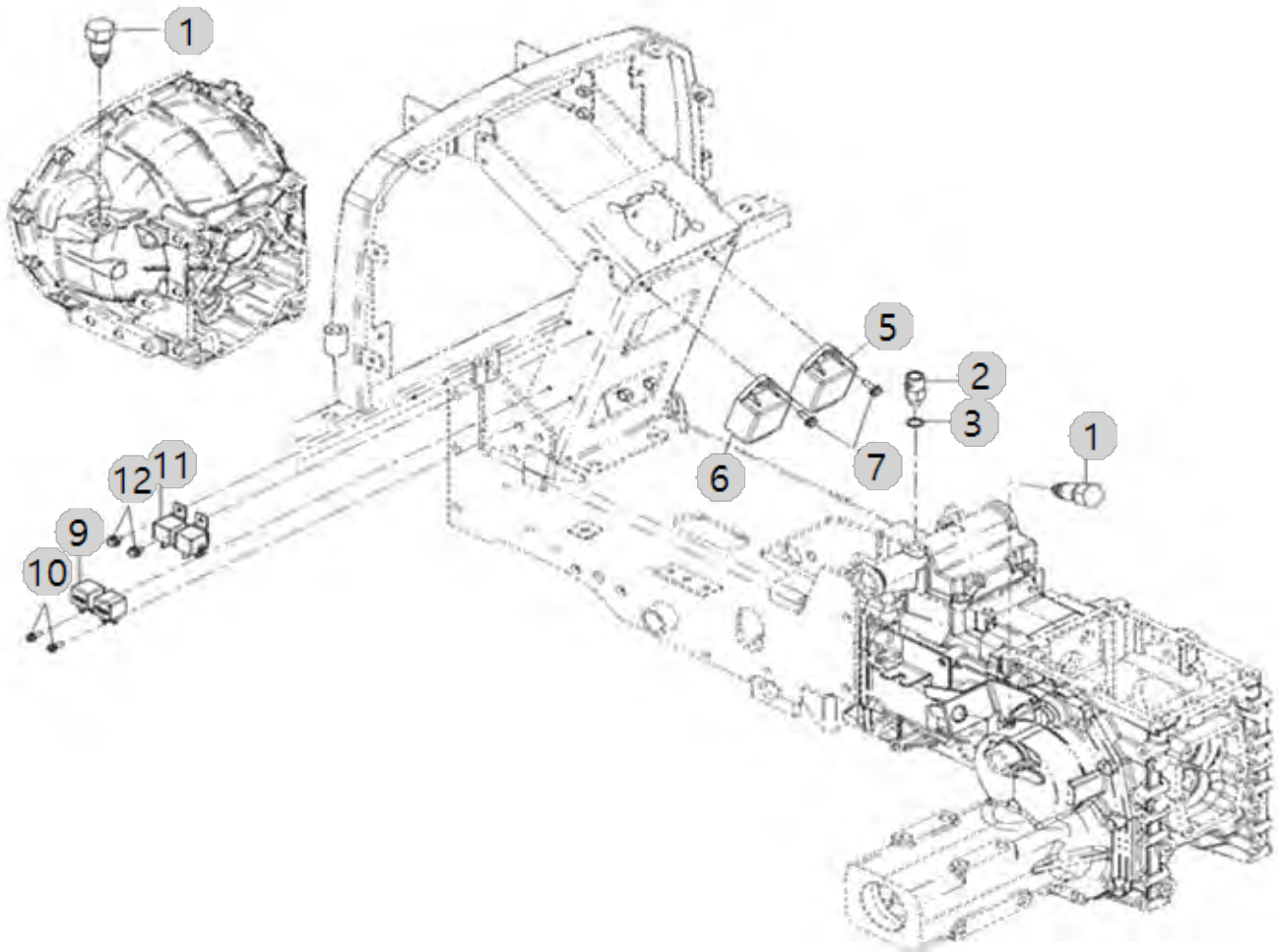
H04060M

2500HL_EU_FL
(AC02165)

ELETTRIC APPARATUS

Year/Month

2023-01-17



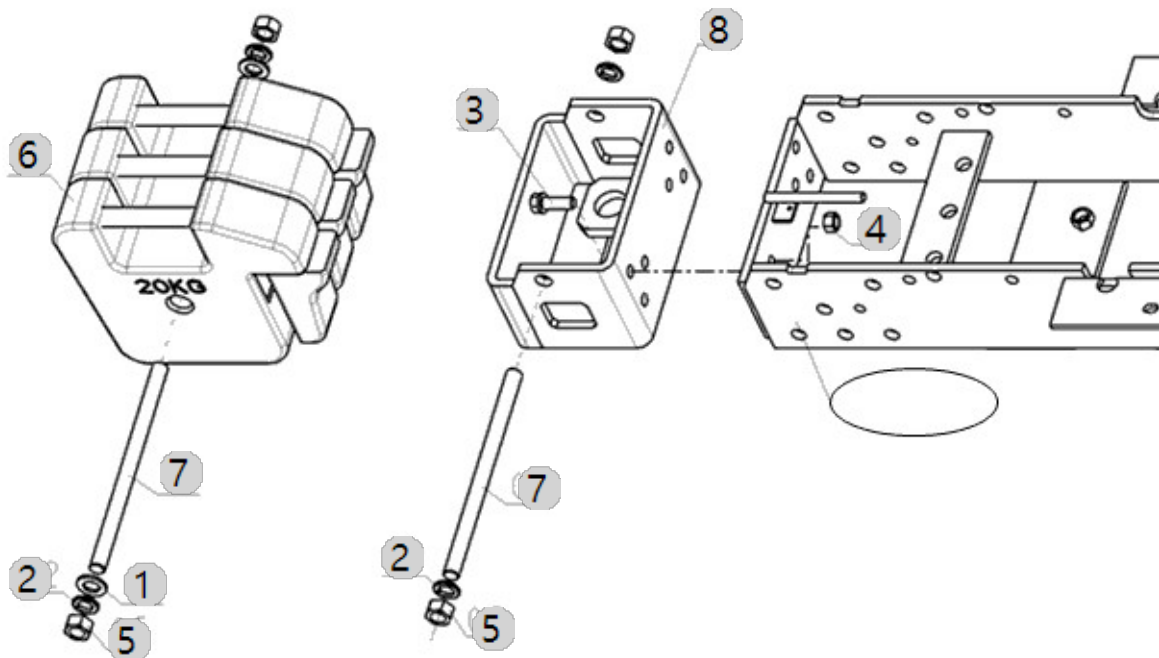
I01010

2500HL_EU_FL
(AC02165)

WEIGHT

Year/Month

2023-01-17



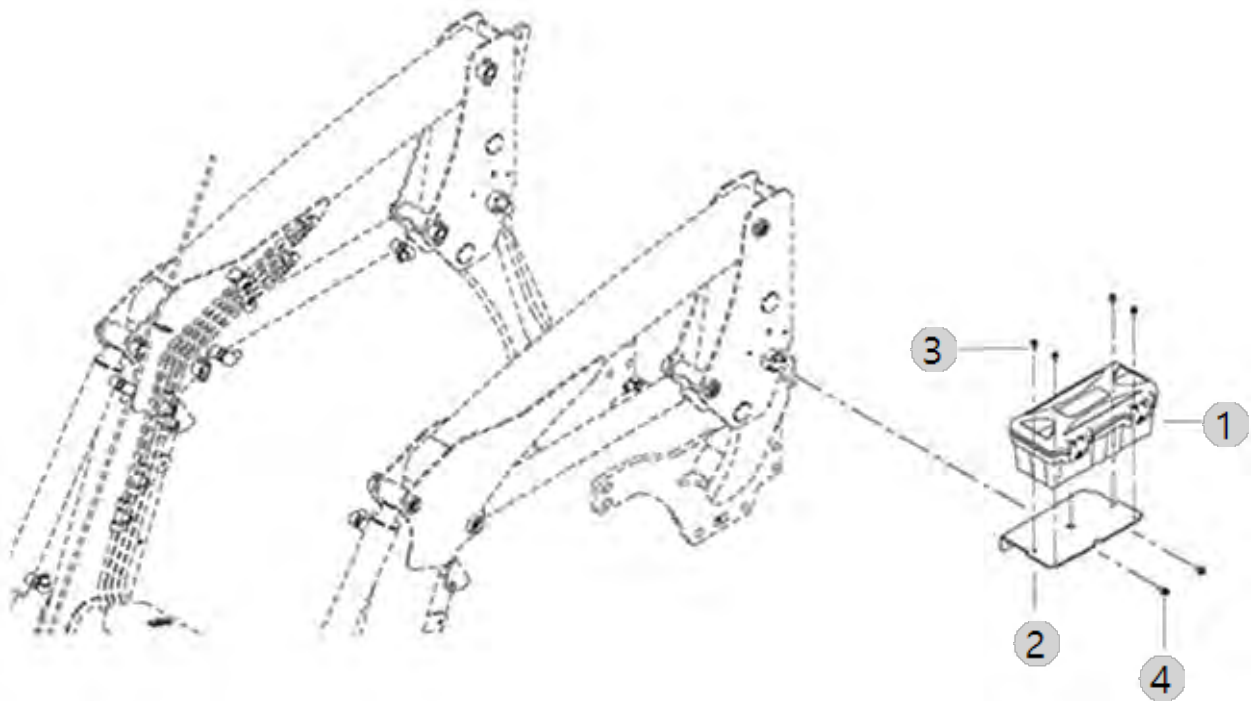
I02010

2500HL_EU_FL
(AC02165)

TOOL BOX

Year/Month

2023-01-17



I03020

2500HL_EU_FL
(AC02165)

LABEL

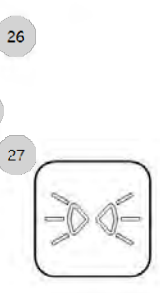
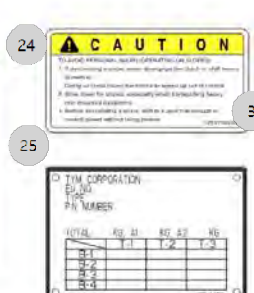
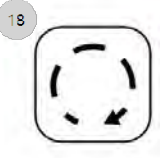
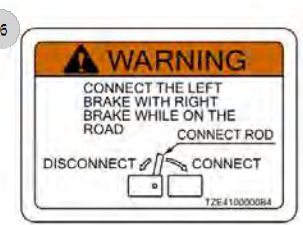
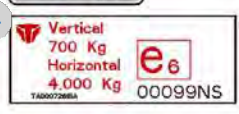
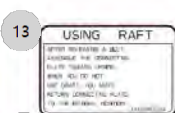
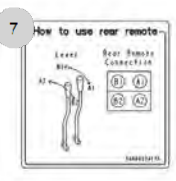
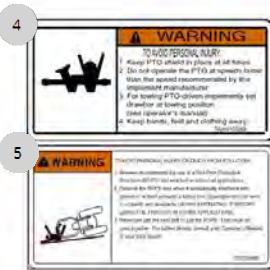
Year/Month

2023-01-17

1 **GRASPING**

2-1 **2200** 2-2 **2400** 2-3 **2400H**

2-4 **2500** 2-5 **2500L** 2-6 **2500H** 2-7 **2500HL**



I03020 2500HL_EU_FL (AC02165)		LABEL				Year/Month
						2023-01-17
순번 (NO)	부품번호 (PART NO)	품명 (PART NAME)	품명 (PART NAME)	수량 (QTY)	규격 (SPEC)	비고 (REMARK)
1	TA00058240A	GRASPING AREA 명판	GRASPING AREA NAME PLATE	1		
2-1	TA00072560A	본네트명판(2200)	DECAL_2200	2		
2-2	FED2020000A	본네트 명판 - 2400	NAME PLATE(2400)	2		
2-3	TA00017463A	본네트명판 - 2400H	NAME PLATE(2400H)	2	-	
2-4	TA00072561A	본네트명판(2500)	DECAL_2500	2		
2-5	TA00072760A	본네트명판(2500L)	NAME PLATE, 2500L	2		
2-6	TA00072572A	본네트명판(2500H)	DECAL_2500H	2		
2-7	TA00072536A	본네트명판(2500L)	DECAL	2		
3	TA00040423A	PTO명판	NAME PLATE, PTO	1		
4	TA00015596A	PTO경고명판	PTO WARNING PLATE	1		
5	TA00072223A	ROPS형식명판(n)	NAME PLATE, ROPS	1		
7	TA00042169A	SCV작동명판(2PORT)	NAME PLATE, SCV	1		
8	TA00036924A	경고 명판	WARNING NAMEPLAET	1		
9	NTE5210000A4	경고명판(안전)		1	0.05T	
10	NTE5150000D4	경고명판(안전벨트)	NAMEPLATE, SEAT BELT	1	NONE	
11	TA00053623A	그리스주입명판	GREASE PLATE	1		
12	TZE4190000A4	급유주의명판	LABEL,FUELCAUTION	1		
13	TA00015725A	드래프트지시명판	DRAFT CONTROL LABEL	1		
14	TA00072225A	드로우바 명판	NAME PLATE, DRAWBAR	1		
15	TA00072205A	본네트명판(TYM,60)	NAME PLATE_TYM	1		
16	TZE4100000C4	브레이크페달명판	NAMEPLATE, BRAKE PEDAL	1	NONE	
17	TA00040422A	부변속 명판	NAME PLATE, SUB SHIFT	1		
18	NTE504E000A4	시동명판	NAME PLATE, STARTING	1	0.05T	
20	TZE5160000C3	안전주의명판	NAMEPLATE,CAUTION-SAFETY	1	NONE	
22	TZE5180000C4	회전체주의명판	NAME PLATE, REVOLUTION	1	NONE	
23	TZE5130000C4	주의명판	NAME PLATE, CAUTION	1	NONE	
24	TZE5770000B3	주의명판(비탈)	MARK,WARNING	1	NONE	
25	TA00072222A	형식명판(EC)	NAME PLATE, MODEL	1		
26	TZE4130000B4	차동명판	LABEL,DIFFERENTIAL	1	NONE	
27	NTE502E000A4	차폭등(FRONT)명판		1	0.05T	
28	TA00040603A	클러치작동명판(영문)	NAMEPLATE, CLUTCH	1		
29	TZE4330000B4	키스위치명판	MARK, MAIN SWITCH	1	NONE	
30	TZE5140000C3	하차시경고명판	NAMEPLATE, DOWN LOAD	1	NONE	
31	HA00002055A	전원차단 스위치_명판	CUTOFF POWER TABLE	1		
32	TZE4150000A4	주차브레이크고정명판	LABEL, PAKING BRAKE	1	0.05TX25X56	
33-1	TA00072537A	ROPS형식명판(2500L)	DECAL	2		
33-2	TA00060928B	ROPS형식명판(2610)	ROPS NAME PLATE(2510L)	2		
33-3	TA00072559A	ROPS형식명판(10)	DECAL_ROPS	2		
34	TZE5110000C4	스타터위험명판	MANE PLATE, START	1	NONE	
35	NTE5220000C4	위험명판	NAMEPLATE,DANGER	1	0.05T	
36	TZE5050000B4	전륜구동명판	LABEL,FRONTDRIVE	1	NONE	
37	TZE5170000C3	ROPS경고명판	NAMEPLATE, ROPS CAUTION	1	NONE	
37	TZE5170000B3	ROPS경고명판	NAME PLATE, ROPS CAUTION	1	0.05T	