

Parts Catalogue

T474NH



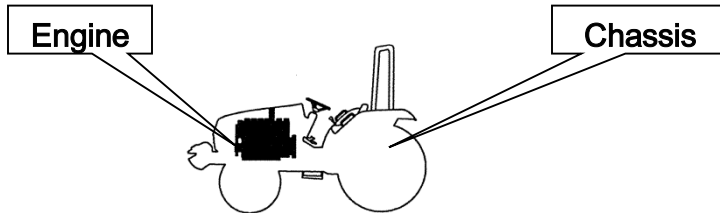
Important tips of Parts Catalogue

We thank you for your purchasing our product, manufactured under strict quality control, by gathering plenty of experiences and new technology, designed for a comfort and pleasant work.

1. Part Composition

This catalogue deals with engine and chassis.

Detailed classifications are listed in the following page.



2. For locating parts easily, Please Note:

A. If you know the assembly where the part is used.

-Refer to the relevant figure from the identifying group symbol illustration,

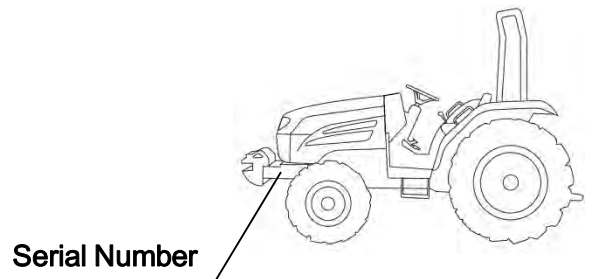
-Locate the relevant chapter

-Refer to the particular chapter desired.

3. For ordering parts

To obtain spare parts please contact your nearest dealer and give him the details listed below.

- ① Tractor Model : Tractor
- ② Tractor Serial Number : W050000
- ③ Part Number : 16001032000
- ④ Description : Air cleaner assembly
- ⑤ Quantity required: 1



4. For ordering PARTS CATALOGUE

This is Priced item and one is to order the same on part No. 13219400020

This supersedes all our editions.

Note) When replacing parts, please use original spare parts to be sure of the performance and the longer life of the product

※ The information in this catalogue may at any time be modified without a prior notice for the improvement of performance, please consult our spare parts dept. for the detailed inquiry.

5. How to use parts catalogue

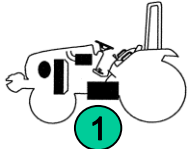
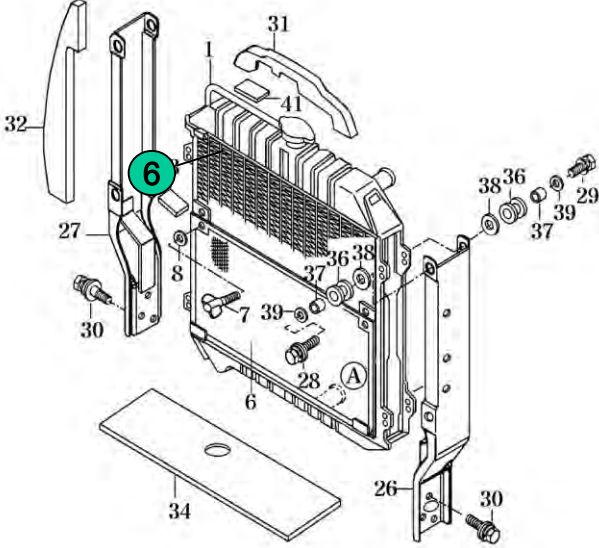
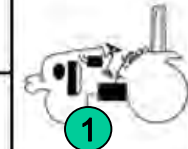
FIG 021 2	3 RADIATOR	P1 4	Year 5 2014	
				
NOTE	13			

FIG 021 2	3 RADIATOR	P1 4	Year 5 2014				
KEY NO	PART NO	PART NAME	SPEC	QTY	REPAIR	E/G SERIAL NO	REMARKS
023	001	14571042001 RADIATOR SET		1			
023	002	14571042101 RADIATOR SET		1			
023	003	14571042171 SHROUD		1			
023	006	14571042001HB NET COMP					
023	007	V271042012 BOLT, WING	M6X12				
NOTE	13						

- ① Group Indication : Indicate the relevant location of the part with a symbol illustration.
- ② Figure Number: Indicate the relevant section of the machine with a figure number.
- ③ Section Name : Indicate the section name of the machine
- ④ Section Page : Page number of the section in this catalogue.
- ⑤ Date : Show the Year of the section made or updated

⑥ Key number : Indicating number of each parts in the illustration.

⑦ Part Number : Unique part number maintained in our system

The part number starting with V or M means it is TYM s standard part

The alphabet at the end of part number means the status of material or the color of paint

Legend : M:Machining, DG:Dark Gray, BR:Bright Red, SW:Summer White, PB:Pure Black, GB:Glossy Black, SR:Super Red, MS:Metallic Silver DD:Heat proof Black, TY: Tangerine Yellow etc.

⑧ Description : Description of a part, Abbreviation means as follows.

- Indicate the mixture condition of a part

ASSY : Assembly with a mixture of several parts, so can be broke up retaining their original form

COMP : Assembly with a mixture of several parts, but can not be broke up retaining their original form

SUB : mean the same as ASSY but used in lower level in aid.

SET : Part consist of ASSY, COMP, and part(s) as a group

- Indicate the location of a part

LH: Left, RH: Right, FR: Front, RR: Rear, UPR: Upper, LOW: Lower

⑨ Type : Type of the standard items like bolt or nut

⑩ Quantity : Total quantity of the part referred to in the page.

Symbol below indicate options. So, show the quantity of each option.

Note) AR means as requested quantity.

⑪ Repair Parts consumption frequency class: indicate the level of a part in aid of stocking spares, anticipating the service requirements.

A :Fast moving part(frequently required)

B :Medium moving part (sometimes required)

C :Slow moving part(rarely required)

⑫ Modification :

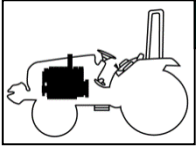
Year/Month~ : From which the change starts

~ Year/Month : To which the part installed

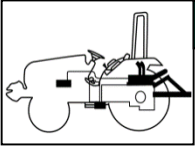
⑬ Notes : explain some reference data

⑭ Remark : indicate reference data or abbreviation in the content.

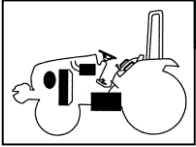
ENGINEERING GROUP INDEX



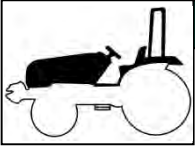
1 ENGINE



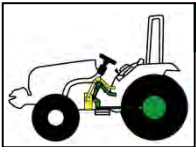
6 HYDRAULICS & 3-POINT LINK



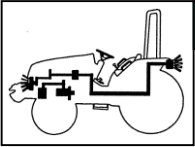
2 ENGINE ACCESSORIES & CONTROL



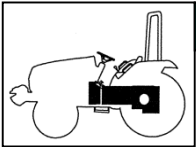
7 SHEET METAL & ROPS



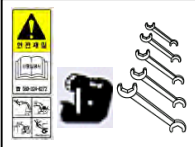
3 CLUTCH, BRAKE, STEERING



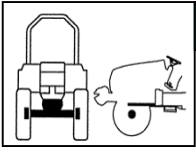
8 ELECTRICALS & HARNESS



4 TRANSMISSION & REAR AXLE



9 WEIGHT, LABEL, TOOLS



5 FRONT AXLE, SUPPORTER & DRIVE SHAFT

067 020	12305180020
077 036	12403160020
036 005	13022250030
037 010	13022250131
041 005	13022250232
046 002	13022250333

10 NUMERICAL INDEX

CONTENTS

ENGINE

1 ENGINE

FIG 101	CYLINDER BLOCK	04
FIG 102	OILJET ASS'Y OPTION	06
FIG 103	CRANK SHAFT	08
FIG 104	PISTON	10
FIG 105	CYLINDER HEAD	12
FIG 106	ROCKER LEVER	14
FIG 107	HEAD COVER	16
FIG 108	GEAR CASE	18
FIG 109	IDLE GEAR	20
FIG 110	CAM SHAFT	22
FIG 111	OIL PUMP	24
FIG 112	HYD. PUMP DRIVE	26
FIG 113	2ND BALANCE	28
FIG 114	OIL PAN	30
FIG 115	INTAKE MANIFOLD	32
FIG 116	EXHAUST MANIFOLD	34
FIG 117	DPF SUPPORT OPTION	36
FIG 118	TURBOCHARGER PLUMBING OPTION	38
FIG 119	BREATHER	40
FIG 120	FUEL INJECTION PUMP	42
FIG 121	FUEL INJECTION VALVE	44
FIG 122	FUEL PIPE ASS'Y	46
FIG 123	OIL FILTER	48
FIG 124	OIL COOLER	50
FIG 125	OIL GAUGUE	52
FIG 126	OIL FILLER CAP	54
FIG 127	COOLING WATER PUMP	56
FIG 128	CRANK SHAFT PULLEY	58
FIG 129	V-PULLEY	60
FIG 130	COOLING FAN	62
FIG 131	FLYWHEEL HOUSING	64

FIG 132 FLYWHEEL -----66
FIG 133 GLOW PLUG ASS'Y OPTION -----68
FIG 134 STARTING MOTOR -----70
FIG 135 FUEL FILTER BRACKET ASSoY -----72
FIG 136 ALTERNATOR -----74
FIG 137 V-BELT -----76
FIG 138 FUEL FILTER -----78
FIG 139 DPF SUPPORT -----80
FIG 140 DATAPLATE -----82
FIG 141 NAME PLATE, STARTING MOTOR -----84
FIG 142 DPF ASSoY -----86
FIG 143 LIFT ASSoY -----88

CHASSIS

2 ENGINE ACCESSORIES & CONTROL

FIG 201 AIR CLEANER-----	94
FIG 202 RADIATOR-----	96
FIG 203 MUFFLER-----	98
FIG 204 FUEL TANK & FILTER-----	100
FIG 205 OIL COOLER-----	102

3 CLUTCH,BRAKE,STEERING

FIG 302 FLYWHEEL & CLUTCH-----	108
FIG 303 BRAKE PEDAL-----	110
FIG 304 BRAKE-----	112
FIG 306 FRONT WHEEL MOUNTING-----	114
FIG 307 REAR WHEEL MOUNTING-----	116
FIG 308 STEERING WHEEL-----	118
FIG 309 STEERING VALVE & PARKING-----	120
FIG 310 STEERING CYLINDER-----	122

4 TRANSMISSION & REAR AXLE

FIG 401 TRANSMISSION FRONT CASE-----	128
FIG 402 HST-----	130
FIG 403 MID CASE-----	132
FIG 404 4WD DRIVE GEAR-----	134
FIG 405 INPUT GEAR-----	136
FIG 406 SUB CHANGE GEARS-----	138
FIG 407 PINION GEARS-----	140

FIG 408 P.T.O DRIVE SHAFT-----	142
FIG 409 P.T.O CHANGE GEARS-----	144
FIG 410 DIFF LOCK-----	146
FIG 411 TRANSMISSION REAR CASE-----	148
FIG 412 REAR AXLE HOUSINGS (1)-----	150
FIG 413 REAR AXLE HOUSINGS (2)-----	152
FIG 415 SUB CHANGE LEVER-----	154
FIG 416 FORWARD & REVERSE CONTROL LINKAGE-----	156
FIG 418 4WD CHANGE LEVER-----	158

5 FRONT AXLE

FIG 501 FRONT AXLE BRACKET-----	164
FIG 502 FRONT DIFFERENTIAL GEARS & SHAFT-----	166
FIG 503 FRONT AXLE HOUSING-----	168
FIG 504 FRONT GEAR CASE (1)-----	170
FIG 505 FRONT GEAR CASE (2)-----	172

6 HYDRAULICS & 3-POINT LINK

FIG 601 GEAR PUMP-----	178
FIG 602 CYLINDER CASE-----	180
FIG 603 LIFT ARM-----	182
FIG 604 CYLINDER-----	184
FIG 605 POSITION LINK (1)-----	186
FIG 606 POSITION LINK (2)-----	188
FIG 607 CONTROL VALVE-----	190
FIG 608 POSITION LEVER-----	192
FIG 609 HYDRAULIC PIPE (1)-----	194
FIG 610 HYDRAULIC PIPE (2)-----	198
FIG 611 EXTERIOR HYD.VALVE-----	200

FIG 612 3-POINT LINK-----	202
FIG 613 HITCH & COVER-----	204
FIG 614 EXTERIOR POSITION LEVER-----	206

7 SHEET METAL & R.O.P.S

FIG 701 HOOD FRAME-----	212
FIG 702 HOOD-----	214
FIG 703 EXTENSION COVER-----	216
FIG 704 FENDER & REAR FRAME-----	218
FIG 705 DASH PANEL-----	220
FIG 706 FLOOR PANEL-----	222
FIG 707 SEAT-----	224
FIG 708 FRONT & REAR MOUNTING-----	226
FIG 709 ROPS-----	228

8 ELECTRICALS & HARNESS

FIG 801 BATTERY & MOUNTING-----	234
FIG 802 LAMP-----	236
FIG 803 INSTRUMENT PANEL-----	238
FIG 804 ELECTRIC SYSTEM-----	240
FIG 805 HARNESS -----	242

9 WEIGHT,LABEL,TOOLS

FIG 901 TOOL & ACCESSORY-----	248
FIG 902 LABEL-----	250
FIG 903 OPTION-----	254
FIG 904 EXTERIOR HYD. VALVE (4PORT KIT-OPTION)-----	254-1
FIG 905 WEIGHT (AUZ ONLY)-----	254-2

10 NUMERICAL INDEX

ENGINE-----	259
CHASSIS-----	262

ENGINE

1 ENGINE

FIG 101	CYLINDER BLOCK	04
FIG 102	OILJET ASS'Y OPTION	06
FIG 103	CRANK SHAFT	08
FIG 104	PISTON	10
FIG 105	CYLINDER HEAD	12
FIG 106	ROCKER LEVER	14
FIG 107	HEAD COVER	16
FIG 108	GEAR CASE	18
FIG 109	IDLE GEAR	20
FIG 110	CAM SHAFT	22
FIG 111	OIL PUMP	24
FIG 112	HYD. PUMP DRIVE	26
FIG 113	2ND BALANCE	28
FIG 114	OIL PAN	30
FIG 115	INTAKE MANIFOLD	32
FIG 116	EXHAUST MANIFOLD	34
FIG 117	DPF SUPPORT OPTION	36
FIG 118	TURBOCHARGER PLUMBING OPTION	38
FIG 119	BREATHER	40
FIG 120	FUEL INJECTION PUMP	42
FIG 121	FUEL INJECTION VALVE	44
FIG 122	FUEL PIPE ASS'Y	46
FIG 123	OIL FILTER	48
FIG 124	OIL COOLER	50
FIG 125	OIL GAUGUE	52
FIG 126	OIL FILLER CAP	54
FIG 127	COOLING WATER PUMP	56
FIG 128	CRANK SHAFT PULLEY	58
FIG 129	V-PULLEY	60
FIG 130	COOLING FAN	62
FIG 131	FLYWHEEL HOUSING	64

FIG 132 FLYWHEEL -----66
FIG 133 GLOW PLUG ASS'Y OPTION -----68
FIG 134 STARTING MOTOR -----70
FIG 135 FUEL FILTER BRACKET ASSoY -----72
FIG 136 ALTERNATOR -----74
FIG 137 V-BELT -----76
FIG 138 FUEL FILTER -----78
FIG 139 DPF SUPPORT -----80
FIG 140 DATAPLATE -----82
FIG 141 NAME PLATE, STARTING MOTOR -----84
FIG 142 DPF ASSoY -----86
FIG 143 LIFT ASSoY -----88

CHASSIS

2 ENGINE ACCESSORIES & CONTROL

FIG 201 AIR CLEANER-----	94
FIG 202 RADIATOR-----	96
FIG 203 MUFFLER-----	98
FIG 204 FUEL TANK & FILTER-----	100
FIG 205 OIL COOLER-----	102

3**CLUTCH,BRAKE,STEERING**

FIG 302 FLYWHEEL & CLUTCH-----	108
FIG 303 BRAKE PEDAL-----	110
FIG 304 BRAKE-----	112
FIG 306 FRONT WHEEL MOUNTING-----	114
FIG 307 REAR WHEEL MOUNTING-----	116
FIG 308 STEERING WHEEL-----	118
FIG 309 STEERING VALVE & PARKING-----	120
FIG 310 STEERING CYLINDER-----	122

4**TRANSMISSION & REAR AXLE**

FIG 401 TRANSMISSION FRONT CASE-----	128
FIG 402 HST-----	130
FIG 403 MID CASE-----	132
FIG 404 4WD DRIVE GEAR-----	134
FIG 405 INPUT GEAR-----	136
FIG 406 SUB CHANGE GEARS-----	138
FIG 407 PINION GEARS-----	140
FIG 408 P.T.O DRIVE SHAFT-----	142
FIG 409 P.T.O CHANGE GEARS-----	144
FIG 410 DIFF LOCK-----	146
FIG 411 TRANSMISSION REAR CASE-----	148
FIG 412 REAR AXLE HOUSINGS (1)-----	150
FIG 413 REAR AXLE HOUSINGS (2)-----	152
FIG 415 SUB CHANGE LEVER-----	154
FIG 416 FORWARD & REVERSE CONTROL LINKAGE-----	156
FIG 418 4WD CHANGE LEVER-----	158

5 FRONT AXLE

FIG 501 FRONT AXLE BRACKET-----164
FIG 502 FRONT DIFFERENTIAL GEARS & SHAFT-----166
FIG 503 FRONT AXLE HOUSING-----168
FIG 504 FRONT GEAR CASE (1)-----170
FIG 505 FRONT GEAR CASE (2)-----172

6 HYDRAULICS & 3-POINT LINK

FIG 601	GEAR PUMP-----	178
FIG 602	CYLINDER CASE-----	180
FIG 603	LIFT ARM-----	182
FIG 604	CYLINDER-----	184
FIG 605	POSITION LINK (1)-----	186
FIG 606	POSITION LINK (2)-----	188
FIG 607	CONTROL VALVE-----	190
FIG 608	POSITION LEVER-----	192
FIG 609	HYDRAULIC PIPE (1)-----	194
FIG 610	HYDRAULIC PIPE (2)-----	198
FIG 611	EXTERIOR HYD.VALVE-----	200
FIG 612	3-POINT LINK-----	202
FIG 613	HITCH & COVER-----	204
FIG 614	EXTERIOR POSITION LEVER-----	206

7**SHEET METAL & R.O.P.S**

FIG 701 HOOD FRAME-----	212
FIG 702 HOOD-----	214
FIG 703 EXTENSION COVER-----	216
FIG 704 FENDER & REAR FRAME-----	218
FIG 705 DASH PANEL-----	220
FIG 706 FLOOR PANEL-----	222
FIG 707 SEAT-----	224
FIG 708 FRONT & REAR MOUNTING-----	226
FIG 709 ROPS-----	228

8

ELECTRICALS & HARNESS

FIG 801 BATTERY & MOUNTING-----234
FIG 802 LAMP-----236
FIG 803 INSTRUMENT PANEL-----238
FIG 804 ELECTRIC SYSTEM-----240
FIG 805 HARNESS -----242

9

WEIGHT,LABEL,TOOLS

FIG 901 TOOL & ACCESSORY-----248
FIG 902 LABEL-----250
FIG 903 OPTION-----254
FIG 904 EXTERIOR HYD. VALVE (4PORT KIT-OPTION)-----254-1
FIG 905 WEIGHT (AUZ ONLY)-----254-2

ENGINE-----259
CHASSIS-----262

FIG 101

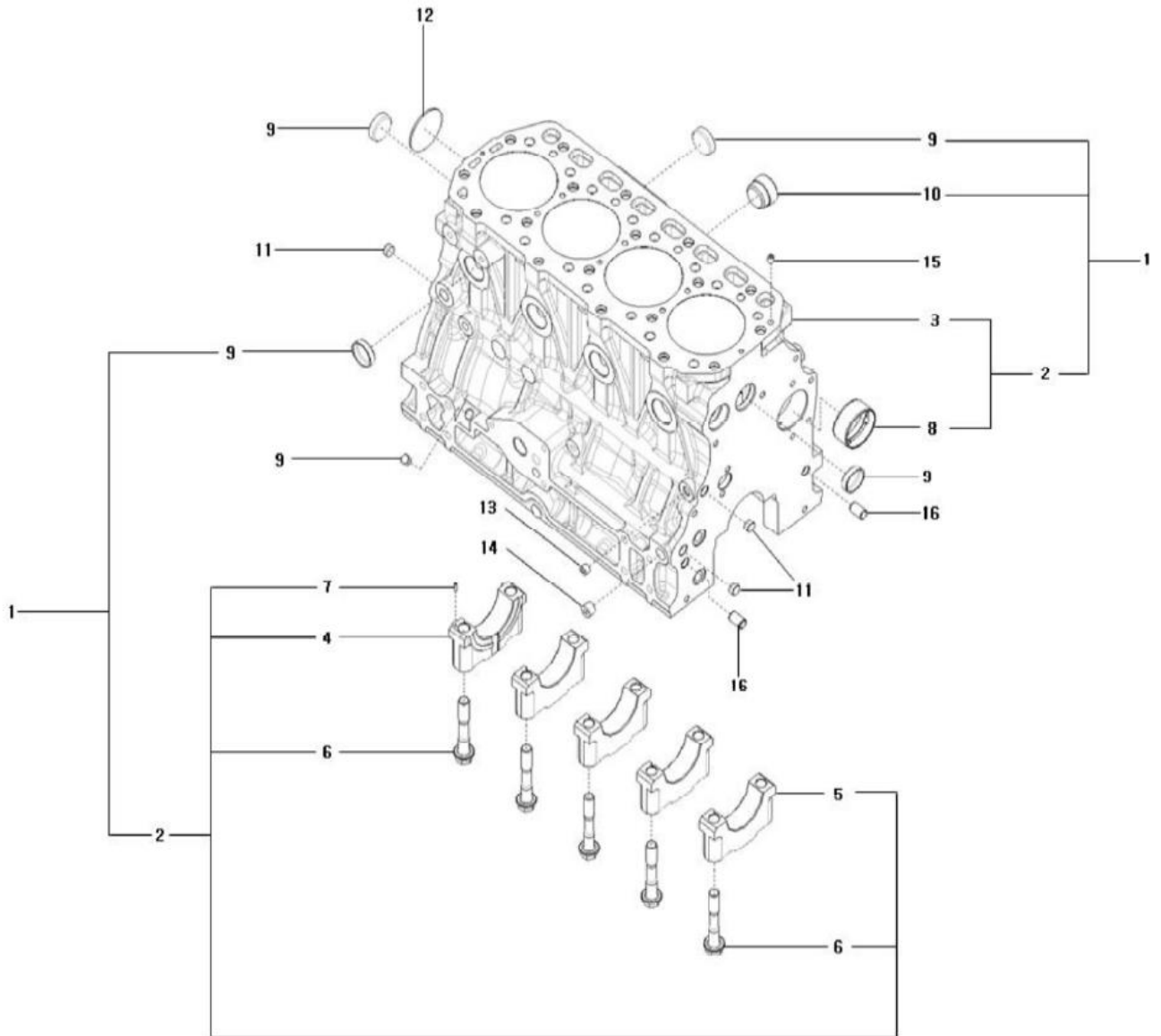
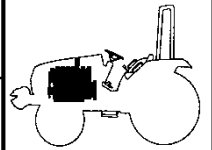
T474NH

CYLINDER BLOCK

P1

YEAR

2018



NOTE

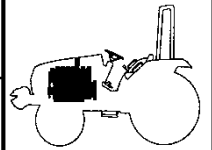
FIG 102

OILJET ASS'Y OPTION

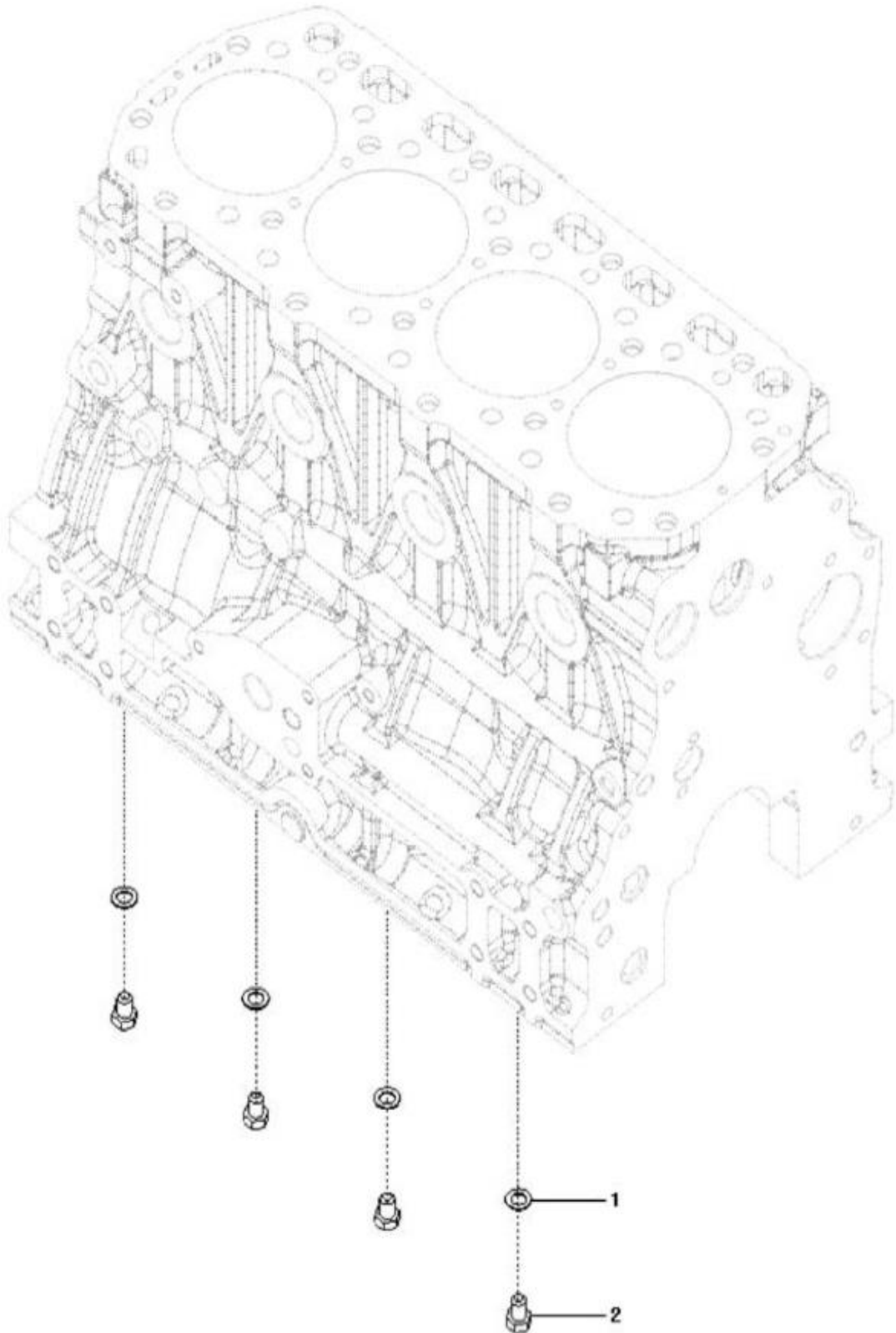
P1

YEAR

2018



T474NH



NOTE

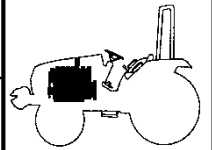
FIG 103

CRANK SHAFT

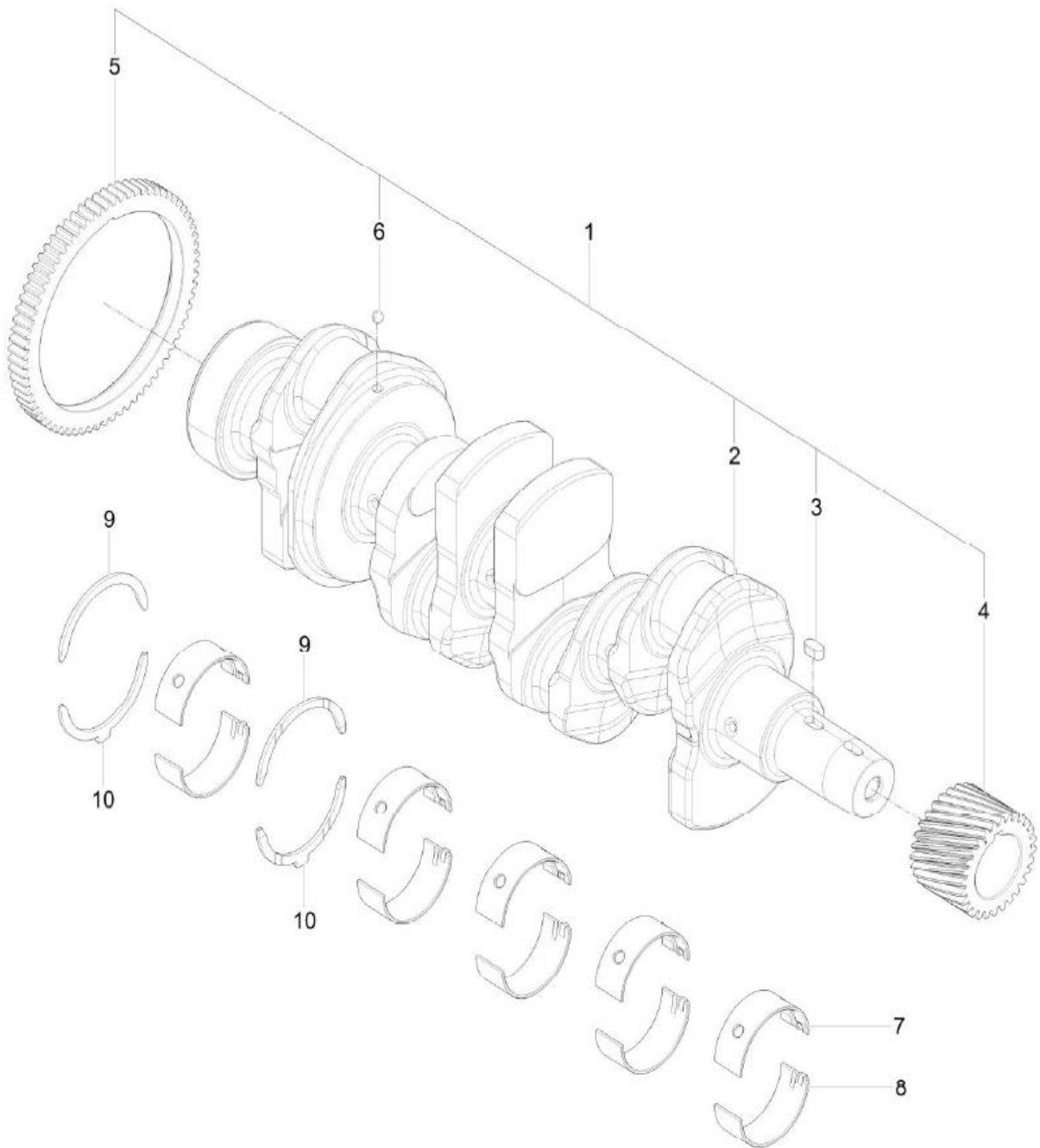
P1

YEAR

2018



T474NH



NOTE

FIG 104

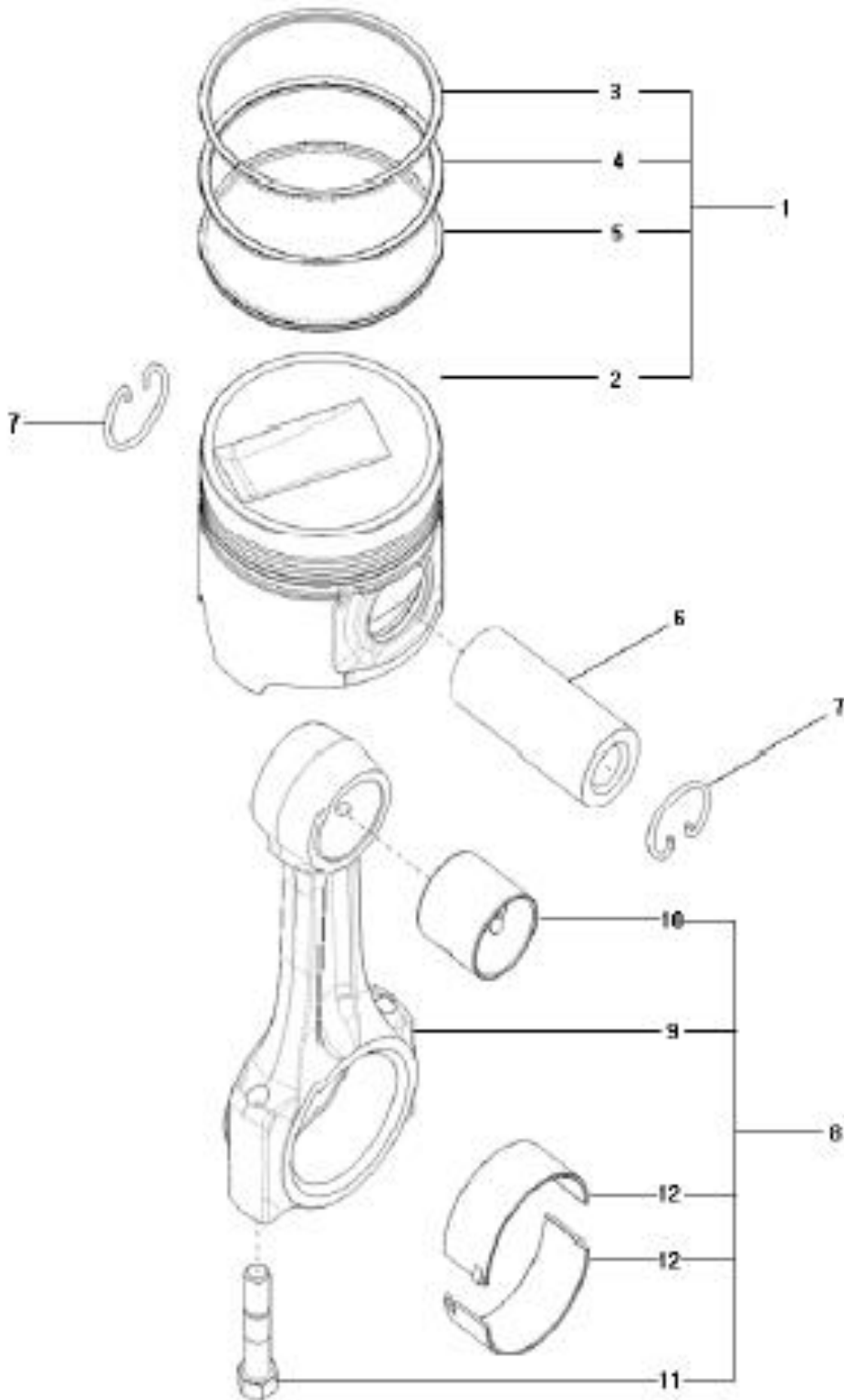
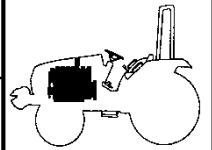
T474NH

PISTON

P1

YEAR

2018



NOTE

FIG 105

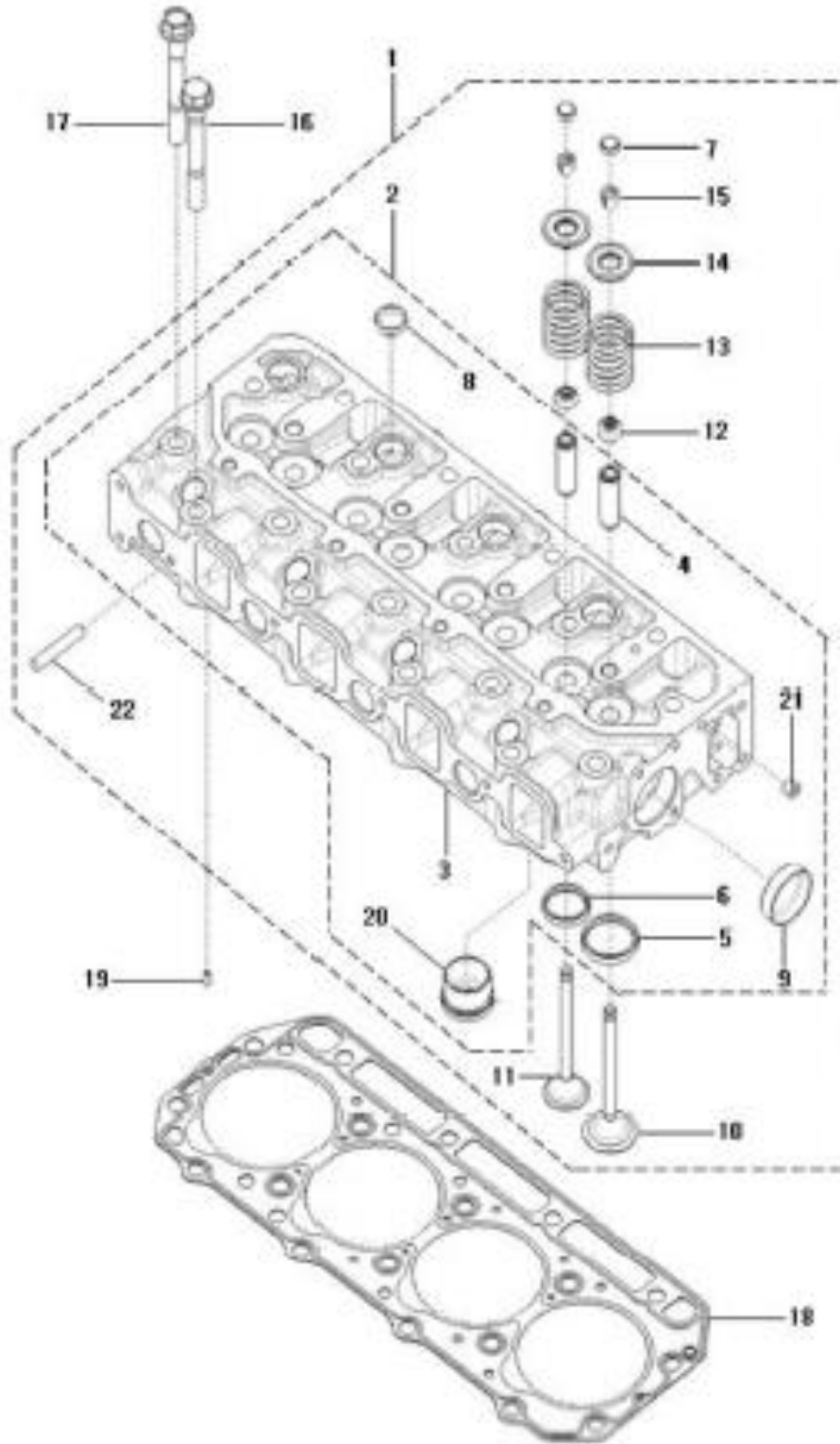
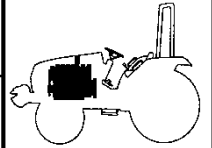
T474NH

CYLINDER HEAD

P1

YEAR

2018



NOTE

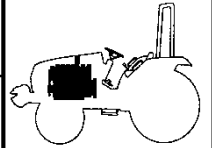
FIG 106

ROCKER LEVER

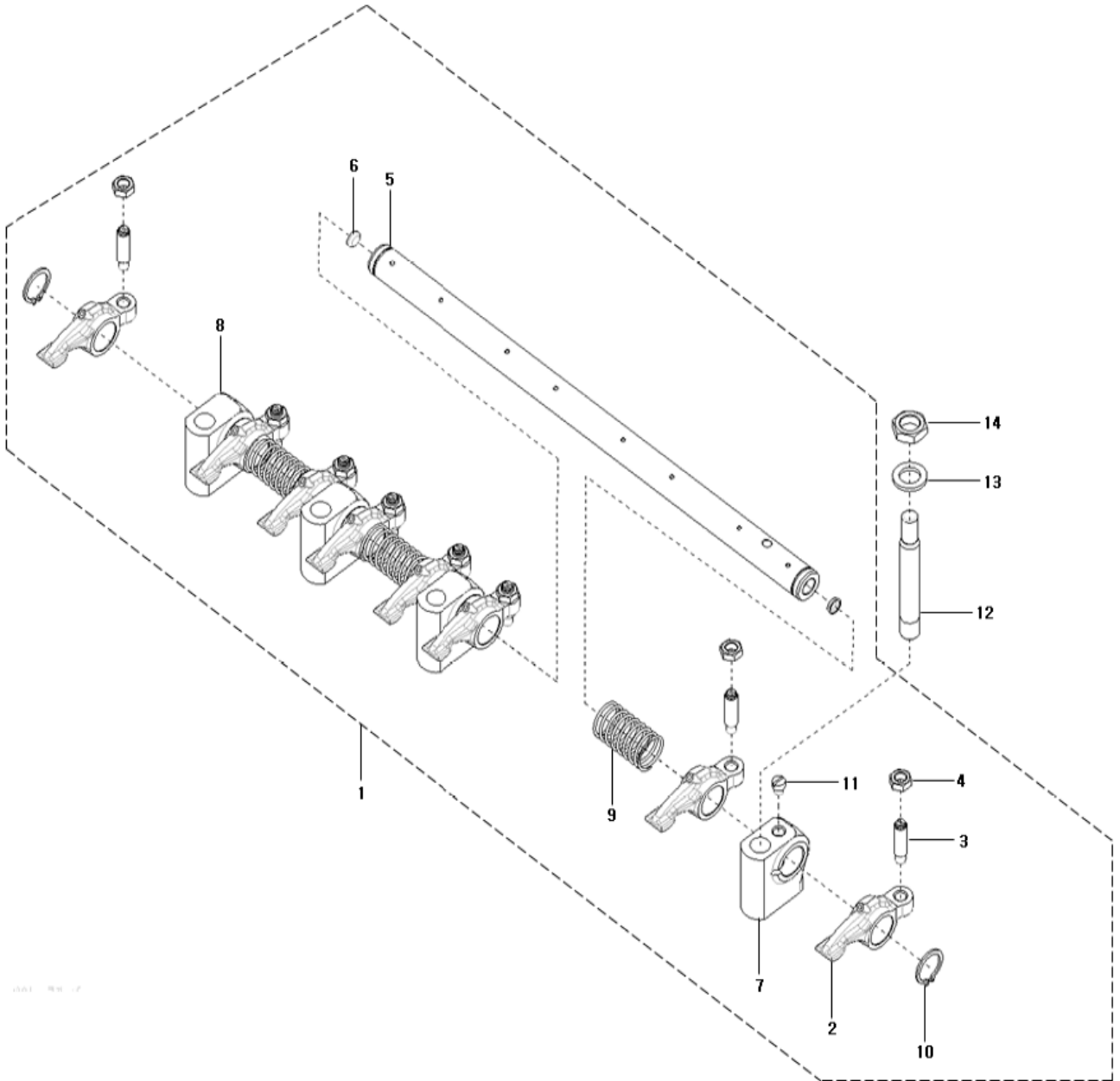
P1

YEAR

2018



T474NH



NOTE

FIG 107

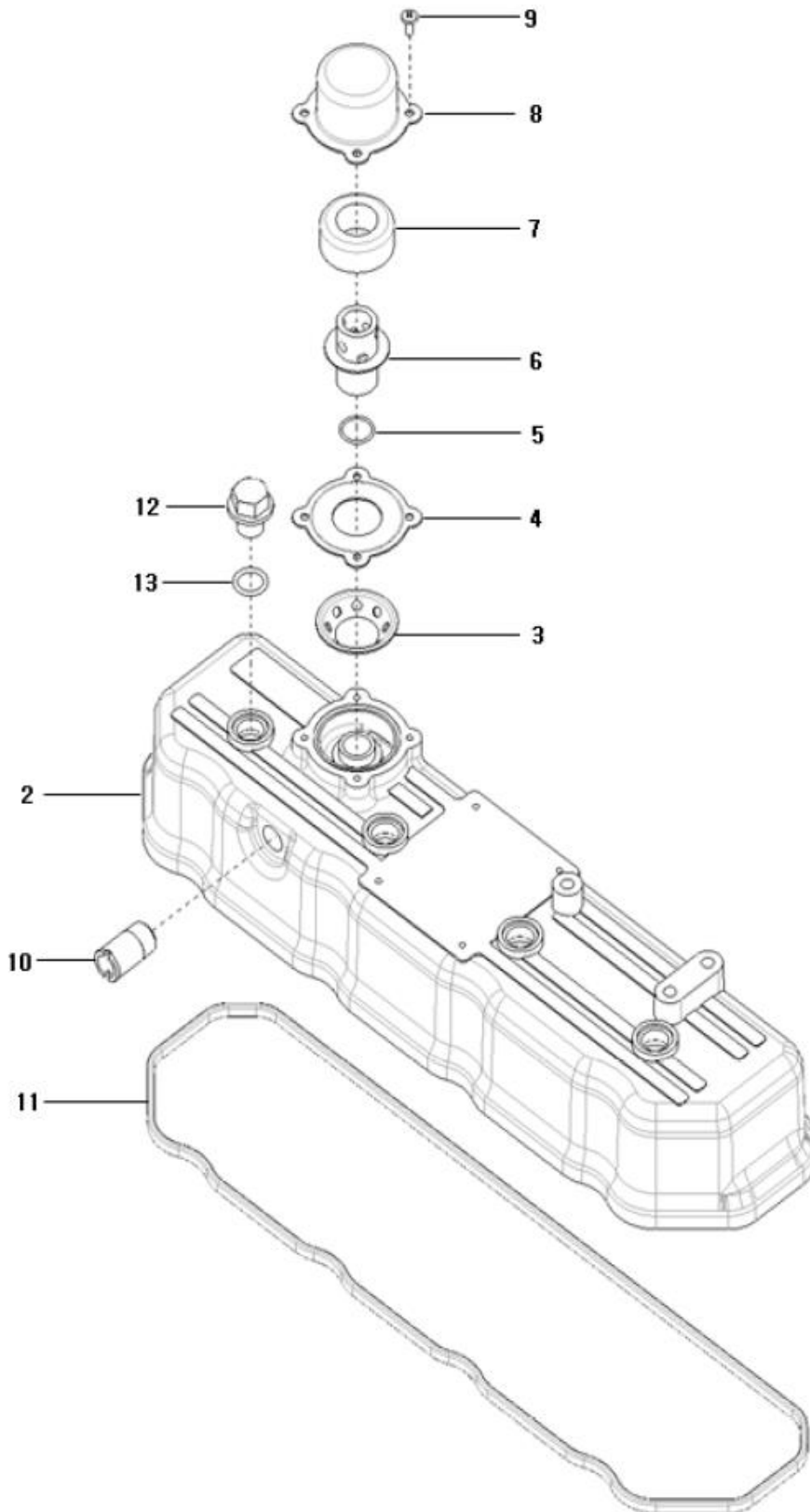
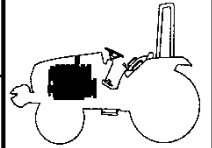
T474NH

HEAD COVER

P1

YEAR

2018



NOTE

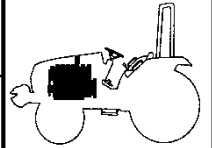
FIG 108

GEAR CASE

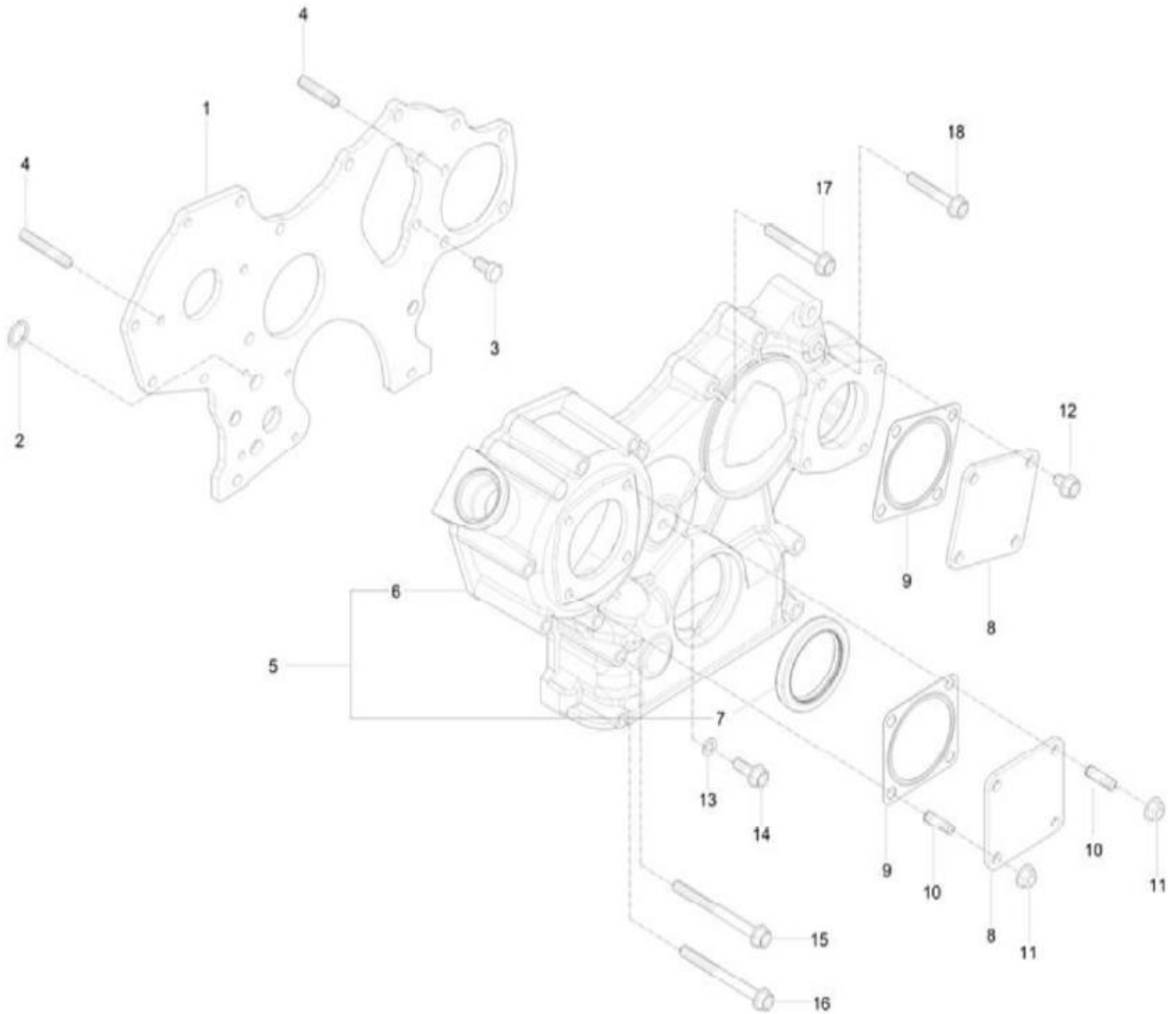
P1

YEAR

2018



T474NH



NOTE

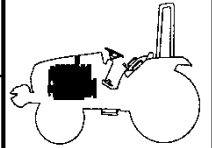
FIG 109

IDLE GEAR

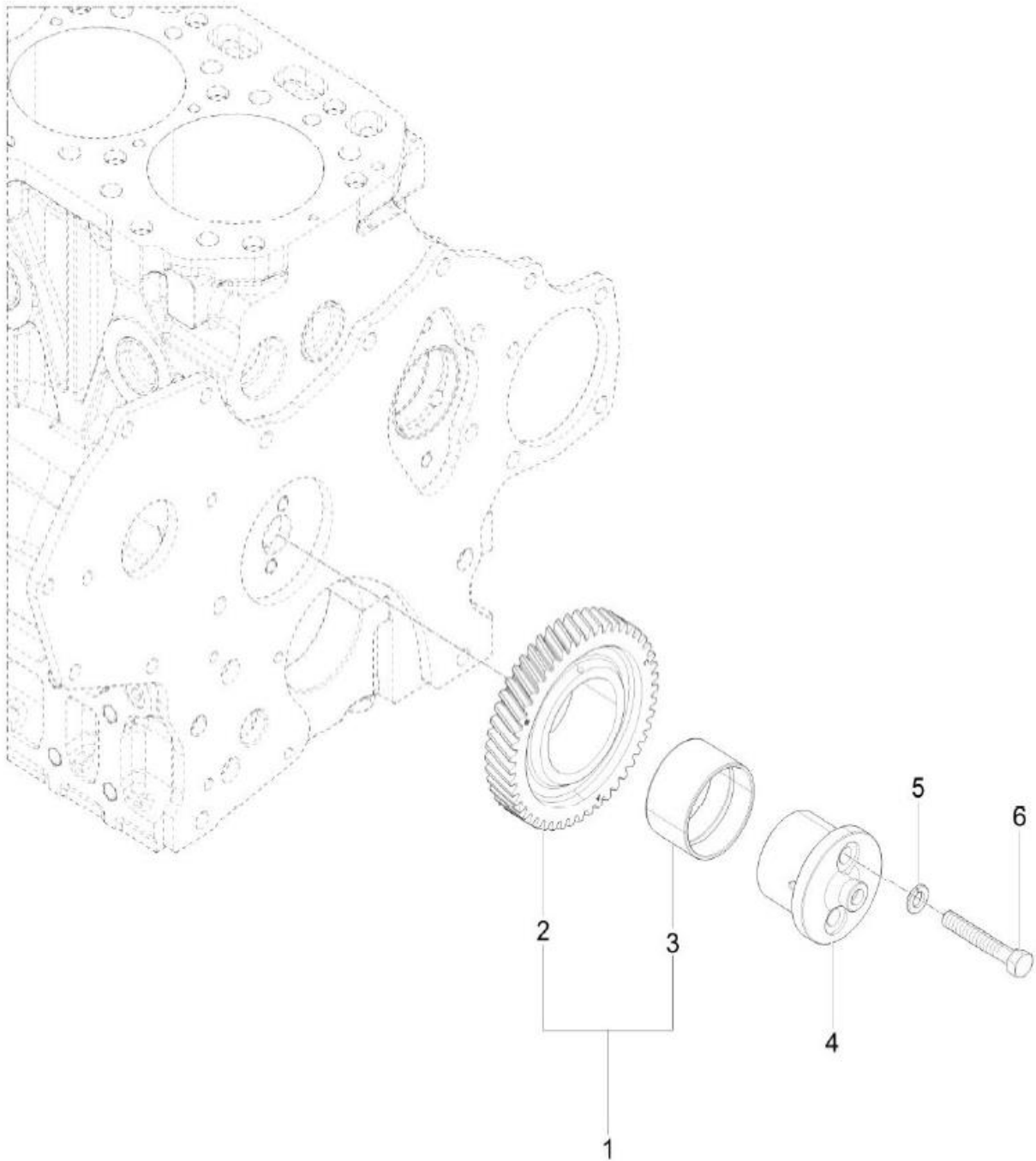
P1

YEAR

2018



T474NH



NOTE

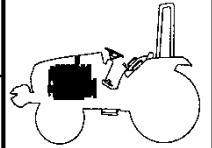
FIG 110

CAM SHAFT

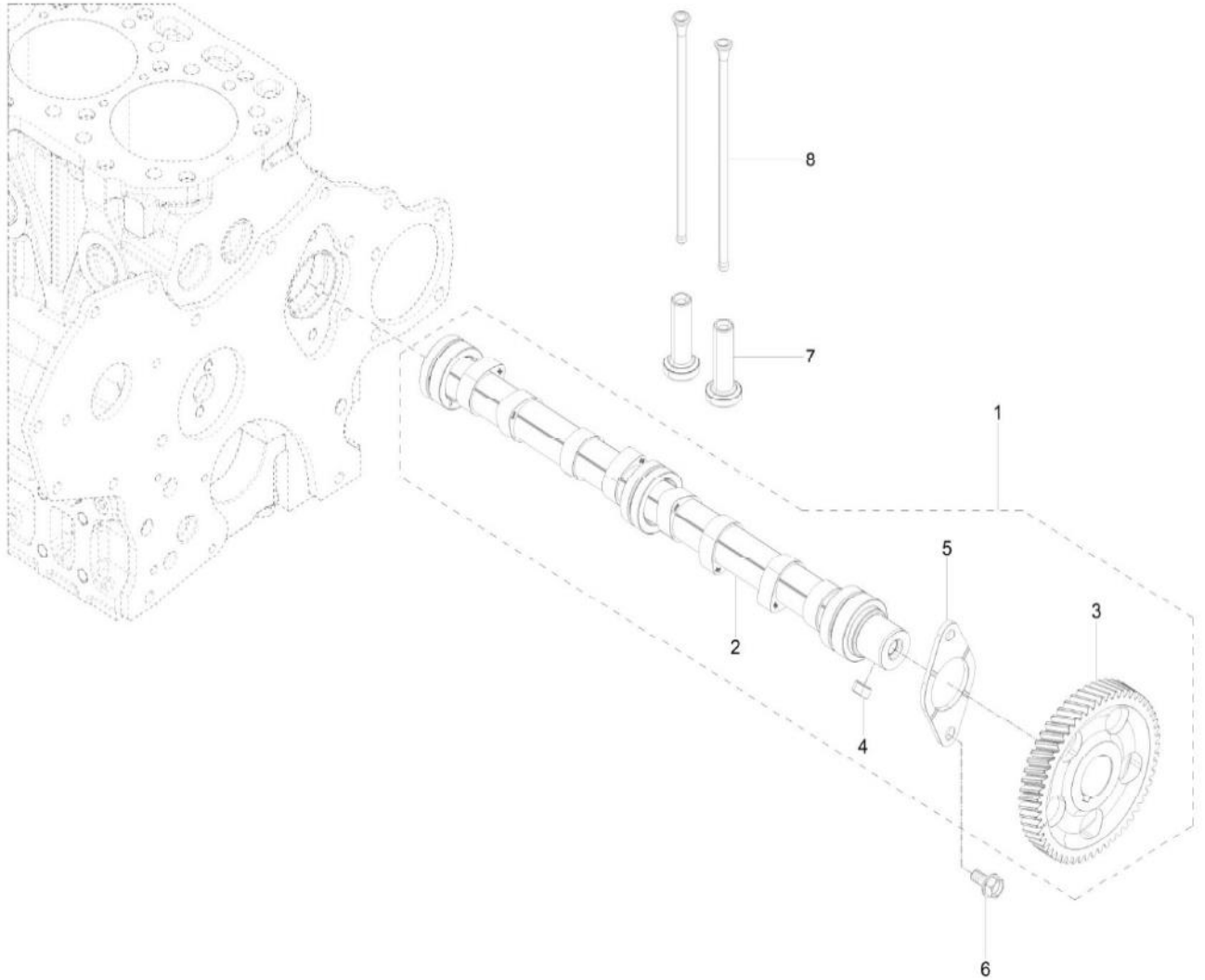
P1

YEAR

2018



T474NH



NOTE

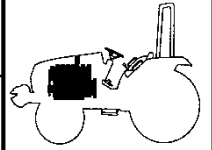
FIG 111

OIL PUMP

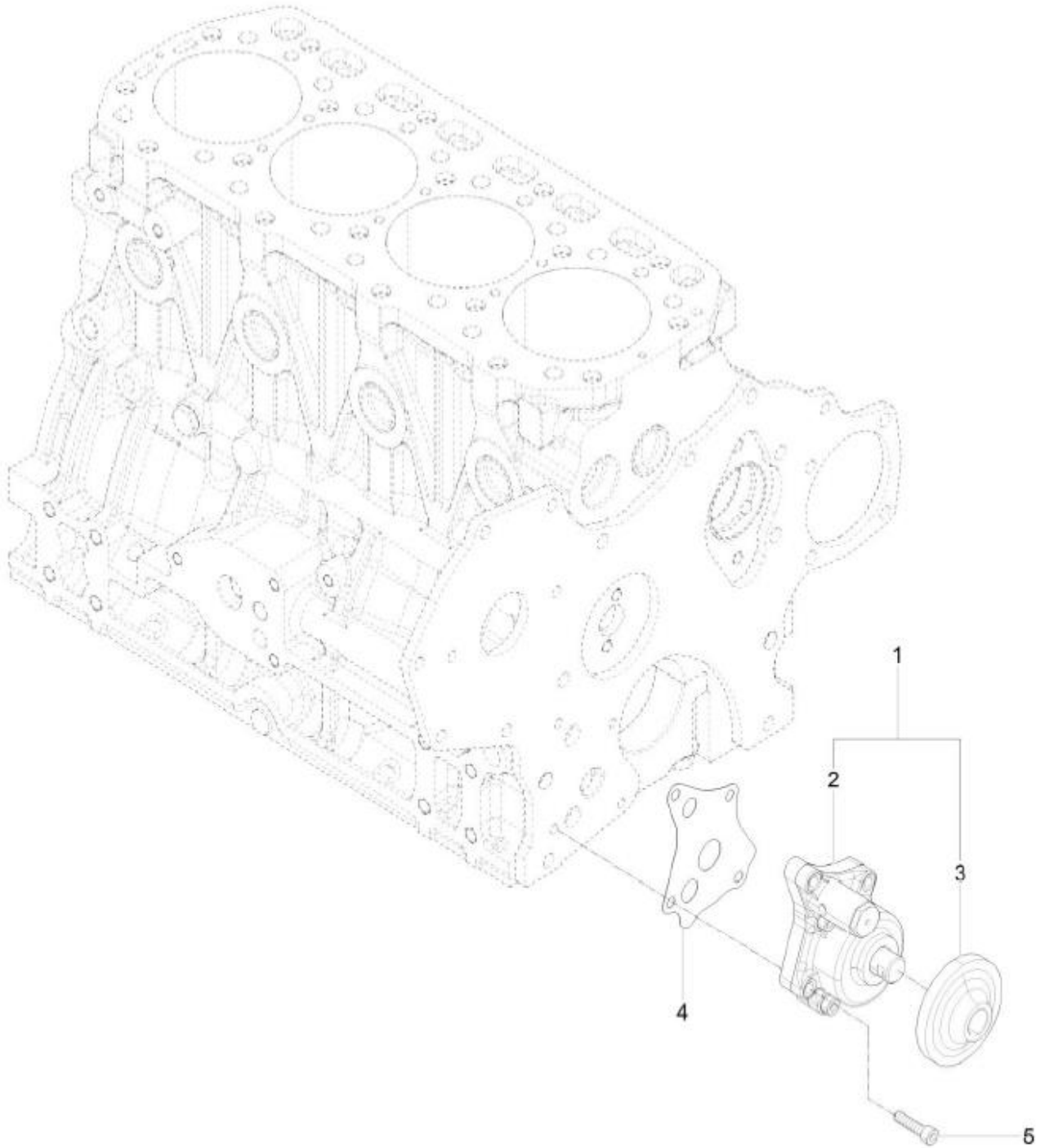
P1

YEAR

2018



T474NH



NOTE

FIG 112

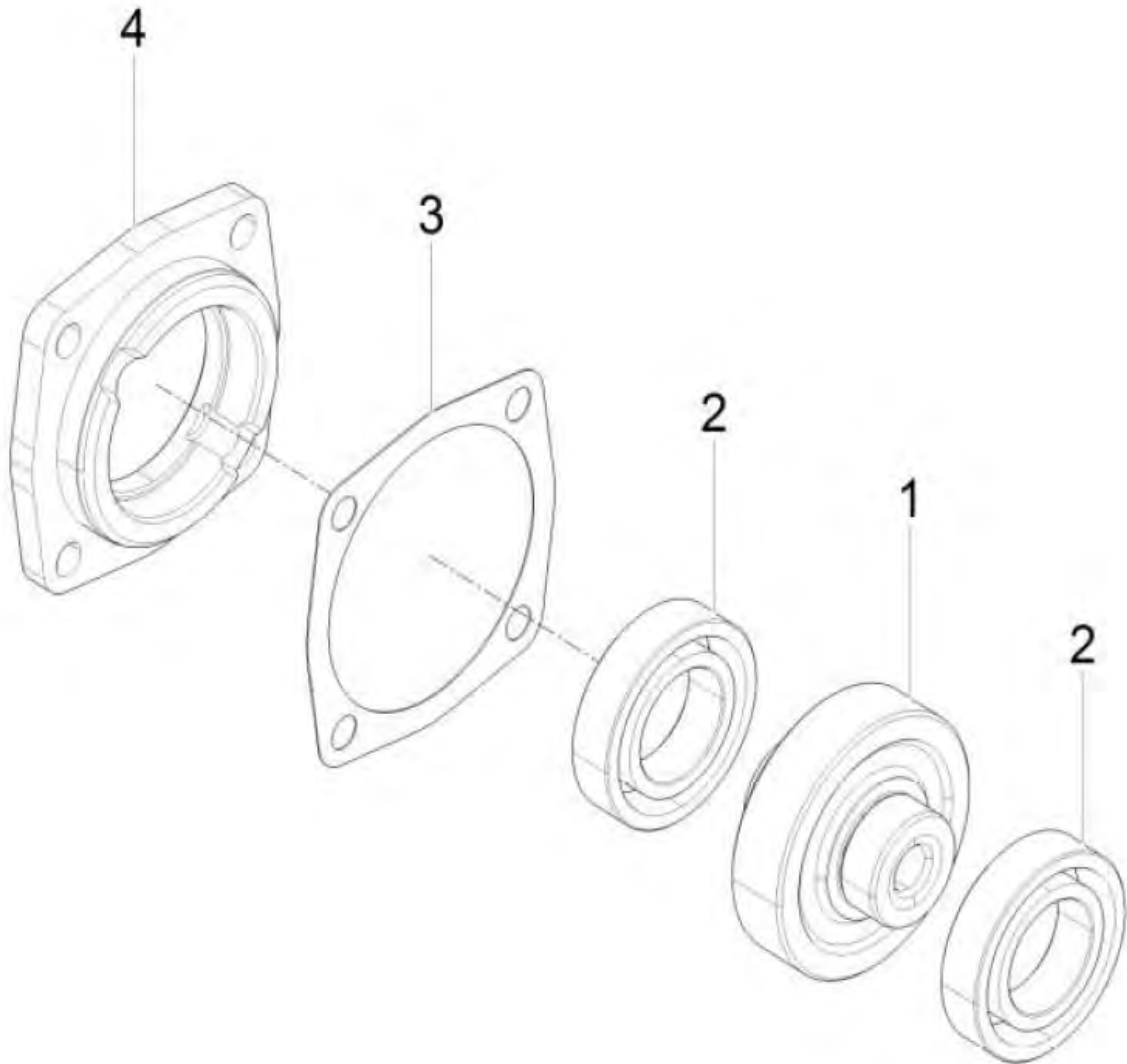
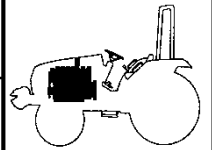
T474NH

HYD. PUMP DRIVE

P1

YEAR

2018



NOTE

FIG 113

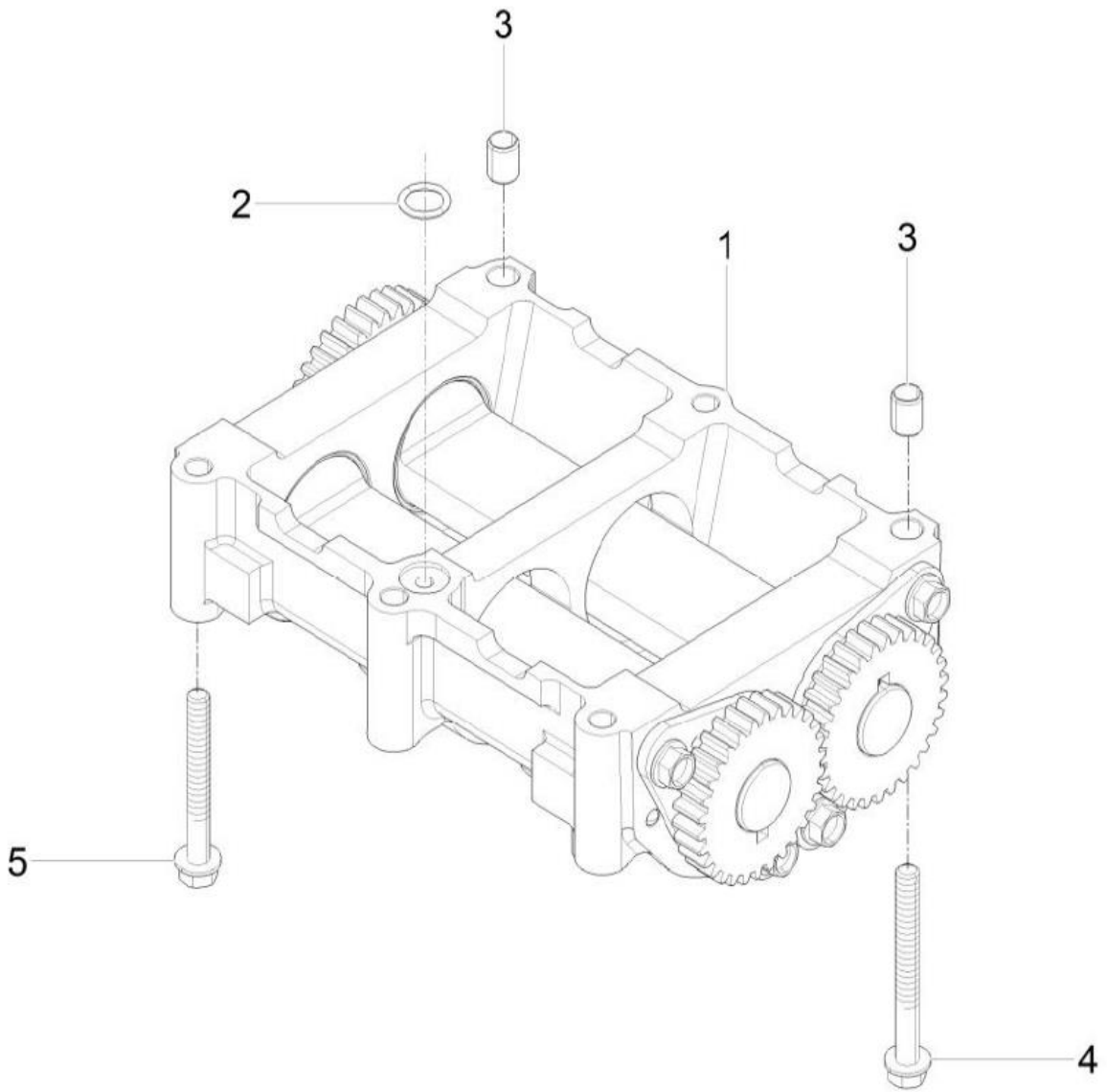
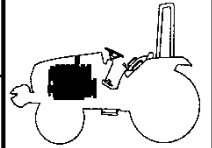
T474NH

2ND BALANCE

P1

YEAR

2018



NOTE

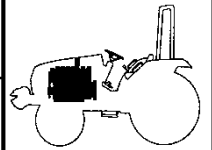
FIG 114

OIL PAN

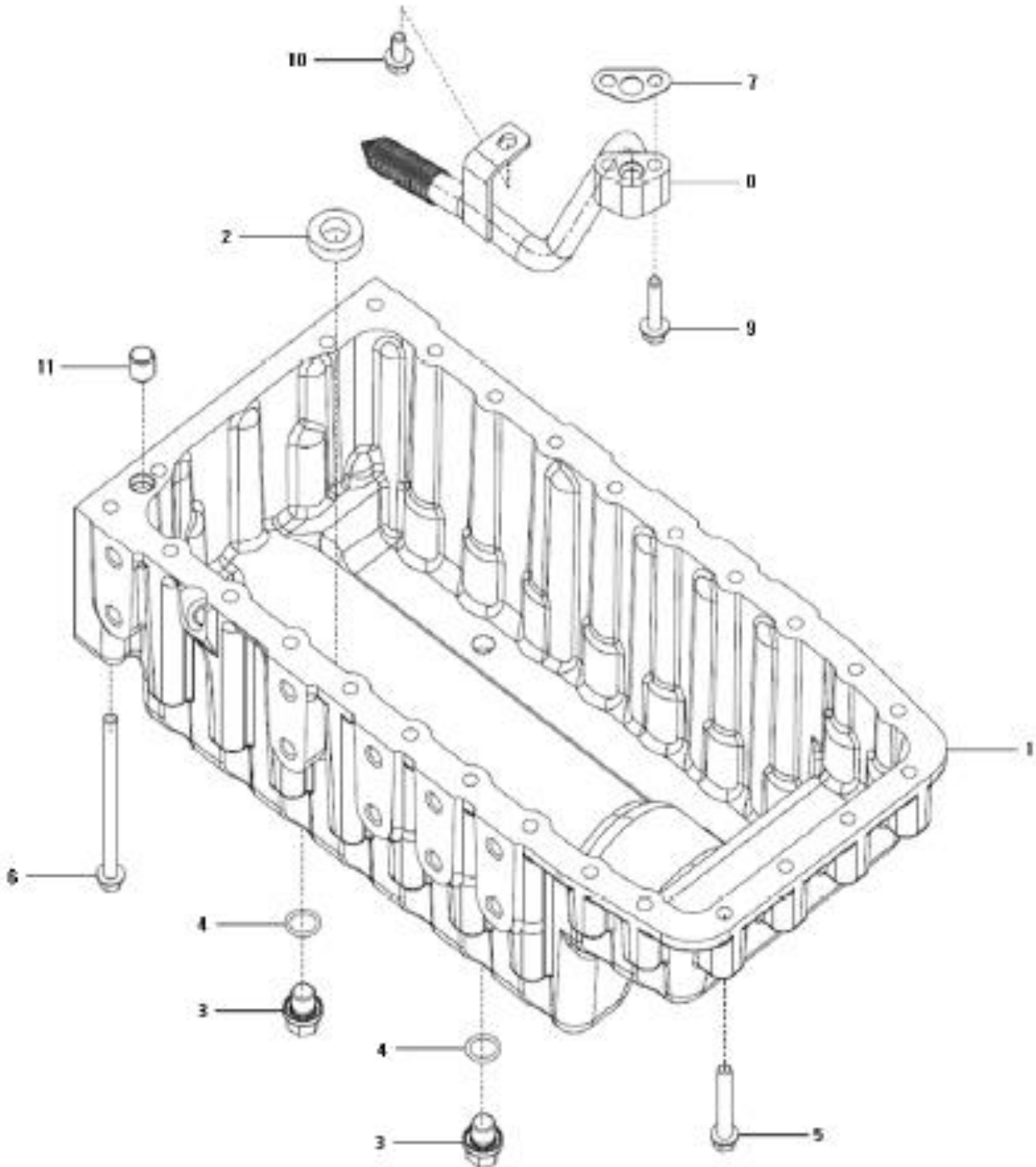
P1

YEAR

2018



T474NH



NOTE

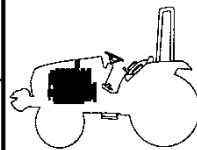
FIG 115

INTAKE MANIFOLD

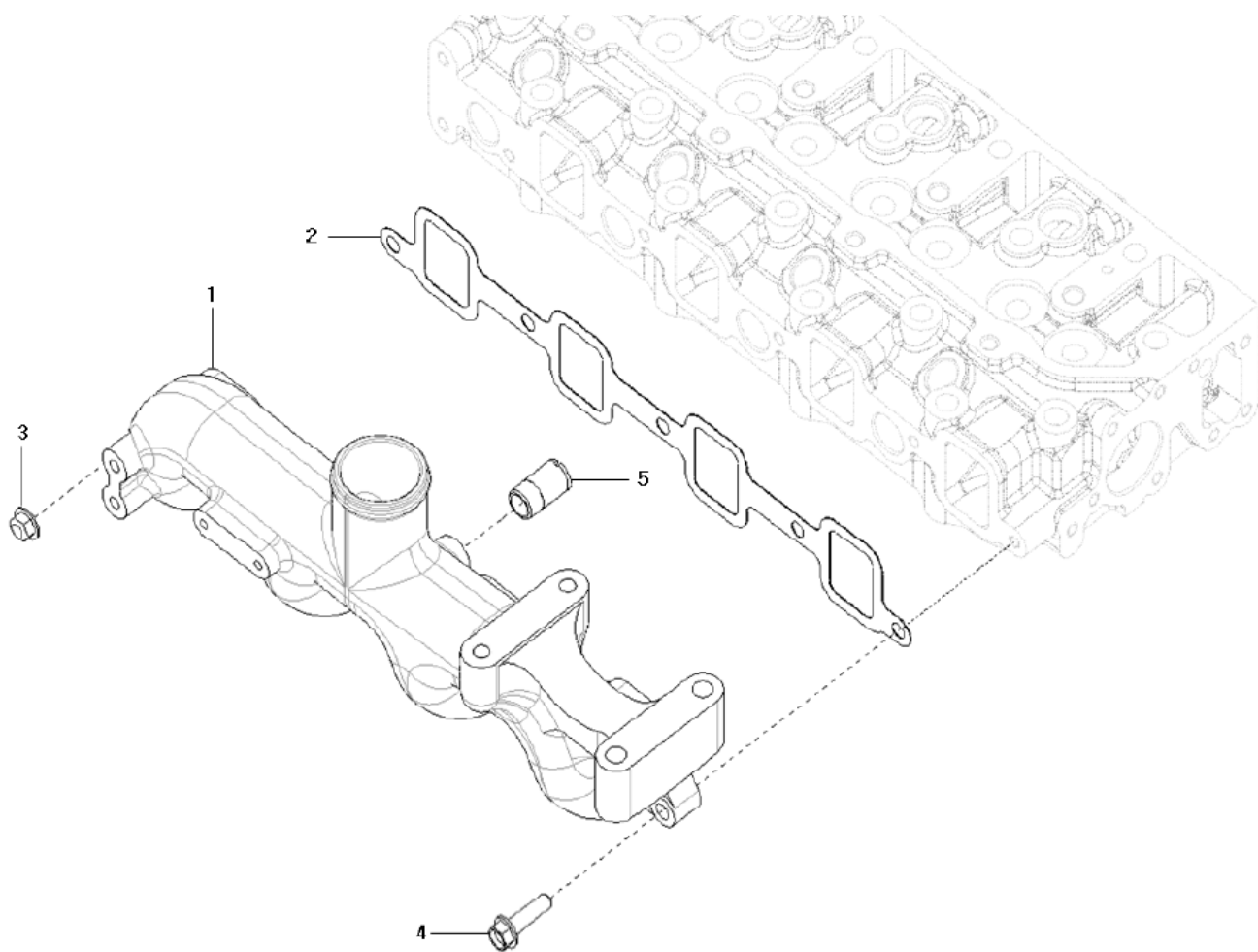
P1

YEAR

2018



T474NH



NOTE

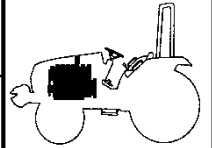
FIG 116

EXHAUST MANIFOLD

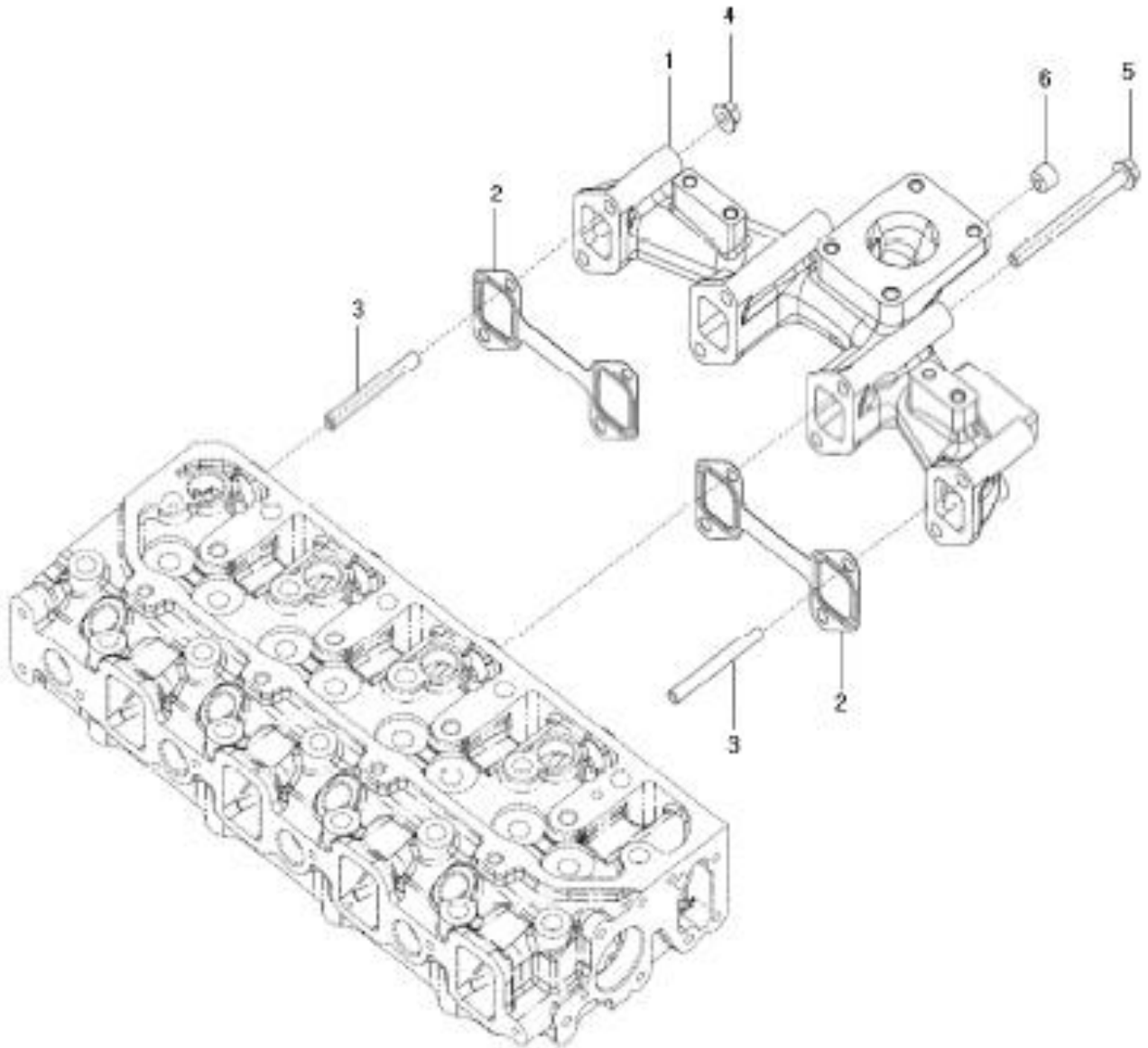
P1

YEAR

2018



T474NH



NOTE

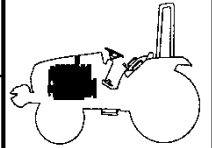
FIG 117

DPF SUPPORT OPTION

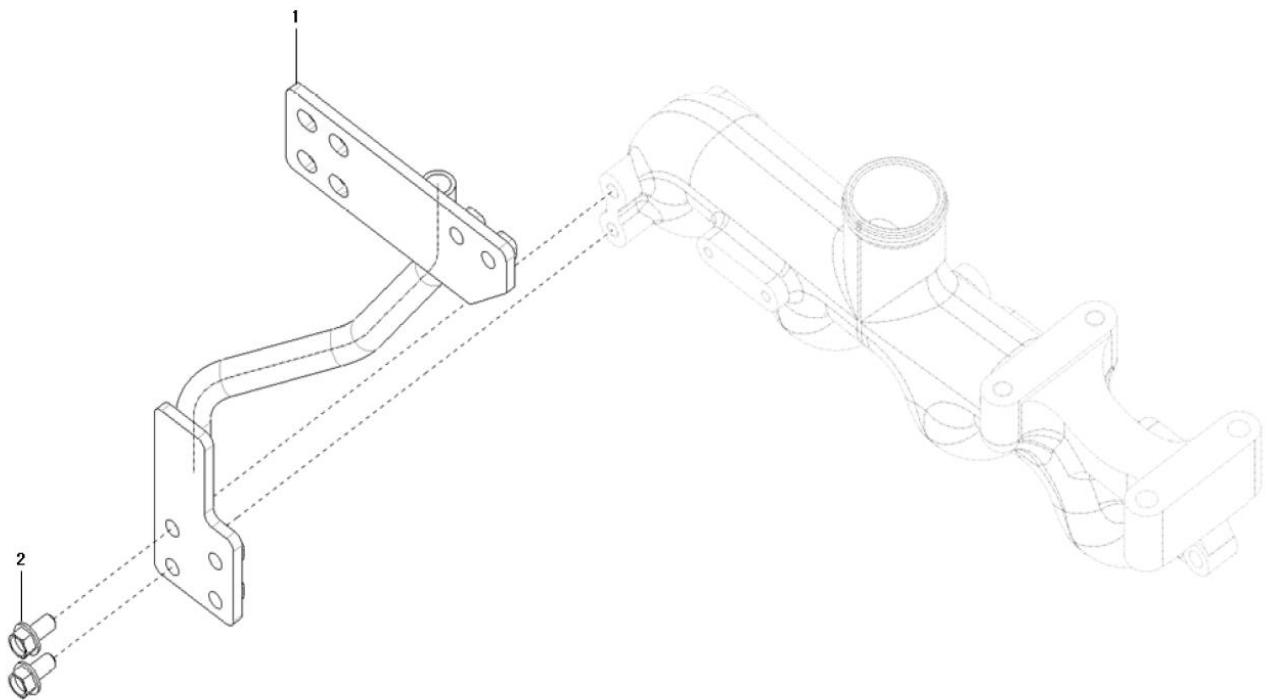
P1

YEAR

2018



T474NH



NOTE

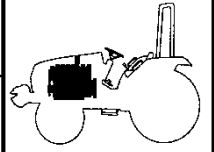
FIG 118

TURBOCHARGER PLUMBING OPTION

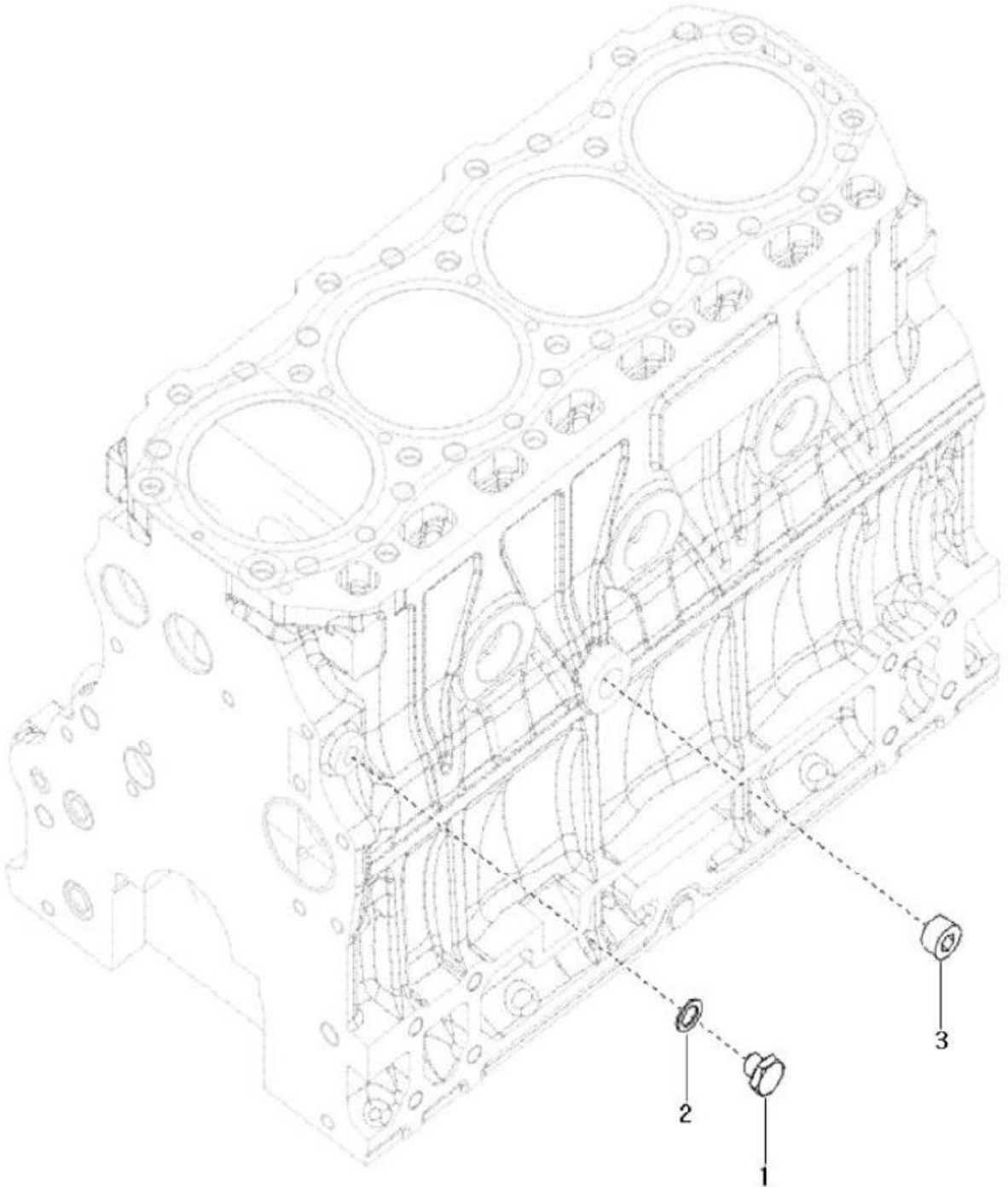
P1

YEAR

2018



T474NH



NOTE

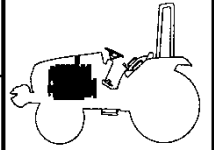
FIG 119

BREATHER

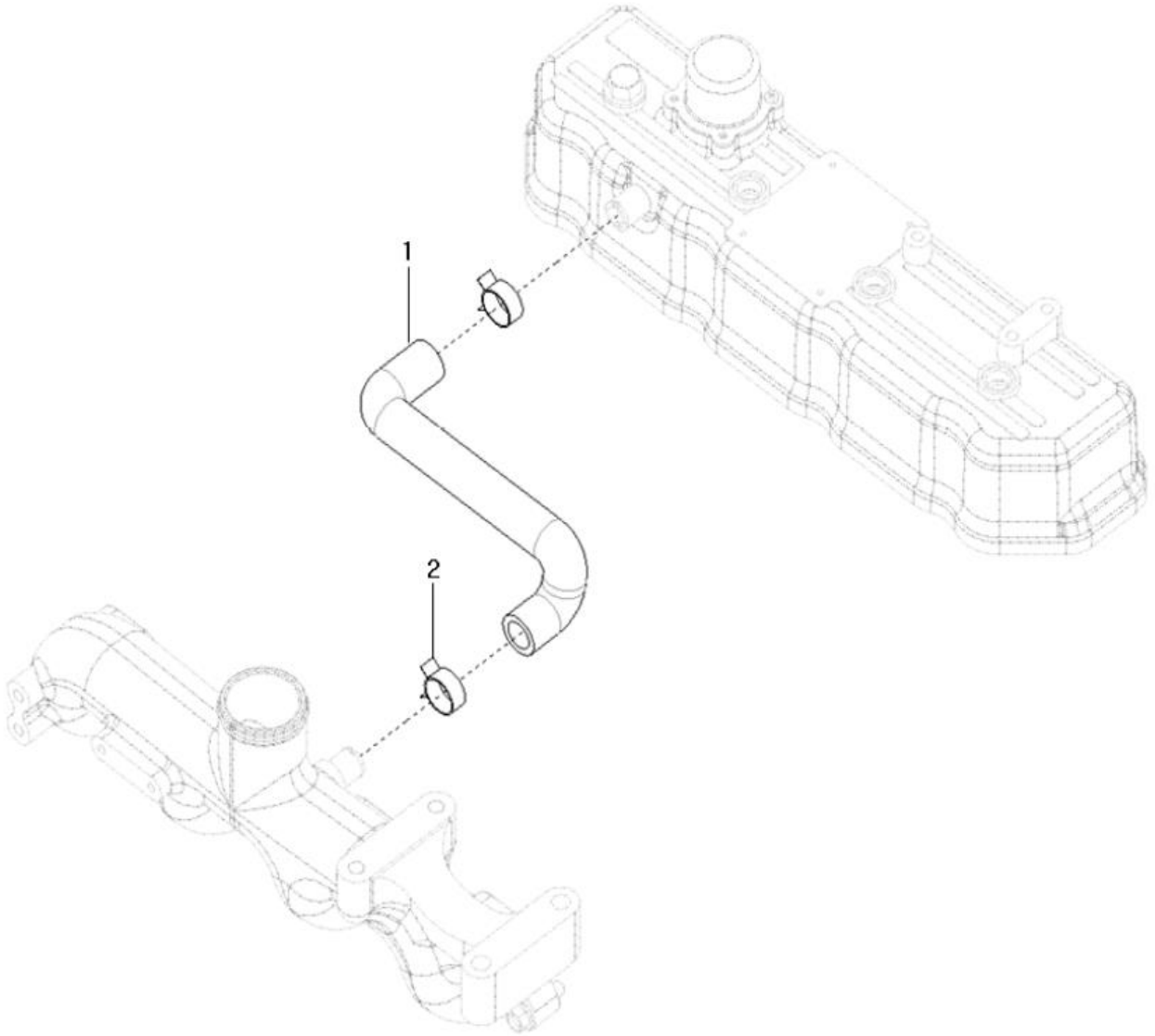
P1

YEAR

2018



T474NH



NOTE

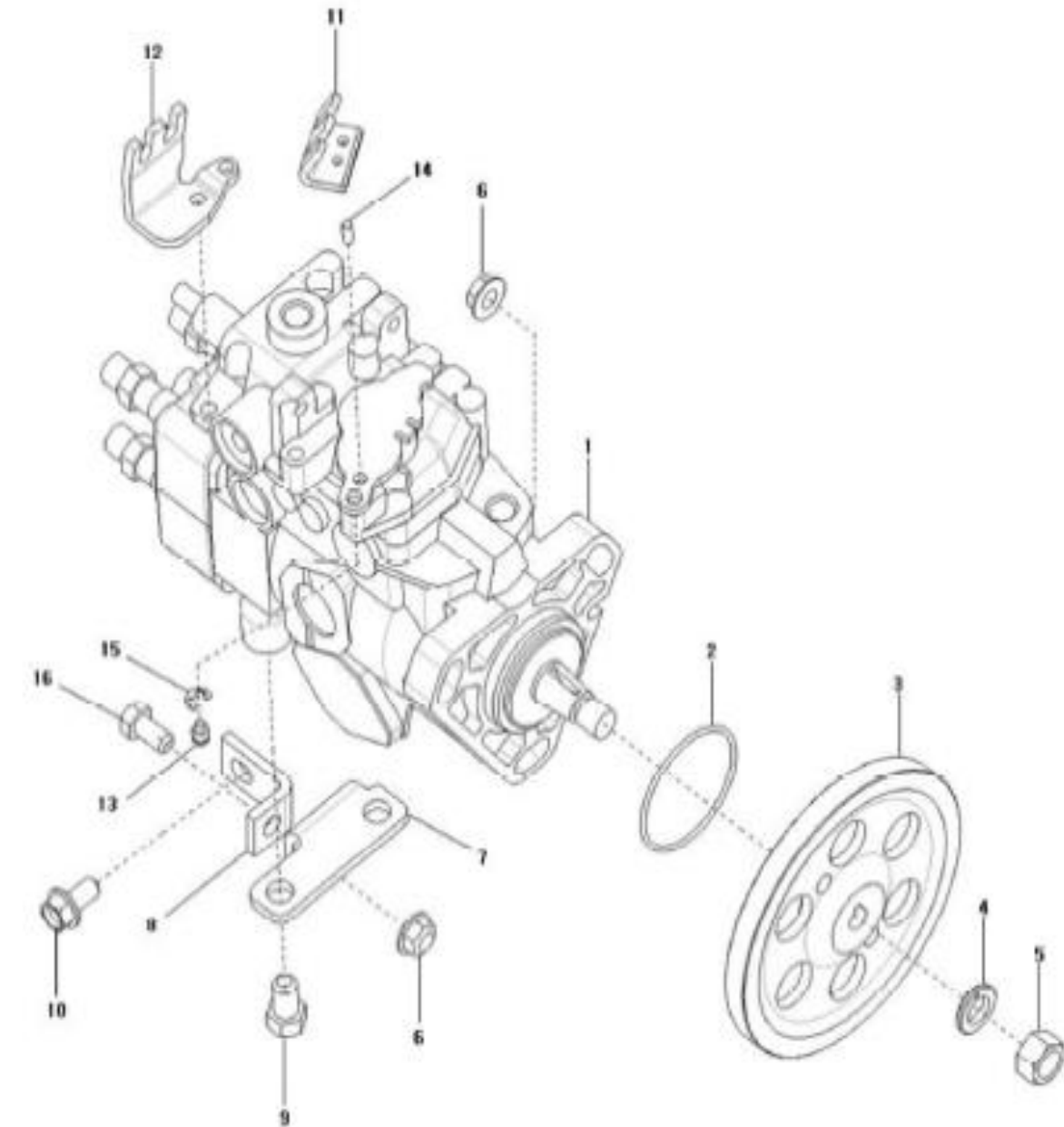
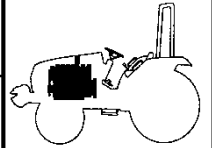
FIG 120

FUEL INJECTION PUMP

P1

YEAR

2018



NOTE

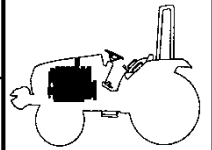
FIG 121

FUEL INJECTION VALVE

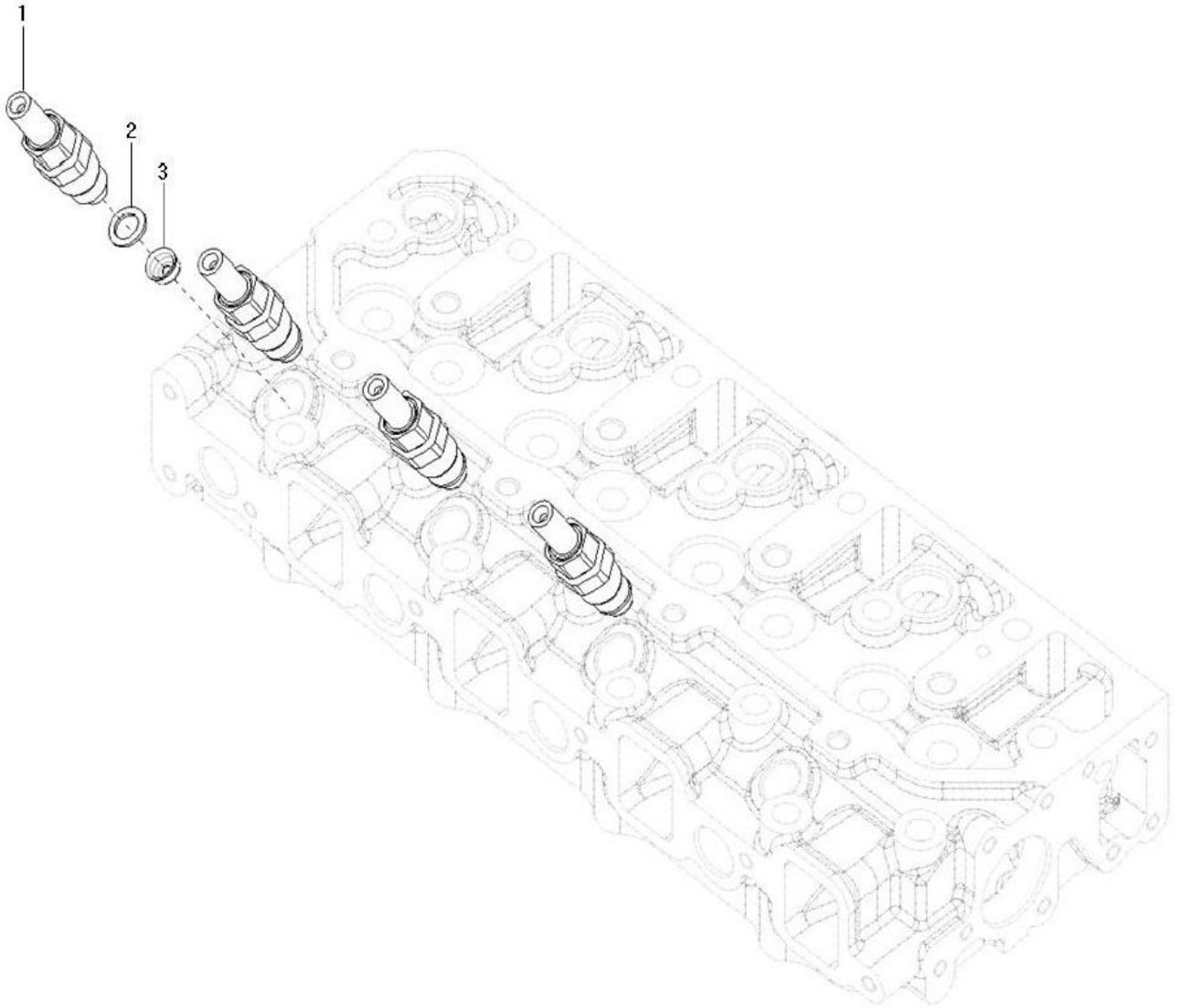
P1

YEAR

2018



T474NH



NOTE

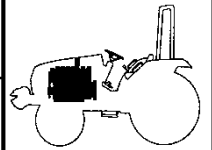
FIG 122

FUEL PIPE ASS'Y

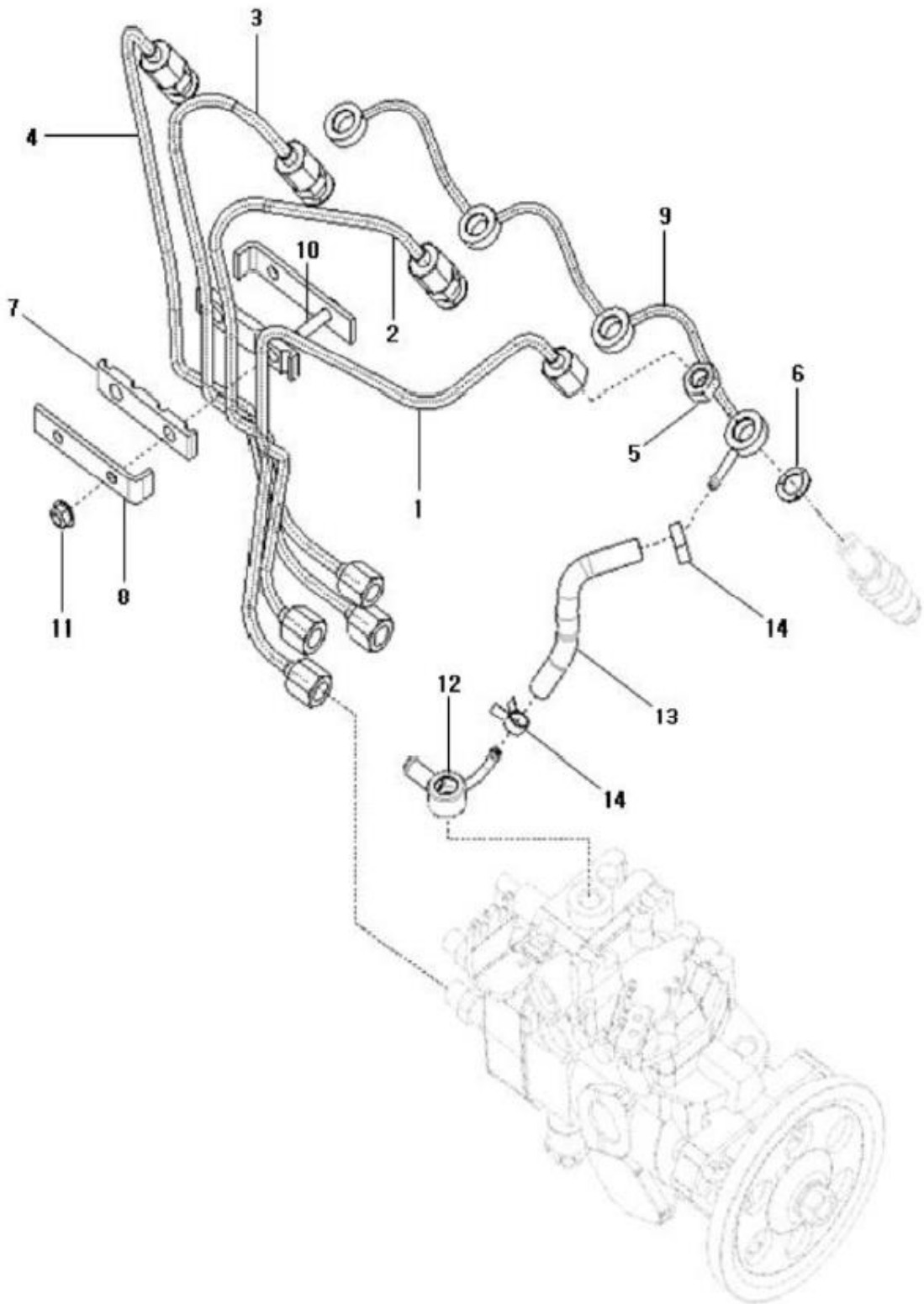
P1

YEAR

2018



T474NH



NOTE

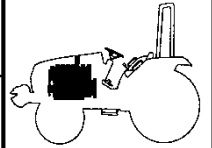
FIG 123

OIL FILTER

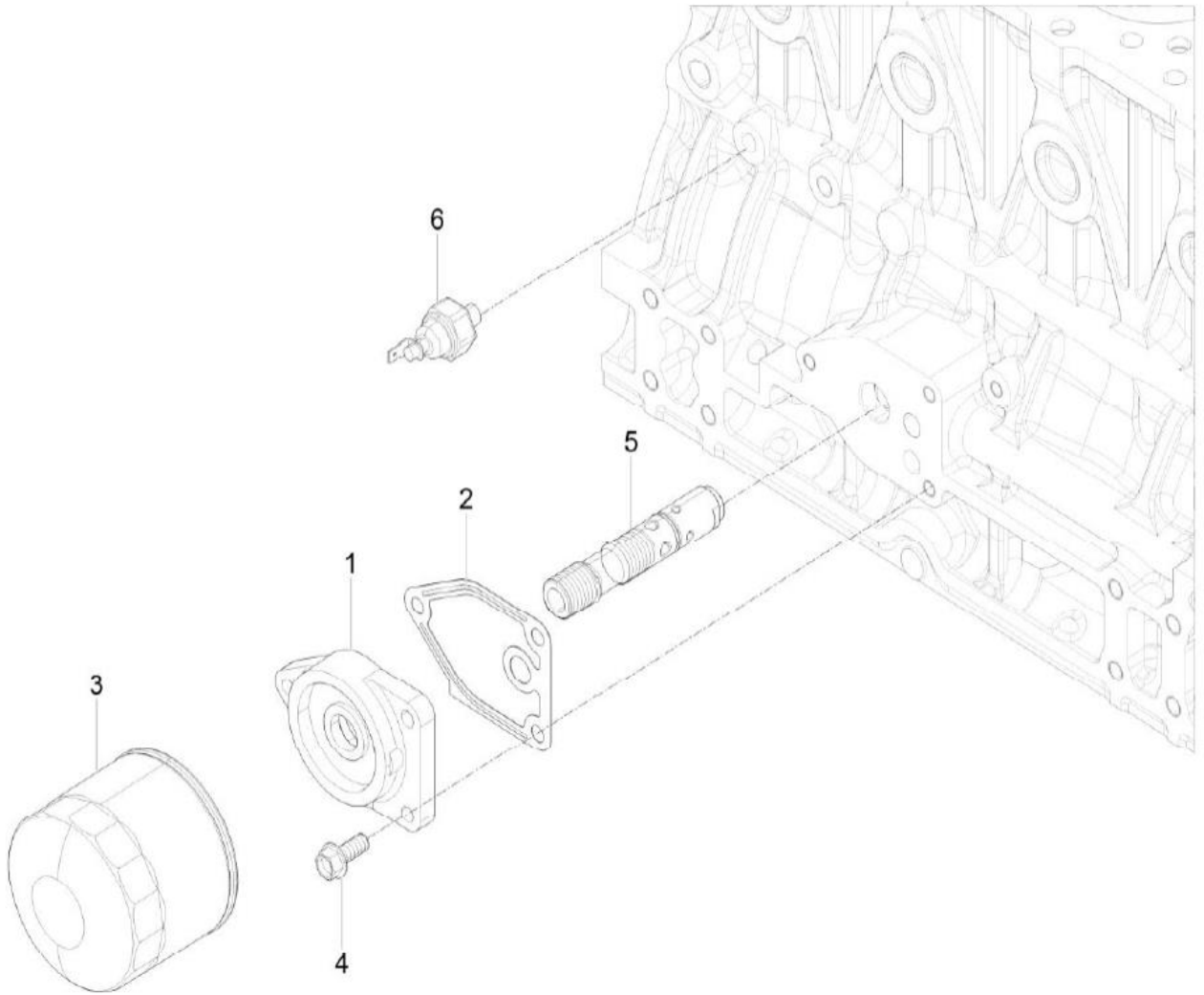
P1

YEAR

2018



T474NH



NOTE

FIG 124

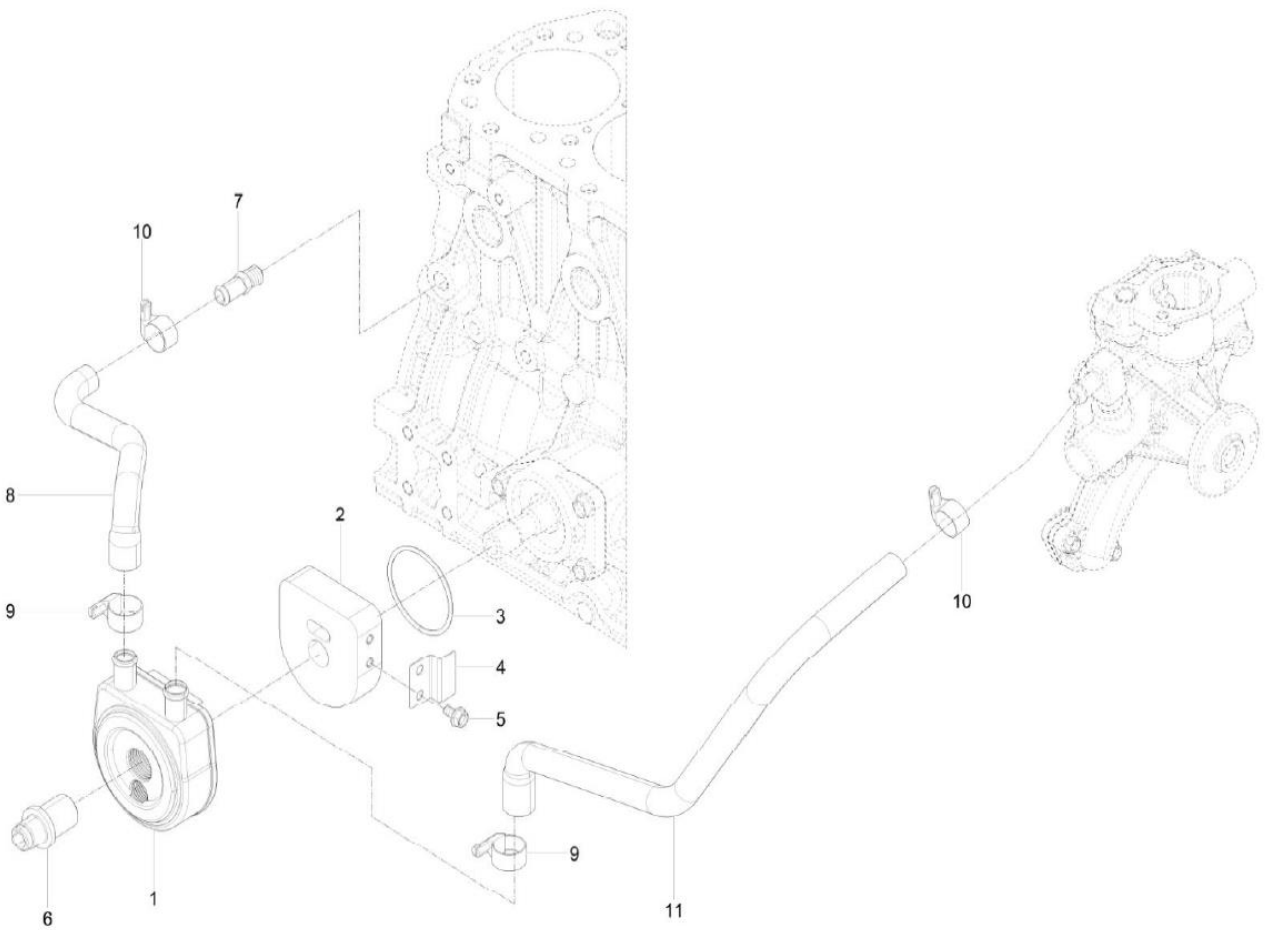
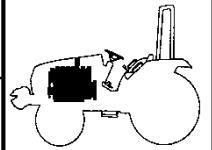
T474NH

OIL COOLER

P1

YEAR

2018



NOTE

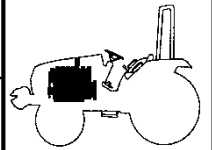
FIG 125

OIL GAUGUE

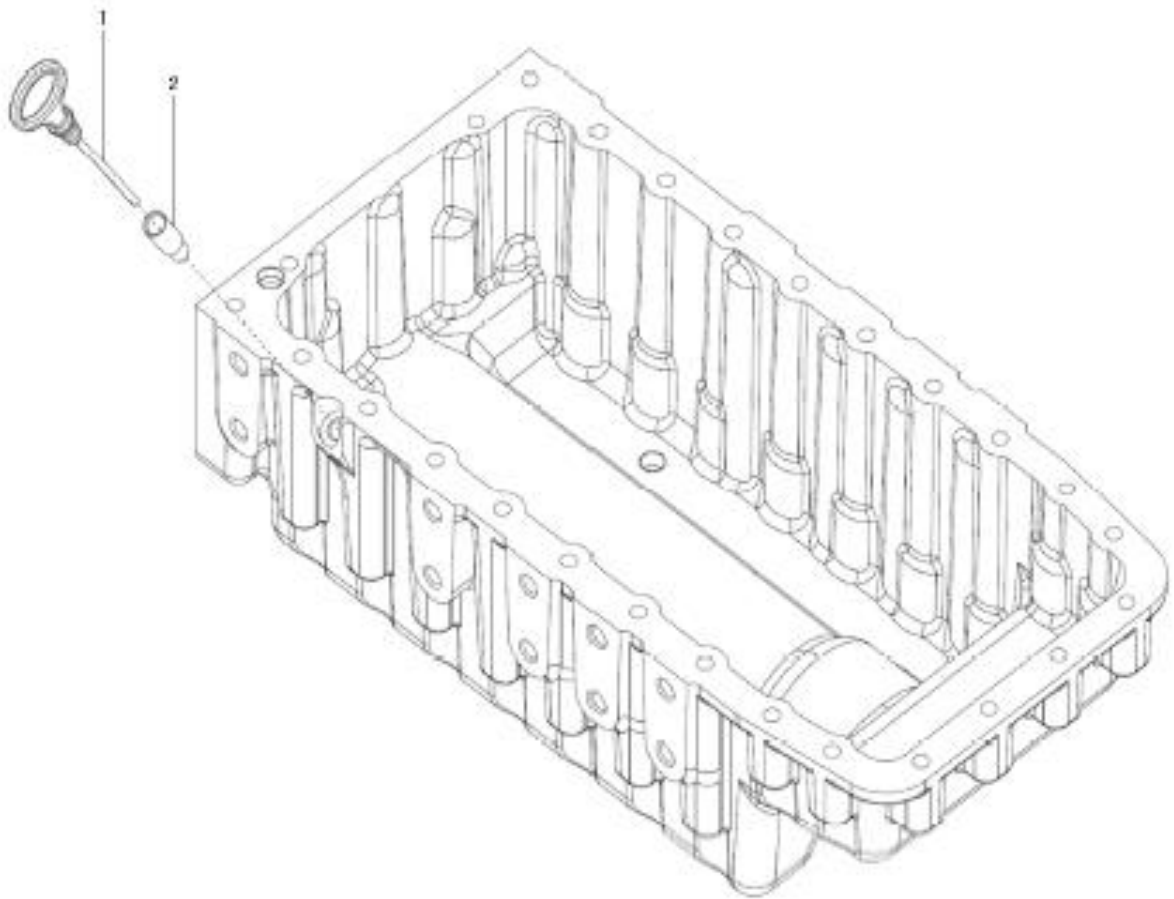
P1

YEAR

2018



T474NH



NOTE

FIG 126

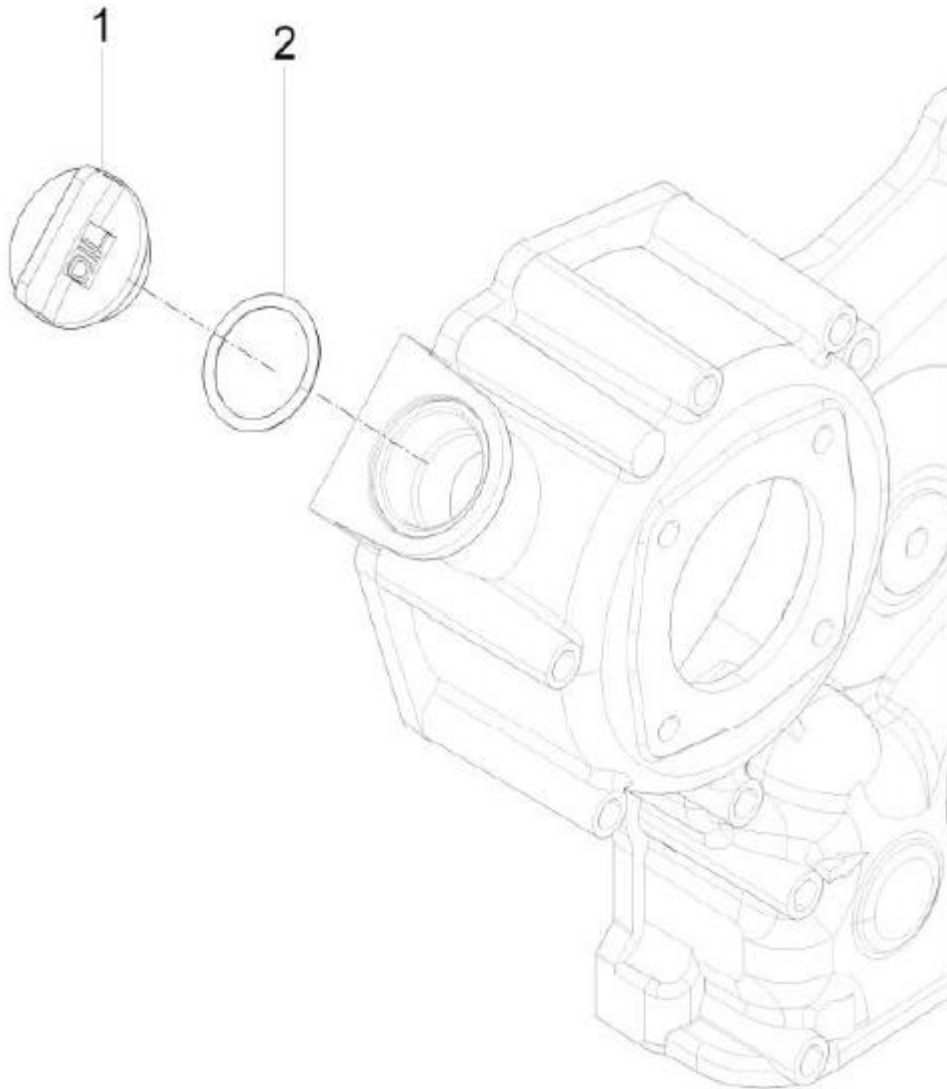
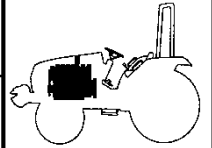
T474NH

OIL FILLER CAP

P1

YEAR

2018



NOTE

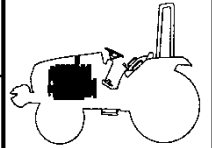
FIG 127

COOLING WATER PUMP

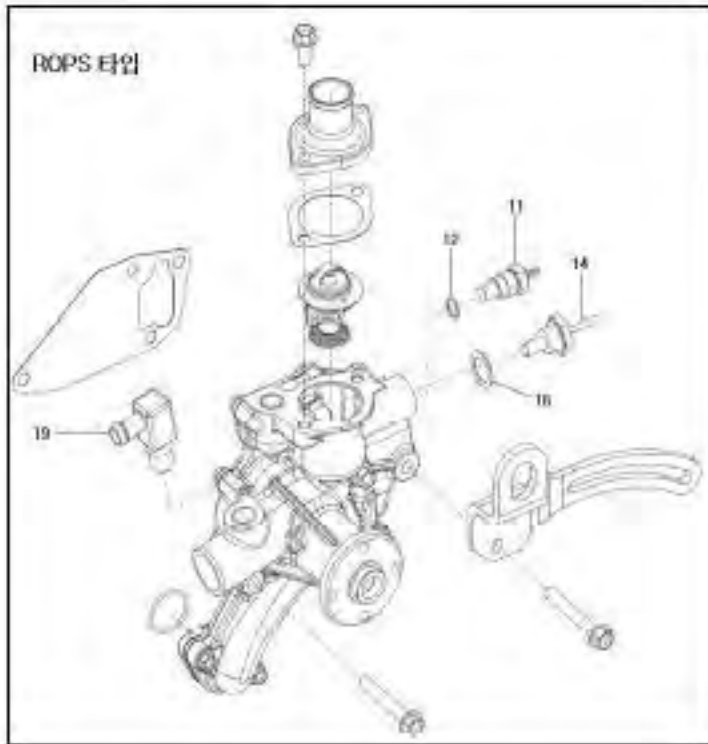
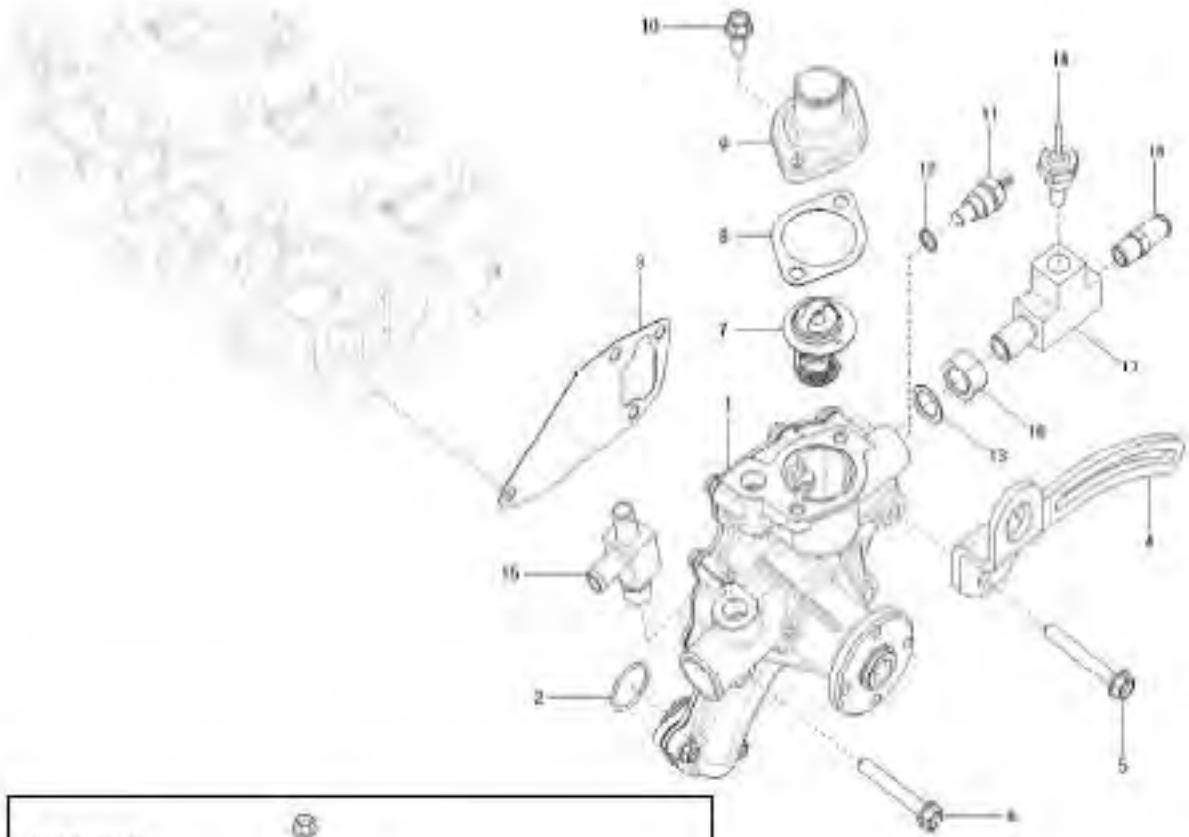
P1

YEAR

2018



T474NH



NOTE

FIG 128

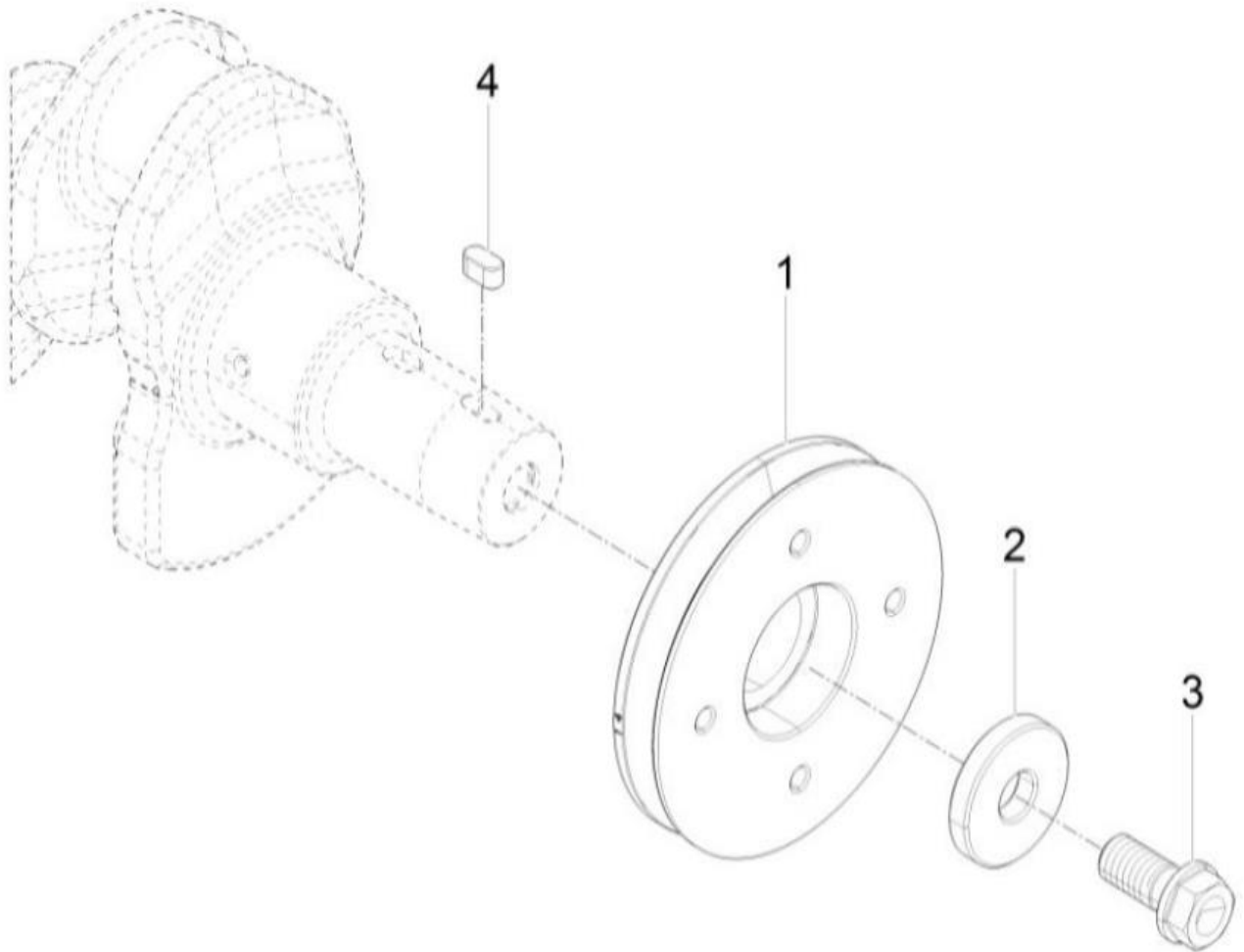
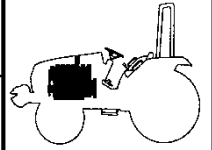
T474NH

CRANK SHAFT PULLEY

P1

YEAR

2018



NOTE

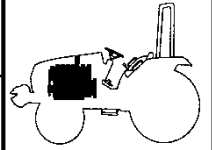
FIG 129

V-PULLEY

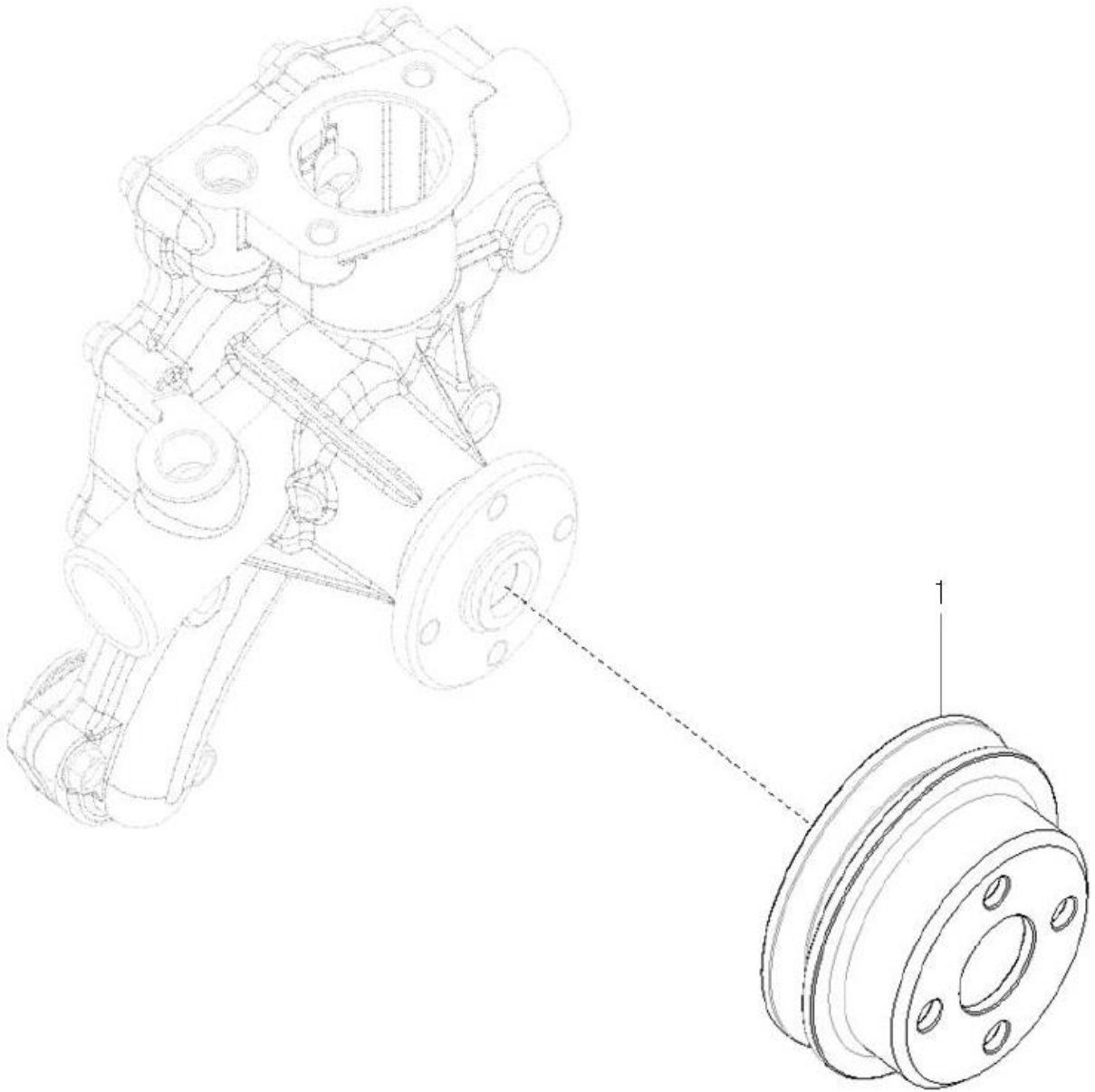
P1

YEAR

2018



T474NH



NOTE

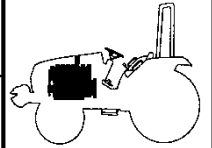
FIG 130

COOLING FAN

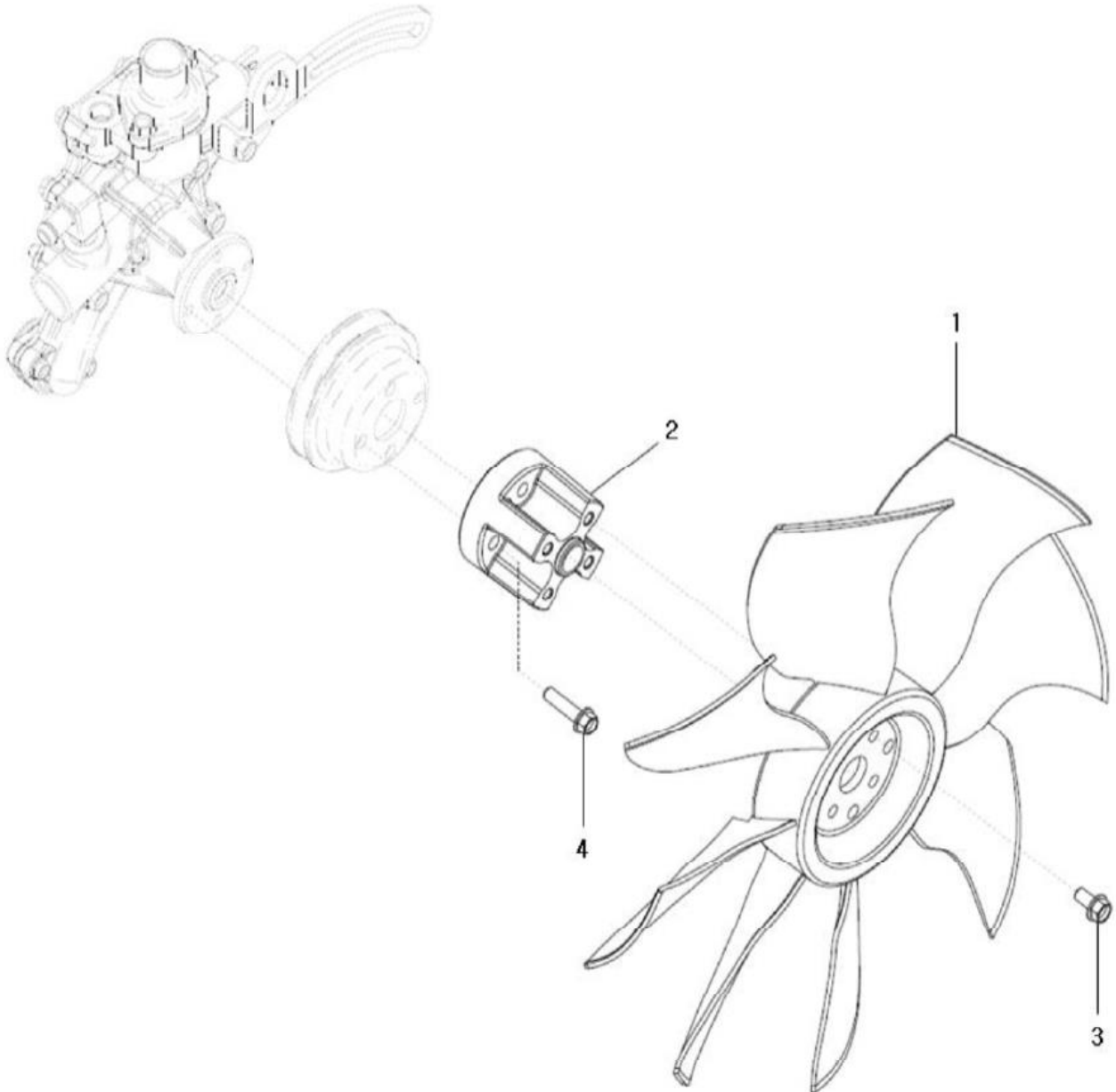
P1

YEAR

2018



T474NH



NOTE

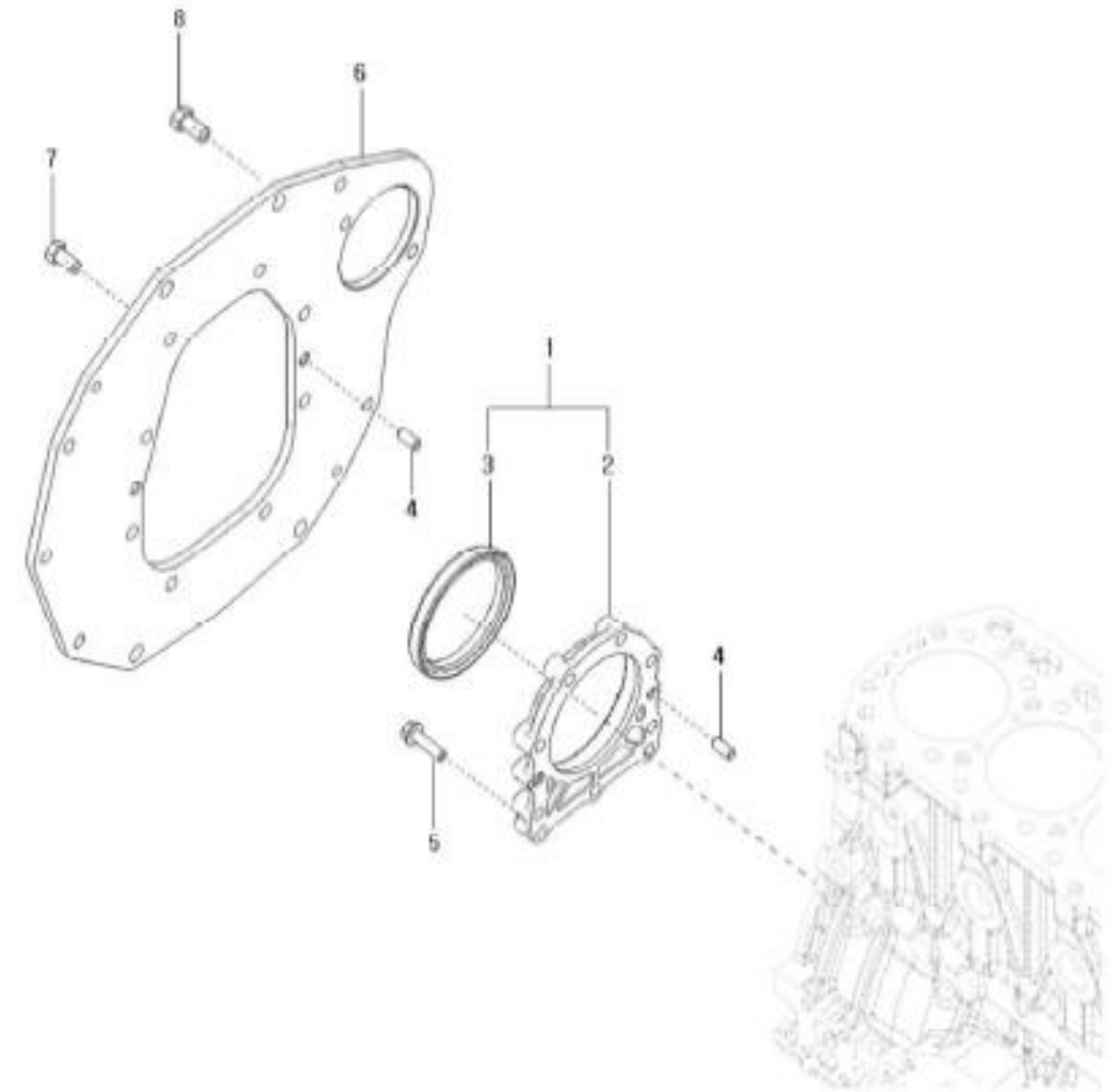
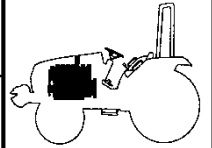
FIG 131

FLYWHEEL HOUSING

P1

YEAR

2018



NOTE

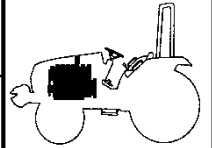
FIG 132

FLYWHEEL

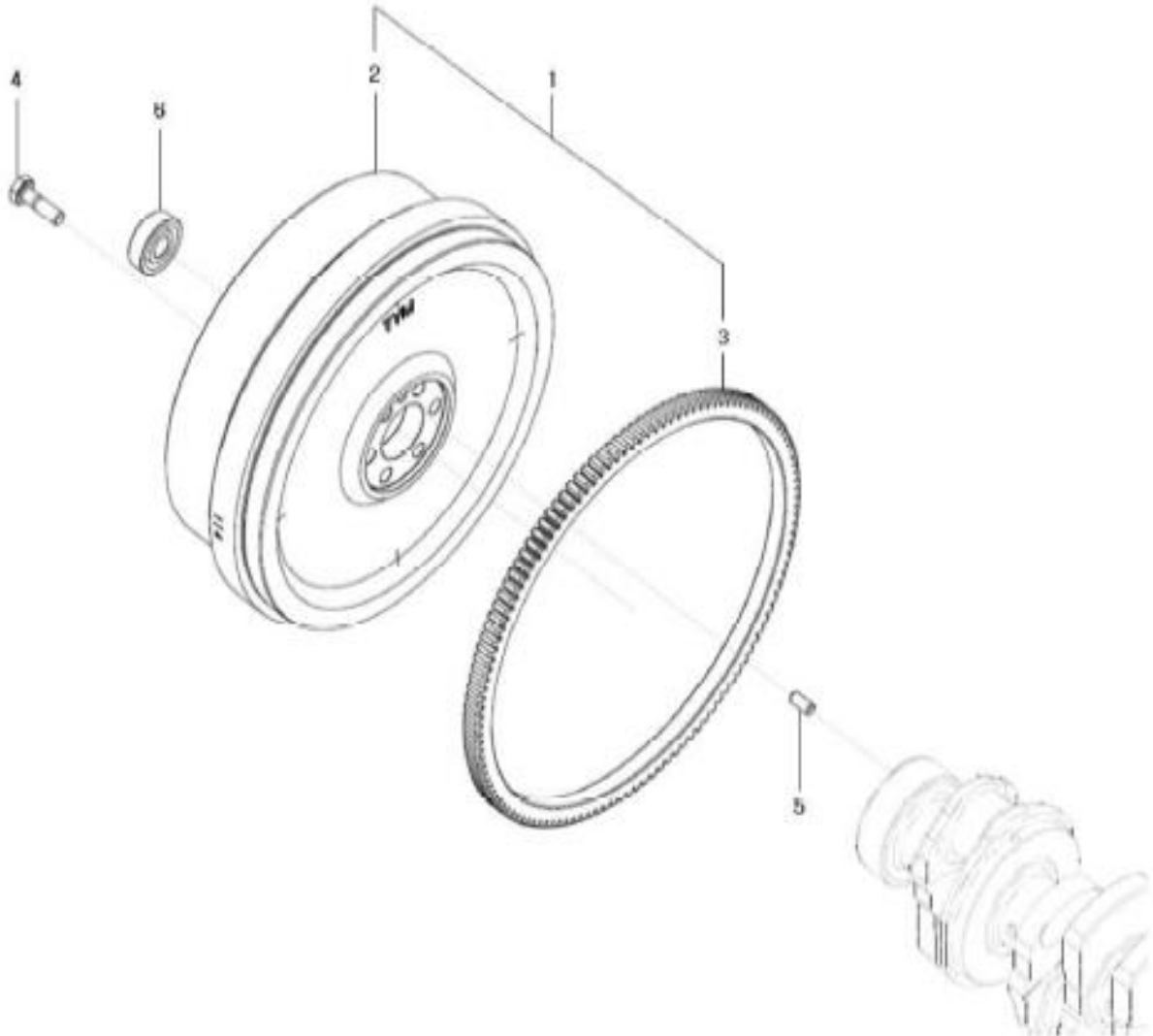
P1

YEAR

2018



T474NH



NOTE

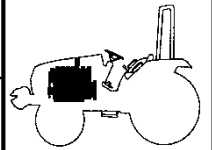
FIG 133

GLOW PLUG ASS'Y OPTION

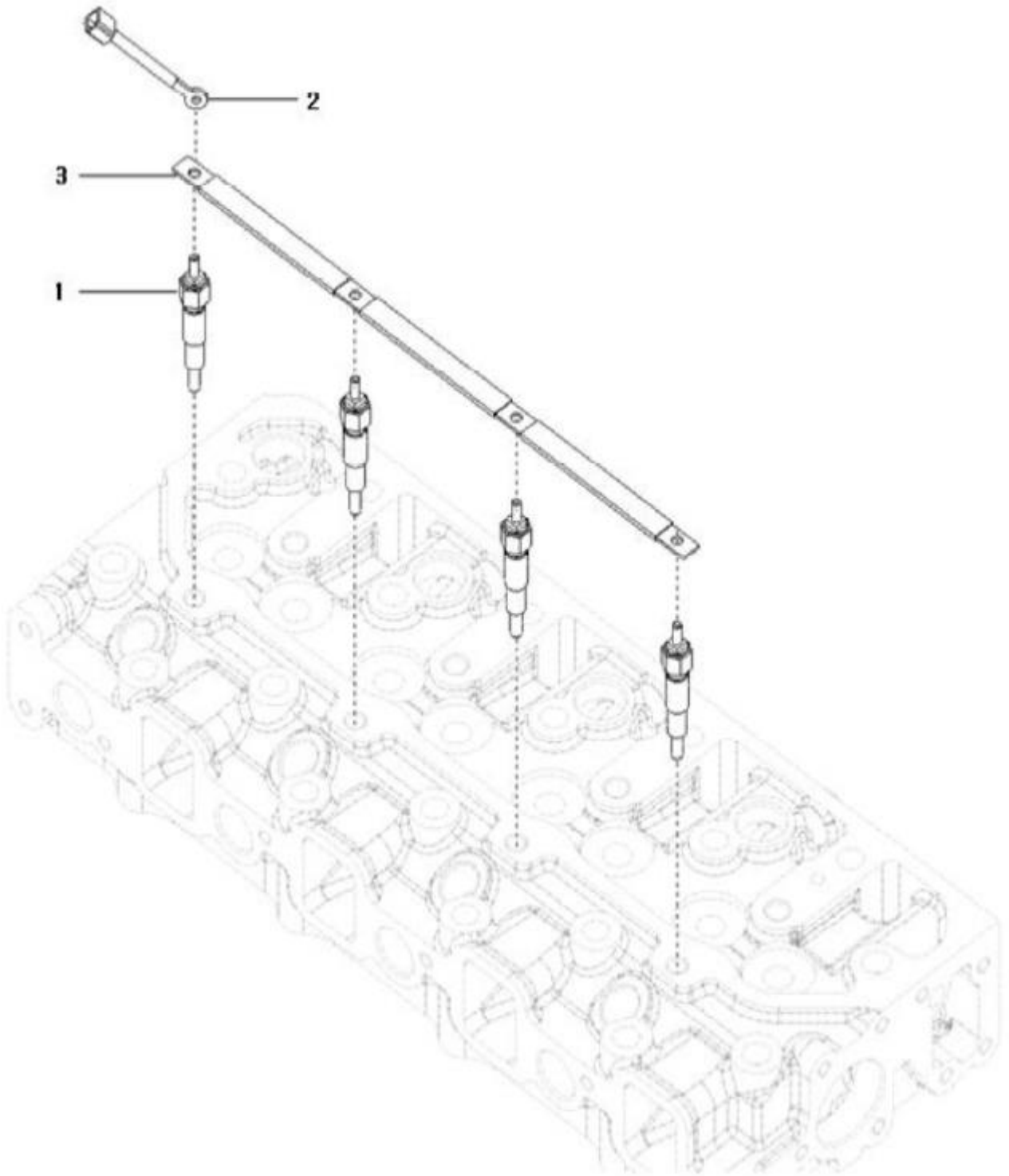
P1

YEAR

2018



T474NH



NOTE

FIG 134

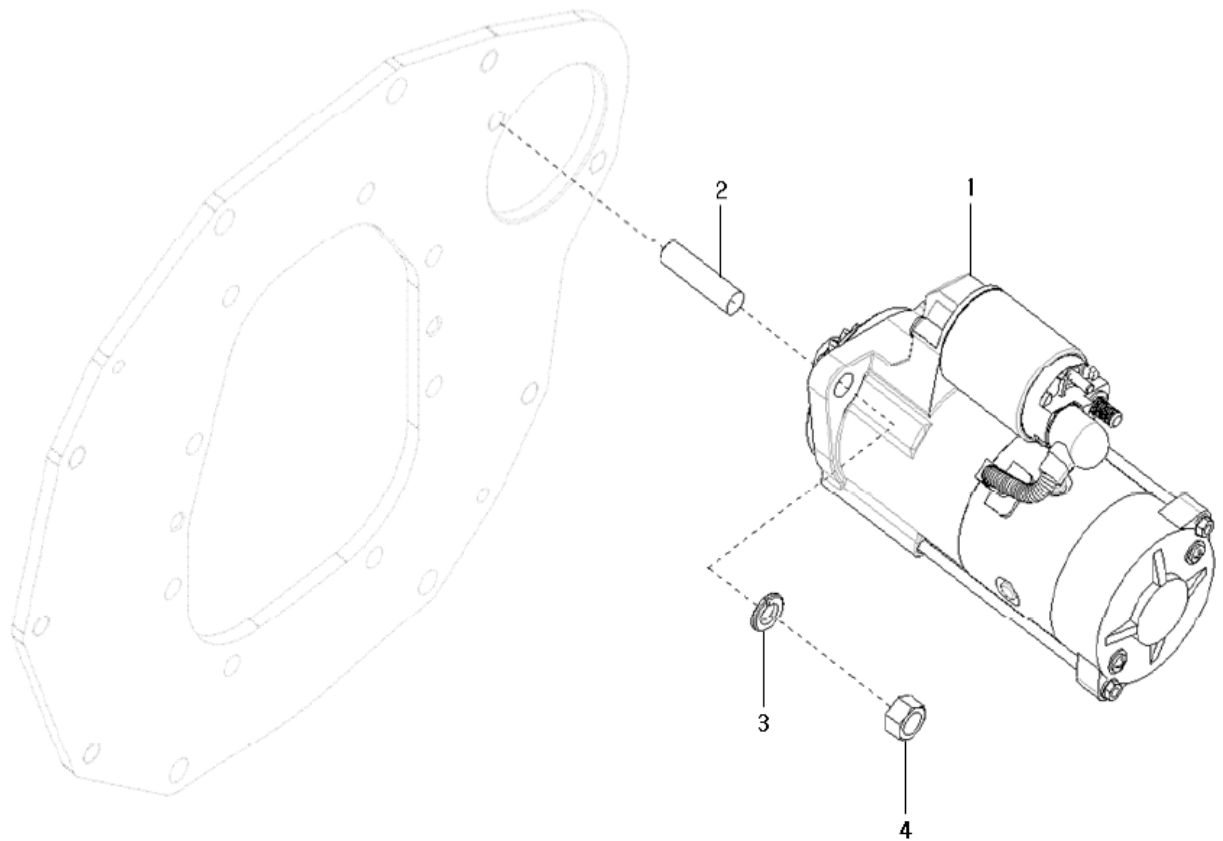
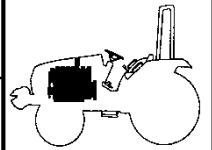
T474NH

STARTING MOTOR

P1

YEAR

2018



NOTE

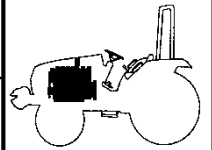
FIG 135

FUEL FILTER BRACKET ASS'Y

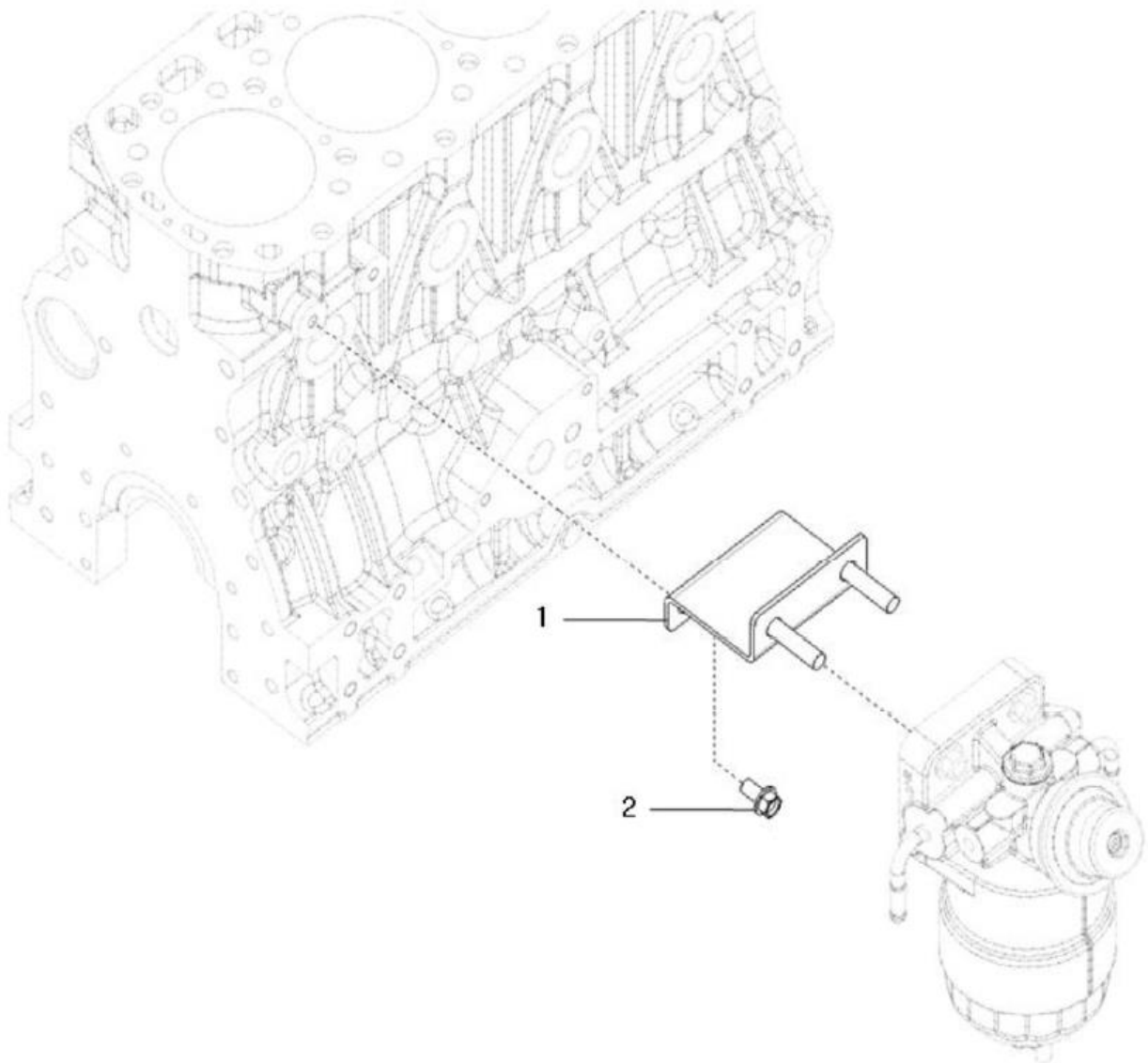
P1

YEAR

2018



T474NH



NOTE

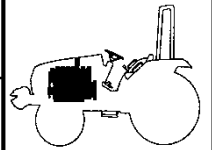
FIG 136

ALTERNATOR

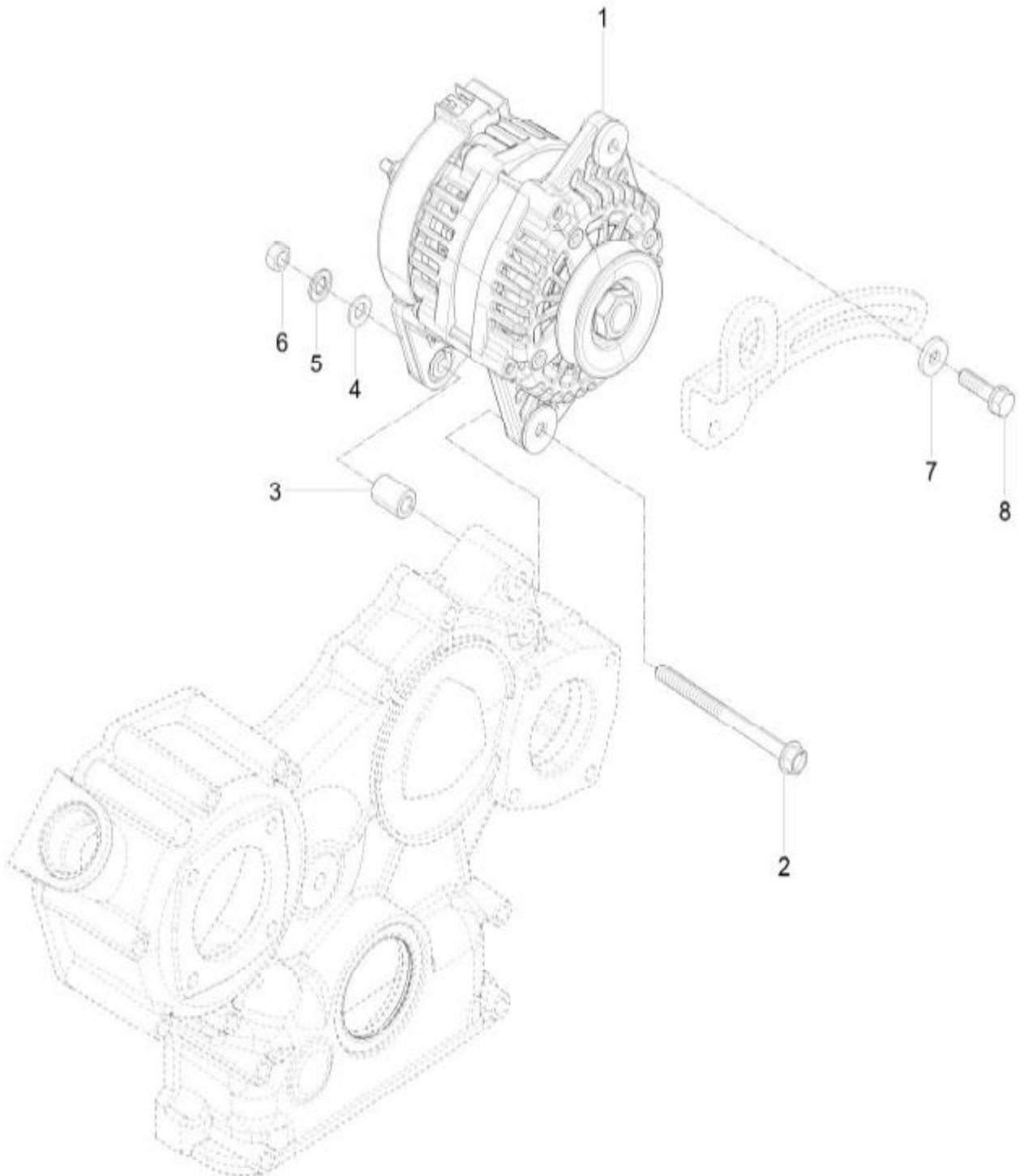
P1

YEAR

2018



T474NH



NOTE

FIG 137

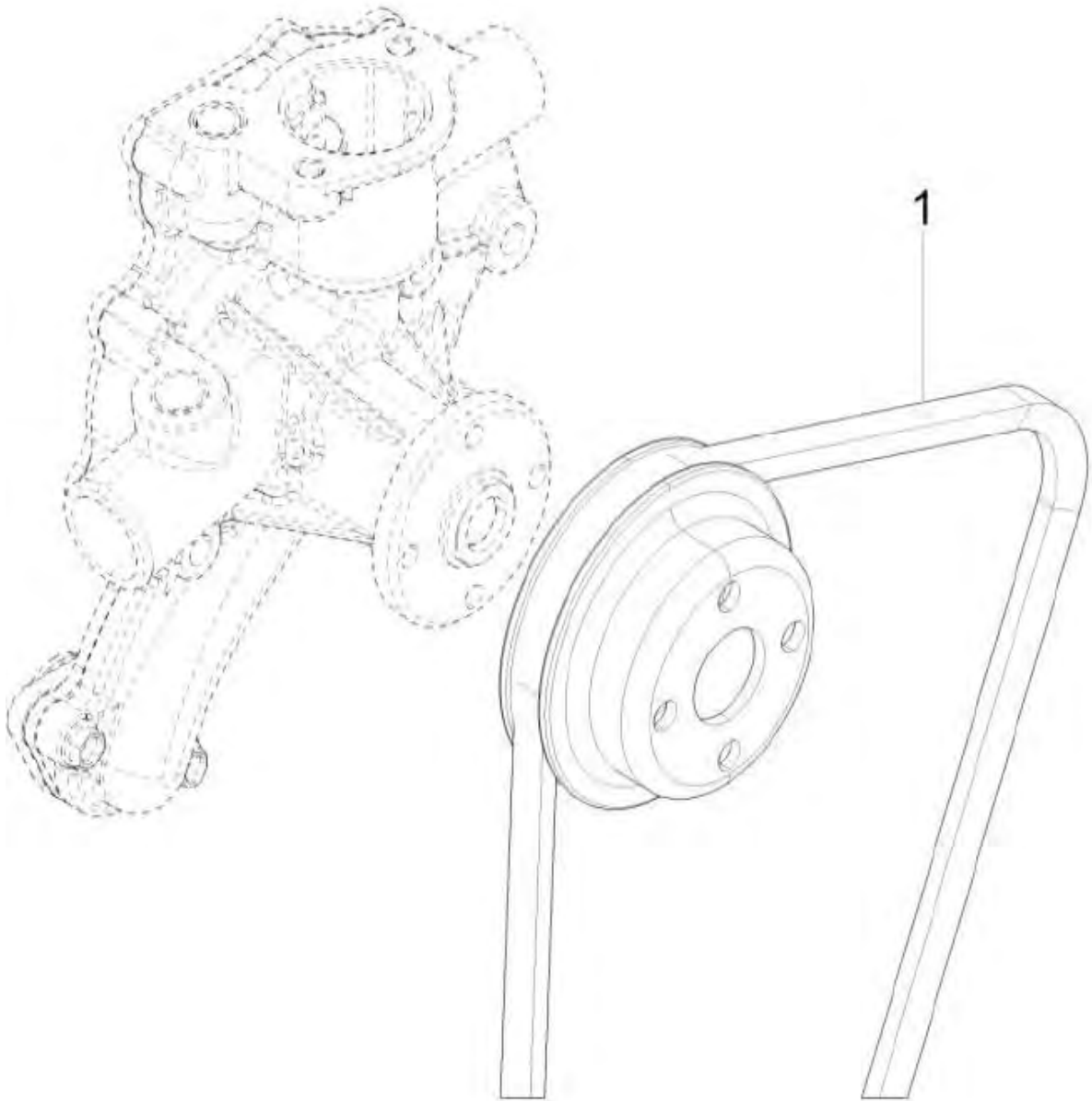
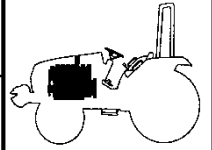
T474NH

V-BELT

P1

YEAR

2018



NOTE

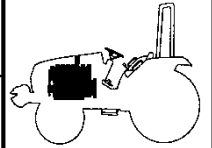
FIG 138

FUEL FILTER

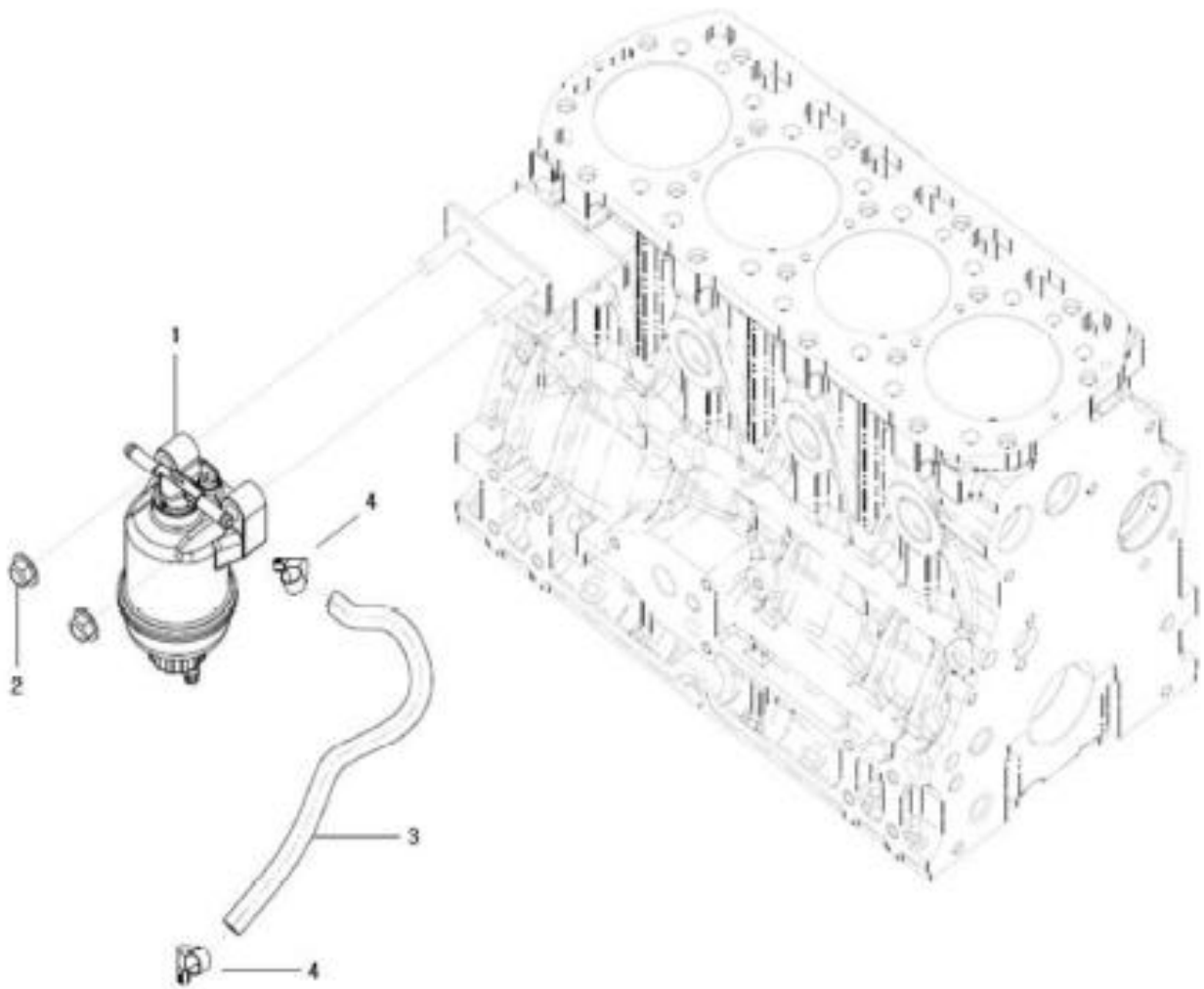
P1

YEAR

2018



T474NH



NOTE

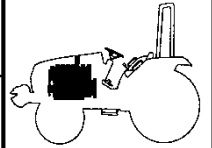
FIG 139

DPF SUPPORT

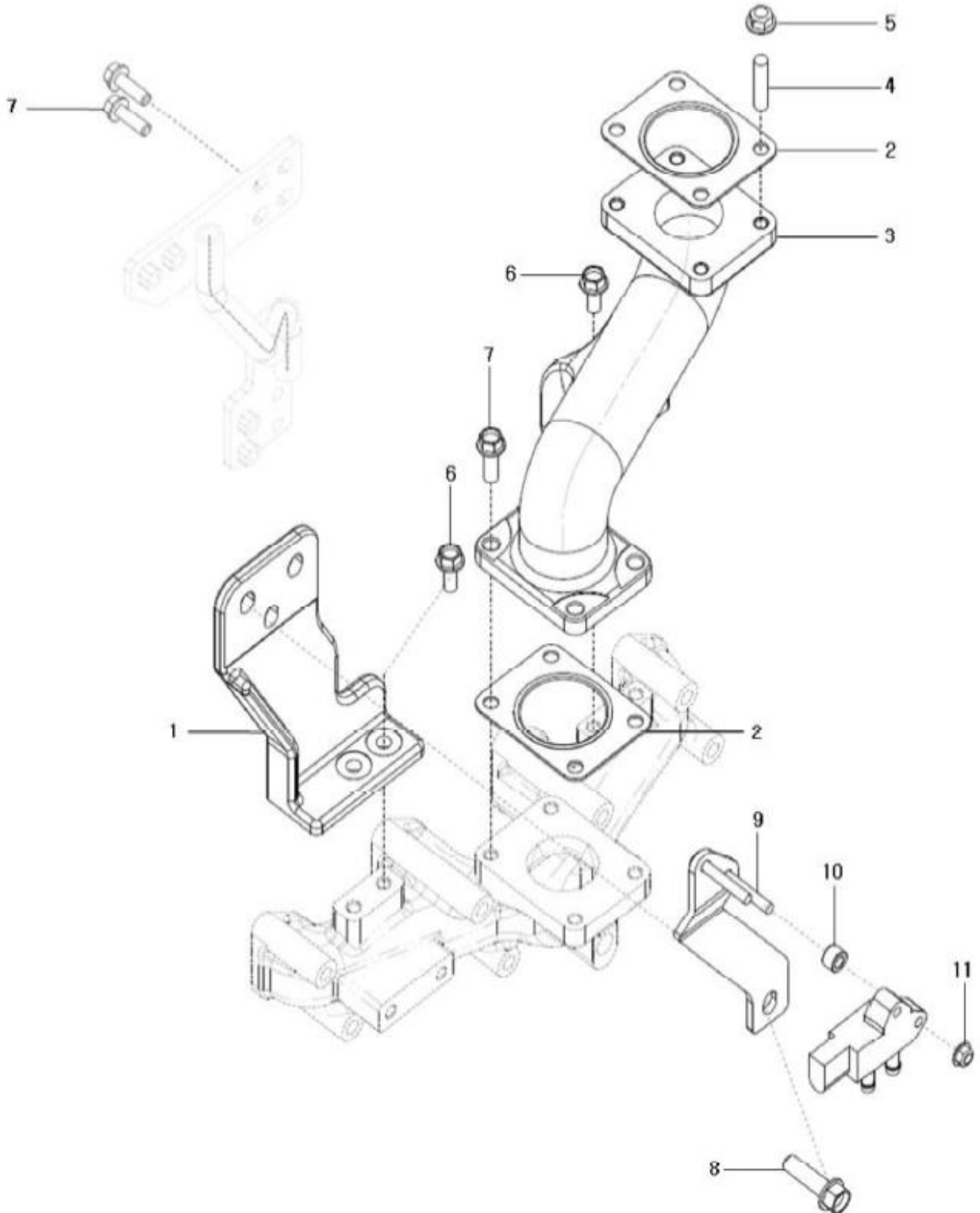
P1

YEAR

2018



T474NH



NOTE

FIG 140

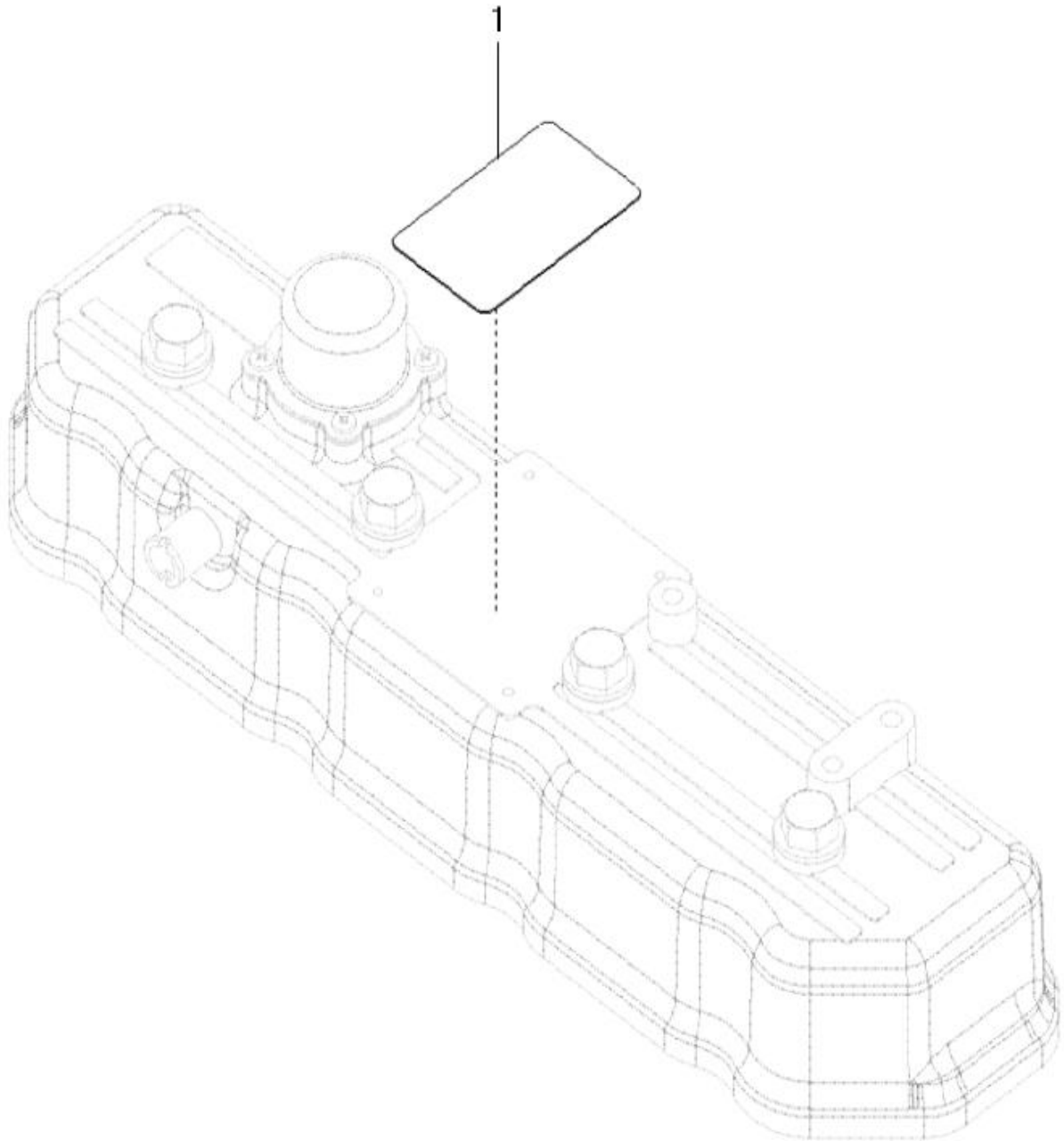
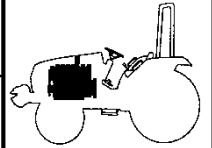
T474NH

DATAPLATE

P1

YEAR

2018



NOTE

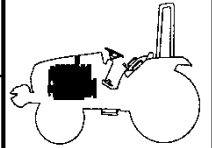
FIG 141

NAME PLATE, STARTING MOTOR

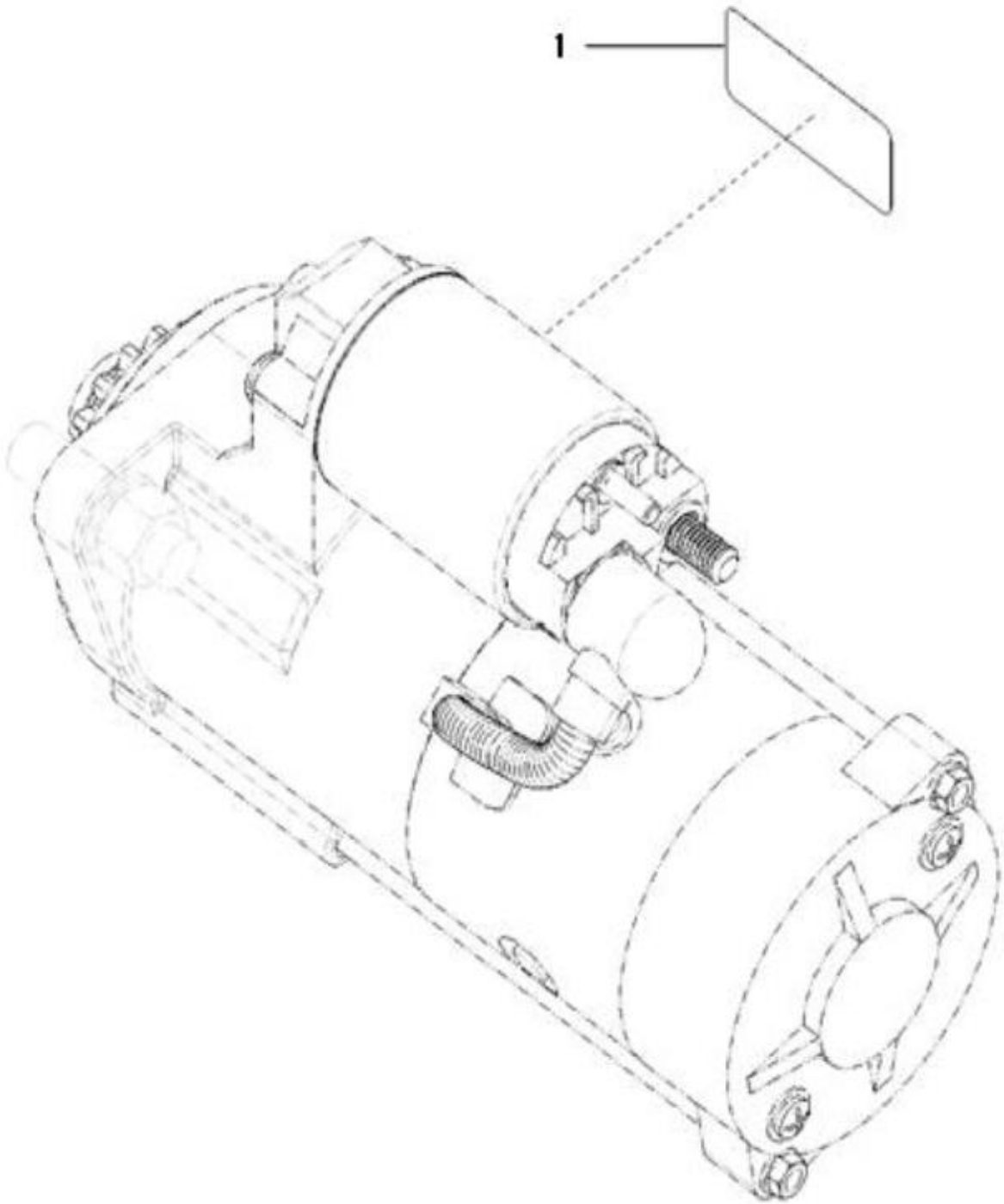
P1

YEAR

2018



T474NH



NOTE

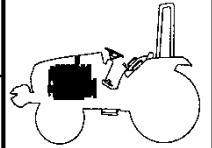
FIG 142

DPF ASS'Y

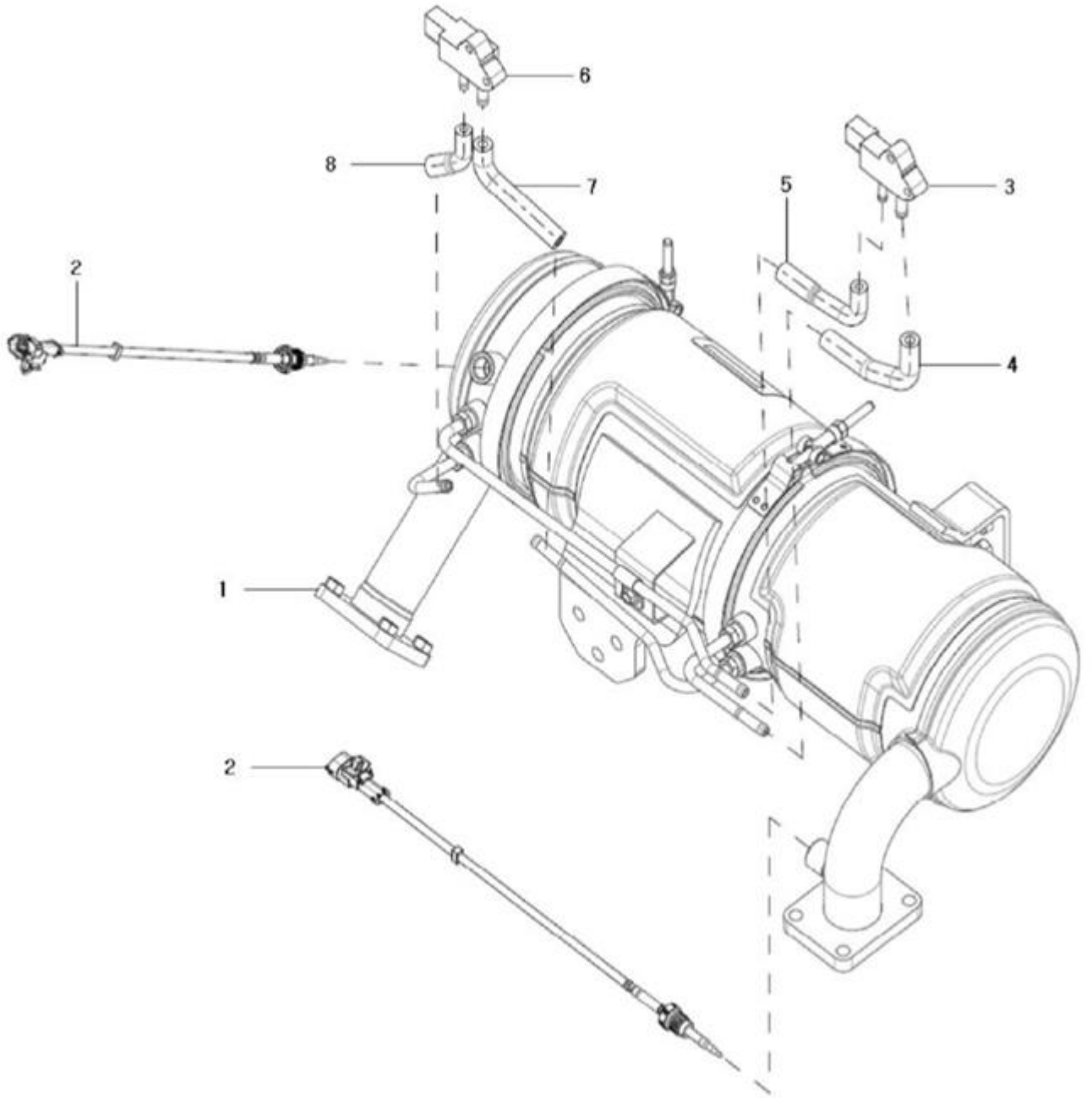
P1

YEAR

2018



T474NH



NOTE

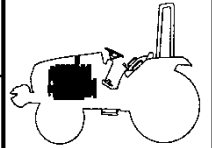
FIG 143

LIFT ASS'Y

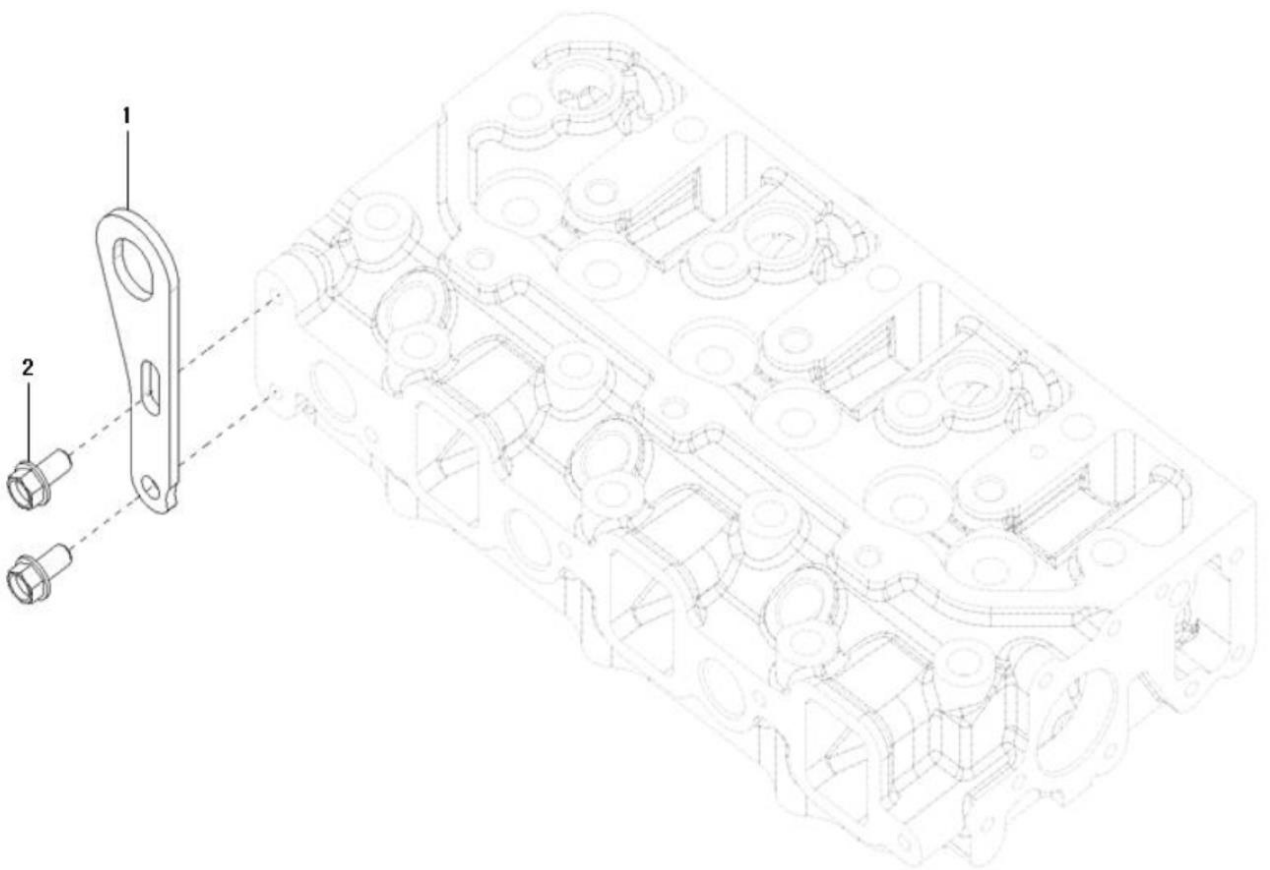
P1

YEAR

2018



T474NH



NOTE

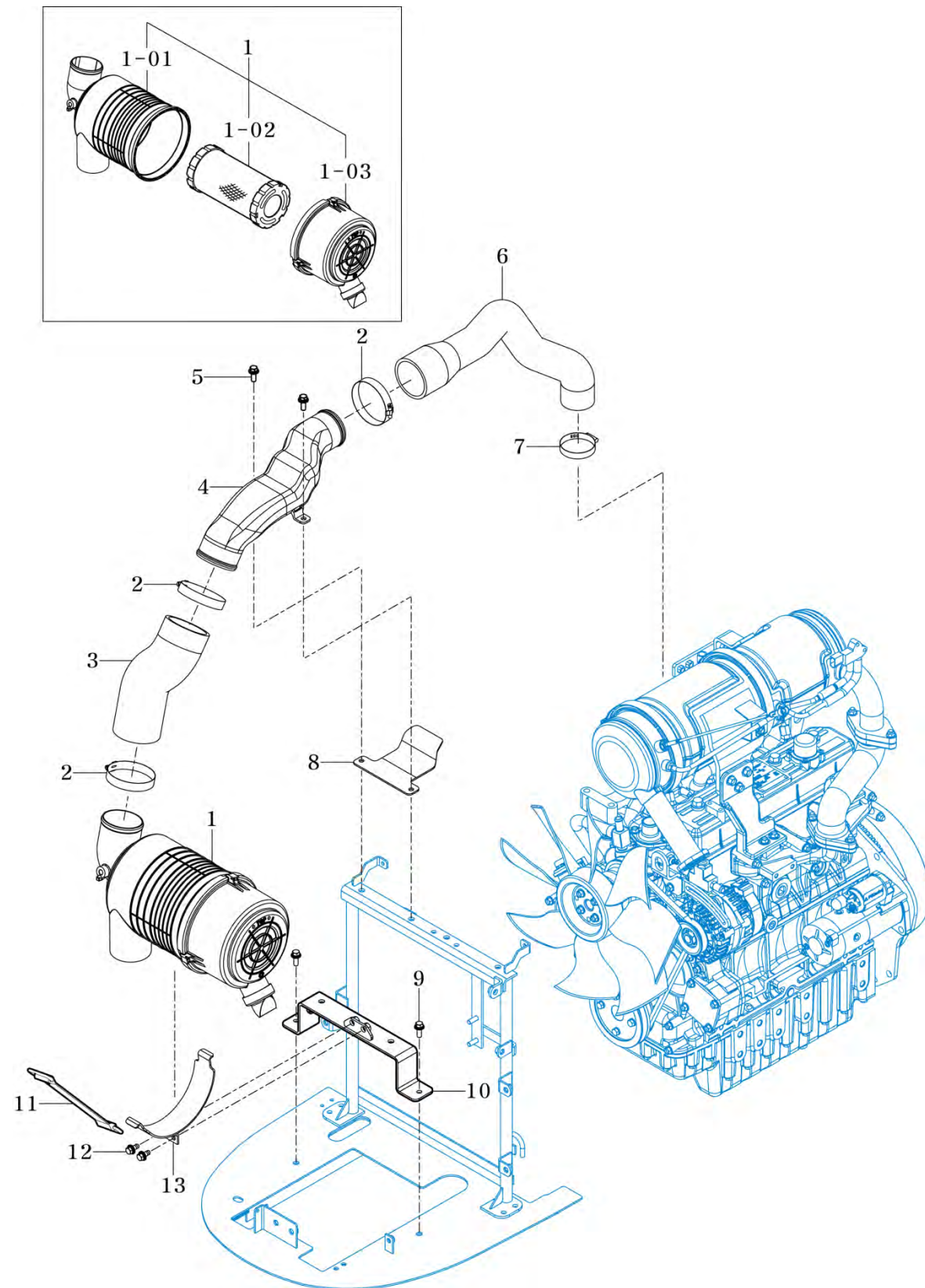
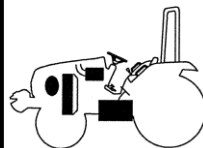
FIG 201

AIR CLEANER

P1

YEAR

2018



NOTE

FIG 202

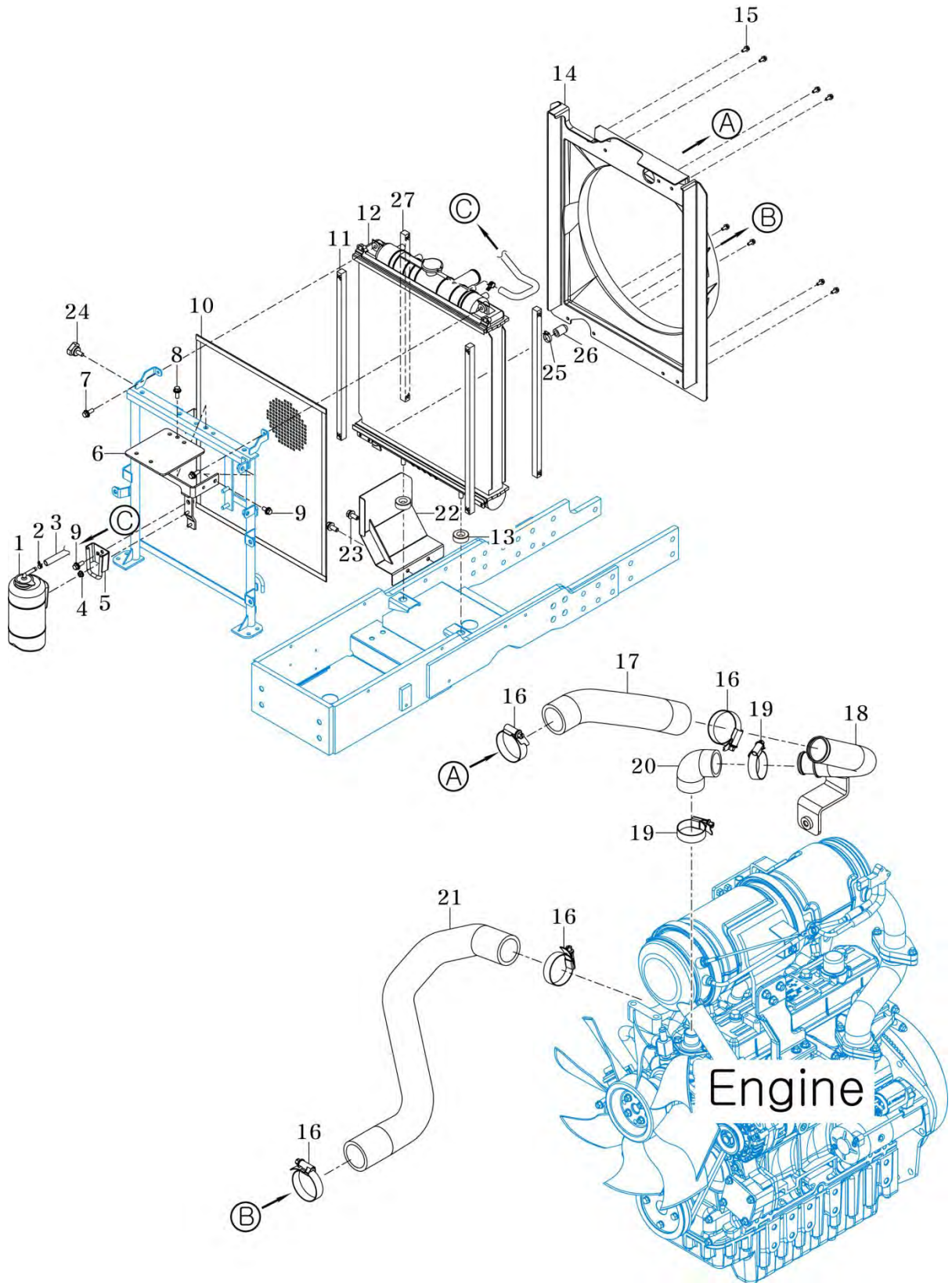
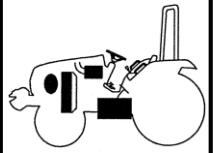
T474NH

RADIATOR

P1

YEAR

2018



NOTE

FIG 203

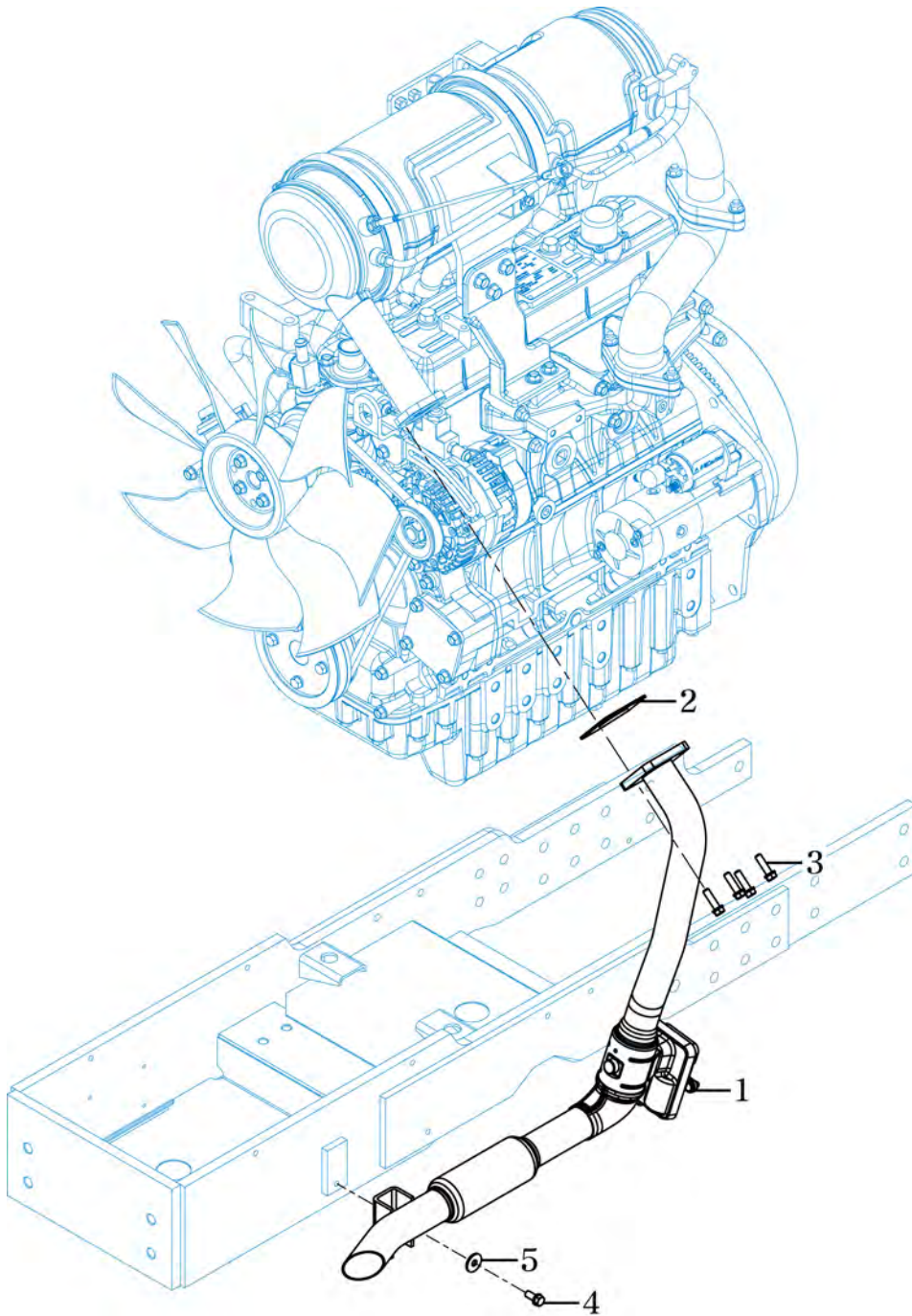
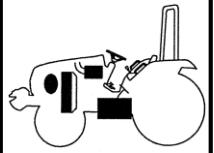
T474NH

MUFFLER

P1

YEAR

2018



T474-U-203

NOTE

FIG 204

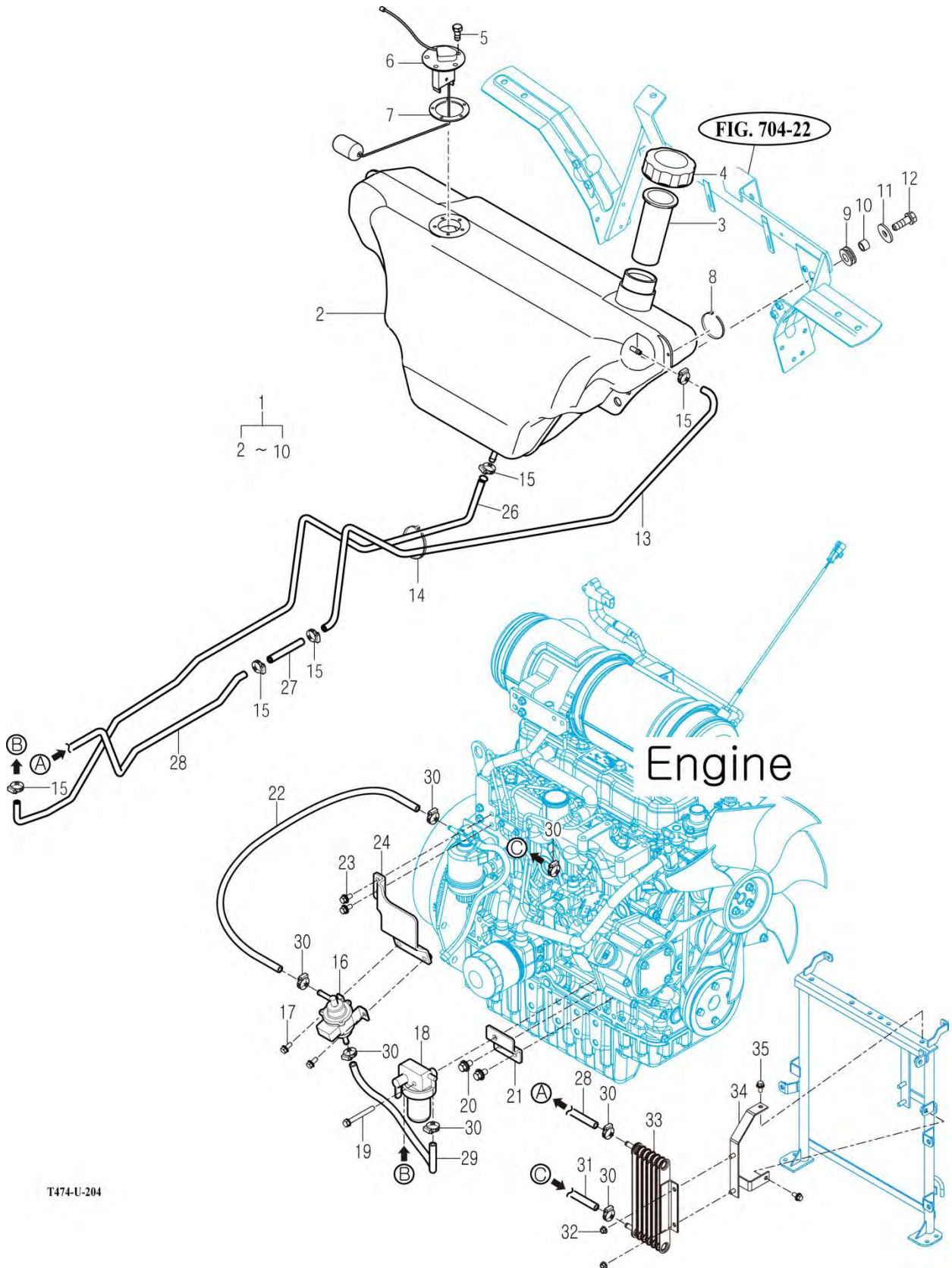
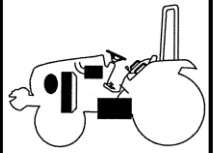
T474NH

FUEL TANK & FILTER

P1

YEAR

2018



T474-U-204

NOTE

FIG 205

T474NH

OIL COOLER

P1

YEAR

2018

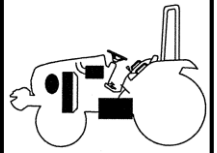


FIG. 701-01

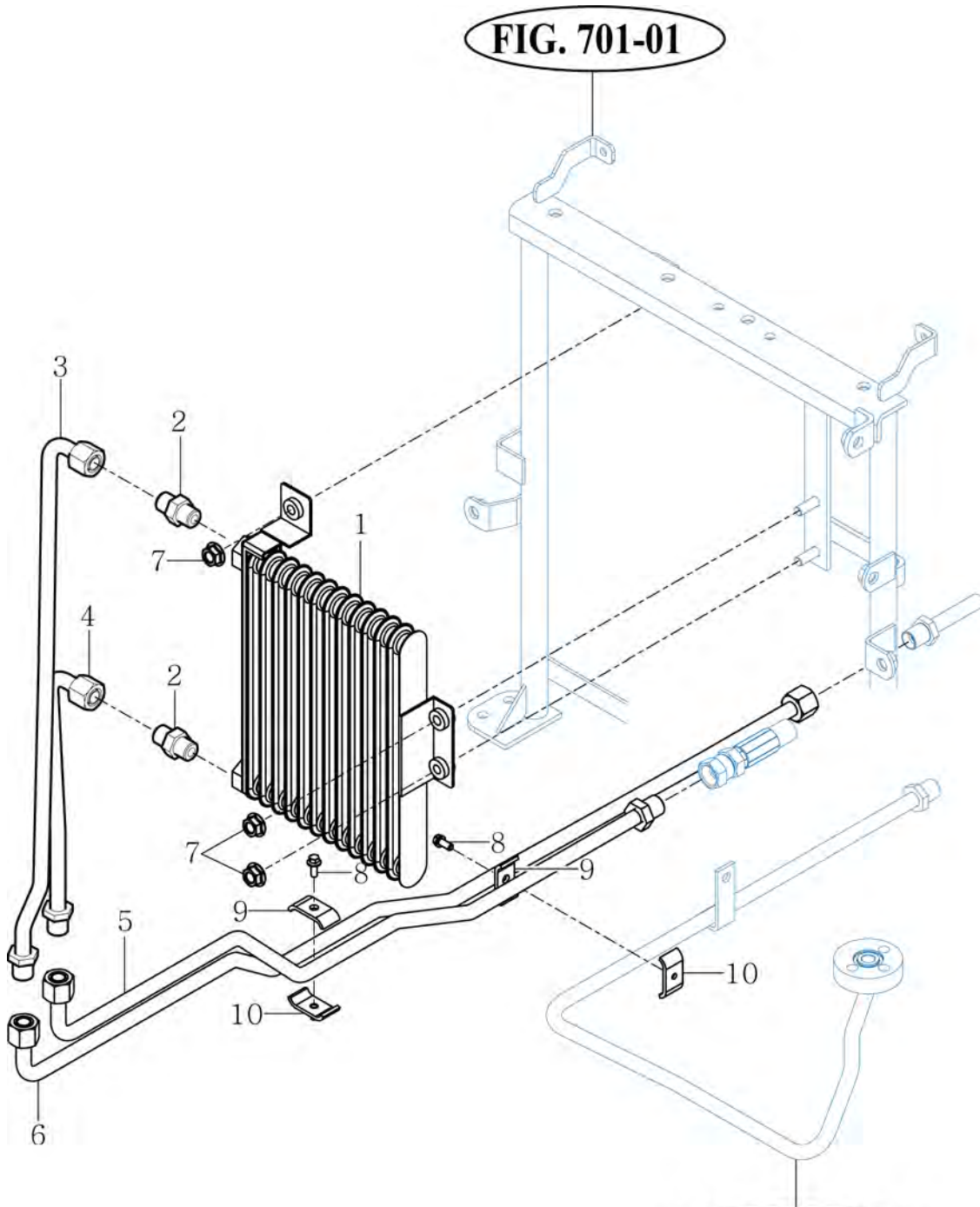


FIG. 610-11

NOTE

FIG 302

FLYWHEEL & CLUTCH

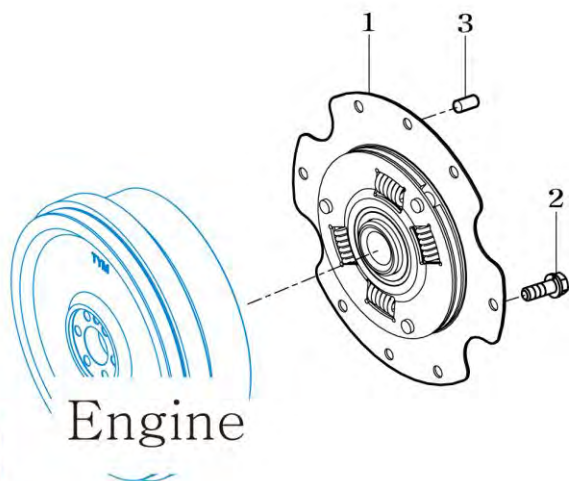
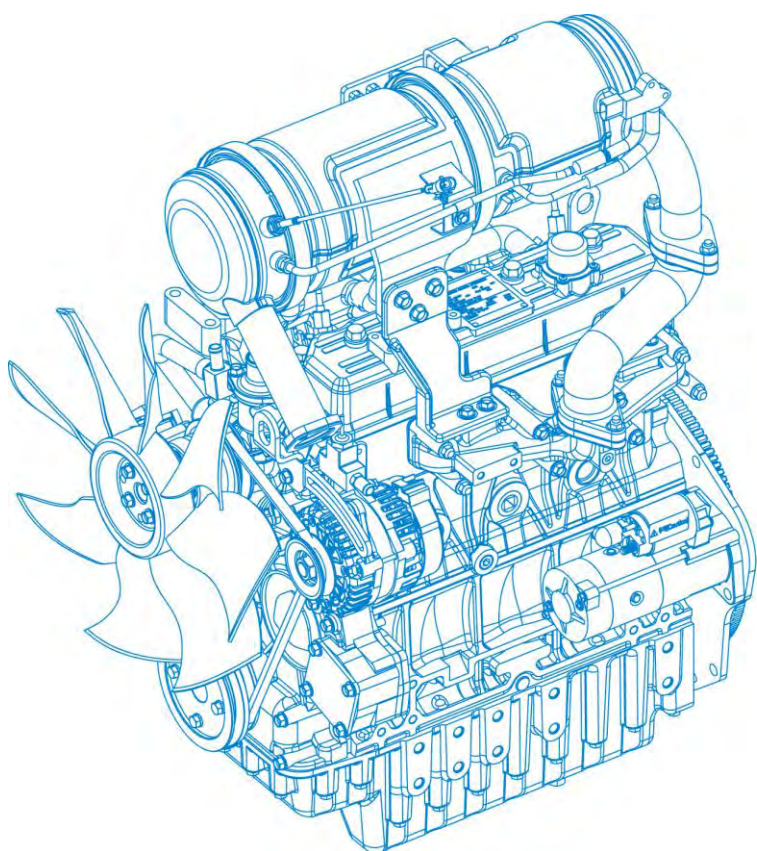
P1

YEAR

2018



T474NH



T474-U-302

NOTE

FIG 303

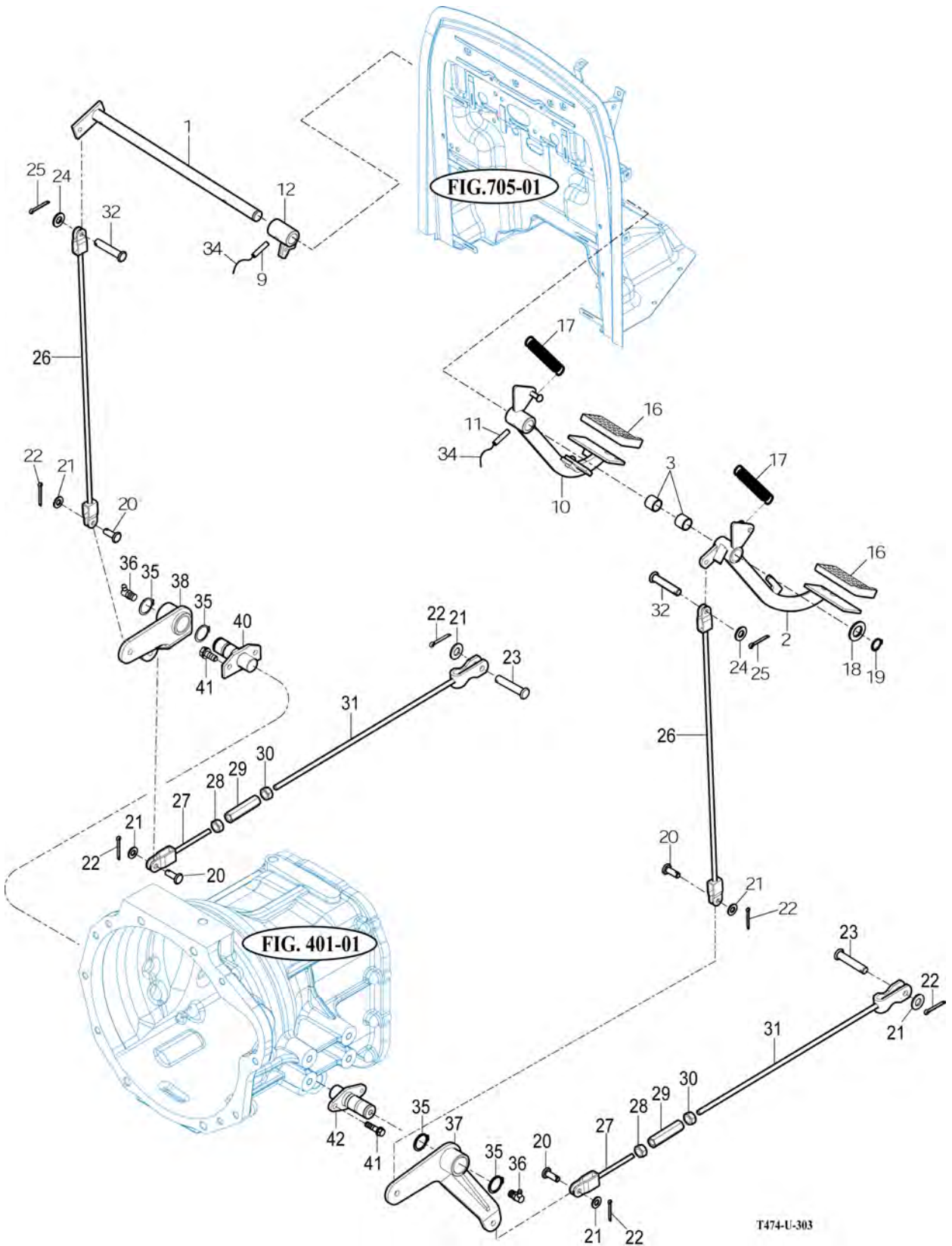
T474NH

BRAKE PEDAL

P1

YEAR

2018



T474-U-303

NOTE

FIG 304

T474NH

BRAKE

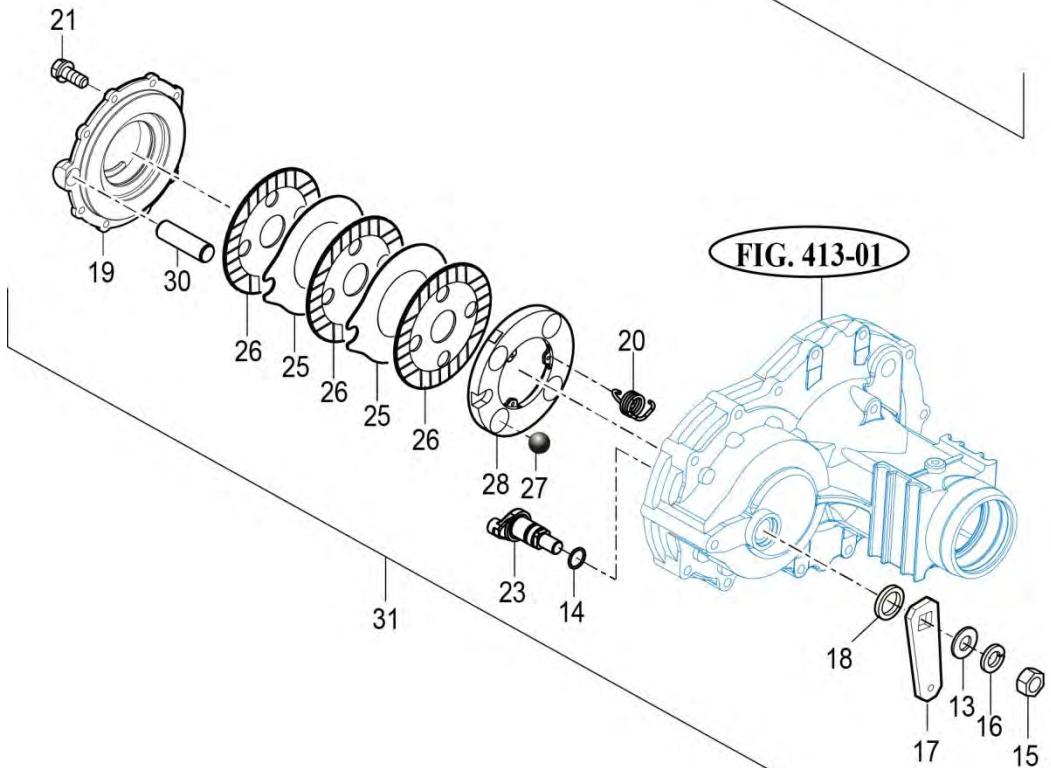
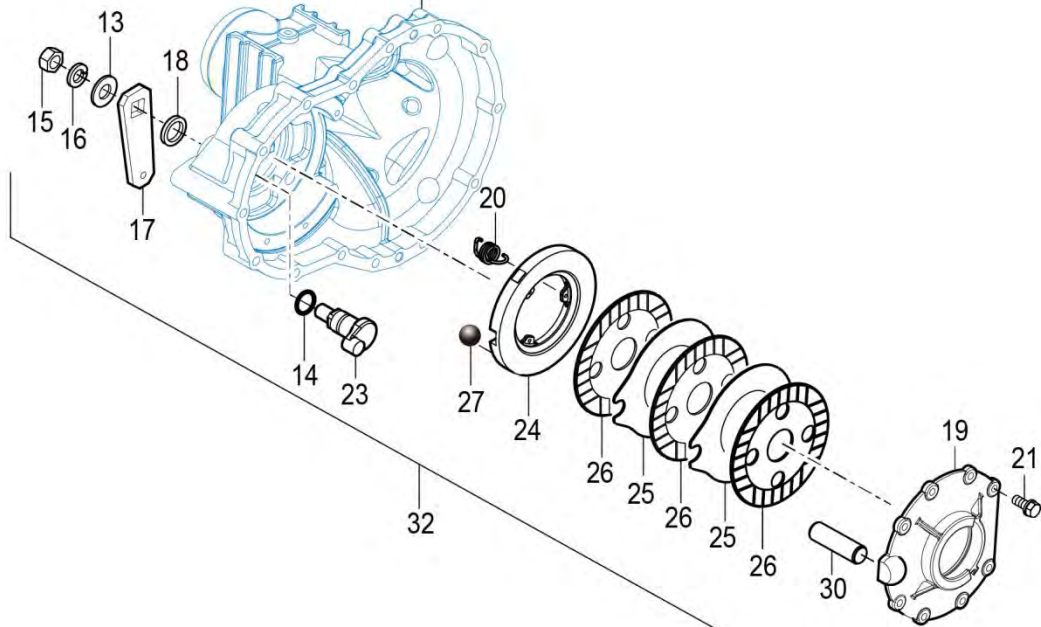
P1

YEAR

2018



FIG. 413-01



NOTE

FIG 306

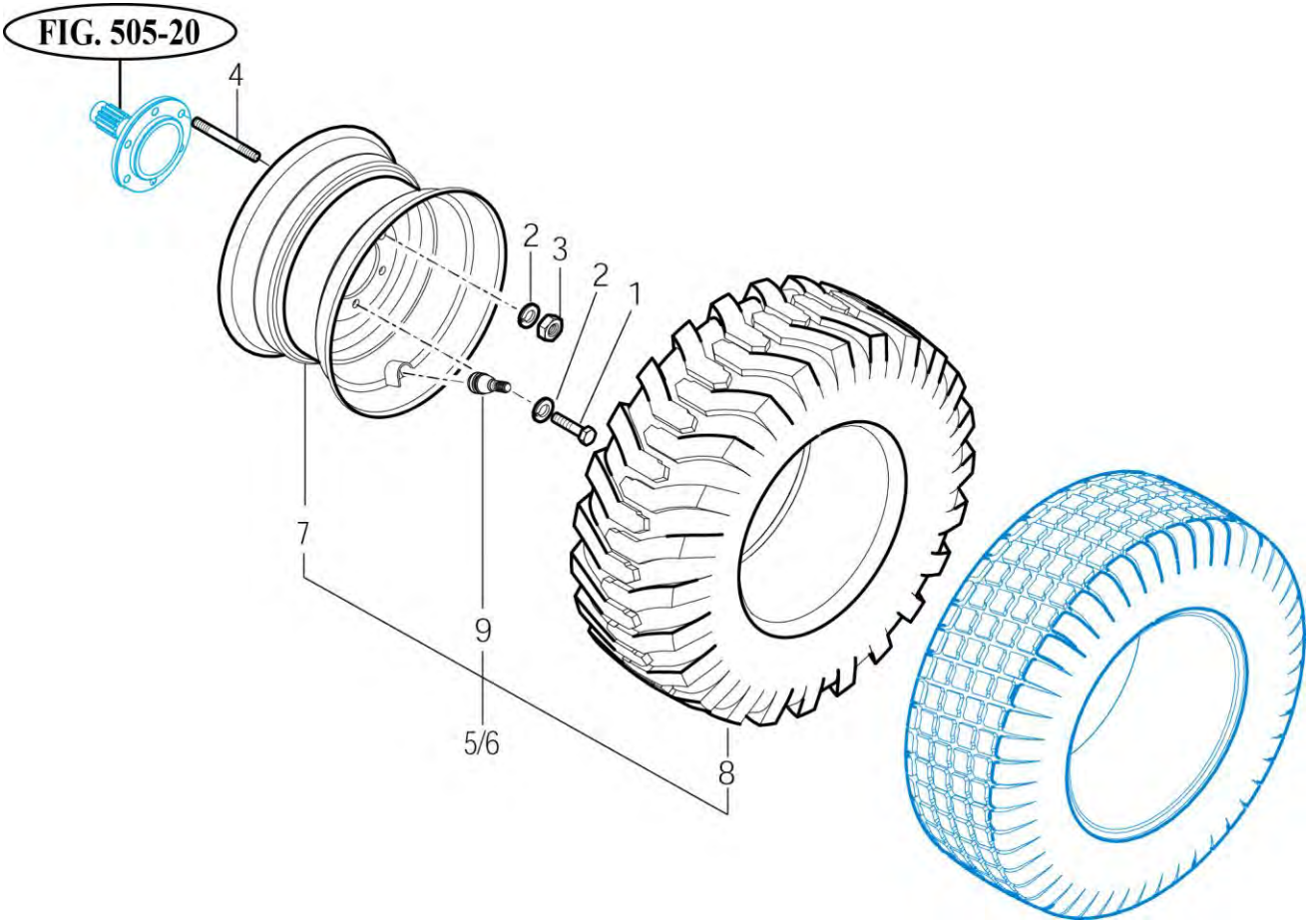
T474NH

FRONT WHEEL MOUNTING

P1

YEAR

2018



NOTE

FIG 307

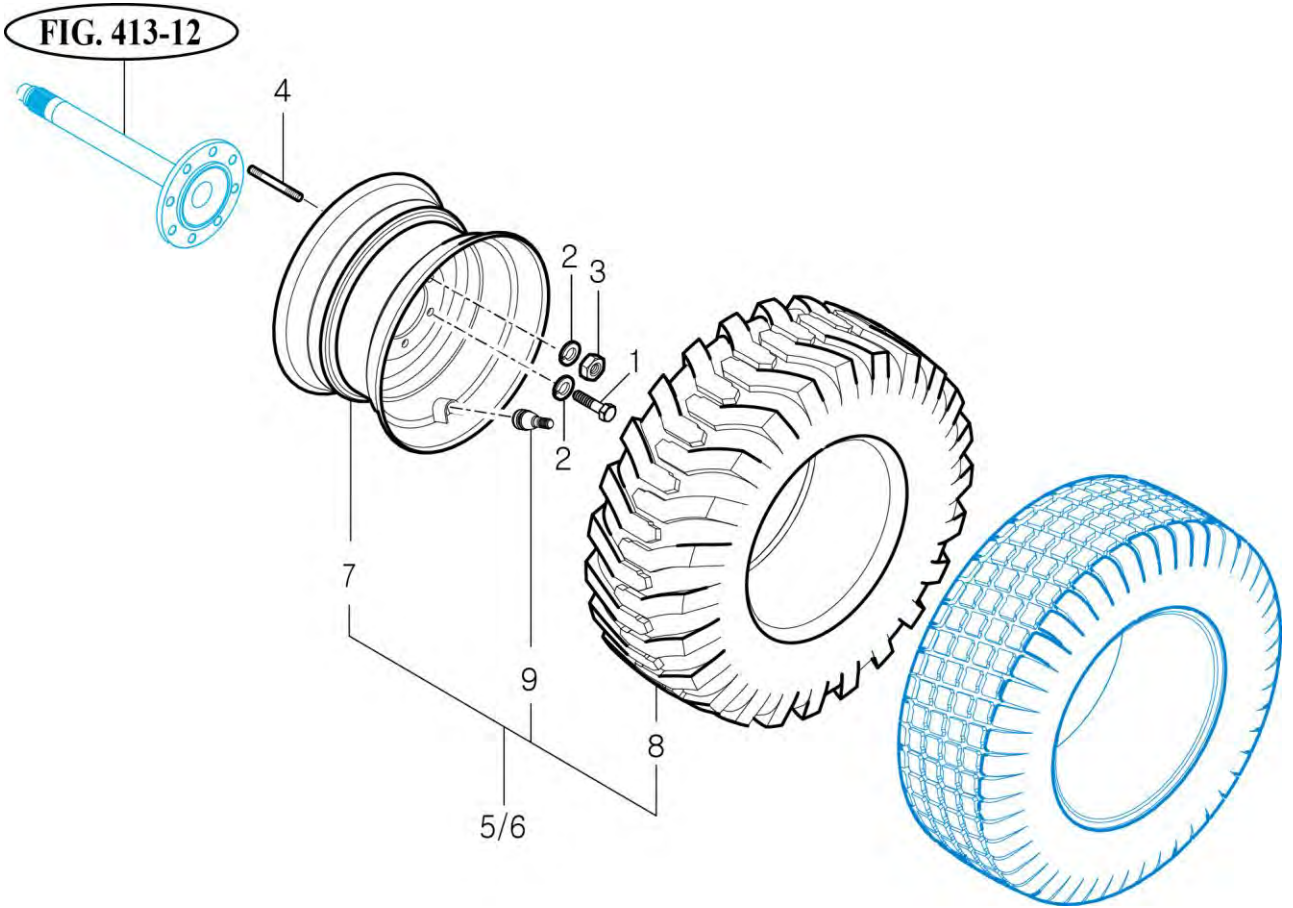
T474NH

REAR WHEEL MOUNTING

P1

YEAR

2018



NOTE

FIG 308

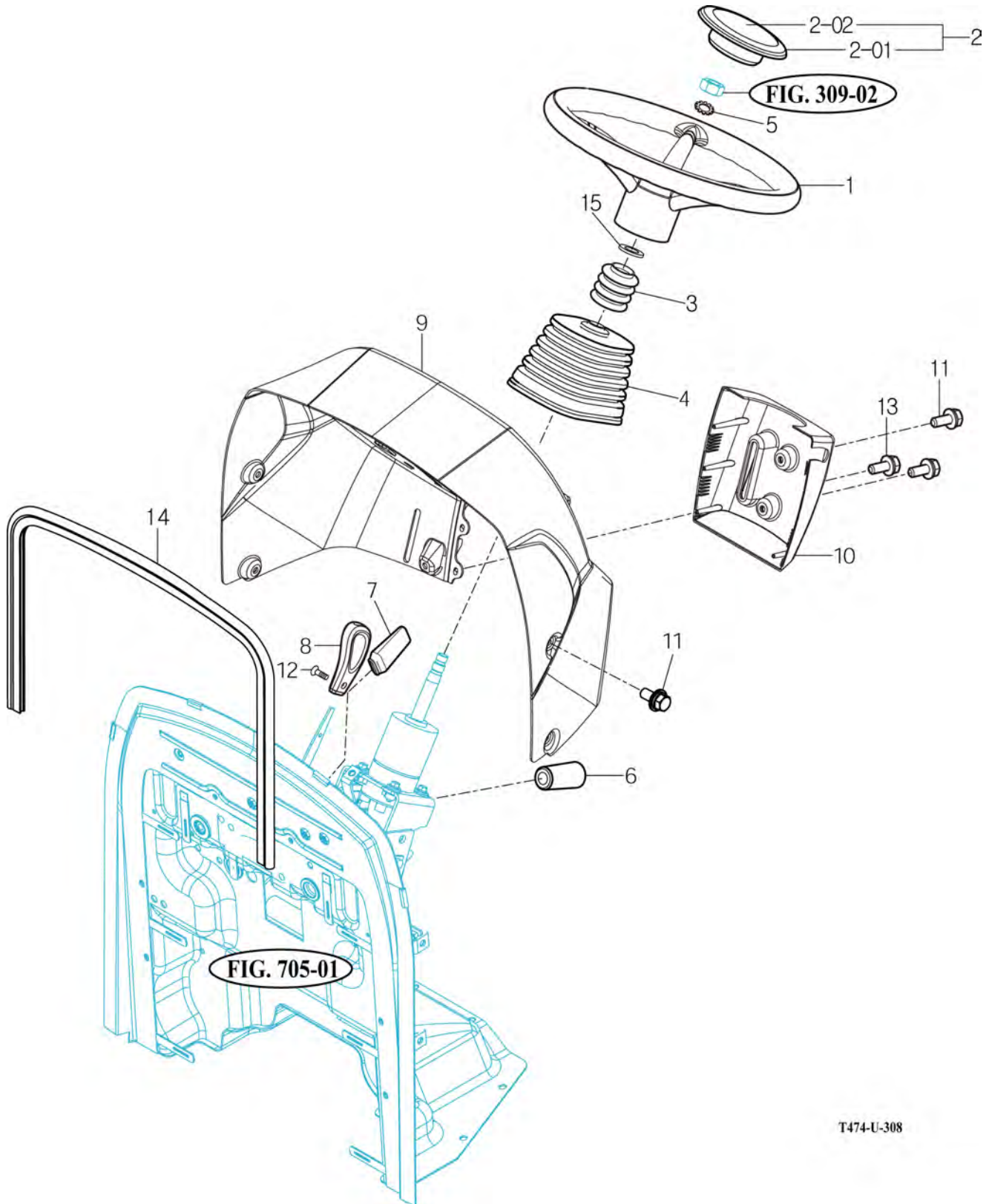
T474NH

STEERING WHEEL

P1

YEAR

2018



T474-U-308

NOTE

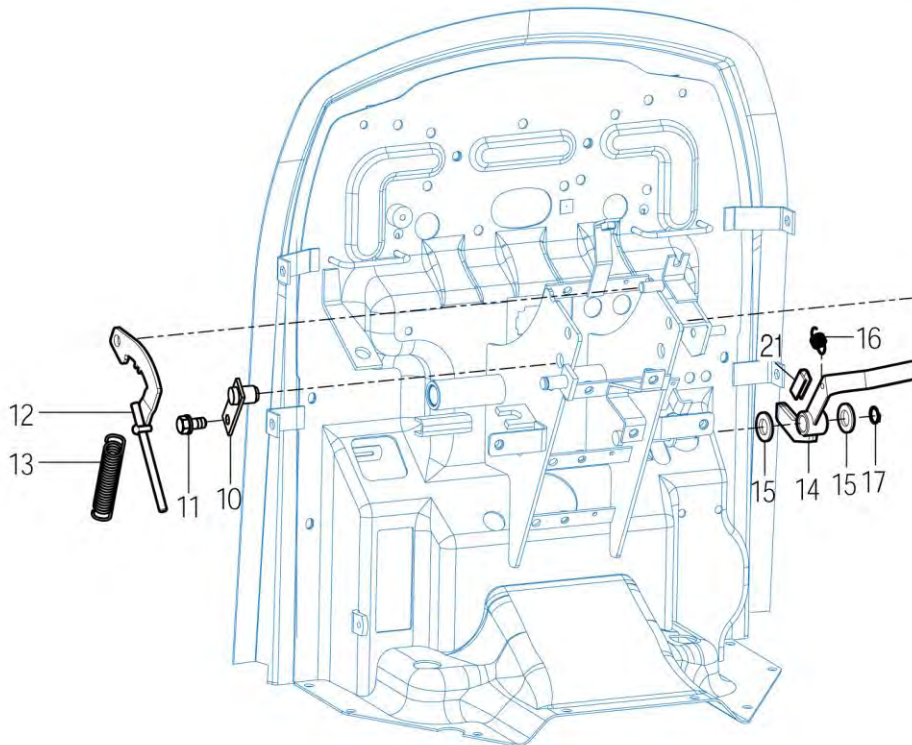
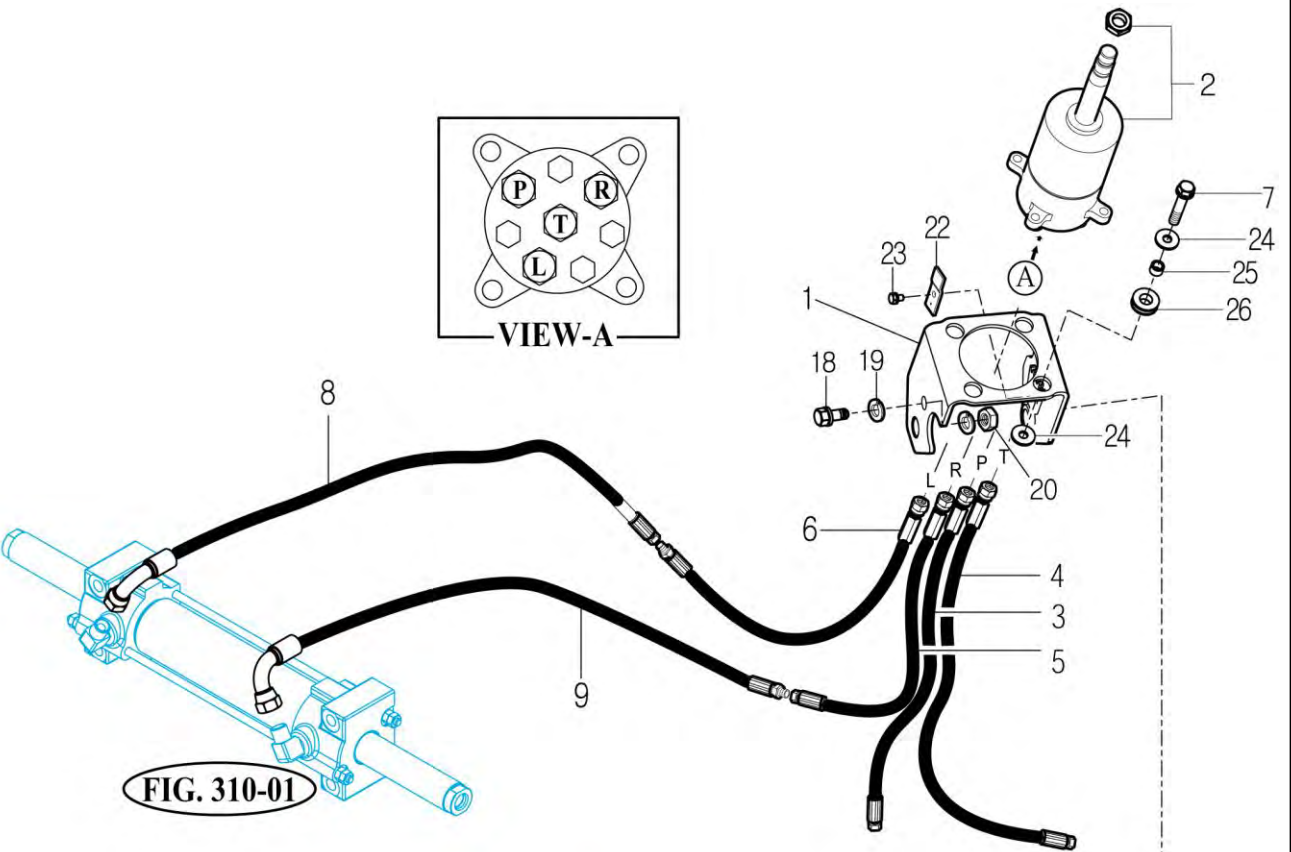
FIG 309

STEERING VALVE & PARKING

P1

YEAR

2018



T474-U-309

NOTE

FIG 310

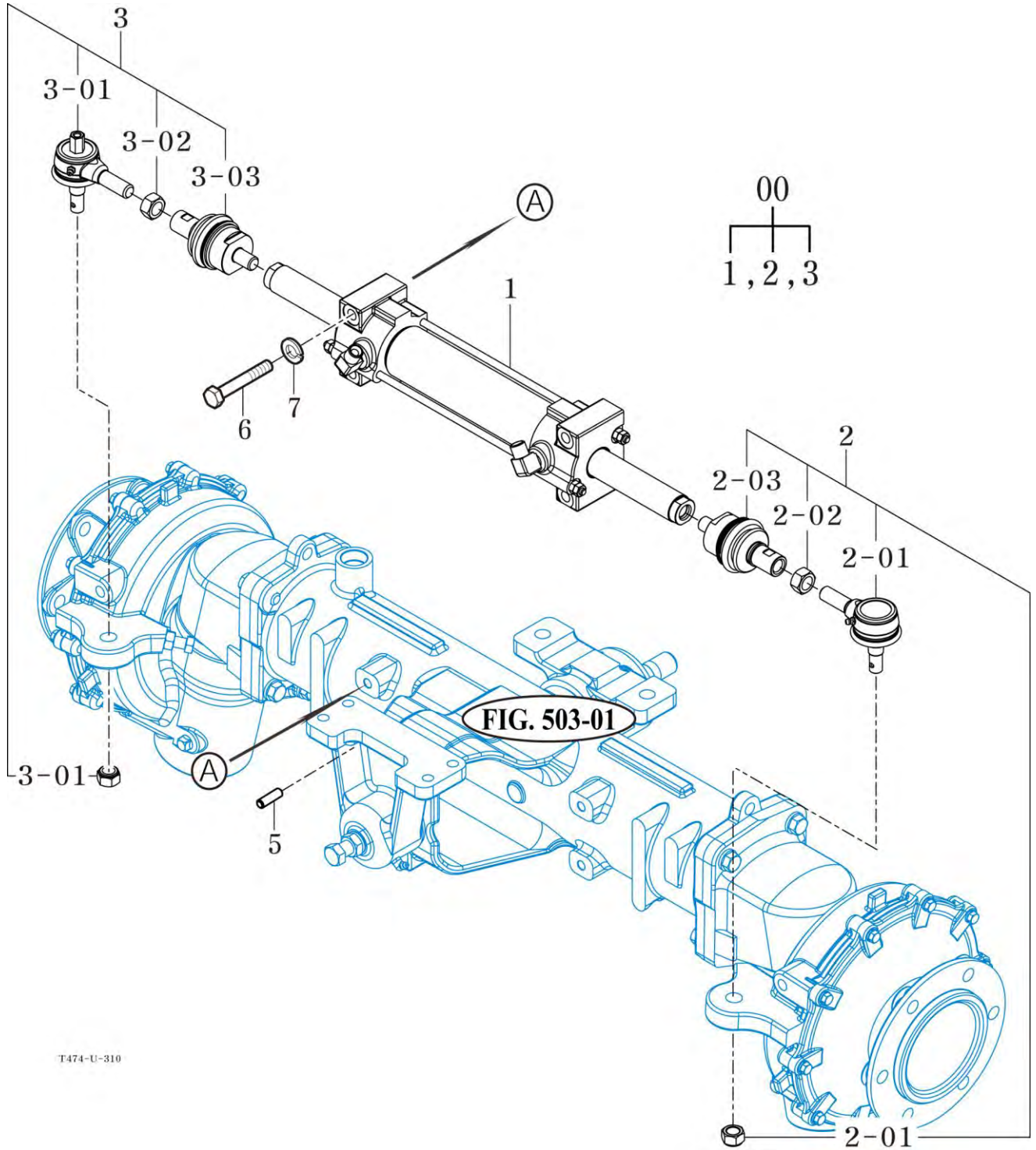
T474NH

STEERING CYLINDER

P1

YEAR

2018



T474-U-310

NOTE

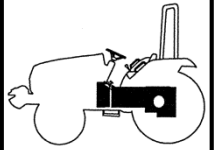
FIG 401

TRANSMISSION FRONT CASE

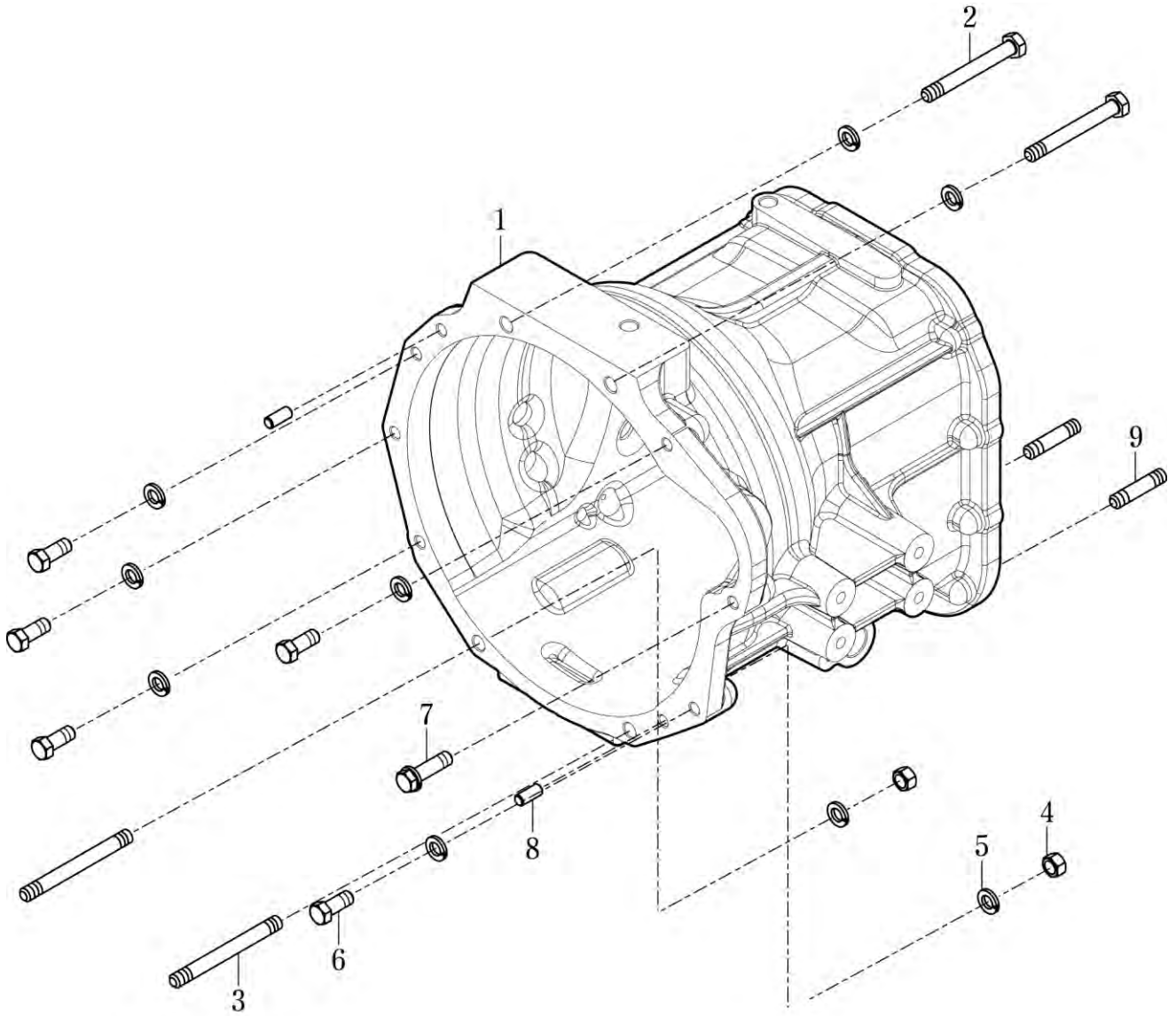
P1

YEAR

2018



T474NH



T474I-01

NOTE

FIG 402

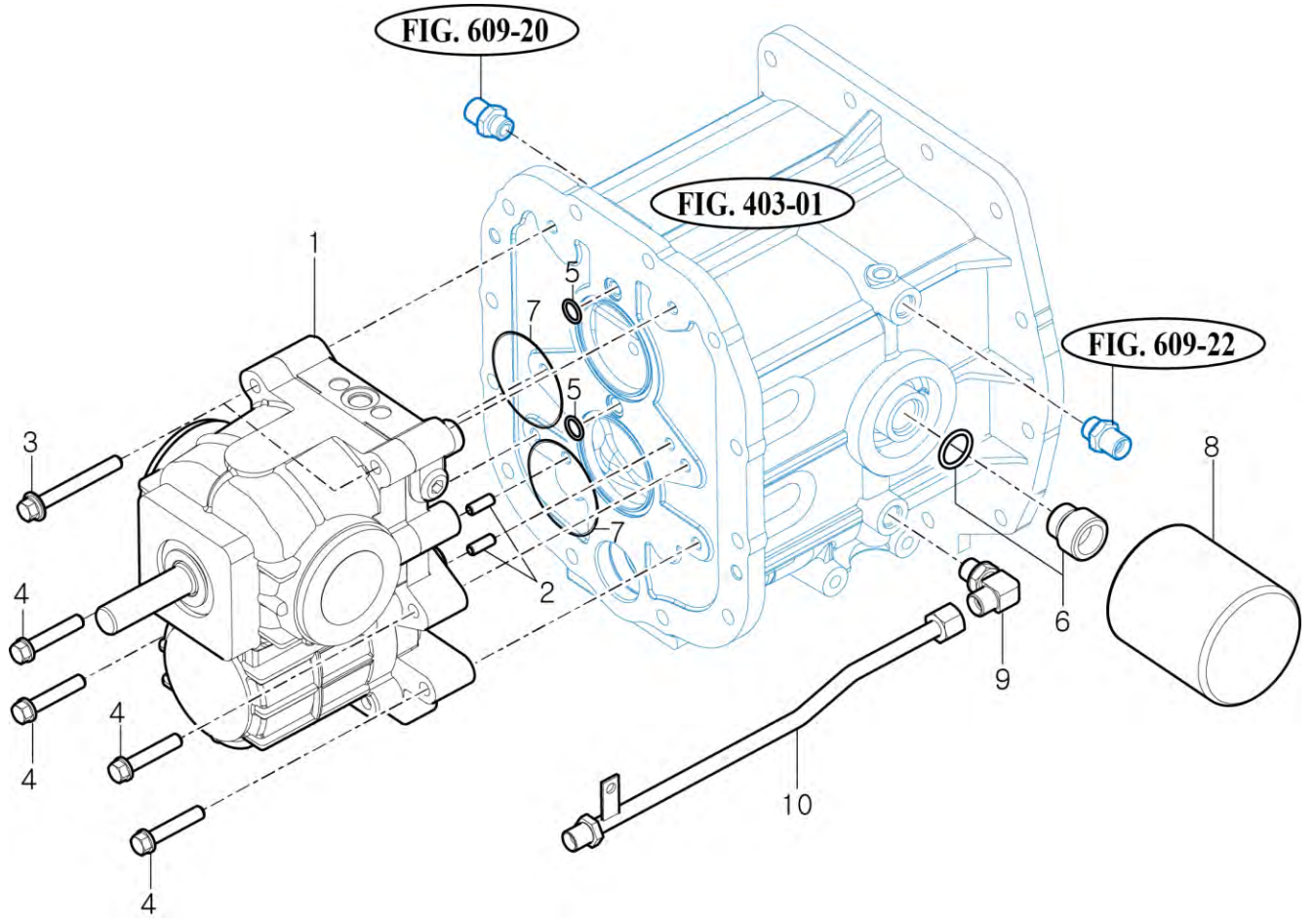
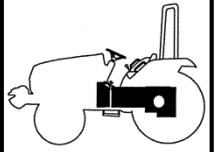
T474NH

HST

P1

YEAR

2018



NOTE

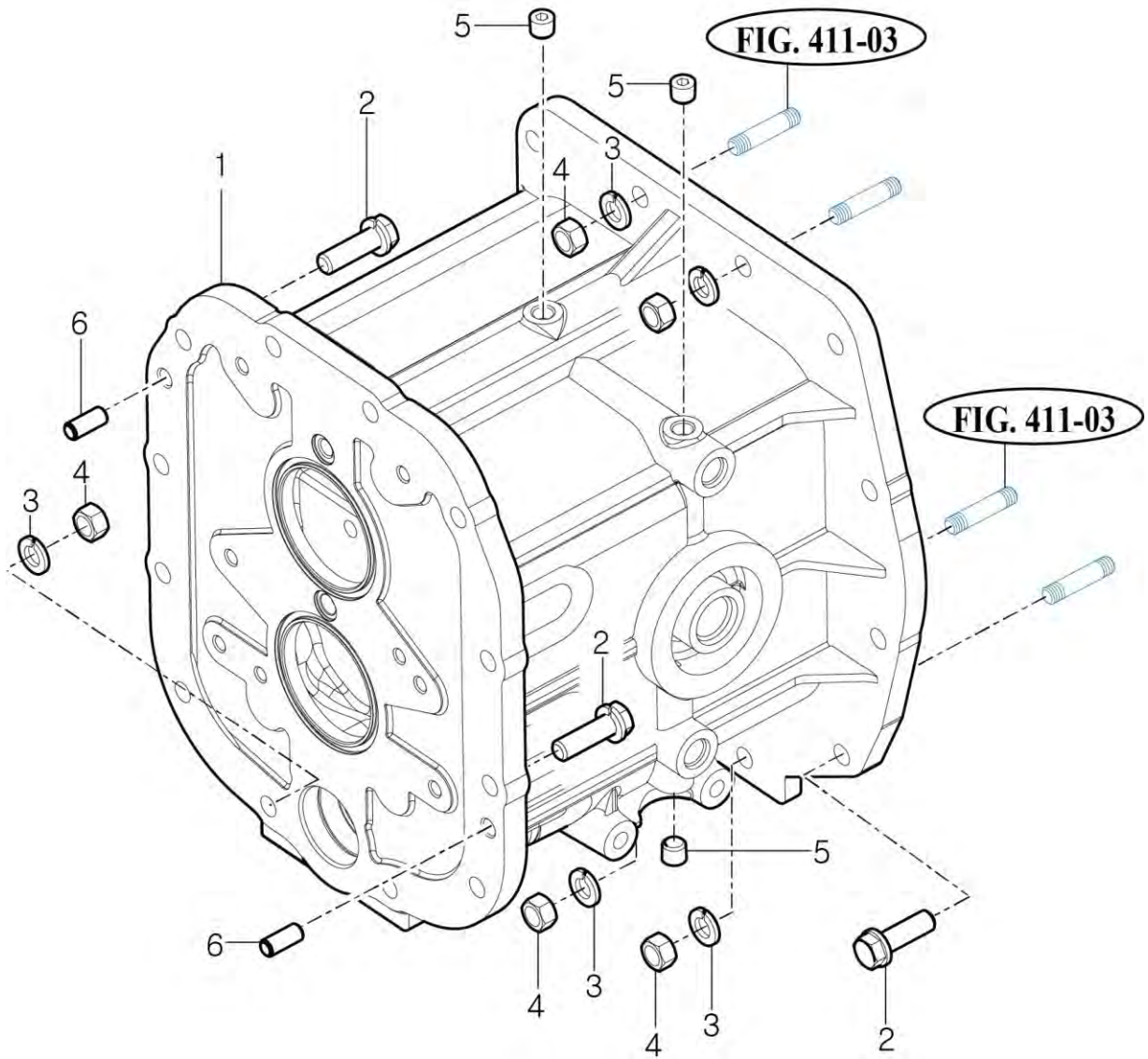
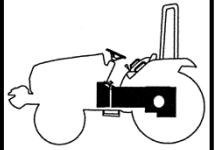
FIG 403

MID CASE

P1

YEAR

2018



NOTE

FIG 404

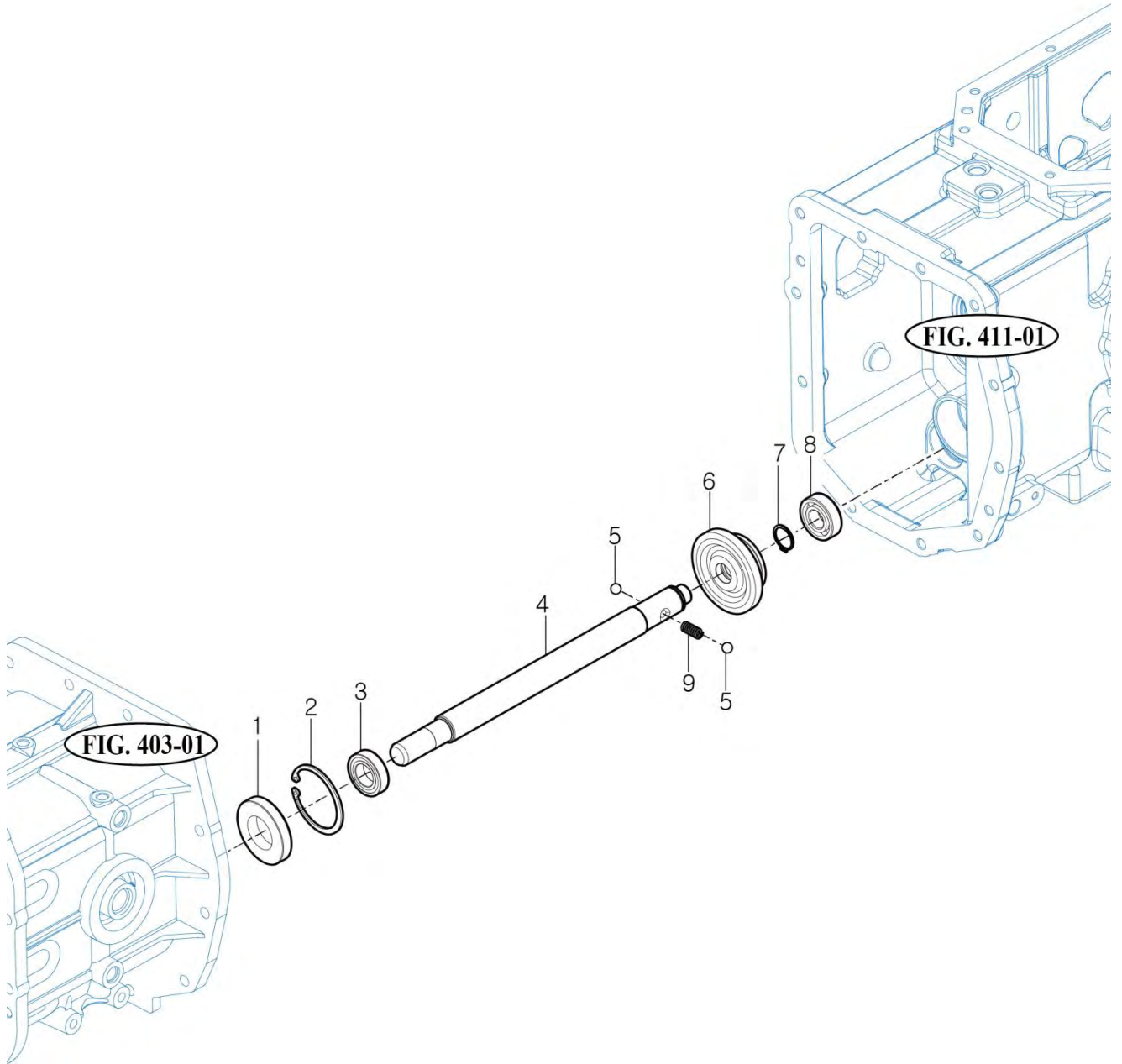
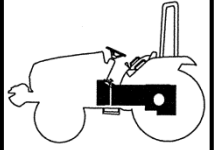
T474NH

4WD DRIVE GEAR

P1

YEAR

2018



NOTE

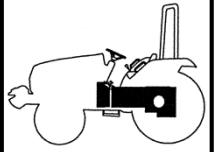
FIG 405

INPUT GEAR

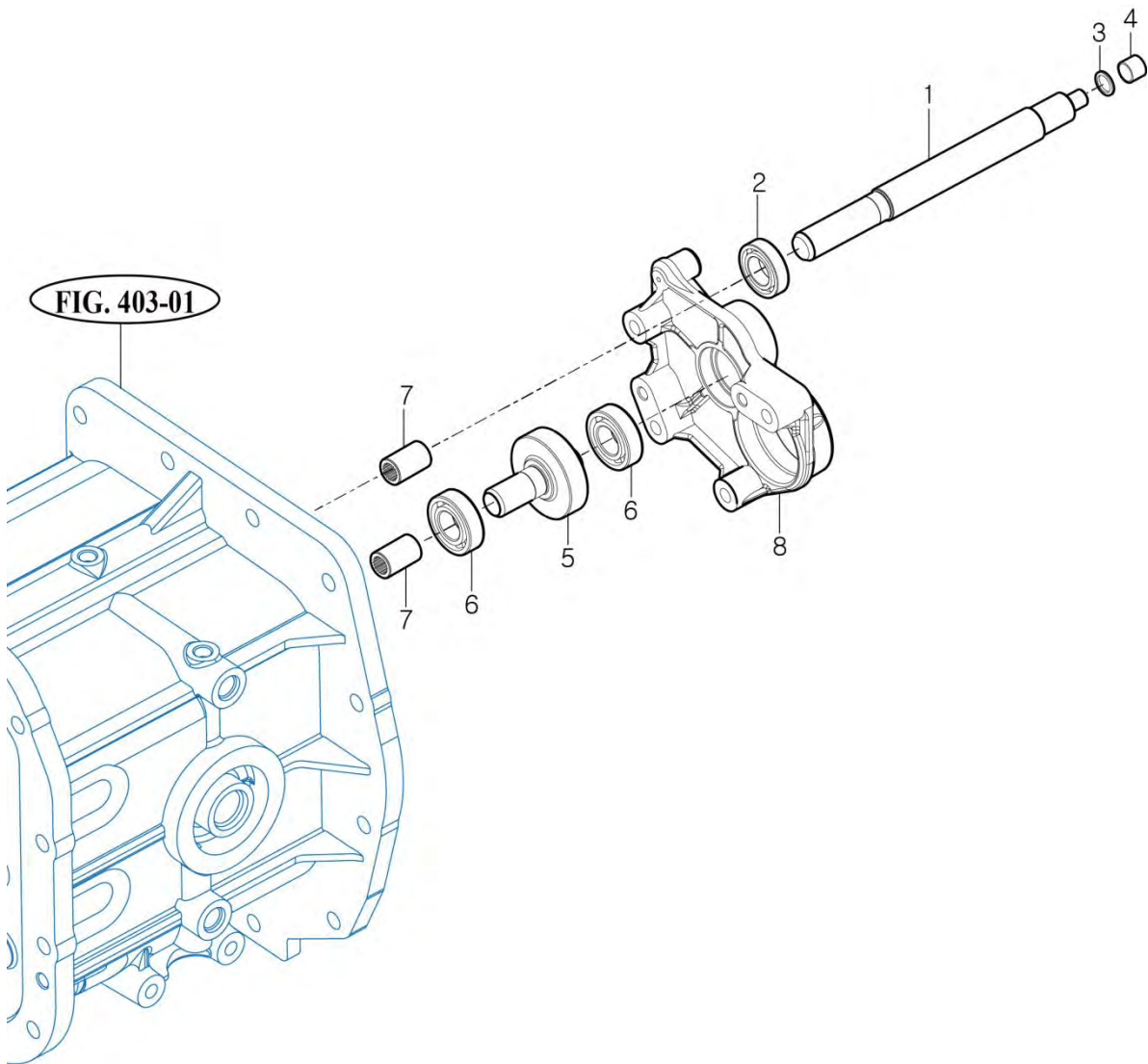
P1

YEAR

2018



T474NH



NOTE

FIG 406

T474NH

SUB CHANGE GEARS

P1

YEAR

2018

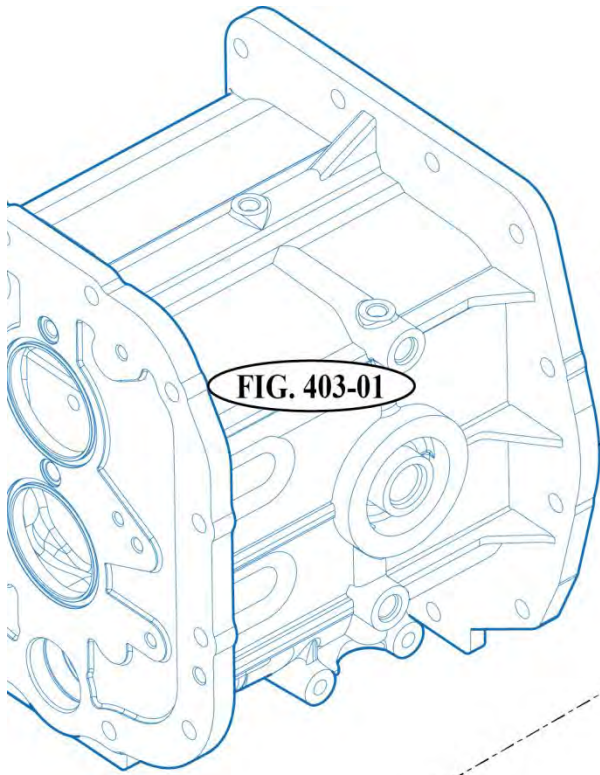
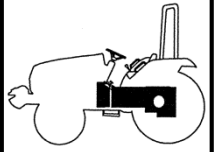


FIG. 403-01

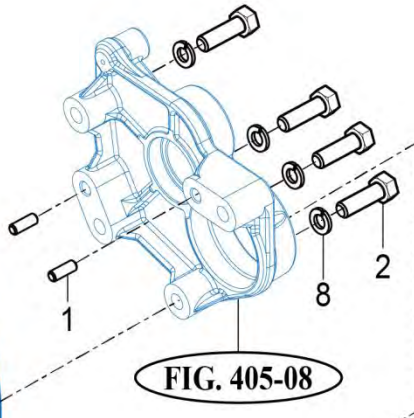
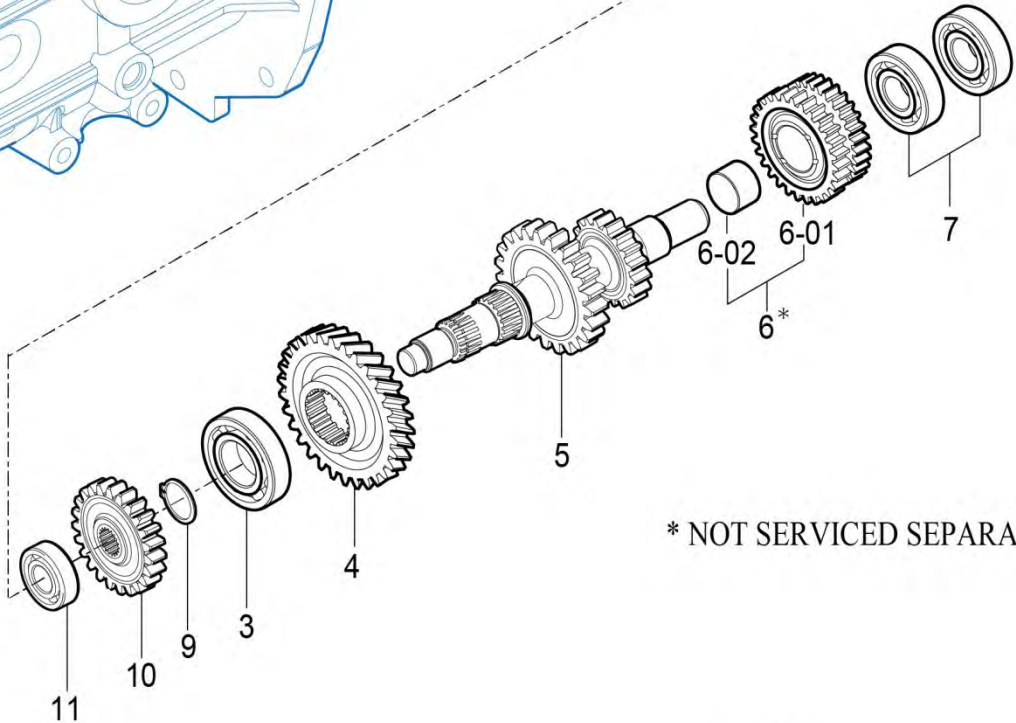


FIG. 405-08



* NOT SERVICED SEPARATELY

2538NH-E-406

NOTE

FIG 407

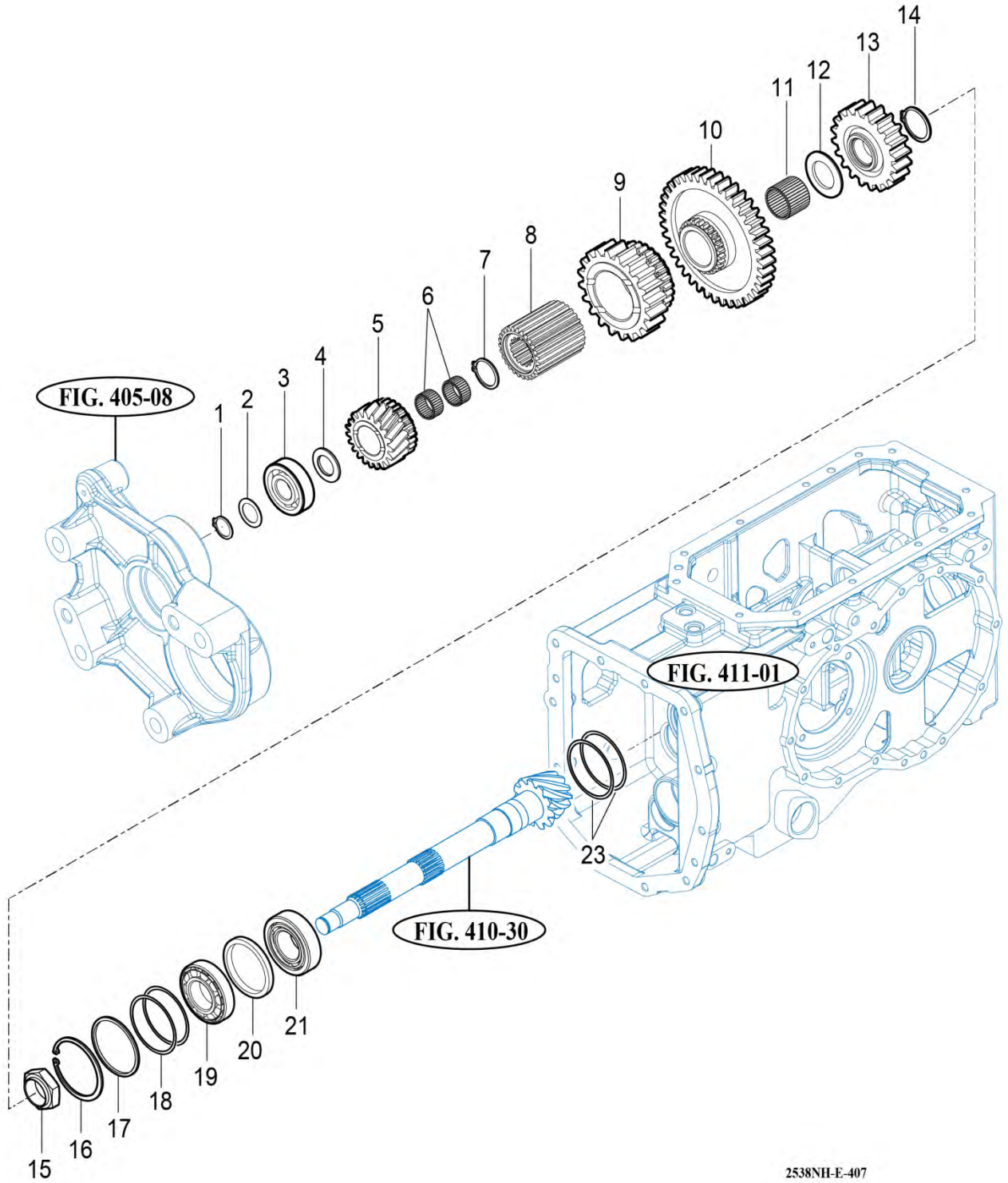
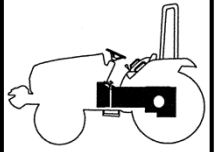
T474NH

PINION GEARS

P1

YEAR

2018



2538NH-E-407

NOTE

FIG 408

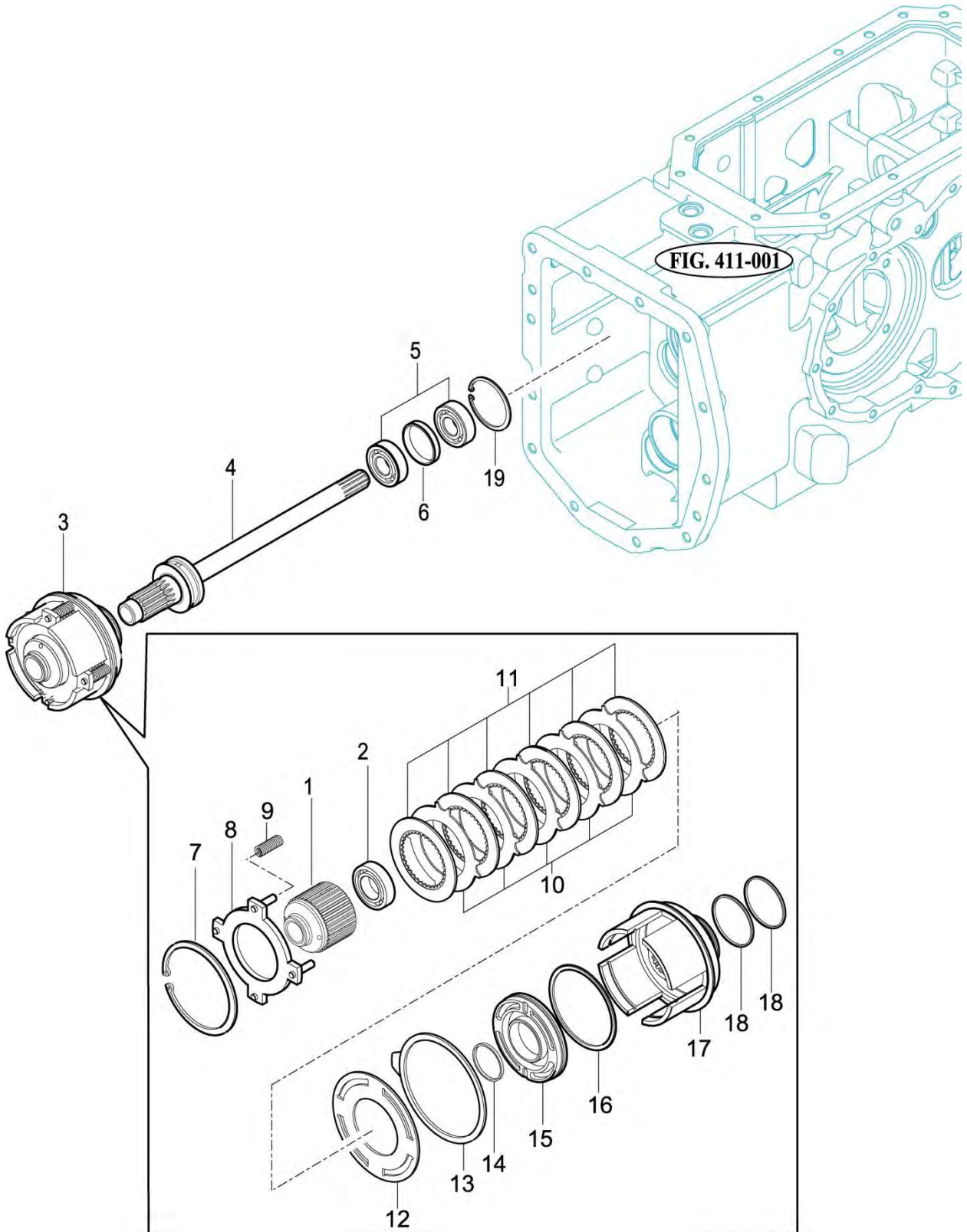
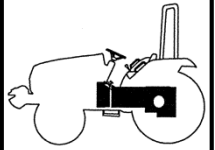
T474NH

P.T.O DRIVE SHAFT

P1

YEAR

2018



T303/353NC-E-408

NOTE

FIG 409

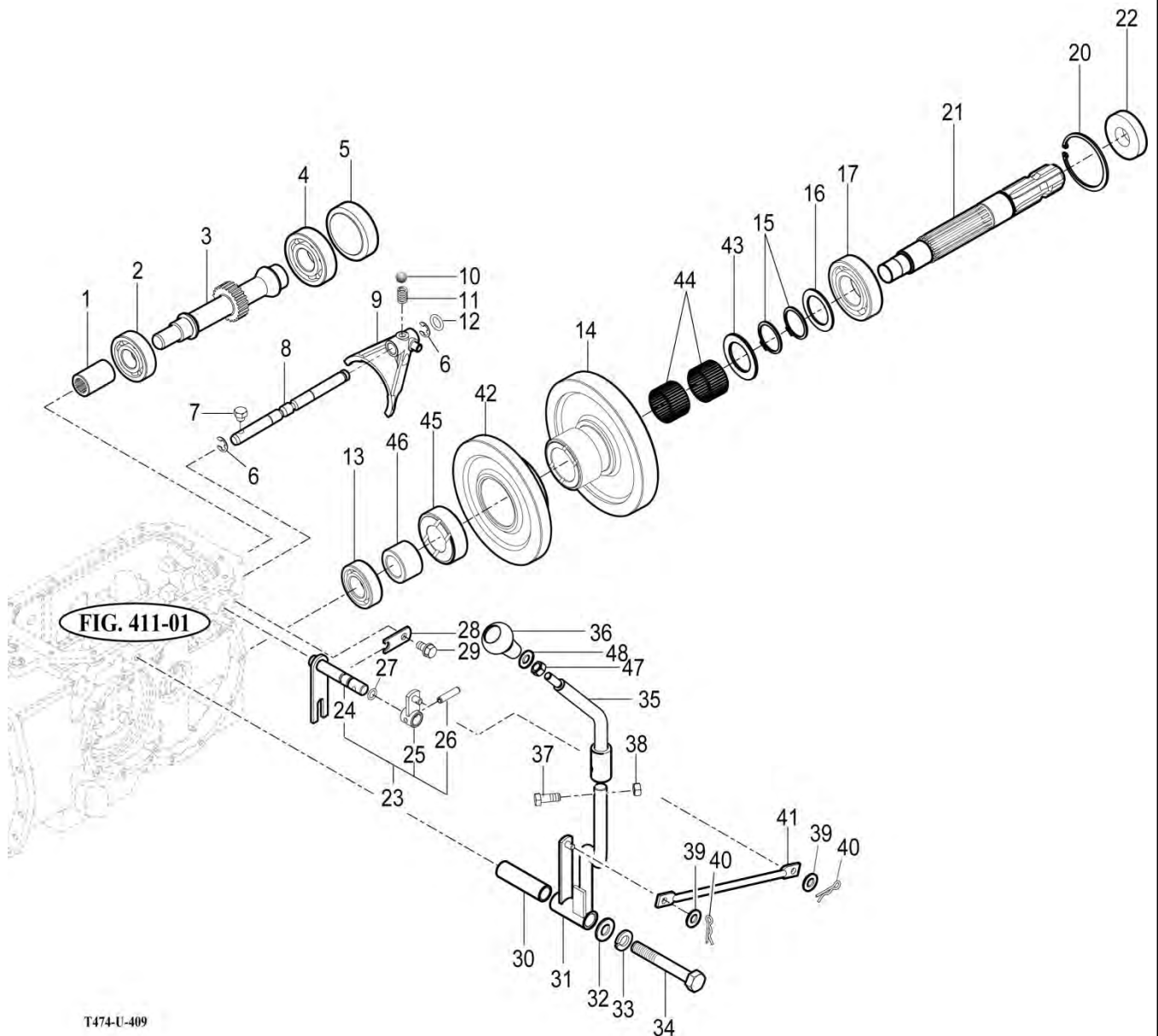
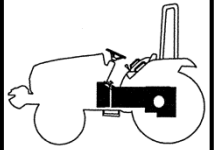
T474NH

P.T.O. CHANGE GEARS

P1

YEAR

2018



T474-U-409

NOTE

FIG 410

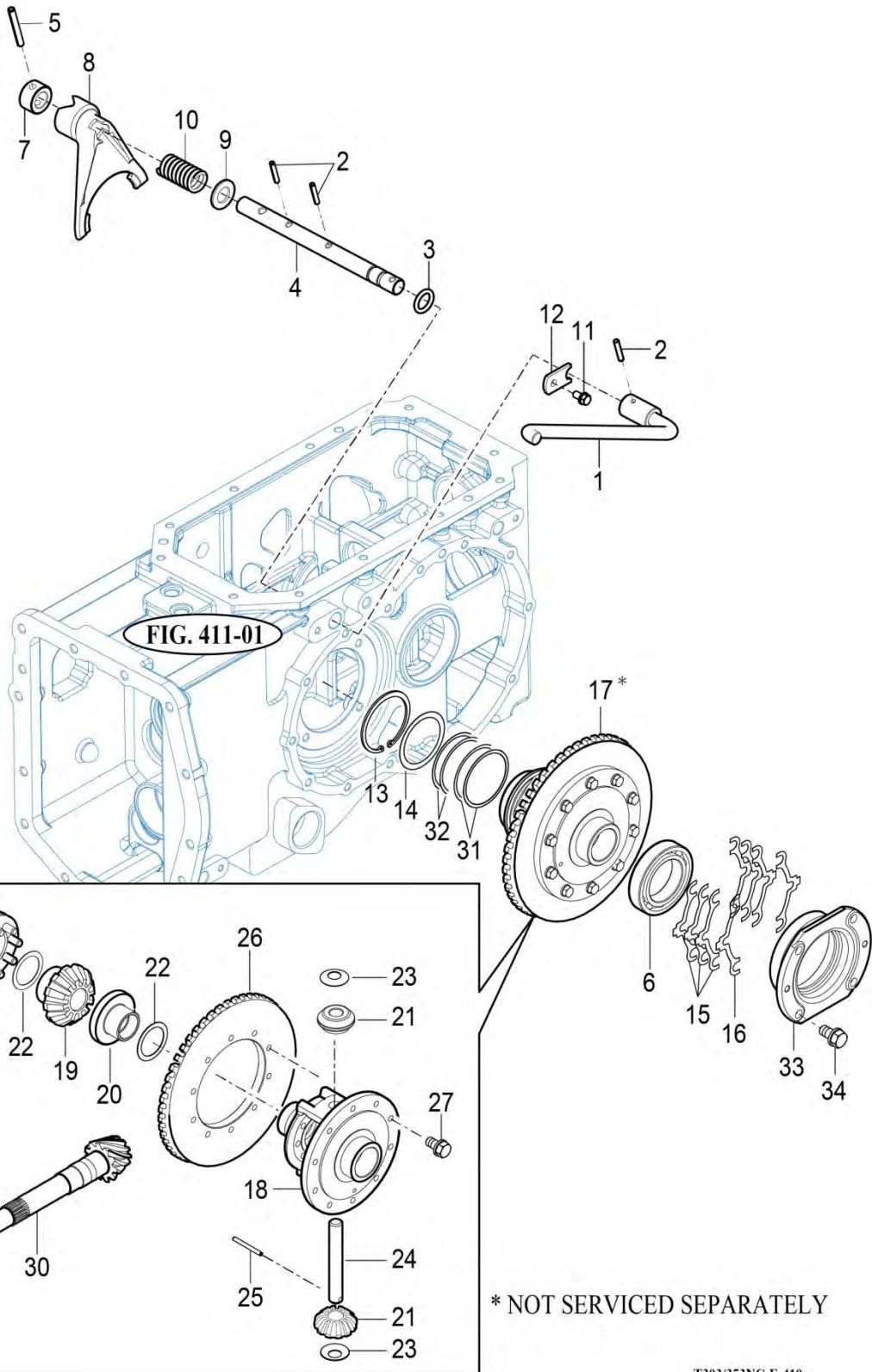
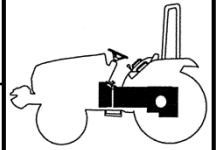
T474NH

DIFF LOCK

P1

YEAR

2018



T303/353NC-E-410

NOTE

FIG 411

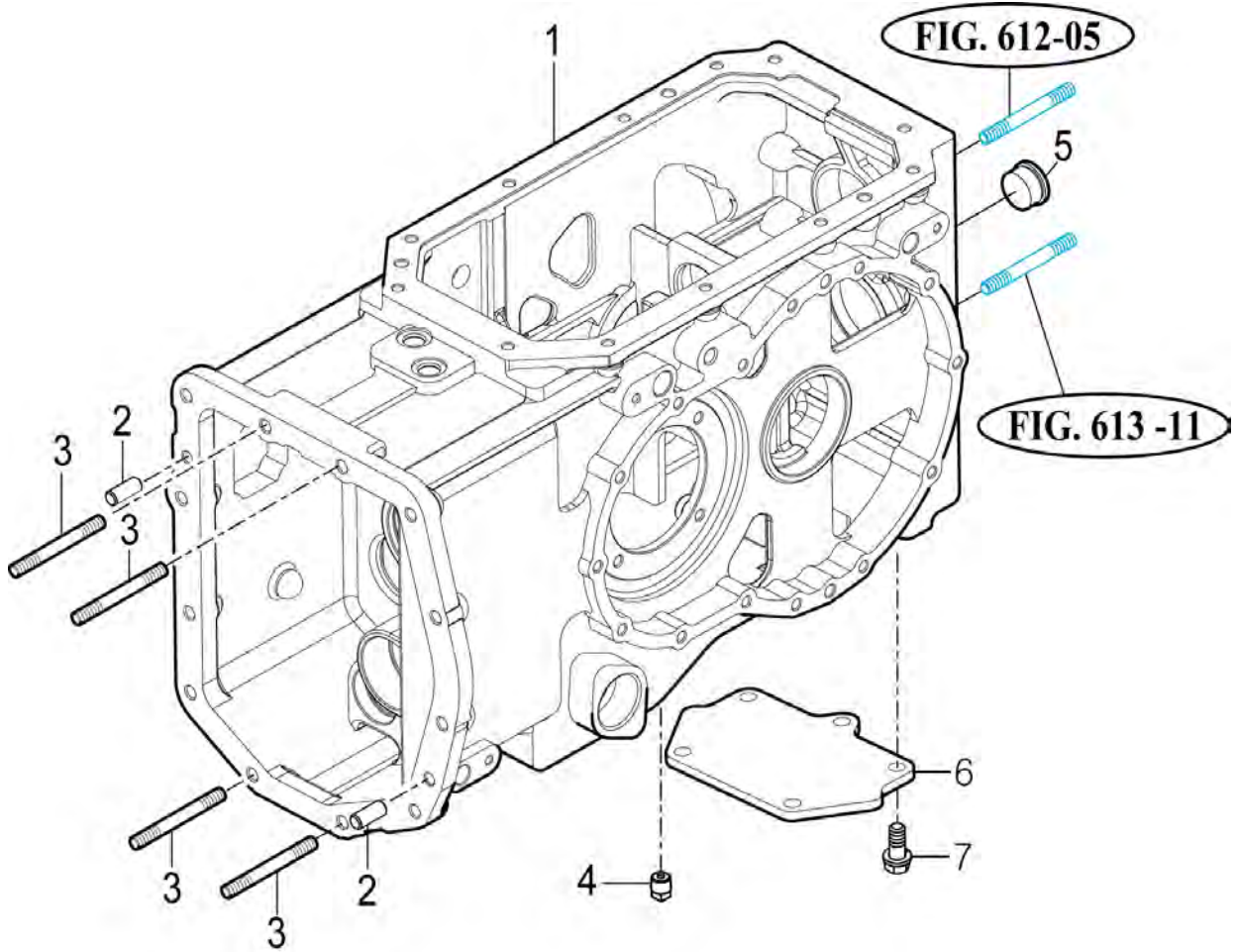
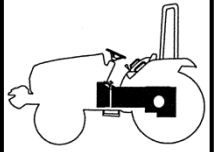
T474NH

TRANSMISSION REAR CASE

P1

YEAR

2018



T474-U-411

NOTE

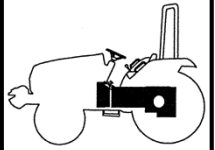
FIG 412

REAR AXLE HOUSINGS (1)

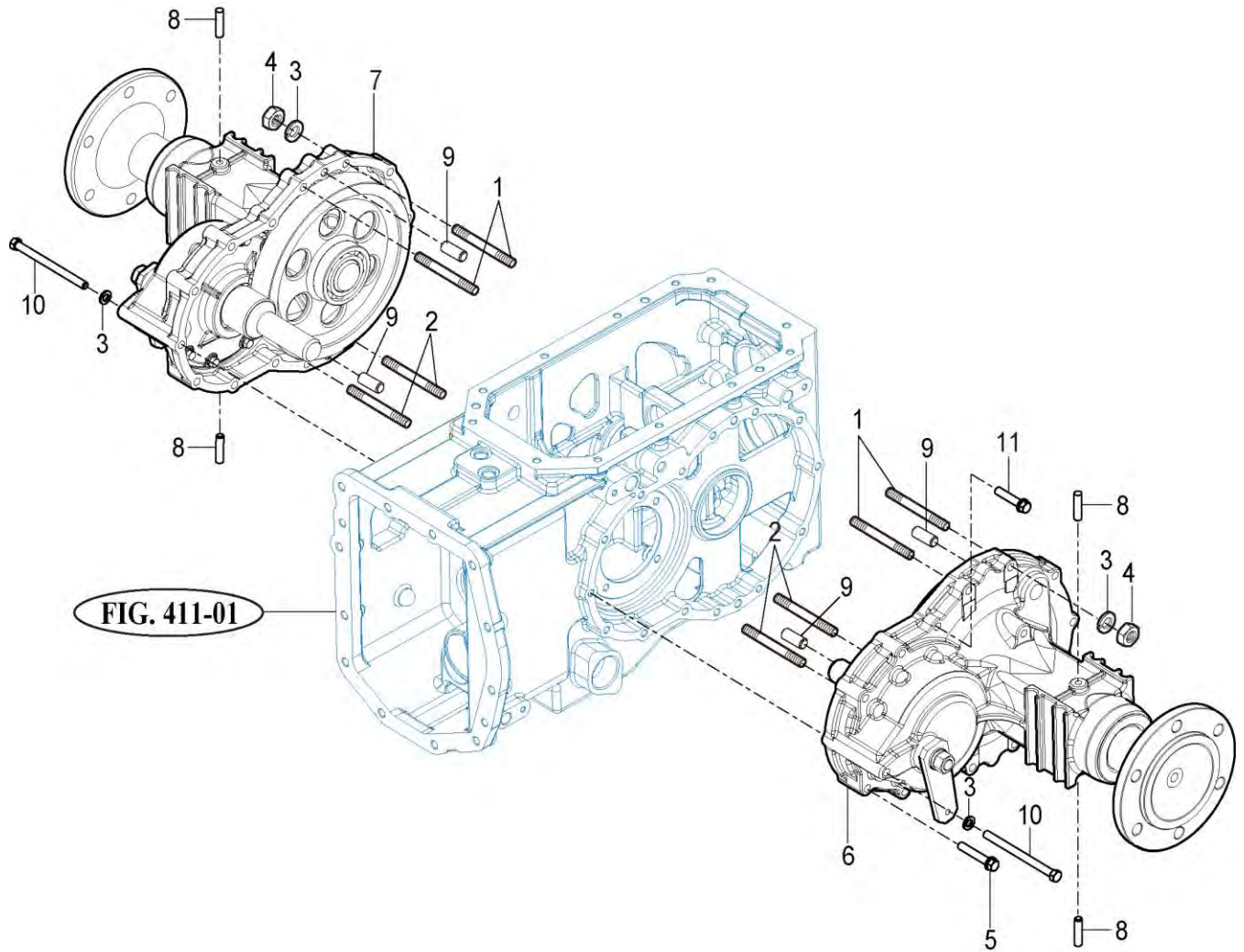
P1

YEAR

2018



T474NH



2538NH-E-412

NOTE

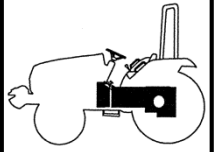
FIG 413

REAR AXLE HOUSINGS (2)

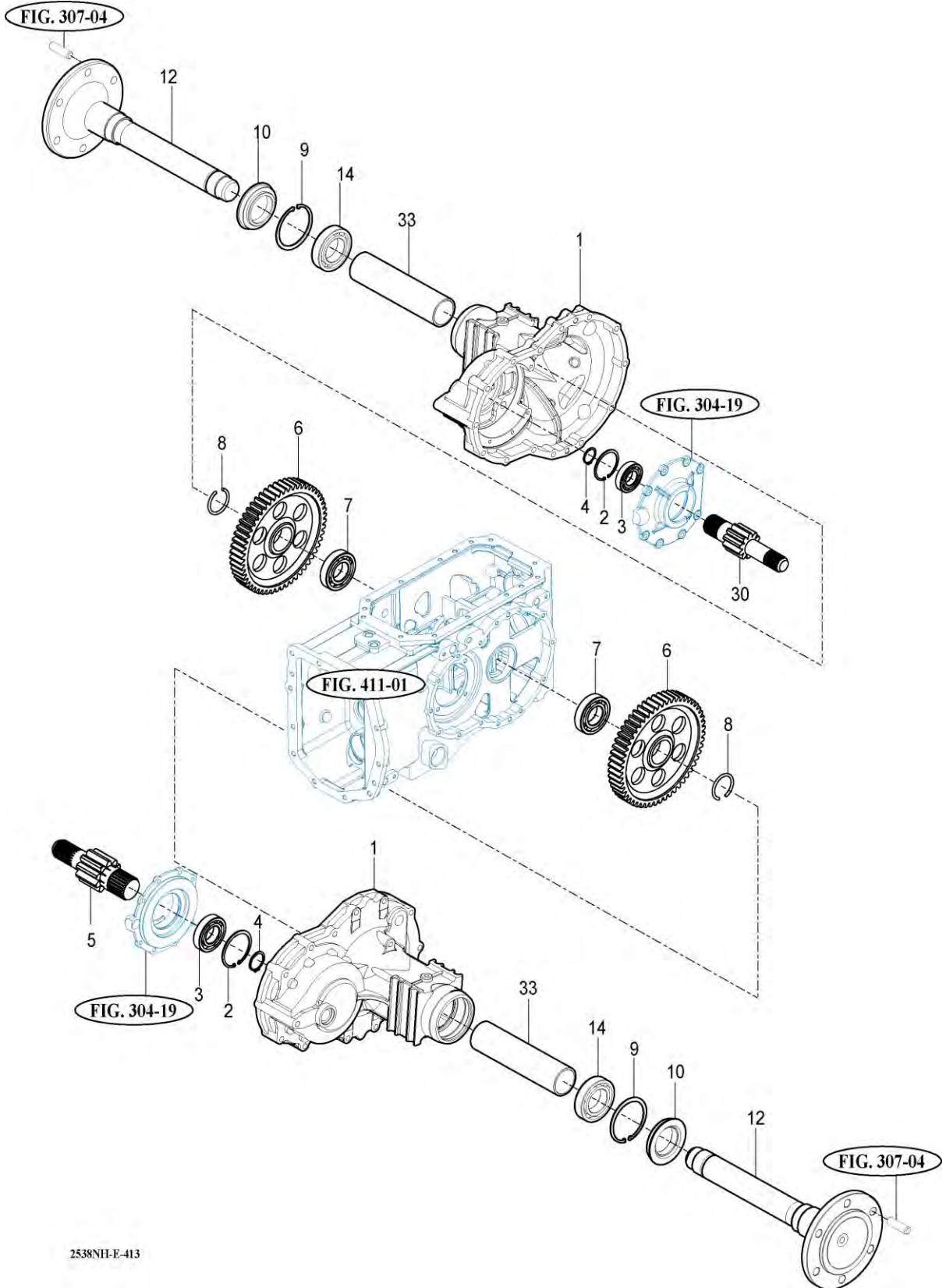
P1

YEAR

2018



T474NH



2538NH-E-413

NOTE

FIG 415

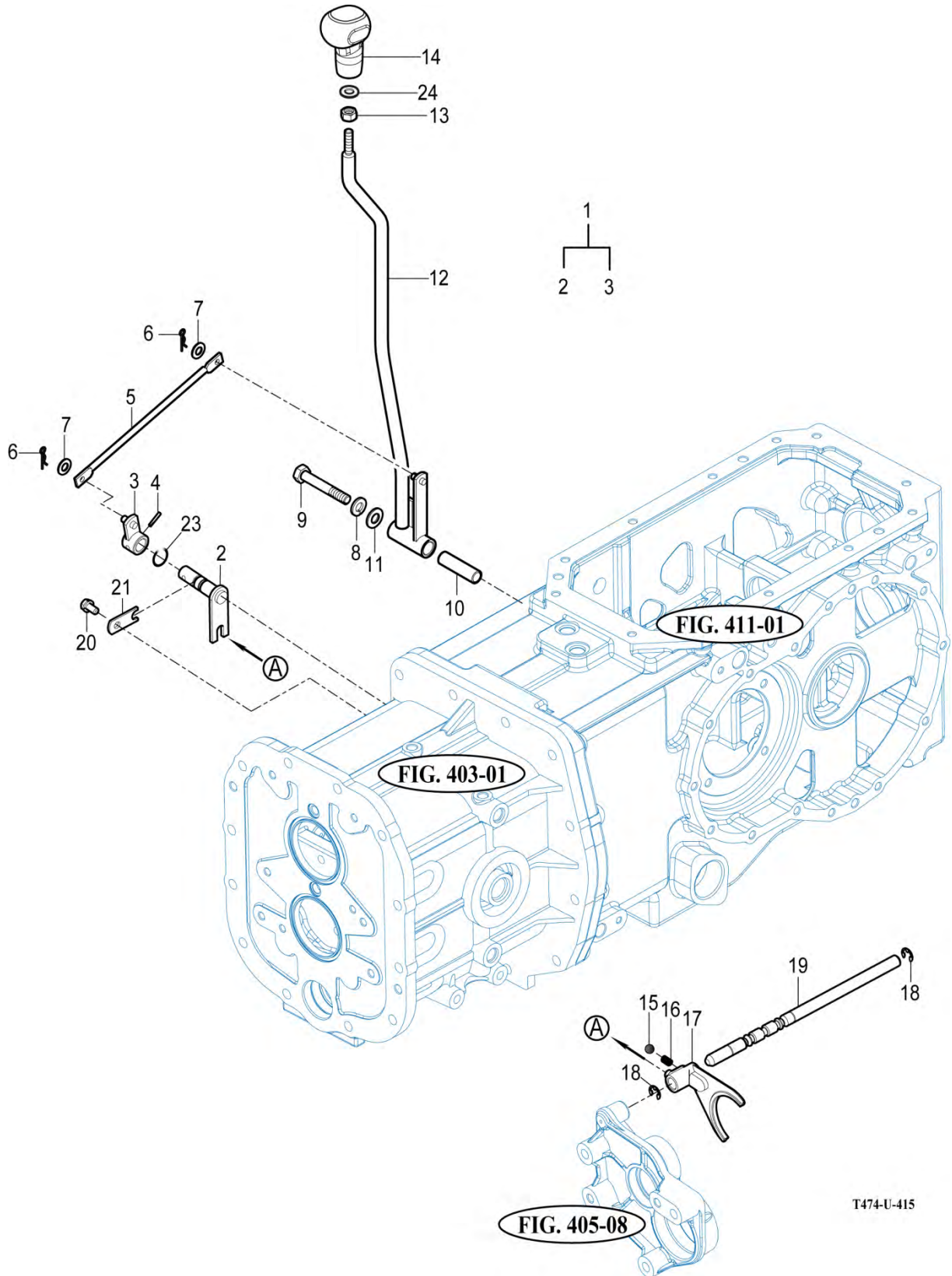
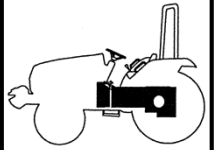
T474NH

SUB CHANGE LEVER

P1

YEAR

2018



T474-U-415

NOTE

FIG 416

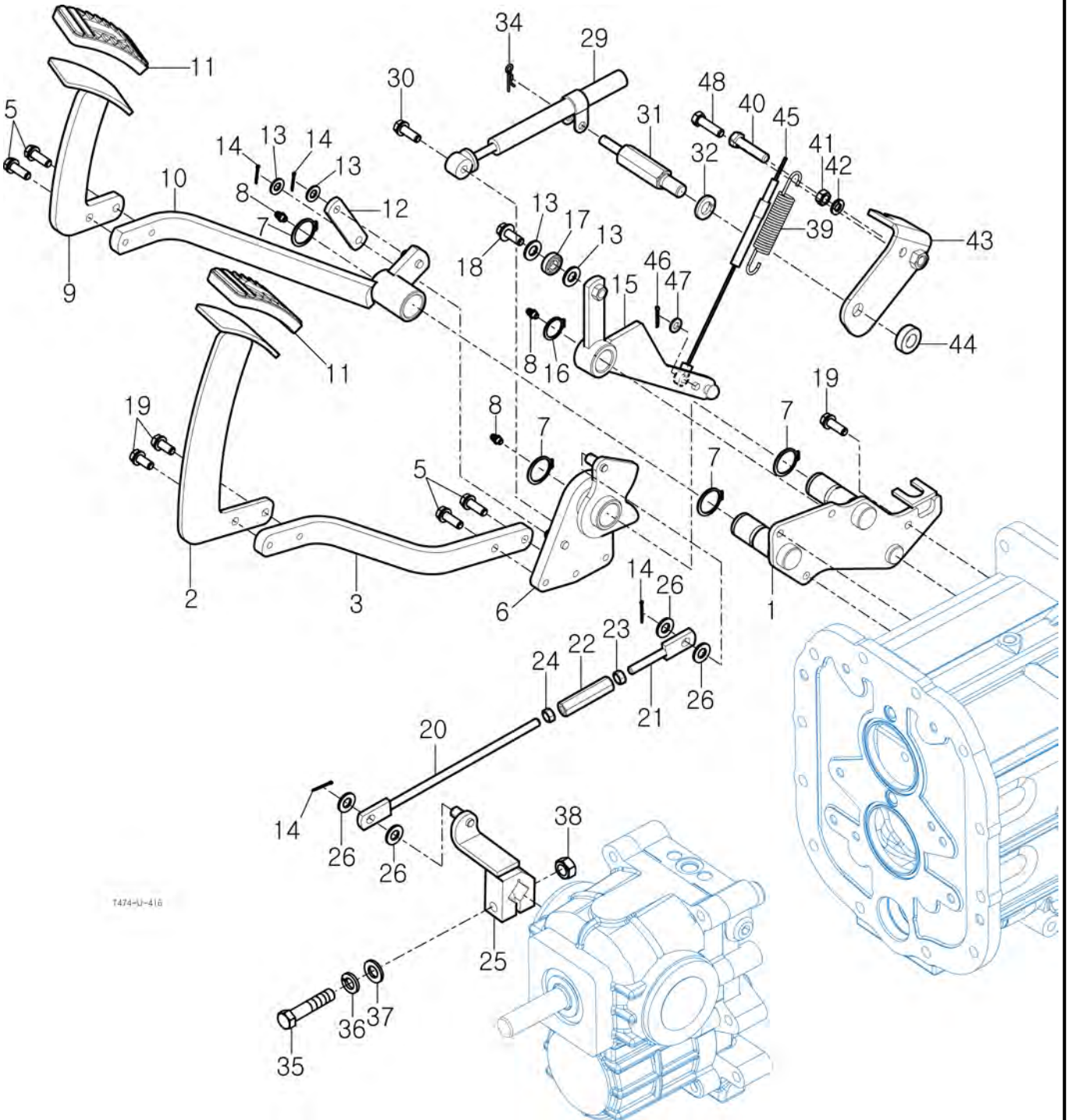
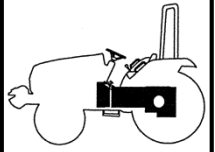
T474NH

FORWARD & REVERSE CONTROL LINKAGE

P1

YEAR

2018



T474-UJ-416

NOTE

FIG 418

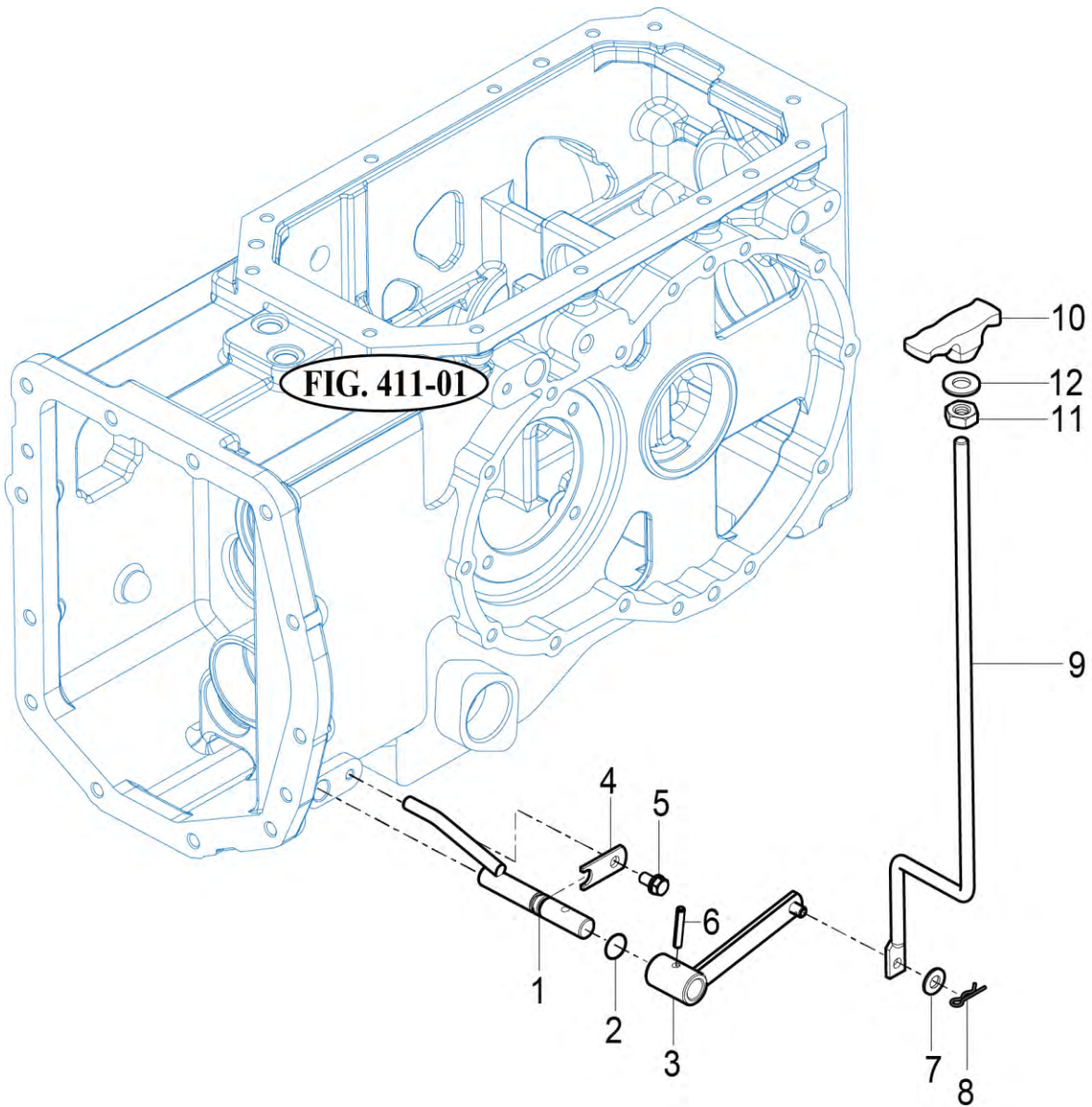
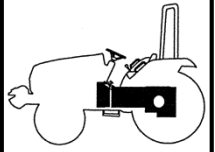
T474NH

4WD CHANGE LEVER

P1

YEAR

2018



2538NH-K-418

NOTE

FIG 501

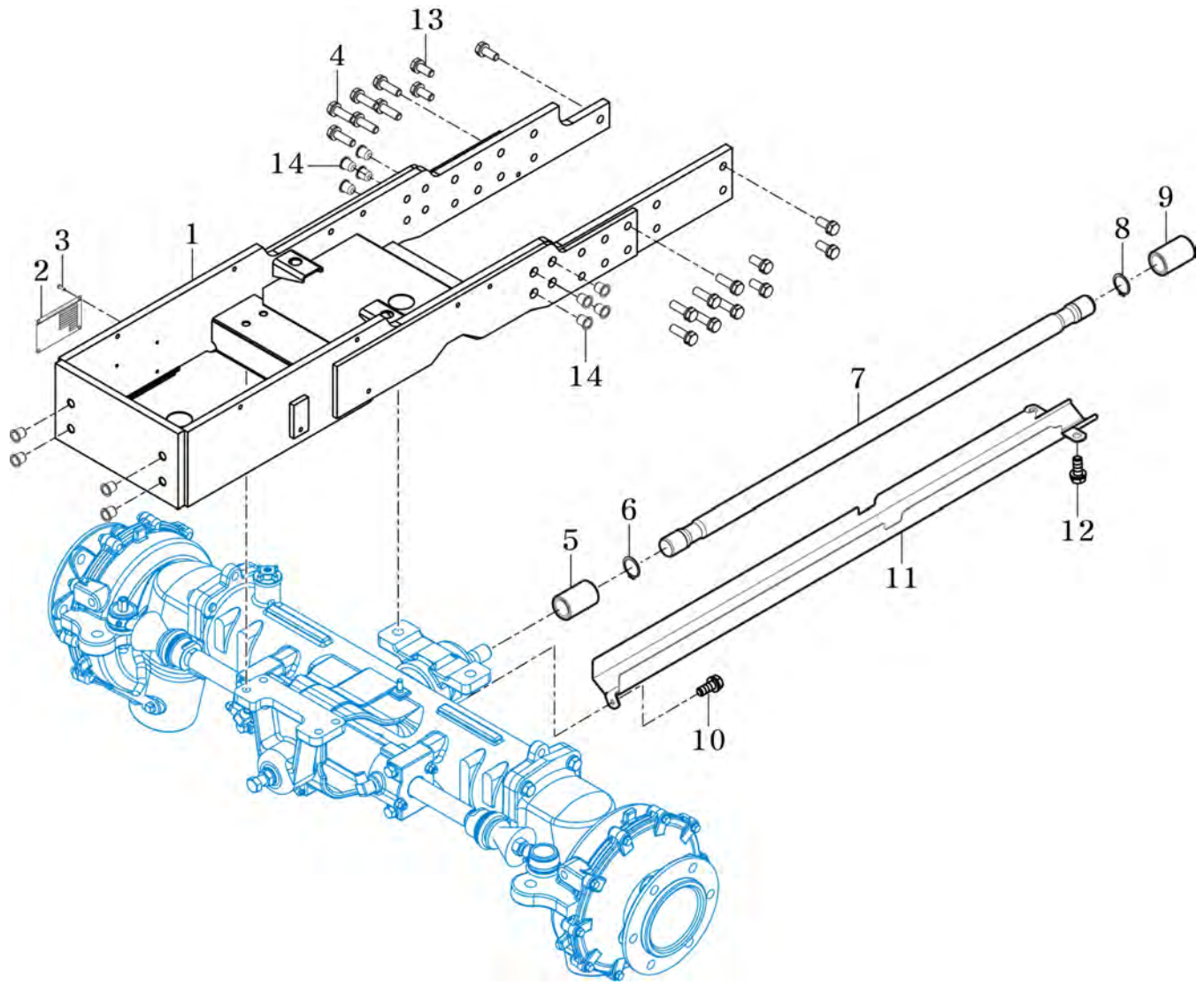
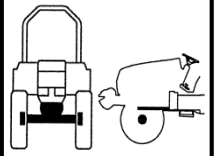
T474NH

FRONT AXLE BRACKET

P1

YEAR

2018



NOTE

FIG 502

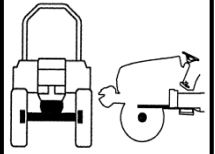
T474NH

FRONT DIFF. GEARS & SHAFT

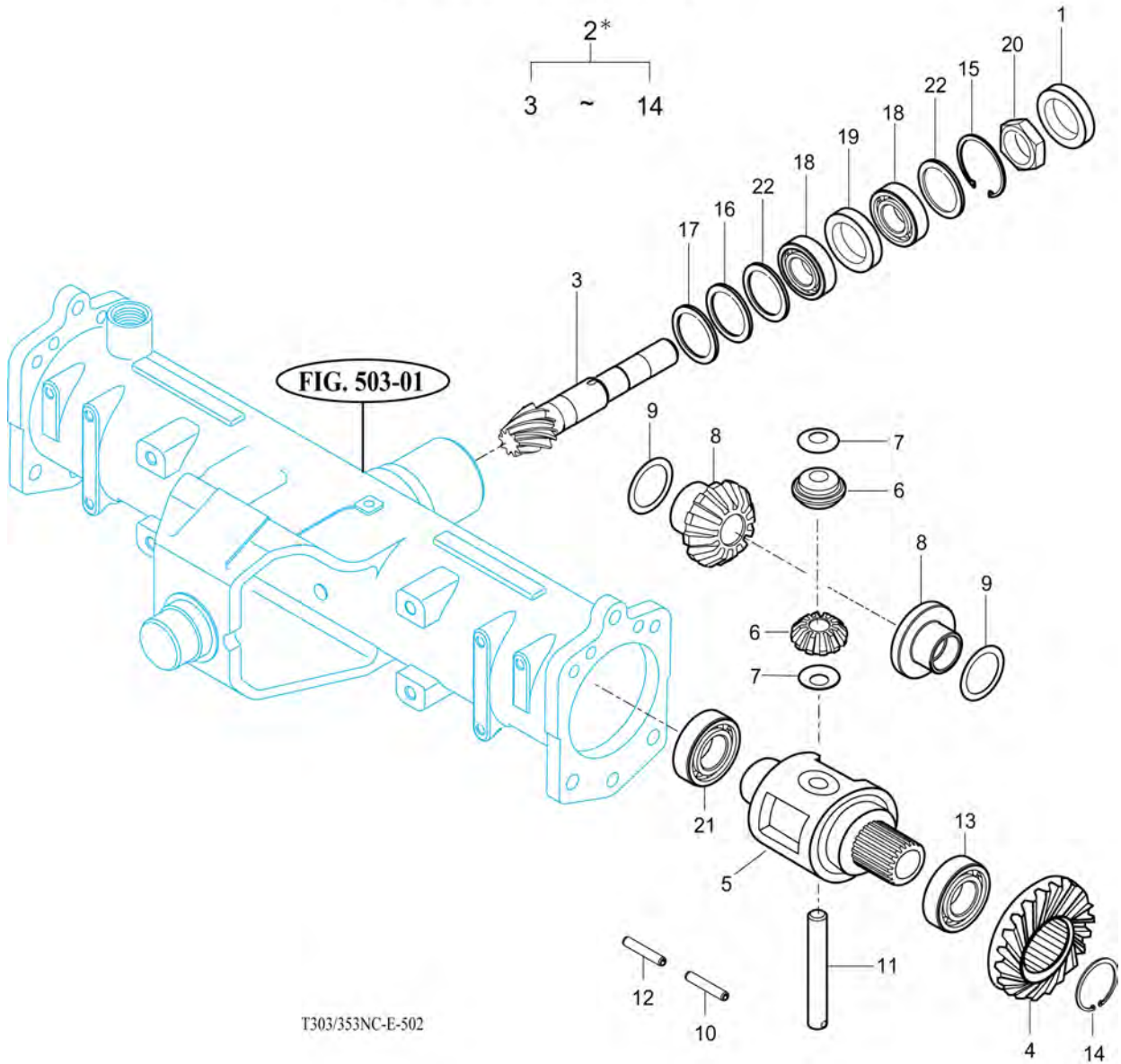
P1

YEAR

2018



* NOT SERVICED SEPARATELY



T303/353NC-E-502

NOTE

FIG 503

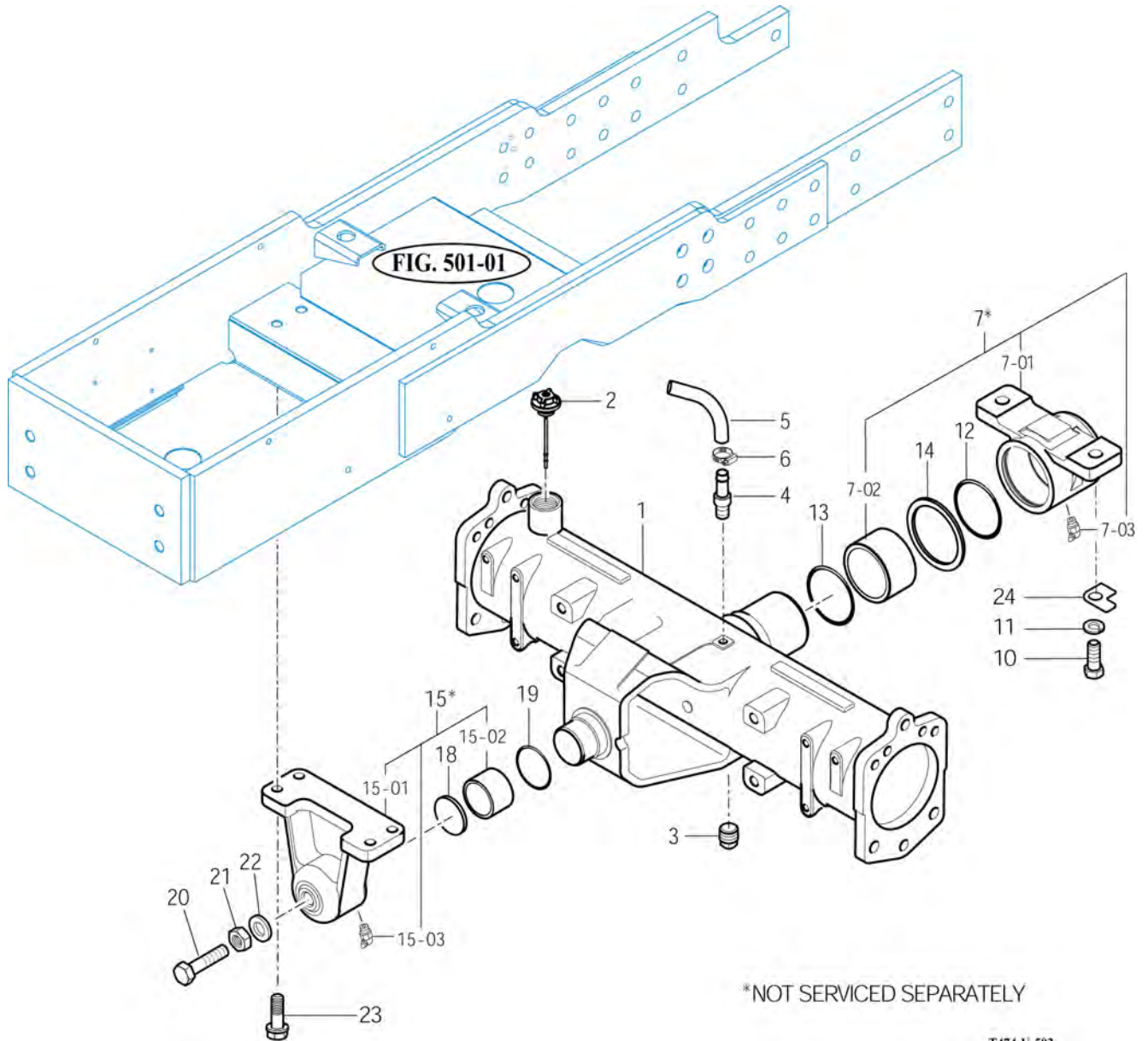
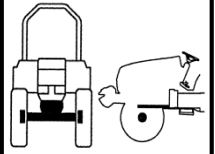
T474NH

FRONT AXLE HOUSING

P1

YEAR

2018



NOTE

FIG 504

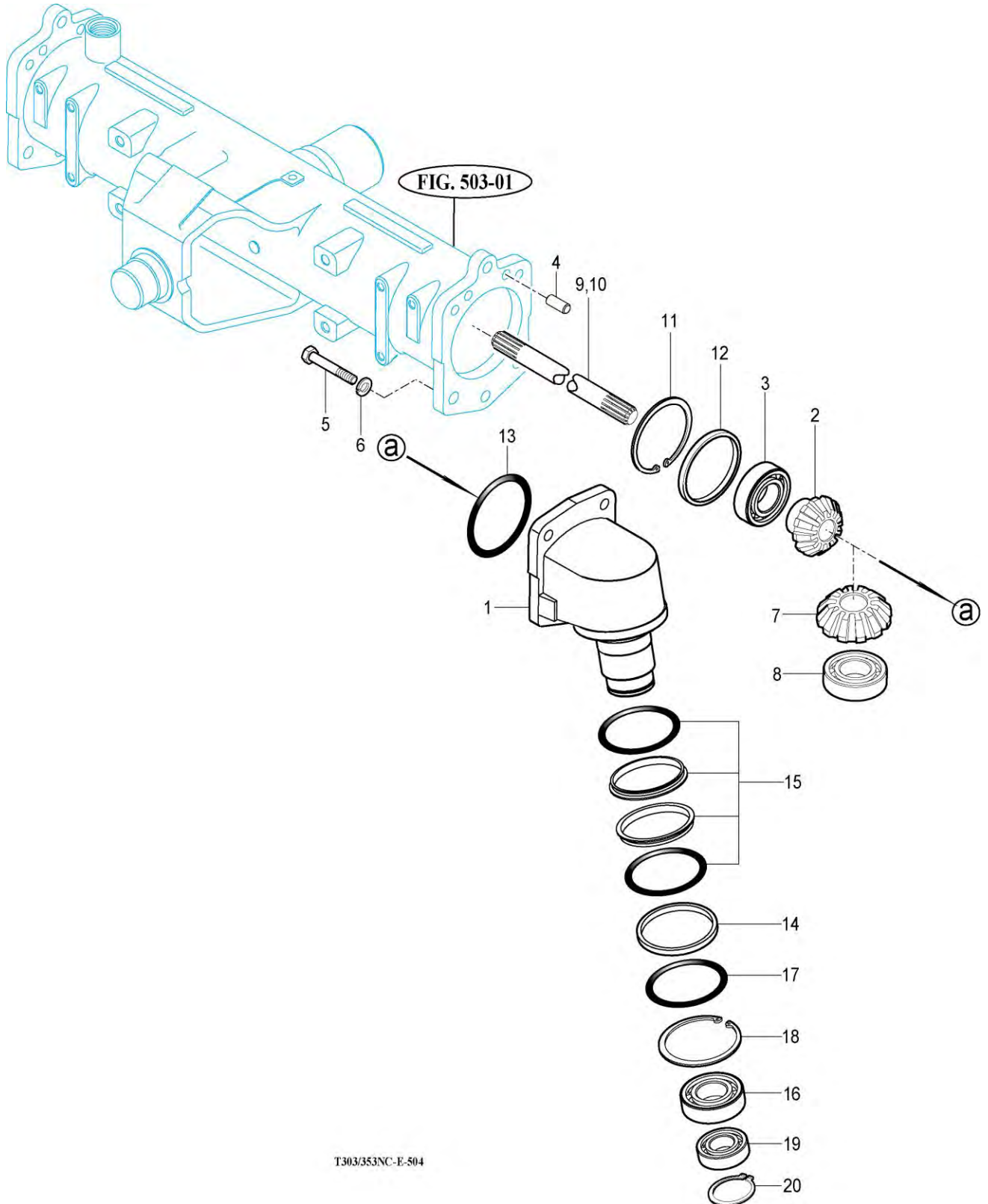
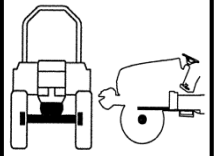
T474NH

FRONT GEAR CASE (1)

P1

YEAR

2018



T303/353NC-E-504

NOTE

FIG 505

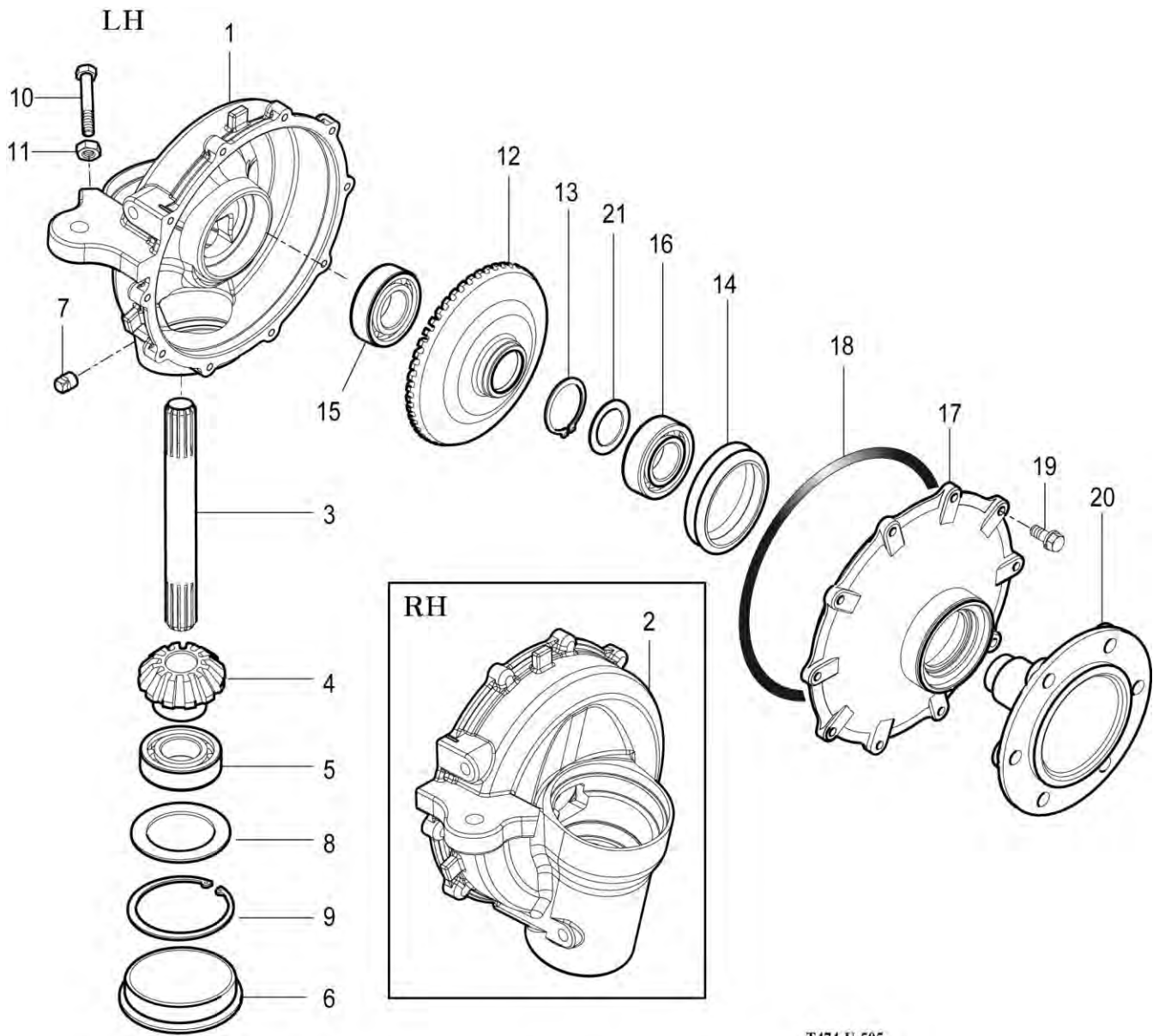
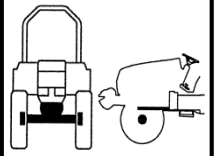
T474NH

FRONT GEAR CASE (2)

P1

YEAR

2018



T474-U-505

NOTE

FIG 601

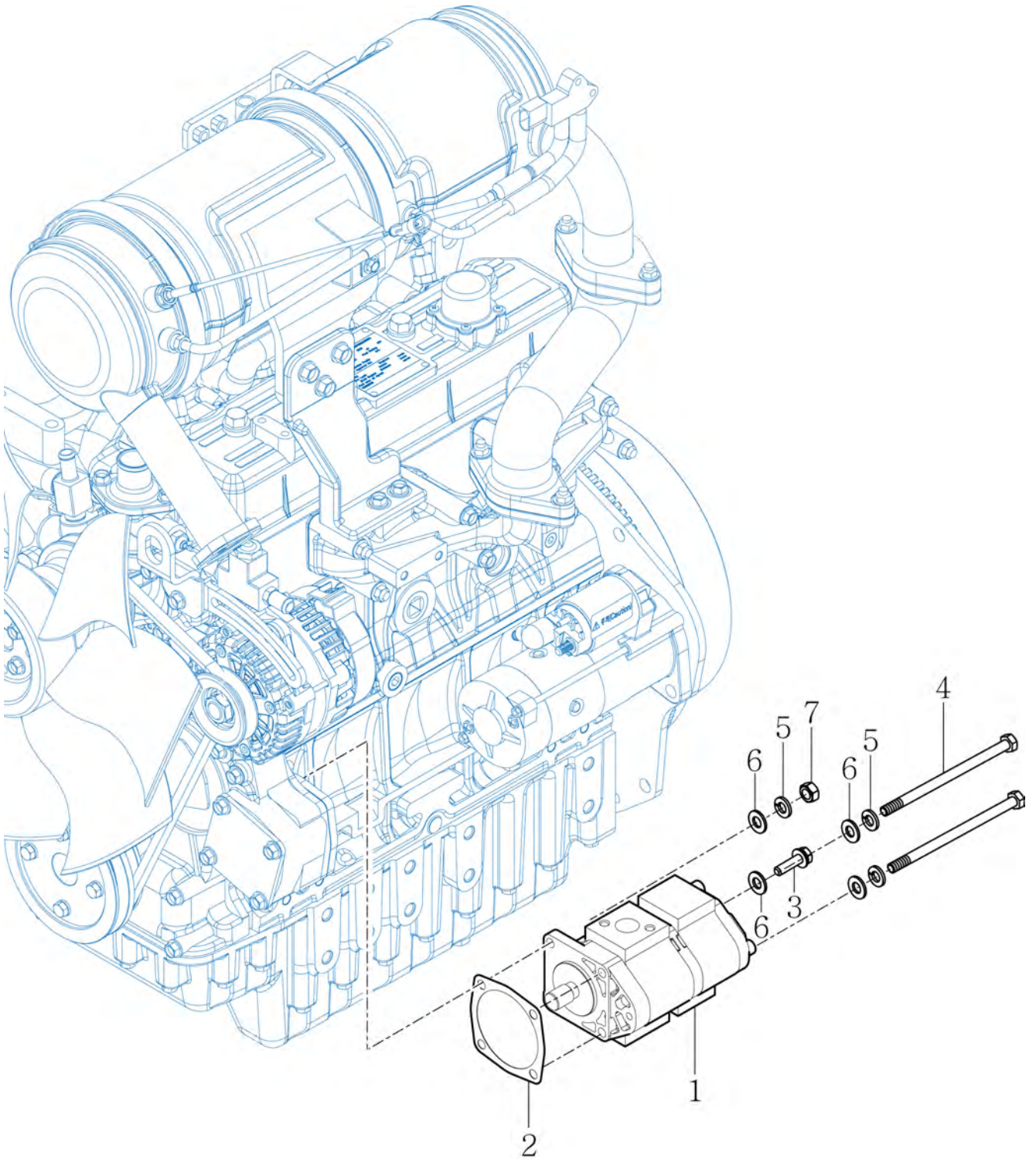
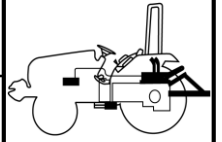
T474NH

GEAR PUMP

P1

YEAR

2018



NOTE

FIG 602

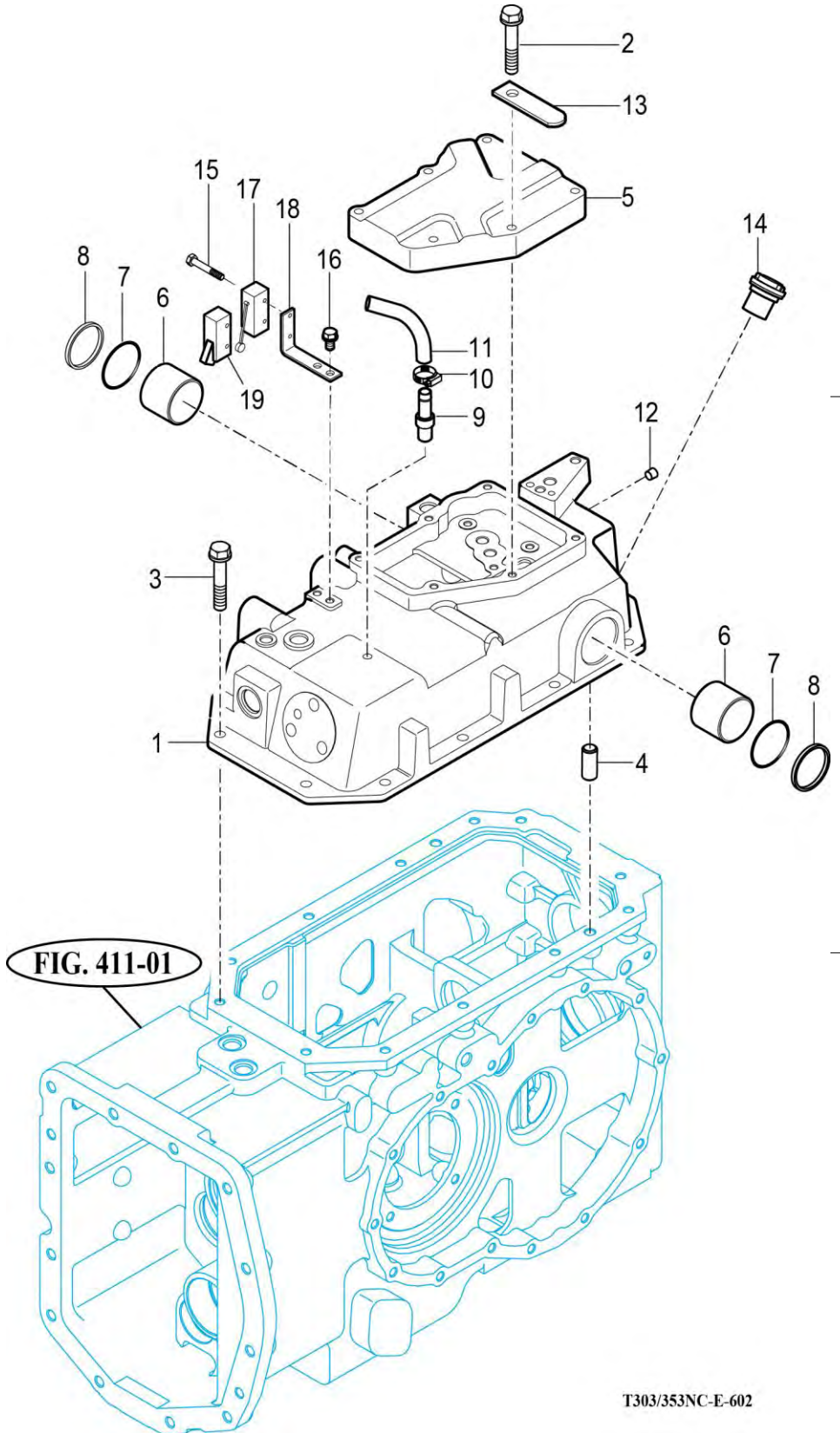
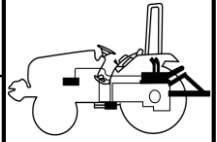
T474NH

CYLINDER CASE

P1

YEAR

2018



NOTE

FIG 603

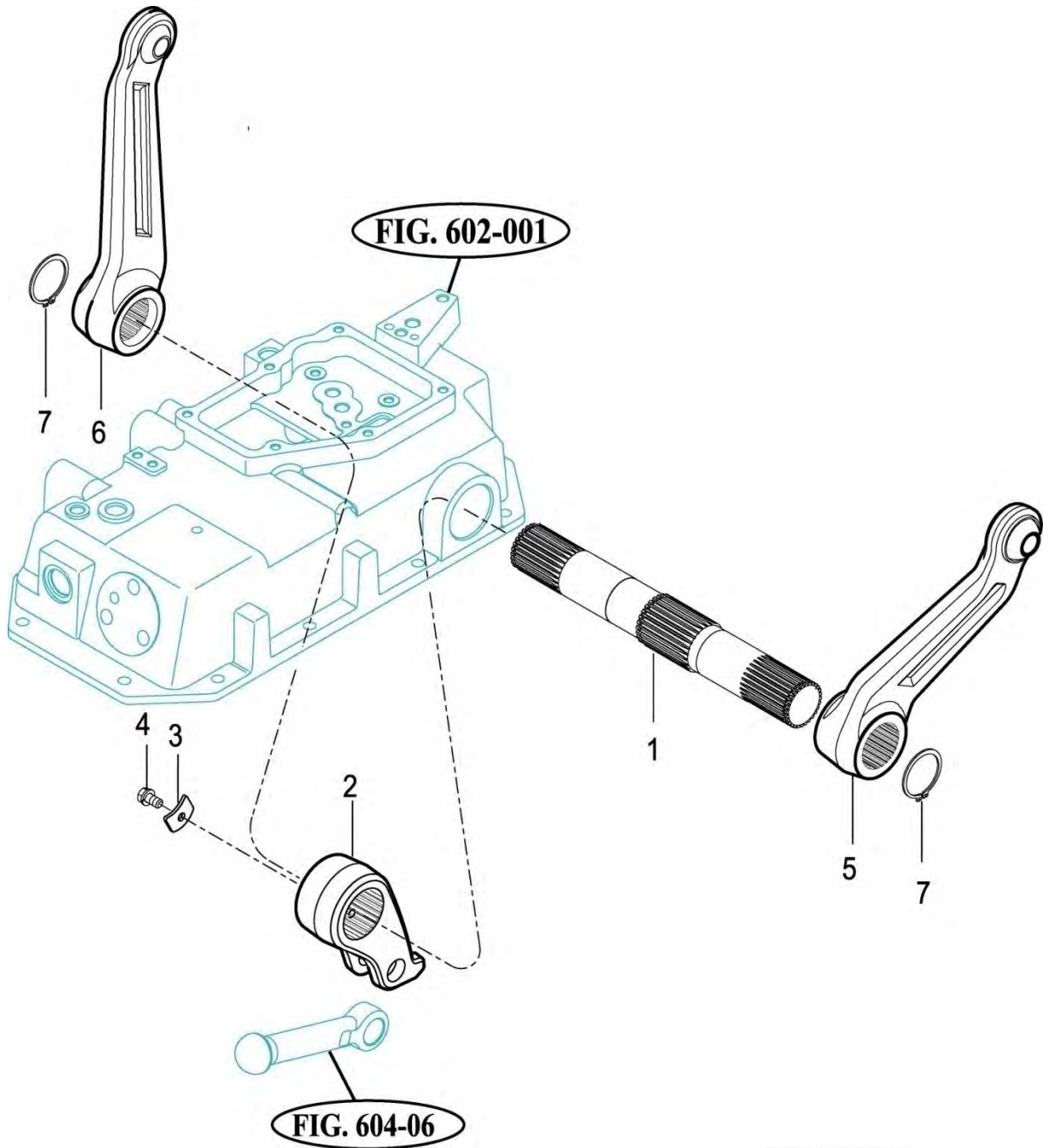
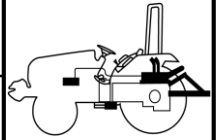
T474NH

LIFT ARM

P1

YEAR

2018



T303/353NC-E-603

NOTE

FIG 604

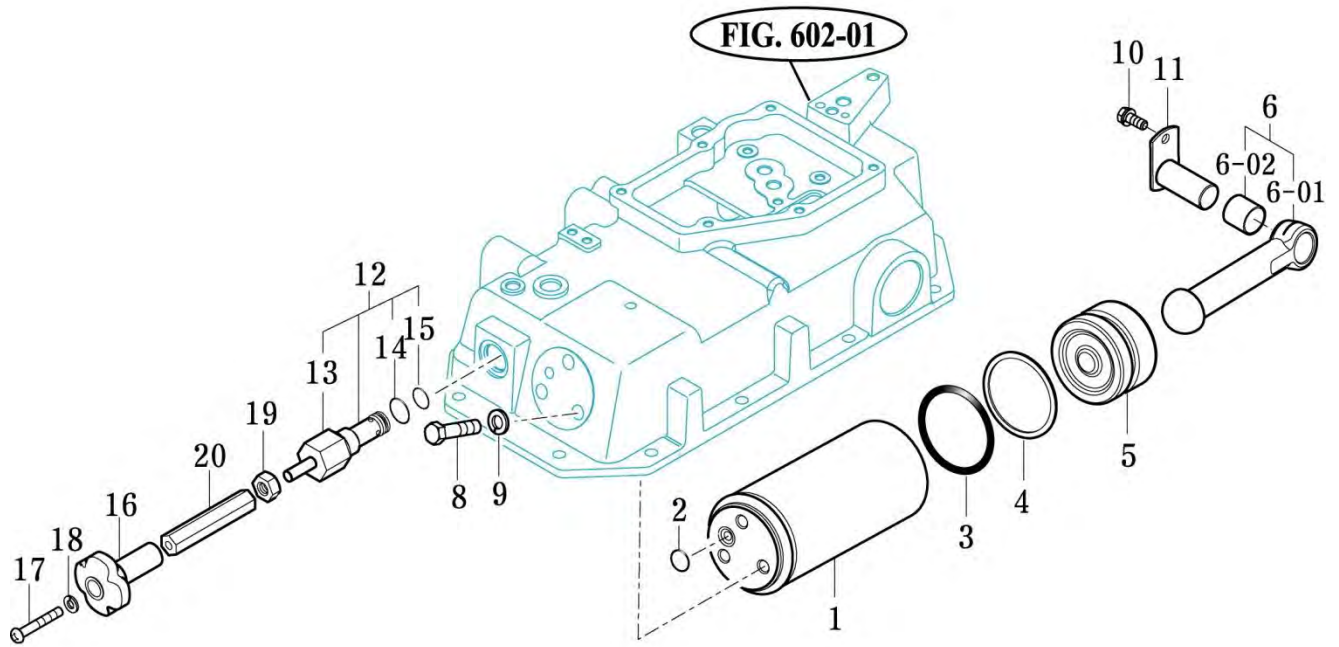
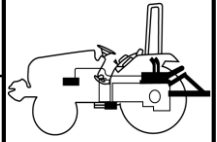
T474NH

CYLINDER

P1

YEAR

2018



T303/353NC-E-604

NOTE

FIG 605

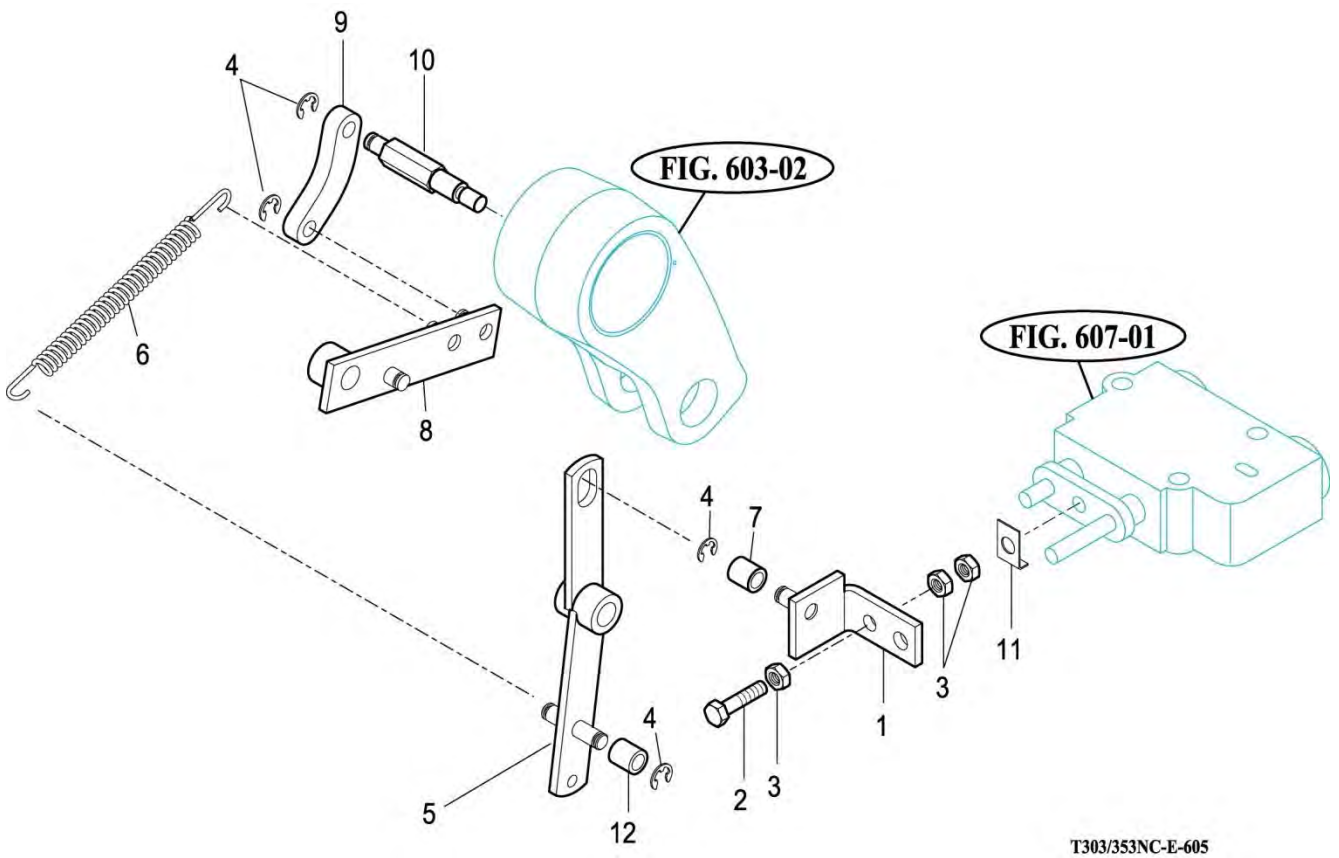
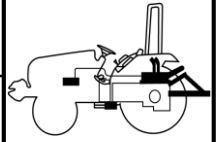
T474NH

POSITION LINK (1)

P1

YEAR

2018



NOTE

FIG 606

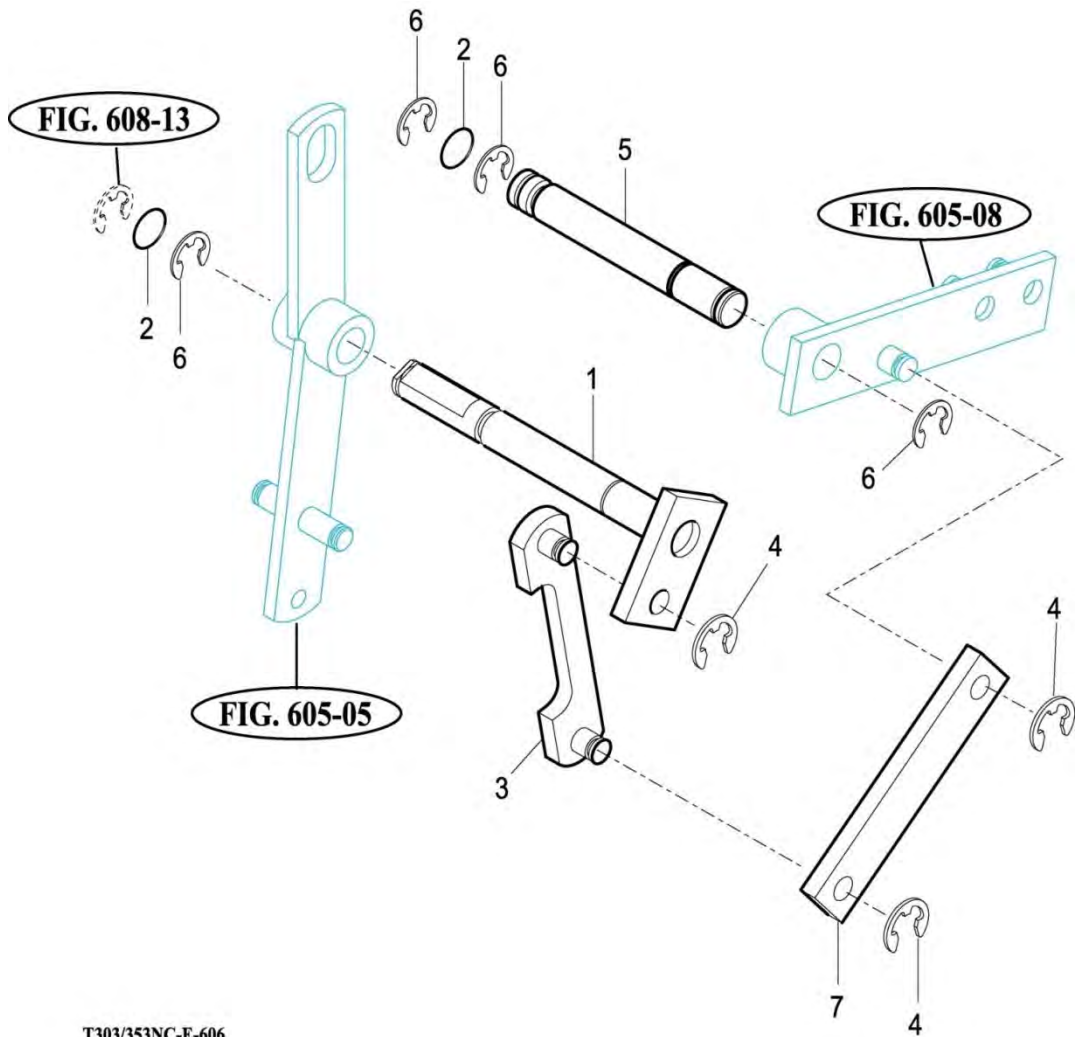
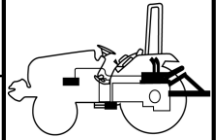
T474NH

POSITION LINK (2)

P1

YEAR

2018



T303/353NC-E-606

NOTE

FIG 607

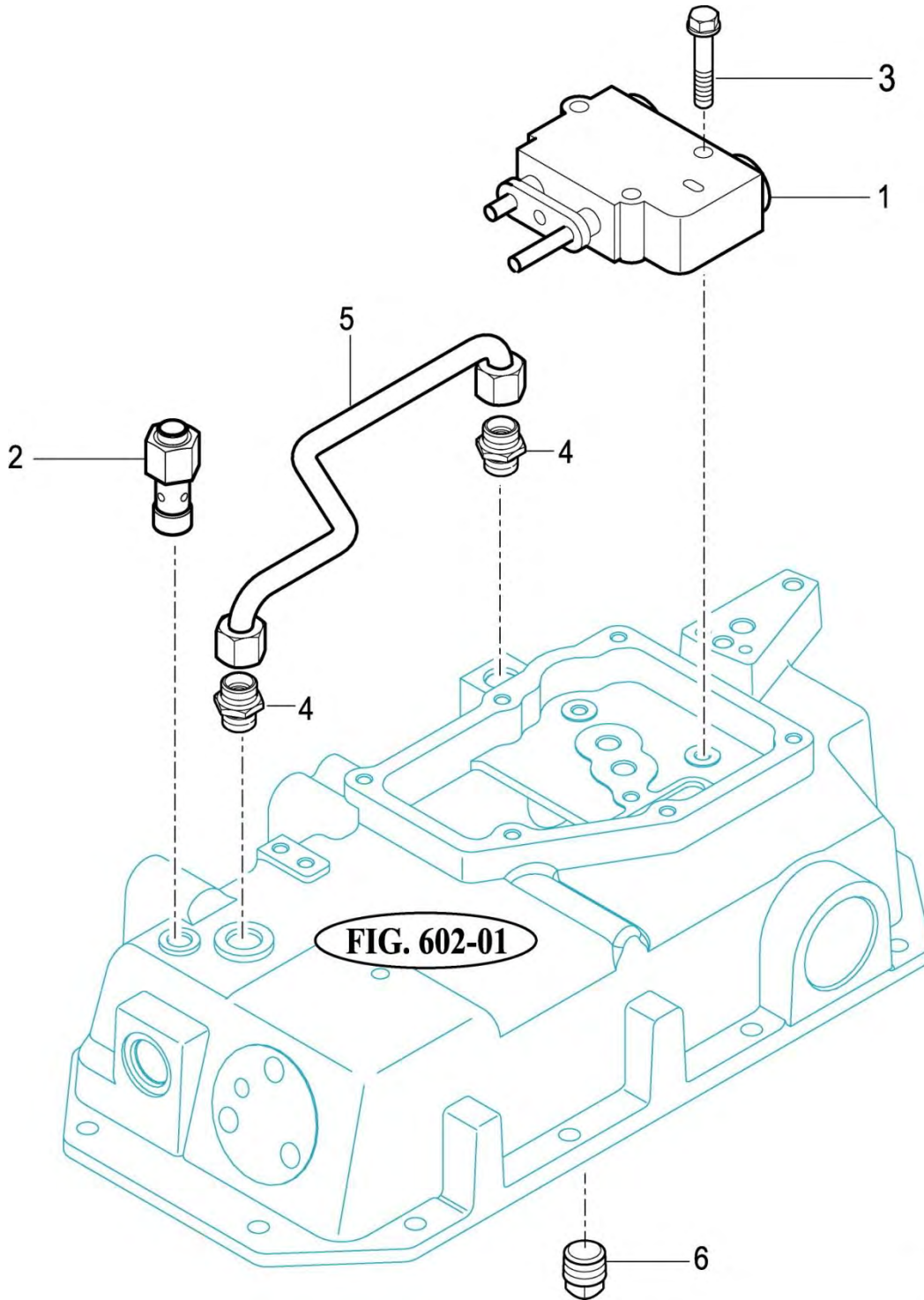
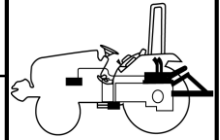
T474NH

CONTROL VALVE

P1

YEAR

2018



T303/353NC-E-607

NOTE

FIG 608

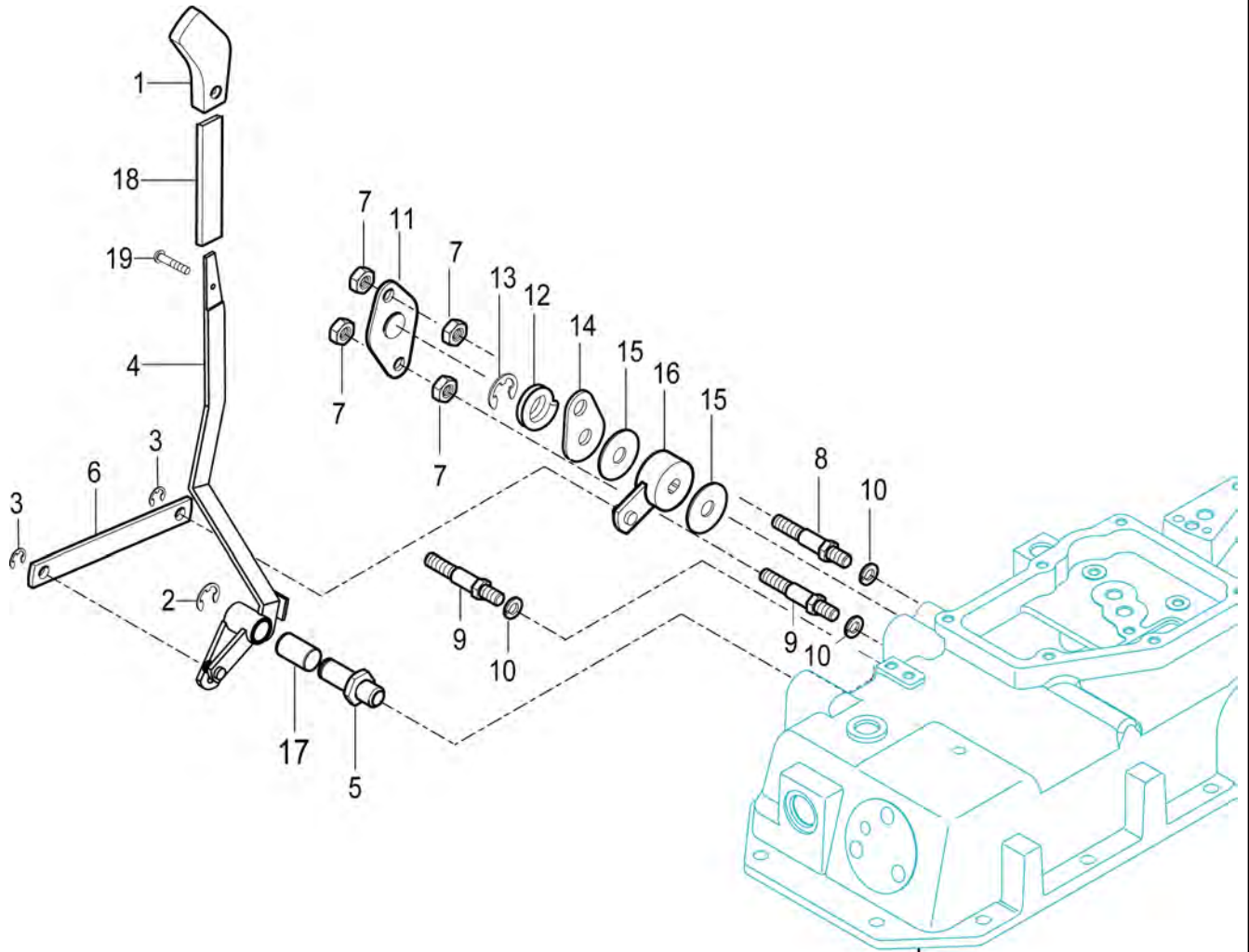
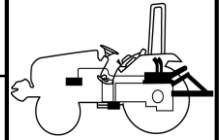
T474NH

POSITION LEVER

P1

YEAR

2018



T303/353NC-E-608

FIG. 602-01

NOTE

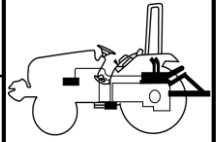
FIG 609

HYDRAULIC PIPE (1)

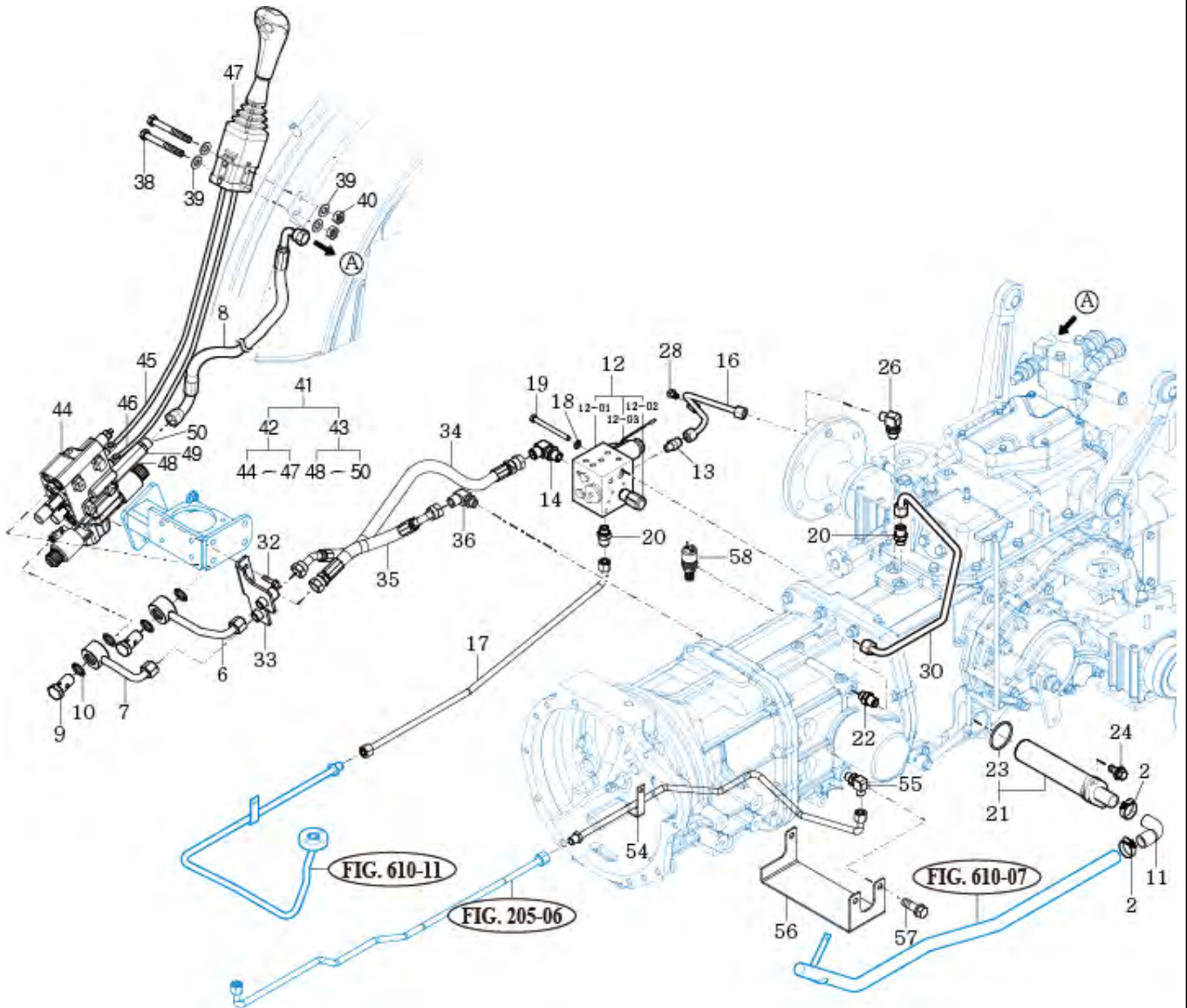
P1

YEAR

2018



T474NH



NOTE

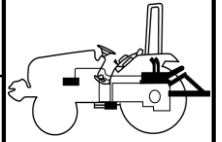
FIG 609

HYDRAULIC PIPE (1)

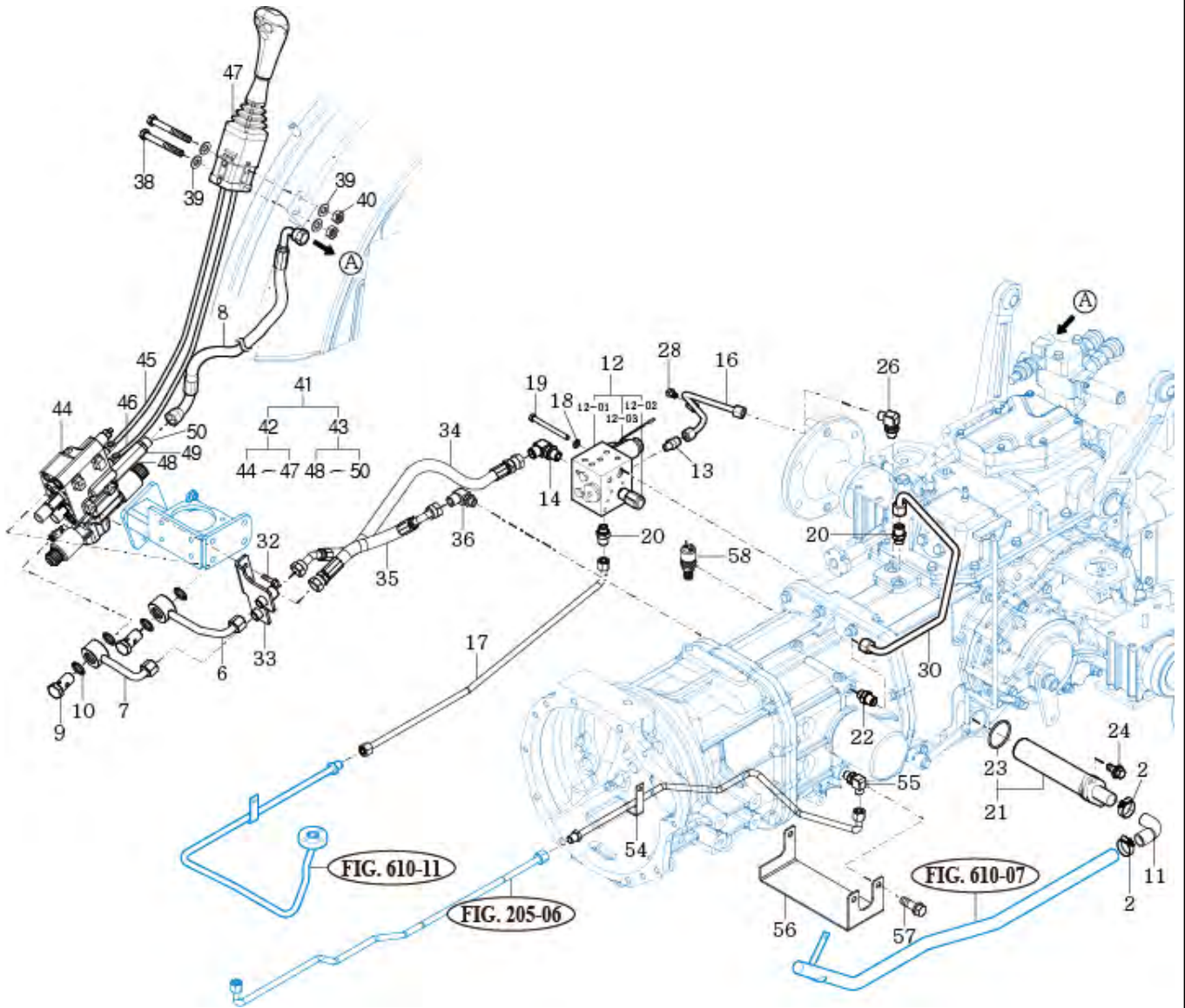
P2

YEAR

2018



T474NH



NOTE

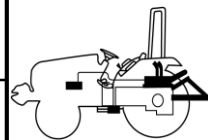
FIG 610

HYDRAULIC PIPE (2)

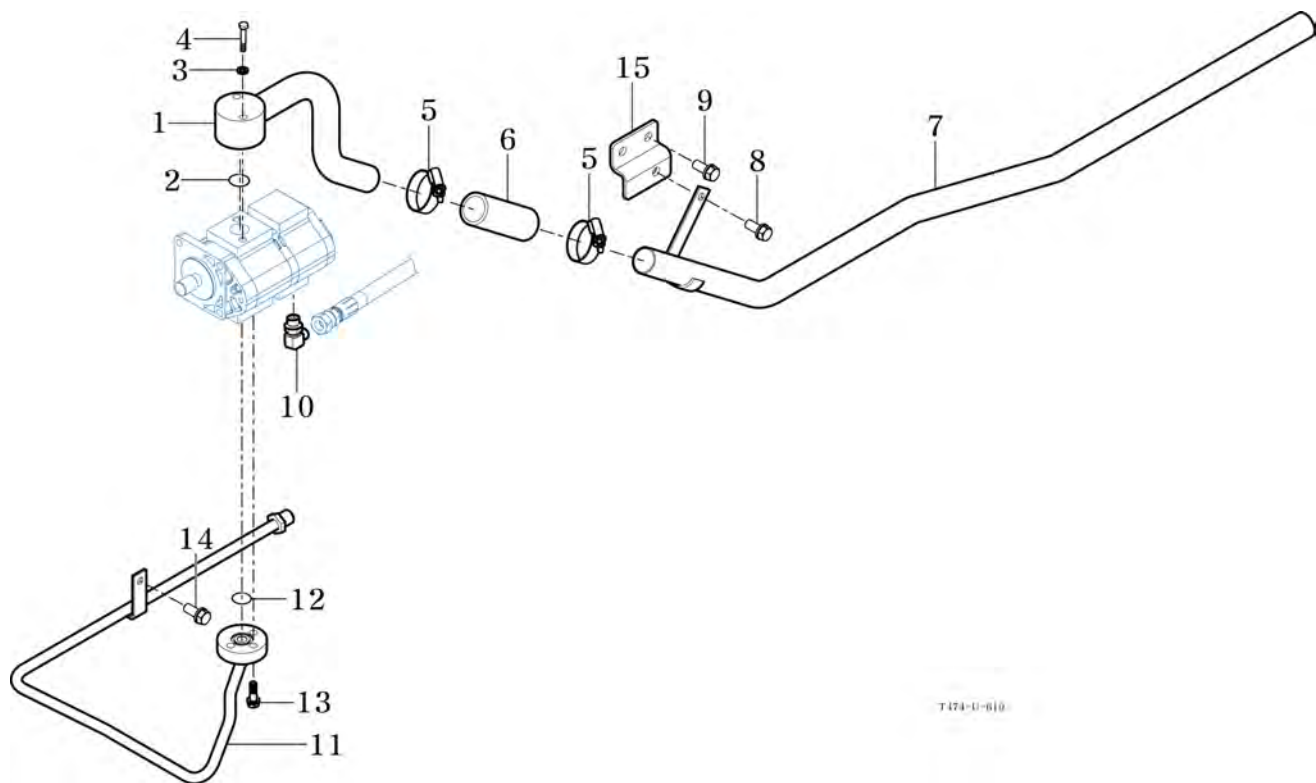
P1

YEAR

2018



T474NH



7474-0-010

NOTE

FIG 611

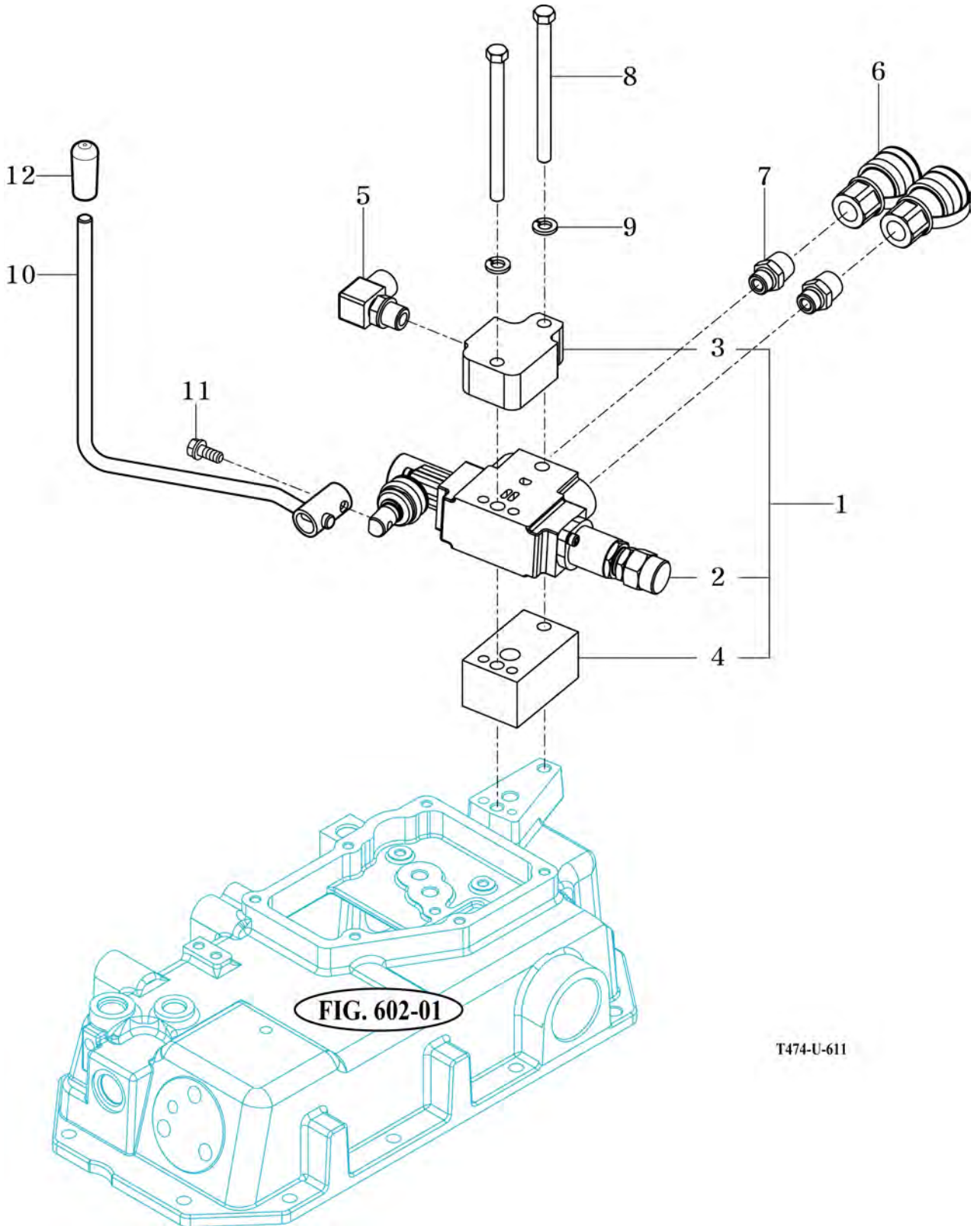
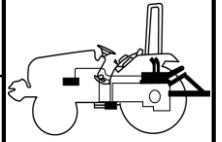
T474NH

EXTERIOR HYD. VALVE

P1

YEAR

2018



T474-U-611

NOTE

FIG 612

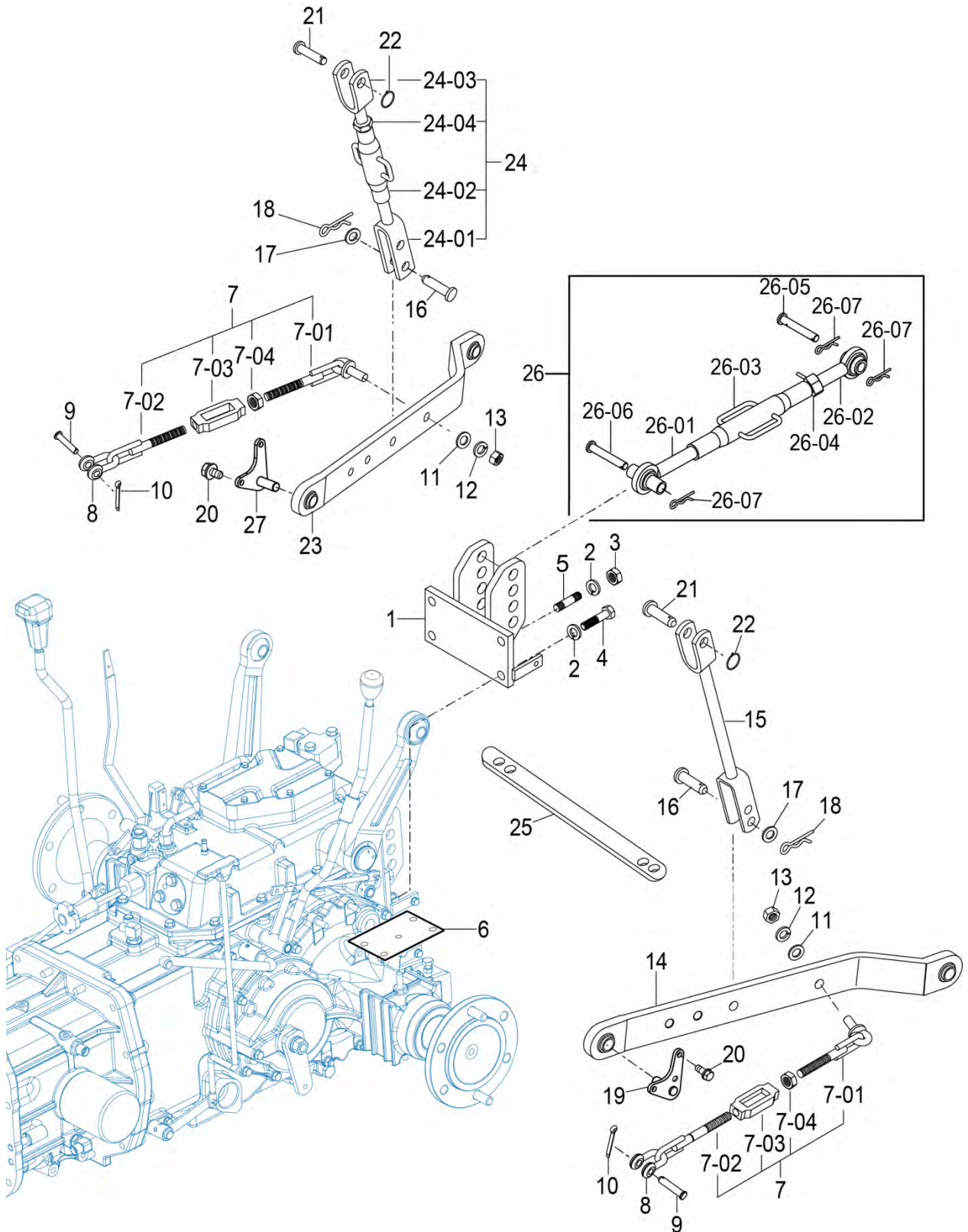
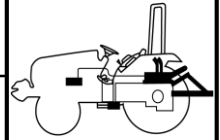
T474NH

3-POINT LINK

P1

YEAR

2018



2538NH-K-612

NOTE

FIG 613

T474NH

HITCH & COVER

P1

YEAR

2018

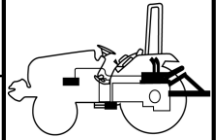
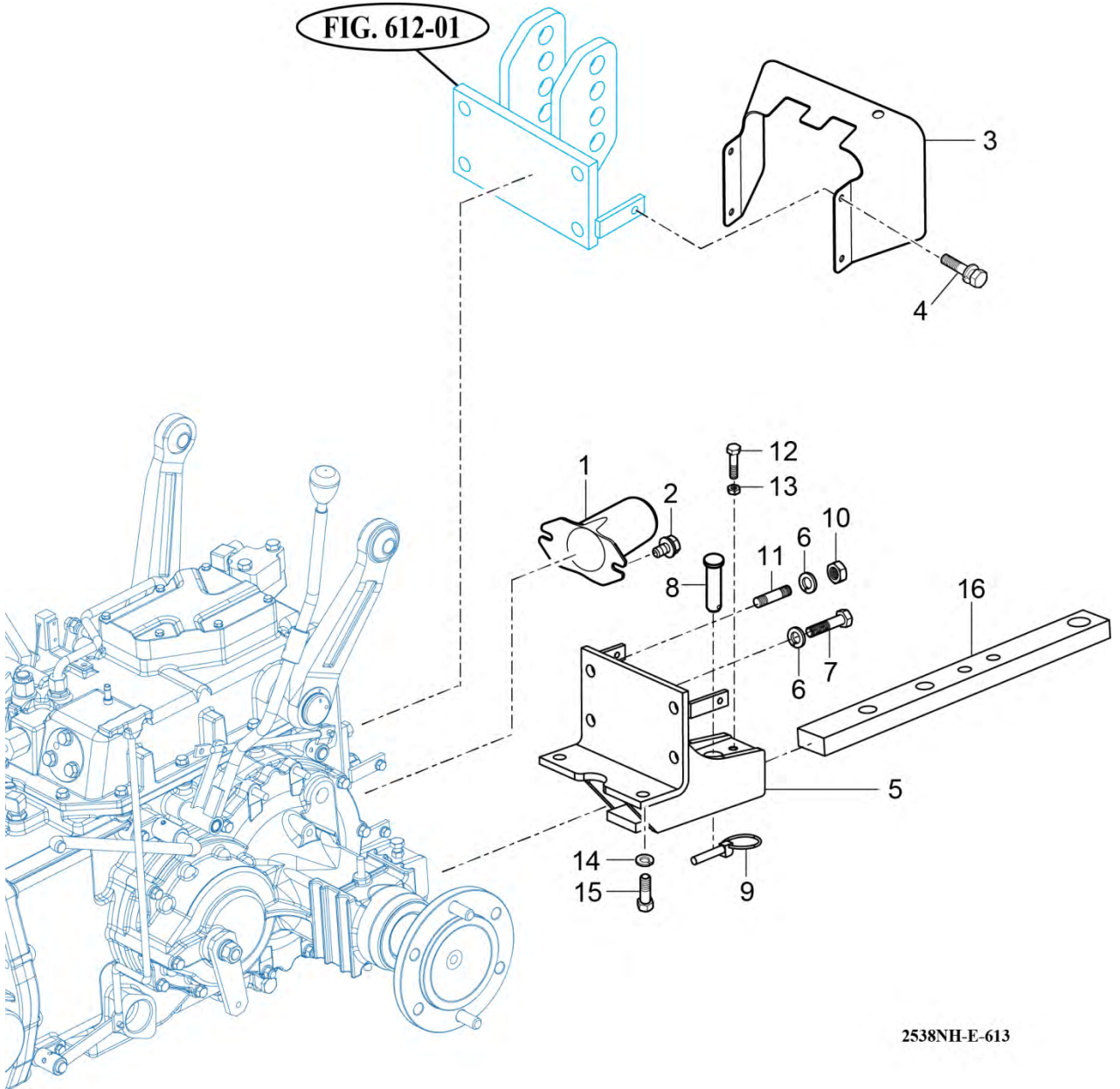


FIG. 612-01



2538NH-E-613

NOTE

FIG 614

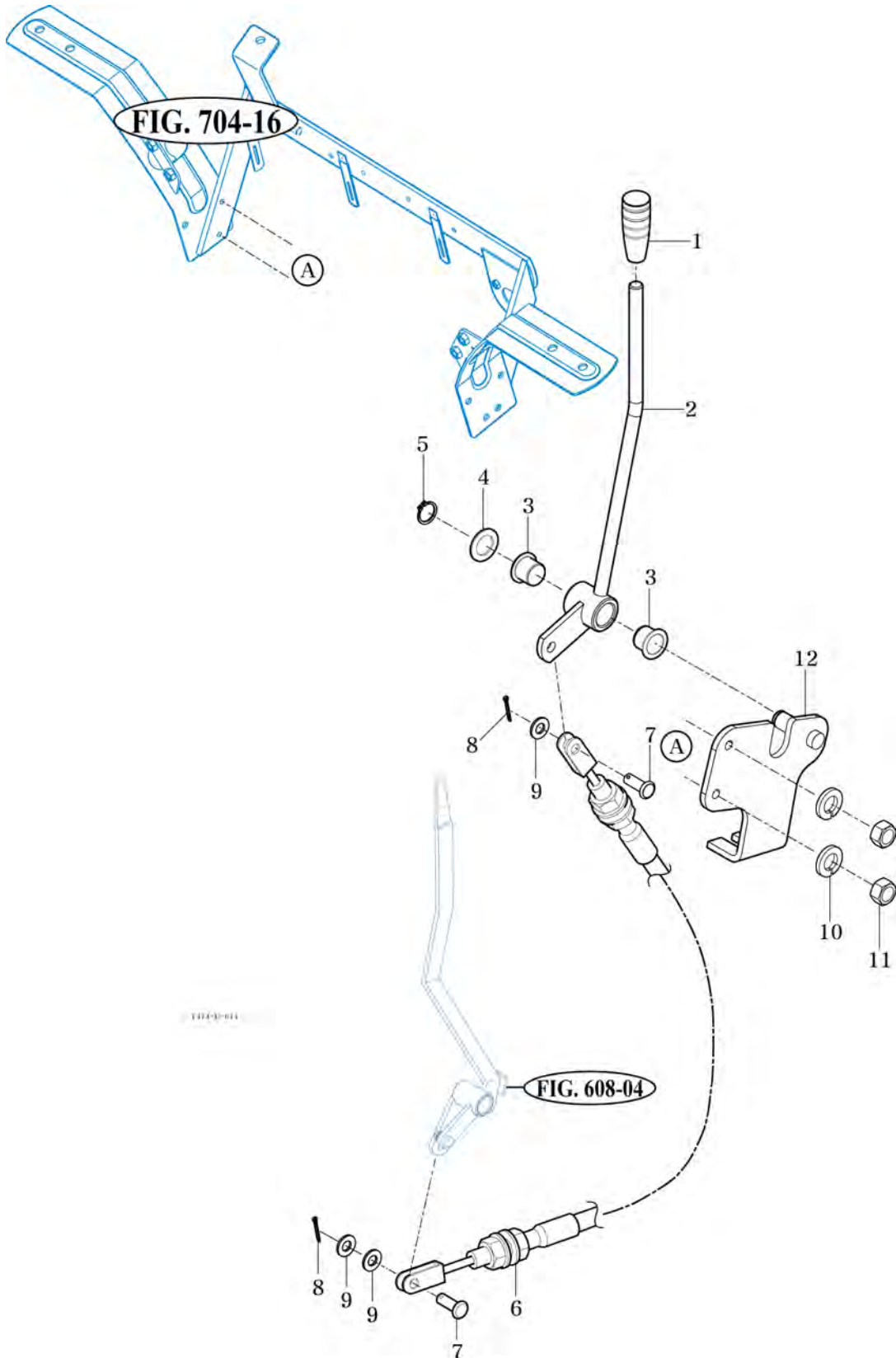
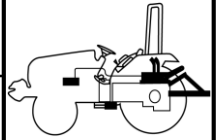
T474NH

EXTERIOR POSITION LEVER

P1

YEAR

2018



NOTE

FIG 701

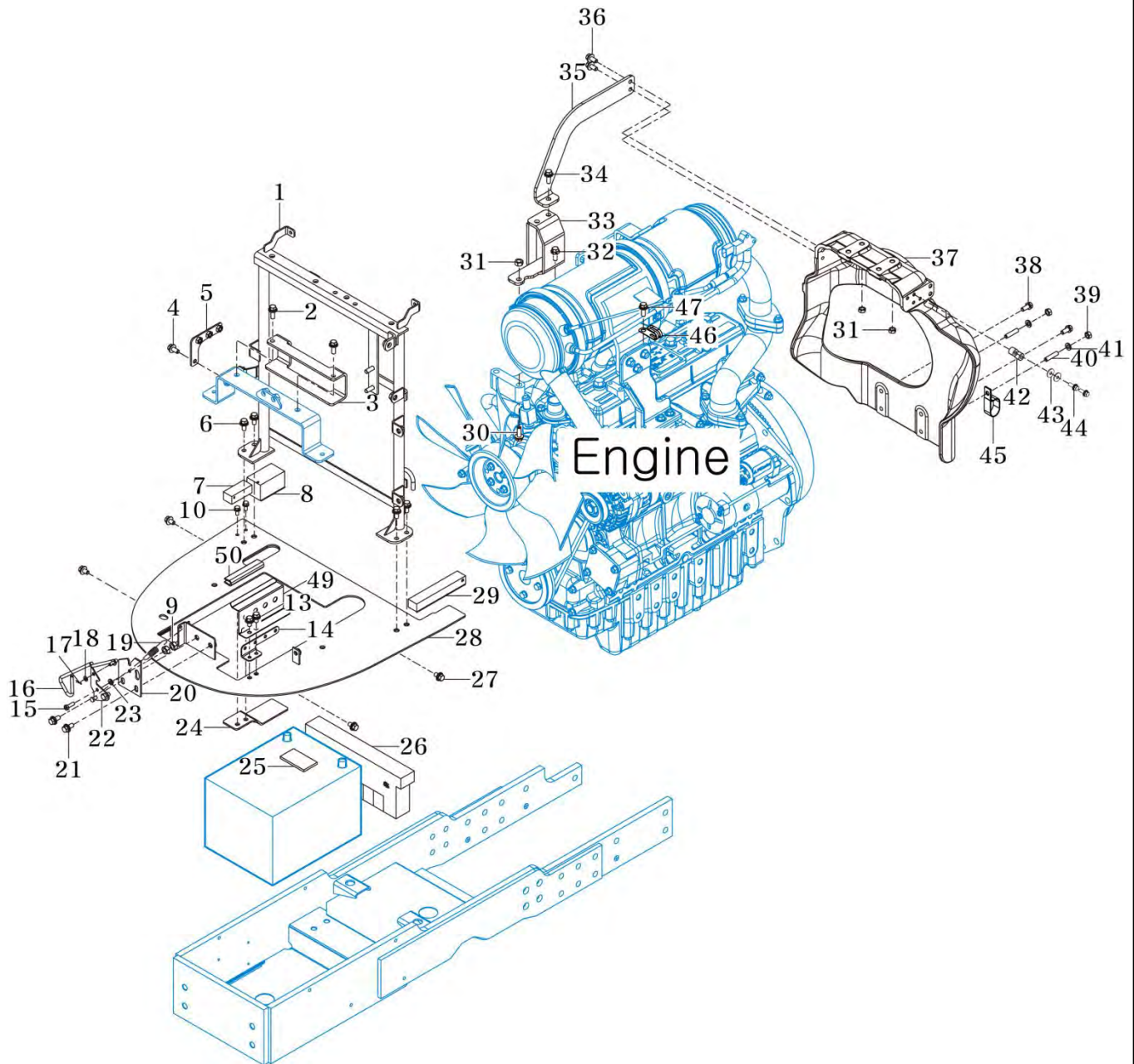
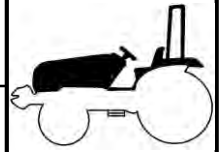
T474NH

HOOD FRAME

P1

YEAR

2018



NOTE

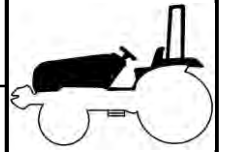
FIG 702

HOOD

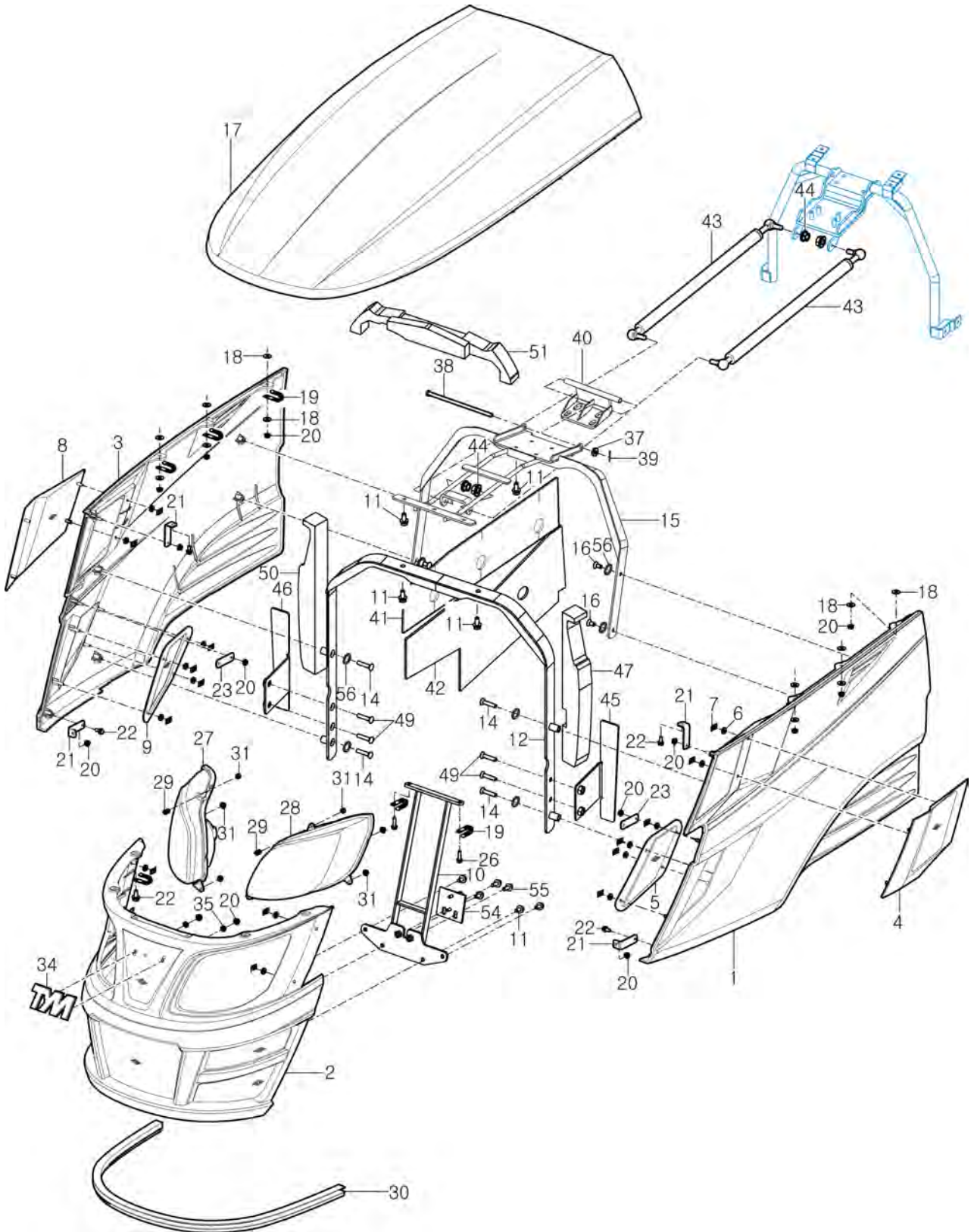
P1

YEAR

2018



T474NH



NOTE

FIG 703

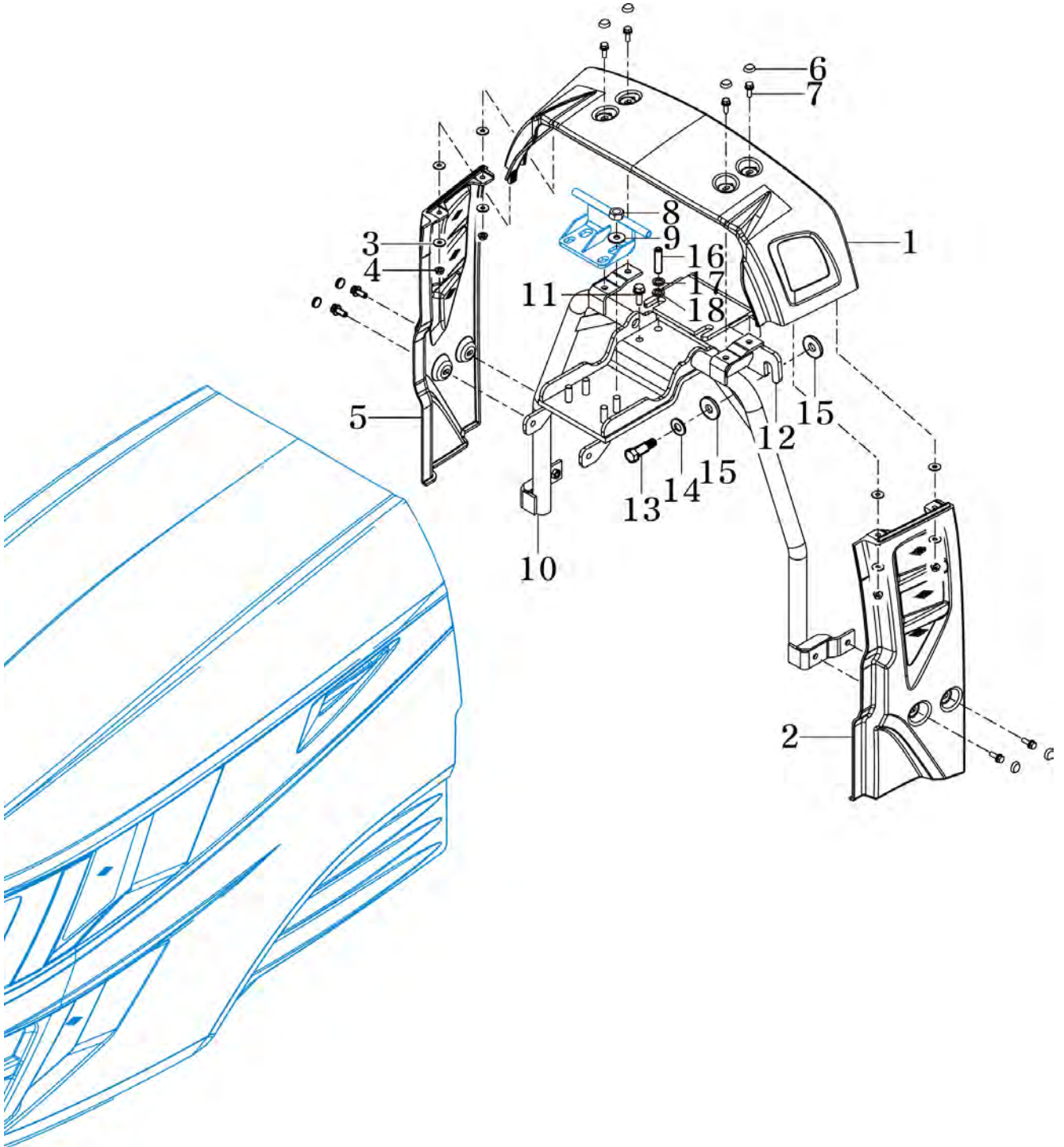
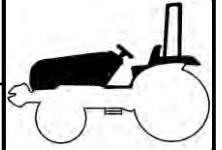
T474NH

EXTENSION COVER

P1

YEAR

2018



NOTE

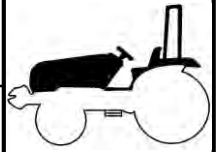
FIG 704

FENDER & REAR FRAME

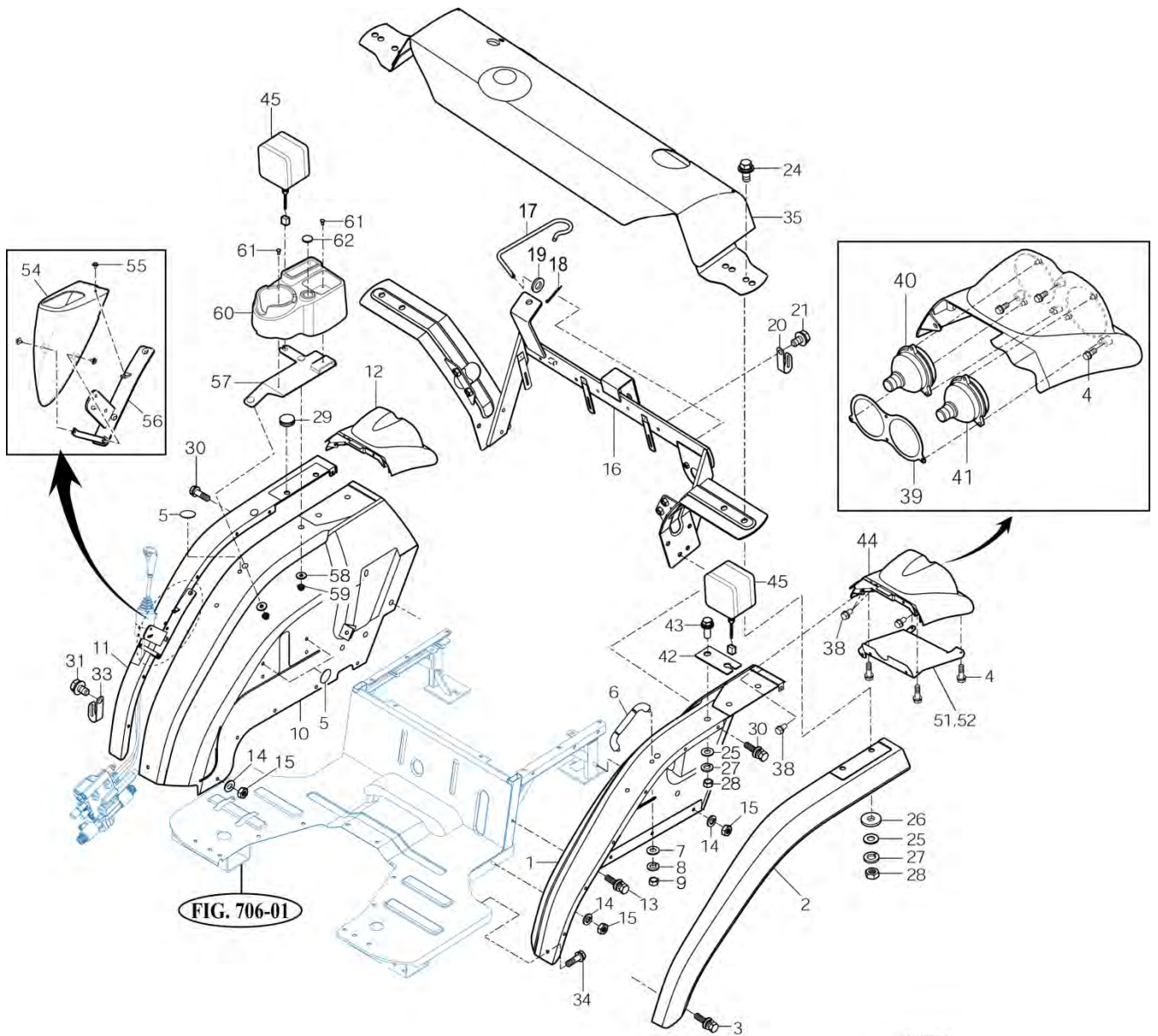
P1

YEAR

2018



T474NH



NOTE

FIG 705

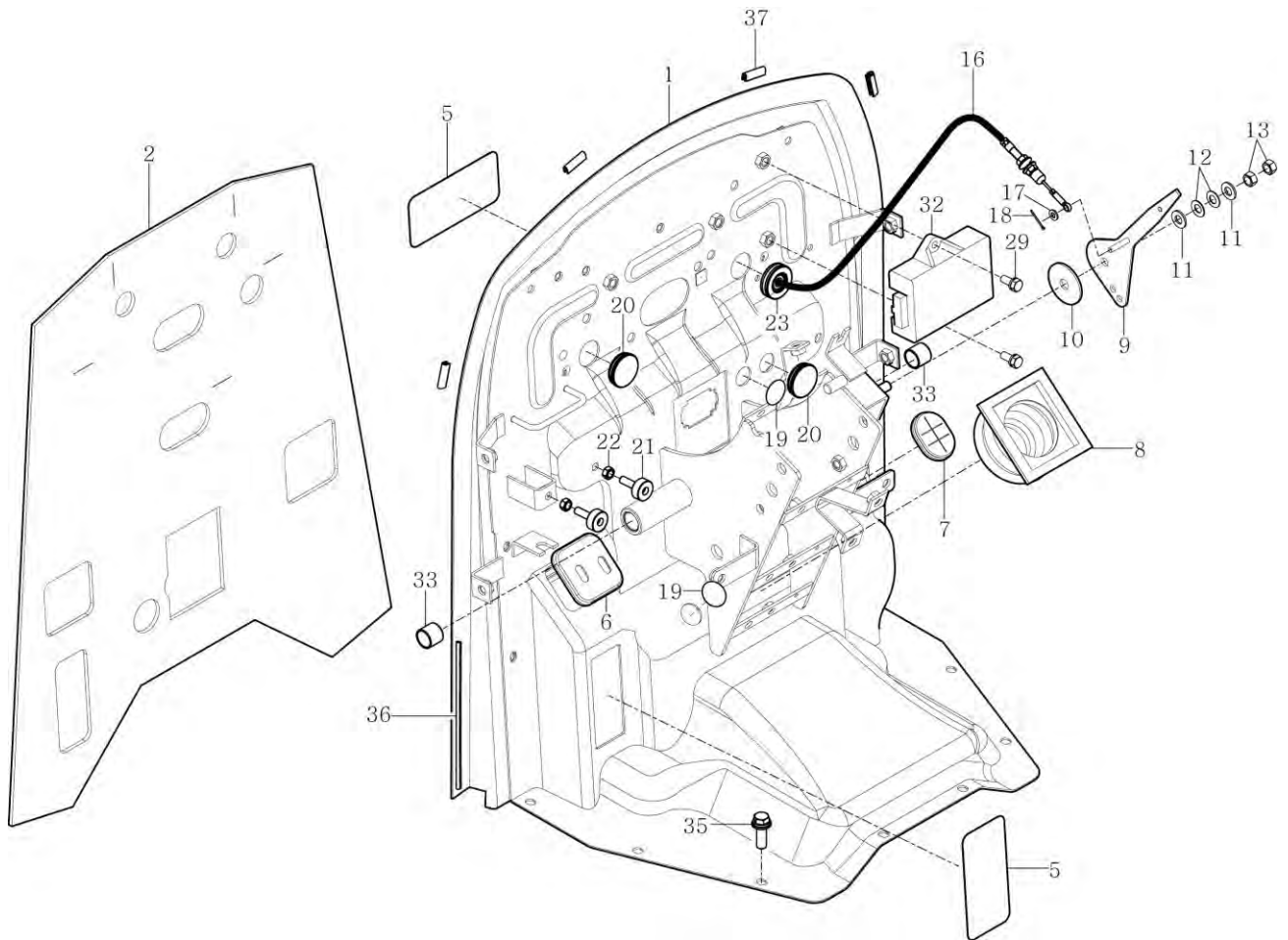
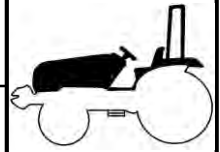
T474NH

DASHBOARD

P1

YEAR

2018



NOTE

FIG 706

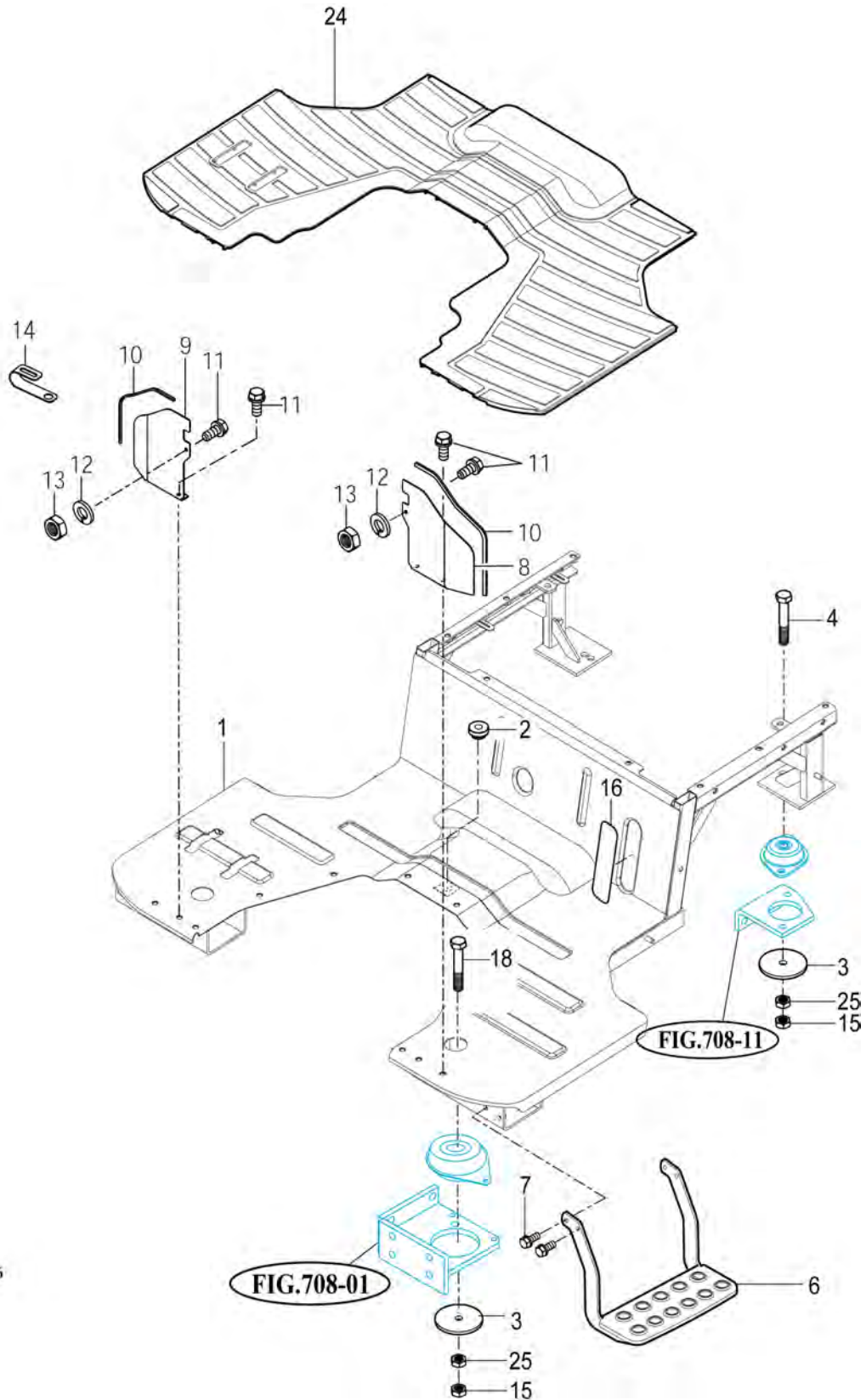
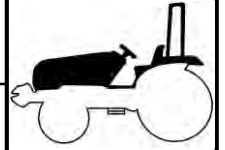
T474NH

FLOOR PANEL

P1

YEAR

2018



T474-U-706

NOTE

FIG 707

T474NH

SEAT

P1

YEAR

2018

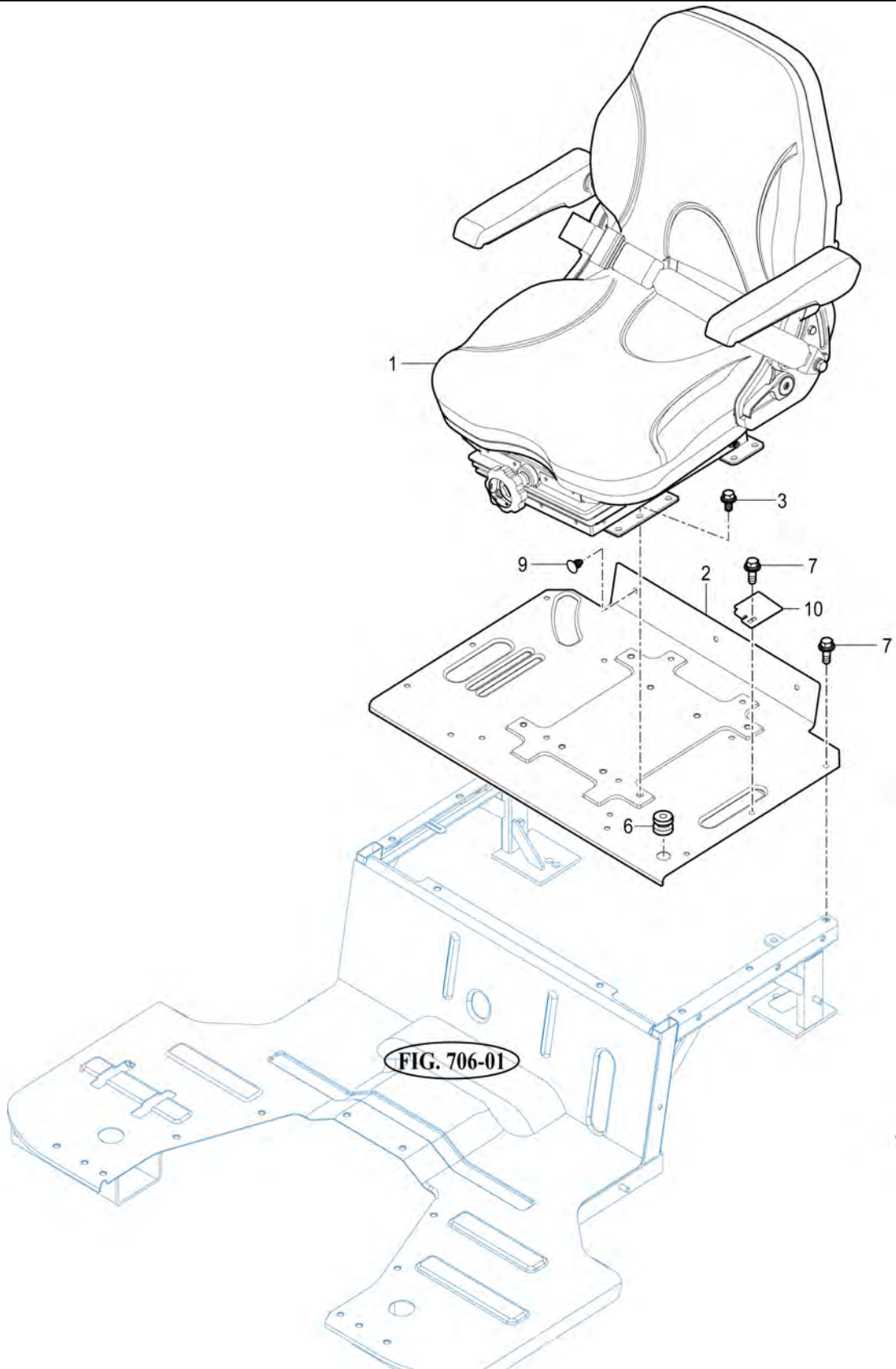
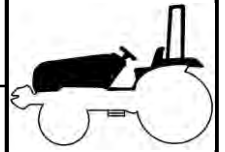


FIG. 706-01

T474-U-707

NOTE

FIG 708

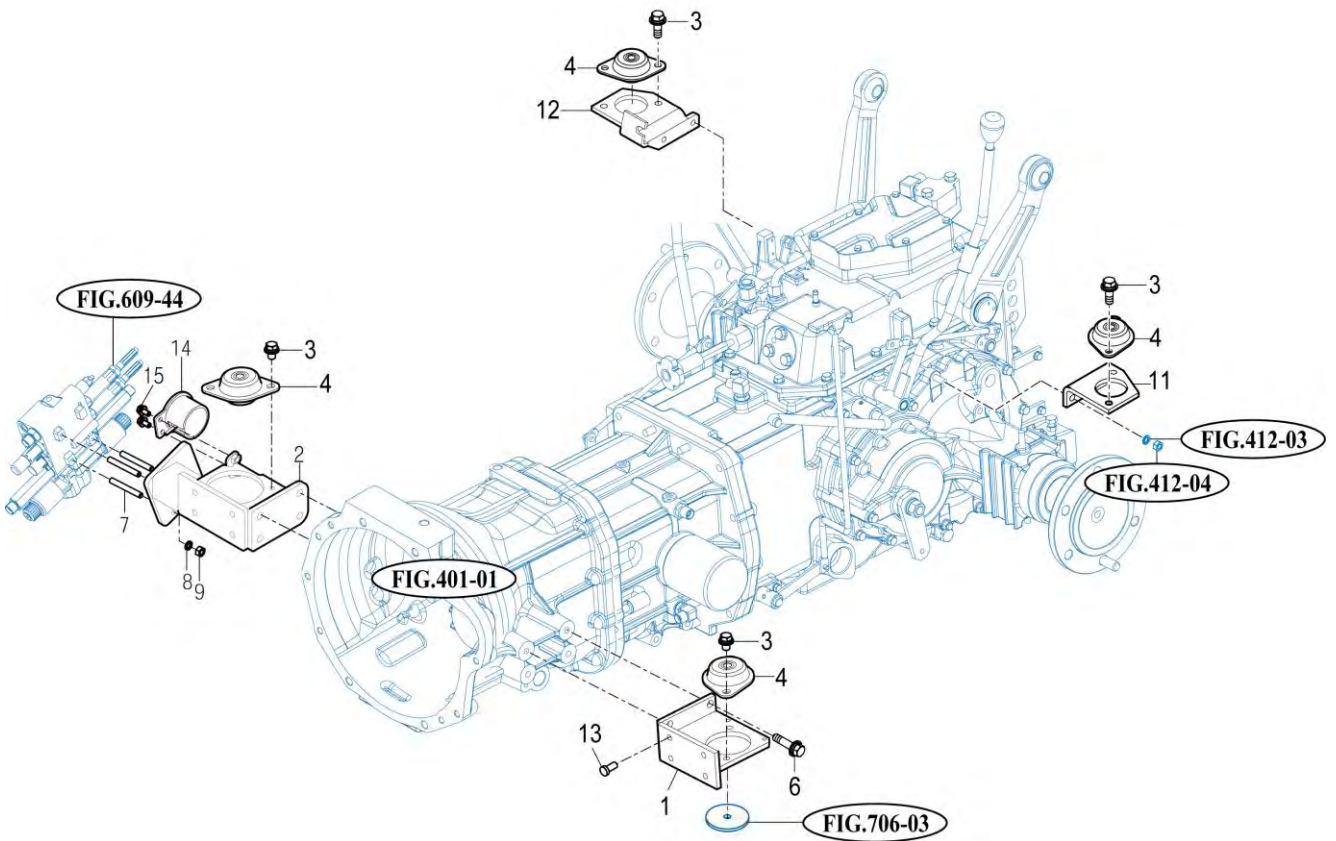
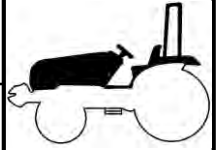
T474NH

FRONT & REAR MOUNTING

P1

YEAR

2018



T474-U-708

NOTE

FIG 709

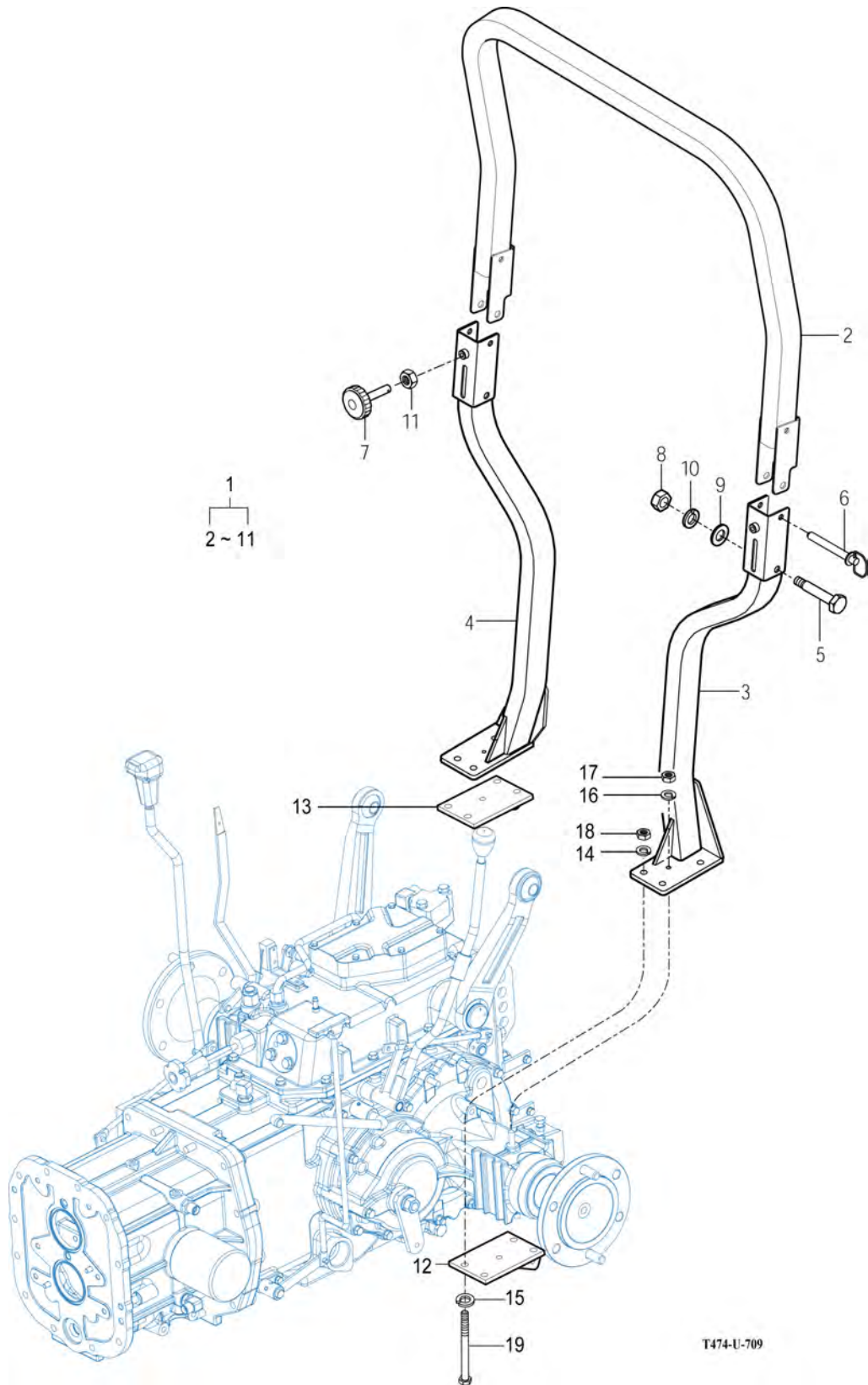
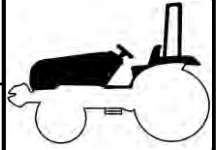
T474NH

ROPS

P1

YEAR

2018



T474-U-709

NOTE

FIG 801

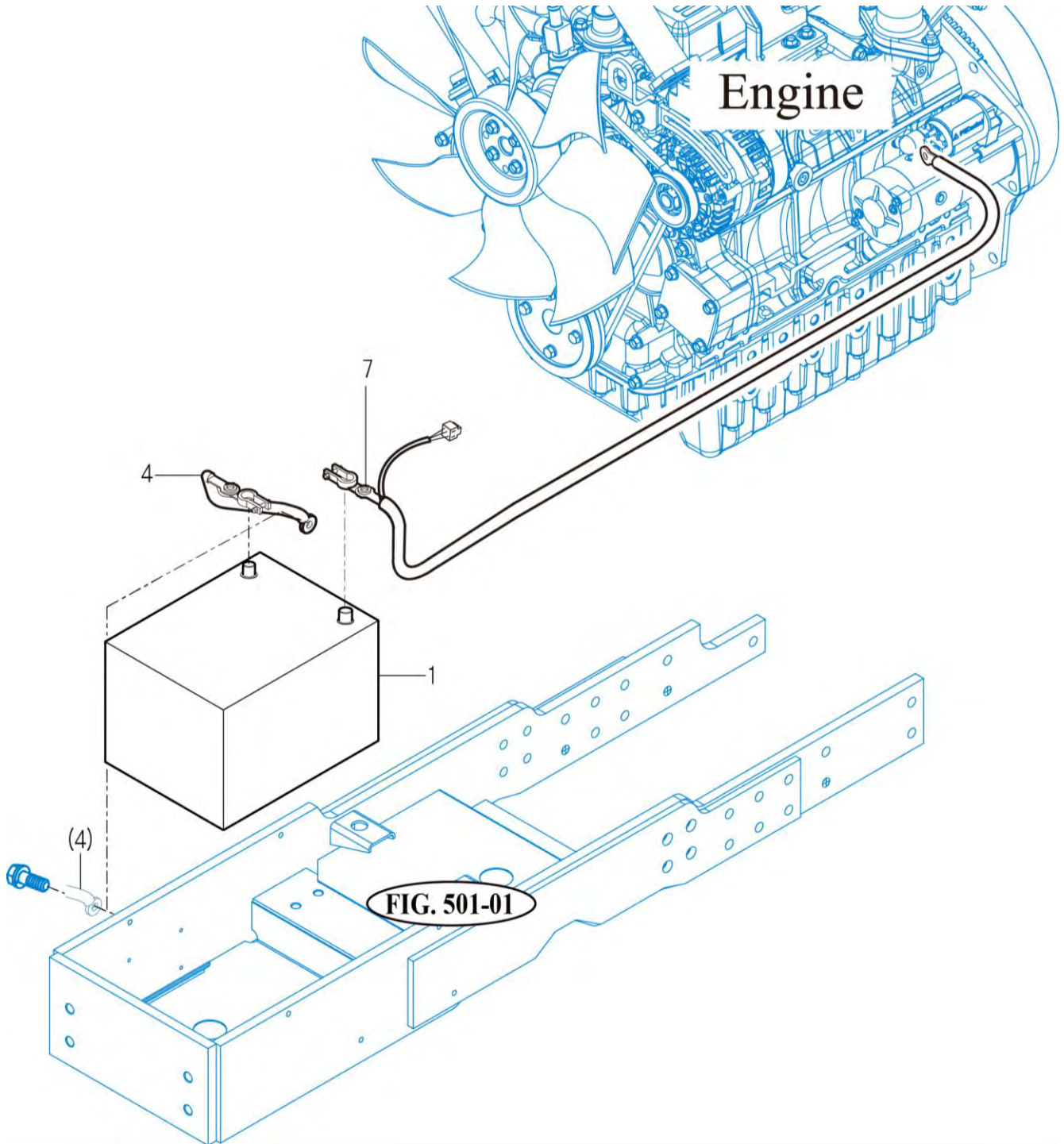
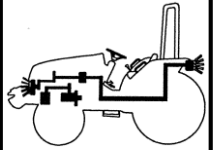
T474NH

BATTERY & MOUNTING

P1

YEAR

2018



NOTE

FIG 802

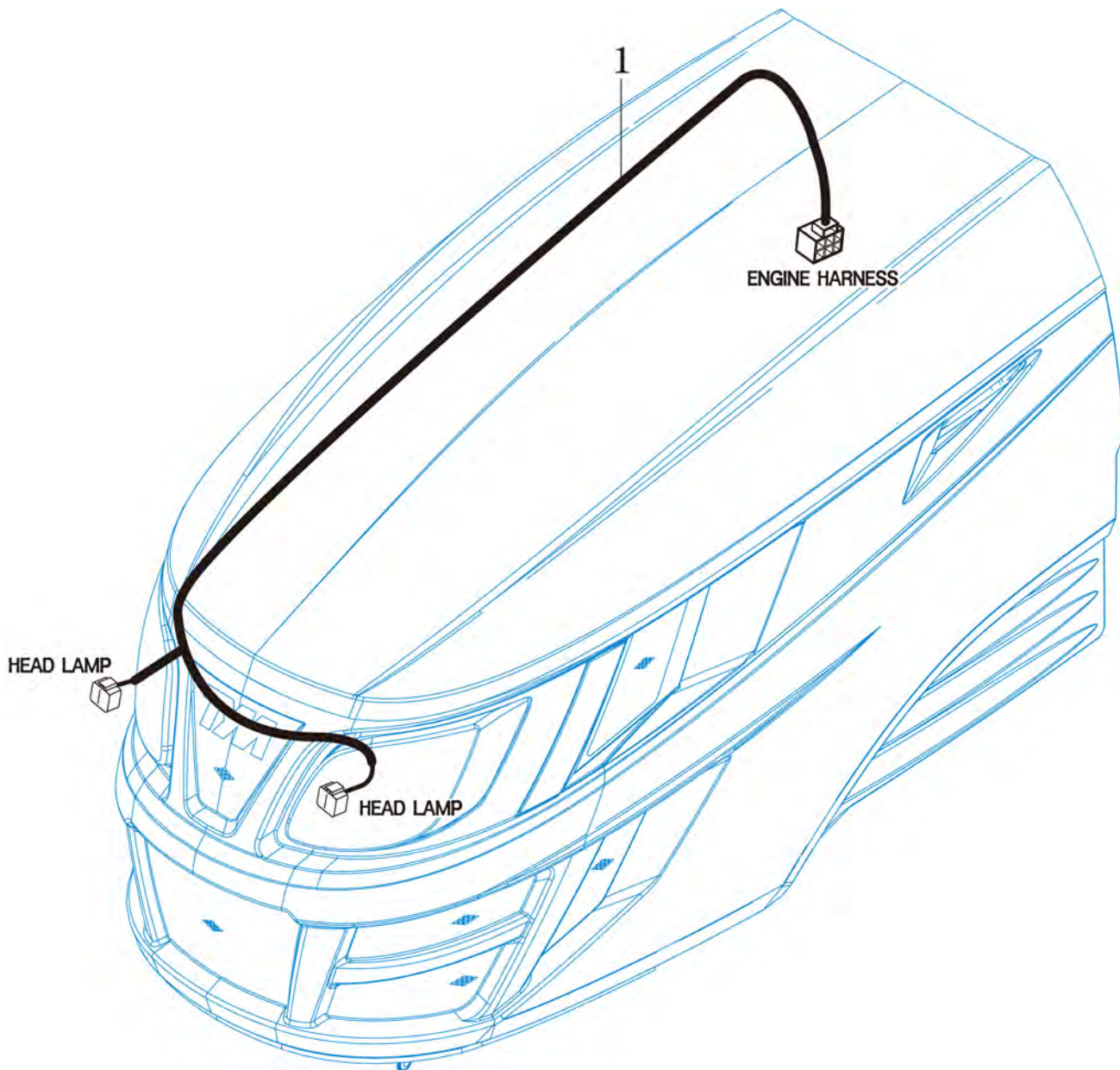
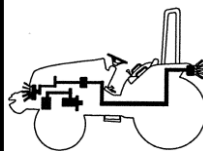
T474NH

LAMP

P1

YEAR

2018



NOTE

FIG 803

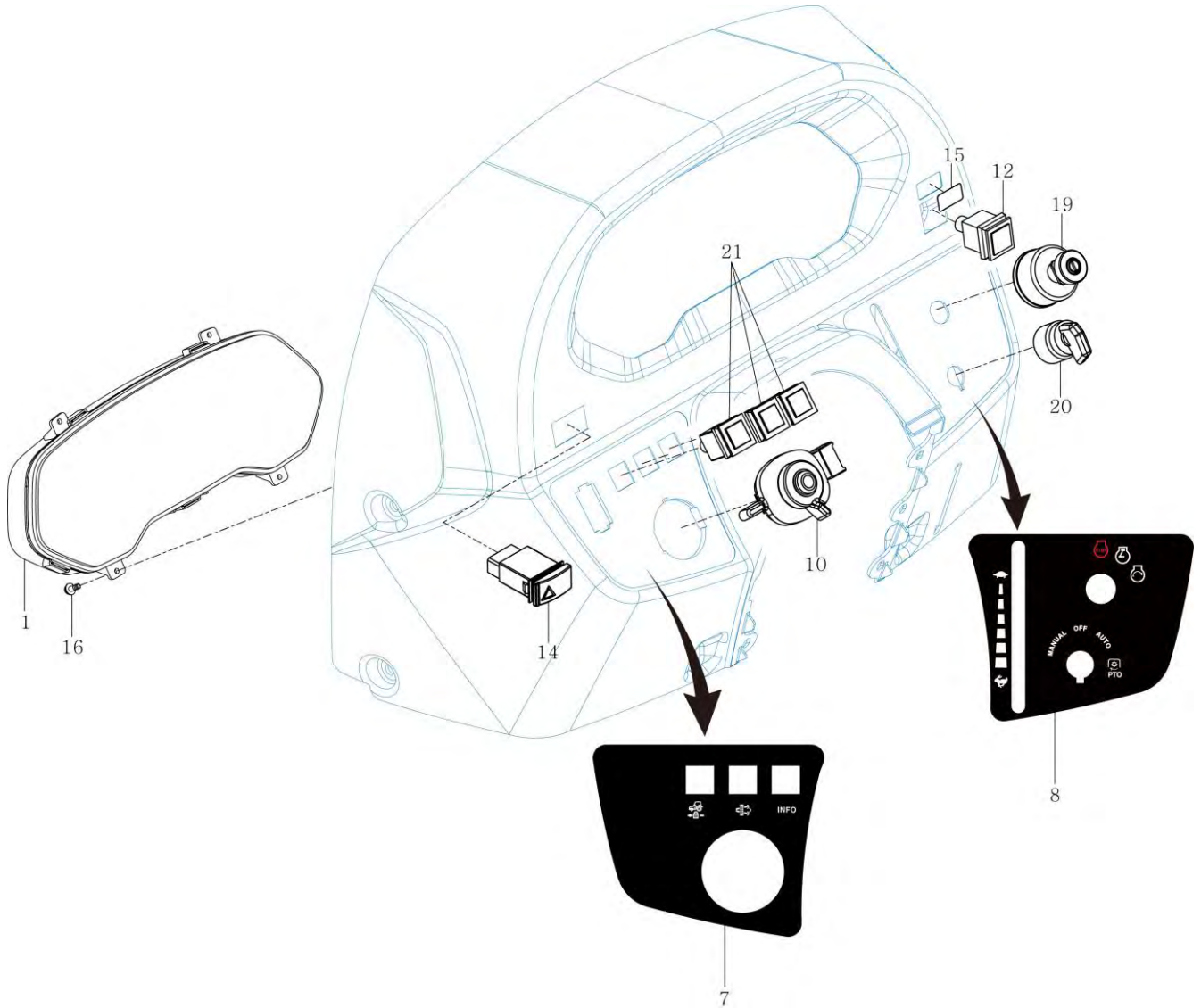
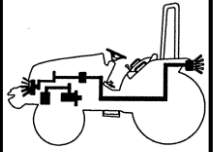
T474NH

INSTRUMENT PANEL

P1

YEAR

2018



NOTE

FIG 804

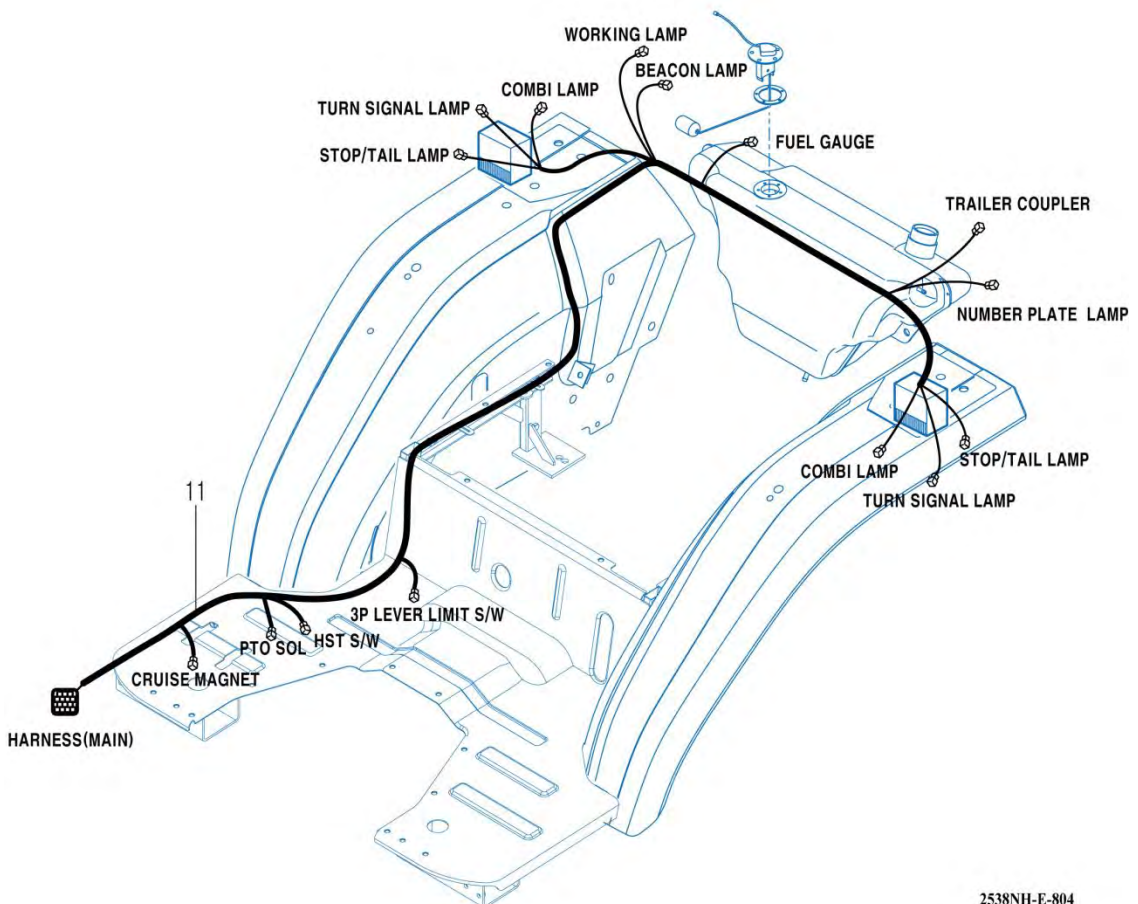
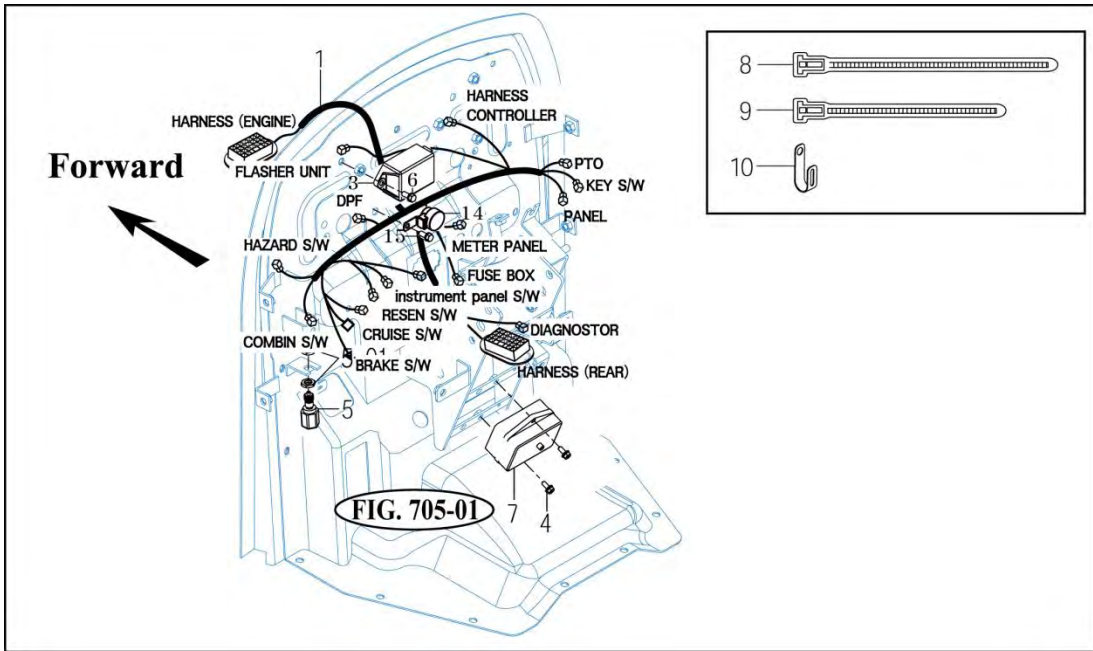
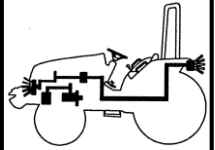
T474NH

ELECTRIC SYSTEM

P1

YEAR

2018



2538NH-E-804

NOTE

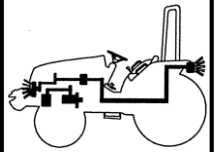
FIG 805

HARNESS

P1

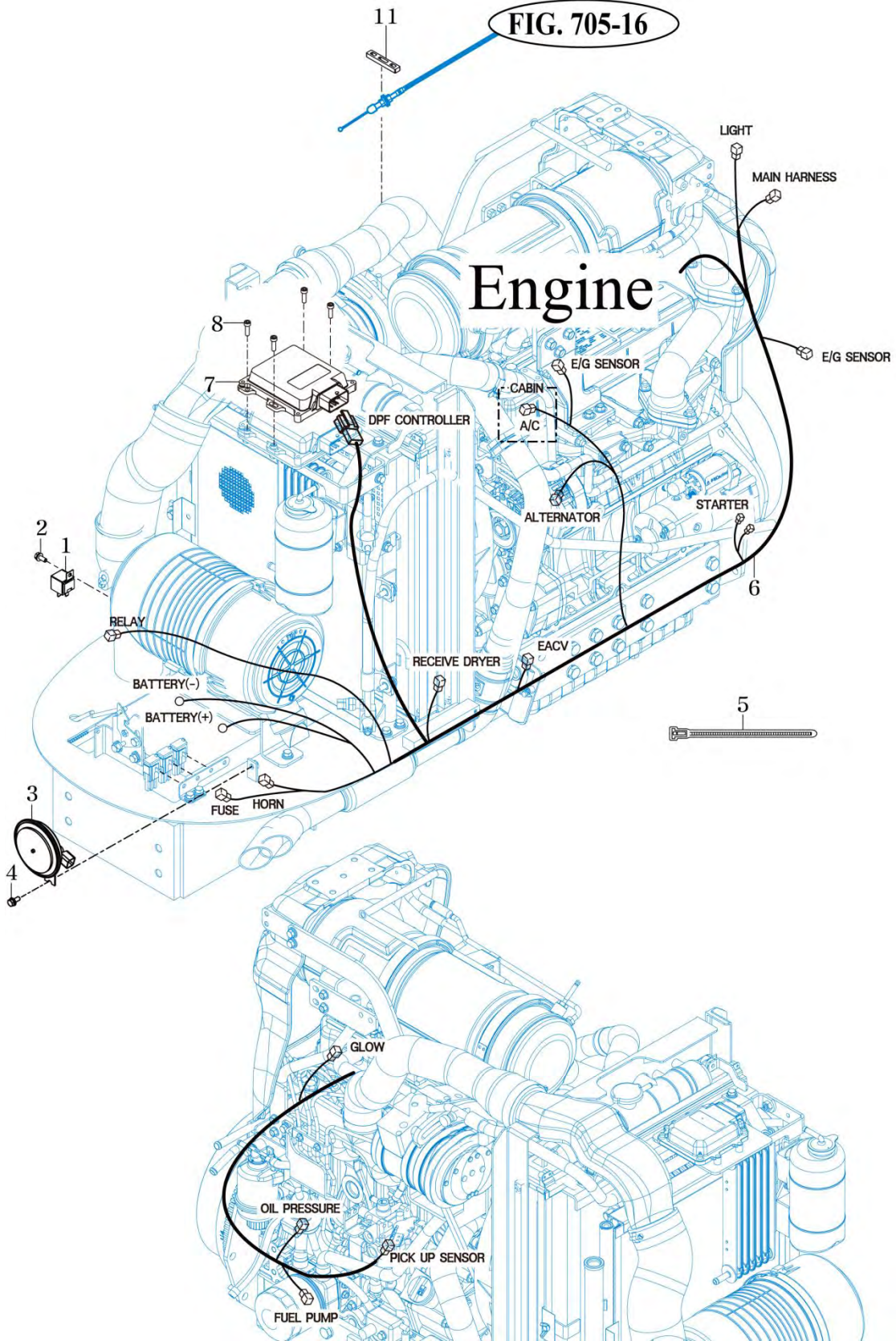
YEAR

2018



T474NH

FIG. 705-16



NOTE

FIG 901

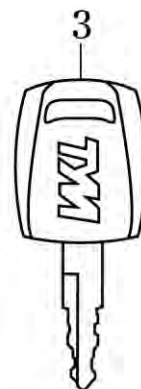
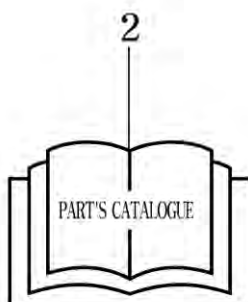
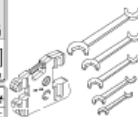
T474NH

TOOL & ACCESSORY

P1

YEAR

2018



T474-U-901

NOTE

FIG 902

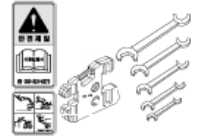
T474NH

LABEL

P1

YEAR

2018



⚠ DANGER

This Tractor may tip over unexpectedly and quicker than an operator is able to jump free

1. Never operate a tractor without a proper Roll over Protection Structure.(ROPS)
2. Always wear your seat belt when operating this tractor equipped with roll over protection.
3. Never pull from above or from the rear axle.
4. Do not operate the tractor on steep slopes or near drop offs
5. Avoid sharp high speed turns

Serious injury or death may result from tractor upsets.

1200-904-501-0

27

⚠ WARNING

Death or injury may result if this tractor over turns with the ROPS in the folded down position. Operate this tractor with the ROPS folded down only when necessary. Do not wear seat belt if operated with ROPS folded down

1200-904-502-0

26

⚠ WARNING

Work in ventilated Area.

1200-910-003-0

11

⚠ DANGER

Do not ride except operator.

1200-910-002-0

12

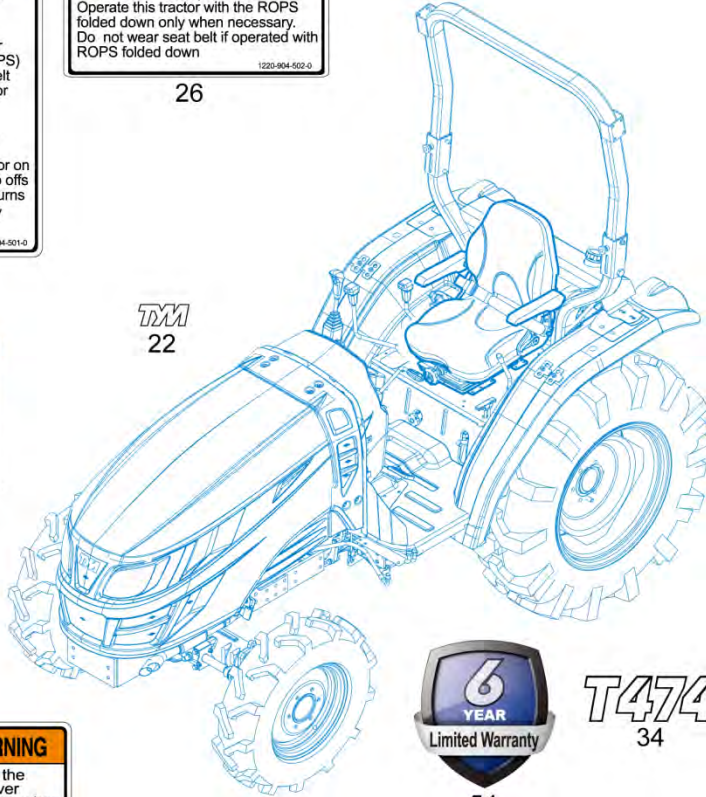
The DPF filter has reset 0 positions with PTO (Neutral) 010123 for an 01010000, 01010000 model (010, 010) with a maximum mass of 10000 (010000) (10, 010).

40

⚠ WARNING

Additions, alterations, cracking, damage or corrosion to this structure may adversely affect the performance of the ROPS.

36



TM 22

⚠ WARNING

Do not refuel the tractor while smoking or near naked flame or sparks. always stop engine before refueling tractors.

1200-910-005-0

15

⚠ WARNING

Do not use the sub shift lever at "H" position when driving backward.

1200-910-001-0

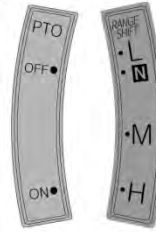
10



54

T474

34



20

21



29

⚠ WARNING

Never use the diff-lock at high speed or on the road as this can cause rollover and injury.

1200-910-009-0

16



2

⚠ WARNING

Do not remove radiator cap while engine is hot. Hot steam will injure you.

1200-910-015-0

7

⚠ WARNING

Always fasten Your seat belt.

1200-910-010-0

13

⚠ CAUTION

Keep hands and clothing away from rotating fan and belts to prevent serious injury.

1200-910-012-0

6

⚠ CAUTION

Do not touch while the system is hot. It cause serious burns

1200-910-024-0

5



19

⚠ WARNING

Push the button to lock position with joystick lever is neutral whenever the implement is not operation.

1789-910-009-0

25



47

DPF regeneration procedure

When DPF lamp on and beep, follow below

Do this	Operate (about 30min)	Complete
1. Park outside safe location		
2. Stop all functions.		
3. Parking brake ON.		
4. Engine clutch pedal (Mechanical)		
5. Press the regen button		
6. Must remain with the vehicle		

Lamp off

DPF+EGT ON + Button blinking

For further details, consult your Operator's Manual 188-188-001

49

NOTE

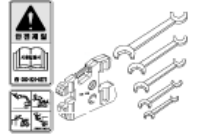
FIG 902

LABEL

P2

YEAR

2018



T474NH

WARNING

Always apply the park brake when parking. Failure to do so can cause accidents and damages.

1200-910-002-0

WARNING

Do not use the accelerator lever except working on the field.

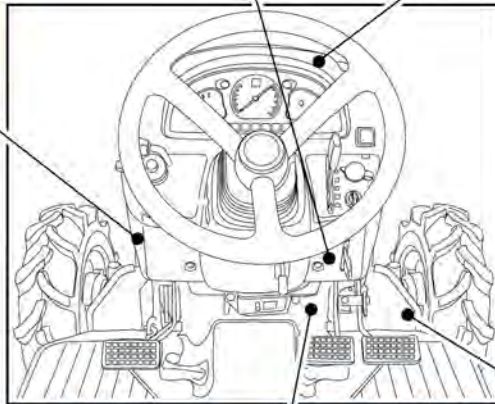
1200-910-021-0

ON
4
W
D
OFF

EPA REGULATION
USE ULTRA LOW
SULFUR FUEL ONLY

Operator's manual

1205-910-025-0



WARNING

- Start engine only from operators seat, if safety start switch is bypassed engine can start with transmission in gear.
- Do not connect or short across terminal on starter solenoid.
- Attach booster cables as shown on battery decal and operators manual.

Starting in gear causing runaway can result in serious injury.

WARNING

Always set the knob to lock when:

1. Travelling on the road.
2. Replacing blades on an implement
3. Making adjustment to an implement

Sudden dropping of an implement can cause serious injury or death.

1200-910-004-0

8

14

28

39

32

33

DANGER

Start only from seat in park or neutral

Starting in gear kills

WARNING

Do not adjust the tilt handle when traveling.

1200-910-008-0

WARNING

Brake pedals must always be locked together when travelling on the highway. This will ensure uniform braking and provide maximum stopping ability sharp turns must only be made at slow speeds.

1200-910-007-0

1758-910-017-0

18

ROTARY

41

OFF REAR PTO ON

42

38

37

4

PTO (MID,REAR) LEVER

To prevent transmission damage, the PTO switch must be OFF before PTO lever is engaged.

43

WARNING

Attach implements and trailers to the tractor only using the prescribed drawbar or hitch.

1200-910-003-0

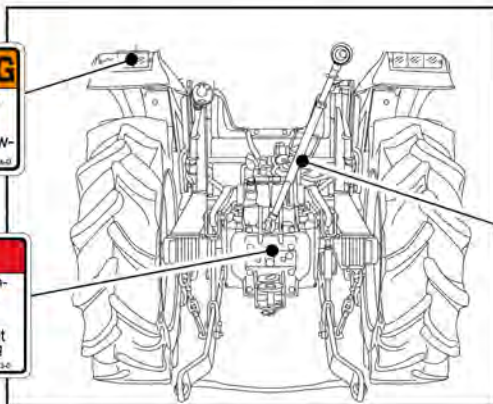
17

DANGER

Rotating driveline contact can cause death. KEEP AWAY! Keep all drive line, tractor and equipment shields in place during operation.

1200-910-013-0

9



A B
23 24

HST
44

50

A ← N →

48

NOTE

FIG 903

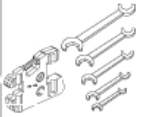
T474NH

OPTION

P1

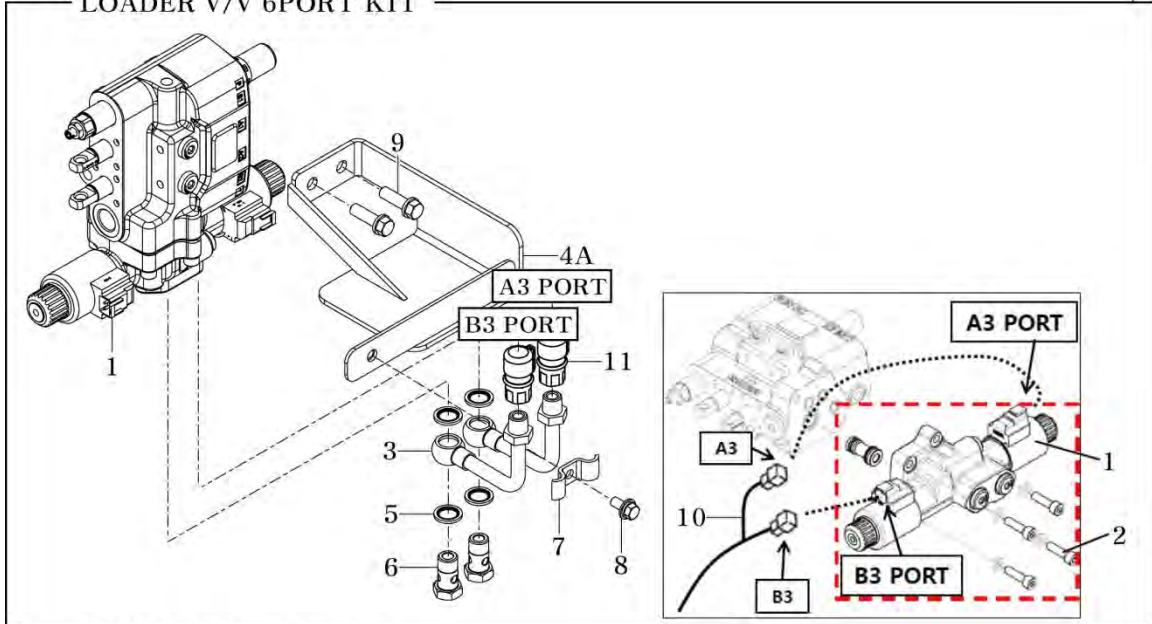
YEAR

2018

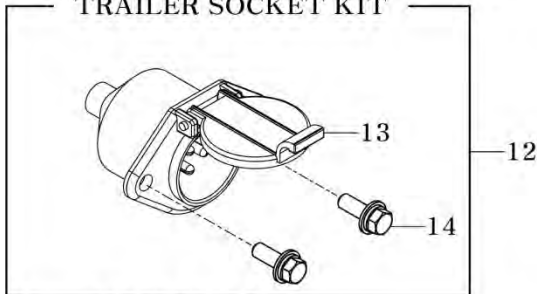


0A

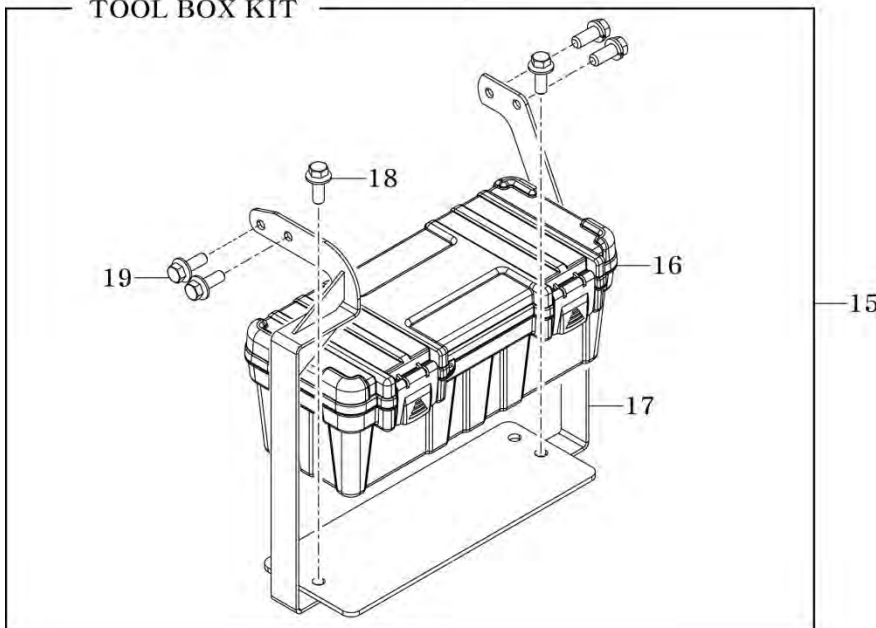
LOADER V/V 6PORT KIT



TRAILER SOCKET KIT



TOOL BOX KIT



NOTE

FIG 904

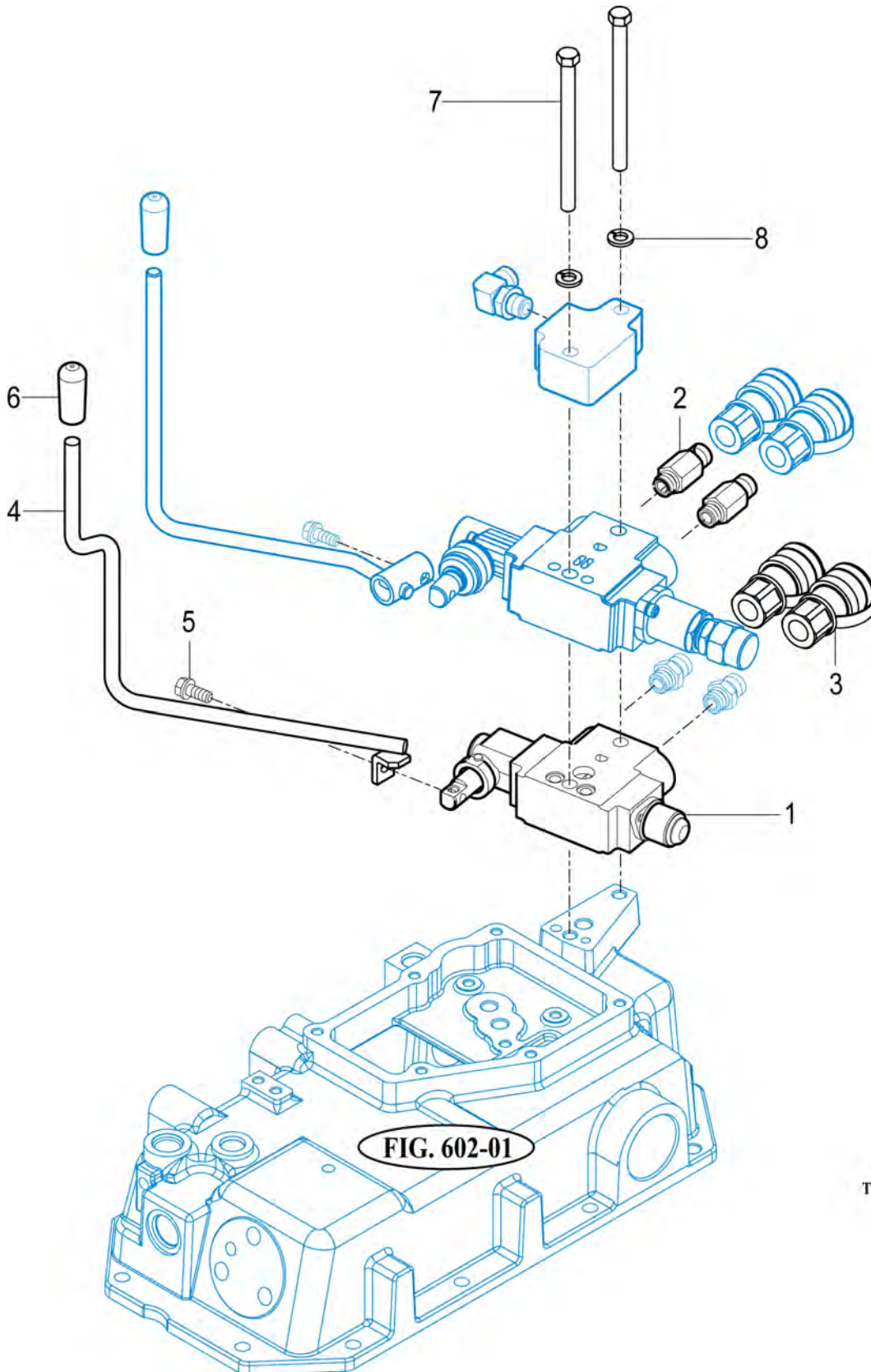
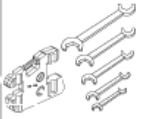
T474NH

EXTERIOR HYD. VALVE (4PORT KIT-OPTION)

P1

YEAR

2018



NOTE

FIG 905

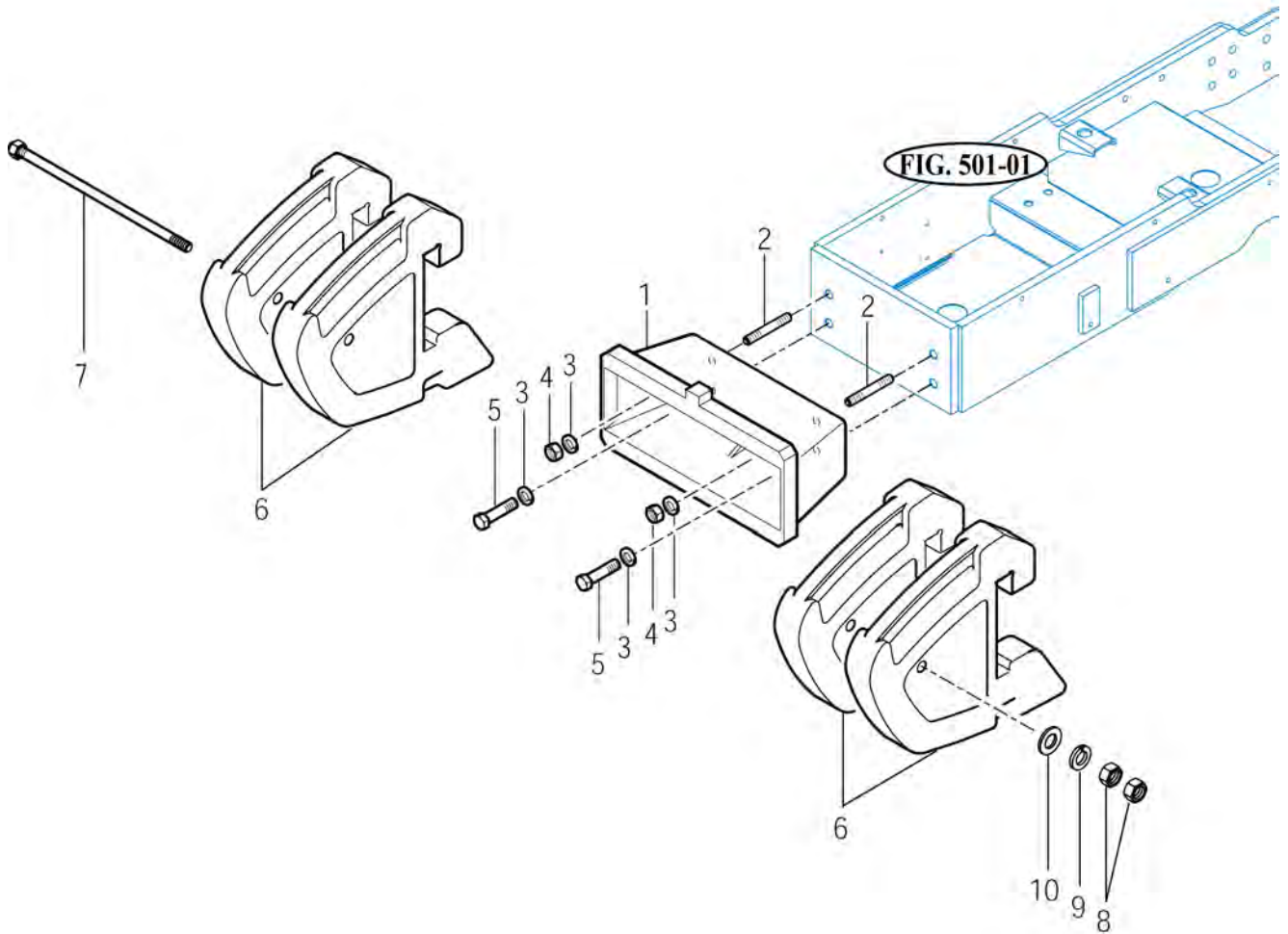
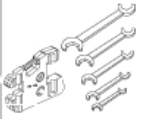
T474NH

WEIGHT
(AUZ ONLY)

P1

YEAR

2018



TE48-K-902

NOTE