

4215H_US_FL(AC02162) TRACTOR

Parts Catalogue



CONTENTS

GROUP NO	GROUP NAME	PAGE
G. ENGINE		
A01_006	CYLINDER BLOCK	4
A02_005	DRIVE PULLY	6
A03_004	CRANK SHAFT PULLEY	8
A04_005	GLOW PLUG ASS'Y OPTION	10
A05_005	CRANK SHAFT ASS'Y OPTION	12
A06_004	BREATHER OPTION	14
A07_005	CAMSHAFT	16
A08_003	ALTERNATOR	18
A09_003	COOLING WATER PUMP	20
A10_010	COOLING FAN SPACER	22
A11_008	INJECTOR	24
A12_008	FUEL INJECTON	26
A13_005	PLUMBING, FUEL	28
A14_003	FUEL FILTER BRACKET	31
A16_018	FUEL FILTER ASS'Y OPTION	33
A17_014	INTAKE MANIFOLD ASS'Y OPTION	35
A18_011	FLYWHEEL	37
A19_007	FLYWHEEL HOUSING	39
A20_010	HEAD, CYLINDER	41
A21_004	HEAD COVER	43
A23_009	TURBOCHARGER SUPPORT ASS'Y OPTION	45
A25_002	OIL JET ASS'Y OPTION	47
A26_005	COOLER, ENGINE OIL	49
A27_005	OIL PAN ASS'Y OPTION	51
A28_001	PUMP, LUBRICATING OIL	53
A29_005	FILTER, LUBRICATING OIL	55
A30_003	FRONT GEAR ACCESSORY DRIVE	57
A31_005	PISTON	59
A32_003	LEVER, LOCKER	61
A35_002	IDLE GEAR	63
A36_004	COVER, FRONT GEAR	65
A37_001	BALANCE ASS'Y	67
A38_009	GAUGE, OIL LEVEL	69
A39_001	OIL FILLER CAP	71

CONTENTS

GROUP NO	GROUP NAME	PAGE
G. ENGINE		
A40_003	LIFT ASS'Y OPTION	73
A42_003	MOTER, STARTIONS	75
A43_001	DPF SUPPORT OPTION	77
A44_006	DPF MOUNTING OPTION	79
A45_011	DPF	81
A48_006	V-BELT	83
F. TRANSMISSION		
F01010-B	CLUTCH HOUSING	85
F01020	TRANSMISSION CASE	87
F01030	REAR AXLE HOUSING	89
F01050	HYD SHIFT TRANSMISSION HOUSING	91
F03040	RANGE SHIFT DRIVE SHAFT	93
F04010	FRONT DRIVE SHAFT	95
F05020	RING GEAR&DIFF.GEAR ASS'Y	97
F05020	RING GEAR&DIFF.GEAR ASS'Y	99
F06030	BRAKE	101
F07030	PTO DRIVE SHAFT	103
F07070	MAIN P.T.O SHAFT	105
F08060	FORK, PTO SHIFT	107
F10010	CASE, HYD CYLINDER	109
F10020	LIFT ARM	111
F10030	SAFETY VALVE	113
F10031	RELIEF VALVE	115
F10040	STOP VALVE	117
F10061	DRAFT/POSITION CONTROL LEVER	119
F10063	DRAFT CONTROL LEVER	121
F10064	POSITION CONTROL LEVER	123
F11020	LEVER ASS'Y, RANGE SHIFT	125
F11060	DIFF. LOCK PEDAL	127
F11080	4WD LEVER	129

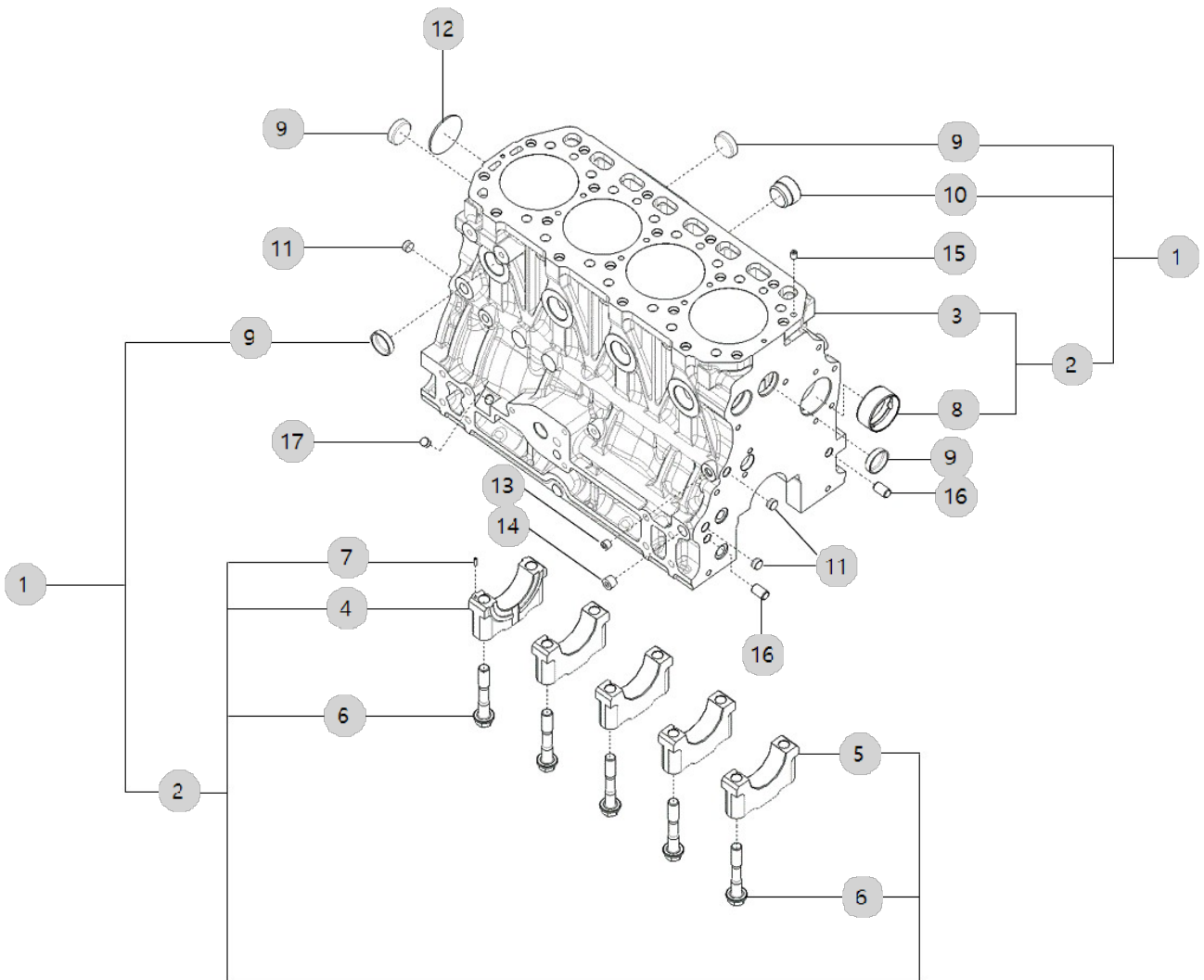
A01_006

A2000N4-UTR_4
(AB00340)

CYLINDER BLOCK

Year/Month

2022-12-15



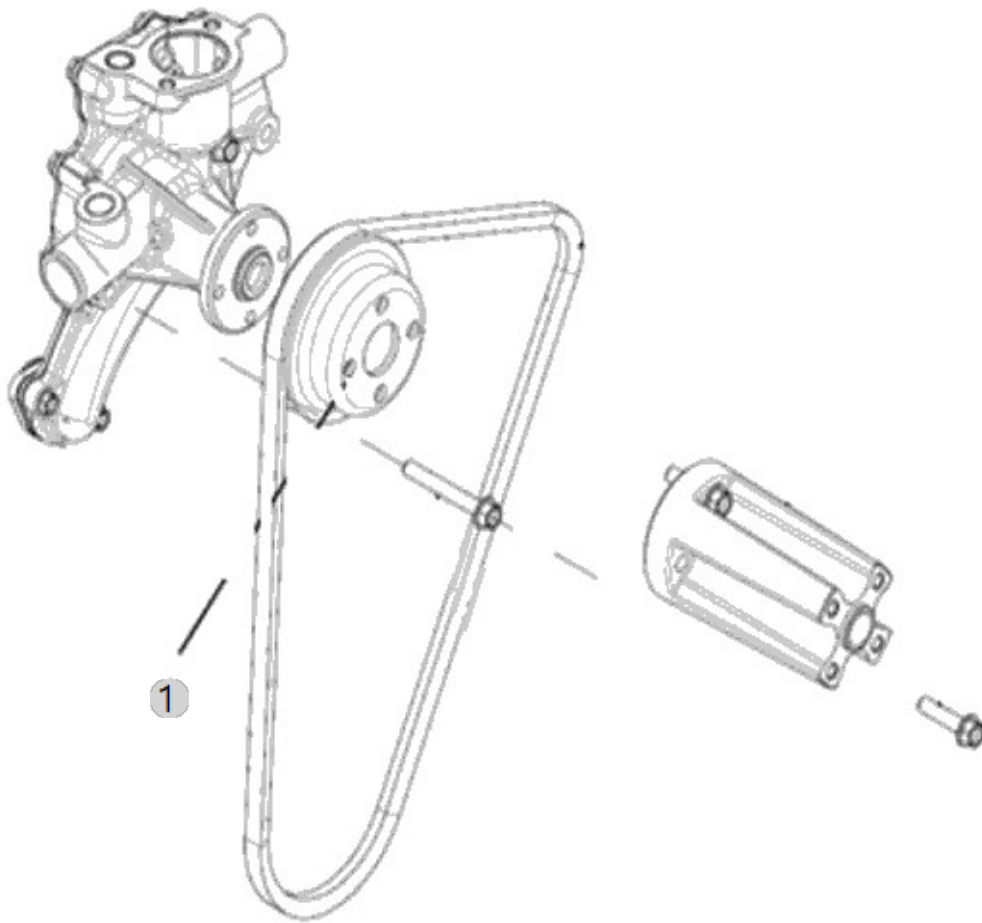
A02_005

A2000N4-UTR_4
(AB00340)

DRIVE PULLEY

Year/Month

2022-12-15



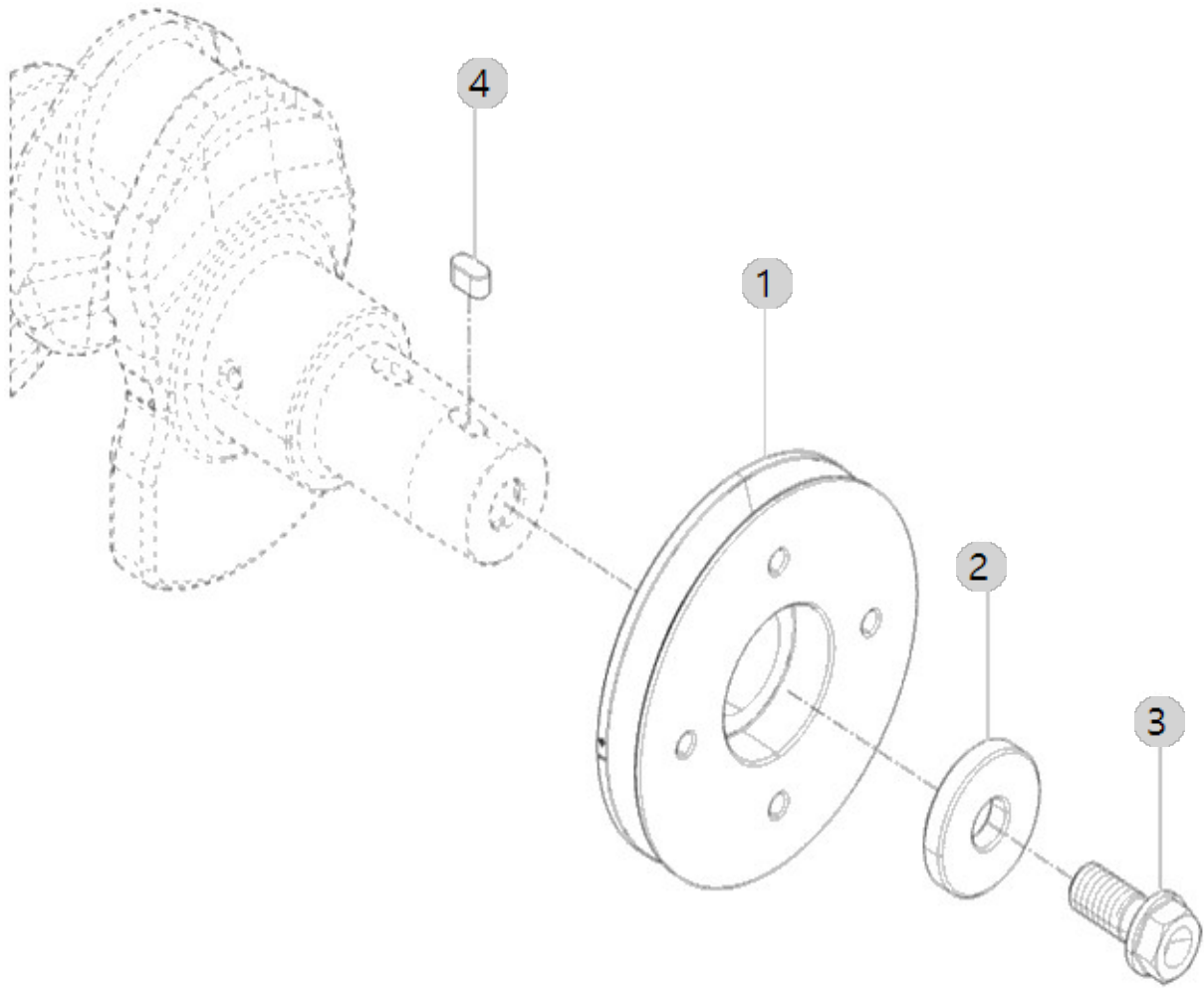
A03_004

A2000N4-UTR_4
(AB00340)

CRANK SHAFT PULLEY

Year/Month

2022-12-15



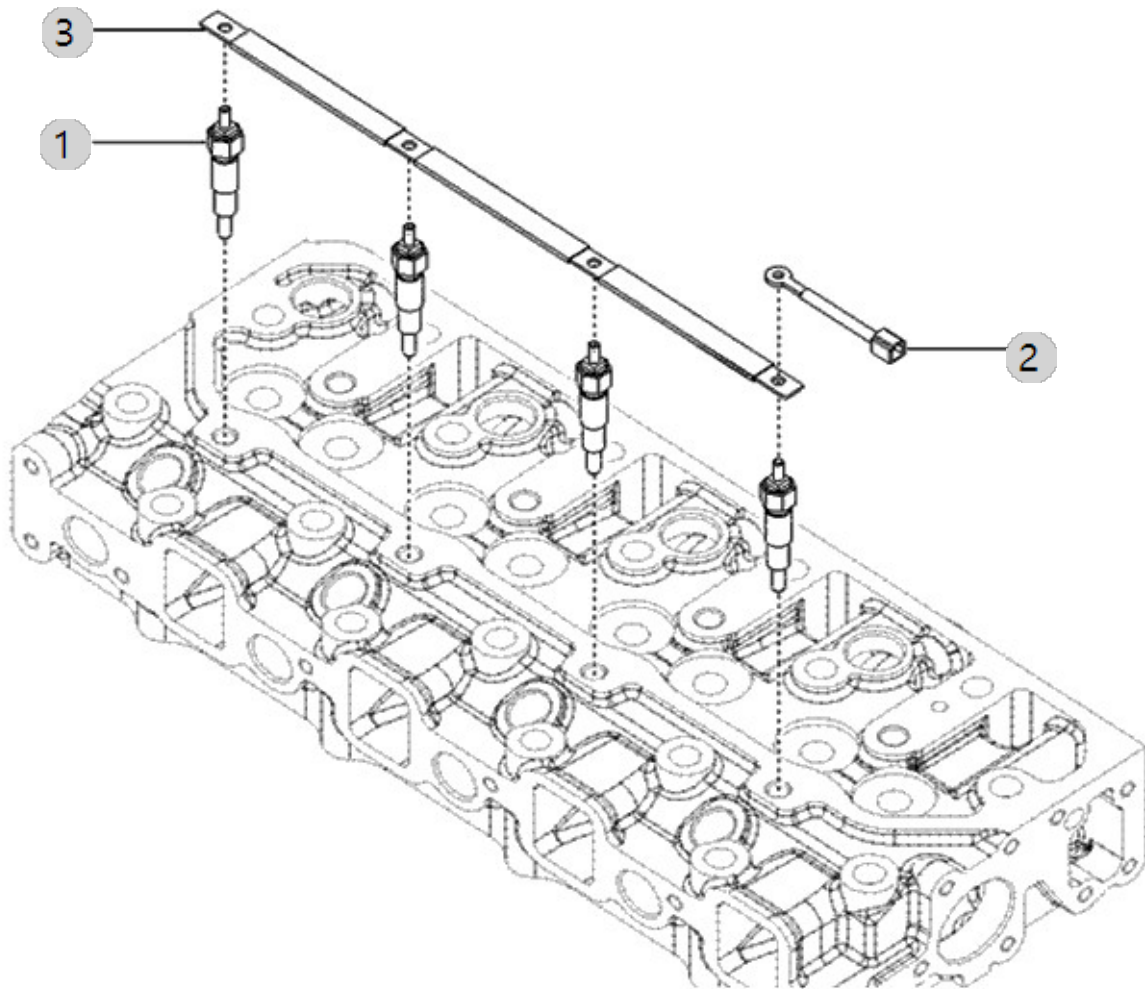
A04_005

A2000N4-UTR_4
(AB00340)

GLOW PLUG ASS'Y OPTION

Year/Month

2022-12-15



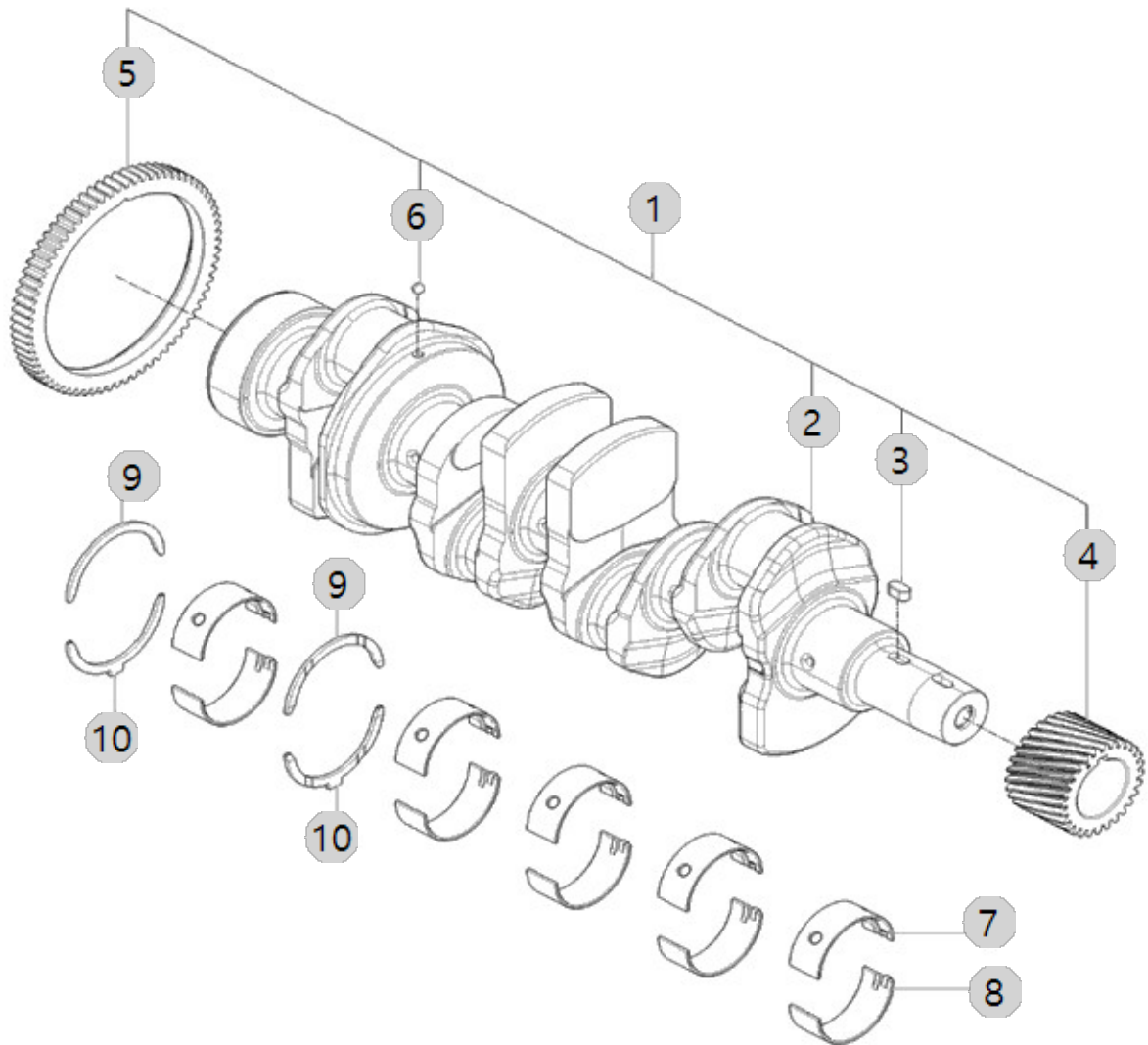
A05_005

A2000N4-UTR_4
(AB00340)

CRANK SHAFT ASS'Y OPTION

Year/Month

2022-12-15



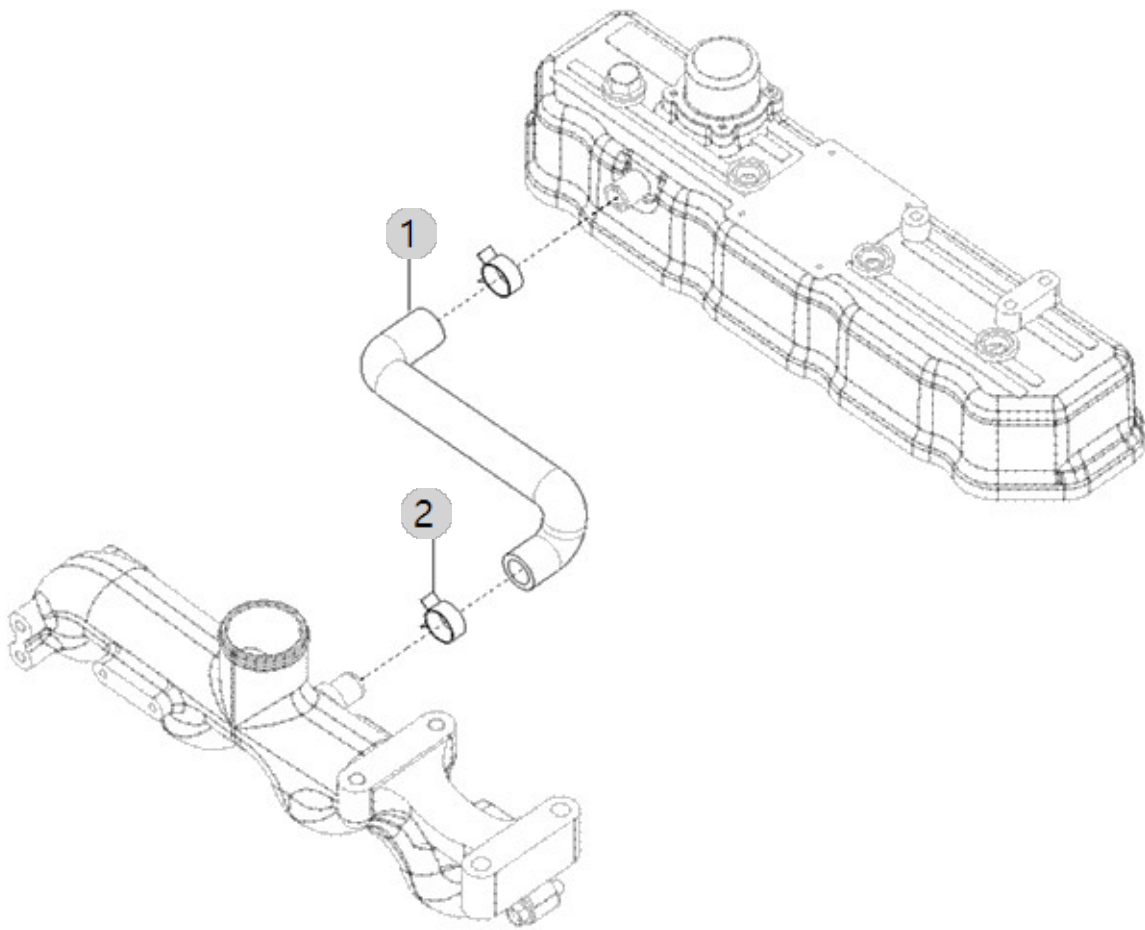
A06_004

A2000N4-UTR_4
(AB00340)

BREATHER OPTION

Year/Month

2022-12-15



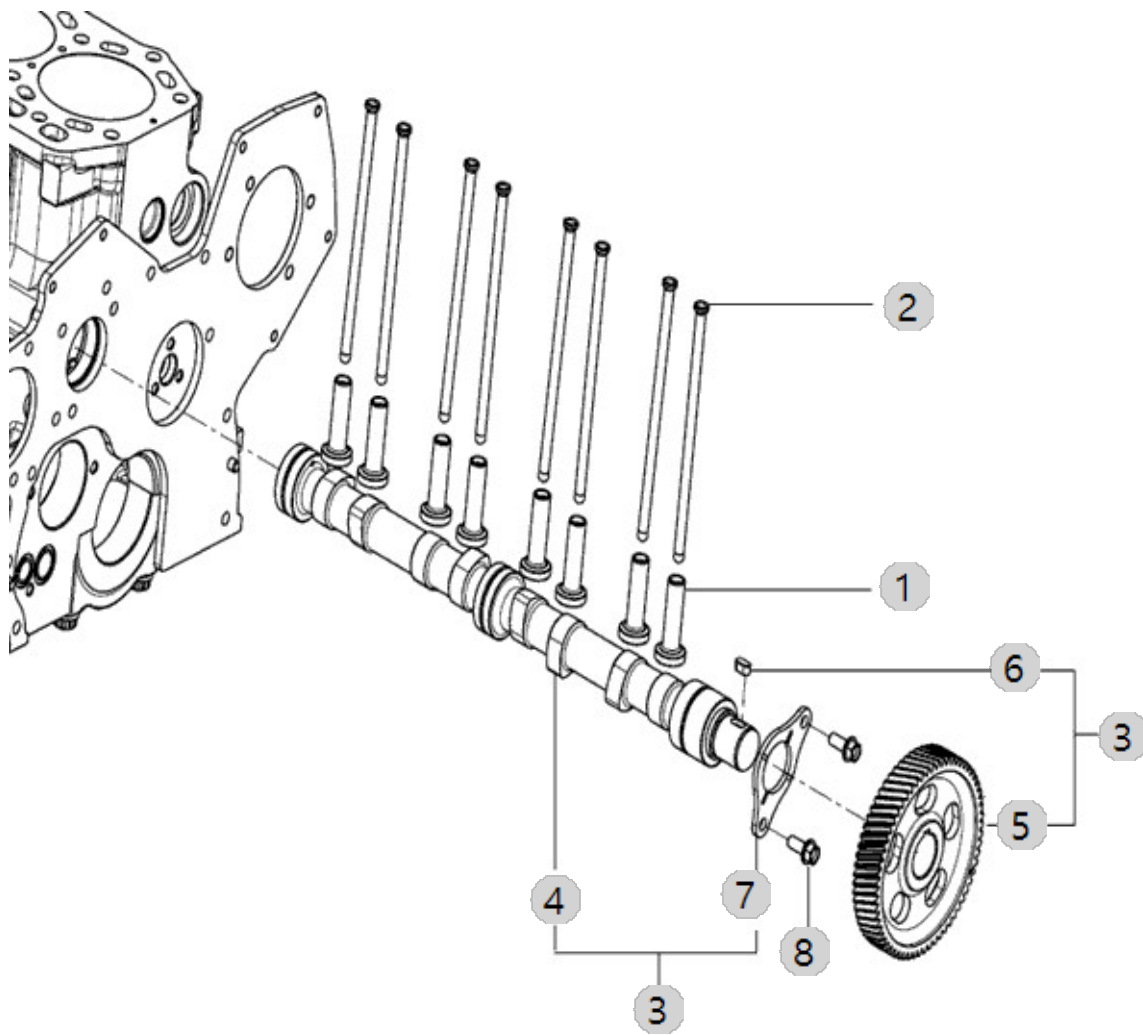
A07_005

A2000N4-UTR_4
(AB00340)

CAMSHAFT

Year/Month

2022-12-15



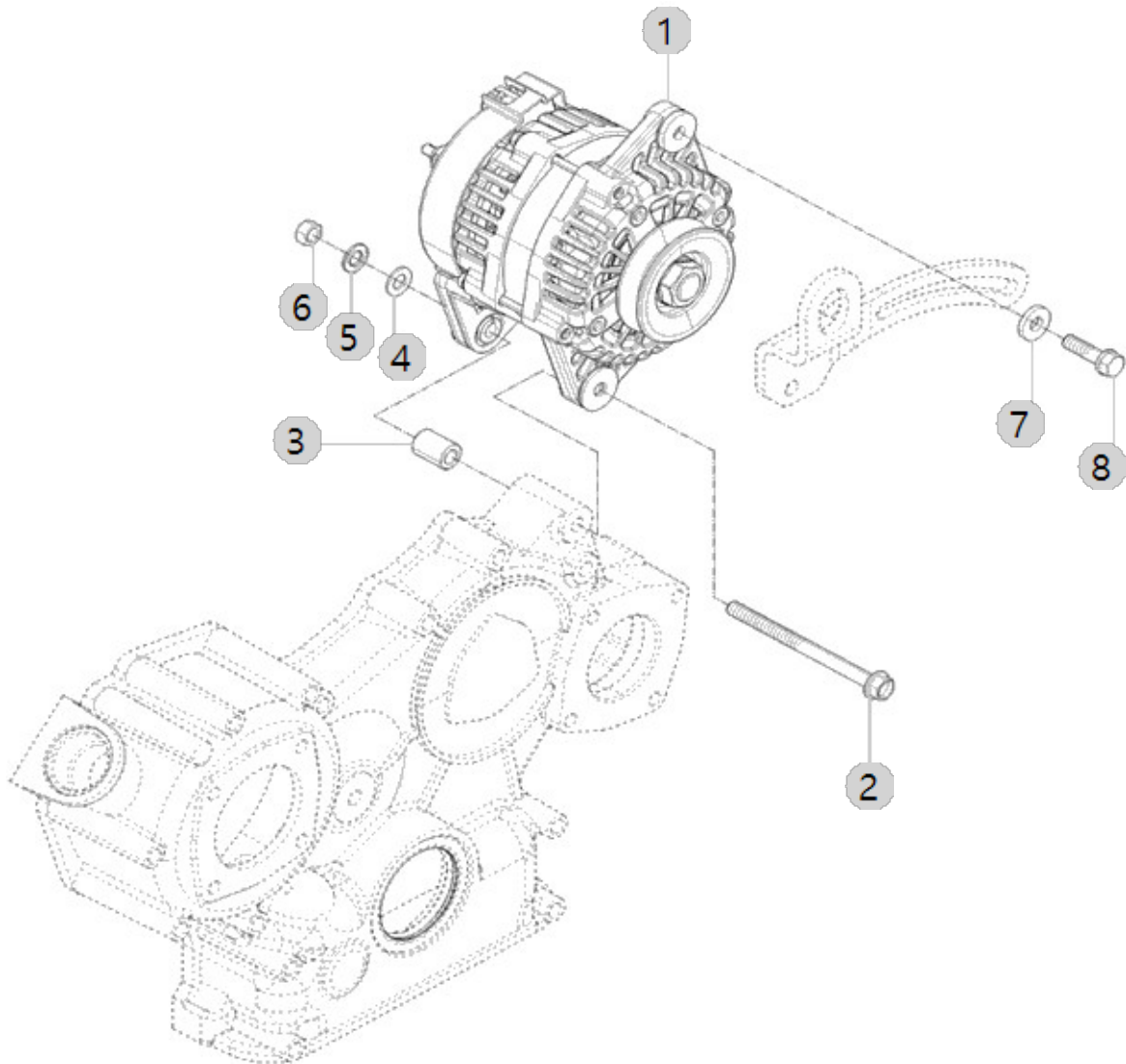
A08_003

A2000N4-UTR_4
(AB00340)

ALTERNATOR

Year/Month

2022-12-15



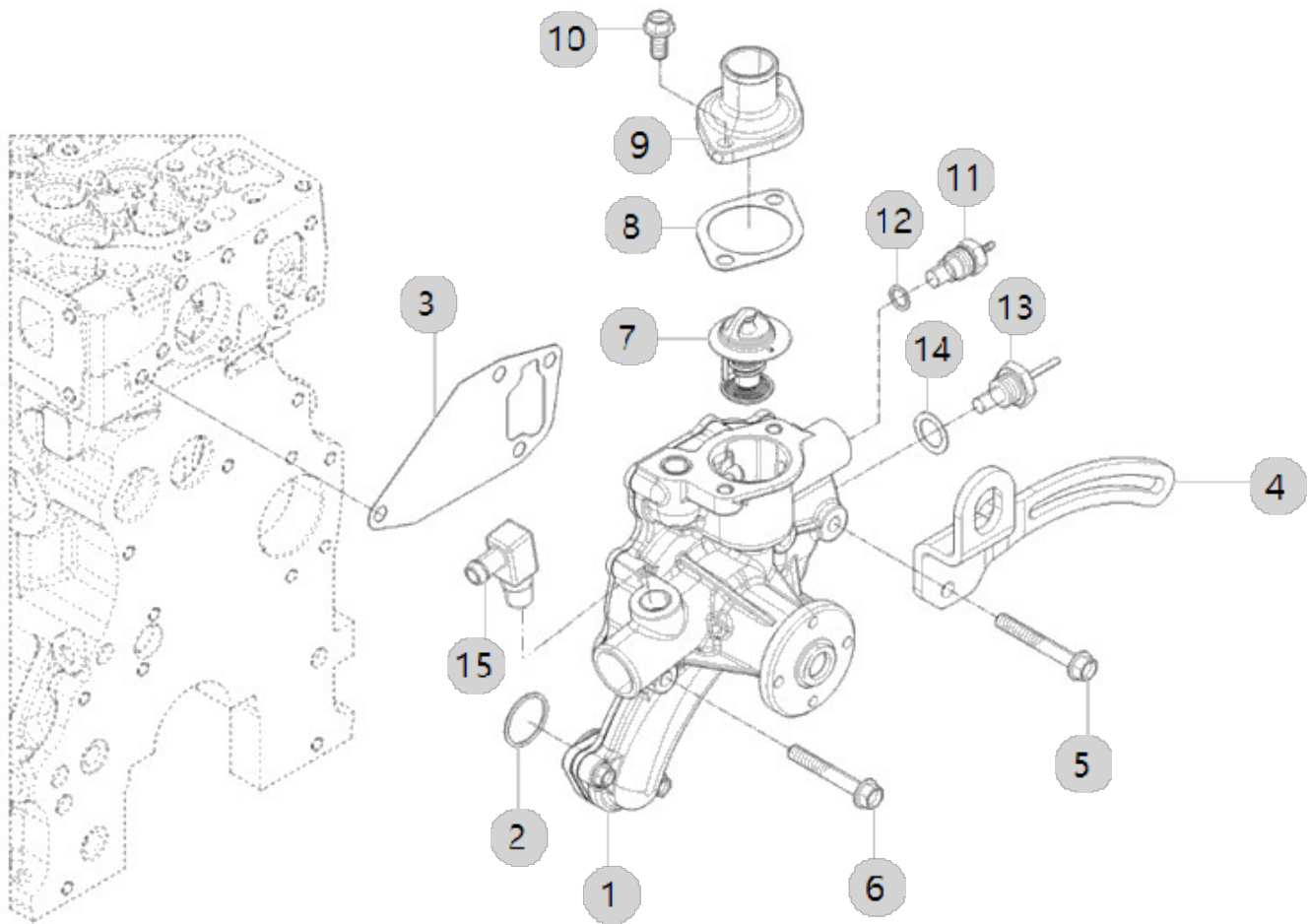
A09_003

A2000N4-UTR_4
(AB00340)

COOLING WATER PUMP

Year/Month

2022-12-15



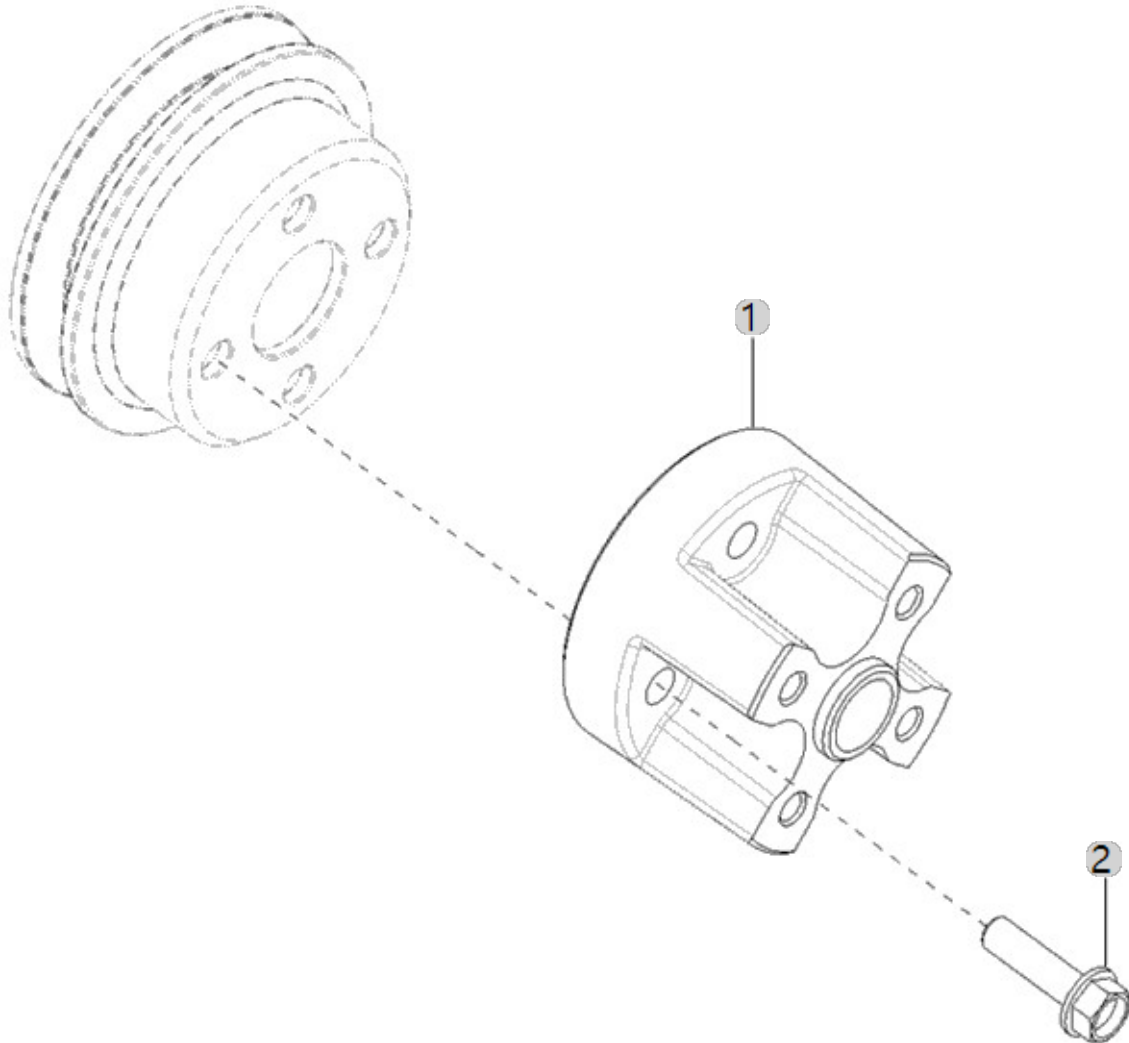
A10_010

A2000N4-UTR_4
(AB00340)

COOLING FAN SPACER

Year/Month

2022-12-15



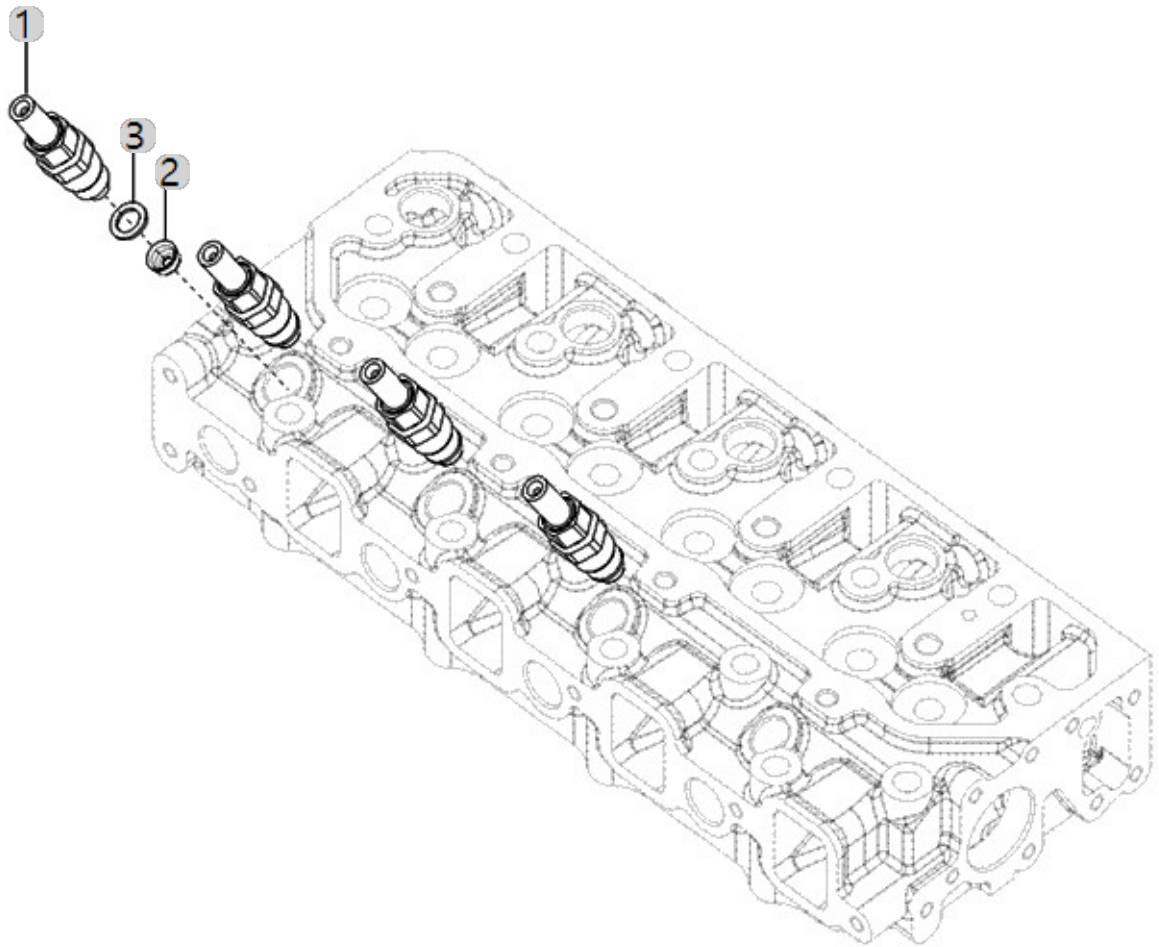
A11_008

A2000N4-UTR_4
(AB00340)

INJECTOR

Year/Month

2022-12-15



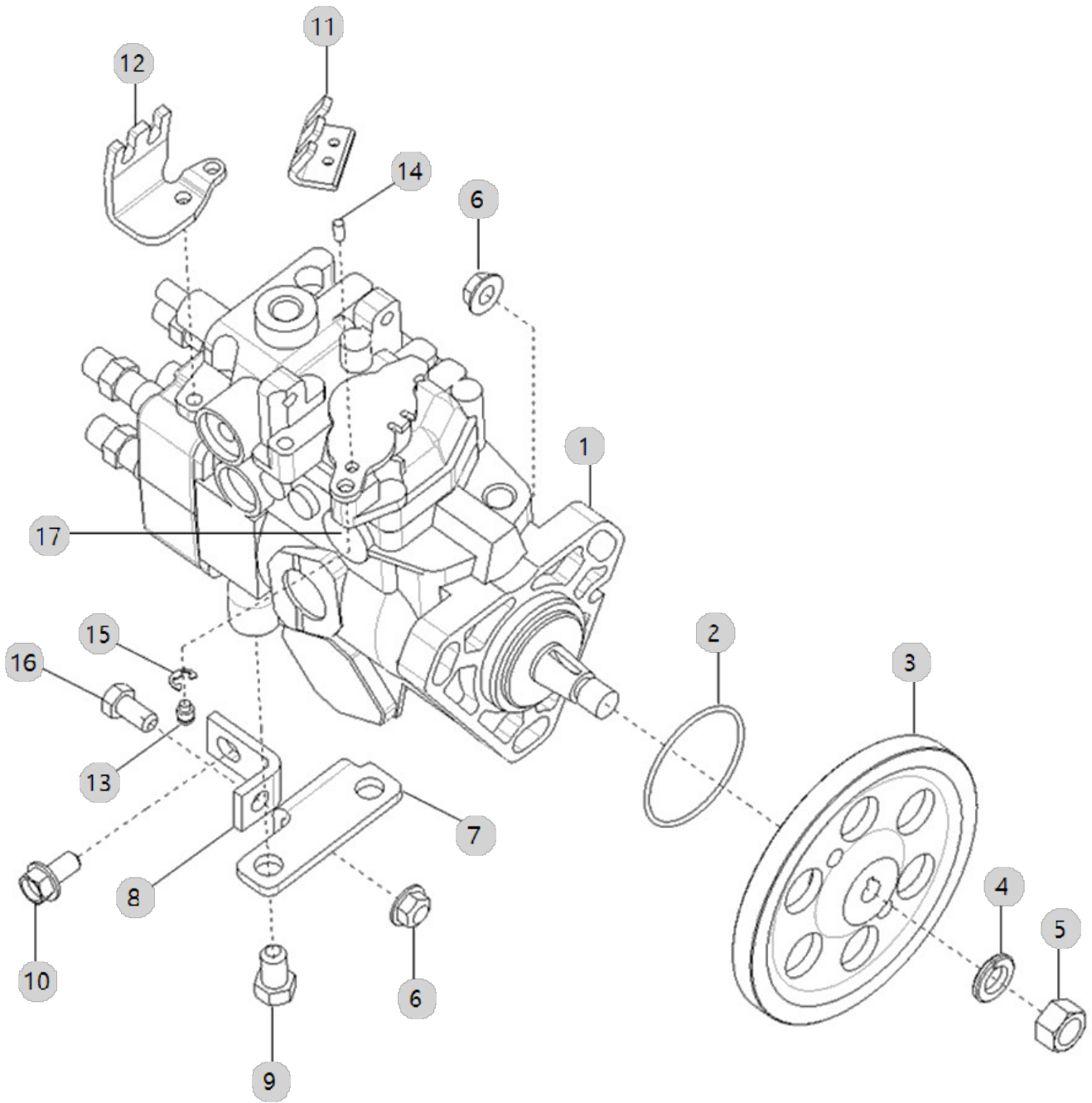
A12_008

A2000N4-UTR_4
(AB00340)

FUEL INJECTOR

Year/Month

2022-12-15



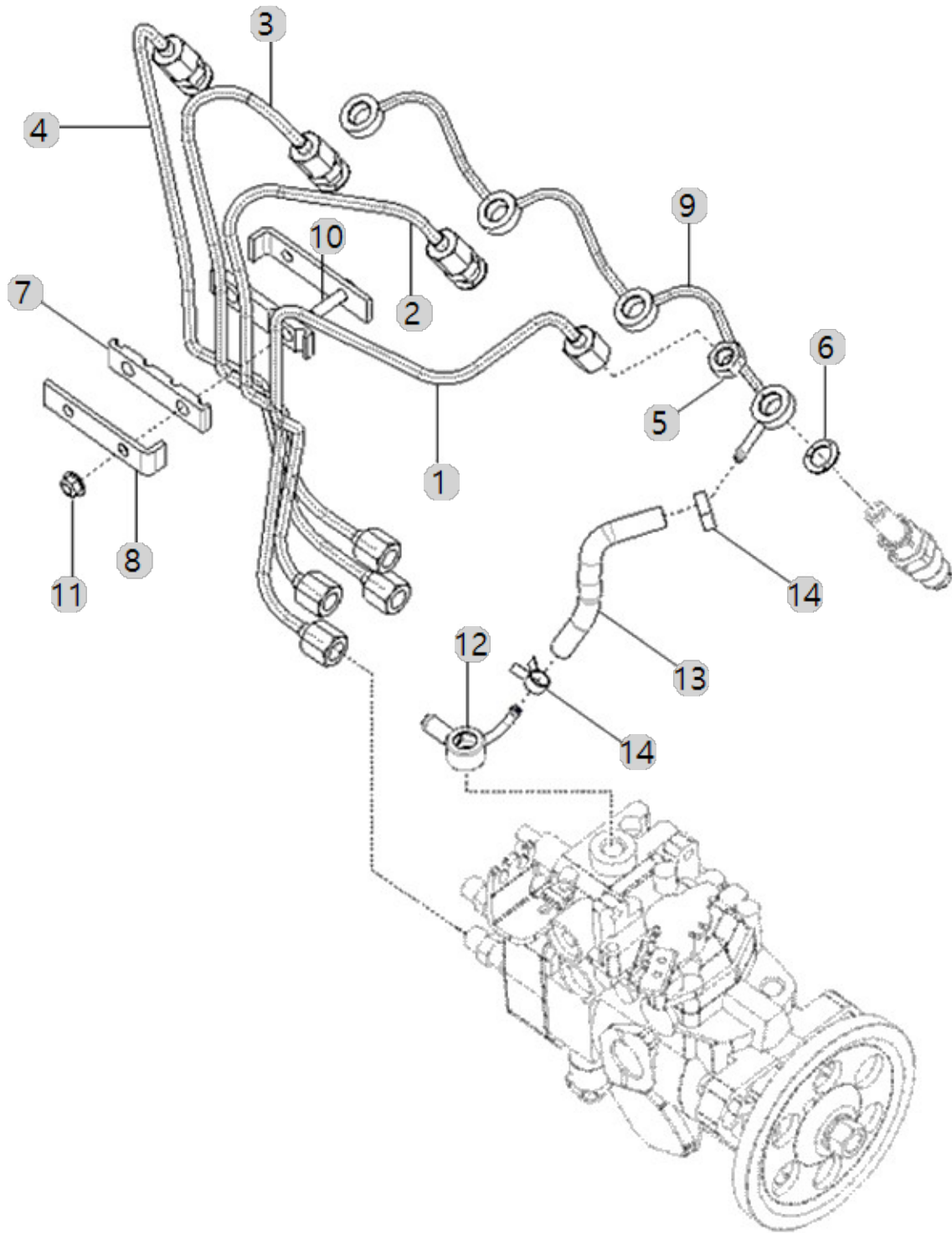
A13_005

A2000N4-UTR_4
(AB00340)

PLUMBING, FUEL

Year/Month

2022-12-15



A13_005 A2000N4-UTR_4 (AB00340)		PLUMBING, FUEL				Year/Month 2022-12-15
순번 (NO)	부품번호 (PART NO)	품명 (PART NAME)	품명 (PART NAME)	수량 (QTY)	규격 (SPEC)	비고 (REMARK)
1	HRA150050DB0	299,A202322,연료파이프조합(A)	PIPE ASSY, FUEL SUPPLY A	1		
1	HRA150050DB0	299,A202322,연료파이프조합(A)	PIPE ASSY, FUEL SUPPLY A	1		
1	HRA150050DC0	연료파이프조합(A)	TUBE,INJECTOR FUEL SUPPLY	1		
1	HRA150050DB0	299,A202322,연료파이프조합(A)	PIPE ASSY, FUEL SUPPLY A	1		
2	HRA150060DB0	300,A202322,연료파이프조합(B)	PIPE ASSY, FUEL SUPPLY (B)	1		
2	HRA150060DC0	연료파이프조합(B)	TUBE,INJECTOR FUEL SUPPLY	1		
2	HRA150060DB0	300,A202322,연료파이프조합(B)	PIPE ASSY, FUEL SUPPLY (B)	1		
2	HRA150060DB0	300,A202322,연료파이프조합(B)	PIPE ASSY, FUEL SUPPLY (B)	1		
3	HRA150070DB0	301,A202322,연료파이프조합(C)	PIPE ASSY, FUEL SUUPPLY C	1		
3	HRA150070DB0	301,A202322,연료파이프조합(C)	PIPE ASSY, FUEL SUUPPLY C	1		
3	HRA150070DC0	연료파이프조합(C)	TUBE,INJECTOR FUEL SUPPLY	1		
3	HRA150070DB0	301,A202322,연료파이프조합(C)	PIPE ASSY, FUEL SUUPPLY C	1		
4	HRA150080DC0	연료파이프조합(D)	TUBE,INJECTOR FUEL SUPPLY	1		
4	HRA150080DB0	302,A202322,연료파이프조합(D)	PIPE ASSY, FUEL SUPPLY D	1		
4	HRA150080DB0	302,A202322,연료파이프조합(D)	PIPE ASSY, FUEL SUPPLY D	1		
4	HRA150080DB0	302,A202322,연료파이프조합(D)	PIPE ASSY, FUEL SUPPLY D	1		
5	HK13450000A4	육각고정너트	NUT,REGULARHEXAGON	4	M12X1.5	
5	HK13450000A4	육각고정너트	NUT,REGULARHEXAGON	4	M12X1.5	
5	HK13450000A4	육각고정너트	NUT,REGULARHEXAGON	4	M12X1.5	
5	HK13450000A4	육각고정너트	NUT,REGULARHEXAGON	4	M12X1.5	
6	HK13440000A4	306,ALL,패킹(조인트)(와류실)	GASKET,FUELMANIFOLD	4		
6	HK13440000A4	306,ALL,패킹(조인트)(와류실)	GASKET,FUELMANIFOLD	4		
6	HK13440000A4	306,ALL,패킹(조인트)(와류실)	GASKET,FUELMANIFOLD	4		
6	HK13440000A4	306,ALL,패킹(조인트)(와류실)	GASKET,FUELMANIFOLD	4		
7	HRA1502700A4	462,ALL,브래킷고무	RUBBER,BRACKET	2		
7	HRA1502700A4	462,ALL,브래킷고무	RUBBER,BRACKET	2		
7	HRA1502700A4	462,ALL,브래킷고무	RUBBER,BRACKET	2		
7	HRA1502700A4	462,ALL,브래킷고무	RUBBER,BRACKET	2		
8	HRA1502800A4	브래킷판	CLAMP,TUBE	2	T 3.2	
8	HRA1502800A4	브래킷판	CLAMP,TUBE	1	T 3.2	
8	HRA1502800A4	브래킷판	CLAMP,TUBE	1	T 3.2	
8	HRA1502800A4	브래킷판	CLAMP,TUBE	1	T 3.2	
8	HRA1502800B4	브래킷판	CLAMP,TUBE	2	T 3.2	
9	HRA1500900C3	퇴유파이프조합	PIPE ASSY, FUEL RETURN	1		
9	HRA1500900D3	퇴유파이프조합	PIPE ASSY, FUEL	1		
9	HRA1500900C3	퇴유파이프조합	PIPE ASSY, FUEL RETURN	1		
9	HRA1500900C3	퇴유파이프조합	PIPE ASSY, FUEL RETURN	1		
10	HRA1502600B4	브래킷(연료파이프)	BRACKET,PIPE	1		
10	HRA1502600B4	브래킷(연료파이프)	BRACKET,PIPE	1		
10	HRA1502600B4	브래킷(연료파이프)	BRACKET,PIPE	1		
10	HRA1502600B4	브래킷(연료파이프)	BRACKET,PIPE	1		
11	26367-060002	플랜지너트	Nut, Hexa (Φ6)	2	M6XP1.0	
11	26367-060002	플랜지너트	Nut, Hexa (Φ6)	2	M6XP1.0	
11	26367-060002	플랜지너트	Nut, Hexa (Φ6)	2	M6XP1.0	
11	26367-060002	플랜지너트	Nut, Hexa (Φ6)	2	M6XP1.0	

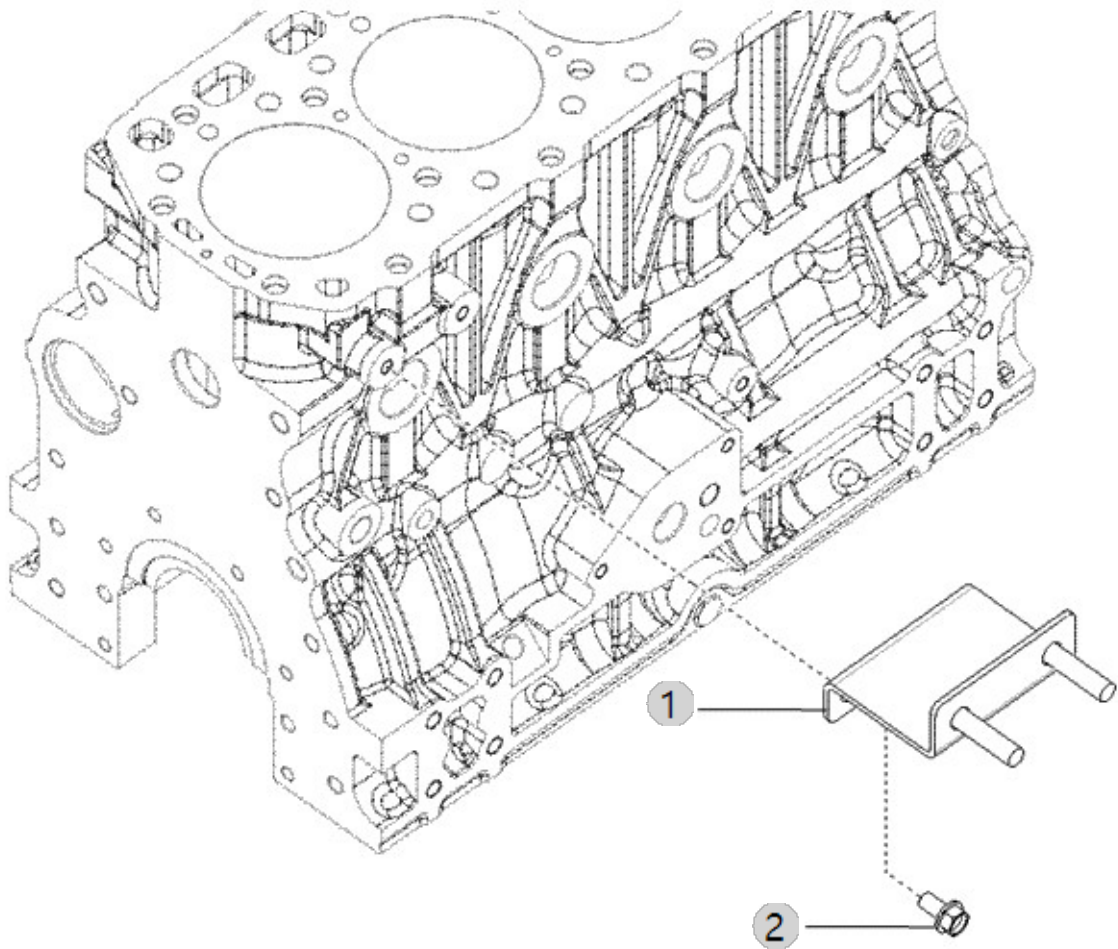
A14_003

A2000N4-UTR_4
(AB00340)

FUEL FILTER BRACKET

Year/Month

2022-12-15



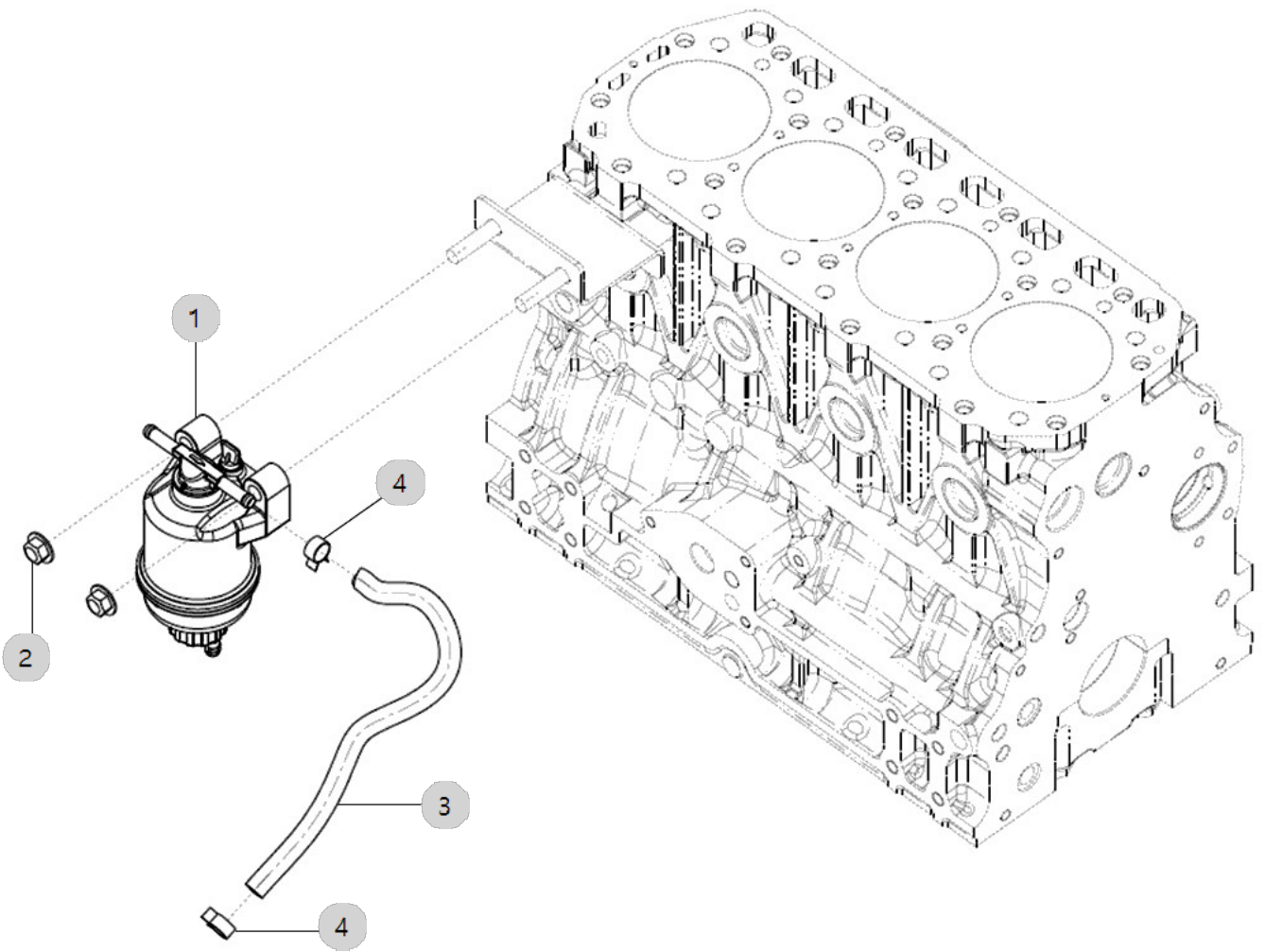
A16_018

A2000N4-UTR_4
(AB00340)

FUEL FILTER ASS'Y OPTION

Year/Month

2022-12-15



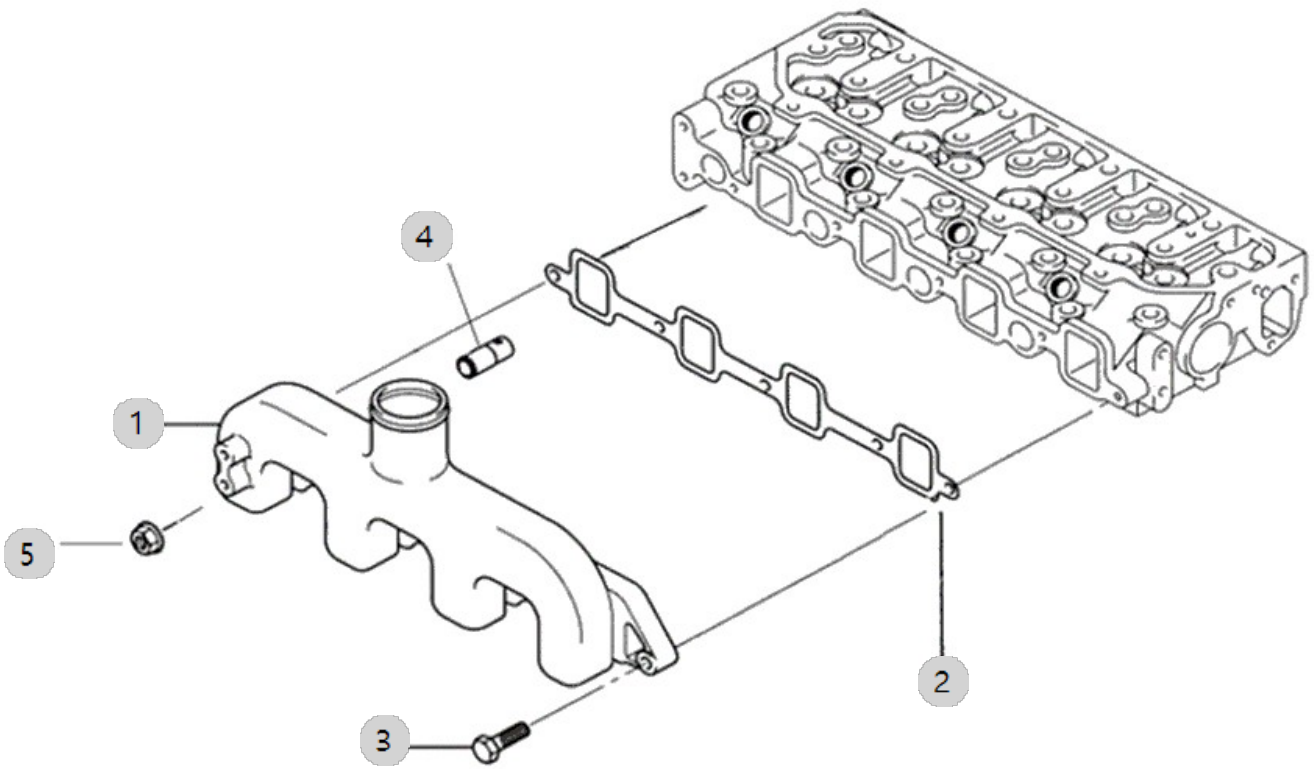
A17_014

A2000N4-UTR_4
(AB00340)

INTAKE MANIFOLD ASS'Y OPTION

Year/Month

2022-12-15



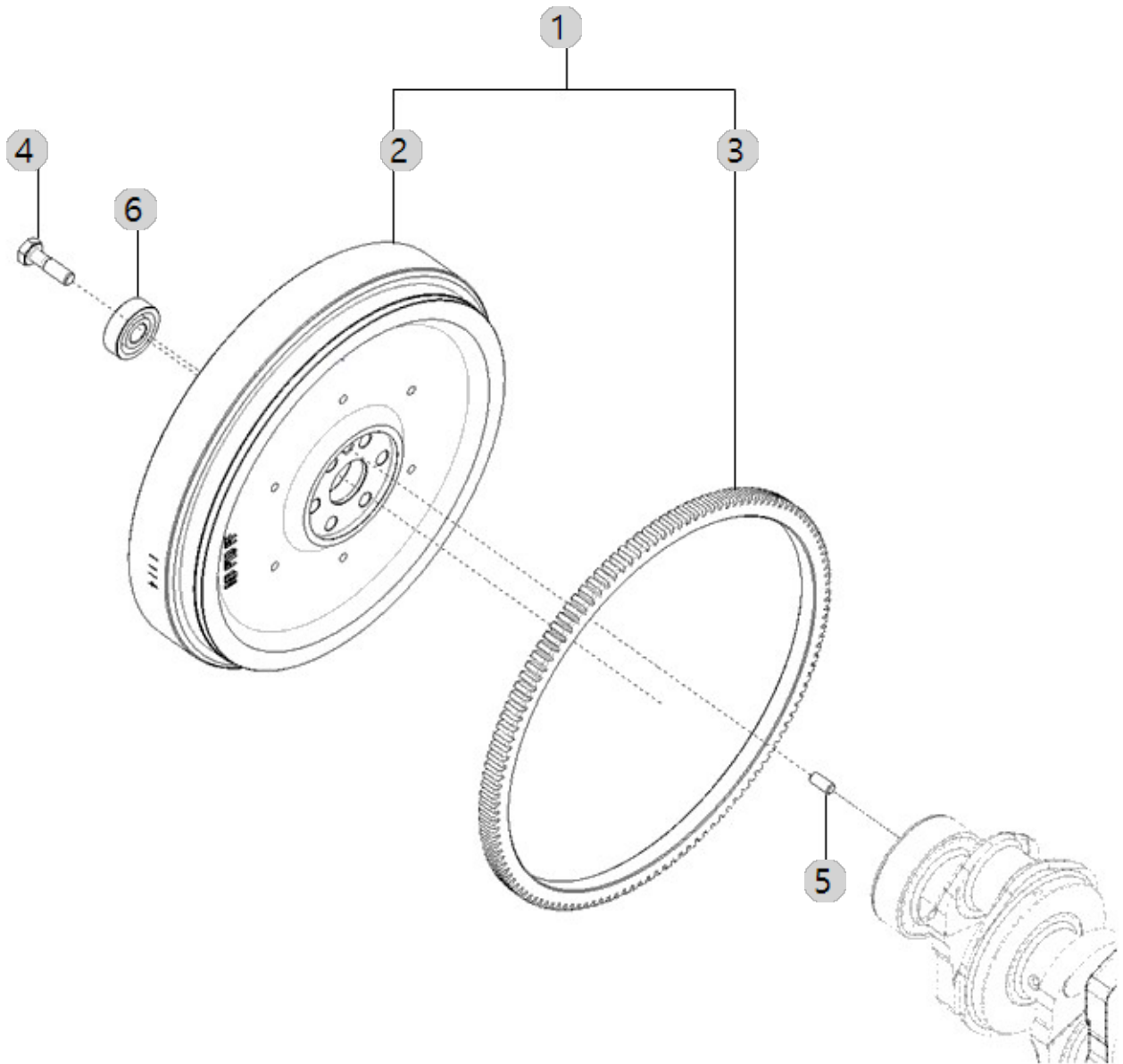
A18_011

A2000N4-UTR_4
(AB00340)

FLYWHEEL

Year/Month

2022-12-15



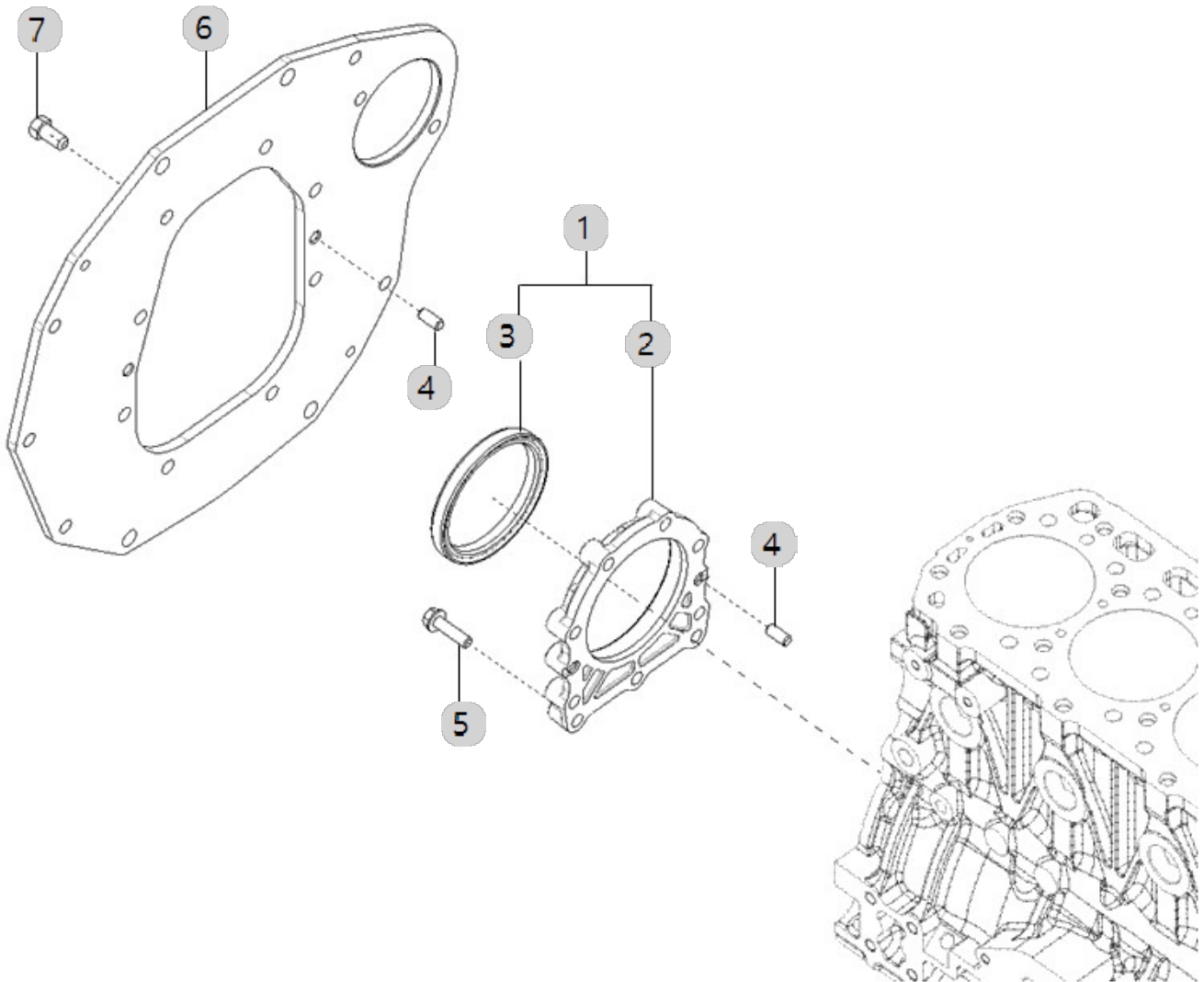
A19_007

A2000N4-UTR_4
(AB00340)

FLYWHEEL HOUSING

Year/Month

2022-12-15



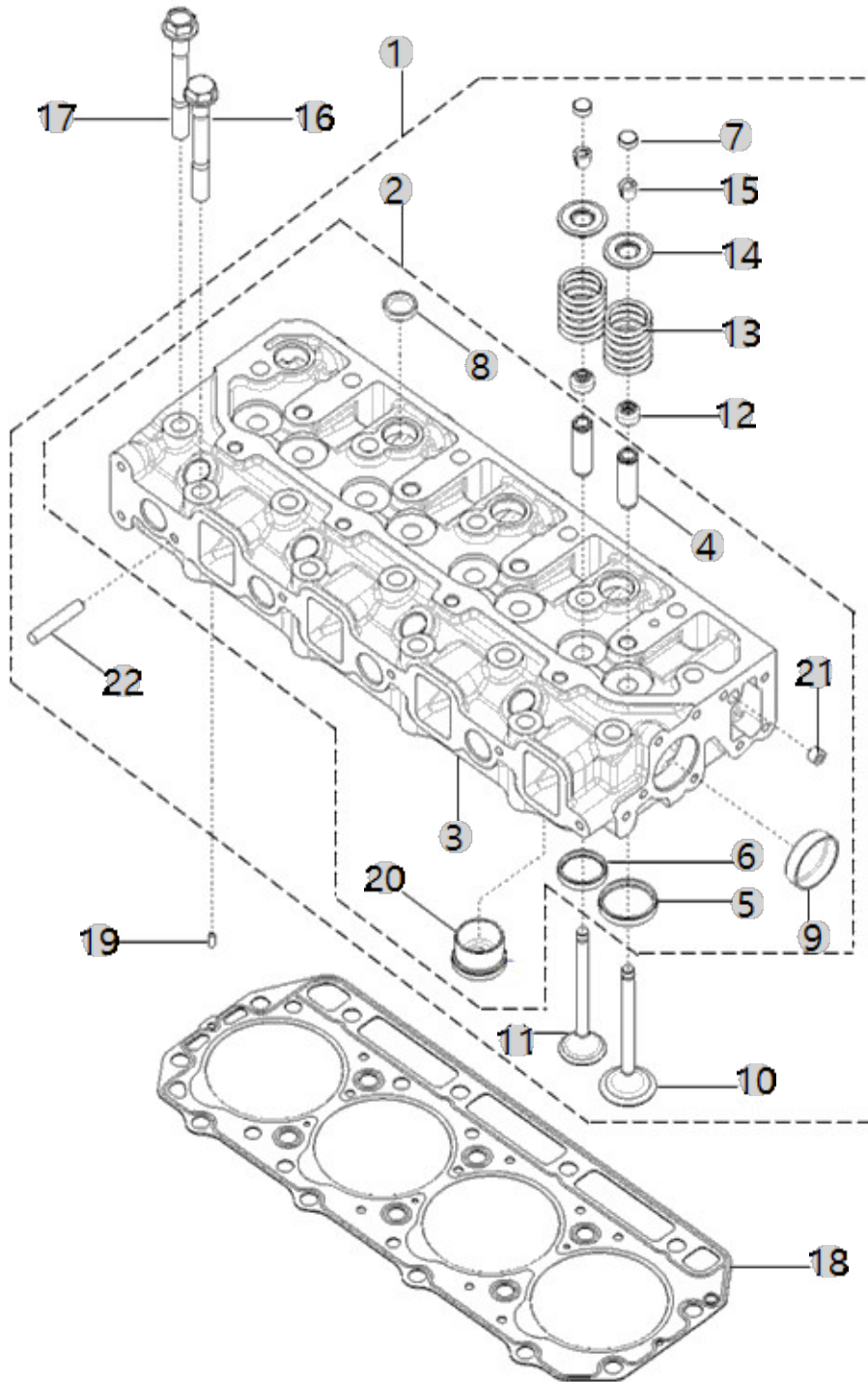
A20_010

A2000N4-UTR_4
(AB00340)

HEAD, CYLINDER

Year/Month

2022-12-15



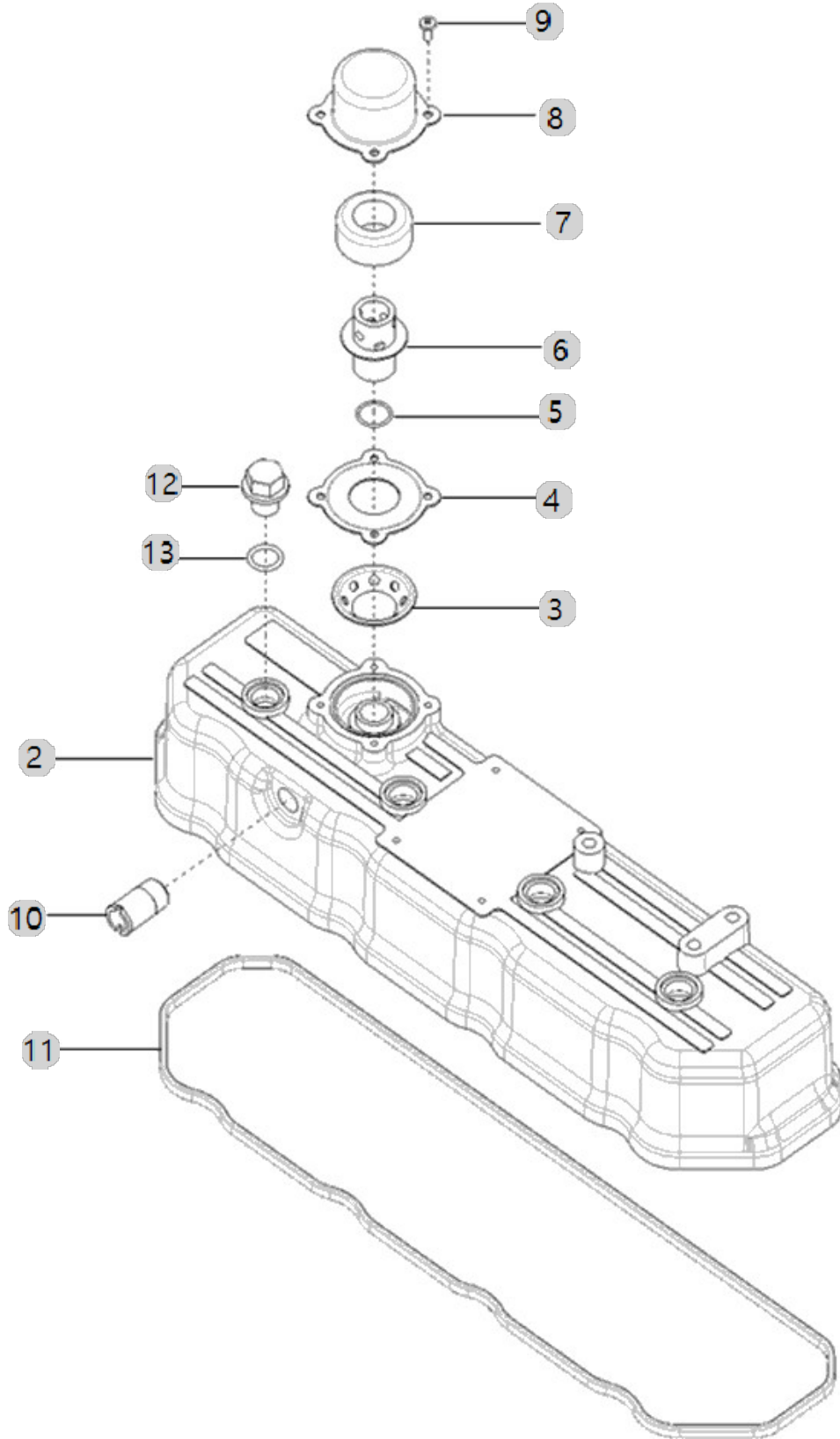
A21_004

A2000N4-UTR_4
(AB00340)

HEAD COVER

Year/Month

2022-12-15



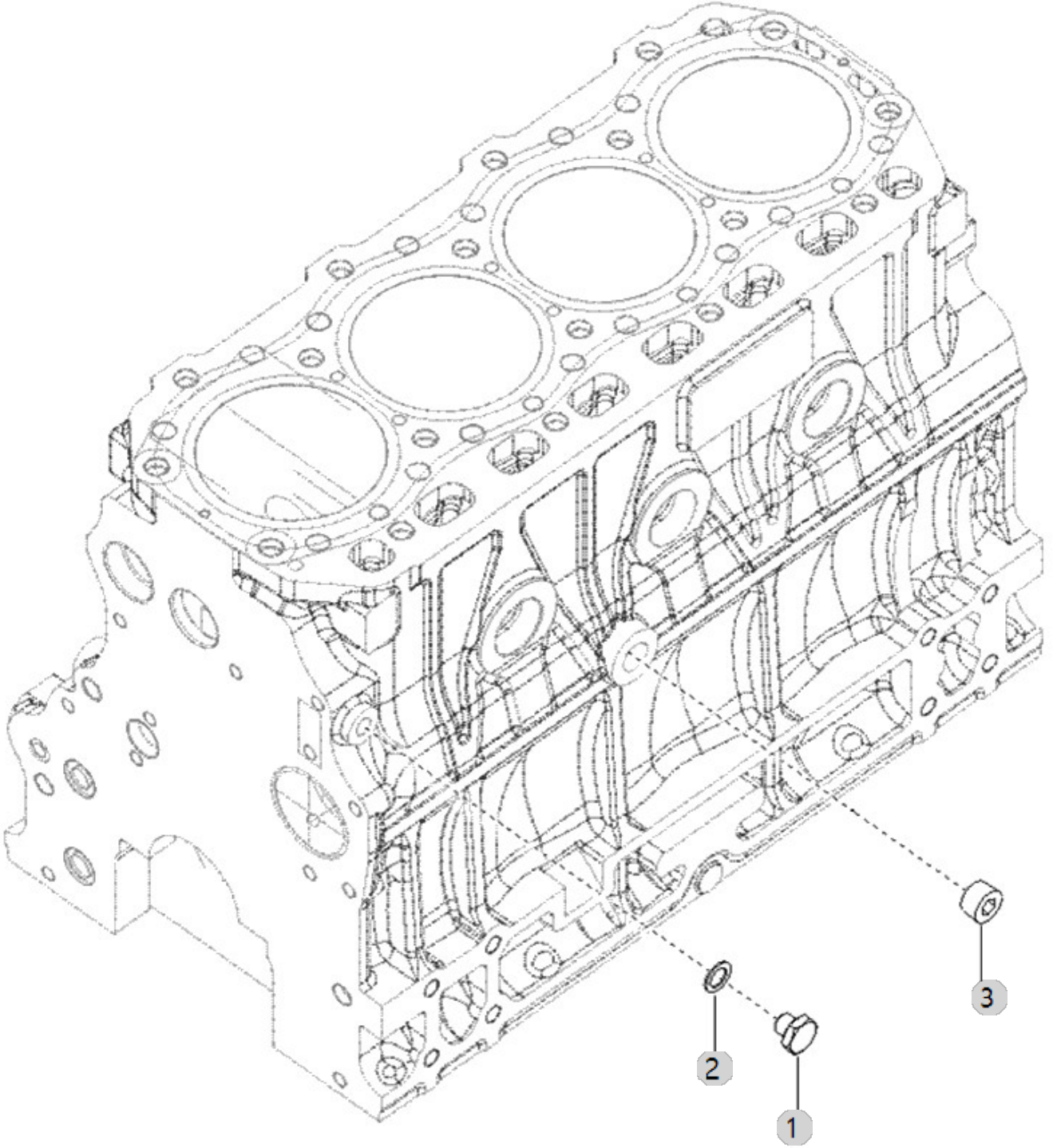
A23_009

A2000N4-UTR_4
(AB00340)

TURBOCHARGER SUPPORT ASS'Y OPTION

Year/Month

2022-12-15



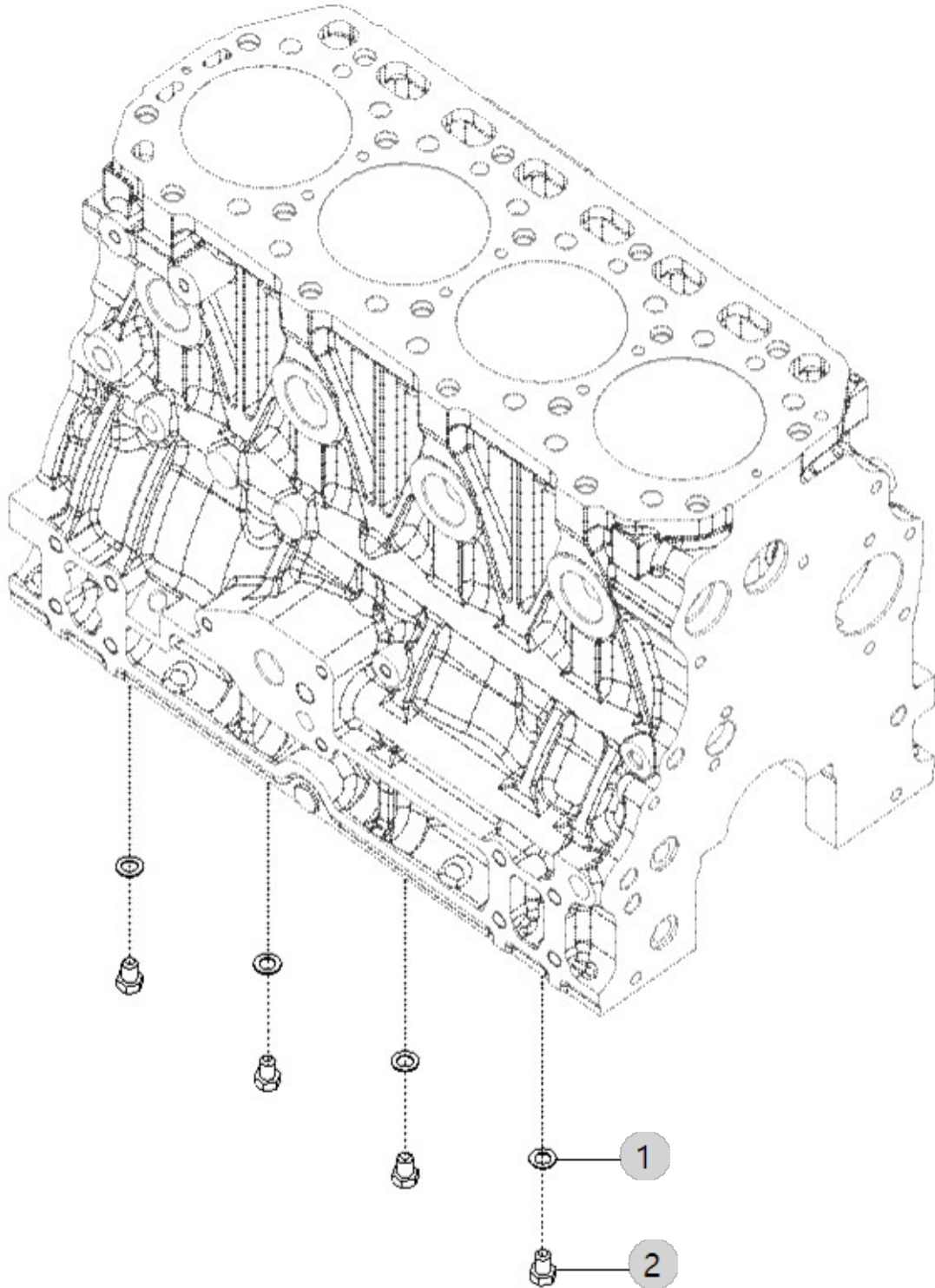
A25_002

A2000N4-UTR_4
(AB00340)

OIL JET ASS'Y OPTION

Year/Month

2022-12-15



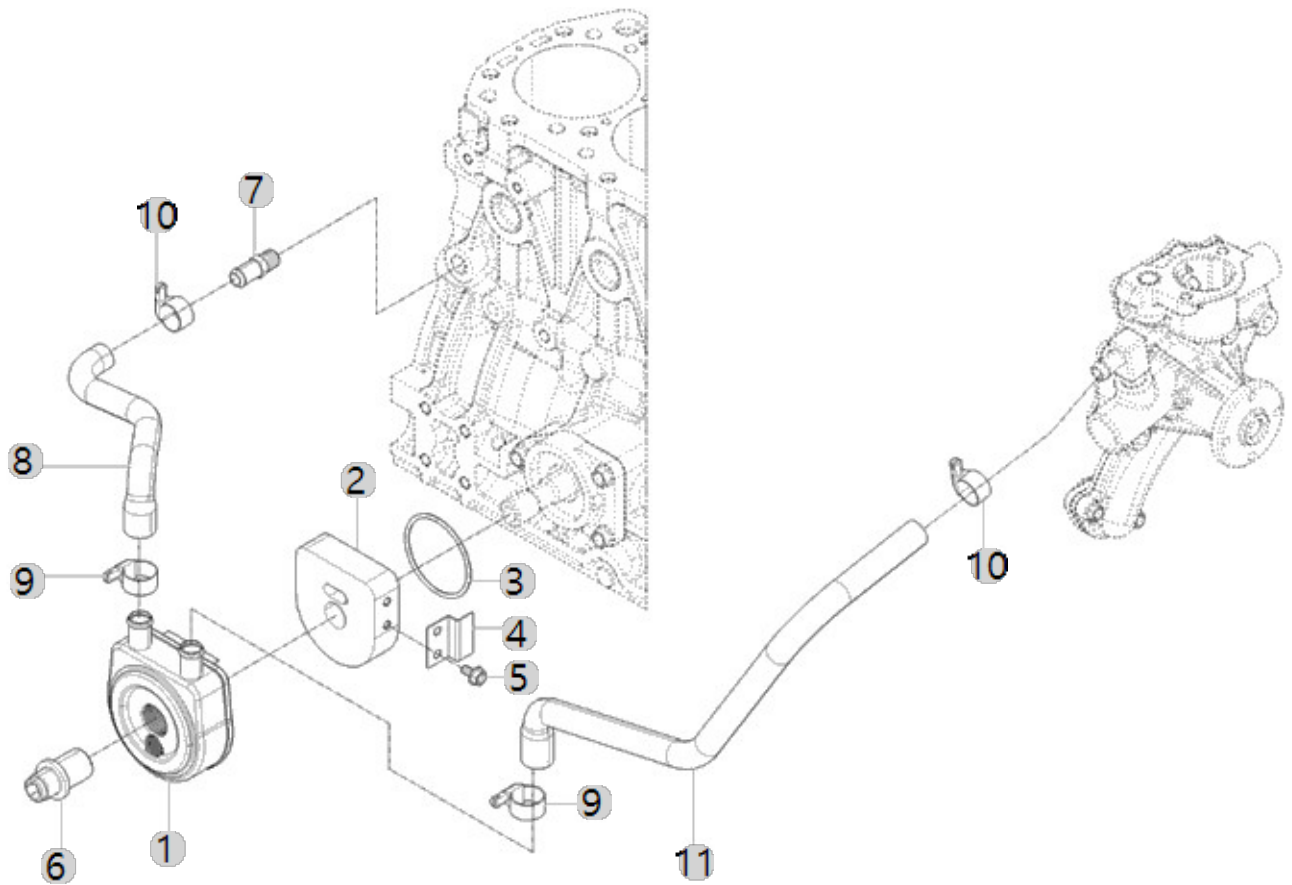
A26_005

A2000N4-UTR_4
(AB00340)

COOLER, ENGINE OIL

Year/Month

2022-12-15



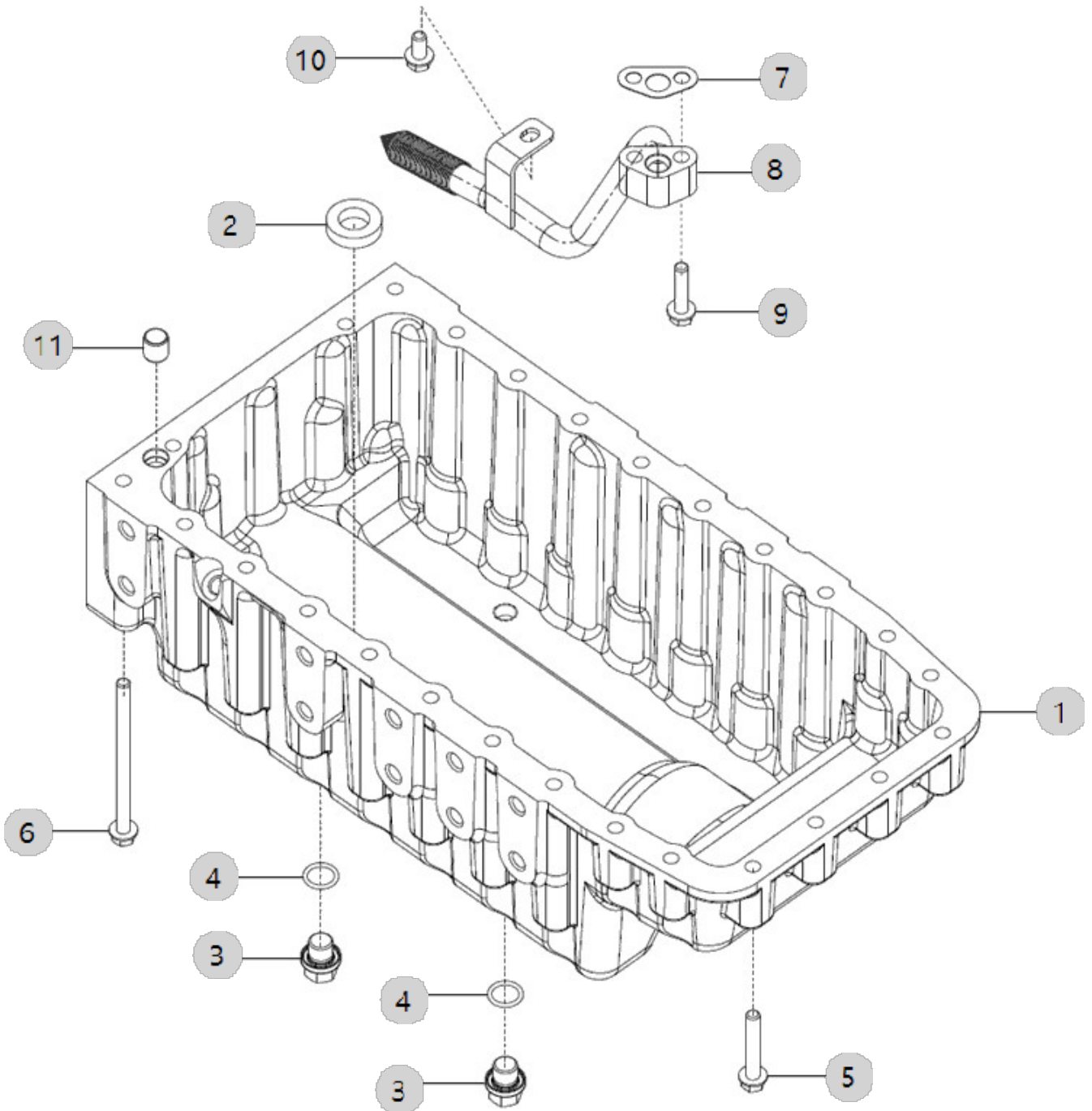
A27_005

A2000N4-UTR_4
(AB00340)

OIL PAN ASS'Y OPTION

Year/Month

2022-12-15



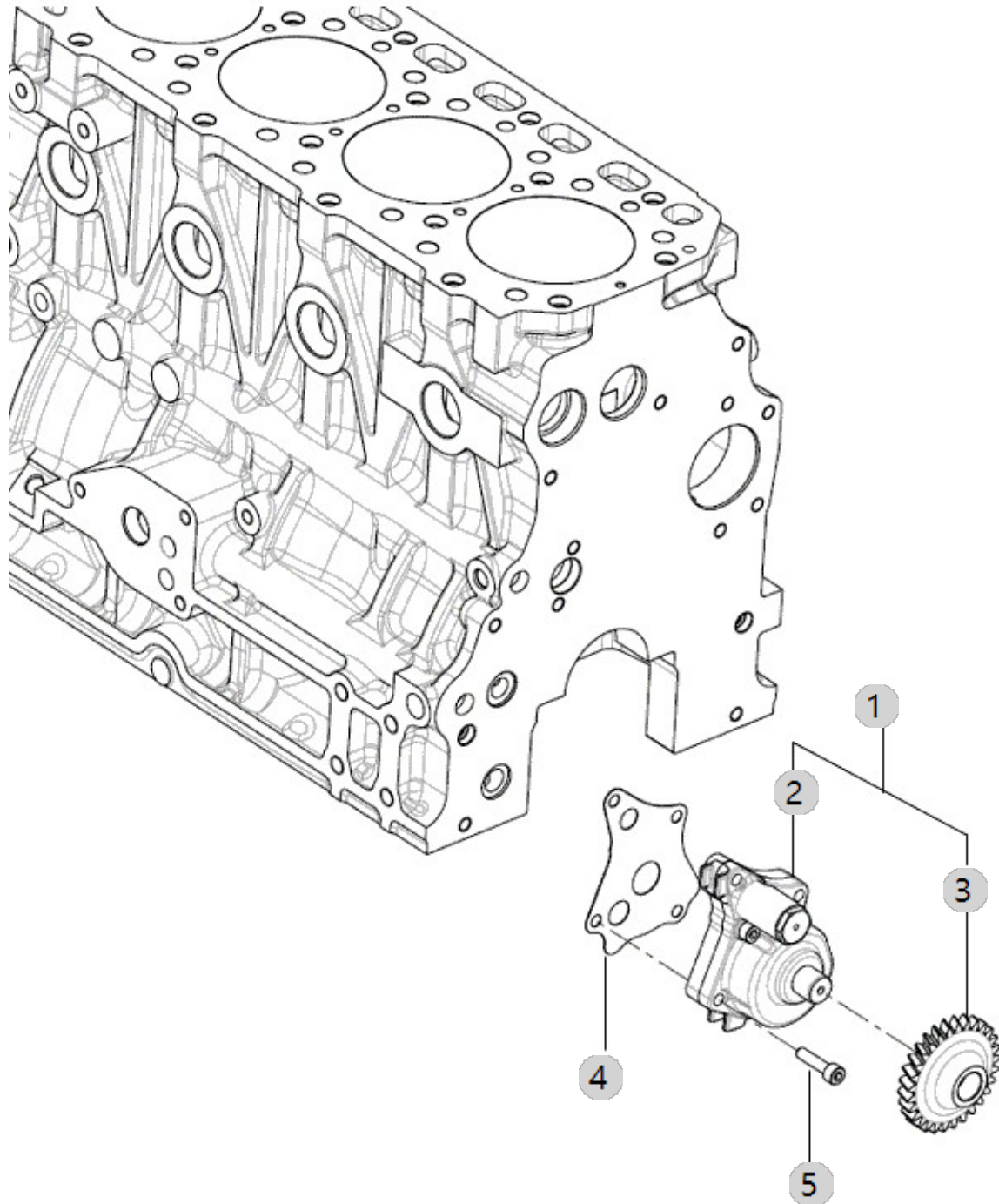
A28_001

A2000N4-UTR_4
(AB00340)

PUMP, LUBRICATING OIL

Year/Month

2022-12-15



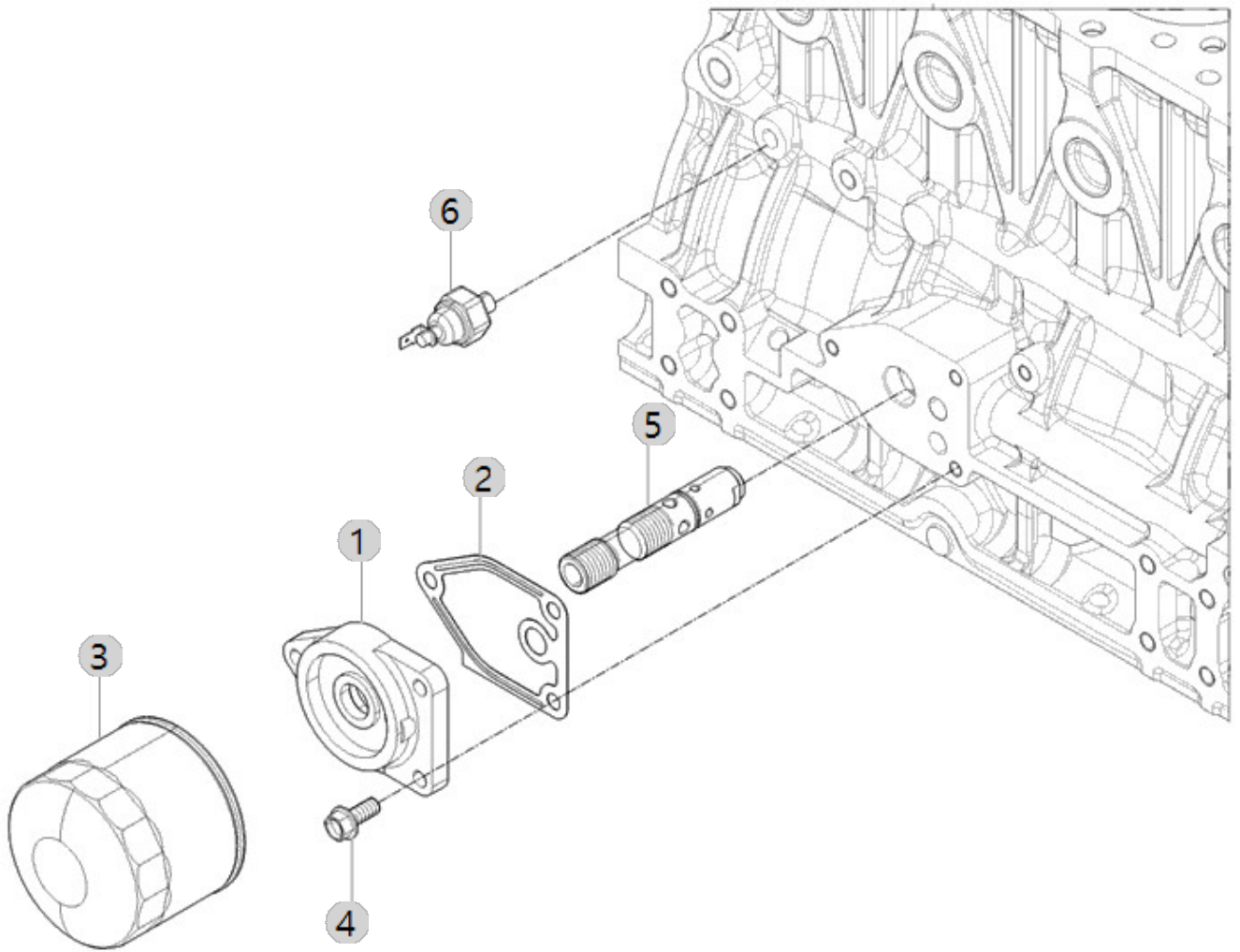
A29_005

A2000N4-UTR_4
(AB00340)

FILTER, LUBRICATING OIL

Year/Month

2022-12-15



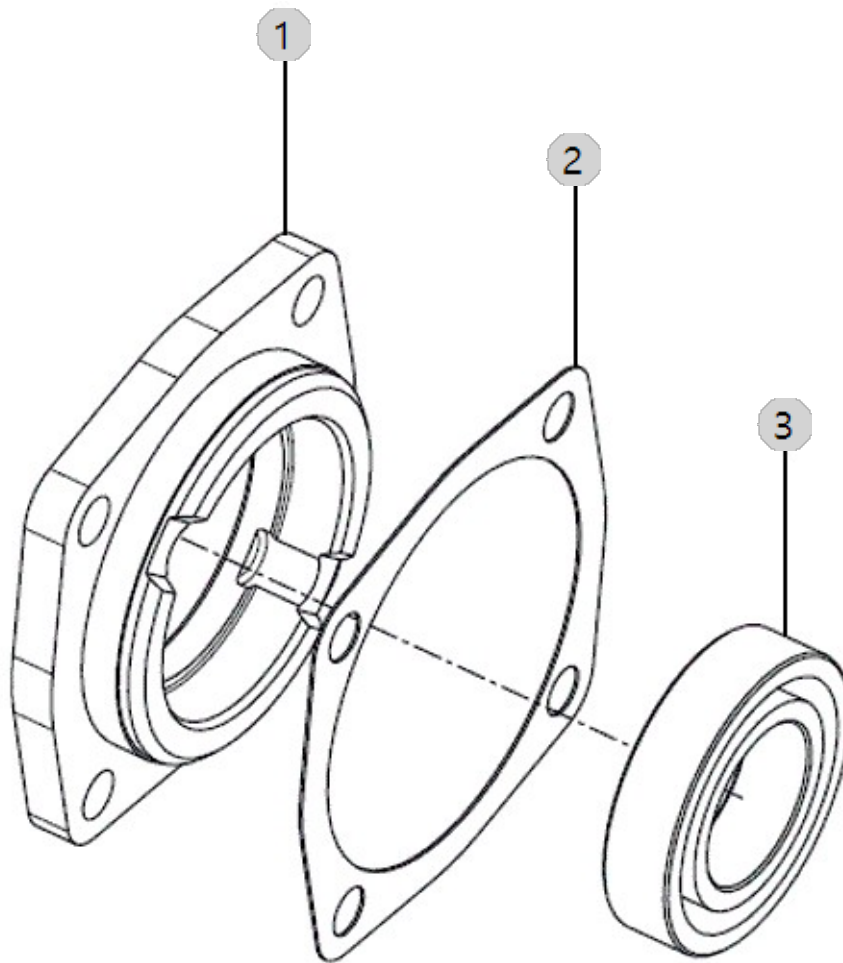
A30_003

A2000N4-UTR_4
(AB00340)

FRONT GEAR ACCESSORY DRIVE

Year/Month

2022-12-15



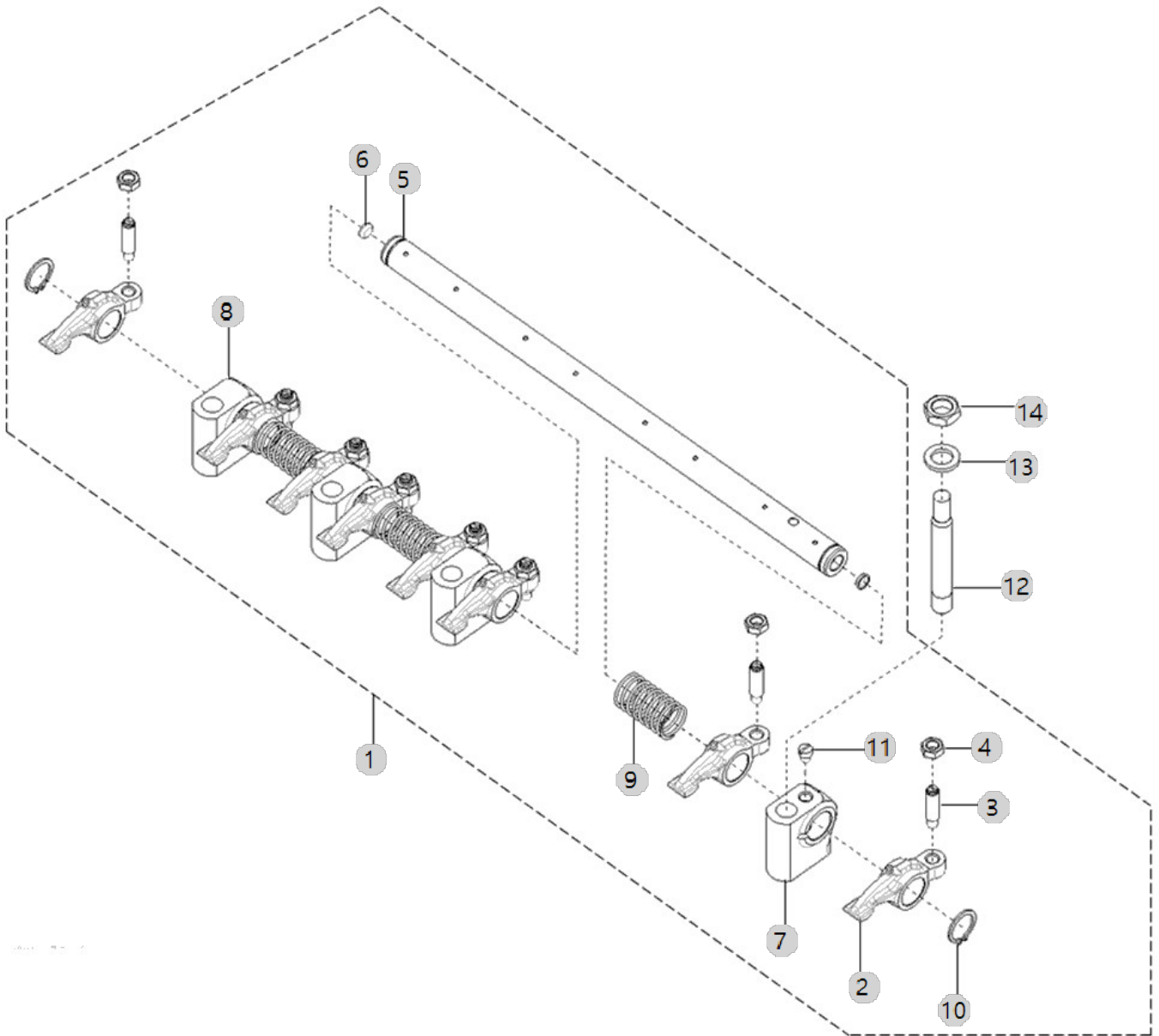
A32_003

A2000N4-UTR_4
(AB00340)

LEVER, LOCKER

Year/Month

2022-12-15



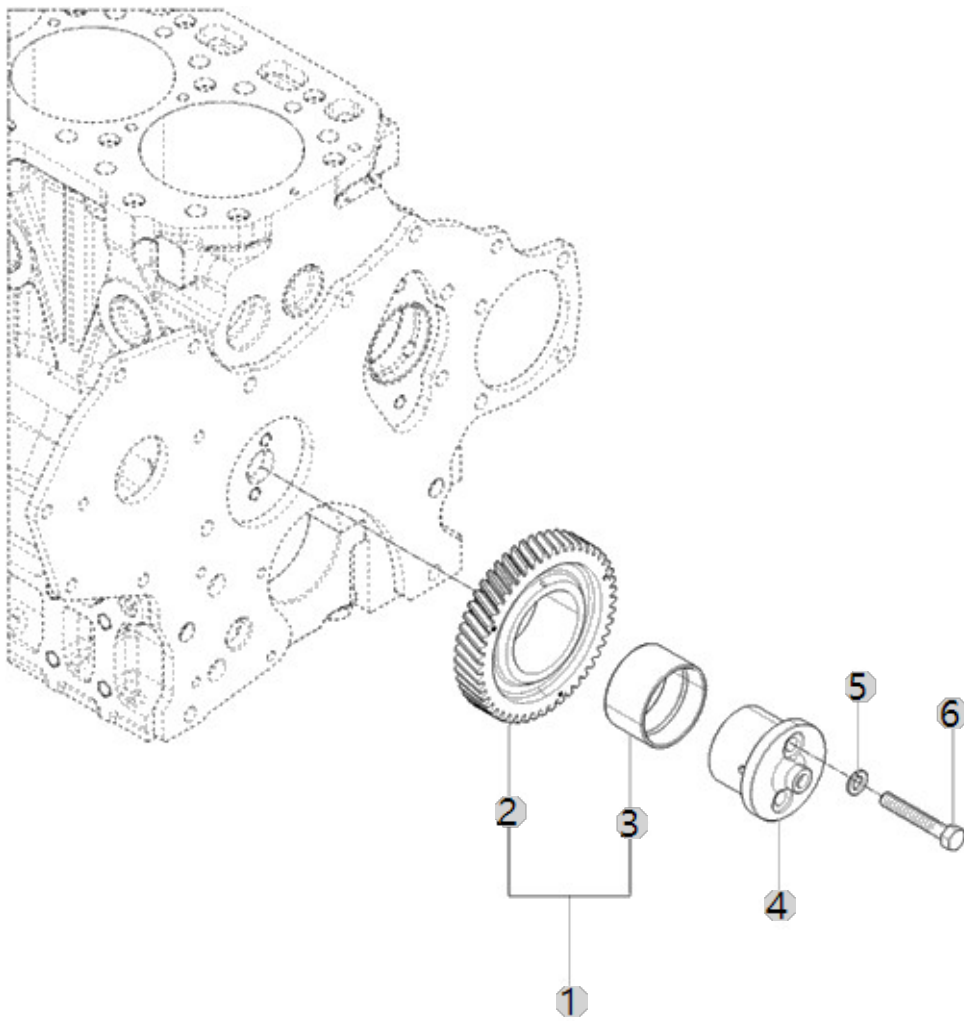
A35_002

A2000N4-UTR_4
(AB00340)

IDLE GEAR

Year/Month

2022-12-15



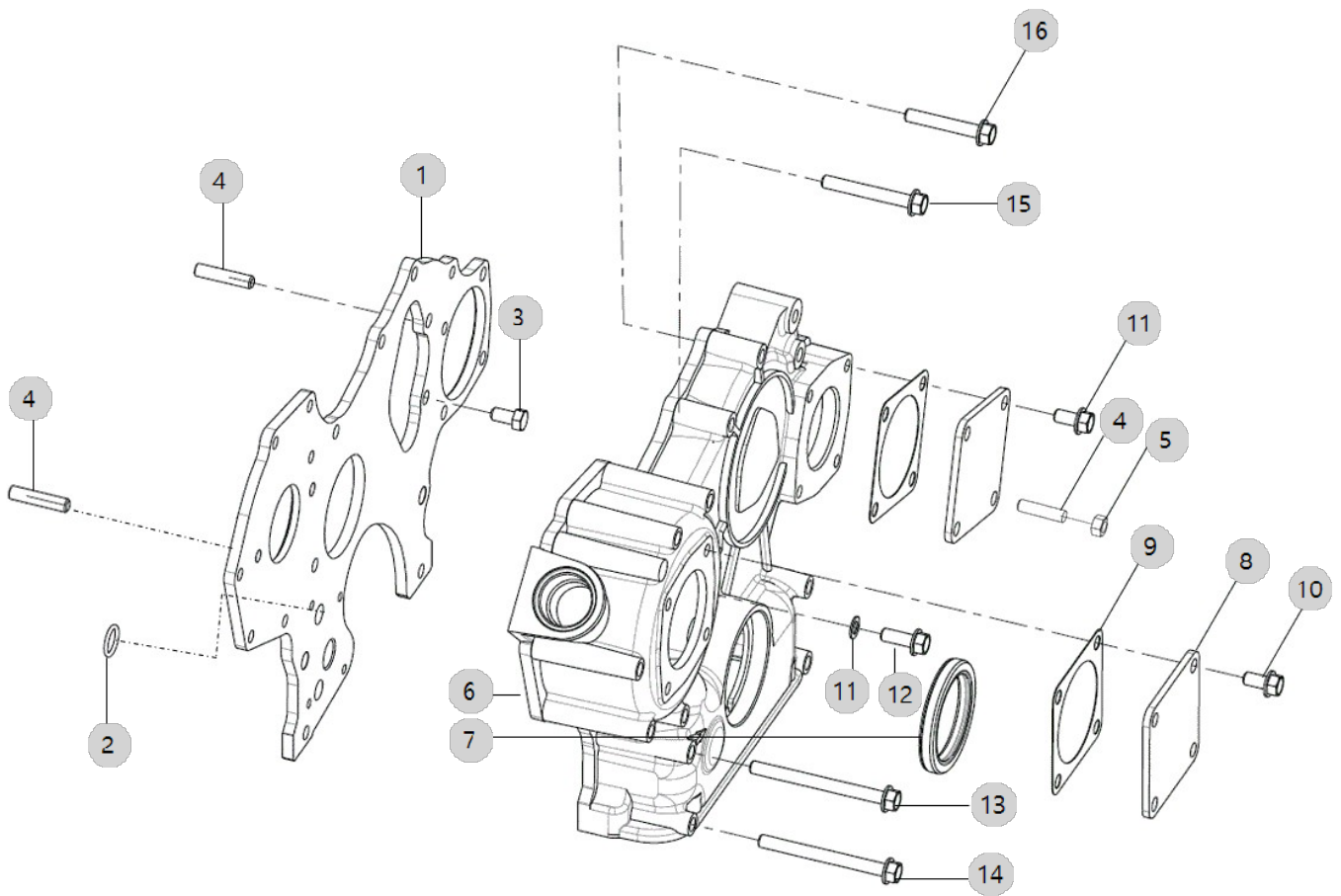
A36_004

A2000N4-UTR_4
(AB00340)

COVER, FRONT GEAR

Year/Month

2022-12-15



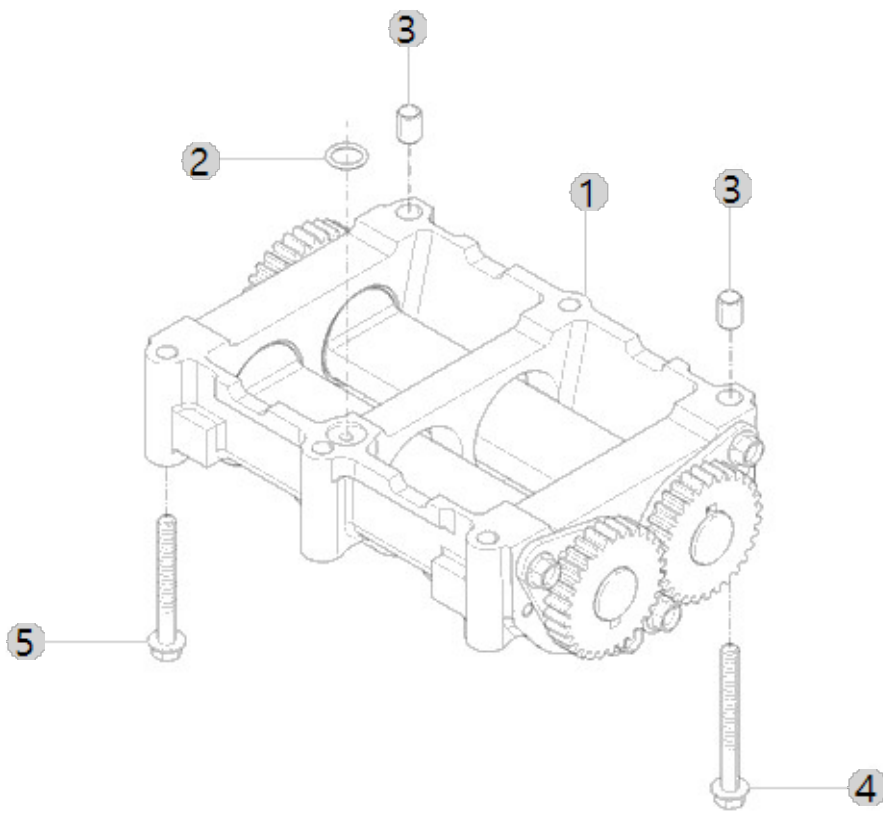
A37_001

A2000N4-UTR_4
(AB00340)

BALANCE ASS'Y

Year/Month

2022-12-15



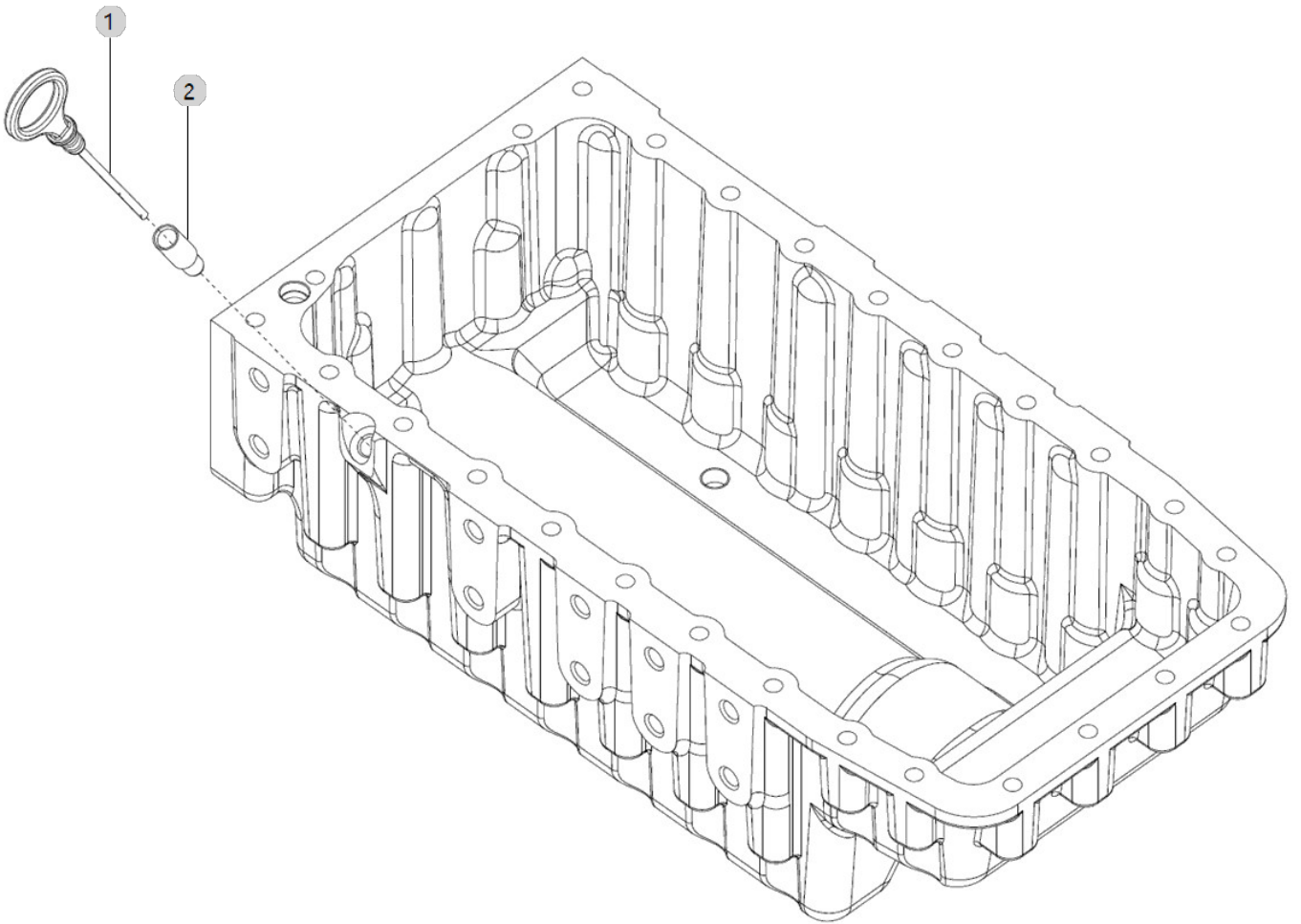
A38_009

A2000N4-UTR_4
(AB00340)

GAUGE, OIL LEVEL

Year/Month

2022-12-15



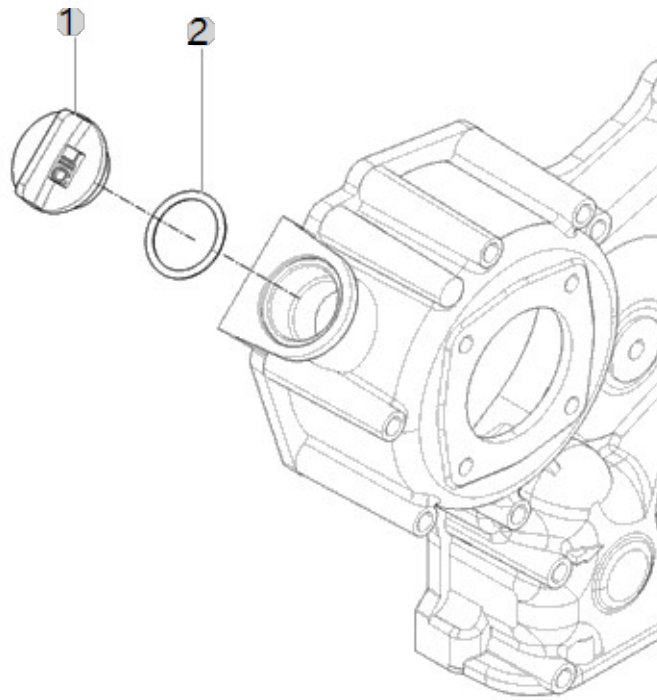
A39_001

A2000N4-UTR_4
(AB00340)

OIL FILLER CAP

Year/Month

2022-12-15



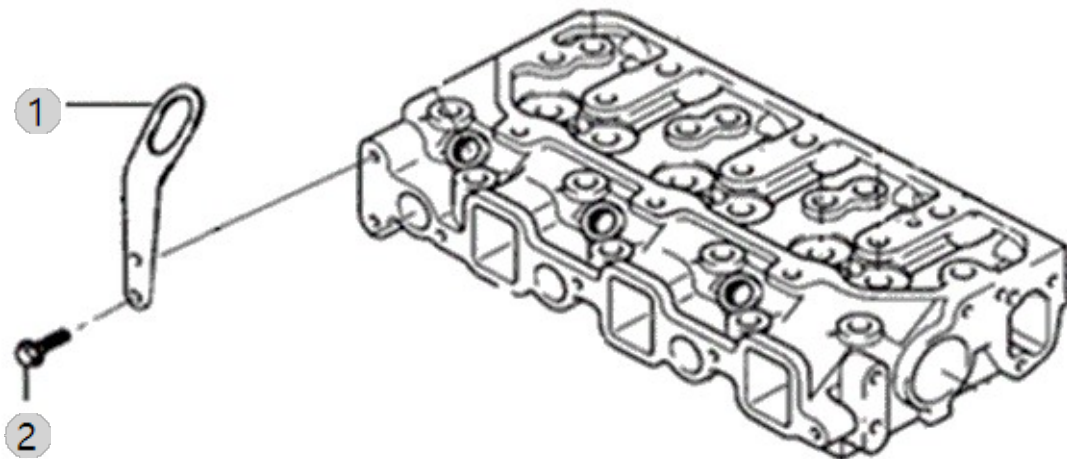
A40_003

A2000N4-UTR_4
(AB00340)

LIFT ASS'Y OPTION

Year/Month

2022-12-15



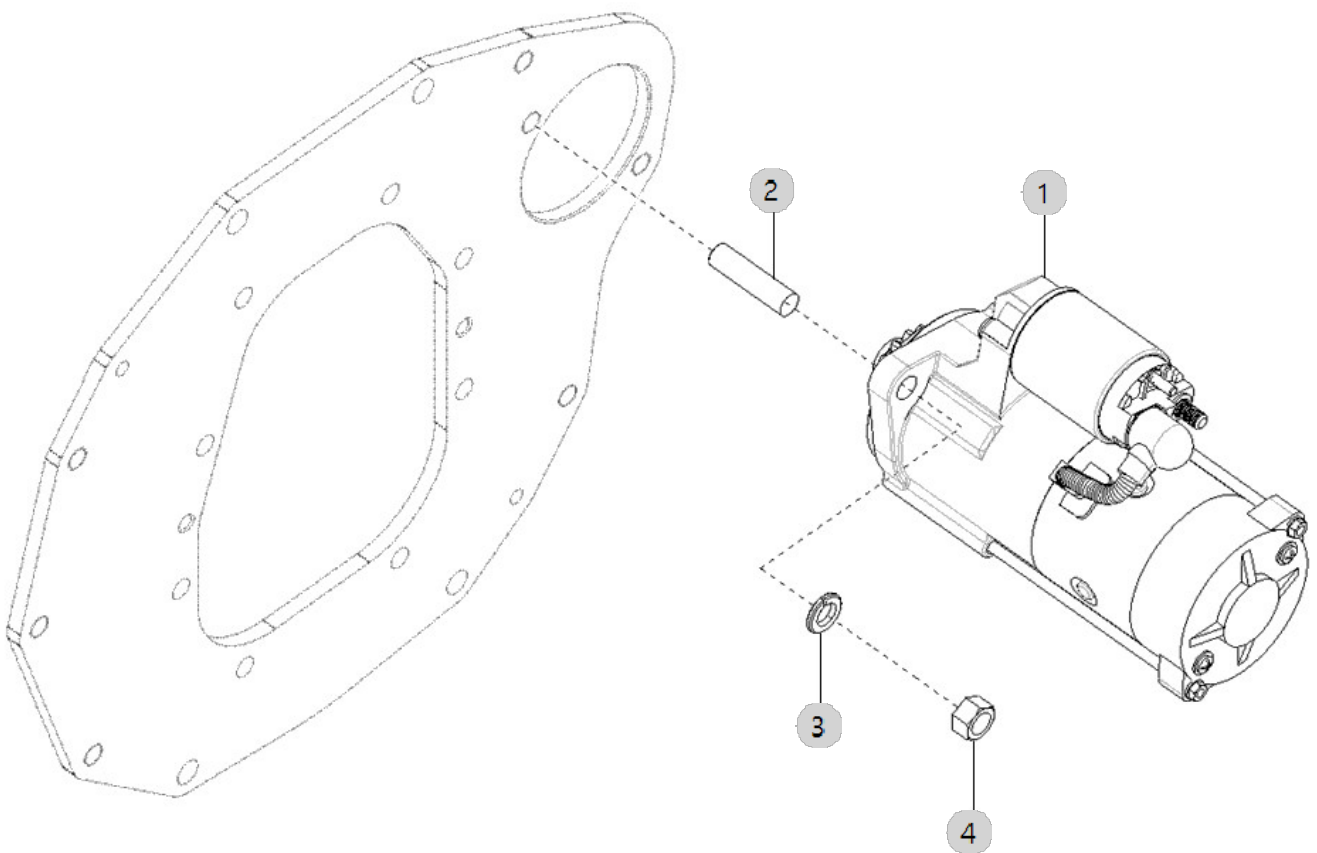
A42_003

A2000N4-UTR_4
(AB00340)

MOTER, STARTIONS

Year/Month

2022-12-15



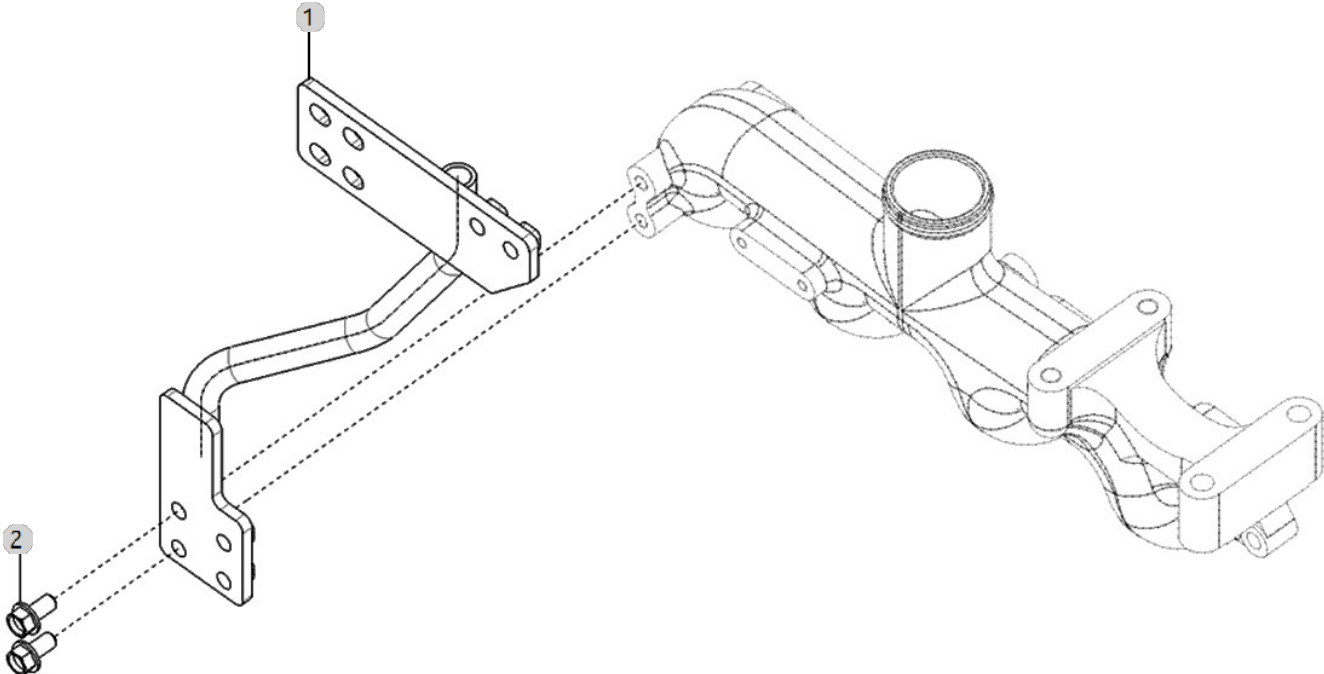
A43_001

A2000N4-UTR_4
(AB00340)

DPF SUPPORT OPTION

Year/Month

2022-12-15



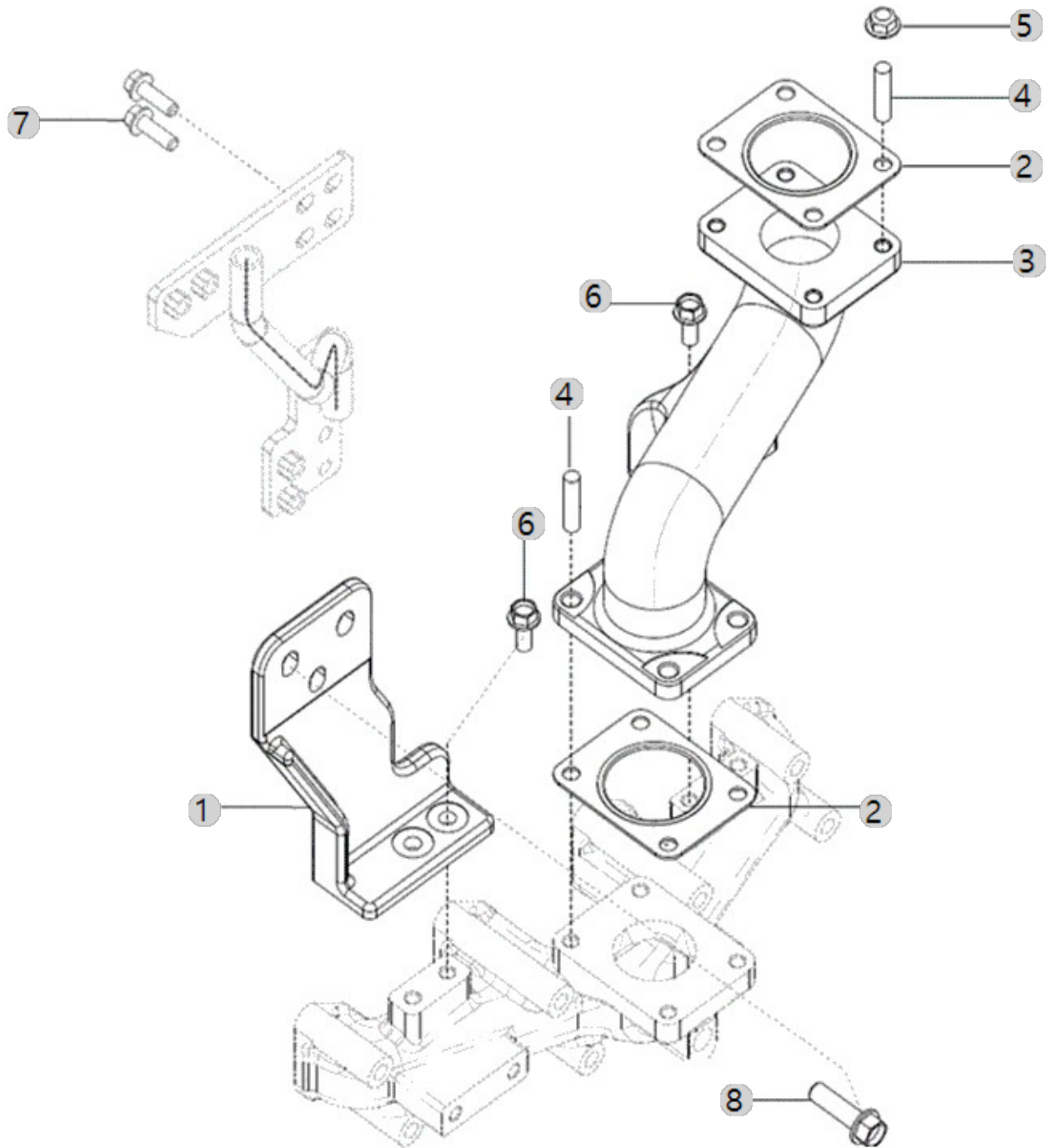
A44_006

A2000N4-UTR_4
(AB00340)

DPF MOUNTING OPTION

Year/Month

2022-12-15



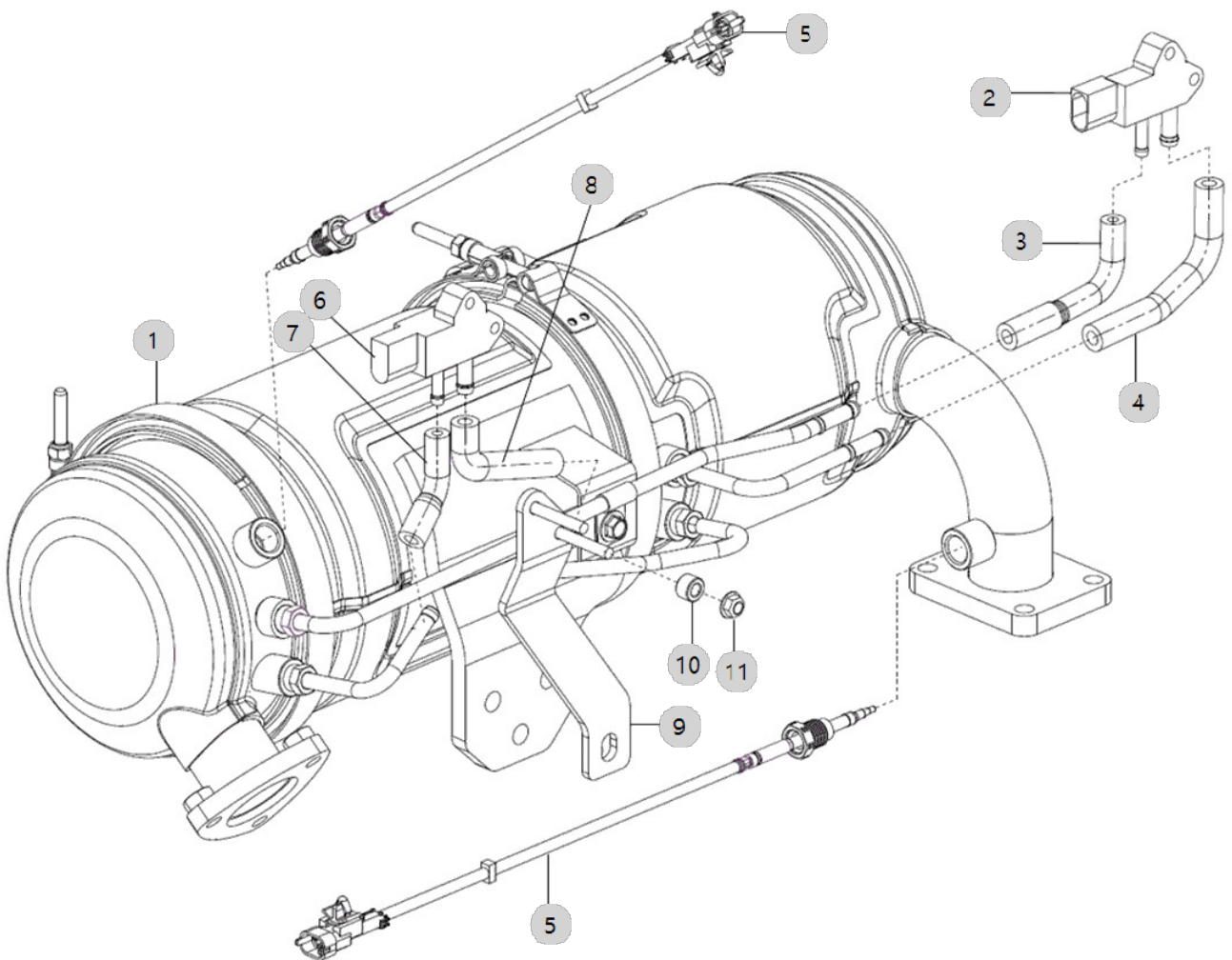
A45_011

A2000N4-UTR_4
(AB00340)

DPF

Year/Month

2022-12-15



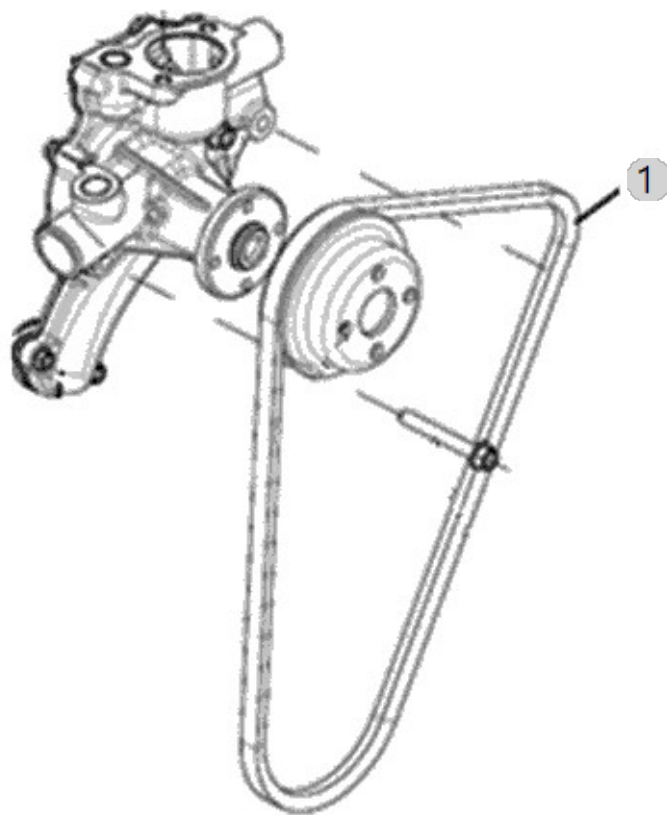
A48_006

A2000N4-UTR_4
(AB00340)

V-BELT

Year/Month

2022-12-15



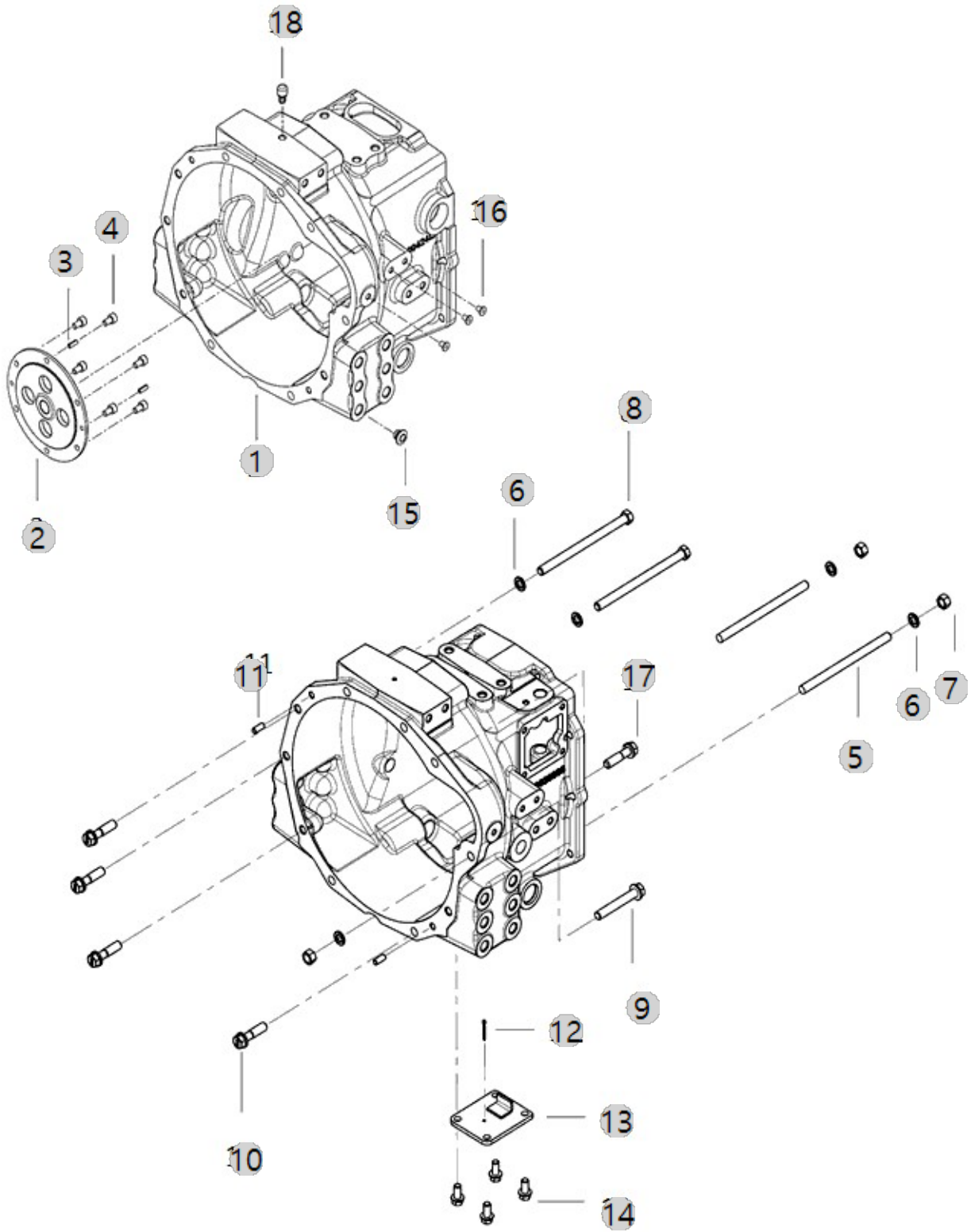
F01010-B

BRANSON 15H
TM_US_FL(AC01917)

CLUTCH HOUSING

Year/Month

2022-12-15



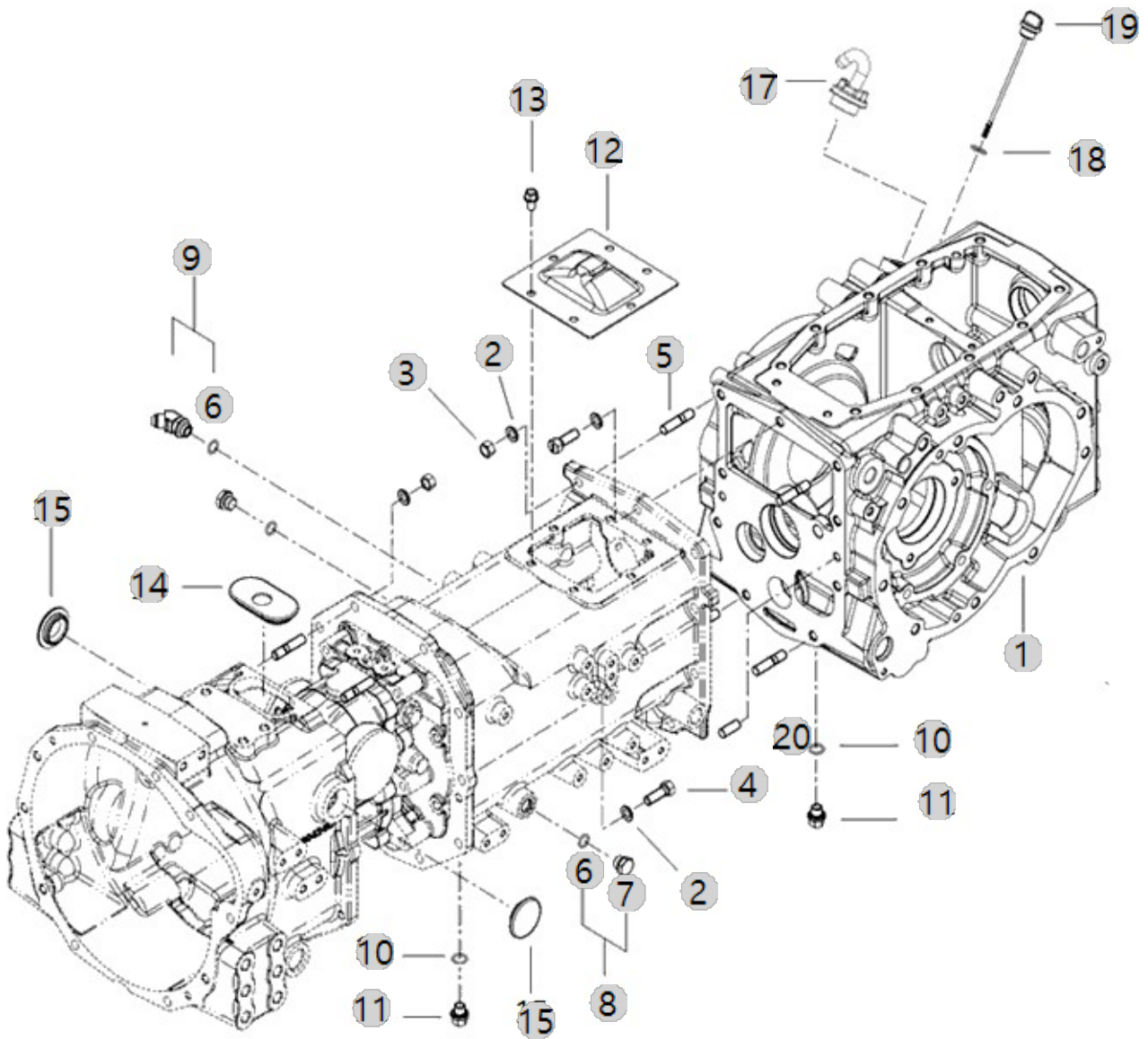
F01020

BRANSON 15H
TM_US_FL(AC01917)

TRANSMISSION CASE

Year/Month

2022-12-15



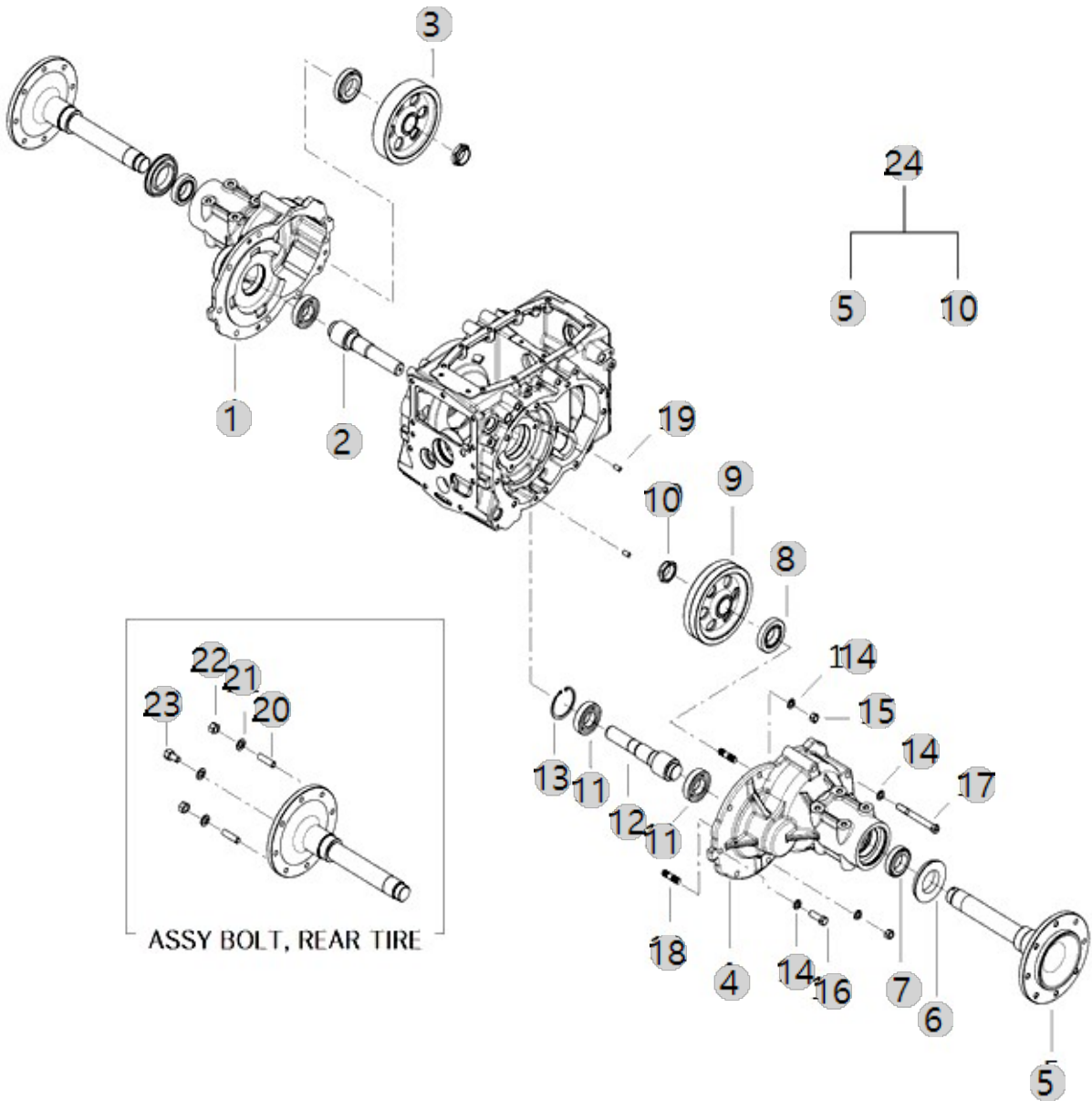
F01030

BRANSON 15H
TM_US_FL(AC01917)

REAR AXLE HOUSING

Year/Month

2022-12-15



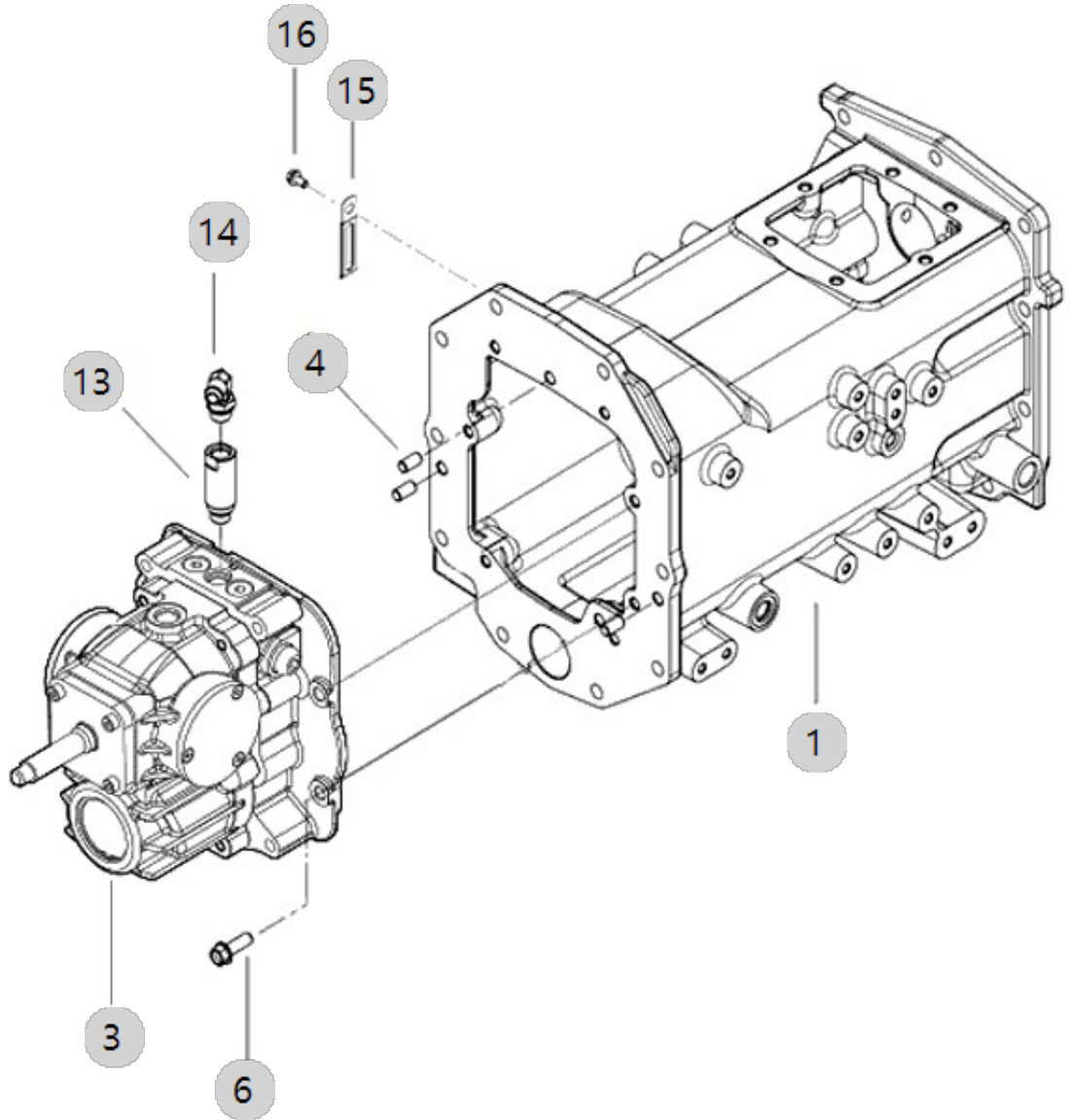
F01050

BRANSON 15H
TM_US_FL(AC01917)

HYD SHIFT TRANSMISSION HOUSING

Year/Month

2022-12-15



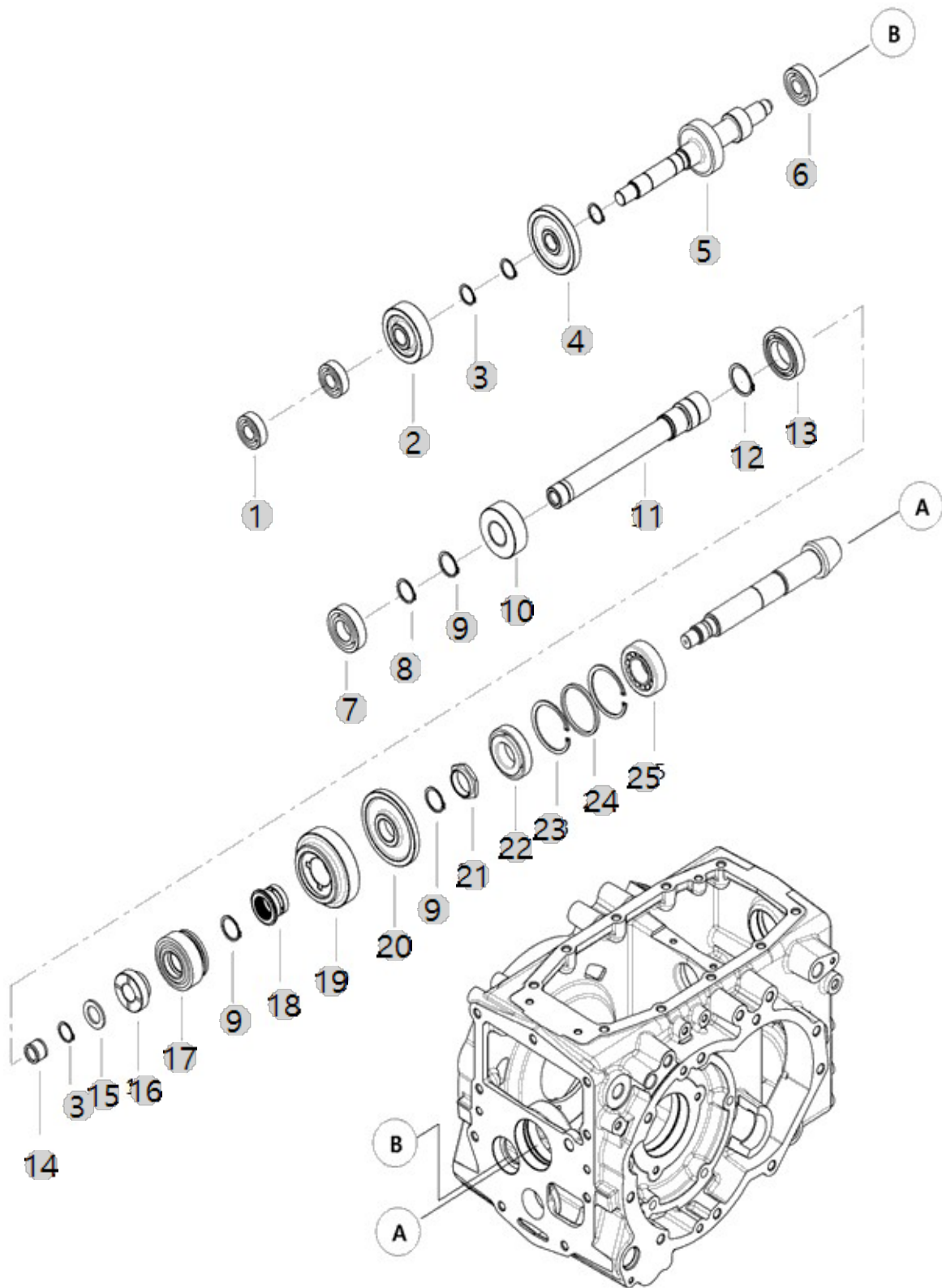
F03040

BRANSON 15H
TM_US_FL(AC01917)

RANGE SHIFT DRIVE SHAFT

Year/Month

2022-12-15



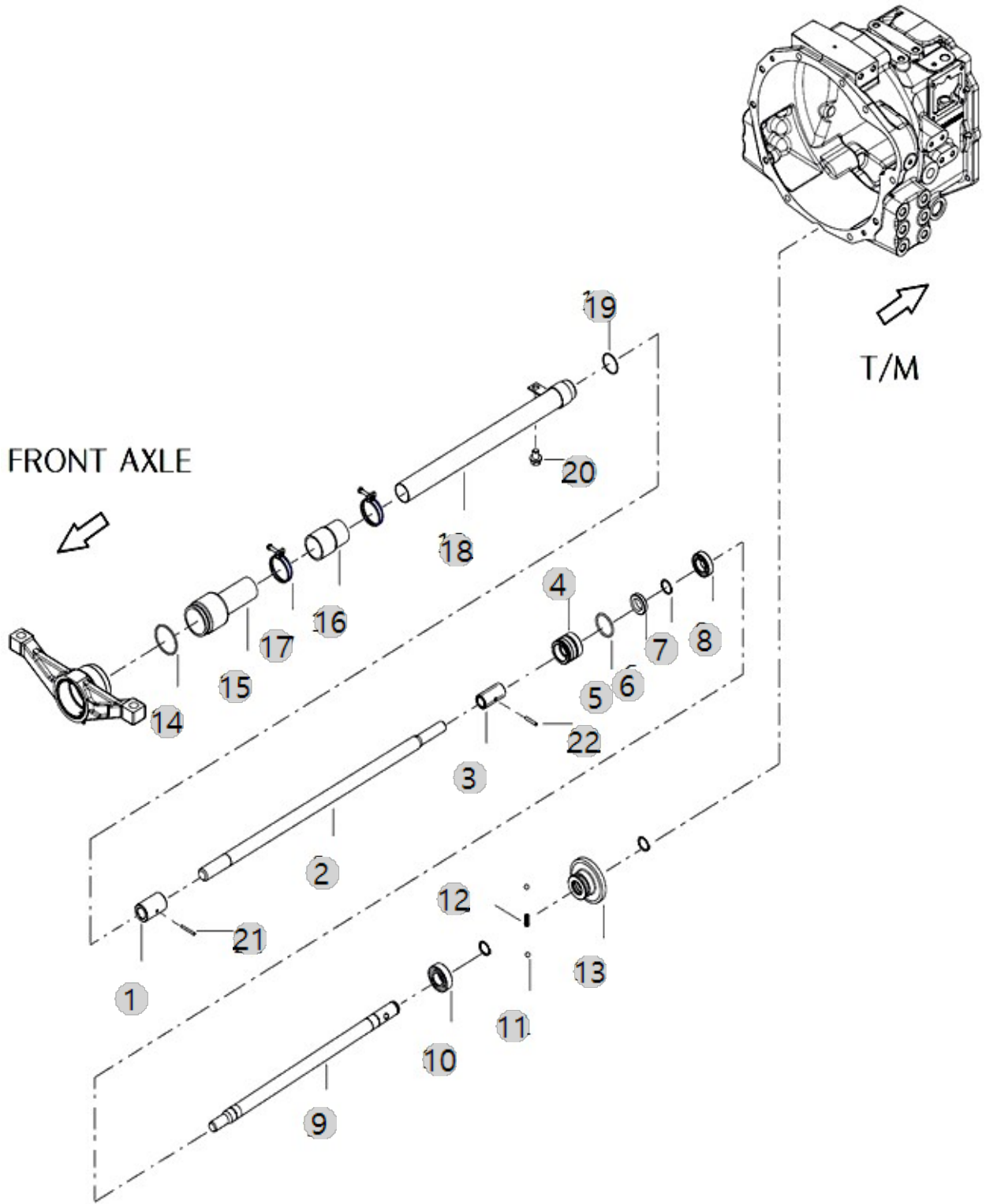
F04010

BRANSON 15H
TM_US_FL(AC01917)

FRONT DRIVE SHAFT

Year/Month

2022-12-15



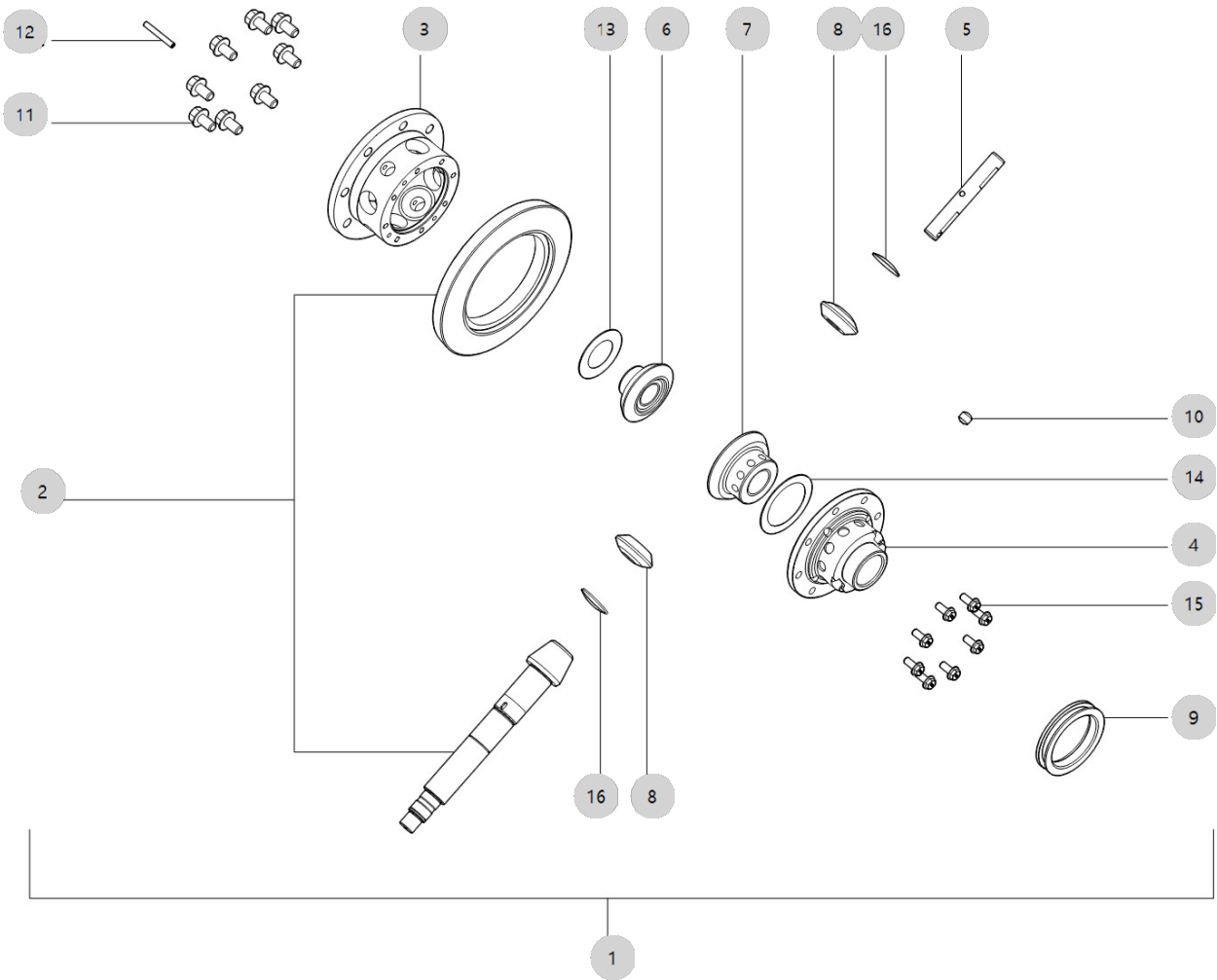
F05020

BRANSON 15H
TM_US_FL(AC01917)

RING GEAR&DIFF.GEAR ASS'Y

Year/Month

2022-12-15



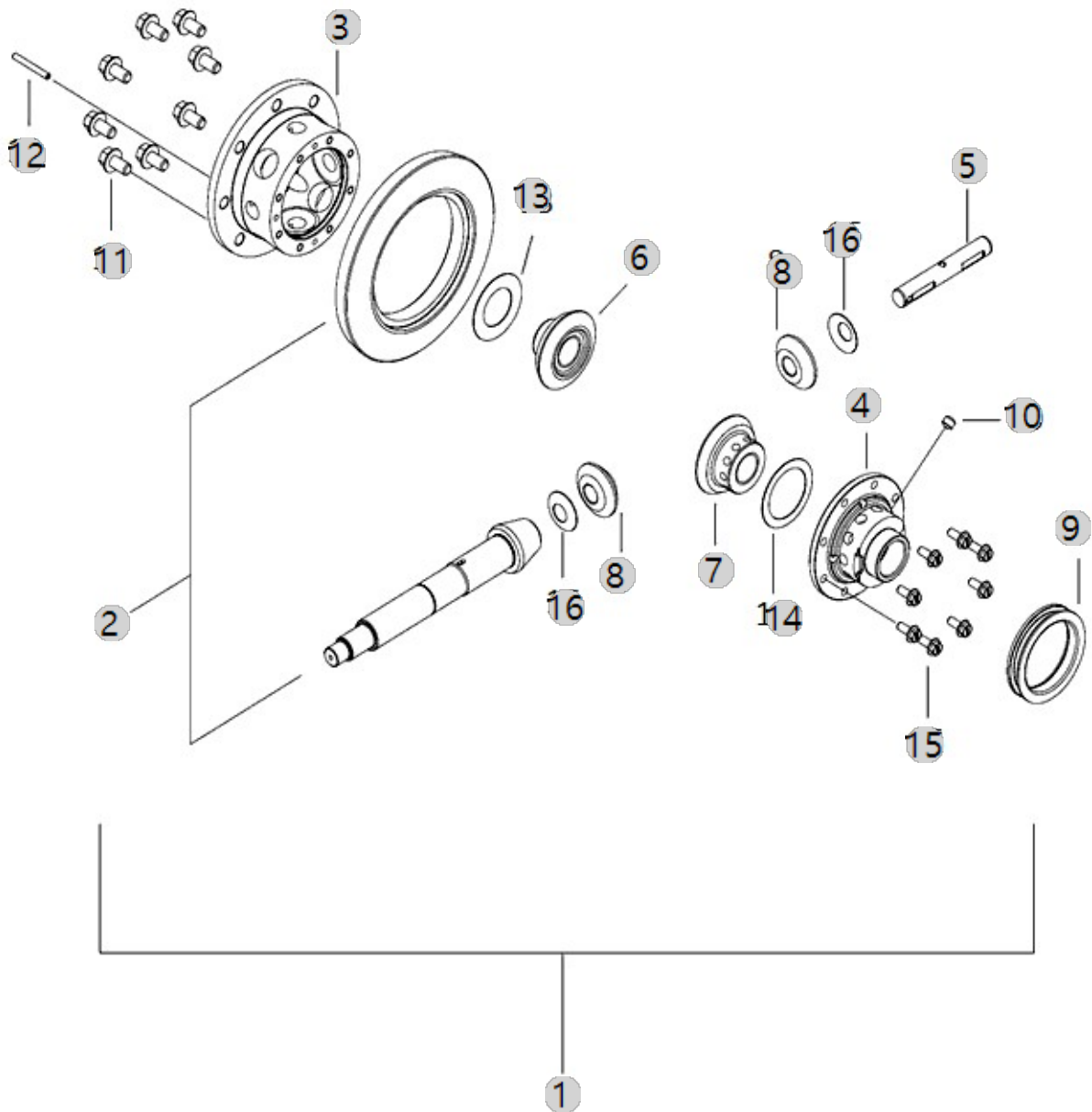
F05020

BRANSON 15H
TM_US_FL(AC01917)

RING GEAR&DIFF.GEAR ASS'Y

Year/Month

2022-12-15



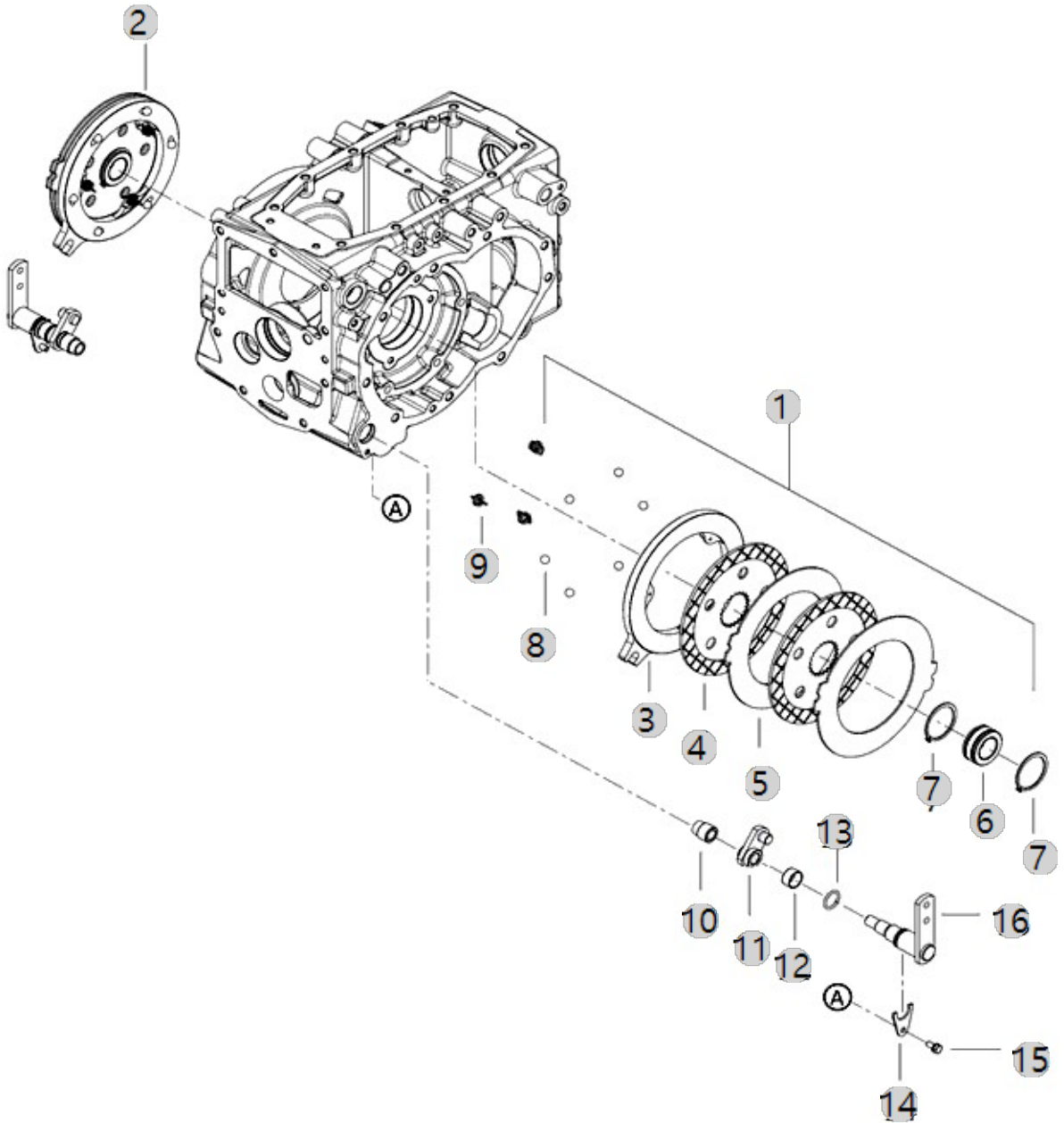
F06030

BRANSON 15H
TM_US_FL(AC01917)

BRAKE

Year/Month

2022-12-15



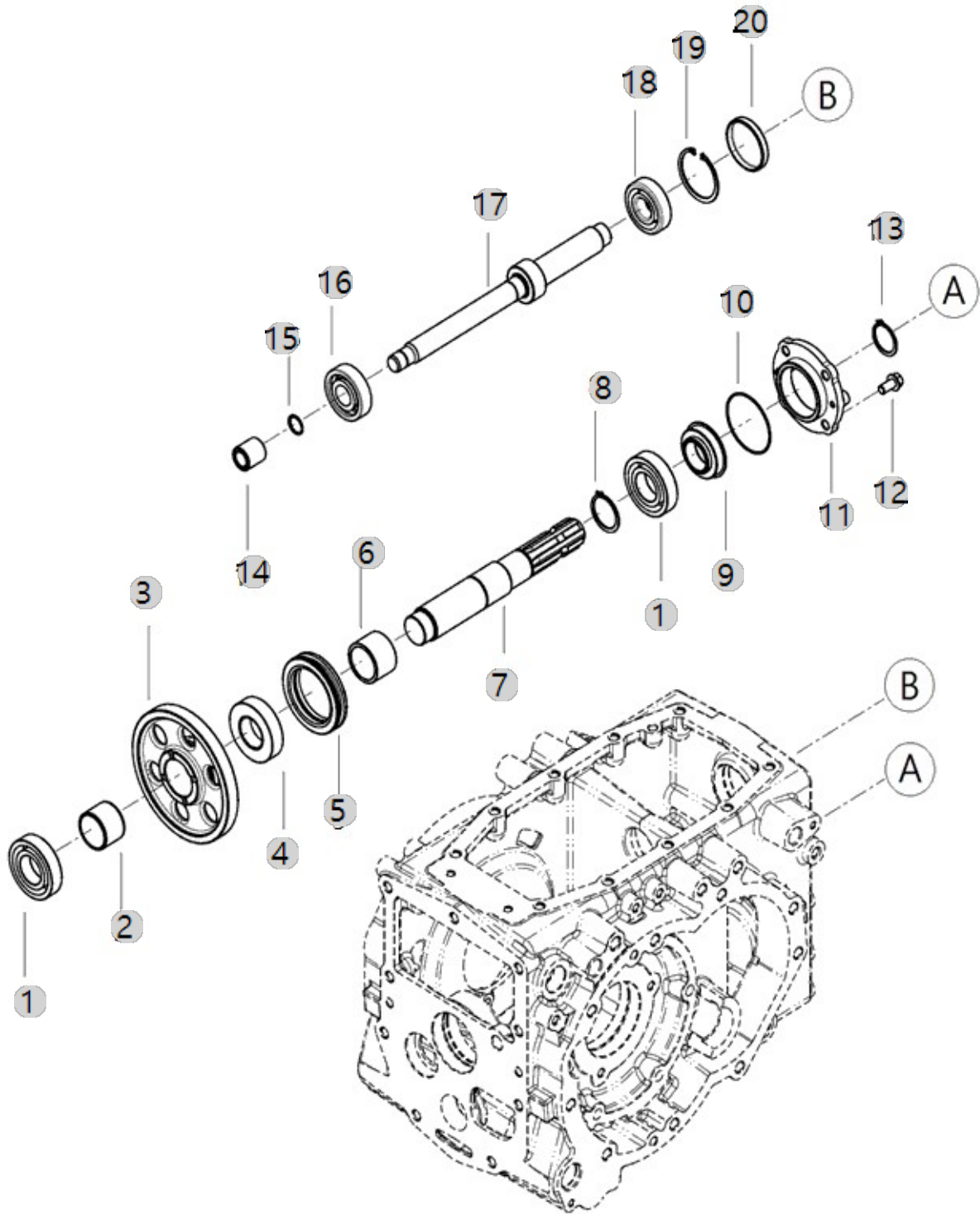
F07030

BRANSON 15H
TM_US_FL(AC01917)

PTO DRIVE SHAFT

Year/Month

2022-12-15



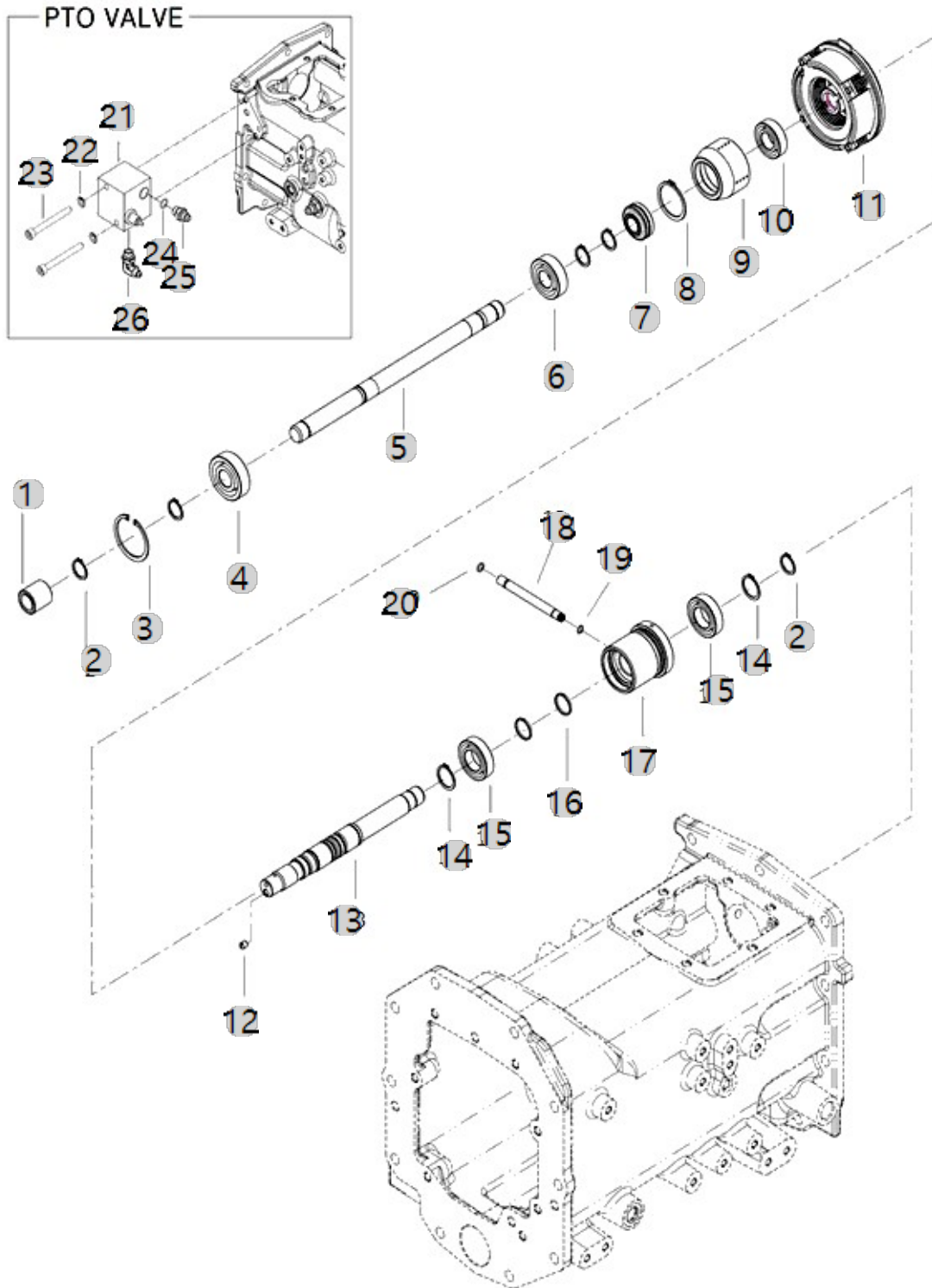
F07070

BRANSON 15H
TM_US_FL(AC01917)

MAIN P.T.O SHAFT

Year/Month

2022-12-15



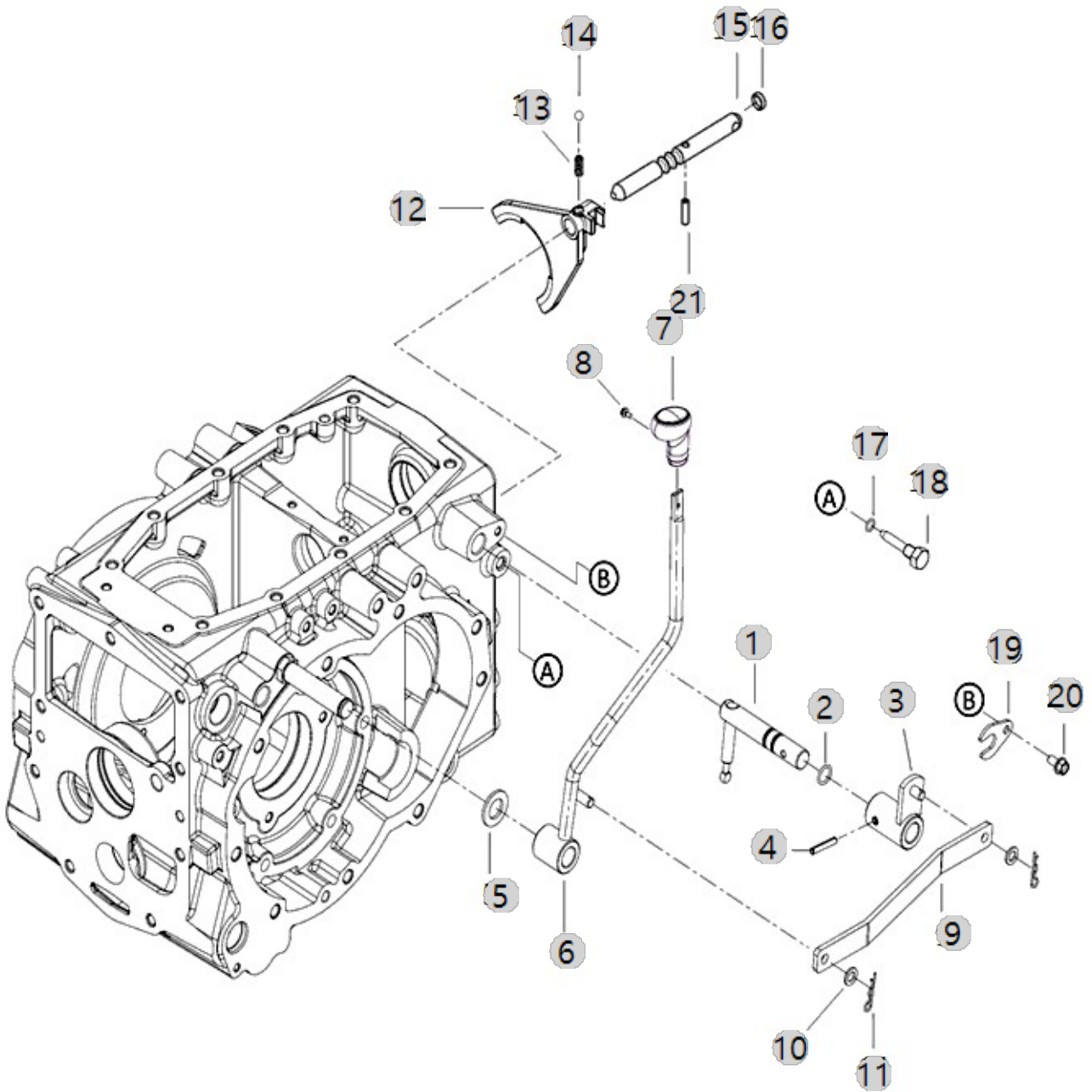
F08060

BRANSON 15H
TM_US_FL(AC01917)

FORK, PTO SHIFT

Year/Month

2022-12-15



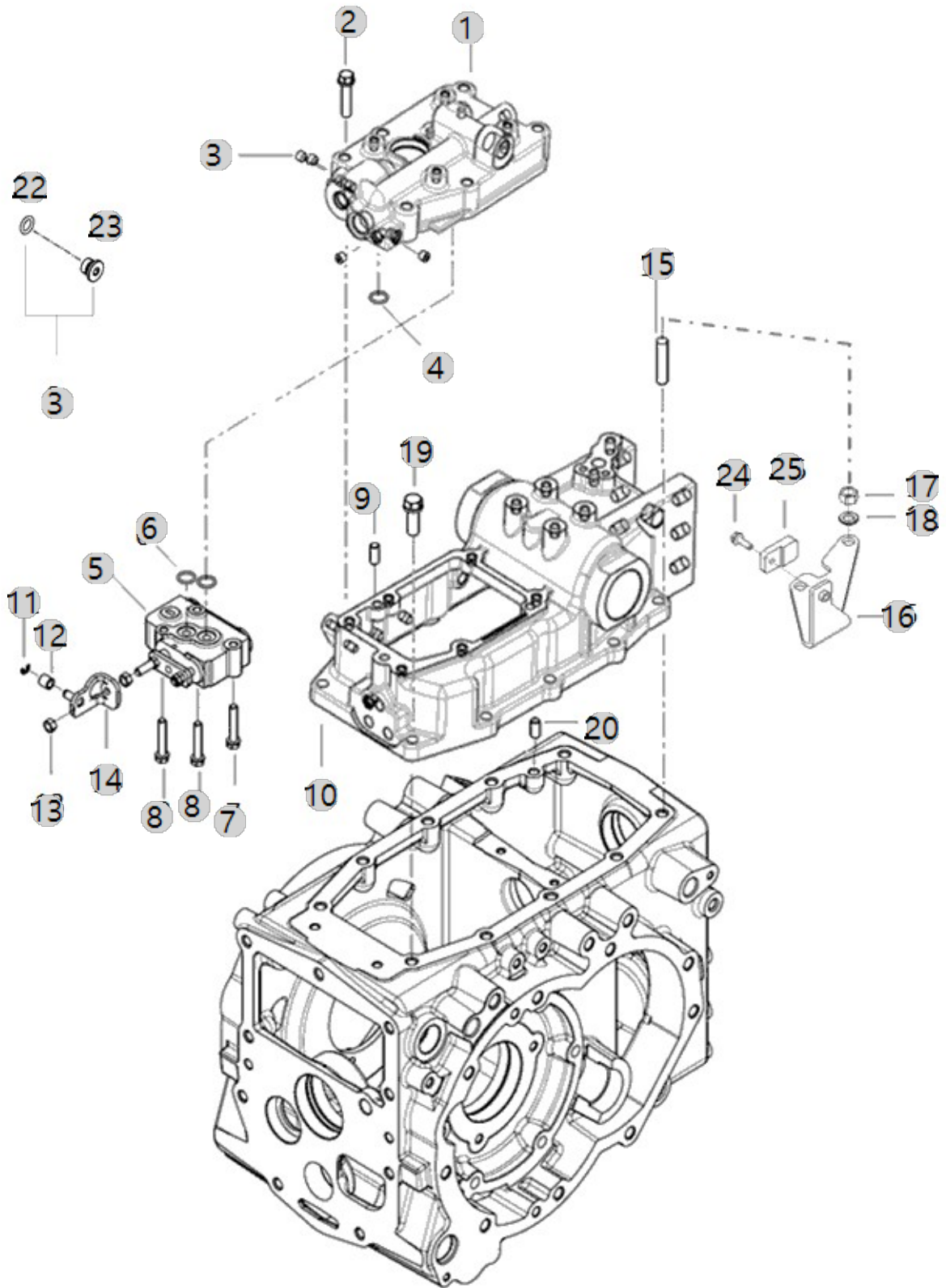
F10010

BRANSON 15H
TM_US_FL(AC01917)

CASE, HYD CYLINDER

Year/Month

2022-12-15



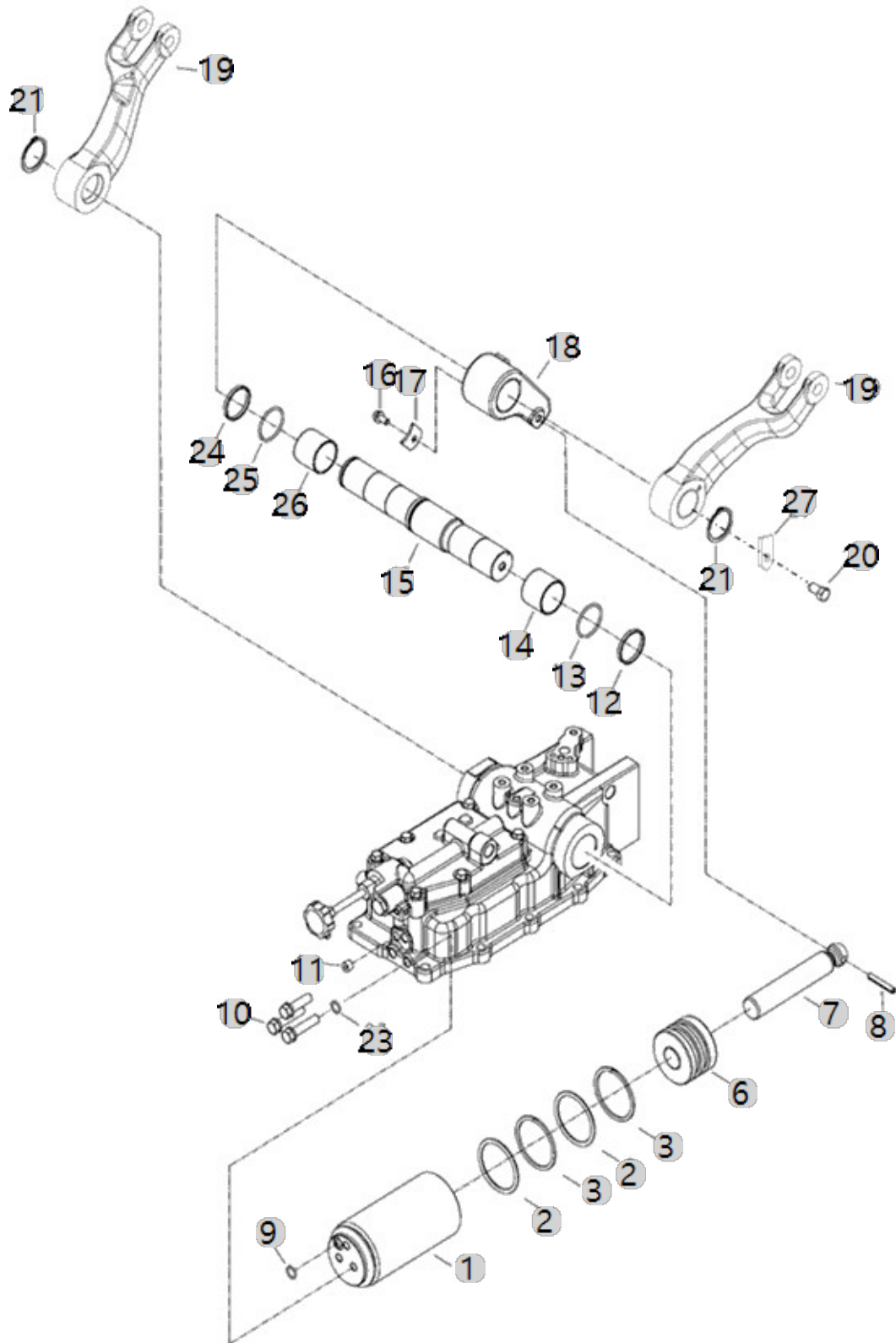
F10020

BRANSON 15H
TM_US_FL(AC01917)

LIFT ARM

Year/Month

2022-12-15



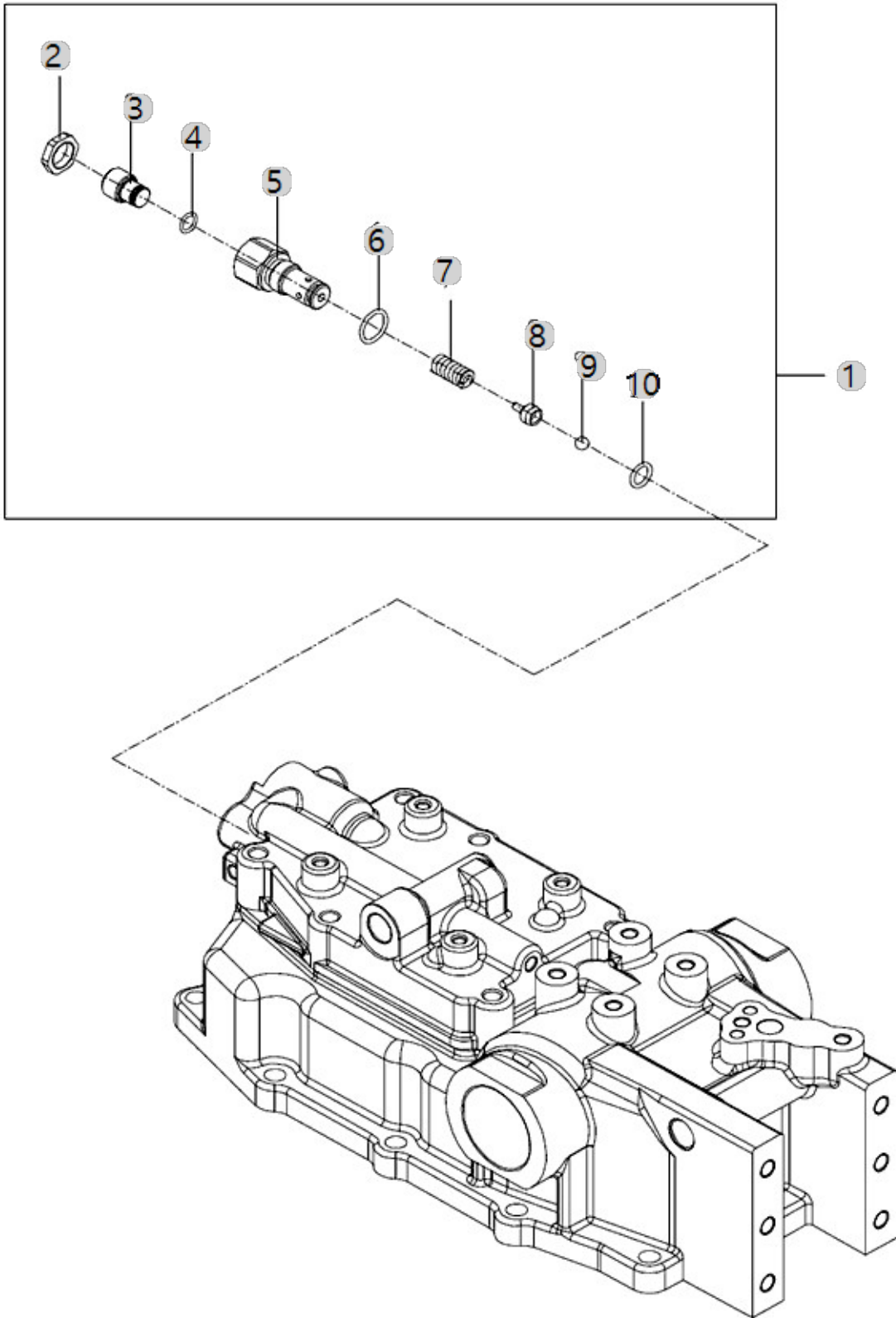
F10030

BRANSON 15H
TM_US_FL(AC01917)

SAFETY VALVE

Year/Month

2022-12-15



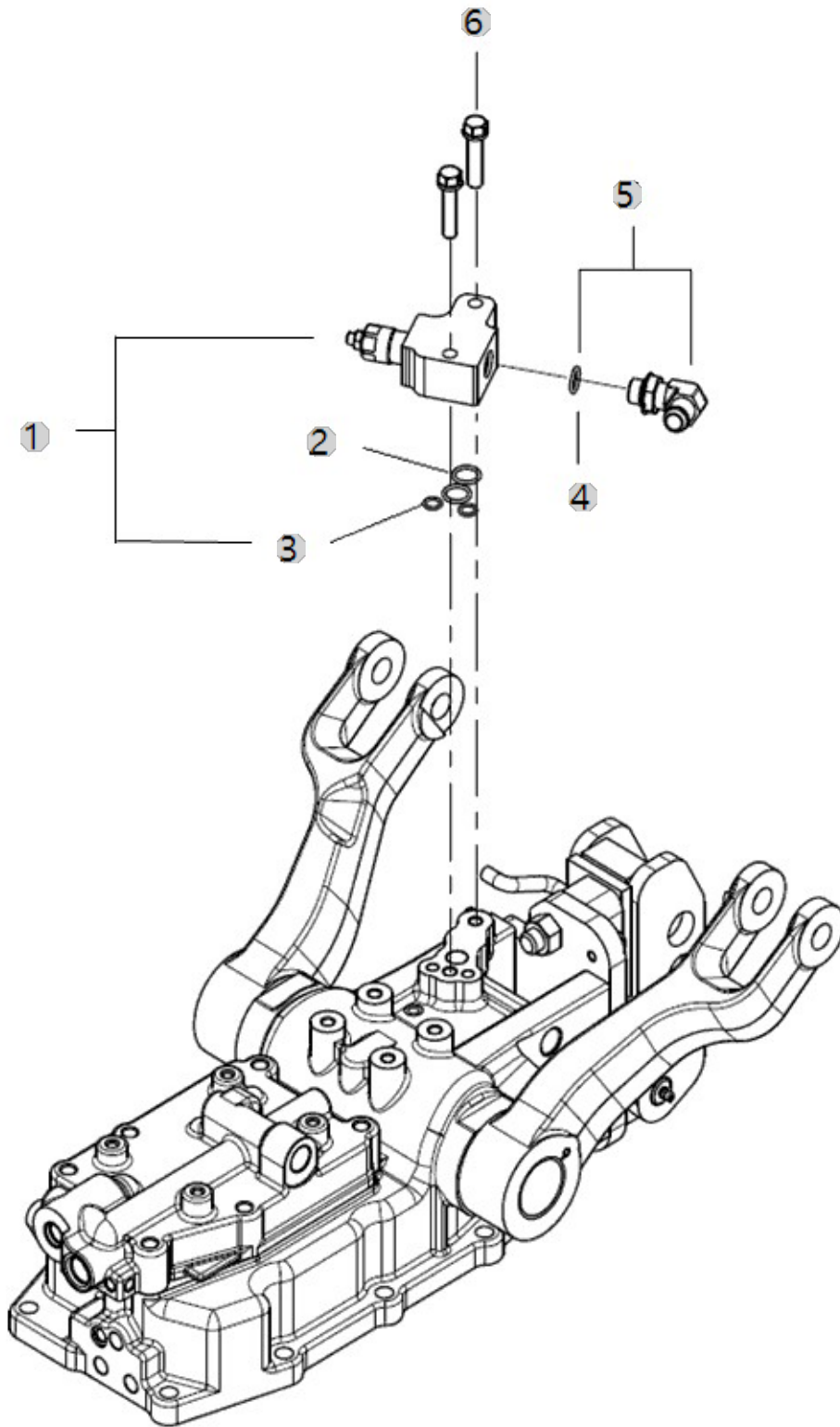
F10031

BRANSON 15H
TM_US_FL(AC01917)

RELIEF VALVE

Year/Month

2022-12-15



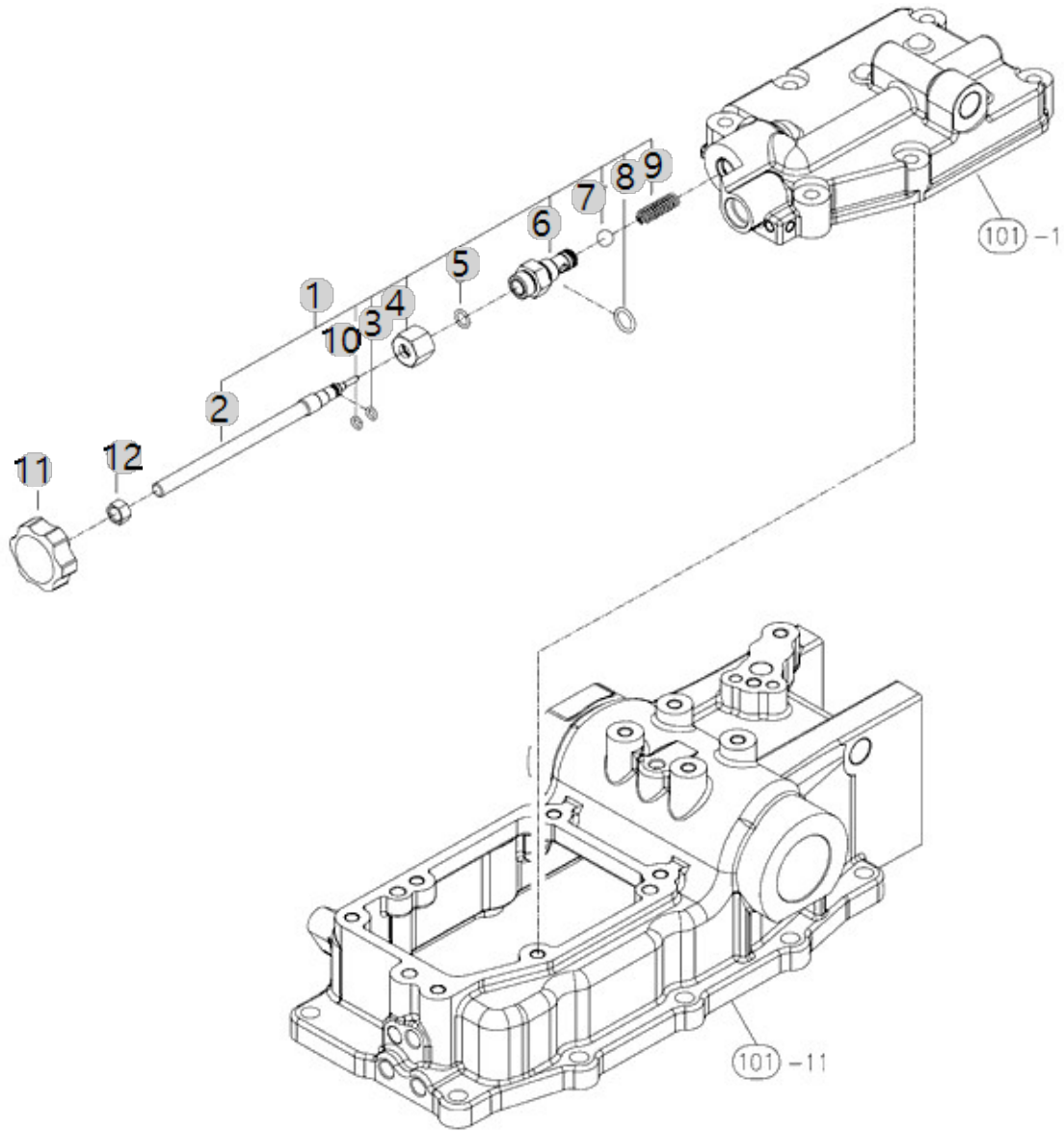
F10040

BRANSON 15H
TM_US_FL(AC01917)

STOP VALVE

Year/Month

2022-12-15



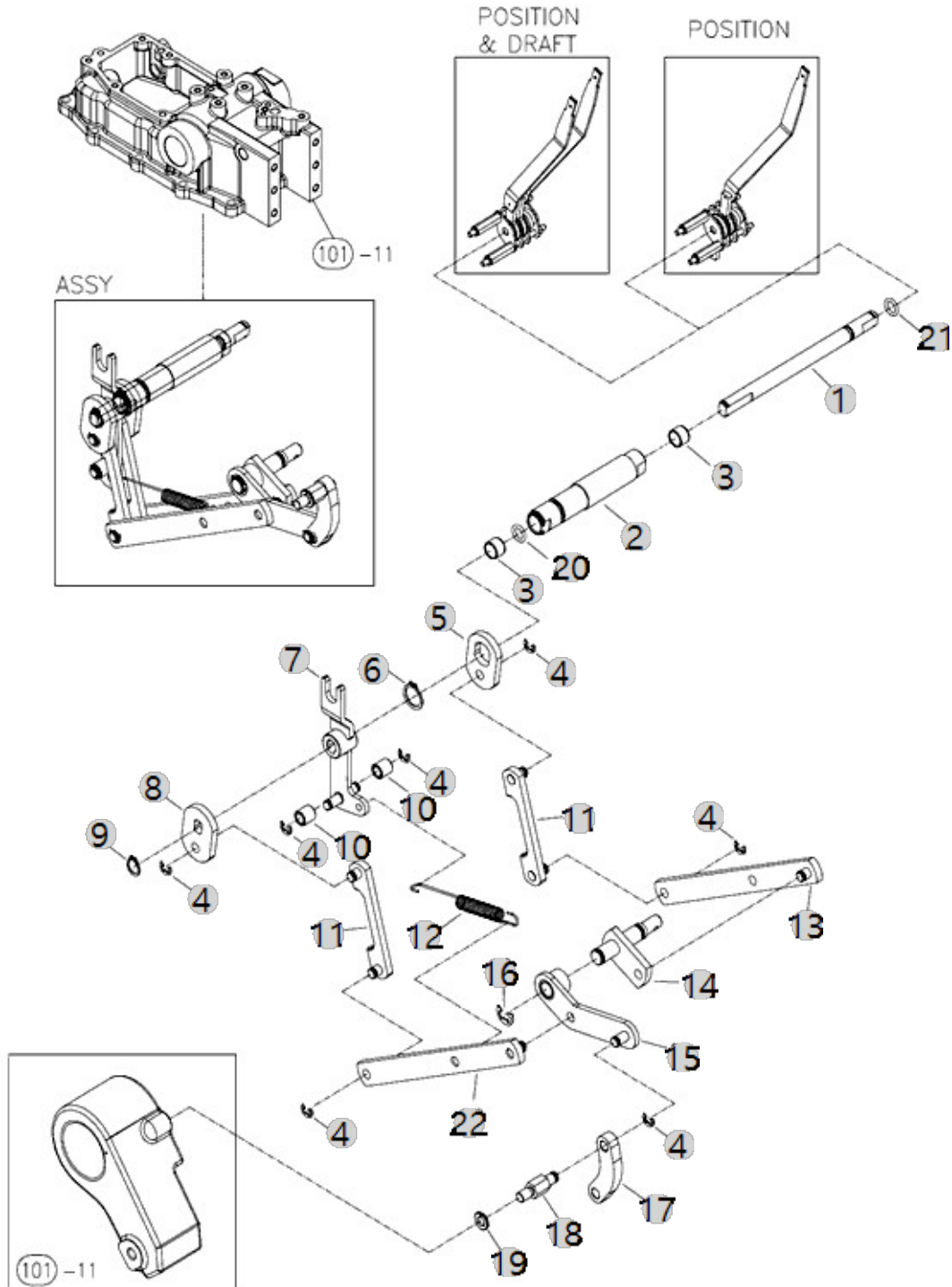
F10061

BRANSON 15H
TM_US_FL(AC01917)

DRAFT/POSITION CONTROL LEVER

Year/Month

2022-12-15



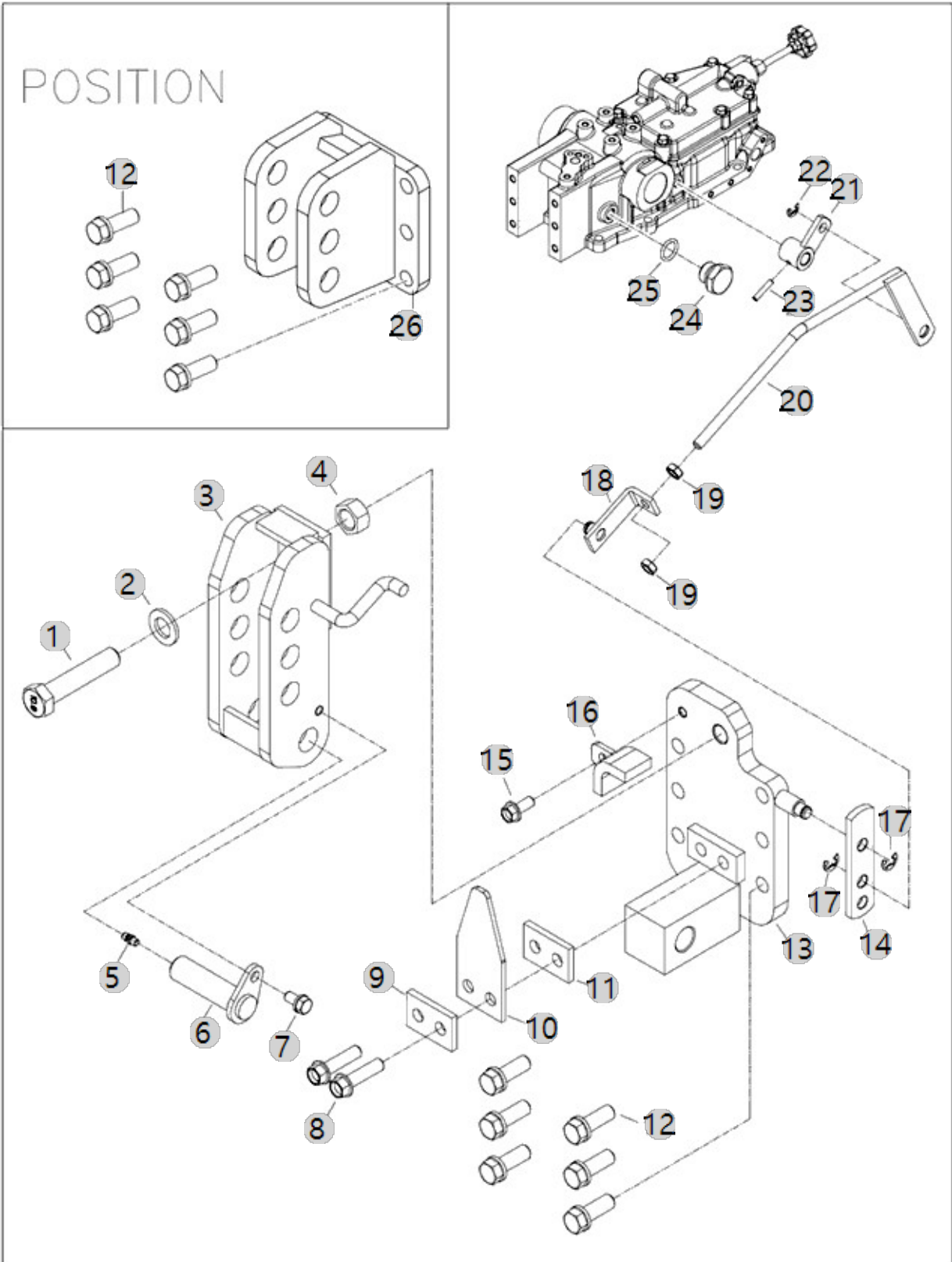
F10063

BRANSON 15H
TM_US_FL(AC01917)

DRAFT CONTROL LEVER

Year/Month

2022-12-15



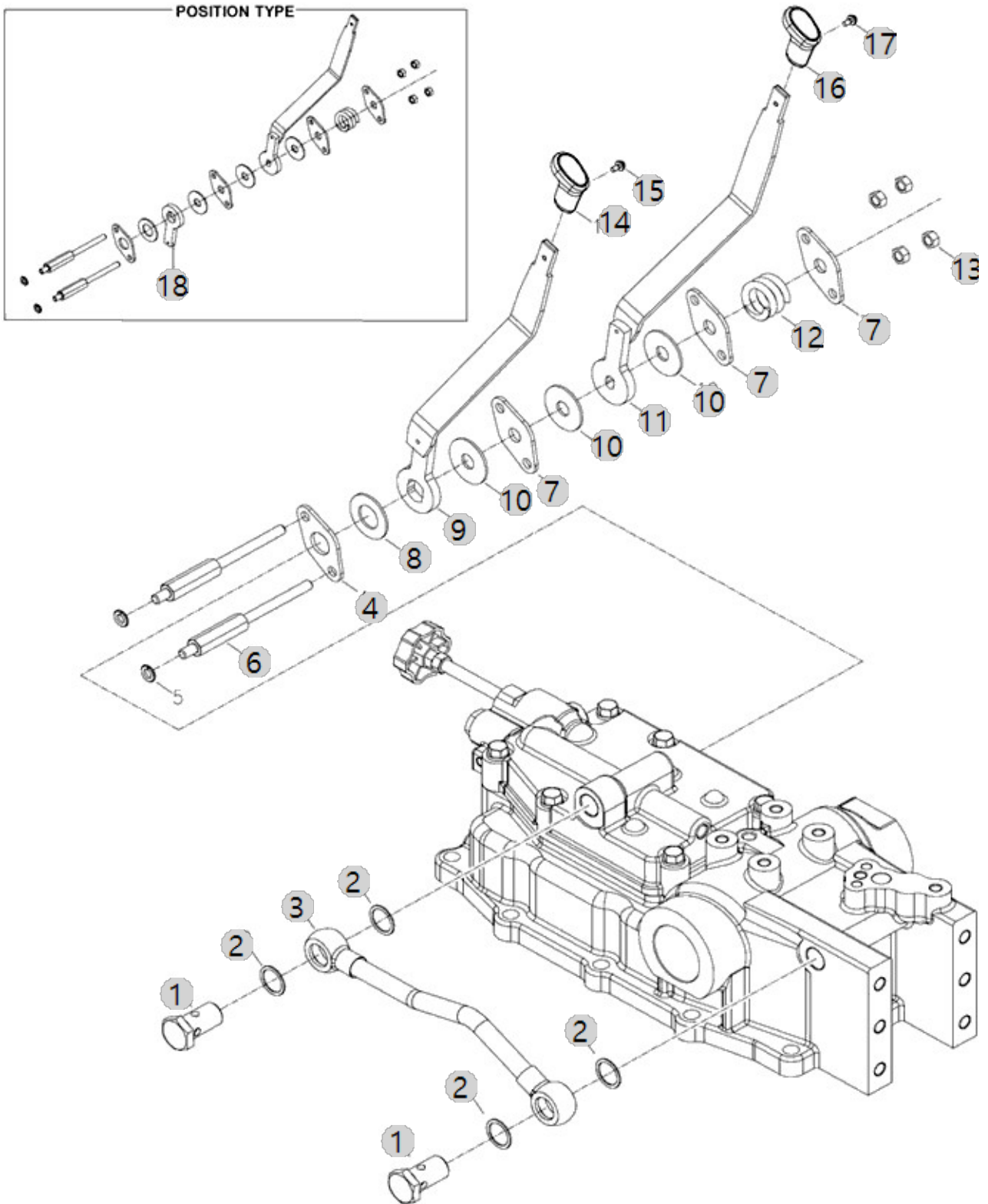
F10064

BRANSON 15H
TM_US_FL(AC01917)

POSITION CONTROL LEVER

Year/Month

2022-12-15



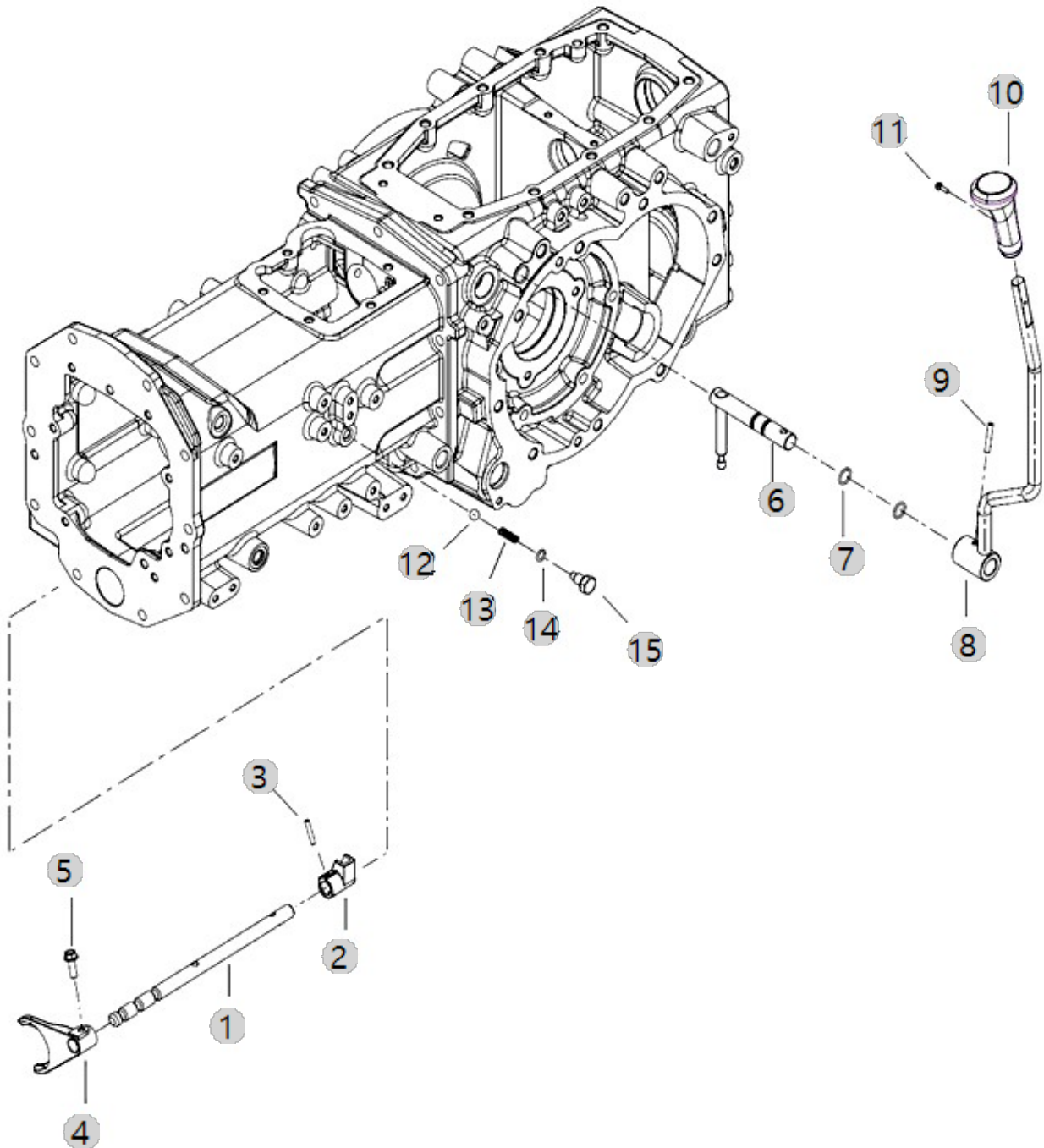
F11020

BRANSON 15H
TM_US_FL(AC01917)

LEVER ASS'Y, RANGE SHIFT

Year/Month

2022-12-15



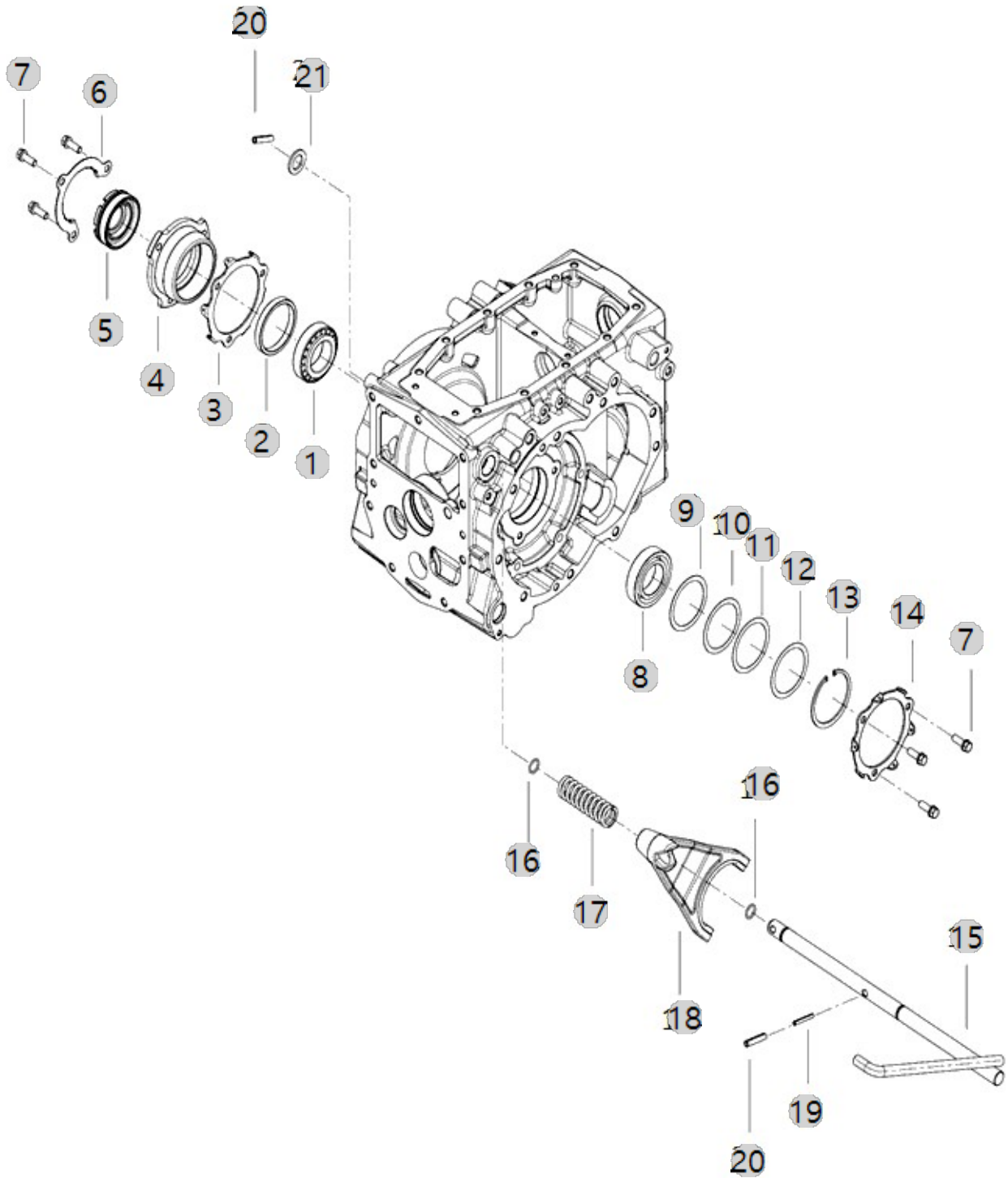
F11060

BRANSON 15H
TM_US_FL(AC01917)

DIFF. LOCK PEDAL

Year/Month

2022-12-15



F11080

BRANSON 15H
TM_US_FL(AC01917)

4WD LEVER

Year/Month

2022-12-15

