

2515H_US_FL(AC02153) TRACTOR

Parts Catalogue



CONTENTS

GROUP NO	GROUP NAME	PAGE
G. ENGINE		
A01_004	CYLINDER BLOCK	5
A02_003	DRIVE PULLY	7
A03_002	CRANK SHAFT PULLEY	9
A04_003	GLOW PLUG ASS'Y OPTION	11
A05_003	CRANK SHAFT ASS'Y OPTION	13
A06_002	BREATHER OPTION	15
A07_003	CAMSHAFT	17
A08_003	ALTERNATOR	19
A09_003	COOLING WATER PUMP	21
A10_004	COOLING FAN SPACER	23
A11_004	INJECTOR	25
A12_005	FUEL INJECTON	27
A13_002	PLUMBING, FUEL	29
A14_001	FUEL FILTER BRACKET	31
A16_018	FUEL FILTER ASS'Y OPTION	33
A17_005	INTAKE MANIFOLD ASS'Y OPTION	35
A18_005	FLYWHEEL	37
A19_005	FLYWHEEL HOUSING	39
A20_009	HEAD, CYLINDER	41
A21_002	HEAD COVER	43
A23_003	TURBOCHARGER SUPPORT ASS'Y OPTION	45
A26_001	COOLER, ENGINE OIL	47
A27_004	OIL PAN ASS'Y OPTION	49
A28_001	PUMP, LUBRICATING OIL	51
A29_005	FILTER, LUBRICATING OIL	53
A30_003	FRONT GEAR ACCESSORY DRIVE	55
A31_003	PISTON	57
A32_002	LEVER, LOCKER	59
A33_007	EXHAUST MANIFOLD	61
A34_005	SILENCER	63
A35_002	IDLE GEAR	65
A36_002	COVER, FRONT GEAR	67
A38_004	GAUGE, OIL LEVEL	69
A39_001	OIL FILLER CAP	71

CONTENTS

GROUP NO	GROUP NAME	PAGE
G. ENGINE		
A40_003	LIFT ASS'Y OPTION	73
A42_003	MOTER, STARTIONS	75
A48_003	V-BELT	77
B. ENGINE ACCESSORIES		
B01010	FUEL TANK	79
B02020	RADIATOR	81
B03010	AIR CLEANER	83
B05011	LEVER ACCELERATOR	85
C. CLUTCH, BREAK, LEVER		
C02010	BRAKE PEDAL	87
C02050	PARKING BRAKE	89
C03010	HYD SHIFT TRANSMISSION PEDAL	91
D. HYDRAULIC		
D01010-A	HYD PUMP	93
D01020-A	LOW PRESSURE PIPE	95
D01040	HYD FILTER	97
D02010	STEERING COLUMN	99
D02030	P.S.T HOSE	101
D02040	P.S.T CYLINDER	103
D03010	OIL COOLER	105
E. FRONT AXLE		
E01010	FRONT AXLE CASE	107
E01013	SPACER	109
E01030	GEAR CASE, FRONT AXLE	111
E01070	FRONT DRIVE SHAFT	113
E01080	TIE ROD	115
F. TRANSMISSION		
F01010-A	CLUTCH HOUSING	117
F01020	TRANSMISSION CASE	119
F01030	REAR AXLE HOUSING	121
F01050	HYD SHIFT TRANSMISSION HOUSING	123
F03040	RANGE SHIFT DRIVE SHAFT	125
F04010	FRONT DRIVE SHAFT	127
F05020	RING GEAR&DIFF.GEAR ASS'Y	129

CONTENTS

GROUP NO	GROUP NAME	PAGE
F. TRANSMISSION		
F05020	RING GEAR&DIFF.GEAR ASS'Y	131
F06030	BRAKE	133
F07030	PTO DRIVE SHAFT	135
F07070	MAIN P.T.O SHAFT	137
F08060	FORK, PTO SHIFT	139
F10010	CASE, HYD CYLINDER	141
F10020	LIFT ARM	143
F10030	SAFETY VALVE	145
F10031	RELIEF VALVE	147
F10040	STOP VALVE	149
F10061	DRAFT/POSITION CONTROL LEVER	151
F10063	DRAFT CONTROL LEVER	153
F10064	POSITION CONTROL LEVER	155
F11020	LEVER ASS'Y, RANGE SHIFT	157
F11060	DIFF. LOCK PEDAL	159
F11080	4WD LEVER	161
G. SHEET METAL, CABIN		
G01020	BONNET	163
G01040	LOCKING ASS'Y, BONNET	165
G01060-A	BONNET SUPPORT	167
G01062	FIXED BRACKET, BONNET	169
G01080	FRONT AXLE BRACKET	171
G04060	FOOT REST ASS'Y	173
G04070	SEAT	175
G04090	FENDER	177
G04120	ROPS FRAME ASS'Y	179
G05020	TOP LINK	181
G05030	LOWER LINK	183
G05050	LIFT LINK	185
G05070	DRAWBAR HITCH	187
G05090	SIDE COVER	189
G06010	TOOL BOX & CUP HOLDER	191
H. ELECTRICALS, HARNESS		
H01030	BATTERY	193

CONTENTS

GROUP NO	GROUP NAME	PAGE
H. ELECTRICALS, HARNESS		
H03000	ELE'C WIRING	195
H04051	SWITCH/DASHBOARD	197
H04070	CONTROLLER	199
I. WEIGHT, TOOLS, TIRE		
I03000	NAME PLATE	201
I06010	SUN VISOR(OPTION)	203

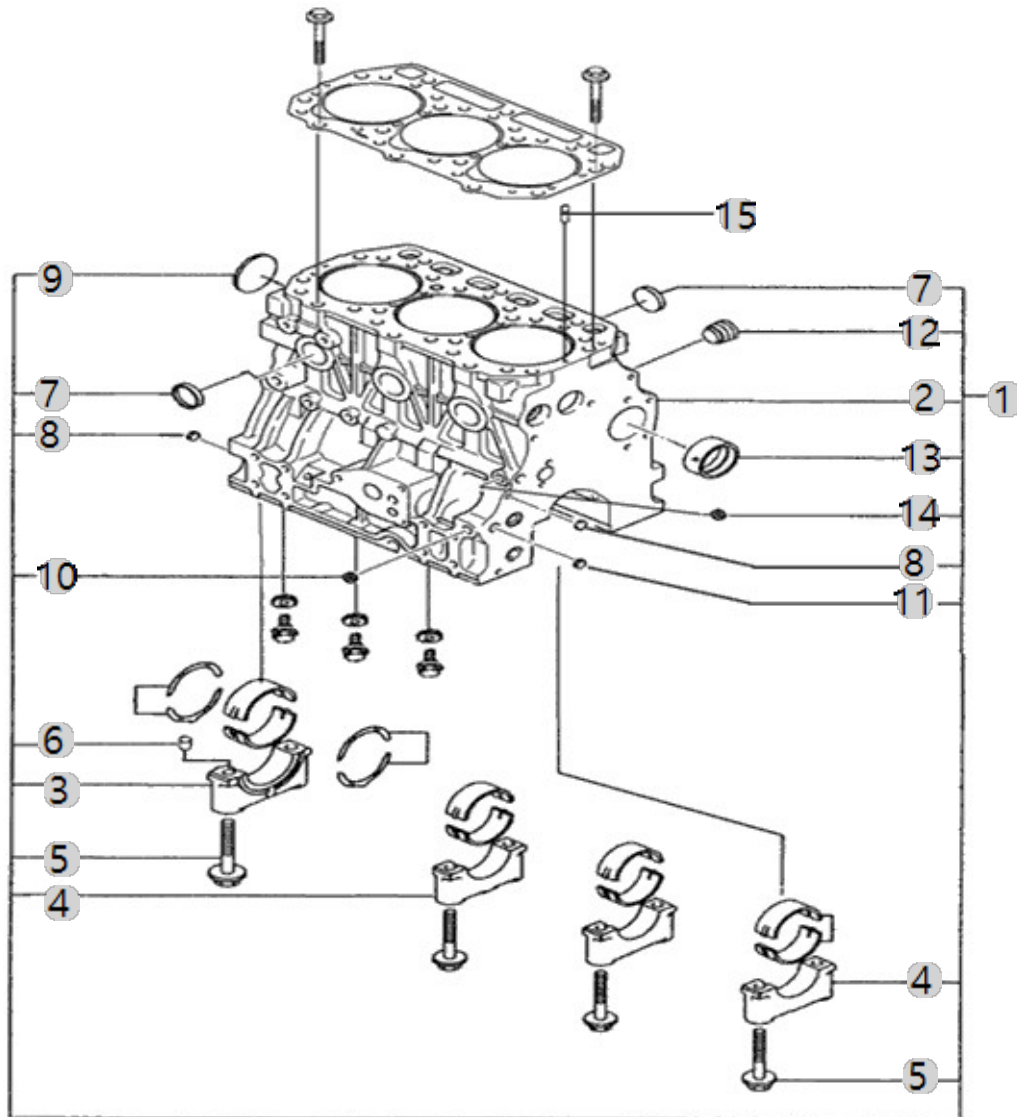
A01_004

A1700N6-UTR_3
(AB00315)

CYLINDER BLOCK

Year/Month

2022-12-14



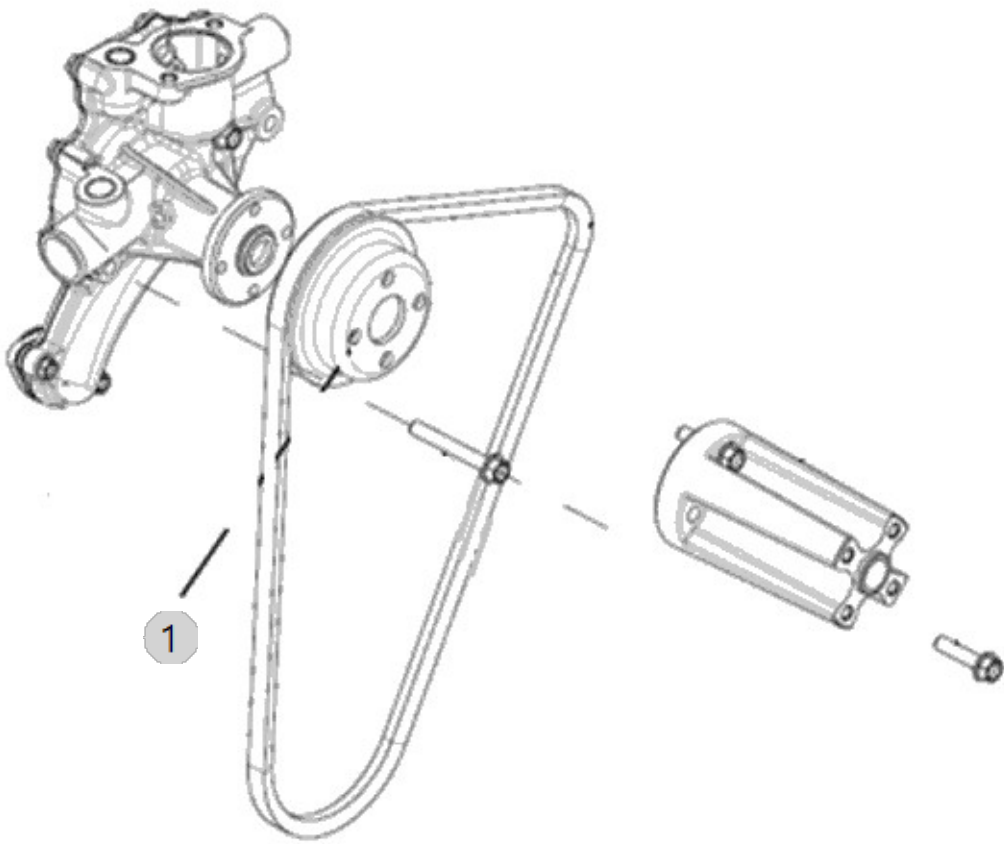
A02_003

A1700N6-UTR_3
(AB00315)

DRIVE PULLEY

Year/Month

2022-12-14



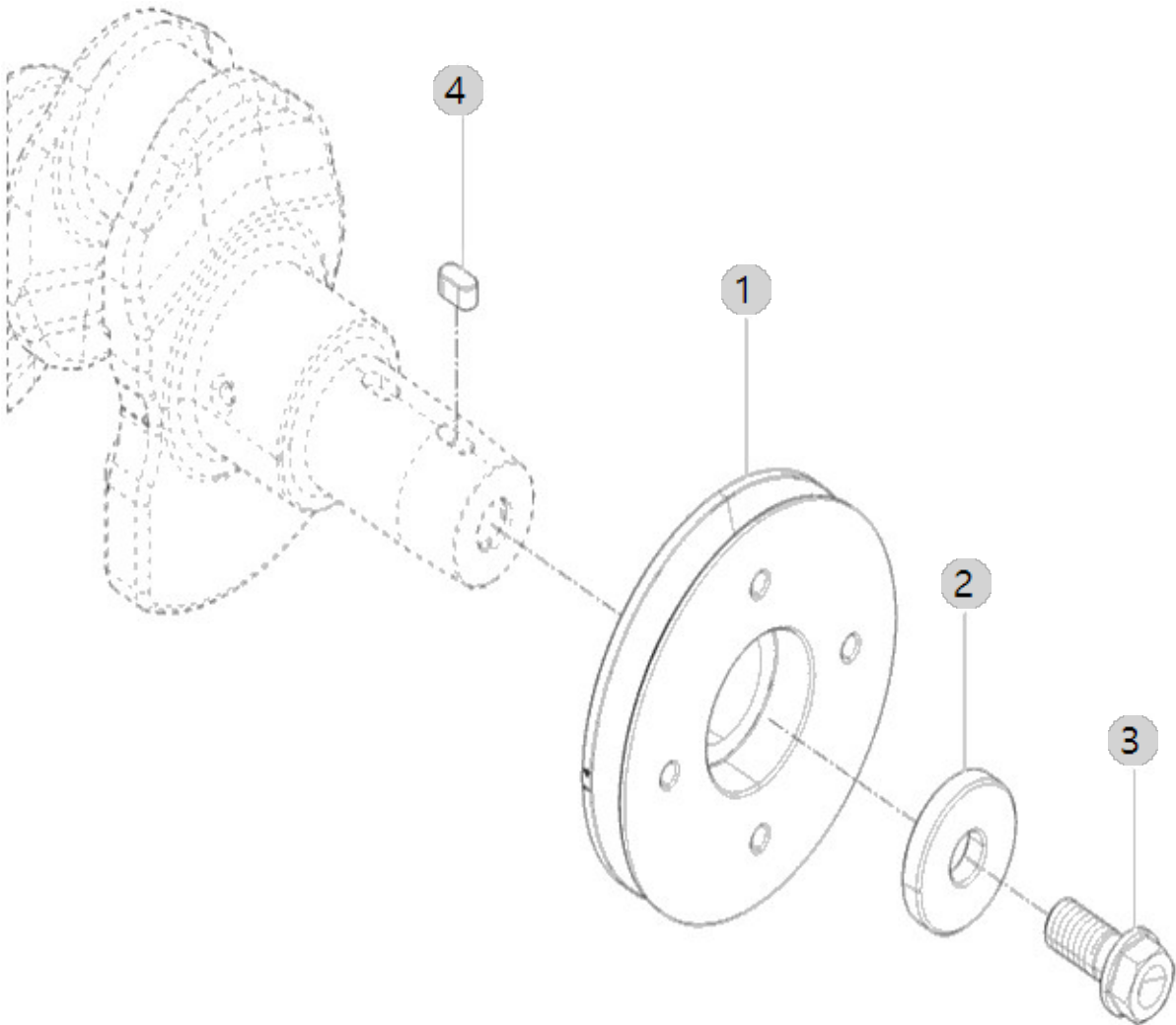
A03_002

A1700N6-UTR_3
(AB00315)

CRANK SHAFT PULLEY

Year/Month

2022-12-14



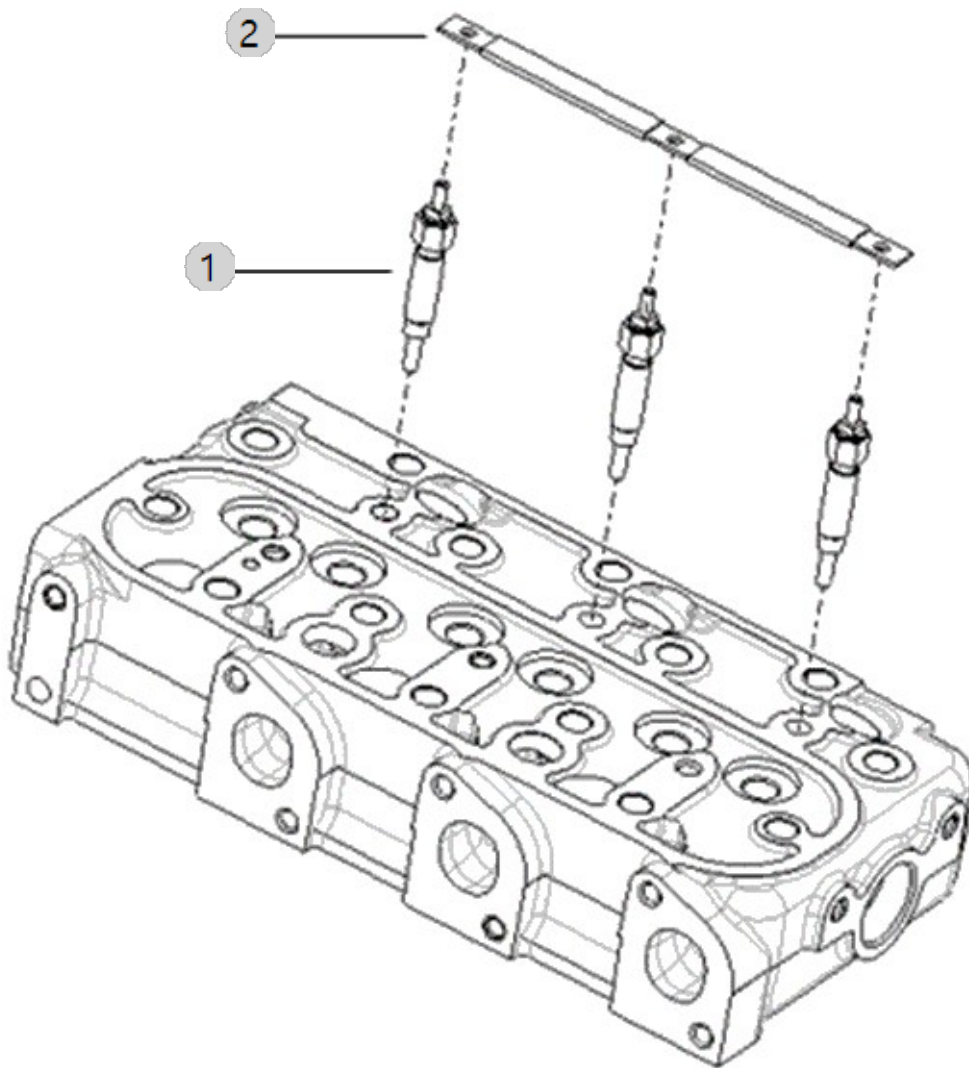
A04_003

A1700N6-UTR_3
(AB00315)

GLOW PLUG ASS'Y OPTION

Year/Month

2022-12-14



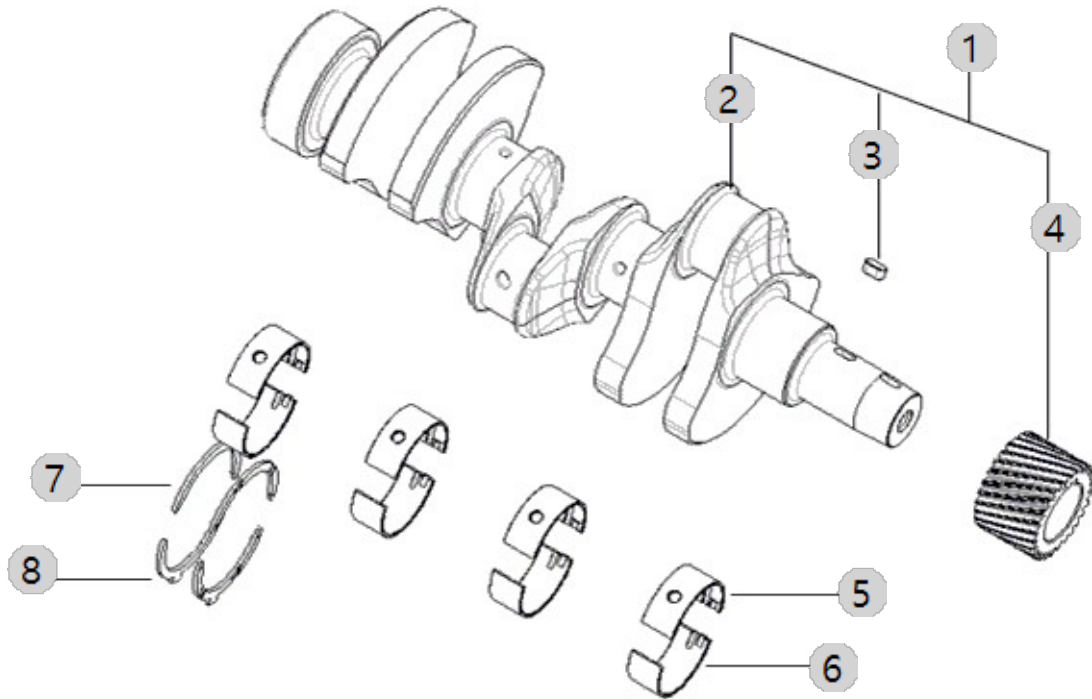
A05_003

A1700N6-UTR_3
(AB00315)

CRANK SHAFT ASS'Y OPTION

Year/Month

2022-12-14



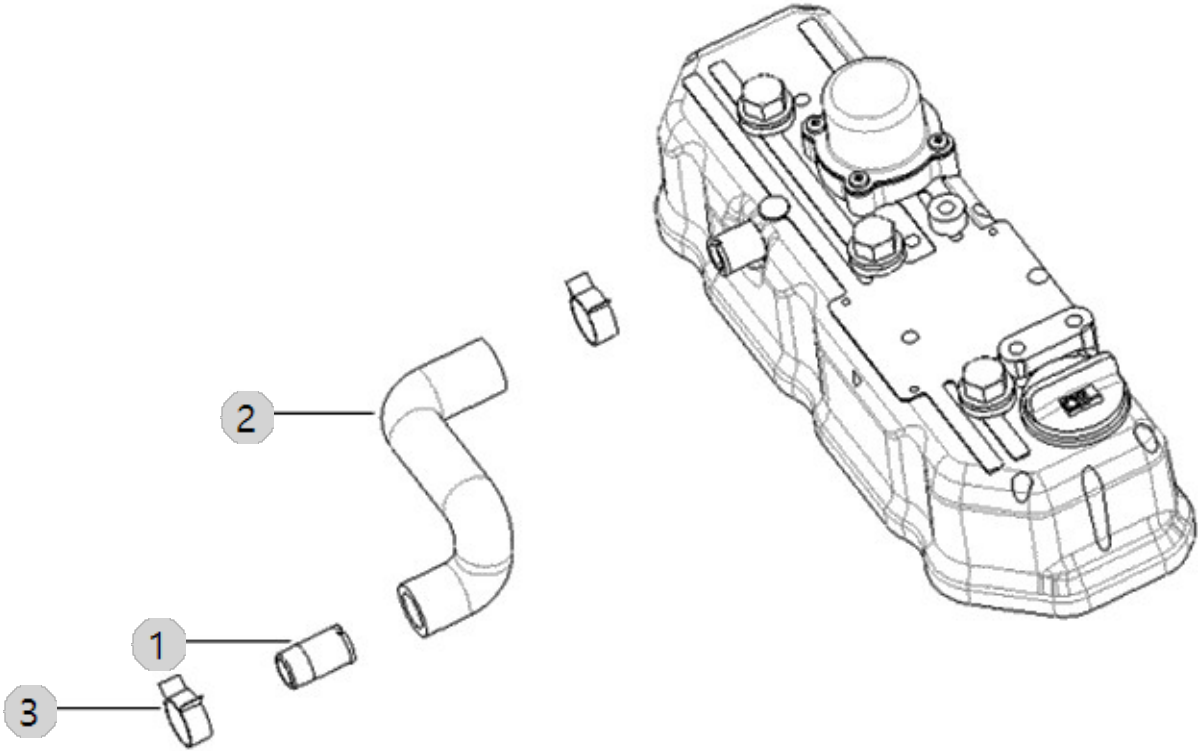
A06_002

A1700N6-UTR_3
(AB00315)

BREATHER OPTION

Year/Month

2022-12-14



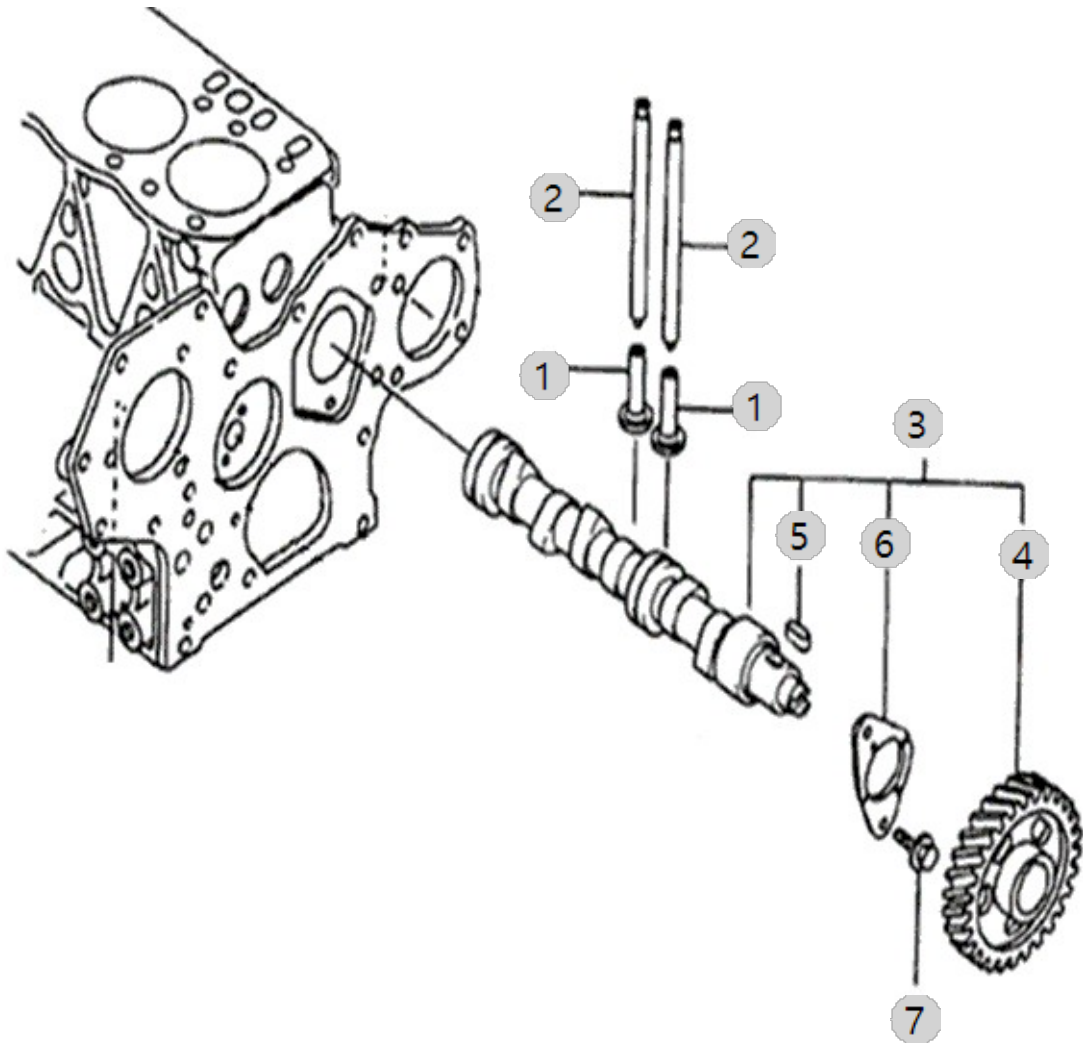
A07_003

A1700N6-UTR_3
(AB00315)

CAMSHAFT

Year/Month

2022-12-14



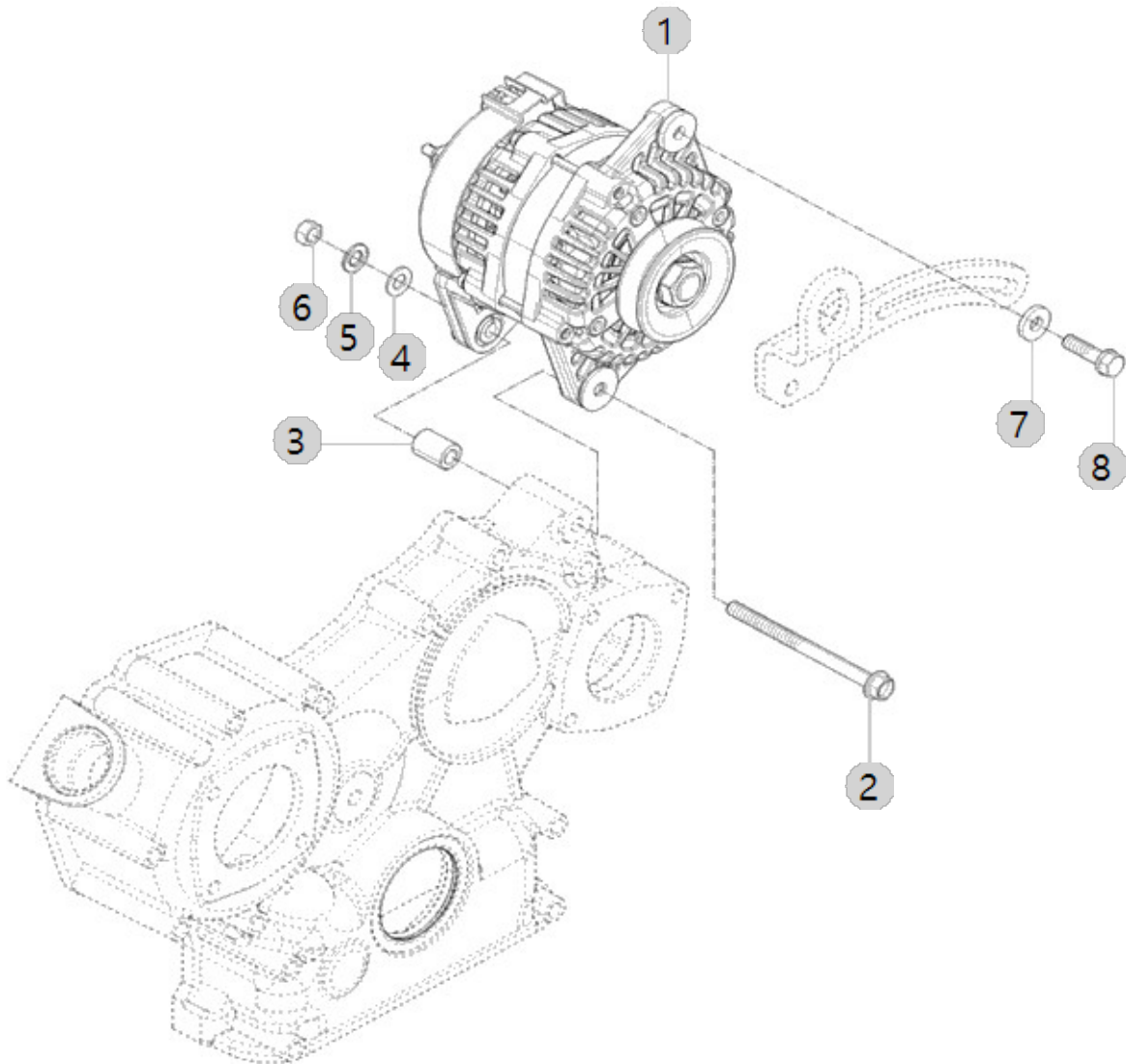
A08_003

A1700N6-UTR_3
(AB00315)

ALTERNATOR

Year/Month

2022-12-14



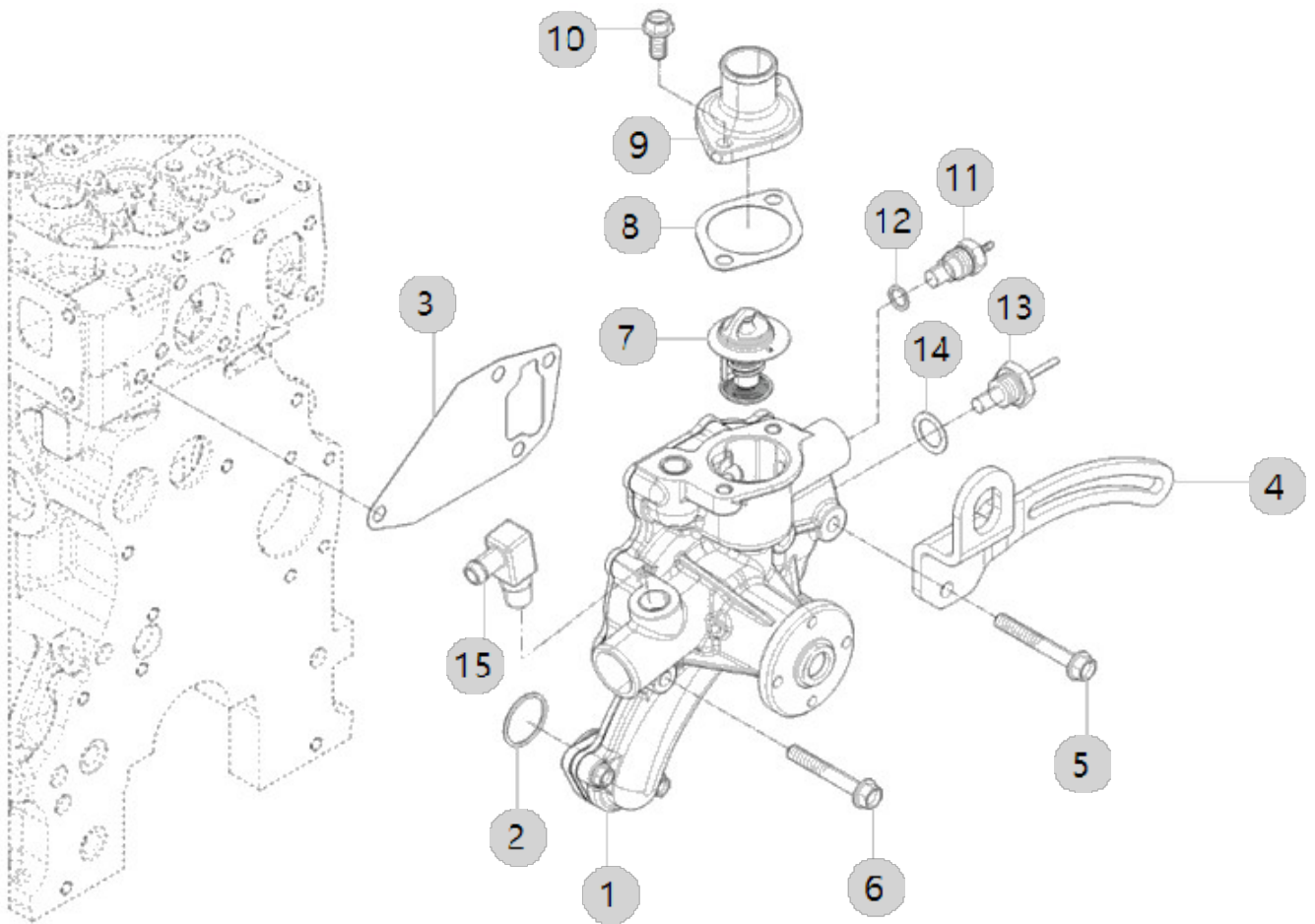
A09_003

A1700N6-UTR_3
(AB00315)

COOLING WATER PUMP

Year/Month

2022-12-14



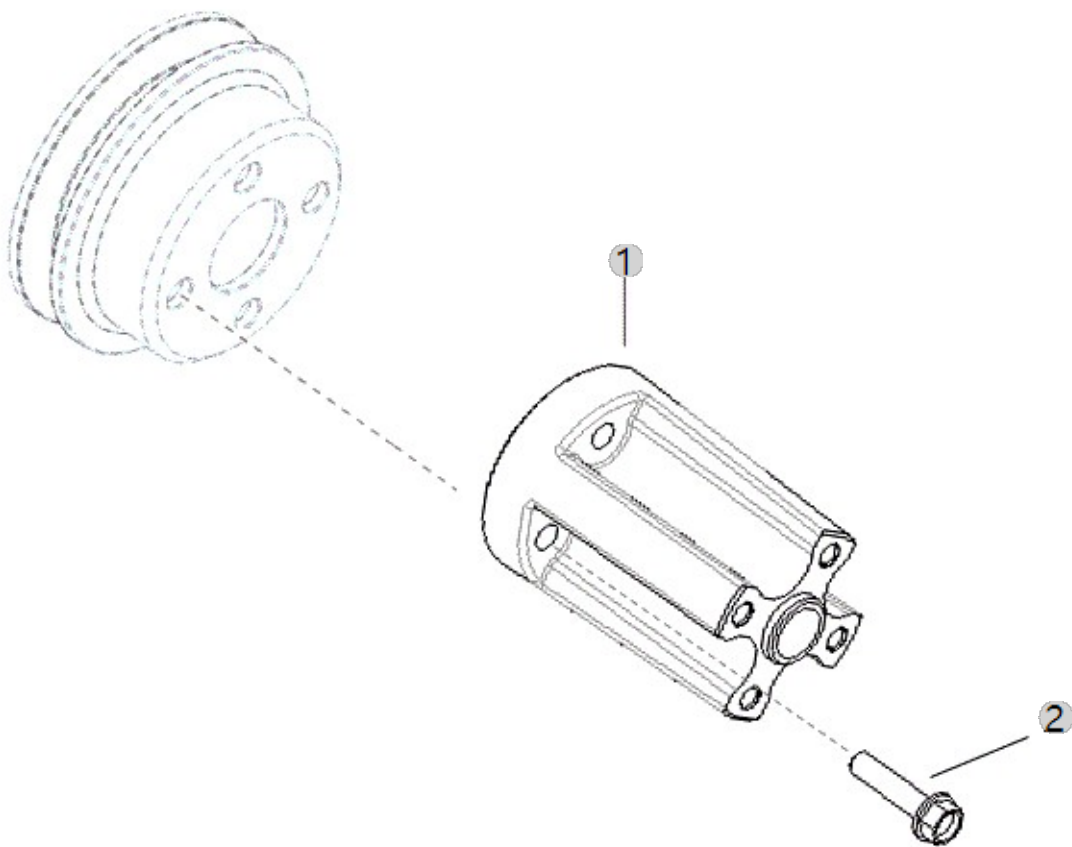
A10_004

A1700N6-UTR_3
(AB00315)

COOLING FAN SPACER

Year/Month

2022-12-14



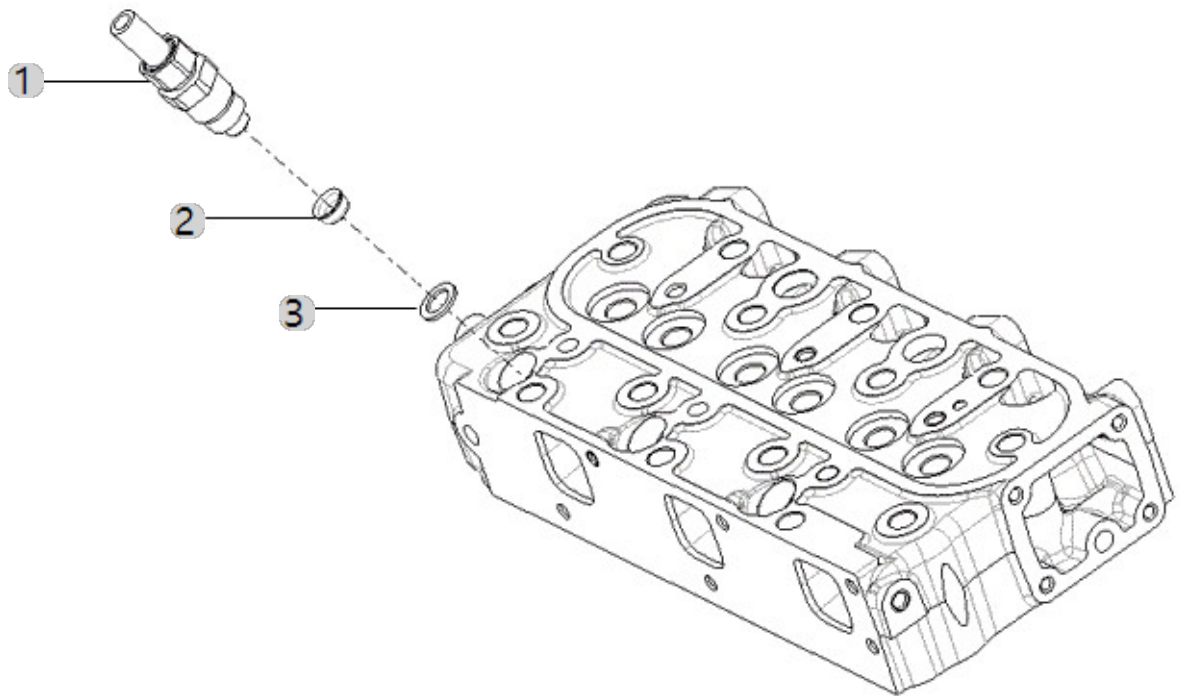
A11_004

A1700N6-UTR_3
(AB00315)

INJECTOR

Year/Month

2022-12-14



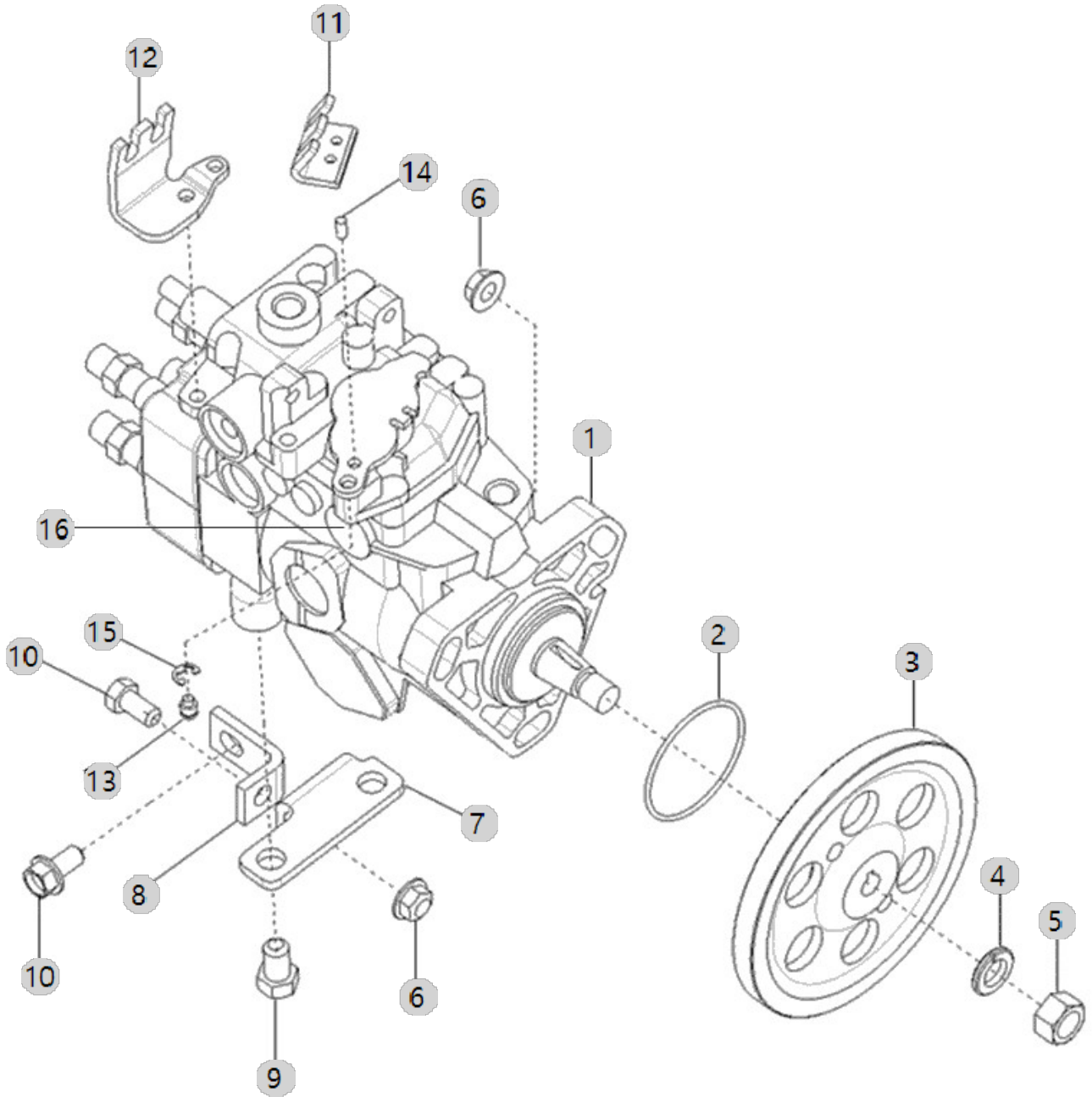
A12_005

A1700N6-UTR_3
(AB00315)

FUEL INJECTOR

Year/Month

2022-12-14



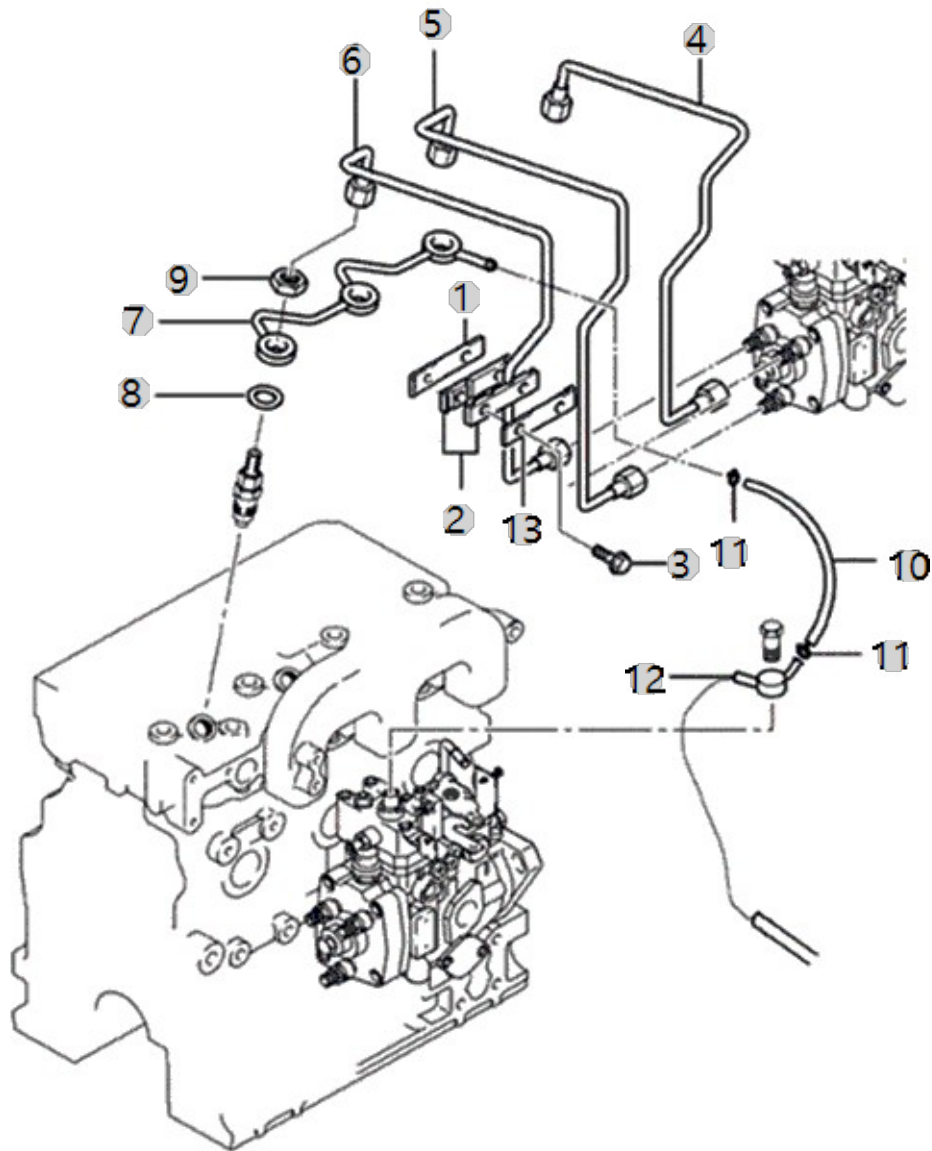
A13_002

A1700N6-UTR_3
(AB00315)

PLUMBING, FUEL

Year/Month

2022-12-14



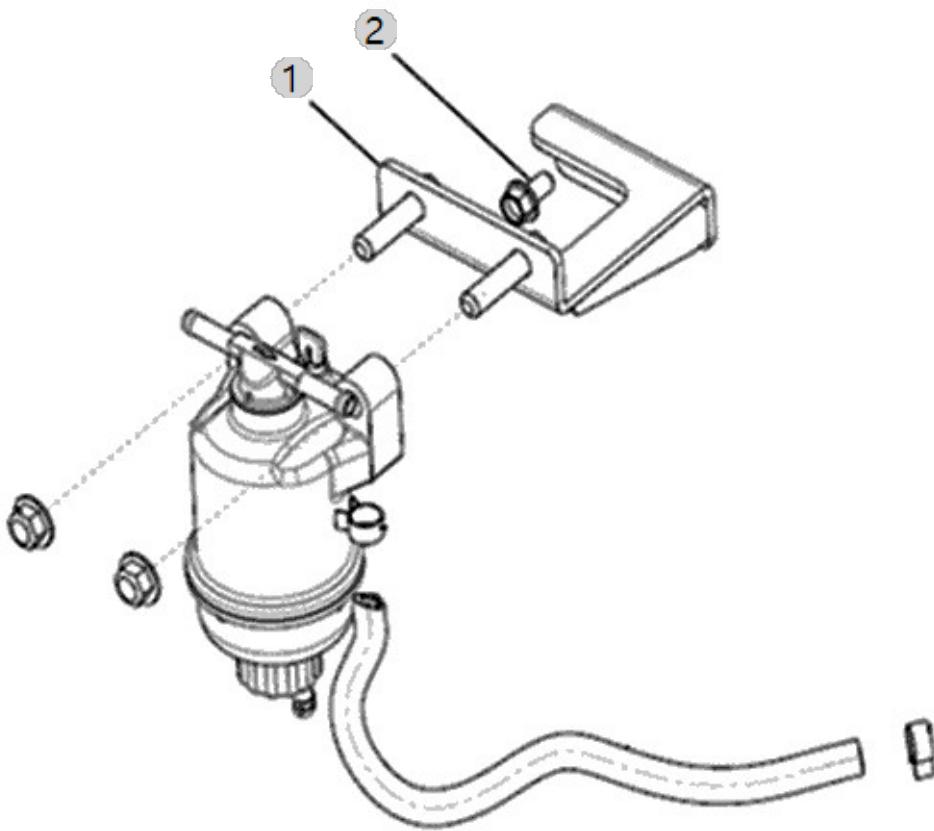
A14_001

A1700N6-UTR_3
(AB00315)

FUEL FILTER BRACKET

Year/Month

2022-12-14



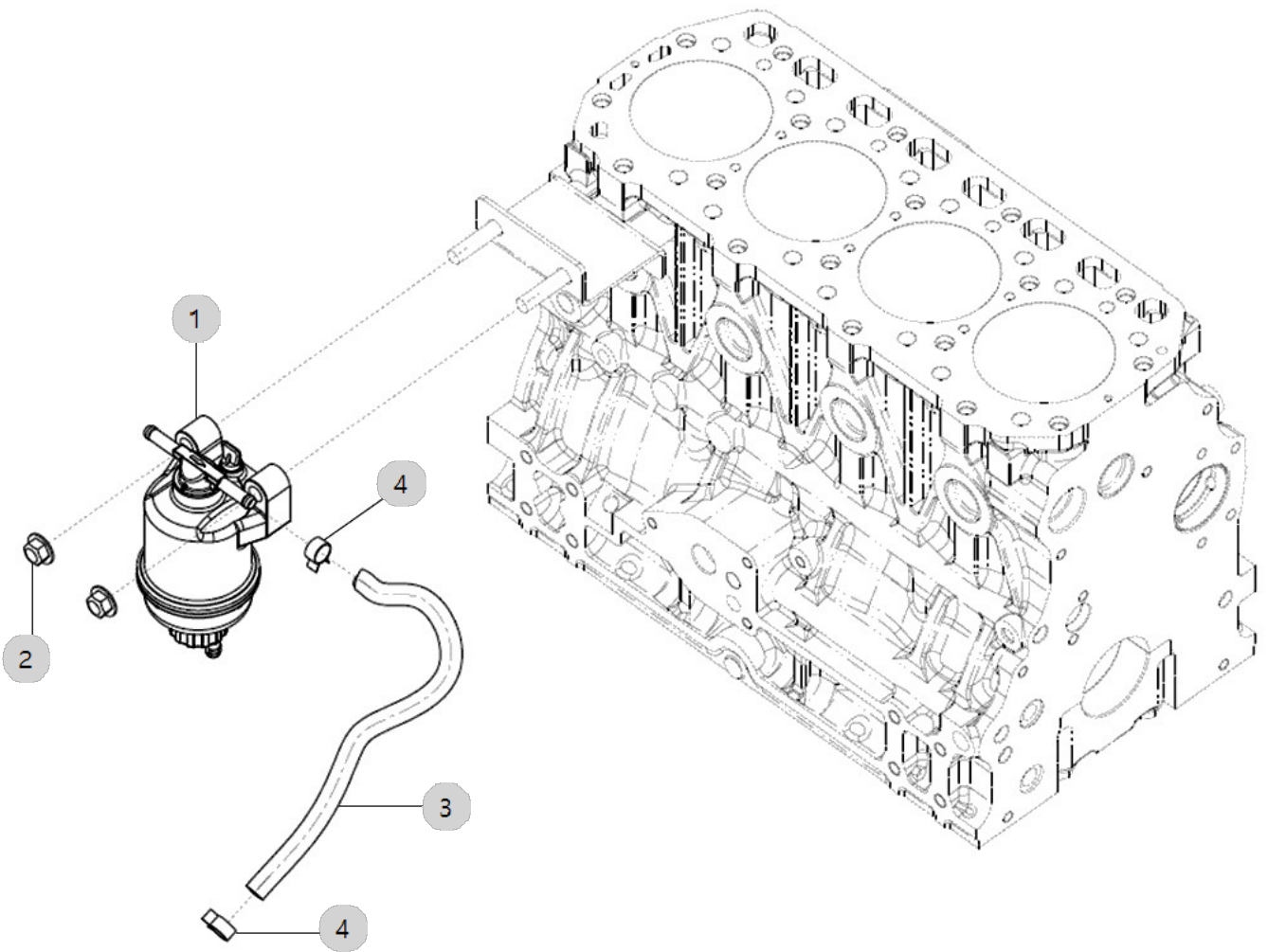
A16_018

A1700N6-UTR_3
(AB00315)

FUEL FILTER ASS'Y OPTION

Year/Month

2022-12-14



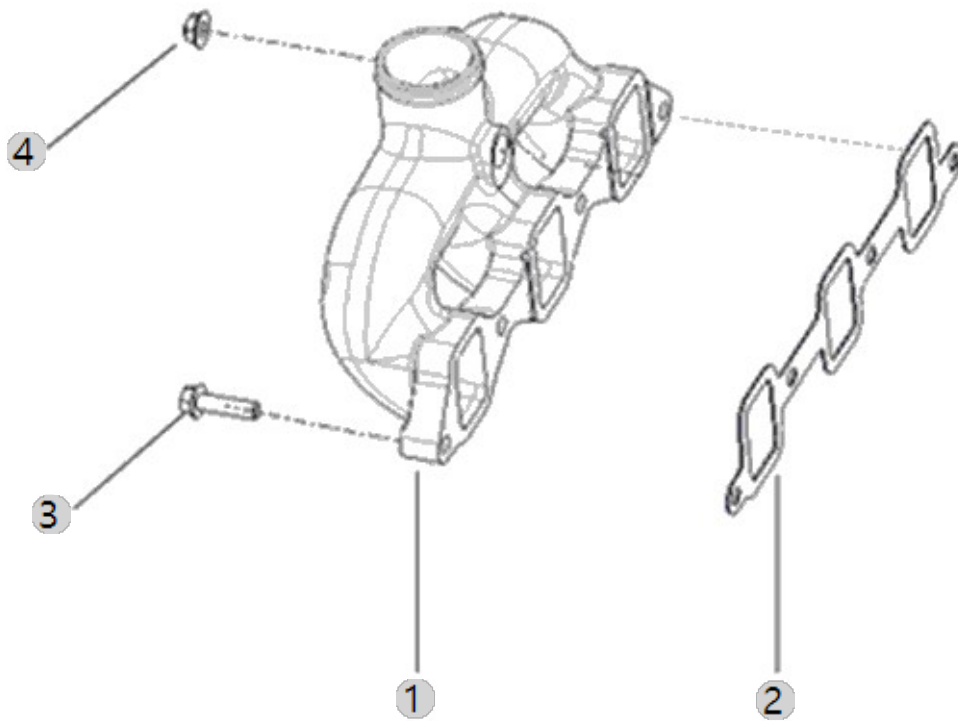
A17_005

A1700N6-UTR_3
(AB00315)

INTAKE MANIFOLD ASS'Y OPTION

Year/Month

2022-12-14



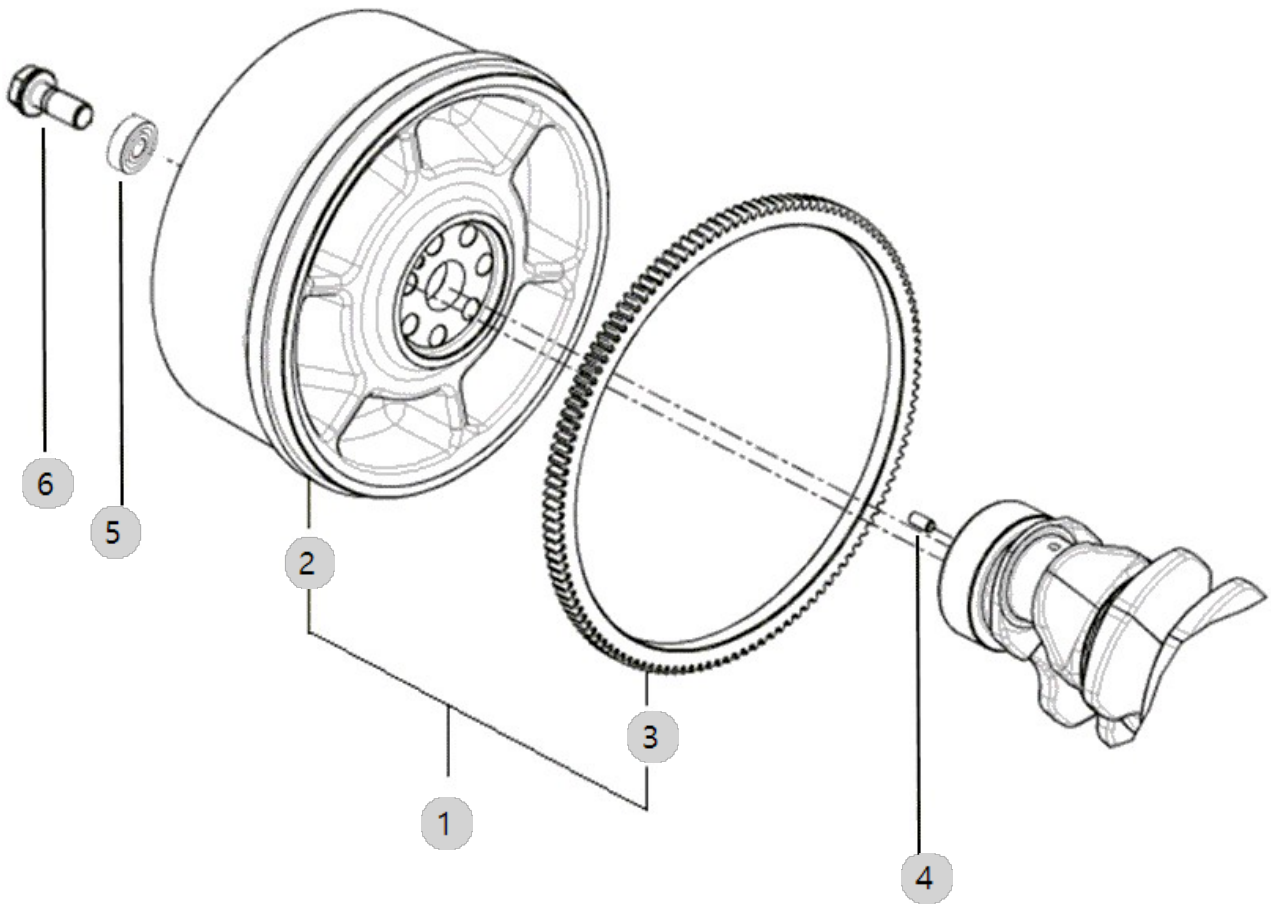
A18_005

A1700N6-UTR_3
(AB00315)

FLYWHEEL

Year/Month

2022-12-14



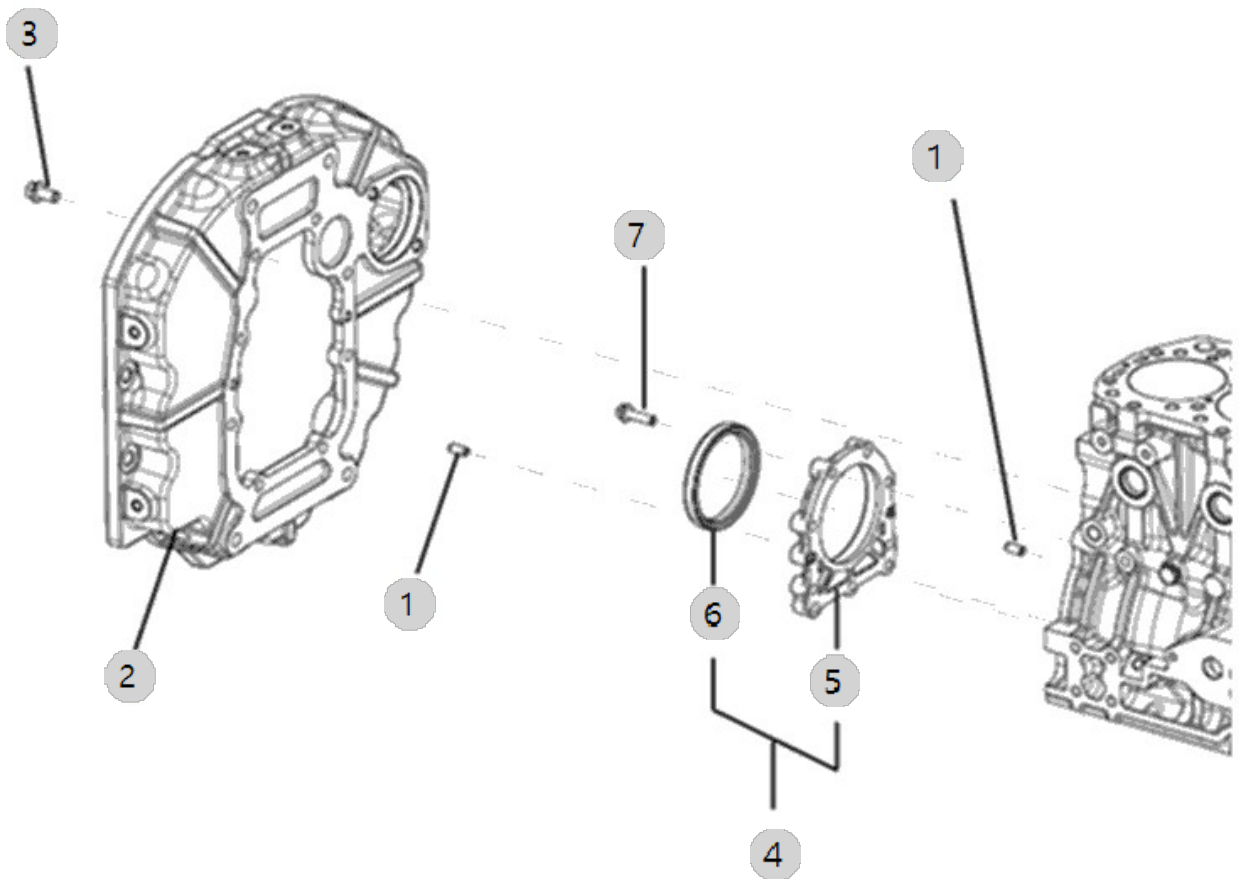
A19_005

A1700N6-UTR_3
(AB00315)

FLYWHEEL HOUSING

Year/Month

2022-12-14



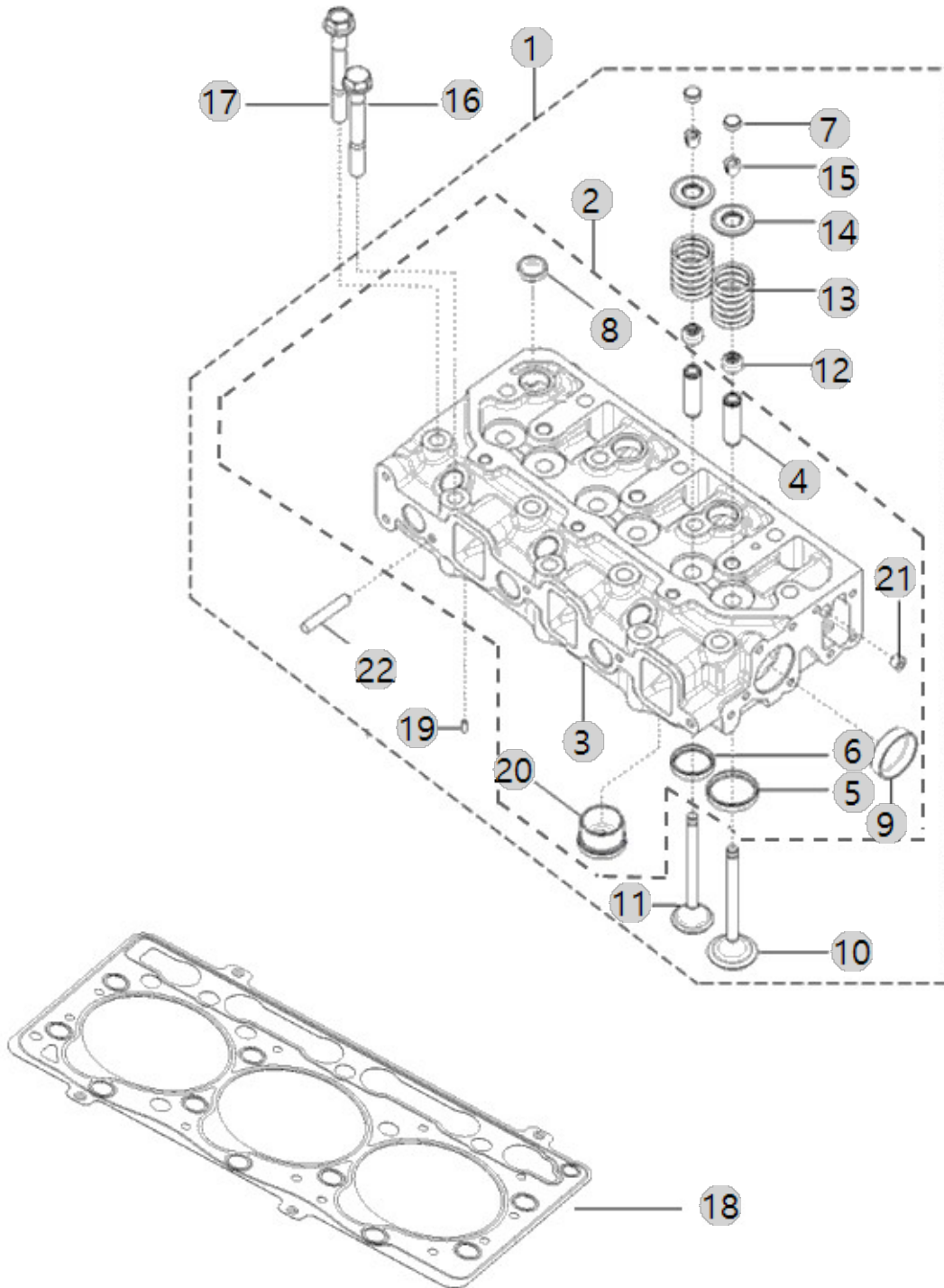
A20_009

A1700N6-UTR_3
(AB00315)

HEAD, CYLINDER

Year/Month

2022-12-14



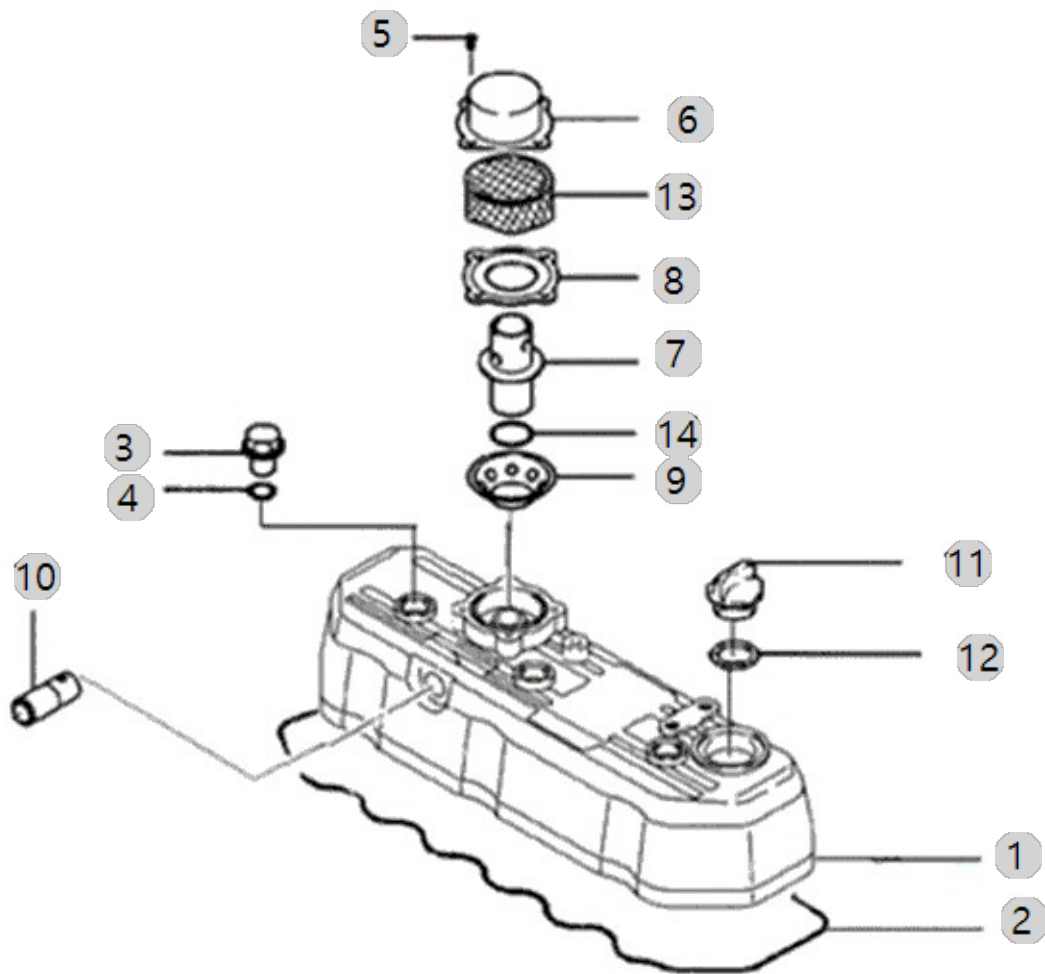
A21_002

A1700N6-UTR_3
(AB00315)

HEAD COVER

Year/Month

2022-12-14



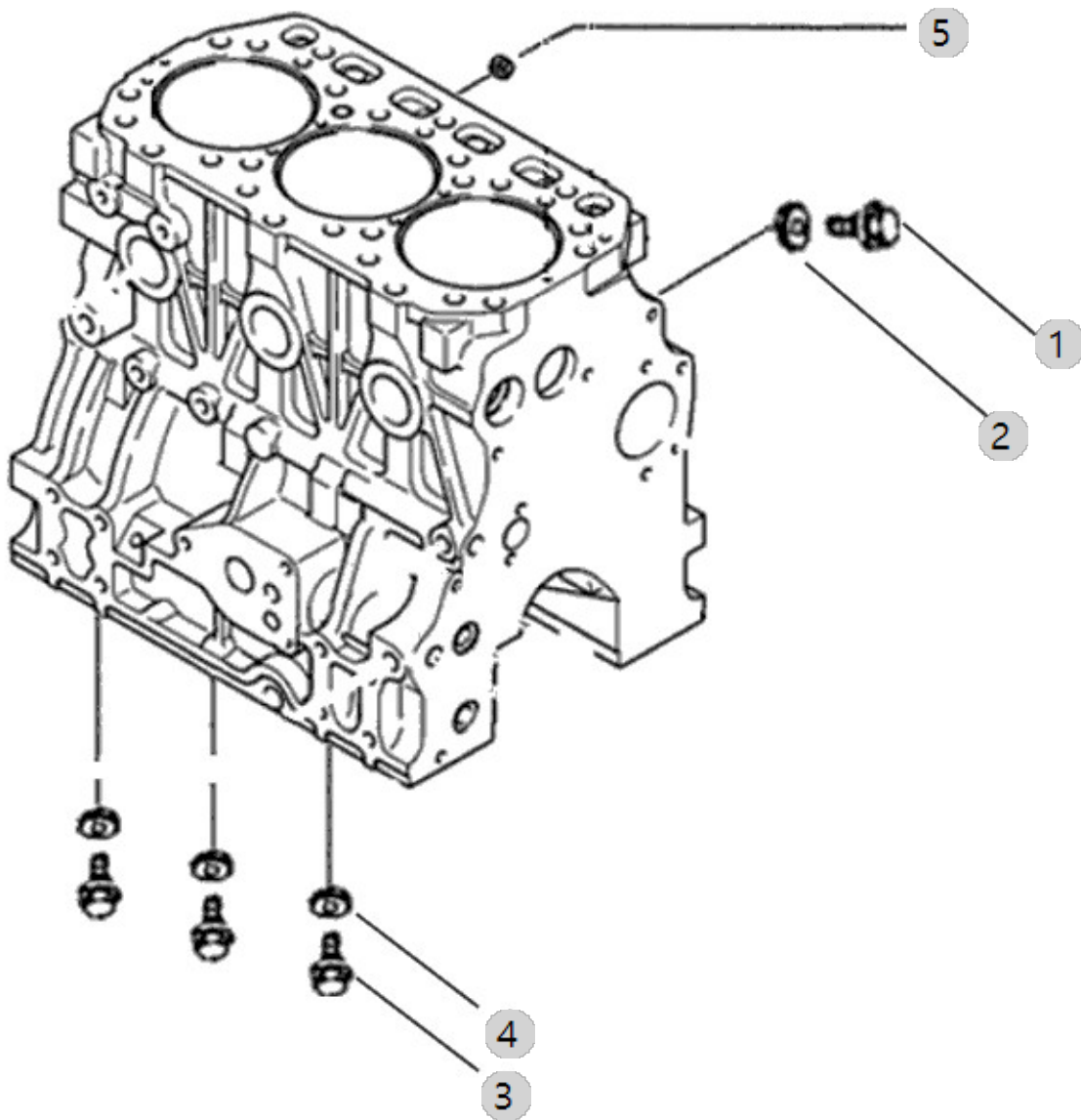
A23_003

A1700N6-UTR_3
(AB00315)

TURBOCHARGER SUPPORT ASS'Y OPTION

Year/Month

2022-12-14



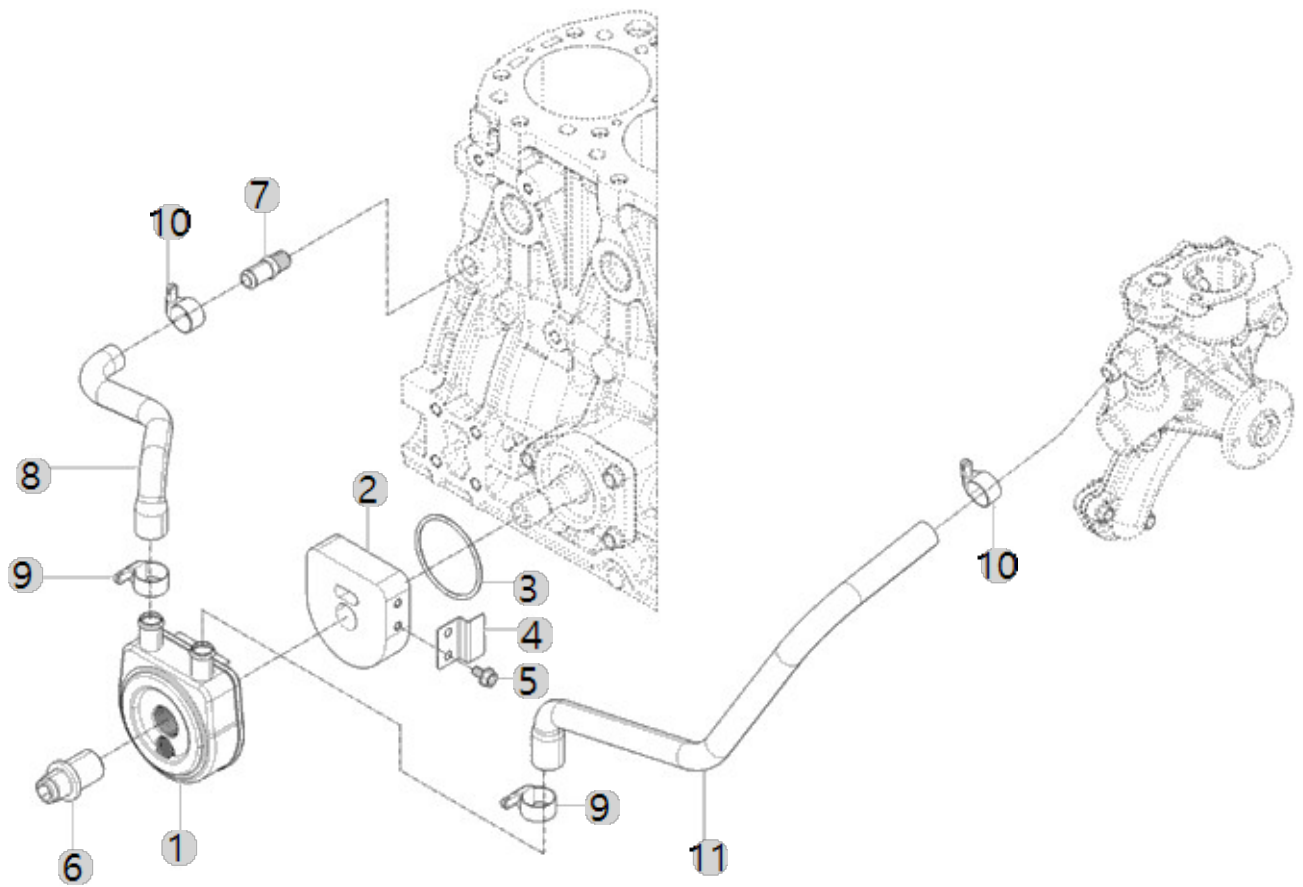
A26_001

A1700N6-UTR_3
(AB00315)

COOLER, ENGINE OIL

Year/Month

2022-12-14



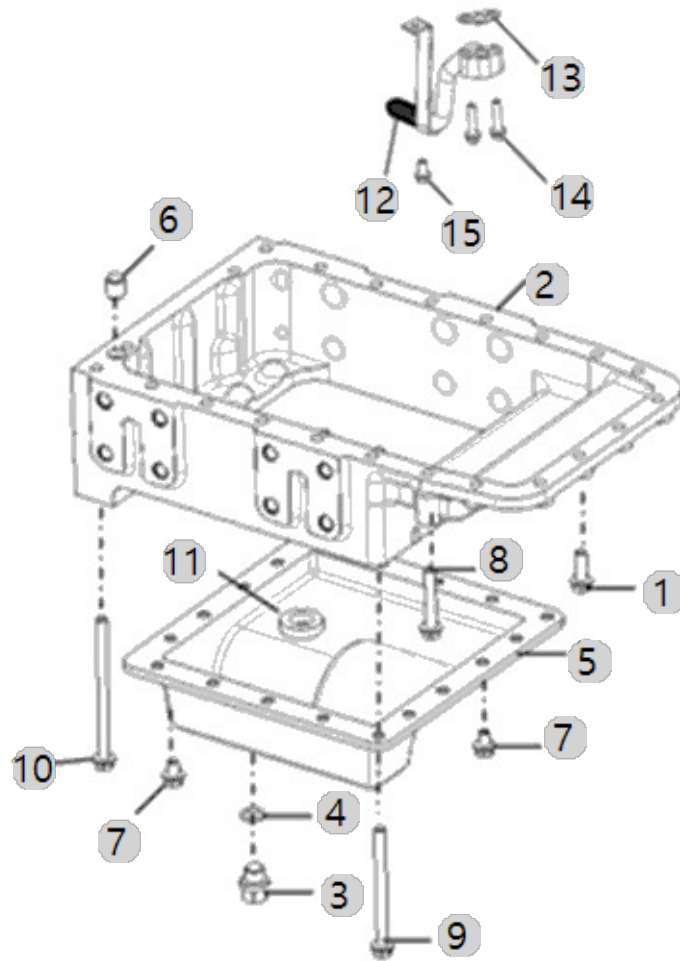
A27_004

A1700N6-UTR_3
(AB00315)

OIL PAN ASS'Y OPTION

Year/Month

2022-12-14



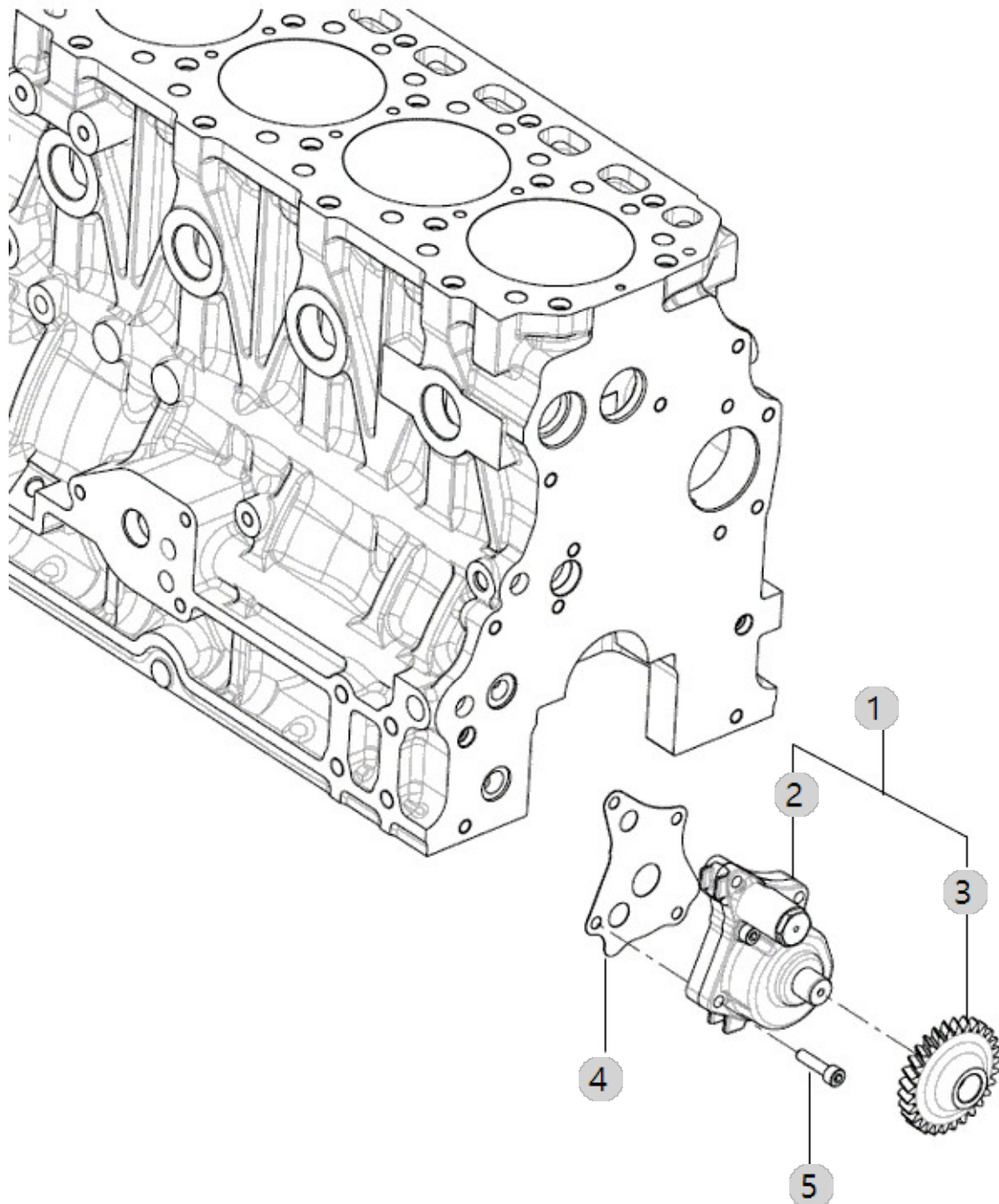
A28_001

A1700N6-UTR_3
(AB00315)

PUMP, LUBRICATING OIL

Year/Month

2022-12-14



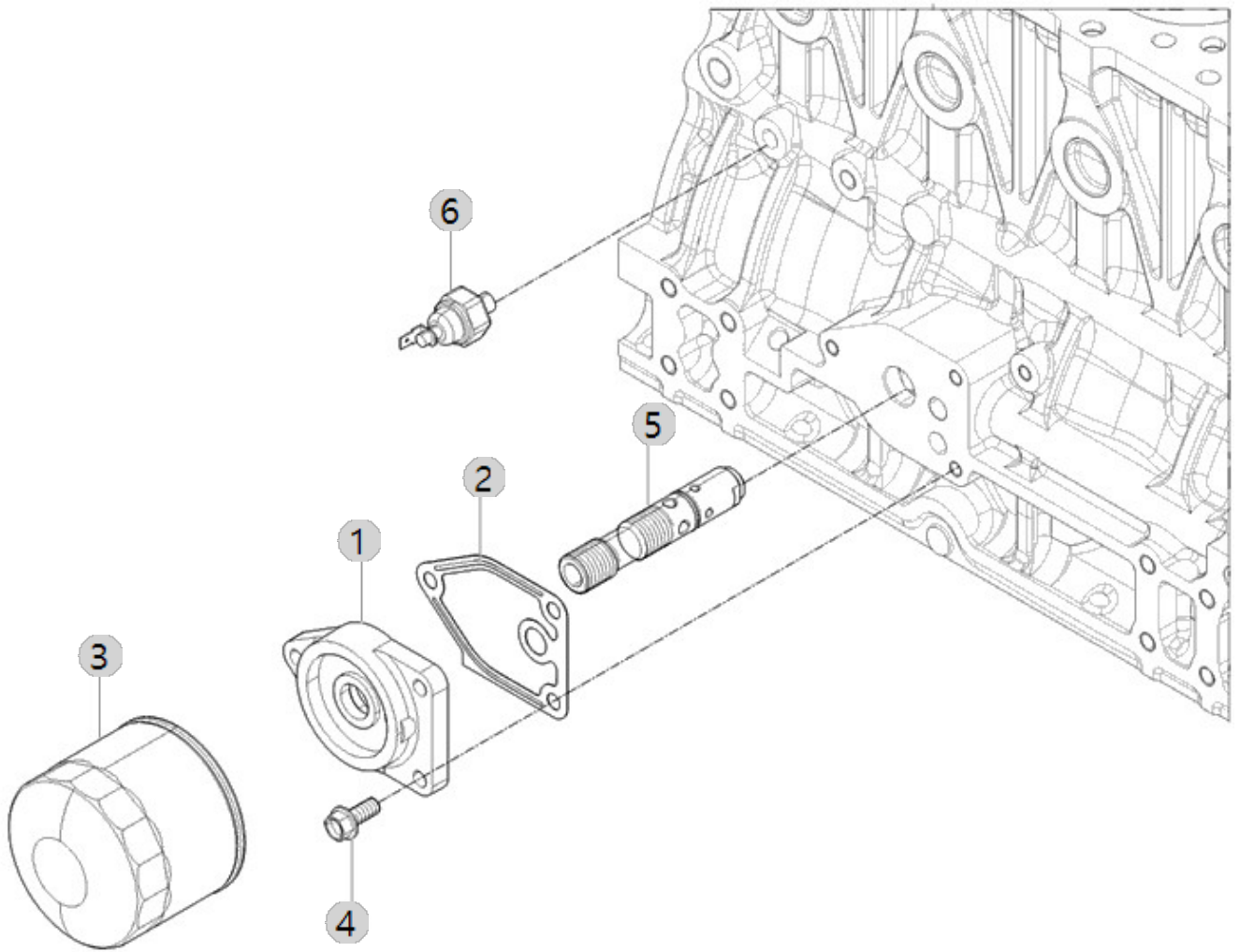
A29_005

A1700N6-UTR_3
(AB00315)

FILTER, LUBRICATING OIL

Year/Month

2022-12-14



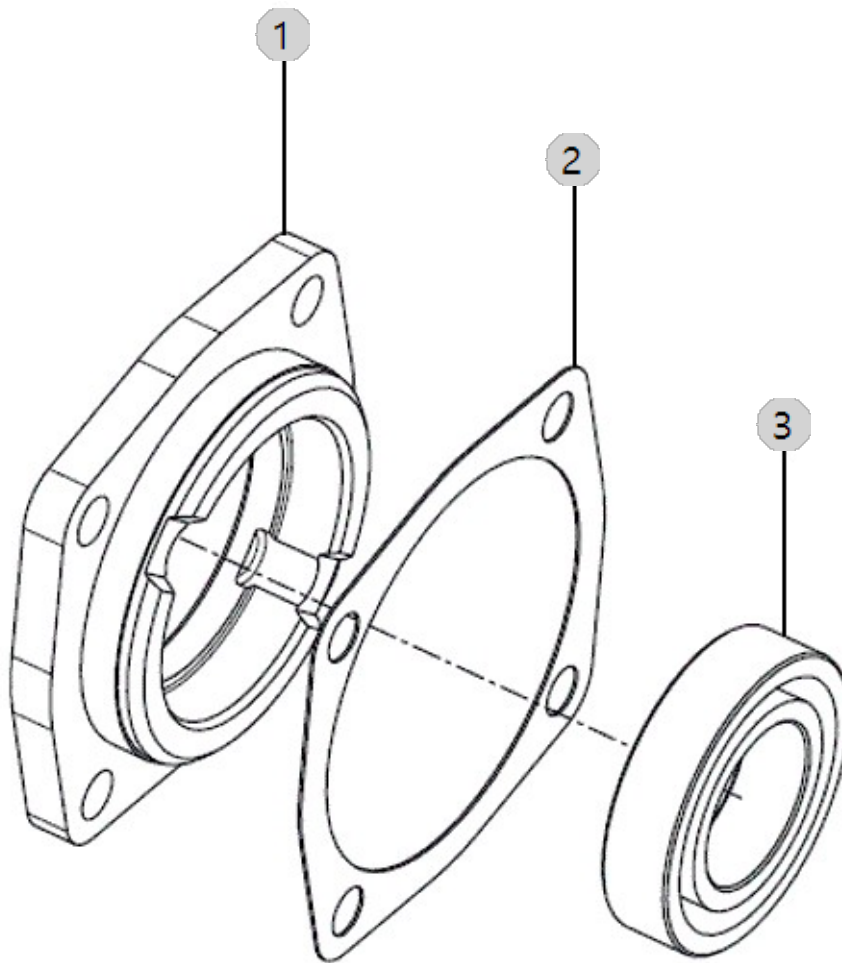
A30_003

A1700N6-UTR_3
(AB00315)

FRONT GEAR ACCESSORY DRIVE

Year/Month

2022-12-14



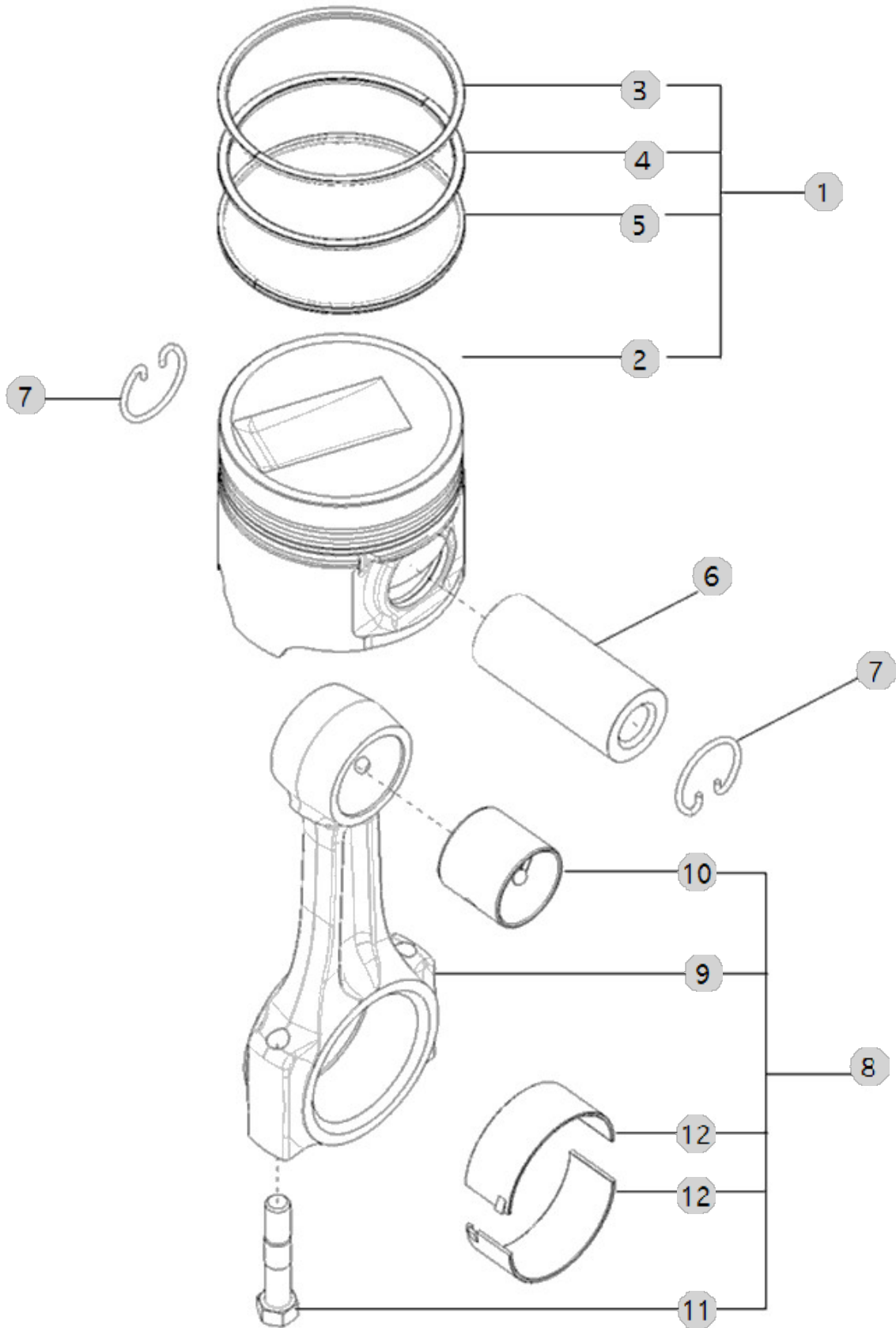
A31_003

A1700N6-UTR_3
(AB00315)

PISTON

Year/Month

2022-12-14



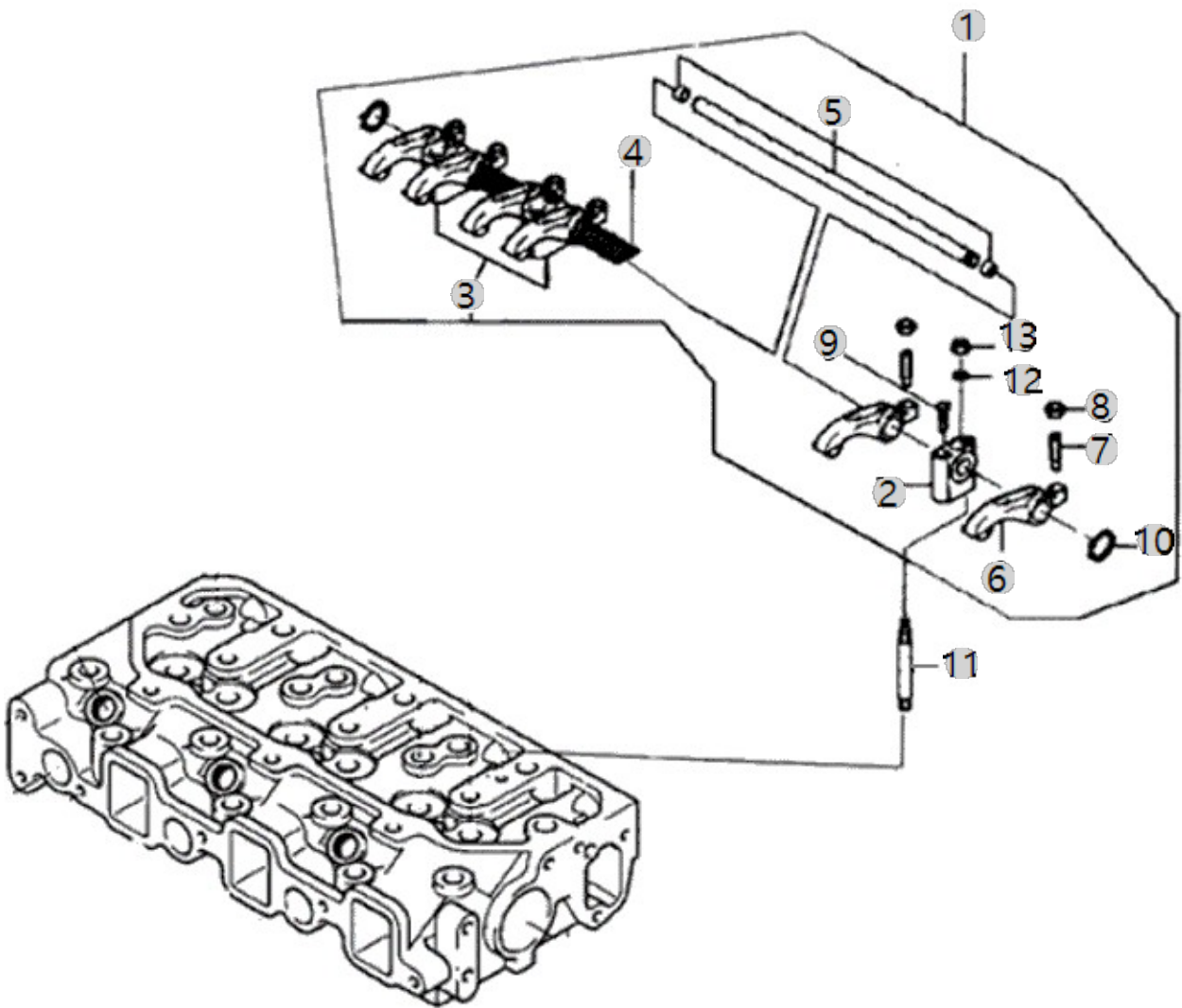
A32_002

A1700N6-UTR_3
(AB00315)

LEVER, LOCKER

Year/Month

2022-12-14



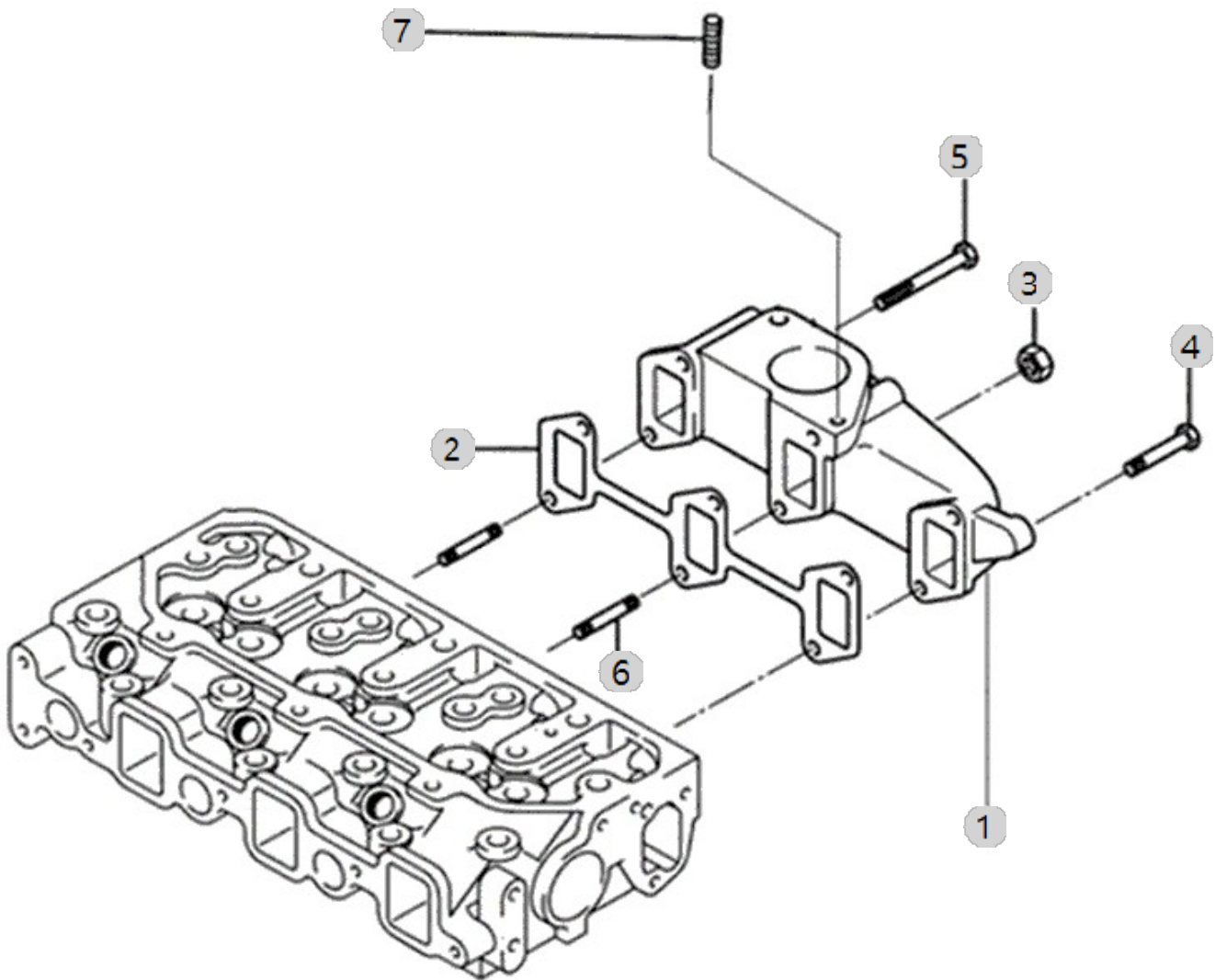
A33_007

A1700N6-UTR_3
(AB00315)

EXHAUST MANIFOLD

Year/Month

2022-12-14



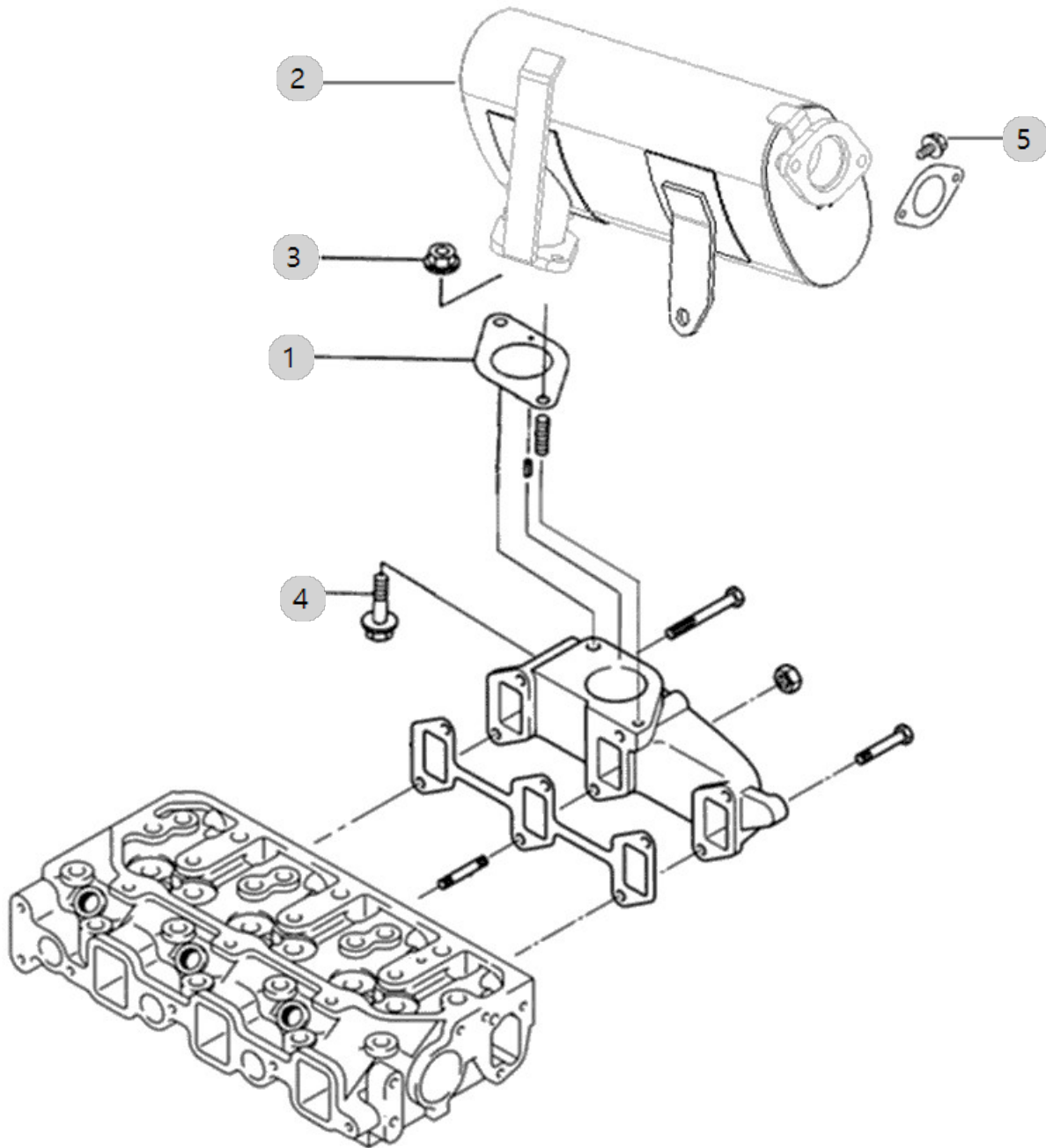
A34_005

A1700N6-UTR_3
(AB00315)

SILENCER

Year/Month

2022-12-14



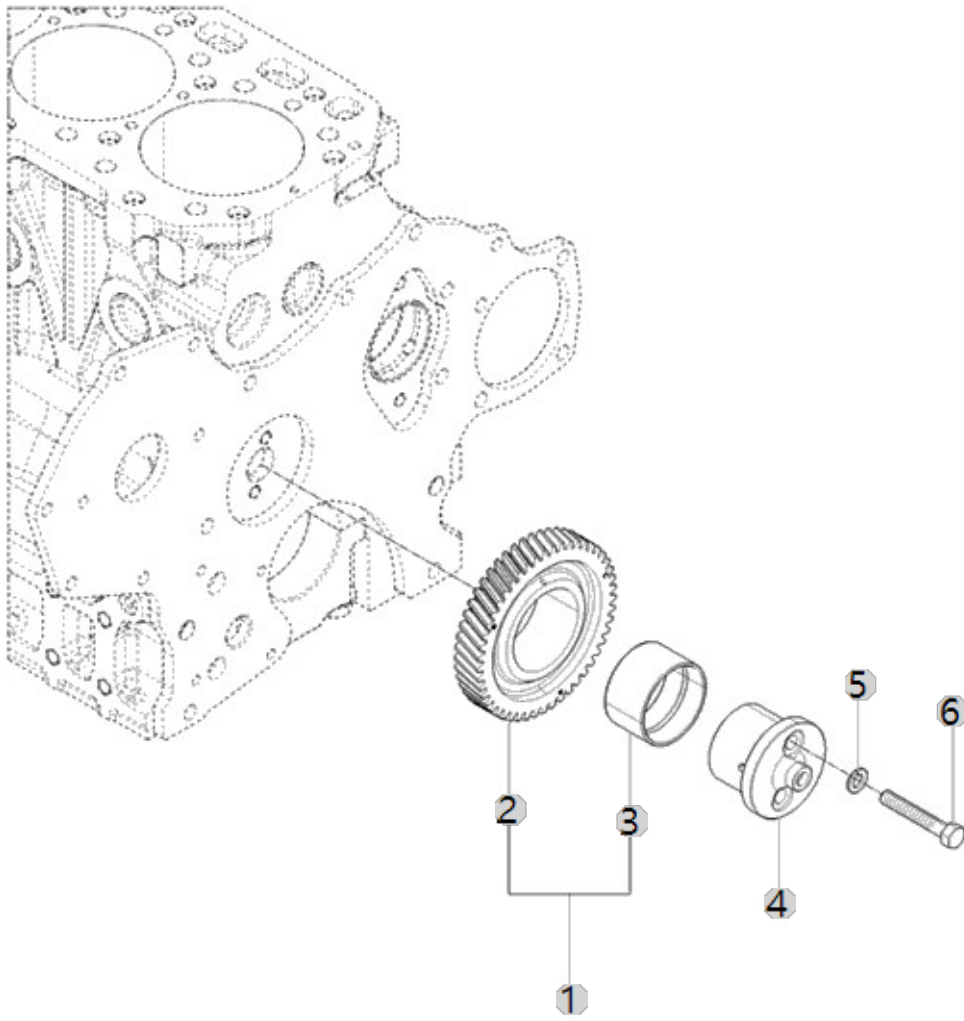
A35_002

A1700N6-UTR_3
(AB00315)

IDLE GEAR

Year/Month

2022-12-14



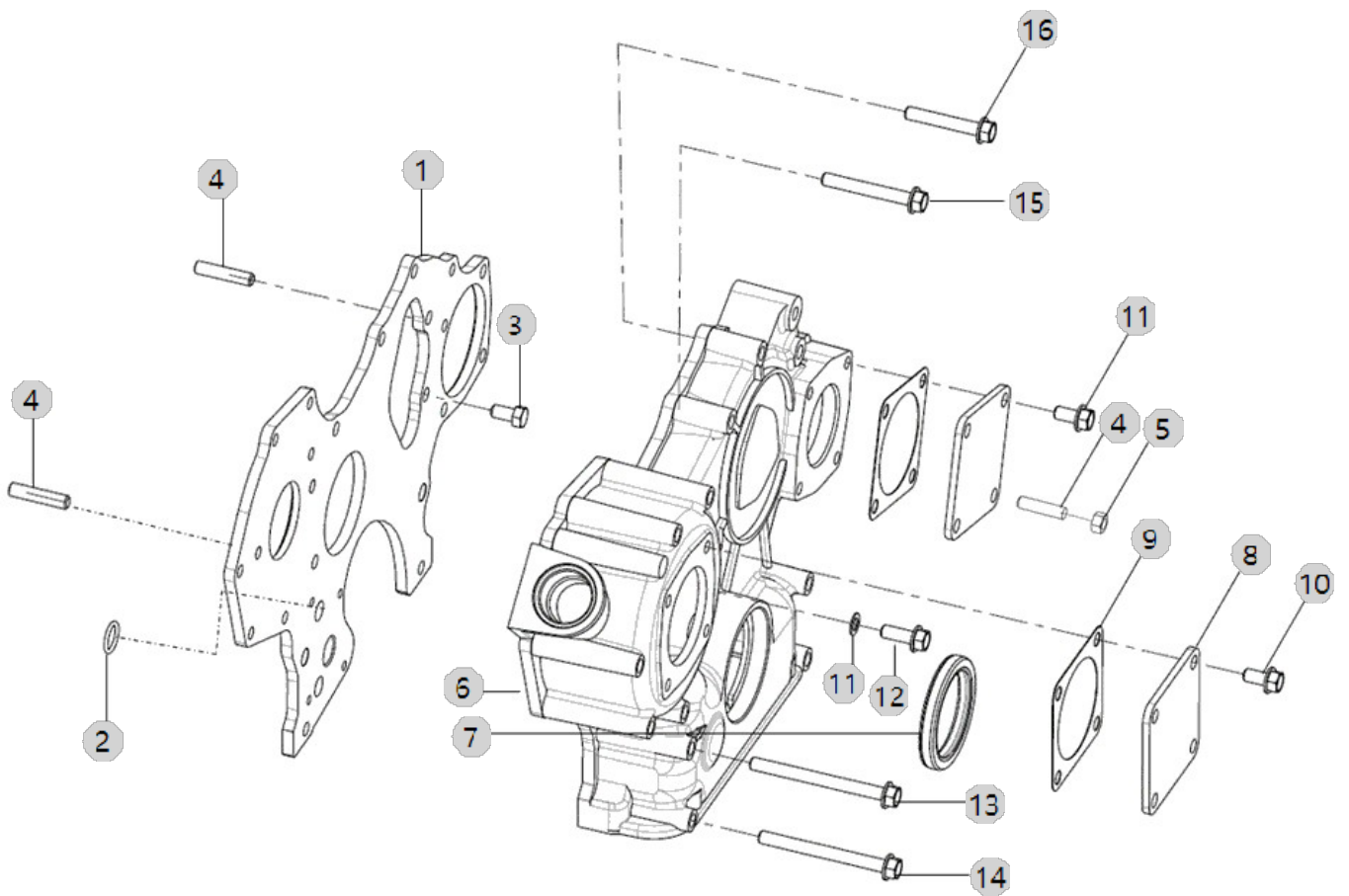
A36_002

A1700N6-UTR_3
(AB00315)

COVER, FRONT GEAR

Year/Month

2022-12-14



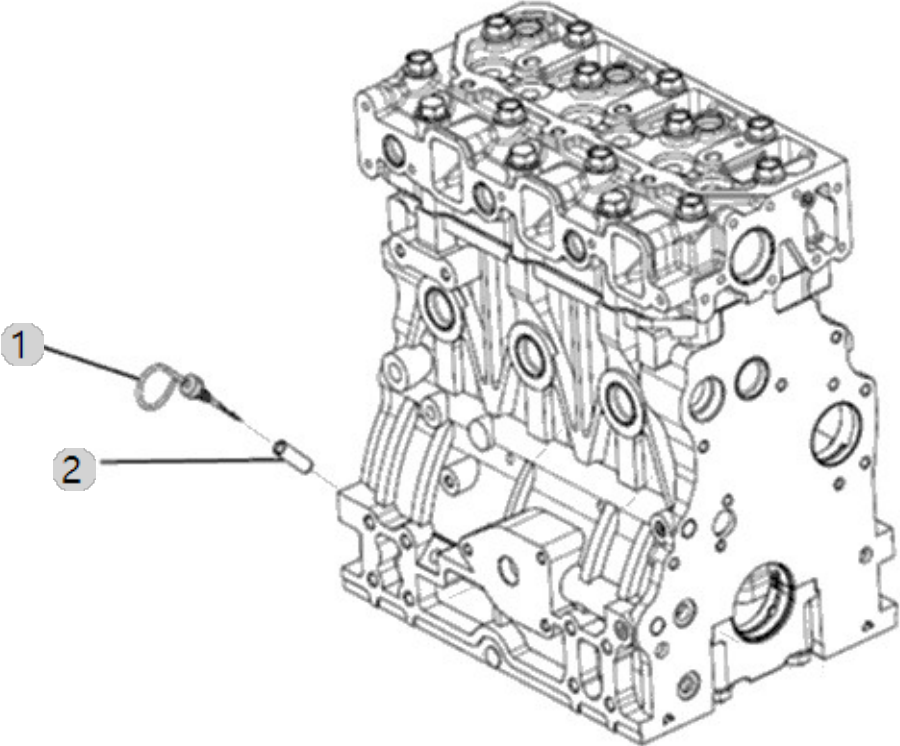
A38_004

A1700N6-UTR_3
(AB00315)

GAUGE, OIL LEVEL

Year/Month

2022-12-14



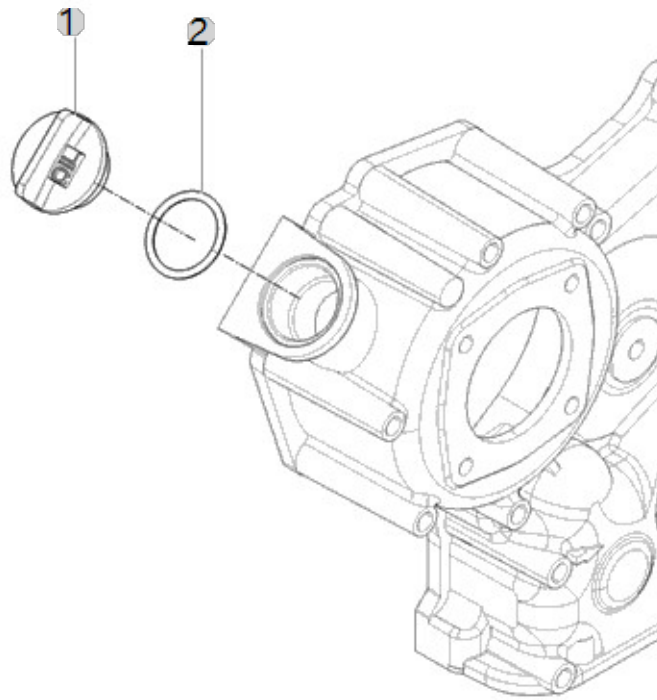
A39_001

A1700N6-UTR_3
(AB00315)

OIL FILLER CAP

Year/Month

2022-12-14



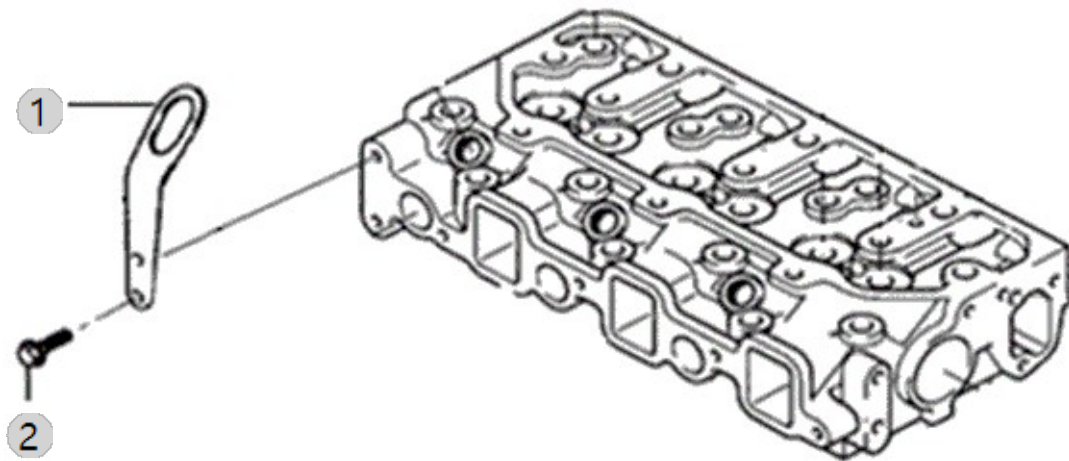
A40_003

A1700N6-UTR_3
(AB00315)

LIFT ASS'Y OPTION

Year/Month

2022-12-14



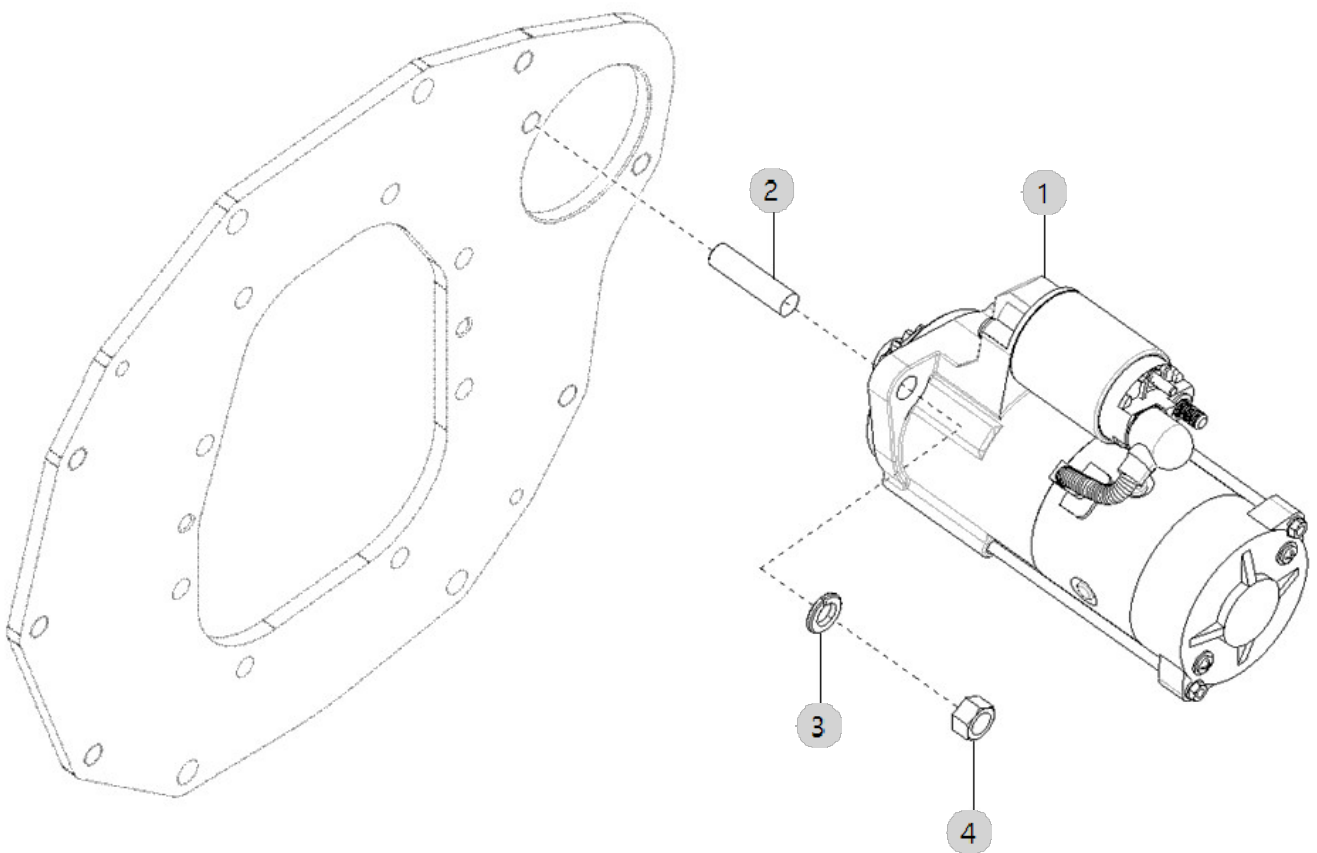
A42_003

A1700N6-UTR_3
(AB00315)

MOTER, STARTIONS

Year/Month

2022-12-14



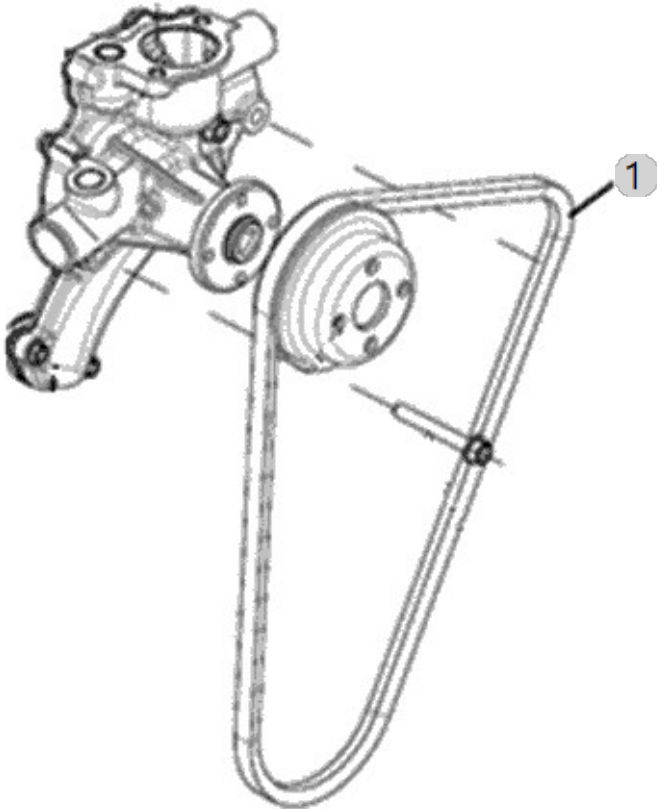
A48_003

A1700N6-UTR_3
(AB00315)

V-BELT

Year/Month

2022-12-14



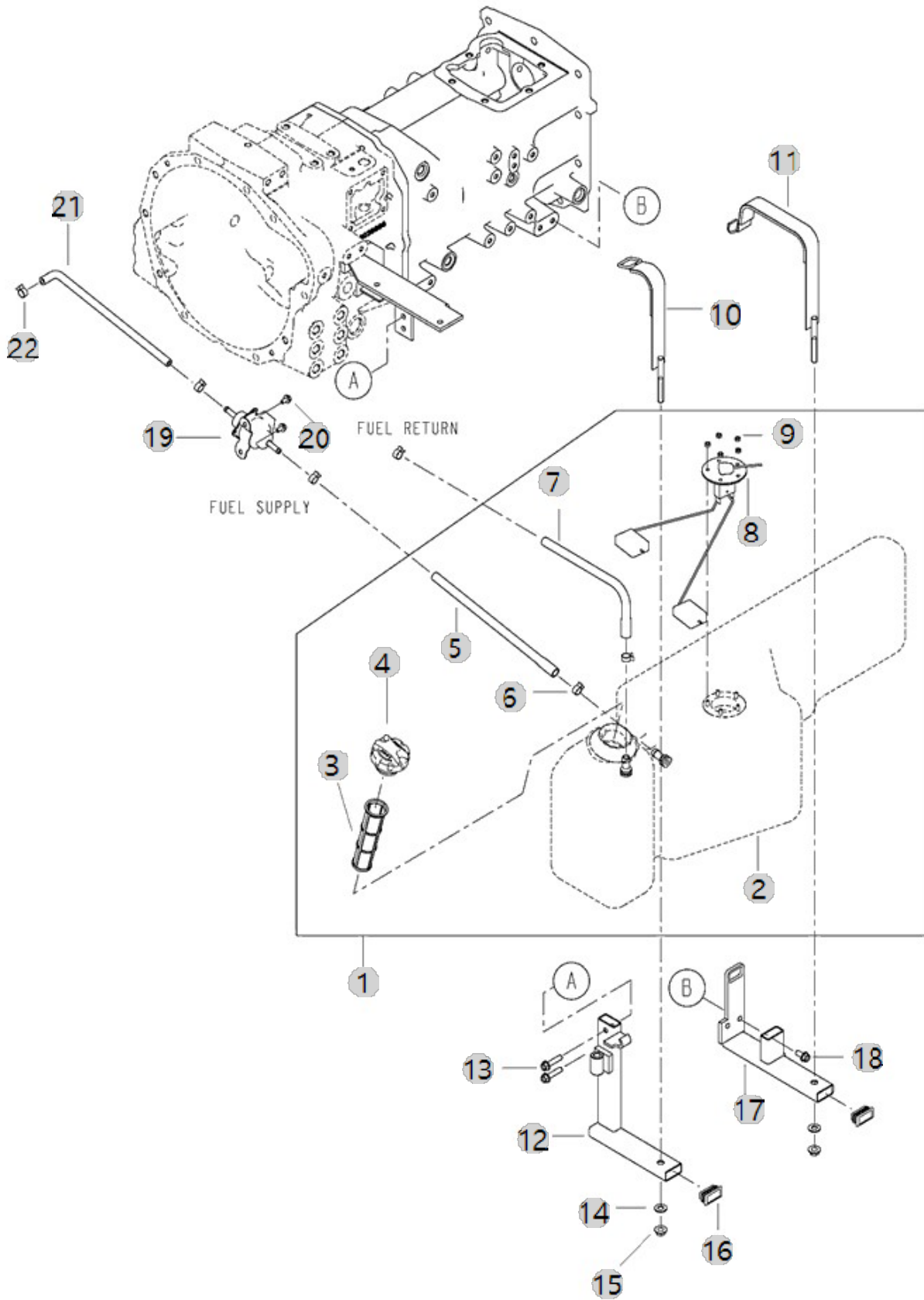
B01010

2515H_US_FL
(AC02153)

FUEL TANK

Year/Month

2022-12-14



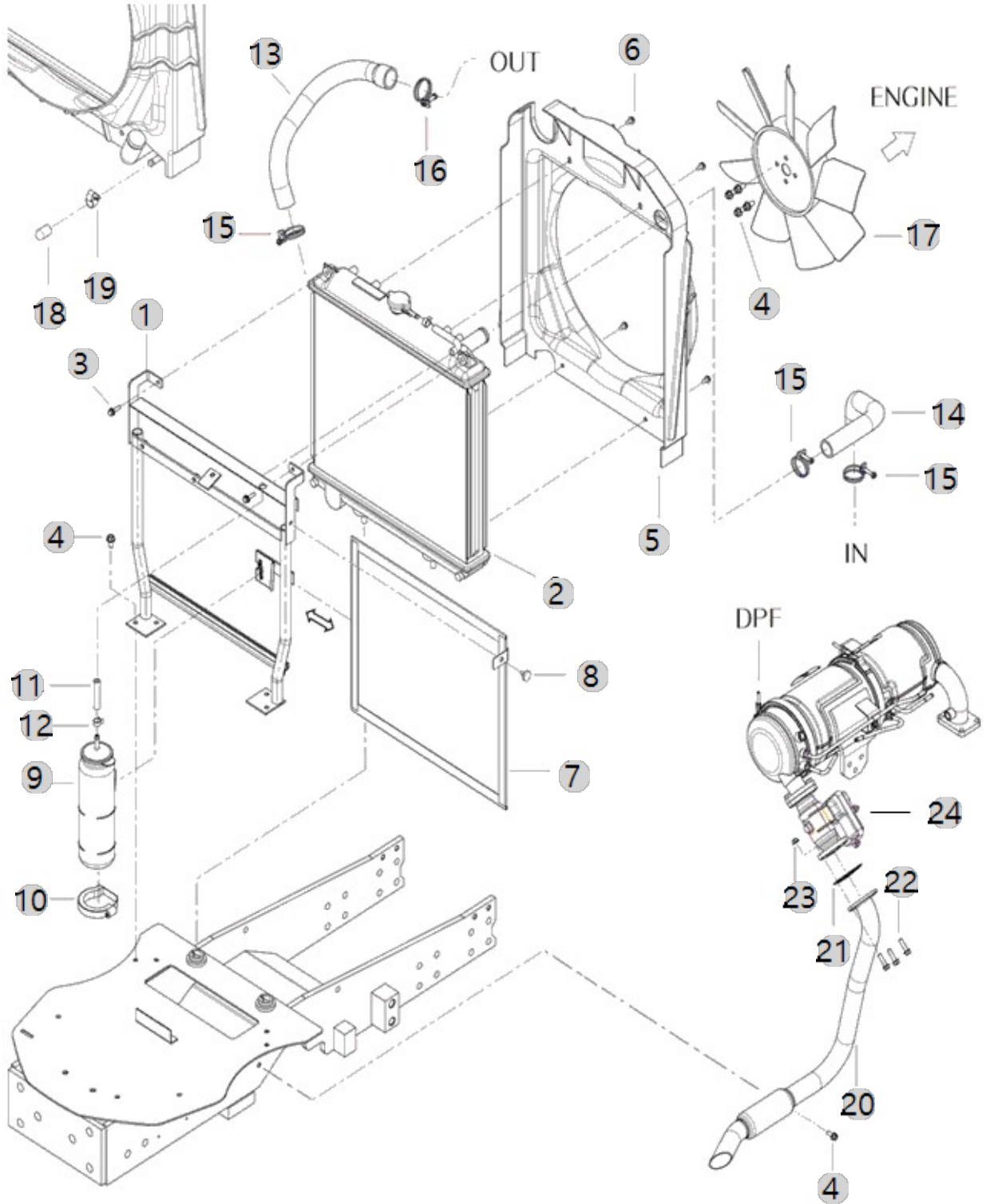
B02020

2515H_US_FL
(AC02153)

RADIATOR

Year/Month

2022-12-14



B02020 2515H_US_FL (AC02153)		RADIATOR				Year/Month 2022-12-14
순번 (NO)	부품번호 (PART NO)	품명 (PART NAME)	품명 (PART NAME)	수량 (QTY)	규격 (SPEC)	비고 (REMARK)
1	TA00054746A	라디에이터브래킷조합(H)	RADIATOR BRACKET ASS'Y	1		
1	TA00054746C	라디에이터브래킷조합(H)	RADIATOR BRACKET ASS'Y, H	1		
1	TA00042694C	라디에이터 브래킷조합(HST)	BRACKET ASSY	1		
1	TA00042694E	라디에이터 브래킷조합(HST)	RADIATOR BRACKET ASS'Y, HST	1		
1B	TA00054746B	라디에이터브래킷조합(H)	RADIATOR BRACKET ASS'Y, H	1		
1A	TA00042694D	라디에이터 브래킷조합(HST)	RADIATOR BRACKET ASS'Y, HST	1		
2	HRE1203000B1	라디에이터조합	RADIATORASSY	1		
2	HRA1203000B1	라디에이터조합	RADIATOR ASSY	1		
3	26014-060252	와셔조립육각볼트(+SW,PW)	Bolt, Hexa (6-25)	2	M06X1.00X02	
4	26106-080162	플랜지볼트8X16	SCREW,HEXFLANGEHEADCAP	9	M8XP1.25X16	
5	TA00040421C	슈라우드	SHROUD	1		
6	HRA1203200A4	태핑나사	TAPPINGSCREW	4		
7	TA00040713D	방진망조합	NET, ASS'Y	1		
7	TA00053642B	방진망조합	DUSTPROOF MESH ASS'Y	1		
8	CA00009493A	고정나사(검정)	FIX BOLT (BLACK)	1		
9	CA09270000C2	보조탱크조합	COOLANT RESERVOIR	1		
10	CA09310000A4	보조탱크부착밴드	STRAP,SUBTANKMTG	1		
11	23980-730280	플루우트호스	FLOAT_HOSE	1		
11	23980-730330	플루우트호스	HOSE	1		
12	23080-013000	호스 클립	Clamp, Hose (Φ13)	1	D13	
13	TA00039707B	냉각수 호스 B	HOSE B	1		
13	TA00049957B	냉각수 호스B	COOLING WATER HOSE B	1		
14	TA00060737A	냉각수 호스 A	HOSE A	1		
14	TA00060726A	냉각수호스A	COOLING WATER HOSE A	1		
15	23010-038000	호스밴드	HOSEBAND	3	D38	
16	23010-040000	호스밴드40	HOSEBAND	1	D40	
17	TA00044911A	냉각팬(D385)	COOLING PAN	1		
17C	TA00048457B	냉각팬(D385)	COOLING PAN(D385)	1		
17	HRA1200800A1	냉각팬 AF NF (d=380mm)	COOLING FAN	1		
17	TA00048457A	냉각팬(D385)	FAN, COOLING	1		
18	HRC1201200A4	오일쿨러캡	CAP,COOLER	1		
19	23000-016000	호스클립	Clip, Hose (Φ16)	1	D16	
20	TA00060420A	배기파이프 조합(RESONATOR)	EXHAUST PIPE ASSY(RESONATOR)	1		
20	TA00062518A	배기파이프 조합	EXHAUST PIPE ASS'Y	1		
21	HK0514000EA4	가스켓(소음기)	GASKET	1		
21	EA00006088A	가스켓(배기밸브)	GASKET, ASSEMBLE TYPE ELECTRONIC EXHAUST VALVE	2	T2.0	
22	26106-080302	육각플랜지볼트	HEX BOLT, FLANGE	3	M8XP1.25X30	
23	26367-080002	259, 육각플랜지너트	HEX FLANGE NUT (Φ8)	3	M8XP1.25	
24	EA00005795C	전자식배기밸브ASS'Y(조립식)	ELECTRONIC EXHAUST VALVE ASS'Y (ASSEMBLE TYPE)	1		
24	EA00005795B	전자식배기밸브ASS'Y(조립식)	ELECTRONIC EXHAUST VALVE ASS'Y (ASSEMBLE TYPE)	1		

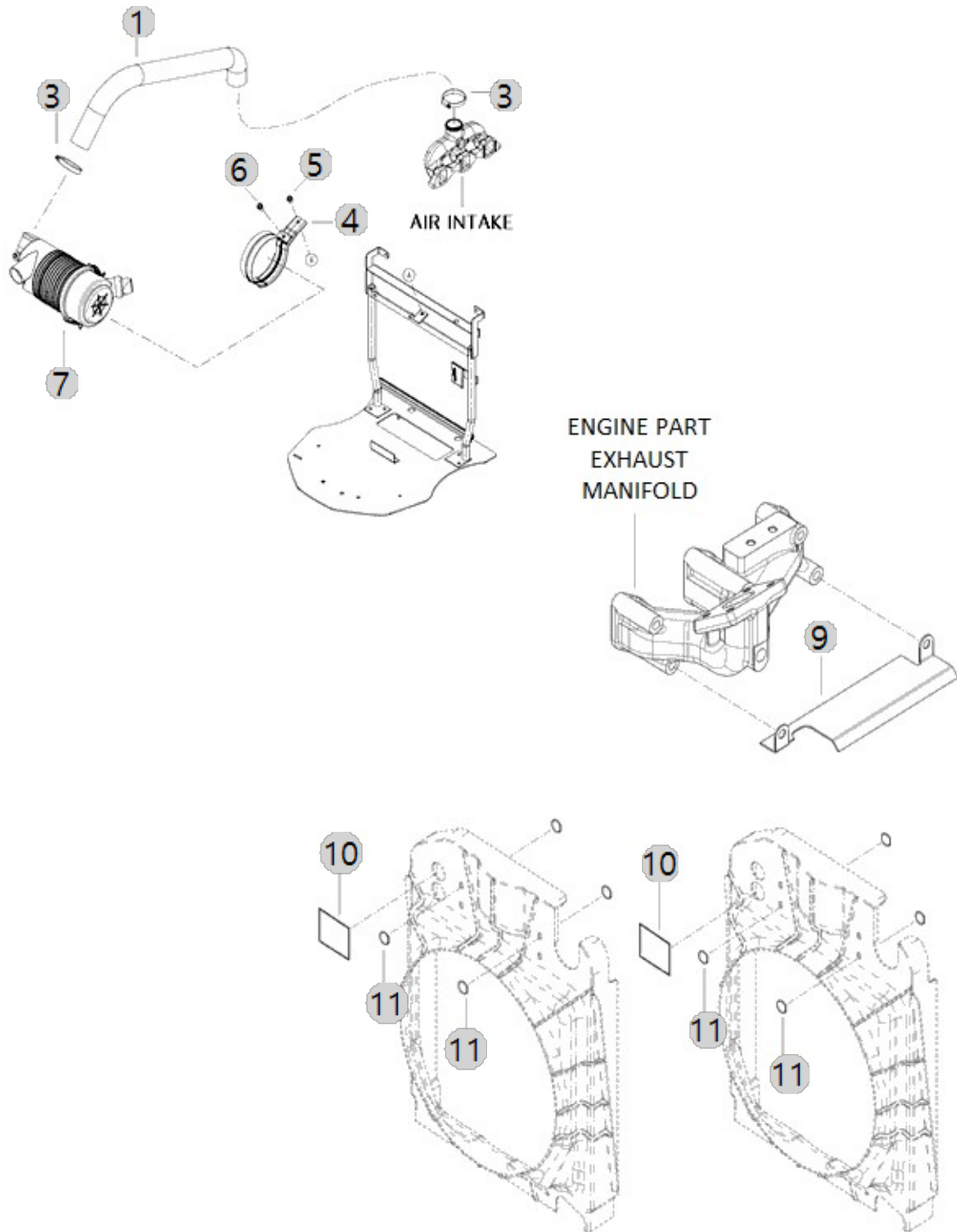
B03010

2515H_US_FL
(AC02153)

AIR CLEANER

Year/Month

2022-12-14



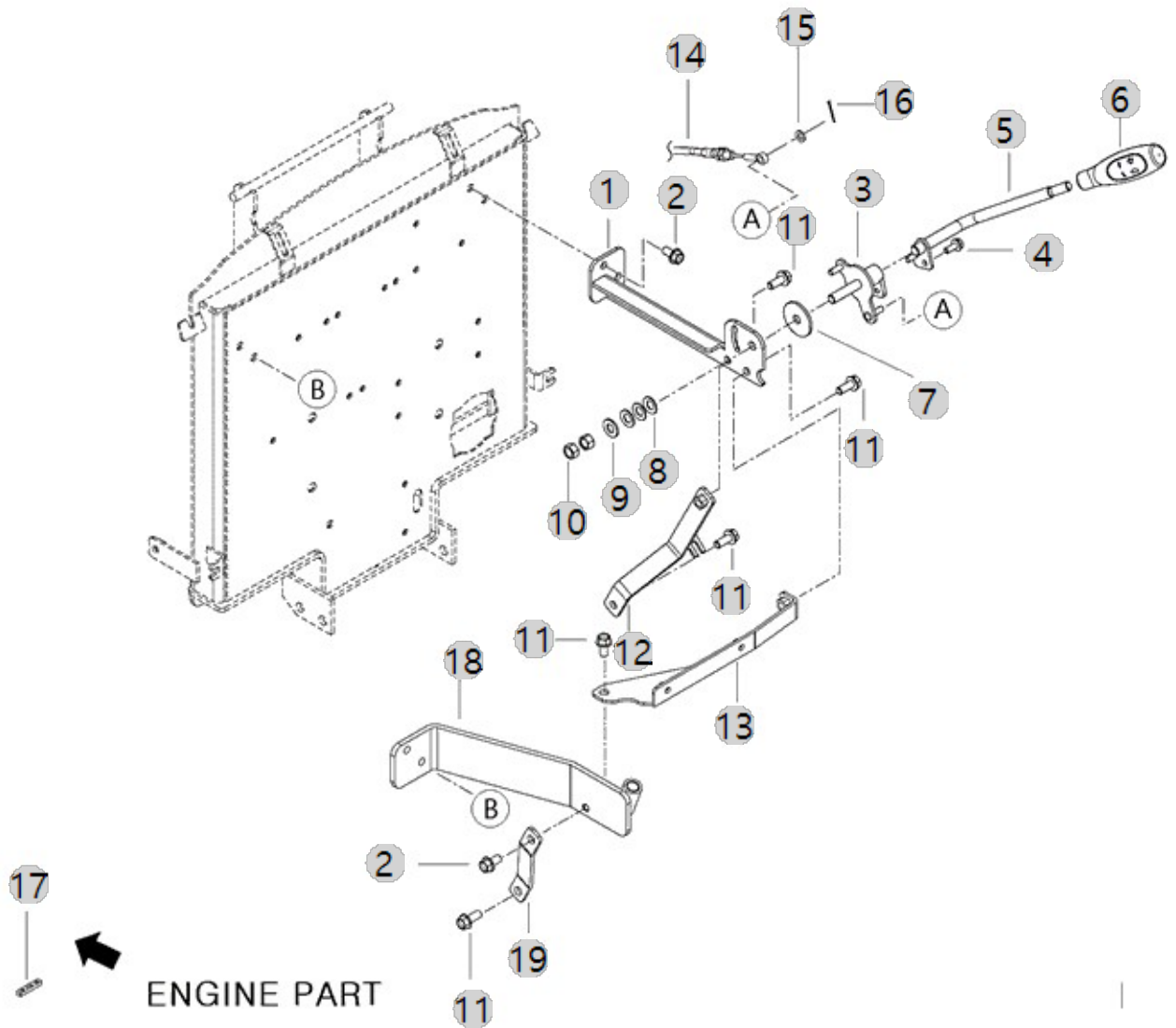
B05011

2515H_US_FL
(AC02153)

LEVER ACCELERATOR

Year/Month

2022-12-14



B05011 2515H_US_FL (AC02153)	LEVER ACCELERATOR	Year/Month
		2022-12-14

순번 (NO)	부품번호 (PART NO)	품명 (PART NAME)	품명 (PART NAME)	수량 (QTY)	규격 (SPEC)	비고 (REMARK)
1	TA00065157B	악셀 레버 브래킷	BRACKET, ACCEL LEVER	1		
1	TA00065157A	악셀 레버 브래킷	BRACKET, ACCEL LEVER	1		
2	26106-080162	플랜지볼트8X16	SCREW,HEXFLANGEHEADCAP	3	M8XP1.25X16	
3	TA00065159A	악셀 로드 조합	ASSY, ACCEL ROD	1		
3	TA00065159B	악셀 로드 조합	ASSY, ACCEL ROD	1		
4	26106-060162	육각플랜지 볼트	HEXFLANGEBOLT	1	M6XP1.0X16	
5	TA00065161A	악셀 레버	LEVER, ACCEL	1		
5	TA00065161B	악셀 레버	LEVER, ACCEL	1		
6	TA00058251A	악셀 손잡이 노브 조합(EU)	KNOD, ACCELERATOR	1		
7	TC45060000B4	마찰판	FRICTIONPLATE	1	10.1X40X3	
8	TC45010000B4	접시 스프링 와셔10	SPRINGWASHER10	3	M10	
9	22137-100000	평와셔 10	WASHER, PLAIN (Φ 10)	1	M10	
10	26716-100002	육각너트	Nut, Hexa (Φ10)	2	M10XP1.5	
11	26106-080202	육각플랜지볼트	SQR FLANGE BOLT	5	M8XP1.25X20	
12	TA00065243B	와이어 고정 브래킷	BRACKET, WIRE	1		
12	TA00065243A	와이어 고정 브래킷	BRACKET, WIRE	1		
13	TA00069061A	고정 브래킷 조합(상)	BRACKET ASSY, UPPER	1		
13	TA00069061B	고정 브래킷 조합(상)	BRACKET ASSY, UPPER	1		
14	TA00065560A	악셀 와이어	WIRE, ACCEL	1		
14	TA00065560B	악셀 와이어	WIRE, ACCEL	1		
15	22137-060000	평와셔	WASHER , PLAIN	1	M6	
16	22417-160180	할핀1.6X18	PIN , COTTER (1-18)	1	D1.6X18	
17	TC45040000A4	고무(와이어이탈방지)	RUBBER	1		
18	TA00069052A	셔틀레버 브래킷 조합	BRACKET ASSY, SHUTTLE LEVER	1		
18	TA00069052B	셔틀레버 브래킷 조합	BRACKET ASSY, SHUTTLE LEVER	1		
19	TA00069055B	지지 브래킷	BRACKET, SUPPORT	1		
19	TA00069055A	지지 브래킷	BRACKET, SUPPORT	1		

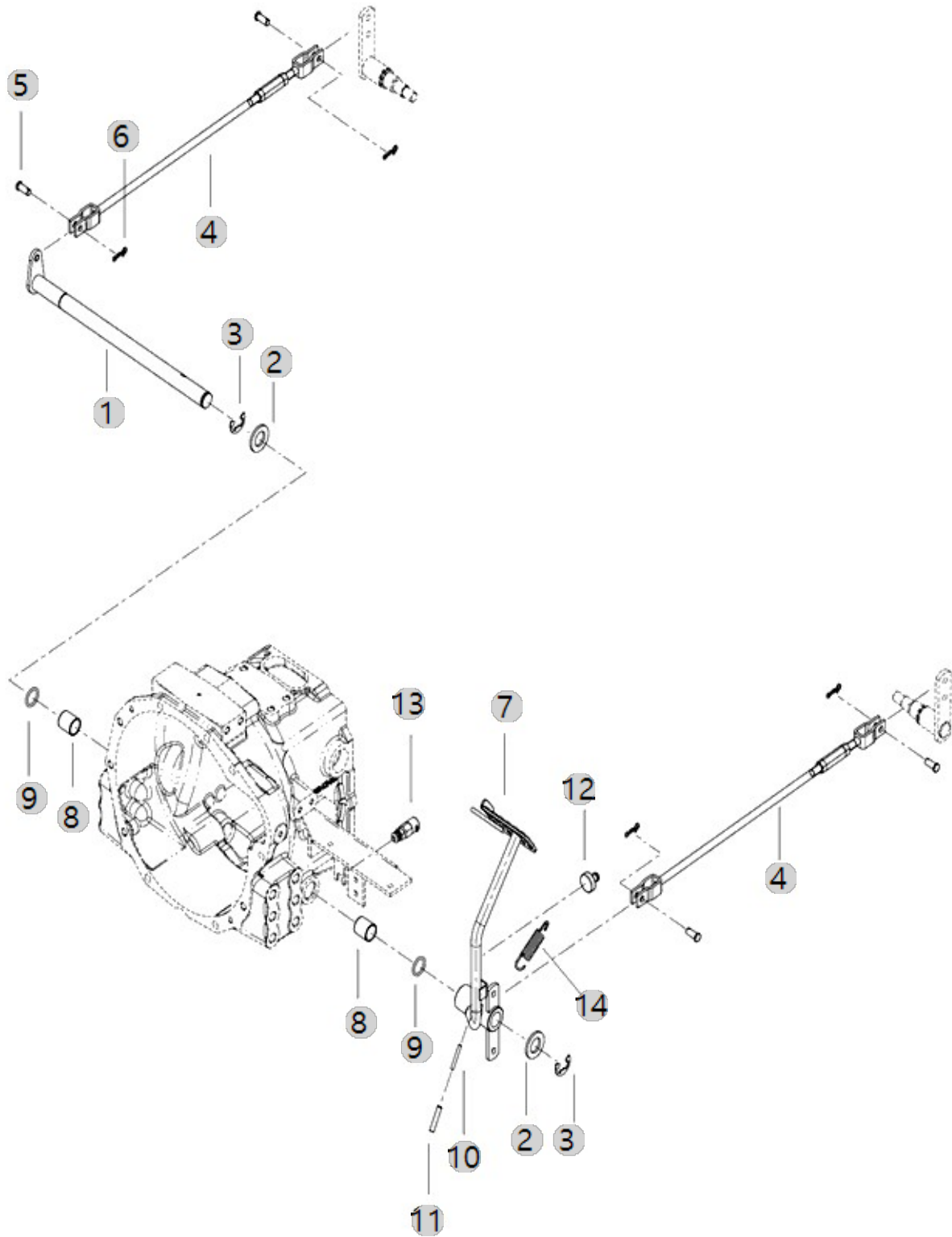
C02010

2515H_US_FL
(AC02153)

BRAKE PEDAL

Year/Month

2022-12-14



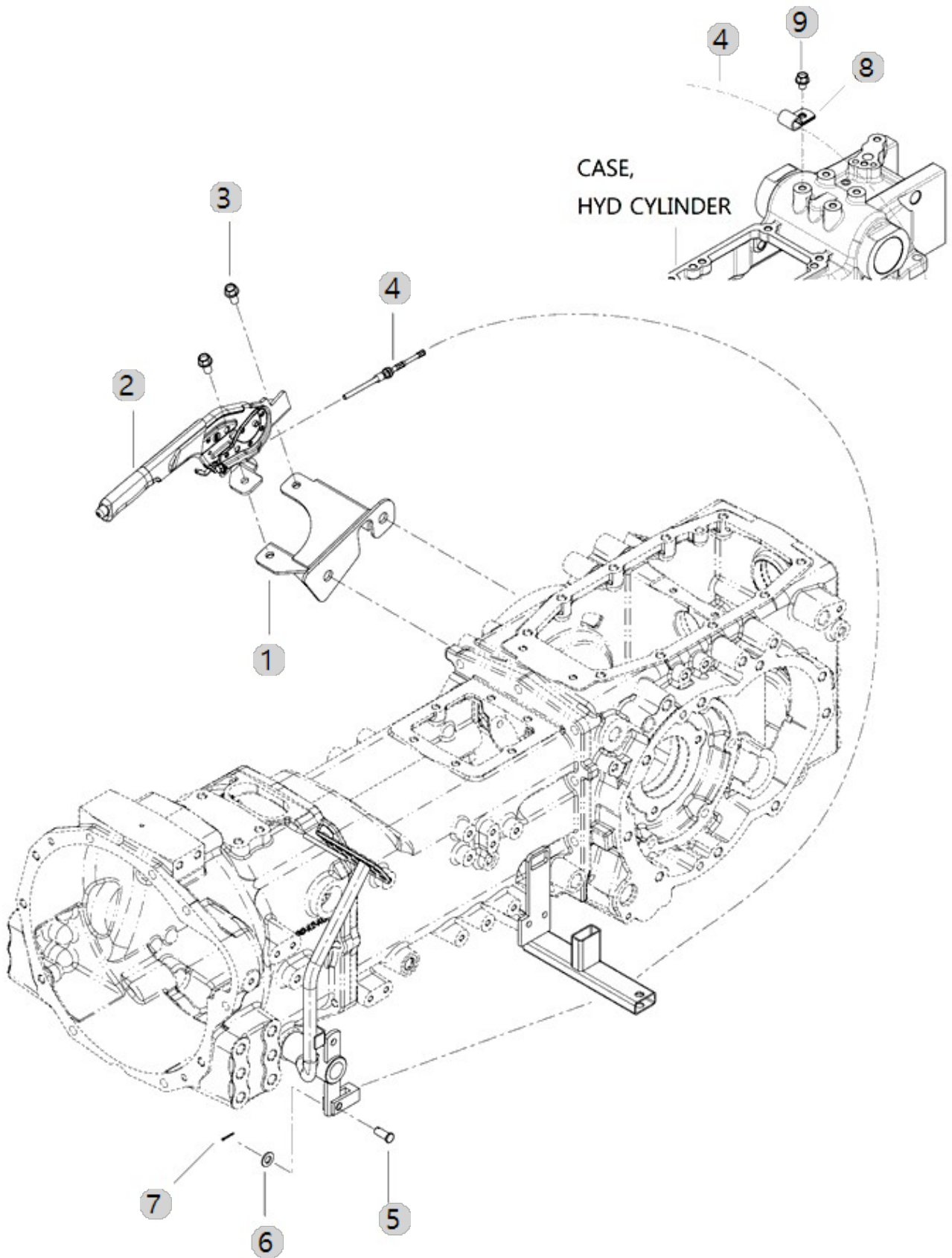
C02050

2515H_US_FL
(AC02153)

PARKING BRAKE

Year/Month

2022-12-14



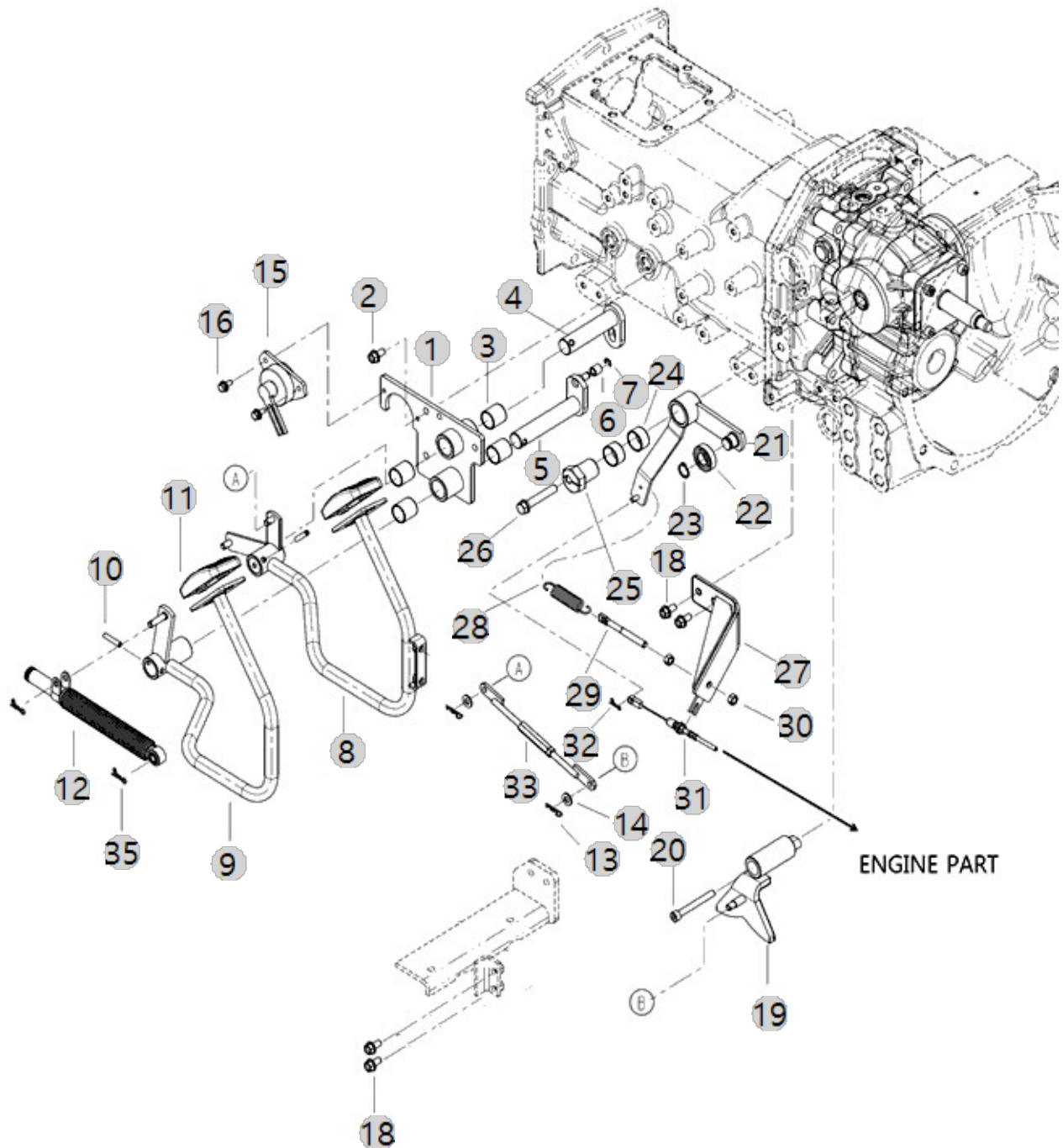
C03010

2515H_US_FL
(AC02153)

HYD SHIFT TRANSMISSION PEDAL

Year/Month

2022-12-14



C03010 2515H_US_FL (AC02153)		HYD SHIFT TRANSMISSION PEDAL				Year/Month 2022-12-14
순번 (NO)	부품번호 (PART NO)	품명 (PART NAME)	품명 (PART NAME)	수량 (QTY)	규격 (SPEC)	비고 (REMARK)
1	TA00042565D	페달브래킷 조합	PEDAL BRACKET ASS'Y	1		
1	TA00042565C	페달브래킷 조합	PEDAL BRACKET ASS'Y	1		
1	TA00042565B	페달브래킷 조합	BRACKET ASSY	1		
2	26106-080182	444,ALL,플랜지볼트	SCREW,HEXFLANGEHEADCAP	3		
3	24550-022250	드라이부시	BUSH	4		
4	TA00042599C	축조합(전진)	SHAFT ASSY(F)	1		
5	TA00042600C	축조합(후진)	SHAFT ASSY(R)	1		
6	TA00033126A	롤러	ROLLER	1		
7	22272-000060	SNAP RING	RING, CIRCLIP (Φ 06)	1	D6	
8	TA00042563D	전진페달 조합	HST ASSY PEDAL(F)	1		
8	TA00042563E	전진페달 조합	FORWAHD PEDAL ASS'Y	1		
9	TA00042564F	후진페달 조합	REVERSE GEAR PEDAL ASS'Y	1		
9	TA00042564E	후진페달 조합	HST ASSY PEDAL(B)	1		
10	22351-060030	스프링핀	PIN, SPRING (6-30)	2		
11	TA00001508A	전후진페달커버	PEDAL COVER	2		
12	RA00007052A	오일댐퍼(한일)	OIL DAMPER(HANIL)	1		
13	RR64050000C4	빠짐방지 스톱핀 8	PIN 8, COME-OFF SNAP	2	D1.6	
14	22137-080000	와셔8	WASHER, PLAIN (Φ 08)	2	M8	
15	TCD9110000D2	스위치(FR)	SWITCH(FR)	1		
15	TCD9110000C2	스위치(FR)	SWITCH(FR)	1		
16	26014-060162	와셔조립육각볼트(+SW,PW)	Bolt, Hexa (6-16)	2	M6XP1.0X16	
18	261016-080162	육각플랜지볼트	HEX FLANGE BOLT	2		
19	TA00042569D	연결조인트	JOINT	1		
20	26450-080702	육각구멍붙이볼트	BOLT	1		
21	TA00042567B	중립 조절 브래킷 조합	BRACKET ASSY	1		
22	24104-060034	볼베어링6003UU	Bearing, Ball (#6003) Dubble Cap	1	#6003UU	
23	22242-000170	축용스냅링17	SNAP RING, SHAFT (Φ 17)	1	D17(축용)	
24	24550-025150	BUSH25X15	BUSH 25X15	2	25X15	
25	TA00001830D	축	SHAFT	1	D36	
26	26013-100602	와셔조립육각볼트	BOLT	1		
27	TA00043738C	스프링 홀더 조합	HOLDER ASS'Y, SPRING	1		
27	TA00043738B	스프링 홀더 조합	HOLDER ASSY, SPRING	1		
28	CA45140000B4	스프링 2.3x17.3x74	SPRING2.3X17.3X74	1	D2.3	
28	CA45140000A4	스프링2.3X17.3X74	SPRING2.3X17.3X74	1	D2.3	
29	CE78050000A4	텐션볼트8X102	BOLT	1	D8	
30	26716-080002	육각너트	NUT,HEX (D8)	2	M8xP1.25	
31	TA00043014A	HST엑셀와이어	WIRE ASSY	1		
32	RR47070000C4	빠짐방지 스톱핀 6	PIN 6, COME-OFF SNAP	1	D1.2	
33	TA00043810B	HST연결로드조합	ROD ASSY	1		
35	RR64050000B4	빠짐방지 스톱핀 8	PIN 8, COME-OFF SNAP	2	D1.6	

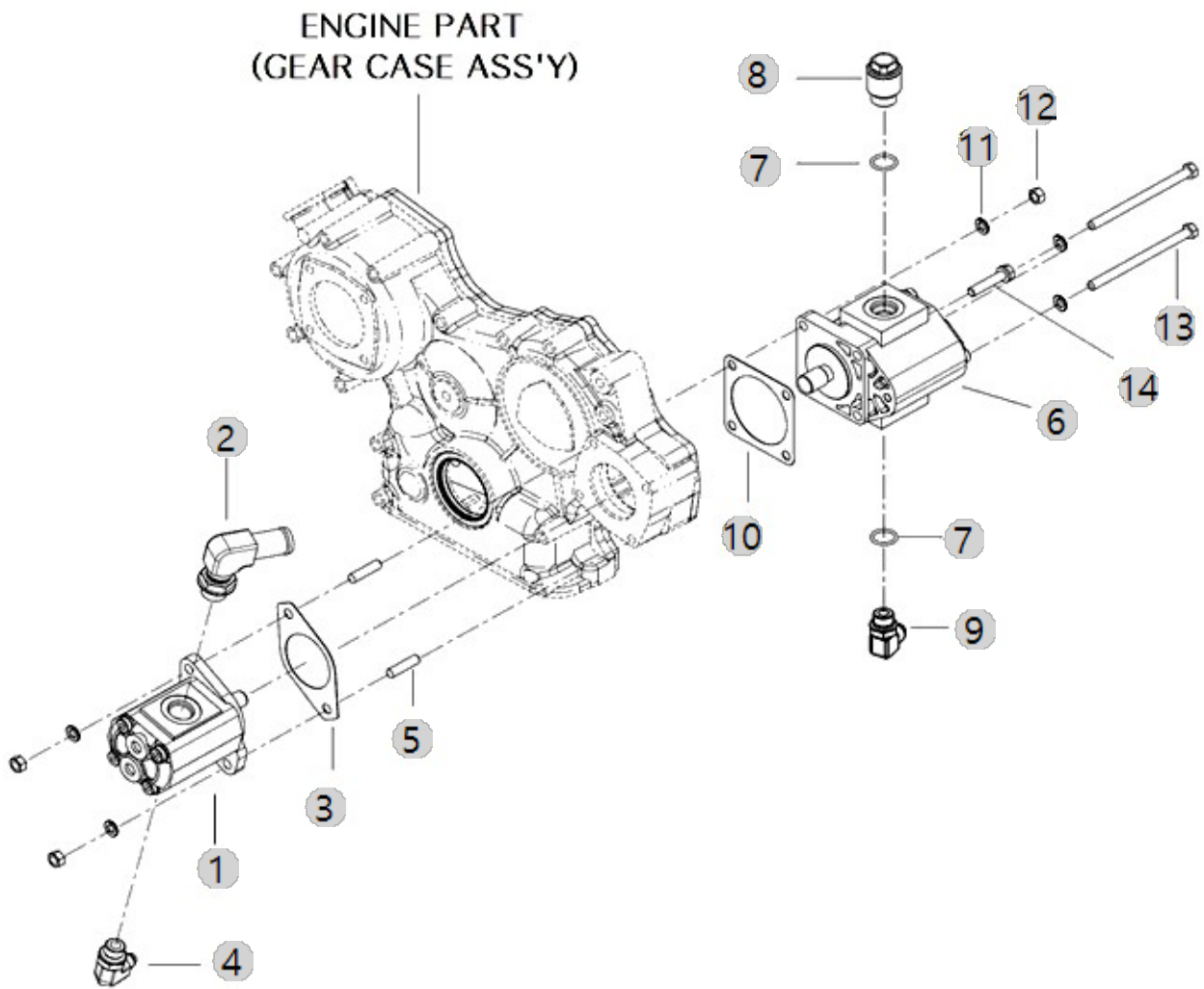
D01010-A

2515H_US_FL
(AC02153)

HYD PUMP

Year/Month

2022-12-14



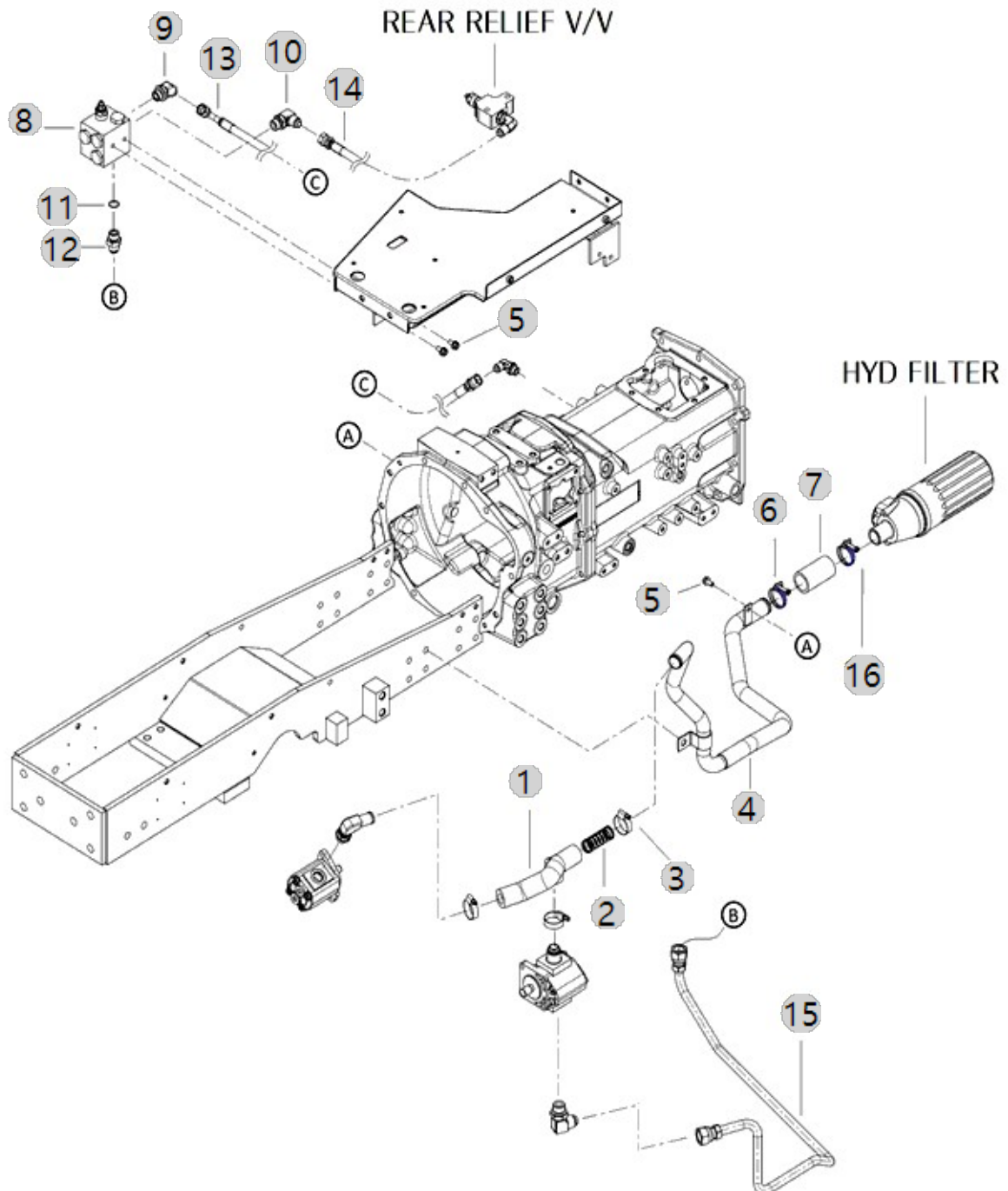
D01020-A

2515H_US_FL
(AC02153)

LOW PRESSURE PIPE

Year/Month

2022-12-14



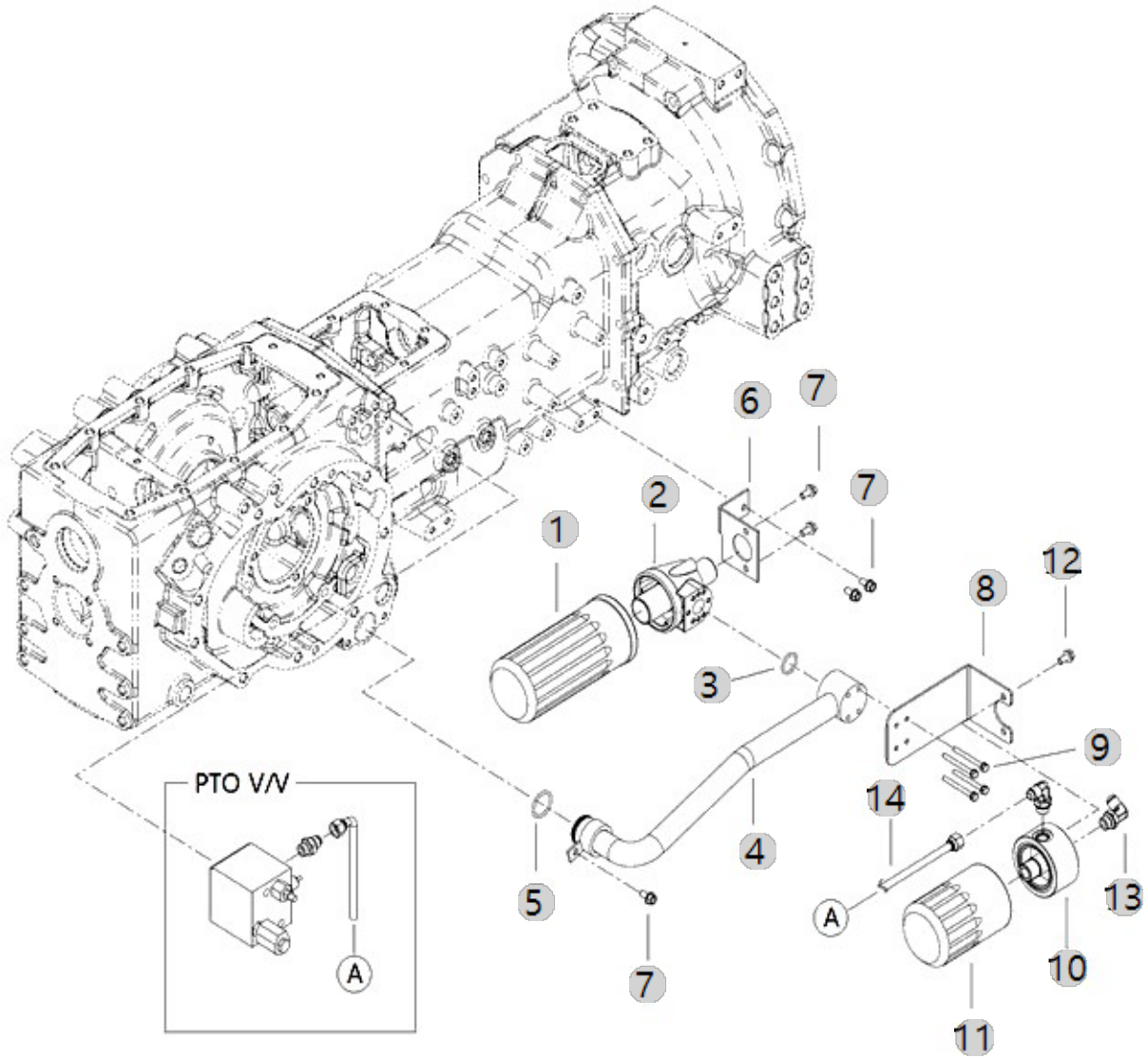
D01040

2515H_US_FL
(AC02153)

HYD FILTER

Year/Month

2022-12-14



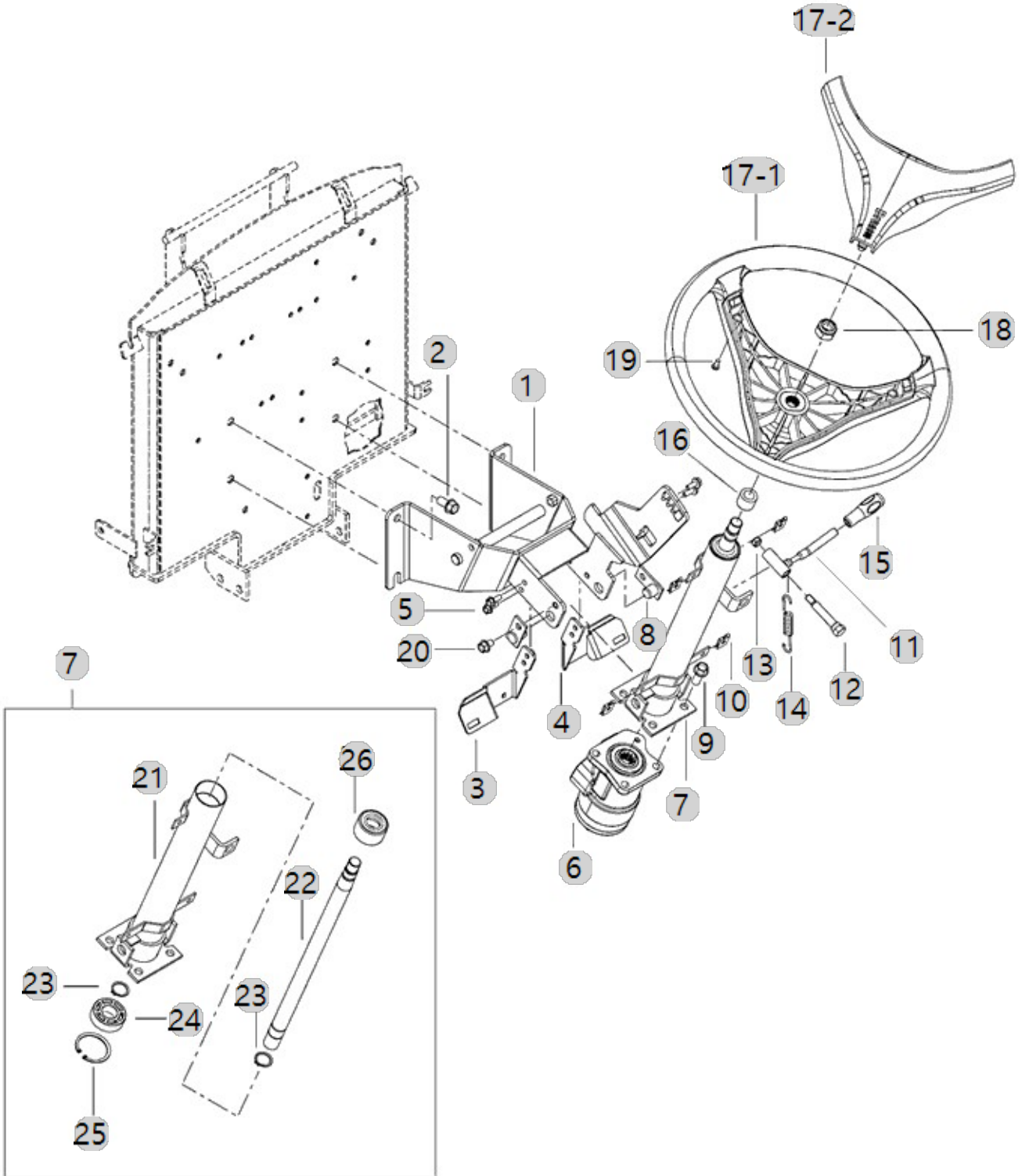
D02010

2515H_US_FL
(AC02153)

STEERING COLUMN

Year/Month

2022-12-14



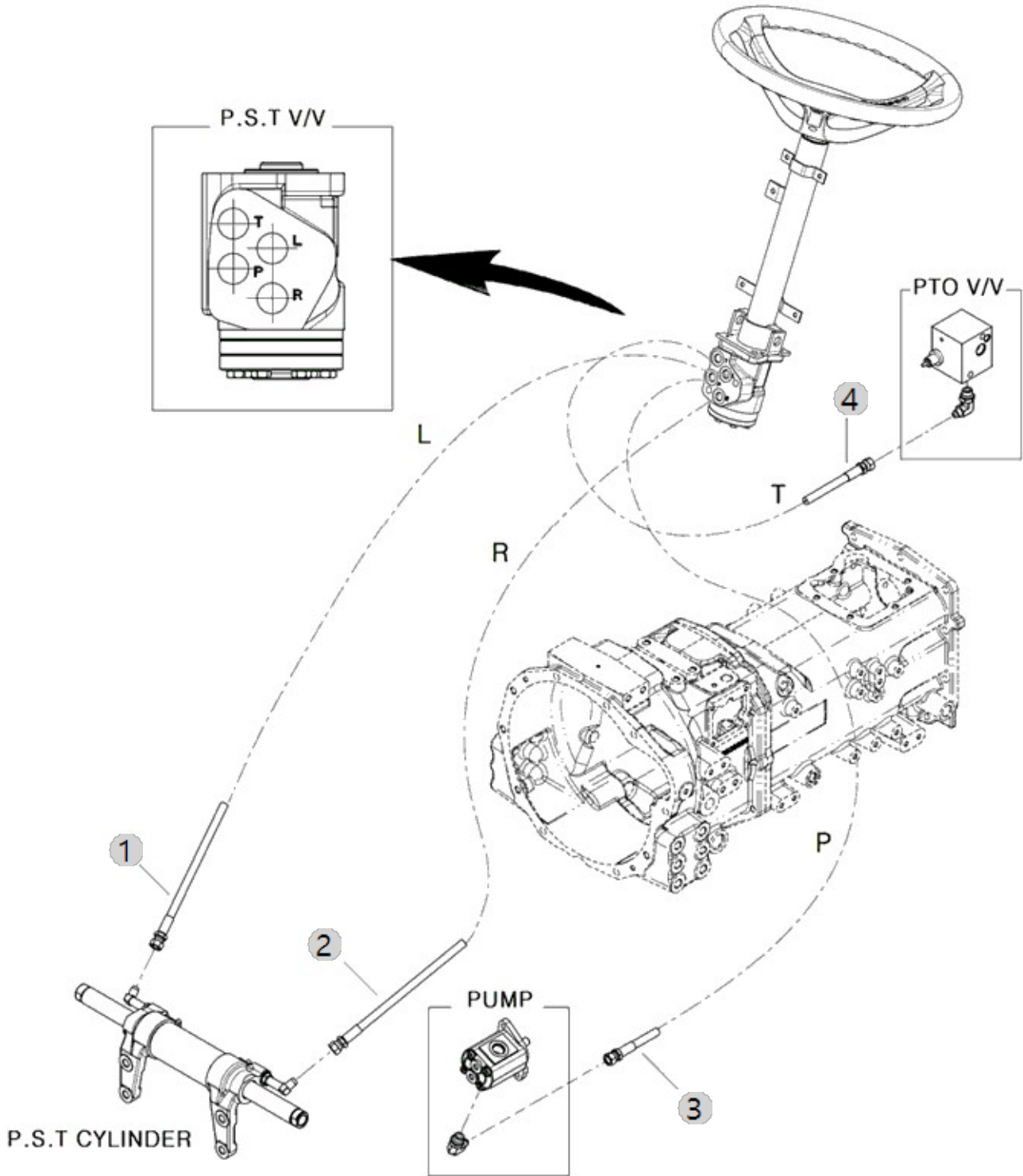
D02030

2515H_US_FL
(AC02153)

P.S.T HOSE

Year/Month

2022-12-14



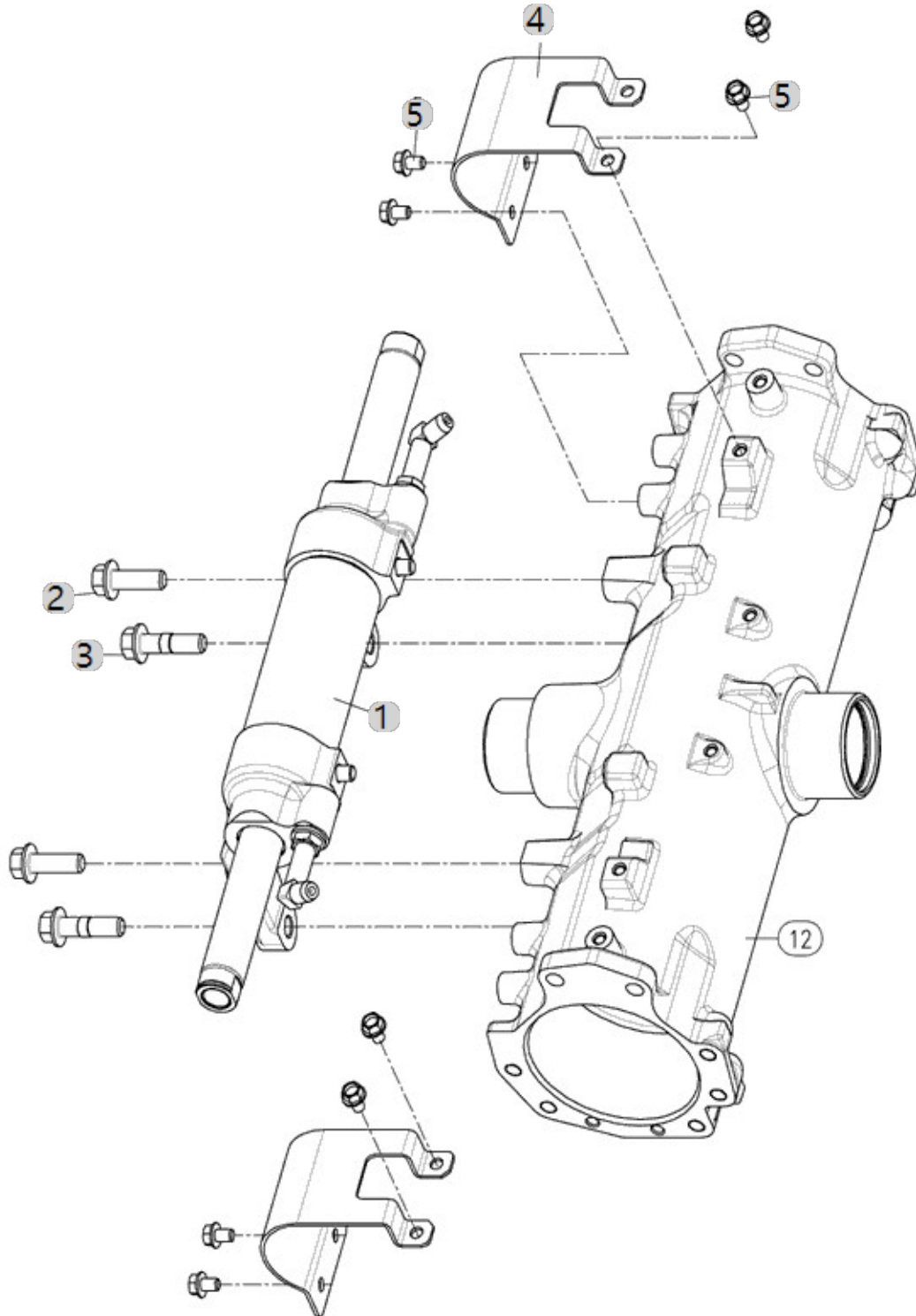
D02040

2515H_US_FL
(AC02153)

P.S.T CYLINDER

Year/Month

2022-12-14



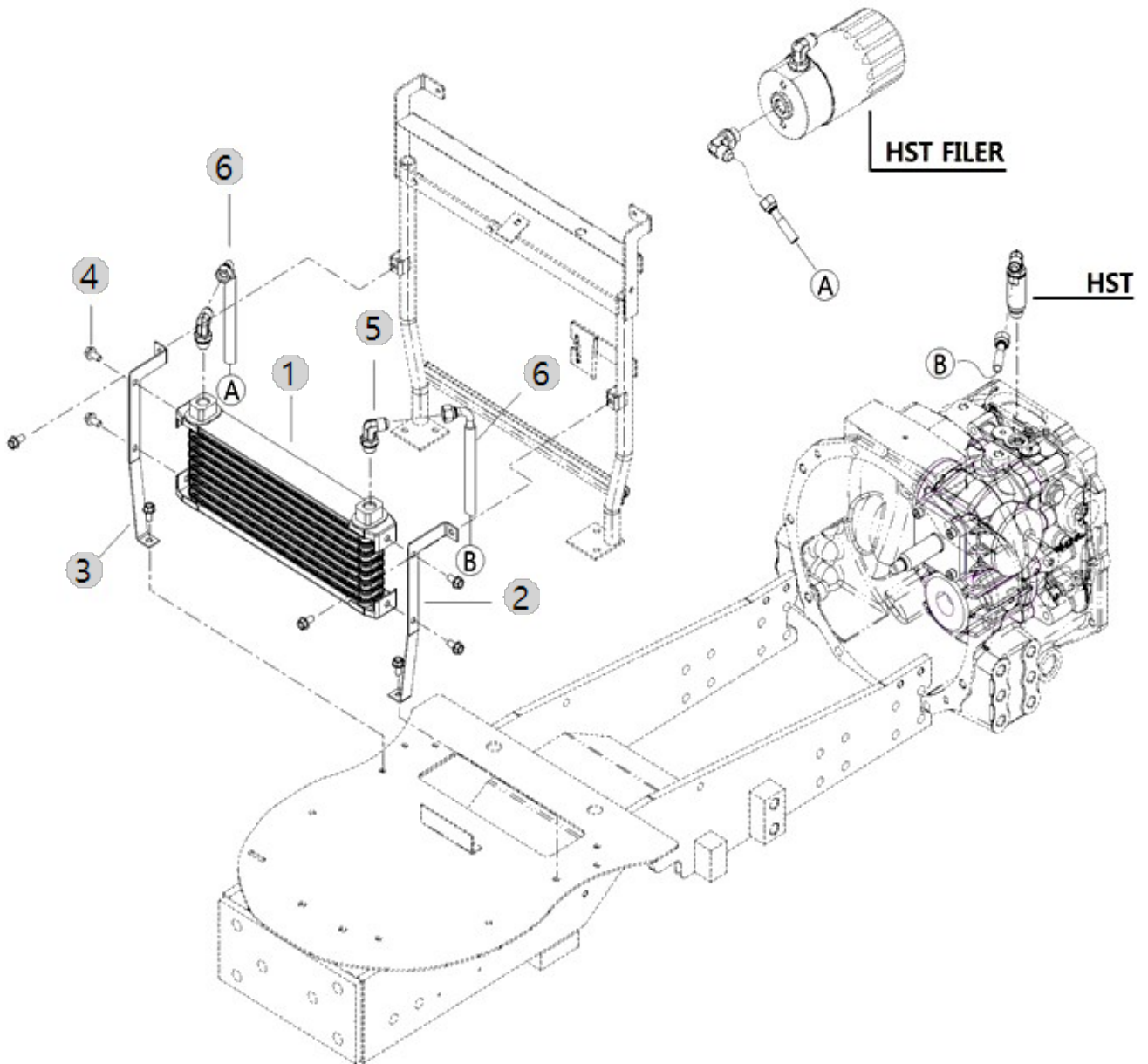
D03010

2515H_US_FL
(AC02153)

OIL COOLER

Year/Month

2022-12-14



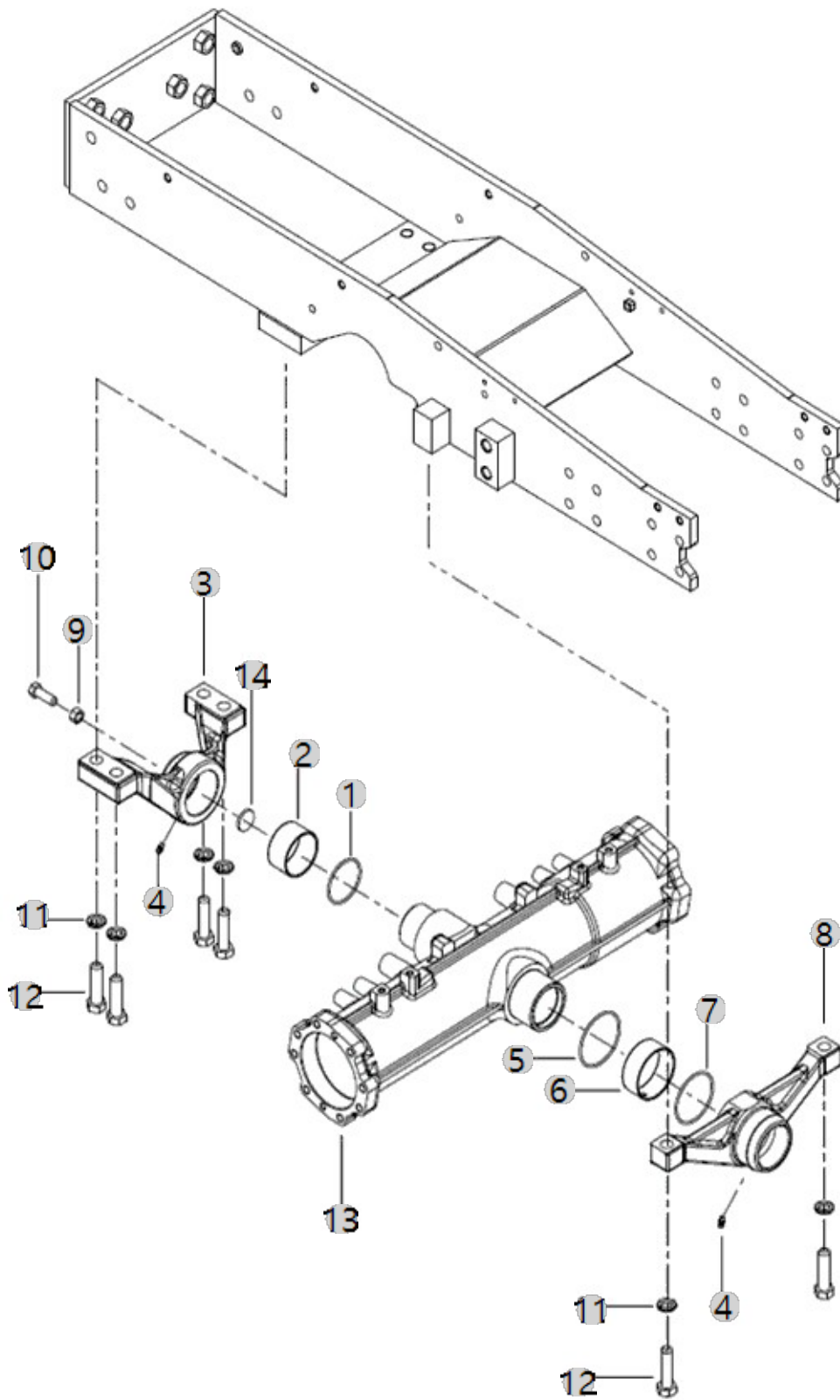
E01010

2515H_US_FL
(AC02153)

FRONT AXLE CASE

Year/Month

2022-12-14



E01010 2515H_US_FL (AC02153)	FRONT AXLE CASE	Year/Month
		2022-12-14

순번 (NO)	부품번호 (PART NO)	품명 (PART NAME)	품명 (PART NAME)	수량 (QTY)	규격 (SPEC)	비고 (REMARK)
1	24321-000600	O-링1AG-60(국산)	SEAL,ORING	1	G60	
2	TA00034105A	서포트(전)부시	BUSH	1		
3	TA00048801B	액슬 전방 서포트 조합	FRONT AXLE SUPPROT ASS'Y	1		
3	TA00048801A	액슬 전방 서포트 조합	FRONT AXLE SUPPROT ASS'Y	1		
4	24764-060000	그리스니플	GREASE NIPPLE	2		
5	24321-000750	O-RING1AG-75	SEAL,ORING	1	G75	
6	TA00034103A	서포트(후)부시	BUSH	1		
7	24321-000700	O-링1AG-70(국산)D130공용	O-RING1AG-70	1	G70	
8	TA00034102C	액슬 서포트(후)조합	AXLE SUPPORT (REAR)ASS'Y	1		
8	TA00034102D	액슬 서포트(후)조합	AXLE SUPPORT (REAR)	1		
9	26716-120002	295,ALL,육각너트	HEXA NUT295	1	M12X1.75	
10	26116-120354	육각보울트	BOLT	1	M12X1.75X35	
11	22217-160000	스프링와셔	WASHER, SPRING (Φ 16)	6	M16	
12	26116-160602	육각볼트	HEX BOLT	6	M16XP2.0X60	
13	TA00048800A	전차축케이스	CASE, FRONT AXLE	1		
14	TA00048803A	와셔(D30X4T)	WASHER	1		

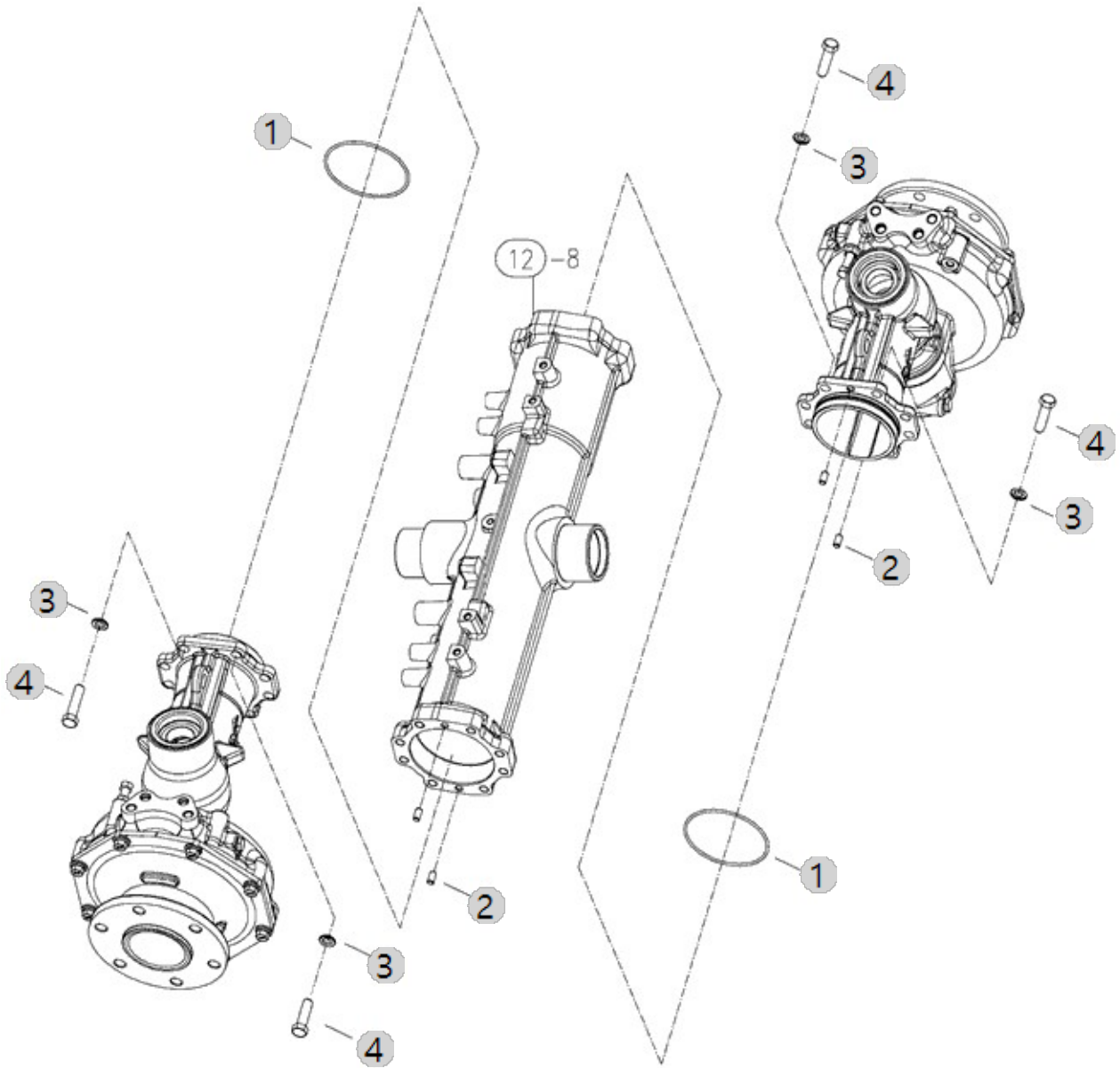
E01013

2515H_US_FL
(AC02153)

SPACER

Year/Month

2022-12-14



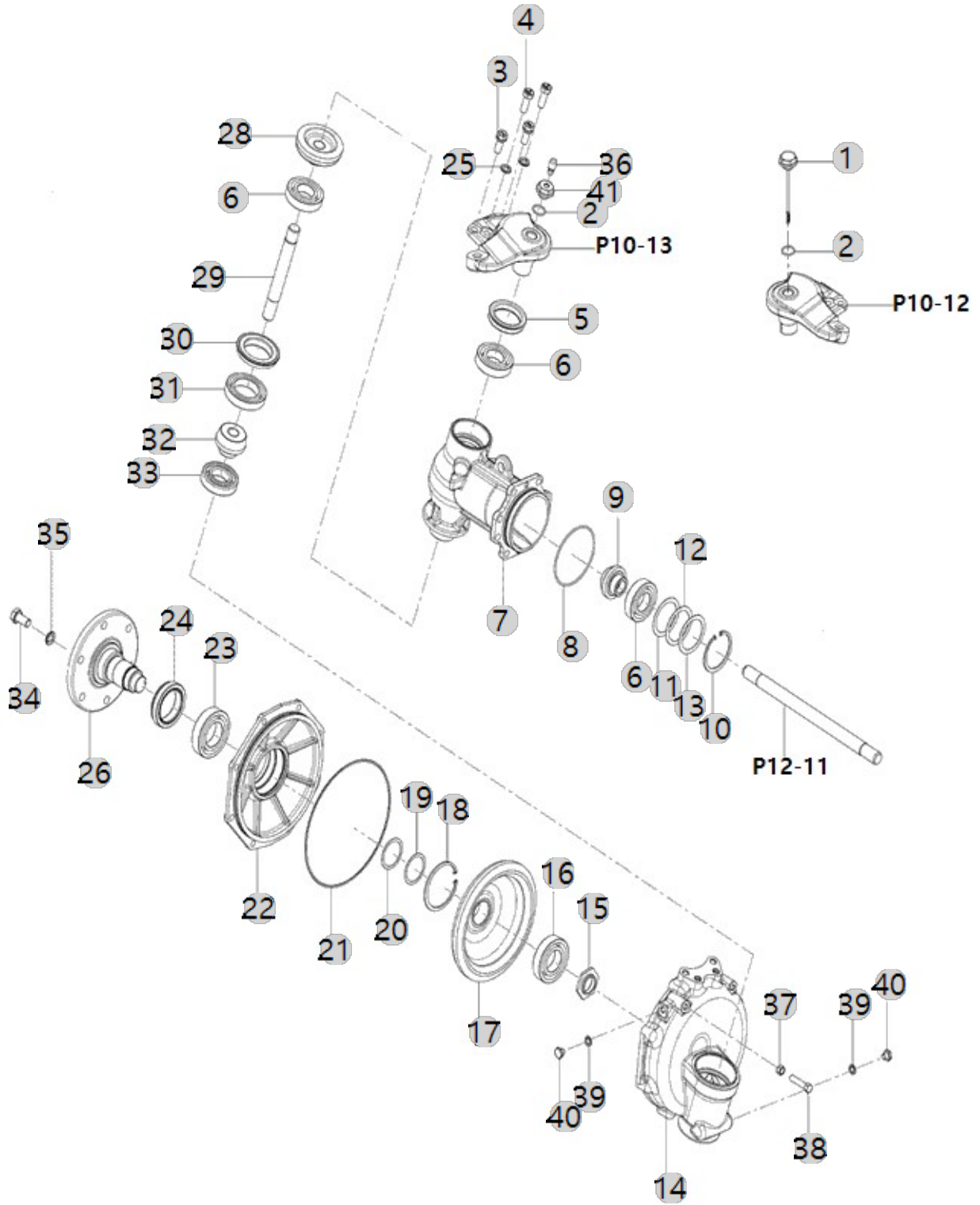
E01030

2515H_US_FL
(AC02153)

GEAR CASE, FRONT AXLE

Year/Month

2022-12-14



E01030 2515H_US_FL (AC02153)		GEAR CASE, FRONT AXLE				Year/Month 2022-12-14
순번 (NO)	부품번호 (PART NO)	품명 (PART NAME)	품명 (PART NAME)	수량 (QTY)	규격 (SPEC)	비고 (REMARK)
1	TA00033805A	검유봉	OIL GUAGE	1		
2	24311-000220	O-RING1AP-22.0	O-RING, DYNAMIC (Φ22)	2	1A P22.0	
3	TA00033468C	와셔조립육각볼트	BOLT W/ WASHER	4		
4	TA00033475B	리머볼트	SPACER	4		
5	FE78010000B	오일실 (특수) 55x72x13.5	OIL SEAL (55X72X13.5)	2	55X72X13.5	
6	24101-062074	볼베어링6207	BALL BEARING (#6207)	6	#6207	
7	TA00033457C	프런트기어케이스	CASE, FRONT GEAR	2		
8	24321-001050	O-링	O-RING	2		
9	TA00033461B	전1축피니언9T	PINION, FRONT 1ST SHAFT	2		
10	22252-000720	구멍용스냅링72	RING, CIRCLIP (Φ 72)	2	D72	
11	TA00033489A	심 0.2T	SHIM 0.2T	2		
12	TA00033488A	심 0.3T	SHIM 0.3T	2		
13	TA00033487A	심 0.5T	SHIM 0.5T	2		
14	TA00033458C	프런트기어박스	GEAR BOX, FRONT	2		
15	TA00033481A	로크너트	LOCK NUT	2		
16	24101-062084	볼베어링6208	Bearing, Ball (#6208)	2	#6208	
17	TA00033474A	베벨기어 49T	GEAR, BEVEL 49T	2		
18	22252-000850	써클립85H	RING, CIRCLIP (Φ 85)	2		
19	TA00033486A	심 0.2T	SHIM 0.2T	1		
20	TA00033485A	심 0.5T	SHIM 0.5T	1		
21	TA00033939A	O링	O RING	2		
22	TA00033459C	프런트베어링케이스	BEARING CASE, FRONT	1		
23	24101-062094	볼베어링6209	BALL BEARING (#6209)	2	#6209	
24	TA00041359A	오일실	OILSEAL	2		
25	22217-120000	스프링와셔	WASHER, SPRING (Φ 12)	2	M12	
26	TA00033460C	프런트스핀들	SPINDLE, FRONT	2		
26	TA00033460E	프런트스핀들	SPINDLE, FRONT	2		
26	TA00033460D	프런트스핀들	SPINDLE, FRONT	2		
27	TA00033469B	와셔조립육각볼트	BOLT W/ WASHER	16		
28	TA00033463A	전2축기어	FRONT 2ND AXLE LH	2		
29	TA00033464A	전2축	FRONT 2ND SHAFT	2		
30	TC60110000A3	오일실(AJ)	SEAL, OIL	2		
31	24101-060104	볼베어링6010	Bearing, Ball (#6010)	2	#6010	
32	TA00033473A	베벨기어 11T	GEAR, BEVEL 11T	2		
33	TC60340000A4	베어링TM207C3	BEARING(TM207C3)	2	TM207C3	
34	TD23120000B4	프런트 허브 볼트(M14X28)	BOLT	12	M14XP1.5	
35	22217-140000	스프링와셔14	WASHER, SPRING (Φ 14)	12	M14	
36	TA00049842B	에어브리더(STEEL)	AIR BREATHER	1		
36	TA00049842A	에어브리더(STEEL)	AIR BREATHER	1		
37	26716-100001	육각너트	NUT	2		
38	26112-100452	육각볼트	BOLT	2		
39	22190-100000	실와셔	WASHER	4	M10	
40	23887-100002	플러그(미터)	SCREW,HEXAGONHEADCAP	4	M10	
41	TA00049843B	에어브리더 플러그	ADAPThER	1		

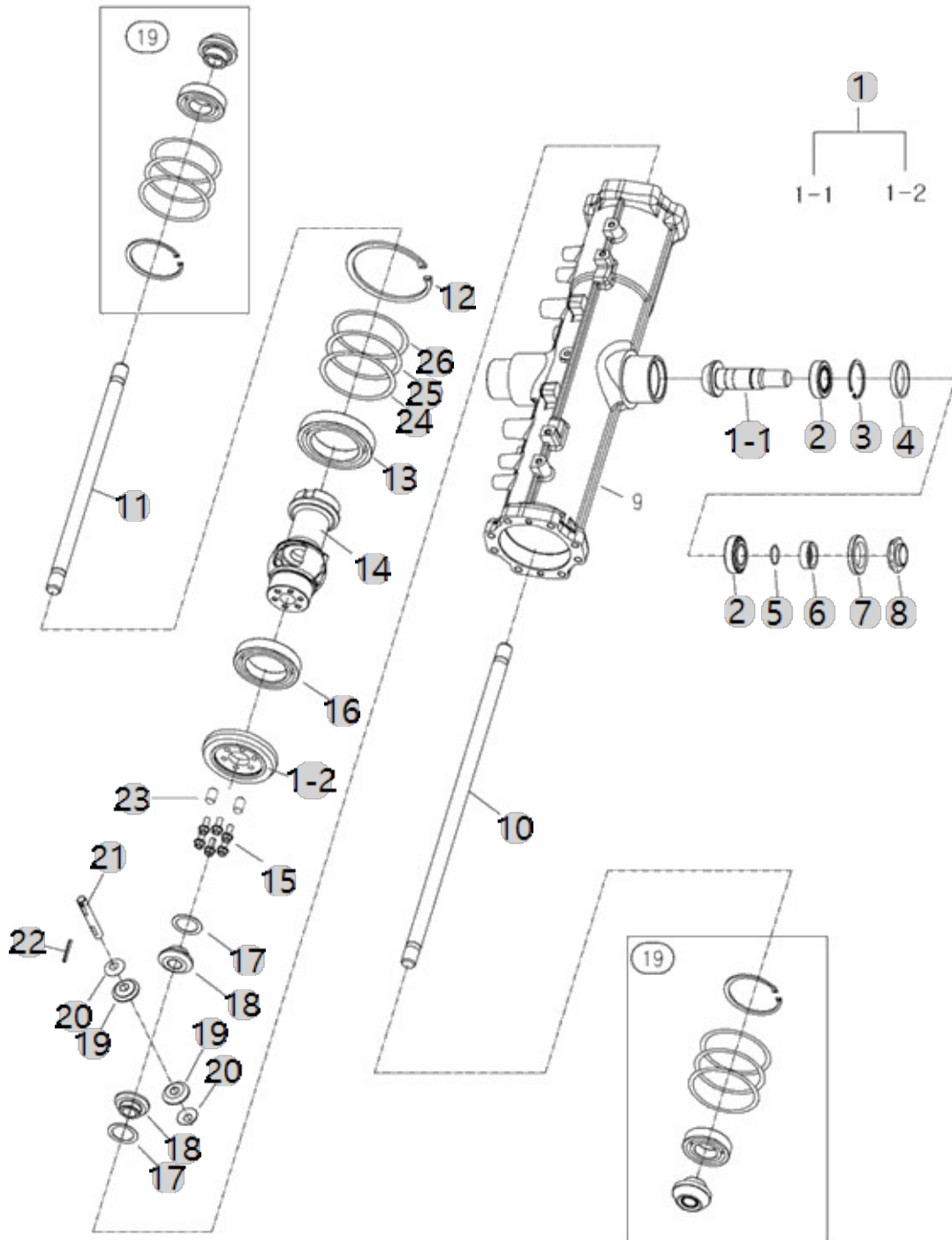
E01070

2515H_US_FL
(AC02153)

FRONT DRIVE SHAFT

Year/Month

2022-12-14



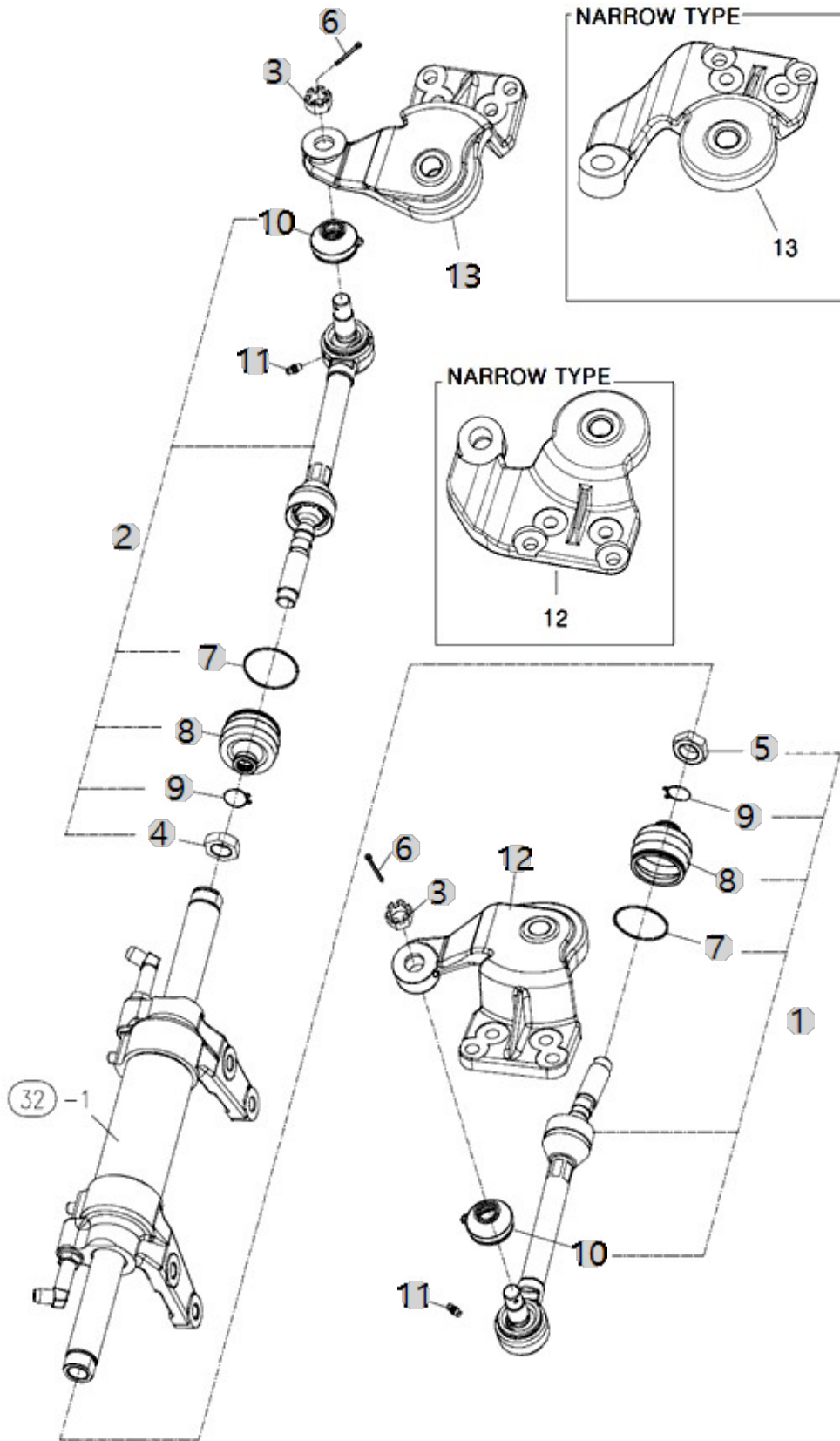
E01080

2515H_US_FL
(AC02153)

TIE ROD

Year/Month

2022-12-14



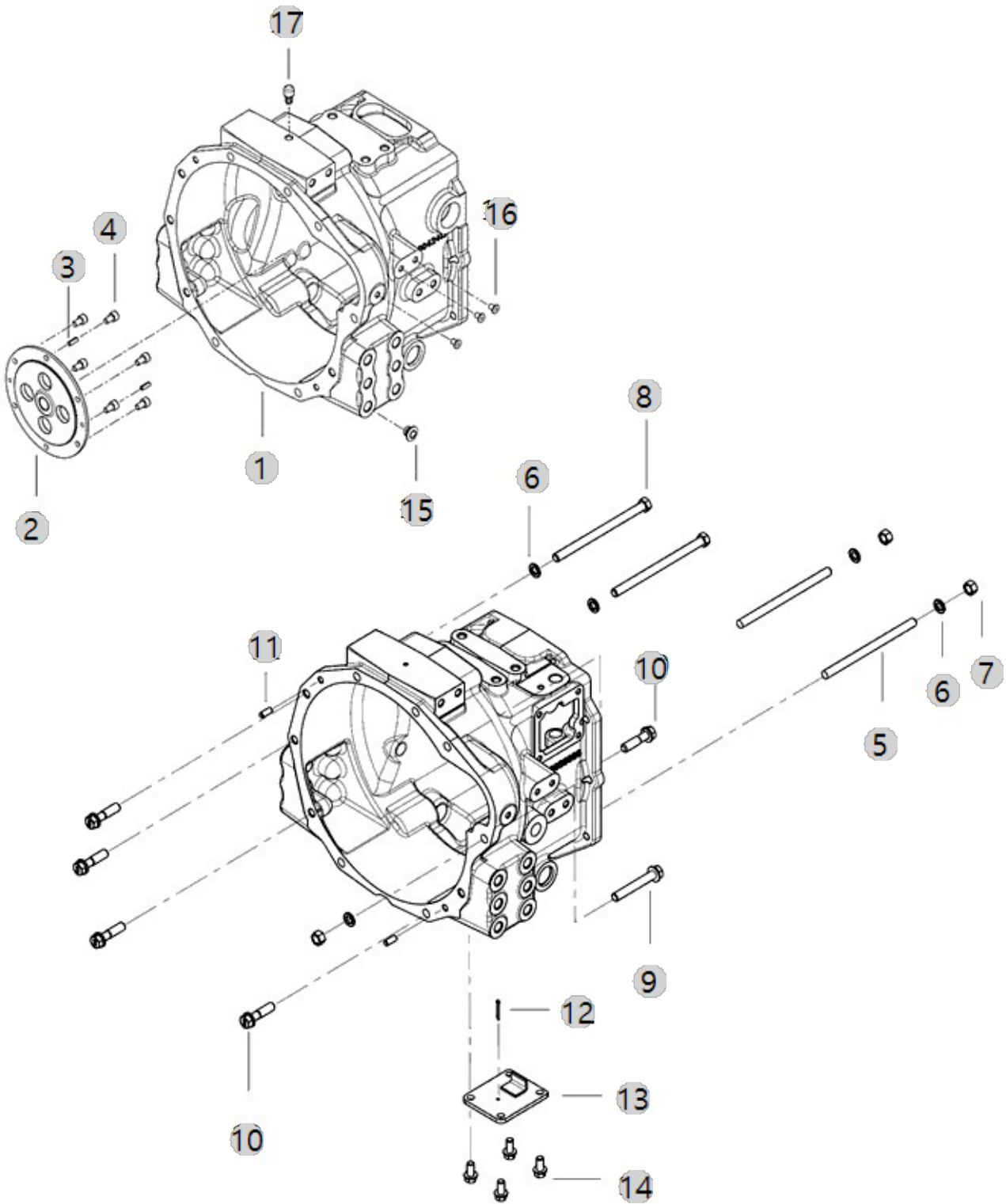
F01010-A

BRANSON 2515H
TM_US_FL(AC01916)

CLUTCH HOUSING

Year/Month

2022-12-14



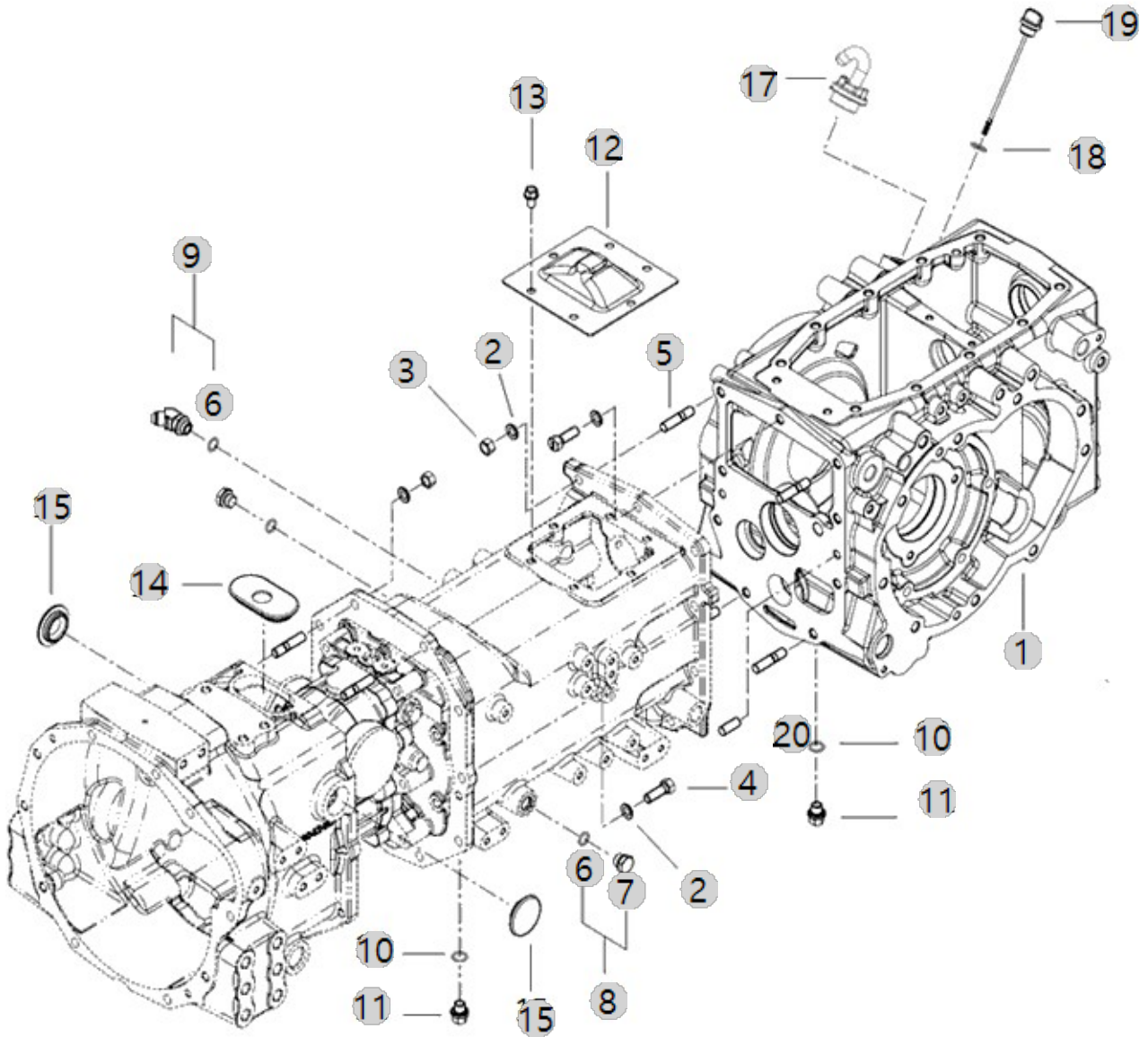
F01020

BRANSON 2515H
TM_US_FL(AC01916)

TRANSMISSION CASE

Year/Month

2022-12-14



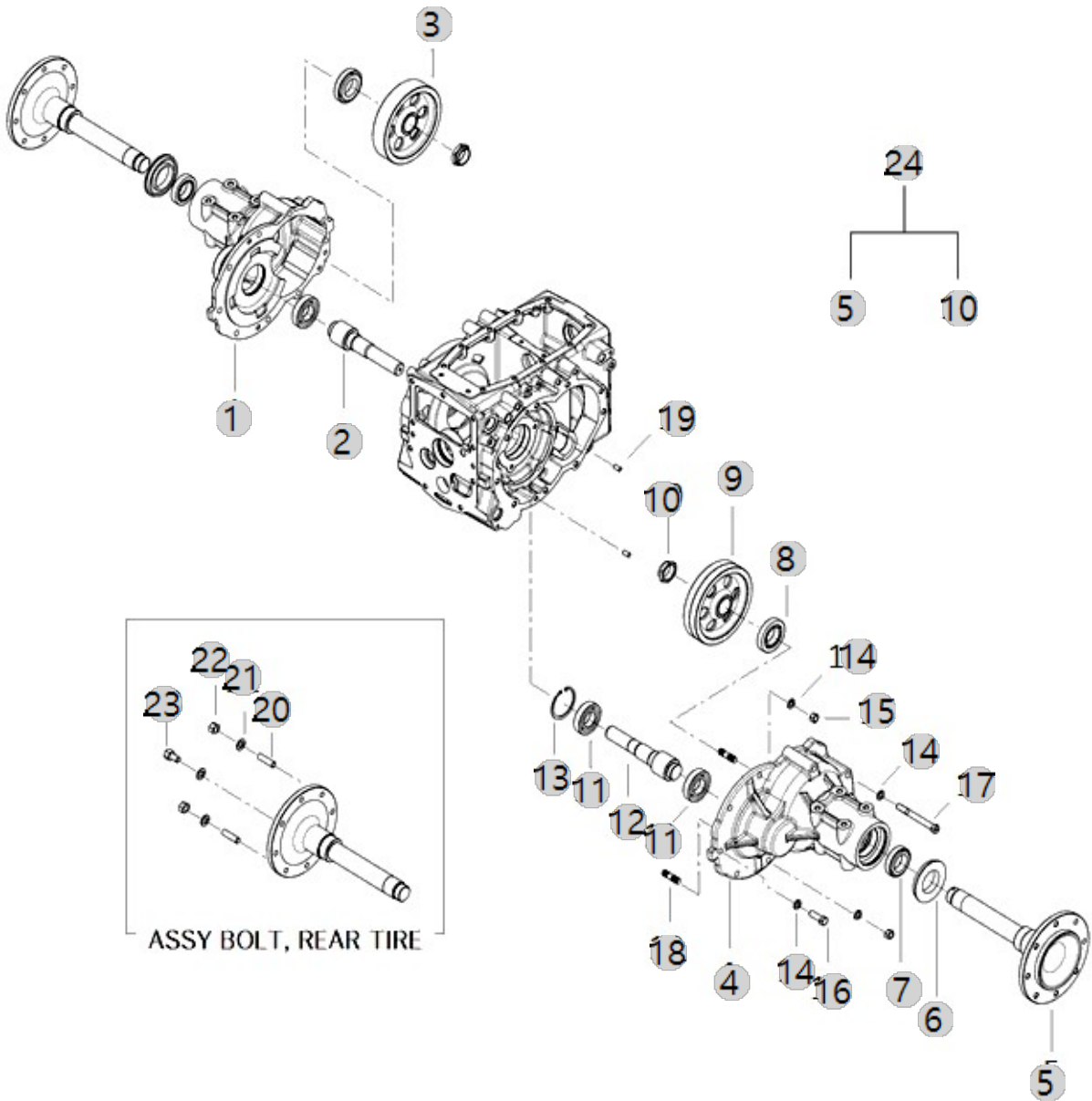
F01030

BRANSON 2515H
TM_US_FL(AC01916)

REAR AXLE HOUSING

Year/Month

2022-12-14



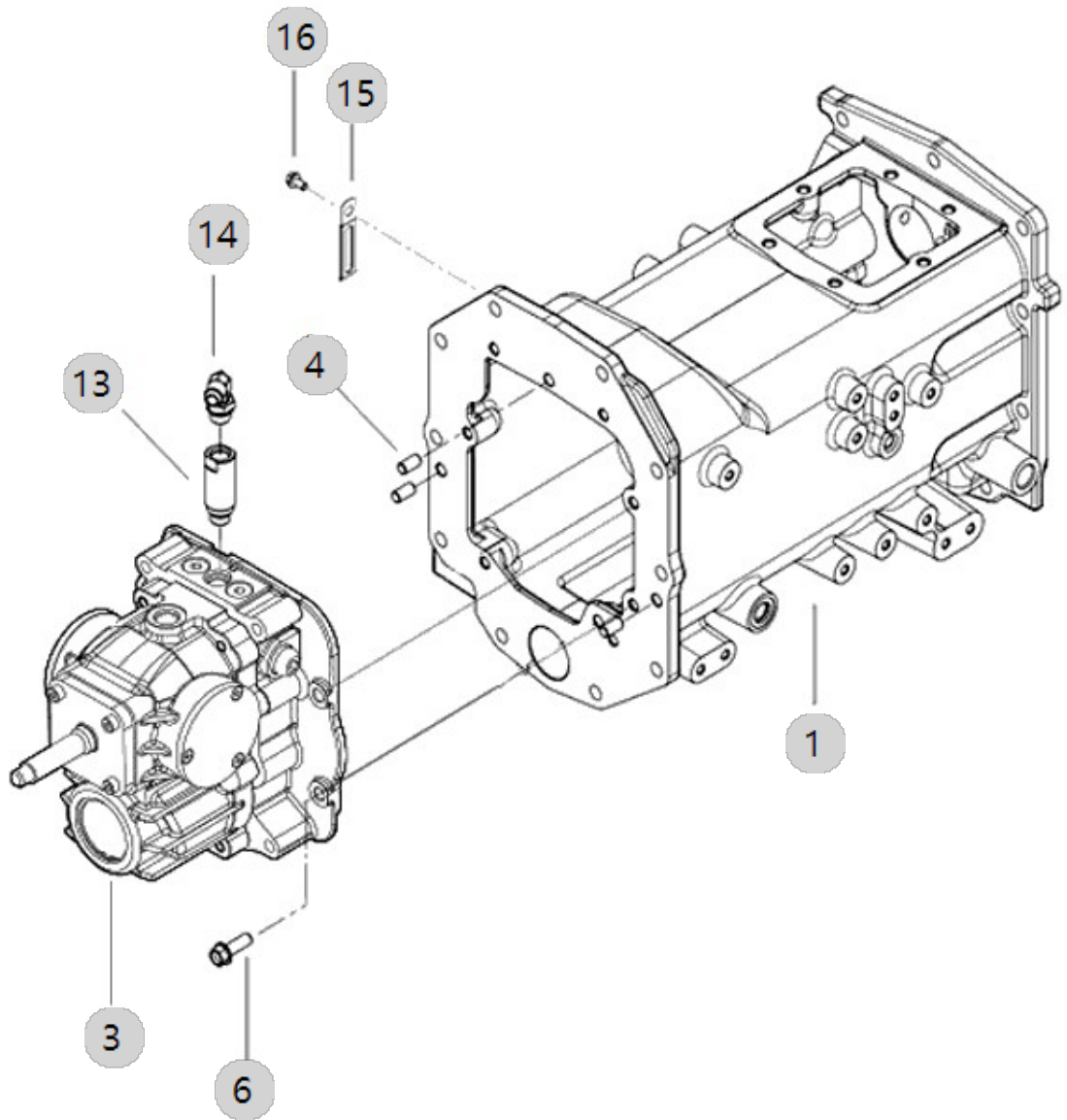
F01050

BRANSON 2515H
TM_US_FL(AC01916)

HYD SHIFT TRANSMISSION HOUSING

Year/Month

2022-12-14



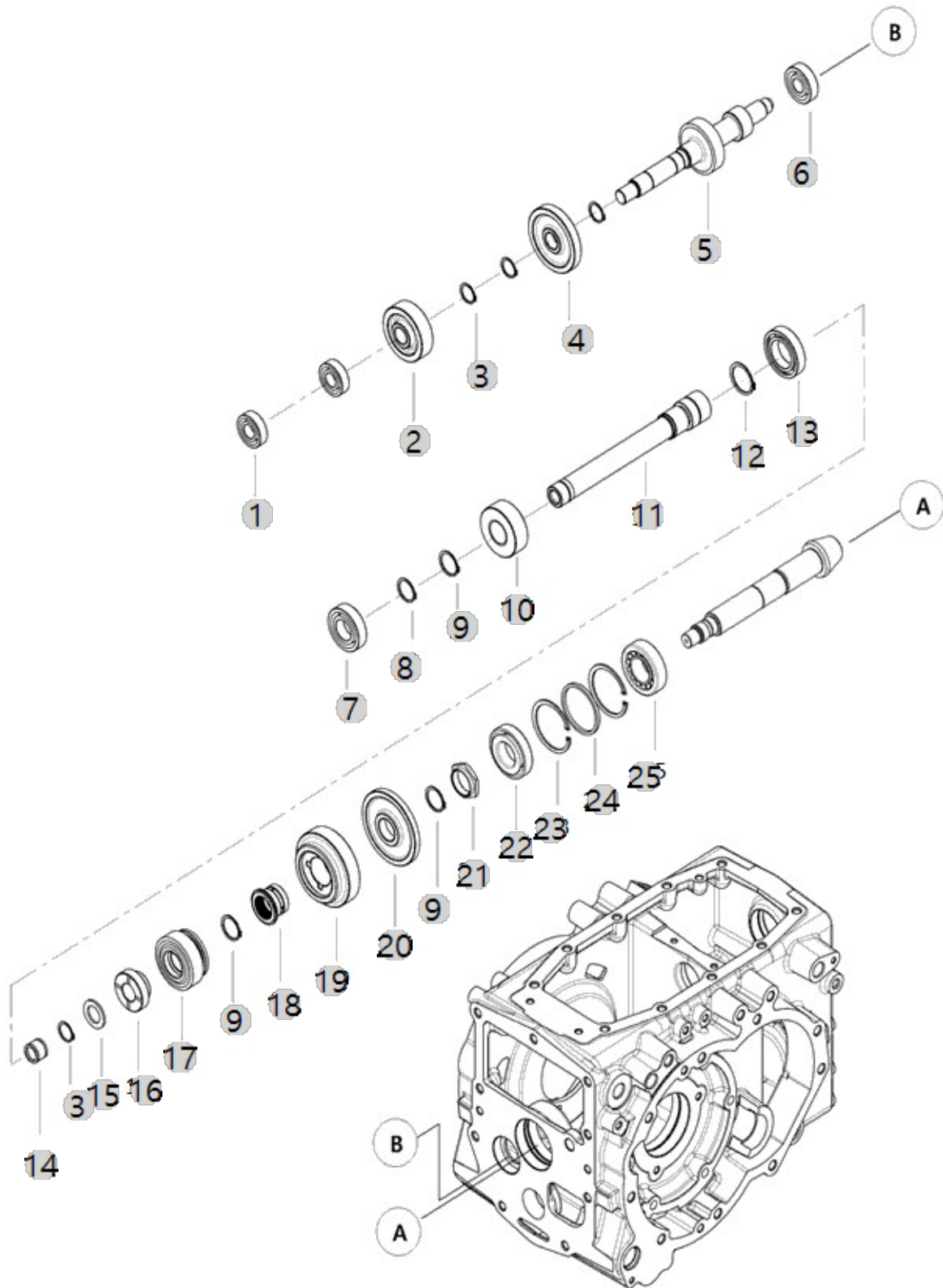
F03040

BRANSON 2515H
TM_US_FL(AC01916)

RANGE SHIFT DRIVE SHAFT

Year/Month

2022-12-14



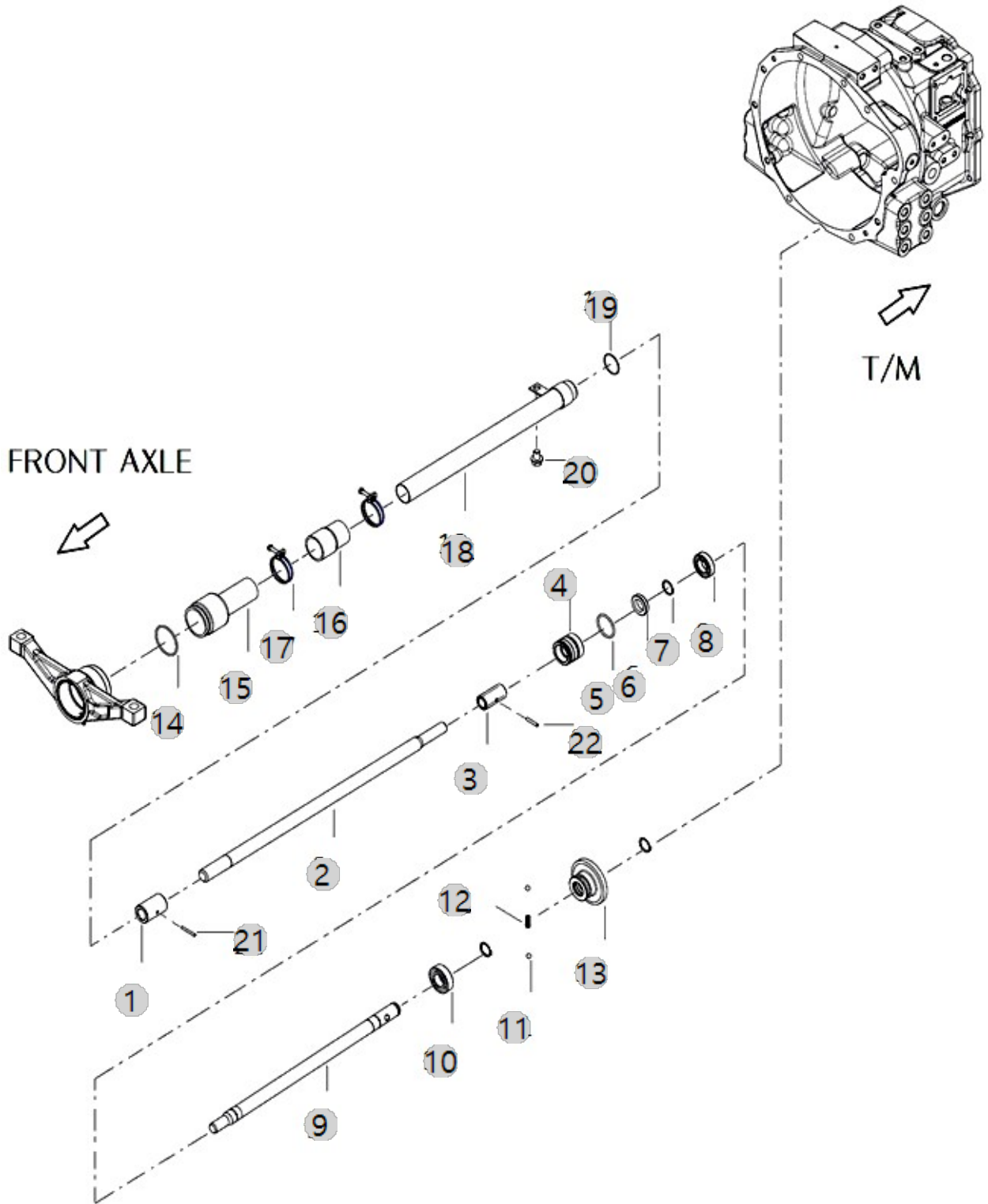
F04010

BRANSON 2515H
TM_US_FL(AC01916)

FRONT DRIVE SHAFT

Year/Month

2022-12-14



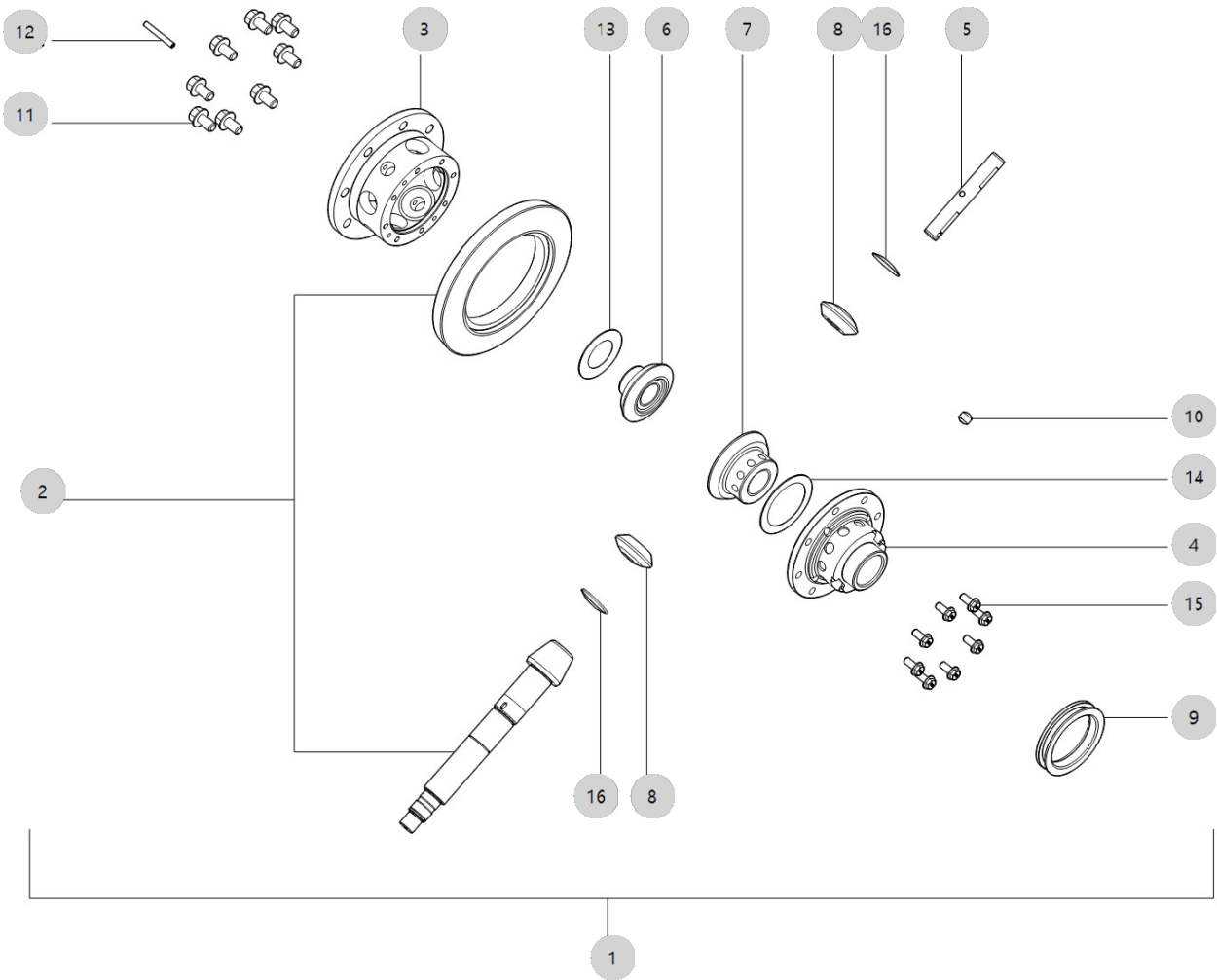
F05020

BRANSON 2515H
TM_US_FL(AC01916)

RING GEAR&DIFF.GEAR ASS'Y

Year/Month

2022-12-14



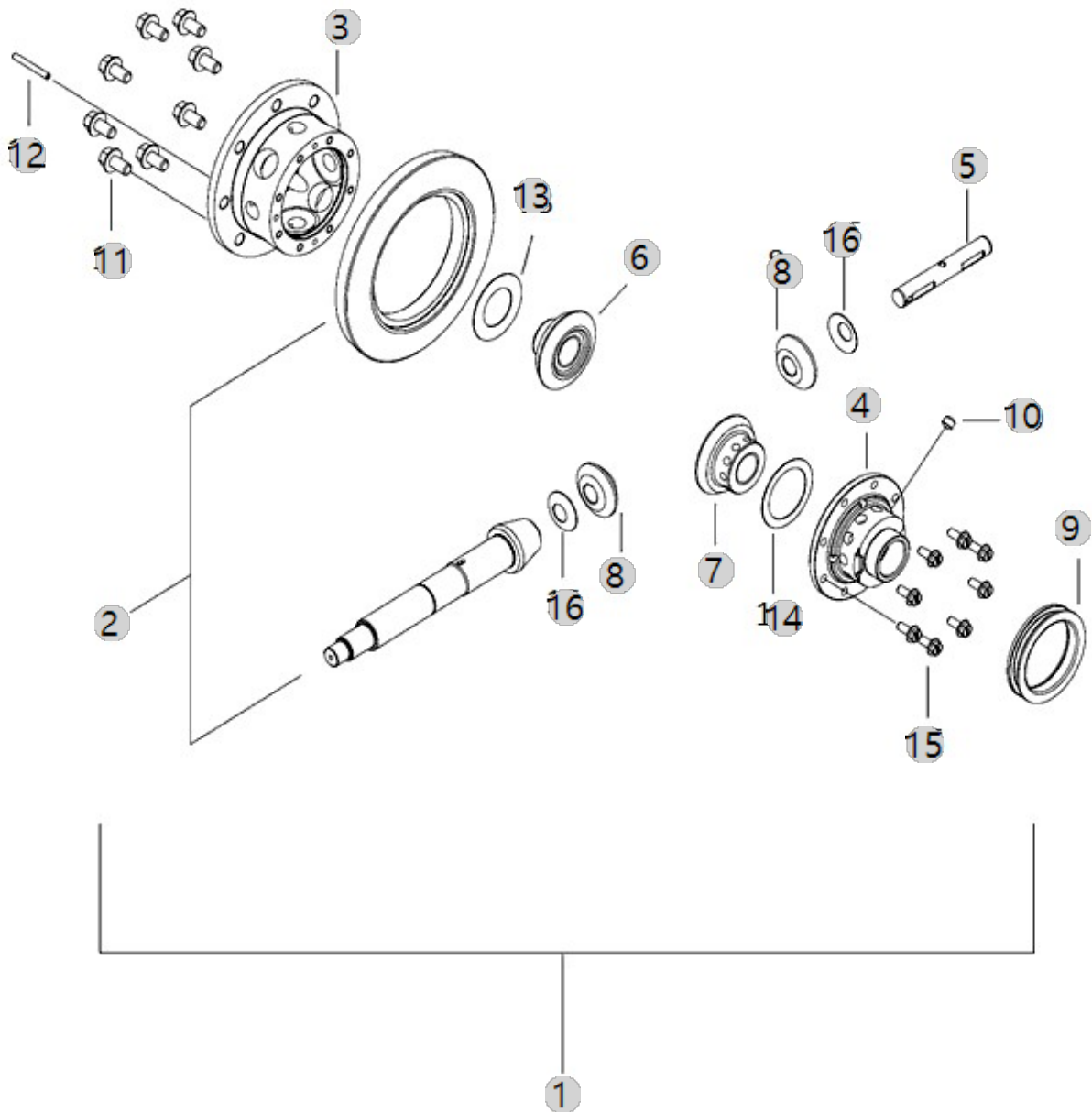
F05020

BRANSON 2515H
TM_US_FL(AC01916)

RING GEAR&DIFF.GEAR ASS'Y

Year/Month

2022-12-14



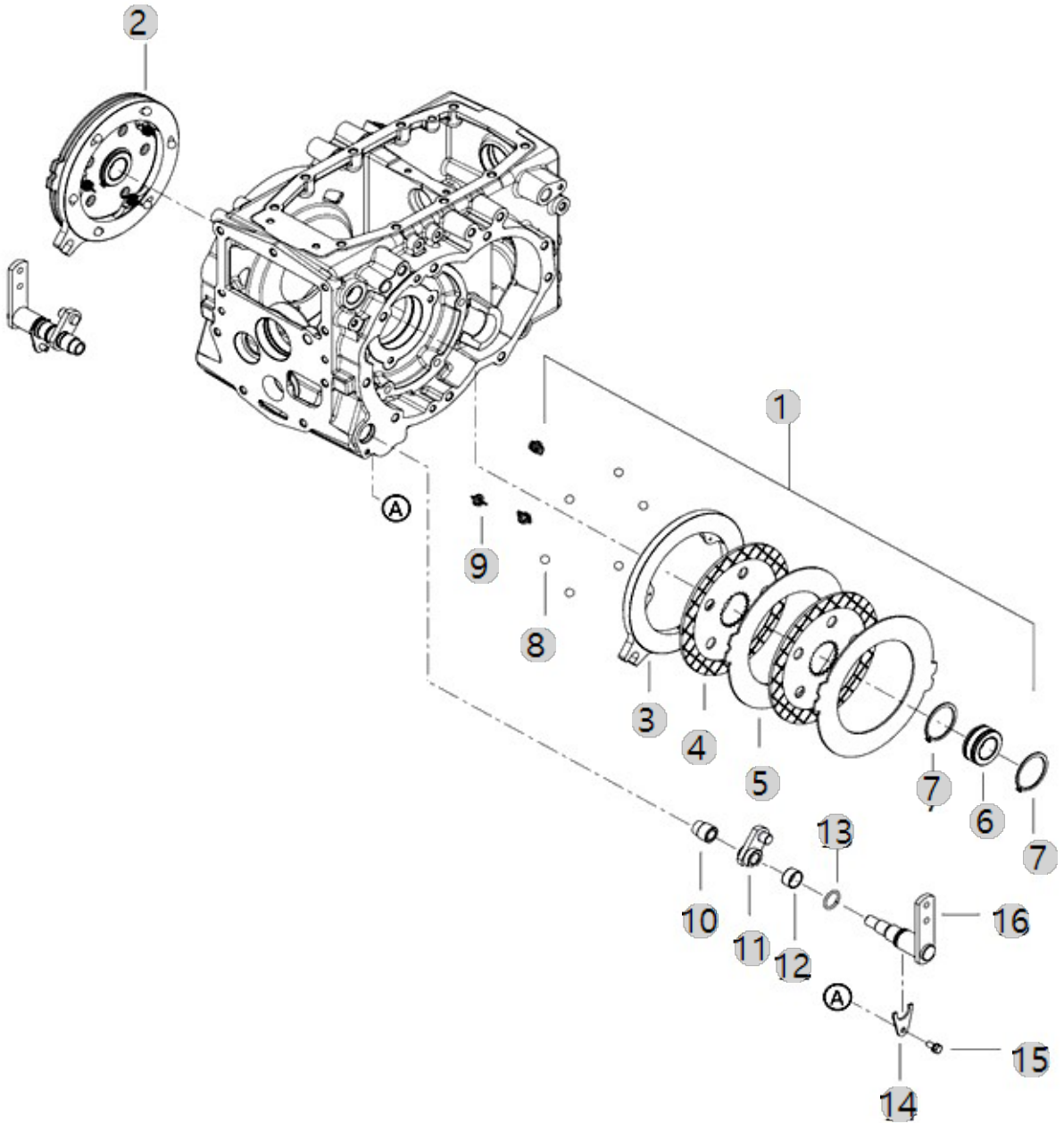
F06030

BRANSON 2515H
TM_US_FL(AC01916)

BRAKE

Year/Month

2022-12-14



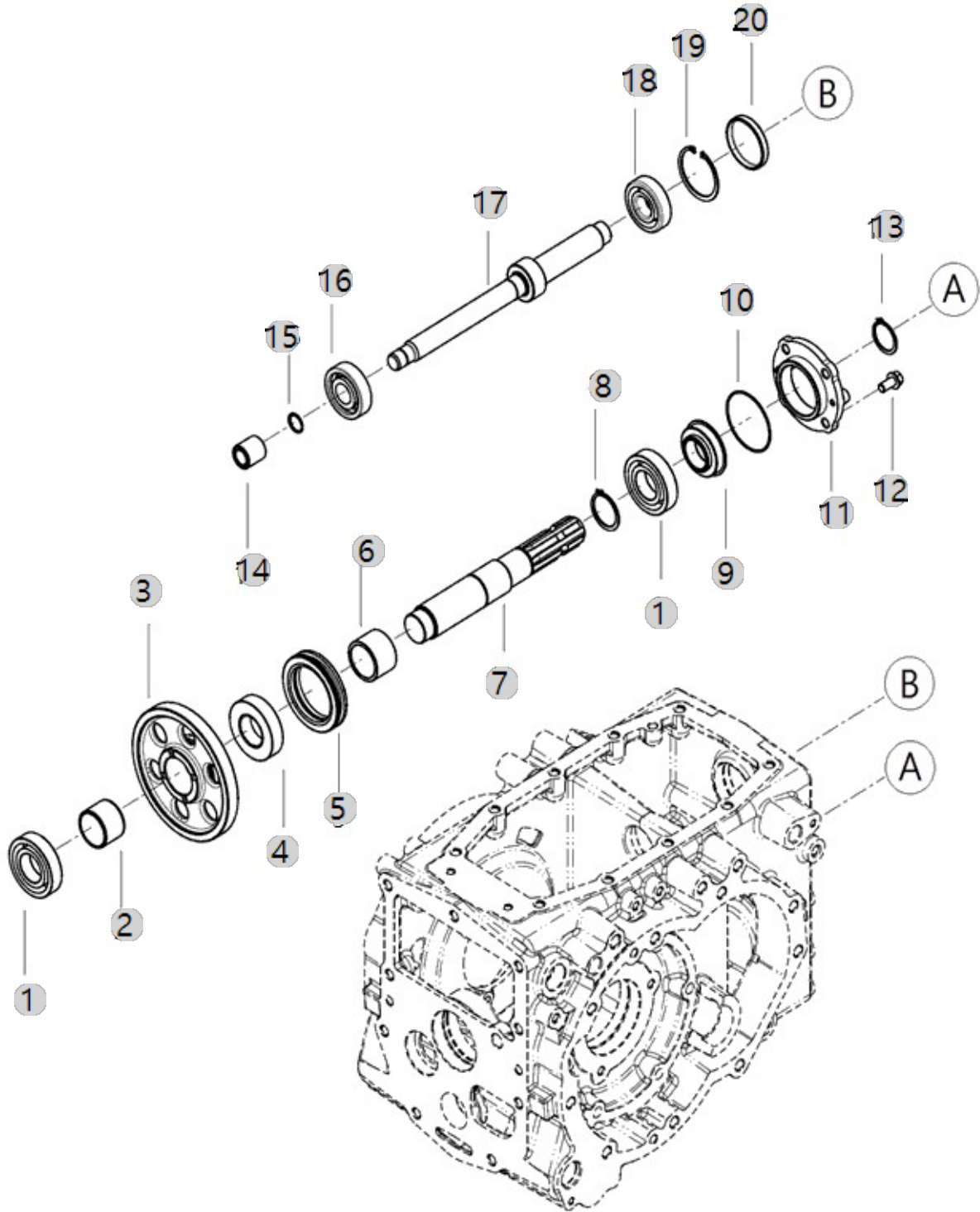
F07030

BRANSON 2515H
TM_US_FL(AC01916)

PTO DRIVE SHAFT

Year/Month

2022-12-14



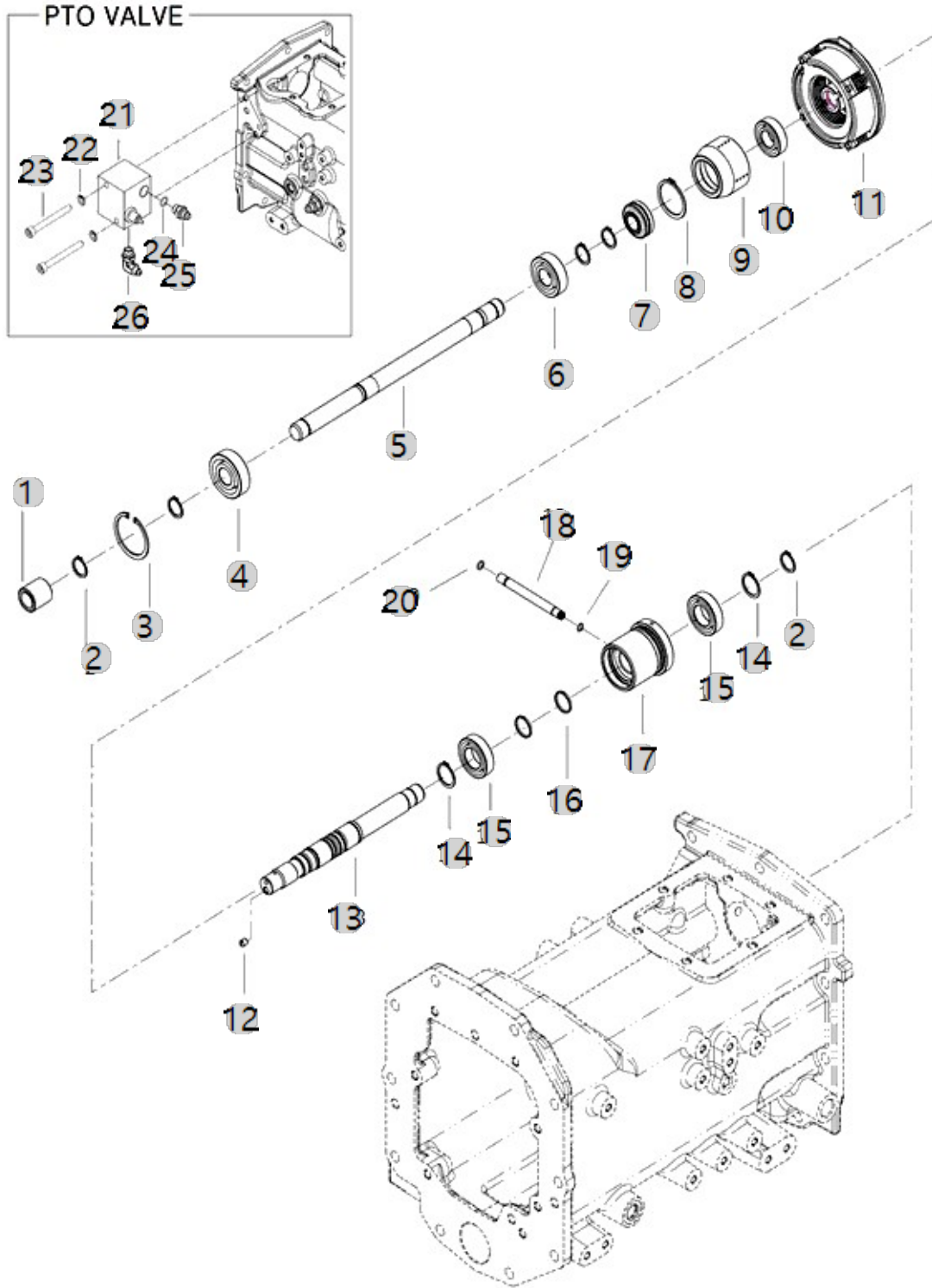
F07070

BRANSON 2515H
TM_US_FL(AC01916)

MAIN P.T.O SHAFT

Year/Month

2022-12-14



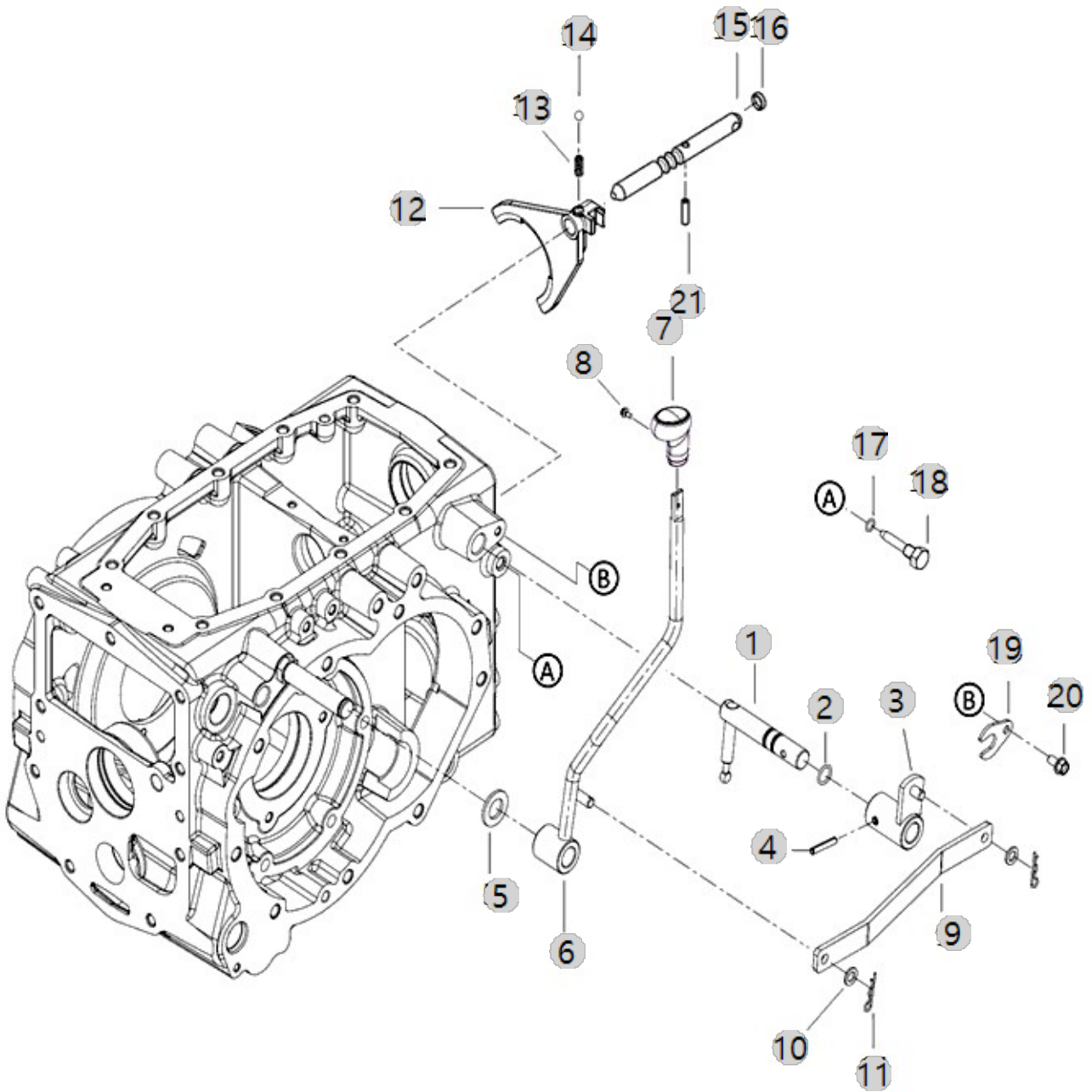
F08060

BRANSON 2515H
TM_US_FL(AC01916)

FORK, PTO SHIFT

Year/Month

2022-12-14



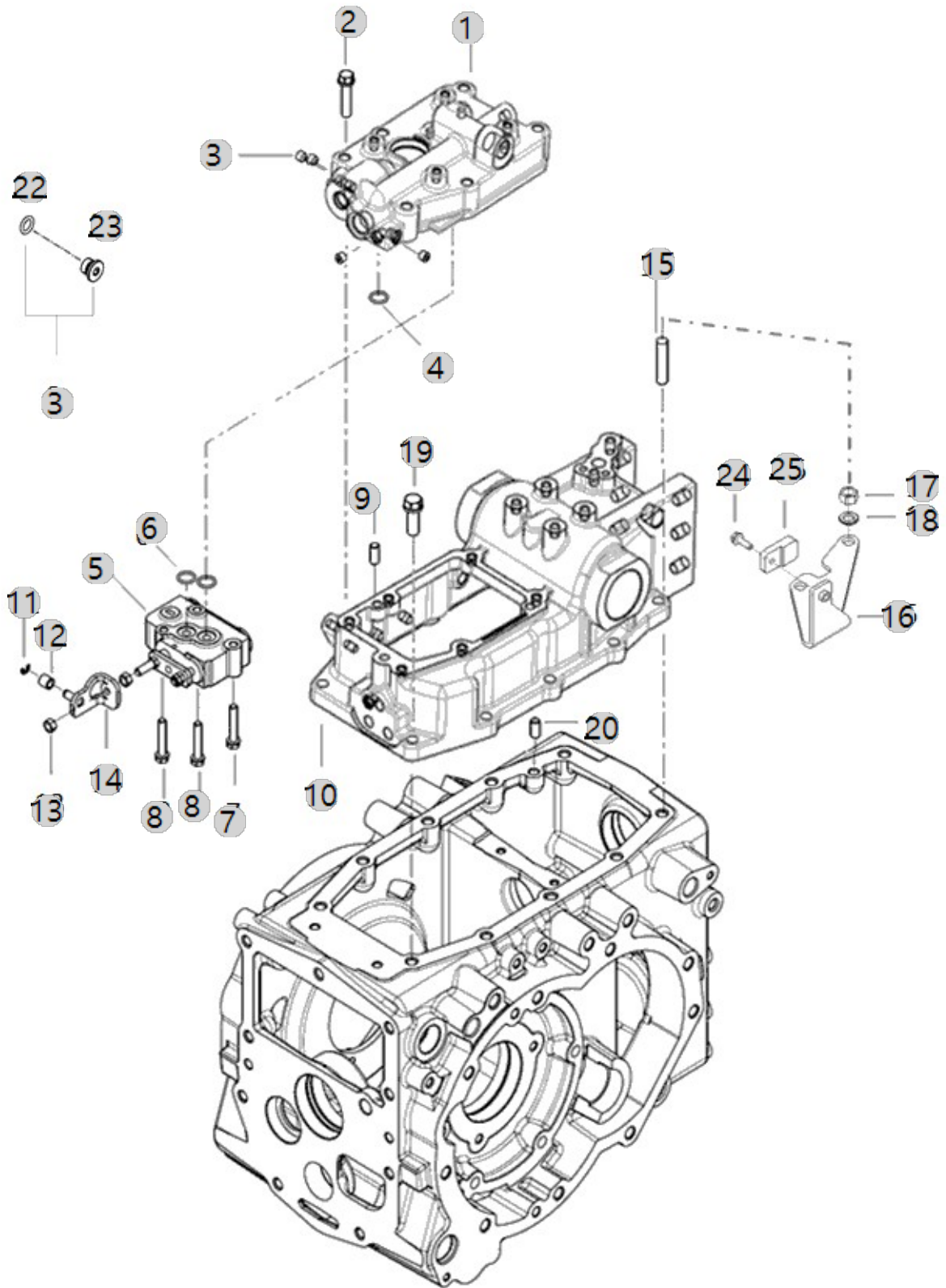
F10010

BRANSON 2515H
TM_US_FL(AC01916)

CASE, HYD CYLINDER

Year/Month

2022-12-14



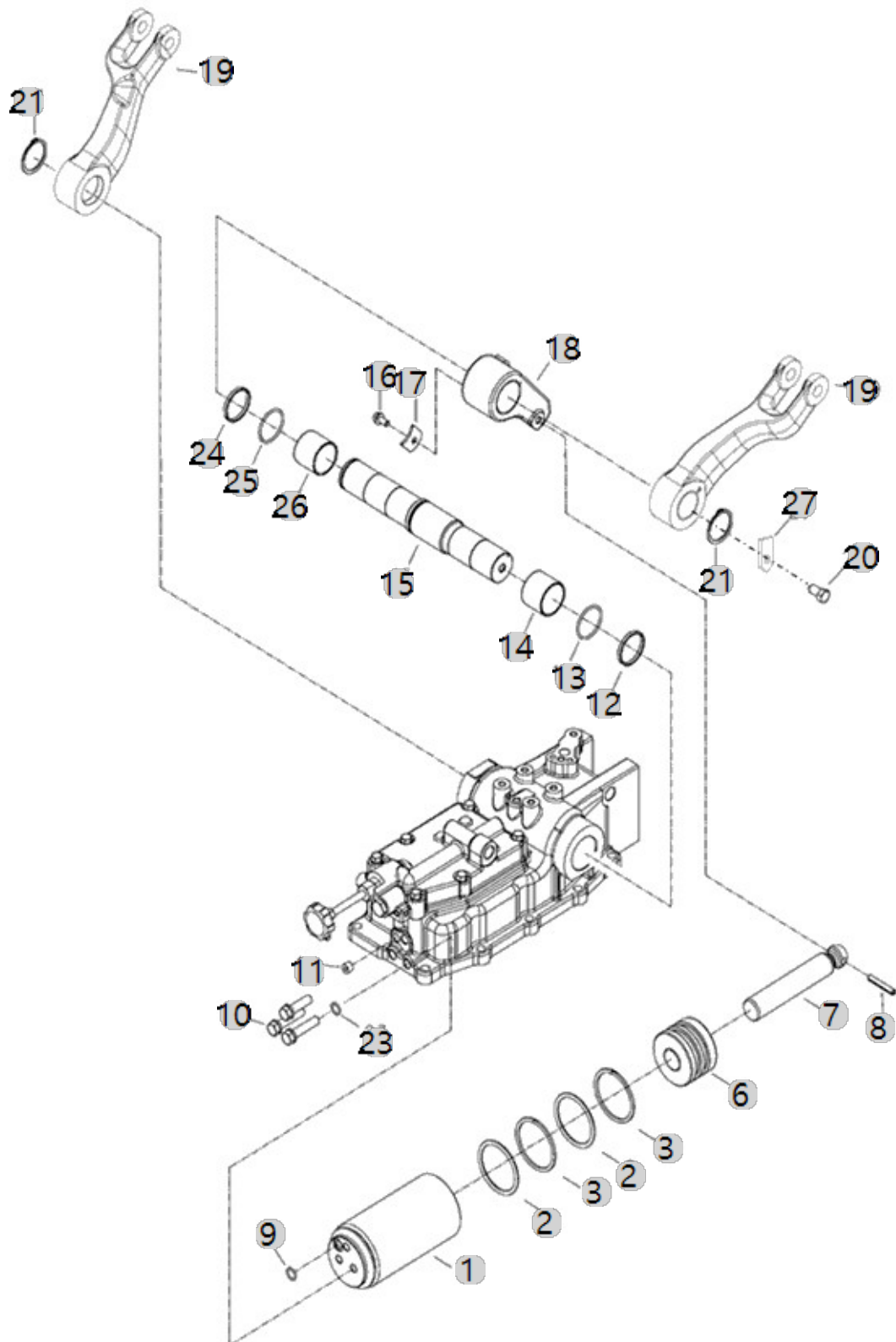
F10020

BRANSON 2515H
TM_US_FL(AC01916)

LIFT ARM

Year/Month

2022-12-14



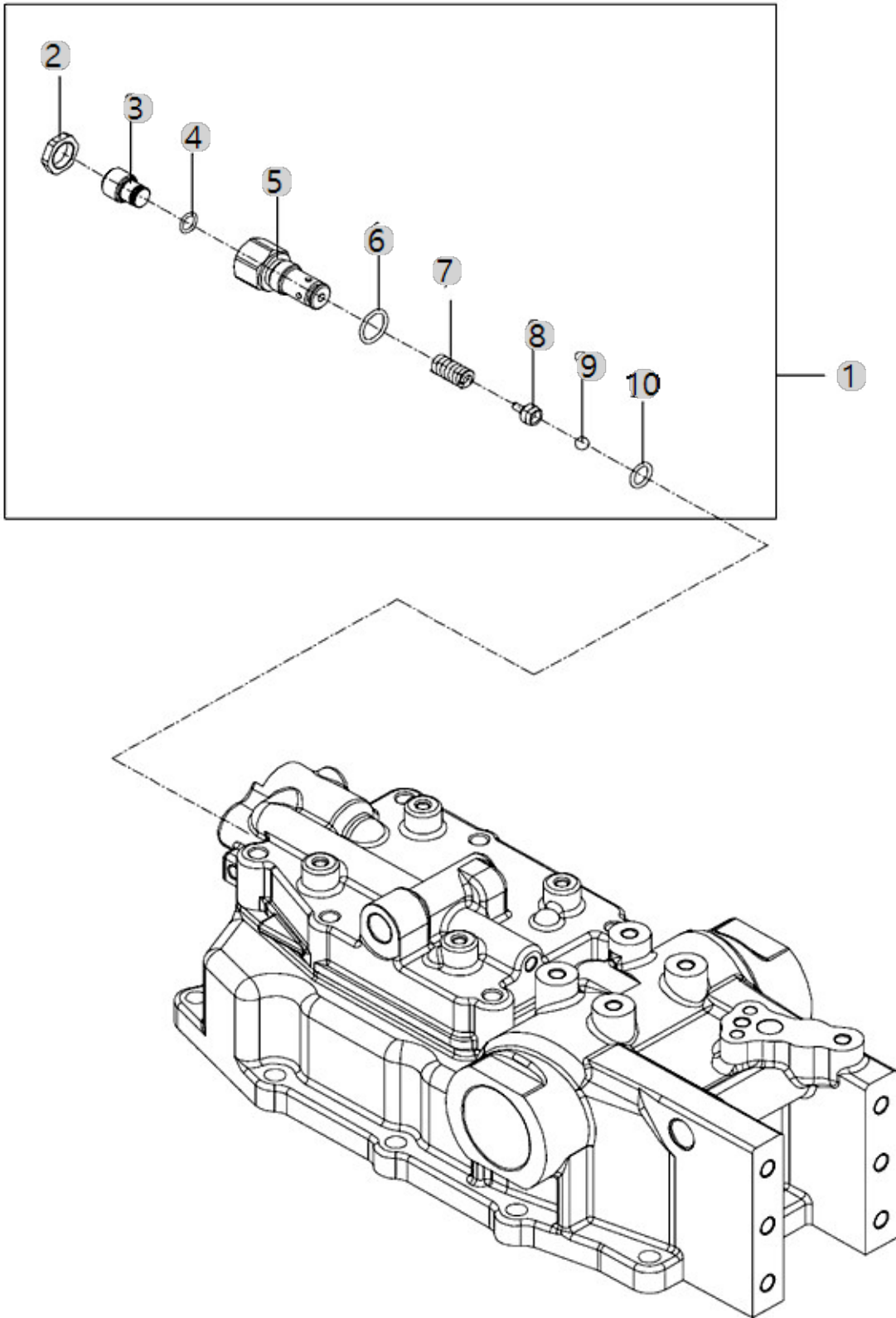
F10030

BRANSON 2515H
TM_US_FL(AC01916)

SAFETY VALVE

Year/Month

2022-12-14



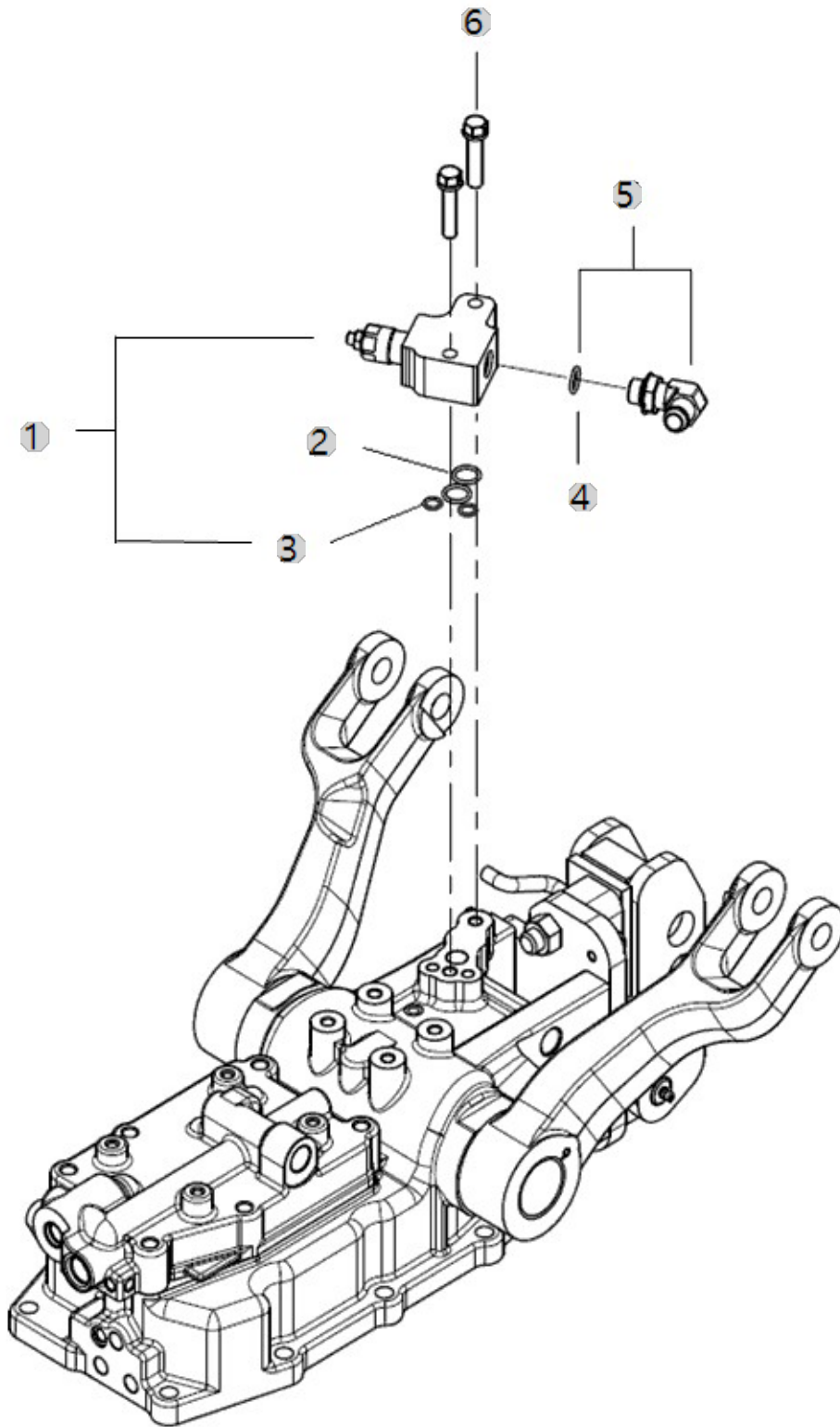
F10031

BRANSON 2515H
TM_US_FL(AC01916)

RELIEF VALVE

Year/Month

2022-12-14



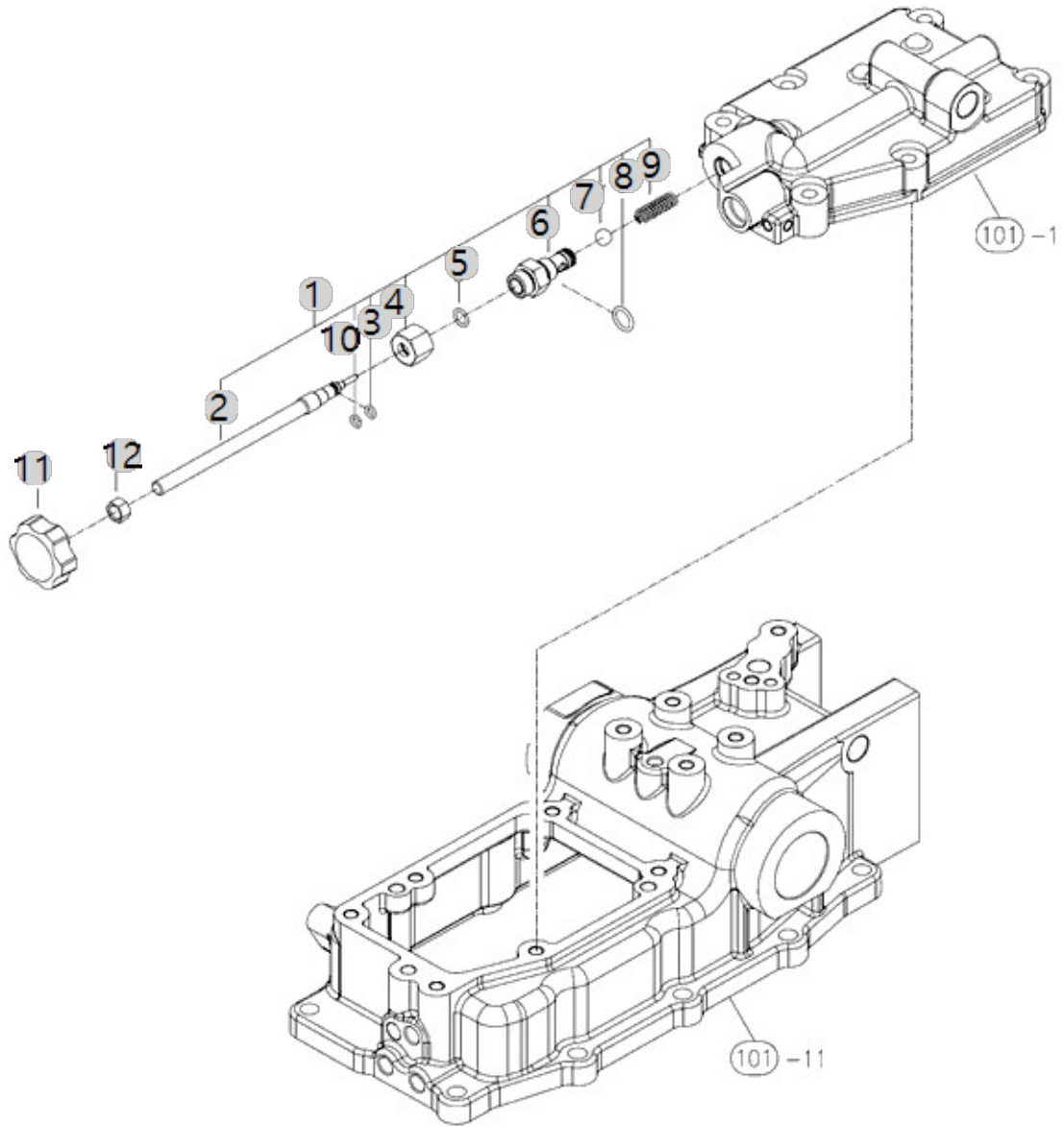
F10040

BRANSON 2515H
TM_US_FL(AC01916)

STOP VALVE

Year/Month

2022-12-14



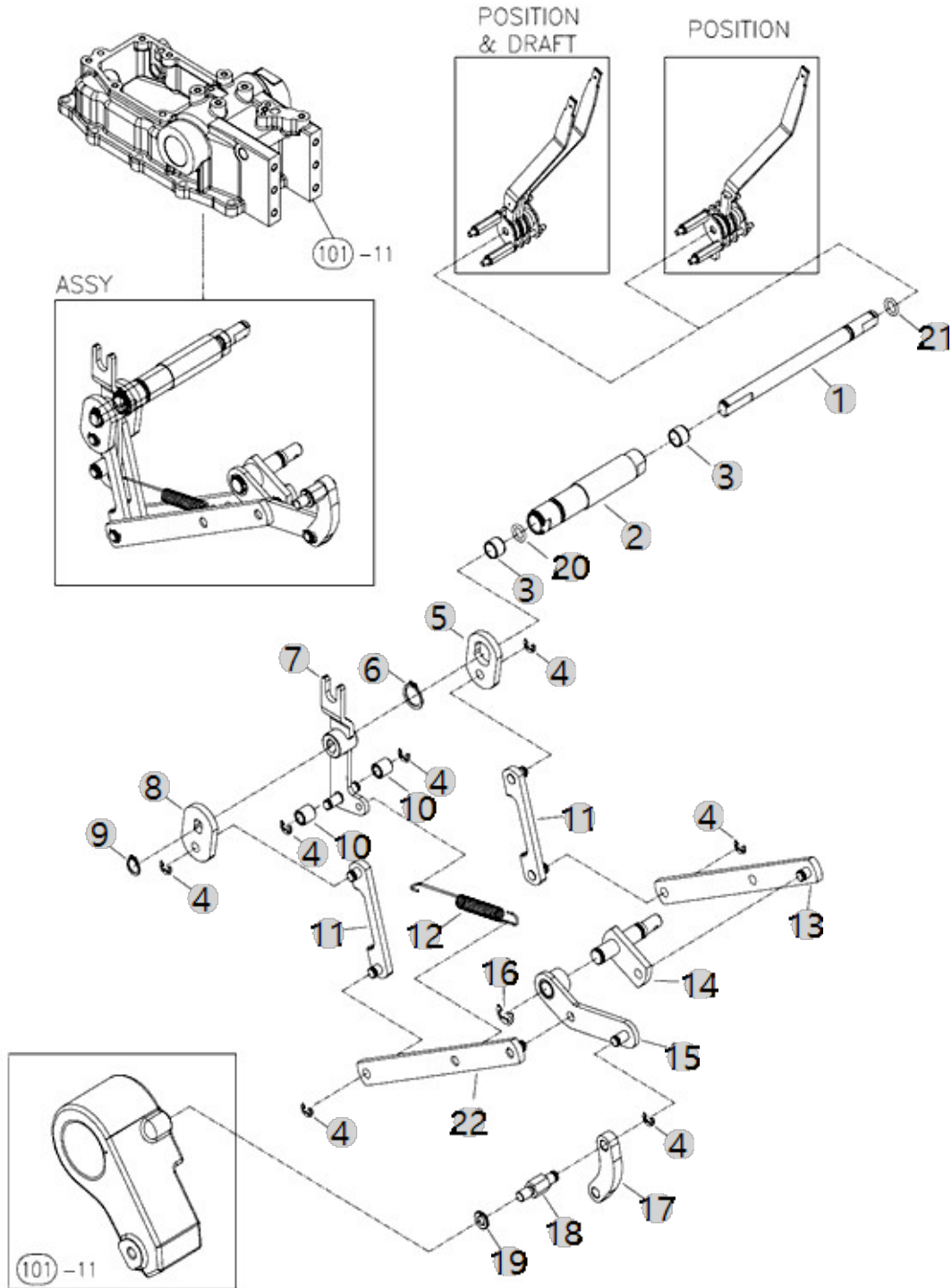
F10061

BRANSON 2515H
TM_US_FL(AC01916)

DRAFT/POSITION CONTROL LEVER

Year/Month

2022-12-14



F10061 BRANSON 2515H TM_US_FL(AC01916)		DRAFT/POSITION CONTROL LEVER				Year/Month 2022-12-14
순번 (NO)	부품번호 (PART NO)	품명 (PART NAME)	품명 (PART NAME)	수량 (QTY)	규격 (SPEC)	비고 (REMARK)
1	TA00033128B	축	SHAFT	1		
2	TA00033127C	축	SHAFT	1		
3	24550-012100	드라이부시	BUSH	2		
4	22272-000060	SNAP RING	RING, CIRCLIP (Φ 06)	7	D6	
5	TA00033119A	견인 제어 플레이트	CONTROL PLATE, DRAFT	1		
6	22242-000180	축용스냅링18	SNAP RING, SHAFT (Φ 18)	1	D18	
7	TA00033121B	연결 링크조합	LINK ASSY, CONNECTING	1		
8	TA00033120A	위치 제어 플레이트	CONTROL PLATE, POSITION	1		
9	22242-000120	축용스냅링12	SNAP RING, SHAFT (Φ 12)	1	D12(축용)	
10	TA00033126A	롤러	ROLLER	2		
11	TA00033117B	링크B 조합	LINK ASSY B	2		
12	TA00033902D	스프링	SPRING	1		
13	TA00033111B	견인부하제어링크	CONTROL LINK, DRAFT LOAD	1		
14	TA00033108B	링크조합(IN)	LINK ASSY (IN)	1		
15	TA00033106B	위치피드백링크	FEED BACK LINK, POSTION	1		
16	22272-000090	E형스냅링9	RING, CIRCLIP (Φ 09)	1	D9	
17	TA00033102B	리프트크랭크링크	LINK, LIFT CRANK	1		
18	TA00033101A	피드백링크핀	LINK PIN, FEEDBACK	1		
19	22217-080000	스프링와셔8	WASHER, SPRING (Φ 08)	1	M8	
20	24311-000160	O-링 P 16	O-RING, DYNAMIC (Φ16)	1	P16	
21	24311-240100	O-링(P형)	SEAL, O-RING	1	P10	
22	TA00033114C	포지션 링크	LINK, POSITION	1		

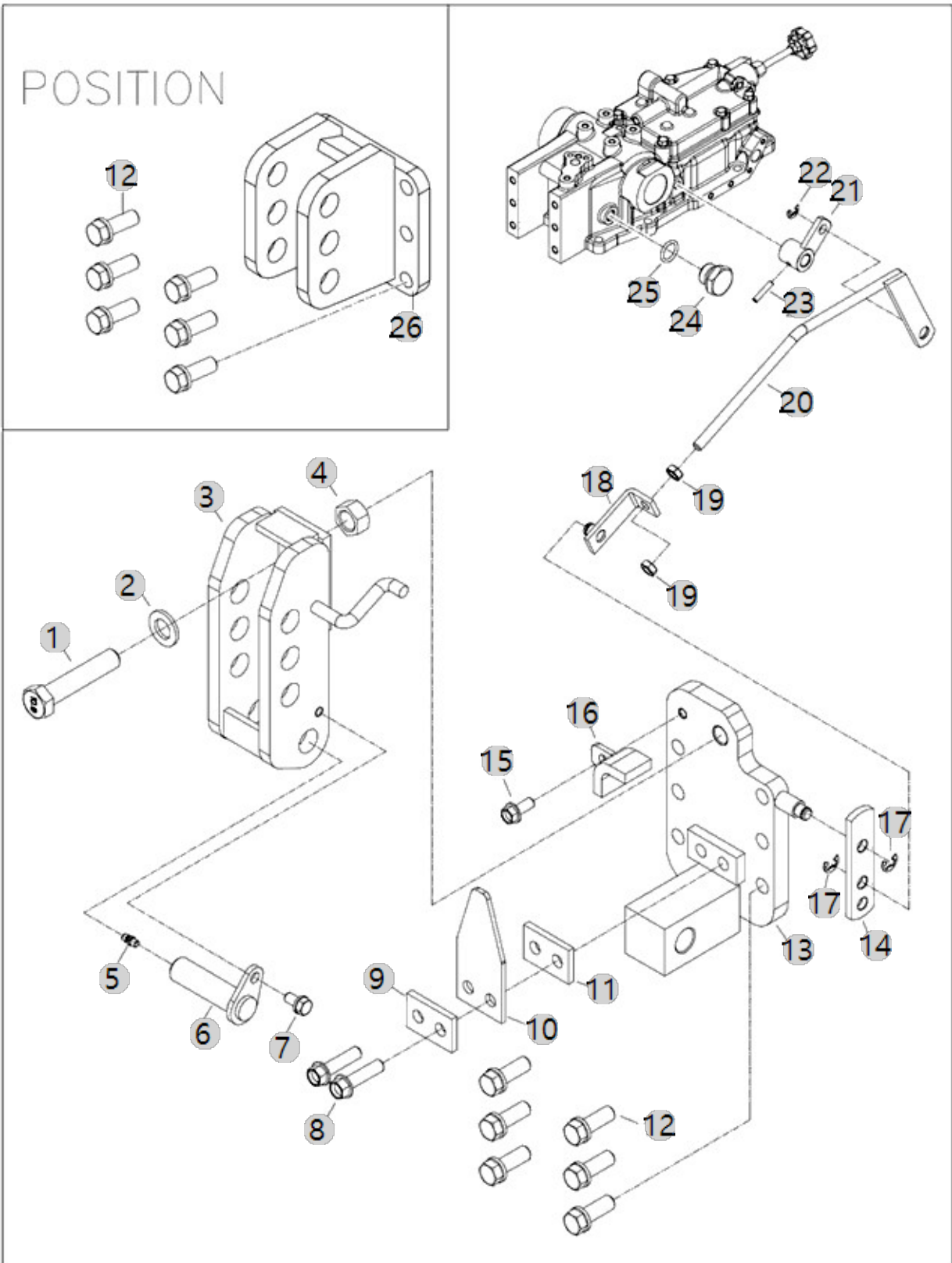
F10063

BRANSON 2515H
TM_US_FL(AC01916)

DRAFT CONTROL LEVER

Year/Month

2022-12-14



F10063 BRANSON 2515H TM_US_FL(AC01916)	DRAFT CONTROL LEVER	Year/Month
		2022-12-14

순번 (NO)	부품번호 (PART NO)	품명 (PART NAME)	품명 (PART NAME)	수량 (QTY)	규격 (SPEC)	비고 (REMARK)
1	TA00000660A	육각볼트(M16XP1.5X80)	BOLT	1	M16XP1.5X80	
2	22137-160000	와셔	WASHER, PLAIN (Φ 16)	1	M16	
3	TA00033138B	톱링크힌지D	HINGE D, TOP LINK	1		
4	26736-160002	특수NUT	HEXNUT	1	M16XP1.5	
5	TA27160000A	그리스니플	NIPPLE	1		
6	TTB3090000A	힌지핀	PIN, HINGE	1		
7	26013-080162	와셔조립육각볼트(+SW)	Bolt, Hexa (8-16)	1	M8XP1.25X16	
8	26106-100402	플랜지보울트	SCREW,HEXFLANGEHEADCAP	2	M10X1.5X40	
9	TA00034144A	고정판	PLATE	1		
10	TA00033137A	힌지판	PLATE, HINGE	1		
11	TA00034144A	고정판	PLATE	1		
12	26013-120352	와셔조립육각볼트(+SW)	SCREW,CAPTIVEWASHERCAP	6	M12XP1.75X0	
13	TA00034018B	힌지서포터 조합	SUPPORT D, HINGE ASS'Y	1		
14	TA00033143C	플레이트	PLATE	1		
15	26106-080202	육각플랜지볼트	SQR FLANGE BOLT	1	M8XP1.25X20	
16	TA00034142B	연결판 조합	PLATE ASS'Y	1		
17	22272-000080	E형스냅링8	RING, CIRCLIP (Φ 08)	2	D8	
18	TA00033144B	플레이트조합	PLATE ASSY	1		
19	26756-080002	고정너트M8	NUT	2	M8X1.25	
20	TA00033150B	견인제어로드	CONTROL ROD, DRAFT	1		
21	TA00033147C	링크조합(OUT)	LINK ASSY (OUT)	1		
22	22272-000060	SNAP RING	RING, CIRCLIP (Φ 06)	1	D6	
23	22351-040020	스프링핀	PIN, SPRING (4X20)	1	D4X20	
24	NTA1130100A9	몸체		1		
25	24311-000140	441,ALL,O-RINGP-14	O-RING, DYNAMIC (Φ14)	1	P14	
26	TA00034323A	톱링크 브래킷 조합	BRACKET ASS'Y, TOP LINK	1		

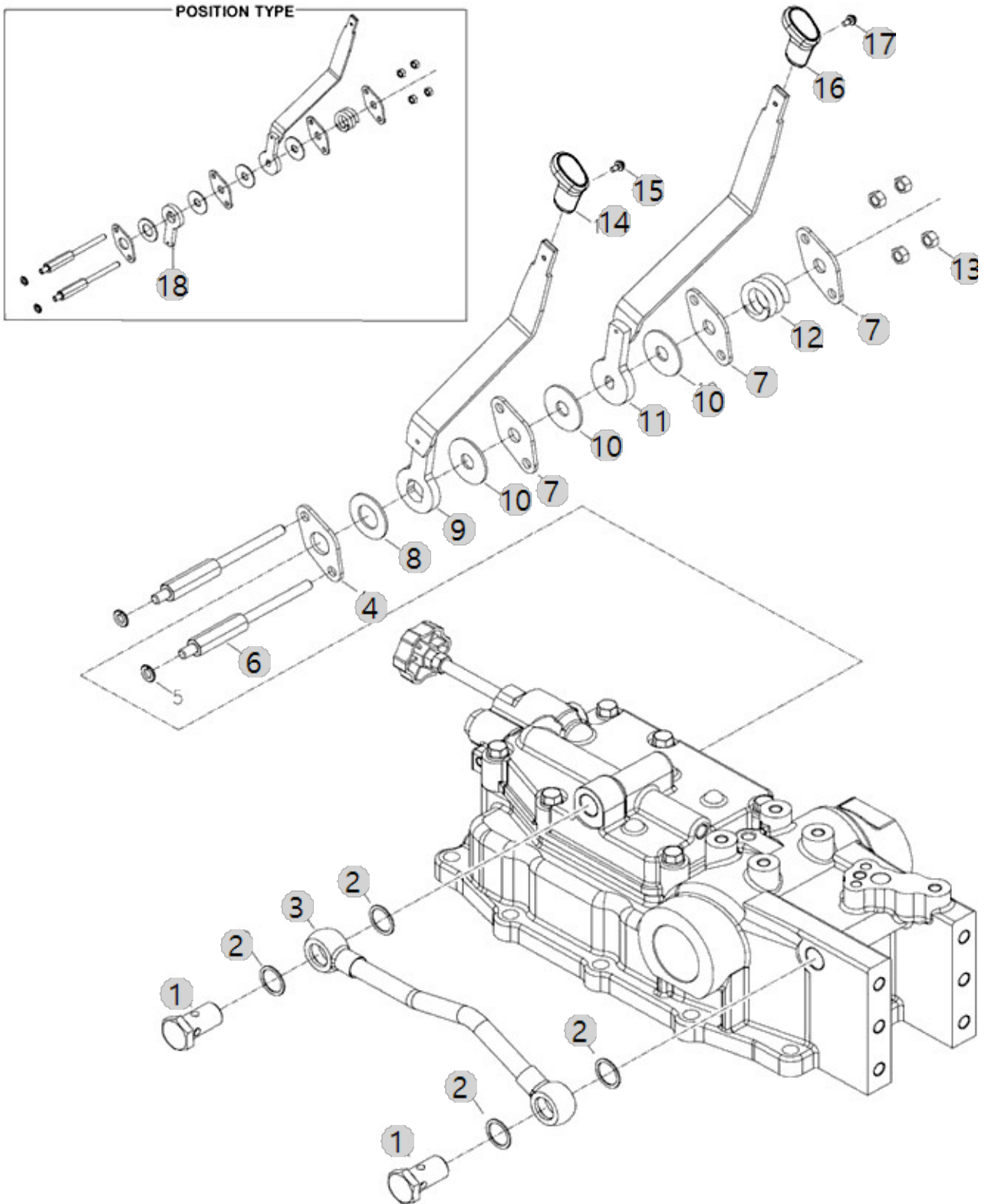
F10064

BRANSON 2515H
TM_US_FL(AC01916)

POSITION CONTROL LEVER

Year/Month

2022-12-14



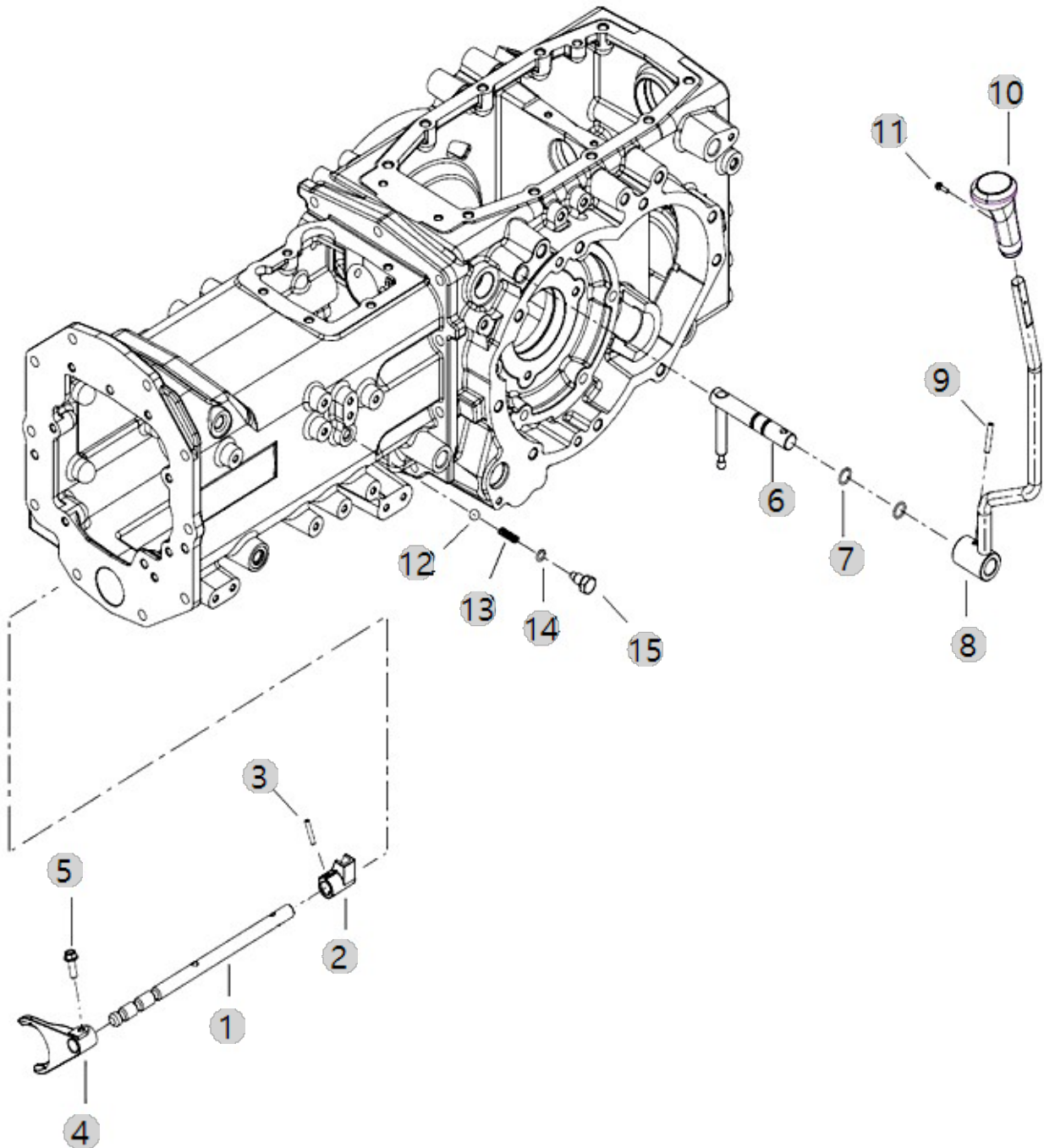
F11020

BRANSON 2515H
TM_US_FL(AC01916)

LEVER ASS'Y, RANGE SHIFT

Year/Month

2022-12-14



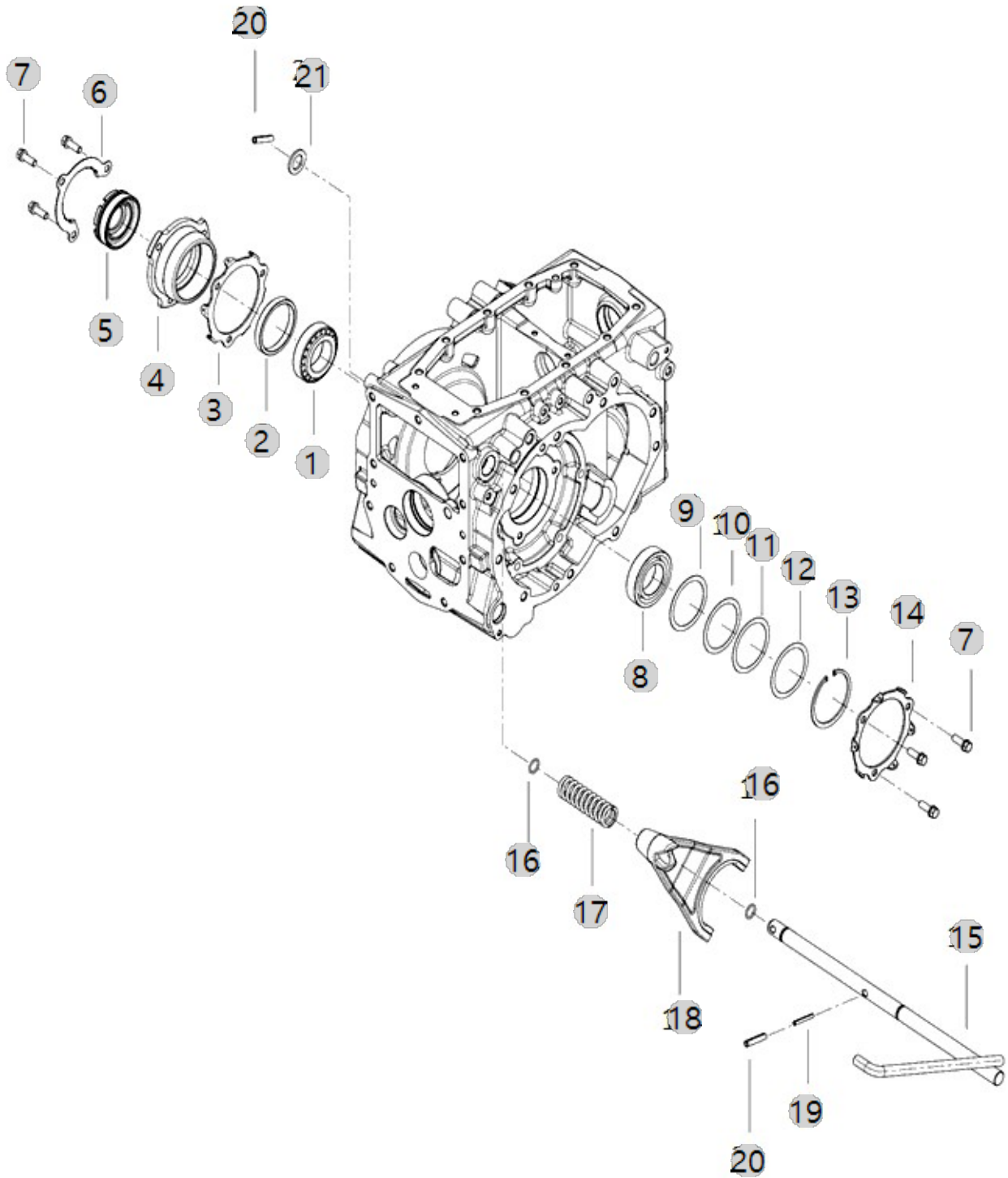
F11060

BRANSON 2515H
TM_US_FL(AC01916)

DIFF. LOCK PEDAL

Year/Month

2022-12-14



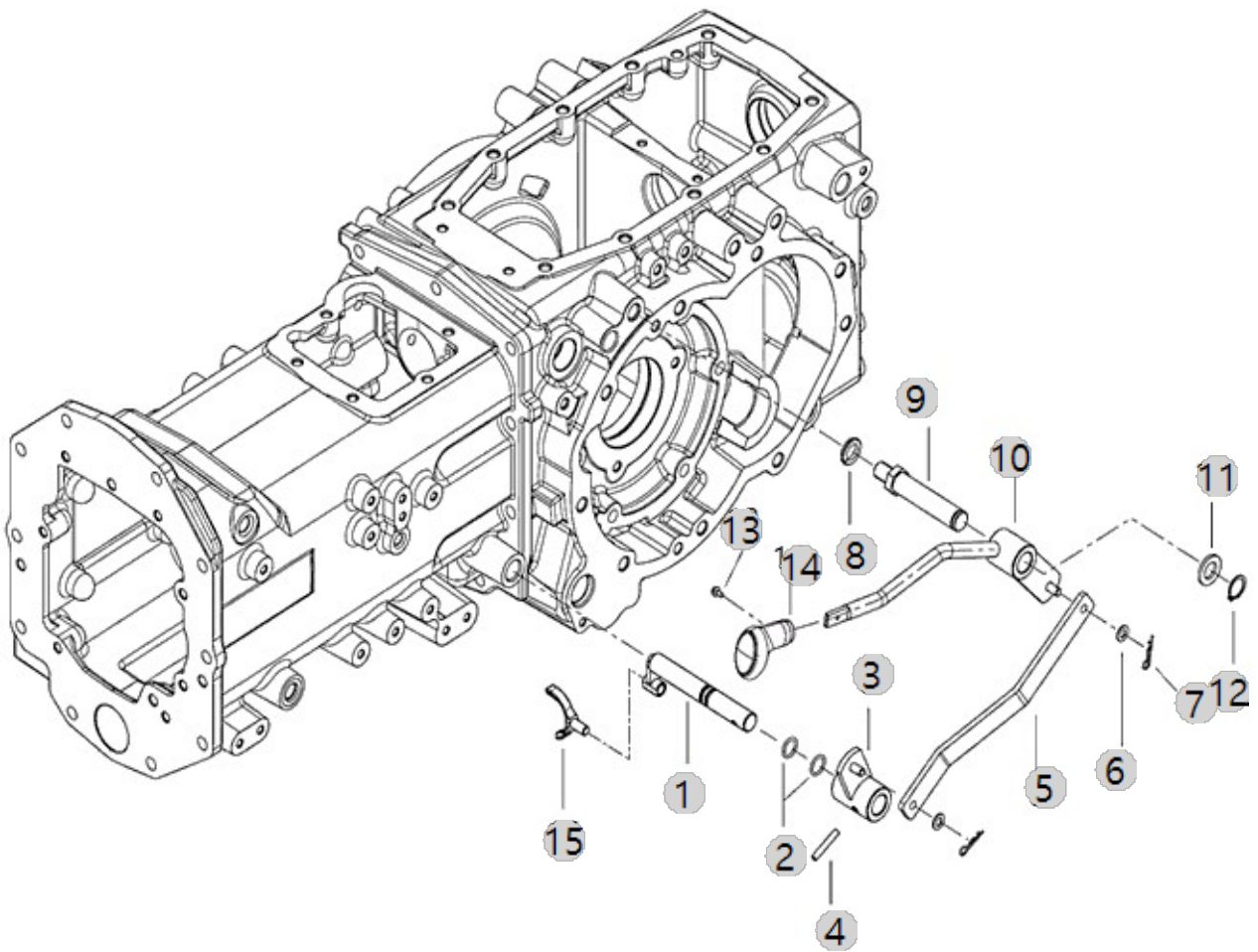
F11080

BRANSON 2515H
TM_US_FL(AC01916)

4WD LEVER

Year/Month

2022-12-14



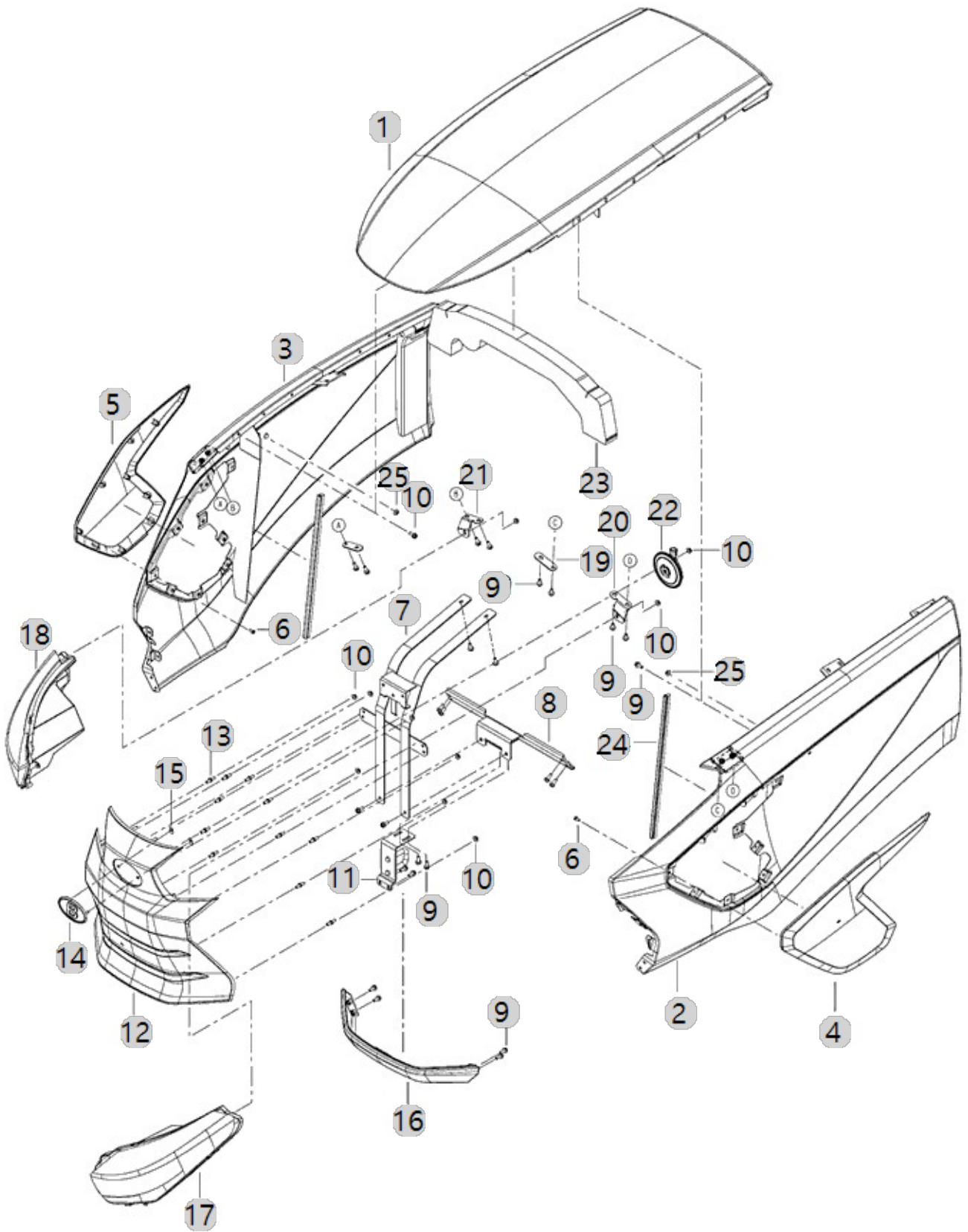
G01020

2515H_US_FL
(AC02153)

BONNET

Year/Month

2022-12-14



G01020 2515H_US_FL (AC02153)	BONNET	Year/Month
		2022-12-14

순번 (NO)	부품번호 (PART NO)	품명 (PART NAME)	품명 (PART NAME)	수량 (QTY)	규격 (SPEC)	비고 (REMARK)
1	TA00064962D	본네트 판넬(상) 조합	PANEL ASSY, TOP	1		
1	TA00064962E	본네트 판넬(상) 조합	PANEL ASSY, TOP	1		
2	TA00064970D	본네트 판넬(좌) 조합	PANEL ASSY, LH	1		
3	TA00064976D	본네트 판넬(우) 조합	PANEL ASSY, RH	1		
4	TA00065003A	사이드 그릴(좌)	SIDE GRILLE, LH	1		
5	TA00065004A	사이드 그릴(우)	SIDE GRILLE, RH	1		
6	22587-480124	냄비머리태핑나사	TAPPING SCREW	18	4.8X12	
7	TA00064995B	그릴 프레임 조합	ASSY, GRILLE FRAME	1		
7	TA00064995C	그릴 프레임 조합	ASSY, GRILLE FRAME	1		
8	TA00064992C	중간 프레임조합	ASSY, MIDDLE FRAME	1		
8	TA00064992B	중간 프레임조합	ASSY, MIDDLE FRAME	1		
9	26106-060162	육각플랜지 볼트	HEXFLANGE BOLT	16	M6XP1.0X16	
10	26367-060002	플랜지너트	Nut, Hexa (Φ6)	17	M6XP1.0	
11	TA00064989C	래치 브래킷조합	ASSY, LATCH BRACKET	1		
12	TA00065002A	프런트 그릴	FRONT GRILLE	1		
13	TA00001332C	인서트볼트 M6	INSERT BOLT(M6)	11	M6	
14	TA00052253B	엠블렘(B, 100)	EMBLEM	1		
15	TB41290000D4	평너트	NUT	2	0.4T	
16	TA00064979A	본네트(하)조합	ASSY, BONNET LOWER	1		
17	HA00001965A	전조등조합L(15FL)	HEAD LAMP L	1		
18	HA00001966A	전조등조합R(15FL)	HEAD LAMP R	1		
19	TA00065701B	연결 브래킷(F)	BRACKET, LINK	1		
19	TA00065701A	연결 브래킷(F)	BRACKET, LINK	1		
20	TA00065452A	램프 고정 브래킷(좌)	BRACKET, LAMP, LH	1		
20	TA00065452B	램프 고정 브래킷(좌)	BRACKET, LAMP, LH	1		
21	TA00065453B	램프 고정 브래킷(우)	BRACKET, LAMP, RH	1		
21	TA00065453A	램프 고정 브래킷(우)	BRACKET, LAMP, RH	1		
22	HA00000929A	혼(E11)	HORN	1		
23	TA00065897A	본네트 우레탄(상)	URETHANE, HOOD	1		
24	TA00064997B	라디에이터 스트립	STRIP, RADIATOR	2		
24	TA00064997A	라디에이터 스트립	STRIP, RADIATOR	2		
25	FE06040000A	푸시 너트 6	NUT 6, PUSH	2	0.4T	

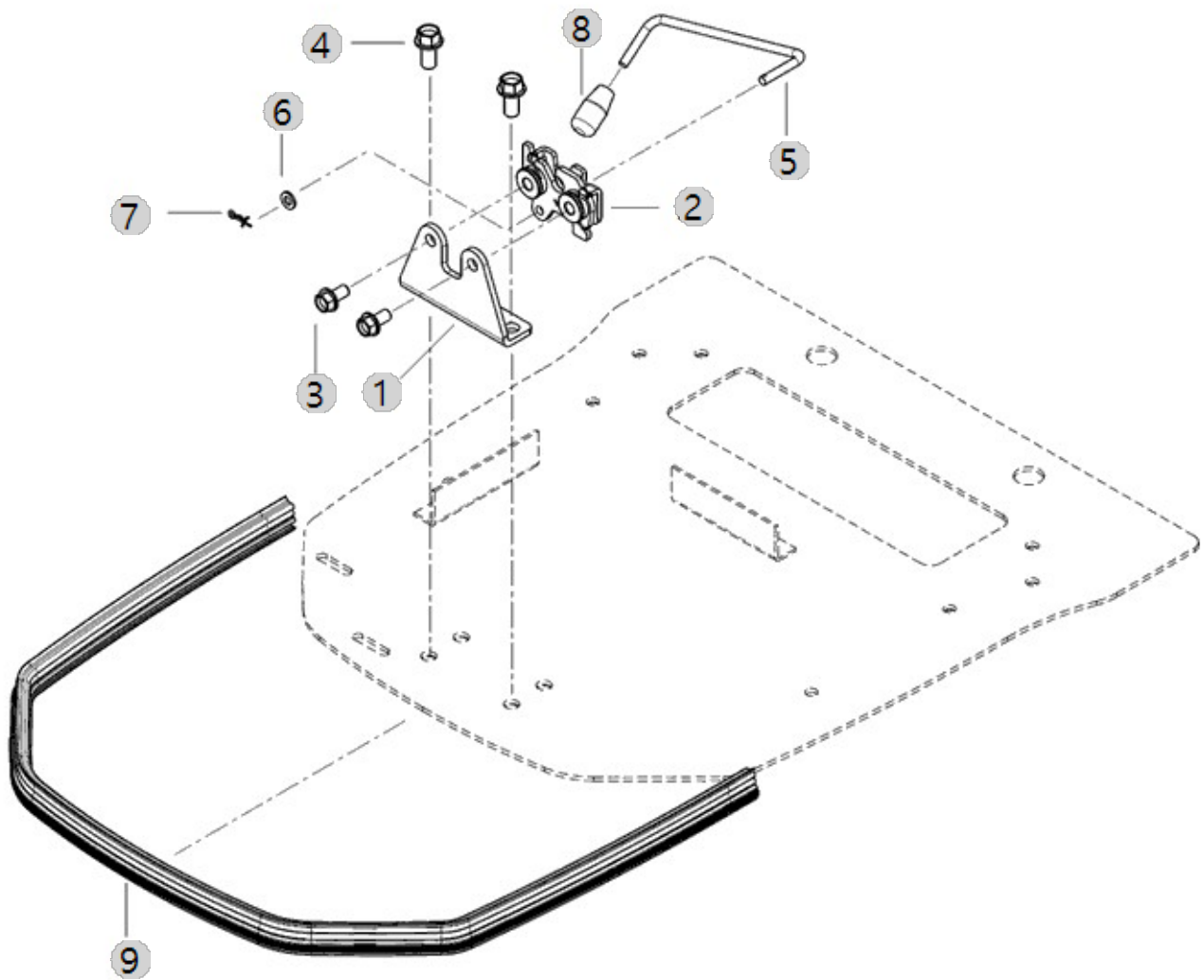
G01040

2515H_US_FL
(AC02153)

LOCKING ASS'Y, BONNET

Year/Month

2022-12-14



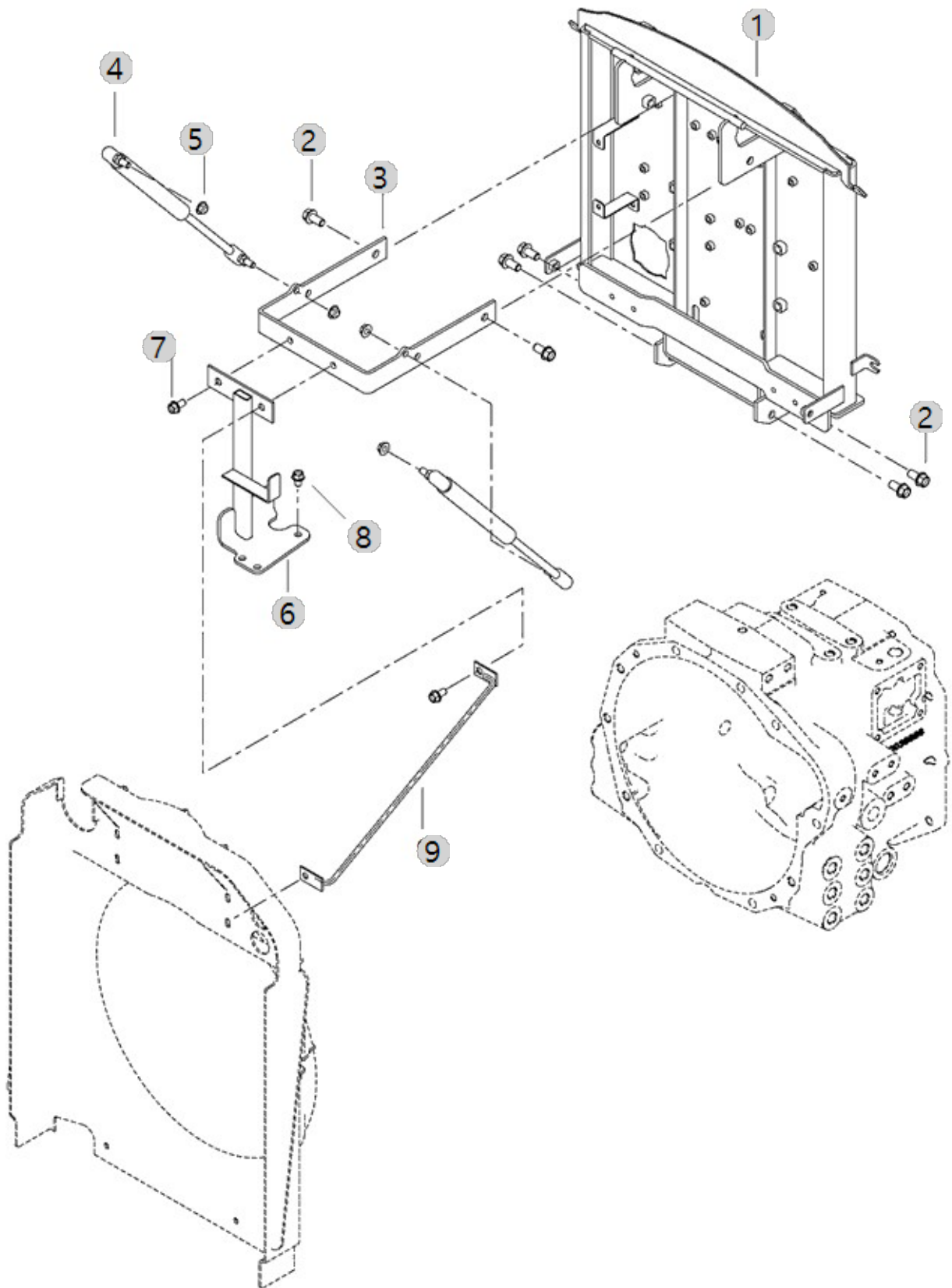
G01060-A

2515H_US_FL
(AC02153)

BONNET SUPPORT

Year/Month

2022-12-14



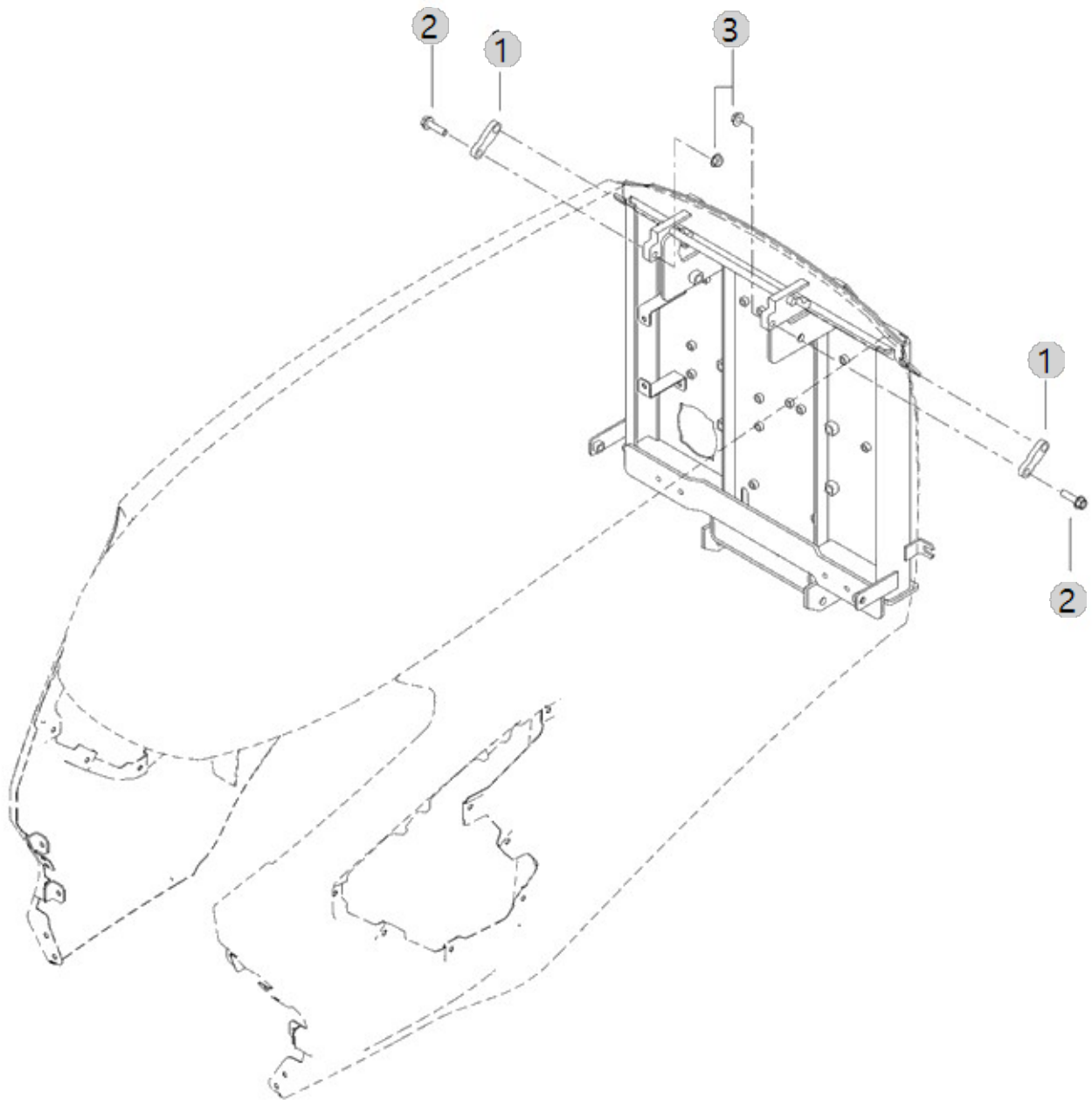
G01062

2515H_US_FL
(AC02153)

FIXED BRACKET, BONNET

Year/Month

2022-12-14



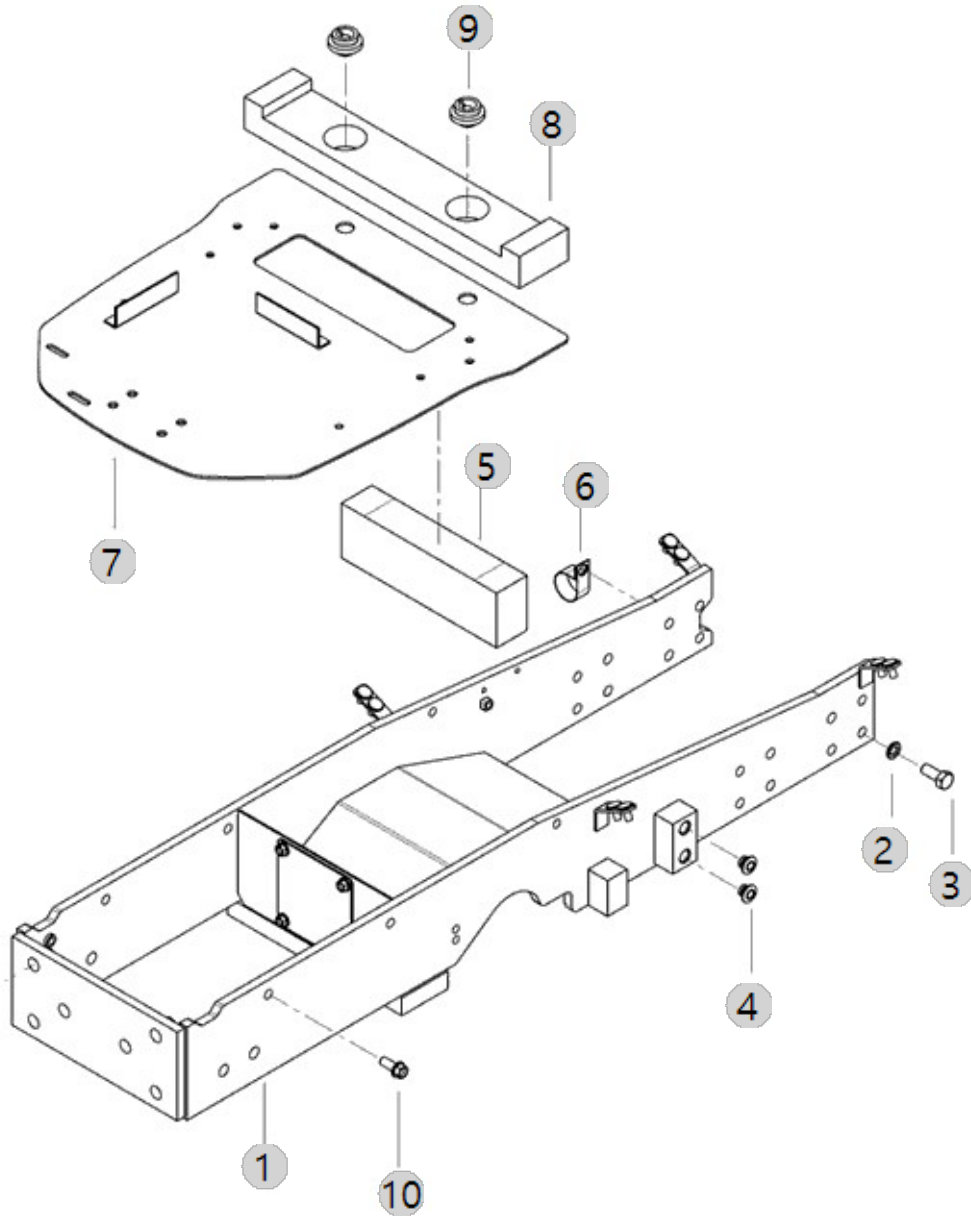
G01080

2515H_US_FL
(AC02153)

FRONT AXLE BRACKET

Year/Month

2022-12-14



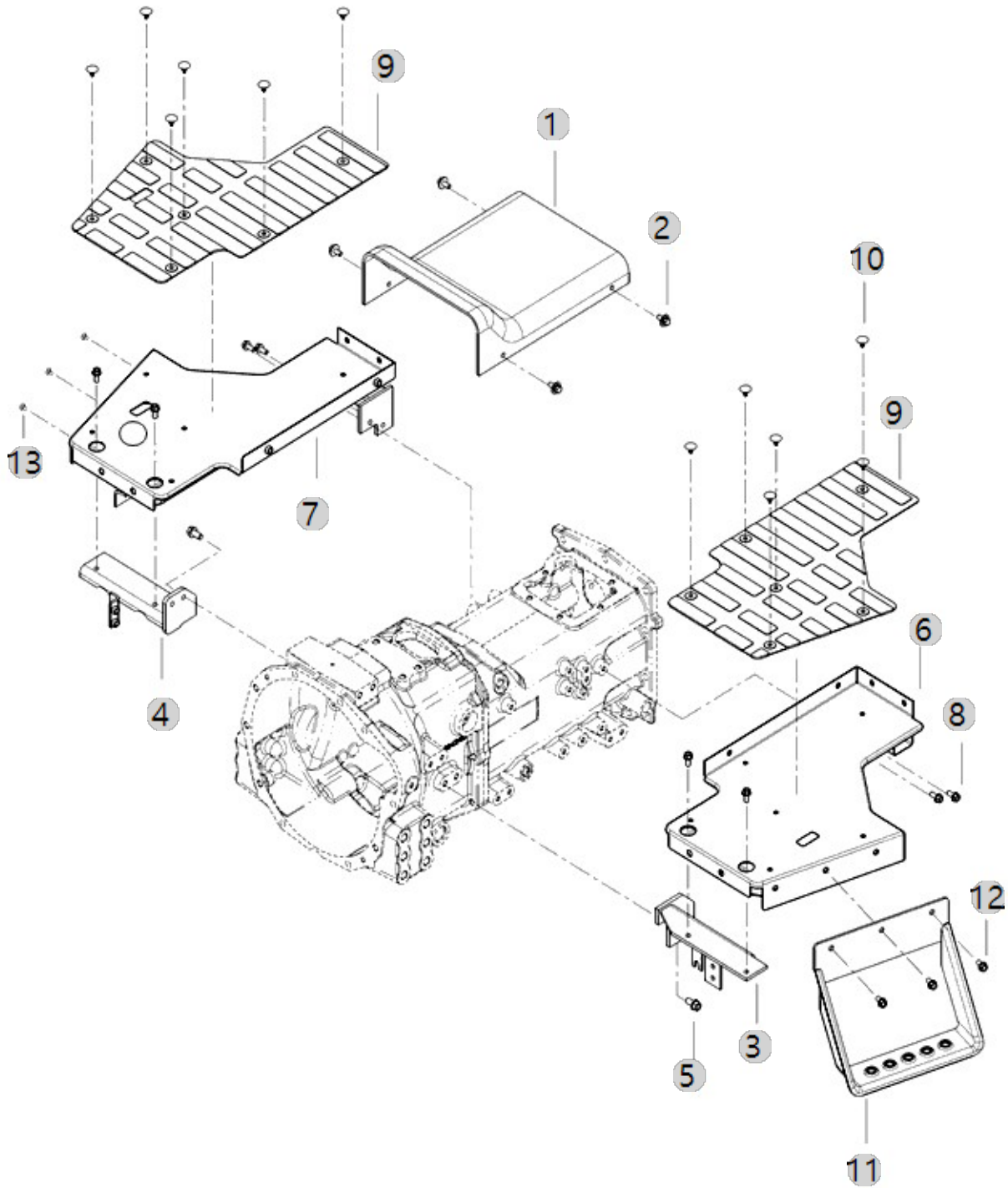
G04060

2515H_US_FL
(AC02153)

FOOT REST ASS'Y

Year/Month

2022-12-14



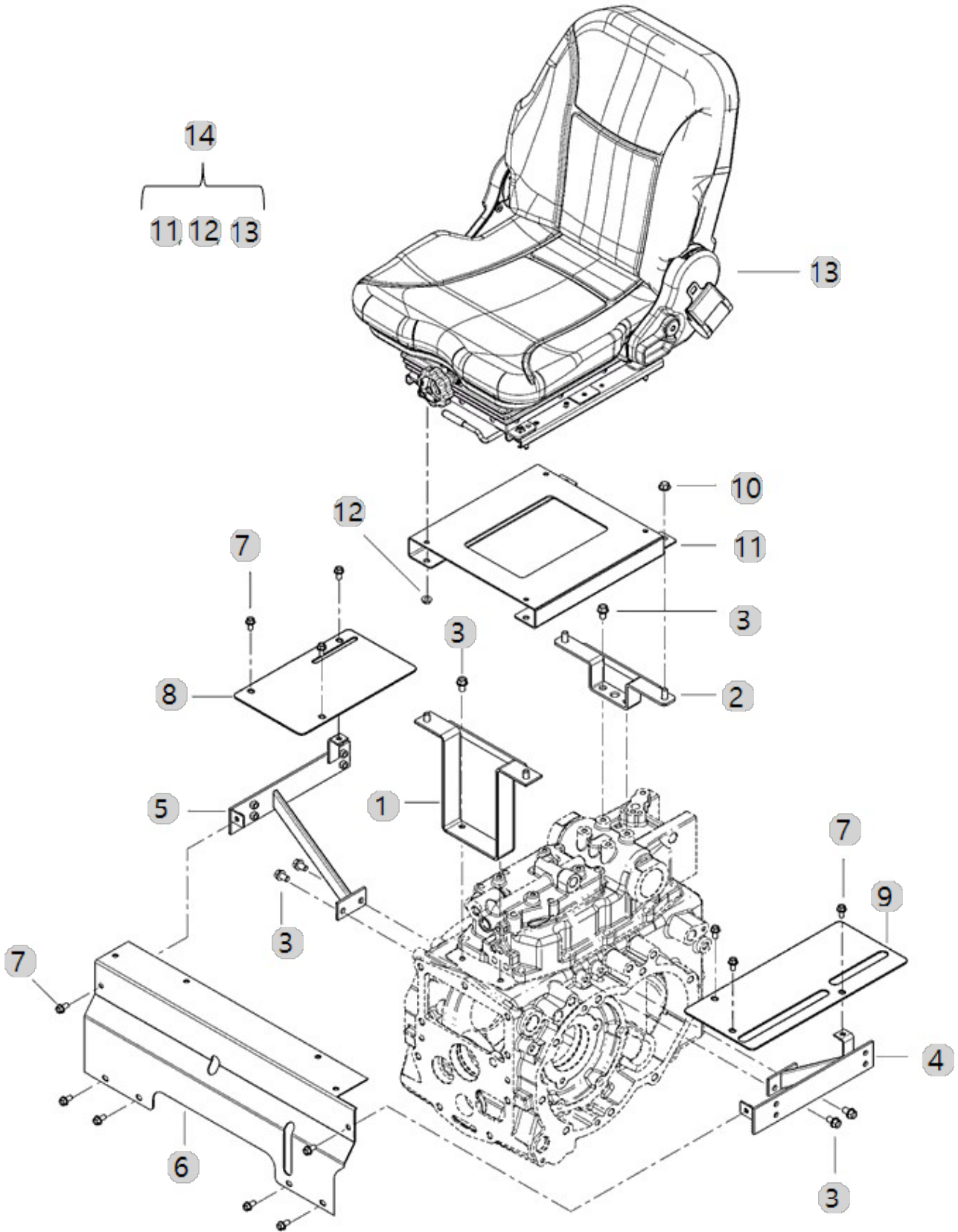
G04070

2515H_US_FL
(AC02153)

SEAT

Year/Month

2022-12-14



G04070 2515H_US_FL (AC02153)		SEAT				Year/Month
						2022-12-14
순번 (NO)	부품번호 (PART NO)	품명 (PART NAME)	품명 (PART NAME)	수량 (QTY)	규격 (SPEC)	비고 (REMARK)
1	TA00039024C	시트브라켓	FRONT BRACKET ASS'Y	1		
1	TA00039024D	시트브라켓	BRACKET	1		
2	TA00034064C	브래킷 조합	BRACKET ASS'Y	1		
2	TA00034064D	브래킷 조합	BRACKET ASS'Y	1		
3	26106-100162	플랜지볼트M10X16	SCREW,HEXFLANGEHEADCAP	8	M10XP1.5X16	
4	TA00039082D	커버브라켓 조합(부변속)	BRACKET ASS'Y, COVER	1		
4	TA00039082E	커버브라켓 조합(부변속)	BRACKET ASS'Y, COVER	1		
5	TA00039075E	커버브라켓조합(P/D)	BRACKET ASS'Y, COVER	1		
5	TA00039075F	커버브라켓조합(P/D)	BRACKET ASS'Y, COVER	1		
6	TA00042965D	먼지커버조합(유럽HST)	DUST COVER ASS'Y, EU HST	1		
6	TA00042965C	먼지커버조합(유럽HST)	COVER ASSY	1		
7	26106-080162	플랜지볼트8X16	SCREW,HEXFLANGEHEADCAP	12	M8XP1.25X16	
8	TA00041792B	레버커버(P레버)	LEVER COVER	1		
8	TA00041792D	레버커버(P레버)	LEVER COVER	1		
8	TA00041792C	레버커버(P레버)	LEVER COVER	1		
9	TA00058177A	레버커버(부변속)	LEVER COVER	1		
9	TA00058177B	레버커버(부변속)	LEVER COVER(RANGE SHIFT)	1		
10	26367-100002	263.ALL,고정너트(우나사)	NUT,HEXAGONFLANGE	4	M10X1025	
11	TA00064046B	시트브래킷	SEAT BRACKET	1		
11	TA00064046A	시트브래킷	SEAT BRACKET	1		
12	26367-080002	259, 육각플랜지너트	HEX FLANGE NUT (Φ8)	4	M8XP1.25	
13	TA00056688B	의자 조합(US)	SEAT ASS'Y	1		
14	TA00064779A	의자SUB조합(US)	SEAT SUB ASSY	1		
14	TA00064779B	의자SUB조합(US)	SEAT SUB ASSY	1		

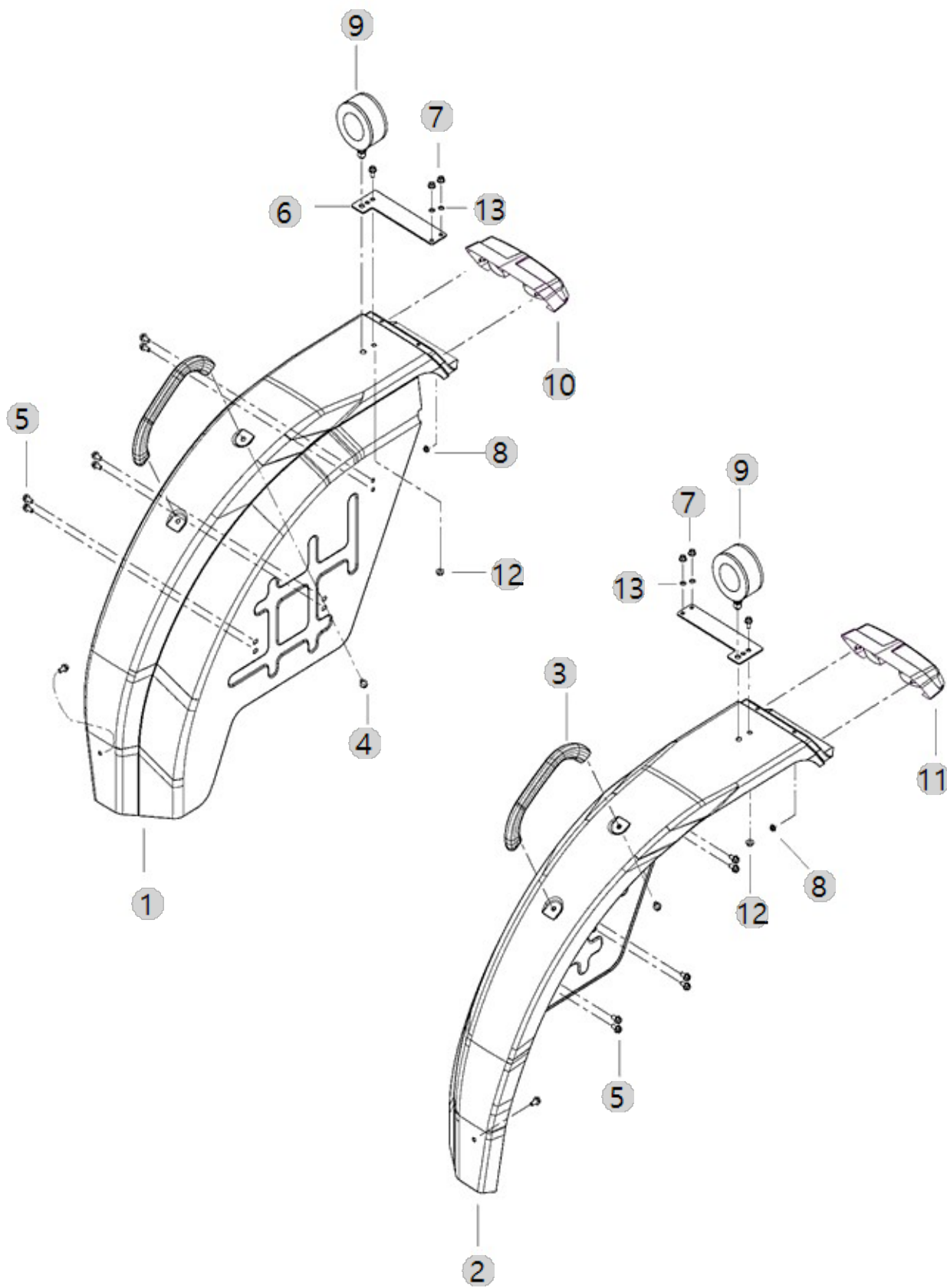
G04090

2515H_US_FL
(AC02153)

FENDER

Year/Month

2022-12-14



G04120

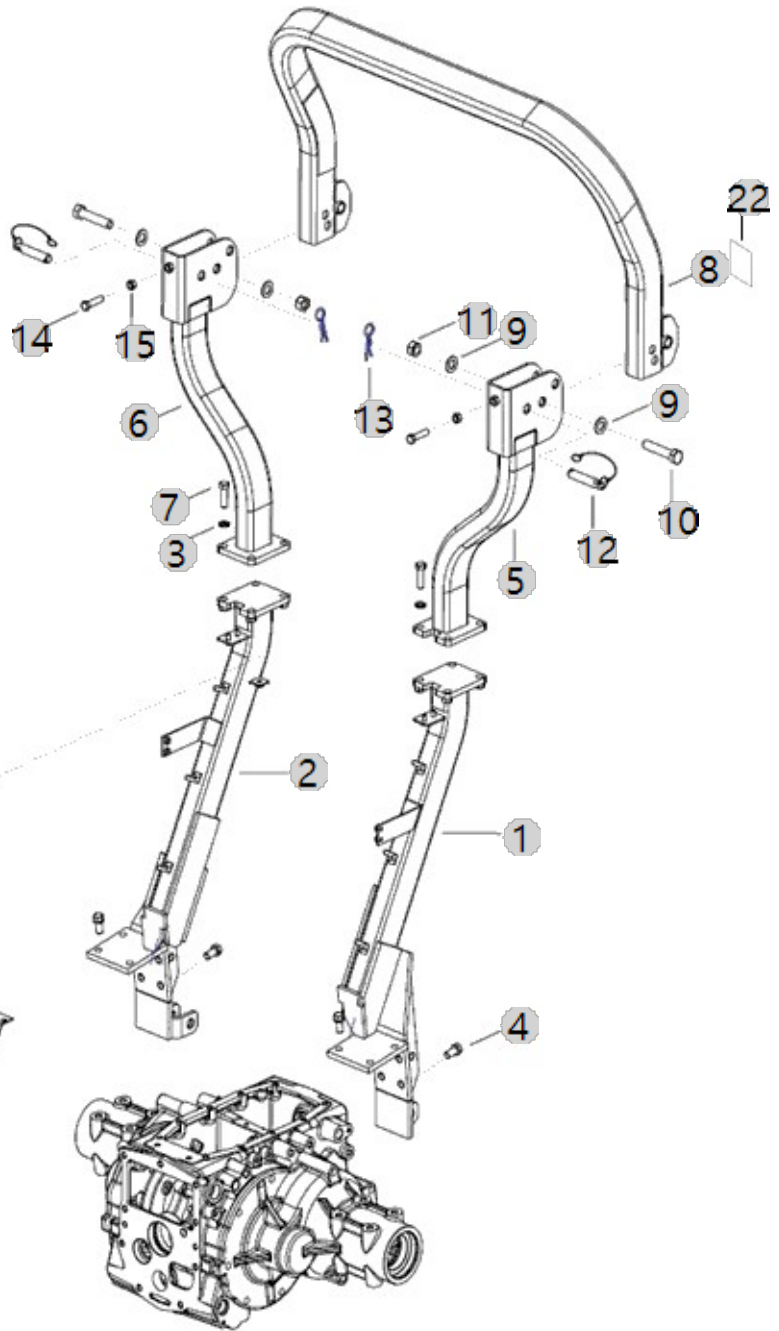
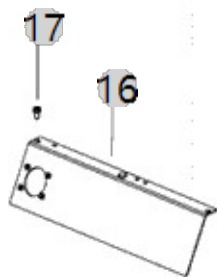
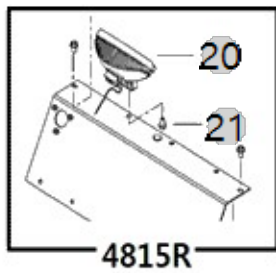
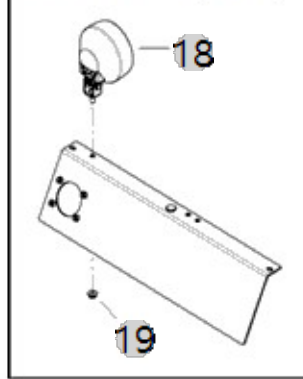
2515H_US_FL
(AC02153)

ROPS FRAME ASS'Y

Year/Month

2022-12-14

WORKING LAMP(OPTION)



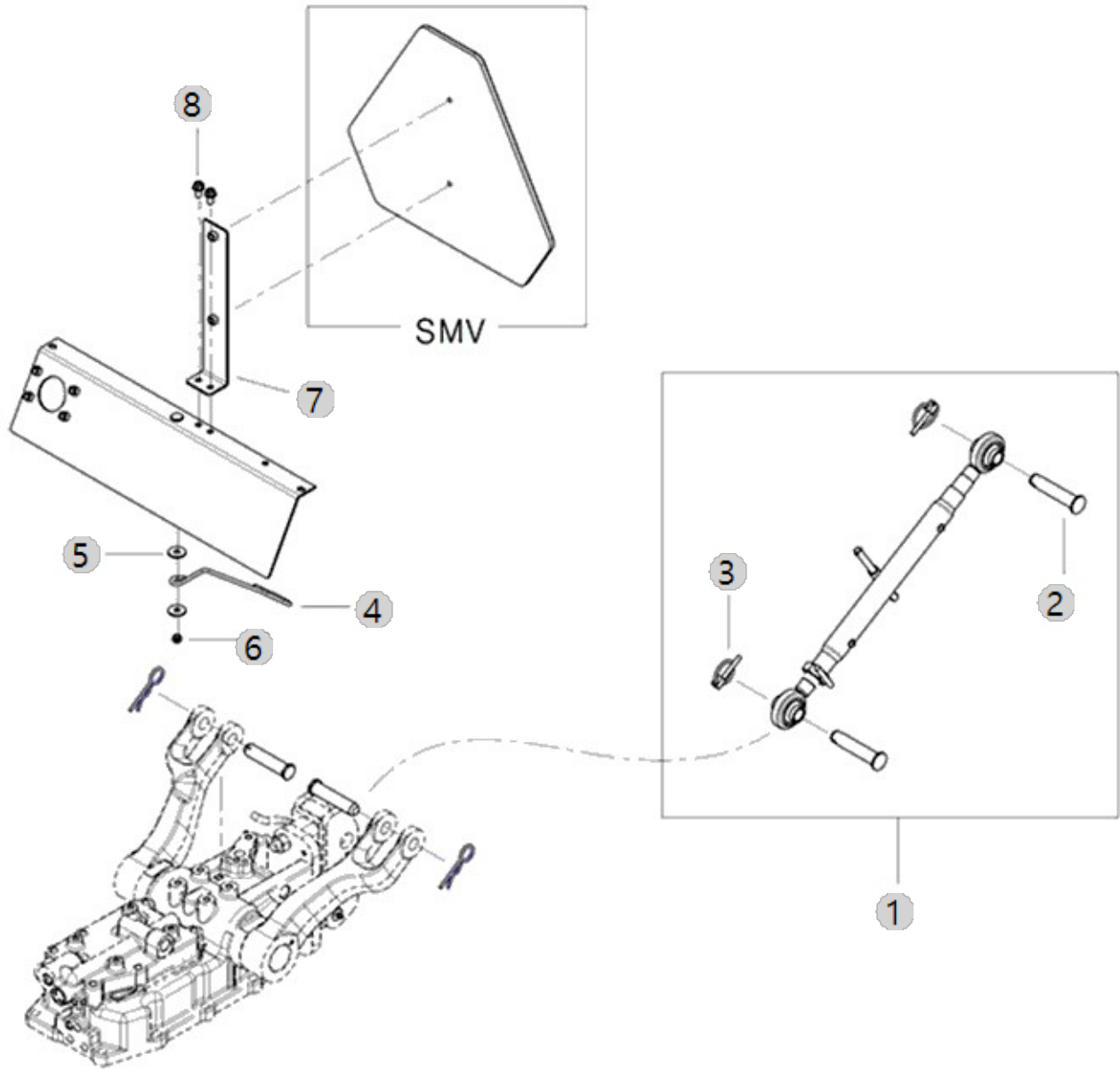
G05020

2515H_US_FL
(AC02153)

TOP LINK

Year/Month

2022-12-14



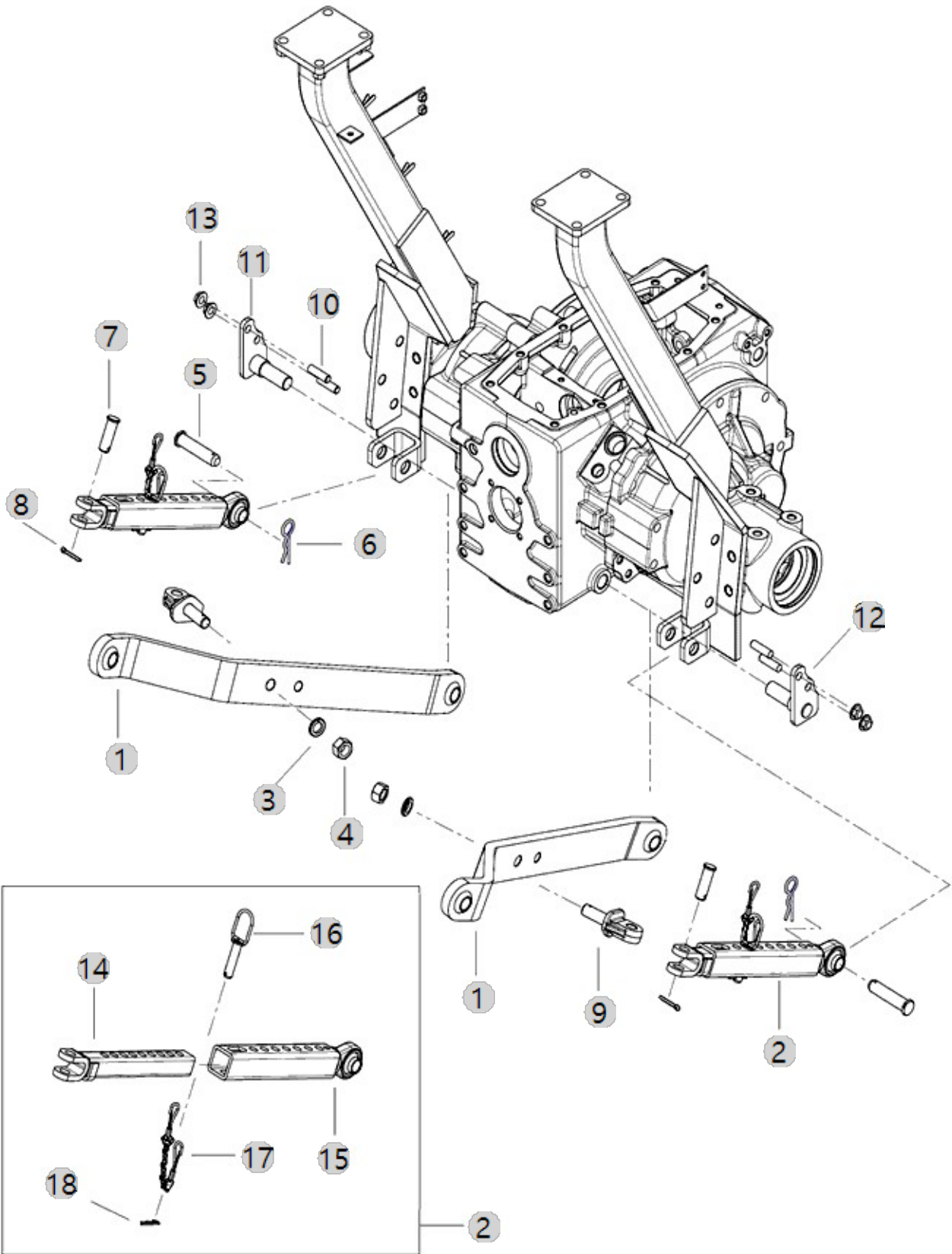
G05030

2515H_US_FL
(AC02153)

LOWER LINK

Year/Month

2022-12-14



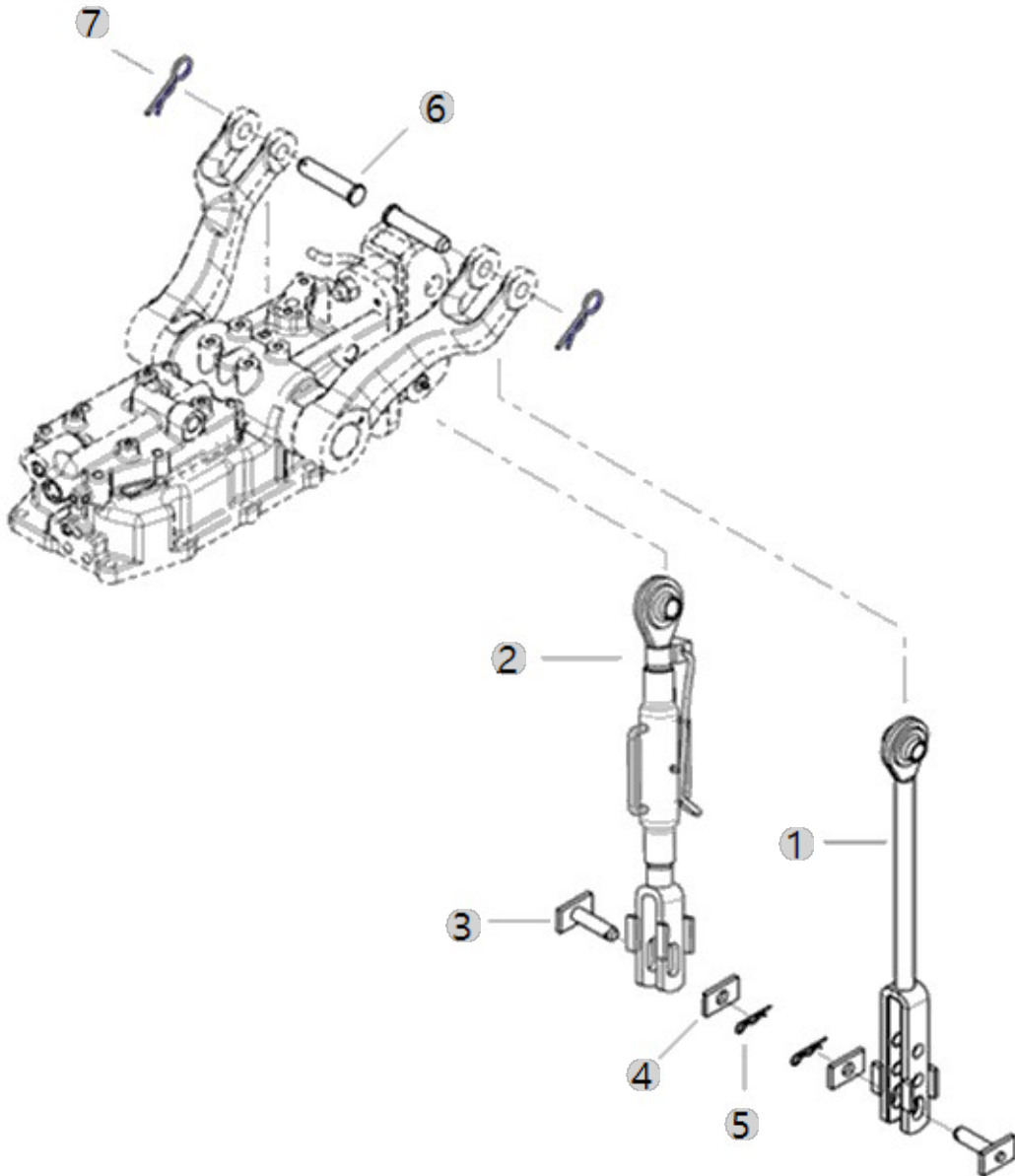
G05050

2515H_US_FL
(AC02153)

LIFT LINK

Year/Month

2022-12-14



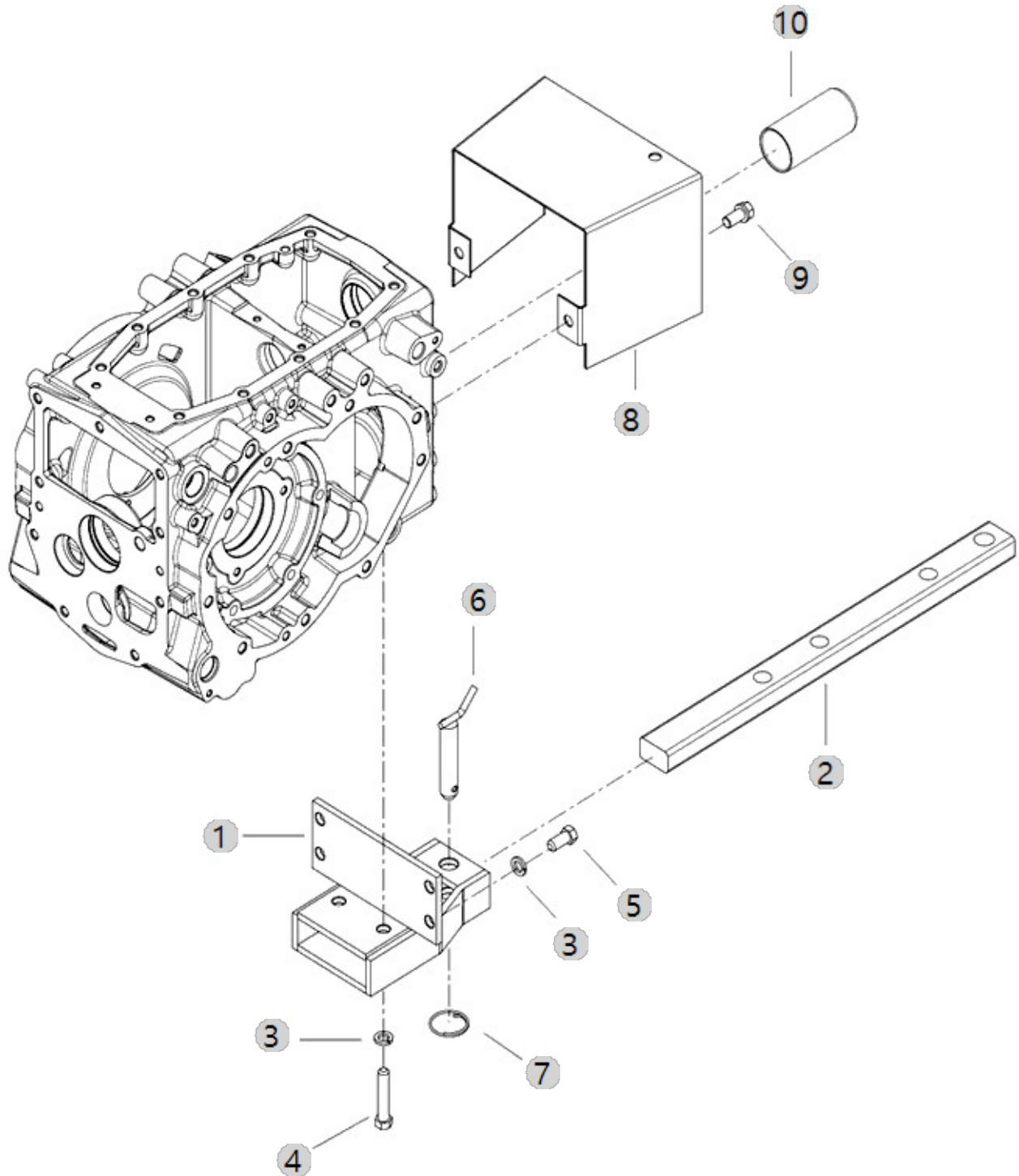
G05070

2515H_US_FL
(AC02153)

DRAWBAR HITCH

Year/Month

2022-12-14



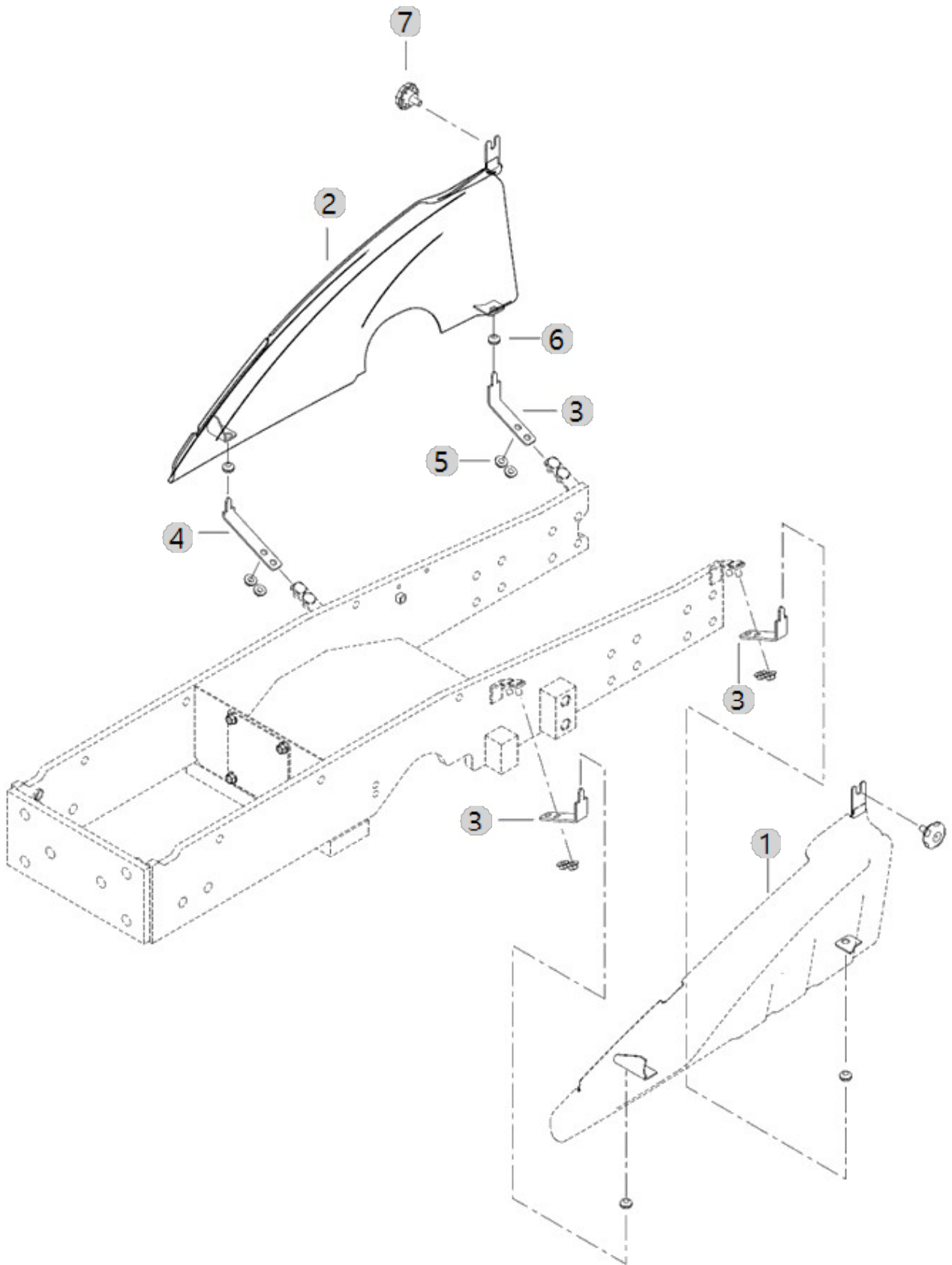
G05090

2515H_US_FL
(AC02153)

SIDE COVER

Year/Month

2022-12-14



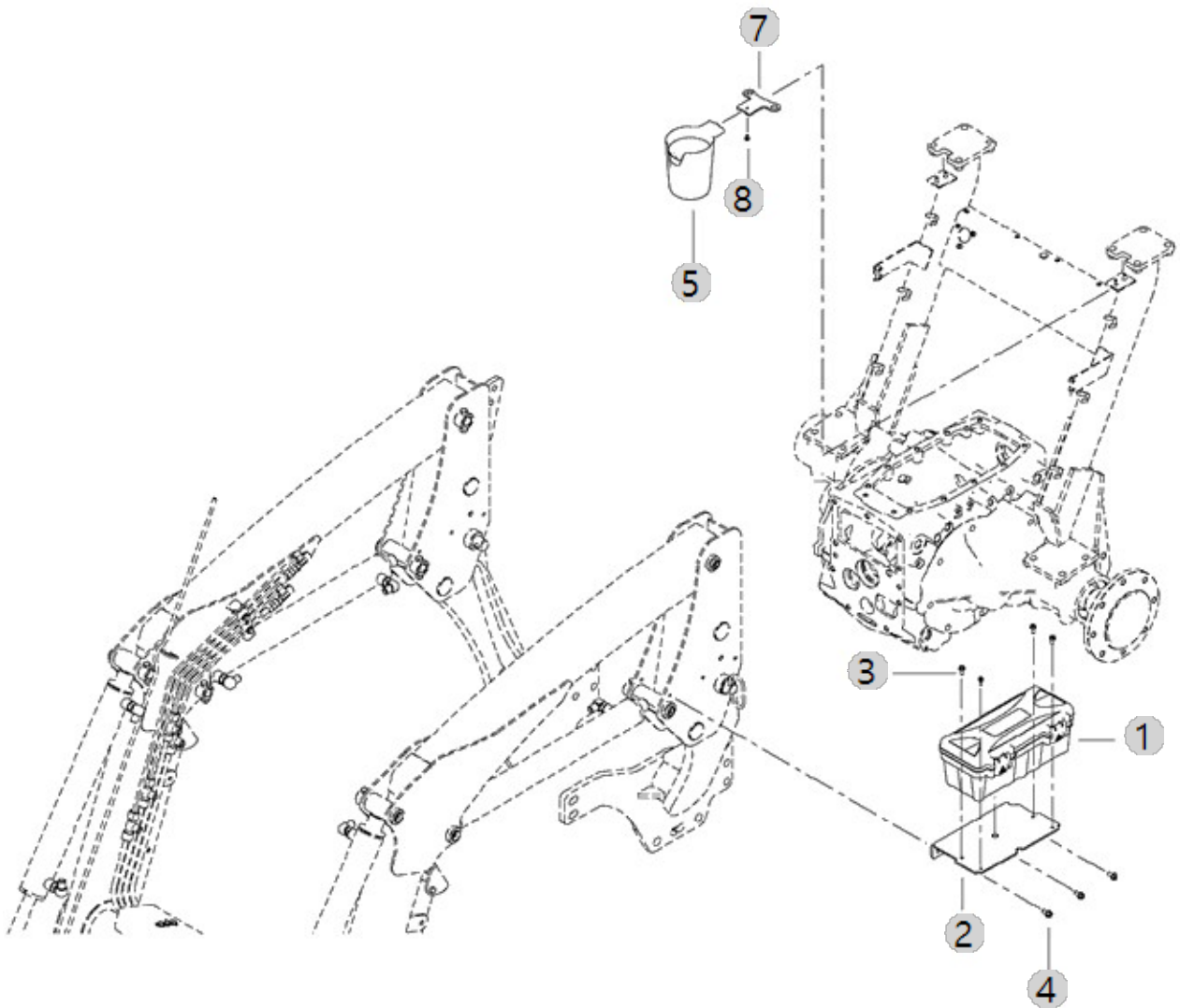
G06010

2515H_US_FL
(AC02153)

TOOL BOX & CUP HOLDER

Year/Month

2022-12-14



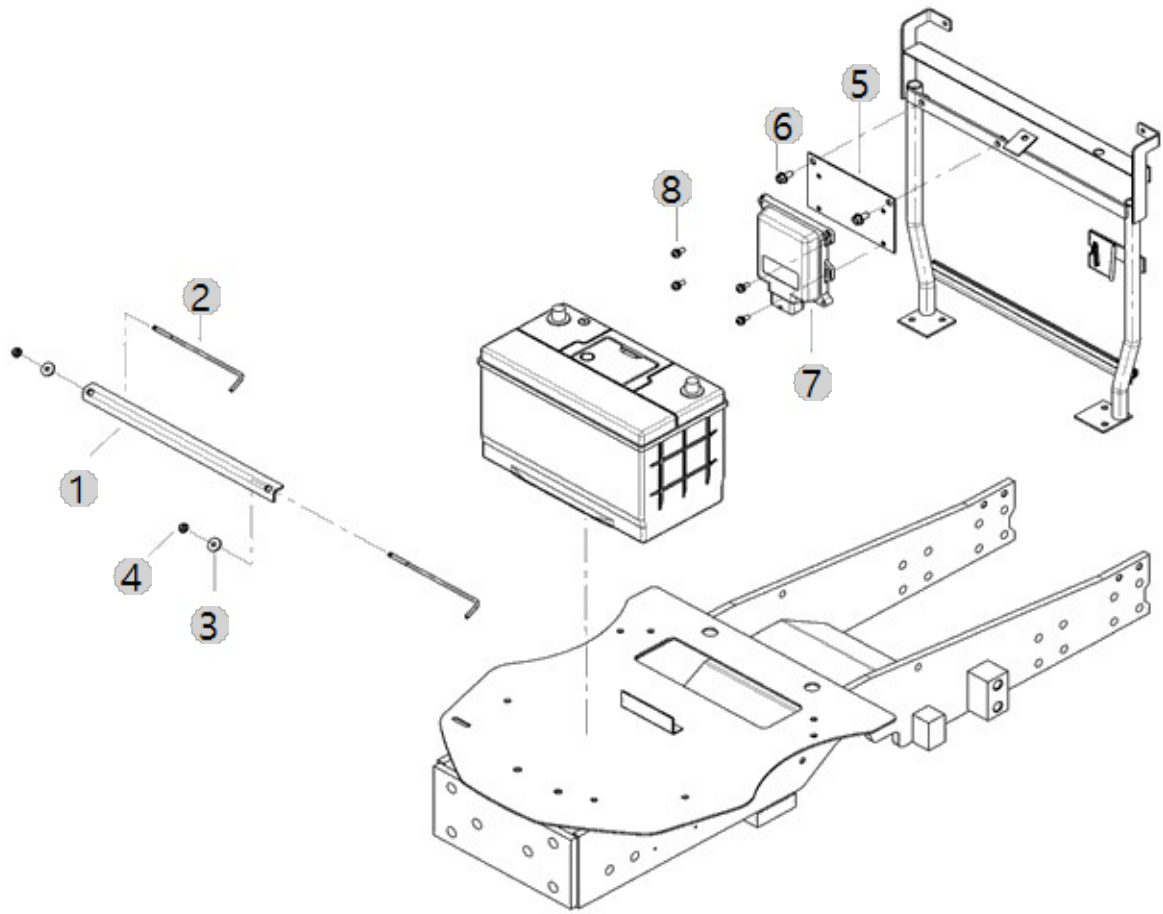
H01030

2515H_US_FL
(AC02153)

BATTERY

Year/Month

2022-12-14



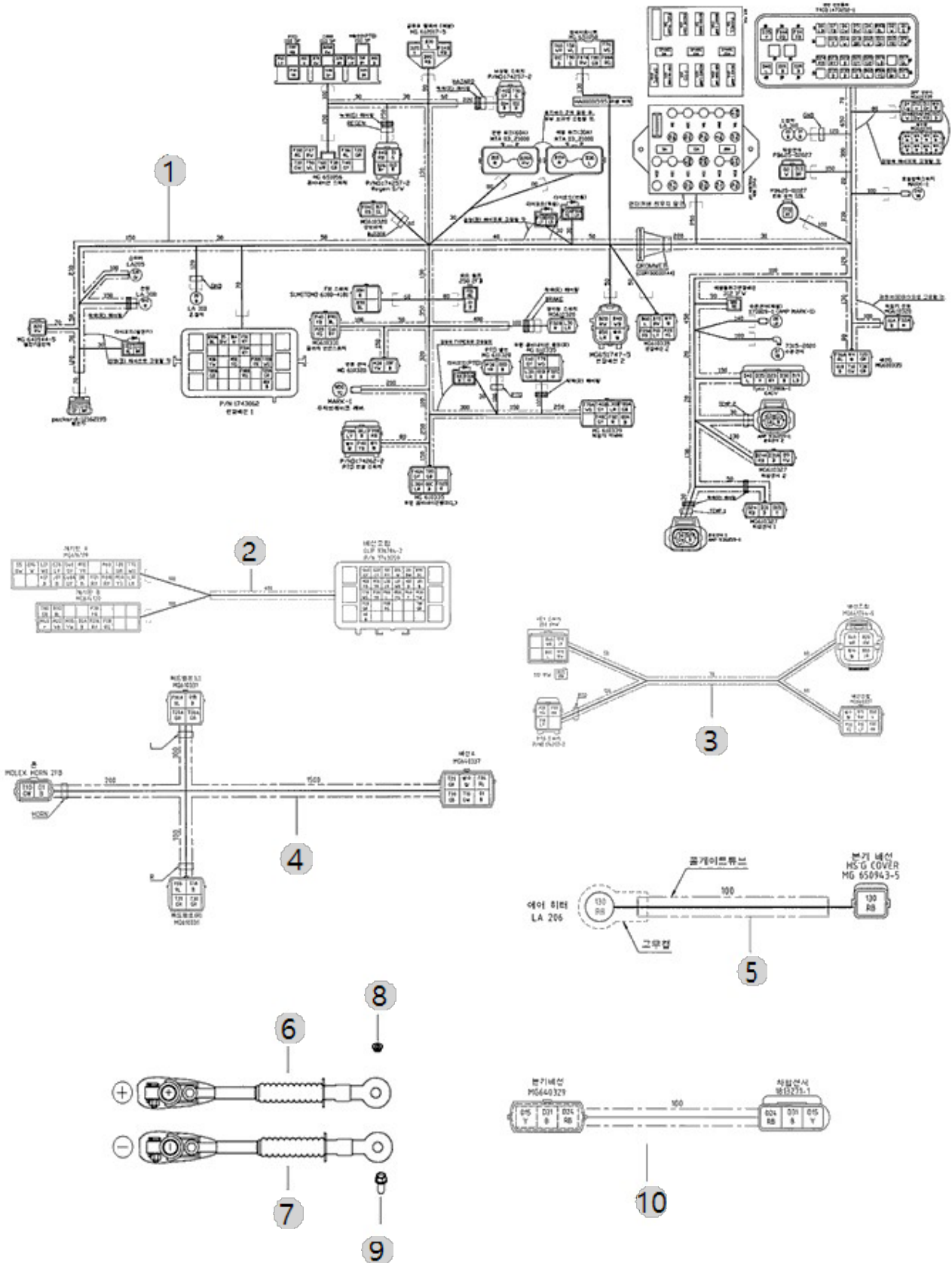
H03000

2515H_US_FL
(AC02153)

ELE'C WIRING

Year/Month

2022-12-14



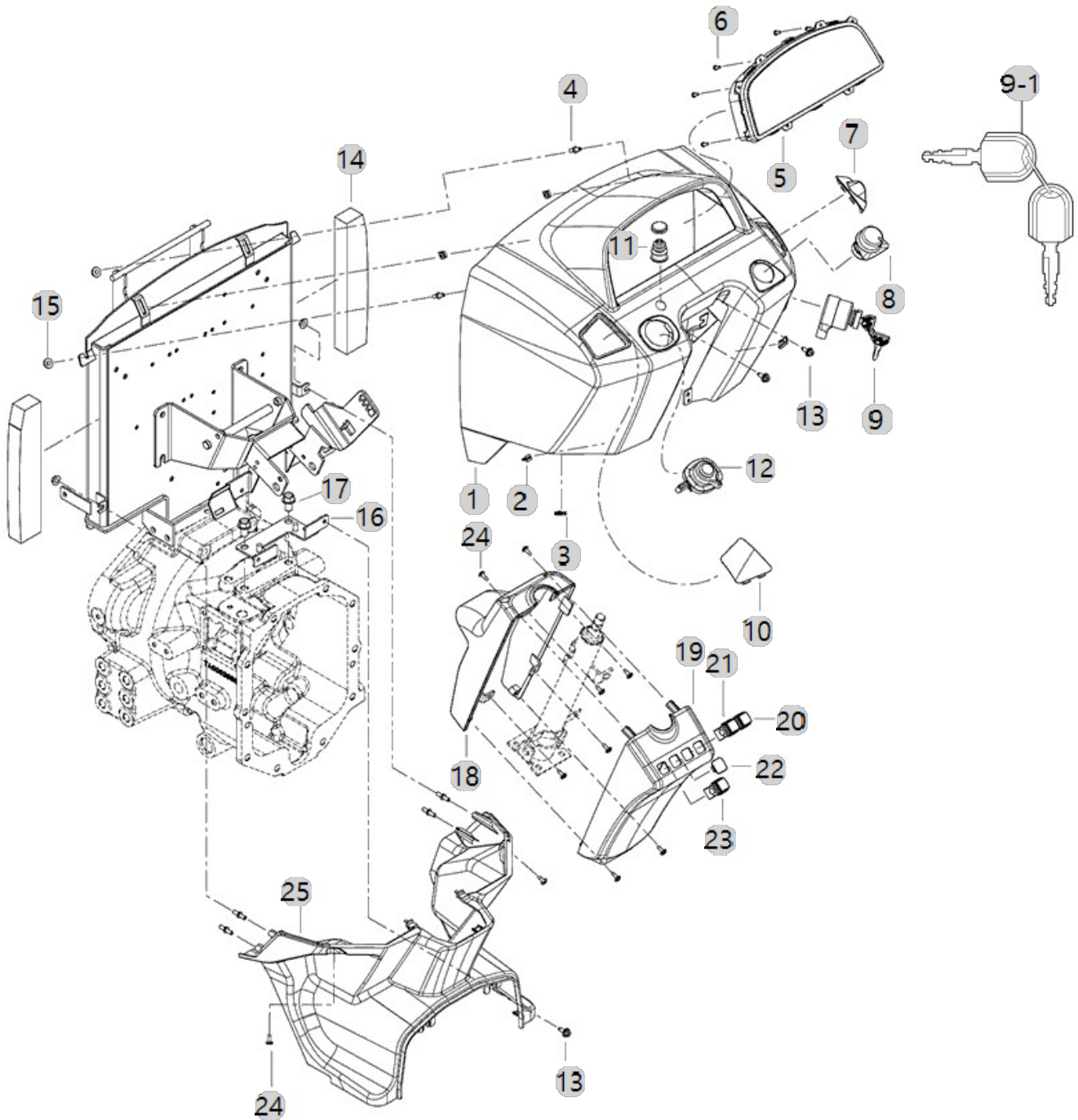
H04051

2515H_US_FL
(AC02153)

SWITCH/DASHBOARD

Year/Month

2022-12-14



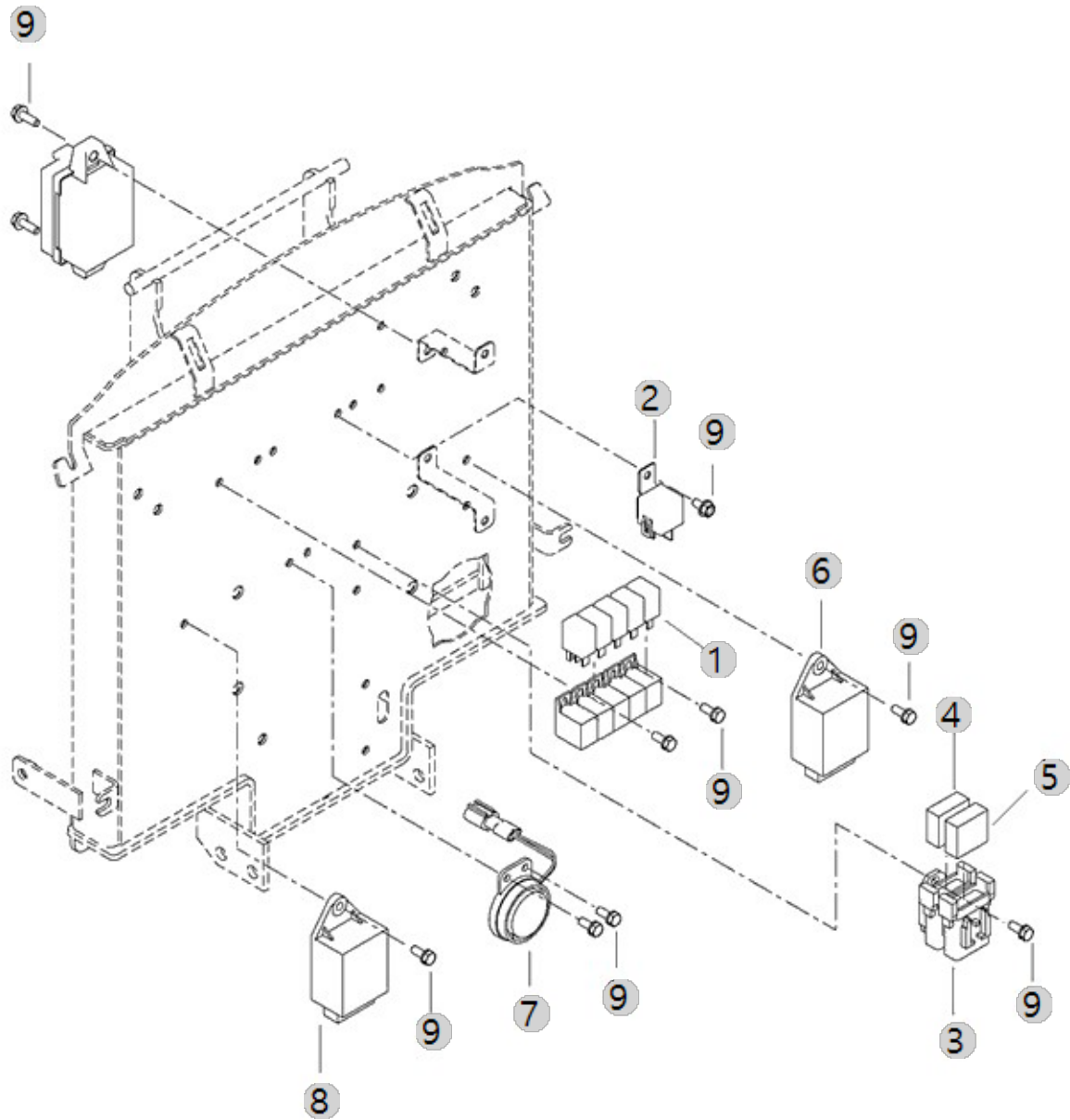
H04070

2515H_US_FL
(AC02153)

CONTROLLER

Year/Month

2022-12-14



I03000 2515H_US_FL (AC02153)		NAME PLATE				Year/Month 2022-12-14
순번 (NO)	부품번호 (PART NO)	품명 (PART NAME)	품명 (PART NAME)	수량 (QTY)	규격 (SPEC)	비고 (REMARK)
1	TA00054144A	형식명판(4815h)	NAME PLATE, MODEL	1		
1	TA00043089B	형식명판(3015H)	NAME PLATE	1		
1	TA00062112A	형식명판(4215h)	NAME PLATE, MODEL	1		
1	TA00058525B	형식명판(2515h)	NAME PLATE, MODEL	1		
1	TA00043090B	형식명판(3515H)	NAME PLATE	1		
2A	TA00058180B	본네트명판(2515h)	NAMEPLATE, BONNET(2515H)	2		
2	TA00054143A	본네트명판(4815h)	NAME PLATE, BONNET	2		
2B	TA00043092C	본네트명판(3015H)	NAMEPLATE, BONNET(3015H)	2		
2C	TA00043093C	본네트명판(3515H)	NAMEPLATE, BONNET(3515H)	2		
2	TA00058180A	본네트명판(2515h)	NAME PLATE, BONNET	2		
2D	TA00062113B	본네트명판(4215h)	NAME PLATE, HOOD	2		
2	TA00043092B	본네트명판(3015H)	NAME PLATE, BONNET(3015H)	2		
2E	TA00054143B	본네트명판(4815h)	NAMEPLATE, BONNET(4815H)	2		
2	TA00043093B	본네트명판(3515H)	NAME PLATE, BONNET	2		
2	TA00062113A	본네트명판(4215h)	NAME PLATE, HOOD	2		
4	NTE5150000C4	경고명판(안전벨트)	NAMEPLATE,SEATBELT	1	0.05T	
5	NTE5210000C4	경고명판(안전)	NAMEPLATE,SAFETY	1	0.05T	
6	NTE5220000C4	위험명판	NAMEPLATE,DANGER	1	0.05T	
7	TA00015596B	PTO경고명판	PTO WARNING PLATE	1	0.05T	
8	TA00036922B	유압리프트명판	LIFT STICKER	1		
9	TA00036924A	경고명판	WARNING NAMEPLAET	1		
10	TA00043352A	부변속명판(HST)	NAME PLATE, SUB SHIFT	1		
11	TA00061888A	PTO명판(540)	NAME PLATE, PTO SHIFT	1		
12	TA00040534G	ROPS형식명판(US)	NAMEPLATE, ROPS	1		
14	TZE4130000B4	차동명판	LABEL,DIFFERENTIAL	1	NONE	
15	TZE4150000A4	주차브레이크고정명판	LABEL, PAKING BRAKE	1	0.05TX25X56	
16	TZE4190000D4	급유주의명판	NAMEPLATE, FEED FUEL	1	NONE	
16	TZE4190000C4	급유주의명판	LABEL, FUEL CAUTION	1	NONE	
17	TZE4330000B4	키스위치명판	MARK, MAIN SWITCH	1	NONE	
18	TZE5050000B4	전륜구동명판	LABEL,FRONTDRIVE	1	NONE	
19	TZE5110000C4	스타터위험명판	MANE PLATE, START	1	NONE	
20	TZE5120000B4	장착경고명판	NAME PLATE, EQUIP	1	NONE	
21	TZE5130000C4	주의명판	NAME PLATE, CAUTION	1	NONE	
22	TZE5140000B3	하차시경고명판	NAME PLATE, DOWN LOAD	1	NONE	
23	TZE5160000B3	안전주의명판	NAME PLATE, SAFETY	1	NONE	
24	TZE5170000B3	ROPS경고명판	NAME PLATE, ROPS CAUTION	1	0.05T	
24	TZE5170000C3	ROPS경고명판	NAMEPLATE, ROPS CAUTION	1	NONE	
25	TZE5180000C4	회전체주의명판	NAME PLATE, REVOLUTION	1	NONE	
26	TZE5770000B3	주의명판(비탈)	MARK,WARNING	1	NONE	

I06010

2515H_US_FL
(AC02153)

SUN VISOR(OPTION)

Year/Month

2022-12-14

