

T475STEU

Parts Catalog

목 차

1. 엔진 PART NO. EG

FIG 100 ENGINE	9
FIG 101 CYLINDER BLOCK	11
FIG 102 OILJET ASS'Y OPTION	13
FIG 103 CRANK SHAFT	15
FIG 104 PISTON	17
FIG 105 CYLINDER HEAD	19
FIG 106 ROCKER LEVER	21
FIG 107 HEAD COVER	23
FIG 108 GEAR CASE	25
FIG 109 IDLE GEAR	27
FIG 110 CAM SHAFT	29
FIG 111 OIL PUMP	31
FIG 112 HYD. PUMP DRIVE	33
FIG 113 2ND BALANCE	35
FIG 114 OIL PAN	37
FIG 115 INTAKE MANIFOLD	39
FIG 116 EXHAUST MANIFOLD	41
FIG 117 DPF SUPPORT OPTION	43
FIG 118 TURBOCHARGER PLUMBING OPTION	45
FIG 119 BREATHER	47
FIG 120 FUEL INJECTION PUMP	49
FIG 121 FUEL INJECTION VALVE	51
FIG 122 FUEL PIPE ASS'Y	53
FIG 123 OIL FILTER	55
FIG 124 OIL COOLER	57
FIG 125 OIL GAUGUE	59
FIG 126 OIL FILLER CAP	61
FIG 127 COOLING WATER PUMP	63
FIG 128 CRANK SHAFT PULLEY	65
FIG 129 V-PULLEY	67
FIG 130 COOLING FAN	69

FIG 131 FLYWHEEL HOUSING	71
FIG 132 FLYWHEEL	73
FIG 133 GLOW PLUG ASS'Y OPTION	75
FIG 134 STARTING MOTOR	77
FIG 135 FUEL FILTER BRACKET ASS'Y	79
FIG 136 ALTERNATOR	81
FIG 137 V-BELT	83
FIG 138 FUEL FILTER	85
FIG 139 DPF SUPPORT	87
FIG 140 DATAPLATE	89
FIG 142 DPF ASS'Y	91
FIG 143 LIFT ASS'Y	93
FIG 144 COMP . DRIVE PULLEY ASS'Y OPTION	95
FIG 145 LOOSED PARTS	97

2. 엔진보기품 PART NO. T2

FIG 201 AIR CLEANER	100
FIG 202 RADIATOR	102
FIG 203 MUFFLER	104
FIG 204 FUEL TANK & FILTER	106
FIG 205 ACCELERATOR	108

3. 클러치/브레이크/스티어링 PART NO. T3

FIG 301 CLUTCH PEDAL	111
FIG 302 FLYWHEEL & CLUTCH	113
FIG 303 BRAKE PEDAL	115
FIG 304 BRAKE	117
FIG 306 FRONT WHEEL MOUNTING	119
FIG 307 REAR WHEEL MOUNTING	121
FIG 308 STEERING WHEEL	123
FIG 309 STEERING VALVE & PARKING	125
FIG 310 STEERING CYLINDER	127
FIG 311 HAND BRAKE LINKAGE	129

4. 트랜스미션 PART NO. T4

FIG 401 TRANSMISSION FRONT CASE	132
---------------------------------	-----

FIG 402 INPUT METAL	134
FIG 403 INPUT GEAR	136
FIG 404 4WD DRIVE GEAR	138
FIG 405 MAIN CHANGE GEARS & REVERSE GEARS	140
FIG 406 SUB CHANGE GEARS	142
FIG 407 PINION GEARS	144
FIG 408 P.T.O DRIVE SHAFT	146
FIG 409 P.T.O CHANGE GEARS	148
FIG 410 DIFF LOCK	150
FIG 411 TRANSMISSION REAR CASE	152
FIG 412 REAR AXLE HOUSINGS (1)	154
FIG 413 REAR AXLE HOUSINGS (2)	156
FIG 414 MAIN CHANGE LEVER	158
FIG 415 SUB CHANGE LEVER	160
FIG 416 REVERSE LINK	162
FIG 417 REVERSE CHANGE LEVER	164
FIG 418 4WD CHANGE LEVER	166

5. 프런트 액슬 PART NO. T5

FIG 501 FRONT AXLE BRACKET	169
FIG 502 FRONT DIFF. GEARS & SHAFT	171
FIG 503 FRONT AXLE HOUSING	173
FIG 504 FRONT GEAR CASE (1)	175
FIG 505 FRONT GEAR CASE (2)	177

6. 유압/3점링크 PART NO. T6

FIG 601 GEAR PUMP	180
FIG 602 CYLINDER CASE	182
FIG 603 LIFT ARM	184
FIG 604 CYLINDER	186
FIG 605 POSITION LINK (1)	188
FIG 606 POSITION LINK (2)	190
FIG 607 CONTROL VALVE	192
FIG 608 POSITION LEVER	194
FIG 609 HYDRAULIC PIPE (1)	196
FIG 610 HYDRAULIC PIPE (2)	198

FIG 611 EXTERIOR HYD. VALVE	200
FIG 612 3-POINT LINK	202
FIG 613 HITCH & COVER	205
FIG 614 EXTERIOR POSITION LEVER	207

7. 시트메탈/캐빈 PART NO. T7

FIG 701 HOOD FRAME	210
FIG 702 HOOD	213
FIG 703 EXTENSION COVER	216
FIG 705 DASH PANEL	218
FIG 708 FRONT & REAR MOUNTING	220
FIG 709 SEAT & MAT	222
FIG 710 DOOR	224
FIG 711 FRONT GLASS	227
FIG 712 REAR GLASS	229
FIG 713 SUB FENDER & COVER	231
FIG 714 MIRROR	233
FIG 715 HEATER & AIR-CON	235
FIG 716 HEATER & AIR-CON	237
FIG 717 FENDER COVER	239
FIG 718 ROOF	241
FIG 719 CABIN INTERIOR	243

8. 전장 PART NO. T8

FIG 801 BATTERY & MOUNTING	246
FIG 802 LAMP	248
FIG 803 INSTRUMENT PANEL	250
FIG 804 ELECTRIC SYSTEM	252
FIG 805 HARNESS	254
FIG 806 HARNESS (2)	256

9. 라벨/옵션 PART NO. T9

FIG 901 TOOL & ACCESSORY	259
FIG 902 WEIGHT	261
FIG 903 LABEL	263

1. 엔진 PART NO. EG

FIG 100 ENGINE	9
FIG 101 CYLINDER BLOCK	11
FIG 102 OILJET ASS'Y OPTION	13
FIG 103 CRANK SHAFT	15
FIG 104 PISTON	17
FIG 105 CYLINDER HEAD	19
FIG 106 ROCKER LEVER	21
FIG 107 HEAD COVER	23
FIG 108 GEAR CASE	25
FIG 109 IDLE GEAR	27
FIG 110 CAM SHAFT	29
FIG 111 OIL PUMP	31
FIG 112 HYD. PUMP DRIVE	33
FIG 113 2ND BALANCE	35
FIG 114 OIL PAN	37
FIG 115 INTAKE MANIFOLD	39
FIG 116 EXHAUST MANIFOLD	41
FIG 117 DPF SUPPORT OPTION	43
FIG 118 TURBOCHARGER PLUMBING OPTION	45
FIG 119 BREATHER	47
FIG 120 FUEL INJECTION PUMP	49
FIG 121 FUEL INJECTION VALVE	51
FIG 122 FUEL PIPE ASS'Y	53
FIG 123 OIL FILTER	55
FIG 124 OIL COOLER	57
FIG 125 OIL GAUGUE	59
FIG 126 OIL FILLER CAP	61
FIG 127 COOLING WATER PUMP	63
FIG 128 CRANK SHAFT PULLEY	65
FIG 129 V-PULLEY	67
FIG 130 COOLING FAN	69
FIG 131 FLYWHEEL HOUSING	71
FIG 132 FLYWHEEL	73
FIG 133 GLOW PLUG ASS'Y OPTION	75
FIG 134 STARTING MOTOR	77
FIG 135 FUEL FILTER BRACKET ASS'Y	79
FIG 136 ALTERNATOR	81
FIG 137 V-BELT	83

FIG 138 FUEL FILTER	85
FIG 139 DPF SUPPORT	87
FIG 140 DATAPLATE	89
FIG 142 DPF ASS'Y	91
FIG 143 LIFT ASS'Y	93
FIG 144 COMP . DRIVE PULLEY ASS'Y OPTION	95
FIG 145 LOOSED PARTS	97

FIG 100 T475STEU	ENGINE	년/월 Year/Month
		2022-12

--	--

NOTE	
------	--

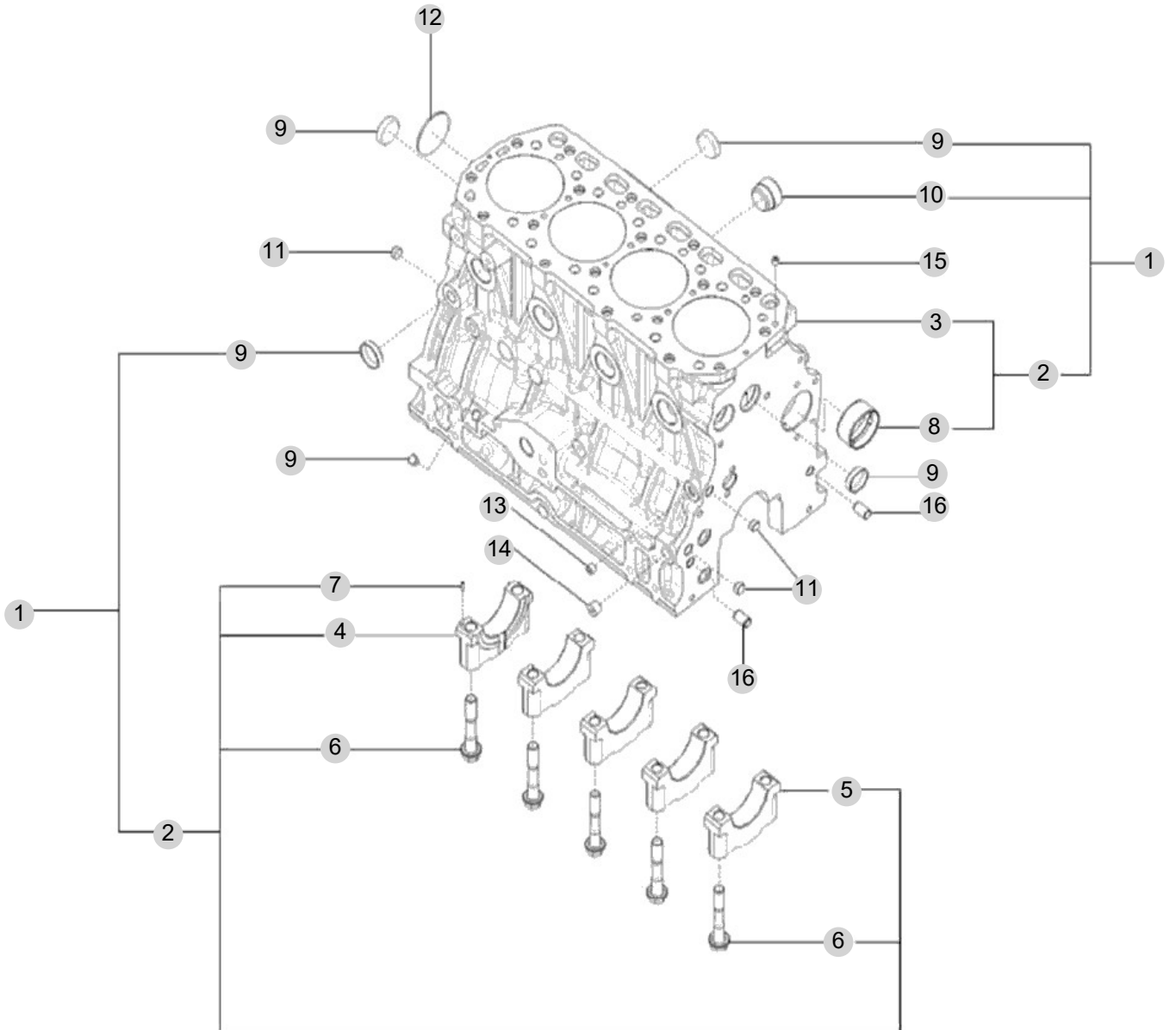
FIG 101

T475STEU

CYLINDER BLOCK

년/월
Year/Month

2022-12



NOTE

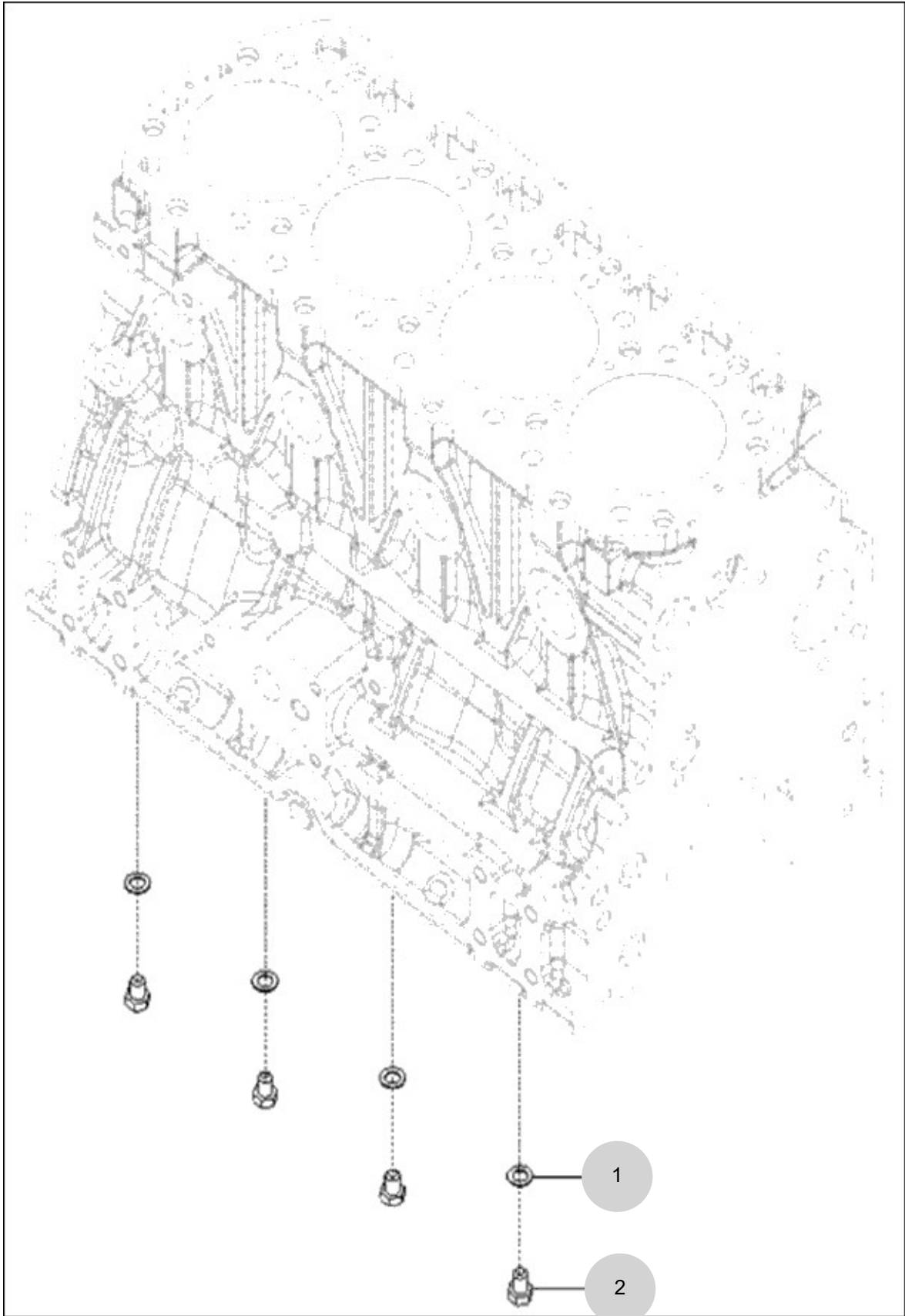
FIG 102

OILJET ASS'Y OPTION

년/월
Year/Month

T475STEU

2022-12



NOTE

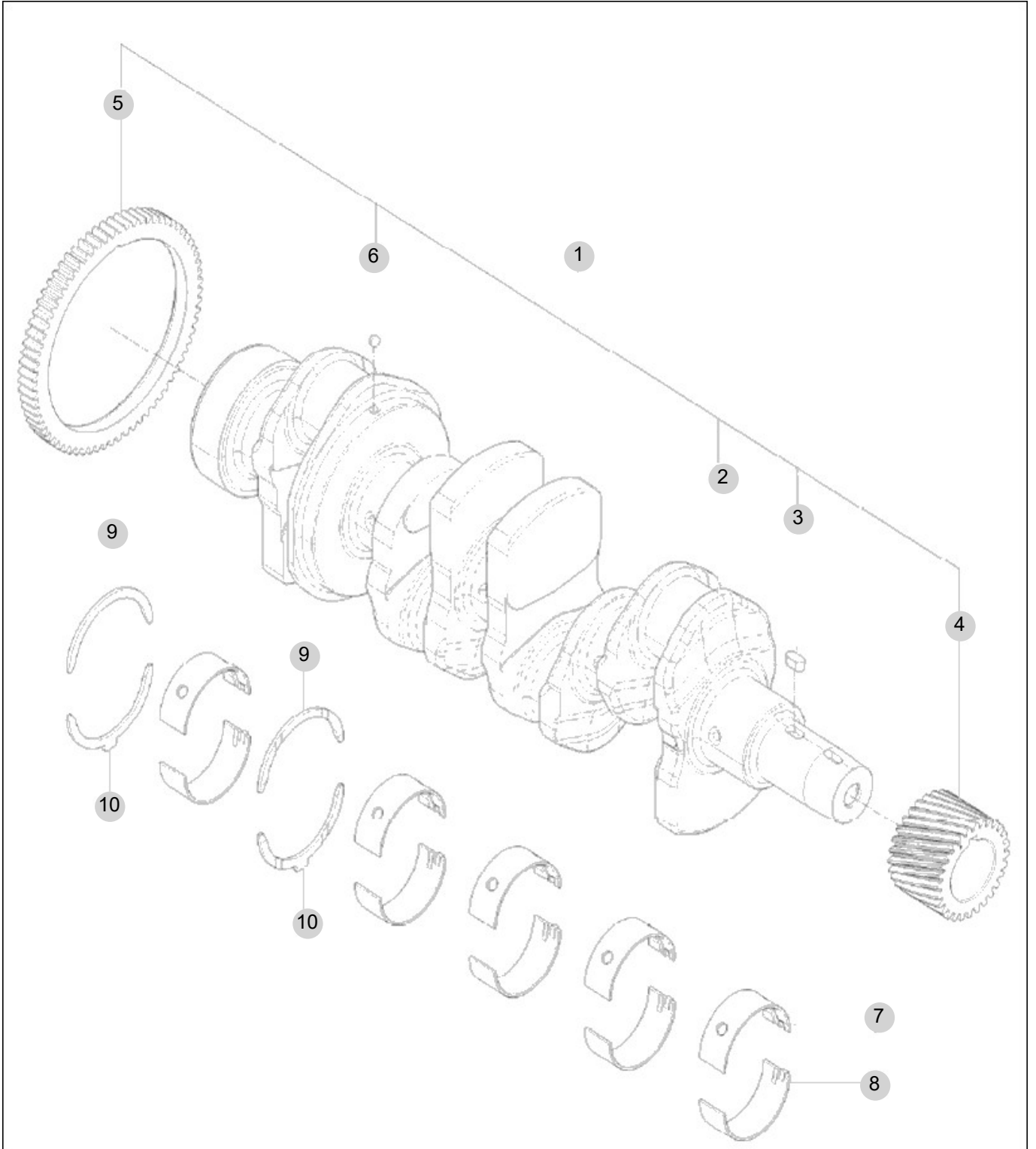
FIG 103

T475STEU

CRANK SHAFT

년/월
Year/Month

2022-12



NOTE

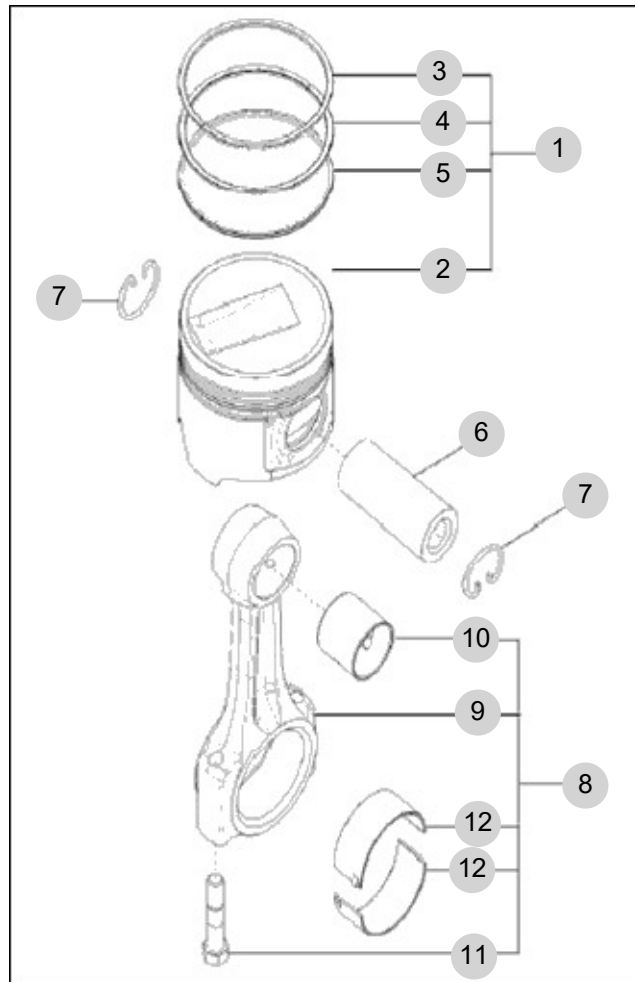
FIG 104

T475STEU

PISTON

년/월
Year/Month

2022-12



NOTE

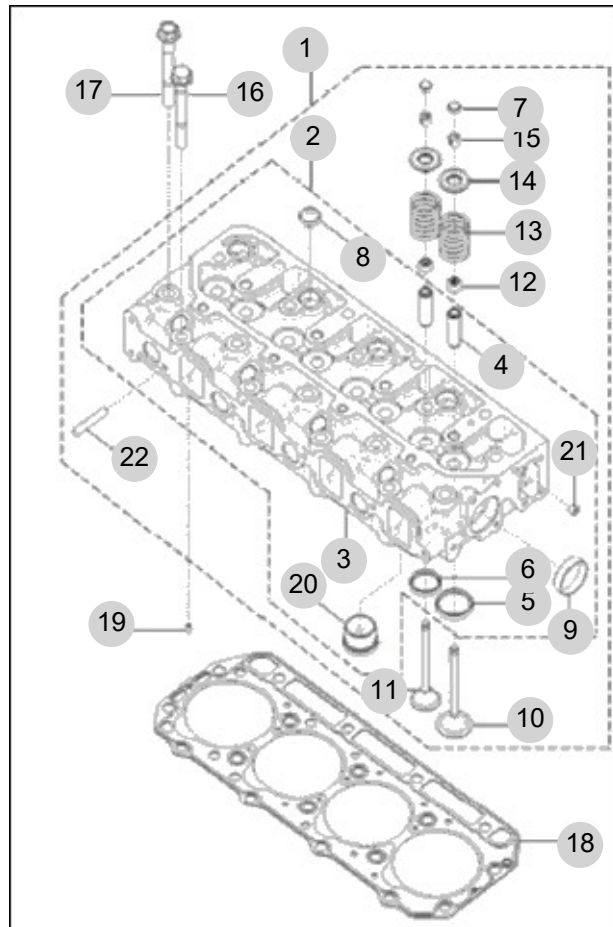
FIG 105

T475STEU

CYLINDER HEAD

년/월
Year/Month

2022-12



NOTE

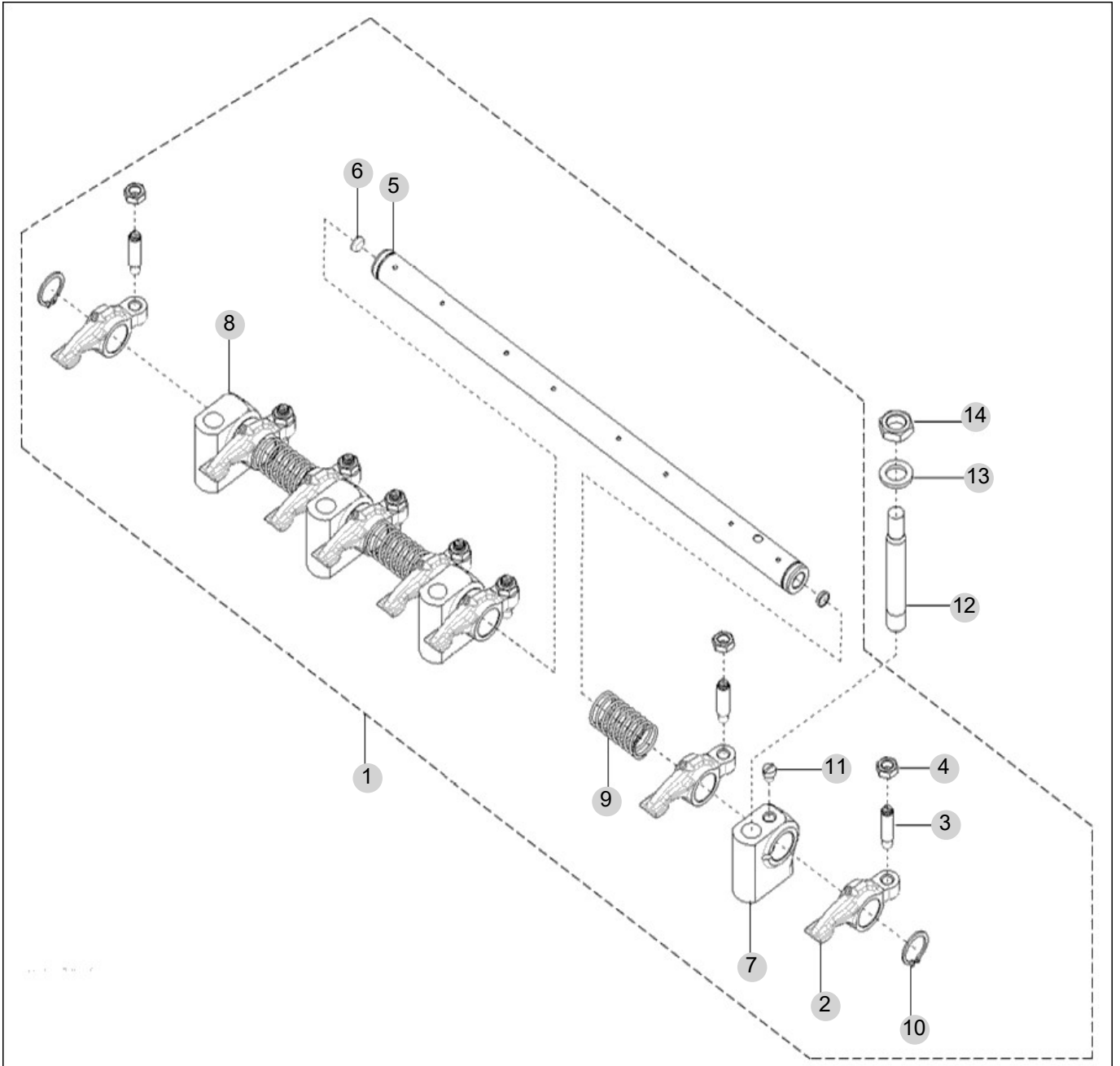
FIG 106

T475STEU

ROCKER LEVER

년/월
Year/Month

2022-12



NOTE

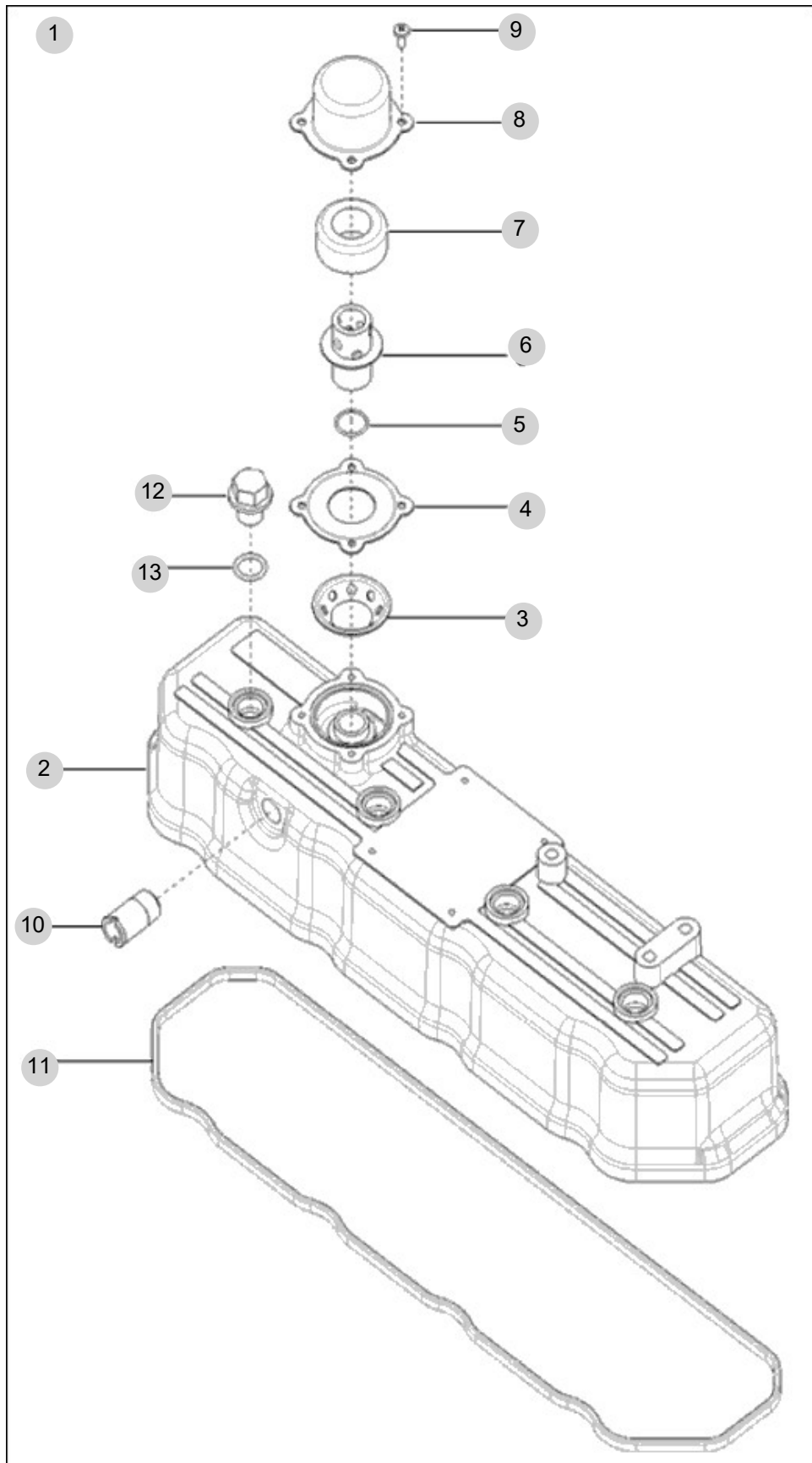
FIG 107

T475STEU

HEAD COVER

년/월
Year/Month

2022-12



NOTE

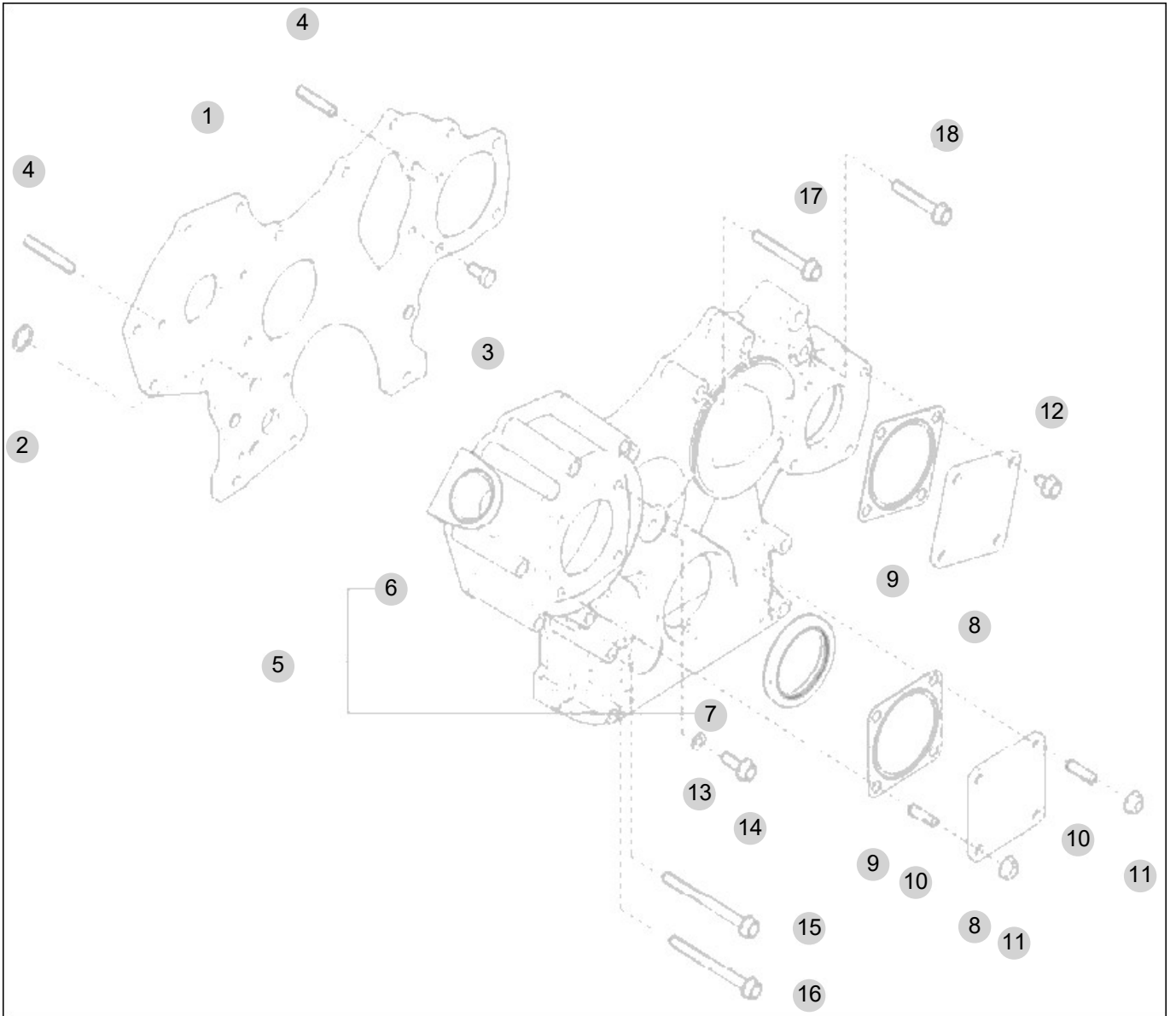
FIG 108

T475STEU

GEAR CASE

년/월
Year/Month

2022-12



NOTE

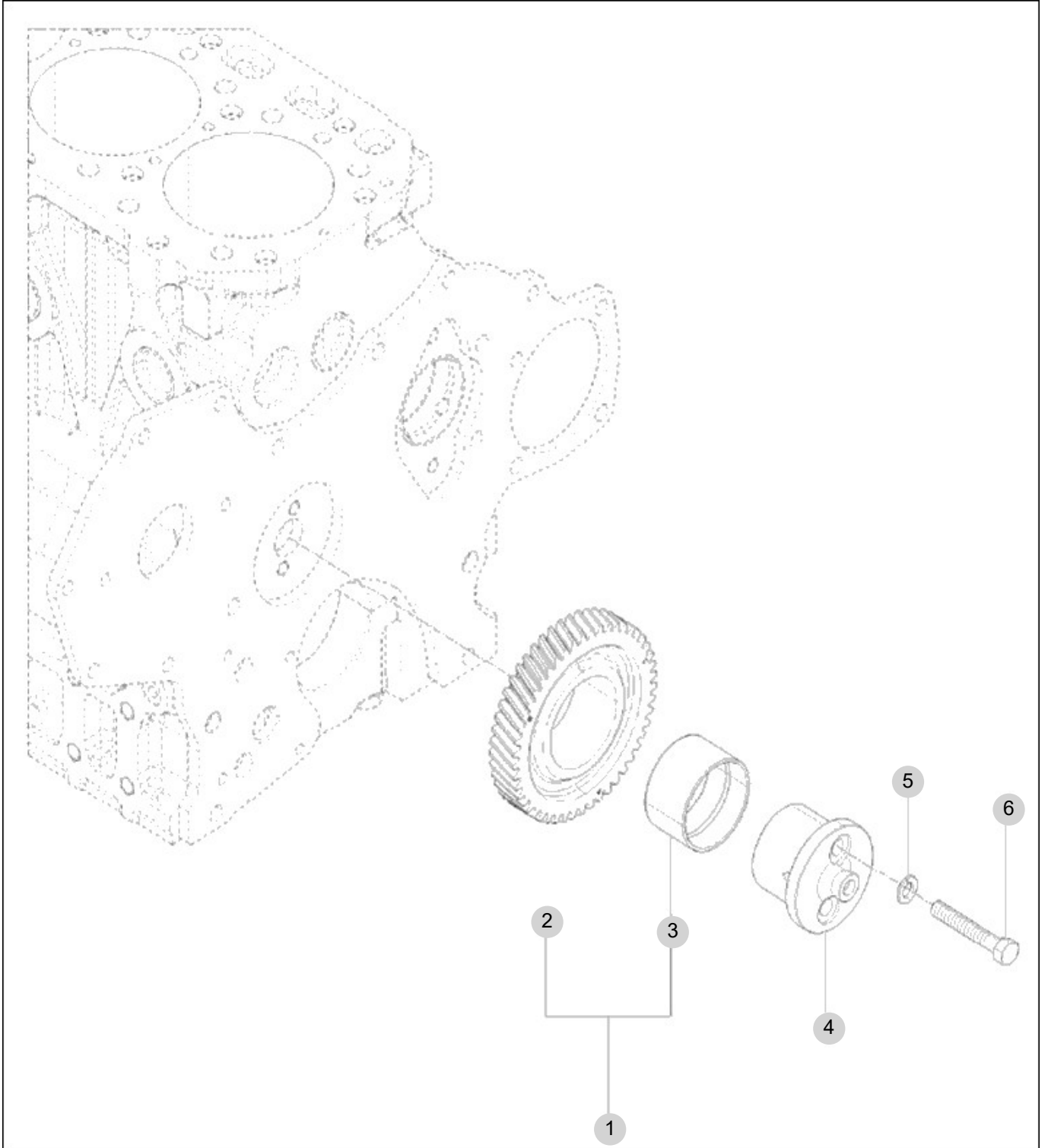
FIG 109

T475STEU

IDLE GEAR

년/월
Year/Month

2022-12



NOTE

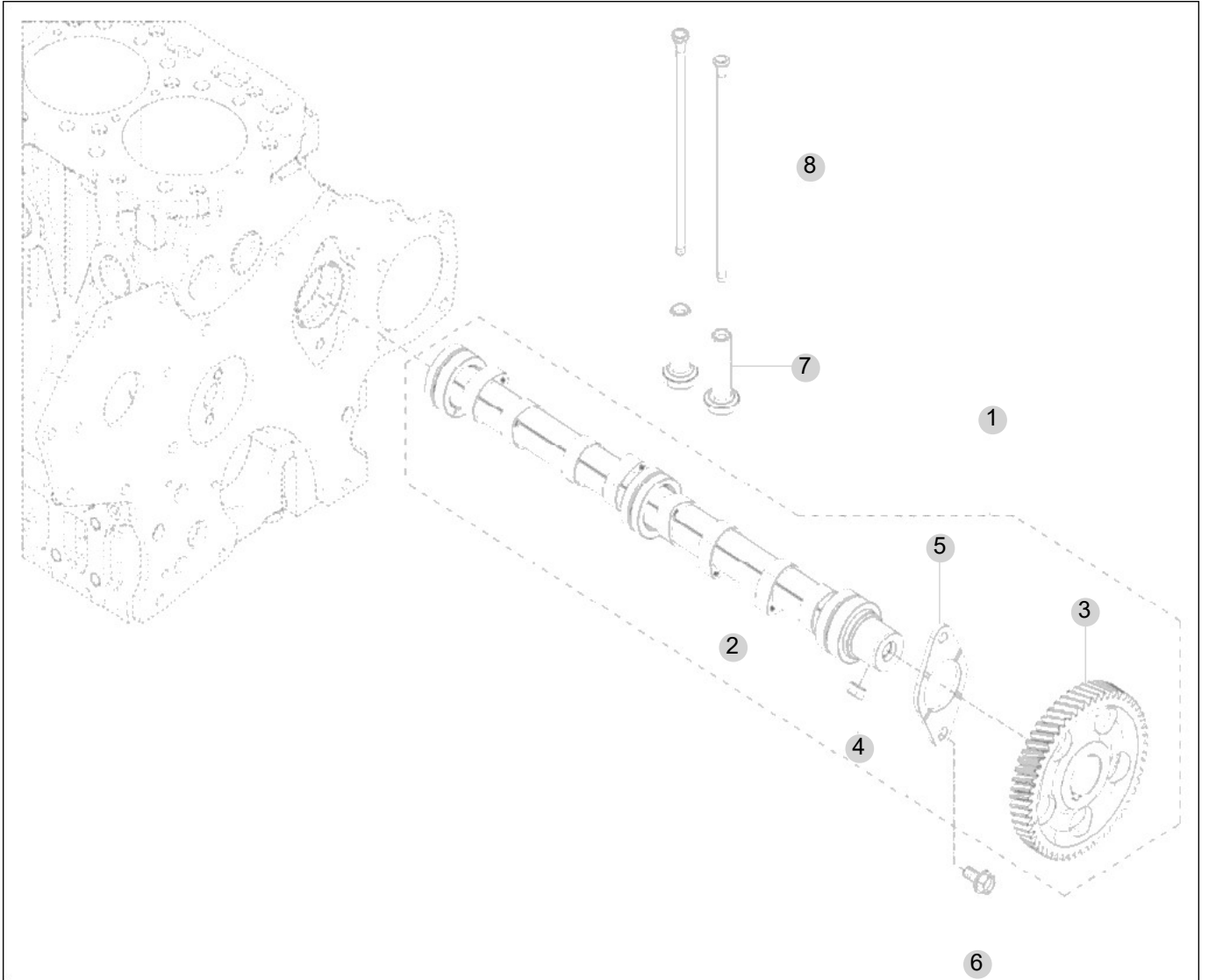
FIG 110

CAM SHAFT

년/월
Year/Month

T475STEU

2022-12



NOTE

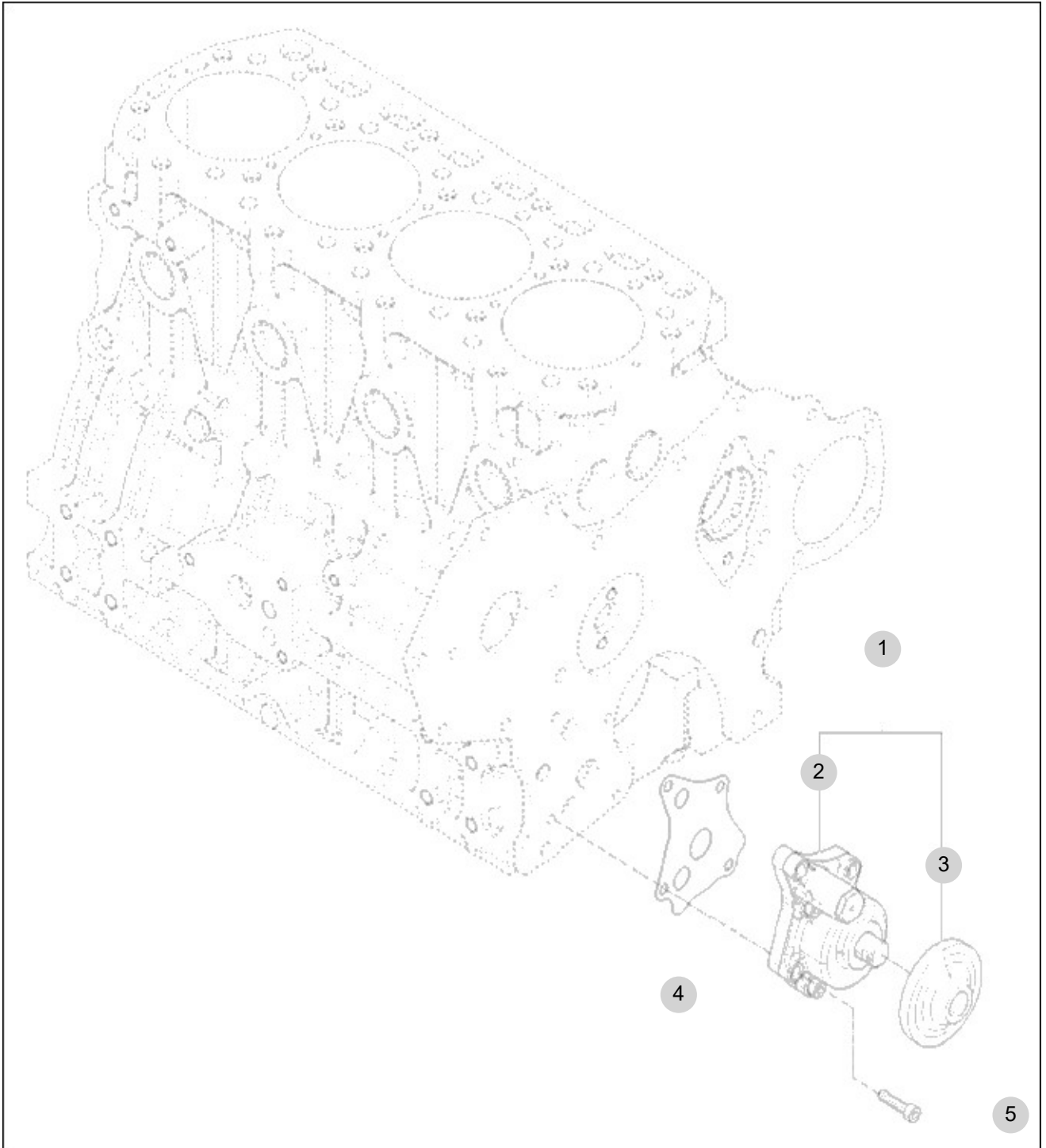
FIG 111

OIL PUMP

년/월
Year/Month

T475STEU

2022-12



NOTE

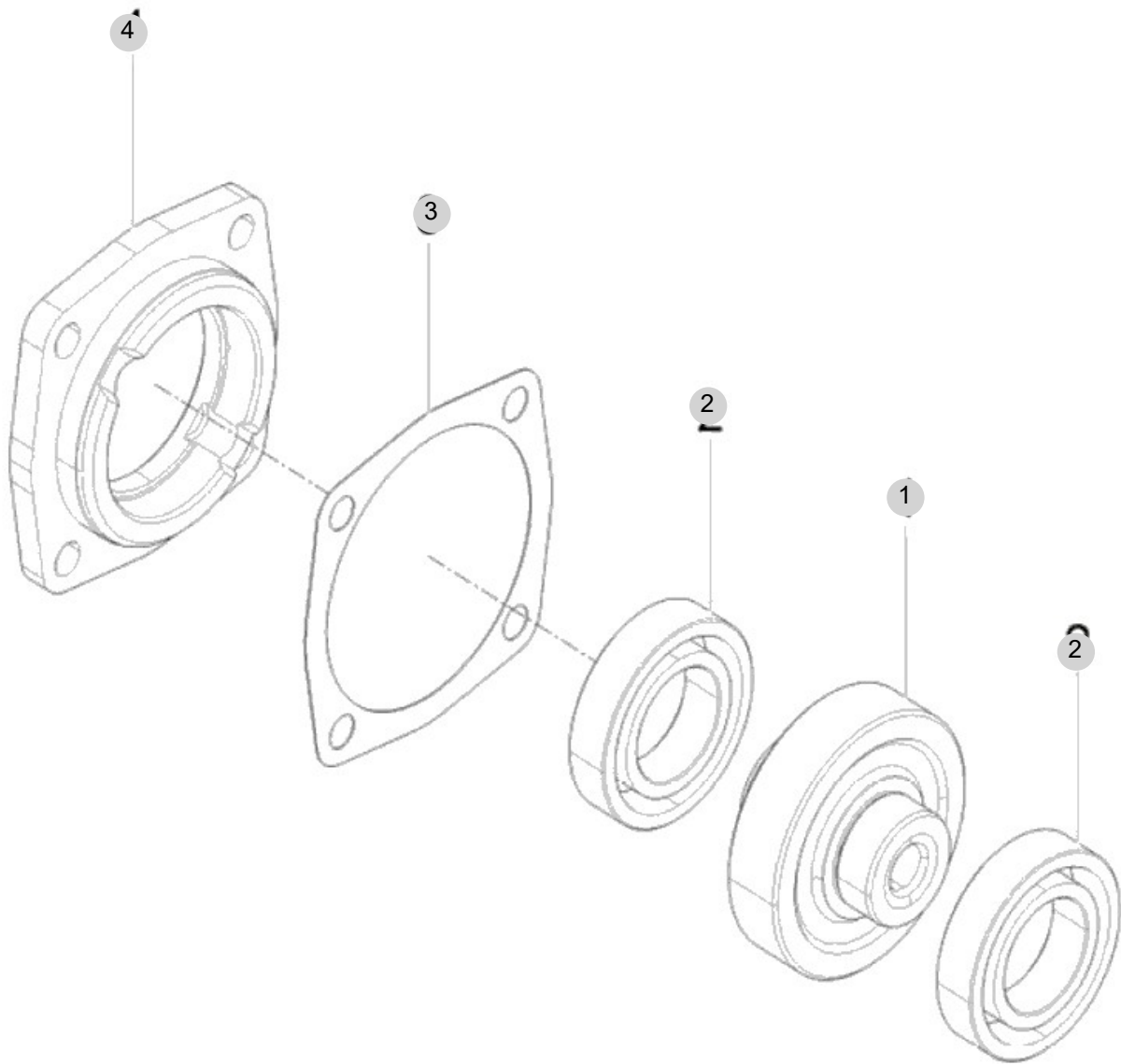
FIG 112

T475STEU

HYD. PUMP DRIVE

년/월
Year/Month

2022-12



NOTE

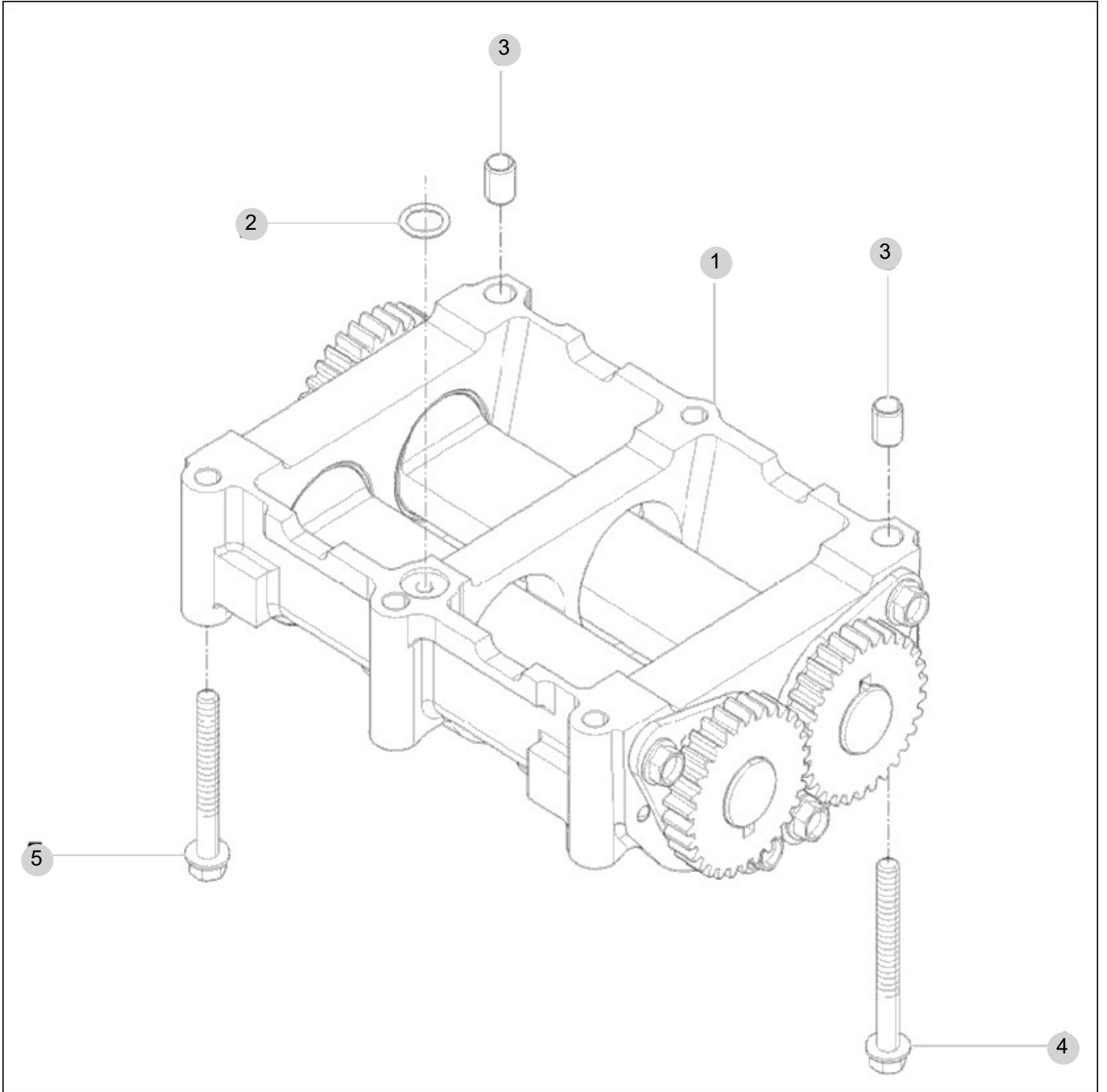
FIG 113

T475STEU

2ND BALANCE

년/월
Year/Month

2022-12



NOTE

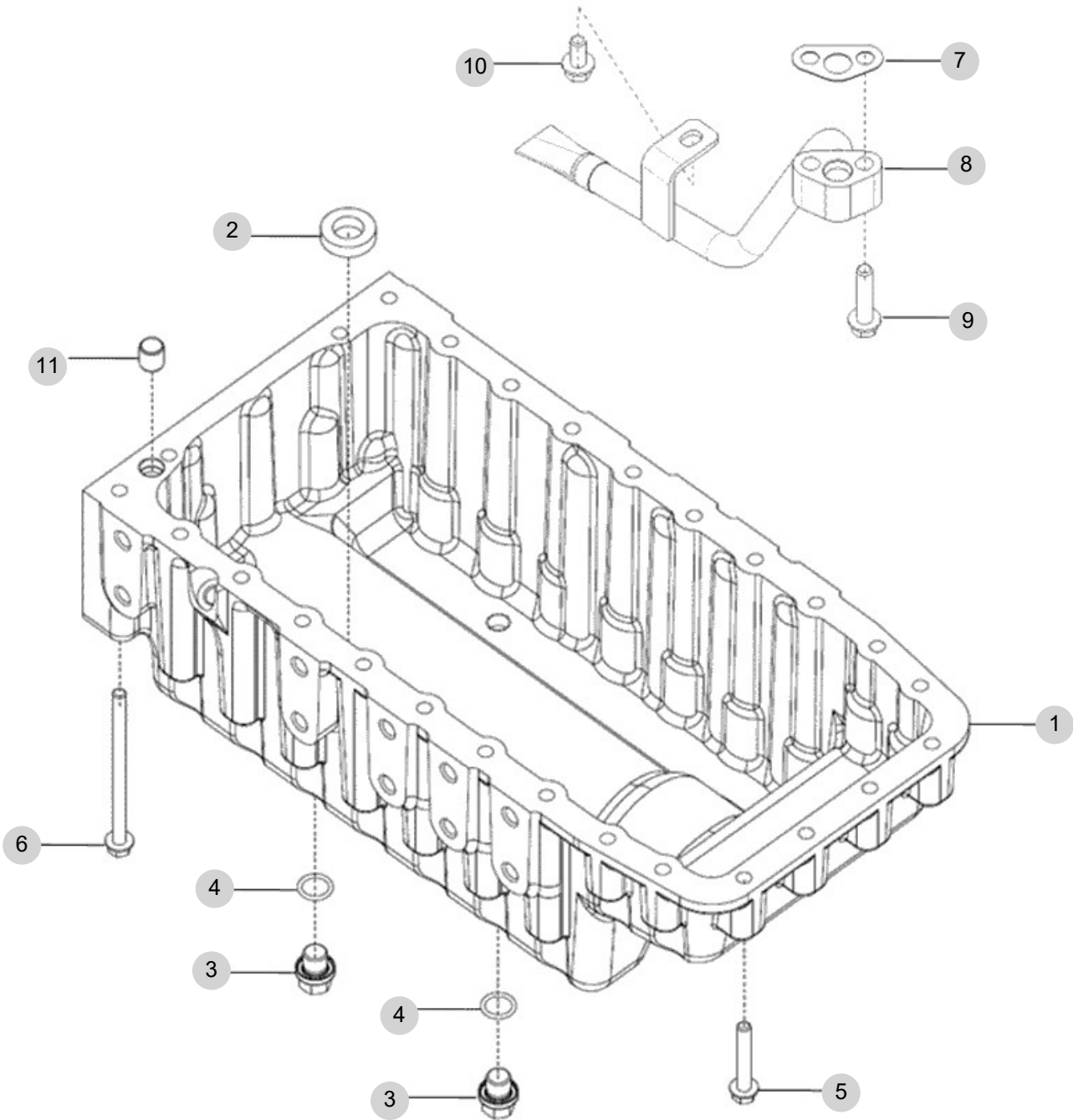
FIG 114

T475STEU

OIL PAN

년/월
Year/Month

2022-12



NOTE

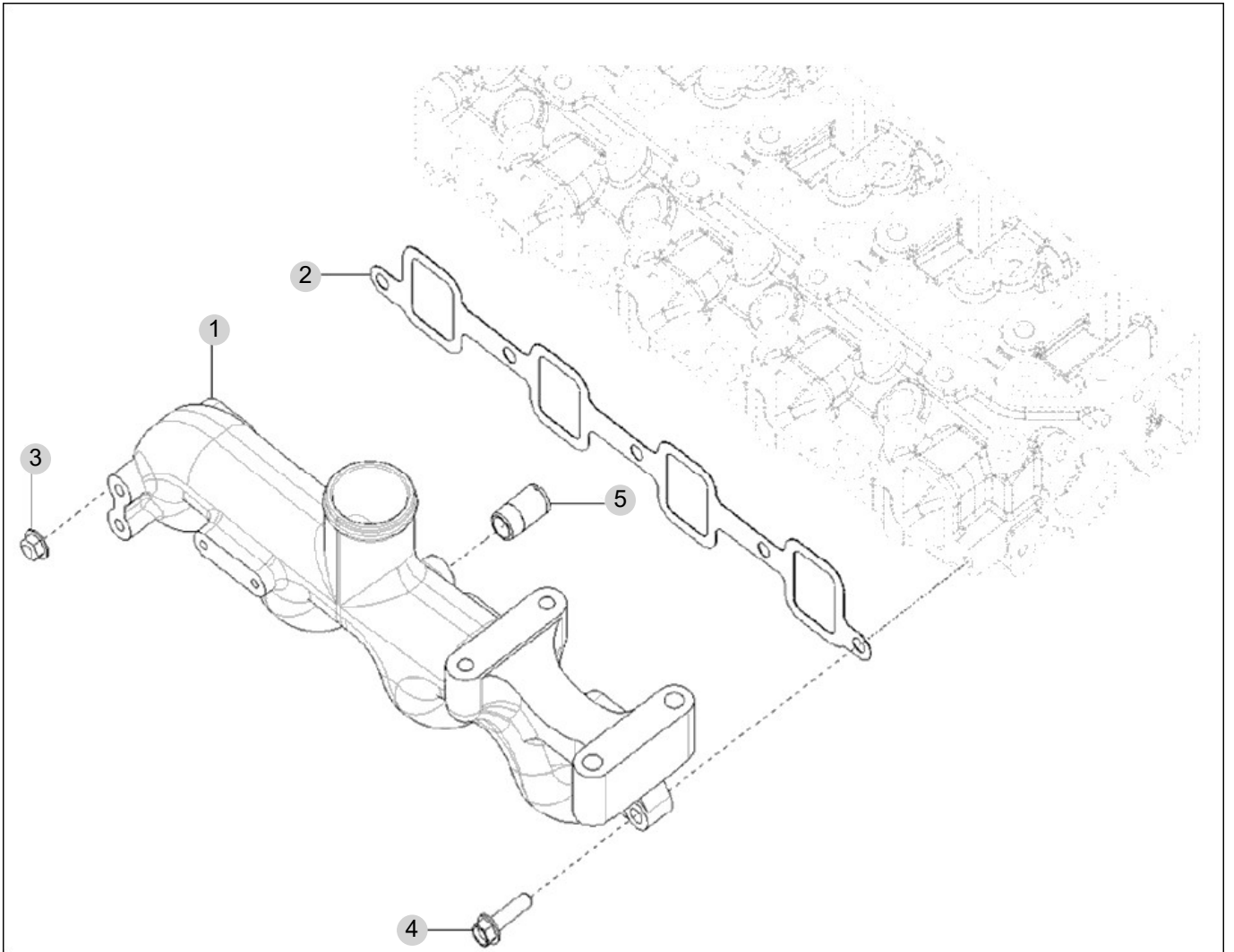
FIG 115

T475STEU

INTAKE MANIFOLD

년/월
Year/Month

2022-12



NOTE

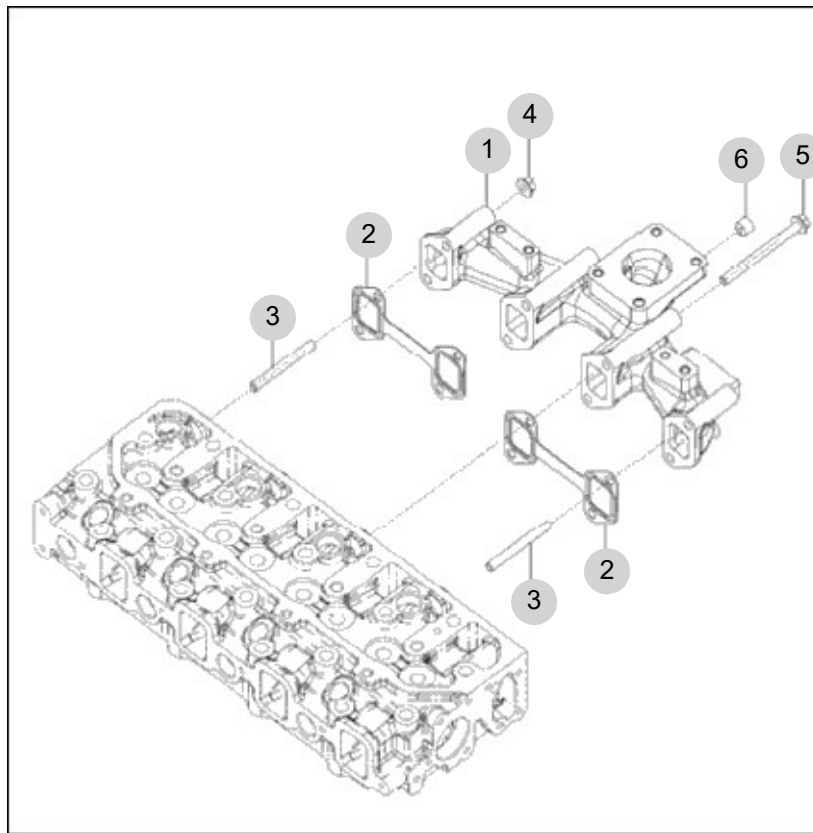
FIG 116

T475STEU

EXHAUST MANIFOLD

년/월
Year/Month

2022-12



NOTE

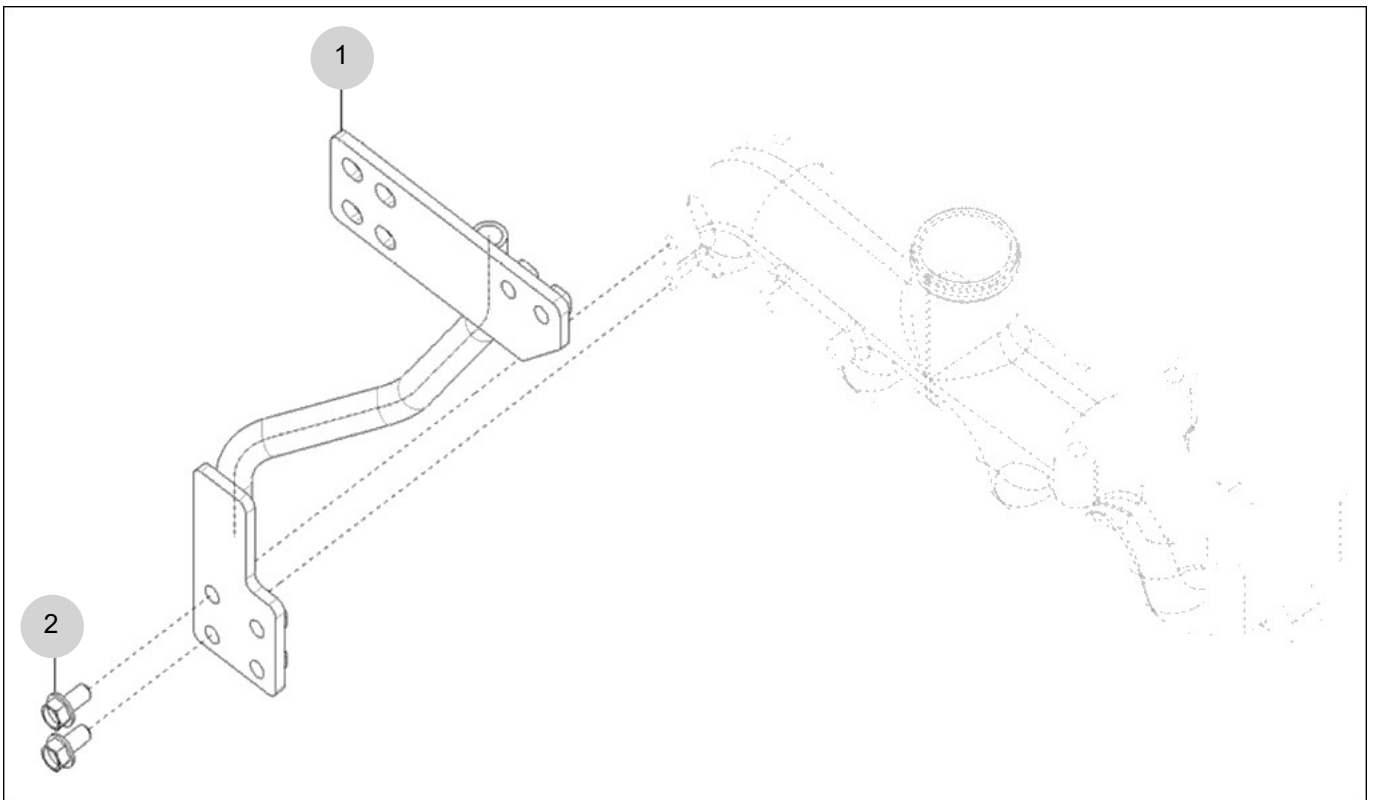
FIG 117

T475STEU

DPF SUPPORT OPTION

년/월
Year/Month

2022-12



NOTE

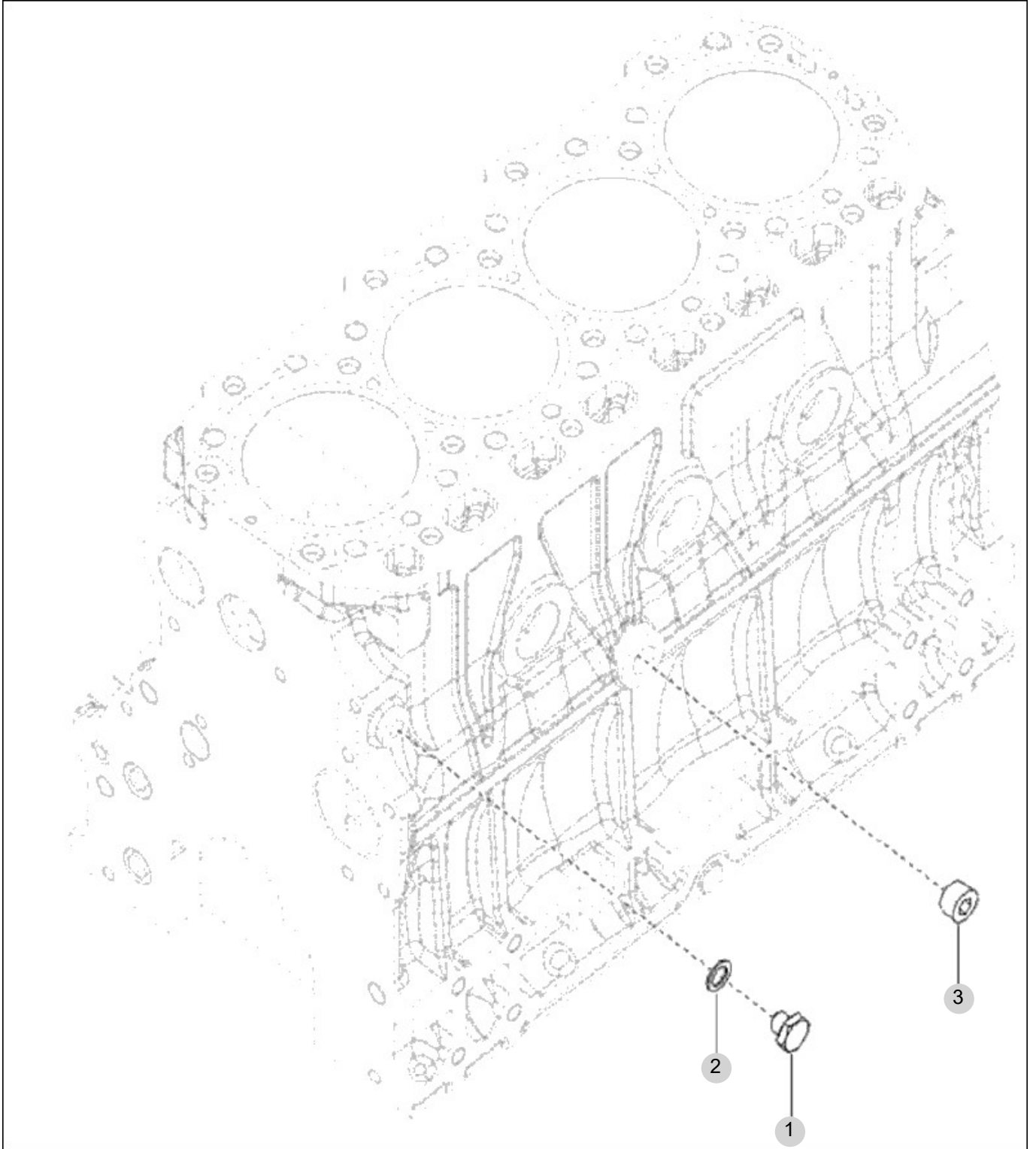
FIG 118

TURBOCHARGER PLUMBING OPTION

년/월
Year/Month

2022-12

T475STEU



NOTE

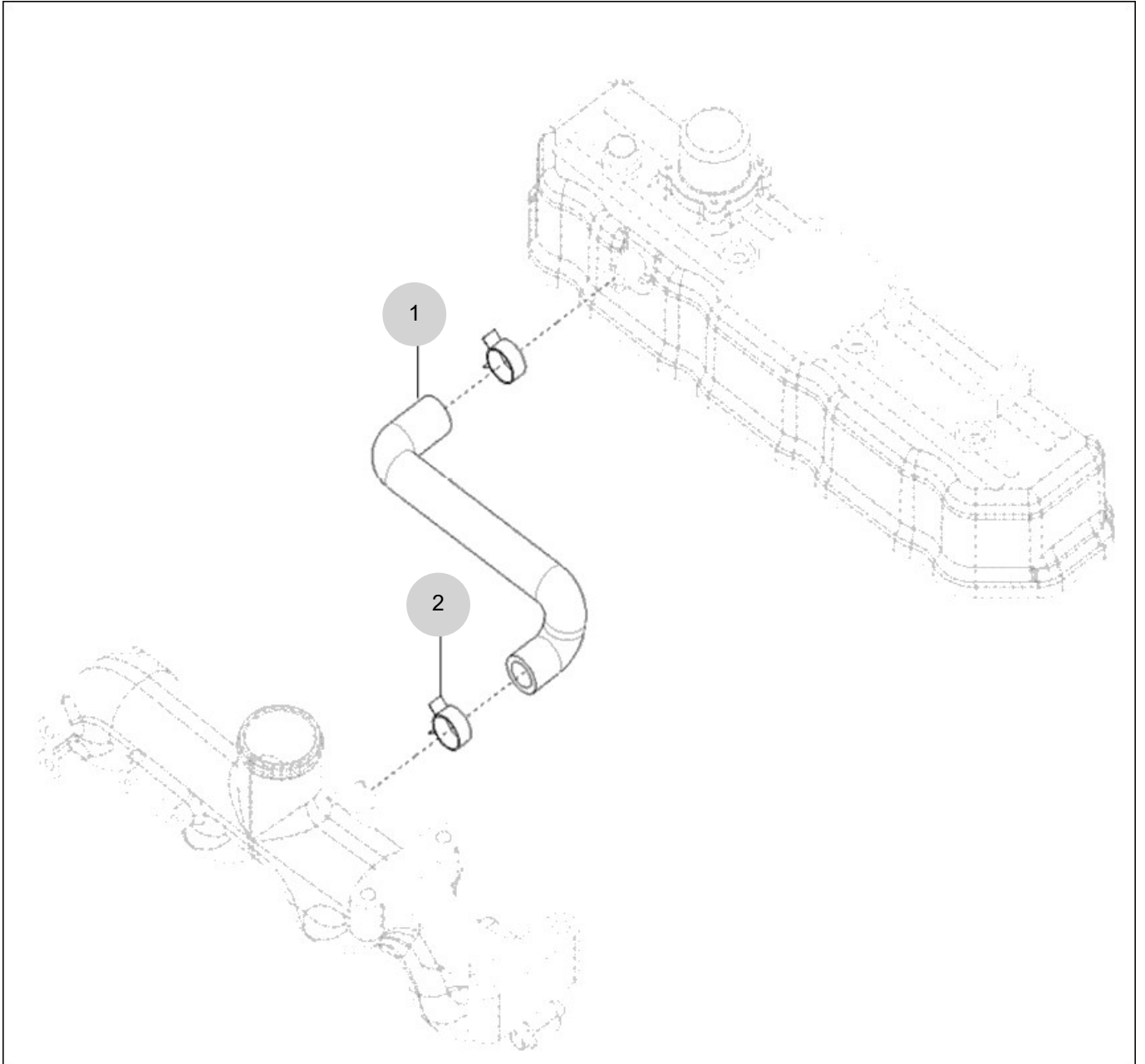
FIG 119

T475STEU

BREATHER

년/월
Year/Month

2022-12



NOTE

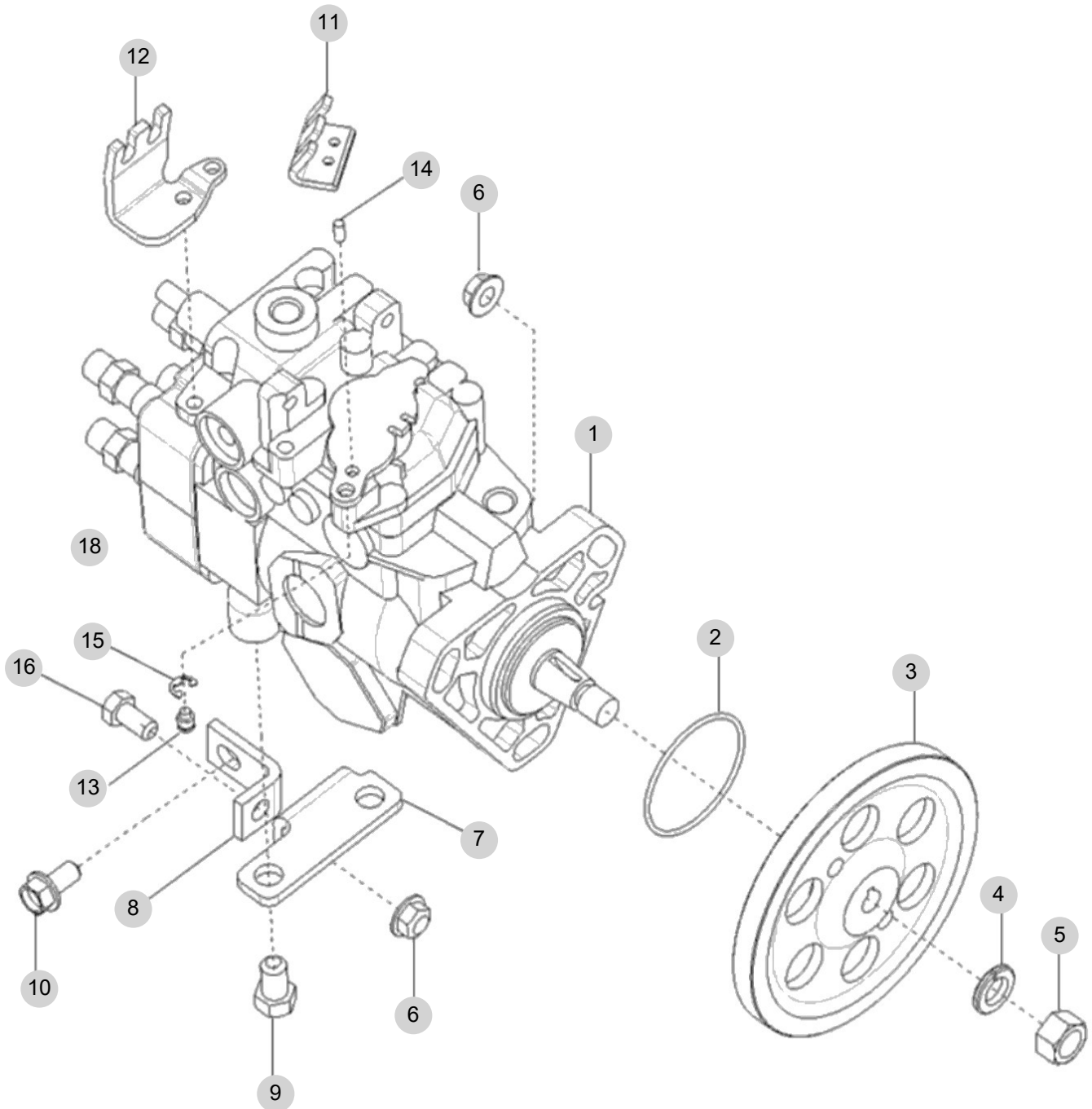
FIG 120

FUEL INJECTION PUMP

년/월
Year/Month

T475STEU

2022-12



NOTE

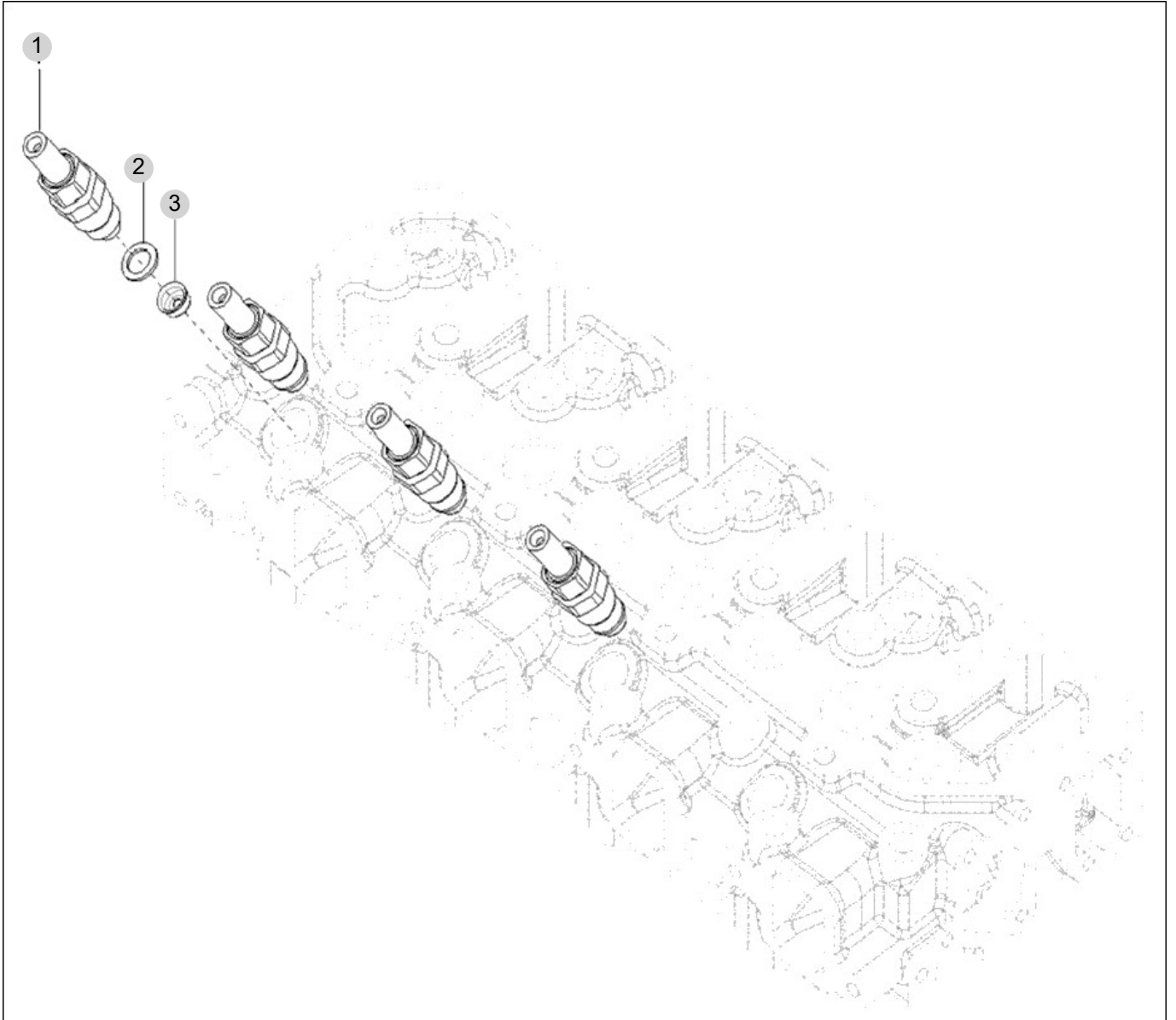
FIG 121

T475STEU

FUEL INJECTION VALVE

년/월
Year/Month

2022-12



NOTE

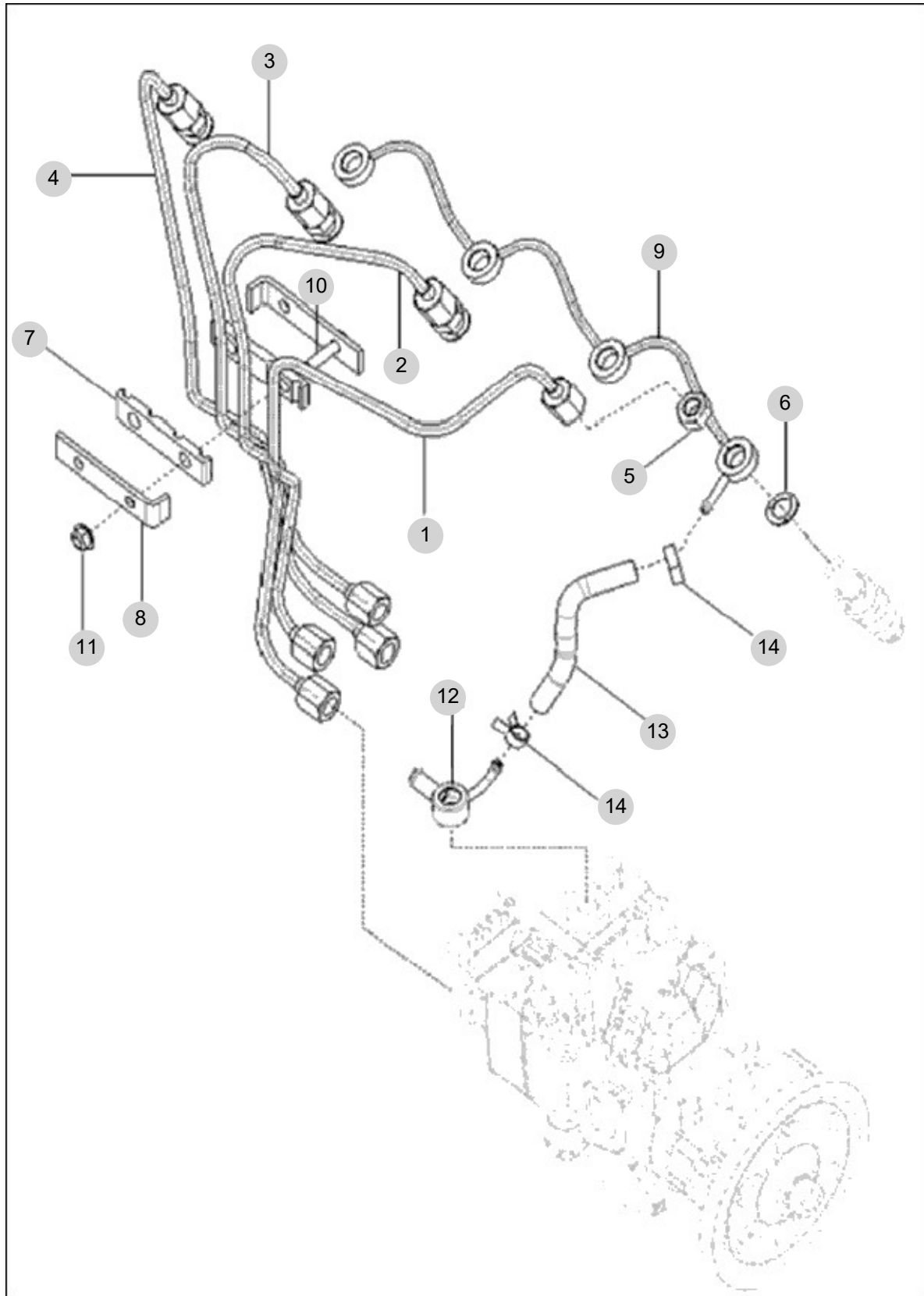
FIG 122

FUEL PIPE ASS'Y

년/월
Year/Month

2022-12

T475STEU



NOTE

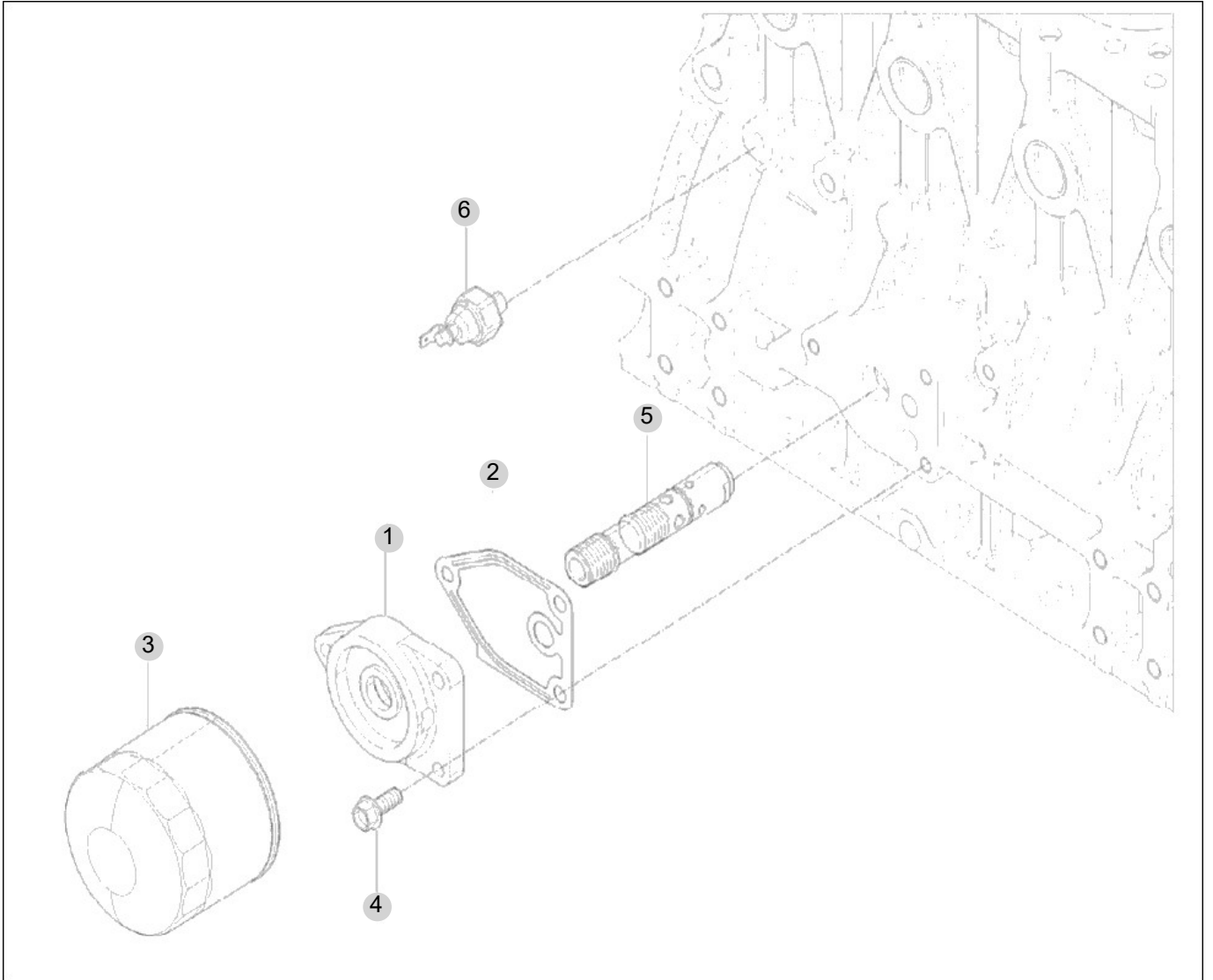
FIG 123

T475STEU

OIL FILTER

년/월
Year/Month

2022-12



NOTE

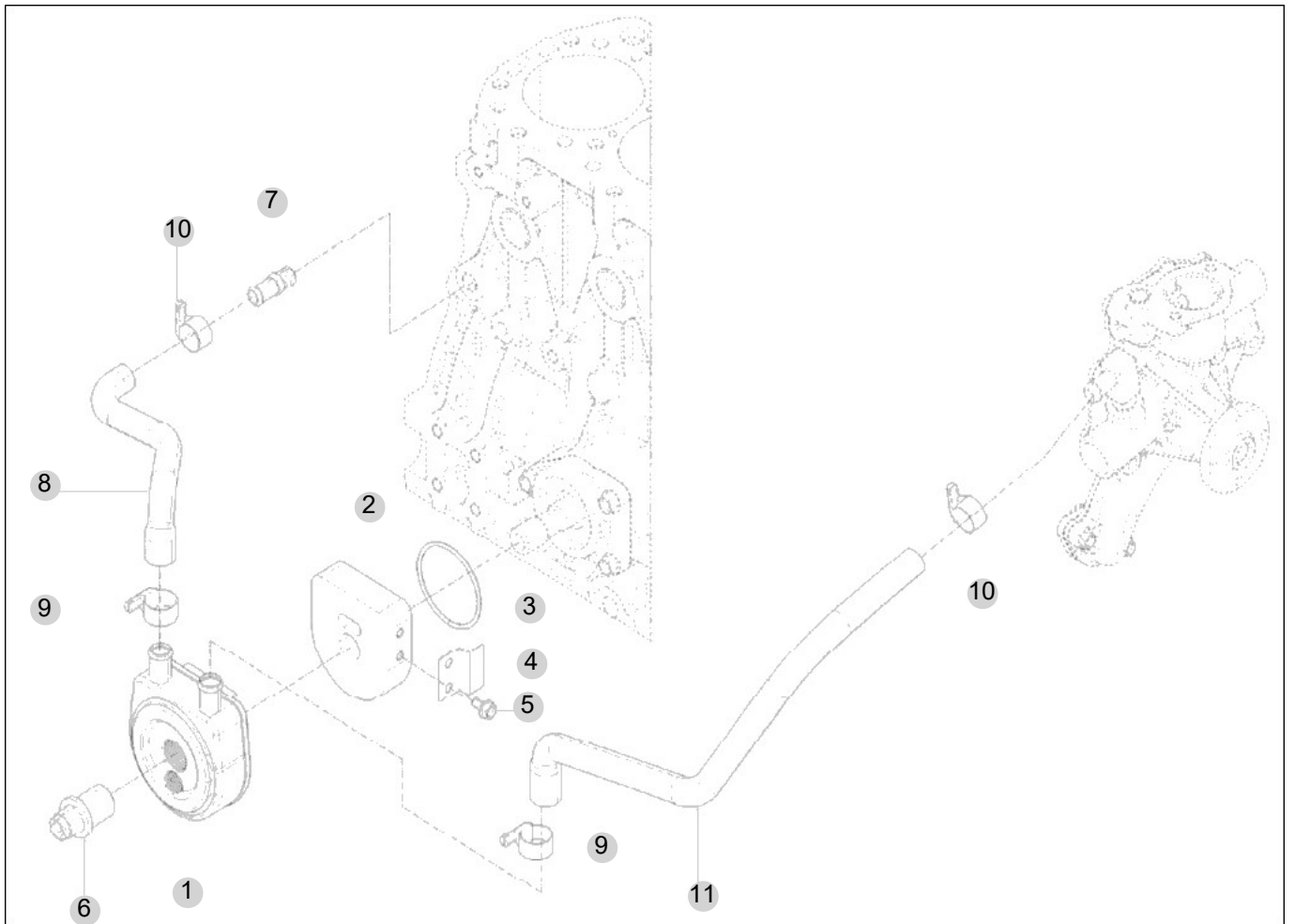
FIG 124

OIL COOLER

년/월
Year/Month

T475STEU

2022-12



NOTE

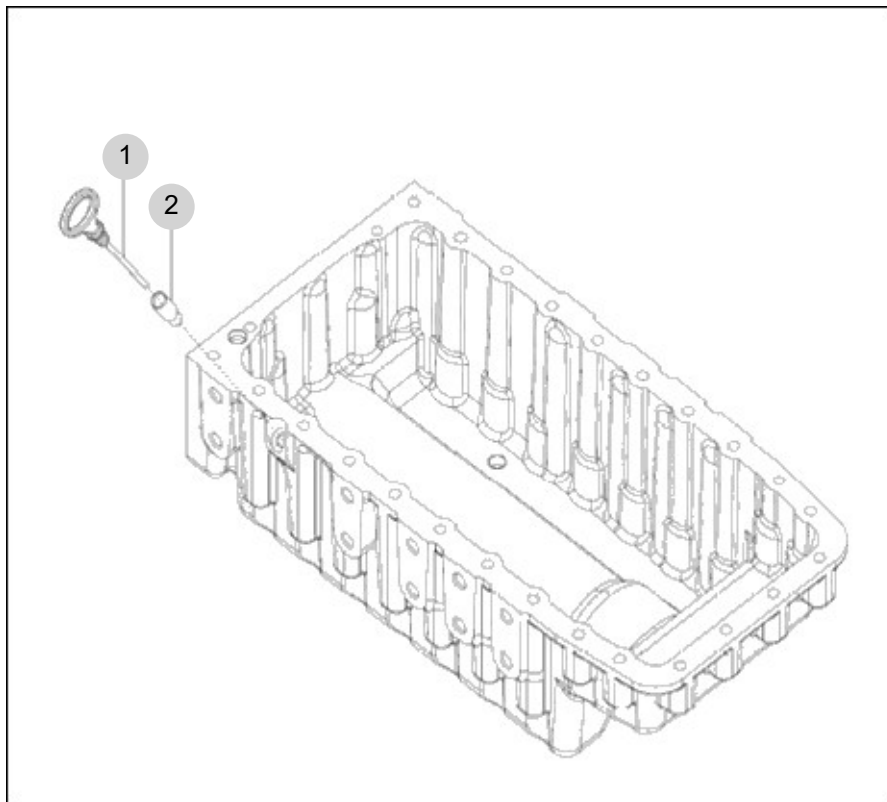
FIG 125

OIL GAUGUE

년/월
Year/Month

T475STEU

2022-12



NOTE

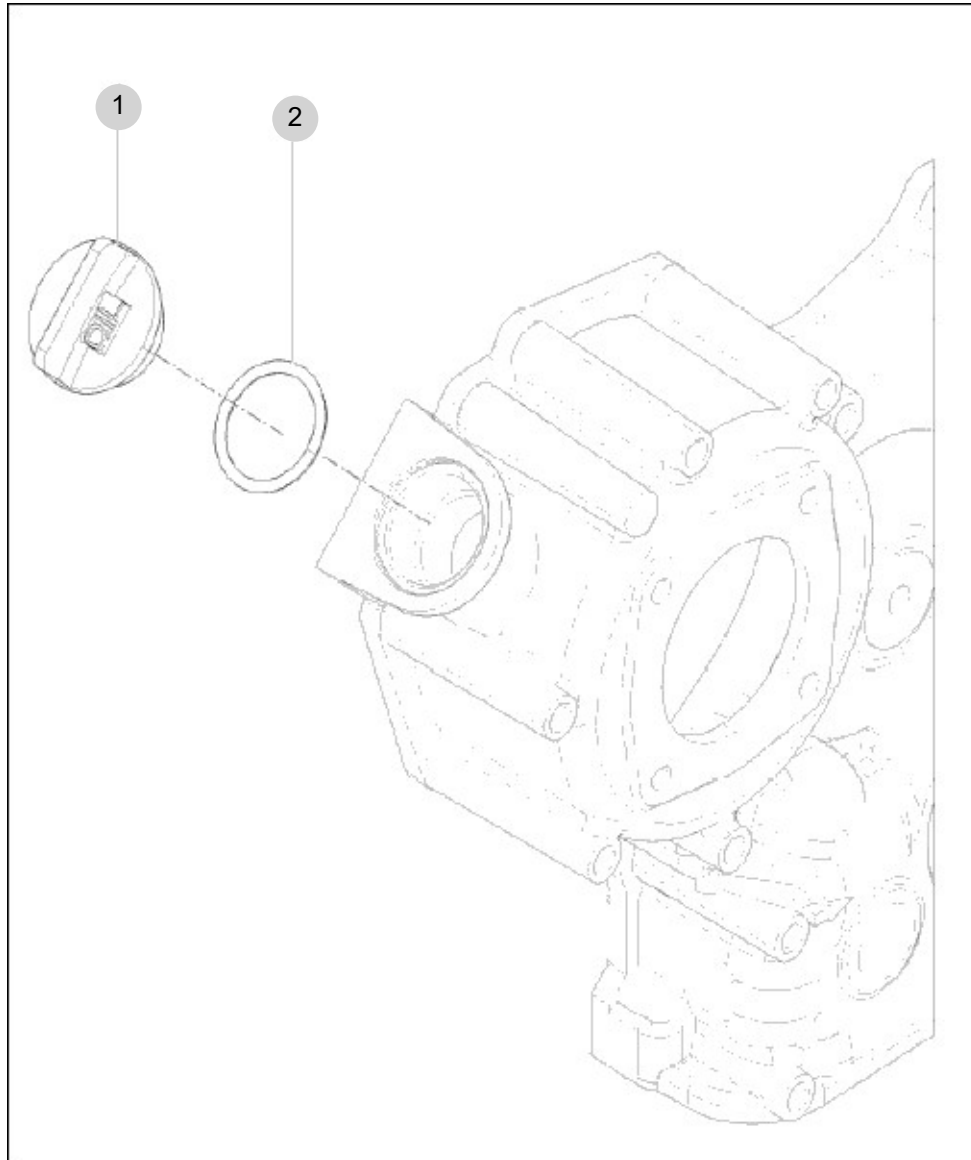
FIG 126

T475STEU

OIL FILLER CAP

년/월
Year/Month

2022-12



NOTE

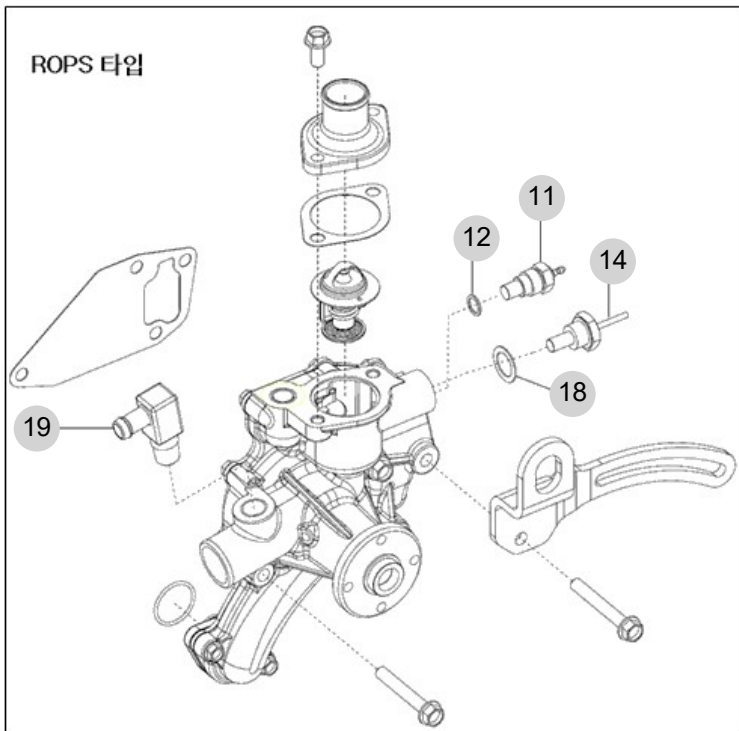
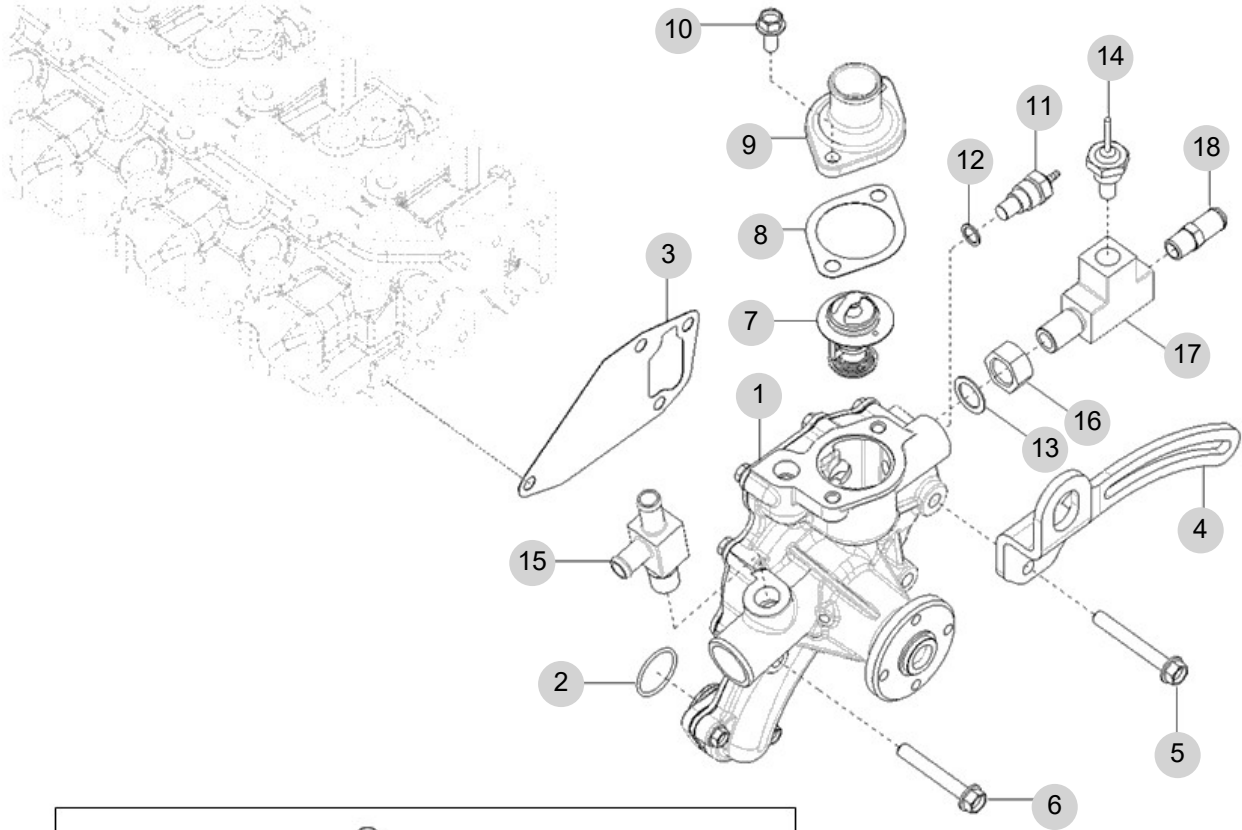
FIG 127

COOLING WATER PUMP

년/월
Year/Month

T475STEU

2022-12



NOTE

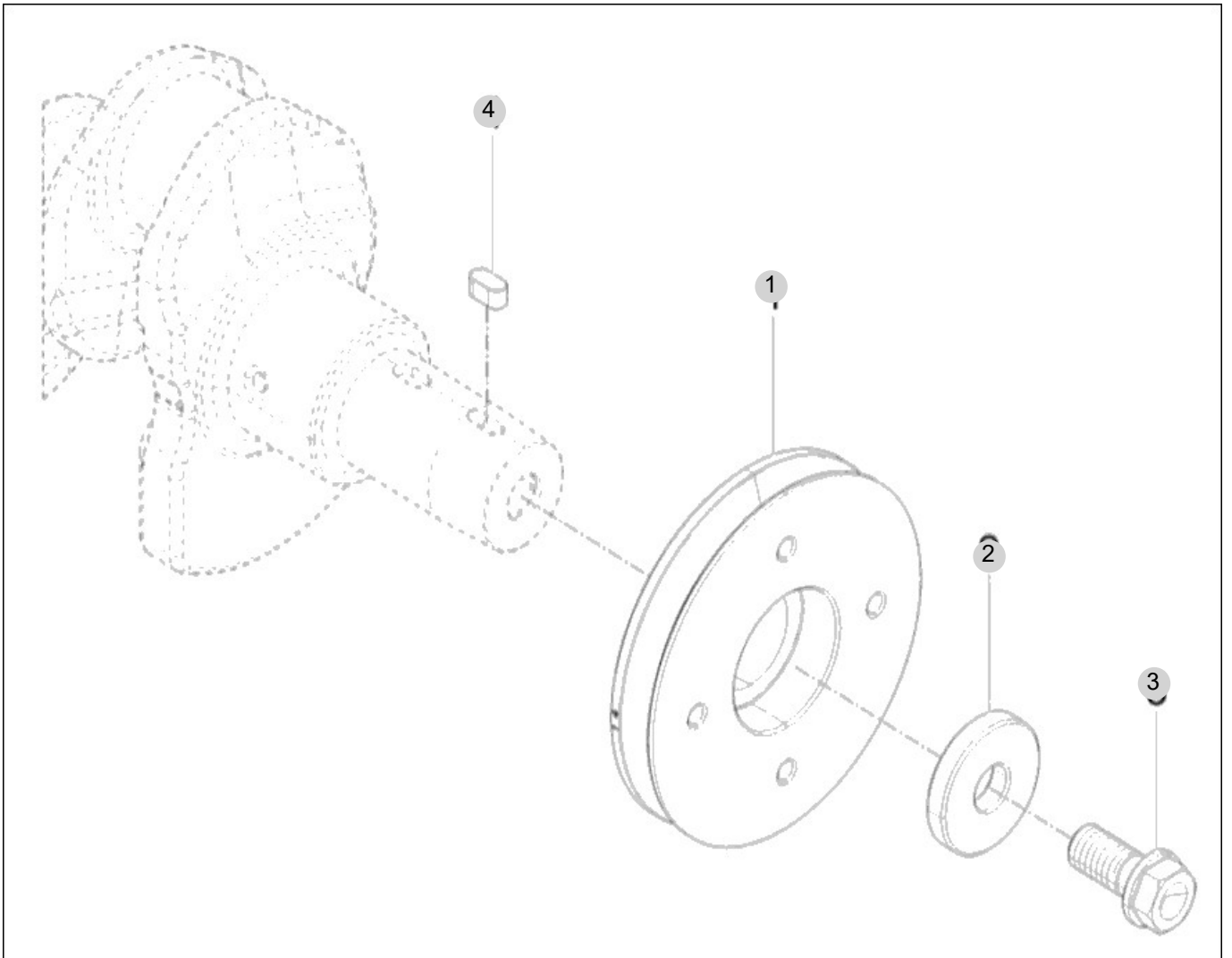
FIG 128

T475STEU

CRANK SHAFT PULLEY

년/월
Year/Month

2022-12



NOTE

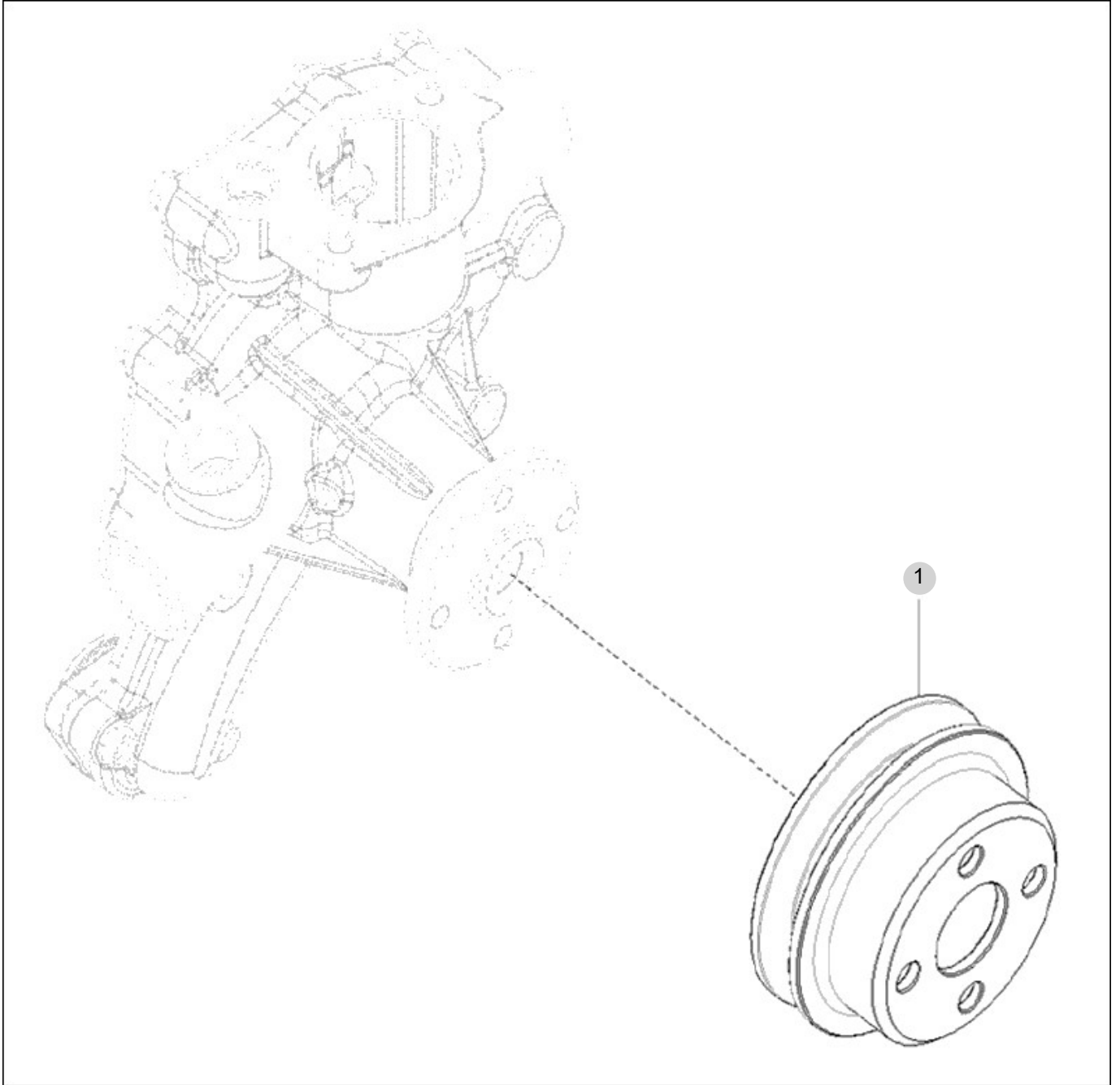
FIG 129

V-PULLEY

년/월
Year/Month

T475STEU

2022-12



NOTE

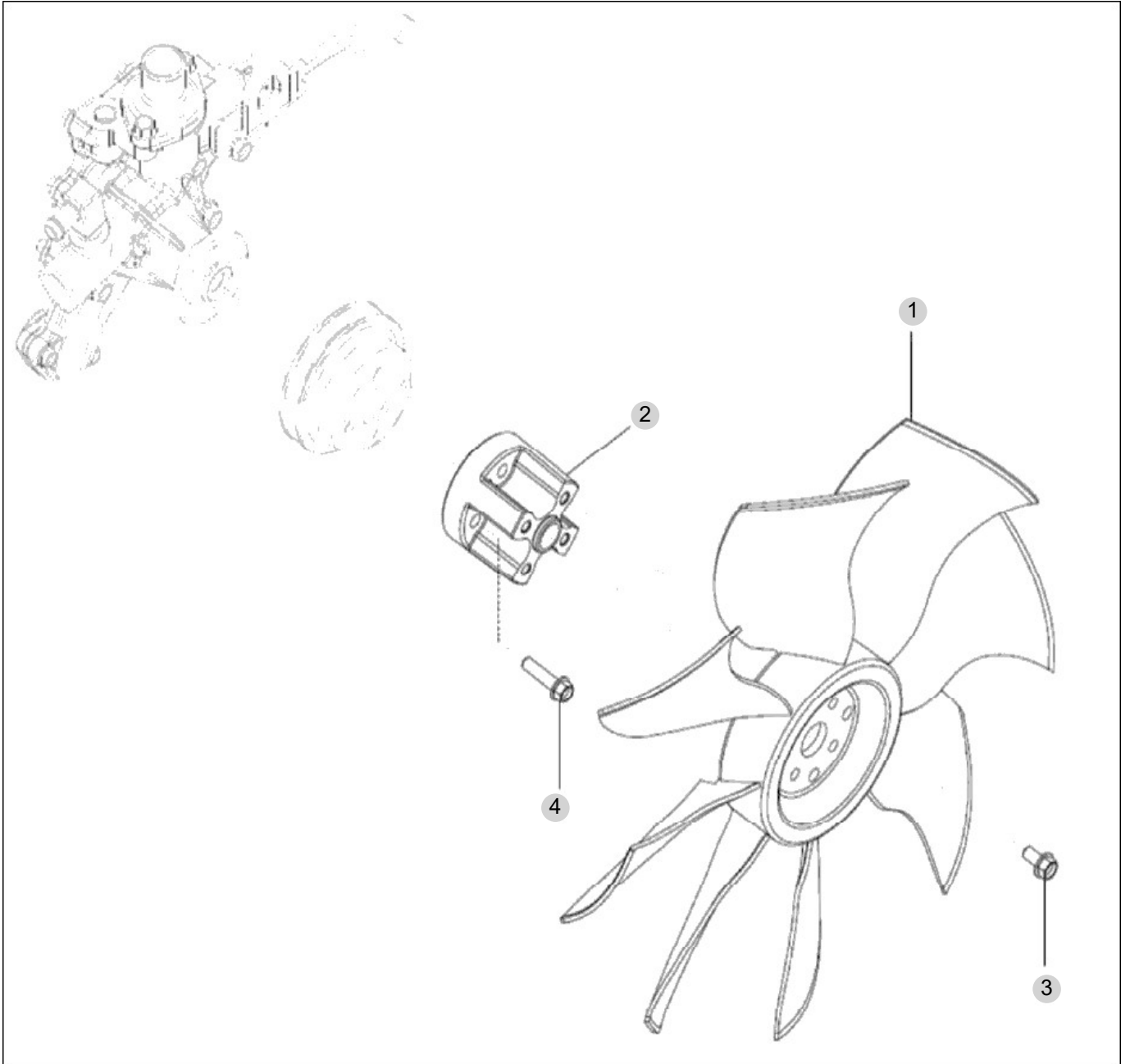
FIG 130

T475STEU

COOLING FAN

년/월
Year/Month

2022-12



NOTE

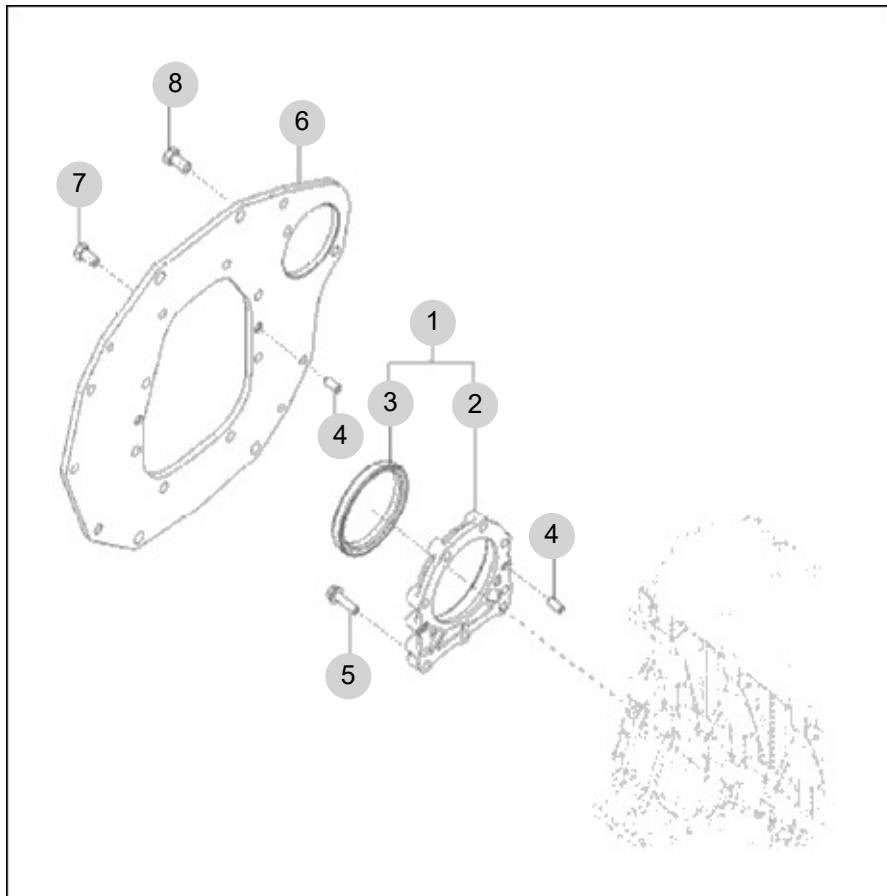
FIG 131

T475STEU

FLYWHEEL HOUSING

년/월
Year/Month

2022-12



NOTE

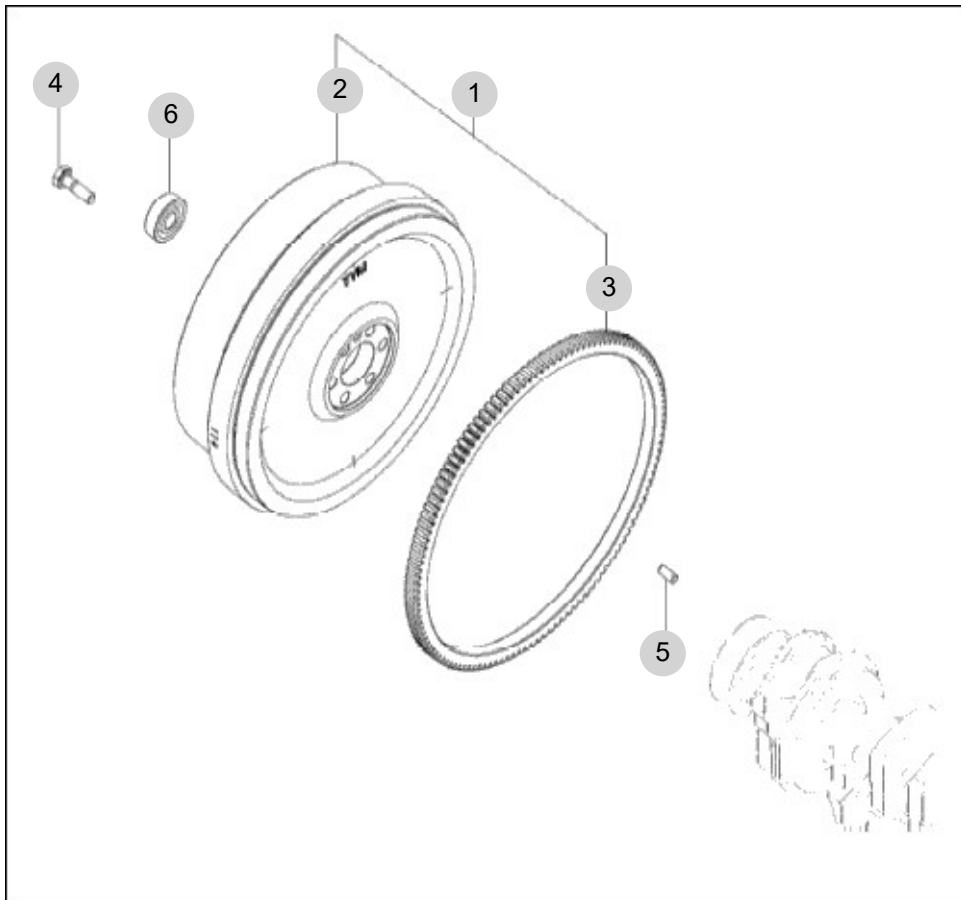
FIG 132

T475STEU

FLYWHEEL

년/월
Year/Month

2022-12



NOTE

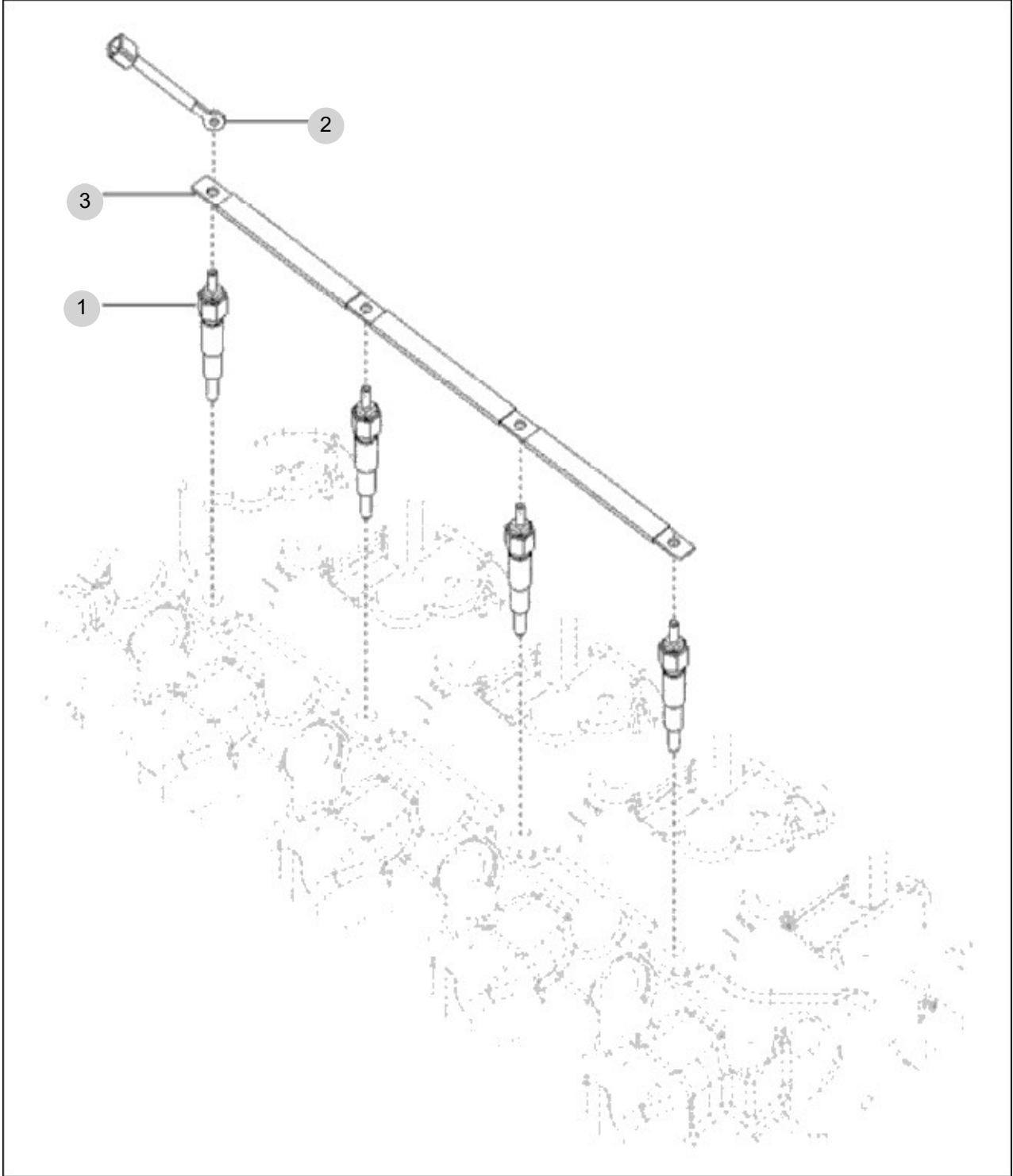
FIG 133

T475STEU

GLOW PLUG ASS'Y OPTION

년/월
Year/Month

2022-12



NOTE

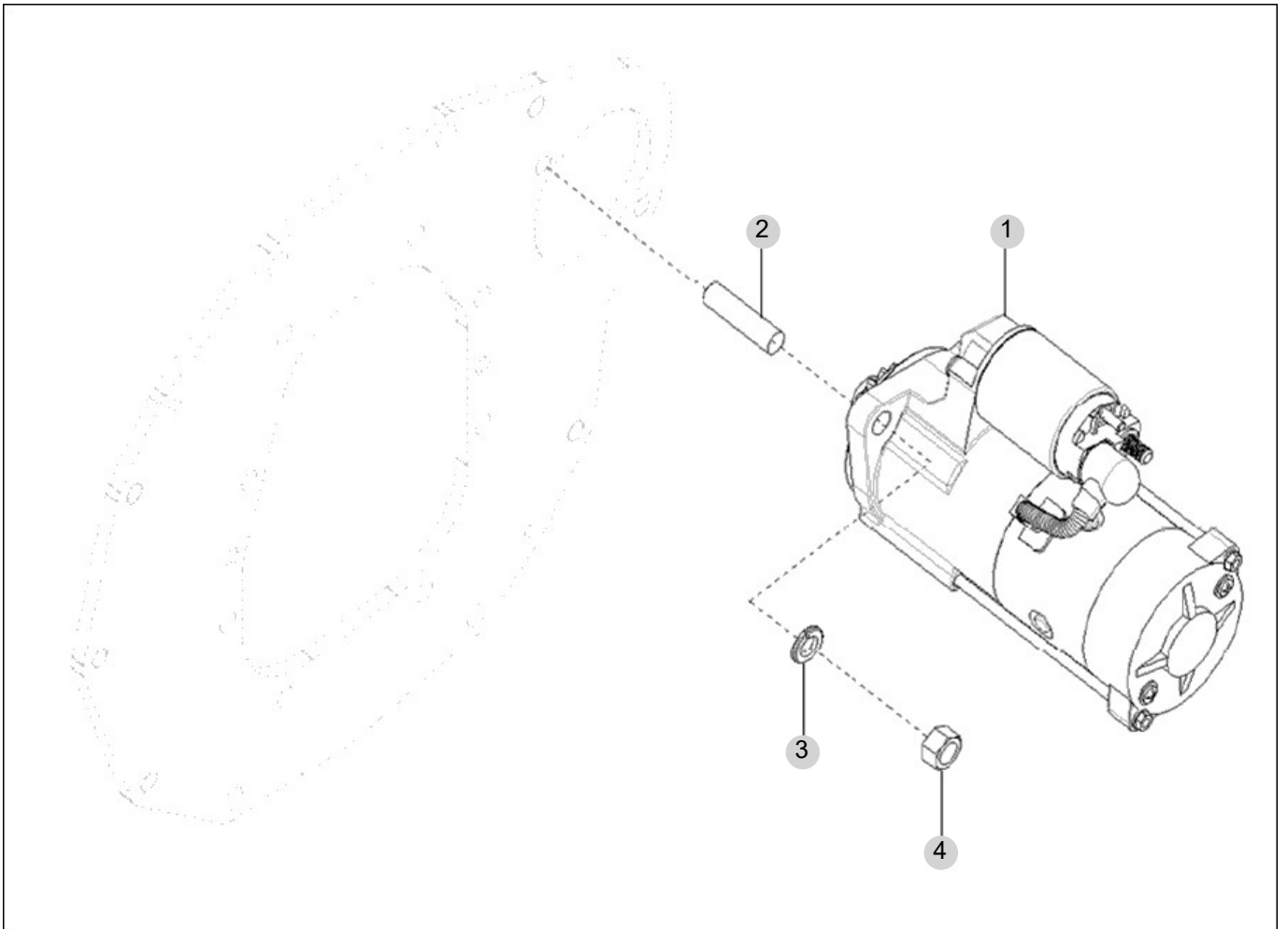
FIG 134

STARTING MOTOR

년/월
Year/Month

T475STEU

2022-12



NOTE

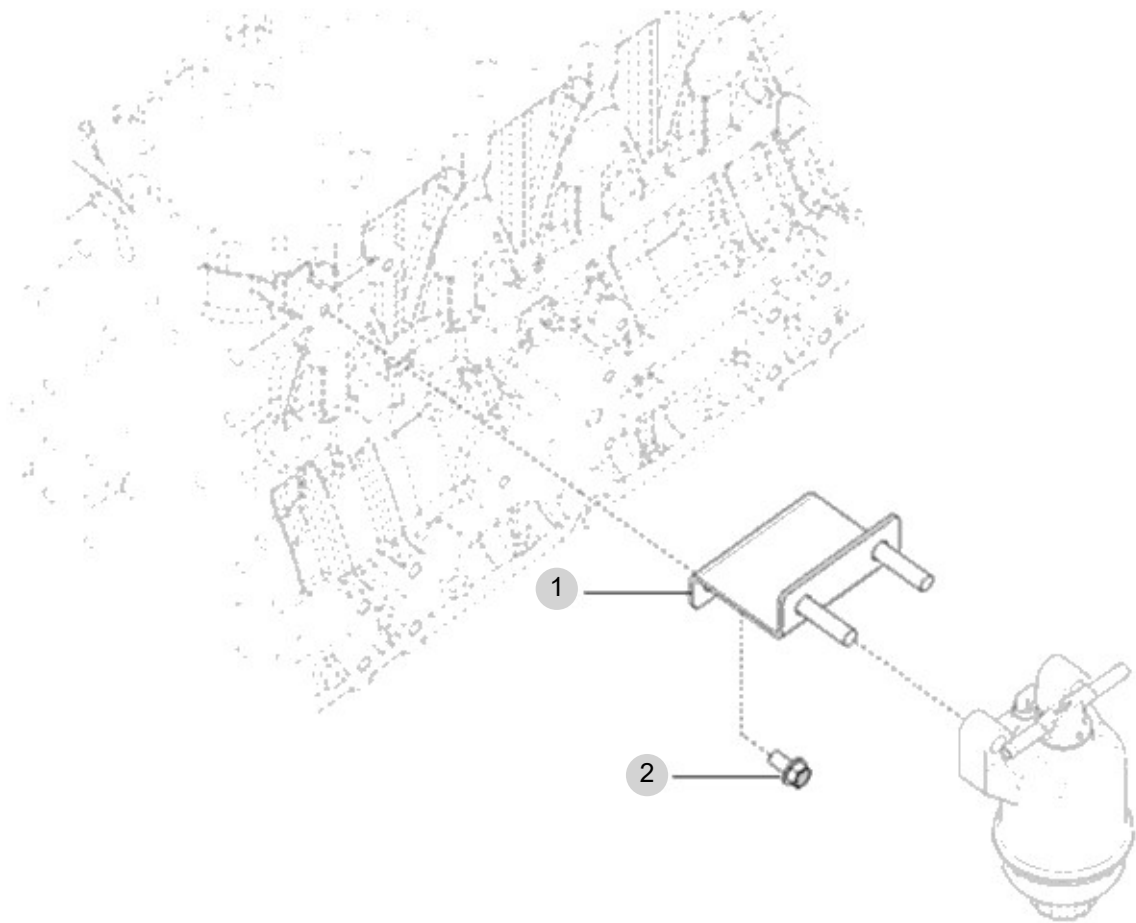
FIG 135

T475STEU

FUEL FILTER BRACKET ASS'Y

년/월
Year/Month

2022-12



NOTE

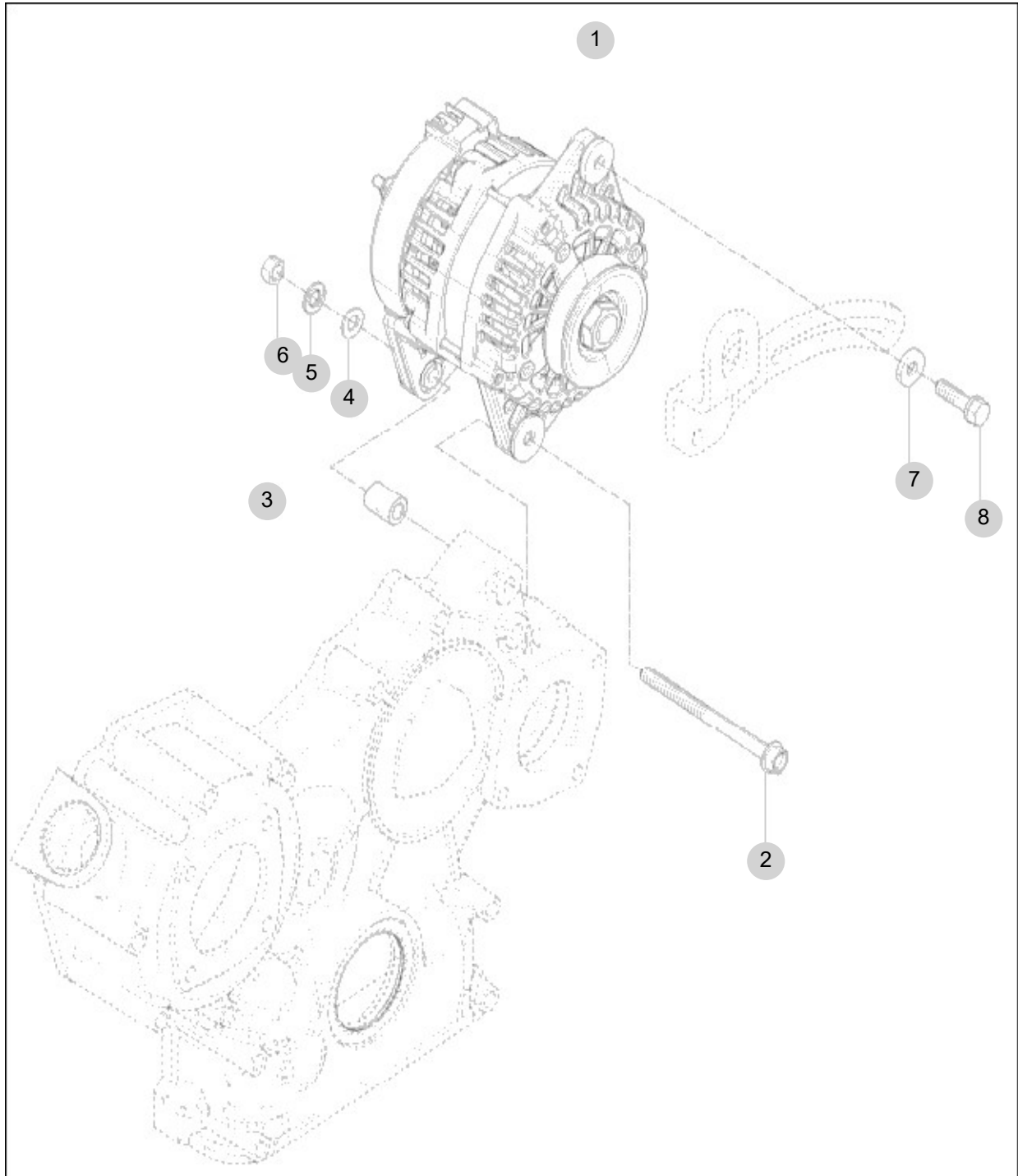
FIG 136

ALTERNATOR

년/월
Year/Month

T475STEU

2022-12



NOTE

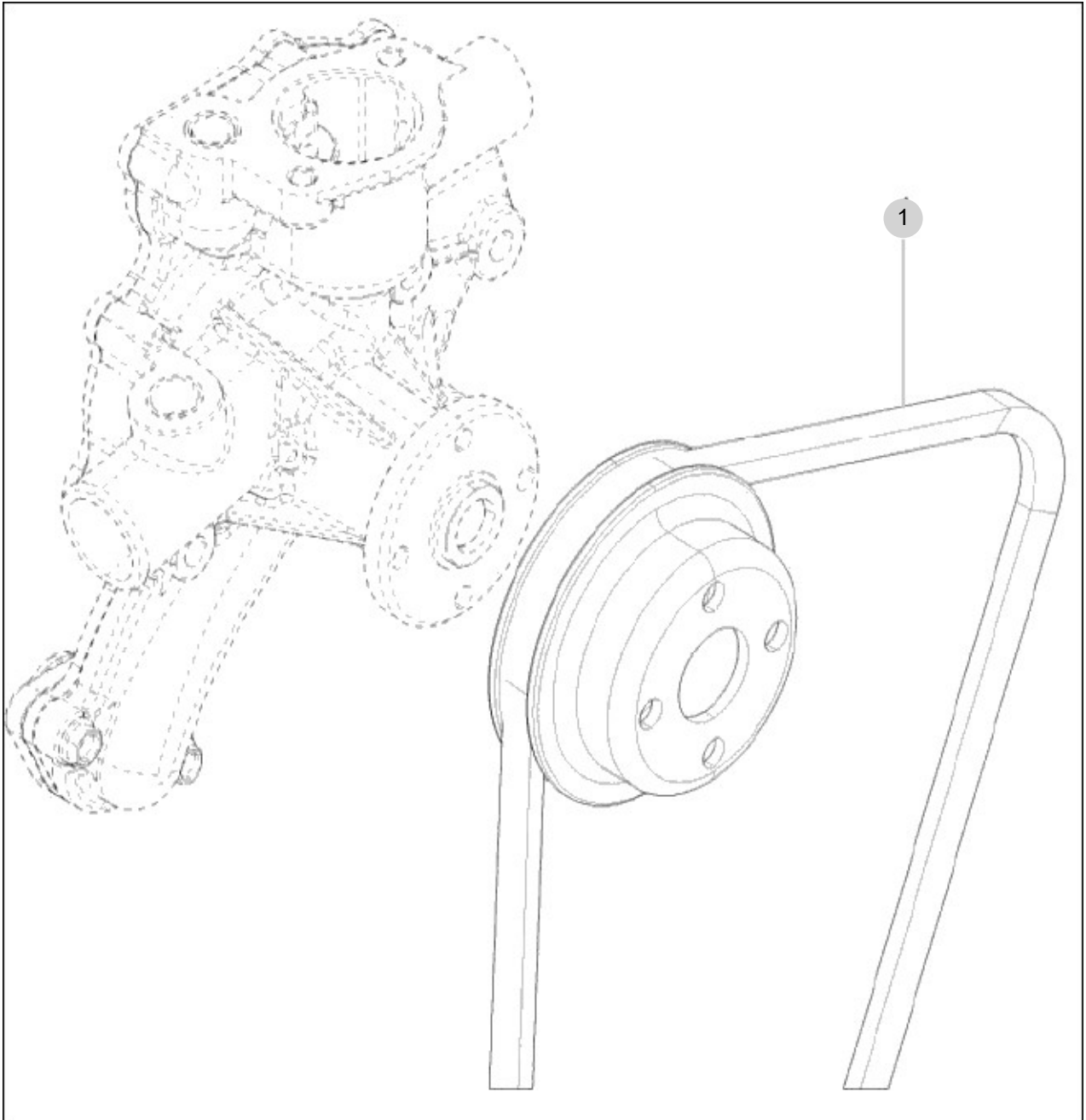
FIG 137

T475STEU

V-BELT

년/월
Year/Month

2022-12



NOTE

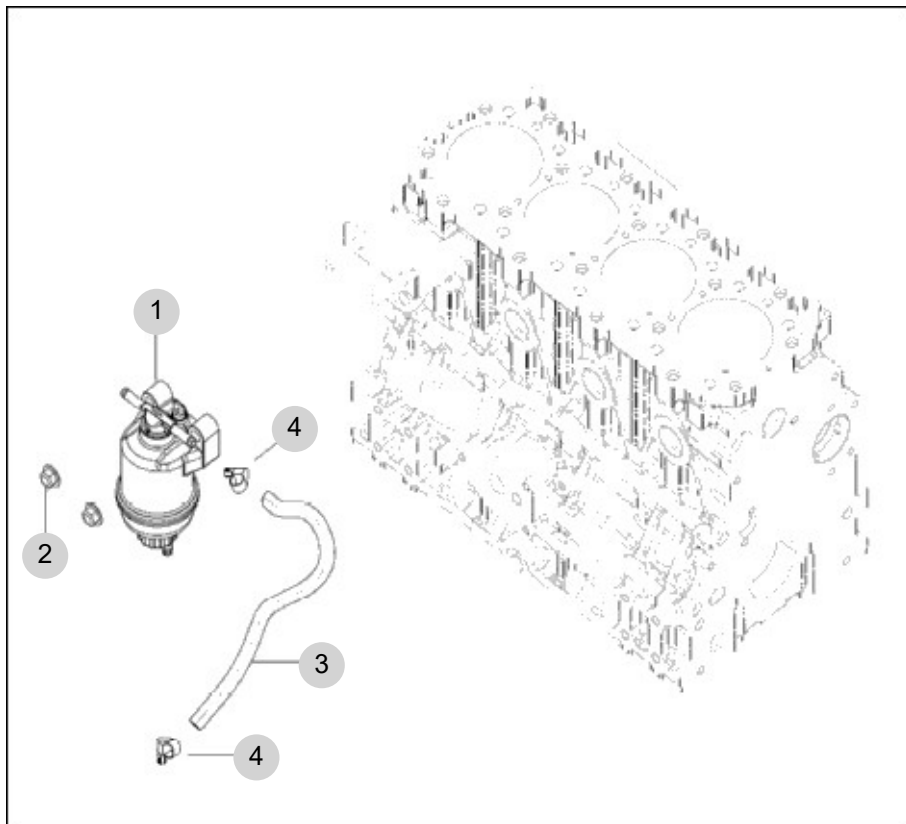
FIG 138

T475STEU

FUEL FILTER

년/월
Year/Month

2022-12



NOTE

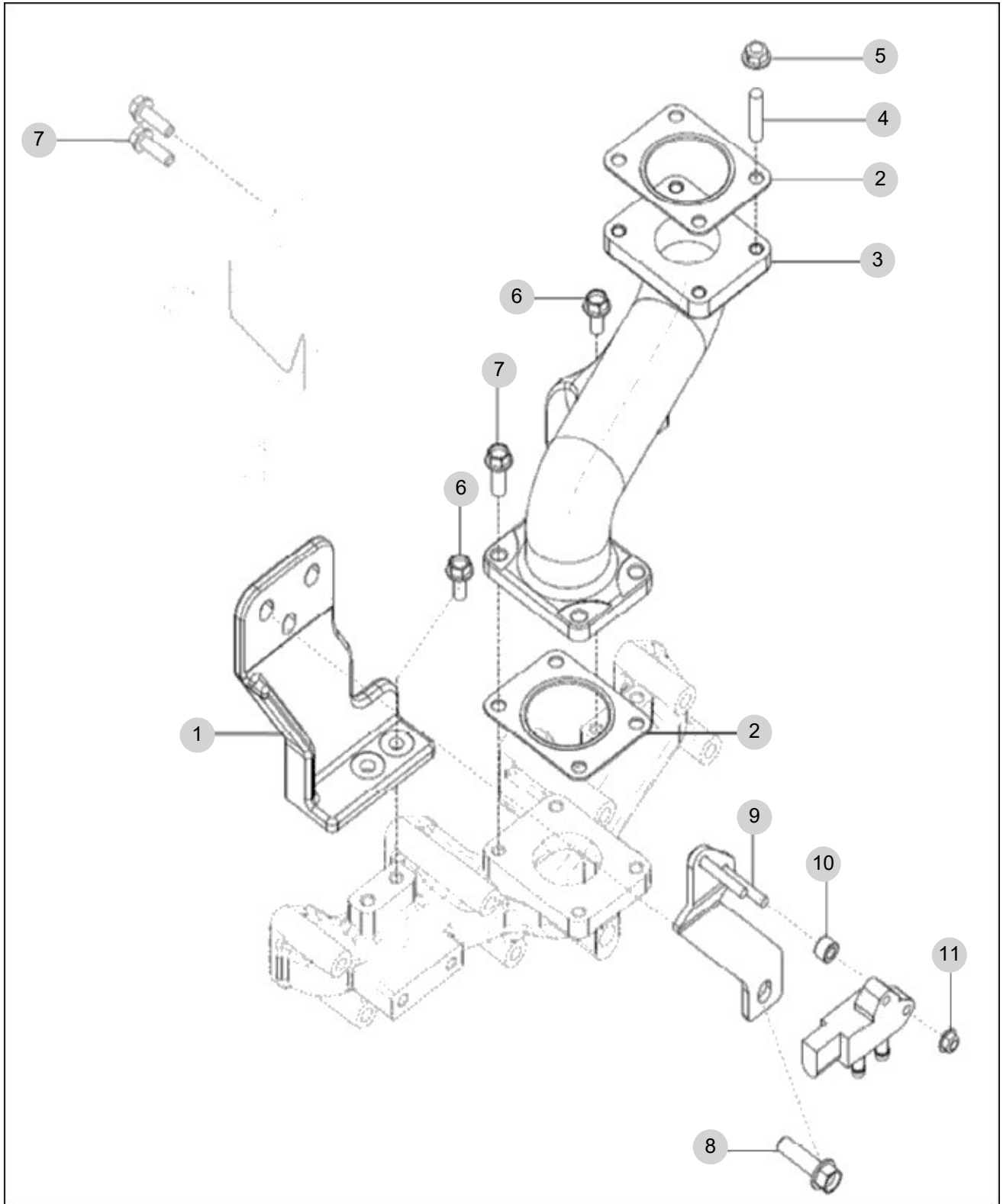
FIG 139

DPF SUPPORT

년/월
Year/Month

T475STEU

2022-12



NOTE

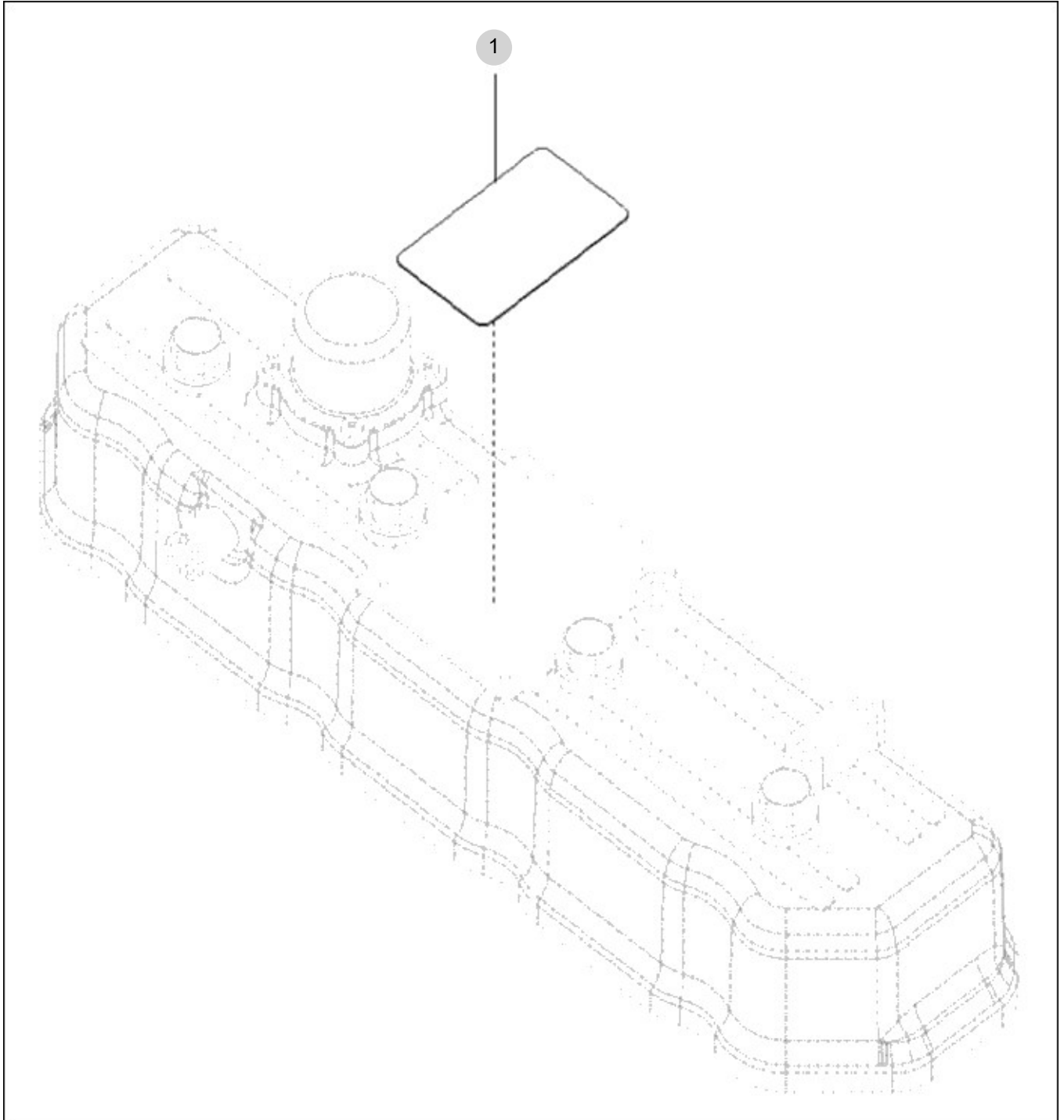
FIG 140

T475STEU

DATAPLATE

년/월
Year/Month

2022-12



NOTE

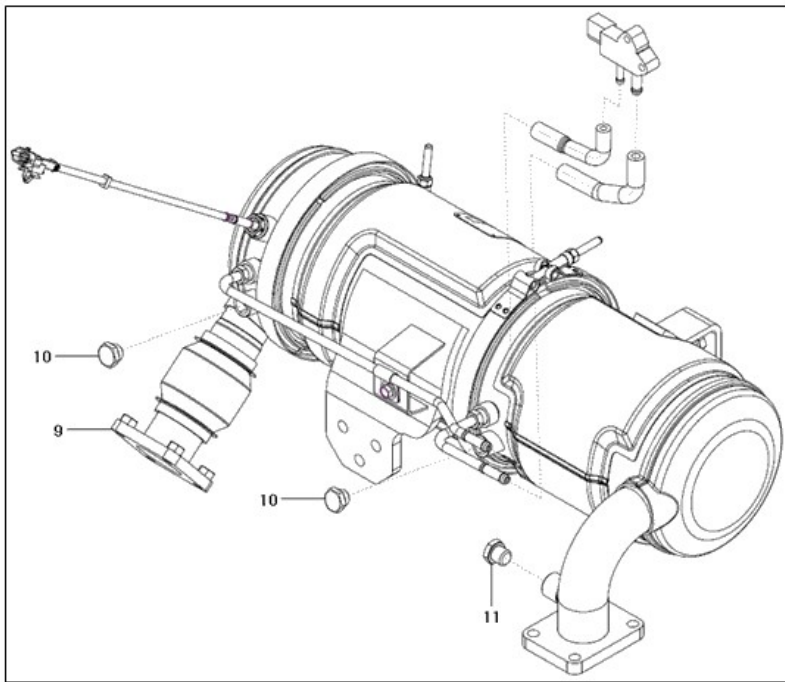
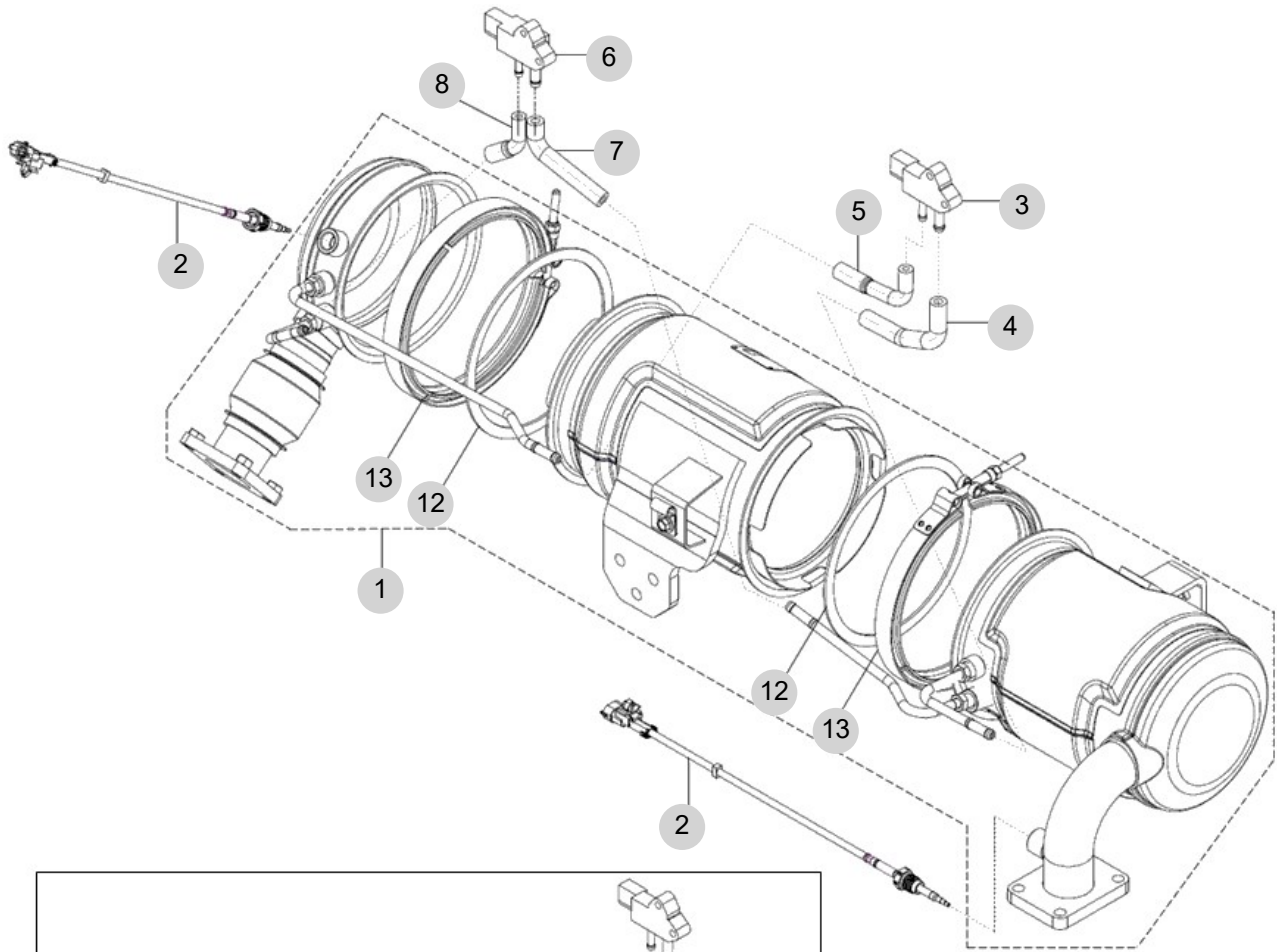
FIG 142

T475STEU

DPF ASS'Y

년/월
Year/Month

2022-12



NOTE

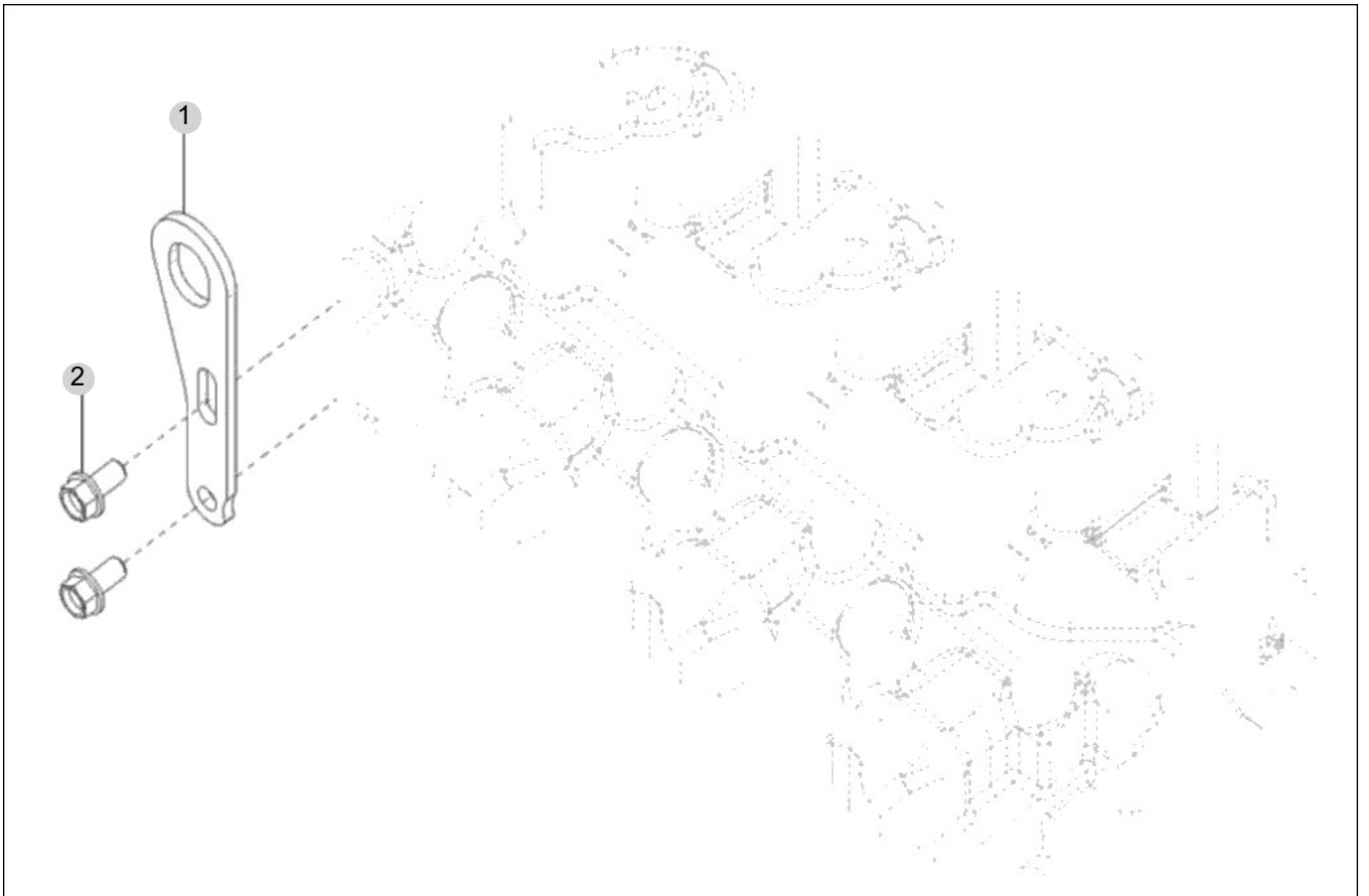
FIG 143

T475STEU

LIFT ASS'Y

년/월
Year/Month

2022-12



NOTE

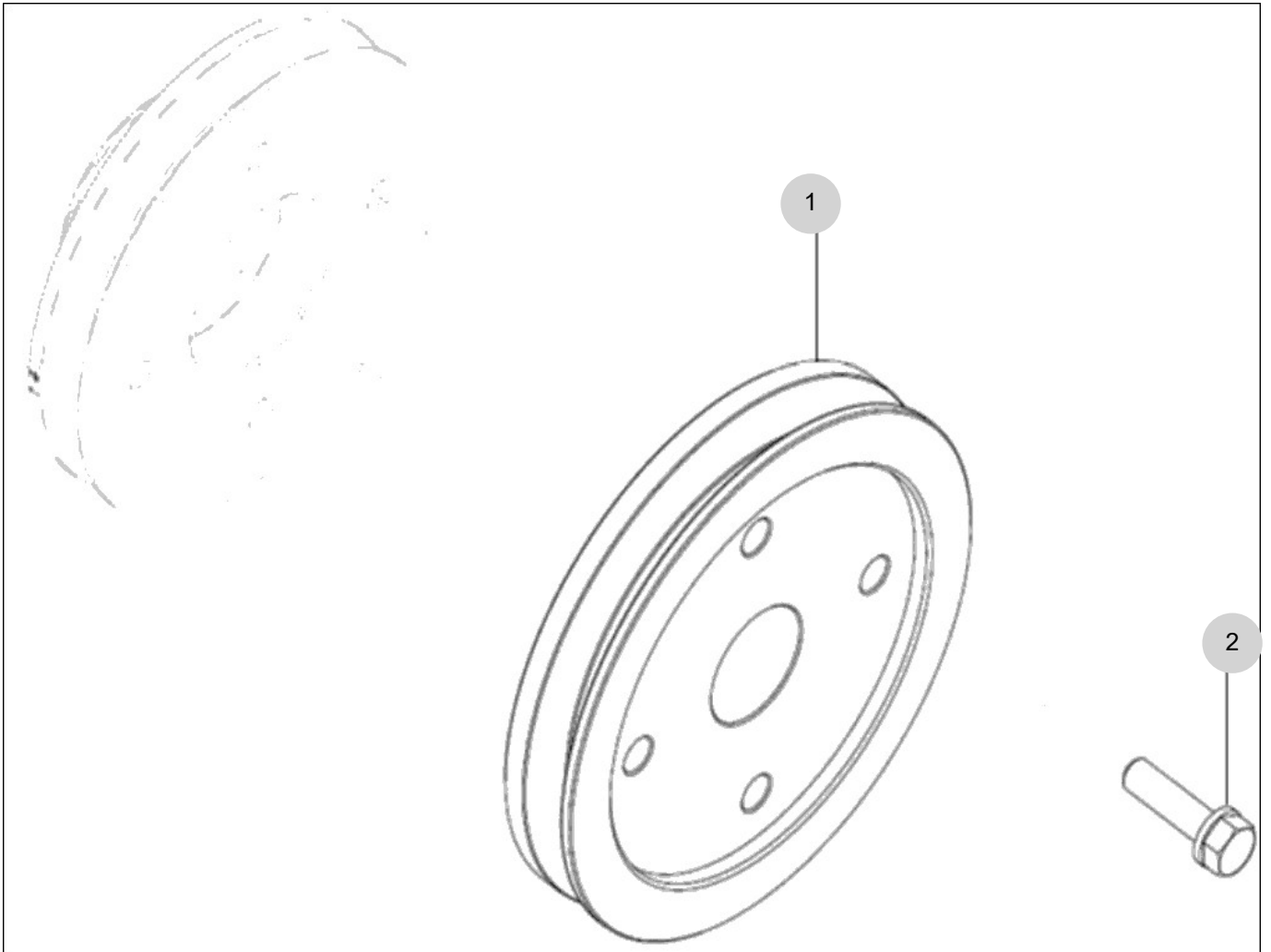
FIG 144

COMP . DRIVE PULLEY ASS'Y OPTION

년/월
Year/Month

T475STEU

2022-12



NOTE

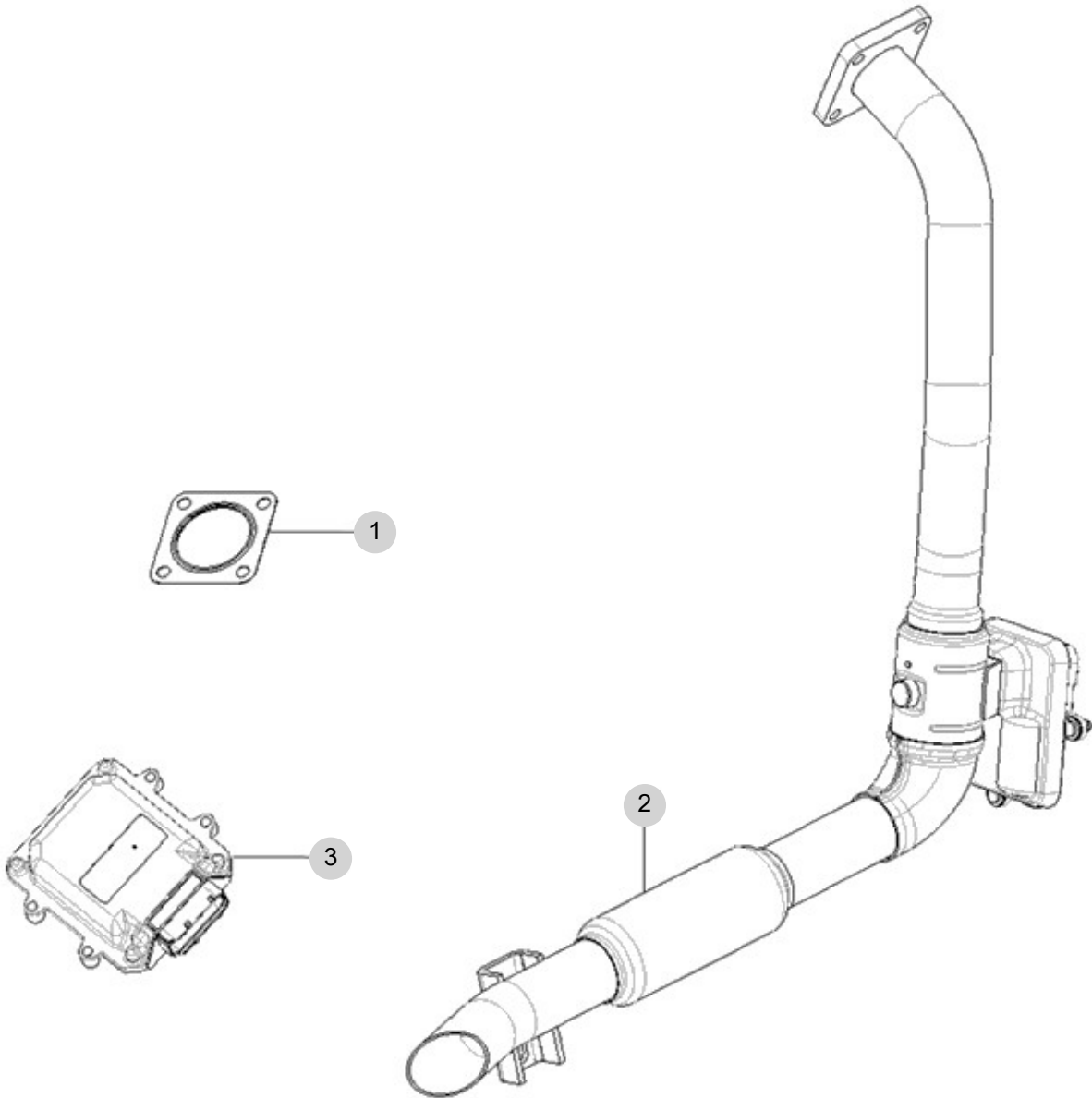
FIG 145

T475STEU

LOOSED PARTS

년/월
Year/Month

2022-12



NOTE

2. 엔진보기품 PART NO. T2

FIG 201 AIR CLEANER	100
FIG 202 RADIATOR	102
FIG 203 MUFFLER	104
FIG 204 FUEL TANK & FILTER	106
FIG 205 ACCELERATOR	108

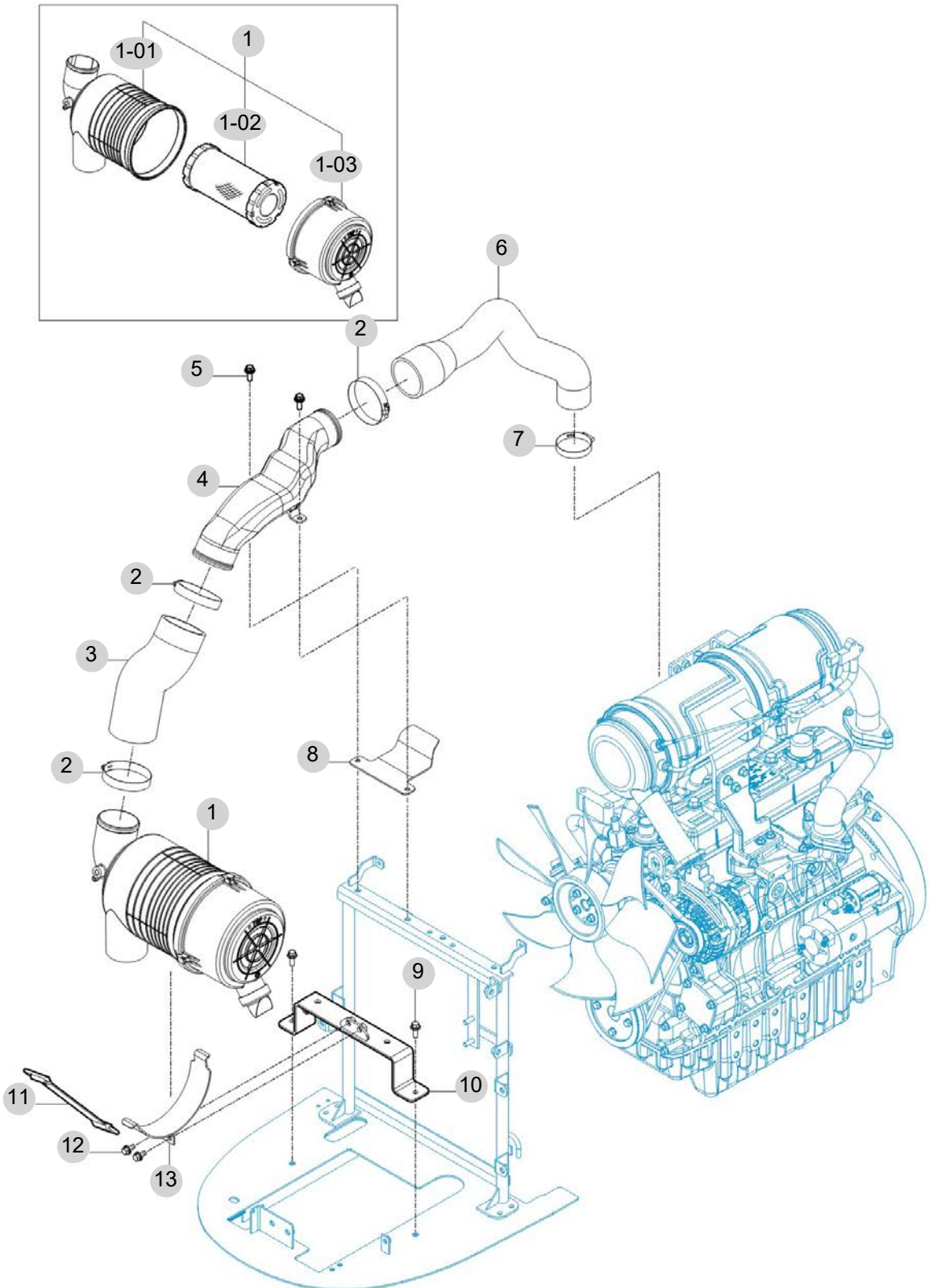
FIG 201

AIR CLEANER

년/월
Year/Month

2022-12

T475STEU



NOTE

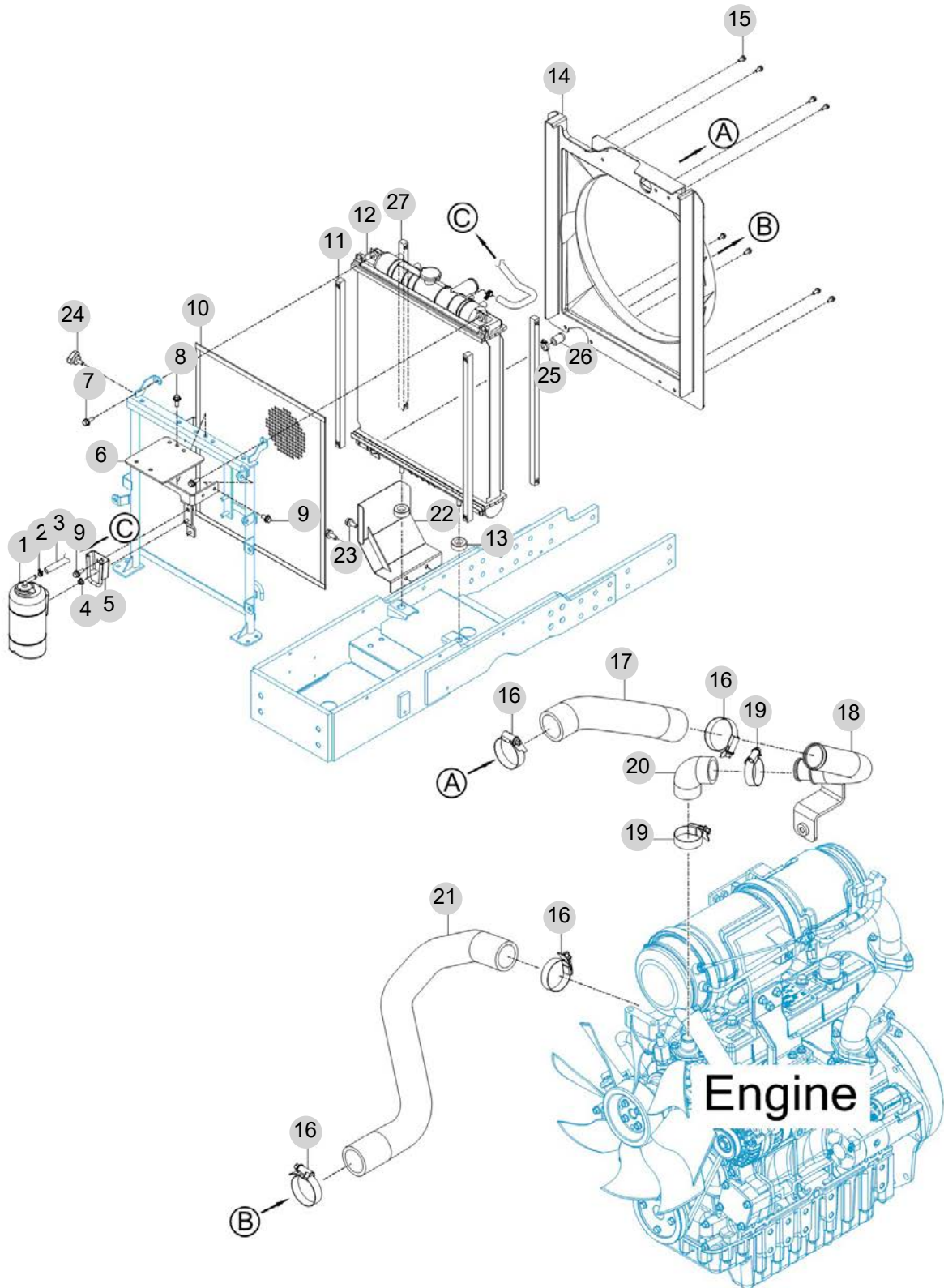
FIG 202

RADIATOR

년/월
Year/Month

2022-12

T475STEU



NOTE

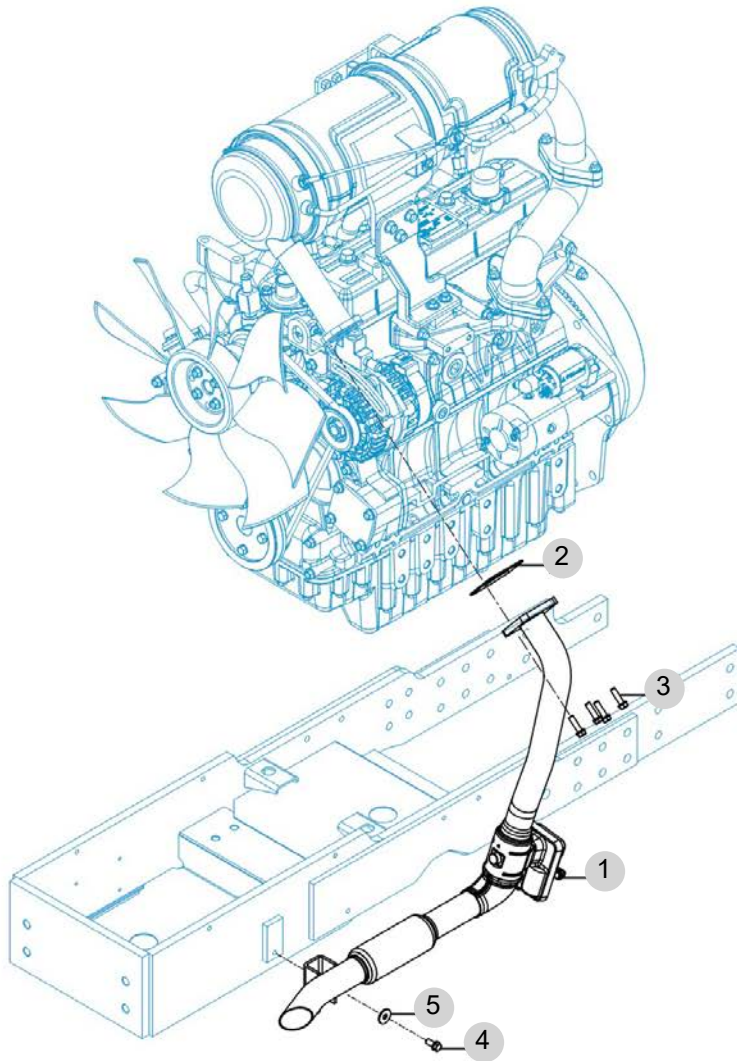
FIG 203

MUFFLER

년/월
Year/Month

2022-12

T475STEU



NOTE

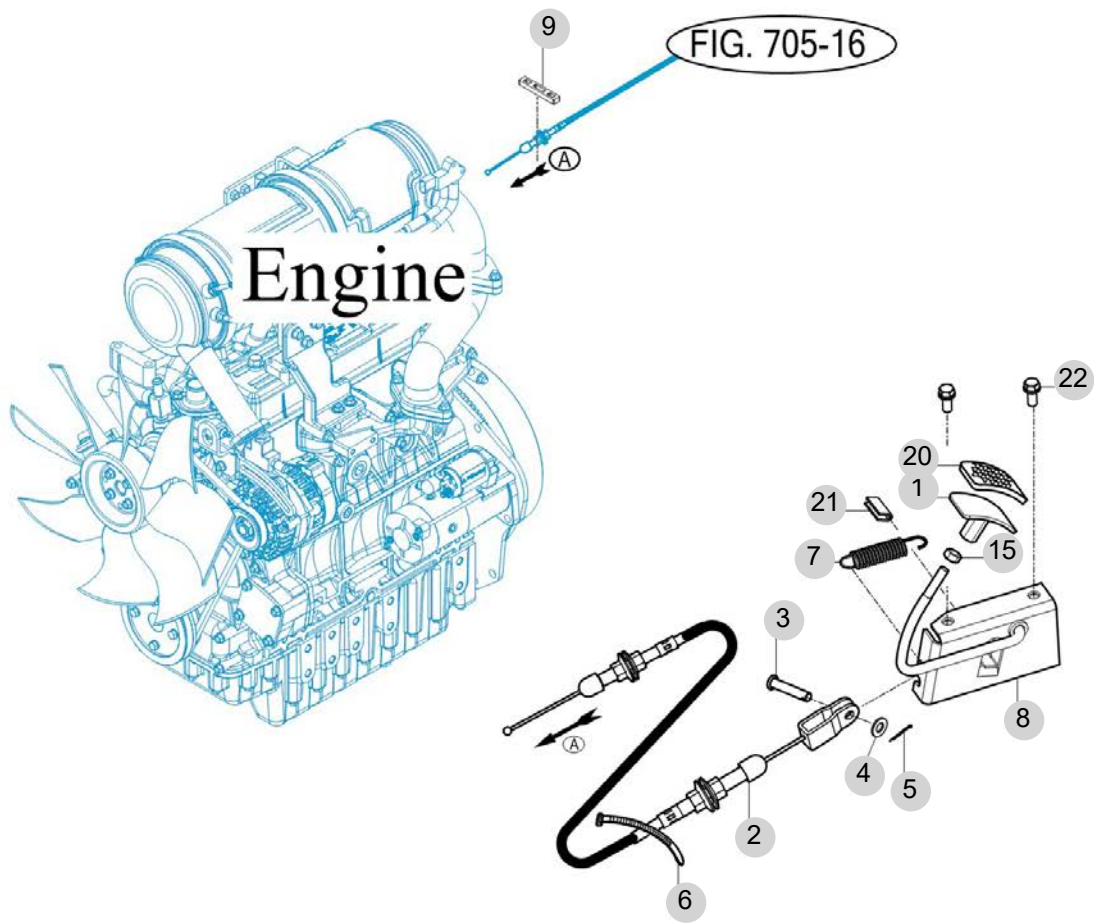
FIG 205

T475STEU

ACCELERATOR

년/월
Year/Month

2022-12



2540NC-E-205

NOTE

3. 클러치/브레이크/스티어링 PART NO. T3

FIG 301 CLUTCH PEDAL	111
FIG 302 FLYWHEEL & CLUTCH	113
FIG 303 BRAKE PEDAL	115
FIG 304 BRAKE	117
FIG 306 FRONT WHEEL MOUNTING	119
FIG 307 REAR WHEEL MOUNTING	121
FIG 308 STEERING WHEEL	123
FIG 309 STEERING VALVE & PARKING	125
FIG 310 STEERING CYLINDER	127
FIG 311 HAND BRAKE LINKAGE	129

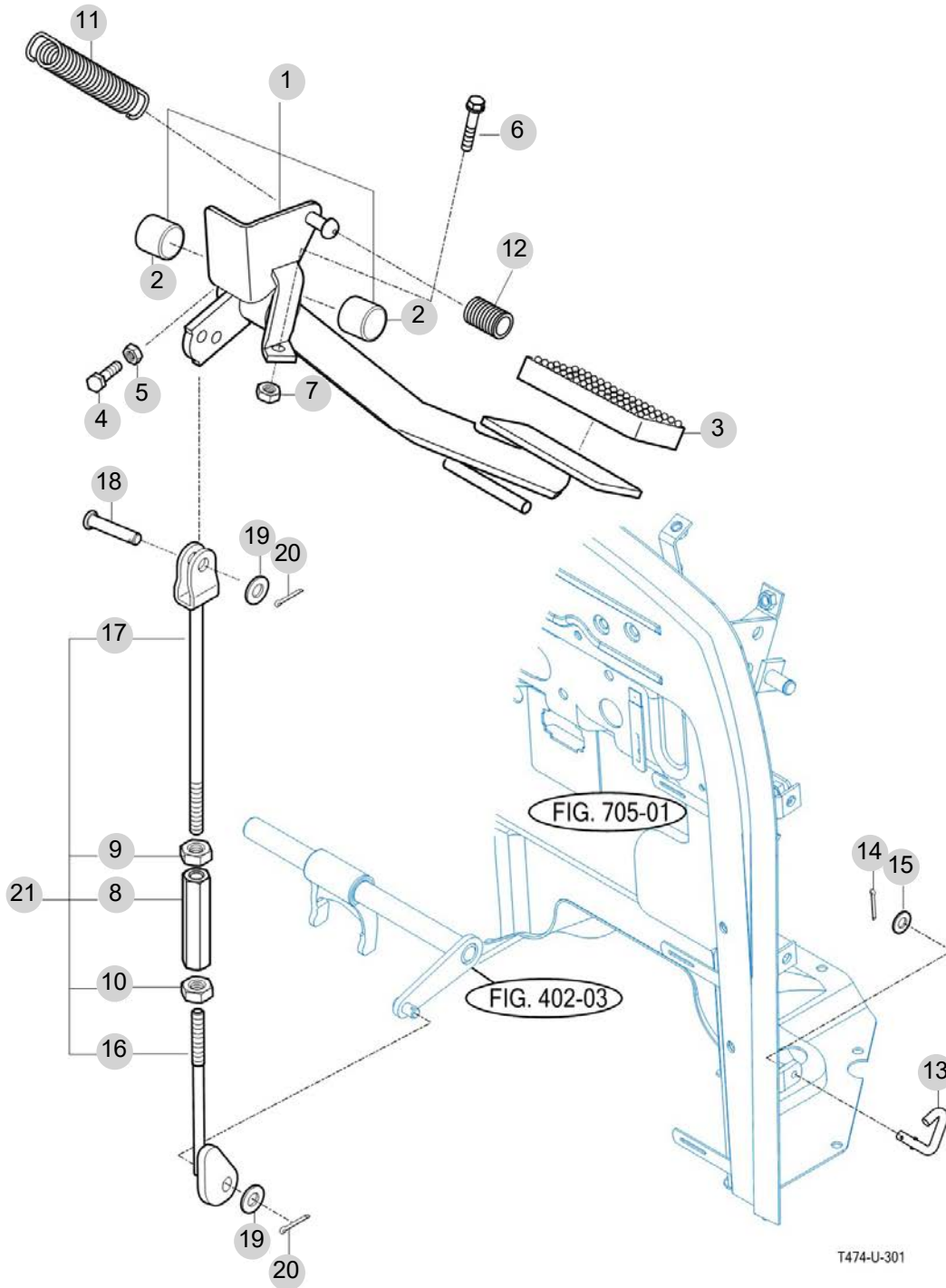
FIG 301

T475STEU

CLUTCH PEDAL

년/월
Year/Month

2022-12



NOTE

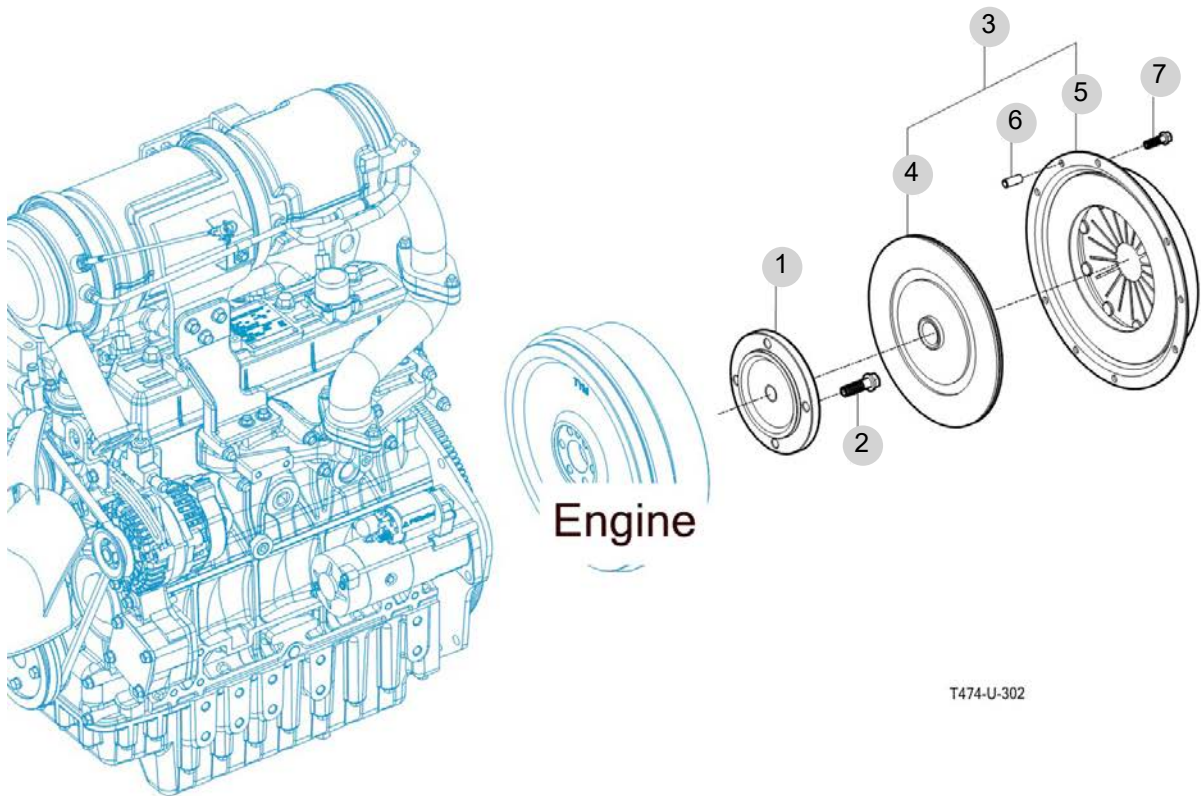
FIG 302

FLYWHEEL & CLUTCH

년/월
Year/Month

T475STEU

2022-12



NOTE

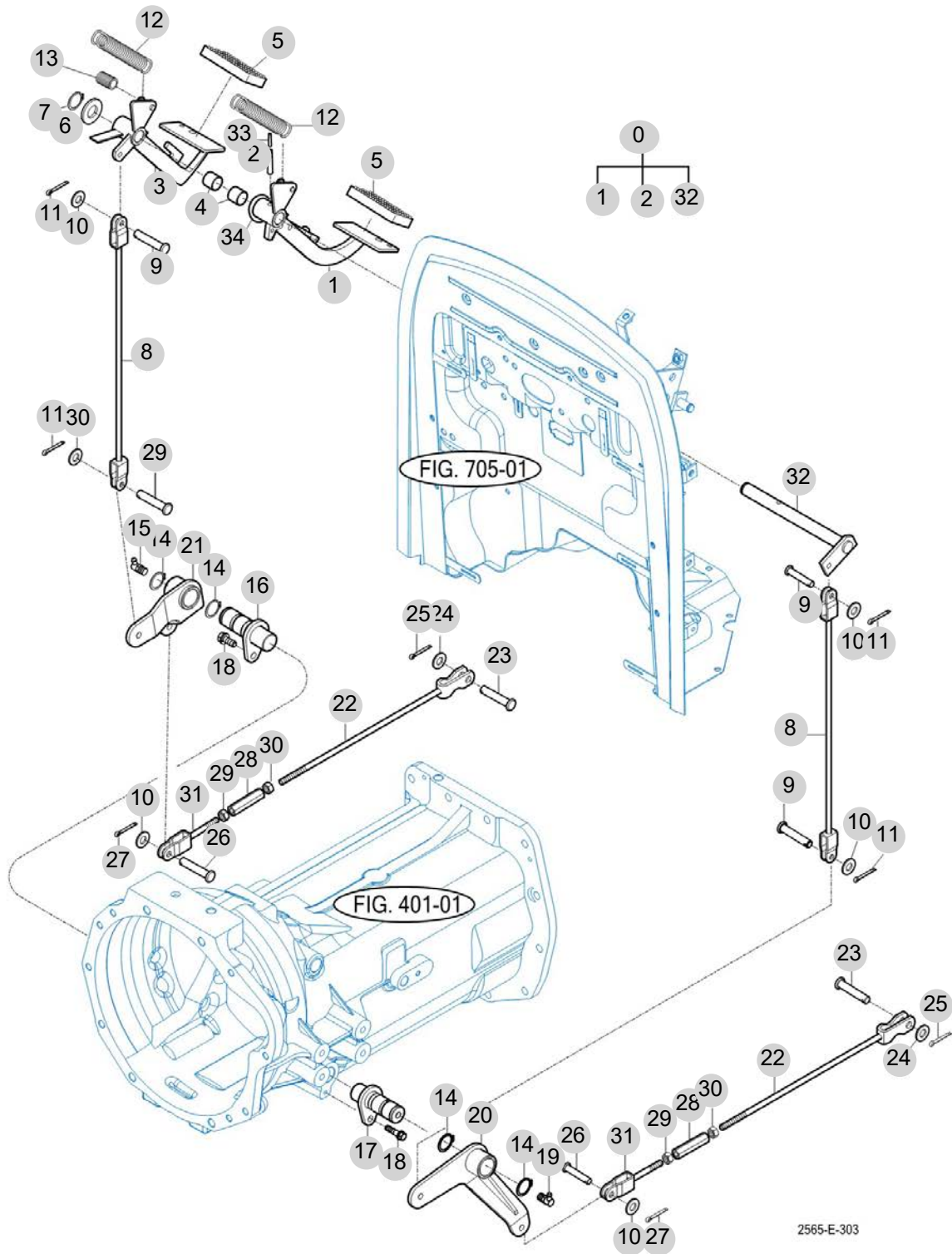
FIG 303

T475STEU

BRAKE PEDAL

년/월
Year/Month

2022-12



NOTE

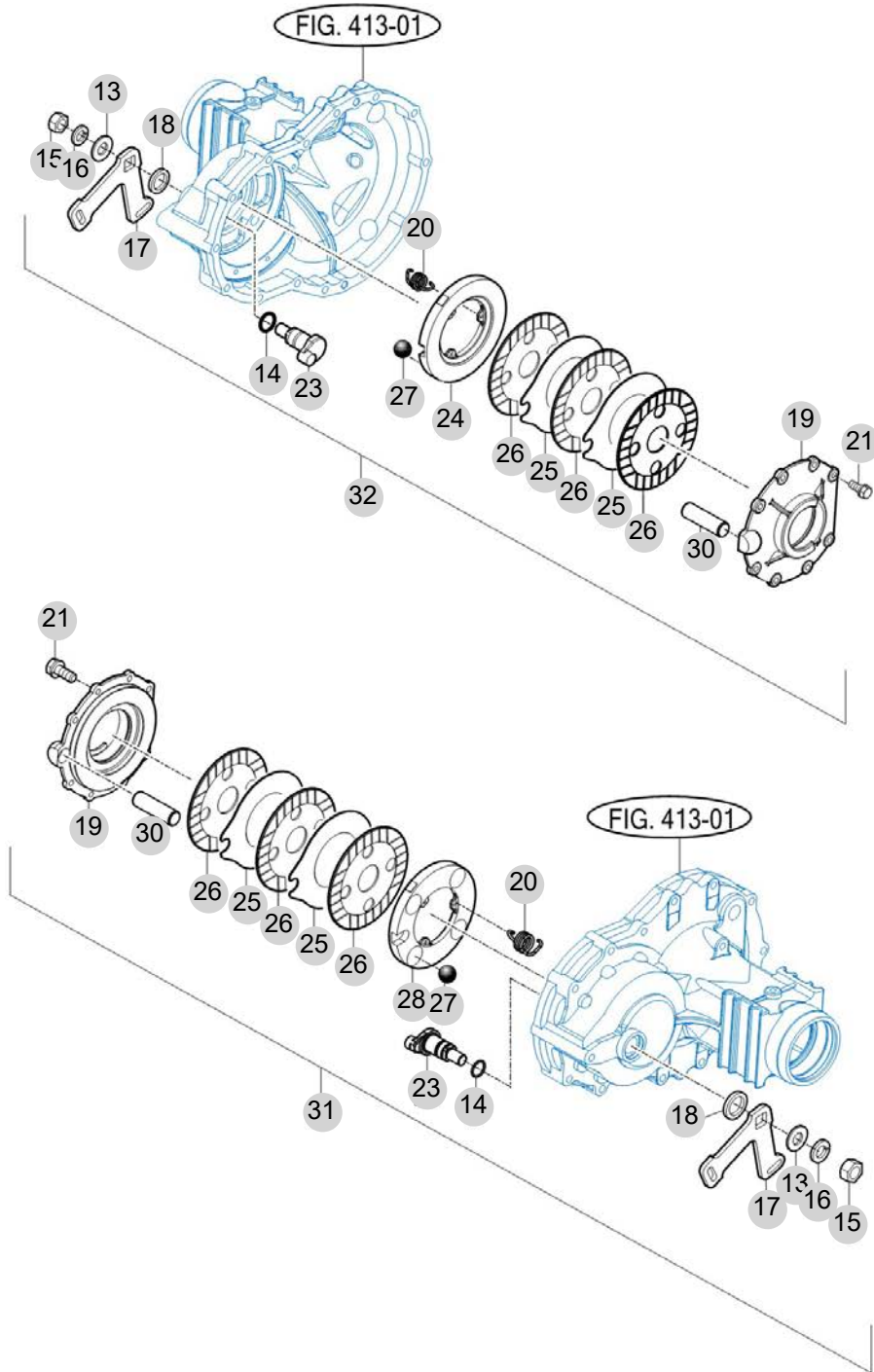
FIG 304

T475STEU

BRAKE

년/월
Year/Month

2022-12



NOTE

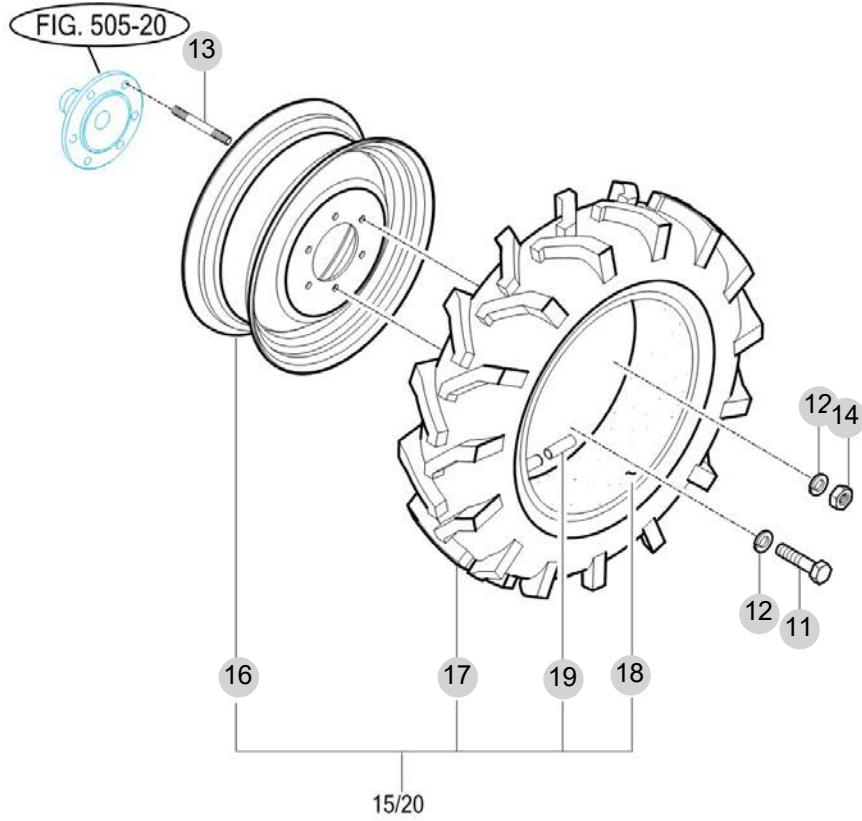
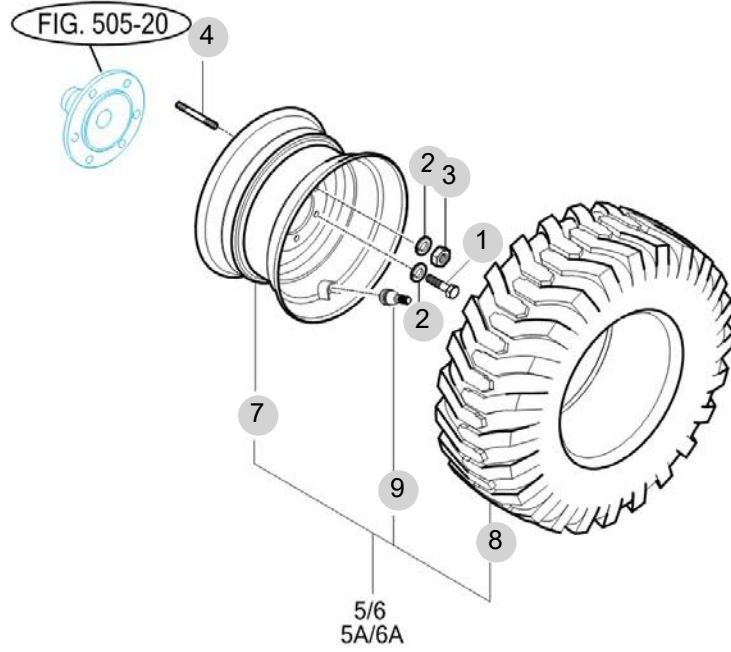
FIG 306

T475STEU

FRONT WHEEL MOUNTING

년/월
Year/Month

2022-12



T394-E-306

NOTE

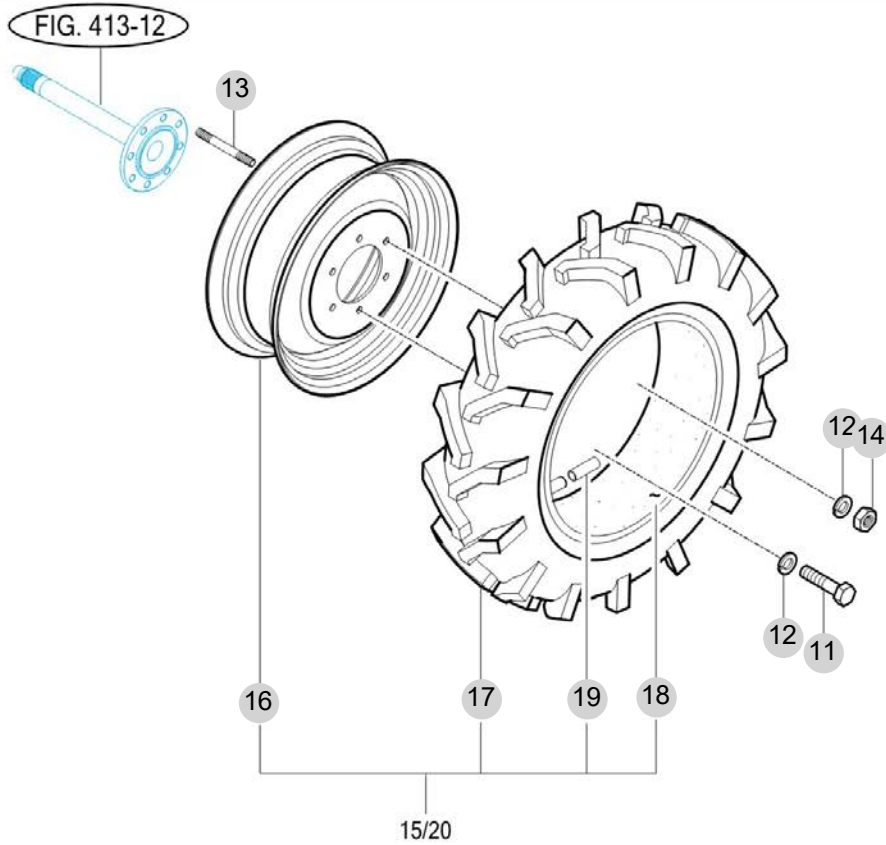
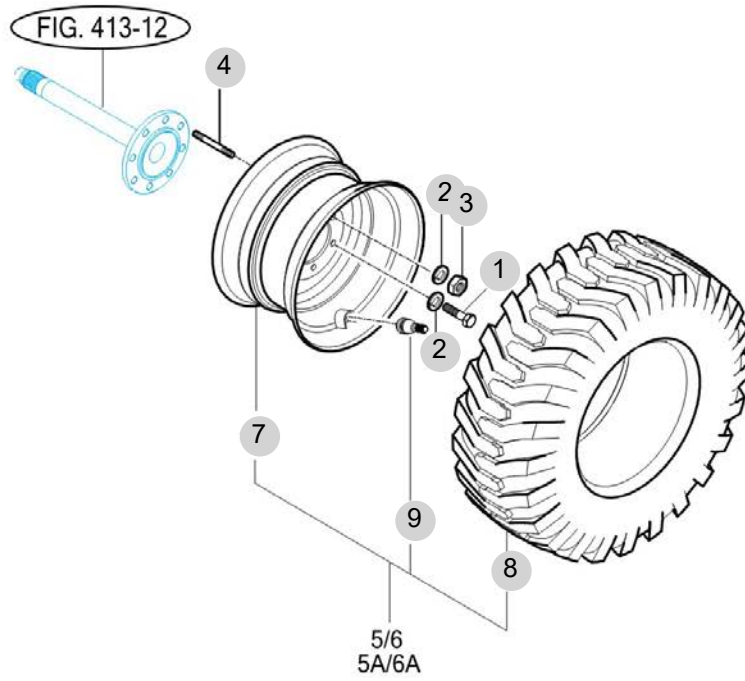
FIG 307

T475STEU

REAR WHEEL MOUNTING

년/월
Year/Month

2022-12



T394-E-307

NOTE

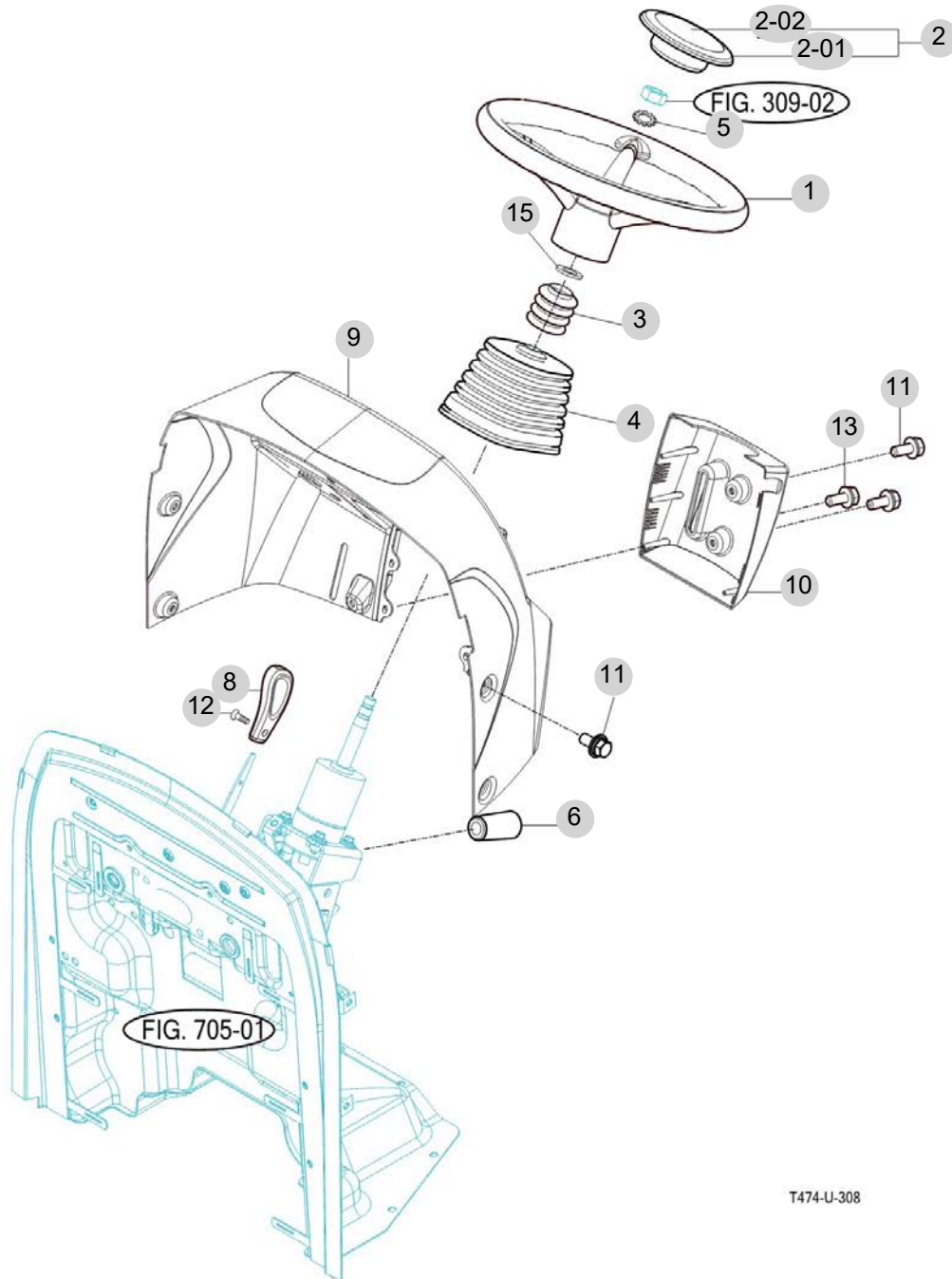
FIG 308

T475STEU

STEERING WHEEL

년/월
Year/Month

2022-12



T474-U-308

NOTE

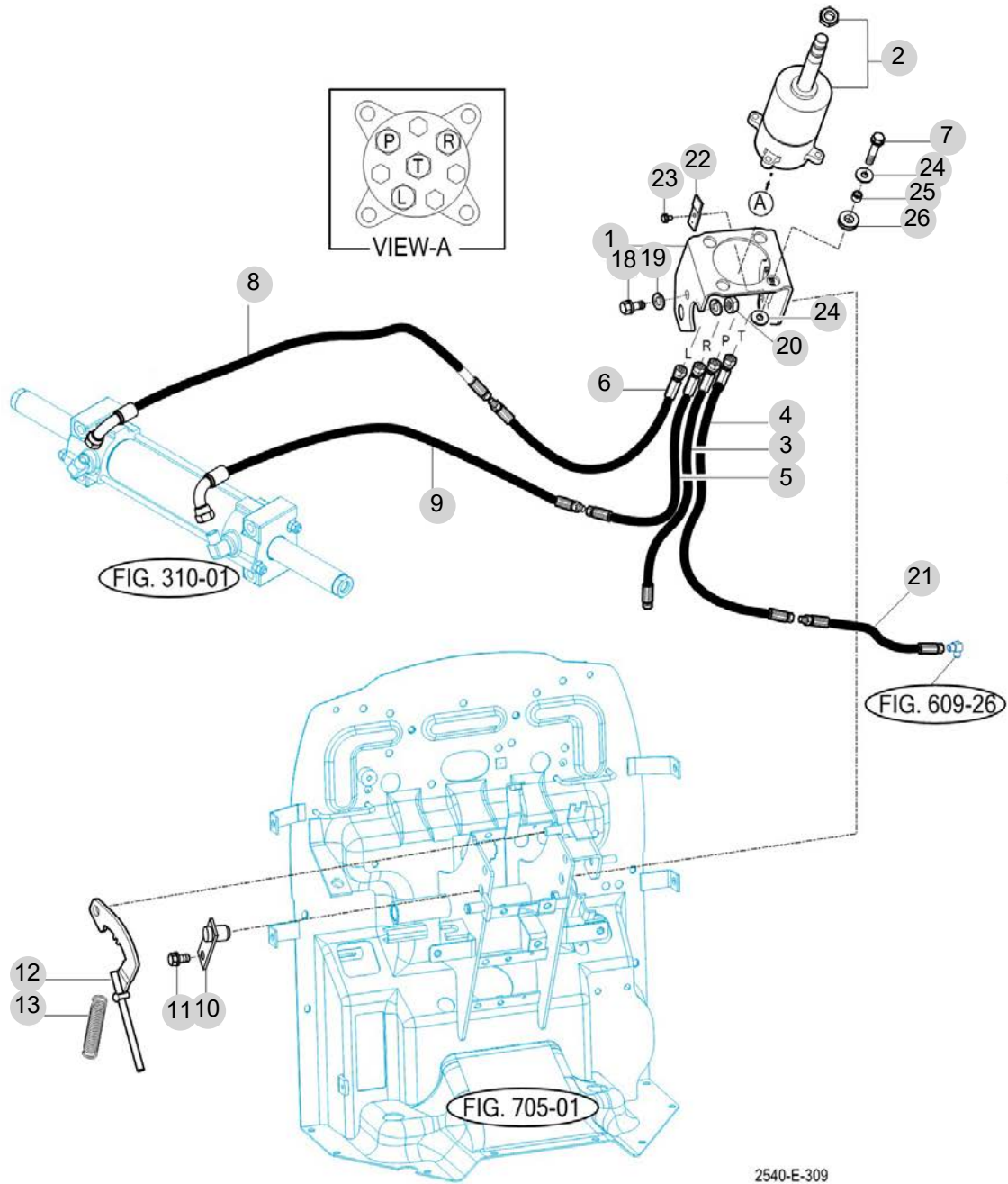
FIG 309

T475STEU

STEERING VALVE & PARKING

년/월
Year/Month

2022-12



2540-E-309

NOTE

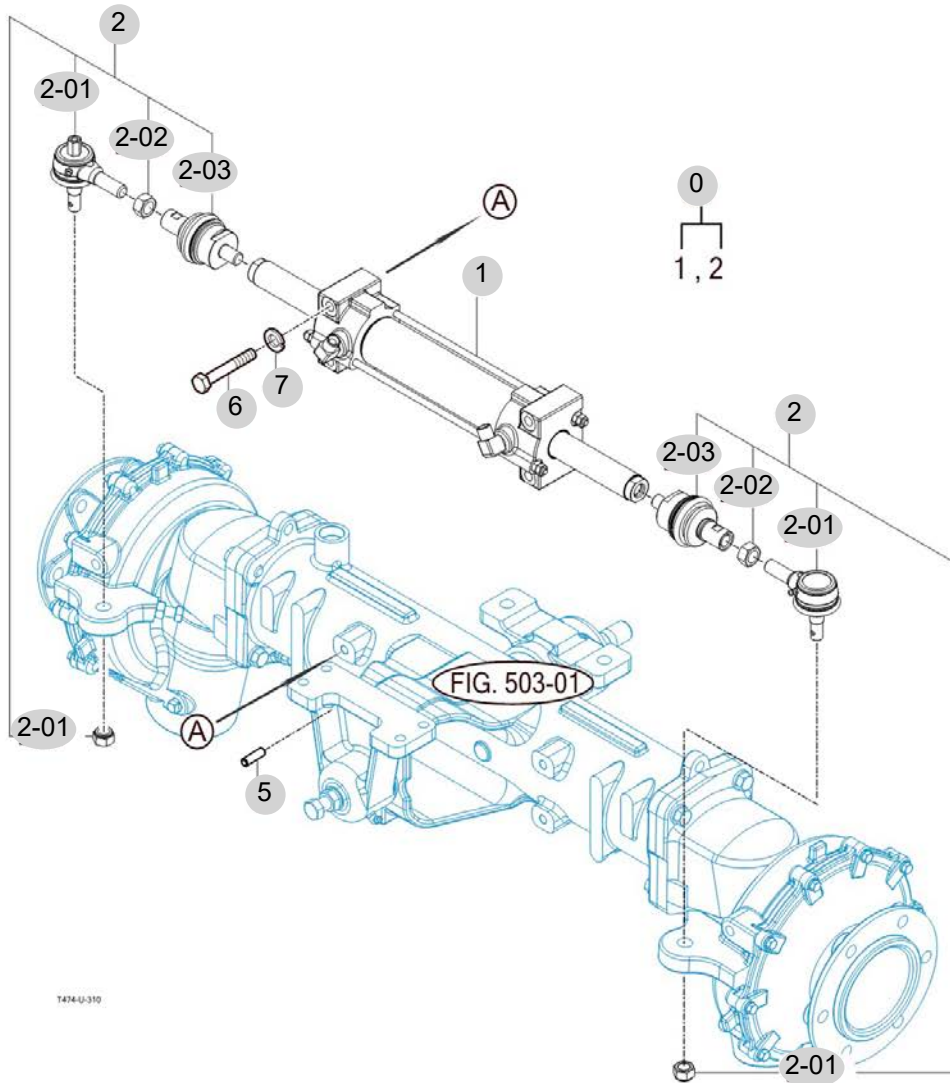
FIG 310

T475STEU

STEERING CYLINDER

년/월
Year/Month

2022-12



NOTE

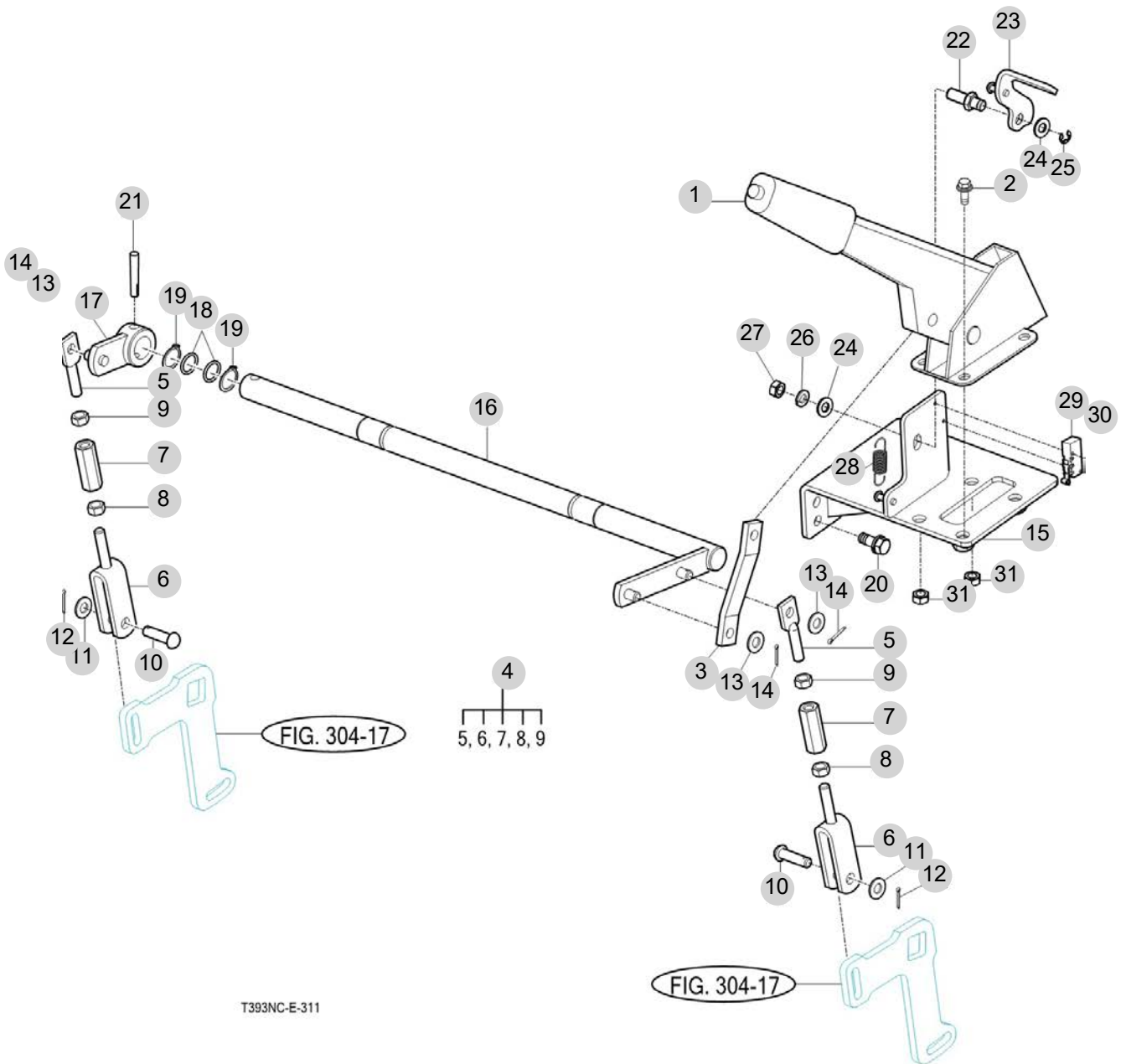
FIG 311

T475STEU

HAND BRAKE LINKAGE

년/월
Year/Month

2022-12



NOTE

4. 트랜스미션 PART NO. T4

FIG 401 TRANSMISSION FRONT CASE	132
FIG 402 INPUT METAL	134
FIG 403 INPUT GEAR	136
FIG 404 4WD DRIVE GEAR	138
FIG 405 MAIN CHANGE GEARS & REVERSE GEARS	140
FIG 406 SUB CHANGE GEARS	142
FIG 407 PINION GEARS	144
FIG 408 P.T.O DRIVE SHAFT	146
FIG 409 P.T.O CHANGE GEARS	148
FIG 410 DIFF LOCK	150
FIG 411 TRANSMISSION REAR CASE	152
FIG 412 REAR AXLE HOUSINGS (1)	154
FIG 413 REAR AXLE HOUSINGS (2)	156
FIG 414 MAIN CHANGE LEVER	158
FIG 415 SUB CHANGE LEVER	160
FIG 416 REVERSE LINK	162
FIG 417 REVERSE CHANGE LEVER	164
FIG 418 4WD CHANGE LEVER	166

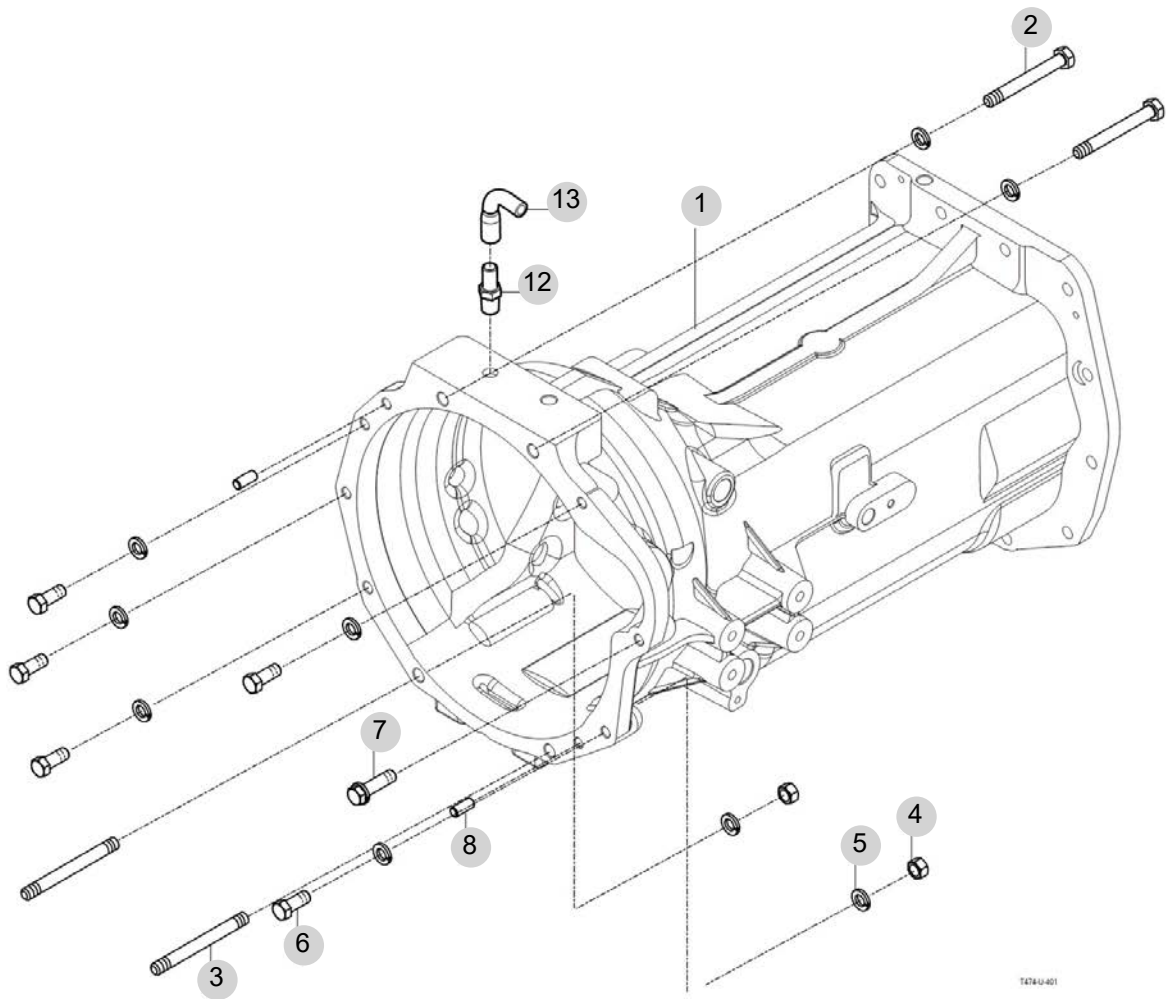
FIG 401

T475STEU

TRANSMISSION FRONT CASE

년/월
Year/Month

2022-12



T474U-401

NOTE

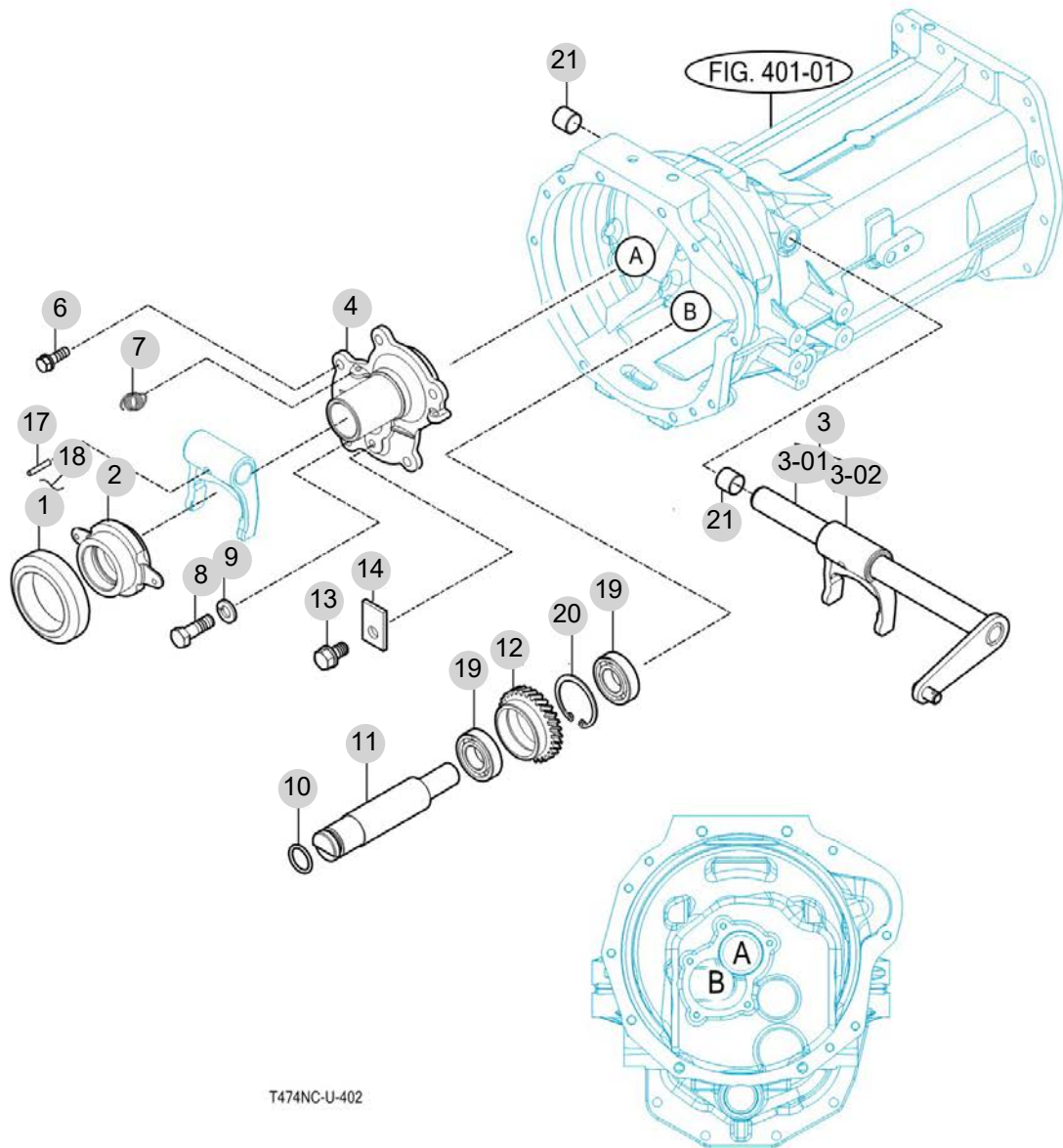
FIG 402

T475STEU

INPUT METAL

년/월
Year/Month

2022-12



NOTE

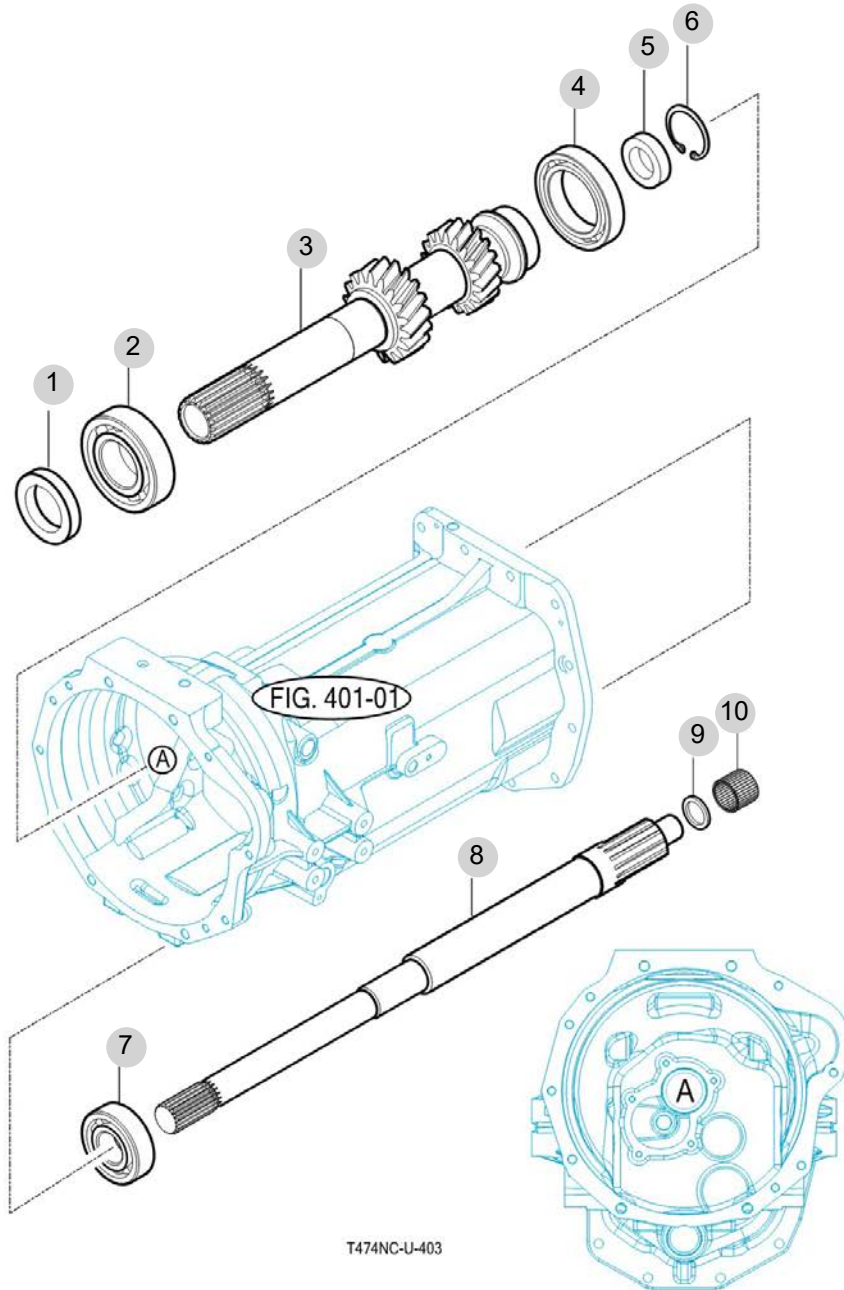
FIG 403

T475STEU

INPUT GEAR

년/월
Year/Month

2022-12



NOTE

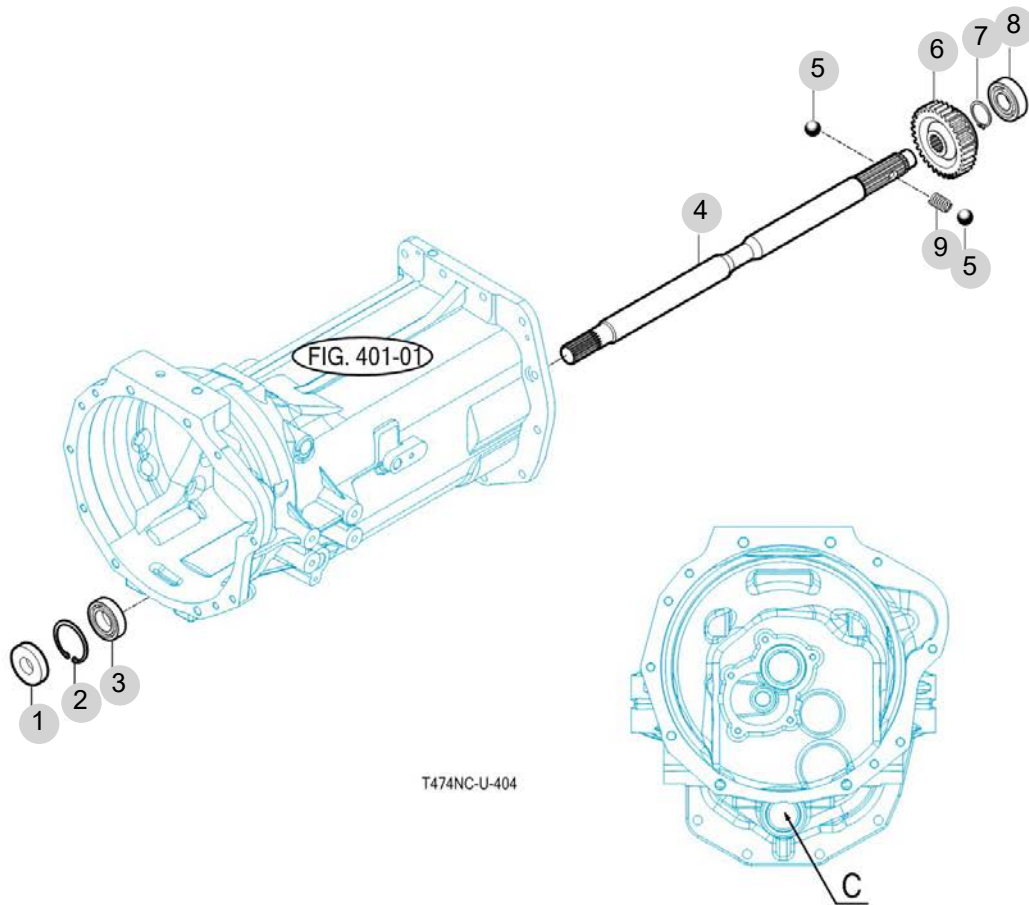
FIG 404

T475STEU

4WD DRIVE GEAR

년/월
Year/Month

2022-12



NOTE

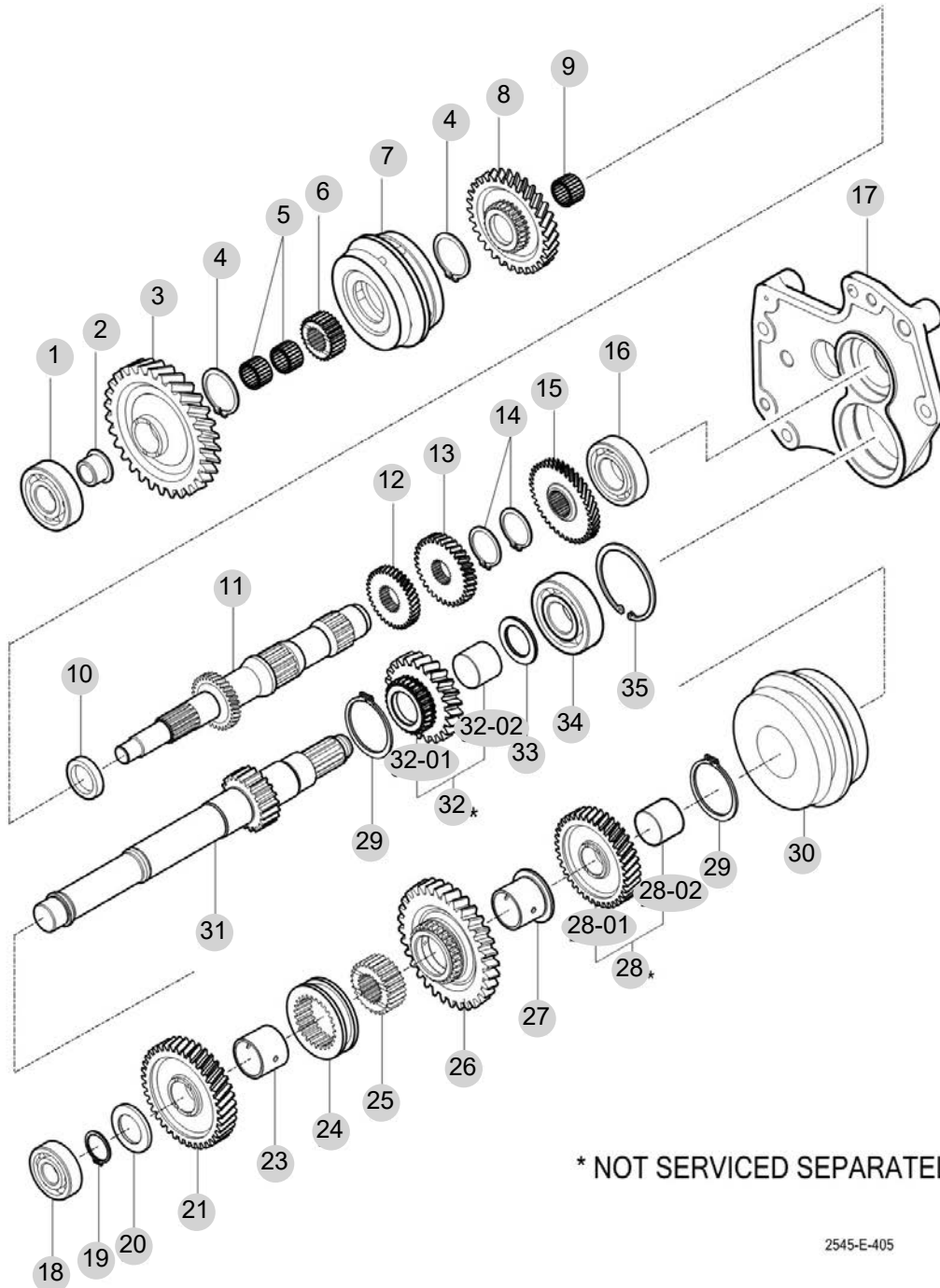
FIG 405

MAIN CHANGE GEARS & REVERSE GEARS

년/월
Year/Month

T475STEU

2022-12



* NOT SERVICED SEPARATELY

2545-E-405

NOTE

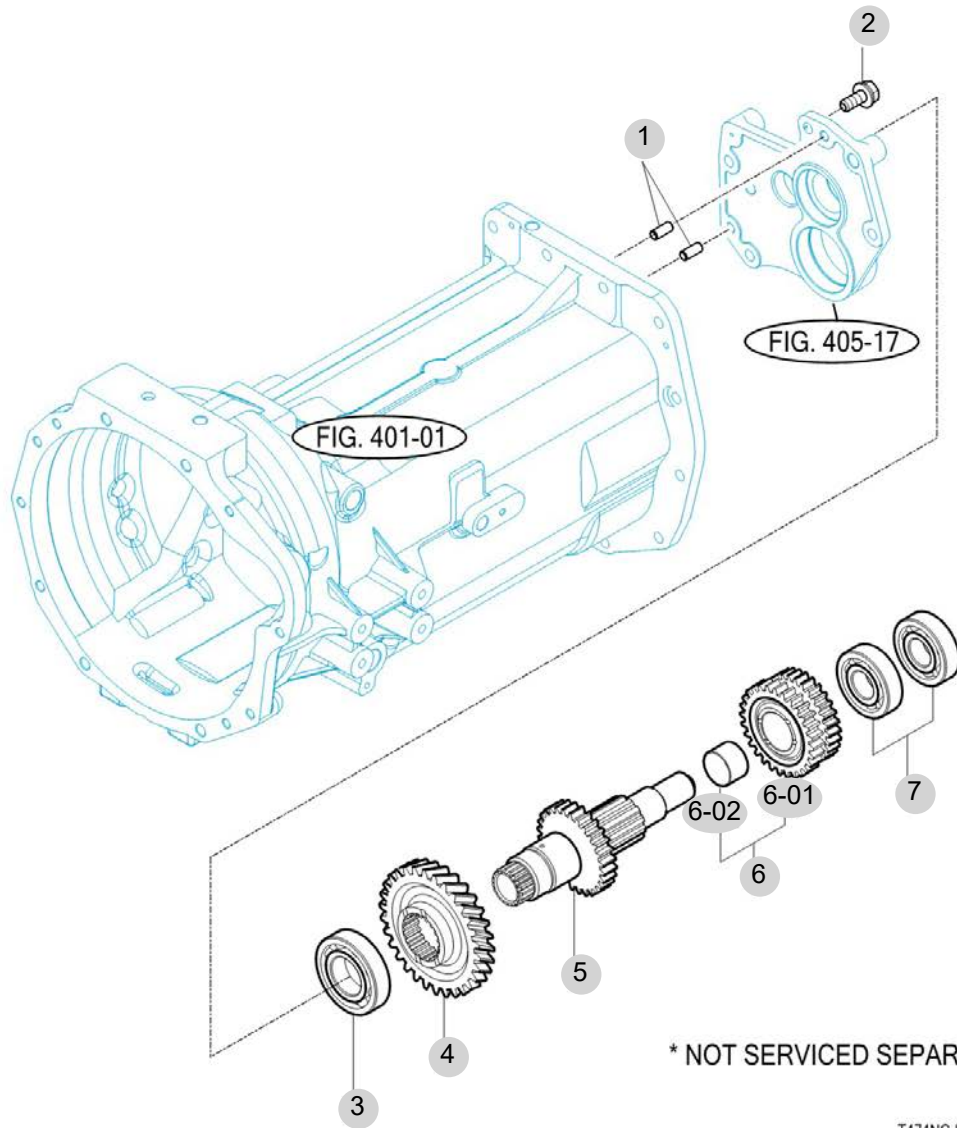
FIG 406

T475STEU

SUB CHANGE GEARS

년/월
Year/Month

2022-12



T474NC-U-406

NOTE

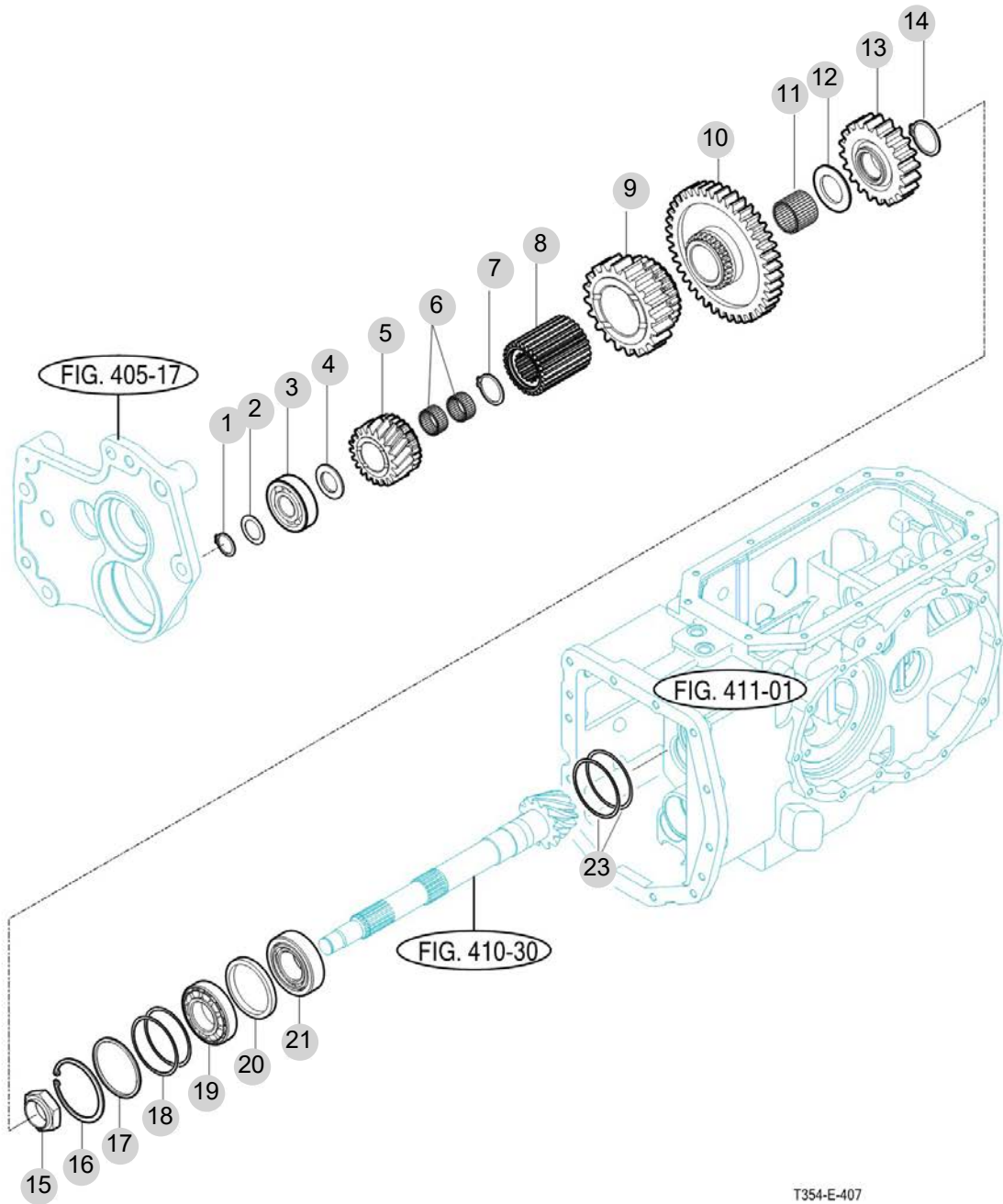
FIG 407

T475STEU

PINION GEARS

년/월
Year/Month

2022-12



T354-E-407

NOTE

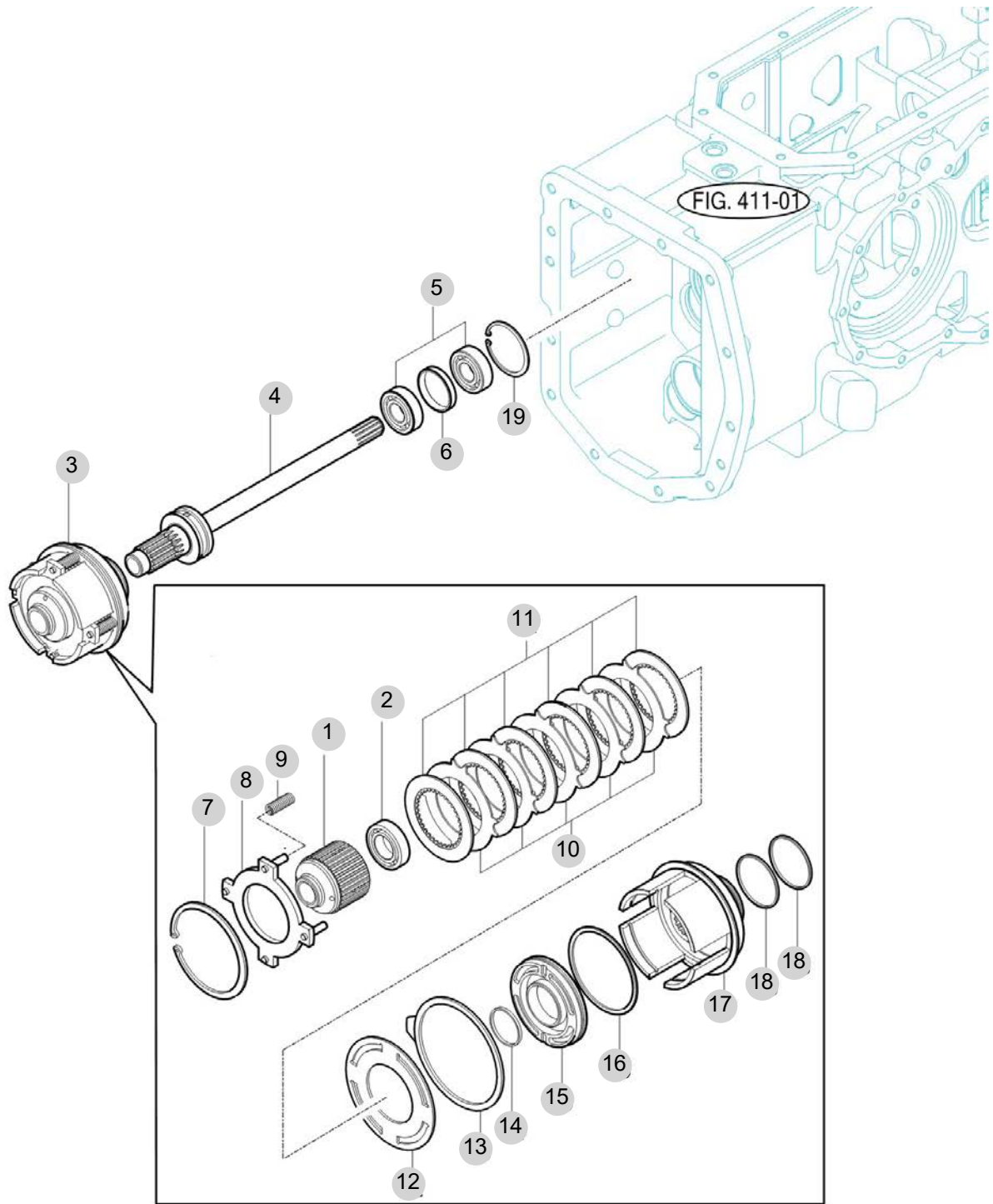
FIG 408

T475STEU

P.T.O DRIVE SHAFT

년/월
Year/Month

2022-12



NOTE

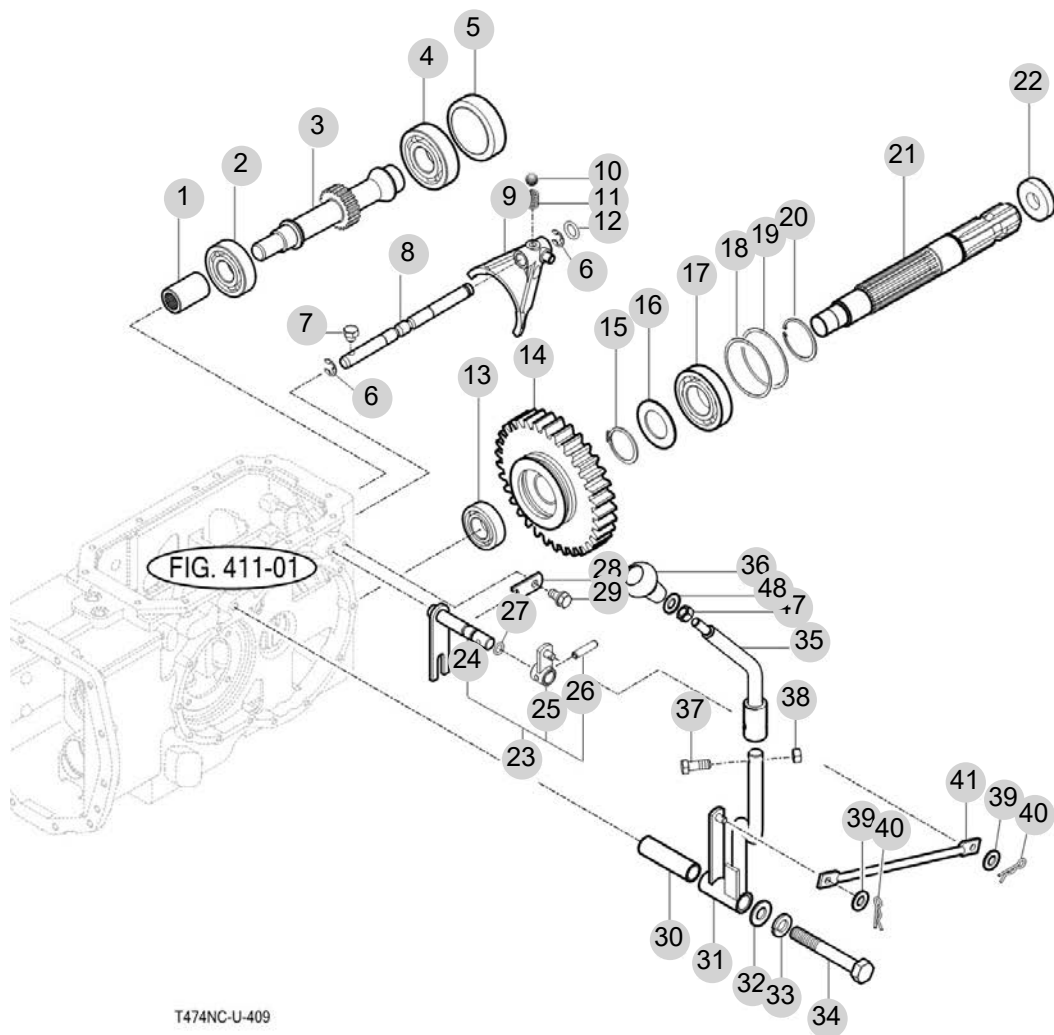
FIG 409

T475STEU

P.T.O CHANGE GEARS

년/월
Year/Month

2022-12



T474NC-U-409

NOTE

FIG 409		P.T.O CHANGE GEARS					년/월 Year/Month		
							2022-12		
T475STEU		KEY NO	PART NO	DESCRIPTION	SPEC	QTY	REPAIR	EFFECTIVE DATE	REMARKS
409	1	14211340190	커플링			1			
409	2	V6041106305	볼베어링(HL1)	6305HL1		1			
409	3	13212543530	기어 , 스퍼 PTO 11			1			
409	4	V6041106306	볼베어링(HL1)	6306HL1		1			
409	5	14254330180	캠(72)			1			
409	6	V7081400100	E형멈춤링	Ø10		2			
409	7	15602231610	볼트(셋트/M8X16)			1			
409	8	13212540020	PTO 시프트스테이			1			
409	9	16702540011M	포크(PTO)			1			
409	10	V6802000010	강구	5/16		1			
409	11	13022250030	시프터스프링			1			
409	12	V7201024010	O링(P)	P10		1			
409	13	V6041106205	볼베어링(HL1)	6205HL1		1			
409	14	13212543500	기어(스퍼/PTO 54)			1			
409	15	V7041400350	C형멈춤링(축용)	Ø35		1			
409	16	14443140041	칼라(35X50X2)			1			
409	17	V6001106207	볼베어링	6207		1			
409	18	79642010080	심(B)			2			
409	19	16322730030	심(0.5)			1			
409	20	V7051400720	C형멈춤링(구멍용)	Ø72		1			
409	21	16703140011	PTO축			1			
409	22	16322732000	씰(오일) ASSY			1			
409	23	16702555102	리어 PTO 후크 SET			1			
409	24	16702542102	리어 PTO 후크 COMP			1			
409	25	16702432201	암(부변속) COMP			1			
409	26	V5801406025	스프링핀	6X25		1			
409	27	V7201024012	O링(P)	P12		1			
409	28	16702230371	플레이트			1			
409	29	V2173608016	소형육각볼트보통(S)	M8X16		1			
409	30	16702440070	허브(13X17X61)			1			
409	31	16702552103	PTO 레버 ,하 COMP			1			
409	32	V4111600120	평와셔	M12		1			
409	33	V4011600120	스프링와셔	M12		1			
409	34	V2013612085	소형육각볼트(보통)	M12X85		1			
409	35	13832552200GB	레버 COMP , PTO/상			1			
409	36	16992190102	그립(PTO)			1			
409	36	19682190100	그립(PTO)			1			
409	37	V2013608035	소형육각볼트(보통)			1			
409	38	V3042600080	소형육각너트보통2종	M8		1			
409	39	V4111600080	평와셔	M8		2			
409	40	V5601600008	스냅핀	8		2			
409	41	16702553100	로드(236)			1			
409	47	V3342600100	소형육각너트가는2종	M10		1			
409	48	V4111600100	평와셔	M10		1			
NOTE									

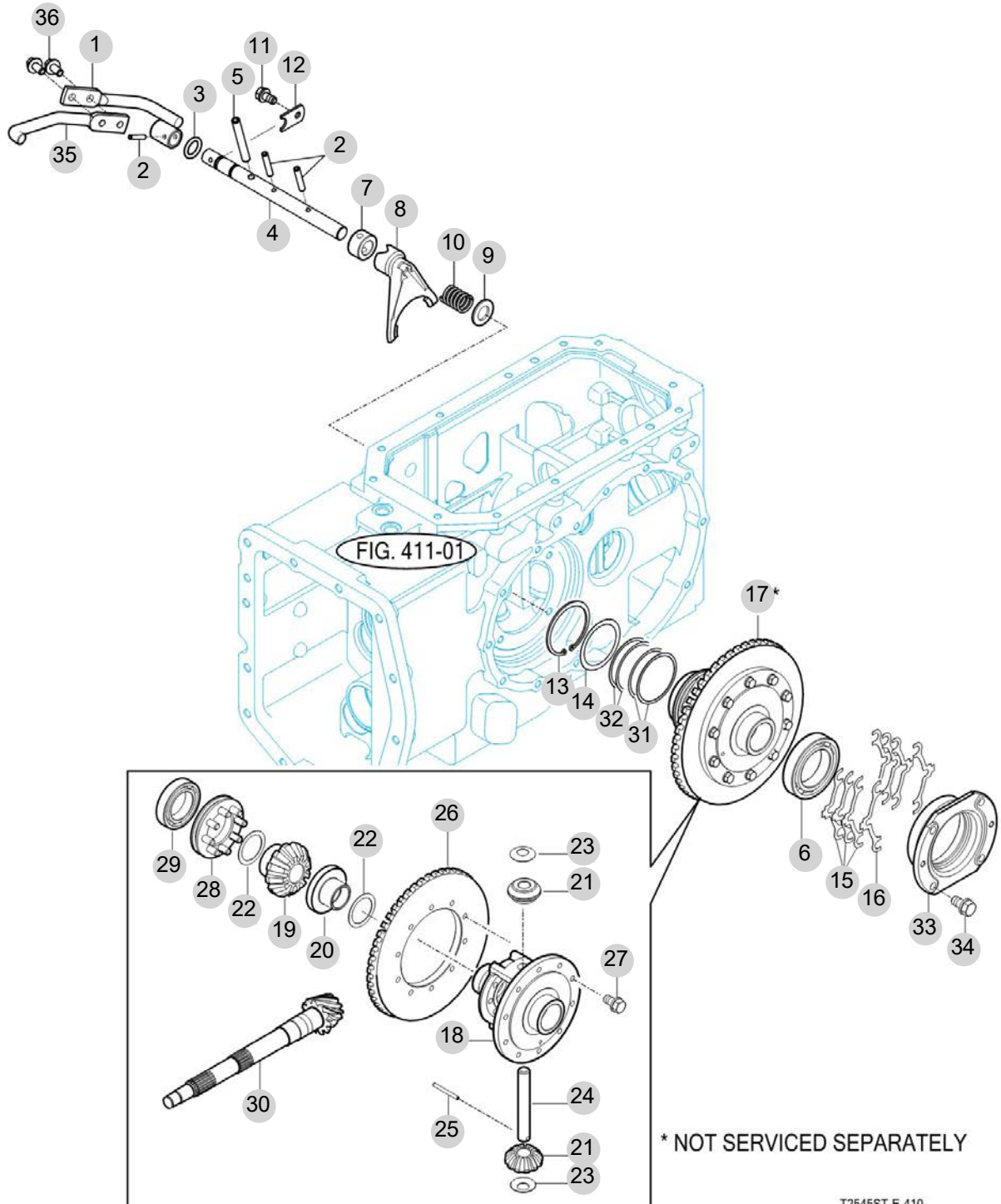
FIG 410

DIFF LOCK

년/월
Year/Month

T475STEU

2022-12



T2545ST-E-410

NOTE

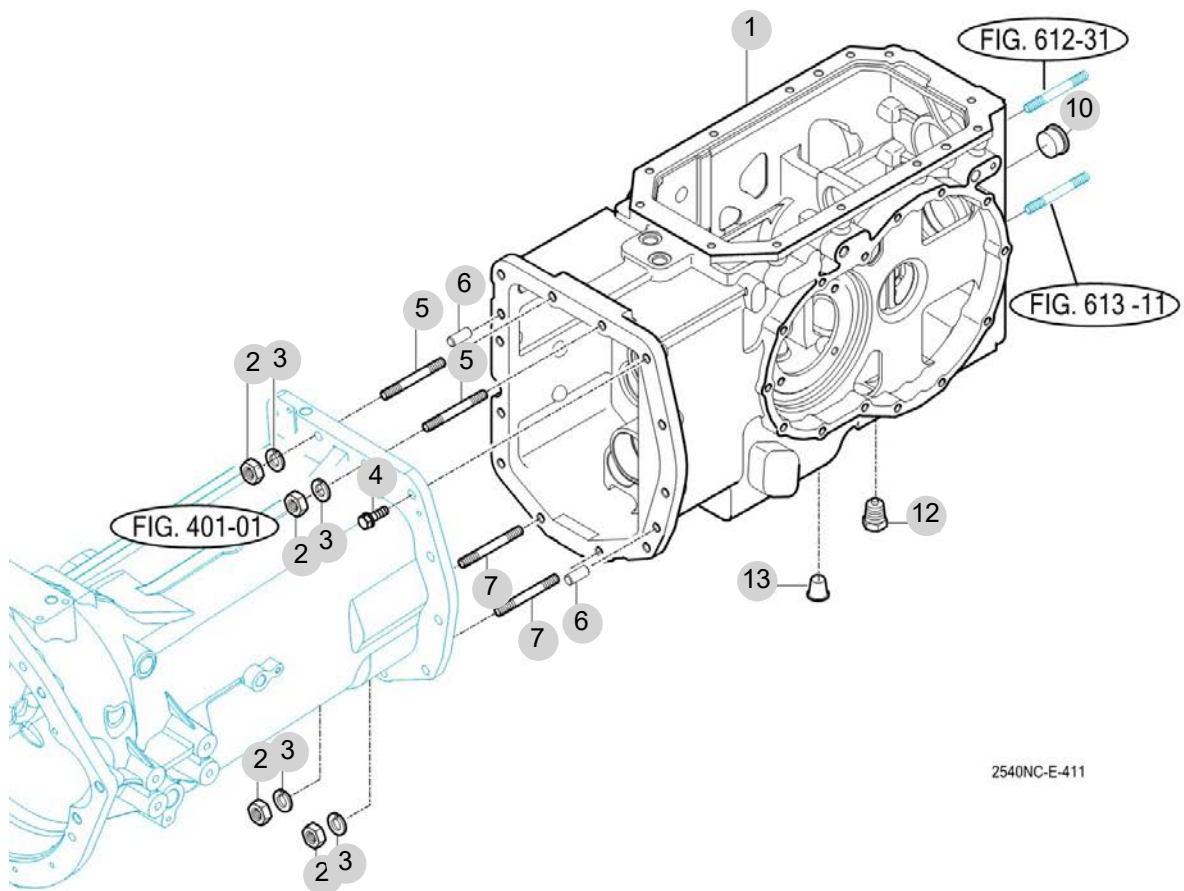
FIG 411

T475STEU

TRANSMISSION REAR CASE

년/월
Year/Month

2022-12



2540NC-E-411

NOTE

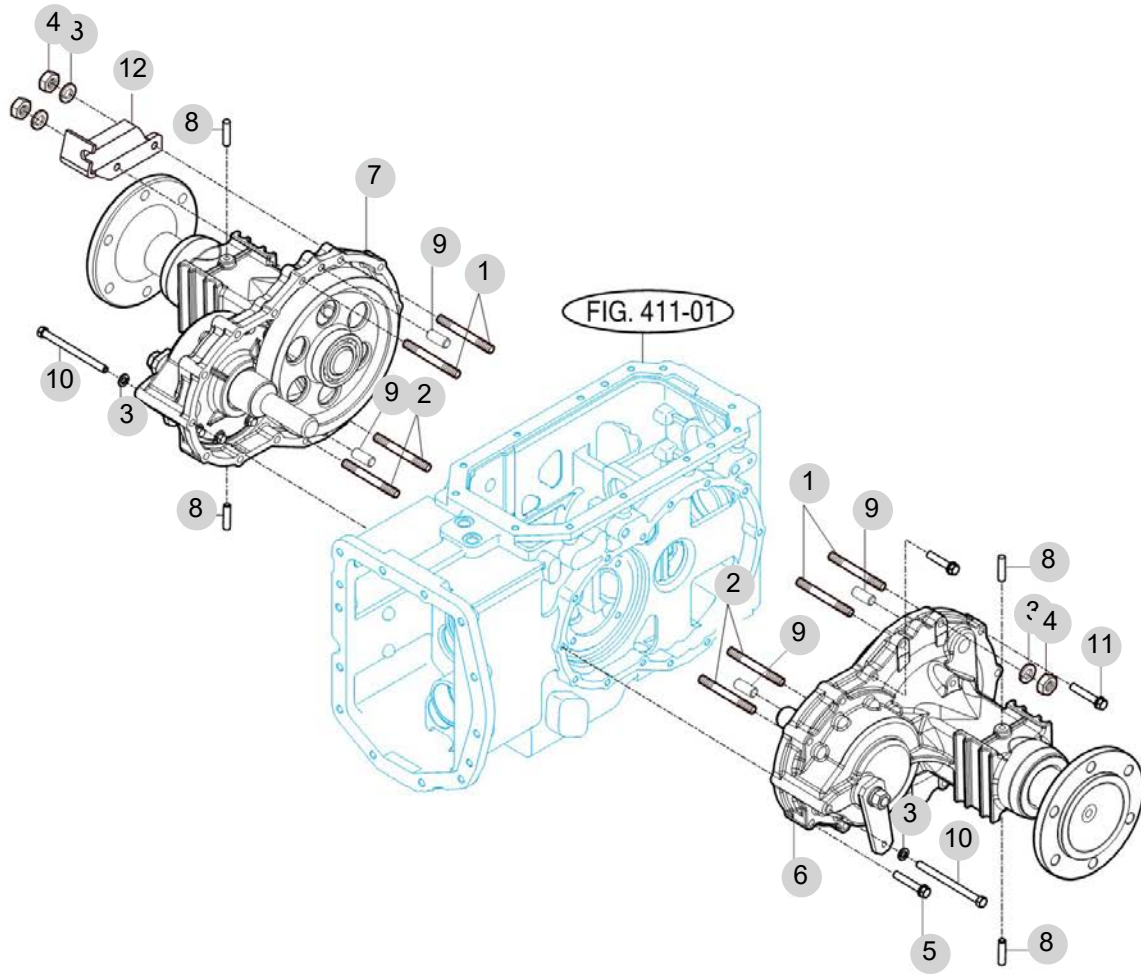
FIG 412

T475STEU

REAR AXLE HOUSINGS (1)

년/월
Year/Month

2022-12



2545NC-E-412

NOTE

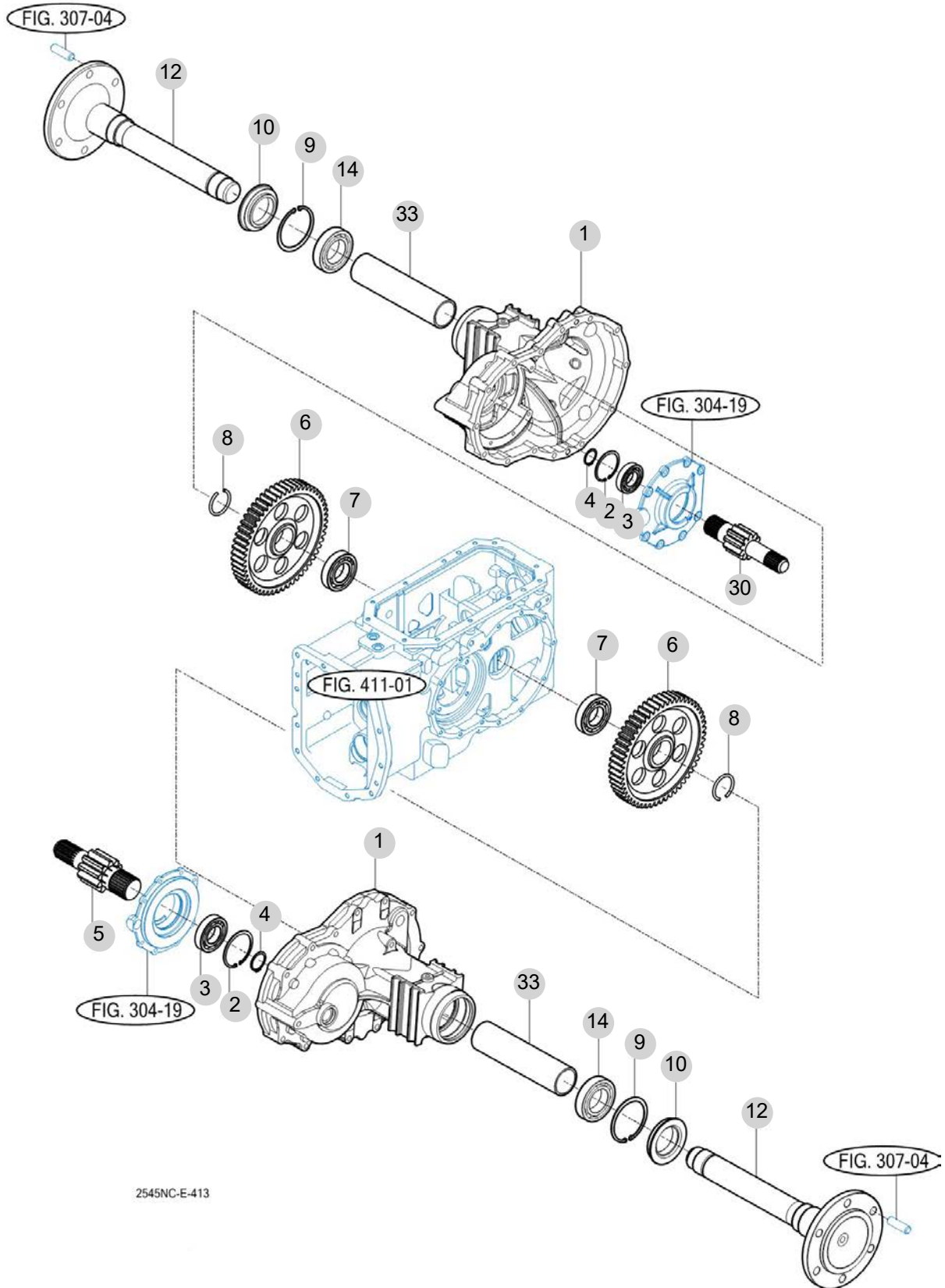
FIG 413

T475STEU

REAR AXLE HOUSINGS (2)

년/월
Year/Month

2022-12



NOTE

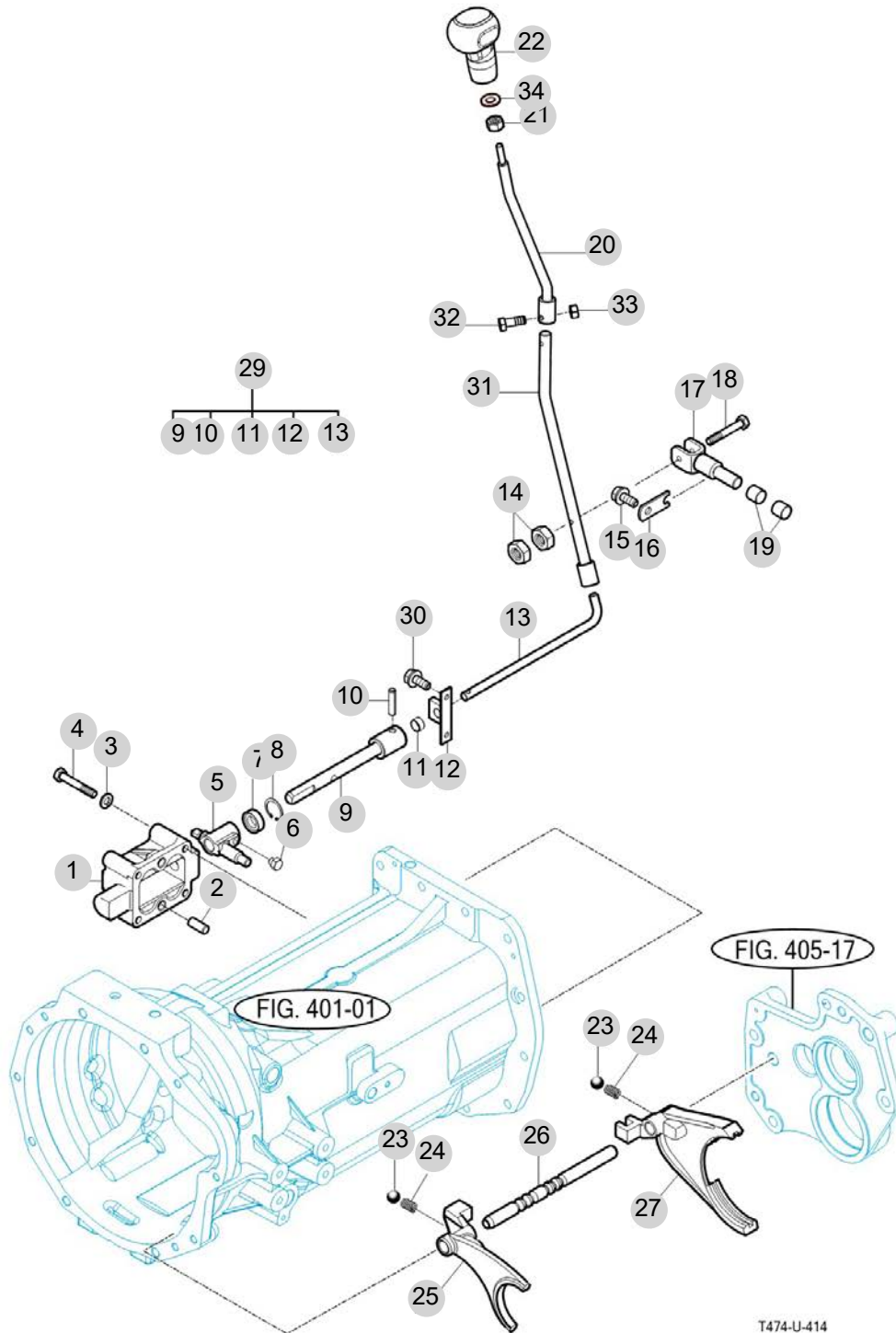
FIG 414

T475STEU

MAIN CHANGE LEVER

년/월
Year/Month

2022-12



T474-U-414

NOTE

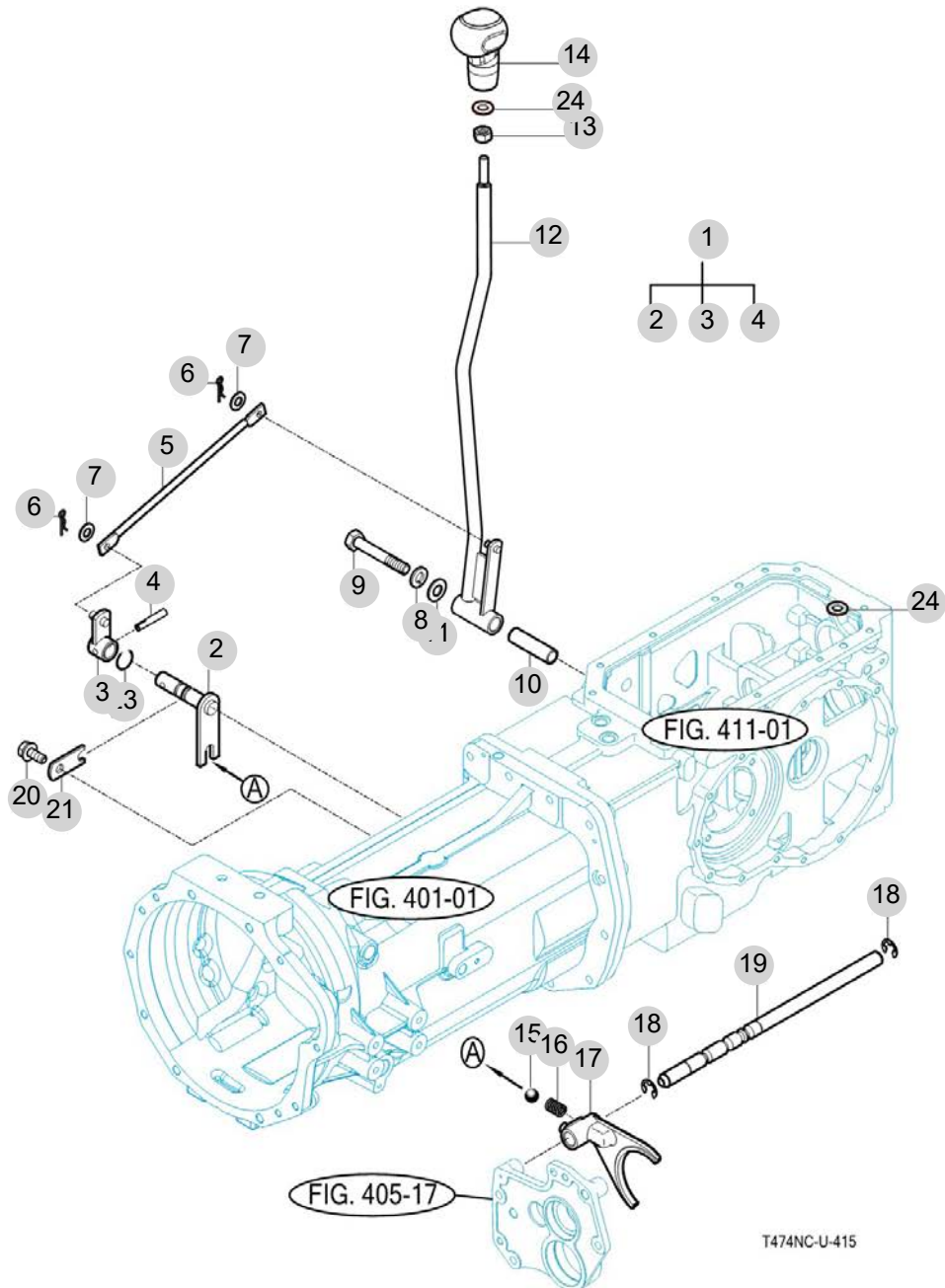
FIG 415

T475STEU

SUB CHANGE LEVER

년/월
Year/Month

2022-12



NOTE

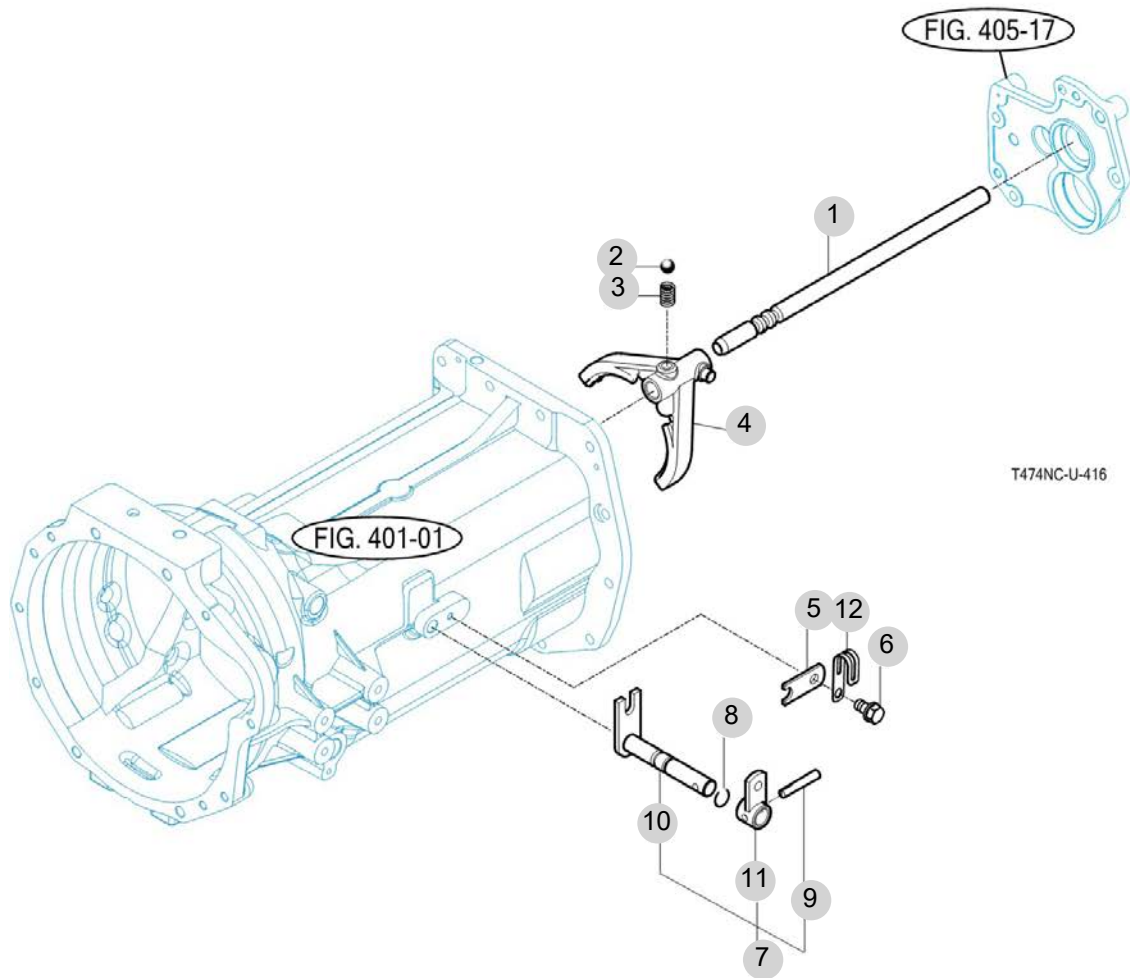
FIG 416

T475STEU

REVERSE LINK

년/월
Year/Month

2022-12



T474NC-U-416

NOTE

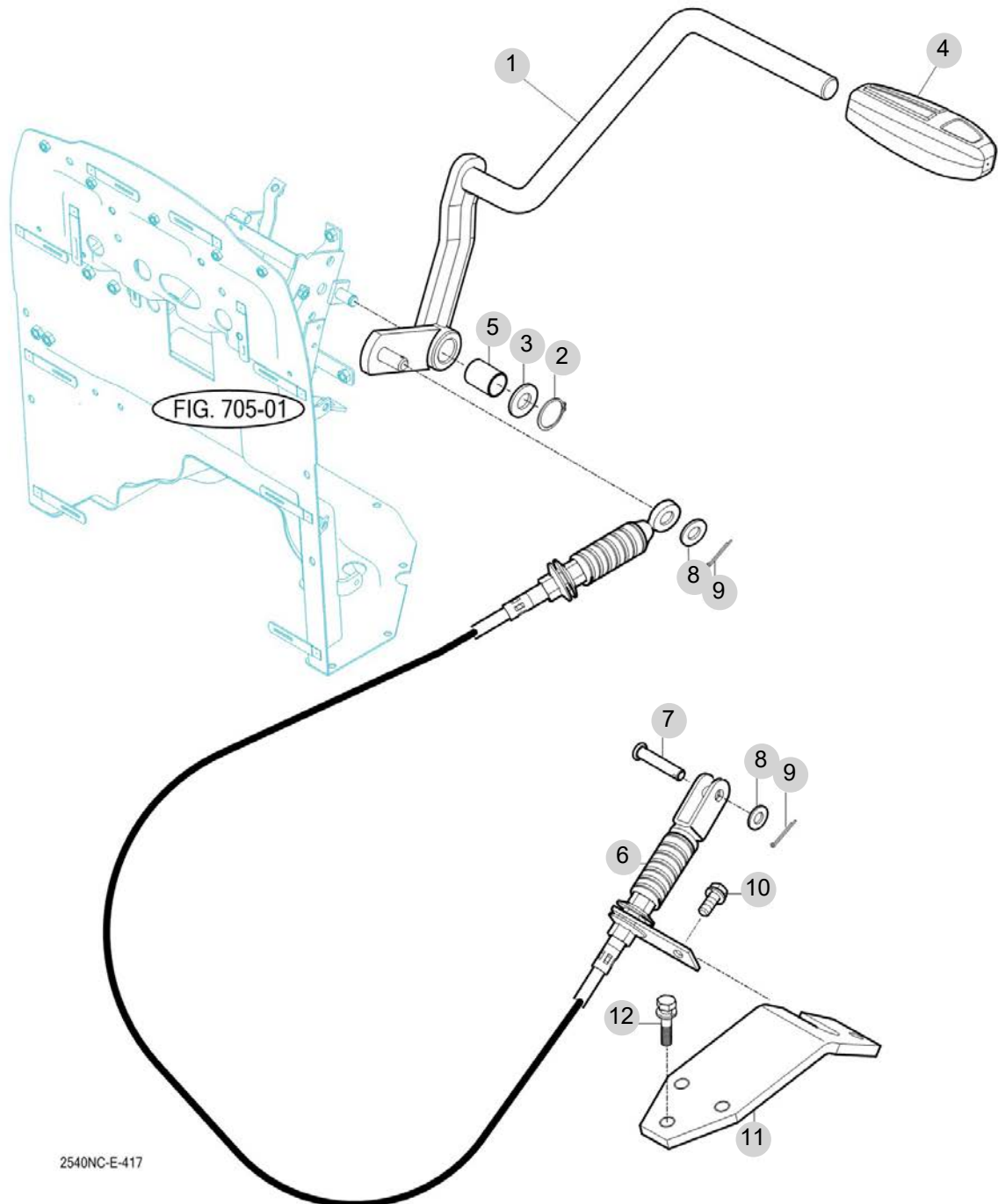
FIG 417

REVERSE CHANGE LEVER

년/월
Year/Month

2022-12

T475STEU



NOTE

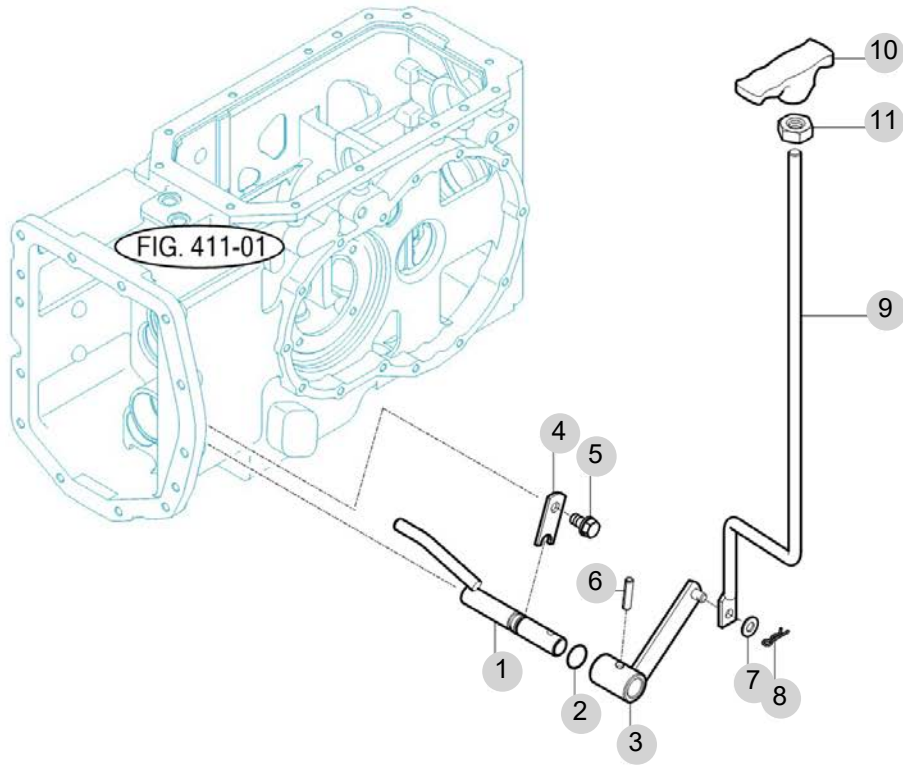
FIG 418

T475STEU

4WD CHANGE LEVER

년/월
Year/Month

2022-12



T303/353NC-E-418

NOTE

5. 프런트 액슬 PART NO. T5

FIG 501 FRONT AXLE BRACKET	169
FIG 502 FRONT DIFF. GEARS & SHAFT	171
FIG 503 FRONT AXLE HOUSING	173
FIG 504 FRONT GEAR CASE (1)	175
FIG 505 FRONT GEAR CASE (2)	177

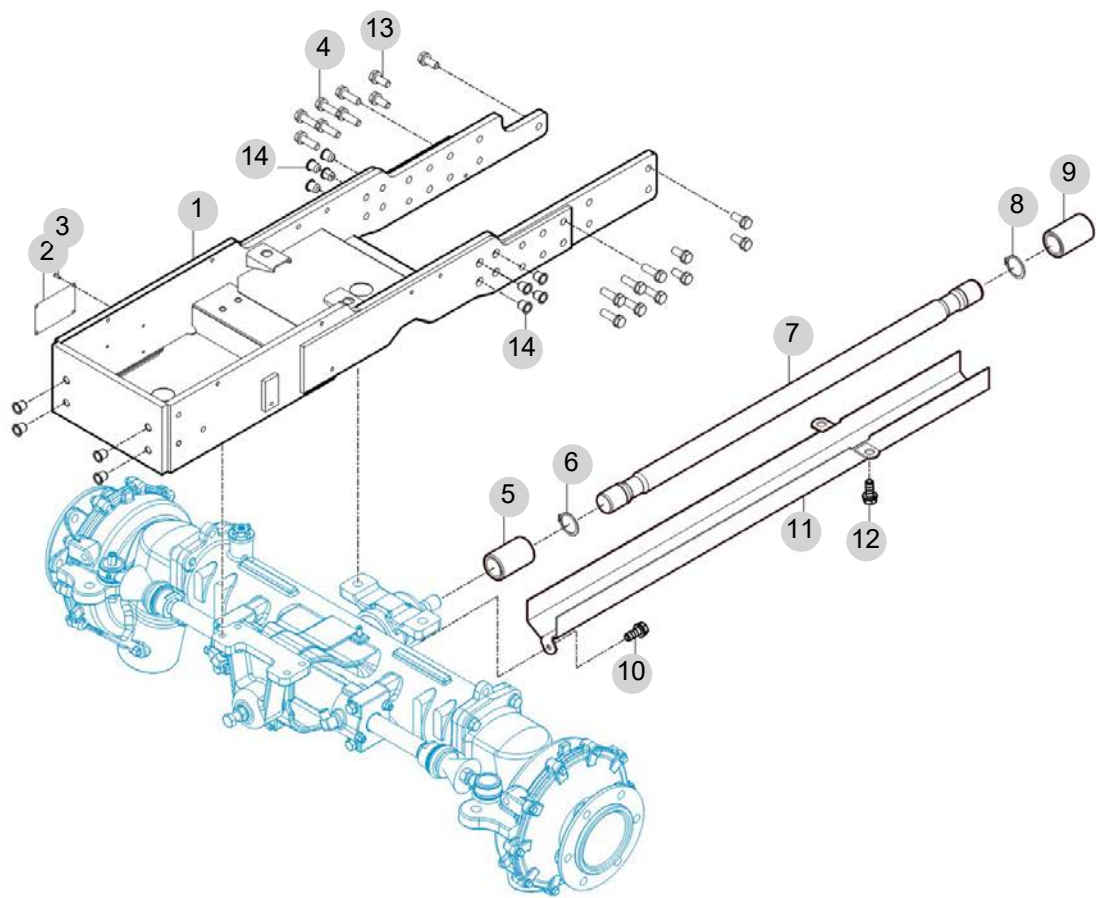
FIG 501

FRONT AXLE BRACKET

년/월
Year/Month

2022-12

T475STEU



NOTE

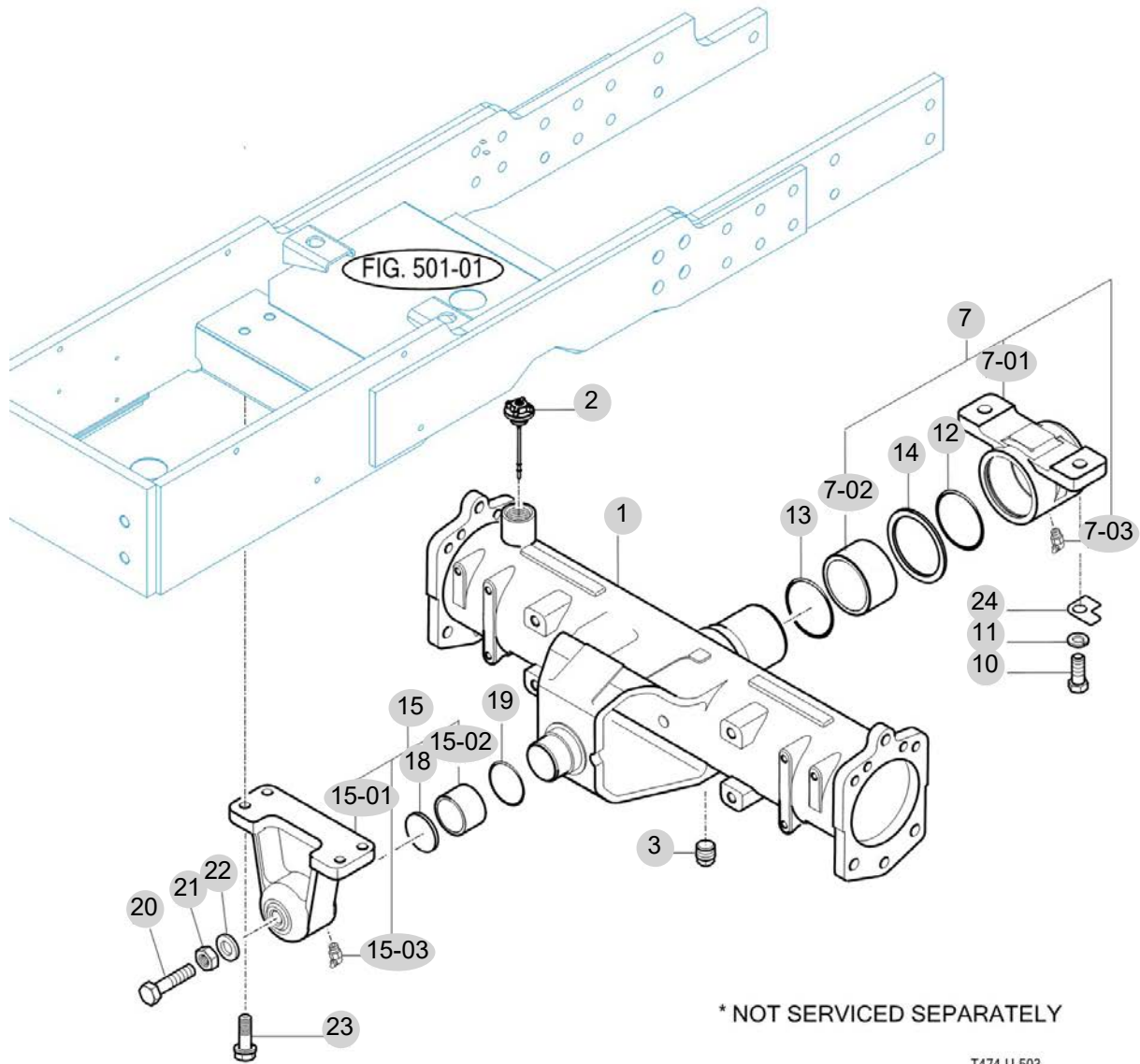
FIG 503

T475STEU

FRONT AXLE HOUSING

년/월
Year/Month

2022-12



T474-U-503

NOTE

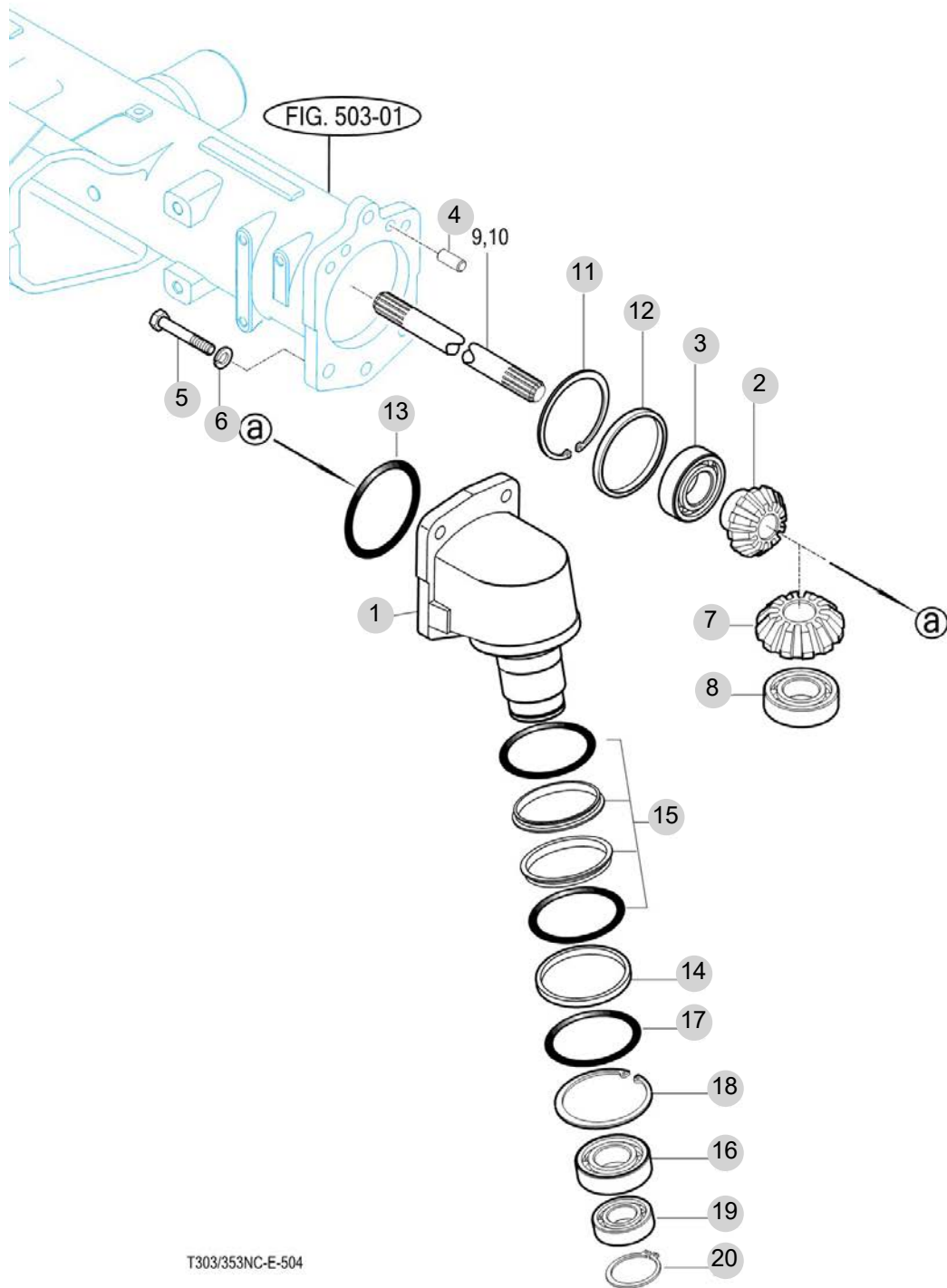
FIG 504

T475STEU

FRONT GEAR CASE (1)

년/월
Year/Month

2022-12



T303/353NC-E-504

NOTE

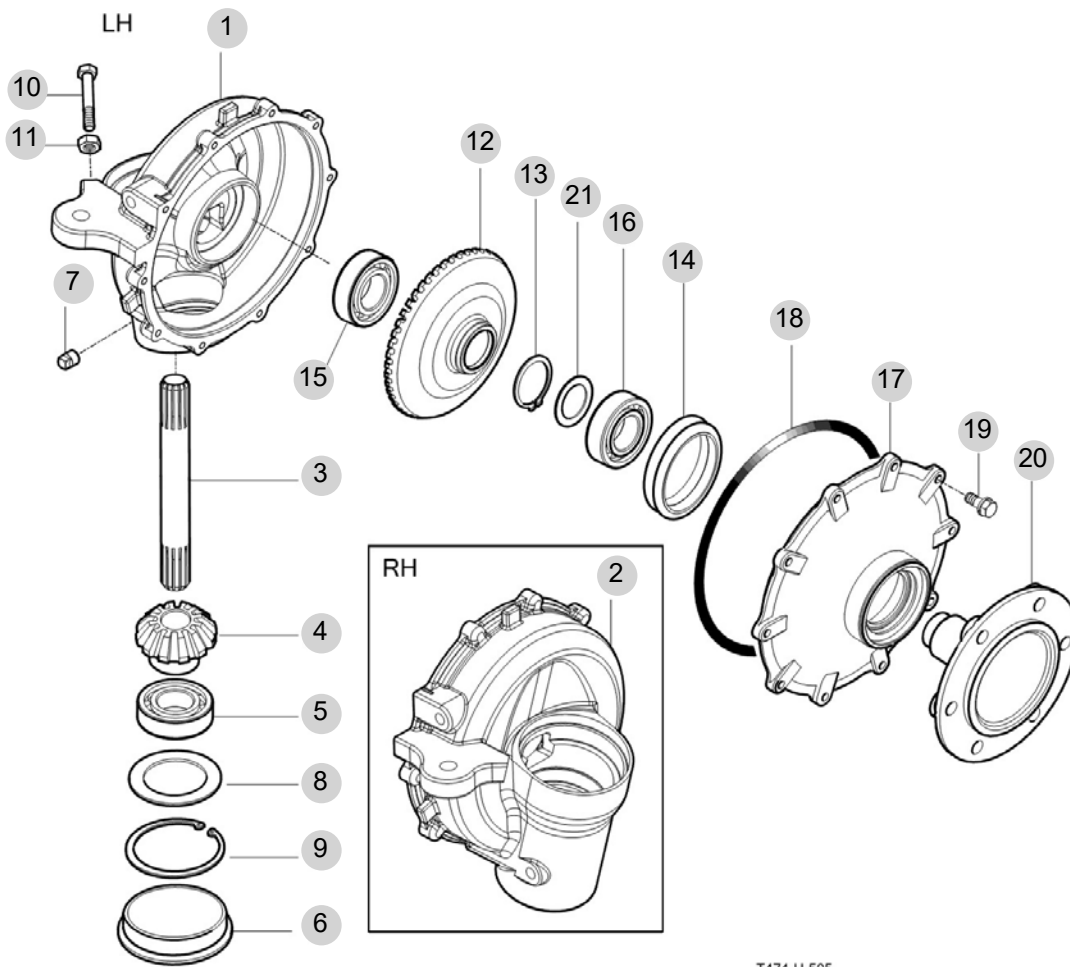
FIG 505

T475STEU

FRONT GEAR CASE (2)

년/월
Year/Month

2022-12



T474-U-505

NOTE

6. 유압/3점링크 PART NO. T6

FIG 601 GEAR PUMP	180
FIG 602 CYLINDER CASE	182
FIG 603 LIFT ARM	184
FIG 604 CYLINDER	186
FIG 605 POSITION LINK (1)	188
FIG 606 POSITION LINK (2)	190
FIG 607 CONTROL VALVE	192
FIG 608 POSITION LEVER	194
FIG 609 HYDRAULIC PIPE (1)	196
FIG 610 HYDRAULIC PIPE (2)	198
FIG 611 EXTERIOR HYD. VALVE	200
FIG 612 3-POINT LINK	202
FIG 613 HITCH & COVER	205
FIG 614 EXTERIOR POSITION LEVER	207

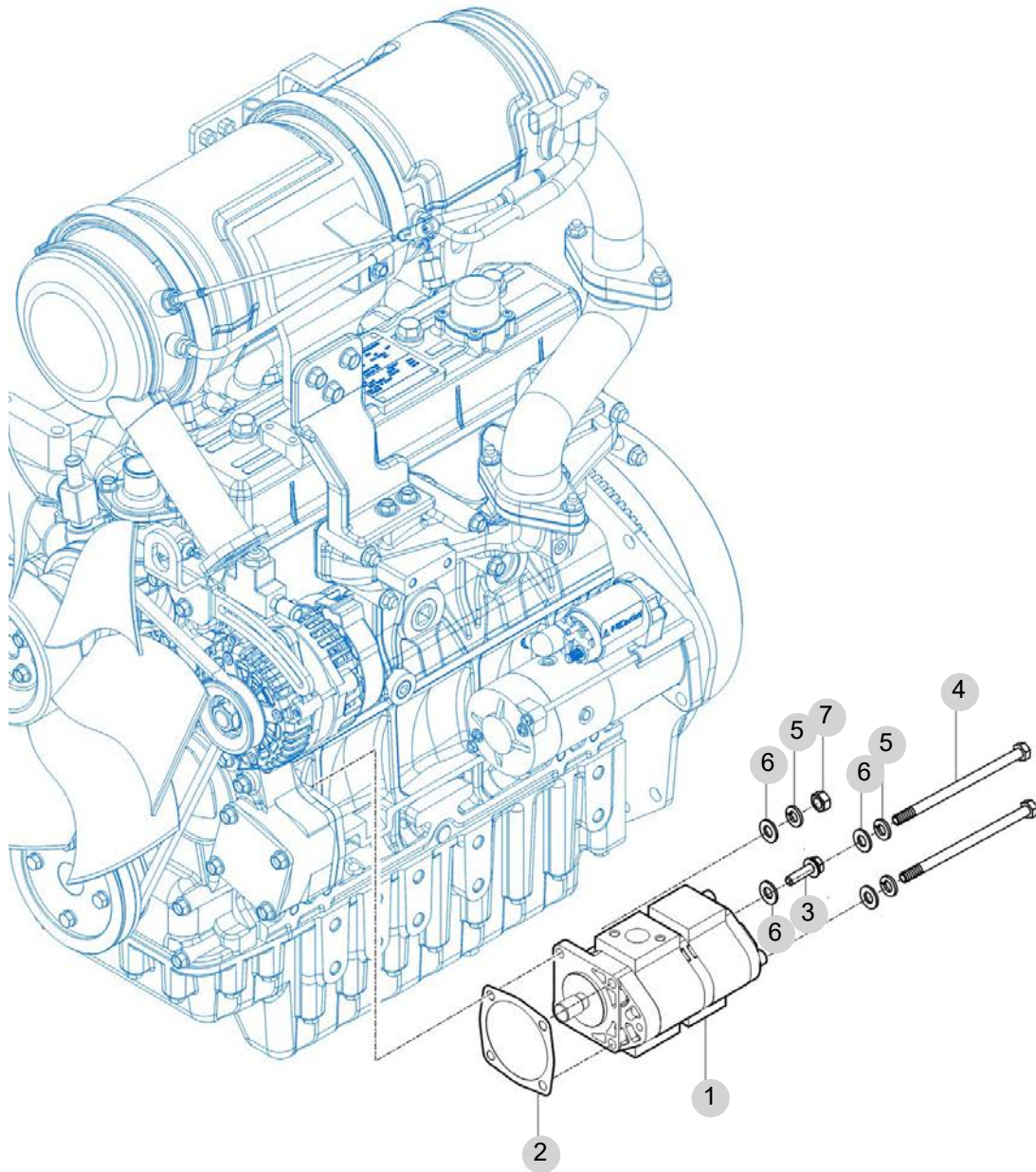
FIG 601

GEAR PUMP

년/월
Year/Month

T475STEU

2022-12



NOTE

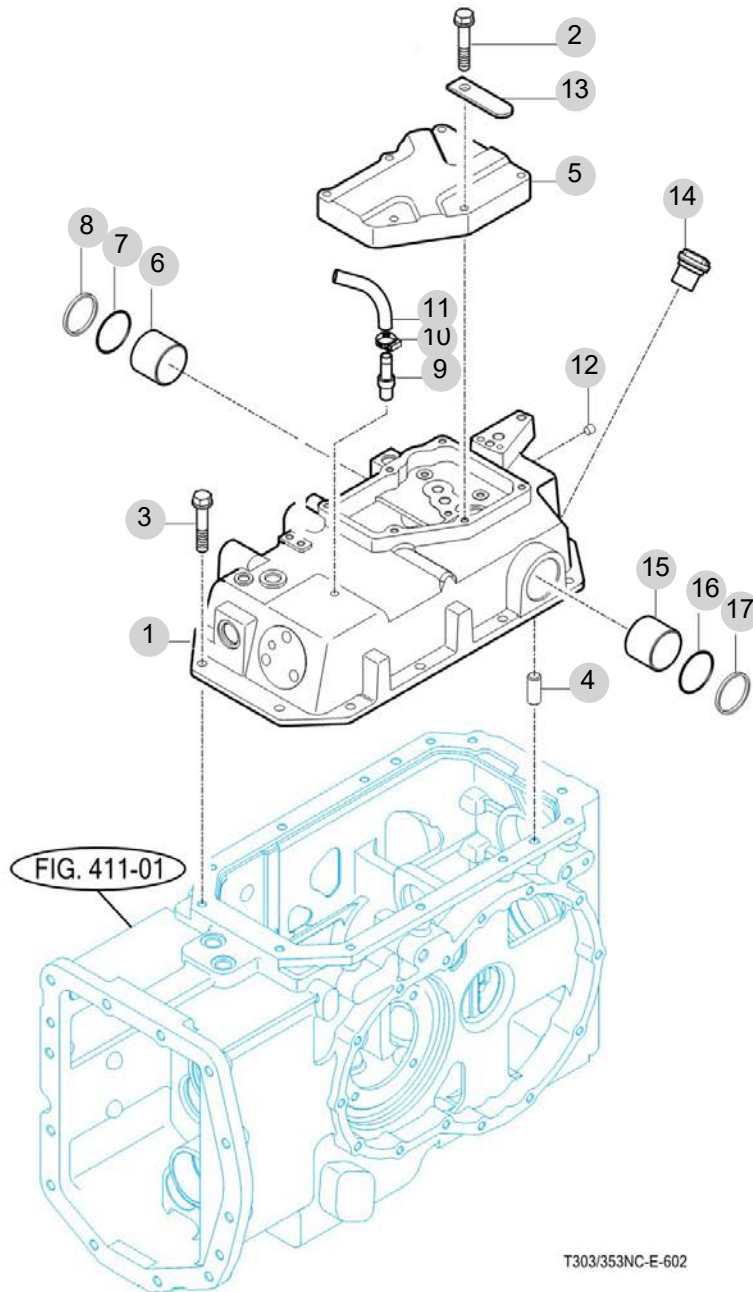
FIG 602

T475STEU

CYLINDER CASE

년/월
Year/Month

2022-12



NOTE

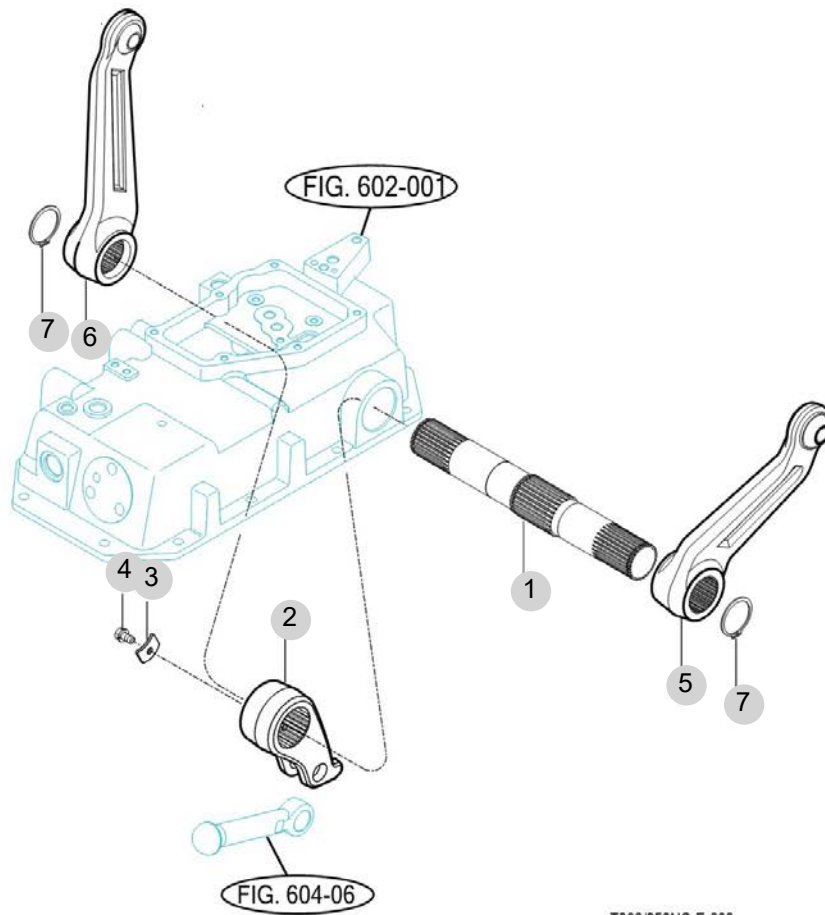
FIG 603

T475STEU

LIFT ARM

년/월
Year/Month

2022-12



T303/353NC-E-603

NOTE

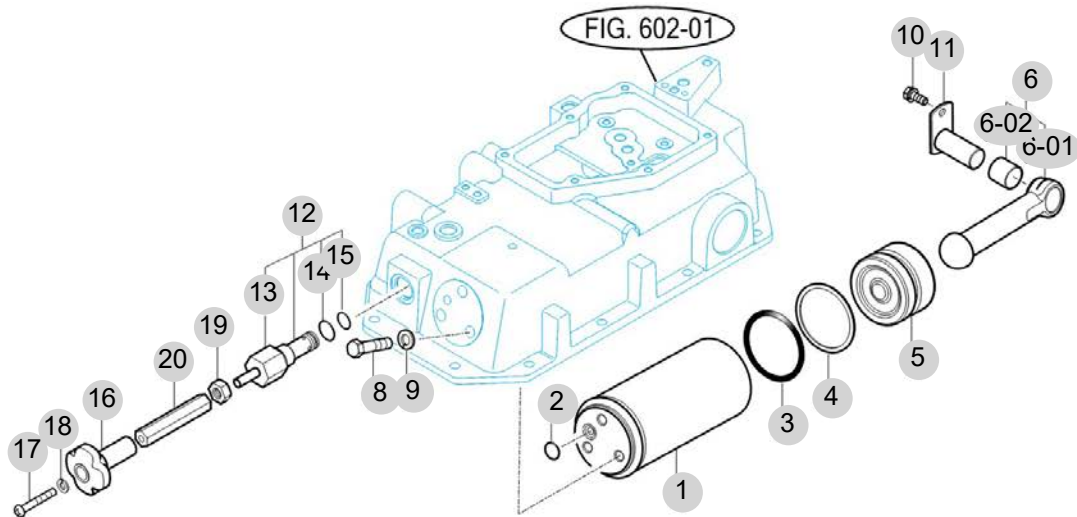
FIG 604

T475STEU

CYLINDER

년/월
Year/Month

2022-12



T303/353NC-E-604

NOTE

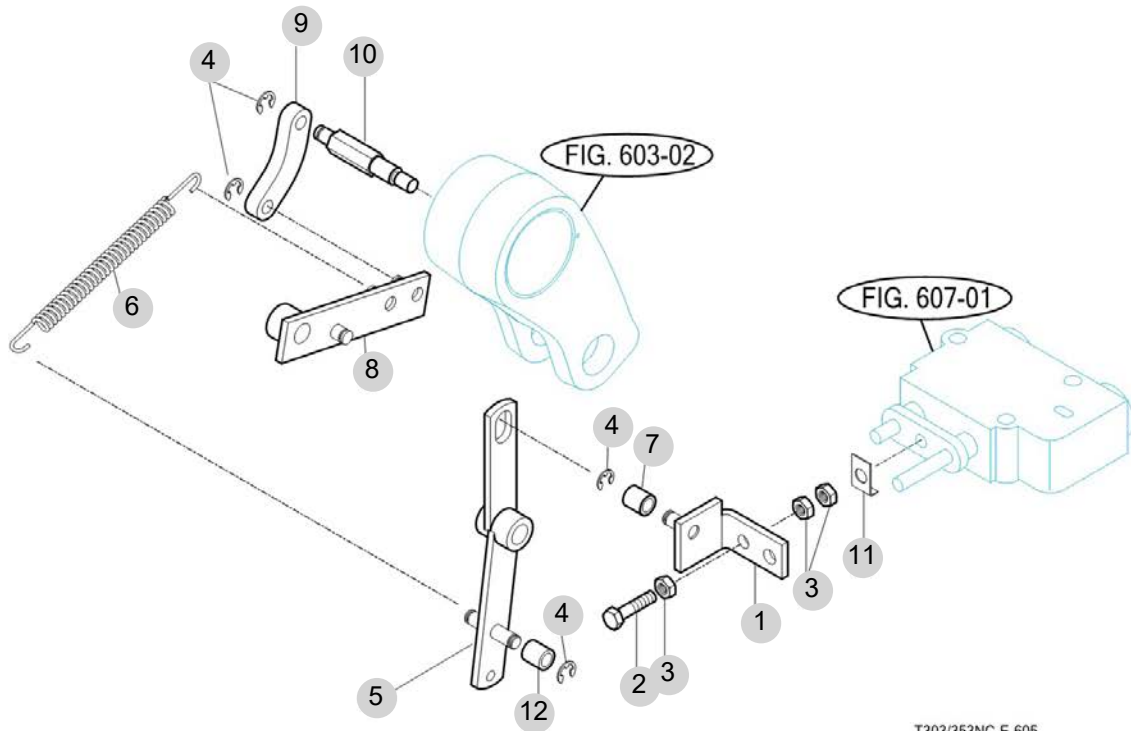
FIG 605

T475STEU

POSITION LINK (1)

년/월
Year/Month

2022-12



T303/353NC-E-605

NOTE

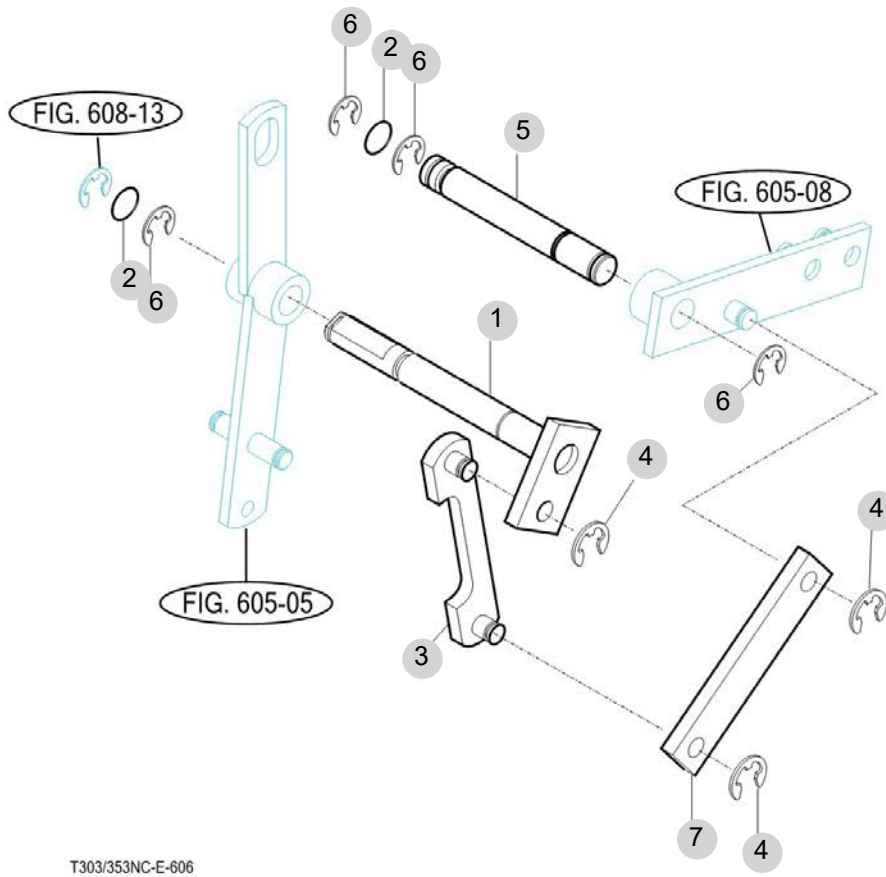
FIG 606

T475STEU

POSITION LINK (2)

년/월
Year/Month

2022-12



T303/353NC-E-606

NOTE

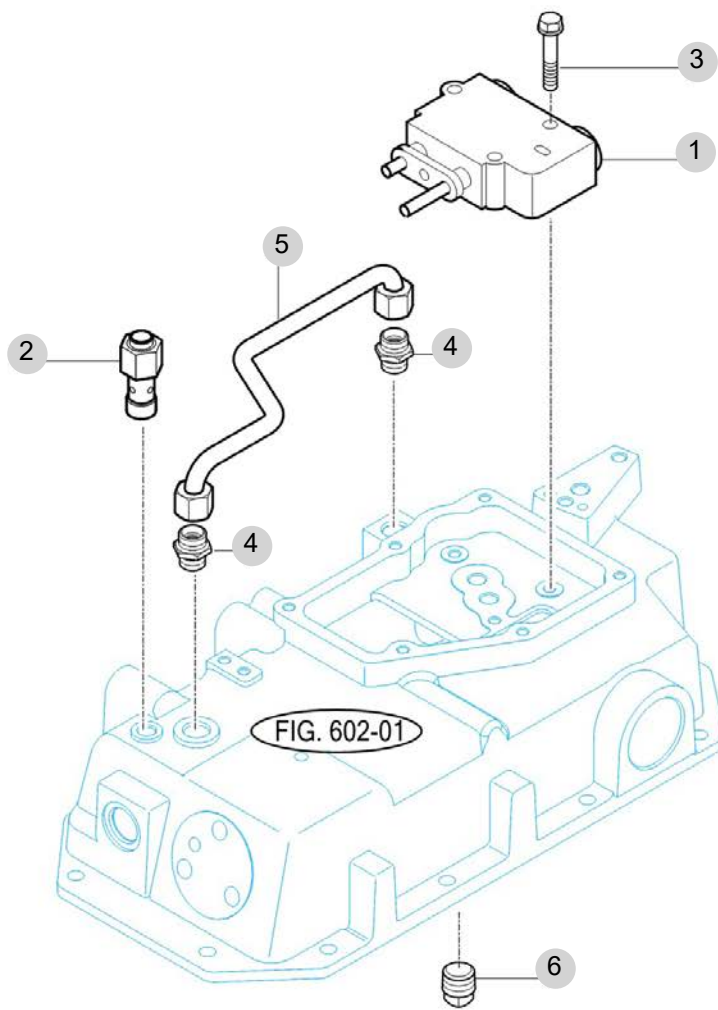
FIG 607

T475STEU

CONTROL VALVE

년/월
Year/Month

2022-12



T303/353NC-E-607

NOTE

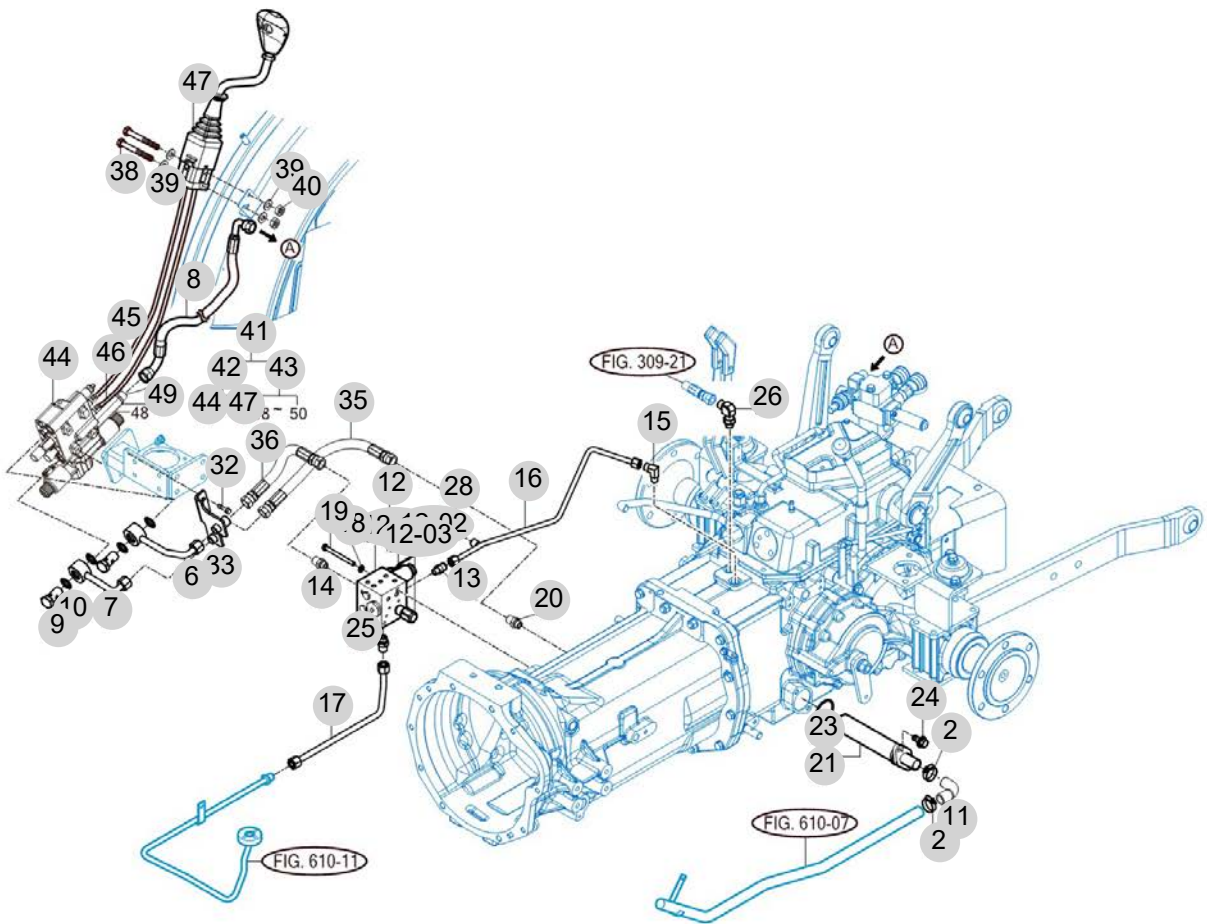
FIG 609

T475STEU

HYDRAULIC PIPE (1)

년/월
Year/Month

2022-12



NOTE

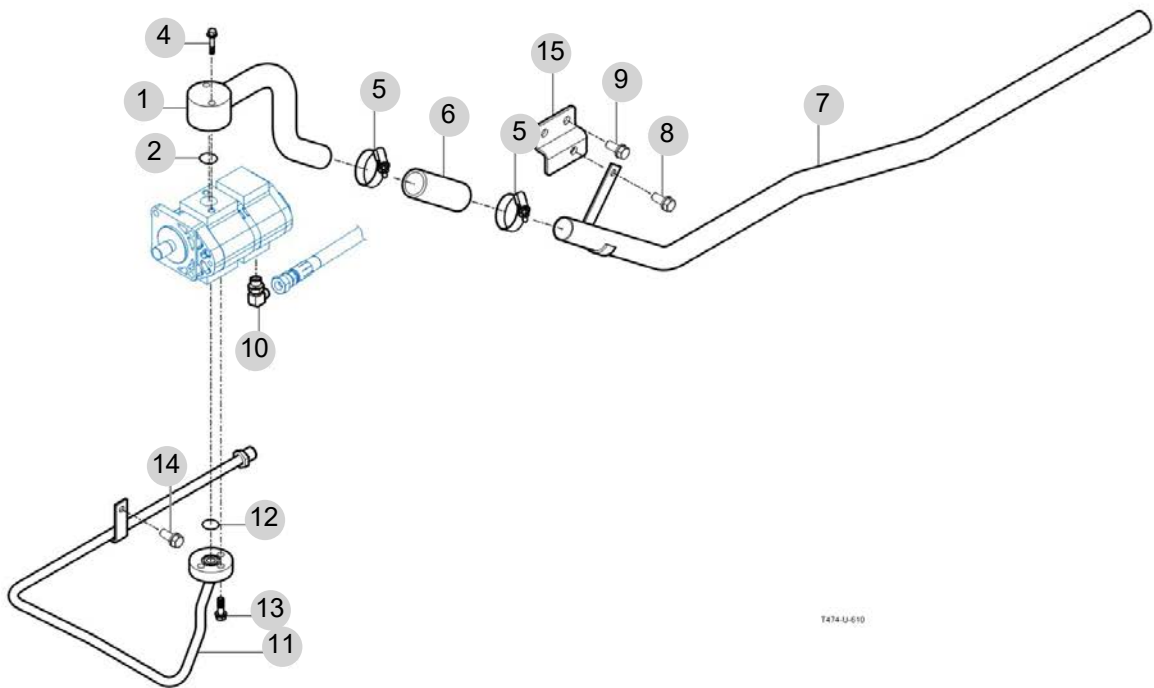
FIG 610

T475STEU

HYDRAULIC PIPE (2)

년/월
Year/Month

2022-12



T474-U-610

NOTE

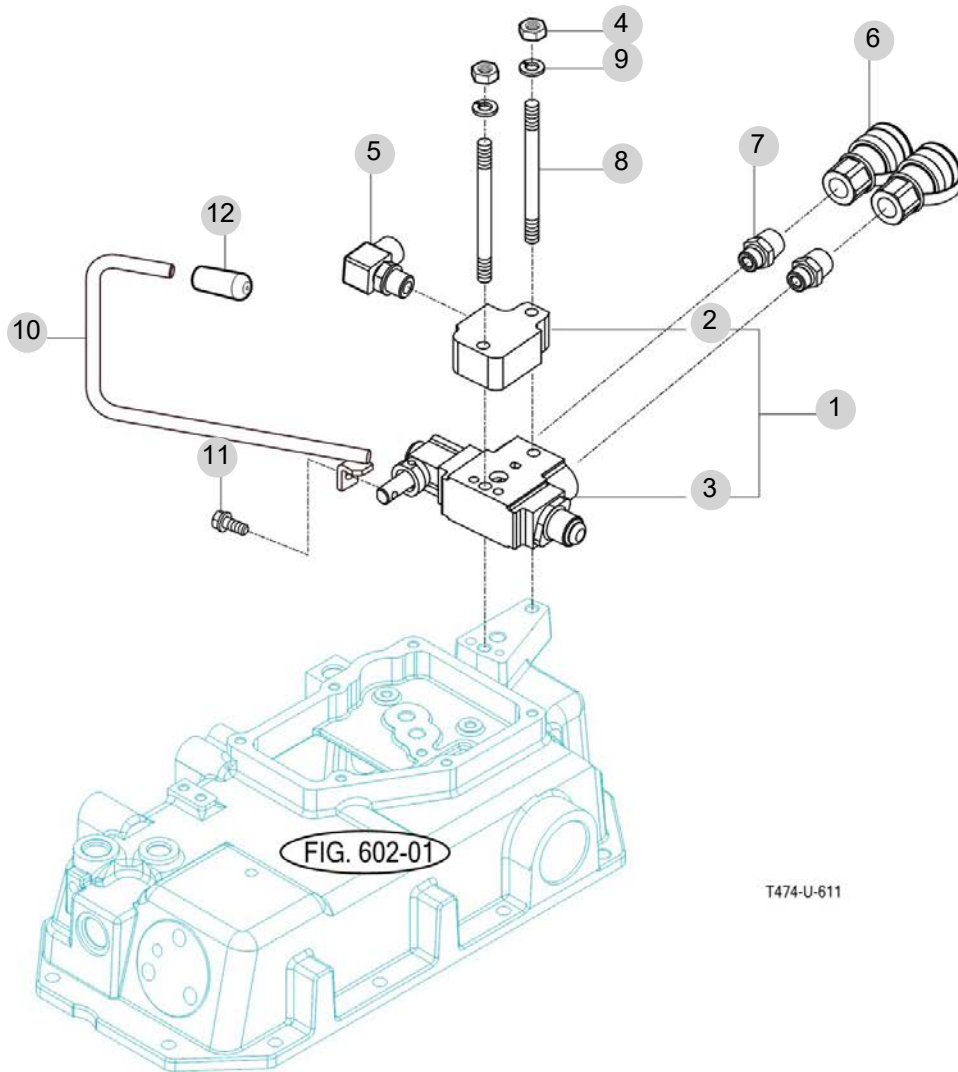
FIG 611

T475STEU

EXTERIOR HYD. VALVE

년/월
Year/Month

2022-12



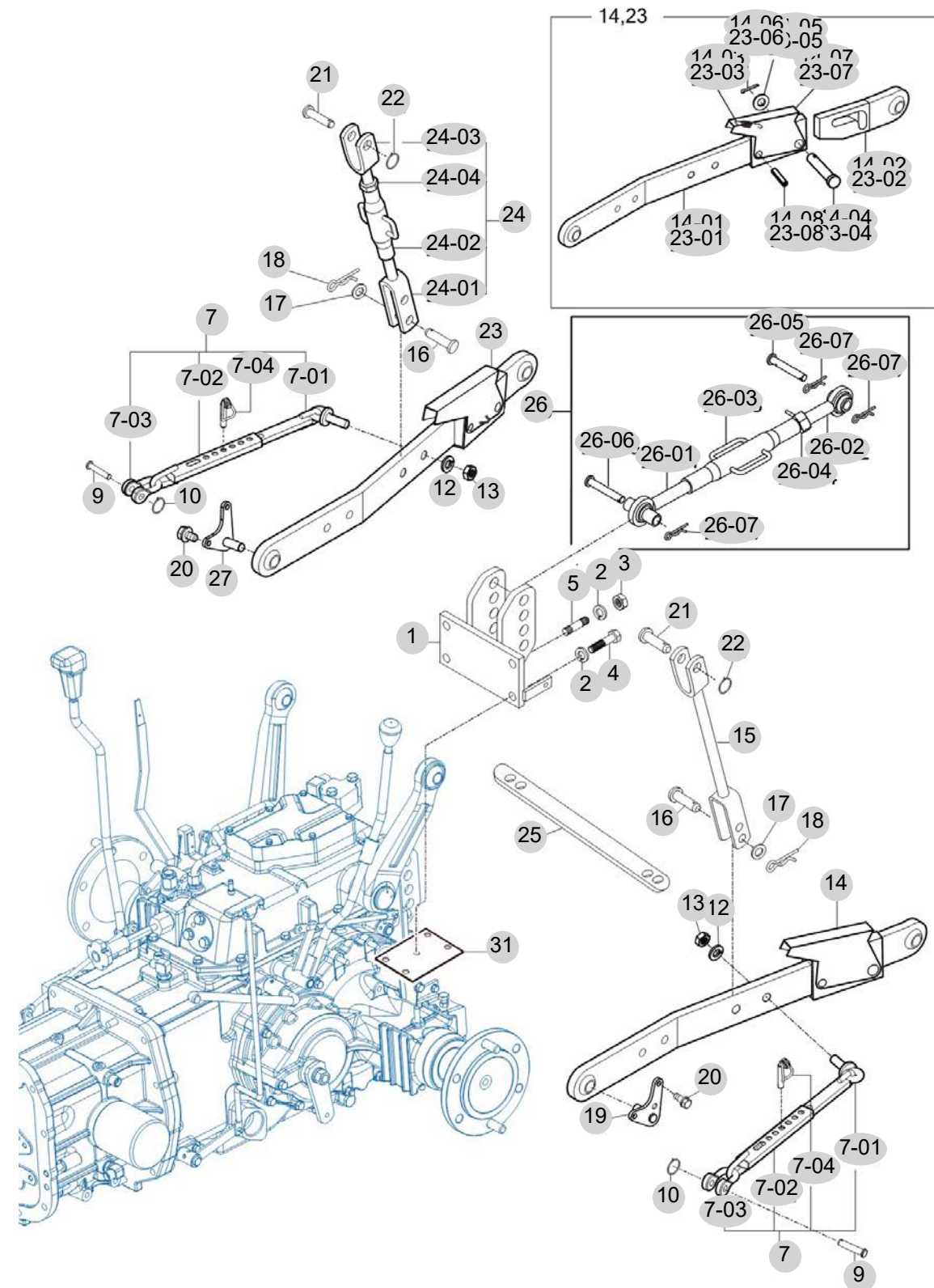
NOTE

FIG 612

3-POINT LINK

년/월
Year/Month

2022-12



NOTE

FIG 612		3-POINT LINK					년/월	
							Year/Month	
T475STEU		2022-12						
KEY NO	PART NO	DESCRIPTION	SPEC	QTY	REPAIR	EFFECTIVE DATE	REMARKS	
612	1	12393172000GB	톱링크 브래킷 COMP		1			
612	2	V4011600140	스프링와셔	M14	4			
612	3	V3043600140	소형육각너트보통2종	M14	2			
612	4	V2014614035	소형육각볼트(보통)		2			
612	5	V2514414030	스터드볼트2종	M14X30	2			
612	7	10525142500	체인(체크) 조합		2			
612	7-01	10525142520	체크바 조합		2			
612	7-02	10525142510	체크소켓조합		2			
612	7-03	16705142520	체크체인 샤클		2			
612	7-04	17705254200	린치핀	M14	2			
612	9	79636110030	핀(12X48)		2			
612	10	16735240060	스프링(45)		2			
612	12	V4011600160	스프링와셔	M16	2			
612	13	V3013600160	육각너트보통2종	M16	2			
612	14	10525262300GB	로어링크ASSY(LH)		1			
612	14	10525262301GB	하부 링크 ASSY , LH		1			
612	14-01	10525262310	하부링크 SUB , LH/FR		1			
612	14-02	10525262320	하부링크 SUB , LH/RR		1			
612	14-03	15155262330	인장 스프링		1			
612	14-04	15155262340	핀 ,22X56		1			
612	14-05	V4111600220	평와셔	M22	1			
612	14-06	V5001940035	분할핀	4X35	1			
612	14-07	15155262350	손잡이		1			
612	14-08	15155262360	스프링핀		1			
612	15	10525243000GB	리프트로드(LH) COMP		1			
612	16	15605260014	핀(16X51)		2			
612	17	V4111600160	평와셔	M16	2			
612	18	V5601600160	스냅핀		2			
612	19	12385142200	핀(LH) COMP		2			
612	20	V2173612030	소형육각볼트보통(S)	M12X30	4			
612	21	16735243500	핀		2			
612	22	16735240060	스프링(45)		2			
612	23	10525262200GB	로어링크ASSY(RH)		1			
612	23	10525262201GB	하부 링크 ASSY , RH		1			
612	23-01	10525262210	하부링크 SUB , RH/FR		1			
612	23-02	10525262220	하부링크 SUB , RH/RR		1			
612	23-03	15155262330	인장 스프링		1			
612	23-04	15155262340	핀 ,22X56		1			
612	23-05	V4111600220	평와셔	M22	1			
612	23-06	V5001940035	분할핀	4X35	1			
612	23-07	15155262350	손잡이		1			
612	23-08	15155262360	스프링핀		1			
612	24	10525244000GB	리프트로드(RH)ASSY		1			
612	24-01	10525145200	포크(하)COMP		1			
612	24-02	16705145100	슬리브 COMP		1			
NOTE								

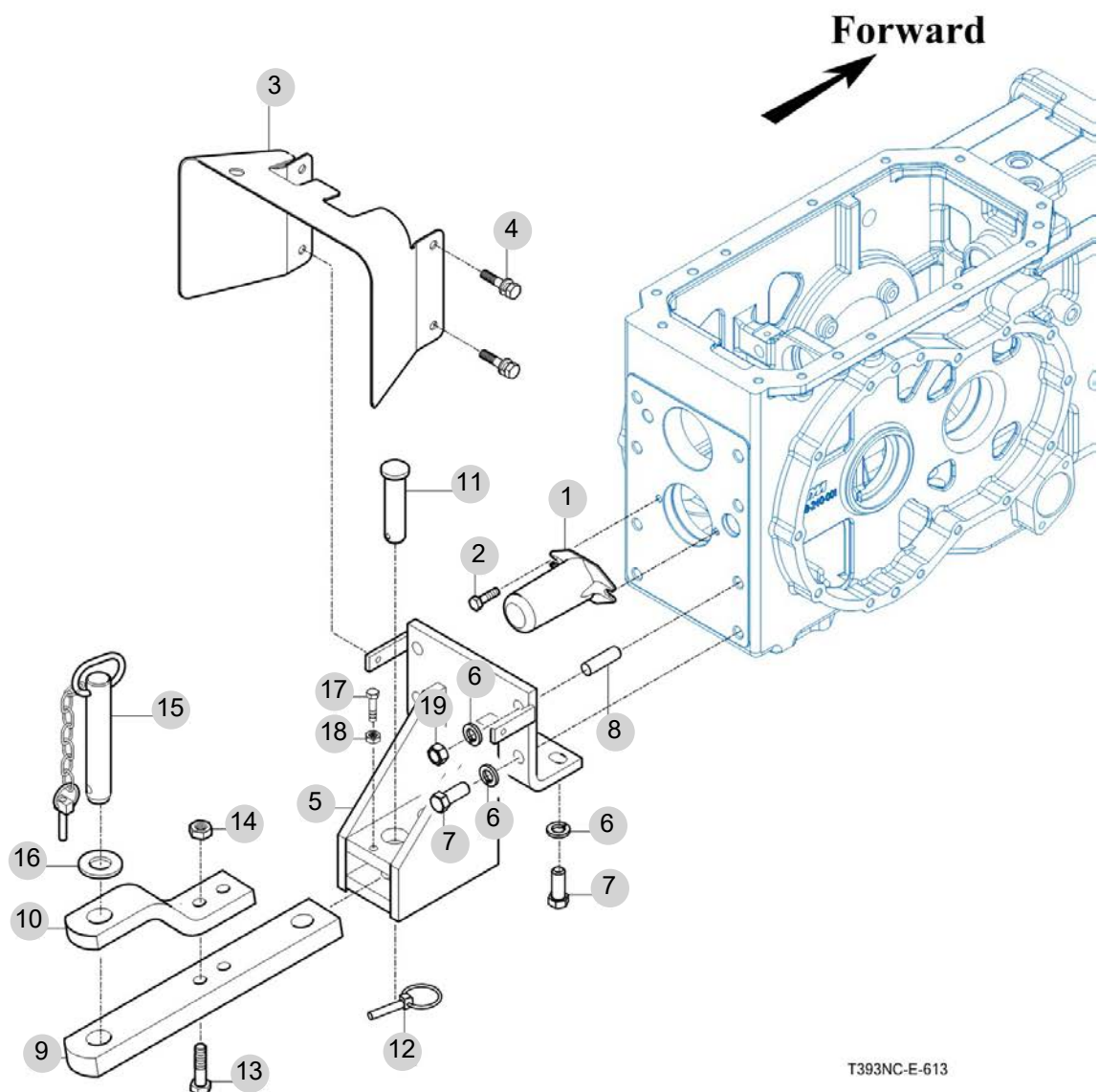
FIG 613

T475STEU

HITCH & COVER

년/월
Year/Month

2022-12



T393NC-E-613

NOTE

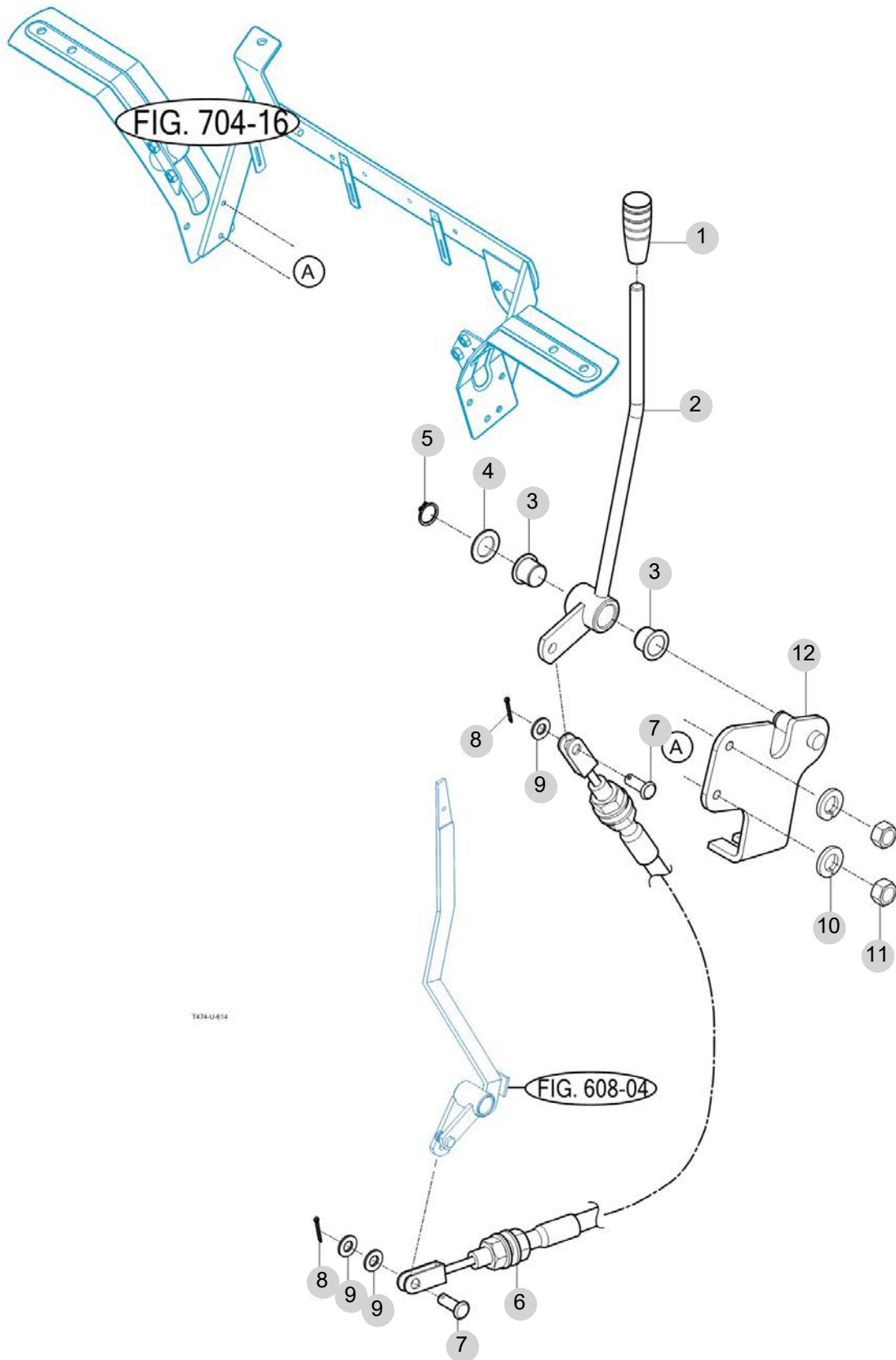
FIG 614

EXTERIOR POSITION LEVER

년/월
Year/Month

2022-12

T475STEU



NOTE

7. 시트메탈/캐빈 PART NO. T7

FIG 701 HOOD FRAME	210
FIG 702 HOOD	213
FIG 703 EXTENSION COVER	216
FIG 705 DASHPANEL	218
FIG 708 FRONT & REAR MOUNTING	220
FIG 709 SEAT & MAT	222
FIG 710 DOOR	224
FIG 711 FRONT GLASS	227
FIG 712 REAR GLASS	229
FIG 713 SUB FENDER & COVER	231
FIG 714 MIRROR	233
FIG 715 HEATER & AIR-CON	235
FIG 716 HEATER & AIR-CON	237
FIG 717 FENDER COVER	239
FIG 718 ROOF	241
FIG 719 CABIN INTERIOR	243

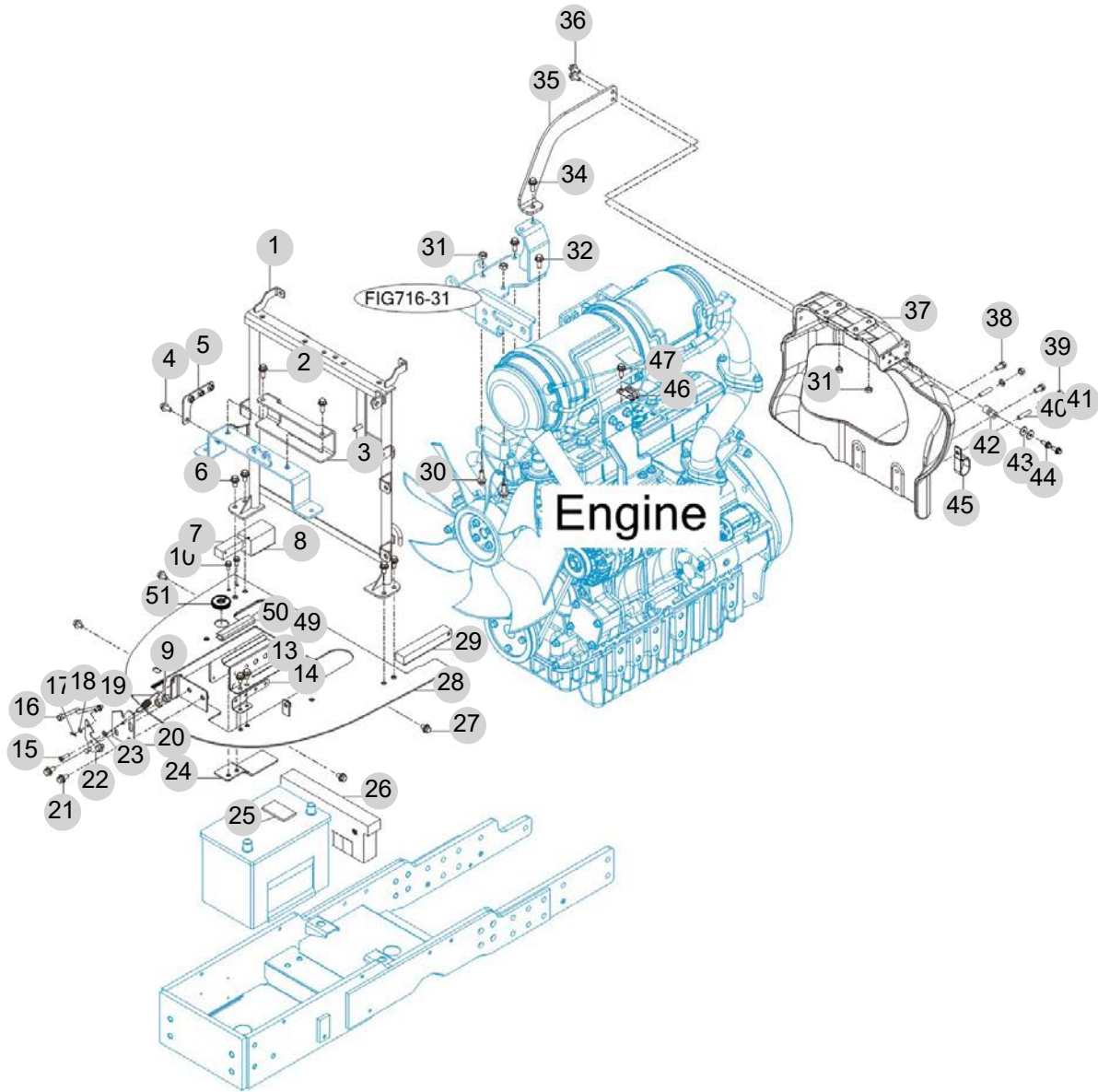
FIG 701

T475STEU

HOOD FRAME

년/월
Year/Month

2022-12



NOTE

FIG 701		HOOD FRAME					년/월 Year/Month		
							2022-12		
T475STEU		KEY NO	PART NO	DESCRIPTION	SPEC	QTY	REPAIR	EFFECTIVE DATE	REMARKS
701	1	13831031100GB	프레임 COMP , 프런트			1			
701	2	V2183608020	소형육각볼트보통(SP)	M8X20		2			
701	3	13831811400GB	브래킷, 배터리 고정			1			
701	3	13831811500GB	브래킷 COMP , 배터리			1			
701	4	V2183608020	소형육각볼트보통(SP)	M8X20		1			
701	5	13831613200GB	브래킷 COMP , 릴레이			1			
701	6	V2183608020	소형육각볼트보통(SP)	M8X20		4			
701	7	13831030700	인슐레이터 , B			1			
701	8	13831030800	인슐레이터 , C			1			
701	9	V3013600060	육각너트보통2종	M6		2			
701	10	V2123606016	육각볼트(SP)	M6X16		2			
701	13	V2183606016	소형육각볼트보통(SP)	M6X16		2			
701	14	13831613400GB	브래킷, 퓨즈			1			
701	15	V2323606020	십자홈육각볼트(SP)			1			
701	16	10986024300	로드 COMP, OPEN			1			
701	17	V5001925020	핀			1			
701	18	V4111600060	평와셔	M6		1			
701	19	14143120020	텐션스프링 (53)			1			
701	20	11106024210	후드스테이(B)			1			
701	21	V2183608020	소형육각볼트보통(SP)	M8X20		2			
701	22	11106024100	스테이(후드 A) COMP			1			
701	23	V4111600060	평와셔	M6		1			
701	24	13831052200GB	브래킷 COMP , 커버			1			
701	25	13151112011	인슐레이터(40X70)			1			
701	26	13831030500	인슐레이터 , 그릴플레이트			1			
701	27	V2183608016	소형육각볼트보통(SP)	M8X16		4			
701	28	10981052100GB	플레이트 COMP , 그릴			1			
701	29	13831030600	인슐레이터 , A			1			
701	30	V2173610055	소형육각볼트보통(S)	M10X55		2			
701	31	V3042600100	소형육각너트보통2종	M10		4			
701	32	V2183610025	소형육각볼트보통(SP)	M10X25		2			
701	34	V2183608025	소형육각볼트보통(SP)	M8X25		1			
701	35	13831811200GB	지지대			1			
701	36	V2183608020	소형육각볼트보통(SP)	M8X20		2			
701	37	13831811100GB	엔진 리어 서포트			1			
701	38	V2173608025	소형육각볼트보통(S)	M8X25		2			
701	39	V3042600080	소형육각너트보통2종	M8		2			
701	40	V2513408025	스터드볼트2종			2			
701	41	V4011600080	스프링와셔	M8		2			
701	42	13831811300	스페이서			2			
701	43	V4111600060	평와셔	M6		2			
701	44	V2113606040	육각볼트(S)	M6X40		2			
701	45	14441010161	라디에이터호스클램프			1			
701	46	14256210040	하니스클램프(9)			1			
701	47	V2183608016	소형육각볼트보통(SP)	M8X16		1			
NOTE									

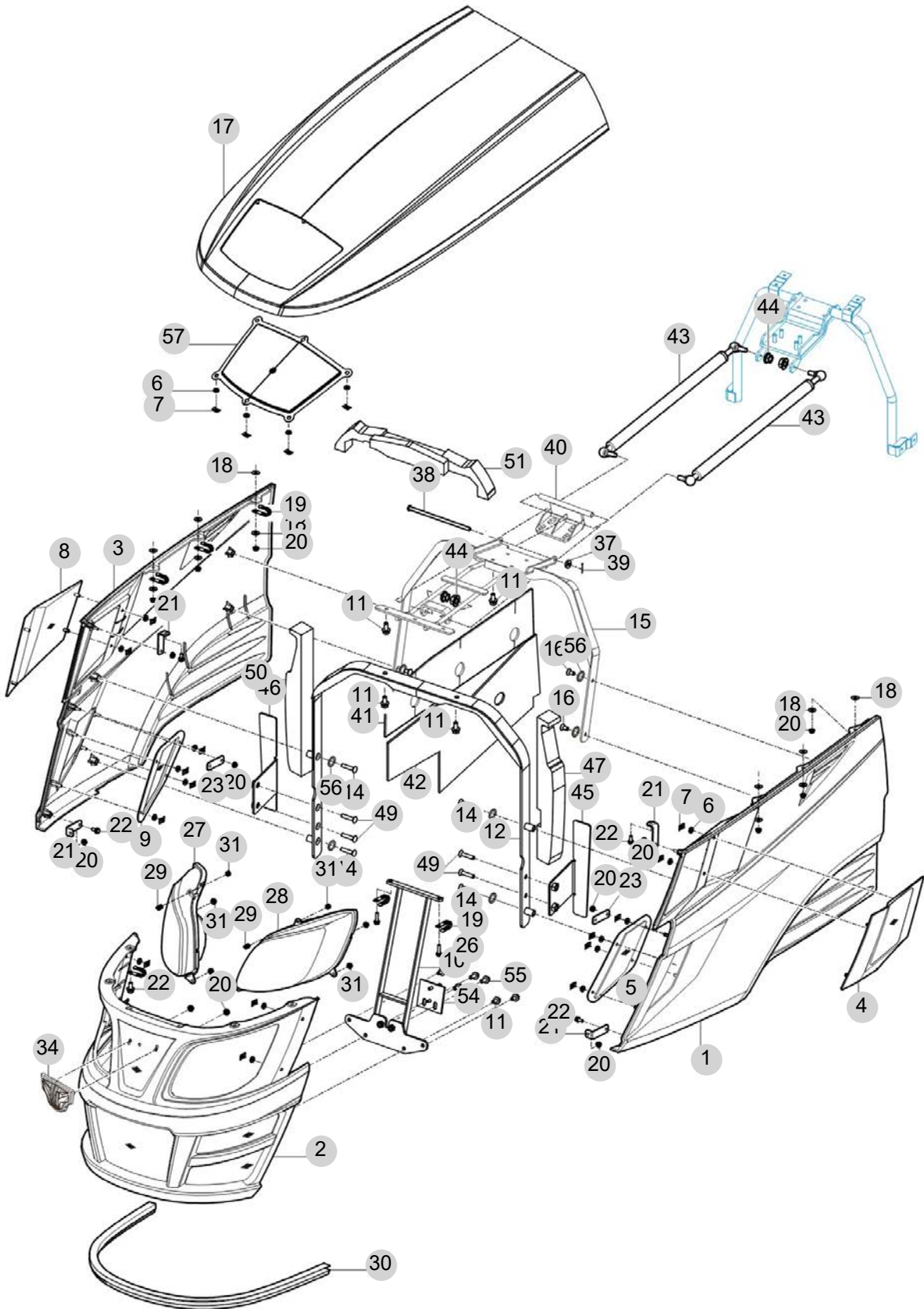
FIG 702

T475STEU

HOOD

년/월
Year/Month

2022-12



NOTE

FIG 702		HOOD						년/월 Year/Month	
								2022-12	
T475STEU		KEY NO	PART NO	DESCRIPTION	SPEC	QTY	REPAIR	EFFECTIVE DATE	REMARKS
702	1	17406203301SR	사이드 커버 COMP , 좌			1			
702	1	17406203302SR	사이드 커버 COMP , 좌			1			
702	1	17406203303SR	사이드 커버 COMP , 좌			1			
702	2	17406203200GB	그릴 COMP			1			
702	2	17406203201GB	그릴 COMP			1			
702	3	17406203401SR	사이드 커버 COMP , 우			1			
702	3	17406203402SR	사이드 커버 COMP , 우			1			
702	3	17406203403SR	사이드 커버 COMP , 우			1			
702	4	17406203500GB	네트 , 상/좌			1			
702	5	17406203600GB	네트 , 하/좌			1			
702	6	14446010150	네트와샤(6X14X3)			22			
702	7	V3501600060	스프링 너트			22			
702	8	17406203700GB	네트 , 상/우			1			
702	9	17406203800GB	네트 , 하/우			1			
702	10	18366202500GB	핀 COMP , 후드락			1			
702	11	V2183608020	소형육각볼트보통(SP)	M8X20		13			
702	12	13836202300GB	프레임 COMP , 전			1			
702	14	V1122608040	십자홈접시작은나사			4			
702	15	17406202700GB	후드 프레임 COMP , 후			1			
702	15	13836202700GB	후드 프레임 COMP , 후			1			
702	15	13836202701GB	후드 프레임 COMP , 후			1			
702	16	V1122608016	십자홈접시작은나사			4			
702	17	13836213100SR	후드 COMP			1			
702	17	13836213101SR	후드 COMP			1			
702	17	13836213102SR	후드 COMP			1			
702	18	35605033020	와이어인출용와셔			12			
702	19	37371720090	메인하니스 클램프(하)			6			
702	20	V3802600060	플랜지붙이육각너트			16			
702	21	17406203011GB	플레이트 , 상/사이드			4			
702	21	17406203010GB	플레이트 , 상/사이드			4			
702	22	V2123606016	육각볼트(SP)	M6X16		8			
702	23	17406203020GB	플레이트 , 중/사이드			2			
702	26	V2123606025	육각볼트(SP)	M6X25		2			
702	27	17406525001	헤드램프 ASSY , 우			1			
702	27	17406525002	헤드램프 ASSY , 우			1			
702	28	17406524001	헤드램프 ASSY , 좌			1			
702	28	17406524002	헤드램프 ASSY , 좌			1			
702	29	36108010080	종자출구스프링(HC016)			2			
702	30	17406203900	인슐레이터 , 후드			1			
702	31	19027210060	나일론너트(M6)			6			
702	34	19959010011	엠블럼			1			
702	34	17406212000	엠블럼 ASSY , V5			1			
702	37	V4111600080	평와셔	M8		1			
702	38	13016202060	후드 핀			1			
702	39	V5001925020	핀			1			
NOTE									

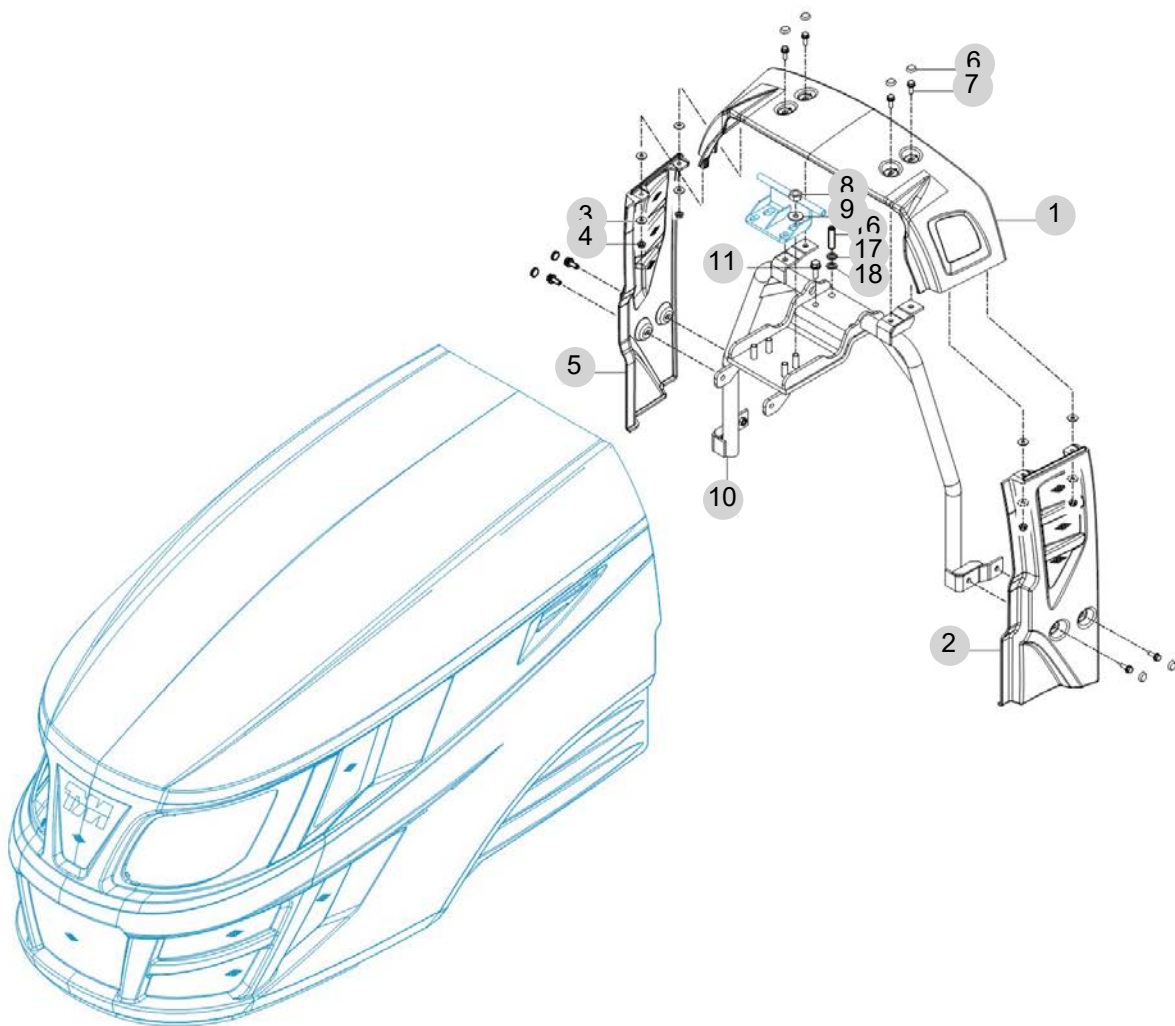
FIG 703

T475STEU

EXTENSION COVER

년/월
Year/Month

2022-12



NOTE

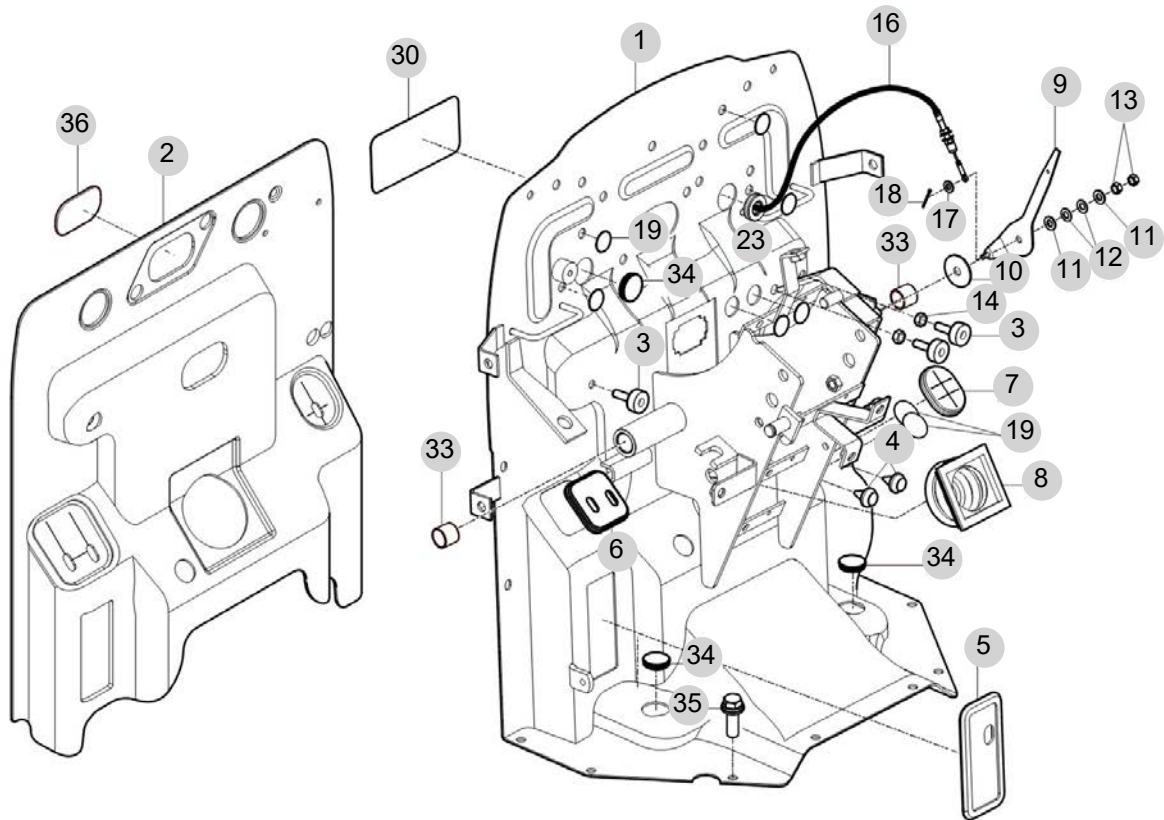
FIG 705

T475STEU

DASHBOARD

년/월
Year/Month

2022-12



NOTE

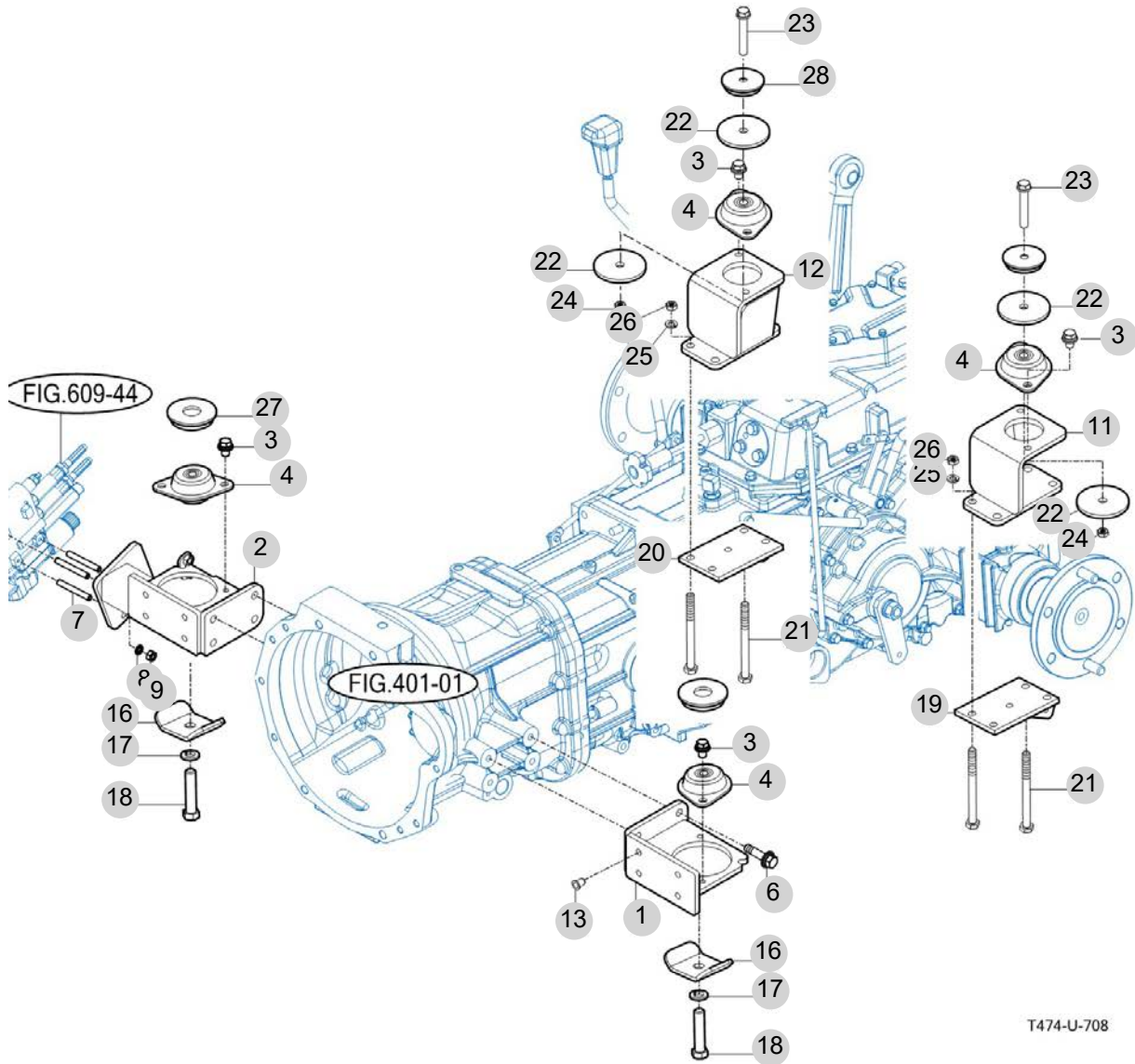
FIG 708

T475STEU

FRONT & REAR MOUNTING

년/월
Year/Month

2022-12



NOTE

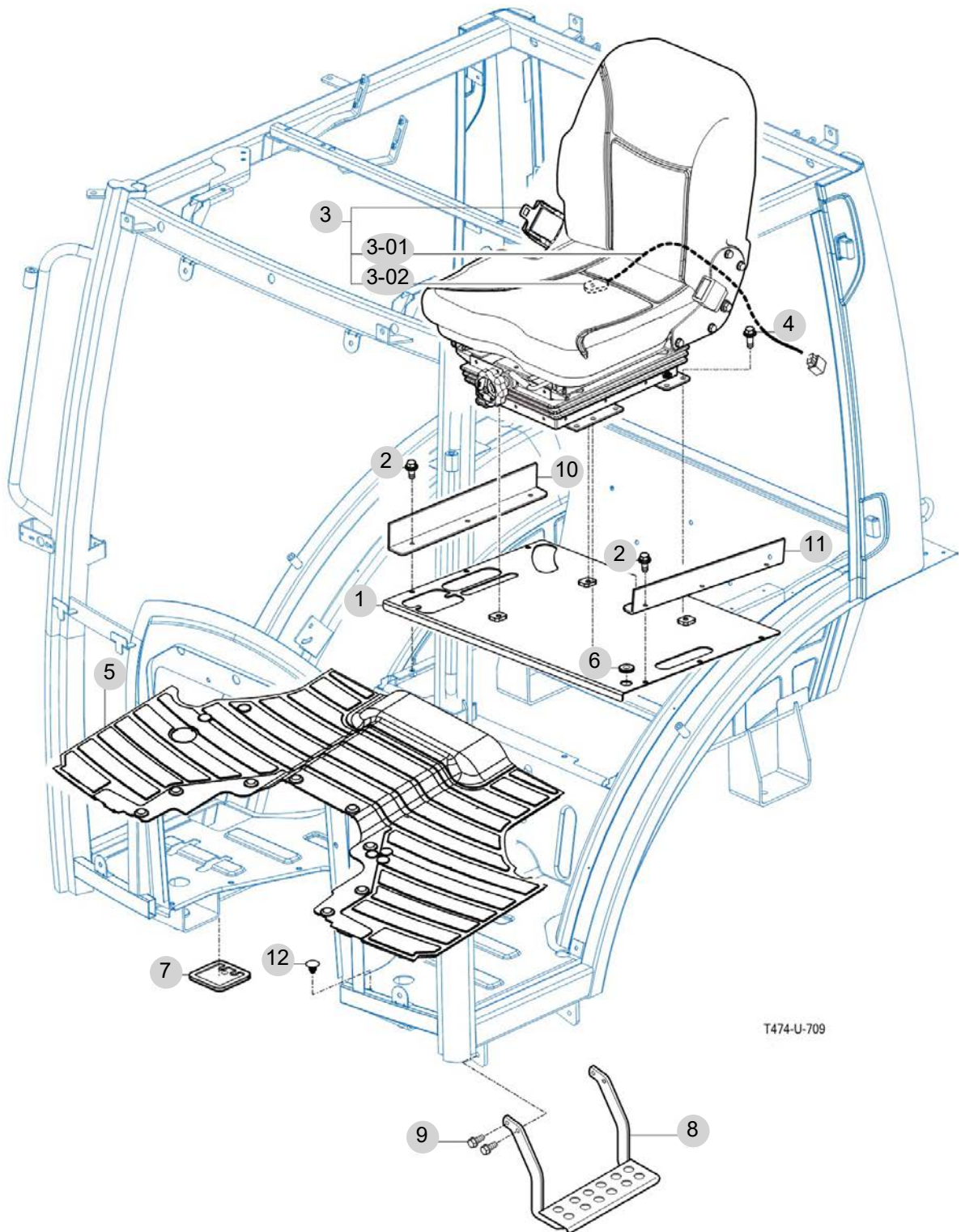
FIG 709

SEAT & MAT

년/월
Year/Month

2022-12

T475STEU



T474-U-709

NOTE

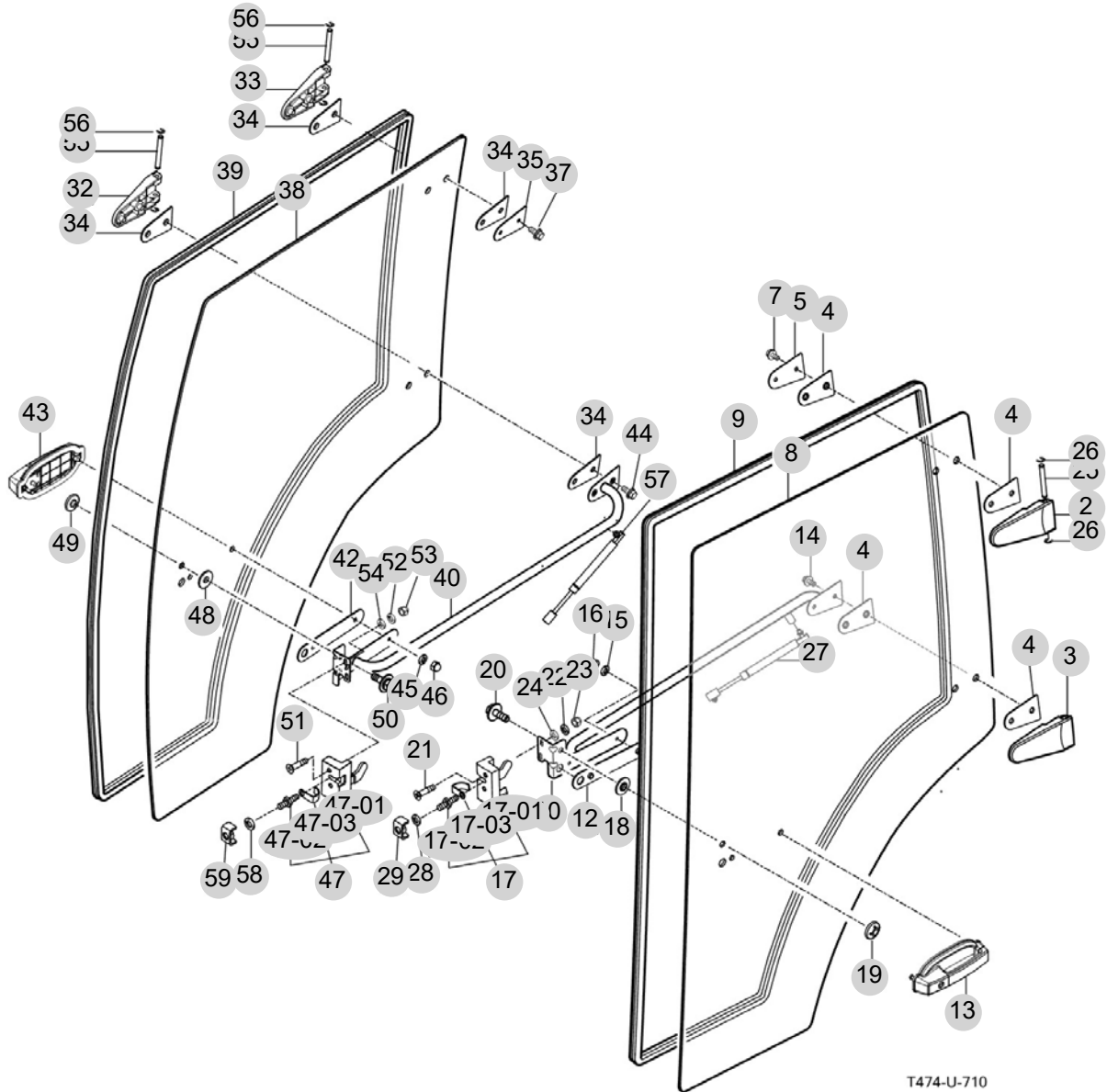
FIG 710

T475STEU

DOOR

년/월
Year/Month

2022-12



NOTE

FIG 710		DOOR					년/월 Year/Month		
							2022-12		
T475STEU		KEY NO	PART NO	DESCRIPTION	SPEC	QTY	REPAIR	EFFECTIVE DATE	REMARKS
710	2	14527052300	도어힌지조합, 상/LH			1			
710	3	14527052400	도어힌지조합, 상/RH			1			
710	4	14527052110	개스킷, 도어힌지			4			
710	5	14527052120GB	플레이터,도어힌지			1			
710	7	V2183608020	소형육각볼트보통(SP)	M8X20		2			
710	8	12397052211	그라스, 도어/LH	6t		1			
710	9	12397042200	인슐레이터, 도어			1			
710	10	12397022500GB	가이드 조합, LH/도어			1			
710	12	14527052150	개스킷, 도어손잡이			1			
710	13	17827052600	손잡이 ASSY, 잠금장치			1			
710	14	V2183608020	소형육각볼트보통(SP)	M8X20		2			
710	15	V4011600060	스프링와셔	M6		2			
710	16	V3402700060	육각캡너트	M6		2			
710	17	17827052700	라쳇 ASSY, 좌/도어			1			
710	17-01	17827052710	록 ASSY, 좌/도어			1			
710	17-02	14527052720	스트라이크			1			
710	17-03	14527052730	가이드			1			
710	18	15817401130	크로메트(13X17X02)			1			
710	19	14527042500	그라스너트조합			1			
710	20	V2193606012	육각볼트(SPL)	M6X12		1			
710	21	V1122608040	심자흡점시작은나사	M8X40		2			
710	22	V4011600080	스프링와셔	M8		2			
710	23	V3402700080	육각캡너트	M8		2			
710	24	V4111600080	평와셔			2			
710	25	14527041110	핀, 도어힌지	D=8		2			
710	26	V7082400070	E형멈춤링(sus)	7		4			
710	27	14527301080	댐퍼(도어)ASSY_20kg	20KG		1			
710	28	V4011600100	스프링와셔	M10		1			
710	29	14527062500GB	브래킷 조합,도어록			1			
710	32	14527052300	도어힌지조합, 상/LH			1			
710	33	14527052400	도어힌지조합, 상/RH			1			
710	34	14527052110	개스킷, 도어힌지			4			
710	35	14527052120GB	플레이터,도어힌지			1			
710	37	V2183608020	소형육각볼트보통(SP)	M8X20		2			
710	38	12397052111	그라스, 도어/RH	6t		1			
710	39	12397042200	인슐레이터, 도어			1			
710	40	12397024000GB	가이드 조합, RH/도어			1			
710	42	14527052150	개스킷, 도어손잡이			1			
710	43	17827052600	손잡이 ASSY, 잠금장치			1			
710	44	V2183608020	소형육각볼트보통(SP)	M8X20		2			
710	45	V4011600060	스프링와셔	M6		2			
710	46	V3402700060	육각캡너트	M6		2			
710	47	17827053700	라쳇 ASSY, 우/도어			1			
710	47-01	17827053710	록 ASSY, 우/도어			1			
710	47-02	14527052720	스트라이크			1			
NOTE									

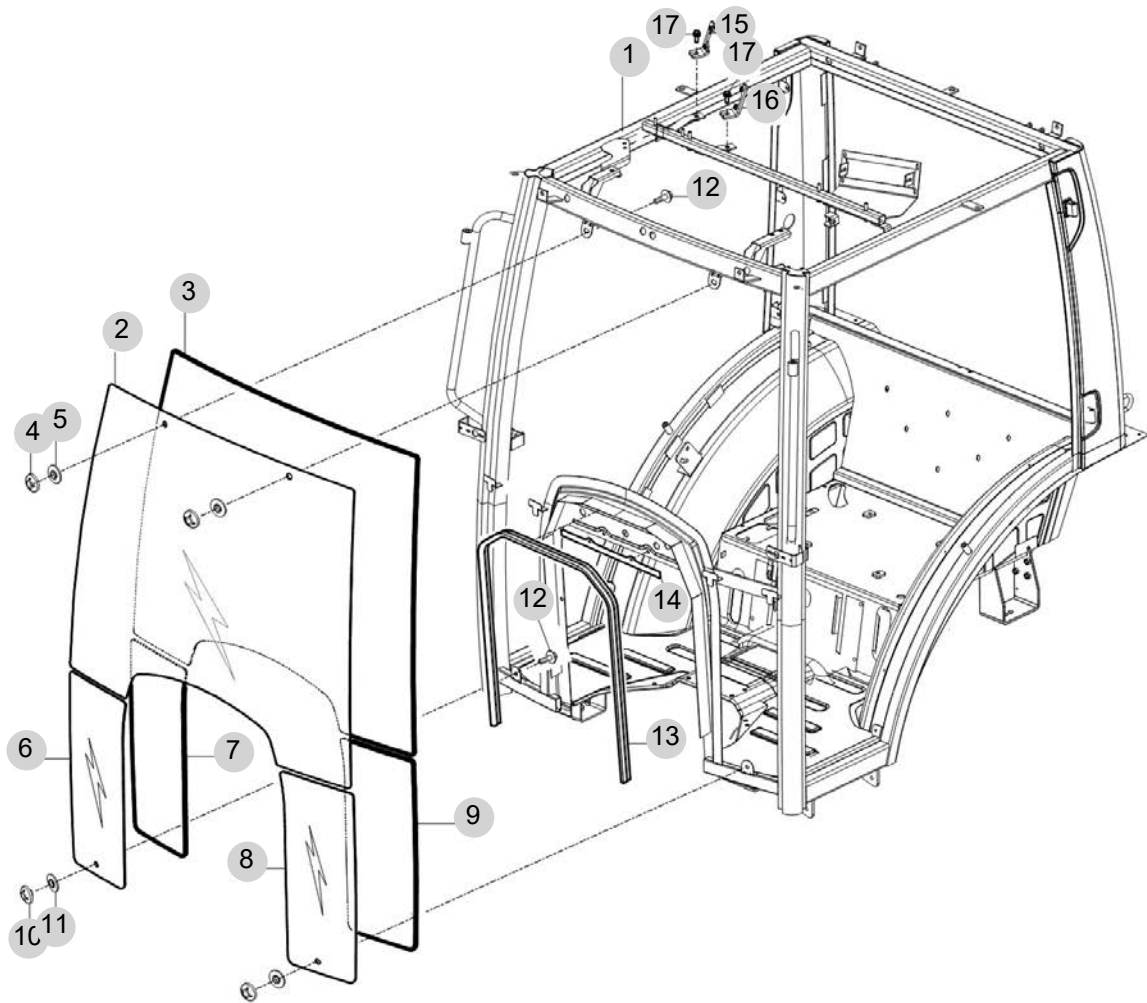
FIG 711

T475STEU

FRONT GLASS

년/월
Year/Month

2022-12



NOTE

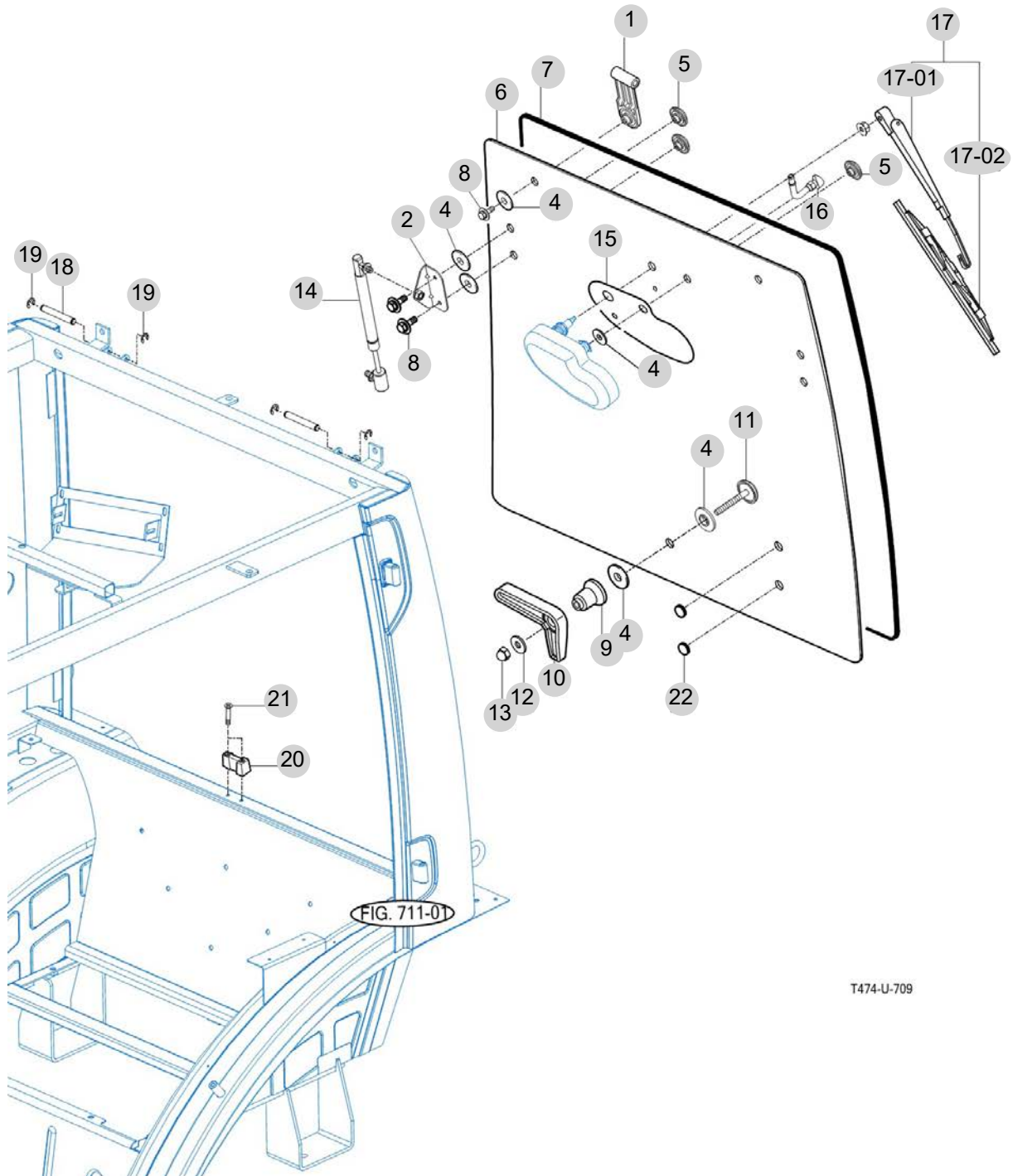
FIG 712

T475STEU

REAR GLASS

년/월
Year/Month

2022-12



NOTE

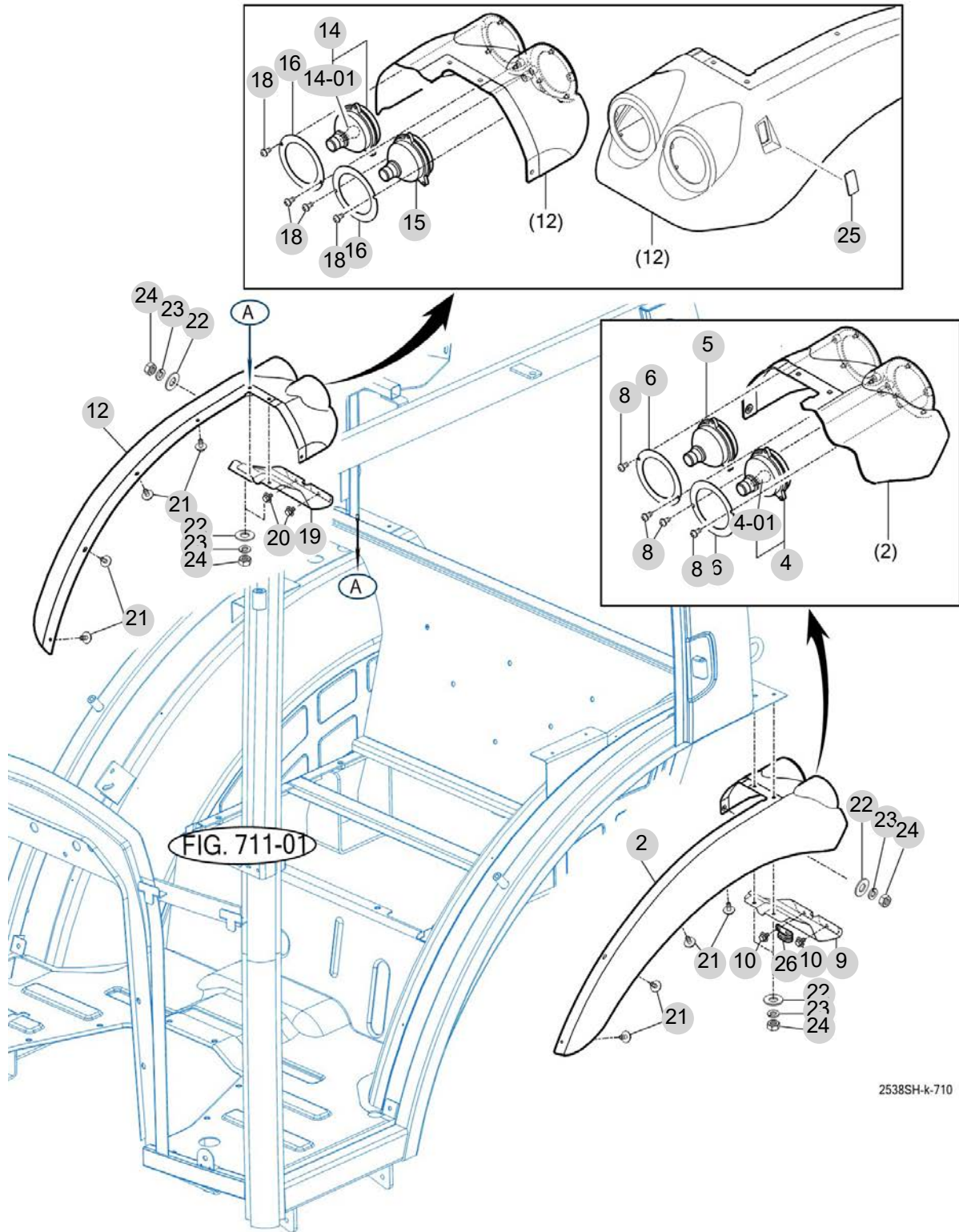
FIG 713

T475STEU

SUB FENDER & COVER

년/월
Year/Month

2022-12



NOTE

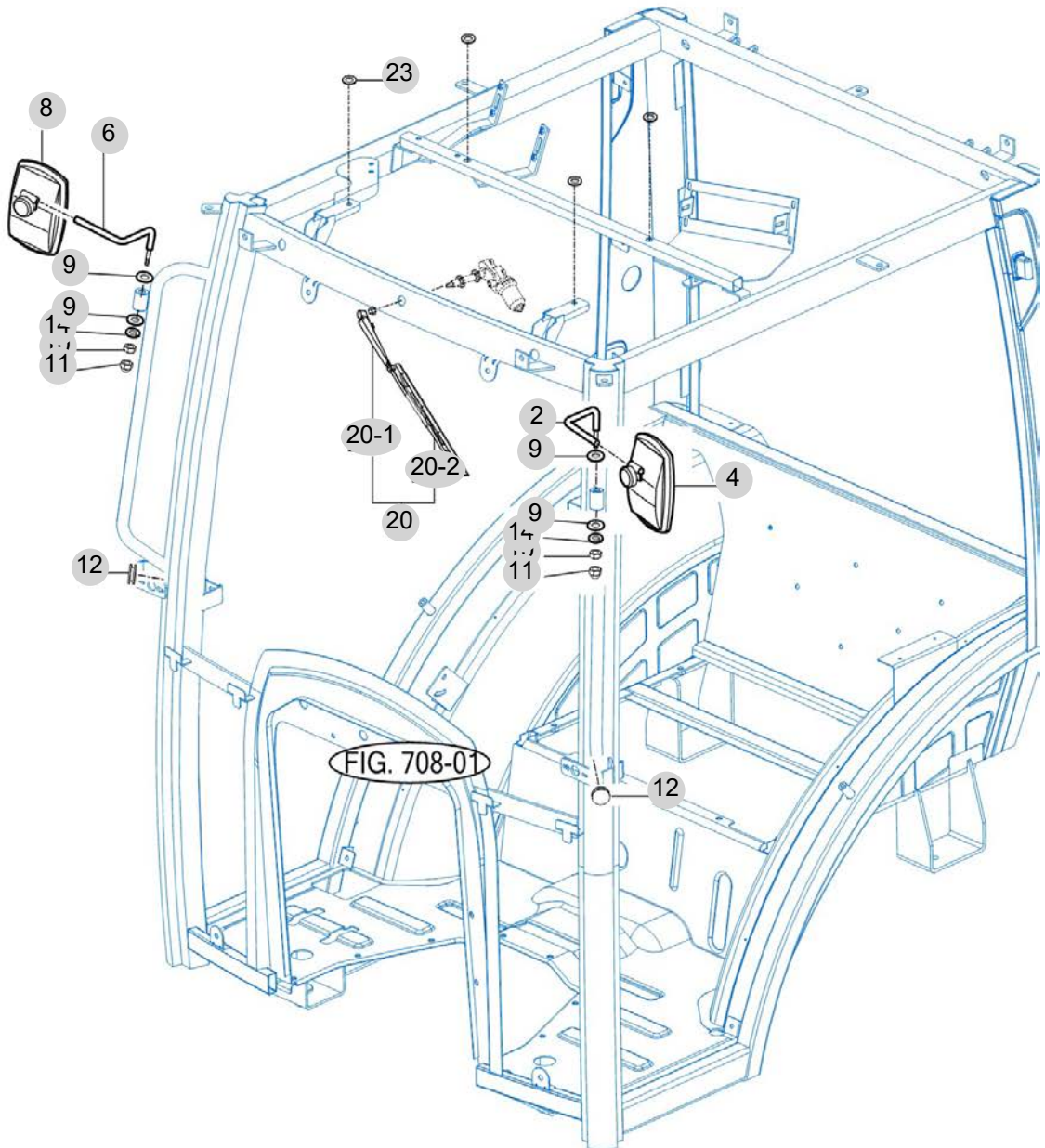
FIG 714

T475STEU

MIRROR

년/월
Year/Month

2022-12



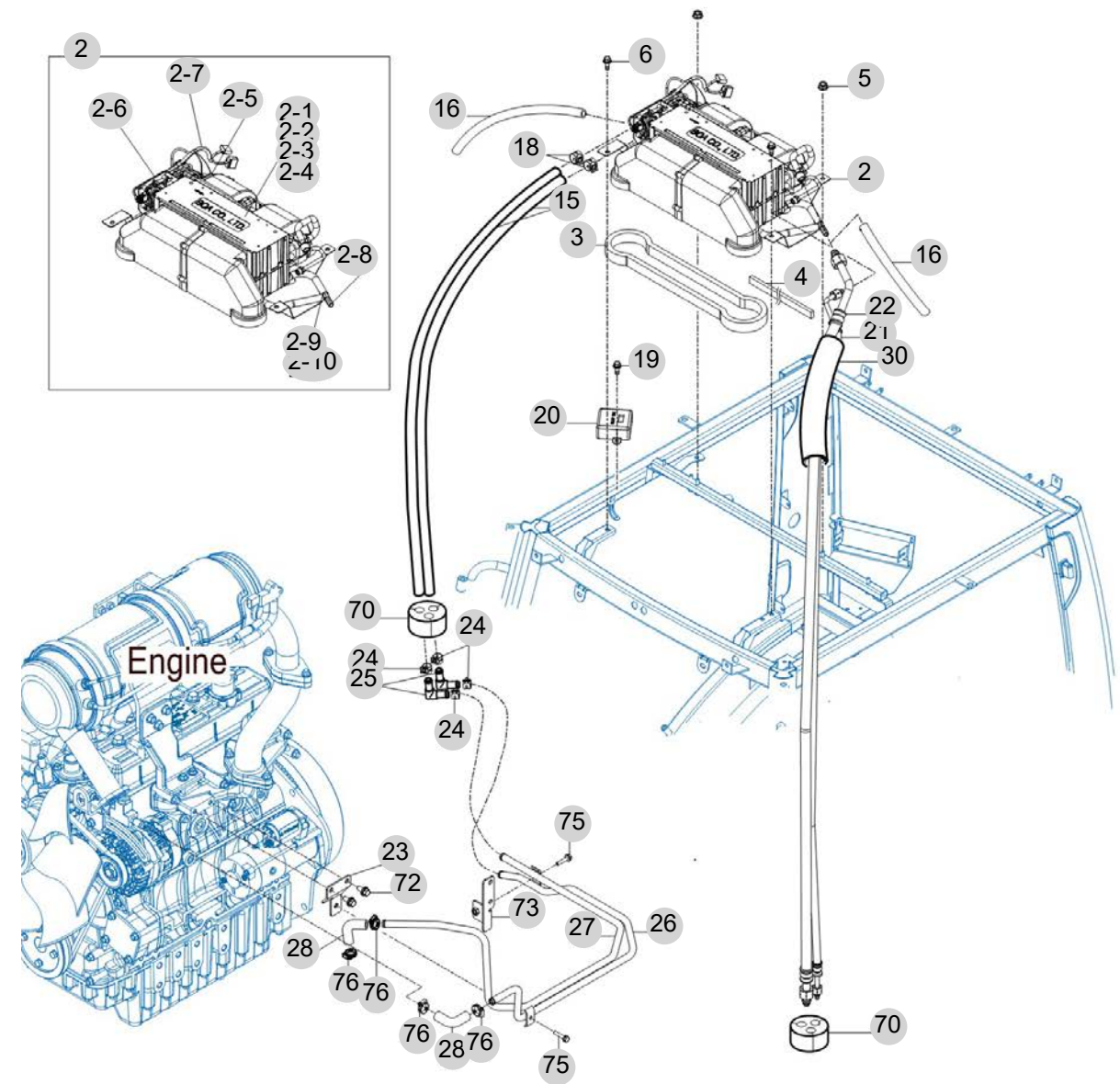
NOTE

FIG 715

HEATER & AIR-CON

년/월
Year/Month

2022-12



NOTE

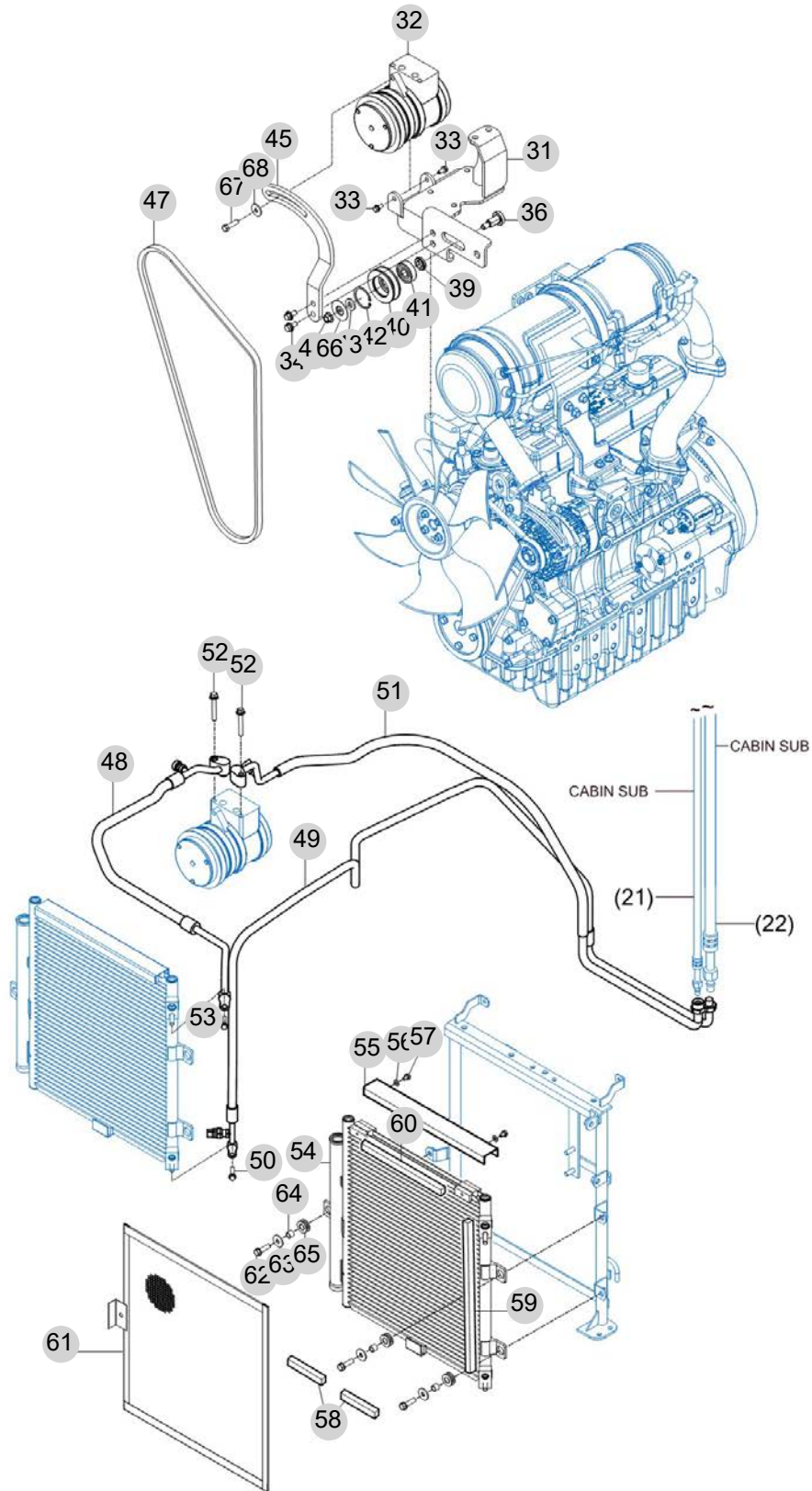
FIG 716

HEATER & AIR-CON

년/월
Year/Month

2022-12

T475STEU



2538SH-K-712

NOTE

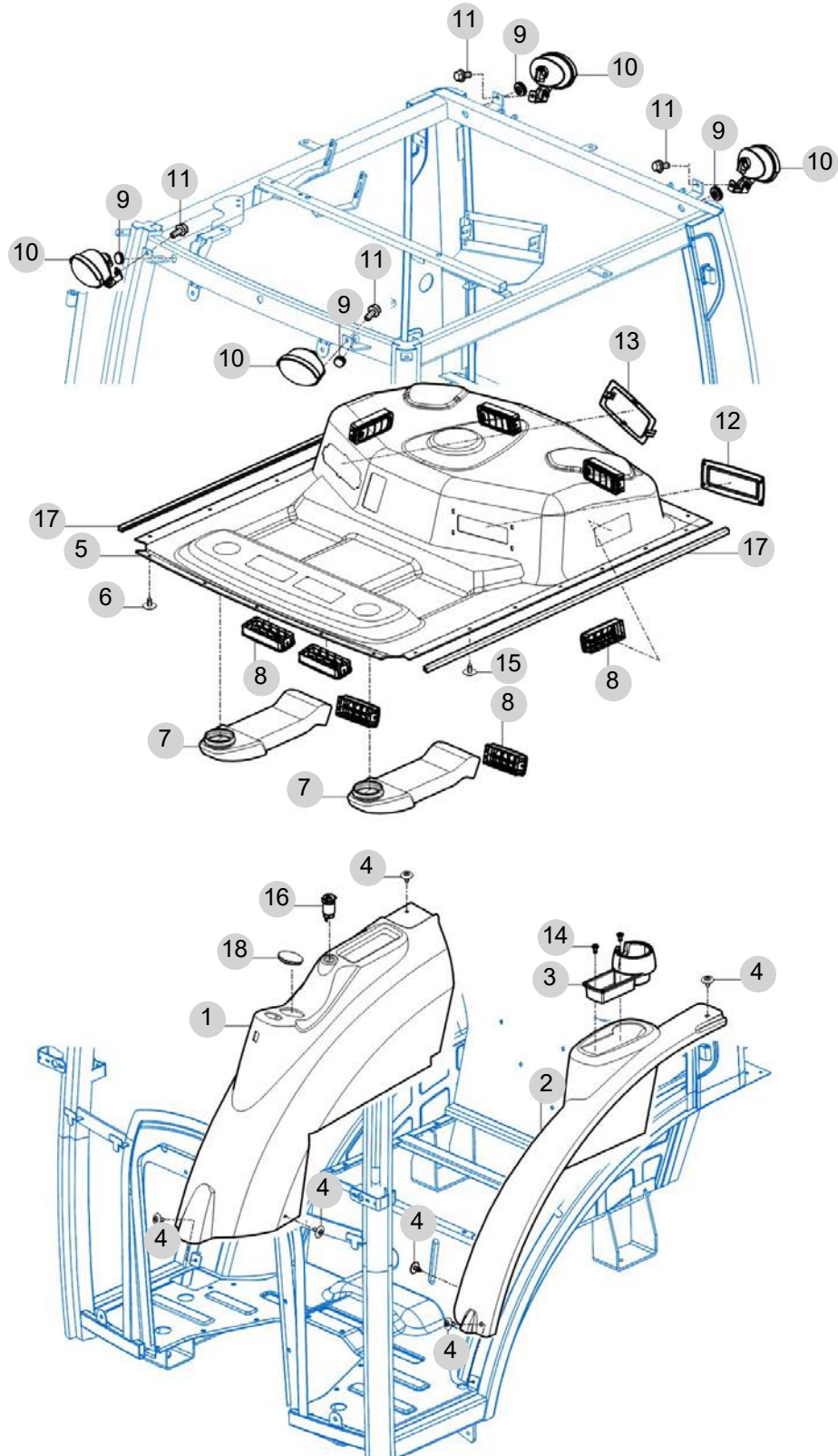
FIG 717

T475STEU

FENDER COVER

년/월
Year/Month

2022-12



NOTE

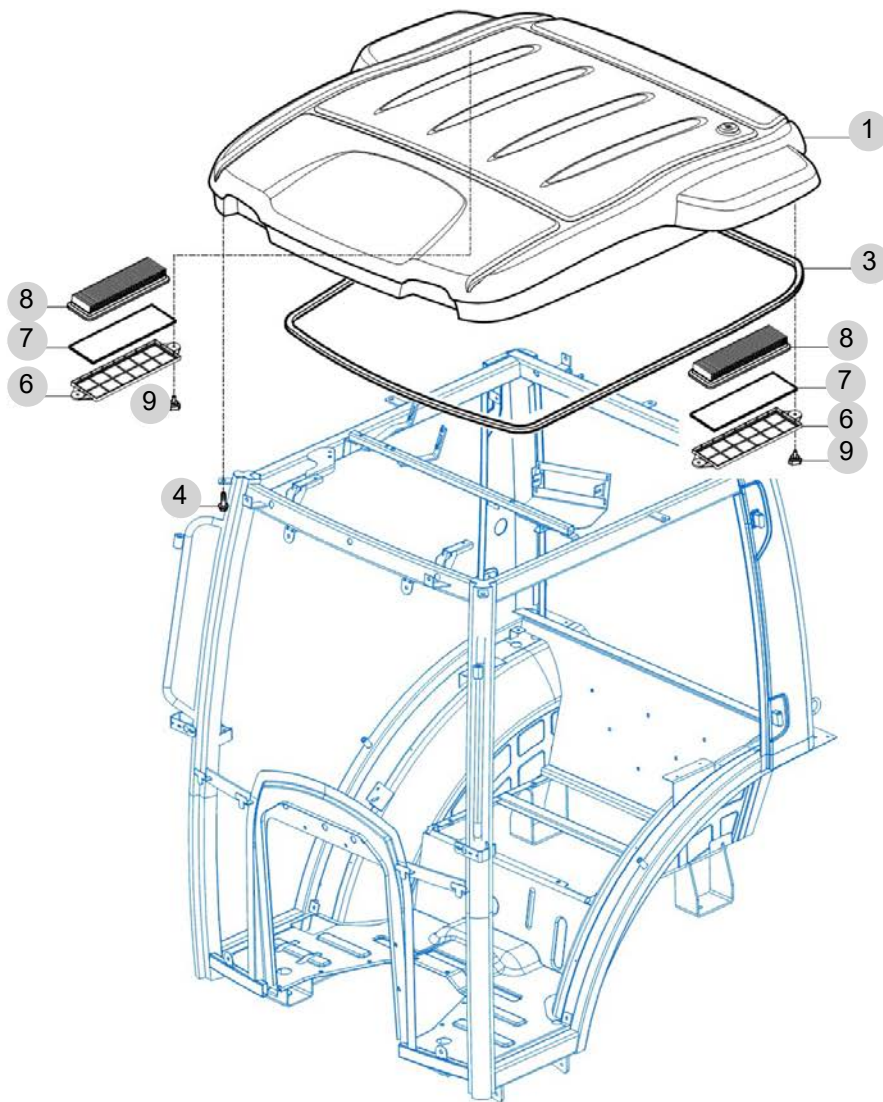
FIG 718

T475STEU

ROOF

년/월
Year/Month

2022-12



NOTE

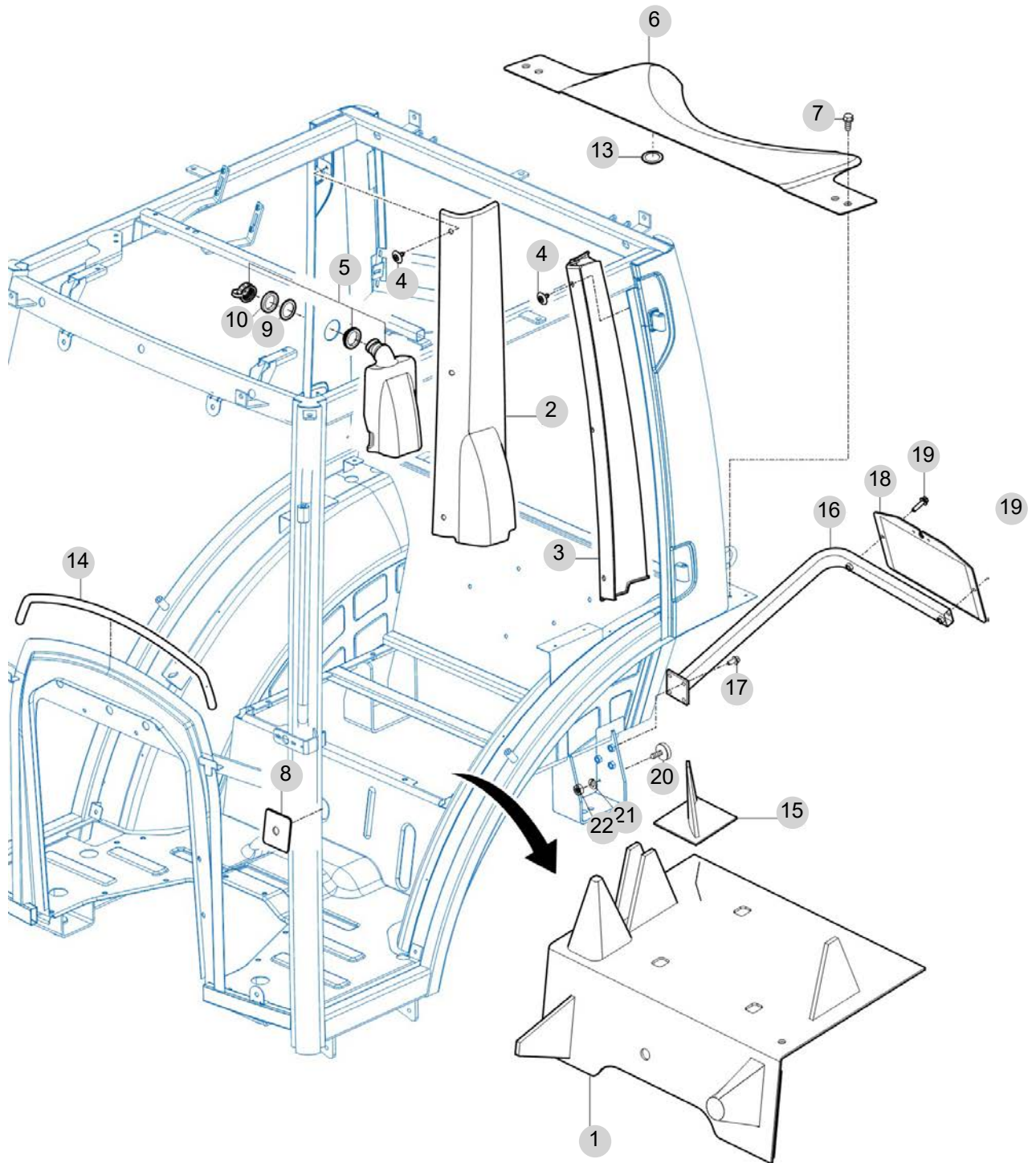
FIG 719

CABIN INTERIOR

년/월
Year/Month

T475STEU

2022-12



NOTE

8. 전장 PART NO. T8

FIG 801 BATTERY & MOUNTING	246
FIG 802 LAMP	248
FIG 803 INSTRUMENT PANEL	250
FIG 804 ELECTRIC SYSTEM	252
FIG 805 HARNESS	254
FIG 806 HARNESS (2)	256

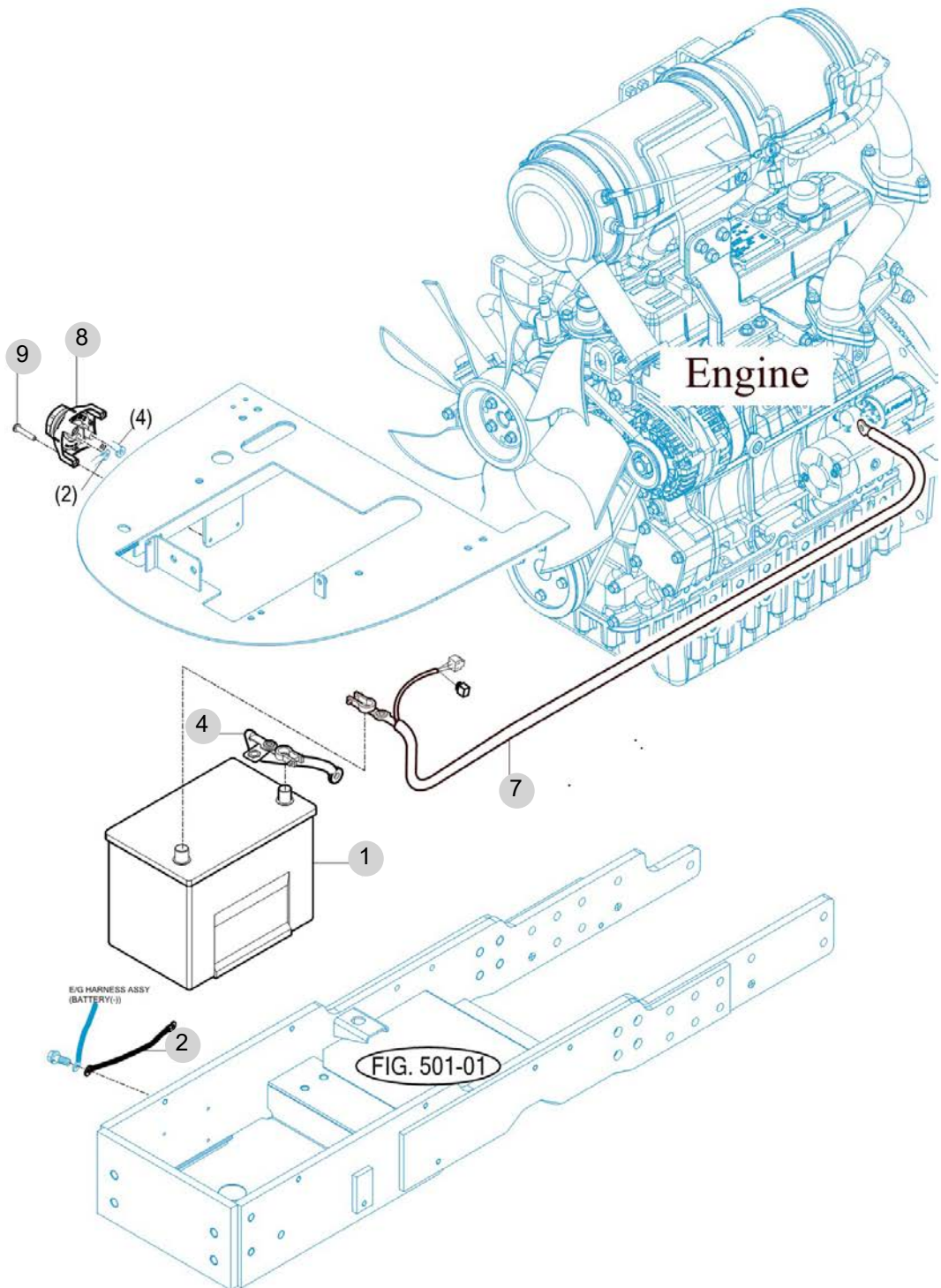
FIG 801

T475STEU

BATTERY & MOUNTING

년/월
Year/Month

2022-12



NOTE

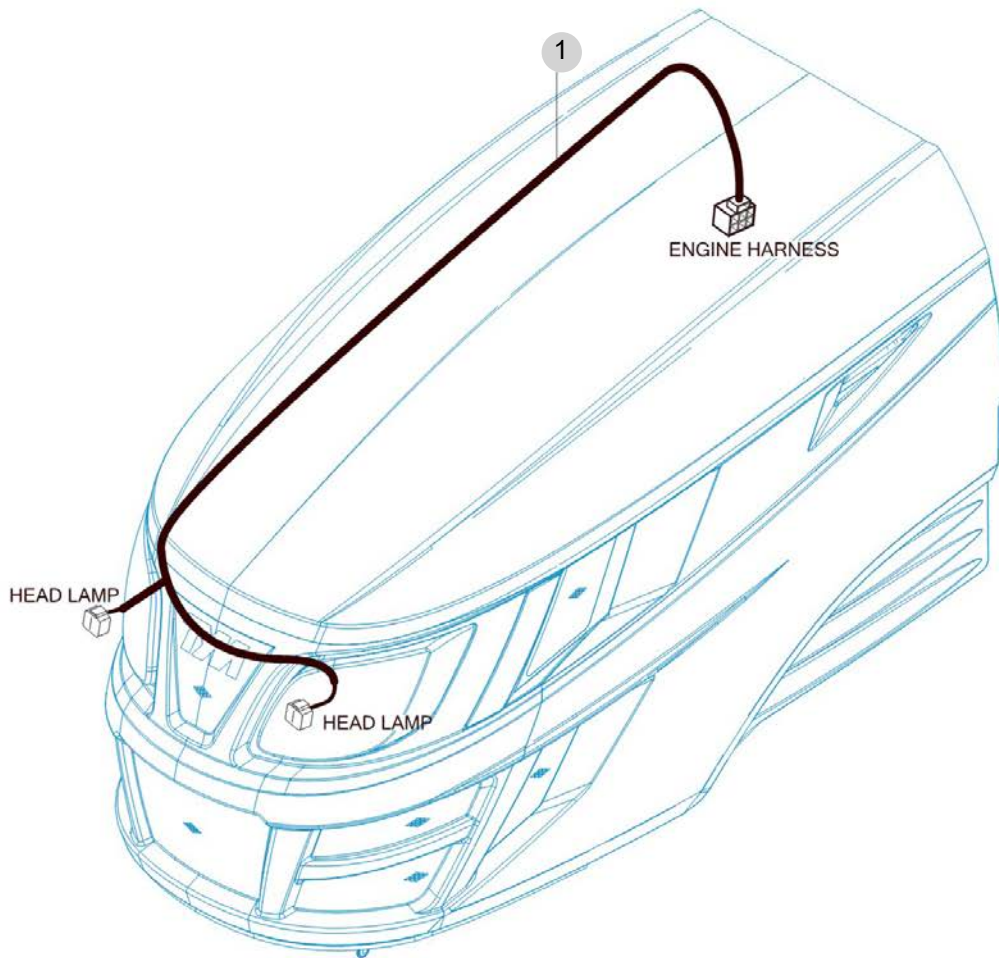
FIG 802

T475STEU

LAMP

년/월
Year/Month

2022-12



NOTE

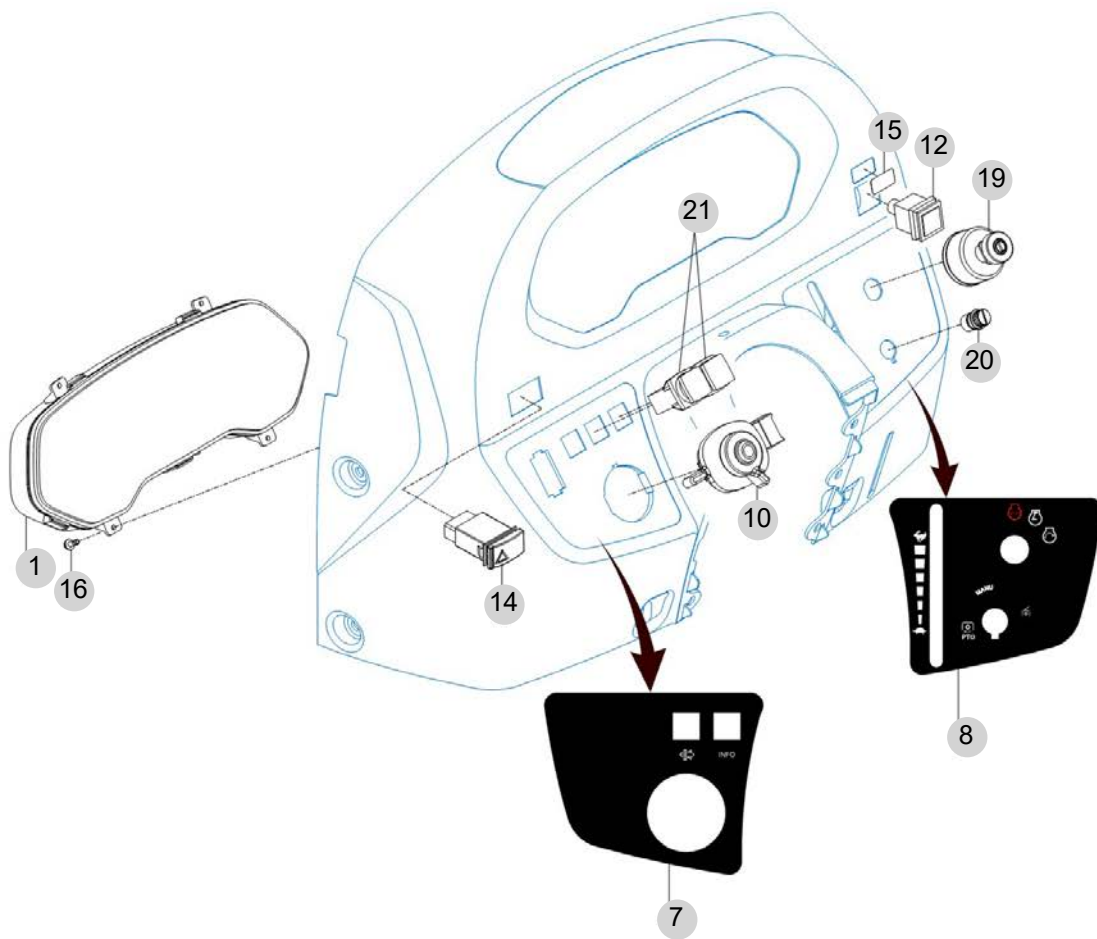
FIG 803

T475STEU

INSTRUMENT PANEL

년/월
Year/Month

2022-12



NOTE

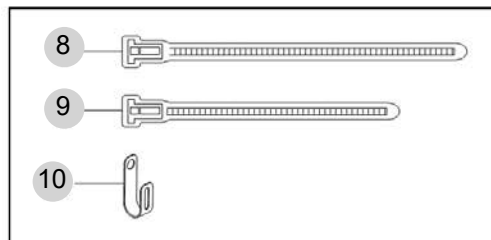
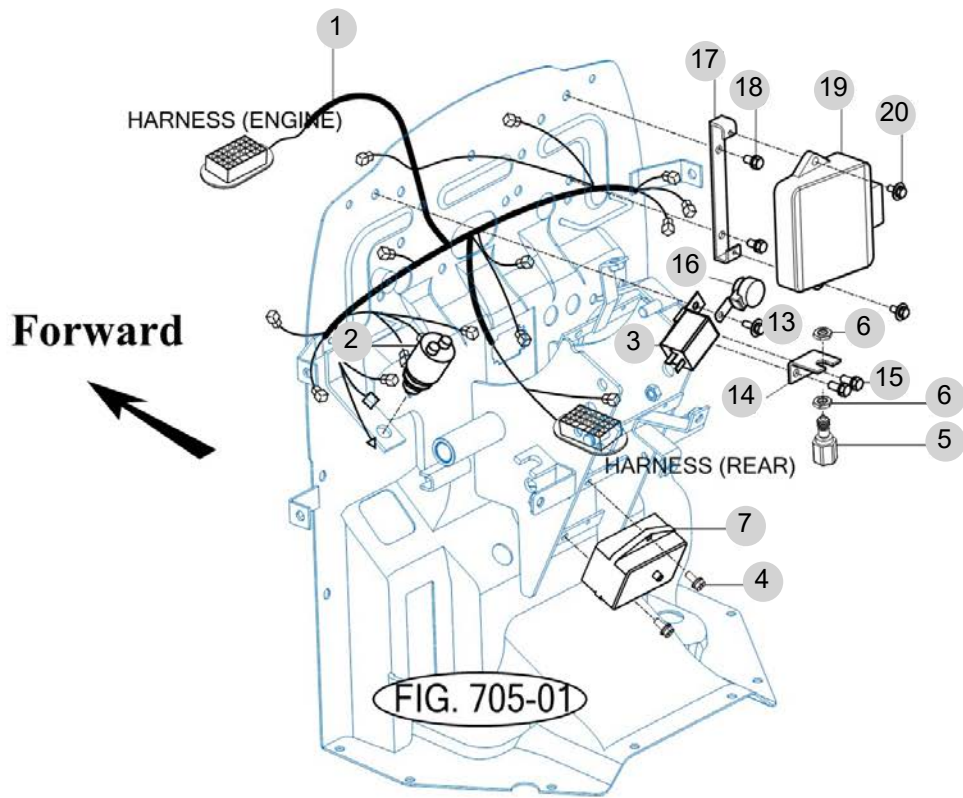
FIG 804

T475STEU

ELECTRIC SYSTEM

년/월
Year/Month

2022-12



T475EJ4M4

NOTE

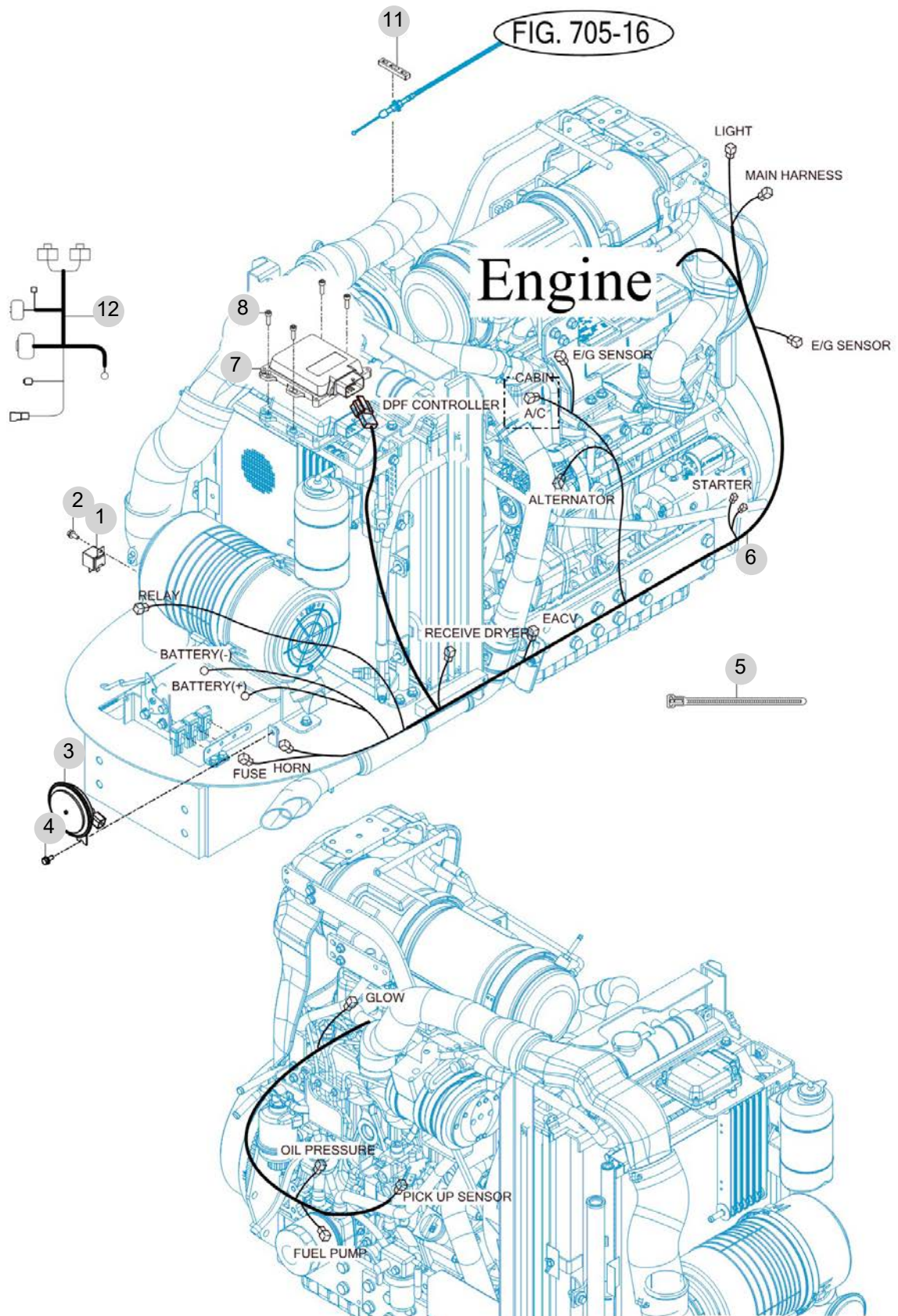
FIG 805

HARNESS

년/월
Year/Month

2022-12

T475STEU



NOTE

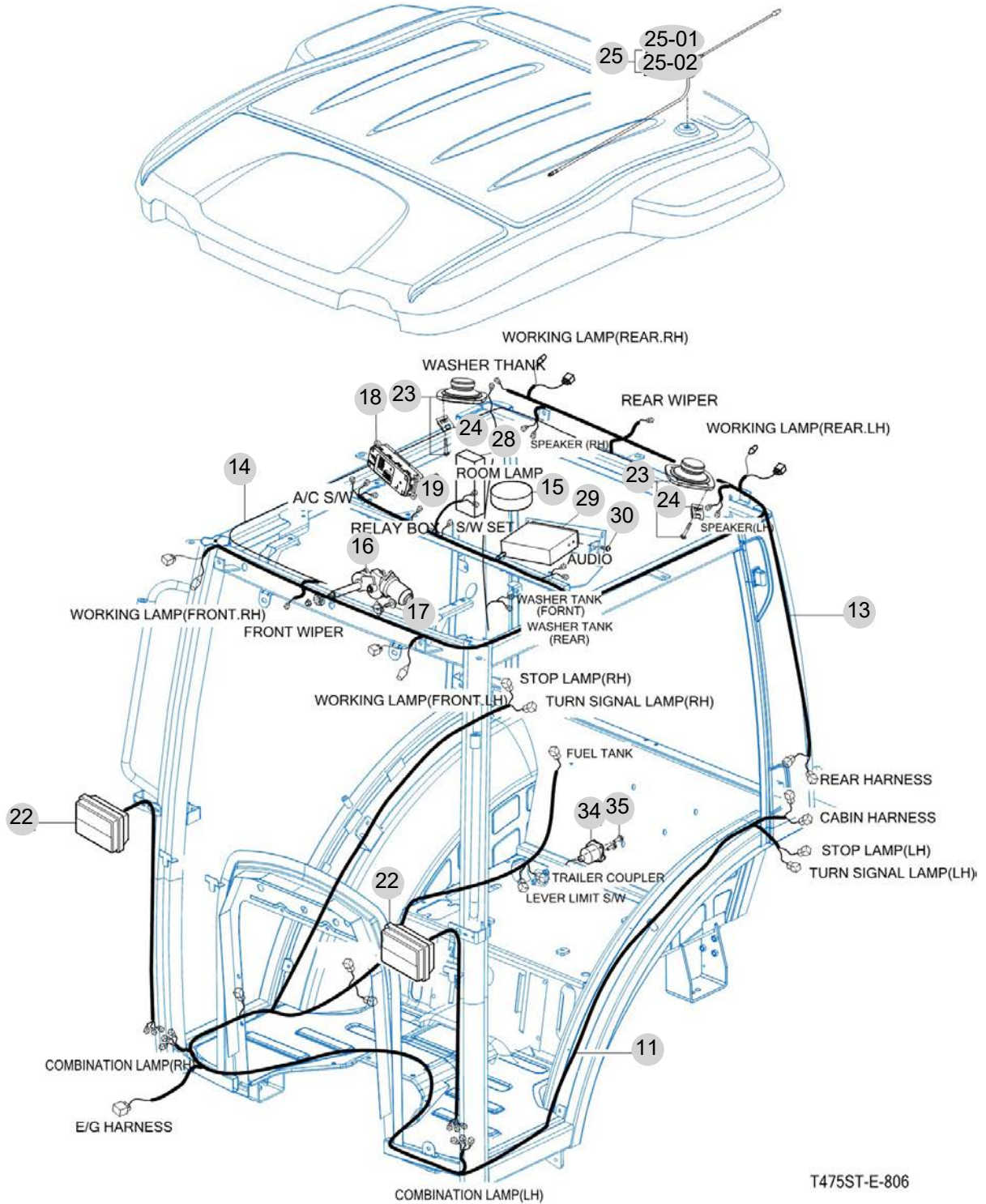
FIG 806

HARNESS (2)

년/월
Year/Month

2022-12

T475STEU



T475ST-E-806

NOTE

9. 라벨/옵션 PART NO. T9

FIG 901 TOOL & ACCESSORY	259
FIG 902 WEIGHT	261
FIG 903 LABEL	263
FIG 903-2 LABEL	265

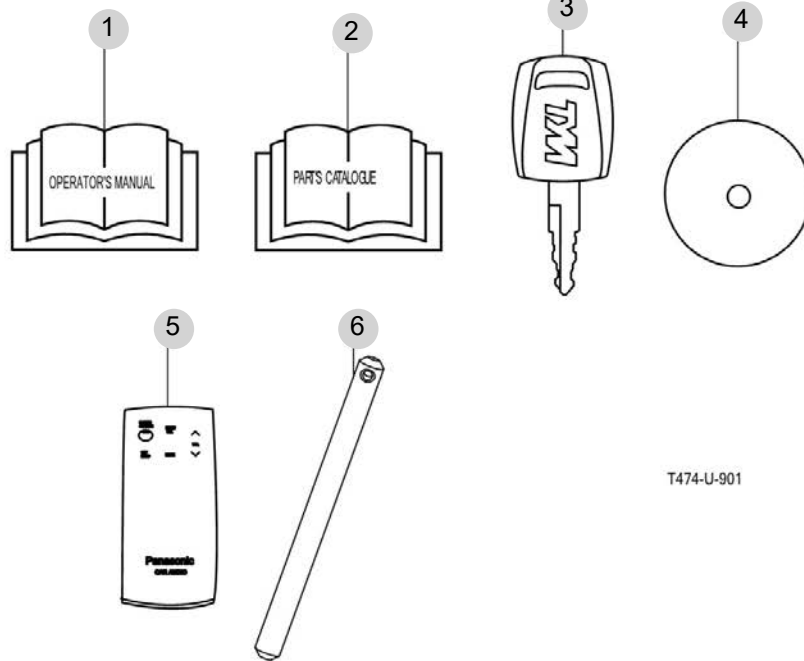
FIG 901

T475STEU

TOOL & ACCESSORY

년/월
Year/Month

2022-12



T474-U-901

NOTE

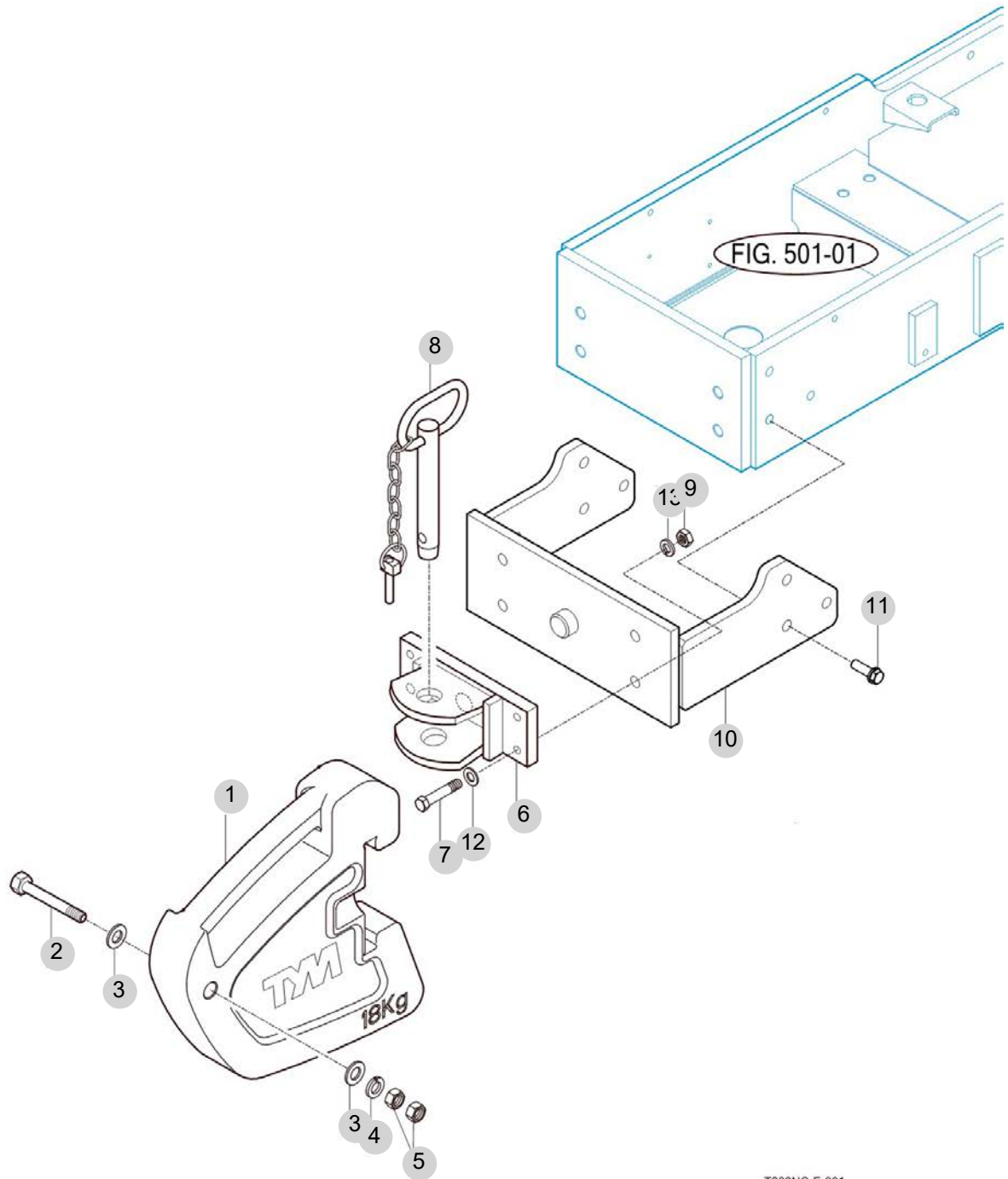
FIG 902

T475STEU

WEIGHT

년/월
Year/Month

2022-12



T393NC-E-901

NOTE

FIG 903

T475STEU

LABEL

년/월
Year/Month

2022-12



23



27



60



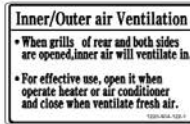
11



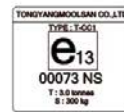
12



24



26



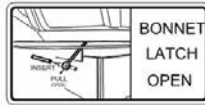
40



15



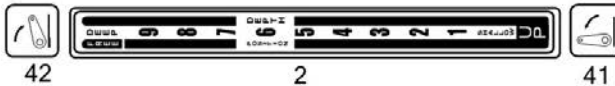
10



48

T475

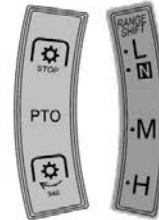
34



42

2

41



20

21



16



7



13



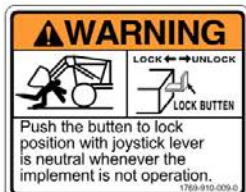
6



5



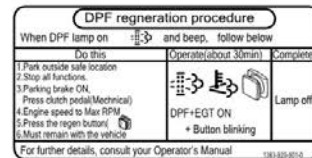
19



25



47



49

NOTE

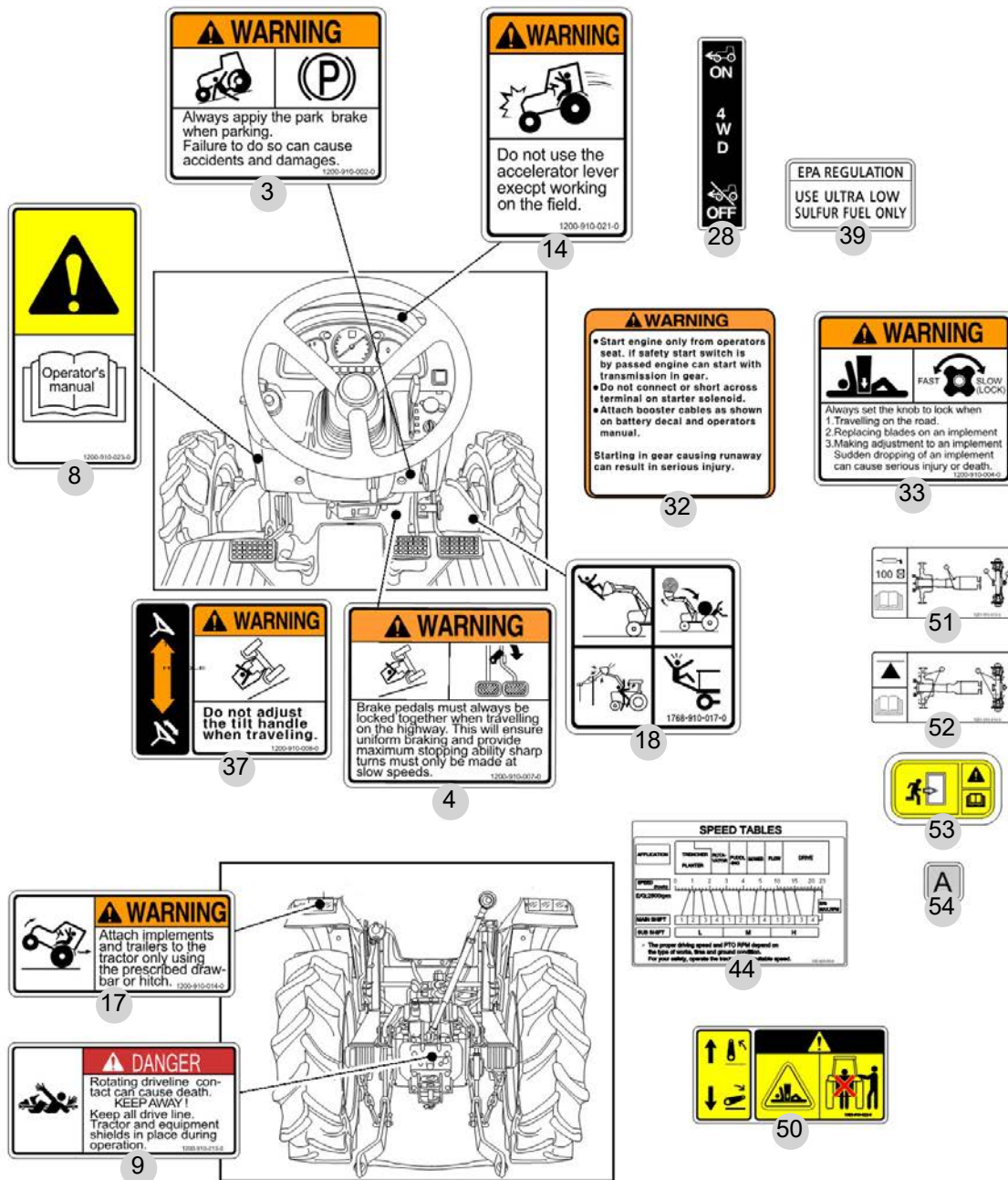
FIG 903-2

LABEL

년/월
Year/Month

T475STEU

2022-12



NOTE

