

T474SH-B

Parts Catalog

목 차

0. TRACTOR KIT PART NO. TK1

FIG 000 TRAILER SOCKET KIT	8
FIG 001 ADAPTER KIT	10
FIG 002 3rd FUNCTION KIT , LOADER	12

1. Engine PART NO. EG

FIG 100 ENGINE	16
FIG 101 CYLINDER BLOCK	18
FIG 102 OILJET ASS'Y OPTION	20
FIG 103 CRANK SHAFT	22
FIG 104 PISTON	24
FIG 105 CYLINDER HEAD	26
FIG 106 ROCKER LEVER	28
FIG 107 HEAD COVER	30
FIG 108 GEAR CASE	32
FIG 109 IDLE GEAR	34
FIG 110 CAM SHAFT	36
FIG 111 OIL PUMP	38
FIG 112 HYD. PUMP DRIVE	40
FIG 113 2ND BALANCE	42
FIG 114 OIL PAN	44
FIG 115 INTAKE MANIFOLD	46
FIG 116 EXHAUST MANIFOLD	48
FIG 117 DPF SUPPORT OPTION	50
FIG 118 TURBOCHARGER PLUMBING OPTION	52
FIG 119 BREATHER	54
FIG 120 FUEL INJECTION PUMP	56
FIG 121 FUEL INJECTION VALVE	58
FIG 122 FUEL PIPE ASS'Y	60
FIG 123 OIL FILTER	62
FIG 124 OIL COOLER	64

FIG 125 OIL GAUGUE	66
FIG 126 OIL FILLER CAP	68
FIG 127 COOLING WATER PUMP	70
FIG 128 CRANK SHAFT PULLEY	72
FIG 129 V-PULLEY	74
FIG 130 COOLING FAN	76
FIG 131 FLYWHEEL HOUSING	78
FIG 132 FLYWHEEL	80
FIG 133 GLOW PLUG ASS'Y OPTION	82
FIG 134 STARTING MOTOR	84
FIG 135 FUEL FILTER BRACKET ASS'Y	86
FIG 136 ALTERNATOR	88
FIG 137 V-BELT	90
FIG 138 FUEL FILTER	92
FIG 139 DPF SUPPORT	94
FIG 140 DATAPLATE	96
FIG 142 DPF ASS'Y	98
FIG 143 LIFT ASS'Y	100
FIG 144 COMP . DRIVE PULLEY ASS'Y OPTION	102
FIG 145 LOOSED PARTS	104

2. Engine Accessories PART NO. T2

FIG 201 AIR CLEANER	107
FIG 202 RADIATOR	109
FIG 203 MUFFLER	111
FIG 204 FUEL TANK & FILTER	113
FIG 205 OIL COOLER	115

3. Clutch/Brake/Steering PART NO. T3

FIG 302 FLYWHEEL & CLUTCH	118
FIG 303 BRAKE PEDAL	120
FIG 304 BRAKE	122
FIG 306 FRONT WHEEL MOUNTING	124
FIG 307 REAR WHEEL MOUNTING	126
FIG 308 STEERING WHEEL	128
FIG 309 STEERING VALVE & PARKING	130

FIG 310 STEERING CYLINDER	132
---------------------------	-----

4. Transmission PART NO. T4

FIG 401 TRANSMISSION FRONT CASE	135
FIG 402 HST	137
FIG 403 MID CASE	139
FIG 404 4WD DRIVE GEAR	141
FIG 405 INPUT GEAR	143
FIG 406 SUB CHANGE GEARS	145
FIG 407 PINION GEARS	147
FIG 408 P.T.O DRIVE SHAFT	149
FIG 409 P.T.O CHANGE GEARS	151
FIG 410 DIFF LOCK	154
FIG 411 TRANSMISSION REAR CASE	156
FIG 412 REAR AXLE HOUSINGS (1)	158
FIG 413 REAR AXLE HOUSINGS (2)	160
FIG 415 SUB CHANGE LEVER	162
FIG 416 FORWARD & REVERSE CONTROL LINKAGE	164
FIG 418 4WD CHANGE LEVER	166

5. Front Axle PART NO. T5

FIG 501 FRONT AXLE BRACKET	169
FIG 502 FRONT DIFF. GEARS & SHAFT	171
FIG 503 FRONT AXLE HOUSING	173
FIG 504 FRONT GEAR CASE (1)	175
FIG 505 FRONT GEAR CASE (2)	177

6. Hydraulic/3P-Link PART NO. T6

FIG 601 GEAR PUMP	180
FIG 602 CYLINDER CASE	182
FIG 603 LIFT ARM	184
FIG 604 CYLINDER	186
FIG 605 POSITION LINK (1)	188
FIG 606 POSITION LINK (2)	190
FIG 607 CONTROL VALVE	192

FIG 608 POSITION LEVER	194
FIG 609 HYDRAULIC PIPE (1)[SAP 가져오기]에서 생성함.	196
FIG 609 HYDRAULIC PIPE (1)	198
FIG 610 HYDRAULIC PIPE (2)	200
FIG 611 EXTERIOR HYD VALVE	202
FIG 612 3-POINT LINK	204
FIG 613 HITCH & COVER	207
FIG 614 EXTERIOR POSITION LEVER	209

7. Sheet Metal & Cabin PART NO. T7

FIG 701 HOOD FRAME	212
FIG 702 HOOD	215
FIG 703 EXTENSION COVER	218
FIG 705 DASH PANEL	220
FIG 708 FRONT & REAR MOUNTING[SAP 가져오기]에서 생성함.	222
FIG 708 FRONT & REAR MOUNTING	224
FIG 709 SEAT & MAT	226
FIG 710 DOOR	228
FIG 711 FRONT GLASS	231
FIG 712 REAR GLASS	233
FIG 713 SUB FENDER & COVER	235
FIG 714 MIRROR	237
FIG 715 HEATER & AIR-CON	239
FIG 716 HEATER & AIR-CON	241
FIG 717 FENDER COVER	243
FIG 718 ROOF	245
FIG 719 CABIN INTERIOR	247

8. Electrical System PART NO. T8

FIG 801 BATTERY & MOUNTING	250
FIG 802 LAMP	252
FIG 803 INSTRUMENT PANEL	254
FIG 804 ELECTRIC SYSTEM	256
FIG 805 HARNESS (1)	258
FIG 806 HARNESS (2)	260

9. Label/Option PART NO. T9

FIG 901 TOOL & ACCESSORY	263
--------------------------	-----

FIG 902 LABEL

265

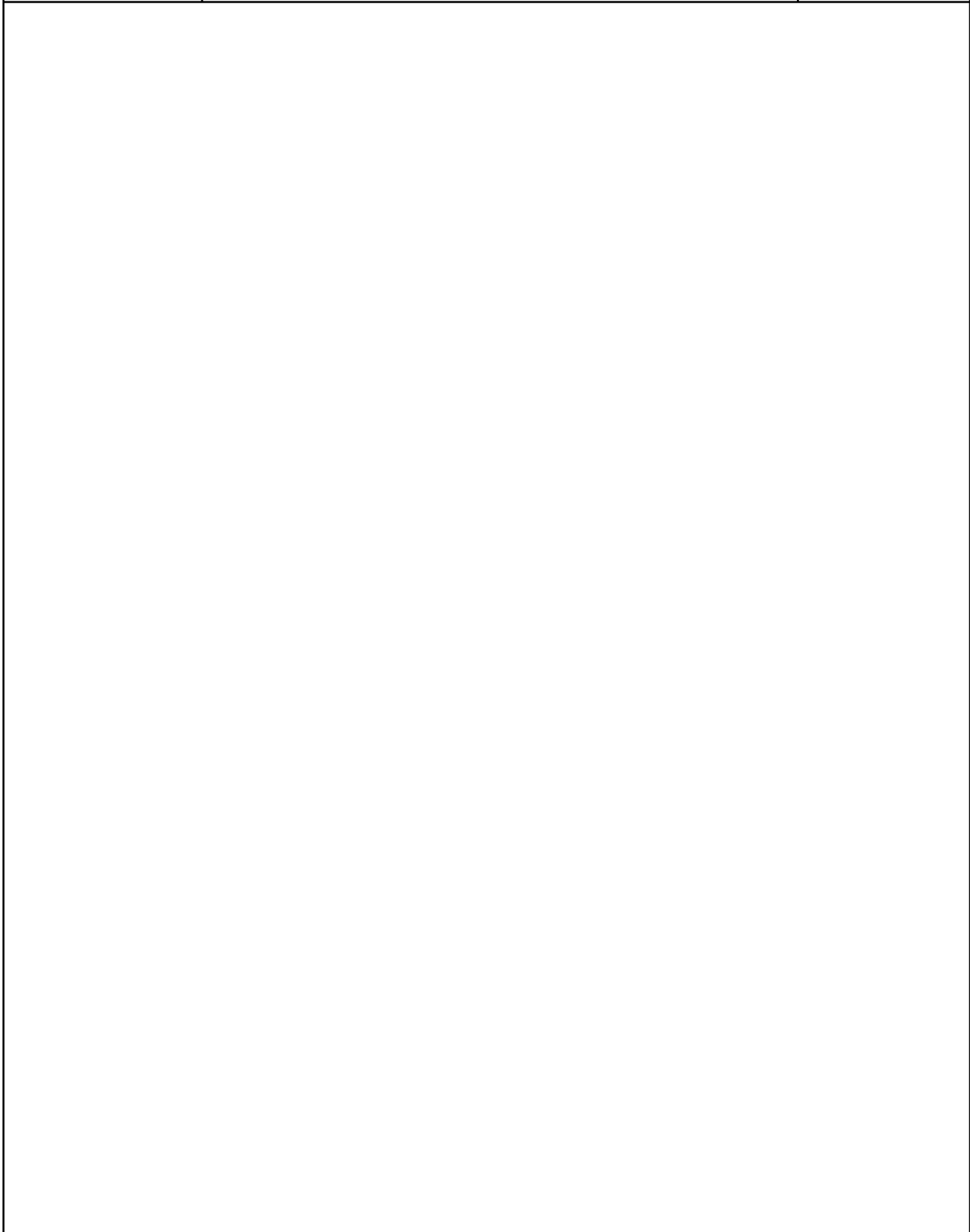
FIG 902 LABEL

267

0. TRACTOR KIT PART NO. TK1

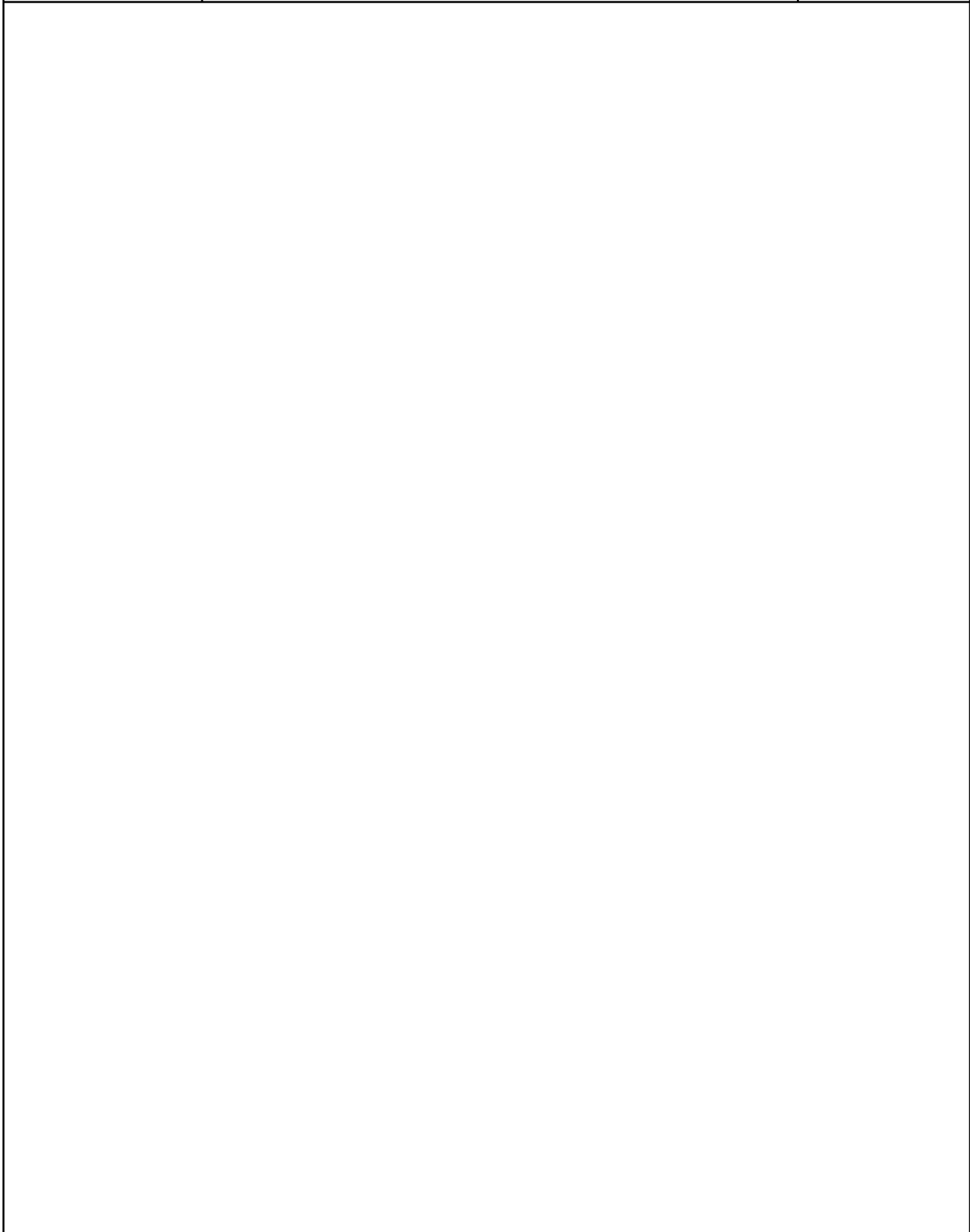
FIG 000 TRAILER SOCKET KIT	8
FIG 001 ADAPTER KIT	10
FIG 002 3rd FUNCTION KIT , LOADER	12

FIG 000 T474SH-B	TRAILER SOCKET KIT	년/월 Year/Month 2022-12
---------------------	--------------------	------------------------------



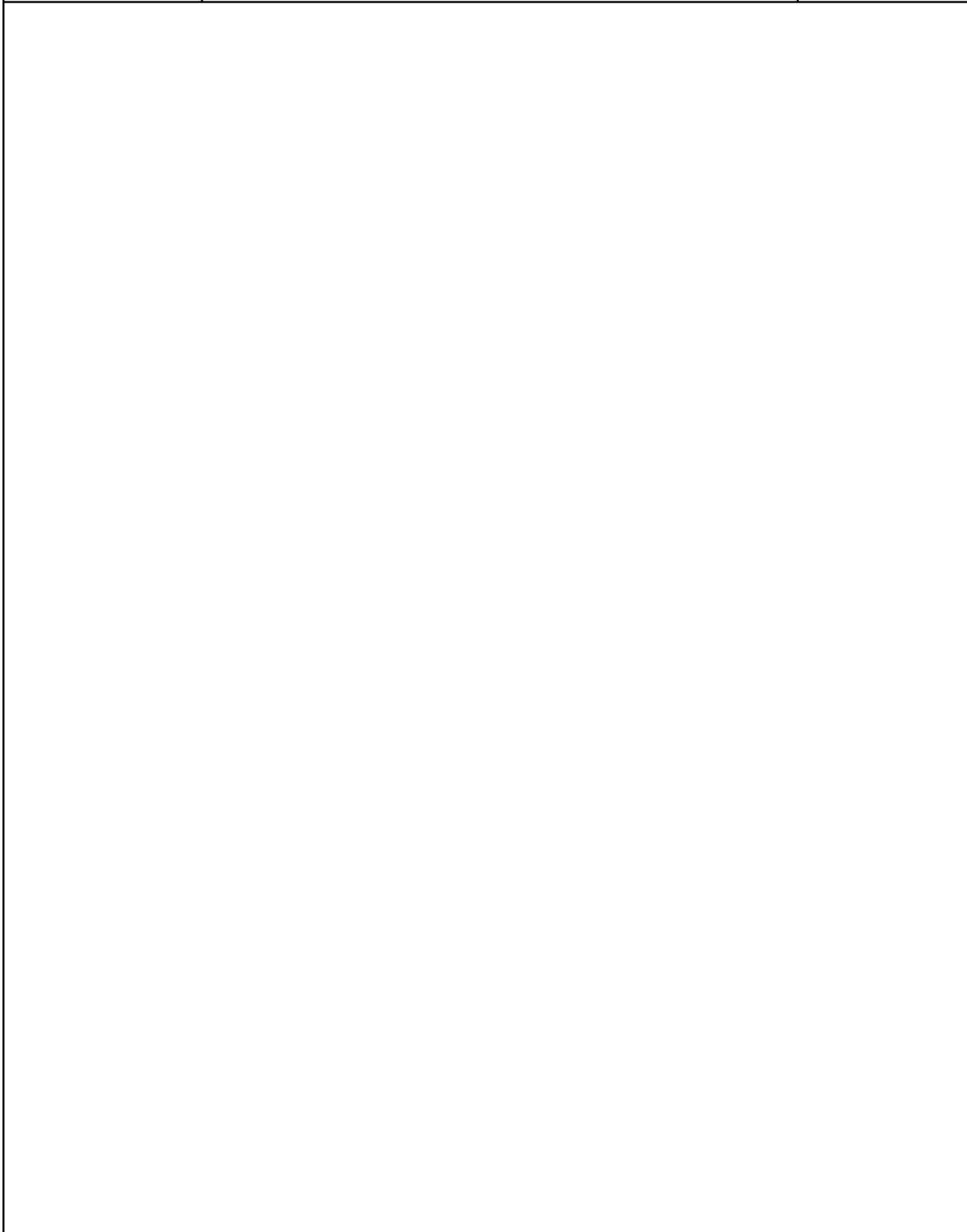
NOTE	
------	--

FIG 001 T474SH-B	ADAPTER KIT	년/월 Year/Month 2022-12
---------------------	-------------	------------------------------



NOTE	
------	--

FIG 002 T474SH-B	3rd FUNCTION KIT , LOADER	년/월 Year/Month 2022-12
---------------------	---------------------------	------------------------------



NOTE	
------	--

1. Engine PART NO. EG

FIG 100 ENGINE	16
FIG 101 CYLINDER BLOCK	18
FIG 102 OILJET ASS'Y OPTION	20
FIG 103 CRANK SHAFT	22
FIG 104 PISTON	24
FIG 105 CYLINDER HEAD	26
FIG 106 ROCKER LEVER	28
FIG 107 HEAD COVER	30
FIG 108 GEAR CASE	32
FIG 109 IDLE GEAR	34
FIG 110 CAM SHAFT	36
FIG 111 OIL PUMP	38
FIG 112 HYD. PUMP DRIVE	40
FIG 113 2ND BALANCE	42
FIG 114 OIL PAN	44
FIG 115 INTAKE MANIFOLD	46
FIG 116 EXHAUST MANIFOLD	48
FIG 117 DPF SUPPORT OPTION	50
FIG 118 TURBOCHARGER PLUMBING OPTION	52
FIG 119 BREATHER	54
FIG 120 FUEL INJECTION PUMP	56
FIG 121 FUEL INJECTION VALVE	58
FIG 122 FUEL PIPE ASS'Y	60
FIG 123 OIL FILTER	62
FIG 124 OIL COOLER	64
FIG 125 OIL GAUGUE	66
FIG 126 OIL FILLER CAP	68
FIG 127 COOLING WATER PUMP	70
FIG 128 CRANK SHAFT PULLEY	72
FIG 129 V-PULLEY	74
FIG 130 COOLING FAN	76
FIG 131 FLYWHEEL HOUSING	78
FIG 132 FLYWHEEL	80
FIG 133 GLOW PLUG ASS'Y OPTION	82
FIG 134 STARTING MOTOR	84
FIG 135 FUEL FILTER BRACKET ASS'Y	86
FIG 136 ALTERNATOR	88
FIG 137 V-BELT	90

FIG 138 FUEL FILTER	92
FIG 139 DPF SUPPORT	94
FIG 140 DATAPLATE	96
FIG 142 DPF ASS'Y	98
FIG 143 LIFT ASS'Y	100
FIG 144 COMP . DRIVE PULLEY ASS'Y OPTION	102
FIG 145 LOOSED PARTS	104

FIG 100 T474SH-B	ENGINE	년/월 Year/Month
		2022-12
NOTE		

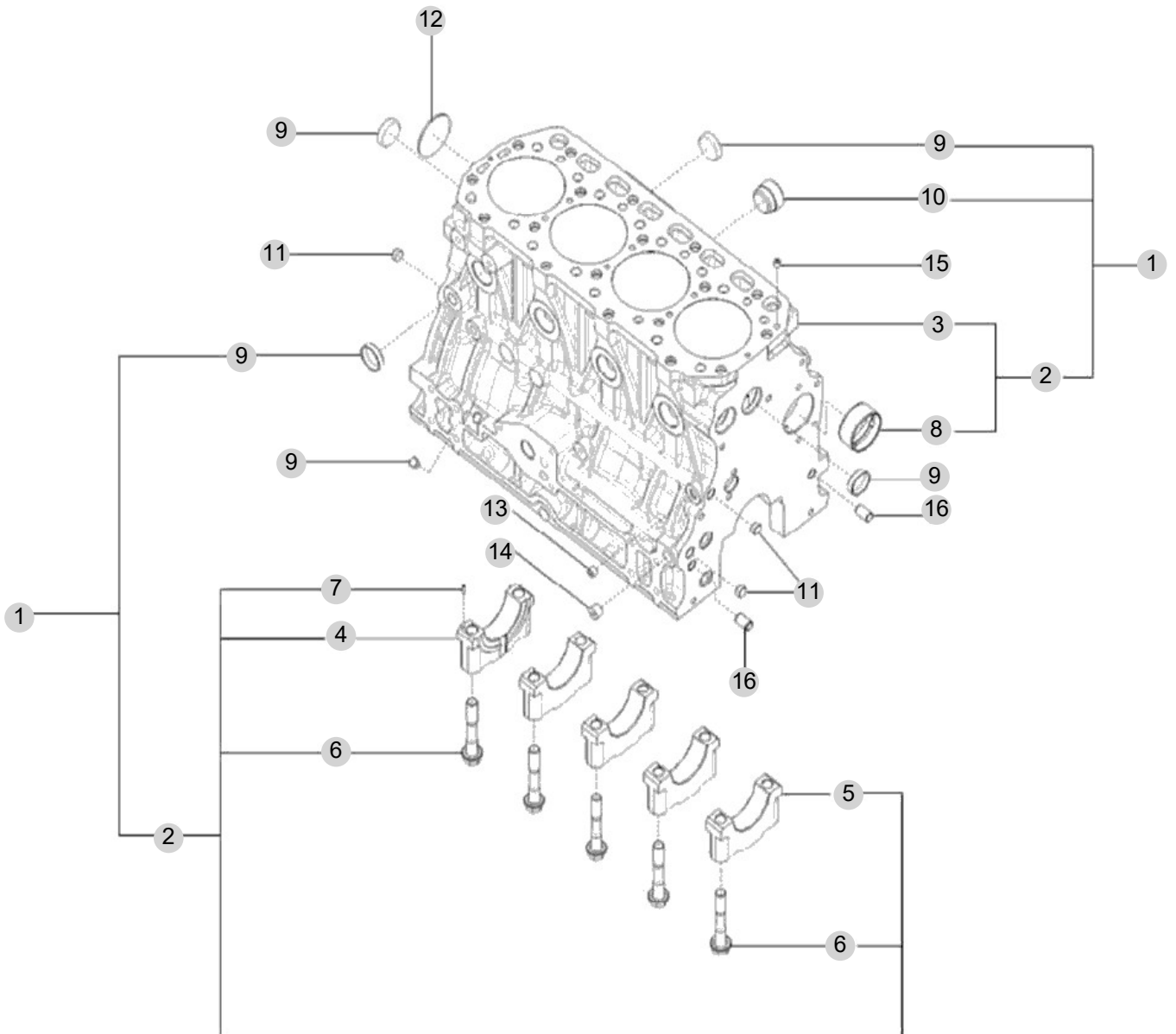
FIG 101

T474SH-B

CYLINDER BLOCK

년/월
Year/Month

2022-12



NOTE

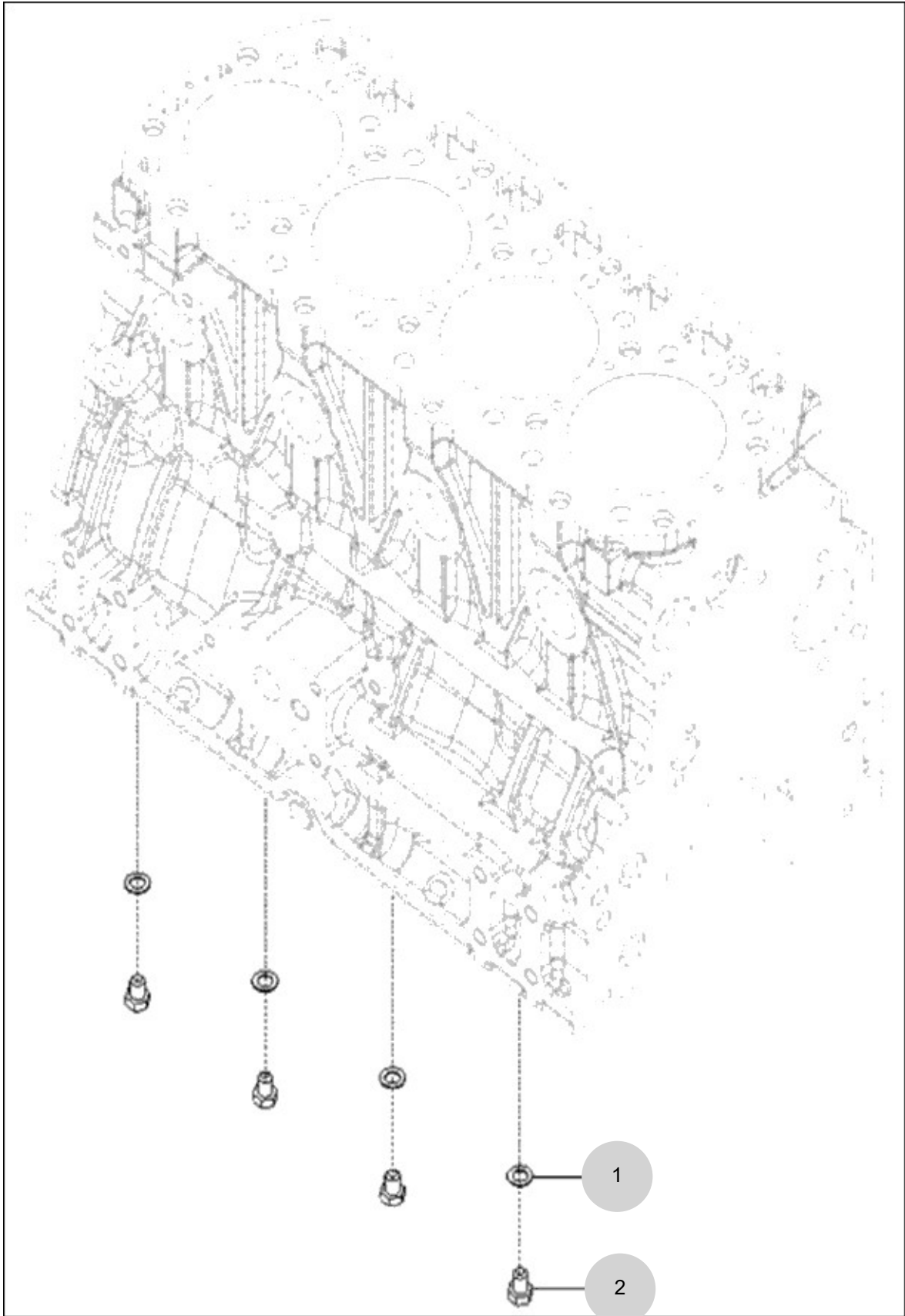
FIG 102

OILJET ASS'Y OPTION

년/월
Year/Month

T474SH-B

2022-12



NOTE

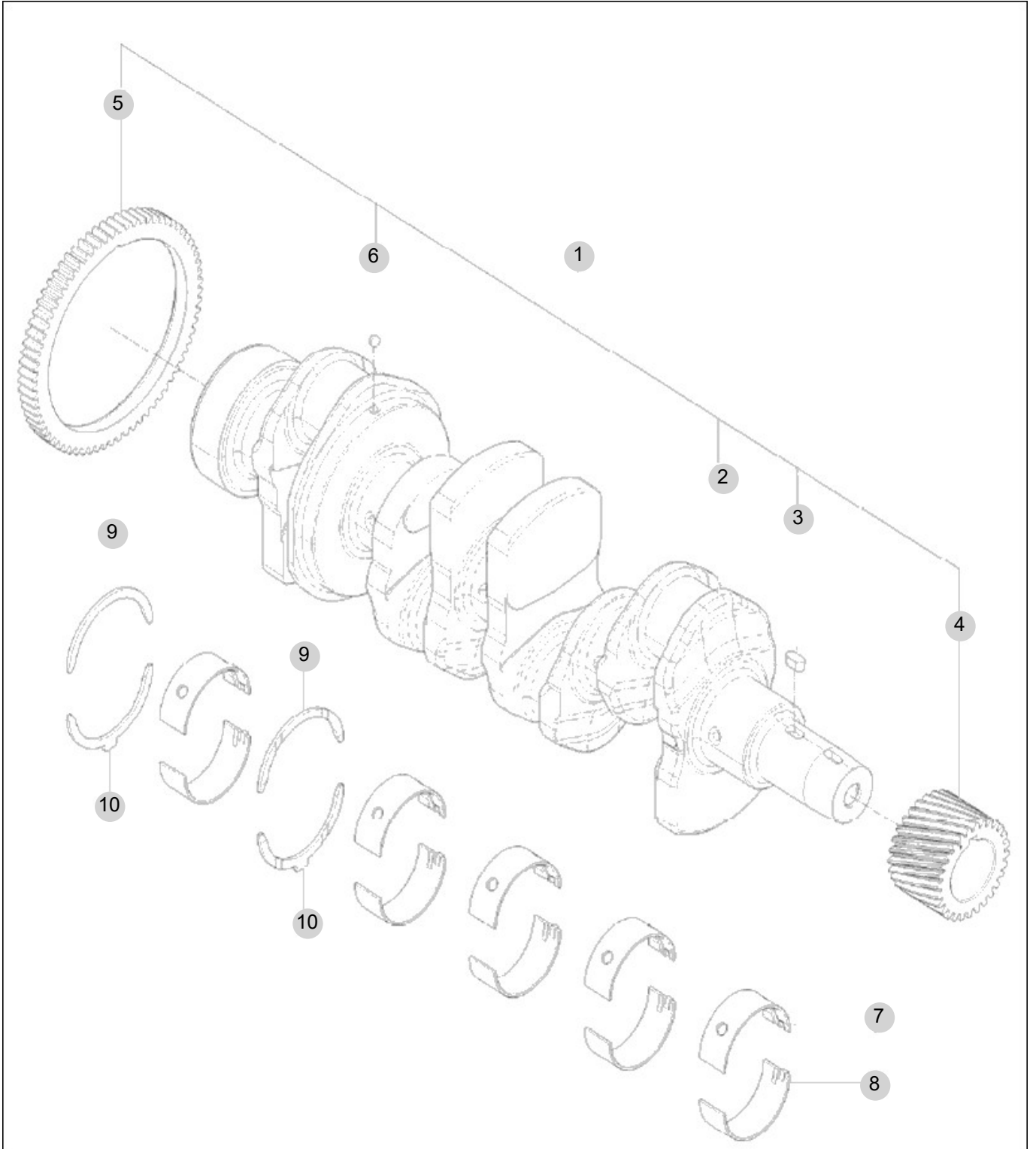
FIG 103

T474SH-B

CRANK SHAFT

년/월
Year/Month

2022-12



NOTE

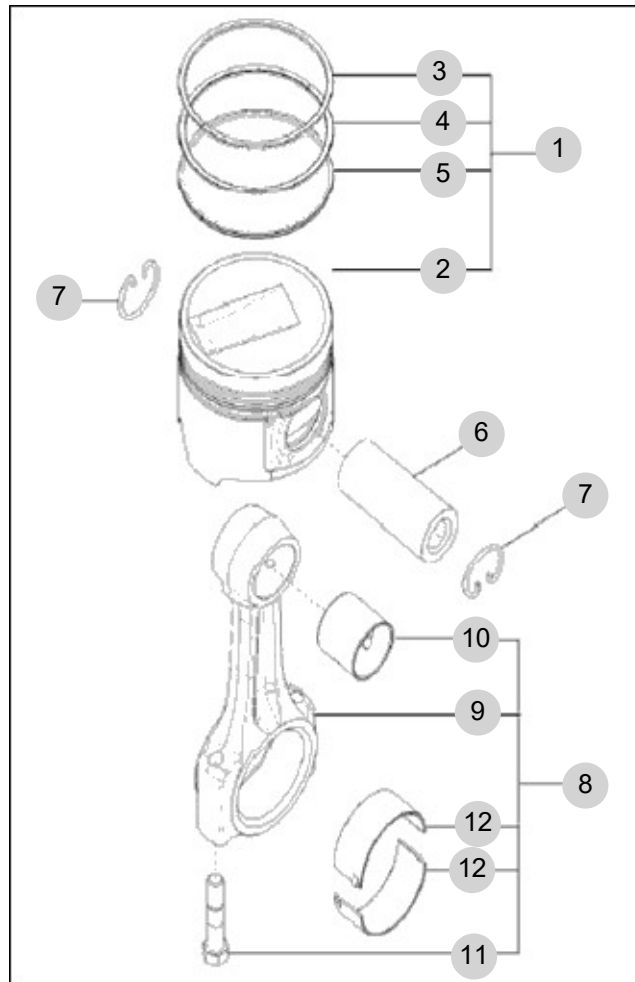
FIG 104

T474SH-B

PISTON

년/월
Year/Month

2022-12



NOTE

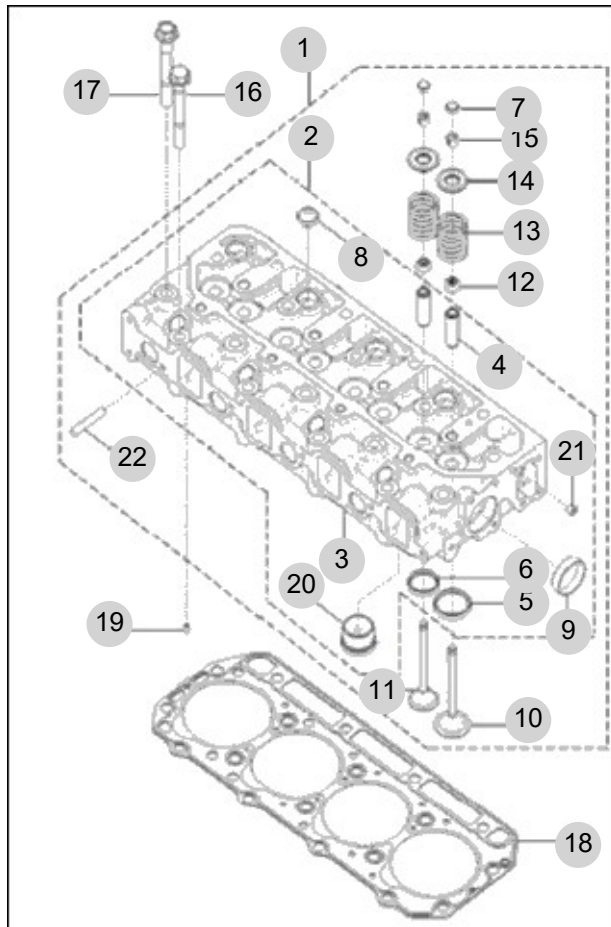
FIG 105

T474SH-B

CYLINDER HEAD

년/월
Year/Month

2022-12



NOTE

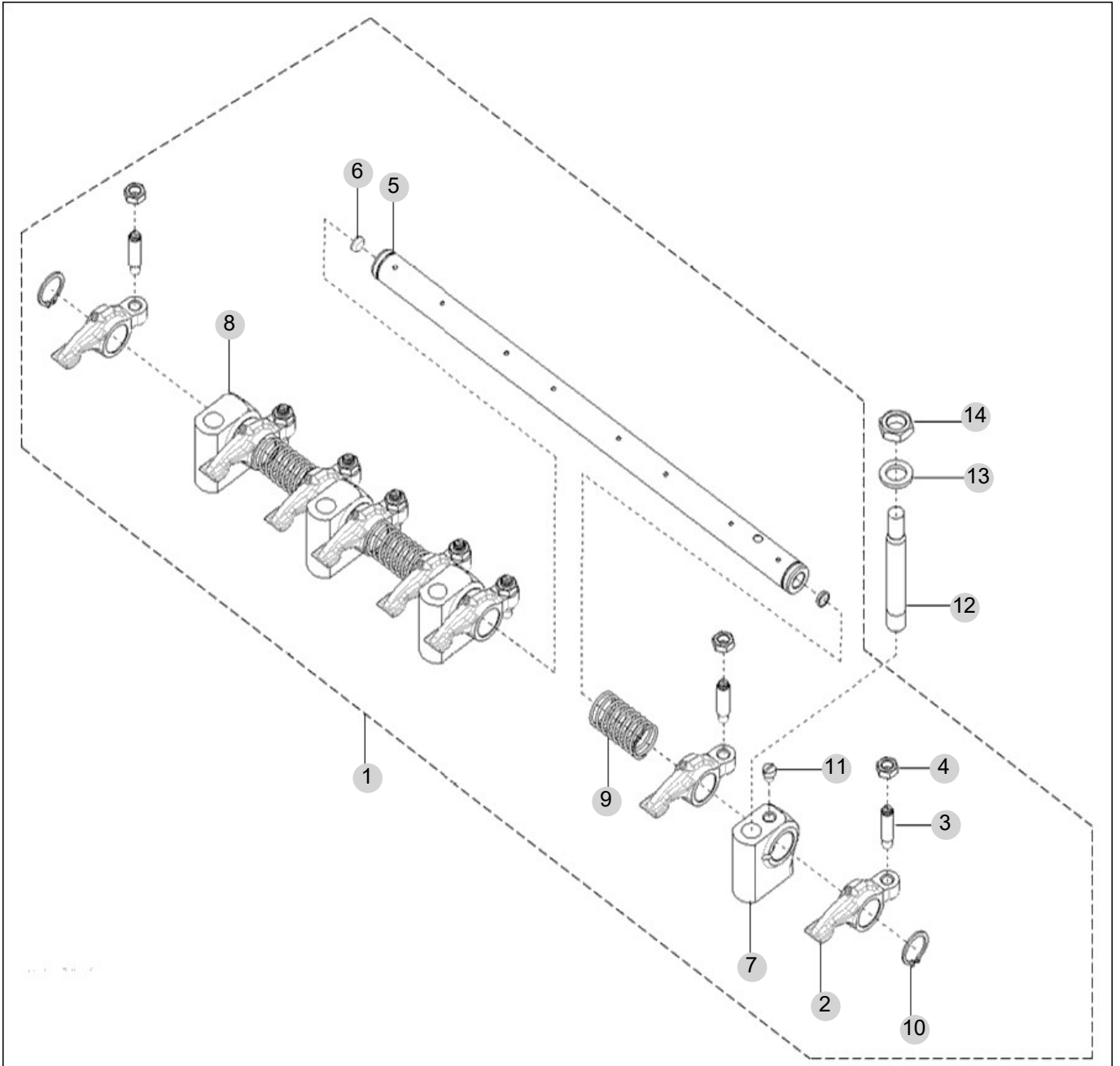
FIG 106

T474SH-B

ROCKER LEVER

년/월
Year/Month

2022-12



NOTE

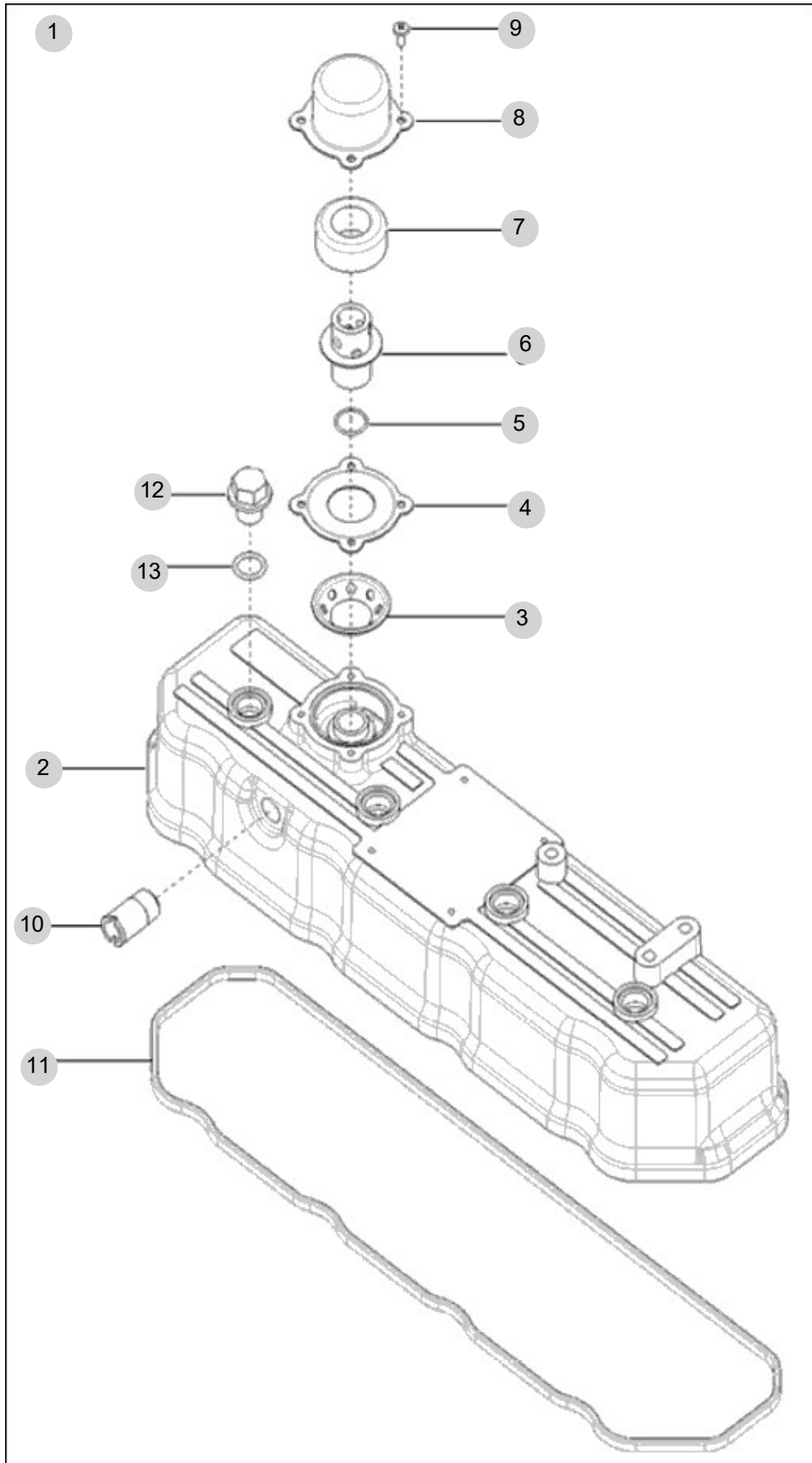
FIG 107

T474SH-B

HEAD COVER

년/월
Year/Month

2022-12



NOTE

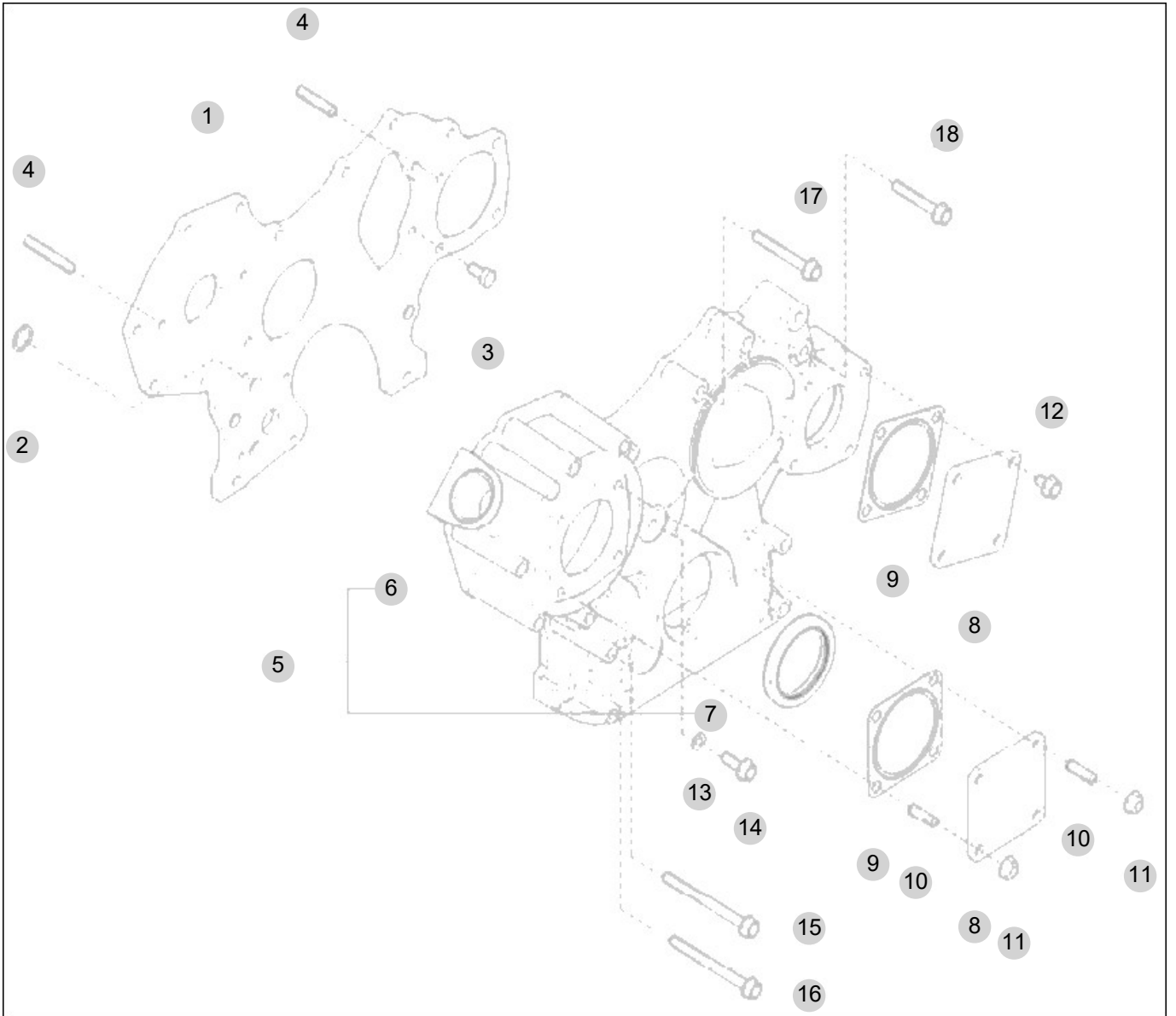
FIG 108

GEAR CASE

년/월
Year/Month

T474SH-B

2022-12



NOTE

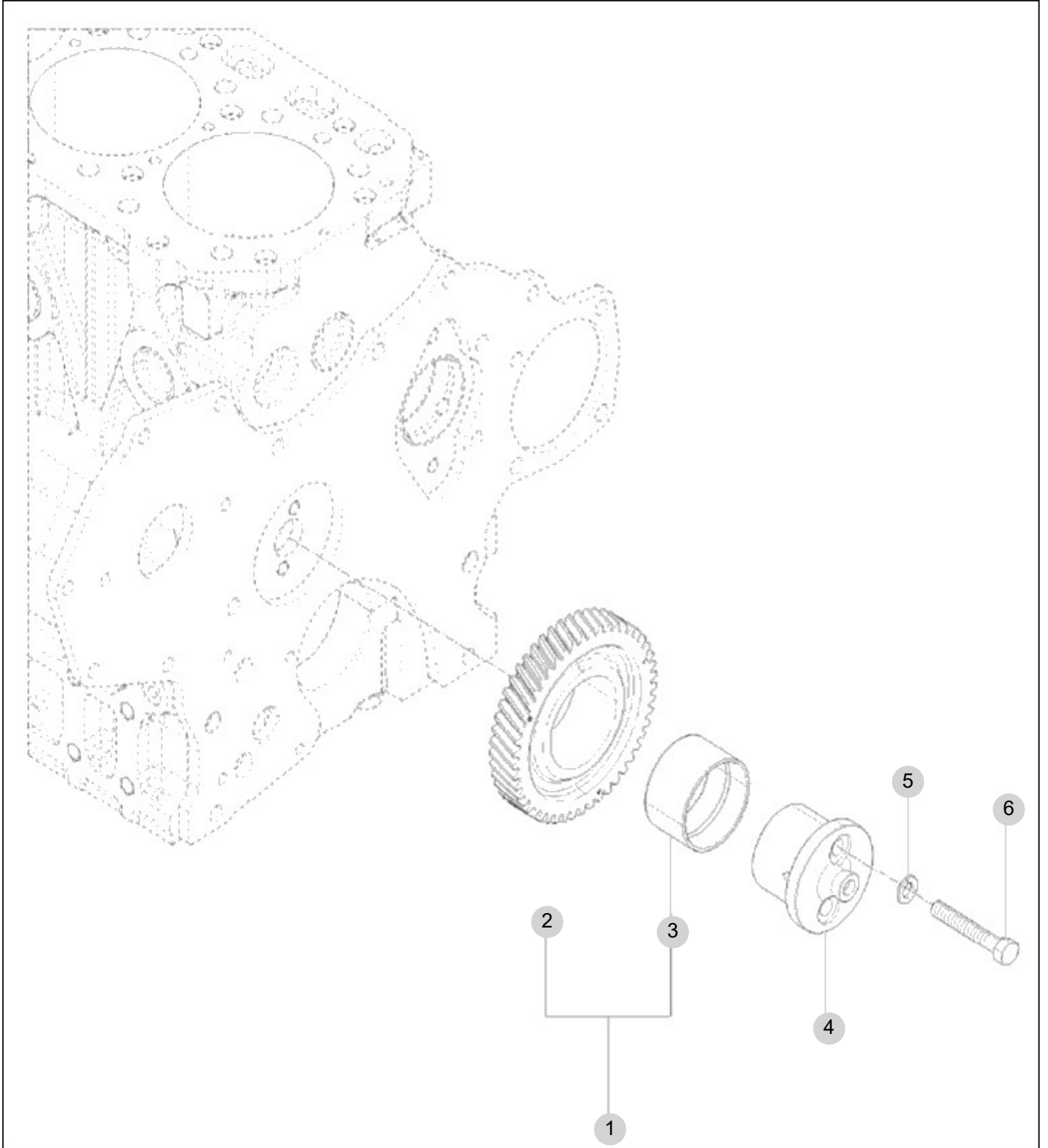
FIG 109

T474SH-B

IDLE GEAR

년/월
Year/Month

2022-12



NOTE

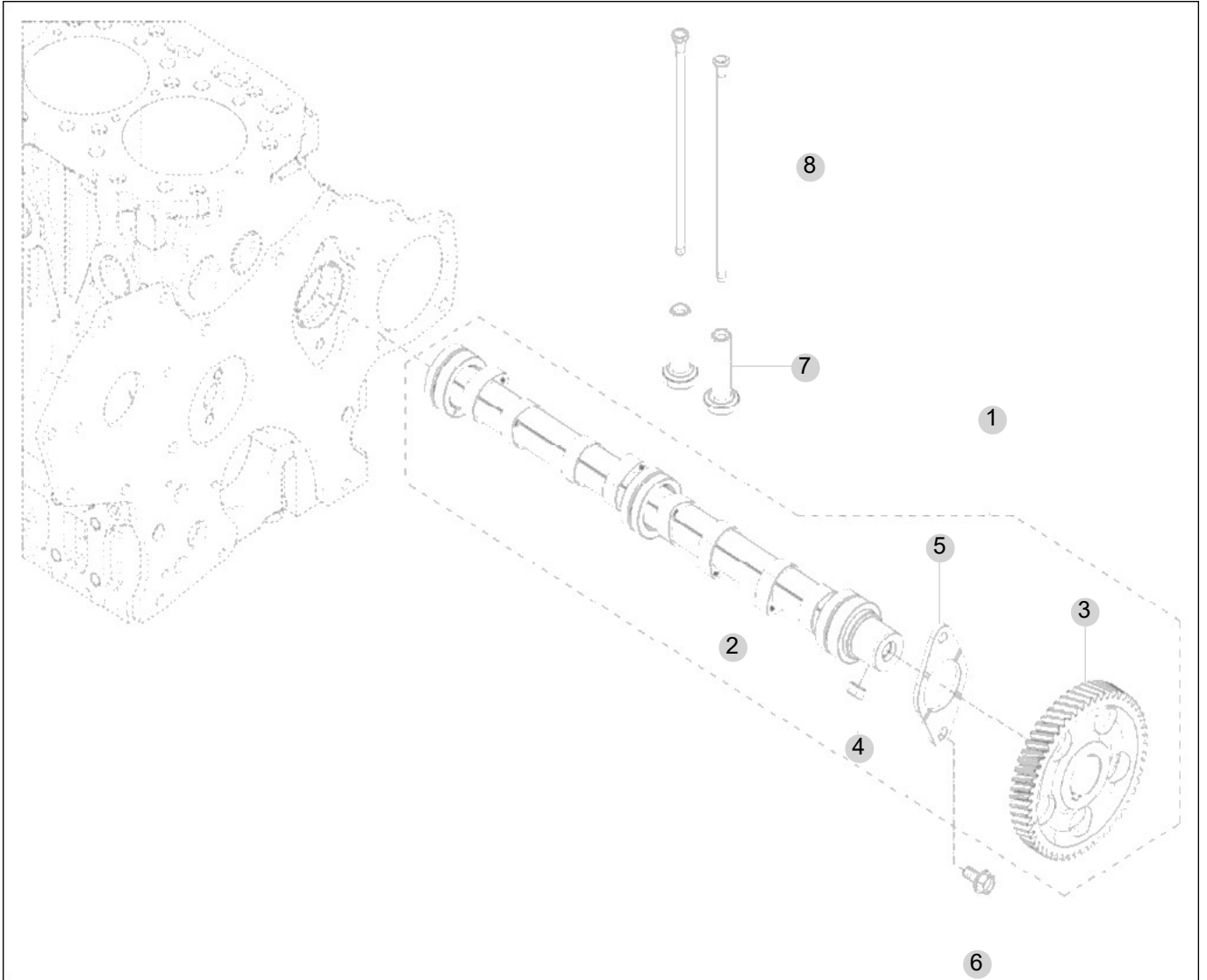
FIG 110

CAM SHAFT

년/월
Year/Month

T474SH-B

2022-12



NOTE

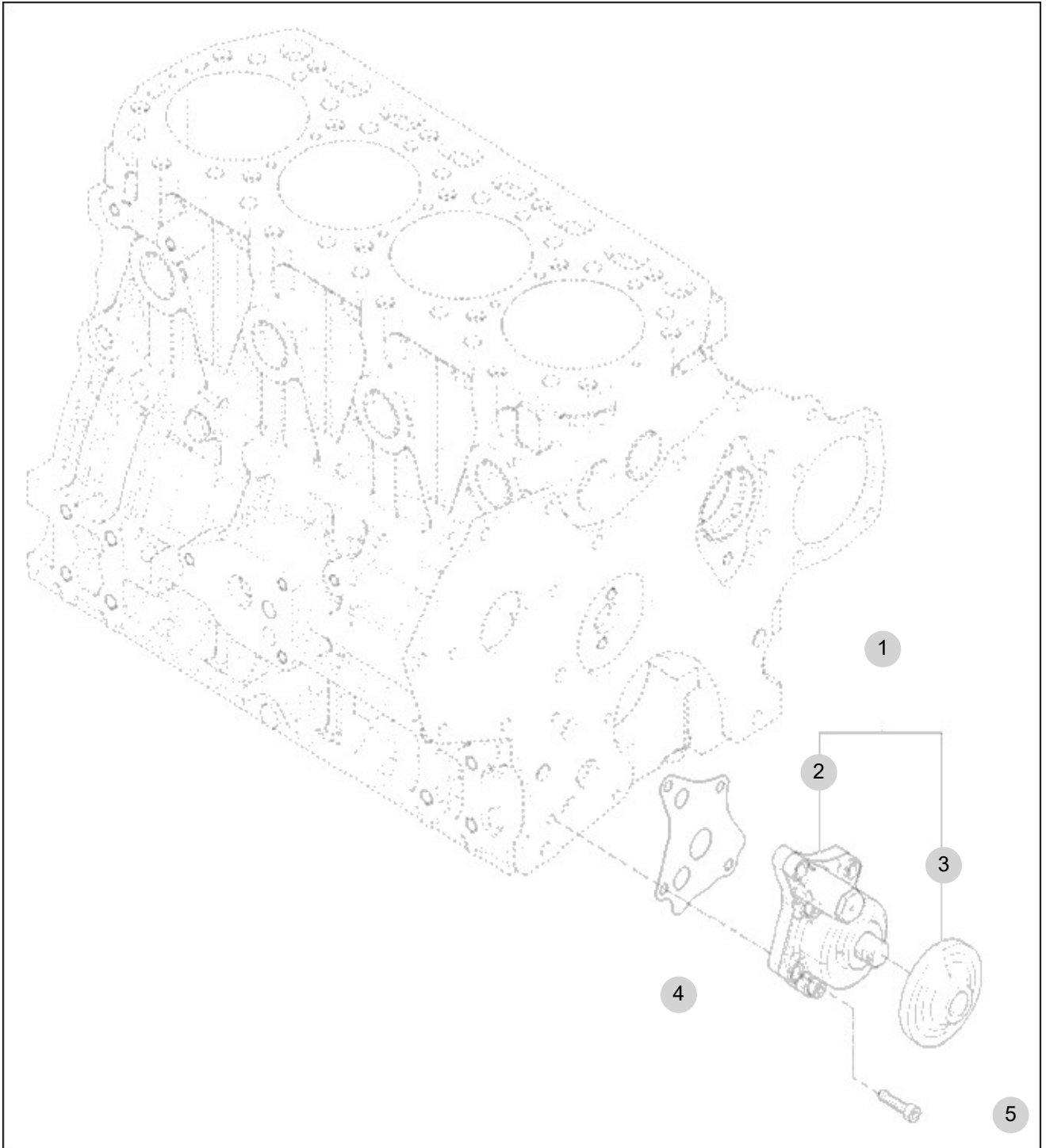
FIG 111

OIL PUMP

년/월
Year/Month

T474SH-B

2022-12



NOTE

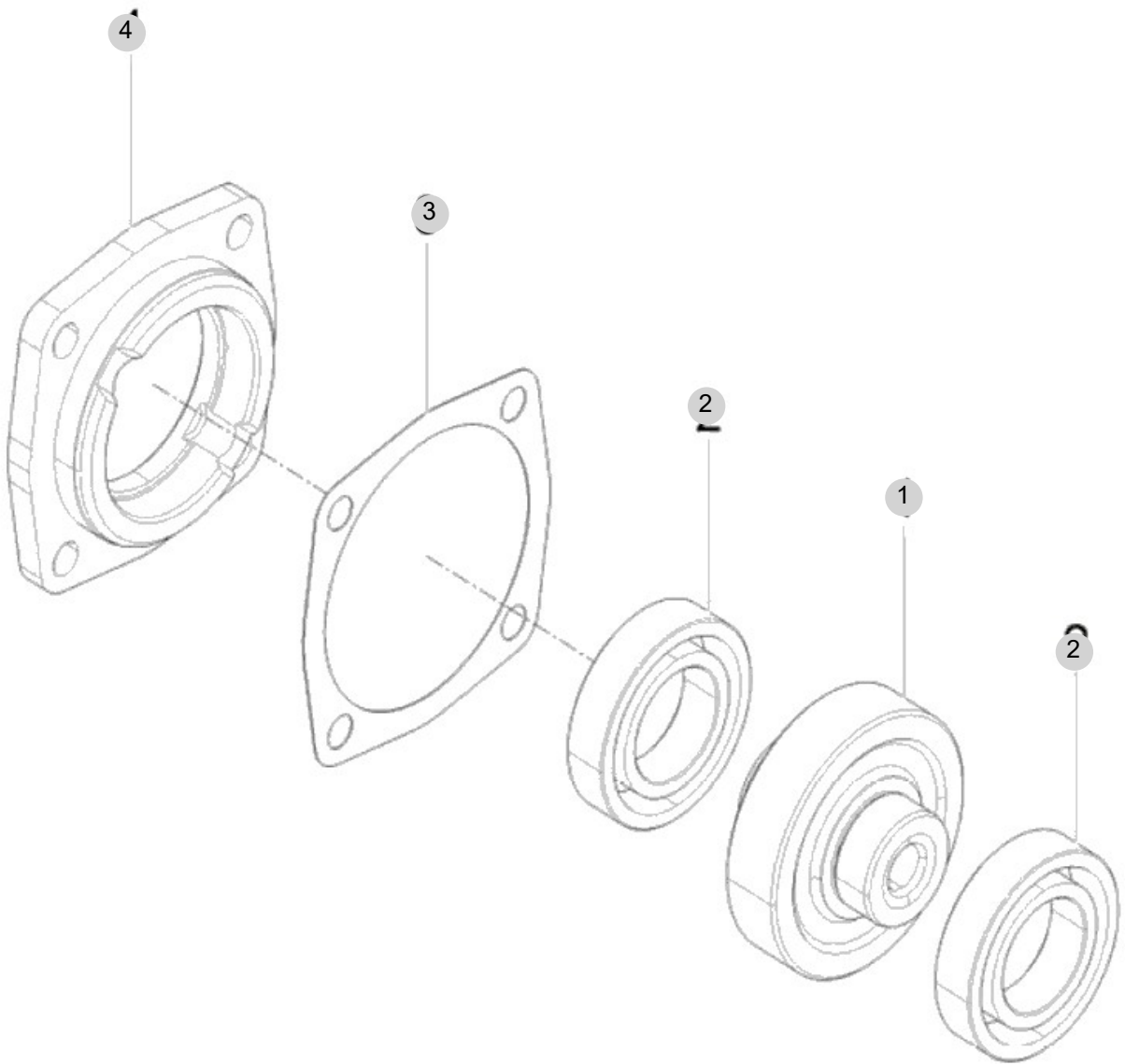
FIG 112

T474SH-B

HYD. PUMP DRIVE

년/월
Year/Month

2022-12



NOTE

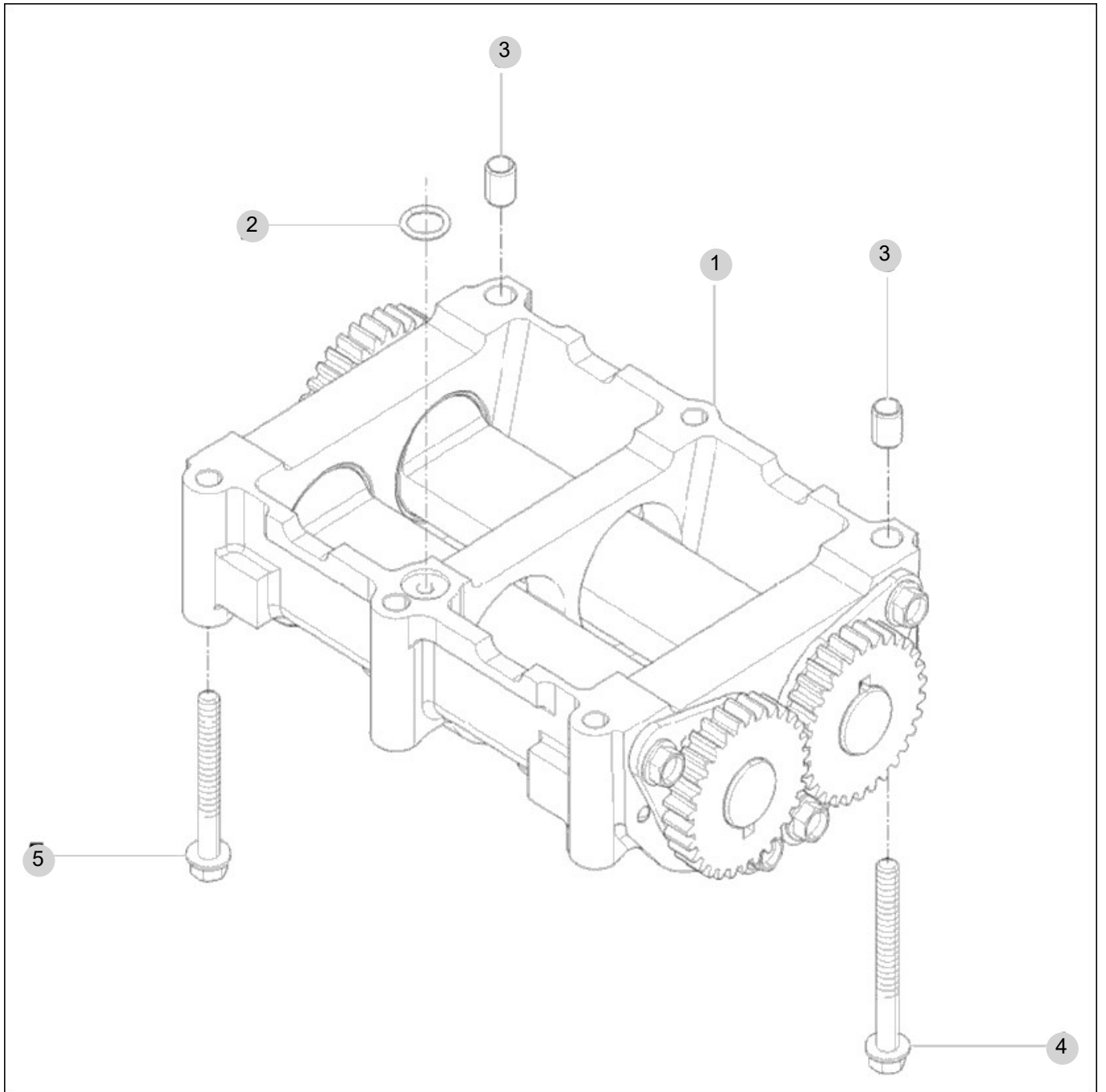
FIG 113

T474SH-B

2ND BALANCE

년/월
Year/Month

2022-12



NOTE

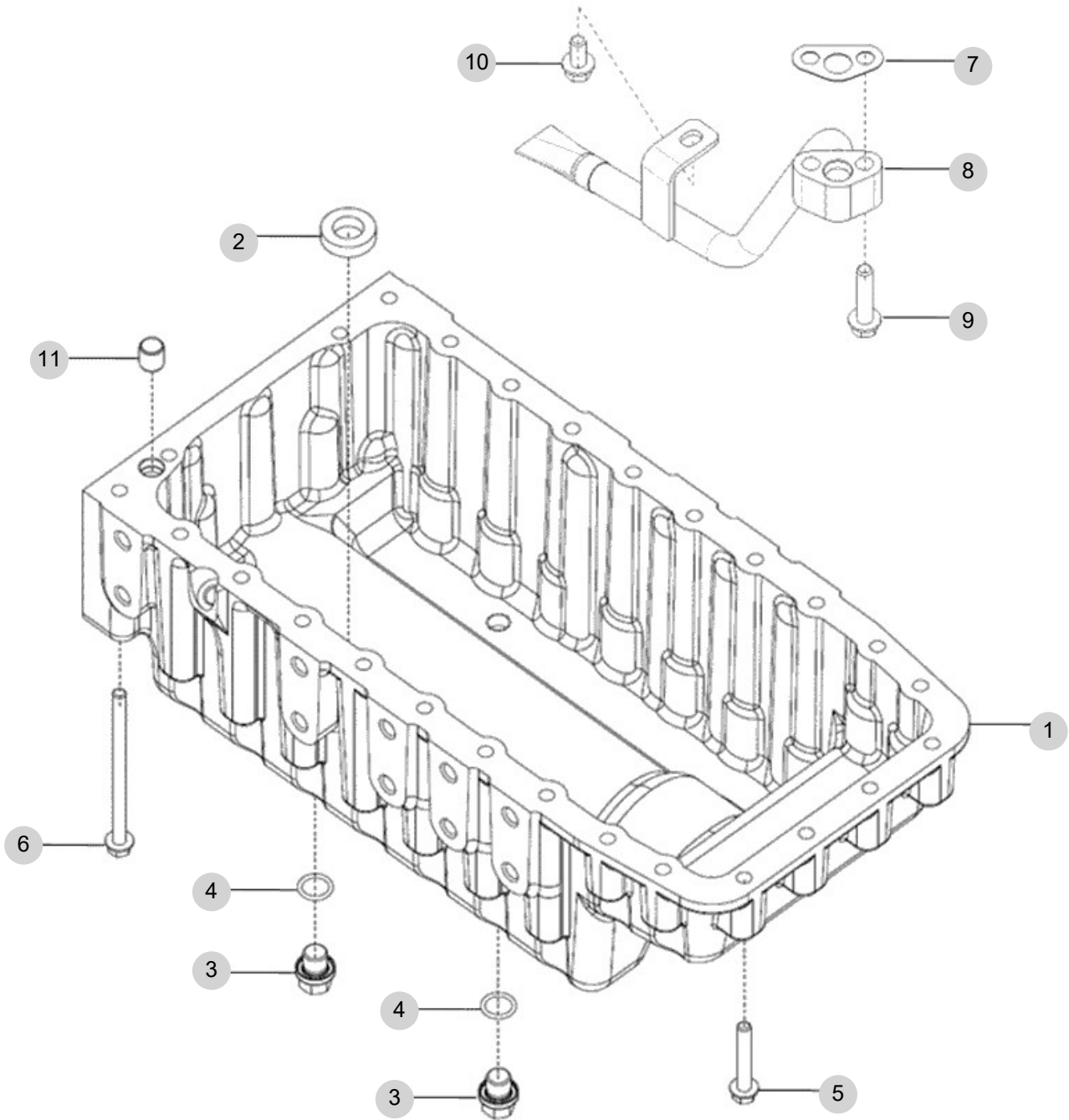
FIG 114

T474SH-B

OIL PAN

년/월
Year/Month

2022-12



NOTE

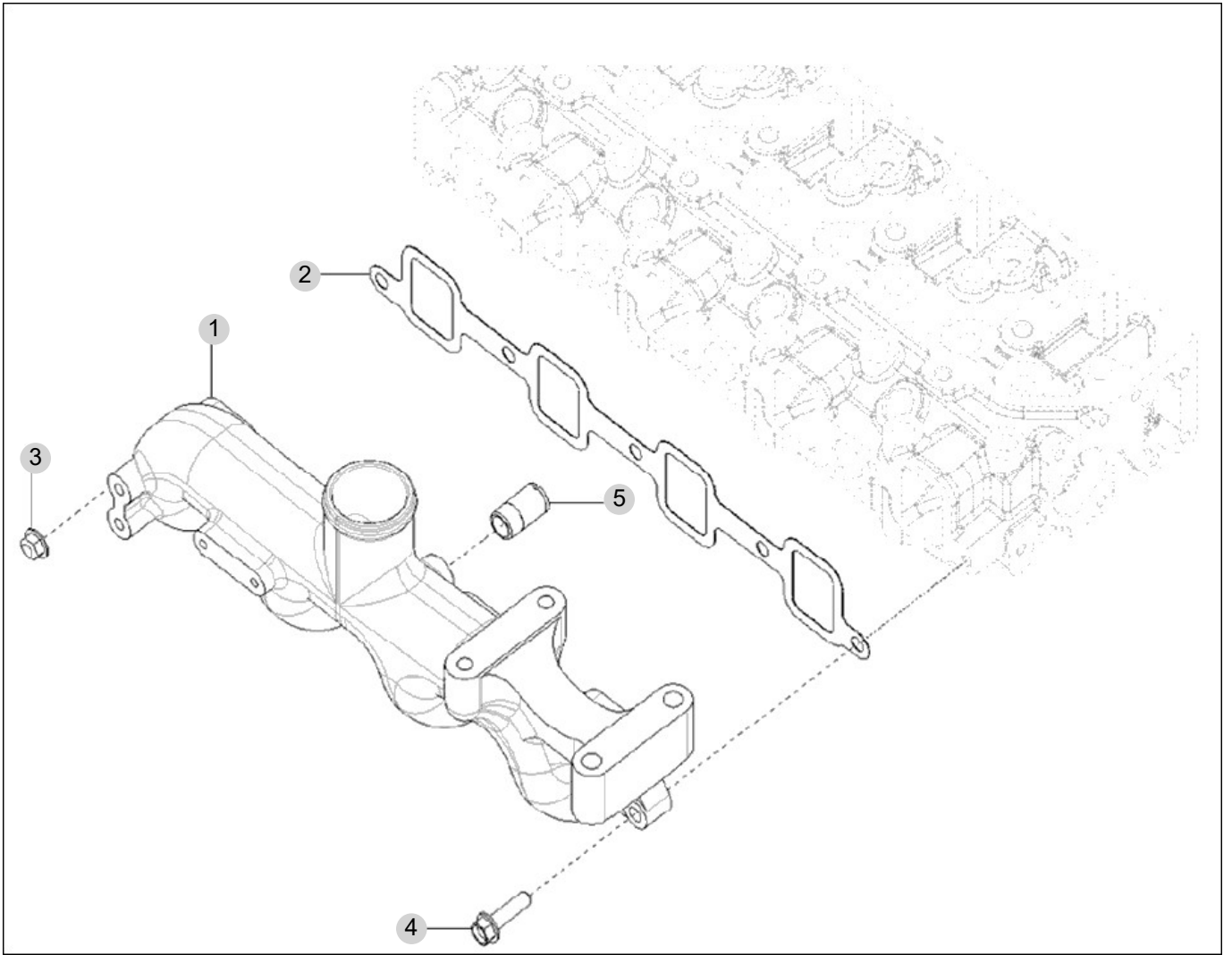
FIG 115

INTAKE MANIFOLD

년/월
Year/Month

T474SH-B

2022-12



NOTE

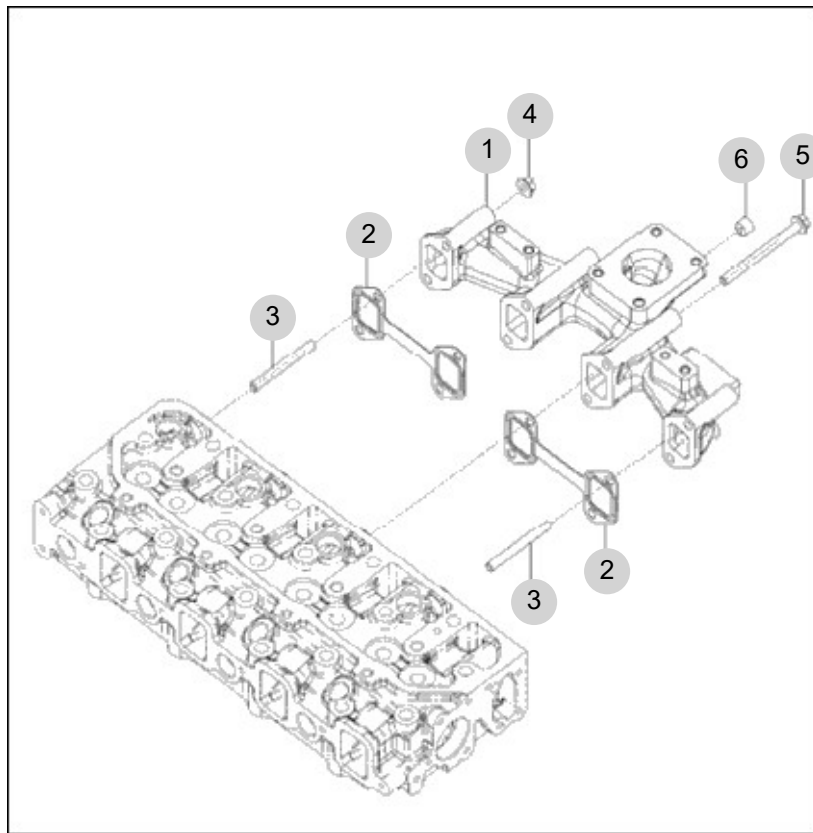
FIG 116

T474SH-B

EXHAUST MANIFOLD

년/월
Year/Month

2022-12



NOTE

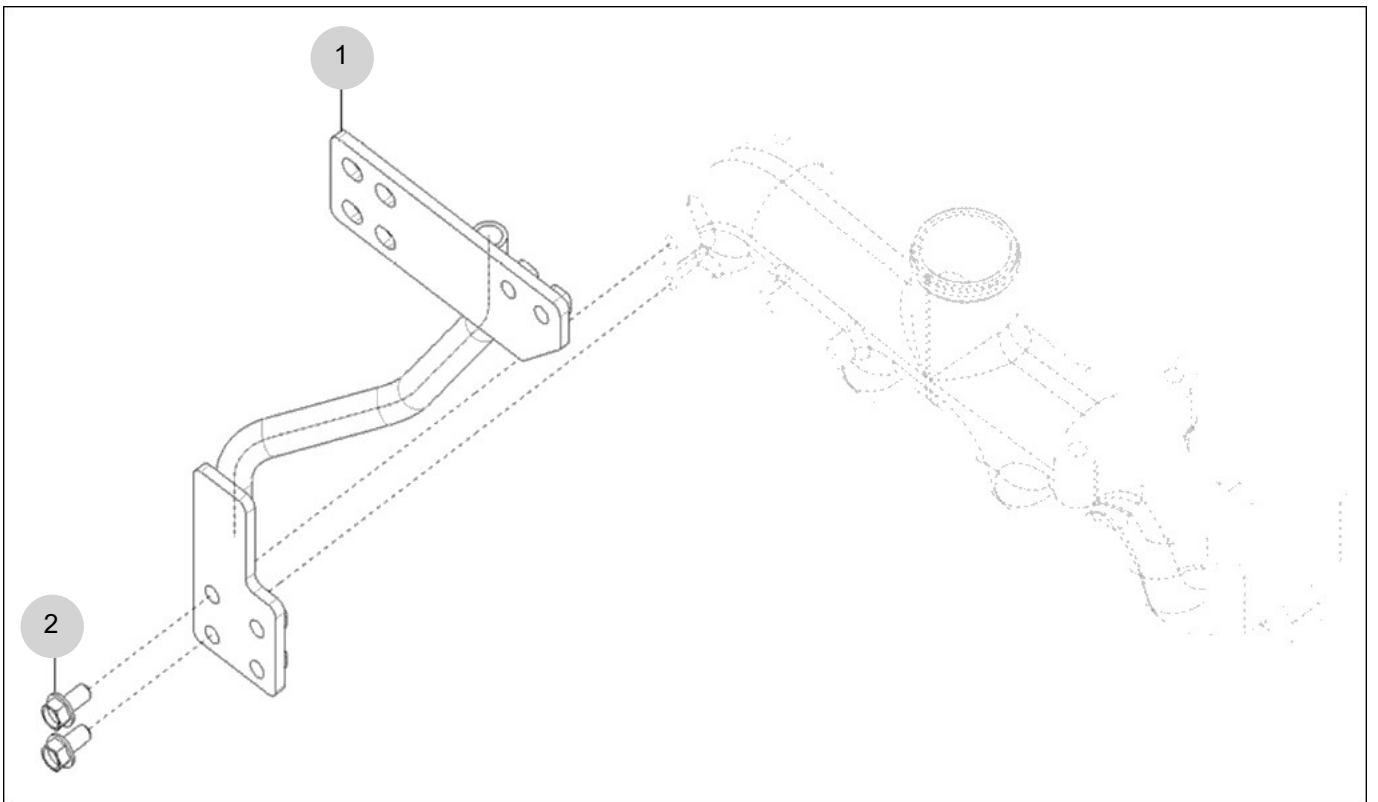
FIG 117

T474SH-B

DPF SUPPORT OPTION

년/월
Year/Month

2022-12



NOTE

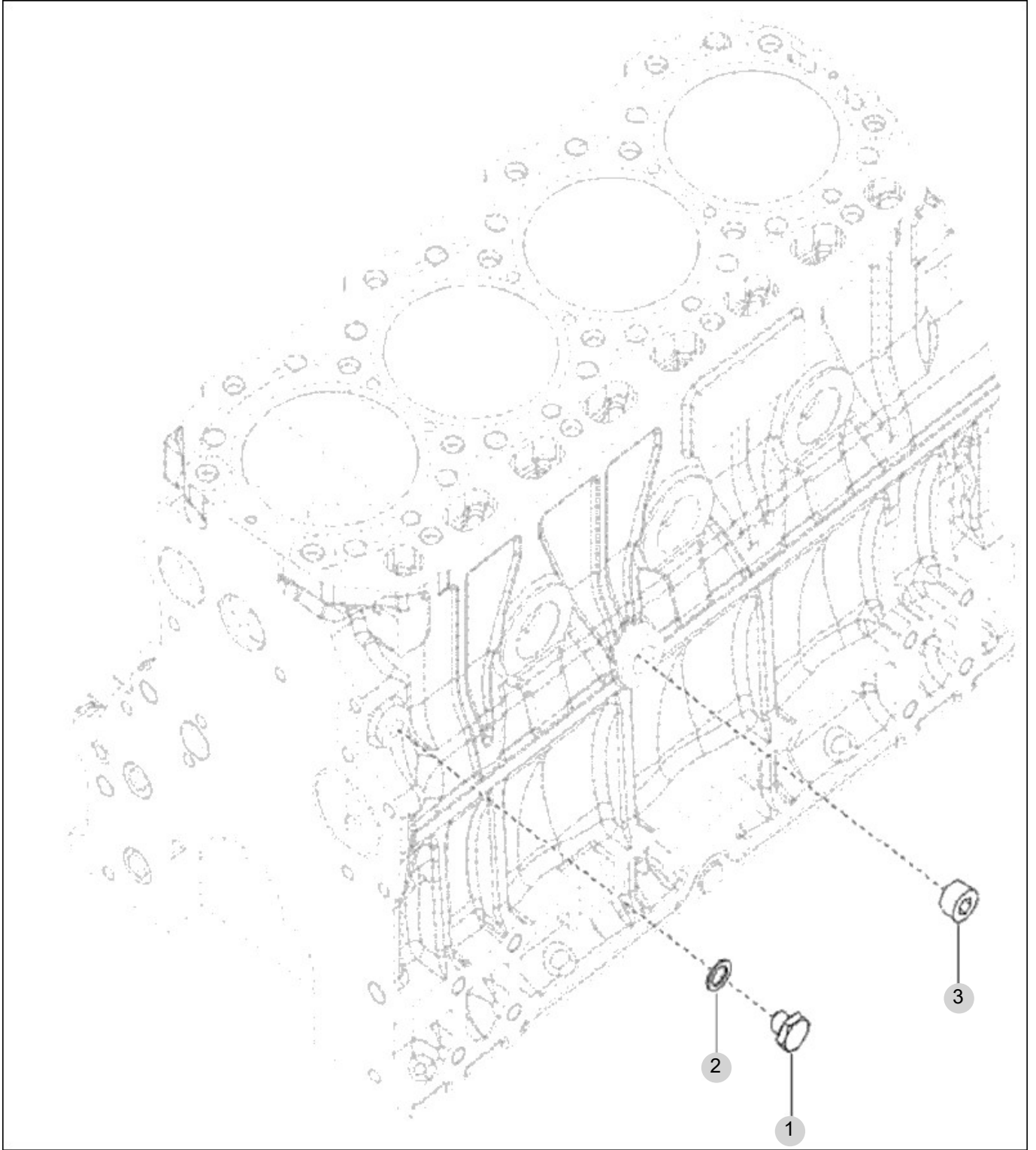
FIG 118

TURBOCHARGER PLUMBING OPTION

년/월
Year/Month

T474SH-B

2022-12



NOTE

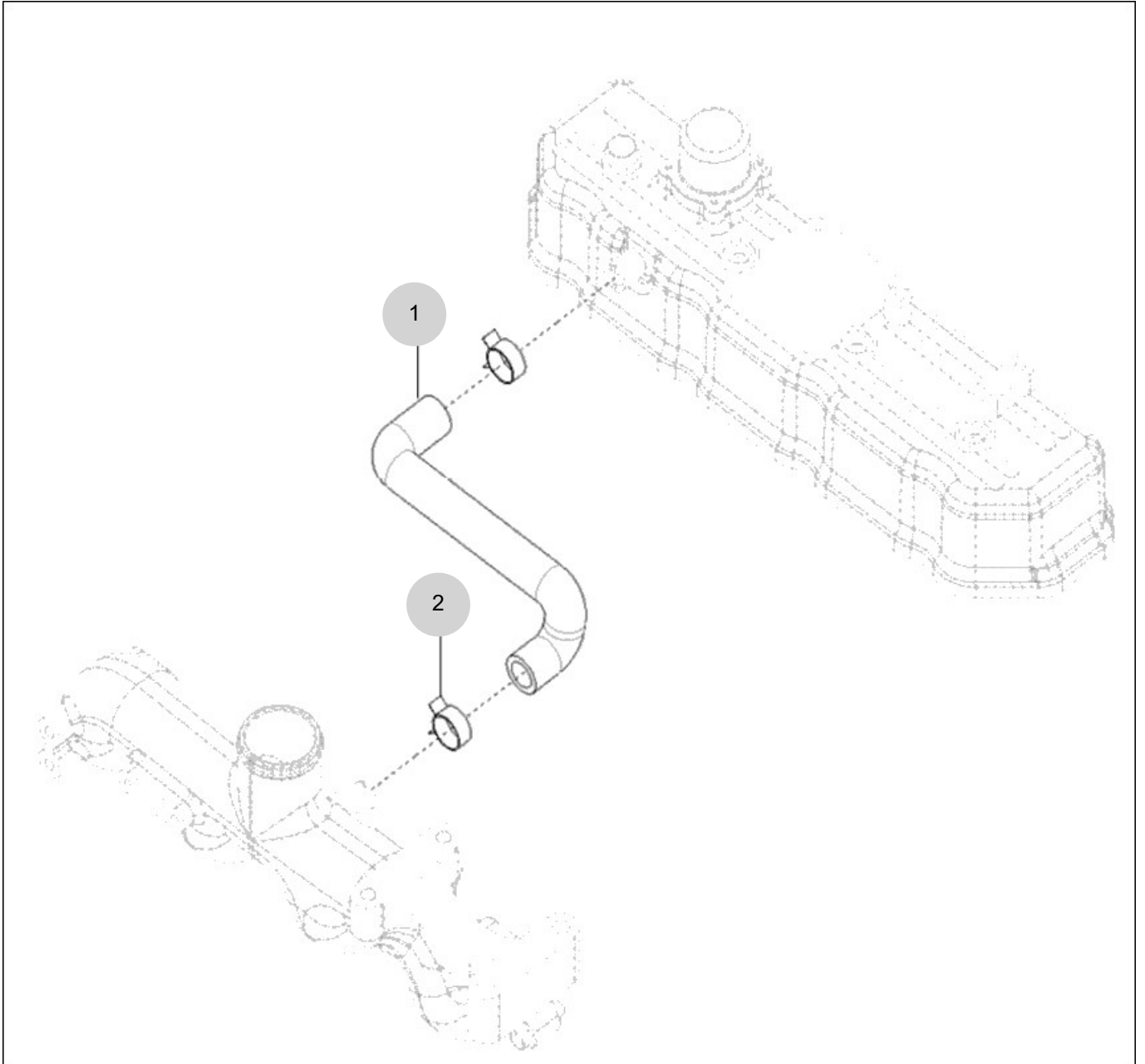
FIG 119

T474SH-B

BREATHER

년/월
Year/Month

2022-12



NOTE

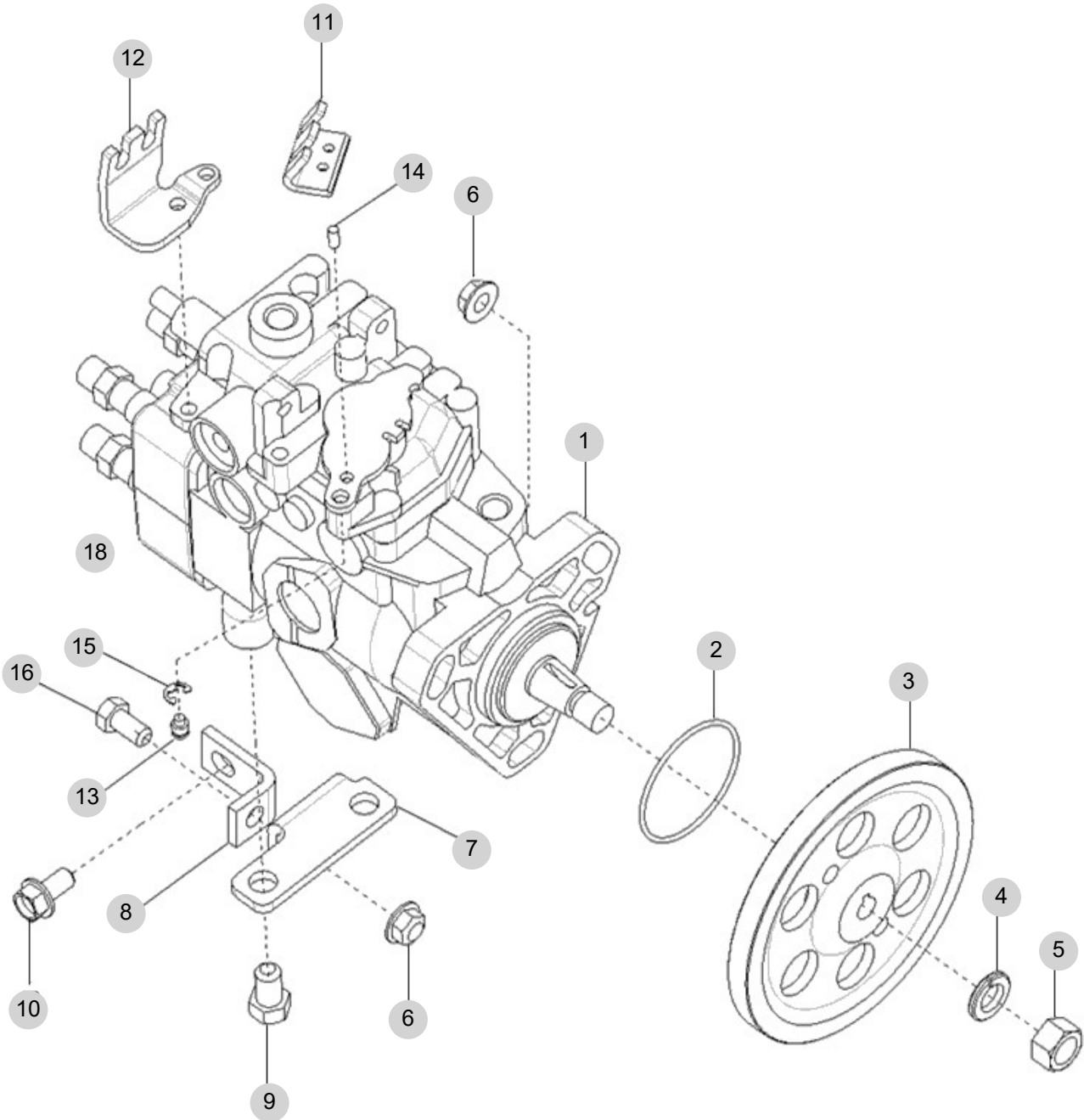
FIG 120

FUEL INJECTION PUMP

년/월
Year/Month

T474SH-B

2022-12



NOTE

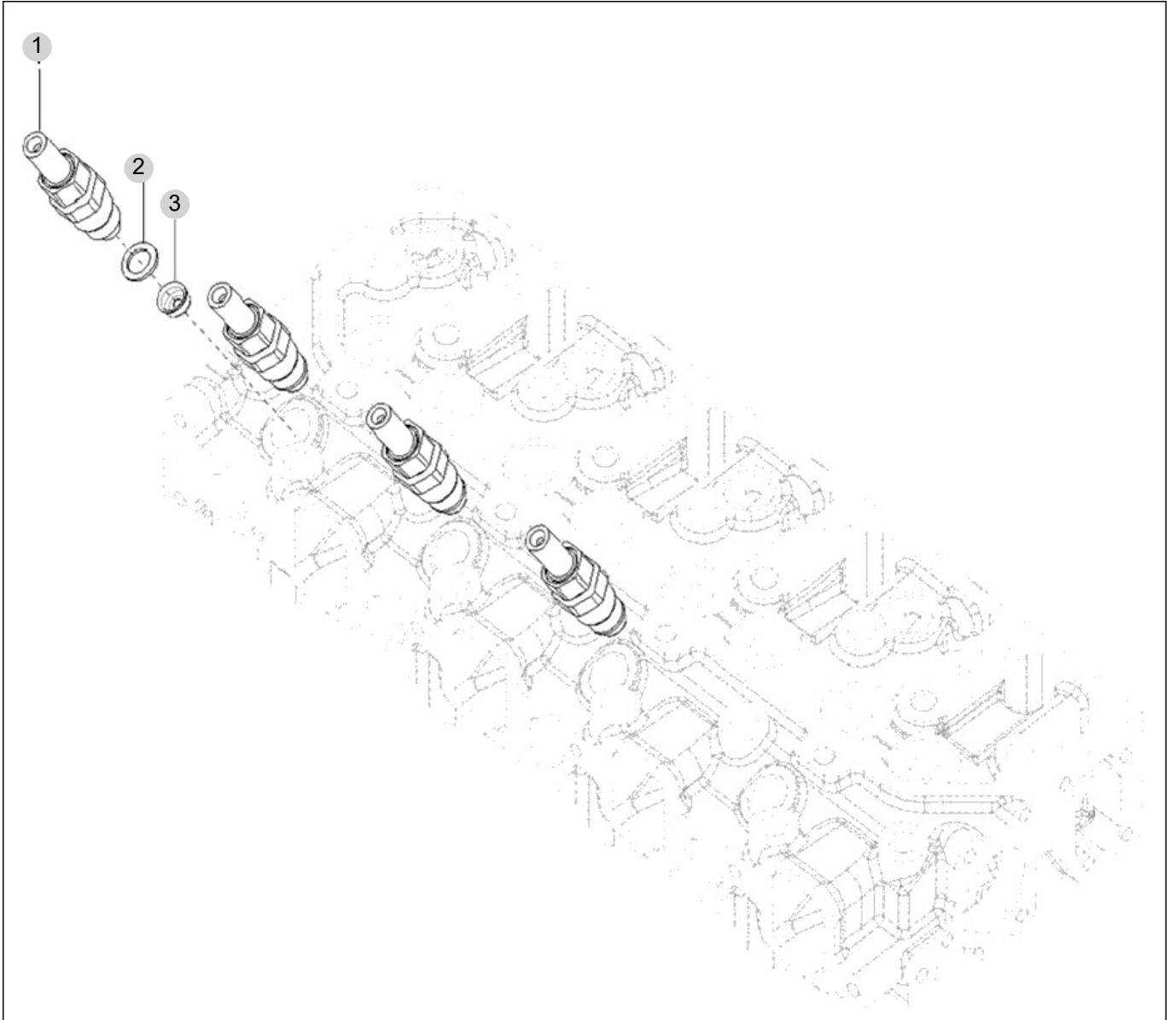
FIG 121

FUEL INJECTION VALVE

년/월
Year/Month

T474SH-B

2022-12



NOTE

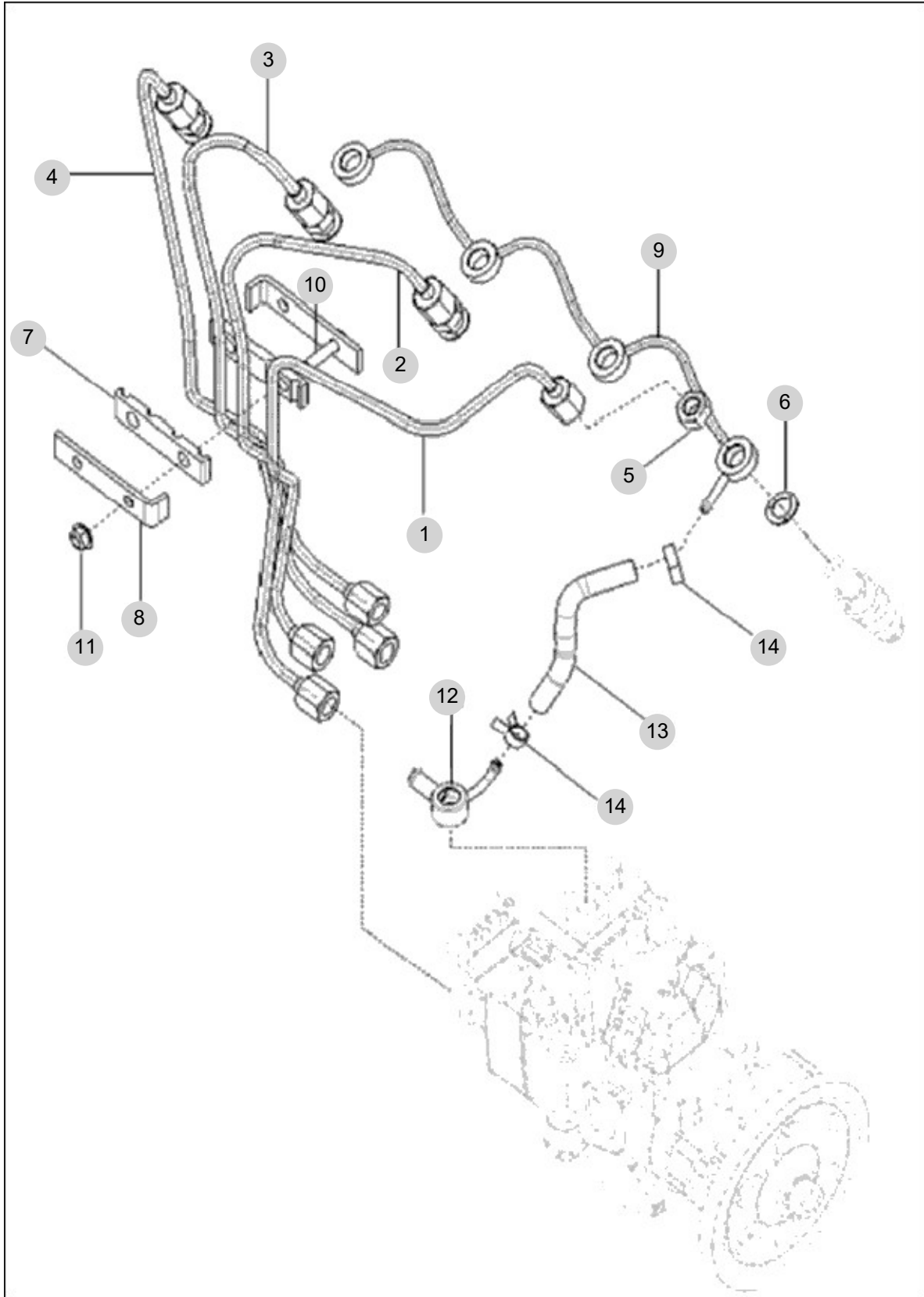
FIG 122

FUEL PIPE ASS'Y

년/월
Year/Month

T474SH-B

2022-12



NOTE

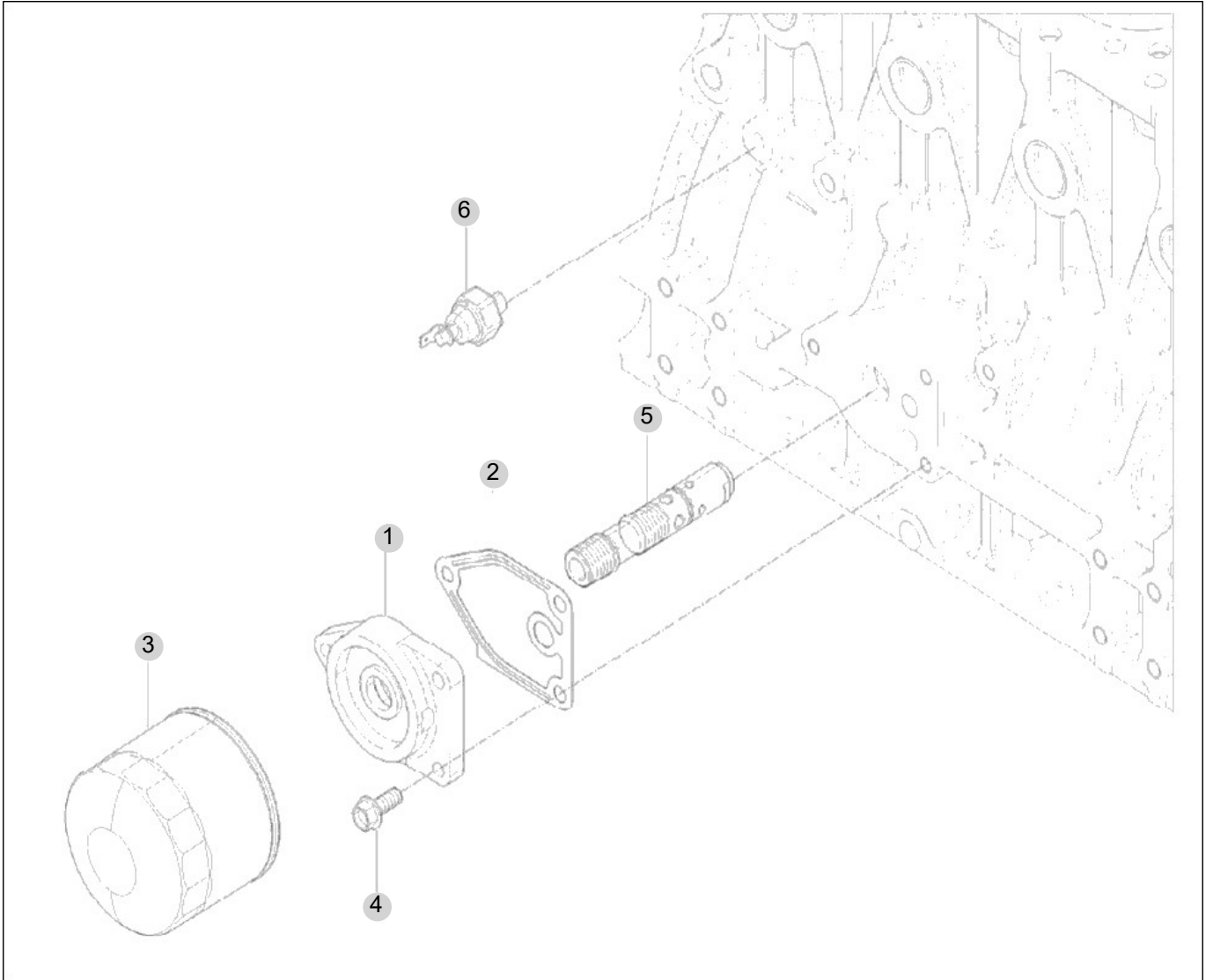
FIG 123

T474SH-B

OIL FILTER

년/월
Year/Month

2022-12



NOTE

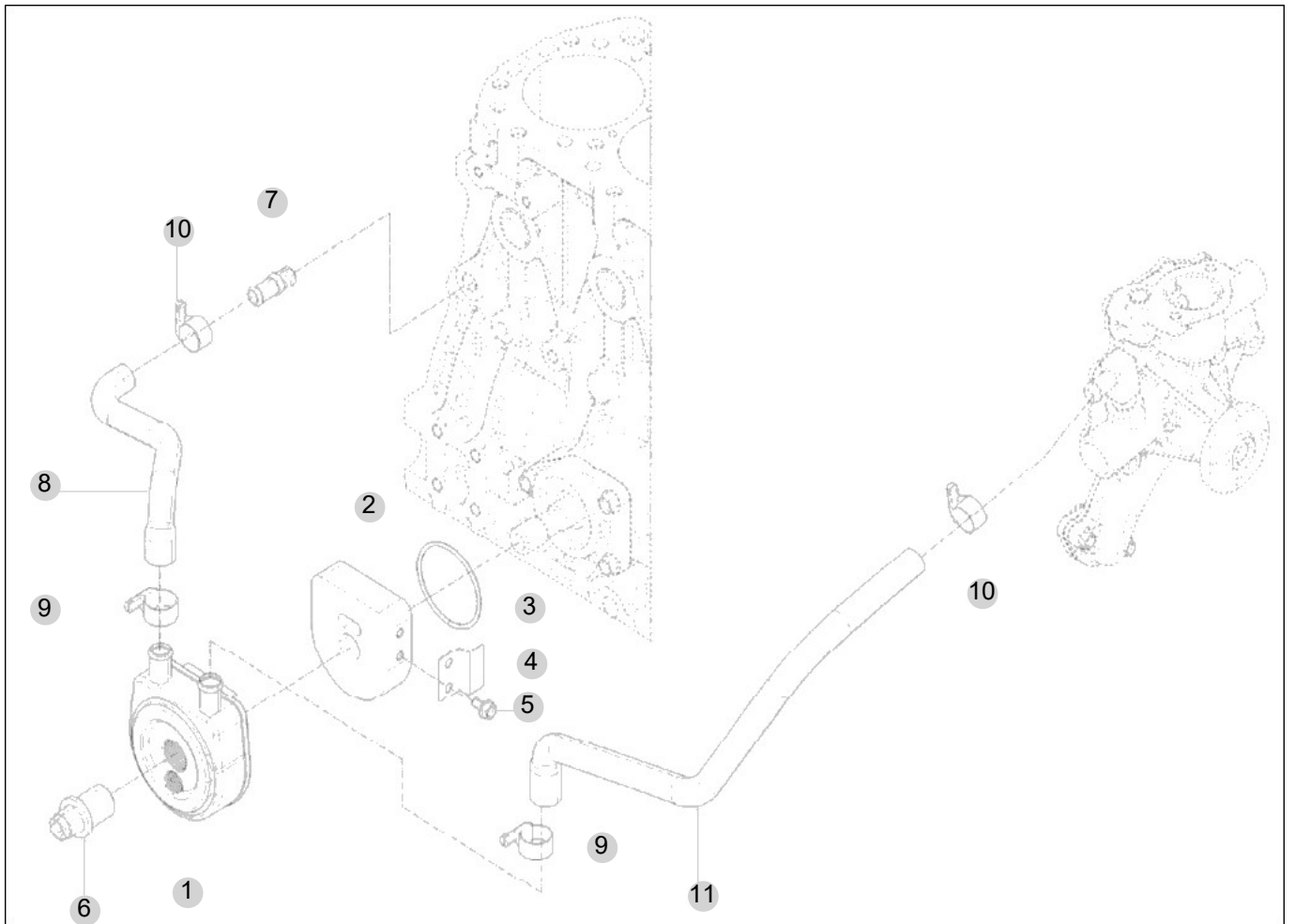
FIG 124

OIL COOLER

년/월
Year/Month

T474SH-B

2022-12



NOTE

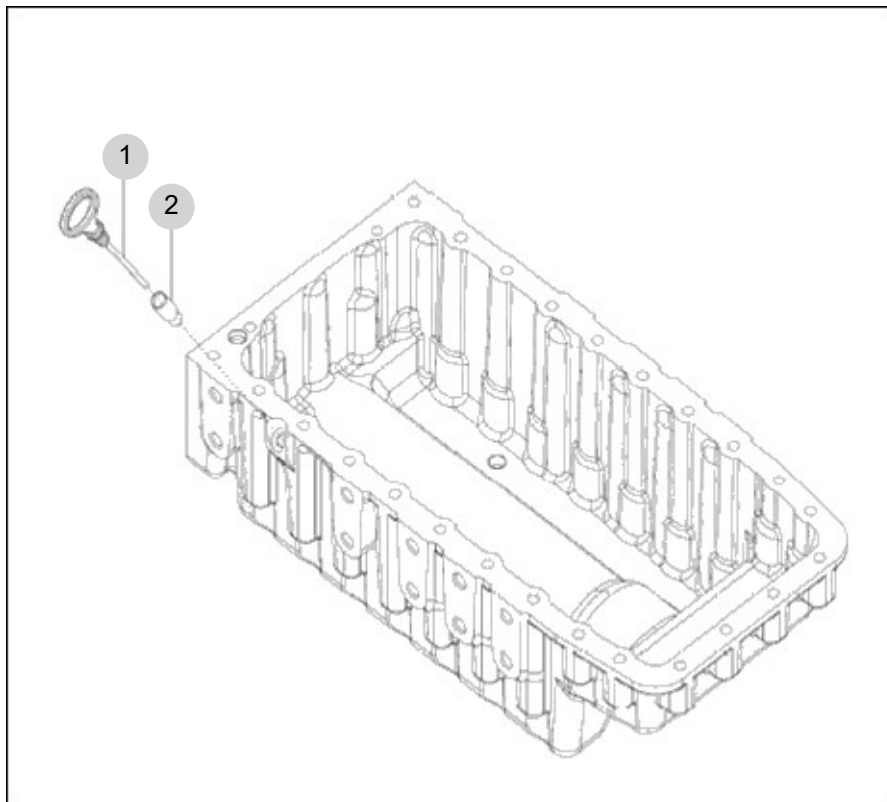
FIG 125

OIL GAUGUE

년/월
Year/Month

T474SH-B

2022-12



NOTE

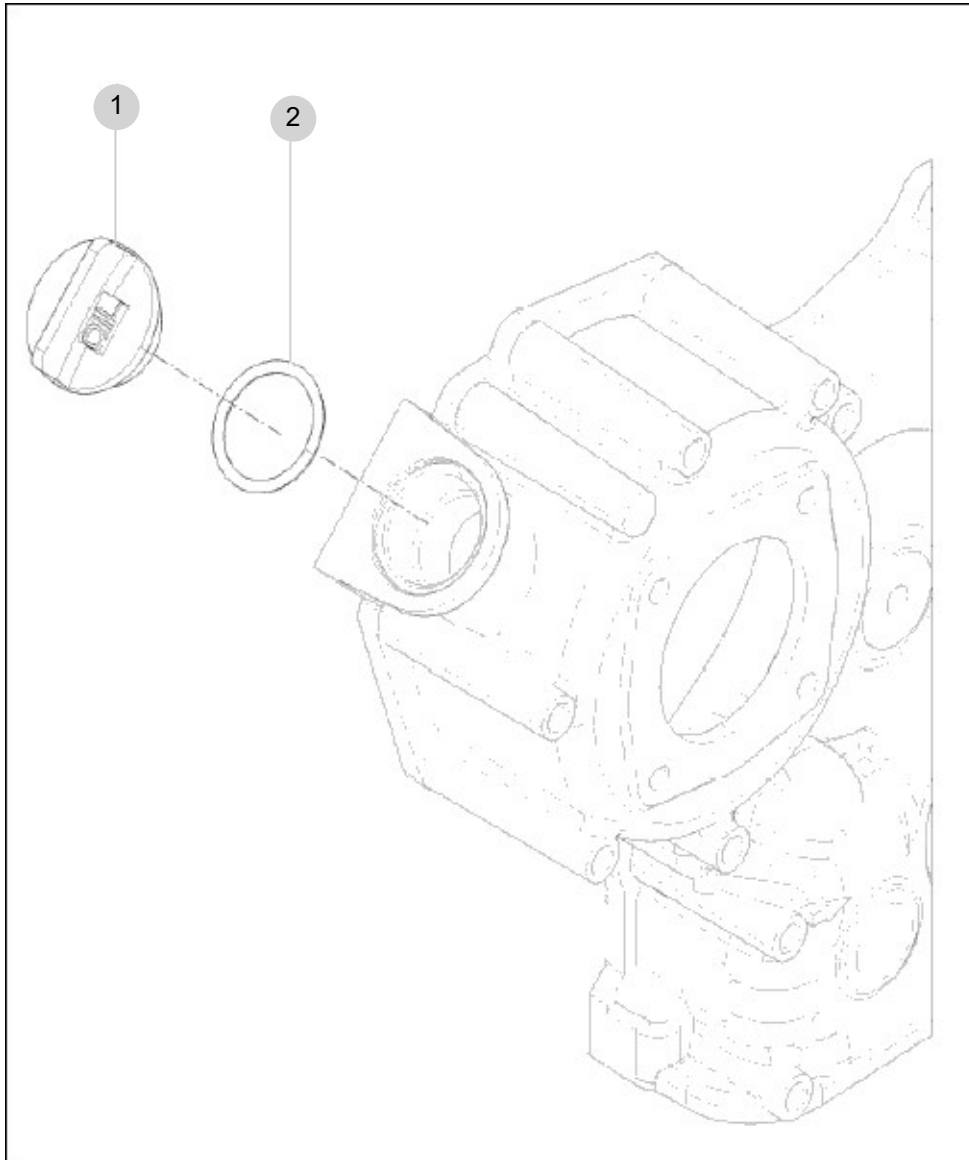
FIG 126

T474SH-B

OIL FILLER CAP

년/월
Year/Month

2022-12



NOTE

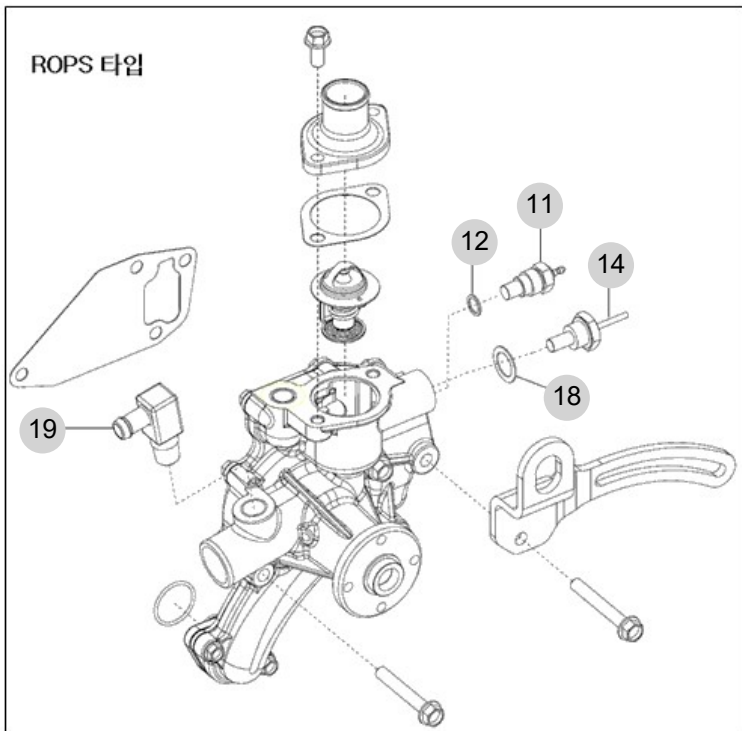
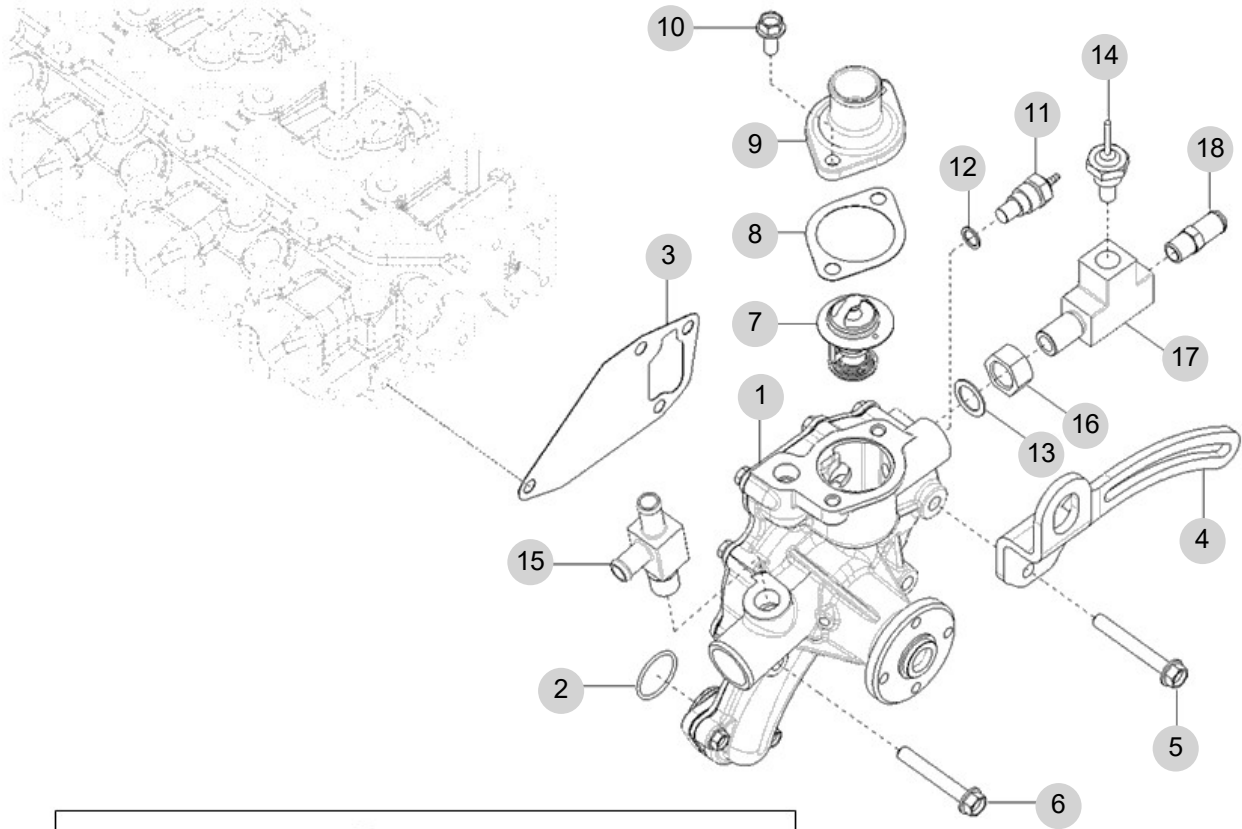
FIG 127

COOLING WATER PUMP

년/월
Year/Month

2022-12

T474SH-B



NOTE

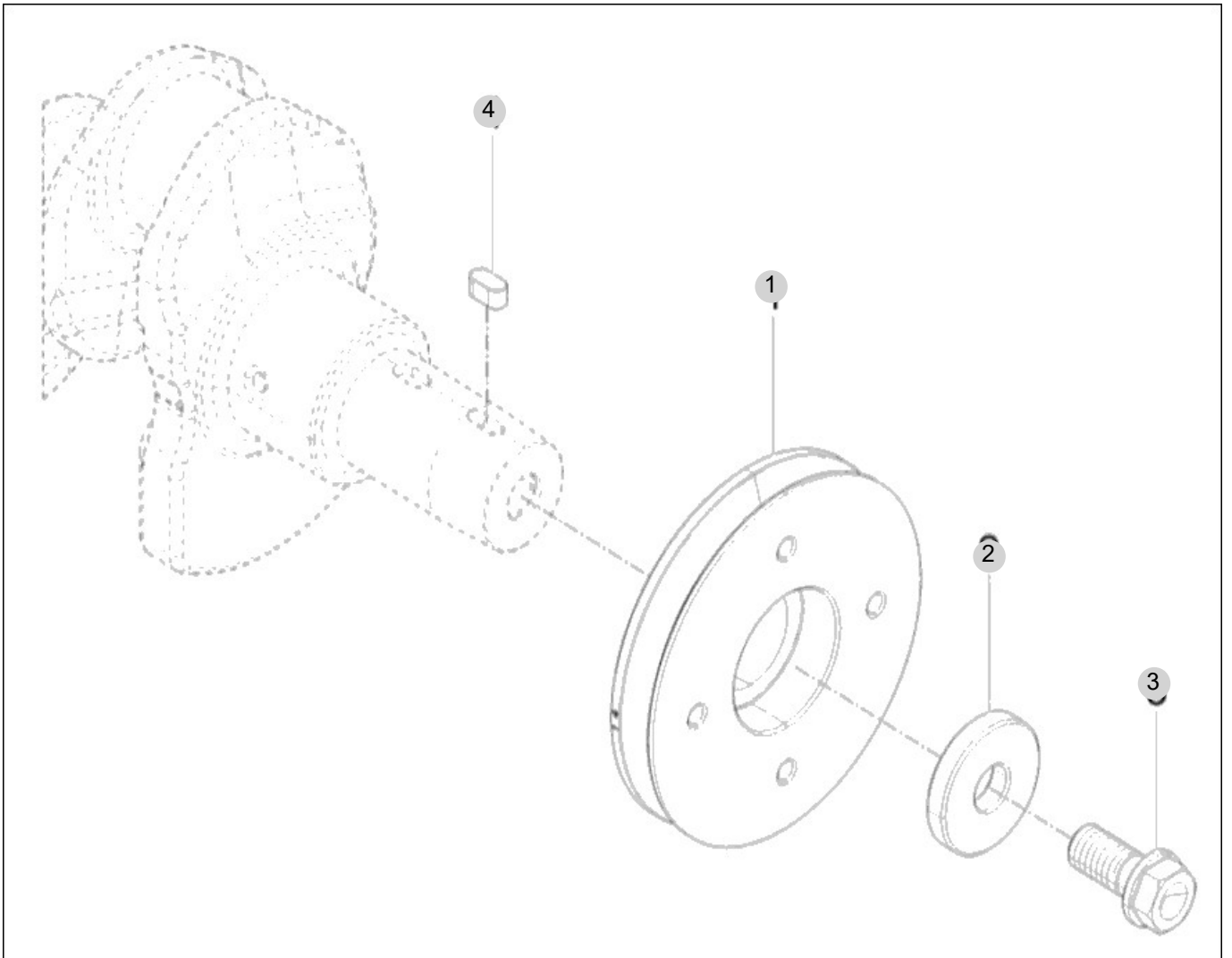
FIG 128

T474SH-B

CRANK SHAFT PULLEY

년/월
Year/Month

2022-12



NOTE

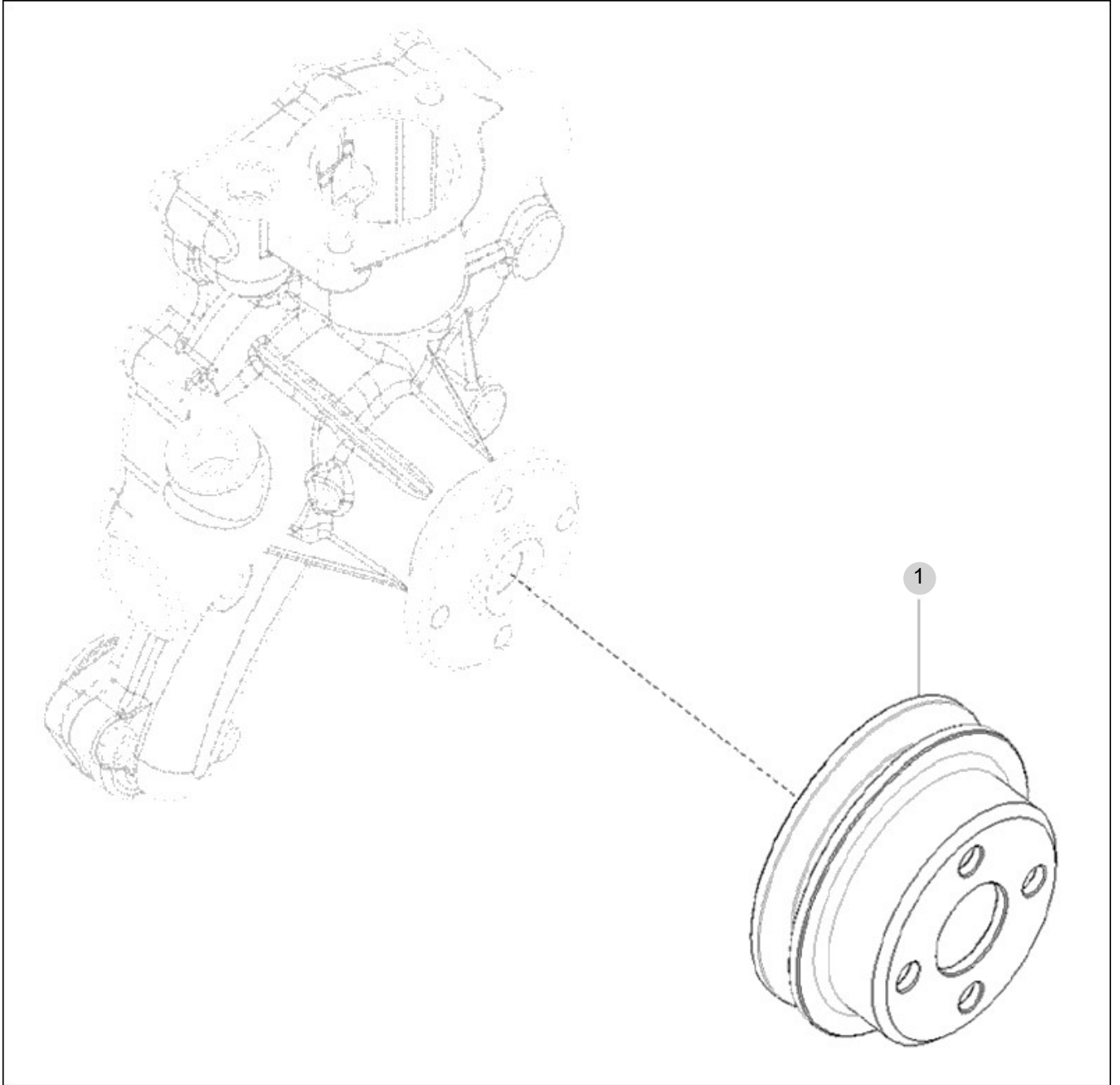
FIG 129

V-PULLEY

년/월
Year/Month

T474SH-B

2022-12



NOTE

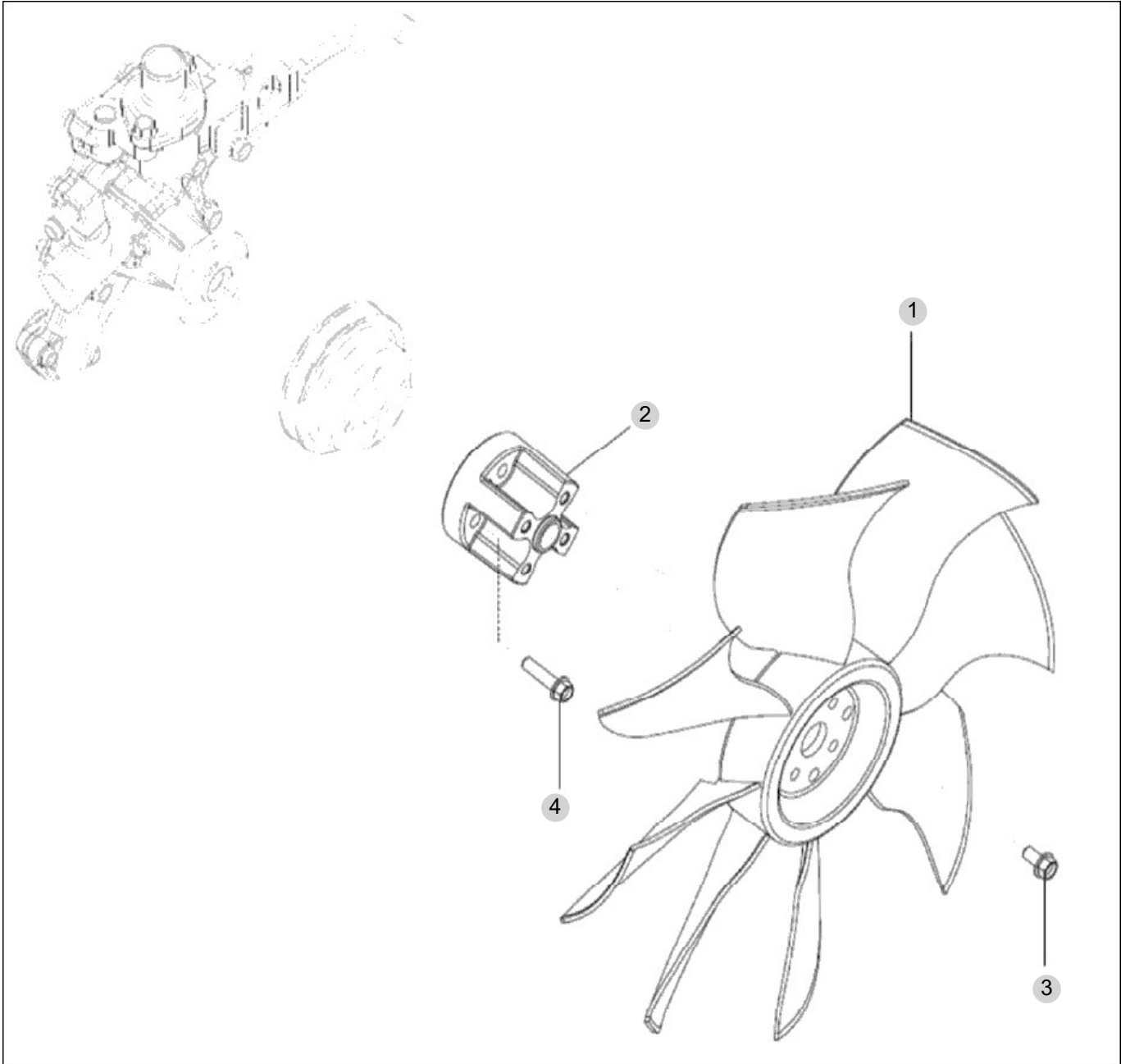
FIG 130

T474SH-B

COOLING FAN

년/월
Year/Month

2022-12



NOTE

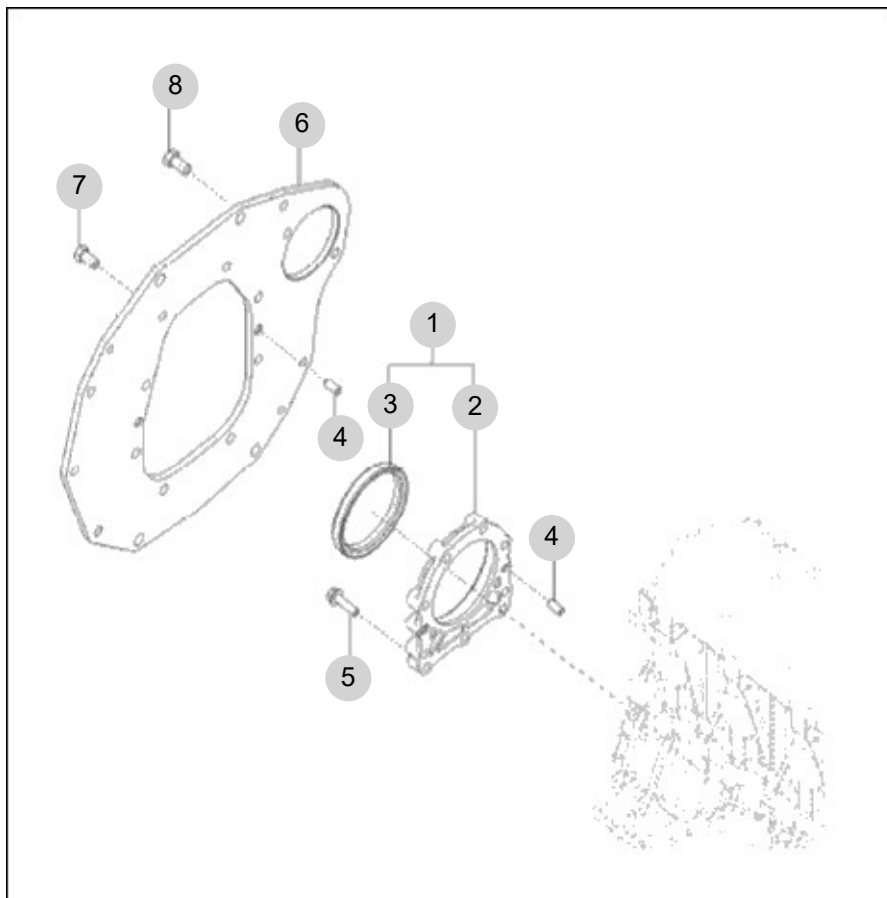
FIG 131

T474SH-B

FLYWHEEL HOUSING

년/월
Year/Month

2022-12



NOTE

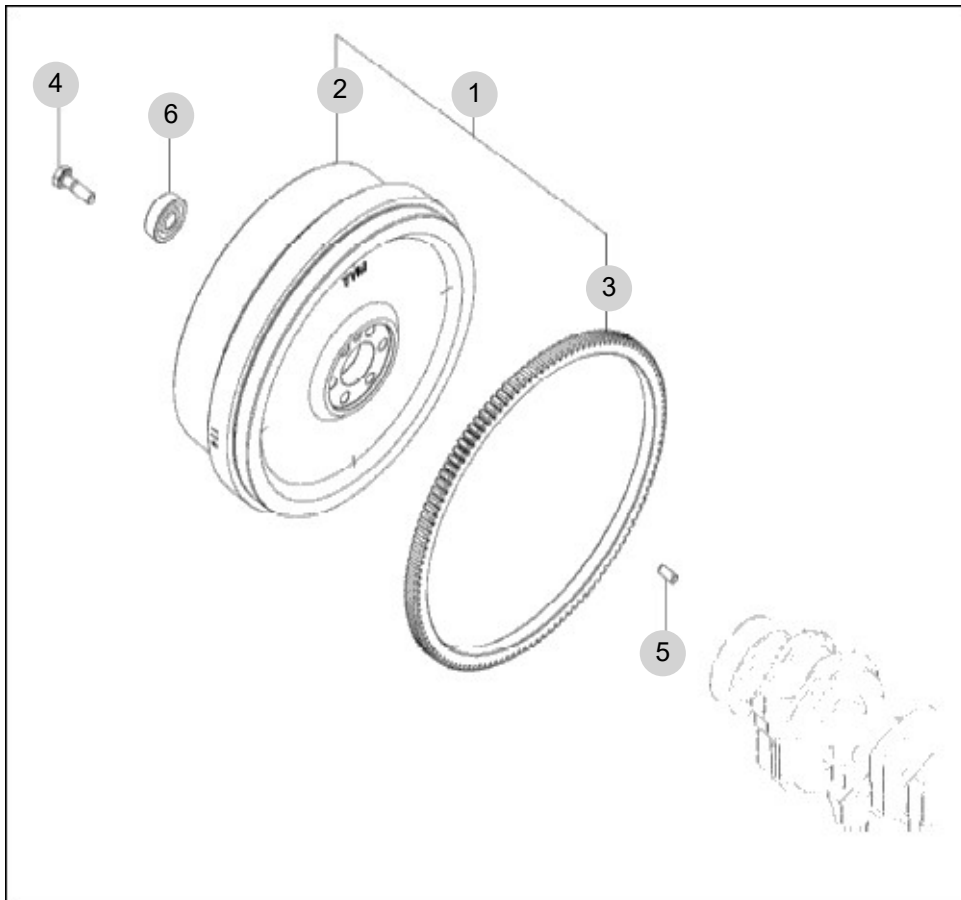
FIG 132

T474SH-B

FLYWHEEL

년/월
Year/Month

2022-12



NOTE

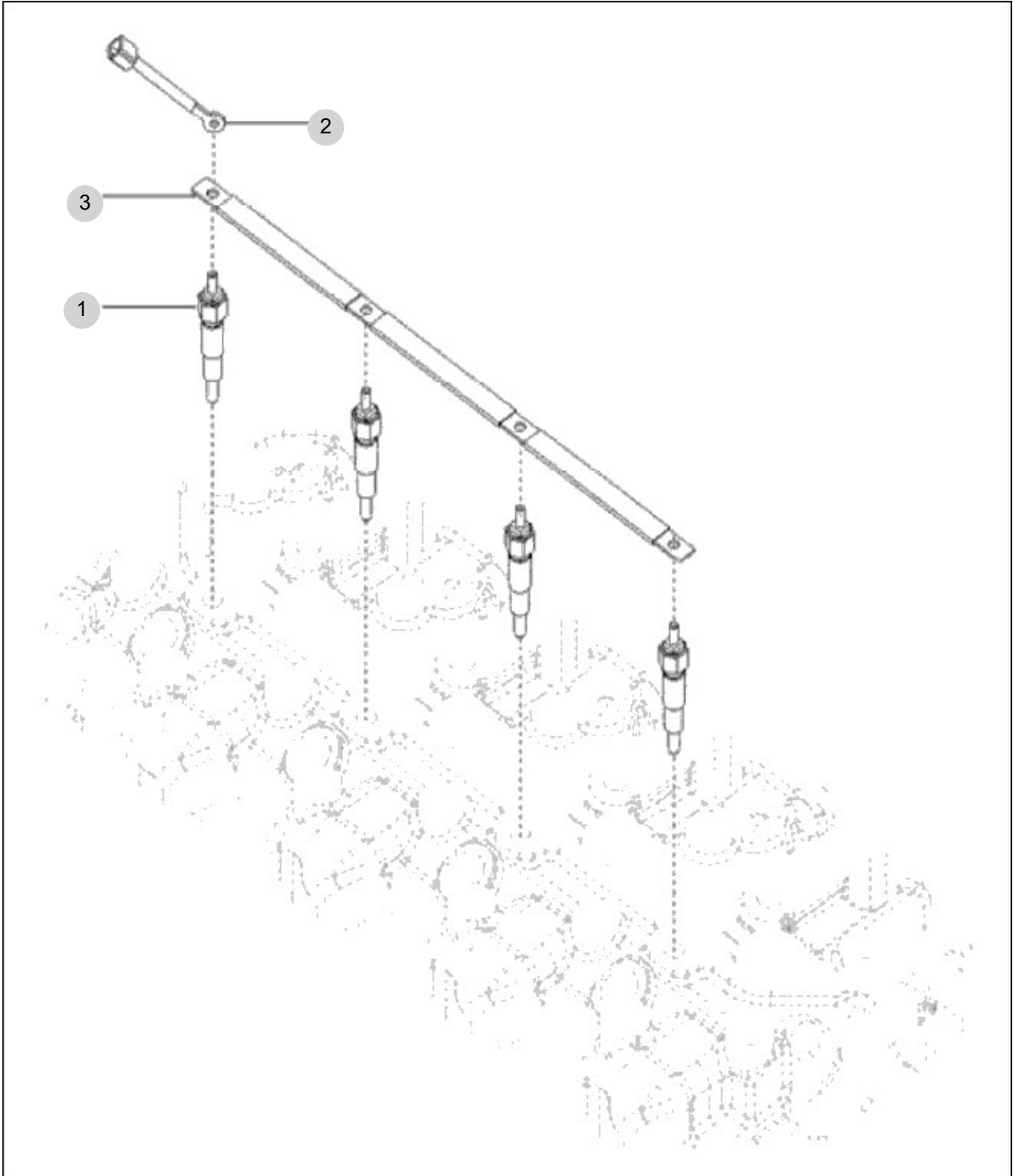
FIG 133

T474SH-B

GLOW PLUG ASS'Y OPTION

년/월
Year/Month

2022-12



NOTE

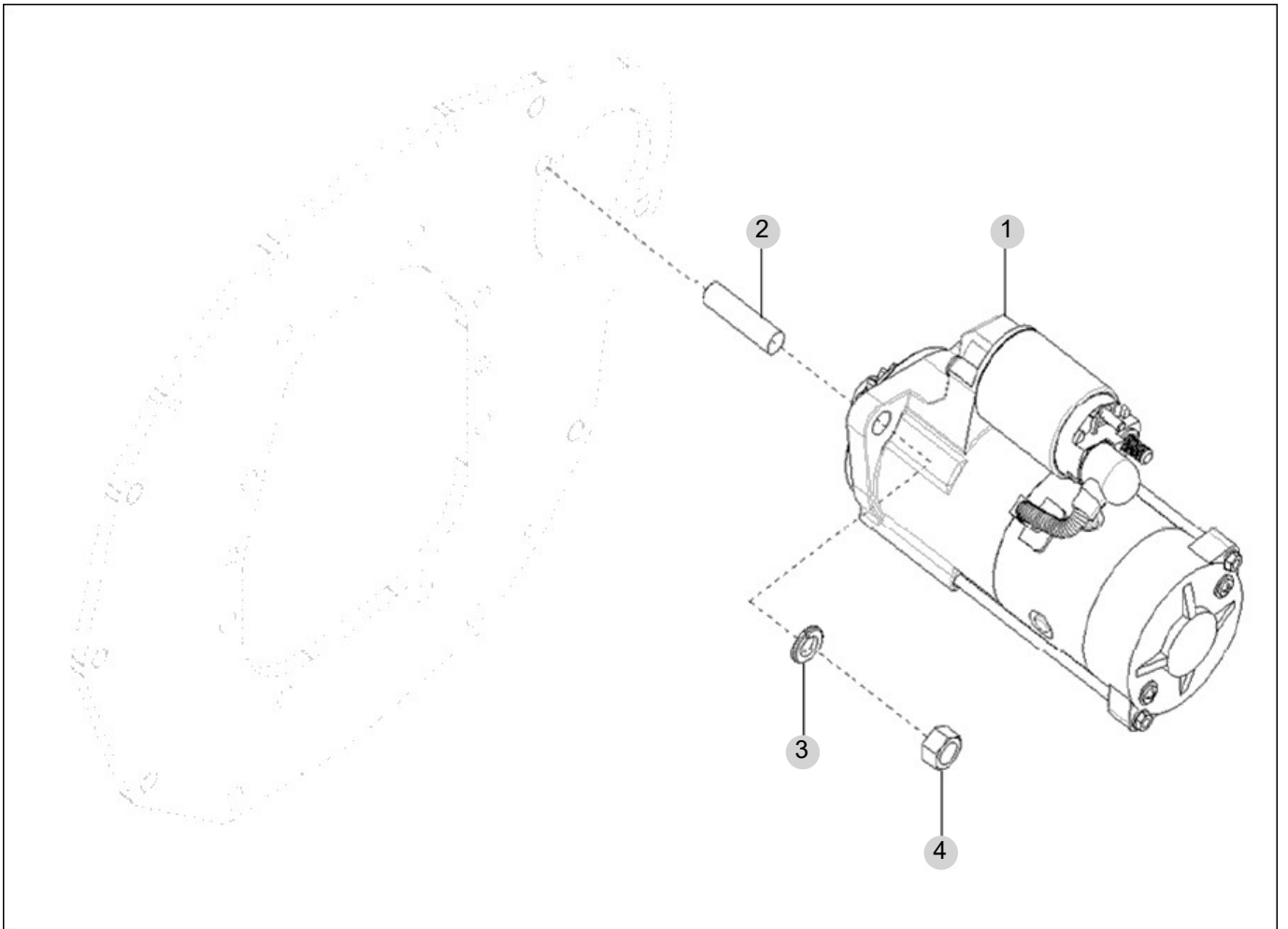
FIG 134

T474SH-B

STARTING MOTOR

년/월
Year/Month

2022-12



NOTE

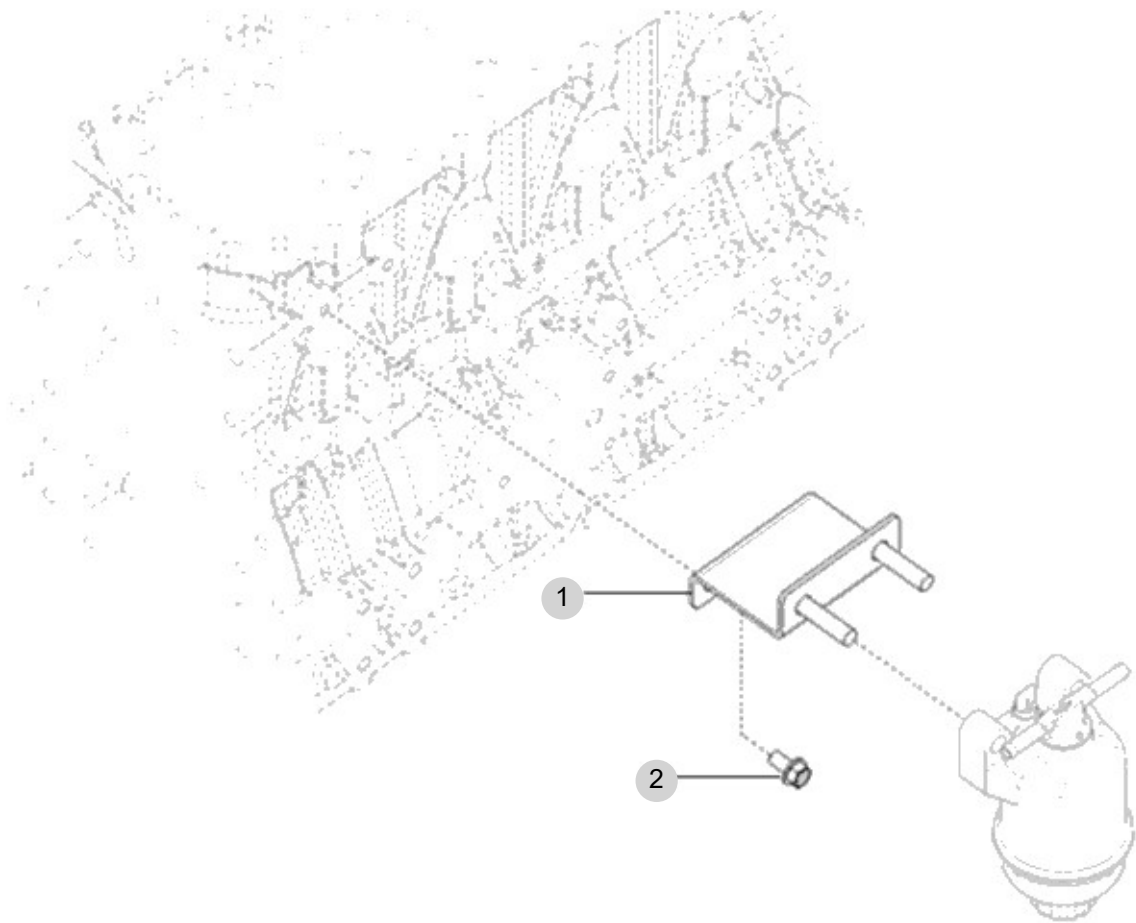
FIG 135

T474SH-B

FUEL FILTER BRACKET ASS'Y

년/월
Year/Month

2022-12



NOTE

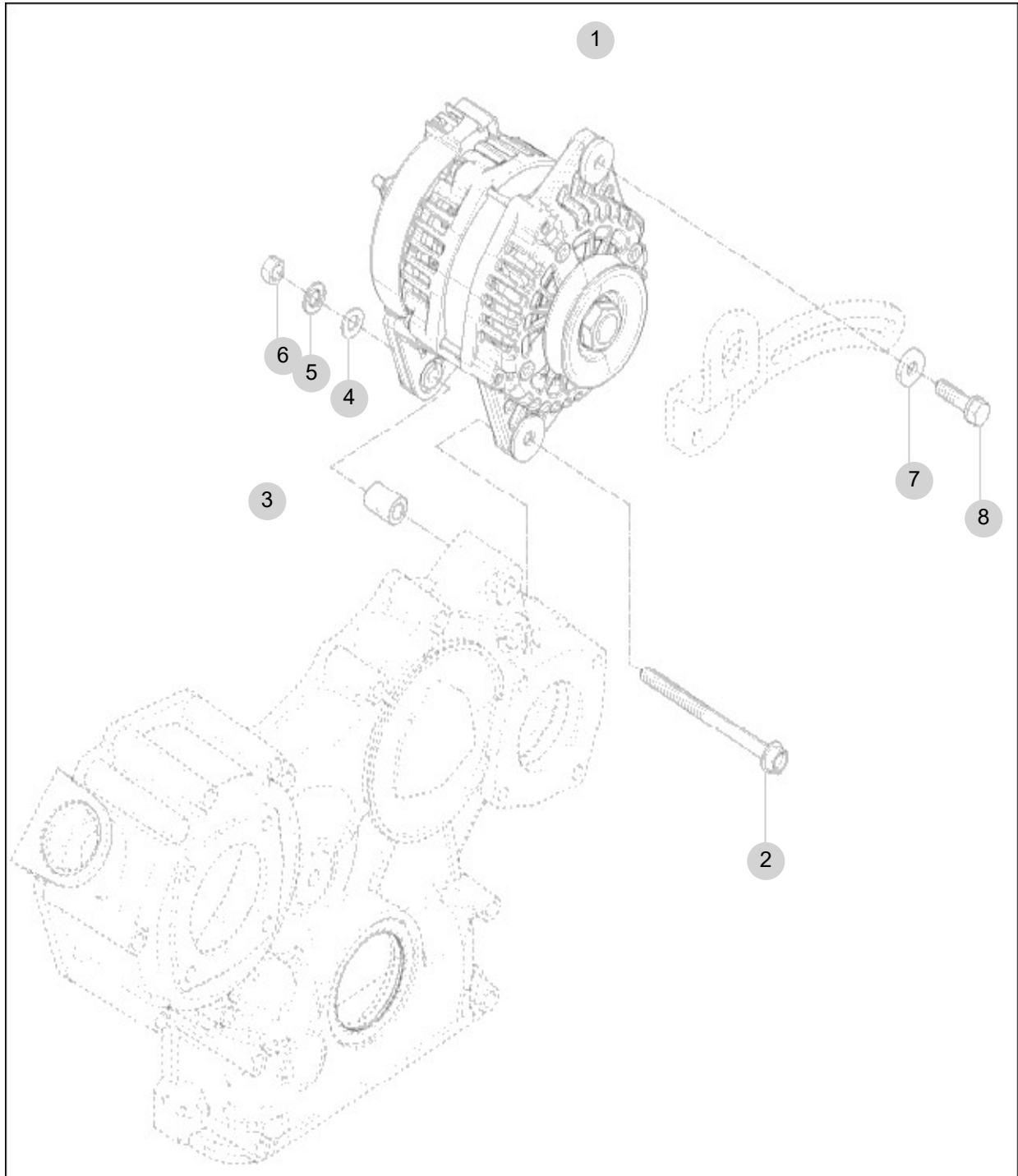
FIG 136

ALTERNATOR

년/월
Year/Month

T474SH-B

2022-12



NOTE

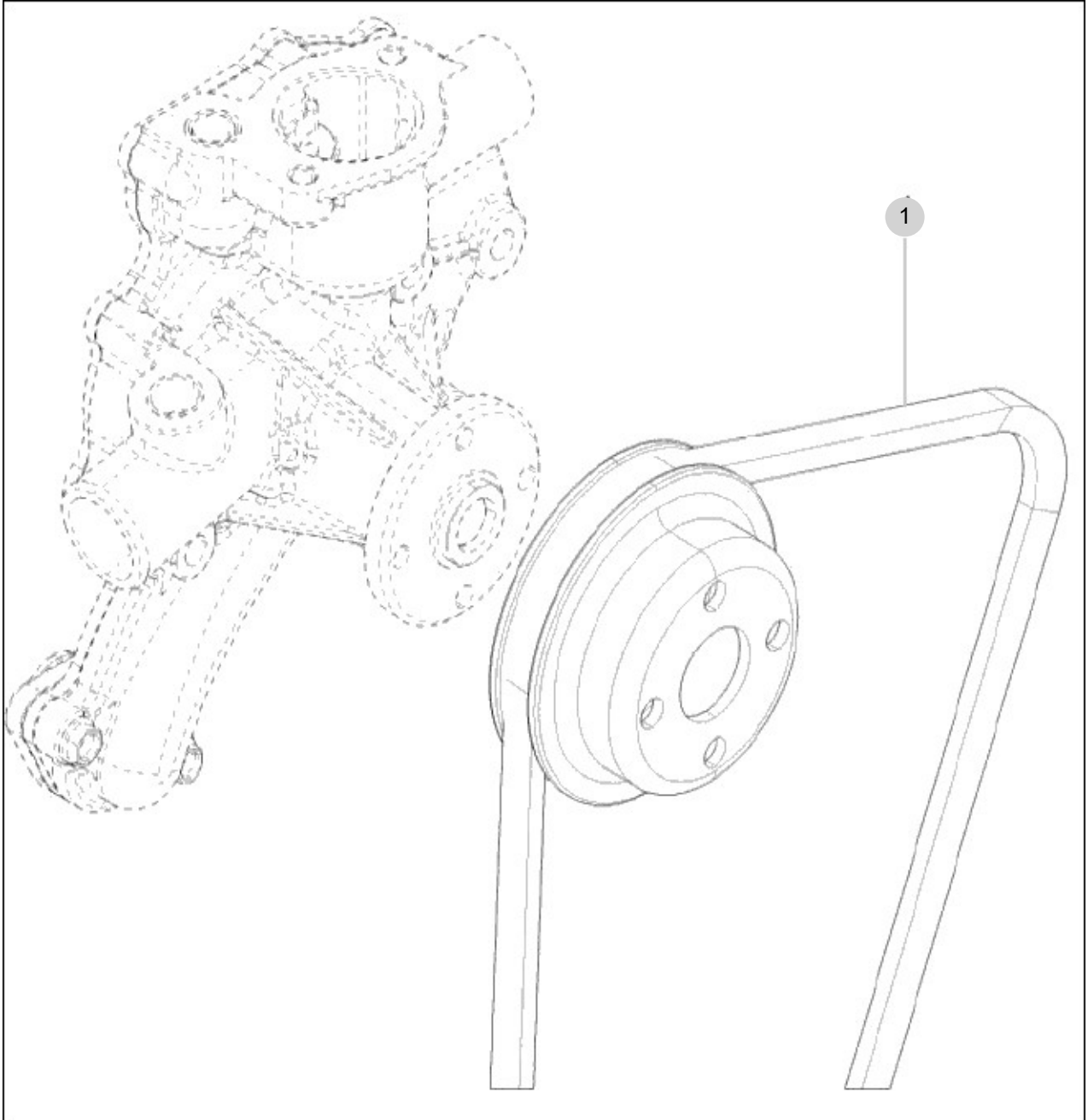
FIG 137

T474SH-B

V-BELT

년/월
Year/Month

2022-12



NOTE

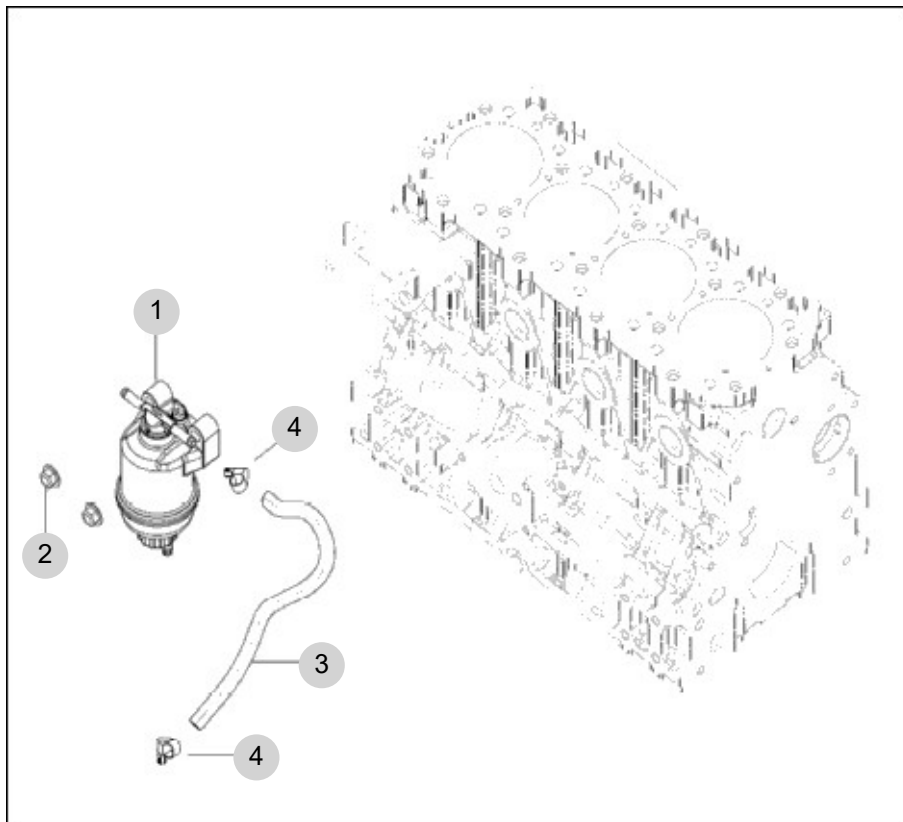
FIG 138

T474SH-B

FUEL FILTER

년/월
Year/Month

2022-12



NOTE

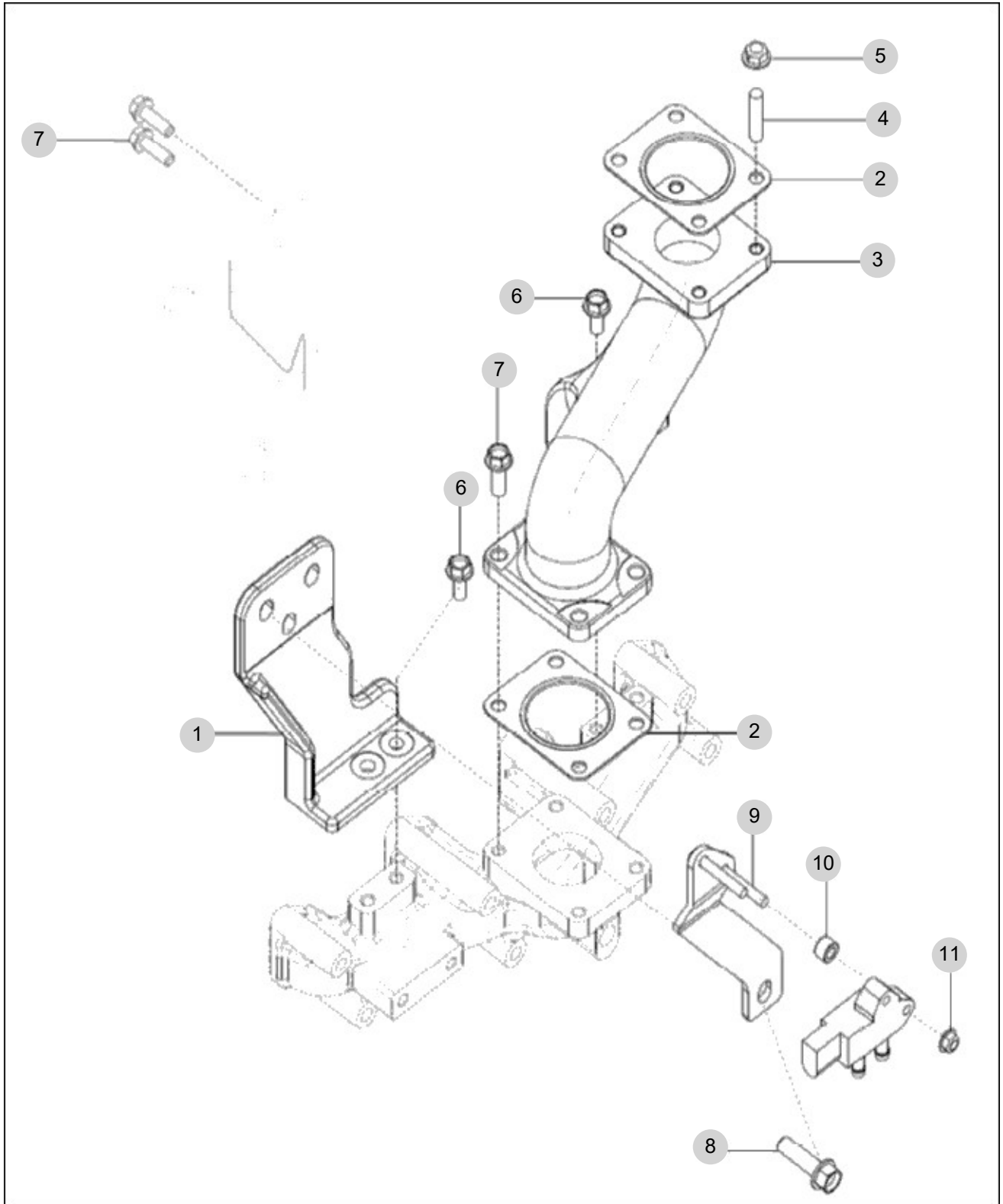
FIG 139

DPF SUPPORT

년/월
Year/Month

T474SH-B

2022-12



NOTE

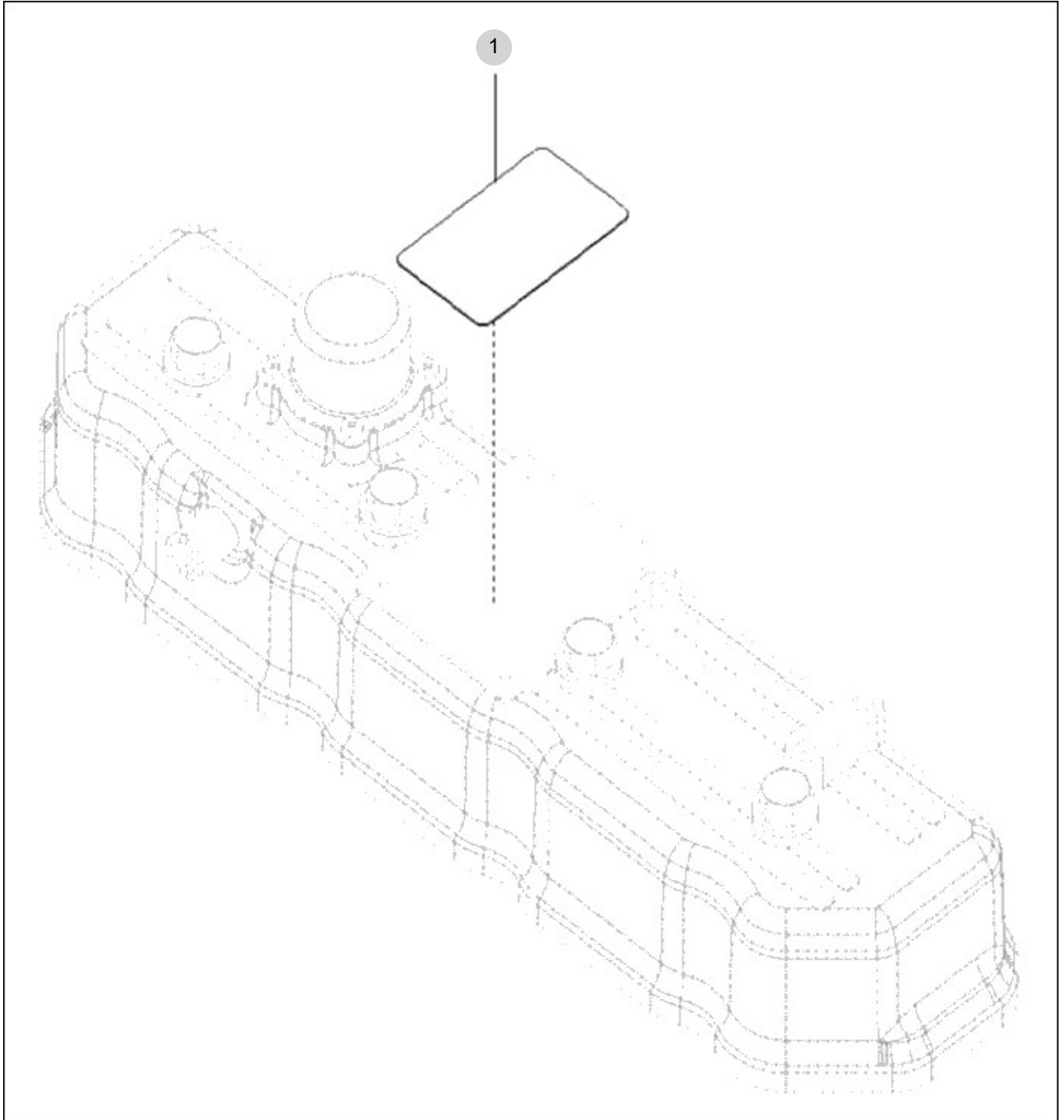
FIG 140

T474SH-B

DATAPLATE

년/월
Year/Month

2022-12



NOTE

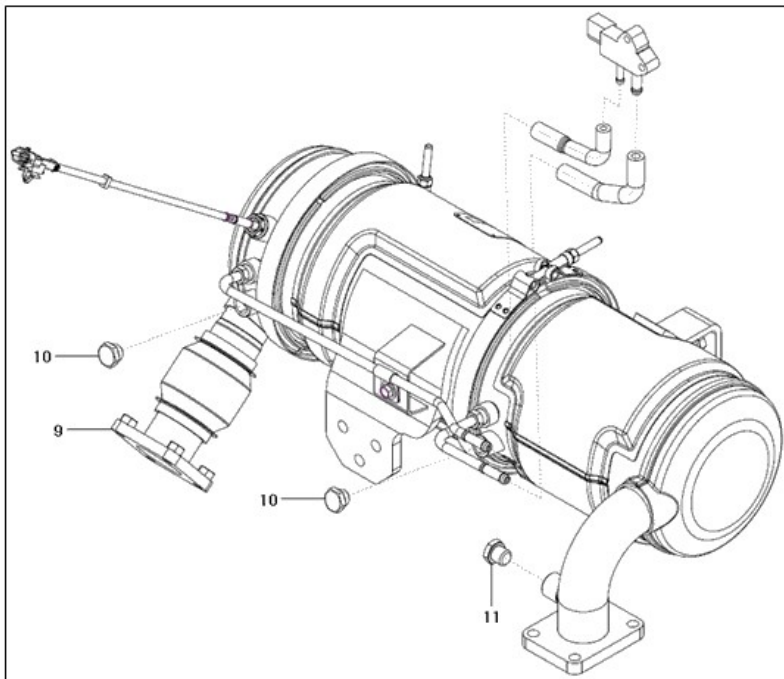
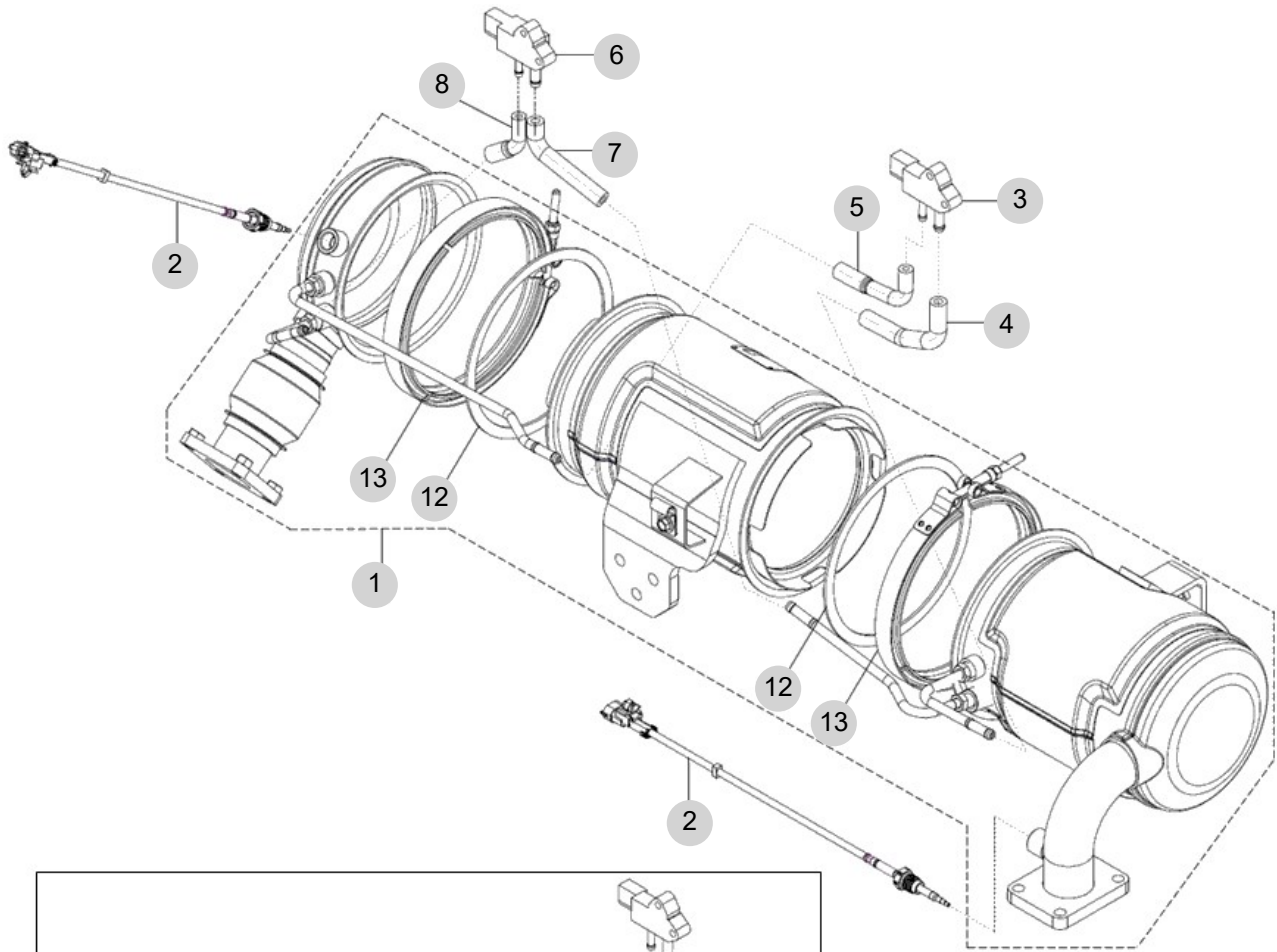
FIG 142

T474SH-B

DPF ASS'Y

년/월
Year/Month

2022-12



NOTE

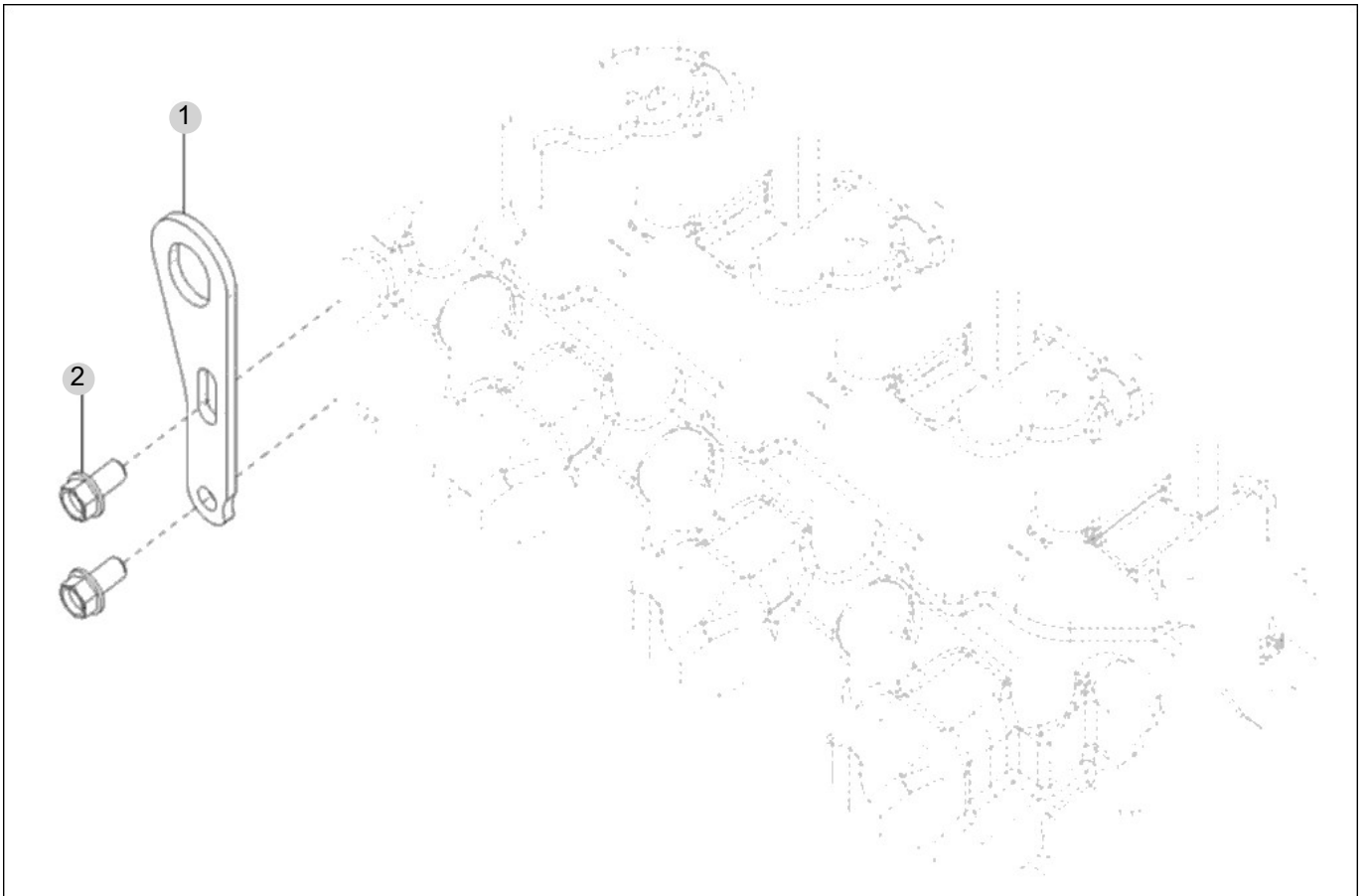
FIG 143

LIFT ASS'Y

년/월
Year/Month

T474SH-B

2022-12



NOTE

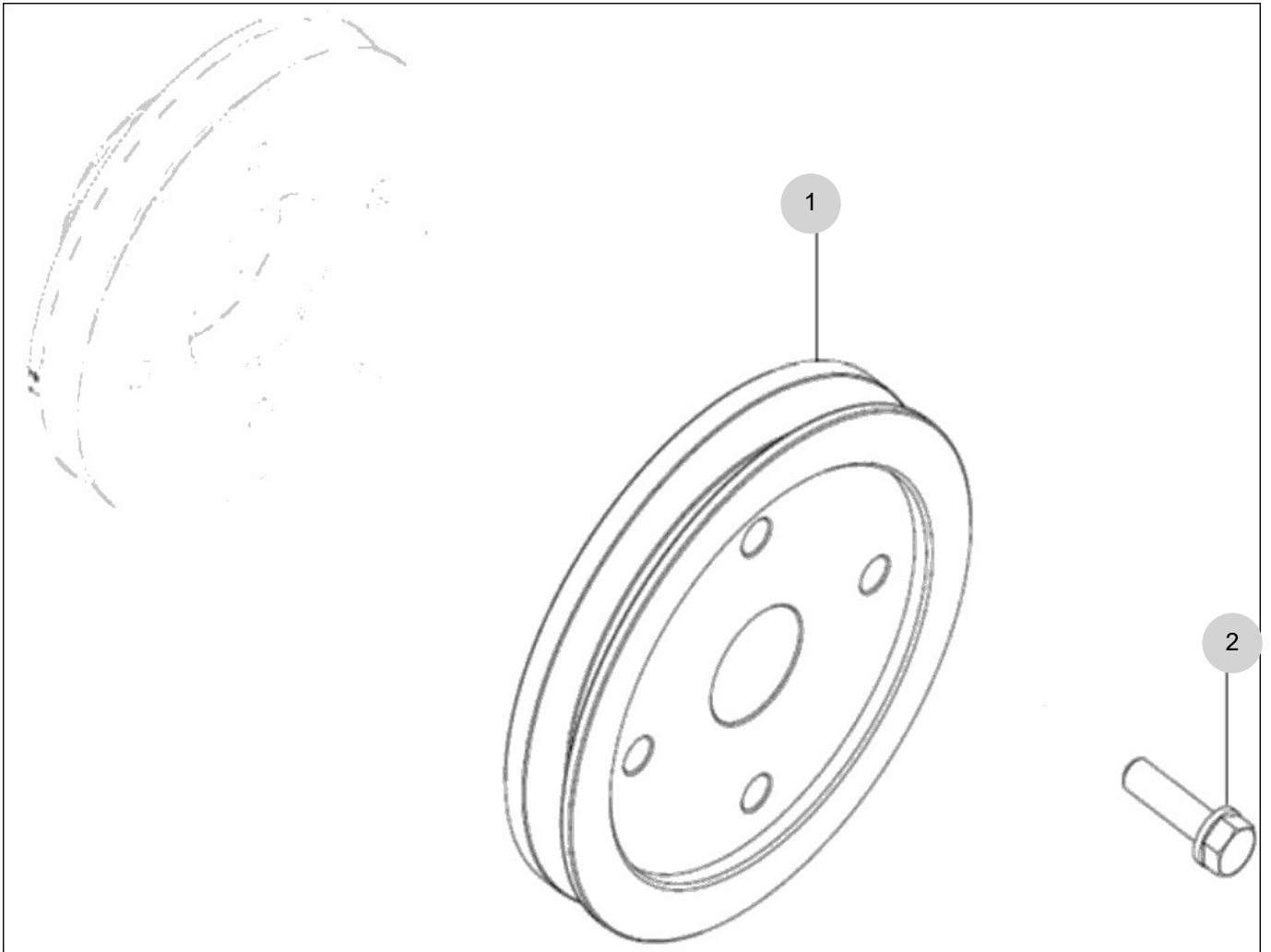
FIG 144

T474SH-B

COMP . DRIVE PULLEY ASS'Y OPTION

년/월
Year/Month

2022-12



NOTE

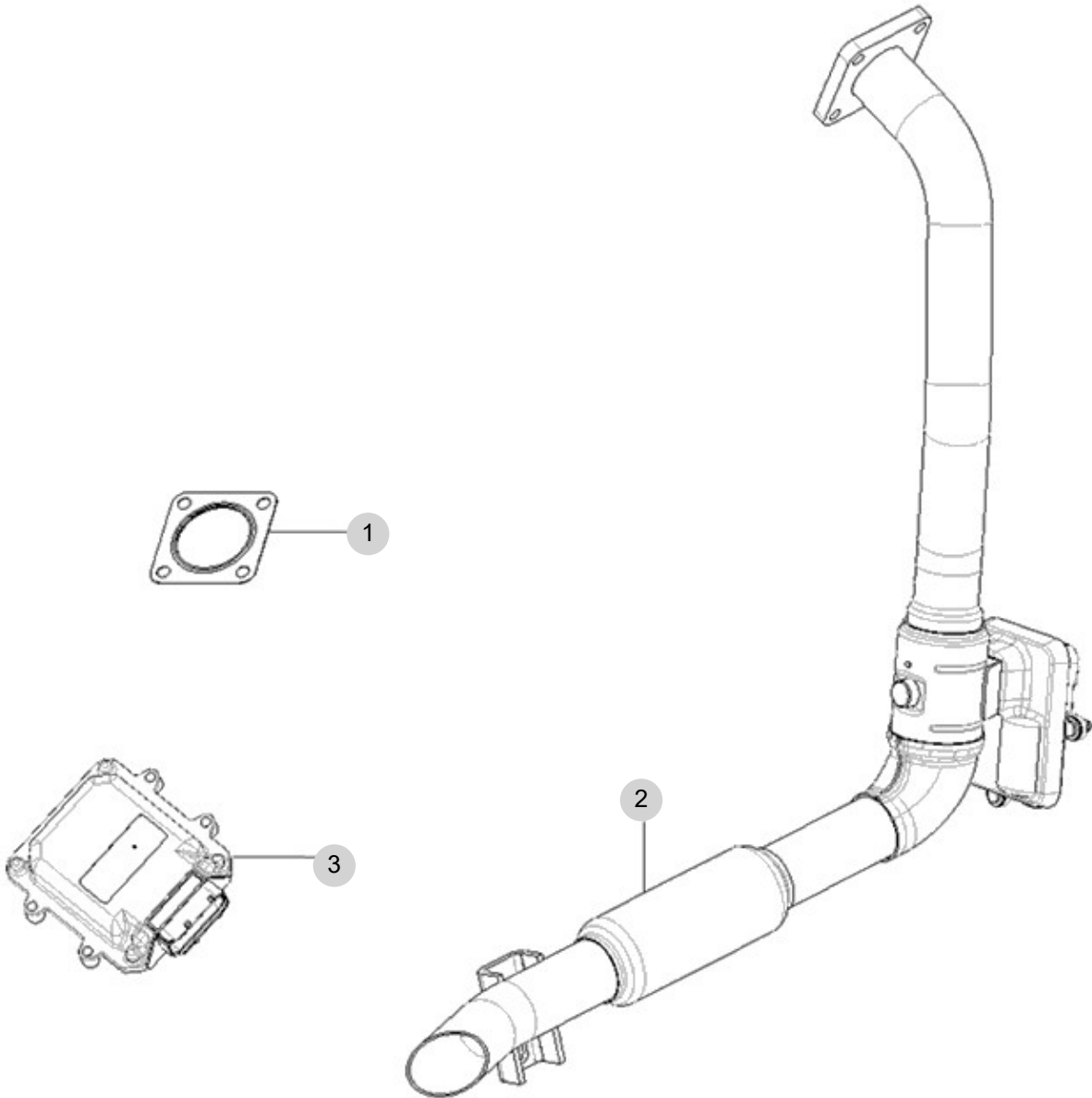
FIG 145

T474SH-B

LOOSED PARTS

년/월
Year/Month

2022-12



NOTE

2. Engine Accessories PART NO. T2

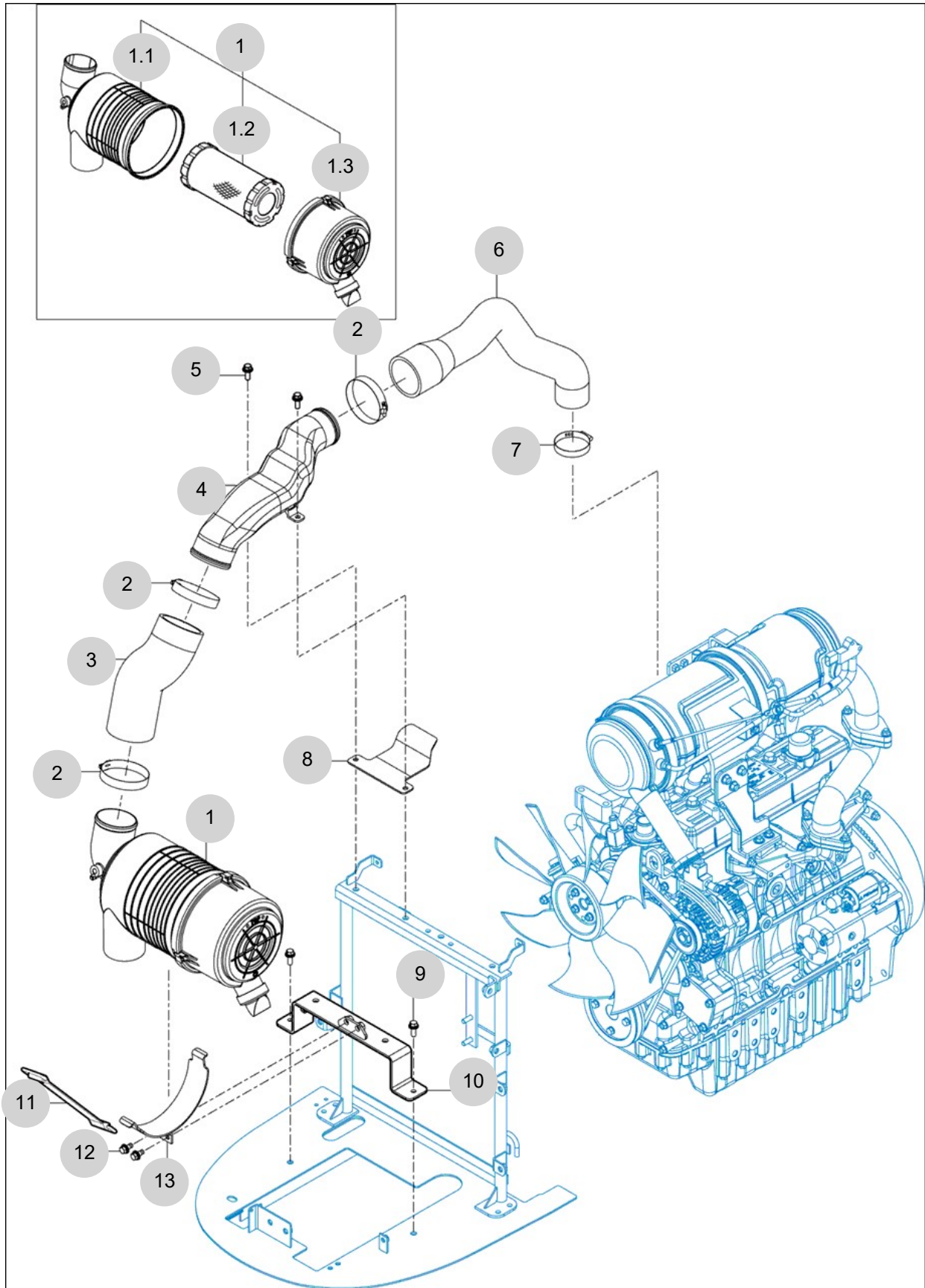
FIG 201 AIR CLEANER	107
FIG 202 RADIATOR	109
FIG 203 MUFFLER	111
FIG 204 FUEL TANK & FILTER	113
FIG 205 OIL COOLER	115

FIG 201

AIR CLEANER

년/월
Year/Month

2022-12



NOTE

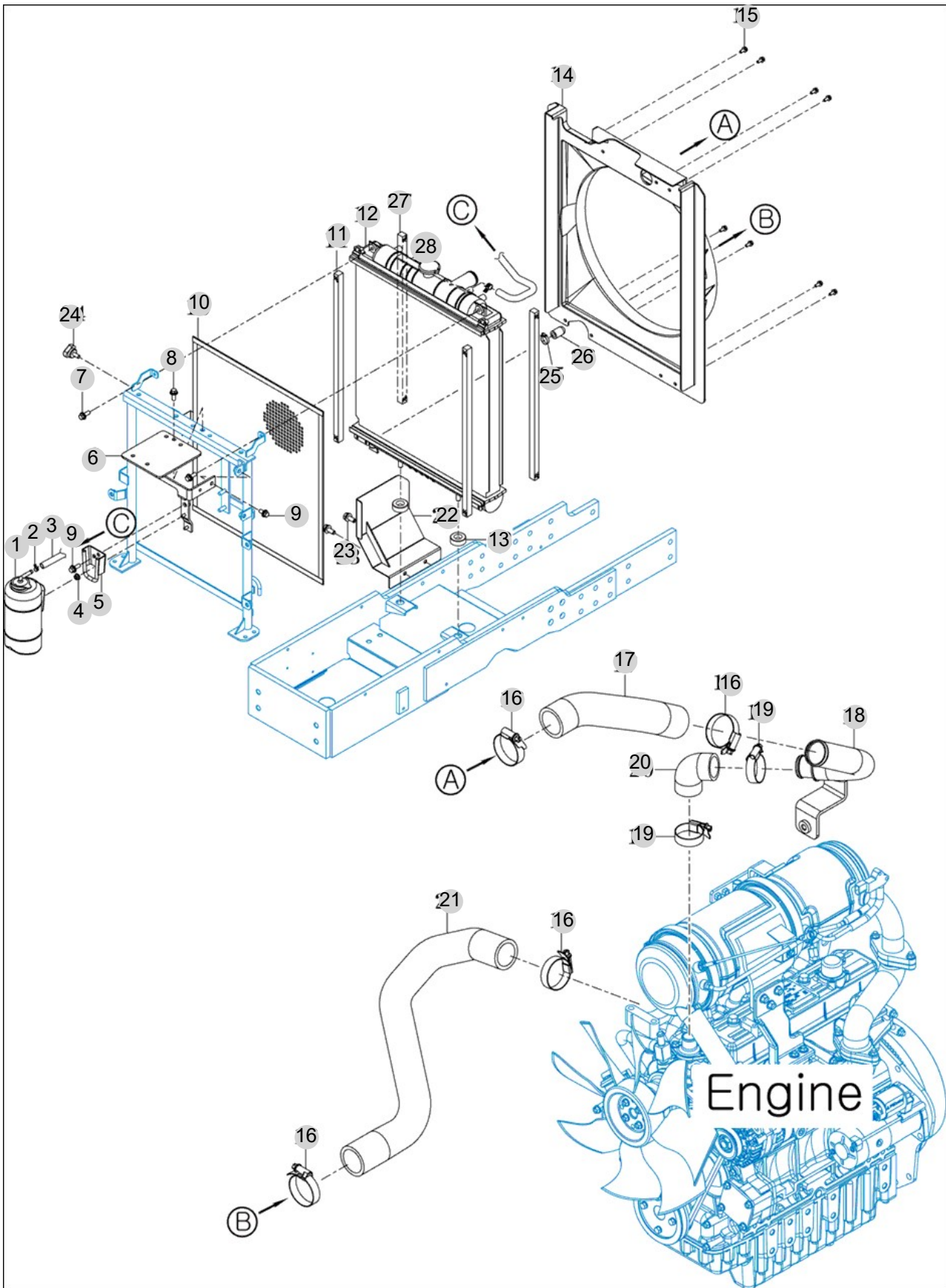
FIG 202

RADIATOR

년/월
Year/Month

2022-12

T474SH-B



NOTE

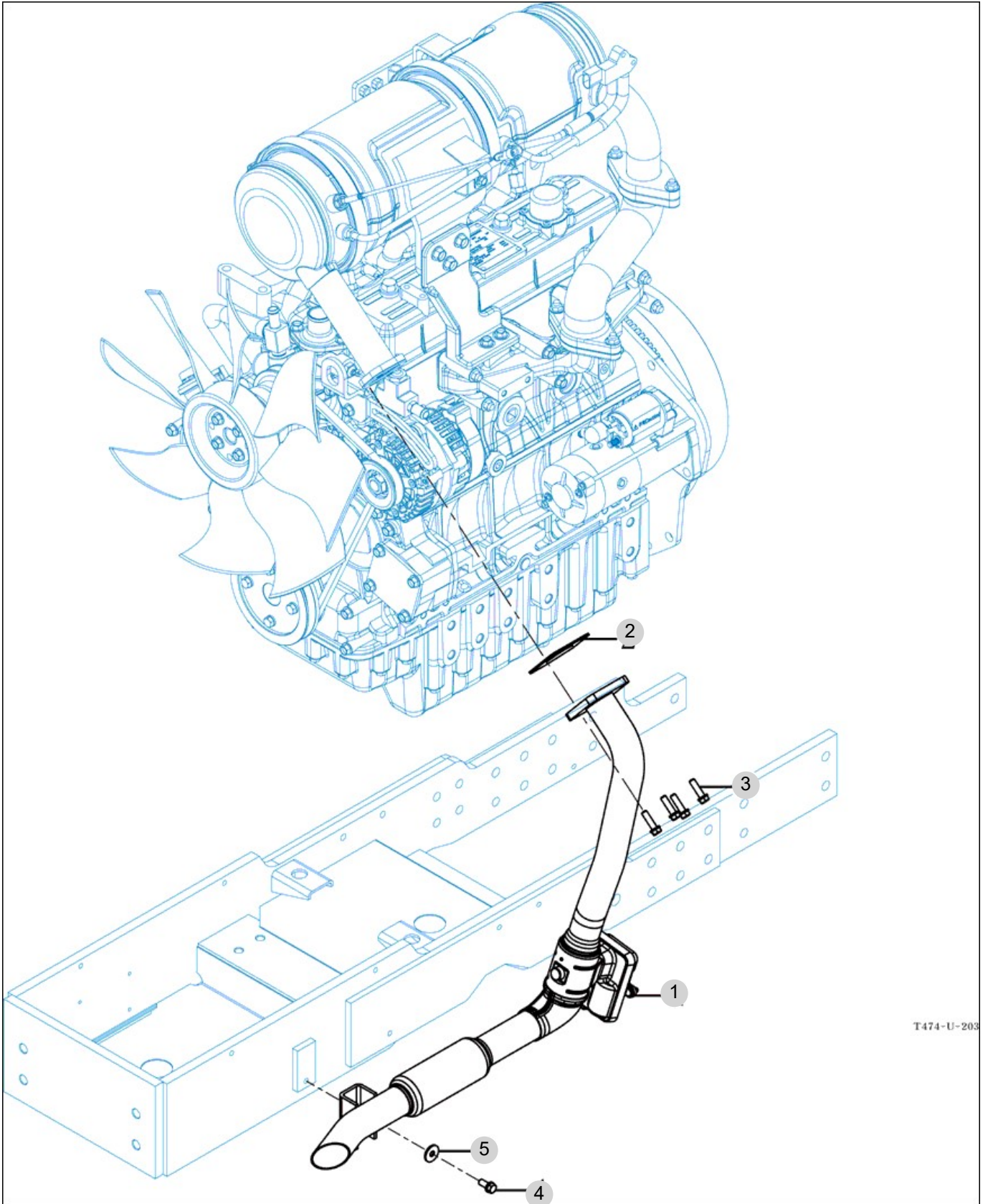
FIG 203

MUFFLER

년/월
Year/Month

T474SH-B

2022-12



T474-U-203

NOTE

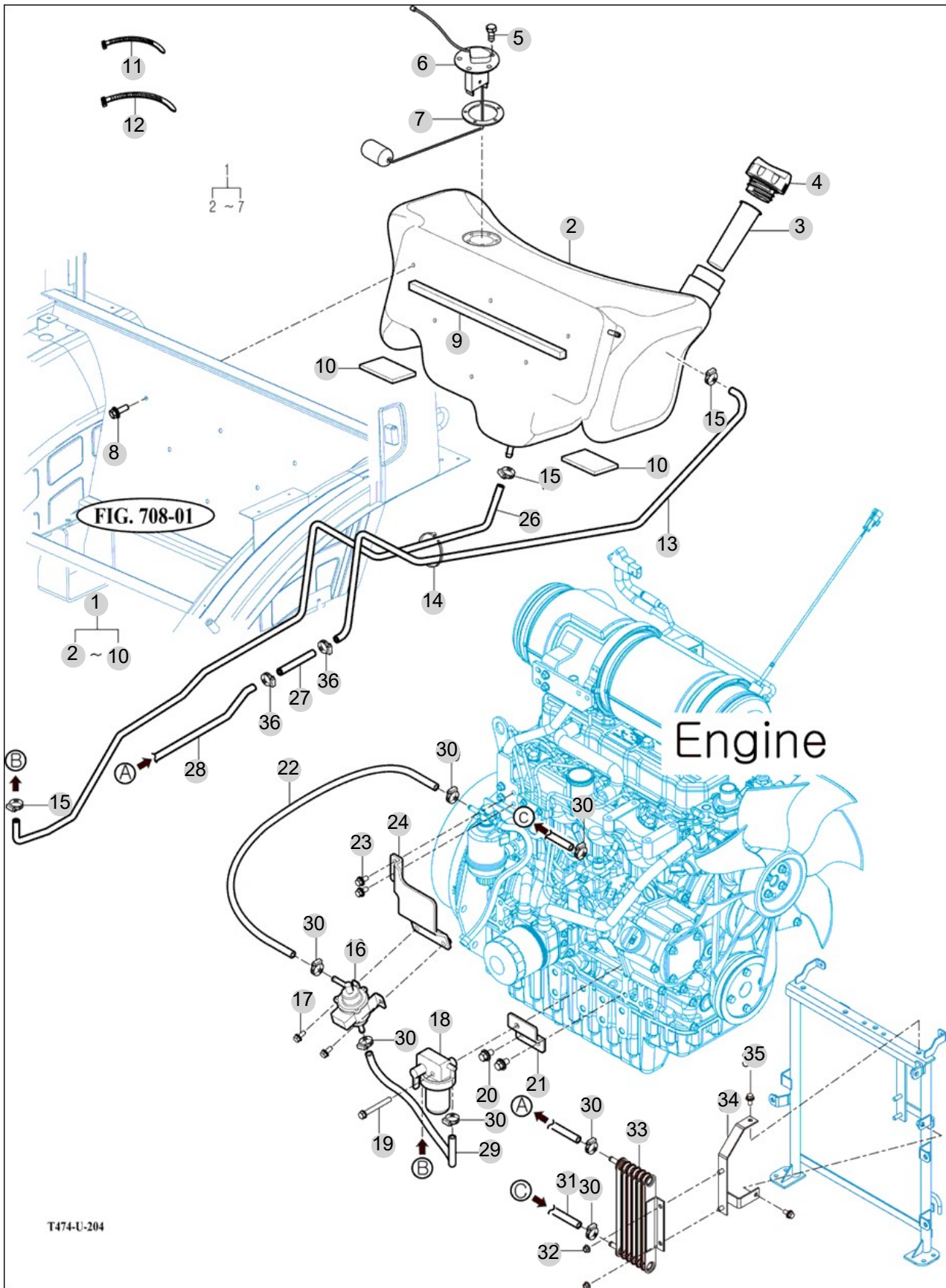
FIG 204

FUEL TANK & FILTER

년/월
Year/Month

2022-12

T474SH-B



NOTE

FIG 204		FUEL TANK & FILTER					년/월 Year/Month	REMARKS
T474SH-B							2022-12	
KEY NO	PART NO	DESCRIPTION	SPEC	QTY	REPAIR	EFFECTIVE DATE		
204	1	12647075100	TANK SUB ASSY , FUEL		1			
204	1	12647075101	TANK SUB ASSY , FUEL		1			
204	2	12397010130	TANK , FUEL		1			
204	3	12641112130	FILTER		1			
204	4	19143102200	CAP ASSY , FUEL		1			
204	5	V2053605010	BOLT , HEX C/R		5			
204	6	12396642300	GAUGE ASSY , FUEL		1			
204	7	16996210370	PACKING		1			
204	8	V2183608016	BOLT , HEX/SP		6			
204	9	12391042360	SPONGE , FUEL TANK		1			
204	10	12397037030	RUBBER, FUEL TANK		2			
204	11	13424020060	CABLE TIE , 300		5			
204	12	13764020030	CABLE TIE , 140		5			
204	13	12341112231	HOSE , DRAIN/2210		1			
204	14	13764020030	CABLE TIE , 140		3			
204	15	37481850030	BAND CLAMP 18		3			
204	16	16999052300	PUMP ASSY , FUEL PUMP		1			
204	17	V2323606016	BOLT , C/R HEX/SP	M6X16	2			
204	18	15721022100	SEPARATOR , FUEL WATER		1			
204	19	V2173608070	BOLT , HEX/S	M8X70	1			
204	20	V2183610020	BOLT , HEX/SP	M10X20	2			
204	21	13831412600GB	BRACKET COMP , FILTER		1			
204	22	13831410010	FUEL HOSE E400		1			
204	23	V2183608025	BOLT , HEX/SP	M8X25	2			
204	24	13831412700GB	BRACKET COMP , FEED PUMP		1			
204	26	13811113100	HOSE ASSY , FUEL/FILTER		1			
204	27	17401117300	HOSE, JOINT		1			
204	28	13831113200	FUEL HOSE , RETURN		1			
204	29	13831410020	FUEL HOSE 430		1			
204	30	18027090160	BAND CLAMP 16 EMBO TYPE		7			
204	31	13831410030	FUEL HOSE 1400		1			
204	32	V3802600080	NUT , HEX FLANGE		2			
204	33	18501044100	COOLER COMP, FUEL	M8	1			
204	34	13831412100GB	BRACKET COMP , FUEL COOLER		1			
204	35	V2183608020	BOLT , HEX/SP	M8X20	2			
204	36	18027090160	BAND CLAMP 16 EMBO TYPE		2			
NOTE								

FIG 205

T474SH-B

OIL COOLER

년/월
Year/Month

2022-12

FIG. 701-01

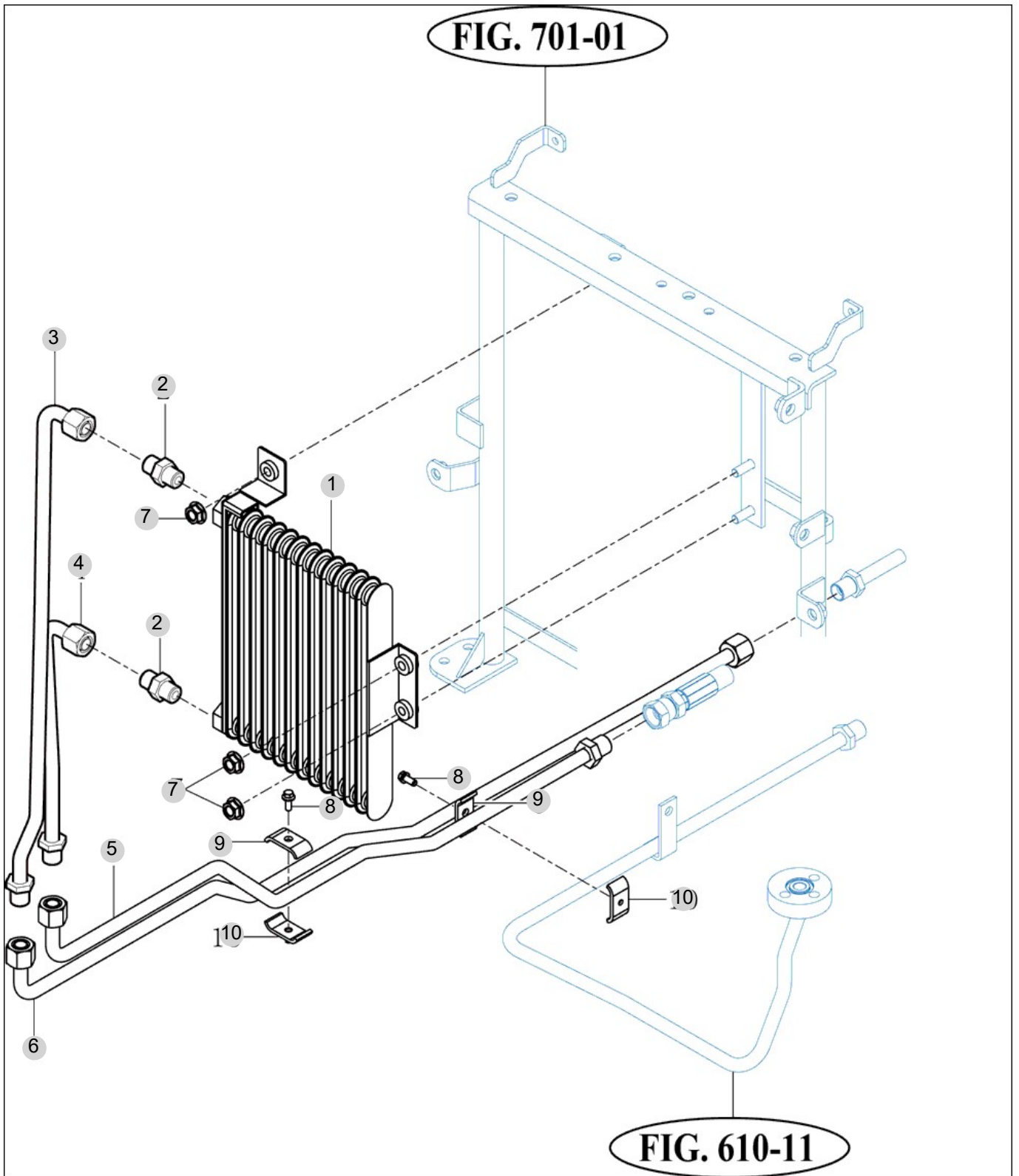


FIG. 610-11

NOTE

3. Clutch/Brake/Steering PART NO. T3

FIG 302 FLYWHEEL & CLUTCH	118
FIG 303 BRAKE PEDAL	120
FIG 304 BRAKE	122
FIG 306 FRONT WHEEL MOUNTING	124
FIG 307 REAR WHEEL MOUNTING	126
FIG 308 STEERING WHEEL	128
FIG 309 STEERING VALVE & PARKING	130
FIG 310 STEERING CYLINDER	132

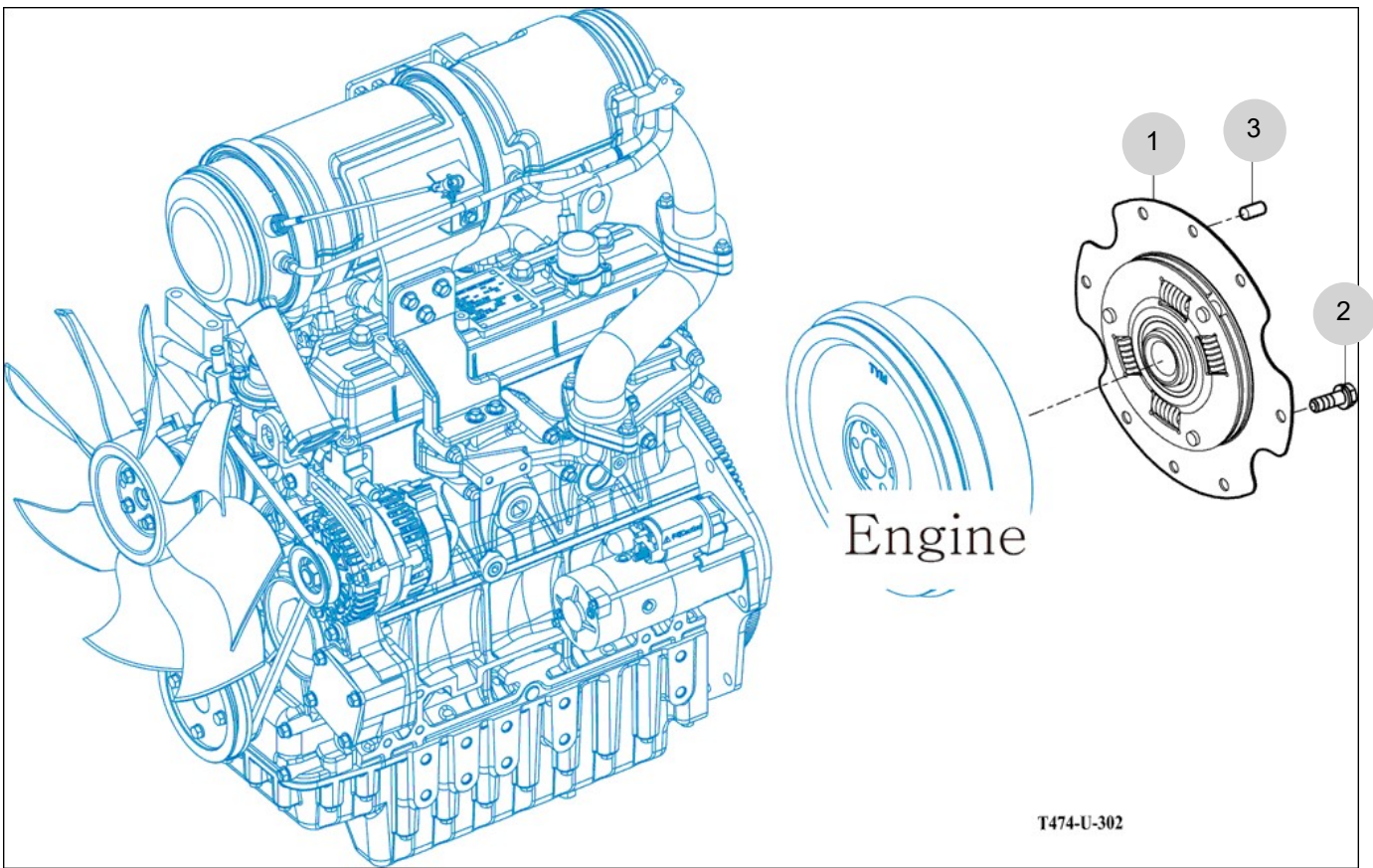
FIG 302

FLYWHEEL & CLUTCH

년/월
Year/Month

T474SH-B

2022-12



NOTE

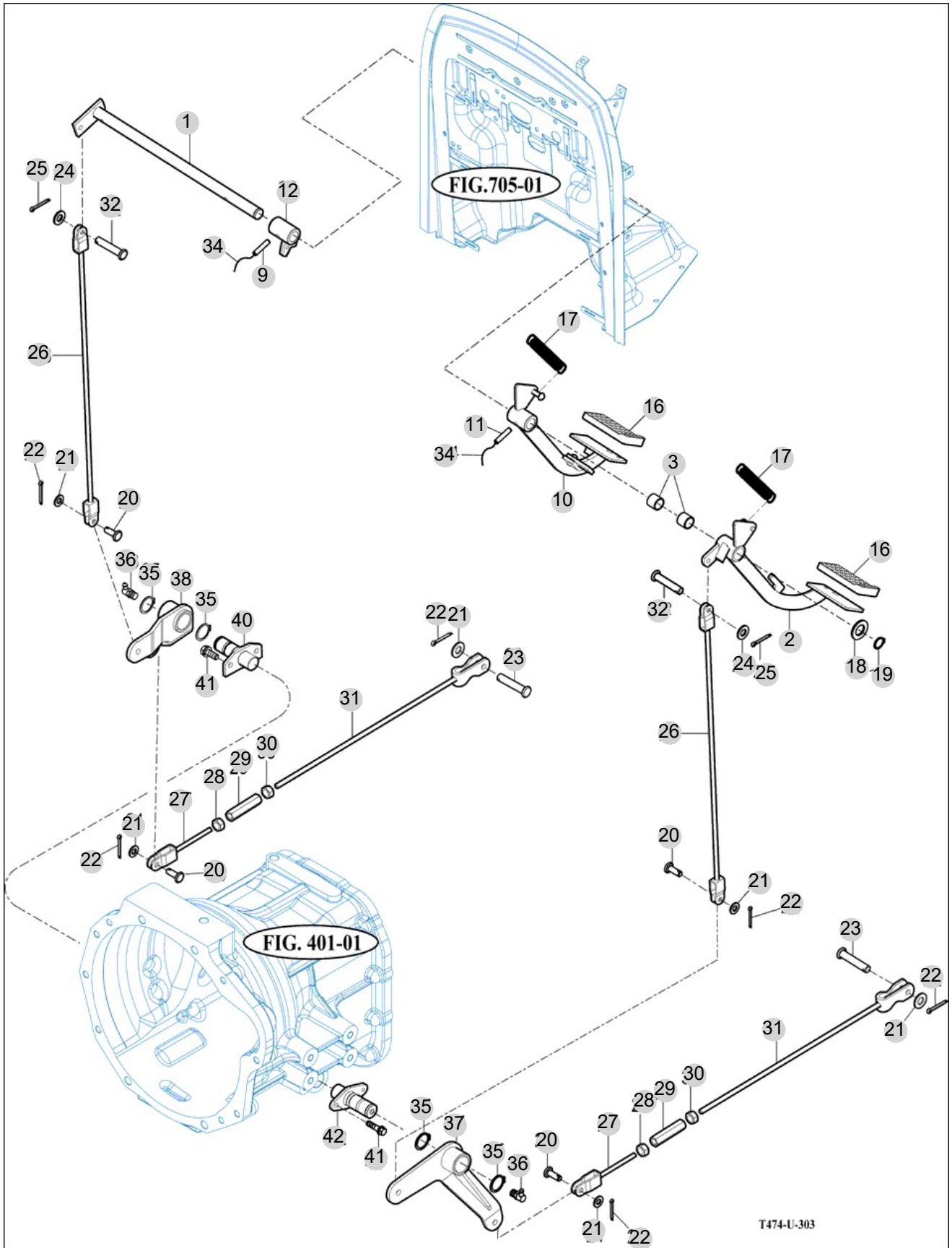
FIG 303

BRAKE PEDAL

년/월
Year/Month

T474SH-B

2022-12



T474-U-303

NOTE

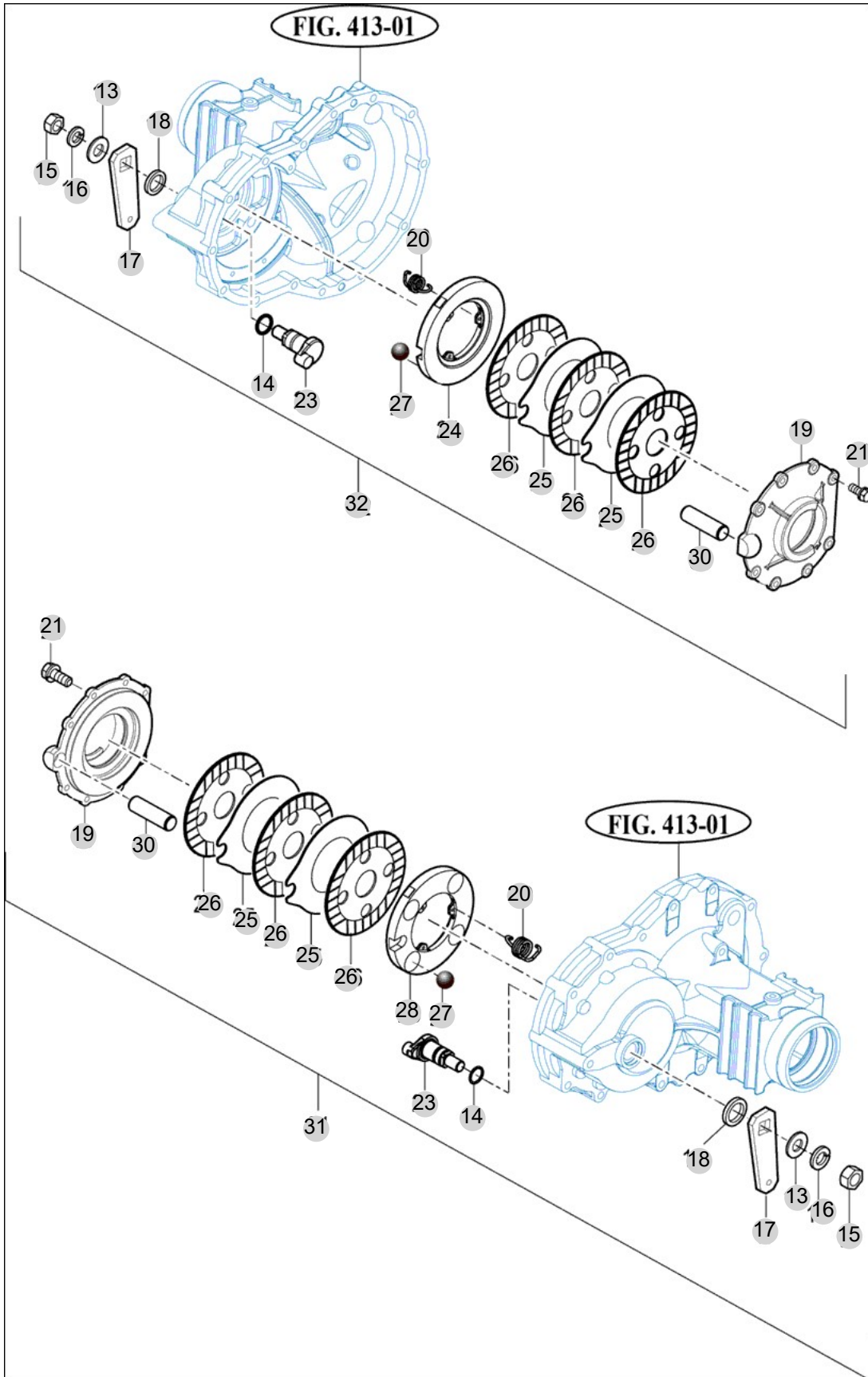
FIG 304

T474SH-B

BRAKE

년/월
Year/Month

2022-12



NOTE

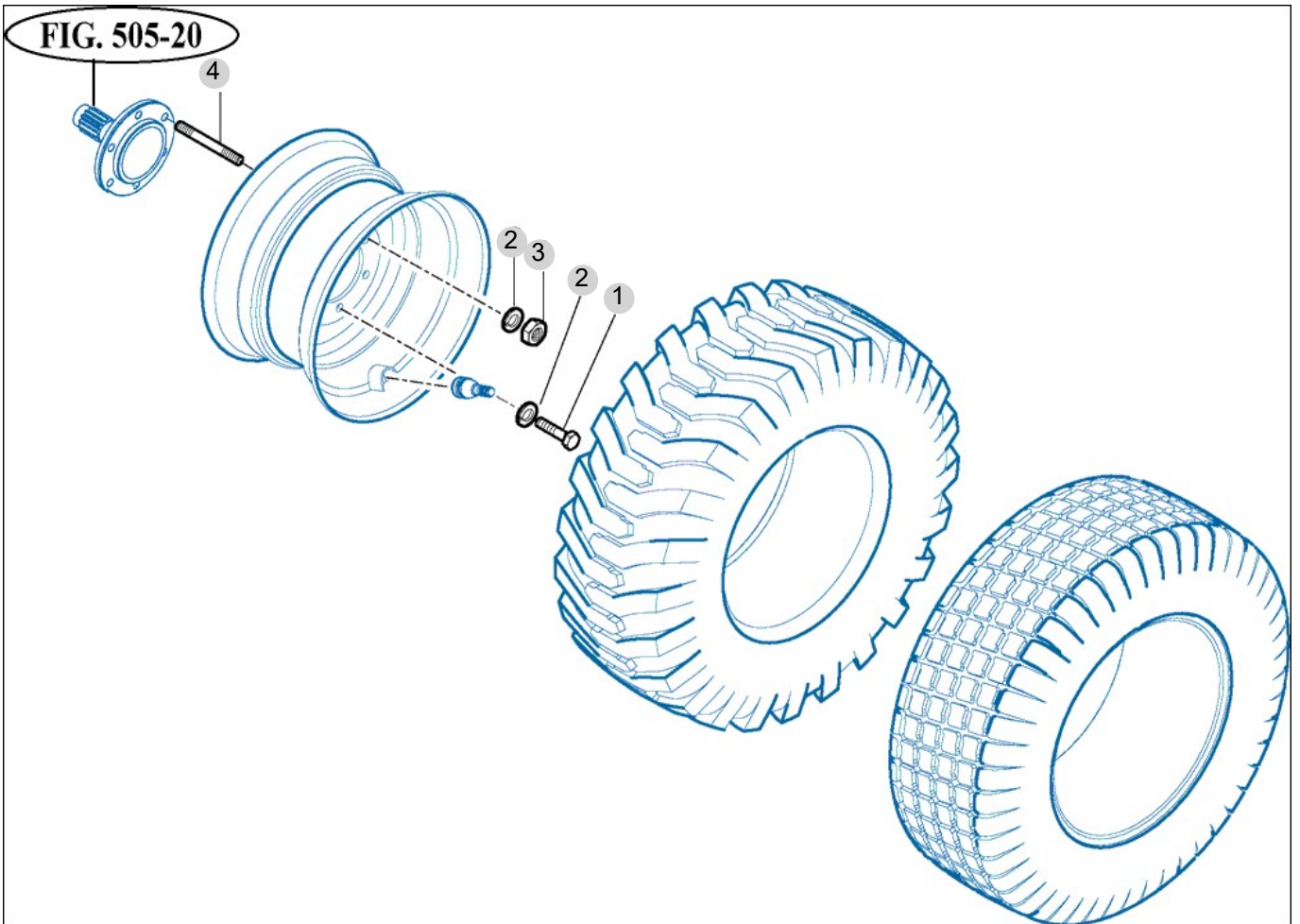
FIG 306

FRONT WHEEL MOUNTING

년/월
Year/Month

T474SH-B

2022-12



NOTE

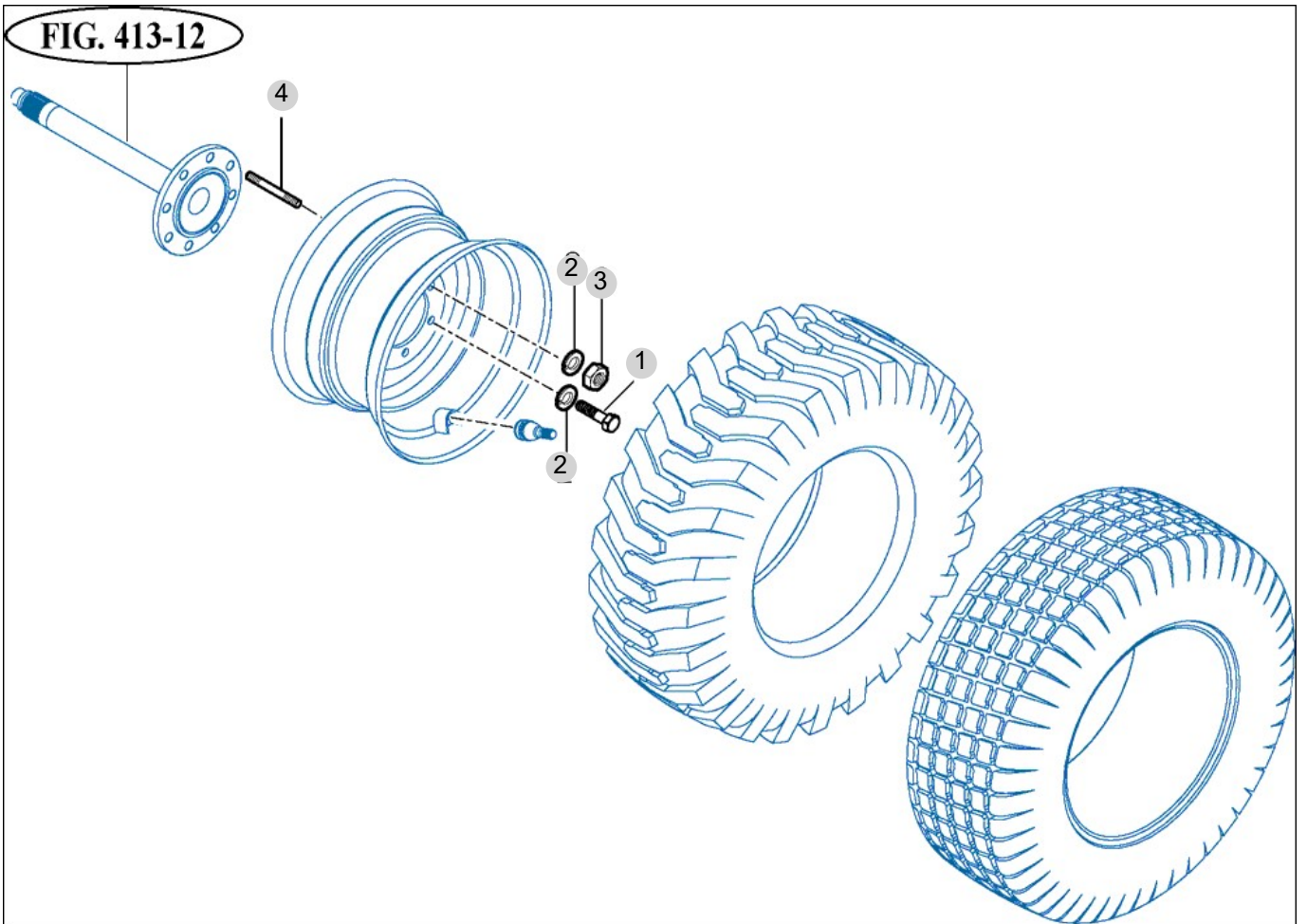
FIG 307

T474SH-B

REAR WHEEL MOUNTING

년/월
Year/Month

2022-12



NOTE

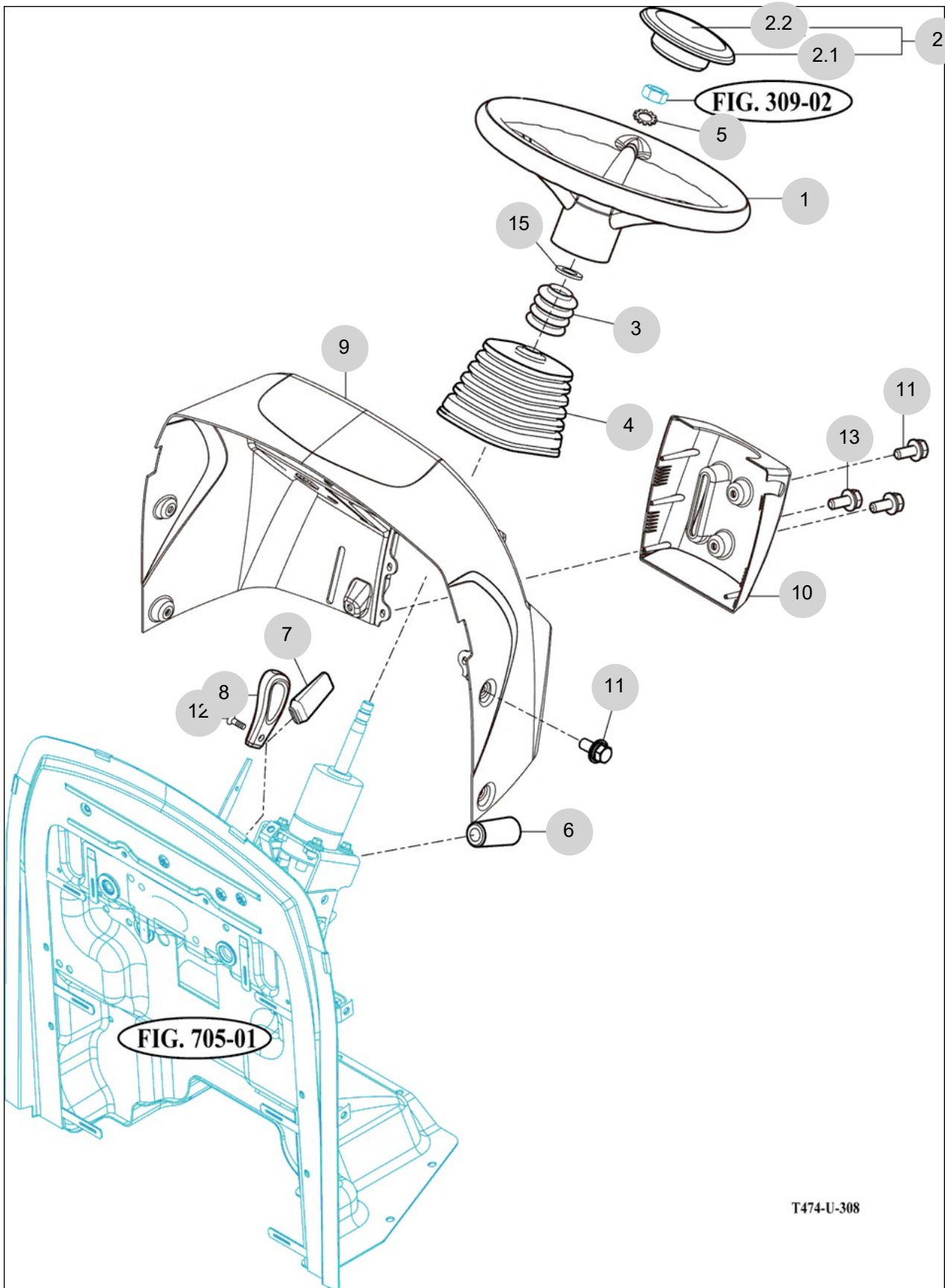
FIG 308

T474SH-B

STEERING WHEEL

년/월
Year/Month

2022-12



NOTE

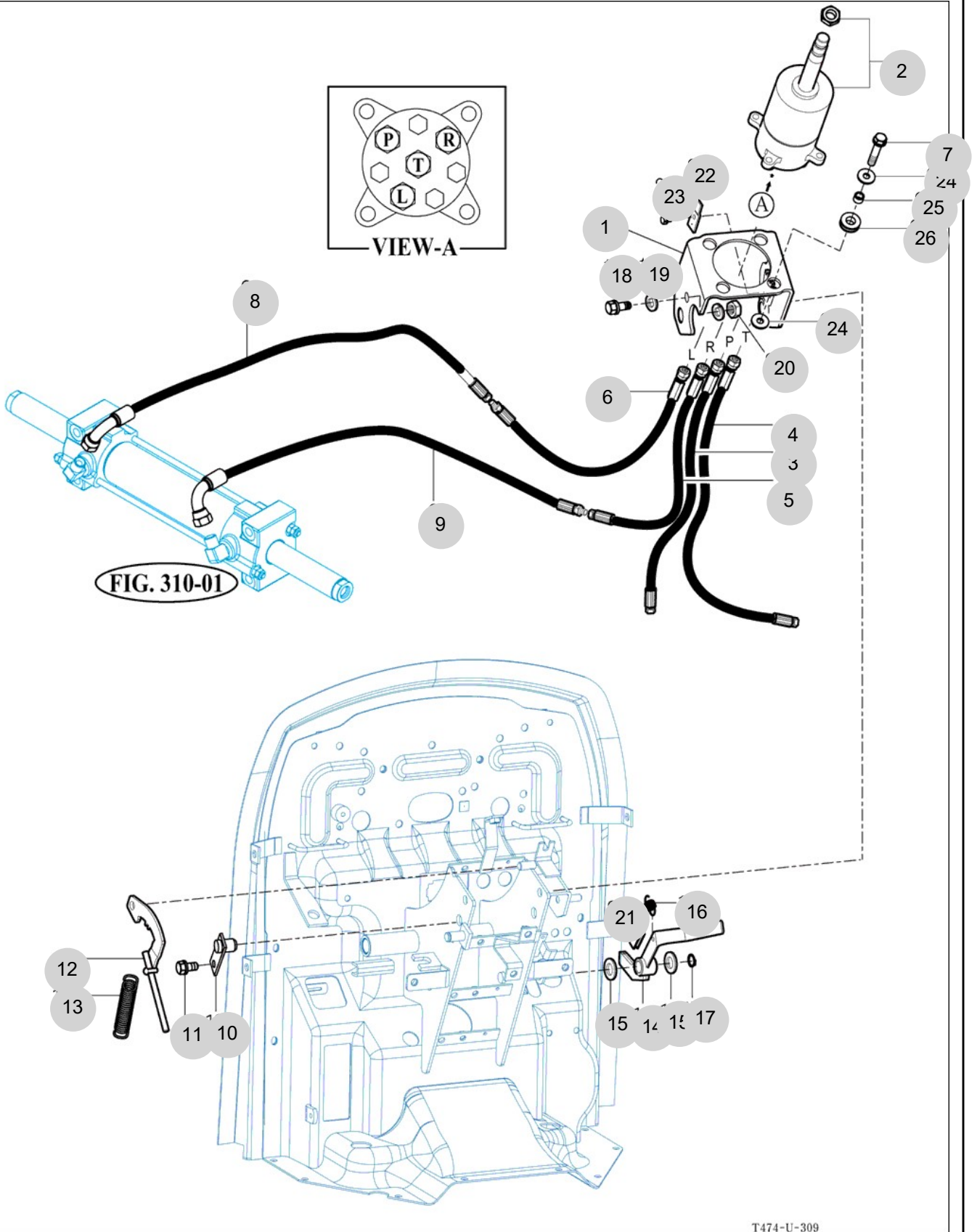
FIG 309

STEERING VALVE & PARKING

년/월
Year/Month

2022-12

T474SH-B



T474-U-309

NOTE

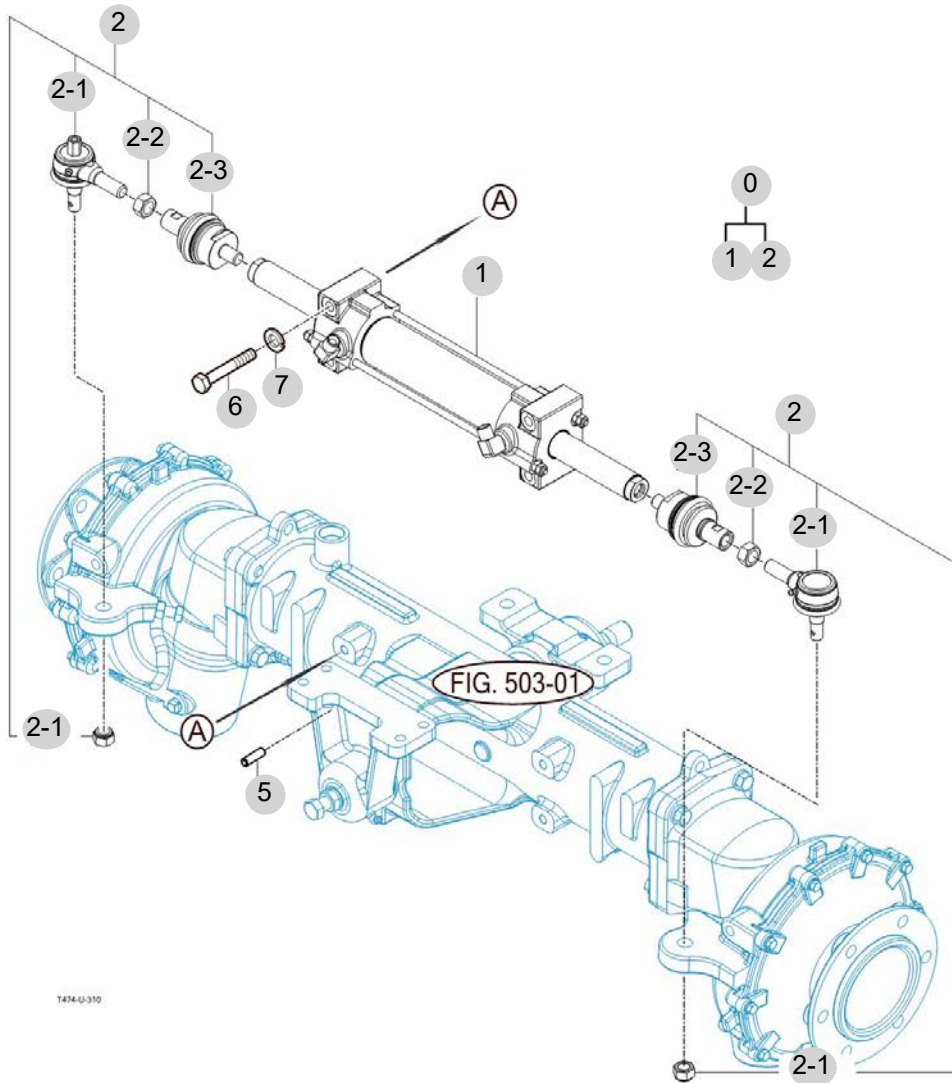
FIG 310

T474SH-B

STEERING CYLINDER

년/월
Year/Month

2022-12



T474U-310

NOTE

4. Transmission PART NO. T4

FIG 401 TRANSMISSION FRONT CASE	135
FIG 402 HST	137
FIG 403 MID CASE	139
FIG 404 4WD DRIVE GEAR	141
FIG 405 INPUT GEAR	143
FIG 406 SUB CHANGE GEARS	145
FIG 407 PINION GEARS	147
FIG 408 P.T.O DRIVE SHAFT	149
FIG 409 P.T.O CHANGE GEARS	151
FIG 410 DIFF LOCK	154
FIG 411 TRANSMISSION REAR CASE	156
FIG 412 REAR AXLE HOUSINGS (1)	158
FIG 413 REAR AXLE HOUSINGS (2)	160
FIG 415 SUB CHANGE LEVER	162
FIG 416 FORWARD & REVERSE CONTROL LINKAGE	164
FIG 418 4WD CHANGE LEVER	166

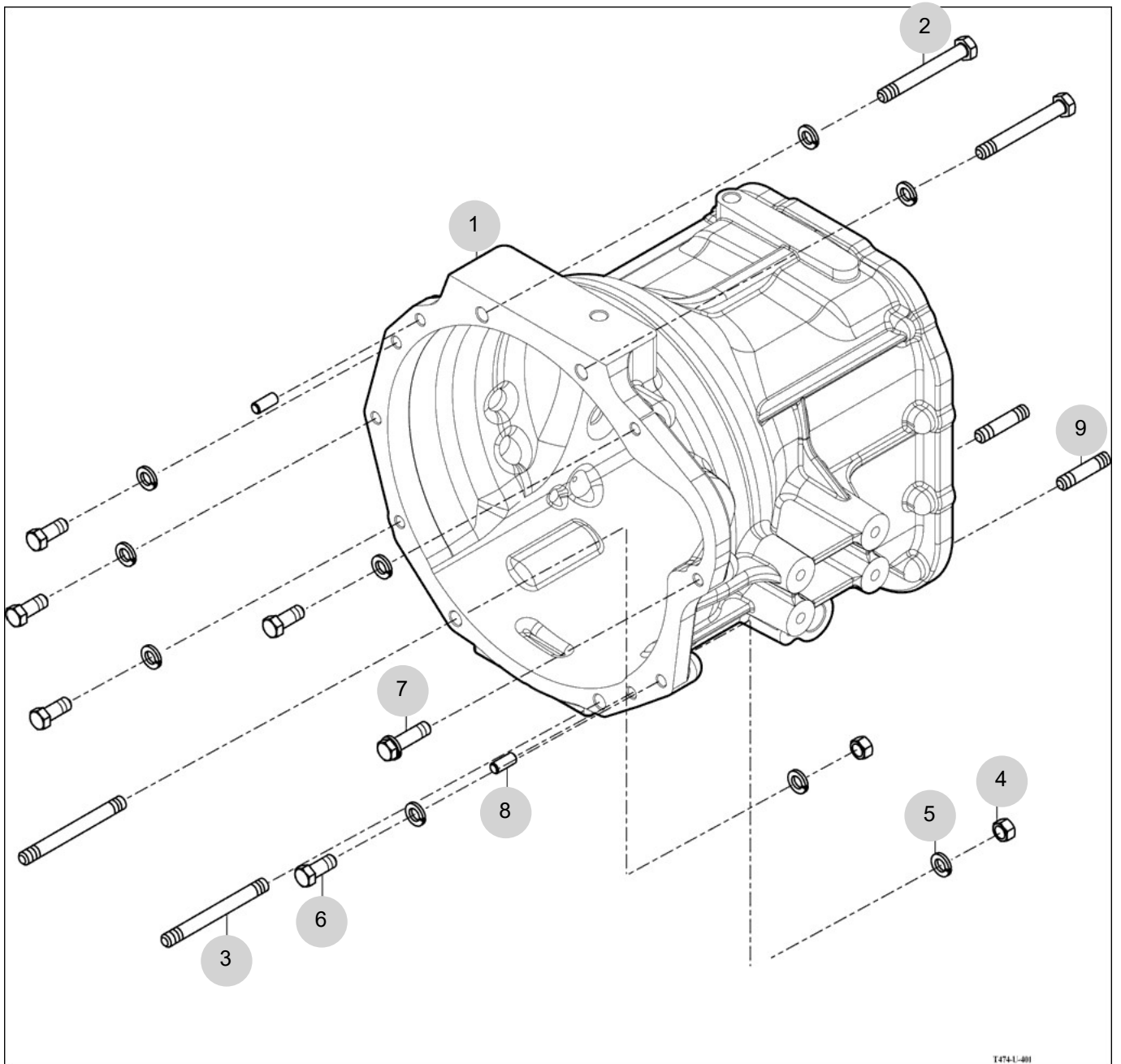
FIG 401

TRANSMISSION FRONT CASE

년/월
Year/Month

T474SH-B

2022-12



NOTE

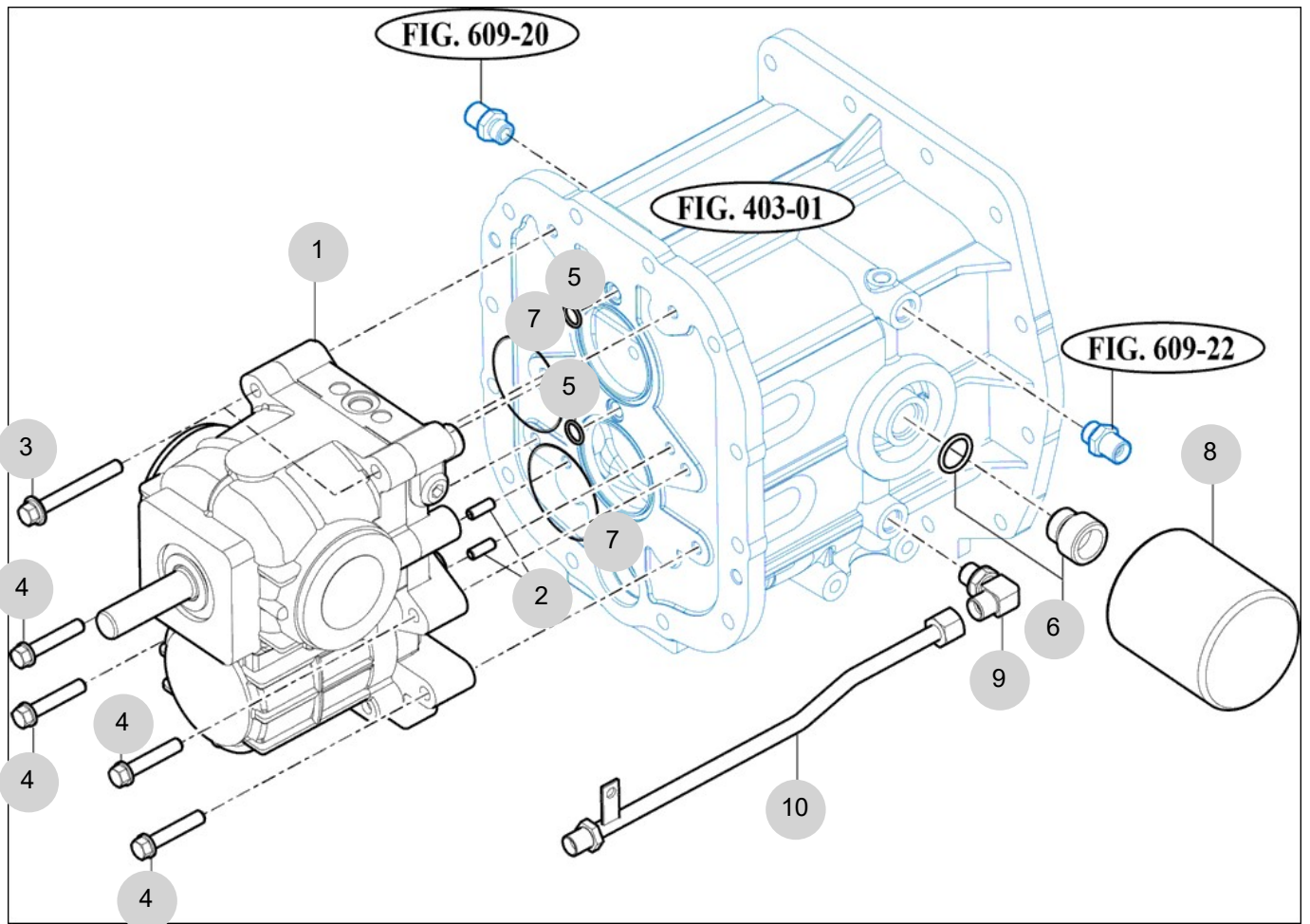
FIG 402

T474SH-B

HST

년/월
Year/Month

2022-12



NOTE

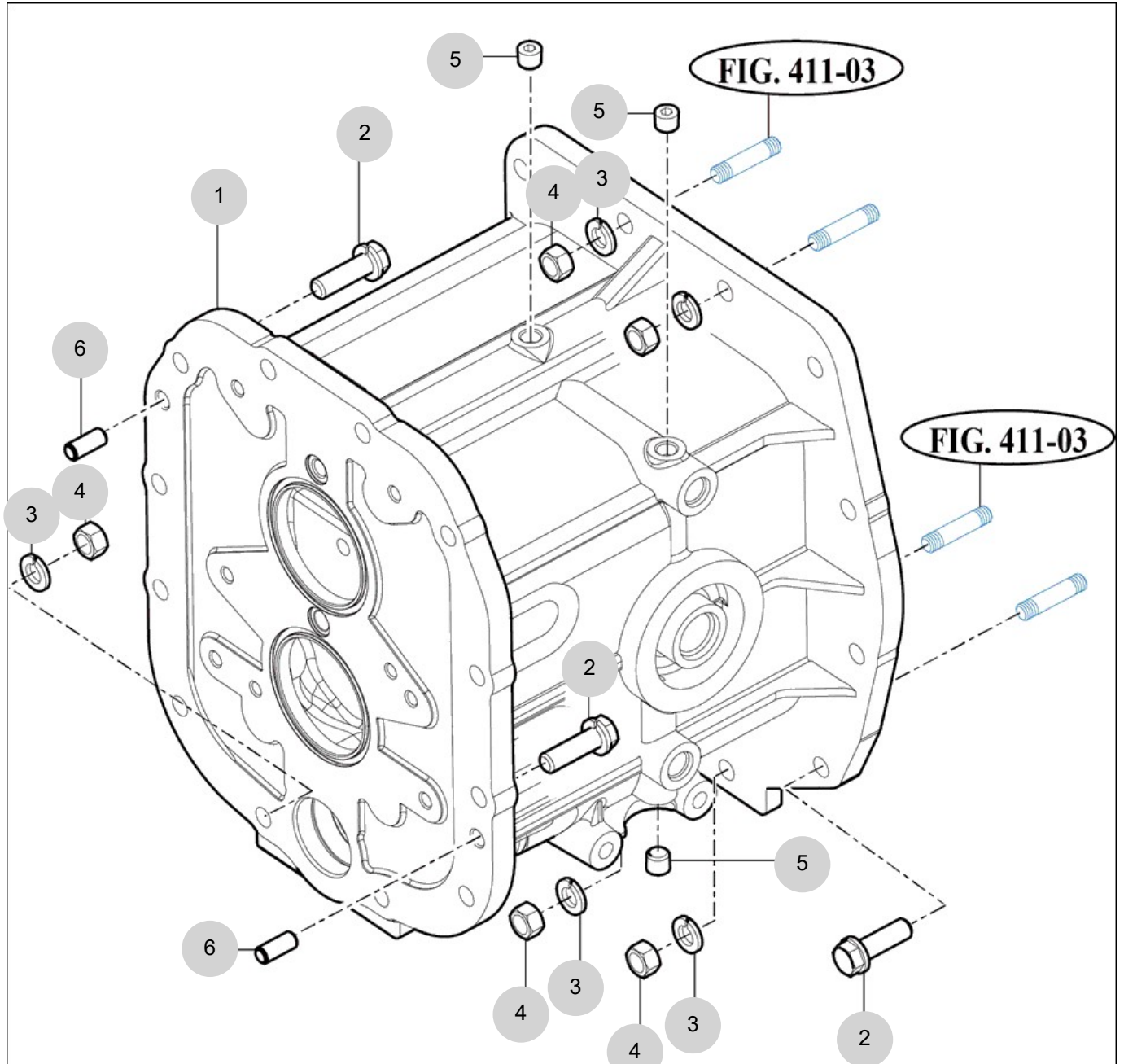
FIG 403

T474SH-B

MID CASE

년/월
Year/Month

2022-12



NOTE

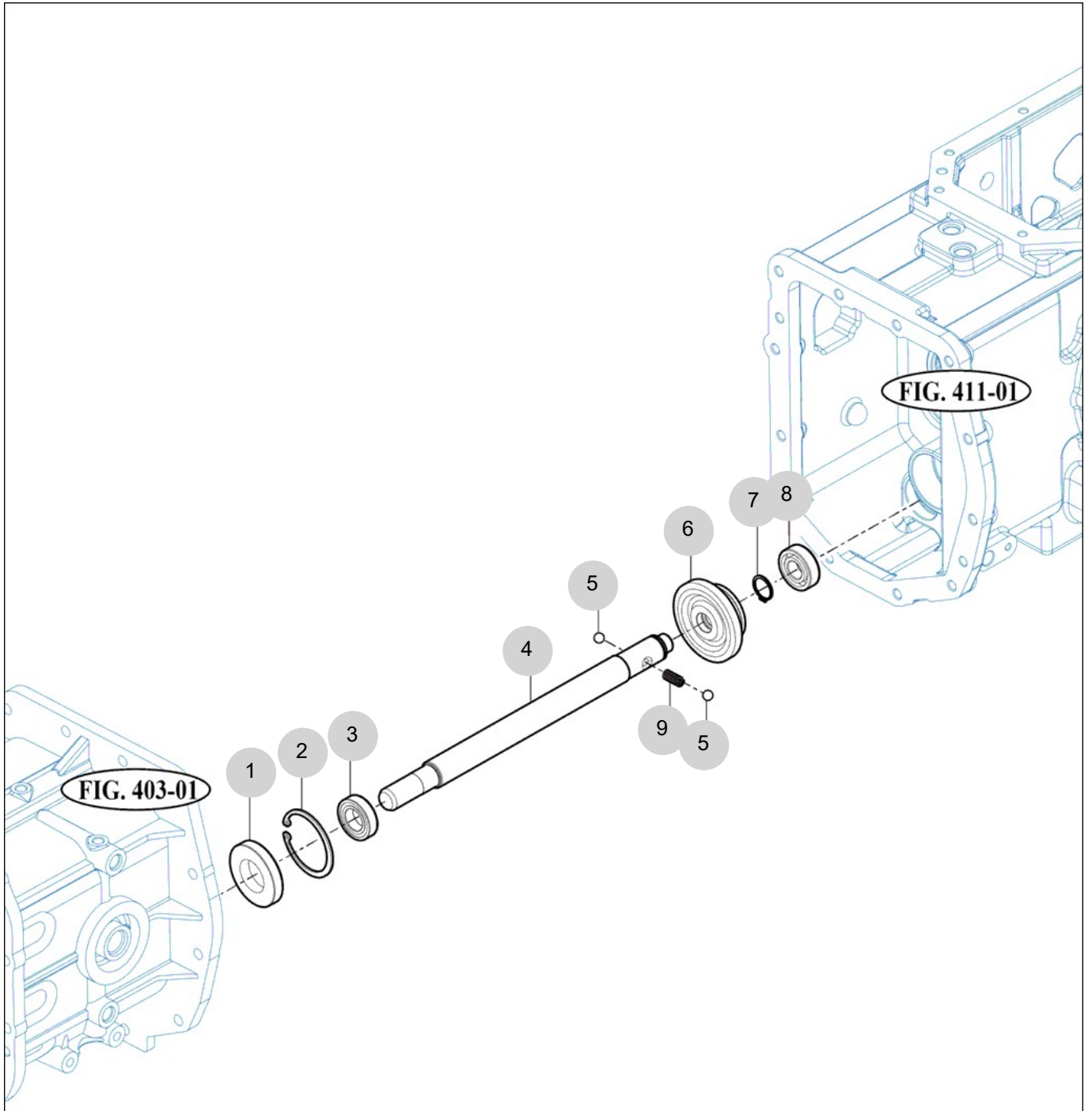
FIG 404

T474SH-B

4WD DRIVE GEAR

년/월
Year/Month

2022-12



NOTE

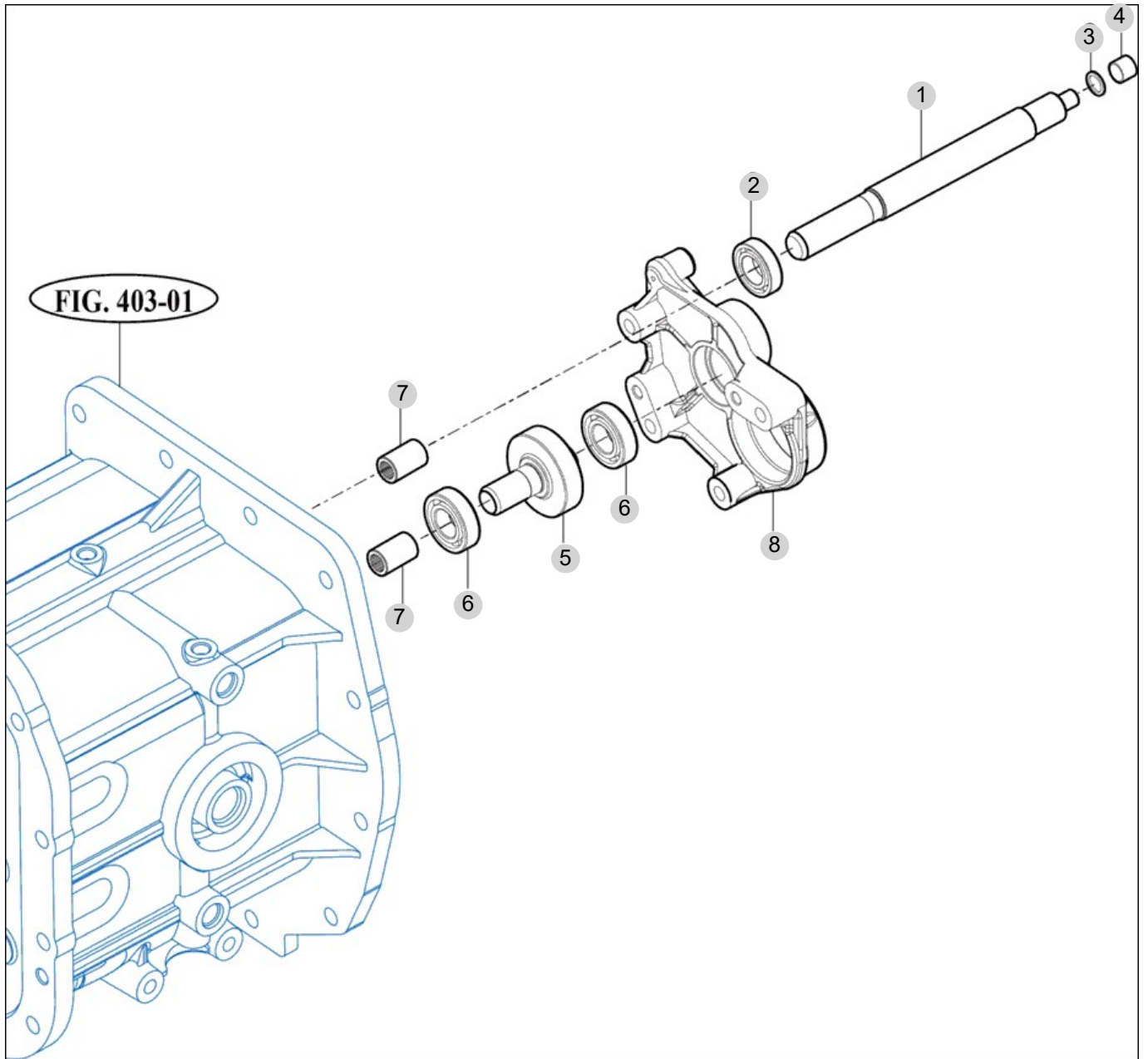
FIG 405

T474SH-B

INPUT GEAR

년/월
Year/Month

2022-12



NOTE

FIG 405 T474SH-B		INPUT GEAR						년/월 Year/Month	
								2022-12	
KEY NO	PART NO	DESCRIPTION	SPEC	QTY	REPAIR	EFFECTIVE DATE	REMARKS		
405	1	12382162010	SHAFT , PTO INPUT		1				
405	2	V6001106005	BEARING , BALL	6005	1				
405	3	16702191050	WASHER , 15.2X21X2	1X1X1	1				
405	4	V6544141813	BEARING , NEEDLE CAGED	KT141813	1				
405	5	12382311020	GEAR , INPUT 22T		1				
405	6	V6001106205	BEARING , BALL	6205	2				
405	7	14251320150	COUPLING	D=32	2				
405	8	12382200200M	METAL , BEARING		1				
NOTE									

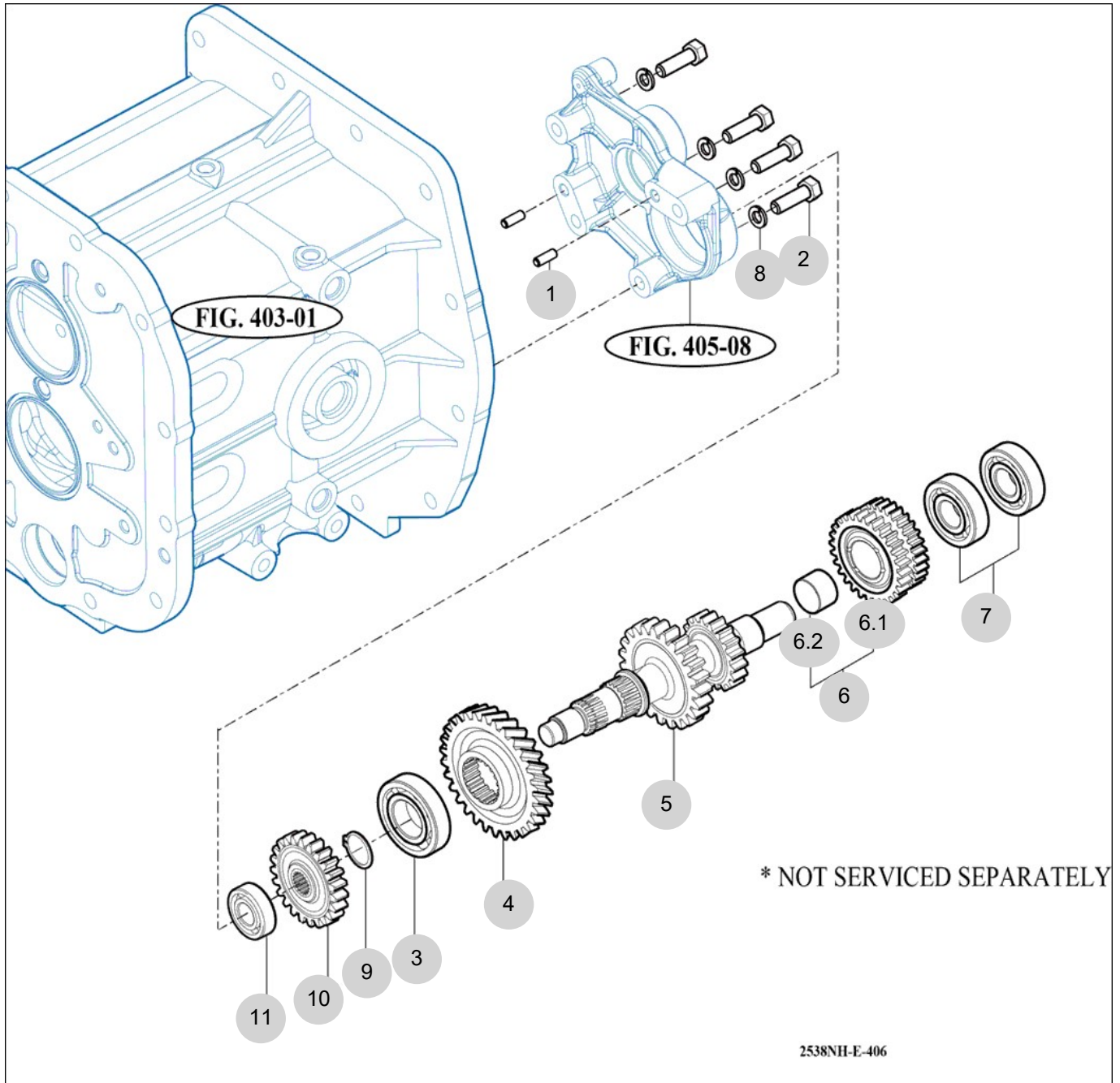
FIG 406

SUB CHANGE GEARS

년/월
Year/Month

T474SH-B

2022-12



NOTE

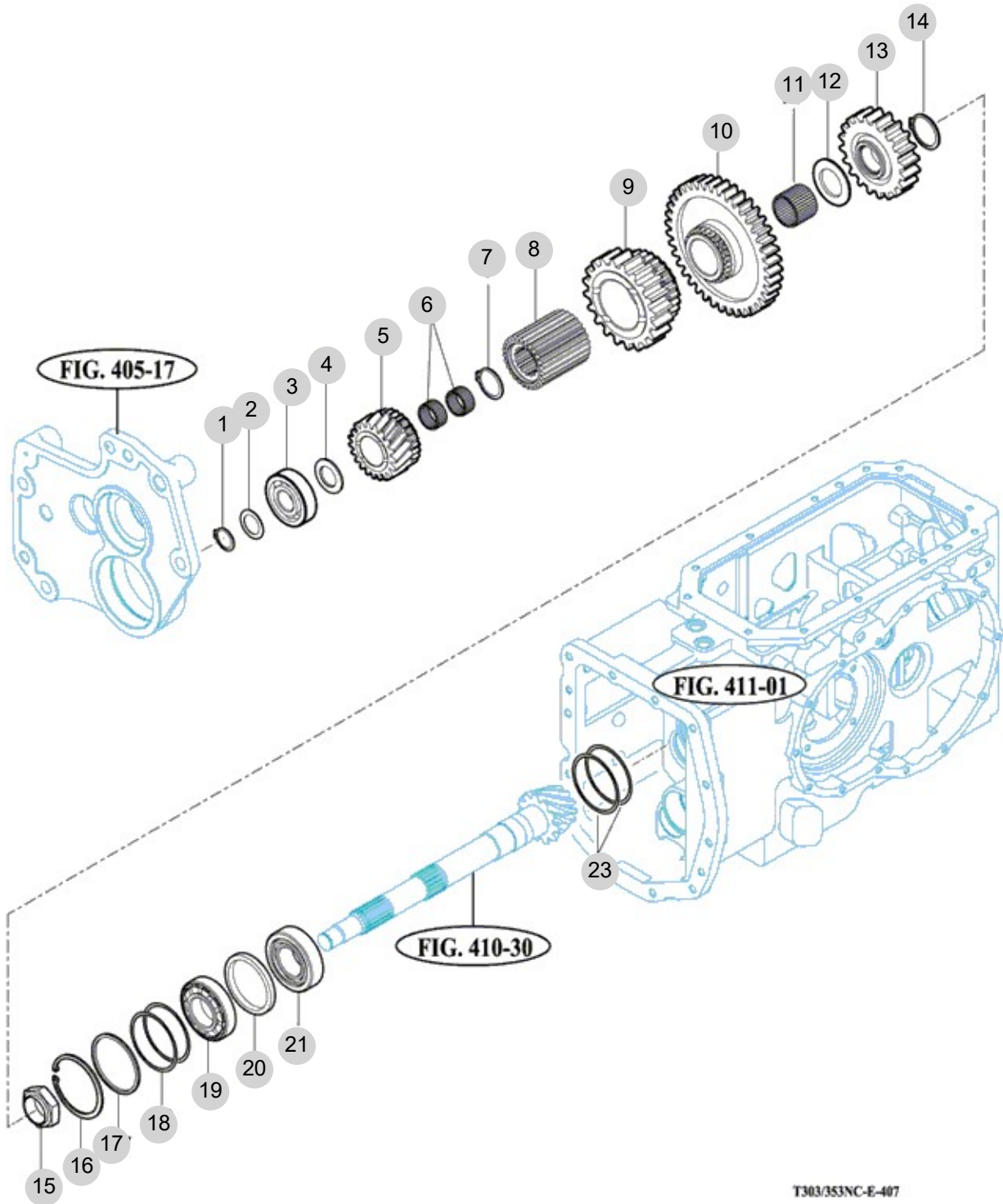
FIG 407

T474SH-B

PINION GEARS

년/월
Year/Month

2022-12



T303/353NC-E-407

NOTE

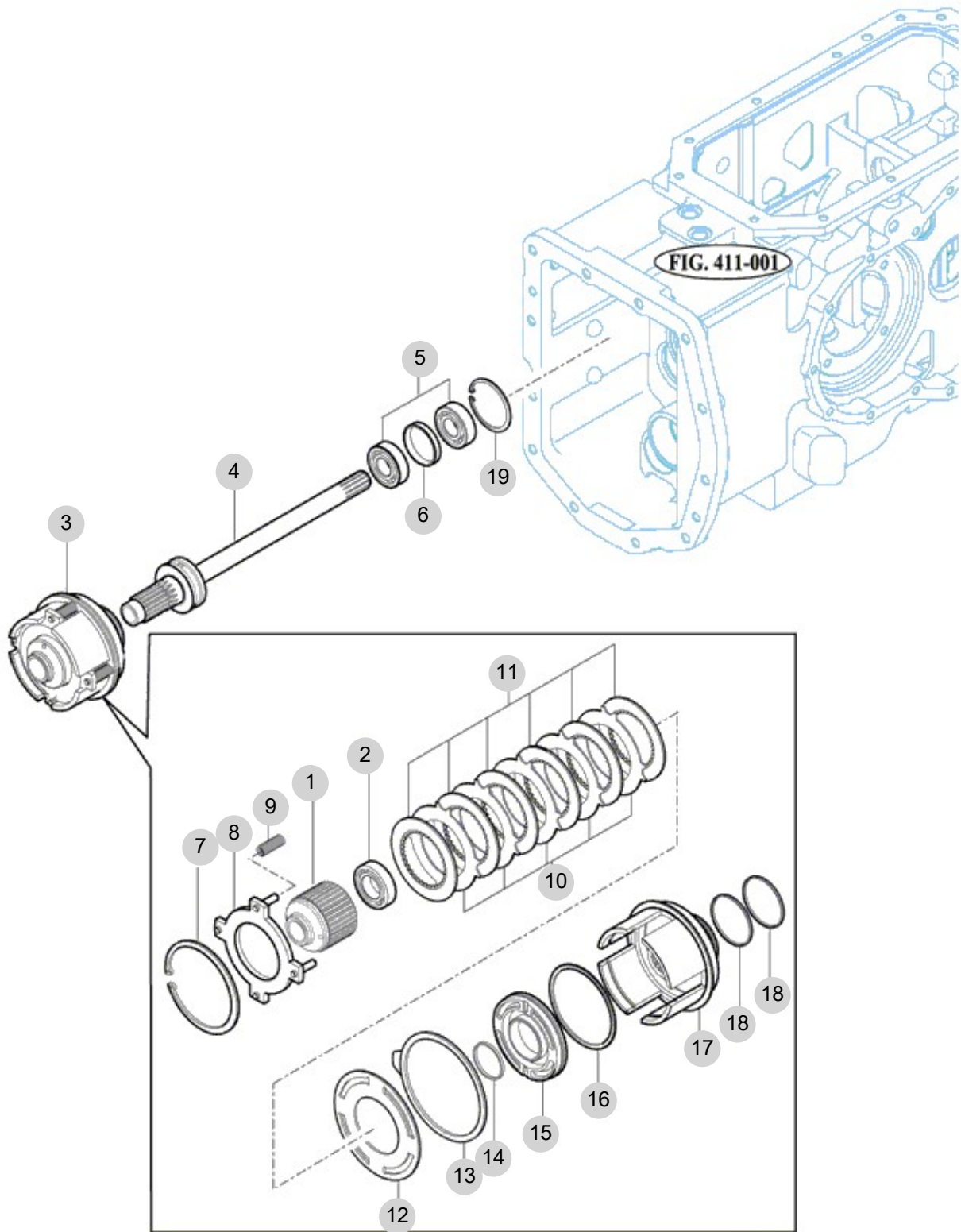
FIG 408

T474SH-B

P.T.O DRIVE SHAFT

년/월
Year/Month

2022-12



T303353NC-E-408

NOTE

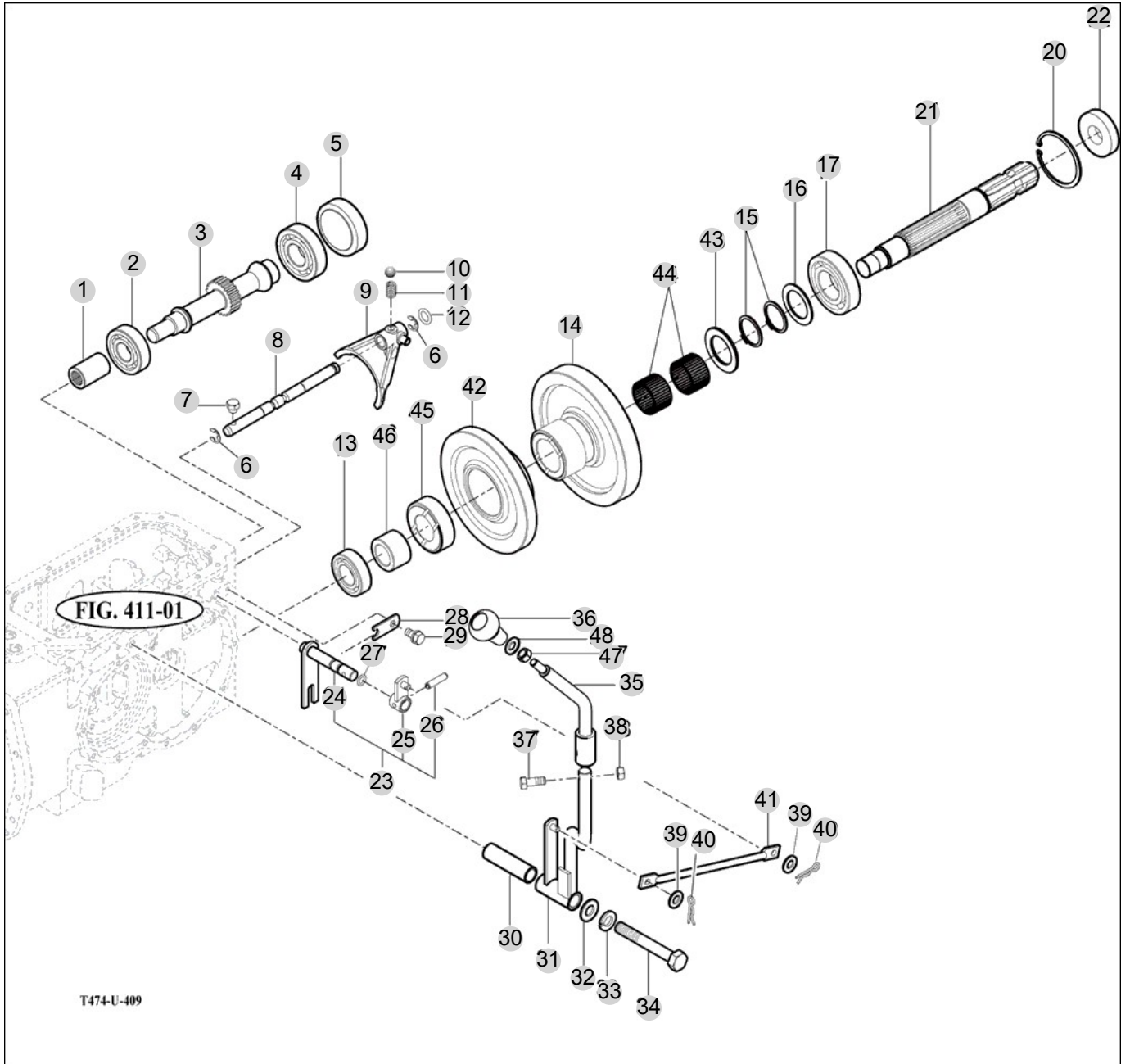
FIG 409

T474SH-B

P.T.O CHANGE GEARS

년/월
Year/Month

2022-12



T474-U-409

NOTE

FIG 409		P.T.O CHANGE GEARS					년/월 Year/Month		
							2022-12		
T474SH-B		KEY NO	PART NO	DESCRIPTION	SPEC	QTY	REPAIR	EFFECTIVE DATE	REMARKS
409	1	14211340190	COUPLING	22X51	1				
409	2	V6001106305	BEARING , BALL	6305	1				
409	3	12382543530	SHAFT , PTO COUNT		1				
409	4	V6001106306	BEARING , BALL	6306	1				
409	5	14254330180	CAP , 72		1				
409	6	V7081400100	E-RING	10	2				
409	7	15602231610	BOLT , SET M8X16	M8X16	1				
409	8	12382540020	STAY , PTO		1				
409	9	16702540011M	FORK , PTO	1X1X1	1				
409	10	V6802000010	BALL , STEEL	5/16	1				
409	11	13022250030	SPRING , SHIFTER	D=1.4	1				
409	12	V7201024010	O-RING , P	P10	1				
409	13	V6001106205	BEARING , BALL	6205	1				
409	14	12382530020	GEAR , PTO 53T		1				
409	15	V7041400350	C-RING , SHAFT	35	2				
409	16	14443140041	COLLAR , 35X50X2	T=2	1				
409	17	V6001106207	BEARING , BALL	6207	1				
409	20	V7051400720	C-RING , HOLE	72	1				
409	21	12382530010	SHAFT , PTO		1				
409	22	16322732000	SEAL ASSY , OIL		1				
409	23	16702555102	HOOK SET , RR PTO	1X1X1	1				
409	24	16702542102	HOOK COMP , RR PTO	1X1X1	1				
409	25	16702432201	ARM COMP , RANGE	1X1X1	1				
409	26	V5801406025	PIN , SPRING	6X25	1				
409	27	V7201024012	O-RING , P	P12	1				
409	28	16702230371	PLATE	T=3	1				
409	29	V2173608016	BOLT , HEX/S	M8X16	1				
409	30	16702440070	HUB(13*17*61)	17.3*2.35	1				
409	31	16702552103	LEVER COMP , PTO/DOWN	1X1X1	1				
409	32	V4111600120	WASHER , PLAIN	M12	1				
409	33	V4011600120	WASHER , SPRING	M12	1				
409	34	V2013612085	BOLT , HEX	M12X85	1				
409	35	13832552200GB	LEVER COMP ,PTO/UPPER		1				
409	36	16992190102	GRIP , PTO		1				
409	36	19682190100	GRIP , PTO		1				
409	37	V2013608035	BOLT , HEX	M8X35	1				
409	38	V3042600080	NUT , HEX/2	M8	1				
409	39	V4111600080	WASHER , PLAIN	M8	2				
409	40	V5601600008	PIN , SNAP	8	2				
409	41	16702553100	ROD , 236	D=9	1				
409	42	12382530030	GEAR , SPUR 41T		1				
409	43	15642730082	WASHER , 35X55X3	D=55	1				
409	44	V6544354026	BEARING , NEEDLE CAGED	KT354026	2				
409	45	15642730052	HUB , 35X62X20		1				
409	46	12382530040	WASHER , 25X40X26	D=40	1				
NOTE									

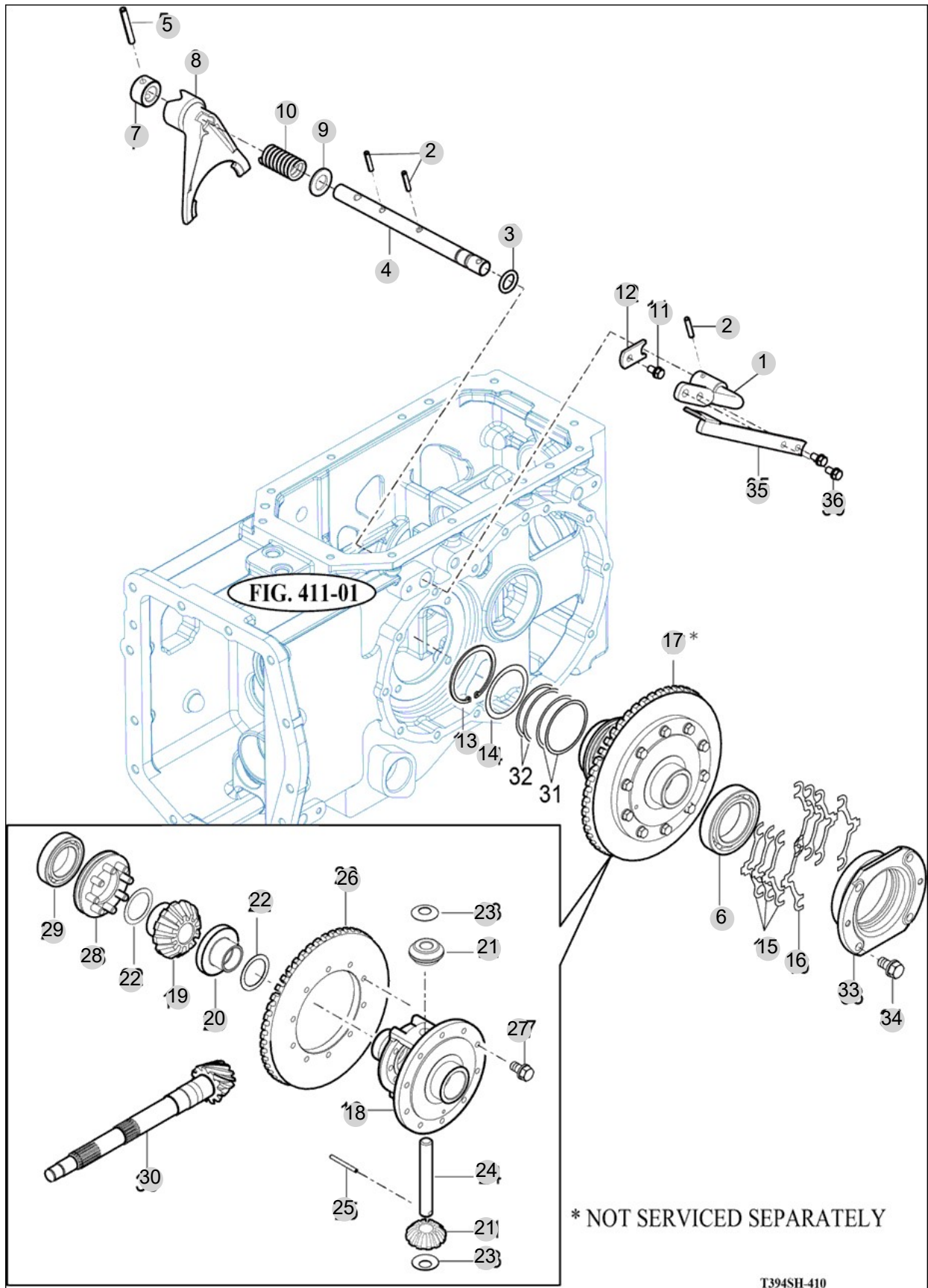
FIG 410

DIFF LOCK

년/월
Year/Month

T474SH-B

2022-12



NOTE

T394SH-410

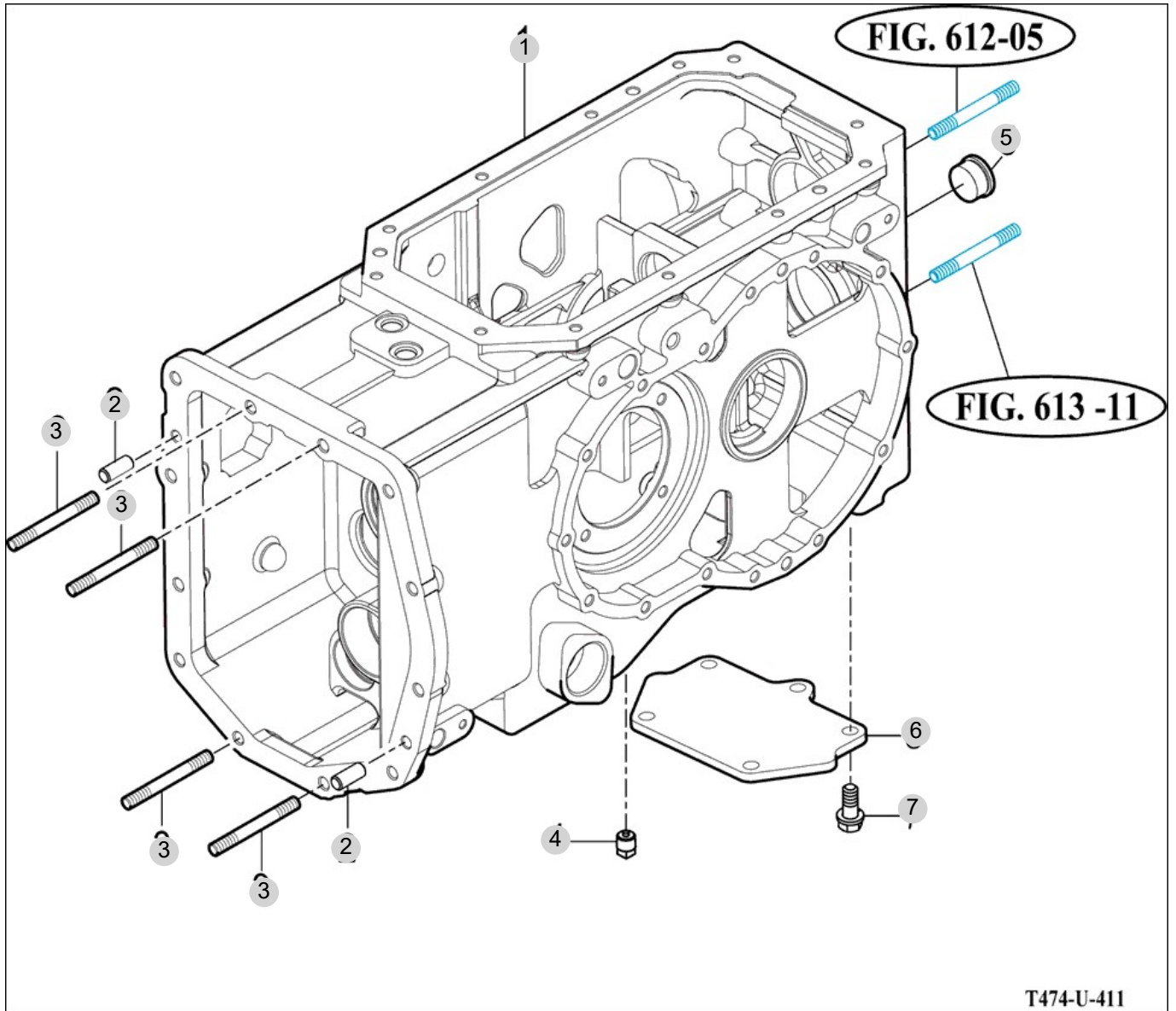
FIG 411

T474SH-B

TRANSMISSION REAR CASE

년/월
Year/Month

2022-12



NOTE

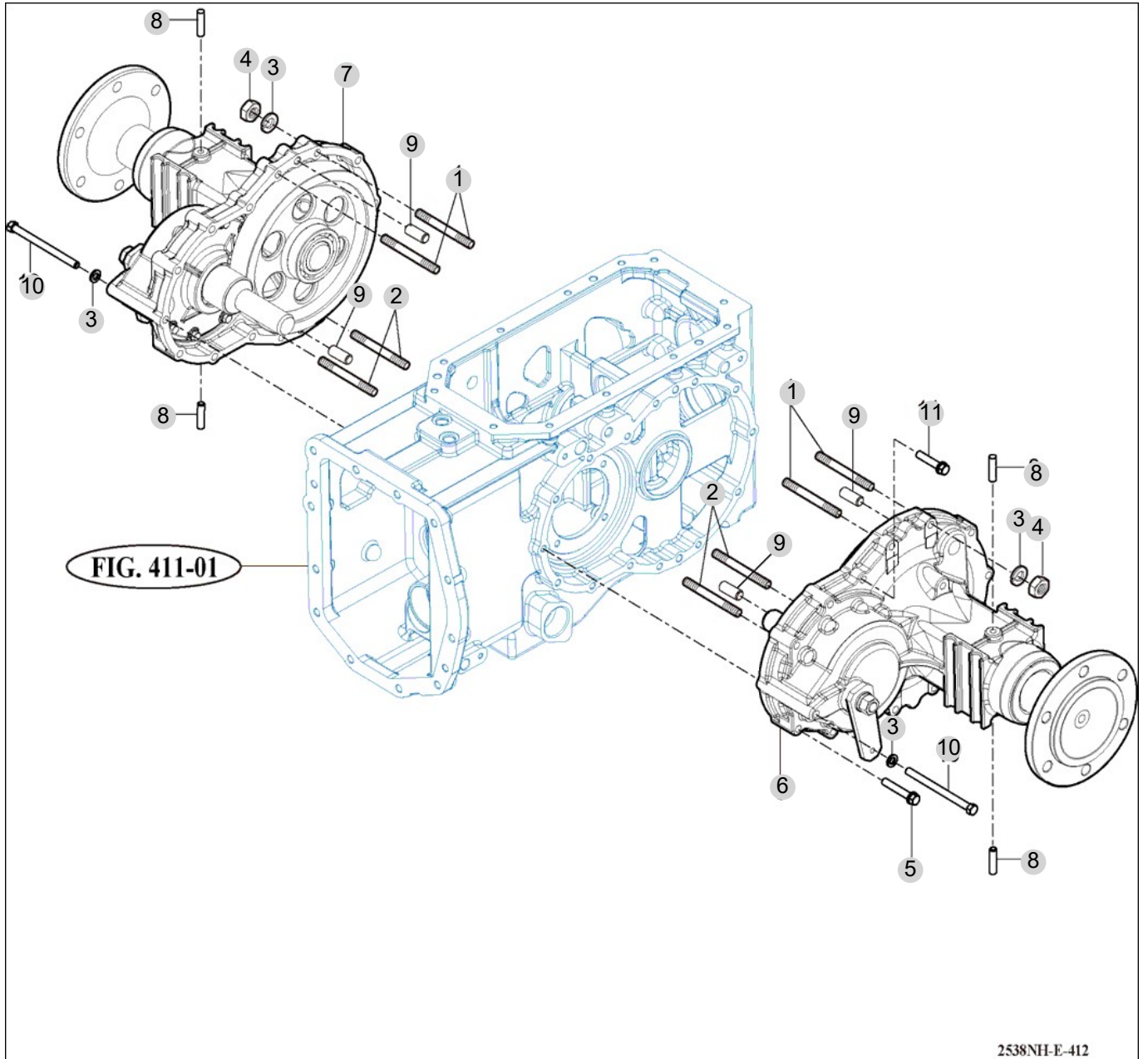
FIG 412

T474SH-B

REAR AXLE HOUSINGS (1)

년/월
Year/Month

2022-12



NOTE

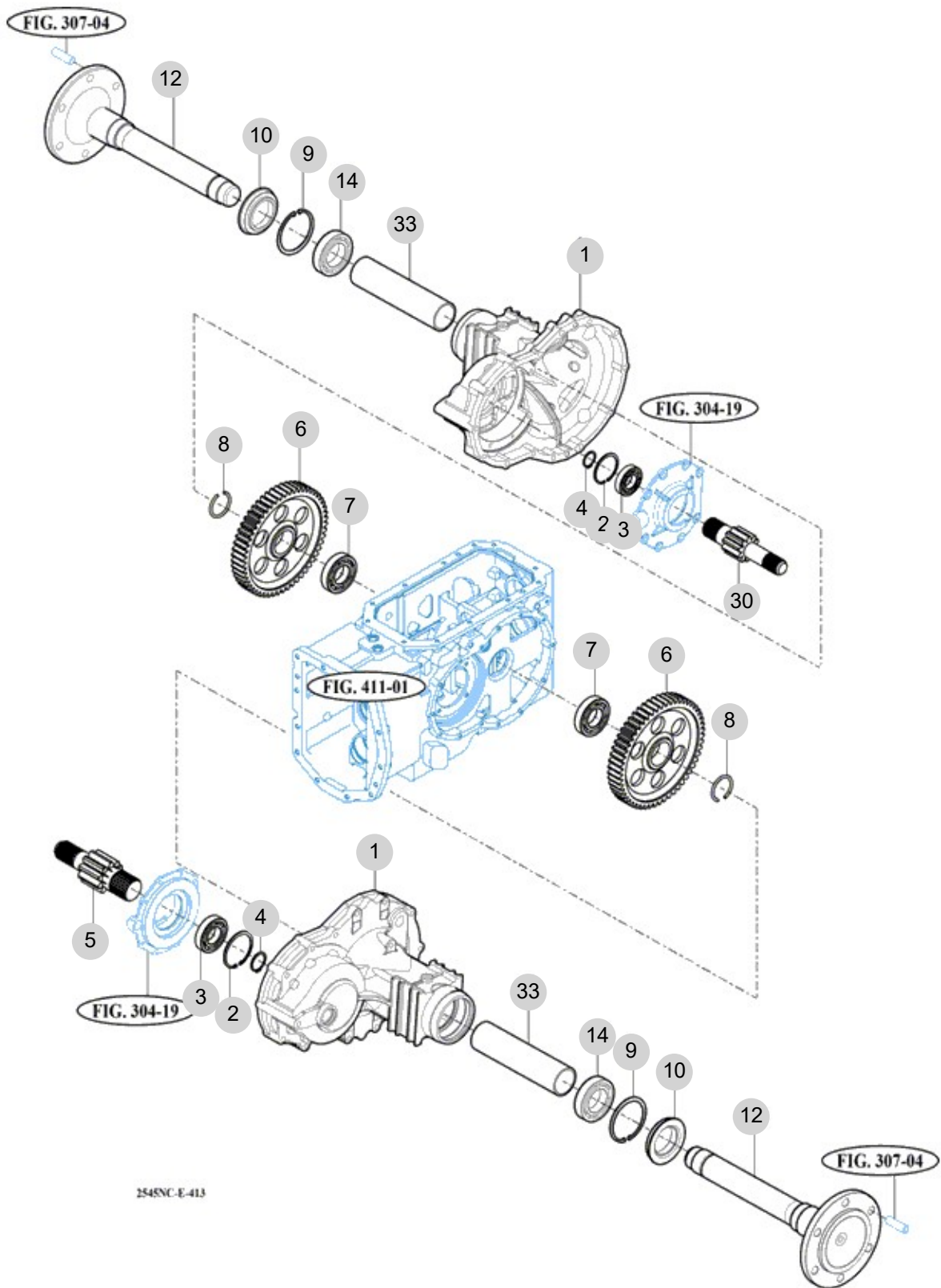
FIG 413

T474SH-B

REAR AXLE HOUSINGS (2)

년/월
Year/Month

2022-12



2545NC-E-413

NOTE

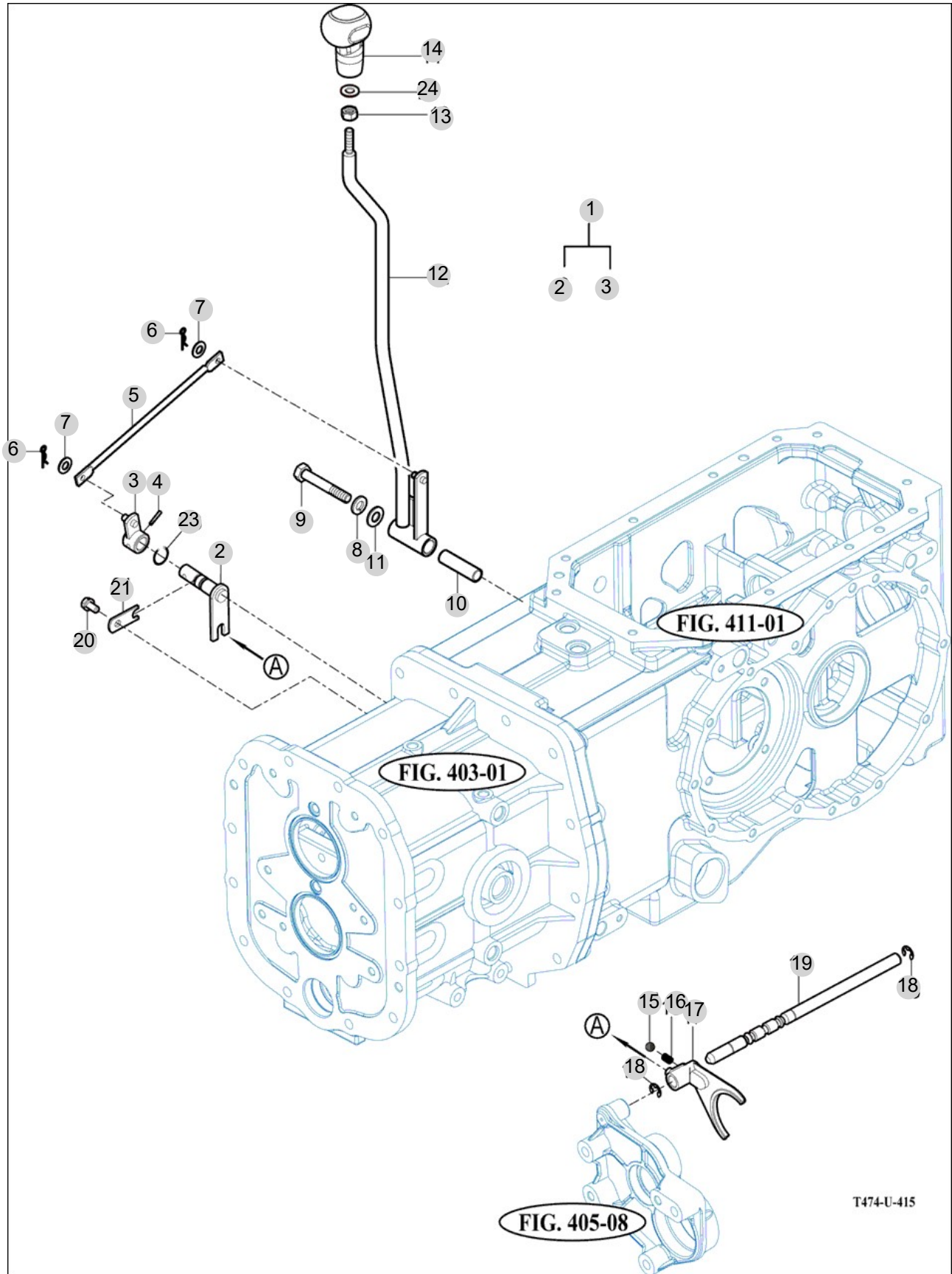
FIG 415

SUB CHANGE LEVER

년/월
Year/Month

2022-12

T474SH-B



T474-U-415

NOTE

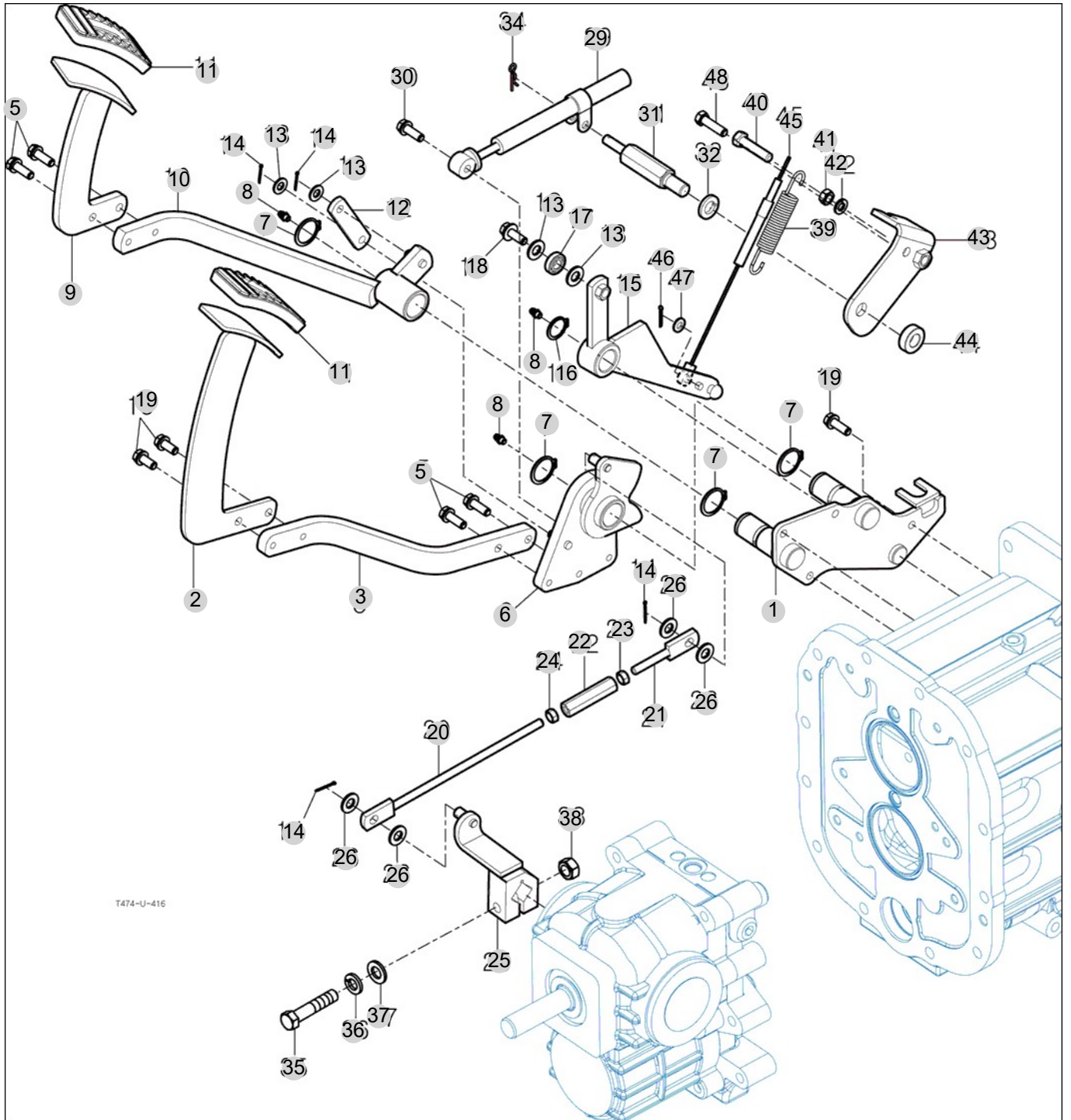
FIG 416

FORWARD & REVERSE CONTROL LINKAGE

년/월
Year/Month

2022-12

T474SH-B



NOTE

FIG 416		FORWARD & REVERSE CONTROL LINKAGE					년/월 Year/Month	
T474SH-B		2022-12						
KEY NO	PART NO	DESCRIPTION	SPEC	QTY	REPAIR	EFFECTIVE DATE	REMARKS	
416	1	12382313201	BRACKET COMP, HST PEDAL			1		
416	2	14722312703GB	PEDAL COMP , FORWARD	1X1X1		1		
416	3	14722310052	PLATE , FORWARD	25X9		1		
416	5	V2173608025	BOLT , HEX/S	M8X25		4		
416	6	12382312300	ARM COMP , FORWARD			1		
416	7	V7041400250	C-RING , SHAFT	25		4		
416	8	V7601500000	NIPPLE , GREASE/A-M6F			3		
416	9	14722312802GB	PEDAL COMP , REVERSE	1X1X1		1		
416	10	14722312603	ARM COMP	1X1X1		1		
416	11	14722312730	PAD	1X1X1		2		
416	12	14722310023	PLATE , REVERSE	19X6		1		
416	13	V4111600080	WASHER , PLAIN	M8		4		
416	14	V5001920020	PIN , SPLIT	2X20		4		
416	15	13832312501	ARM COMP , CAM FOLLOWER			1		
416	16	V7041400200	C-RING , SHAFT	20		1		
416	17	14722310060	BEARING , BALL			1		
416	18	V2013608035	BOLT , HEX	M8X35		1		
416	19	V2173608025	BOLT , HEX/S	M8X25		6		
416	20	12382325100	ROD COMP , LH			1		
416	21	11102325200	ROD COMP , RH			1		
416	22	16601220020	TURNBUCKLE , M8 L60			1		
416	23	V3042600080	NUT , HEX/2	M8		1		
416	24	15601320073	NUT , HEX LH	"2종,M8"		1		
416	25	12382312101	BRACKET COMP , HOLDER			1		
416	26	V4111600100	WASHER , PLAIN	M10		4		
416	29	14722312401	DAMPER , OIL	1X1X1		1		
416	30	V2183608035	BOLT , HEX/SP	M8X35		1		
416	31	10532310090	PIN , OIL DAMPER			1		
416	32	V4011600120	WASHER , SPRING	M12		1		
416	34	V5601600008	PIN , SNAP	8		1		
416	35	V2173610055	BOLT , HEX/S	M10X55		1		
416	36	V4011600100	WASHER , SPRING	M10		1		
416	37	V4111600100	WASHER , PLAIN	M10		1		
416	38	V3043600100	NUT , HEX/2	M10		1		
416	39	14722310033	SPRING , RETURN	D=2.4		1		
416	40	V2013608035	BOLT , HEX	M8X35		1		
416	41	V3042600080	NUT , HEX/2	M8		1		
416	42	V4011600080	WASHER , SPRING	M8		1		
416	43	13831163801	BRACKET , P			1		
416	44	10532310080	COLLAR , 12X24X8			1		
416	45	13831162700	CABLE ASSY , H THROTTLE 1100			1		
416	46	V5001920015	PIN , SPLIT	2X15		1		
416	47	V4111600060	WASHER , PLAIN	M6		1		
416	48	V2173608020	BOLT , HEX/S	M8X20		1		
NOTE								

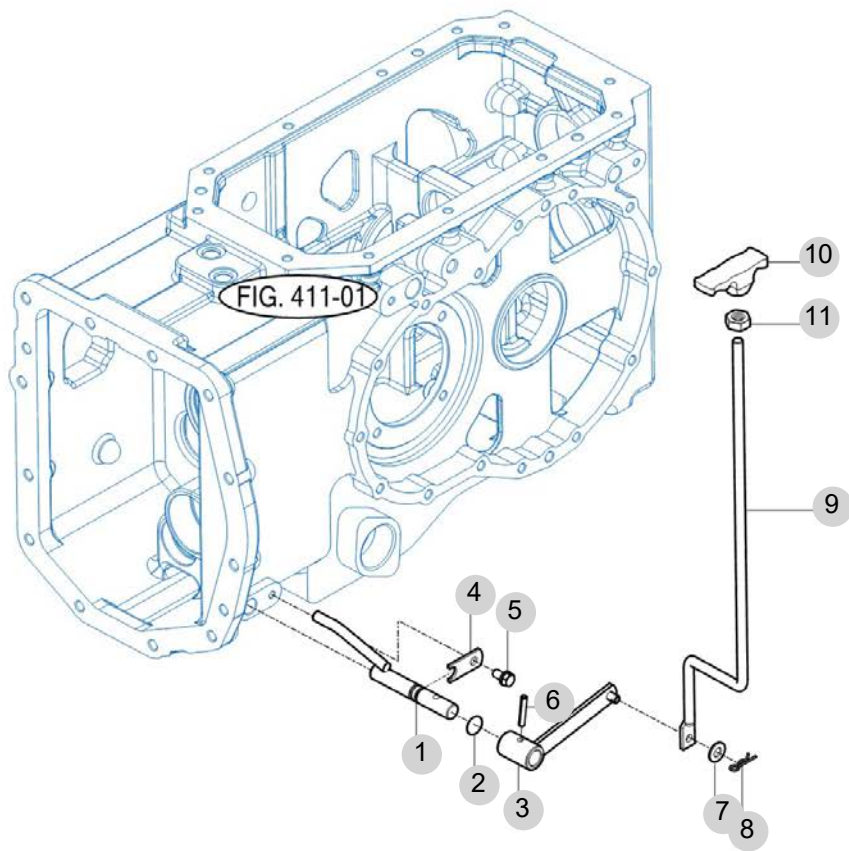
FIG 418

4WD CHANGE LEVER

년/월
Year/Month

T474SH-B

2022-12



2538NH-K-418

NOTE

5. Front Axle PART NO. T5

FIG 501 FRONT AXLE BRACKET	169
FIG 502 FRONT DIFF. GEARS & SHAFT	171
FIG 503 FRONT AXLE HOUSING	173
FIG 504 FRONT GEAR CASE (1)	175
FIG 505 FRONT GEAR CASE (2)	177

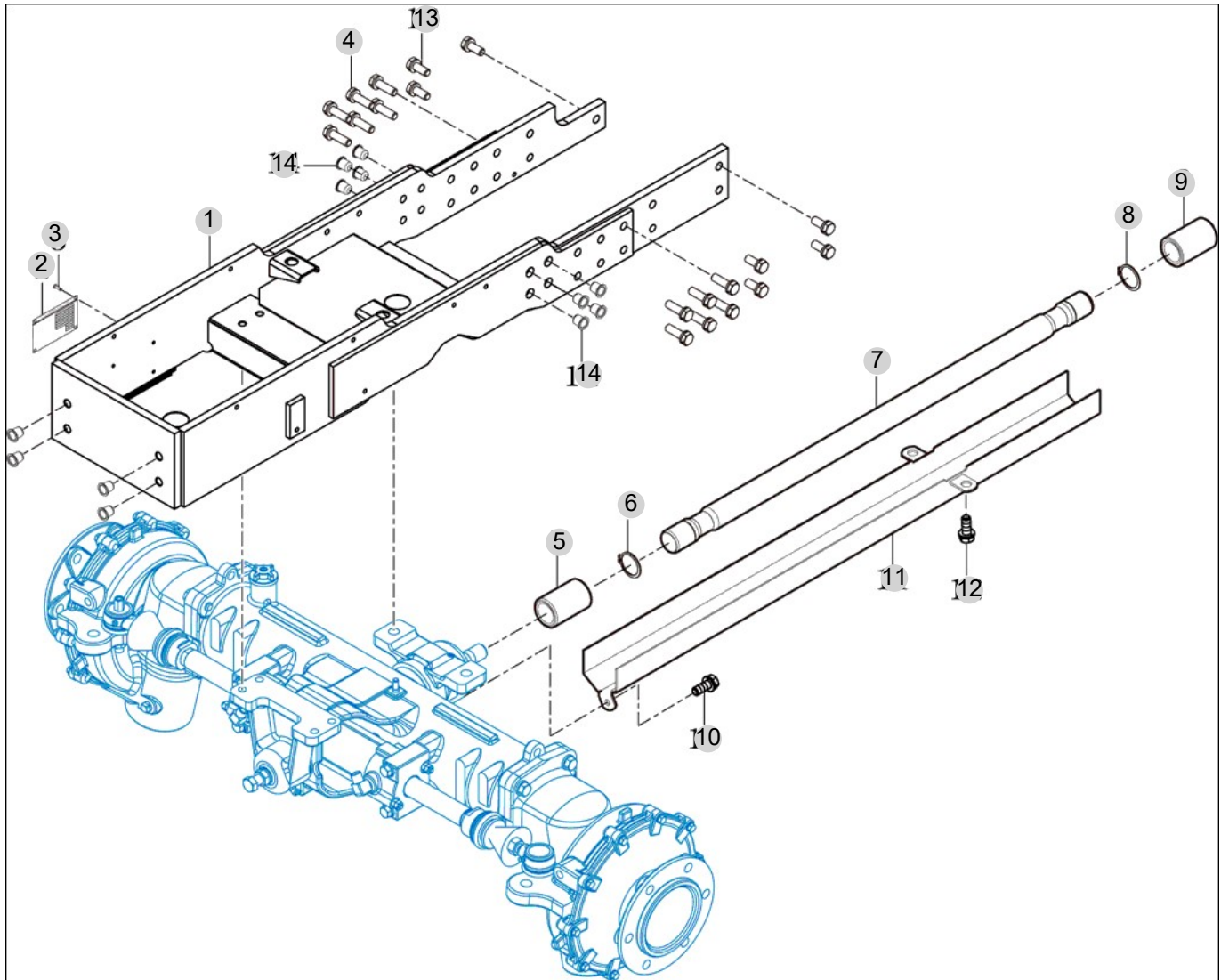
FIG 501

FRONT AXLE BRACKET

년/월
Year/Month

2022-12

T474SH-B



NOTE

FIG 502

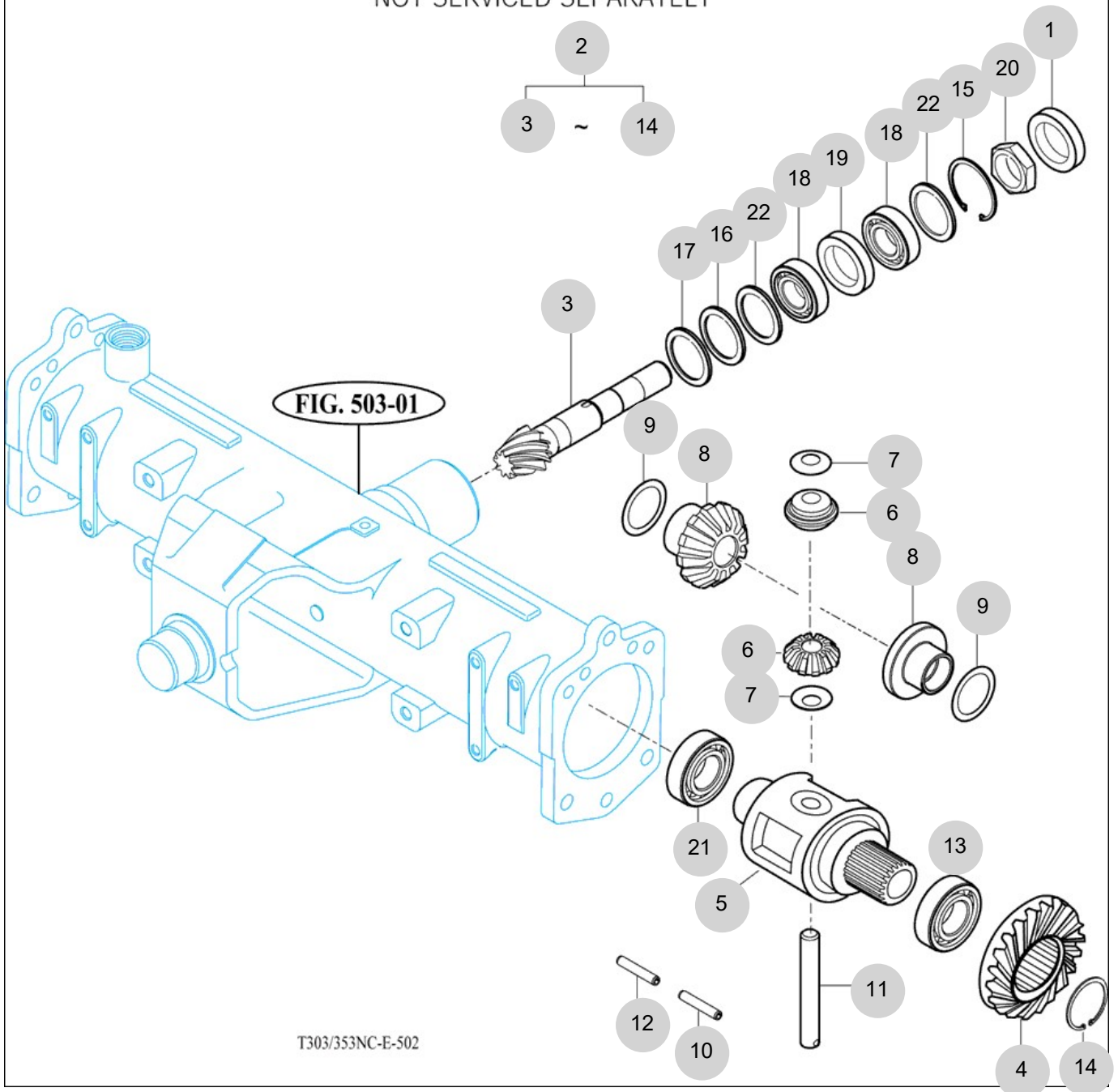
T474SH-B

FRONT DIFF. GEARS & SHAFT

년/월
Year/Month

2022-12

* NOT SERVICED SEPARATELY



NOTE

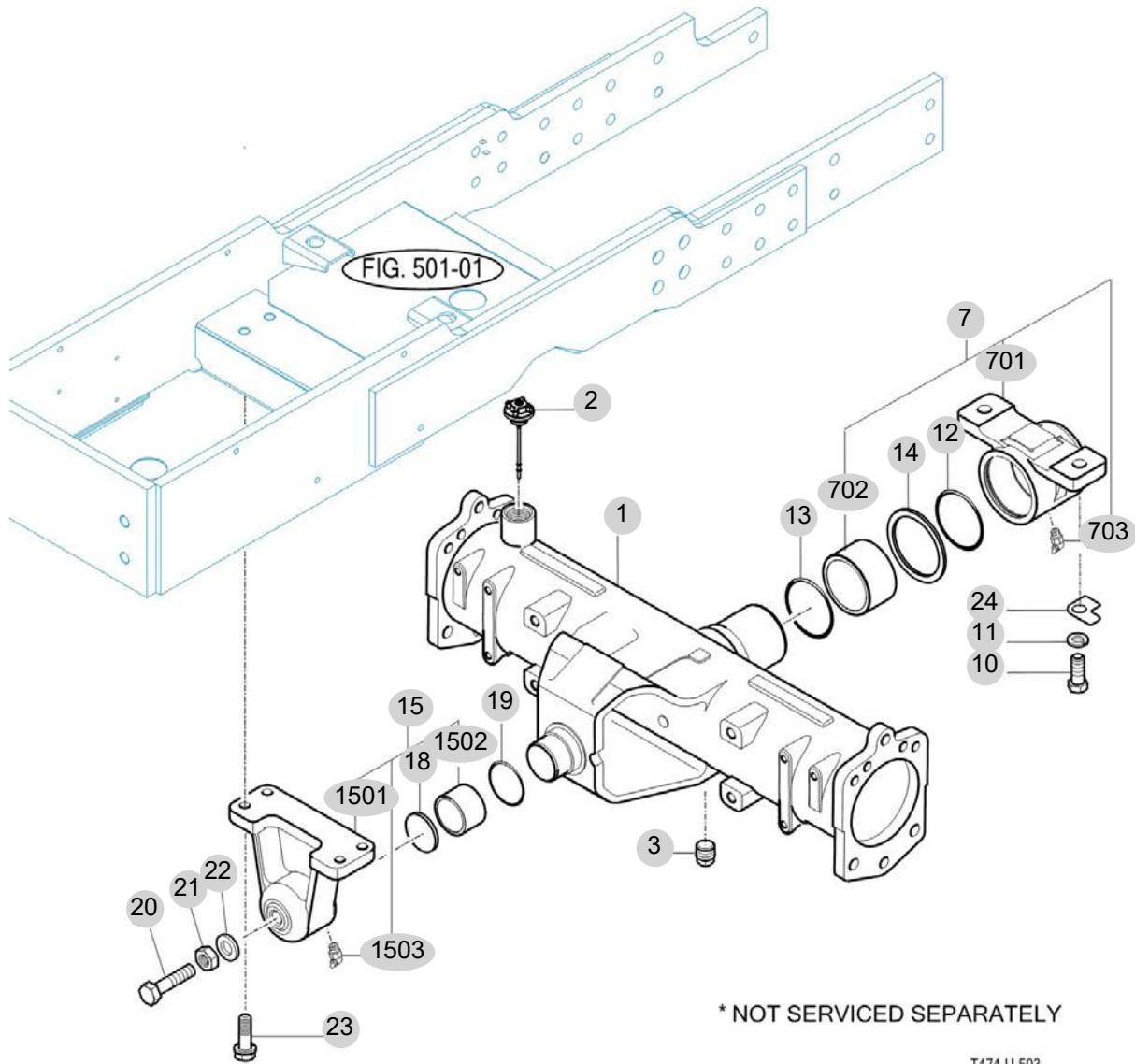
FIG 503

T474SH-B

FRONT AXLE HOUSING

년/월
Year/Month

2022-12



T474-U-503

NOTE

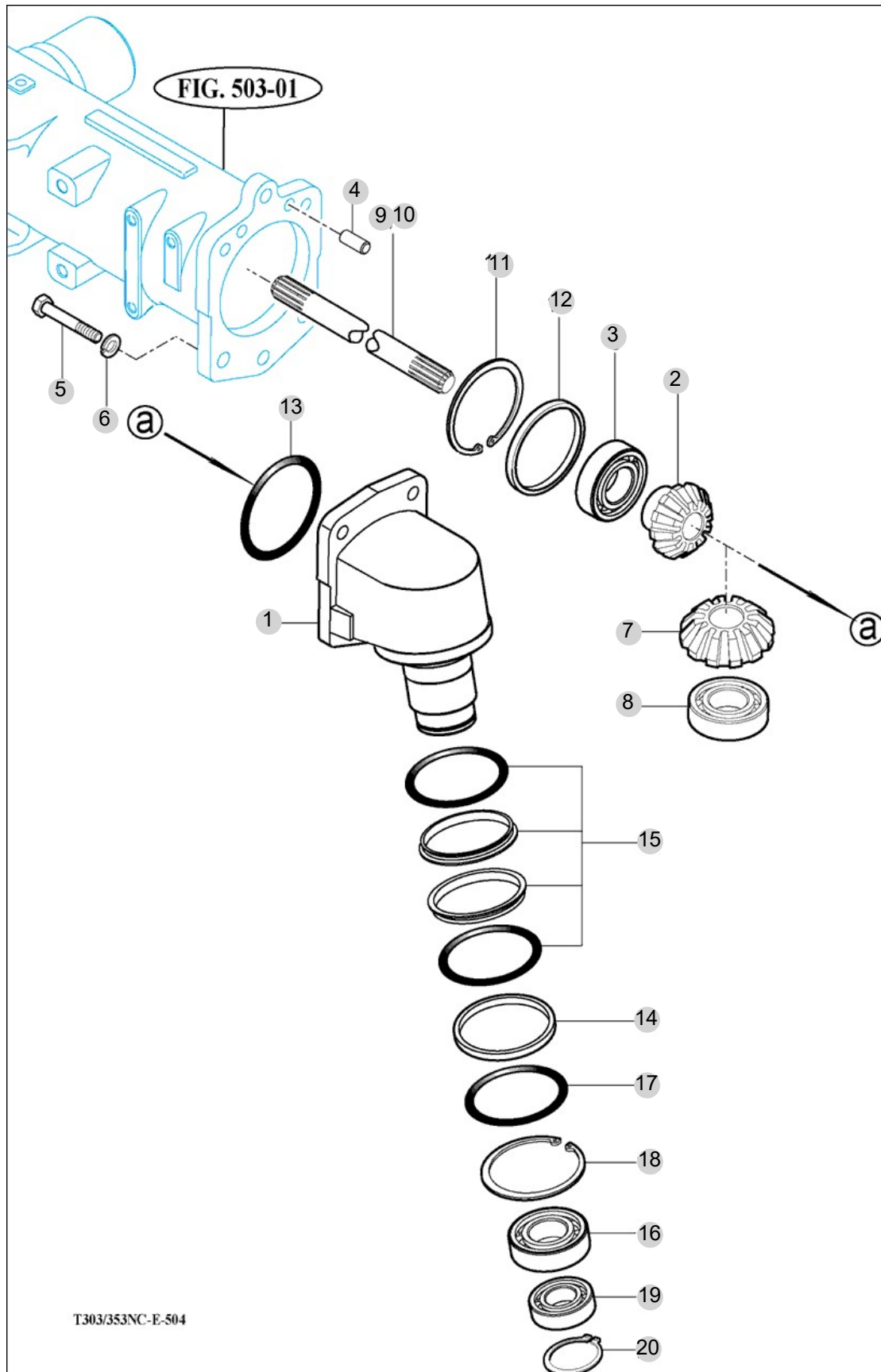
FIG 504

T474SH-B

FRONT GEAR CASE (1)

년/월
Year/Month

2022-12



NOTE

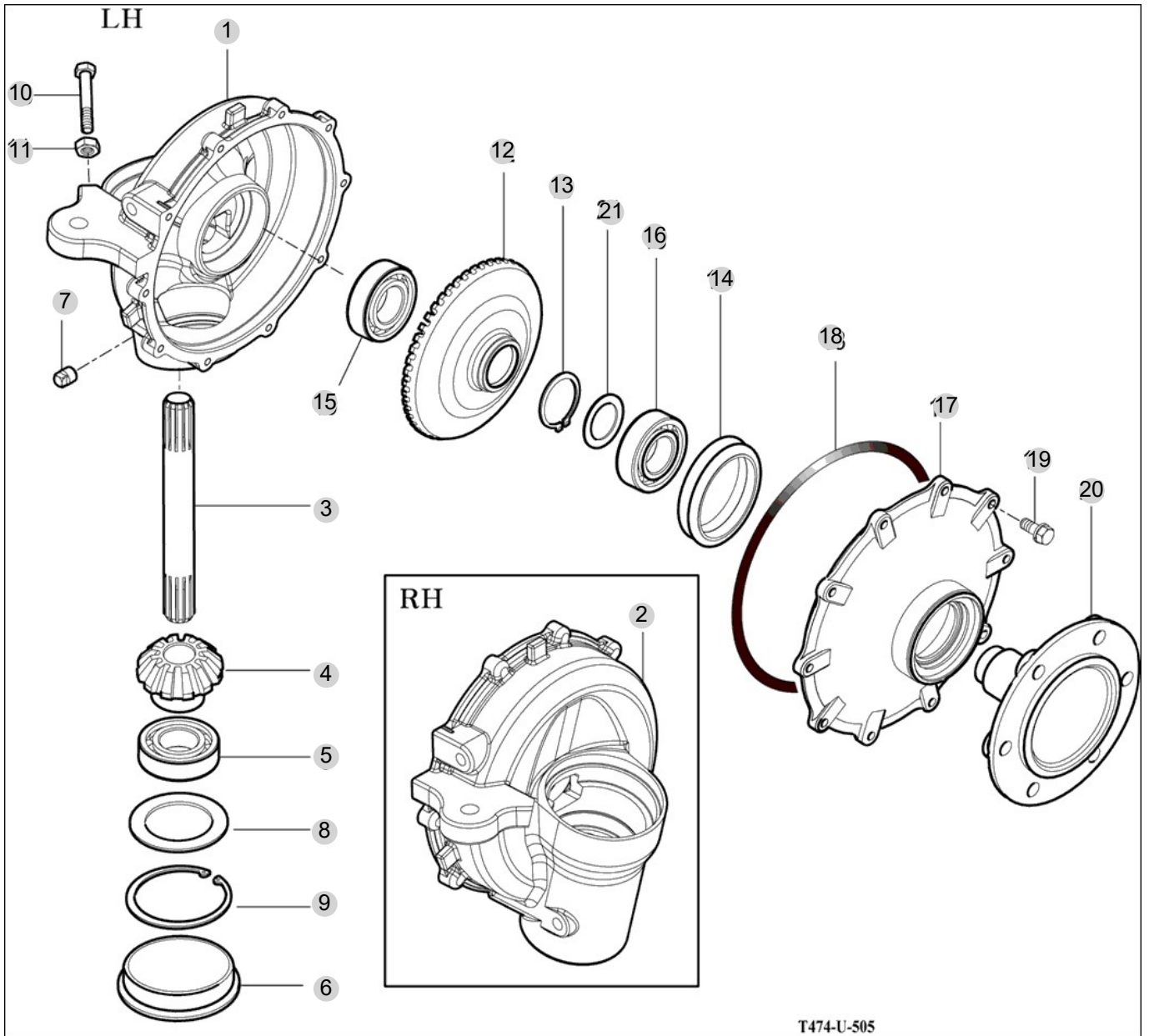
FIG 505

T474SH-B

FRONT GEAR CASE (2)

년/월
Year/Month

2022-12



NOTE

6. Hydraulic/3P-Link PART NO. T6

FIG 601 GEAR PUMP	180
FIG 602 CYLINDER CASE	182
FIG 603 LIFT ARM	184
FIG 604 CYLINDER	186
FIG 605 POSITION LINK (1)	188
FIG 606 POSITION LINK (2)	190
FIG 607 CONTROL VALVE	192
FIG 608 POSITION LEVER	194
FIG 609 HYDRAULIC PIPE (1)[SAP 가져오기]에서 생성함.	196
FIG 609 HYDRAULIC PIPE (1)	198
FIG 610 HYDRAULIC PIPE (2)	200
FIG 611 EXTERIOR HYD VALVE	202
FIG 612 3-POINT LINK	204
FIG 613 HITCH & COVER	207
FIG 614 EXTERIOR POSITION LEVER	209

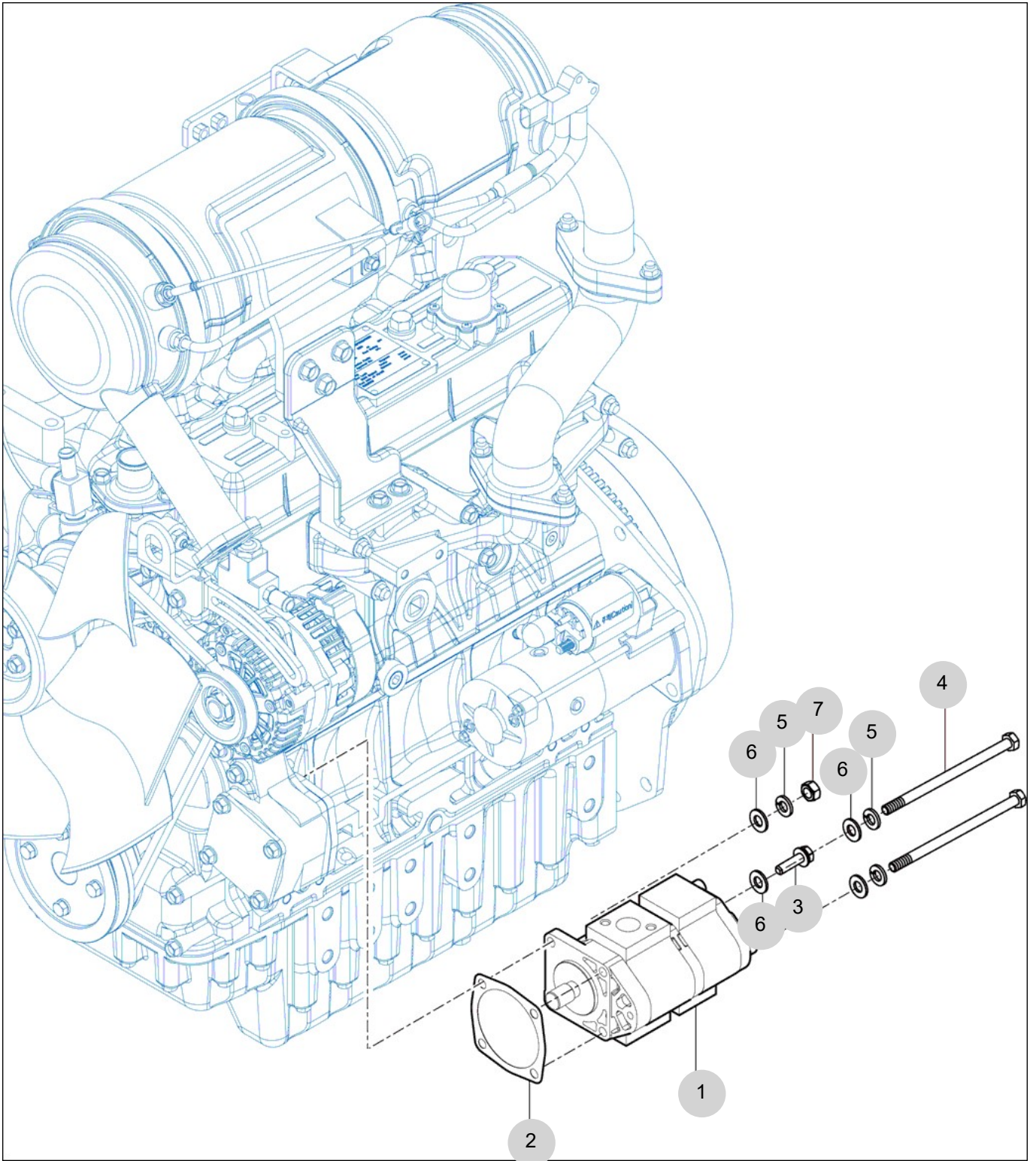
FIG 601

GEAR PUMP

년/월
Year/Month

T474SH-B

2022-12



NOTE

FIG 601 T474SH-B	GEAR PUMP					년/월 Year/Month	
						2022-12	

KEY NO	PART NO	DESCRIPTION	SPEC	QTY	REPAIR	EFFECTIVE DATE	REMARKS
601	1	13875103100	PUMP(13X7.2CC) ASSY, GEAR	1			
601	2	14045030060	PACKING , OIL PUMP	1			
601	3	V2183608040	BOLT , HEX/SP		M8X40	1	
601	4	V2013608170	BOLT , HEX		M8X170	2	
601	5	V4011600080	WASHER , SPRING		M8	3	
601	6	V4111600080	WASHER , PLAIN		M8	4	
601	7	V3042600080	NUT , HEX/2		M8	1	

NOTE

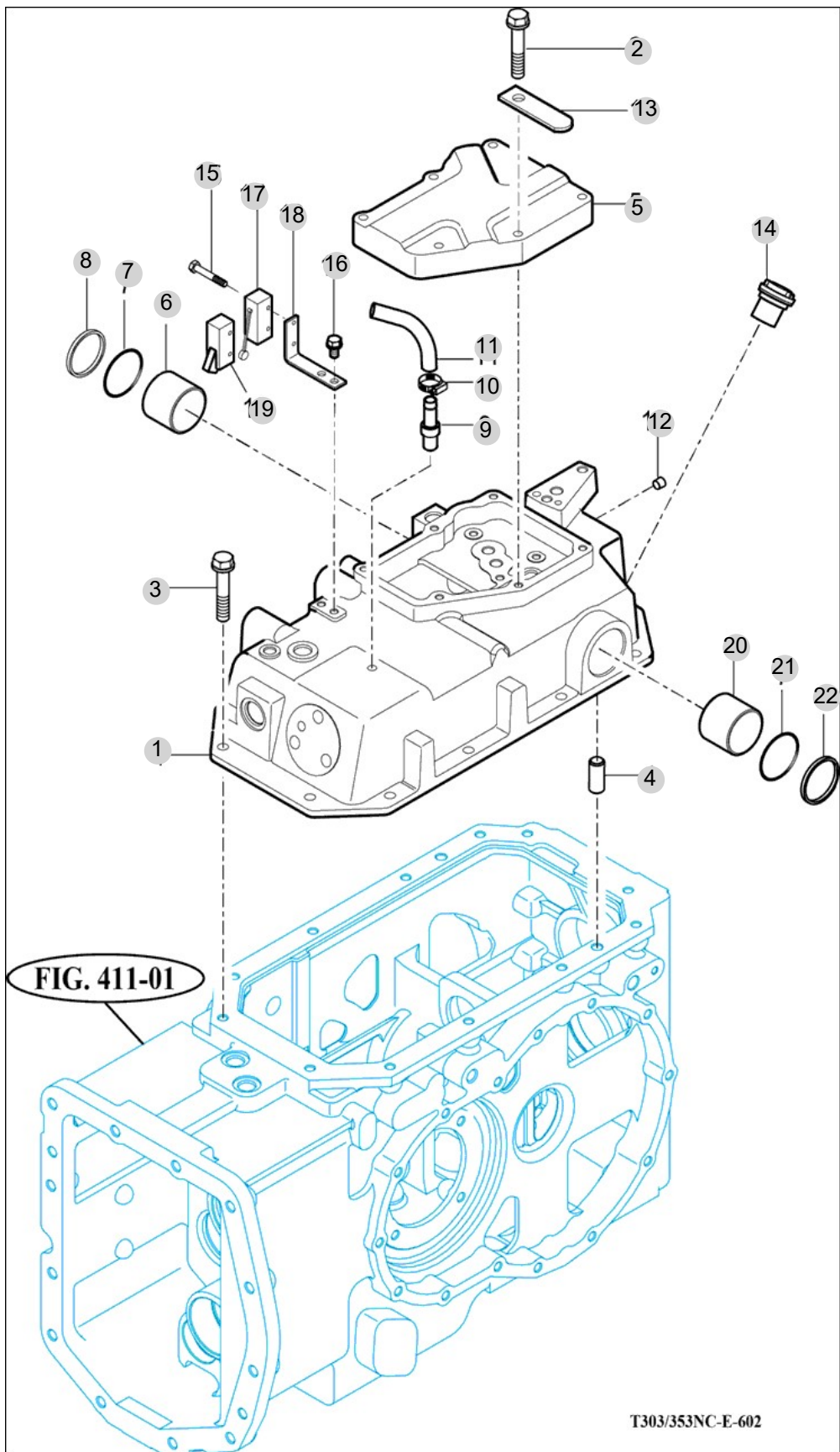
FIG 602

T474SH-B

CYLINDER CASE

년/월
Year/Month

2022-12



NOTE

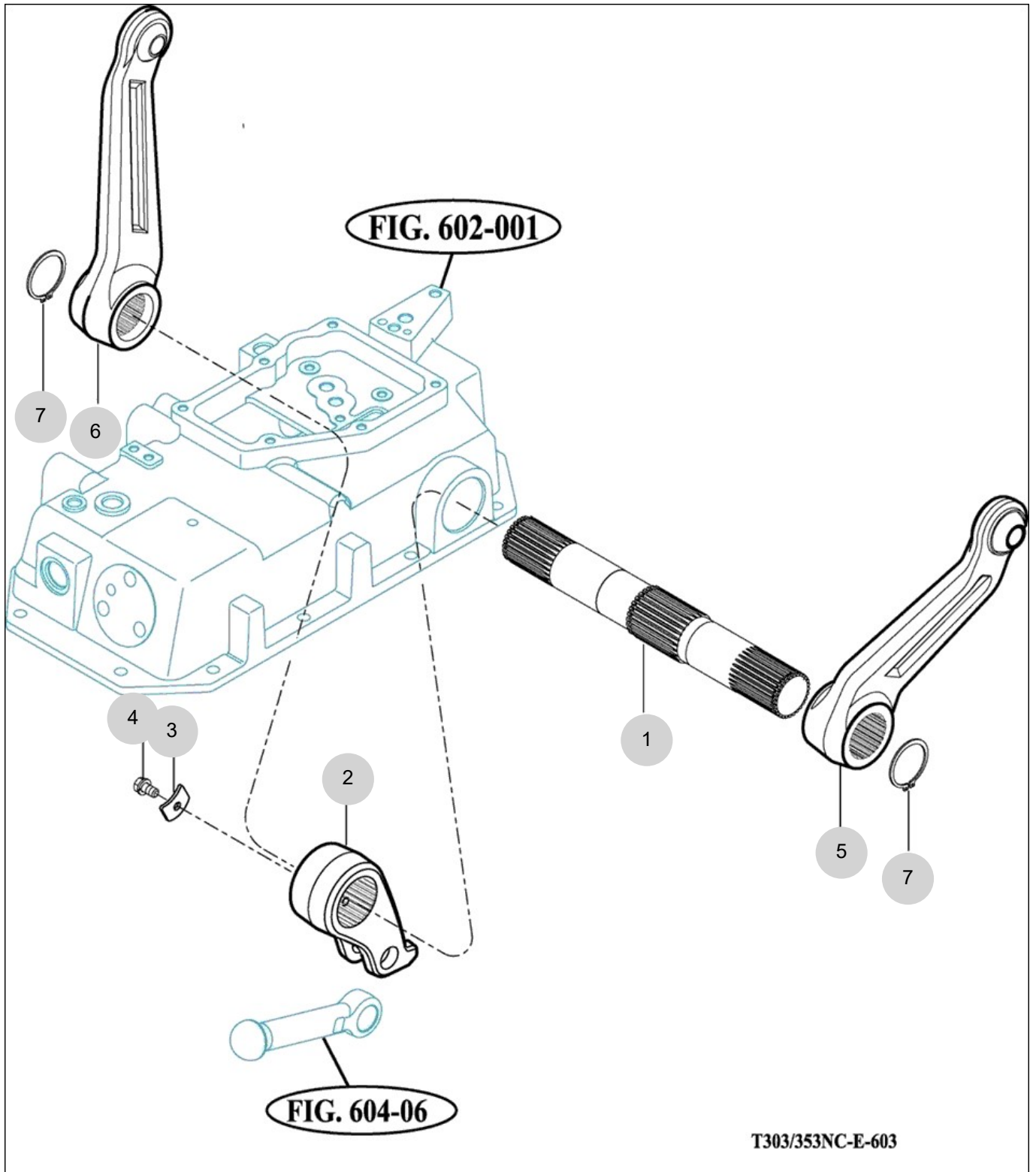
FIG 603

T474SH-B

LIFT ARM

년/월
Year/Month

2022-12



T303/353NC-E-603

NOTE

FIG 603 T474SH-B		LIFT ARM					년/월 Year/Month	
							2022-12	
KEY NO	PART NO	DESCRIPTION	SPEC	QTY	REPAIR	EFFECTIVE DATE	REMARKS	
603	1	16705020012M	LIFT SHAFT			1		
603	2	16705020020M	LIFT , CRANK			1		
603	3	17995020030	PLATE			1		
603	4	V2173608016	BOLT , HEX/S	M8X16		1		
603	5	16705022100M	ARM ASSY , LIFT			1		
603	6	16705022100M	ARM ASSY , LIFT			1		
603	7	V7041400450	C-RING , SHAFT	45		2		
NOTE								

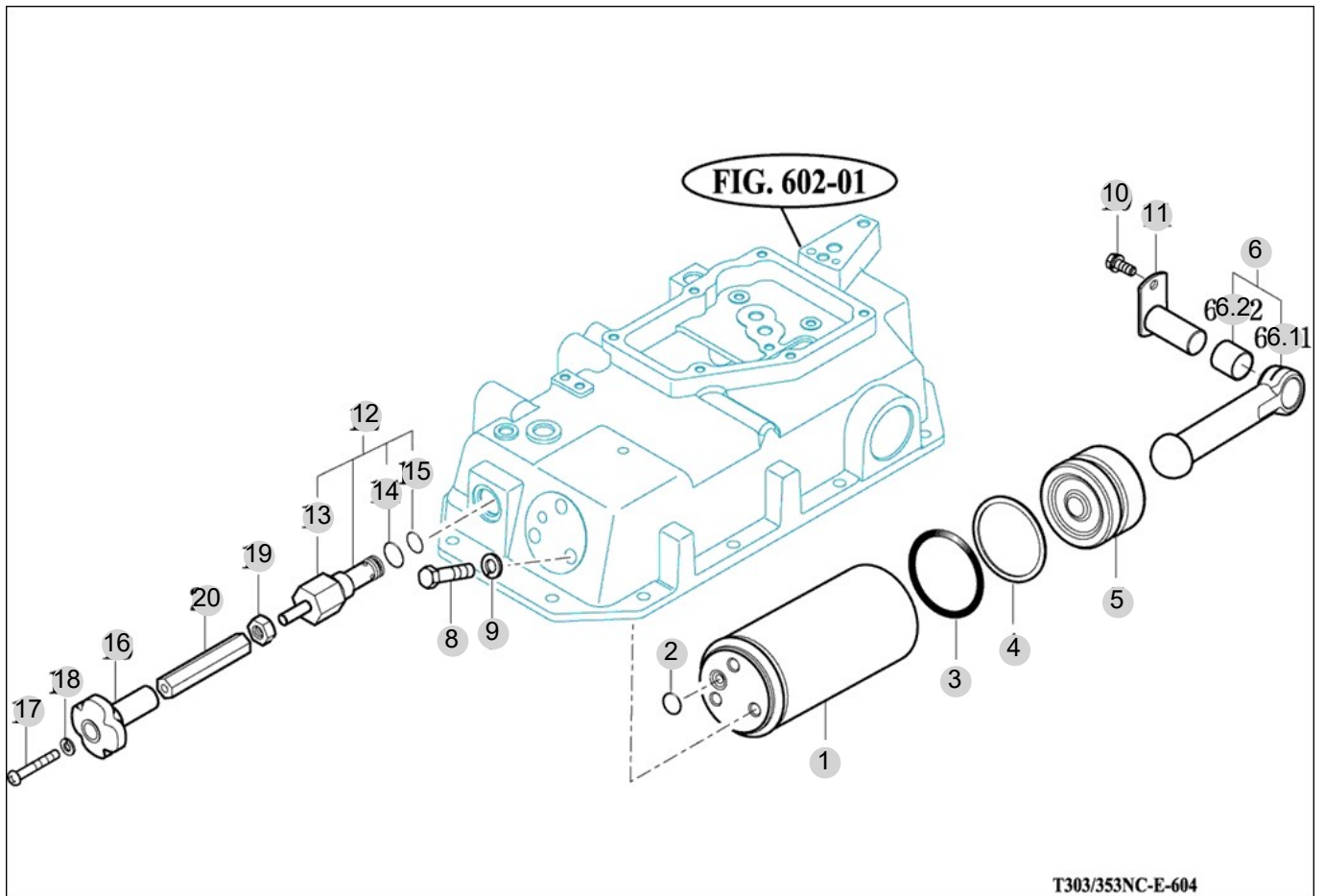
FIG 604

T474SH-B

CYLINDER

년/월
Year/Month

2022-12



T303/353NC-E-604

NOTE

FIG 604 T474SH-B		CYLINDER					년/월 Year/Month	REMARKS
							2022-12	
KEY NO	PART NO	DESCRIPTION	SPEC	QTY	REPAIR	EFFECTIVE DATE	REMARKS	
604	1	16705022300	CYLINDER COMP					
604	2	V7201024014	O-RING , P	P14				
604	3	V7201057070	O-RING , P	P70				
604	4	16705050060	RING					
604	5	16705030050M	PISTON , HYD					
604	5	11105030051M	PISTON , HYD					
604	6	17995031000	ROD ASSY , PISTON					
604	6	17995030061M	ROD , PISTON					
604	8	V2024612050	BOLT , HEX FINE	M12X50				
604	9	V4011600120	WASHER , SPRING	M12				
604	10	V2173608016	BOLT , HEX/S	M8X16				
604	11	17995031500	PIN COMP , HYD					
604	12	15640040001	VALVE , SUB FLOW CONTROL					
604	13	K2310040070	SEAL , DUST	DK111217				
604	14	V7201124022	O-RING , P	P22				
604	15	V7201124016	O-RING , P	P16				
604	16	15605070070	KNOB , SLOW RETURN					
604	17	V1112606040	SCREW , C/R PAN	M6X40				
604	18	V4011600060	WASHER , SPRING	M6				
604	19	V3042600100	NUT , HEX/2	M10				
604	20	16705030030	SHAFT , SLOW RETURN(76)					
604	601	17995030061M	ROD , PISTON					
604	602	17995030070	BUSH					
NOTE								

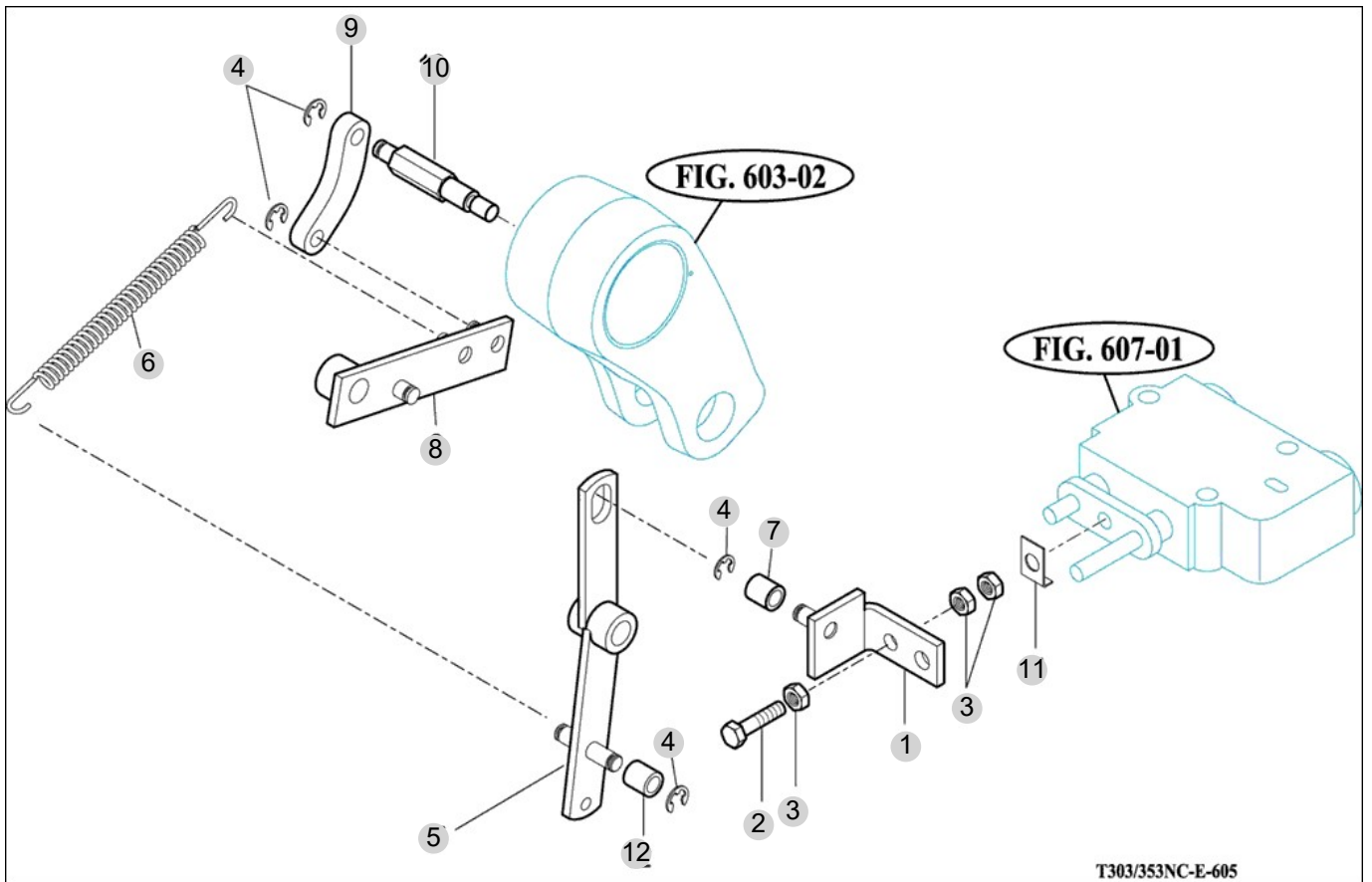
FIG 605

T474SH-B

POSITION LINK (1)

년/월
Year/Month

2022-12



NOTE

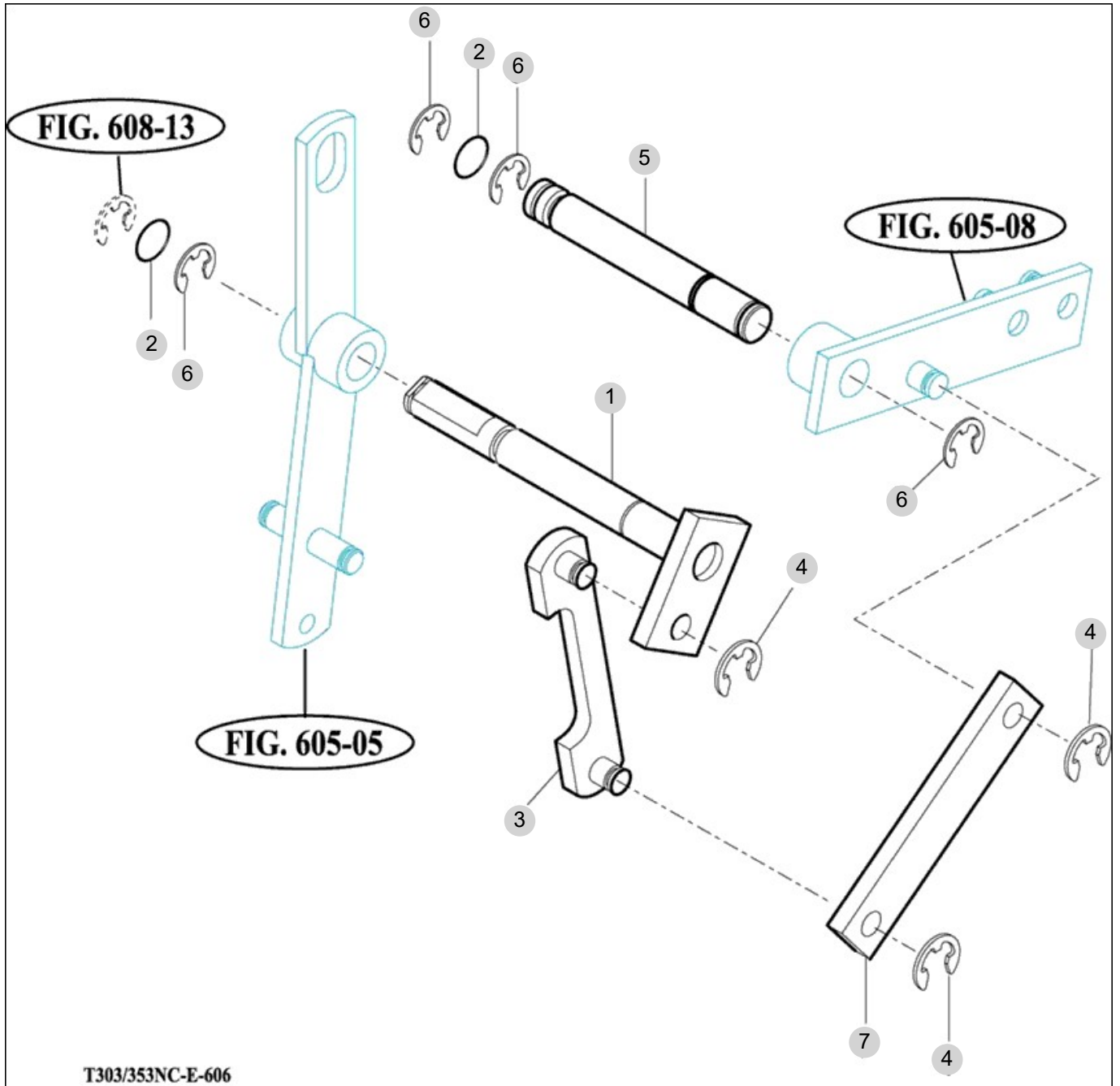
FIG 606

T474SH-B

POSITION LINK (2)

년/월
Year/Month

2022-12



T303/353NC-E-606

NOTE

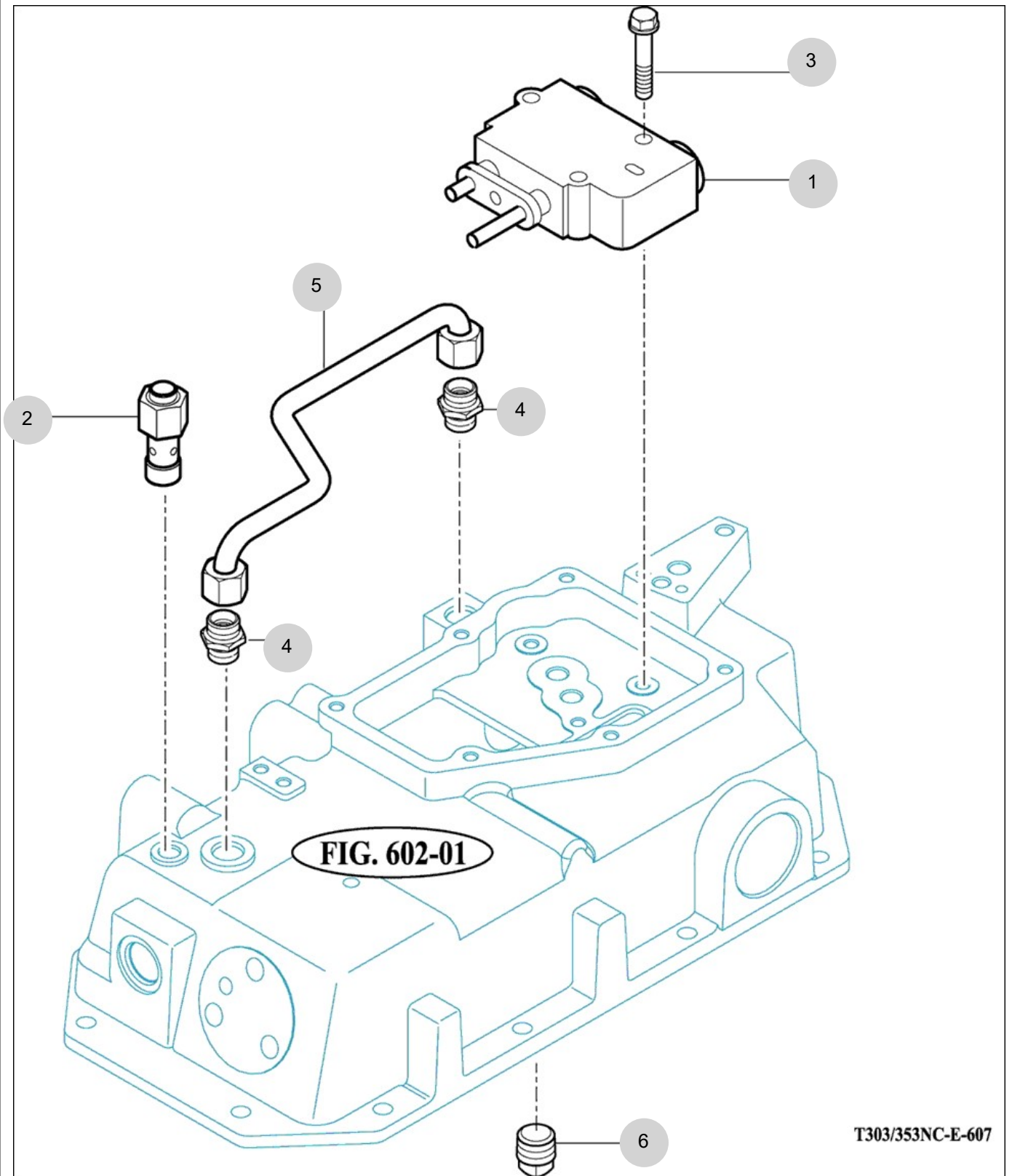
FIG 607

T474SH-B

CONTROL VALVE

년/월
Year/Month

2022-12



T303/353NC-E-607

NOTE

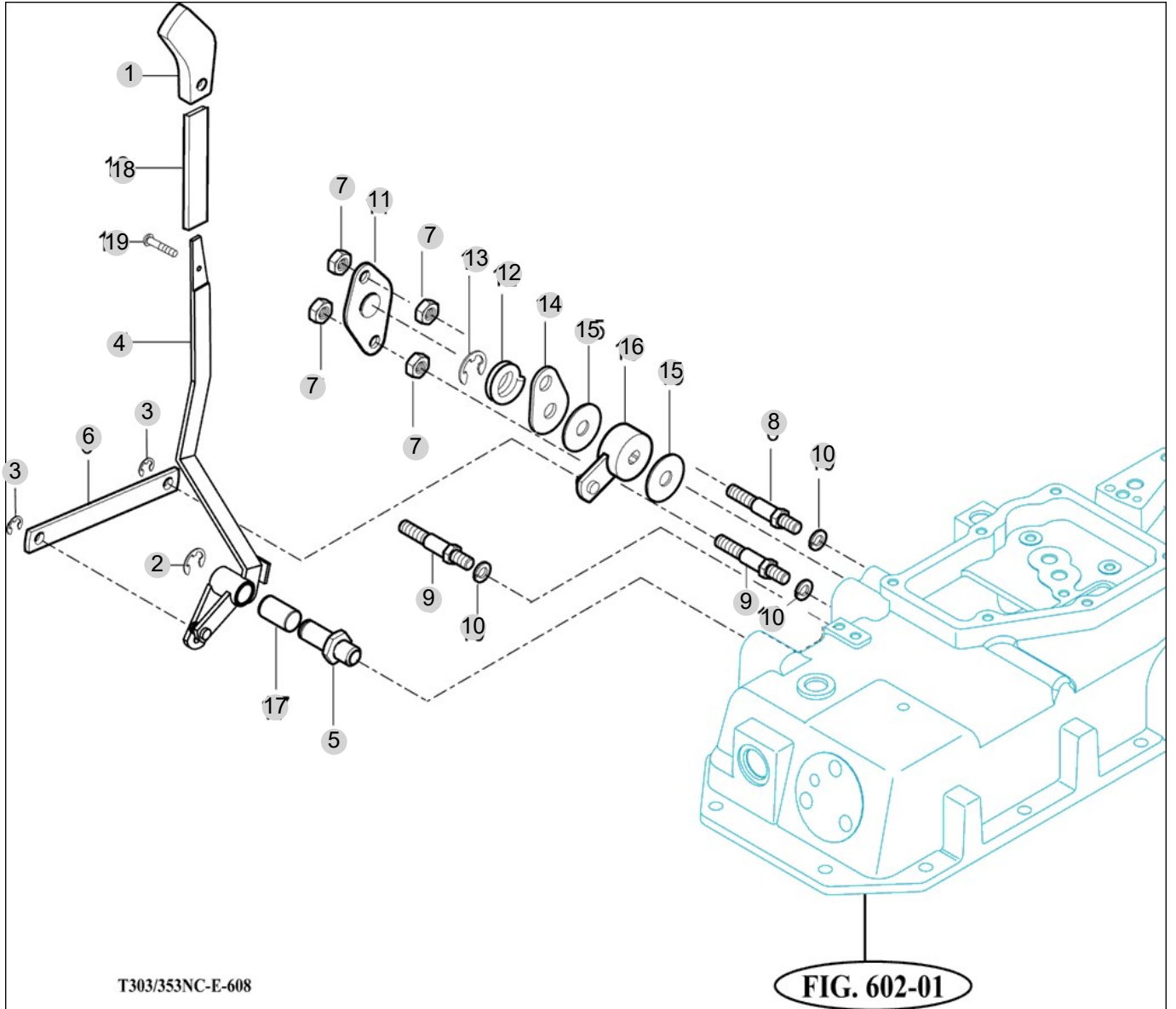
FIG 608

T474SH-B

POSITION LEVER

년/월
Year/Month

2022-12



NOTE

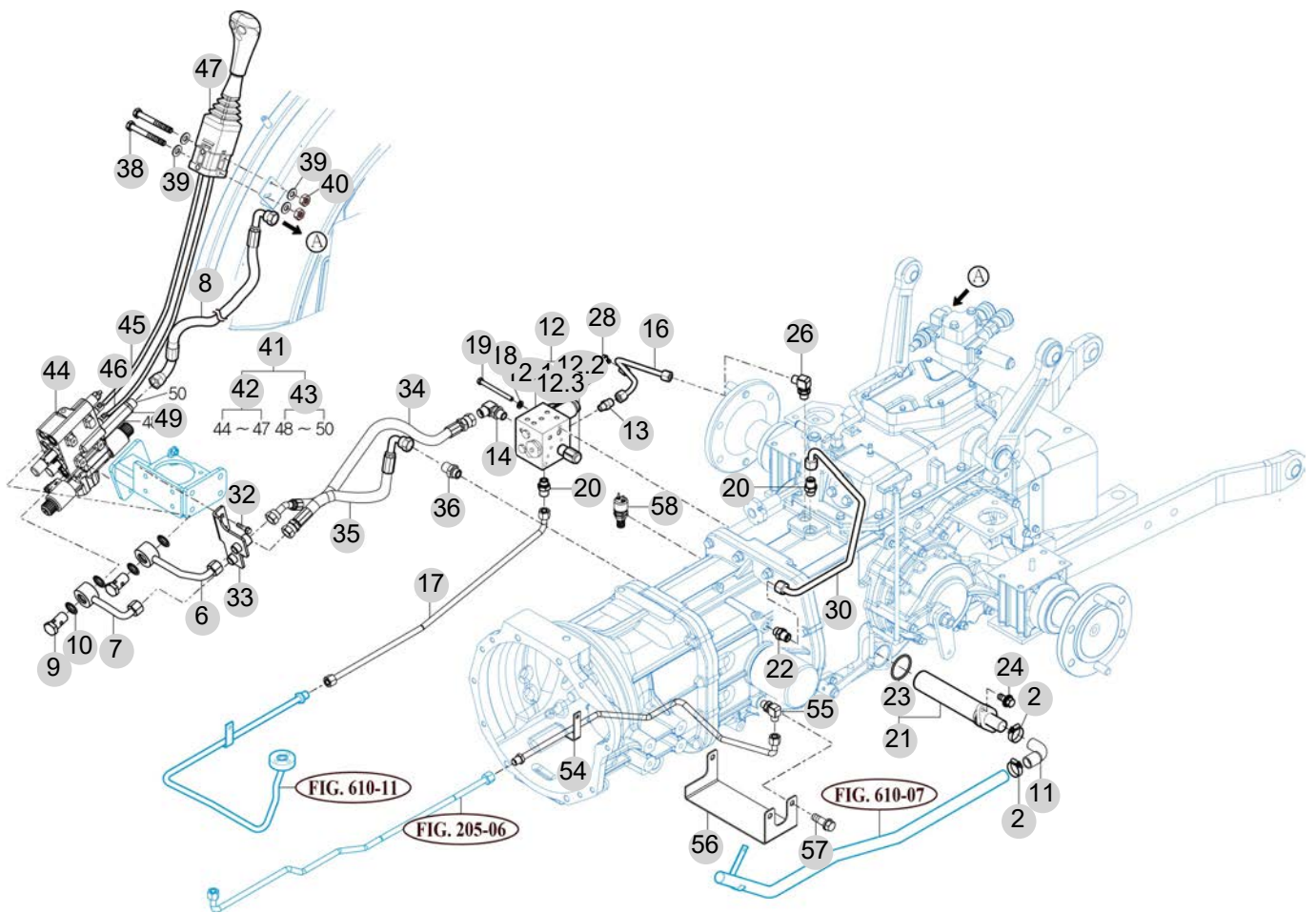
FIG 609

T474SH-B

HYDRAULIC PIPE (1)[SAP 가져오기]에서 생성
함.

년/월
Year/Month

2022-12



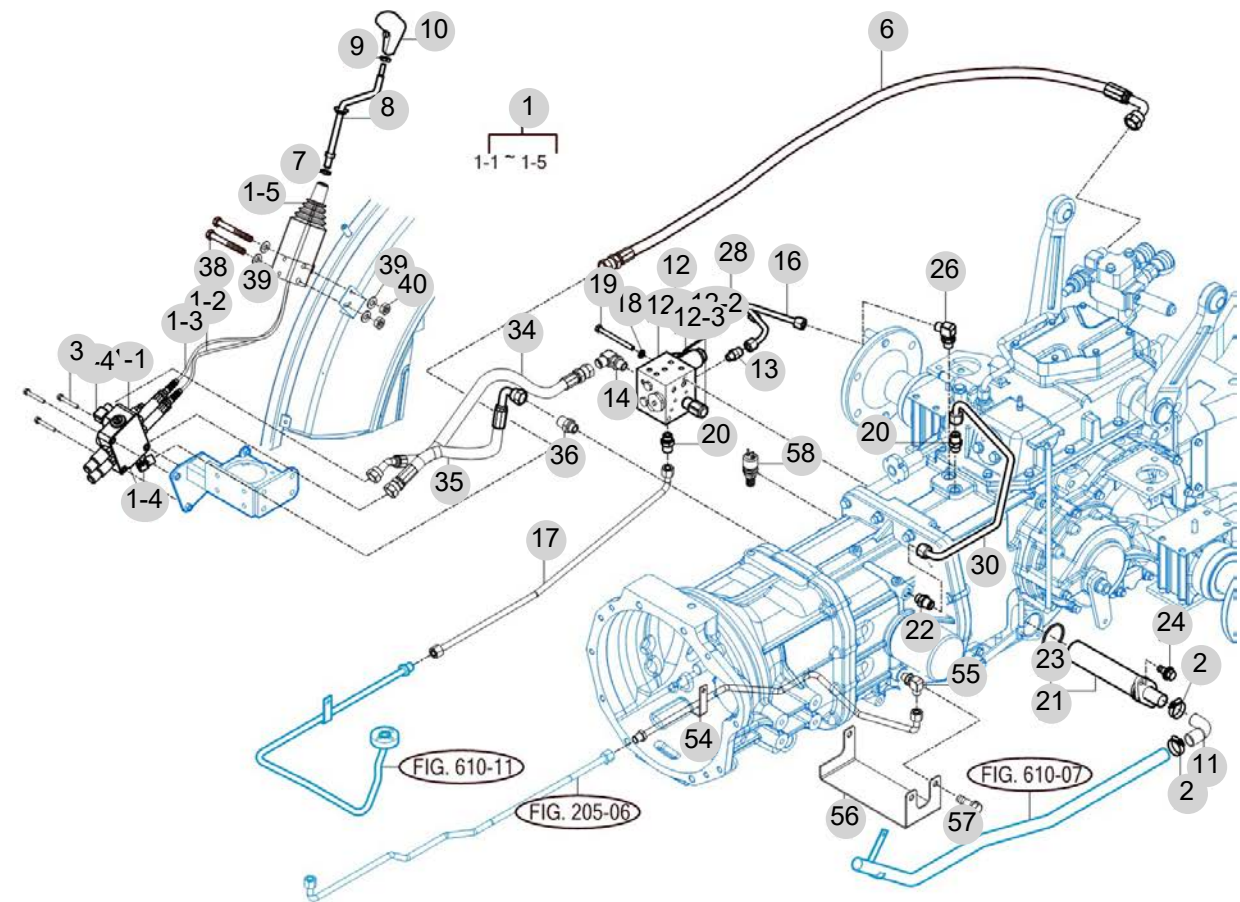
NOTE

FIG 609

HYDRAULIC PIPE (1)

년/월
Year/Month

2022-12



NOTE

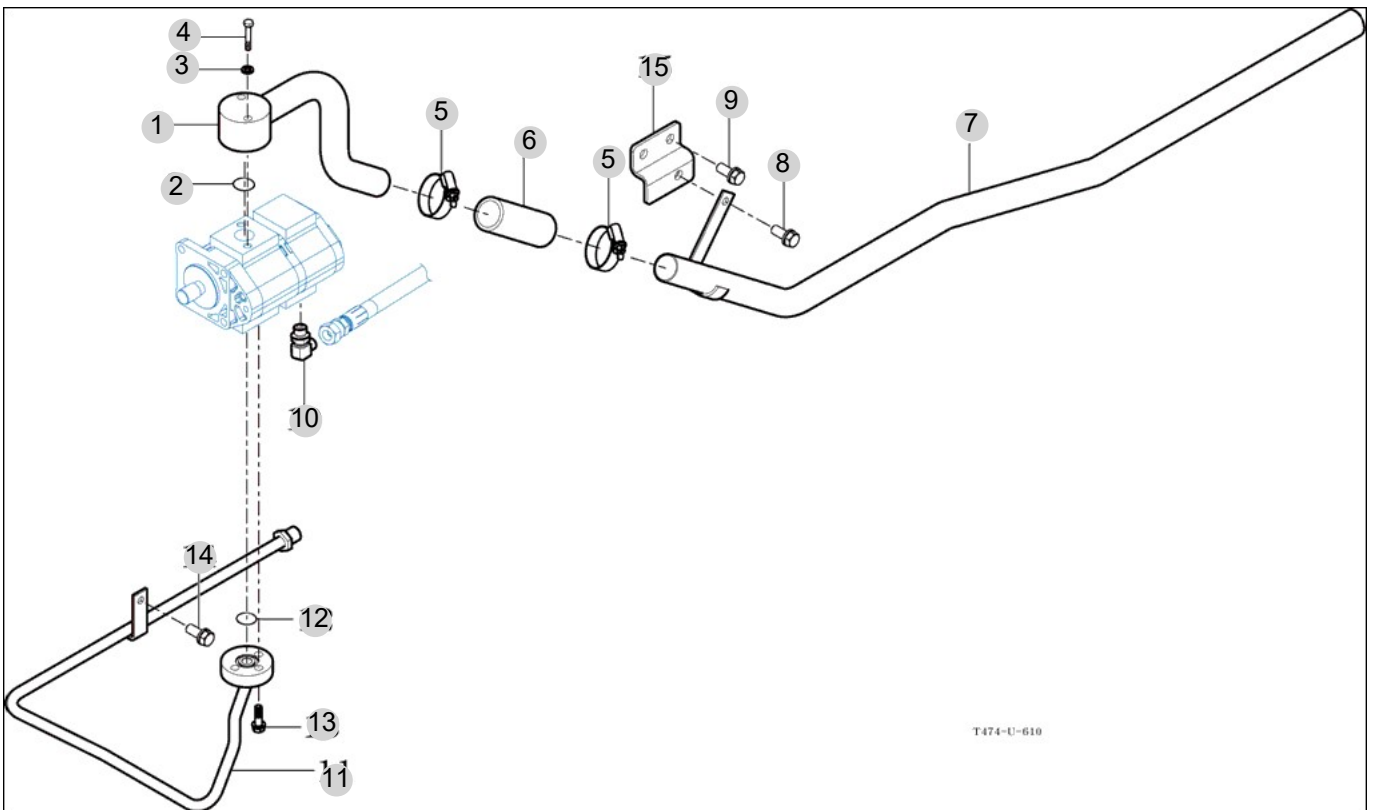
FIG 610

HYDRAULIC PIPE (2)

년/월
Year/Month

2022-12

T474SH-B



T474-U-610

NOTE

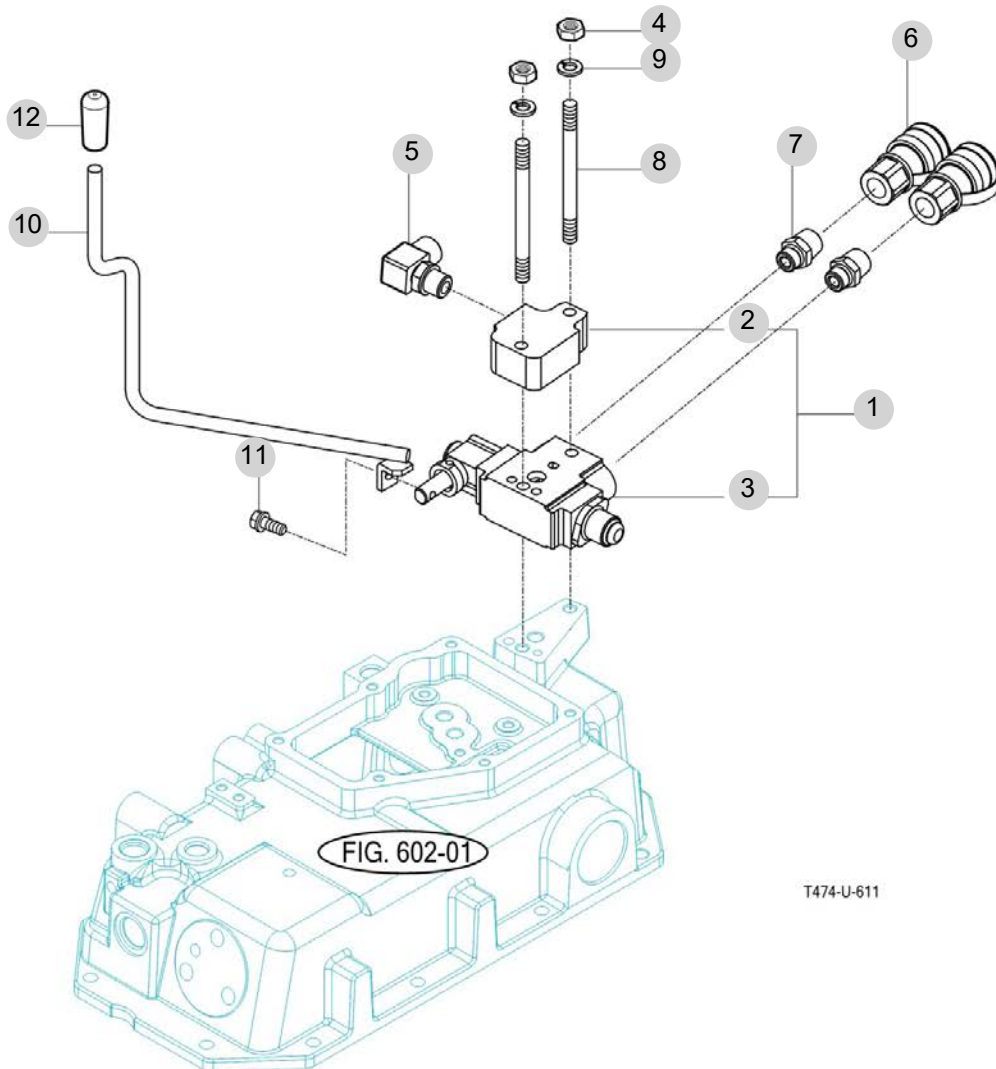
FIG 611

T474SH-B

EXTERIOR HYD VALVE

년/월
Year/Month

2022-12



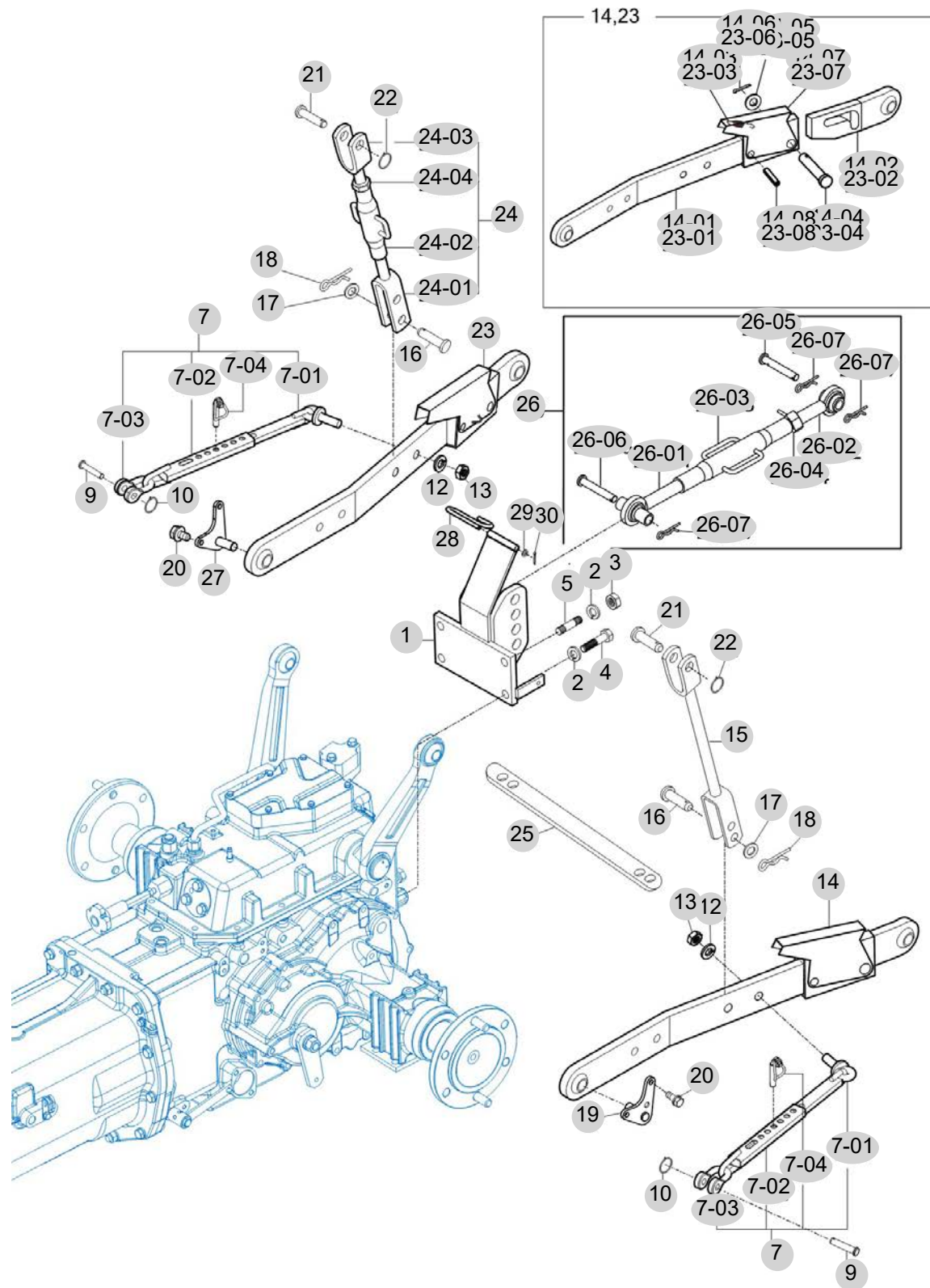
NOTE

FIG 612

3-POINT LINK

년/월
Year/Month

2022-12



NOTE

FIG 612		3-POINT LINK					년/월 Year/Month		
							2022-12		
T474SH-B		KEY NO	PART NO	DESCRIPTION	SPEC	QTY	REPAIR	EFFECTIVE DATE	REMARKS
612	1	12393172000GB	BRACKET COMP , TOP LINK			1			
612	2	V4011600140	WASHER , SPRING	M14		4			
612	3	V3043600140	NUT , HEX/2	M14		2			
612	4	V2014614035	BOLT , HEX			2			
612	5	V2514414030	BOLT , STUD/2	M14X30		2			
612	7	10525142500	CHAIN ASSY , CHECK			2			
612	9	79636110030	PIN , 12X48			2			
612	10	16735240060	Spring			2			
612	12	V4011600160	WASHER , SPRING	M16		2			
612	13	V3013600160	NUT , HEX/2	M16		2			
612	14	10525262300GB	LINK ASSY , LH LOWER			1			
612	14	10525262301GB	LOWER LINK ASSY , LH			1			
612	15	10525243000GB	ROD ASSY , LIFT			1			
612	16	15605260014	PIN , 16X51			2			
612	17	V4111600160	WASHER , PLAIN	M16		2			
612	18	V5601600160	PIN , SNAP			2			
612	19	12385142200	PIN COMP , LH			2			
612	20	V2173612030	BOLT , HEX/S	M12X30		4			
612	21	16735243500	PIN			2			
612	22	16735240060	Spring			2			
612	23	10525262200GB	LINK ASSY , RH LOWER			1			
612	23	10525262201GB	LOWER LINK ASSY , RH			1			
612	24	10525244000GB	ROD ASSY , RH LIFT			1			
612	25	15605250030	BAND , 470			1			
612	26	16505245501GB	LINK ASSY , TOP LINK			1			
612	26	16505245502GB	TOP LINK ASSY			1			
612	27	12385142300	PIN COMP , RH			1			
612	28	12396251100	HOOK , TOP LINK			1			
612	29	V4111600160	WASHER , PLAIN			1			
612	30	V5001920020	PIN , SPLIT			1			
612	7-01	10525142520	BAR COMP, CHECK			2			
612	7-02	10525142510	SOCKET COMP , CHECK			2			
612	7-03	16705142520	SHACKLE , CHECK CHAIN			2			
612	7-04	17705254200	PIN	M14		2			
612	14-01	10525262310	LINK SUB, LOWER LH/FR			1			
612	14-02	10525262320	LINK SUB , LOWER LH/RR			1			
612	14-03	15155262330	SPRING , EXTENSION			1			
612	14-04	15155262340	PIN , 22X56			1			
612	14-05	V4111600220	WASHER , PLAIN	M22		1			
612	14-06	V5001940035	PIN , SPLIT	4X35		1			
612	14-07	15155262350	GRIP			1			
612	14-08	15155262360	PIN , SPRING			1			
612	23-01	10525262210	LINK SUB, LOWER RH/FR			1			
612	23-02	10525262220	LINK SUB , LOWER RH/RR			1			
612	23-03	15155262330	SPRING , EXTENSION			1			
NOTE									

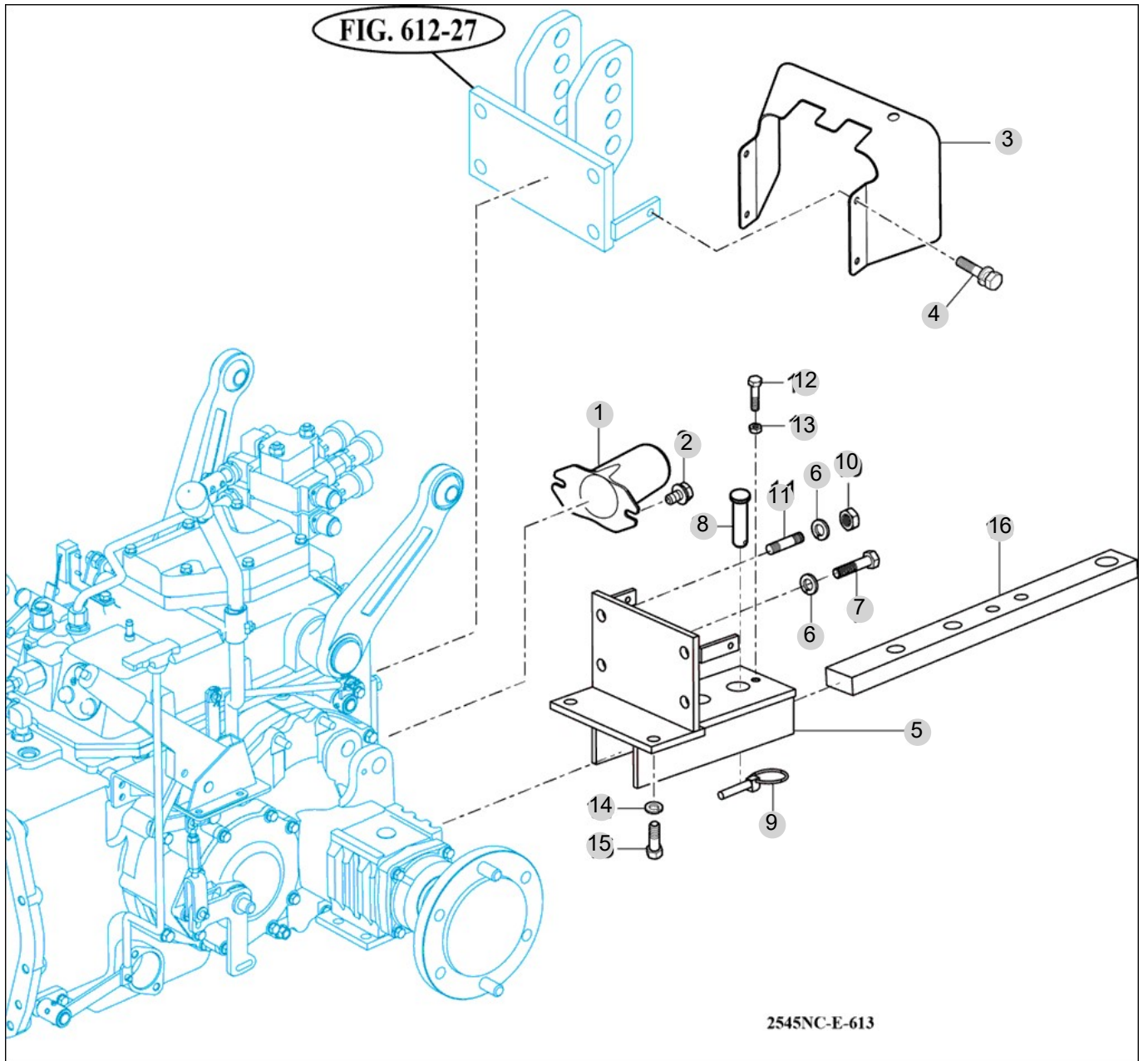
FIG 613

HITCH & COVER

년/월
Year/Month

T474SH-B

2022-12



NOTE

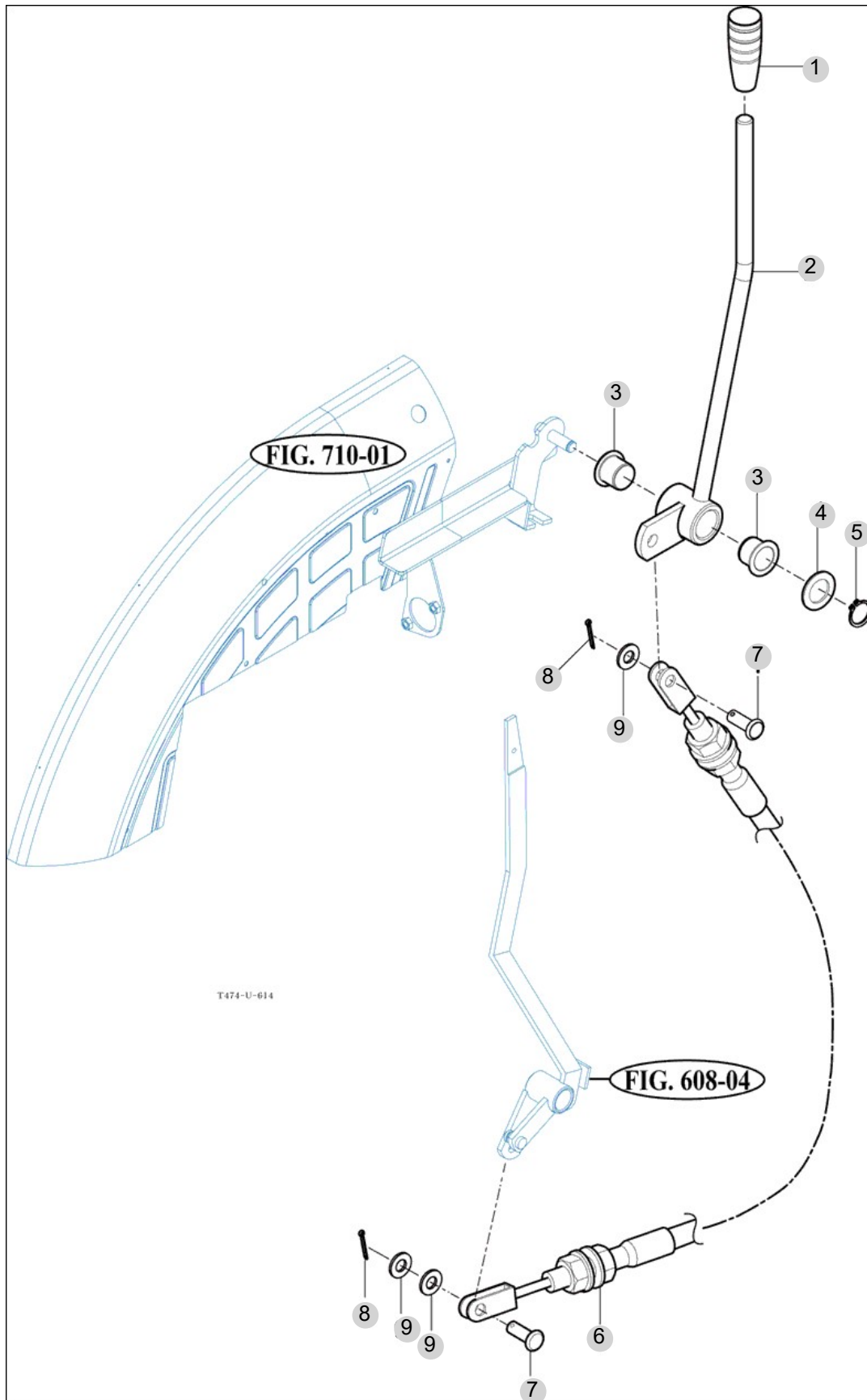
FIG 614

EXTERIOR POSITION LEVER

년/월
Year/Month

2022-12

T474SH-B



NOTE

7. Sheet Metal & Cabin PART NO. T7

FIG 701 HOOD FRAME	212
FIG 702 HOOD	215
FIG 703 EXTENSION COVER	218
FIG 705 DASH PANEL	220
FIG 708 FRONT & REAR MOUNTING[SAP 가져오기]에서 생성함.	222
FIG 708 FRONT & REAR MOUNTING	224
FIG 709 SEAT & MAT	226
FIG 710 DOOR	228
FIG 711 FRONT GLASS	231
FIG 712 REAR GLASS	233
FIG 713 SUB FENDER & COVER	235
FIG 714 MIRROR	237
FIG 715 HEATER & AIR-CON	239
FIG 716 HEATER & AIR-CON	241
FIG 717 FENDER COVER	243
FIG 718 ROOF	245
FIG 719 CABIN INTERIOR	247

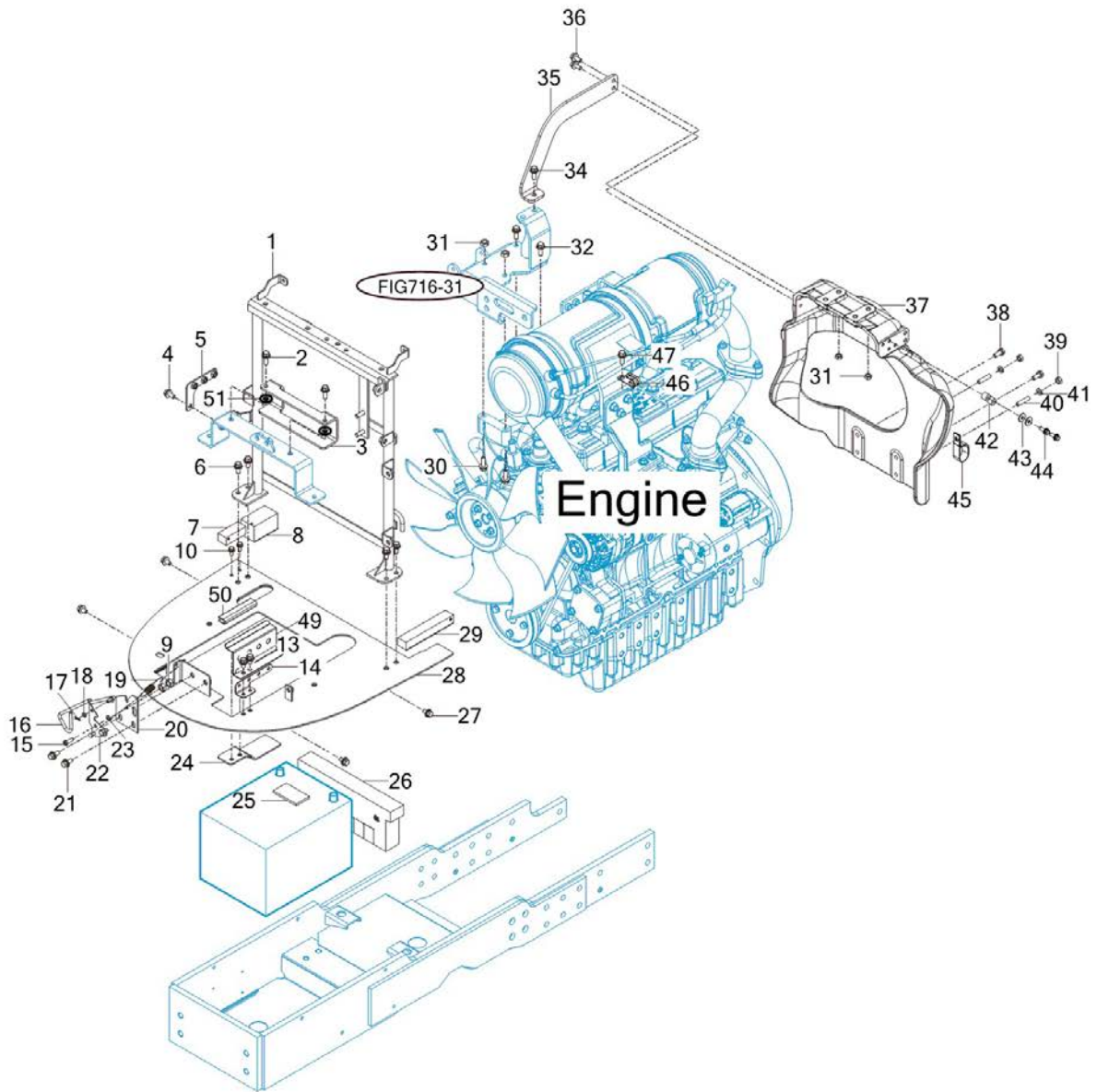
FIG 701

T474SH-B

HOOD FRAME

년/월
Year/Month

2022-12



NOTE

FIG 701		HOOD FRAME					년/월 Year/Month	
T474SH-B							2022-12	
KEY NO	PART NO	DESCRIPTION	SPEC	QTY	REPAIR	EFFECTIVE DATE	REMARKS	
701	1	13831031100GB	FRAME COMP , FRONT			1		
701	2	V2183608020	BOLT , HEX/SP	M8X20		2		
701	2	V2183608030	BOLT , HEX/SP	M8X30		2		
701	3	13831811400GB	BRACKET , BATTERY FIX			1		
701	4	V2183608020	BOLT , HEX/SP	M8X20		1		
701	5	13831613200GB	BRACKET COMP , RELAY			1		
701	6	V2183608020	BOLT , HEX/SP	M8X20		4		
701	7	13831030700	INSULATOR , B			1		
701	8	13831030800	INSULATOR , C			1		
701	9	V3013600060	NUT .HEX NORMAL /2	M6		2		
701	10	V2123606016	BOLT , HEX /SP	M6X16		2		
701	13	V2183606016	BOLT , HEX/SP	M6X16		2		
701	14	13831613400GB	BRACKET , FUSE			1		
701	15	V2323606020	BOLT , C/R HEX/SP			1		
701	16	18366024300	ROD COMP, OPEN			1		
701	17	V5001925020	PIN D2.5x20			1		
701	18	V4111600060	WASHER , PLAIN	M6		1		
701	19	14143120020	SPRING , TENSION 53			1		
701	19	11106020010	SPRING , TENSION 40			1		
701	20	11106024210	STAY , HOOD B			1		
701	21	V2183608020	BOLT , HEX/SP	M8X20		2		
701	22	11106024100	STAY COMP , HOOD A			1		
701	23	V4111600060	WASHER , PLAIN	M6		1		
701	24	13831052200GB	BRACKET COMP , COVER			1		
701	25	13151112011	INSULATOR , 40X70			1		
701	26	13831030500	INSULATE , GRILL PLATE			1		
701	27	V2183608016	BOLT , HEX/SP	M8X16		4		
701	28	13831052101GB	PLATE COMP , GRILL			1		
701	29	13831030600	INSULATOR , A			1		
701	30	V2173610055	BOLT , HEX/S	M10X55		2		
701	31	V3042600100	NUT , HEX/2	M10		4		
701	32	V2183610025	BOLT , HEX/SP	M10X25		2		
701	34	V2183608025	BOLT , HEX/SP	M8X25		1		
701	35	13831811200GB	STRUT BAR			1		
701	36	V2183608020	BOLT , HEX/SP	M8X20		2		
701	37	13831811100GB	E/G REAR SUPPORTER			1		
701	38	V2173608025	BOLT , HEX/S	M8X25		2		
701	39	V3042600080	NUT , HEX/2	M8		2		
701	40	V2513408025	BOLT , STUD/2			2		
701	41	V4011600080	WASHER , SPRING	M8		2		
701	42	13831811300	SPACER			2		
701	43	V4111600060	WASHER , PLAIN	M6		2		
701	44	V2113606040	BOLT , HEX /S	M6X40		2		
701	45	14441010161	CLAMP , RADIATOR HOSE			1		
701	46	14256210040	CLAMP , 9			1		
NOTE								

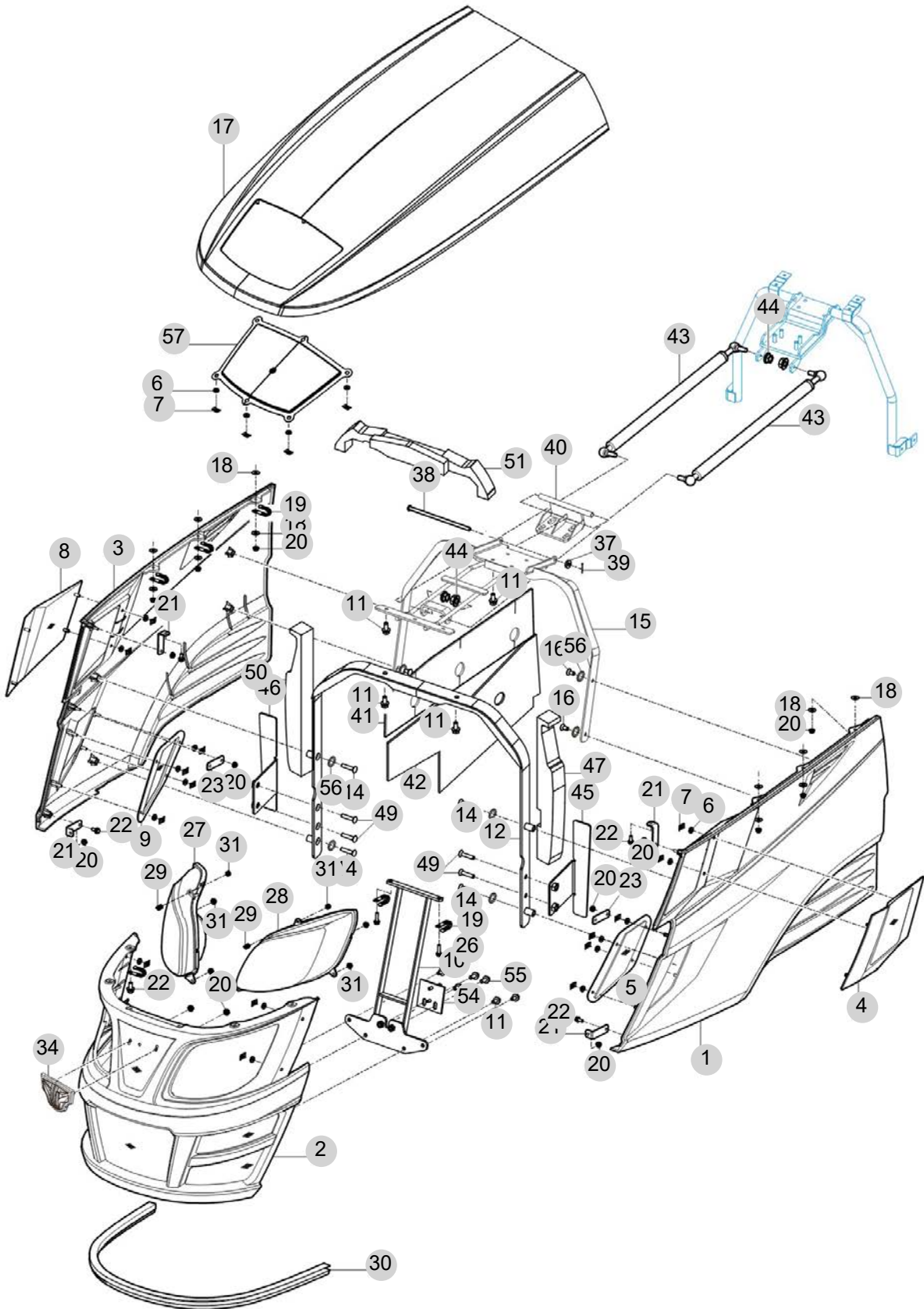
FIG 702

HOOD

년/월
Year/Month

2022-12

T474SH-B



NOTE

FIG 702		HOOD						년/월 Year/Month	
								2022-12	
T474SH-B		KEY NO	PART NO	DESCRIPTION	SPEC	QTY	REPAIR	EFFECTIVE DATE	REMARKS
702	1	17406203301SR	COVER COMP , SIDE/LH			1			
702	1	17406203302SR	COVER COMP , SIDE/LH			1			
702	1	17406203303SR	COVER COMP , SIDE/LH			1			
702	2	17406203200GB	GRILLE COMP			1			
702	2	17406203201GB	GRILLE COMP			1			
702	3	17406203401SR	COVER COMP , SIDE/RH			1			
702	3	17406203402SR	COVER COMP , SIDE/RH			1			
702	3	17406203403SR	COVER COMP , SIDE/RH			1			
702	4	17406203500GB	NET , UPR/LH			1			
702	5	17406203600GB	NET , LOW/LH			1			
702	6	14446010150	WASHER , NET			22			
702	7	V3501600060	NUT, PUSH-ON SPRING			22			
702	8	17406203700GB	NET , UPR/RH			1			
702	9	17406203800GB	NET , LOW/RH			1			
702	10	18366202500GB	PIN COMP , HOOD LOCK			1			
702	11	V2183608020	BOLT , HEX/SP	M8X20		13			
702	12	13836202300GB	FRAME COMP , FR			1			
702	14	V1122608040	SCREW , C/R FLAT			4			
702	15	17406202700GB	FRAME COMP , HOOD/RR			1			
702	15	13836202700GB	FRAME COMP , HOOD/RR			1			
702	15	13836202701GB	FRAME COMP , HOOD/RR			1			
702	16	V1122608016	SCREW , C/R FLAT			4			
702	17	13836213100SR	HOOD COMP			1			
702	17	13836213101SR	HOOD COMP			1			
702	17	13836213102SR	HOOD COMP			1			
702	18	35605033020	WASHER , WIRE WITHDRAWAL			12			
702	19	37371720090	CLAMP , W/HARNES			6			
702	20	V3802600060	NUT , HEX FLANGE			16			
702	21	17406203010GB	PLATE , UPR/SIDE			4			
702	21	17406203011GB	PLATE , UPR/SIDE			4			
702	21	17406203010GB	PLATE , UPR/SIDE			4			
702	22	V2123606016	BOLT , HEX /SP	M6X16		8			
702	23	17406203020GB	PLATE , MID/SIDE			2			
702	26	V2123606025	BOLT , HEX /SP	M6X25		2			
702	27	17406525001	HEAD LAMP ASSY , RH			1			
702	27	17406525002	HEAD LAMP ASSY , RH			1			
702	28	17406524001	HEAD LAMP ASSY , LH			1			
702	28	17406524002	HEAD LAMP ASSY , LH			1			
702	29	36108010080	SPRING , ENTRANCE FOR SEED(HC016)			2			
702	30	17406203900	INSULATOR , HOOD			1			
702	31	19027210060	NUT , NYLON , M6			6			
702	34	19959010010	EMBLEM			1			
702	34	19959010011	EMBLEM			1			
702	34	17406212000	EMBLEM ASSY , V5			1			
702	35	V4111600060	WASHER , PLAIN	M6		2			
NOTE									

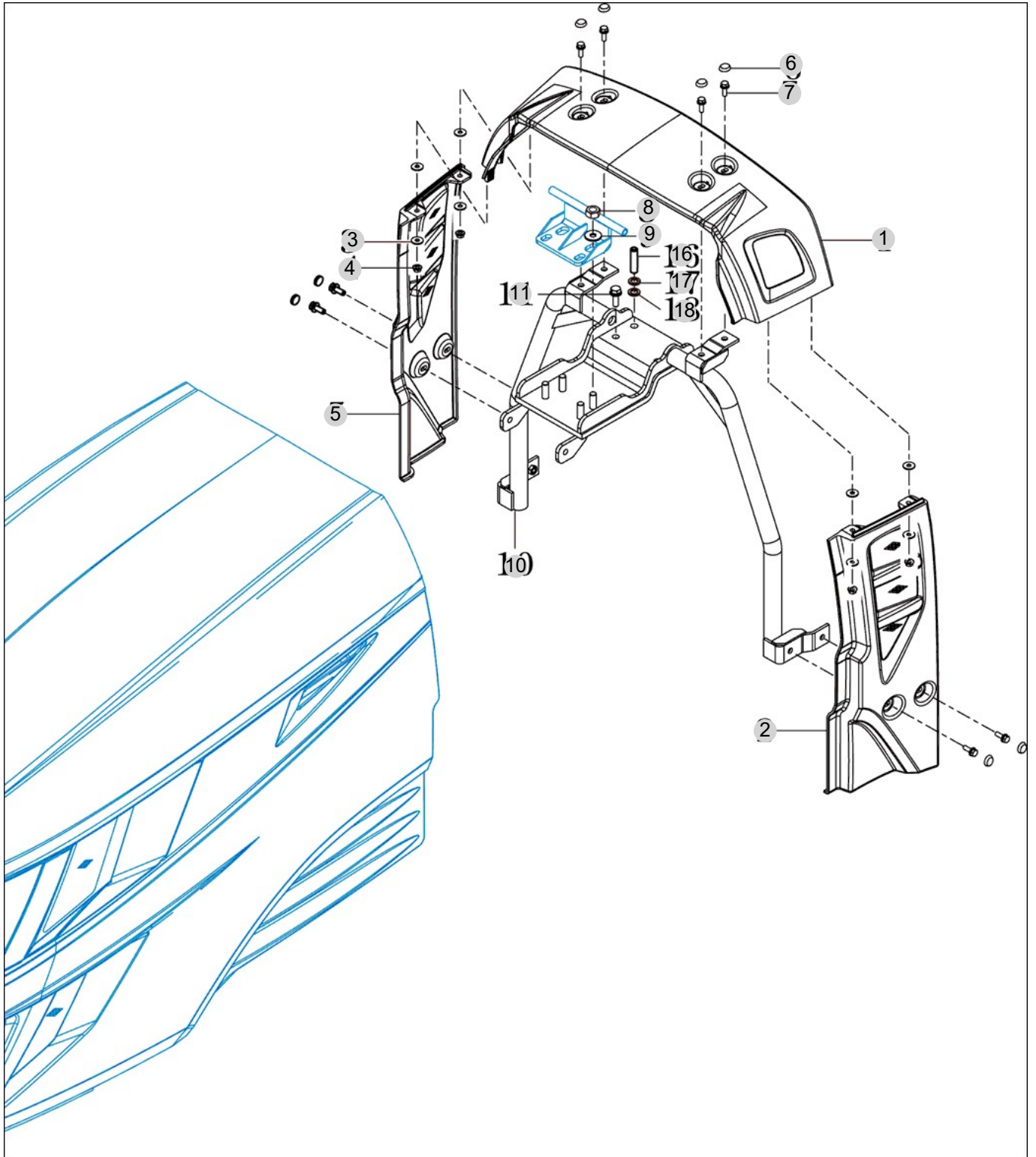
FIG 703

EXTENSION COVER

년/월
Year/Month

2022-12

T474SH-B



NOTE

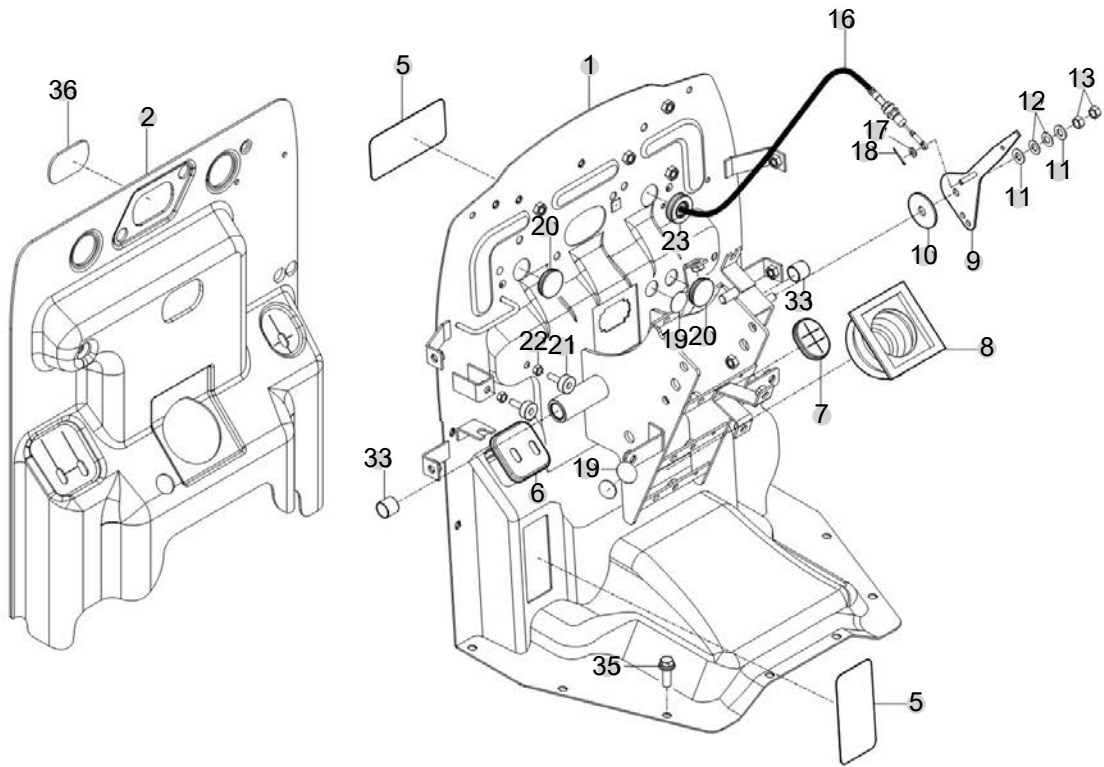
FIG 705

T474SH-B

DASHBOARD

년/월
Year/Month

2022-12



NOTE

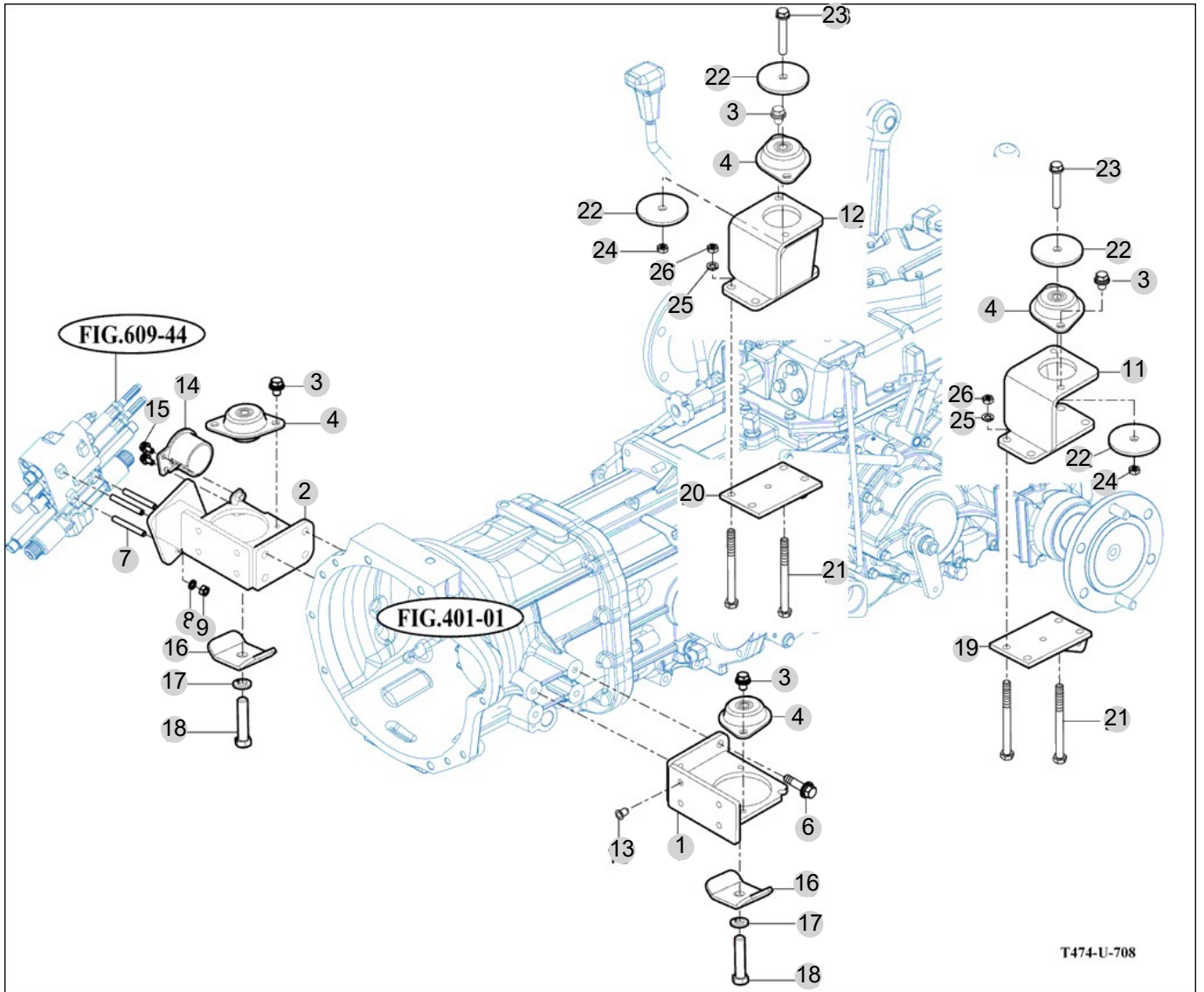
FIG 708

T474SH-B

FRONT & REAR MOUNTING[SAP 가져오기]에서 생성함.

년/월
Year/Month

2022-12



T474-U-708

NOTE

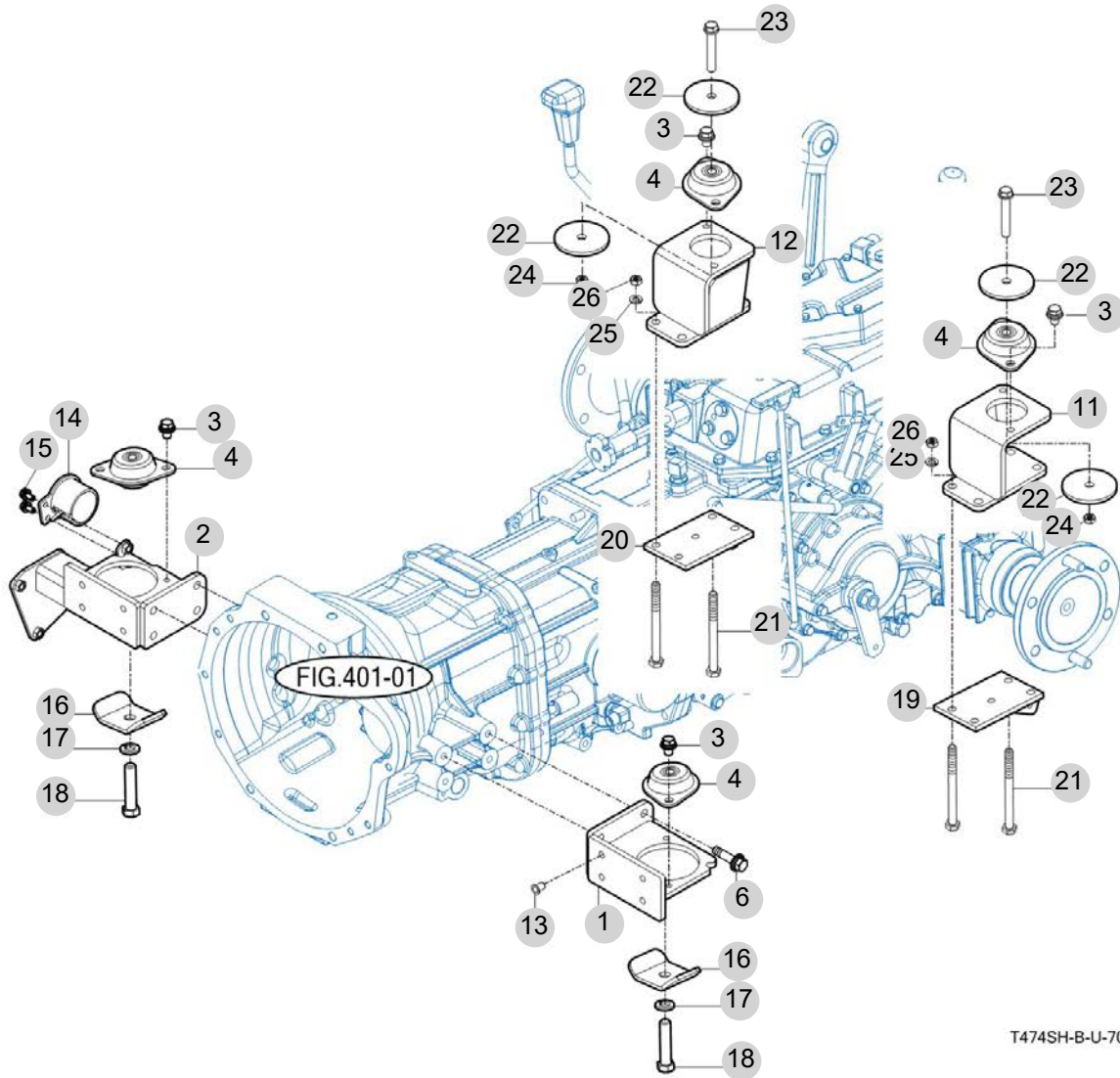
FIG 708

T474SH-B

FRONT & REAR MOUNTING

년/월
Year/Month

2022-12



T474SH-B-U-708

NOTE

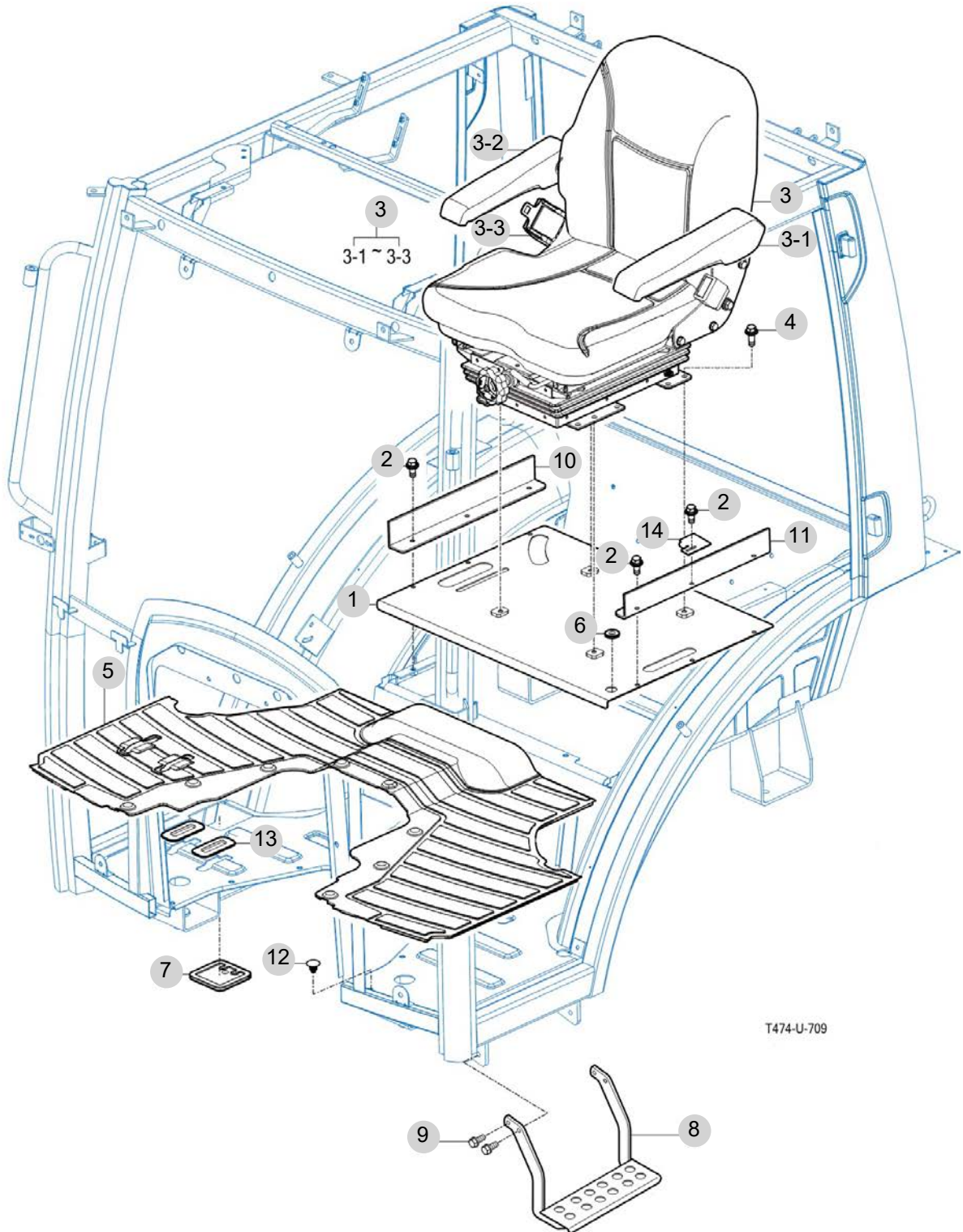
FIG 709

SEAT & MAT

년/월
Year/Month

2022-12

T474SH-B



NOTE

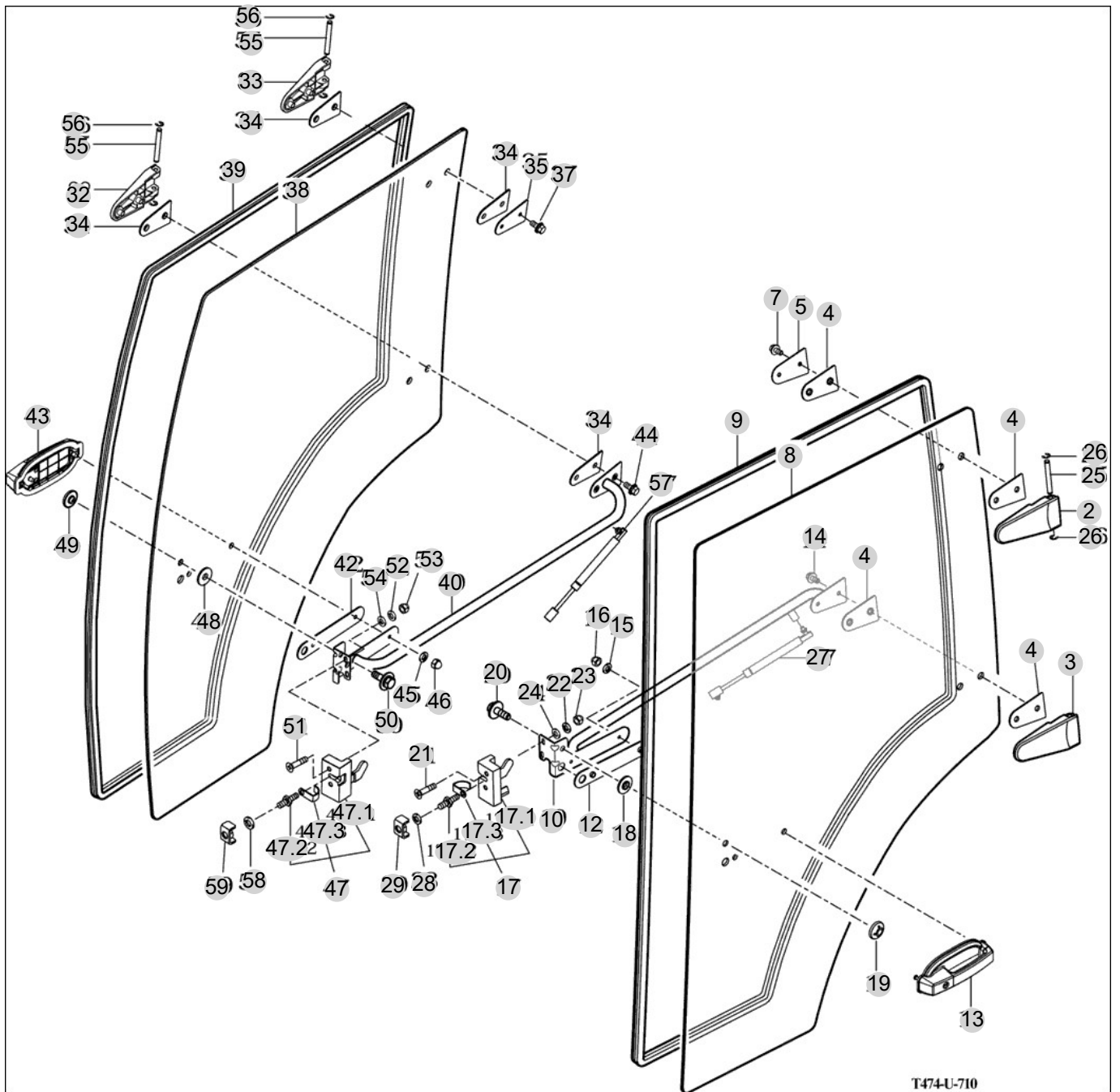
FIG 710

DOOR

년/월
Year/Month

T474SH-B

2022-12



NOTE

FIG 710		DOOR					년/월 Year/Month		
							2022-12		
T474SH-B		KEY NO	PART NO	DESCRIPTION	SPEC	QTY	REPAIR	EFFECTIVE DATE	REMARKS
710	2	14527052300	HINGE COMP , UPR/LH			1			
710	3	14527052400	HINGE COMP , UPR/RH			1			
710	4	14527052110	GASKET , DOOR HINGE			4			
710	5	14527052120GB	PLATE , DOOR HINGE			1			
710	7	V2183608020	BOLT , HEX/SP	M8X20		2			
710	8	12397052210	GLASS , LH/ DOOR	6t		1			
710	9	12397042200	INSULATOR , DOOR			1			
710	10	12397022500GB	GUIDE COMP , LH/ DOOR			1			
710	12	14527052150	GASKET,DOOR GRIP			1			
710	13	17827052600	GRIP ASSY, LOCK/HANDLE			1			
710	14	V2183608020	BOLT , HEX/SP	M8X20		2			
710	15	V4011600060	WASHER , SPRING	M6		2			
710	16	V3402700060	NUT , HEX CAP	M6		2			
710	17	17827052700	LATCH SET , LH/DOOR			1			
710	17.1	17827052710	LOCK ASSY, LH/DOOR			1			
710	17.2	14527052720	STRIKER			1			
710	17.3	14527052730	GUARD			1			
710	18	15817401130	GROMMET , 13X17X02			1			
710	19	14527042500	NUT COMP , GLASS			1			
710	20	V2193606012	BOLT , HEX/SPL	M6X12		1			
710	21	V1122608040	SCREW , C/R FLAT	M8X40		2			
710	22	V4011600080	WASHER , SPRING	M8		2			
710	23	V3412700080	NUT , SMALL CAP	M8		2			
710	24	V4111600080	WASHER , PLAIN			2			
710	25	14527041110	PIN, HINGE DOOR	D=8		2			
710	26	V7082400070	E-RING	7		4			
710	27	14527301080	DAMPER ASSY , DOOR	20KG		1			
710	28	V4011600100	WASHER , SPRING	M10		1			
710	29	14527062500GB	BRACKET COMP , DOOR LOCK			1			
710	32	14527052300	HINGE COMP , UPR/LH			1			
710	33	14527052400	HINGE COMP , UPR/RH			1			
710	34	14527052110	GASKET , DOOR HINGE			4			
710	35	14527052120GB	PLATE , DOOR HINGE			1			
710	37	V2183608020	BOLT , HEX/SP	M8X20		2			
710	38	12397052110	GLASS , RH/DOOR	6t		1			
710	39	12397042200	INSULATOR , DOOR			1			
710	40	12397024000GB	GUIDE COMP , RH/DOOR			1			
710	42	14527052150	GASKET,DOOR GRIP			1			
710	43	17827052600	GRIP ASSY, LOCK/HANDLE			1			
710	44	V2183608020	BOLT , HEX/SP	M8X20		2			
710	45	V4011600060	WASHER , SPRING	M6		2			
710	46	V3402700060	NUT , HEX CAP	M6		2			
710	47	17827053700	LATCH SET , RH/DOOR			1			
710	47.1	17827053710	LOCK ASSY , RH/DOOR			1			
710	47.2	14527052720	STRIKER			1			
NOTE									

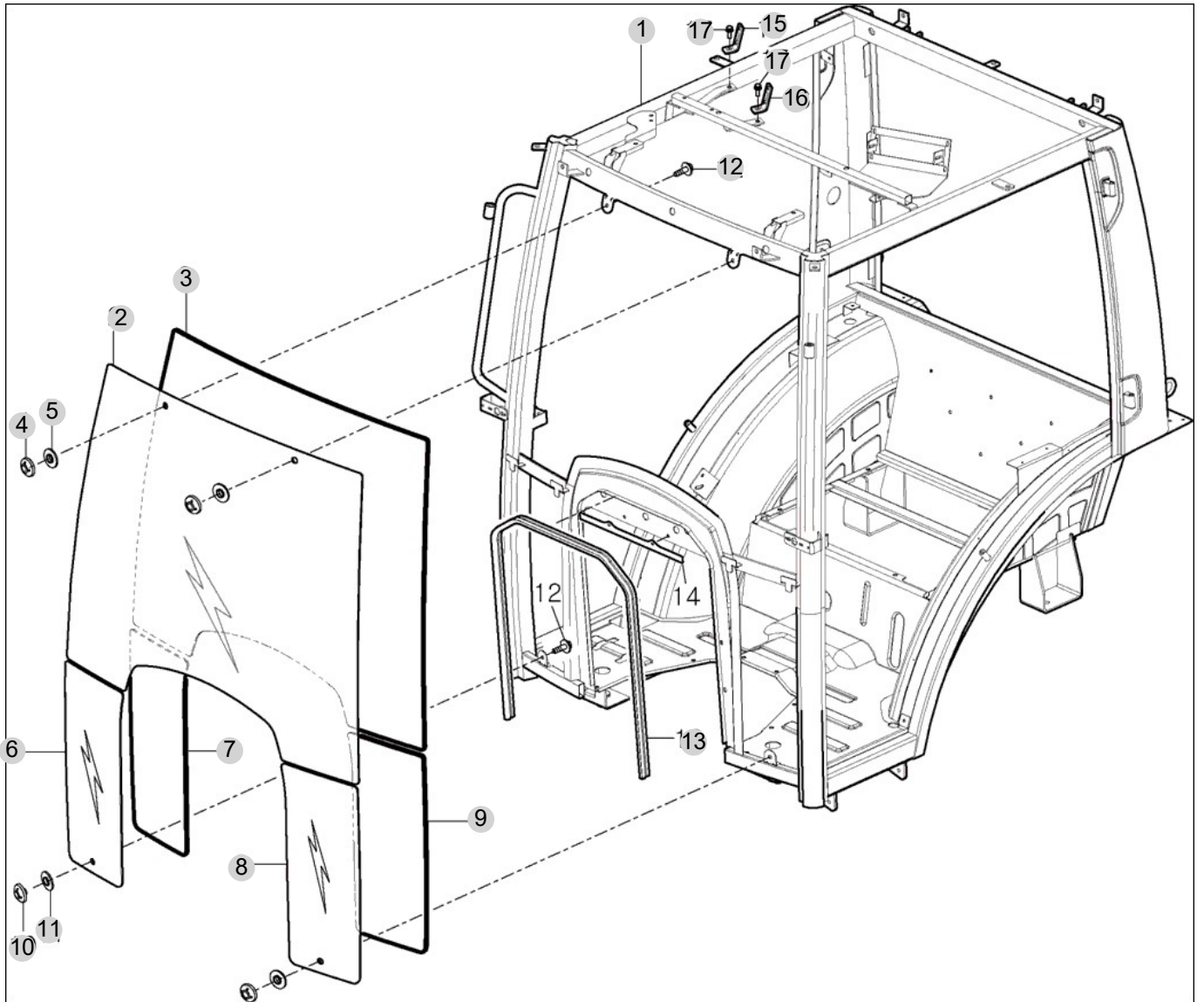
FIG 711

T474SH-B

FRONT GLASS

년/월
Year/Month

2022-12



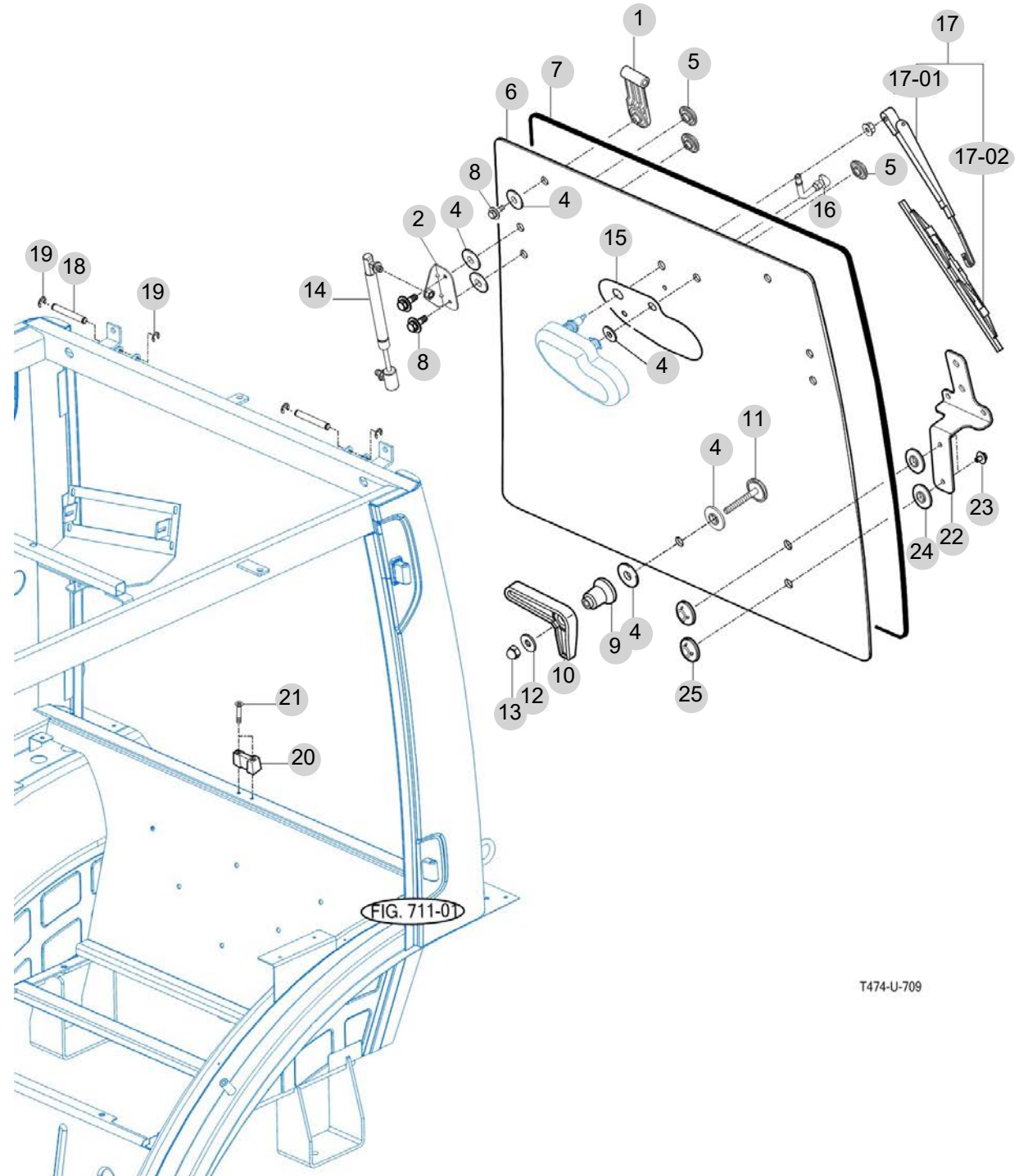
NOTE

FIG 712

REAR GLASS

년/월
Year/Month

2022-12



NOTE

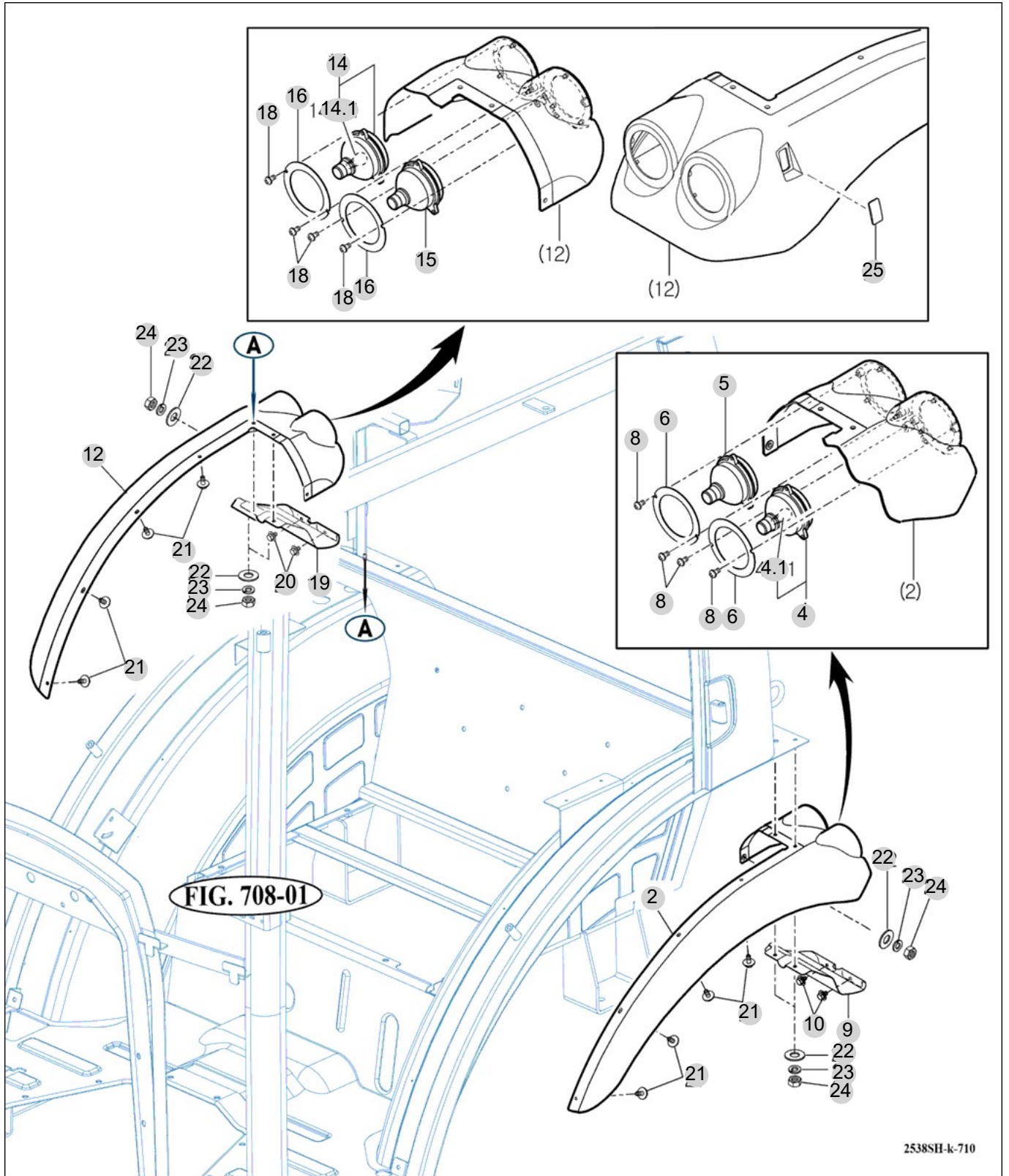
FIG 713

T474SH-B

SUB FENDER & COVER

년/월
Year/Month

2022-12



NOTE

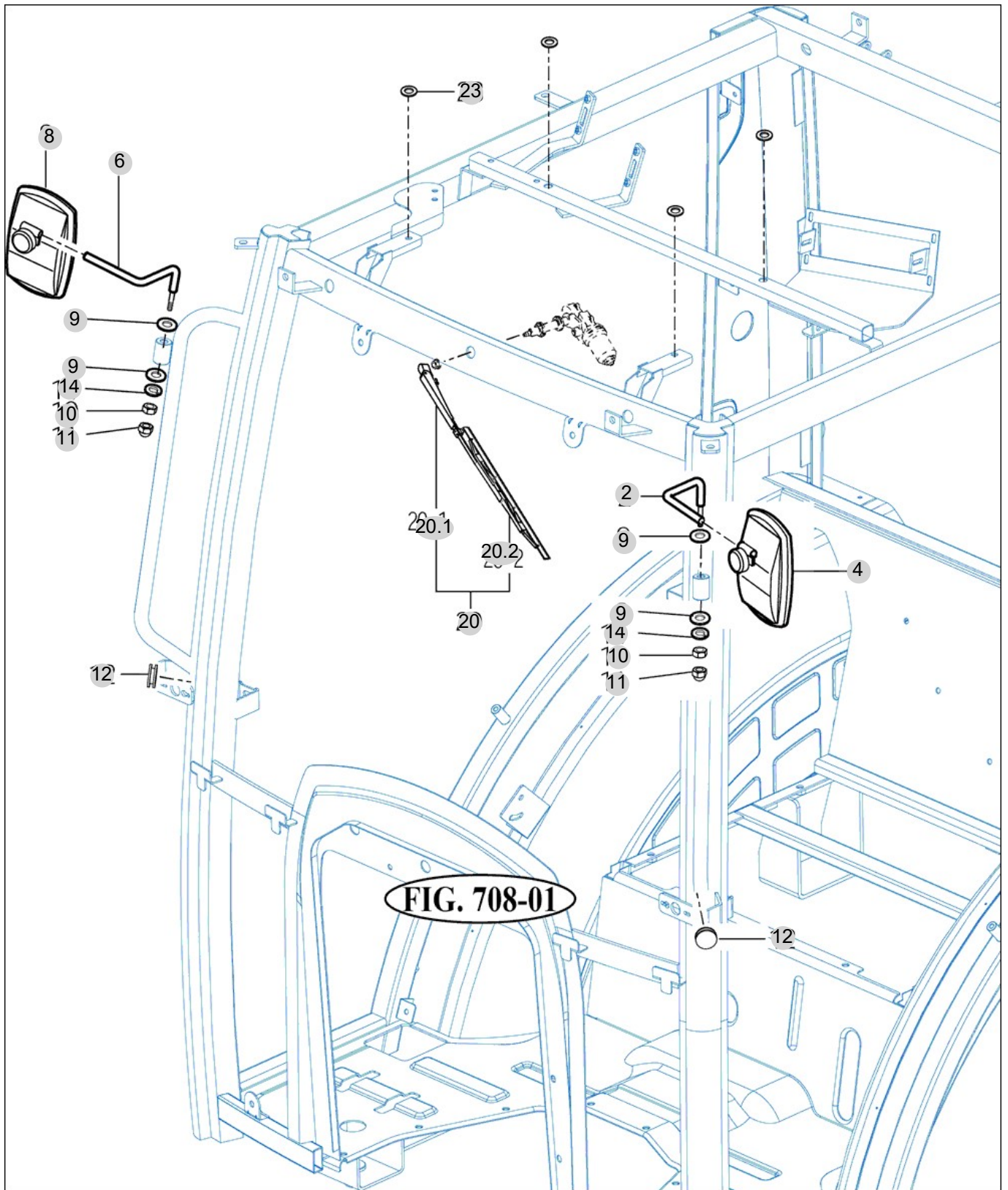
FIG 714

T474SH-B

MIRROR

년/월
Year/Month

2022-12



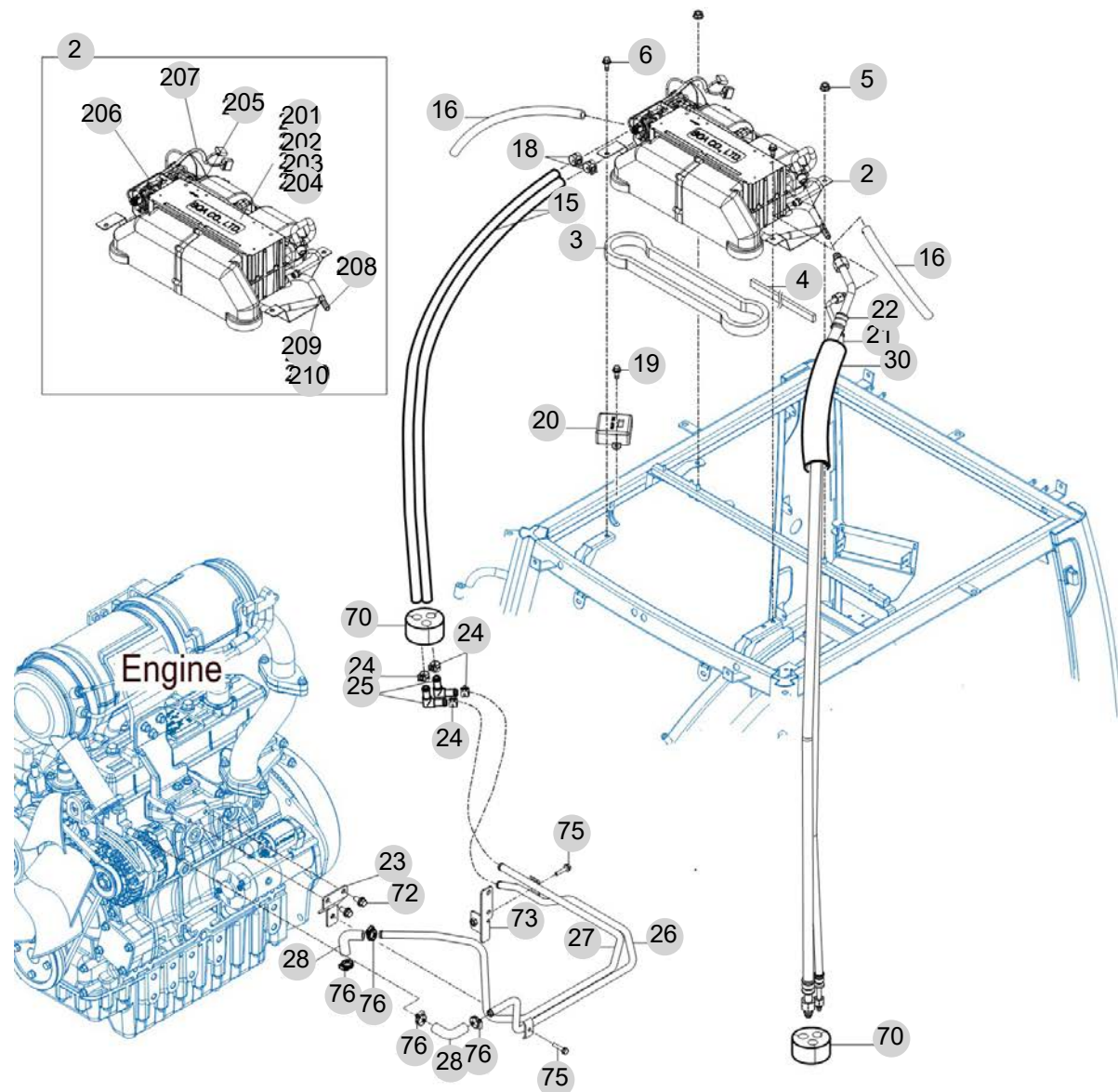
NOTE

FIG 715

HEATER & AIR-CON

년/월
Year/Month

2022-12



NOTE

FIG 715		HEATER & AIR-CON					년/월	
							Year/Month	
T474SH-B							2022-12	
KEY NO	PART NO	DESCRIPTION	SPEC	QTY	REPAIR	EFFECTIVE DATE	REMARKS	
715	2	13827082410	HVAC ASSY		1			
715	3	13827082420	INSULATOR,DUCT		1			
715	4	13827010080	RUBBER		1			
715	5	V3802600060	NUT , HEX FLANGE	M6	2			
715	6	V2183608025	BOLT , HEX/SP	M8X25	2			
715	15	13827081130	HEATER HOSE, CABIN		2			
715	16	13821112230	HOSE , DRAIN(1980)		2			
715	18	14527081160	CLAMP,HOSE/19.3	T=1.2	2			
715	19	V2123606016	BOLT , HEX /SP	M6X16	2			
715	20	14527070073	RELAY BOX ASSY , CABIN		1			
715	21	13827081220	HOSE ASSY, SUC./CABIN		1			
715	22	13827081210	HOSE ASSY, LIQ./CABIN		1			
715	23	13831512500GB	BRACKET COMP , FIX FR		1			
715	24	14527081160	CLAMP,HOSE/19.3	T=1.2	5			
715	25	17688200050	ELBOW , 90		2			
715	26	13831512200GB	PIPE COMP , HEATER OUT		1			
715	27	13831512101GB	PIPE COMP , HEATER IN		1			
715	27	13831512100GB	PIPE COMP , HEATER IN		1			
715	27	13831512101GB	PIPE COMP , HEATER IN		1			
715	28	18711041501	HOSE , DOSING ELBOW		2			
715	30	16998201771	INSULATOR , SUCTION		1			
715	70	14527081260	SEAL,PIPE		2			
715	72	V2183608020	BOLT , HEX/SP		2			
715	73	13831512600GB	BRACKET COMP , FIX RR		1			
715	75	V2123606030	BOLT . HEX /SP		2			
715	76	18027090200	BAND CLAMP 20 EMBO TYPE		4			
715	201	13828304000	THERMOSTAT ASSY		1			
715	202	13828303000	EXPANSION VALVE ASSY		1			
715	203	13828302850	RESISTOR ASSY		1			
715	204	13828302000	MOTOR & FAN , BLOW		1			
715	205	13827082550	BRACKET, MOUNT		1			
715	206	13827082540	WATER VALVE & ACTUATOR		1			
715	206	13827082541	WATER VALVE & ACTUATOR		1			
715	207	13828302060	HARNESS ASSY, HVAC		1			
715	208	13827082530	ELBOW , T		2			
715	209	13827082520	CLIP , DRAIN HOSE		4			
715	210	13827082510	HOSE ASSY, DRAIN		4			
NOTE								

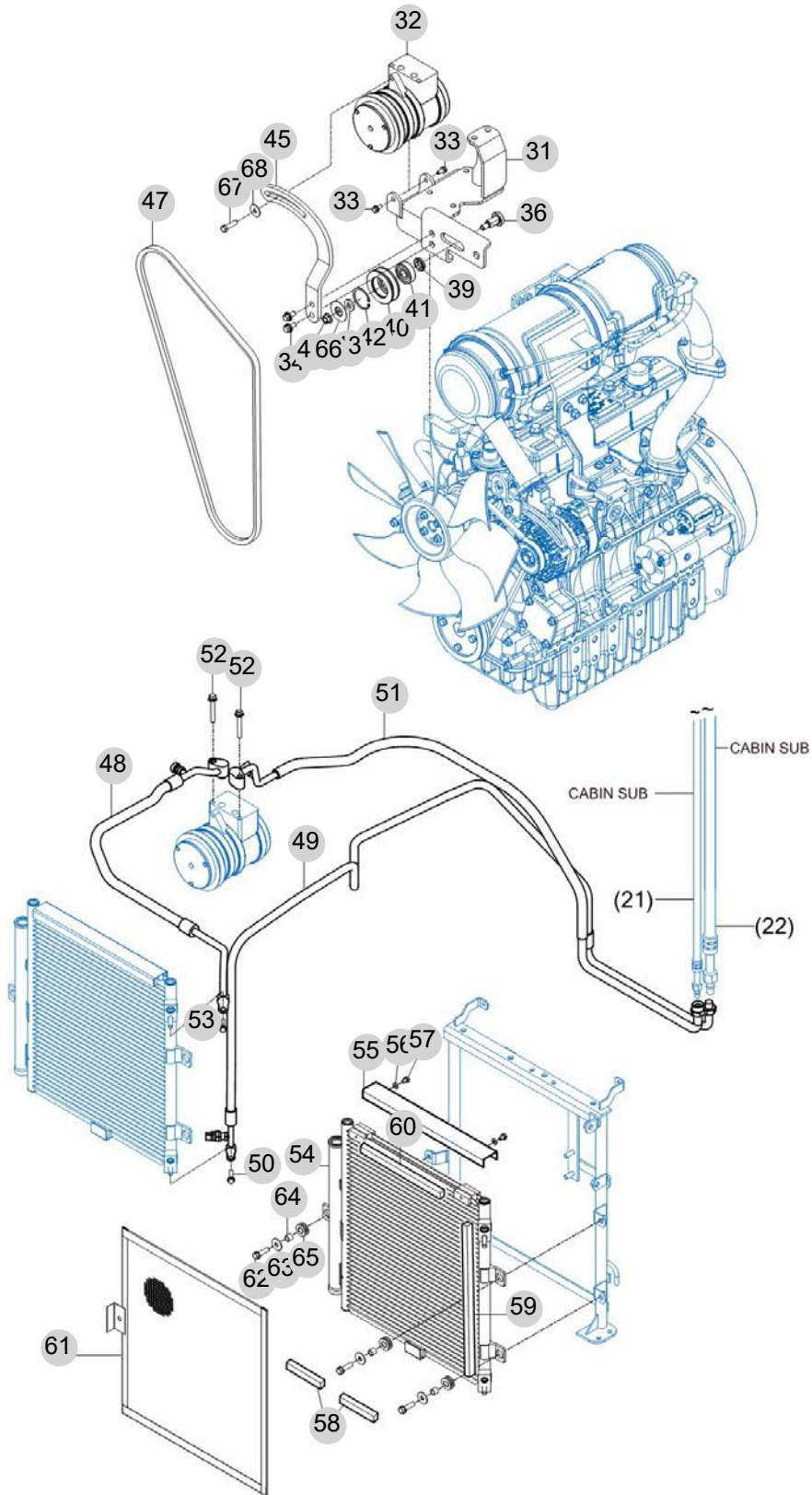
FIG 716

HEATER & AIR-CON

년/월
Year/Month

2022-12

T474SH-B



2538SH-K-712

NOTE

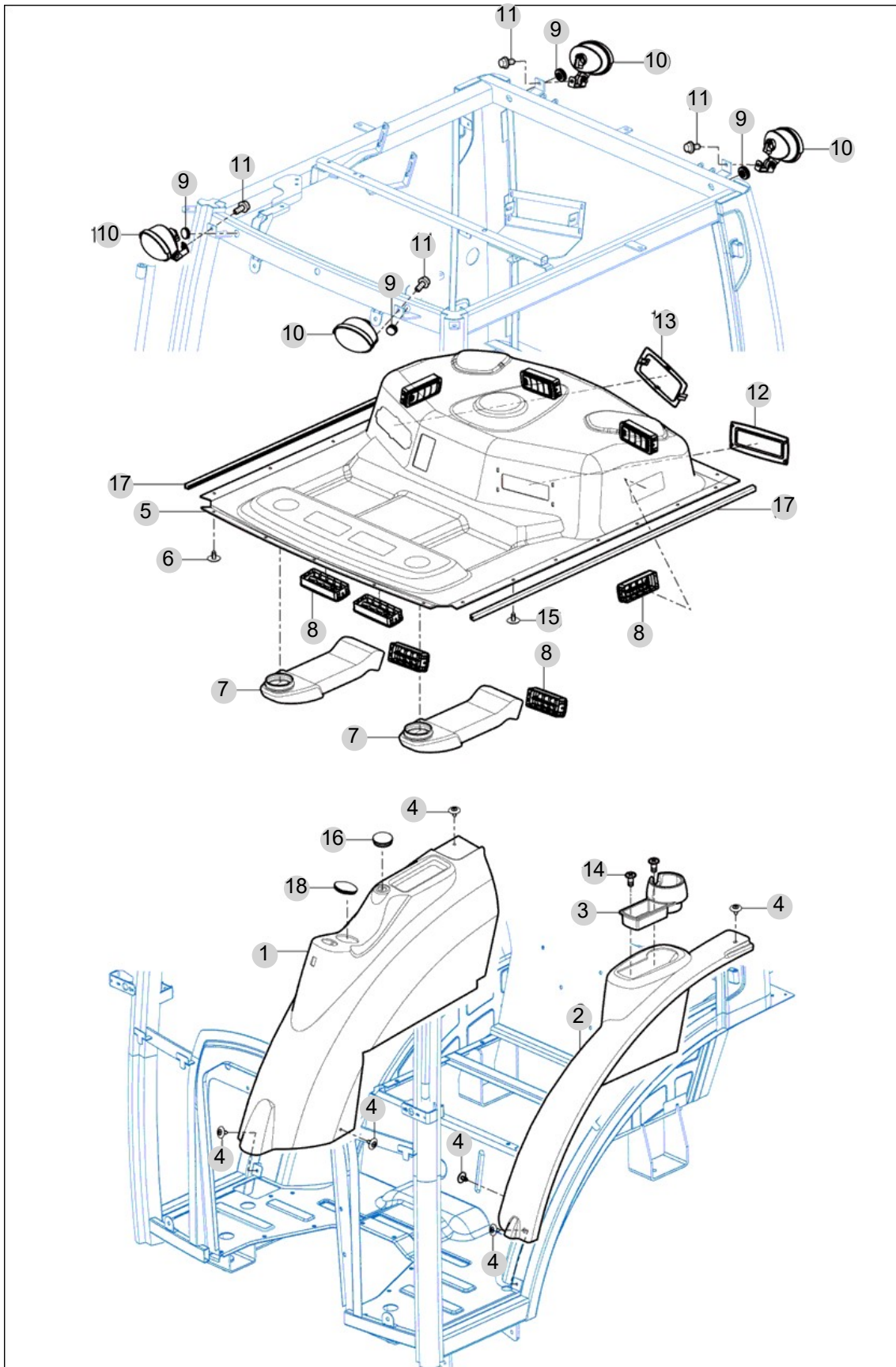
FIG 717

FENDER COVER

년/월
Year/Month

2022-12

T474SH-B



NOTE

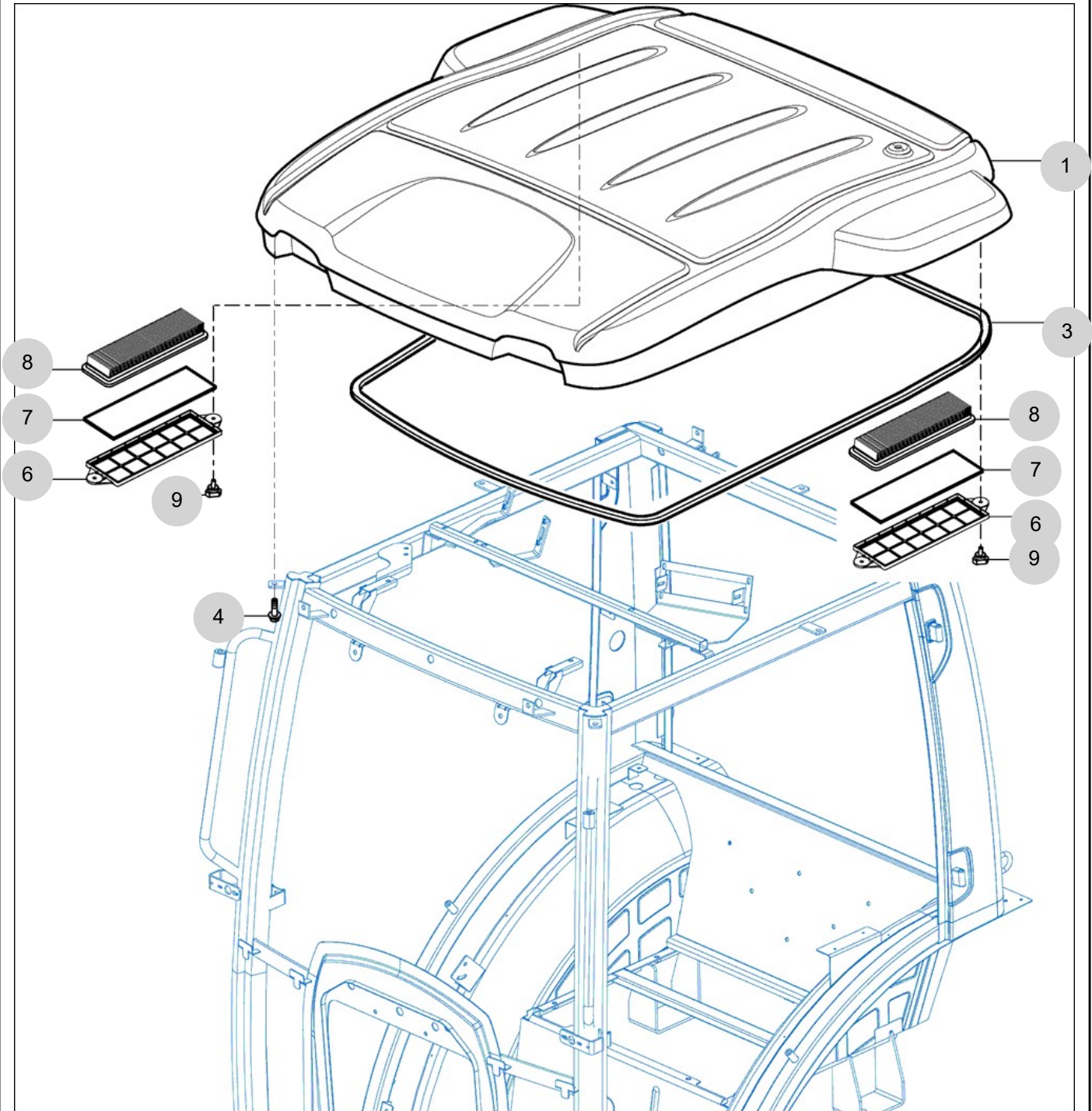
FIG 718

T474SH-B

ROOF

년/월
Year/Month

2022-12



NOTE

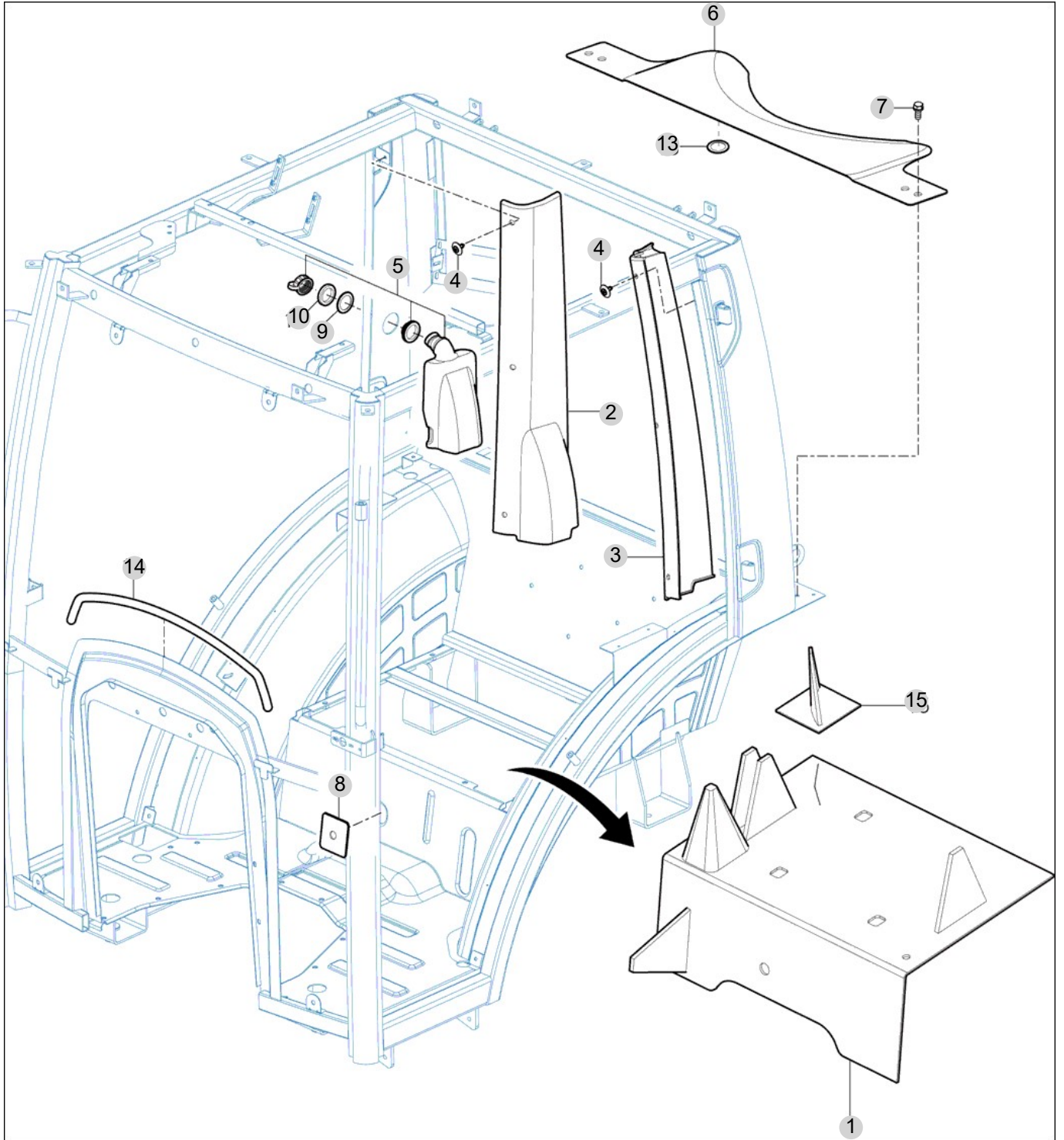
FIG 719

CABIN INTERIOR

년/월
Year/Month

T474SH-B

2022-12



NOTE

8. Electrical System PART NO. T8

FIG 801 BATTERY & MOUNTING	250
FIG 802 LAMP	252
FIG 803 INSTRUMENT PANEL	254
FIG 804 ELECTRIC SYSTEM	256
FIG 805 HARNESS (1)	258
FIG 806 HARNESS (2)	260

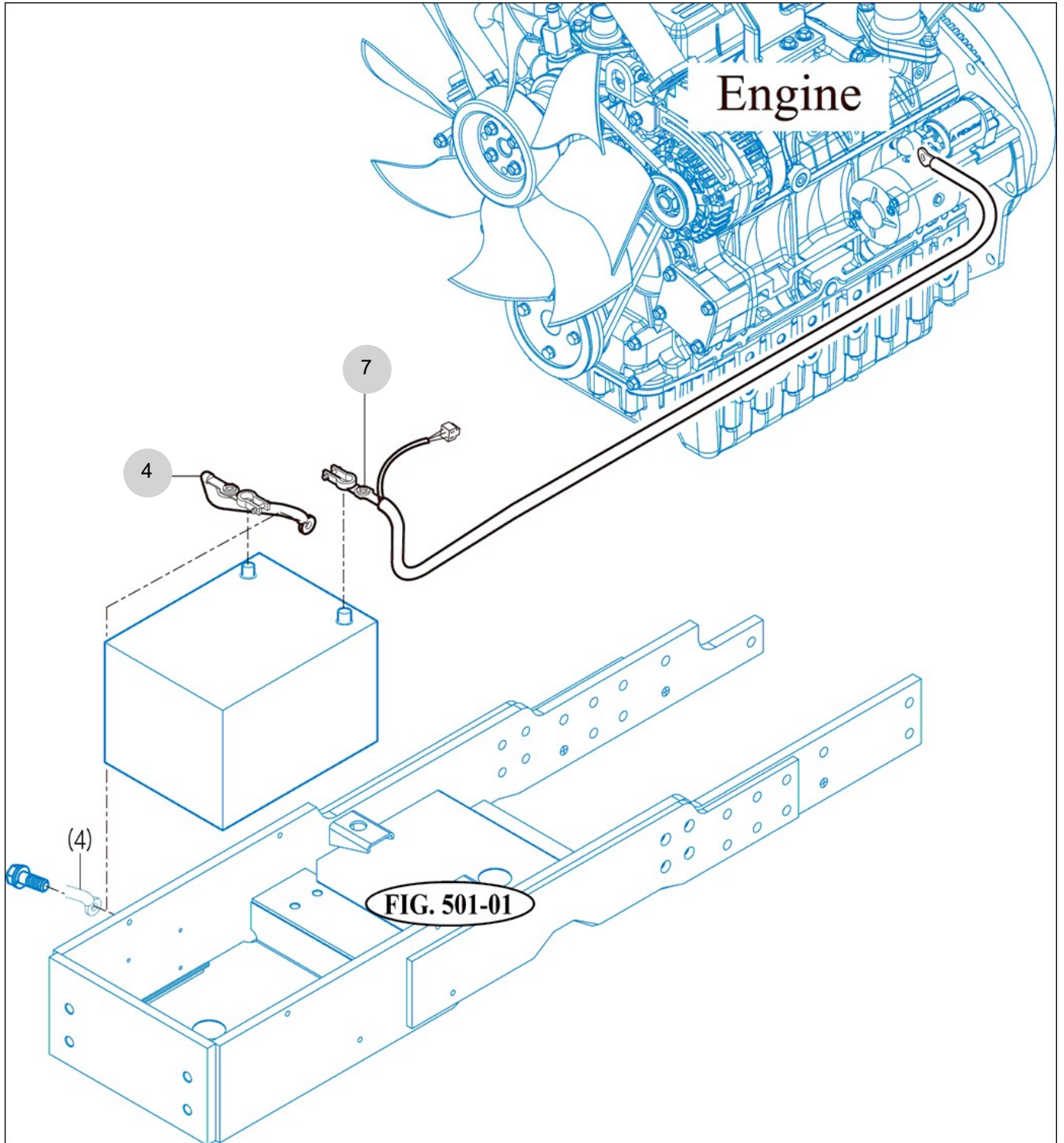
FIG 801

T474SH-B

BATTERY & MOUNTING

년/월
Year/Month

2022-12



NOTE

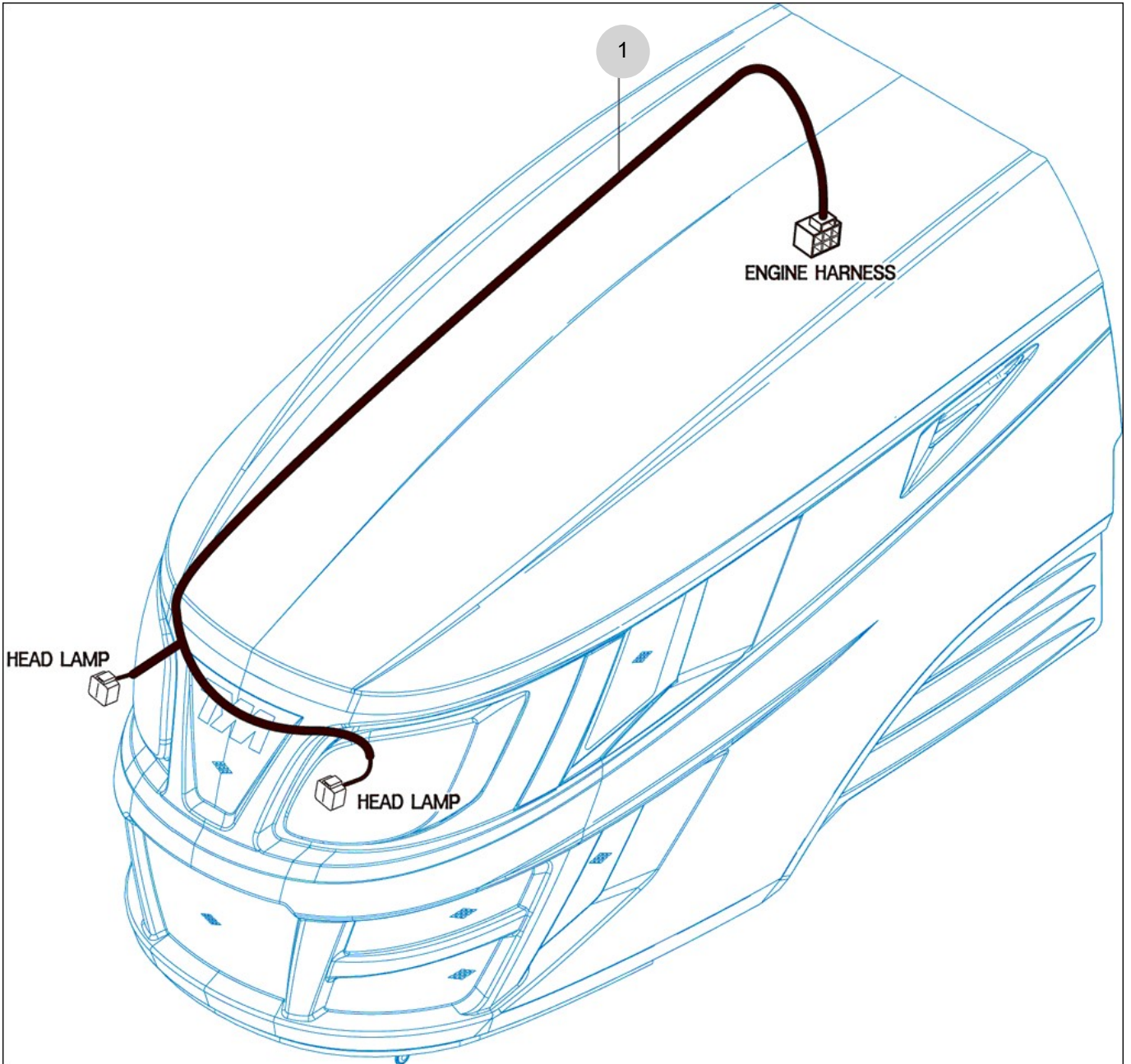
FIG 802

T474SH-B

LAMP

년/월
Year/Month

2022-12



NOTE

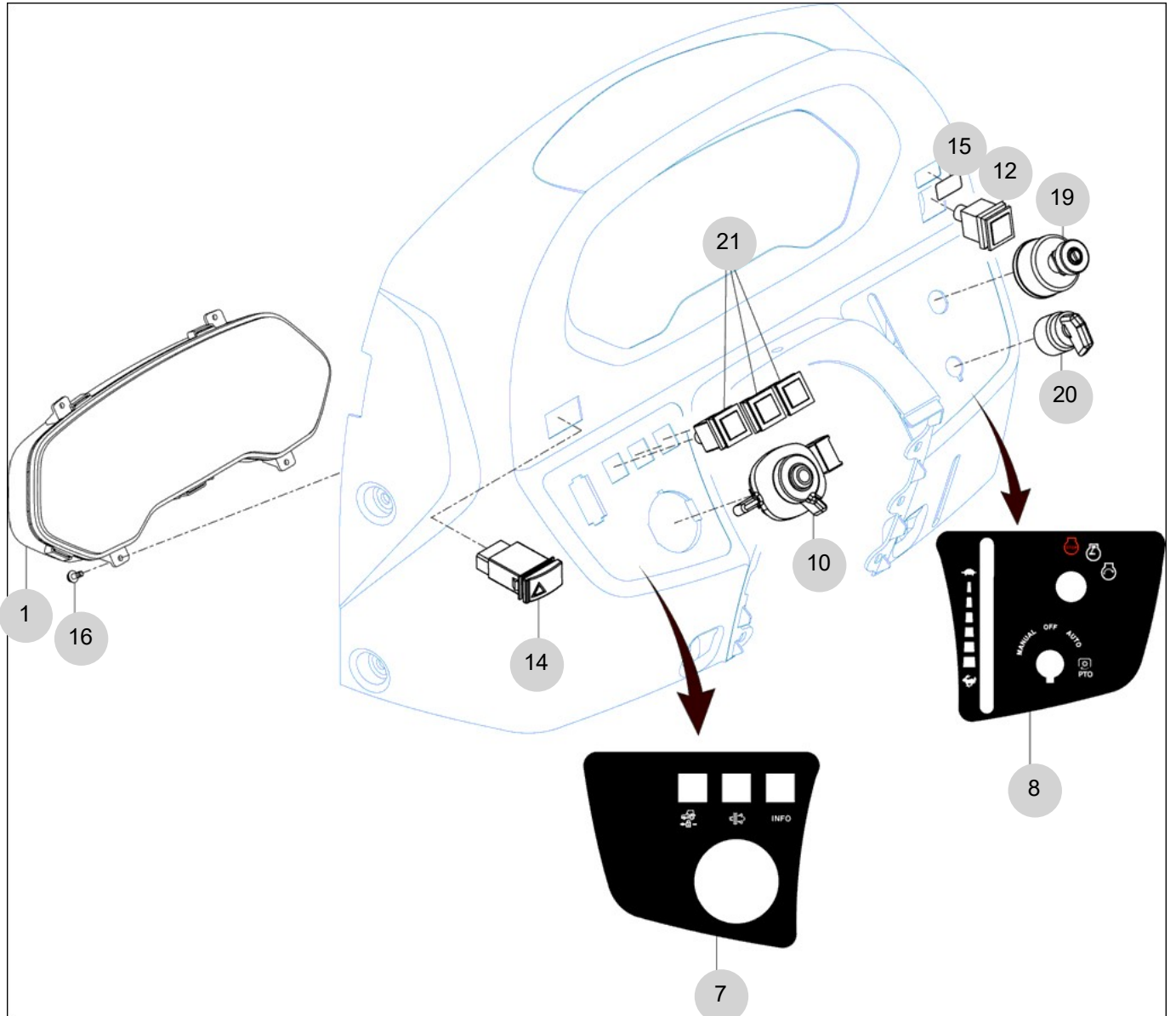
FIG 803

INSTRUMENT PANEL

년/월
Year/Month

T474SH-B

2022-12



NOTE

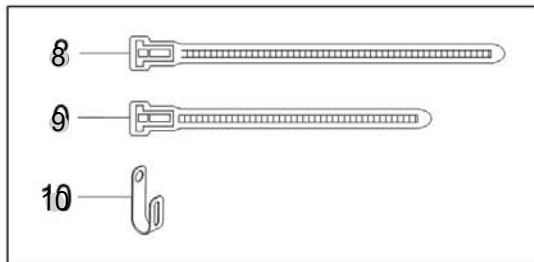
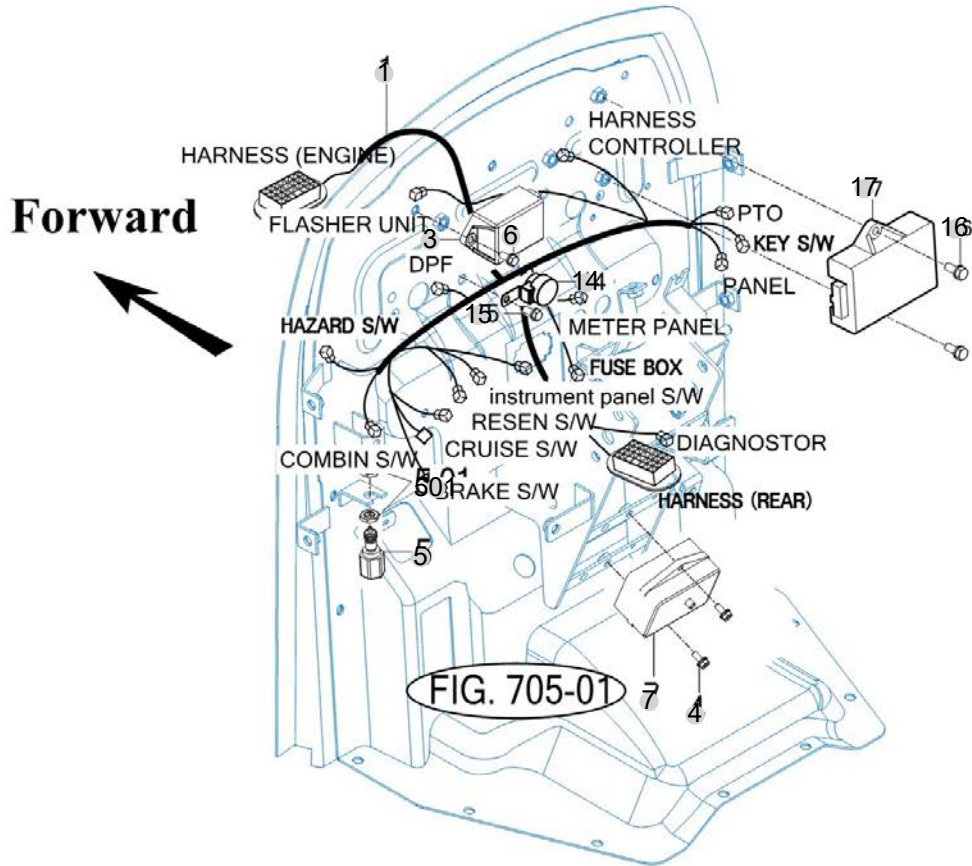
FIG 804

T474SH-B

ELECTRIC SYSTEM

년/월
Year/Month

2022-12



T474-U-804

NOTE

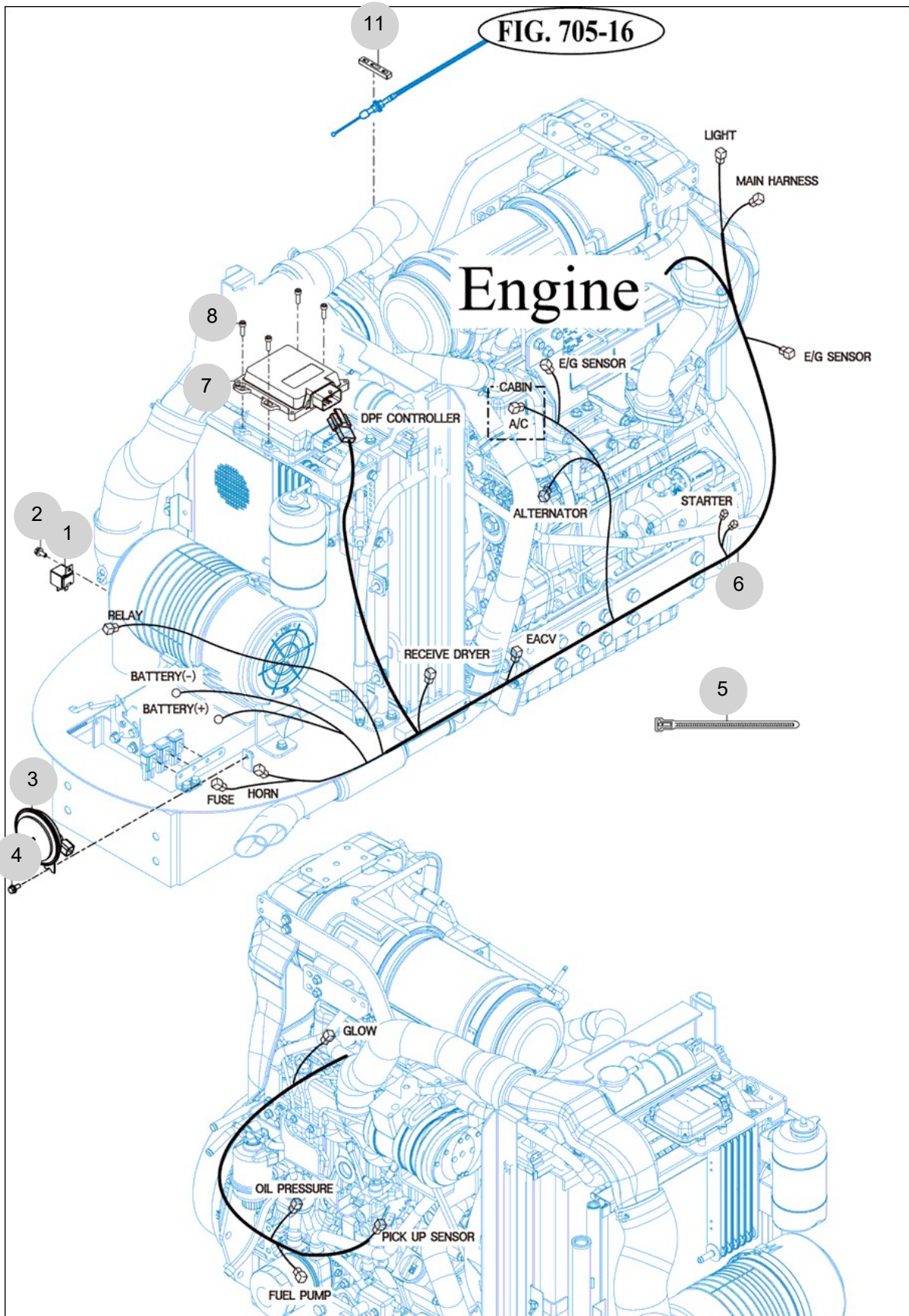
FIG 805

HARNESS (1)

년/월
Year/Month

T474SH-B

2022-12



NOTE

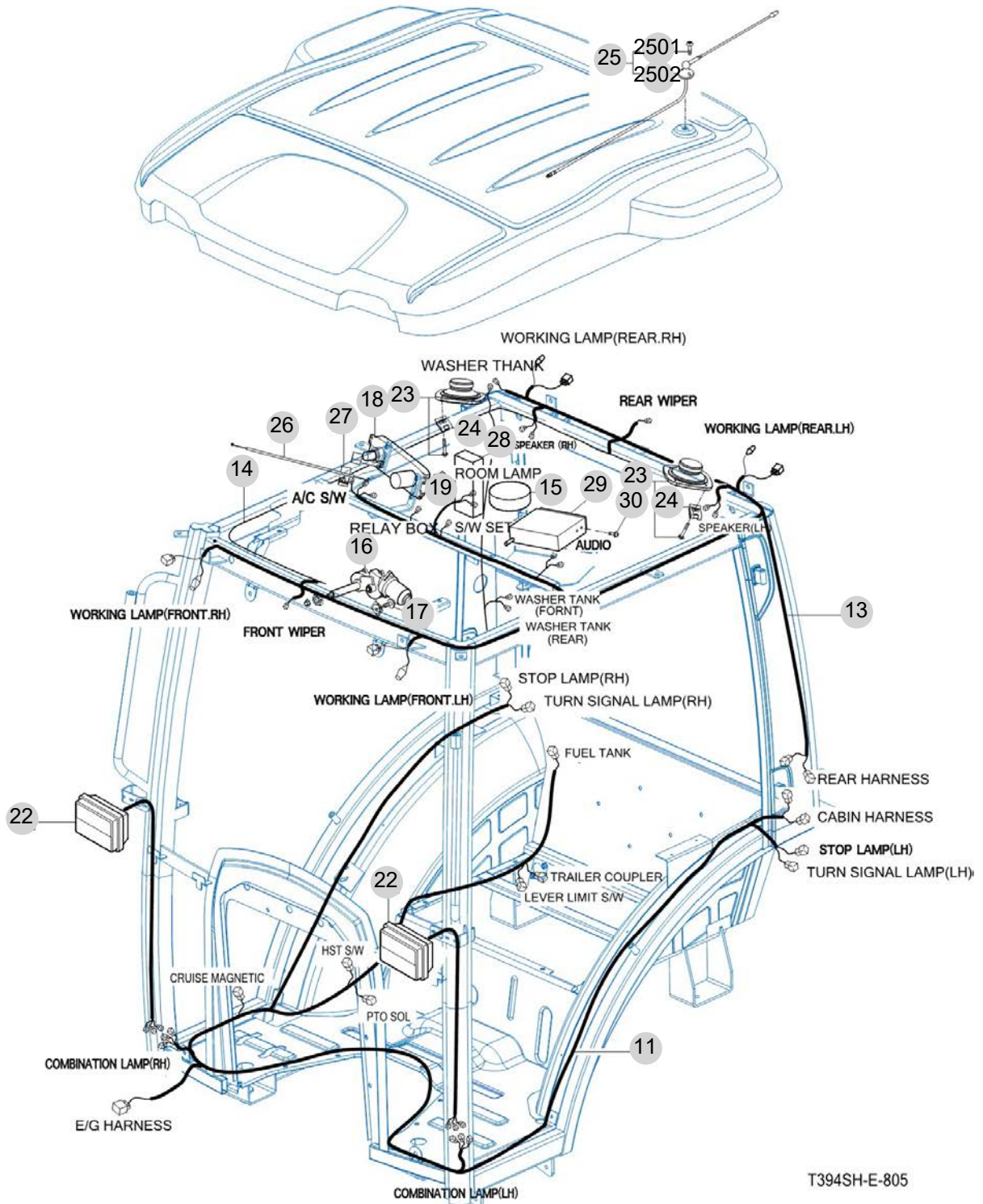
FIG 806

HARNESS (2)

년/월
Year/Month

T474SH-B

2022-12



T394SH-E-805

NOTE

9. Label/Option PART NO. T9

FIG 901 TOOL & ACCESSORY	263
FIG 902 LABEL	265
FIG 902 LABEL	267
FIG 903 OPTION	269

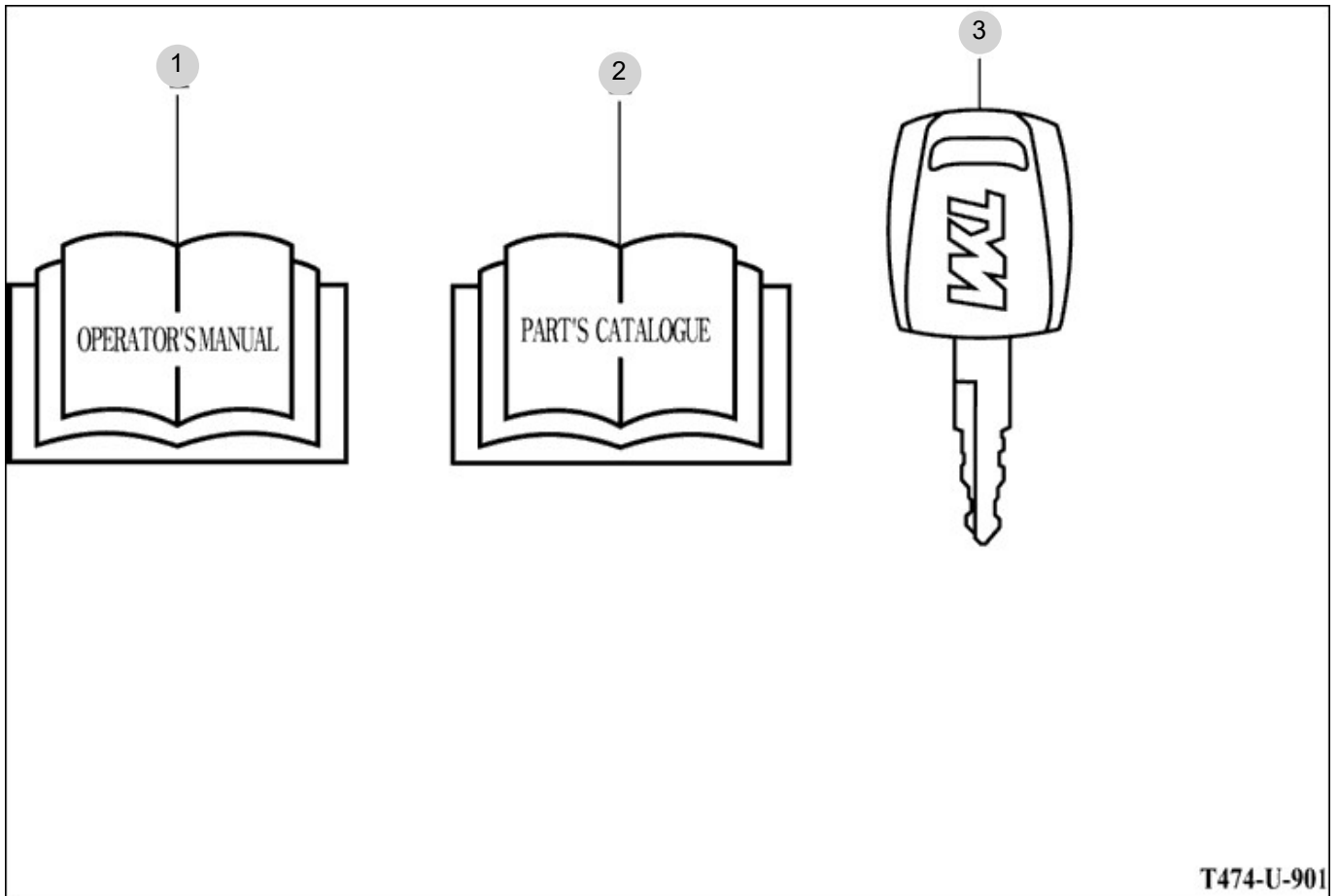
FIG 901

T474SH-B

TOOL & ACCESSORY

년/월
Year/Month

2022-12



T474-U-901

NOTE

FIG 902

LABEL

년/월
Year/Month

T474SH-B

2022-12



23



27



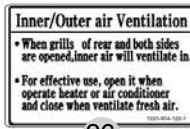
11



12



24



26



40



15



10



51



54

T474

34



16



2



29



20



21



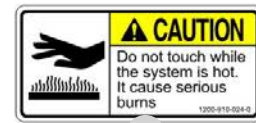
7



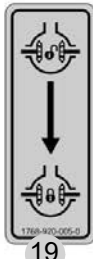
13



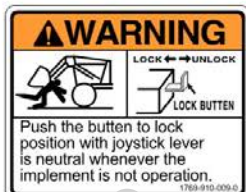
6



5



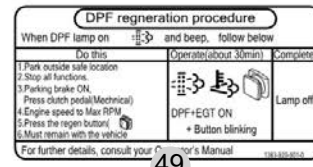
19



25



47



49

NOTE

FIG 902

LABEL

년/월
Year/Month

T474SH-B

2022-12

3 **WARNING**
Always apply the park brake when parking. Failure to do so can cause accidents and damages.
1200-910-002-0

14 **WARNING**
Do not use the accelerator lever except working on the field.
1200-910-021-0

28 ON
4
W
D
OFF

39 EPA REGULATION
USE ULTRA LOW SULFUR FUEL ONLY

8 **WARNING**
Operator's manual
1200-910-023-0

32 **WARNING**
• Start engine only from operators seat. If safety start switch is bypassed engine can start with transmission in gear.
• Do not connect or short across terminal on starter solenoid.
• Attach booster cables as shown on battery decal and operators manual.
Starting in gear causing runaway can result in serious injury.

33 **WARNING**
Always set the knob to lock when:
1. Travelling on the road.
2. Replacing blades on an implement
3. Making adjustment to an implement
Sudden dropping of an implement can cause serious injury or death.
1200-910-004-0

38 **DANGER**
Start only from seat in park or neutral
Starting in gear kills

37 **WARNING**
Do not adjust the tilt handle when traveling.
1200-910-008-0

4 **WARNING**
Brake pedals must always be locked together when travelling on the highway. This will ensure uniform braking and provide maximum stopping ability sharp turns must only be made at slow speeds.
1200-910-007-0

18 **WARNING**
1768-910-017-0

48 A ← N →

9 **WARNING**
Attach implements and trailers to the tractor only using the prescribed draw-bar or hitch.
1200-910-014-0

17 **DANGER**
Rotating driveline contact can cause death. KEEP AWAY!
Keep all drive line. Tractor and equipment shields in place during operation.
1200-910-013-0

44 HST

50 **WARNING**

NOTE

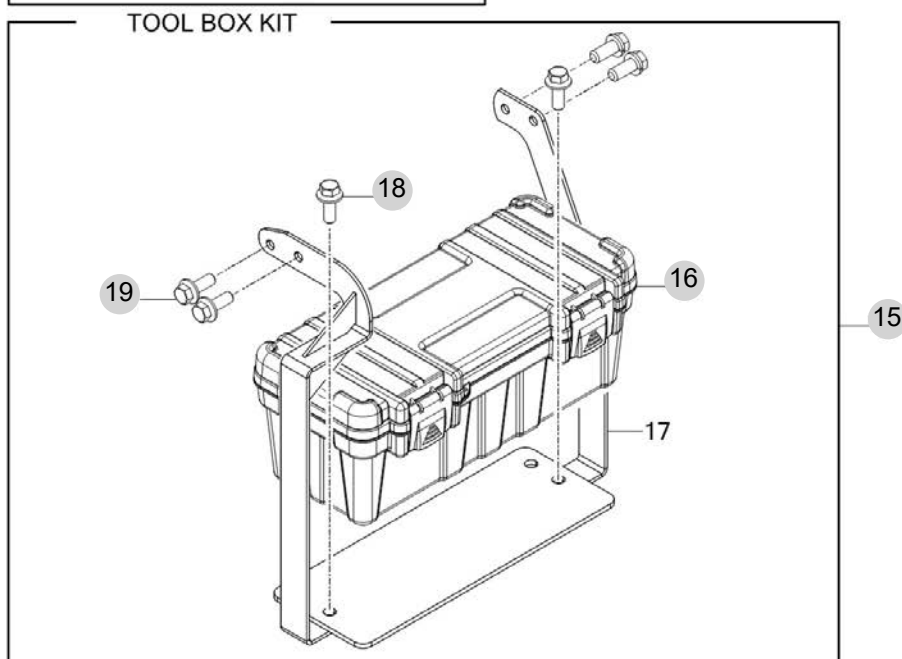
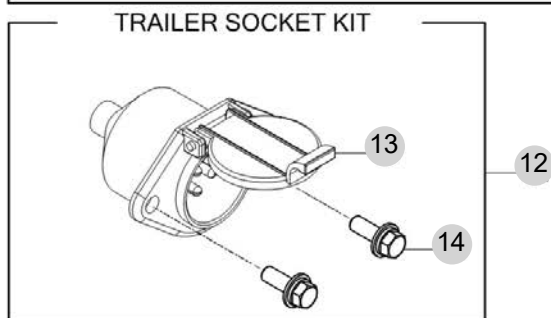
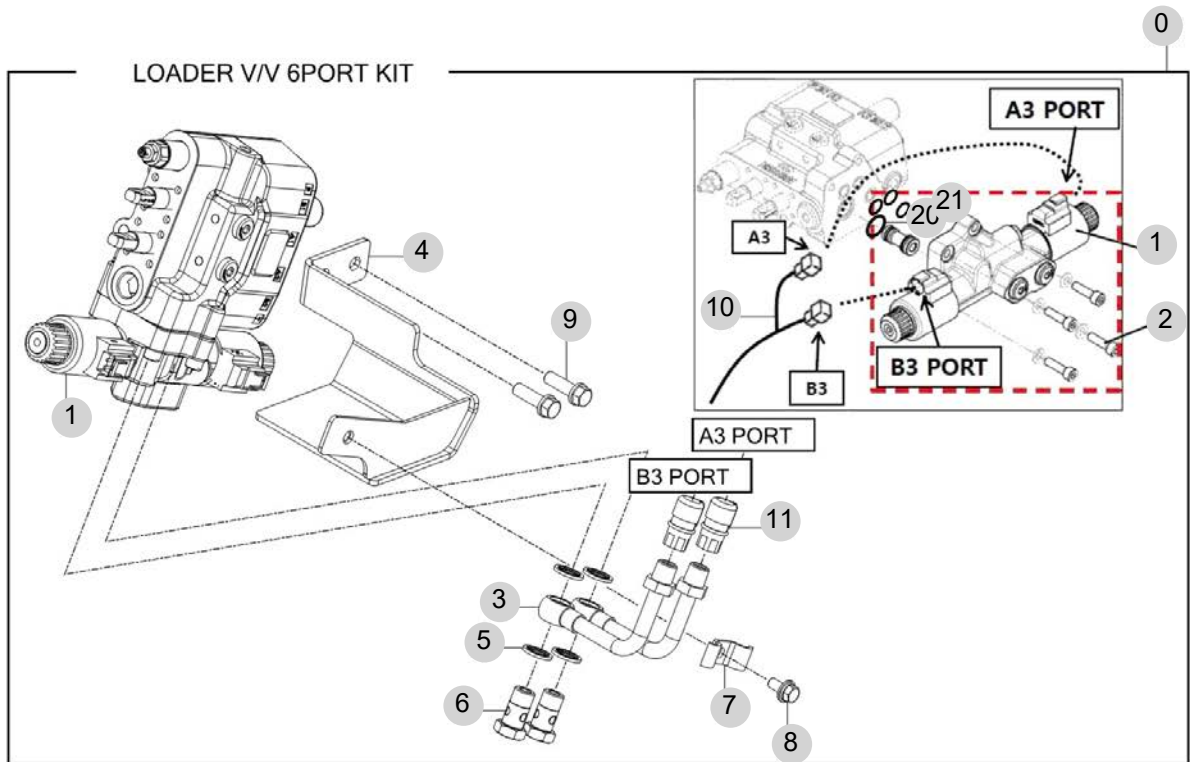
FIG 903

OPTION

년/월
Year/Month

T474SH-B

2022-12



NOTE

