

T194M

## Parts Catalog

# 목 차

---

---

## 1. 엔진 PART NO. EG

FIG 100 ENGINE	6
FIG 101 CYLINDER BLOCK	8
FIG 102 GEAR HOUSING	10
FIG 103 MOUNTING FLANGE & OIL SUMP	12
FIG 104 CYLINDER HEAD & BONNET	14
FIG 106 CAMSHAFT & DRIVING GEAR	17
FIG 107 CRANKSHAFT & PISTON	19
FIG 108 LUB OIL SYSTEM	21
FIG 109 COOLING WATER SYSTEM	23
FIG 110 FUEL INJECTION PUMP	25
FIG 111 GOVERNOR	27
FIG 112 FUEL INJECTION VALVE	29
FIG 113 FUEL PIPE	31
FIG 114 STARTING MOTOR	33
FIG 115 GENERATOR	35
FIG 116 ACCESSORY	37
FIG 117 GASKET SET	39

## 2. 엔진보기품 PART NO. T2

FIG 201 AIR CLEANER	42
FIG 202 RADIATOR	44
FIG 203 MUFFLER	46
FIG 204 FUEL TANK & FUEL LINE	48
FIG 205 ACCELERATOR	50
FIG 206 FUEL FILTER	53
FIG 207 ENGINE MOUNTING	55

## 3. 클러치/브레이크/스티어링 PART NO. T3

FIG 302 BRAKE PEDAL & LINKAGE	58
-------------------------------	----

FIG 303 SPEED CONTROL	60
FIG 304 DASH COVER	62
FIG 305 STEERING VALVE	64
FIG 306 STEERING CYLINDER	66
FIG 307 TIRE	68

#### 4. 트랜스미션 PART NO. T4

FIG 401 INPUT SHAFT	71
FIG 402 HST	73
FIG 403 PTO CLUTCH SUB& RANGE GEAR SUB	75
FIG 404 SPIRAL BEVEL PINION & 4WD SHAFT SUB	77
FIG 405 INPUT METAL	79
FIG 406 P T O COUNT SHAFT SUB & REAR P.T.O SUB	81
FIG 407 MID P T O IDLE GEAR & MID P T O SUB	83
FIG 408 DIFF LOCK	85
FIG 409 REAR TRANSMISSION CASE	87
FIG 410 REAR AXLE HOUSING	89
FIG 411 RANGE SHIFT LEVER	91
FIG 412 P T O CHANGE LEVER	93
FIG 413 GEAR PUMP & PUMP IDLE GEAR SUB	95

#### 5. 프론트 액슬 PART NO. T5

FIG 501 FRONT DRIVE SHAFT	98
FIG 502 FRONT DIFFERENTIAL GEAR	100
FIG 503 FRONT AXLE HOUSING	102
FIG 504 FRONT GEAR CASE (1)	104
FIG 505 FRONT GEAR CASE (2)	106

#### 6. 유압/3점링크 PART NO. T6

FIG 601 CYLINDER CASE	109
FIG 602 LIFT ARM	111
FIG 603 FLOW CONTROL VALVE	113
FIG 604 MAIN CONTROL VALVE	115
FIG 605 HYDRAULIC SUB	117
FIG 607 MID MOWER	119

FIG 611 GEAR BOX	121
FIG 612 BLADE PULLEY	123
FIG 613 TENSION PULLEY	125
FIG 614 COVER, CHUTE	127
FIG 615 WHEEL	129
FIG 616 MOUNTING	131

## 7. 시트메탈/캐빈 PART NO. T7

FIG 701 BONNET	134
FIG 702 FLOOR	136
FIG 703 SEAT	138
FIG 704 ROPS	140
FIG 705 LEVER COVER & FENDER	142

## 8. 전장 PART NO. T8

FIG 801 BATTERY MOUNTING	145
FIG 802 INSTRUMENT PANEL	147
FIG 803 HARNESS(1)	149
FIG 804 HARNESS(2)	151

## 9. 라벨/옵션 PART NO. T9

FIG 901 TOOL & ACCESSORY	154
--------------------------	-----

## 1. 엔진 PART NO. EG

FIG 100 ENGINE	6
FIG 101 CYLINDER BLOCK	8
FIG 102 GEAR HOUSING	10
FIG 103 MOUNTING FLANGE & OIL SUMP	12
FIG 104 CYLINDER HEAD & BONNET	14
FIG 106 CAMSHAFT & DRIVING GEAR	17
FIG 107 CRANKSHAFT & PISTON	19
FIG 108 LUB OIL SYSTEM	21
FIG 109 COOLING WATER SYSTEM	23
FIG 110 FUEL INJECTION PUMP	25
FIG 111 GOVERNOR	27
FIG 112 FUEL INJECTION VALVE	29
FIG 113 FUEL PIPE	31
FIG 114 STARTING MOTOR	33
FIG 115 GENERATOR	35
FIG 116 ACCESSORY	37
FIG 117 GASKET SET	39

FIG 100 T194M	ENGINE	년/월 Year/Month 2022-12
------------------	--------	------------------------------

INDUSTRIAL ENGINE  
**3TNV74F-NDKTF2**

1

NOTE	
------	--



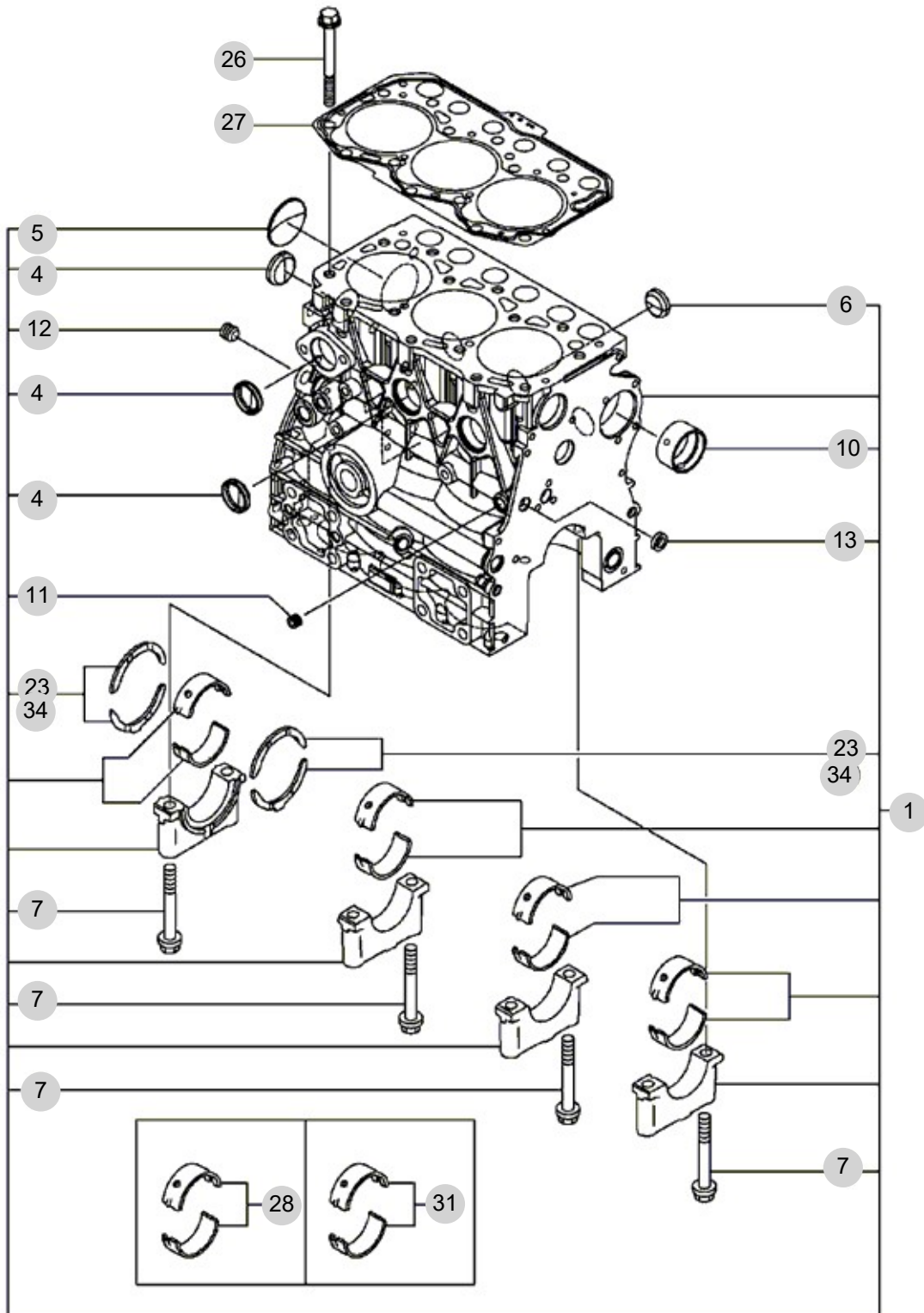
FIG 101

CYLINDER BLOCK

년/월  
Year/Month

2022-12

T194M



NOTE





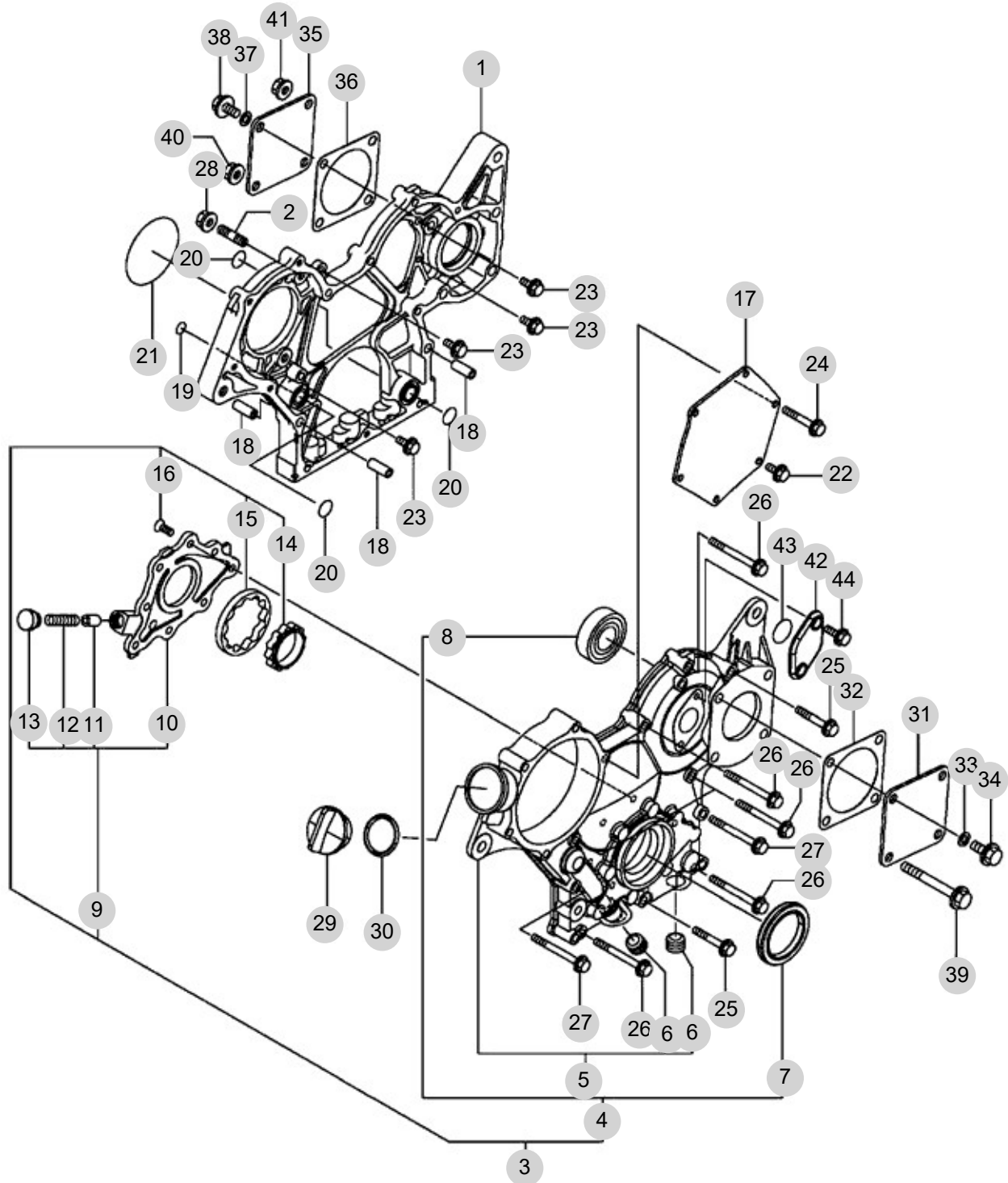
FIG 102

GEAR HOUSING

년/월  
Year/Month

2022-12

T194M



NOTE

FIG 102		GEAR HOUSING					년/월 Year/Month		
							2022-12		
T194M		KEY NO	PART NO	DESCRIPTION	SPEC	QTY	REPAIR	EFFECTIVE DATE	REMARKS
102	1	119740-01501	CASE, GEAR			1			
102	2	119717-01570	STUD			3			
102	3	119751-01590	COVER ASSY, CASE			1			
102	4	719751-01500	COVER ASSY, CASE			1			
102	5	119751-01521	COVER, GEAR CASE			1			
102	6	23876-030000	PLUG, R03			2			
102	7	119717-01800	SEAL, OIL			1			
102	8	24101-062024	깊은홈 볼베어링			1			
102	9	119717-32100	COVER ASSY, PUMP			1			
102	10	119717-32080	COVER, OIL PUMP			1			
102	11	129900-32130	VALVE, RELIEF			1			
102	12	129001-32320	SPRING			1			
102	13	129001-32330	PLUG			1			
102	14	119717-32110	ROTOR, INNER			1			
102	15	119717-32120	ROTOR, OUTER			1			
102	16	119802-32130	SCREW, M6X16			8			
102	17	119717-01750	COVER, PUMP			1			
102	18	119660-01911	PIPE, KNOCK 6X17			4			
102	19	119624-32040	O-RING, P12.0			1			
102	20	119717-32050	O-RING, P17.0			3			
102	21	121850-51960	O-RING, FUEL PUMP			1			
102	22	26106-060122	BOLT, M6X 12 PLATED			1			
102	23	26106-060162	BOLT, M6X 16 PLATED			4			
102	24	26106-060402	BOLT, M6X 40 PLATED			4			
102	25	26106-060402	BOLT, M6X 40 PLATED			2			
102	26	26106-060602	BOLT, M6X 60 PLATED			7			
102	27	26106-060652	BOLT, M6X 65 PLATED			2			
102	28	26306-080002	NUT, M8			3			
102	29	124160-01751	CAP, FILLER			1			
102	30	24311-000320	운동용O링			1			
102	31	124240-01871	COVER, HYDRAULIC PUMP			1			
102	32	129C26-01890	GASKET, PUMP			1			
102	33	22190-080002	WASHER, SEAL 8			1			
102	34	26106-080122	BOLT, M8X 12 PLATED			1			
102	35	124240-01871	COVER, HYDRAULIC PUMP			1			
102	36	129C26-01890	GASKET, PUMP			1			
102	37	22190-080002	WASHER, SEAL 8			1			
102	38	26106-080142	BOLT, M8X 14 PLATED			1			
102	39	26106-080702	BOLT, M8X 70 PLATED			3			
102	40	26306-080002	NUT, M8			1			
102	41	26306-080002	NUT, M8			2			
102	42	121023-01551	COVER, TACHOMETER			1			
102	43	24341-000240	O-RING, 1AS24.0			1			
102	44	26106-060162	BOLT, M6X 16 PLATED			2			
NOTE									

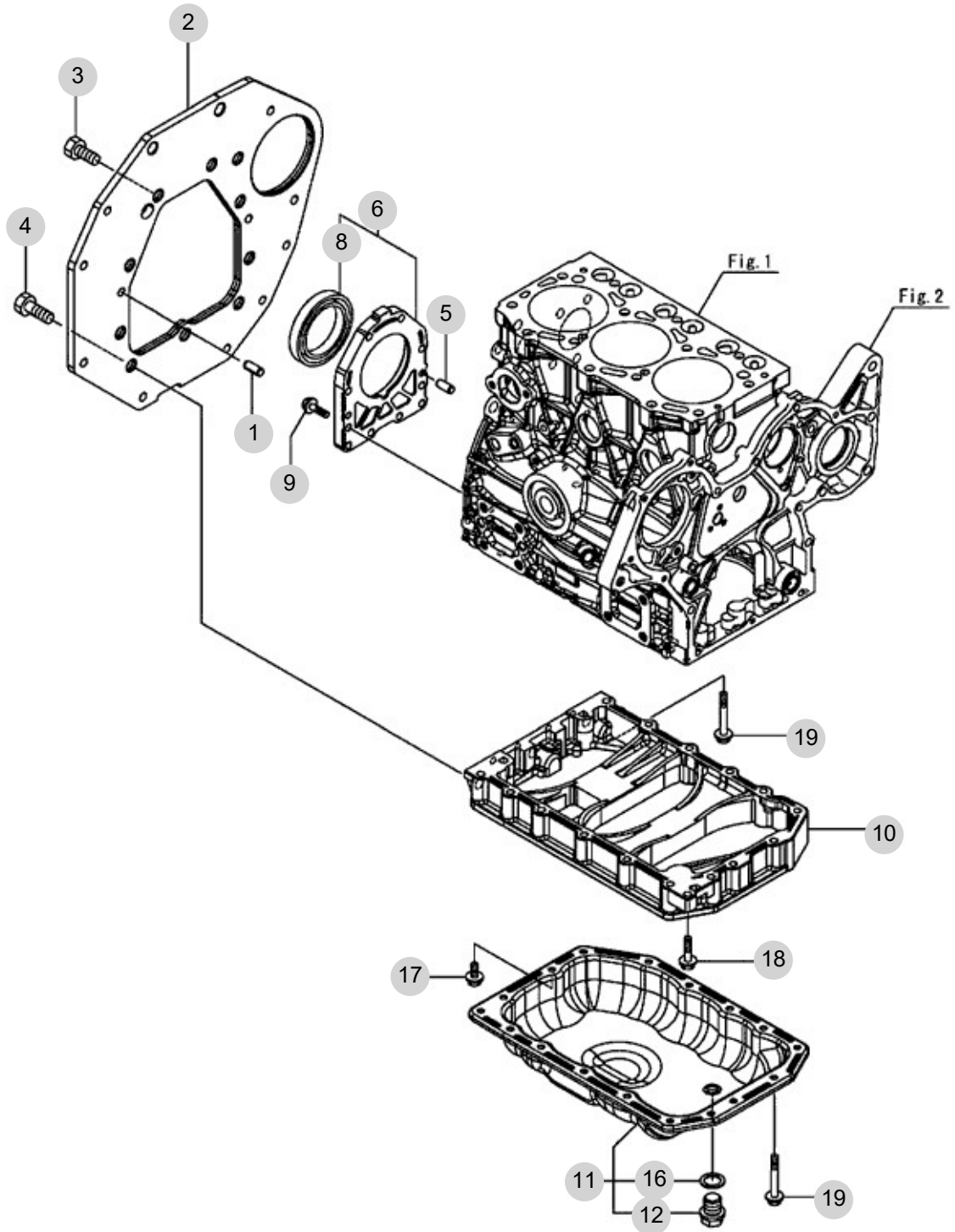
FIG 103

MOUNTING FLANGE & OIL SUMP

년/월  
Year/Month

2022-12

T194M



NOTE



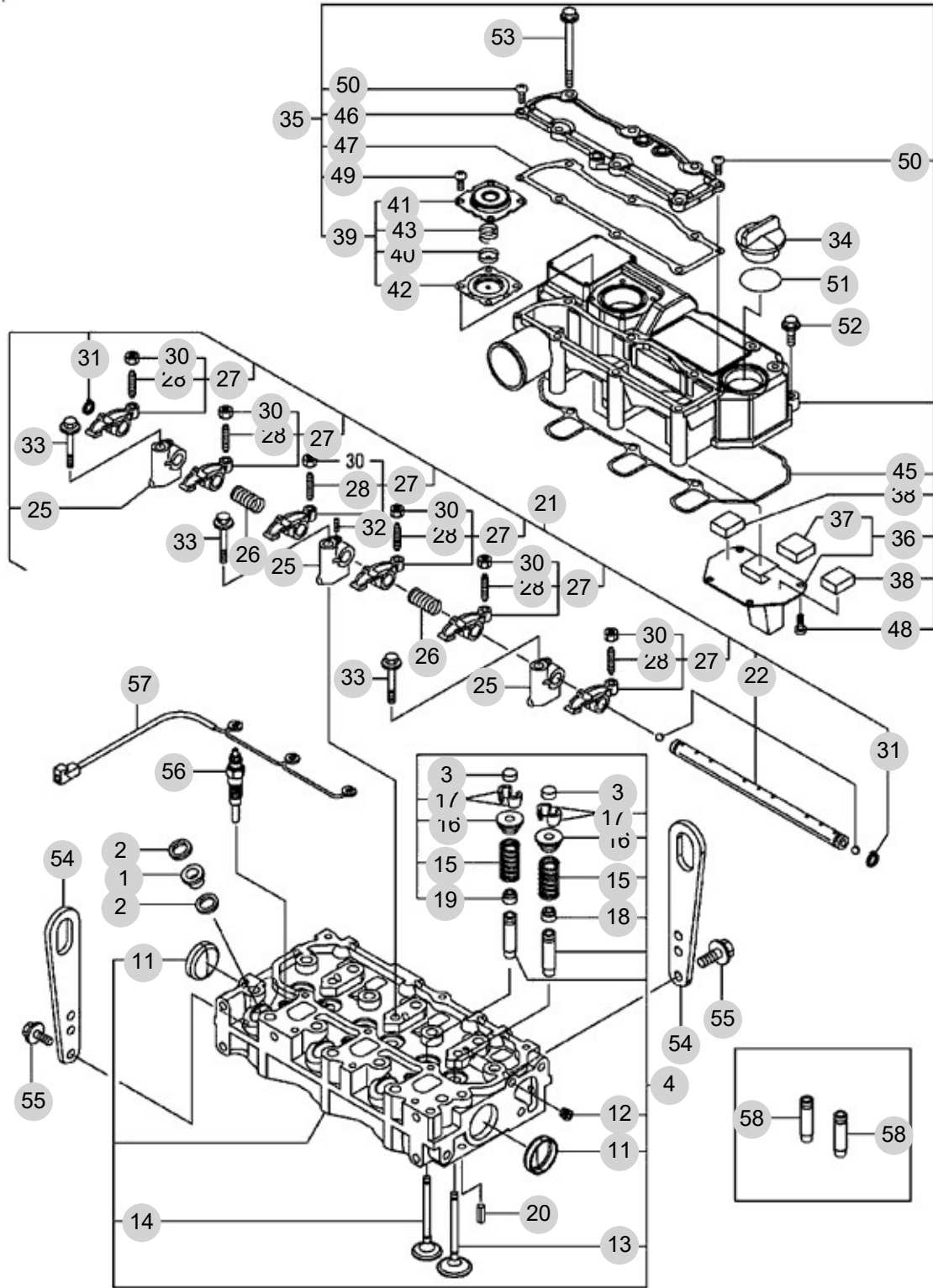
FIG 104

CYLINDER HEAD & BONNET

년/월  
Year/Month

2022-12

T194M



NOTE

FIG 104 T194M		CYLINDER HEAD & BONNET					년/월 Year/Month	
							2022-12	
KEY NO	PART NO	DESCRIPTION	SPEC	QTY	REPAIR	EFFECTIVE DATE	REMARKS	
104	1	129901-11450	PROTECTOR, NOZZLE		3			
104	2	119600-11460	GASKET, NOZZLE		6			
104	3	105010-11490	CAP, VALVE		6			
104	4	119C10-11740	HEAD ASSY, CYLINDER		1			
104	11	119285-11990	PLUG, 35		2			
104	12	23876-005000	PLUG, R005		1			
104	13	119C10-11100	VALVE, INTAKE		3			
104	14	119C10-11110	VALVE, EXHAUST		3			
104	15	119717-11131	SPRING, VALVE		6			
104	16	129508-11180	RETAINER, SPRING		6			
104	17	119717-11190	COTTER, VALVE		12			
104	18	119717-11340	SEAL, VALVE STEM		3			
104	19	119717-11350	SEAL, VALVE STEM		3			
104	20	22351-060012	스프링핀		2			
104	21	119515-11200	SUPPORT ASSY, ROCKER		1			
104	22	119515-11240	SHAFT ASSY, ARM		1			
104	25	119717-11260	SUPPORT, ROCKER ARM		3			
104	26	119515-11280	SPRING, SHAFT		2			
104	27	119717-11650	ARM ASSY, ROCKER INT		6			
104	28	129150-11230	SCREW, VALVE ADJUST		6			
104	30	129150-11750	NUT, M8XP1.0 6		6			
104	31	22242-000120	RING, 12		2			
104	32	26979-050162	SCREW, M5X16		1			
104	33	26106-080402	BOLT, M8X 40 PLATED		3			
104	34	124160-01751	CAP, FILLER		1			
104	35	119515-11380	BONNET ASSY, HEAD		1			
104	36	119717-03031	PLATE, BAFFLE		1			
104	37	119717-03070	BAFFLE, BREATHER		1			
104	38	119717-03070	BAFFLE, BREATHER		2			
104	39	119802-03100	DIAPHRAGM ASSY		1			
104	40	119802-03110	PLATE, DIAPHRAGM		1			
104	41	119802-03121	COVER, DIAPHRAGM		1			
104	42	119802-03131	DIAPHRAGM, BREATHER		1			
104	43	119802-03141	SPRING, DIAPHRAGM		1			
104	45	119515-11310	GASKET, BONNET		1			
104	46	119515-11320	COVER, BONNET		1			
104	47	119515-11330	GASKET, BONNET COVER		1			
104	48	22857-500100	SCREW, 5X10		4			
104	49	22857-500100	SCREW, 5X10		4			
104	50	22857-500160	SCREW, 5X16		2			
104	51	24311-000320	운동용O링		1			
104	52	26106-060202	BOLT, M6X 20 PLATED		3			
104	53	26106-060752	BOLT, M6X 75 PLATED		6			
104	54	129900-07900	LIFTER, ENGINE		2			
104	55	26106-080162	육각플랜지볼트		4			
NOTE								





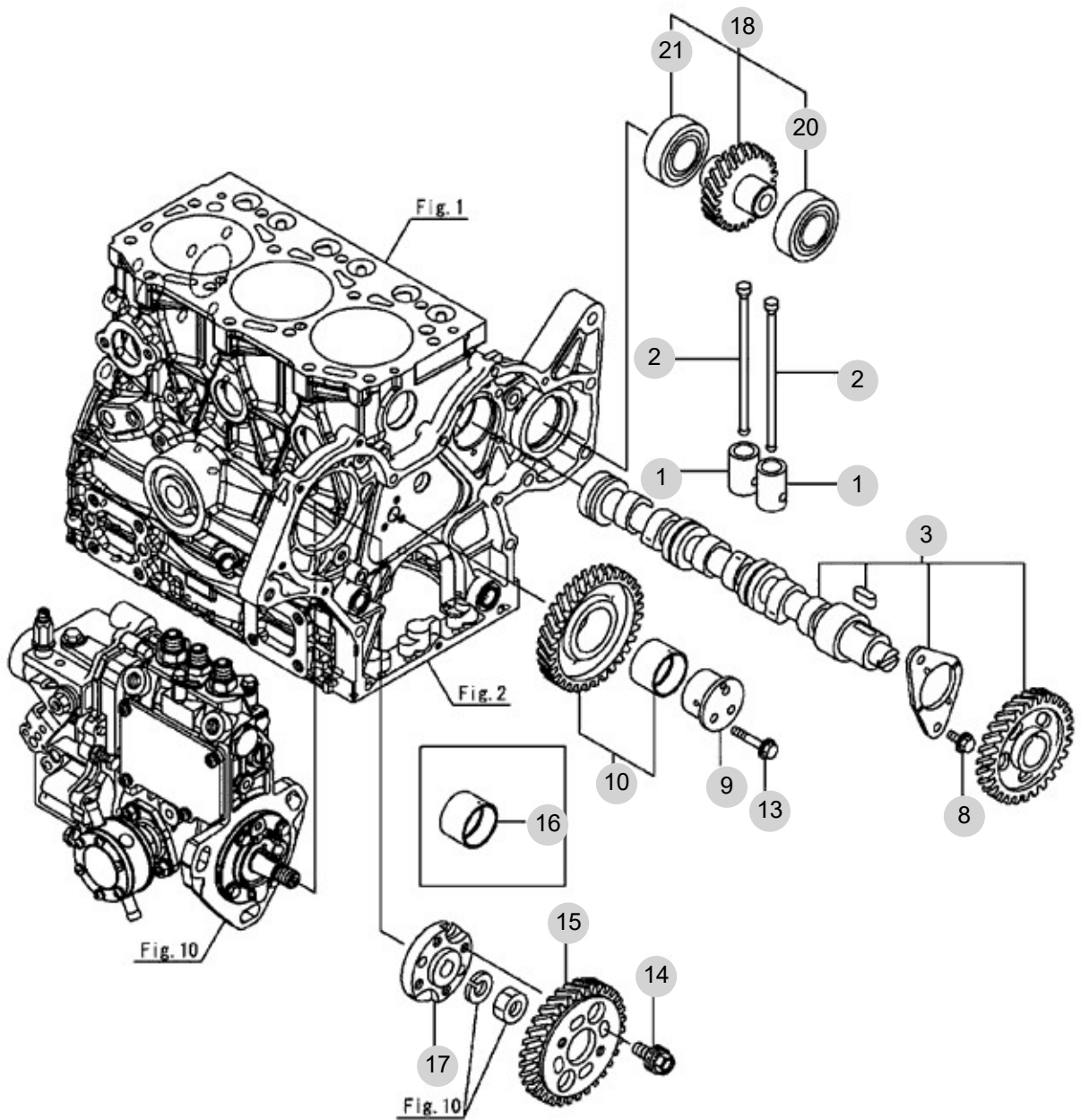
FIG 106

CAMSHAFT & DRIVING GEAR

년/월  
Year/Month

2022-12

T194M



NOTE



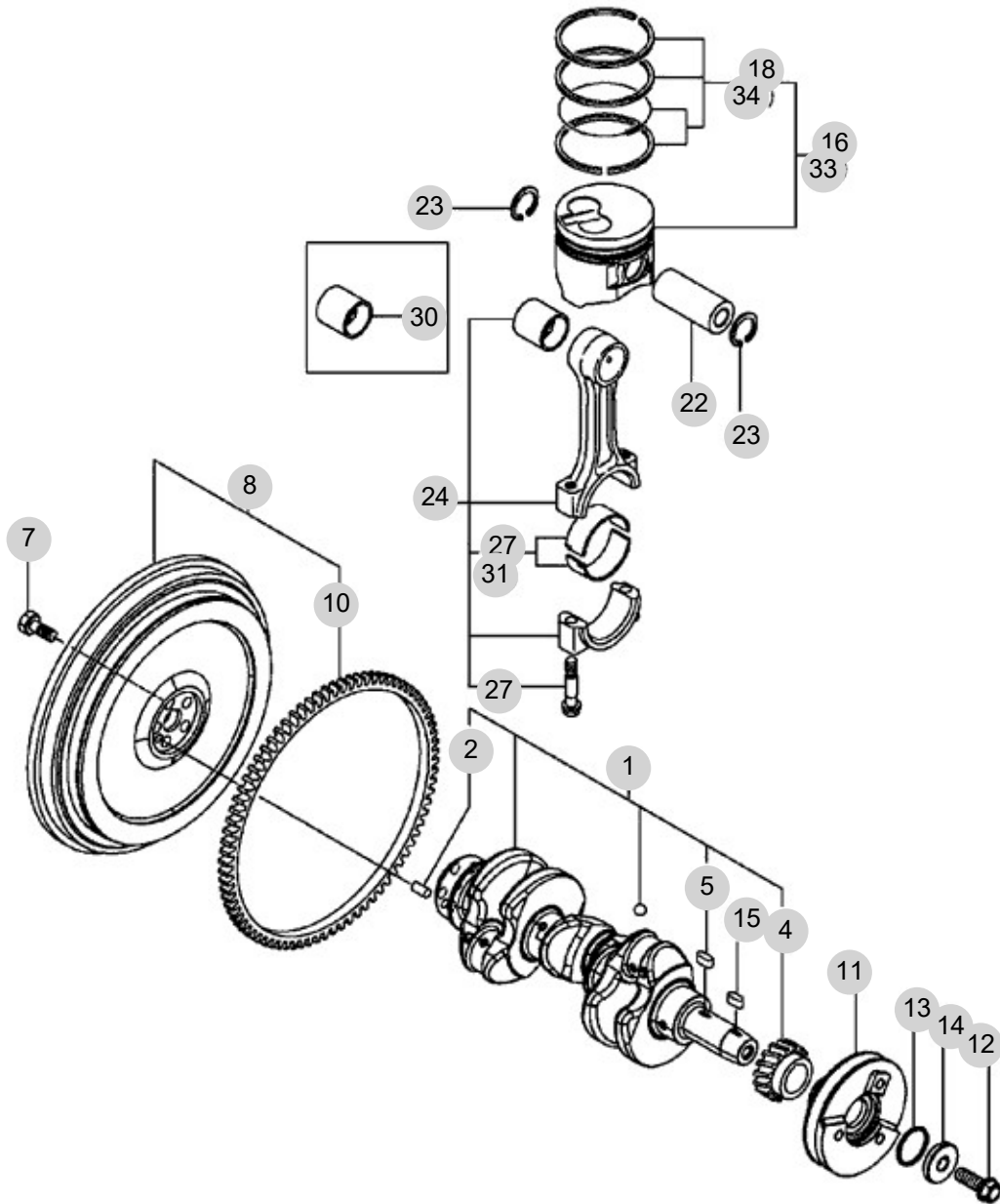
FIG 107

CRANKSHAFT & PISTON

년/월  
Year/Month

2022-12

T194M



NOTE

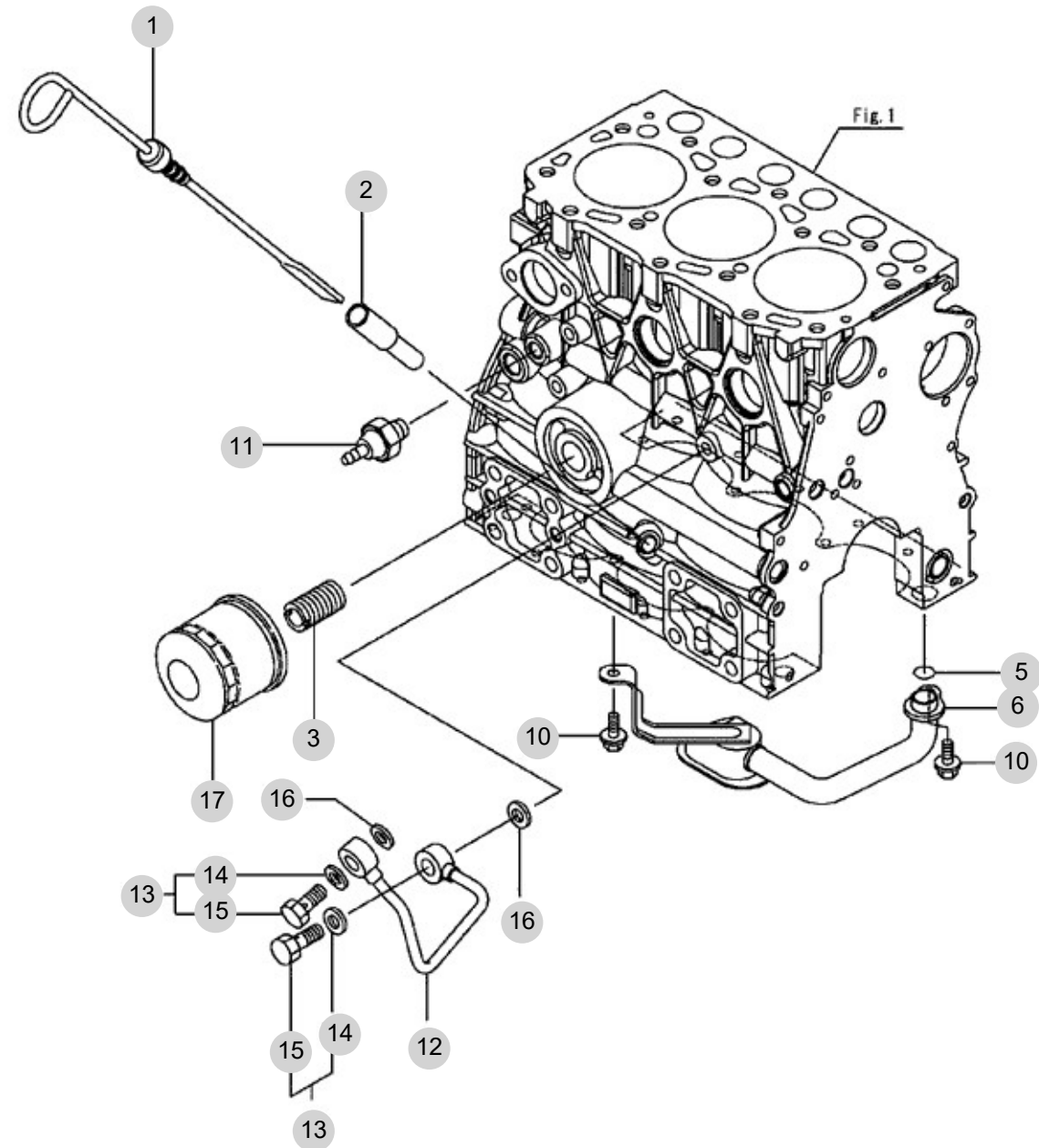


FIG 108

LUB OIL SYSTEM

년/월  
Year/Month

2022-12



NOTE



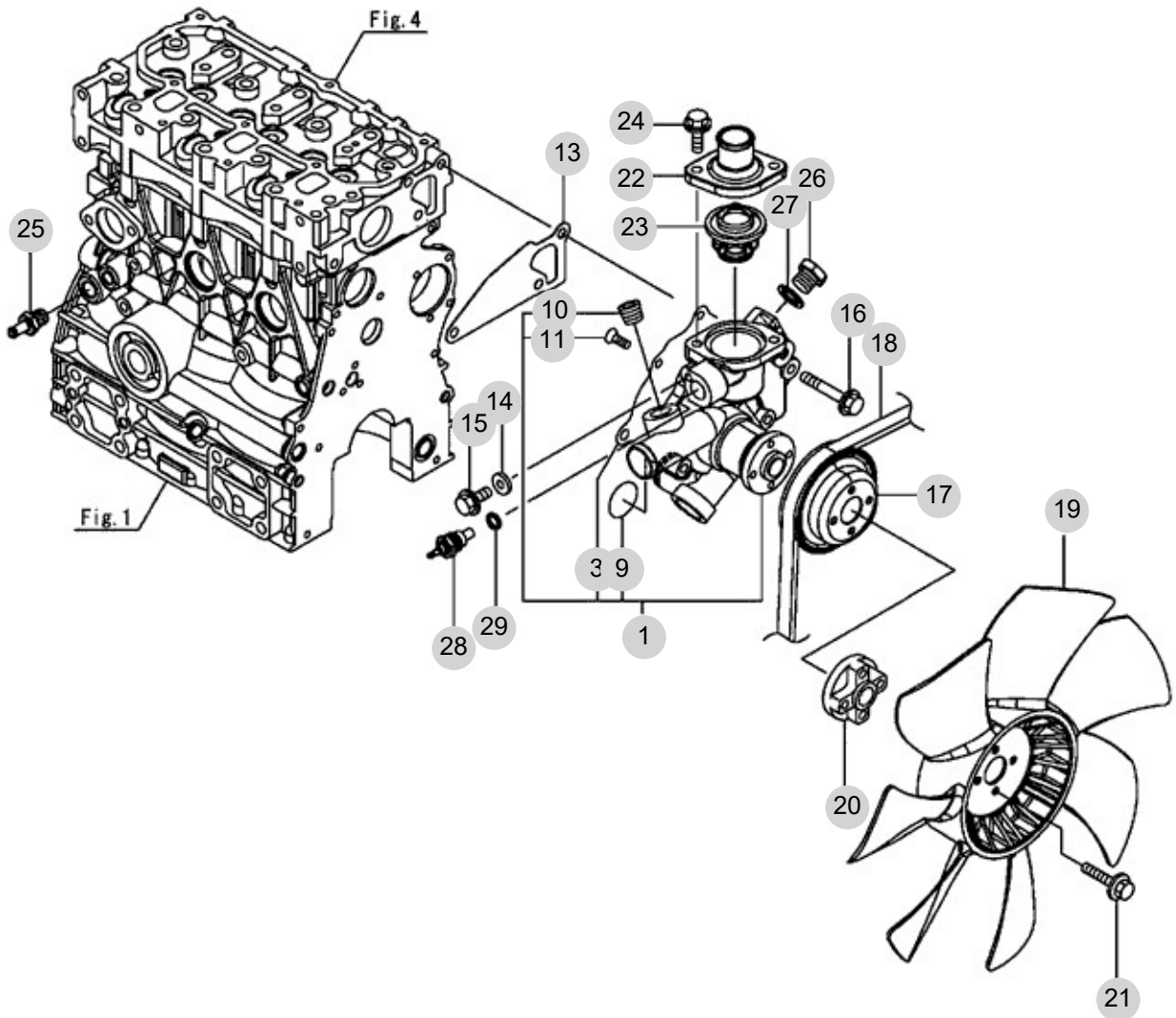
FIG 109

COOLING WATER SYSTEM

년/월  
Year/Month

2022-12

T194M



NOTE

<b>FIG 109</b> T194M	<b>COOLING WATER SYSTEM</b>						년/월 Year/Month
	2022-12						

KEY NO	PART NO	DESCRIPTION	SPEC	QTY	REPAIR	EFFECTIVE DATE	REMARKS
109	1	119C10-42001	PUMP ASSY, CW				
109	3	119717-42031	GASKET, WATER PUMP	1			
109	9	119C10-42320	O-RING, 2028	1			
109	10	129916-49740	PLUG, R3/8	1			
109	11	26577-060122	SCREW, M6X12	4			
109	13	119515-42020	GASKET, WATER PUMP	1			
109	14	23414-080000	GASKET, 8X1.0	1			
109	15	26106-080122	BOLT, M8X 12 PLATED	1			
109	16	26106-080502	BOLT, M8X 50 PLATED	3			
109	17	119717-42350	V-PULLEY, PUMP D=100	1			
109	18	25132-003600	V-BELT, A36	1			
109	19	119717-44740	FAN, COOLING D=335X7	1			
109	20	121267-44760	SPACER, FAN 18MM	1			
109	21	26106-060302	BOLT, M6X 30 PLATED	4			
109	22	129350-49530	COVER, THERMOSTAT	1			
109	23	119717-49800	THERMOSTAT, 71C	1			
109	24	26106-080202	BOLT, M8X 20 PLATED	8X20	2		
109	25	121550-49111	JOINT, PT1/4	1			
109	26	121450-42450	PLUG, M16	1			
109	27	124465-44950	GASKET, 16	1			
109	28	124250-49351	SENSOR, WATER TEMP.	1			
109	29	129150-49360	GASKET, 10	1			

NOTE	
------	--



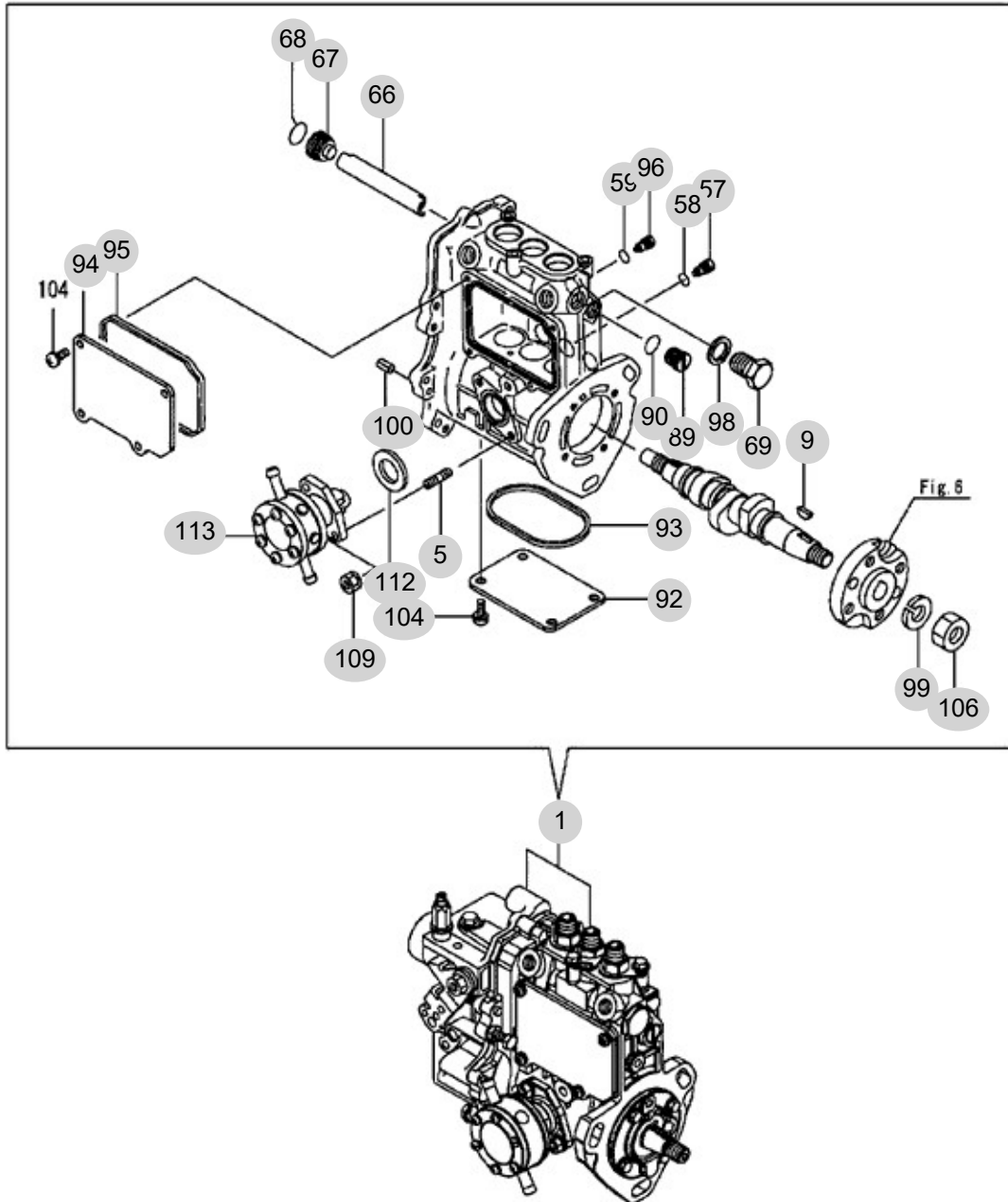
FIG 110

T194M

FUEL INJECTION PUMP

년/월  
Year/Month

2022-12



NOTE



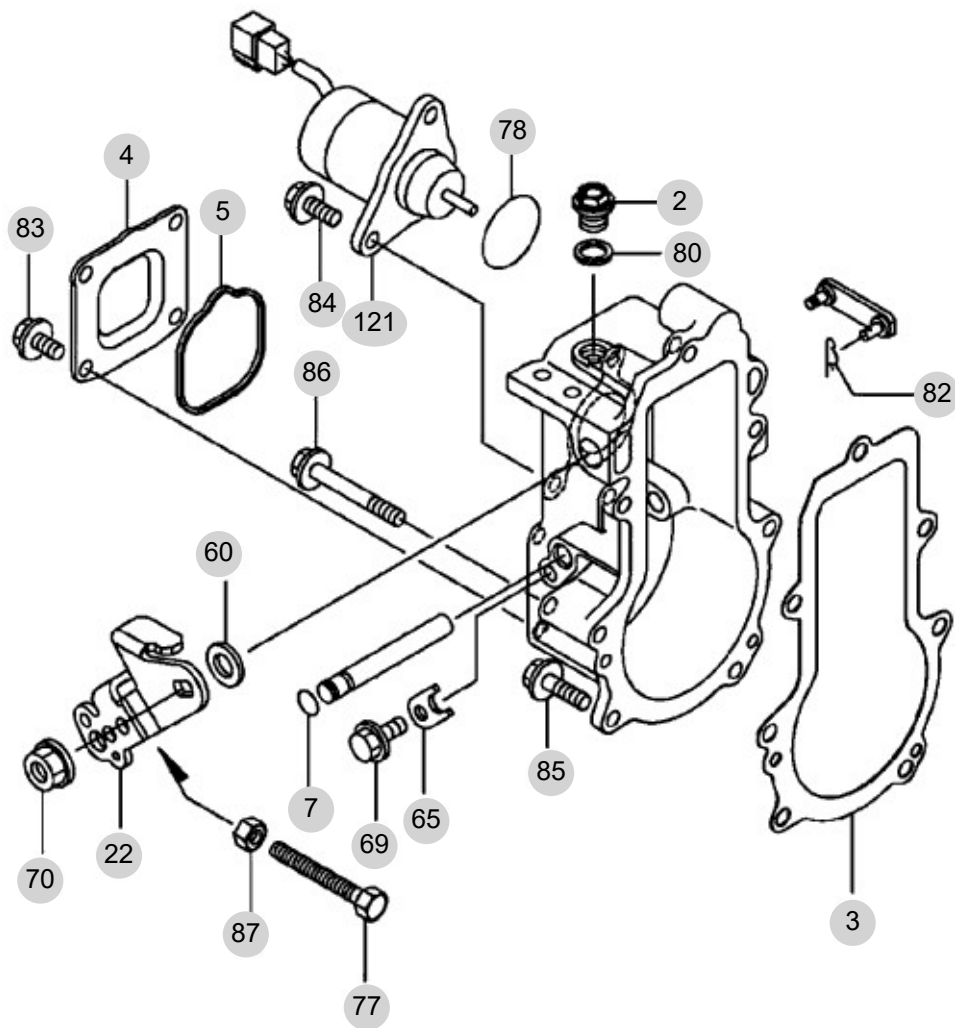
FIG 111

T194M

GOVERNOR

년/월  
Year/Month

2022-12



NOTE

FIG 111		GOVERNOR					년/월 Year/Month	
T194M							2022-12	
KEY NO	PART NO	DESCRIPTION	SPEC	QTY	REPAIR	EFFECTIVE DATE	REMARKS	
111	2	119717-51930	PLUG, M10	1				
111	3	119717-61050	GASKET, CASE	1				
111	4	119717-61060	COVER, GOVERNOR CASE	1				
111	5	119717-61070	GASKET, COVER	1				
111	7	129155-51280	O-RING, S6	1				
111	22	119515-61440	LEVER, CONTROL	1				
111	60	158552-61700	SHIM SET	1				
111	65	119660-61901	STOPPER, SHAFT	1				
111	69	26106-060102	BOLT, M6X 10 PLATED	1				
111	70	26366-080002	육각플랜지너트	1				
111	77	129155-61461	BOLT, IDLE LIMIT	1				
111	78	158552-61900	O-RING	1				
111	80	22190-100002	WASHER, SEAL 10	1				
111	82	22372-040000	PIN, SNAP 4	1				
111	83	26106-060102	BOLT, M6X 10 PLATED	4				
111	84	26106-060142	BOLT, M6X 14 PLATED	2				
111	85	26106-060202	BOLT, M6X 20 PLATED	4				
111	86	26106-060452	BOLT, M6X 45 PLATED	3				
111	87	119740-61470	NUT	1				
111	121	129630-77900	SOLENOID, STOP	1				
NOTE								

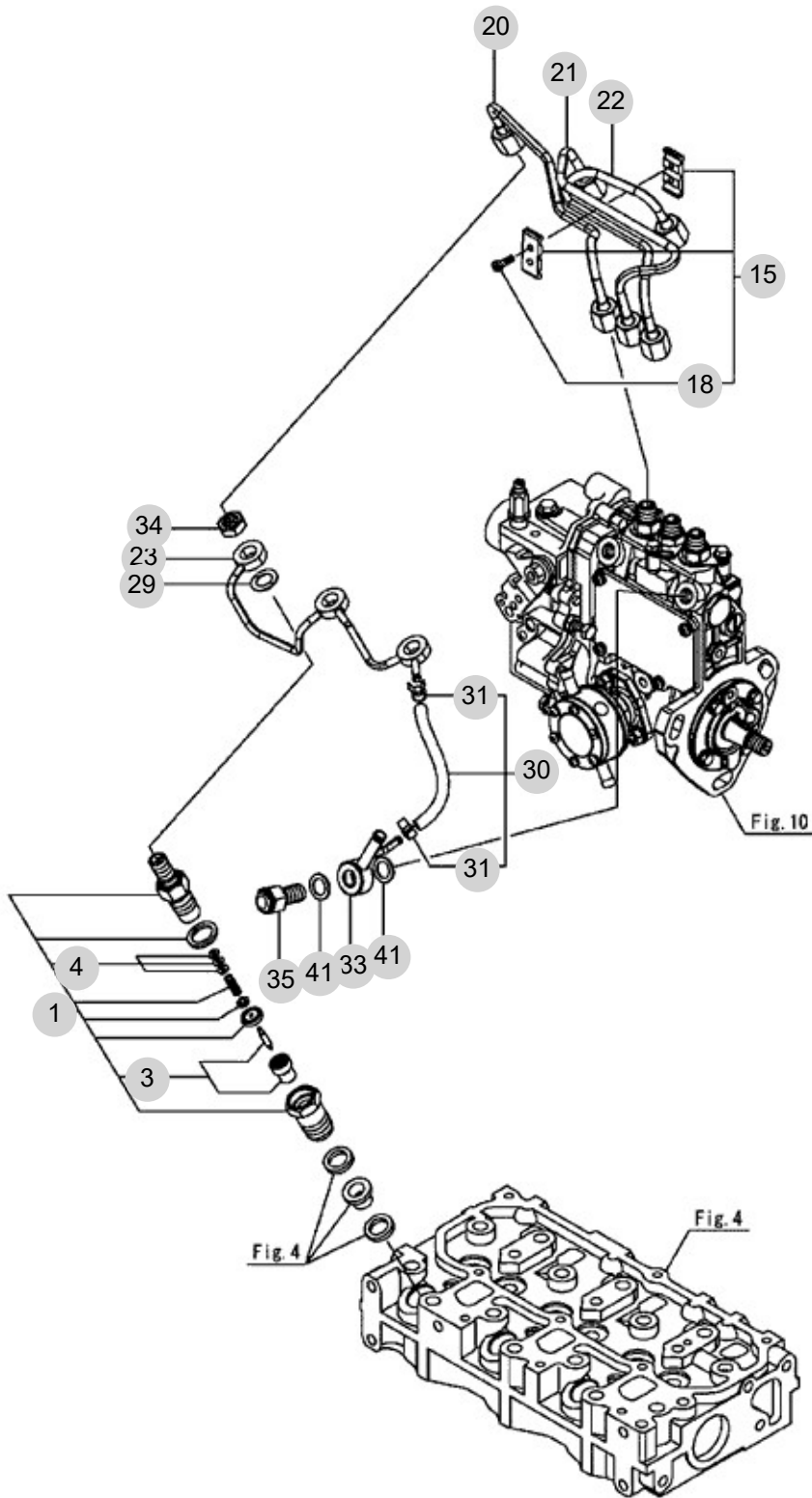
FIG 112

T194M

FUEL INJECTION VALVE

년/월  
Year/Month

2022-12



NOTE



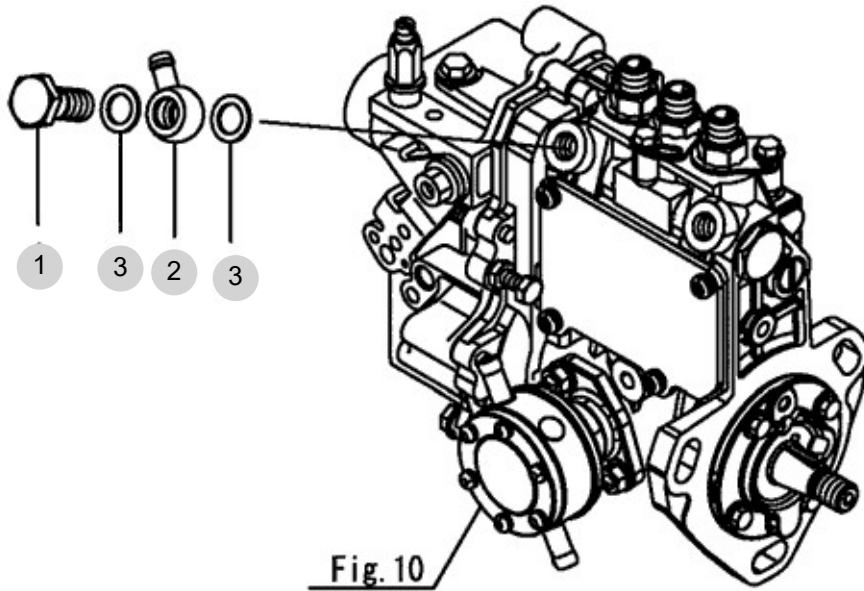
FIG 113

T194M

FUEL PIPE

년/월  
Year/Month

2022-12



NOTE





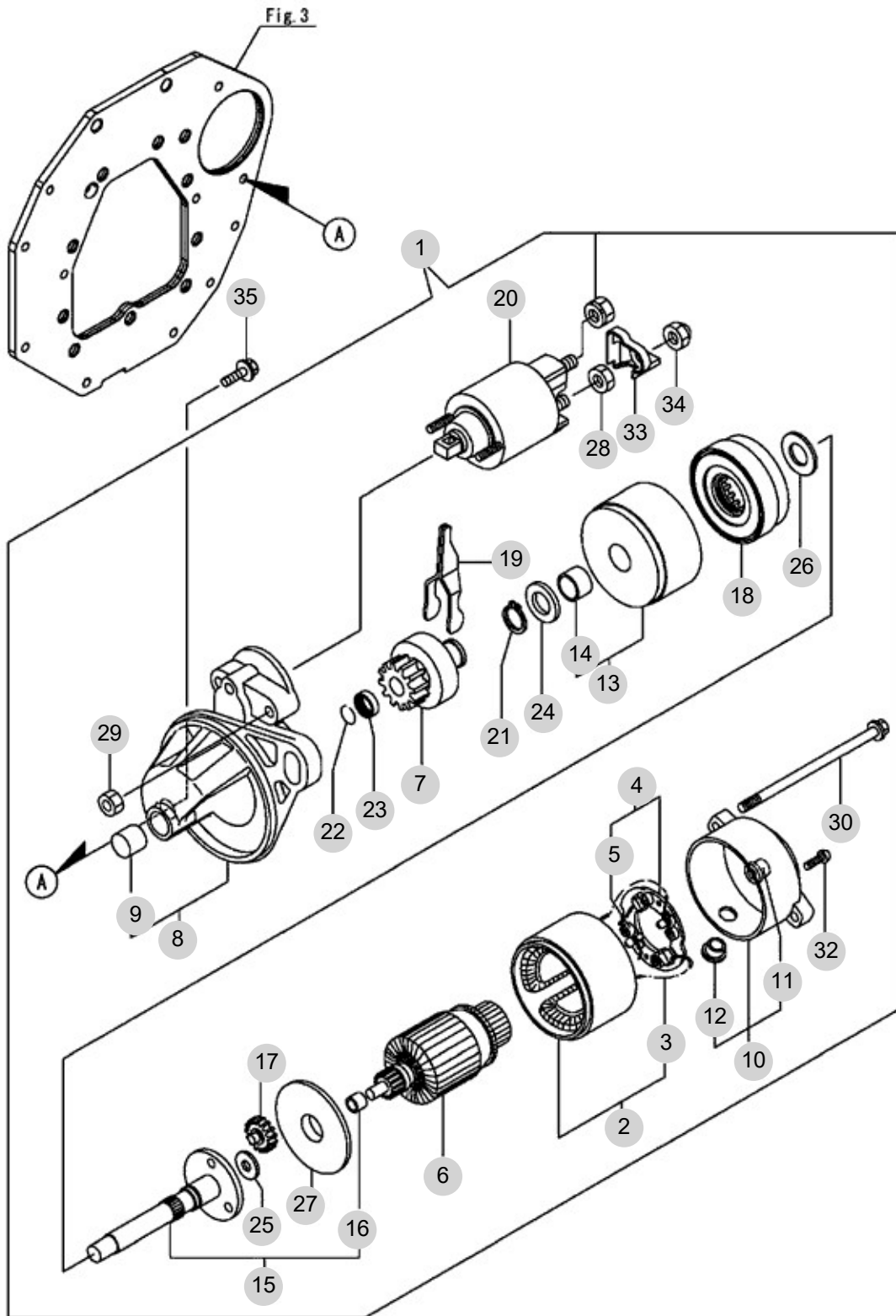
FIG 114

STARTING MOTOR

년/월  
Year/Month

2022-12

T194M



NOTE



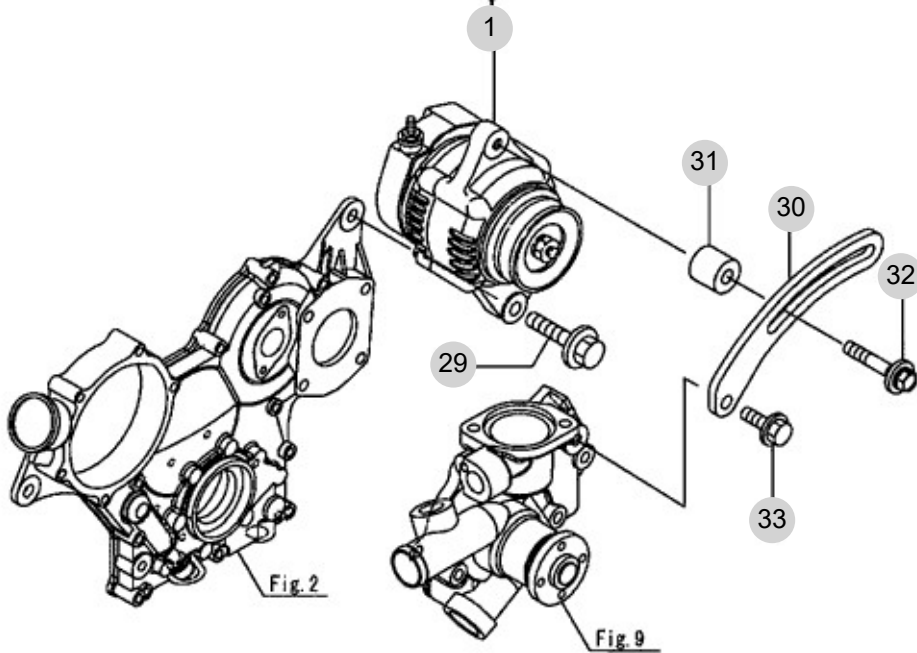
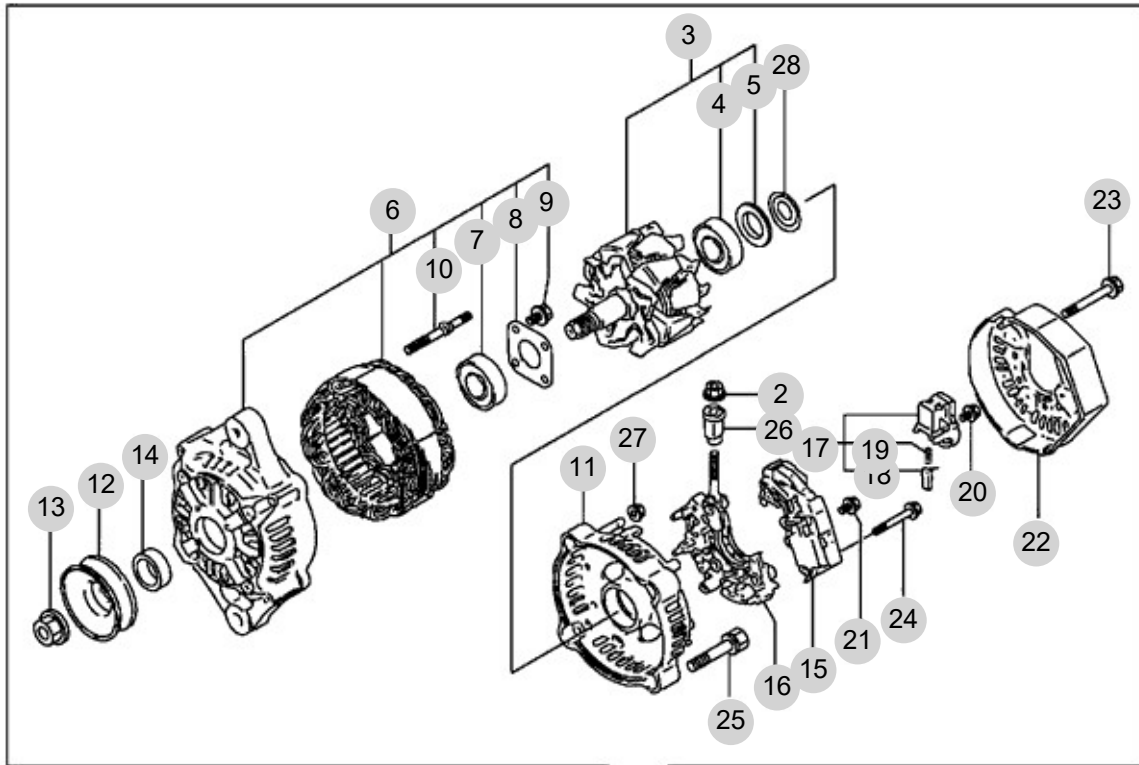
FIG 115

GENERATOR

년/월  
Year/Month

2022-12

T194M



NOTE



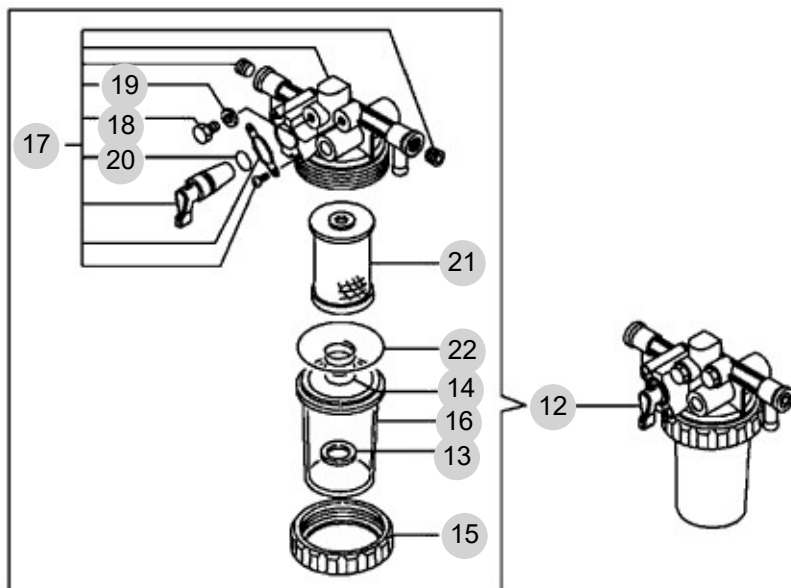
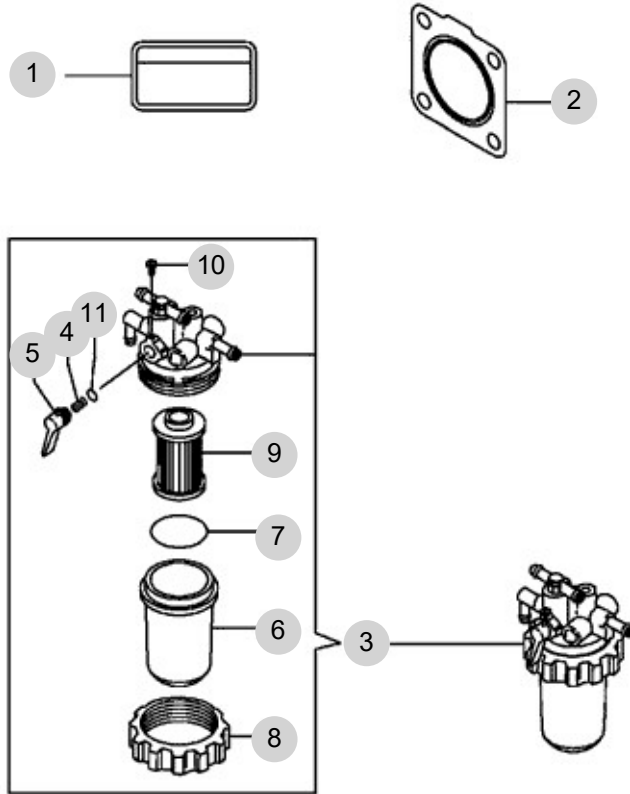
FIG 116

T194M

ACCESSORY

년/월  
Year/Month

2022-12



NOTE

FIG 116 T194M		ACCESSORY						년/월 Year/Month
								2022-12
KEY NO	PART NO	DESCRIPTION	SPEC	QTY	REPAIR	EFFECTIVE DATE	REMARKS	
116	1	114110-07761	라벨(연료사용주의)			1		
116	2	119515-13200	가스켓			1		
116	3	119740-55601	FO 필터			1		
116	4	104200-55330	SPRING, FUEL VALVE			1		
116	5	119810-55340	LEVER, FUEL			1		
116	6	121254-55510	CUP, FUEL STARINER			1		
116	7	102103-55520	O-RING, FILTER			1		
116	8	110250-55610	RING, CUP RETAINING			1		
116	9	119810-55650	SEPARATOR , FUEL WATER			1		
116	10	104200-55750	SCREW, M4			1		
116	11	24311-240100	운동용O링			1		
116	12	129335-55750	워터세퍼레이터			1		
116	13	129053-55640	FLOAT			1		
116	14	129053-55650	SPRING, SCREEN			1		
116	15	119833-55660	RING, RETAINING			1		
116	16	129335-55740	CUP			1		
116	17	129335-55770	BODY ASSY			1		
116	18	129242-55750	VALVE, AIR VENT			1		
116	19	129242-55760	GASKET, PLUG			1		
116	20	24311-000110	O-RING, 1AP11.0			1		
116	21	129335-55780	ELEMENT ASSY, FUEL			1		
116	22	24311-000440	O-RING, 1AP44.0			1		
NOTE								

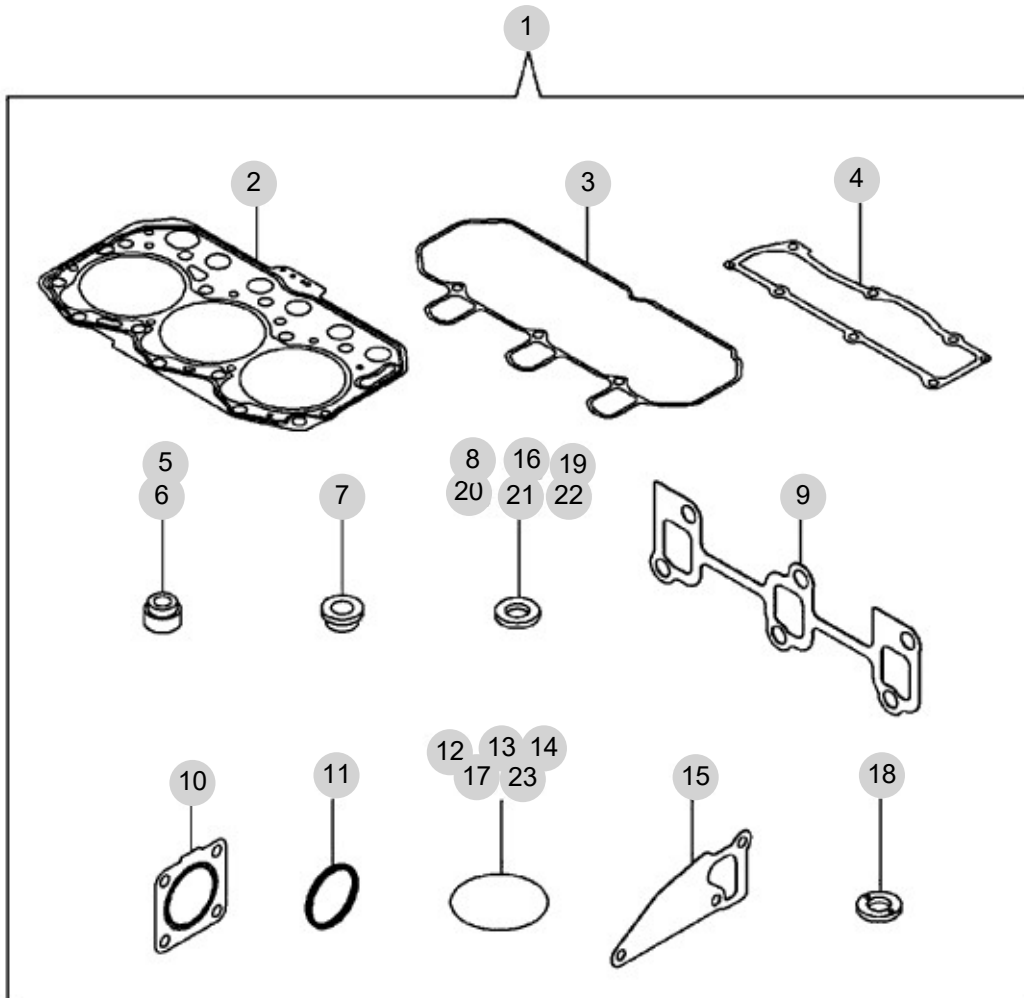
FIG 117

T194M

GASKET SET

년/월  
Year/Month

2022-12



22  
14  
16  
13

12

23

NOTE

15

<p><b>FIG 117</b></p> <p>T194M</p>	<p><b>GASKET SET</b></p>	<p>년/월 Year/Month</p> <p>2022-12</p>
------------------------------------	--------------------------	--

KEY NO	PART NO	DESCRIPTION	SPEC	QTY	REPAIR	EFFECTIVE DATE	REMARKS
117	1	119C10-92600	GASKET SET	1			
117	2	119C10-01330	GASKET, HEAD	1			
117	3	119515-11310	GASKET, BONNET	1			
117	4	119515-11330	GASKET, BONNET COVER	1			
117	5	119717-11340	SEAL, VALVE STEM	3			
117	6	119717-11350	SEAL, VALVE STEM	3			
117	7	129901-11450	PROTECTOR, NOZZLE	3			
117	8	119600-11460	GASKET, NOZZLE	6			
117	9	119717-13110	GASKET, MANIFOLD	1			
117	10	119515-13200	가스켓	1			
117	11	119C10-21930	GASKET, WASHER	1			
117	12	119624-32040	O-RING, P12.0	1			
117	13	119717-32050	O-RING, P17.0	3			
117	14	119717-32060	O-RING, P15.0	1			
117	15	119515-42020	GASKET, WATER PUMP	1			
117	16	124465-44950	GASKET, 16	2			
117	17	121850-51960	O-RING, FUEL PUMP	1			
117	18	129901-59560	GASKET, FUEL RETURN	3			
117	19	22190-080002	WASHER, SEAL 8	5			
117	20	22190-120002	WASHER, SEAL 12	5			
117	21	22190-160002	WASHER, SEAL 16	1			
117	22	23414-080000	GASKET, 8X1.0	1			
117	23	24311-000320	운동용오링	2			

NOTE



## 2. 엔진보기품 PART NO. T2

FIG 201 AIR CLEANER	42
FIG 202 RADIATOR	44
FIG 203 MUFFLER	46
FIG 204 FUEL TANK & FUEL LINE	48
FIG 205 ACCELERATOR	50
FIG 206 FUEL FILTER	53
FIG 207 ENGINE MOUNTING	55

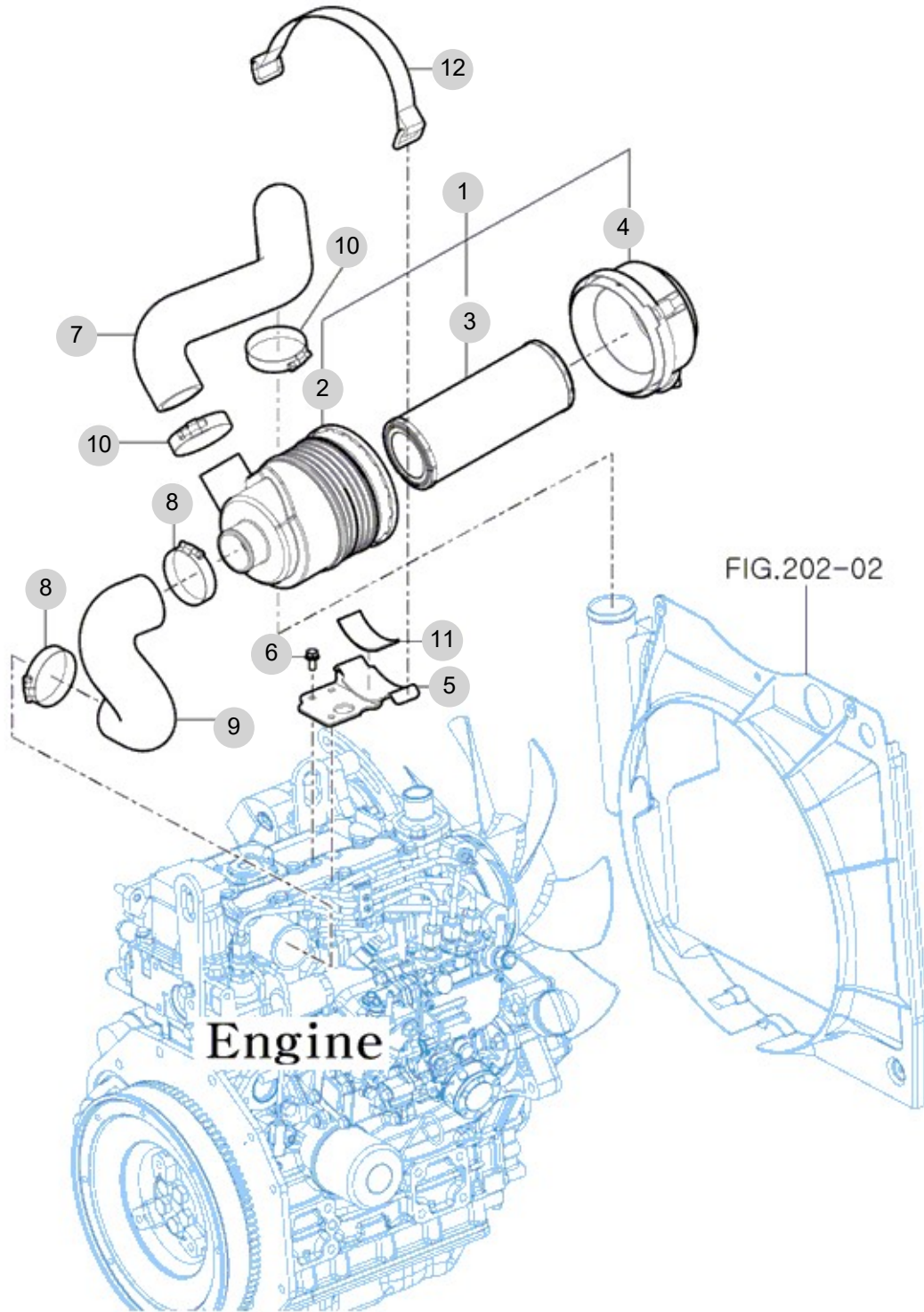
FIG 201

T194M

AIR CLEANER

년/월  
Year/Month

2022-12



NOTE



FIG 202

RADIATOR

년/월  
Year/Month

2022-12

T194M

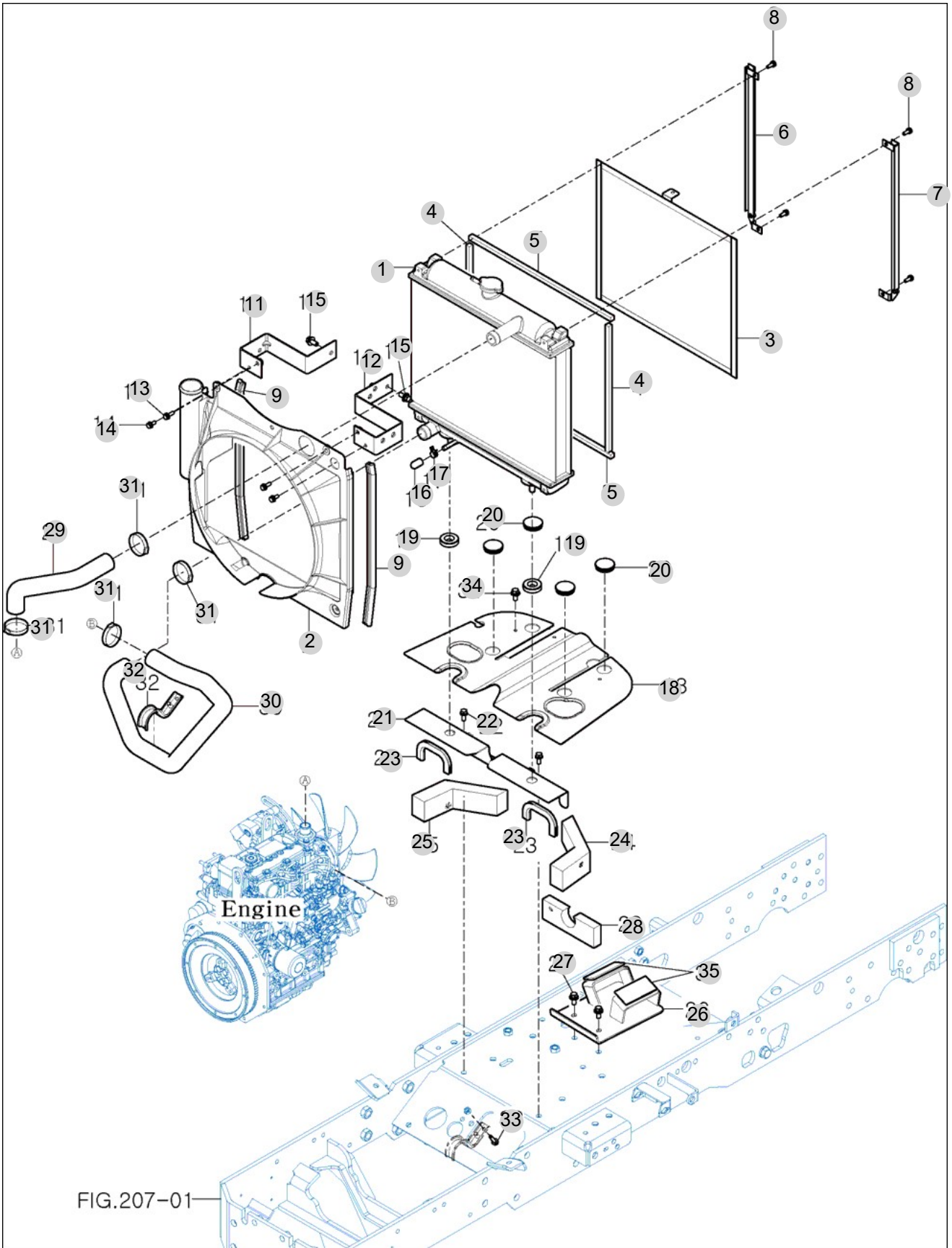


FIG.207-01

NOTE



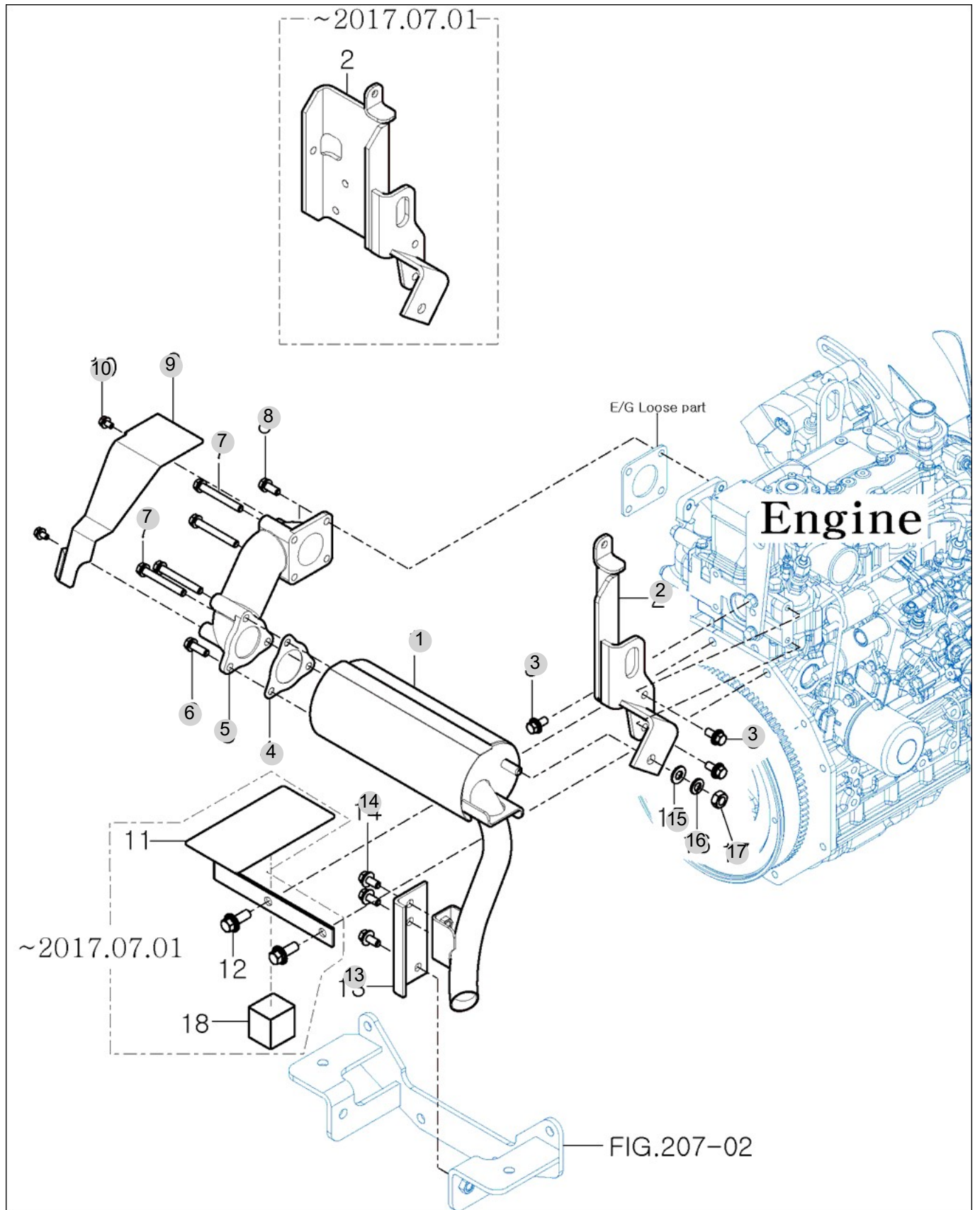
FIG 203

MUFFLER

년/월  
Year/Month

2022-12

T194M



NOTE



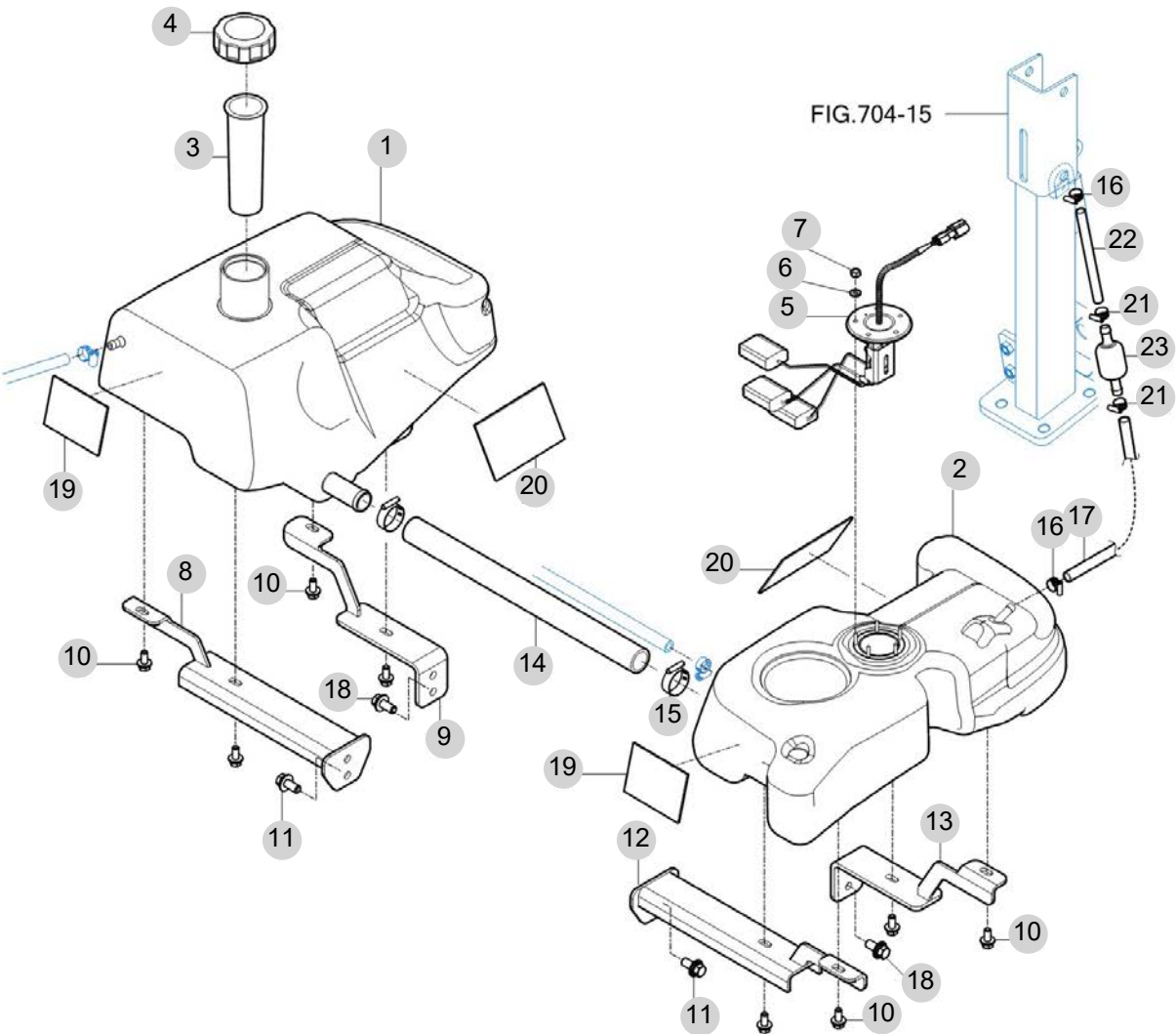


FIG 204

FUEL TANK & FUEL LINE

년/월  
Year/Month

2022-12



NOTE





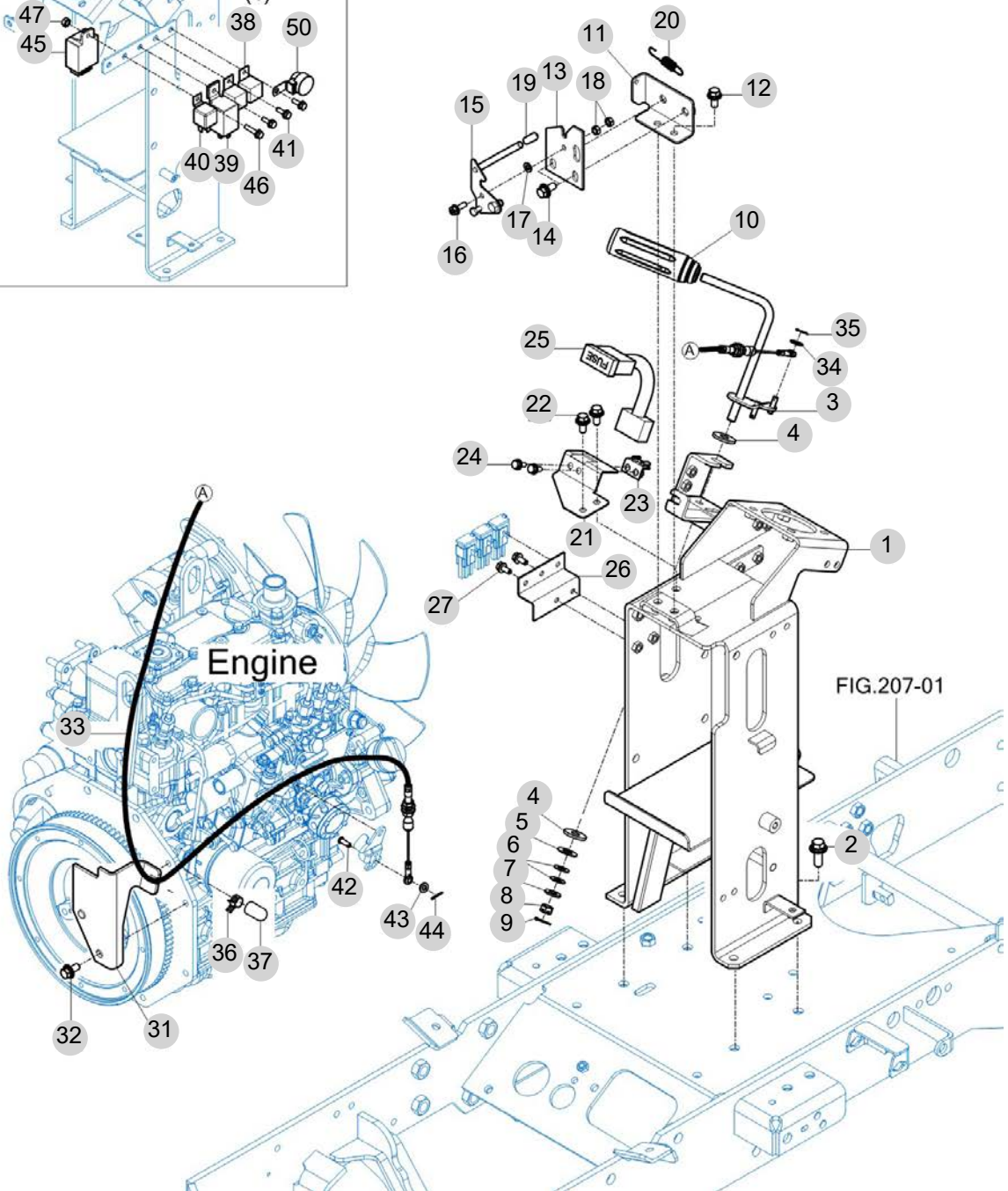
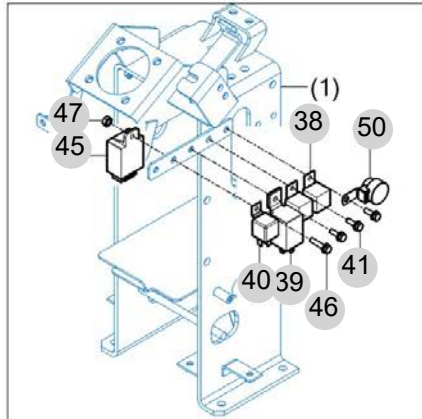
FIG 205

T194M

ACCELERATOR

년/월  
Year/Month

2022-12



NOTE

FIG 205		ACCELERATOR						년/월 Year/Month	
								2022-12	
T194M		KEY NO	PART NO	DESCRIPTION	SPEC	QTY	REPAIR	EFFECTIVE DATE	REMARKS
205	1	11611811000GB	대시패널 COMP			1			
205	2	V2183610025	소형육각볼트보통(SP)	M10X25		4			
205	3	11611812500GB	레버 COMP , 액셀레이터			1			
205	4	15965120021	라이닝(11X30X03)			2			
205	5	36104400180	소입폴리핀 와셔			1			
205	6	14527060010	접시스프링와셔/M10			2			
205	7	V4111600100	평와셔			1			
205	8	V3232600100	소형홍불이육각너트저형	M10		1			
205	9	V5001920015	분할핀			1			
205	10	17681170050	그립(리버스)			1			
205	11	14136011300GB	후드(잠금/G) COMP			1			
205	12	V2183608020	소형육각볼트보통(SP)	M8X20		2			
205	13	11616024210	후드 스테이 B			1			
205	14	V2183608020	소형육각볼트보통(SP)	M8X20		2			
205	15	11616024100	스테이 COMP , 후드 A			1			
205	16	V2003606020	육각볼트(보통)	M6X20		1			
205	17	V4111600060	평와셔	M6		1			
205	18	V3013600060	육각너트보통2종			2			
205	19	14445070030	레버손잡이			1			
205	20	14143120020	텐션스프링 (53)			1			
205	21	11611812300GB	브래킷, 퓨즈박스			1			
205	22	V2183608020	소형육각볼트보통(SP)	M8X20		2			
205	23	18507024200	퓨즈박스 브래킷 COMP			1			
205	24	V2123606016	육각볼트(SP)	M6X16		2			
205	25	11616802500	퓨즈박스 ASSY			1			
205	26	11611812400GB	퓨즈 플레이트			1			
205	27	V2123606016	육각볼트(SP)	M6X16		2			
205	29	119C10-77600	드라이버, 솔레노이드			1			
205	30	V2123606020	육각볼트(SP)	M6X20		2			
205	31	11611611100GB	액셀 와이어 홀더 COMP			1			
205	32	V2183610020	소형육각볼트보통(SP)	M10X20		1			
205	33	10501812600	액셀 케이블 ASS'Y			1			
205	34	V4111600060	평와셔	M6		1			
205	35	V5001920020	분할핀			1			
205	36	36423600080	호스클립(D=12.5)			1			
205	37	12651040300	캡 , 라디에이터			1			
205	38	14946212901	5P 릴레이			2			
205	39	15606642401	플래셔(3P/금색)			1			
205	40	17686641110	예열릴레이			1			
205	41	V2123606016	육각볼트(SP)	M6X16		4			
205	42	11111162411	핀 , 액셀레이터			1			
205	43	V4111600060	평와셔	M6		1			
205	44	V5601600008	스냅핀	8		1			
205	45	20115300010	릴레이(TWIN) ASSY			1			
205	46	V2123606025	육각볼트(SP)	M6X25		1			
NOTE									

<b>FIG 205</b> T194M	<b>ACCELERATOR</b>	년/월 Year/Month 2022-12
-------------------------	--------------------	------------------------------

KEY NO		PART NO	DESCRIPTION	SPEC	QTY	REPAIR	EFFECTIVE DATE	REMARKS
205	47	V3012600060	육각너트보통2종		1			
205	50	16586652000	부저조합		1			

NOTE	
------	--

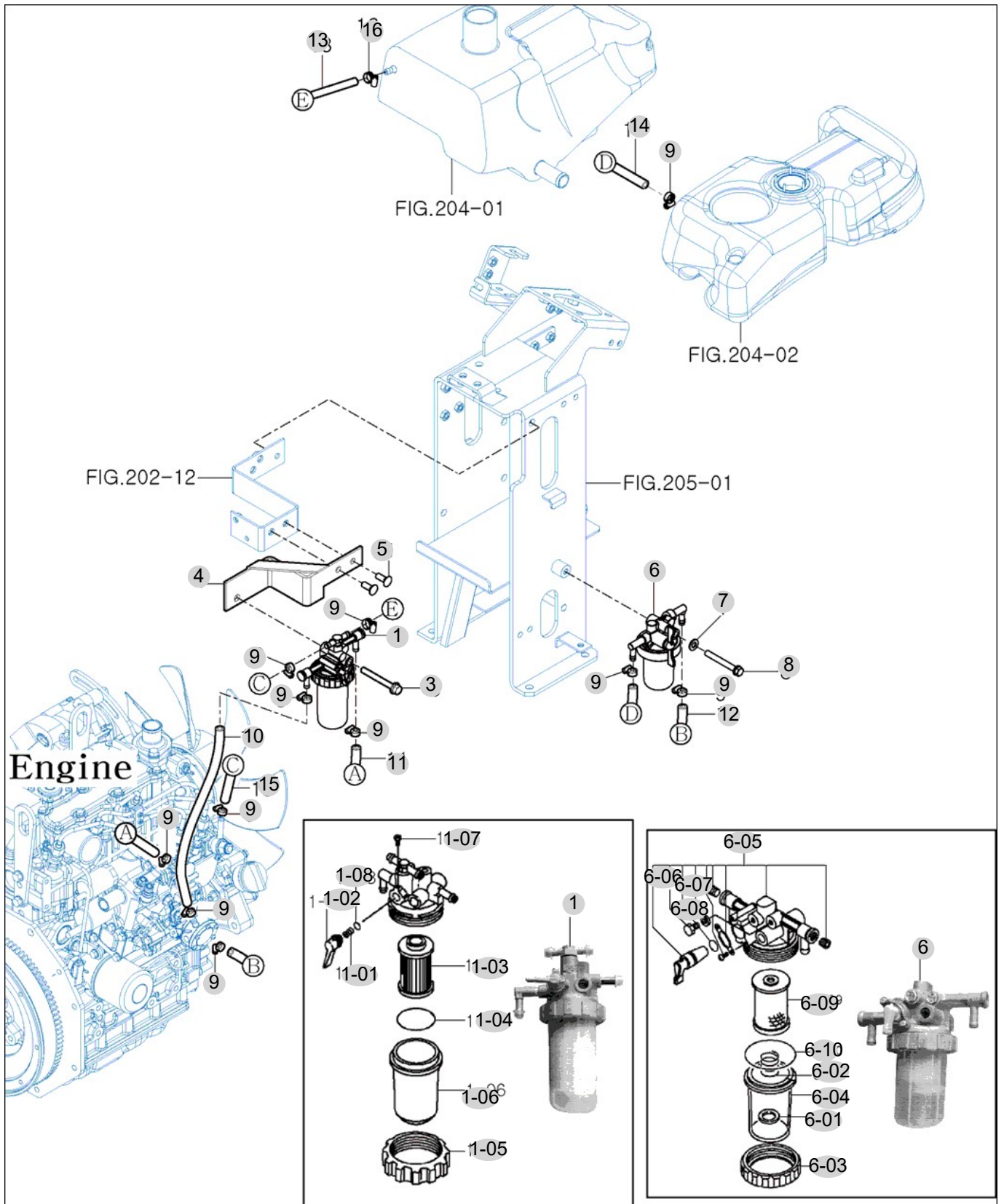
FIG 206

T194M

FUEL FILTER

년/월  
Year/Month

2022-12



NOTE



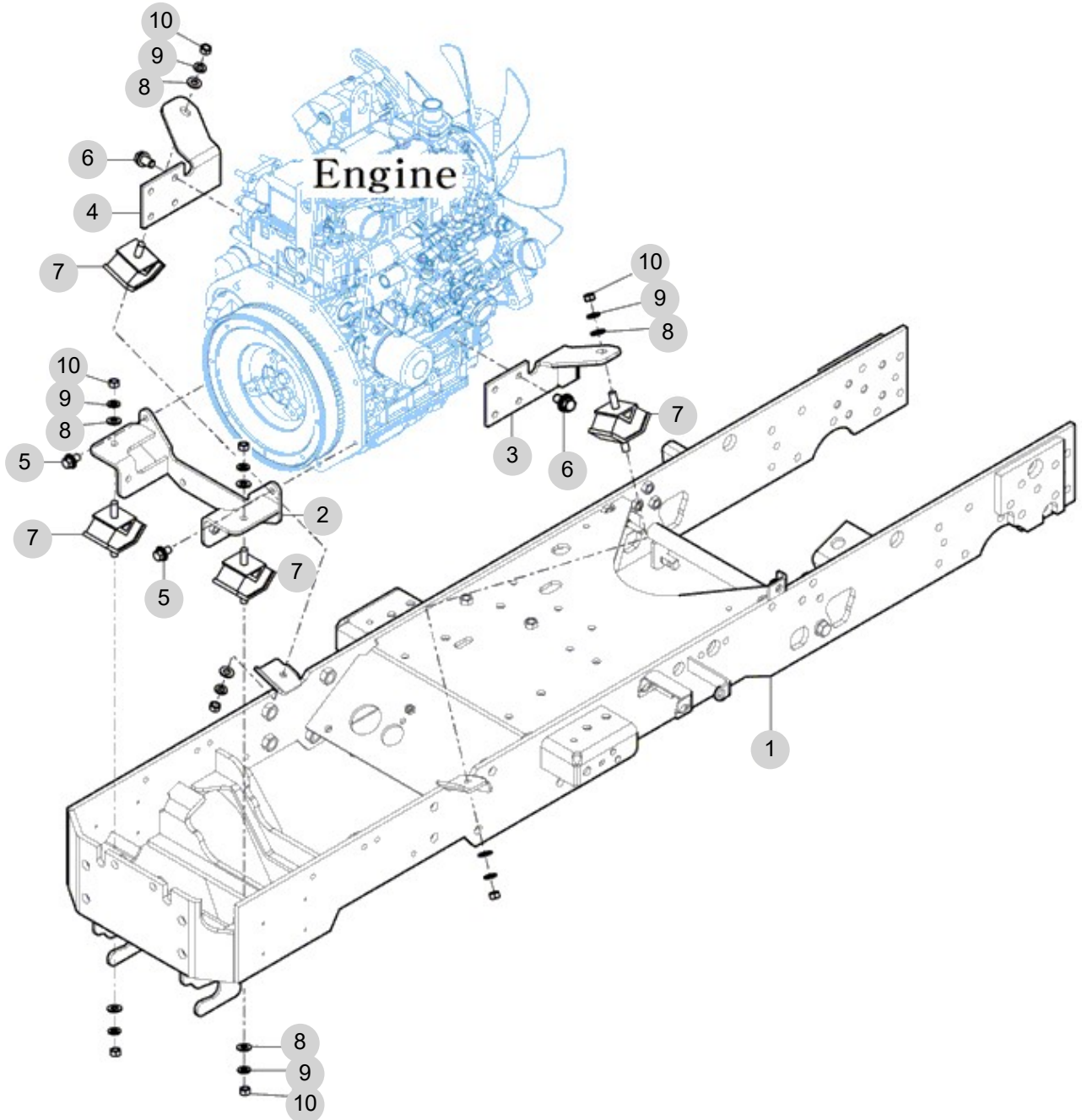
FIG 207

ENGINE MOUNTING

년/월  
Year/Month

2022-12

T194M



NOTE

FIG 207		ENGINE MOUNTING						년/월 Year/Month	
								2022-12	
T194M		KEY NO	PART NO	DESCRIPTION	SPEC	QTY	REPAIR	EFFECTIVE DATE	REMARKS
207	1	11611011000ED	메인 프레임 COMP			1			
207	2	11611012700GB	마운팅 브래킷 COMP, 후			1			
207	3	11611012500GB	마운팅 브래킷 COMP, LH			1			
207	4	11611012600GB	마운팅 브래킷 COMP, RH			1			
207	5	V2183610020	소형육각볼트보통(SP)	M10X20		4			
207	6	V2183610025	소형육각볼트보통(SP)	M10X25		8			
207	7	36501510110	엔진 마운트 고무			4			
207	8	V4111600100	평와셔	M10		8			
207	9	V4011600100	스프링와셔	M10		8			
207	10	V3042600100	소형육각너트보통2종	M10		8			
NOTE									



### 3. 클러치/브레이크/스티어링 PART NO. T3

FIG 302 BRAKE PEDAL & LINKAGE	58
FIG 303 SPEED CONTROL	60
FIG 304 DASH COVER	62
FIG 305 STEERING VALVE	64
FIG 306 STEERING CYLINDER	66
FIG 307 TIRE	68

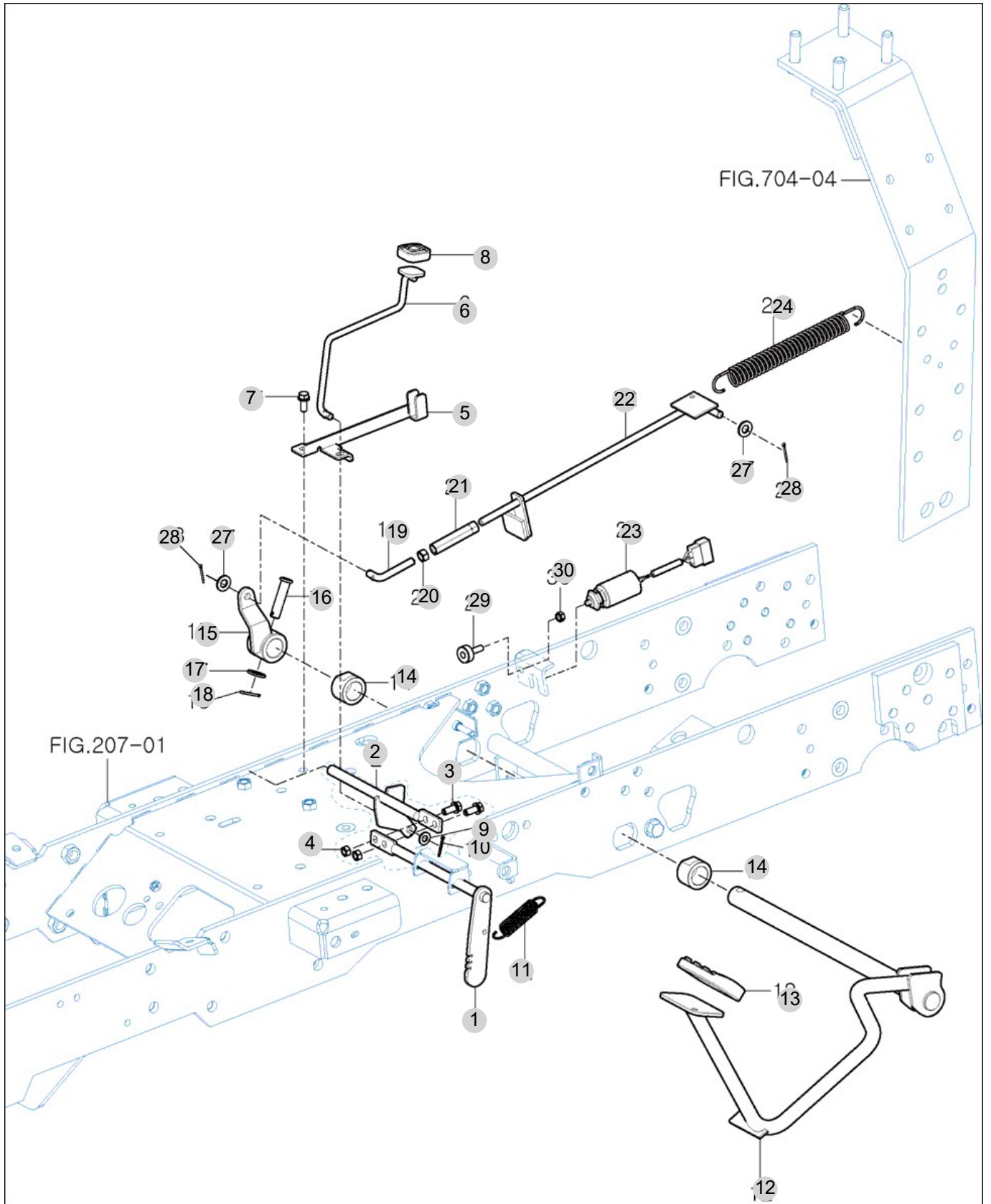
FIG 302

T194M

BRAKE PEDAL & LINKAGE

년/월  
Year/Month

2022-12



NOTE



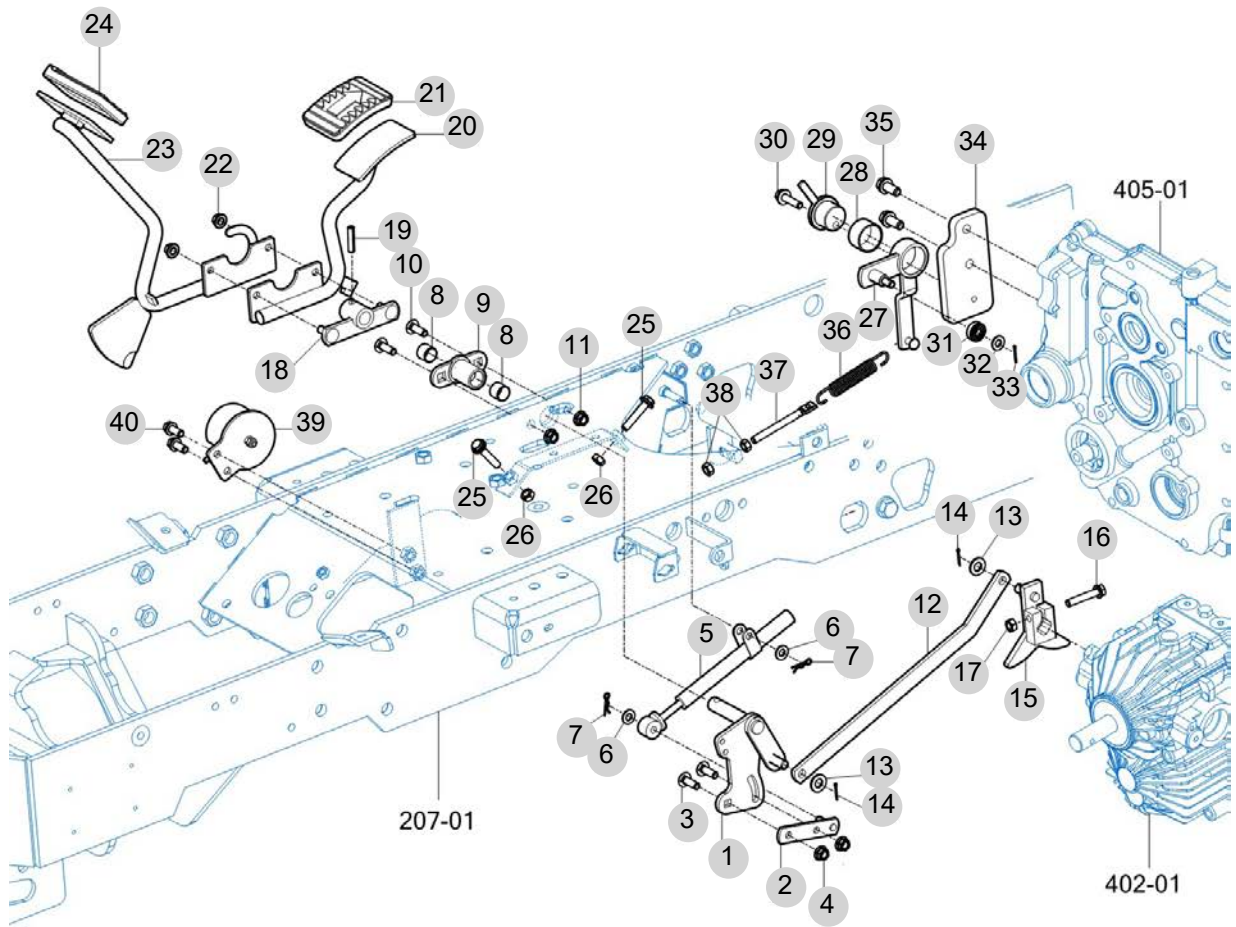
FIG 303

SPEED CONTROL

년/월  
Year/Month

2022-12

T194M



NOTE



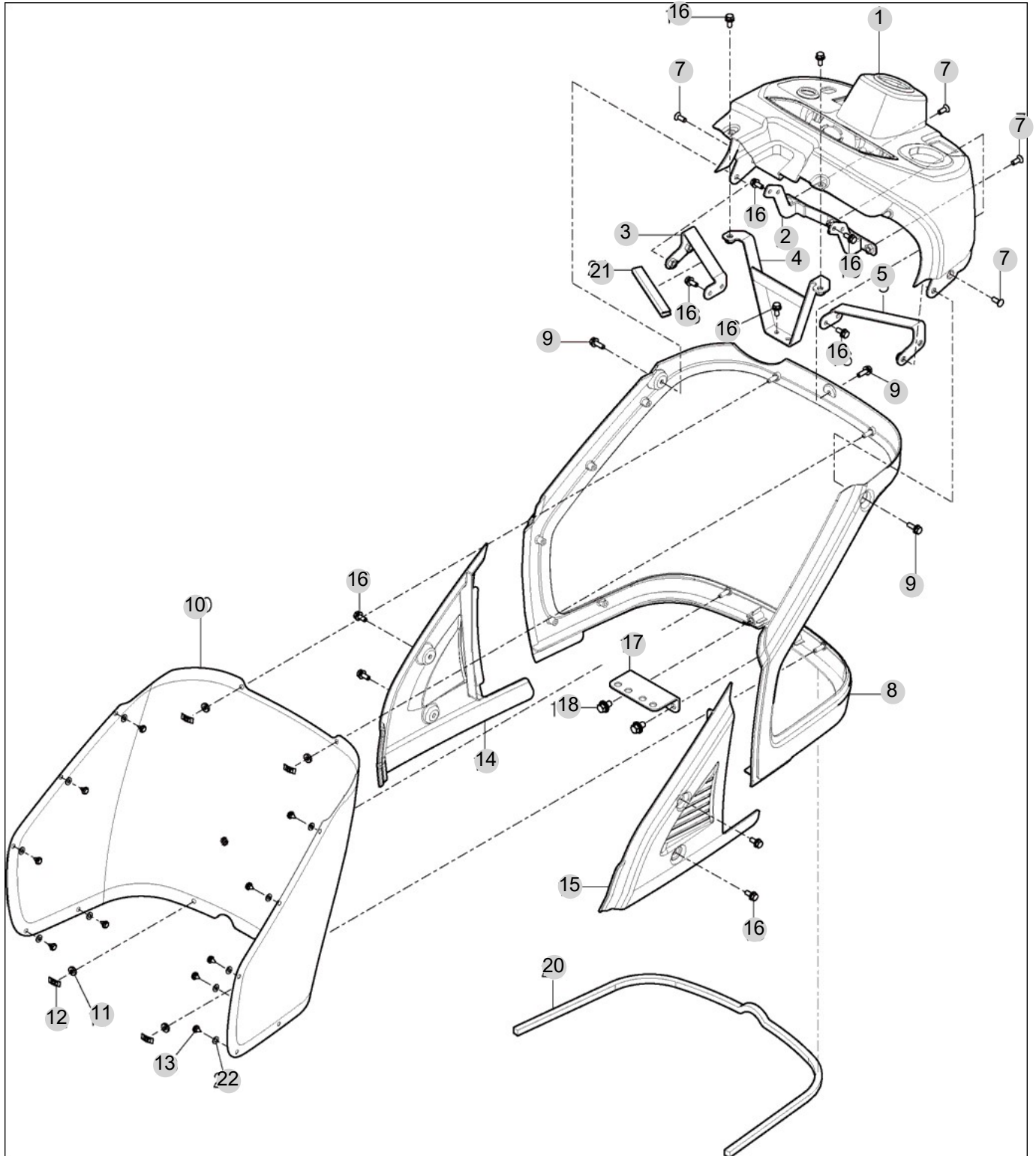
FIG 304

DASH COVER

년/월  
Year/Month

2022-12

T194M



NOTE



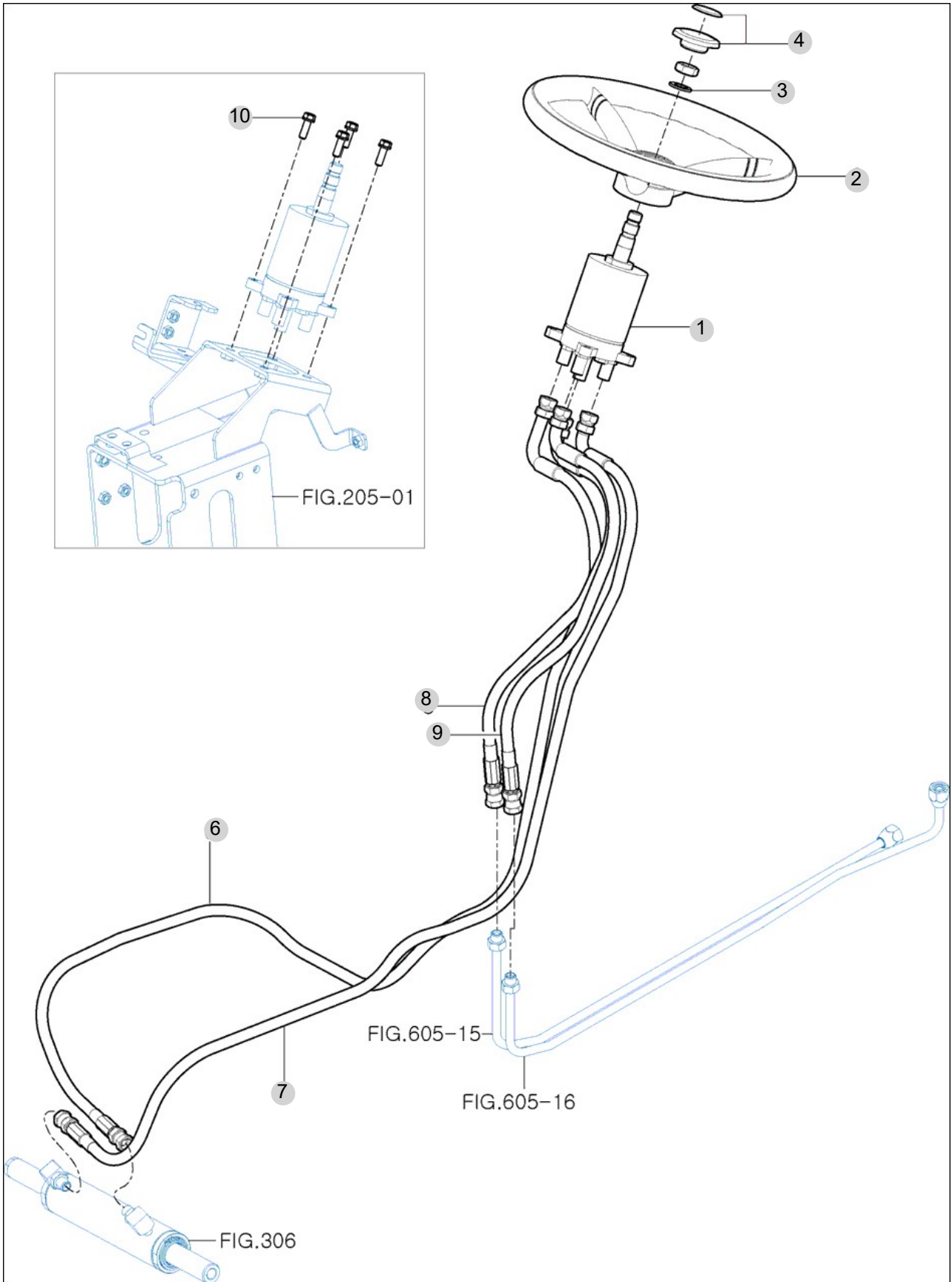
FIG 305

STEERING VALVE

년/월  
Year/Month

2022-12

T194M



NOTE





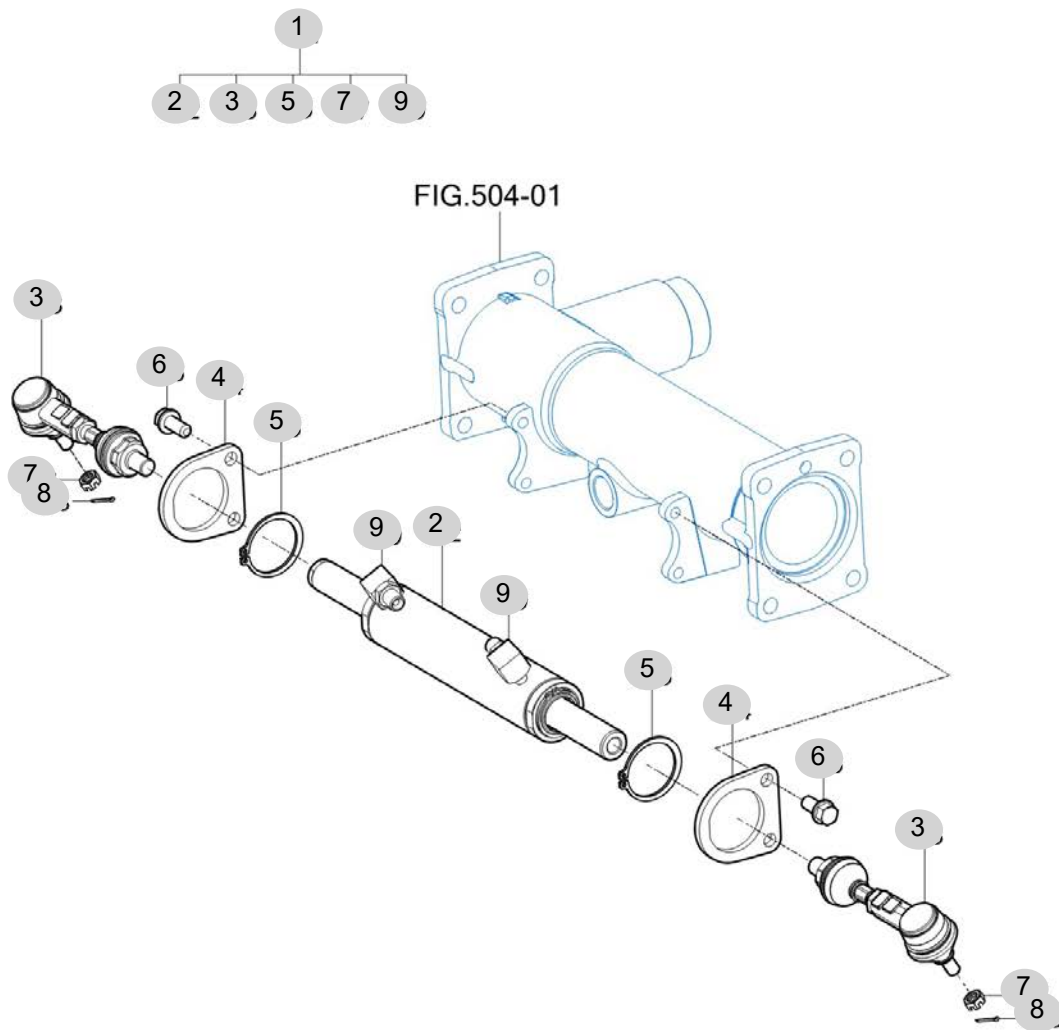
FIG 306

T194M

STEERING CYLINDER

년/월  
Year/Month

2022-12



NOTE

FIG 306 T194M		STEERING CYLINDER						년/월 Year/Month	
								2022-12	
KEY NO	PART NO	DESCRIPTION	SPEC	QTY	REPAIR	EFFECTIVE DATE	REMARKS		
306	1	11614050000	실린더 SUB ASSY			1			
306	2	11614051000	실린더 ASSY			1			
306	3	11614051300	타이로드 앤드 조합			2			
306	4	11614120020	실린더 스테이			2			
306	5	V7041400500	C형멈춤링(축용)			2			
306	6	V2173610020	소형육각볼트보통(S)	M10X20		4			
306	7	V3222600100	홍볼이너트			2			
306	8	V5001925020	핀			2			
306	9	80105030270	유니온(PF1/4,PT1/4)			2			
NOTE									

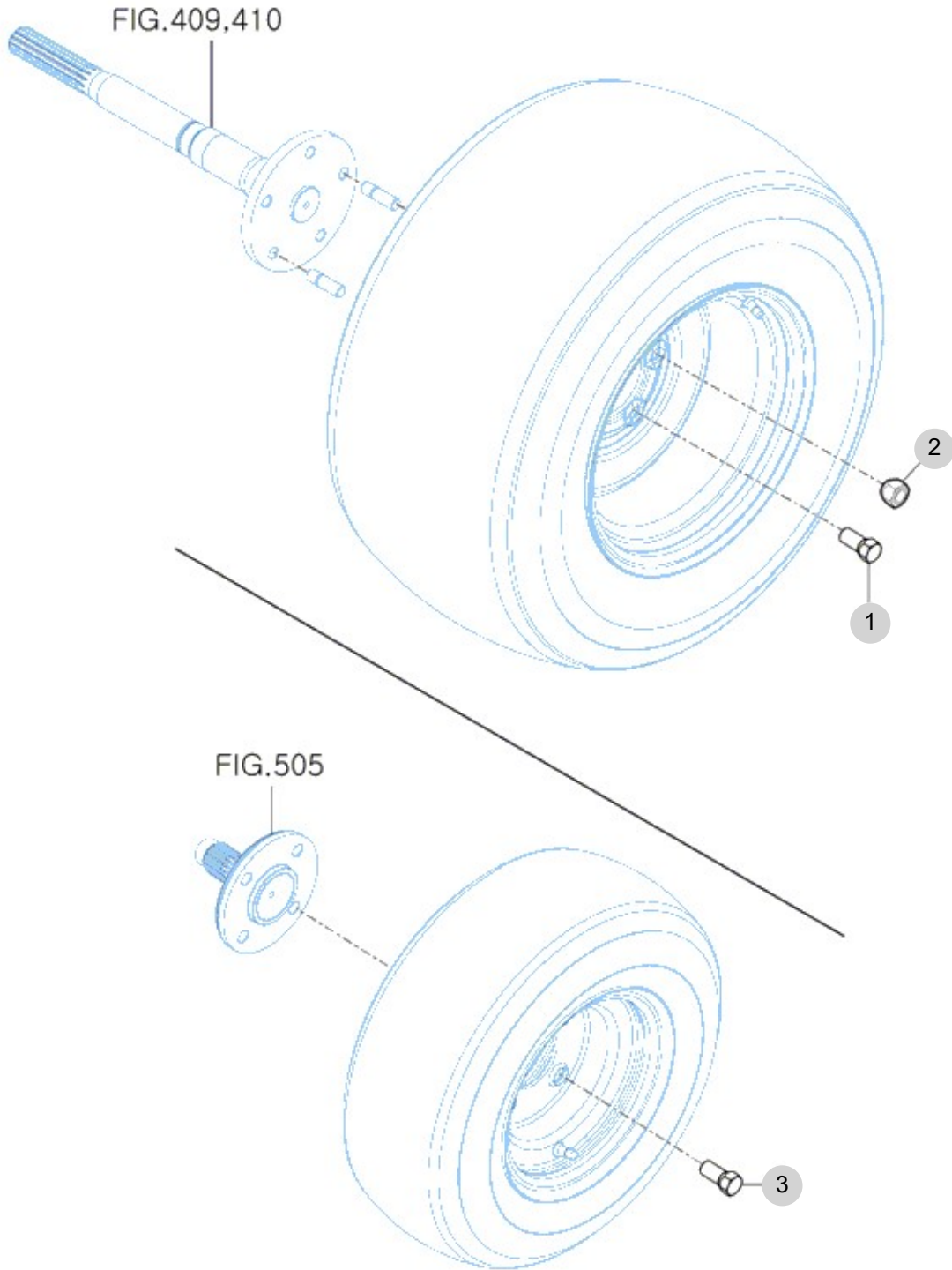
FIG 307

T194M

TIRE

년/월  
Year/Month

2022-12



NOTE



#### 4. 트랜스미션 PART NO. T4

FIG 401 INPUT SHAFT	71
FIG 402 HST	73
FIG 403 PTO CLUTCH SUB& RANGE GEAR SUB	75
FIG 404 SPIRAL BEVEL PINION & 4WD SHAFT SUB	77
FIG 405 INPUT METAL	79
FIG 406 P T O COUNT SHAFT SUB & REAR P.T.O SUB	81
FIG 407 MID P T O IDLE GEAR & MID P T O SUB	83
FIG 408 DIFF LOCK	85
FIG 409 REAR TRANSMISSION CASE	87
FIG 410 REAR AXLE HOUSING	89
FIG 411 RANGE SHIFT LEVER	91
FIG 412 P T O CHANGE LEVER	93
FIG 413 GEAR PUMP & PUMP IDLE GEAR SUB	95

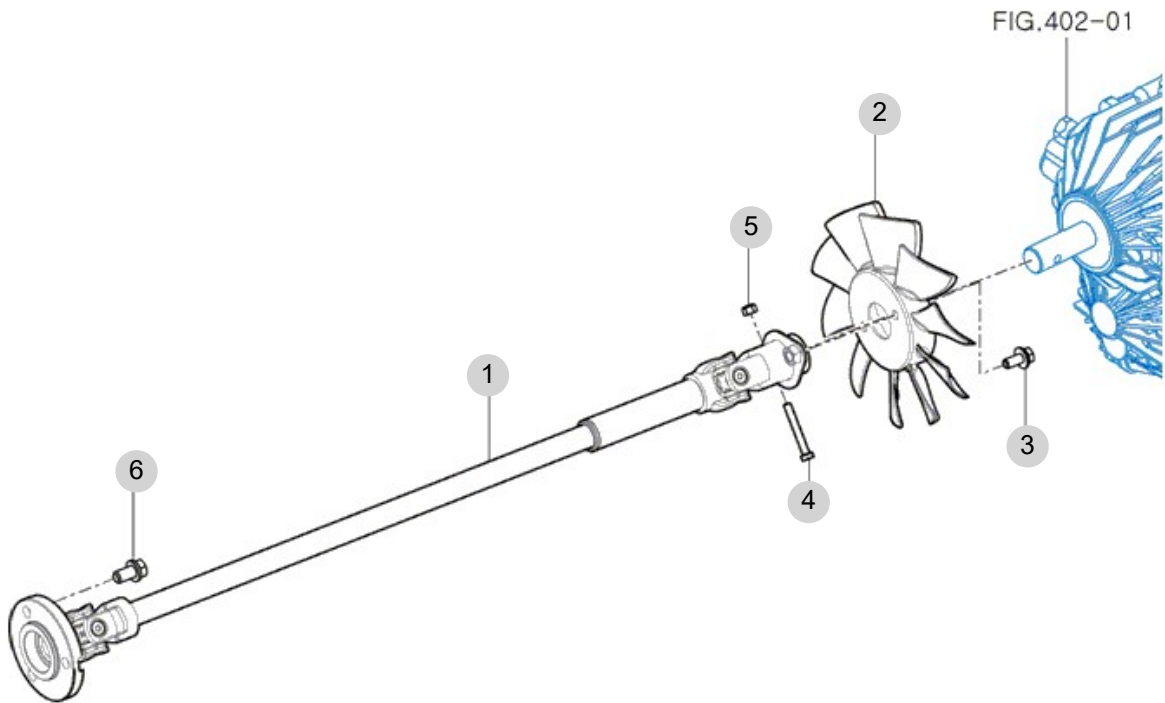
FIG 401

T194M

INPUT SHAFT

년/월  
Year/Month

2022-12



NOTE





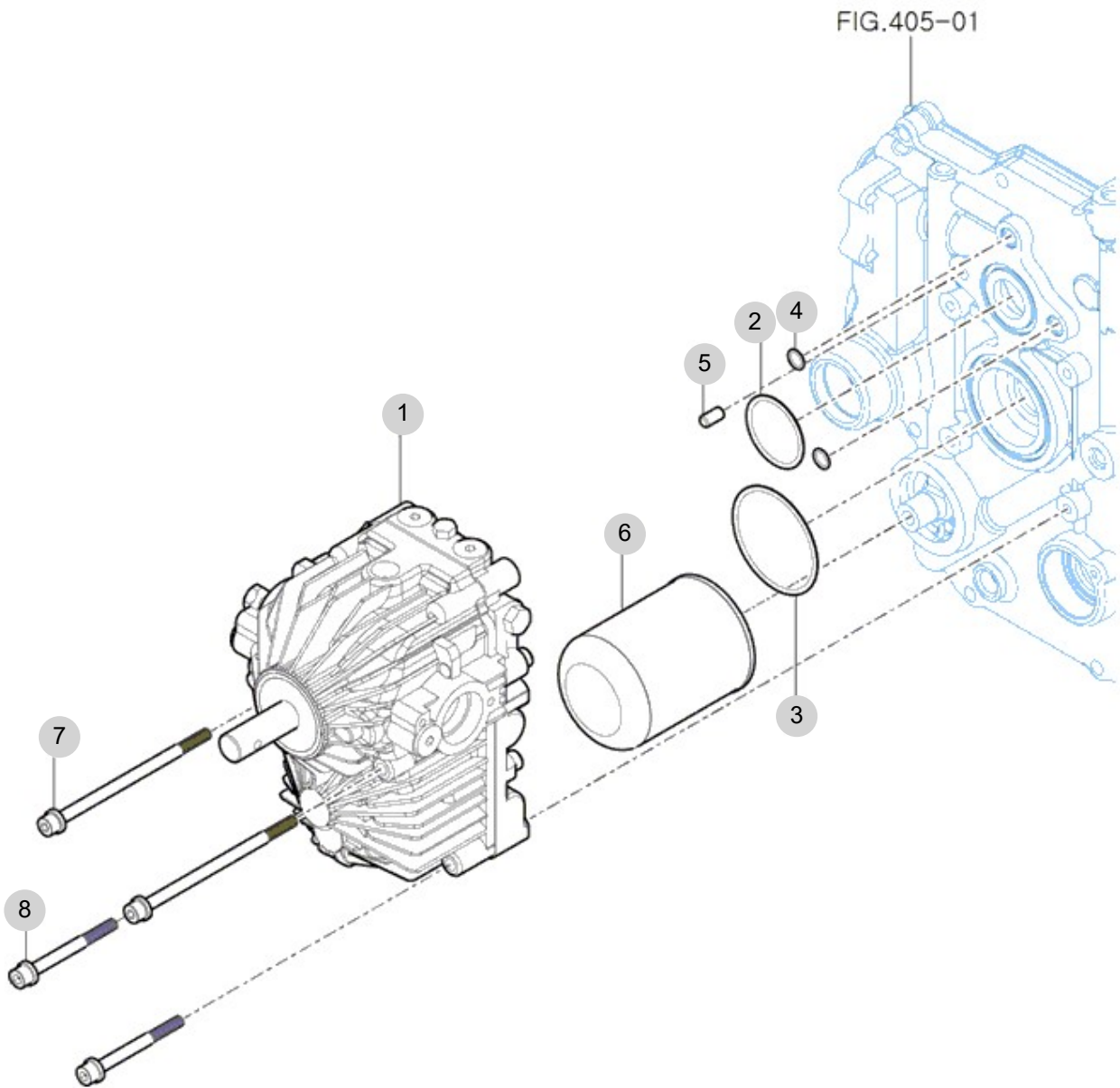
FIG 402

T194M

HST

년/월  
Year/Month

2022-12



NOTE



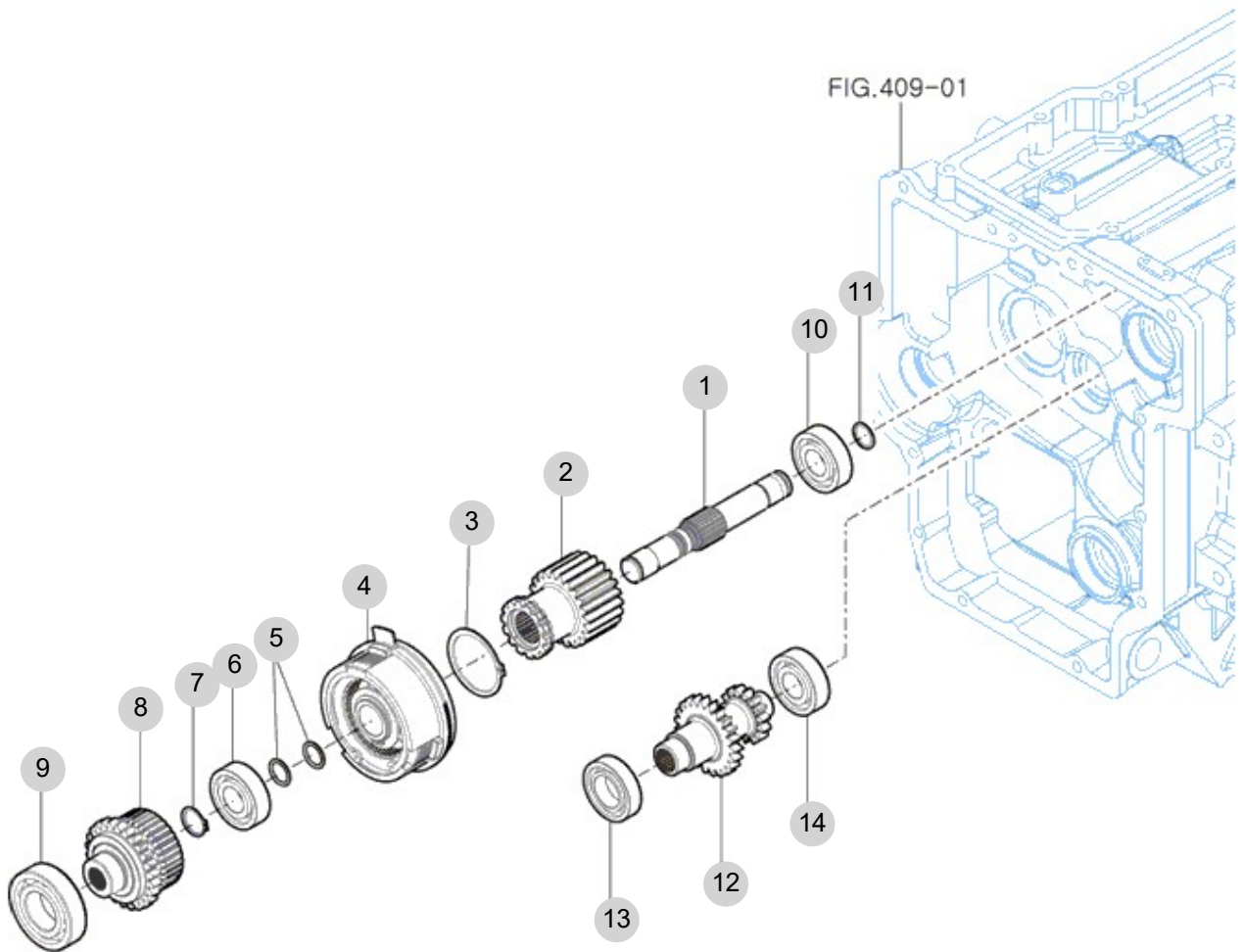
FIG 403

T194M

PTO CLUTCH SUB& RANGE GEAR SUB

년/월  
Year/Month

2022-12



NOTE



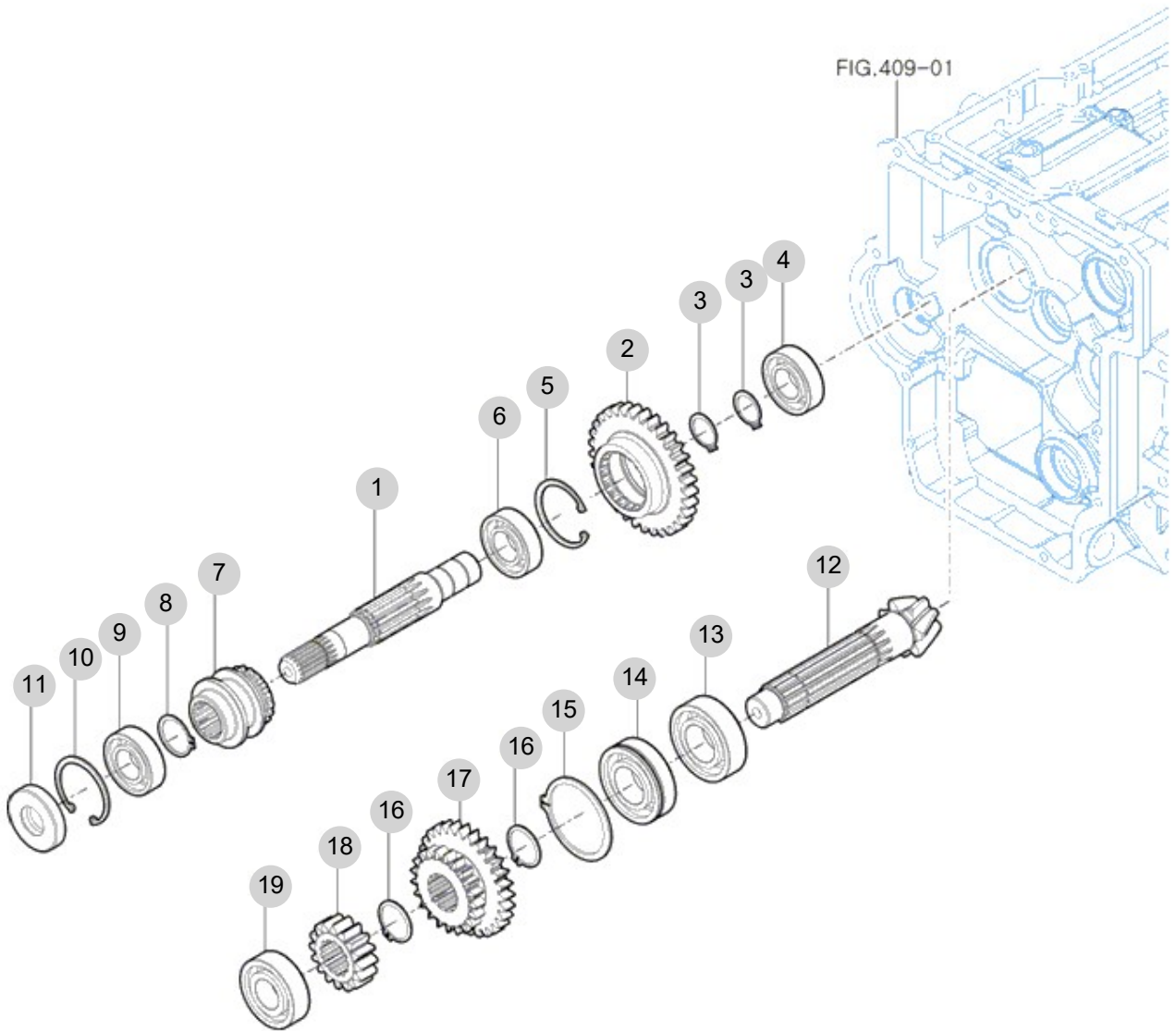
FIG 404

T194M

SPIRAL BEVEL PINION & 4WD SHAFT SUB

년/월  
Year/Month

2022-12



NOTE



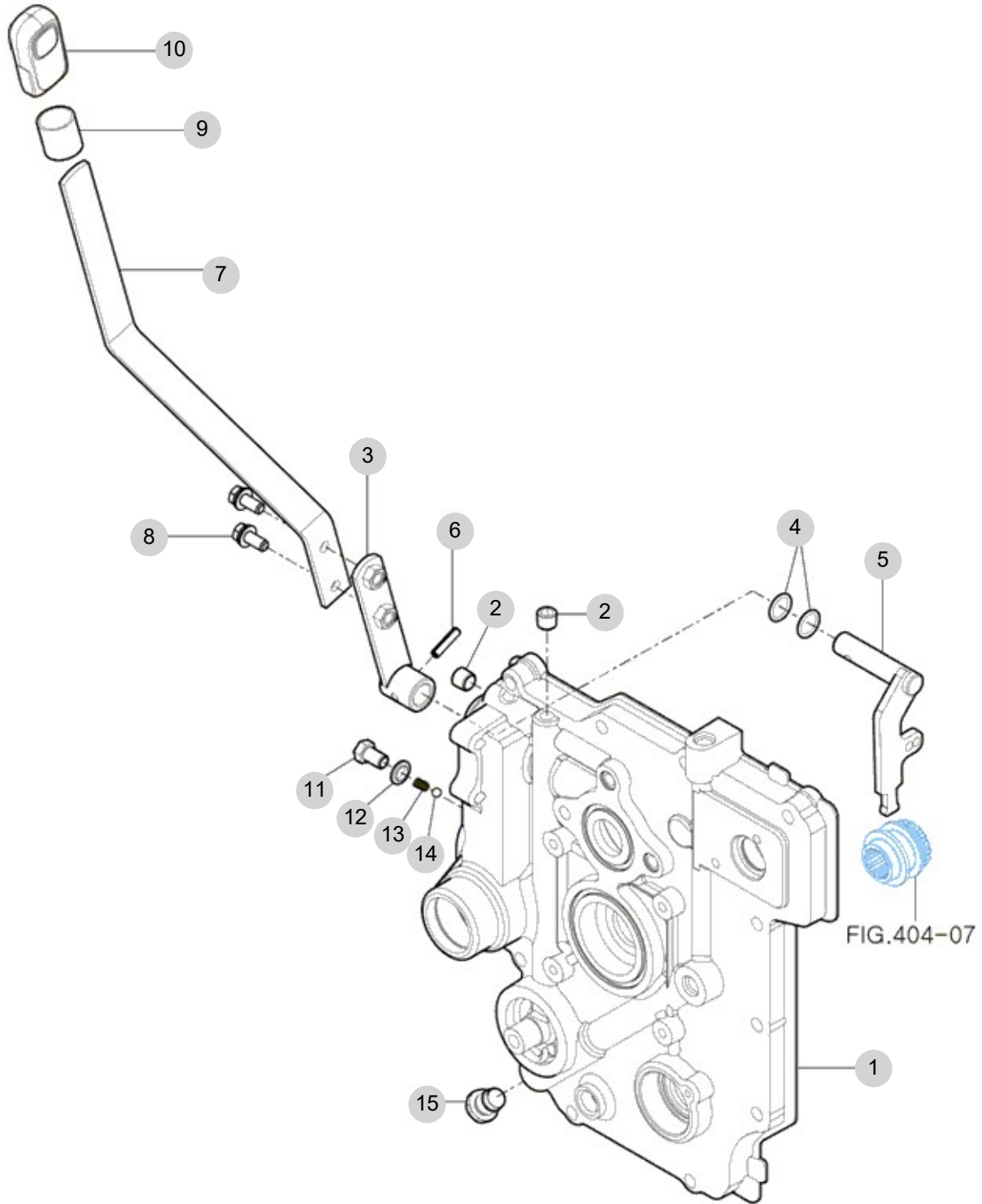
FIG 405

T194M

INPUT METAL

년/월  
Year/Month

2022-12



NOTE





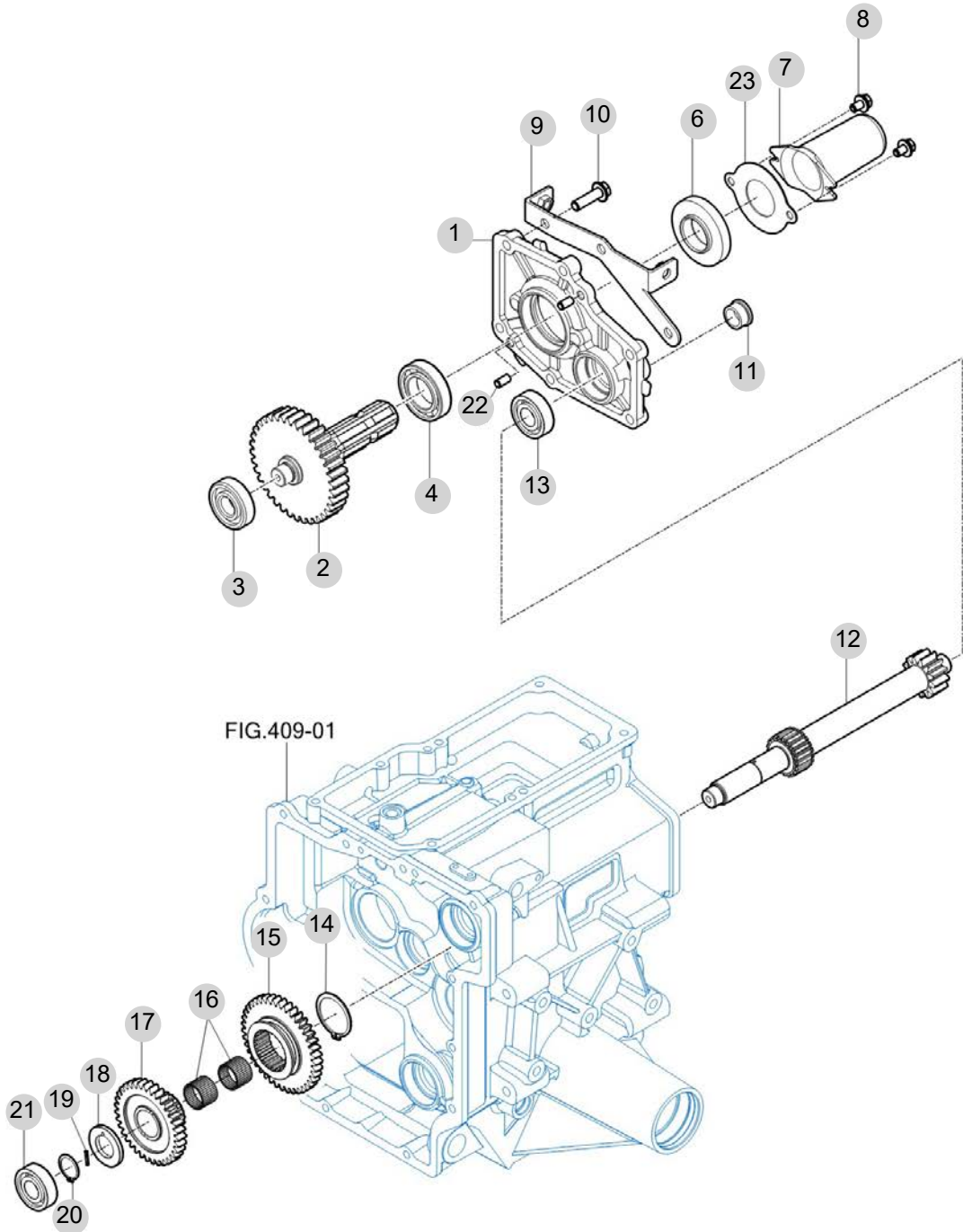
FIG 406

T194M

P T O COUNT SHAFT SUB & REAR P.T.O SUB

년/월  
Year/Month

2022-12



NOTE



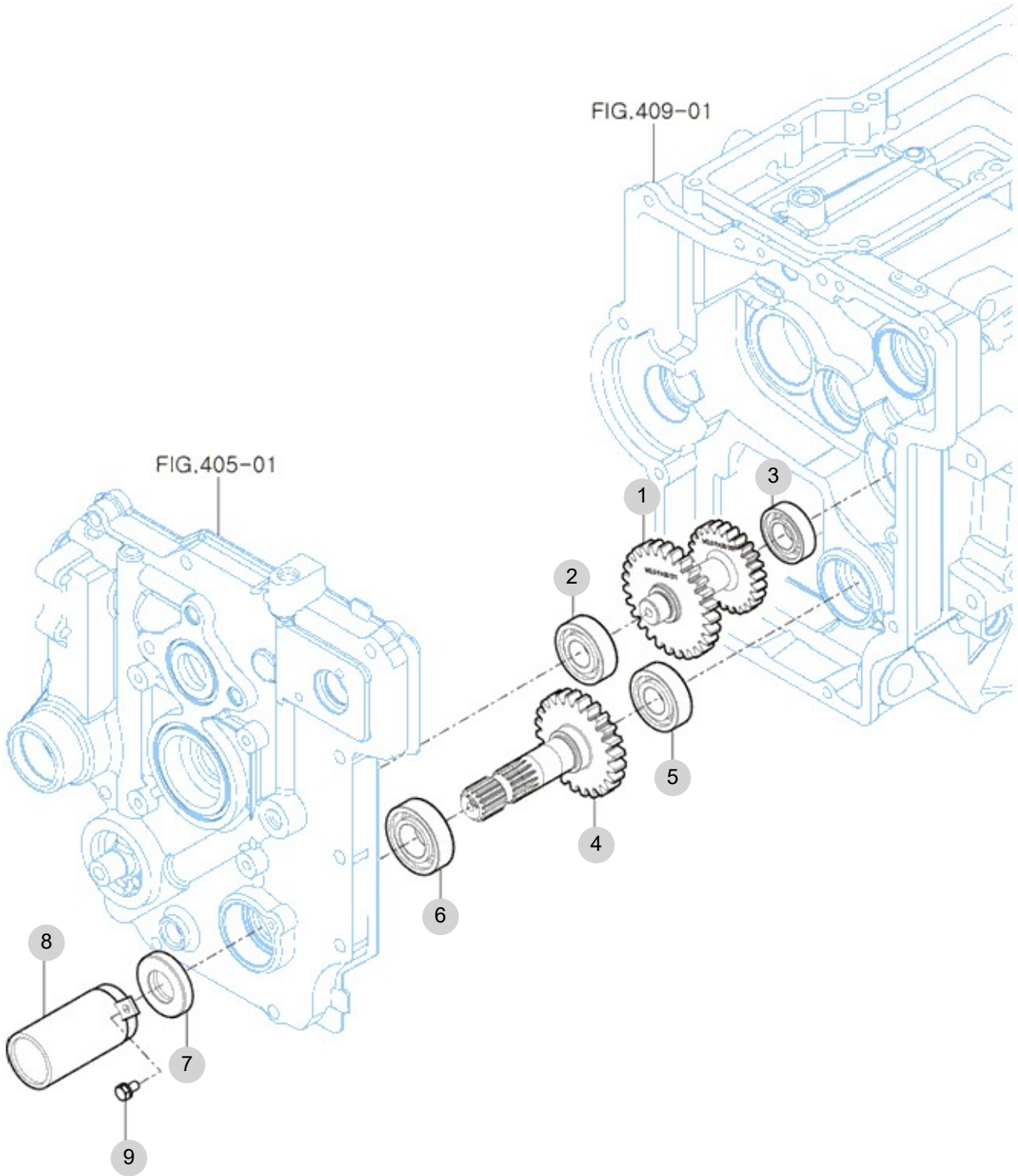
FIG 407

T194M

MID P T O IDLE GEAR & MID P T O SUB

년/월  
Year/Month

2022-12



NOTE



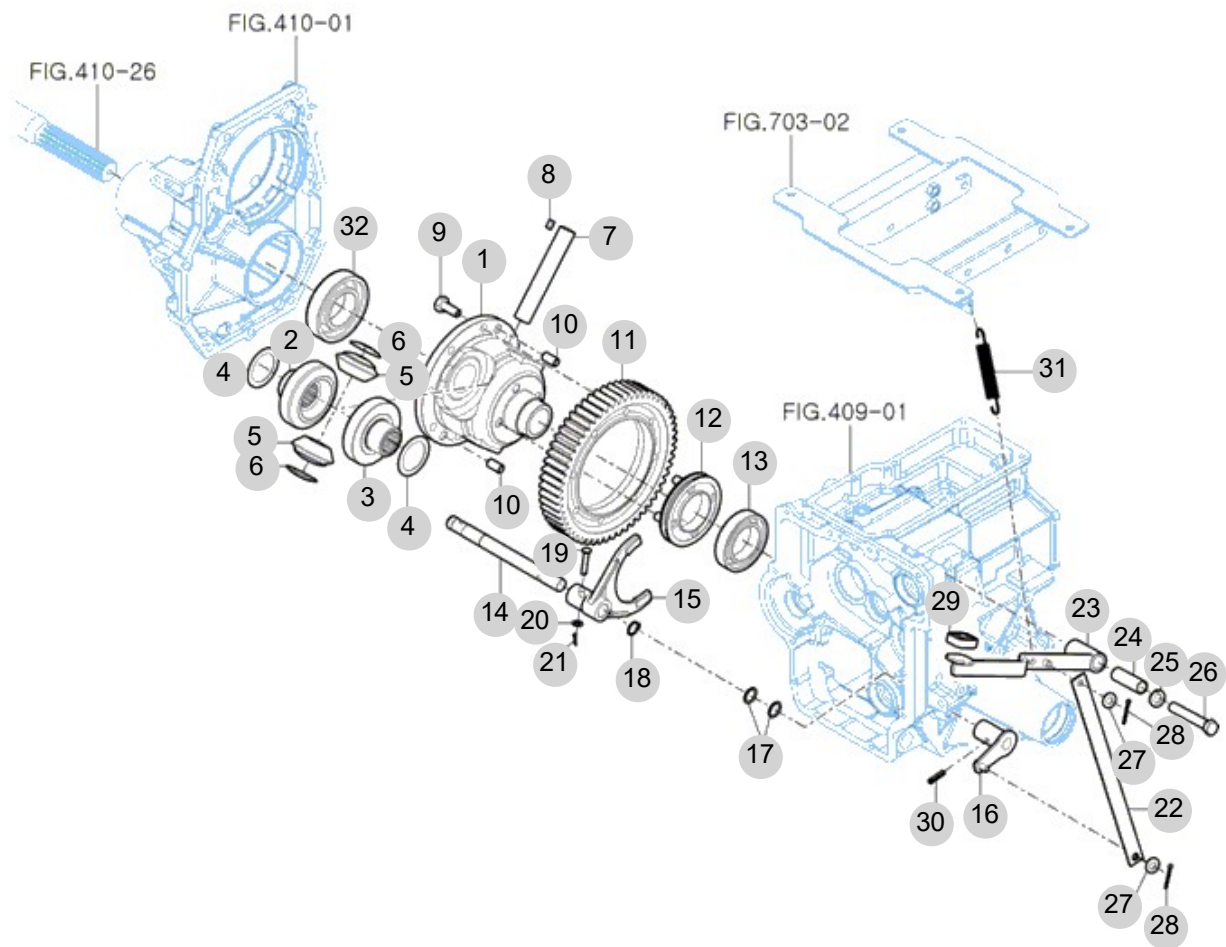
FIG 408

T194M

DIFF LOCK

년/월  
Year/Month

2022-12



NOTE



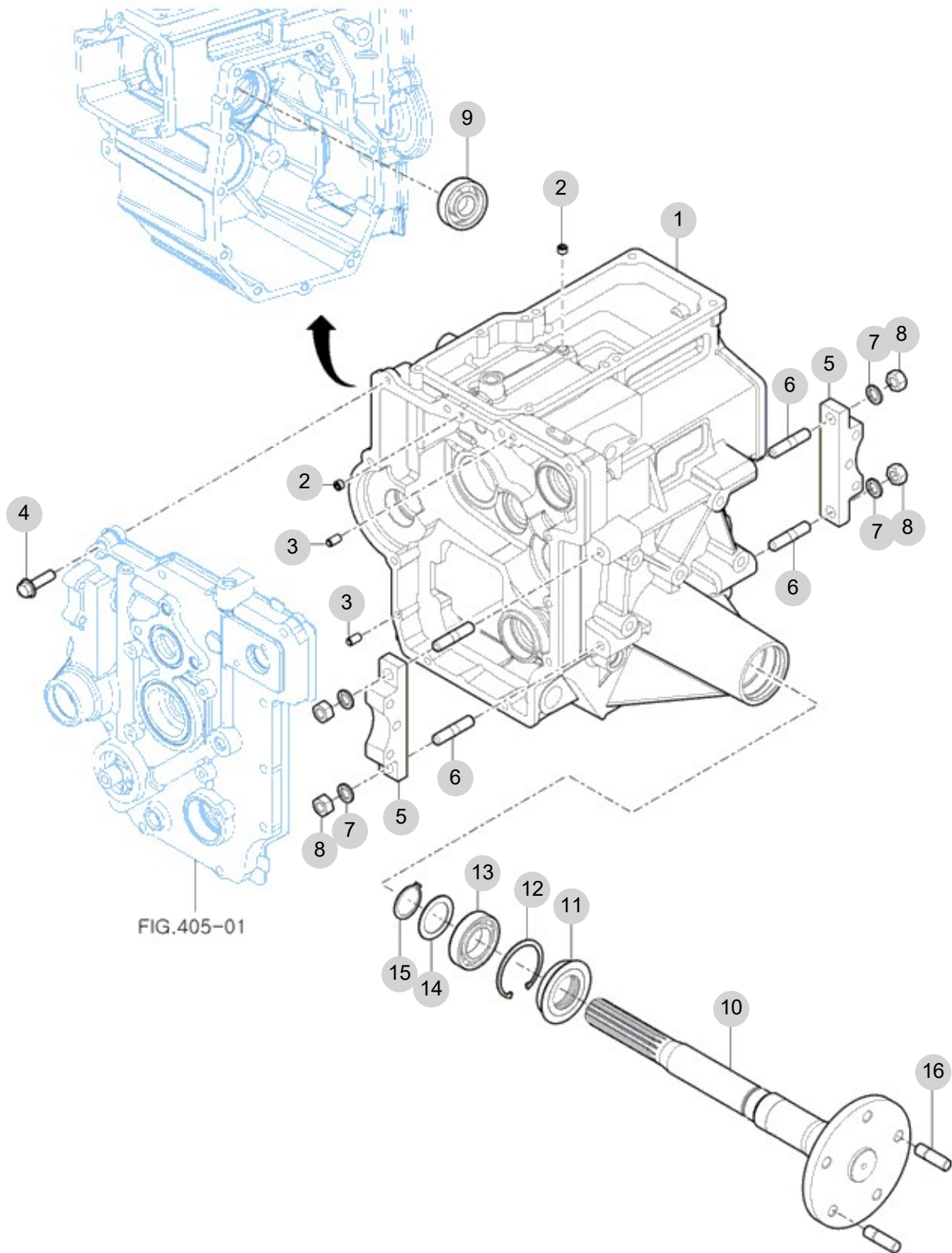
FIG 409

REAR TRANSMISSION CASE

년/월  
Year/Month

2022-12

T194M



NOTE





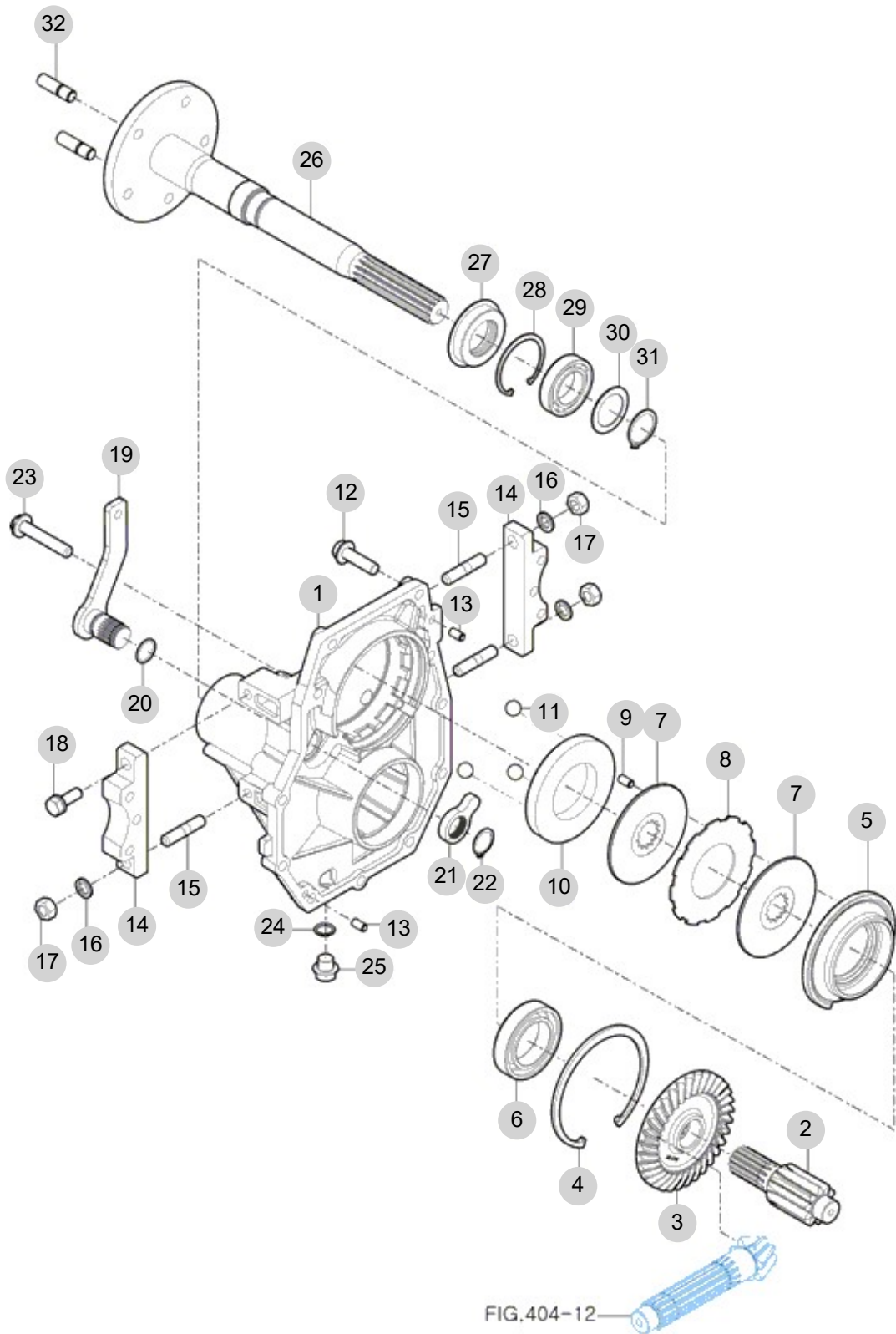
FIG 410

REAR AXLE HOUSING

년/월  
Year/Month

2022-12

T194M



NOTE



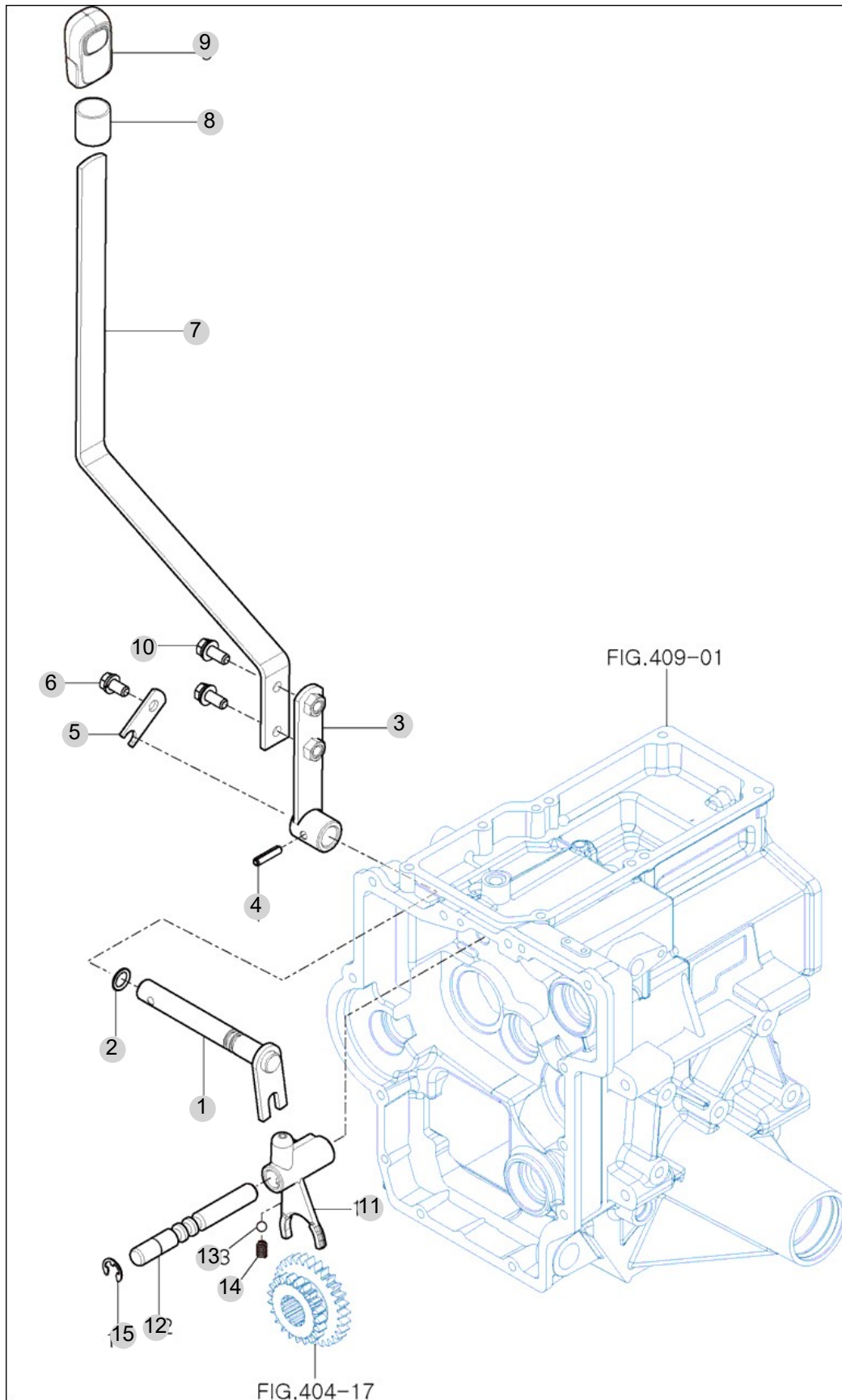
FIG 411

T194M

RANGE SHIFT LEVER

년/월  
Year/Month

2022-12



NOTE

FIG 411 T194M		RANGE SHIFT LEVER					년/월 Year/Month	
							2022-12	
KEY NO	PART NO	DESCRIPTION	SPEC	QTY	REPAIR	EFFECTIVE DATE	REMARKS	
411	1	11612432100	부변속 후크 COMP					
411	2	V7201019012	O링(P)					
411	3	11612432200	부변속 암 COMP					
411	4	V5801406025	스프링핀	6X25	1			
411	5	16702230371	플레이트		1			
411	6	V2173608016	소형육각볼트보통(S)	M8X16	1			
411	7	11612430030	부변속 레버		1			
411	8	11613160020	튜브(스트레이트 , 110)		1			
411	9	11106073030	노브 , 4WD		1			
411	10	V2183608020	소형육각볼트보통(SP)	M8X20	2			
411	11	11612430010M	부변속 포크		1			
411	12	11612430020	부변속 스테이		1			
411	13	V6802000010	강구		1			
411	14	11612530060	스프링(HC023)		1			
411	15	V7081400100	E형멈춤링		1			
NOTE								

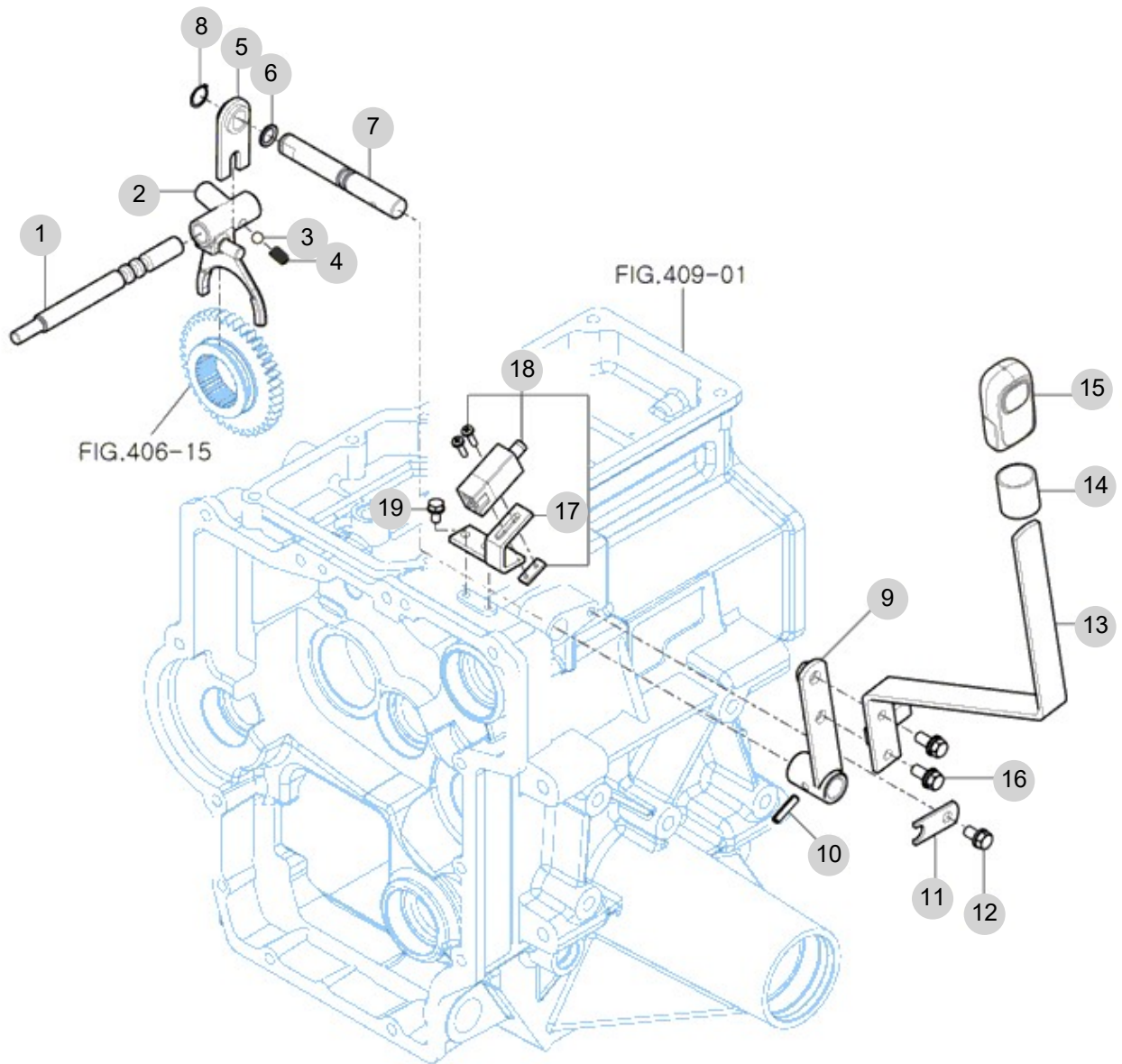
FIG 412

T194M

P T O CHANGE LEVER

년/월  
Year/Month

2022-12



NOTE

FIG 412		P T O CHANGE LEVER					년/월 Year/Month	
T194M							2022-12	
KEY NO		PART NO	DESCRIPTION	SPEC	QTY	REPAIR	EFFECTIVE DATE	REMARKS
412	1	11612320030	PTO 스테이		1			
412	2	11612530050M	PTO 포크		1			
412	3	V6802000010	강구		1			
412	4	V5801405025	스프링핀	5X25	1			
412	5	11612542100	PTO 후크 COMP		1			
412	6	V7201019012	O링(P)		1			
412	7	11612542120	후크		1			
412	8	V7041400160	C형멈춤링(축용)	16	1			
412	9	11612542200	PTO 암 COMP		1			
412	10	V5801406025	스프링핀	6X25	1			
412	11	16702230371	플레이트		1			
412	12	V2173608016	소형육각볼트보통(S)	M8X16	1			
412	13	11612542300	PTO 레버 COMP		1			
412	14	11613160020	튜브(스트레이트, 110)		1			
412	15	11106073040	노브, PTO		1			
412	16	V2183608020	소형육각볼트보통(SP)	M8X20	2			
412	17	11615302100	PTO 스위치 브래킷		1			
412	18	11616642400	스위치 ASSY, 포지션		1			
412	19	V2113606012	육각볼트(S)	M6X12	2			
NOTE								

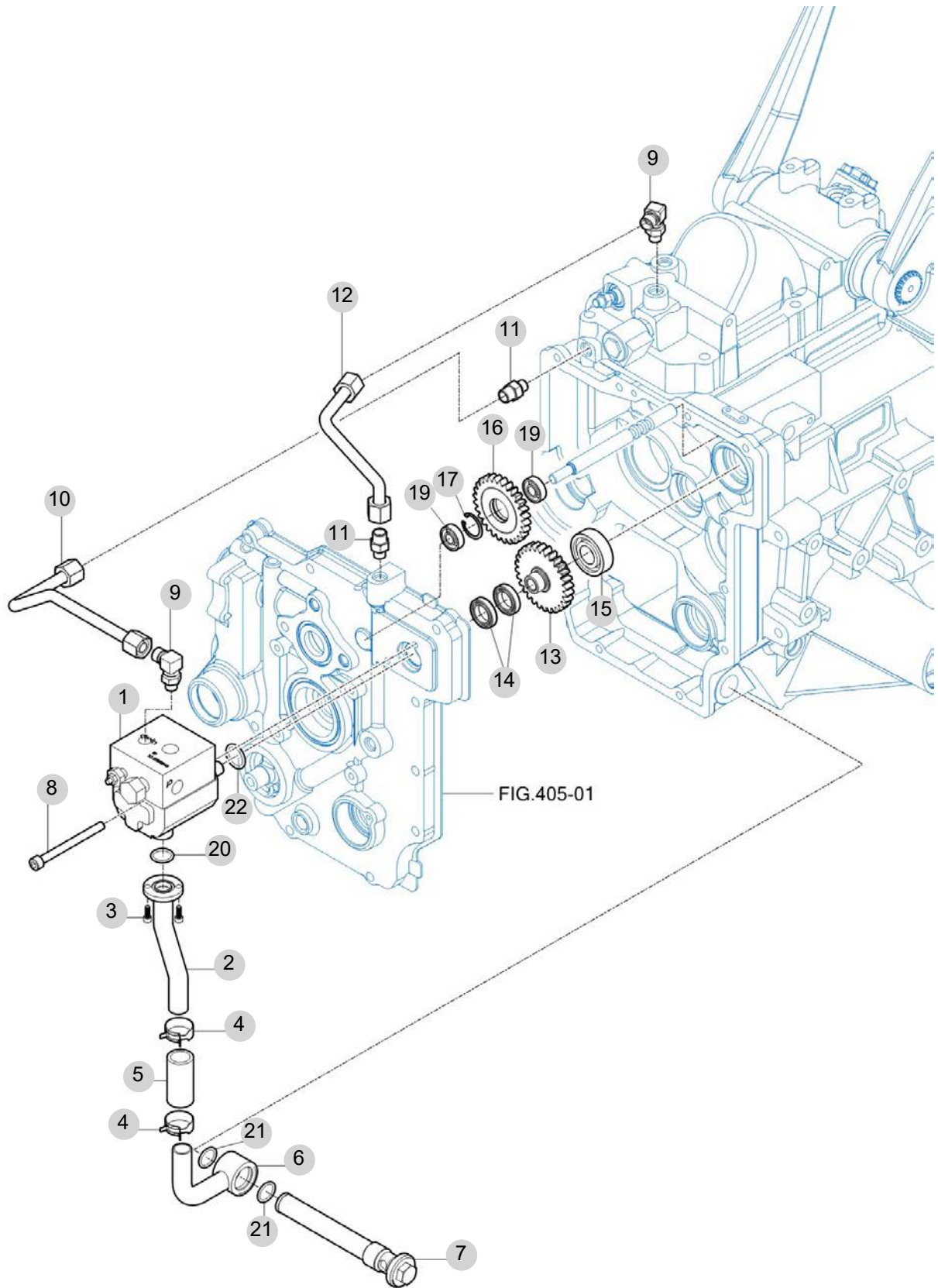
FIG 413

T194M

GEAR PUMP & PUMP IDLE GEAR SUB

년/월  
Year/Month

2022-12



NOTE





## 5. 프런트 액슬 PART NO. T5

FIG 501 FRONT DRIVE SHAFT	98
FIG 502 FRONT DIFFERENTIAL GEAR	100
FIG 503 FRONT AXLE HOUSING	102
FIG 504 FRONT GEAR CASE (1)	104
FIG 505 FRONT GEAR CASE (2)	106

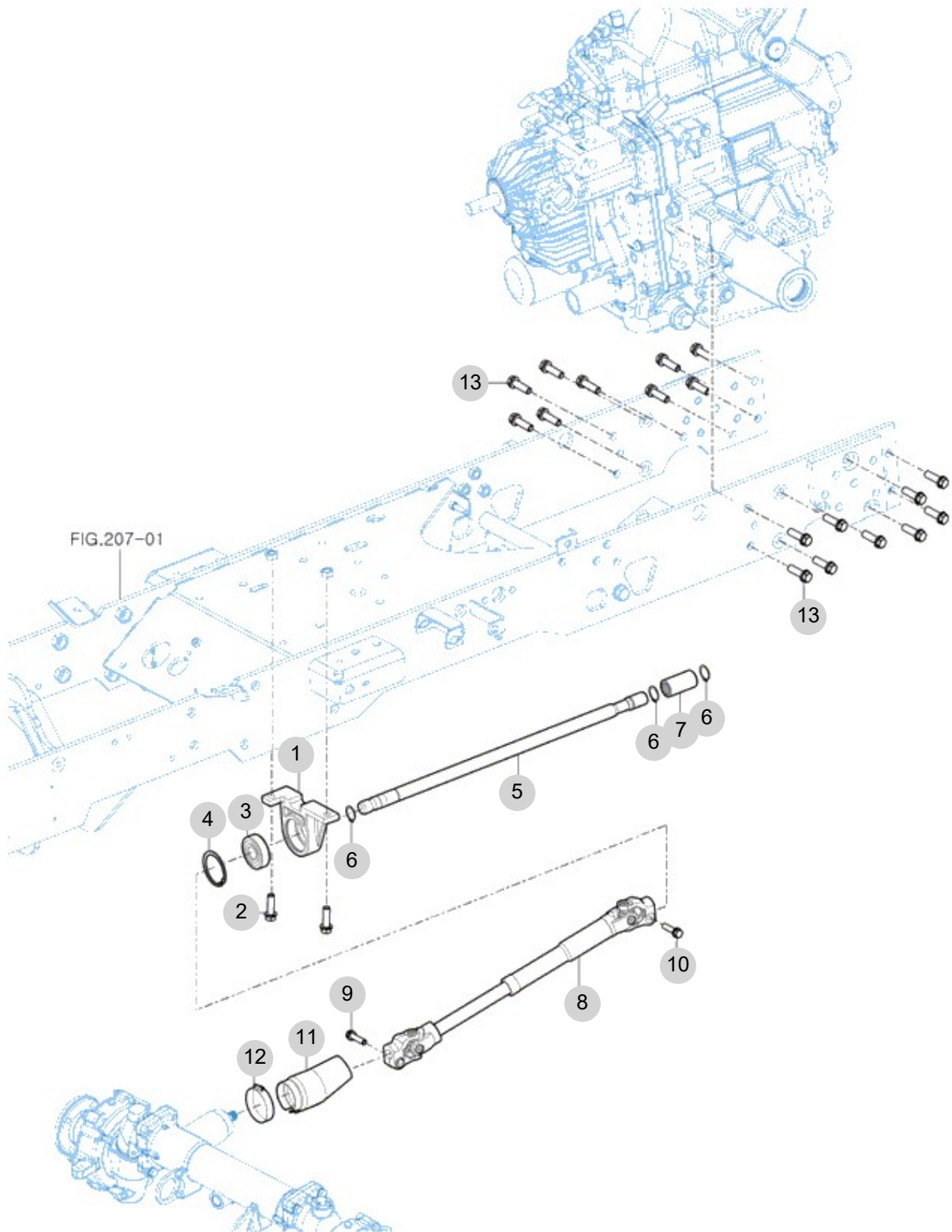
FIG 501

FRONT DRIVE SHAFT

년/월  
Year/Month

2022-12

T194M



NOTE



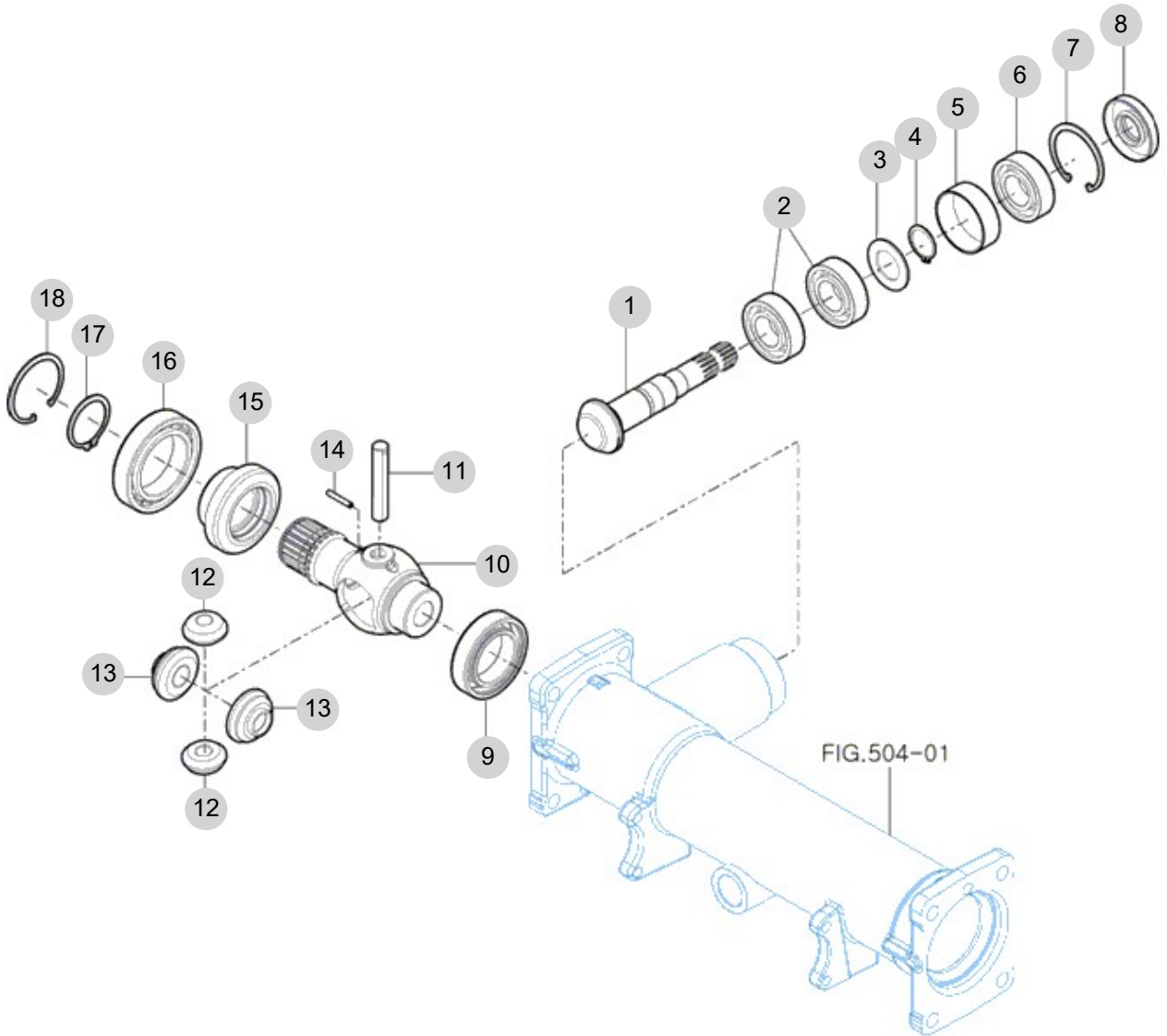
FIG 502

T194M

FRONT DIFFERENTIAL GEAR

년/월  
Year/Month

2022-12



NOTE



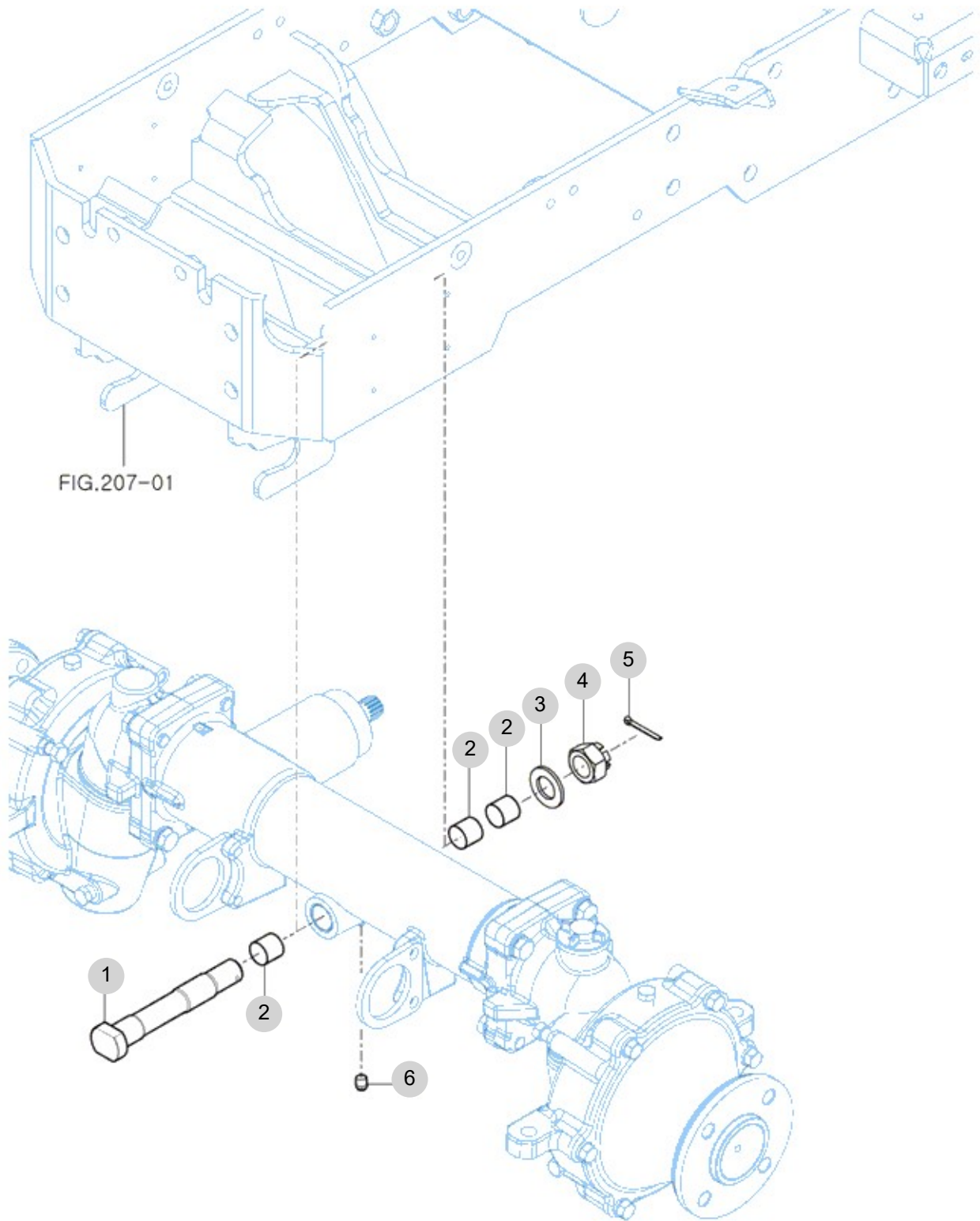
FIG 503

FRONT AXLE HOUSING

년/월  
Year/Month

T194M

2022-12



NOTE

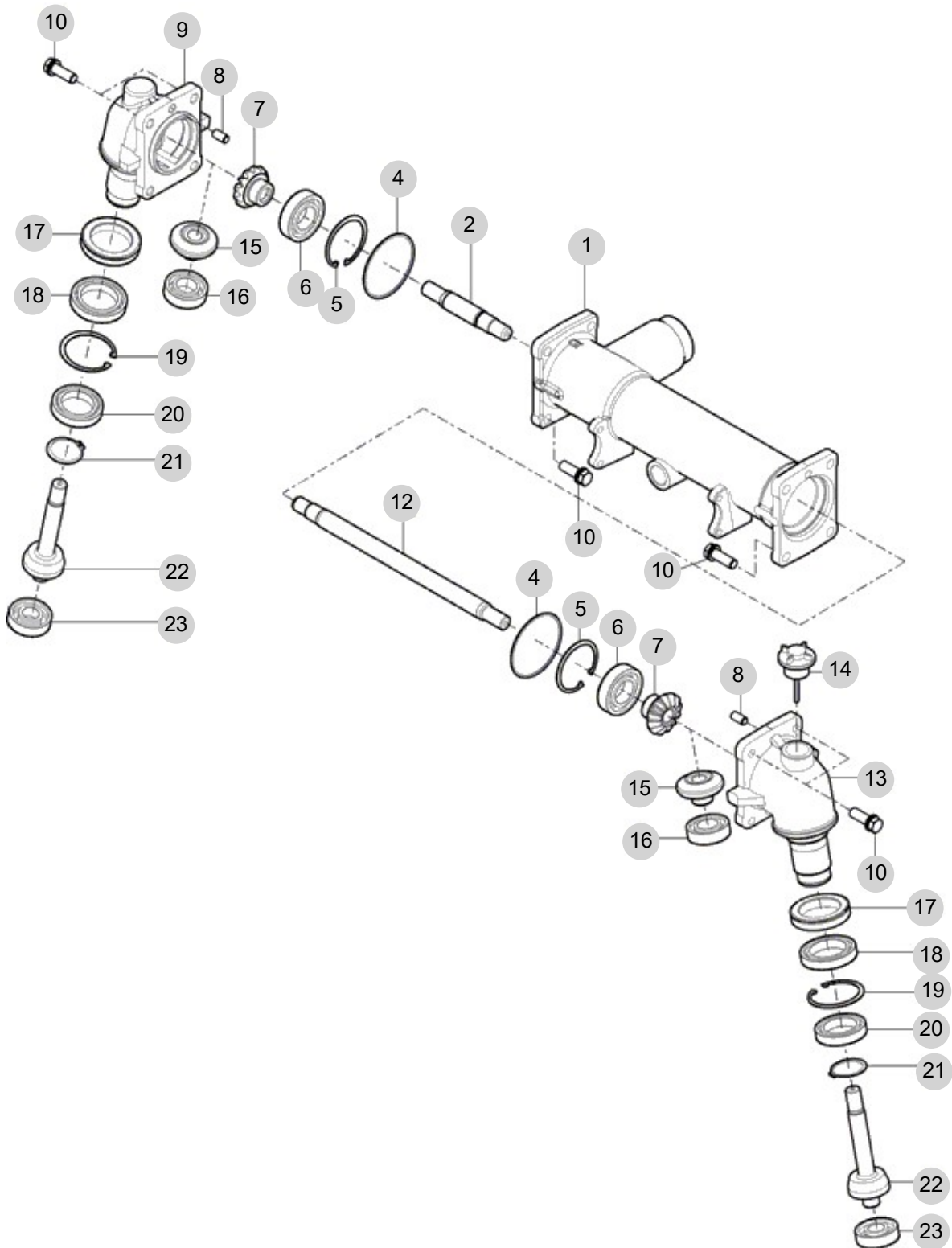
FIG 503 T194M		FRONT AXLE HOUSING					년/월 Year/Month	
							2022-12	
KEY NO	PART NO	DESCRIPTION	SPEC	QTY	REPAIR	EFFECTIVE DATE	REMARKS	
503	1	11614060010	핀	1				
503	2	11614120030	부시(22X25X25)	3				
503	3	V4111600200	평와셔	1				
503	4	V3202600200	홀볼이육각너트	1				
503	5	V5001940030	분할핀	1				
503	6	V7631500000	그리스니플(B-PT)	1				
NOTE								

FIG 504

FRONT GEAR CASE (1)

년/월  
Year/Month

2022-12



NOTE





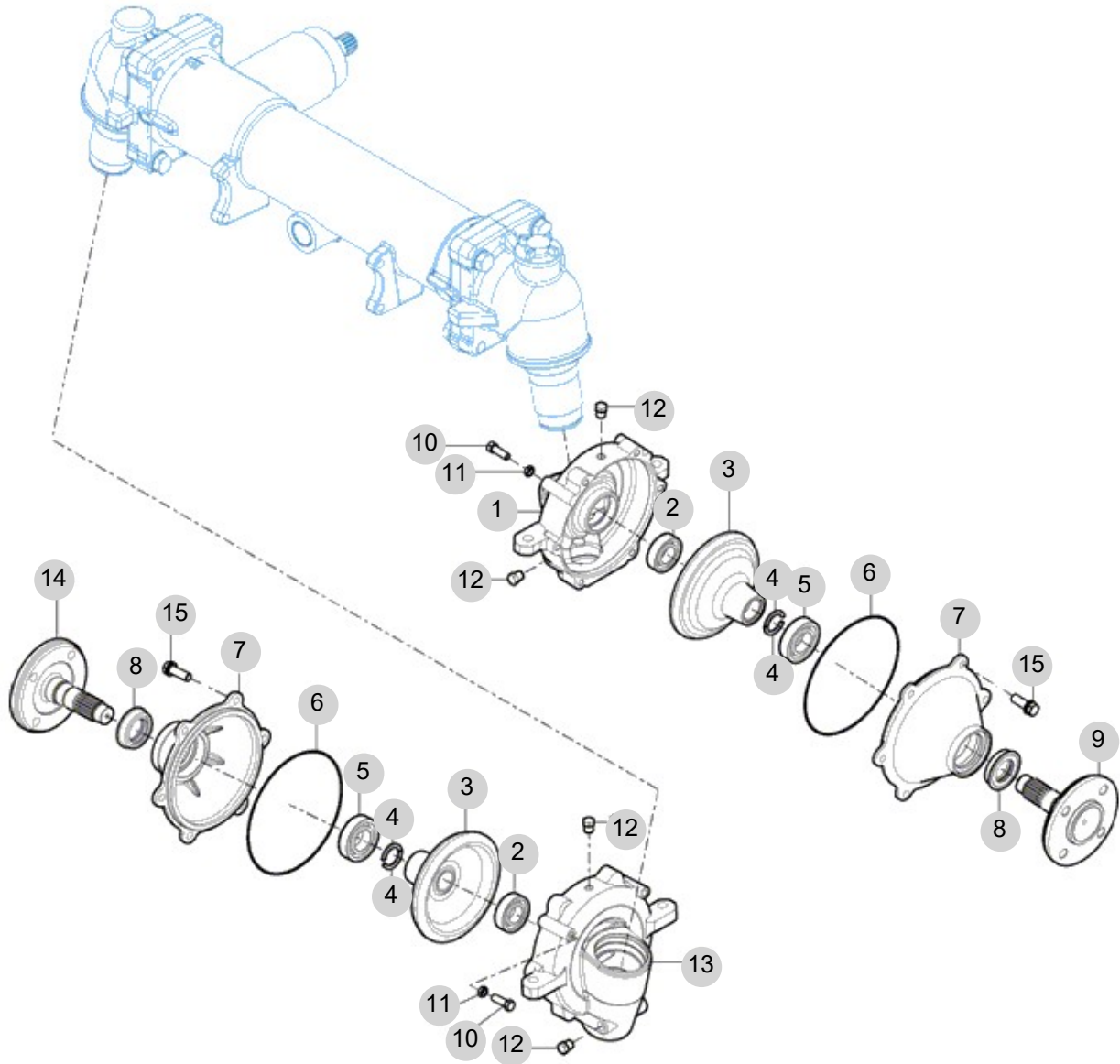
FIG 505

T194M

FRONT GEAR CASE (2)

년/월  
Year/Month

2022-12



NOTE



## 6. 유압/3점링크 PART NO. T6

FIG 601 CYLINDER CASE	109
FIG 602 LIFT ARM	111
FIG 603 FLOW CONTROL VALVE	113
FIG 604 MAIN CONTROL VALVE	115
FIG 605 HYDRAULIC SUB	117
FIG 607 MID MOWER	119
FIG 611 GEAR BOX	121
FIG 612 BLADE PULLEY	123
FIG 613 TENSION PULLEY	125
FIG 614 COVER, CHUTE	127
FIG 615 WHEEL	129
FIG 616 MOUNTING	131

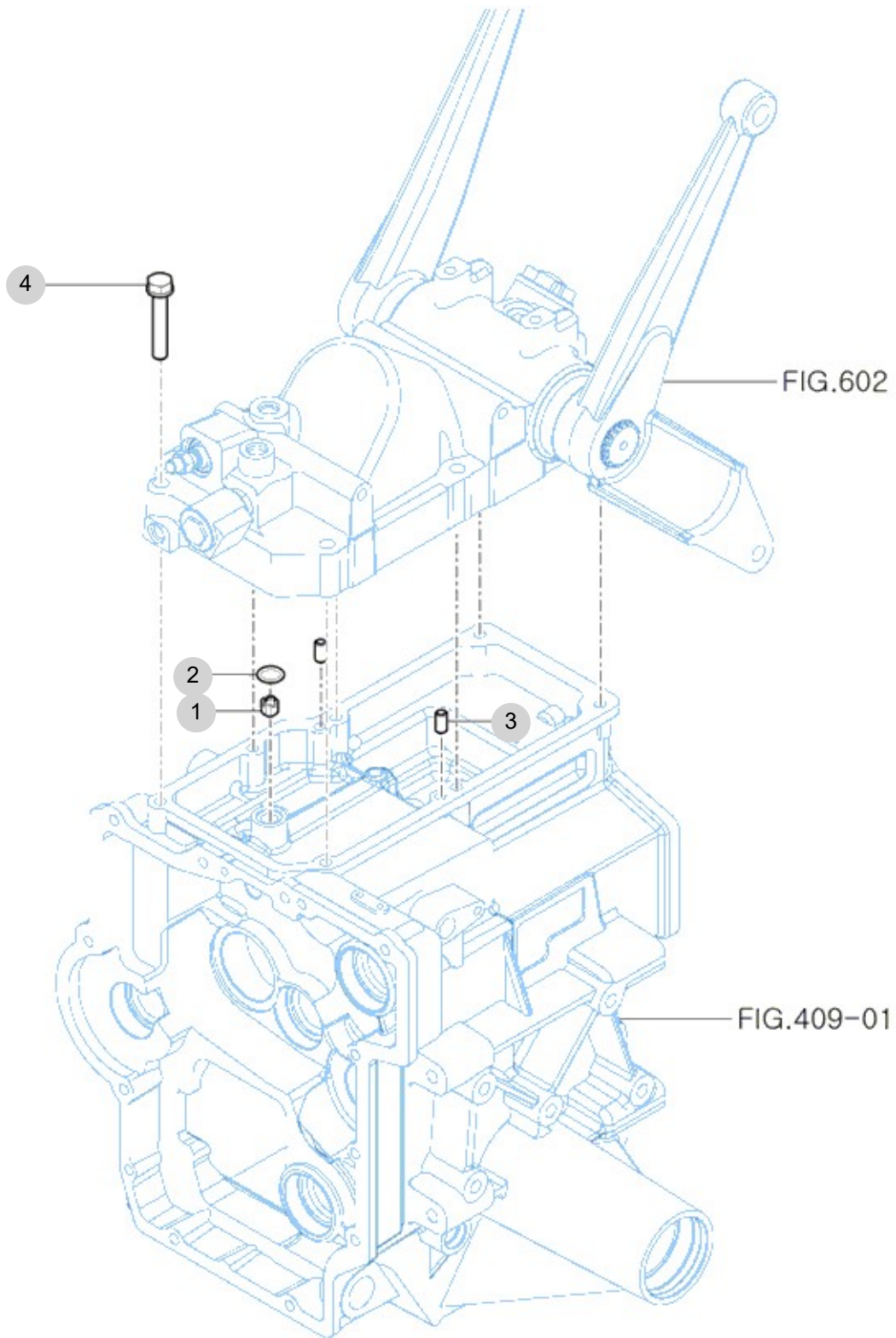
FIG 601

T194M

CYLINDER CASE

년/월  
Year/Month

2022-12



NOTE



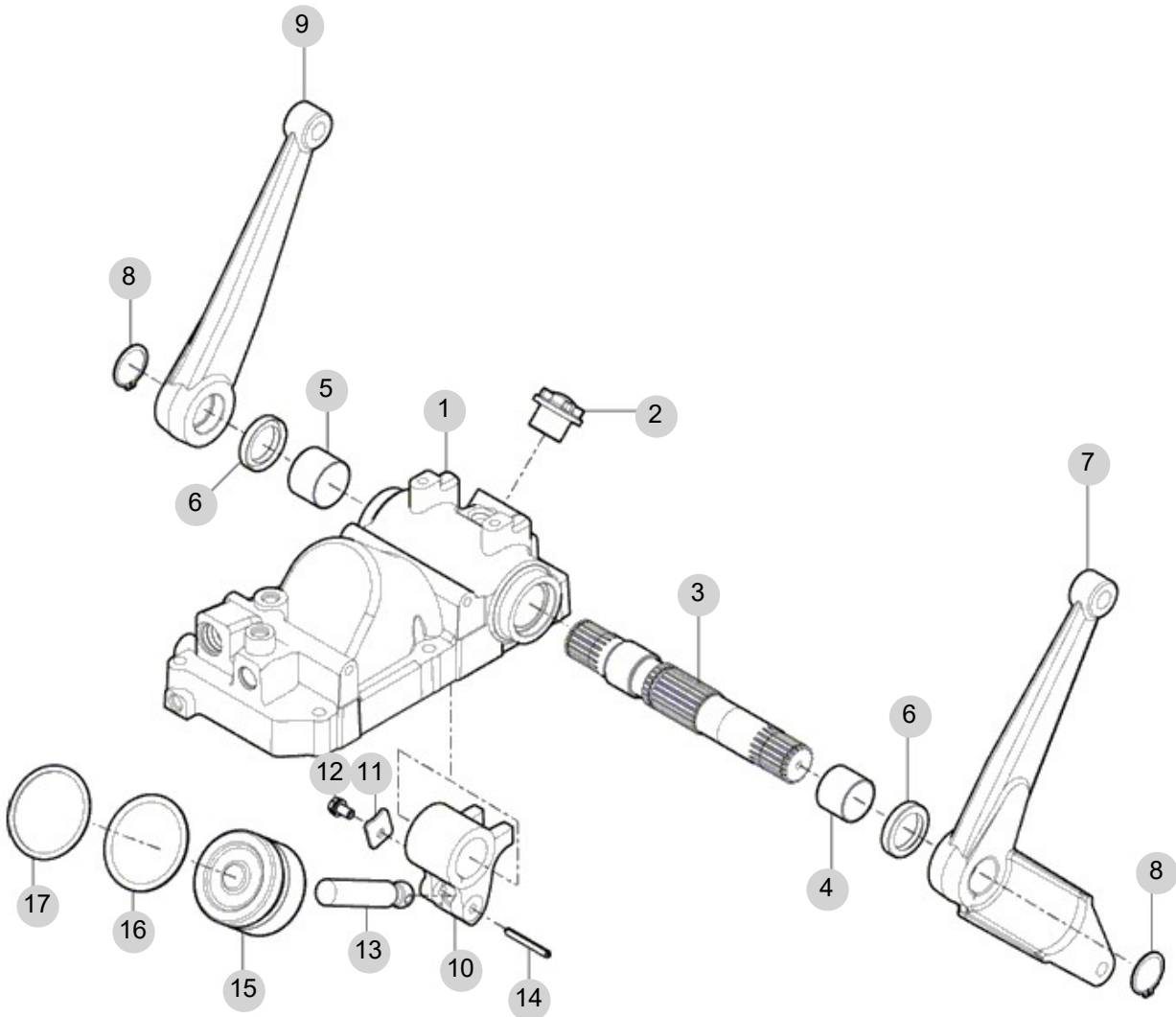
FIG 602

T194M

LIFT ARM

년/월  
Year/Month

2022-12



NOTE





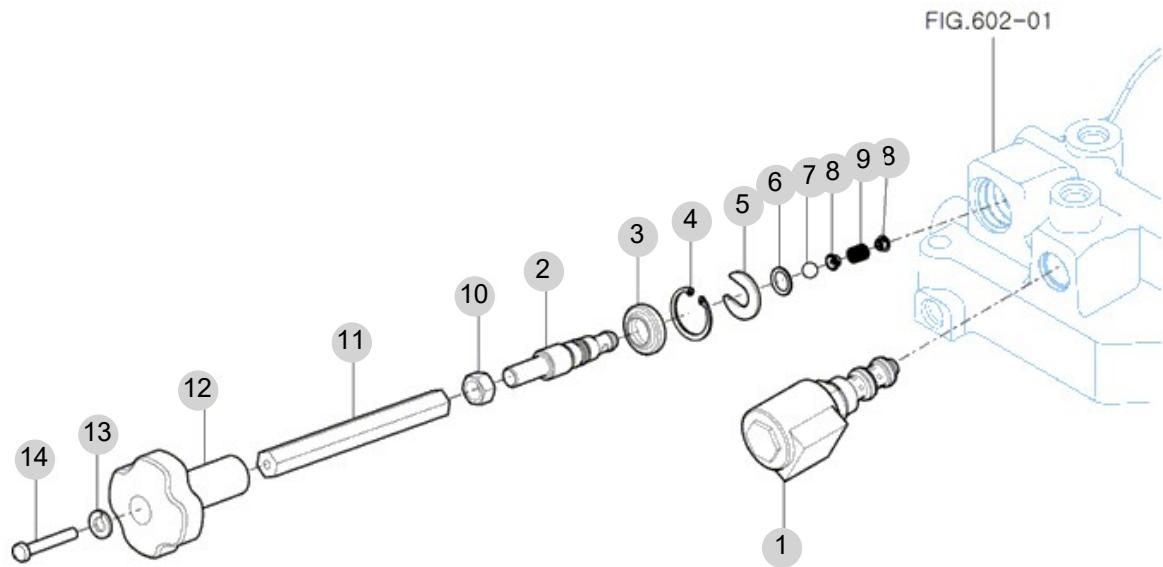
FIG 603

T194M

FLOW CONTROL VALVE

년/월  
Year/Month

2022-12



NOTE



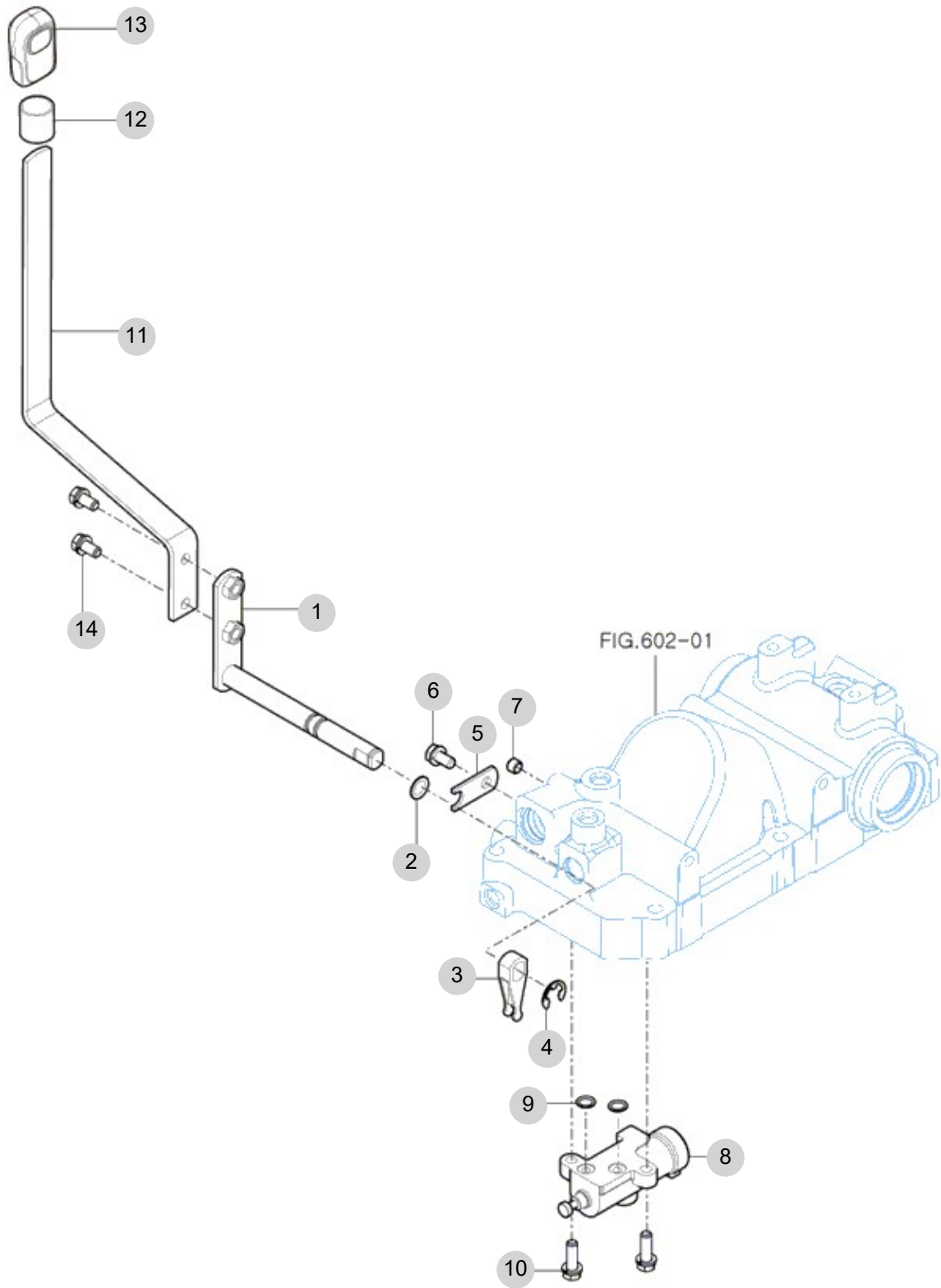
FIG 604

T194M

MAIN CONTROL VALVE

년/월  
Year/Month

2022-12



NOTE



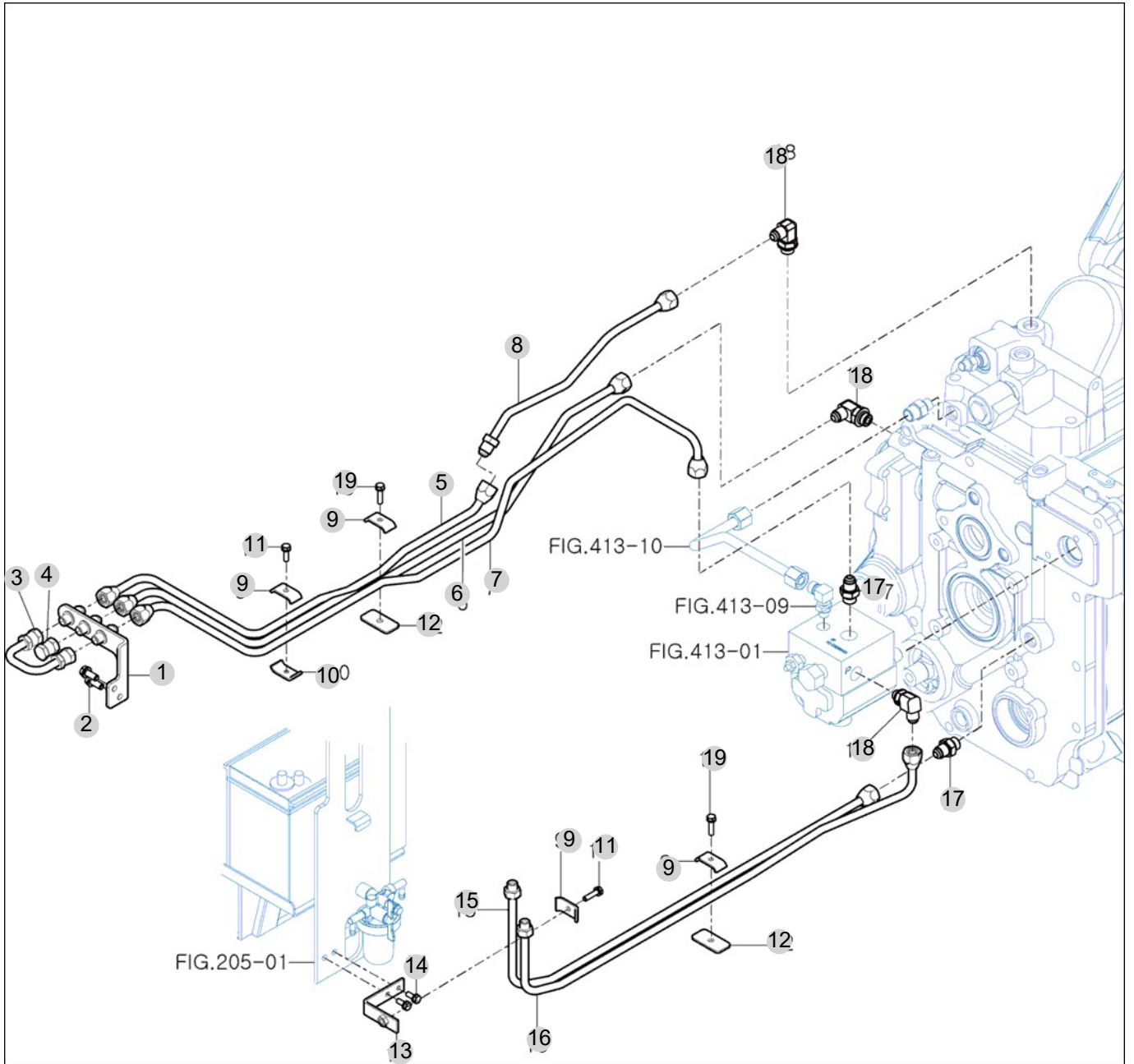
FIG 605

HYDRAULIC SUB

년/월  
Year/Month

T194M

2022-12



NOTE



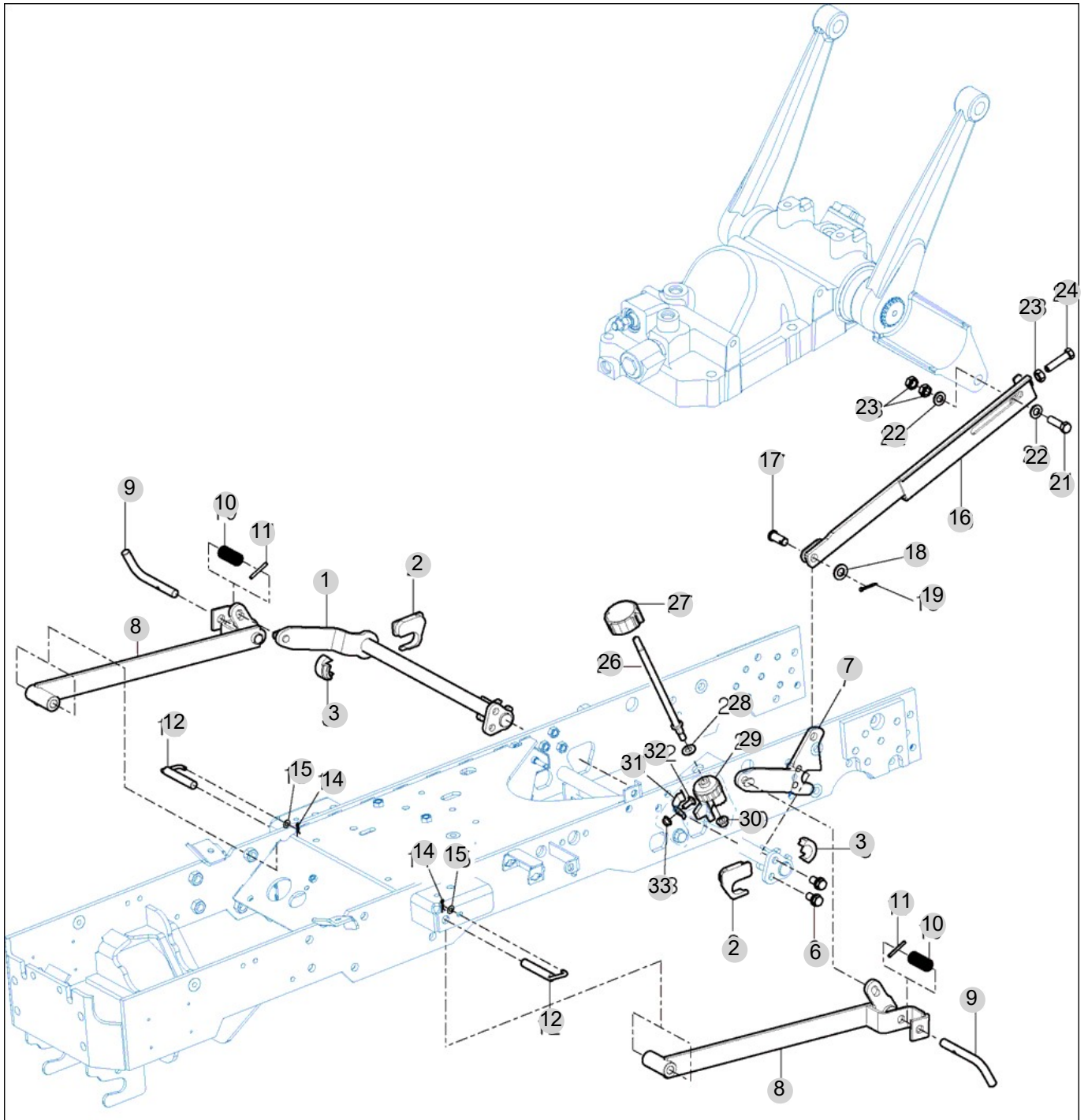
FIG 607

MID MOWER

년/월  
Year/Month

2022-12

T194M



NOTE





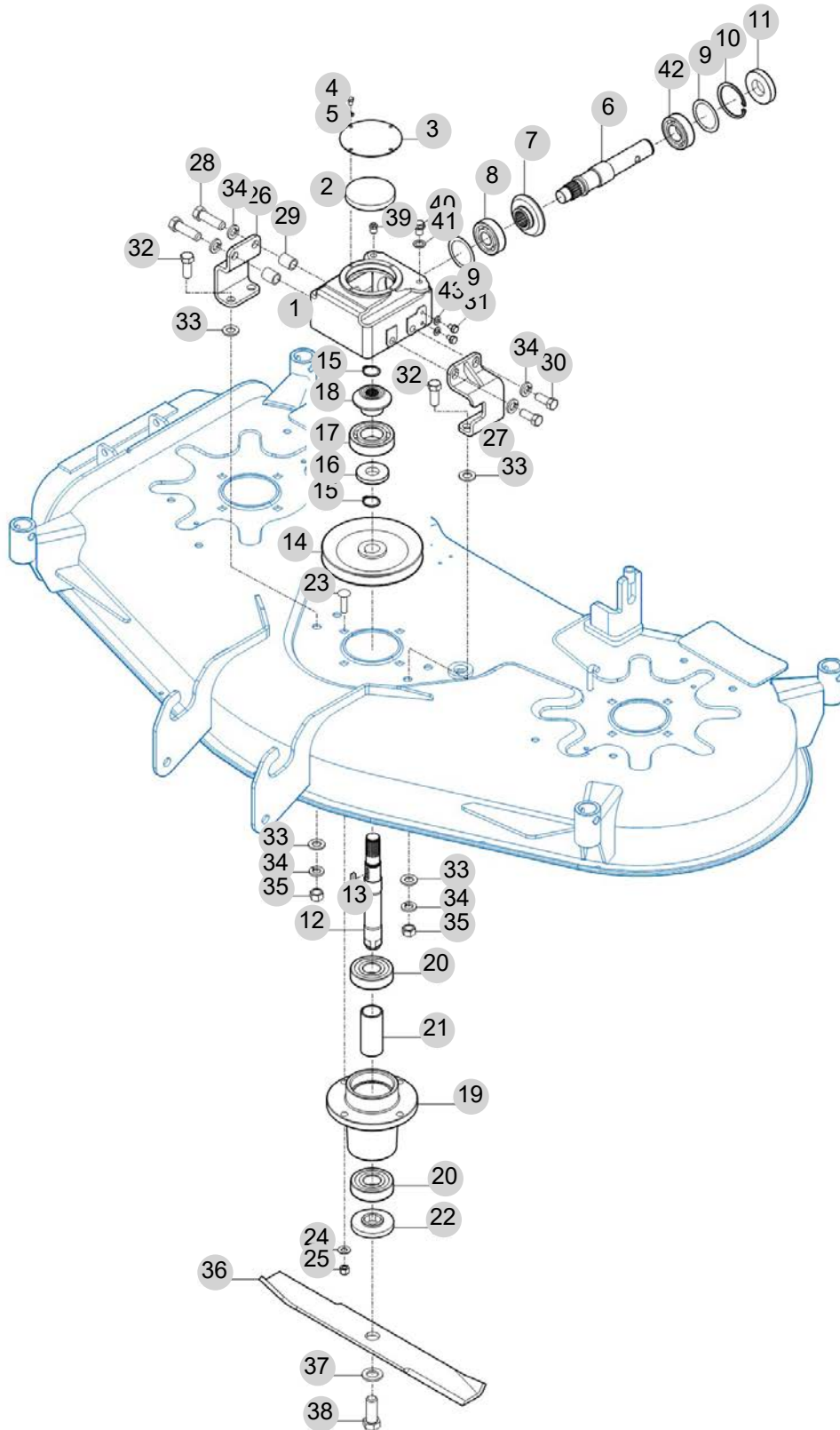
FIG 611

GEAR BOX

년/월  
Year/Month

2022-12

T194M



NOTE

FIG 611		GEAR BOX					년/월 Year/Month	
T194M							2022-12	
KEY NO	PART NO	DESCRIPTION	SPEC	QTY	REPAIR	EFFECTIVE DATE	REMARKS	
611	1	93802001100	GEAR CASE		1			
611	2	14254330180	캡(72)		1			
611	3	93802001800GB	캡/플레이트		1			
611	4	V2004605008	육각 홈볼트	M5X8	4			
611	5	V4011600050	스프링와셔	M5	4			
611	6	93802001400	샤프트/IN		1			
611	7	93802001200	베벨기어/19T	19T	1			
611	8	V6001106304	볼베어링	6304	1			
611	10	V7051400520	C형머츘링(구멍용)	52	1			
611	11	V7441255210	오일실(D)	D255210	1			
611	12	93802001500	SHAFT , OUT		1			
611	13	93802001600	키 , 5X5X20	5X5X20	1			
611	14	94002000100	폴리		1			
611	15	V7041400220	C형머츘링(축용)	22	1			
611	16	V7441204707	오일실(D)	D20477	1			
611	17	V6001162032	볼베어링	62/32	1			
611	18	93802001300	베벨기어/16T	16T	1			
611	19	94002000320	하우징		1			
611	20	V6001506305	볼베어링	6305	2			
611	21	94002000330	부시/하우징		1			
611	22	93802001700	블레이드 칼라		1			
611	23	94002000150	연결 볼트 (3/8x30)	M10x35	4			
611	24	V4111600100	평와셔	M10	4			
611	25	94002000190	나일론 너트 3/8	3/8	4			
611	26	93802007100GB	플레이트 COMP/기어박스		1			
611	27	93802007200GB	브라켓 COMP/기어박스		1			
611	28	V2003612045	BOLT, HEX	M12X45	2			
611	29	93802007300	칼러/ 기어박스		2			
611	30	V2003612025	BOLT, HEX	M12X25	2			
611	31	V2014608010	육각볼트	M8X10	2			
611	32	V2004612030	육각볼트(보통)	M12X30	4			
611	33	V4111600120	평와셔	M12	4			
611	34	V4011600120	스프링와셔	M12	8			
611	35	V3013600120	육각너트보통2종	M12	4			
611	36	93902000080	칼날		1			
611	37	94002000260	BLADE WASHER		1			
611	38	V2034616035	육각볼트(가는)	M16X35	1			
611	39	93802000100	드레인 플러그		1			
611	40	84200033800	플랜지볼트		1			
611	41	93802000150	와셔/오일 플러그		1			
611	42	V6001106205	볼베어링	6205	1			
611	43	V4011600080	스프링와셔	M8	2			
NOTE								

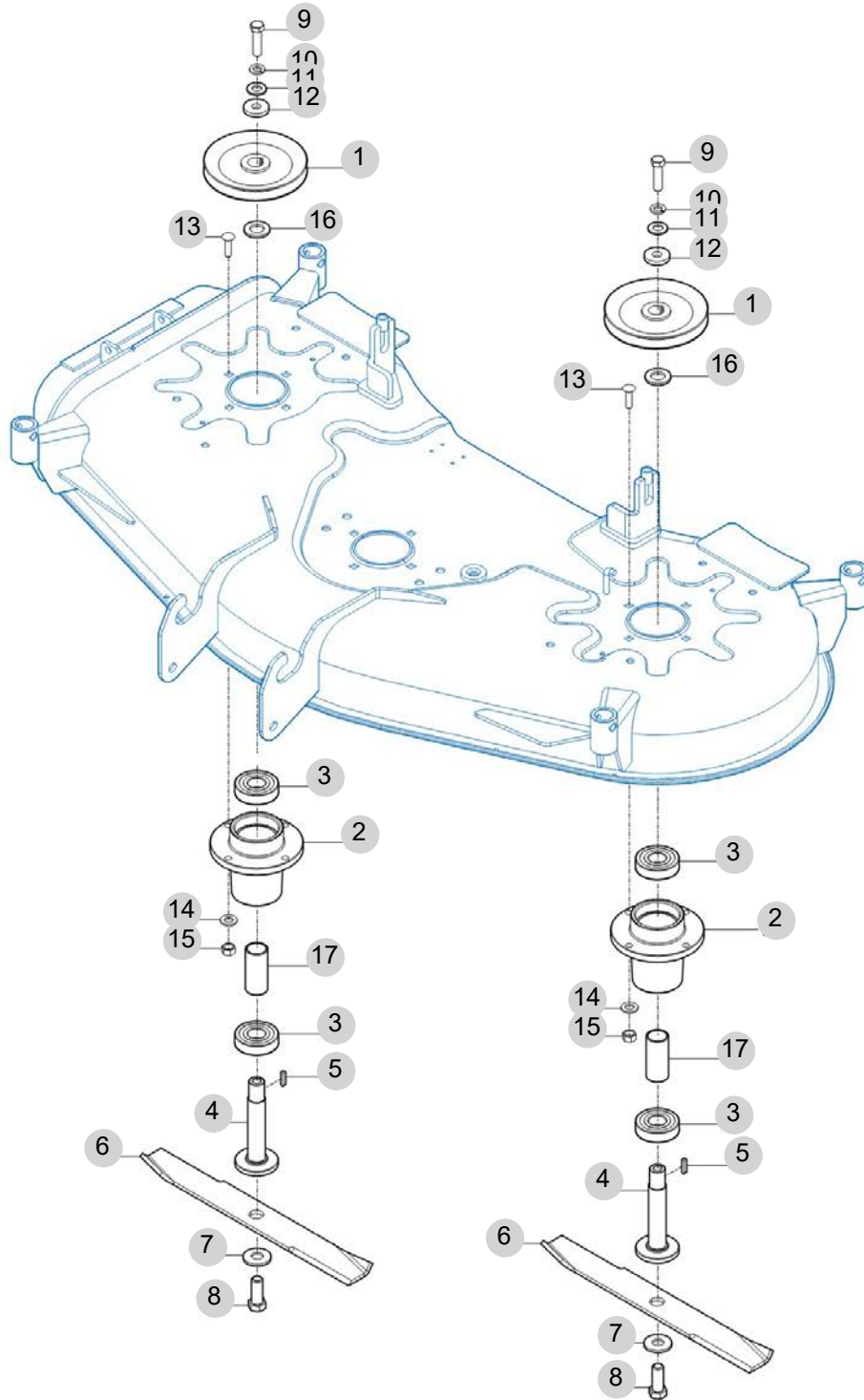
FIG 612

BLADE PULLEY

년/월  
Year/Month

2022-12

T194M



NOTE



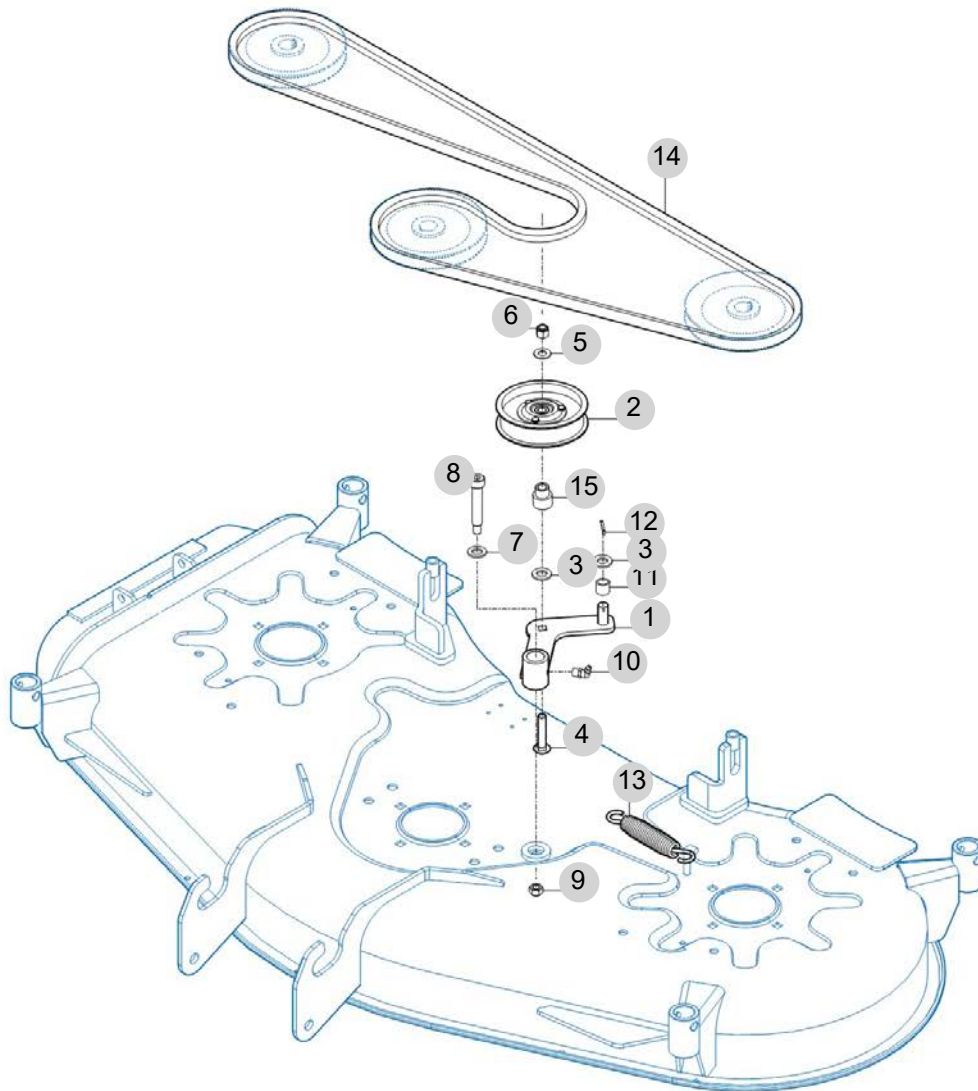
FIG 613

TENSION PULLEY

년/월  
Year/Month

2022-12

T194M



NOTE



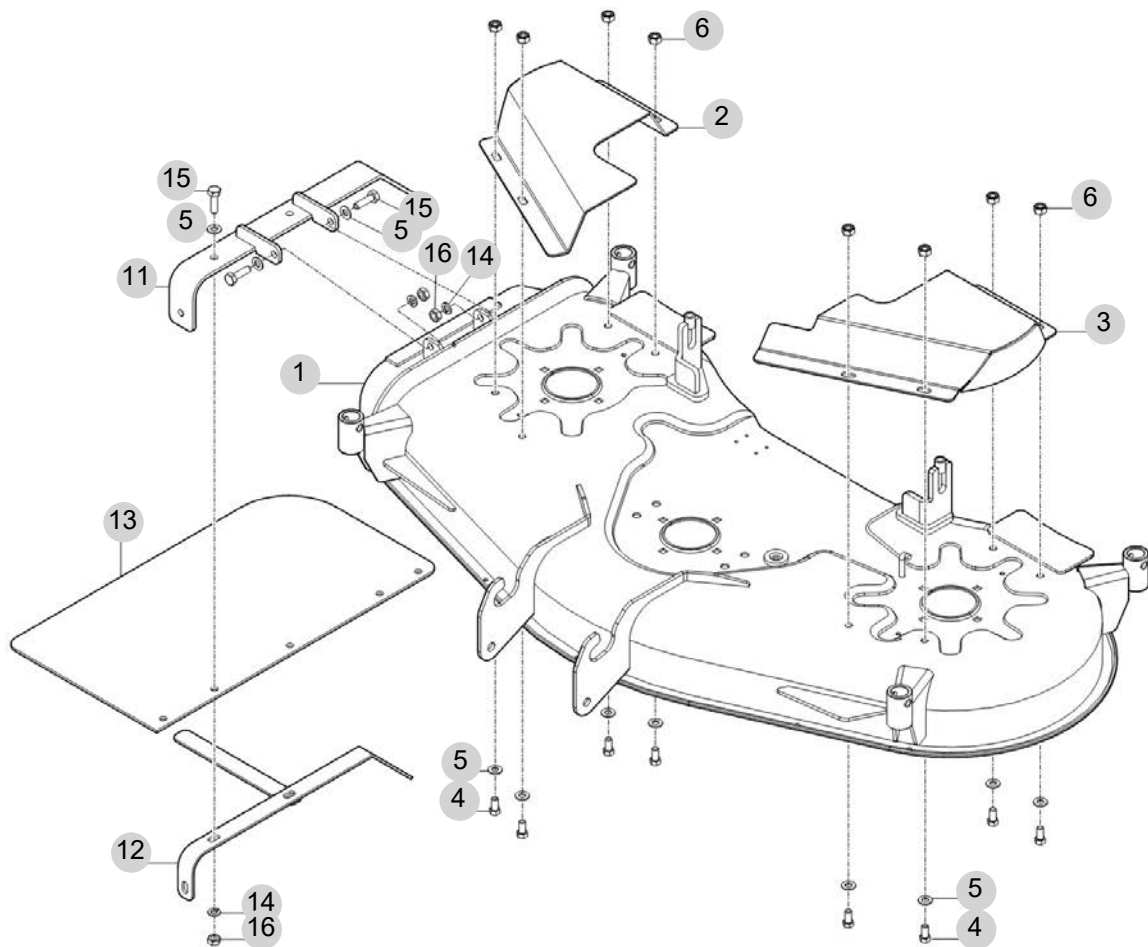
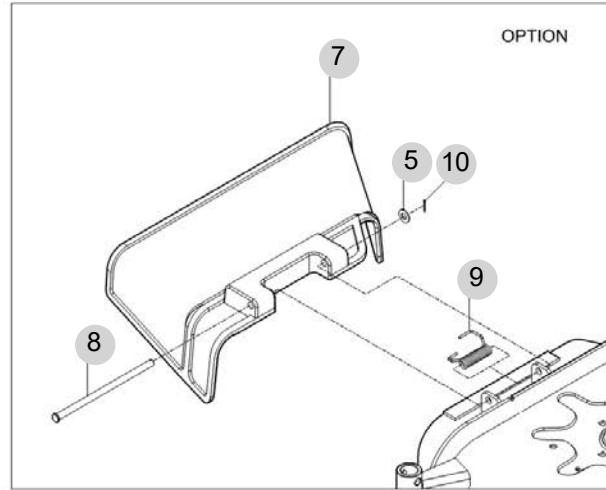
FIG 614

COVER, CHUTE

년/월  
Year/Month

2022-12

T194M



NOTE





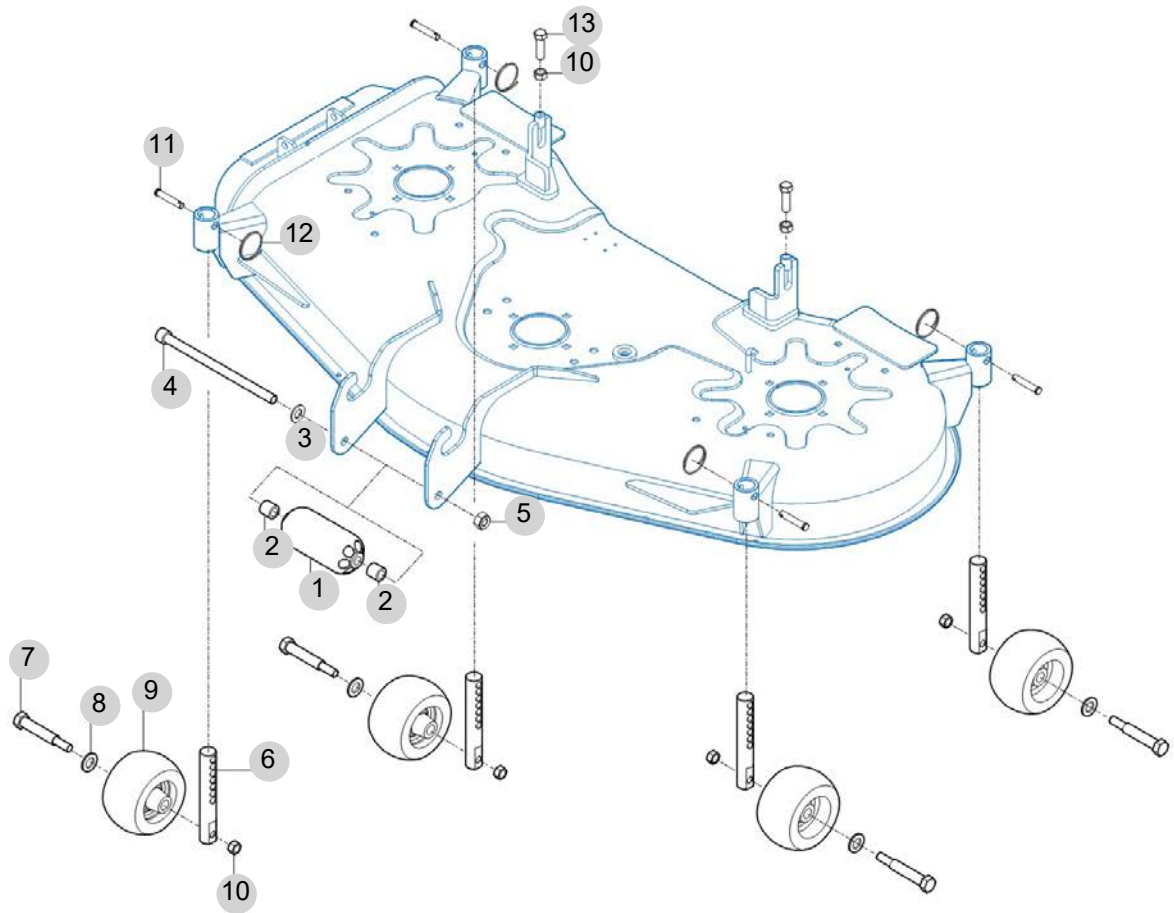
FIG 615

T194M

WHEEL

년/월  
Year/Month

2022-12



NOTE



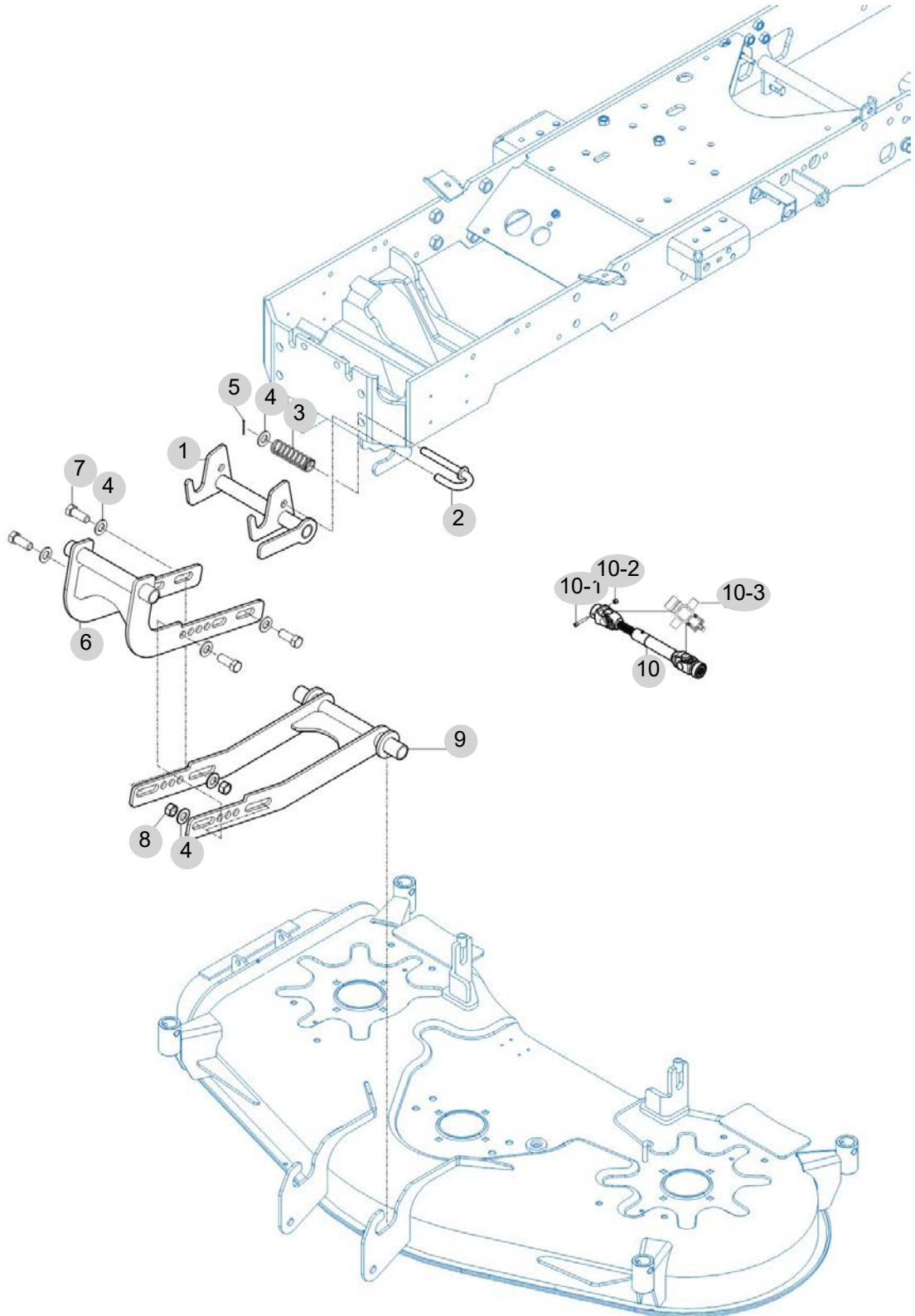
FIG 616

MOUNTING

년/월  
Year/Month

2022-12

T194M



NOTE



## 7. 시트메탈/캐빈 PART NO. T7

FIG 701 BONNET	134
FIG 702 FLOOR	136
FIG 703 SEAT	138
FIG 704 ROPS	140
FIG 705 LEVER COVER & FENDER	142

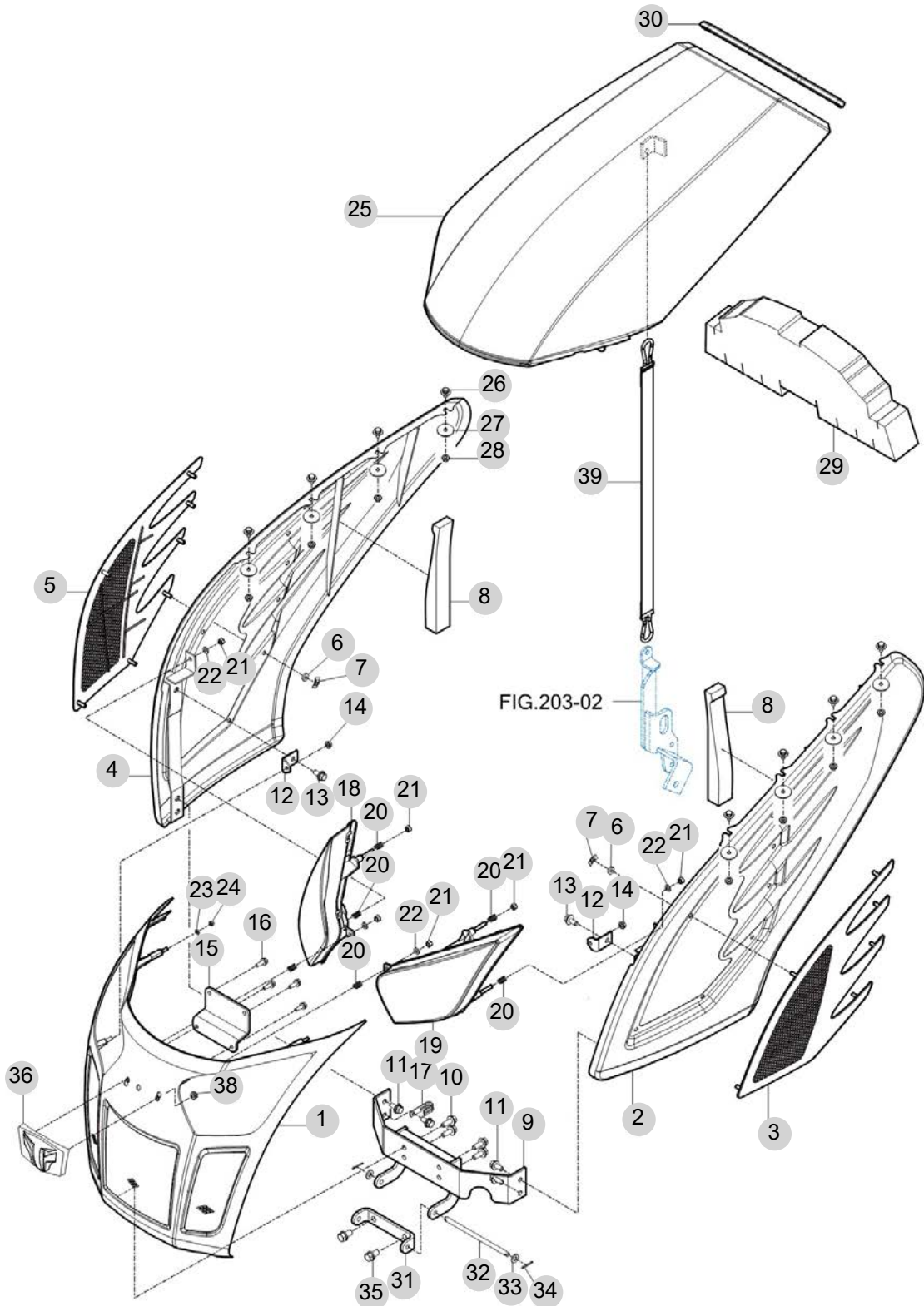
FIG 701

T194M

BONNET

년/월  
Year/Month

2022-12



NOTE

<b>FIG 701</b> T194M	<b>BONNET</b>	년/월 Year/Month  2022-12
-------------------------	---------------	----------------------------------

KEY NO	PART NO	DESCRIPTION	SPEC	QTY	REPAIR	EFFECTIVE DATE	REMARKS
701	1	11616012401GB	그릴 COMP , 전	1			
701	2	11616012600SR	사이드 패널(좌) COMP	1			
701	3	11616011200GB	그릴 , 좌/사이드	1			
701	4	11616012700SR	사이드 패널(우) COMP	1			
701	5	11616011300GB	그릴 , 우/사이드	1			
701	6	14446010150	네트와샤(6X14X3)	14			
701	7	V3501600060	스프링 너트	M6	14		
701	8	11616012800	인슐레이터 , 사이드		2		
701	9	11616016100GB	хин지 COMP , 본넷		1		
701	10	V2183608025	소형육각볼트보통(SP)	M8X25	4		
701	11	V2183608020	소형육각볼트보통(SP)	M8X20	4		
701	12	11616019200GB	브래킷 , 사이드		2		
701	13	V2183608020	소형육각볼트보통(SP)	M8X20	2		
701	14	V3802600060	플랜지붙이육각너트	M6	2		
701	15	11616019100GB	브래킷 , 중		1		
701	16	V2123606020	육각볼트(SP)	M6X20	4		
701	17	37371720110	프레셔하니스클램프		1		
701	18	11616523000	헤드램프 ASSSY , 우		1		
701	19	11616522000	헤드램프 ASSSY , 좌		1		
701	20	36108010080	중자출구스프링(HC016)		6		
701	21	19027210060	나일론너트(M6)		6		
701	22	V4111600060	평와셔	M6	4		
701	23	V4011600050	스프링와셔	M5	2		
701	24	V3002600050	육각너트보통1종	M5	2		
701	25	11616012201SR	후드 COMP		1		
701	26	V2193606016	육각볼트(SPL)		8		
701	27	19026112050	와셔(6X30X2.3)		8		
701	28	V3802600060	플랜지붙이육각너트		8		
701	29	11616012300	인슐레이터 , 라디에이터		1		
701	30	11616012281	인슐레이터 , 후드		1		
701	31	11616016200GB	브래킷 , 힌지		1		
701	32	11616016300	핀 , 힌지		1		
701	33	V4111600080	평와셔		2		
701	34	V5001925020	핀		2		
701	35	V2173610030	소형육각볼트보통(S)	M10X30	2		
701	36	19959010011	엠블럼		1		
701	36	11616022000	엠블럼 ASSY , K0		1		
701	38	V3802600060	플랜지붙이육각너트		2		
701	39	11616017600	밴드 COMP , 본넷 댐핑		1		
NOTE							

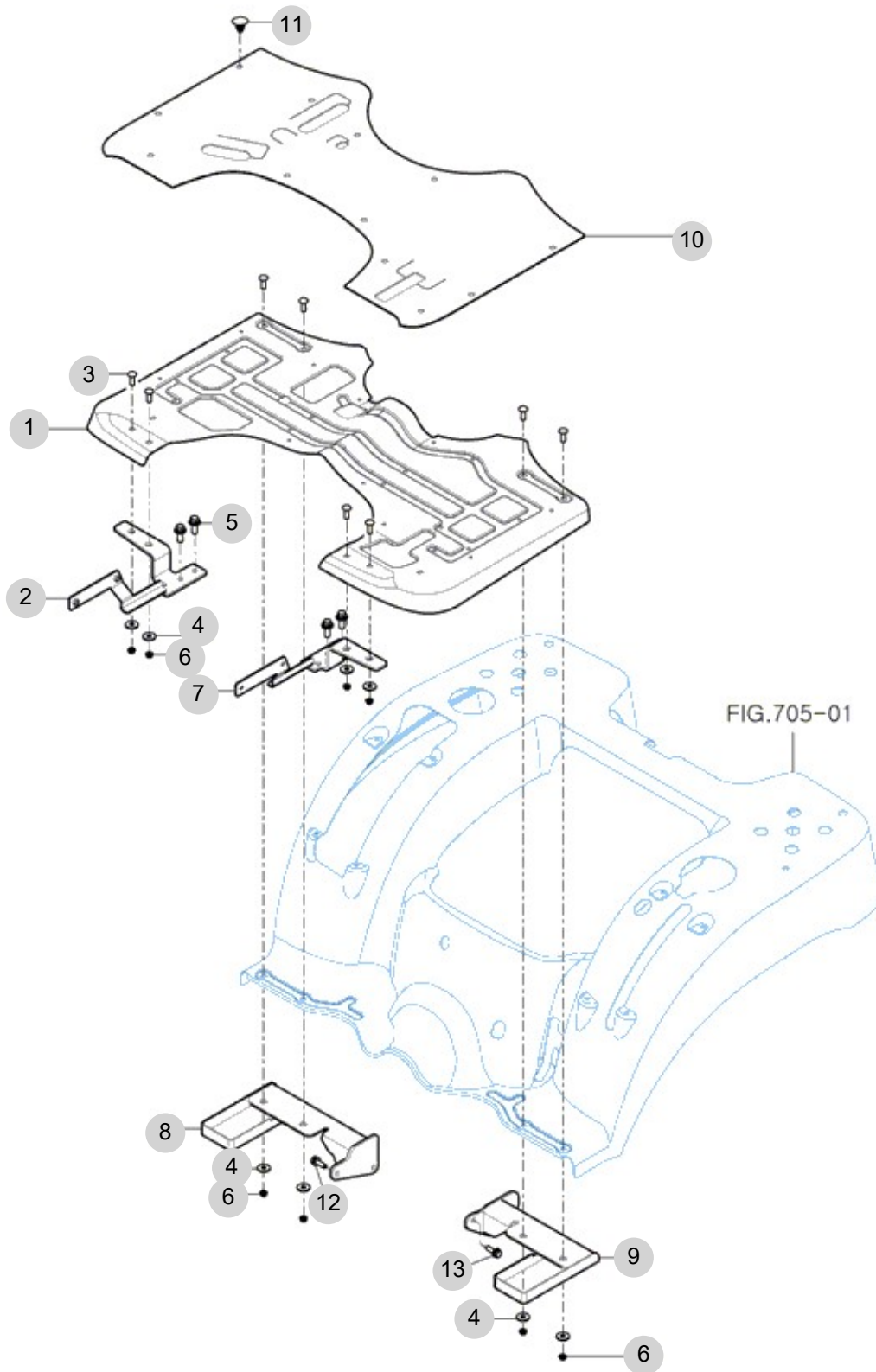
FIG 702

T194M

FLOOR

년/월  
Year/Month

2022-12



NOTE





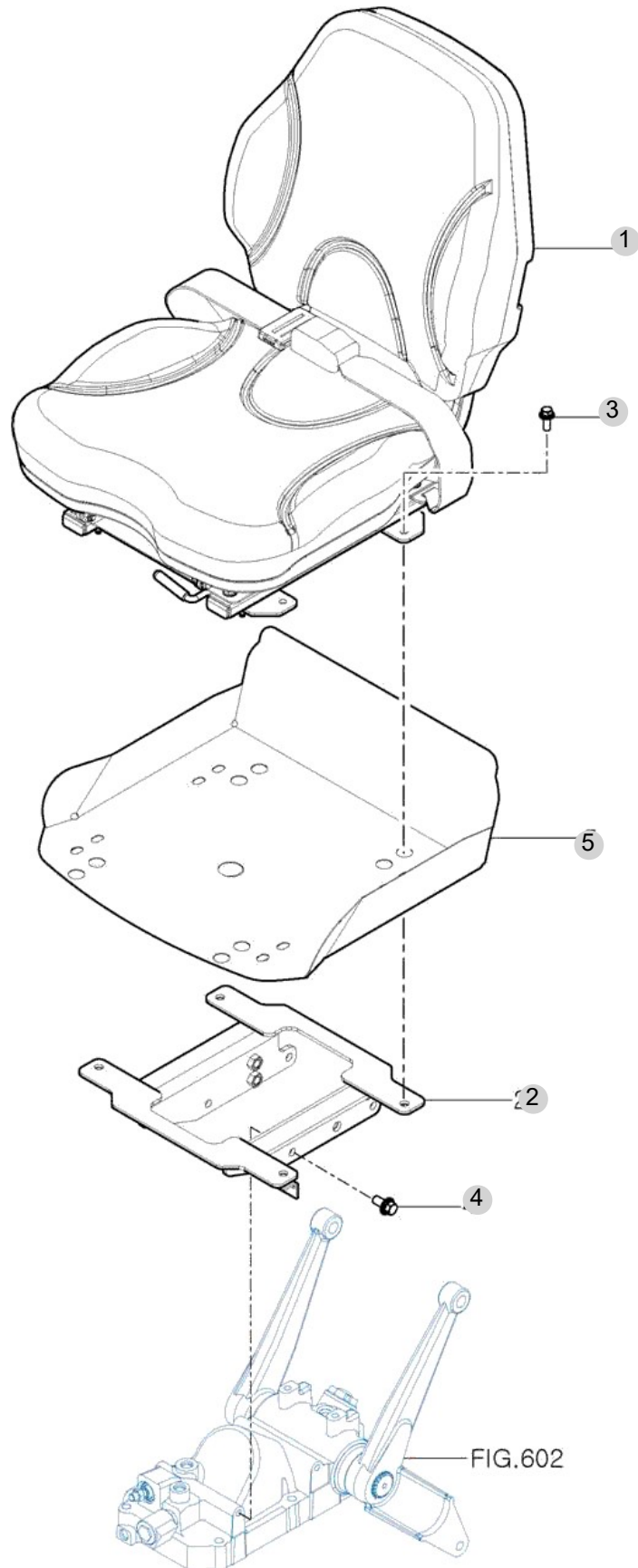
FIG 703

T194M

SEAT

년/월  
Year/Month

2022-12



NOTE



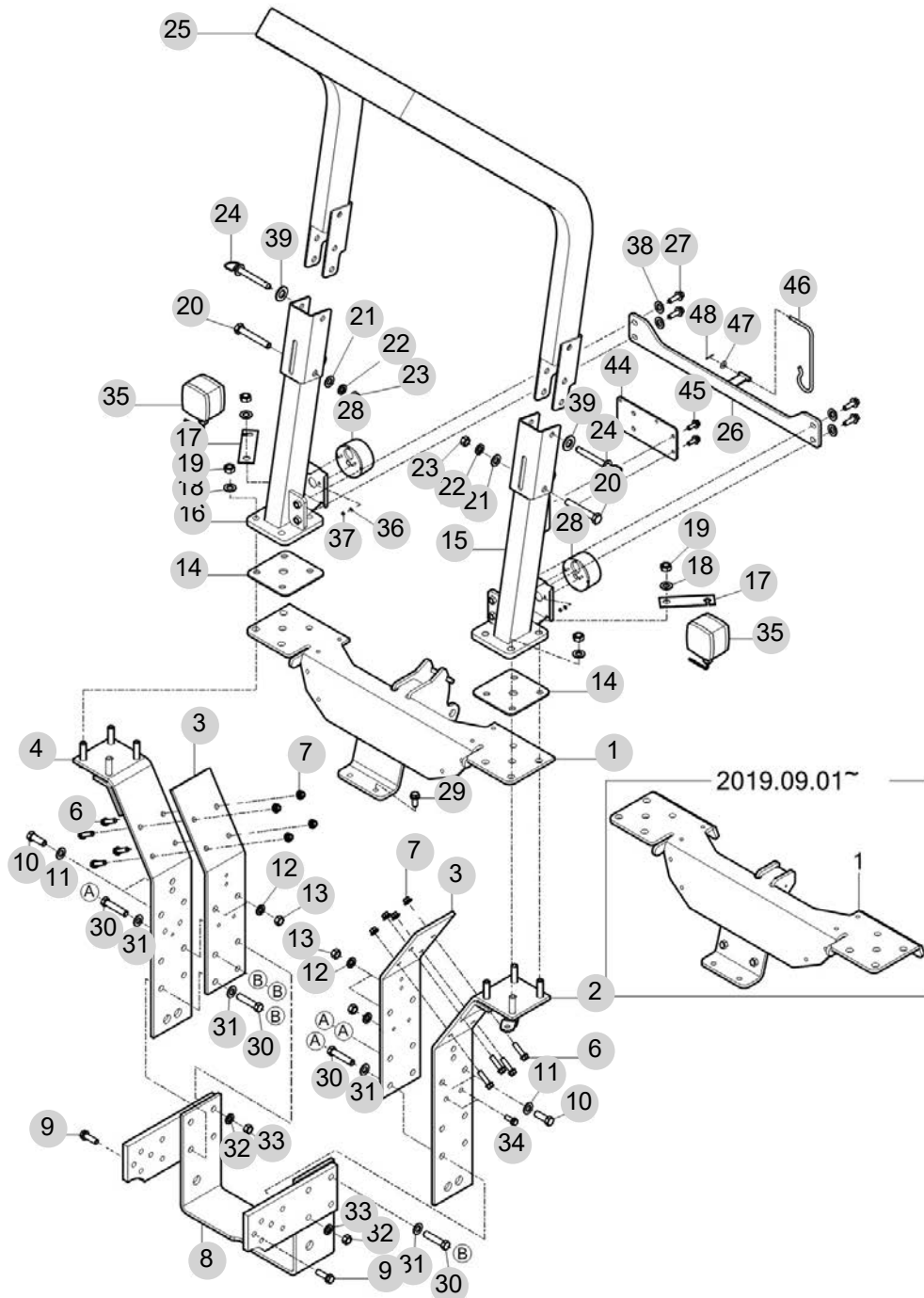
FIG 704

T194M

ROPS

년/월  
Year/Month

2022-12



NOTE

FIG 704		ROPS					년/월	
							Year/Month	
T194M							2022-12	
KEY NO	PART NO	DESCRIPTION	SPEC	QTY	REPAIR	EFFECTIVE DATE	REMARKS	
704	1	11617022601GB	프레임 COMP , 중/서포트		1			
704	1	11657022600GB	프레임 COMP , 중/서포트		1			
704	2	11617022400GB	프레임 COMP , 좌/서포트		1			
704	3	11617022700GB	보강 브라킷 , 중/서포트		2			
704	4	11617022500GB	프레임 COMP , 우/서포트		1			
704	6	V2173610035	소형육각볼트보통(S)	M10X35	8			
704	7	V3802600100	플랜지볼이육각너트	M10	8			
704	8	11615212101GB	프레임 COMP , 히치		1			
704	9	V2174612040	소형육각볼트보통(S)	M12X40	12			
704	10	V2013614040	소형육각볼트(보통)	M14X40	4			
704	11	V4111600140	평와셔	M14	4			
704	12	V4011600140	스프링와셔	M14	4			
704	13	V3043600140	소형육각너트보통2종	M14	4			
704	14	11617022900	패드(ROPS)		2			
704	15	11617022102GB	프레임 COMP , 좌/하/ROPS		1			
704	16	11617022200GB	프레임 COMP , 우/하/ROPS		1			
704	17	11616562111GB	플레이트 , 램프		2			
704	18	V4011600140	스프링와셔	M14	8			
704	19	V3043600140	소형육각너트보통2종	M14	8			
704	20	V2014614095	소형육각볼트(보통)	14X95	2			
704	21	V4111600140	평와셔	M14	2			
704	22	V4011600140	스프링와셔	M14	2			
704	23	V3043600140	소형육각너트보통2종	M14	2			
704	24	11107027500	고정핀 조합		2			
704	25	11617024100GB	프레임 COMP , 상		1			
704	26	11657022300GB	프레임 COMP , 크로스		1			
704	27	V2174610035	소형육각볼트보통(S)	M10X35	4			
704	28	11616563000	미등 조합 ASSY		2			
704	29	V2173610030	소형육각볼트보통(S)	M10X30	2			
704	30	V2004614070	소형육각볼트(보통)		8			
704	31	V4111600140	평와셔	M14	8			
704	32	V4011600140	스프링와셔	M14	8			
704	33	V3043600140	소형육각너트보통2종	M14	8			
704	34	V2183610025	소형육각볼트보통(SP)	M10X25	2			
704	35	15666562003	램프(콤비네이션) ASSY		2			
704	36	V4011600050	스프링와셔	M5	4			
704	37	V3002600050	육각너트보통1종	M5	4			
704	38	V4111600100	평와셔	M10	4			
704	39	19027722030	그로맷(15X36X3)	1X1X1	2			
704	44	11617012120GB	서포트 플레이트 , SMV		1			
704	45	V2183608025	소형육각볼트보통(SP)	M8X25	2			
704	46	16705251100	후크(톱링크)		1			
704	47	V4111600050	평와셔	M5	1			
704	48	V5001920015	분할핀	2X15	1			
NOTE								

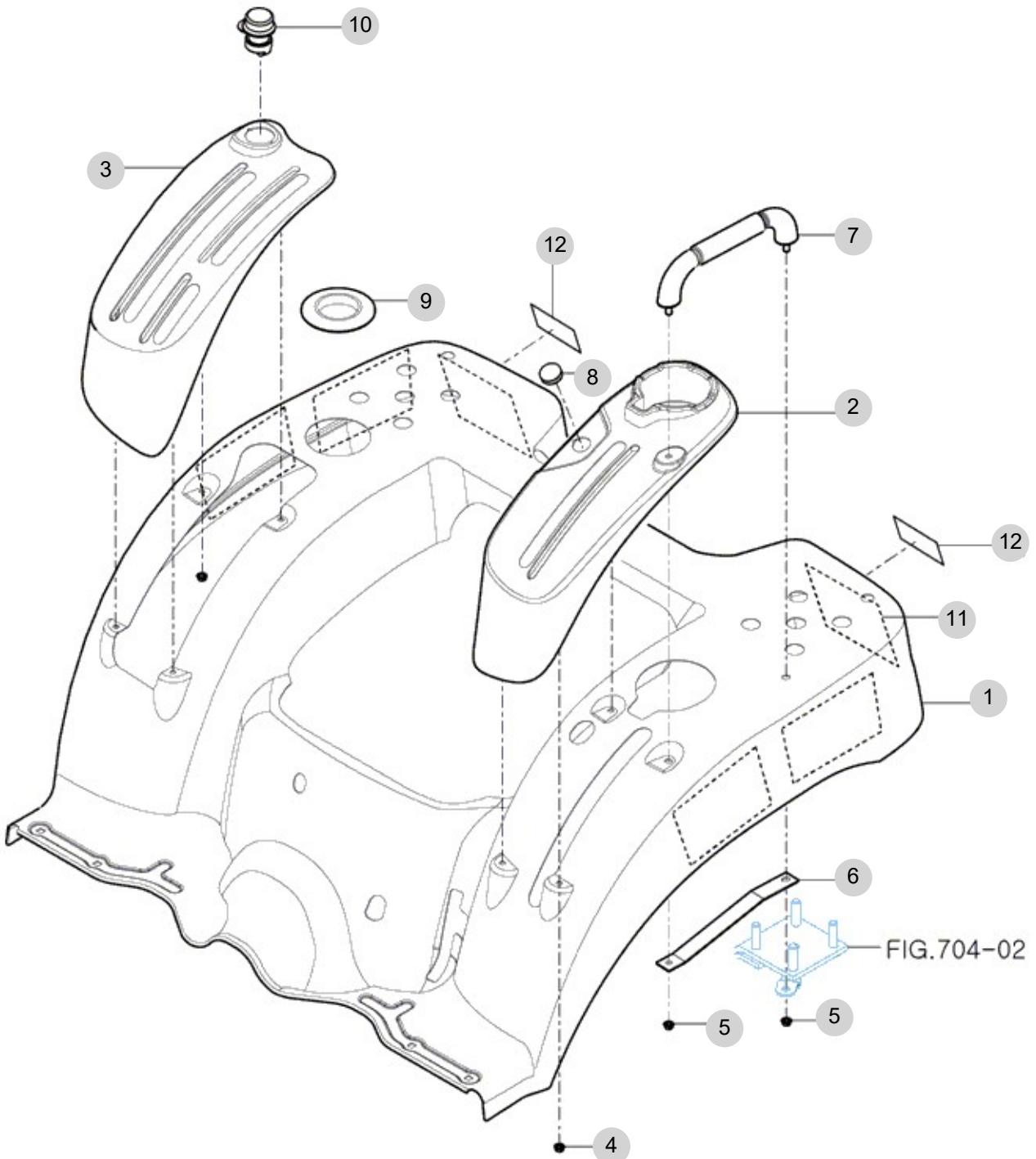
FIG 705

T194M

LEVER COVER & FENDER

년/월  
Year/Month

2022-12



NOTE

FIG 705 T194M		LEVER COVER & FENDER					년/월 Year/Month	
							2022-12	
KEY NO	PART NO	DESCRIPTION	SPEC	QTY	REPAIR	EFFECTIVE DATE	REMARKS	
705	1	11616401100SR	헨더 플로어 시트		1			
705	2	11616082100	커버 COMP , 좌/레버		1			
705	3	11616082200	커버 COMP , 우/레버		1			
705	4	V3802600060	플랜지붙이육각너트	M6	7			
705	5	V3802600080	플랜지붙이육각너트	M8	2			
705	6	11616402100GB	플레이트 , 그립		1			
705	7	14726071101	손잡이 COMP		1			
705	8	11616510210	캡 , 고무(25)		1			
705	9	36143110010	탱크 주입구 고무		1			
705	10	11106644000	PTO 스위치ASSY		1			
705	11	11616401120	스폰지 , 헨더 플로어		6			
705	12	11616571000	후미반사판		2			
NOTE								

## 8. 전장 PART NO. T8

FIG 801 BATTERY MOUNTING	145
FIG 802 INSTRUMENT PANEL	147
FIG 803 HARNESS(1)	149
FIG 804 HARNESS(2)	151



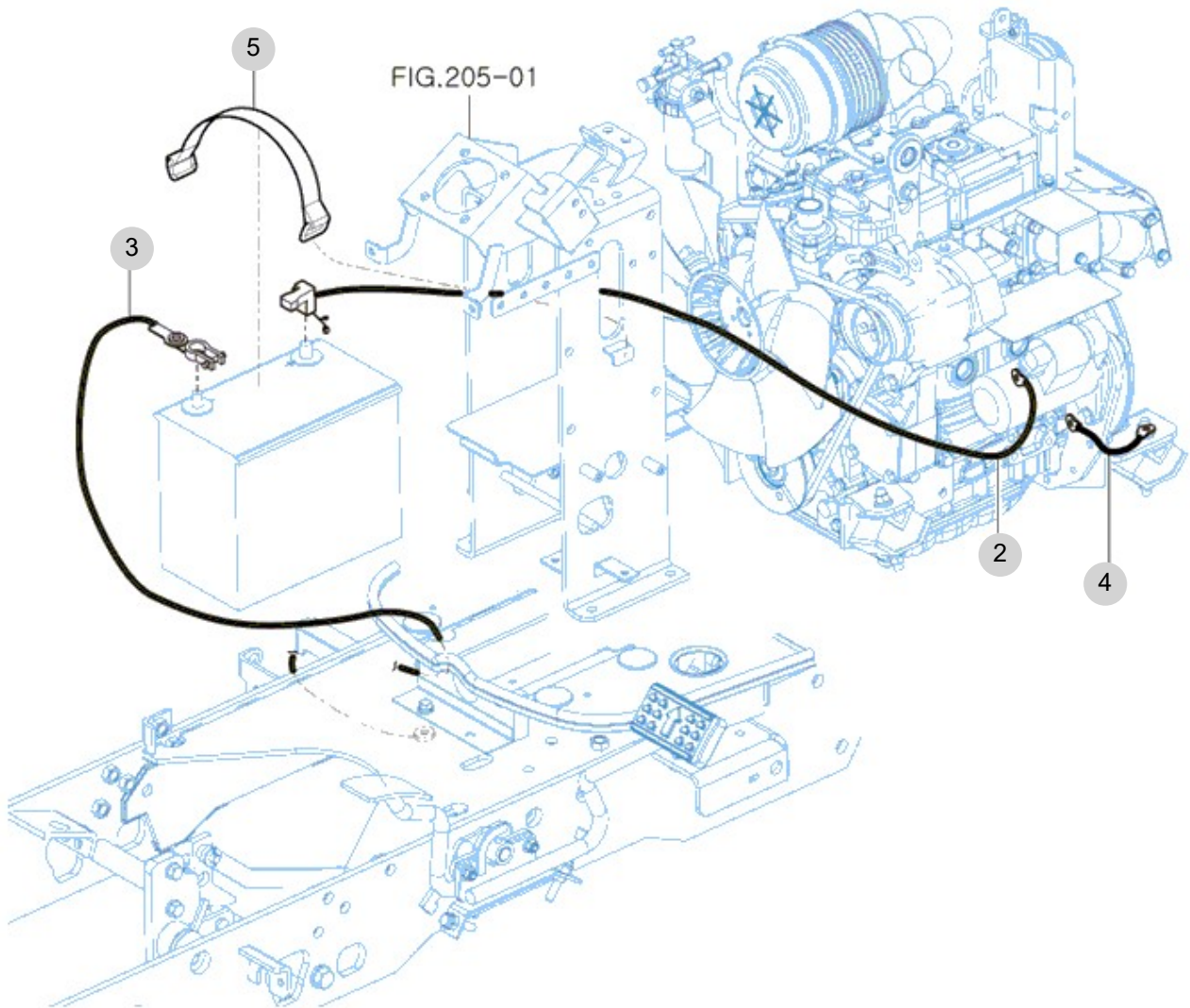
FIG 801

T194M

BATTERY MOUNTING

년/월  
Year/Month

2022-12



NOTE



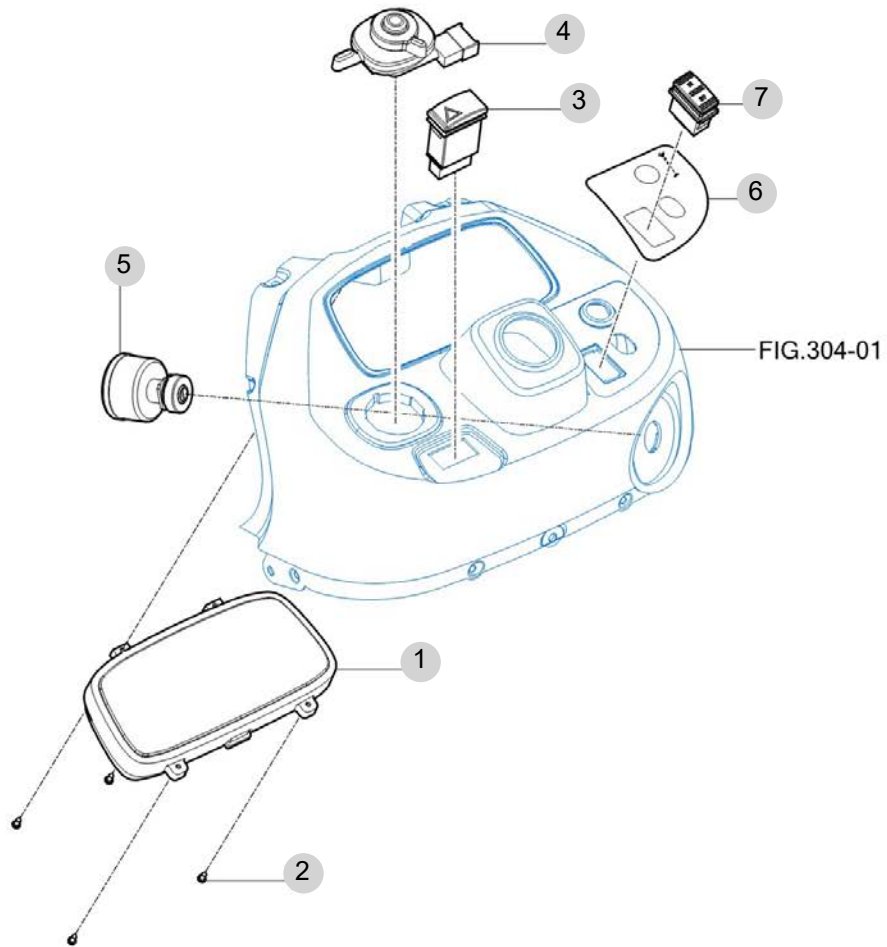
FIG 802

T194M

INSTRUMENT PANEL

년/월  
Year/Month

2022-12



NOTE



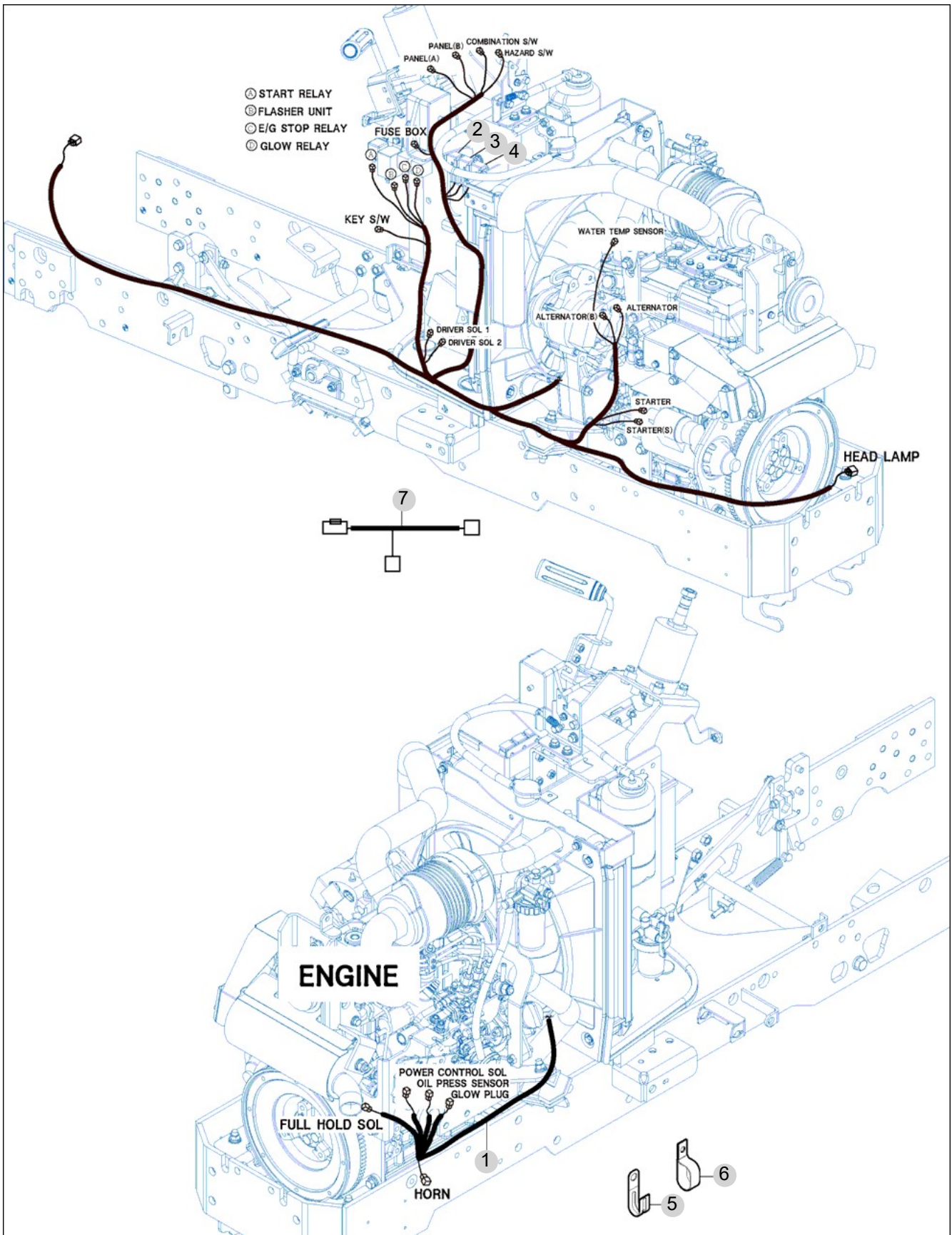
FIG 803

# HARNES(1)

년/월  
Year/Month

2022-12

T194M



NOTE





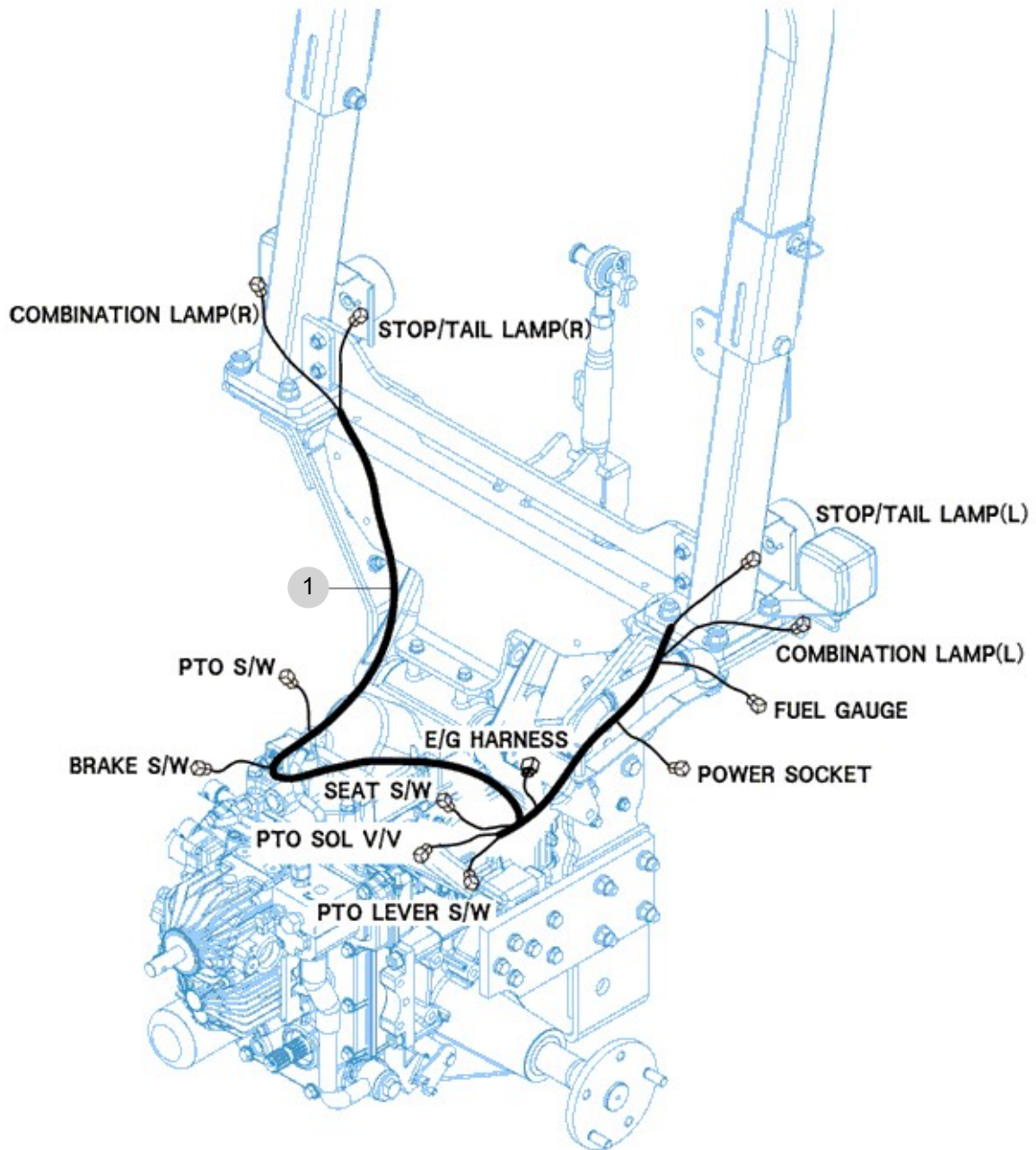
FIG 804

T194M

HARNESS(2)

년/월  
Year/Month

2022-12



NOTE





## 9. 라벨/옵션 PART NO. T9

FIG 901 TOOL & ACCESSORY

154

FIG 902 LABEL

156

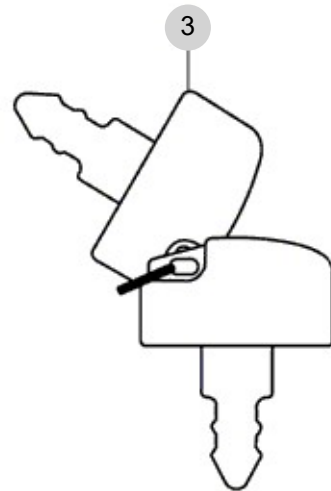
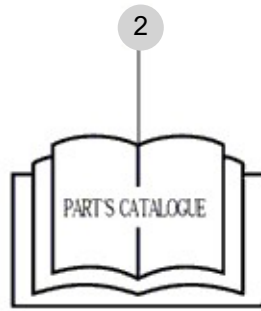
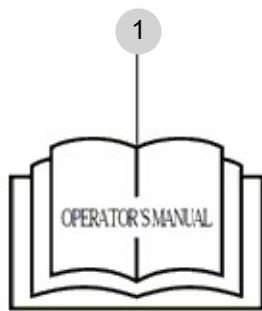
FIG 901

T194M

TOOL & ACCESSORY

년/월  
Year/Month

2022-12



NOTE



FIG 902

LABEL

년/월  
Year/Month

T194M

2022-12

**PARKING BRAKE**  
Press down the master brake pedal and lock the parking lever at the same time

2

**WARNING**  
Always apply the park brake when parking. Failure to do so can cause accidents and damages.

3

**WARNING**  
• Start engine only from operators seat, if safety start switch is by passed engine can start with transmission in gear.  
• Do not connect or short across terminal on starter solenoid.  
• Attach booster cables as shown on battery decal and operators manual.  
**Starting in gear causing runaway can result in serious injury.**

4



5

**WARNING**  
Work in ventilated Area.

6

**WARNING**  
Always fasten Your seat belt.

8

**DANGER**  
Do not ride except operator.

7

**WARNING**  
Additions, alterations, cracking, damage or corrosion to this structure may adversely affect the performance of the ROPS.

18

T194

1

TYM

60

**DANGER**  
This Tractor may tip over unexpectedly and quicker than an operator is able to jump free:  
1. Never operate a tractor without a proper Roll over Protection Structure (ROPS)  
2. Always wear your seat belt when operating this tractor equipped with roll over protection.  
3. Never pull from above or from the rear axle.  
4. Do not operate the tractor on steep slopes or near drop offs.  
5. Avoid sharp high speed turns. Serious injury or death may result from tractor upsets.

19

**WARNING**  
Death or injury may result if this tractor over turns with the ROPS in the folded down position. Operate this tractor with the ROPS folded down only when necessary. Do not wear seat belt if operated with ROPS folded down.

20

TYM YANG MOO SAN  
SERIAL NUMBER: T194  
VIN: SV e13 0140

21



25

26

EPA REGULATION  
USE ULTRA LOW SULFUR FUEL ONLY

22

**WARNING**  
Do not use the tractor while drinking or using alcohol, drugs or other substances that impair your ability to operate safely.

23

**WARNING**  
Do not use the accelerator lever except working on the field.

24



**WARNING**  
Do not remove radiator cap while engine is hot. Hot steam will injure you.

9

**WARNING**  
1. Traveling on the road.  
2. Raising blades or an implement.  
3. Making adjustment to an implement.  
Sudden dropping of an implement can cause serious injury or death.

10

**WARNING**  
Never use the differential lock at high speed or on the road as this can cause rollover and injury.

11

**WARNING**  
Operator's manual

13

**CAUTION**  
Keep hands and clothing away from rotating fan and belts to prevent serious injury.

12

**WARNING**  
Do not touch while the system is hot. It cause serious burns.

16

**HOT**

14

**CAUTION**  
Do not touch while the system is hot. It cause serious burns.

15

TYM CE  
MODEL: T194M  
SERIAL NO: SV e13 0140  
MANUFACTURED: 2020 FINE MODEL: 040 11  
NEW OFFICE: 36 Seomun-ro, Incheon, Korea 405-840  
TEL: 02-2610-1111

17

5 YEAR Limited Warranty

32

**CAUTION**  
Prolonged exposure to loud noise can cause hearing loss. Wear ear protection.

33



50



51



**WARNING**  
Attach implements and trailers to the tractor only using the prescribed drawbar or hitch.

28

**DANGER**  
Rotating driveline contact can cause death. KEEP AWAY! Keep all drive line, Tractor and equipment shields in place during operation.

29

NOTE

FIG 902		LABEL						년/월	
								Year/Month	
T194M								2022-12	
KEY NO	PART NO	DESCRIPTION	SPEC	QTY	REPAIR	EFFECTIVE DATE	REMARKS		
902	1	11619010042	마크, T194						
902	1	11619010041	마크, T194						
902	2	14729040130	라벨(코션/파킹)						
902	3	12009100020	라벨, 경고/파킹	1X1X1					
902	4	12609040620	경고(스타트)	T=0.05					
902	5	12127025110	라벨, 스타터	1X1X1					
902	6	12009100030	라벨, 경고/배기가스	1X1X1					
902	7	12009100160	라벨, 위험/동승금지	1X1X1					
902	8	12009100190	라벨, 경고/안전벨트	1X1X1					
902	9	12009100150	라벨, 경고/라디에이터캡	1X1X1					
902	10	12009100040	라벨, 경고/스톱밸브	1X1X1					
902	11	12009100060	라벨, 경고/차동고정	1X1X1					
902	12	12009100120	라벨, 주의/팬	1X1X1					
902	13	12009100230	라벨, 주의/취급	T=0.05					
902	14	11209100250	라벨, 주의/HOT						
902	15	12009100240	라벨, 주의/소음기	1X1X1					
902	16	17689200050	라벨, 취급/차동고정						
902	17	T0019010021	기종 명판(수출용)	1X1X1					
902	1701	V5502040093	브라인더리벳	4X9.3					
902	18	12209045051	라벨, 경고/개조						
902	19	12209045010	라벨(ROPS위험)	T=0.05					
902	20	12209045020	라벨(ROPS경고)	T=0.05					
902	21	11619040690	형식마크(ROPS)						
902	22	18711201100	라벨, 초저유황경유						
902	23	12009100050	라벨, 경고/화기염금	1X1X1					
902	24	12009100210	라벨, 경고/스로틀	1X1X1					
902	25	11619100040	라벨, 포지션 레버						
902	26	11619100030	라벨, 부변속 레버						
902	27	11619100020	라벨, 4WD 레버						
902	28	12009100140	라벨, 경고/견인	1X1X1					
902	29	12009100130	라벨, 위험/PTO	1X1X1					
902	31	11619100010	라벨, PTO 변속 레버						
902	32	11619100150	5년 보증 라벨						
902	33	11669049050	라벨, 주의/소음						
902	50	93805000100	라벨, 화살표						
902	51	93805000090	라벨, 다이얼						
902	60	11659010020	라벨, /TYM 25						
NOTE									