

FIG 001-1

TX25

# BUCKET

P1

Year / Month

2019 / 05

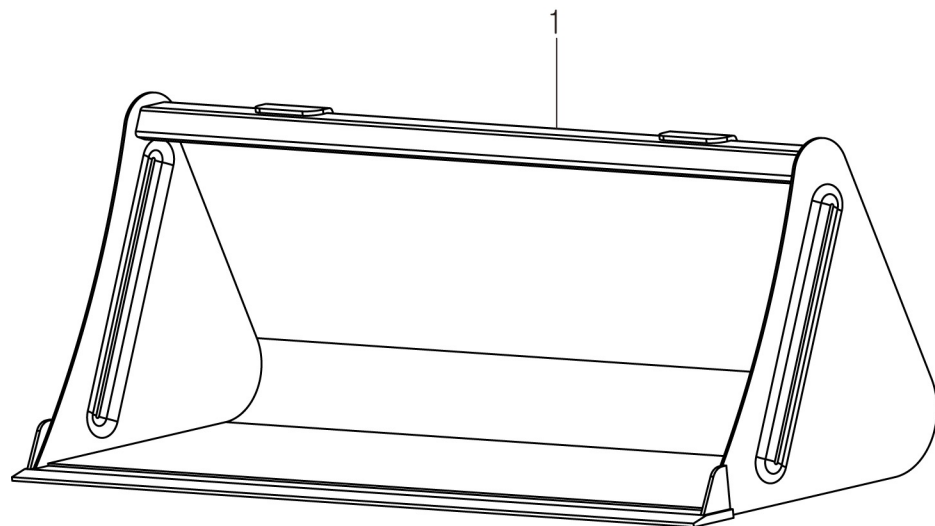
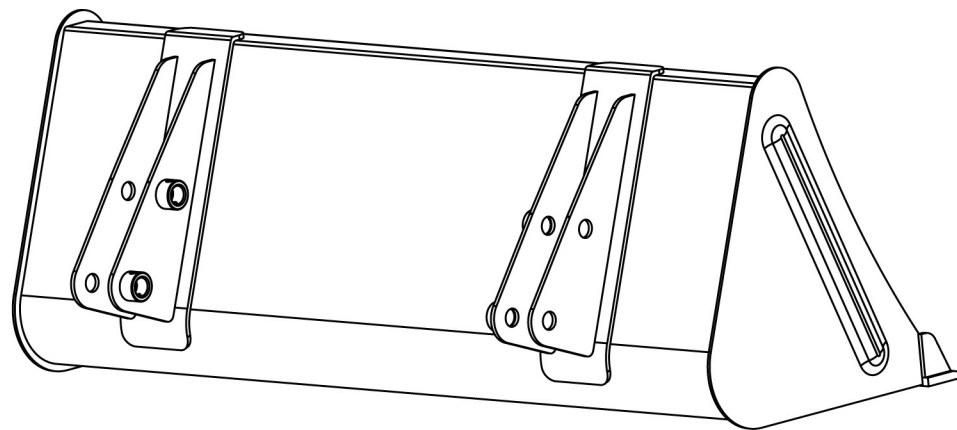




FIG 001-2

TX25P

# BUCKET (BOBCCAT TYPE)

P1

Year / Month

2019 / 05

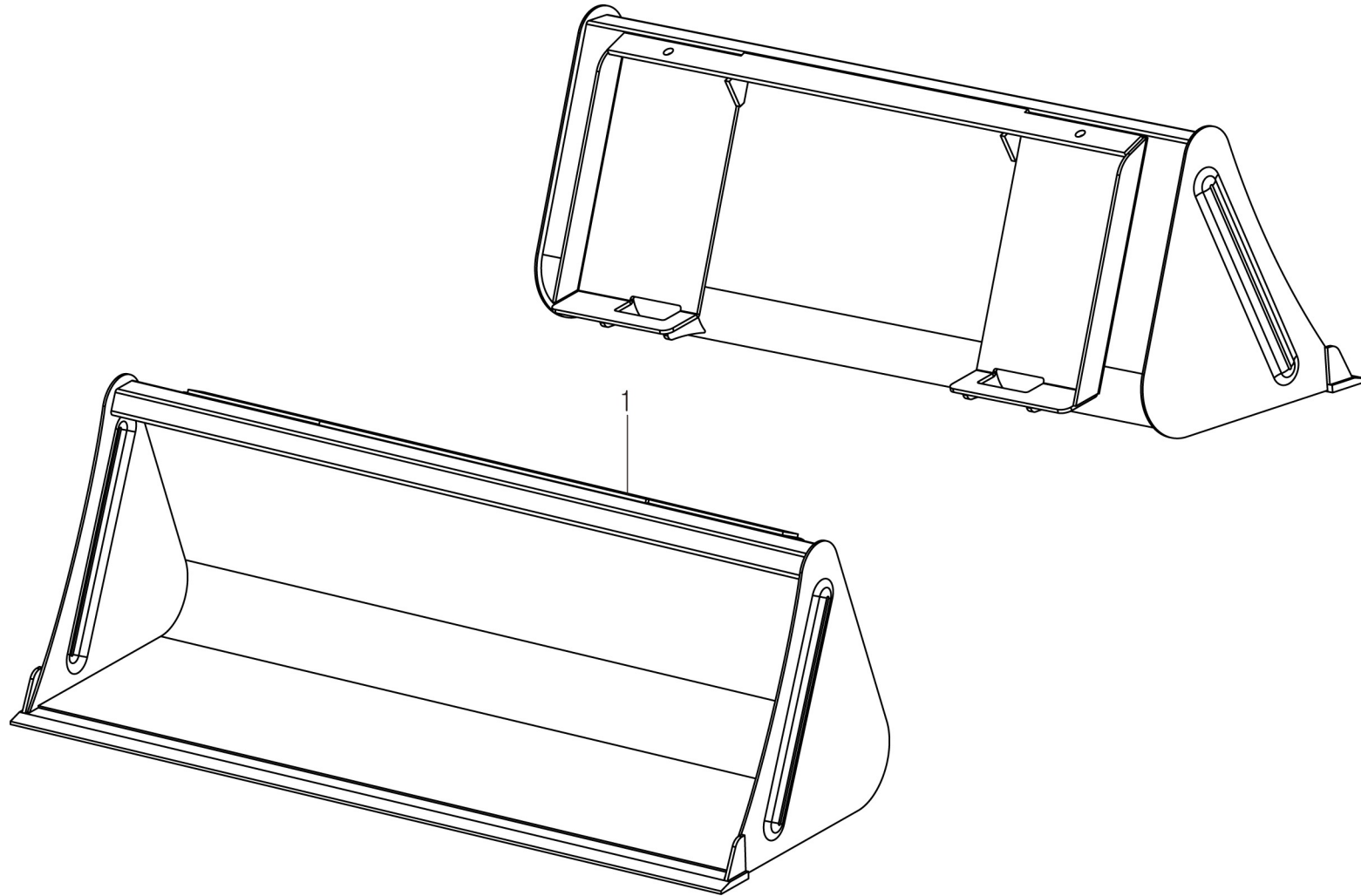




FIG 002

TX25(P)

# QUICK ATTACHMENT ASS'Y (BOBCAT TYPE)

P1

Year / Month

2019 / 05

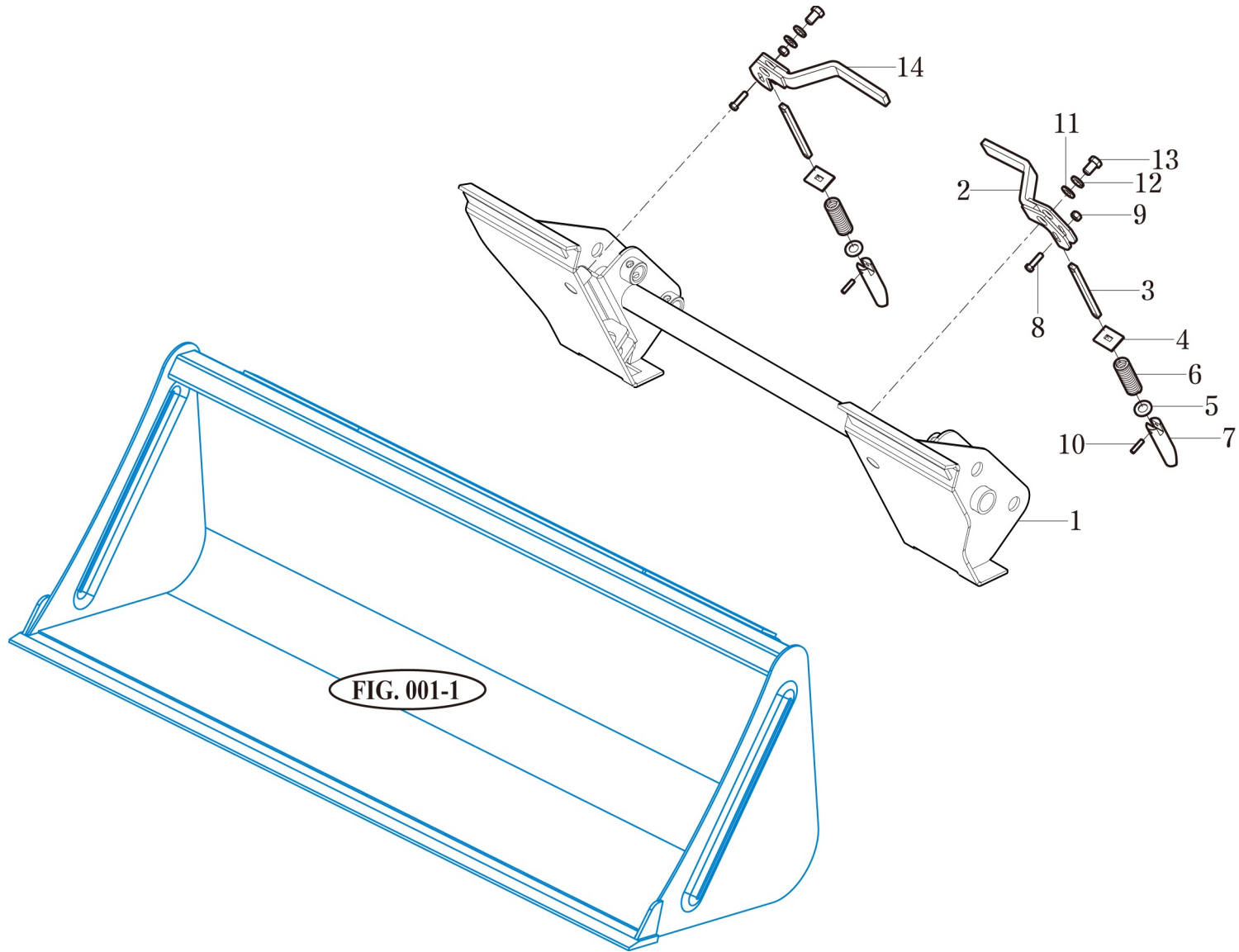




FIG 003

TX25(P)

# MOUNTING FRAME ASS'Y

P1

Year / Month

2019 / 05

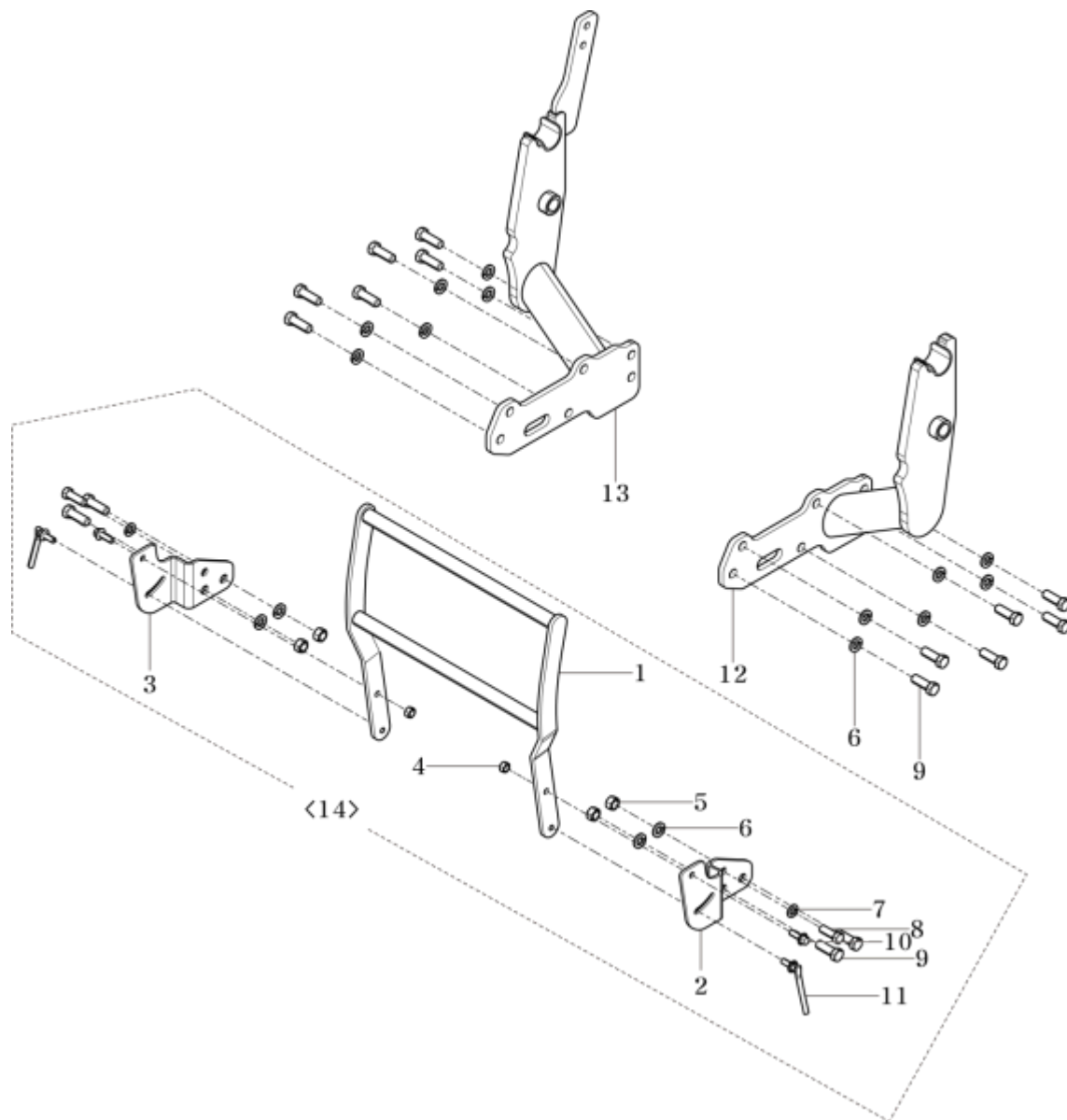






FIG 004

TX25(P)

# BOOM ASSEMBLY

P1

Year / Month

2019 / 05

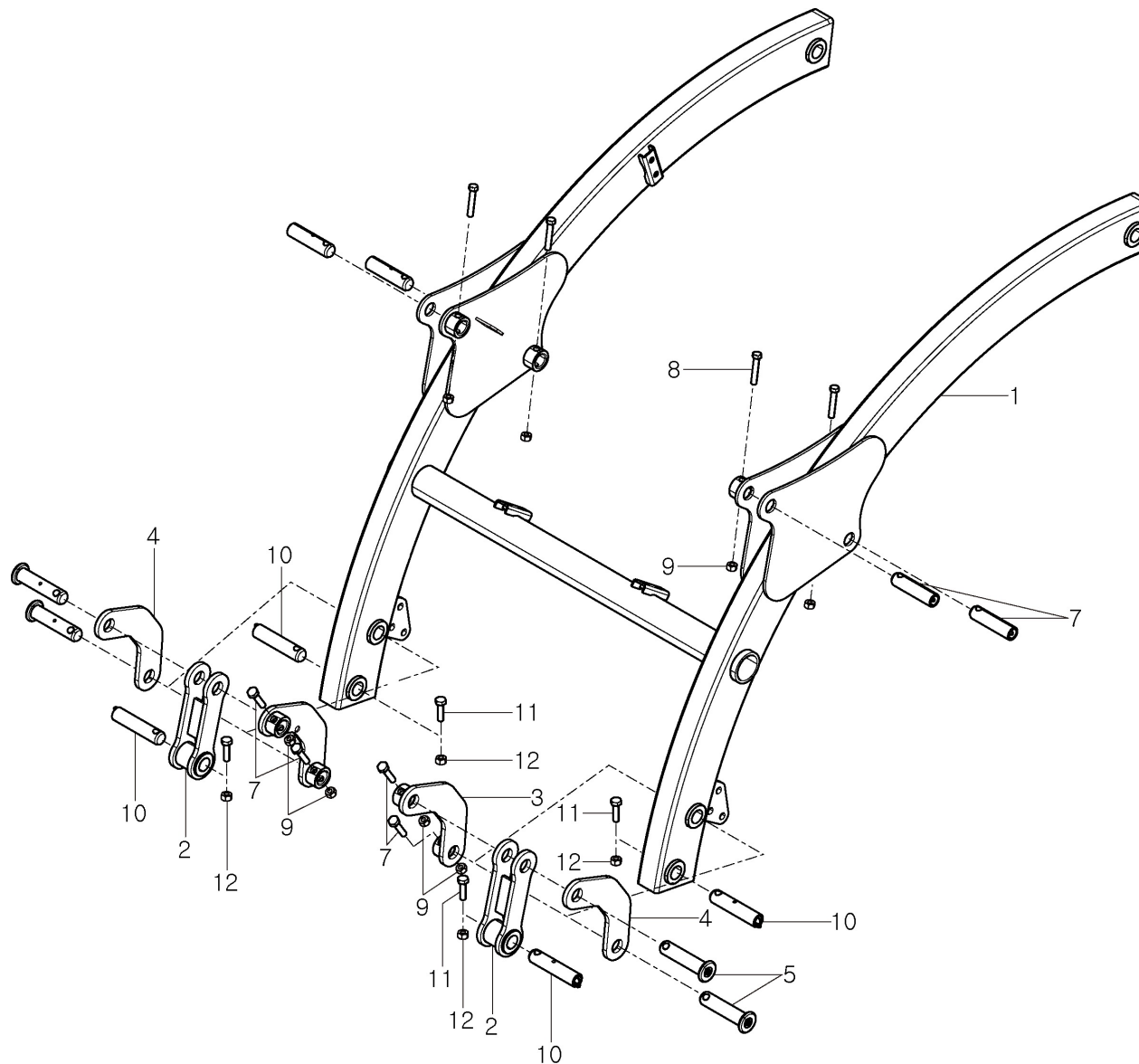




FIG 005

TX25(P)

# BOOM ASSEMBLY

P1

Year / Month

2019 / 05

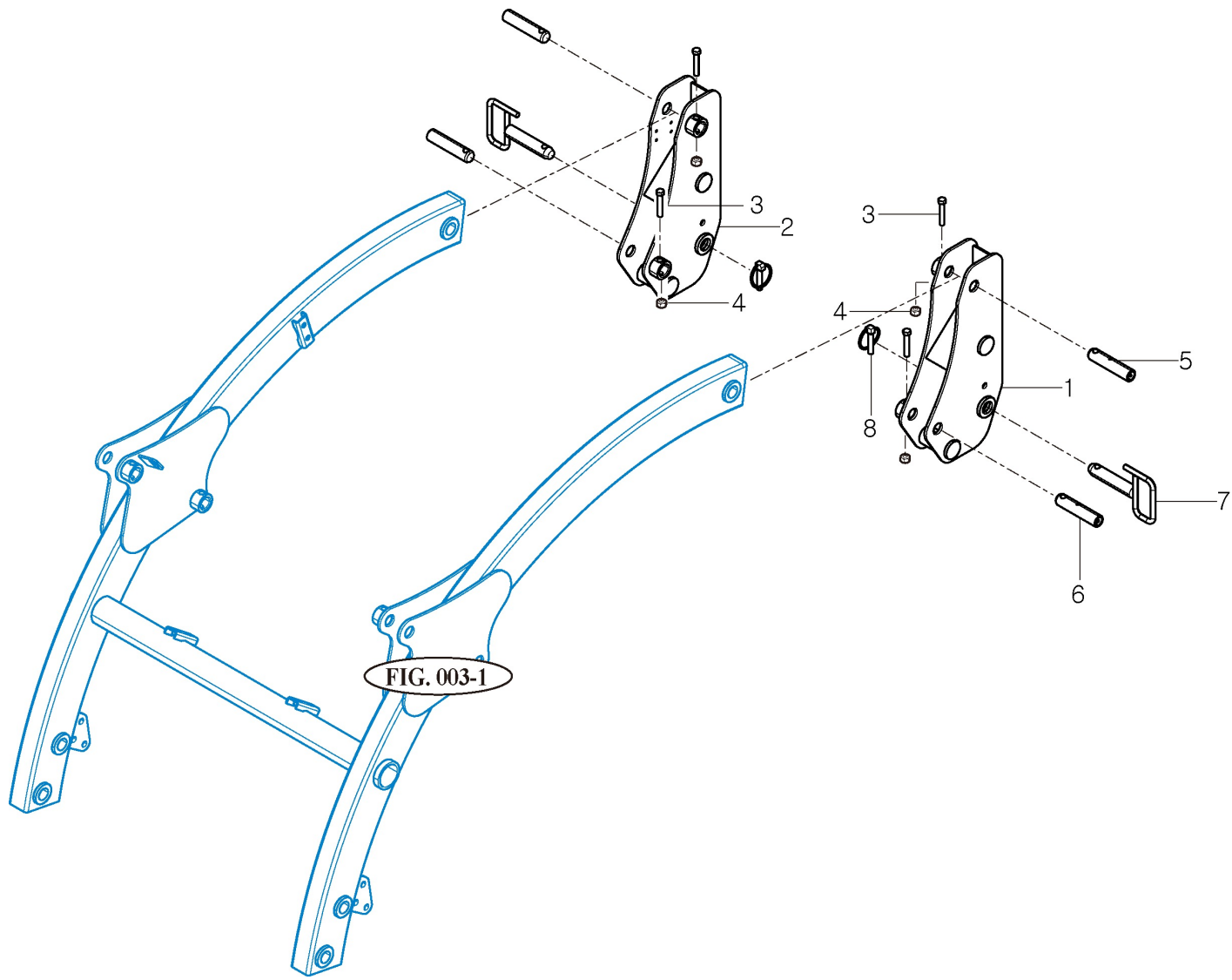


FIG. 003-1



FIG 006

TX25(P)

# STAND

P1

Year / Month

2019 / 05

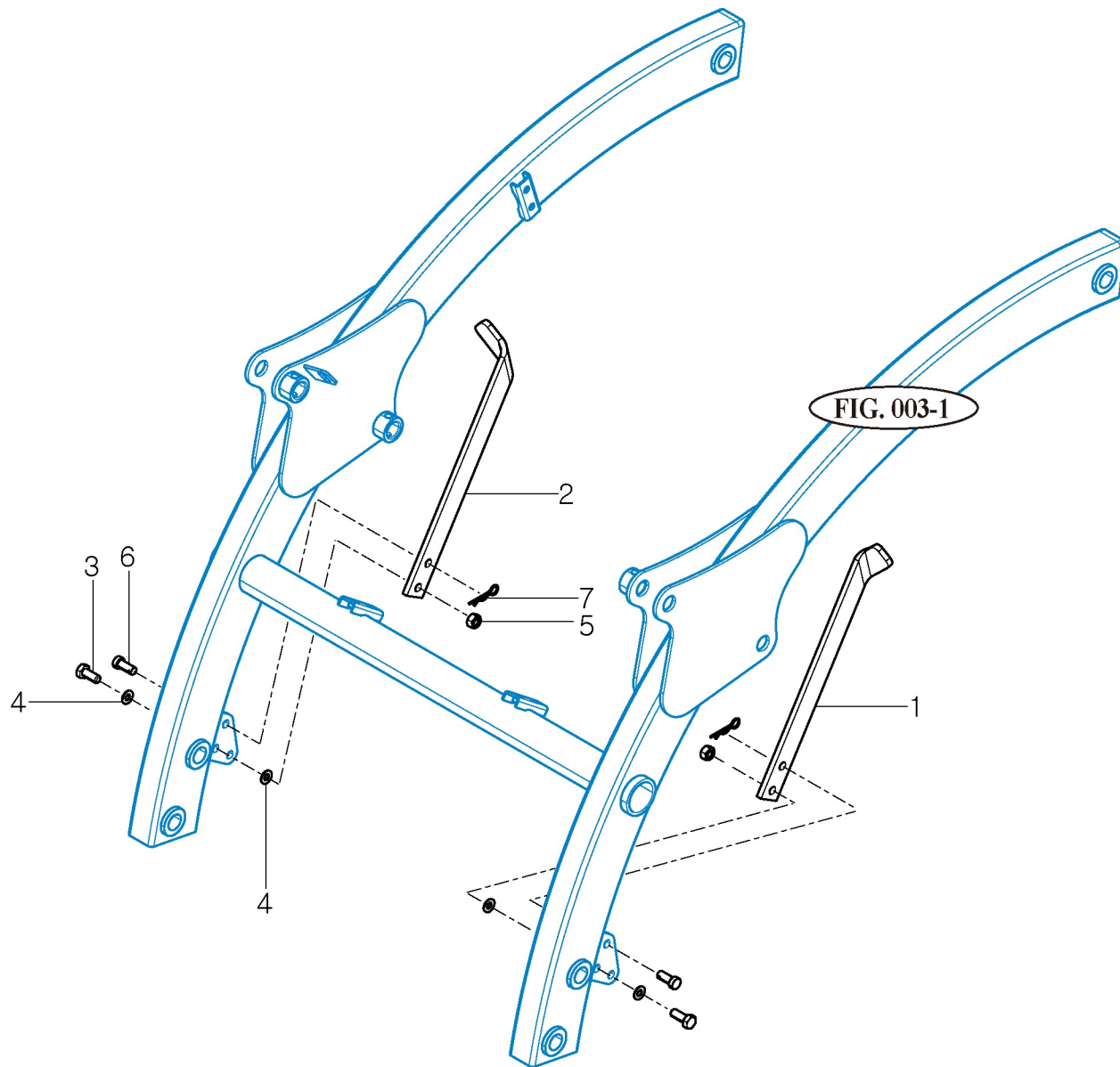




FIG 007  
TX25(P)

# LOADER VALVE

P1

Year / Month

2019 / 05

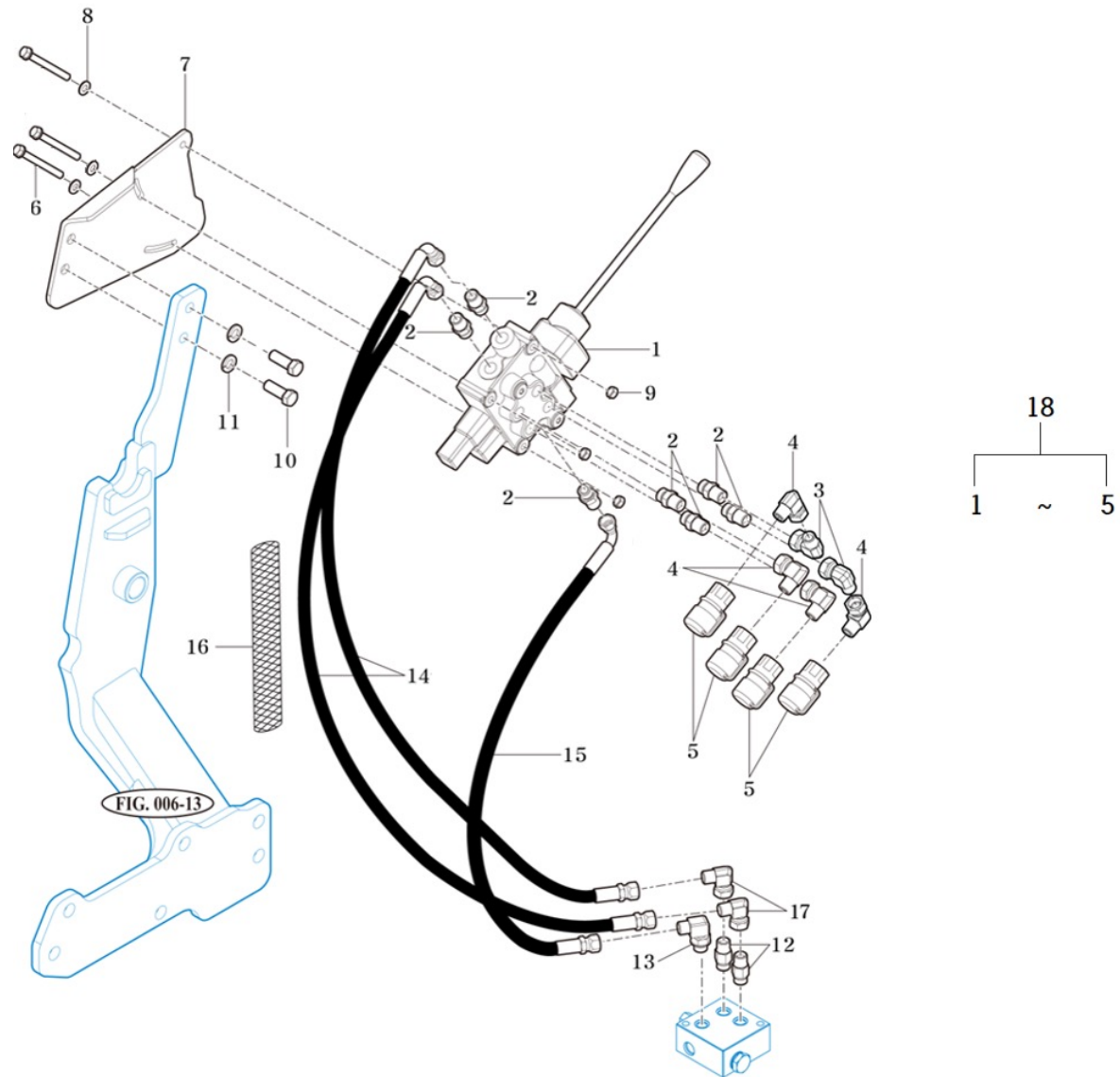


FIG. 006-13





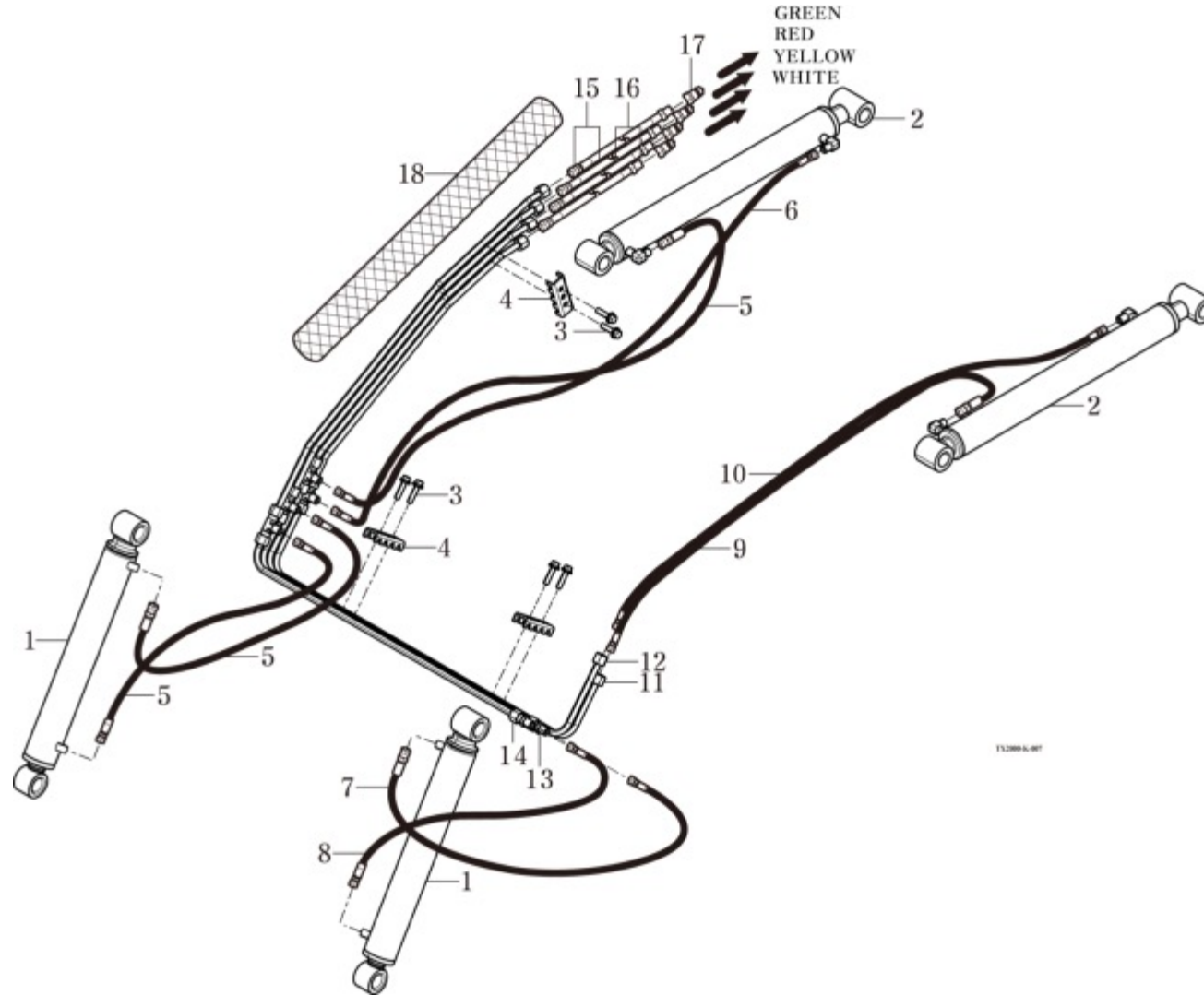
FIG 008  
TX25(P)

# HYDRAULIC PIPING ASSEMBLY

P1

Year / Month

2019 / 05



TX250A-007



