

T574NC-B

Parts Catalog

# 목 차

---

---

## 0. TRACTOR KIT PART NO. TK1

FIG 000 TRAILER SOCKET KIT	8
FIG 002 3rd FUNCTION KIT , LOADER	10

## 1. Engine PART NO. EG

FIG 100 ENGINE	14
FIG 101 CYLINDER BLOCK	16
FIG 102A OILJET ASS'Y OPTION(T574)	18
FIG 103 CRANK SHAFT	20
FIG 104 PISTON	22
FIG 105 CYLINDER HEAD	24
FIG 106 ROCKER LEVER	26
FIG 107 HEAD COVER	28
FIG 108 GEAR CASE	30
FIG 109 IDLE GEAR	32
FIG 110 CAM SHAFT	34
FIG 111 OIL PUMP	36
FIG 112 HYD. PUMP DRIVE	38
FIG 113 2ND BALANCE	40
FIG 114 OIL PAN	42
FIG 115A INTAKE MANIFOLD(T574)	44
FIG 116A EXHAUST MANIFOLD(T574)	46
FIG 117A TURBOCHARGER ASS'Y(T574)	48
FIG 118A TURBOCHARGER PLUMBING OPTION(T574)	50
FIG 119A BREATHER(T574)	52
FIG 120 FUEL INJECTION PUMP	54
FIG 121 FUEL INJECTION VALVE	56
FIG 122 FUEL PIPE ASS'Y	58
FIG 123 OIL FILTER	60
FIG 124 OIL COOLER	62
FIG 125 OIL GAUGUE	64

FIG 126 OIL FILLER CAP	66
FIG 127 COOLING WATER PUMP	68
FIG 128 CRANK SHAFT PULLEY	70
FIG 129 V-PULLEY	72
FIG 130 COOLING FAN	74
FIG 131 FLYWHEEL HOUSING	76
FIG 132 FLYWHEEL	78
FIG 133 GLOW PLUG ASS'Y OPTION	80
FIG 134 STARTING MOTOR	82
FIG 135 FUEL FILTER BRACKET ASS'Y	84
FIG 136 ALTERNATOR	86
FIG 137 V-BELT	88
FIG 138 FUEL FILTER	90
FIG 139A DPF SUPPORT (T574)	92
FIG 140 DATAPLATE	94
FIG 142A DPF ASS'Y (T574)	96
FIG 143 LIFT ASS'Y	98
FIG 144 COMP . DRIVE PULLEY ASS'Y OPTION	100
FIG 145 INTAKE PIPE	102
FIG 146 CCV ASS'Y	104
FIG 147 LOOSED PARTS	106

## 2. Engine Accessories PART NO. T2

FIG 201A AIR CLEANER (T574)	109
FIG 202 RADIATOR	111
FIG 203 MUFFLER	113
FIG 204 FUEL HOSE & FILTER	115
FIG 205 FUEL TANK	117
FIG 206 ACCELERATOR	119

## 3. Clutch/Brake/Steering PART NO. T3

FIG 301 CLUTCH	122
FIG 302 CLUTCH PEDAL	124
FIG 303 BRAKE	127
FIG 304 BRAKE PEDAL & LINK	129
FIG 305 FRONT WHEEL	131

FIG 306 REAR WHEEL	133
FIG 307 POWER STEERING WHEEL	135
FIG 308 POWER STEERING VALVE	137
FIG 309 POWER STEERING CYLINDER	139

#### 4. Transmission PART NO. T4

FIG 401 TRANSMISSION FRONT CASE	142
FIG 402 FORWARD & BACKWARD GEARS	144
FIG 403 IDLE & COUNTER GEARS	146
FIG 404 MAIN SHIFT GEARS	148
FIG 405 P.T.O DRIVE SHAFT	150
FIG 406 MAIN CHANGE LEVER	152
FIG 407 REVERSE CHANGE LEVER	154
FIG 408 TRANSMISSION MID CASE	156
FIG 409 TRANSMISSION REAR CASE	158
FIG 410 SUB CHANGE GEARS	160
FIG 411 SUB CHANGE SHIFTER	162
FIG 413 DRIVE GEARS	164
FIG 414 4WD CHANGE LEVER	166
FIG 415 P.T.O CHANGE GEARS	168
FIG 417 REAR DIFFERENTIAL GEARS	170
FIG 418 REAR AXLE HOUSING	173

#### 5. Front Axle PART NO. T5

FIG 501 FRONT AXLE SUPPORT	176
FIG 502 FRONT DRIVE SHAFT	178
FIG 503 FRONT AXLE HOUSING	180
FIG 504 FRONT DIFFERENTIAL GEARS	182
FIG 505 FRONT GEAR CASE (1)	184
FIG 506 FRONT GEAR CASE (2)	186
FIG 507 FRONT GEAR CASE (3)	188

#### 6. Hydraulic/3P-Link PART NO. T6

FIG 601 CYLINDER CASE	191
FIG 602 LIFT ARM	193



FIG 603 CYLINDER	195
FIG 604 POSITION LINK	197
FIG 605 CONTROL VALVE	199
FIG 606 DRAFT LINK	201
FIG 607A POSITION & DRAFT LEVER (1)	203
FIG 607B POSITION & DRAFT LEVER (2)	205
FIG 608 EXTERIOR HYD. VALVE	207
FIG 609 HYDRAULIC PIPE	209
FIG 610 JOYSTICK[SAP 가져오기]에서 생성함.	211
FIG 610 JOYSTICK	213
FIG 612 HITCH & 3-POINT LINK	215
FIG 613 LOWER LINK & LIFT ROD	218

## 7. Sheet Metal & Cabin PART NO. T7

FIG 701 BONNET FRAME	221
FIG 702A BONNET (1)	223
FIG 702B BONNET (2)	225
FIG 703 EXTENSION COVER	227
FIG 704B LEVER COVER & STEP-NON CAB	229
FIG 705 FRONT & REAR MOUNTING[SAP 가져오기]에서 생성함.	231
FIG 705 FRONT & REAR MOUNTING	233
FIG 706 SEAT & MAT	235
FIG 710B FRAME & 2POLES-ROPS-NON CAB	237
FIG 713B SUB FENDER & COVER-NON CAB	239
FIG 714B MIRROR&WORKING LAMP-NON CAB	241
FIG 718 CABIN INTERIOR	243

## 8. Electrical System PART NO. T8

FIG 801 BATTERY & MOUNTING	246
FIG 802 HARNESS LAMP	248
FIG 803 INSTRUMENT PANEL	250
FIG 804 ELECTRIC SYSTEM (1)	252
FIG 805B ELECTRIC SYSTEM (2)-NON CAB	254
FIG 806 ELECTRIC SYSTEM (3)	256

## 9. Label/Option PART NO. T9

FIG 901 TOOL & ACCESSORY	259
--------------------------	-----

FIG 902 LABEL  
FIG 902 LABEL

261  
263

# 0. TRACTOR KIT PART NO. TK1

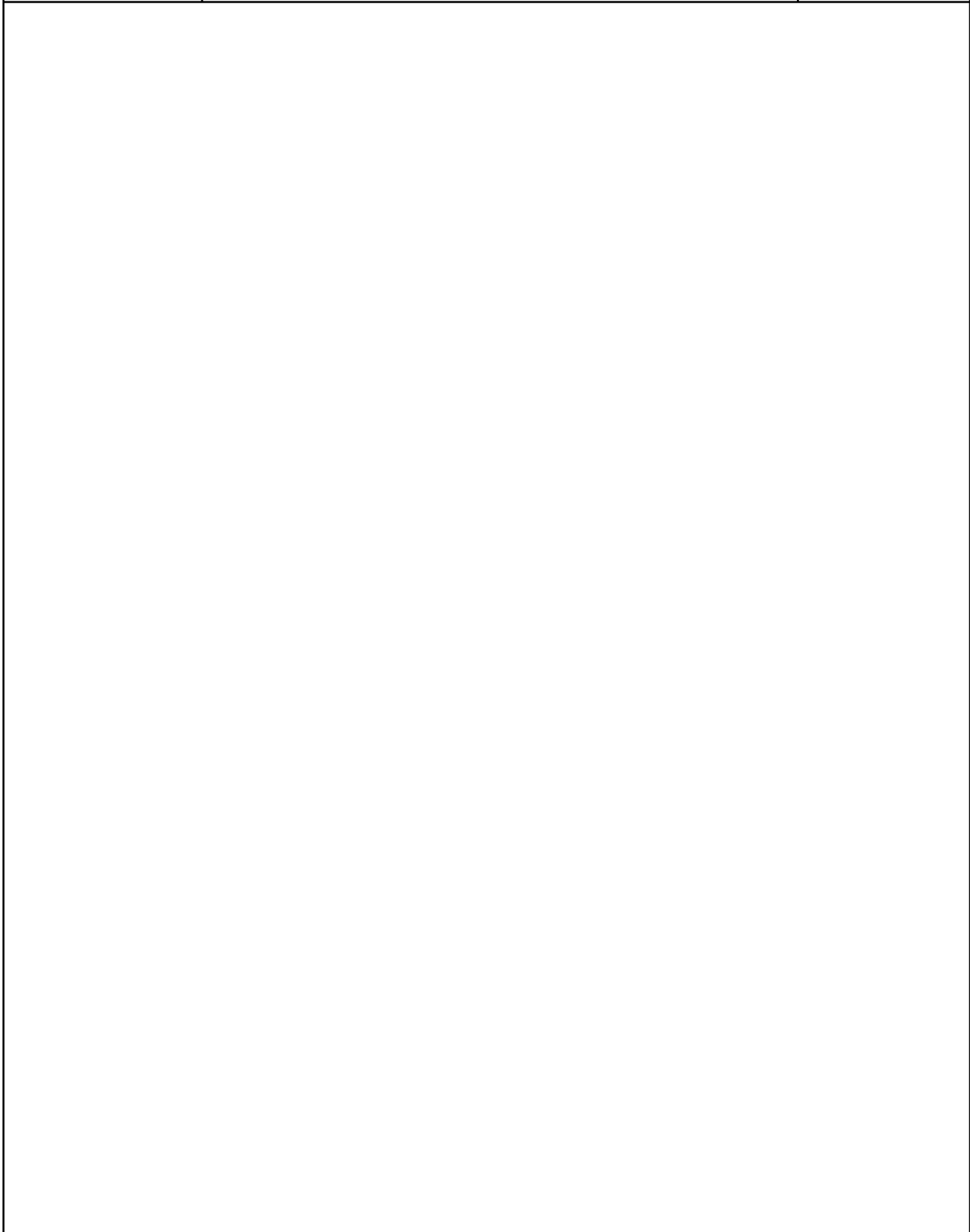
FIG 000 TRAILER SOCKET KIT

8

FIG 002 3rd FUNCTION KIT , LOADER

10

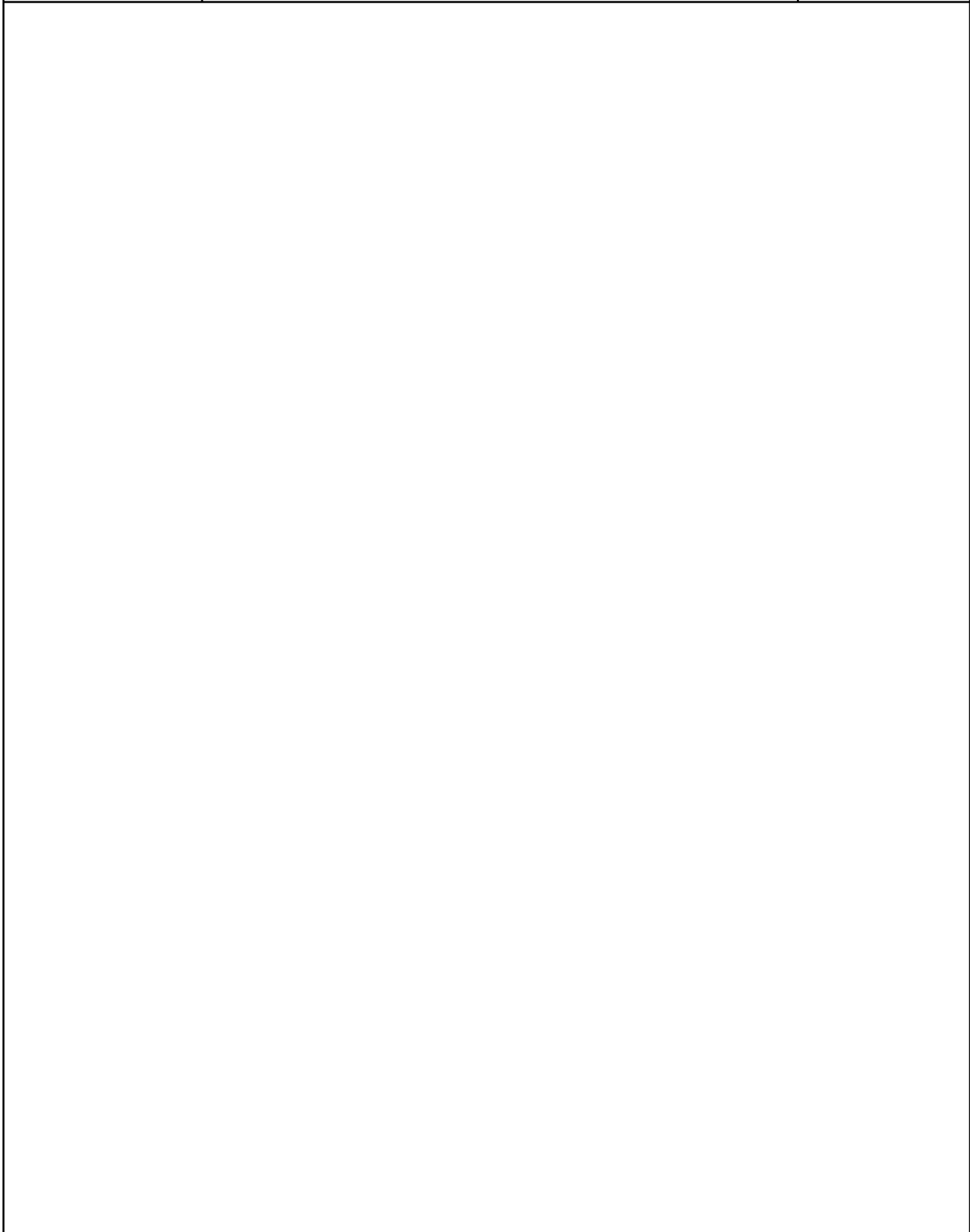
FIG 000 T574NC-B	TRAILER SOCKET KIT	년/월 Year/Month 2022-12
---------------------	--------------------	------------------------------



NOTE	
------	--



FIG 002 T574NC-B	3rd FUNCTION KIT , LOADER	년/월 Year/Month 2022-12
---------------------	---------------------------	------------------------------



NOTE	
------	--



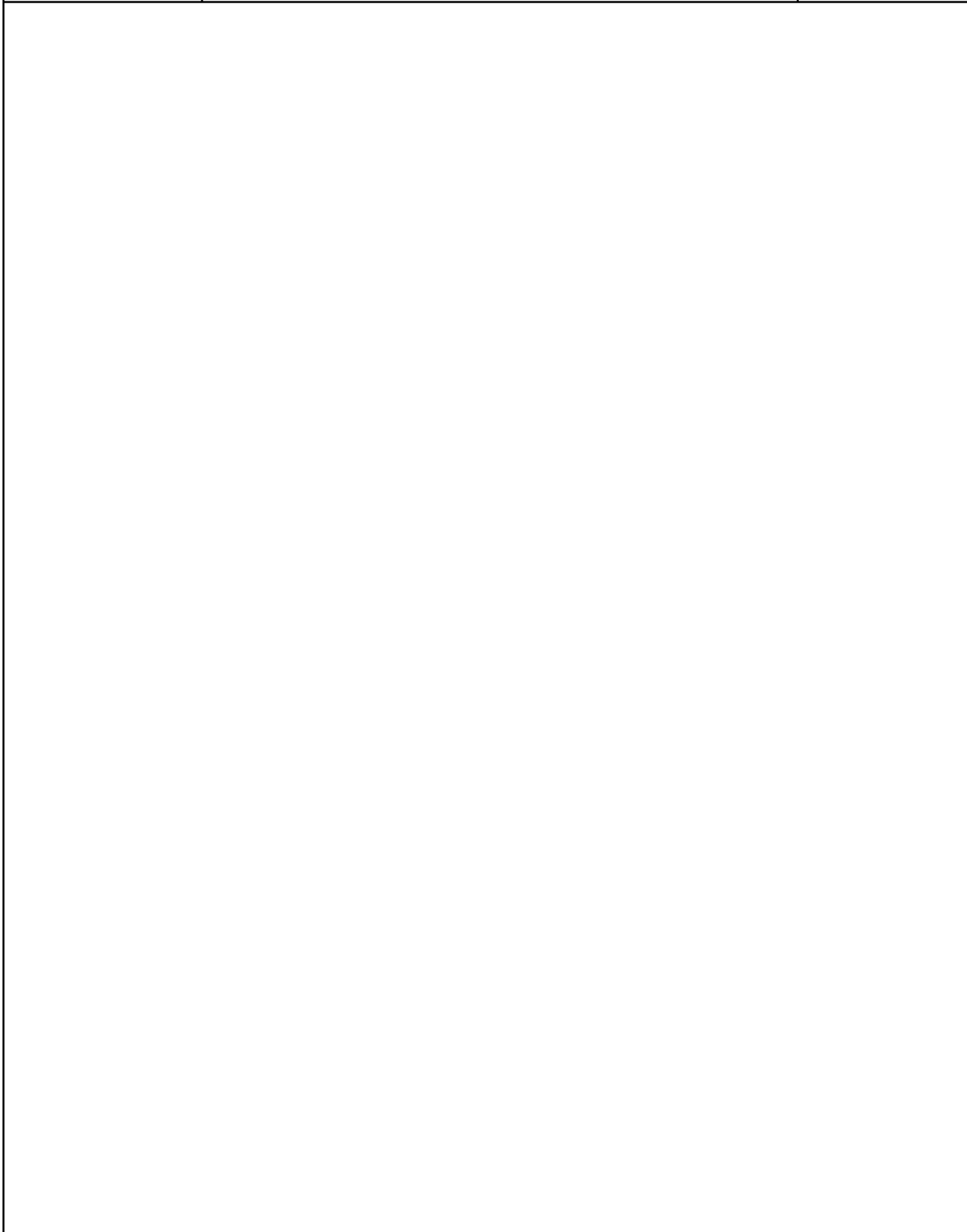
## 1. Engine PART NO. EG

FIG 100 ENGINE	14
FIG 101 CYLINDER BLOCK	16
FIG 102A OILJET ASS'Y OPTION(T574)	18
FIG 103 CRANK SHAFT	20
FIG 104 PISTON	22
FIG 105 CYLINDER HEAD	24
FIG 106 ROCKER LEVER	26
FIG 107 HEAD COVER	28
FIG 108 GEAR CASE	30
FIG 109 IDLE GEAR	32
FIG 110 CAM SHAFT	34
FIG 111 OIL PUMP	36
FIG 112 HYD. PUMP DRIVE	38
FIG 113 2ND BALANCE	40
FIG 114 OIL PAN	42
FIG 115A INTAKE MANIFOLD(T574)	44
FIG 116A EXHAUST MANIFOLD(T574)	46
FIG 117A TURBOCHARGER ASS'Y(T574)	48
FIG 118A TURBOCHARGER PLUMBING OPTION(T574)	50
FIG 119A BREATHER(T574)	52
FIG 120 FUEL INJECTION PUMP	54
FIG 121 FUEL INJECTION VALVE	56
FIG 122 FUEL PIPE ASS'Y	58
FIG 123 OIL FILTER	60
FIG 124 OIL COOLER	62
FIG 125 OIL GAUGUE	64
FIG 126 OIL FILLER CAP	66
FIG 127 COOLING WATER PUMP	68
FIG 128 CRANK SHAFT PULLEY	70
FIG 129 V-PULLEY	72
FIG 130 COOLING FAN	74
FIG 131 FLYWHEEL HOUSING	76
FIG 132 FLYWHEEL	78
FIG 133 GLOW PLUG ASS'Y OPTION	80
FIG 134 STARTING MOTOR	82
FIG 135 FUEL FILTER BRACKET ASS'Y	84
FIG 136 ALTERNATOR	86
FIG 137 V-BELT	88



FIG 138 FUEL FILTER	90
FIG 139A DPF SUPPORT (T574)	92
FIG 140 DATAPLATE	94
FIG 142A DPF ASS'Y (T574)	96
FIG 143 LIFT ASS'Y	98
FIG 144 COMP . DRIVE PULLEY ASS'Y OPTION	100
FIG 145 INTAKE PIPE	102
FIG 146 CCV ASS'Y	104
FIG 147 LOOSED PARTS	106

FIG 100 T574NC-B	ENGINE	년/월 Year/Month 2022-12
---------------------	--------	------------------------------



NOTE	
------	--



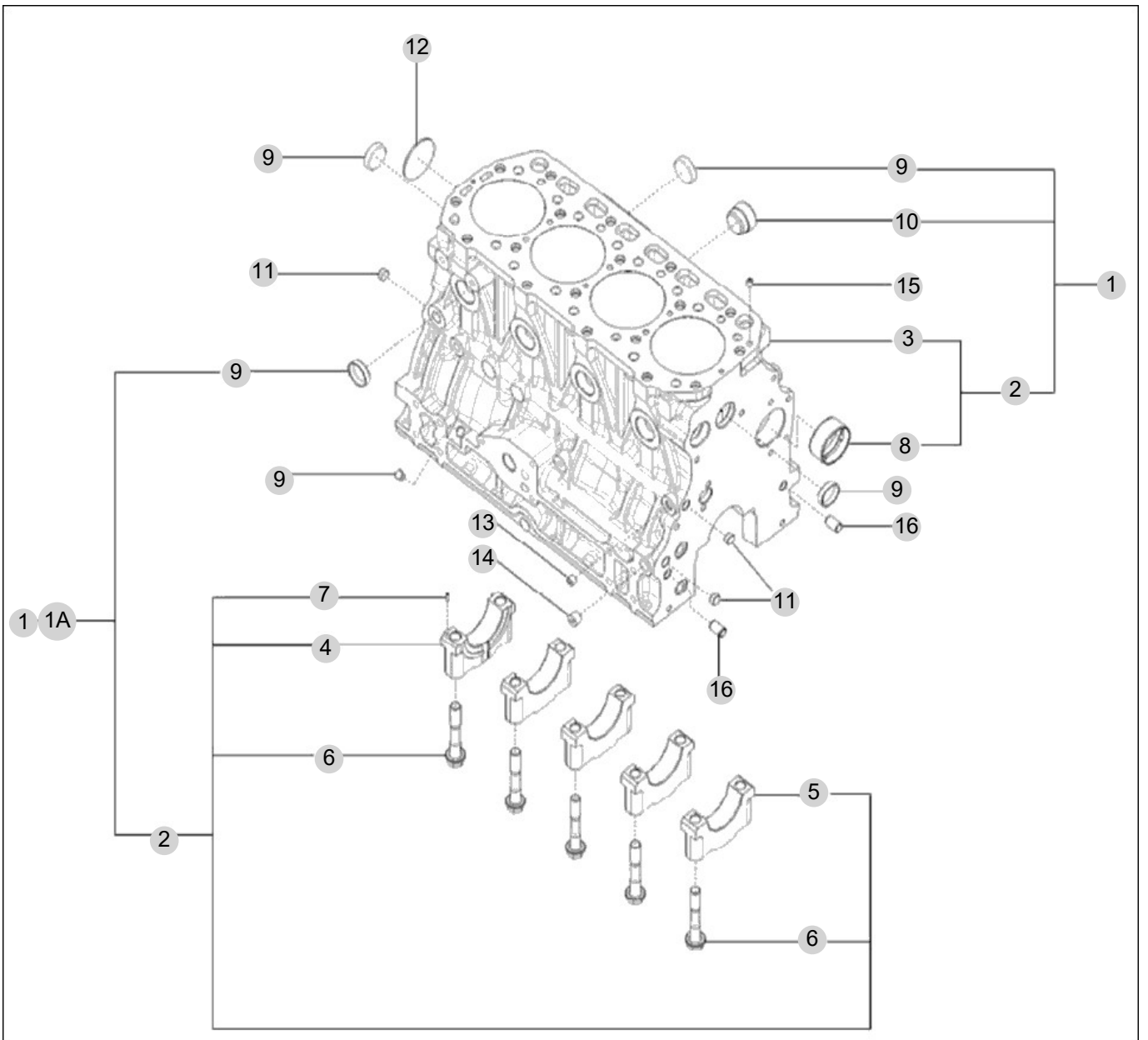
FIG 101

T574NC-B

CYLINDER BLOCK

년/월  
Year/Month

2022-12



NOTE



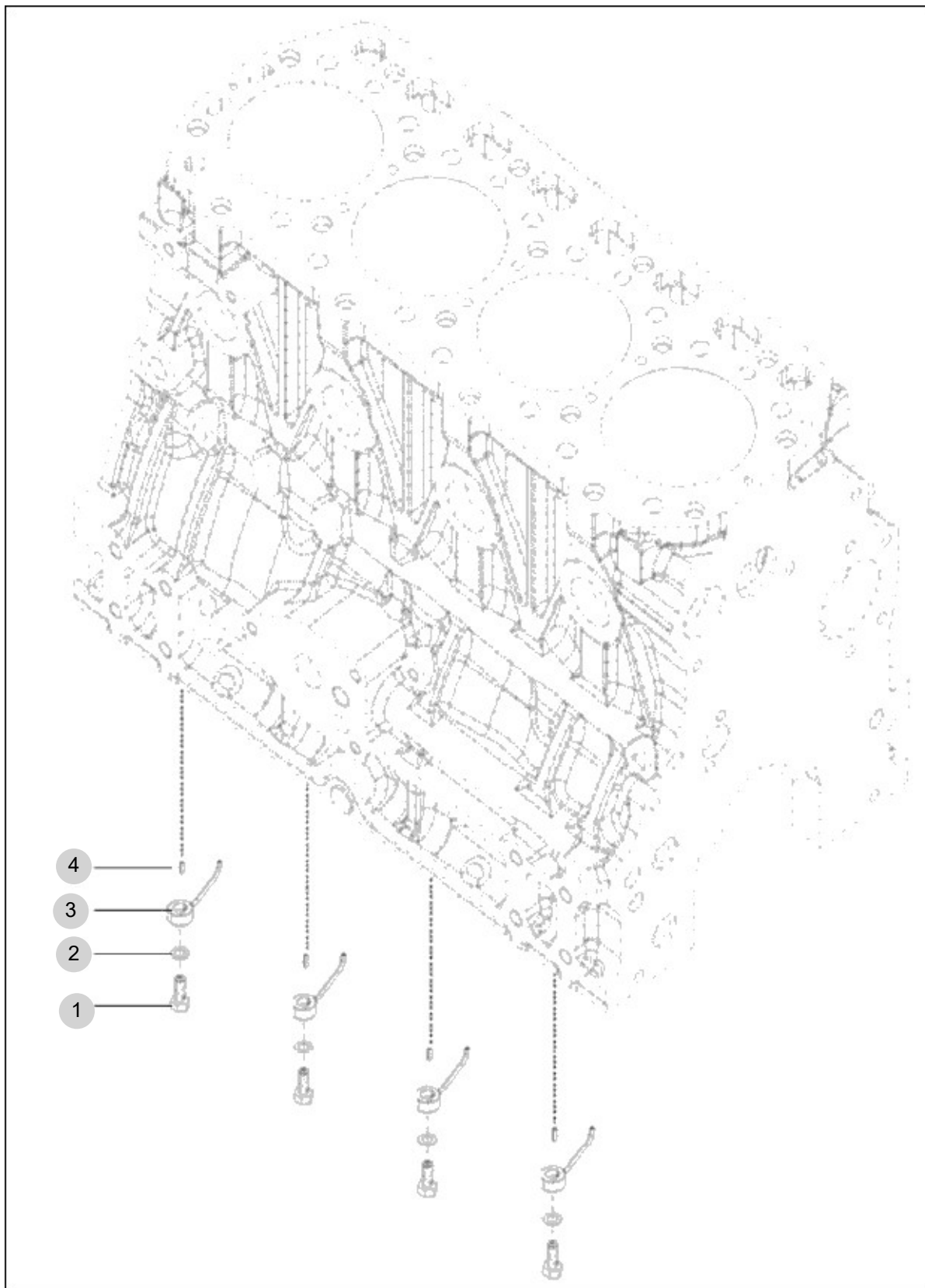
FIG 102A

OILJET ASS'Y OPTION(T574)

년/월  
Year/Month

2022-12

T574NC-B



NOTE



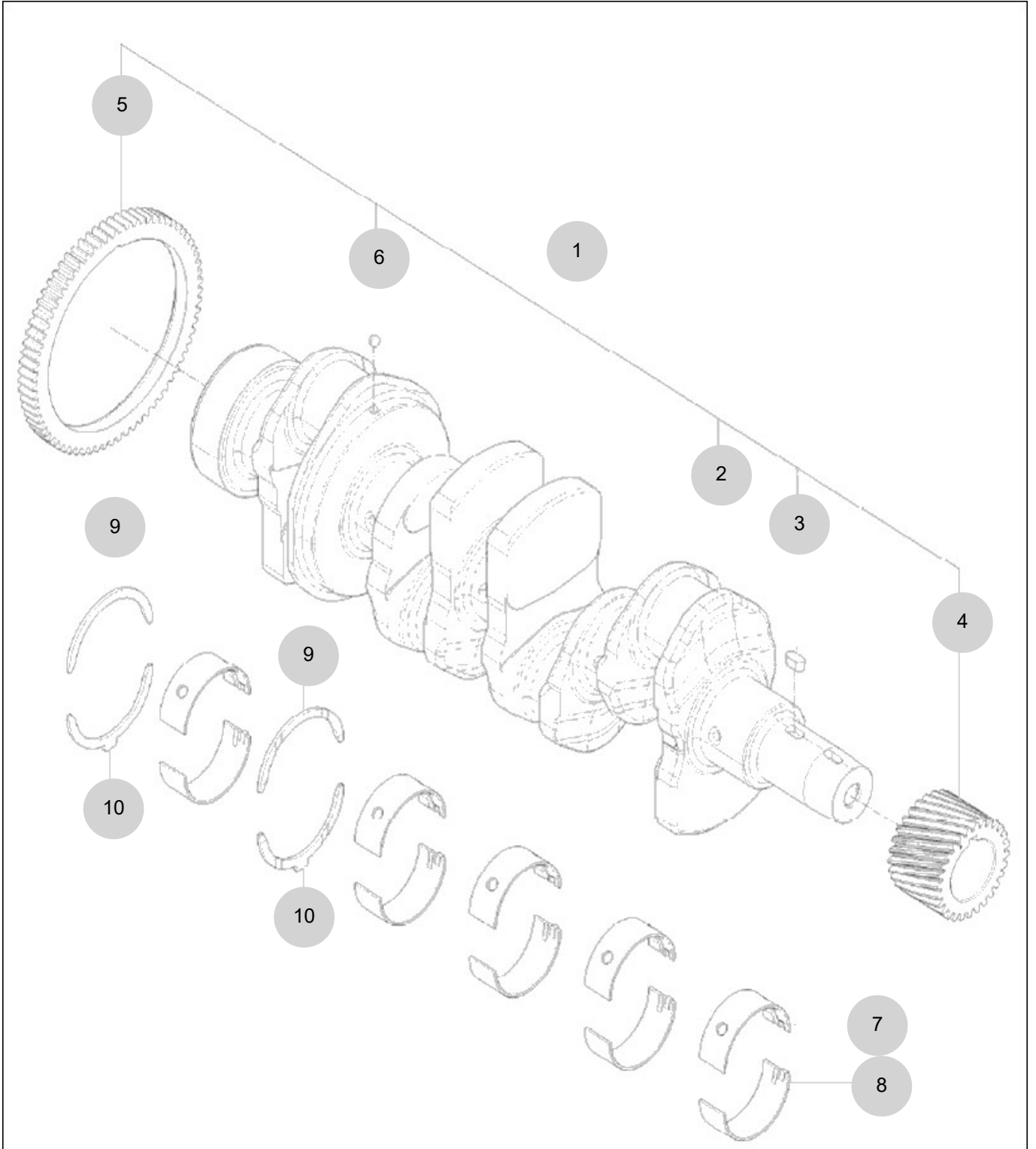
FIG 103

CRANK SHAFT

년/월  
Year/Month

T574NC-B

2022-12



NOTE





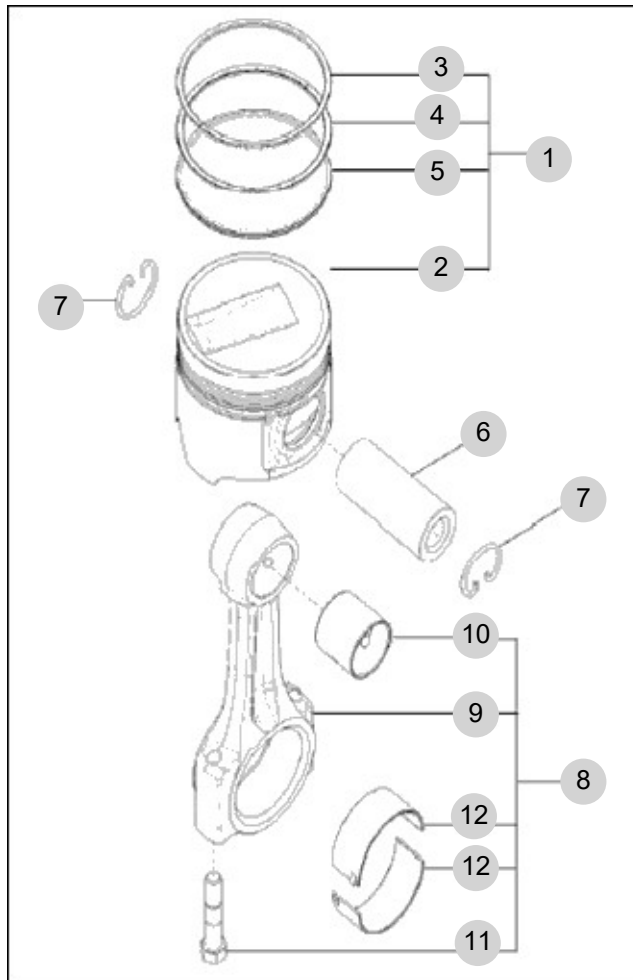
FIG 104

T574NC-B

PISTON

년/월  
Year/Month

2022-12



NOTE



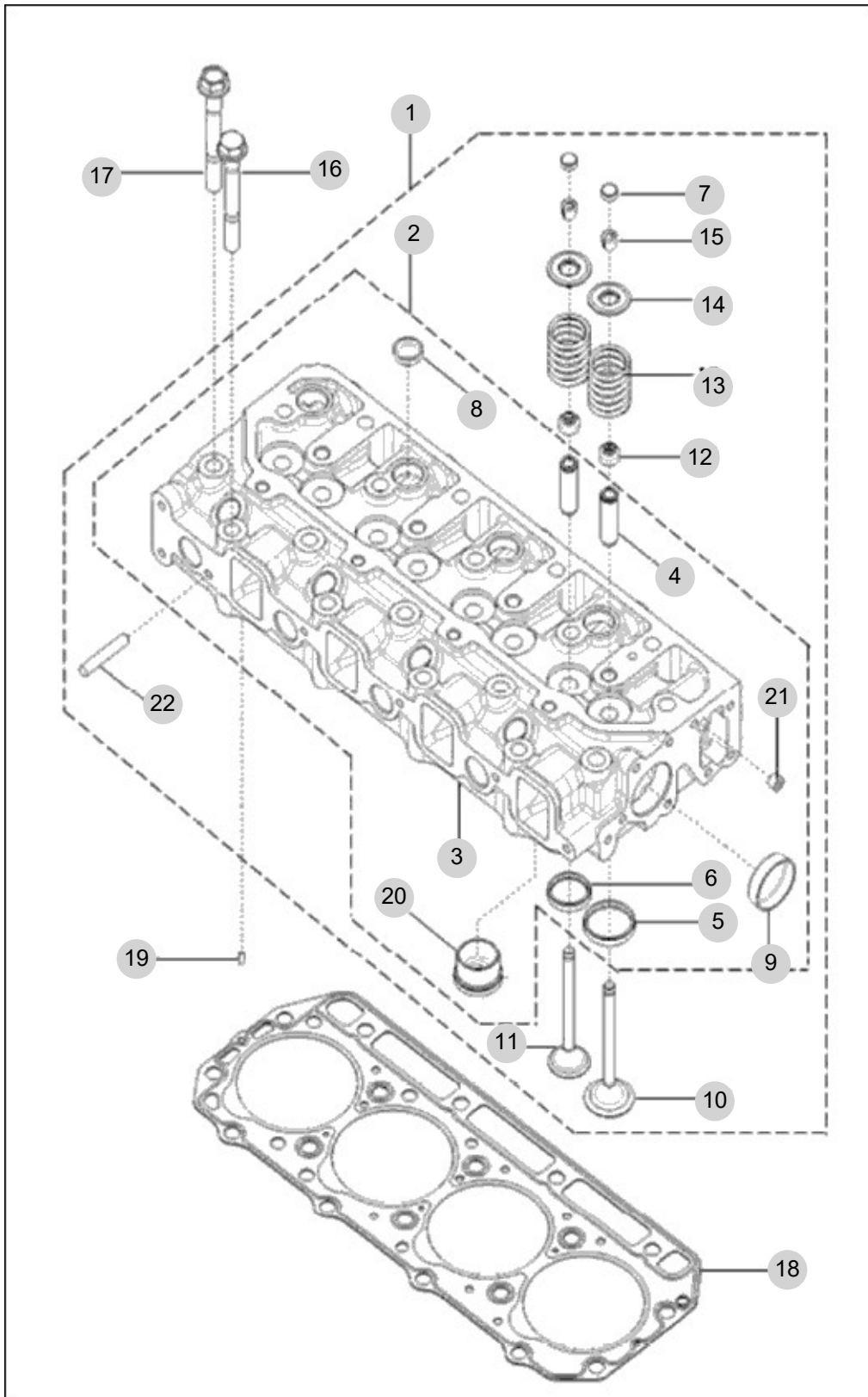
FIG 105

CYLINDER HEAD

년/월  
Year/Month

2022-12

T574NC-B



NOTE



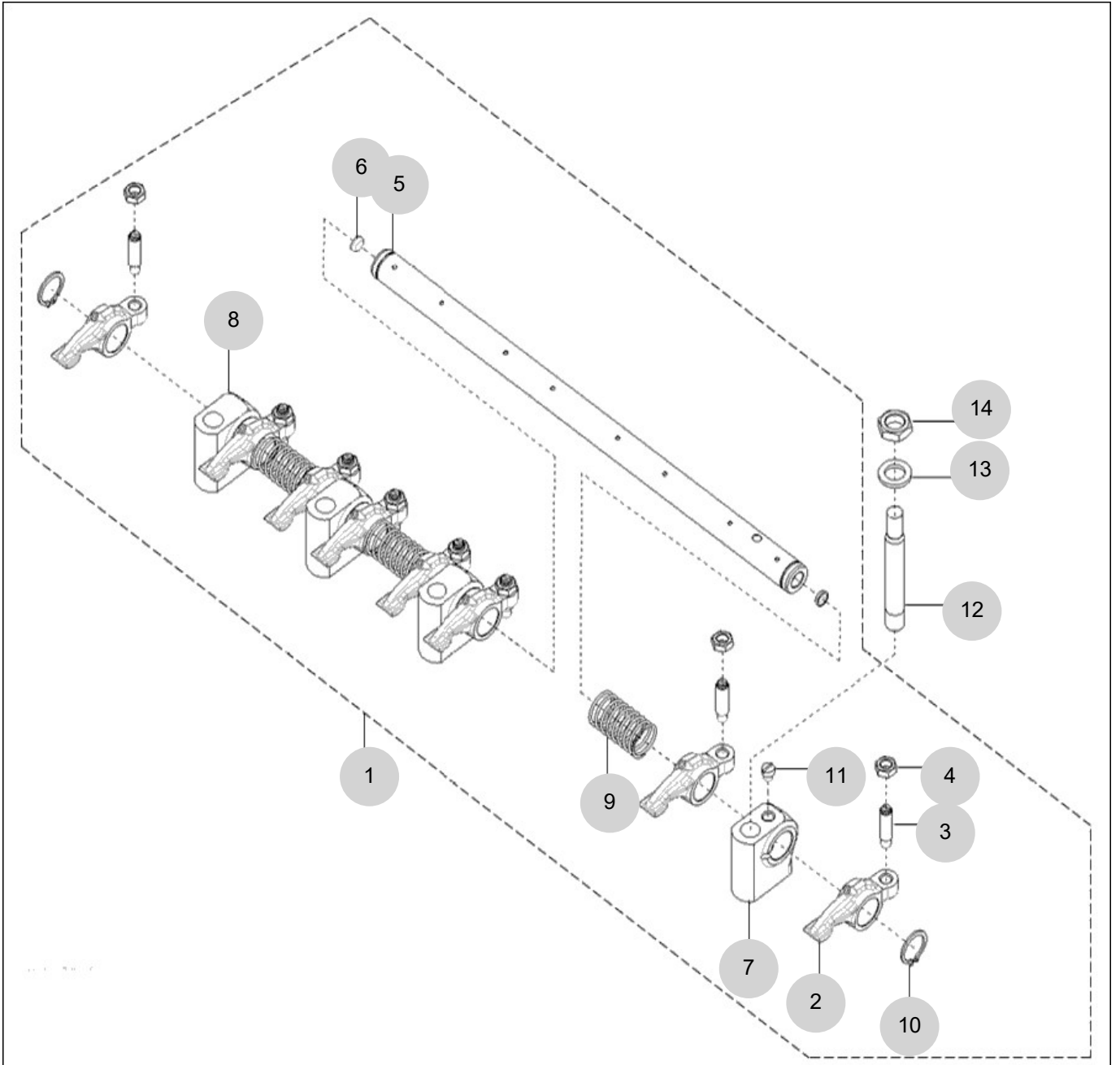
FIG 106

T574NC-B

ROCKER LEVER

년/월  
Year/Month

2022-12



NOTE



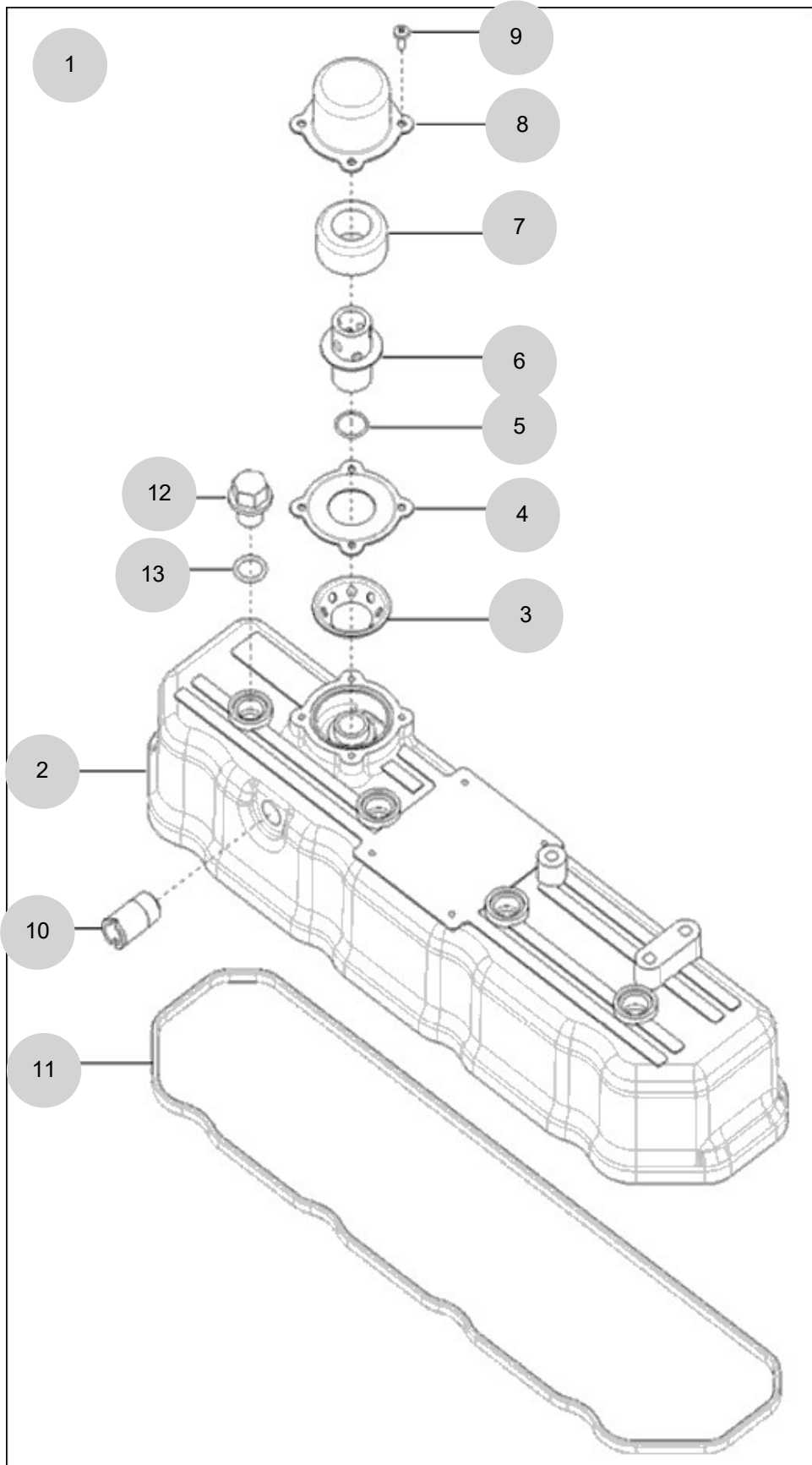
FIG 107

T574NC-B

# HEAD COVER

년/월  
Year/Month

2022-12



NOTE





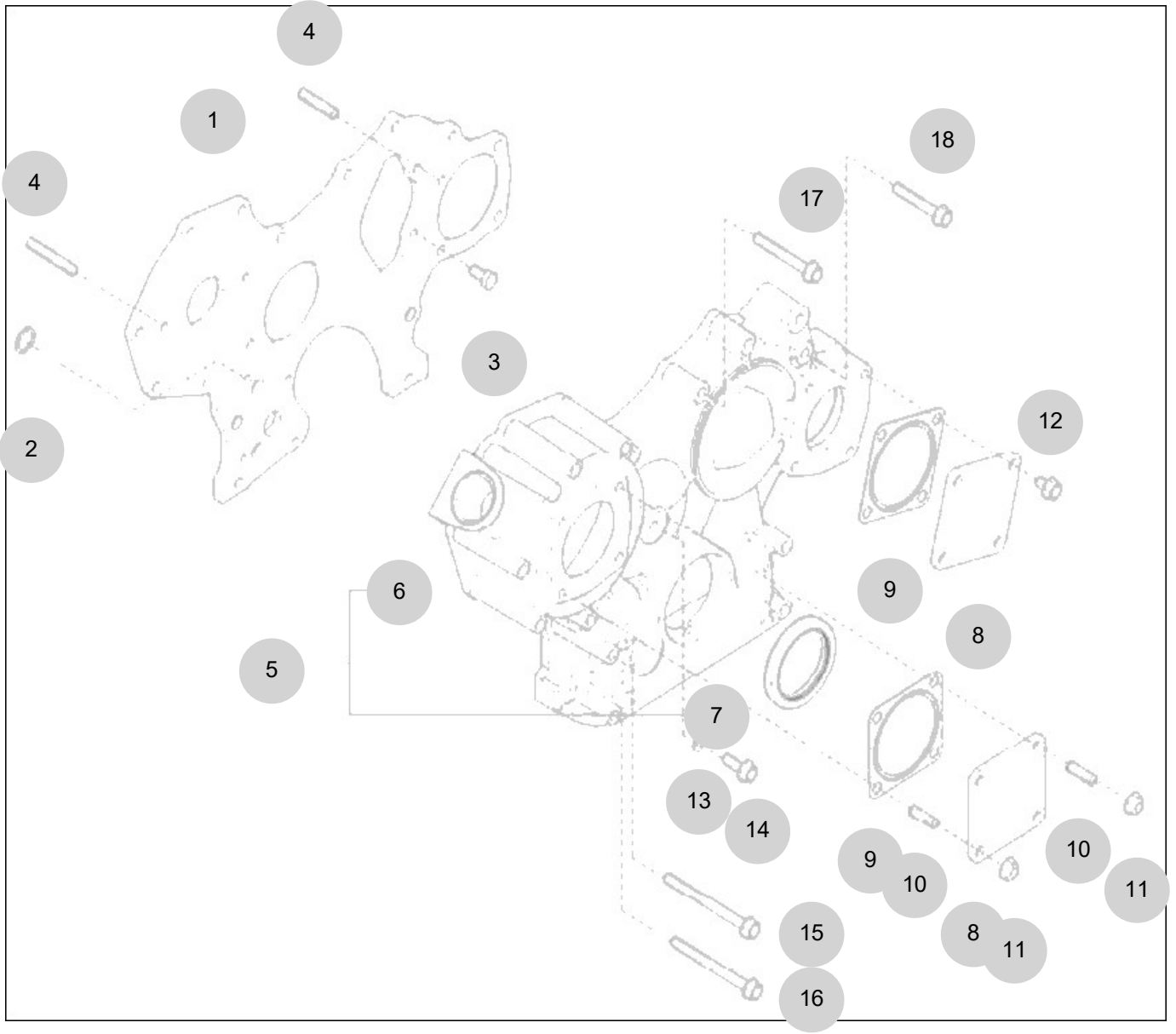
FIG 108

T574NC-B

GEAR CASE

년/월  
Year/Month

2022-12



NOTE



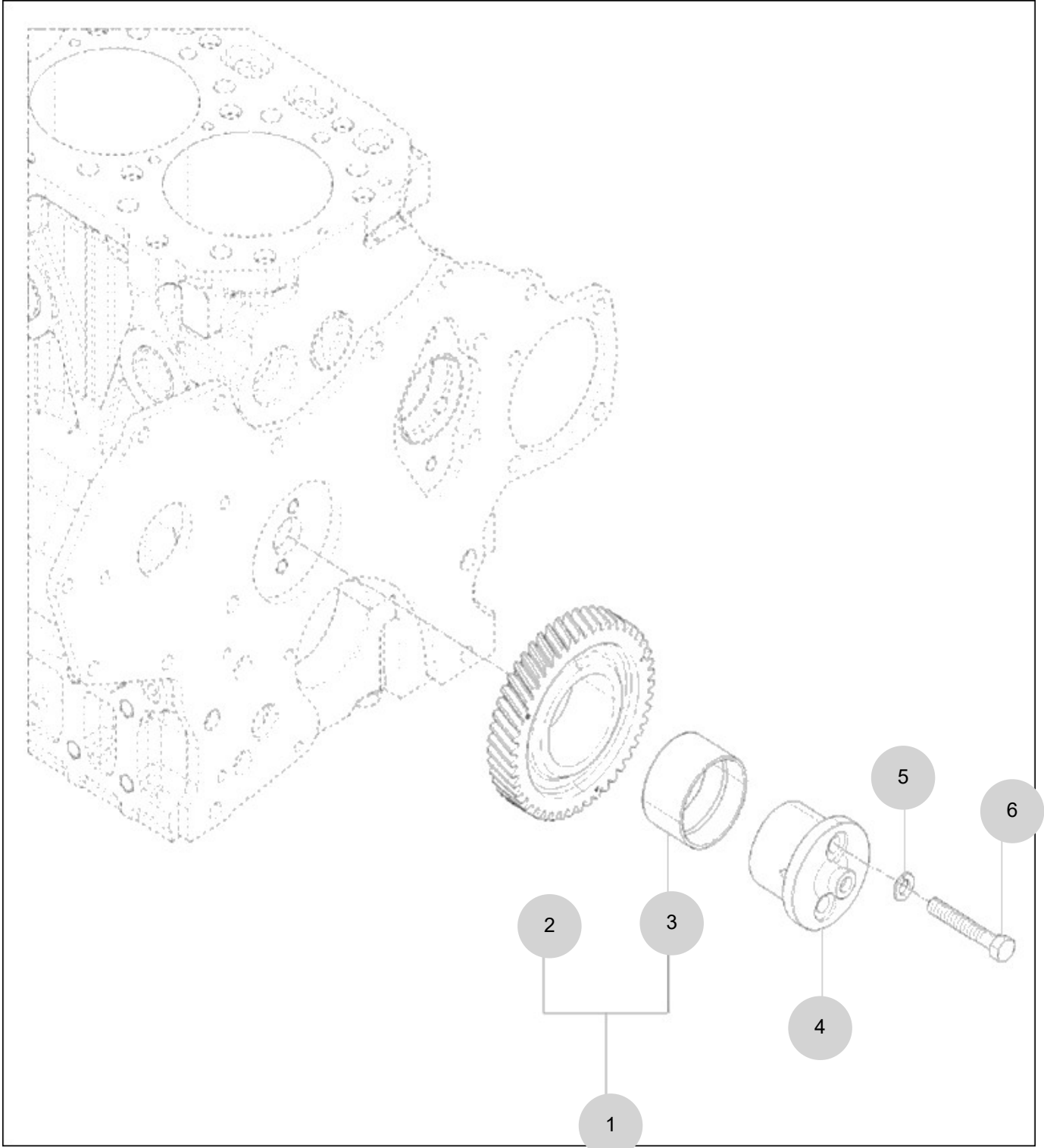
FIG 109

T574NC-B

IDLE GEAR

년/월  
Year/Month

2022-12



NOTE



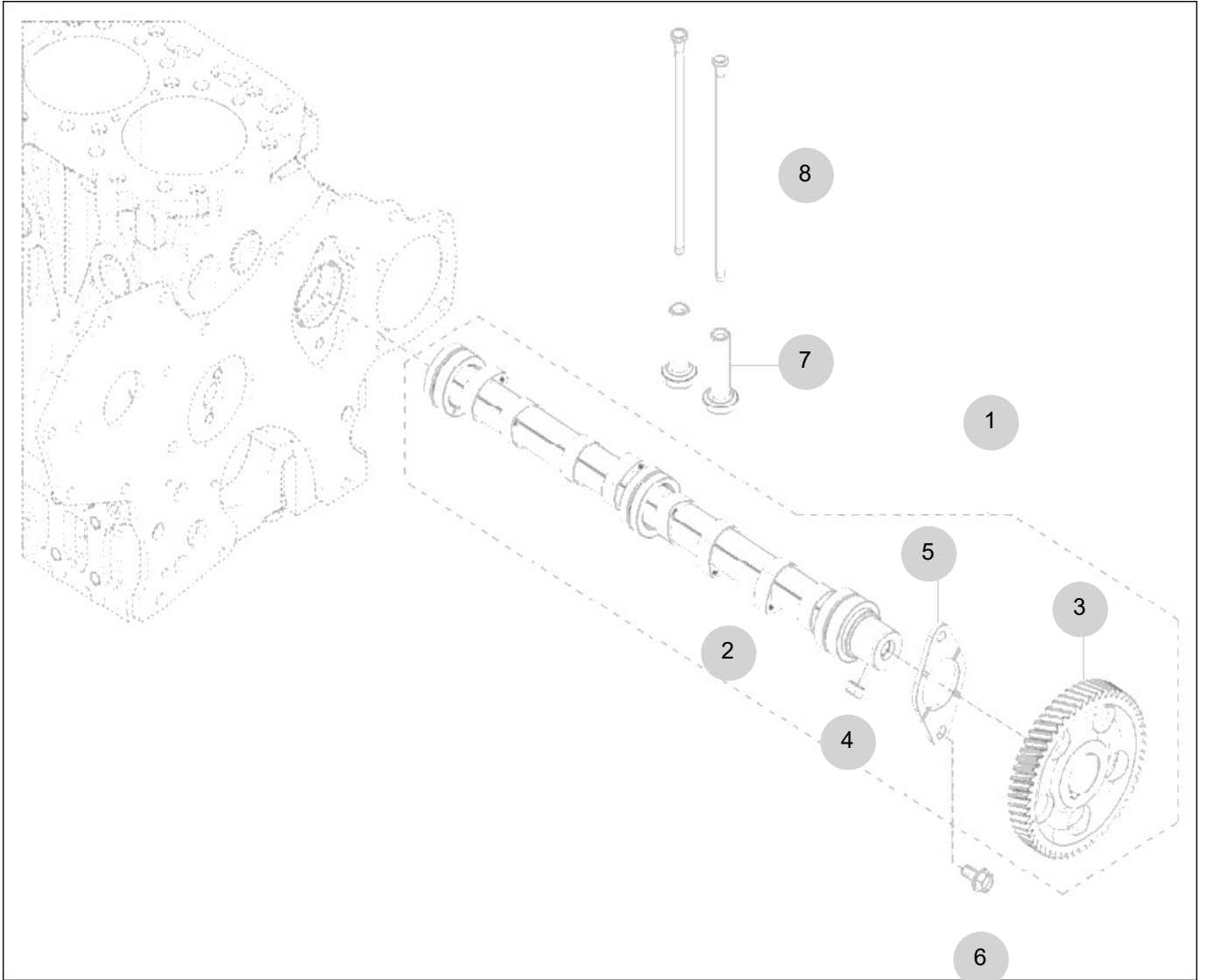
FIG 110

T574NC-B

CAM SHAFT

년/월  
Year/Month

2022-12



NOTE



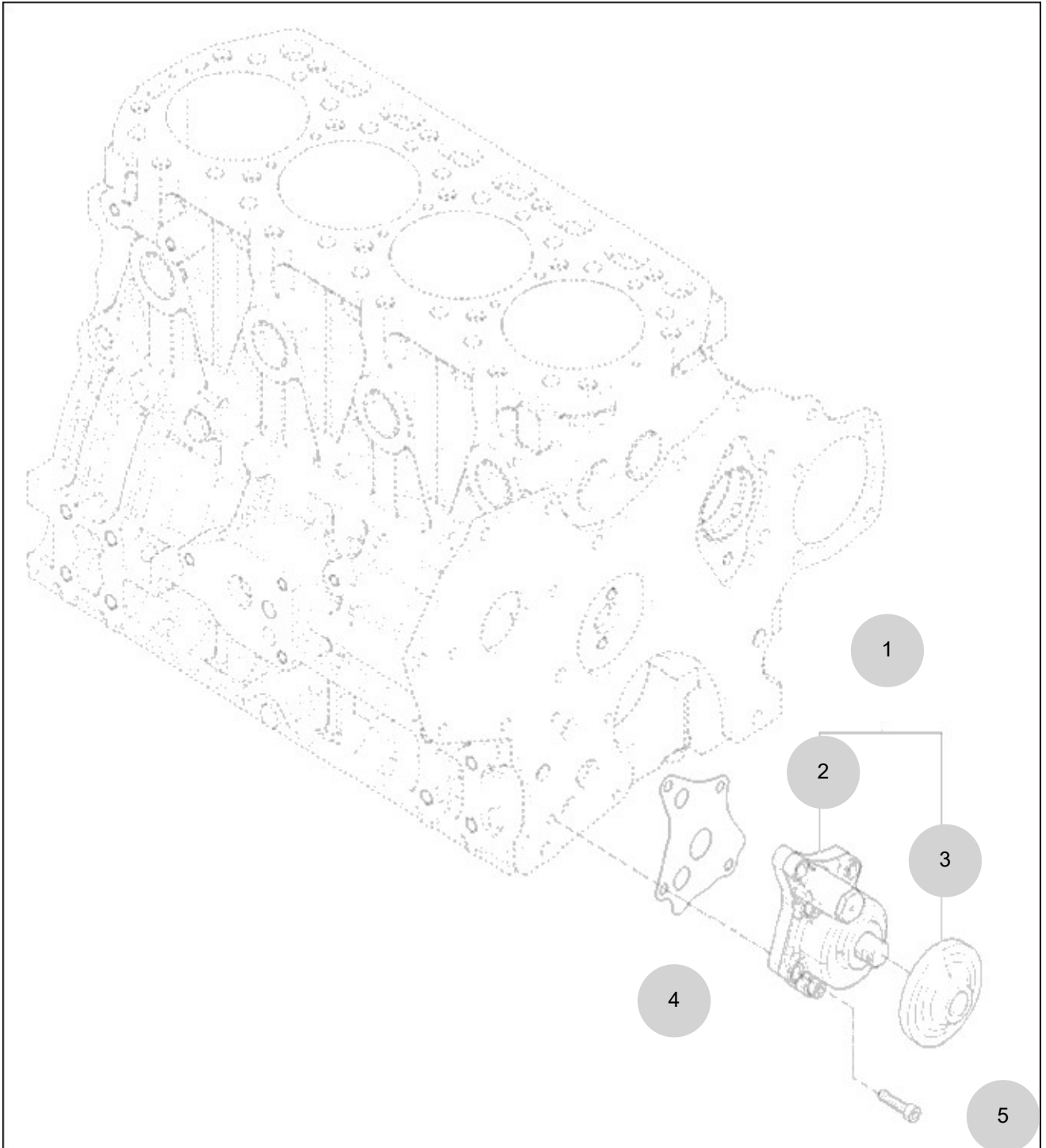
FIG 111

OIL PUMP

년/월  
Year/Month

T574NC-B

2022-12



NOTE





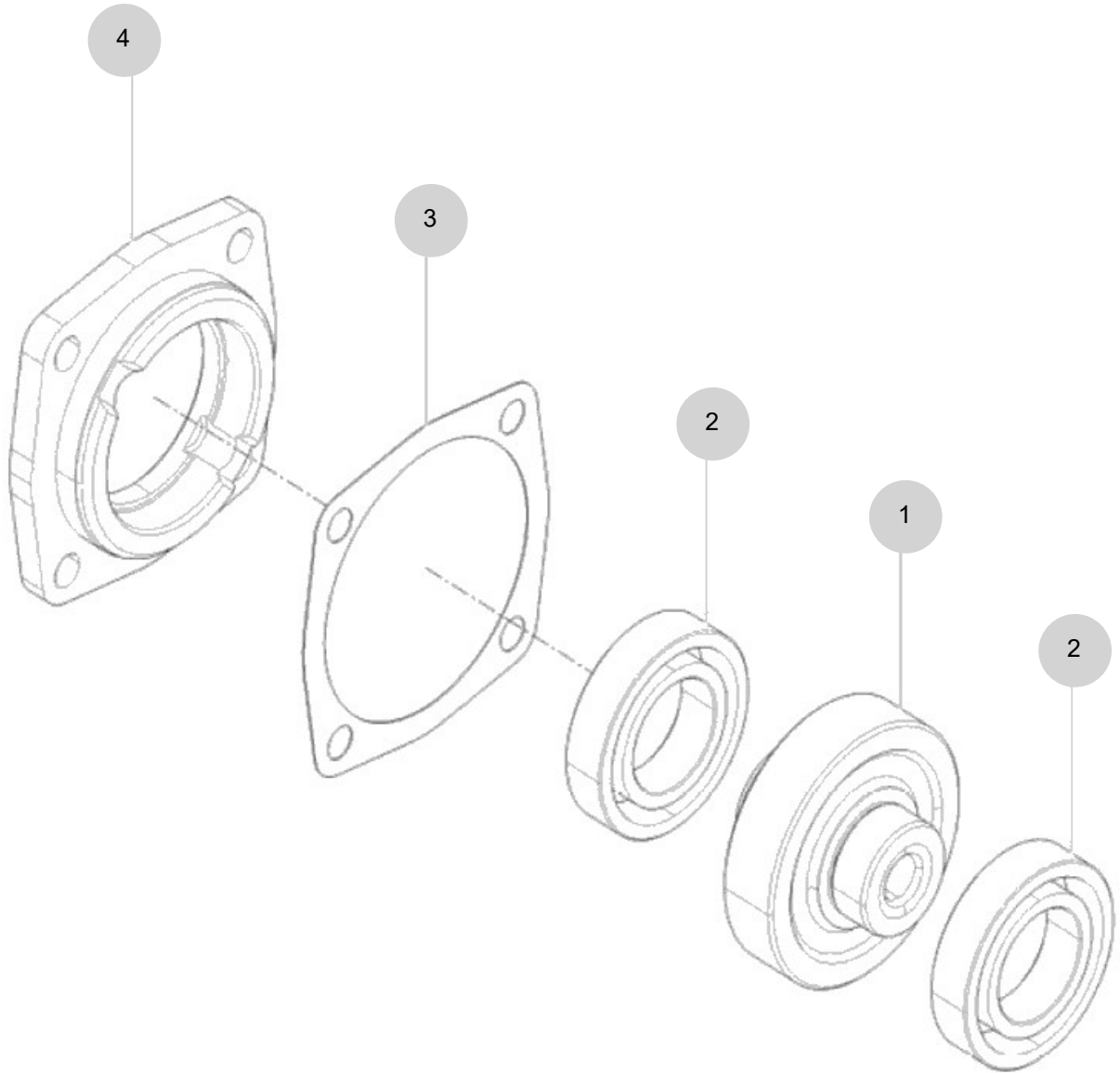
FIG 112

T574NC-B

HYD. PUMP DRIVE

년/월  
Year/Month

2022-12



NOTE



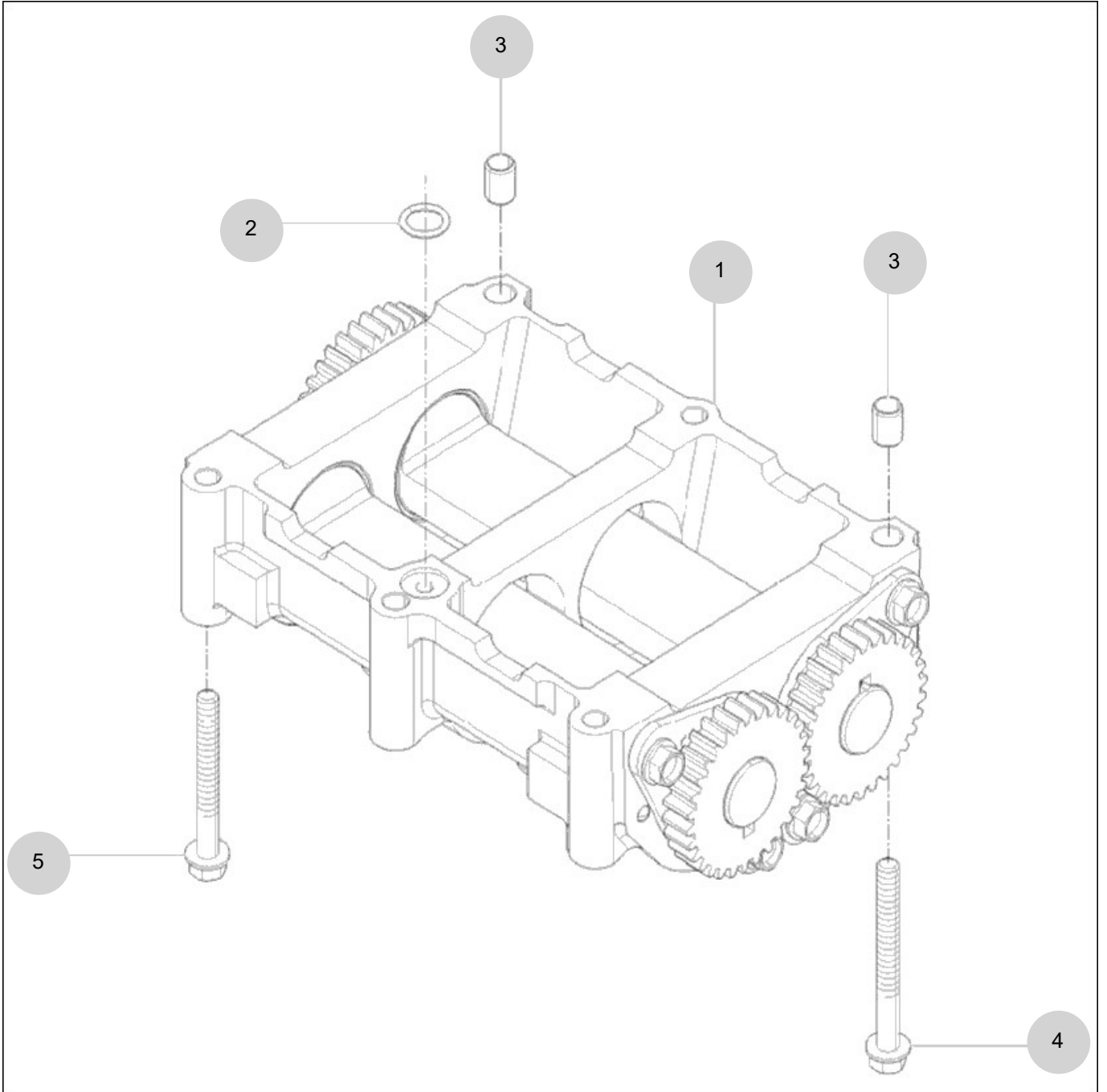
FIG 113

T574NC-B

2ND BALANCE

년/월  
Year/Month

2022-12



NOTE



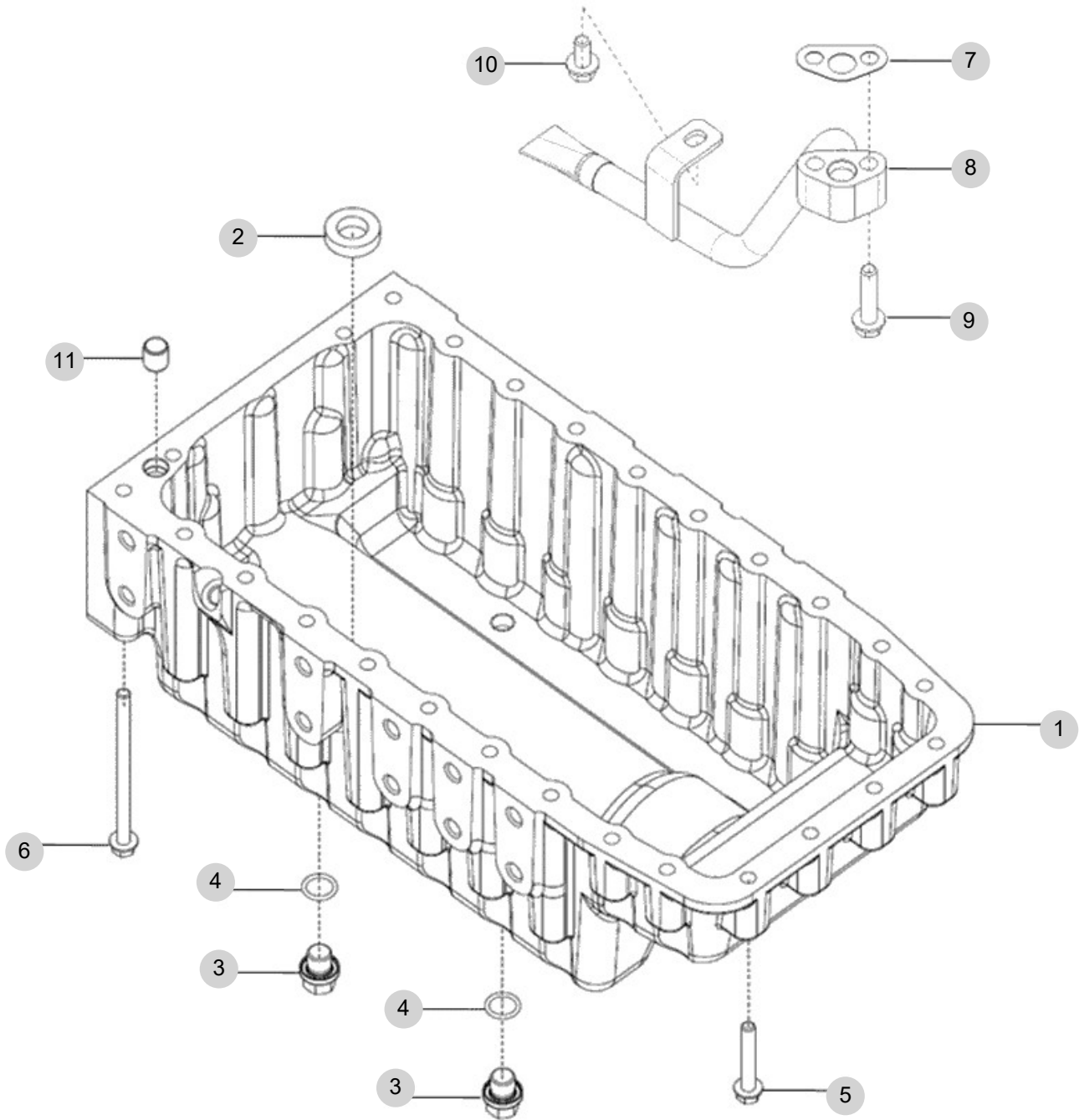
FIG 114

T574NC-B

OIL PAN

년/월  
Year/Month

2022-12



NOTE



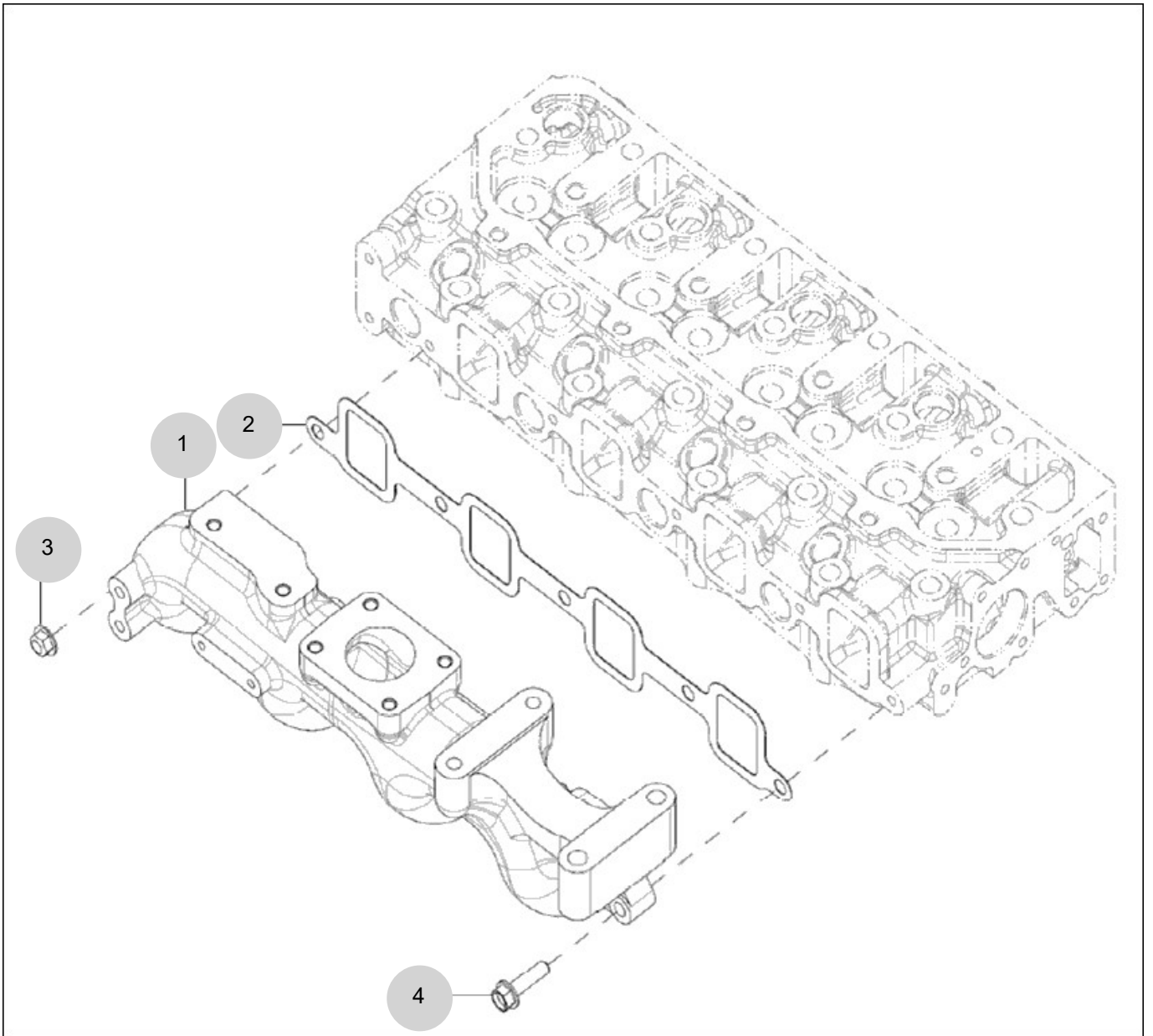
FIG 115A

INTAKE MANIFOLD(T574)

년/월  
Year/Month

T574NC-B

2022-12



NOTE





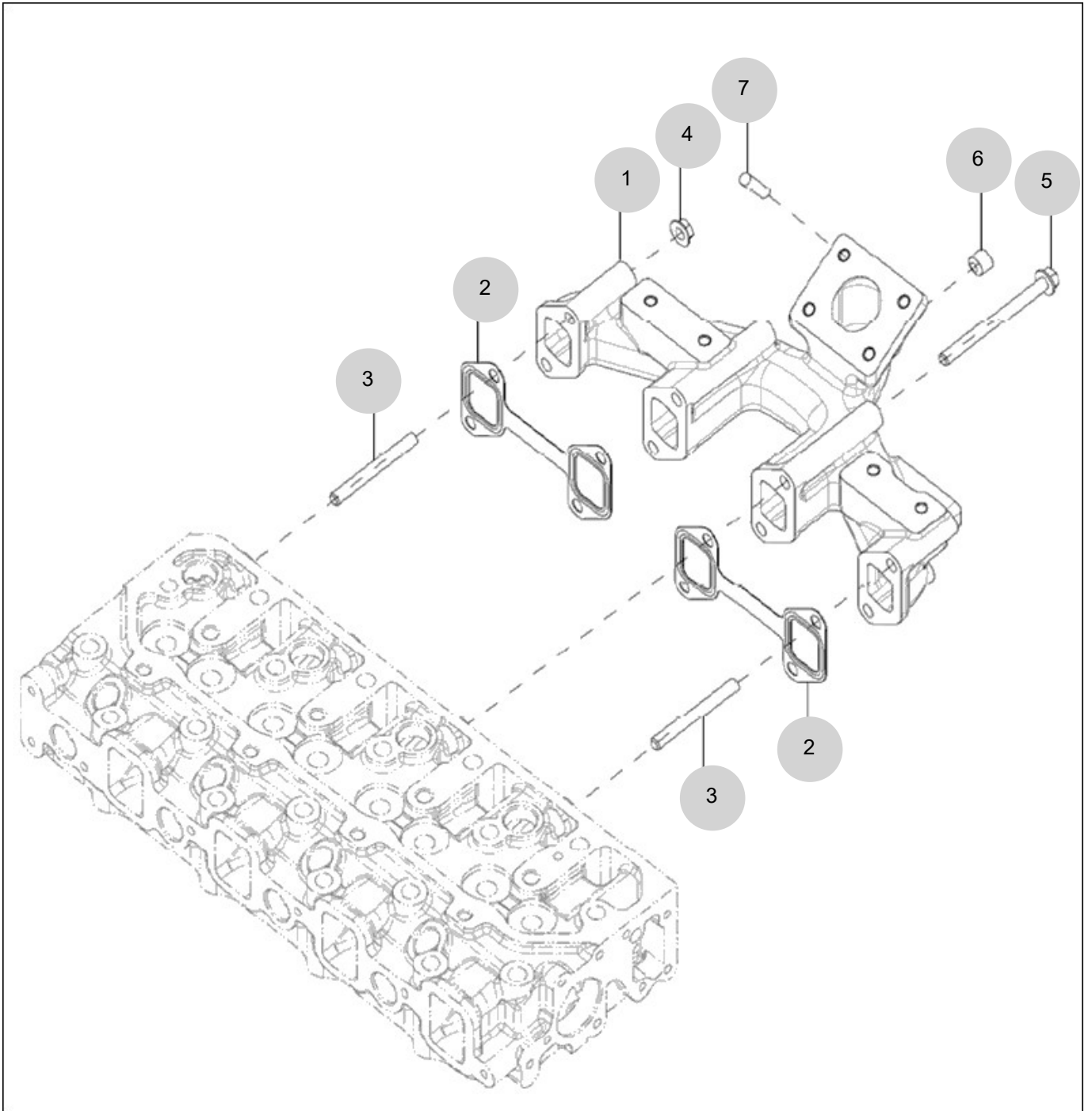
FIG 116A

T574NC-B

EXHAUST MANIFOLD(T574)

년/월  
Year/Month

2022-12



NOTE



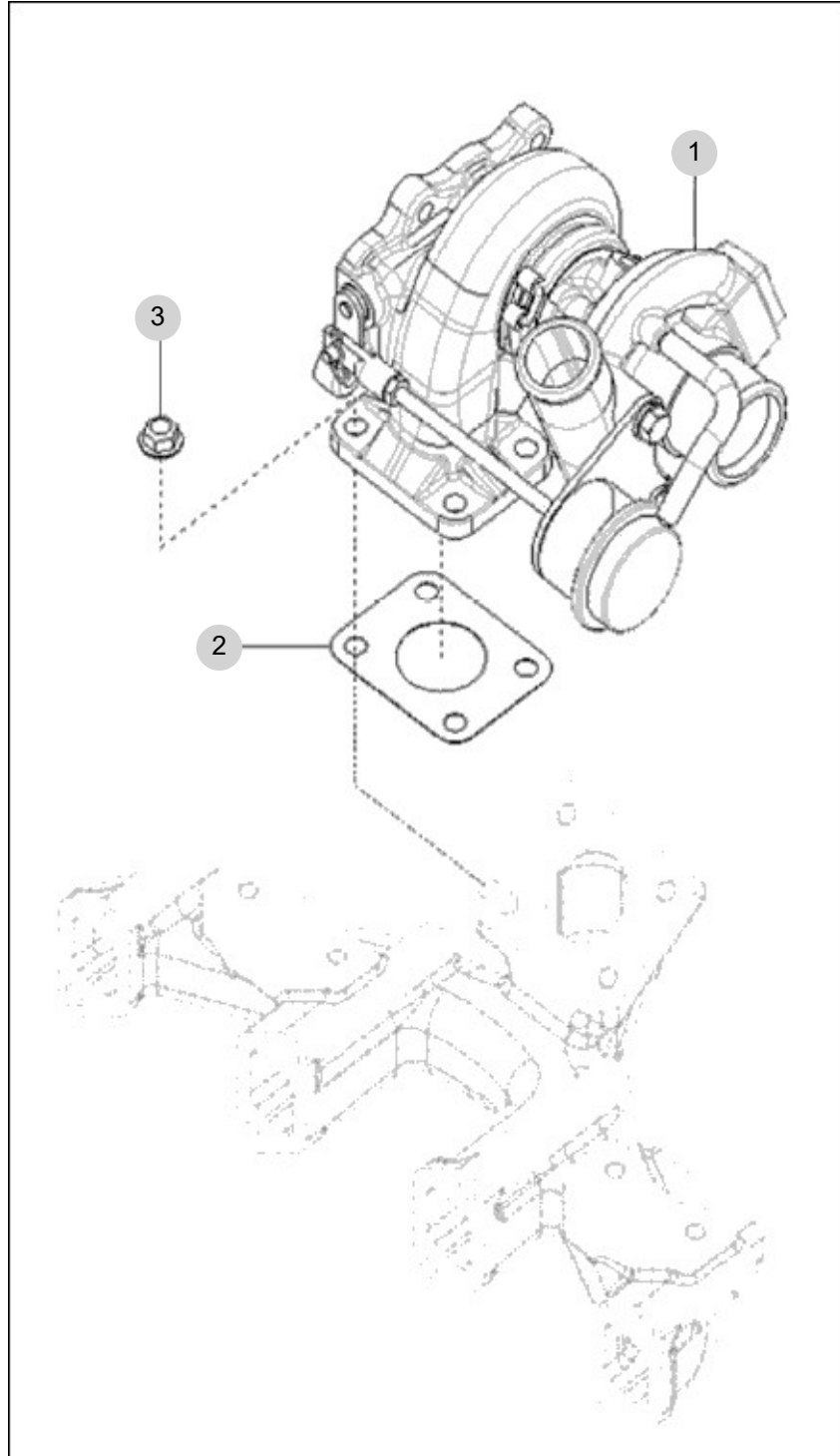
FIG 117A

TURBOCHARGER ASS'Y(T574)

년/월  
Year/Month

2022-12

T574NC-B



NOTE



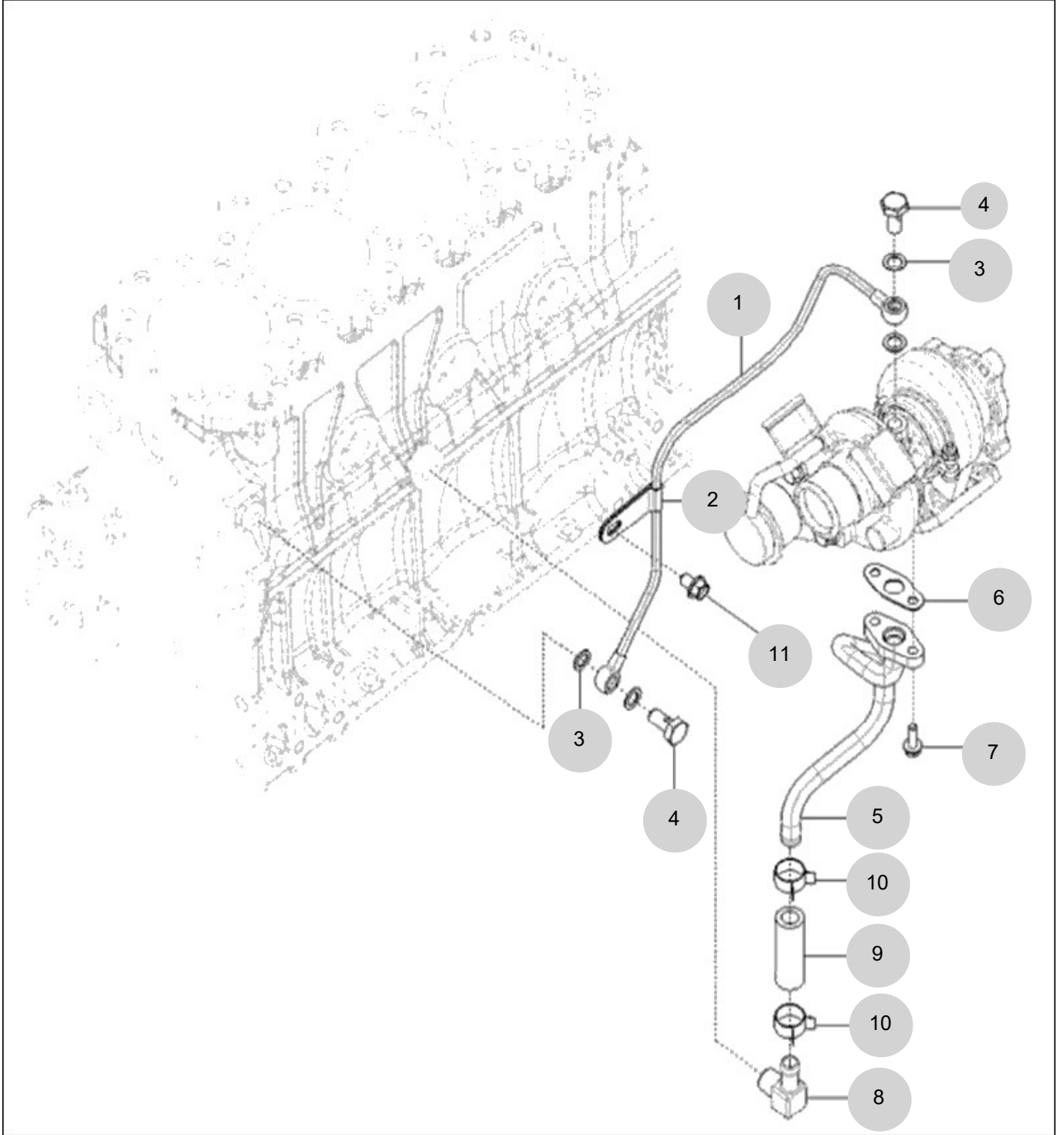
FIG 118A

TURBOCHARGER PLUMBING OPTION(T574)

년/월  
Year/Month

T574NC-B

2022-12



NOTE



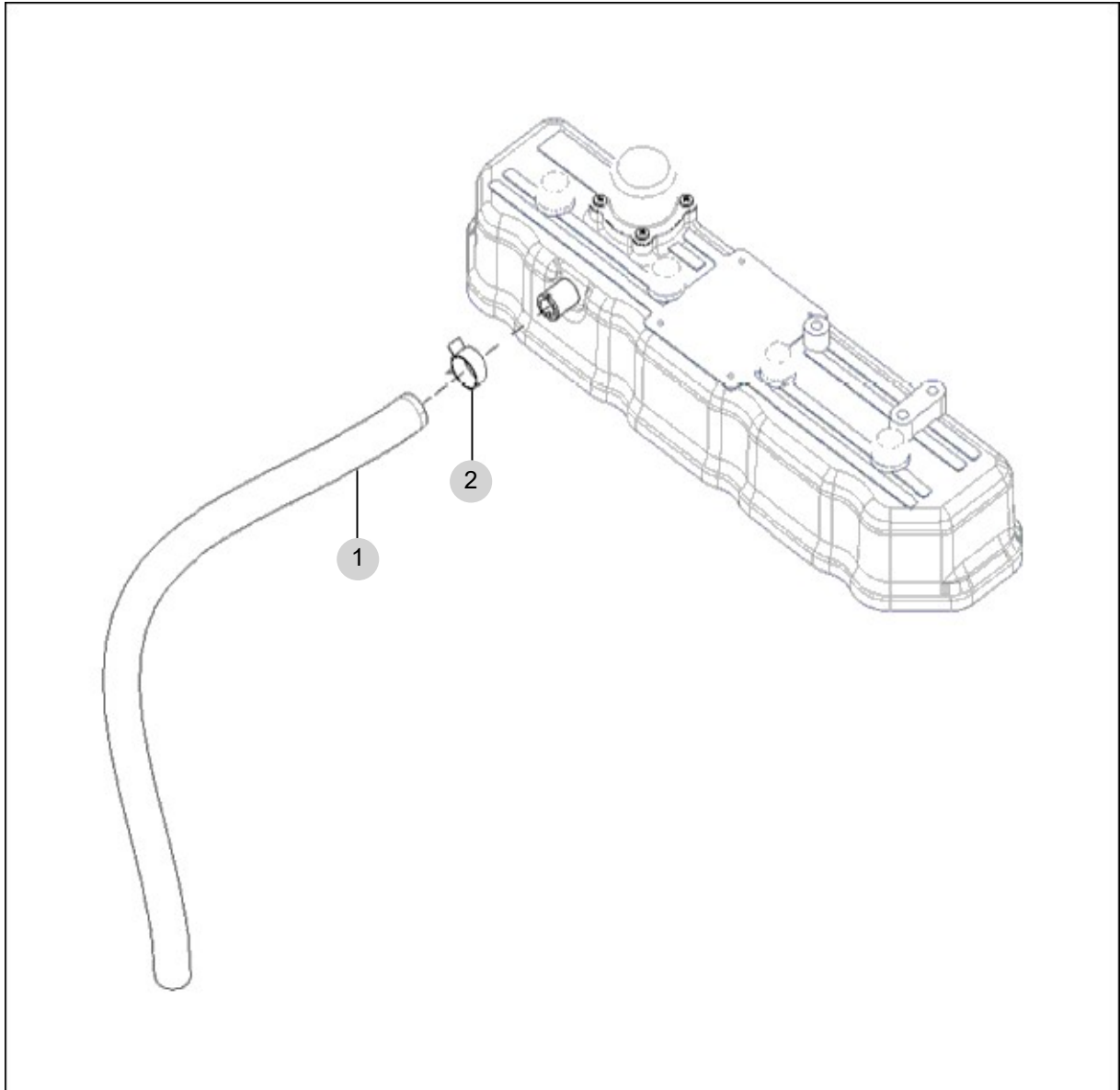
FIG 119A

T574NC-B

BREATHER(T574)

년/월  
Year/Month

2022-12



NOTE





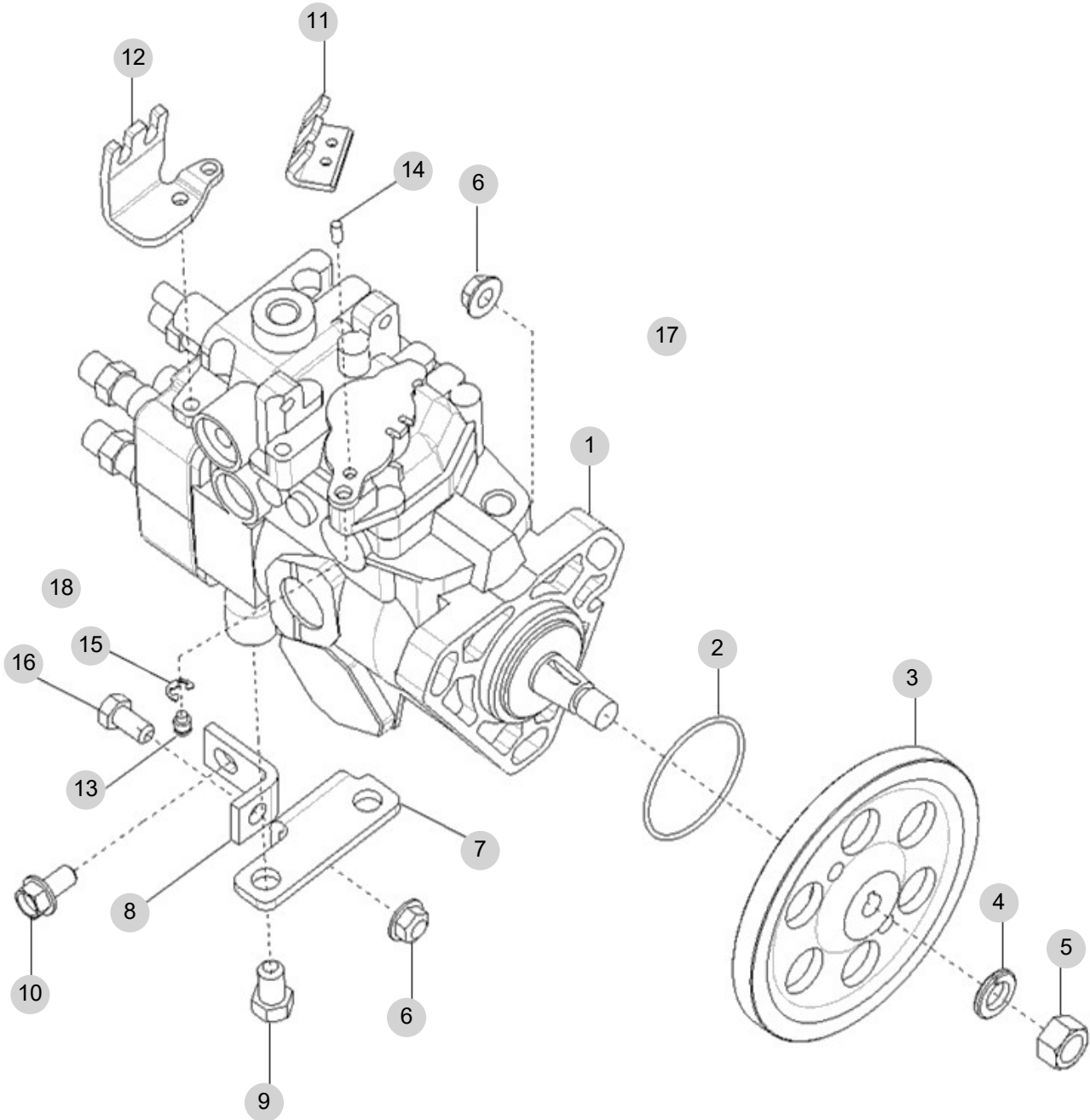
FIG 120

FUEL INJECTION PUMP

년/월  
Year/Month

2022-12

T574NC-B



NOTE



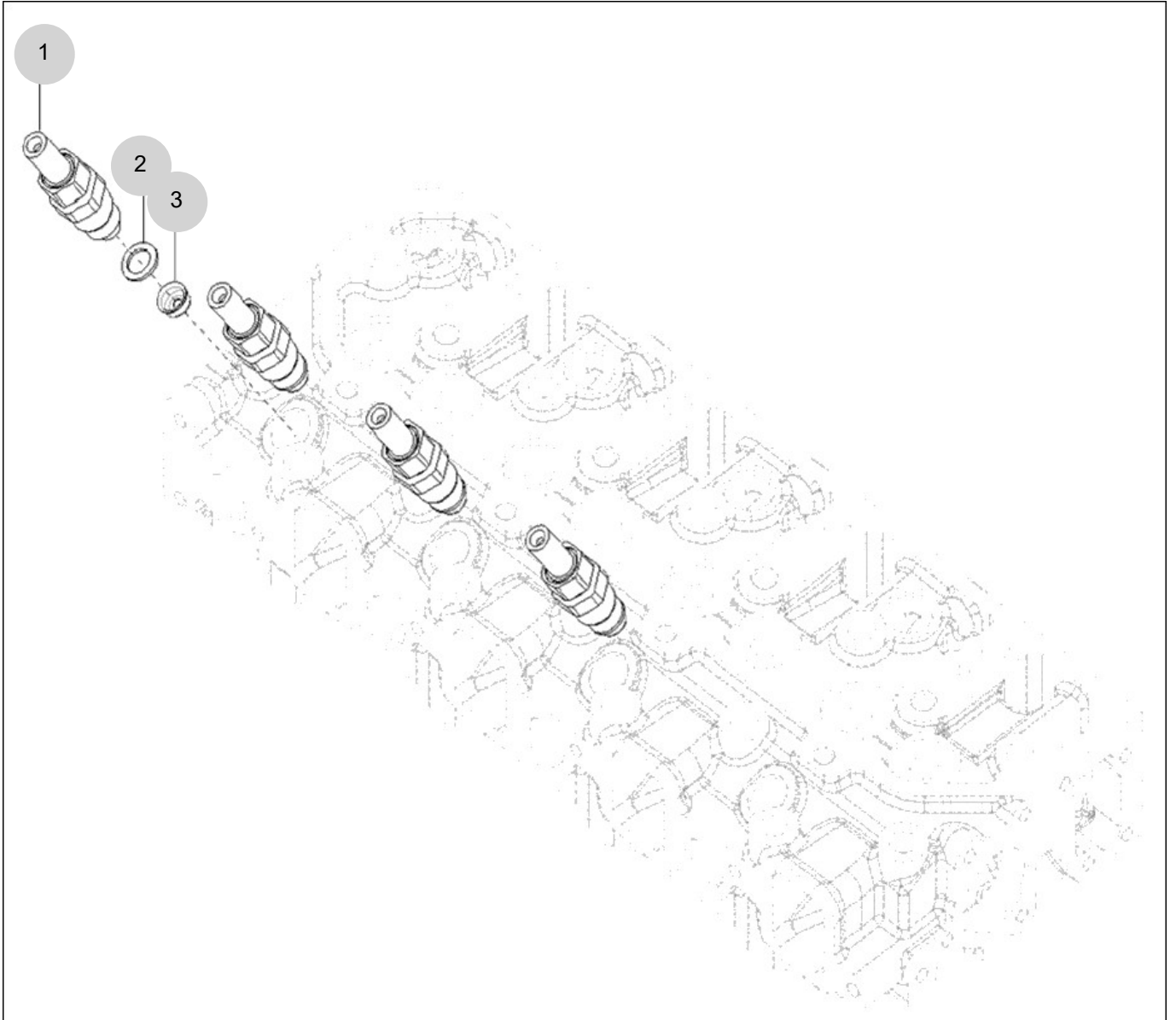
FIG 121

T574NC-B

FUEL INJECTION VALVE

년/월  
Year/Month

2022-12



NOTE



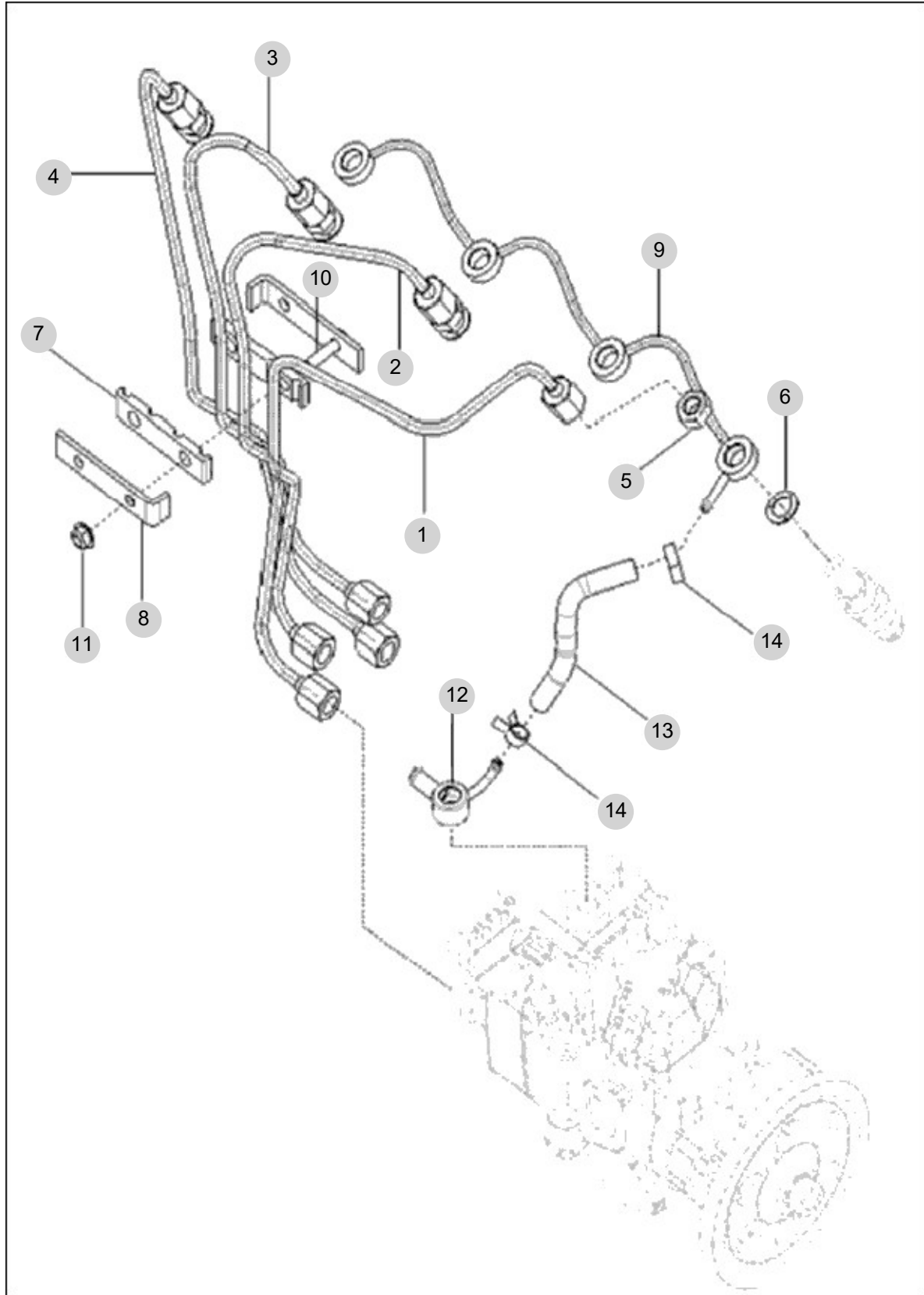
FIG 122

FUEL PIPE ASS'Y

년/월  
Year/Month

2022-12

T574NC-B



NOTE



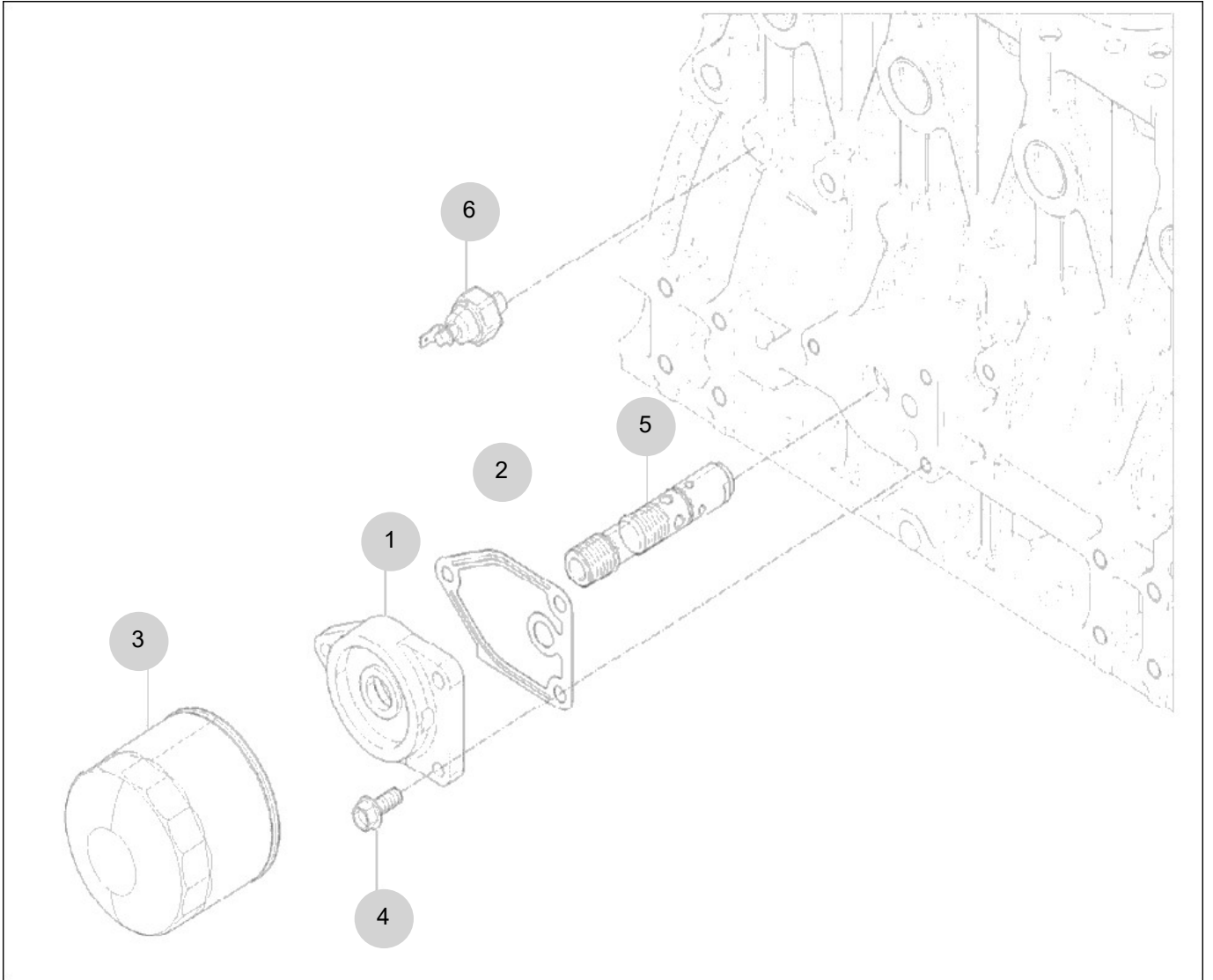
FIG 123

T574NC-B

OIL FILTER

년/월  
Year/Month

2022-12



NOTE





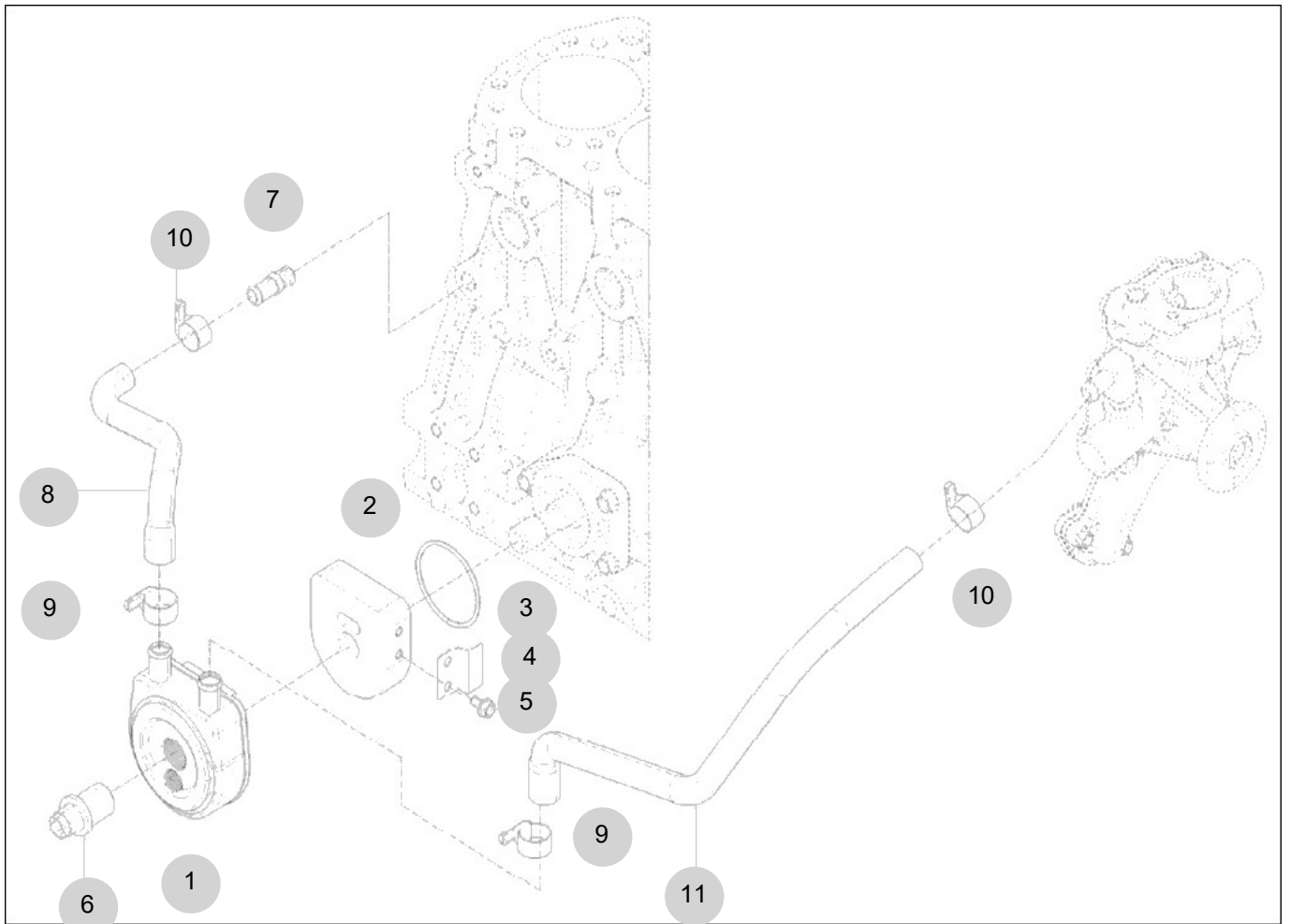
FIG 124

T574NC-B

OIL COOLER

년/월  
Year/Month

2022-12



NOTE



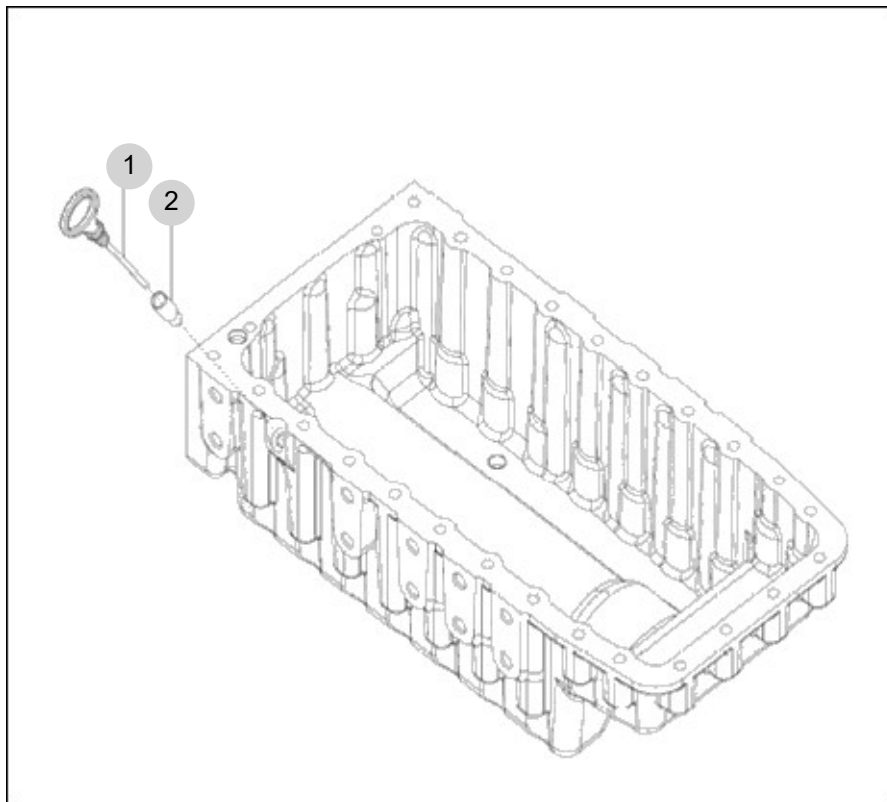
FIG 125

OIL GAUGUE

년/월  
Year/Month

T574NC-B

2022-12



NOTE



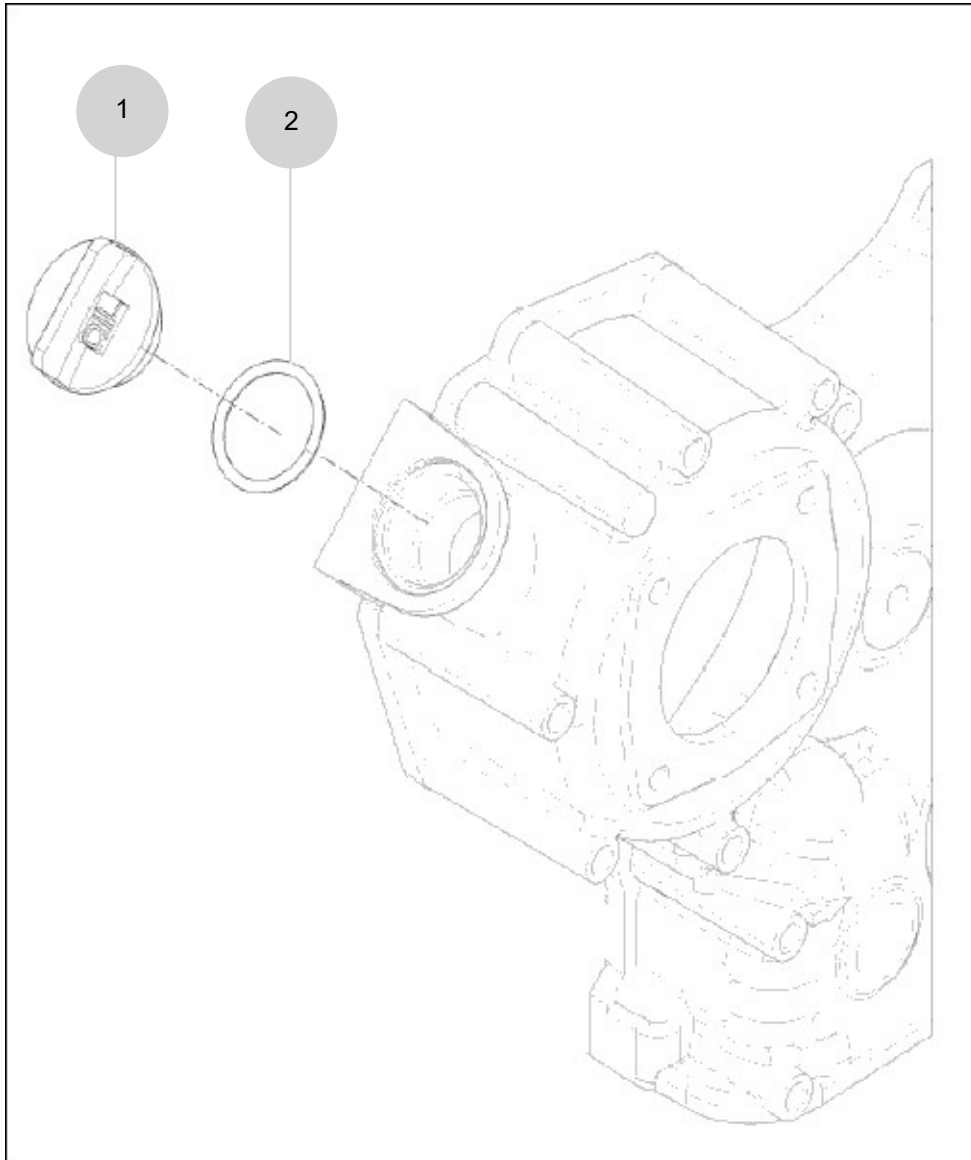
FIG 126

T574NC-B

OIL FILLER CAP

년/월  
Year/Month

2022-12



NOTE



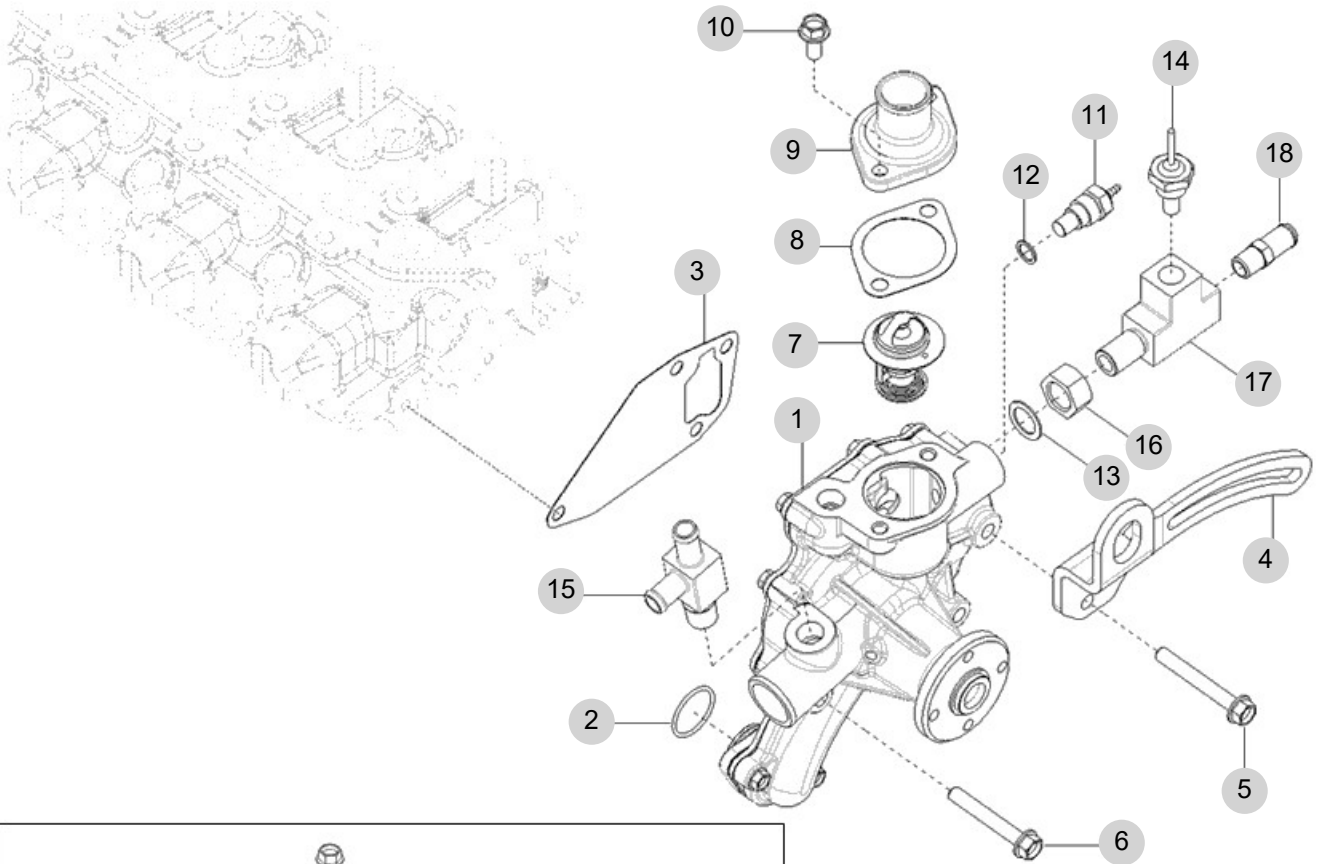
FIG 127

COOLING WATER PUMP

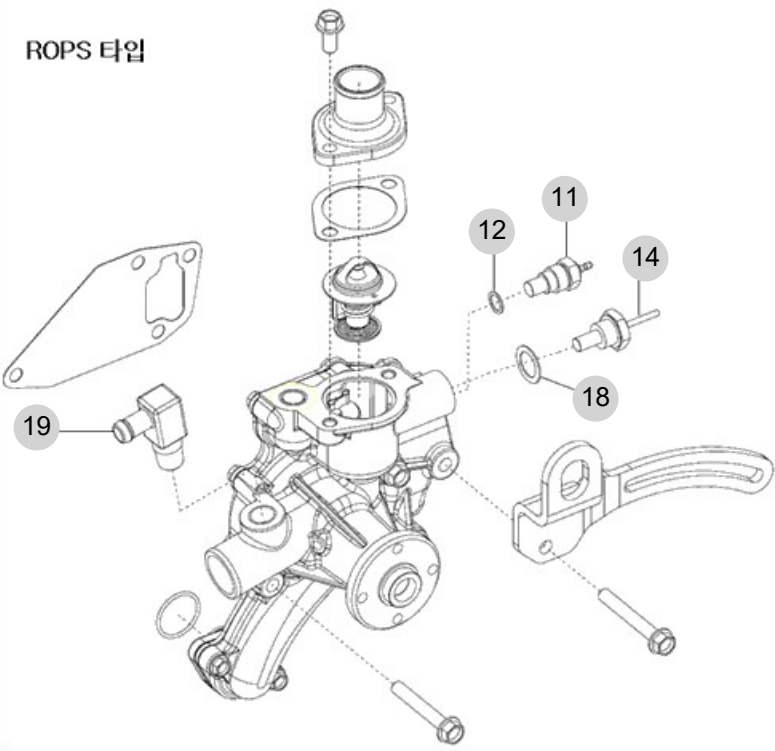
년/월  
Year/Month

2022-12

T574NC-B



ROPS 타입



NOTE





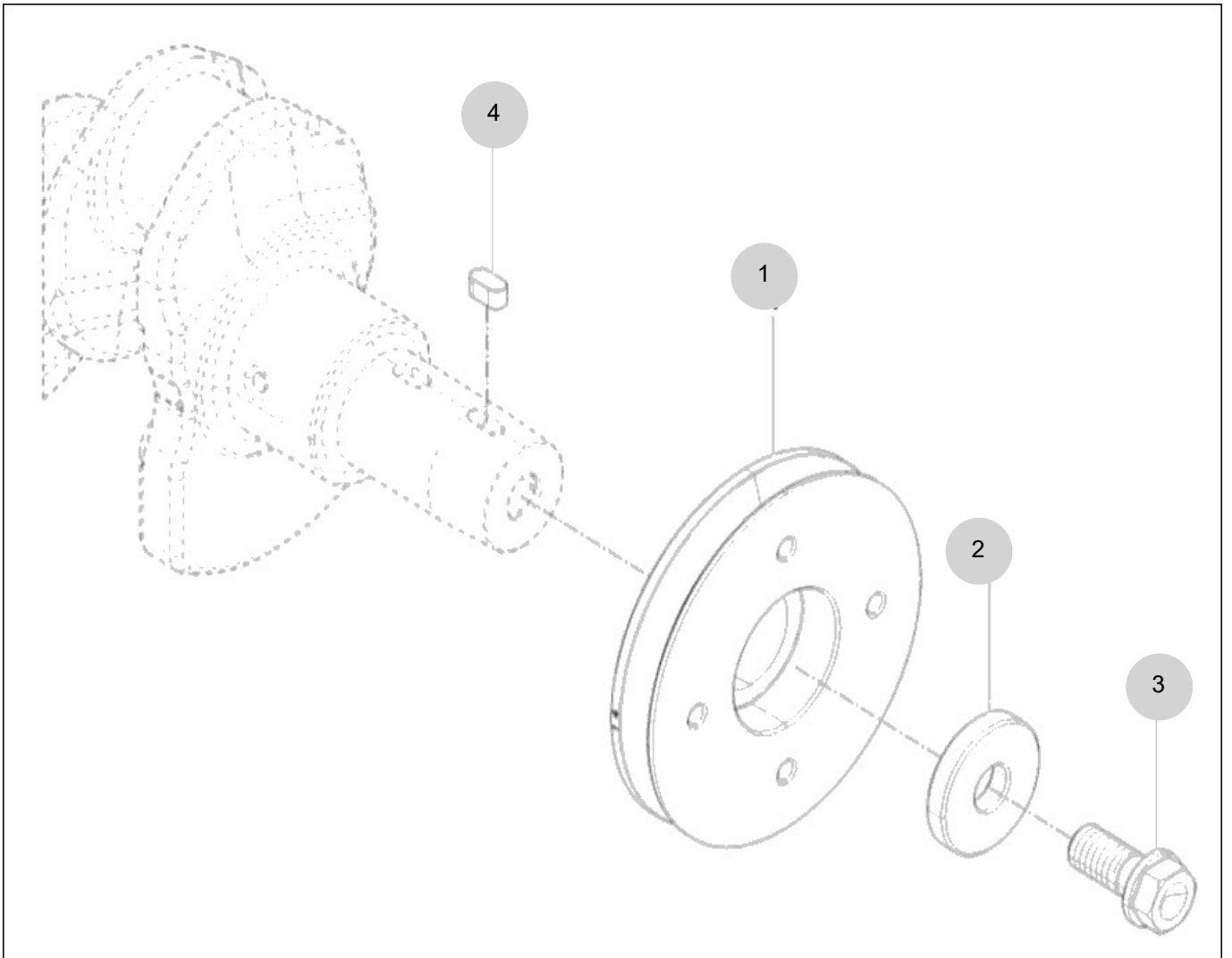
FIG 128

T574NC-B

CRANK SHAFT PULLEY

년/월  
Year/Month

2022-12



NOTE



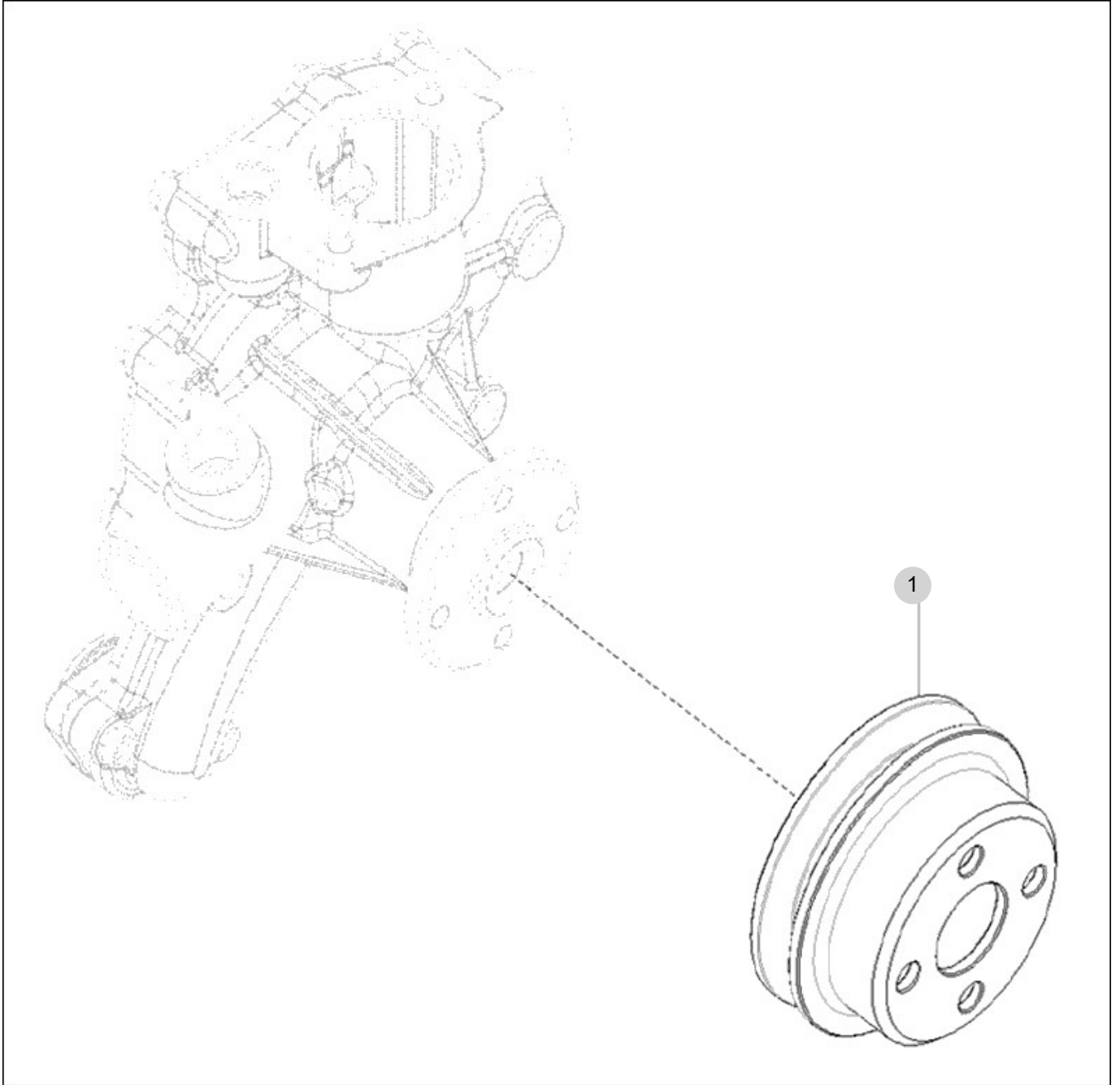
FIG 129

V-PULLEY

년/월  
Year/Month

T574NC-B

2022-12



NOTE



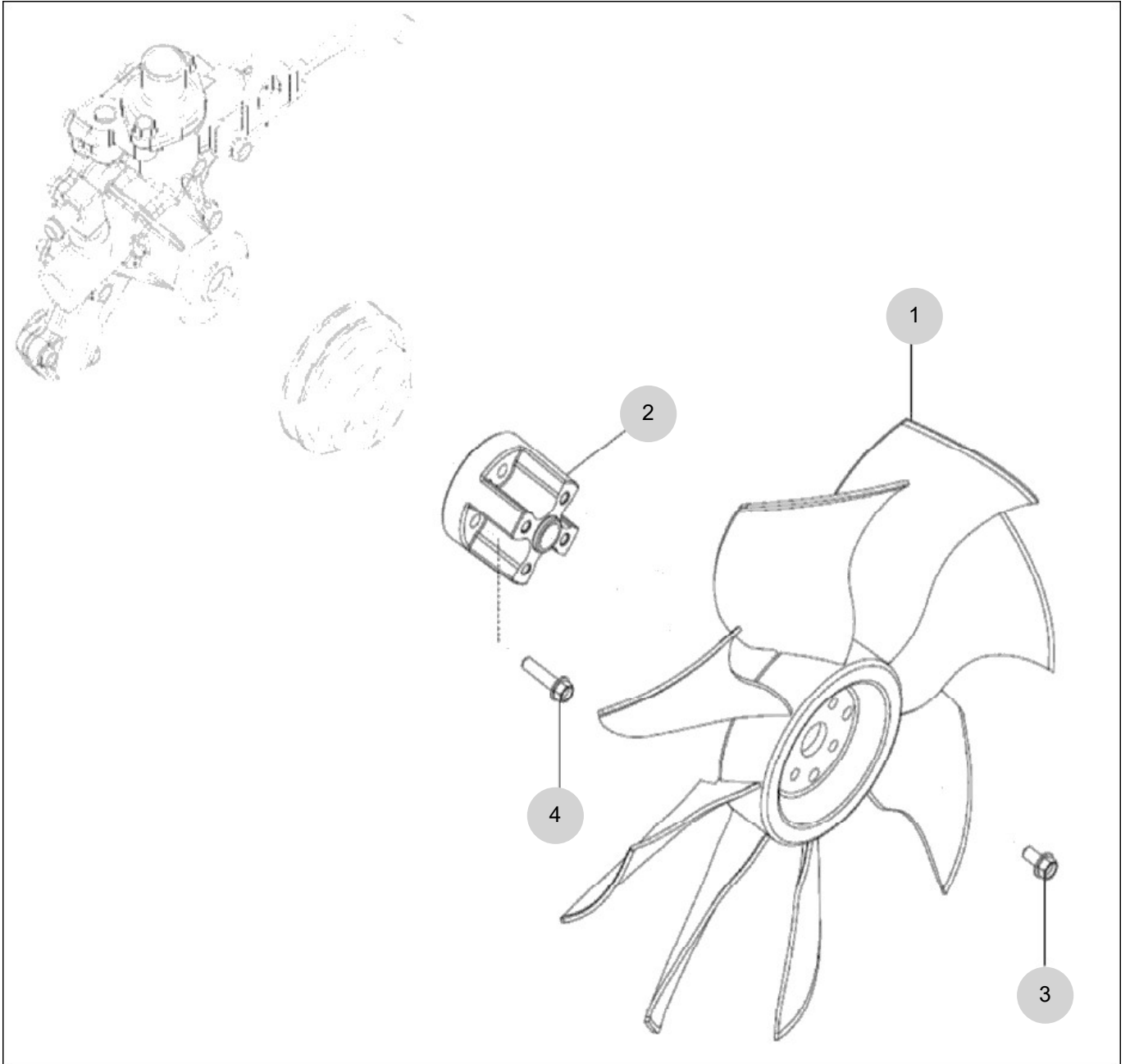
FIG 130

COOLING FAN

년/월  
Year/Month

T574NC-B

2022-12



NOTE



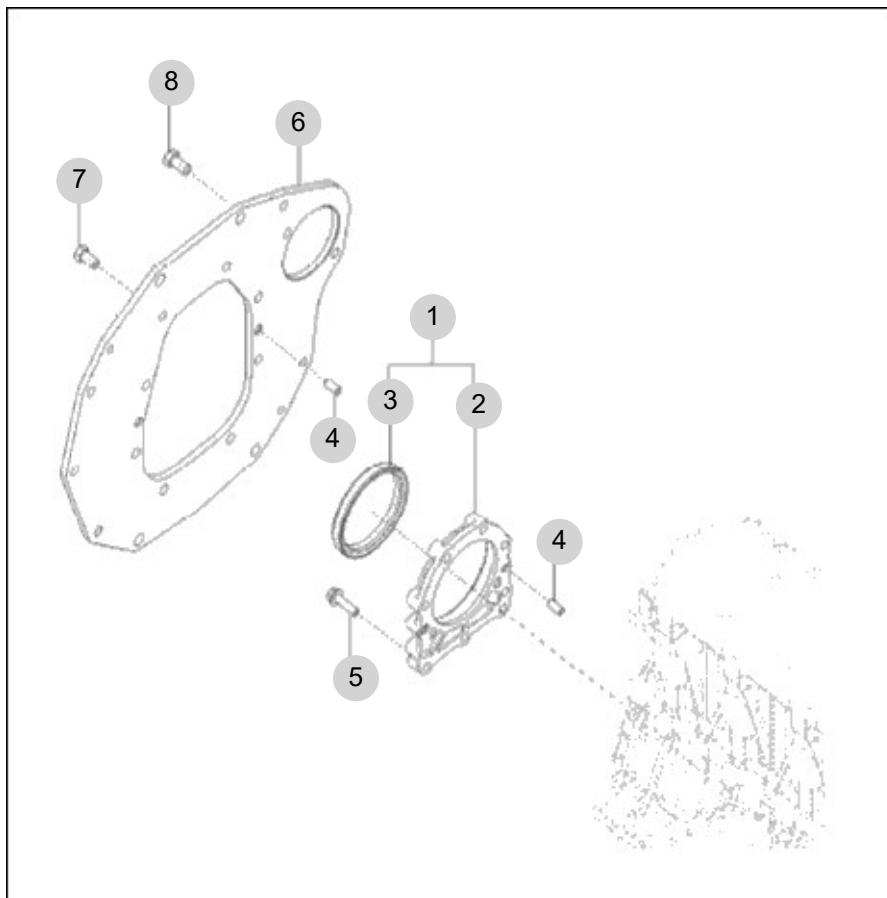
FIG 131

T574NC-B

FLYWHEEL HOUSING

년/월  
Year/Month

2022-12



NOTE





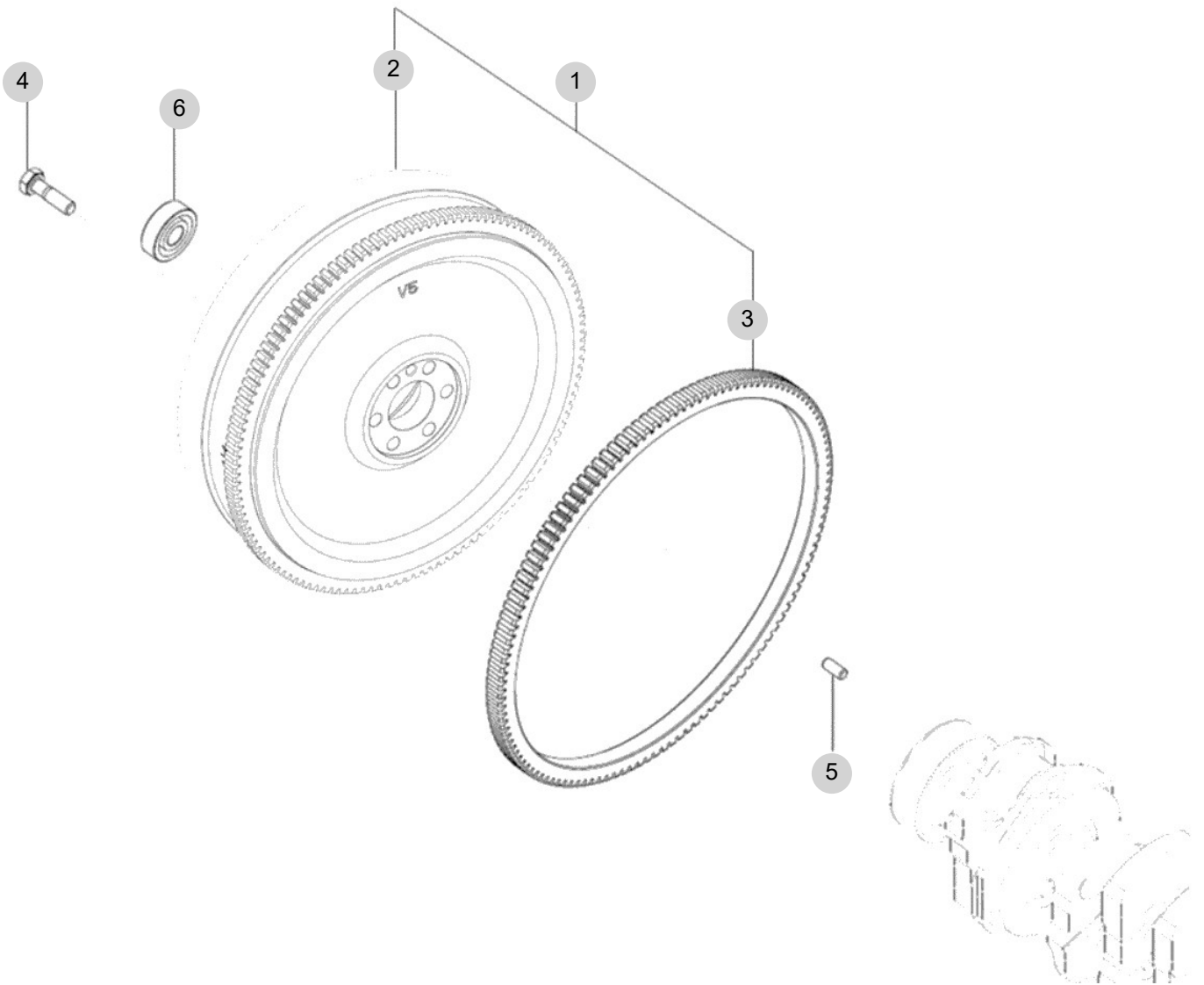
FIG 132

T574NC-B

FLYWHEEL

년/월  
Year/Month

2022-12



NOTE



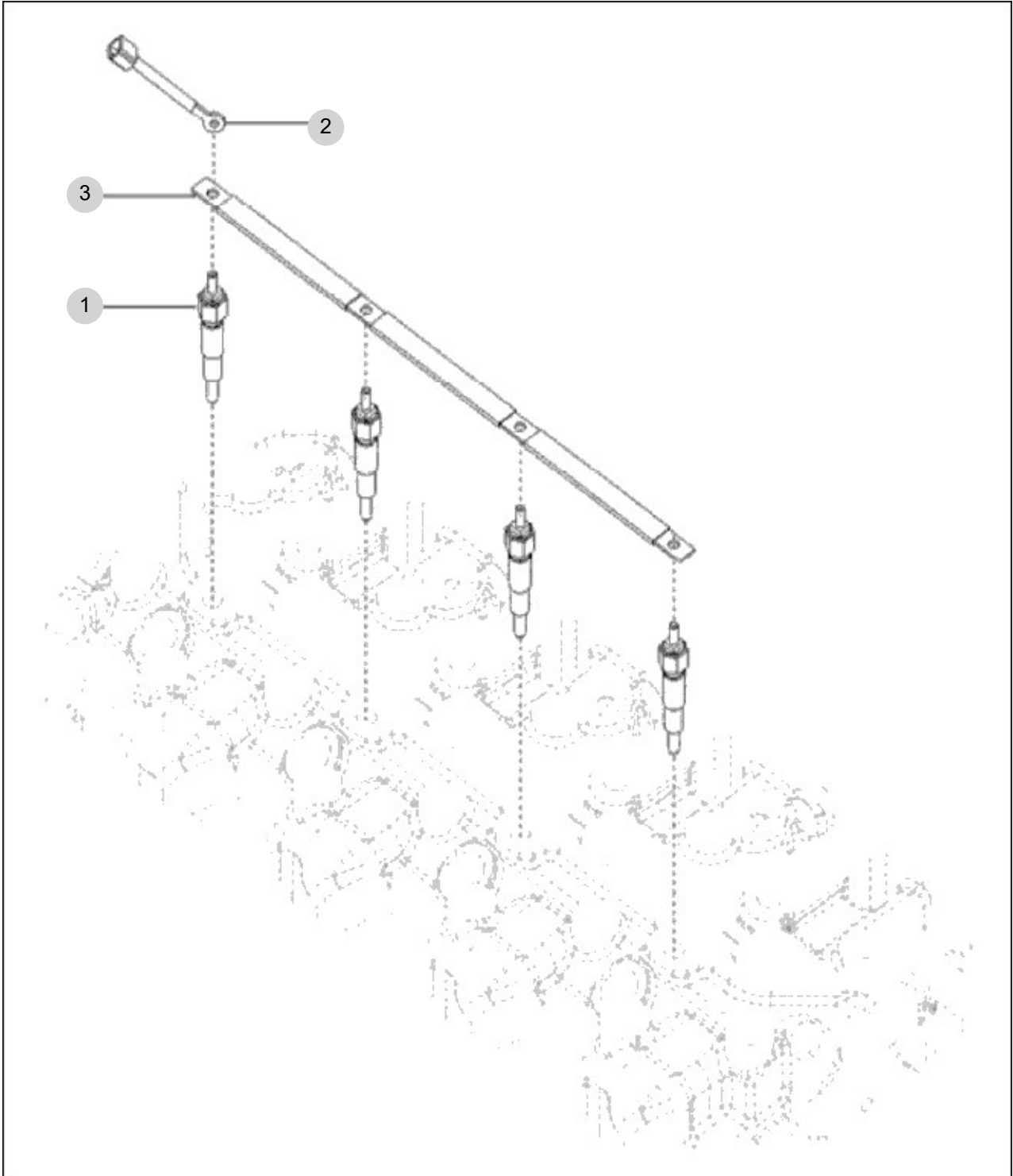
FIG 133

T574NC-B

GLOW PLUG ASS'Y OPTION

년/월  
Year/Month

2022-12



NOTE



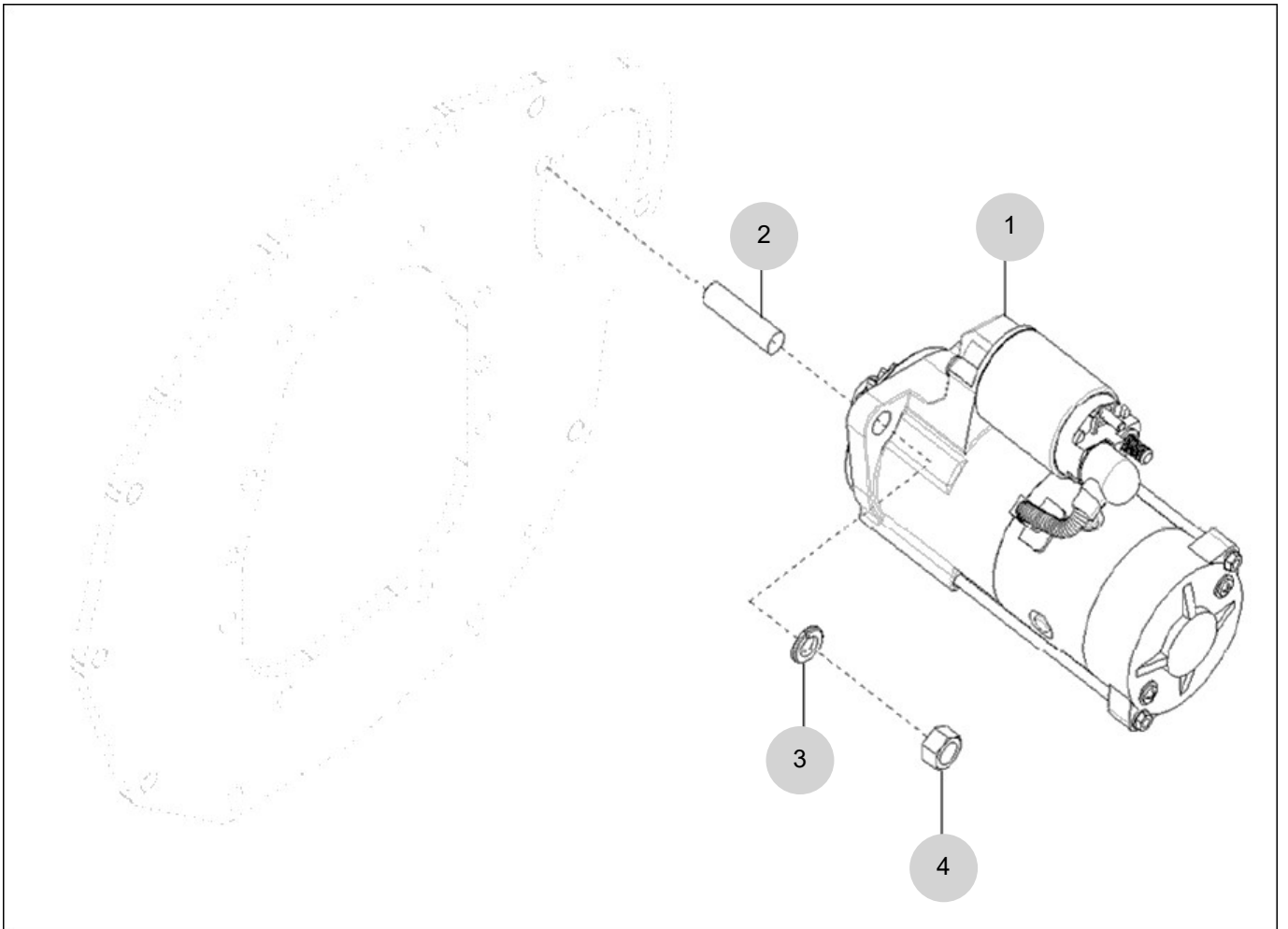
FIG 134

T574NC-B

STARTING MOTOR

년/월  
Year/Month

2022-12



NOTE



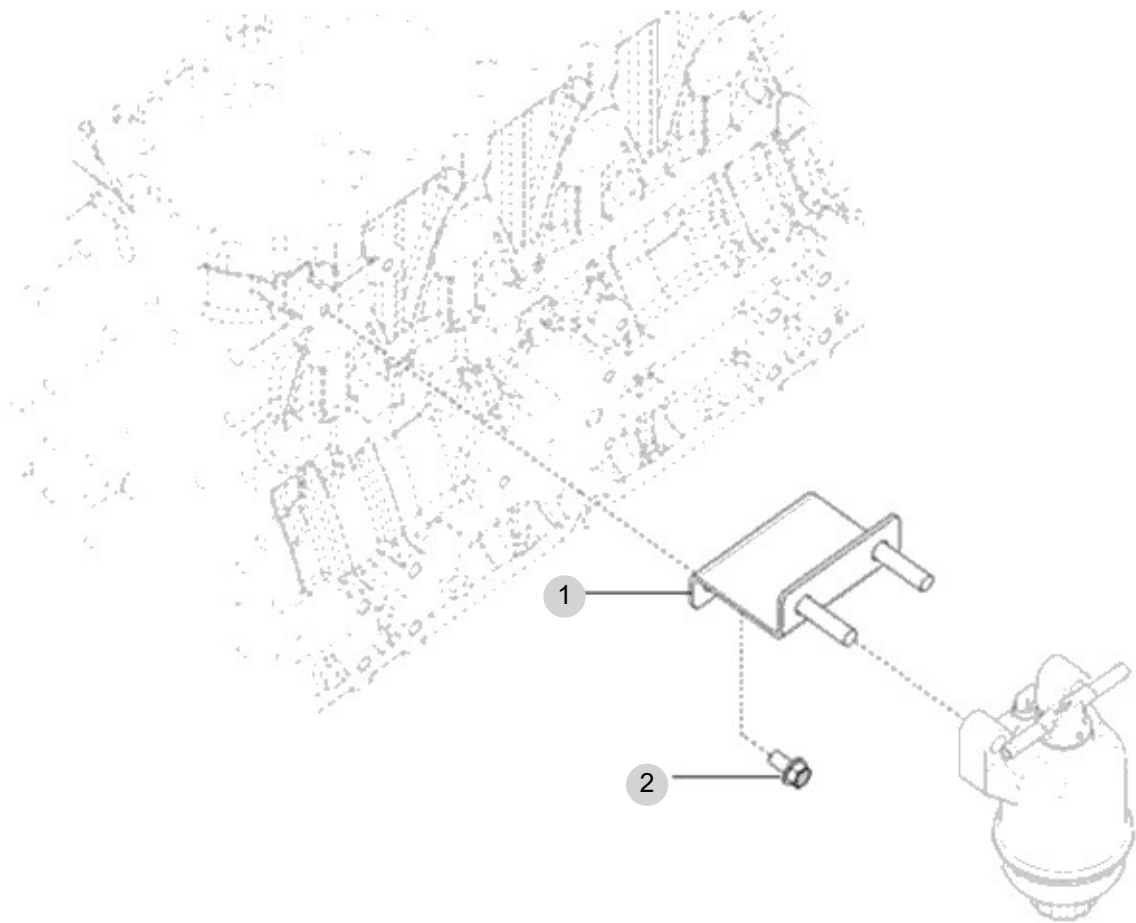
FIG 135

T574NC-B

FUEL FILTER BRACKET ASS'Y

년/월  
Year/Month

2022-12



NOTE





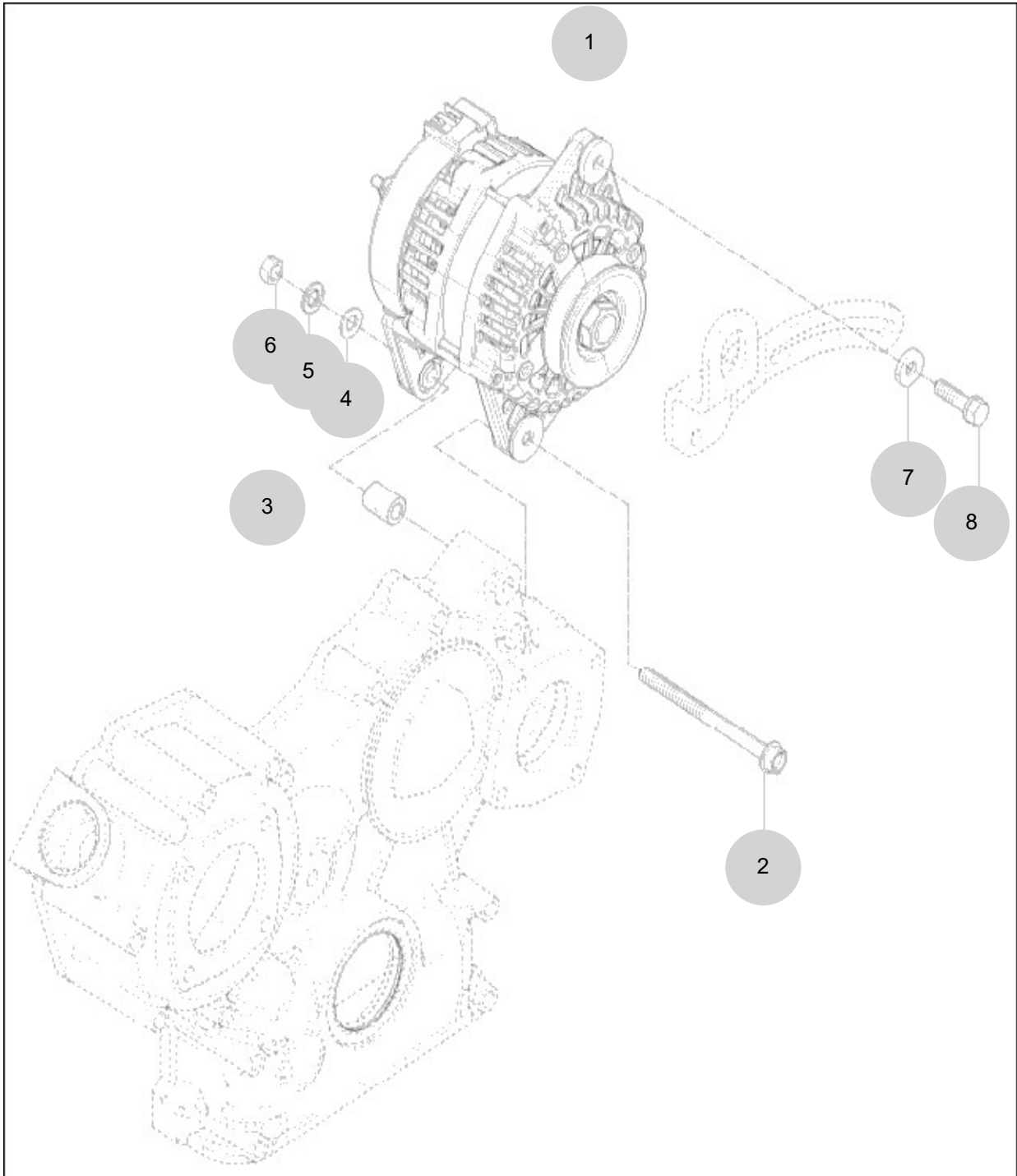
FIG 136

T574NC-B

ALTERNATOR

년/월  
Year/Month

2022-12



NOTE



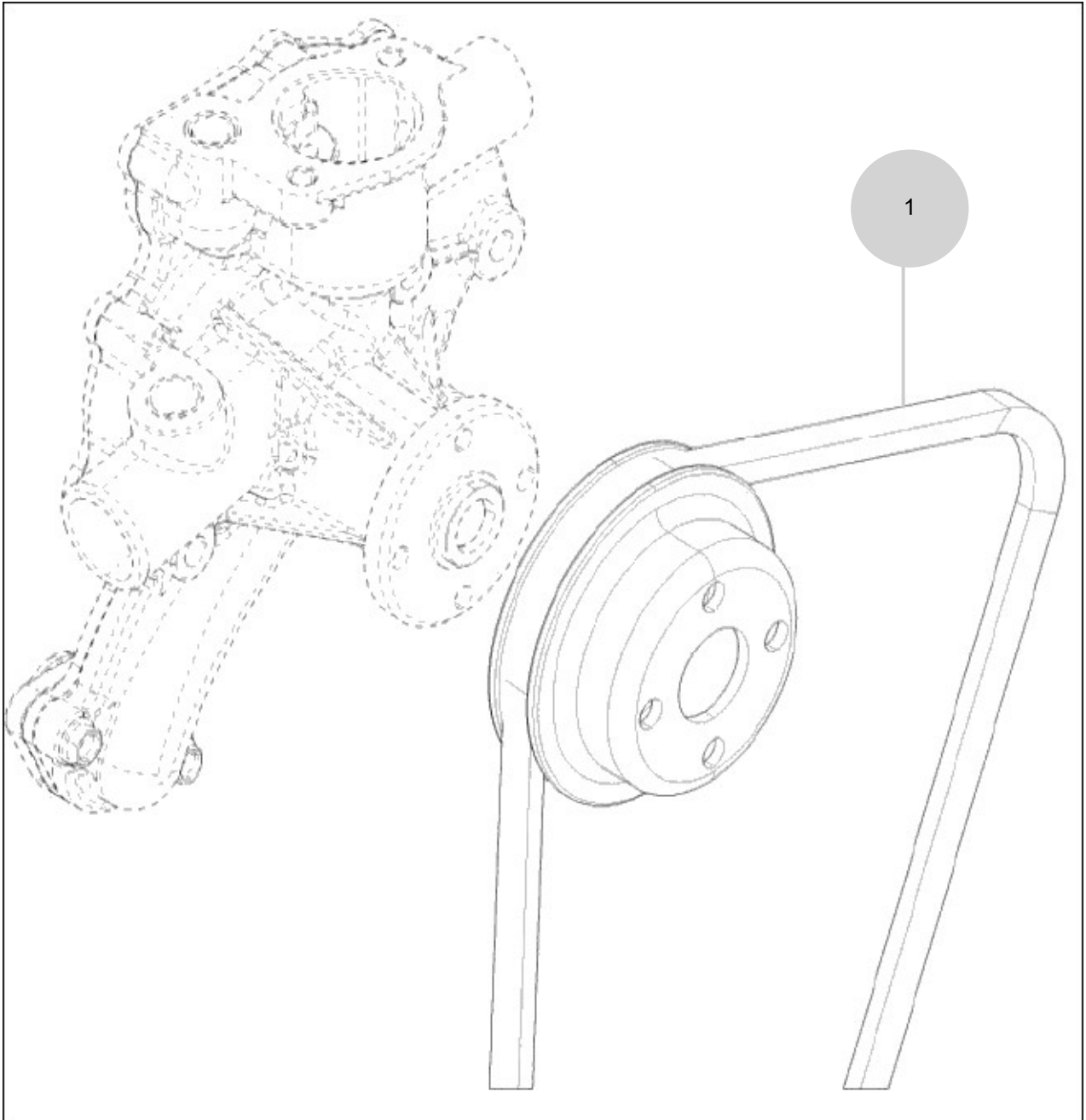
FIG 137

T574NC-B

V-BELT

년/월  
Year/Month

2022-12



NOTE



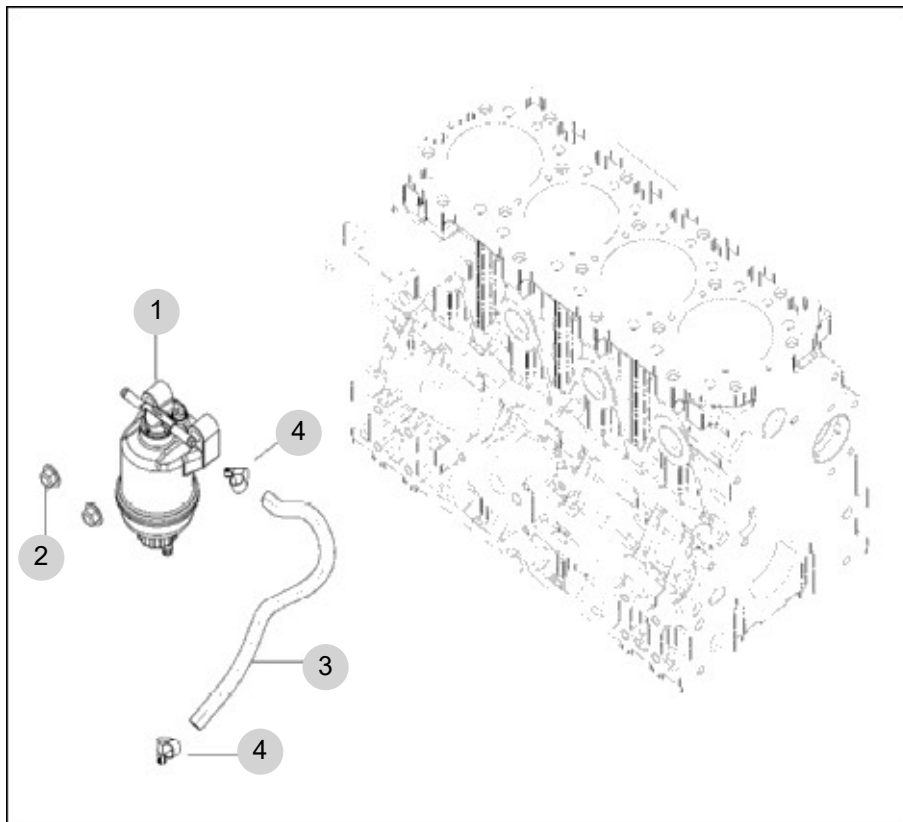
FIG 138

T574NC-B

FUEL FILTER

년/월  
Year/Month

2022-12



NOTE



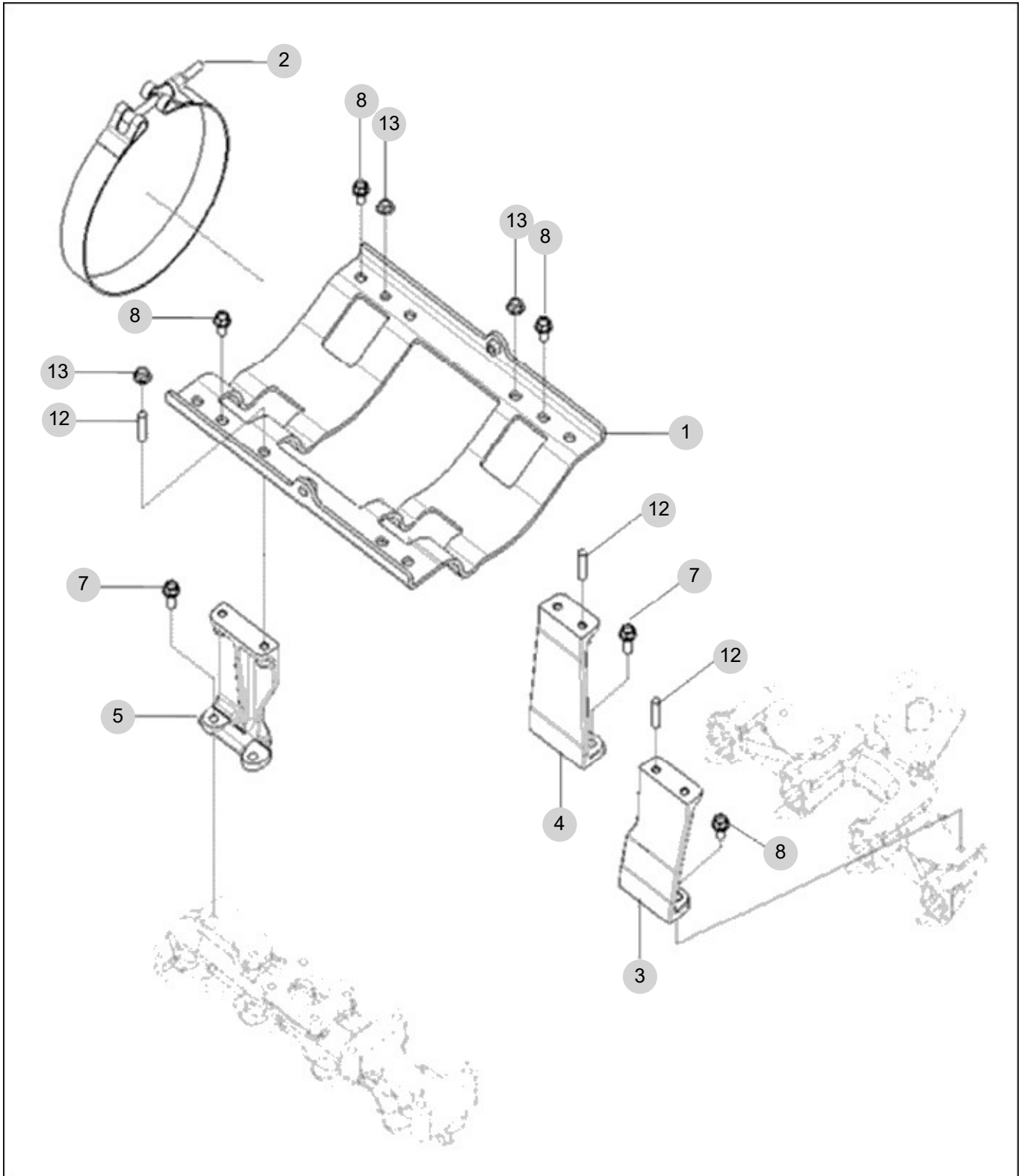
FIG 139A

DPF SUPPORT (T574)

년/월  
Year/Month

T574NC-B

2022-12



NOTE





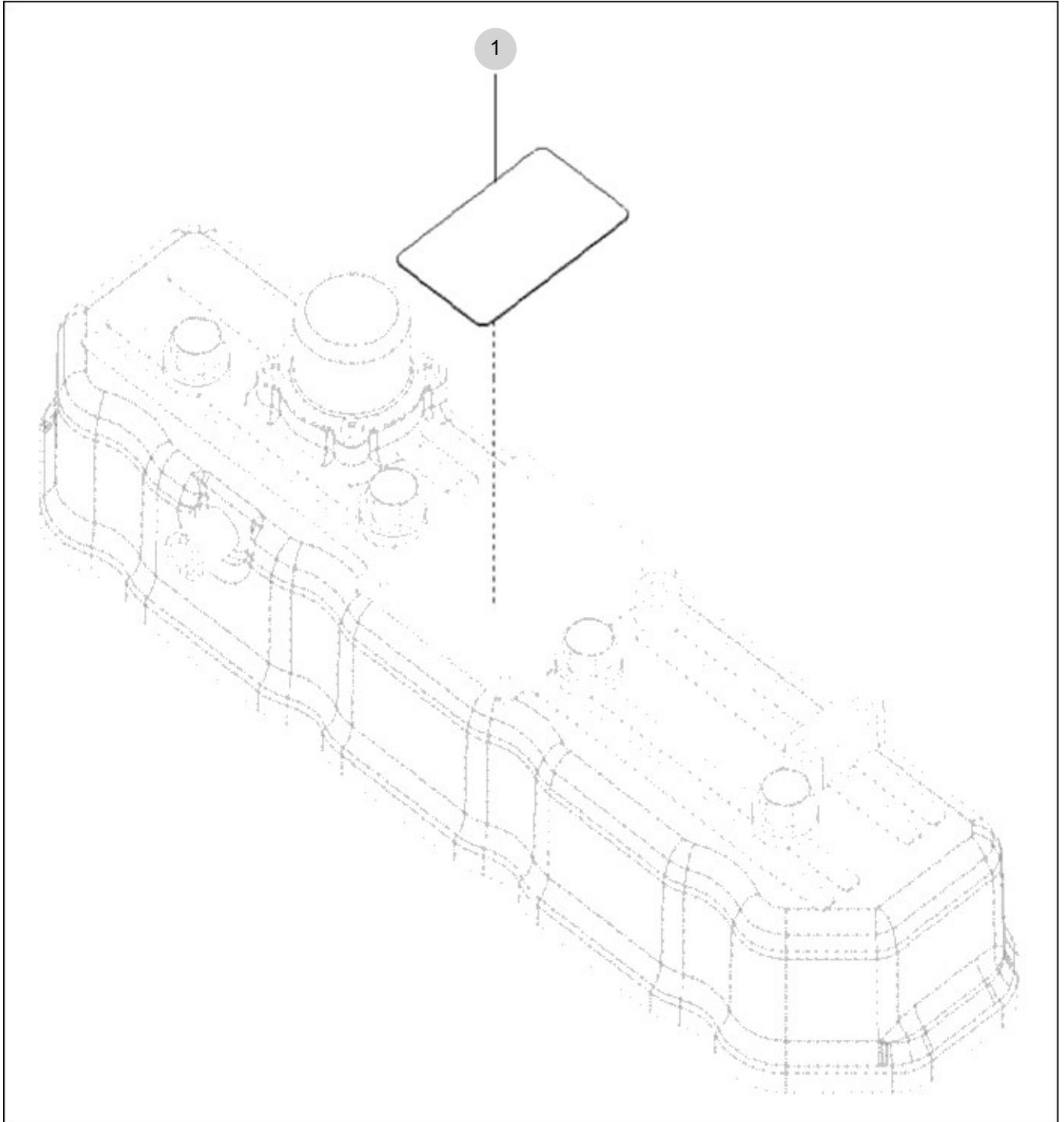
FIG 140

T574NC-B

DATAPLATE

년/월  
Year/Month

2022-12



NOTE



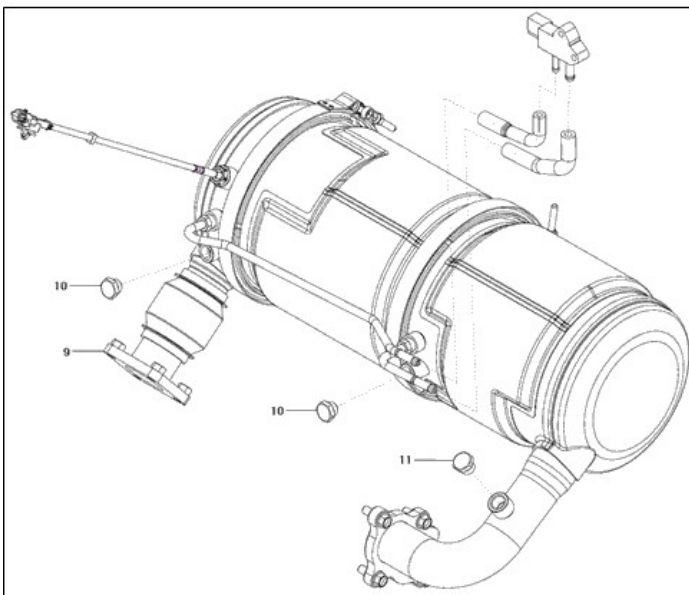
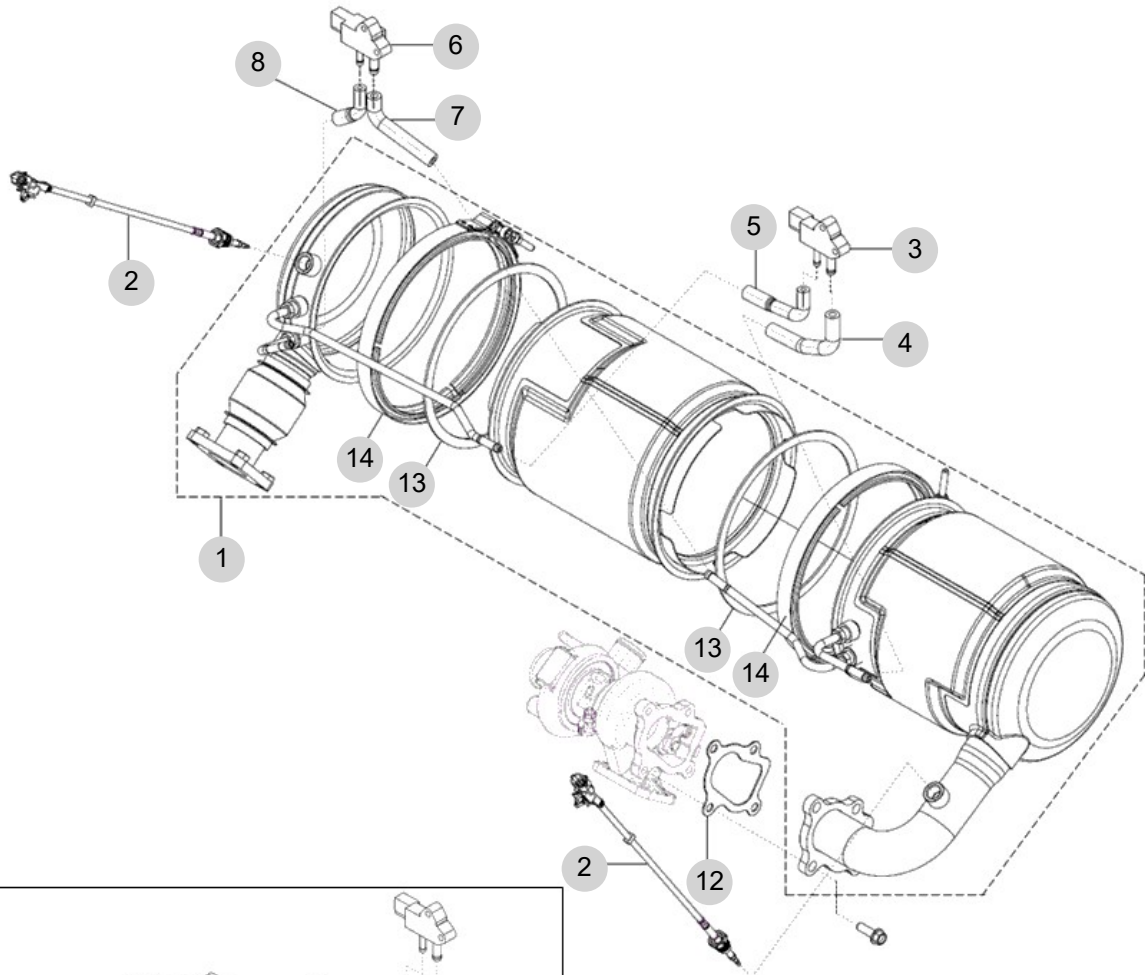
FIG 142A

T574NC-B

DPF ASS'Y (T574)

년/월  
Year/Month

2022-12



NOTE



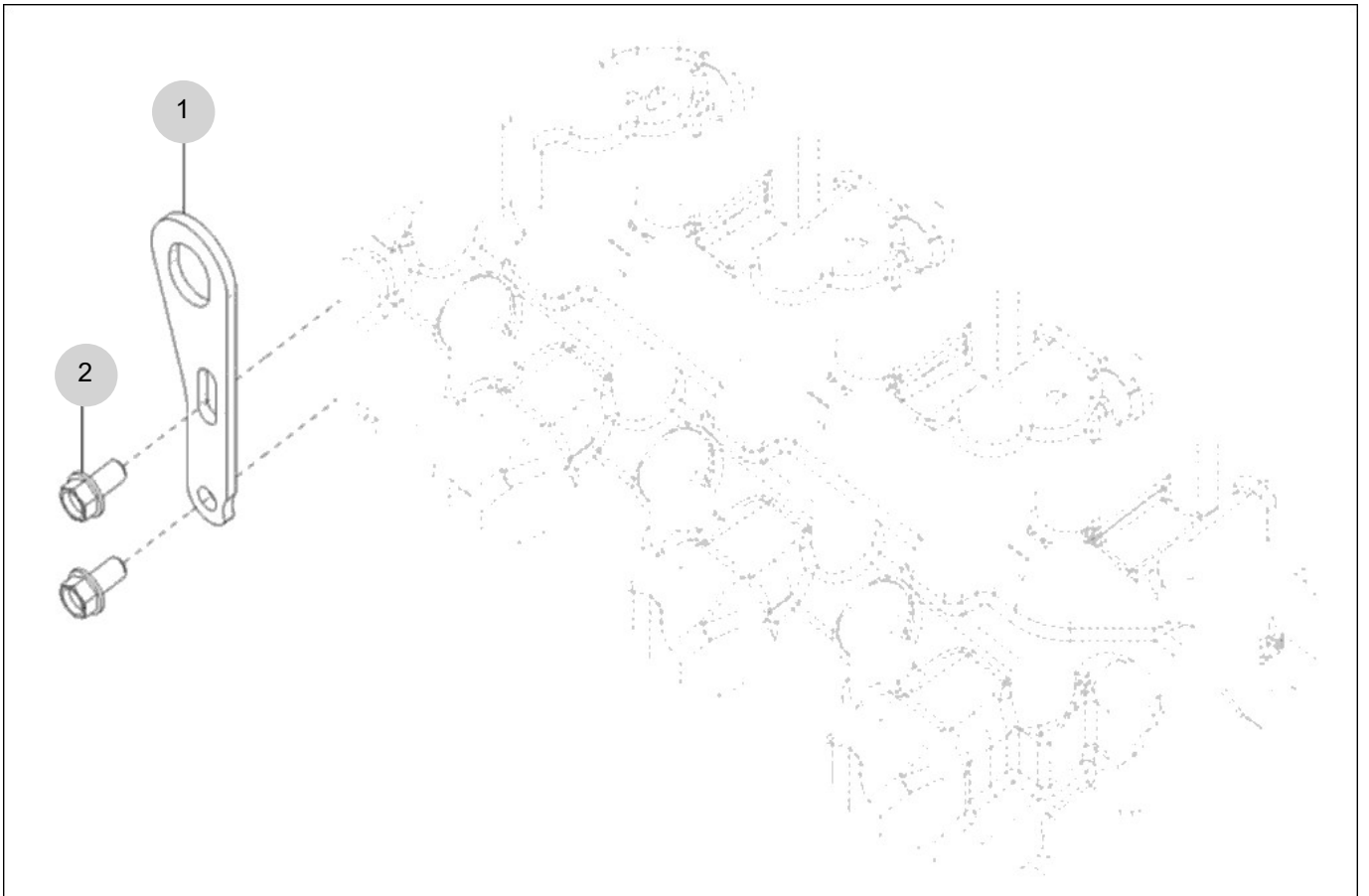
FIG 143

T574NC-B

LIFT ASS'Y

년/월  
Year/Month

2022-12



NOTE



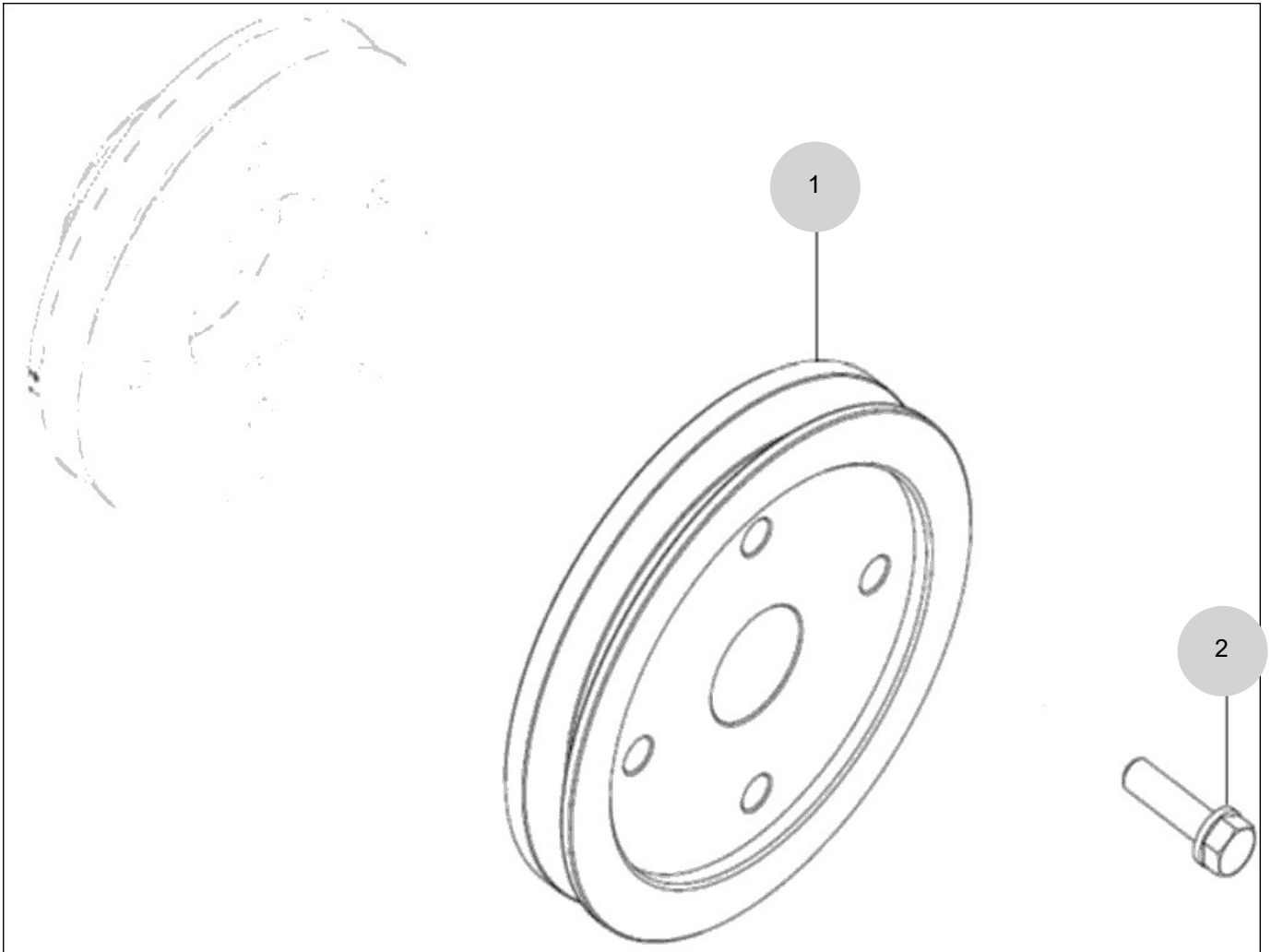
FIG 144

COMP . DRIVE PULLEY ASS'Y OPTION

년/월  
Year/Month

T574NC-B

2022-12



NOTE





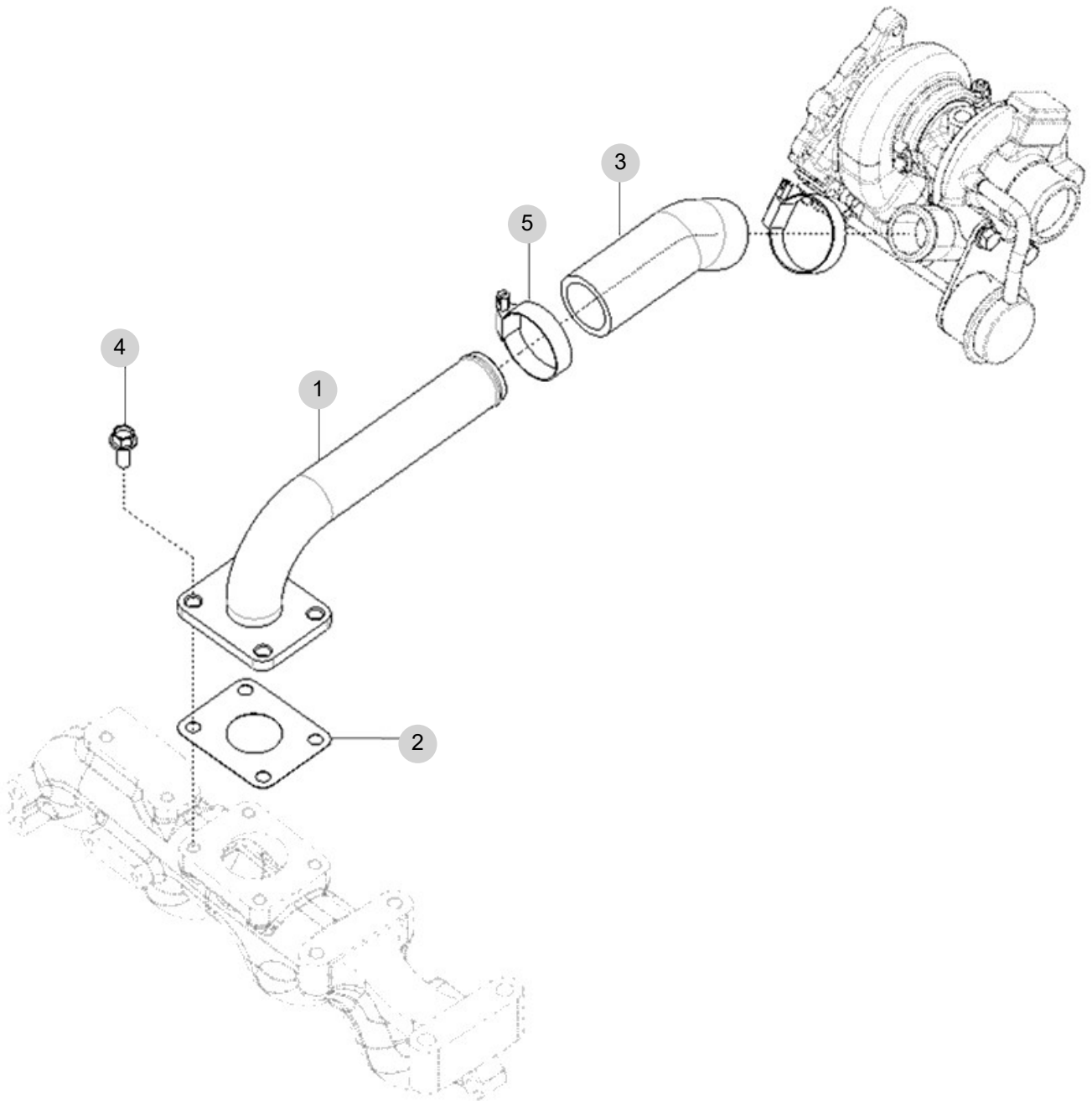
FIG 145

T574NC-B

INTAKE PIPE

년/월  
Year/Month

2022-12



NOTE



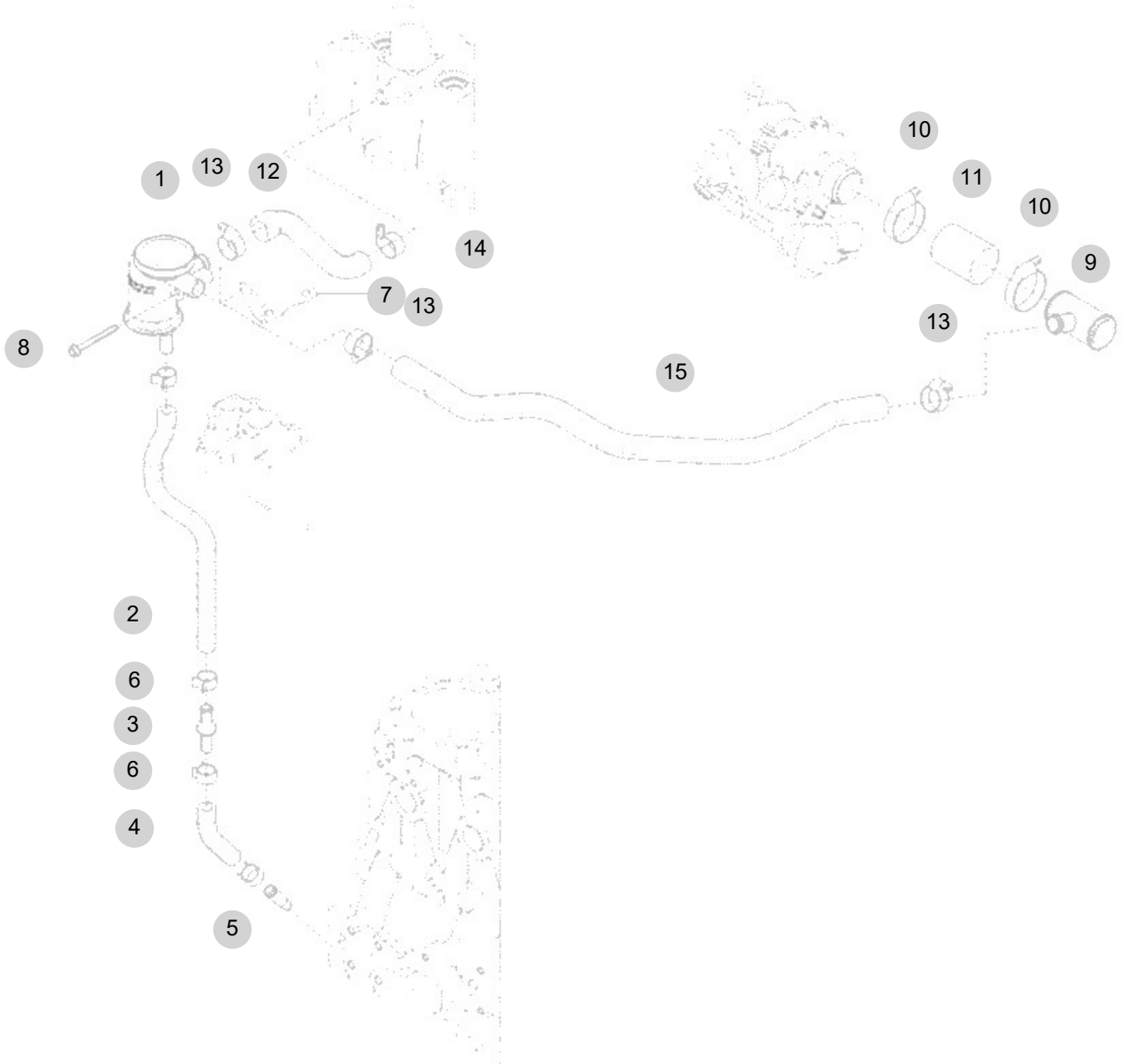
FIG 146

T574NC-B

CCV ASS'Y

년/월  
Year/Month

2022-12



NOTE



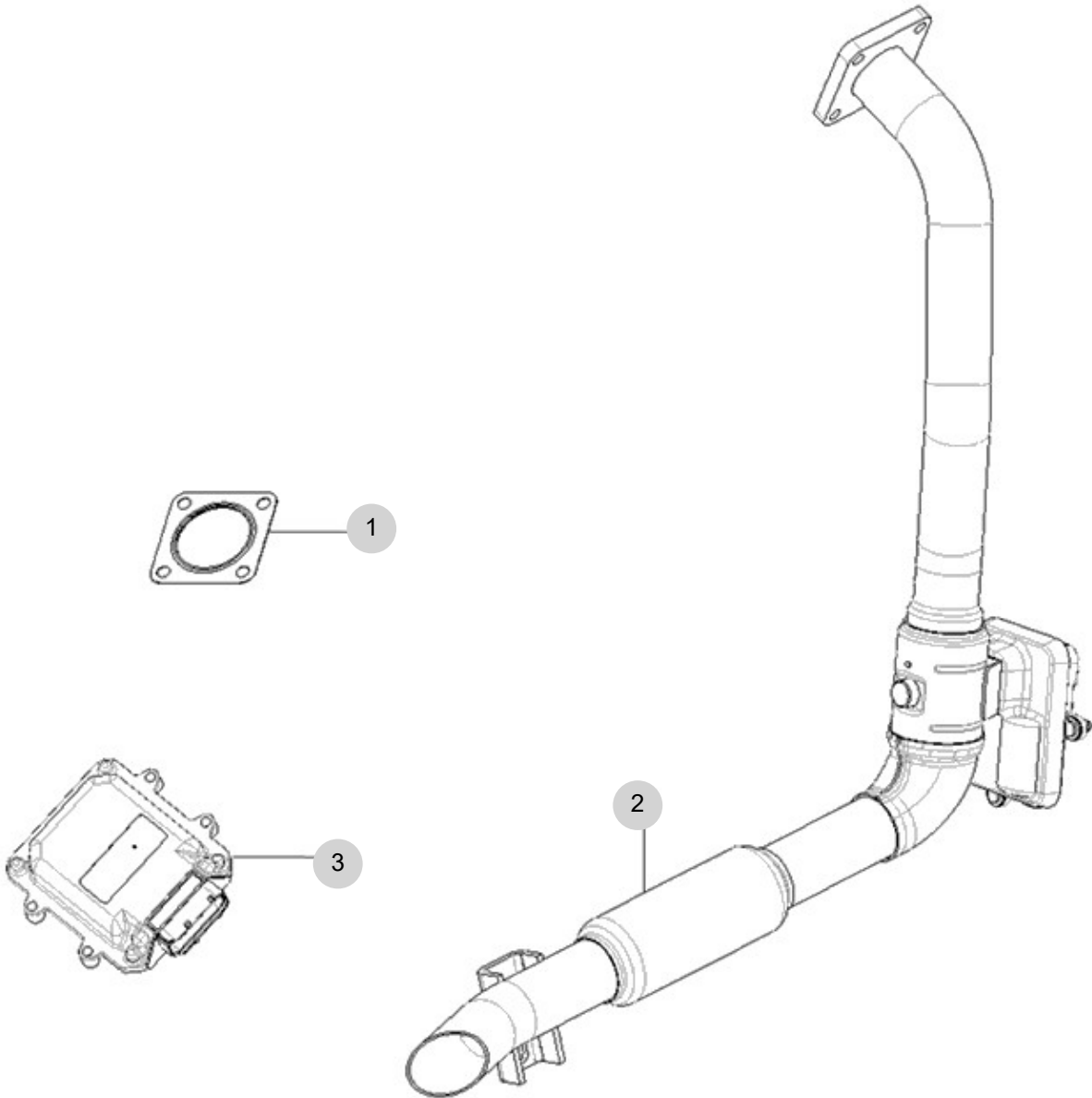
FIG 147

T574NC-B

LOOSED PARTS

년/월  
Year/Month

2022-12



NOTE



## 2. Engine Accessories PART NO. T2

FIG 201A AIR CLEANER (T574)	109
FIG 202 RADIATOR	111
FIG 203 MUFFLER	113
FIG 204 FUEL HOSE & FILTER	115
FIG 205 FUEL TANK	117
FIG 206 ACCELERATOR	119







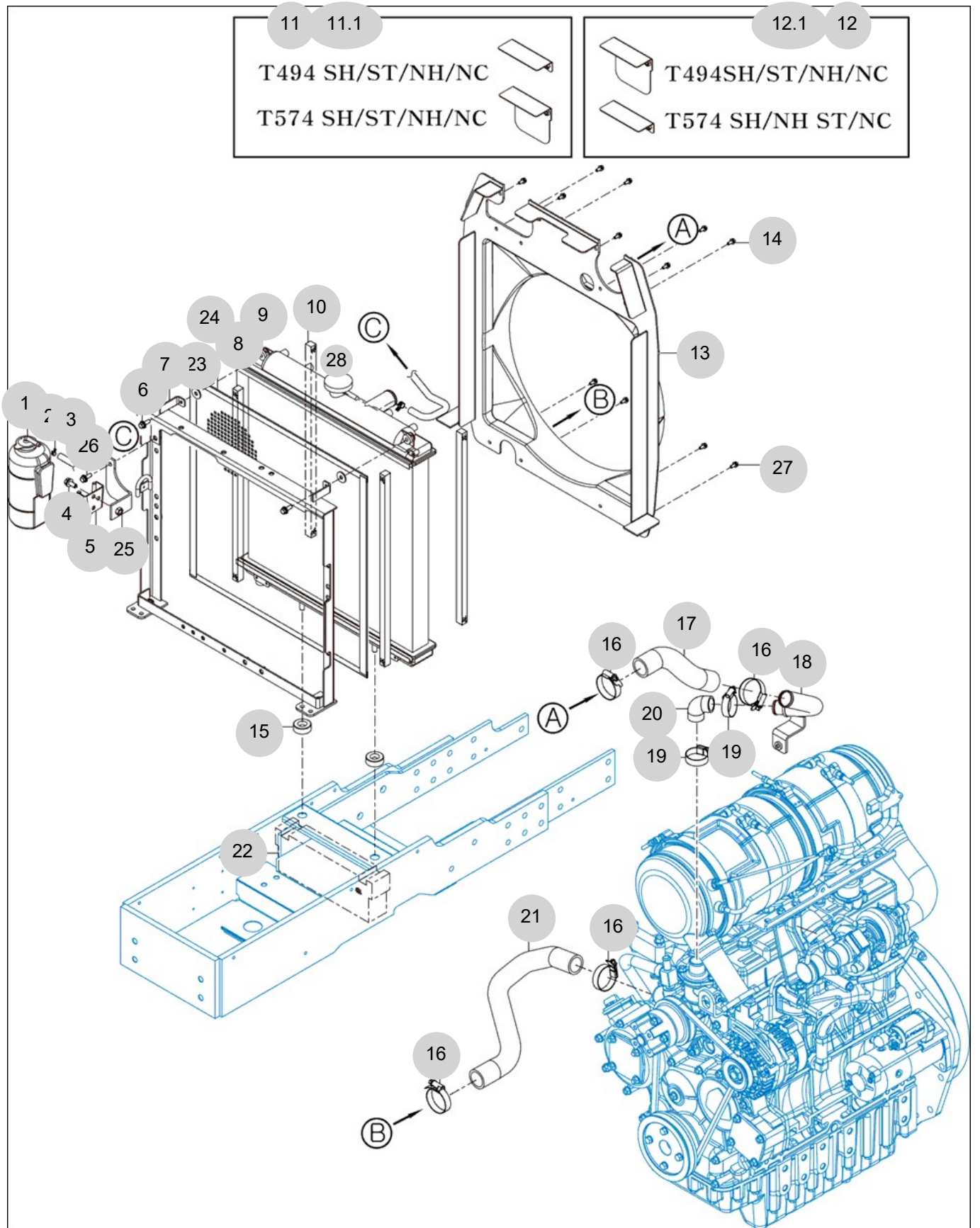
FIG 202

RADIATOR

년/월  
Year/Month

2022-12

T574NC-B



NOTE



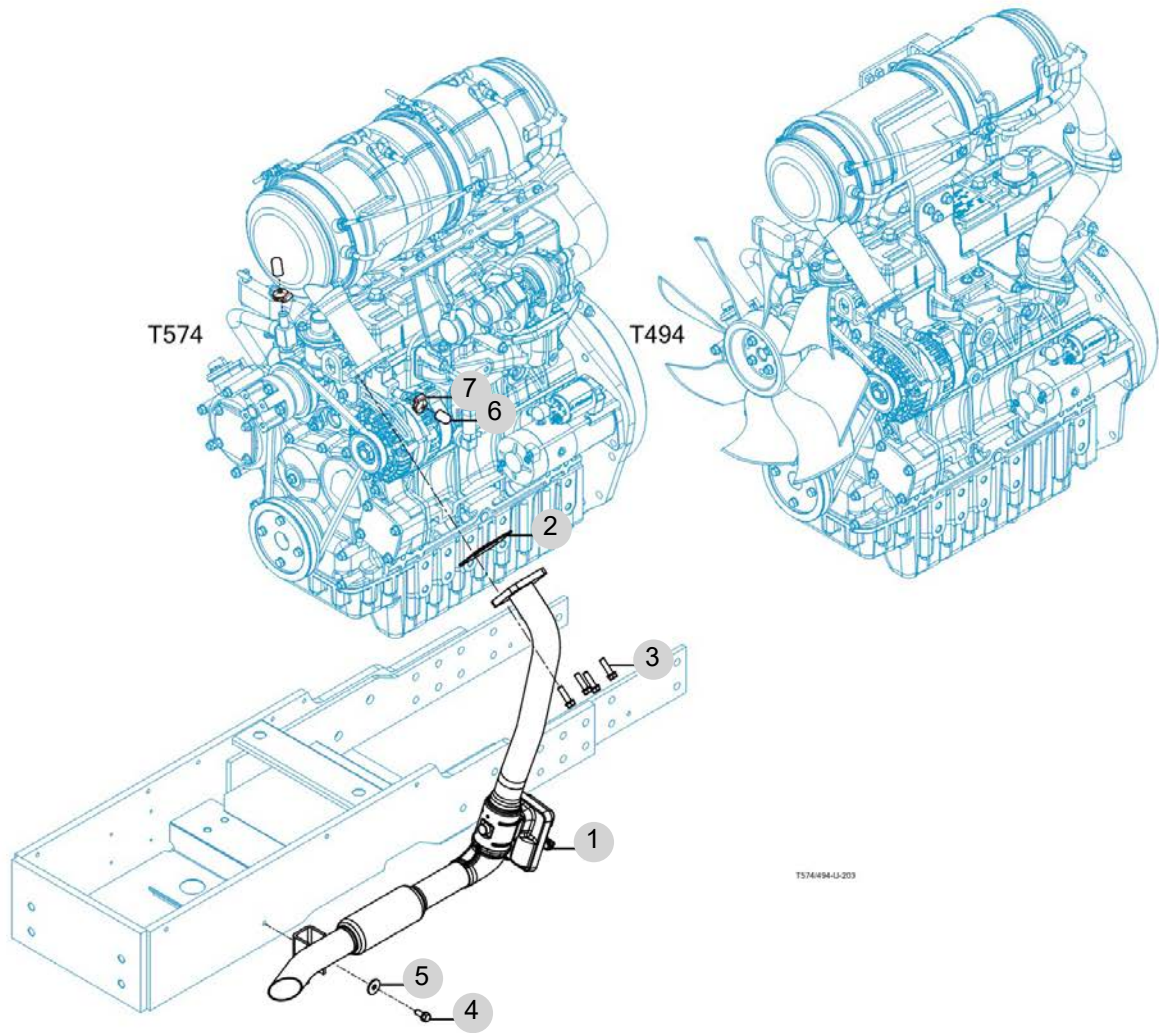
FIG 203

MUFFLER

년/월  
Year/Month

T574NC-B

2022-12



NOTE





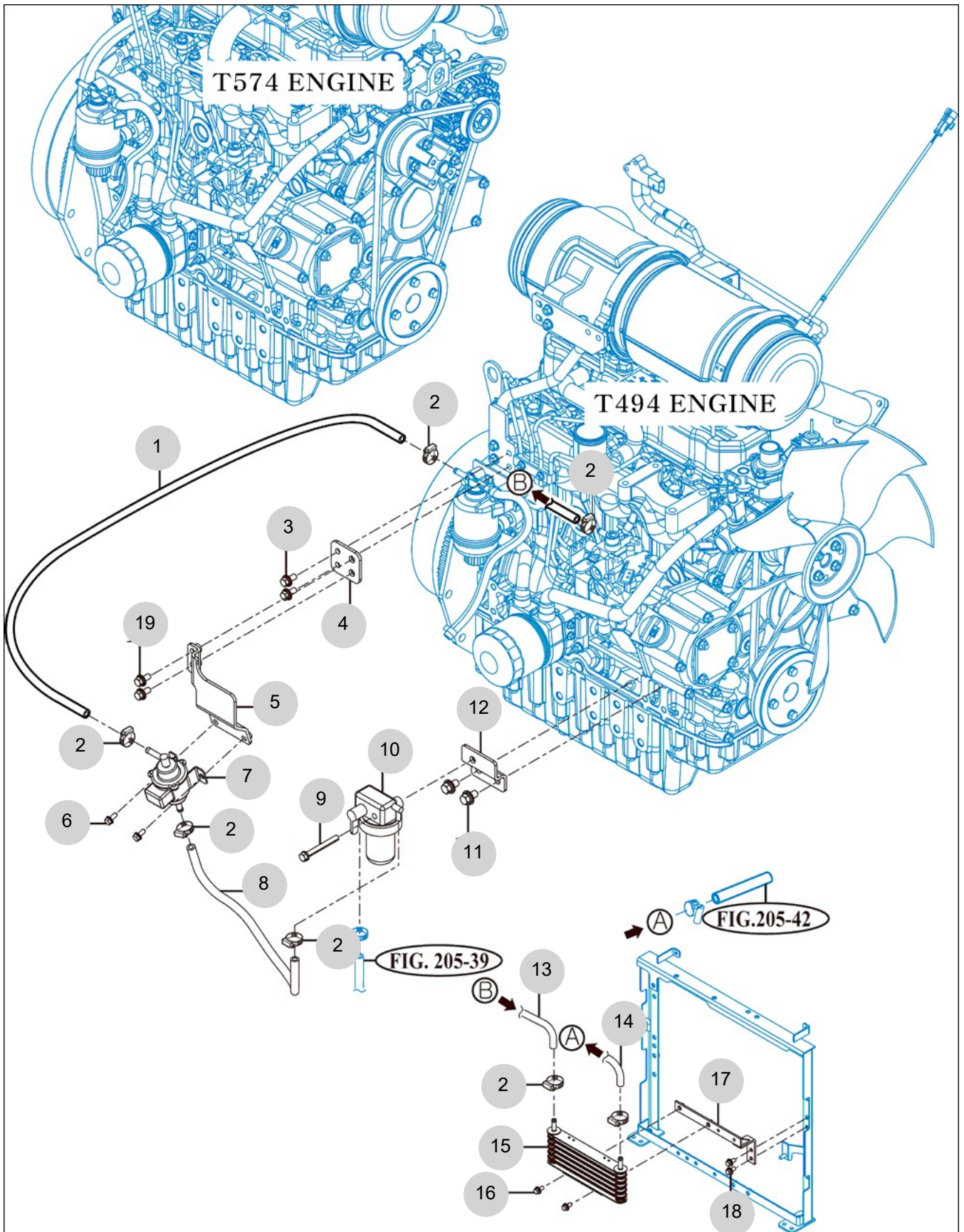
FIG 204

FUEL HOSE & FILTER

년/월  
Year/Month

T574NC-B

2022-12



NOTE





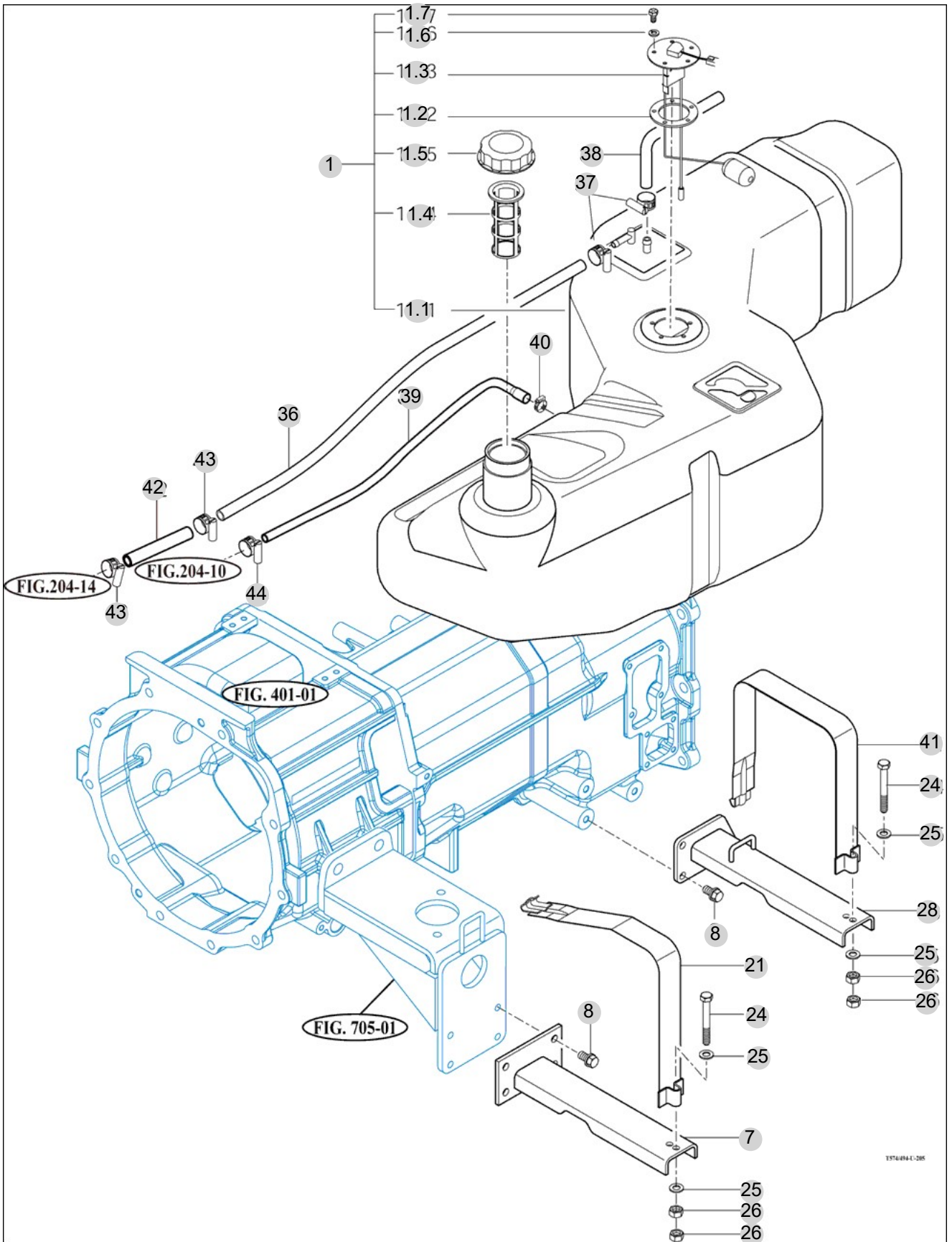
FIG 205

T574NC-B

FUEL TANK

년/월  
Year/Month

2022-12



NOTE



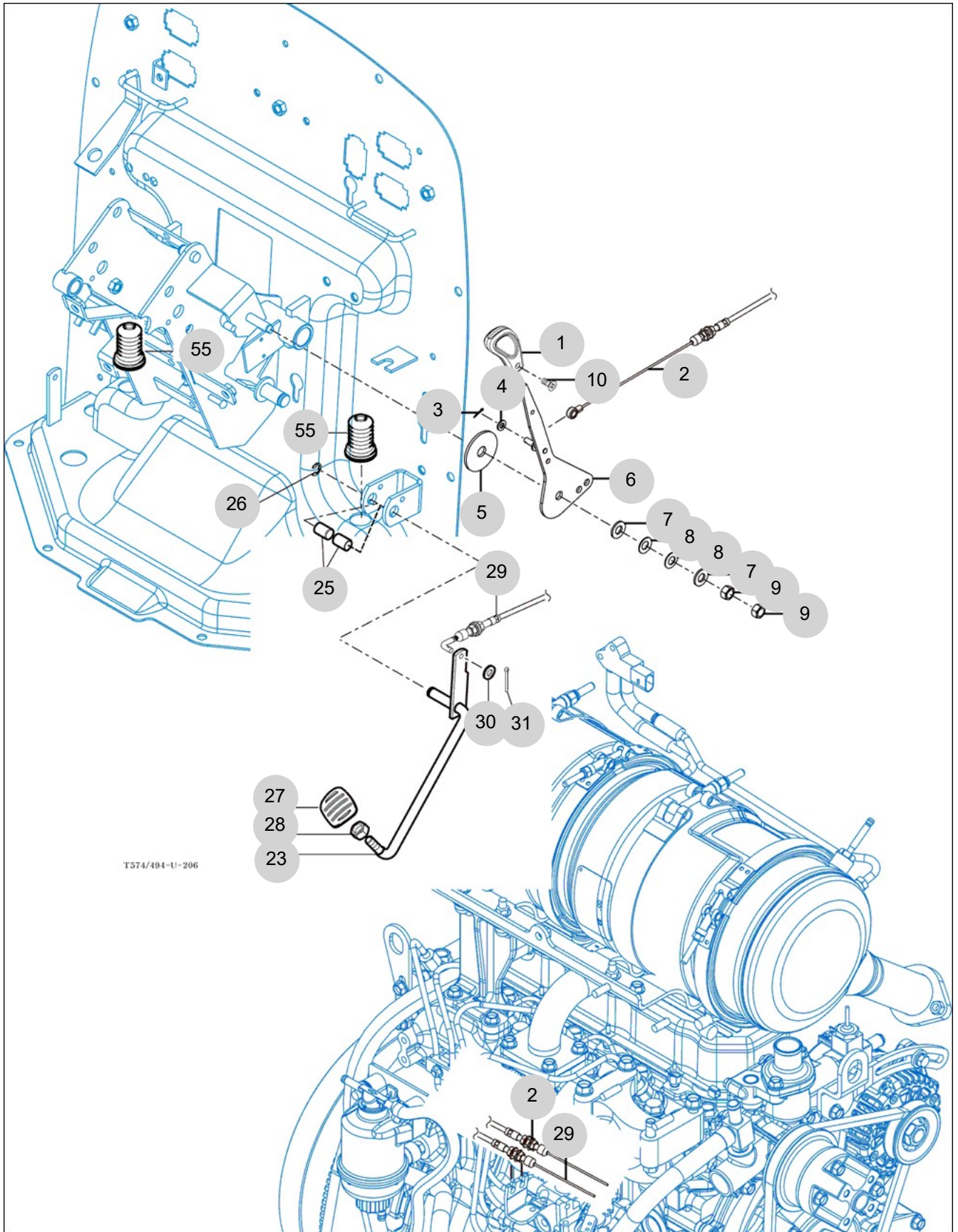
FIG 206

ACCELERATOR

년/월  
Year/Month

2022-12

T574NC-B



T574/494-U-206

NOTE



### 3. Clutch/Brake/Steering PART NO. T3

FIG 301 CLUTCH	122
FIG 302 CLUTCH PEDAL	124
FIG 303 BRAKE	127
FIG 304 BRAKE PEDAL & LINK	129
FIG 305 FRONT WHEEL	131
FIG 306 REAR WHEEL	133
FIG 307 POWER STEERING WHEEL	135
FIG 308 POWER STEERING VALVE	137
FIG 309 POWER STEERING CYLINDER	139



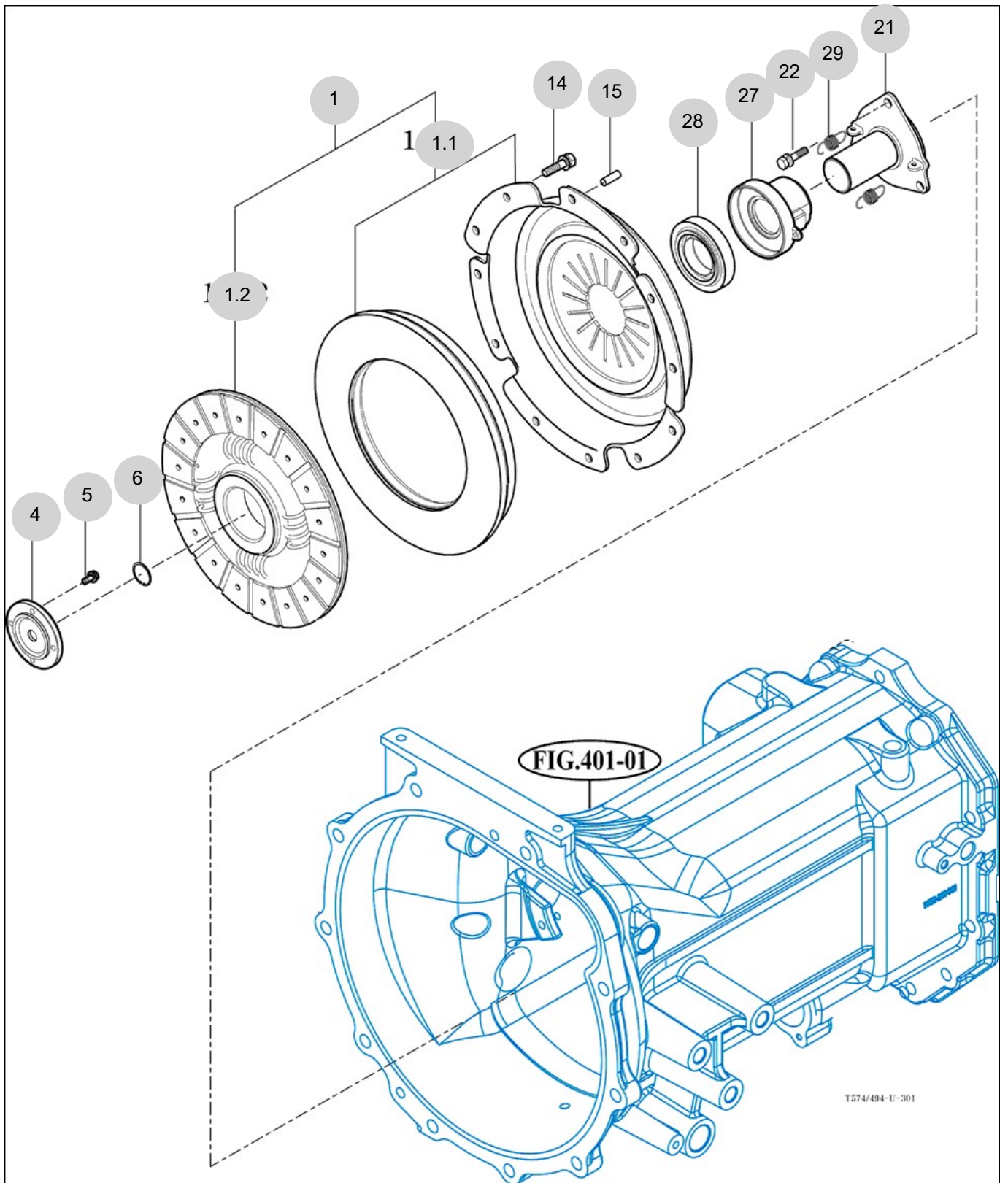
FIG 301

T574NC-B

CLUTCH

년/월  
Year/Month

2022-12



T574/494-U-301

NOTE



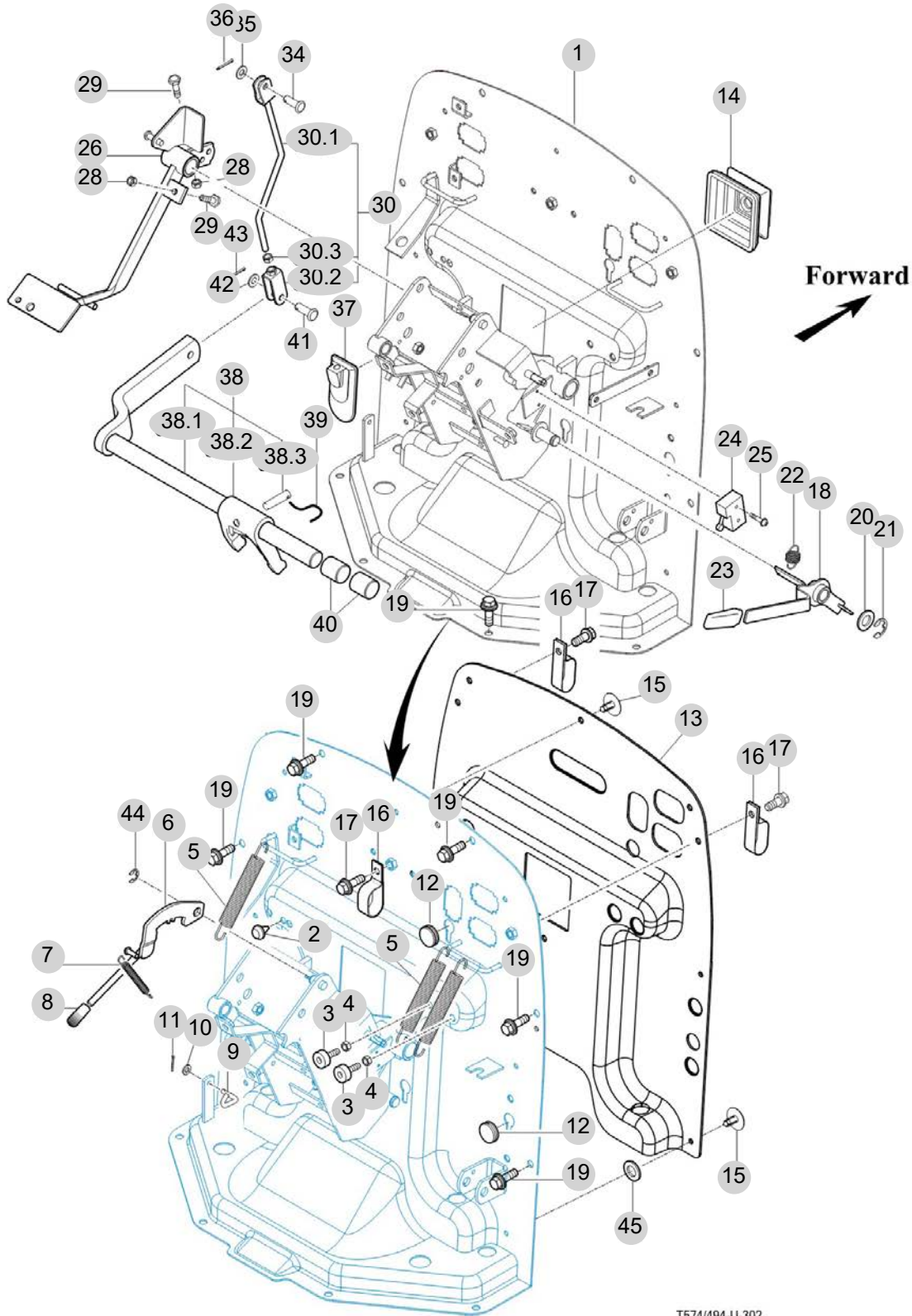
FIG 302

CLUTCH PEDAL

년/월  
Year/Month

2022-12

T574NC-B



T574/494-U-302

NOTE



FIG 302		CLUTCH PEDAL					년/월 Year/Month		
							2022-12		
T574NC-B		KEY NO	PART NO	DESCRIPTION	SPEC	QTY	REPAIR	EFFECTIVE DATE	REMARKS
302	1	13886303200GB				1			
302	1	13866303200GB	DASH PANEL COMP			1			
302	2	14326160020	RUBBER , CUSHION	1X1X1		1			
302	3	14216020051	RUBBER , CUSHION B	1X1X1		2			
302	4	V3043600080	NUT , HEX/2	M8		2			
302	5	14041200080	RETURN SPRING , CLUTCH	HL2000공용		3			
302	6	14724042401GB	LEVER COMP , TILT	1X1X1		1			
302	7	16001200080	RETURN SPRING , BRAKE	1X1X1		1			
302	8	21615250020	GRIP , LEVER/RED			1			
302	9	15441230050	ROD	D=5.25 5.3		1			
302	10	V4111600060	WASHER , PLAIN	M6		1			
302	11	V5001920020	PIN , SPLIT	2X20		1			
302	12	14326510210	CAP , RUBBER 20	1X1X1		2			
302	13	17467071991	INSULATOR , DASH	T=10		1			
302	14	14526300011	BOOT,STEERING/HOSE	T=1.5		1			
302	15	17686040020	RIVET SET , black	SV625		9			
302	16	14441010161	CLAMP , RADIATOR HOSE	1X1X1		3			
302	17	V2183608020	BOLT , HEX/SP	M8X20		3			
302	18	14523293301GB	LEVER COMP,PARKING	1X1X1		1			
302	19	V2183608016	BOLT , HEX/SP	M8X16		10			
302	20	V4111600160	WASHER , PLAIN	M16		1			
302	21	V7081400150	E-RING	15		1			
302	22	14321200040	SPRING , TENSION 31	D=1.2		1			
302	23	34523030020	GRIP , THROTTLE	1X1X1		1			
302	24	16756214701	SWITCH ASSY , SAFETY	1X1X1		1			
302	25	V1222604025	SCREW , C/R PAN/SP	M4X25		2			
302	26	14571332100GB	PEDAL COMP , CLUTCH	1X1X1		1			
302	28	V3043600080	NUT , HEX/2	M8		2			
302	29	V2013608030	BOLT , HEX	M8X30		2			
302	30	14521330002GB	ROD SUB , CLUTCH			1			
302	30	14521330002	ROD SUB , CLUTCH	398*87		1			
302	30	14521330002	ROD SUB , CLUTCH			1			
302	30.1	14521333103	ROD COMP, CLUTCH	346*87		1			
302	30.2	14521333200	HOOK COMP	1X1X1		1			
302	30.3	V3042600080	NUT , HEX/2	M8		1			
302	34	14322420010	PIN	D=8		1			
302	35	V4111600080	WASHER , PLAIN	M8		1			
302	36	V5001925020	PIN D2.5x20	2.5X20		1			
302	37	14526300210	BOOT,CLUTCH PEDAL	1X1X1		1			
302	38	14521302000	BAR SET	1X1X1		1			
302	38.1	14521302101	BAR COMP			1			
302	38.2	14521300011	FORK , RELEASE	1X1X1		1			
302	38.3	15601300010	PIN , 08X40	1X1X1		1			
302	39	V5901012150	WIRE , STEEL	1.2X150		1			
302	40	14521302150	BUSH , BAR COMP	1X1X1		2			
NOTE									



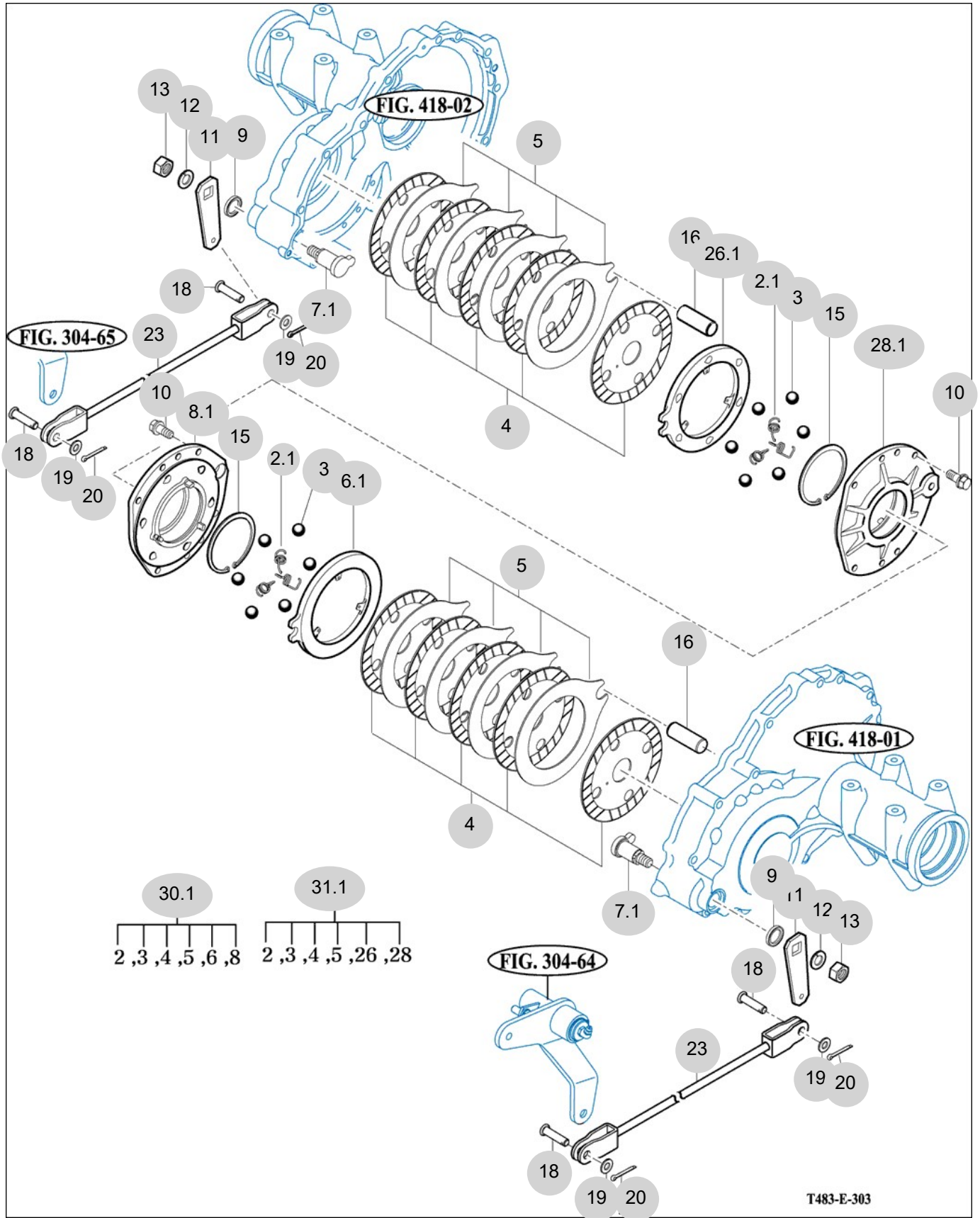
FIG 303

BRAKE

년/월  
Year/Month

T574NC-B

2022-12



T483-E-303

NOTE



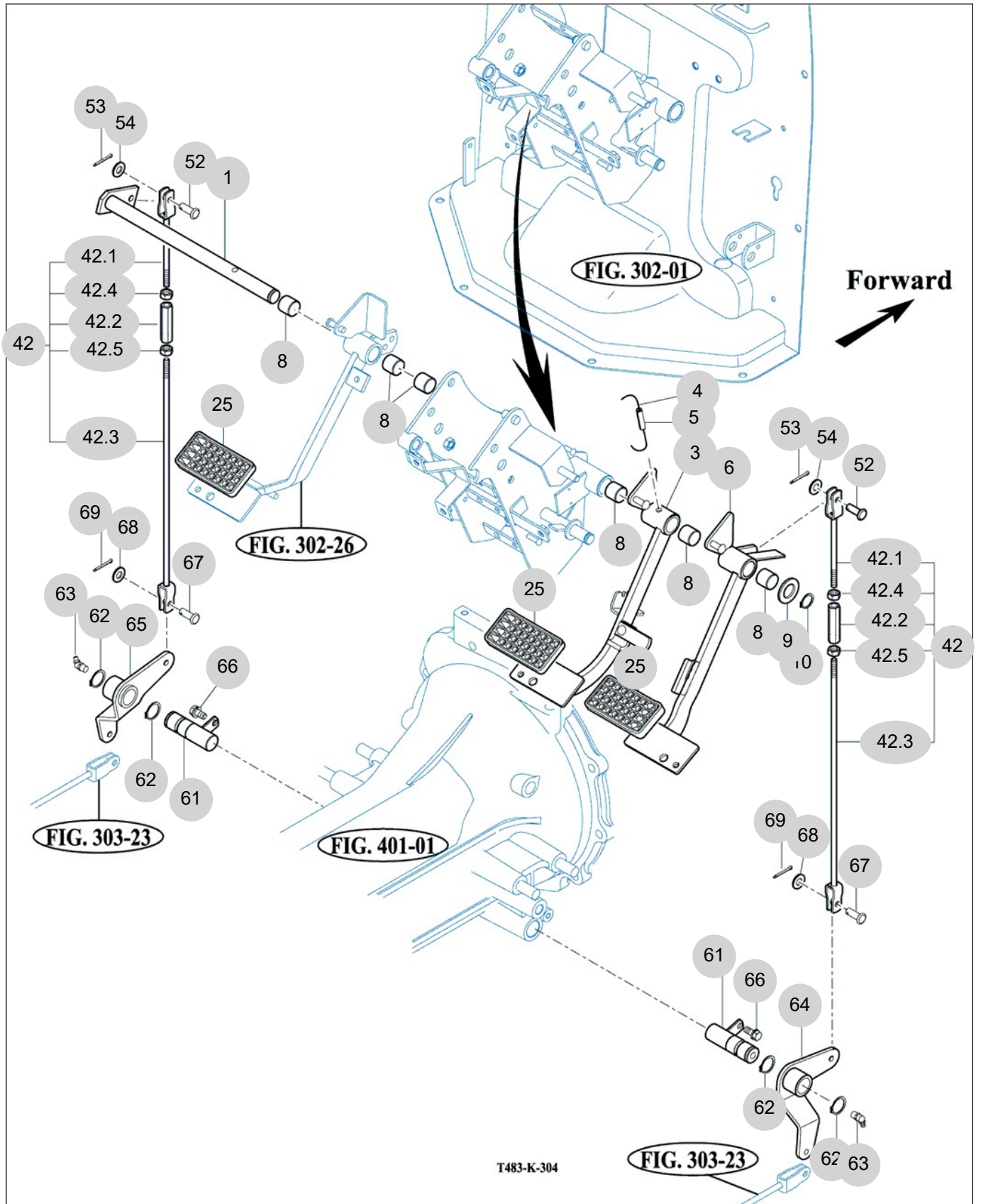
FIG 304

BRAKE PEDAL & LINK

년/월  
Year/Month

2022-12

T574NC-B



T483-K-304

FIG. 303-23

NOTE



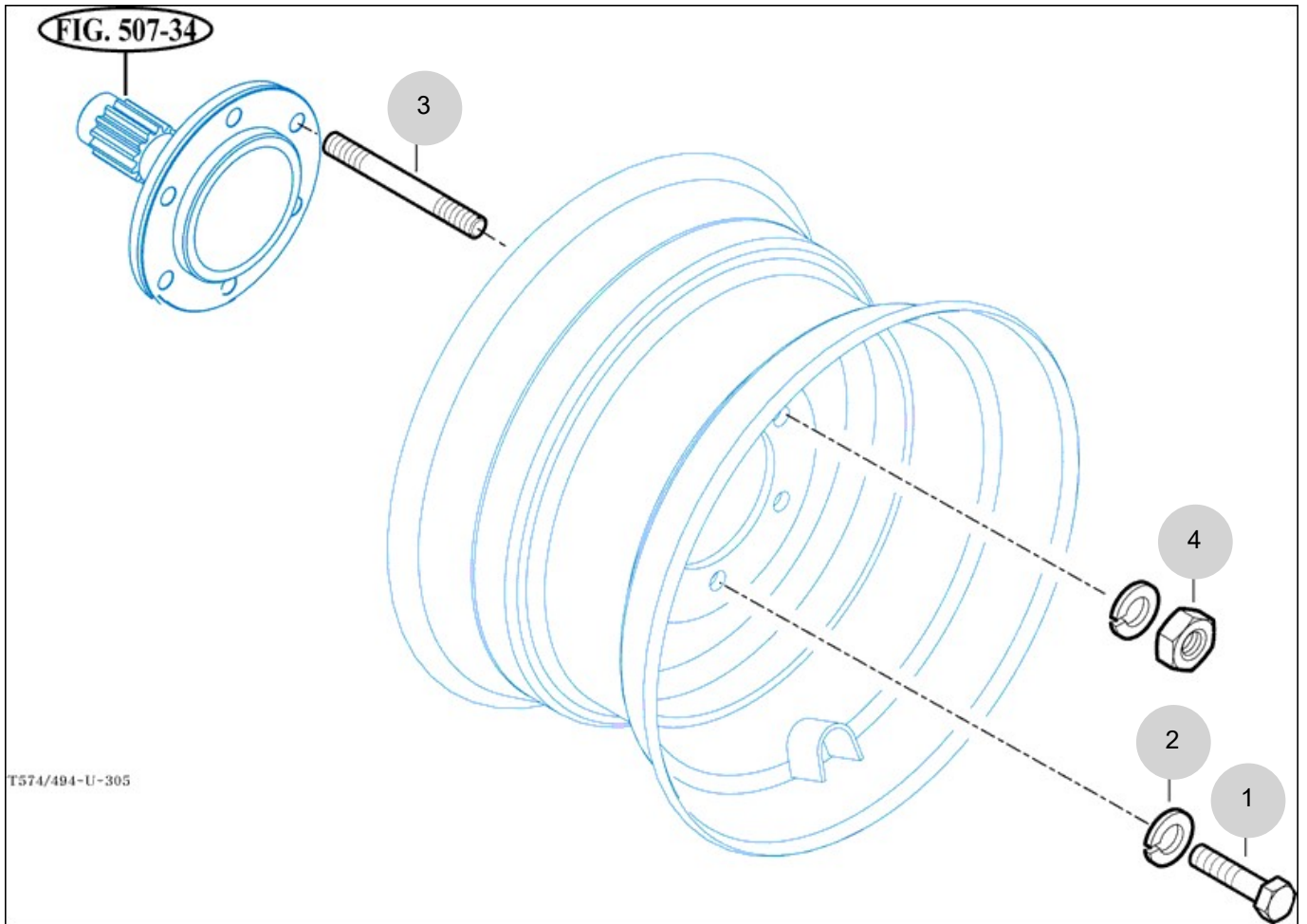
FIG 305

T574NC-B

FRONT WHEEL

년/월  
Year/Month

2022-12



NOTE





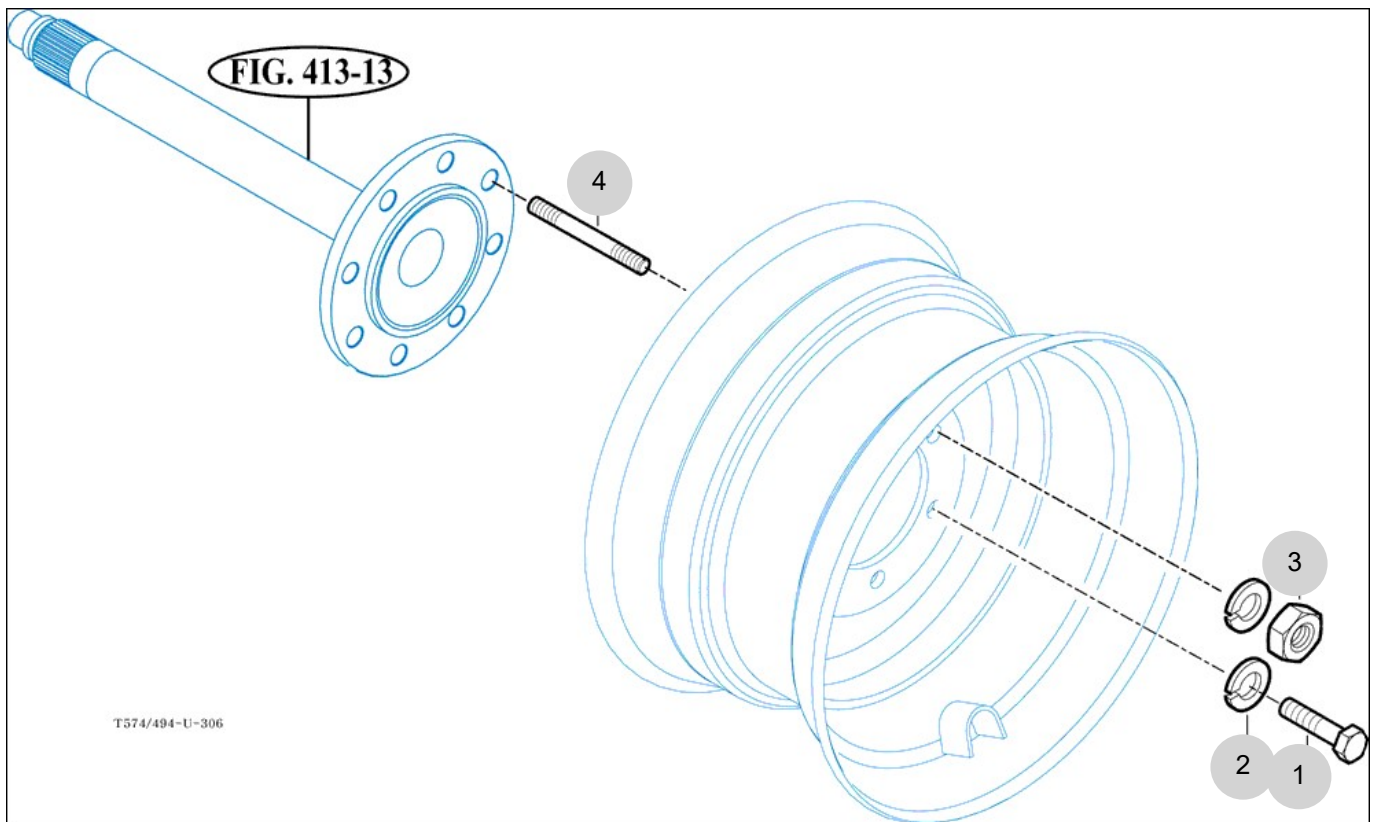
FIG 306

T574NC-B

REAR WHEEL

년/월  
Year/Month

2022-12



T574/494-U-306

NOTE



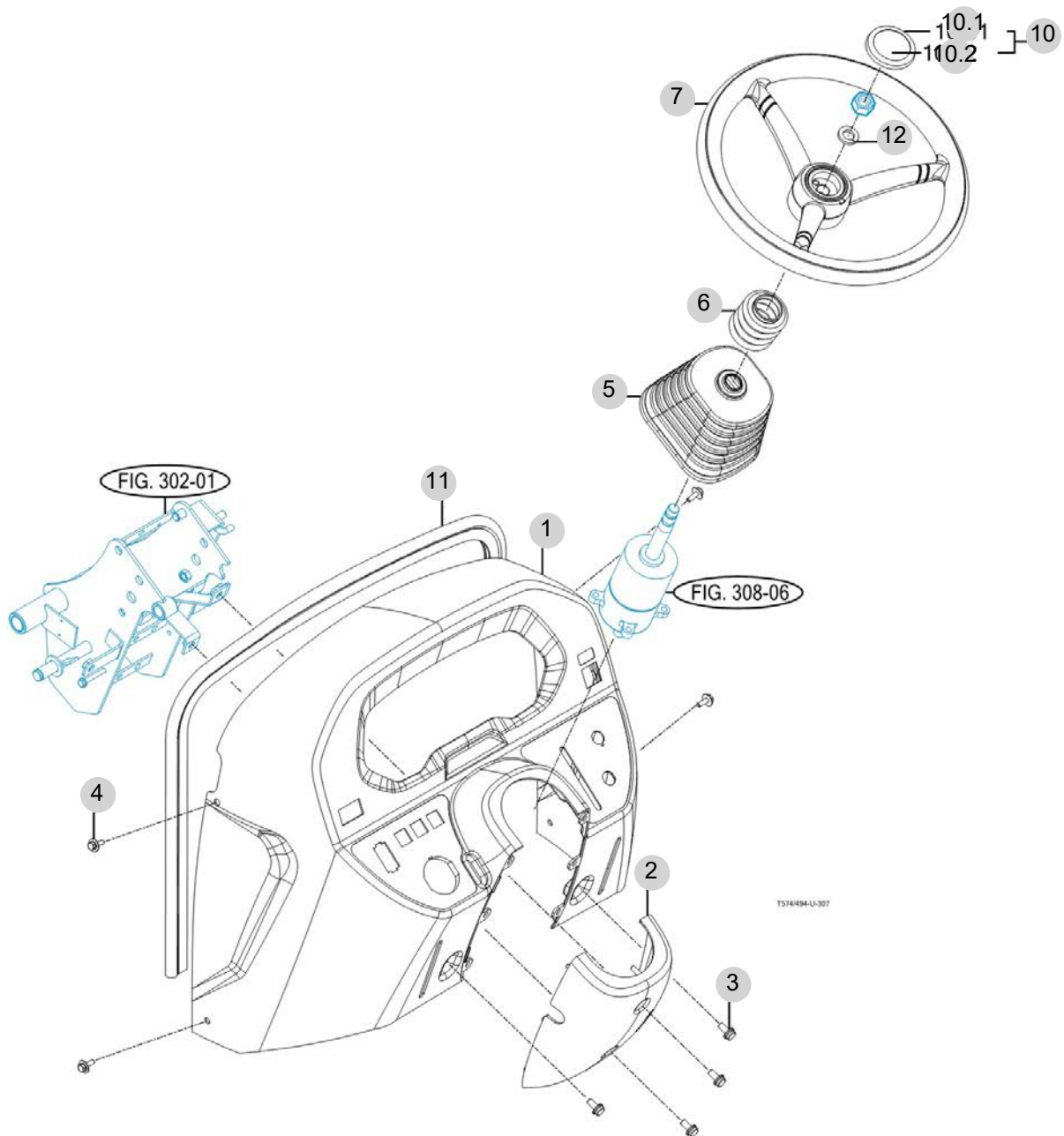
FIG 307

T574NC-B

POWER STEERING WHEEL

년/월  
Year/Month

2022-12



NOTE







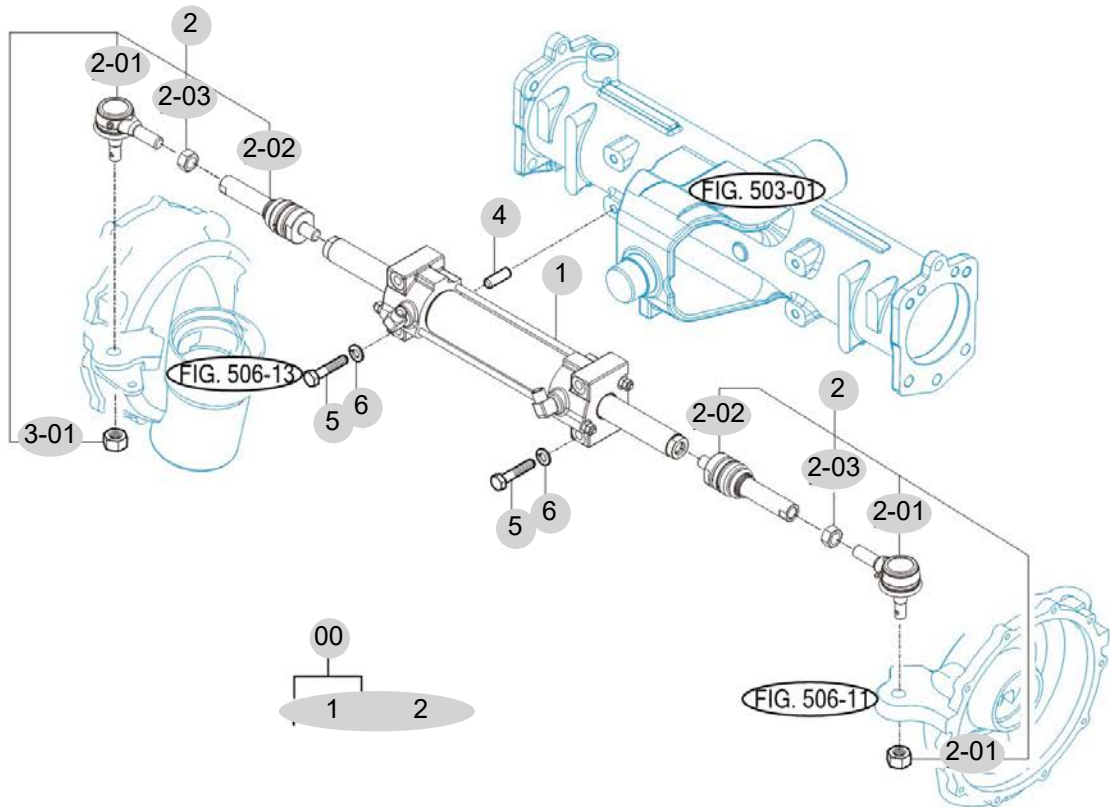
FIG 309

T574NC-B

POWER STEERING CYLINDER

년/월  
Year/Month

2022-12



T55551/T4594C-E-309

NOTE





## 4. Transmission PART NO. T4

FIG 401 TRANSMISSION FRONT CASE	142
FIG 402 FORWARD & BACKWARD GEARS	144
FIG 403 IDLE & COUNTER GEARS	146
FIG 404 MAIN SHIFT GEARS	148
FIG 405 P.T.O DRIVE SHAFT	150
FIG 406 MAIN CHANGE LEVER	152
FIG 407 REVERSE CHANGE LEVER	154
FIG 408 TRANSMISSION MID CASE	156
FIG 409 TRANSMISSION REAR CASE	158
FIG 410 SUB CHANGE GEARS	160
FIG 411 SUB CHANGE SHIFTER	162
FIG 413 DRIVE GEARS	164
FIG 414 4WD CHANGE LEVER	166
FIG 415 P.T.O CHANGE GEARS	168
FIG 417 REAR DIFFERENTIAL GEARS	170
FIG 418 REAR AXLE HOUSING	173

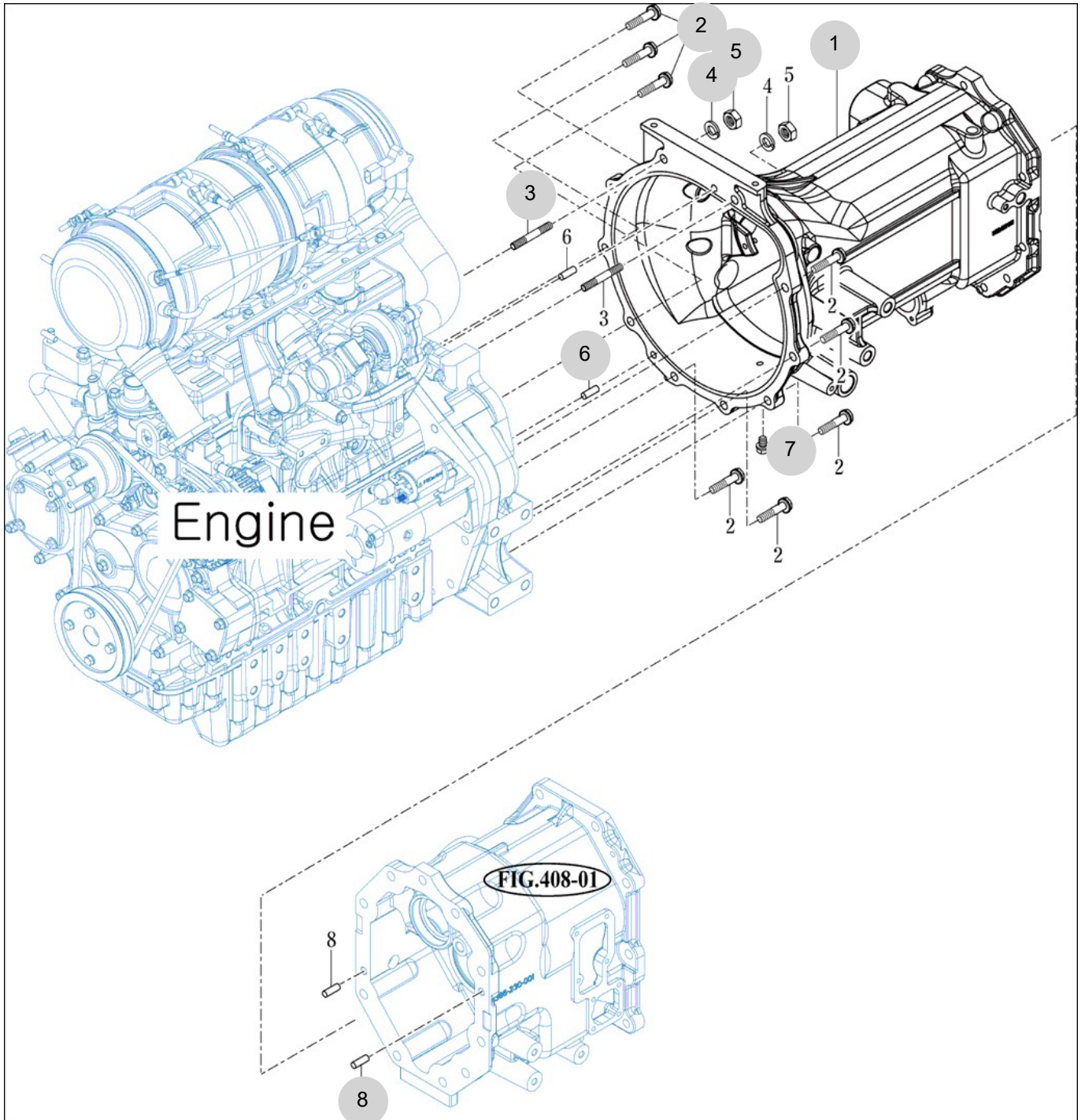
FIG 401

TRANSMISSION FRONT CASE

년/월  
Year/Month

T574NC-B

2022-12



NOTE



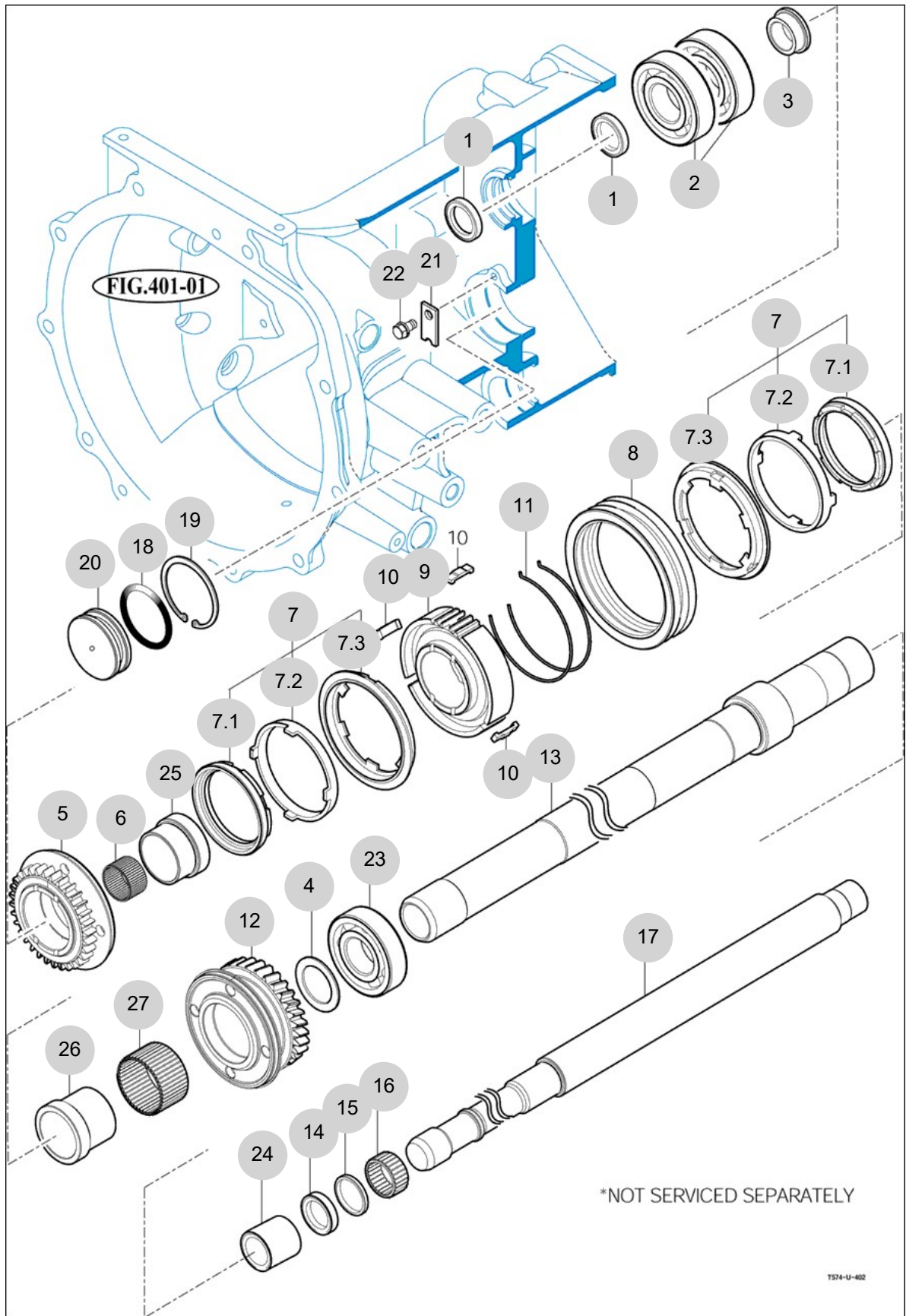
FIG 402

T574NC-B

FORWARD & BACKWARD GEARS

년/월  
Year/Month

2022-12



NOTE



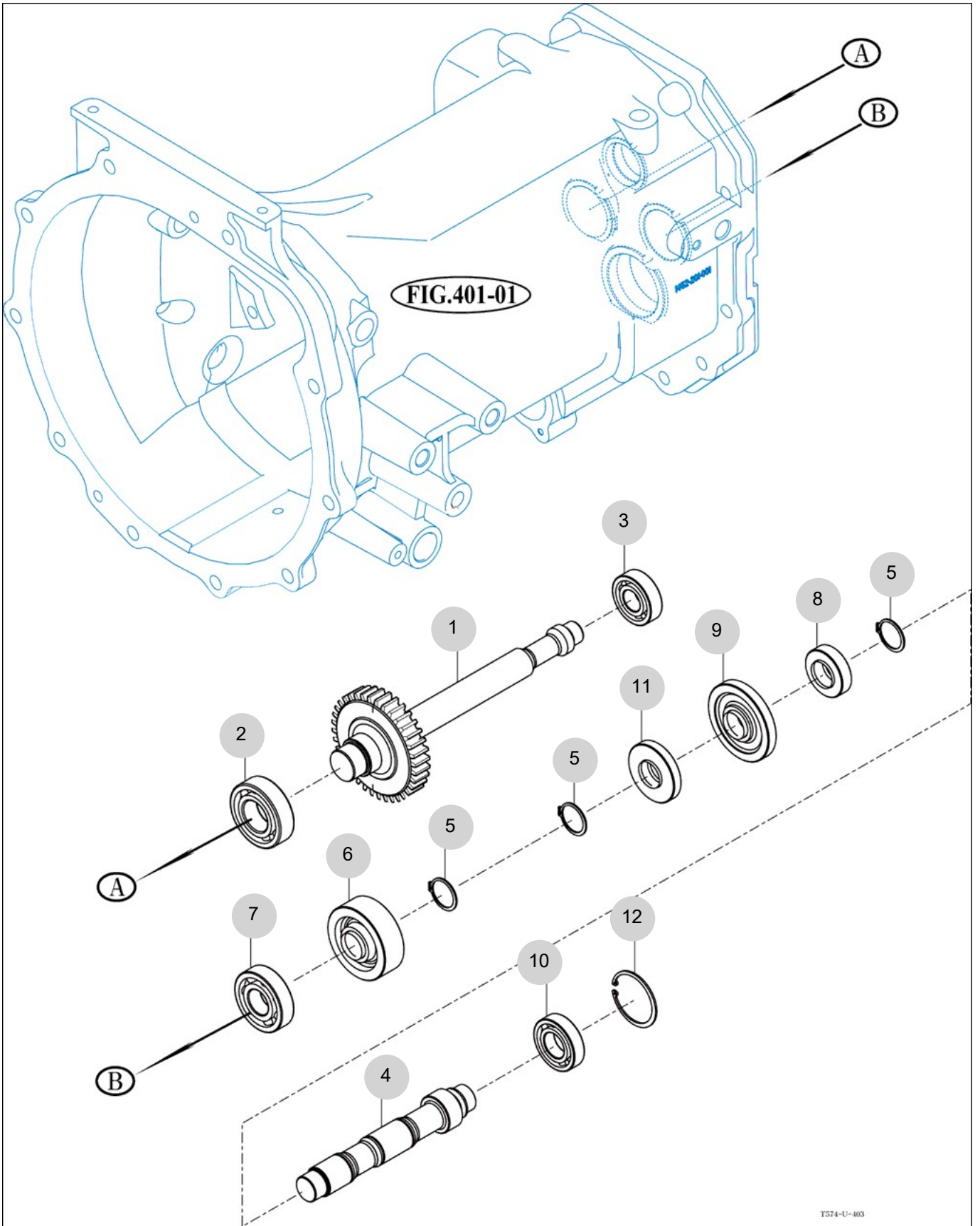
FIG 403

IDLE & COUNTER GEARS

년/월  
Year/Month

T574NC-B

2022-12



T574-U-403

NOTE





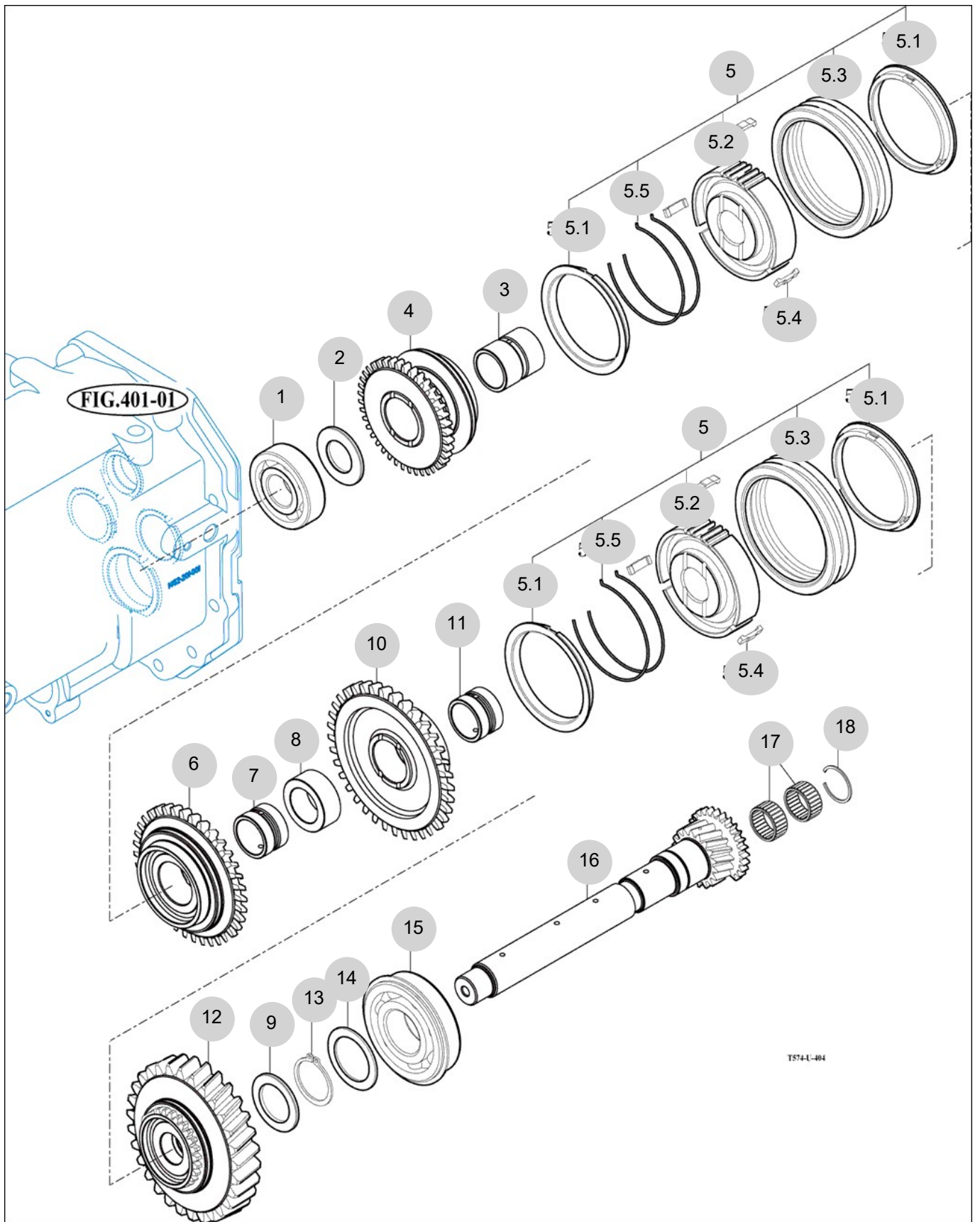
FIG 404

MAIN SHIFT GEARS

년/월  
Year/Month

T574NC-B

2022-12



NOTE





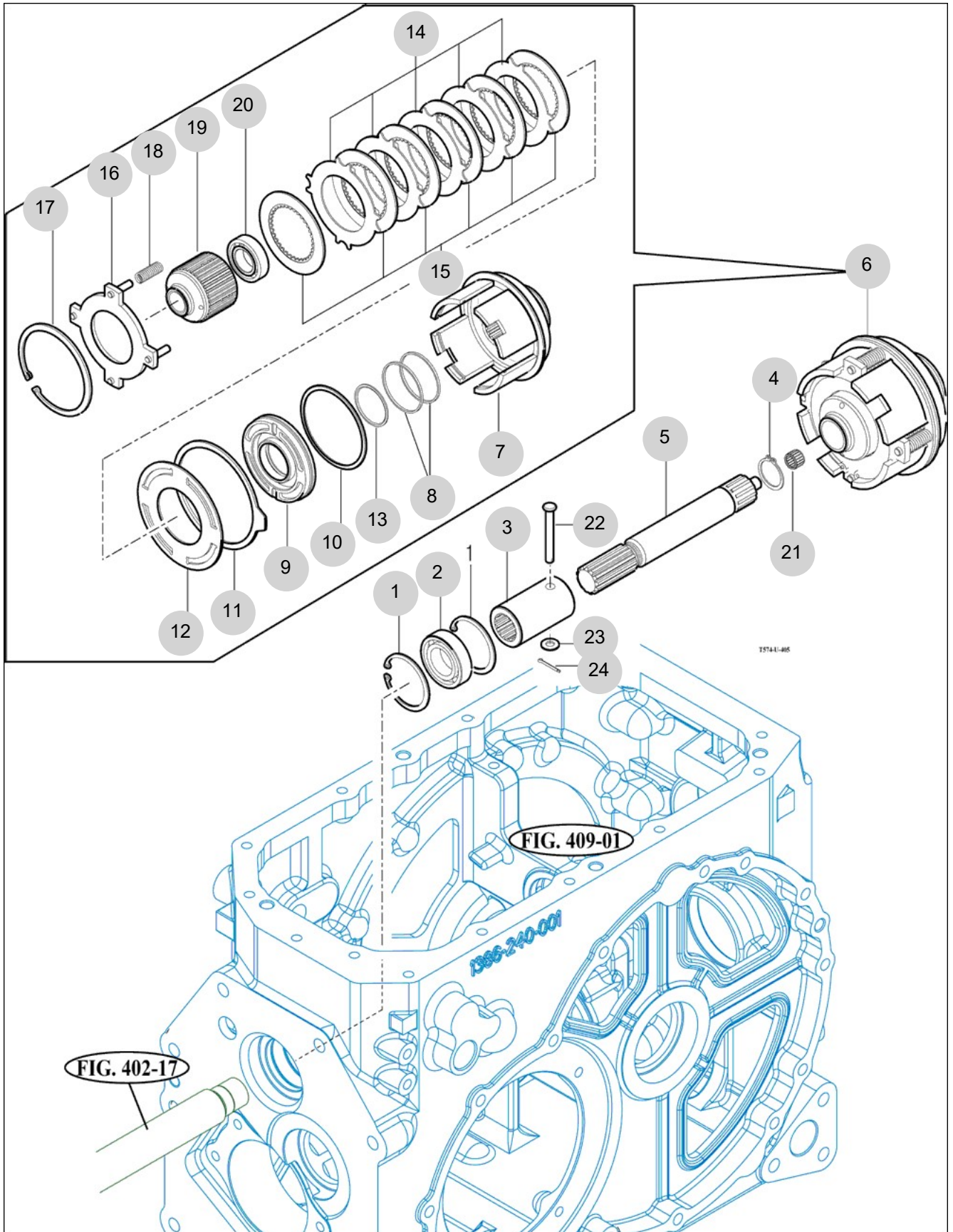
FIG 405

P.T.O DRIVE SHAFT

년/월  
Year/Month

T574NC-B

2022-12



NOTE



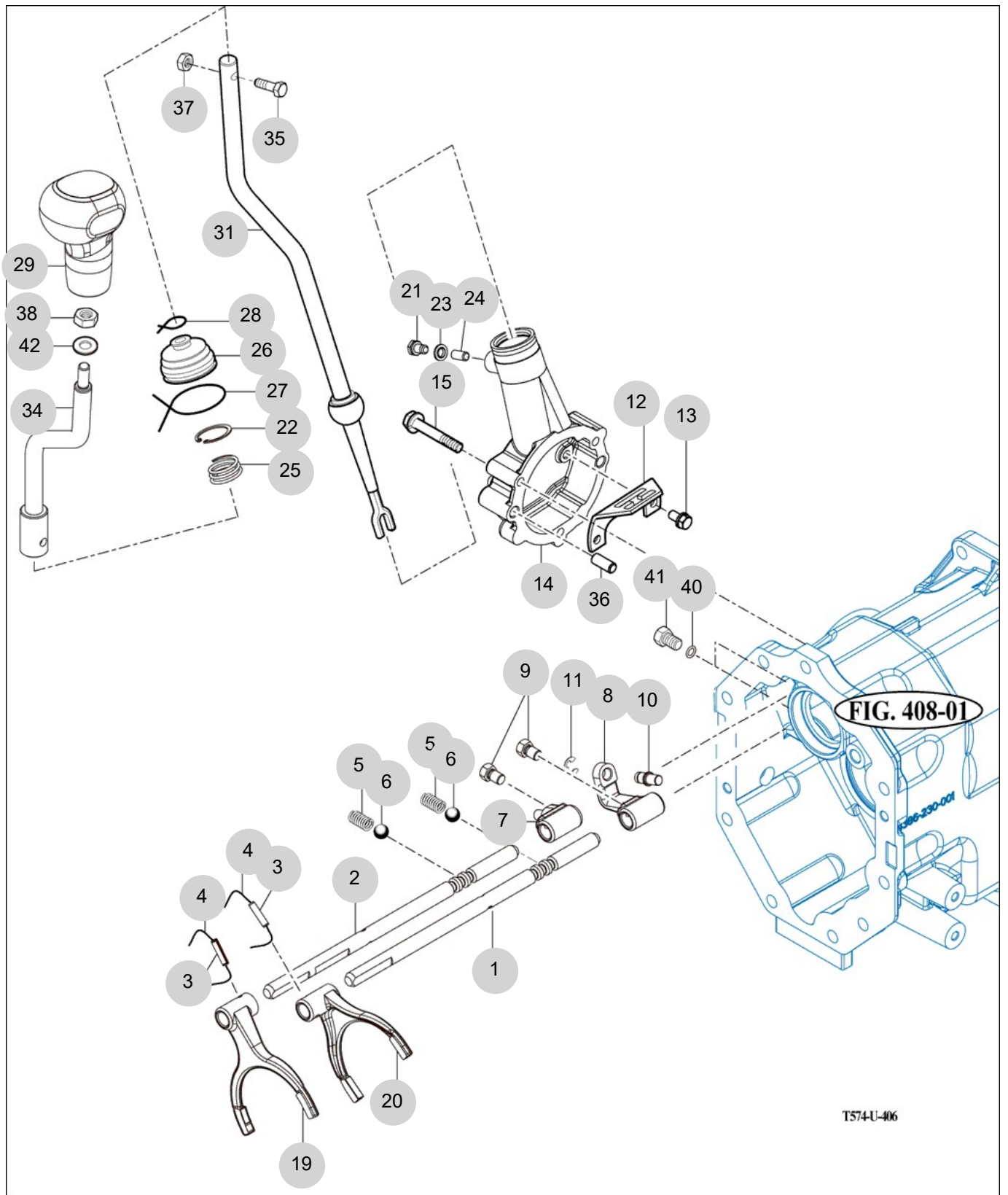
FIG 406

MAIN CHANGE LEVER

년/월  
Year/Month

T574NC-B

2022-12



NOTE









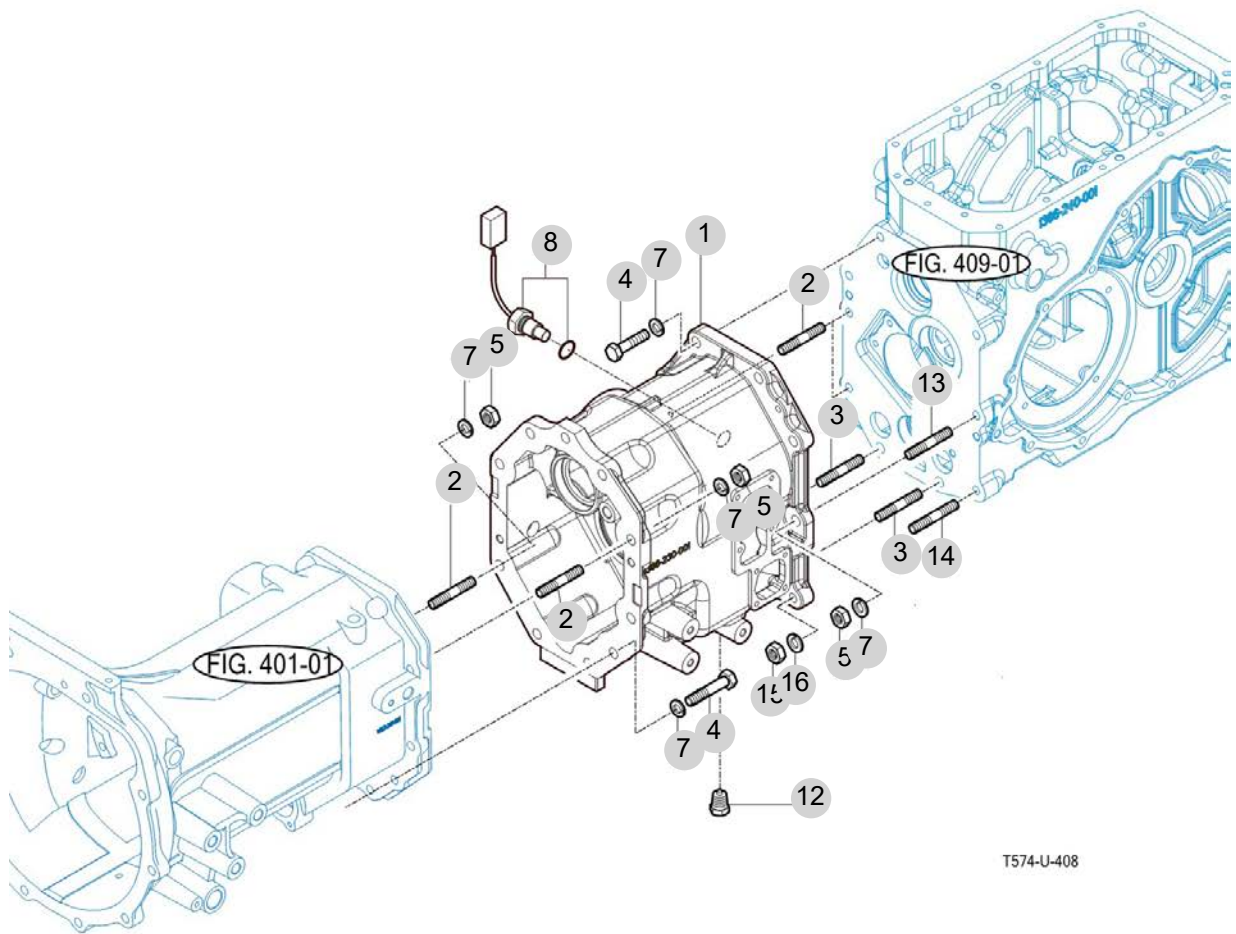
FIG 408

T574NC-B

TRANSMISSION MID CASE

년/월  
Year/Month

2022-12



T574-U-408

NOTE





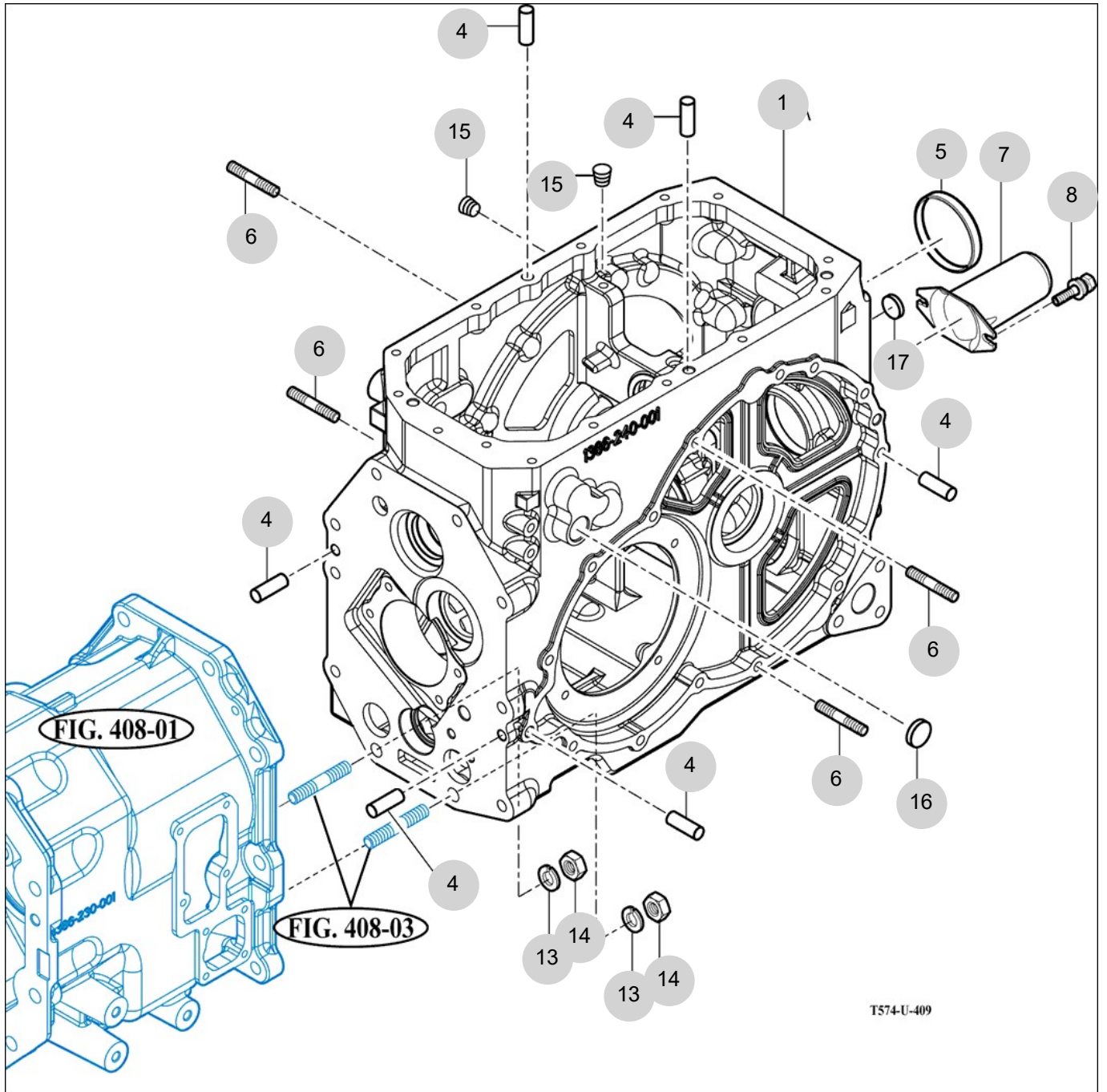
FIG 409

T574NC-B

TRANSMISSION REAR CASE

년/월  
Year/Month

2022-12



NOTE



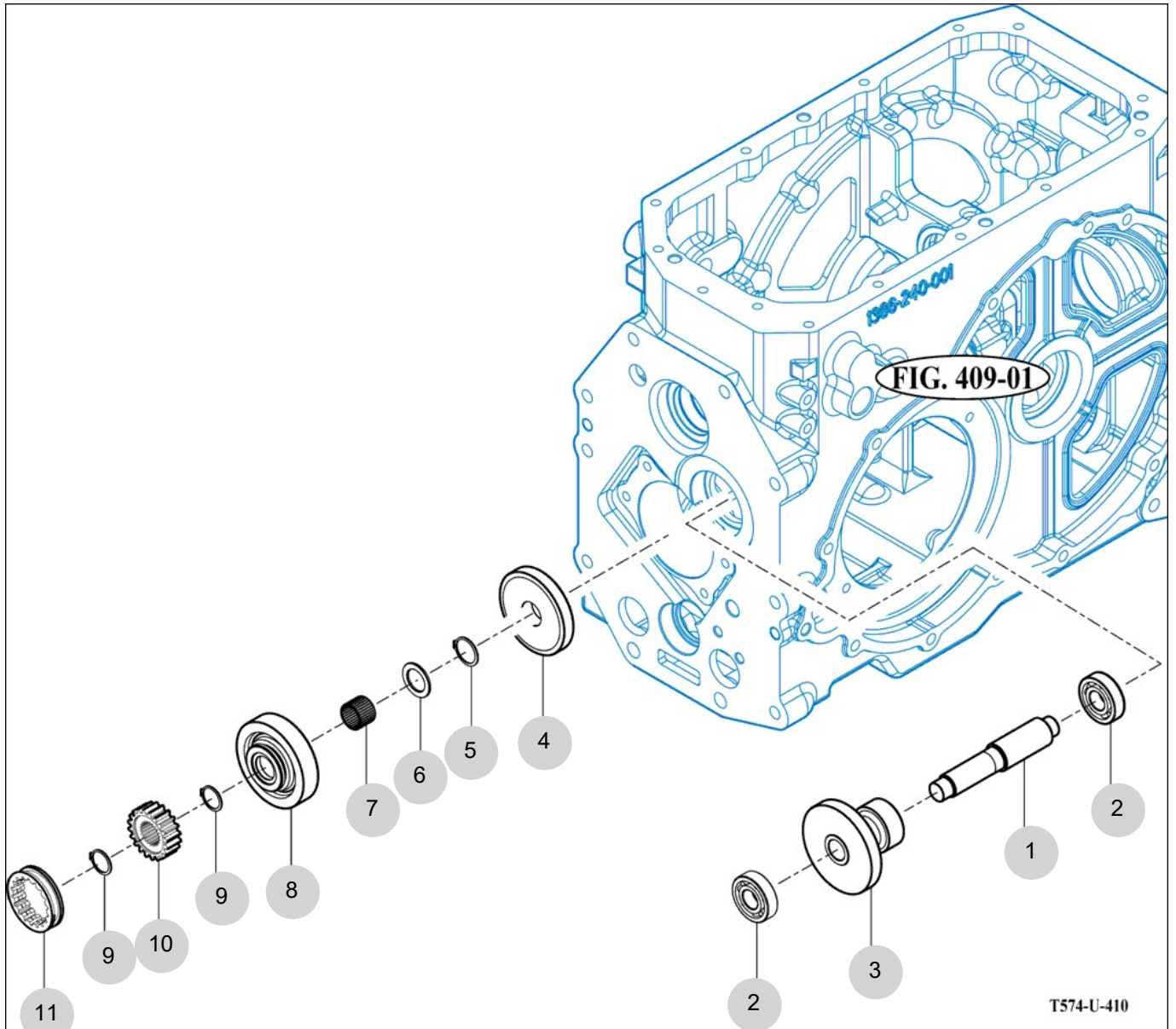
FIG 410

SUB CHANGE GEARS

년/월  
Year/Month

T574NC-B

2022-12



T574-U-410

NOTE



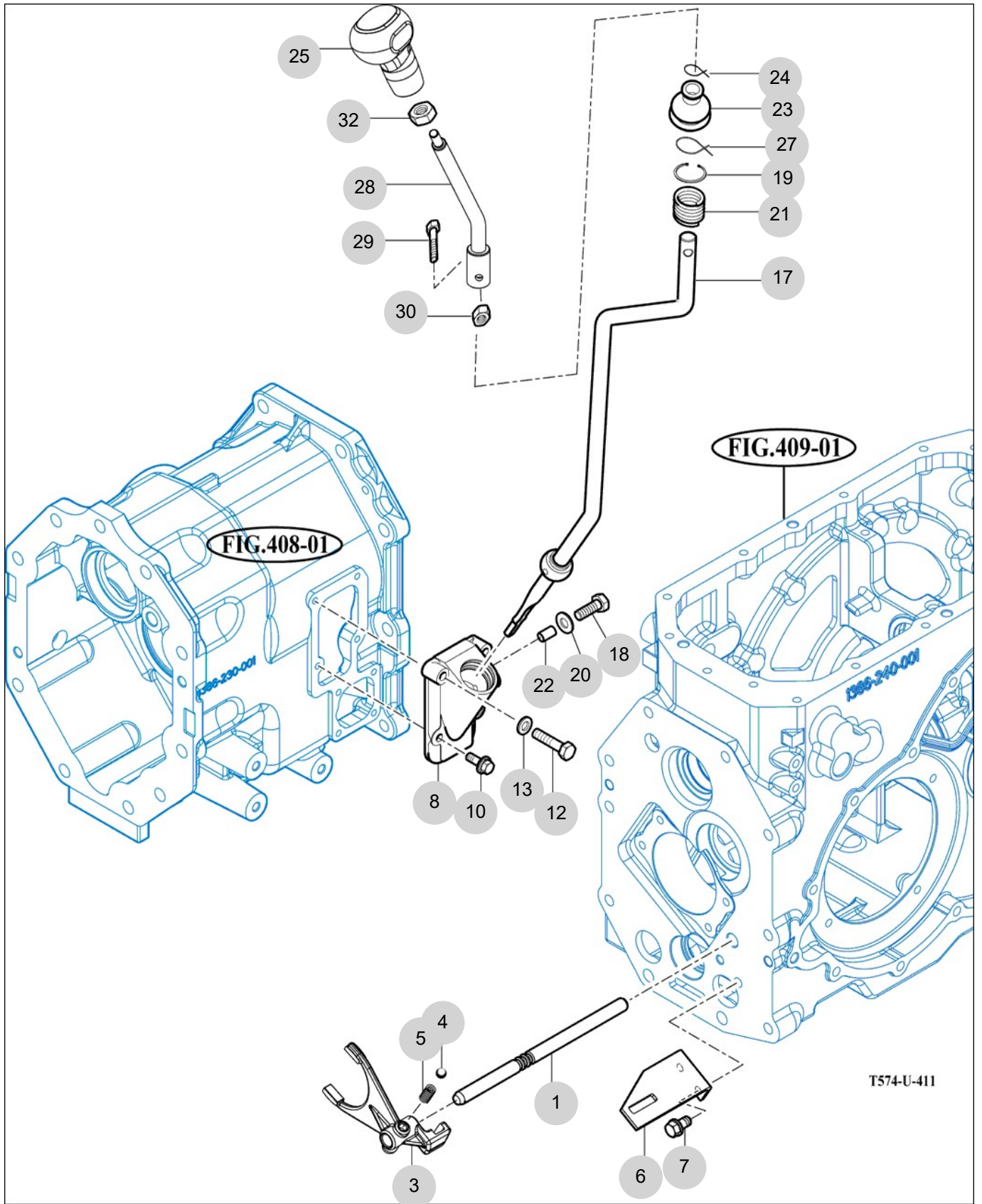
FIG 411

T574NC-B

SUB CHANGE SHIFTER

년/월  
Year/Month

2022-12



NOTE





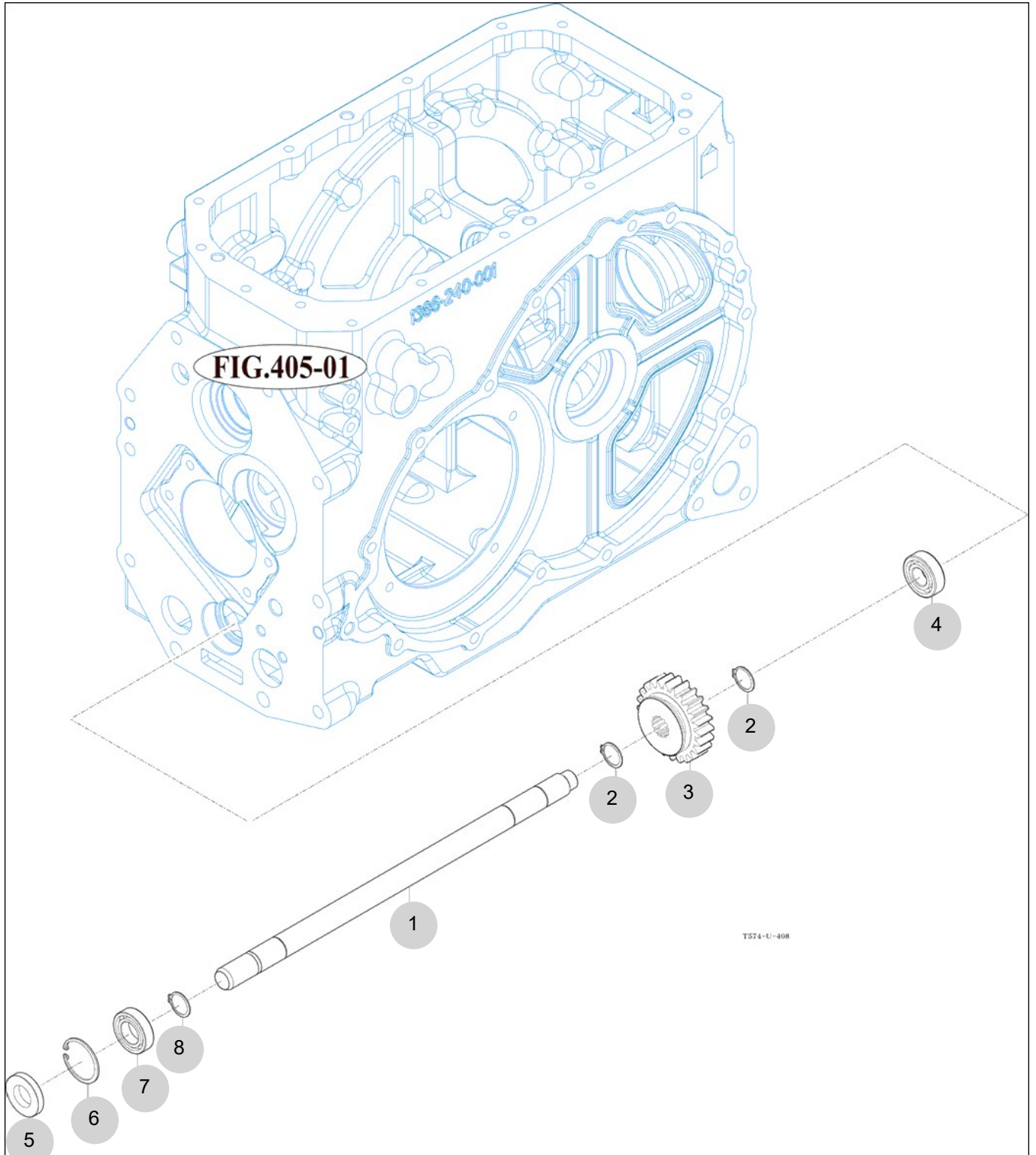
FIG 413

DRIVE GEARS

년/월  
Year/Month

T574NC-B

2022-12



NOTE





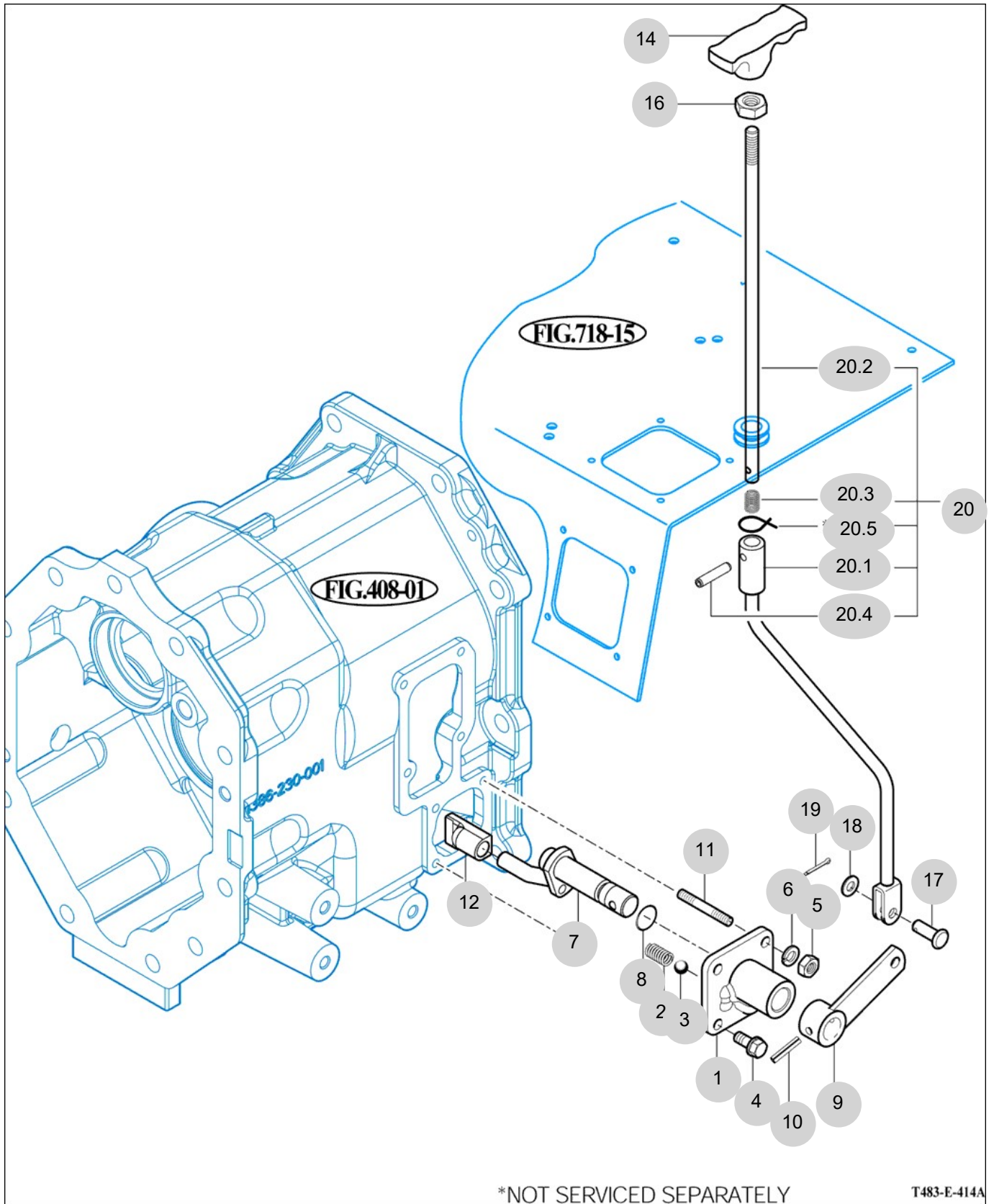
FIG 414

4WD CHANGE LEVER

년/월  
Year/Month

T574NC-B

2022-12



NOTE



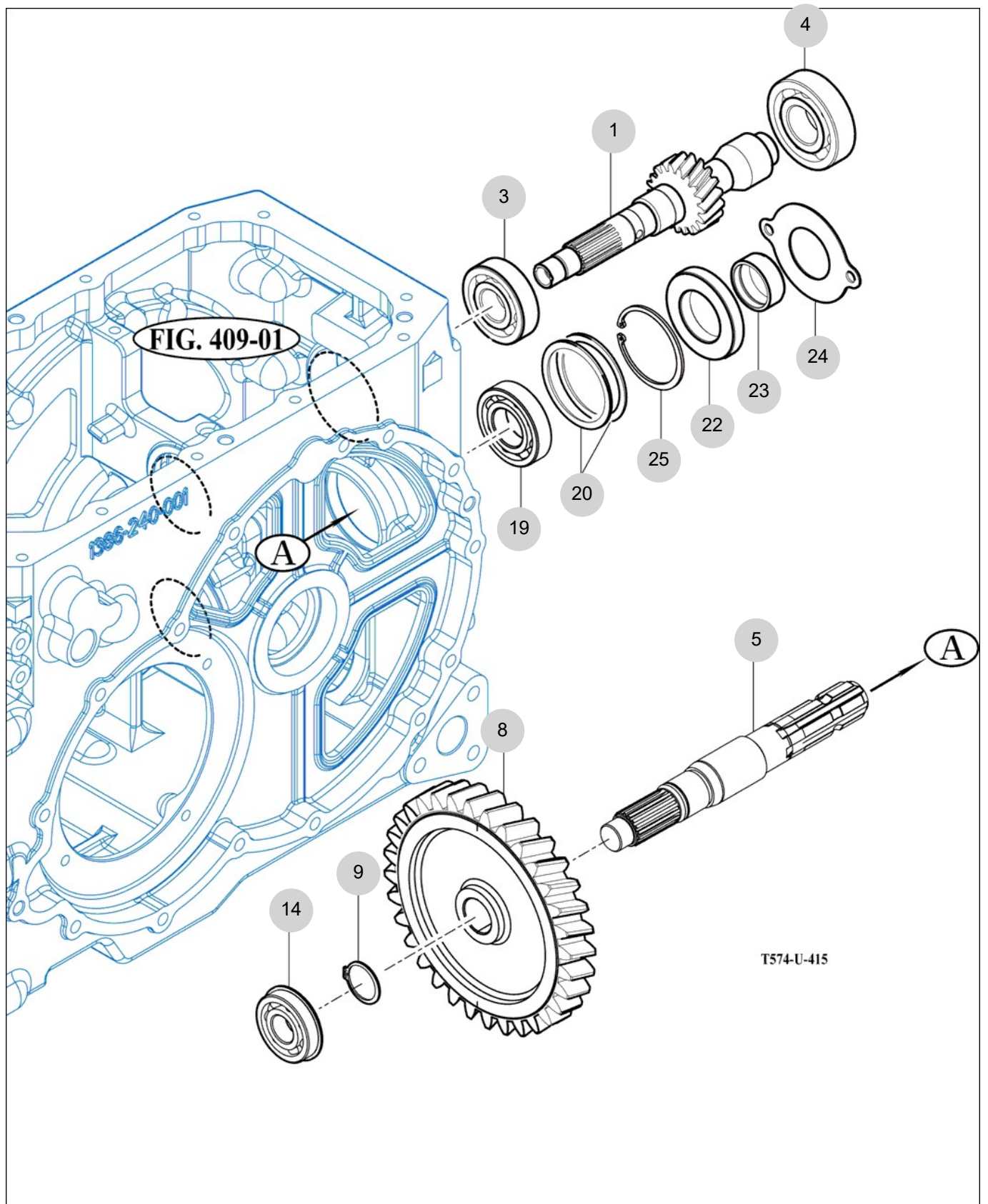
FIG 415

P.T.O CHANGE GEARS

년/월  
Year/Month

2022-12

T574NC-B



NOTE





FIG 417

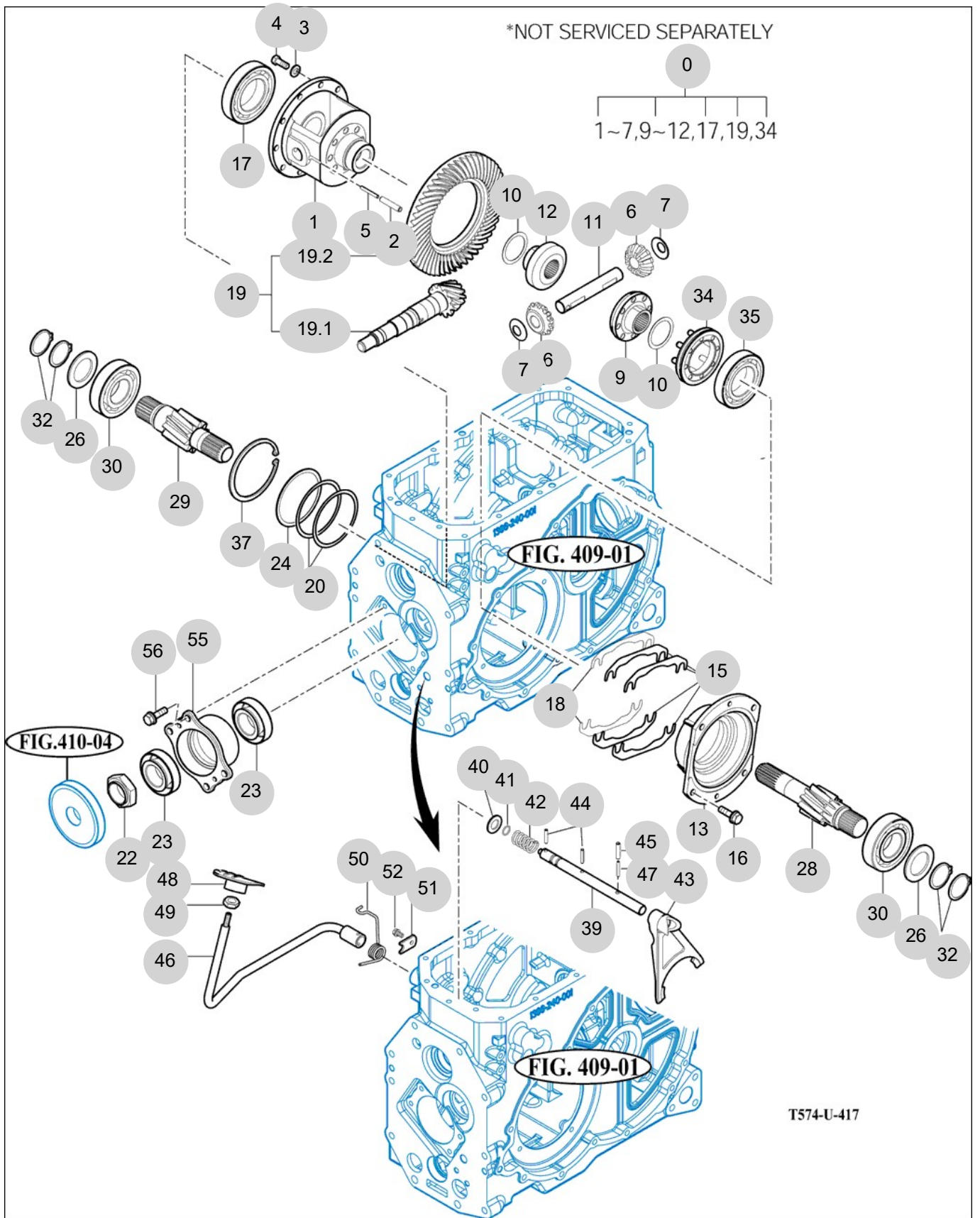
REAR DIFFERENTIAL GEARS

년/월  
Year/Month

2022-12

T574NC-B

\*NOT SERVICED SEPARATELY



NOTE

FIG 417		REAR DIFFERENTIAL GEARS					년/월 Year/Month		
							2022-12		
T574NC-B		KEY NO	PART NO	DESCRIPTION	SPEC	QTY	REPAIR	EFFECTIVE DATE	REMARKS
417	0	13863031000	DIFF ASSY, RR			1			
417	1	14523030010M	CASE , DIFF			1			
417	2	V5801408040	PIN , SPRING	8X50		1			
417	3	V4011600100	WASHER , SPRING	M10		10			
417	4	V2024610025	BOLT , HEX FINE	M10X25		10			
417	5	V5801405036	PIN , SPRING	5X36		1			
417	6	14523180041	PINION , DIFF	1X1X1		2			
417	7	14523030080	COLLAR , PINION	T=1.0		2			
417	9	14523180061	PINION , BEVEL 16T LH	1X1X1		1			
417	10	14523030100	WASHER , THRUST	D=52.5		2			
417	11	14523030110	SHAFT , DIFF PINION	D=23		1			
417	12	14523180031	PINION , BEVEL 16T RH	1X1X1		1			
417	13	14523030131M	METAL , DIFF CASE LH			1			
417	15	14523010090	SHIM , B	T=0.2		4			
417	16	V2173610025	BOLT , HEX/S	M10X25		4			
417	17	V6001106212	BEARING , BALL	6212		1			
417	18	14523010080	SHIM , A	T=0.1		2			
417	19	13863022100	GEAR SET , 10-41T			1			
417	19.1	13863022110	PINION, BEVEL			1			
417	19.2	14523022120	GEAR , SPIRAL BEVEL			1			
417	20	14523010050	SHIM , 0.1	T=0.1		2			
417	22	15533030020	NUT , M40 P1,5	육각B=55		1			
417	23	V6321132208	BEARING , TAPER-ROLLER	32208CR		2			
417	24	14523010100	SHIM , 0.2	T=0.2		1			
417	26	15133060030	COLLAR , THRUST 45X68X4			2			
417	28	14523060010	PINION , LH HERICAL11T			1			
417	28	14523060011	PINION , LH HERICAL11T			1			
417	29	14523060020	PINION , RH HERICAL11T			1			
417	29	14523060021	PINION , RH HERICAL11T			1			
417	30	V6001106309	BEARING , BALL	6309		2			
417	30	V6041106309	BEARING , BALL/HL1			1			
417	32	V7041400450	C-RING , SHAFT	45		4			
417	34	14523033400	SLEEVE COMP			1			
417	35	V6001106211	BEARING , BALL	6211		1			
417	37	V7051401100	C-RING , HOLE	110		1			
417	39	14523032002	SHAFT , DIFF LOCK	D=20		1			
417	40	V4111600200	WASHER , PLAIN	M20		1			
417	41	V7201024016	O-RING , P	P16		1			
417	42	17973030420	SPRING	(D=3.6) X22.5X74.5		1			
417	43	14523190011M	FORK , DIFF LOCK			1			
417	44	V5801406032	PIN , SPRING	6X32		2			
417	45	V5801408036	PIN , SPRING	8X36		1			
417	46	14543162101	PEDAL COMP , DIFF LOCK			1			
417	47	V5801405036	PIN , SPRING	5X36		1			
417	48	14521220120	PEDAL COMP,ACCEL	1X1X1		1			
NOTE									





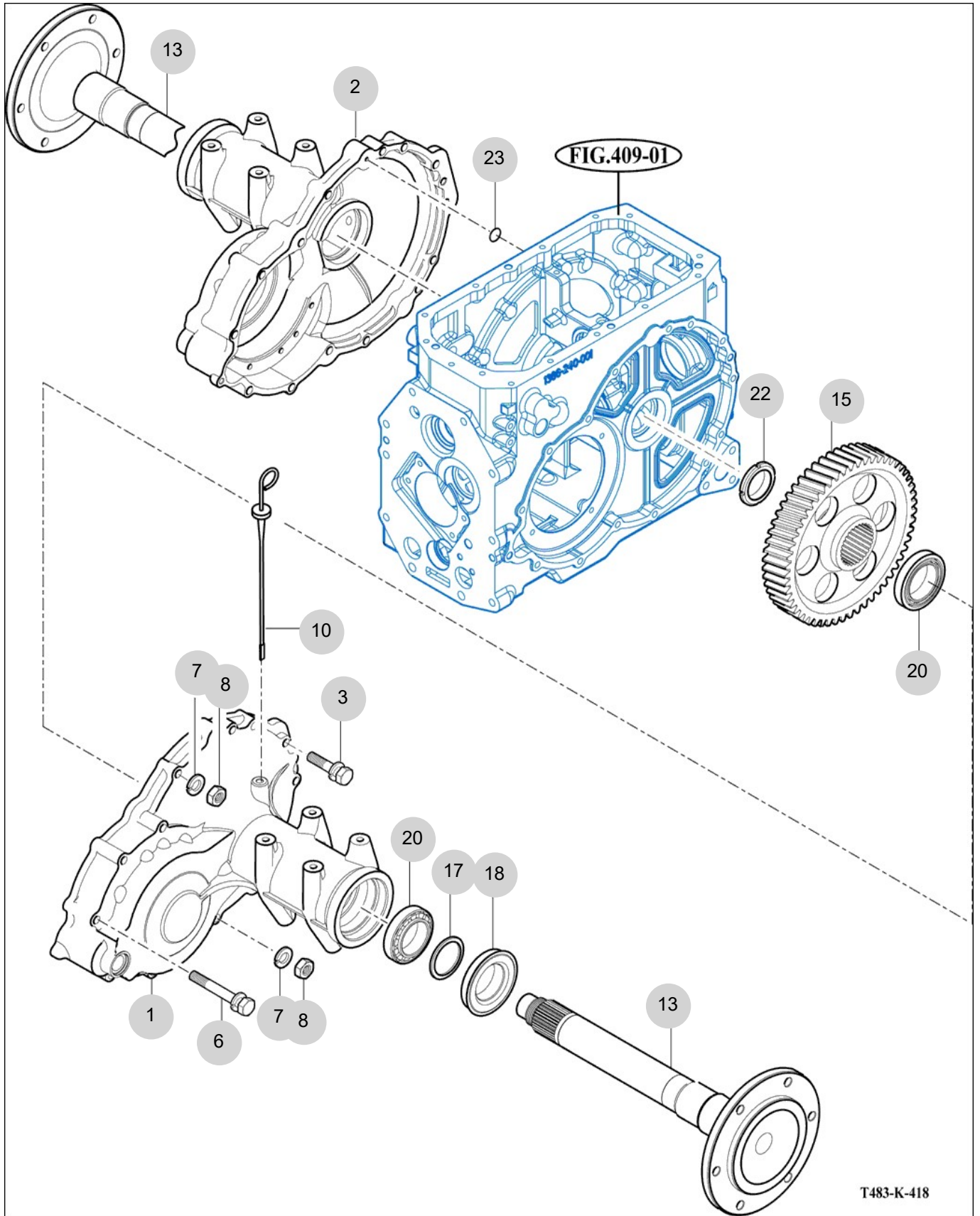
FIG 418

REAR AXLE HOUSING

년/월  
Year/Month

T574NC-B

2022-12



T483-K-418

NOTE



## 5. Front Axle PART NO. T5

FIG 501 FRONT AXLE SUPPORT	176
FIG 502 FRONT DRIVE SHAFT	178
FIG 503 FRONT AXLE HOUSING	180
FIG 504 FRONT DIFFERENTIAL GEARS	182
FIG 505 FRONT GEAR CASE (1)	184
FIG 506 FRONT GEAR CASE (2)	186
FIG 507 FRONT GEAR CASE (3)	188

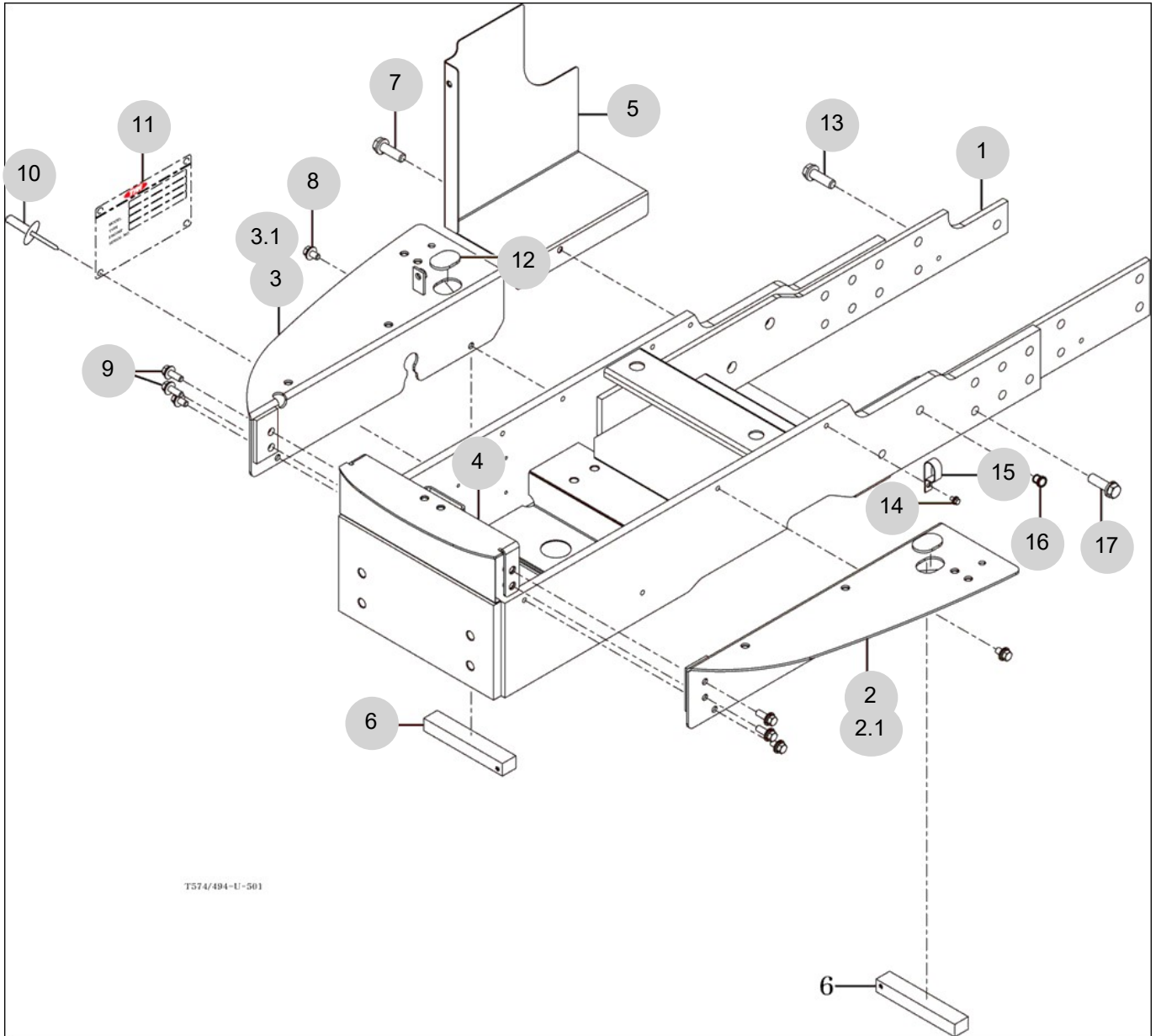
FIG 501

T574NC-B

FRONT AXLE SUPPORT

년/월  
Year/Month

2022-12



NOTE



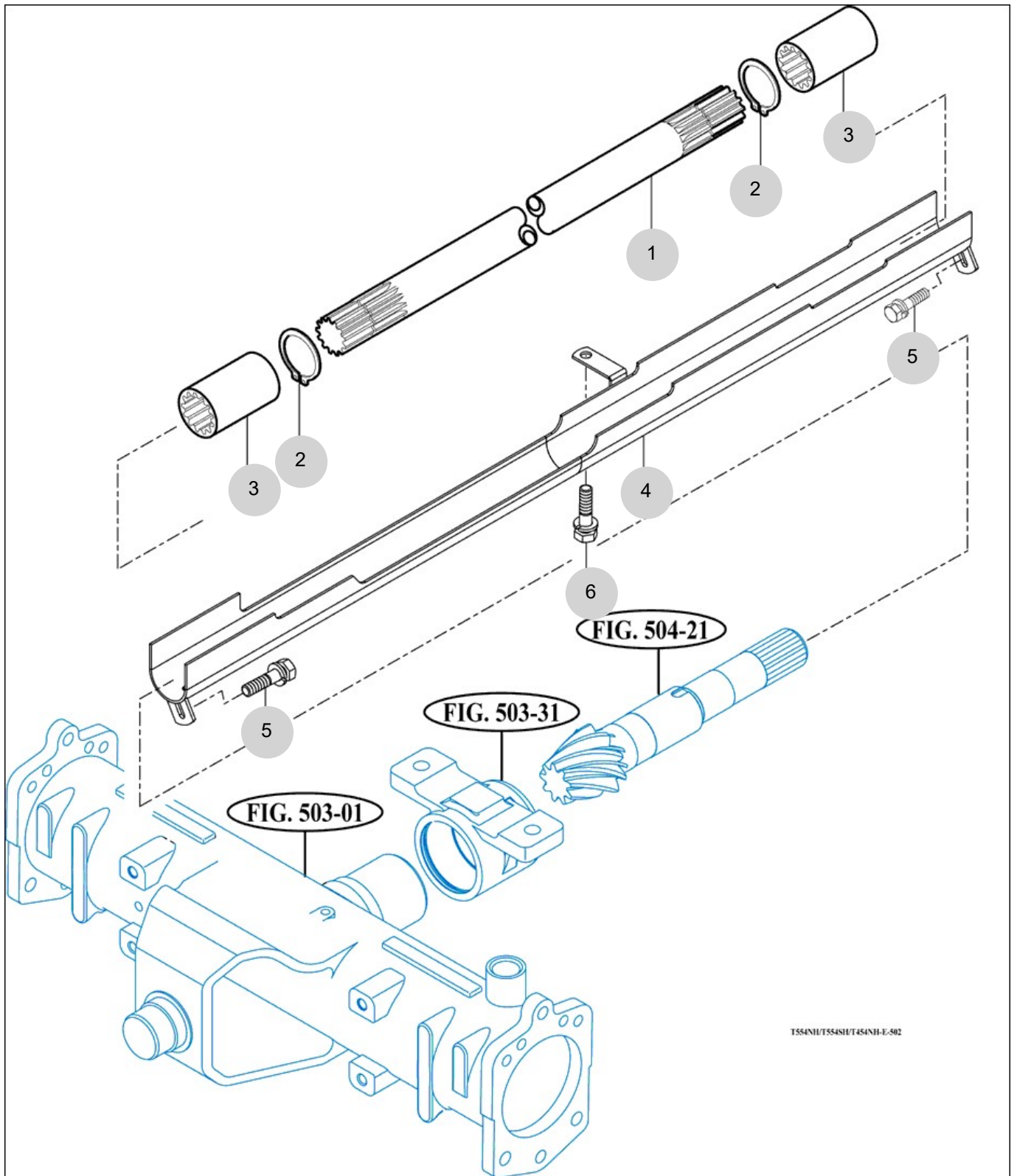
FIG 502

T574NC-B

FRONT DRIVE SHAFT

년/월  
Year/Month

2022-12



T554NH/T554SH/T454NH-E-502

NOTE



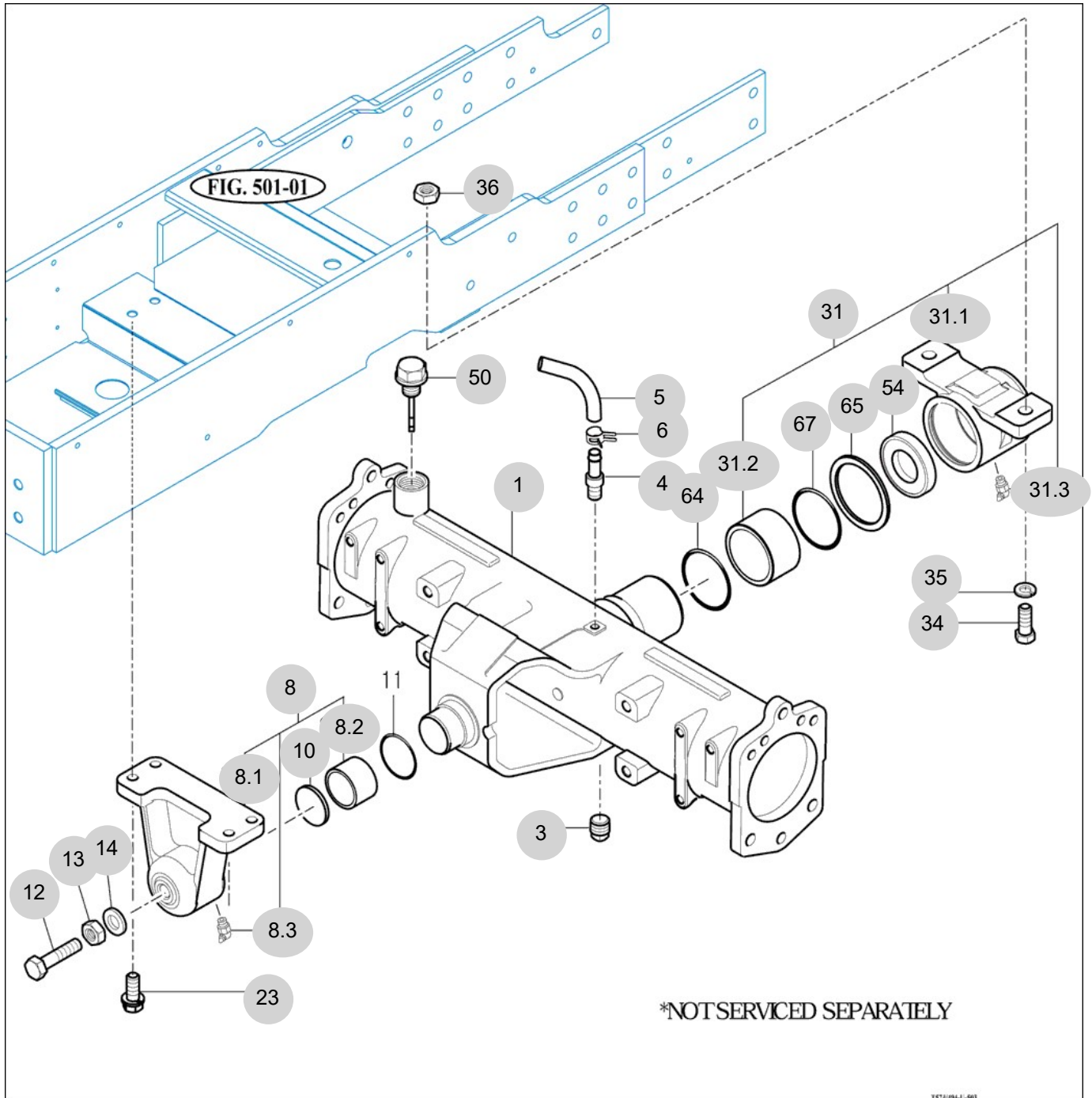
FIG 503

T574NC-B

# FRONT AXLE HOUSING

년/월  
Year/Month

2022-12



NOTE





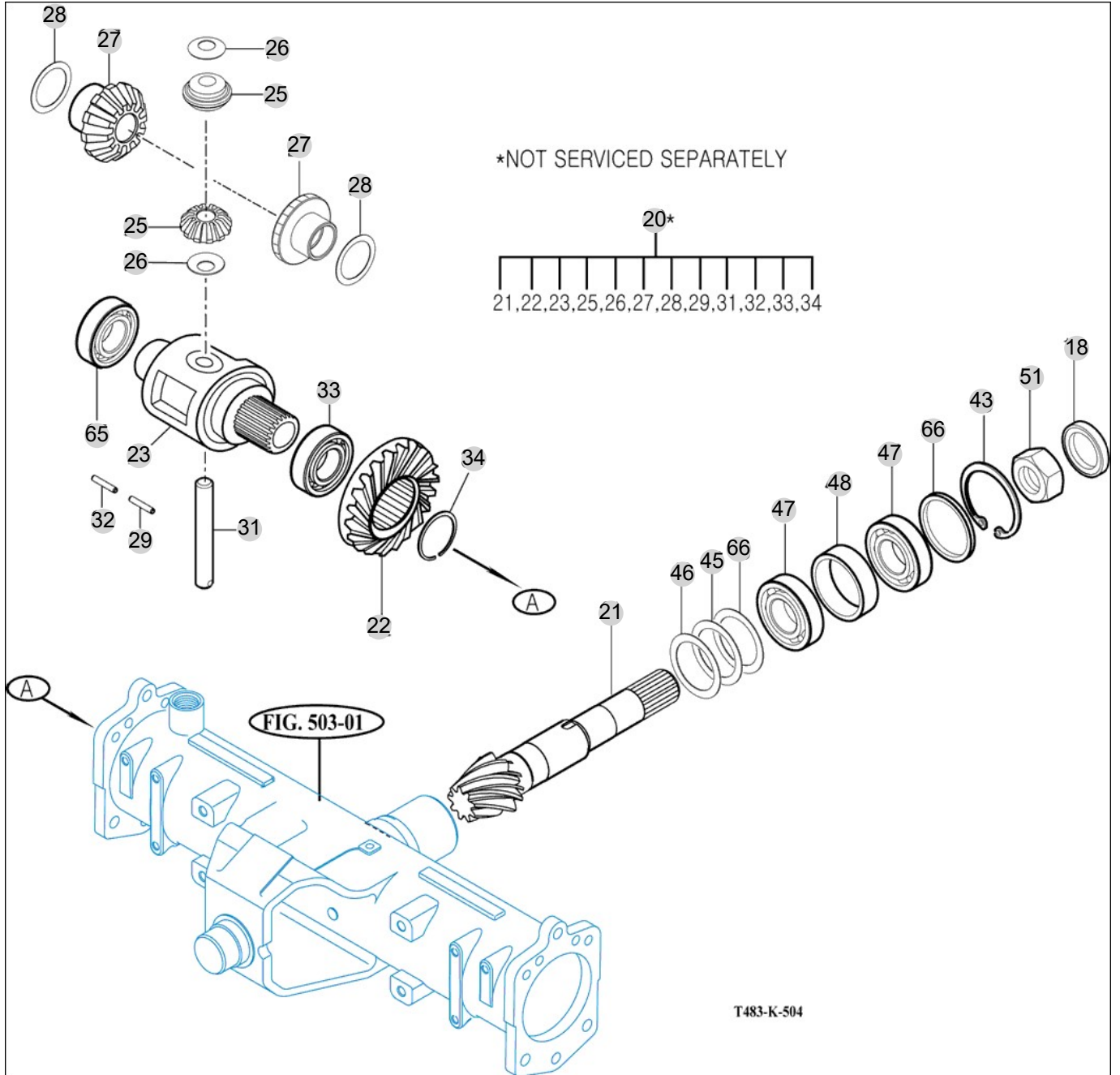
FIG 504

FRONT DIFFERENTIAL GEARS

년/월  
Year/Month

2022-12

T574NC-B



NOTE



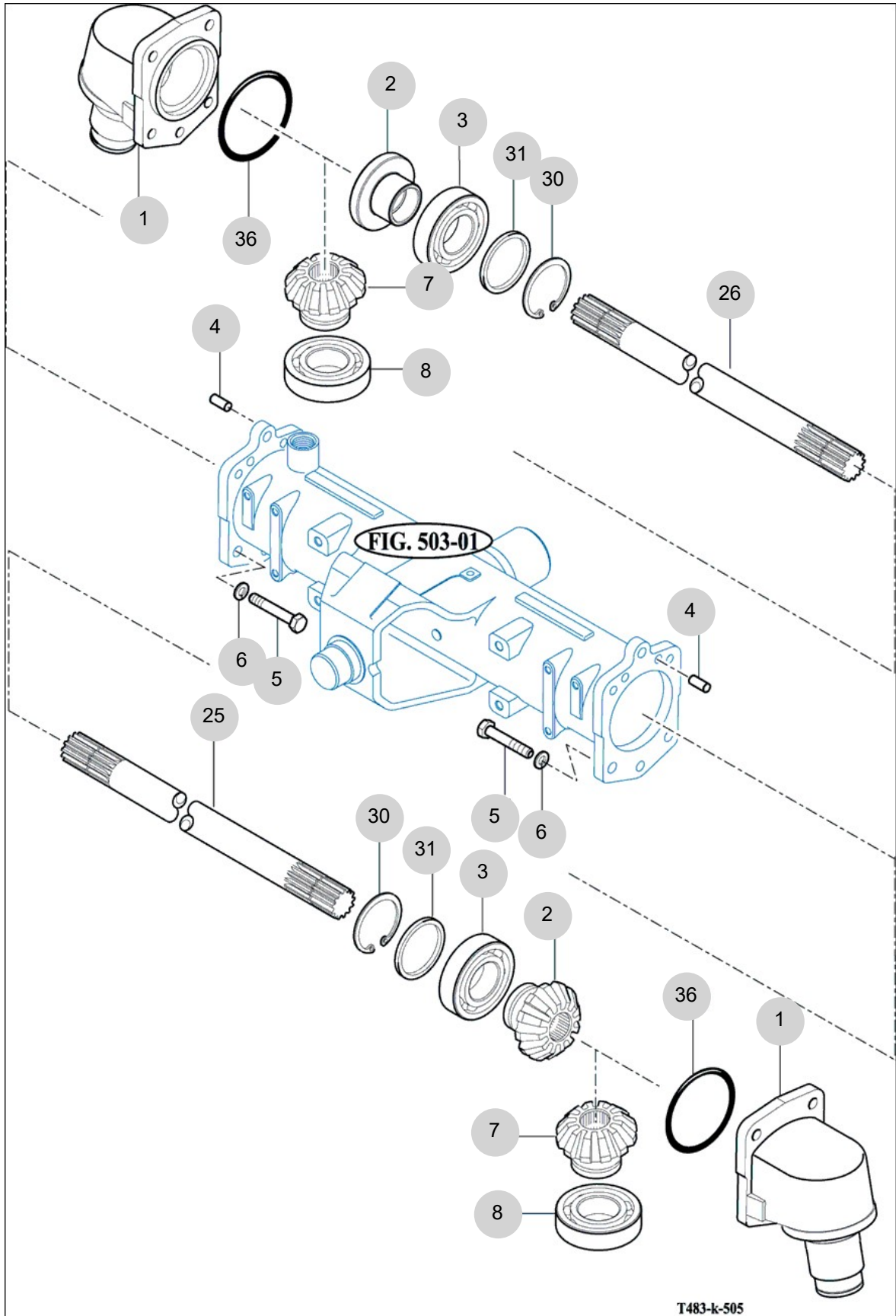
FIG 505

T574NC-B

FRONT GEAR CASE (1)

년/월  
Year/Month

2022-12



T483-k-505

NOTE

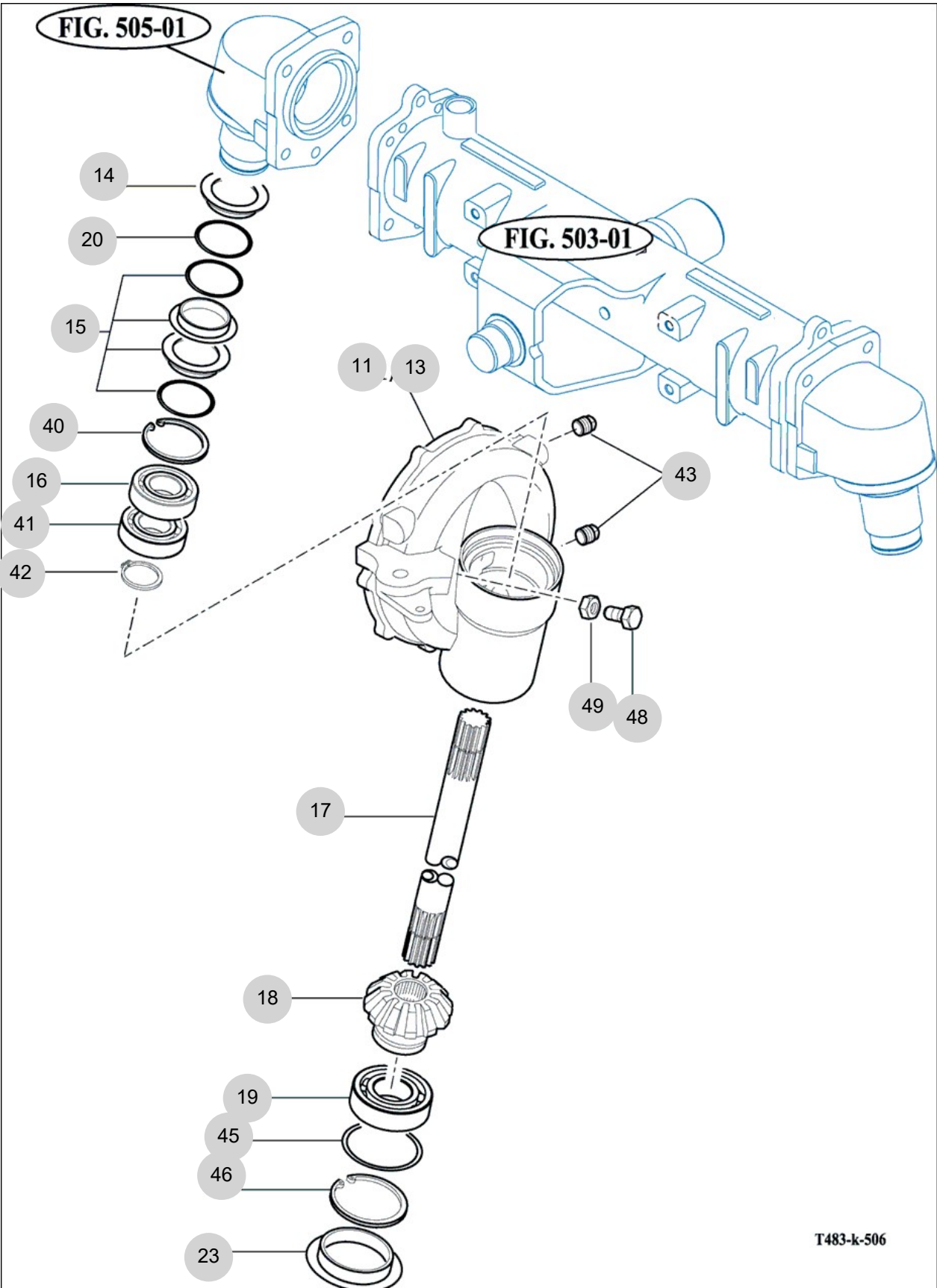


FIG 506

FRONT GEAR CASE (2)

년/월  
Year/Month

2022-12



NOTE



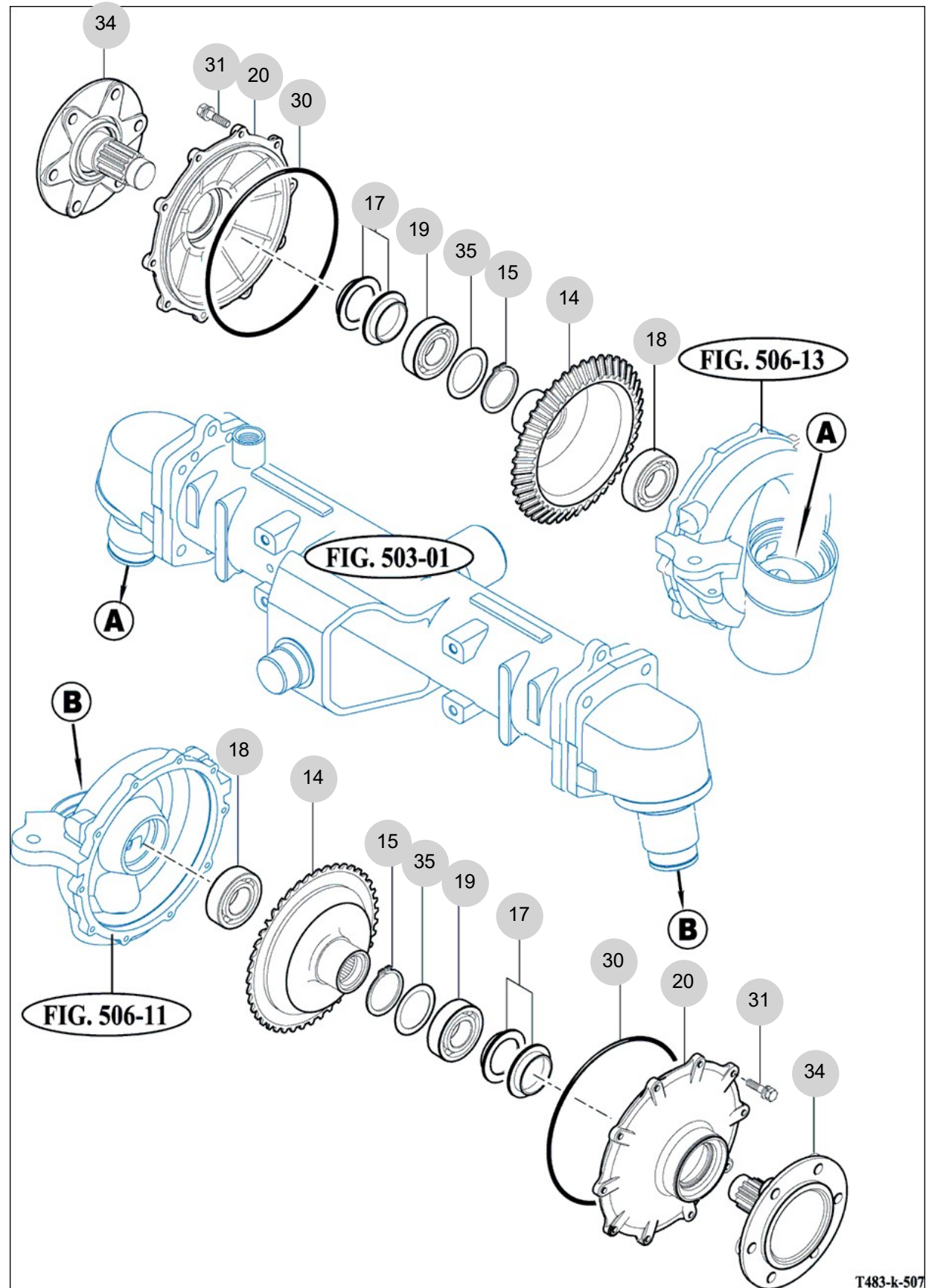


FIG 507

FRONT GEAR CASE (3)

년/월  
Year/Month

2022-12



NOTE





## 6. Hydraulic/3P-Link PART NO. T6

FIG 601 CYLINDER CASE	191
FIG 602 LIFT ARM	193
FIG 603 CYLINDER	195
FIG 604 POSITION LINK	197
FIG 605 CONTROL VALVE	199
FIG 606 DRAFT LINK	201
FIG 607A POSITION & DRAFT LEVER (1)	203
FIG 607B POSITION & DRAFT LEVER (2)	205
FIG 608 EXTERIOR HYD. VALVE	207
FIG 609 HYDRAULIC PIPE	209
FIG 610 JOYSTICK[SAP 가져오기]에서 생성함.	211
FIG 610 JOYSTICK	213
FIG 612 HITCH & 3-POINT LINK	215
FIG 613 LOWER LINK & LIFT ROD	218

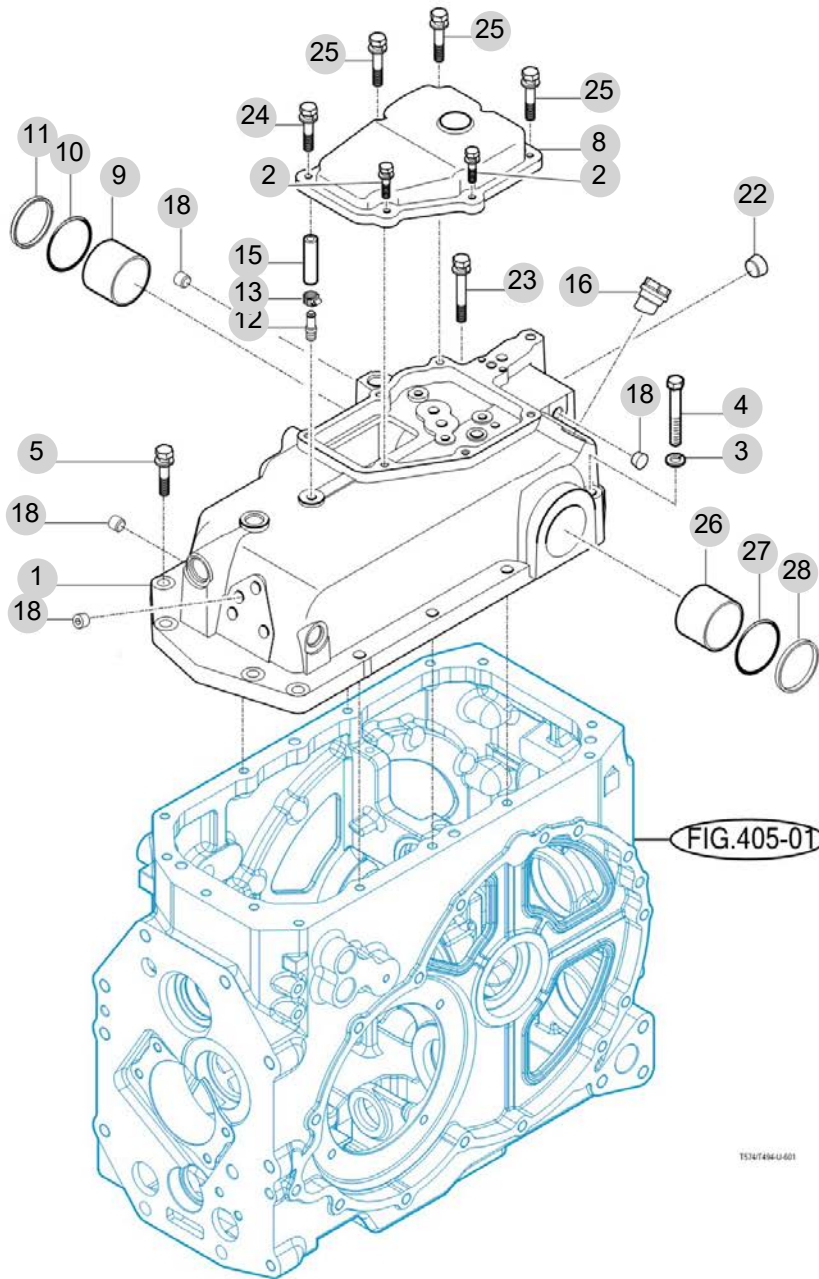
FIG 601

T574NC-B

CYLINDER CASE

년/월  
Year/Month

2022-12



NOTE



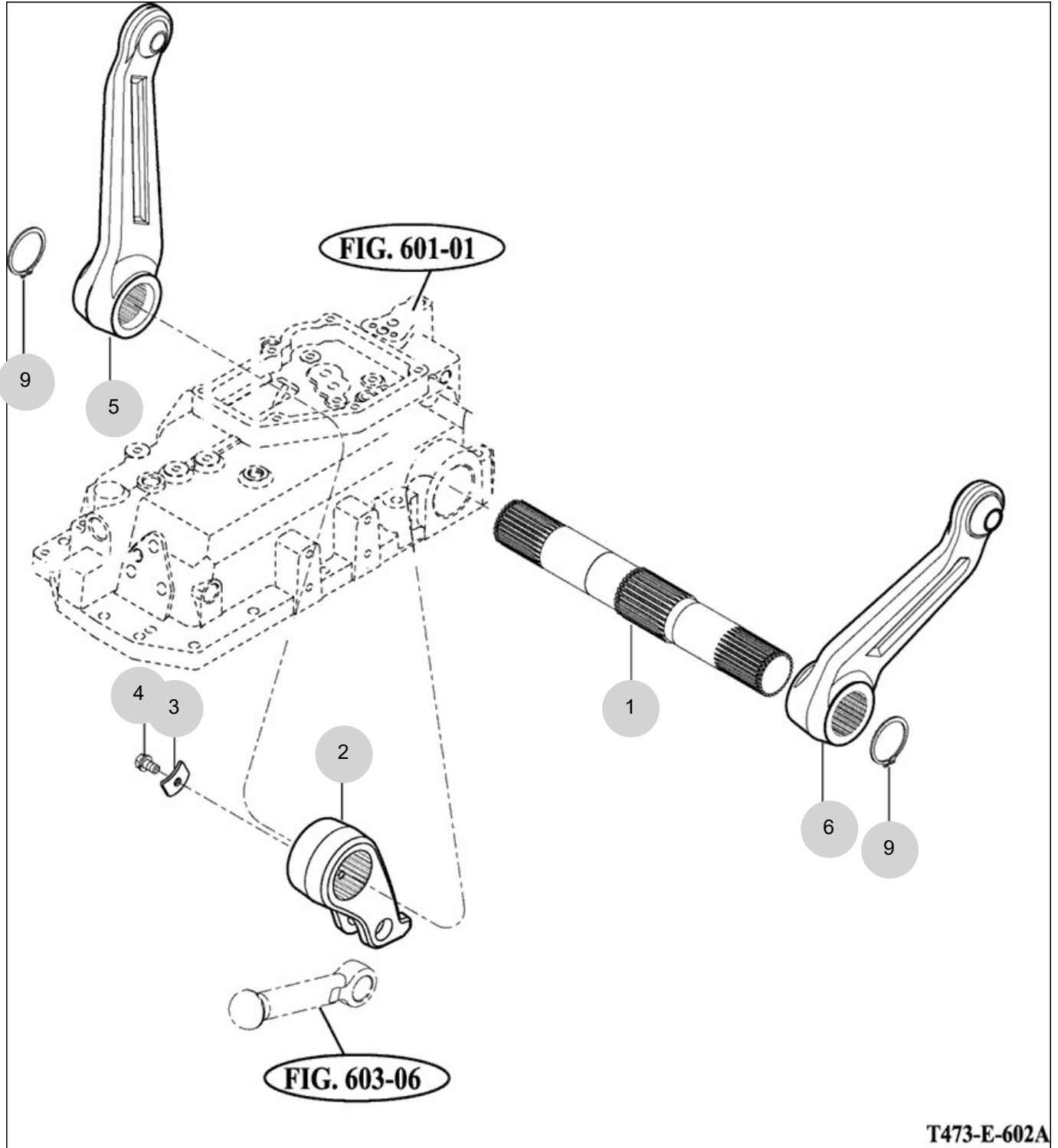
FIG 602

T574NC-B

LIFT ARM

년/월  
Year/Month

2022-12



NOTE



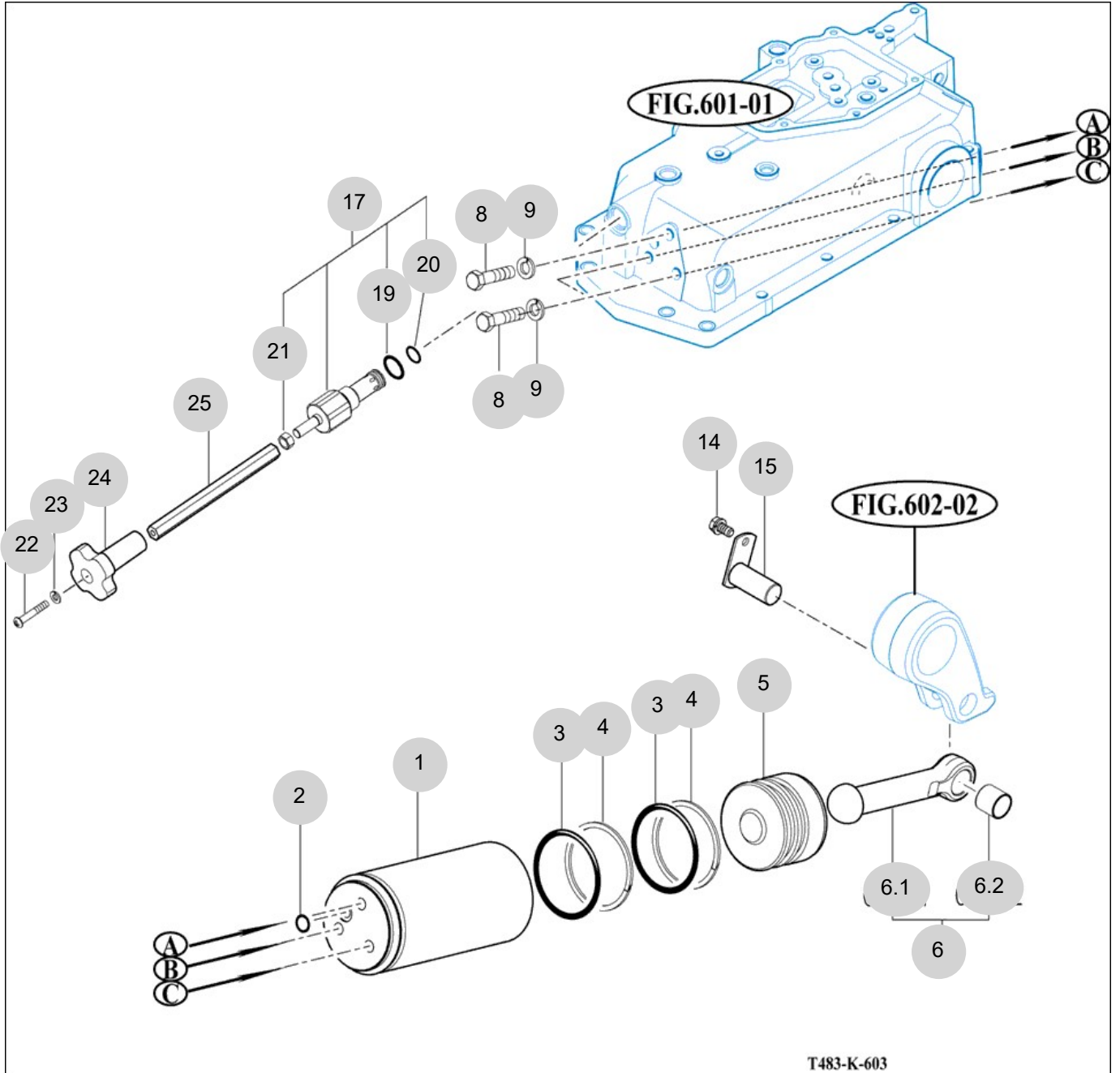
FIG 603

T574NC-B

CYLINDER

년/월  
Year/Month

2022-12



NOTE





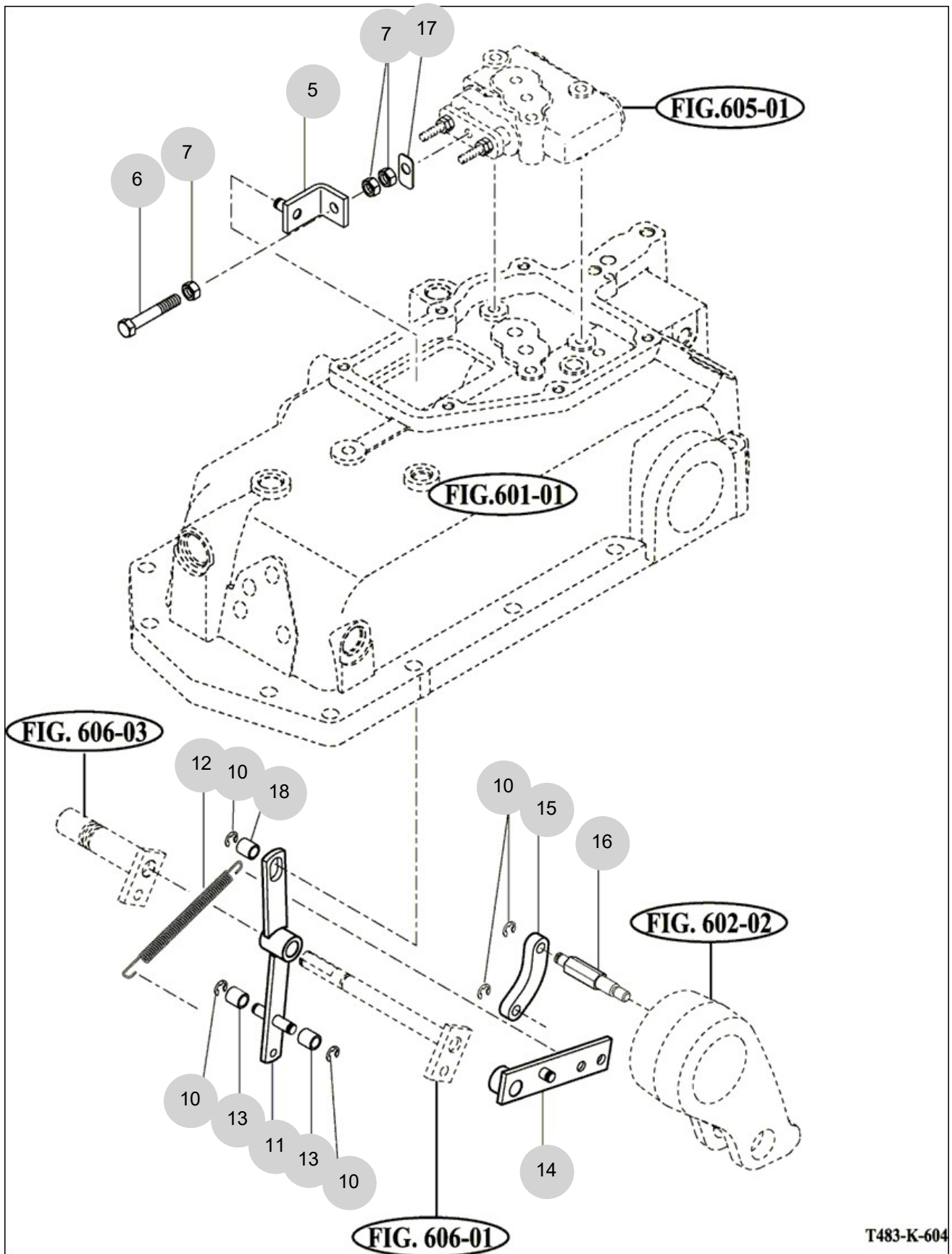
FIG 604

POSITION LINK

년/월  
Year/Month

T574NC-B

2022-12



T483-K-604

NOTE



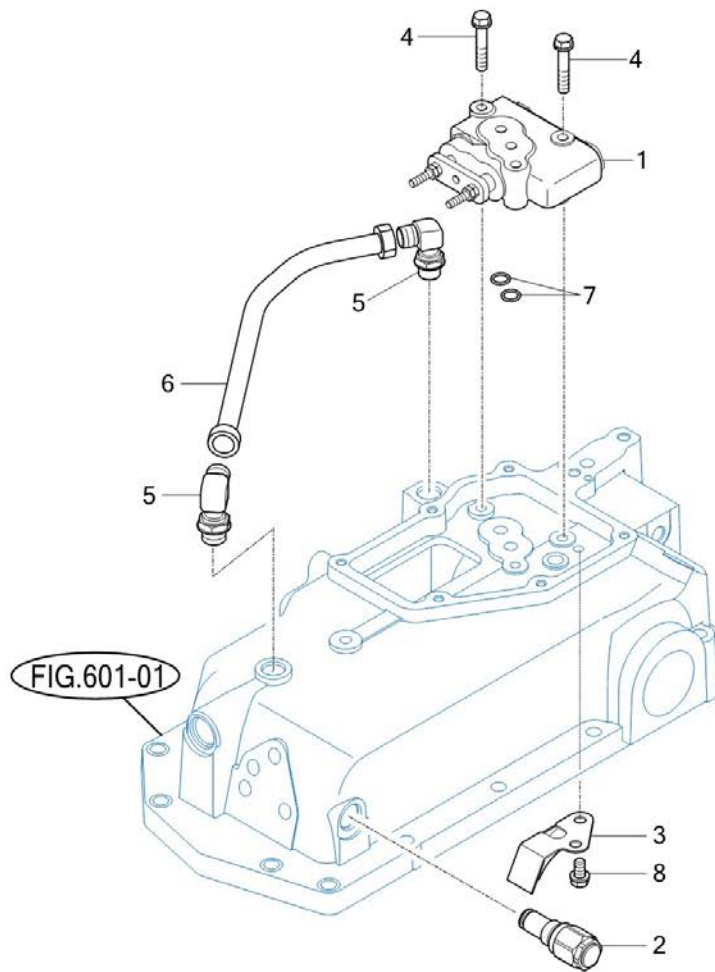
FIG 605

T574NC-B

CONTROL VALVE

년/월  
Year/Month

2022-12



T574-U-605

NOTE



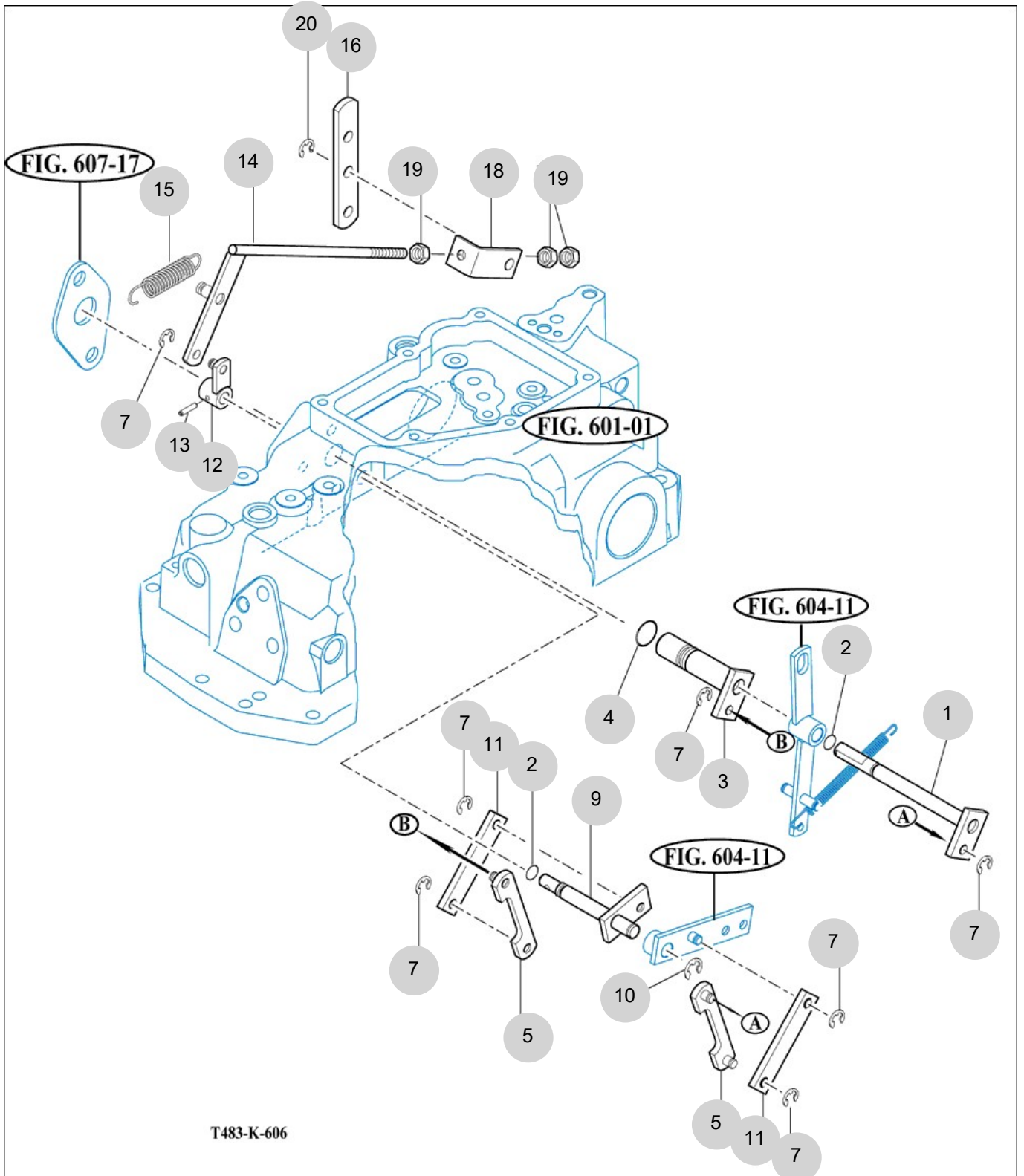
FIG 606

T574NC-B

DRAFT LINK

년/월  
Year/Month

2022-12



NOTE



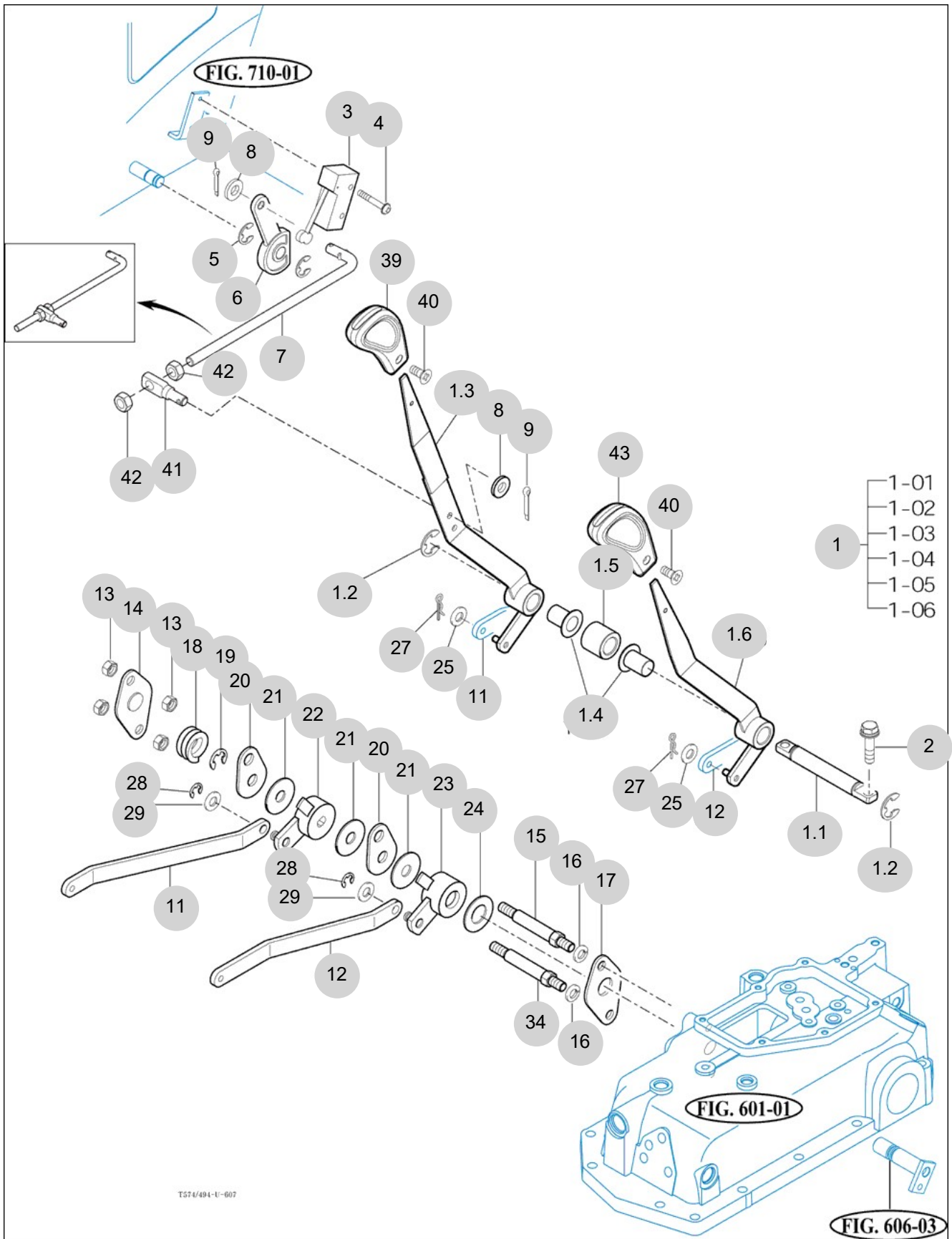
FIG 607A

POSITION & DRAFT LEVER (1)

년/월  
Year/Month

2022-12

T574NC-B



T574/494-U-007

NOTE





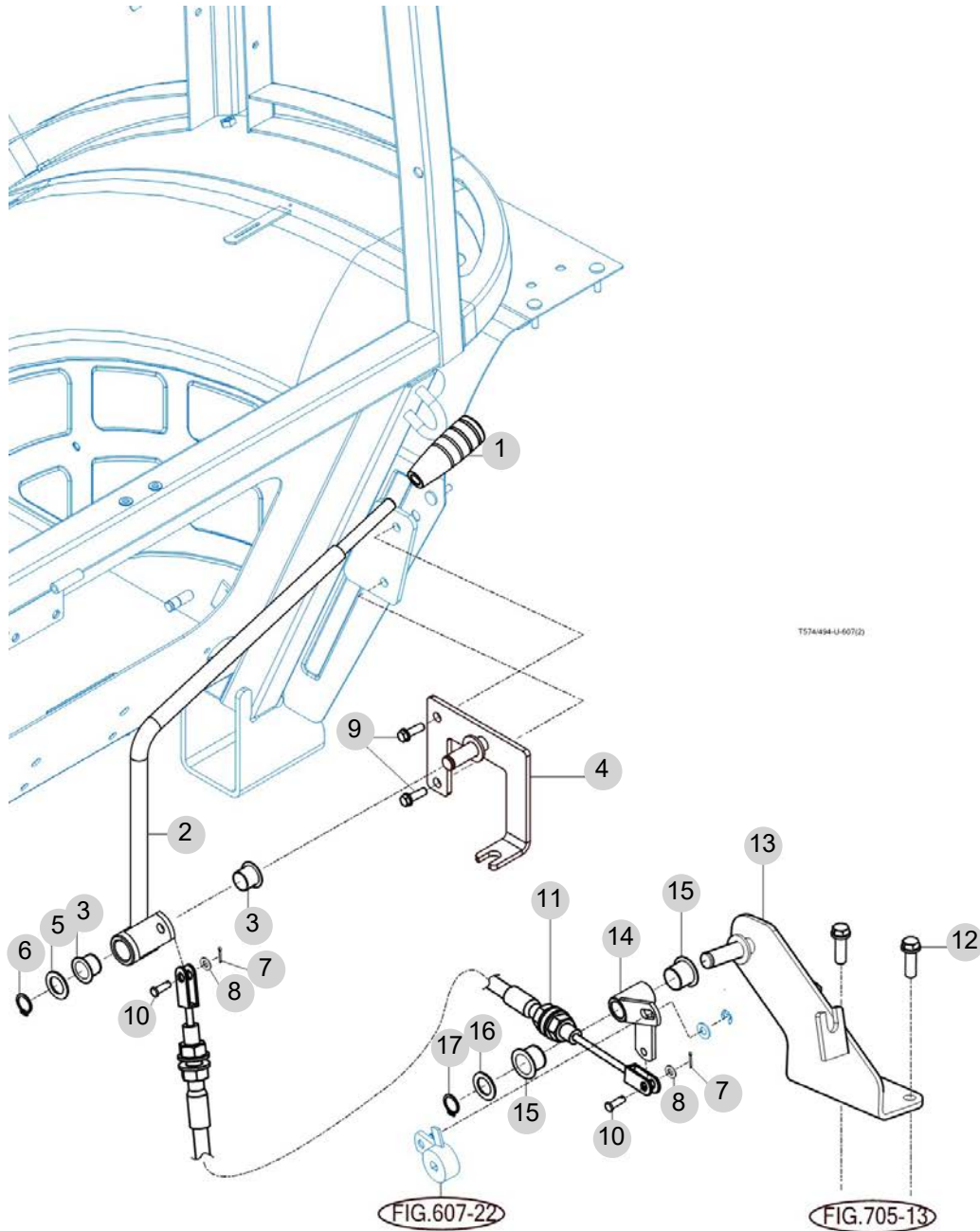
FIG 607B

T574NC-B

POSITION & DRAFT LEVER (2)

년/월  
Year/Month

2022-12



NOTE



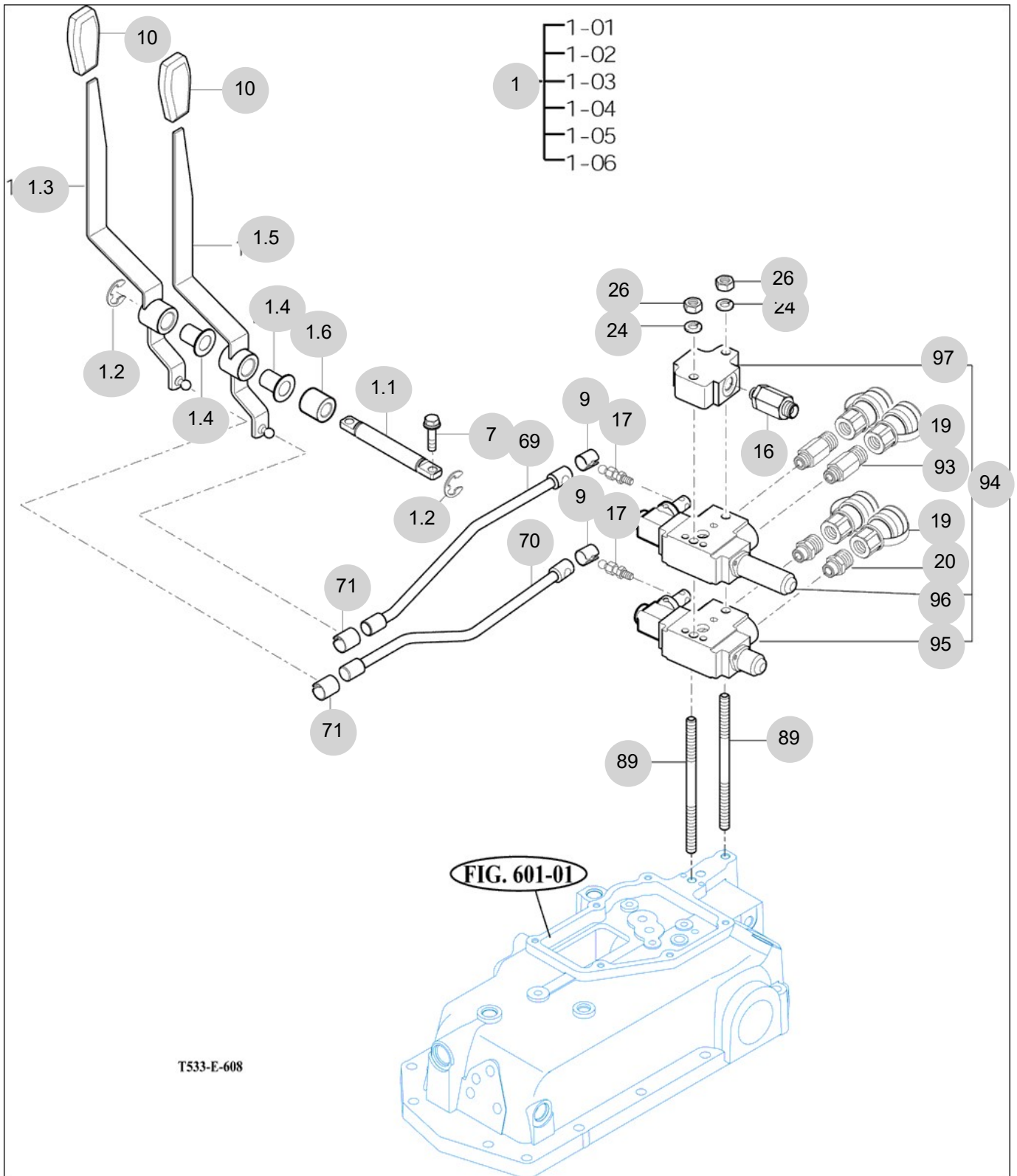
FIG 608

EXTERIOR HYD. VALVE

년/월  
Year/Month

2022-12

T574NC-B



NOTE



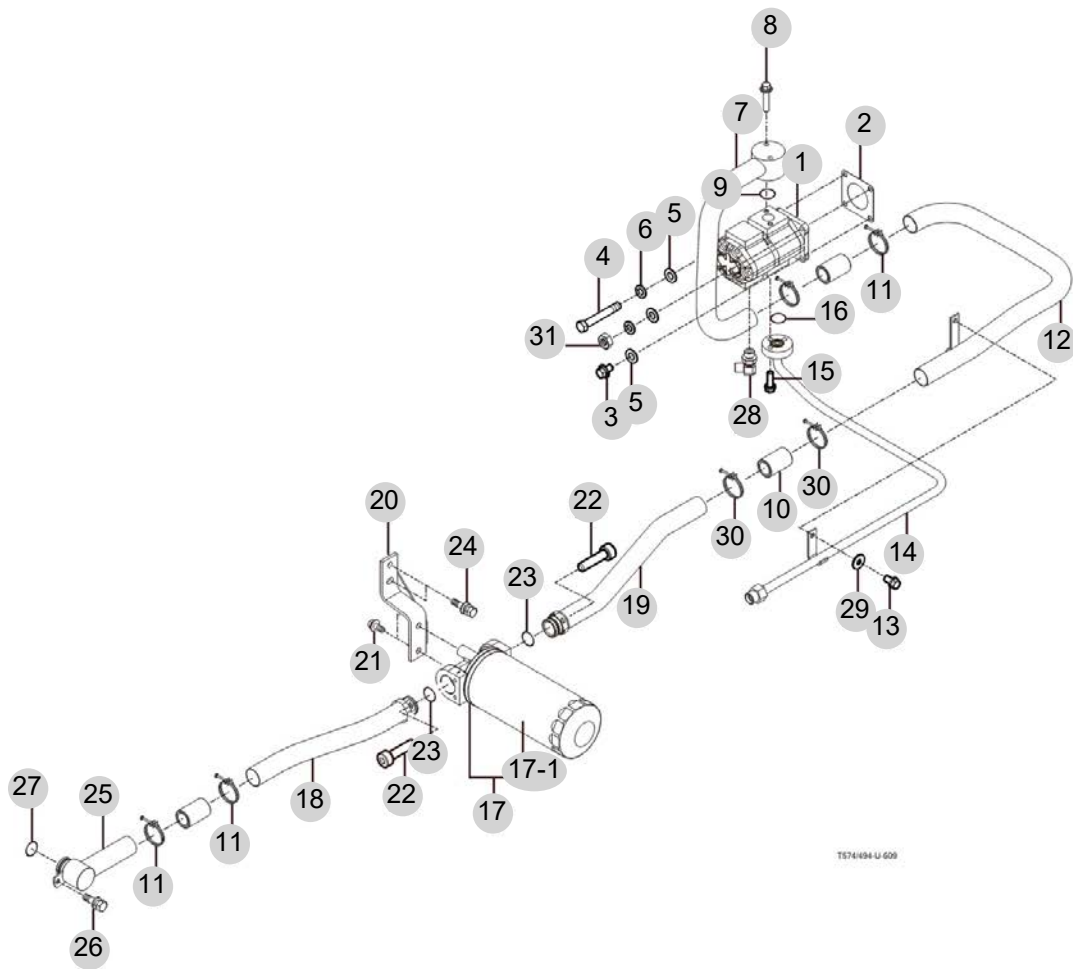
FIG 609

HYDRAULIC PIPE

년/월  
Year/Month

2022-12

T574NC-B



T574694 U 609

NOTE



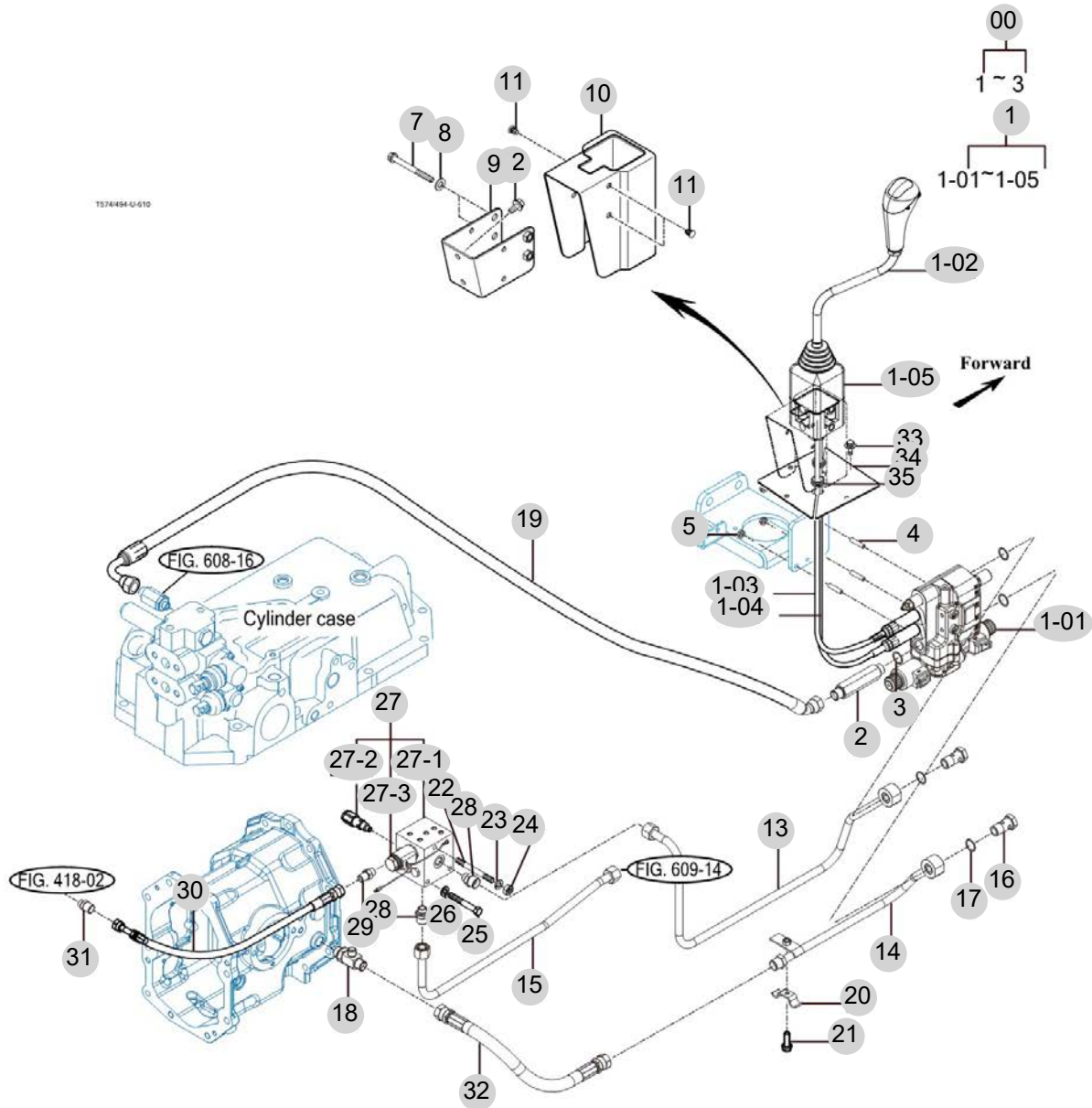
FIG 610

JOYSTICK[SAP 가져오기]에서 생성함.

년/월  
Year/Month

2022-12

T574NC-B



NOTE





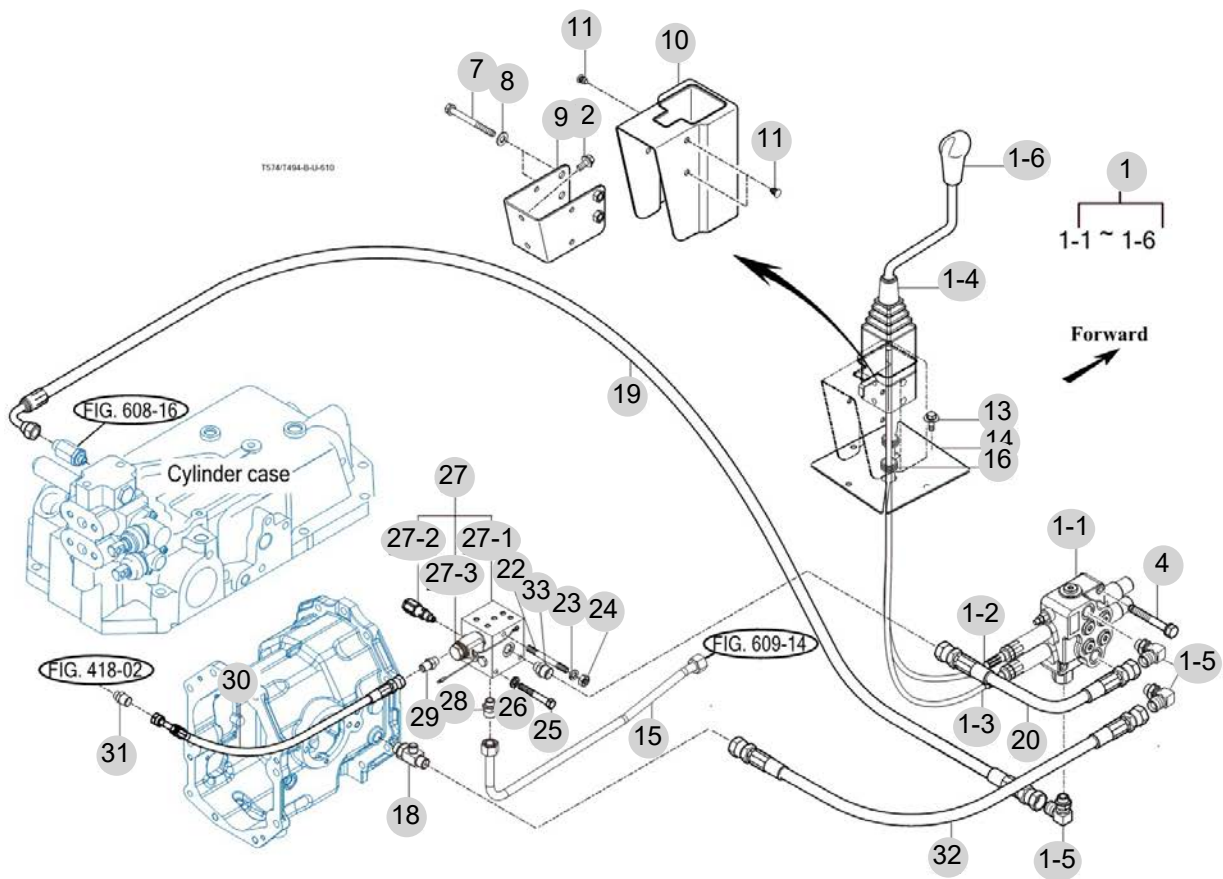
FIG 610

T574NC-B

JOYSTICK

년/월  
Year/Month

2022-12



NOTE



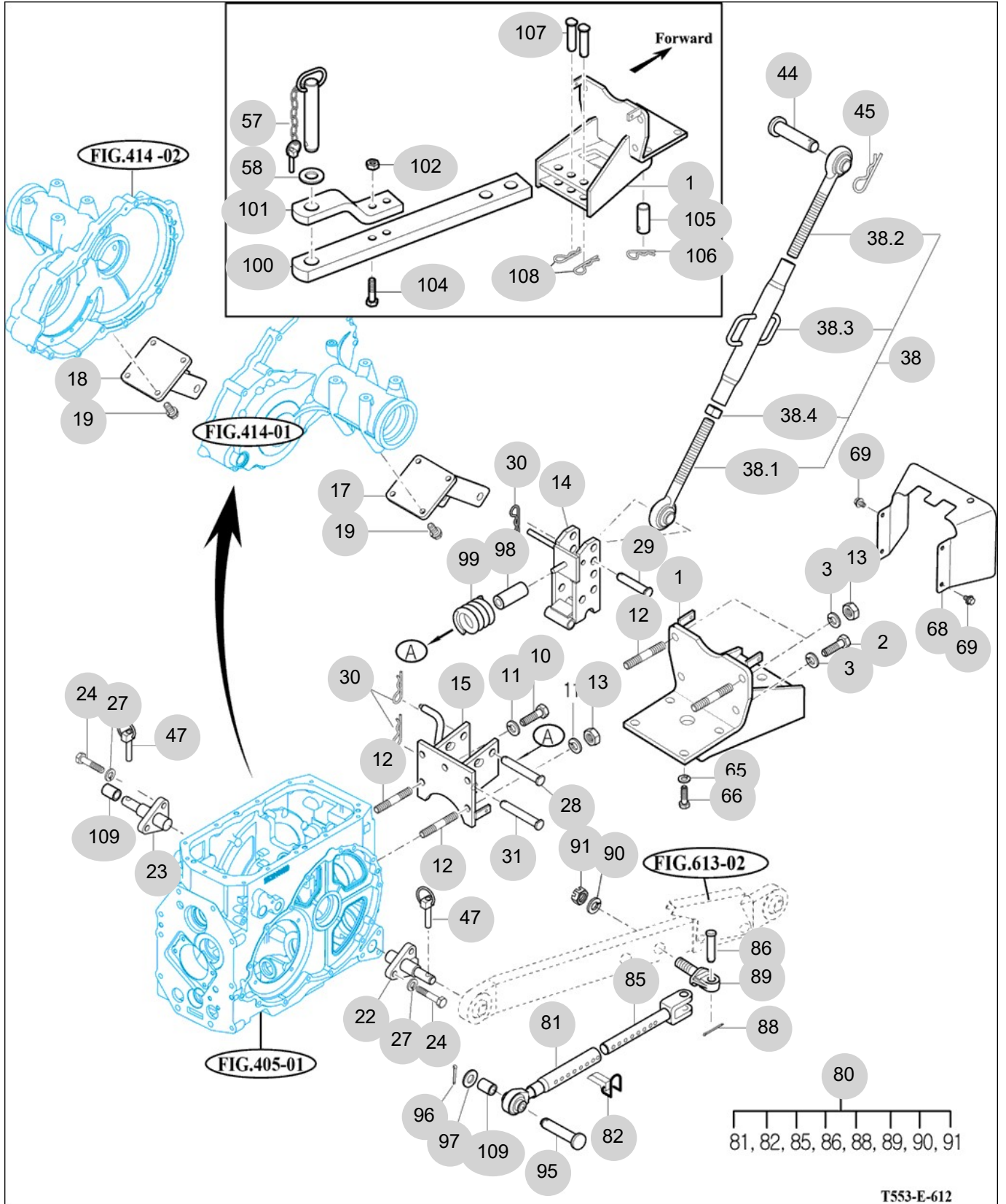
FIG 612

HITCH & 3-POINT LINK

년/월  
Year/Month

2022-12

T574NC-B



T553-E-612

NOTE

FIG 612		HITCH & 3-POINT LINK					년/월 Year/Month		
							2022-12		
T574NC-B		KEY NO	PART NO	DESCRIPTION	SPEC	QTY	REPAIR	EFFECTIVE DATE	REMARKS
612	1	15175202001GB	BRACKET COMP, SWING DRAW BAR			1			
612	1	15175202002GB	BRACKET COMP, SWING DRAW BAR			1			
612	1	15175202003GB	BRACKET COMP, SWING DRAW BAR			1			
612	2	V2013616035	BOLT, HEX	M16X35		2			
612	3	V4011600160	WASHER, SPRING	M16		4			
612	10	V2013616035	BOLT, HEX	M16X35		3			
612	11	V4011600160	WASHER, SPRING	M16		5			
612	12	V2513416035	BOLT, STUD/2	M16X35		4			
612	13	V3043600160	NUT, HEX/2	M16		4			
612	14	16735222102GB	LINK COMP	1X1X1		1			
612	15	15185222000GB	BRACKET COMP			1			
612	17	14525254100GB	BRACKET COMP, RR			1			
612	18	14525254100GB	BRACKET COMP, RR			1			
612	19	V2173612030	BOLT, HEX/S	M12X30		8			
612	22	15685252204	PIN COMP, LH			1			
612	23	15685252801	PIN COMP, RH			1			
612	24	V2013614040	BOLT, HEX	M14X40		6			
612	27	V4011600140	WASHER, SPRING	M14		6			
612	28	15645250010	PIN, 19X122	D=19		1			
612	29	15645220020	PIN, 19X95	D=19		1			
612	30	14445140051	PIN, 19	D=4.5		3			
612	31	15645250010	PIN, 19X122	D=19		1			
612	38	16505245501GB	LINK ASSY, TOP LINK			1			
612	38	16505245502GB	TOP LINK ASSY			1			
612	38.1	16505245510	LINK COMP, RH TOP LINK	1X1X1		1			
612	38.2	16505245520	LINK COMP, LH TOP LINK	1X1X1		1			
612	38.3	14555140251	TURNBUCKLE COMP			1			
612	38.4	16505245530	NUT, HEX	1X1X1		1			
612	44	15645220011	PIN, 19X86	D=19		1			
612	45	14445140051	PIN, 19	D=4.5		1			
612	47	14215020020	PIN, LINK			2			
612	57	S0973063031	PIN ASSY	1X1X1		1			
612	58	15252470010	RUBBER, CUSHION			1			
612	65	V4011600140	WASHER, SPRING	M14		4			
612	66	V2013614035	BOLT, HEX	M14X35		4			
612	68	13605200012GB	COVER, SHIELD	1X1X1		1			
612	69	V2183608016	BOLT, HEX/SP	M8X16		4			
612	80	15155253000GB	LINK ASSY, ADJUSTER	570*60*50		2			
612	81	15155253100	ROD SUB, FR	44*320*60		2			
612	82	17705254200	PIN	1X1X1		2			
612	85	15155253300	ROD SUB, REAR	340*50*50		2			
612	86	15155253400	PIN, ø20X59	ø20X59		2			
612	88	V5001940035	PIN, SPLIT	4X35		2			
612	89	15155253500	EYEBOLT	66*60*40		2			
612	90	V4111600220	WASHER, PLAIN	M22		2			
NOTE									







## 7. Sheet Metal & Cabin PART NO. T7

FIG 701 BONNET FRAME	221
FIG 702A BONNET (1)	223
FIG 702B BONNET (2)	225
FIG 703 EXTENSION COVER	227
FIG 704B LEVER COVER & STEP-NON CAB	229
FIG 705 FRONT & REAR MOUNTING[SAP 가져오기]에서 생성함.	231
FIG 705 FRONT & REAR MOUNTING	233
FIG 706 SEAT & MAT	235
FIG 710B FRAME & 2POLES-ROPS-NON CAB	237
FIG 713B SUB FENDER & COVER-NON CAB	239
FIG 714B MIRROR&WORKING LAMP-NON CAB	241
FIG 718 CABIN INTERIOR	243



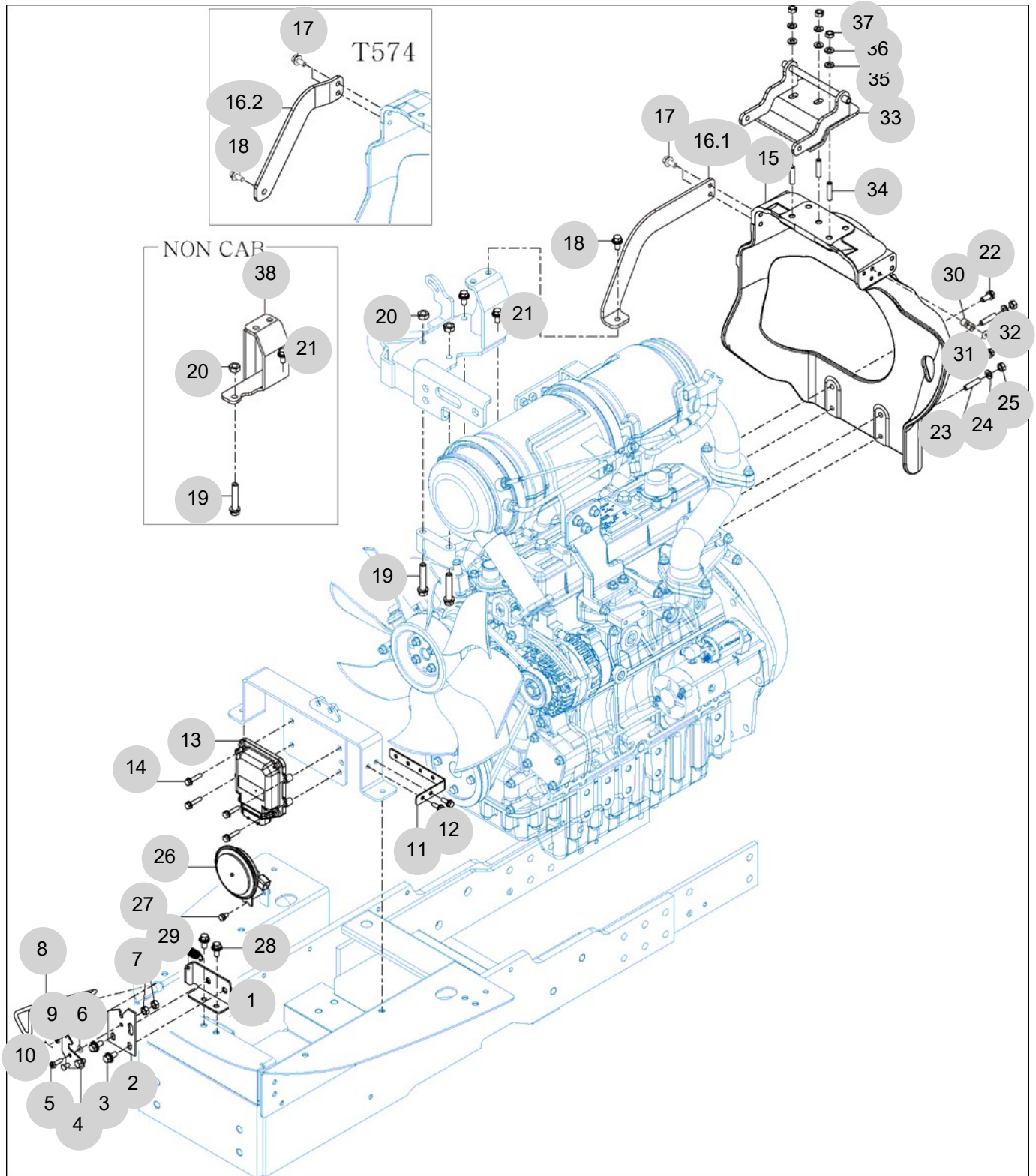
FIG 701

BONNET FRAME

년/월  
Year/Month

T574NC-B

2022-12



NOTE



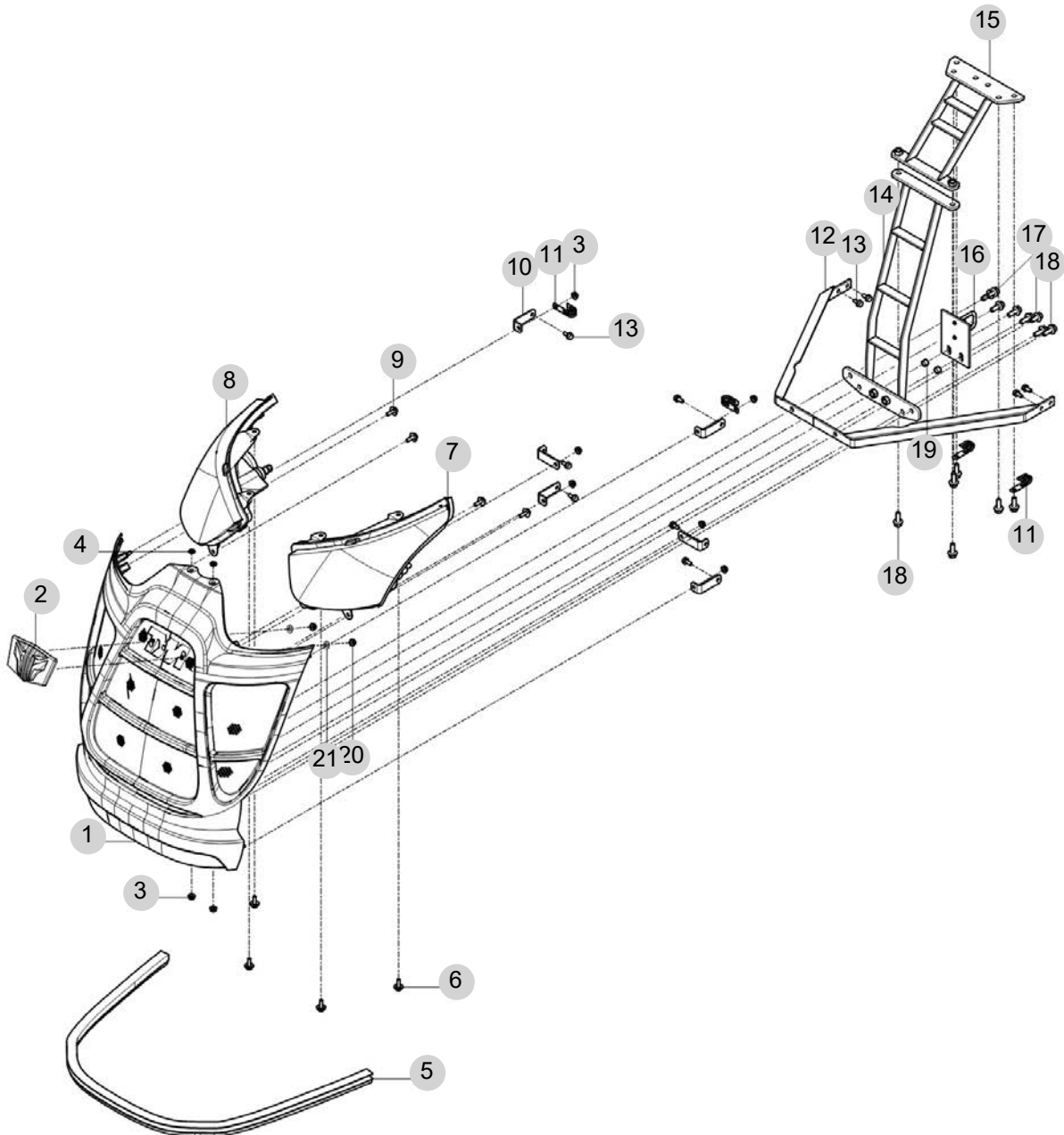
FIG 702A

T574NC-B

BONNET (1)

년/월  
Year/Month

2022-12



NOTE



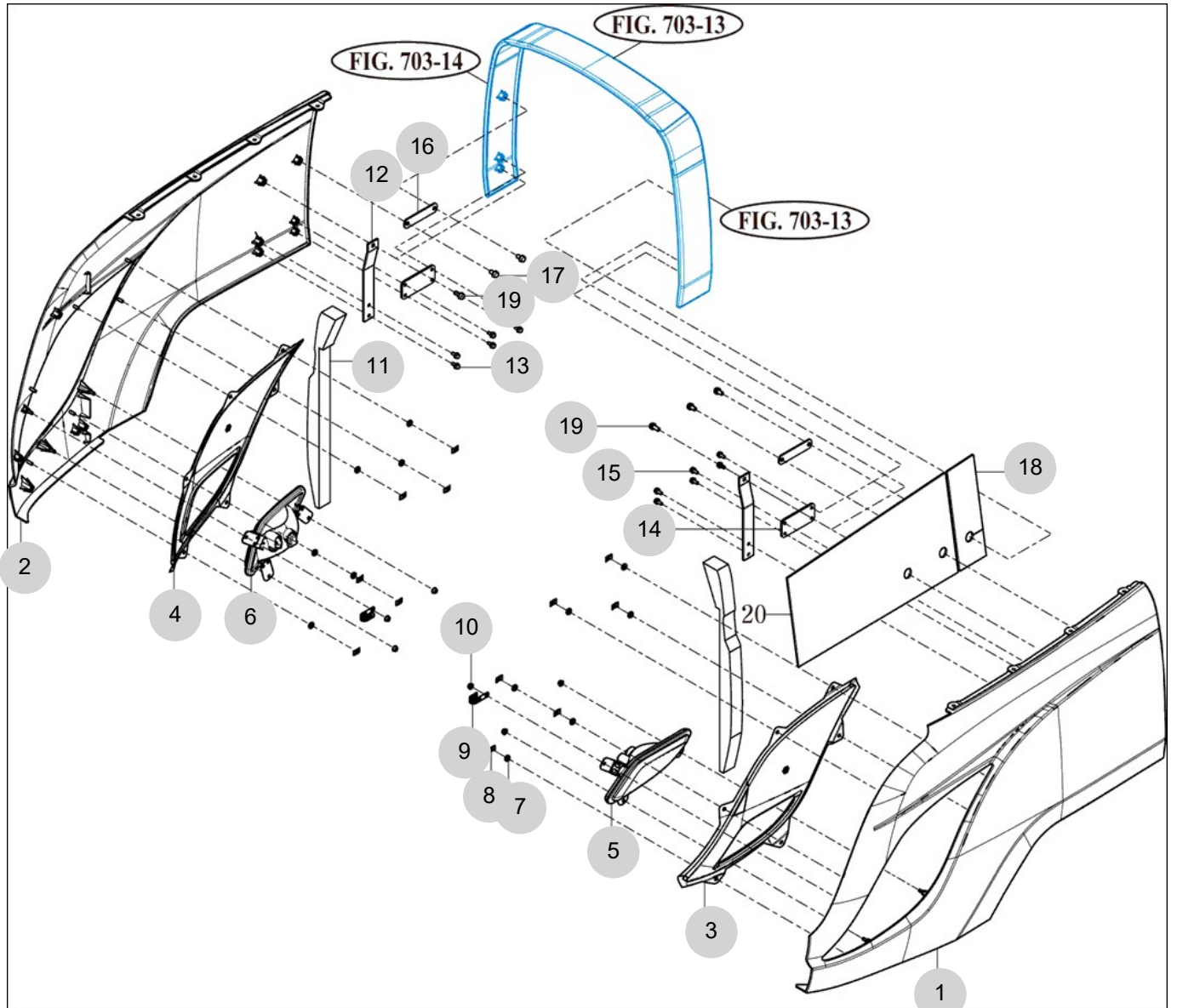
FIG 702B

T574NC-B

BONNET (2)

년/월  
Year/Month

2022-12



NOTE



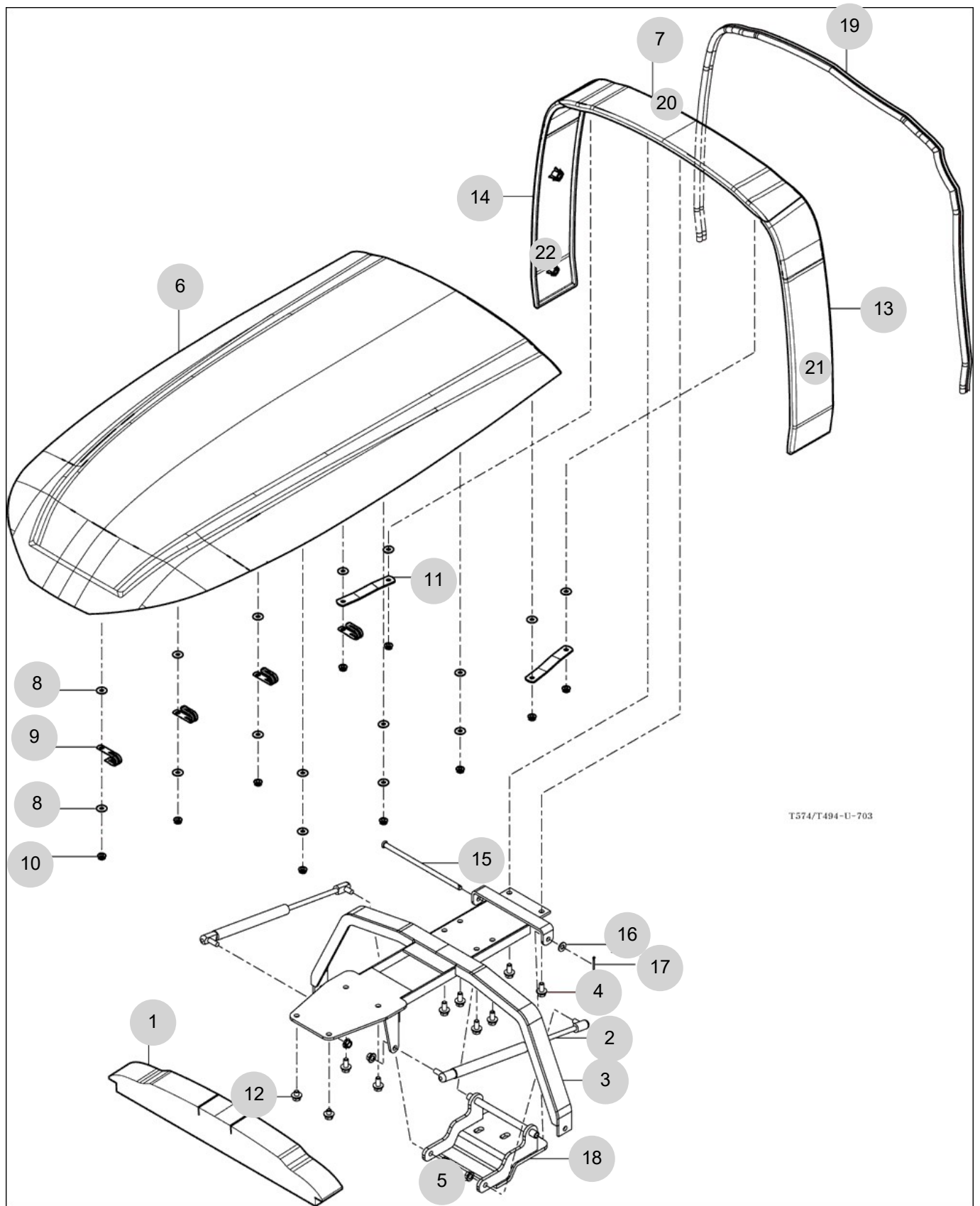
FIG 703

EXTENSION COVER

년/월  
Year/Month

2022-12

T574NC-B



T574/T494-U-703

NOTE





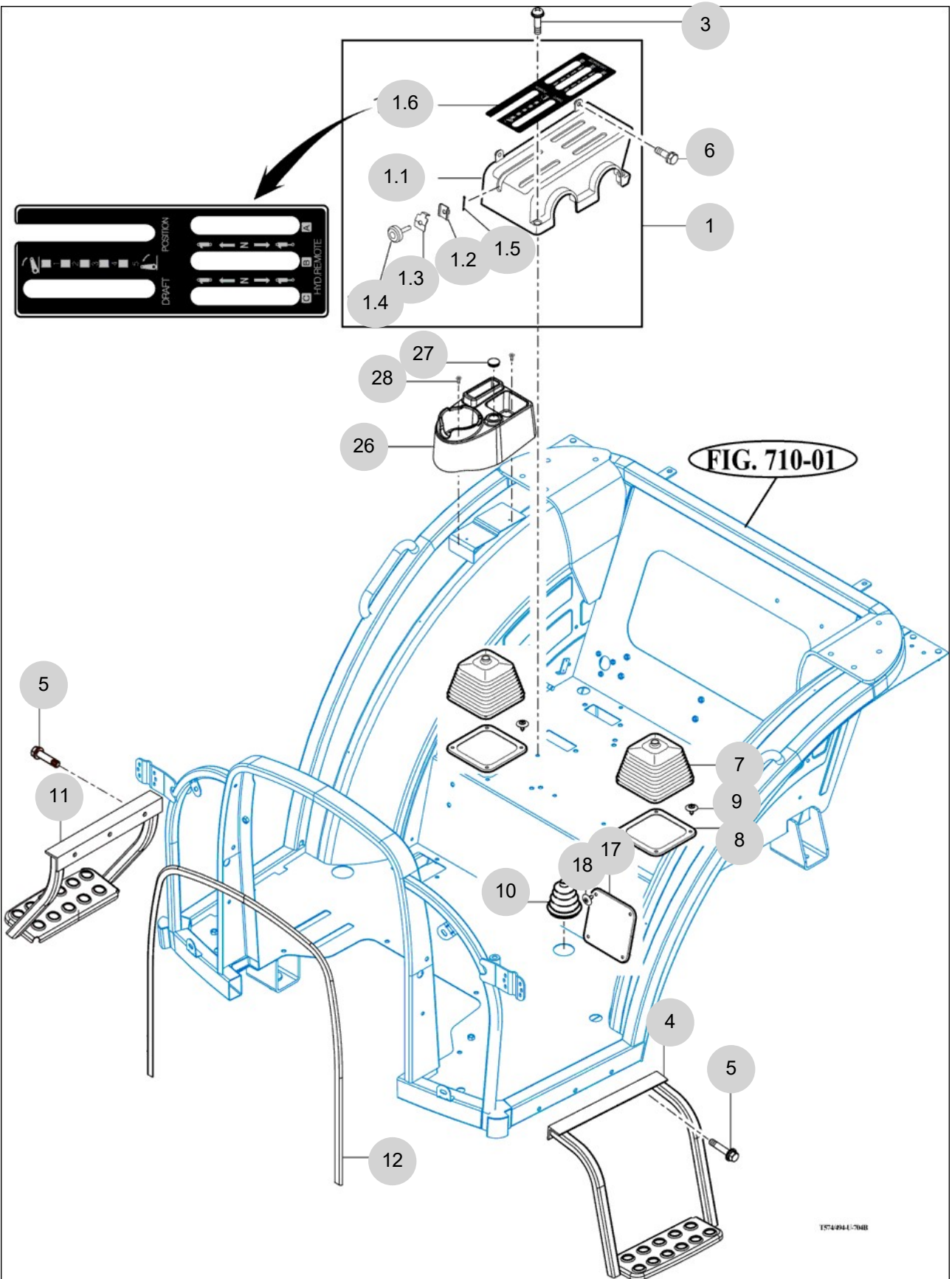
FIG 704B

LEVER COVER & STEP-NON CAB

년/월  
Year/Month

2022-12

T574NC-B



NOTE



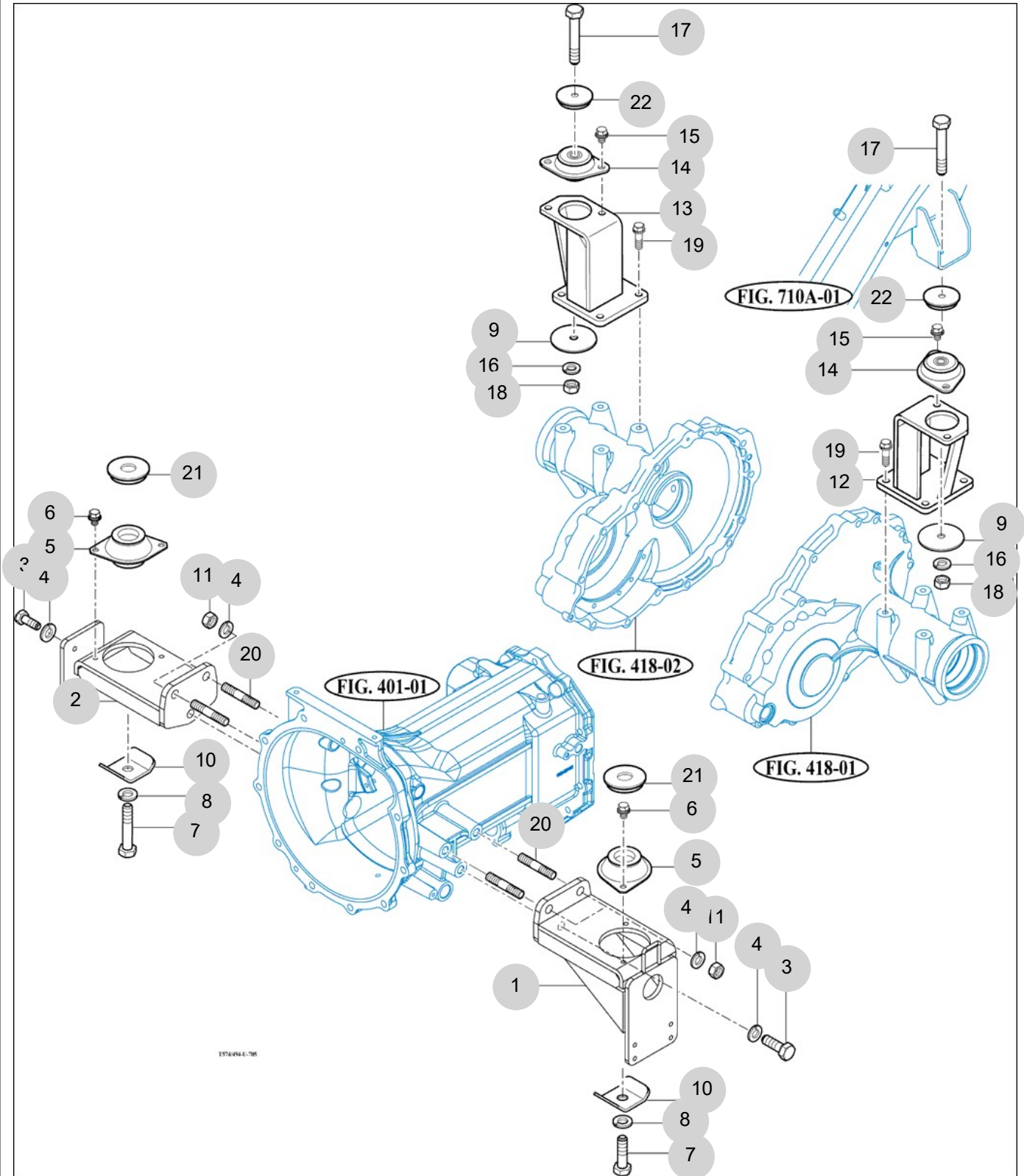
FIG 705

T574NC-B

FRONT & REAR MOUNTING[SAP 가져오기]에서 생성함.

년/월  
Year/Month

2022-12



NOTE



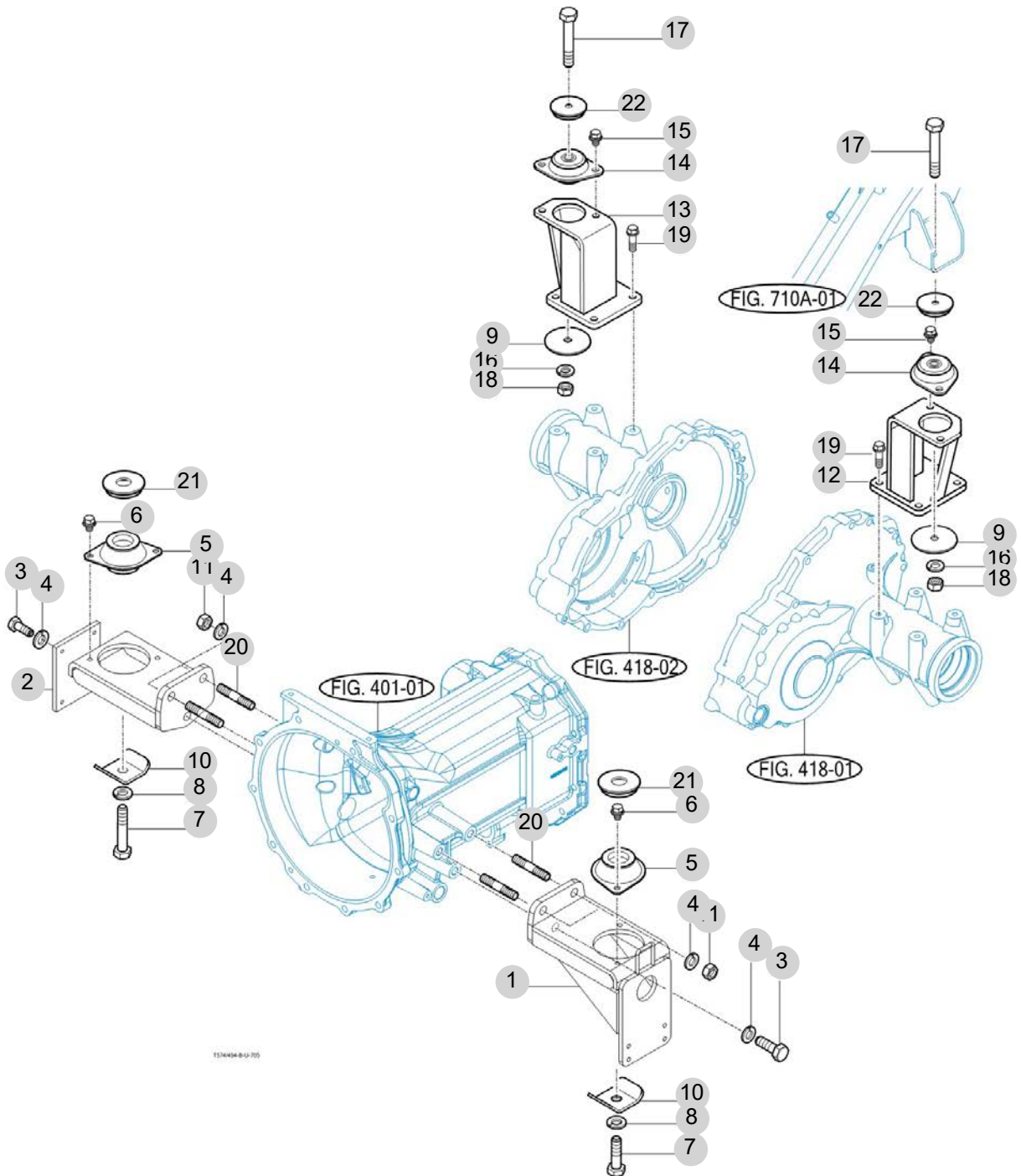
FIG 705

T574NC-B

FRONT & REAR MOUNTING

년/월  
Year/Month

2022-12



T574NC-B-U-705

NOTE





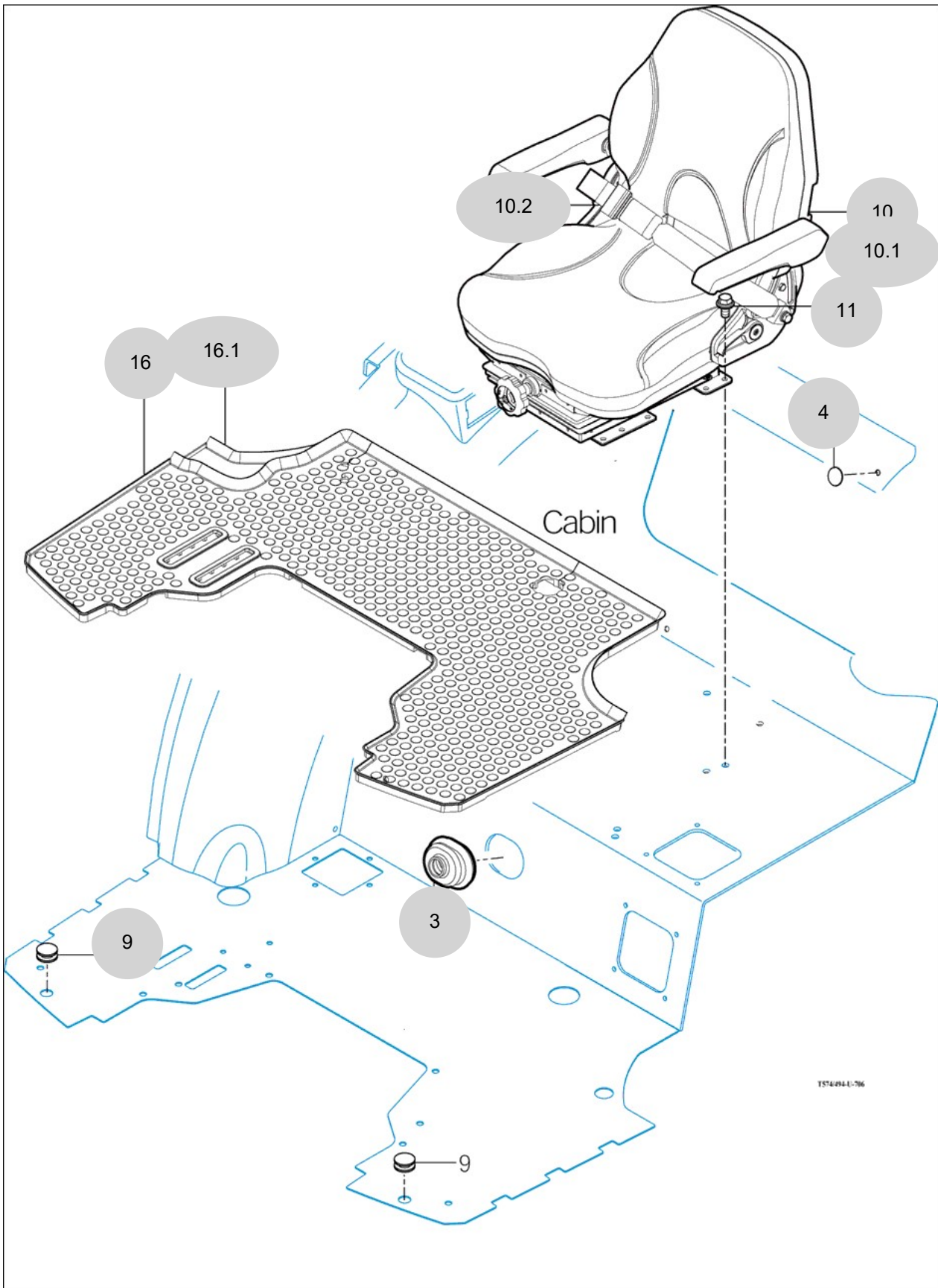
FIG 706

SEAT & MAT

년/월  
Year/Month

T574NC-B

2022-12



NOTE





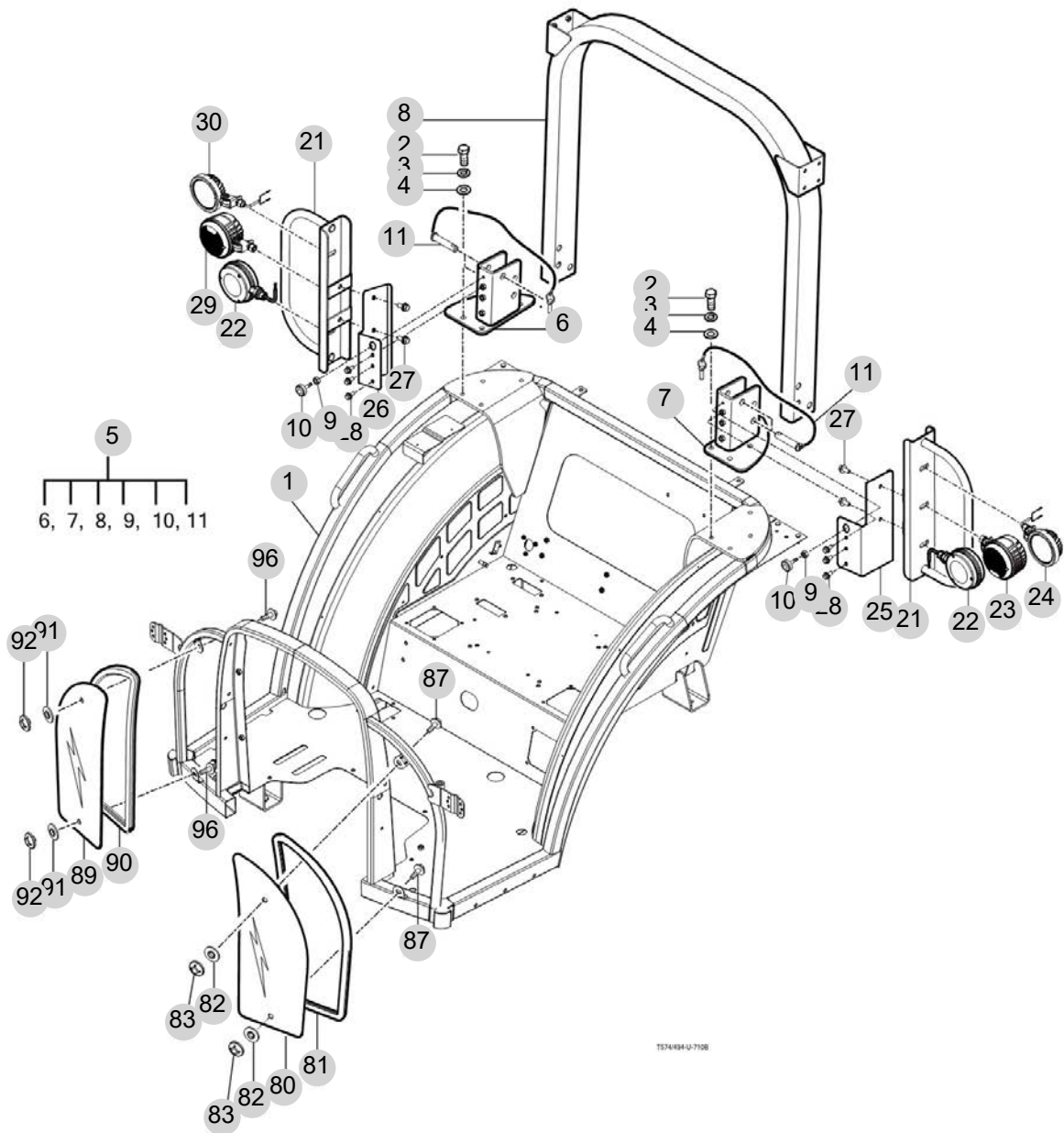
FIG 710B

FRAME & 2POLES-ROPS-NON CAB

년/월  
Year/Month

2022-12

T574NC-B



T574NC-B-710B

NOTE



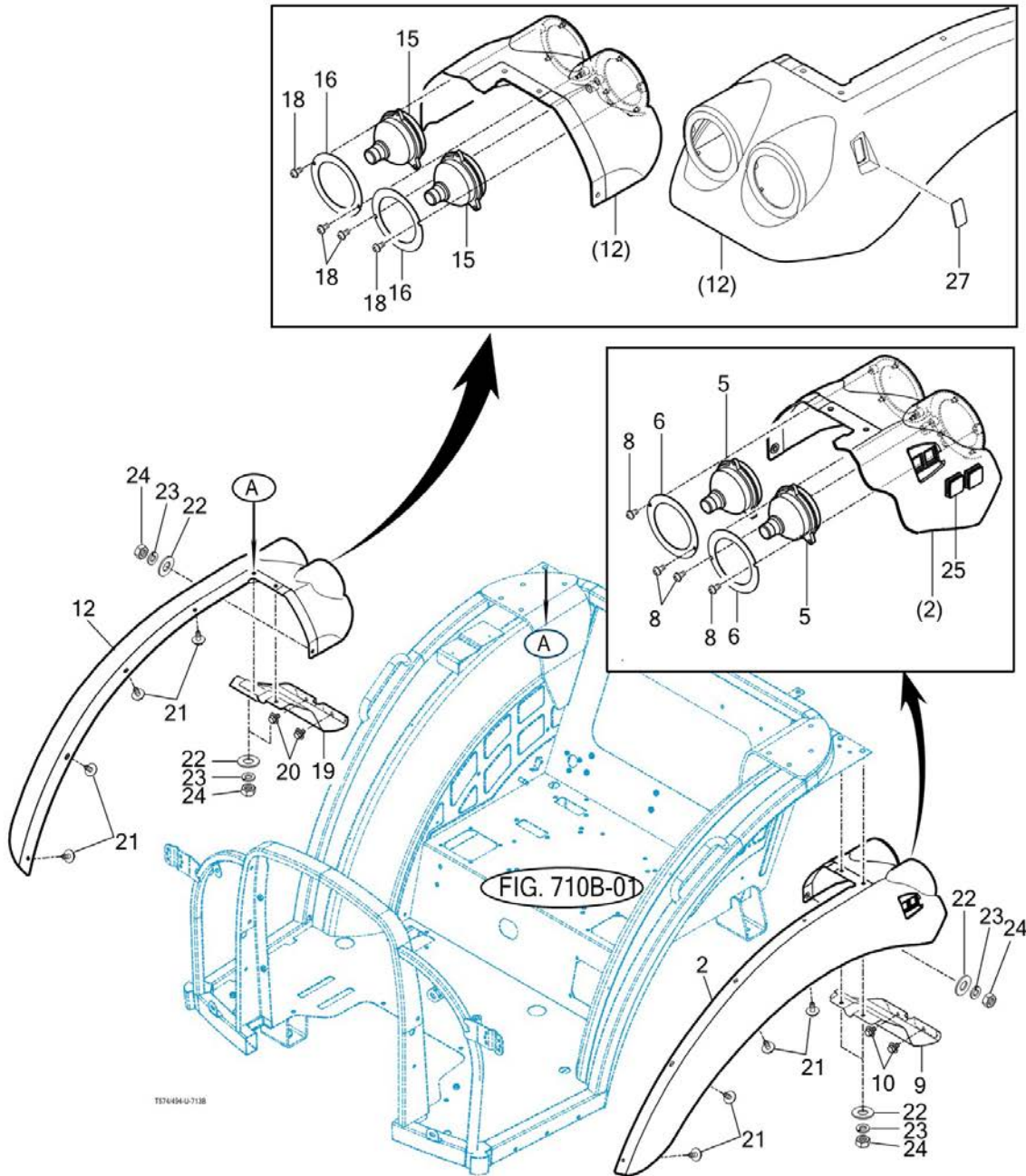
FIG 713B

SUB FENDER & COVER-NON CAB

년/월  
Year/Month

2022-12

T574NC-B



NOTE



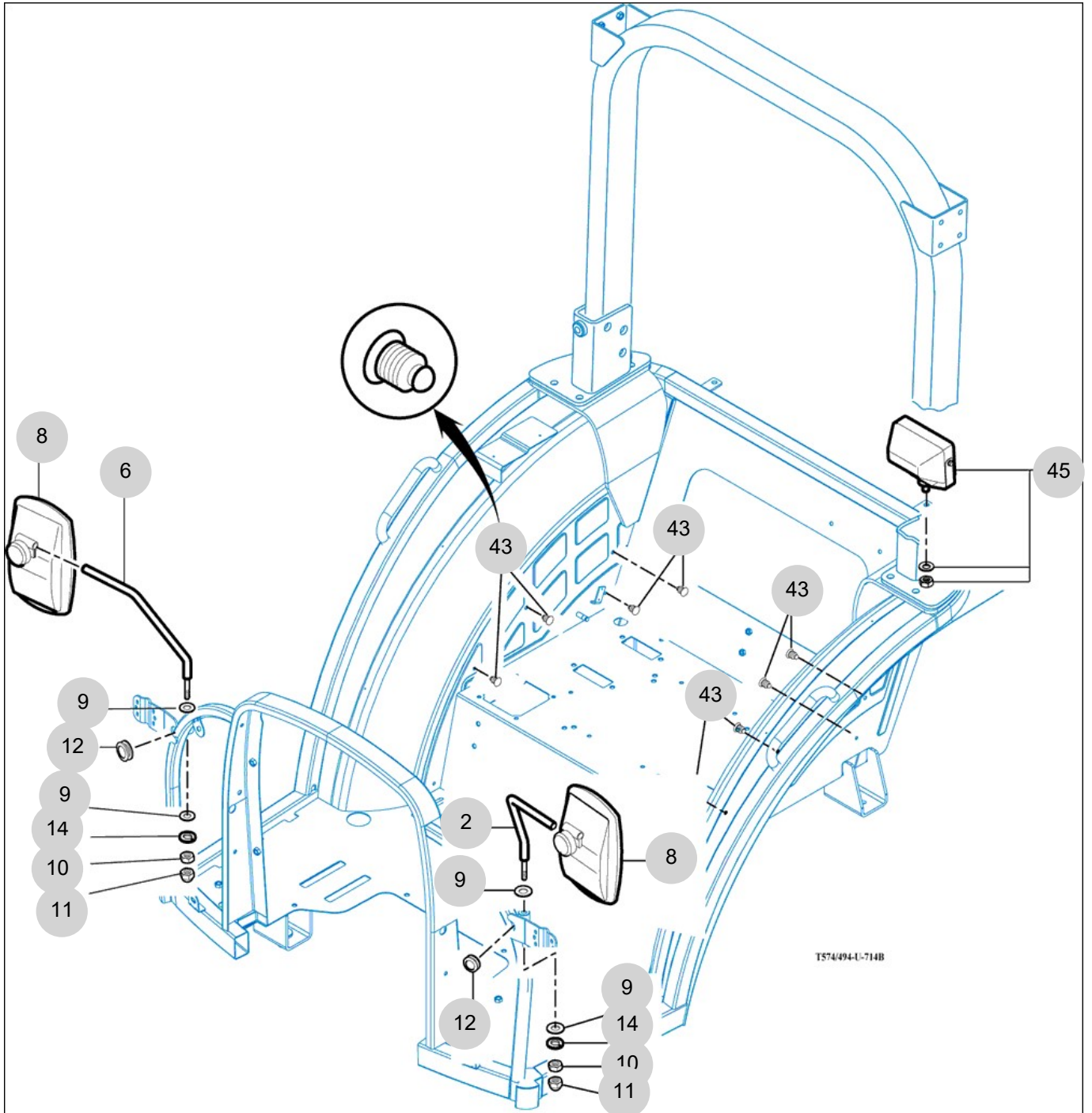
FIG 714B

MIRROR&WORKING LAMP-NON CAB

년/월  
Year/Month

2022-12

T574NC-B



NOTE





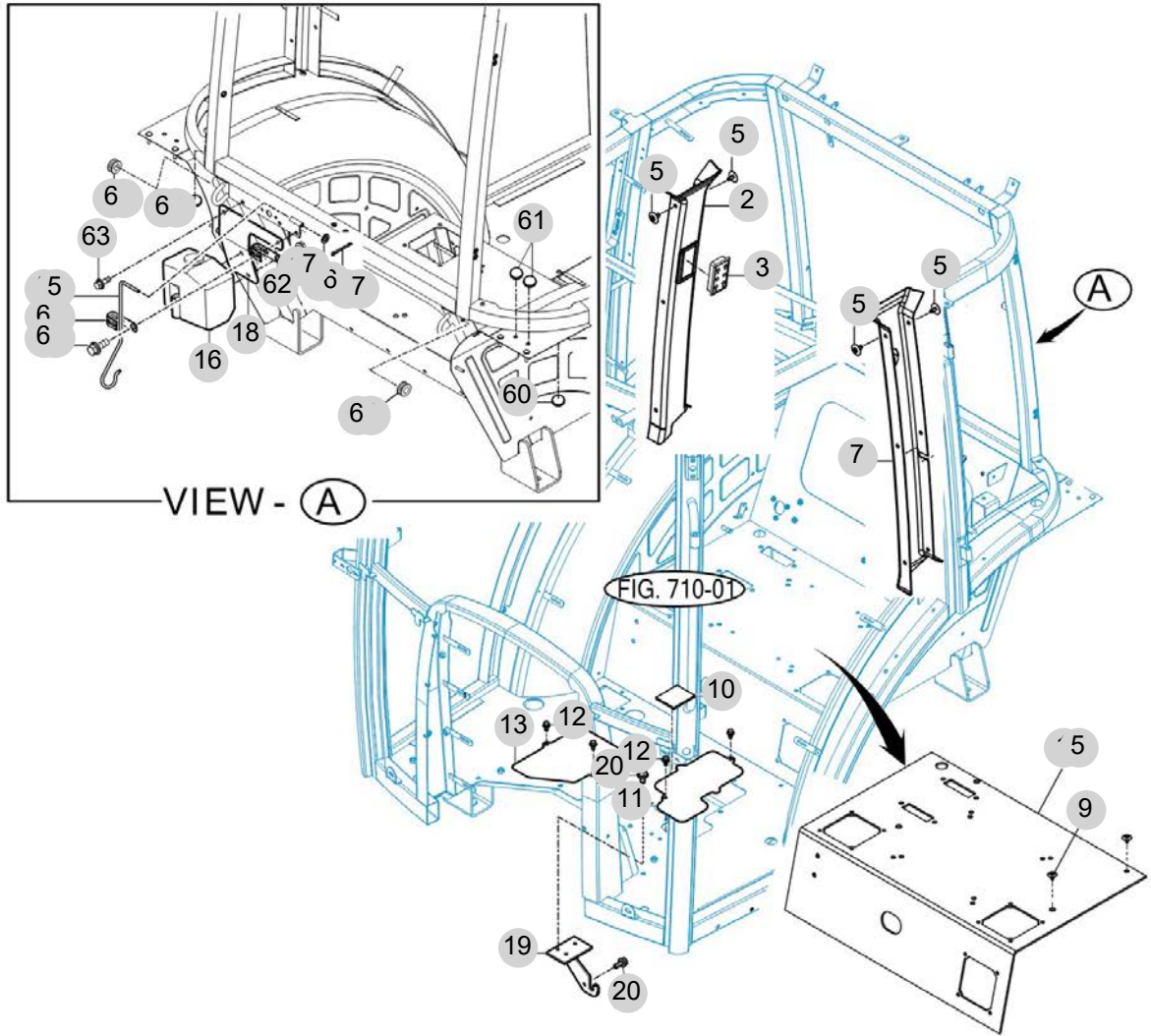
FIG 718

CABIN INTERIOR

년/월  
Year/Month

T574NC-B

2022-12



T574NC-B-718

NOTE





## 8. Electrical System PART NO. T8

FIG 801 BATTERY & MOUNTING	246
FIG 802 HARNESS LAMP	248
FIG 803 INSTRUMENT PANEL	250
FIG 804 ELECTRIC SYSTEM (1)	252
FIG 805B ELECTRIC SYSTEM (2)-NON CAB	254
FIG 806 ELECTRIC SYSTEM (3)	256

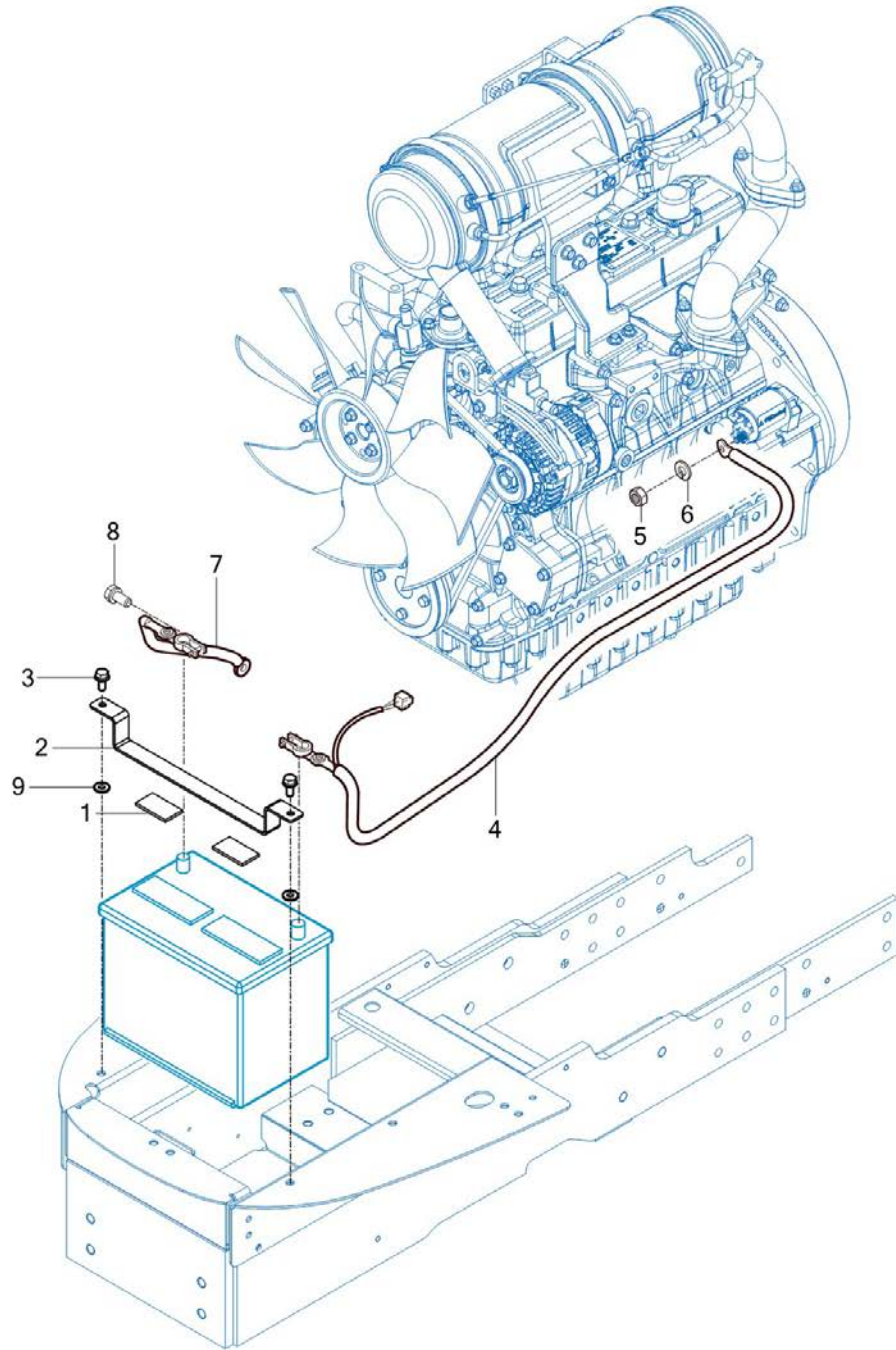
FIG 801

T574NC-B

BATTERY & MOUNTING

년/월  
Year/Month

2022-12



NOTE



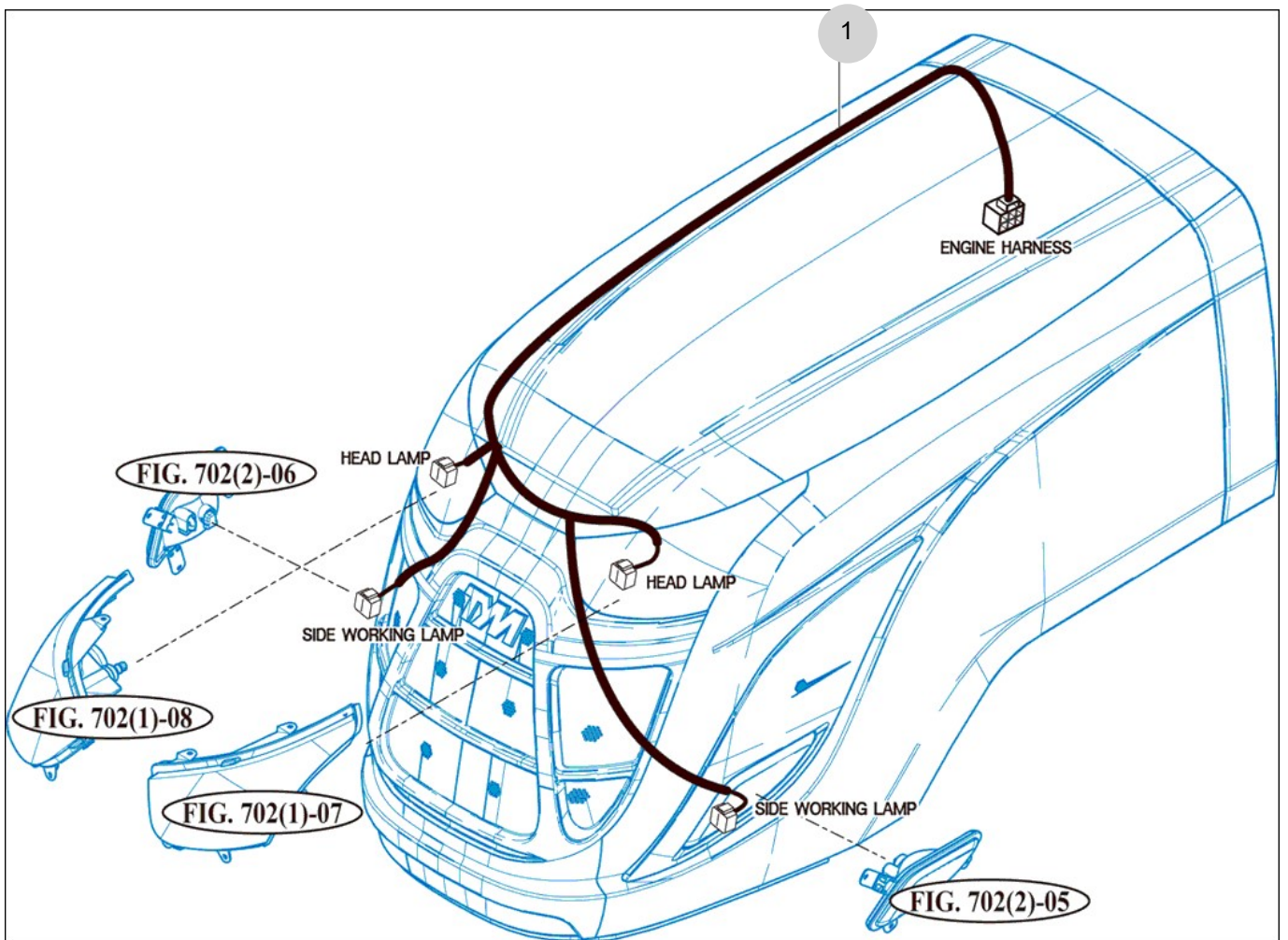
FIG 802

HARNES LAMP

년/월  
Year/Month

T574NC-B

2022-12



NOTE



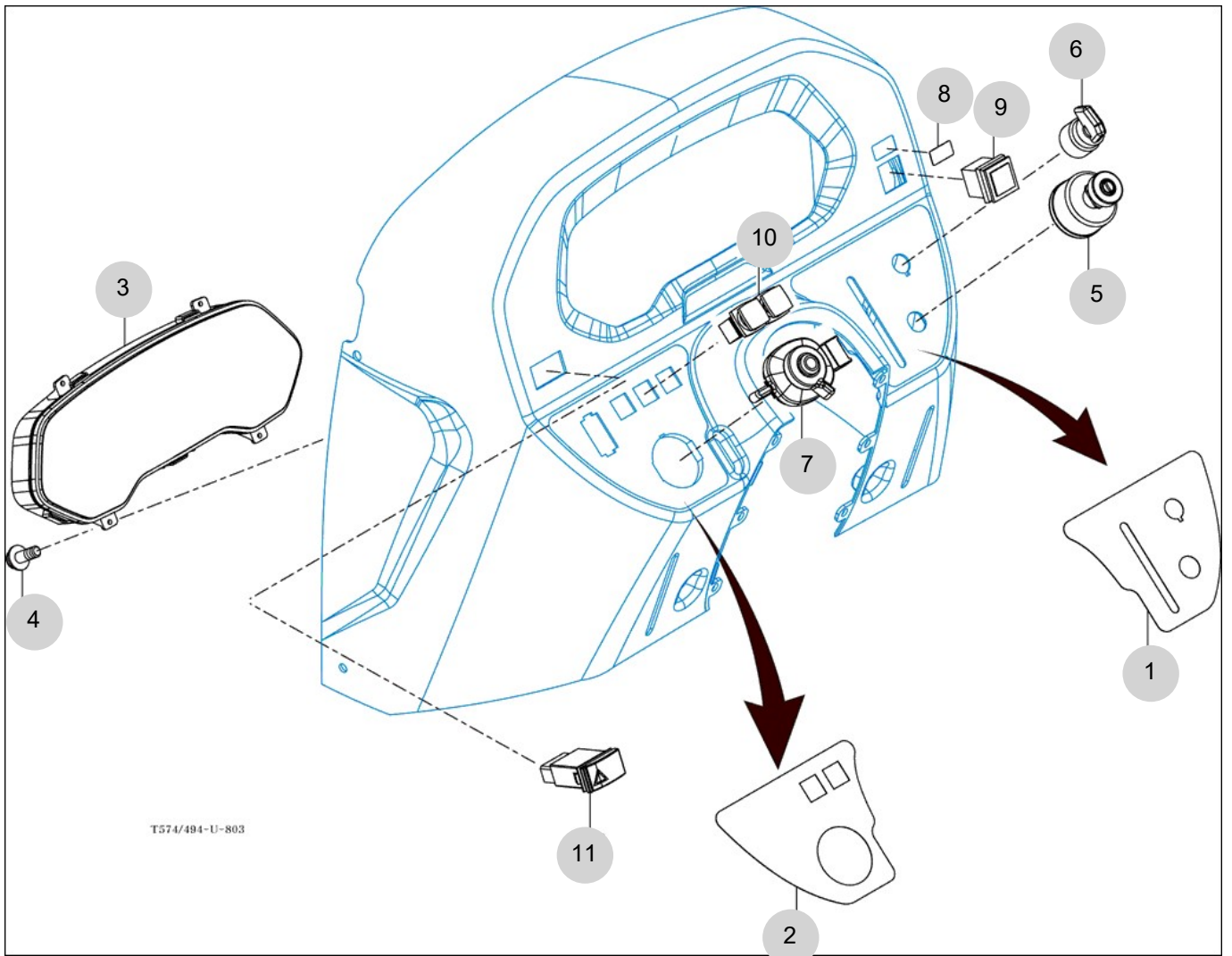
FIG 803

INSTRUMENT PANEL

년/월  
Year/Month

T574NC-B

2022-12



NOTE





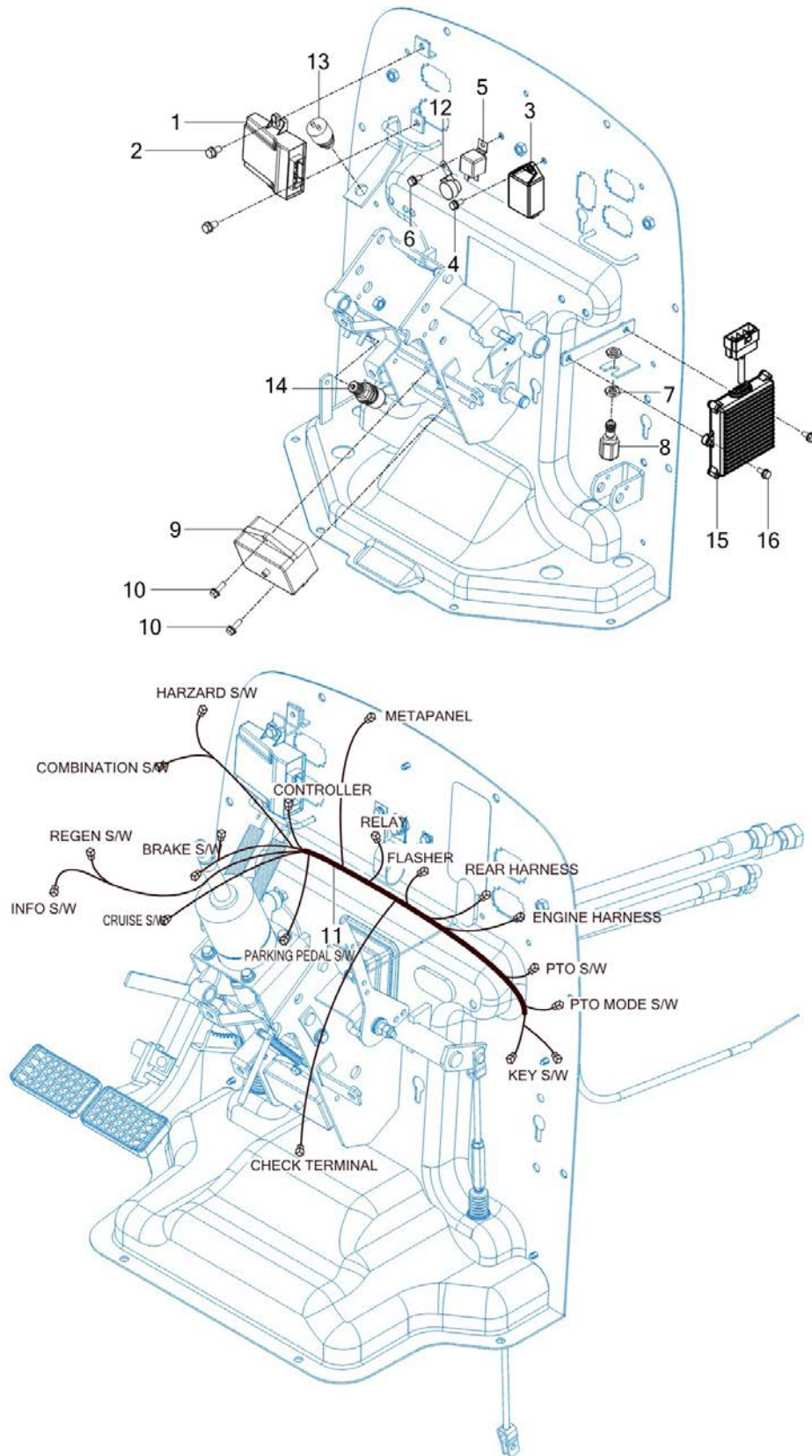
FIG 804

T574NC-B

### ELECTRIC SYSTEM (1)

년/월  
Year/Month

2022-12



NOTE





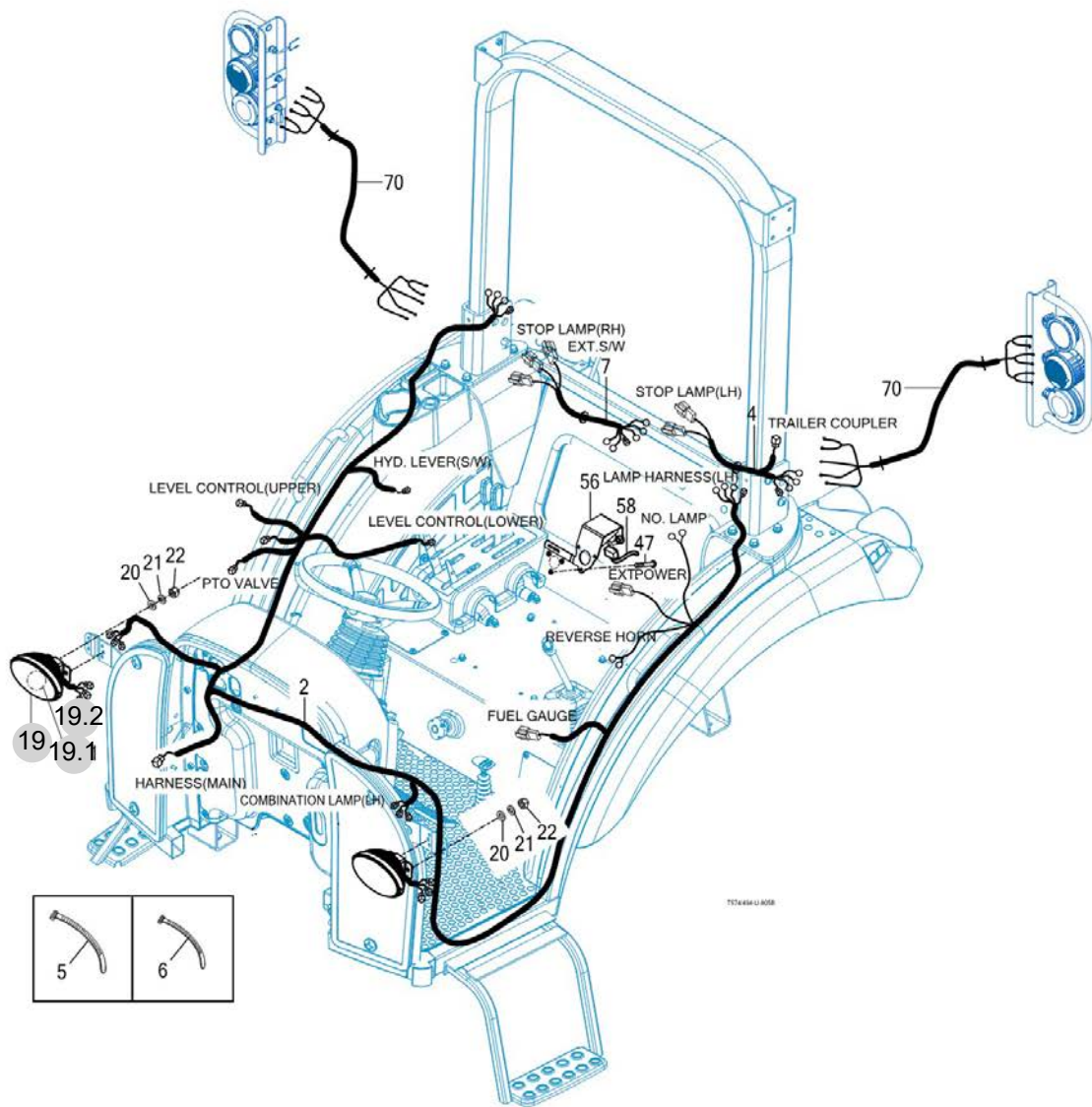
FIG 805B

ELECTRIC SYSTEM (2)-NON CAB

년/월  
Year/Month

T574NC-B

2022-12



NOTE



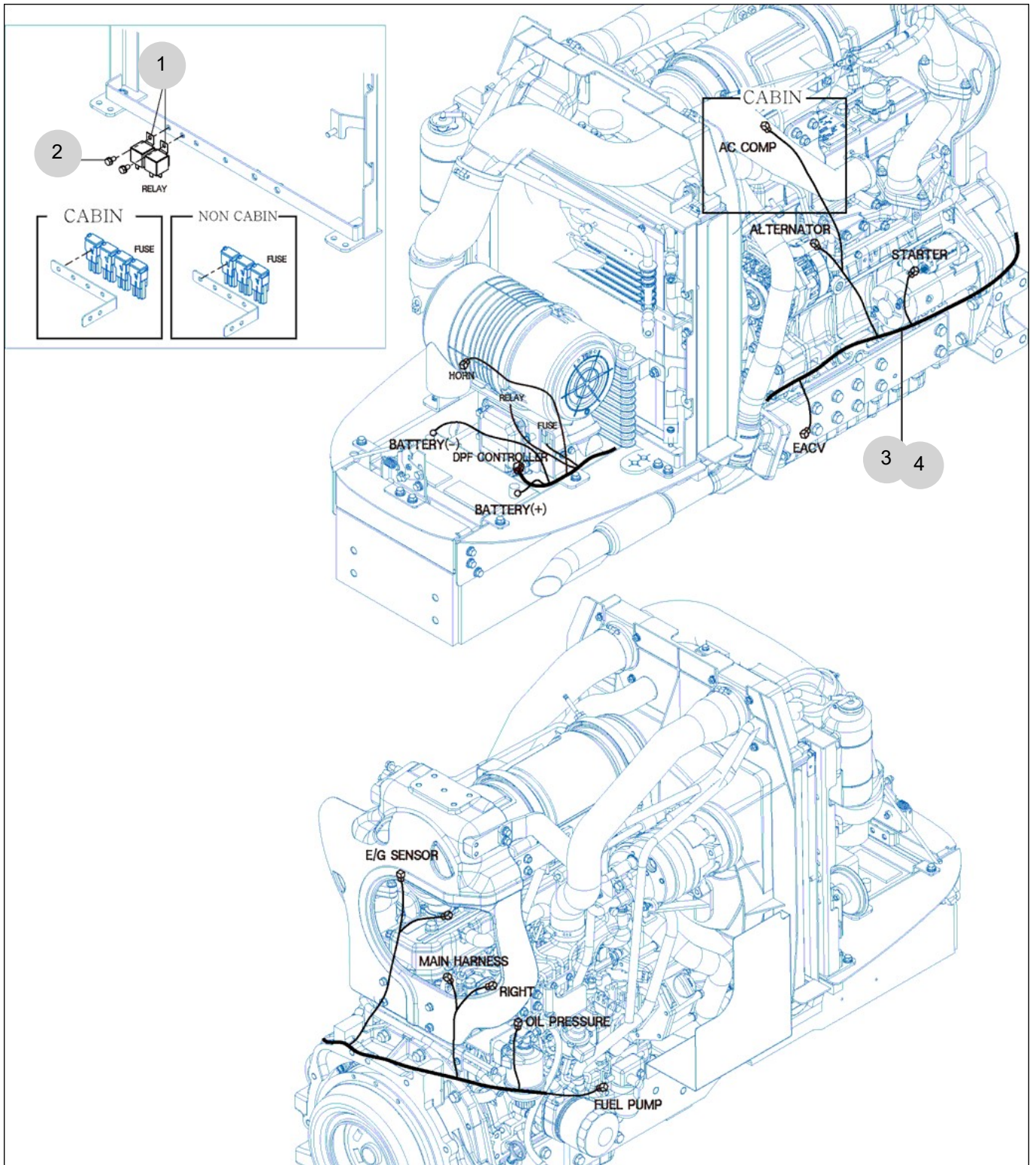
FIG 806

ELECTRIC SYSTEM (3)

년/월  
Year/Month

T574NC-B

2022-12



NOTE



## 9. Label/Option PART NO. T9

FIG 901 TOOL & ACCESSORY	259
FIG 902 LABEL	261
FIG 902 LABEL	263
FIG 903 OPTION	265

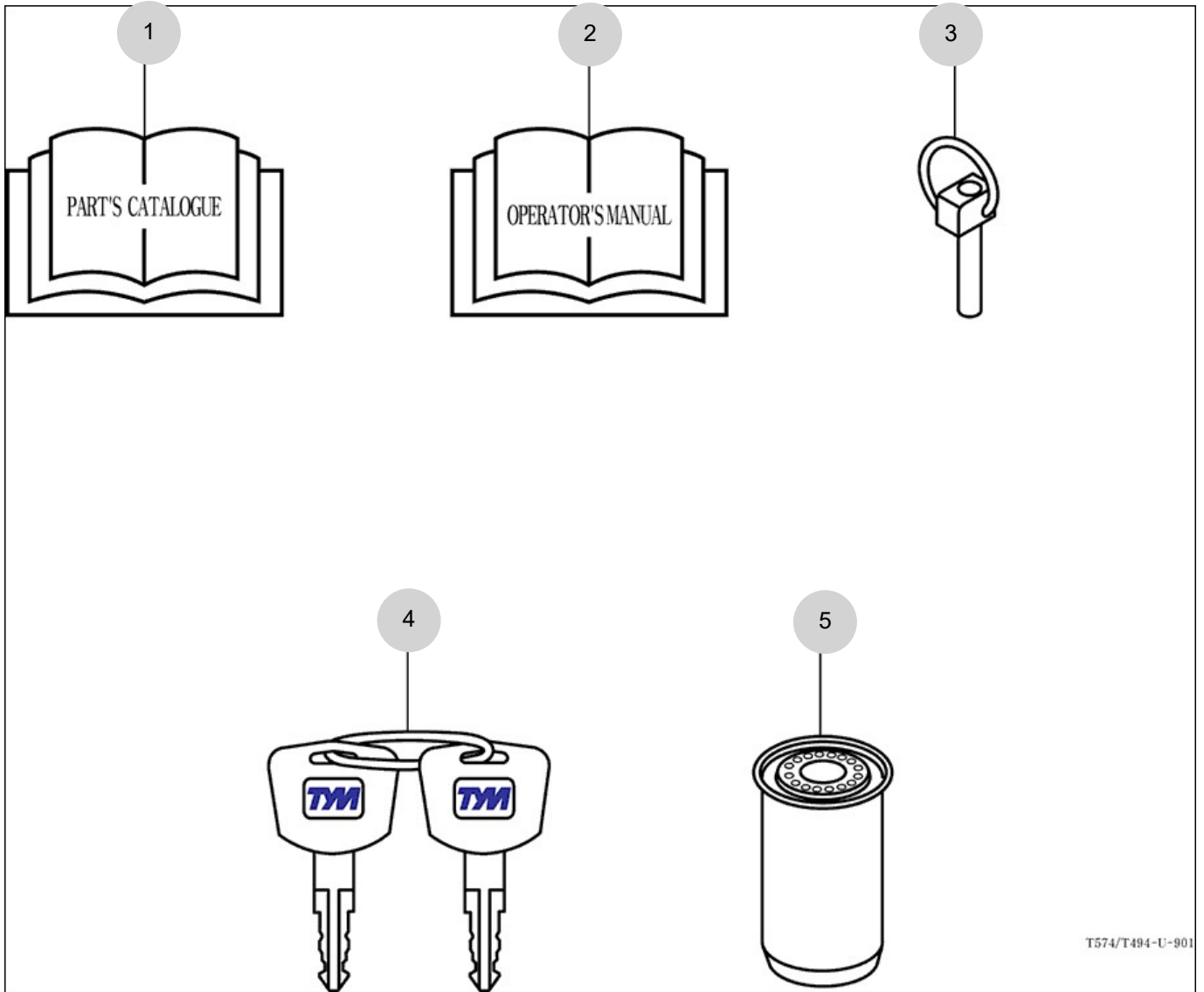
FIG 901

T574NC-B

TOOL & ACCESSORY

년/월  
Year/Month

2022-12



NOTE





FIG 902

LABEL

년/월  
Year/Month

T574NC-B

2022-12

**WARNING**  
Do not remove radiator cap while engine is hot. Hot steam will injure you.

**CAUTION**  
Keep hands and clothing away from rotating fan and belts to prevent serious injury.

**DANGER**  
Do not ride except operator.

**Inner/Outer air Ventilation**  
• When grills of rear and both sides are opened, inner air will ventilate in.  
• For effective use, open it when operate heater or air conditioner and close when ventilate fresh air.

**WARNING**  
Do not touch while the system is hot. It cause serious burns.

**CAUTION**  
Do not refuel the tractor while smoking or near naked flame or sparks. always stop engine before refueling tractors.

**WARNING**  
Do not use the sub shift lever at "H" position when driving backward.

**WARNING**  
Do not touch while the system is hot. It cause serious burns.

**DANGER**  
This Tractor may tip over unexpectedly and quicker than an operator is able to jump free.

**WARNING**  
Additions, alterations, cracking, damage or corrosion to this structure may adversely affect the performance of the ROPS.

**WARNING**  
Death or injury may result if this tractor over turns with the ROPS in the folded down position. Operate this tractor with the ROPS folded down only when necessary. Do not wear seat belt if operated with ROPS folded down.

**WARNING**  
Stay clear of raised Boom and bucket.

**DPF regeneration procedure**

When DPF lamp on	Do this	Operate (about 30min)	Complete
1. Park outside safe location			
2. Stop all functions.			
3. Parking brake ON.			
4. Engine speed to Max RPM			
5. Press the regen button			
6. Must remain with the vehicle			
	DPF + EGT ON		Lamp off
	+ Button blinking		

**SPEED TABLES**

APPLICATION	REVERSE	1ST	2ND	3RD	4TH	5TH	6TH	7TH	8TH	9TH	10TH	11TH	12TH	13TH	14TH	15TH	16TH	17TH	18TH
FIELD																			
ROAD																			
MAX SPEED																			

**ON**  
**4WD**  
**OFF**

**WARNING**  
Do not use the sub shift lever at "H" position when driving backward.

**WARNING**  
Stay clear of raised Boom and bucket.

**DPF regeneration procedure**

When DPF lamp on and beep, follow below

For further details, consult your Dealer's Manual

NOTE



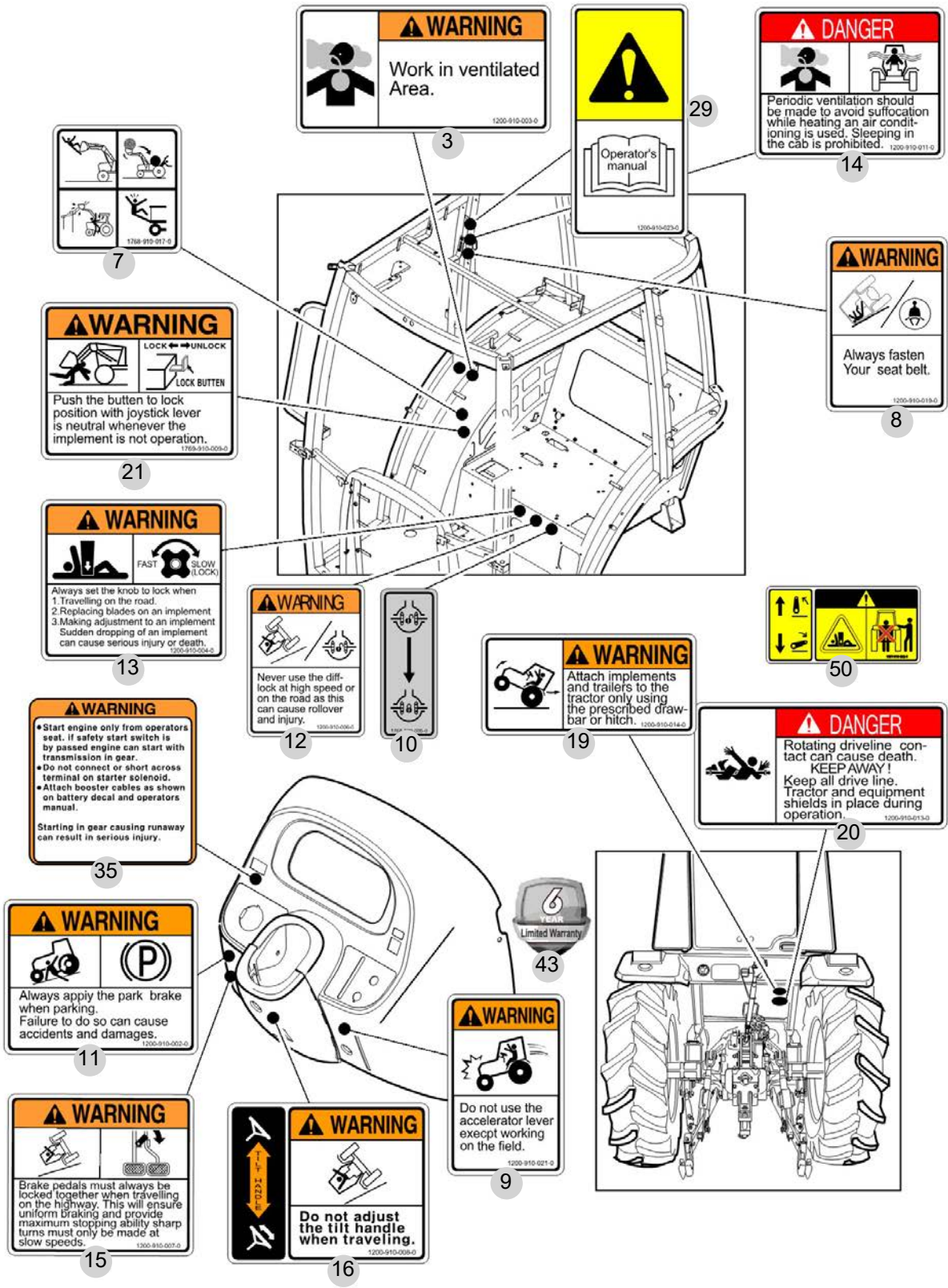
FIG 902

LABEL

년/월  
Year/Month

T574NC-B

2022-12



NOTE





FIG 903

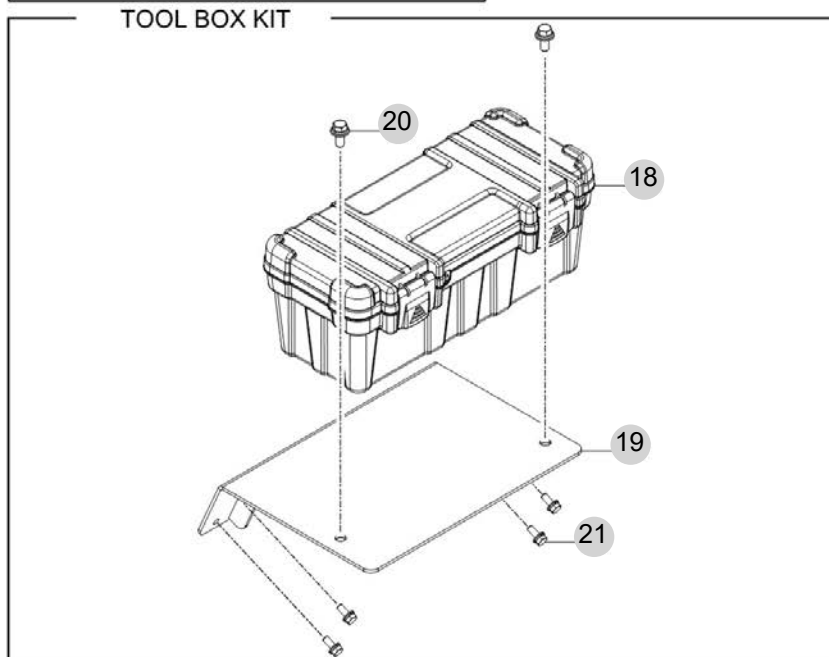
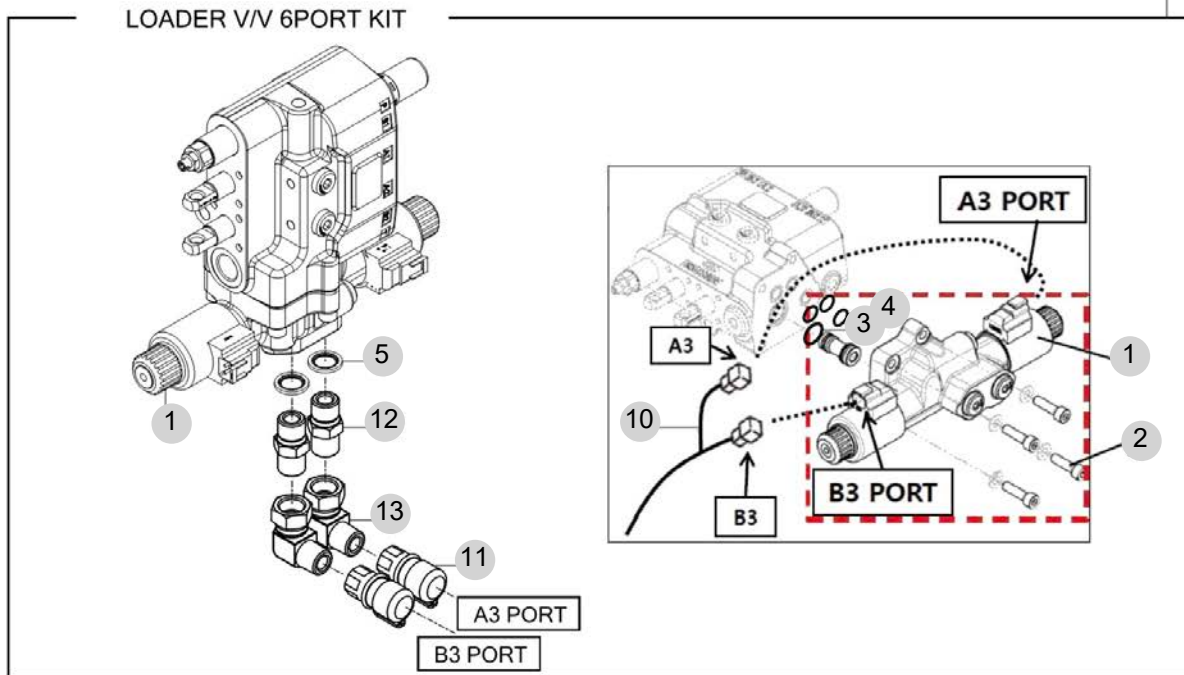
OPTION

년/월  
Year/Month

T574NC-B

2022-12

0



NOTE

