

T494ST-B

Parts Catalog

목 차

0. TRACTOR KIT PART NO. TK1

FIG 000 TRAILER SOCKET KIT 8

1. Engine PART NO. EG

FIG 100 ENGINE	12
FIG 101 CYLINDER BLOCK	14
FIG 102B OILJET ASS'Y OPTION(T494)	16
FIG 103 CRANK SHAFT	18
FIG 104 PISTON	20
FIG 105 CYLINDER HEAD	22
FIG 106 ROCKER LEVER	24
FIG 107 HEAD COVER	26
FIG 108 GEAR CASE	28
FIG 109 IDLE GEAR	30
FIG 110 CAM SHAFT	32
FIG 111 OIL PUMP	34
FIG 112 HYD. PUMP DRIVE	36
FIG 113 2ND BALANCE	38
FIG 114 OIL PAN	40
FIG 115B INTAKE MANIFOLD(T494)	42
FIG 116B EXHAUST MANIFOLD(T494)	44
FIG 117B TURBOCHARGER ASS'Y(T494)	46
FIG 118B TURBOCHARGER PLUMBING OPTION(T494)	48
FIG 119B BREATHER(T494)	50
FIG 120 FUEL INJECTION PUMP	52
FIG 121 FUEL INJECTION VALVE	54
FIG 122 FUEL PIPE ASS'Y	56
FIG 123 OIL FILTER	58
FIG 124 OIL COOLER	60
FIG 125 OIL GAUGUE	62
FIG 126 OIL FILLER CAP	64

FIG 127 COOLING WATER PUMP	66
FIG 128 CRANK SHAFT PULLEY	68
FIG 129 V-PULLEY	70
FIG 130 COOLING FAN	72
FIG 131 FLYWHEEL HOUSING	74
FIG 132 FLYWHEEL	76
FIG 133 GLOW PLUG ASS'Y OPTION	78
FIG 134 STARTING MOTOR	80
FIG 135 FUEL FILTER BRACKET ASS'Y	82
FIG 136 ALTERNATOR	84
FIG 137 V-BELT	86
FIG 138 FUEL FILTER	88
FIG 139B DPF SUPPORT (T494)	90
FIG 140 DATAPLATE	92
FIG 142B DPF ASS'Y (T494)	94
FIG 143 LIFT ASS'Y	96
FIG 144 COMP . DRIVE PULLEY ASS'Y OPTION	98
FIG 147 LOOSED PARTS	100

2. Engine Accessories PART NO. T2

FIG 201B AIR CLEANER (T494)	103
FIG 202 RADIATOR	105
FIG 203 MUFFLER	107
FIG 204 FUEL HOSE & FILTER	109
FIG 205 FUEL TANK	111
FIG 206 ACCELERATOR	113

3. Clutch/Brake/Steering PART NO. T3

FIG 301 CLUTCH	116
FIG 302 CLUTCH PEDAL	118
FIG 303 BRAKE	121
FIG 304 BRAKE PEDAL & LINK	123
FIG 305 FRONT WHEEL	125
FIG 306 REAR WHEEL	127
FIG 307 POWER STEERING WHEEL	129
FIG 308 POWER STEERING VALVE	131

FIG 309 POWER STEERING CYLINDER	133
---------------------------------	-----

4. Transmission PART NO. T4

FIG 401 TRANSMISSION FRONT CASE	136
FIG 402 FORWARD & BACKWARD GEARS	138
FIG 403 IDLE & COUNTER GEARS	140
FIG 404 MAIN SHIFT GEARS	142
FIG 405 P.T.O DRIVE SHAFT	144
FIG 406 MAIN CHANGE LEVER	146
FIG 407 REVERSE CHANGE LEVER	148
FIG 408 TRANSMISSION MID CASE	150
FIG 409 TRANSMISSION REAR CASE	152
FIG 410 SUB CHANGE GEARS	154
FIG 411 SUB CHANGE SHIFTER	156
FIG 413 DRIVE GEARS	158
FIG 414 4WD CHANGE LEVER	160
FIG 415 P.T.O CHANGE GEARS	162
FIG 417 REAR DIFFERENTIAL GEARS	164
FIG 418 REAR AXLE HOUSING	167

5. Front Axle PART NO. T5

FIG 501 FRONT AXLE SUPPORT	170
FIG 502 FRONT DRIVE SHAFT	172
FIG 503 FRONT AXLE HOUSING	174
FIG 504 FRONT DIFFERENTIAL GEARS	176
FIG 505 FRONT GEAR CASE (1)	178
FIG 506 FRONT GEAR CASE (2)	180
FIG 507 FRONT GEAR CASE (3)	182

6. Hydraulic/3P-Link PART NO. T6

FIG 601 CYLINDER CASE	185
FIG 602 LIFT ARM	187
FIG 603 CYLINDER	189
FIG 604 POSITION LINK	191
FIG 605 CONTROL VALVE	193

FIG 606 DRAFT LINK	195
FIG 607A POSITION & DRAFT LEVER (1)	197
FIG 607B POSITION & DRAFT LEVER (2)	199
FIG 608 EXTERIOR HYD. VALVE	201
FIG 609 HYDRAULIC PIPE	203
FIG 610 JOYSTICK[SAP 가져오기]에서 생성함.	205
FIG 610 JOYSTICK	207
FIG 612 HITCH & 3-POINT LINK	209
FIG 613 LOWER LINK & LIFT ROD	212

7. Sheet Metal & Cabin PART NO. T7

FIG 701 BONNET FRAME	215
FIG 702A BONNET (1)	217
FIG 702B BONNET (2)	219
FIG 703 EXTENSION COVER	221
FIG 704A LEVER COVER & STEP	223
FIG 705 FRONT & REAR MOUNTING[SAP 가져오기]에서 생성함.	225
FIG 705 FRONT & REAR MOUNTING	227
FIG 706 SEAT & MAT	229
FIG 709 DOOR	231
FIG 710A FRONT GLASS	234
FIG 711 SIDE GLASS	236
FIG 712 REAR GLASS	238
FIG 713A SUB FENDER & COVER	240
FIG 714A MIRROR	242
FIG 715A HEATER & AIR-CON	244
FIG 715B HEATER & AIR-CON	246
FIG 716 FENDER COVER	248
FIG 717 ROOF	250
FIG 718 CABIN INTERIOR	252

8. Electrical System PART NO. T8

FIG 801 BATTERY & MOUNTING	255
FIG 802 HARNESS LAMP	257
FIG 803 INSTRUMENT PANEL	259
FIG 804 ELECTRIC SYSTEM (1)	261

FIG 805A ELECTRIC SYSTEM (2)	263
FIG 806 ELECTRIC SYSTEM (3)	265

9. Label/Option PART NO. T9

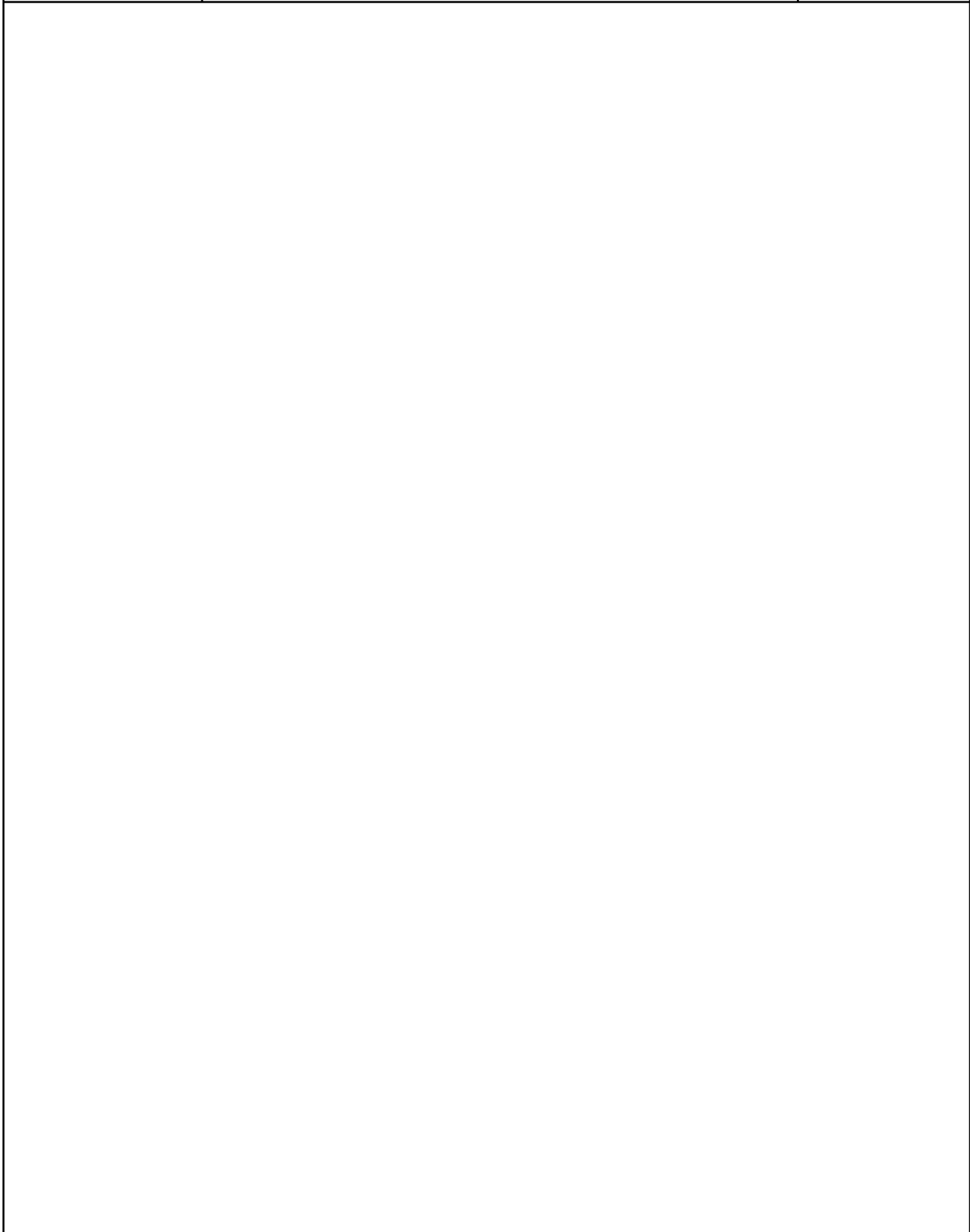
FIG 901 TOOL & ACCESSORY	268
FIG 902 LABEL	270
FIG 902 LABEL	272

0. TRACTOR KIT PART NO. TK1

FIG 000 TRAILER SOCKET KIT

8

FIG 000 T494ST-B	TRAILER SOCKET KIT	년/월 Year/Month 2022-12
---------------------	--------------------	------------------------------



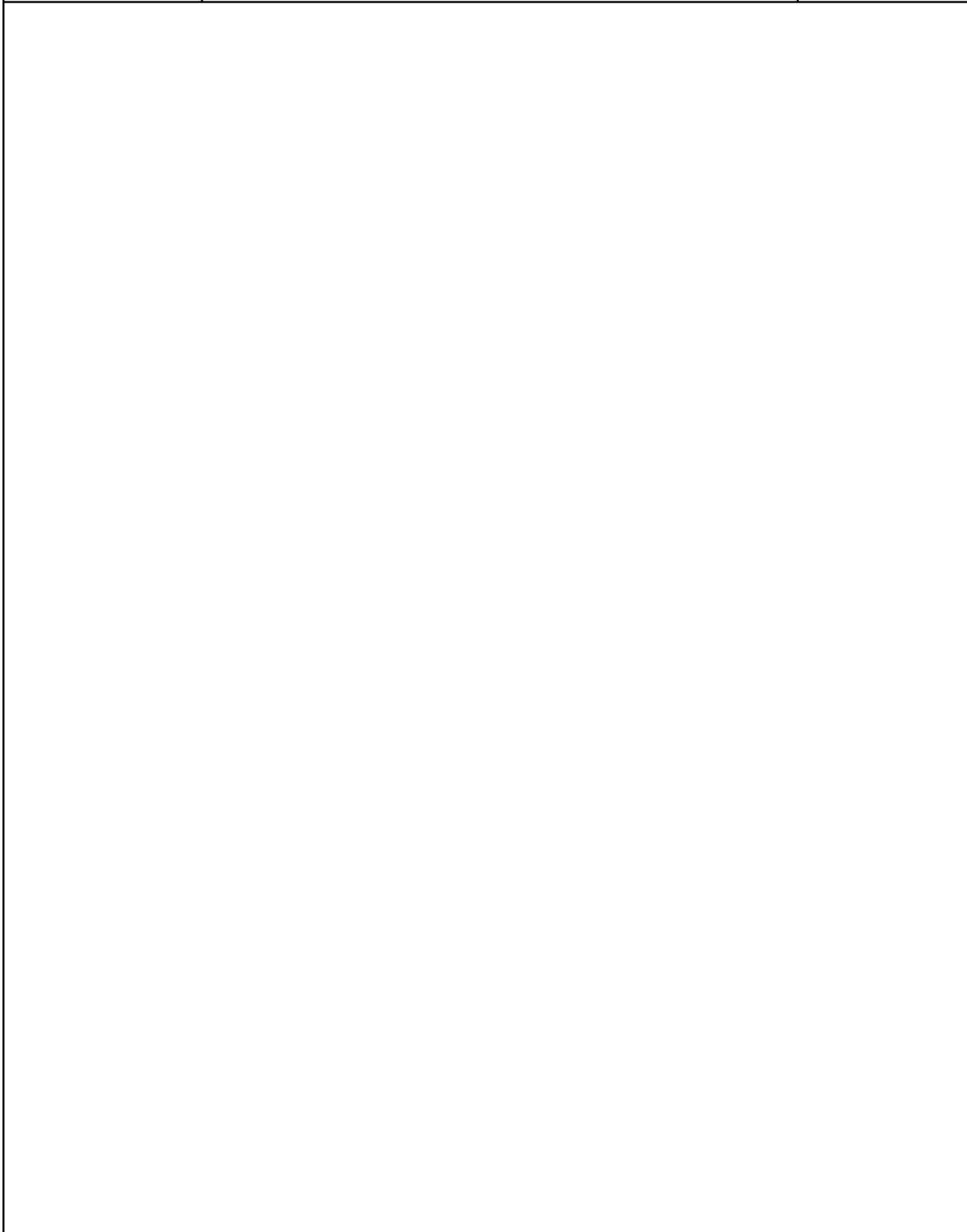
NOTE	
------	--

1. Engine PART NO. EG

FIG 100 ENGINE	12
FIG 101 CYLINDER BLOCK	14
FIG 102B OILJET ASS'Y OPTION(T494)	16
FIG 103 CRANK SHAFT	18
FIG 104 PISTON	20
FIG 105 CYLINDER HEAD	22
FIG 106 ROCKER LEVER	24
FIG 107 HEAD COVER	26
FIG 108 GEAR CASE	28
FIG 109 IDLE GEAR	30
FIG 110 CAM SHAFT	32
FIG 111 OIL PUMP	34
FIG 112 HYD. PUMP DRIVE	36
FIG 113 2ND BALANCE	38
FIG 114 OIL PAN	40
FIG 115B INTAKE MANIFOLD(T494)	42
FIG 116B EXHAUST MANIFOLD(T494)	44
FIG 117B TURBOCHARGER ASS'Y(T494)	46
FIG 118B TURBOCHARGER PLUMBING OPTION(T494)	48
FIG 119B BREATHER(T494)	50
FIG 120 FUEL INJECTION PUMP	52
FIG 121 FUEL INJECTION VALVE	54
FIG 122 FUEL PIPE ASS'Y	56
FIG 123 OIL FILTER	58
FIG 124 OIL COOLER	60
FIG 125 OIL GAUGUE	62
FIG 126 OIL FILLER CAP	64
FIG 127 COOLING WATER PUMP	66
FIG 128 CRANK SHAFT PULLEY	68
FIG 129 V-PULLEY	70
FIG 130 COOLING FAN	72
FIG 131 FLYWHEEL HOUSING	74
FIG 132 FLYWHEEL	76
FIG 133 GLOW PLUG ASS'Y OPTION	78
FIG 134 STARTING MOTOR	80
FIG 135 FUEL FILTER BRACKET ASS'Y	82
FIG 136 ALTERNATOR	84
FIG 137 V-BELT	86

FIG 138 FUEL FILTER	88
FIG 139B DPF SUPPORT (T494)	90
FIG 140 DATAPLATE	92
FIG 142B DPF ASS'Y (T494)	94
FIG 143 LIFT ASS'Y	96
FIG 144 COMP . DRIVE PULLEY ASS'Y OPTION	98
FIG 147 LOOSED PARTS	100

FIG 100 T494ST-B	ENGINE	년/월 Year/Month
		2022-12



NOTE	
------	--

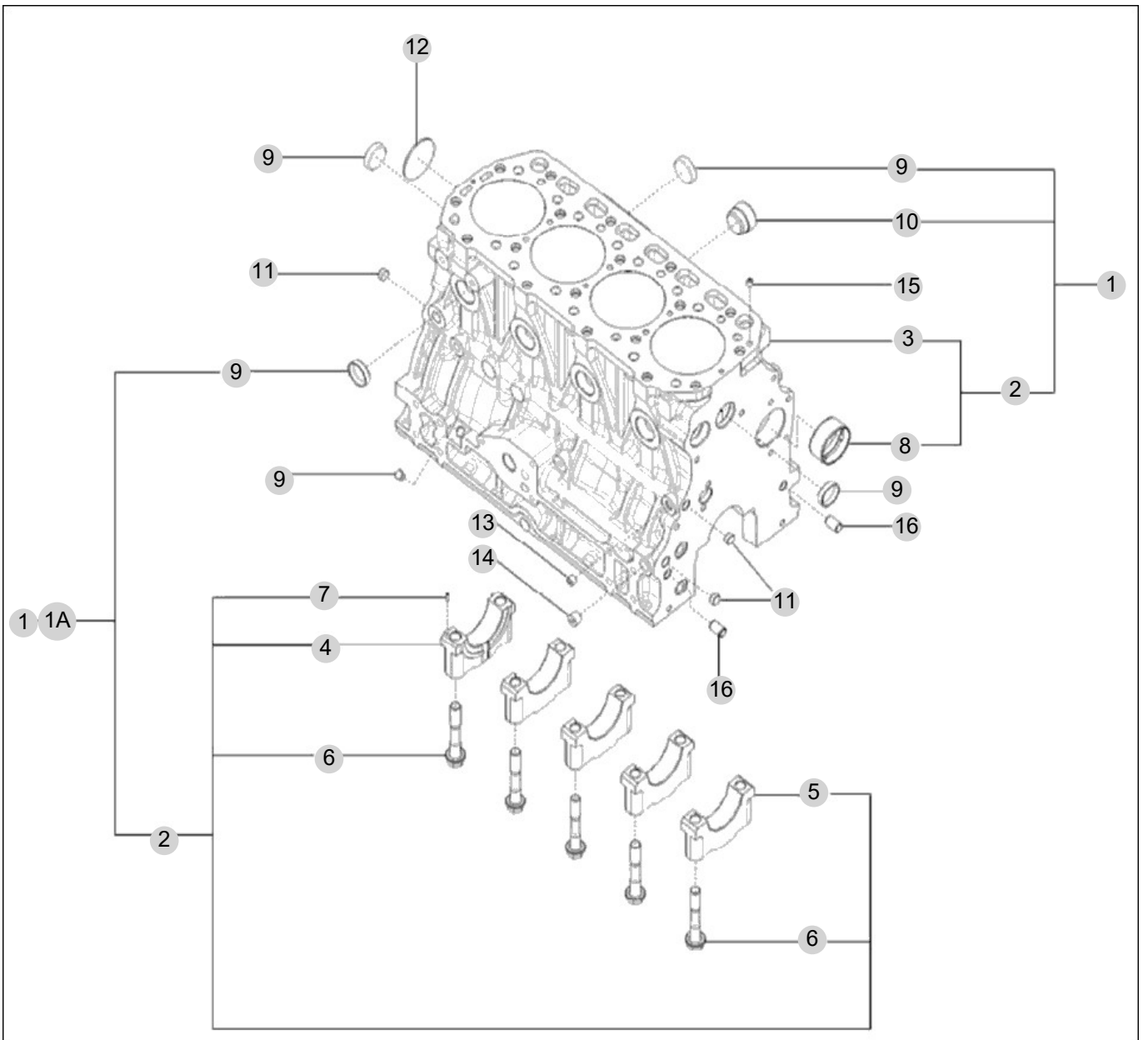
FIG 101

T494ST-B

CYLINDER BLOCK

년/월
Year/Month

2022-12



NOTE

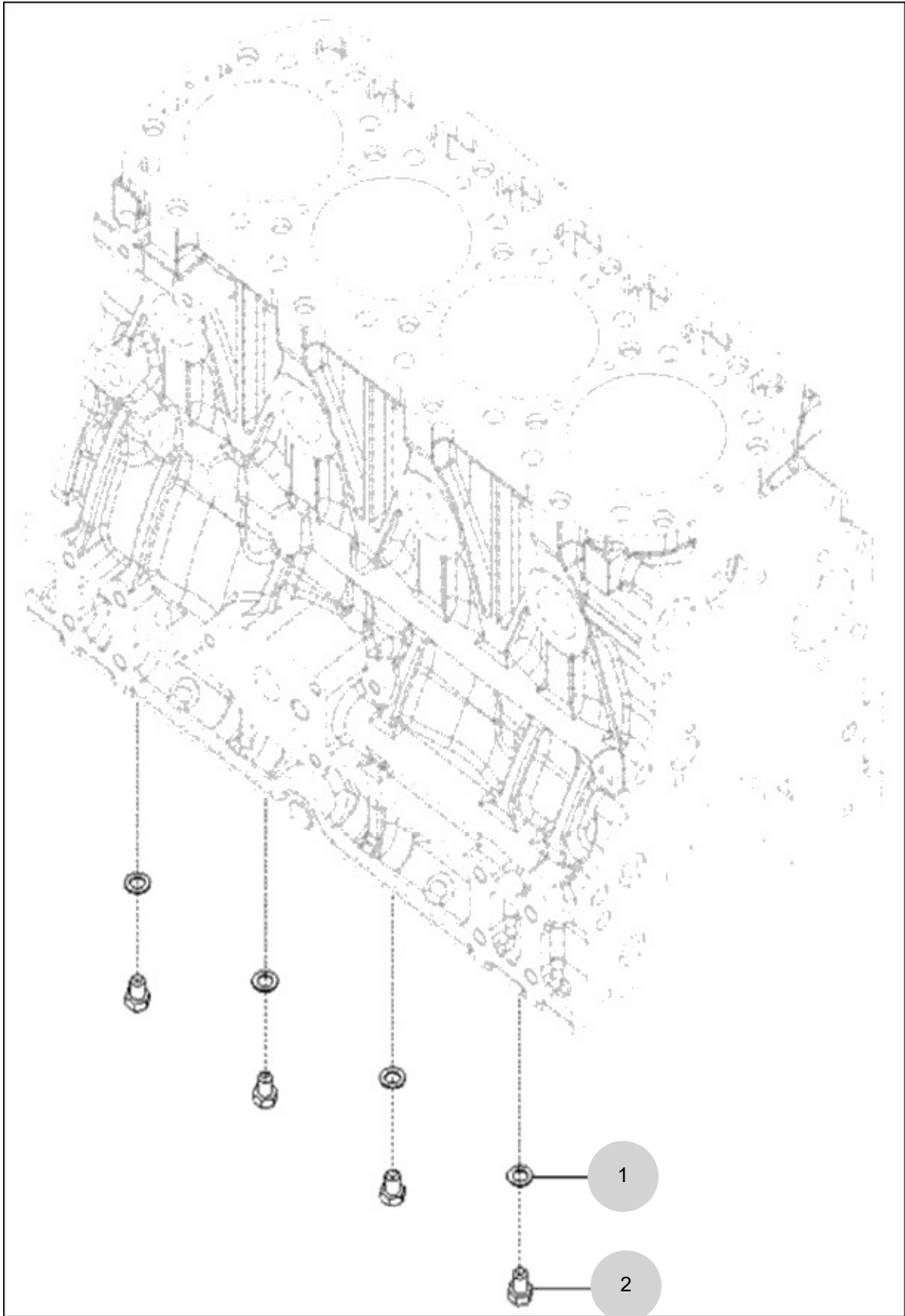
FIG 102B

OILJET ASS'Y OPTION(T494)

년/월
Year/Month

T494ST-B

2022-12



NOTE

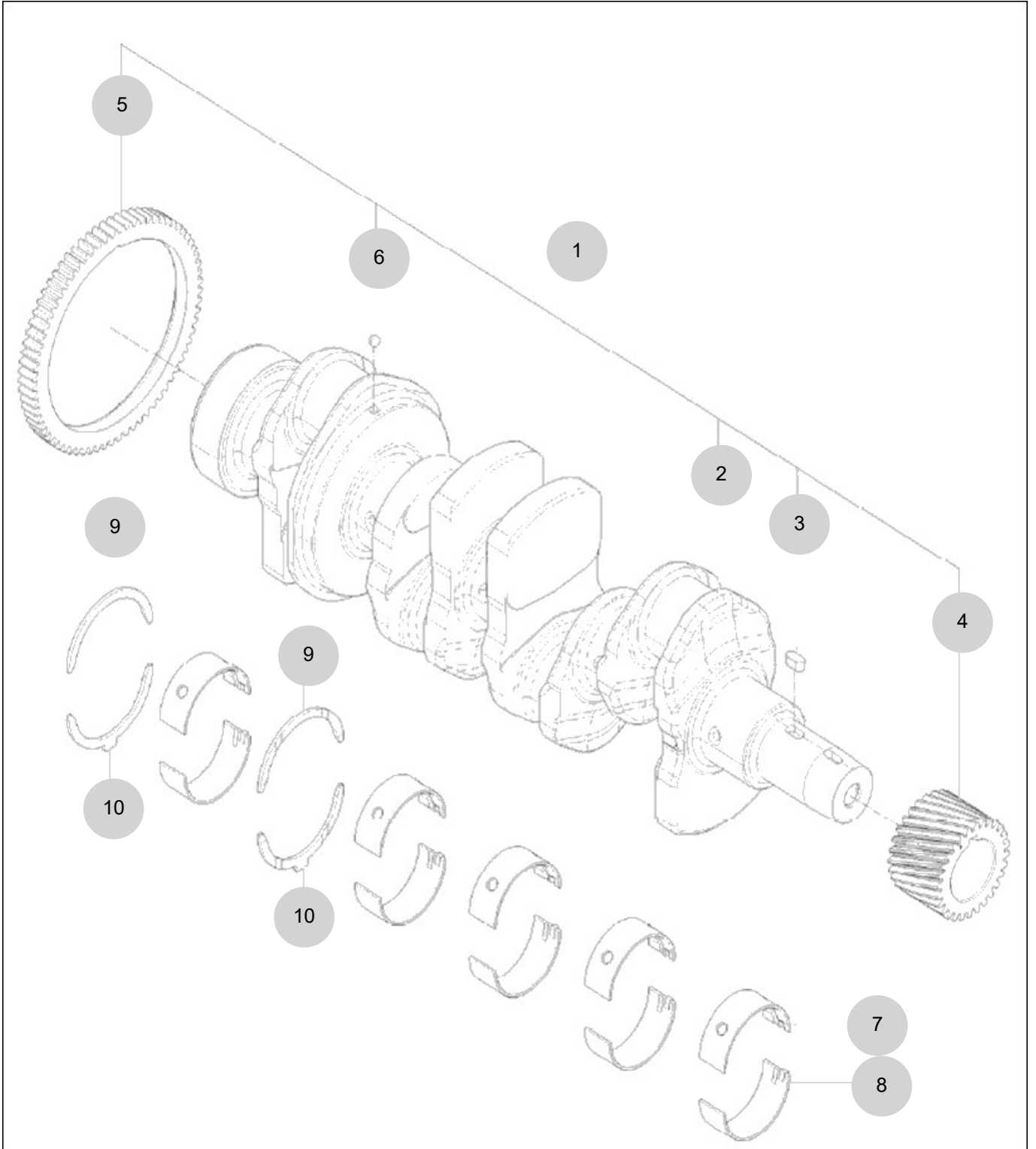
FIG 103

T494ST-B

CRANK SHAFT

년/월
Year/Month

2022-12



NOTE

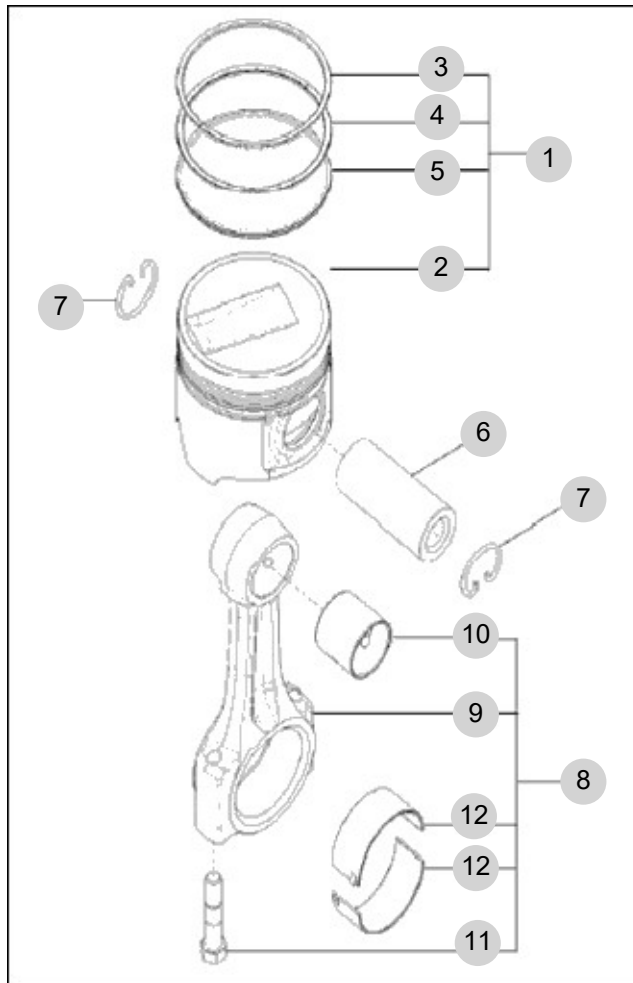
FIG 104

T494ST-B

PISTON

년/월
Year/Month

2022-12



NOTE

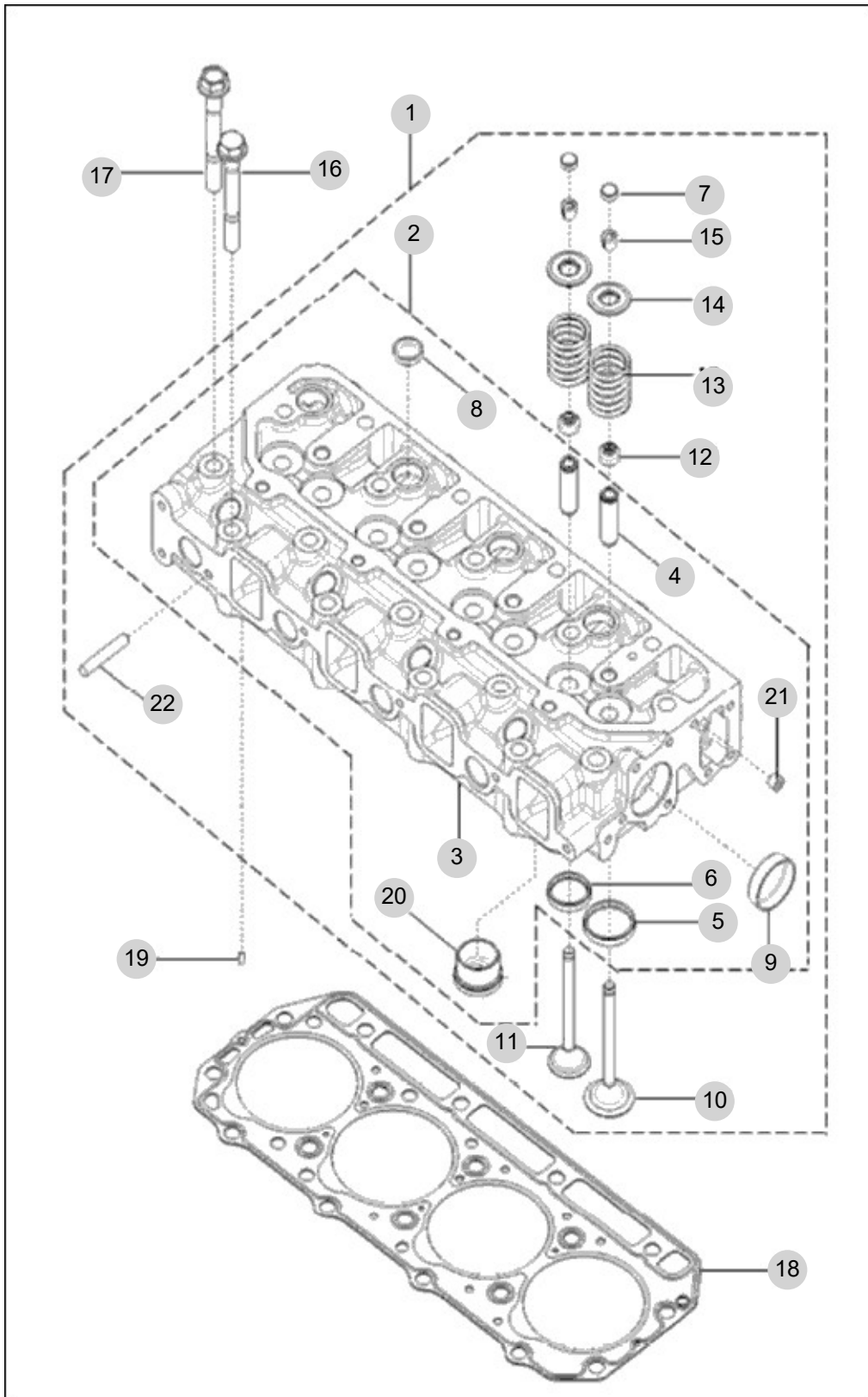
FIG 105

CYLINDER HEAD

년/월
Year/Month

2022-12

T494ST-B



NOTE

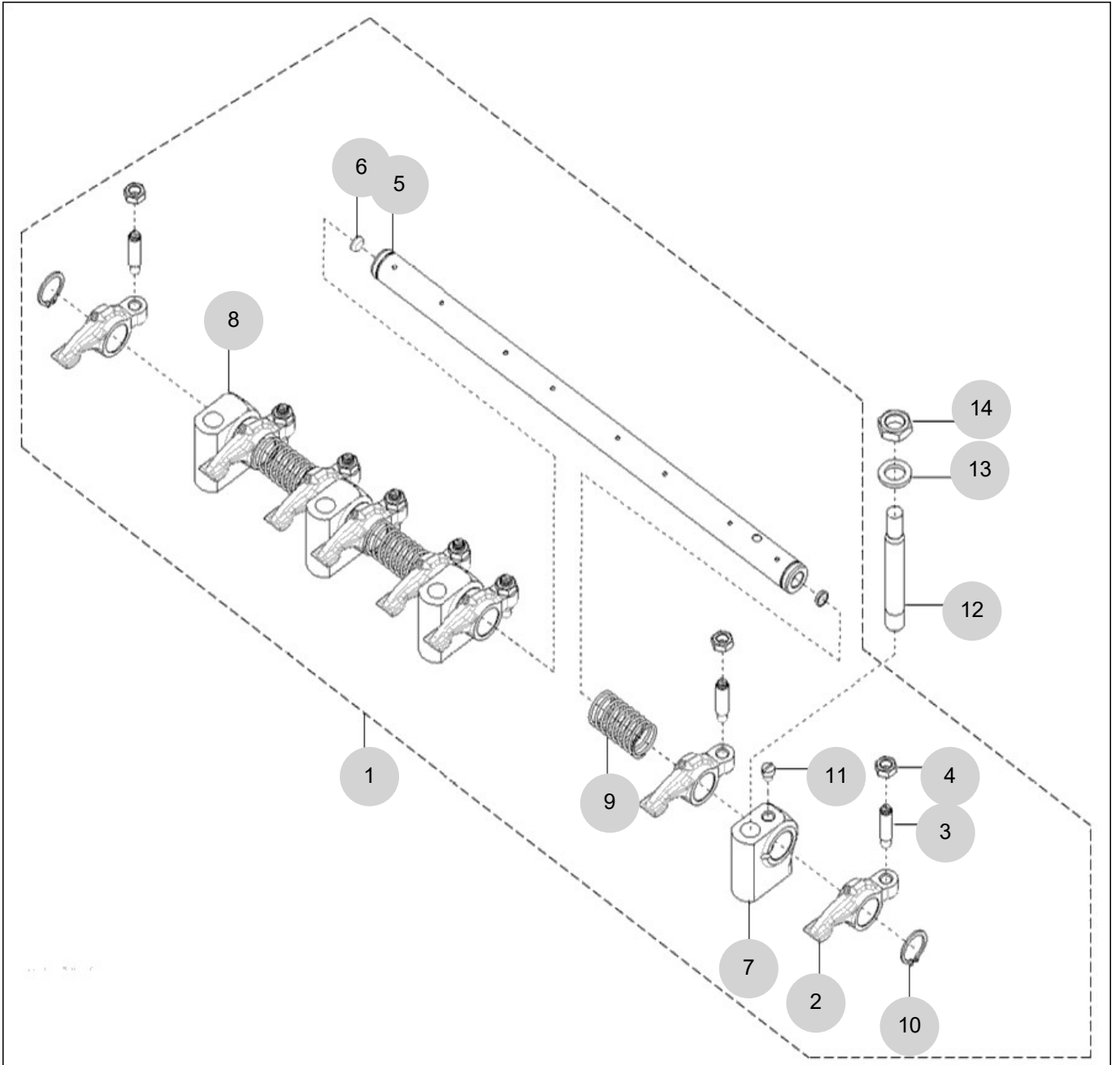
FIG 106

T494ST-B

ROCKER LEVER

년/월
Year/Month

2022-12



NOTE

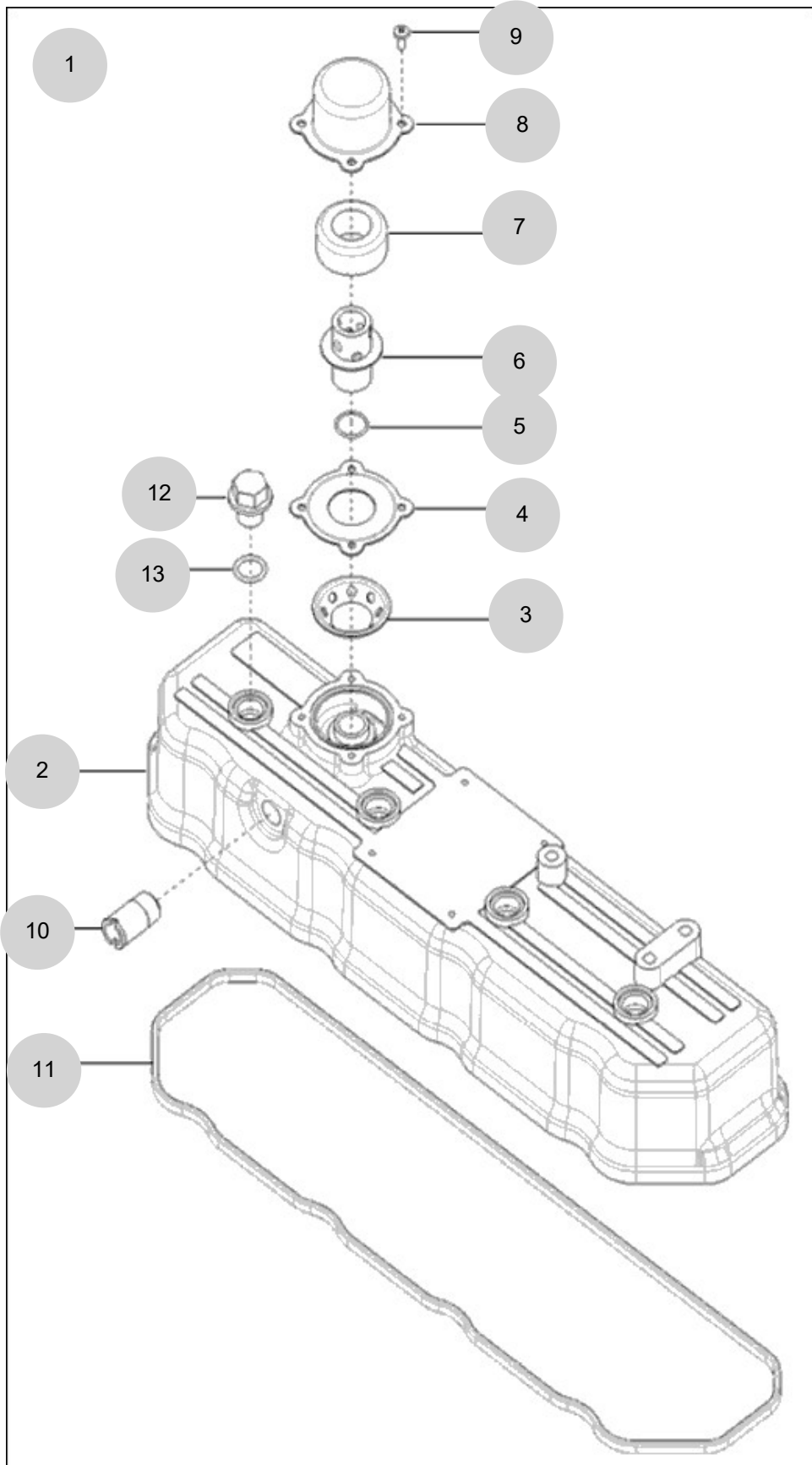
FIG 107

T494ST-B

HEAD COVER

년/월
Year/Month

2022-12



NOTE

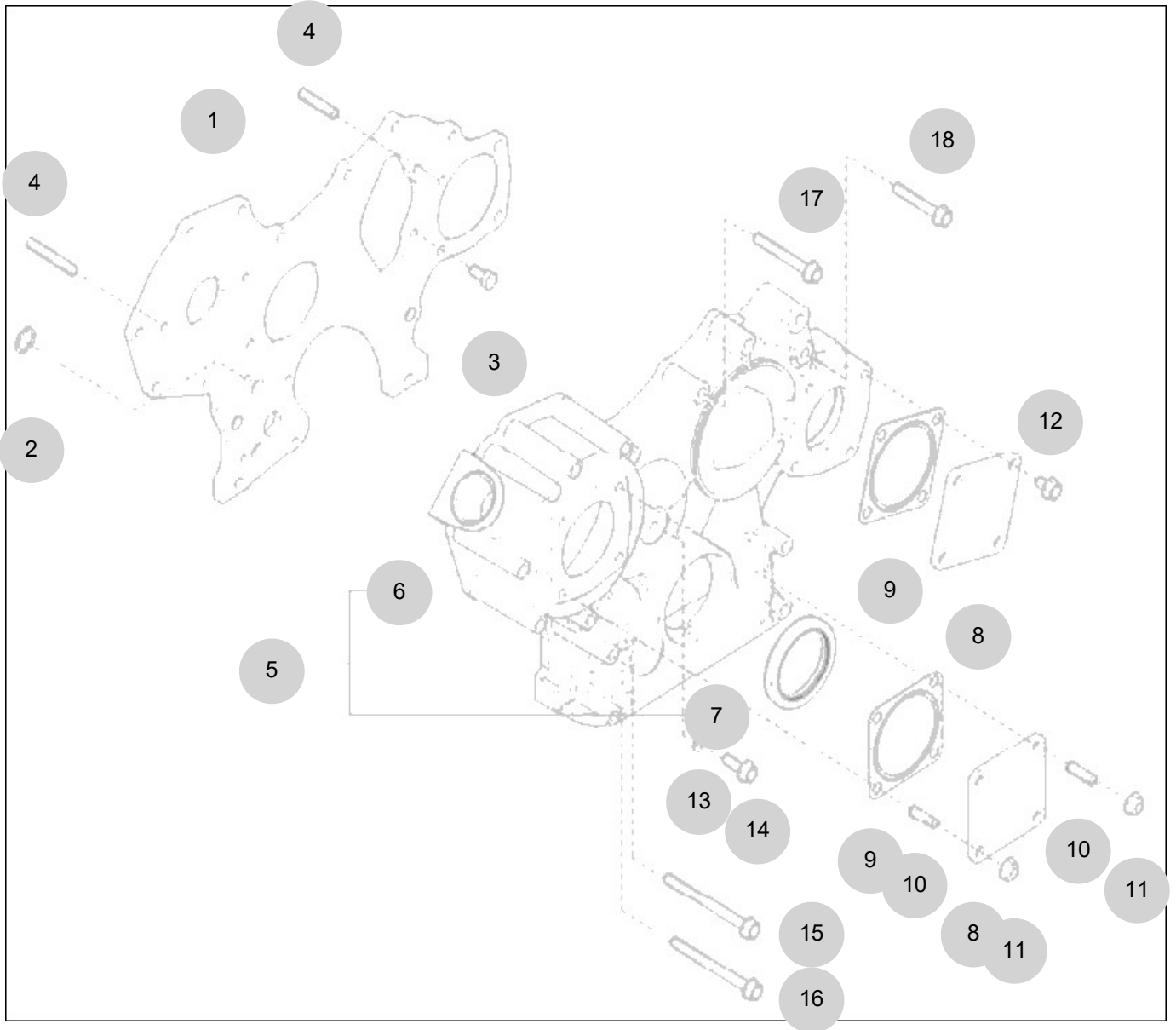
FIG 108

T494ST-B

GEAR CASE

년/월
Year/Month

2022-12



NOTE

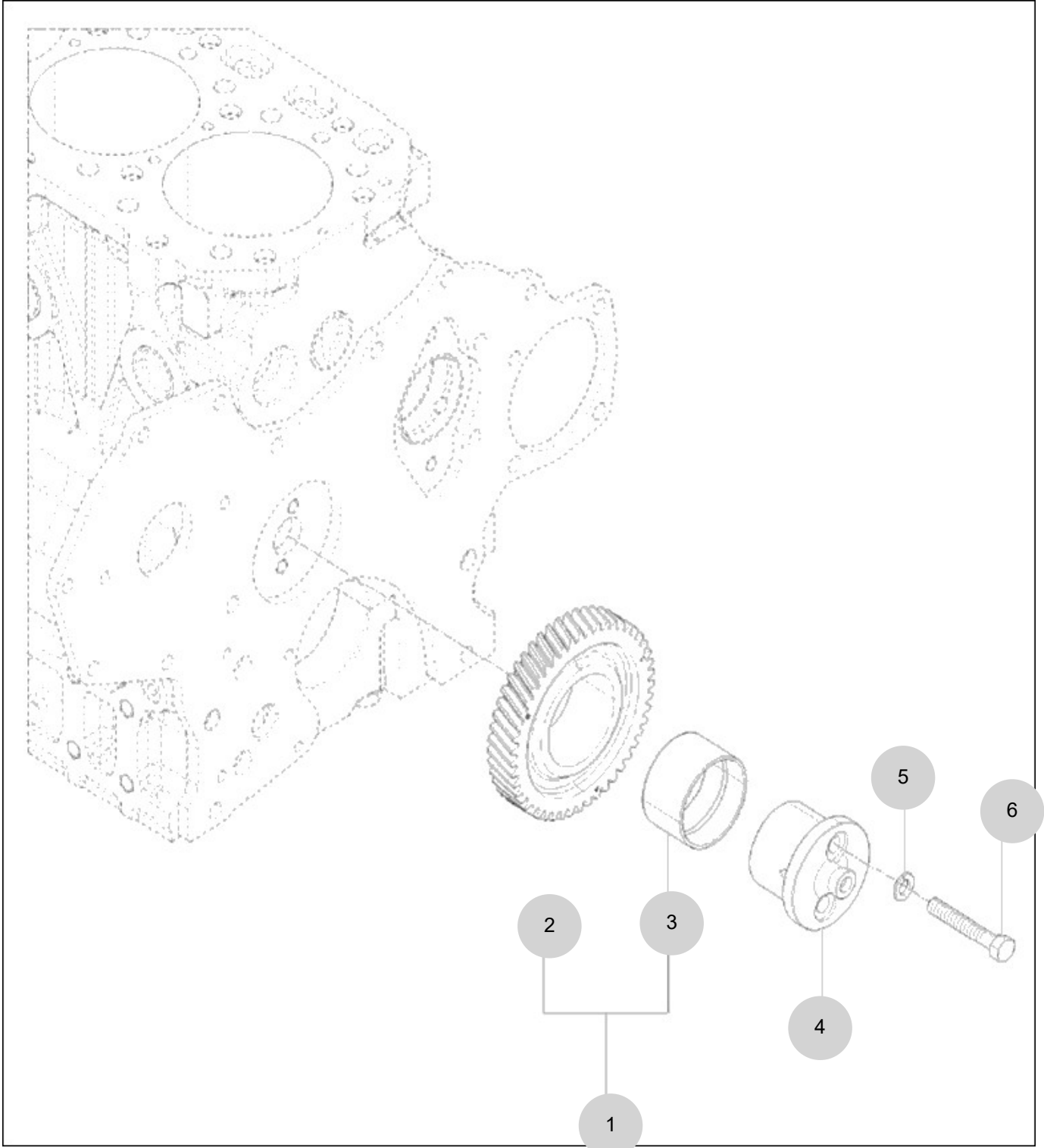
FIG 109

IDLE GEAR

년/월
Year/Month

T494ST-B

2022-12



NOTE

FIG 109 T494ST-B		IDLE GEAR						년/월 Year/Month	REMARKS
								2022-12	
KEY NO	PART NO	DESCRIPTION	SPEC	QTY	REPAIR	EFFECTIVE DATE		REMARKS	
109	1	HRA0700600A	IDLE GEAR ASS'Y		1				
109	2	HRA0700601A	IDLE GEAR		1				
109	3	HH08120000A	BUSH(IDLE GEAR)		1				
109	4	EA00000848B	SHAFT, IDLE GEAR		1				
109	5	22217-080000	SPRING WASHER		2				
109	6	HRU0700700A	BOLT(IDLE SHAFT)		2				
NOTE									

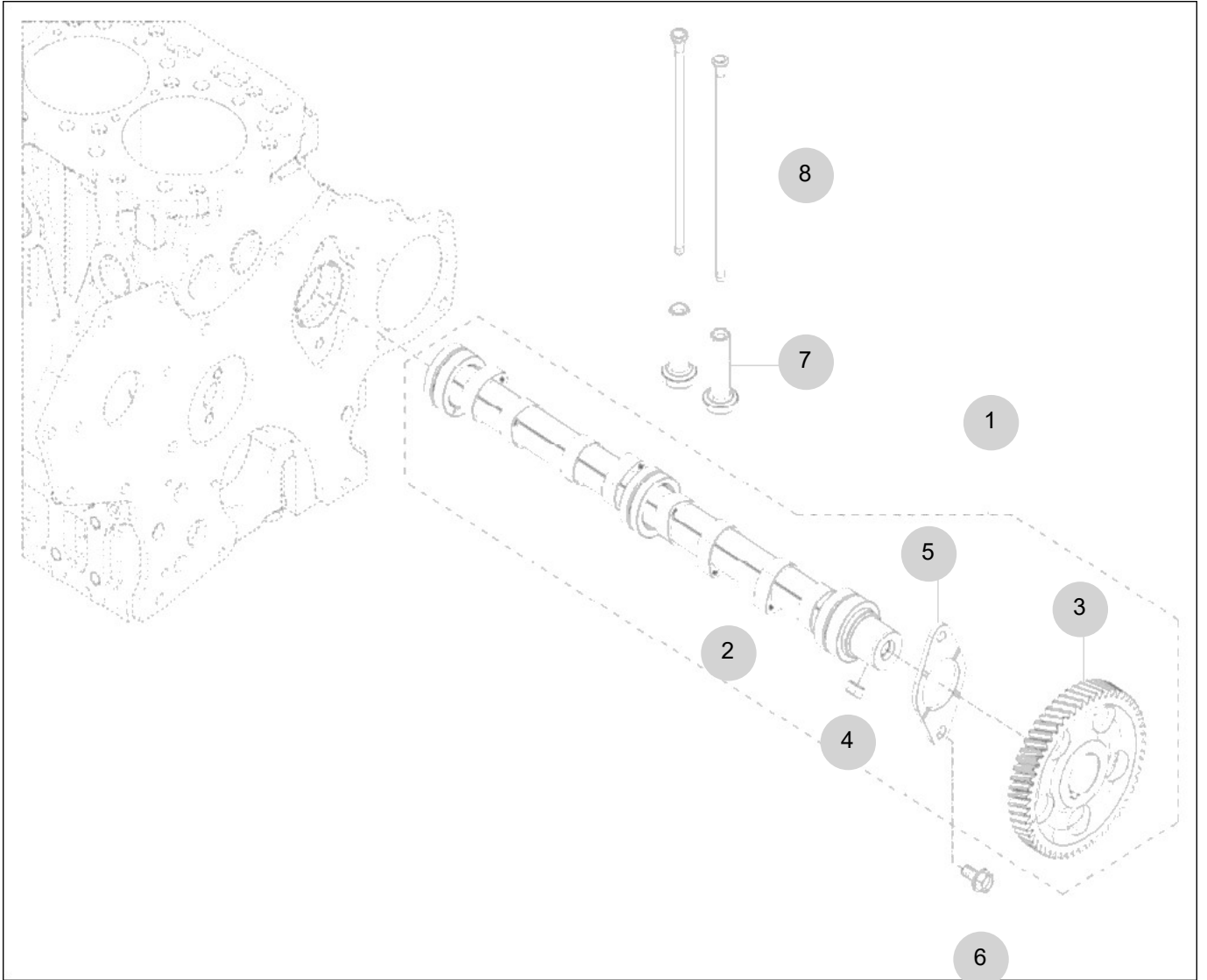
FIG 110

CAM SHAFT

년/월
Year/Month

T494ST-B

2022-12



NOTE

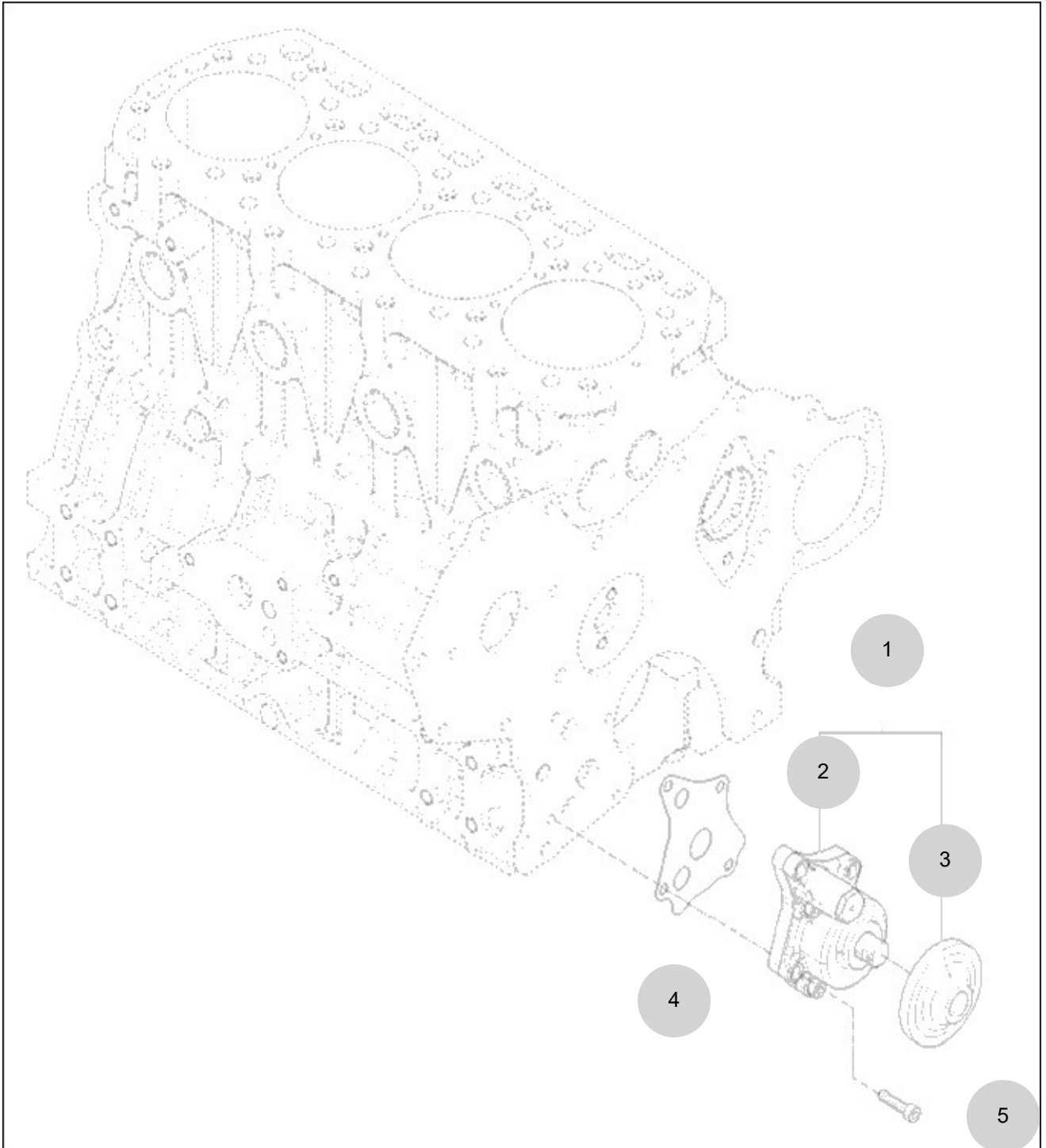
FIG 111

OIL PUMP

년/월
Year/Month

T494ST-B

2022-12



NOTE

FIG 111 T494ST-B		OIL PUMP					년/월 Year/Month	
							2022-12	
KEY NO	PART NO	DESCRIPTION	SPEC	QTY	REPAIR	EFFECTIVE DATE	REMARKS	
111	1	HRA1100109A	OIL PUMP ASS'Y	1				
111	1	EA00006157A	OIL PUMP ASS'Y	1				
111	2	HRA1100100A	OIL PUMP ASS'Y	1				
111	2	EA00006116A	OIL PUMP ASS'Y	1				
111	3	HRA1100112A	GEAR, OIL PUMP	1				
111	4	HRA1100600A	PACKING(OIL PUMP)	1				
111	5	26450-060252	SCREW, SOCKET HEAD CAP	4				
NOTE								

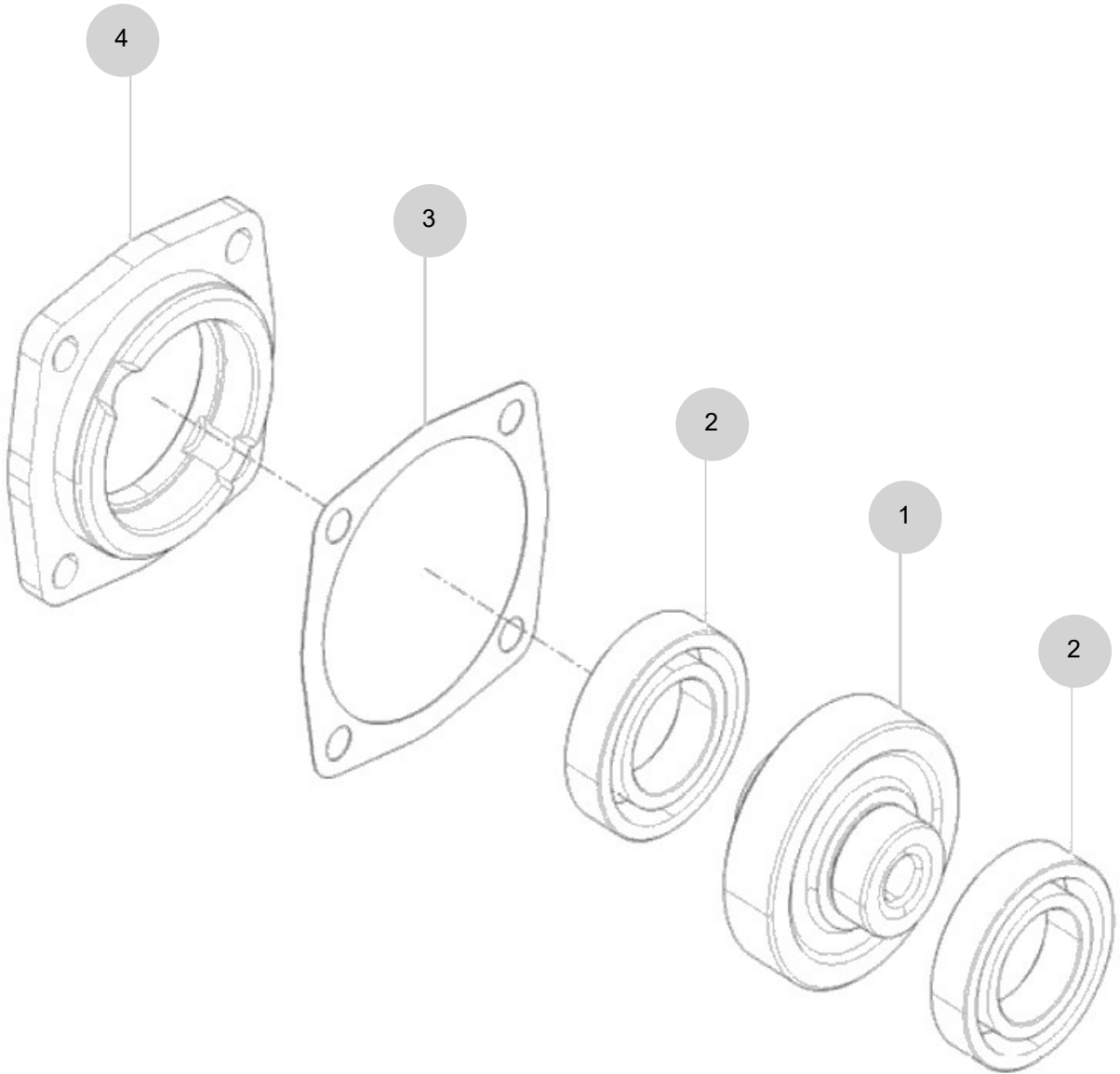
FIG 112

T494ST-B

HYD. PUMP DRIVE

년/월
Year/Month

2022-12



NOTE

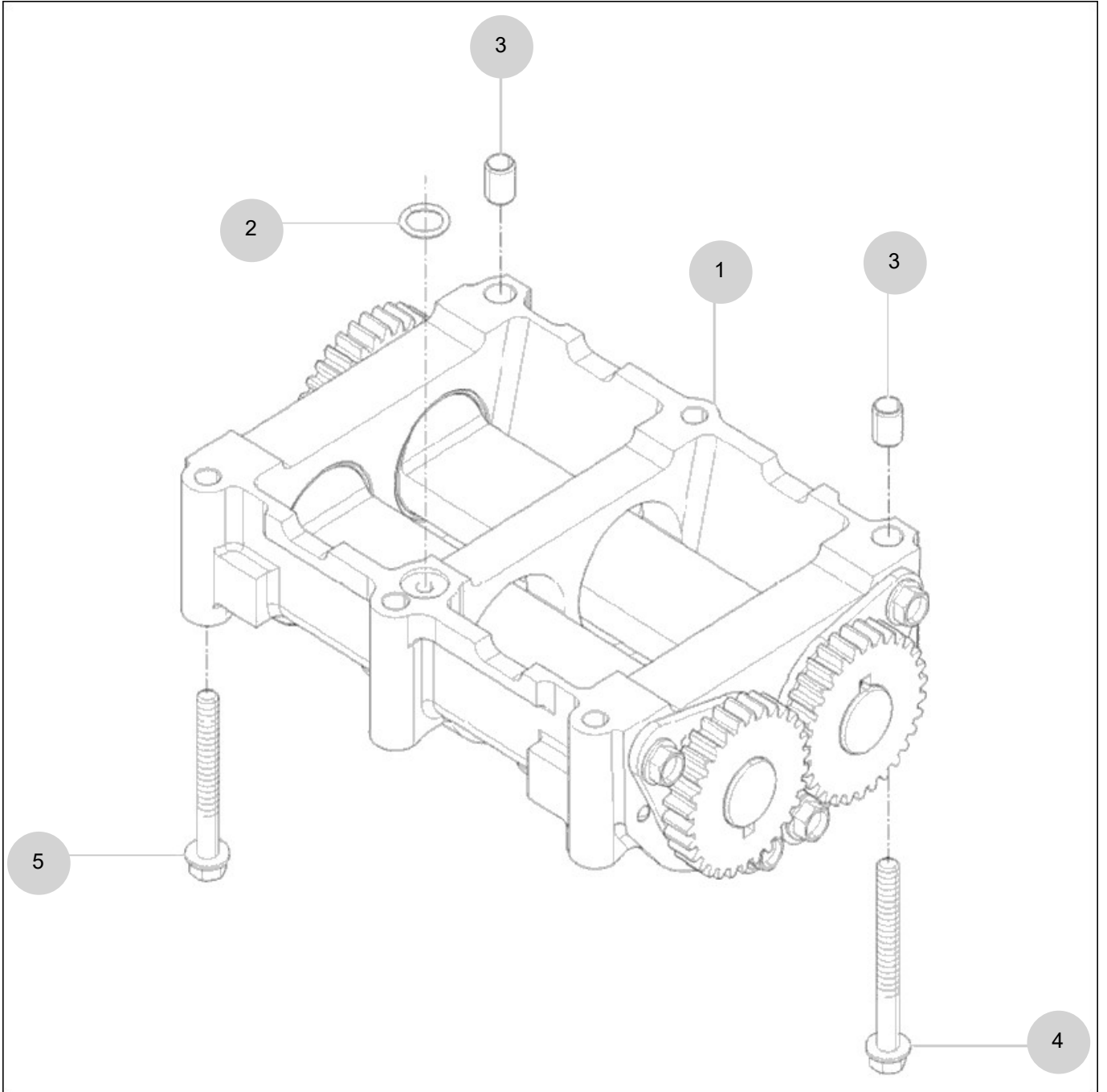
FIG 113

T494ST-B

2ND BALANCE

년/월
Year/Month

2022-12



NOTE

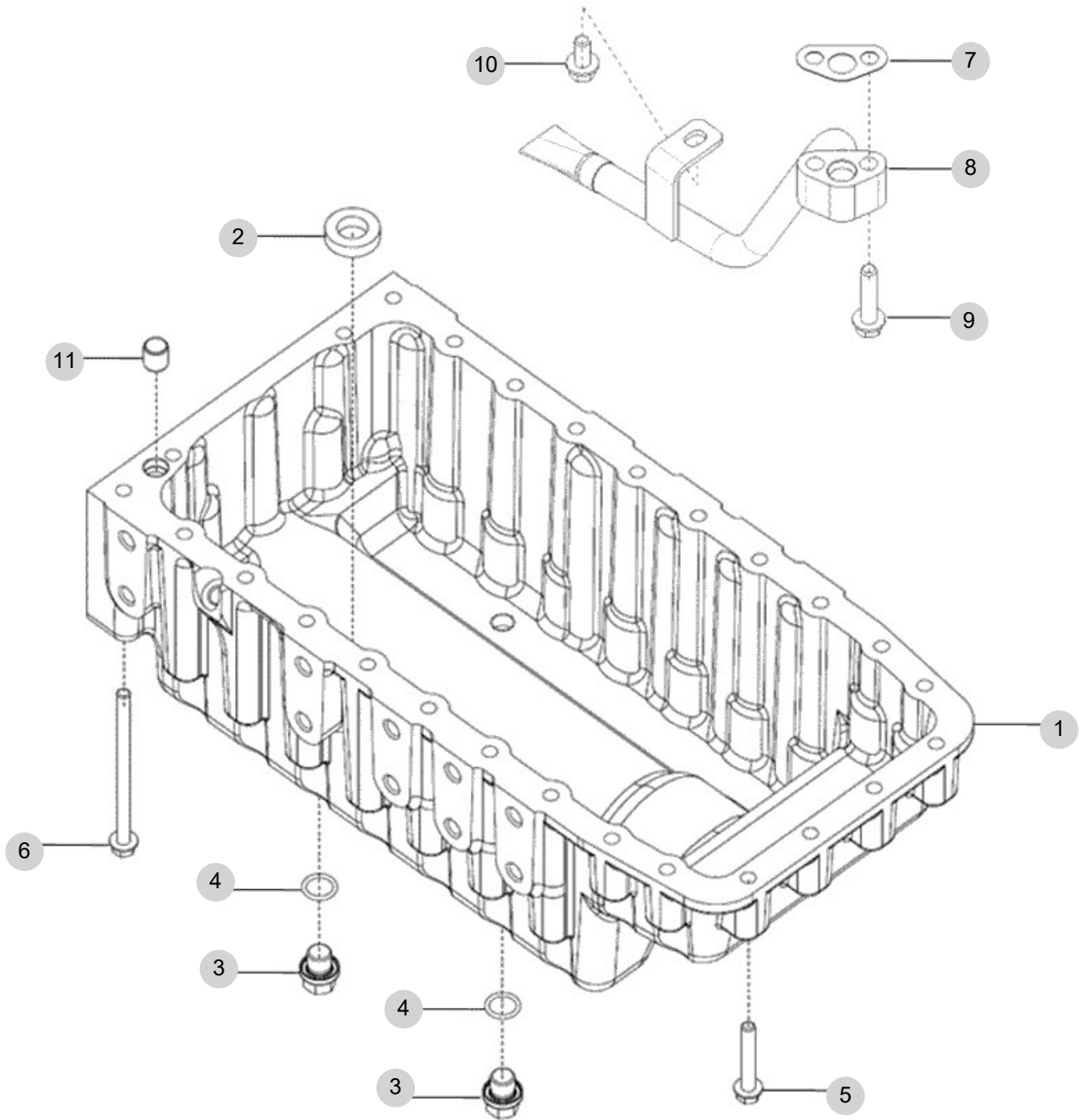
FIG 114

T494ST-B

OIL PAN

년/월
Year/Month

2022-12



NOTE

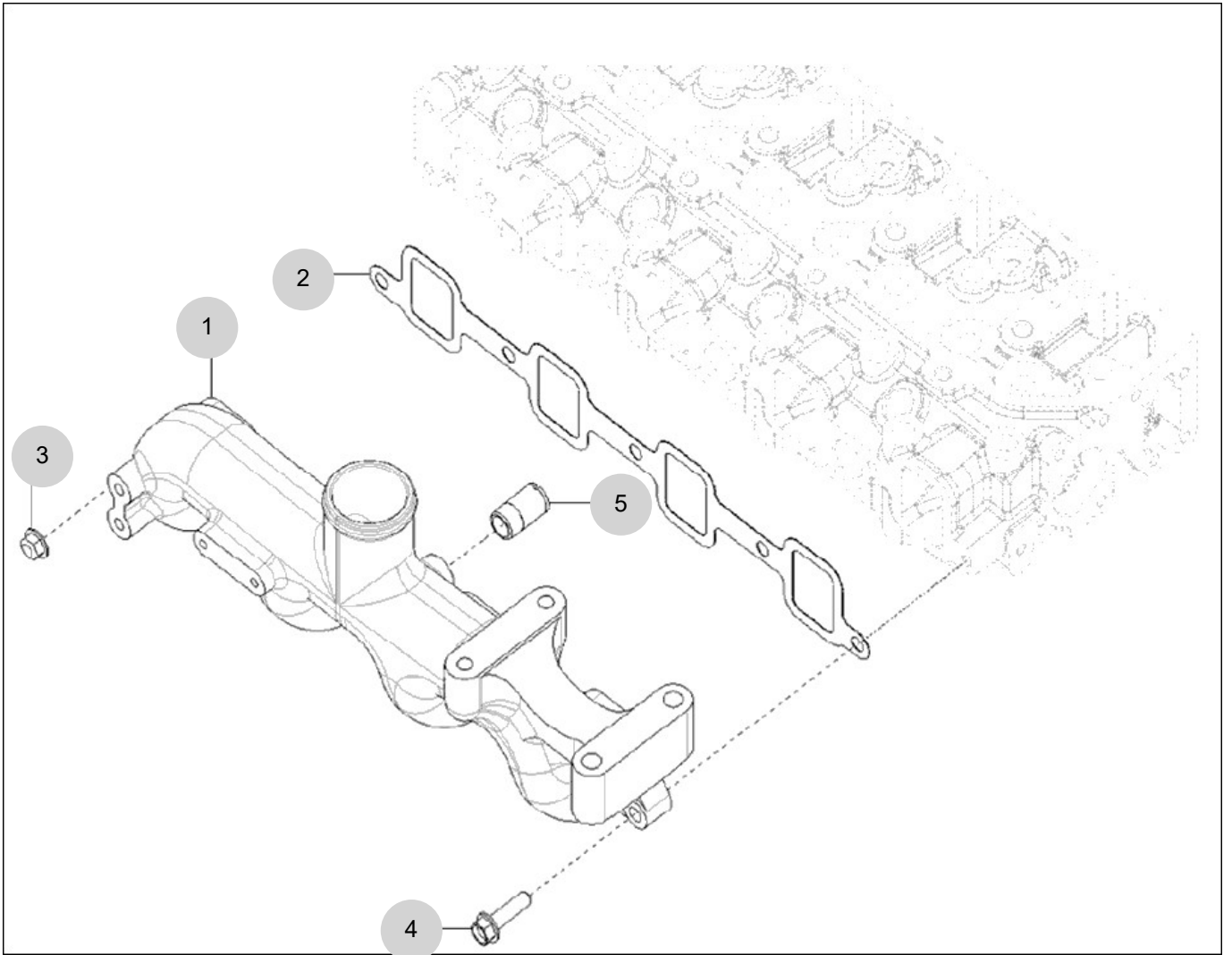
FIG 115B

INTAKE MANIFOLD(T494)

년/월
Year/Month

T494ST-B

2022-12



NOTE

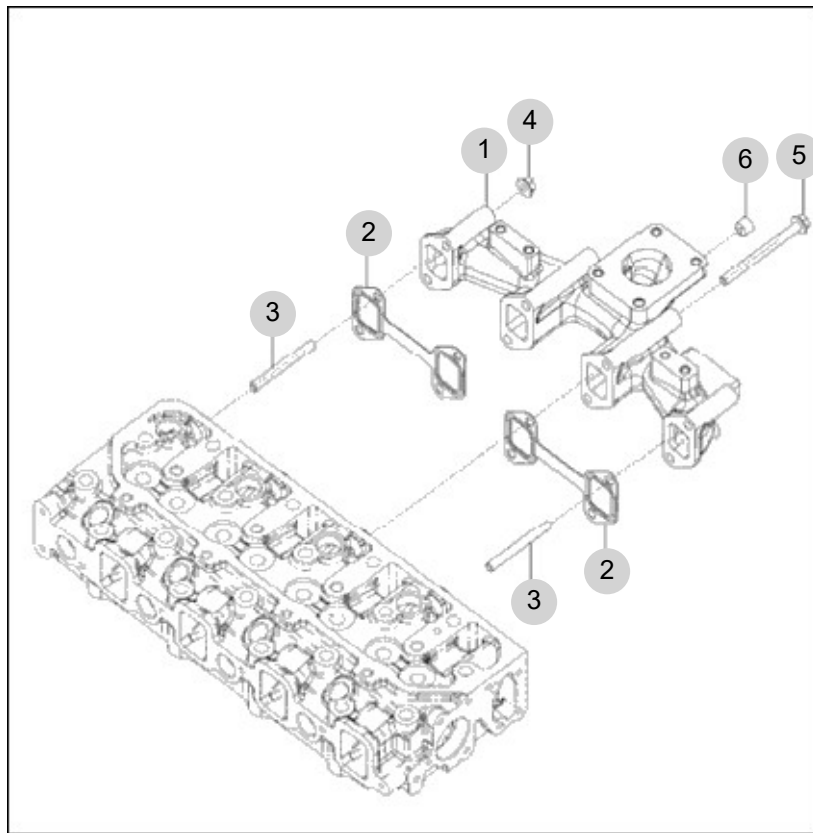
FIG 116B

T494ST-B

EXHAUST MANIFOLD(T494)

년/월
Year/Month

2022-12



NOTE

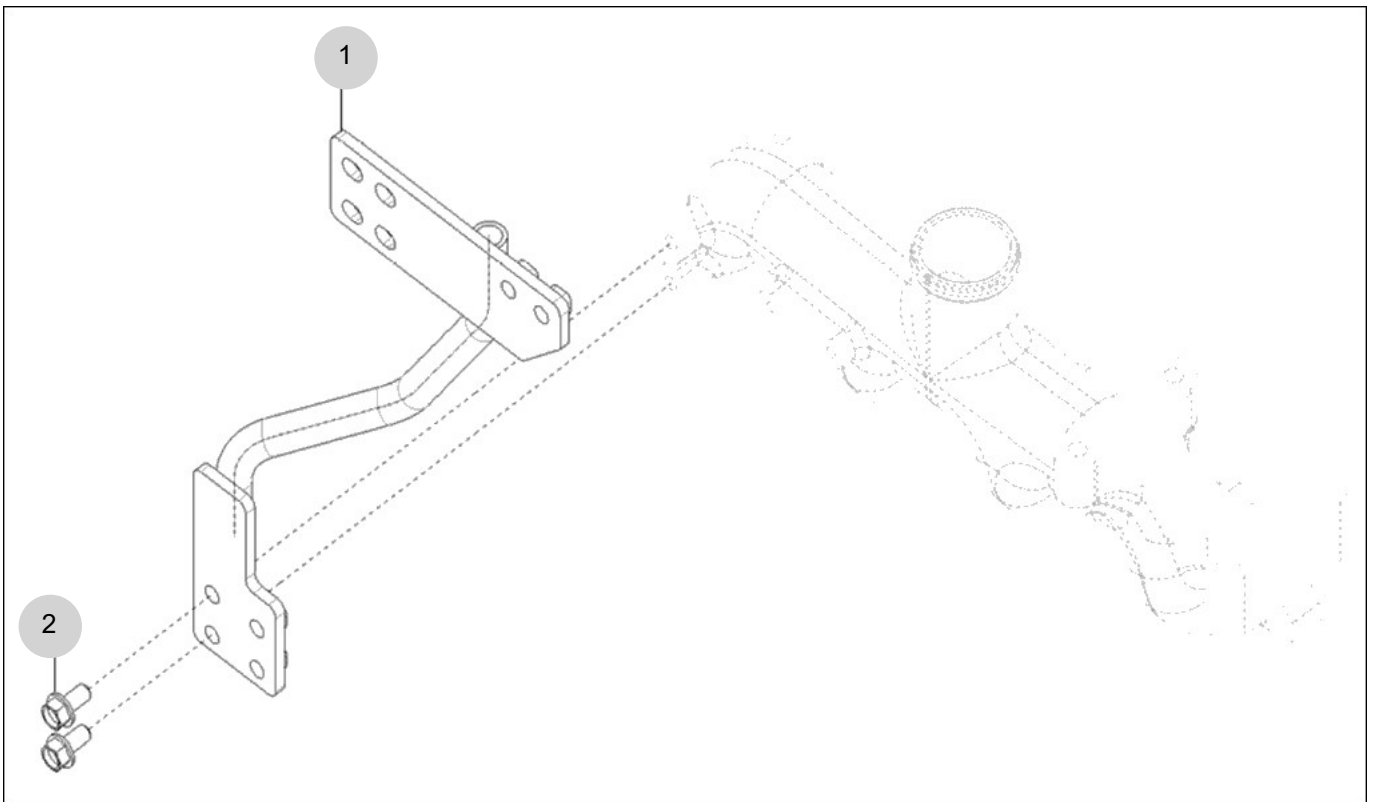
FIG 117B

TURBOCHARGER ASS'Y(T494)

년/월
Year/Month

T494ST-B

2022-12



NOTE

FIG 117B T494ST-B		TURBOCHARGER ASS'Y(T494)					년/월 Year/Month	
							2022-12	
KEY NO	PART NO	DESCRIPTION	SPEC	QTY	REPAIR	EFFECTIVE DATE	REMARKS	
117B	1	EA00003192C	DPF BRACKET	1				
117B	2	26106-080162	BOLT, M8X 16 PLATED	2				
NOTE								

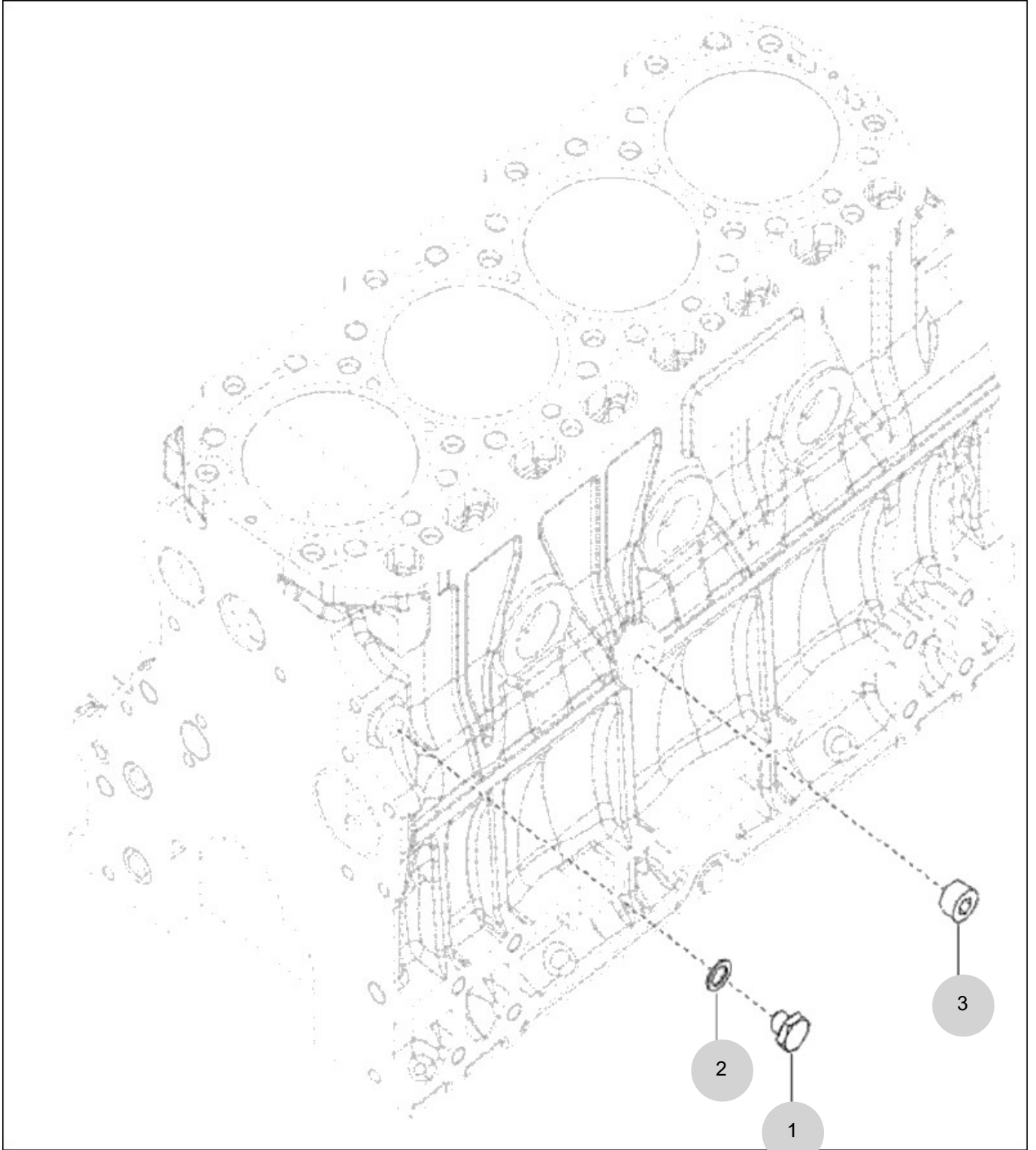
FIG 118B

TURBOCHARGER PLUMBING OPTION(T494)

년/월
Year/Month

2022-12

T494ST-B



NOTE

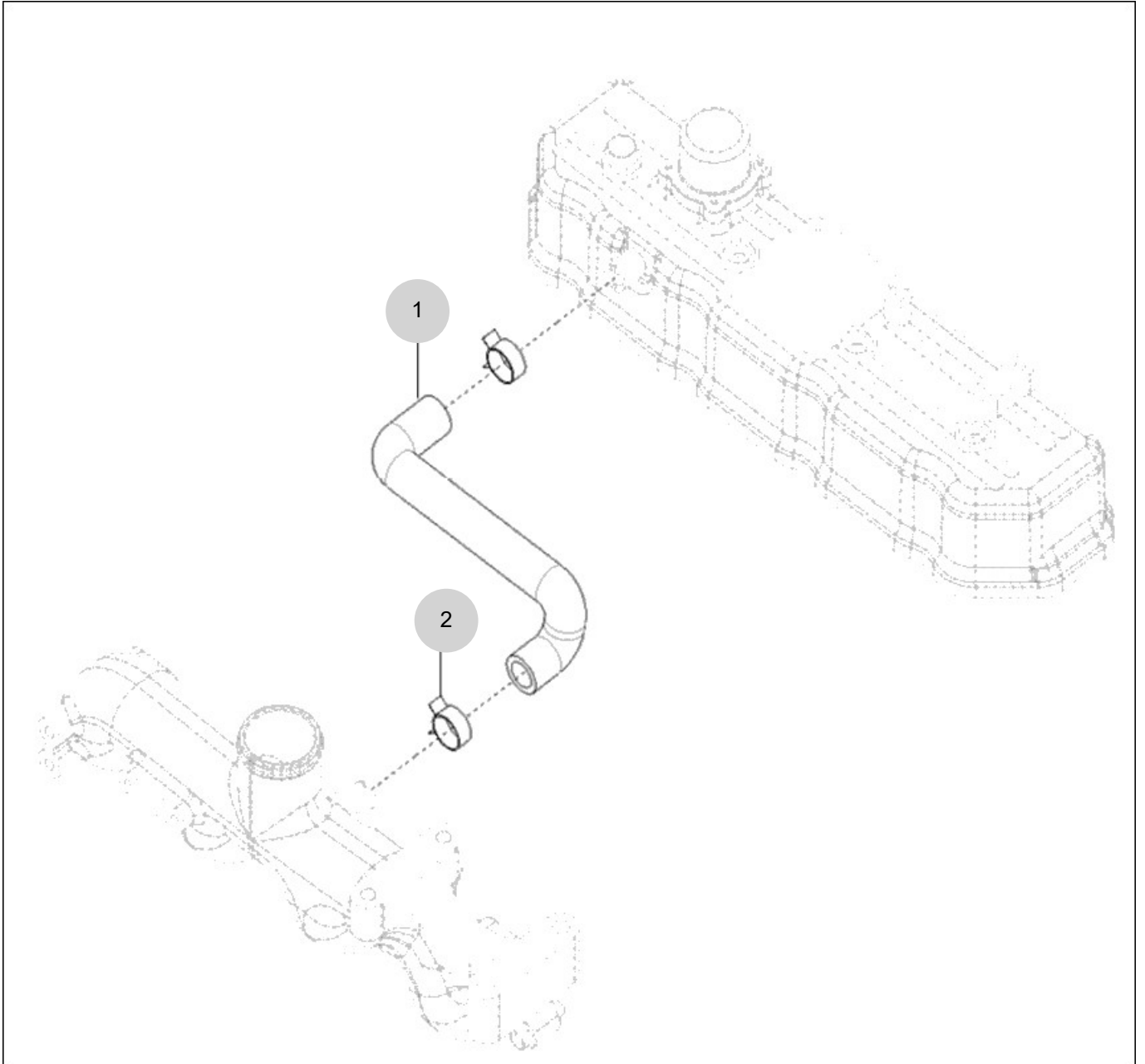
FIG 119B

BREATHING(T494)

년/월
Year/Month

T494ST-B

2022-12



NOTE

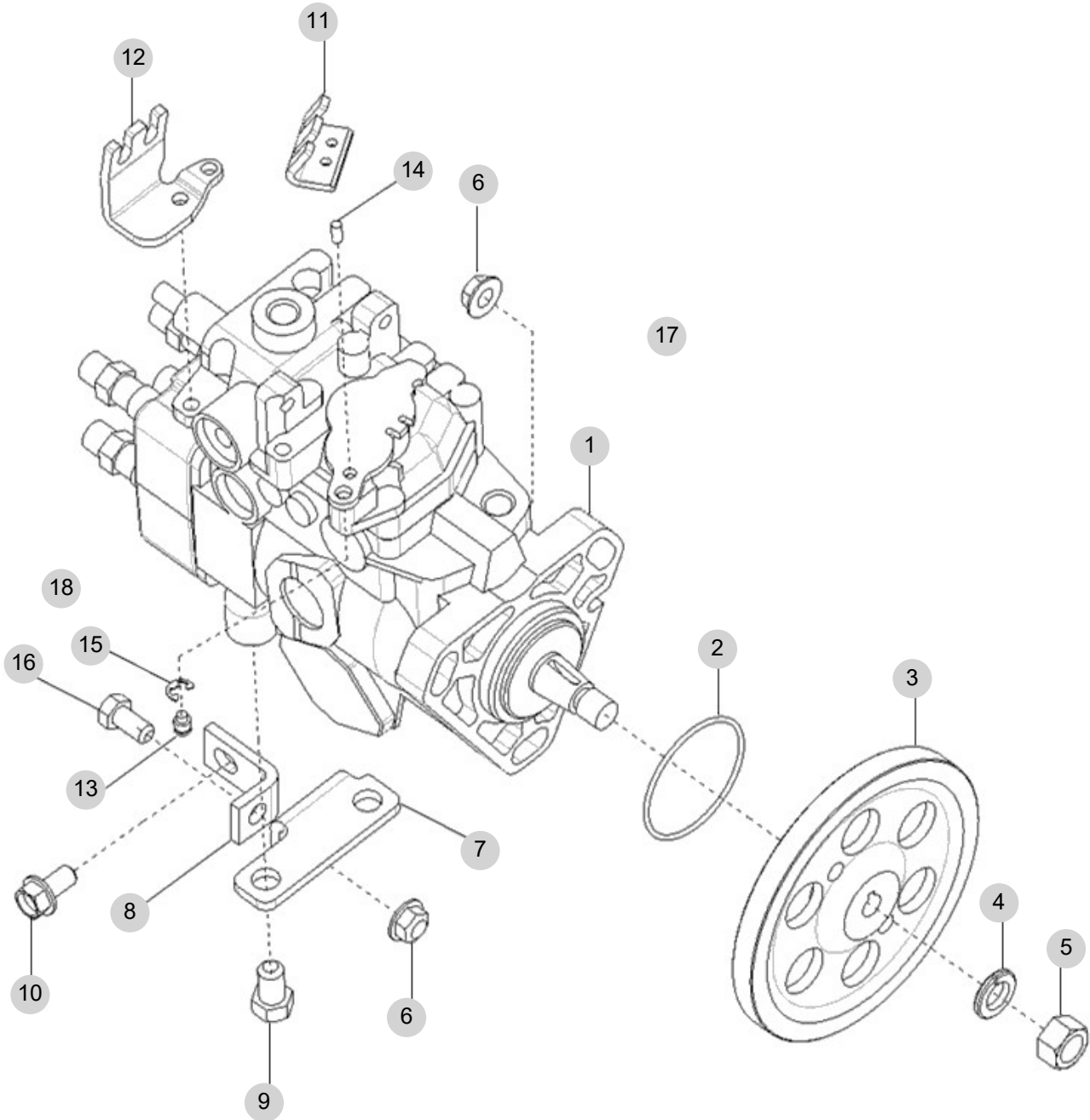
FIG 120

FUEL INJECTION PUMP

년/월
Year/Month

T494ST-B

2022-12



NOTE

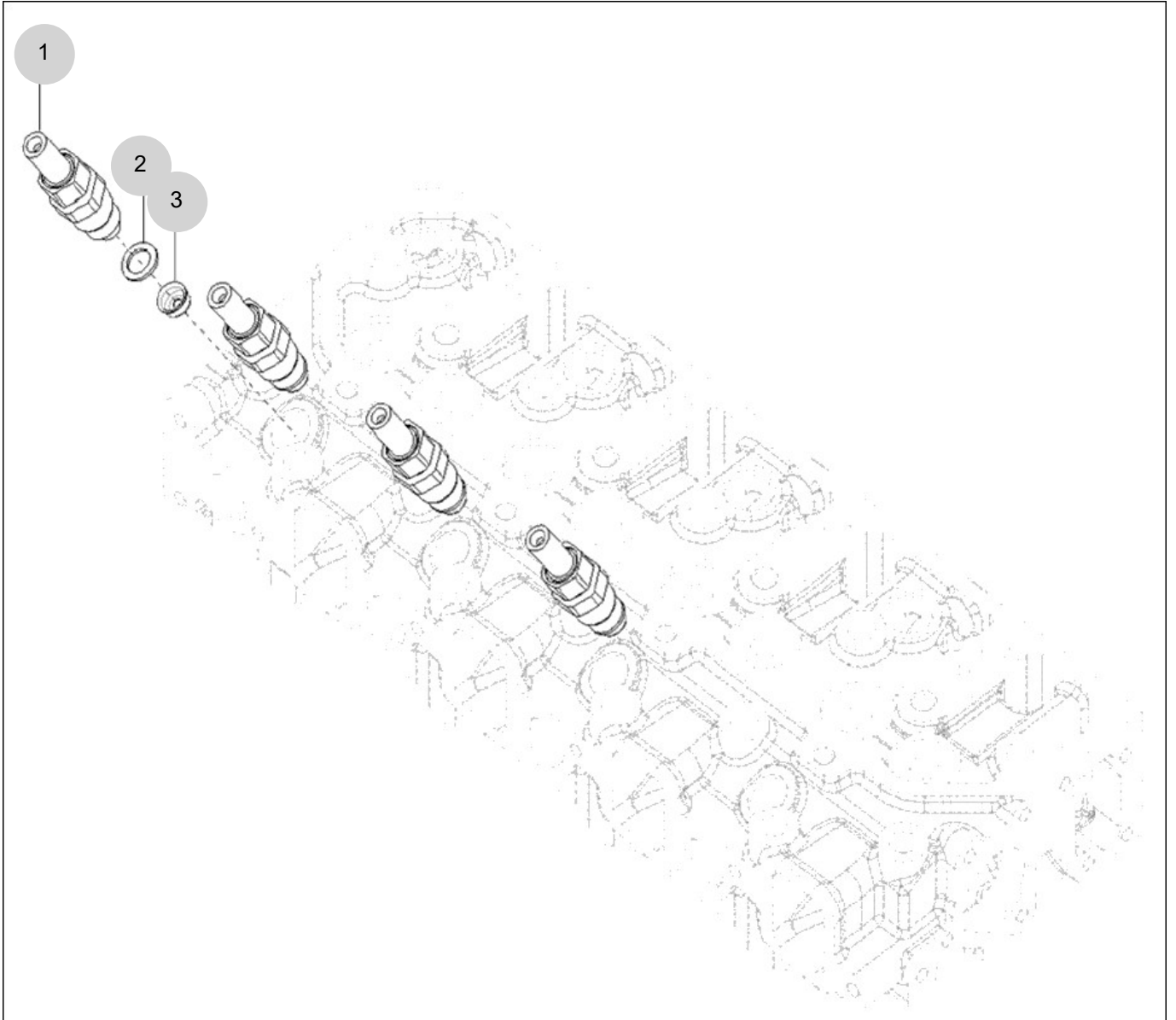
FIG 121

FUEL INJECTION VALVE

년/월
Year/Month

T494ST-B

2022-12



NOTE

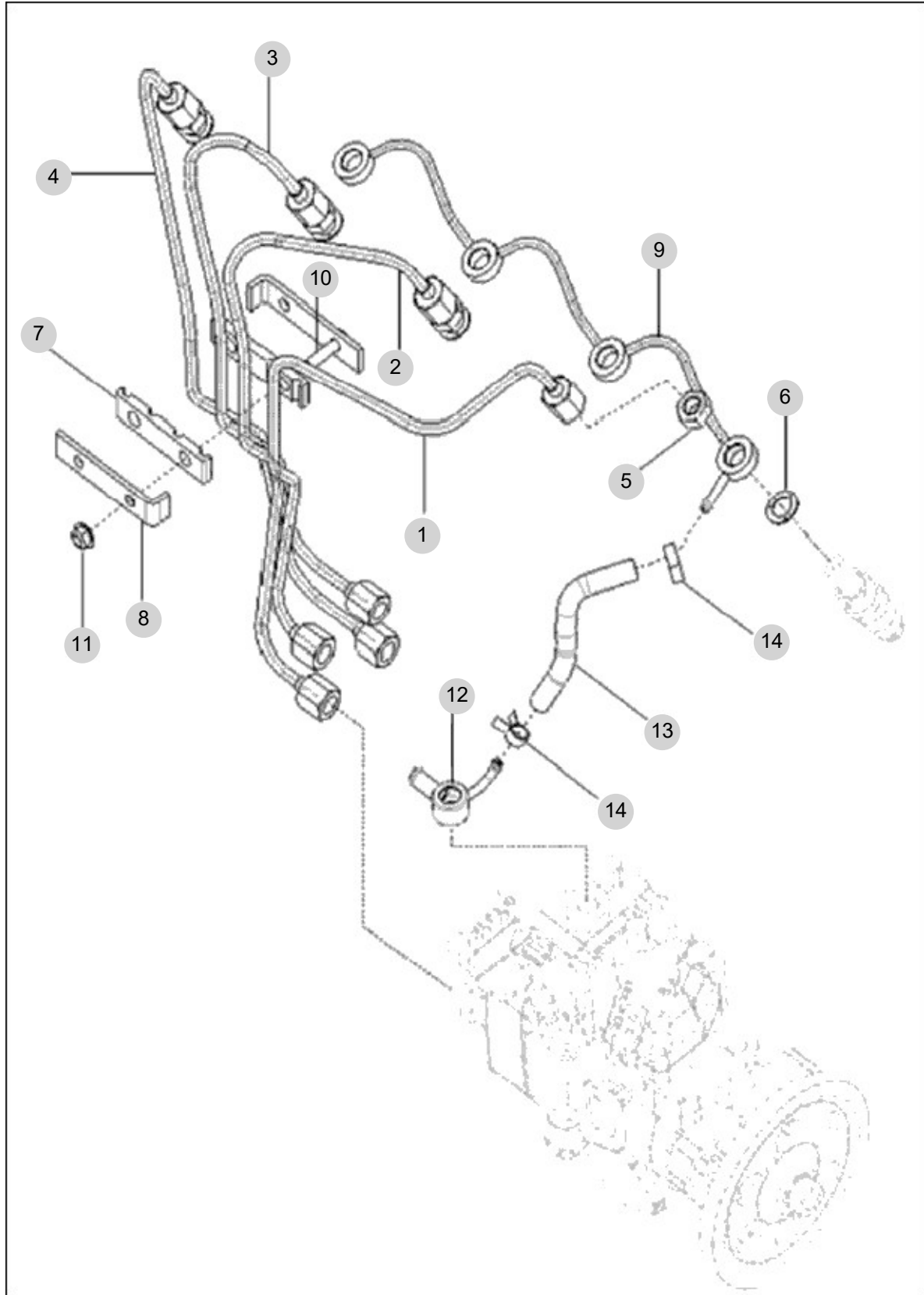
FIG 122

FUEL PIPE ASS'Y

년/월
Year/Month

T494ST-B

2022-12



NOTE

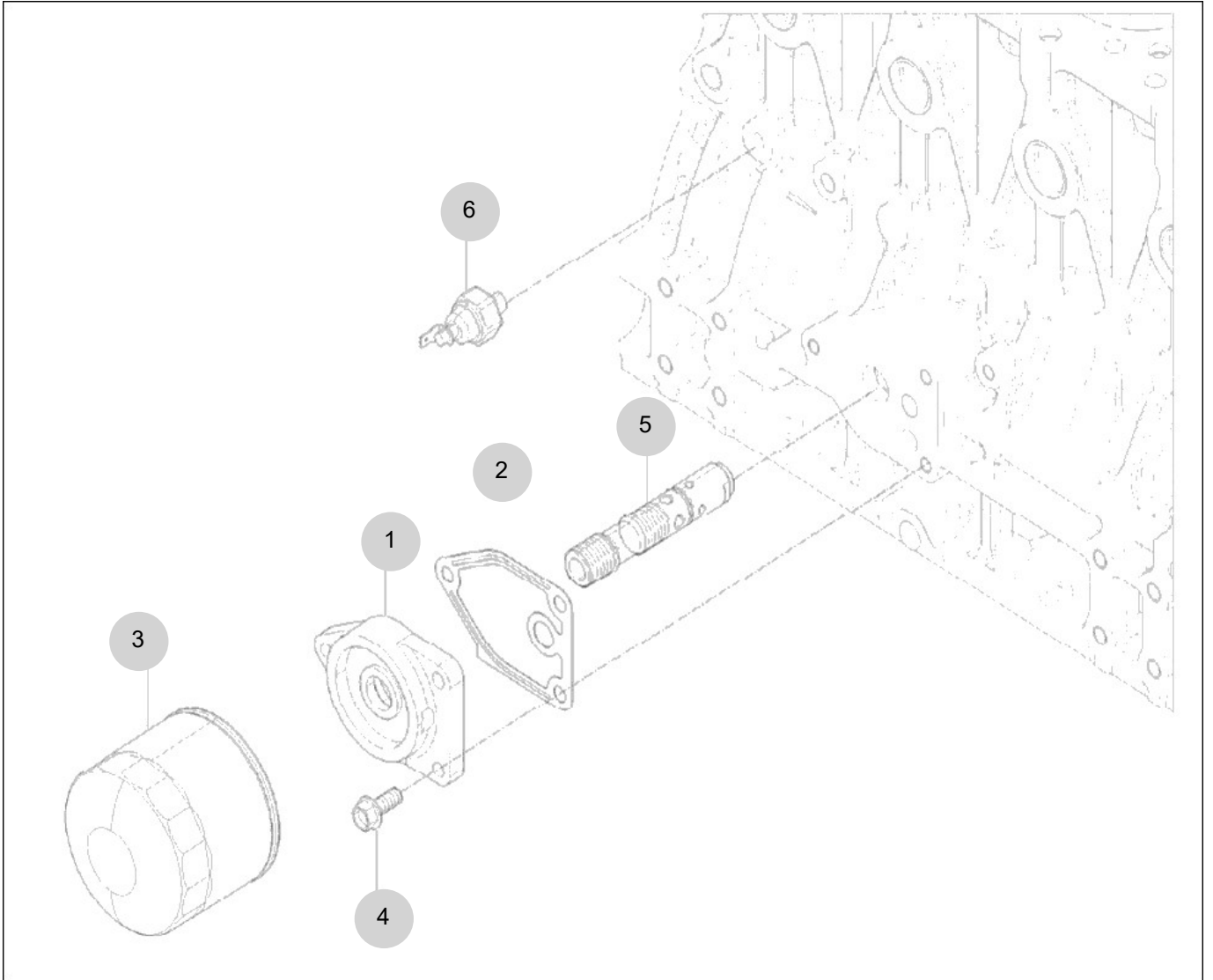
FIG 123

T494ST-B

OIL FILTER

년/월
Year/Month

2022-12



NOTE

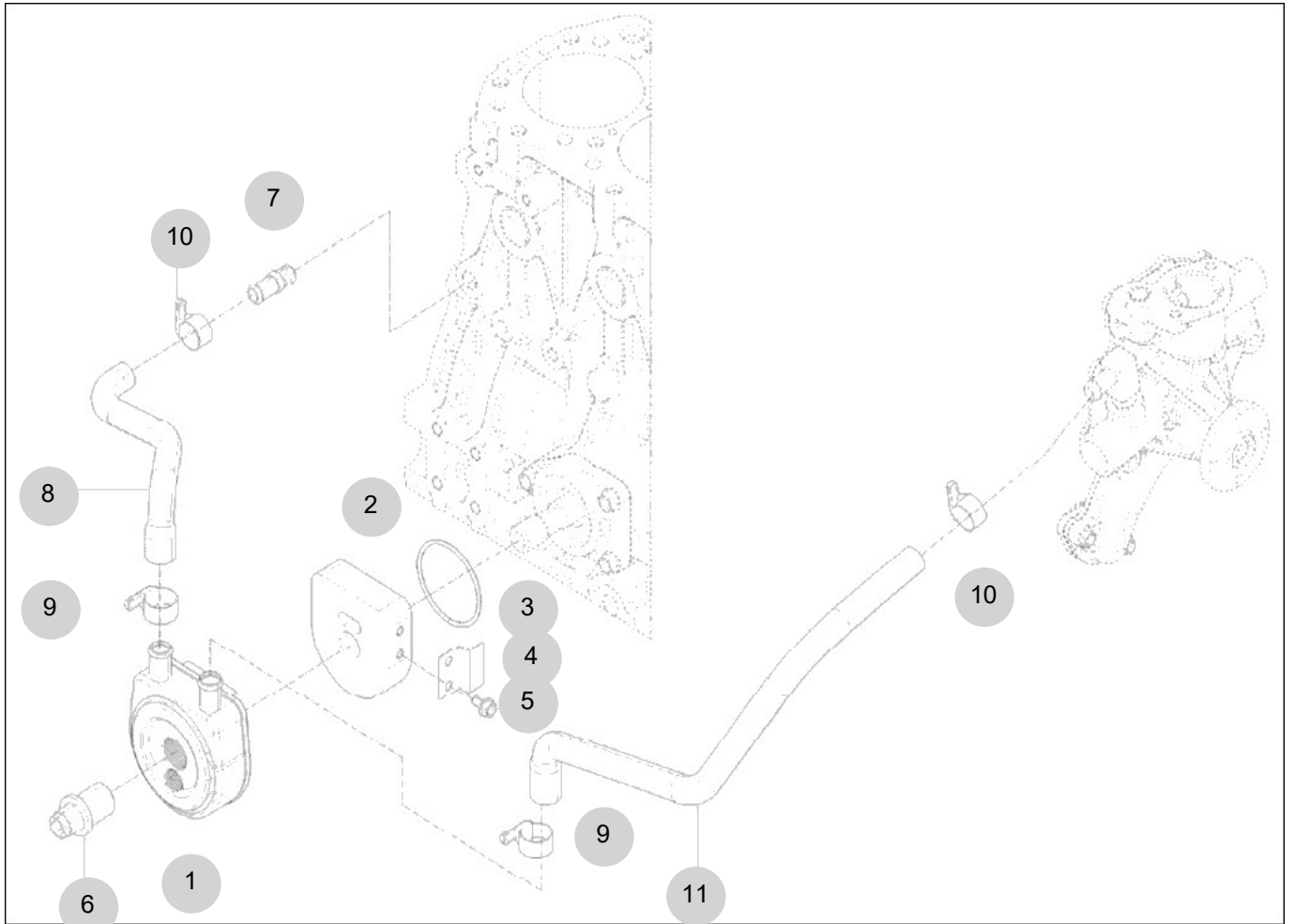
FIG 124

OIL COOLER

년/월
Year/Month

T494ST-B

2022-12



NOTE

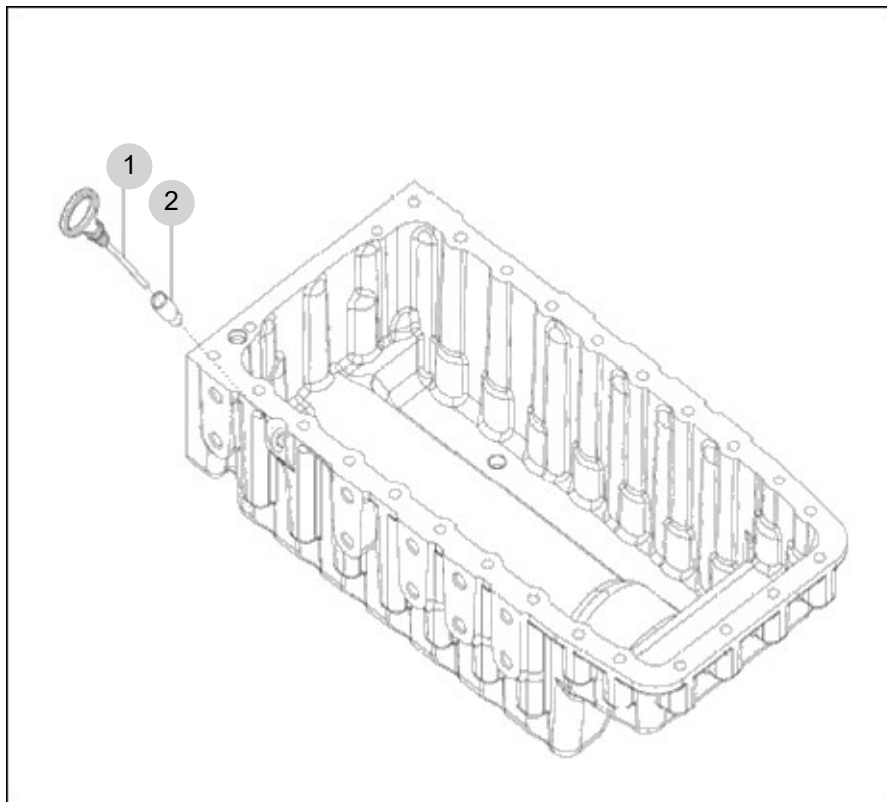
FIG 125

OIL GAUGUE

년/월
Year/Month

T494ST-B

2022-12



NOTE

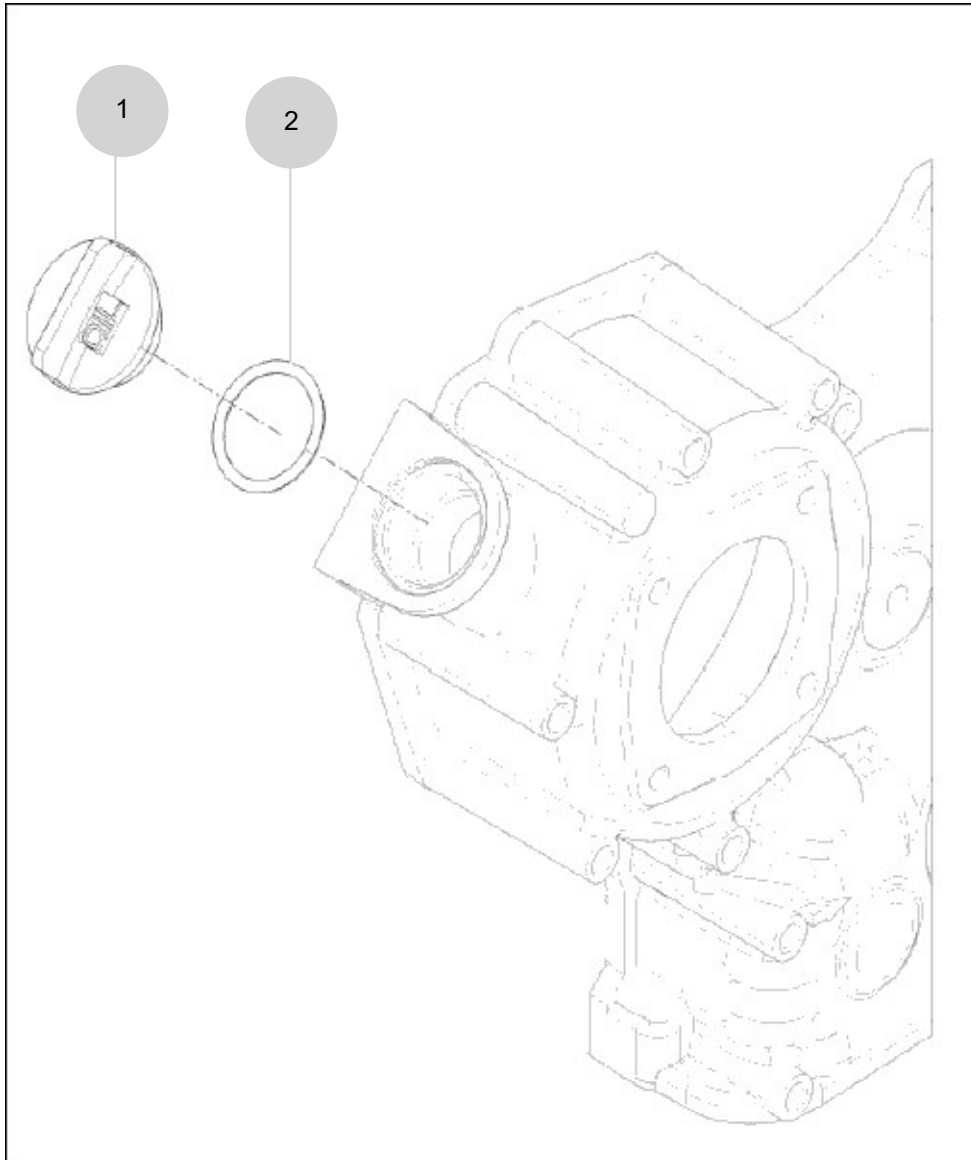
FIG 126

T494ST-B

OIL FILLER CAP

년/월
Year/Month

2022-12



NOTE

FIG 126 T494ST-B		OIL FILLER CAP						년/월	REMARKS
								Year/Month	
								2022-12	
KEY NO	PART NO	DESCRIPTION	SPEC	QTY	REPAIR	EFFECTIVE DATE	REMARKS		
126	1	HC03470000B	OILER((HC03470000B4로 주문변경))	1					
126	2	24311-000320	O-RING, 1AP32.0	1					
NOTE									

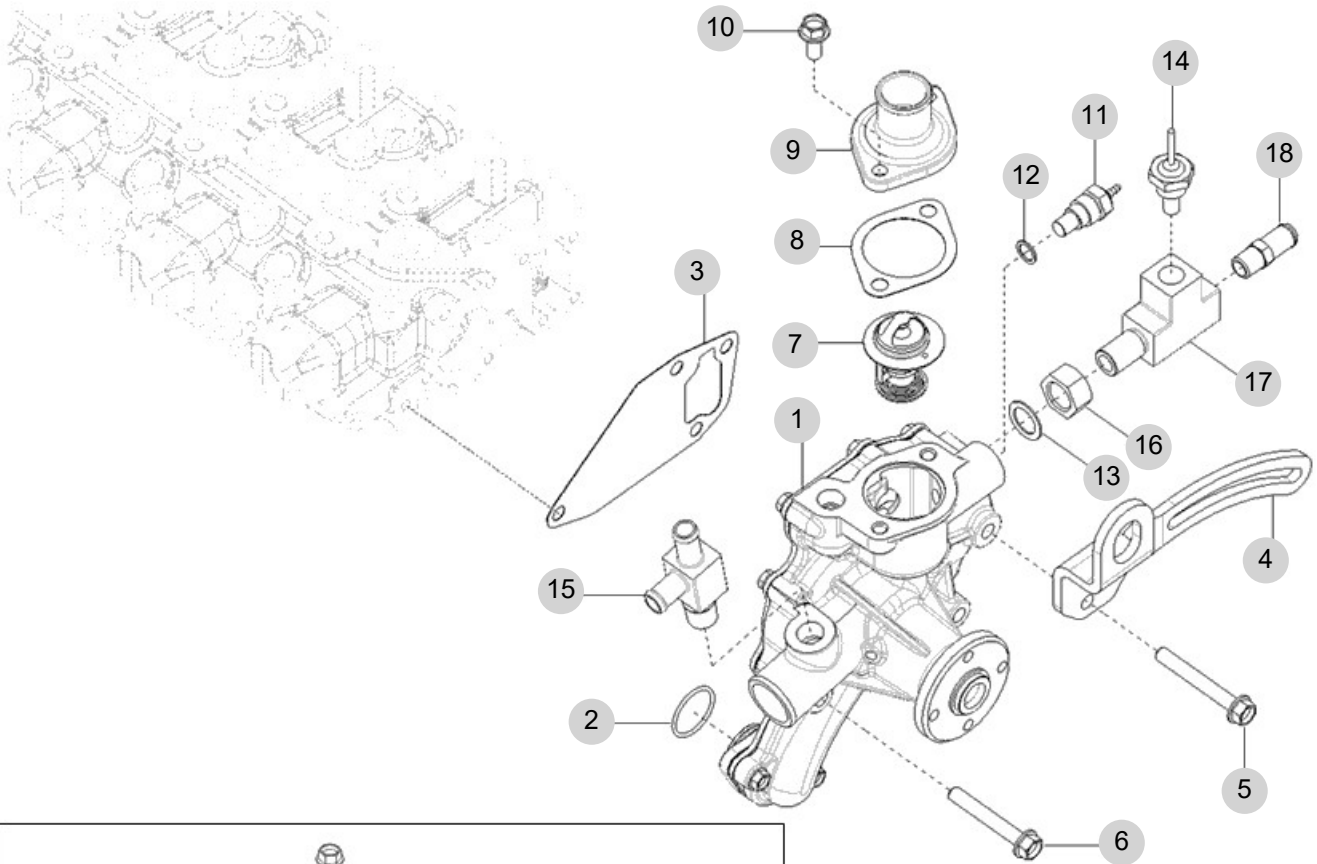
FIG 127

COOLING WATER PUMP

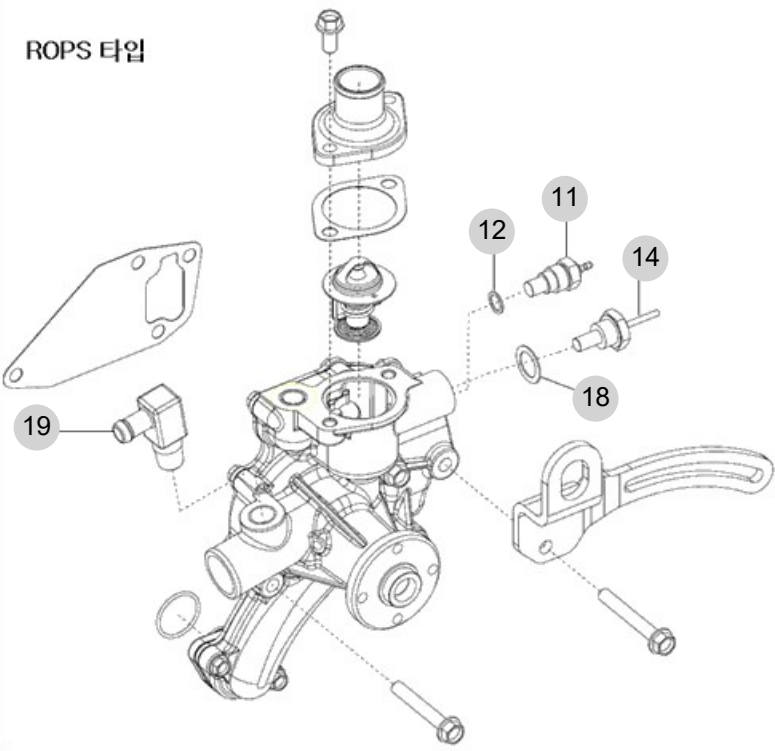
년/월
Year/Month

T494ST-B

2022-12



ROPS 타입



NOTE

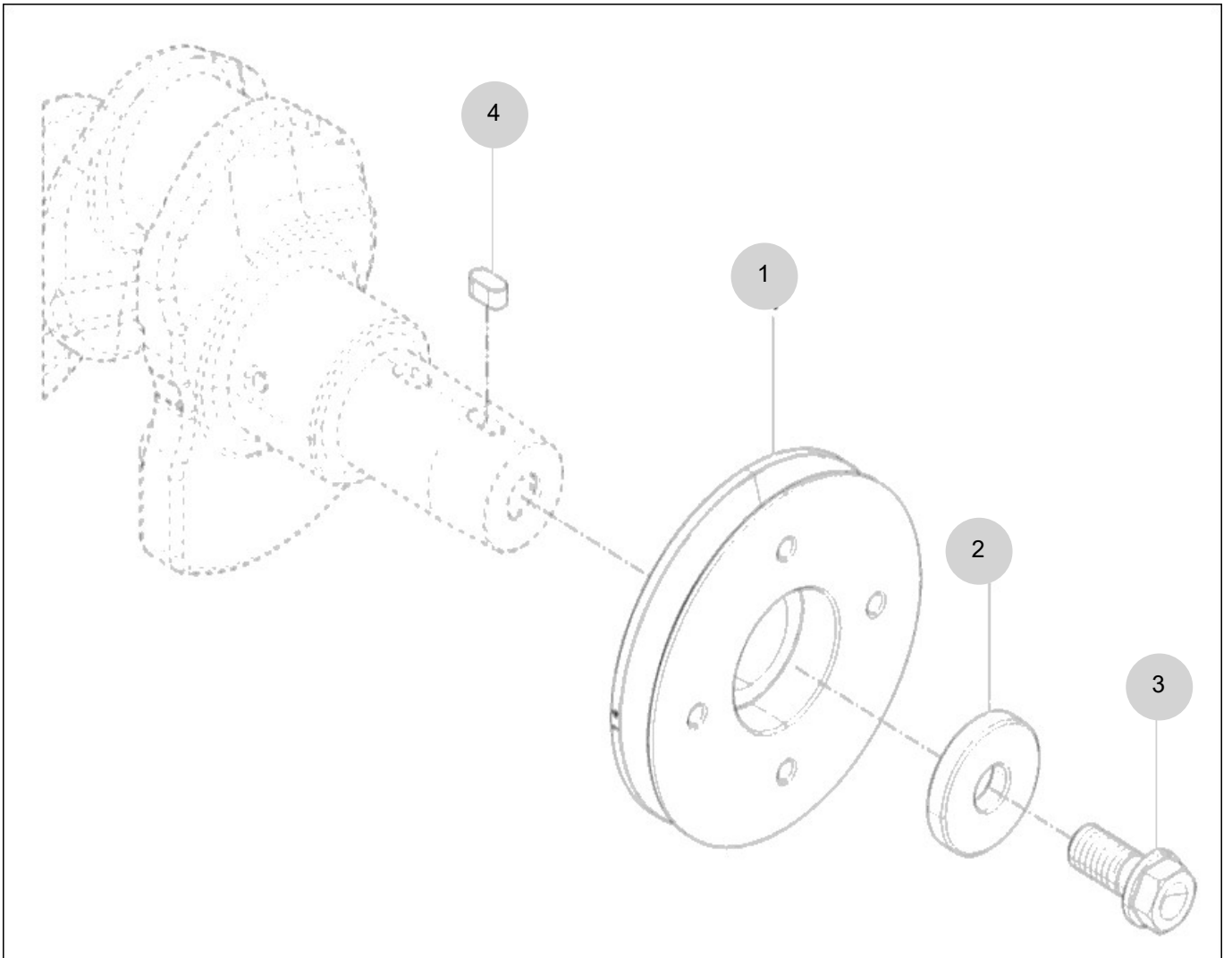
FIG 128

T494ST-B

CRANK SHAFT PULLEY

년/월
Year/Month

2022-12



NOTE

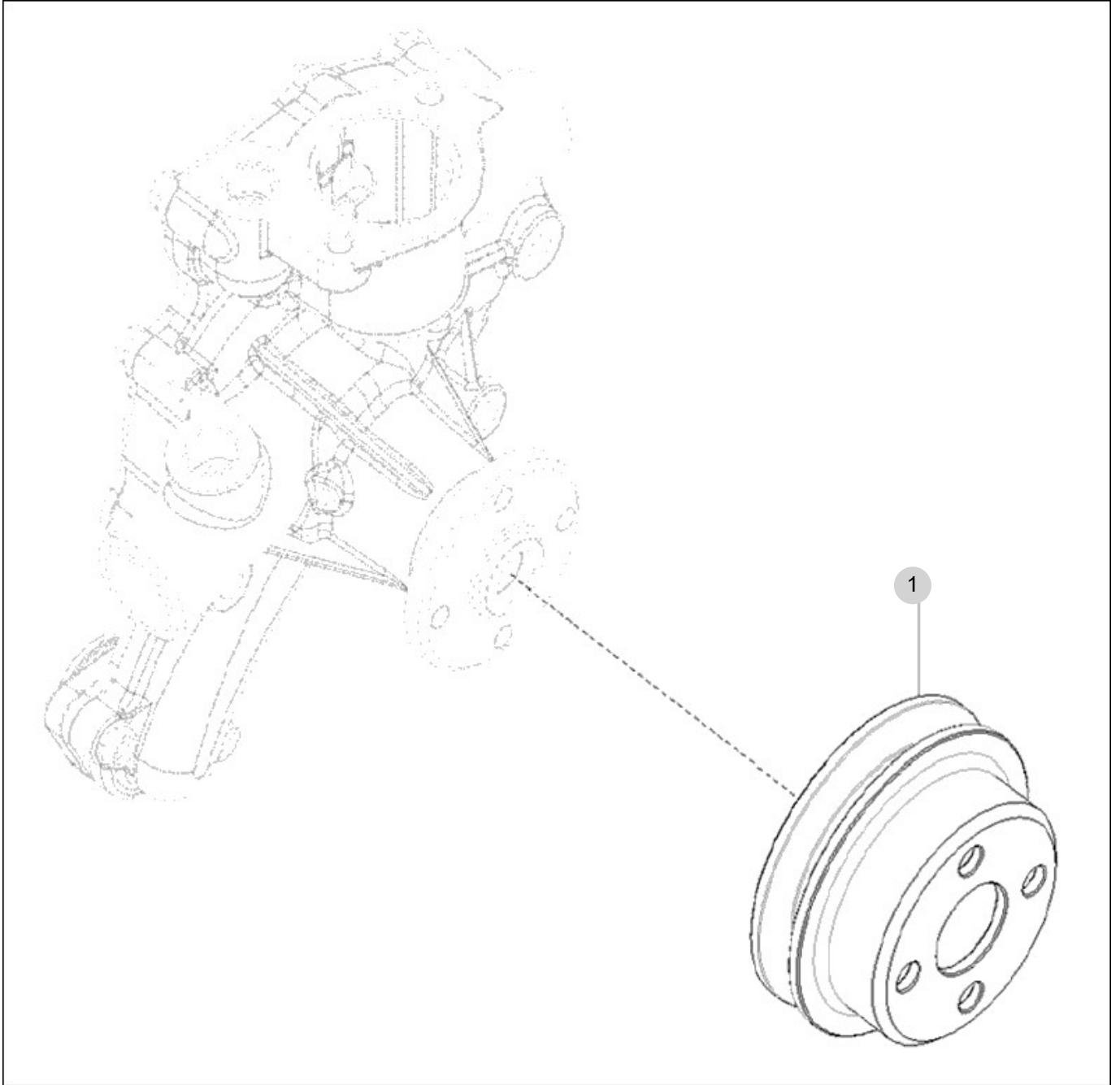
FIG 129

V-PULLEY

년/월
Year/Month

T494ST-B

2022-12



NOTE

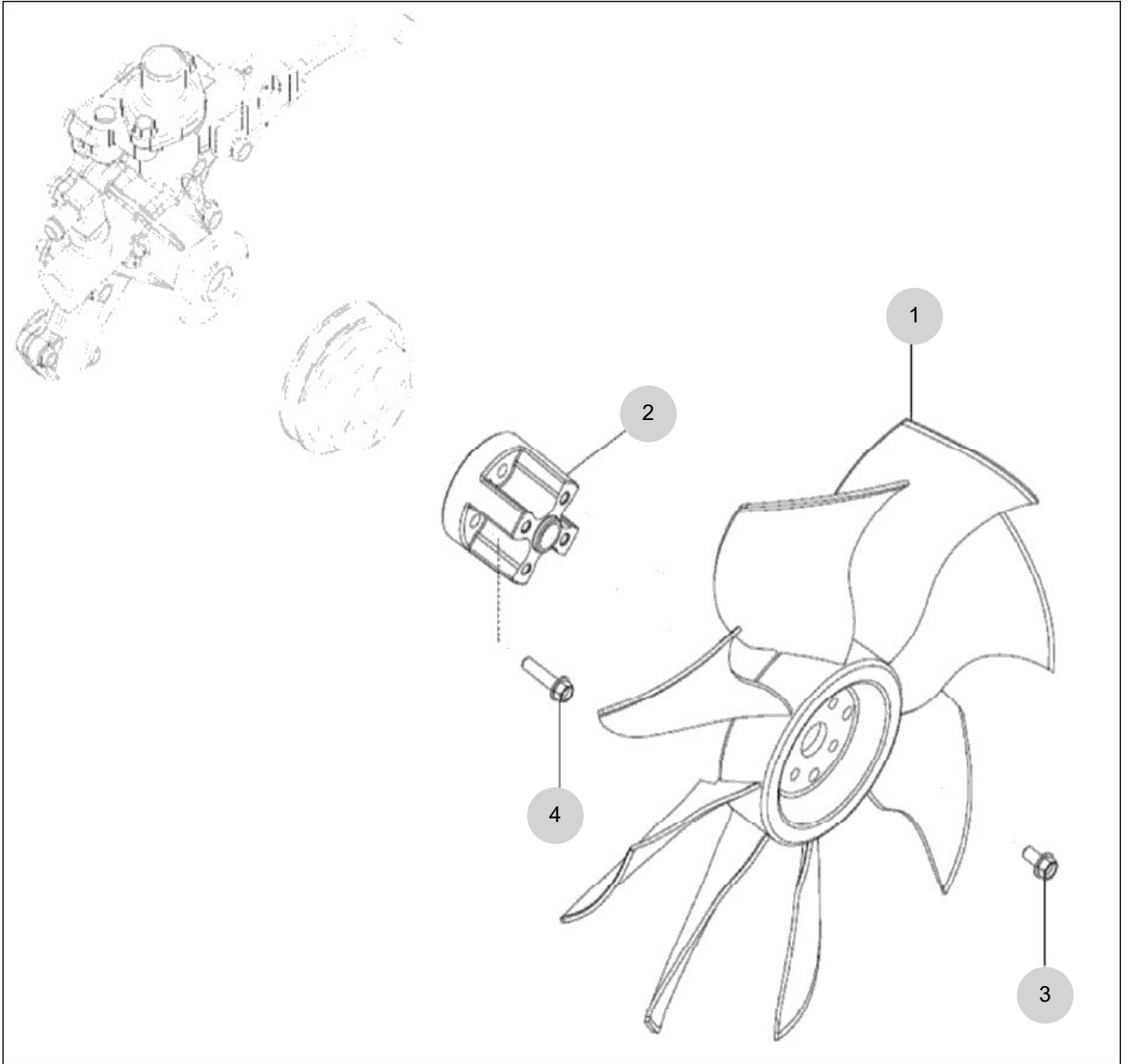
FIG 130

COOLING FAN

년/월
Year/Month

T494ST-B

2022-12



NOTE

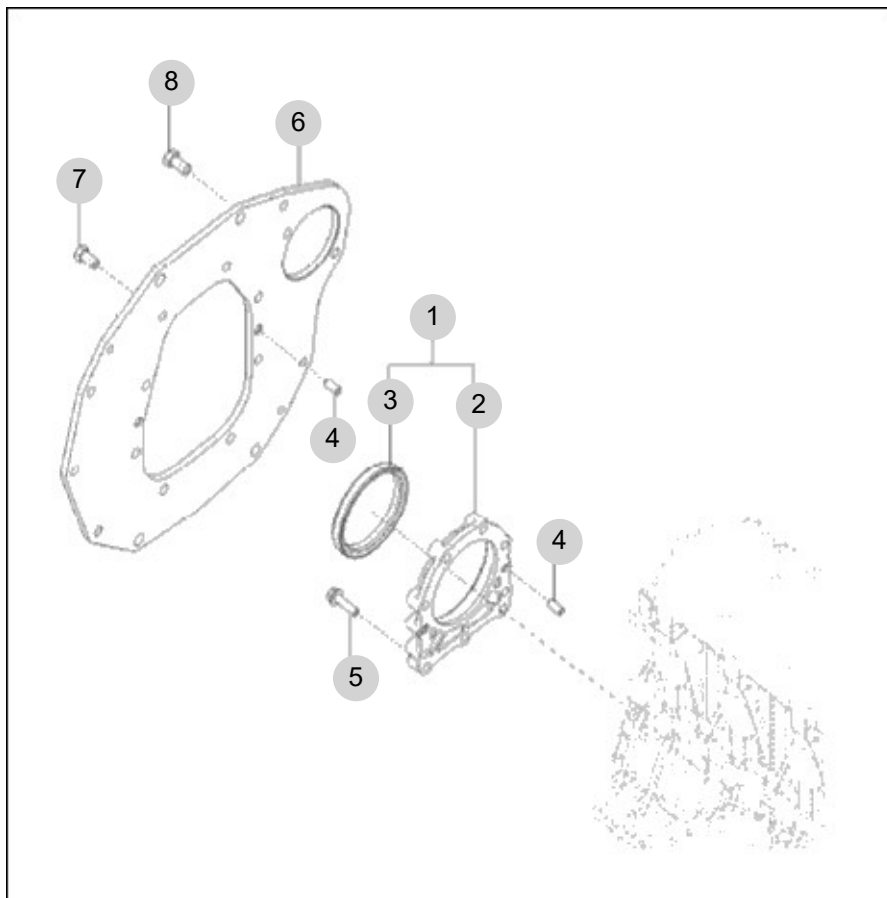
FIG 131

T494ST-B

FLYWHEEL HOUSING

년/월
Year/Month

2022-12



NOTE

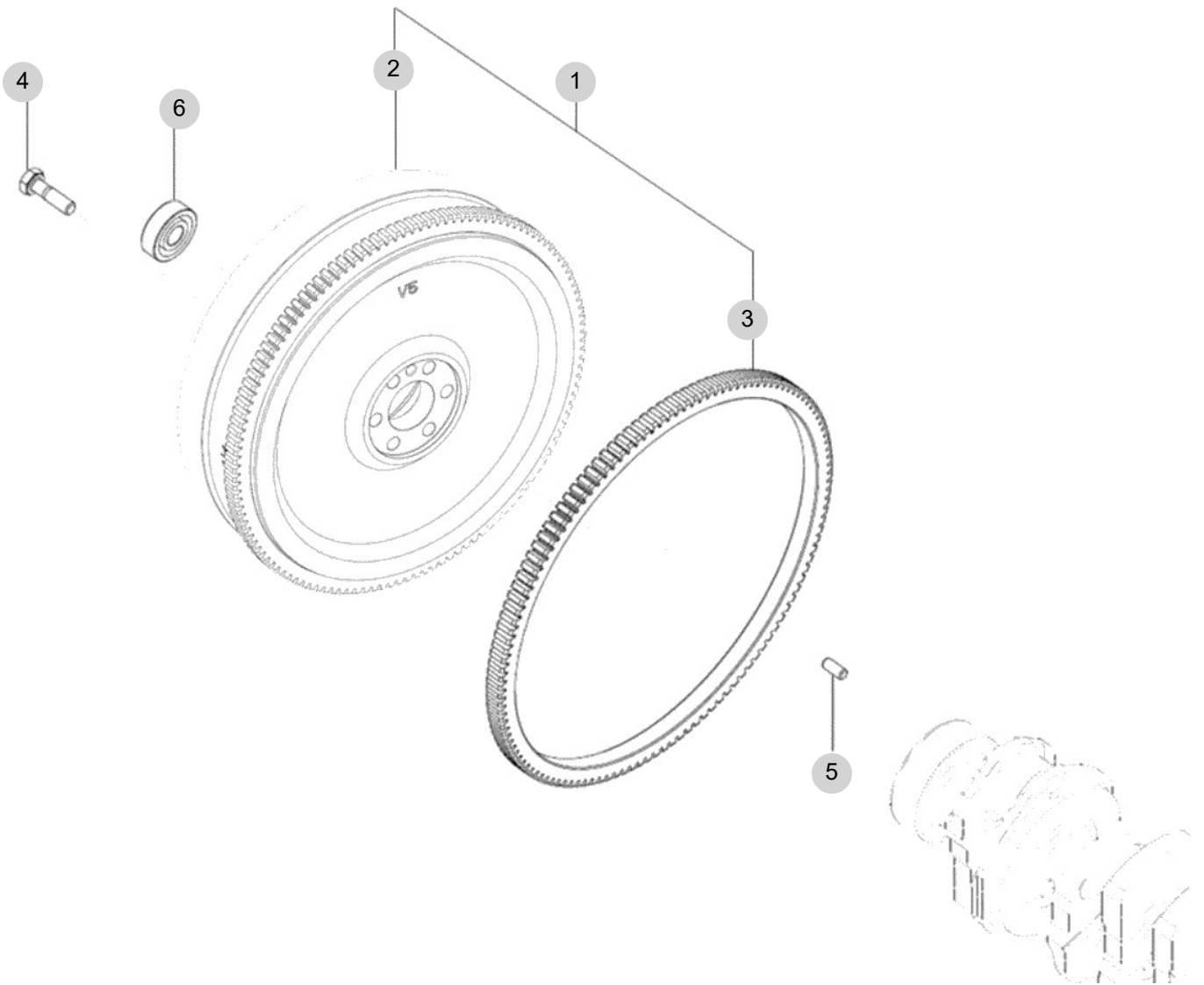
FIG 132

T494ST-B

FLYWHEEL

년/월
Year/Month

2022-12



NOTE

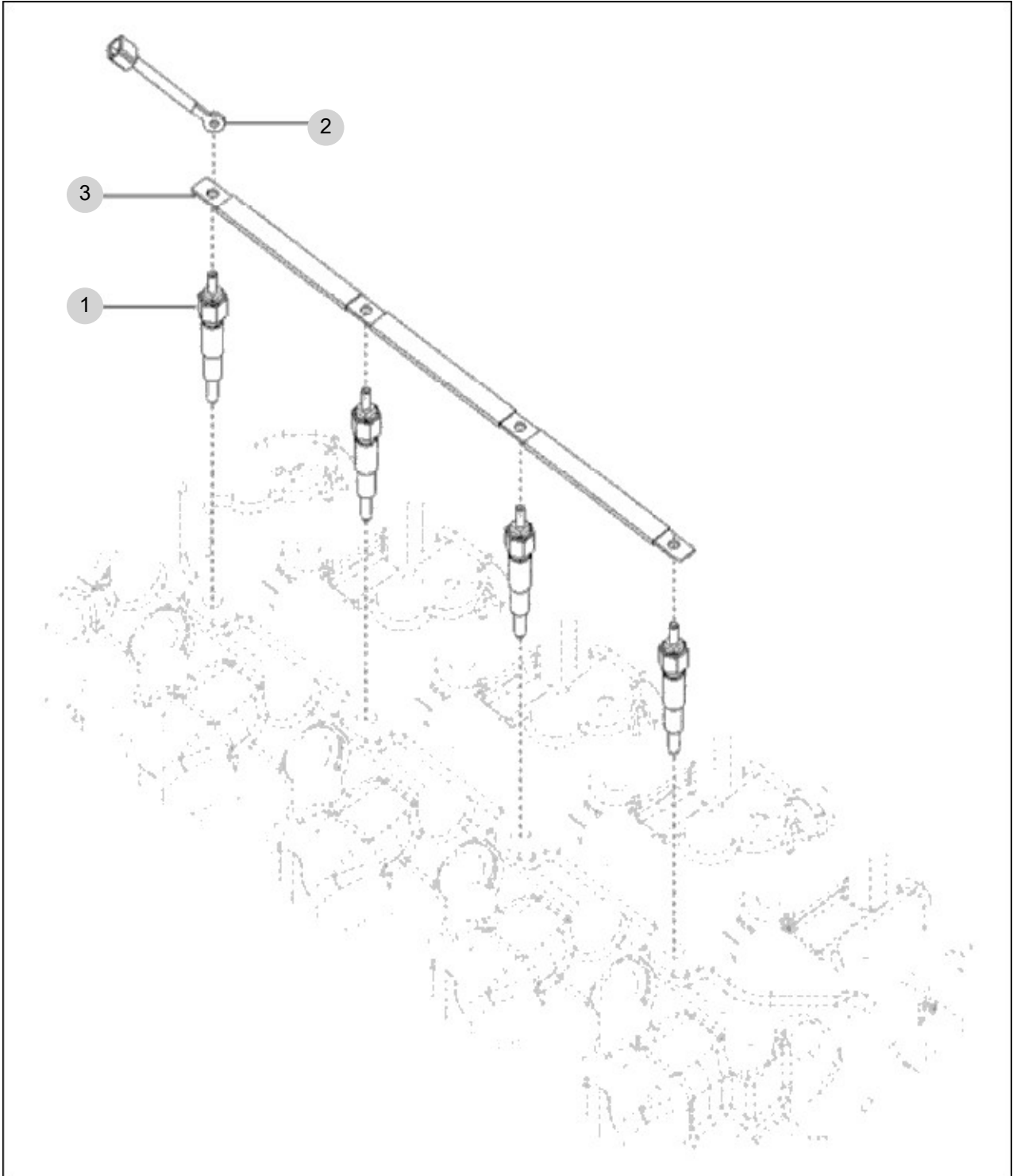
FIG 133

T494ST-B

GLOW PLUG ASS'Y OPTION

년/월
Year/Month

2022-12



NOTE

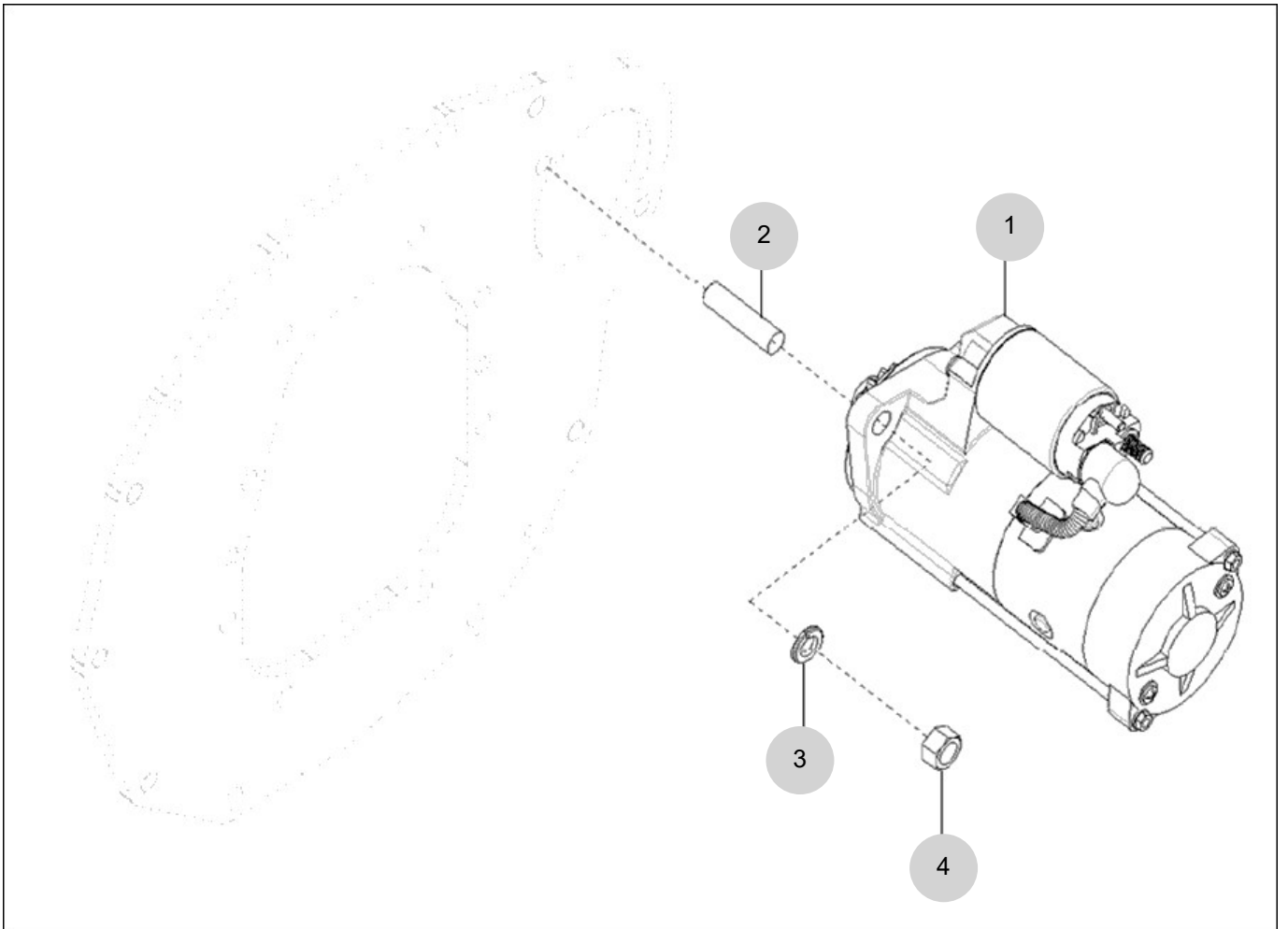
FIG 134

STARTING MOTOR

년/월
Year/Month

T494ST-B

2022-12



NOTE

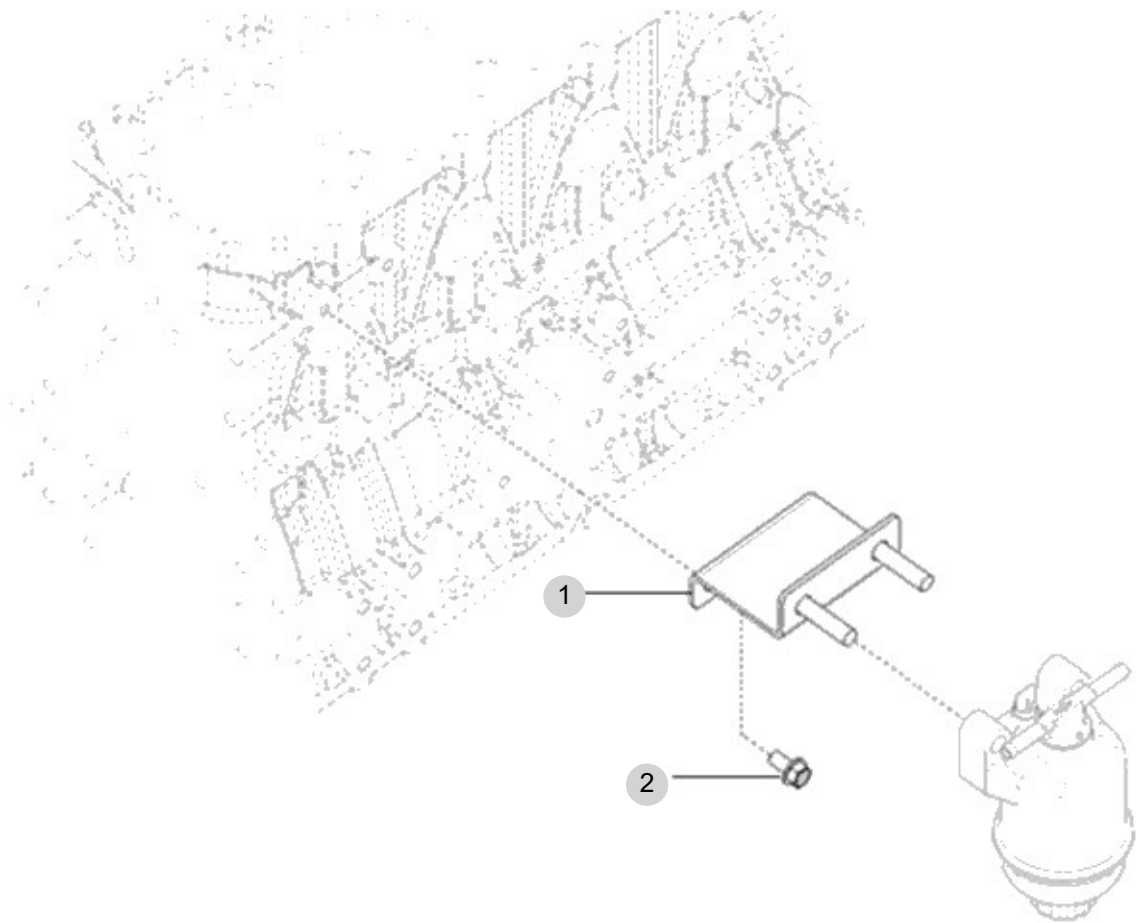
FIG 135

T494ST-B

FUEL FILTER BRACKET ASS'Y

년/월
Year/Month

2022-12



NOTE

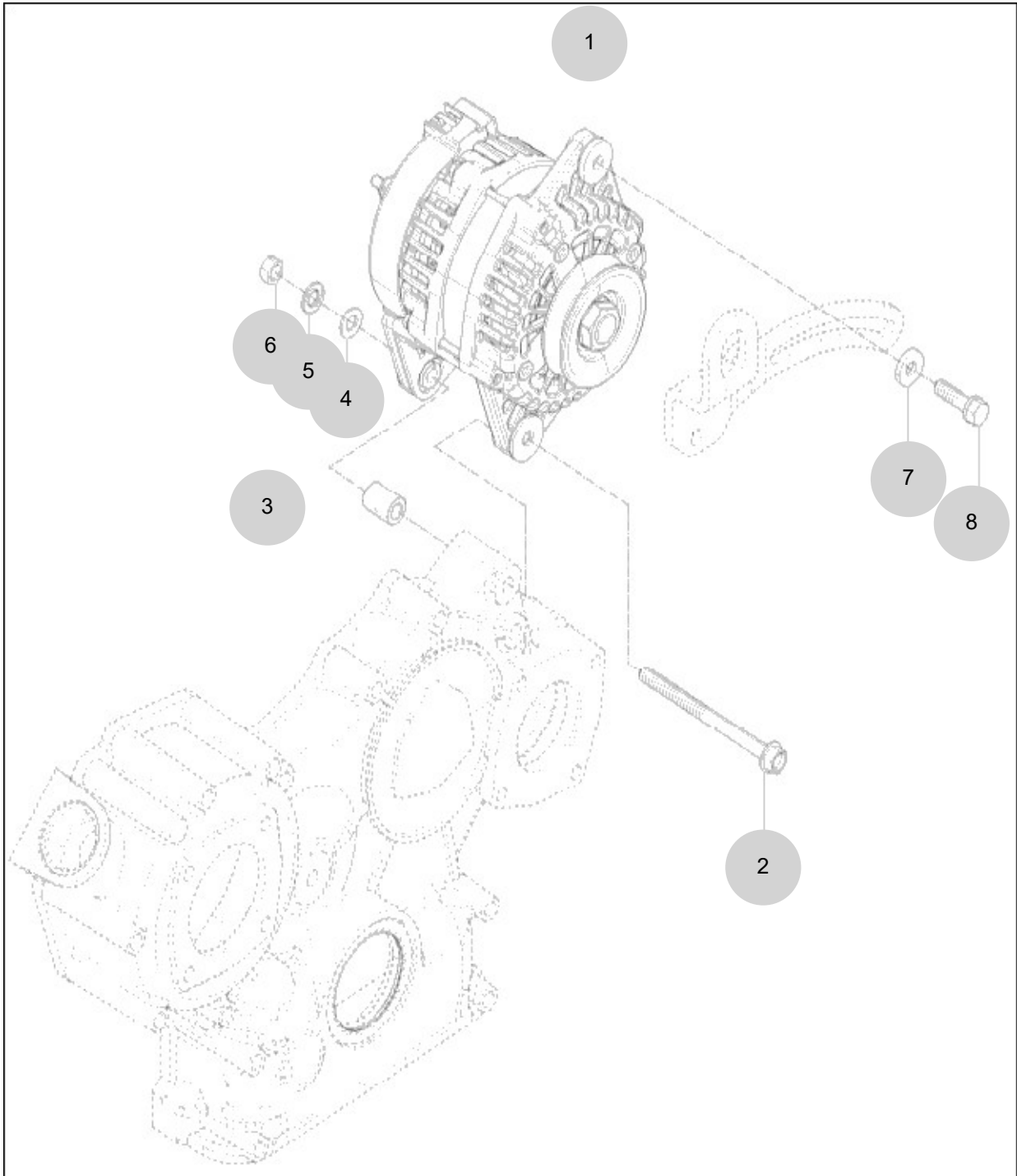
FIG 136

ALTERNATOR

년/월
Year/Month

T494ST-B

2022-12



NOTE

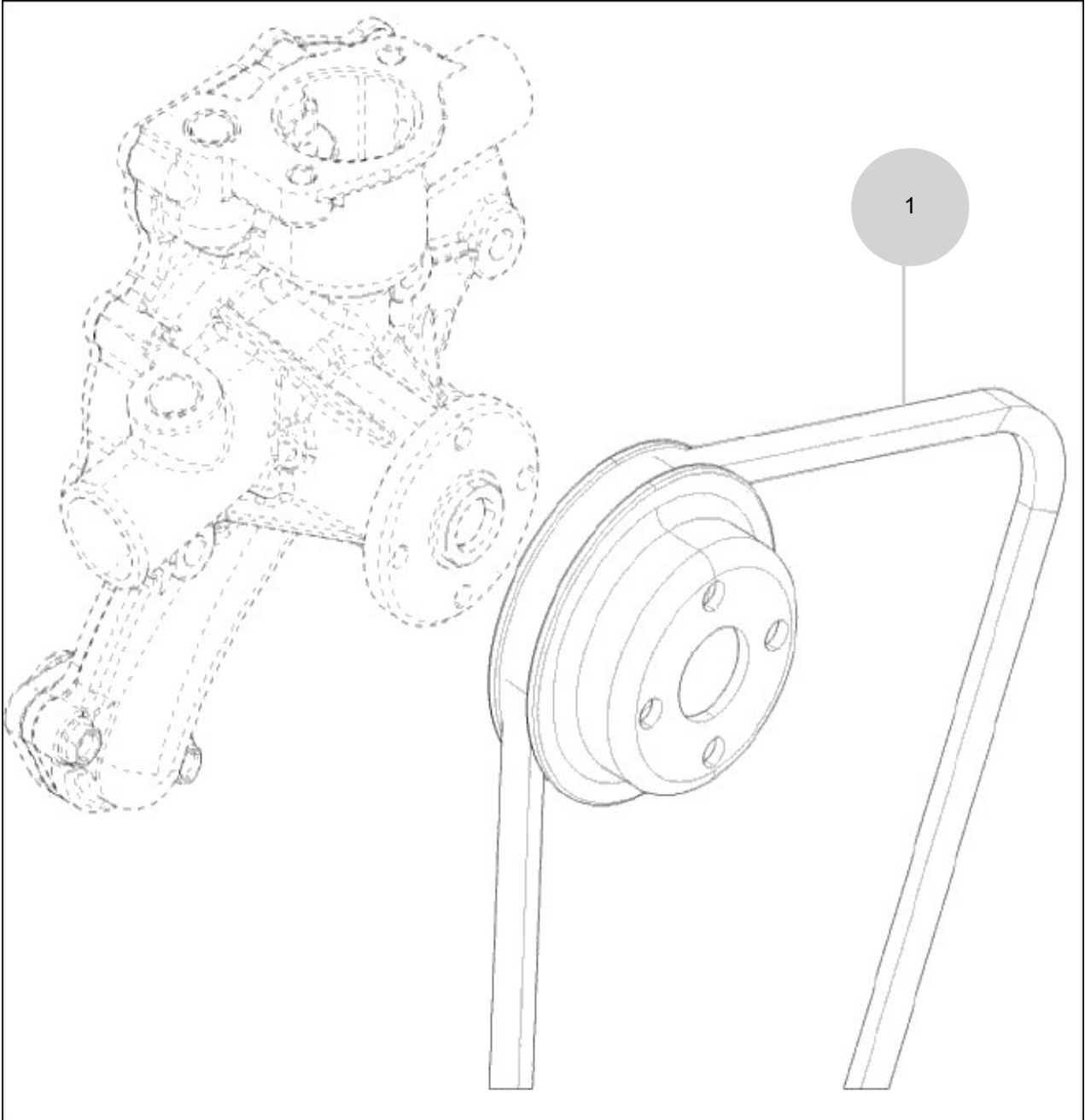
FIG 137

T494ST-B

V-BELT

년/월
Year/Month

2022-12



NOTE

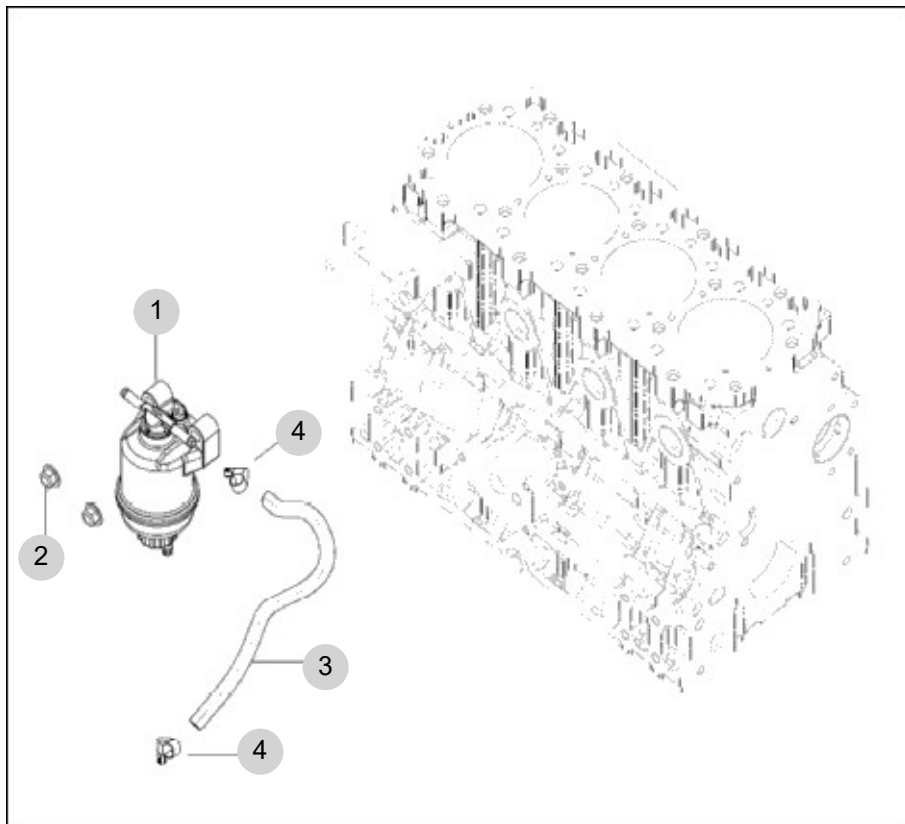
FIG 138

T494ST-B

FUEL FILTER

년/월
Year/Month

2022-12



NOTE

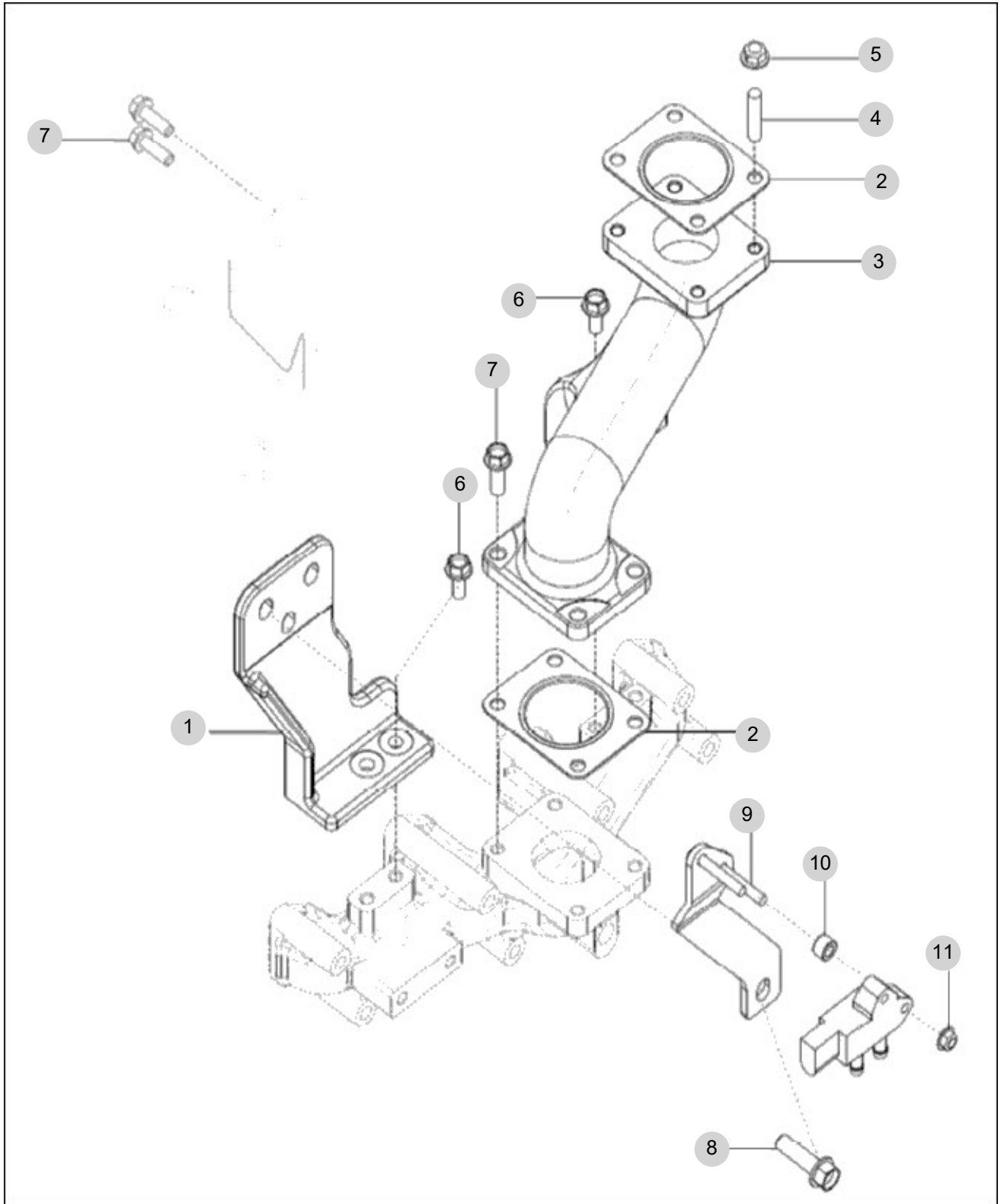
FIG 139B

DPF SUPPORT (T494)

년/월
Year/Month

T494ST-B

2022-12



NOTE

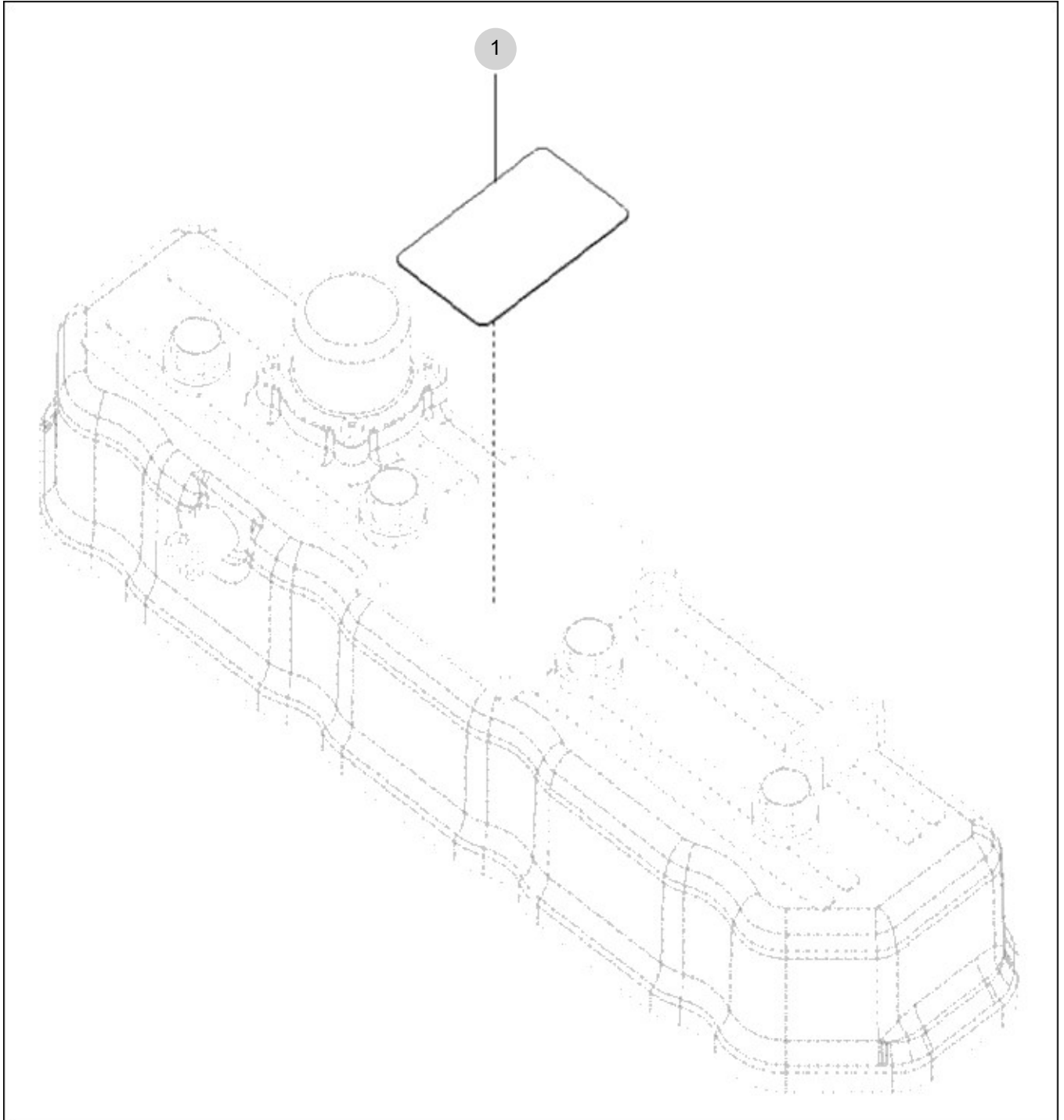
FIG 140

DATAPLATE

년/월
Year/Month

T494ST-B

2022-12



NOTE

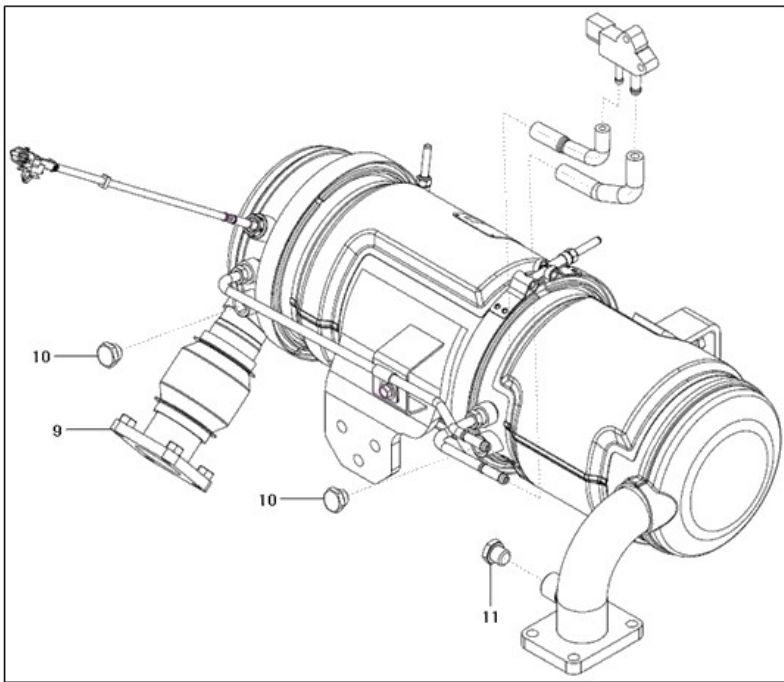
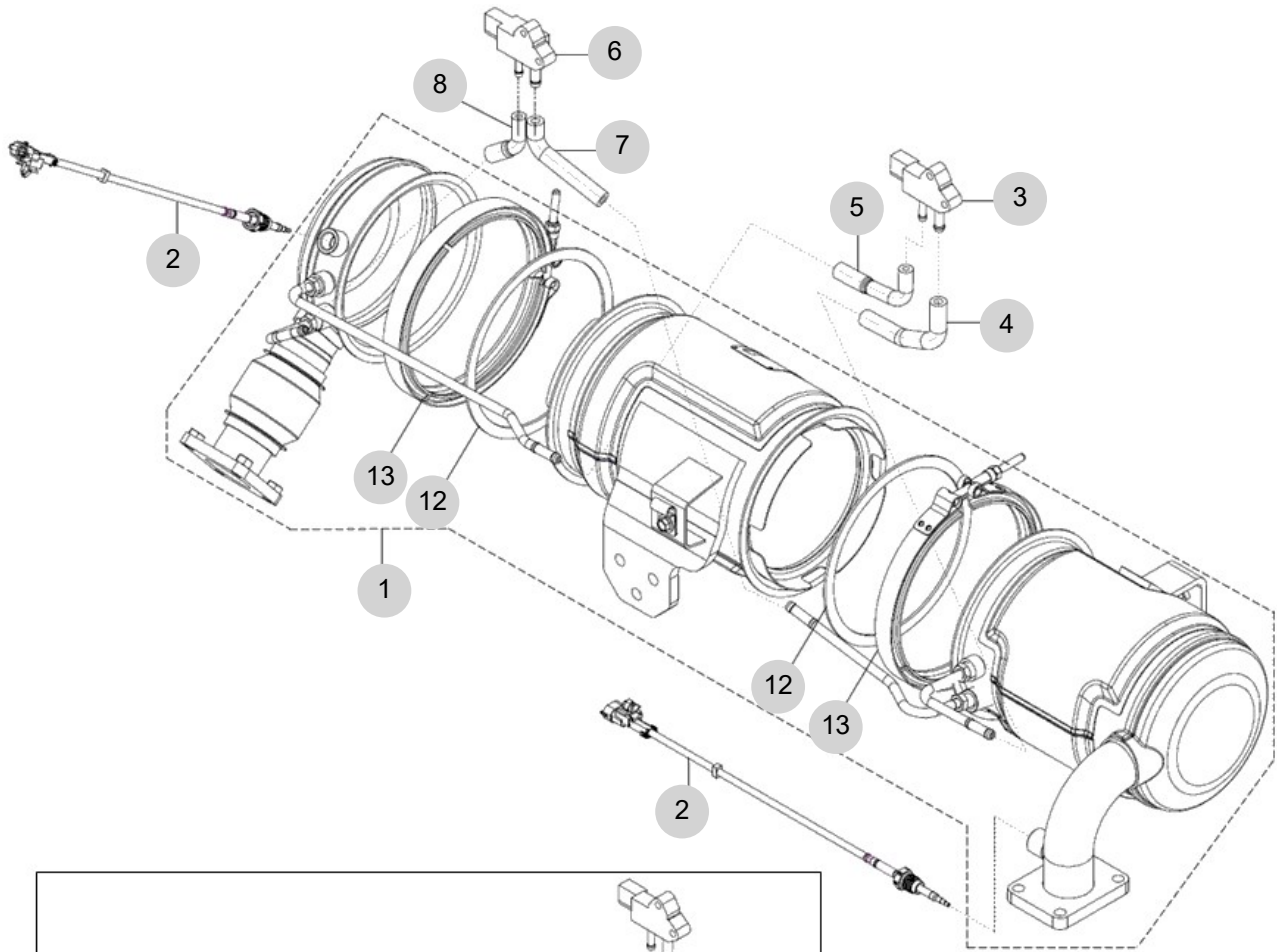
FIG 142B

DPF ASS'Y (T494)

년/월
Year/Month

2022-12

T494ST-B



NOTE

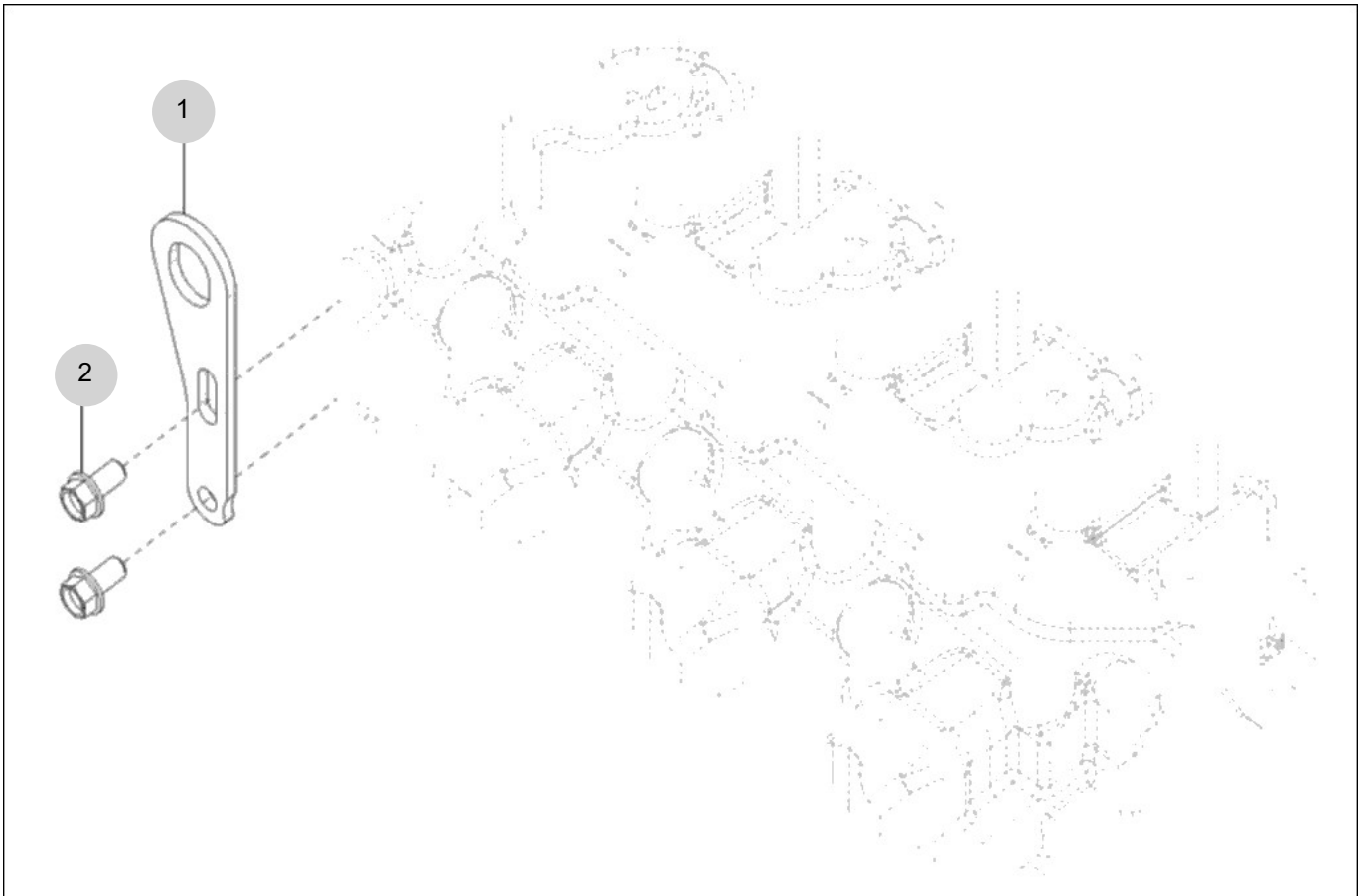
FIG 143

LIFT ASS'Y

년/월
Year/Month

T494ST-B

2022-12



NOTE

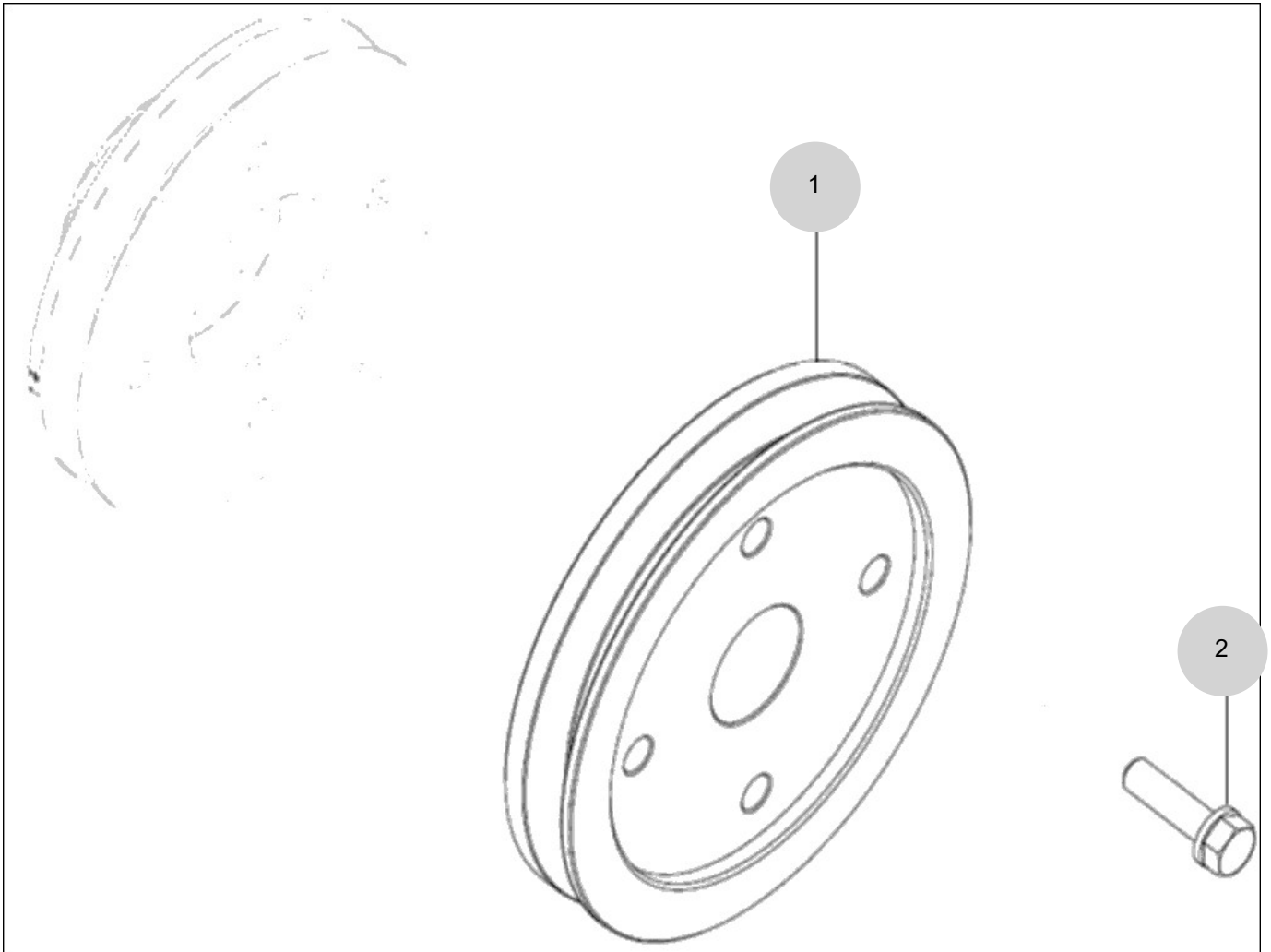
FIG 144

T494ST-B

COMP . DRIVE PULLEY ASS'Y OPTION

년/월
Year/Month

2022-12



NOTE

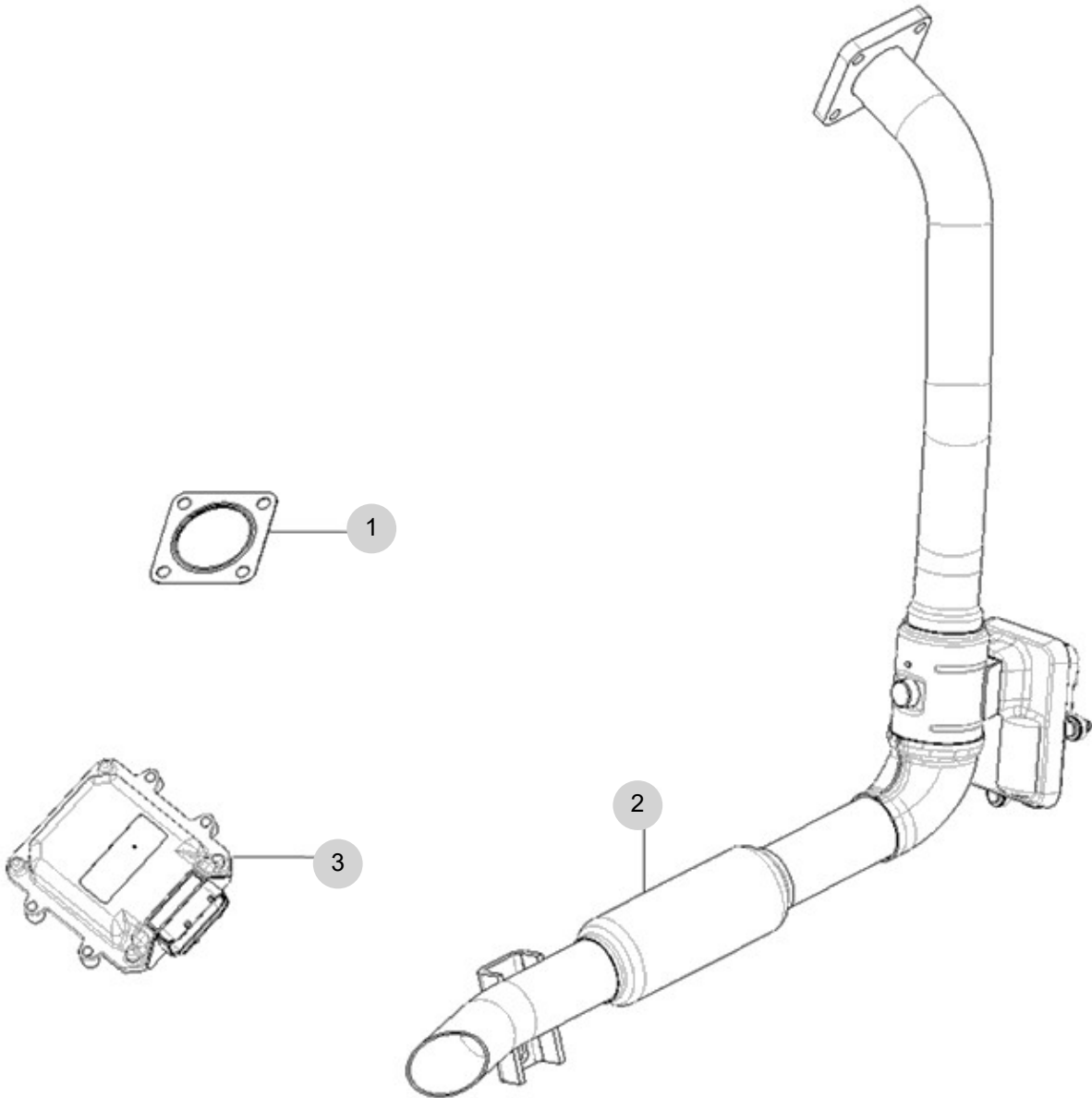
FIG 147

T494ST-B

LOOSED PARTS

년/월
Year/Month

2022-12



NOTE

2. Engine Accessories PART NO. T2

FIG 201B AIR CLEANER (T494)	103
FIG 202 RADIATOR	105
FIG 203 MUFFLER	107
FIG 204 FUEL HOSE & FILTER	109
FIG 205 FUEL TANK	111
FIG 206 ACCELERATOR	113

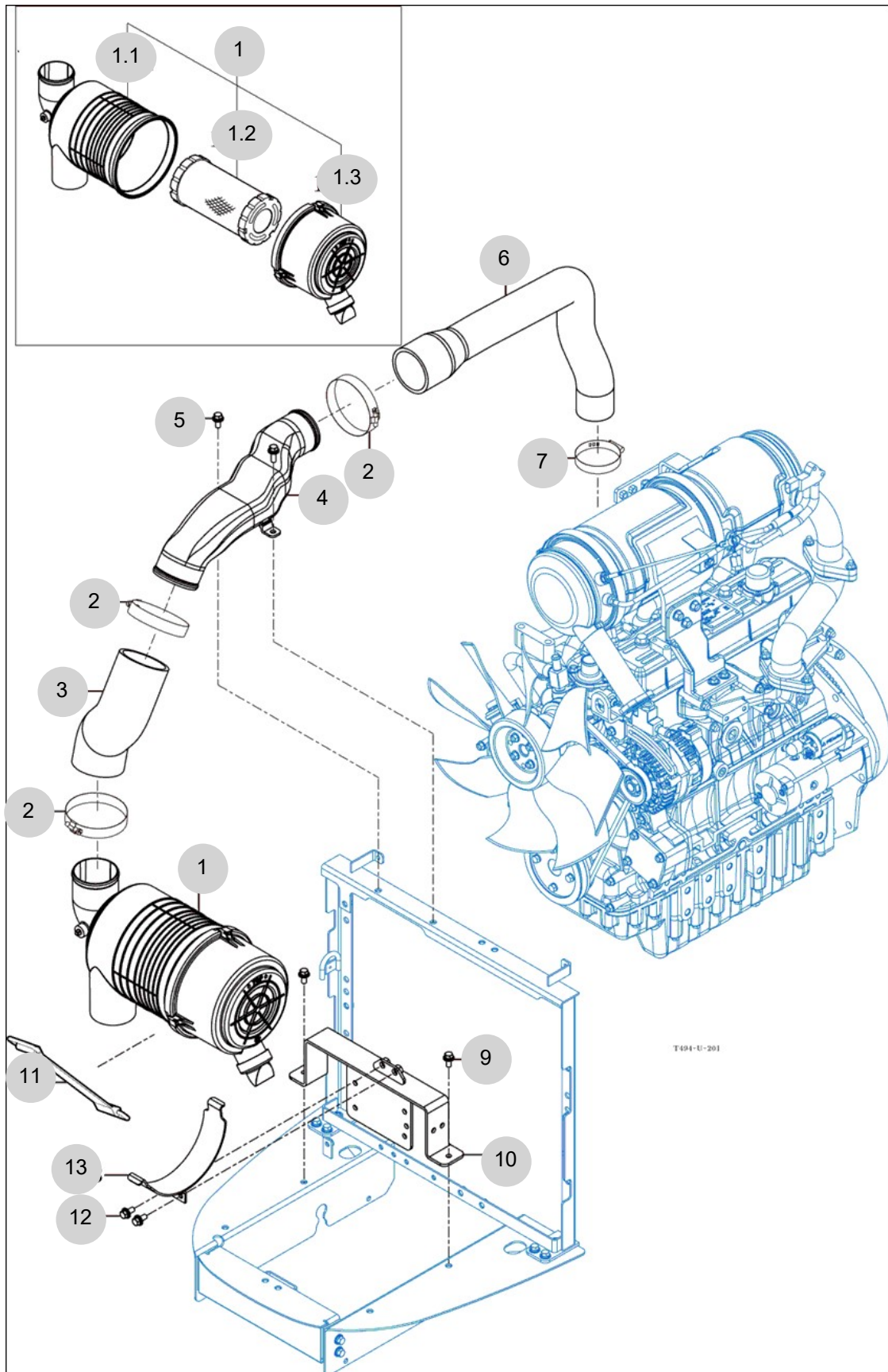
FIG 201B

AIR CLEANER (T494)

년/월
Year/Month

2022-12

T494ST-B



NOTE

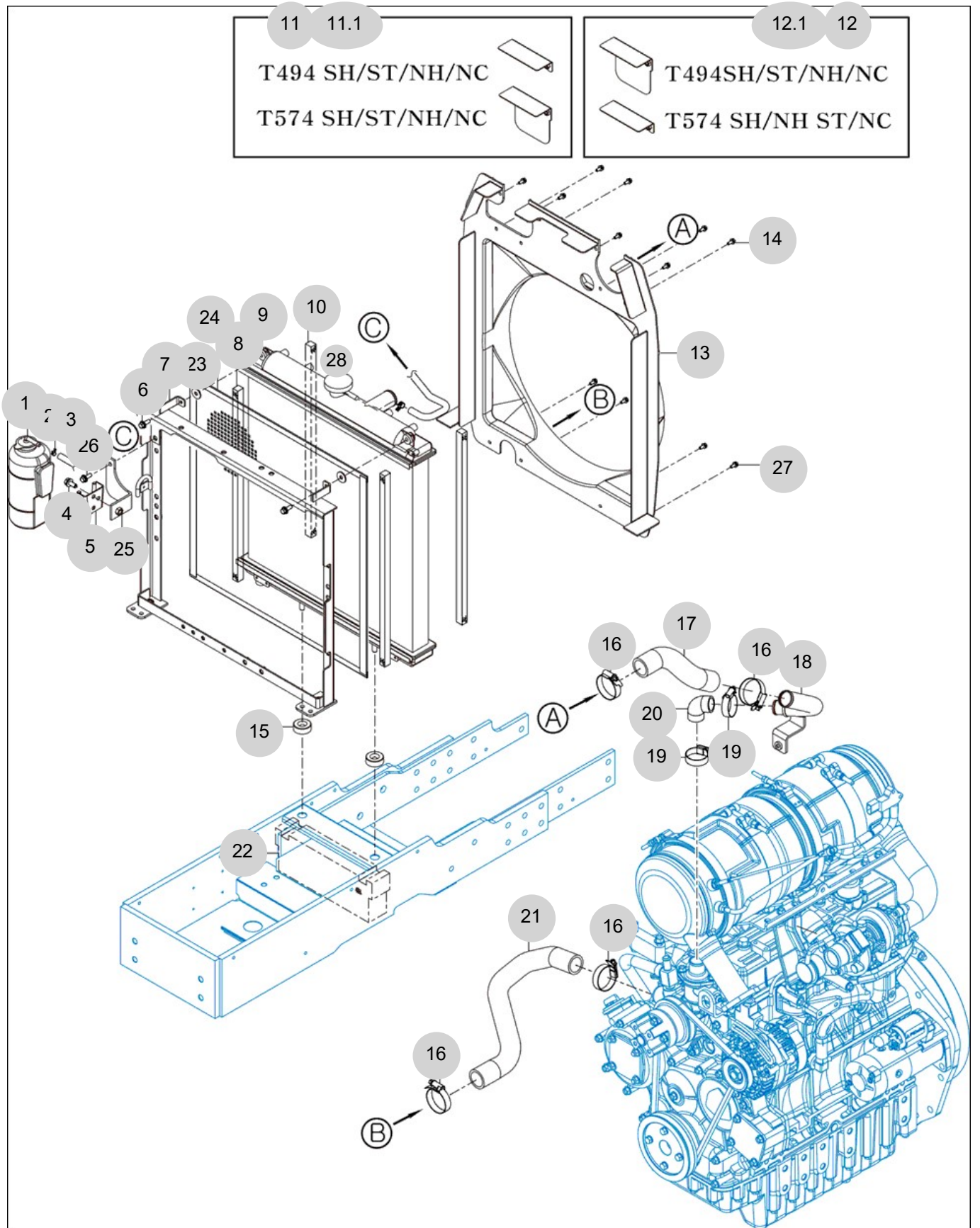
FIG 202

RADIATOR

년/월
Year/Month

T494ST-B

2022-12



NOTE

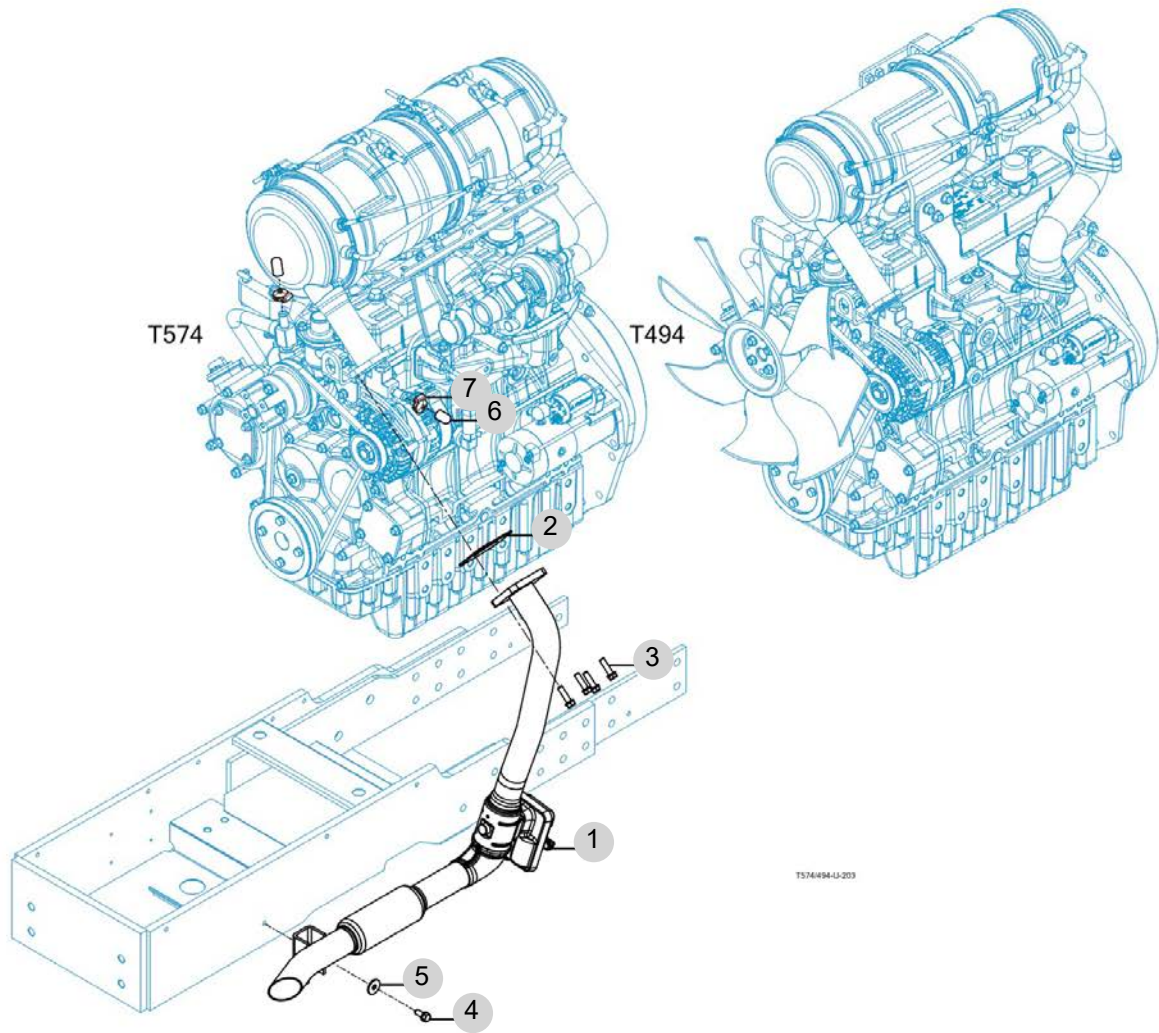
FIG 203

MUFFLER

년/월
Year/Month

T494ST-B

2022-12



NOTE

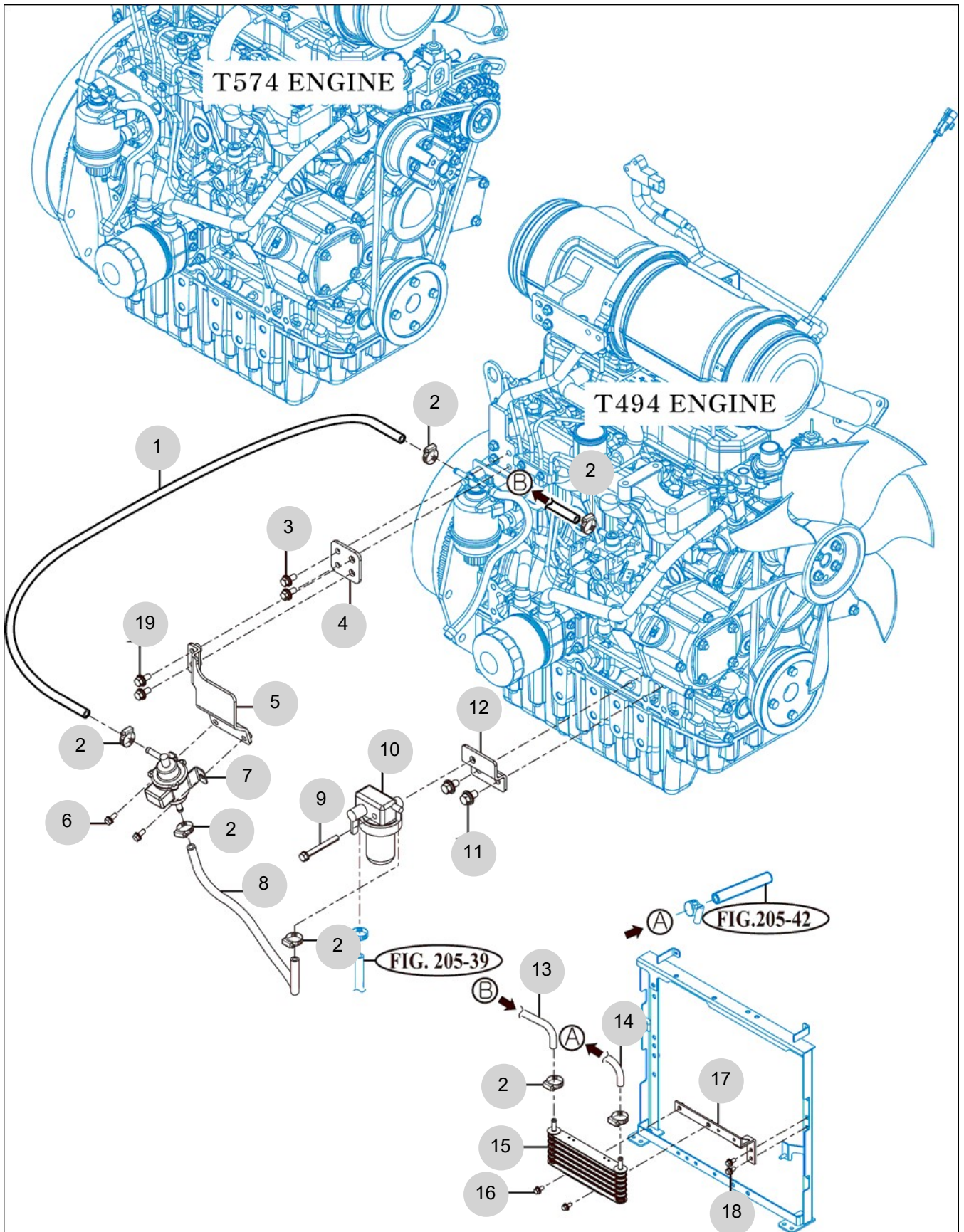
FIG 204

FUEL HOSE & FILTER

년/월
Year/Month

2022-12

T494ST-B



NOTE

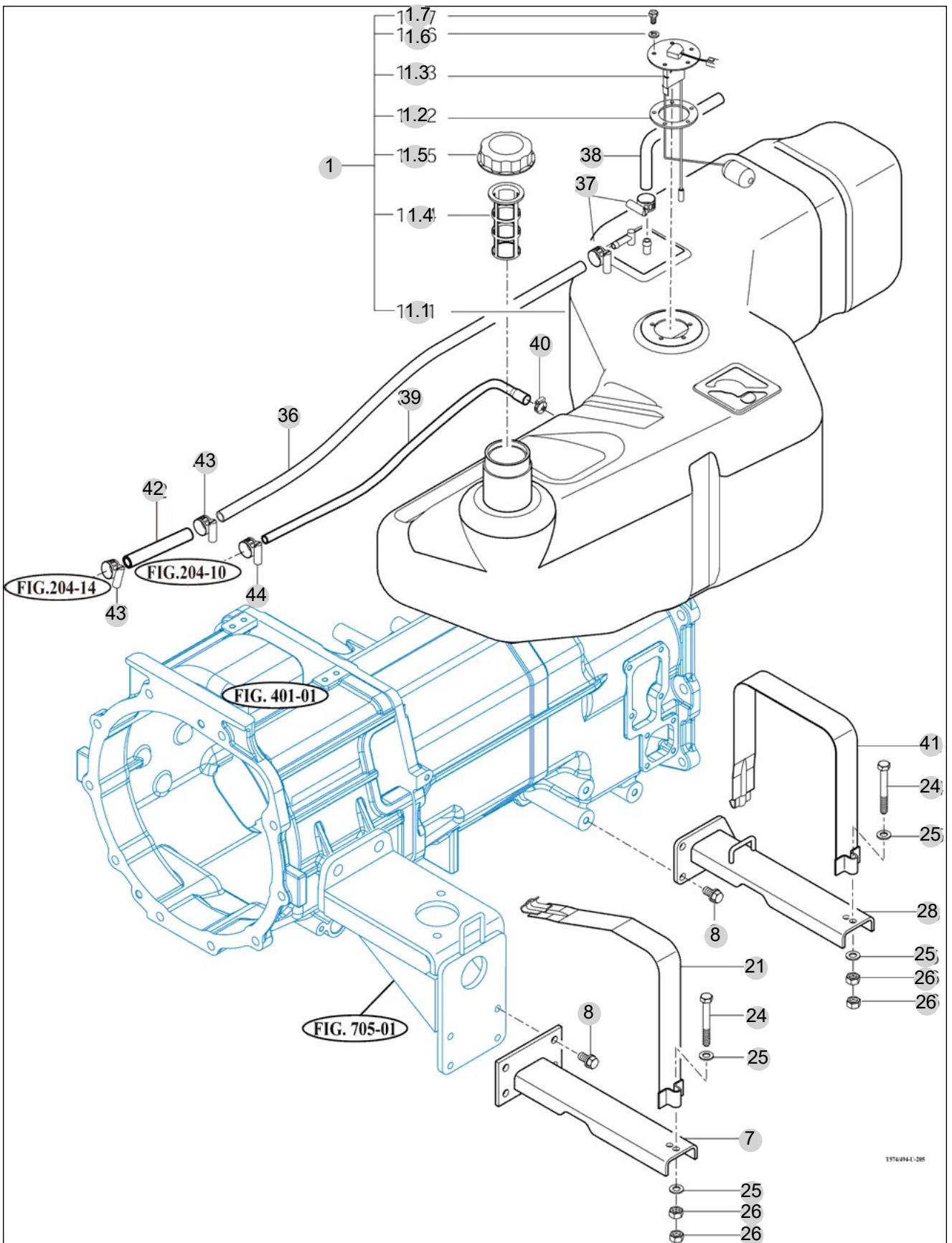
FIG 205

T494ST-B

FUEL TANK

년/월
Year/Month

2022-12



NOTE

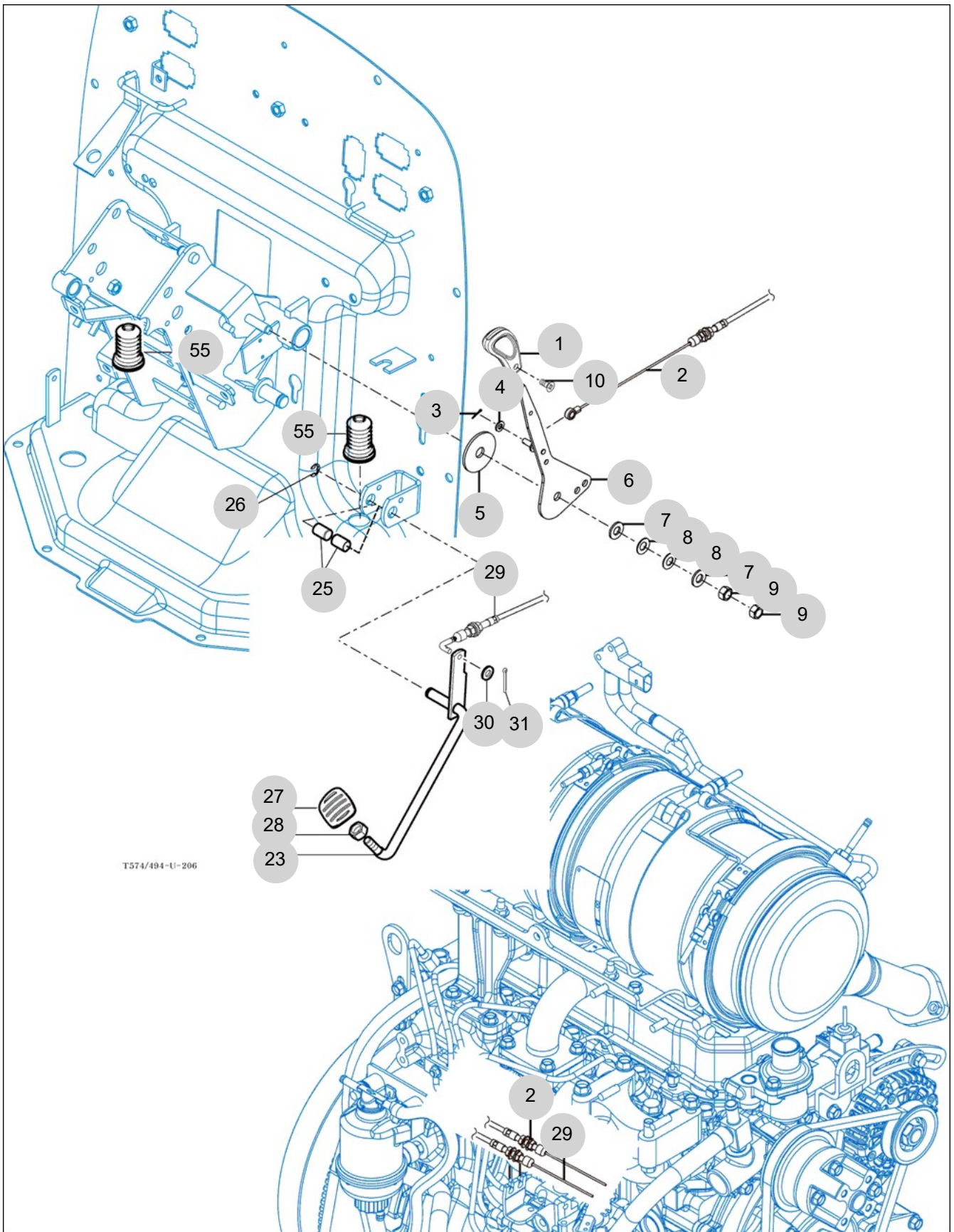
FIG 206

ACCELERATOR

년/월
Year/Month

2022-12

T494ST-B



NOTE

3. Clutch/Brake/Steering PART NO. T3

FIG 301 CLUTCH	116
FIG 302 CLUTCH PEDAL	118
FIG 303 BRAKE	121
FIG 304 BRAKE PEDAL & LINK	123
FIG 305 FRONT WHEEL	125
FIG 306 REAR WHEEL	127
FIG 307 POWER STEERING WHEEL	129
FIG 308 POWER STEERING VALVE	131
FIG 309 POWER STEERING CYLINDER	133

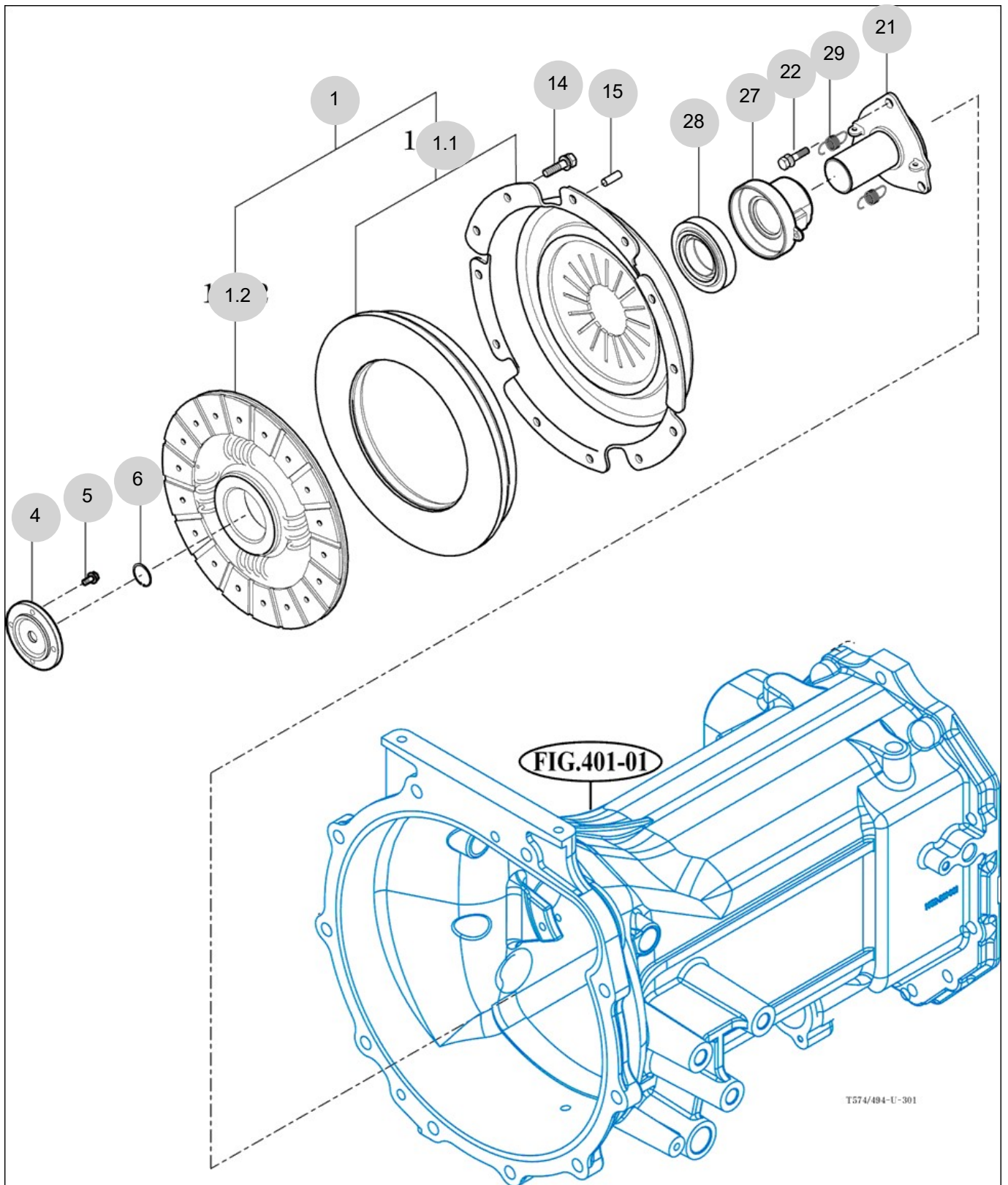
FIG 301

T494ST-B

CLUTCH

년/월
Year/Month

2022-12



T574/494-U-301

NOTE

FIG 301 T494ST-B		CLUTCH						년/월 Year/Month	
								2022-12	
KEY NO	PART NO	DESCRIPTION		SPEC	QTY	REPAIR	EFFECTIVE DATE	REMARKS	
301	1	14521219000	CLUTCH ASSY , MAIN		1X1X1	1			
301	1.1	14521213100	COVER ASSY , CLUTCH		1X1X1	1			
301	1.2	14521213201	DISK ASSY , CLUTCH 260		1X1X1	1			
301	4	14521002020	COUPLING , PTO		1X1X1	1			
301	5	V2144610030	BOLT , HEX FINE /S		M10X30	4			
301	6	V7051400220	C-RING , HOLE		22	1			
301	14	V2173608025	BOLT , HEX/S		M8X25	6			
301	15	V5201010022	PIN , PARALLEL/A		10X22	3			
301	21	14521210023M	HUB , SLEEVE			1			
301	22	V2173608020	BOLT , HEX/S		M8X20	3			
301	27	14521200020M	SLEEVE		1X1X1	1			
301	28	18001200040	BEARING , RELEASE		RCT422SA1	1			
301	29	14321200040	SPRING , TENSION 31		D=1.2	2			
NOTE									

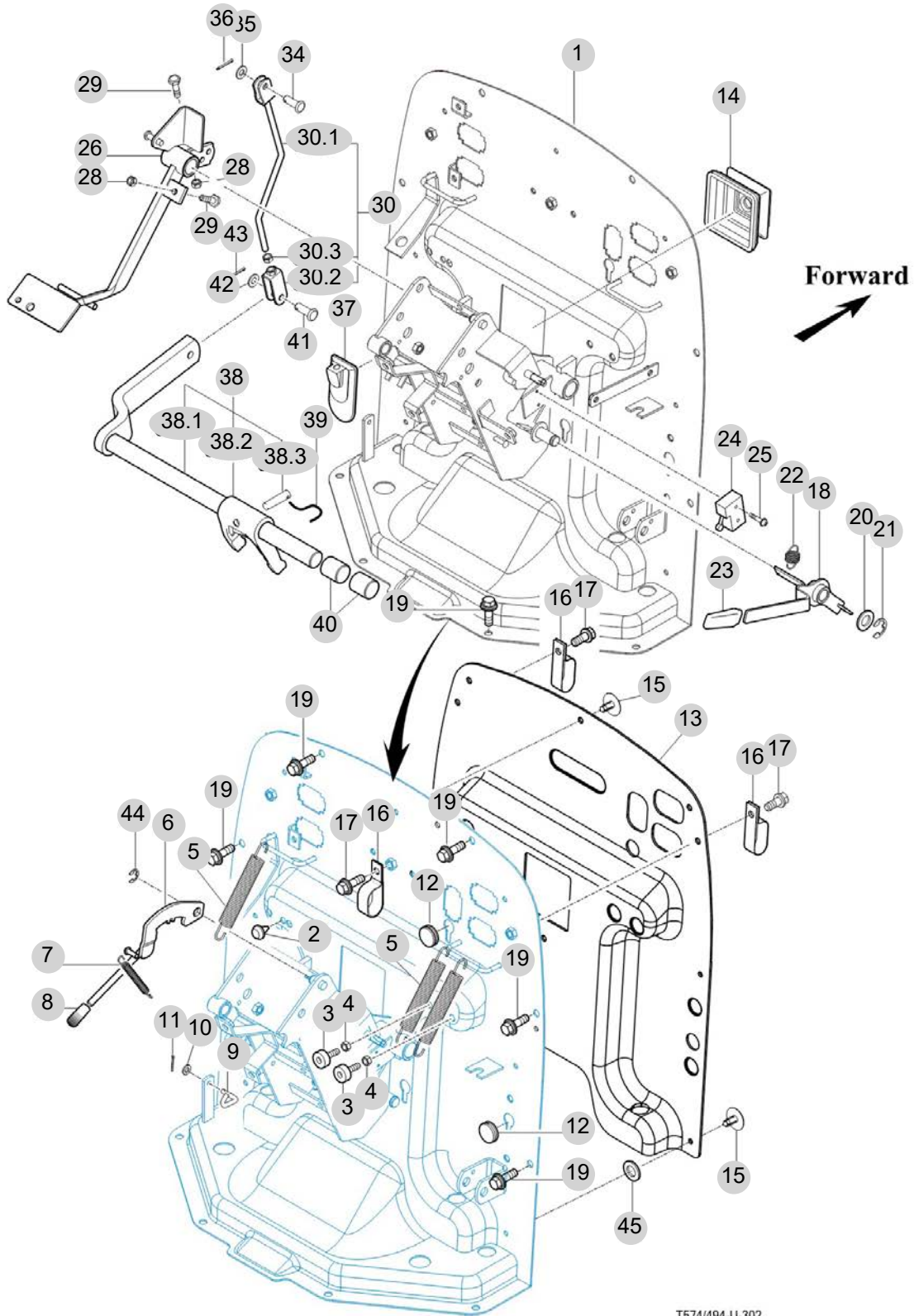
FIG 302

CLUTCH PEDAL

년/월
Year/Month

2022-12

T494ST-B



T574/494-U-302

NOTE

FIG 302		CLUTCH PEDAL						년/월 Year/Month	
								2022-12	
T494ST-B		KEY NO	PART NO	DESCRIPTION	SPEC	QTY	REPAIR	EFFECTIVE DATE	REMARKS
302	1	13866303200GB	DASH PANEL COMP			1			
302	2	14326160020	RUBBER , CUSHION	1X1X1		1			
302	3	14216020051	RUBBER , CUSHION B	1X1X1		2			
302	4	V3043600080	NUT , HEX/2	M8		2			
302	5	14041200080	RETURN SPRING , CLUTCH	HL2000공용		3			
302	6	14724042401GB	LEVER COMP , TILT	1X1X1		1			
302	7	16001200080	RETURN SPRING , BRAKE	1X1X1		1			
302	8	21615250020	GRIP , LEVER/RED			1			
302	9	15441230050	ROD	D=5.25 5.3		1			
302	10	V4111600060	WASHER , PLAIN	M6		1			
302	11	V5001920020	PIN , SPLIT	2X20		1			
302	12	14326510210	CAP , RUBBER 20	1X1X1		2			
302	13	17467071991	INSULATOR , DASH	T=10		1			
302	14	14526300011	BOOT,STEERING/HOSE	T=1.5		1			
302	15	17686040020	RIVET SET , black	SV625		9			
302	16	14441010161	CLAMP , RADIATOR HOSE	1X1X1		3			
302	17	V2183608020	BOLT , HEX/SP	M8X20		3			
302	18	14523293301GB	LEVER COMP,PARKING	1X1X1		1			
302	19	V2183608016	BOLT , HEX/SP	M8X16		10			
302	20	V4111600160	WASHER , PLAIN	M16		1			
302	21	V7081400150	E-RING	15		1			
302	22	14321200040	SPRING , TENSION 31	D=1.2		1			
302	23	34523030020	GRIP , THROTTLE	1X1X1		1			
302	24	16756214701	SWITCH ASSY , SAFETY	1X1X1		1			
302	25	V1222604025	SCREW , C/R PAN/SP	M4X25		2			
302	26	14571332100GB	PEDAL COMP , CLUTCH	1X1X1		1			
302	28	V3043600080	NUT , HEX/2	M8		2			
302	29	V2013608030	BOLT , HEX	M8X30		2			
302	30	14521330002GB	ROD SUB , CLUTCH			1			
302	30	14521330002	ROD SUB , CLUTCH	398*87		1			
302	30	14521330002	ROD SUB , CLUTCH			1			
302	30.1	14521333103	ROD COMP, CLUTCH	346*87		1			
302	30.2	14521333200	HOOK COMP	1X1X1		1			
302	30.3	V3042600080	NUT , HEX/2	M8		1			
302	34	14322420010	PIN	D=8		1			
302	35	V4111600080	WASHER , PLAIN	M8		1			
302	36	V5001925020	PIN D2.5x20	2.5X20		1			
302	37	14526300210	BOOT,CLUTCH PEDAL	1X1X1		1			
302	38	14521302000	BAR SET	1X1X1		1			
302	38.1	14521302101	BAR COMP			1			
302	38.2	14521300011	FORK , RELEASE	1X1X1		1			
302	38.3	15601300010	PIN , 08X40	1X1X1		1			
302	39	V5901012150	WIRE , STEEL	1.2X150		1			
302	40	14521302150	BUSH , BAR COMP	1X1X1		2			
302	41	14043120060	PIN , YOKE	D=8		1			
NOTE									

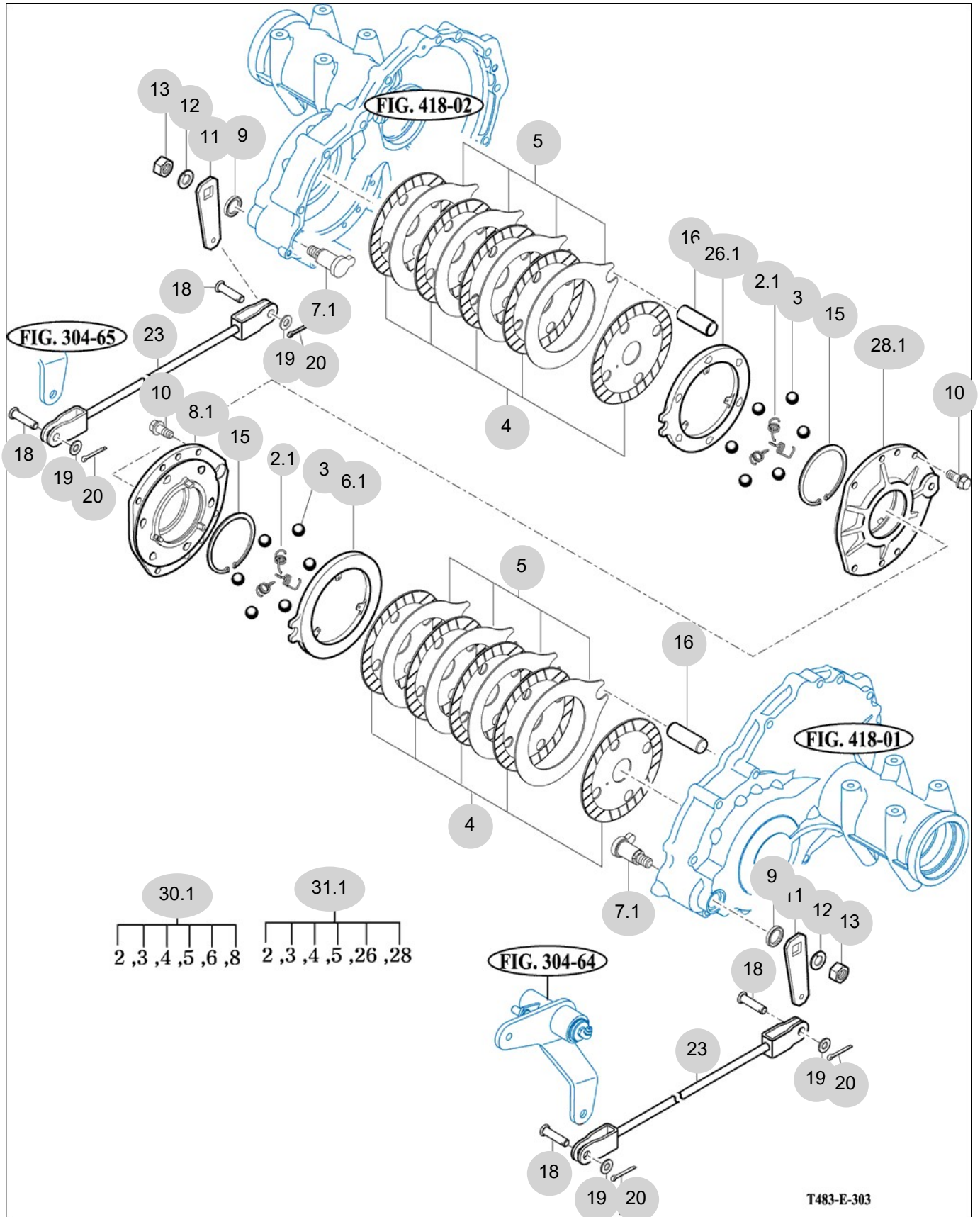
FIG 303

BRAKE

년/월
Year/Month

T494ST-B

2022-12



T483-E-303

NOTE

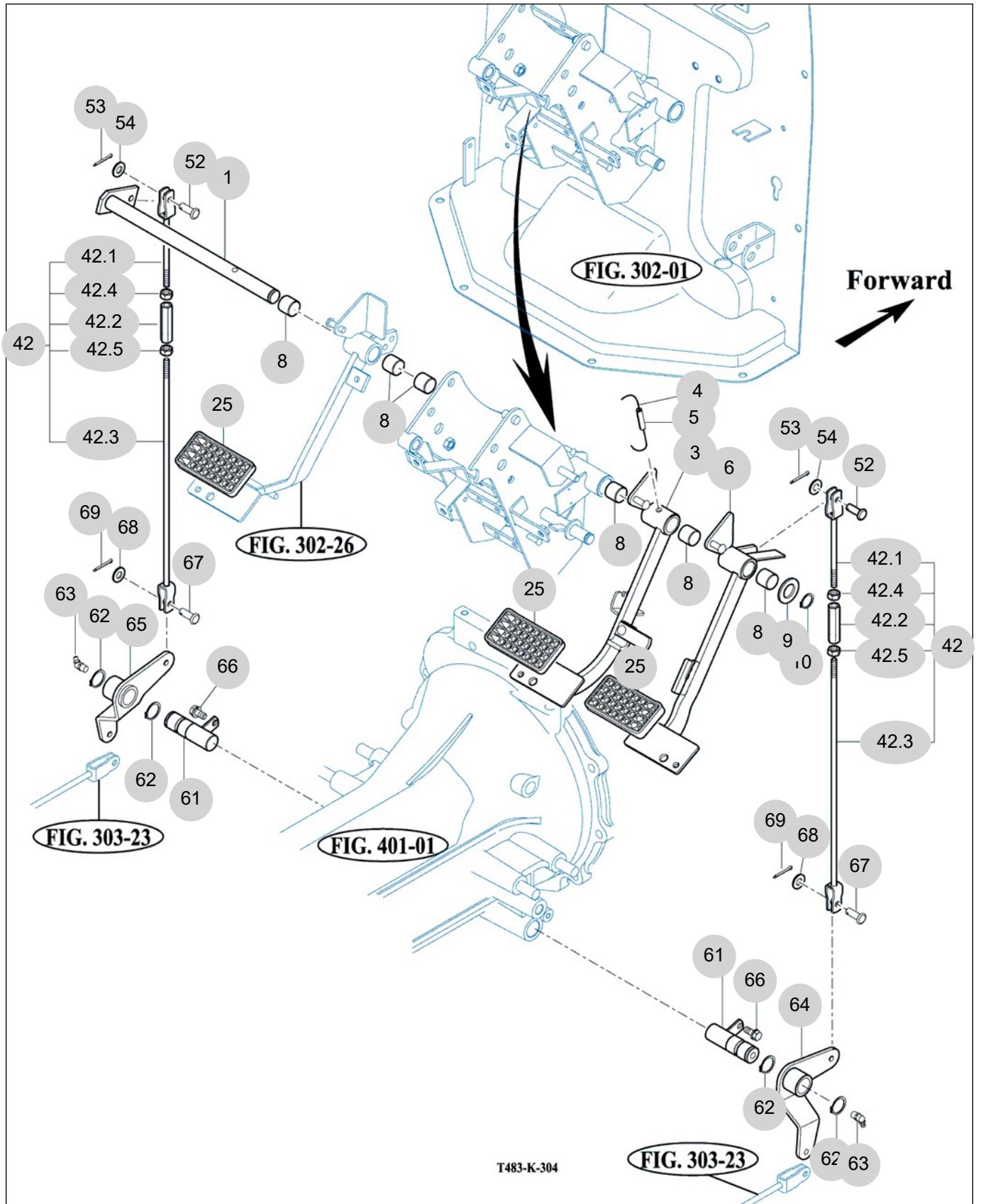
FIG 304

BRAKE PEDAL & LINK

년/월
Year/Month

2022-12

T494ST-B



T483-K-304

FIG. 303-23

NOTE

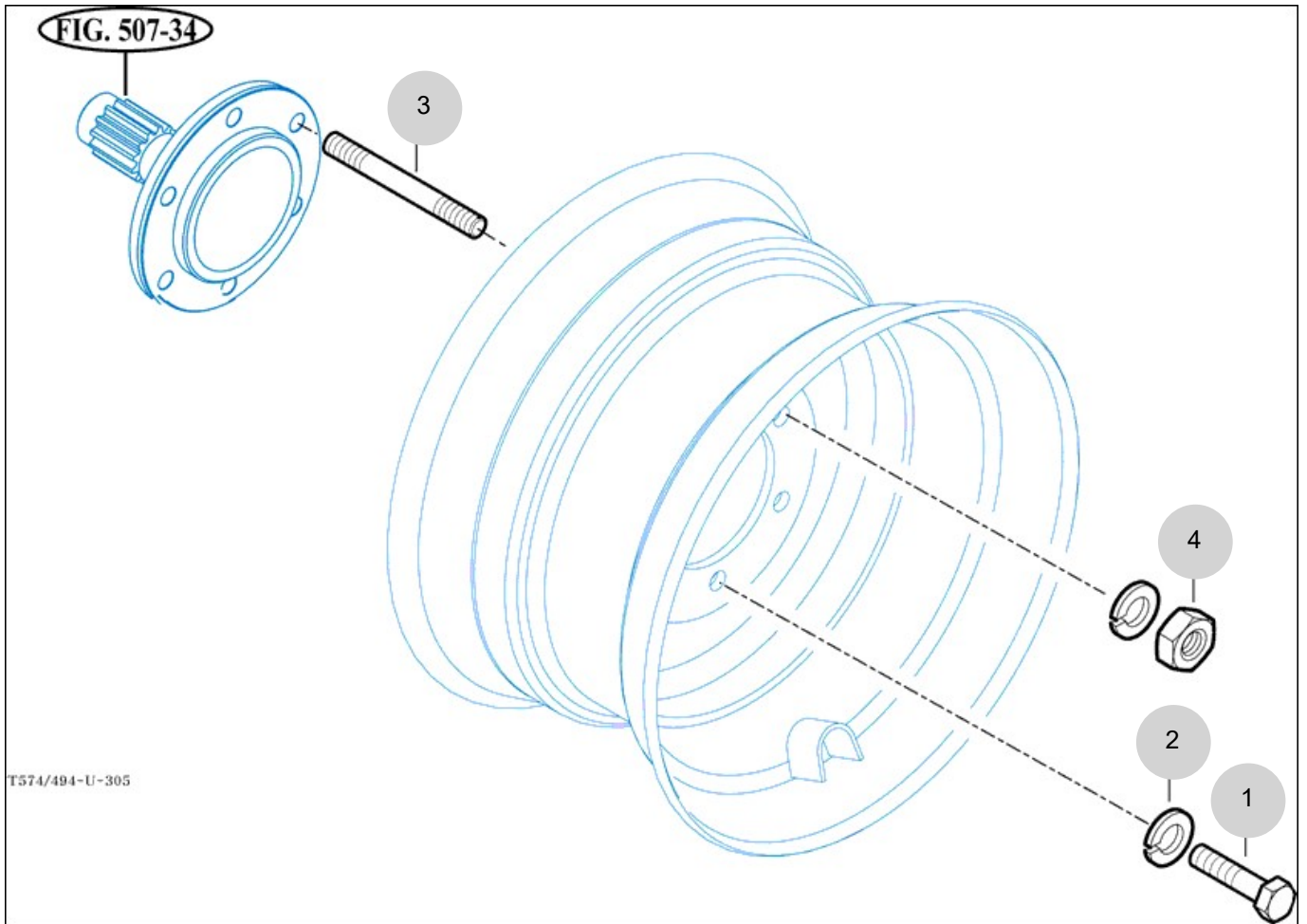
FIG 305

T494ST-B

FRONT WHEEL

년/월
Year/Month

2022-12



NOTE

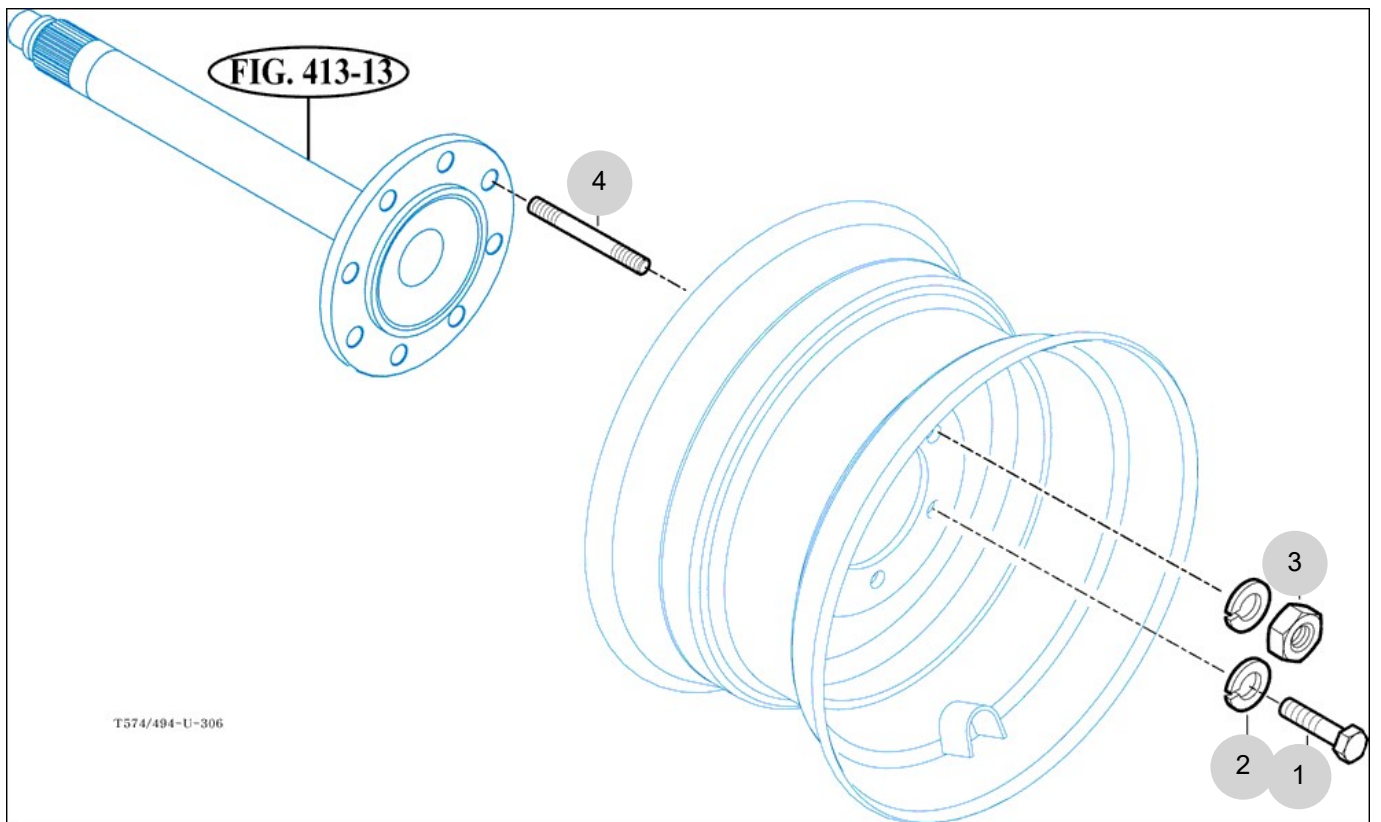
FIG 306

T494ST-B

REAR WHEEL

년/월
Year/Month

2022-12



T574/494-U-306

NOTE

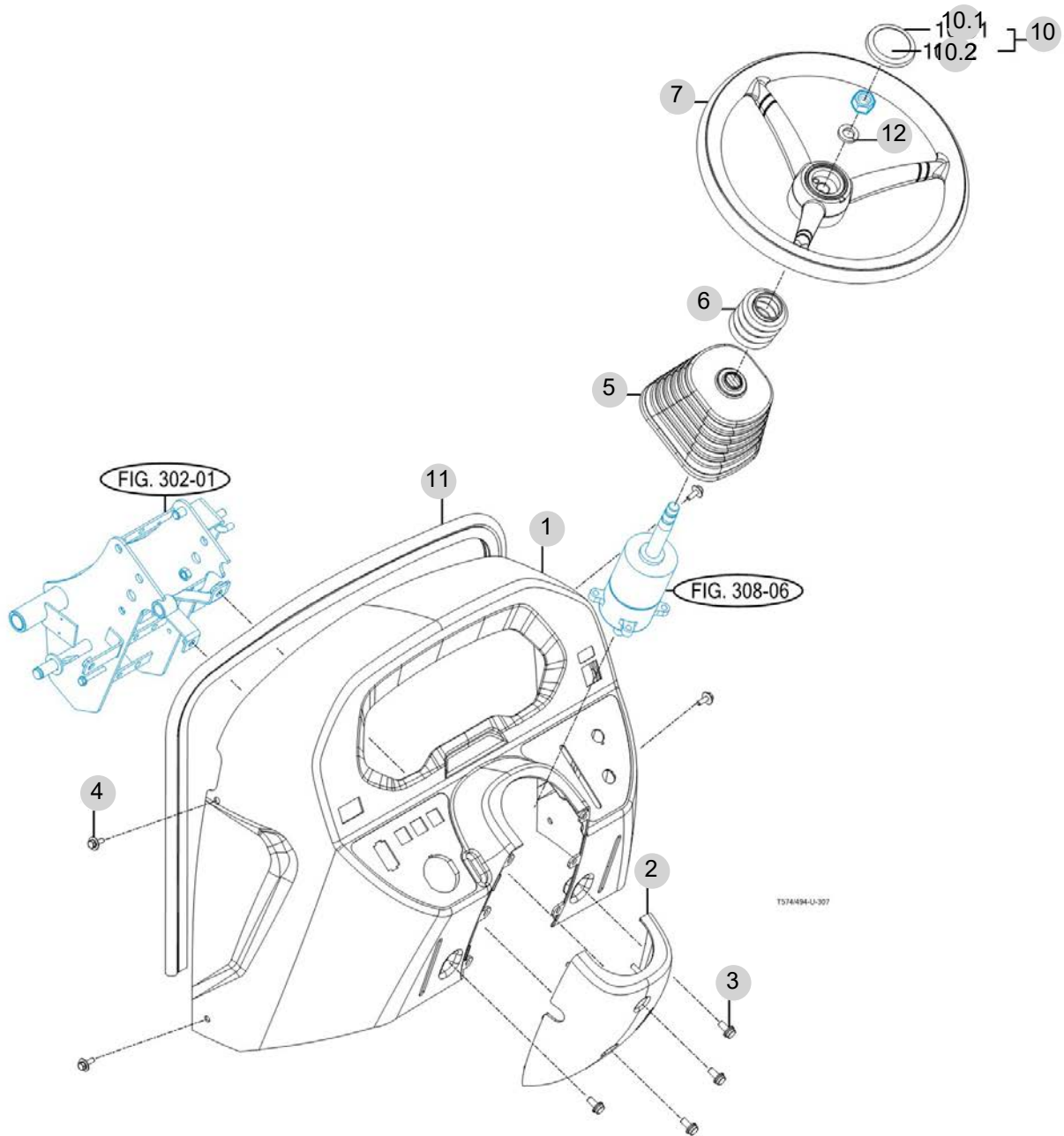
FIG 307

POWER STEERING WHEEL

년/월
Year/Month

T494ST-B

2022-12



NOTE

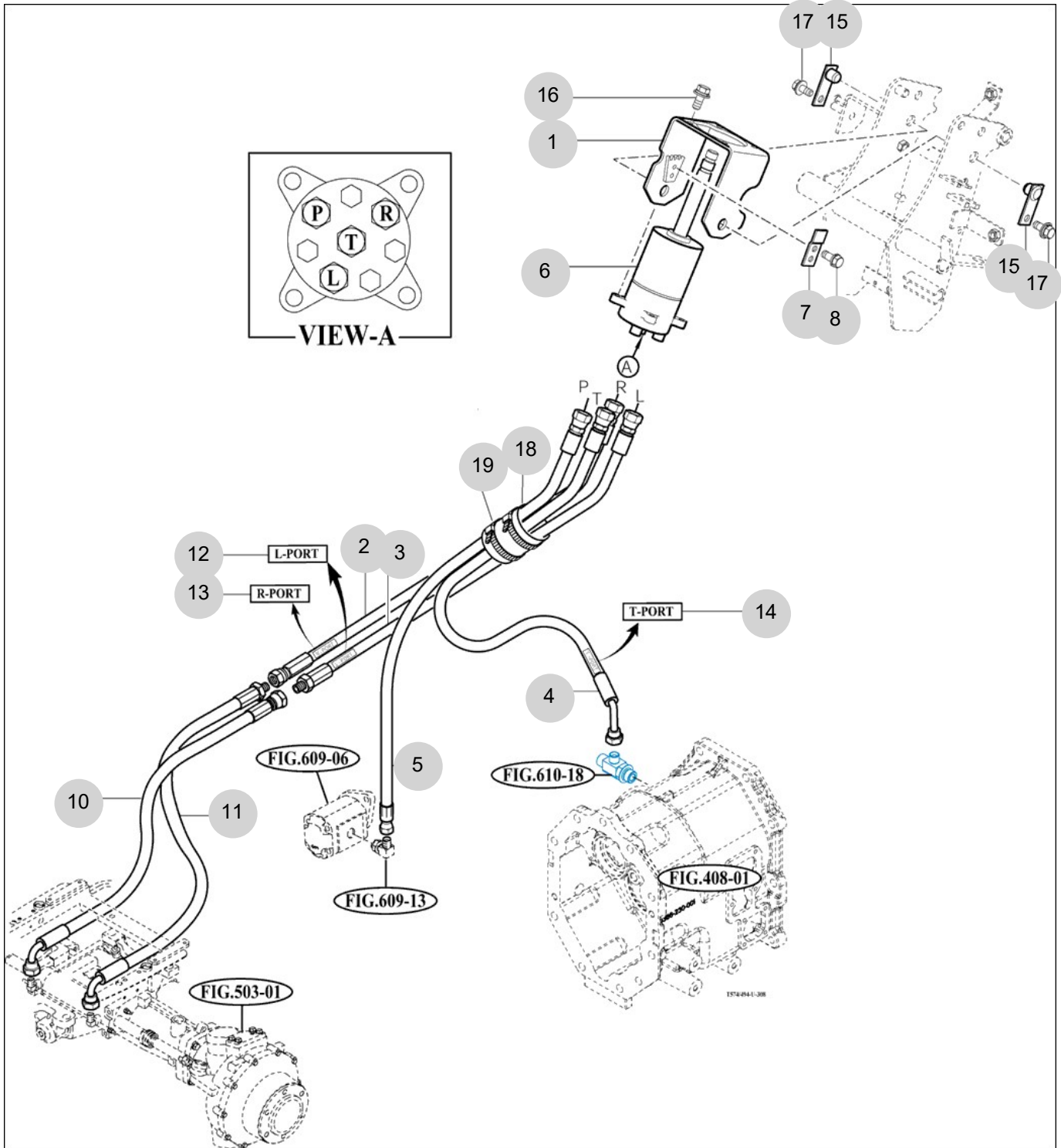
FIG 308

T494ST-B

POWER STEERING VALVE

년/월
Year/Month

2022-12



NOTE

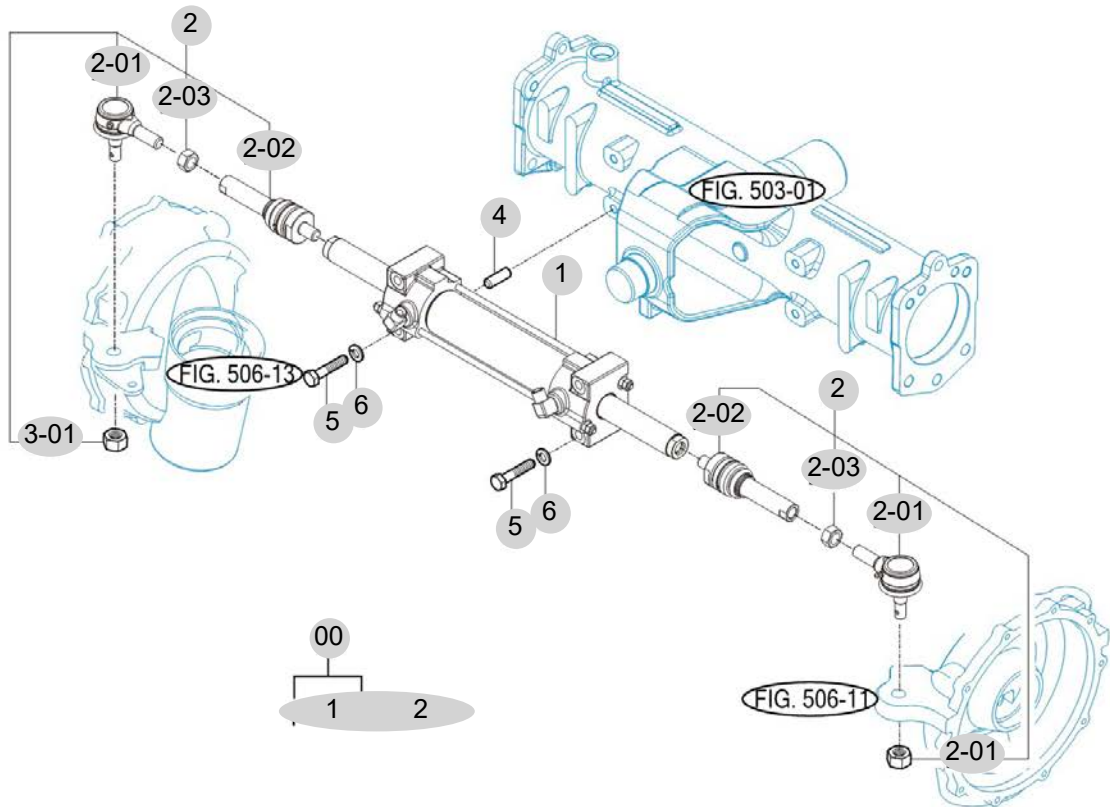
FIG 309

T494ST-B

POWER STEERING CYLINDER

년/월
Year/Month

2022-12



NOTE

4. Transmission PART NO. T4

FIG 401 TRANSMISSION FRONT CASE	136
FIG 402 FORWARD & BACKWARD GEARS	138
FIG 403 IDLE & COUNTER GEARS	140
FIG 404 MAIN SHIFT GEARS	142
FIG 405 P.T.O DRIVE SHAFT	144
FIG 406 MAIN CHANGE LEVER	146
FIG 407 REVERSE CHANGE LEVER	148
FIG 408 TRANSMISSION MID CASE	150
FIG 409 TRANSMISSION REAR CASE	152
FIG 410 SUB CHANGE GEARS	154
FIG 411 SUB CHANGE SHIFTER	156
FIG 413 DRIVE GEARS	158
FIG 414 4WD CHANGE LEVER	160
FIG 415 P.T.O CHANGE GEARS	162
FIG 417 REAR DIFFERENTIAL GEARS	164
FIG 418 REAR AXLE HOUSING	167

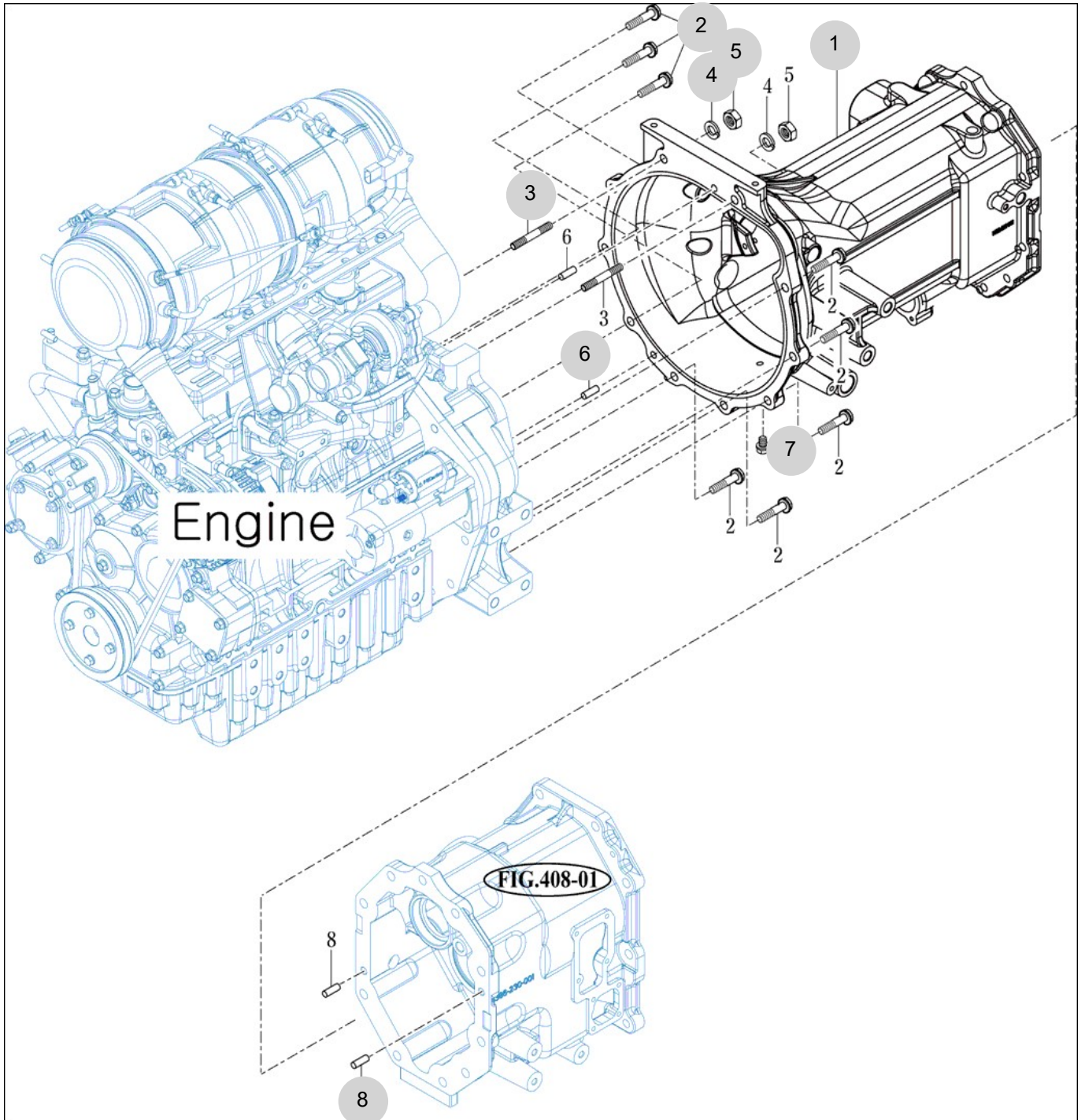
FIG 401

TRANSMISSION FRONT CASE

년/월
Year/Month

2022-12

T494ST-B



NOTE

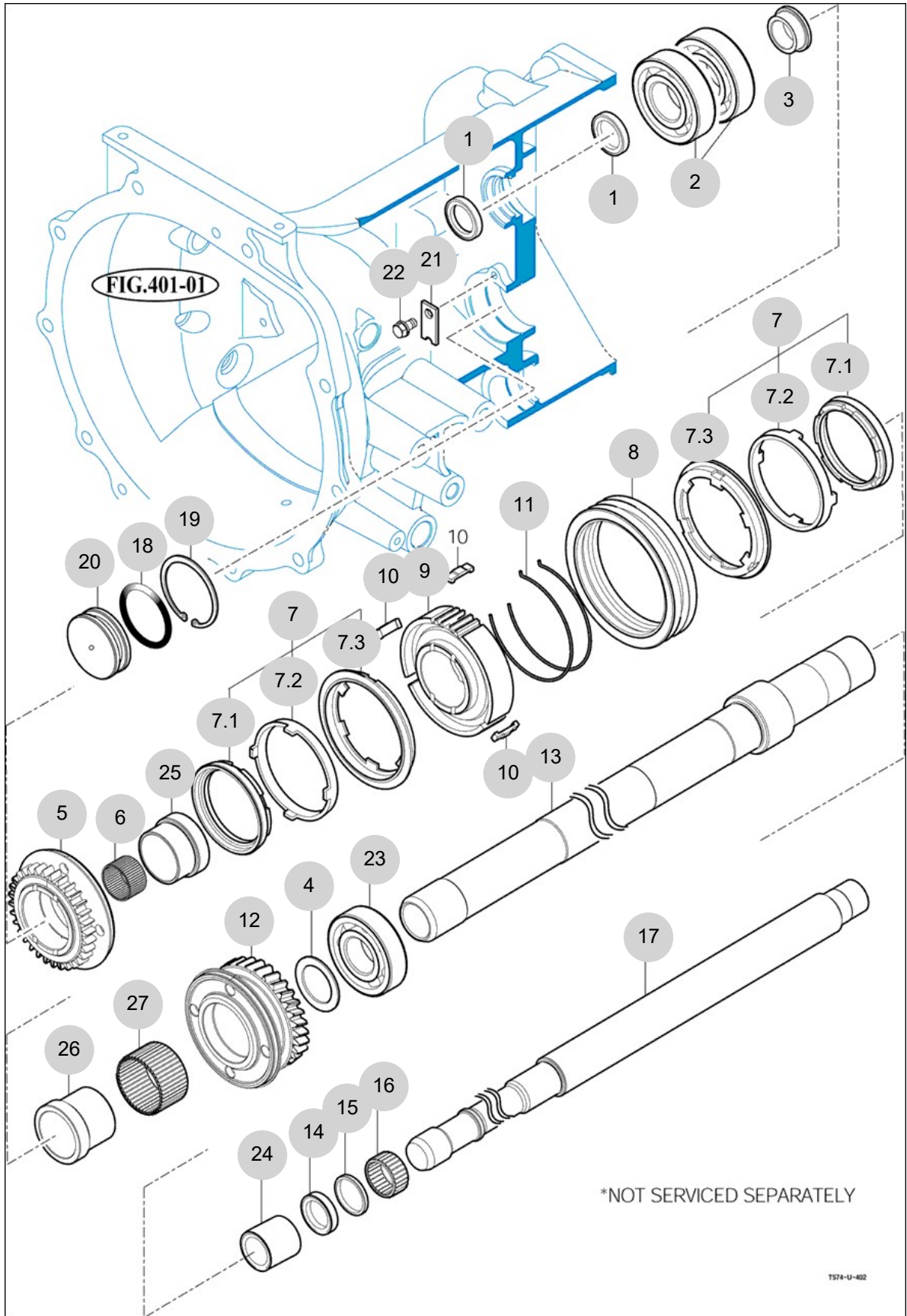
FIG 402

FORWARD & BACKWARD GEARS

년/월
Year/Month

T494ST-B

2022-12



NOTE

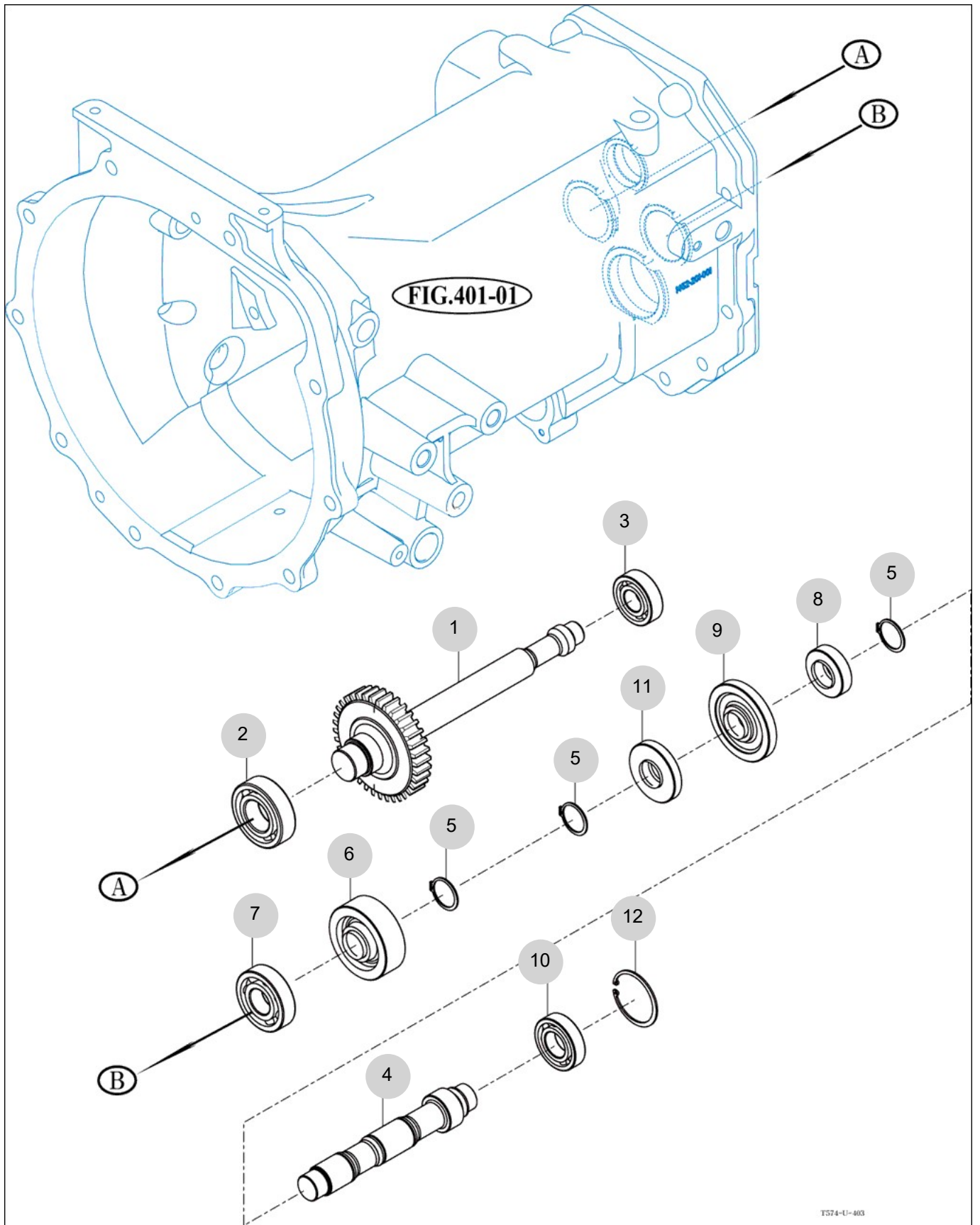
FIG 403

IDLE & COUNTER GEARS

년/월
Year/Month

T494ST-B

2022-12



NOTE

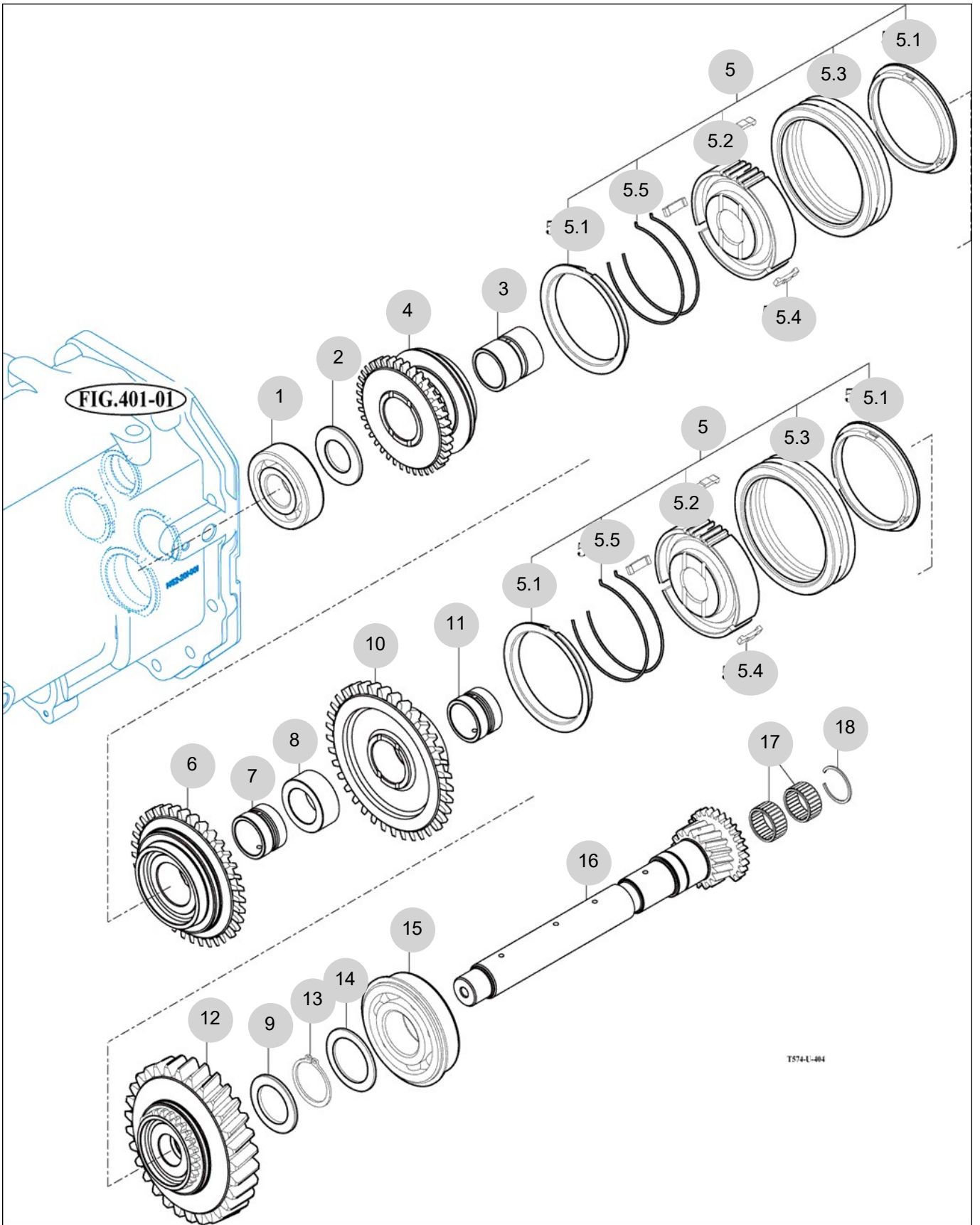
FIG 404

MAIN SHIFT GEARS

년/월
Year/Month

T494ST-B

2022-12



NOTE

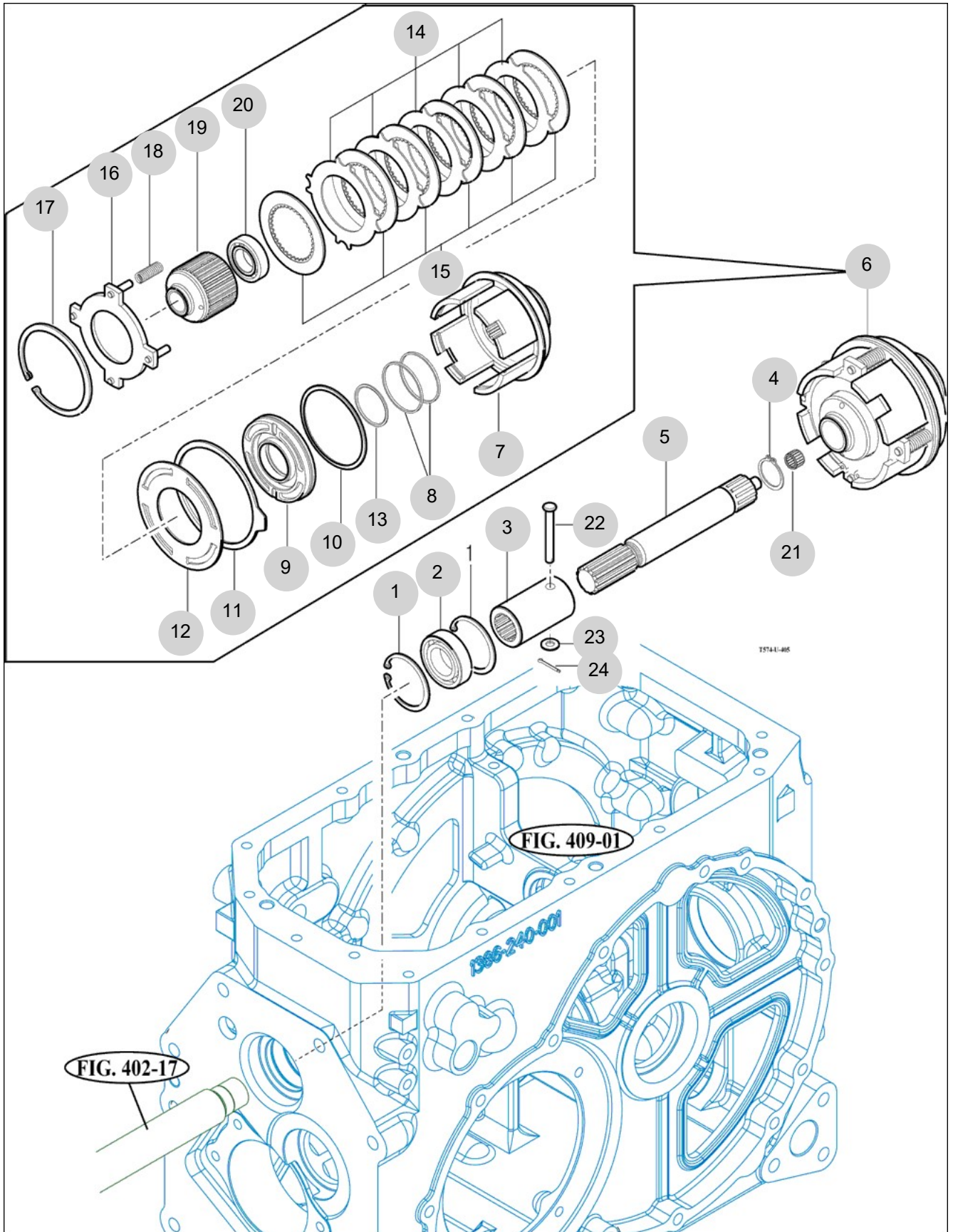
FIG 405

P.T.O DRIVE SHAFT

년/월
Year/Month

T494ST-B

2022-12



NOTE

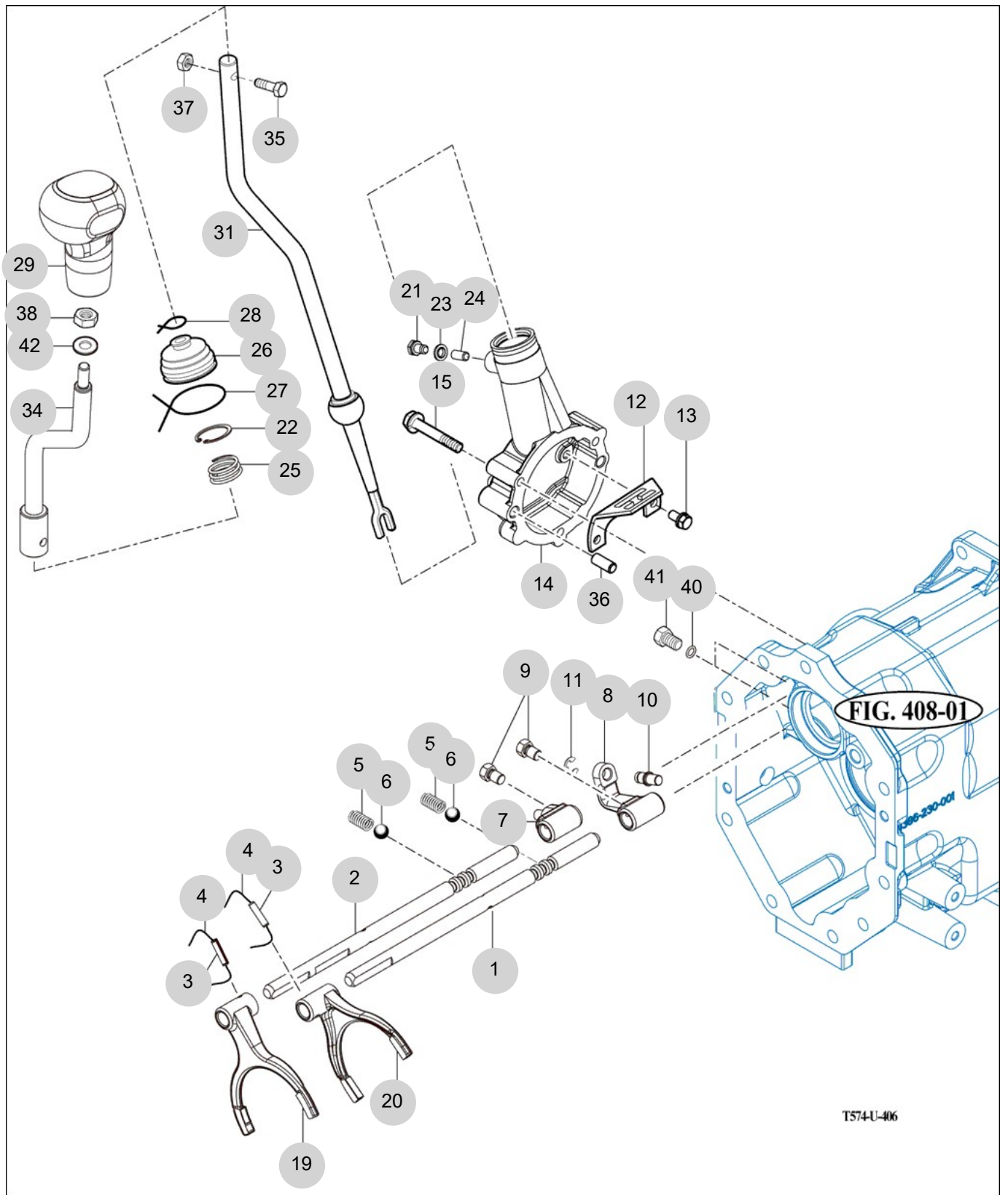
FIG 406

MAIN CHANGE LEVER

년/월
Year/Month

T494ST-B

2022-12



NOTE

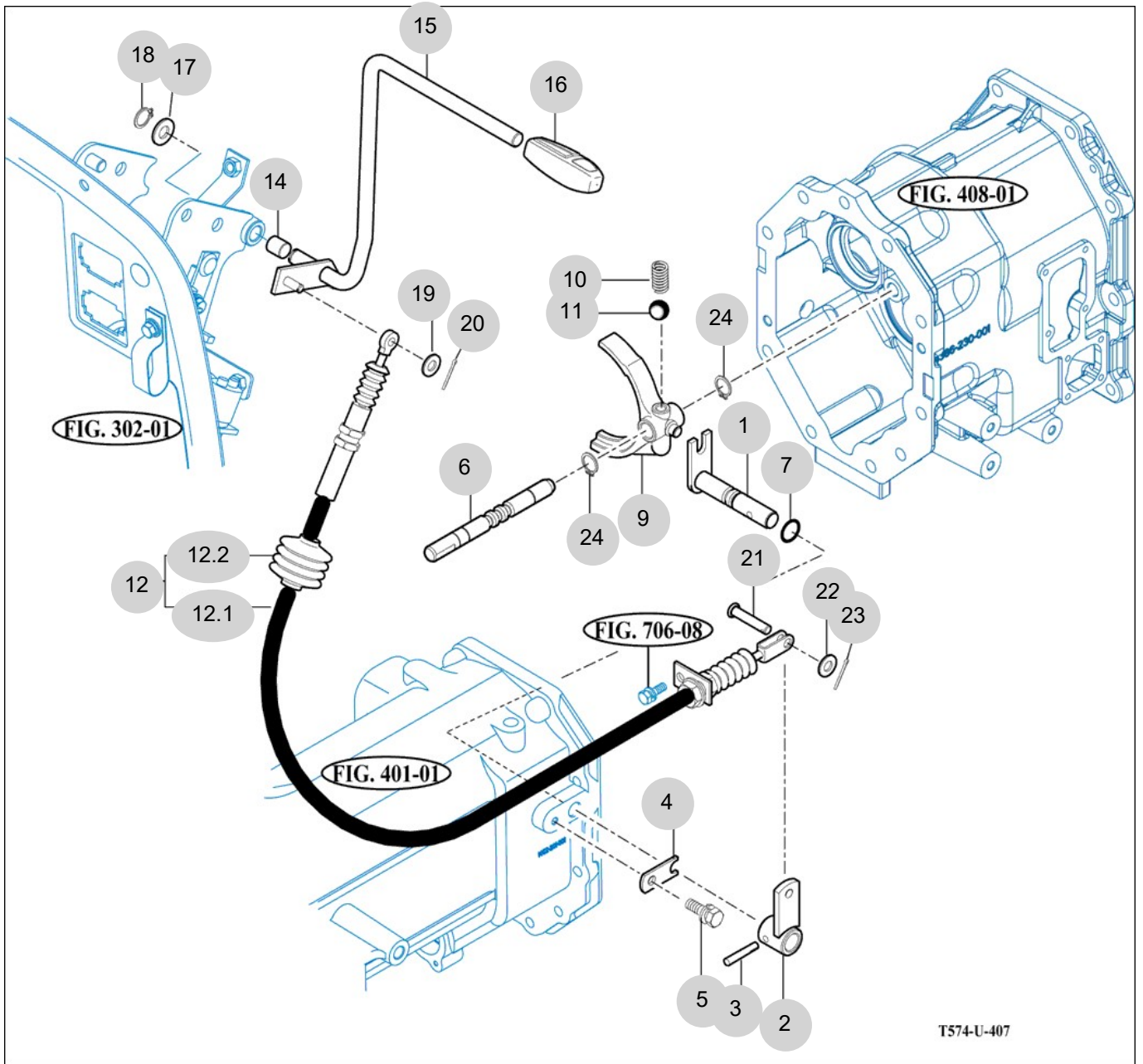
FIG 407

REVERSE CHANGE LEVER

년/월
Year/Month

2022-12

T494ST-B



T574-U-407

NOTE

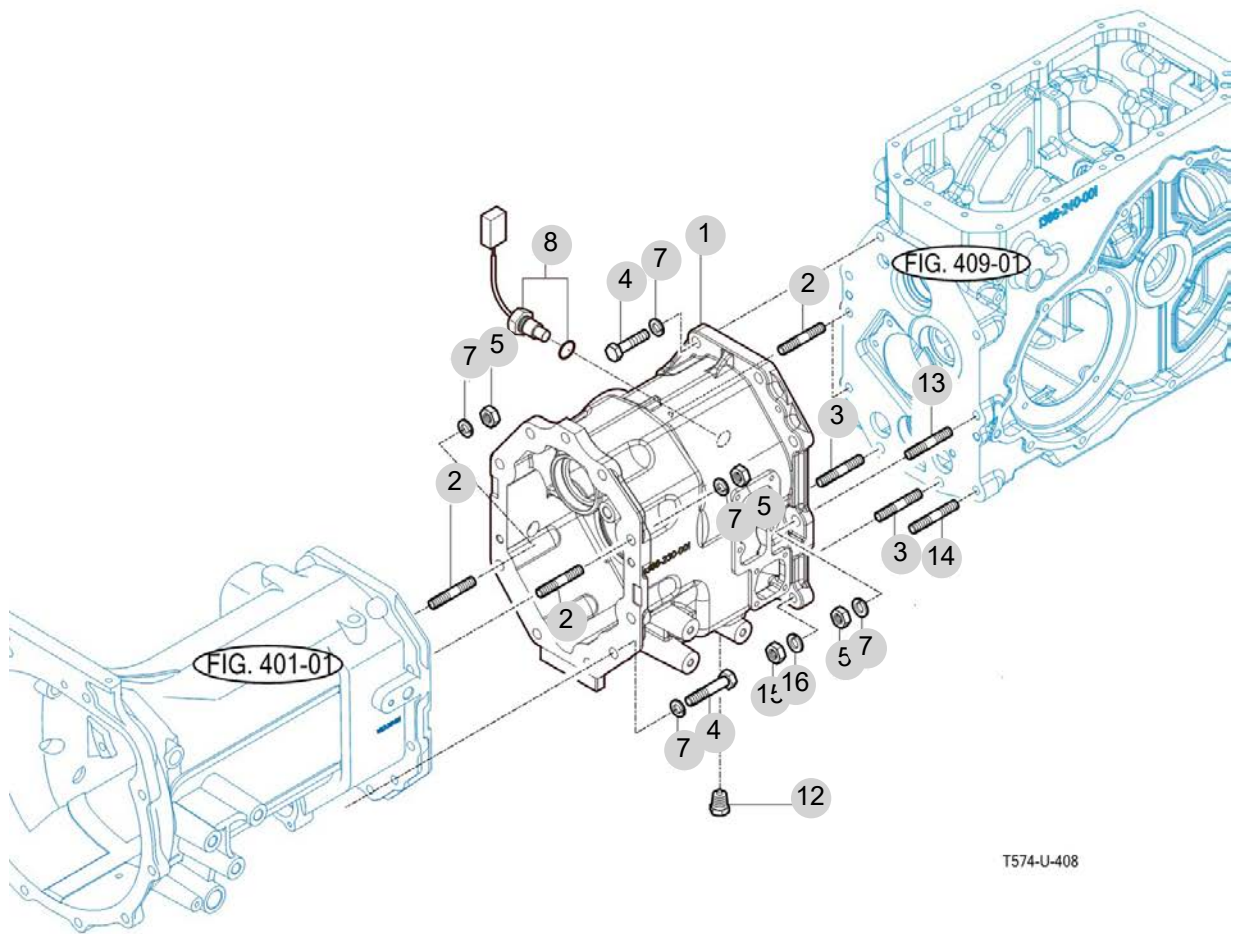
FIG 408

T494ST-B

TRANSMISSION MID CASE

년/월
Year/Month

2022-12



T574-U-408

NOTE

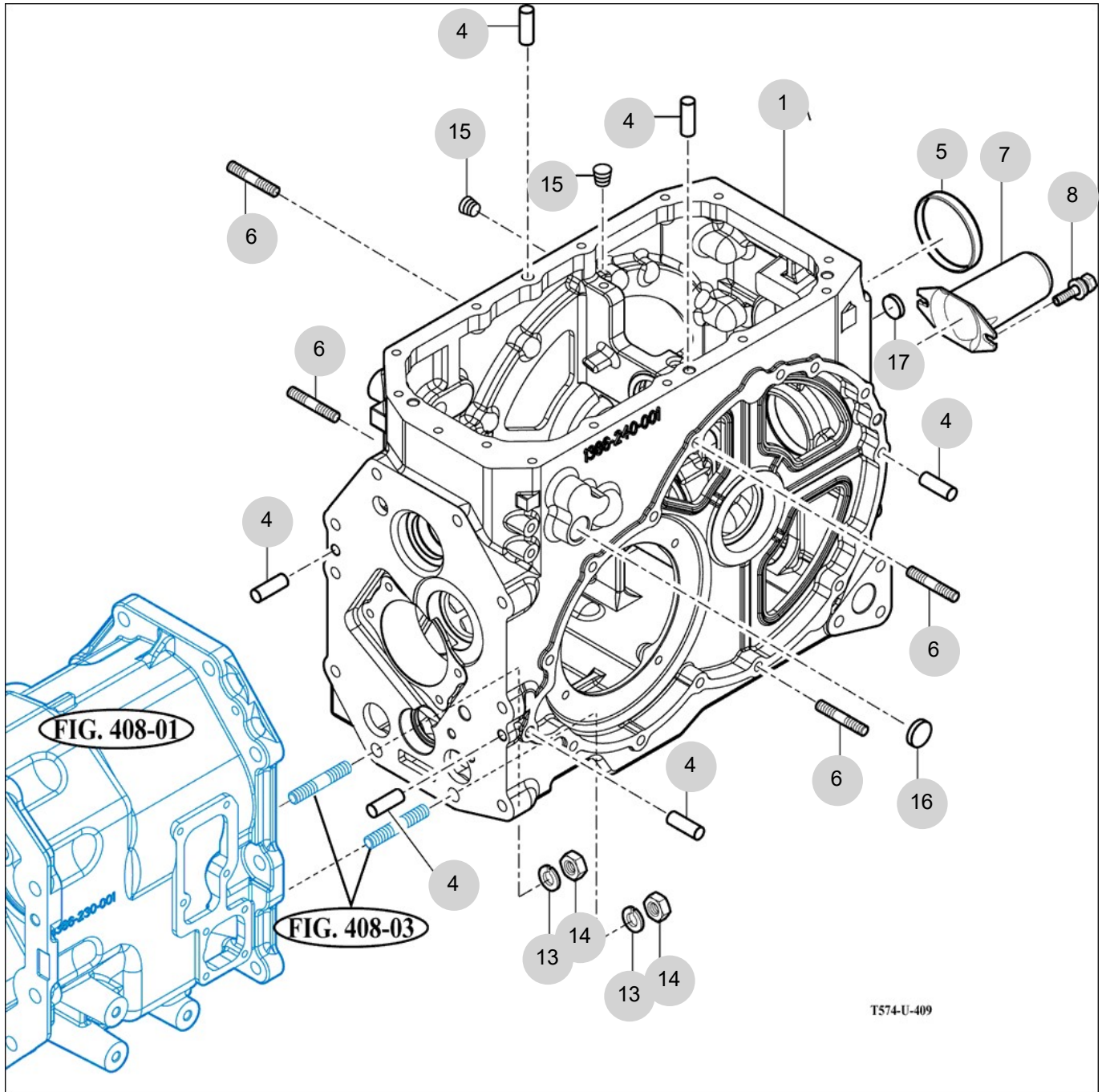
FIG 409

T494ST-B

TRANSMISSION REAR CASE

년/월
Year/Month

2022-12



T574-U-409

NOTE

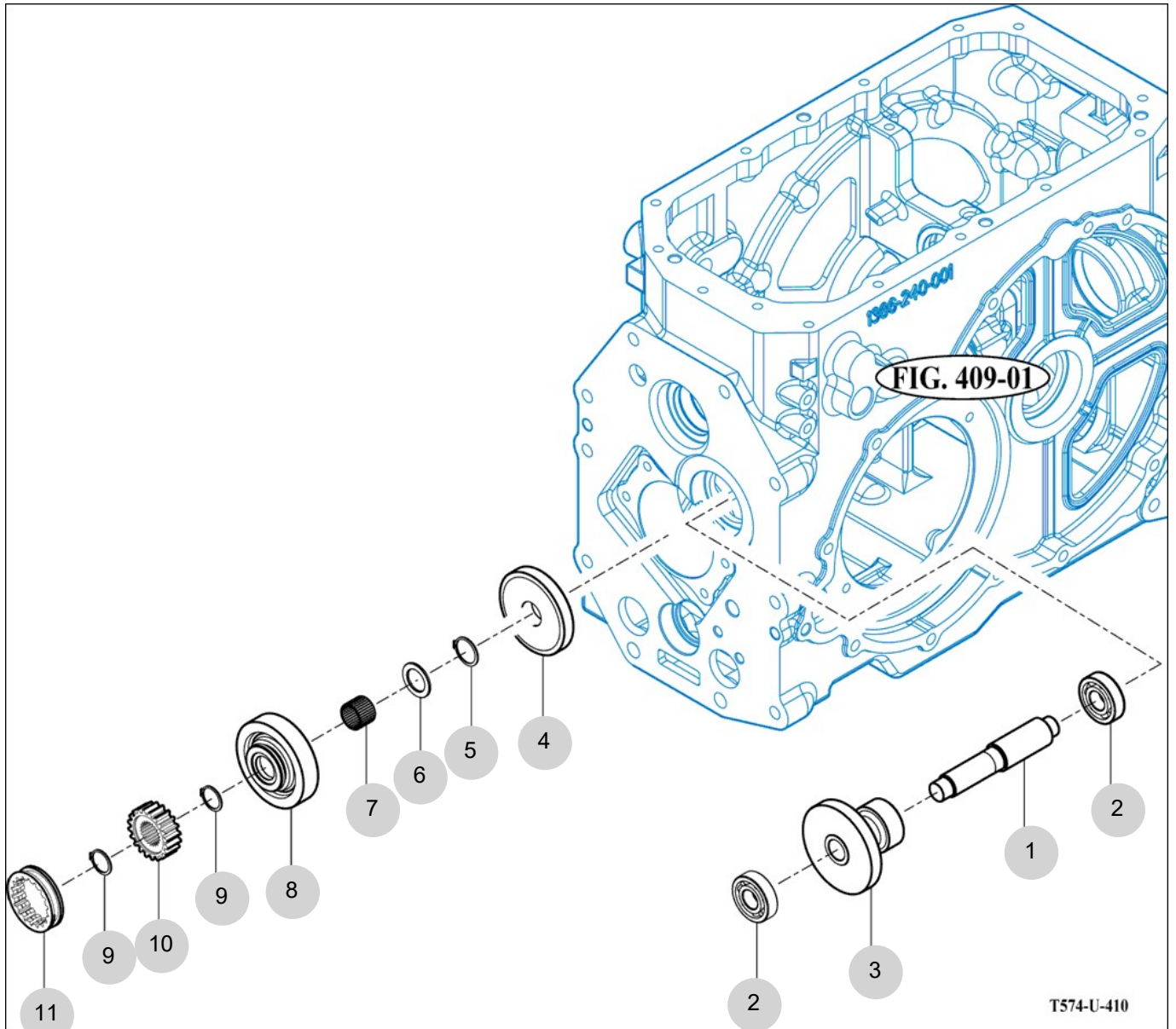
FIG 410

SUB CHANGE GEARS

년/월
Year/Month

T494ST-B

2022-12



T574-U-410

NOTE

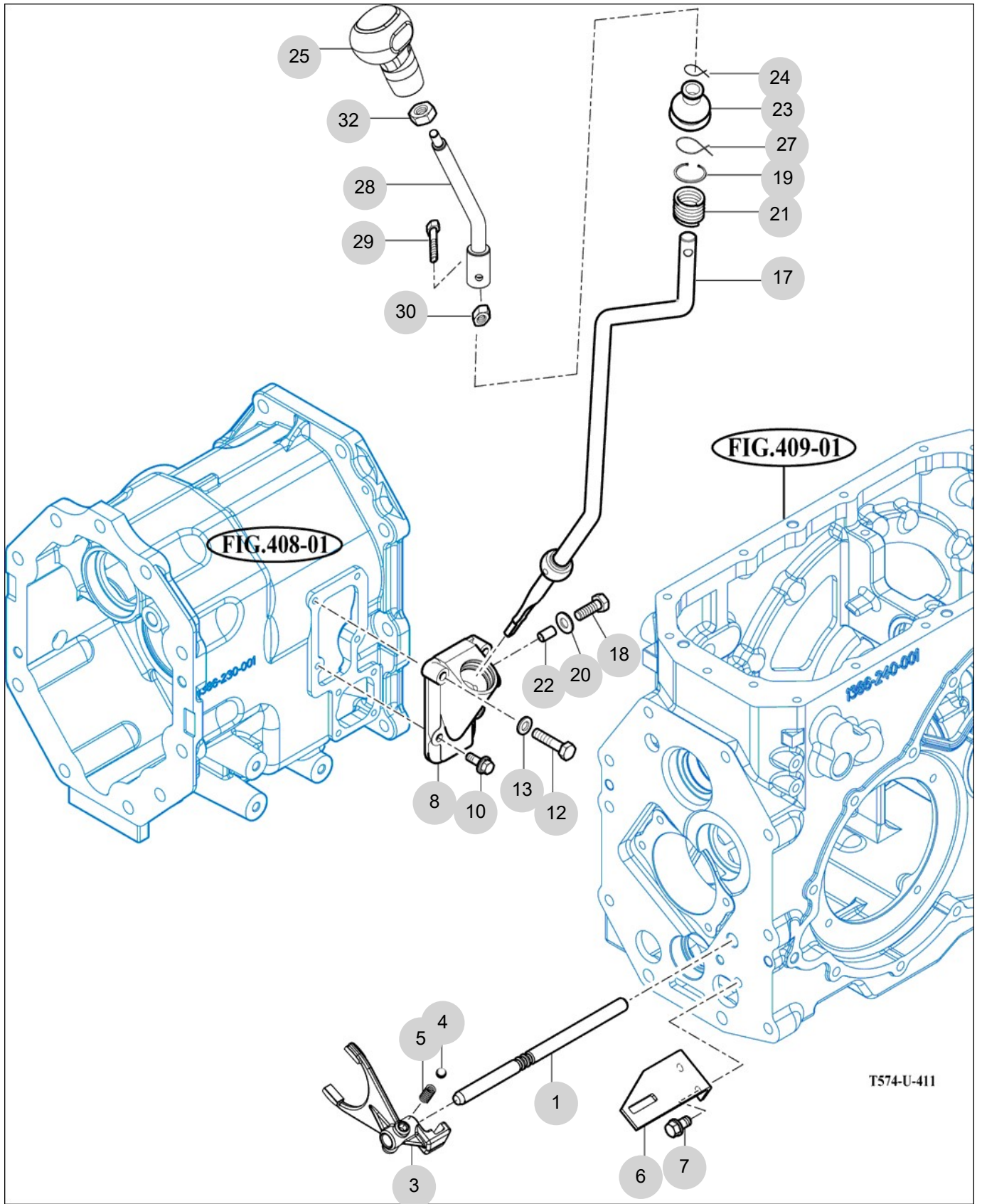
FIG 411

T494ST-B

SUB CHANGE SHIFTER

년/월
Year/Month

2022-12



NOTE

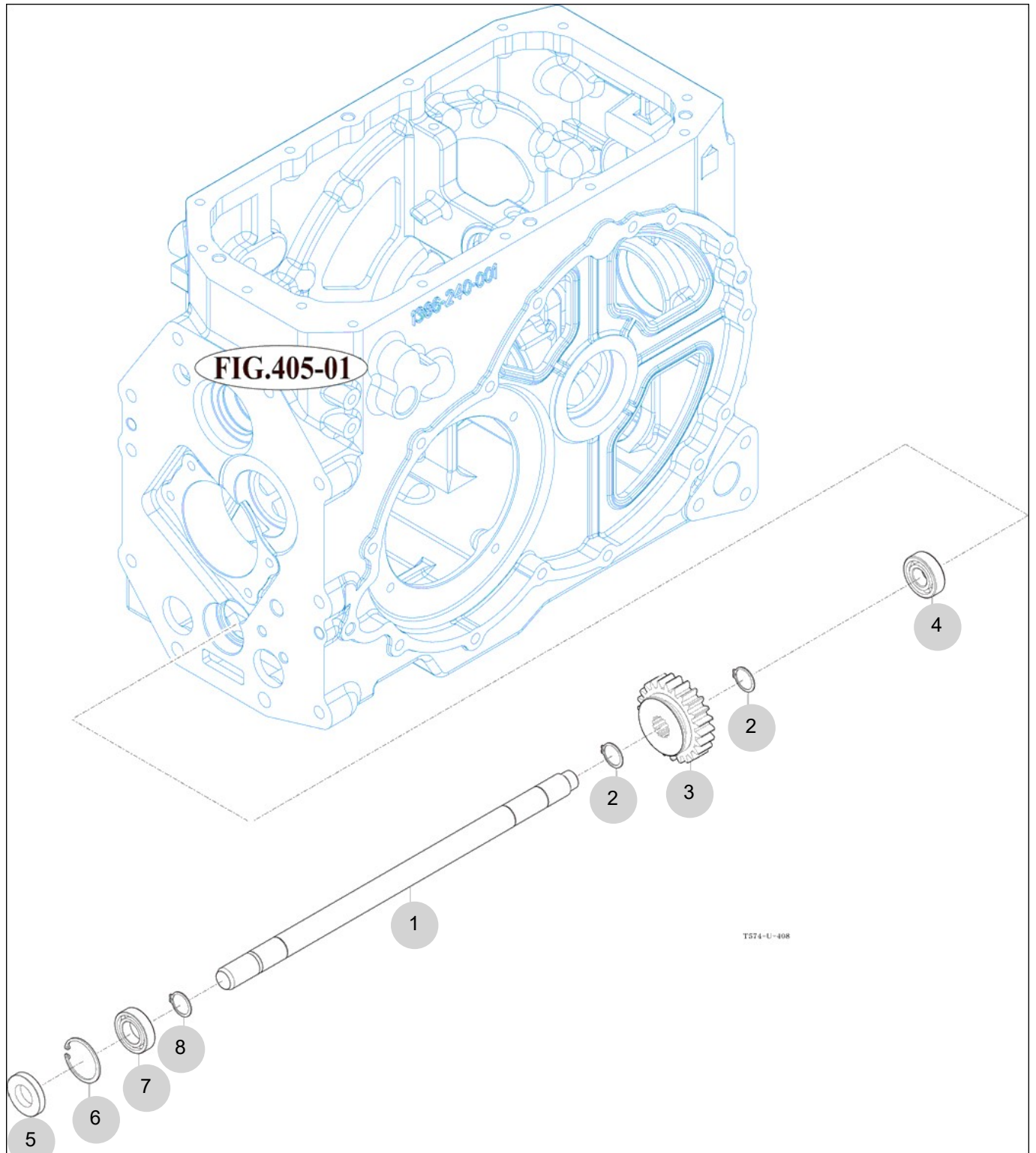
FIG 413

DRIVE GEARS

년/월
Year/Month

T494ST-B

2022-12



NOTE

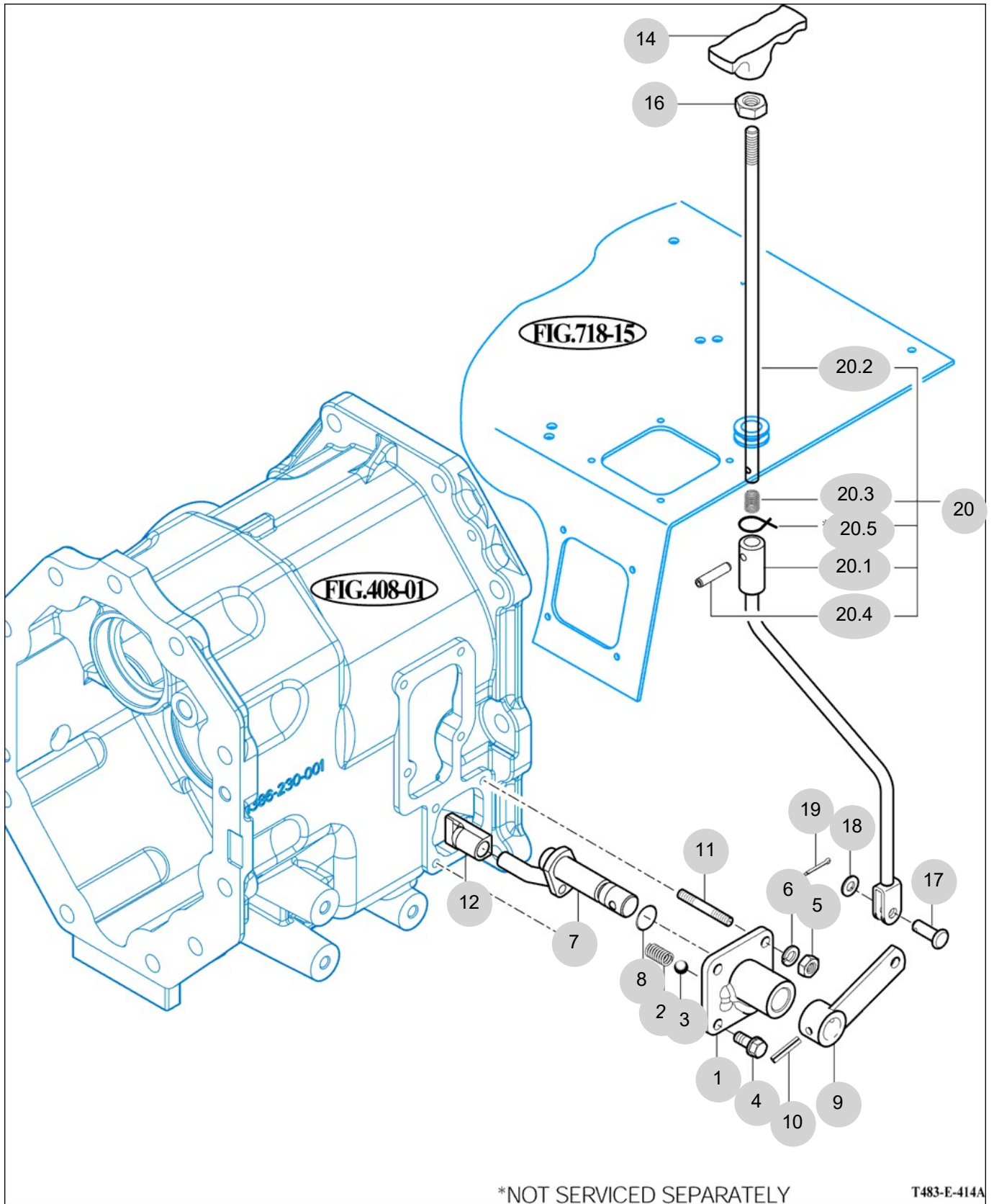
FIG 414

4WD CHANGE LEVER

년/월
Year/Month

T494ST-B

2022-12



NOTE

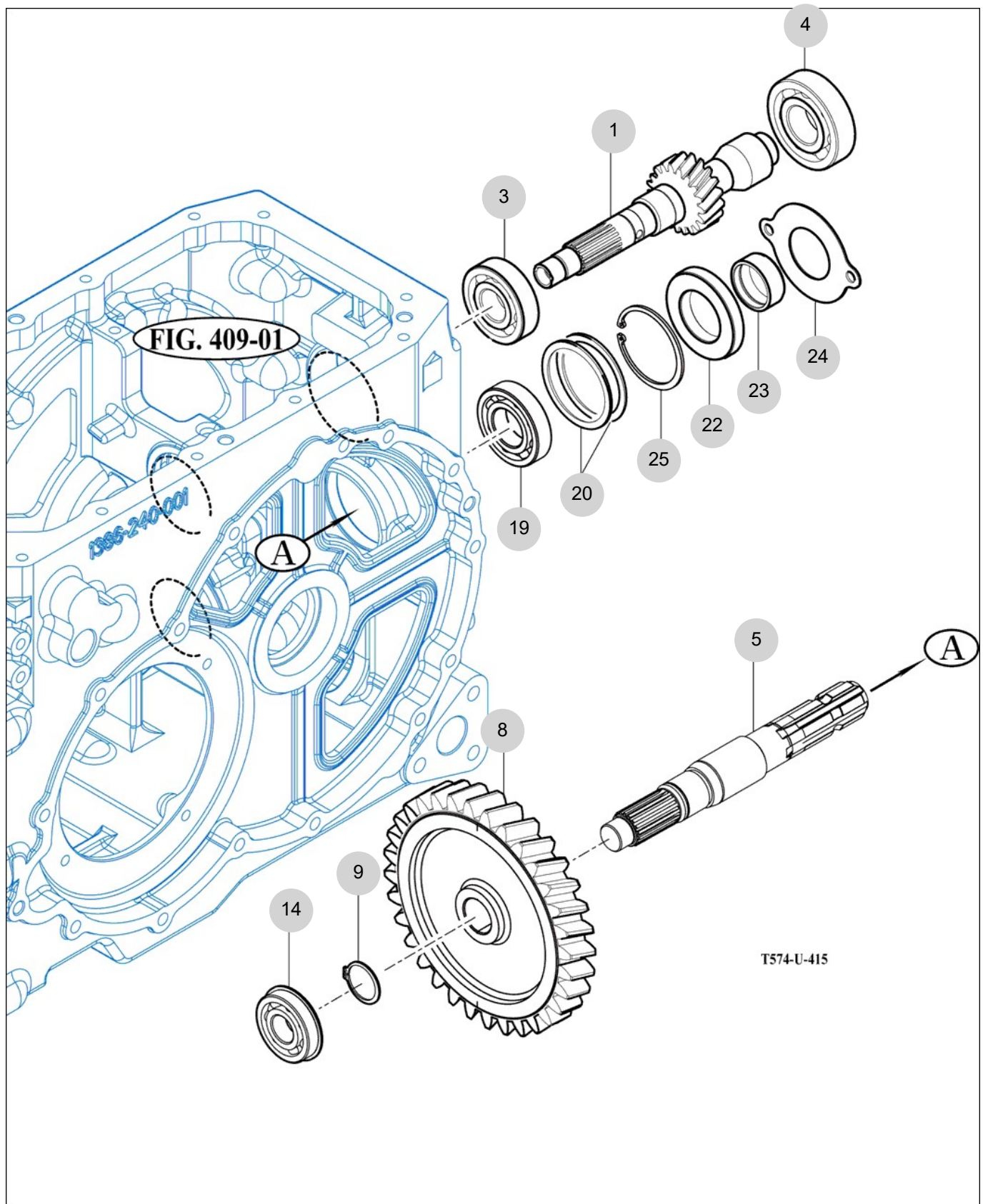
FIG 415

P.T.O CHANGE GEARS

년/월
Year/Month

T494ST-B

2022-12



NOTE

FIG 417

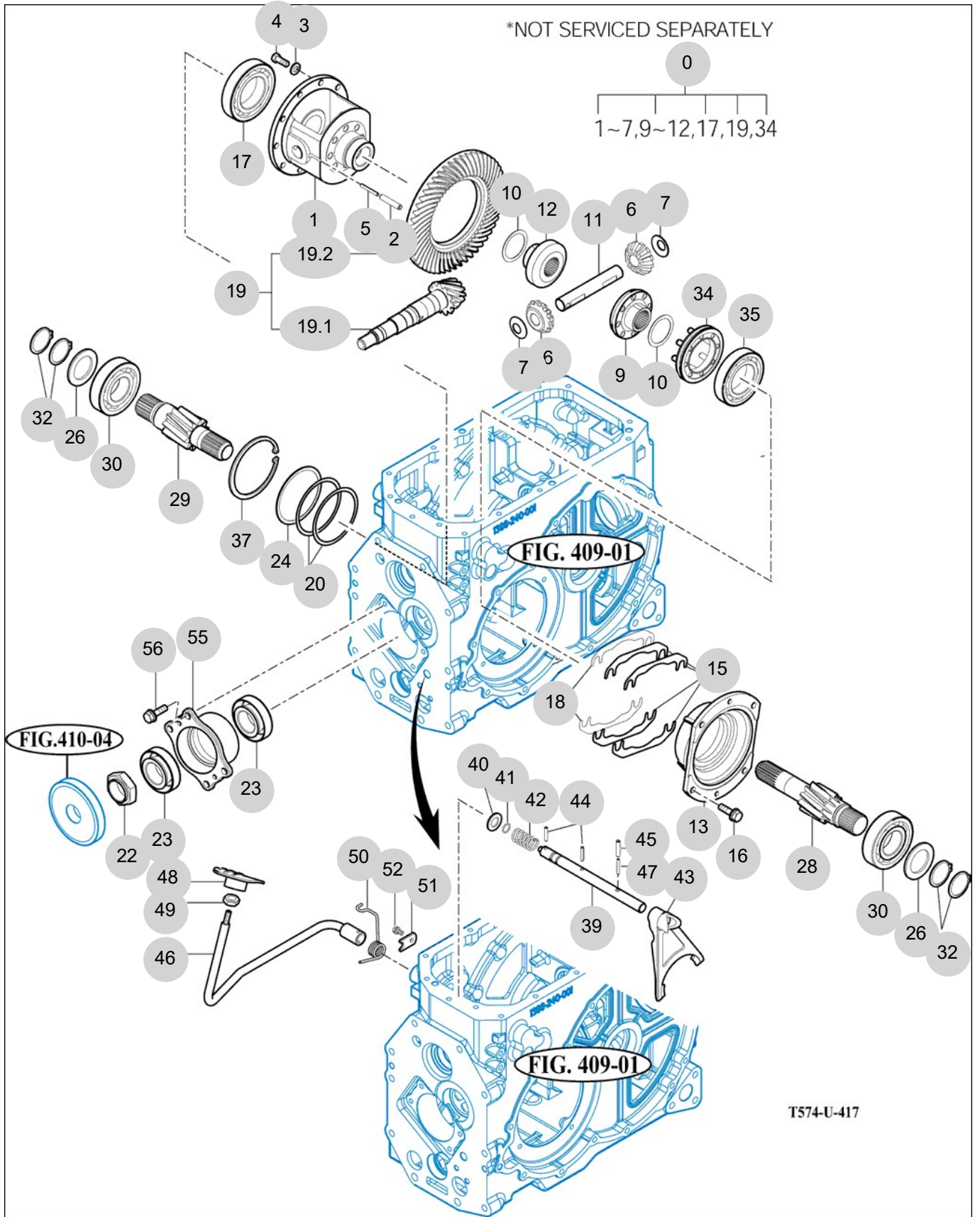
REAR DIFFERENTIAL GEARS

년/월
Year/Month

2022-12

T494ST-B

*NOT SERVICED SEPARATELY



T574-U-417

NOTE

FIG 417		REAR DIFFERENTIAL GEARS					년/월 Year/Month		
							2022-12		
T494ST-B		KEY NO	PART NO	DESCRIPTION	SPEC	QTY	REPAIR	EFFECTIVE DATE	REMARKS
417	0	13863031000	DIFF ASSY, RR			1			
417	1	14523030010M	CASE , DIFF			1			
417	2	V5801408040	PIN , SPRING	8X50		1			
417	3	V4011600100	WASHER , SPRING	M10		10			
417	4	V2024610025	BOLT , HEX FINE	M10X25		10			
417	5	V5801405036	PIN , SPRING	5X36		1			
417	6	14523180041	PINION , DIFF	1X1X1		2			
417	7	14523030080	COLLAR , PINION	T=1.0		2			
417	9	14523180061	PINION , BEVEL 16T LH	1X1X1		1			
417	10	14523030100	WASHER , THRUST	D=52.5		2			
417	11	14523030110	SHAFT , DIFF PINION	D=23		1			
417	12	14523180031	PINION , BEVEL 16T RH	1X1X1		1			
417	13	14523030131M	METAL , DIFF CASE LH			1			
417	15	14523010090	SHIM , B	T=0.2		4			
417	16	V2173610025	BOLT , HEX/S	M10X25		4			
417	17	V6001106212	BEARING , BALL	6212		1			
417	18	14523010080	SHIM , A	T=0.1		2			
417	19	13863022100	GEAR SET , 10-41T			1			
417	19.1	13863022110	PINION, BEVEL			1			
417	19.2	14523022120	GEAR , SPIRAL BEVEL			1			
417	20	14523010050	SHIM , 0.1	T=0.1		2			
417	22	15533030020	NUT , M40 P1,5	육각B=55		1			
417	23	V6321132208	BEARING , TAPER-ROLLER	32208CR		2			
417	24	14523010100	SHIM , 0.2	T=0.2		1			
417	26	15133060030	COLLAR , THRUST 45X68X4			2			
417	28	14523060010	PINION , LH HERICAL11T			1			
417	28	14523060011	PINION , LH HERICAL11T			1			
417	29	14523060020	PINION , RH HERICAL11T			1			
417	29	14523060021	PINION , RH HERICAL11T			1			
417	30	V6001106309	BEARING , BALL	6309		2			
417	30	V6041106309	BEARING , BALL/HL1			1			
417	32	V7041400450	C-RING , SHAFT	45		4			
417	34	14523033400	SLEEVE COMP			1			
417	35	V6001106211	BEARING , BALL	6211		1			
417	37	V7051401100	C-RING , HOLE	110		1			
417	39	14523032002	SHAFT , DIFF LOCK	D=20		1			
417	40	V4111600200	WASHER , PLAIN	M20		1			
417	41	V7201024016	O-RING , P	P16		1			
417	42	17973030420	SPRING	(D=3.6) X22.5X74.5		1			
417	43	14523190011M	FORK , DIFF LOCK			1			
417	44	V5801406032	PIN , SPRING	6X32		2			
417	45	V5801408036	PIN , SPRING	8X36		1			
417	46	14543162101	PEDAL COMP , DIFF LOCK			1			
417	47	V5801405036	PIN , SPRING	5X36		1			
417	48	14521220120	PEDAL COMP,ACCEL	1X1X1		1			
NOTE									

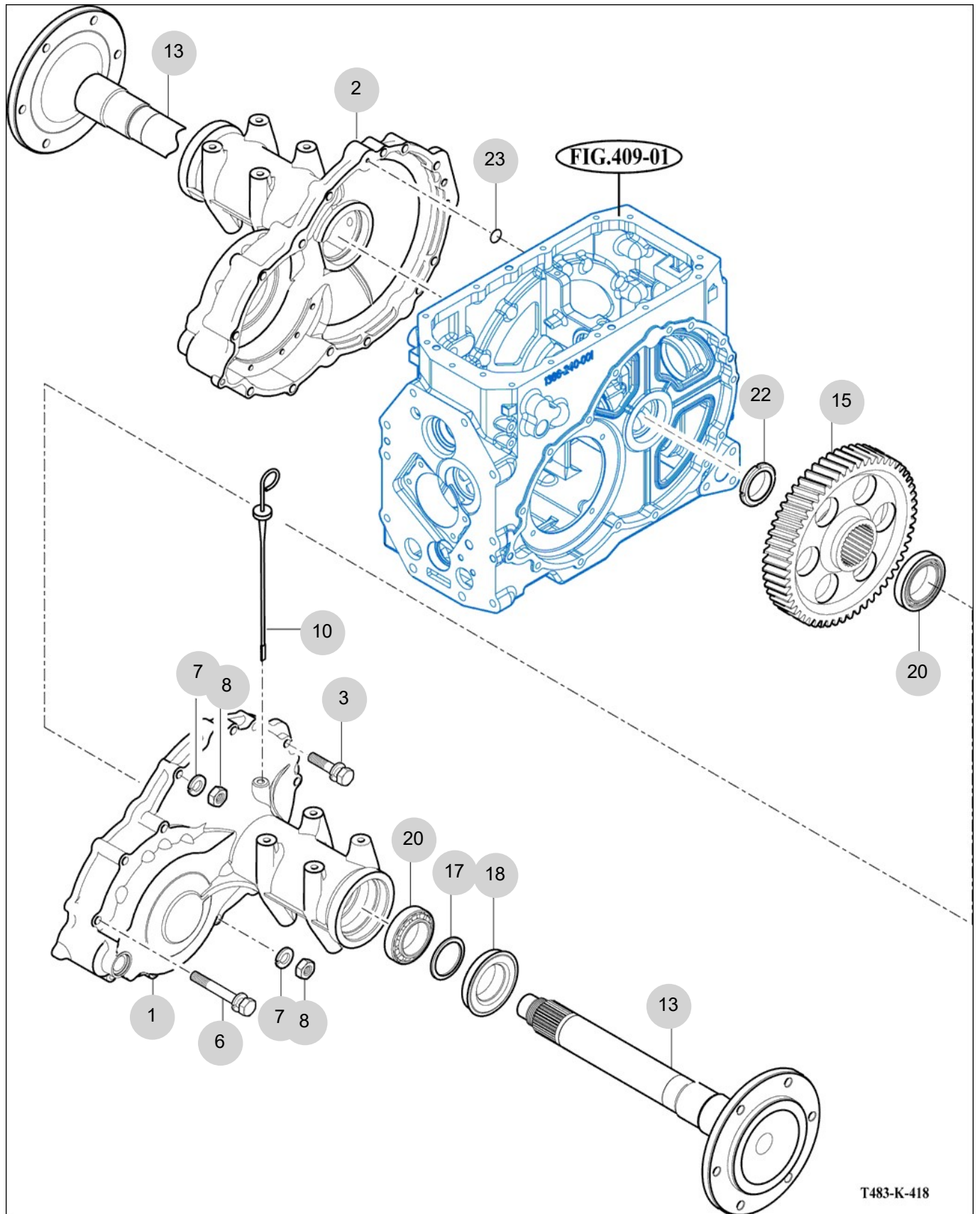
FIG 418

REAR AXLE HOUSING

년/월
Year/Month

T494ST-B

2022-12



T483-K-418

NOTE

5. Front Axle PART NO. T5

FIG 501 FRONT AXLE SUPPORT	170
FIG 502 FRONT DRIVE SHAFT	172
FIG 503 FRONT AXLE HOUSING	174
FIG 504 FRONT DIFFERENTIAL GEARS	176
FIG 505 FRONT GEAR CASE (1)	178
FIG 506 FRONT GEAR CASE (2)	180
FIG 507 FRONT GEAR CASE (3)	182

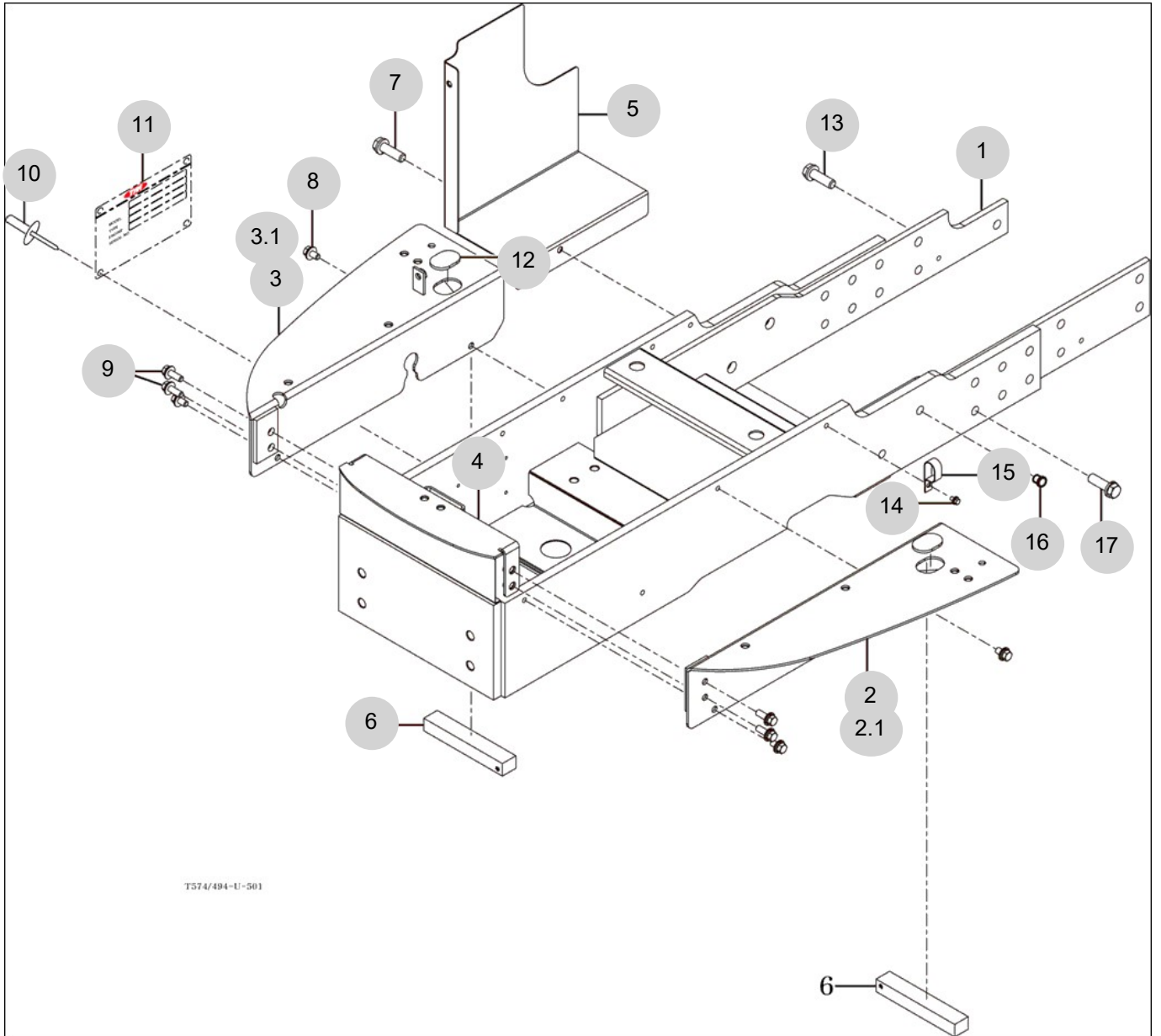
FIG 501

T494ST-B

FRONT AXLE SUPPORT

년/월
Year/Month

2022-12



NOTE

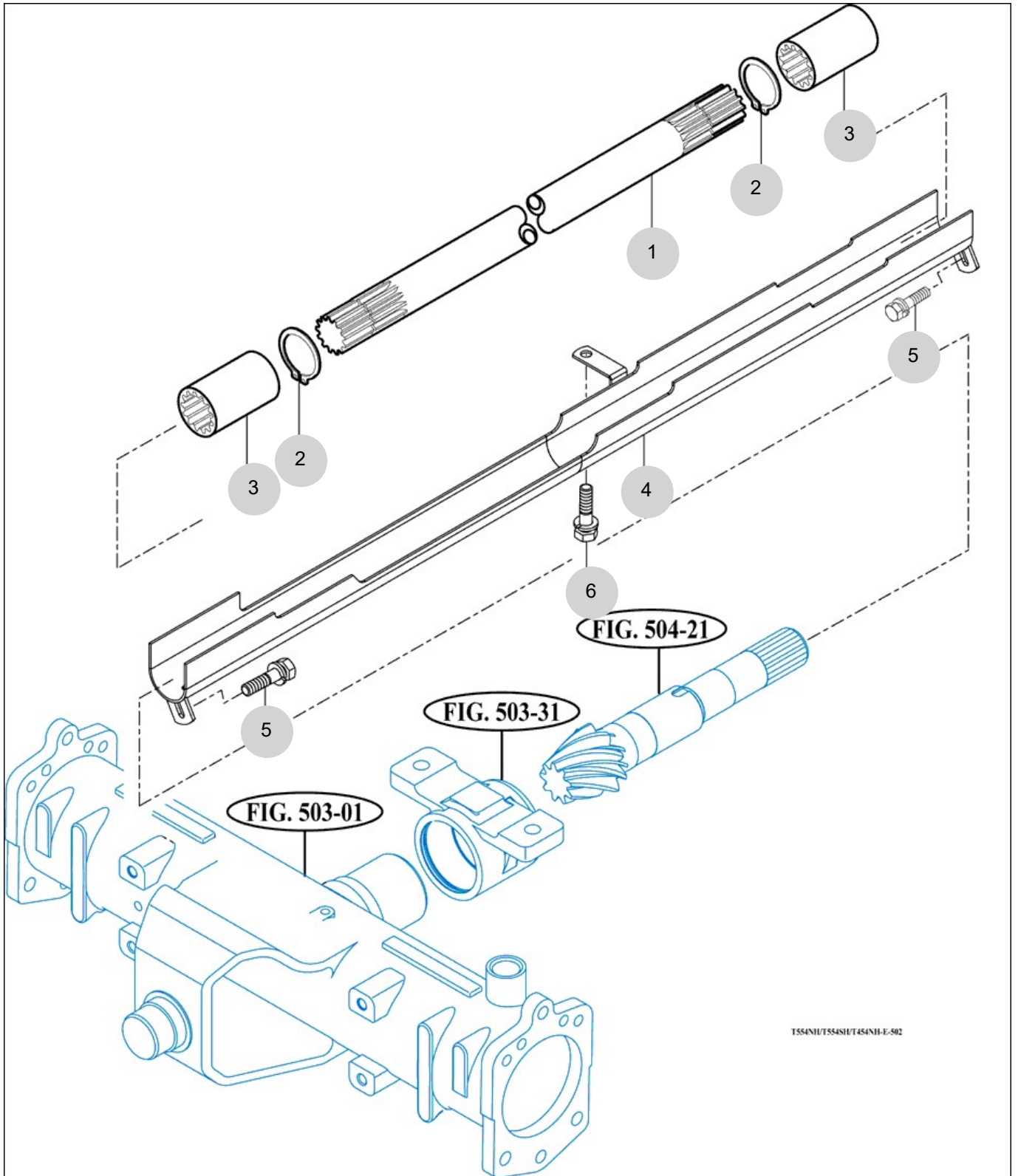
FIG 502

T494ST-B

FRONT DRIVE SHAFT

년/월
Year/Month

2022-12



T554NH/T554SH/T454NH-E-502

NOTE

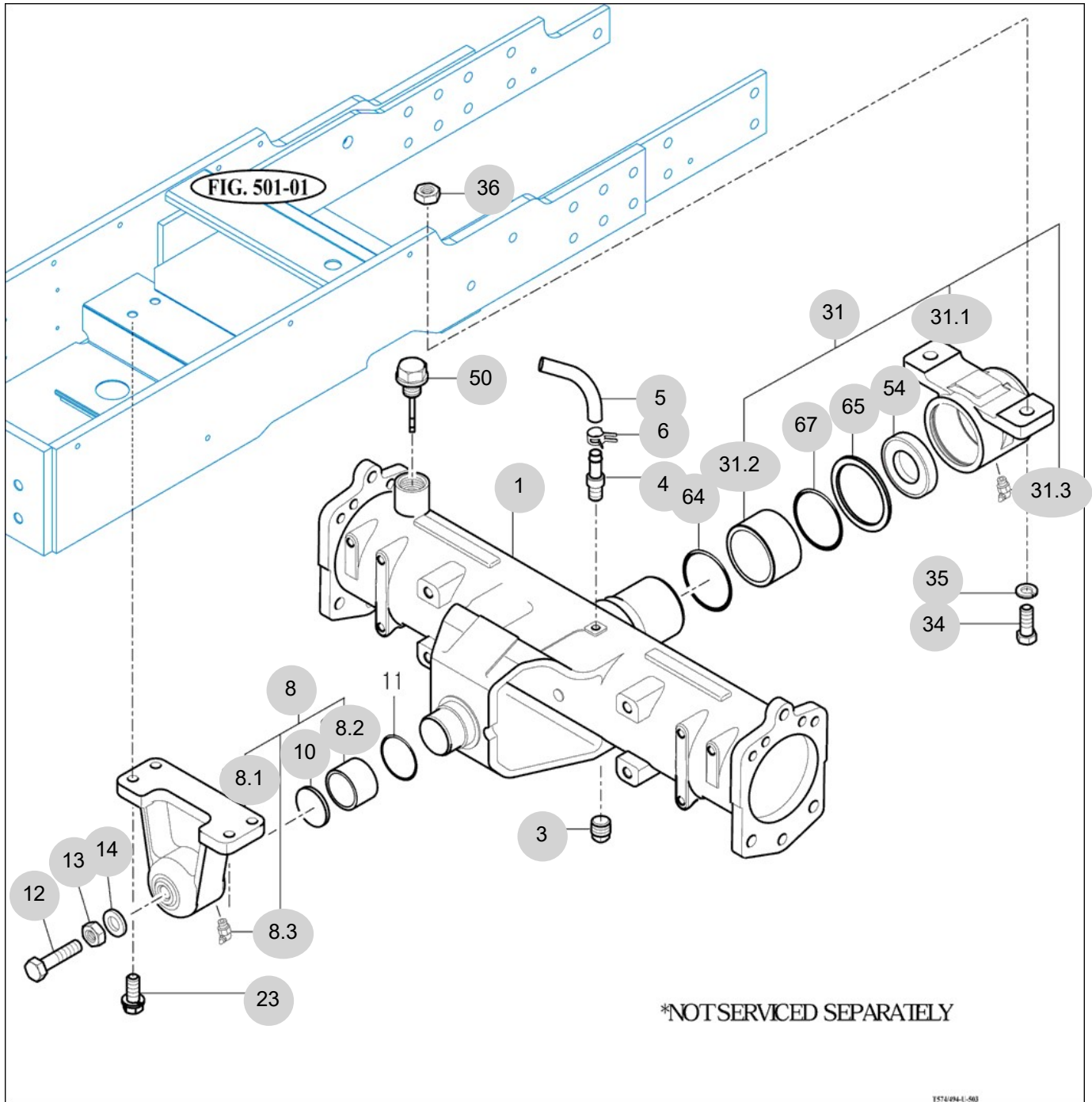
FIG 503

T494ST-B

FRONT AXLE HOUSING

년/월
Year/Month

2022-12



NOTE

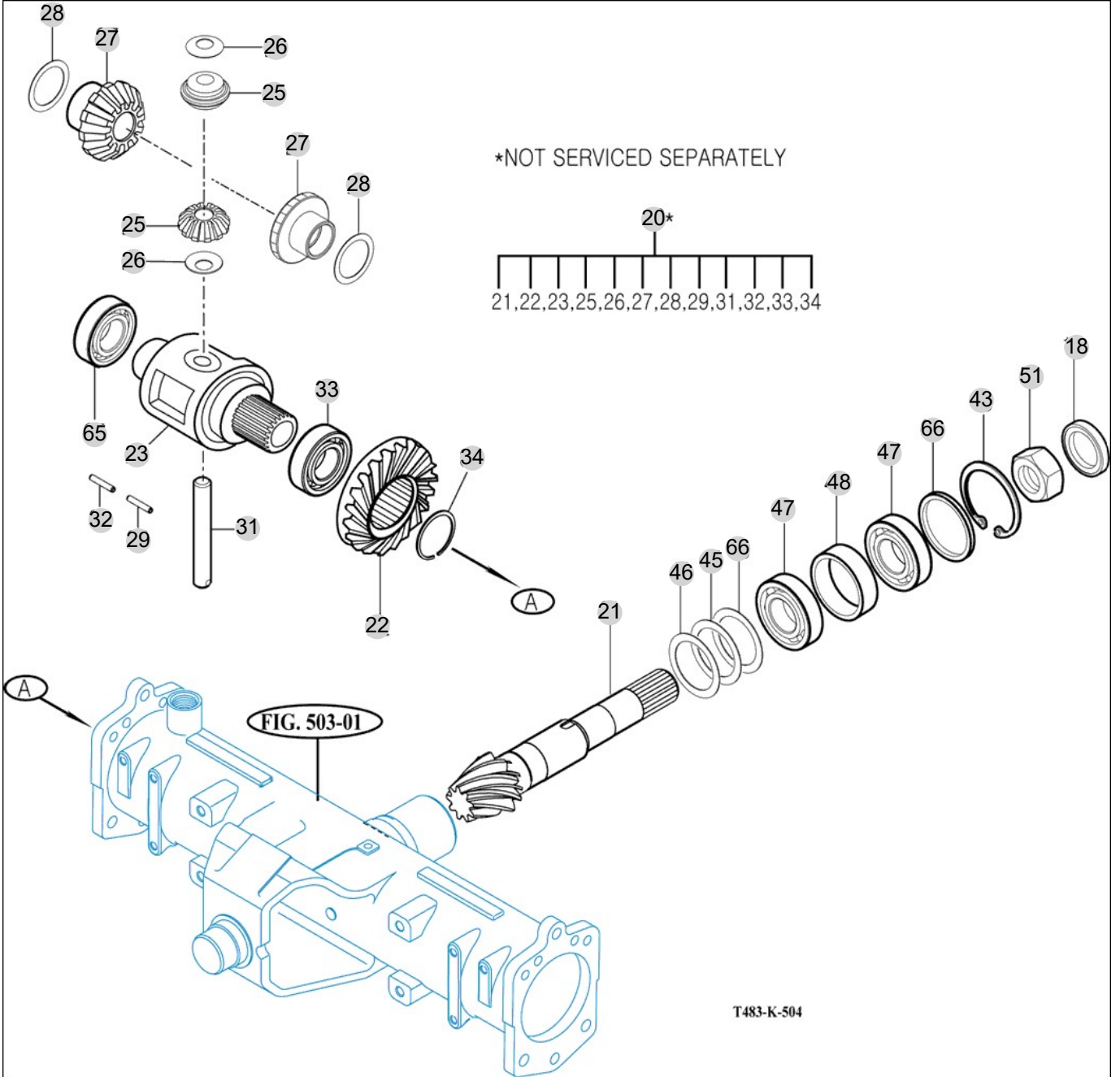
FIG 504

FRONT DIFFERENTIAL GEARS

년/월
Year/Month

2022-12

T494ST-B



NOTE

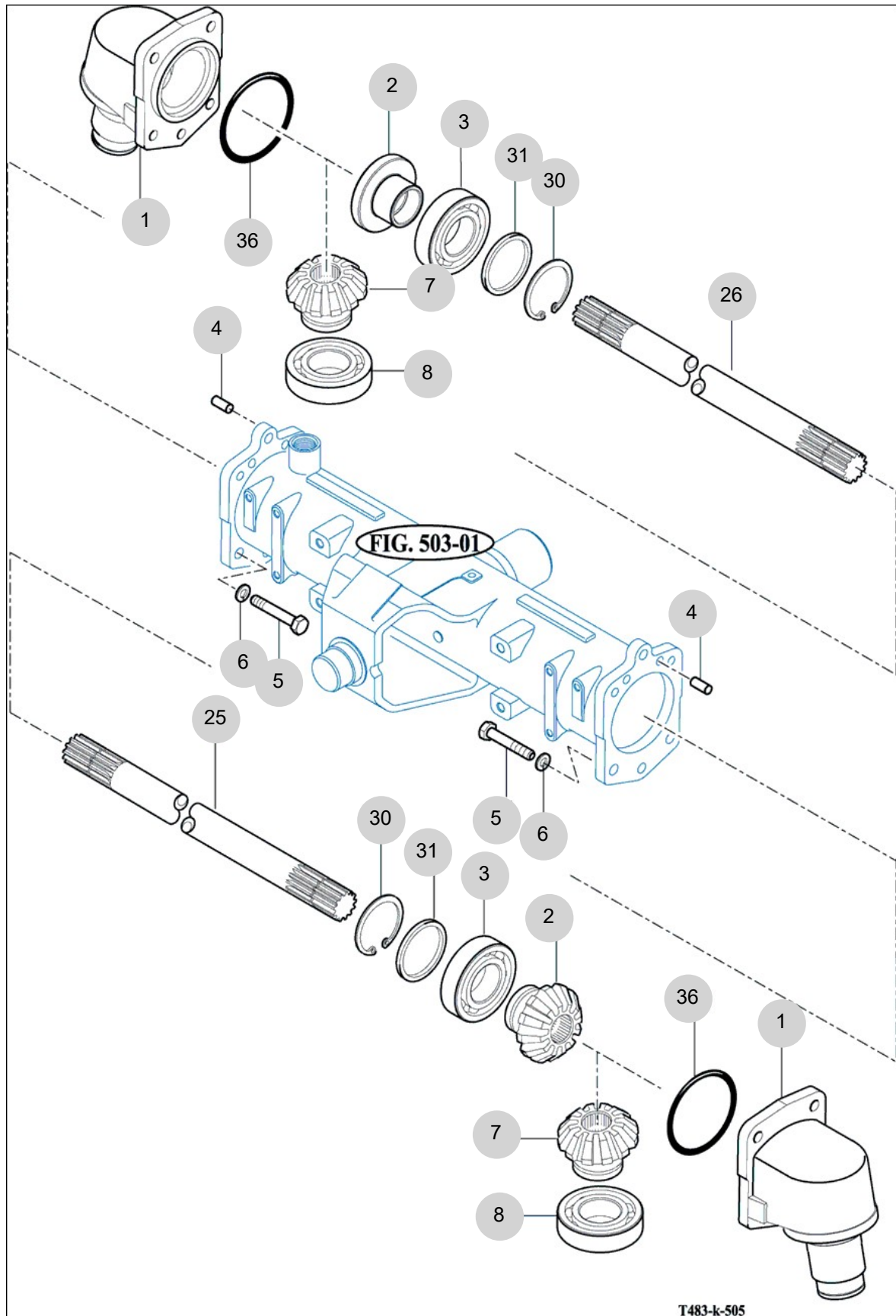
FIG 505

T494ST-B

FRONT GEAR CASE (1)

년/월
Year/Month

2022-12



T483-k-505

NOTE

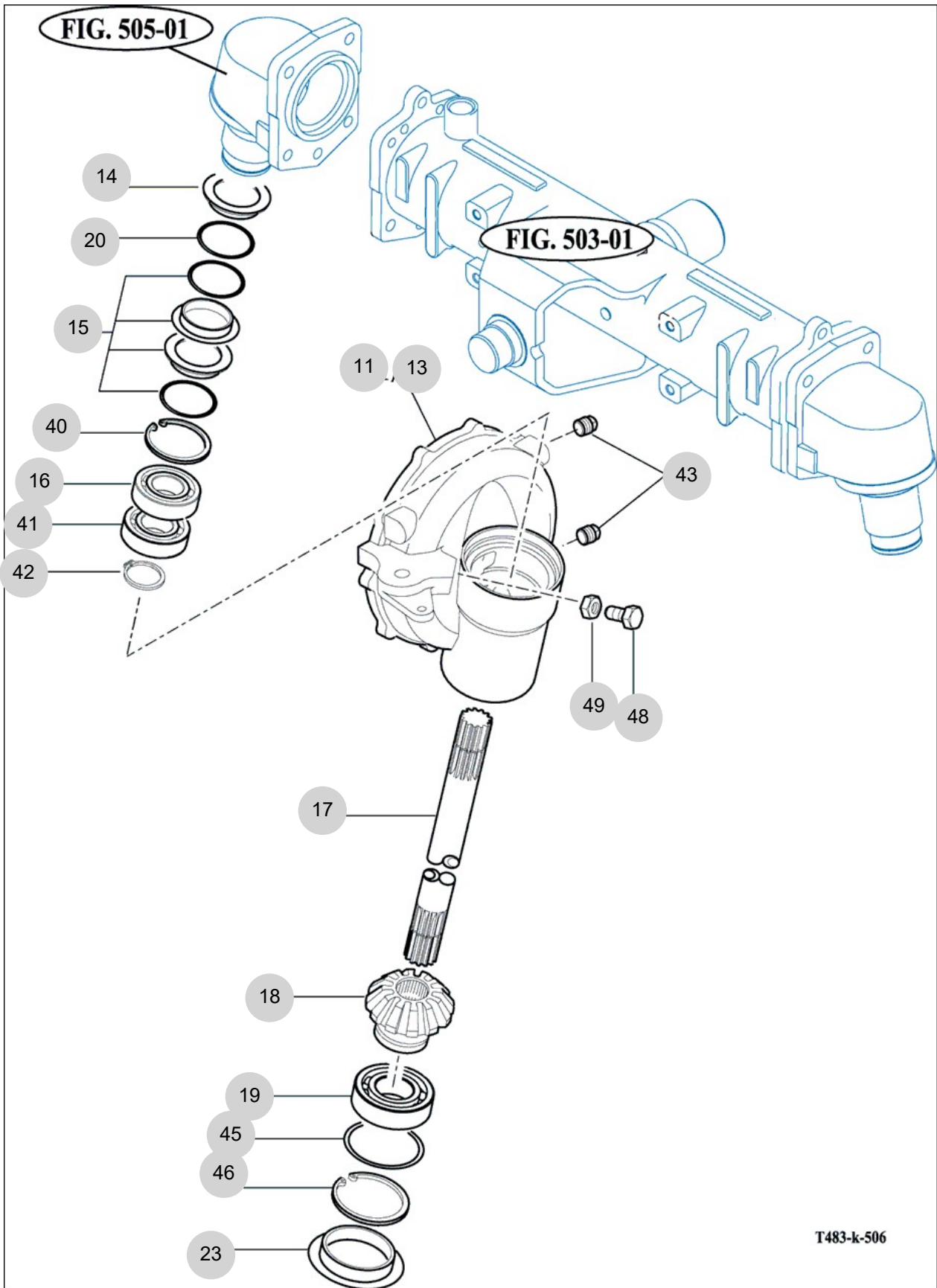
FIG 506

FRONT GEAR CASE (2)

년/월
Year/Month

2022-12

T494ST-B



T483-k-506

NOTE

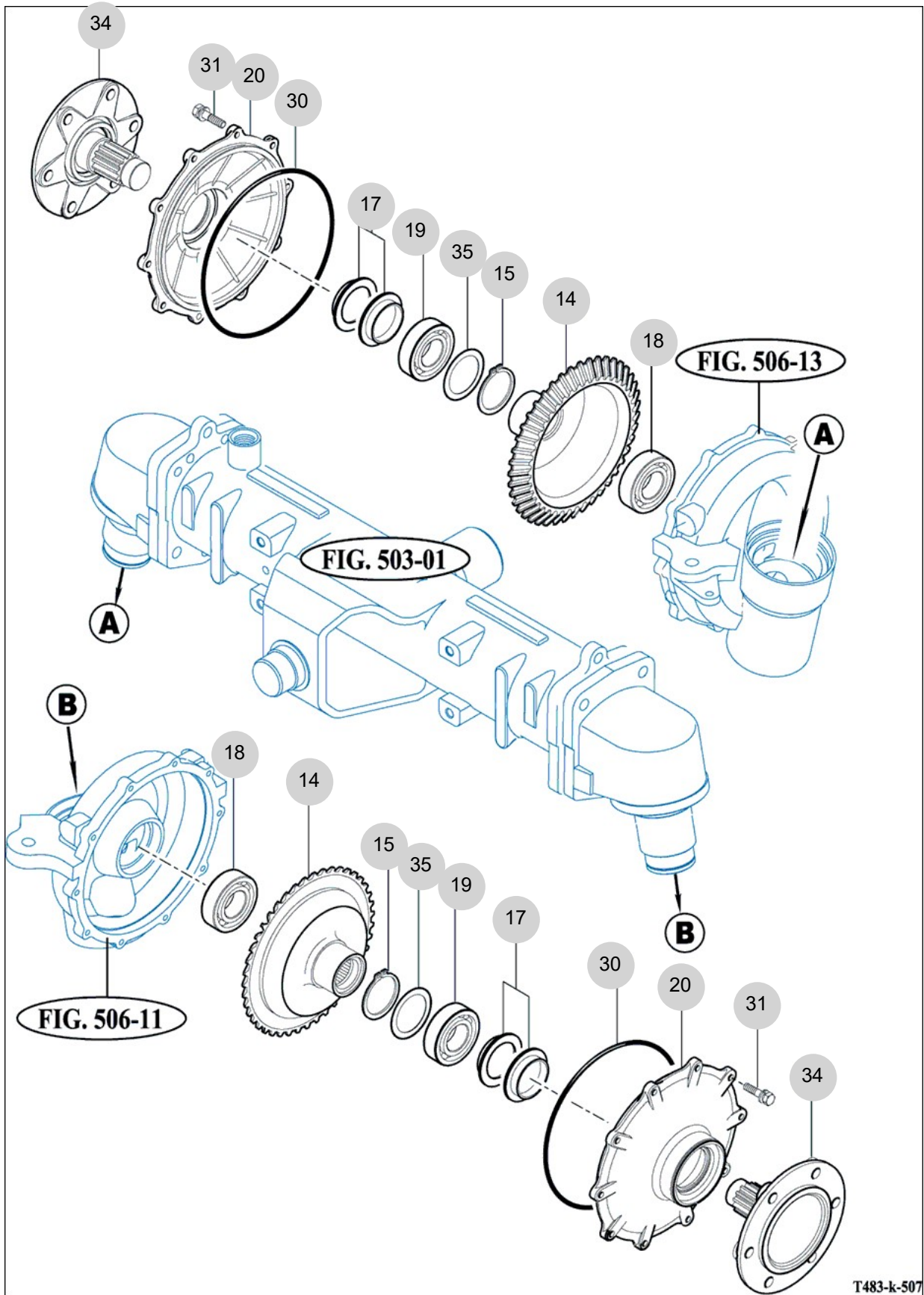
FIG 507

FRONT GEAR CASE (3)

년/월
Year/Month

T494ST-B

2022-12



NOTE

6. Hydraulic/3P-Link PART NO. T6

FIG 601 CYLINDER CASE	185
FIG 602 LIFT ARM	187
FIG 603 CYLINDER	189
FIG 604 POSITION LINK	191
FIG 605 CONTROL VALVE	193
FIG 606 DRAFT LINK	195
FIG 607A POSITION & DRAFT LEVER (1)	197
FIG 607B POSITION & DRAFT LEVER (2)	199
FIG 608 EXTERIOR HYD. VALVE	201
FIG 609 HYDRAULIC PIPE	203
FIG 610 JOYSTICK[SAP 가져오기]에서 생성함.	205
FIG 610 JOYSTICK	207
FIG 612 HITCH & 3-POINT LINK	209
FIG 613 LOWER LINK & LIFT ROD	212

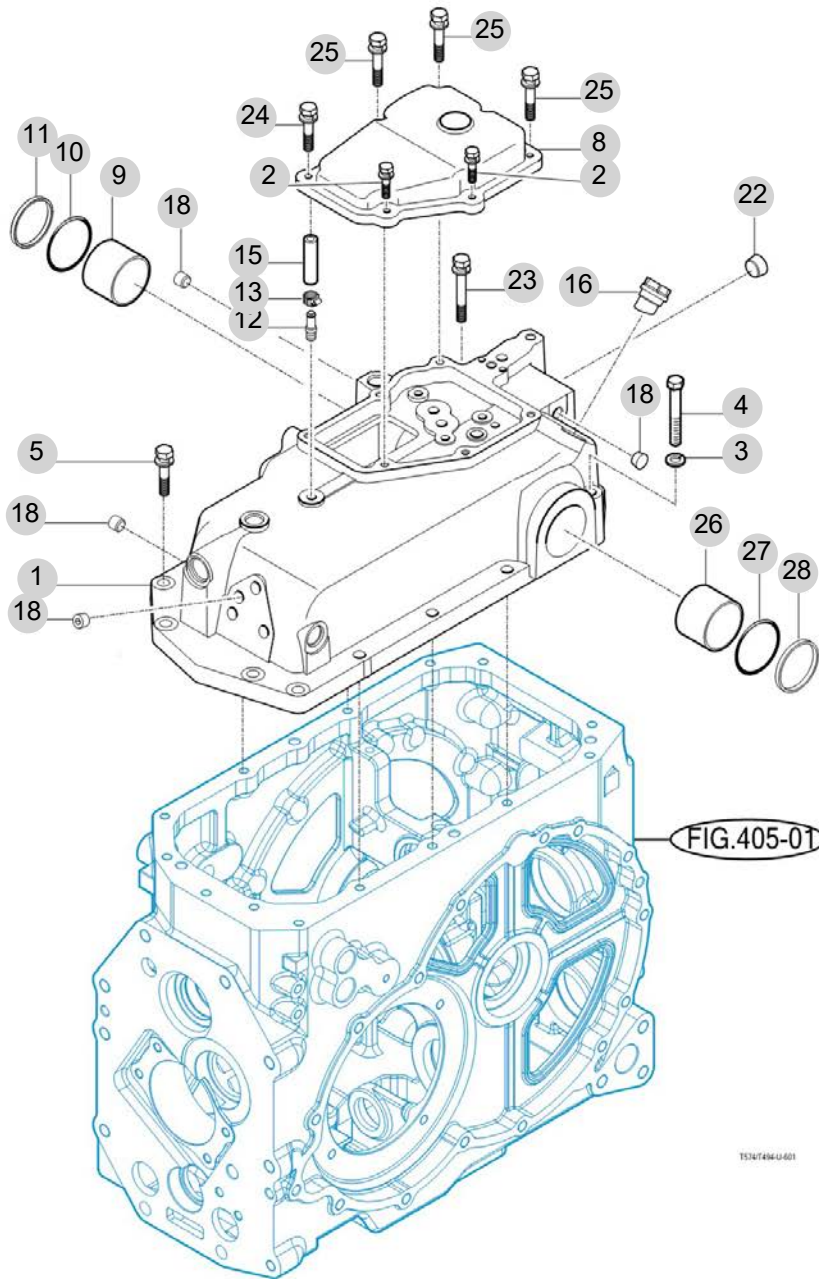
FIG 601

CYLINDER CASE

년/월
Year/Month

2022-12

T494ST-B



NOTE

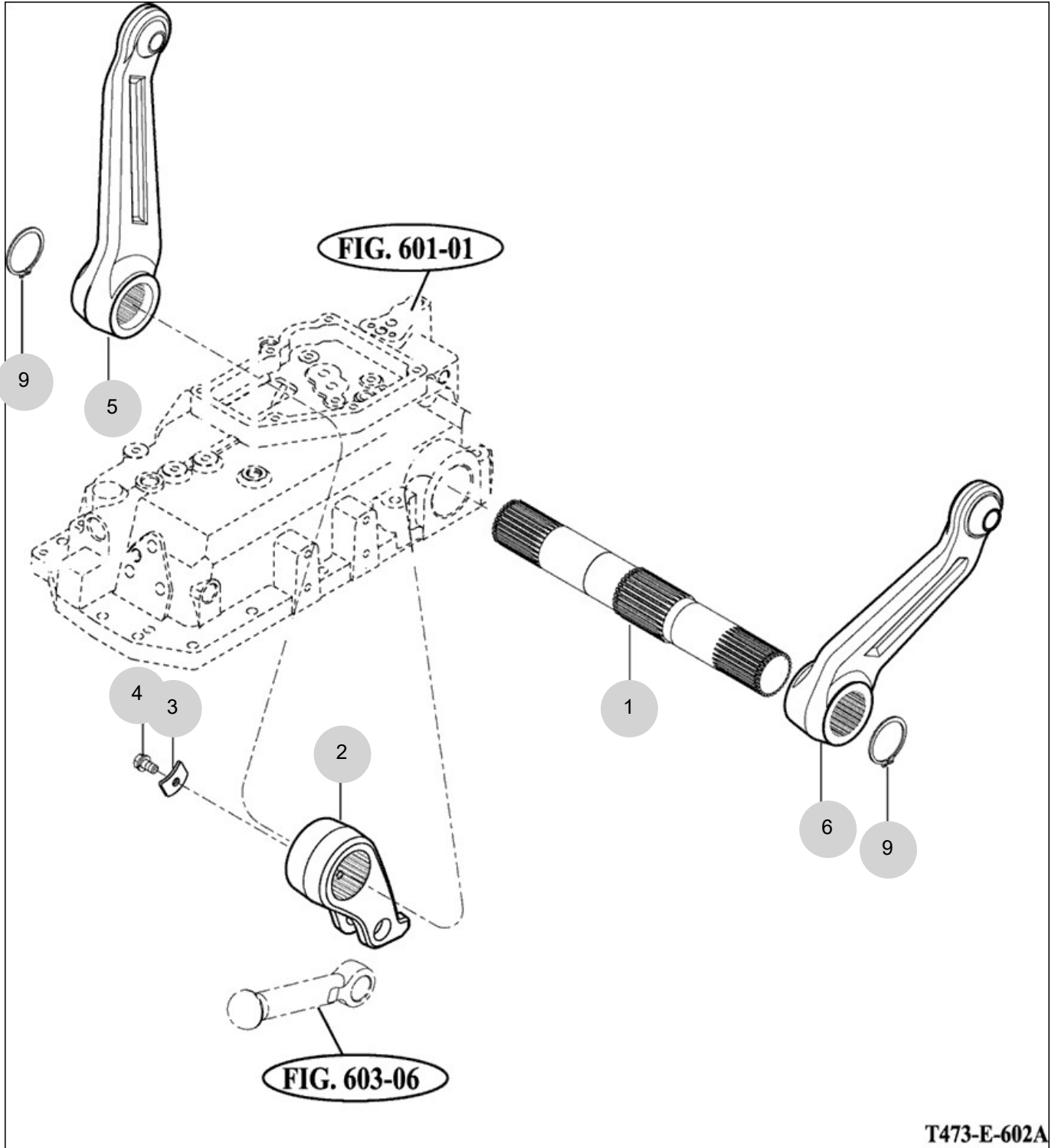
FIG 602

T494ST-B

LIFT ARM

년/월
Year/Month

2022-12



T473-E-602A

NOTE

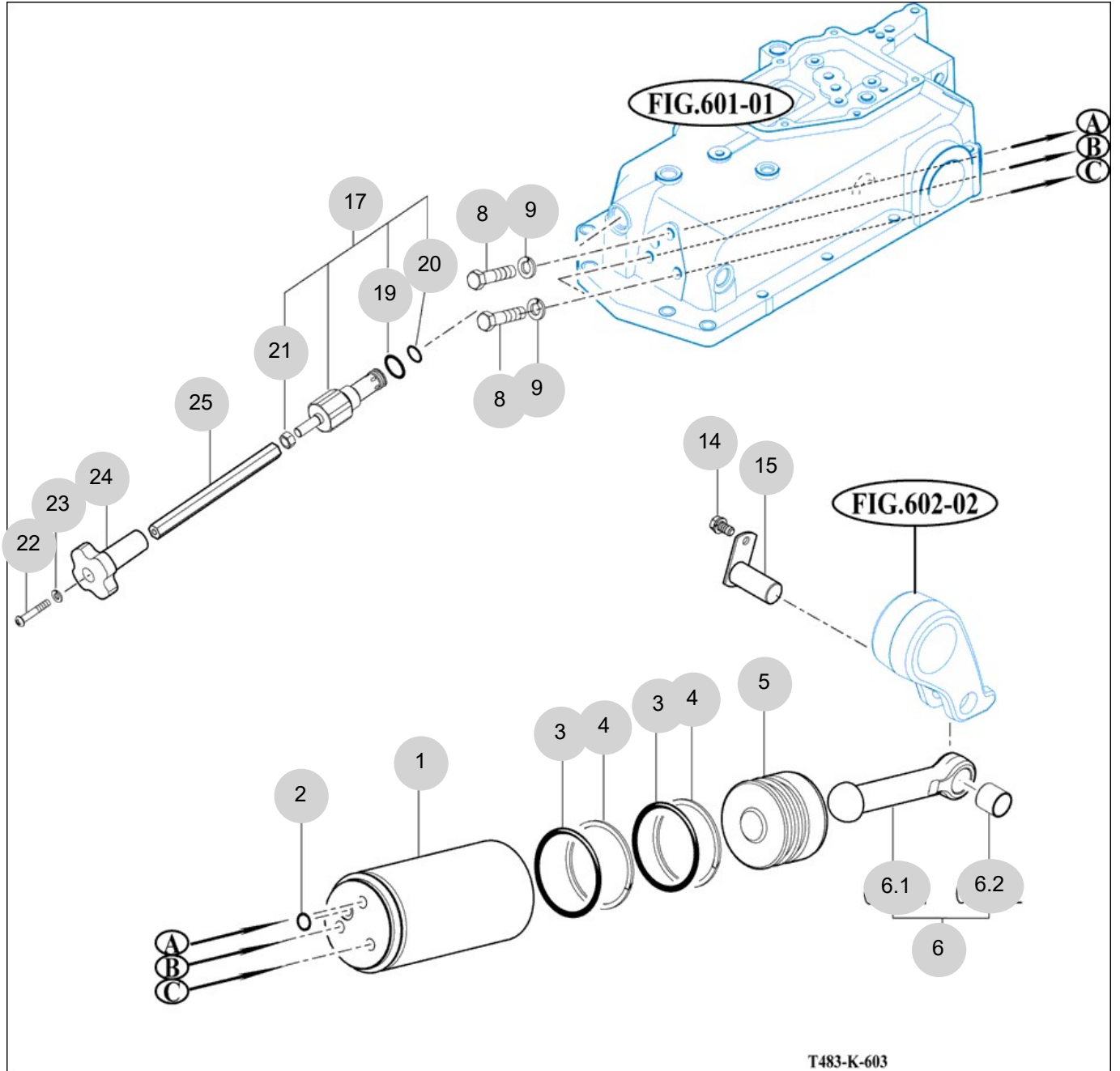
FIG 603

T494ST-B

CYLINDER

년/월
Year/Month

2022-12



NOTE

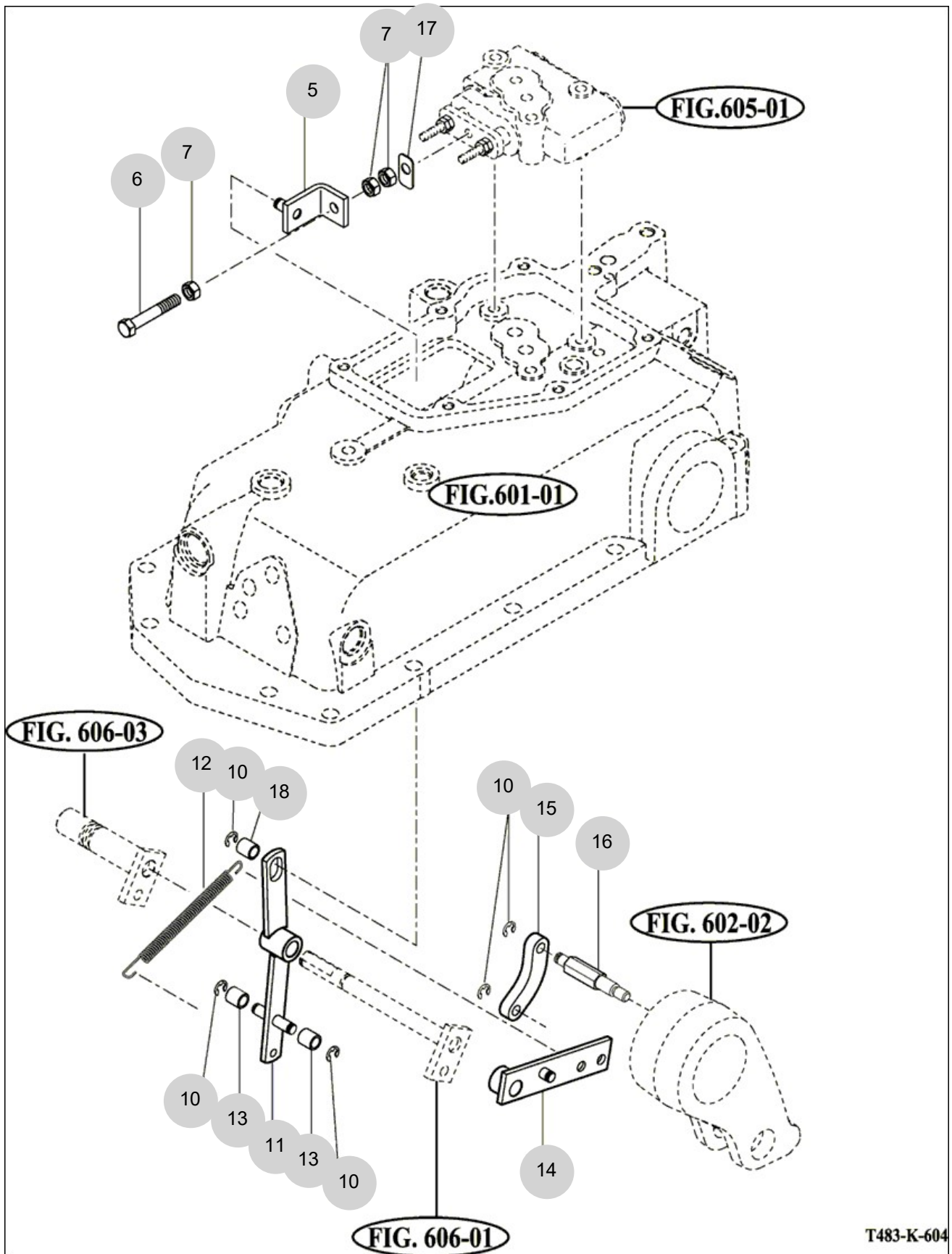
FIG 604

POSITION LINK

년/월
Year/Month

T494ST-B

2022-12



T483-K-604

NOTE

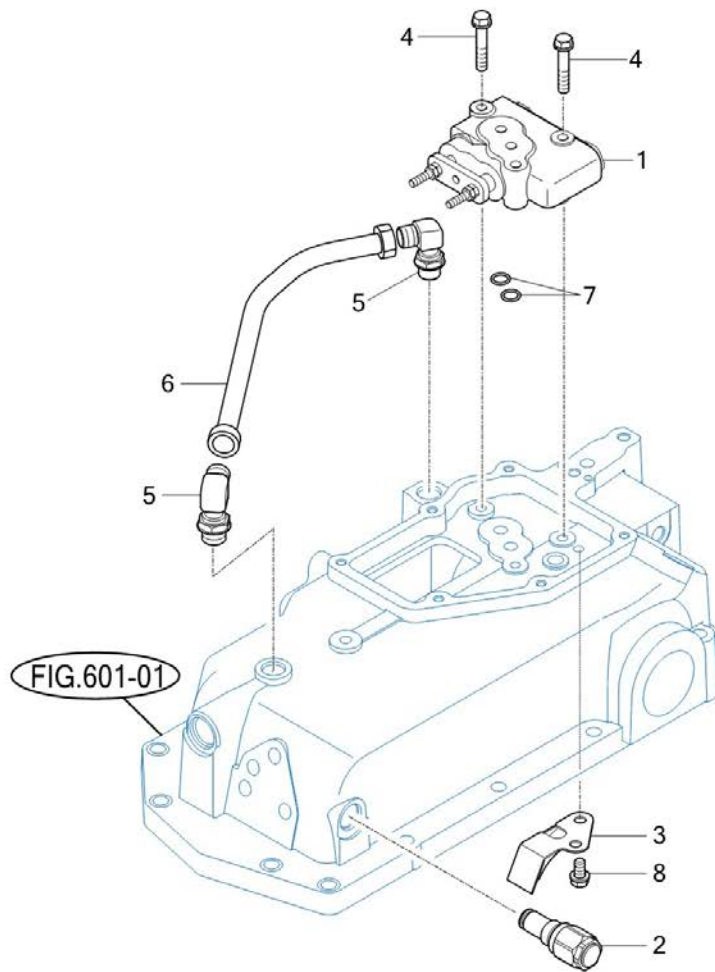
FIG 605

T494ST-B

CONTROL VALVE

년/월
Year/Month

2022-12



T374-U-605

NOTE

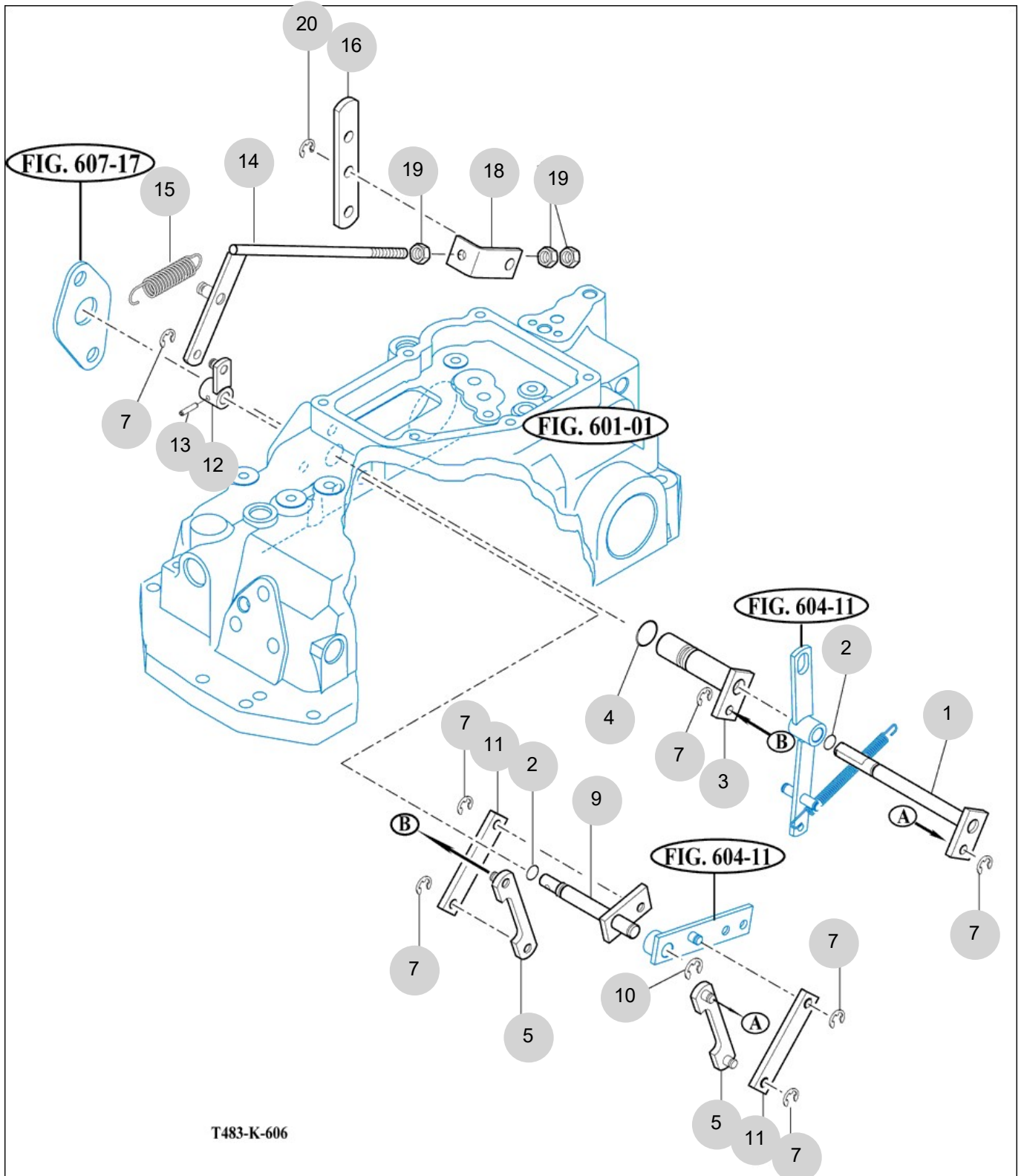
FIG 606

T494ST-B

DRAFT LINK

년/월
Year/Month

2022-12



NOTE

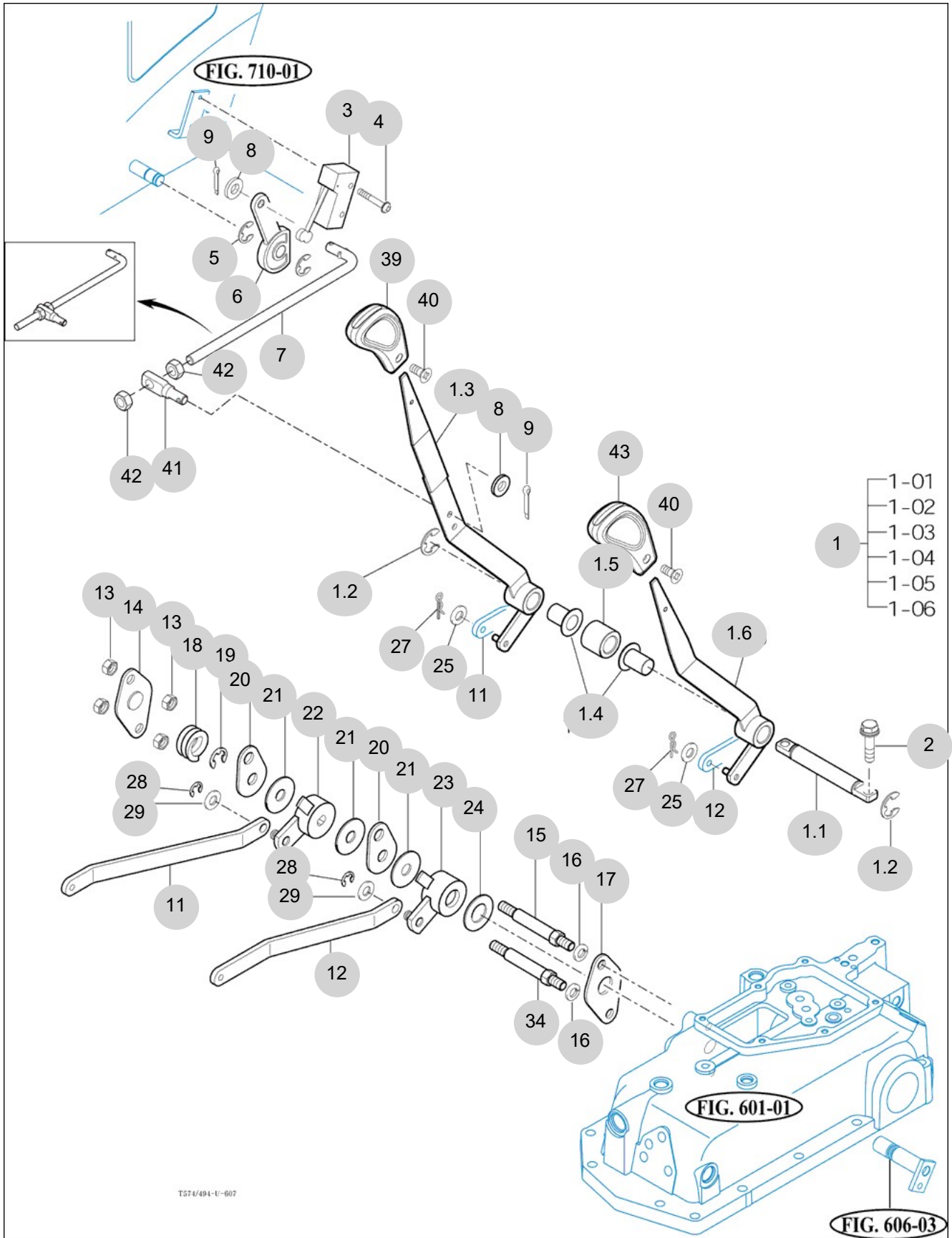
FIG 607A

POSITION & DRAFT LEVER (1)

년/월
Year/Month

2022-12

T494ST-B



T574/494-U-007

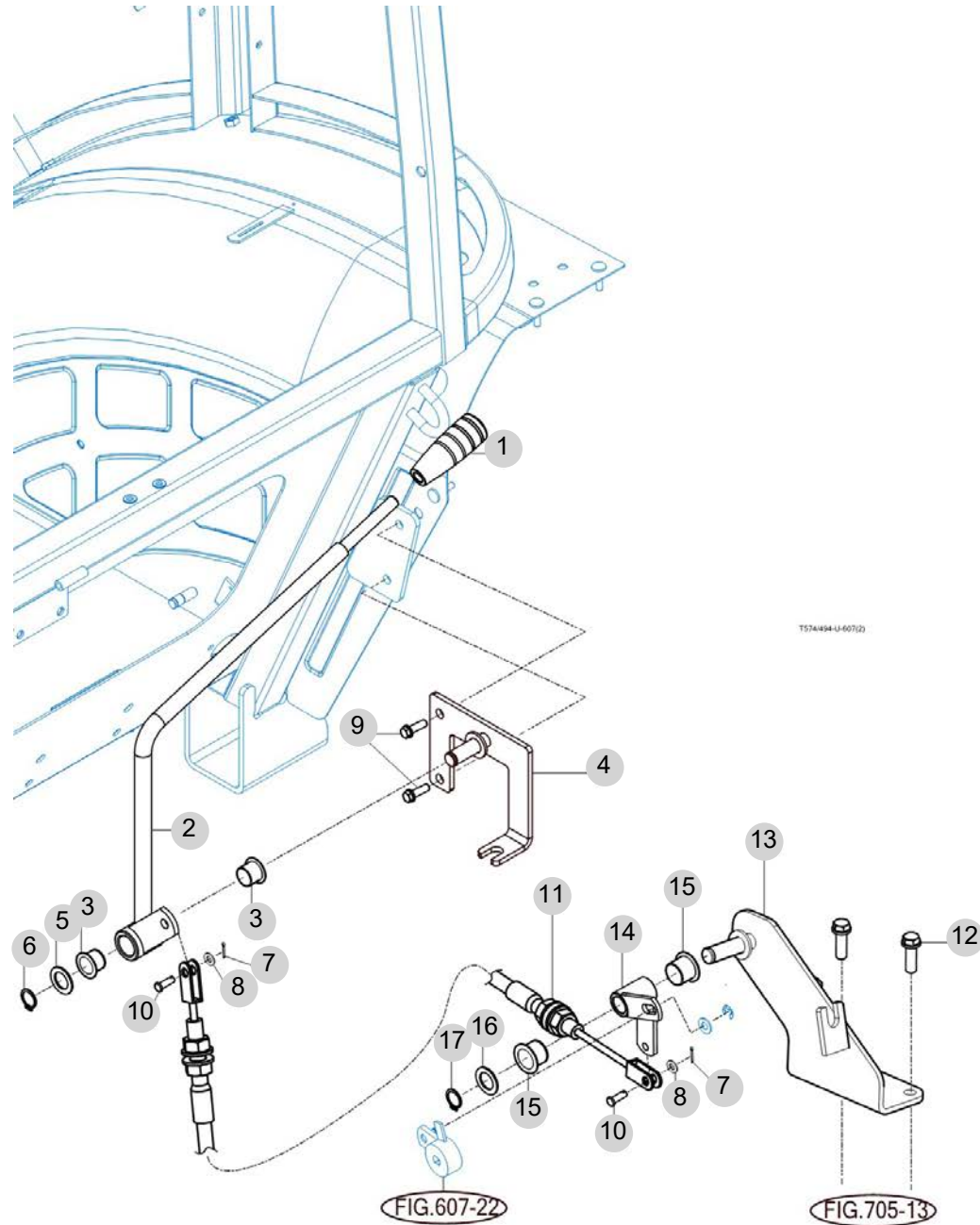
NOTE

FIG 607B

POSITION & DRAFT LEVER (2)

년/월
Year/Month

2022-12



NOTE

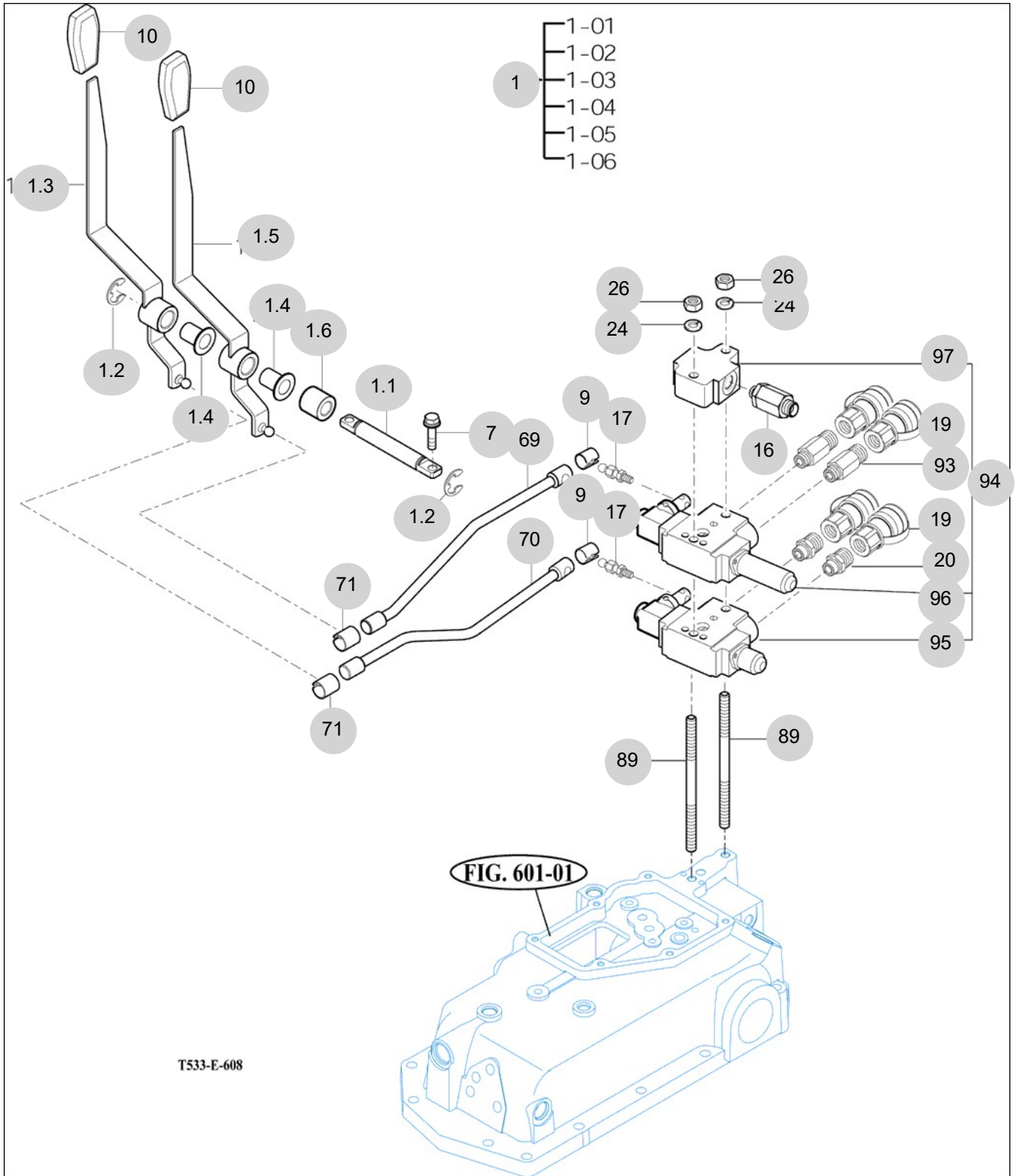
FIG 608

EXTERIOR HYD. VALVE

년/월
Year/Month

2022-12

T494ST-B



NOTE

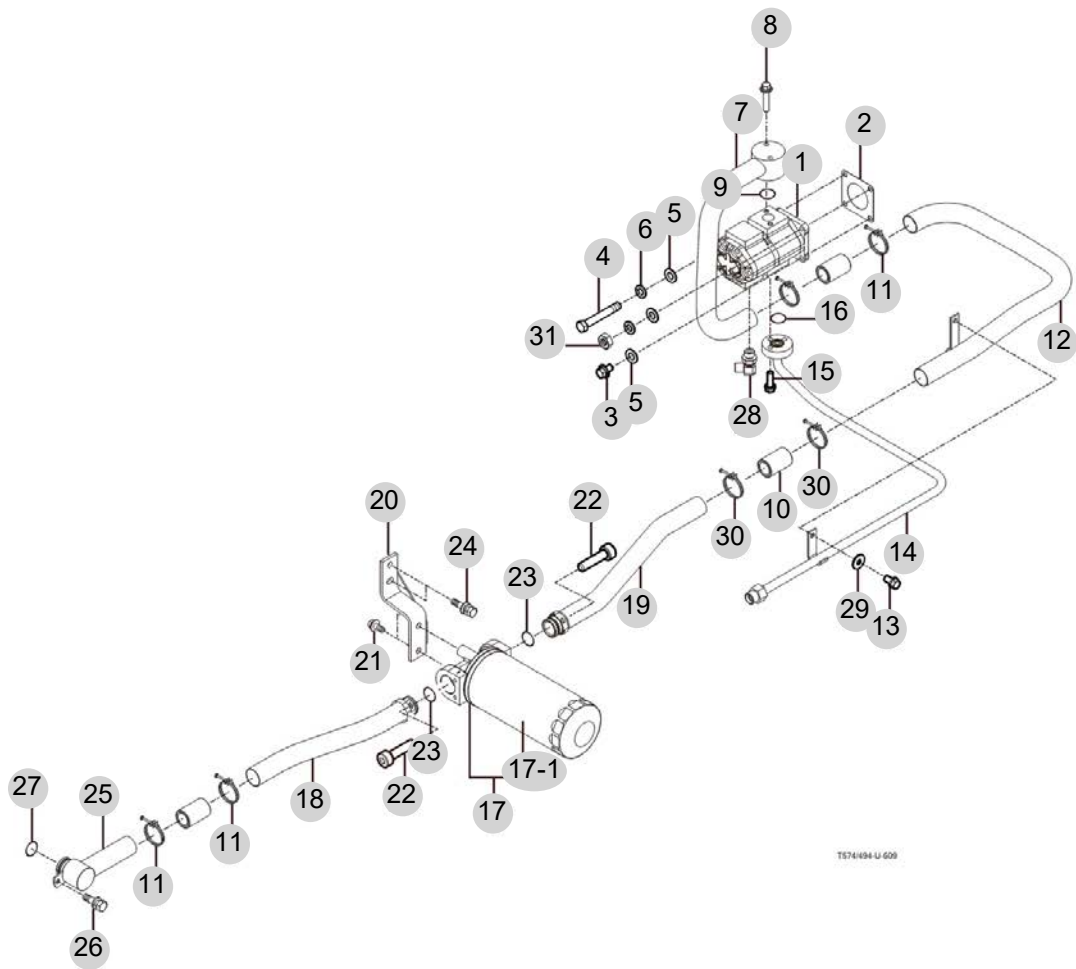
FIG 609

HYDRAULIC PIPE

년/월
Year/Month

2022-12

T494ST-B



NOTE

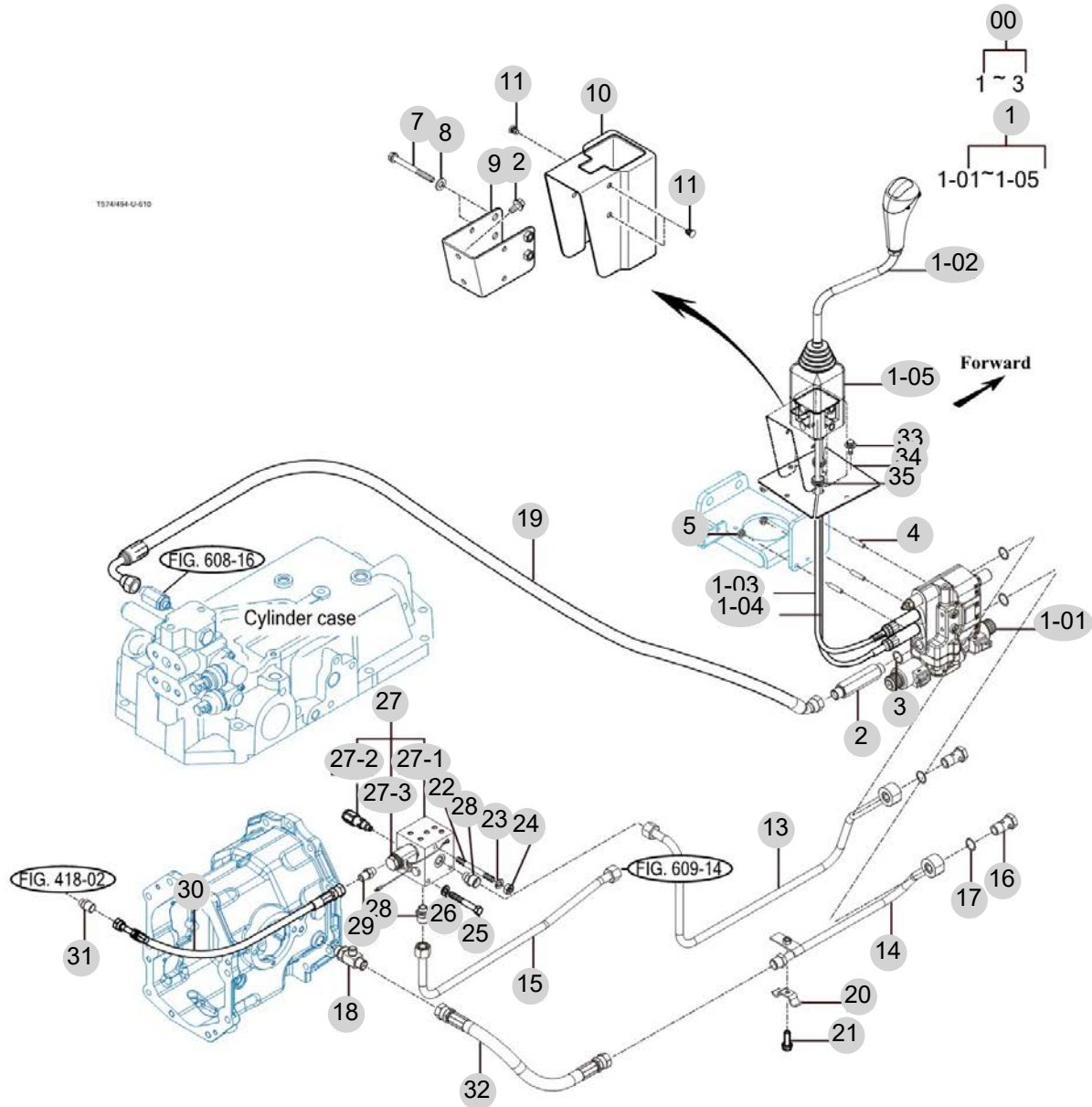
FIG 610

JOYSTICK[SAP 가져오기]에서 생성함.

년/월
Year/Month

2022-12

T494ST-B



NOTE

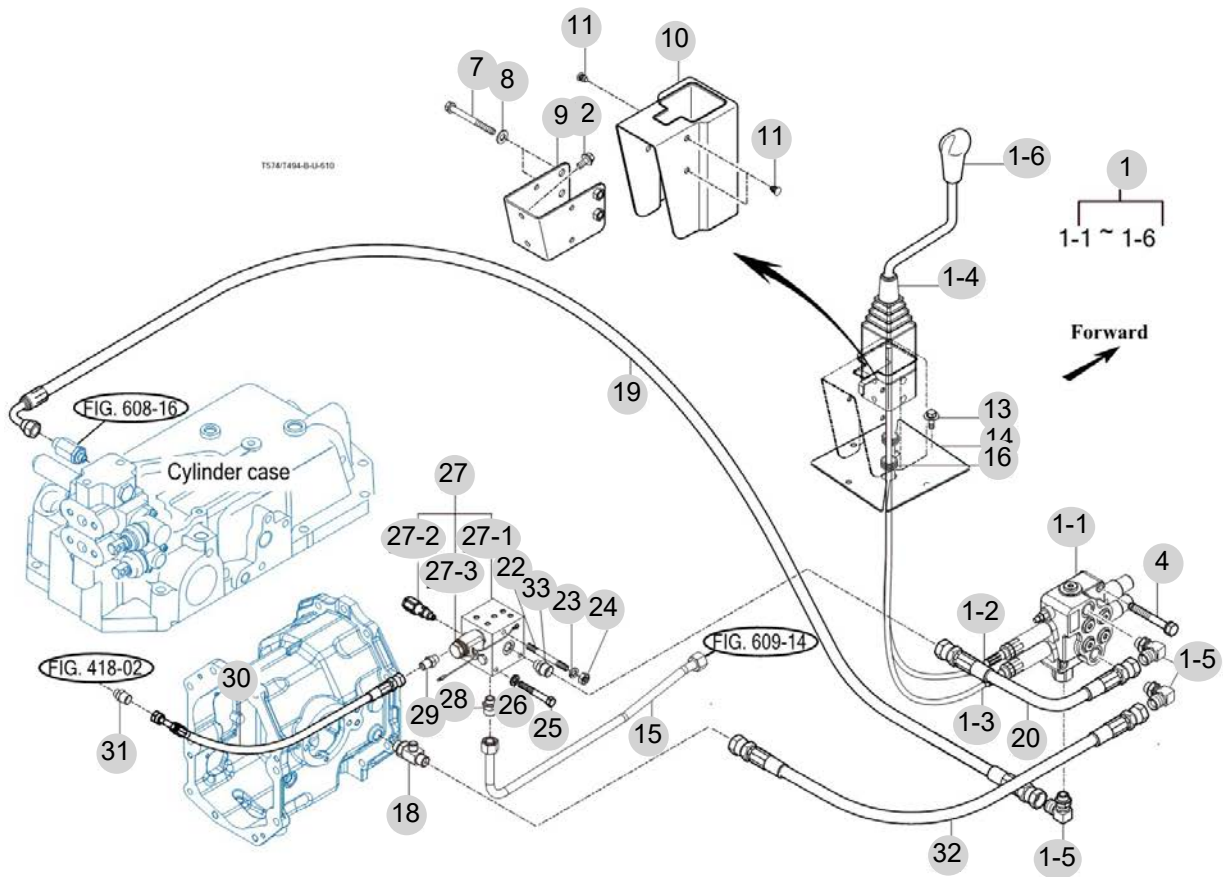
FIG 610

T494ST-B

JOYSTICK

년/월
Year/Month

2022-12



NOTE

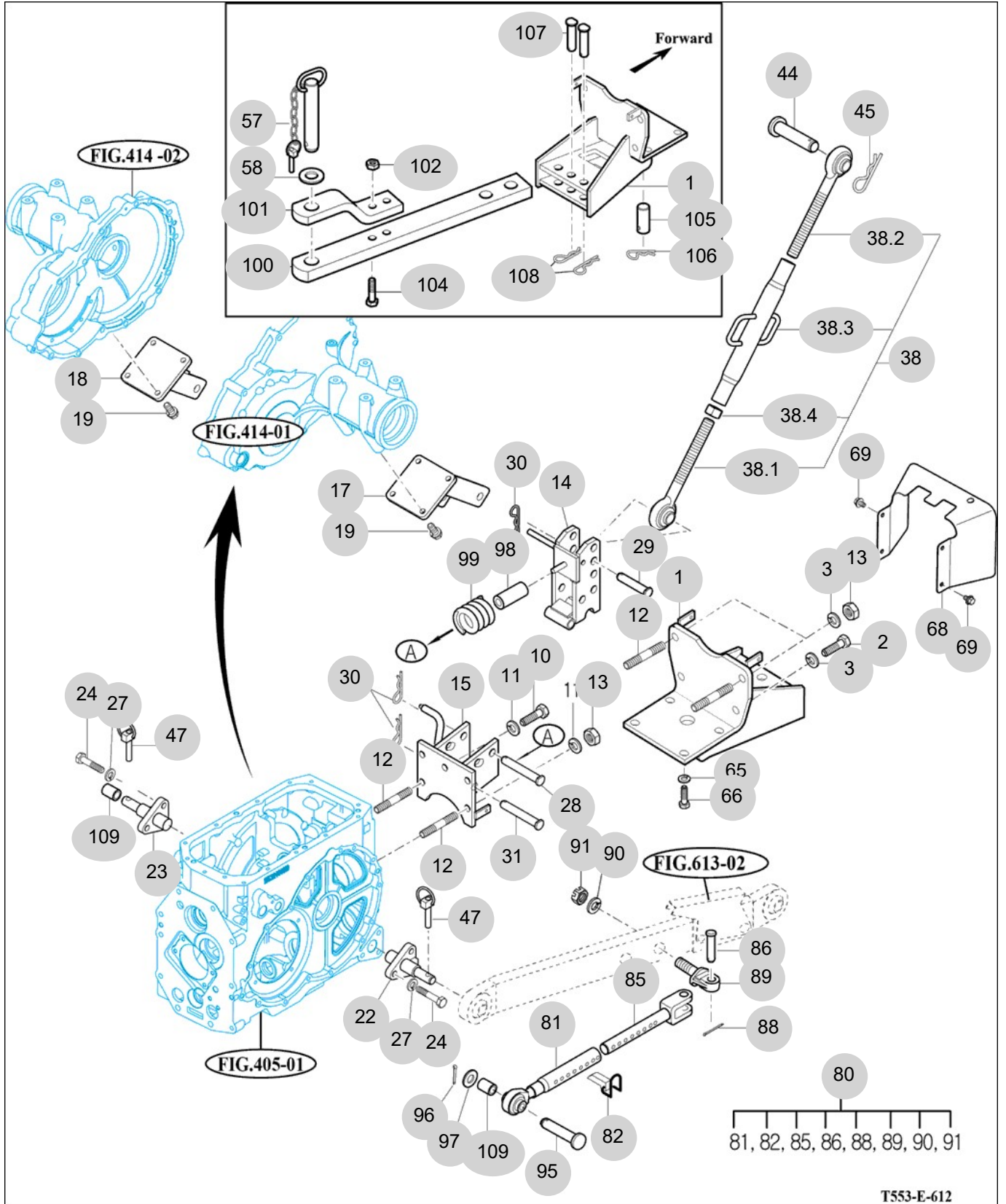
FIG 612

HITCH & 3-POINT LINK

년/월
Year/Month

2022-12

T494ST-B



T553-E-612

NOTE

FIG 612		HITCH & 3-POINT LINK					년/월 Year/Month		
							2022-12		
T494ST-B		KEY NO	PART NO	DESCRIPTION	SPEC	QTY	REPAIR	EFFECTIVE DATE	REMARKS
612	1	15175202001GB	BRACKET COMP, SWING DRAW BAR			1			
612	1	15175202002GB	BRACKET COMP, SWING DRAW BAR			1			
612	1	15175202003GB	BRACKET COMP, SWING DRAW BAR			1			
612	2	V2013616035	BOLT, HEX	M16X35		2			
612	3	V4011600160	WASHER, SPRING	M16		4			
612	10	V2013616035	BOLT, HEX	M16X35		3			
612	11	V4011600160	WASHER, SPRING	M16		5			
612	12	V2513416035	BOLT, STUD/2	M16X35		4			
612	13	V3043600160	NUT, HEX/2	M16		4			
612	14	16735222102GB	LINK COMP	1X1X1		1			
612	15	15185222000GB	BRACKET COMP			1			
612	17	14525254100GB	BRACKET COMP, RR			1			
612	18	14525254100GB	BRACKET COMP, RR			1			
612	19	V2173612030	BOLT, HEX/S	M12X30		8			
612	22	15685252204	PIN COMP, LH			1			
612	23	15685252801	PIN COMP, RH			1			
612	24	V2013614040	BOLT, HEX	M14X40		6			
612	27	V4011600140	WASHER, SPRING	M14		6			
612	28	15645250010	PIN, 19X122	D=19		1			
612	29	15645220020	PIN, 19X95	D=19		1			
612	30	14445140051	PIN, 19	D=4.5		3			
612	31	15645250010	PIN, 19X122	D=19		1			
612	38	16505245501GB	LINK ASSY, TOP LINK			1			
612	38	16505245502GB	TOP LINK ASSY			1			
612	38.1	16505245510	LINK COMP, RH TOP LINK	1X1X1		1			
612	38.2	16505245520	LINK COMP, LH TOP LINK	1X1X1		1			
612	38.3	14555140251	TURNBUCKLE COMP			1			
612	38.4	16505245530	NUT, HEX	1X1X1		1			
612	44	15645220011	PIN, 19X86	D=19		1			
612	45	14445140051	PIN, 19	D=4.5		1			
612	47	14215020020	PIN, LINK			2			
612	57	S0973063031	PIN ASSY	1X1X1		1			
612	58	15252470010	RUBBER, CUSHION			1			
612	65	V4011600140	WASHER, SPRING	M14		4			
612	66	V2013614035	BOLT, HEX	M14X35		4			
612	68	13605200012GB	COVER, SHIELD	1X1X1		1			
612	69	V2183608016	BOLT, HEX/SP	M8X16		4			
612	80	15155253000GB	LINK ASSY, ADJUSTER	570*60*50		2			
612	81	15155253100	ROD SUB, FR	44*320*60		2			
612	82	17705254200	PIN	1X1X1		2			
612	85	15155253300	ROD SUB, REAR	340*50*50		2			
612	86	15155253400	PIN, ø20X59	ø20X59		2			
612	88	V5001940035	PIN, SPLIT	4X35		2			
612	89	15155253500	EYEBOLT	66*60*40		2			
612	90	V4111600220	WASHER, PLAIN	M22		2			
NOTE									

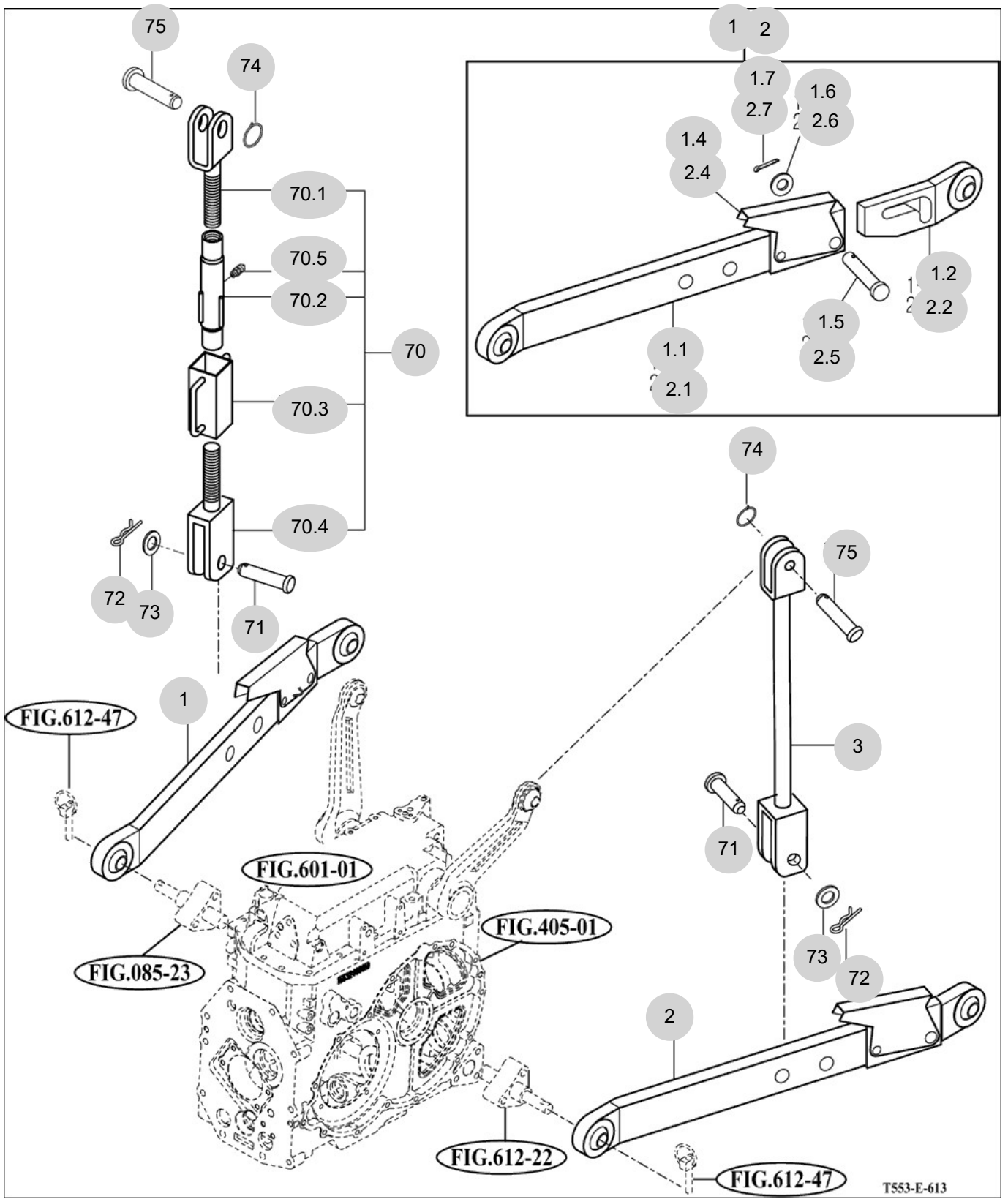
FIG 613

LOWER LINK & LIFT ROD

년/월
Year/Month

T494ST-B

2022-12



NOTE

7. Sheet Metal & Cabin PART NO. T7

FIG 701 BONNET FRAME	215
FIG 702A BONNET (1)	217
FIG 702B BONNET (2)	219
FIG 703 EXTENSION COVER	221
FIG 704A LEVER COVER & STEP	223
FIG 705 FRONT & REAR MOUNTING[SAP 가져오기]에서 생성함.	225
FIG 705 FRONT & REAR MOUNTING	227
FIG 706 SEAT & MAT	229
FIG 709 DOOR	231
FIG 710A FRONT GLASS	234
FIG 711 SIDE GLASS	236
FIG 712 REAR GLASS	238
FIG 713A SUB FENDER & COVER	240
FIG 714A MIRROR	242
FIG 715A HEATER & AIR-CON	244
FIG 715B HEATER & AIR-CON	246
FIG 716 FENDER COVER	248
FIG 717 ROOF	250
FIG 718 CABIN INTERIOR	252

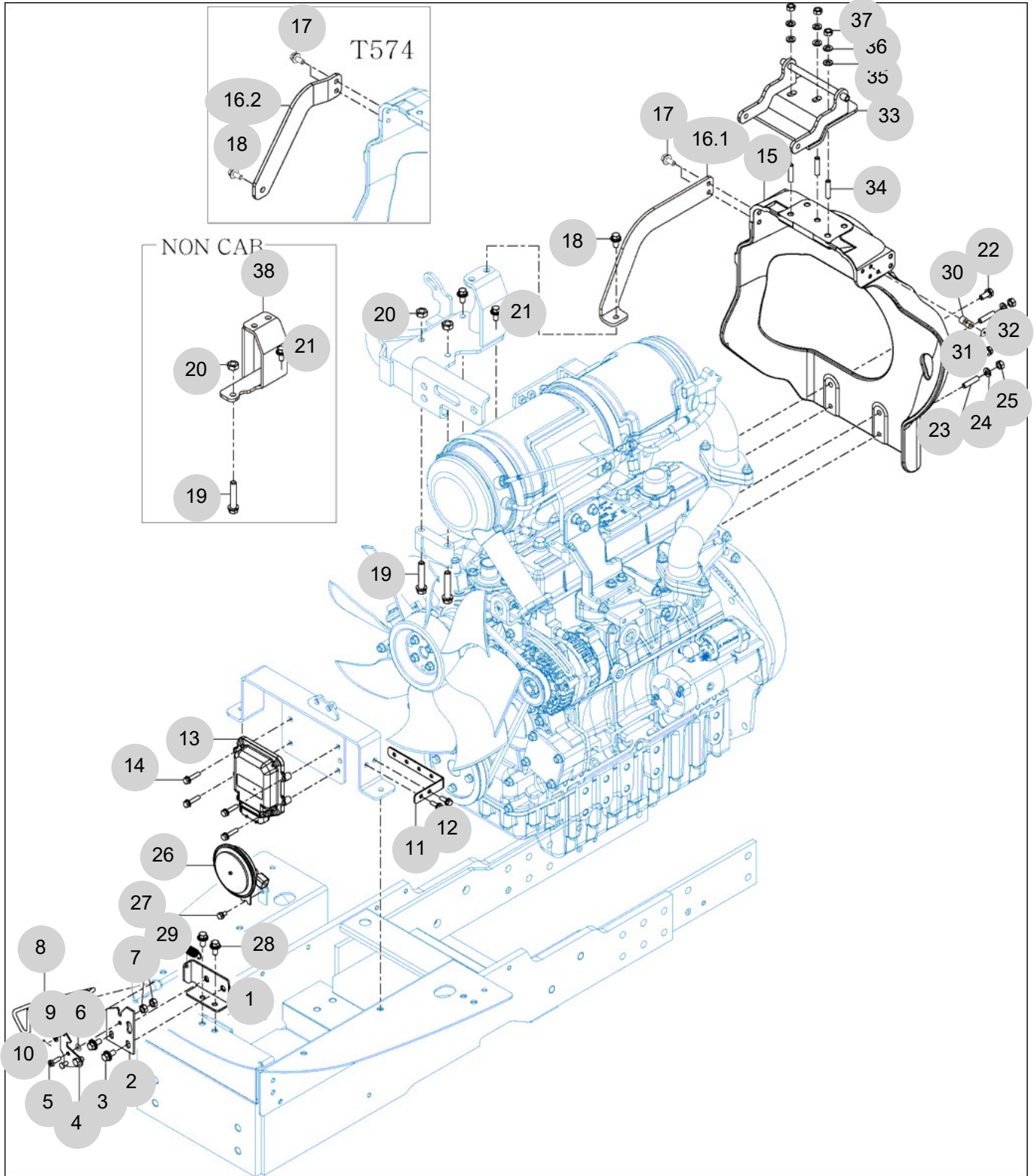
FIG 701

BONNET FRAME

년/월
Year/Month

T494ST-B

2022-12



NOTE

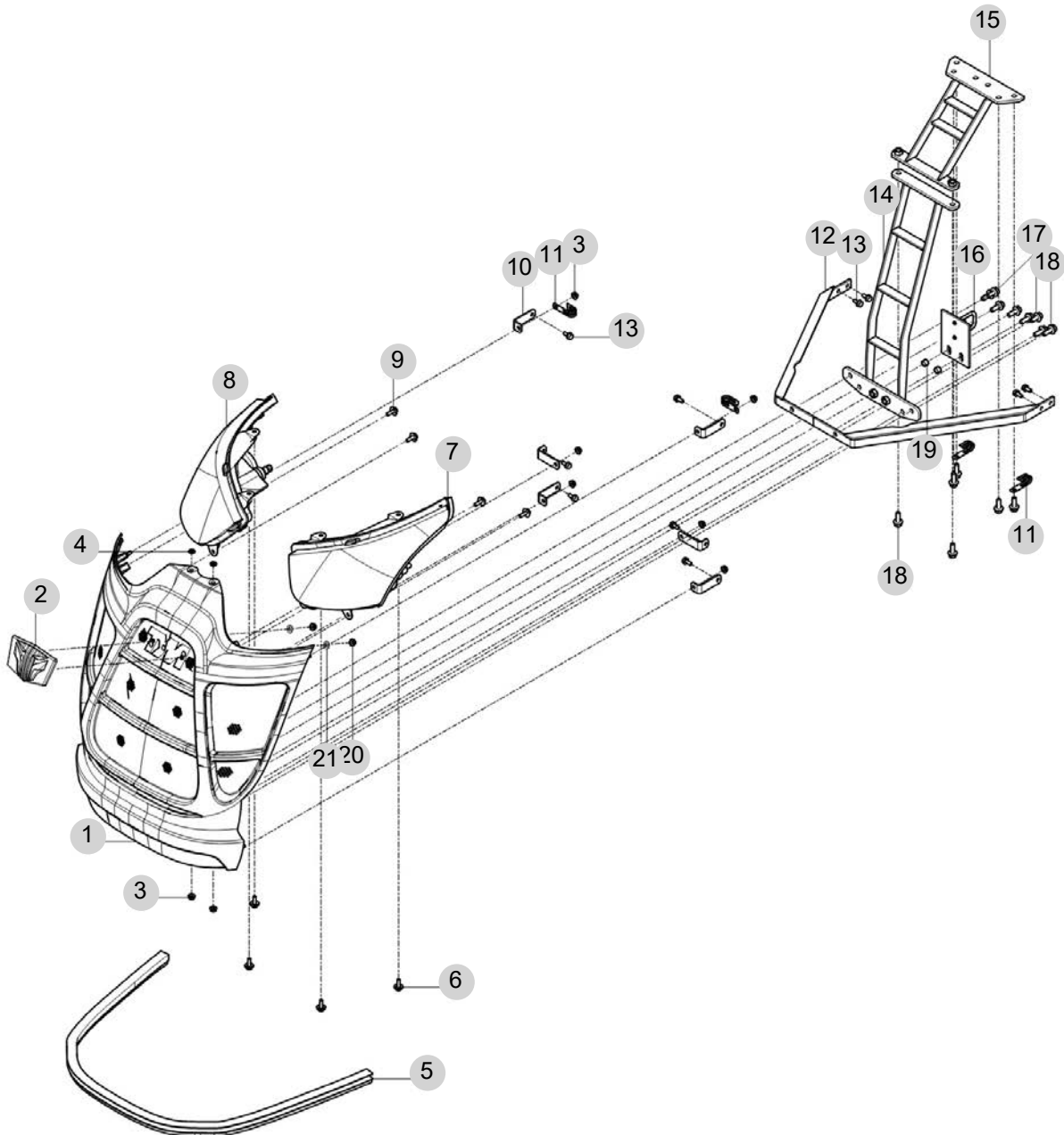
FIG 702A

T494ST-B

BONNET (1)

년/월
Year/Month

2022-12



NOTE

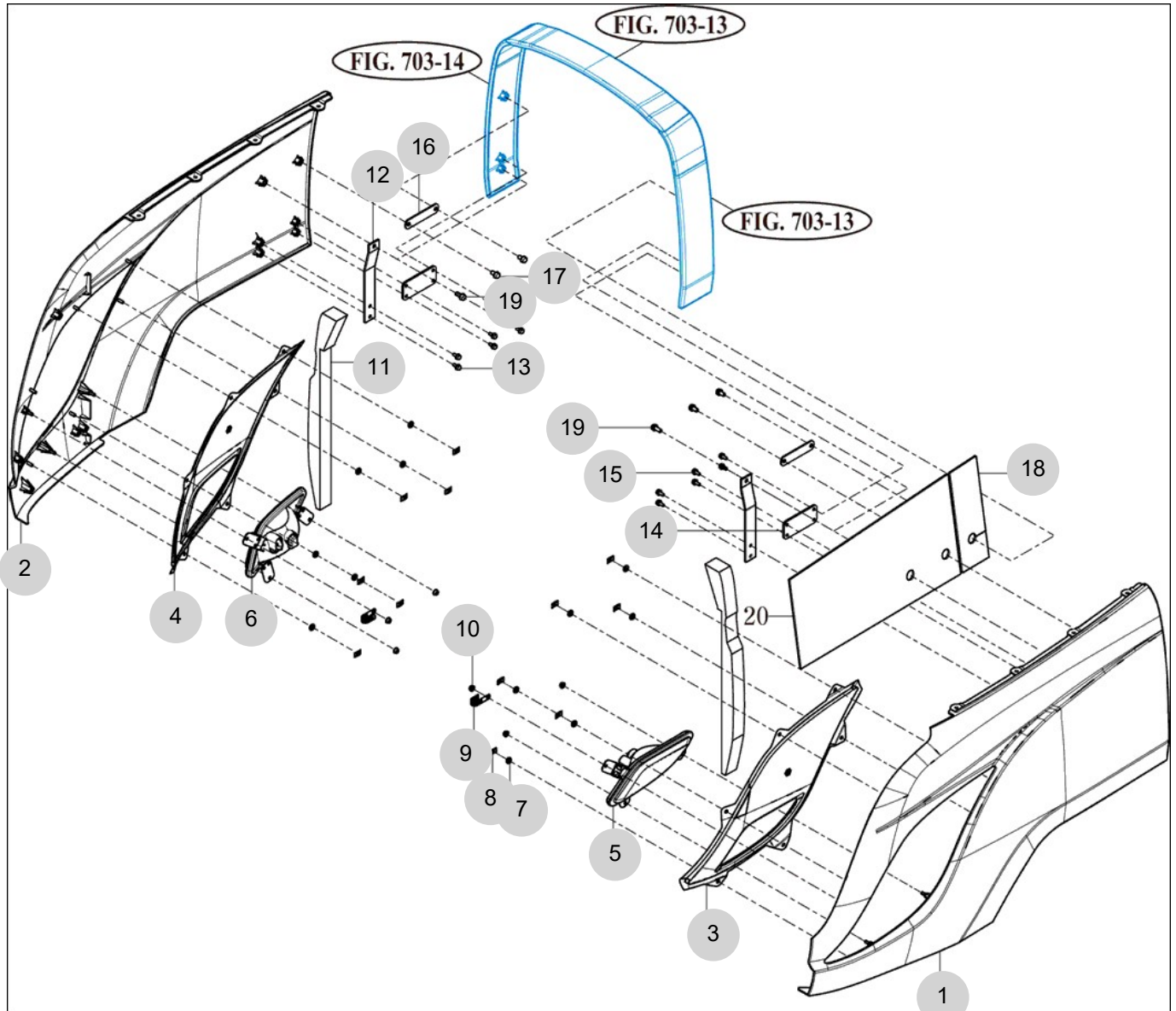
FIG 702B

T494ST-B

BONNET (2)

년/월
Year/Month

2022-12



NOTE

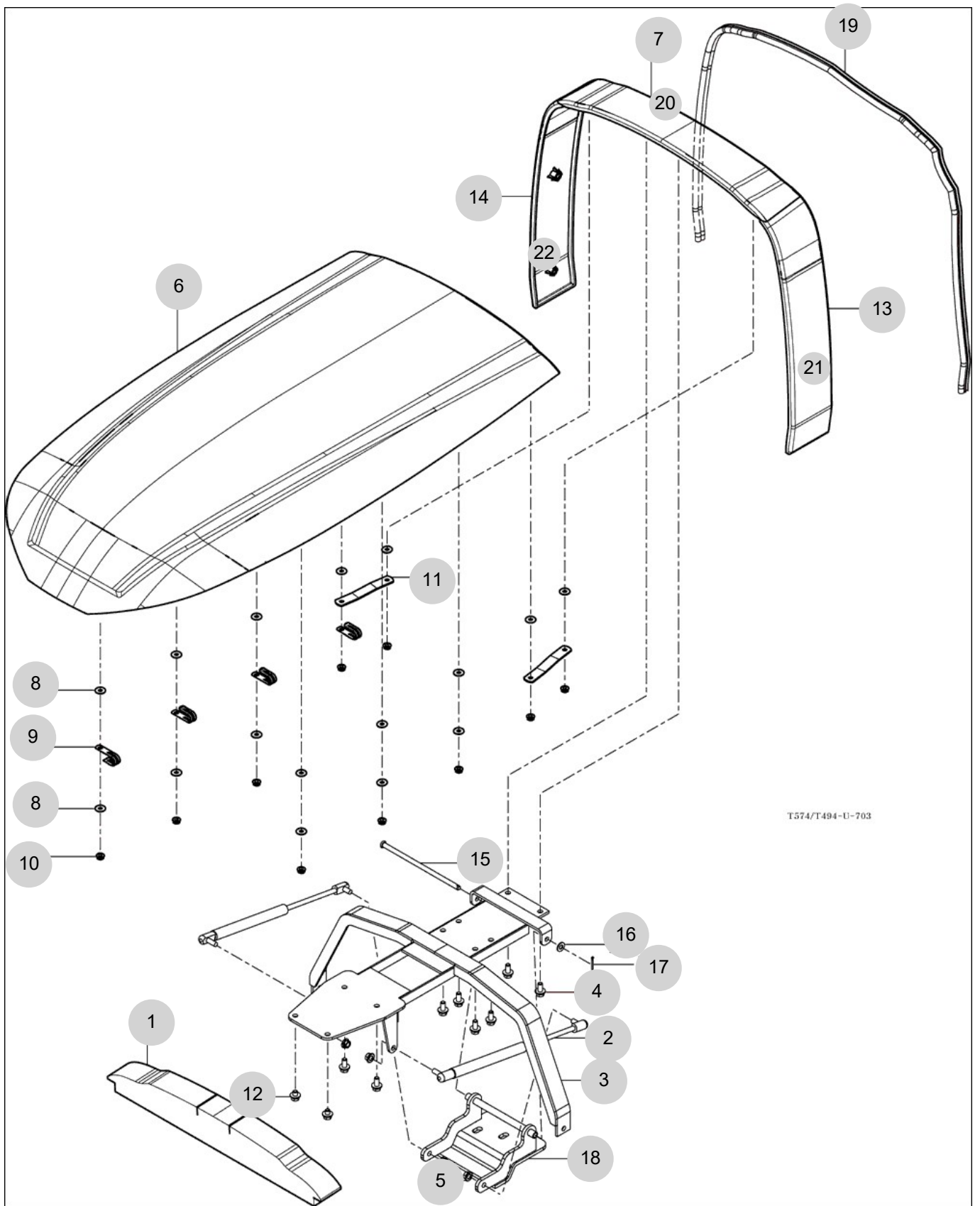
FIG 703

EXTENSION COVER

년/월
Year/Month

2022-12

T494ST-B



T574/T494-U-703

NOTE

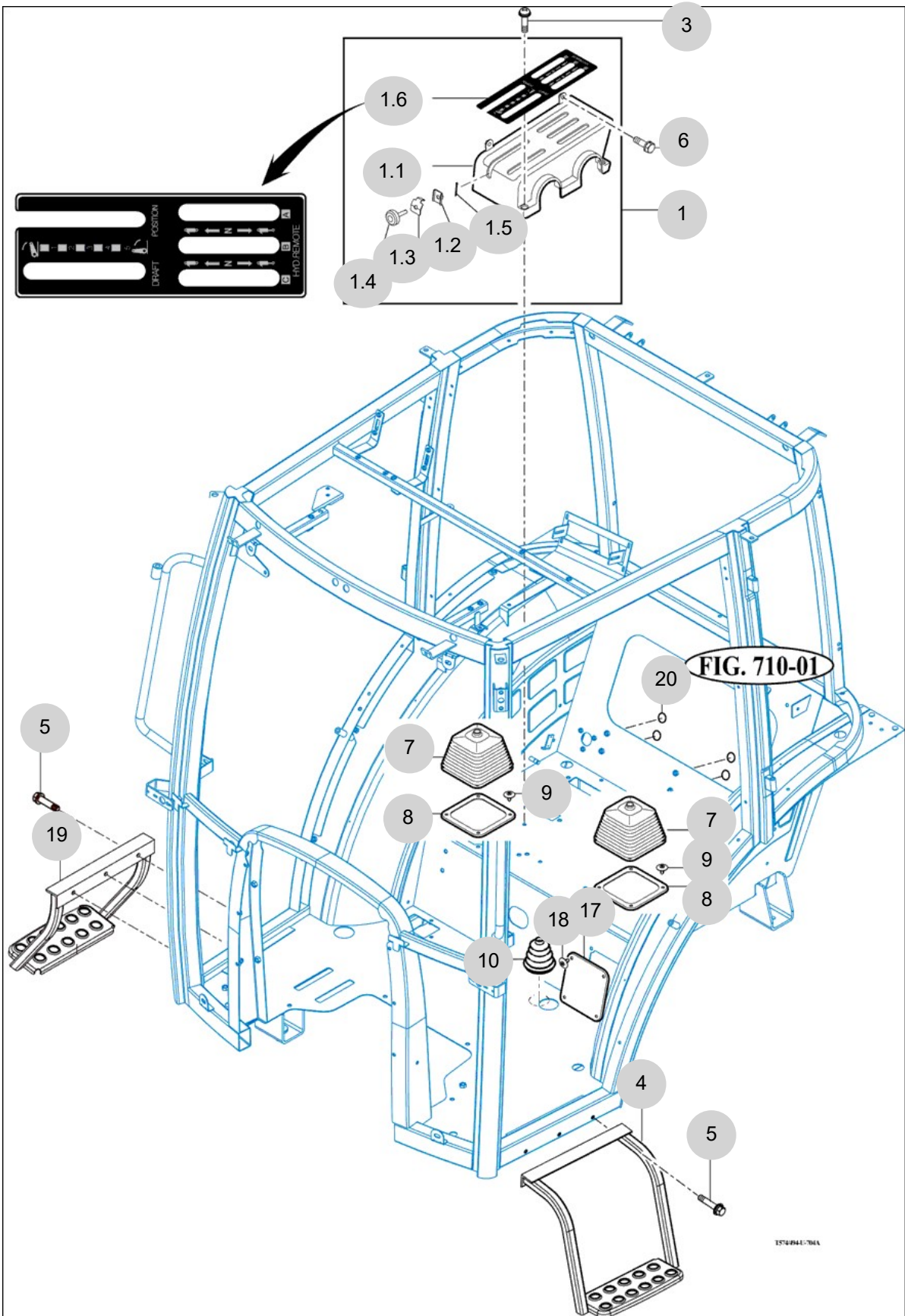
FIG 704A

LEVER COVER & STEP

년/월
Year/Month

2022-12

T494ST-B



NOTE

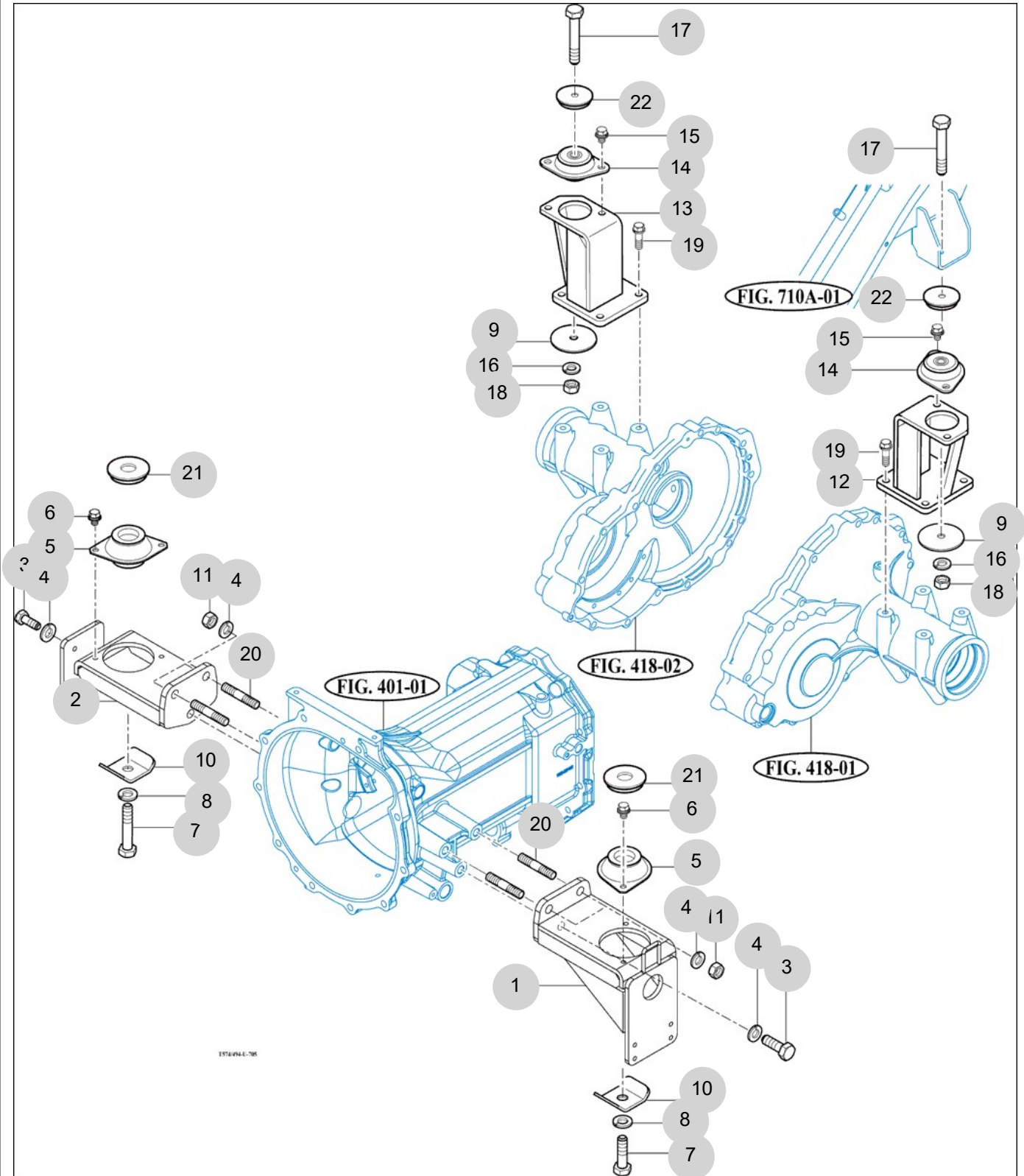
FIG 705

T494ST-B

FRONT & REAR MOUNTING[SAP 가져오기]에서 생성함.

년/월
Year/Month

2022-12



NOTE

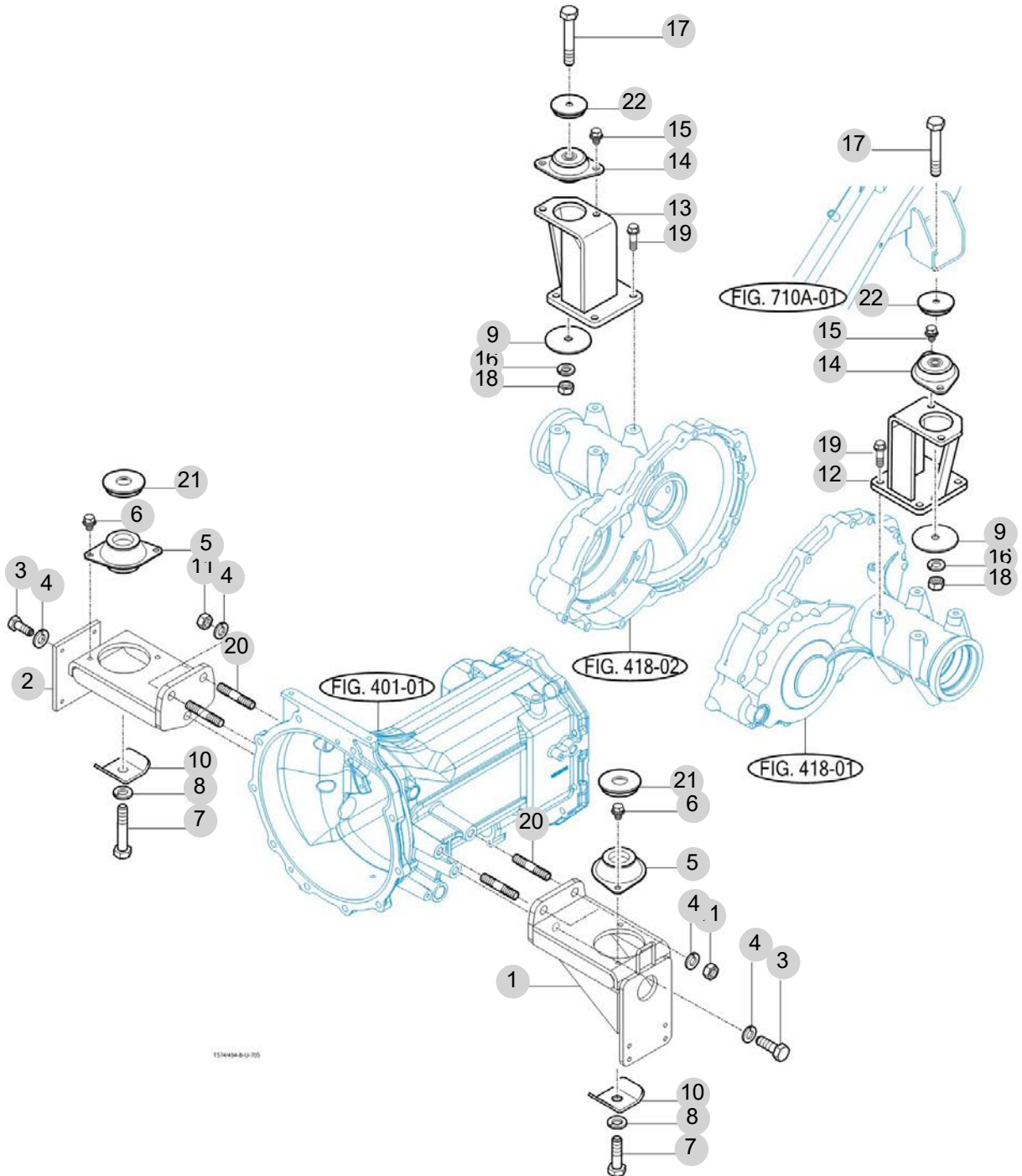
FIG 705

T494ST-B

FRONT & REAR MOUNTING

년/월
Year/Month

2022-12



NOTE

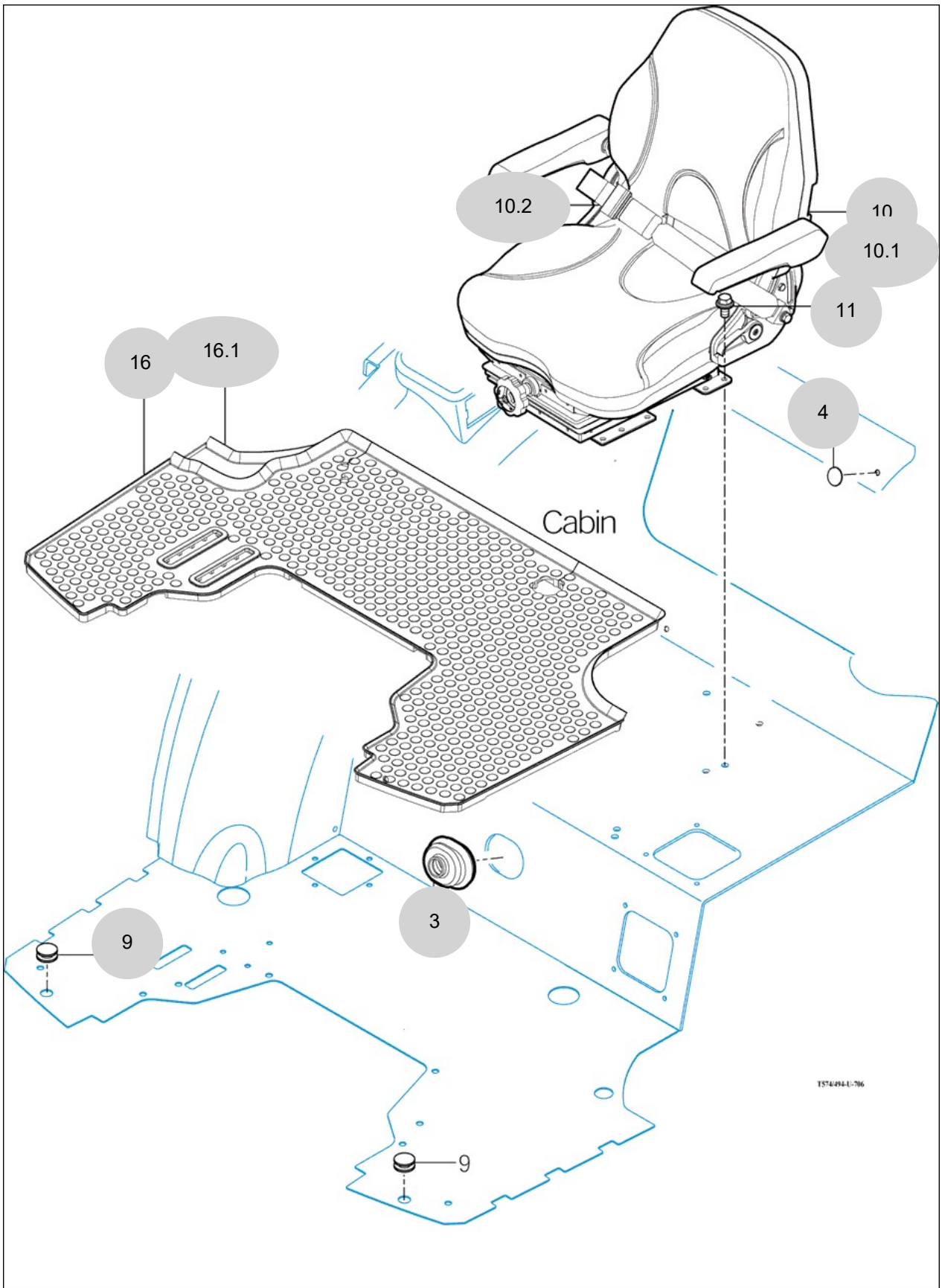
FIG 706

SEAT & MAT

년/월
Year/Month

T494ST-B

2022-12



NOTE

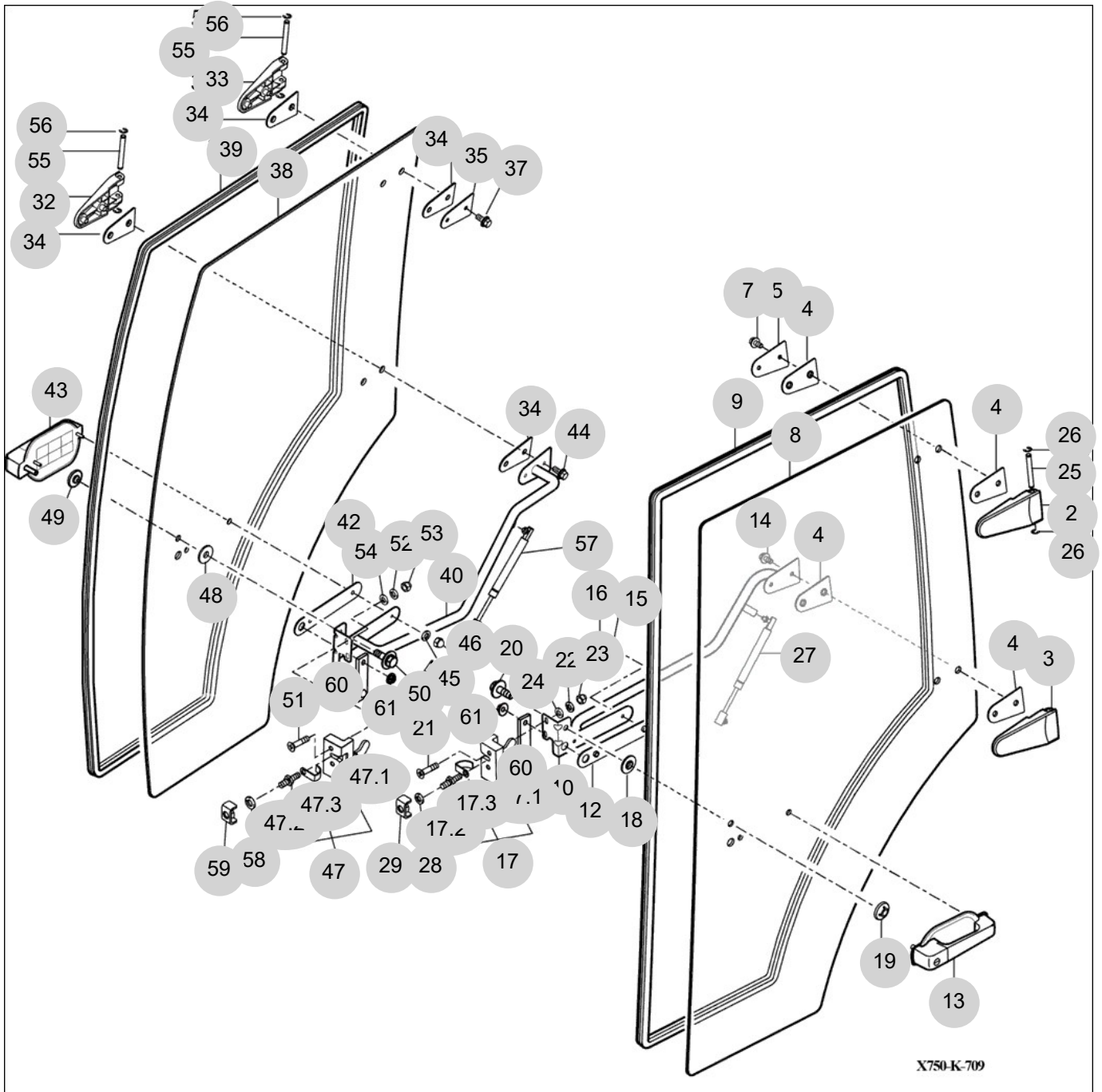
FIG 709

DOOR

년/월
Year/Month

T494ST-B

2022-12



NOTE

FIG 709		DOOR					년/월 Year/Month		
							2022-12		
T494ST-B		KEY NO	PART NO	DESCRIPTION	SPEC	QTY	REPAIR	EFFECTIVE DATE	REMARKS
709	2	14527052300	HINGE COMP , UPR/LH	1X1X1	1				
709	3	14527052400	HINGE COMP , UPR/RH	1X1X1	1				
709	4	14527052110	GASKET , DOOR HINGE	1X1X1	4				
709	5	14527052120GB	PLATE , DOOR HINGE	1X1X1	1				
709	7	V2183608020	BOLT , HEX/SP	M8X20	2				
709	8	14527052131	GLASS , LH/ DOOR	6T	1				
709	9	14527052140	INSULATOR/DOOR	1X1X1	1				
709	10	14527052500GB	GUIDE COMP ,LH/ DOOR	1X1X1	1				
709	12	14527052150	GASKET,DOOR GRIP	1X1X1	1				
709	13	17827052600	GRIP ASSY, LOCK/HANDLE		1				
709	14	V2183608020	BOLT , HEX/SP	M8X20	2				
709	15	V4011600060	WASHER , SPRING	M6	2				
709	16	V3402700060	NUT , HEX CAP	M6	2				
709	17	17827052700	LATCH SET , LH/DOOR		1				
709	17.1	17827052710	LOCK ASSY, LH/DOOR		1				
709	17.2	14527052720	STRIKER	1X1X1	1				
709	17.3	14527052730	GUARD	1X1X1	1				
709	18	15817401130	GROMMET , 13X17X02		1				
709	19	14527042500	NUT COMP , GLASS	1X1X1	1				
709	20	V2193606012	BOLT , HEX/SPL	M6X12	1				
709	21	V1122608040	SCREW , C/R FLAT	M8X40	2				
709	22	V4011600080	WASHER , SPRING	M8	2				
709	23	V3412700080	NUT , SMALL CAP	M8	2				
709	24	V4111600080	WASHER , PLAIN	M8	2				
709	25	14527041110	PIN, HINGE DOOR	D=8	2				
709	26	V7082400070	E-RING	7	4				
709	27	14527301080	DAMPER ASSY , DOOR	1X1X1	1				
709	28	V4011600100	WASHER , SPRING	M10	1				
709	29	14527062500GB	BRACKET COMP , DOOR LOCK	1X1X1	1				
709	32	14527052300	HINGE COMP , UPR/LH	1X1X1	1				
709	33	14527052400	HINGE COMP , UPR/RH	1X1X1	1				
709	34	14527052110	GASKET , DOOR HINGE	1X1X1	4				
709	35	14527052120GB	PLATE , DOOR HINGE	1X1X1	1				
709	37	V2183608020	BOLT , HEX/SP	M8X20	2				
709	38	14527053131	GLASS , RH/ DOOR	6T	1				
709	39	14527052140	INSULATOR/DOOR	1X1X1	1				
709	40	17827053500GB	GUIDE COMP , RH/DOOR		1				
709	42	14527052150	GASKET,DOOR GRIP	1X1X1	1				
709	43	17827052600	GRIP ASSY, LOCK/HANDLE		1				
709	44	V2183608020	BOLT , HEX/SP	M8X20	2				
709	45	V4011600060	WASHER , SPRING	M6	2				
709	46	V3402700060	NUT , HEX CAP	M6	2				
709	47	17827053700	LATCH SET , RH/DOOR		1				
709	47.1	17827053710	LOCK ASSY , RH/DOOR		1				
709	47.2	14527052720	STRIKER	1X1X1	1				
NOTE									

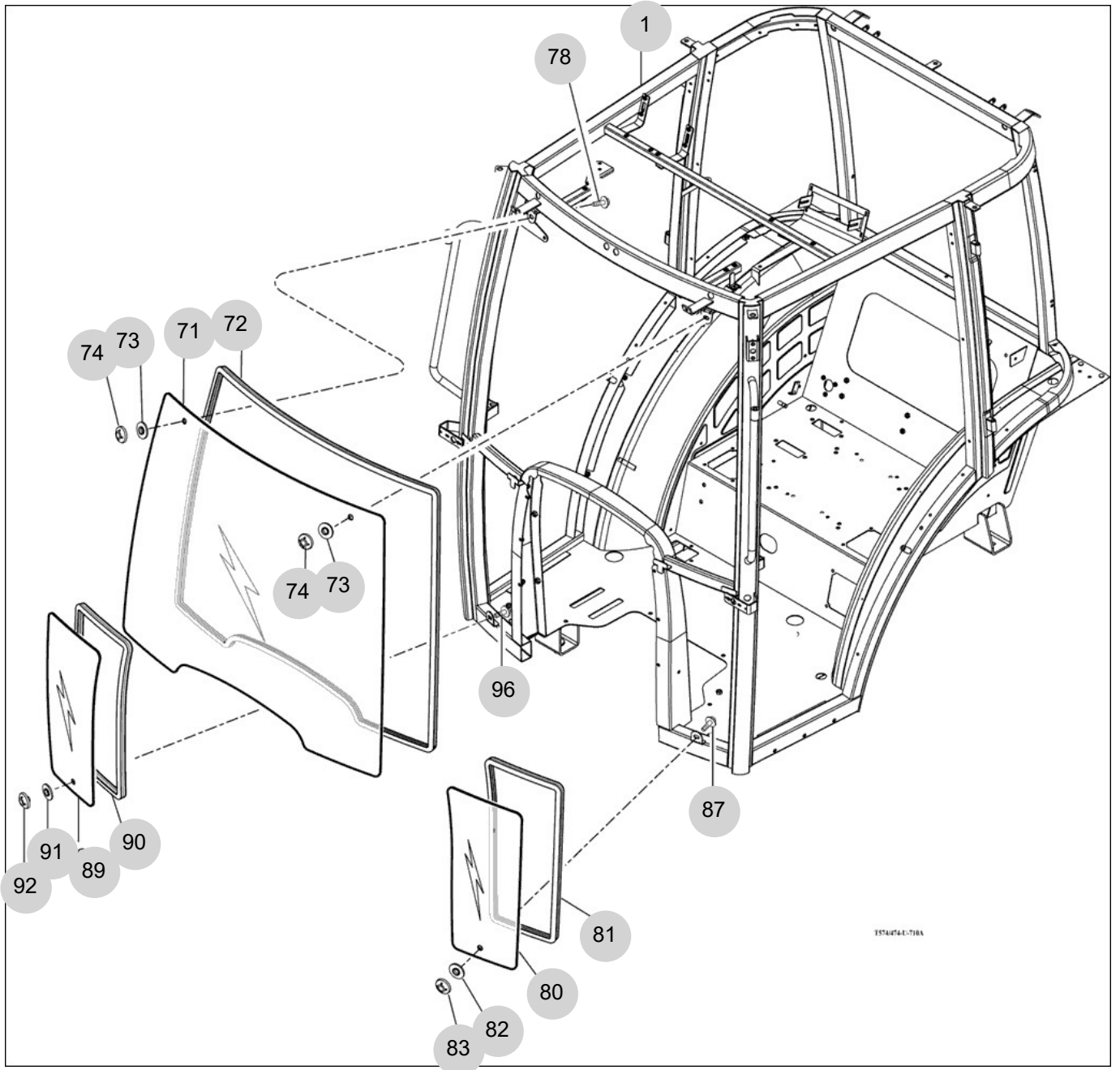
FIG 710A

FRONT GLASS

년/월
Year/Month

T494ST-B

2022-12



NOTE

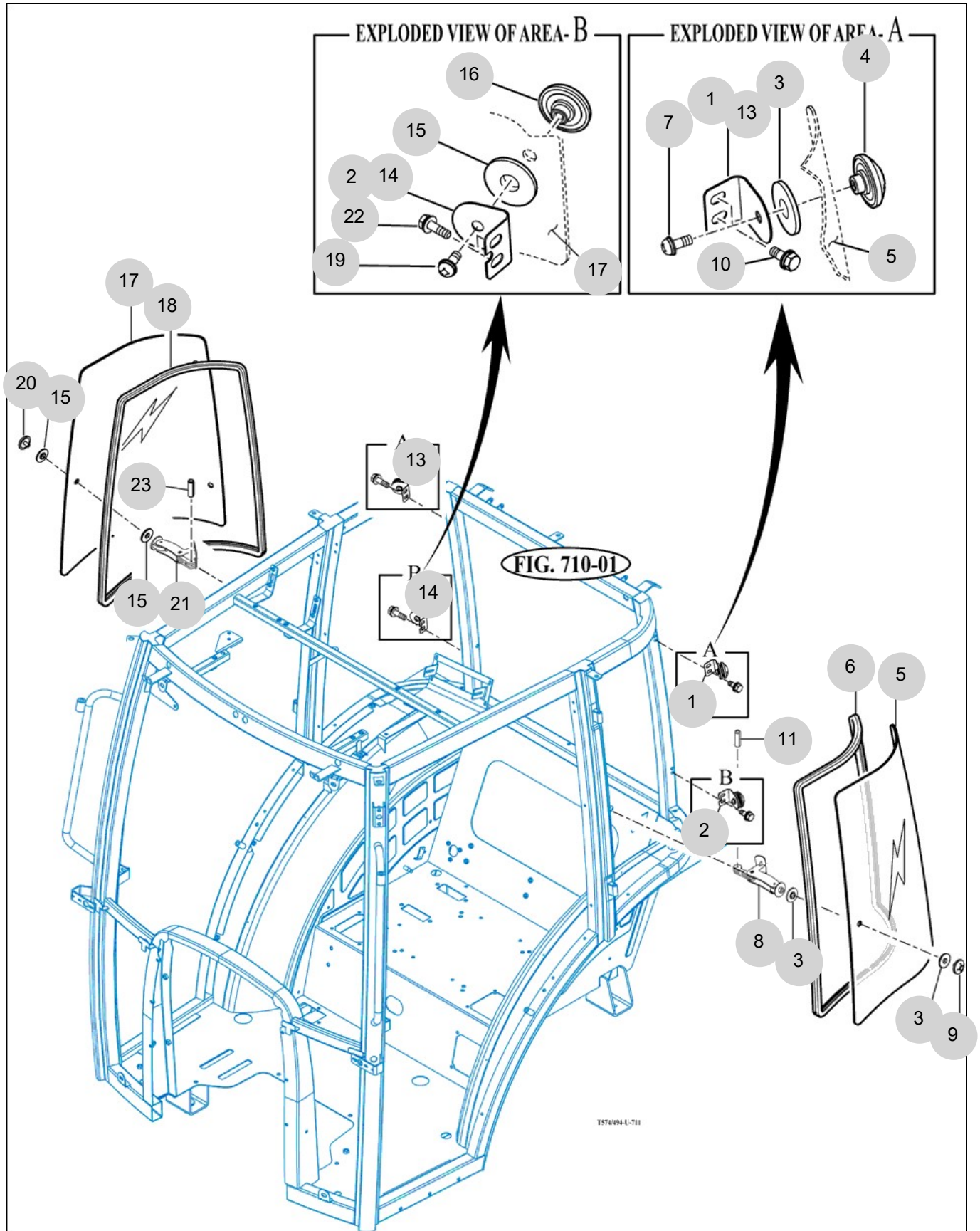
FIG 711

SIDE GLASS

년/월
Year/Month

2022-12

T494ST-B



NOTE

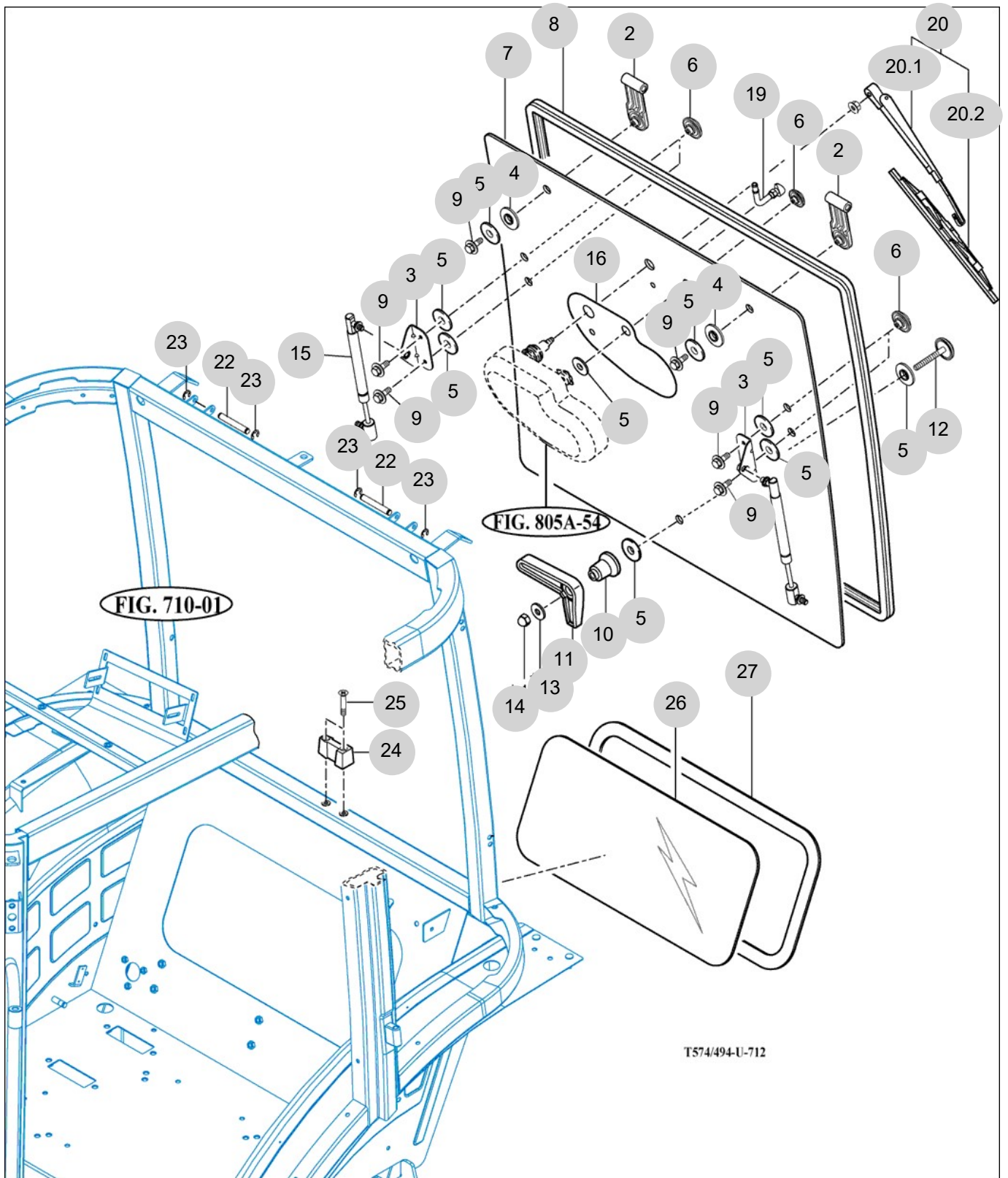
FIG 712

REAR GLASS

년/월
Year/Month

T494ST-B

2022-12



NOTE

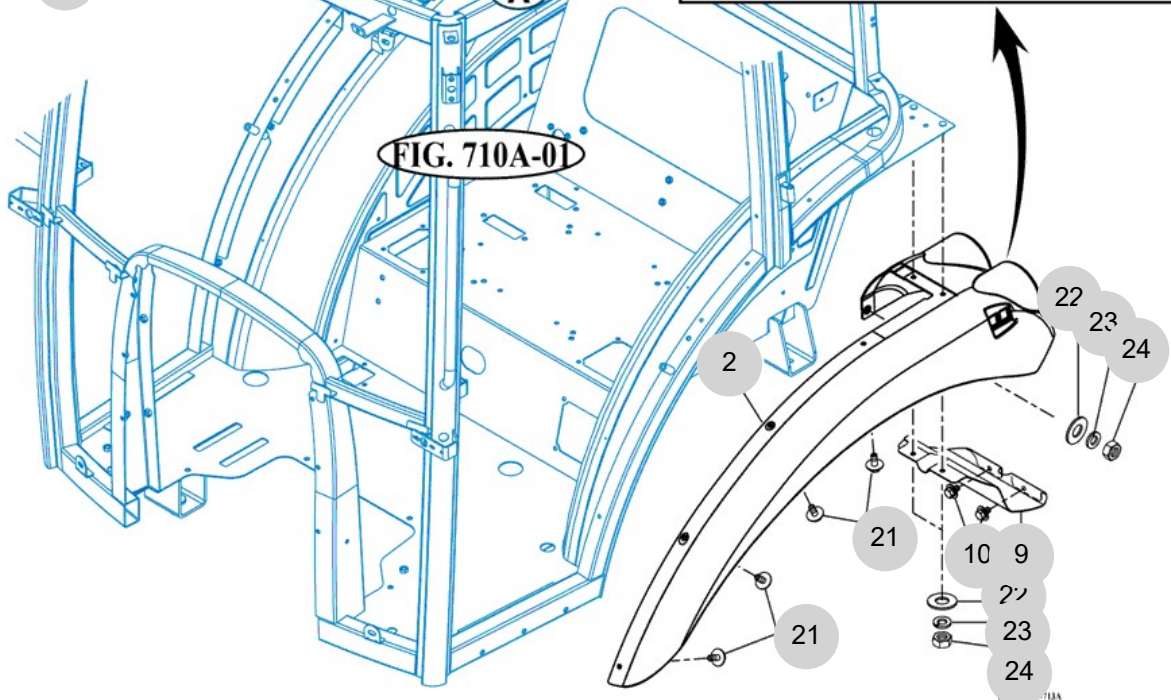
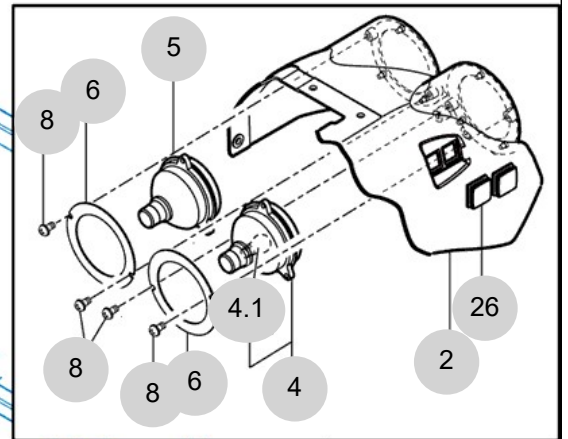
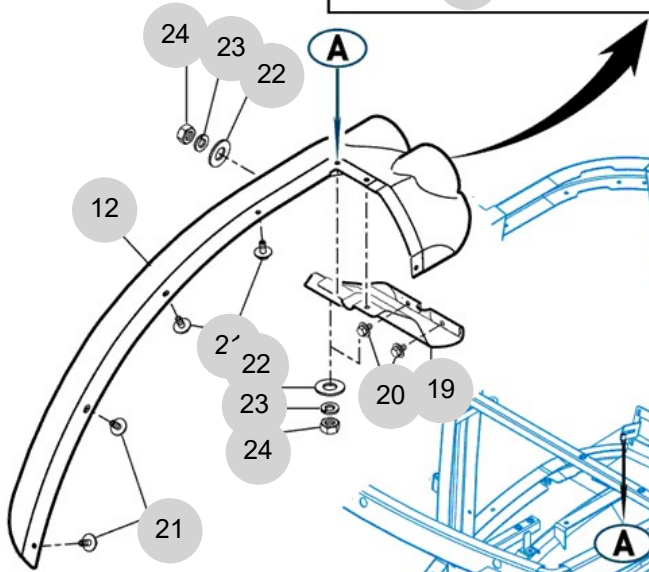
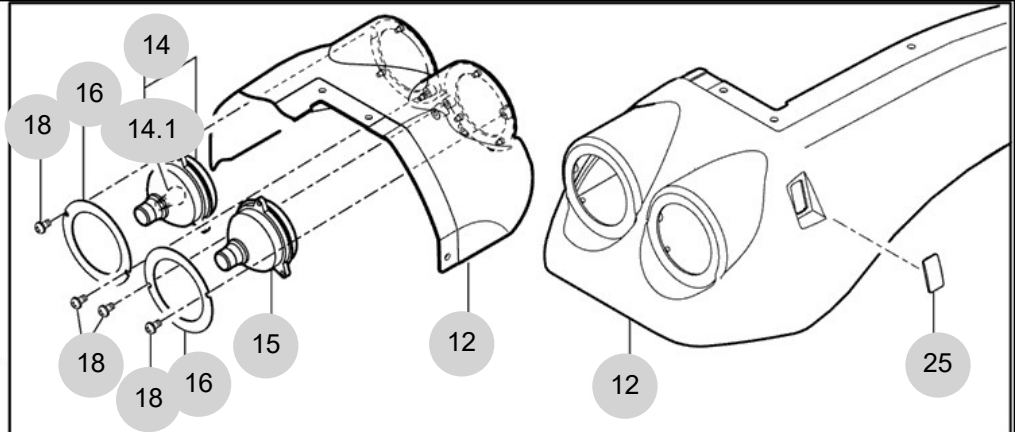
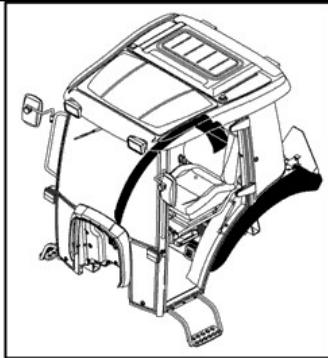
FIG 713A

SUB FENDER & COVER

년/월
Year/Month

T494ST-B

2022-12



NOTE

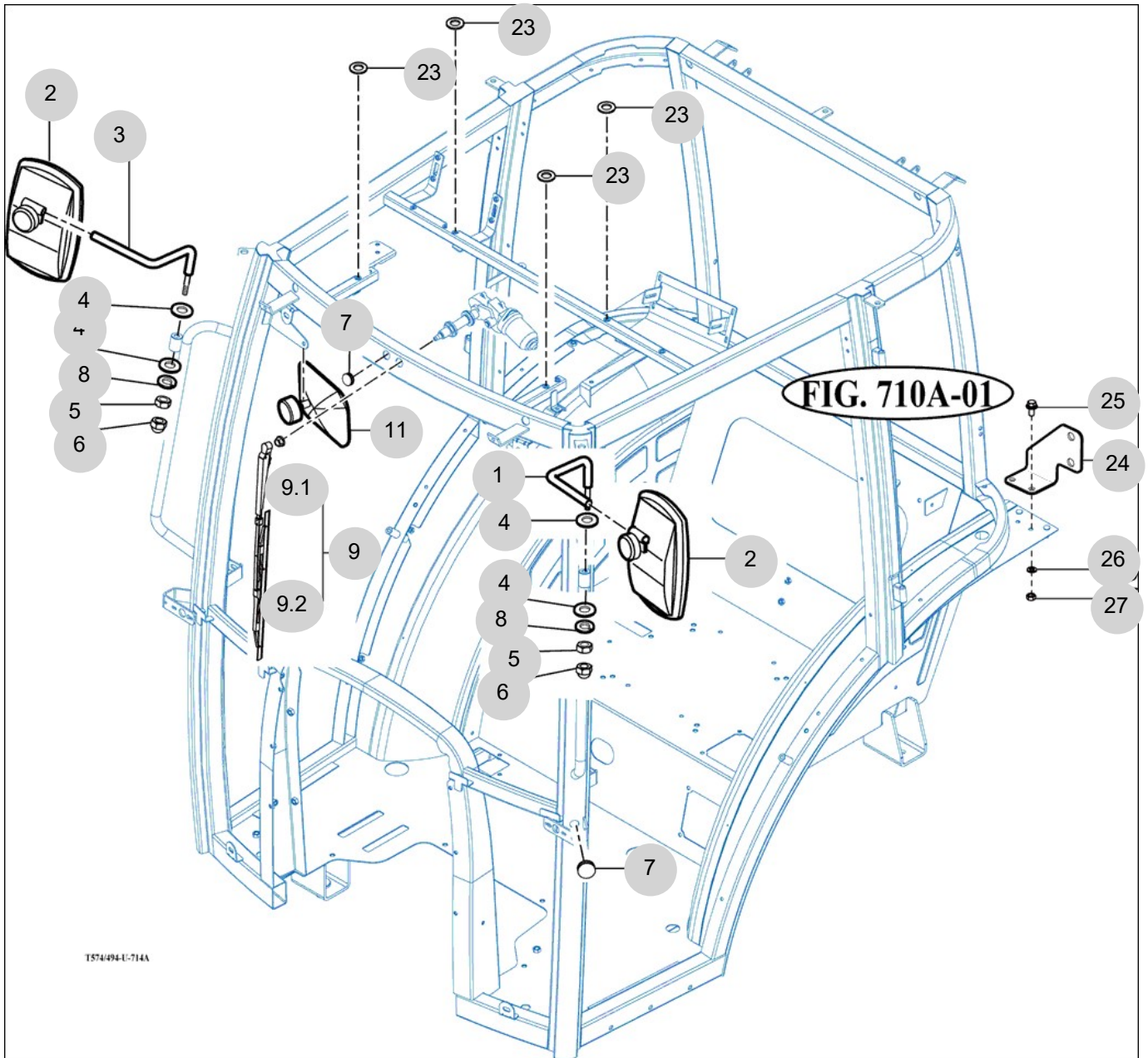
FIG 714A

MIRROR

년/월
Year/Month

T494ST-B

2022-12



T574494-U-714A

NOTE

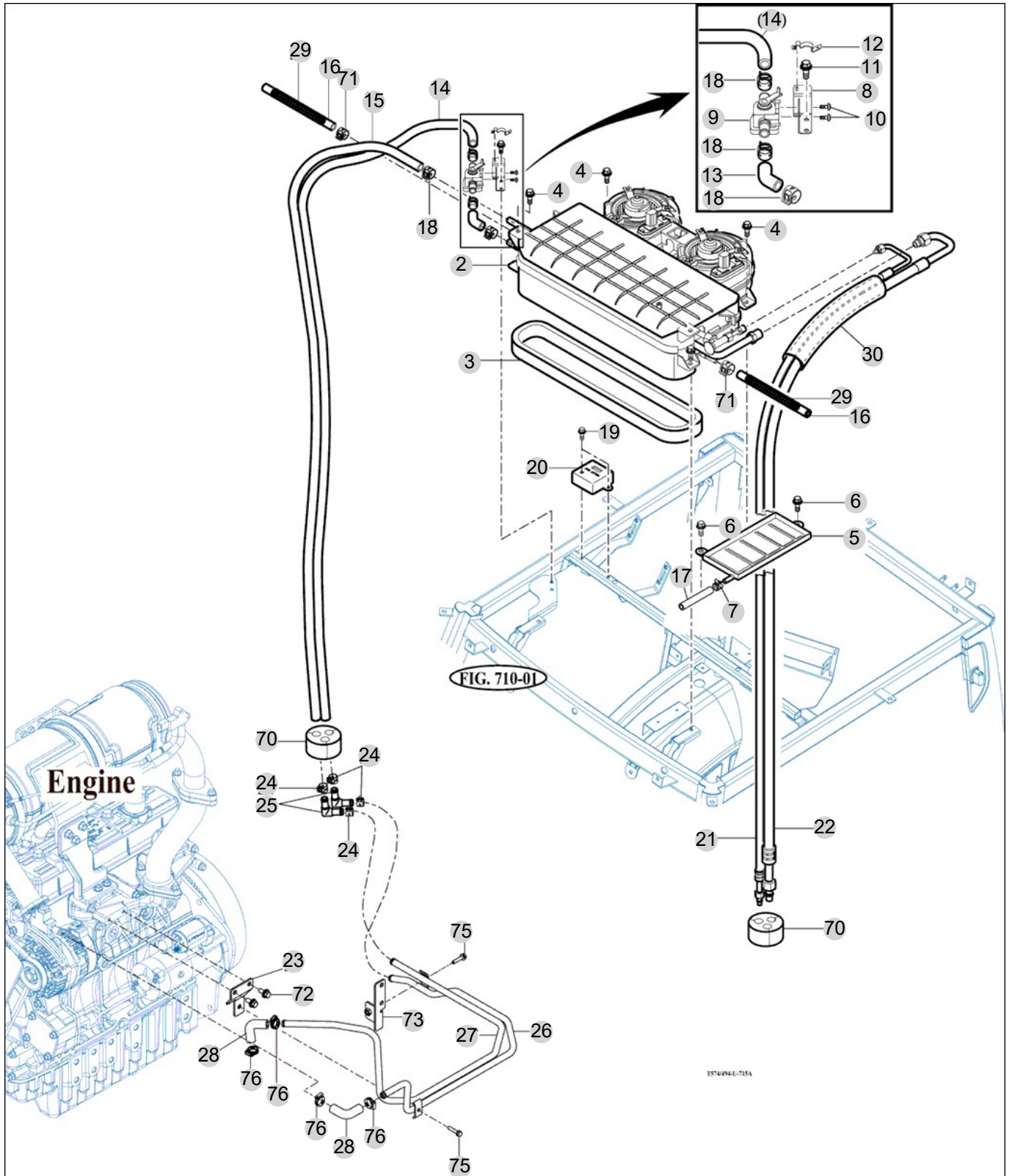
FIG 715A

HEATER & AIR-CON

년/월
Year/Month

2022-12

T494ST-B



NOTE

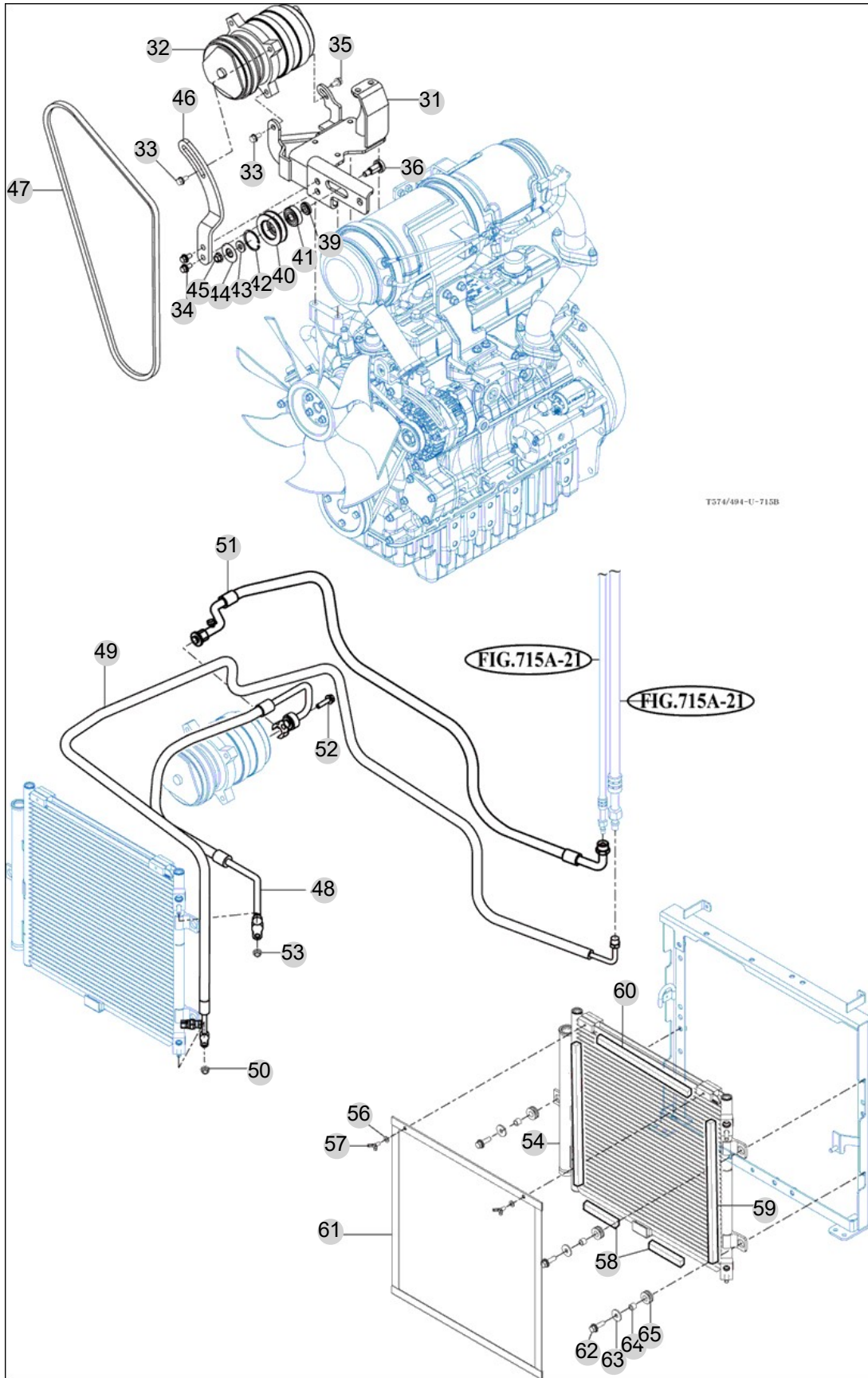
FIG 715B

HEATER & AIR-CON

년/월
Year/Month

2022-12

T494ST-B



NOTE

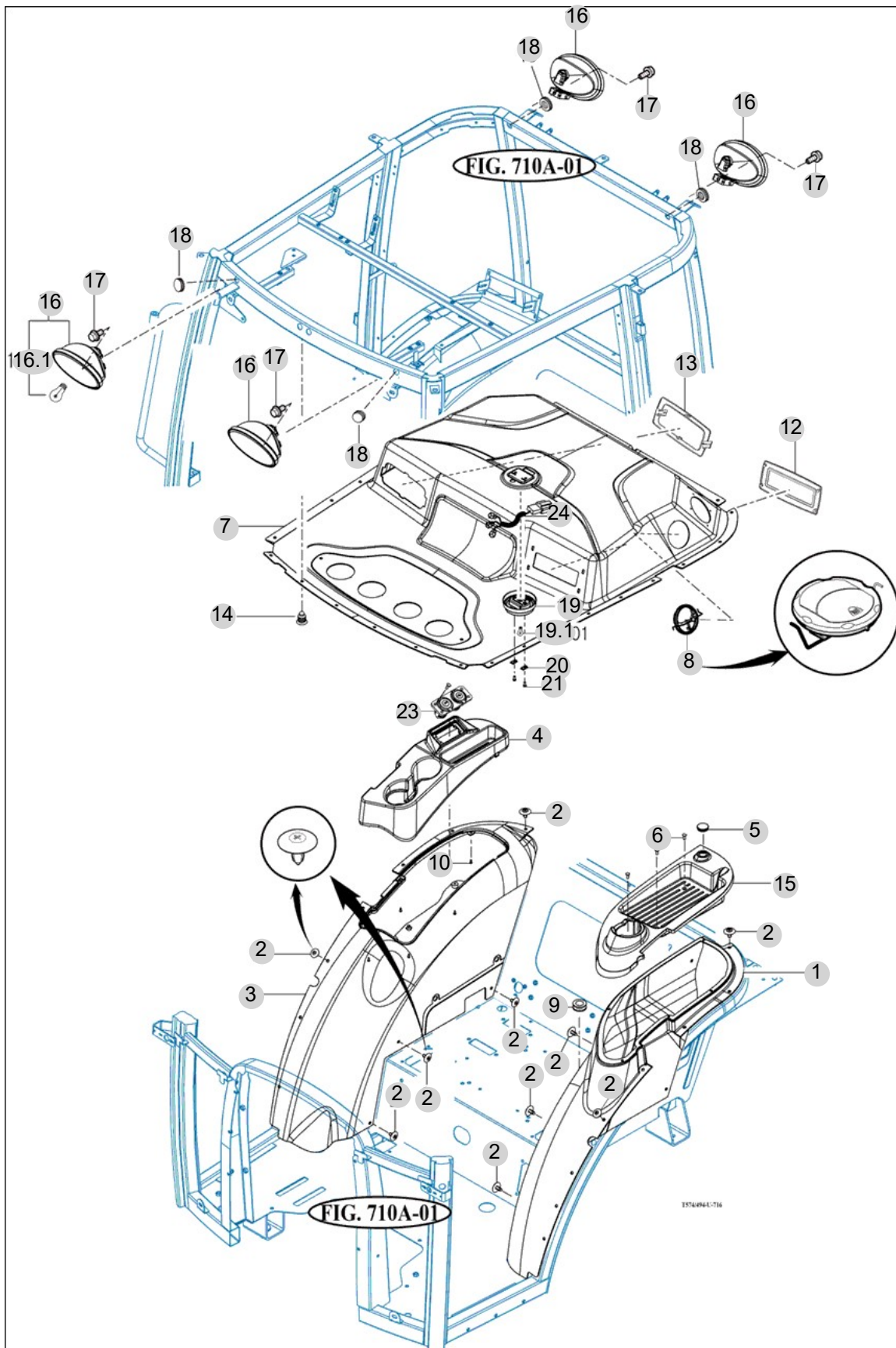
FIG 716

FENDER COVER

년/월
Year/Month

2022-12

T494ST-B



NOTE

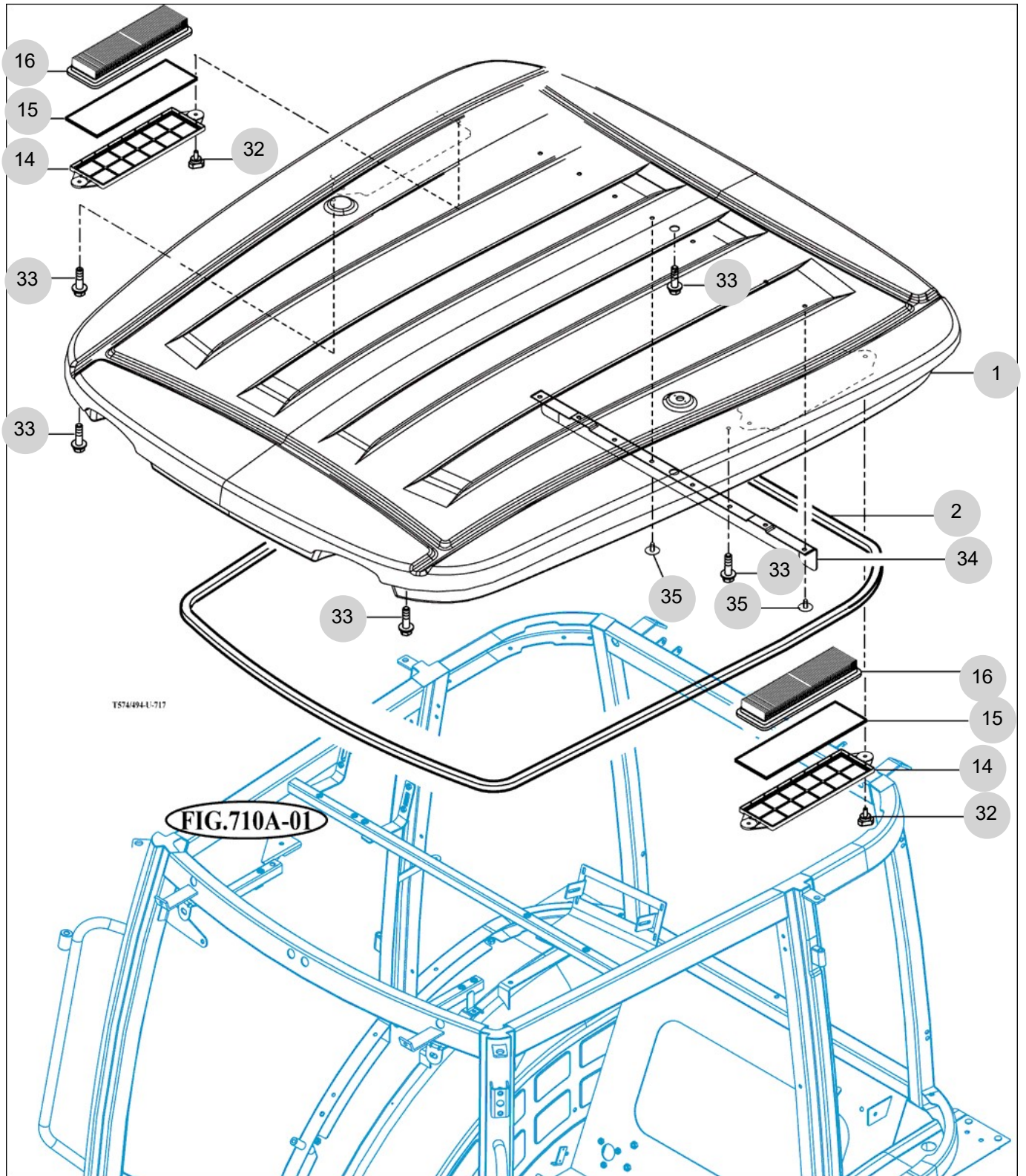
FIG 717

T494ST-B

ROOF

년/월
Year/Month

2022-12



NOTE

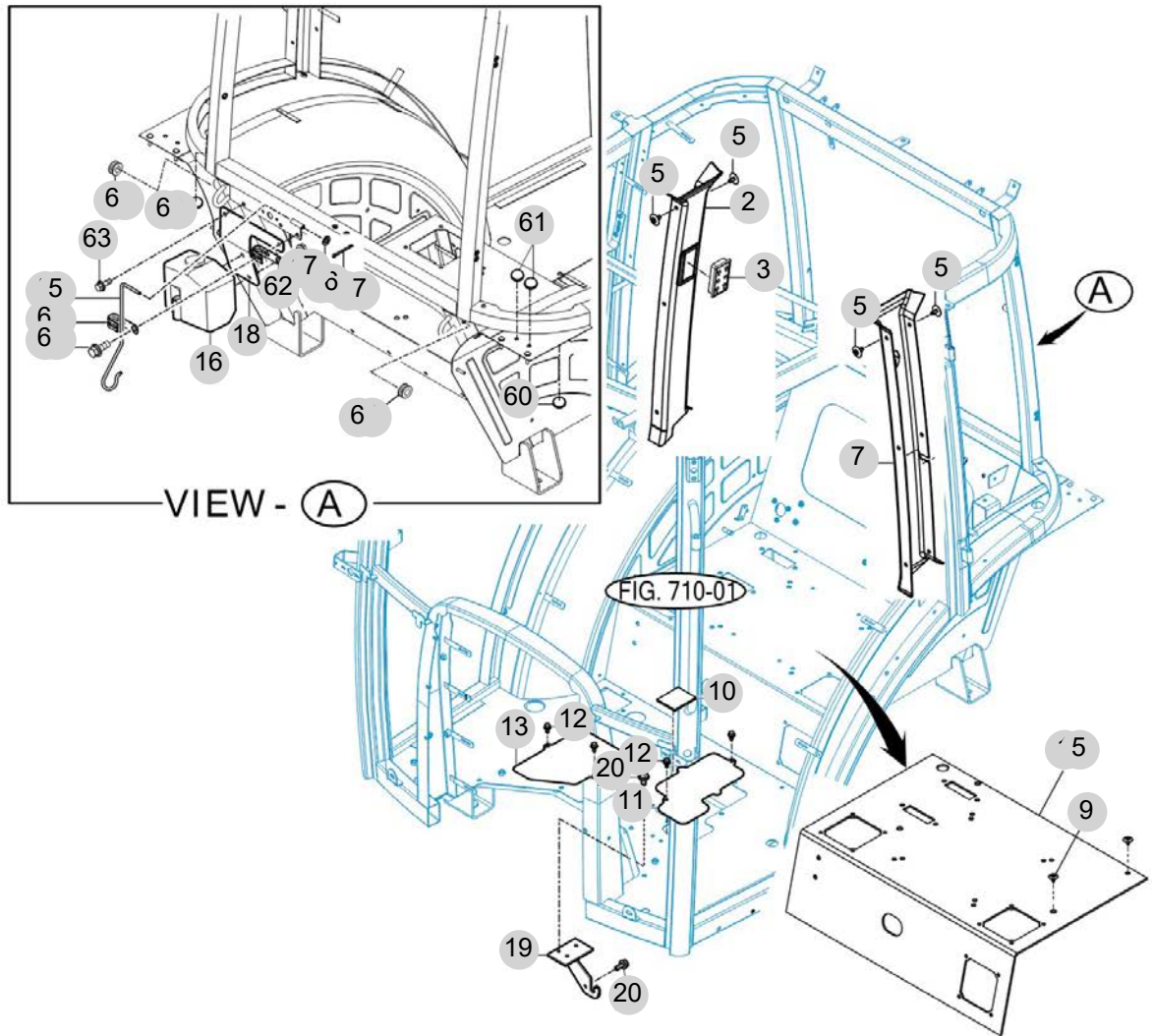
FIG 718

CABIN INTERIOR

년/월
Year/Month

T494ST-B

2022-12



T374494-0-718

NOTE

8. Electrical System PART NO. T8

FIG 801 BATTERY & MOUNTING	255
FIG 802 HARNESS LAMP	257
FIG 803 INSTRUMENT PANEL	259
FIG 804 ELECTRIC SYSTEM (1)	261
FIG 805A ELECTRIC SYSTEM (2)	263
FIG 806 ELECTRIC SYSTEM (3)	265

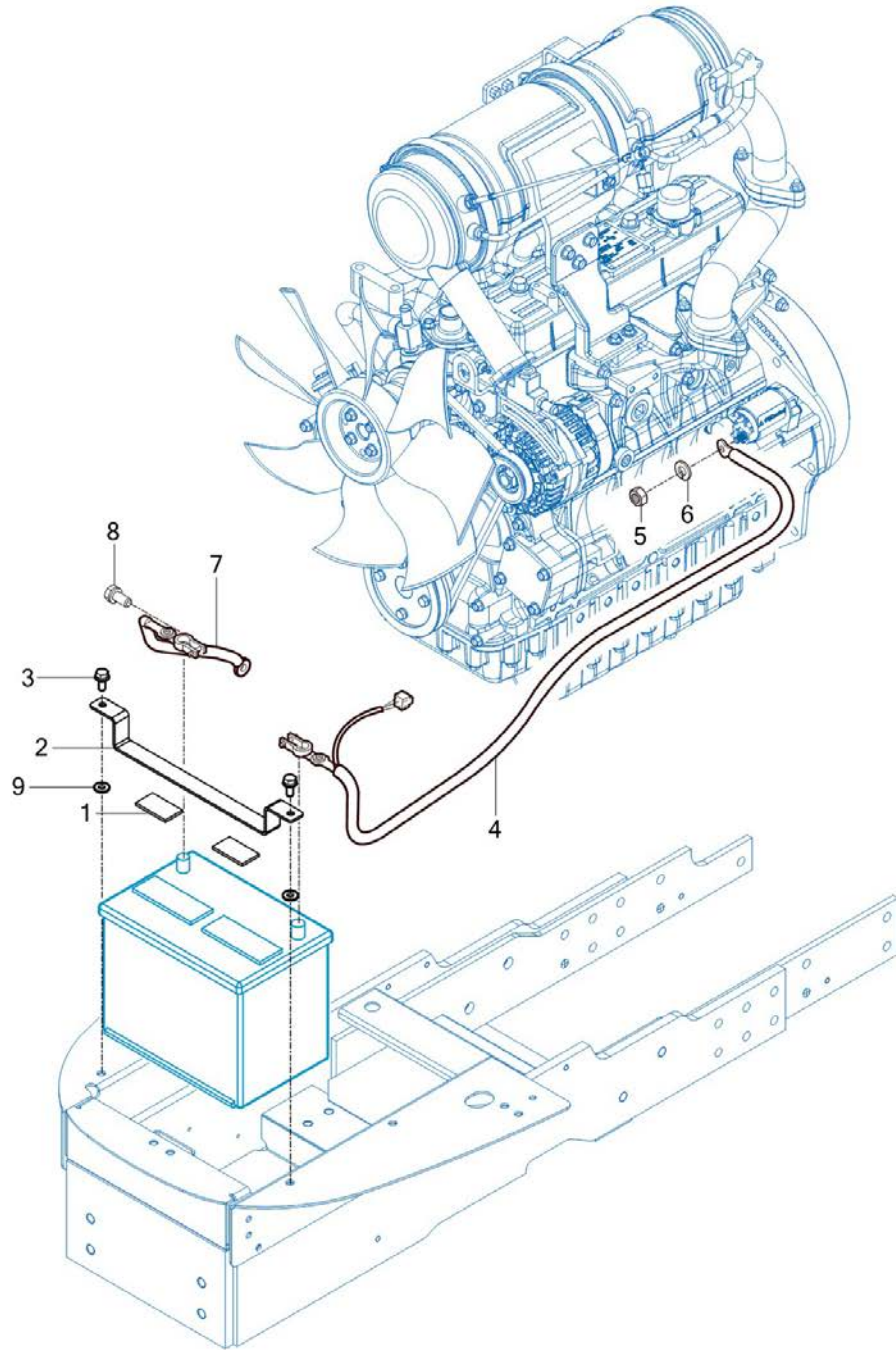
FIG 801

T494ST-B

BATTERY & MOUNTING

년/월
Year/Month

2022-12



NOTE

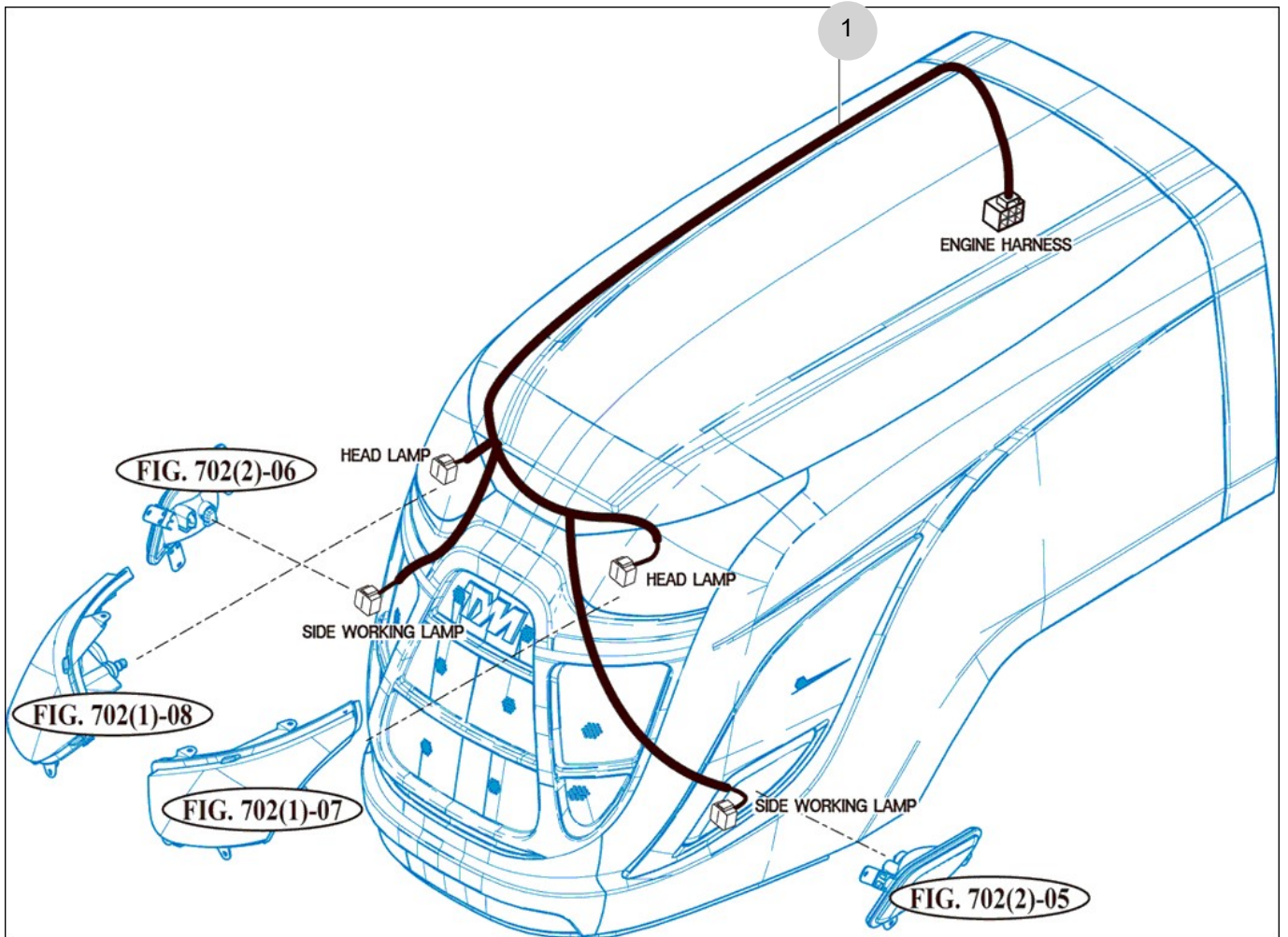
FIG 802

HARNES LAMP

년/월
Year/Month

T494ST-B

2022-12



NOTE

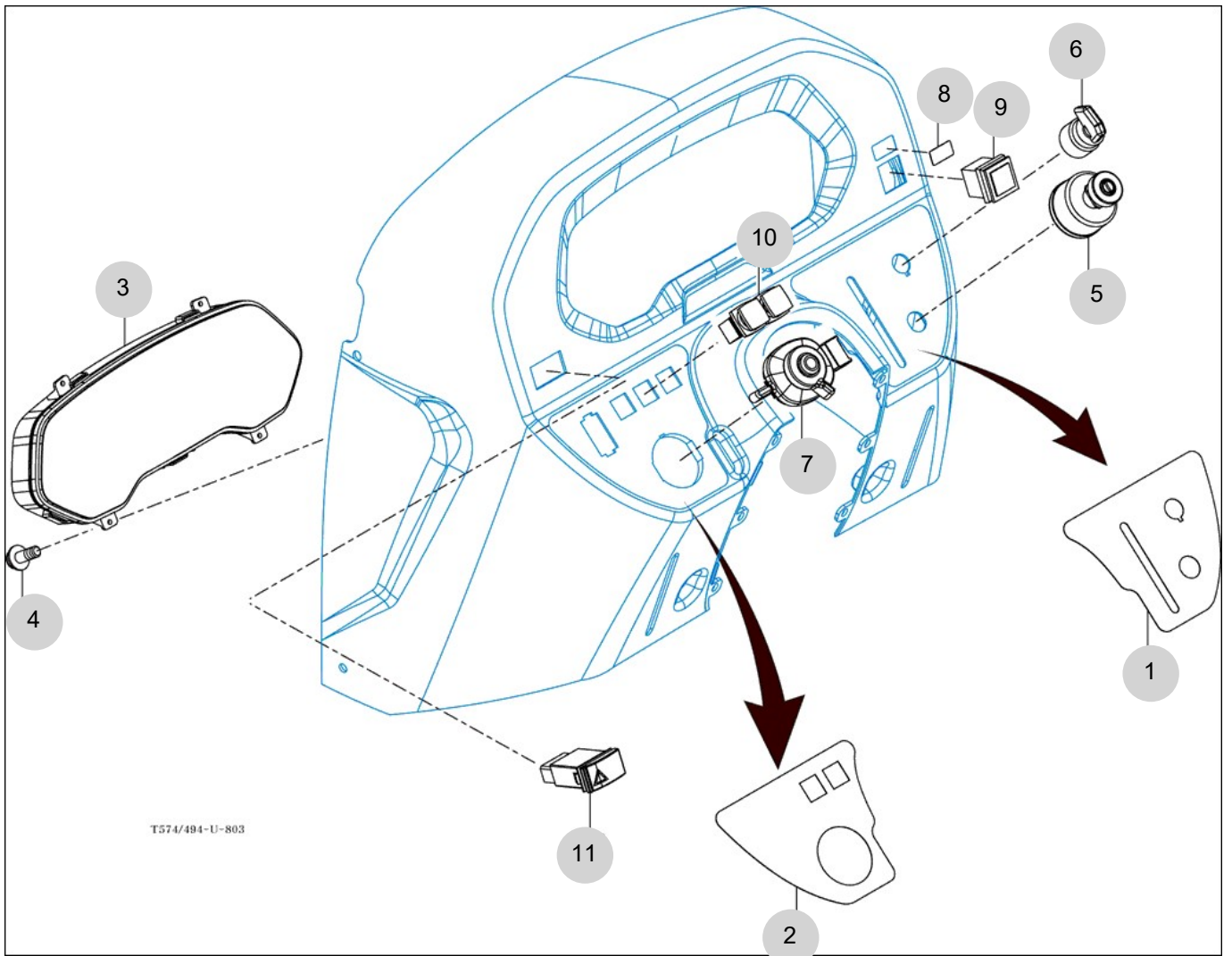
FIG 803

INSTRUMENT PANEL

년/월
Year/Month

T494ST-B

2022-12



NOTE

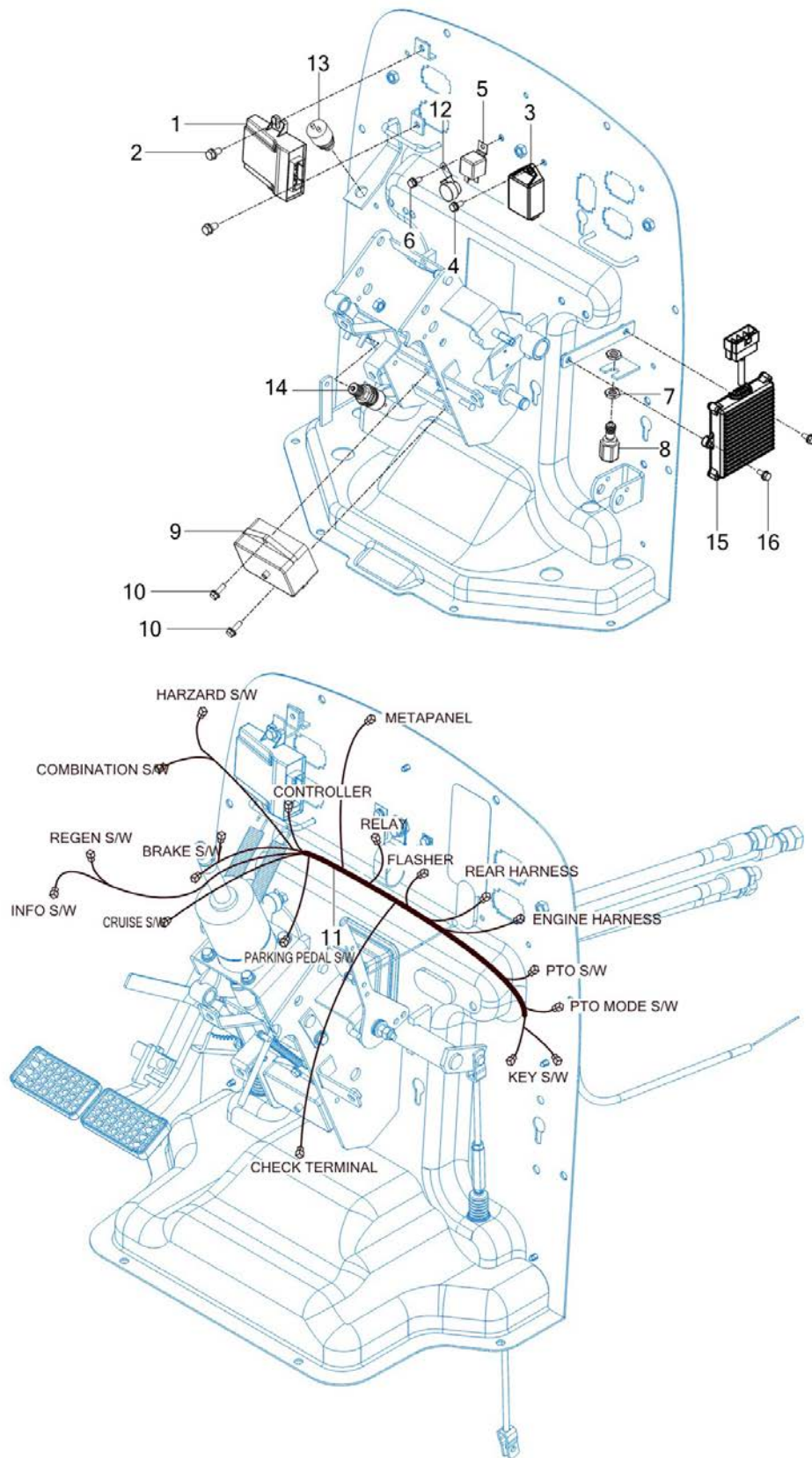
FIG 804

T494ST-B

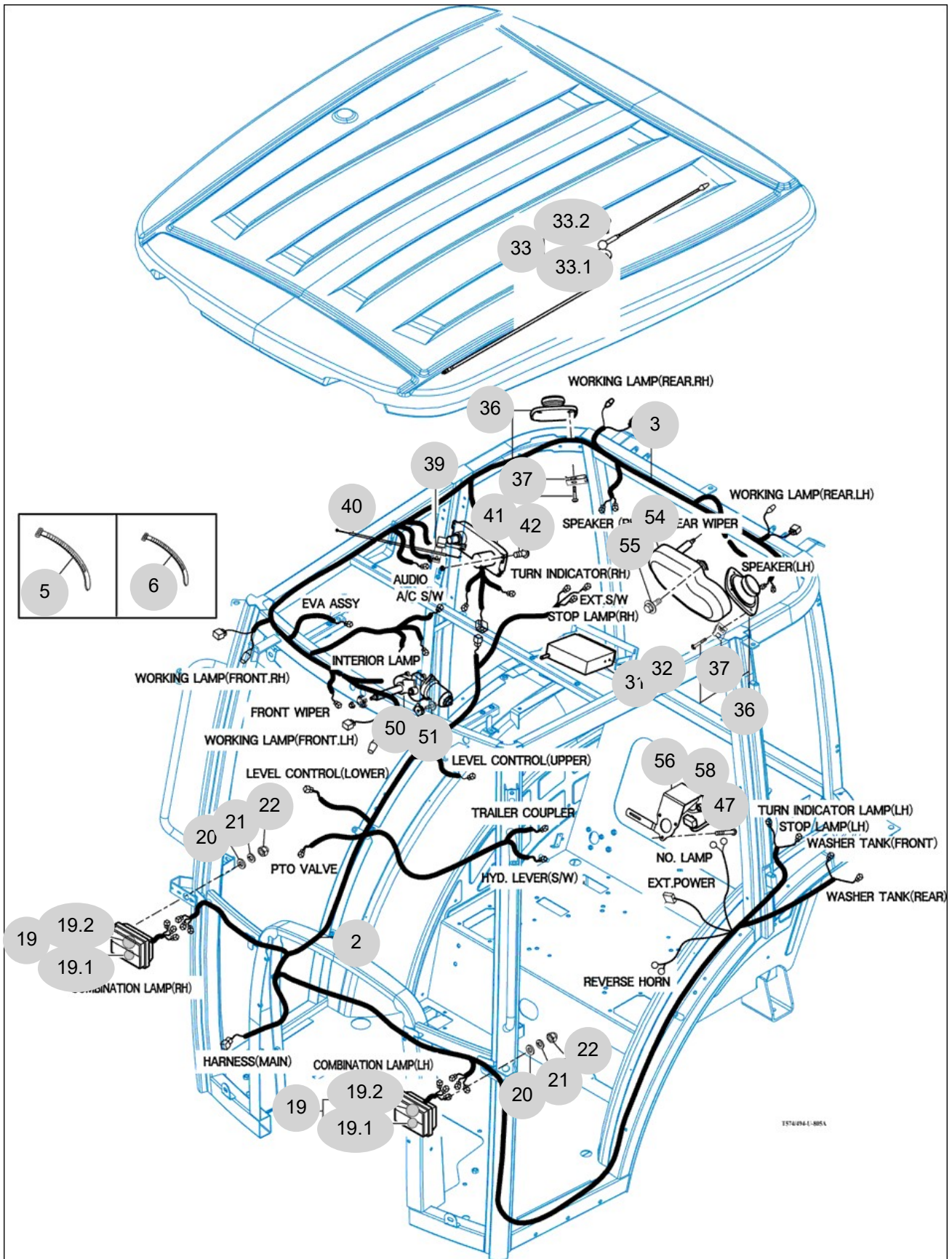
ELECTRIC SYSTEM (1)

년/월
Year/Month

2022-12



NOTE



TST494L-885A

NOTE

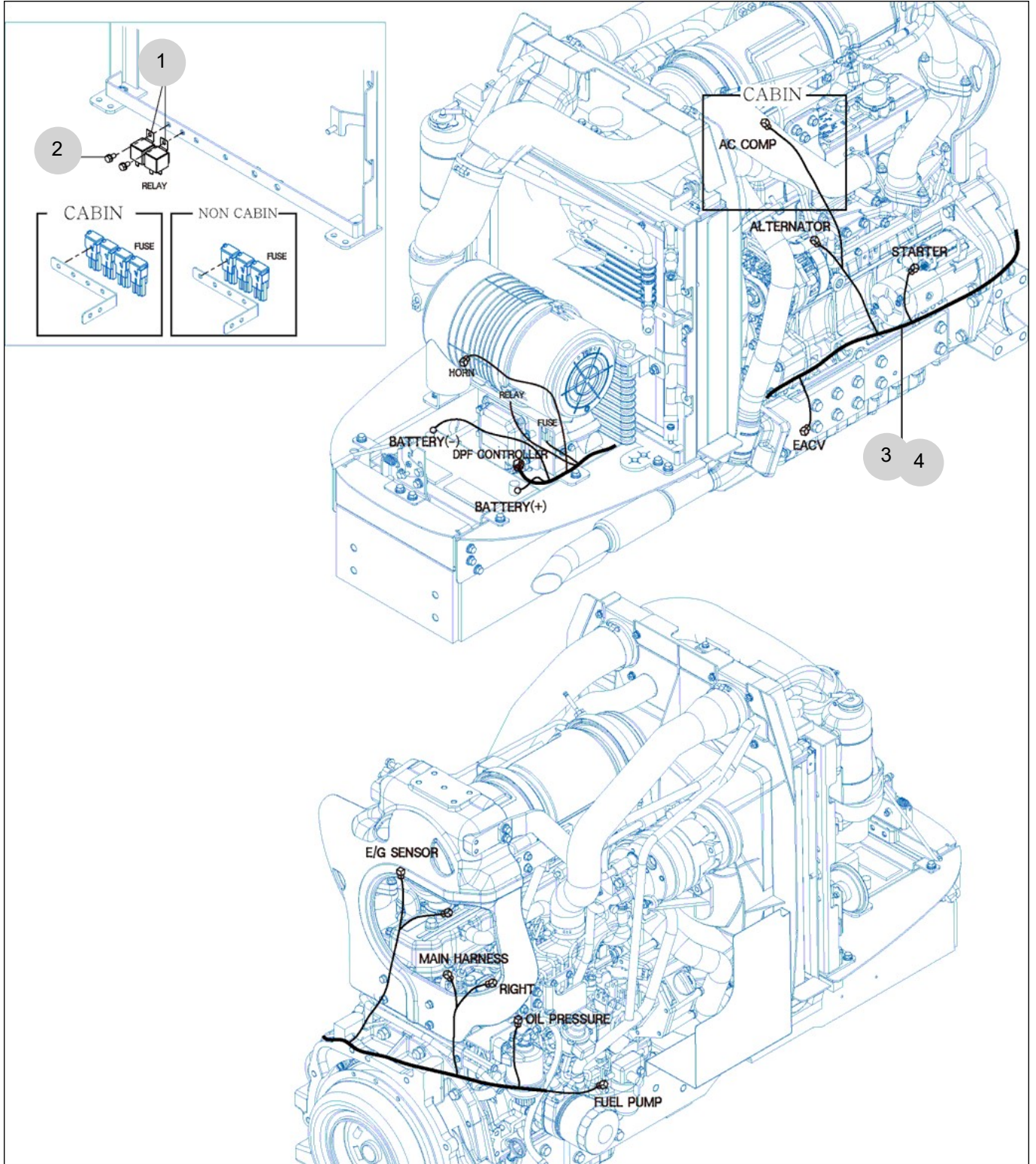
FIG 806

ELECTRIC SYSTEM (3)

년/월
Year/Month

T494ST-B

2022-12



NOTE

9. Label/Option PART NO. T9

FIG 901 TOOL & ACCESSORY	268
FIG 902 LABEL	270
FIG 902 LABEL	272
FIG 903 OPTION	274

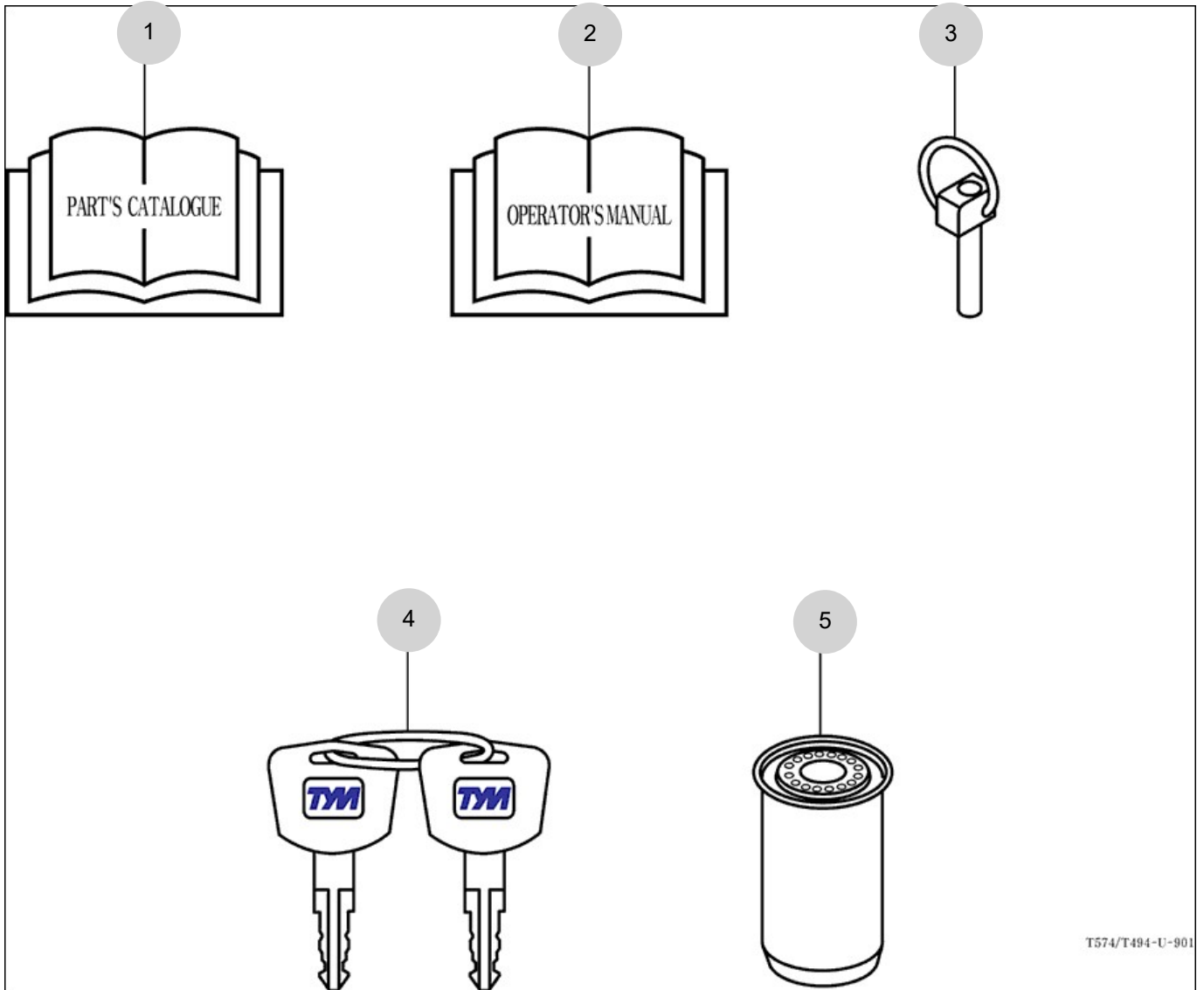
FIG 901

T494ST-B

TOOL & ACCESSORY

년/월
Year/Month

2022-12



T574/T494-U-901

NOTE

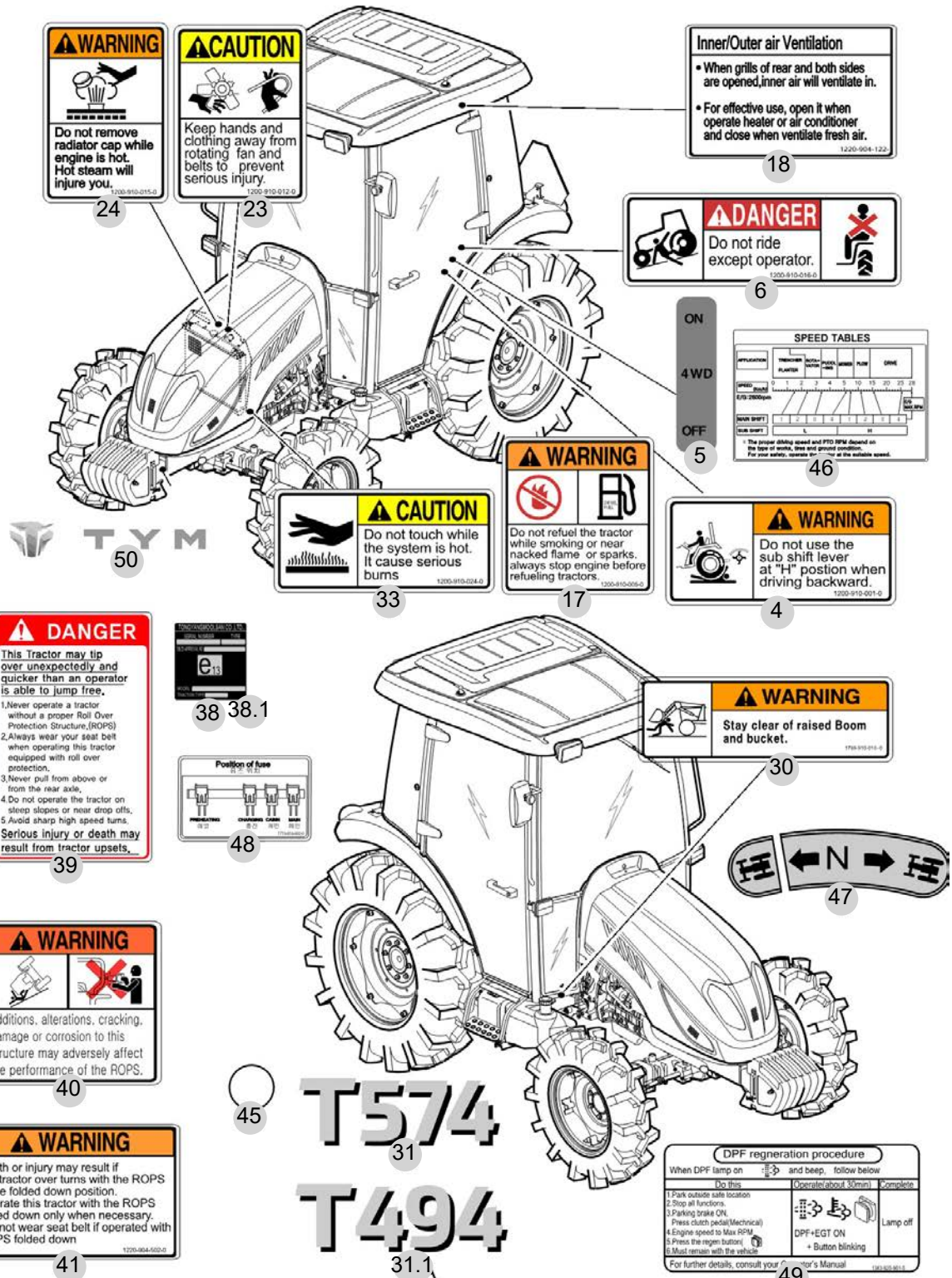
FIG 902

LABEL

년/월
Year/Month

T494ST-B

2022-12



NOTE

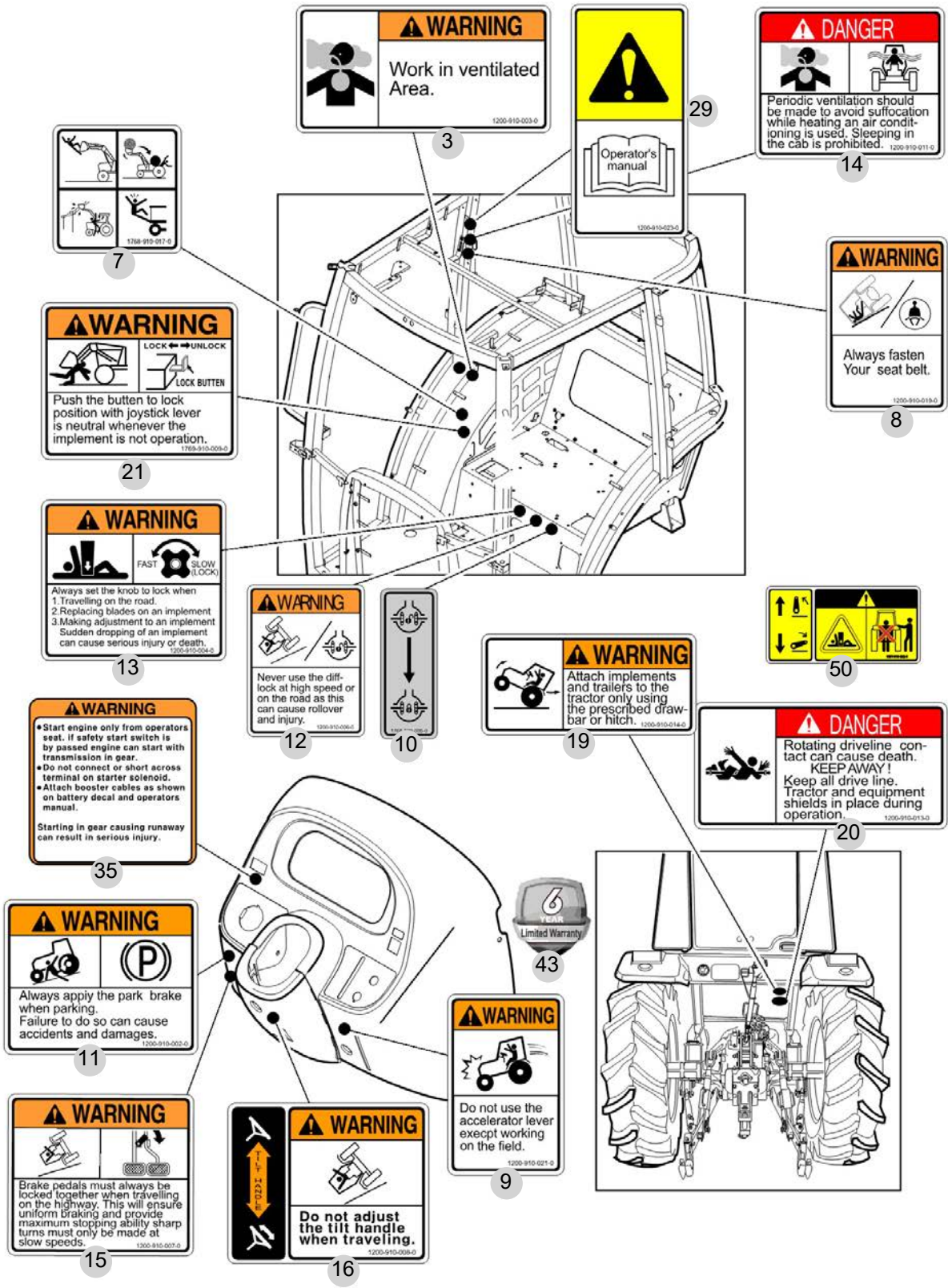
FIG 902

LABEL

년/월
Year/Month

T494ST-B

2022-12



NOTE

FIG 903

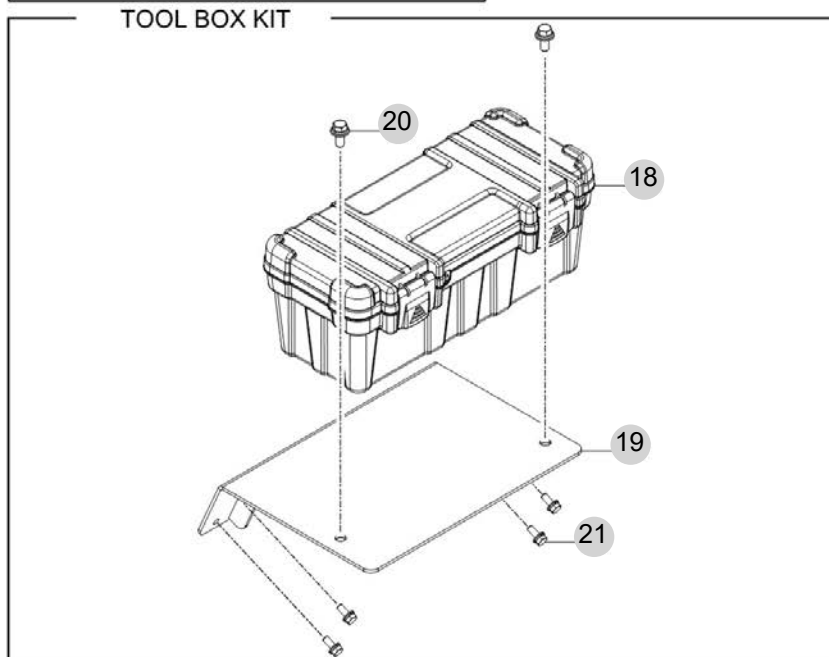
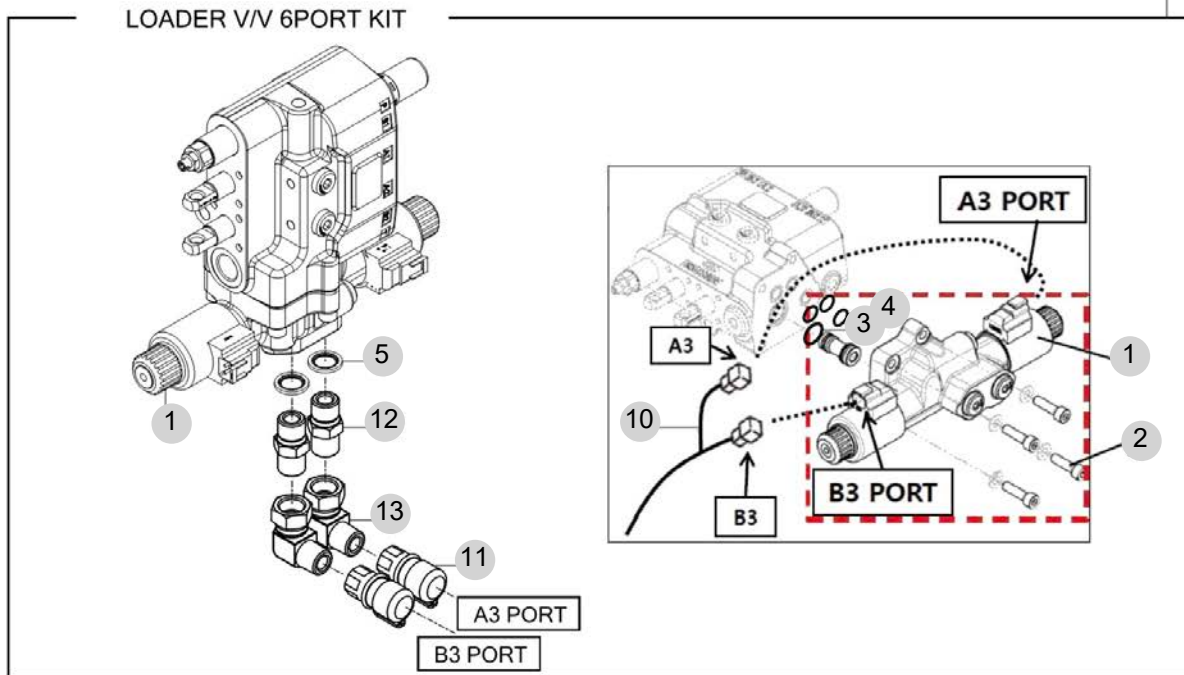
OPTION

년/월
Year/Month

T494ST-B

2022-12

0



NOTE

