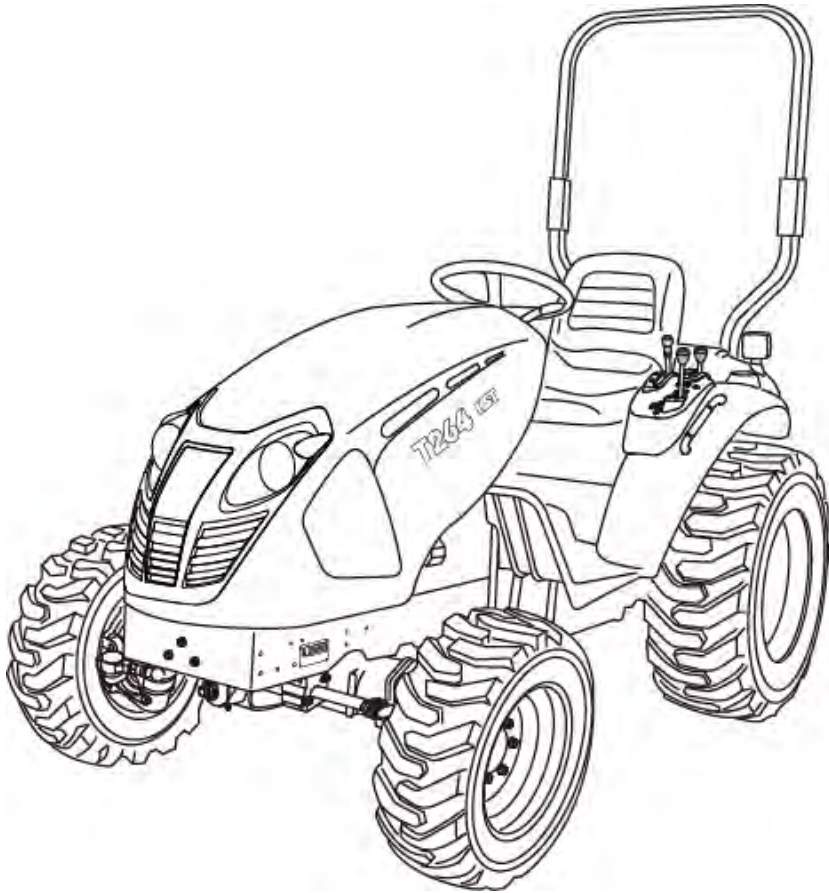


Parts Catalogue

T264NH



제 작 일	2018.
작 성	
검 토	
승 인	

TMM 동양물산 기계사업부

Printed : 2018 Version A

Part number of this book: 13639120030

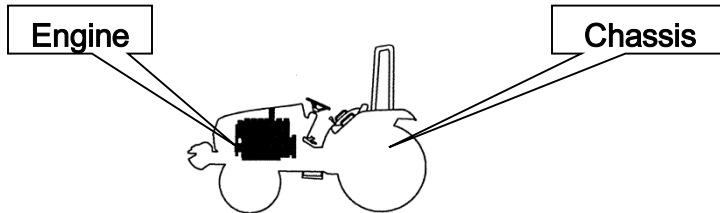
Important tips of Parts Catalogue

We thank you for your purchasing our product, manufactured under strict quality control, by gathering plenty of experiences and new technology, designed for a comfort and pleasant work.

1. Part Composition

This catalogue deals with engine and chassis.

Detailed classifications are listed in the following page.



2. For locating parts easily, Please Note:

A. If you know the assembly where the part is used.

-Refer to the relevant figure from the identifying group symbol illustration,

-Locate the relevant chapter

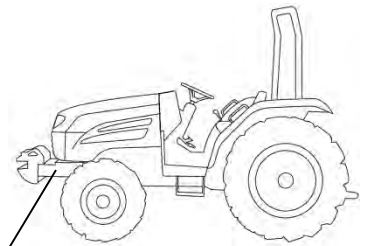
-Refer to the particular chapter desired.

3. For ordering parts

To obtain spare parts please contact your nearest dealer and give him the details listed below.

- ① Tractor Model : Tractor
- ② Tractor Serial Number : H00001
- ③ Part Number : 13151035001
- ④ Description : AIR CLEANER SUB ASSY, G057512
- ⑤ Quantity required: 1

Serial Number



4. For ordering PARTS CATALOGUE

This is Priced item and one is to order the same on part No. 1337 912 003 0

This supersedes all our editions.

Note) When replacing parts, please use original spare parts to be sure of the performance and the longer life of the product

※ The information in this catalogue may at any time be modified without a prior notice for the improvement of performance, please consult our spare parts dept. for the detailed inquiry.

5. How to use parts catalogue

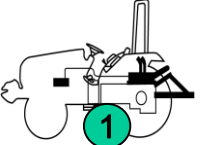
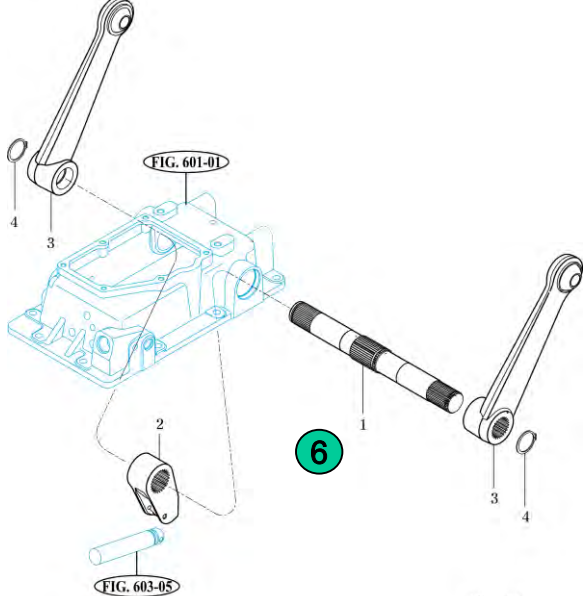
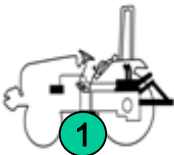
FIG 602 2	3 LIFT ARM	P1 4	Year 5 2014	
				
NOTE	13			

FIG 602 2 T234	3 LIFT ARM	P1 4	Year 5 2014				
KEY NO.	PART NO.	DESCRIPTION	SPEC.	QTY. SH NH	REPAIR	EFFECTIVE DATE	REMARKS
602 001	13155020011	SHAFT , LIFT		1 1			
602 002	13155020025M	CRANK , LIFT		1 1			
602 003	13155022101M	ARM COMP , LIFT		2 2			
602 004	V7041400350	C-RING , SHAFT	35	2 2			
6	7	8	9	10	11	12	14
NOTE	13						

① Group Indication : Indicate the relevant location of the part with a symbol illustration.

② Figure Number: Indicate the relevant section of the machine with a figure number.

③ Section Name : Indicate the section name of the machine

④ Section Page : Page number of the section in this catalogue.

⑤ Date : Show the Year of the section made or updated

⑥ Key number : Indicating number of each parts in the illustration.

⑦ Part Number : Unique part number maintained in our system

The part number starting with V or M means it is TYM s standard part

The alphabet at the end of part number means the status of material or the color of paint

Legend : M:Machining, DG:Dark Gray, BR:Bright Red, SW:Summer White, PB:Pure Black, GB:Glossy Black, SR:Super Red, MS:Metallic Silver DD:Heat proof Black, TY: Tangerine Yellow etc.

⑧ Description : Description of a part, Abbreviation means as follows.

- Indicate the mixture condition of a part

ASSY : Assembly with a mixture of several parts, so can be broke up retaining their original form

COMP : Assembly with a mixture of several parts, but can not be broke up retaining their original form

SUB : mean the same as ASSY but used in lower level in aid.

SET : Part consist of ASSY, COMP, and part(s) as a group

- Indicate the location of a part

LH: Left, RH: Right, FR: Front, RR: Rear, UPR: Upper, LOW: Lower

⑨ Type : Type of the standard items like bolt or nut

⑩ Quantity : Total quantity of the part referred to in the page.

Symbol below indicate options. So, show the quantity of each option.

Note) AR means as requested quantity.

⑪ Repair Parts consumption frequency class: indicate the level of a part in aid of stocking spares, anticipating the service requirements.

A :Fast moving part(frequently required)

B :Medium moving part (sometimes required)

C :Slow moving part(rarely required)

⑫ Modification :

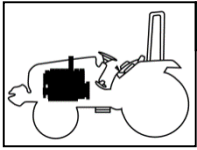
Year/Month~ : From which the change starts

~ Year/Month : To which the part installed

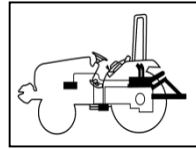
⑬ Notes : explain some reference data

⑭ Remark : indicate reference data or abbreviation in the content.

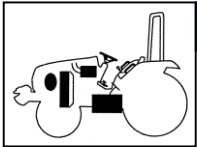
ENGINEERING GROUP INDEX



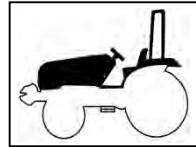
1 ENGINE



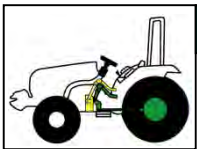
6 HYDRAULICS & 3-POINT LINK



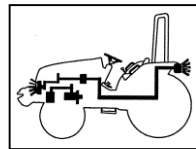
2 ENGINE ACCESSORIES & CONTROL



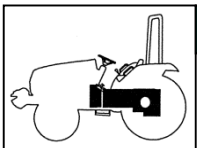
7 SHEET METAL & ROPS



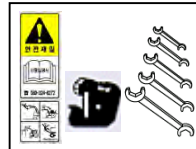
3 CLUTCH, BRAKE, STEERING



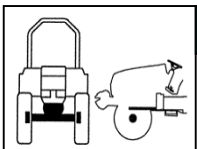
8 ELECTRICALS & HARNESS



4 TRANSMISSION & REAR AXLE



9 WEIGHT, LABEL, TOOLS



5 FRONT AXLE, SUPPORTER & DRIVE SHAFT

067 020	12305180020
077 036	12403160020
036 005	13022250030
037 010	13022250131
041 005	13022250232
046 002	13022250333

10 NUMERICAL INDEX

CONTENTS

ENGINE

1 ENGINE

FIG 101	CYLINDER BLOCK-----	04
FIG 102	OIL PAN-----	06
FIG 103	CYLINDER HEAD-----	08
FIG 104	GEAR CASE-----	10
FIG 105	HEAD COVER-----	12
FIG 106	OIL FILTER-----	14
FIG 107	OIL GAUGE-----	16
FIG 108	MAIN BEARING CASE-----	18
FIG 109	CAM SHAFT & IDLE SHAFT-----	20
FIG 110	PISTON & CRANK SHAFT-----	22
FIG 111	FLYWHEEL-----	24
FIG 112	FUEL CAM SHAFT&GOVERNOR SHAFT-----	26
FIG 114	CONNECTING-ROD-----	30
FIG 115	GOVERNOR-----	32
FIG 116	SPEED CONTROL PLATE-----	34
FIG 117	INJECTOR & GLOW PLUG-----	36
FIG 118	WATER PUMP FLANGE&THERMOSTAT-----	38
FIG 119	WATER PUMP-----	40
FIG 120	ROCKER ARM-----	42
FIG 121	INTAKE MANIFOLD-----	44
FIG 122	EXHAUST MANIFOLD-----	46
FIG 123	STOP SOLENOID-----	48
FIG 124	ALTERNATOR & PULLY-----	50
FIG 125	STARTING MOTOR-----	52
FIG 126	EXHAUST SILENCER-----	54
FIG 127	COOLING PAN-----	56
FIG 128	OIL PRESSURE SWITCH-----	58
FIG 129	DATA PLATE-----	60
FIG 130	WATER PIPE-----	62
FIG 131	LOOSED PARTS -----	64

CHASSIS

2 ENGINE ACCESSORIES & CONTROL

FIG 201 AIR CLEANER-----	70
FIG 202 RADIATOR-----	72
FIG 203 MUFFLER-----	74
FIG 204 FUEL TANK & FUEL LINE-----	76
FIG 205 ACCELERATOR-----	78
FIG 206 OIL COOLER -----	80

3 CLUTCH,BRAKE,STEERING

FIG 301 FLYWHEEL COVER-----	86
FIG 302 SPEED CONTROL-----	88
FIG 303 BRAKE-----	92
FIG 304 BRAKE PEDAL & LINKAGE -----	94
FIG 305 STEERING WHEEL & DASH COVER-----	96
FIG 306 STEERING VALVE-----	98
FIG 307 STEERING CYLINDER-----	100
FIG 308 FRONT WHEEL-----	102
FIG 309 REAR WHEEL-----	104

4 TRANSMISSION & REAR AXLE

FIG 401 INPUT SHAFT-----	110
FIG 402 HST-----	112
FIG 403 4WD DRIVE GEAR-----	114
FIG 404 RANGE GEARS-----	116
FIG 405 P.T.O DRIVE SHAFT-----	118

FIG 406 P.T.O SHAFT-----	120
FIG 408 DIFF LOCK-----	122
FIG 409 REAR TRANSMISSION CASE-----	124
FIG 410 REAR AXLE HOUSINGS-----	126
FIG 411 RANGE SHIFT LEVER-----	128
FIG 412 P.T.O CHANGE LEVER-----	130
FIG 413 4WD CHANGE LEVER-----	132

5 FRONT AXLE

FIG 501 FRAME-----	138
FIG 502 FRONT DIFFERENTIAL GEARS & SHAFT-----	140
FIG 503 FRONT AXLE HOUSING-----	142
FIG 504 FRONT GEAR CASE (1)-----	144
FIG 505 FRONT GEAR CASE (2)-----	146

6 HYDRAULICS & 3-POINT LINK

FIG 601 CYLINDER CASE-----	152
FIG 602 LIFT ARM-----	154
FIG 603 FLOW CONTROL VALVE-----	156
FIG 604 CONTROL VALVE LINKAGE-----	158
FIG 605 MAIN CONTROL VALVE-----	160
FIG 607 POSITION LEVER LINKAGE-----	162
FIG 608 GEAR PUMP-----	164
FIG 609 HYDRAULIC HOSE (1)-----	166
FIG 610 HYDRAULIC HOSE (2)-----	168
FIG 611 PTO VALVE-----	170
FIG 612 HITCH & 3-POINT LINKAGE-----	172
FIG 613 JOYSTICK LEVER-----	176
FIG 614 HITCH & COVER-----	178

7 SHEET METAL & R.O.P.S

FIG 701 BONNET-----	184
FIG 702 DASH PANEL-----	188
FIG 703 FLOOR-----	190
FIG 704 SEAT-----	192
FIG 705 ROPS-----	194
FIG 706 CAB FRAME & DOOR(OPTION)-----	196
FIG 707 FRONT GLASS(OPTION)-----	198
FIG 708 SIDE & REAR GLASS(OPTION)-----	200
FIG 709 ROOF(OPTION)-----	202
FIG 710 HEATER(OPTION)-----	204
FIG 711 INTERIOR PART(OPTION)-----	206
FIG 712 LAMP & COVER(OPTION)-----	208
FIG 713 FRONT & REAR MOUNTING(OPTION)-----	208-1

8 ELECTRICALS & HARNESS

FIG 801 BATTERY & MOUNTING-----	214
FIG 802 LIGHTS-----	216
FIG 803 INSTRUMENT PANEL-----	218
FIG 804 ELECTRIC SYSTEM-----	220
FIG 805 HARNESS-----	222

9 WEIGHT,LABEL,TOOLS

FIG 901 TOOL & ACCESSORY-----	228
FIG 903 LABEL-----	230

10 NUMERICAL INDEX

ENGINE-----	235
CHASSIS-----	238

ENGINE

1 ENGINE

FIG 101	CYLINDER BLOCK-----	04
FIG 102	OIL PAN-----	06
FIG 103	CYLINDER HEAD-----	08
FIG 104	GEAR CASE-----	10
FIG 105	HEAD COVER-----	12
FIG 106	OIL FILTER-----	14
FIG 107	OIL GAUGE-----	16
FIG 108	MAIN BEARING CASE-----	18
FIG 109	CAM SHAFT & IDLE SHAFT-----	20
FIG 110	PISTON & CRANK SHAFT-----	22
FIG 111	FLYWHEEL-----	24
FIG 112	FUEL CAM SHAFT&GOVERNOR SHAFT-----	26
FIG 114	CONNECTING-ROD-----	30
FIG 115	GOVERNOR-----	32
FIG 116	SPEED CONTROL PLATE-----	34
FIG 117	INJECTOR & GLOW PLUG-----	36
FIG 118	WATER PUMP FLANGE&THERMOSTAT-----	38
FIG 119	WATER PUMP-----	40
FIG 120	ROCKER ARM-----	42
FIG 121	INTAKE MANIFOLD-----	44
FIG 122	EXHAUST MANIFOLD-----	46
FIG 123	STOP SOLENOID-----	48
FIG 124	ALTERNATOR & PULLY-----	50
FIG 125	STARTING MOTOR-----	52
FIG 126	EXHAUST SILENCER-----	54
FIG 127	COOLING PAN-----	56
FIG 128	OIL PRESSURE SWITCH-----	58
FIG 129	DATA PLATE-----	60
FIG 130	WATER PIPE-----	62
FIG 131	LOOSED PARTS -----	64

CHASSIS

2 ENGINE ACCESSORIES & CONTROL

FIG 201 AIR CLEANER-----	70
FIG 202 RADIATOR-----	72
FIG 203 MUFFLER-----	74
FIG 204 FUEL TANK & FUEL LINE-----	76
FIG 205 ACCELERATOR-----	78
FIG 206 OIL COOLER -----	80

3 CLUTCH,BRAKE,STEERING

FIG 301 FLYWHEEL COVER-----	86
FIG 302 SPEED CONTROL-----	88
FIG 303 BRAKE-----	92
FIG 304 BRAKE PEDAL & LINKAGE -----	94
FIG 305 STEERING WHEEL & DASH COVER-----	96
FIG 306 STEERING VALVE-----	98
FIG 307 STEERING CYLINDER-----	100
FIG 308 FRONT WHEEL-----	102
FIG 309 REAR WHEEL-----	104

4**TRANSMISSION & REAR AXLE**

FIG 401 INPUT SHAFT-----	110
FIG 402 HST-----	112
FIG 403 4WD DRIVE GEAR-----	114
FIG 404 RANGE GEARS-----	116
FIG 405 P.T.O DRIVE SHAFT-----	118
FIG 406 P.T.O SHAFT-----	120
FIG 408 DIFF LOCK-----	122
FIG 409 REAR TRANSMISSION CASE-----	124
FIG 410 REAR AXLE HOUSINGS-----	126
FIG 411 RANGE SHIFT LEVER-----	128
FIG 412 P.T.O CHANGE LEVER-----	130
FIG 413 4WD CHANGE LEVER-----	132

5 FRONT AXLE

FIG 501 FRAME-----138
FIG 502 FRONT DIFFERENTIAL GEARS & SHAFT-----140
FIG 503 FRONT AXLE HOUSING-----142
FIG 504 FRONT GEAR CASE (1)-----144
FIG 505 FRONT GEAR CASE (2)-----146

6 HYDRAULICS & 3-POINT LINK

FIG 601 CYLINDER CASE-----	152
FIG 602 LIFT ARM-----	154
FIG 603 FLOW CONTROL VALVE-----	156
FIG 604 CONTROL VALVE LINKAGE-----	158
FIG 605 MAIN CONTROL VALVE-----	160
FIG 607 POSITION LEVER LINKAGE-----	162
FIG 608 GEAR PUMP-----	164
FIG 609 HYDRAULIC HOSE (1)-----	166
FIG 610 HYDRAULIC HOSE (2)-----	168
FIG 611 PTO VALVE-----	170
FIG 612 HITCH & 3-POINT LINKAGE-----	172
FIG 613 JOYSTICK LEVER-----	176
FIG 614 HITCH & COVER-----	178

7**SHEET METAL & R.O.P.S**

FIG 701 BONNET-----	184
FIG 702 DASH PANEL-----	188
FIG 703 FLOOR-----	190
FIG 704 SEAT-----	192
FIG 705 ROPS-----	194
FIG 706 CAB FRAME & DOOR(OPTION)-----	196
FIG 707 FRONT GLASS(OPTION)-----	198
FIG 708 SIDE & REAR GLASS(OPTION)-----	200
FIG 709 ROOF(OPTION)-----	202
FIG 710 HEATER(OPTION)-----	204
FIG 711 INTERIOR PART(OPTION)-----	206
FIG 712 LAMP & COVER(OPTION)-----	208
FIG 713 FRONT & REAR MOUNTING(OPTION)-----	208-1

8 ELECTRICALS & HARNESS

FIG 801 BATTERY & MOUNTING-----214
FIG 802 LIGHTS-----216
FIG 803 INSTRUMENT PANEL-----218
FIG 804 ELECTRIC SYSTEM-----220
FIG 805 HARNESS-----222

9 WEIGHT,LABEL,TOOLS

FIG 901 TOOL & ACCESSORY-----228
FIG 903 LABEL-----230

10 NUMERICAL INDEX

ENGINE-----	235
CHASSIS-----	238

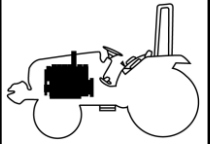
FIG 101

CYLINDER BLOCK

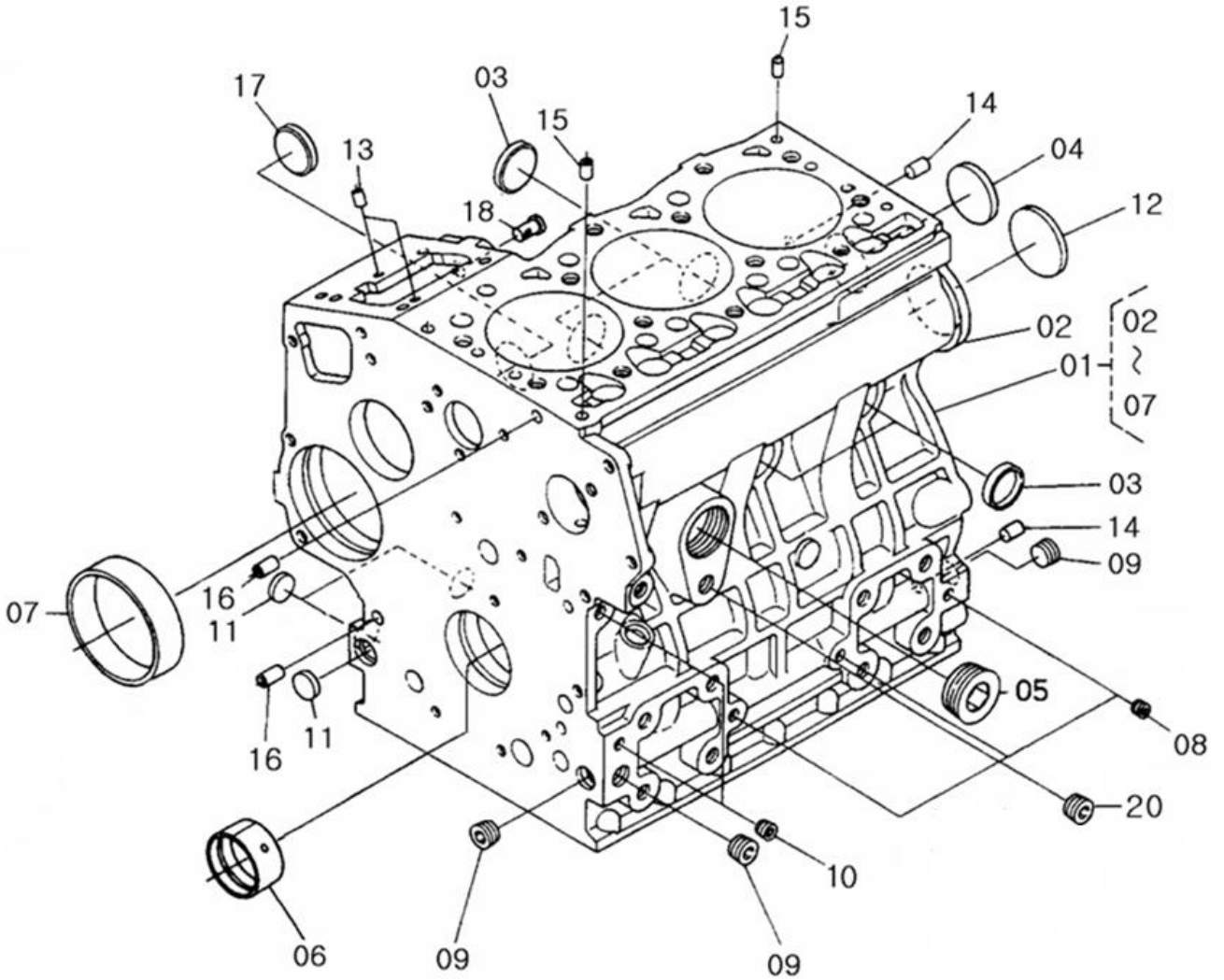
P1

YEAR

2018



T264NH



NOTE

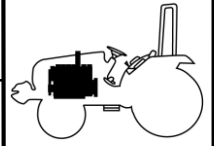
FIG 102

OIL PAN

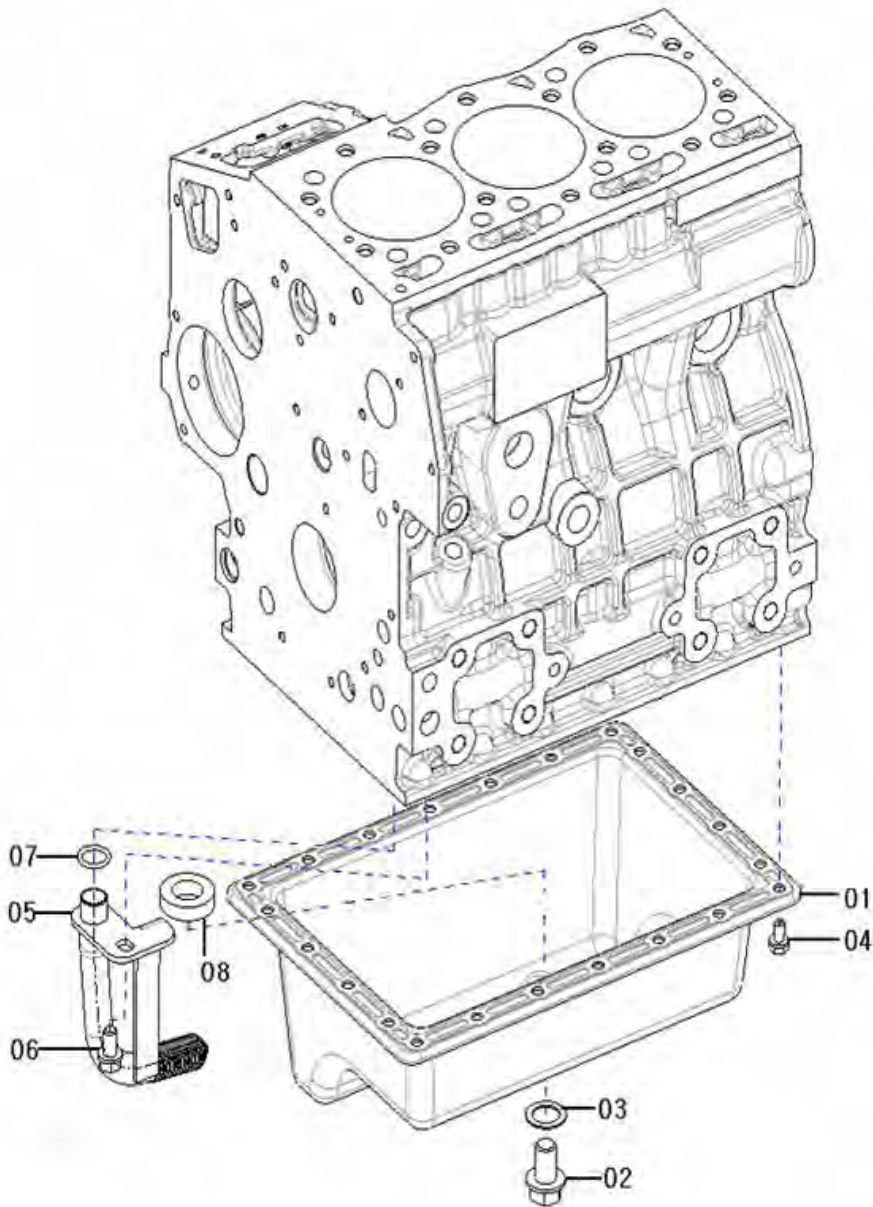
P1

YEAR

2018



T264NH



NOTE

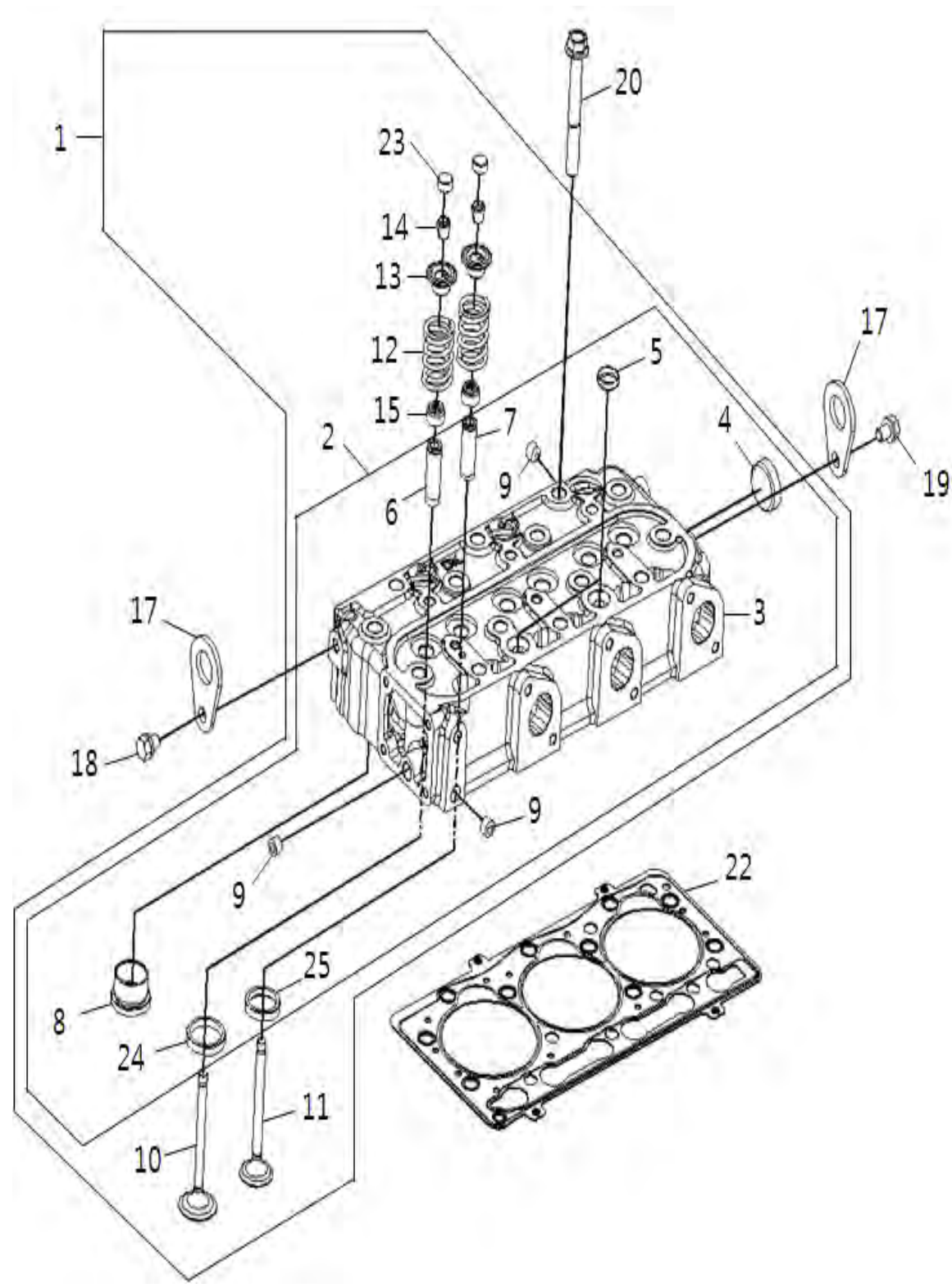
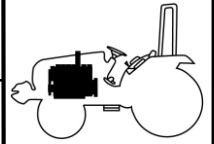
FIG 103

CYLINDER HEAD

P1

YEAR

2018



NOTE

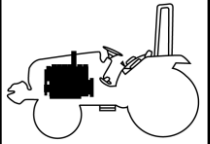
FIG 104

GEAR CASE

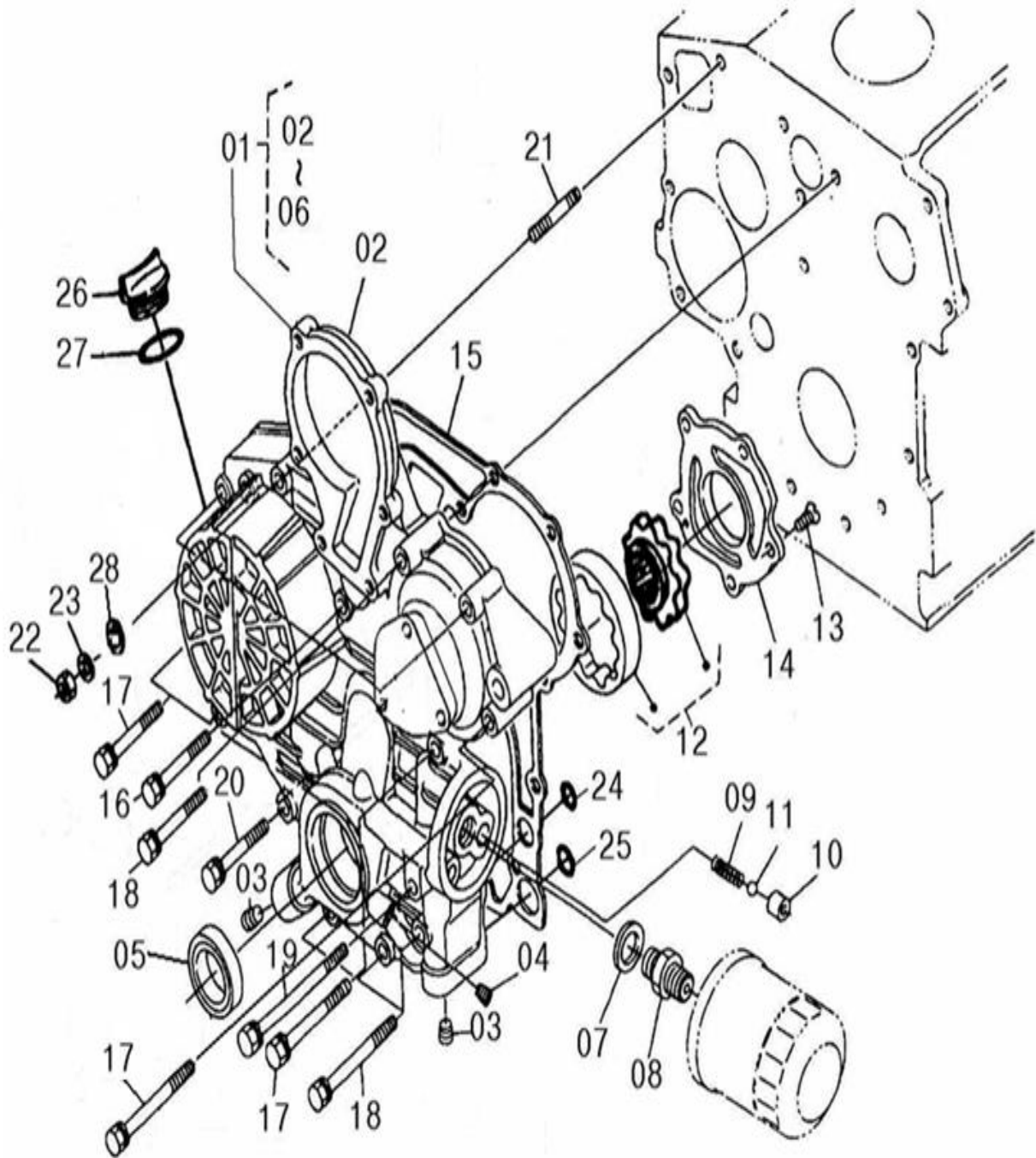
P1

YEAR

2018



T264NH



NOTE

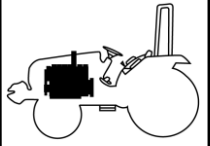
FIG 105

HEAD COVER

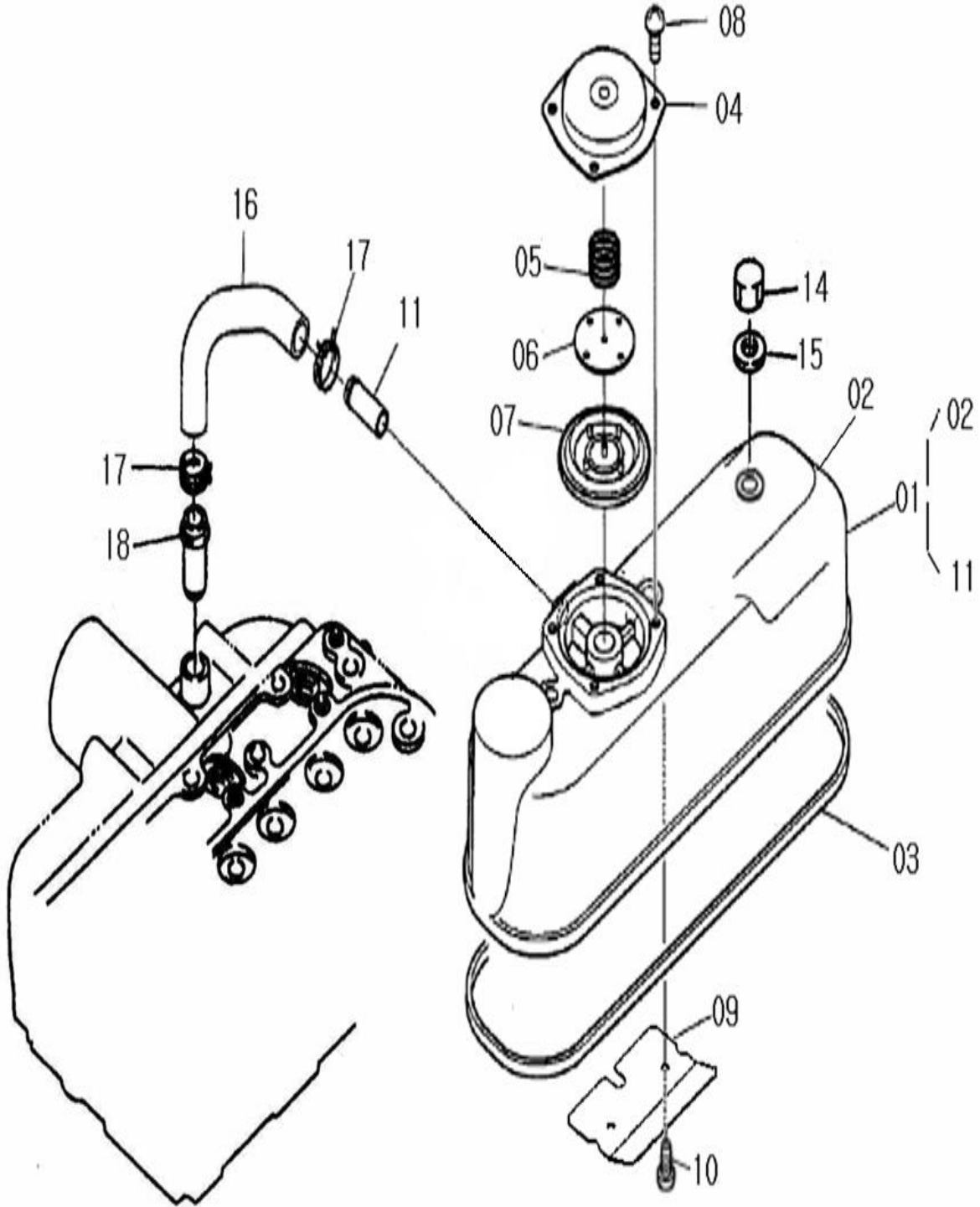
P1

YEAR

2018



T264NH



NOTE

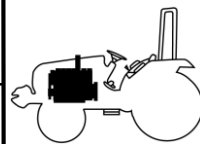
FIG 106

OIL FILTER

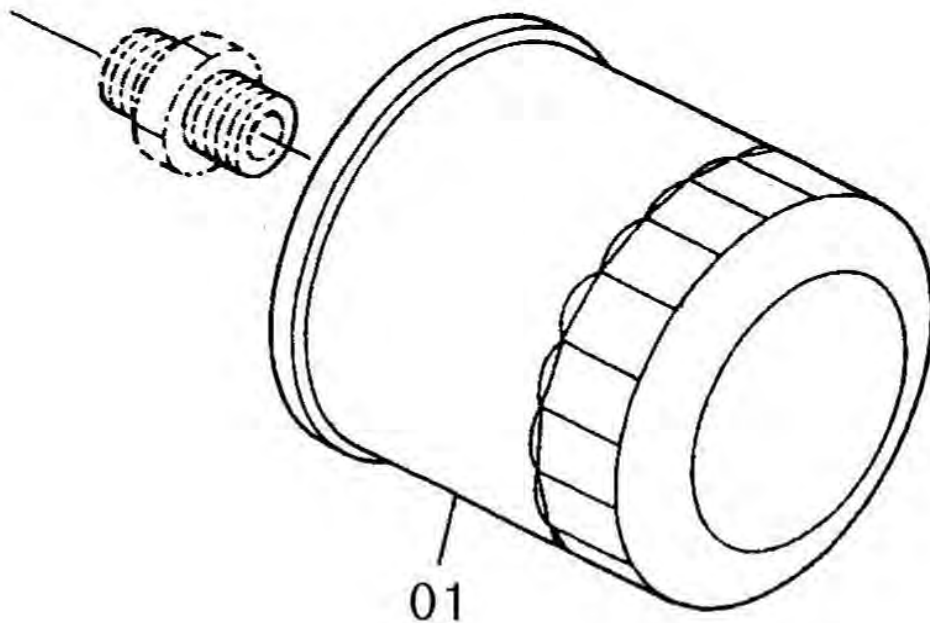
P1

YEAR

2018



T264NH



NOTE

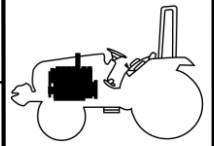
FIG 107

OIL GAUGE

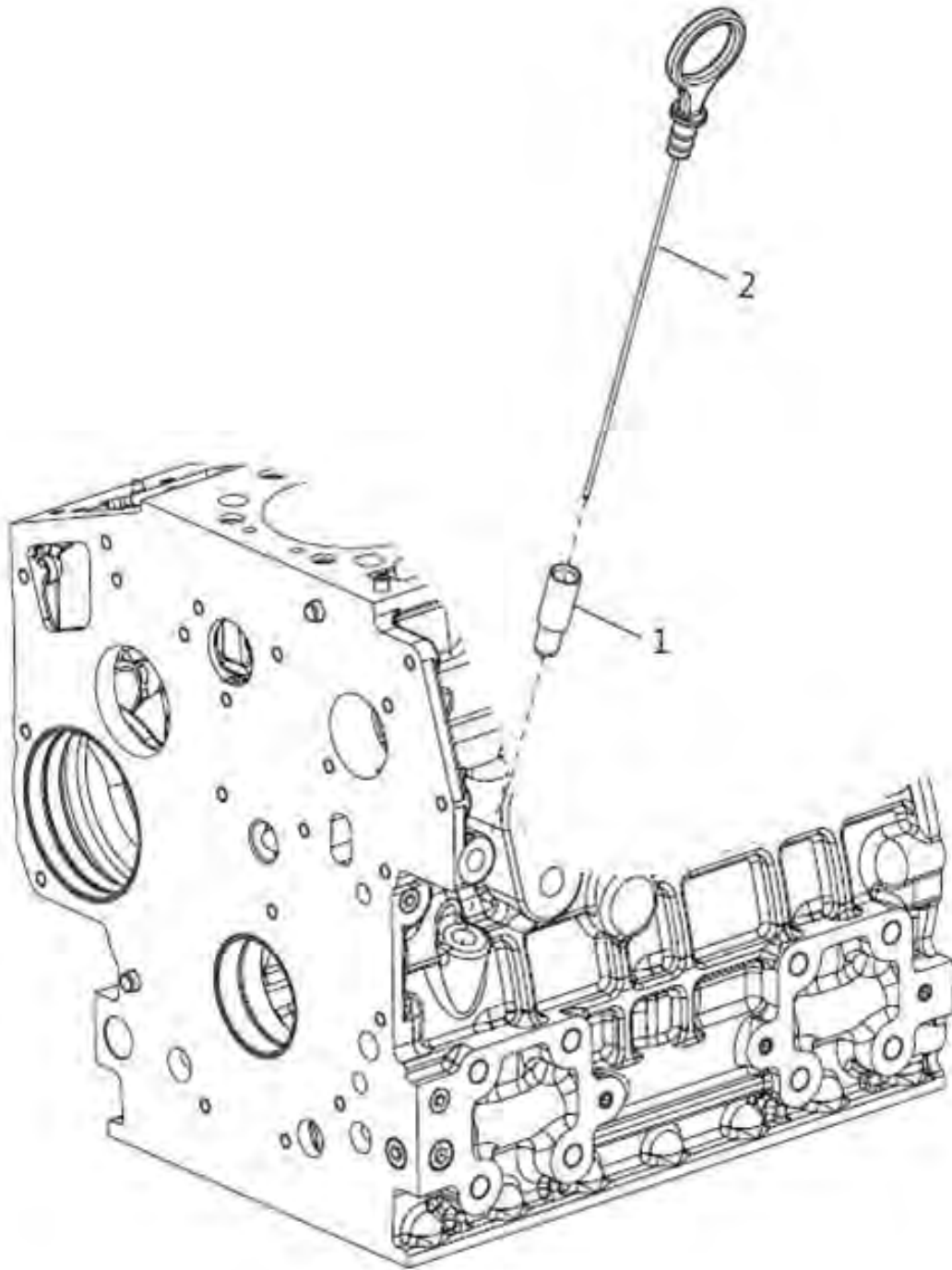
P1

YEAR

2018



T264NH



NOTE

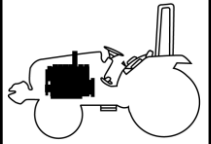
FIG 108

MAIN BEARING CASE

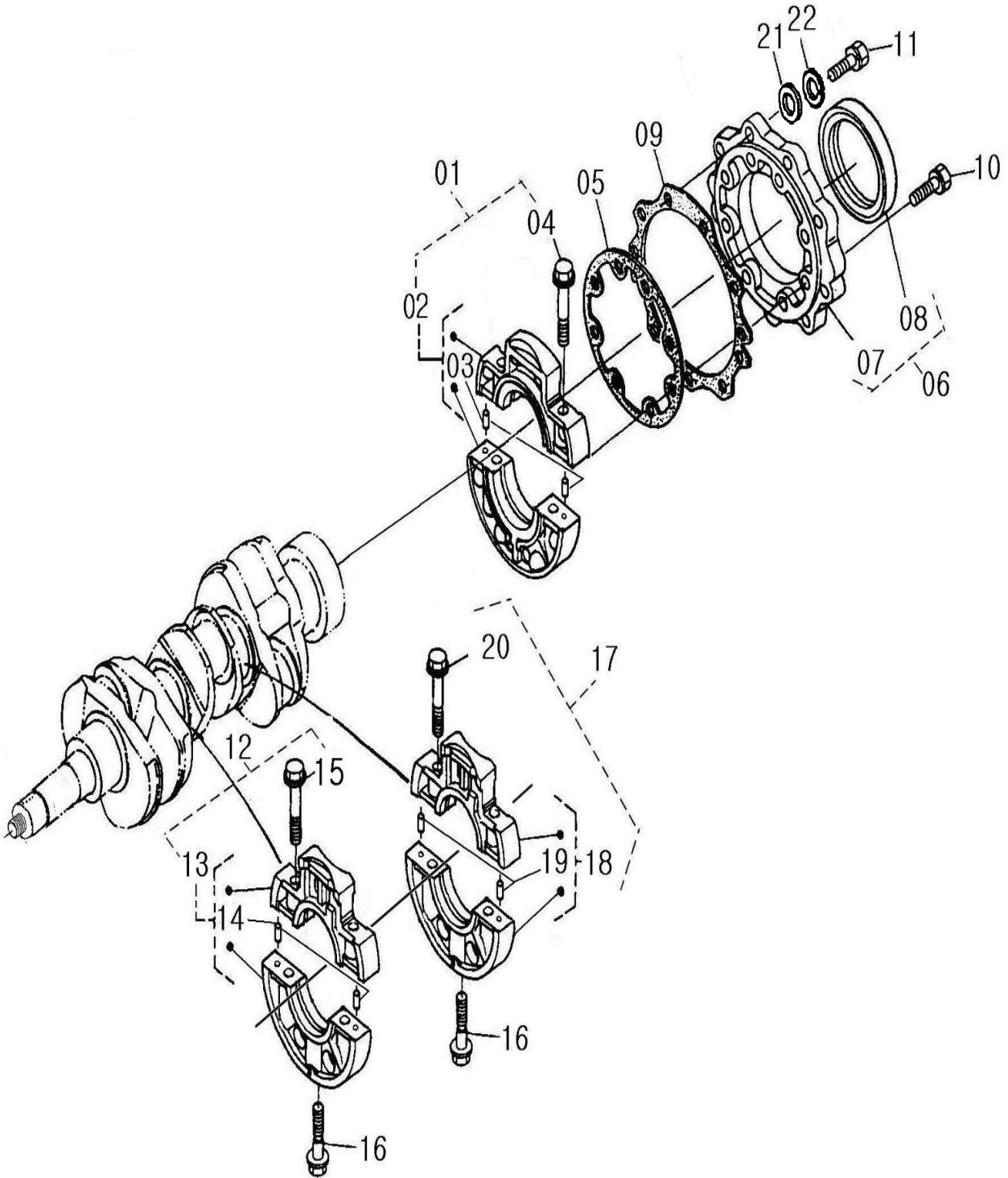
P1

YEAR

2018



T264NH



NOTE

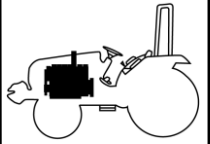
FIG 109

CAM SHAFT & IDLE SHAFT

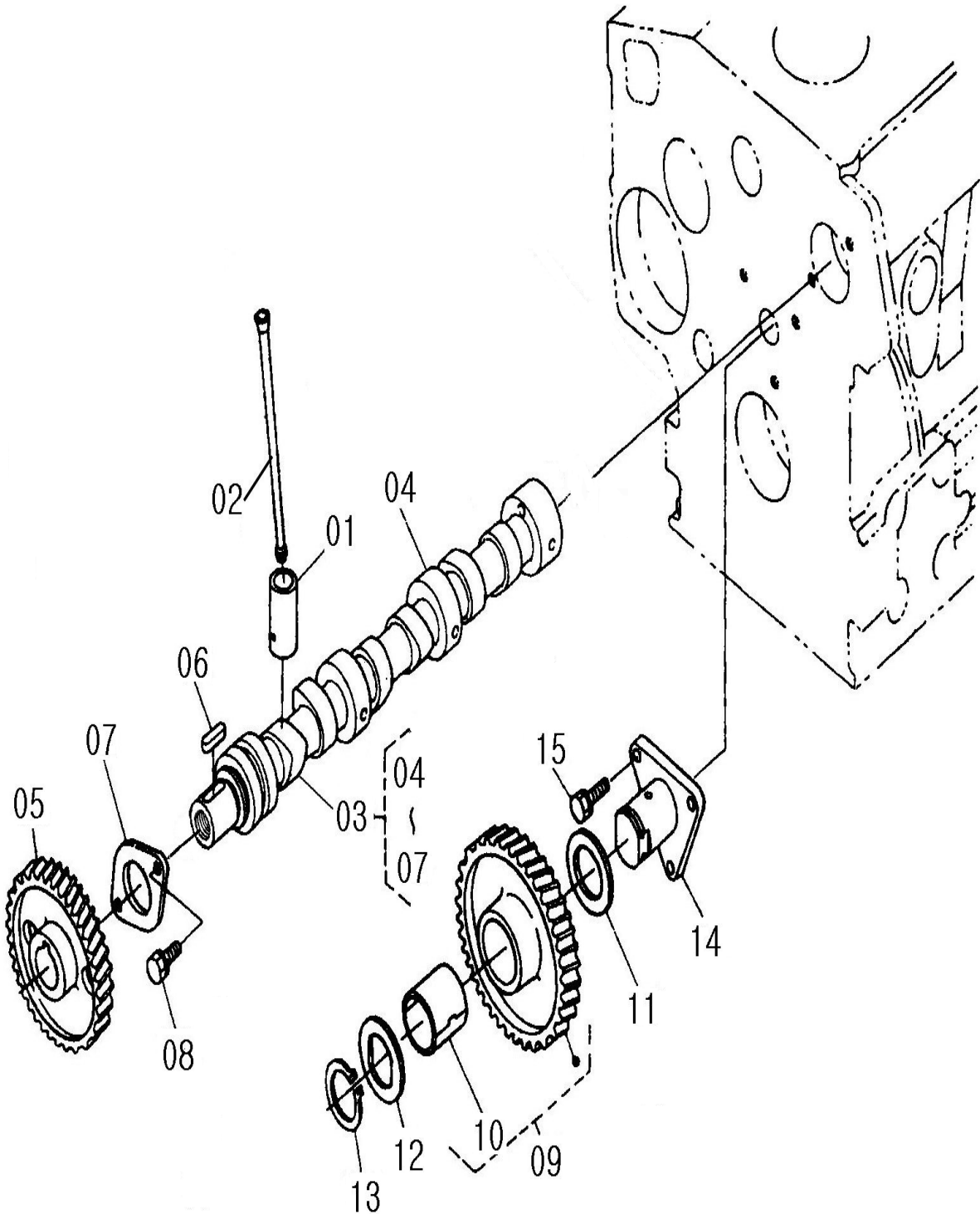
P1

YEAR

2018



T264NH



NOTE

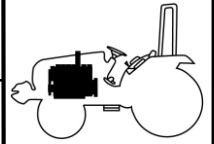
FIG 110

PISTON & CRANK SHAFT

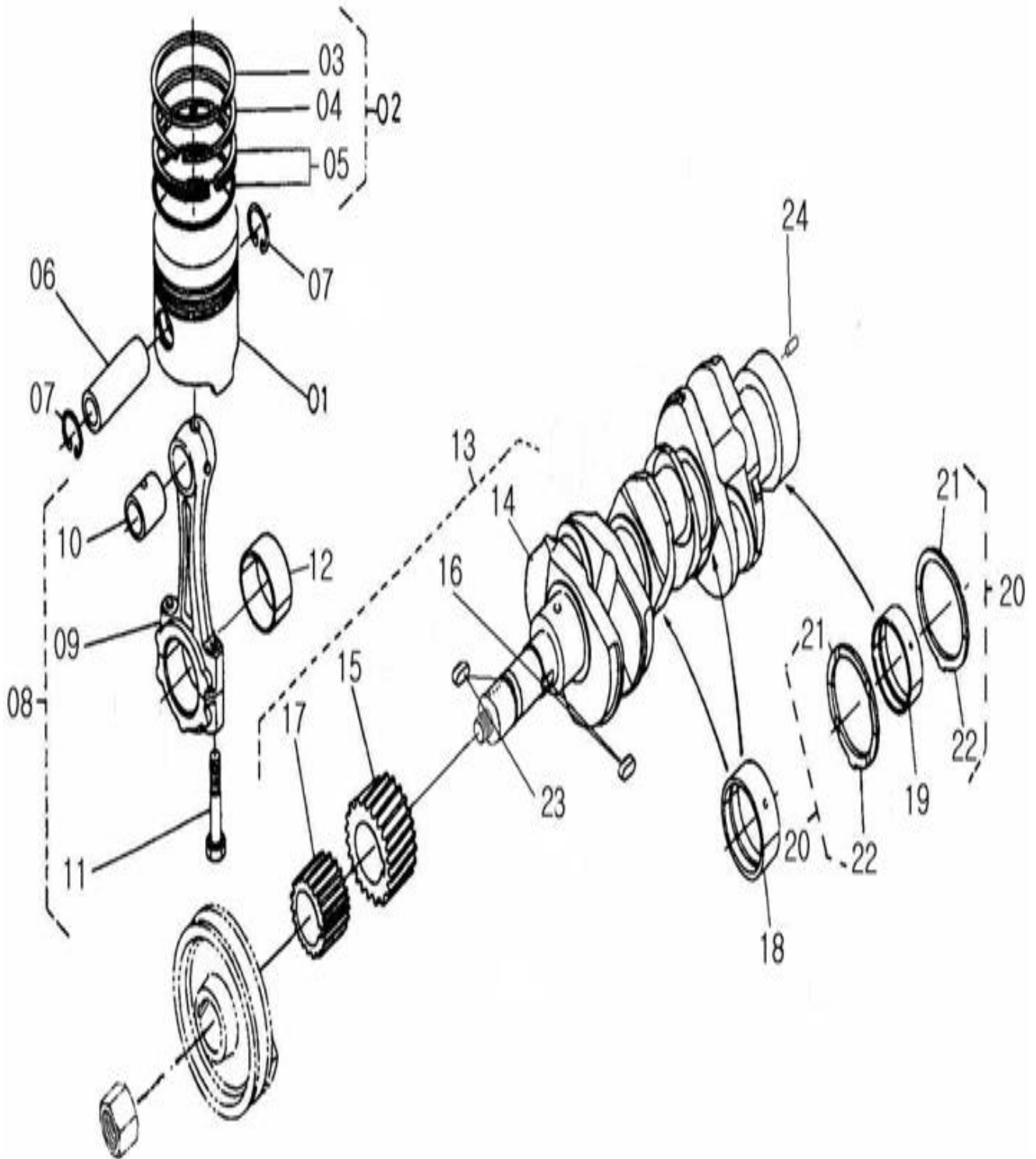
P1

YEAR

2018



T264NH



NOTE

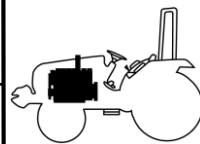
FIG 111

FLYWHEEL

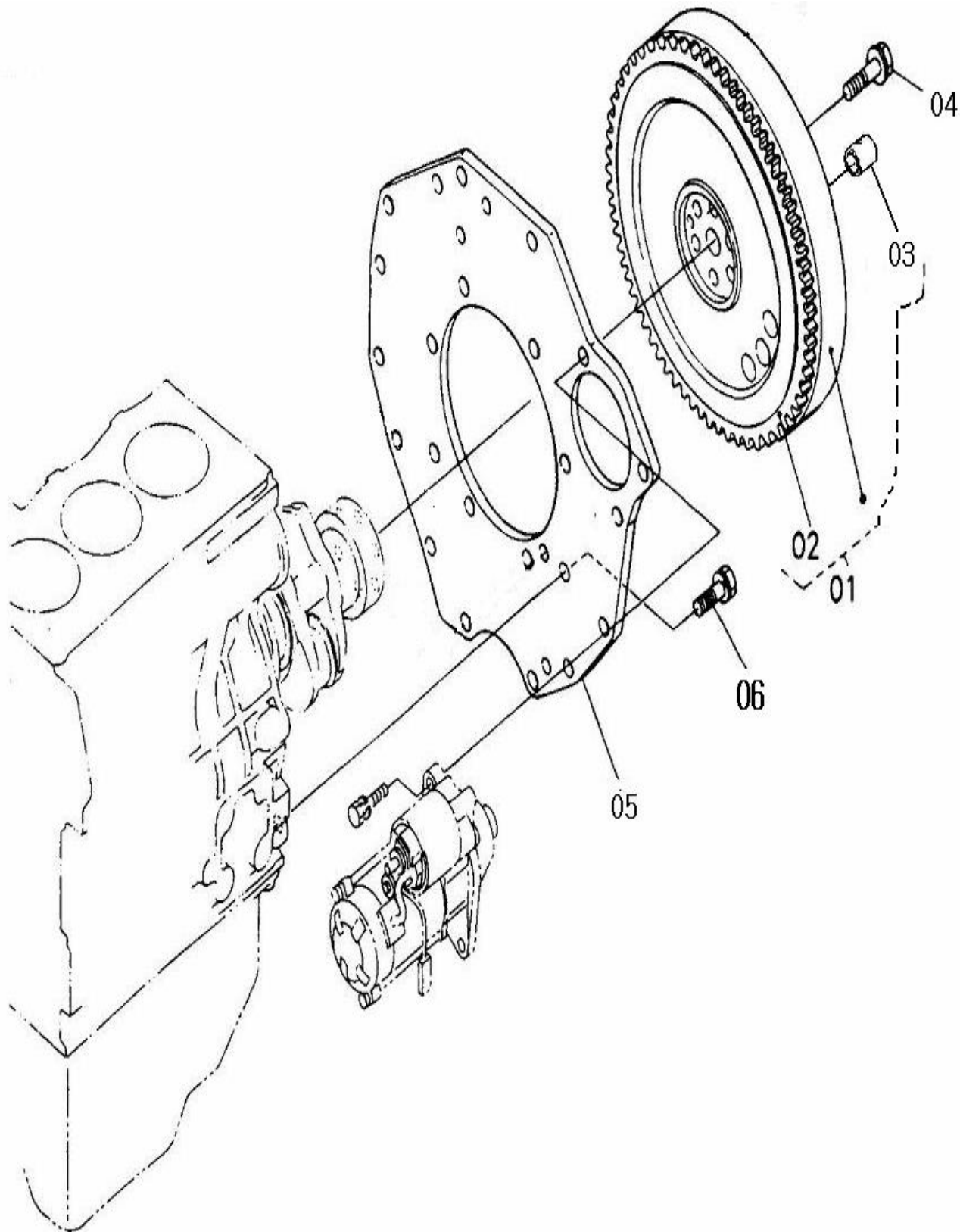
P1

YEAR

2018



T264NH



NOTE

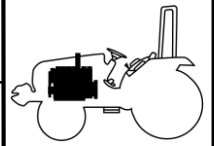
FIG 112

FUEL CAM SHAFT&GOVERNOR SHAFT

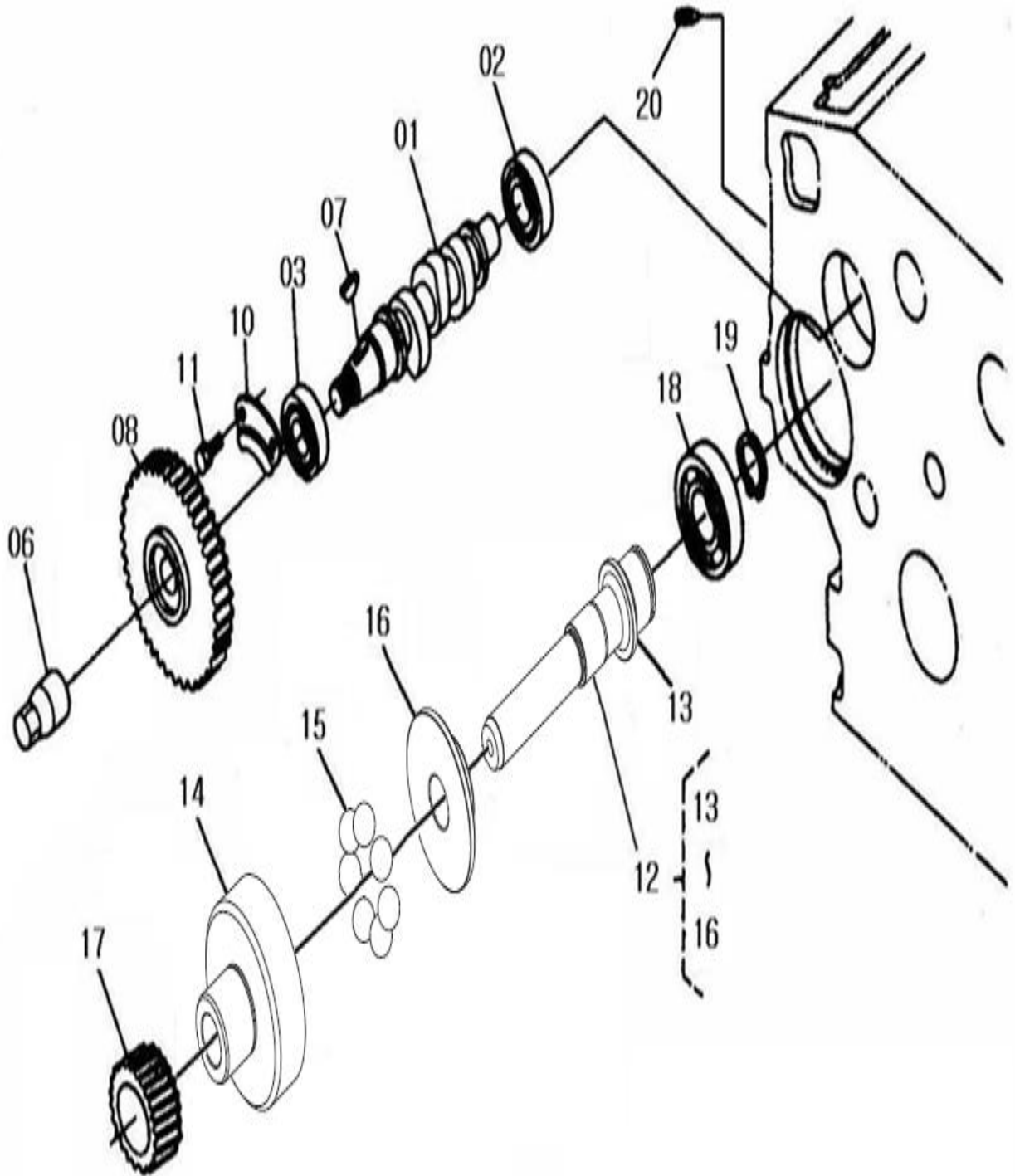
P1

YEAR

2018



T264NH



NOTE

KEY NO.		PART NO.	DESCRIPTION	SPEC.	QTY.	REPAIR/G	SERIAL NO	REMARKS
112	01	HT12010000A	CAMSHAFT, FUEL		1			
112	02	24101-062024	BALL BEARING		1			
112	03	24121-062044	BALL BEARING		1			
112	06	HT12040000A	NUT, CAP		1			
112	07	HT12050000A	KEY, WOODRUFF		1			
112	08	EA00005347A	GEAR, INJECTION PUMP		1			
112	10	HT12070000A	STOPPER, FUEL.CAMSHAFT		1			
112	11	26013-060122	BOLT	M6X12	2			
112	12	EA00005568A	COMP. SHAFT, GOVERNOR		1			
112	13	EA00005571A	SHAFT, GOVERNOR		1			
112	14	EA00005567A	HOLDER, GOVERNOR GEAR		1			
112	15	24190-170003	STEEL BALL		7			
112	16	EA00005569A	SLEEVE, GOVERNOR		1			
112	17	HS12080300B	GEAR, GOVERNOR		1			
112	18	24101-062054	BALL BEARING		1			
112	19	TCA2010000A	CIR. CLIP, GOVERNOR SHAFT		1			
112	20	HT12100000A	SCREW(A), SET		1			
NOTE								

FIG 112
T264NH

FUEL CAM SHAFT&GOVERNOR SHAFT

P1

YEAR
2018

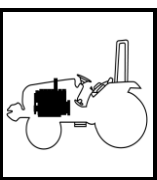


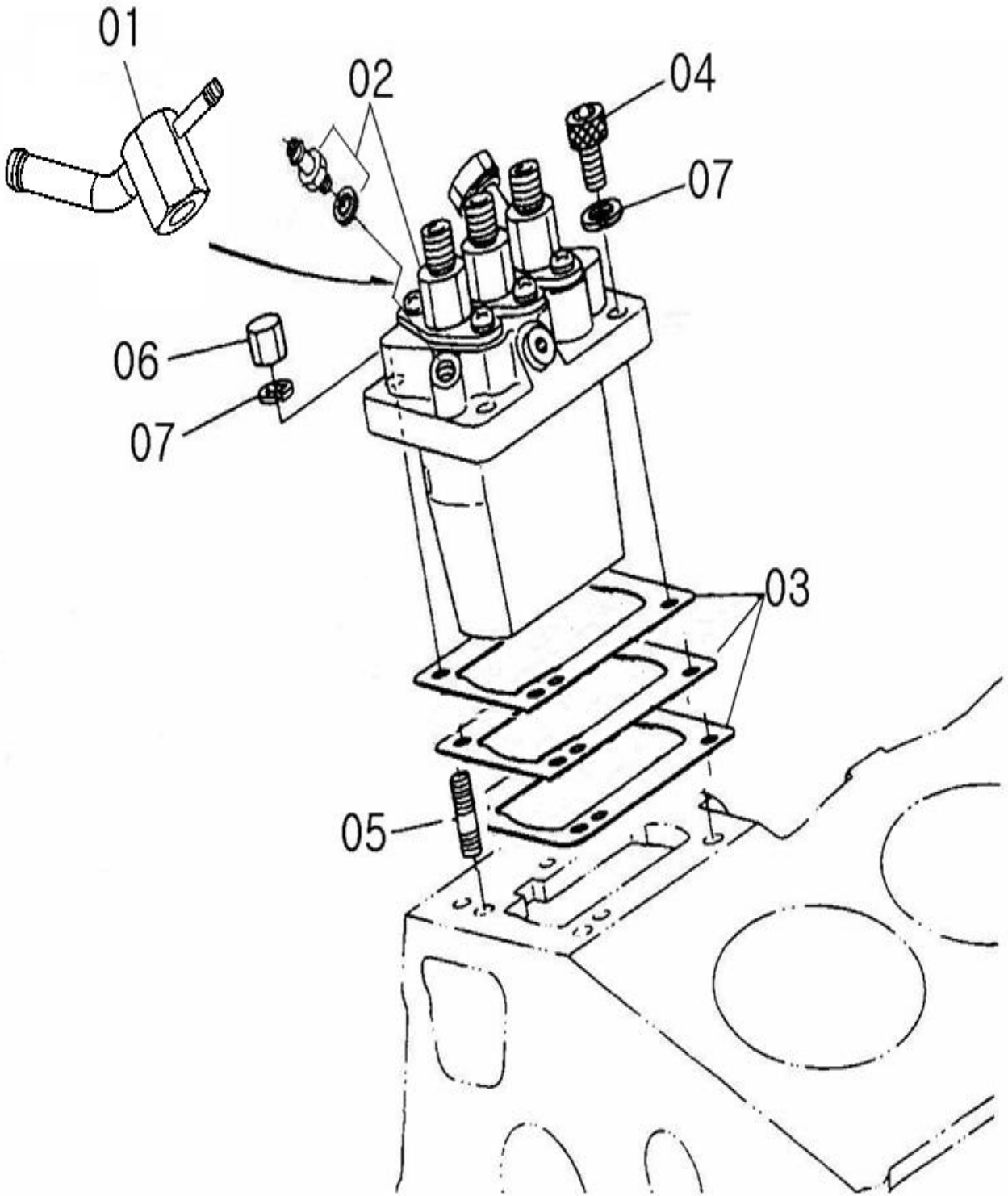
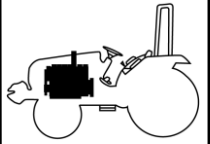
FIG 114

CONNECTING-ROD

P1

YEAR

2018



NOTE

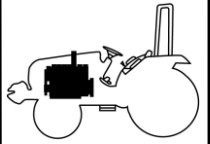
FIG 115

GOVERNOR

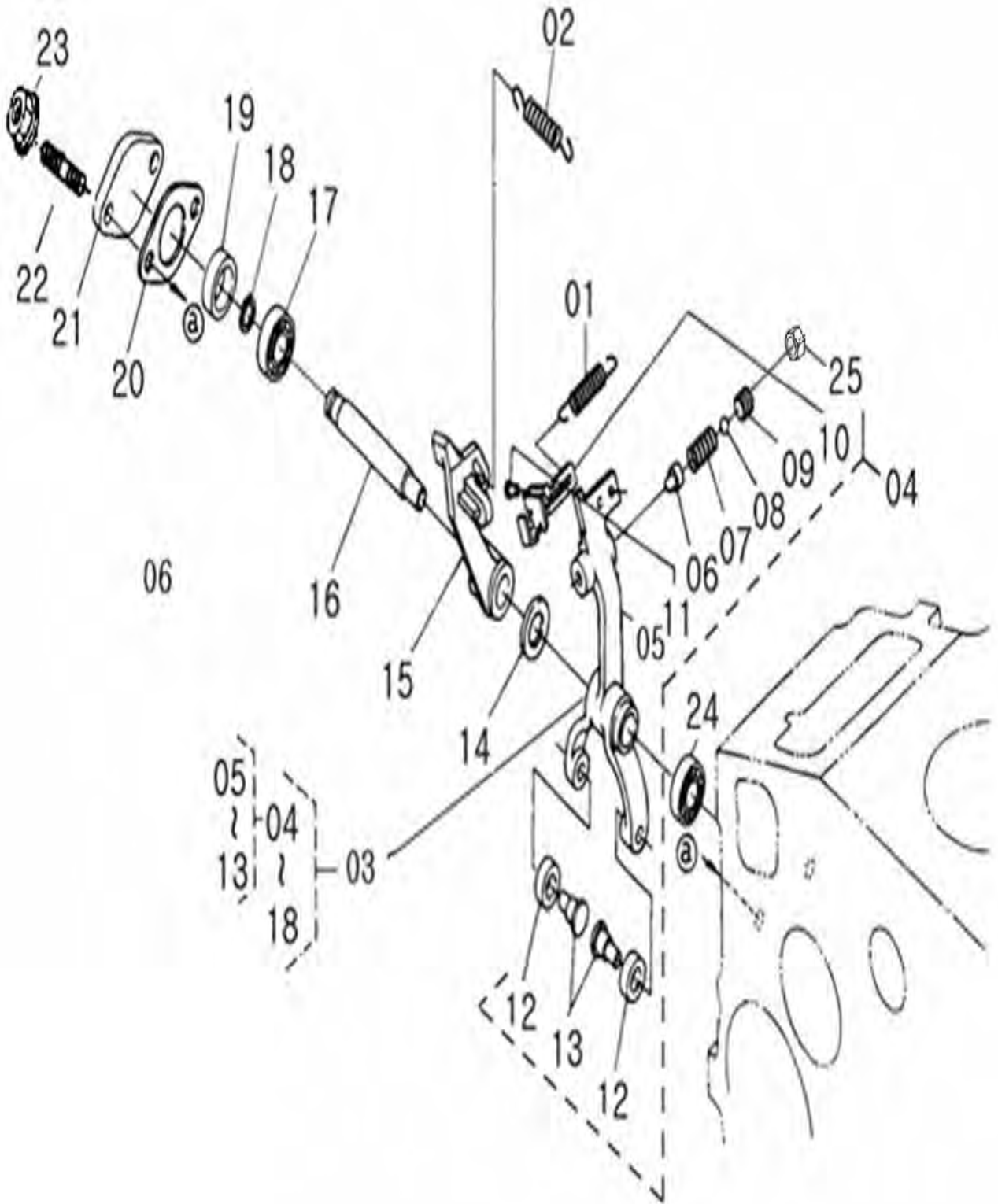
P1

YEAR

2018



T264NH



NOTE

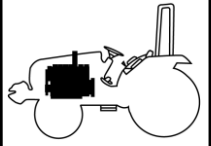
FIG 116

SPEED CONTROL PLATE

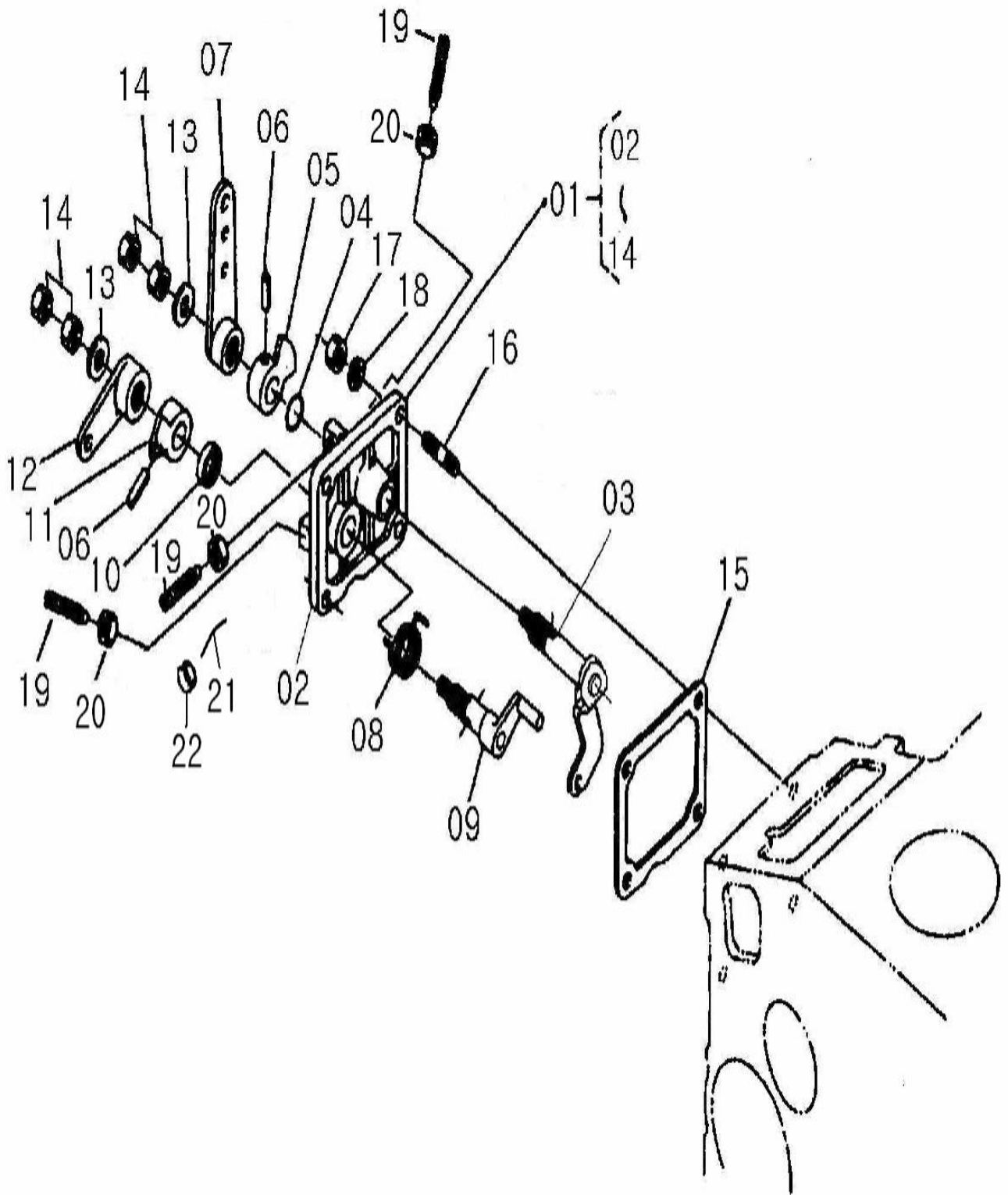
P1

YEAR

2018



T264NH



NOTE

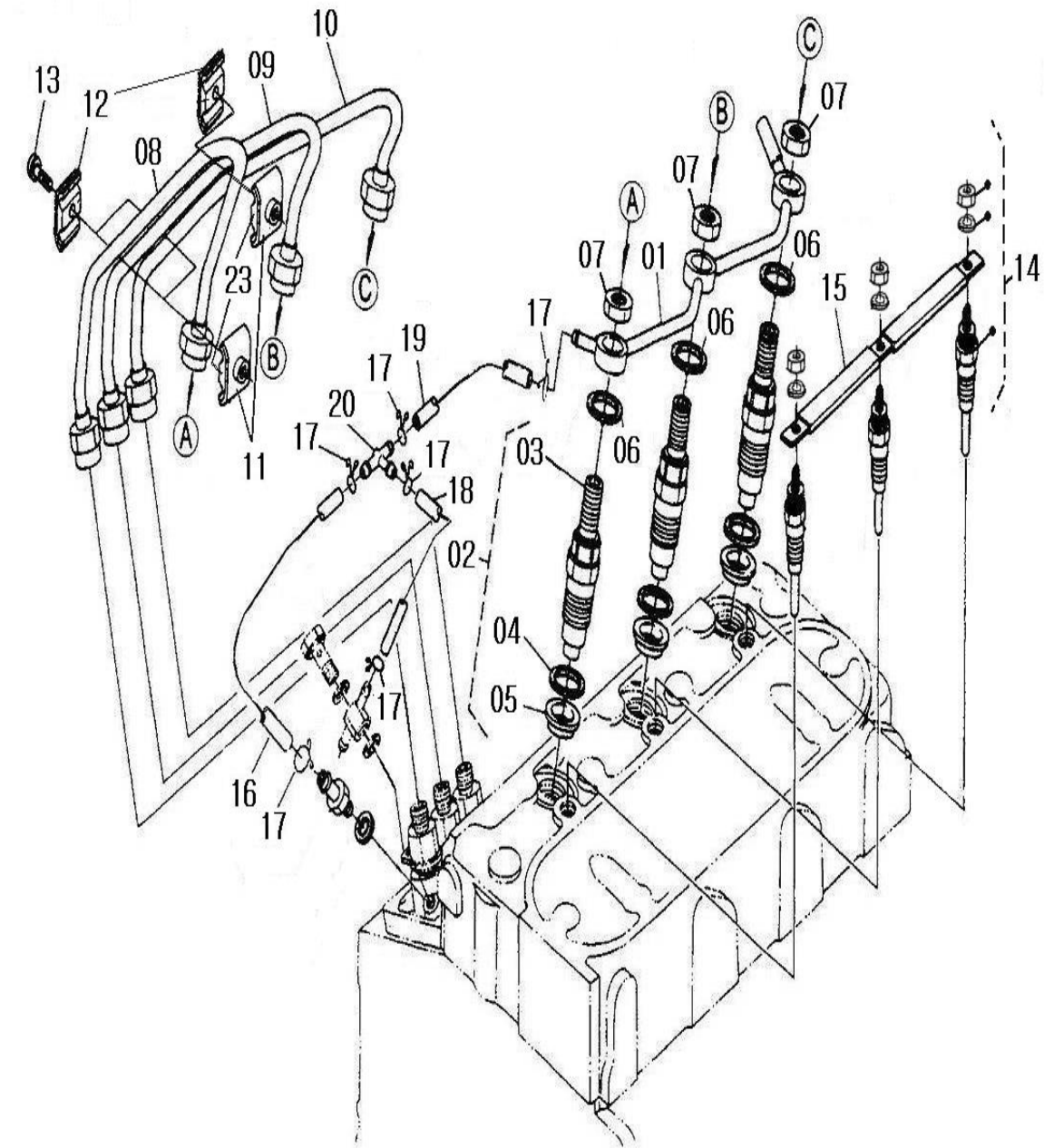
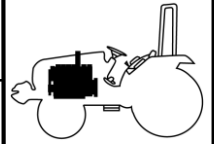
FIG 117

INJECTOR & GLOW PLUG

P1

YEAR

2018



NOTE

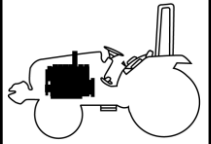
FIG 118

WATER PUMP
FLANGE&THERMOSTAT

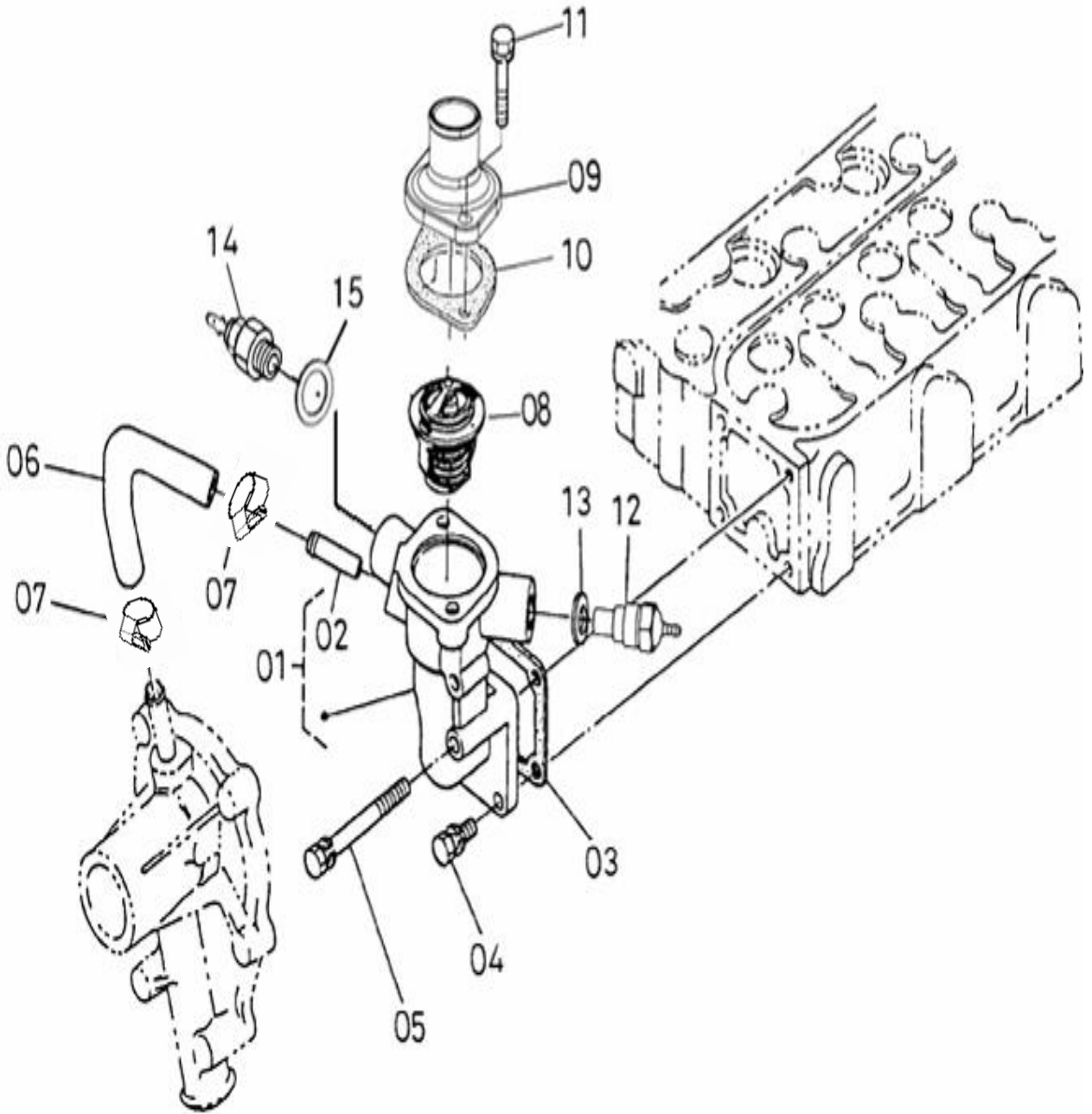
P1

YEAR

2018



T264NH



NOTE

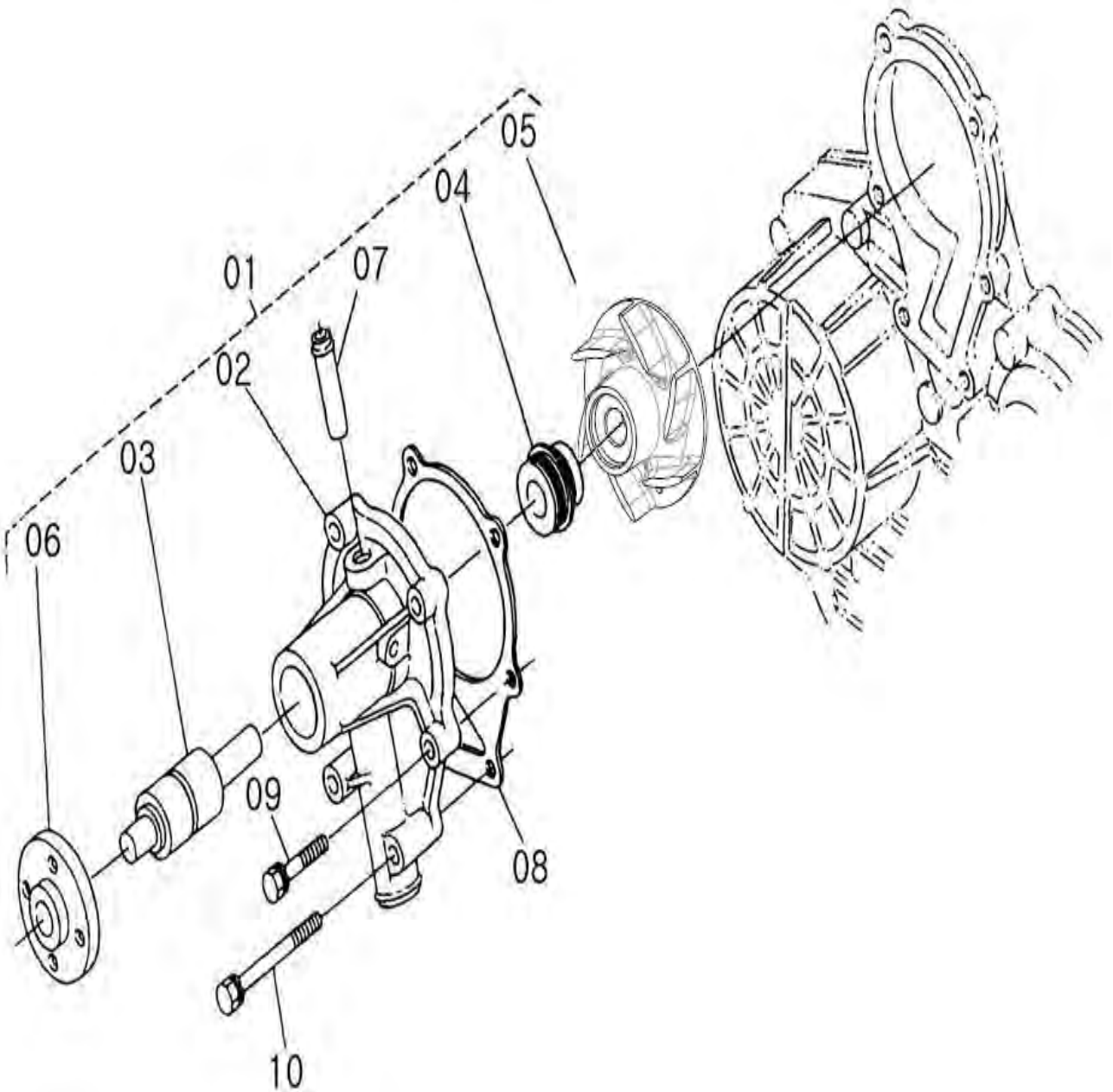
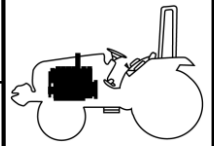
FIG 119

WATER PUMP

P1

YEAR

2018



NOTE

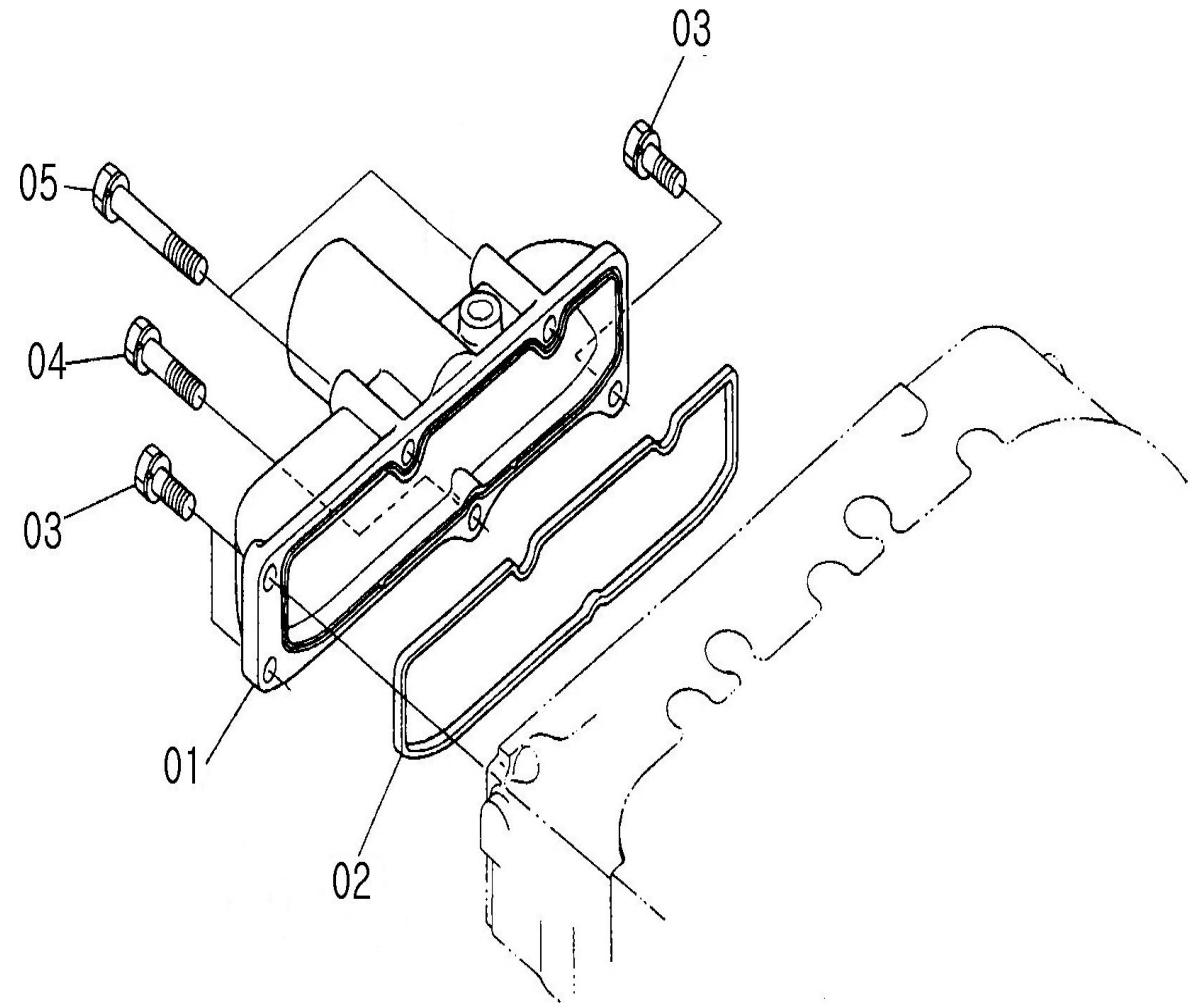
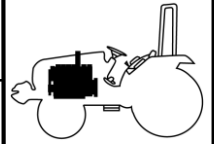
FIG 121

INTAKE MANIFOLD

P1

YEAR

2018



NOTE

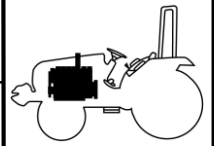
FIG 122

EXHAUST MANIFOLD

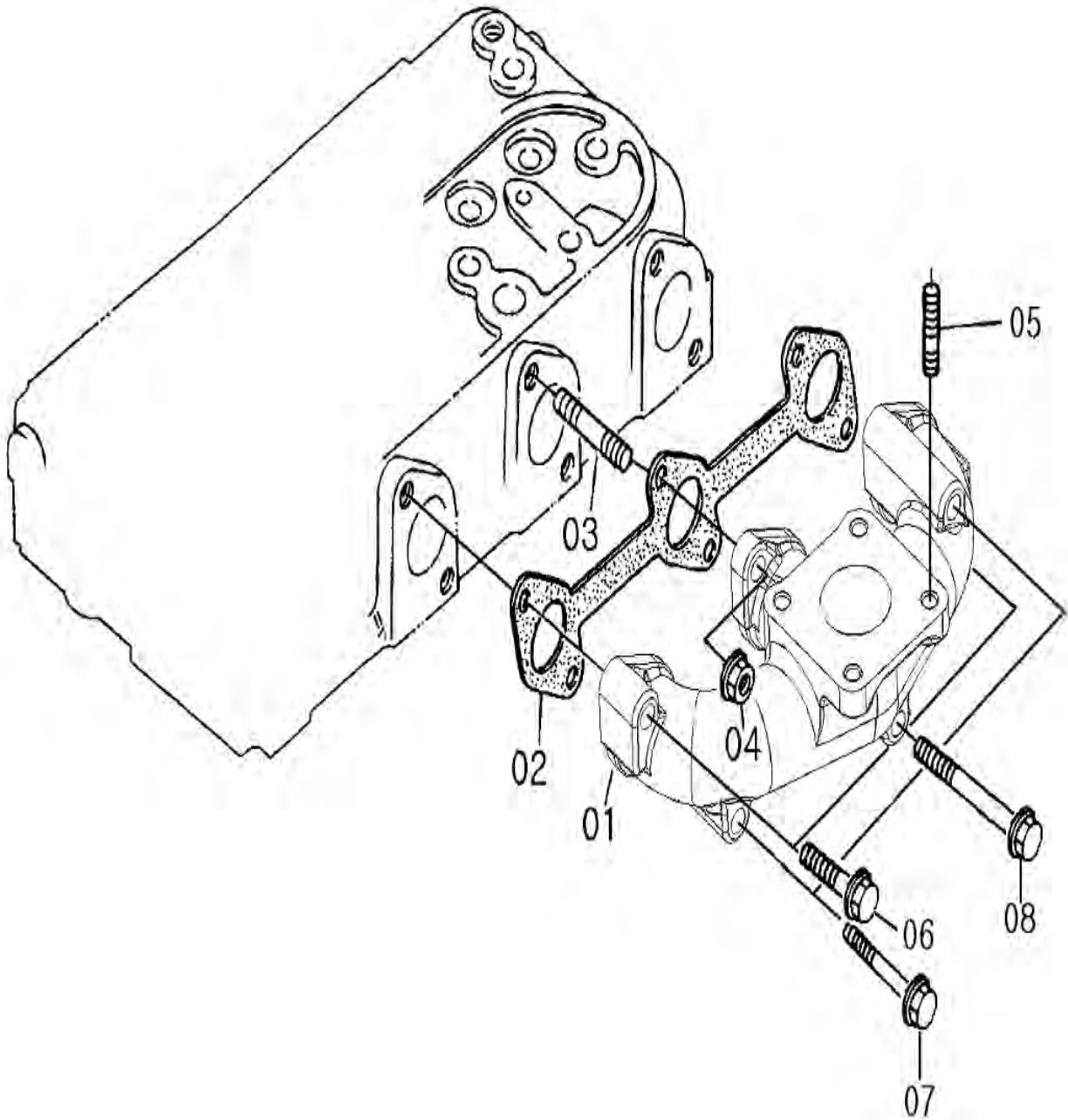
P1

YEAR

2018



T264NH



NOTE

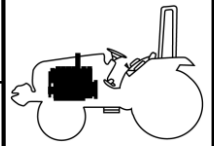
FIG 123

STOP SOLENOID

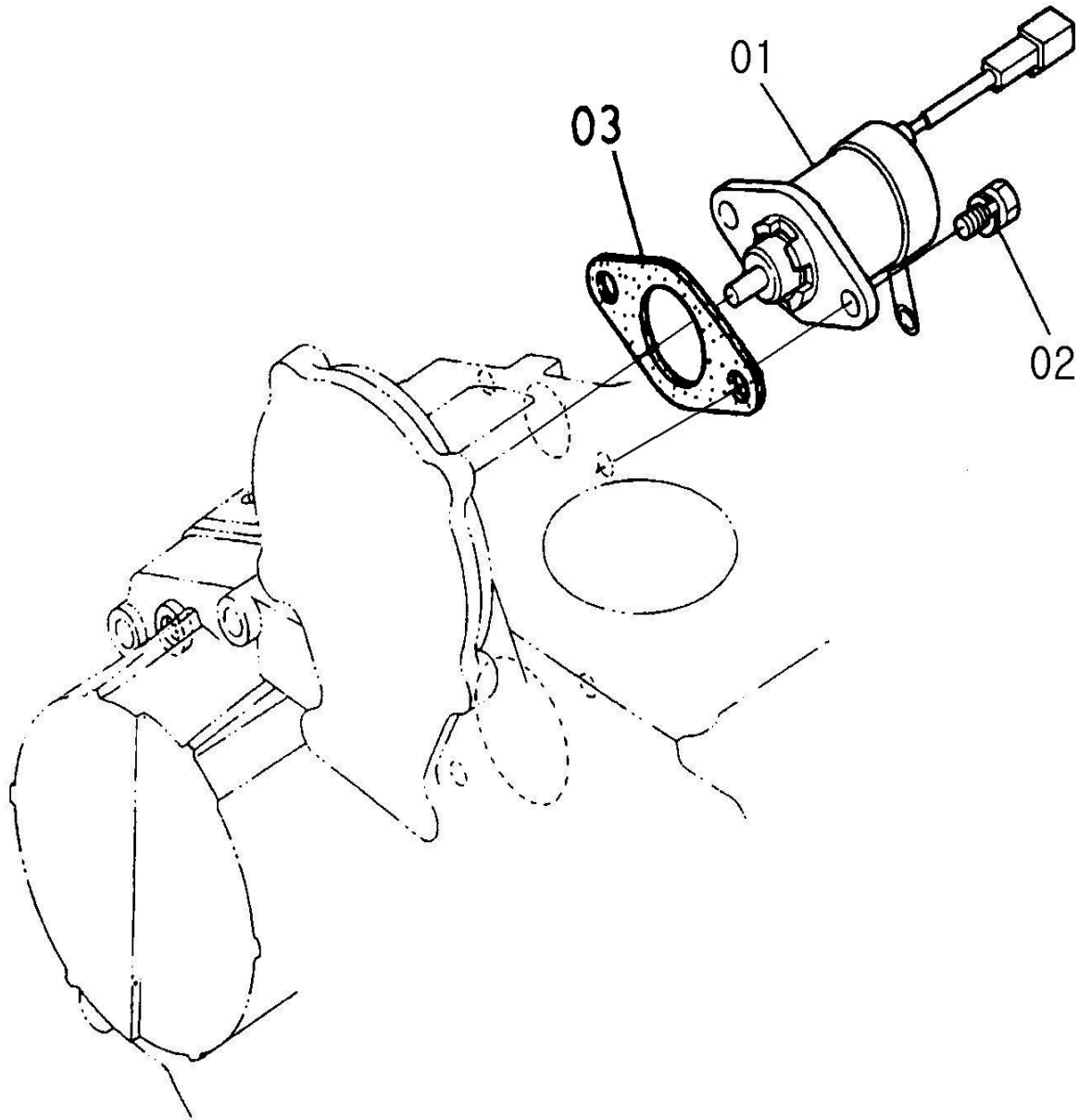
P1

YEAR

2018



T264NH



NOTE

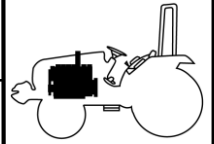
FIG 124

ALTERNATOR & PULLEY

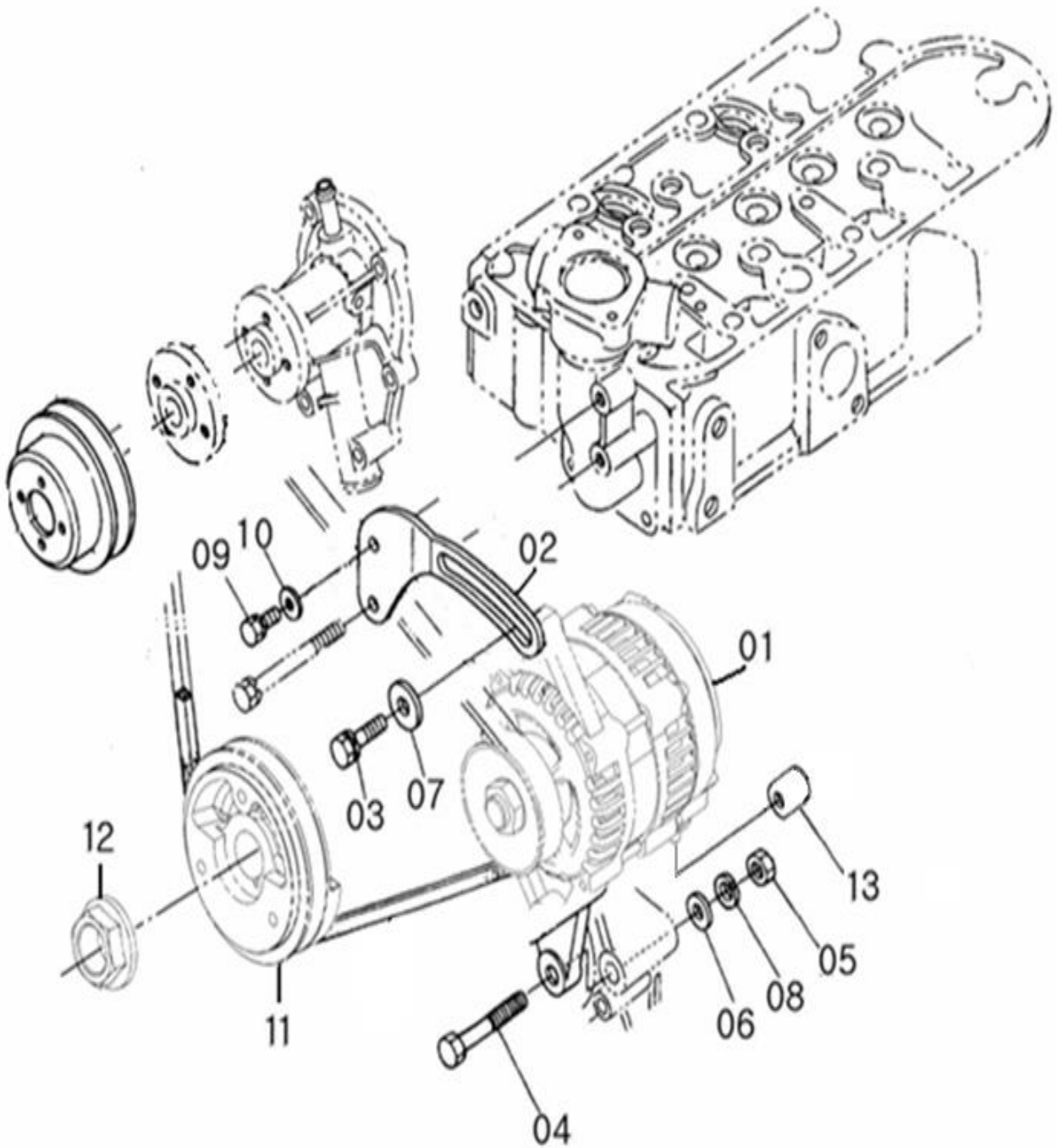
P1

YEAR

2018



T264NH



NOTE

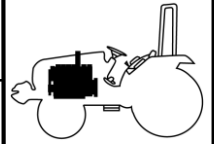
FIG 125

STARTING MOTOR

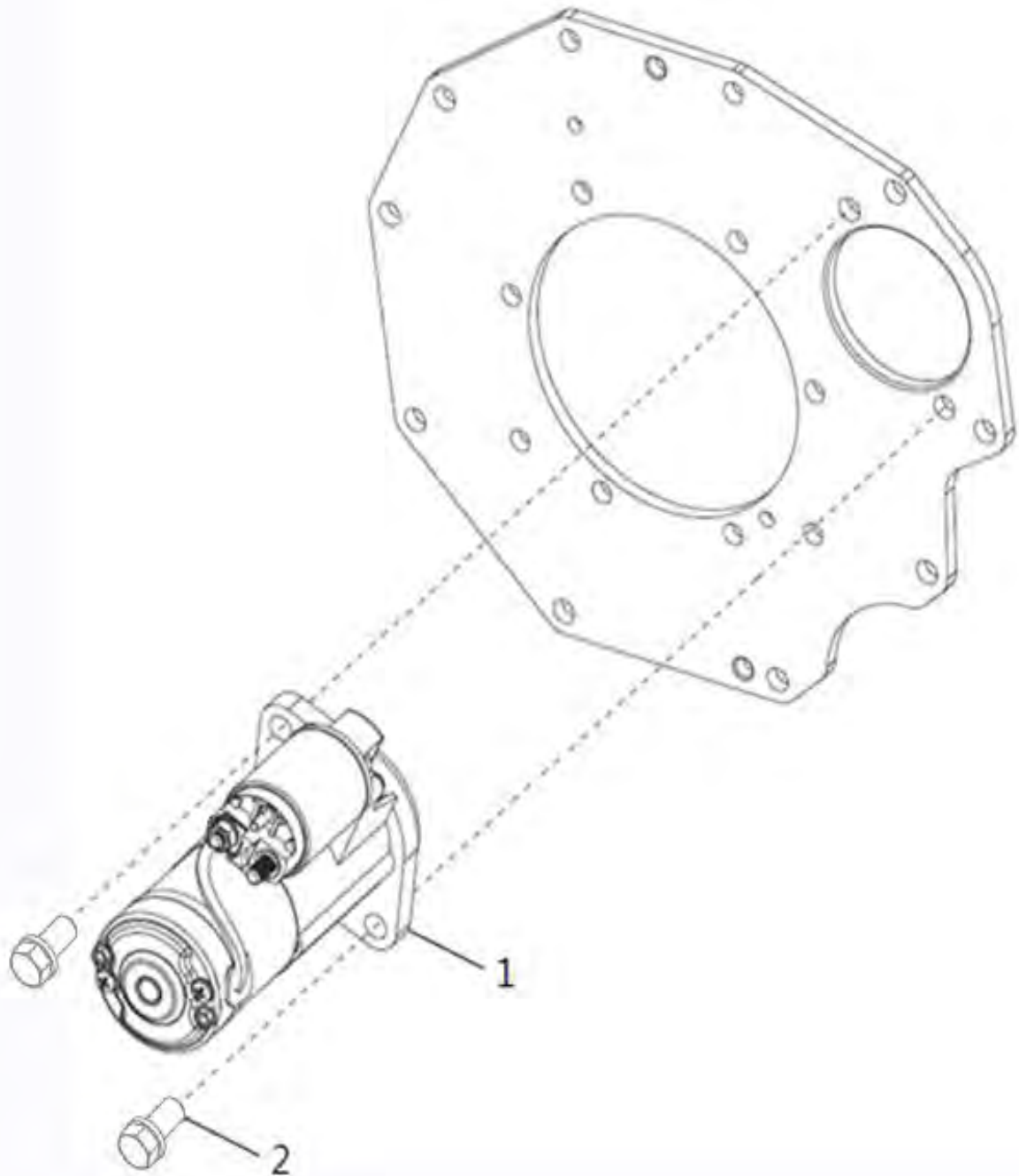
P1

YEAR

2018



T264NH



NOTE

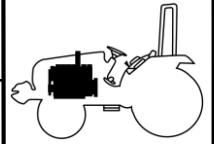
FIG 126

EXHAUST SILENCER

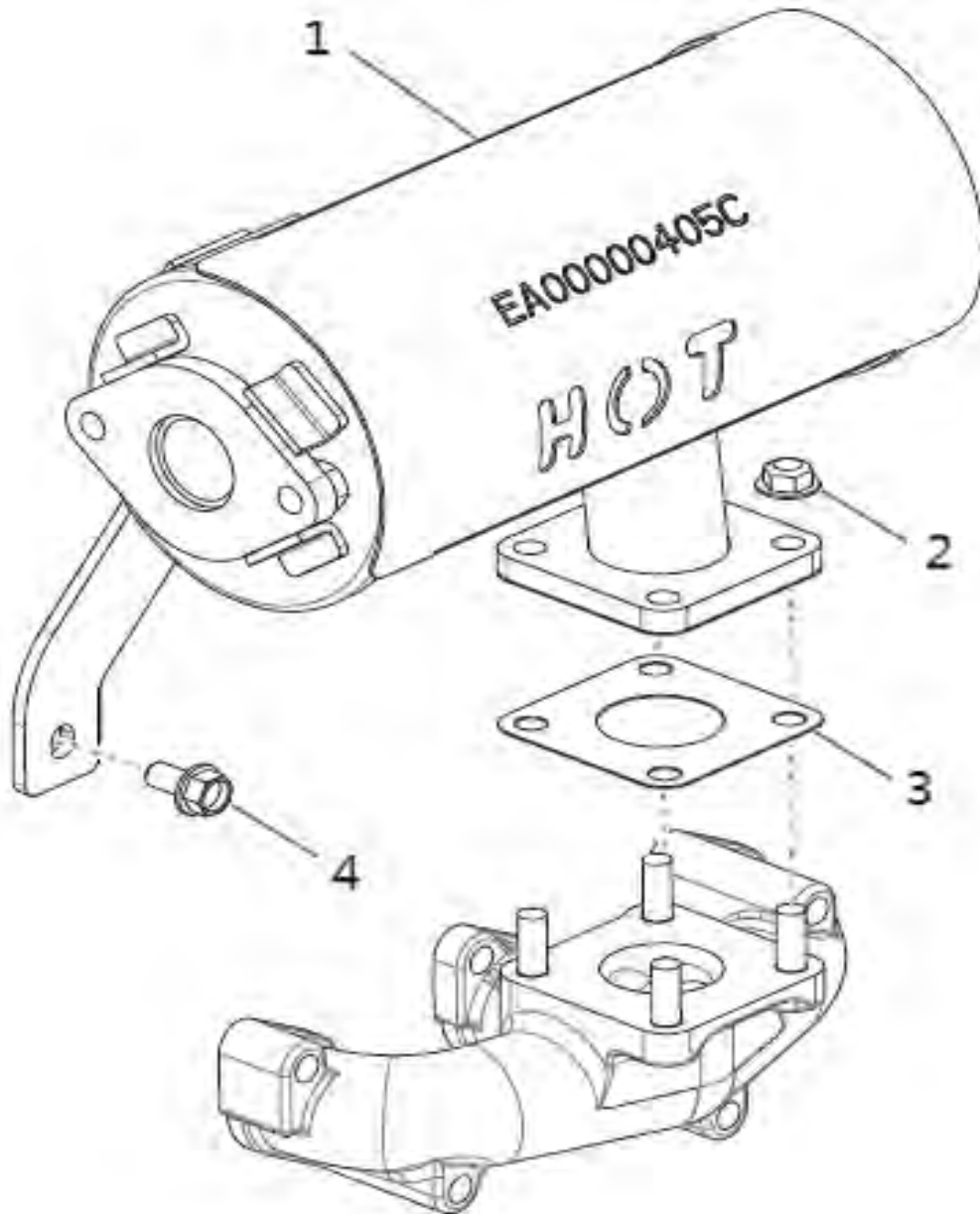
P1

YEAR

2018



T264NH



NOTE

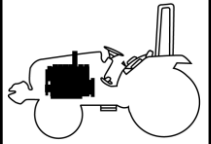
FIG 127

COOLING PAN

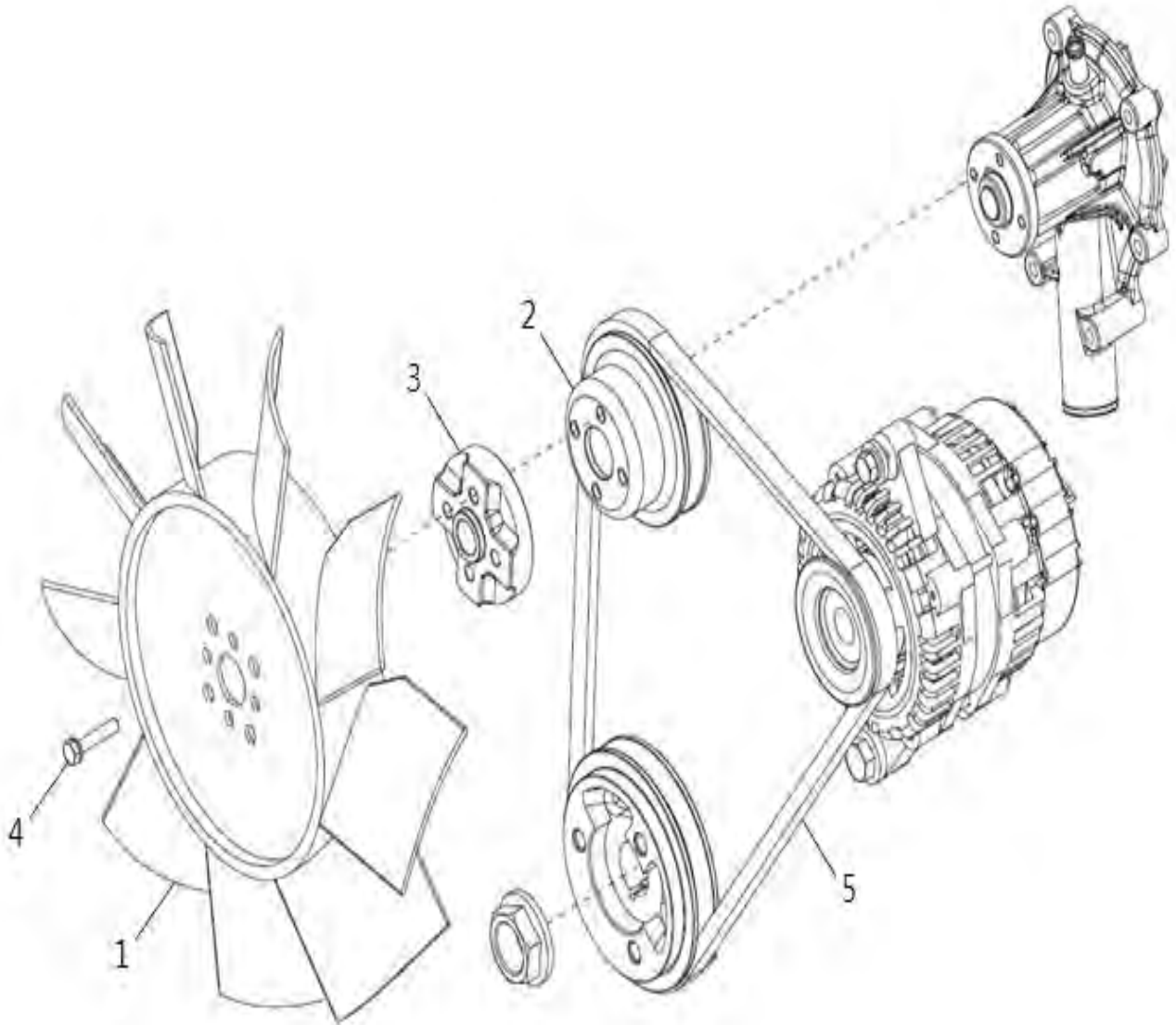
P1

YEAR

2018



T264NH



NOTE

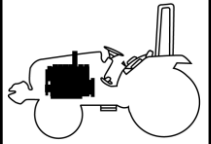
FIG 128

OIL PRESSURE SWITCH

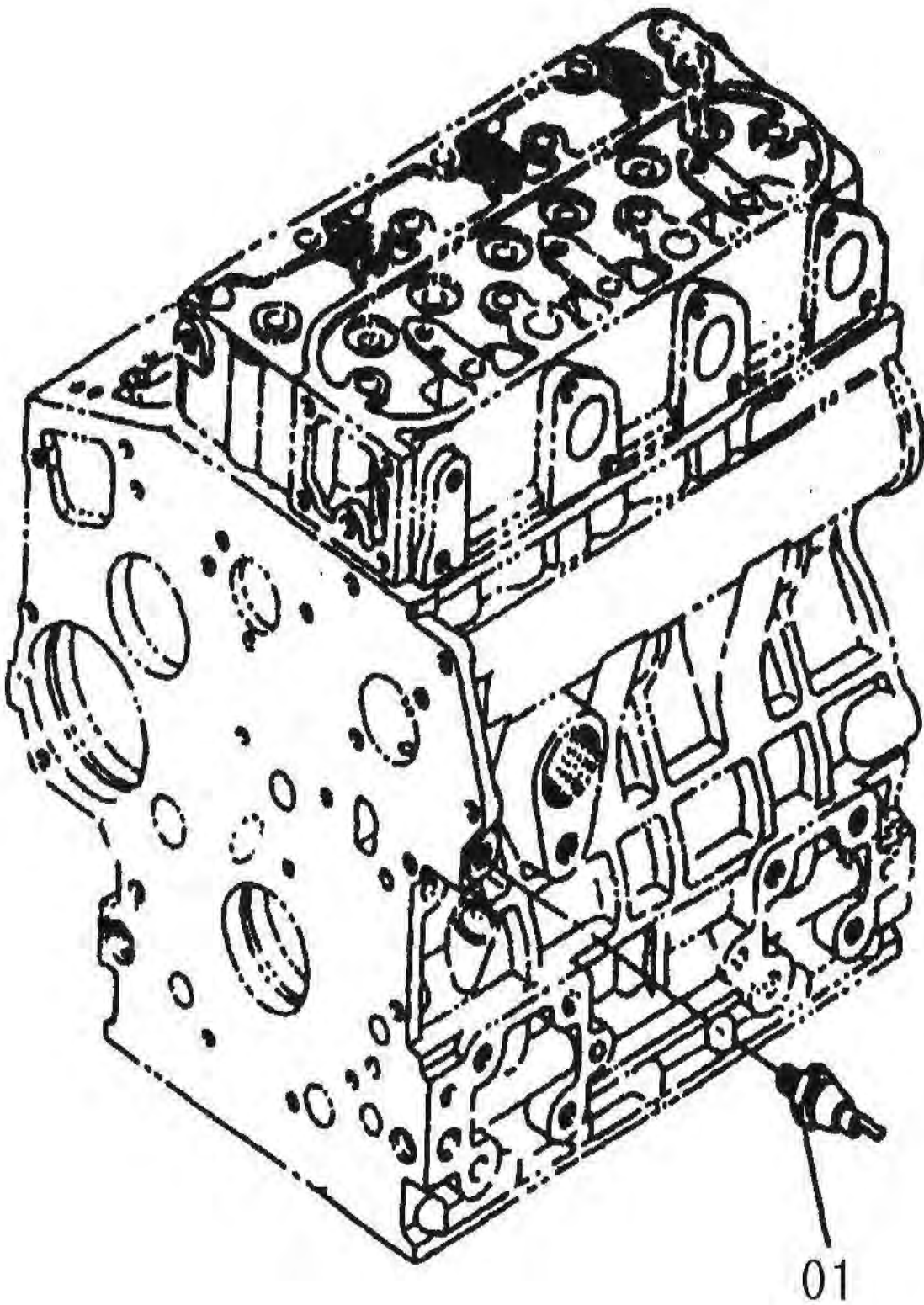
P1

YEAR

2018



T264NH



NOTE

FIG 129

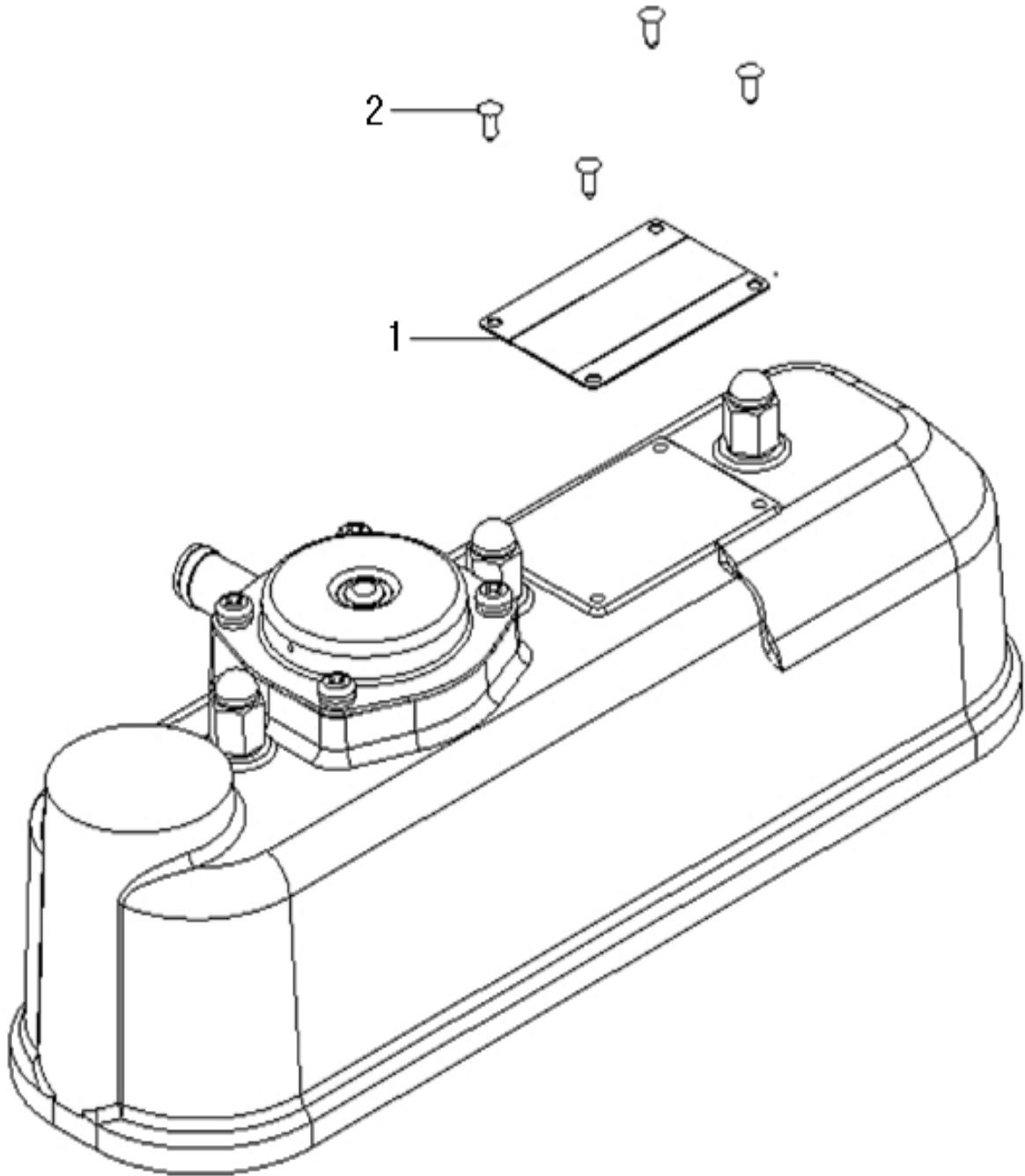
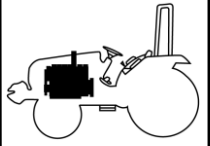
T264NH

DATA PLATE

P1

YEAR

2018



NOTE

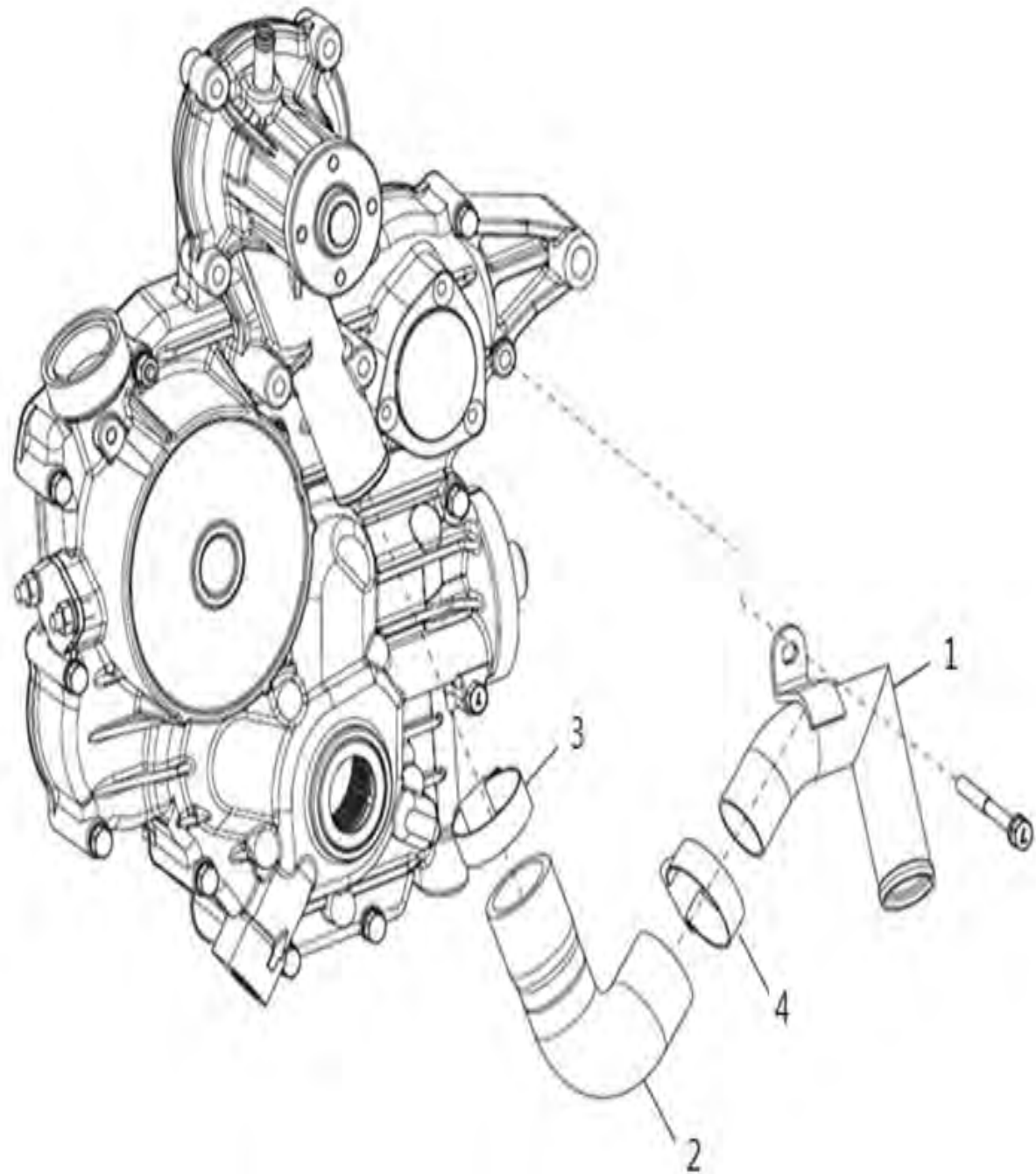
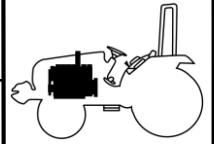
FIG 130

WATER PIPE

P1

YEAR

2018



NOTE

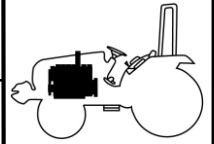
FIG131

LOOSED PARTS

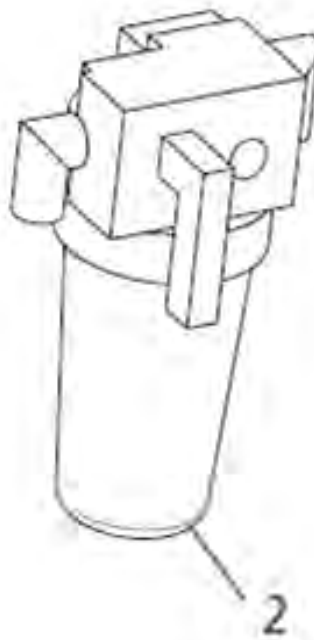
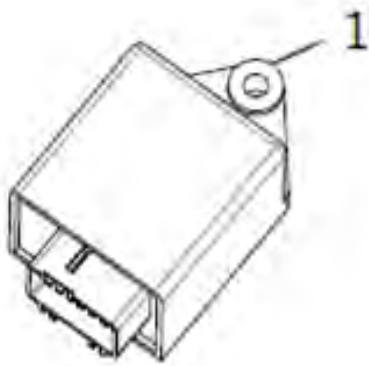
P1

YEAR

2018



T264NH



NOTE

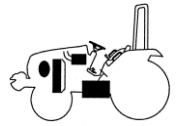
FIG 201

AIR CLEANER

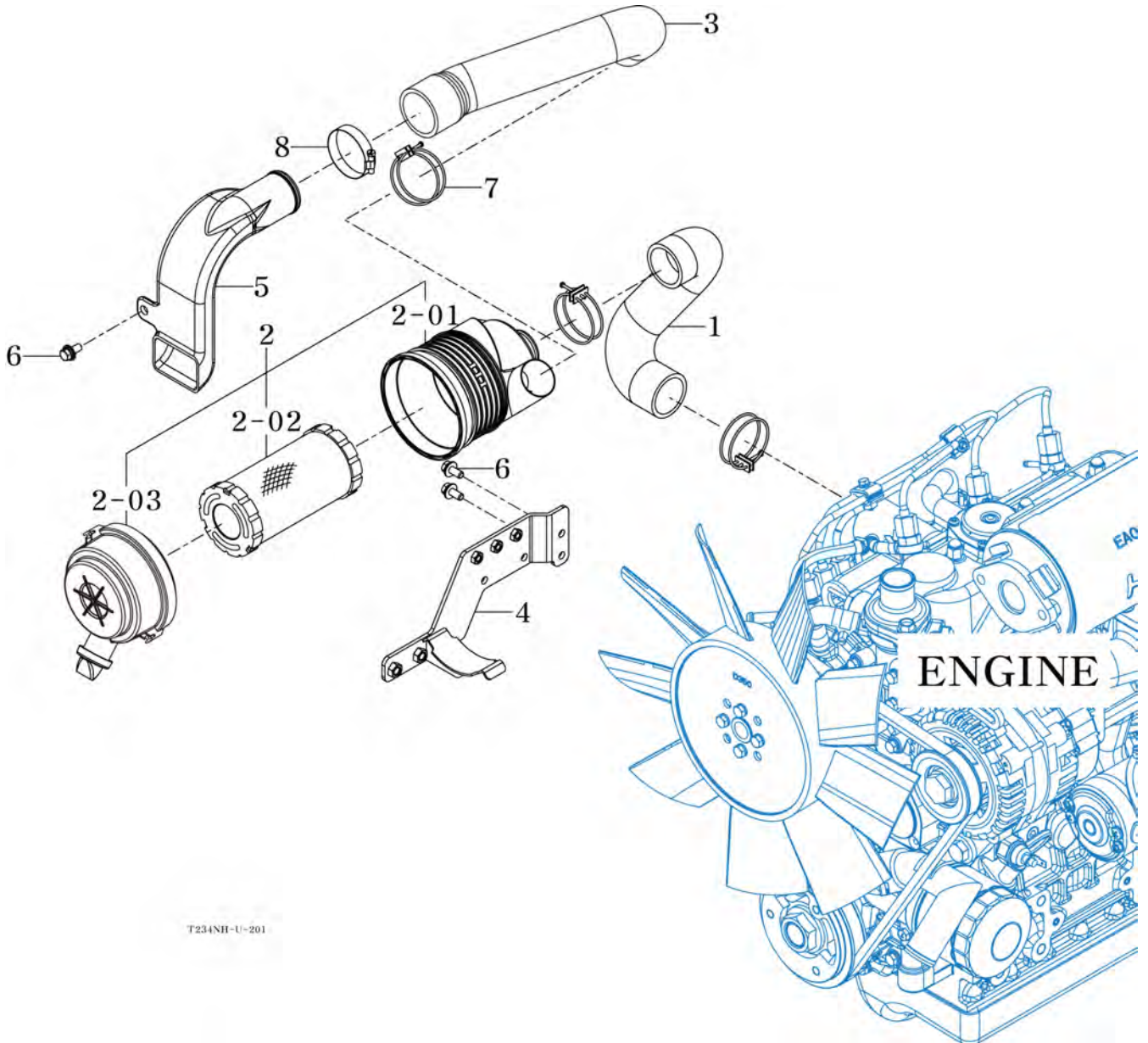
P1

YEAR

2018



T264NH



T234NH-U-201

NOTE

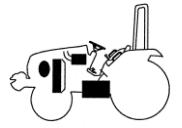
FIG 202

RADIATOR

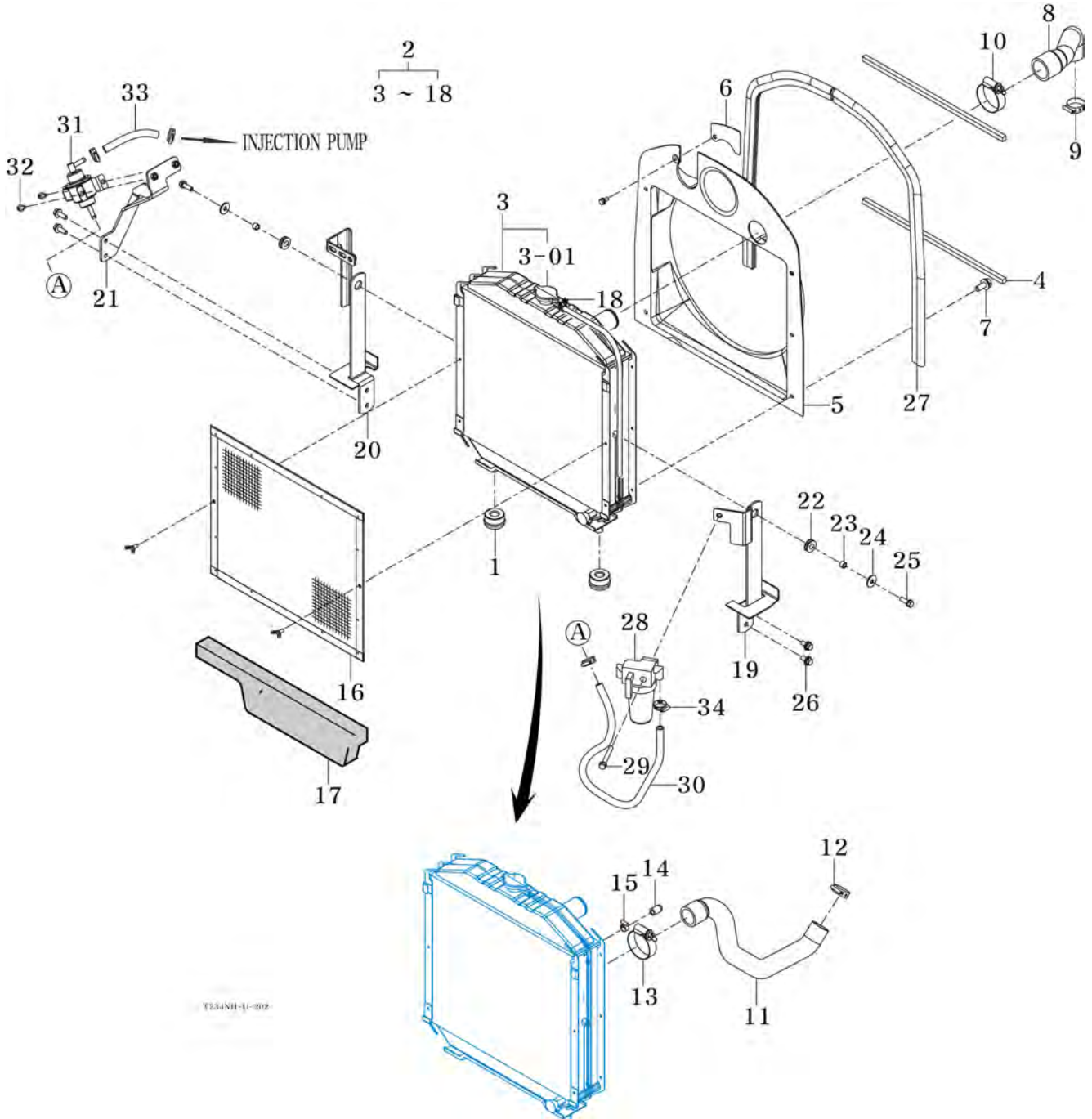
P1

YEAR

2018



T264NH



NOTE

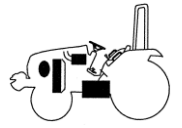
FIG 203

MUFFLER

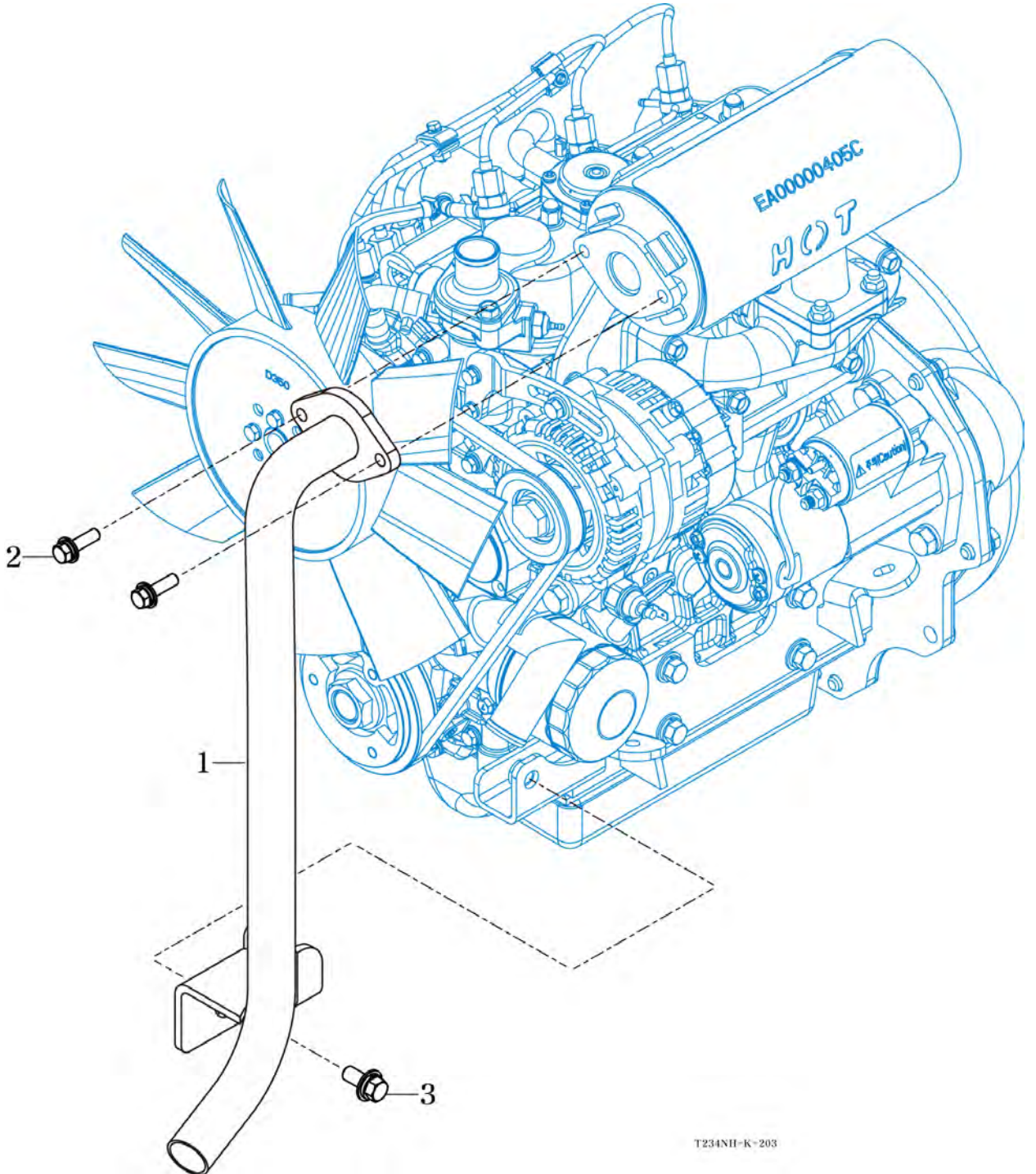
P1

YEAR

2018



T264NH



T234NH-K-203

NOTE

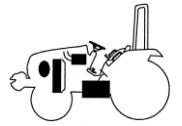
FIG 204

FUEL TANK & FUEL LINE

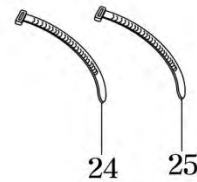
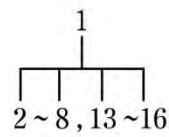
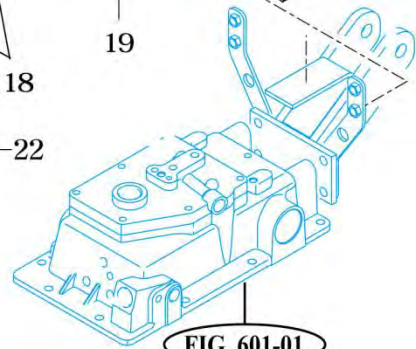
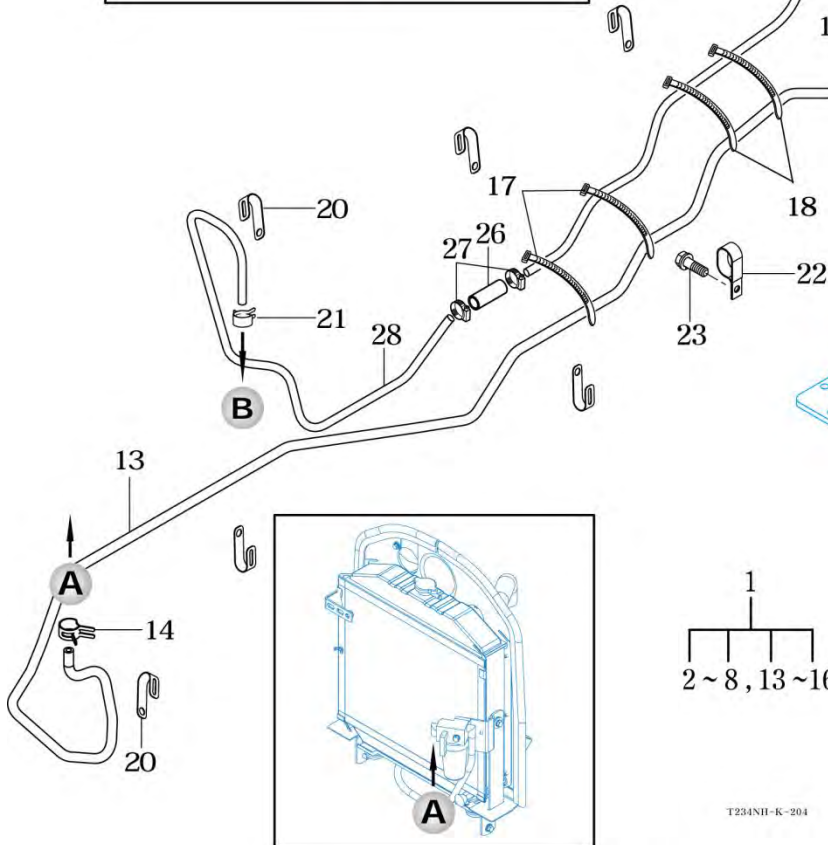
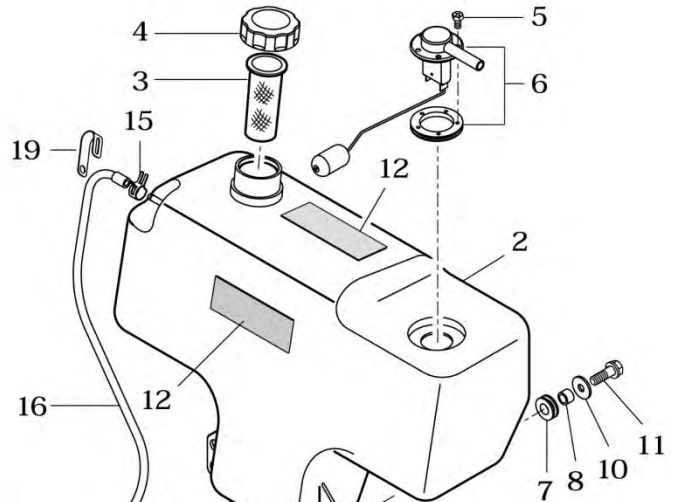
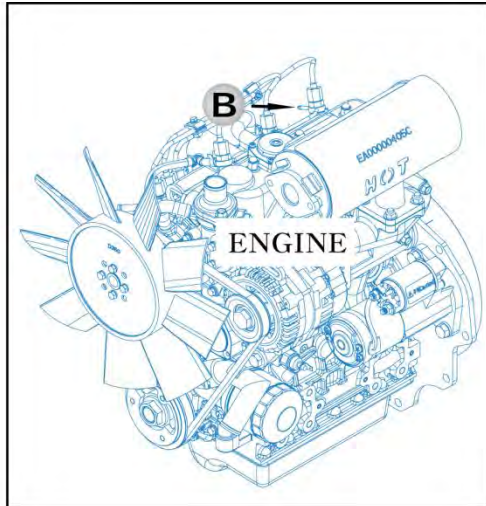
P1

YEAR

2018



T264NH



T234NH-K-204

NOTE

FIG 205

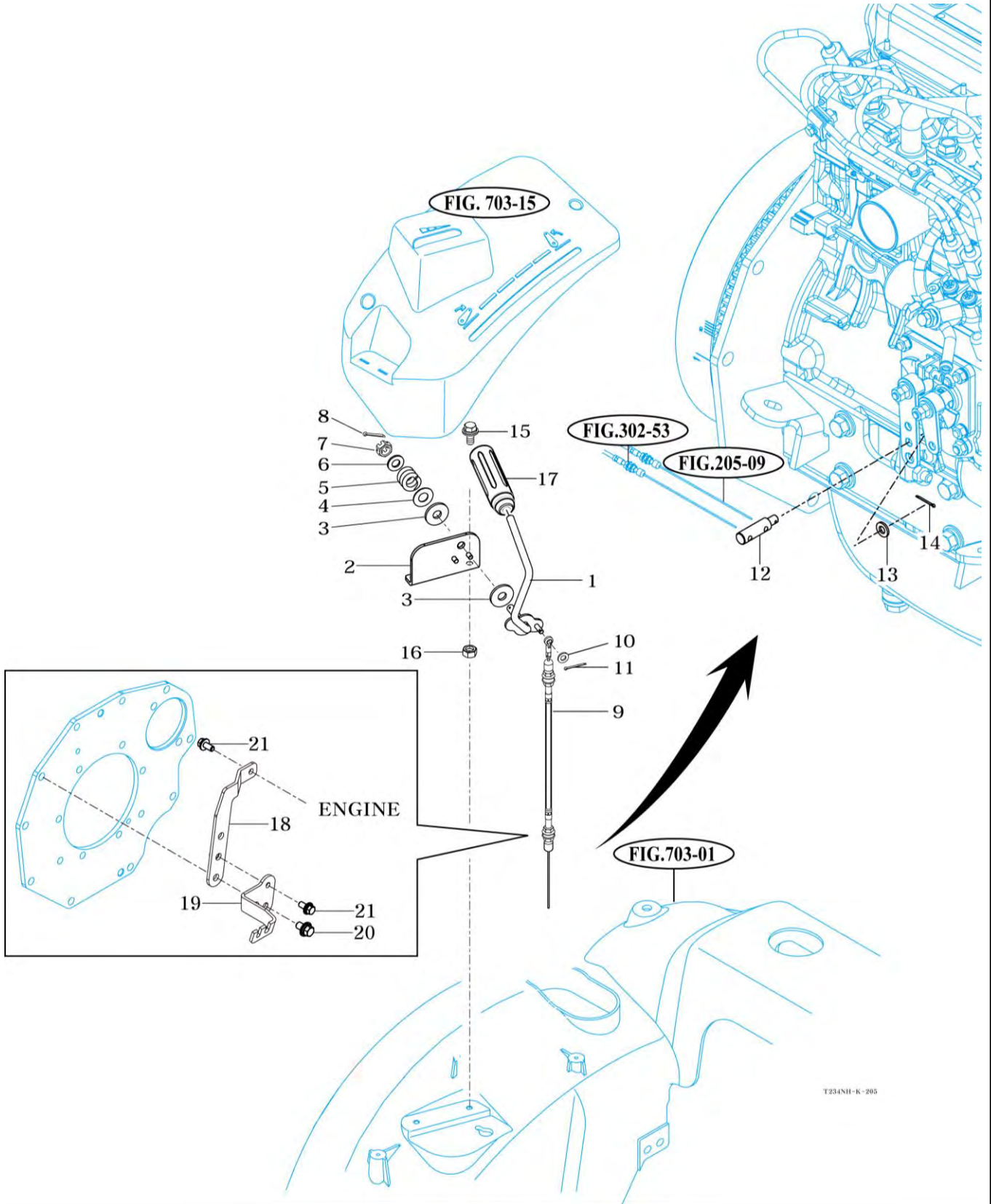
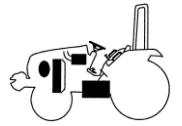
ACCELERATOR

T264NH

P1

YEAR

2018



T234NH-R-205

NOTE

FIG 206

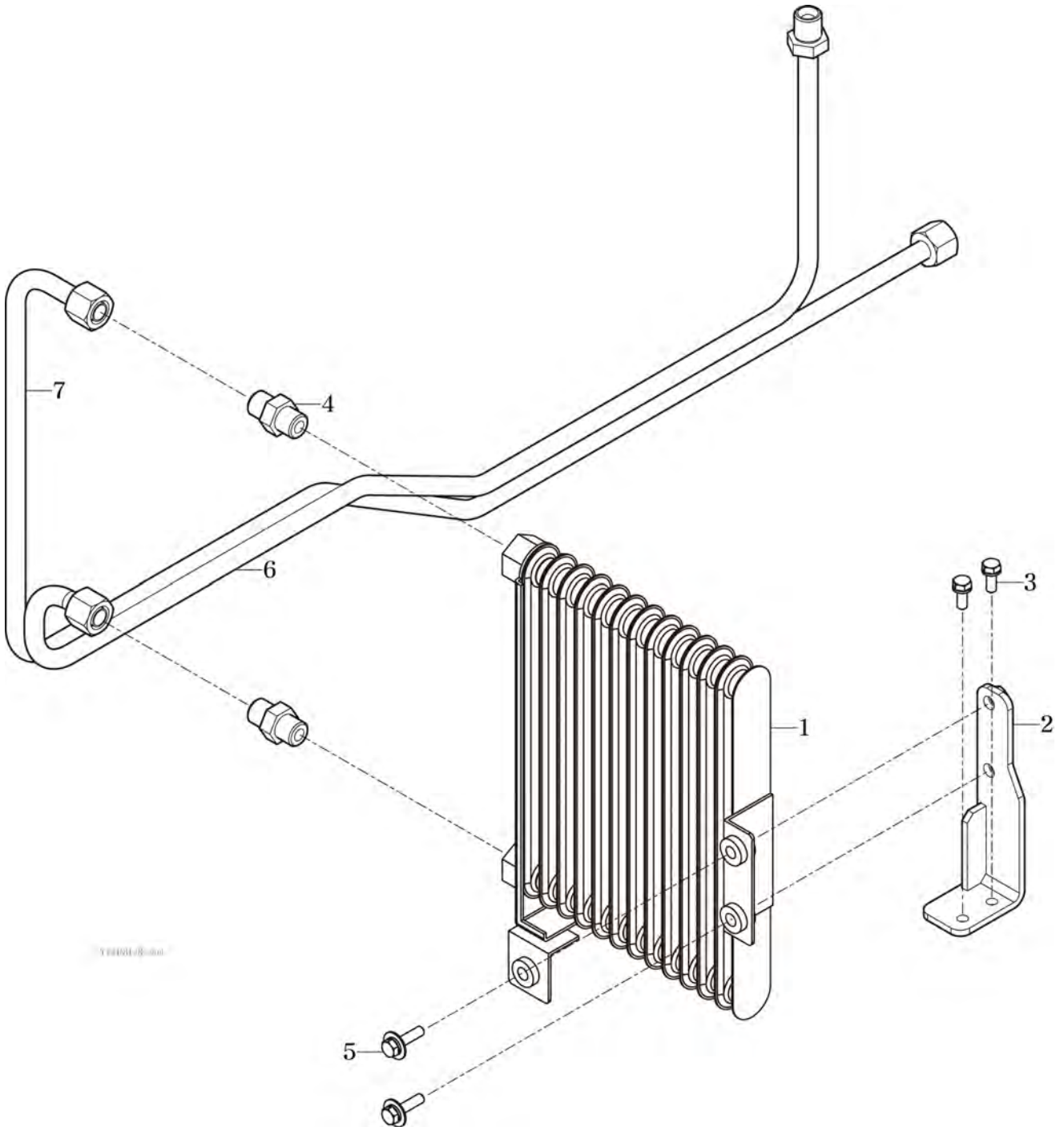
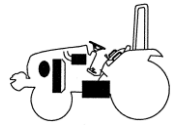
T264NH

OIL COOLER

P1

YEAR

2018



NOTE

FIG 301

FLYWHEEL COVER

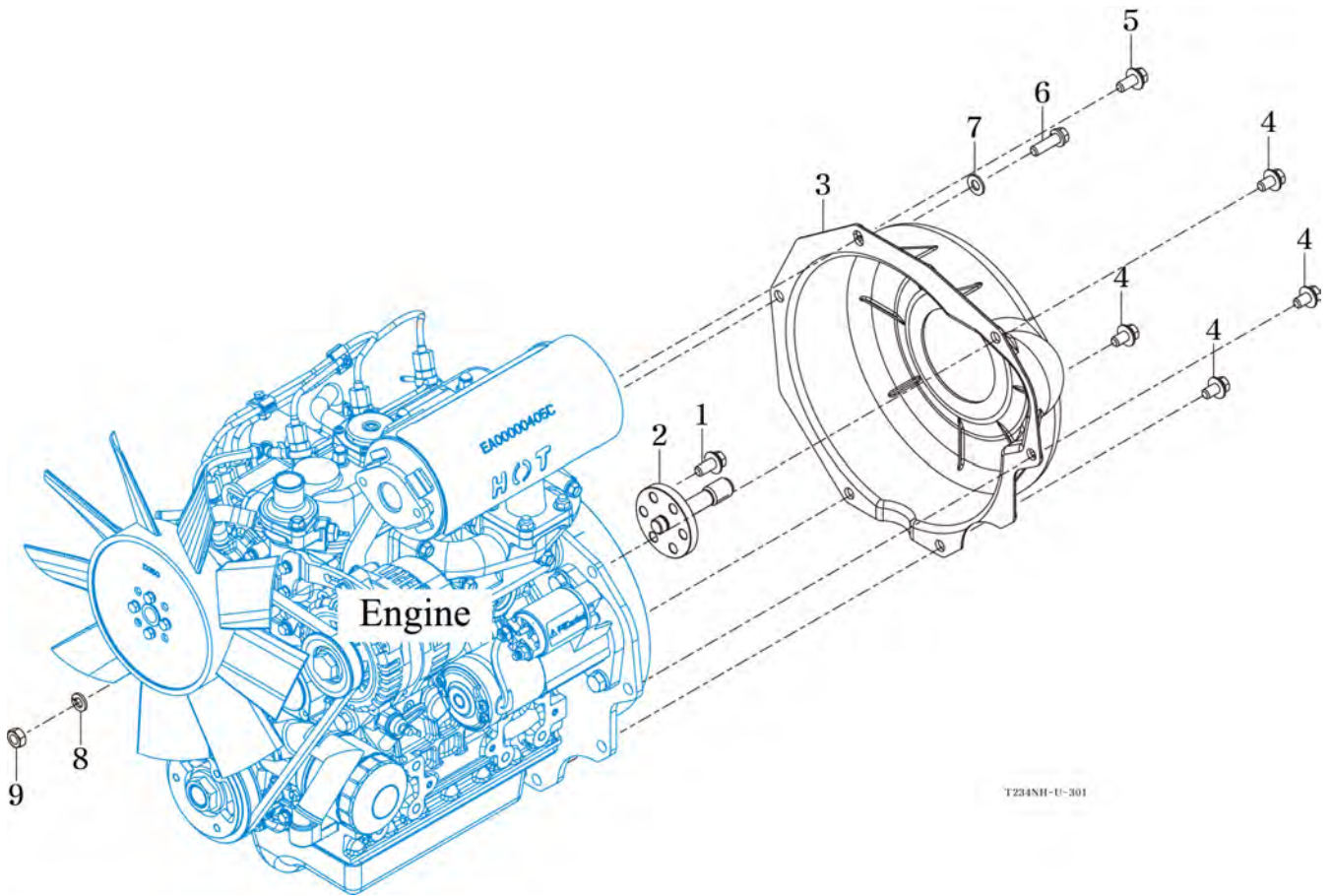
P1

YEAR

2018



T264NH



T234NH-U-301

NOTE

FIG 302

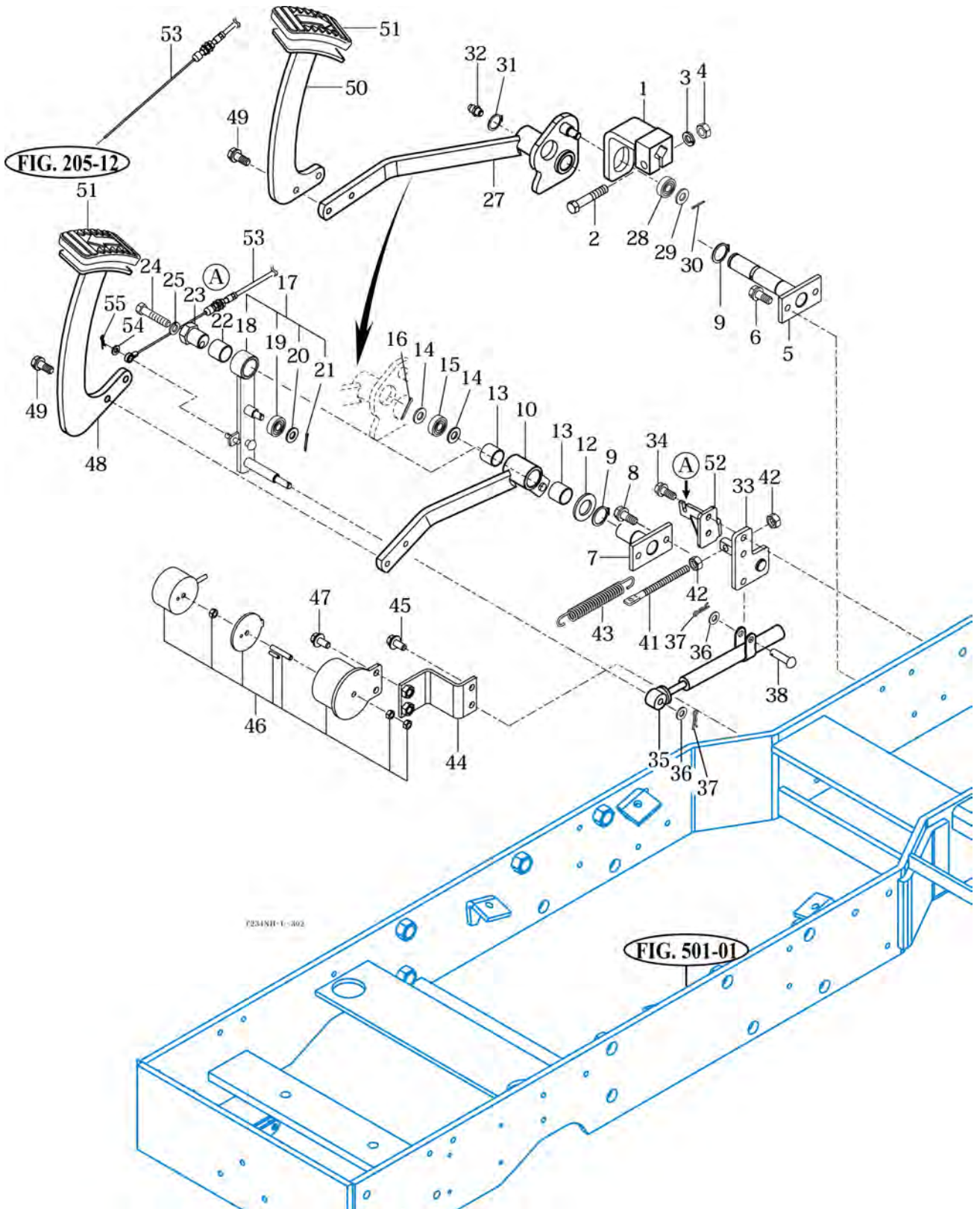
SPEED CONTROL

T264NH

P1

YEAR

2018



NOTE


FIG 302		SPEED CONTROL			P1	YEAR	
T264NH						2018	
KEY NO.	PART NO.	DESCRIPTION	SPEC.	QTY. NH	REPAIR	EFFECTIVE DATE	REMARKS
302 001	13152322103	HOLDER COMP		1			
302 002	V2013610045	BOLT , HEX	M10X45	1			
302 003	V4011600100	WASHER , SPRING	M10	1			
302 004	V3042600100	NUT , HEX/2	M10	1			
302 005	13152322201	PIN COMP , REVERSE		1			
302 006	V2173608020	BOLT , HEX/S	M8X20	2			
302 007	13152323102	PIN COMP , FORWARD		1			
302 008	V2173608020	BOLT , HEX/S	M8X20	2			
302 009	V7041400200	C-RING , SHAFT	20	2			
302 010	13152323202	ARM COMP , FORWARD		1			
302 012	V4111600200	WASHER , PLAIN	M20	1			
302 013	36707030080	BUSH , 20X23X20		2			
302 014	V4111600100	WASHER , PLAIN	M10	2			
302 015	V6001506000	BEARING , BALL	6000DD	1			
302 016	V5001920015	PIN , SPLIT	2X15	1			
302 017	13632324000	CAM SUB ASSY		1			
302 018	13632324100	ARM COMP , CAM		1			
302 019	14722310060	BEARING , BALL		1			
302 020	V4111600080	WASHER , PLAIN	M8	1			
302 021	V5001920015	PIN , SPLIT	2x15	1			
302 022	36707030080	BUSH , 20X23X20		1			
302 023	13152320023	PIN , NEUTRAL		1			
302 024	V2143610050	BOLT .HEX FINE MACHINE/S	M10X50	1			
302 025	V4011600100	WASHER , SPRING	M10	1			
302 027	13152322306	ARM COMP , REVERSE		1			
302 028	V6001506000	BEARING , BALL	6000DD	1			
302 029	V4111600100	WASHER , PLAIN	M10	1			
302 030	V5001920015	PIN , SPLIT	2X15	1			
302 031	V7041400200	C-RING , SHAFT	20	1			
302 032	V7601500000	NIPPLE , GREASE/A-M6F		1			
302 033	13152325101	PIN COMP , SPRING		1			
302 034	V2173608025	BOLT , HEX/S	M8X25	2			
302 035	13152312400	DAMPER , OIL		1			
302 036	V4111600080	WASHER , PLAIN	M8	4			
302 037	V5601600008	PIN , SNAP	8	4			
302 038	14043120060	PIN , YOKE		1			
302 041	34522150080	ROD , CHAIN(TENSION)(82)		1			
302 042	V3043600080	NUT , HEX/2	M8	2			
302 043	14722310033	SPRING , RETURN		1			
302 044	13152332103	BRACKET COMP , CRUISE		1			
302 045	V2173608020	BOLT , HEX/S	M8X20	2			
302 046	12382323000	MAGNETIC ASSY , CRUISE		1			
302 047	V2173608020	BOLT , HEX/S	M8X20	2			
302 048	13152323303	PEDAL COMP , FORWARD		1			
302 049	V2173608020	BOLT , HEX/S	M8X20	4			
302 050	13152322401	PEDAL COMP , REVERSE		1			
302 051	14722312730	PAD		2			
		- NEXT -					
NOTE							

FIG 302

SPEED CONTROL

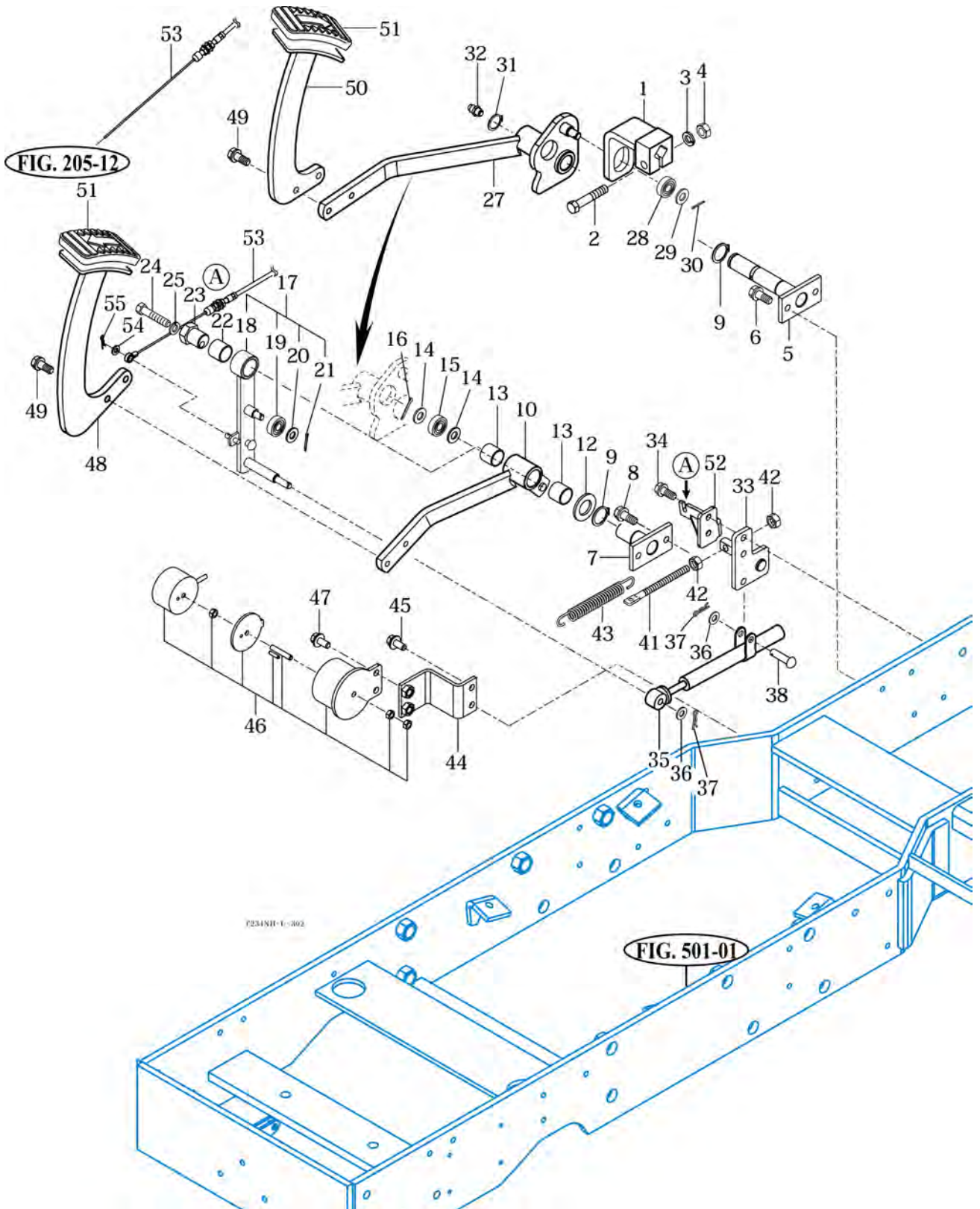
P2

YEAR

2018



T264NH



NOTE

FIG 303

BRAKE

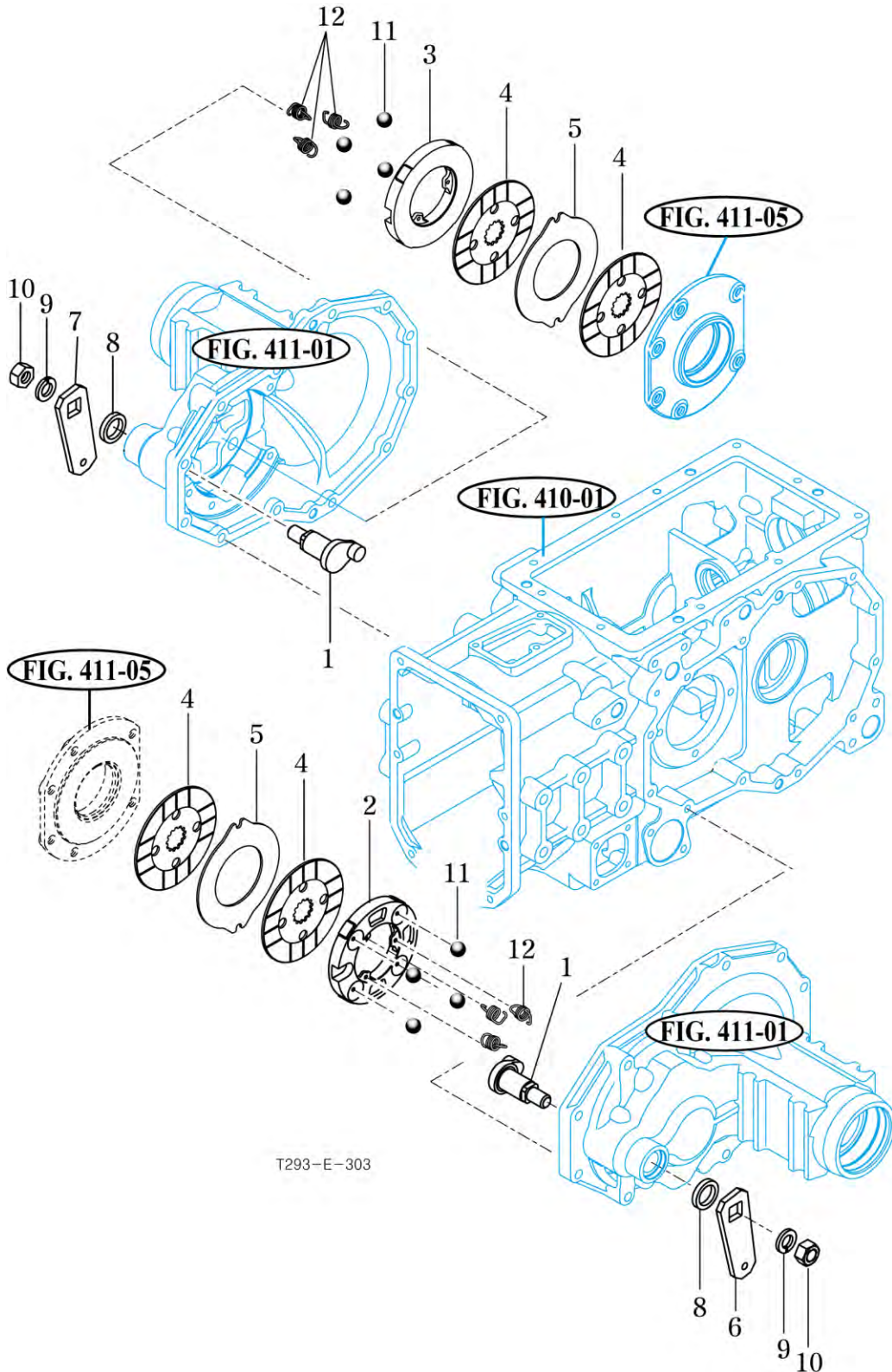
P1

YEAR

2018



T264NH



T293-E-303

NOTE

FIG 304

BRAKE PEDAL & LINKAGE

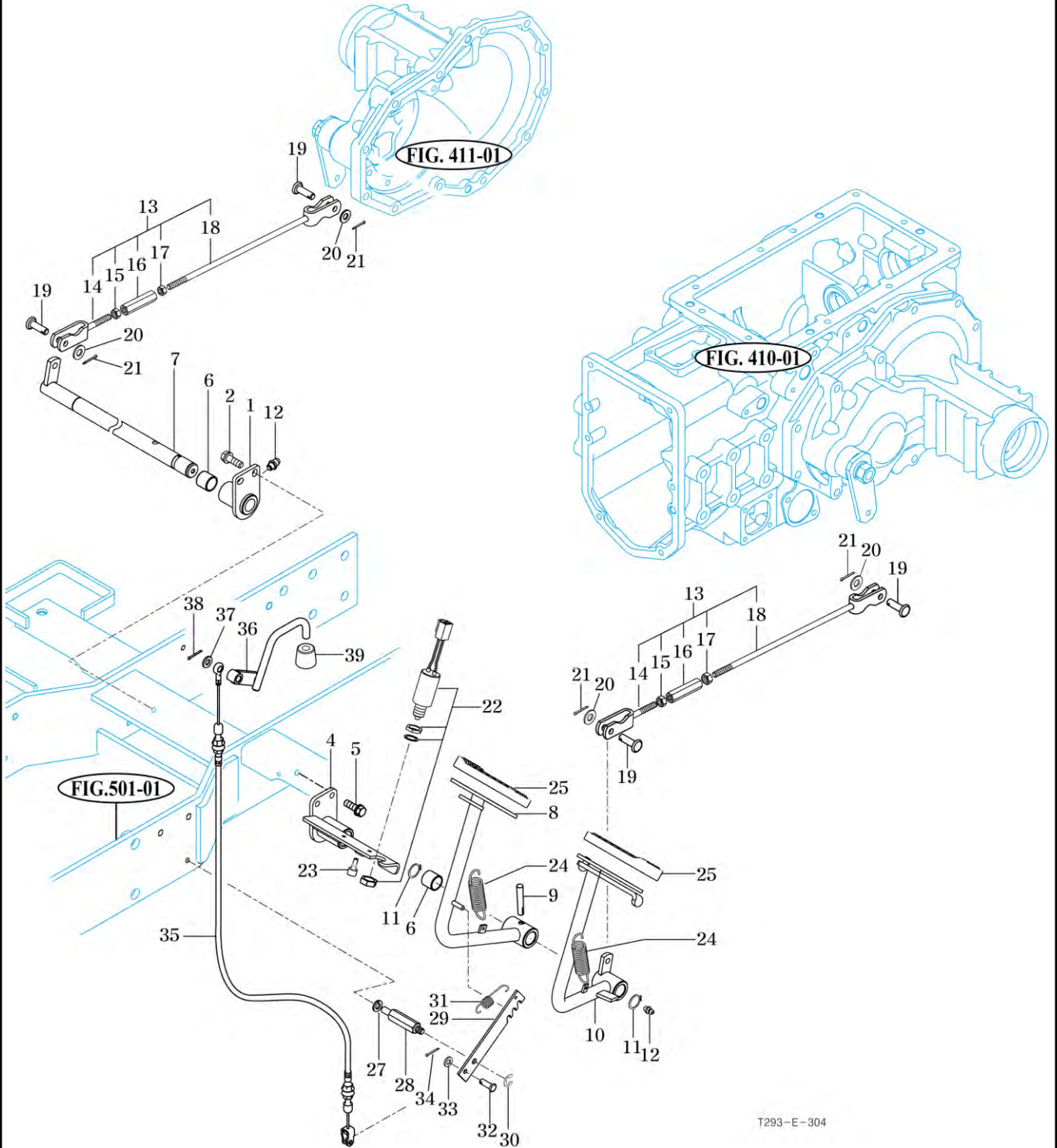
YEAR

P1

2018



T264NH



T293-E-304

NOTE

FIG 305

STEERING WHEEL & DASH COVER

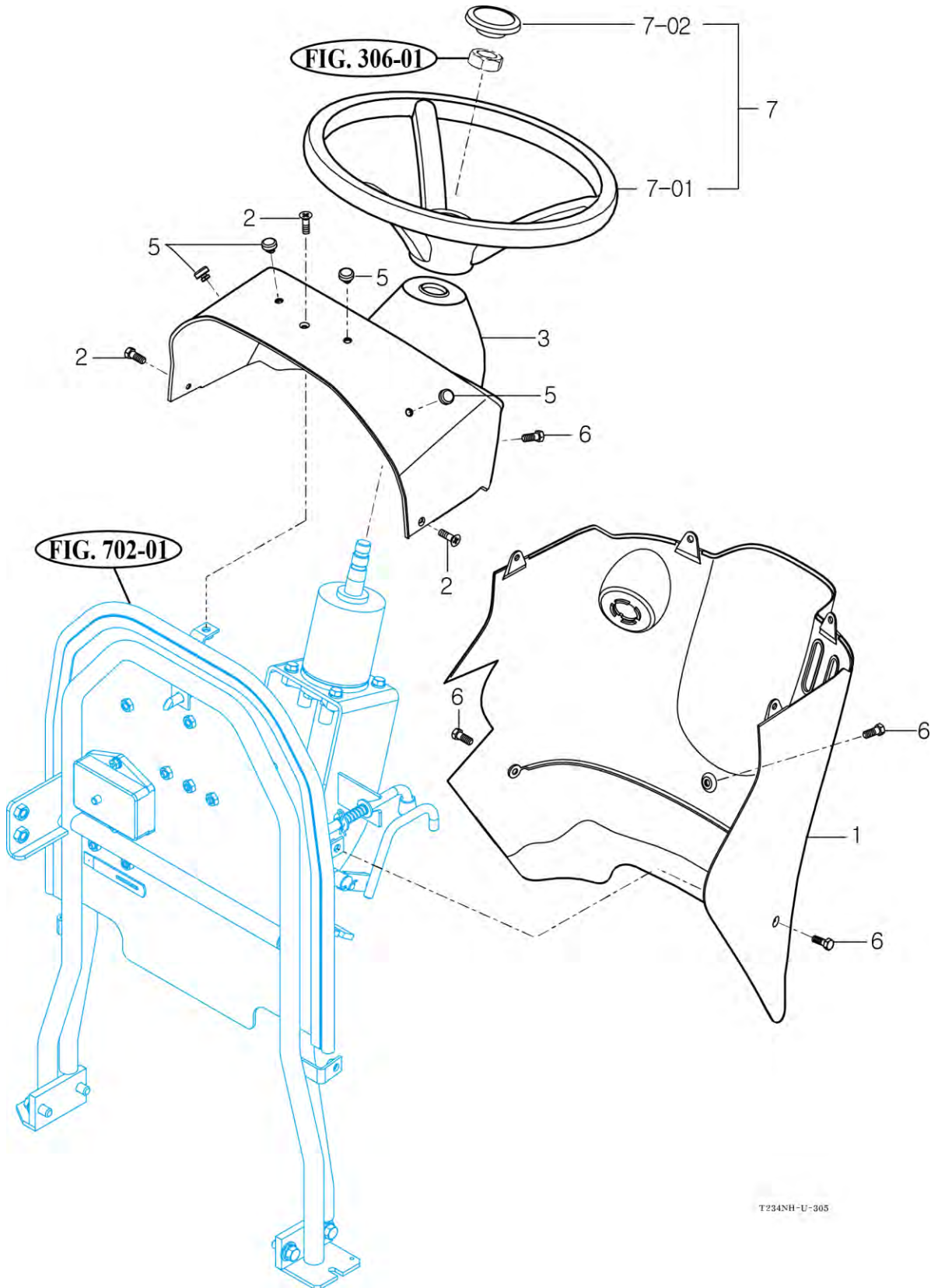
P1

YEAR

2018



T264NH



T234NH-U-305

NOTE

FIG 306

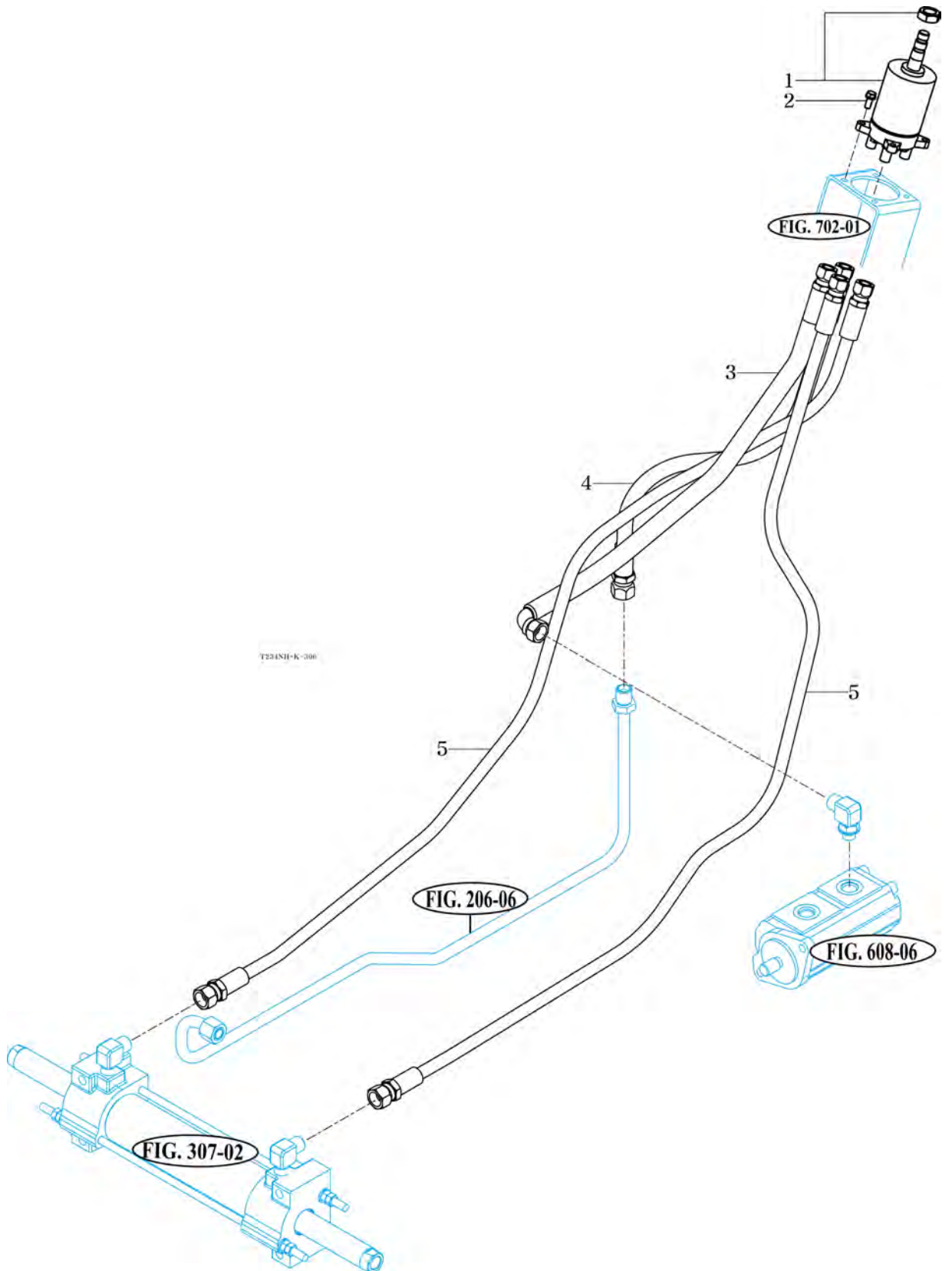
T264NH

STEERING VALVE

P1

YEAR

2018



NOTE

FIG 307

STEERING CYLINDER

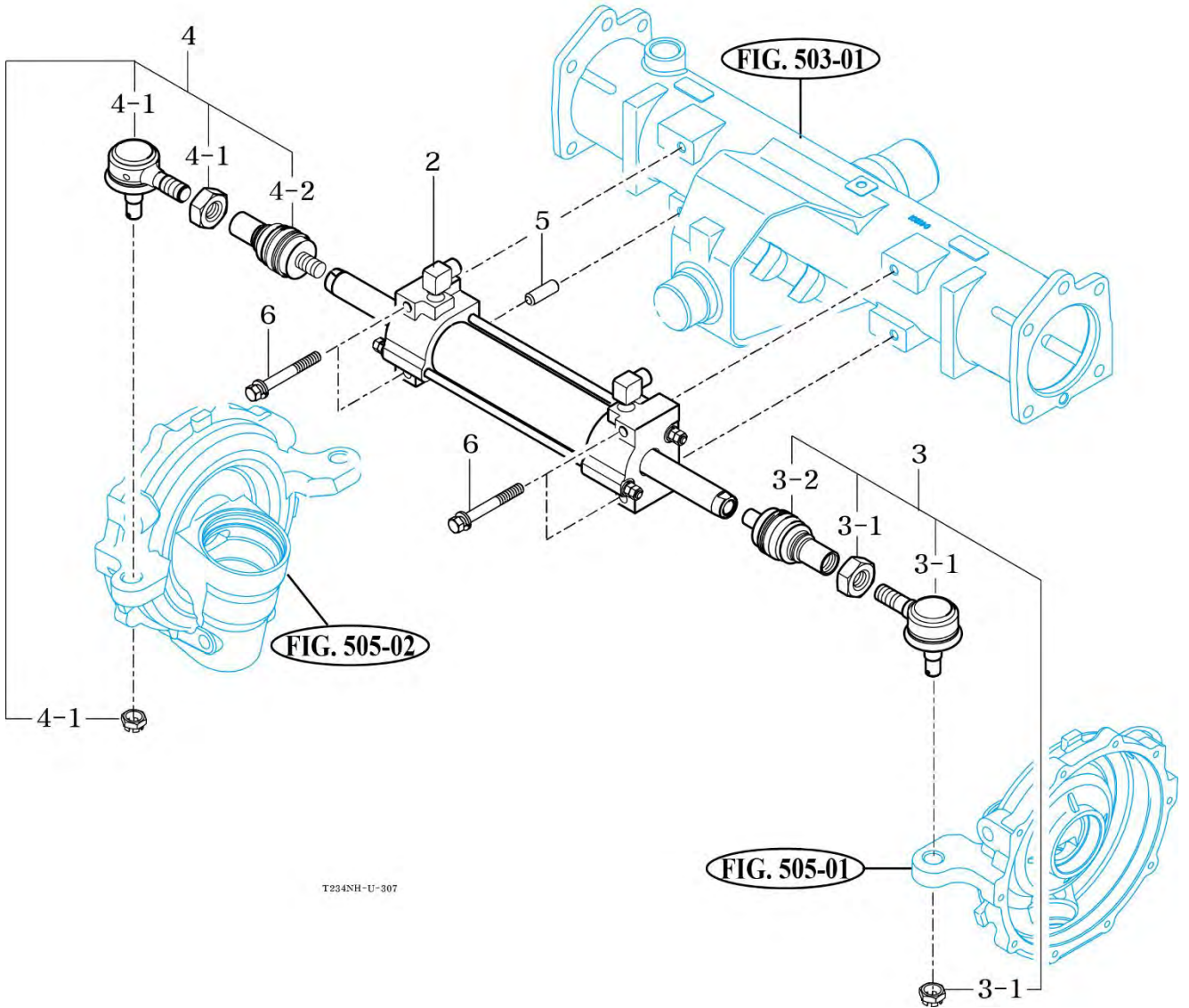
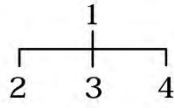
P1

YEAR

2018



T264NH



T264NH-U-307

NOTE

FIG 308

FRONT WHEEL

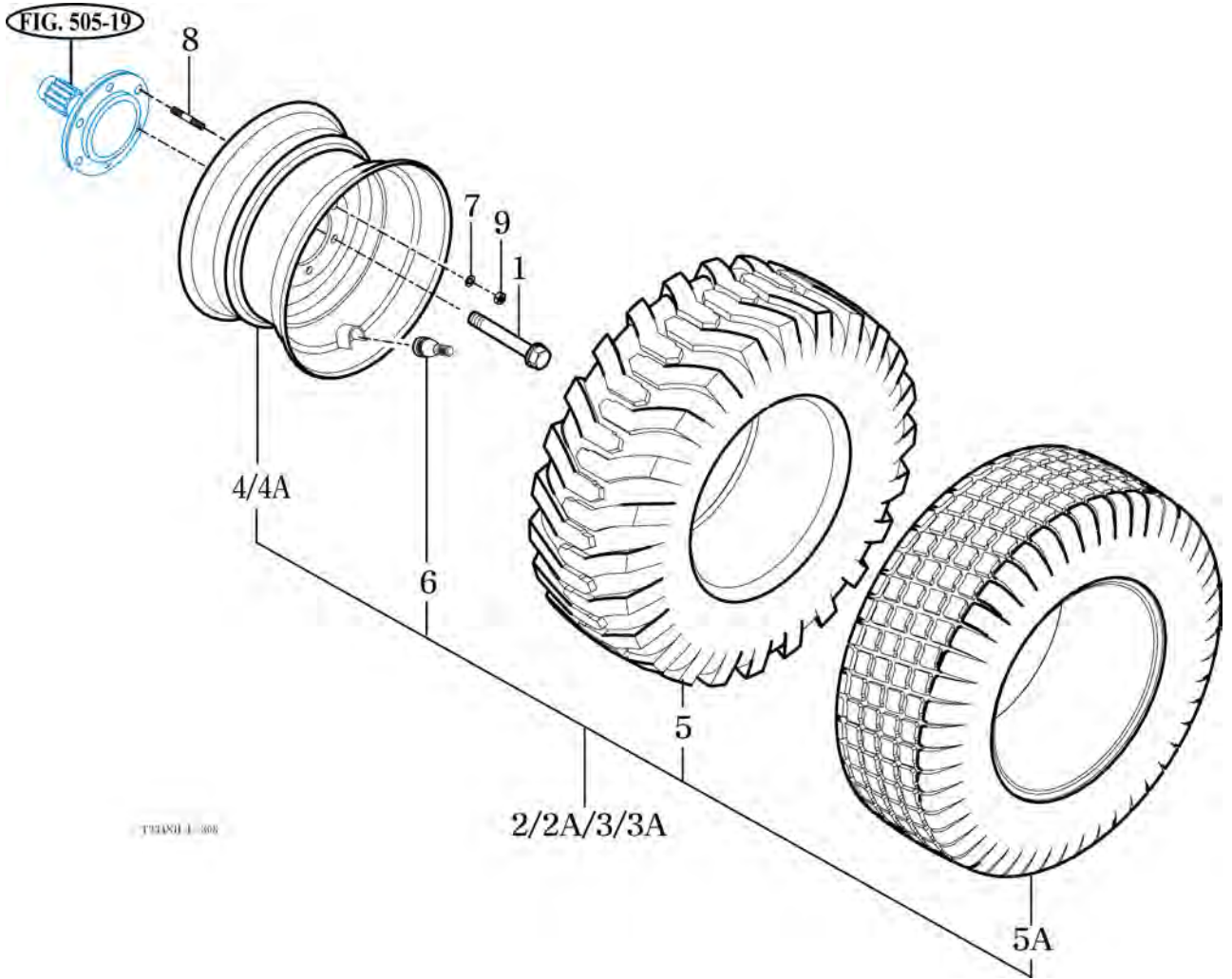
P1

YEAR

2018



T264NH



NOTE

FIG 401

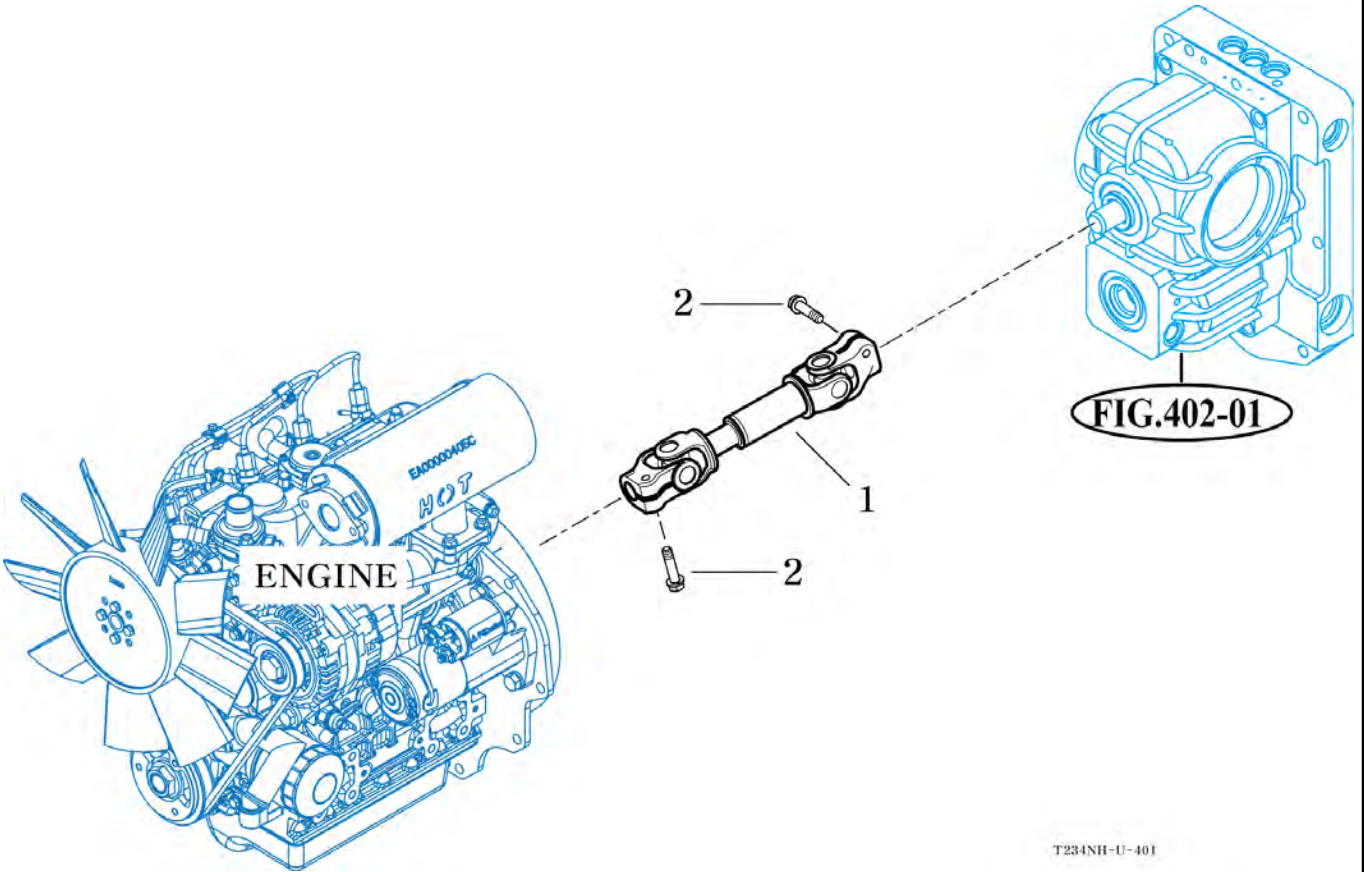
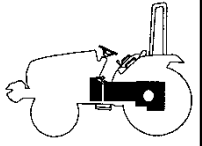
T264NH

INPUT SHAFT

P1

YEAR

2018



NOTE

FIG 402

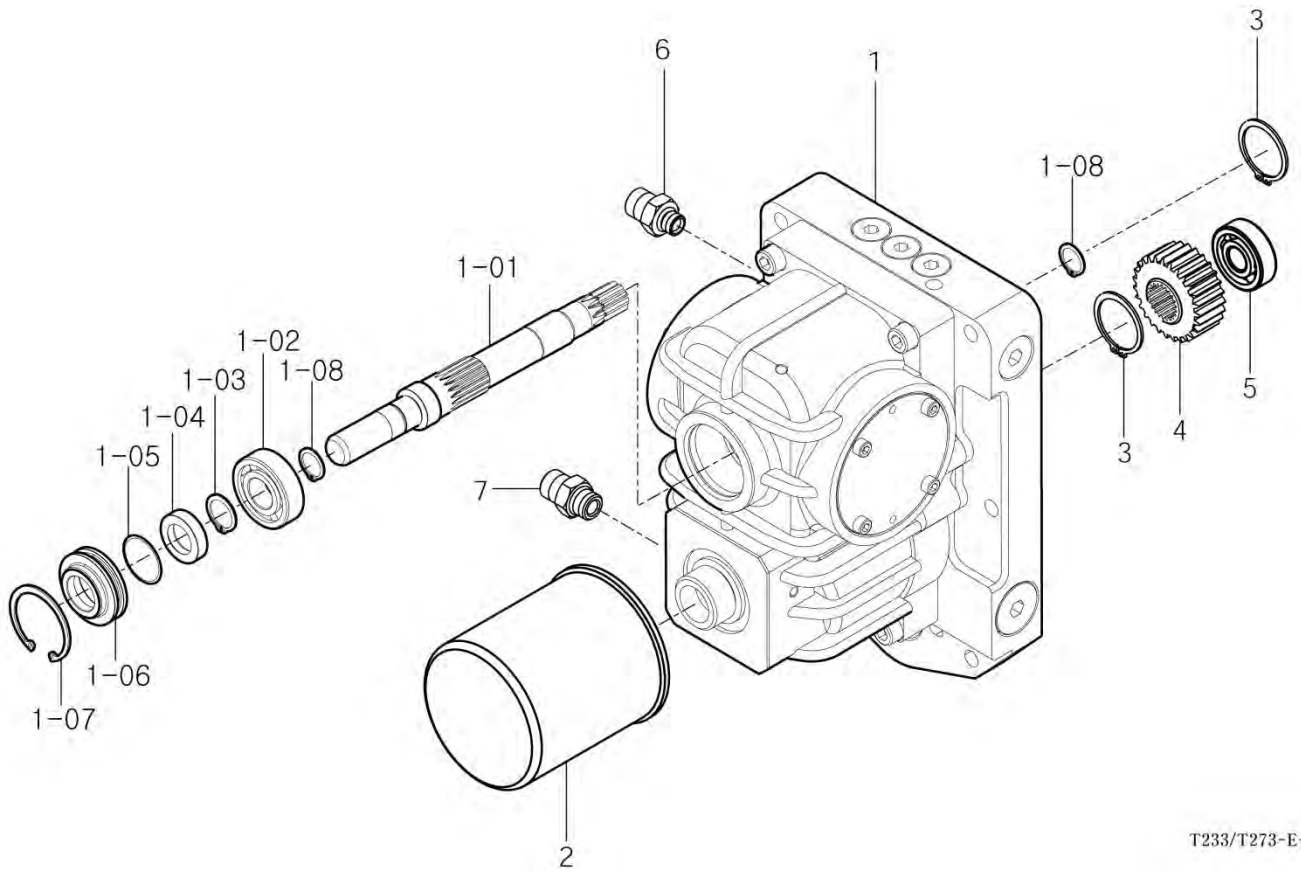
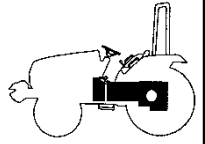
T264NH

HST

P1

YEAR

2018



T233/T273-E-402B

NOTE

FIG 403

T264NH

4WD DRIVE GEAR

P1

YEAR

2018

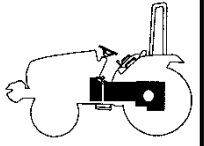
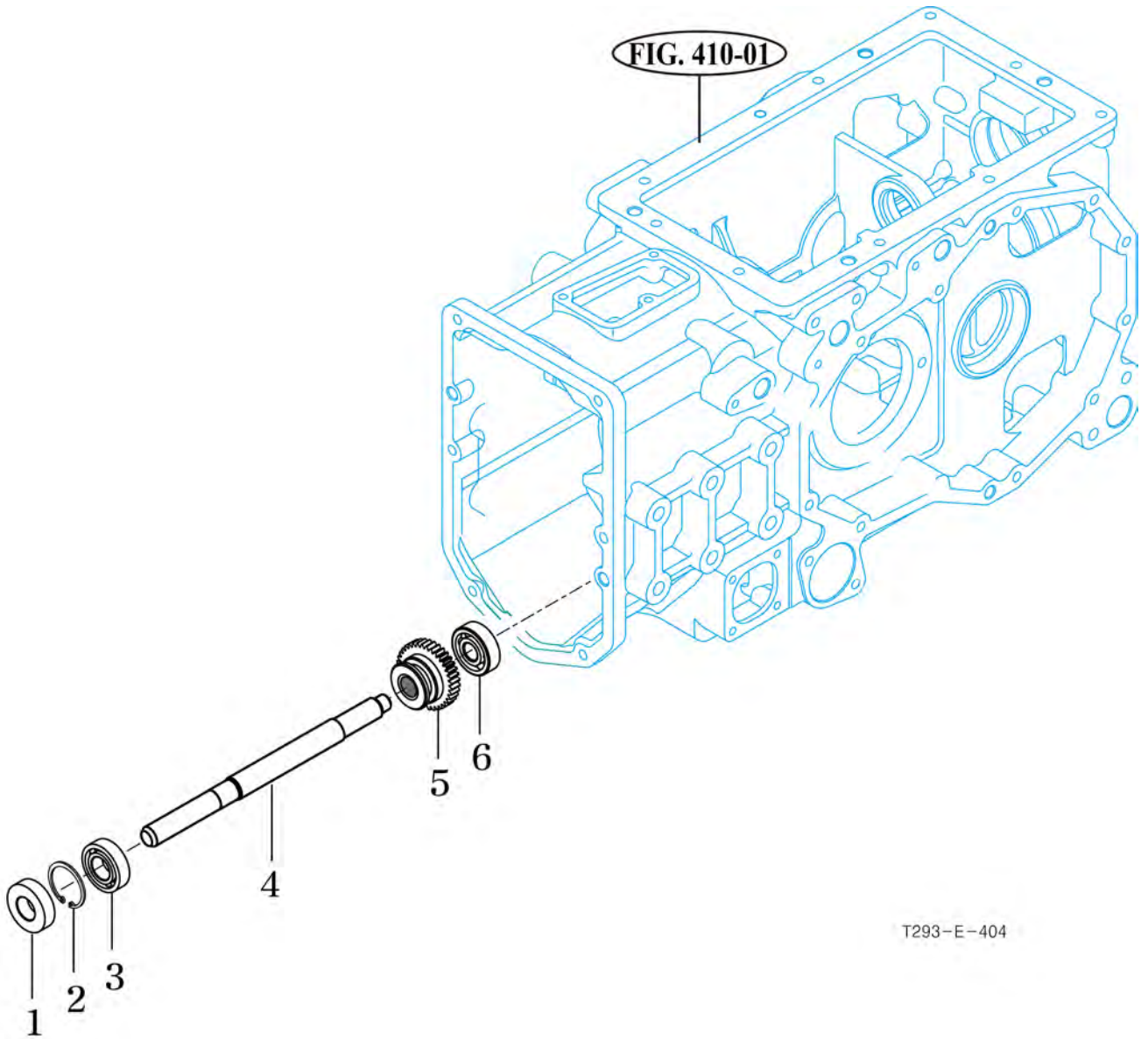


FIG. 410-01



T293-E-404

NOTE

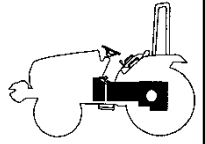
FIG 404

RANGE GEARS

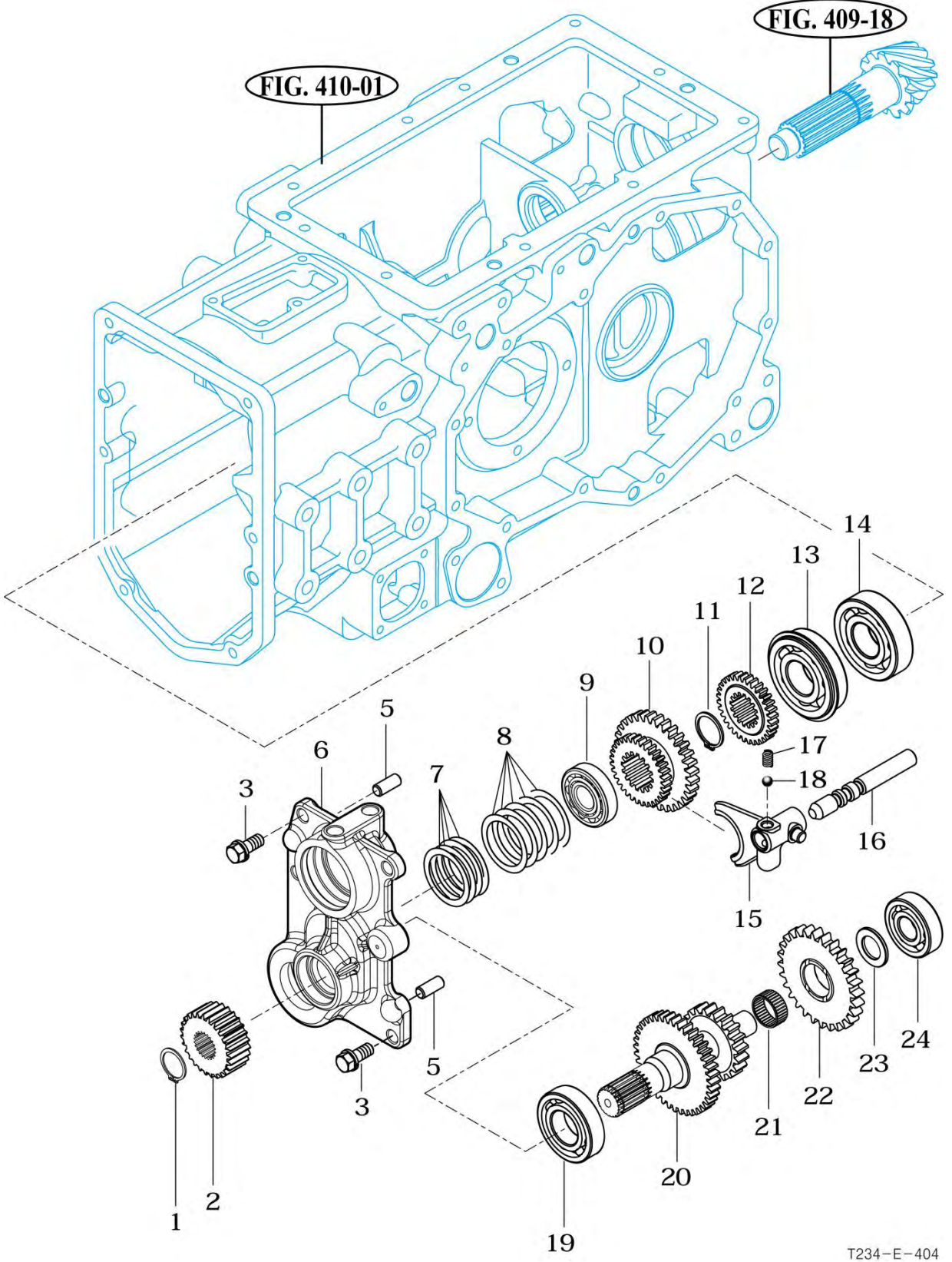
P1

YEAR

2018



T264NH



T234-E-404

NOTE

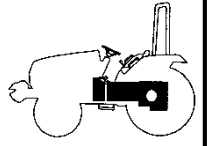
FIG 405

P.T.O DRIVE SHAFT

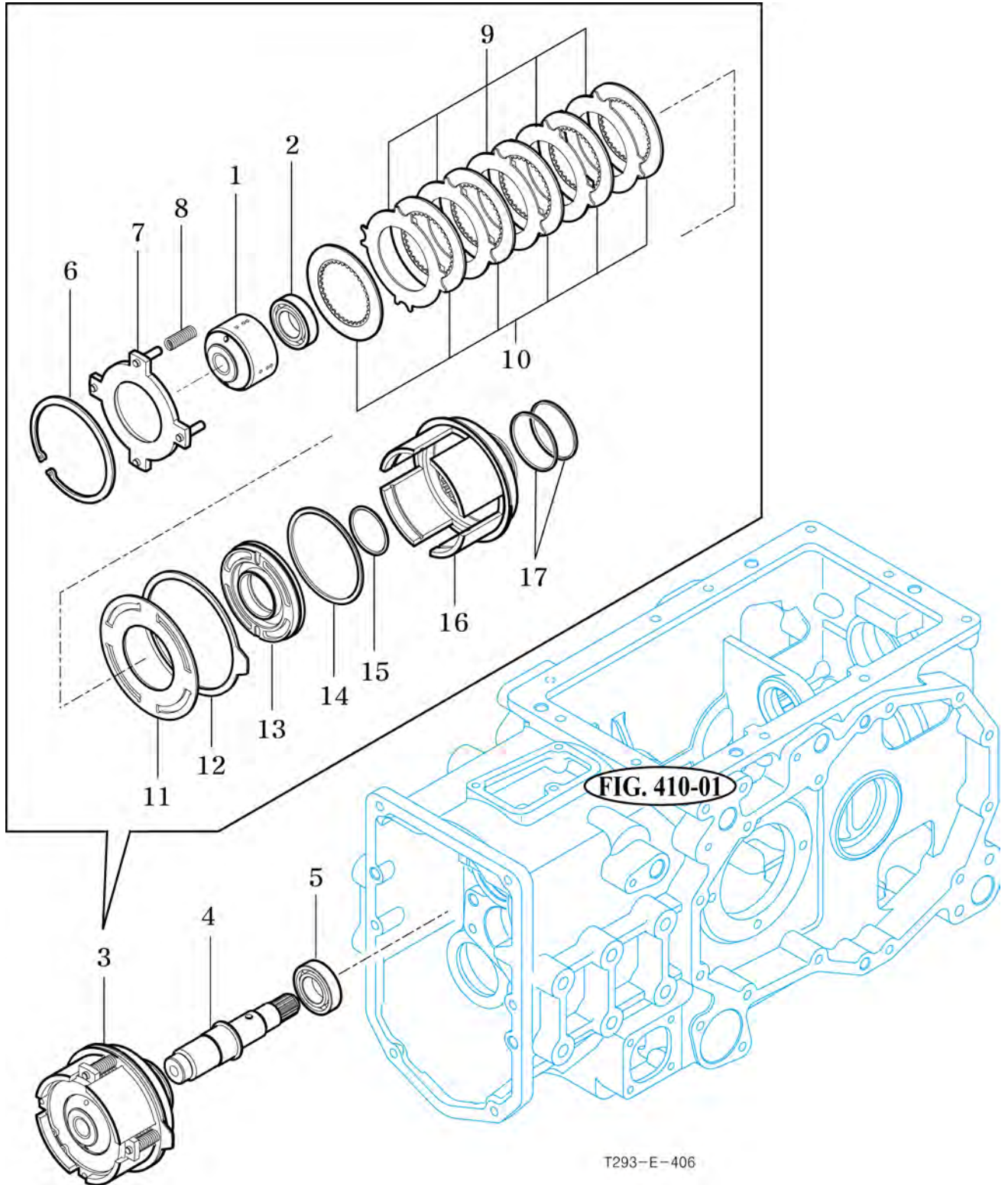
P1

YEAR

2018



T264NH



NOTE

FIG 406

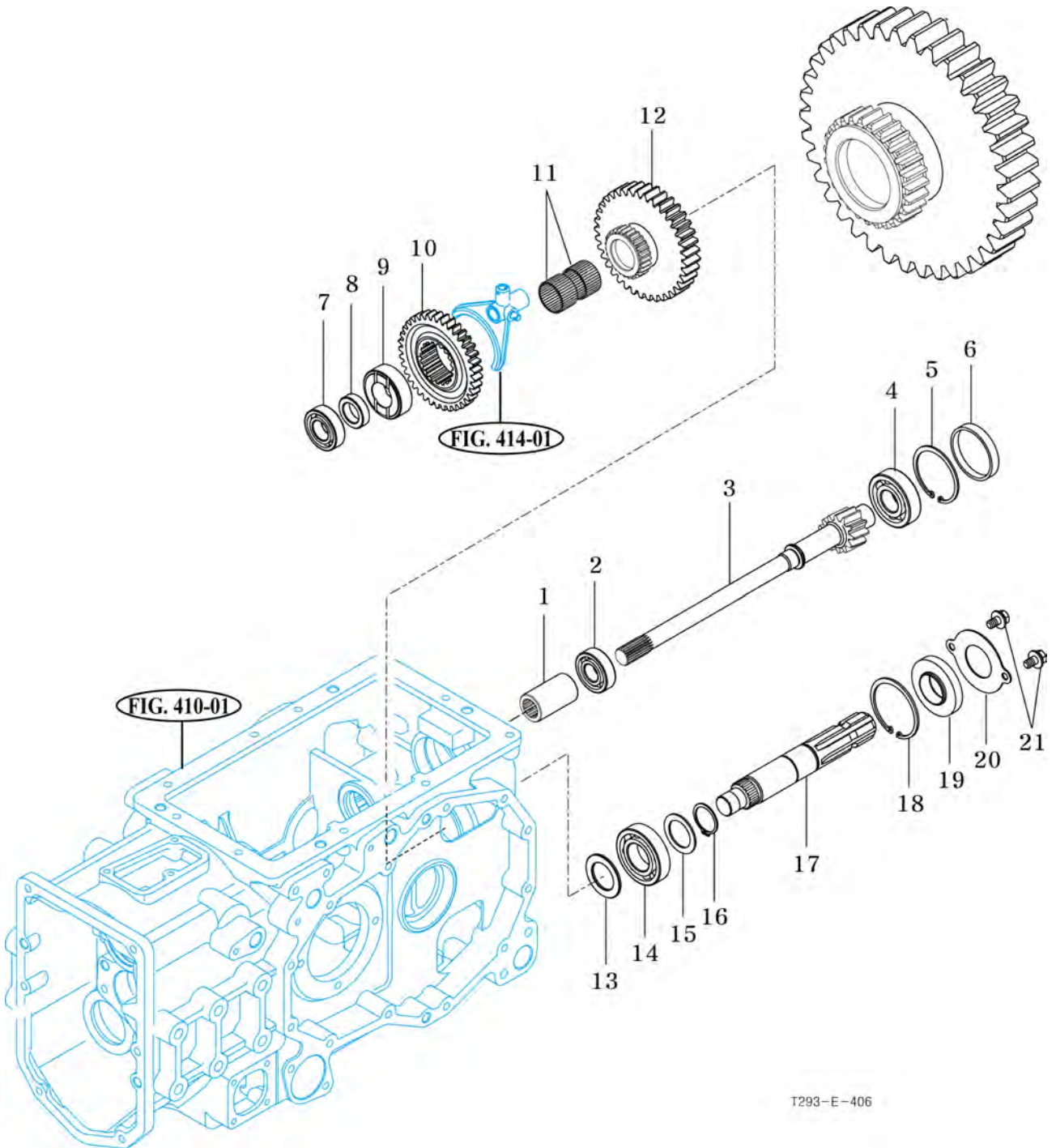
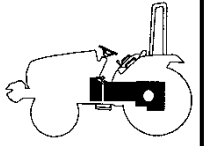
T264NH

P.T.O SHAFT

P1

YEAR

2018



T293-E-406

NOTE

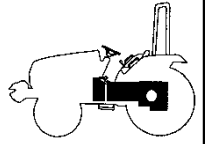
FIG 408

DIFF LOCK

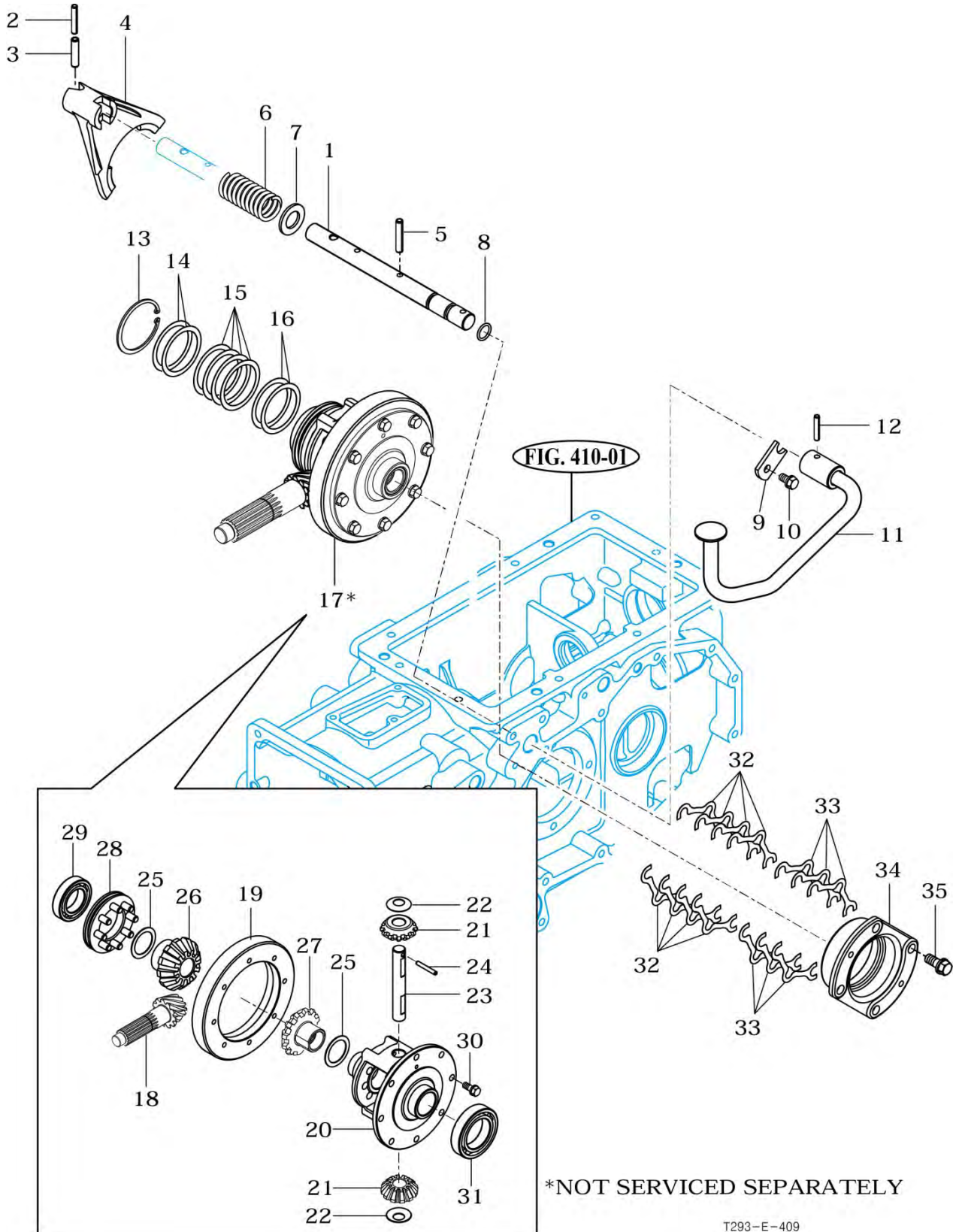
P1

YEAR

2018



T264NH



NOTE

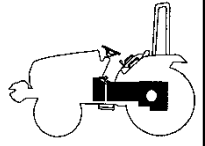
FIG 409

REAR TRANSMISSION CASE

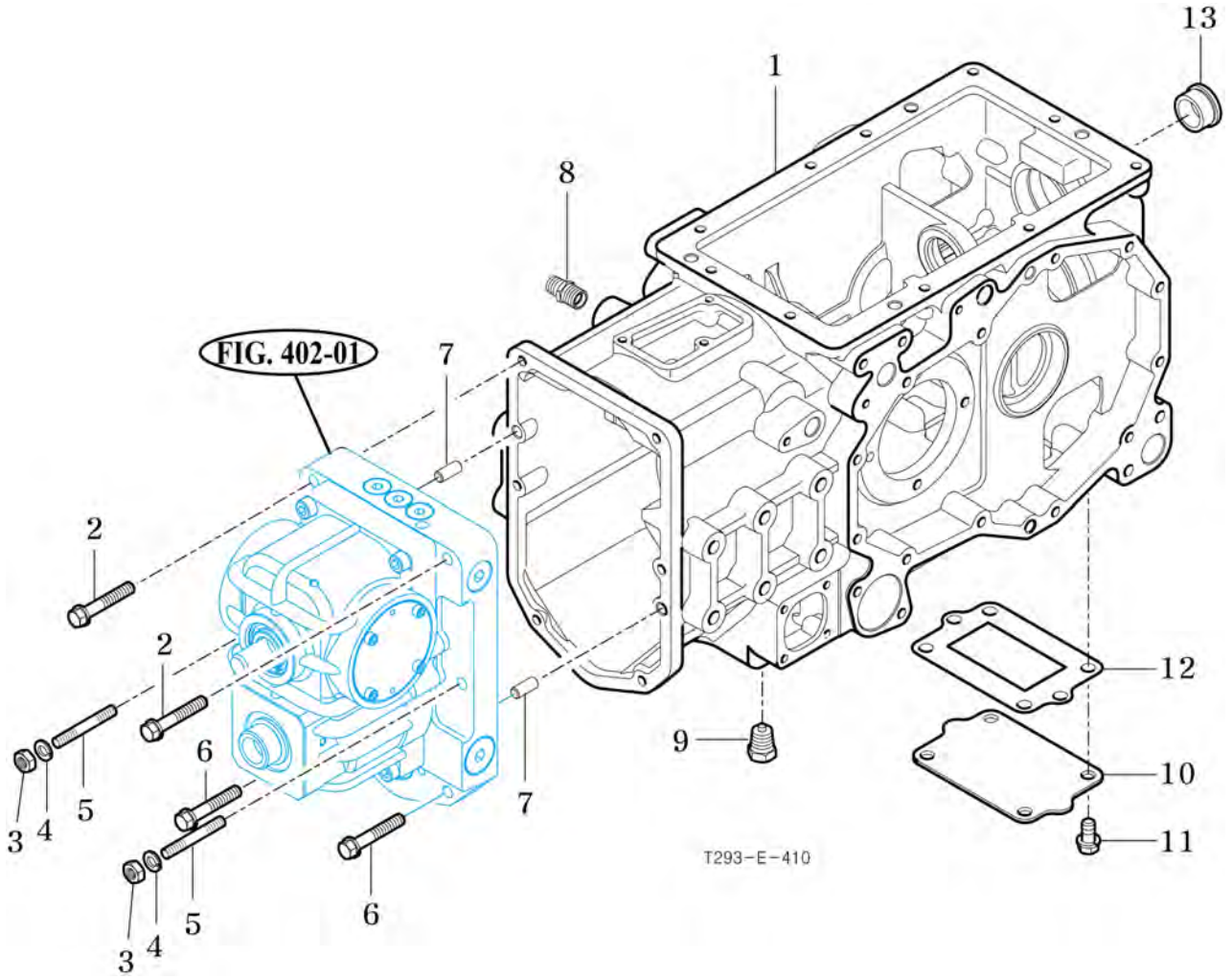
P1

YEAR

2018



T264NH



NOTE

FIG 410

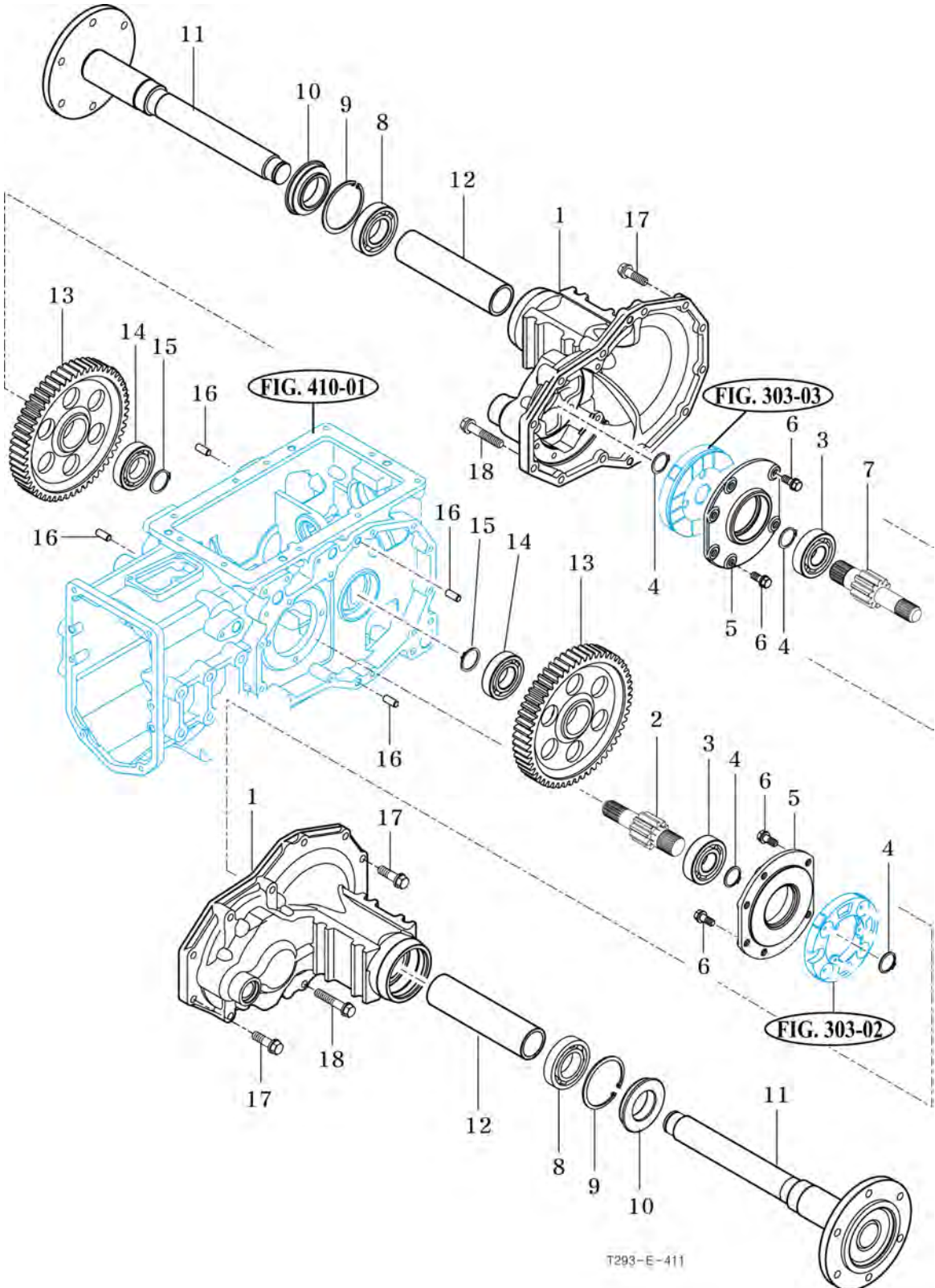
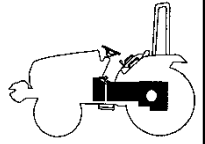
REAR AXLE HOUSINGS

T264NH

P1

YEAR

2018



T293-E-411

NOTE

FIG 411

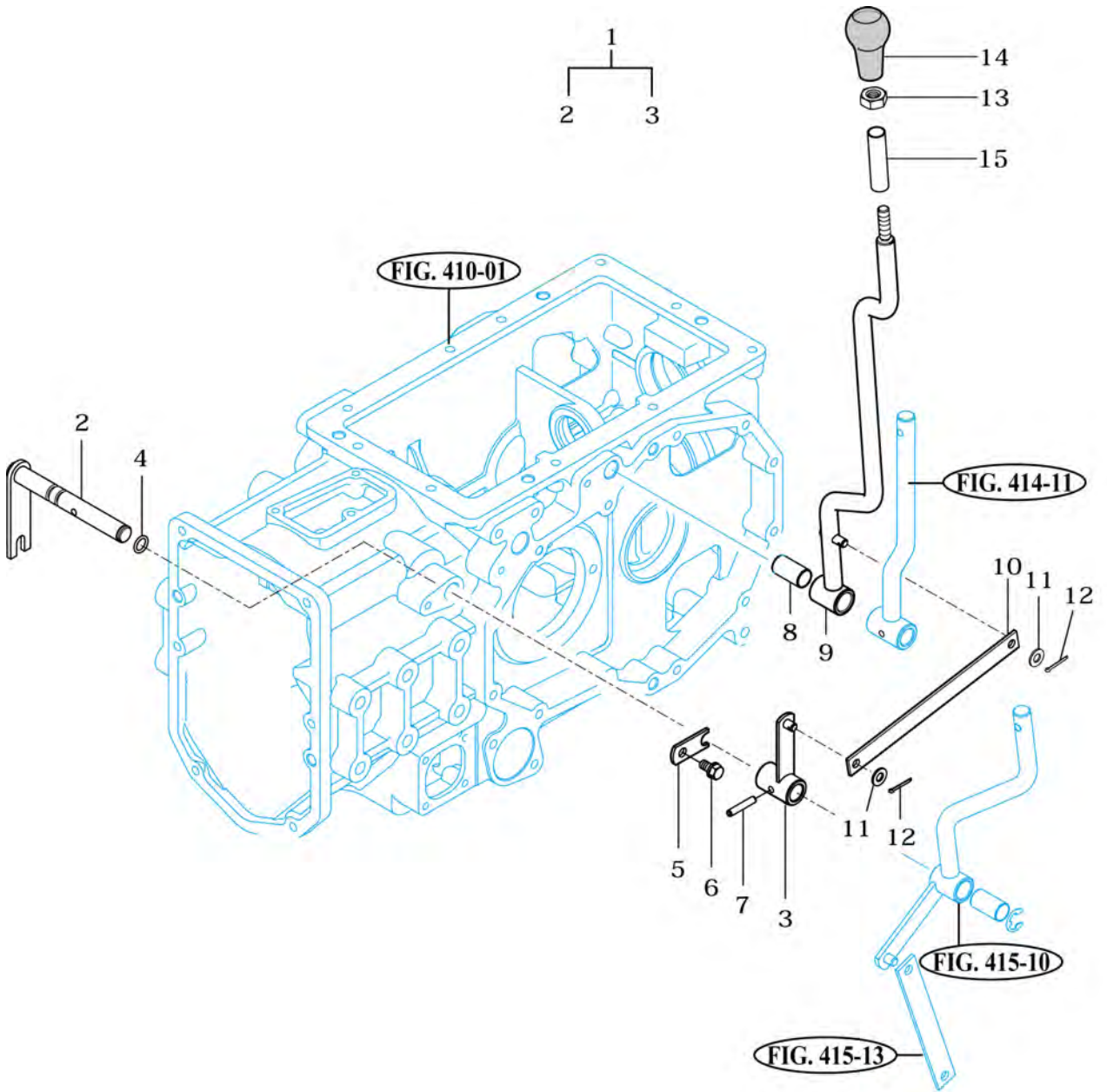
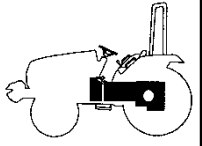
T264NH

RANGE SHIFT LEVER

P1

YEAR

2018



T293-E-413

NOTE

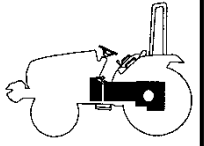
FIG 412

P.T.O CHANGE LEVER

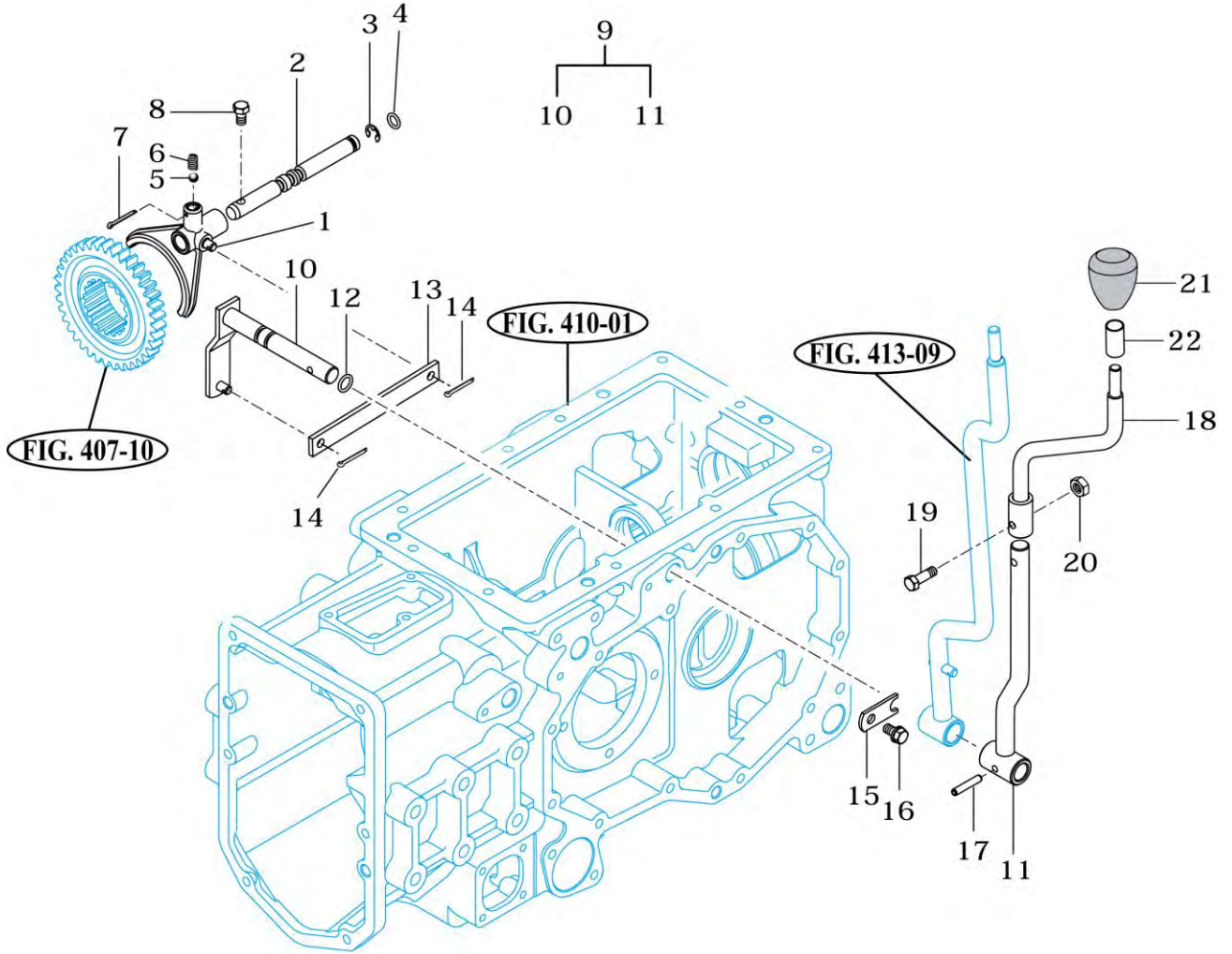
P1

YEAR

2018



T264NH



T293-E-414

NOTE

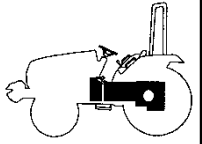
FIG 413

4WD CHANGE LEVER

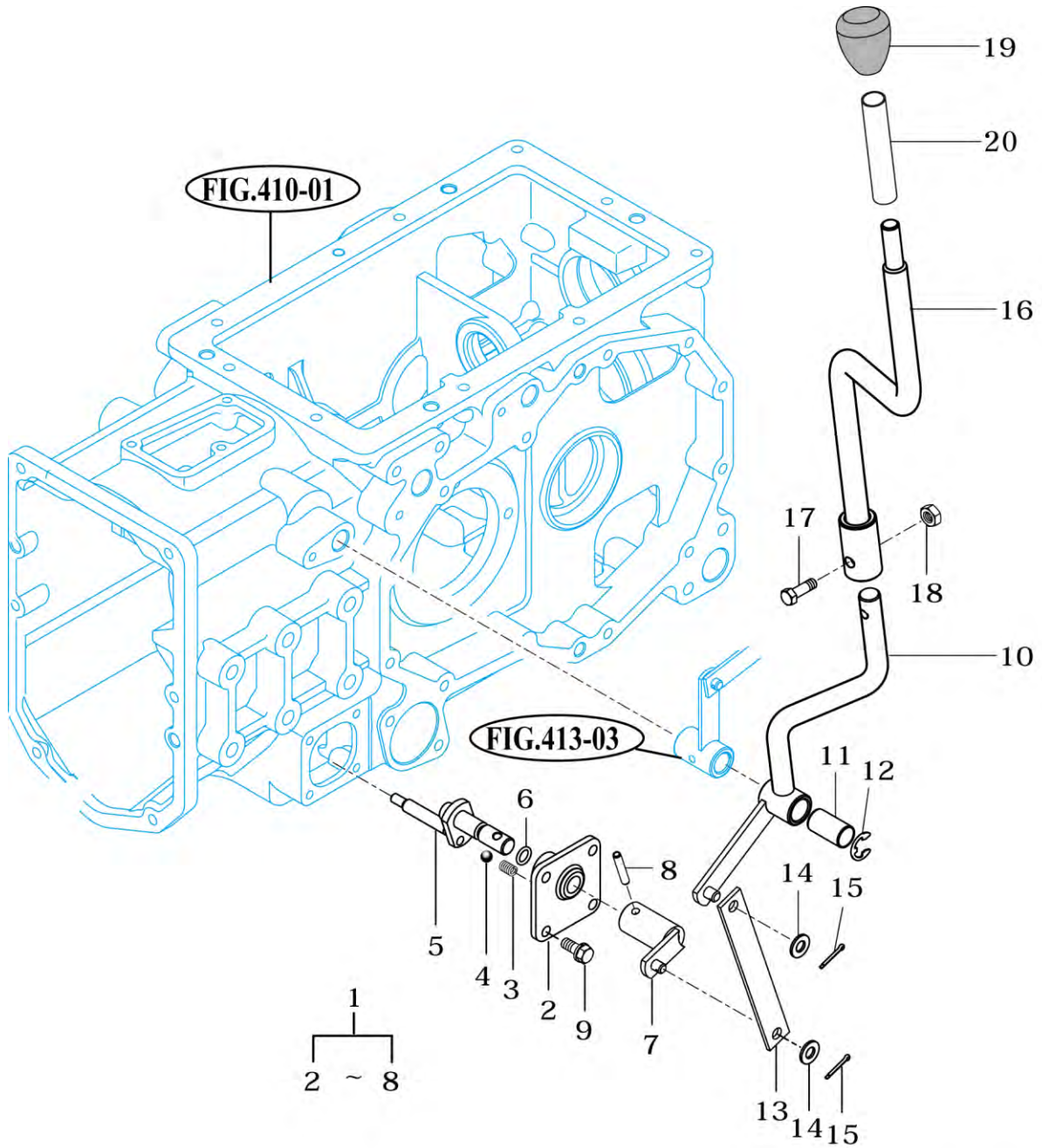
P1

YEAR

2018



T264NH



T293-E-415

NOTE

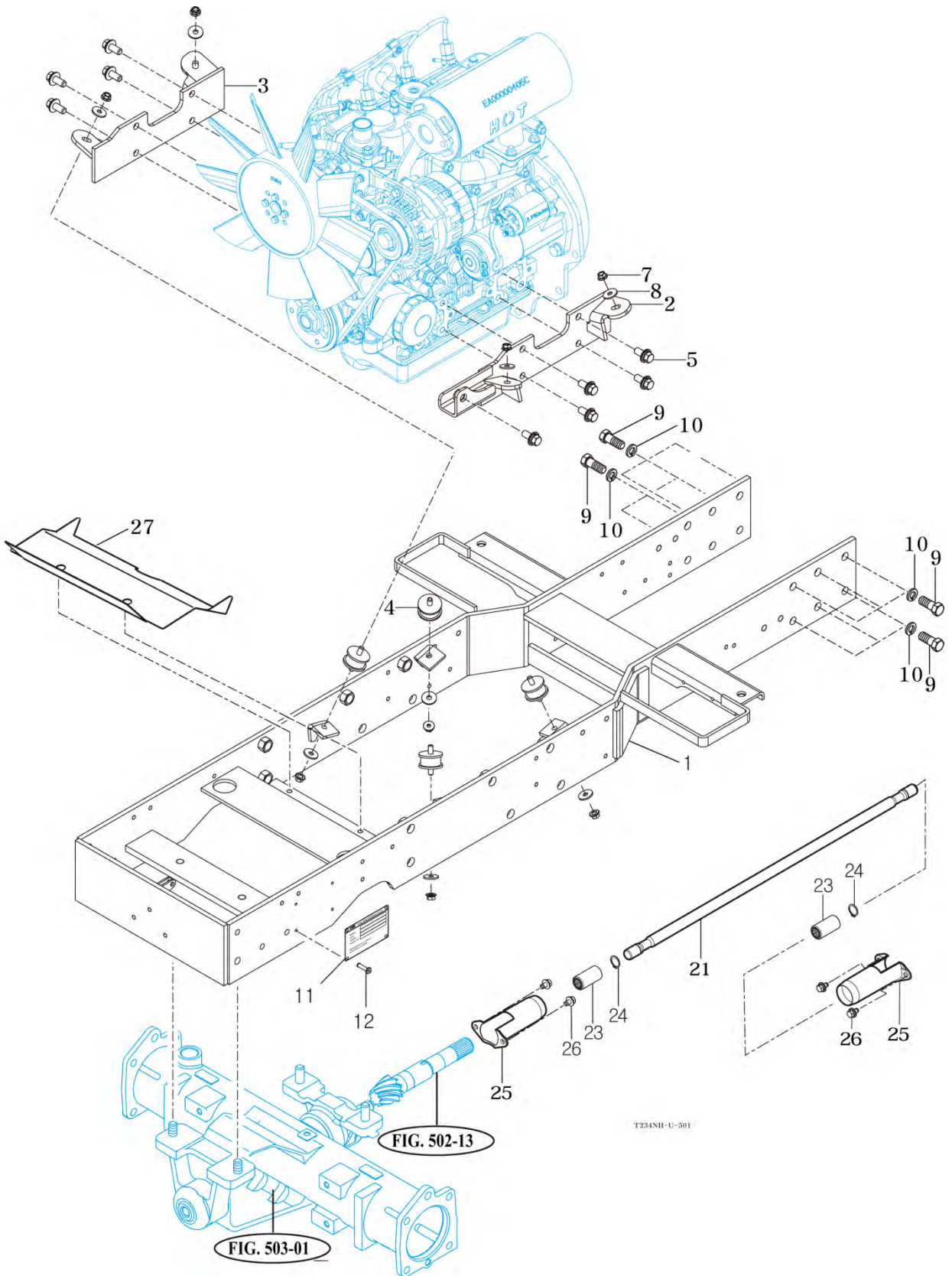
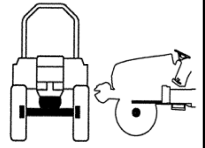
FIG 501

FRAME

P1

YEAR

2018



T284NH-U-501

NOTE

FIG 502

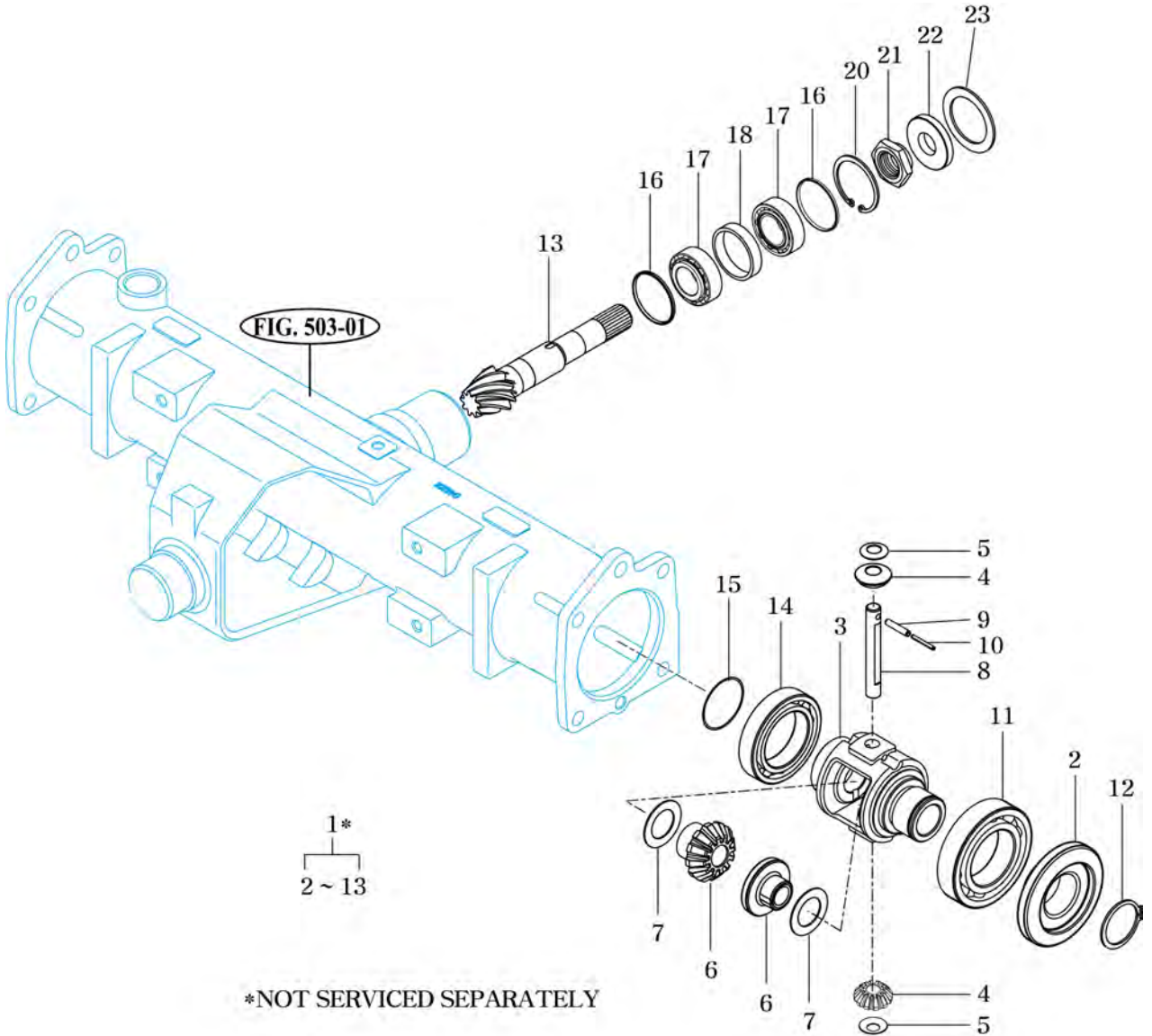
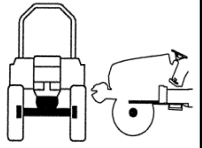
FRONT DIFFERENTIAL GEARS & SHAFT

T264NH

P1

YEAR

2018



T293-E-502

NOTE

FIG 503

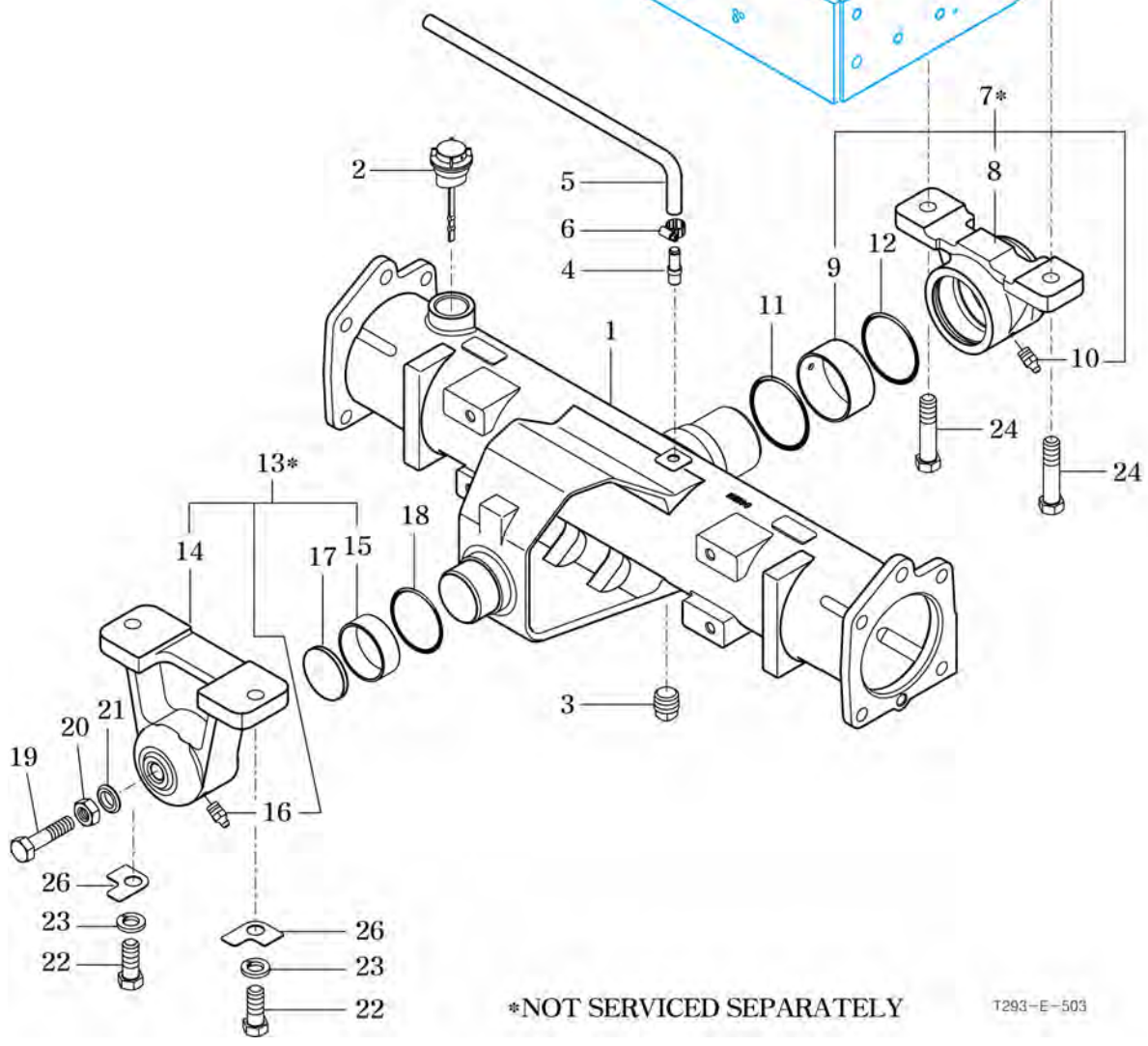
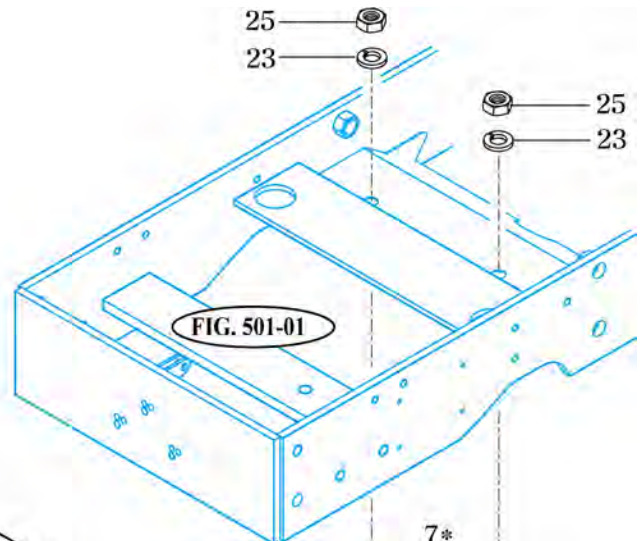
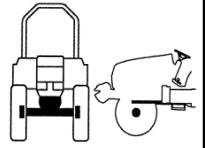
FRONT AXLE HOUSING

T264NH

P1

YEAR

2018



*NOT SERVICED SEPARATELY

T293-E-503

NOTE

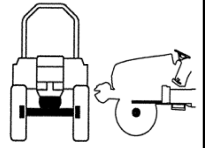
FIG 504

FRONT GEAR CASE (1)

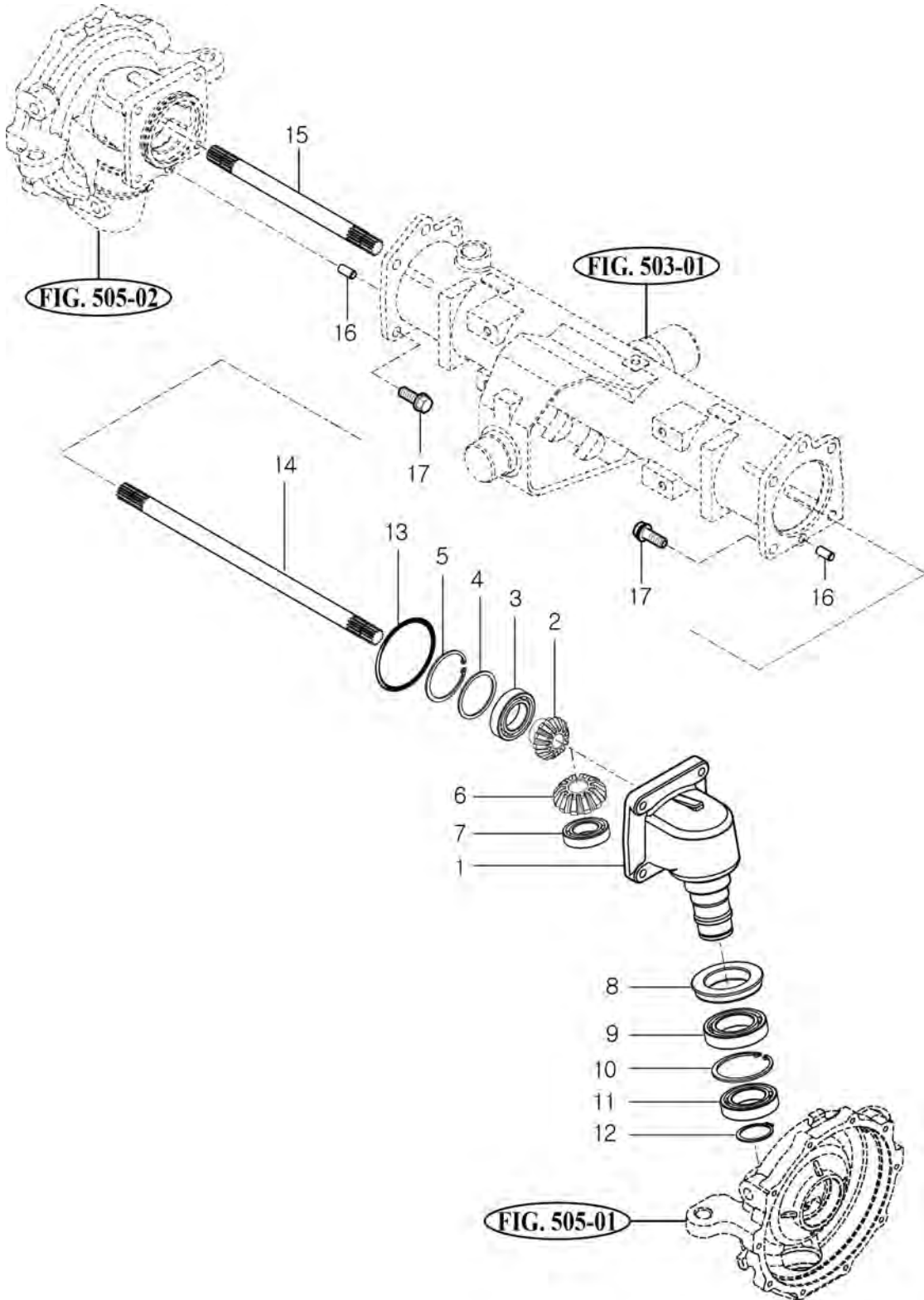
P1

YEAR

2018



T264NH



T233/T273-E-504A

NOTE

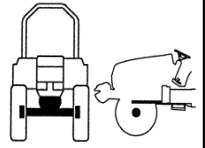
FIG 505

FRONT GEAR CASE (2)

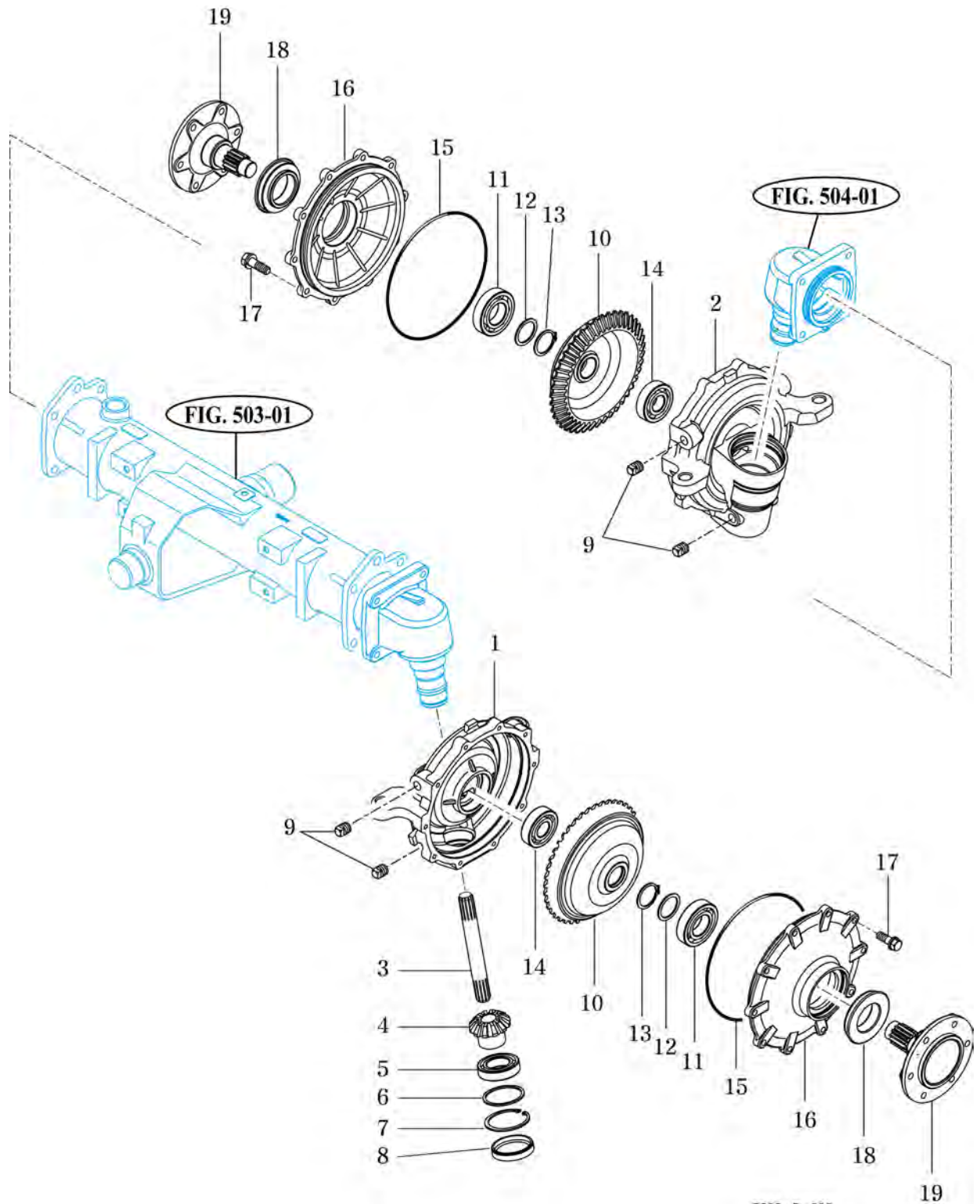
P1

YEAR

2018



T264NH



T293-E-505

NOTE

FIG 601

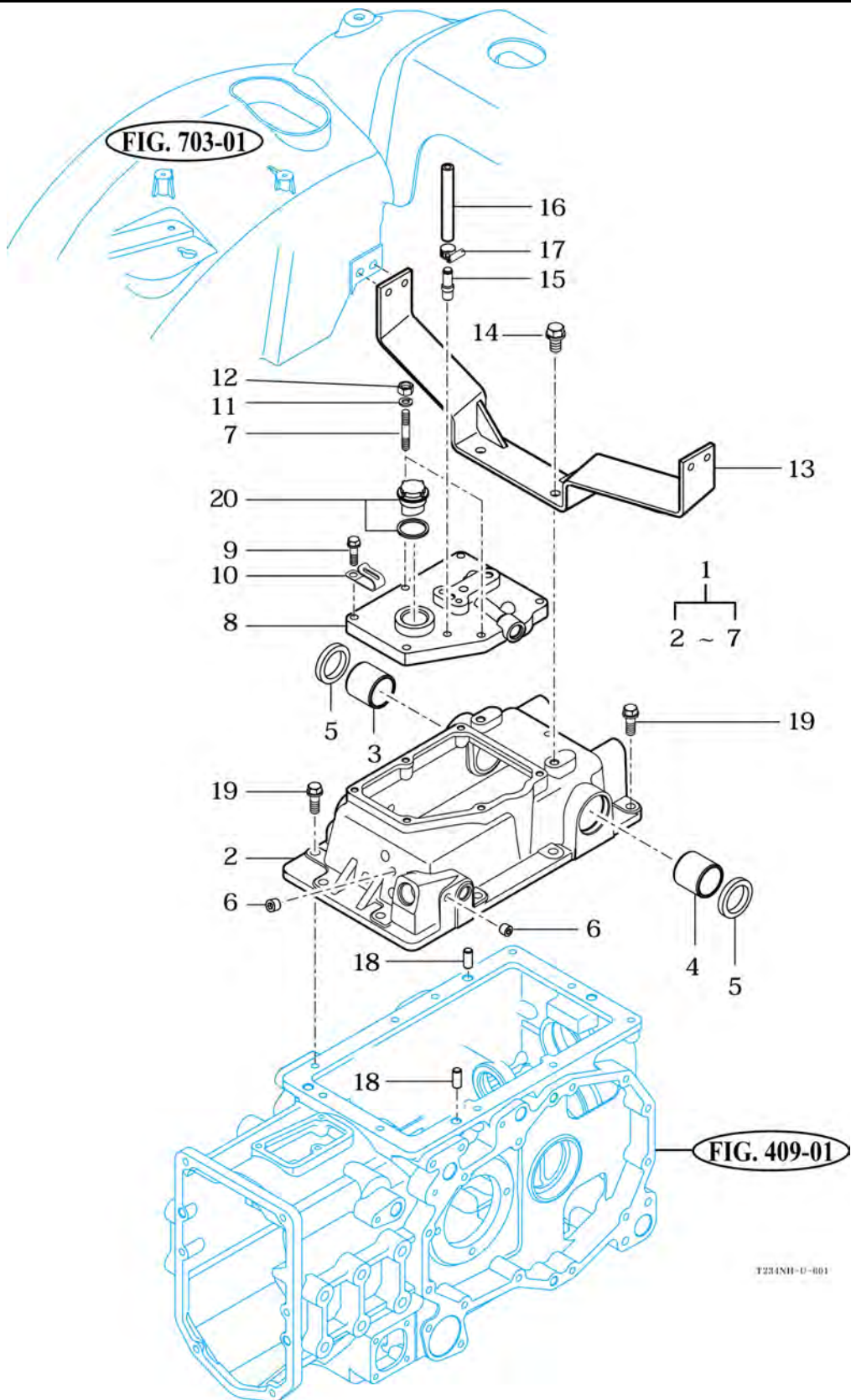
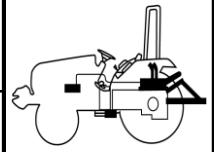
CYLINDER CASE

T264NH

P1

YEAR

2018



T234NH-U-001

NOTE

FIG 602

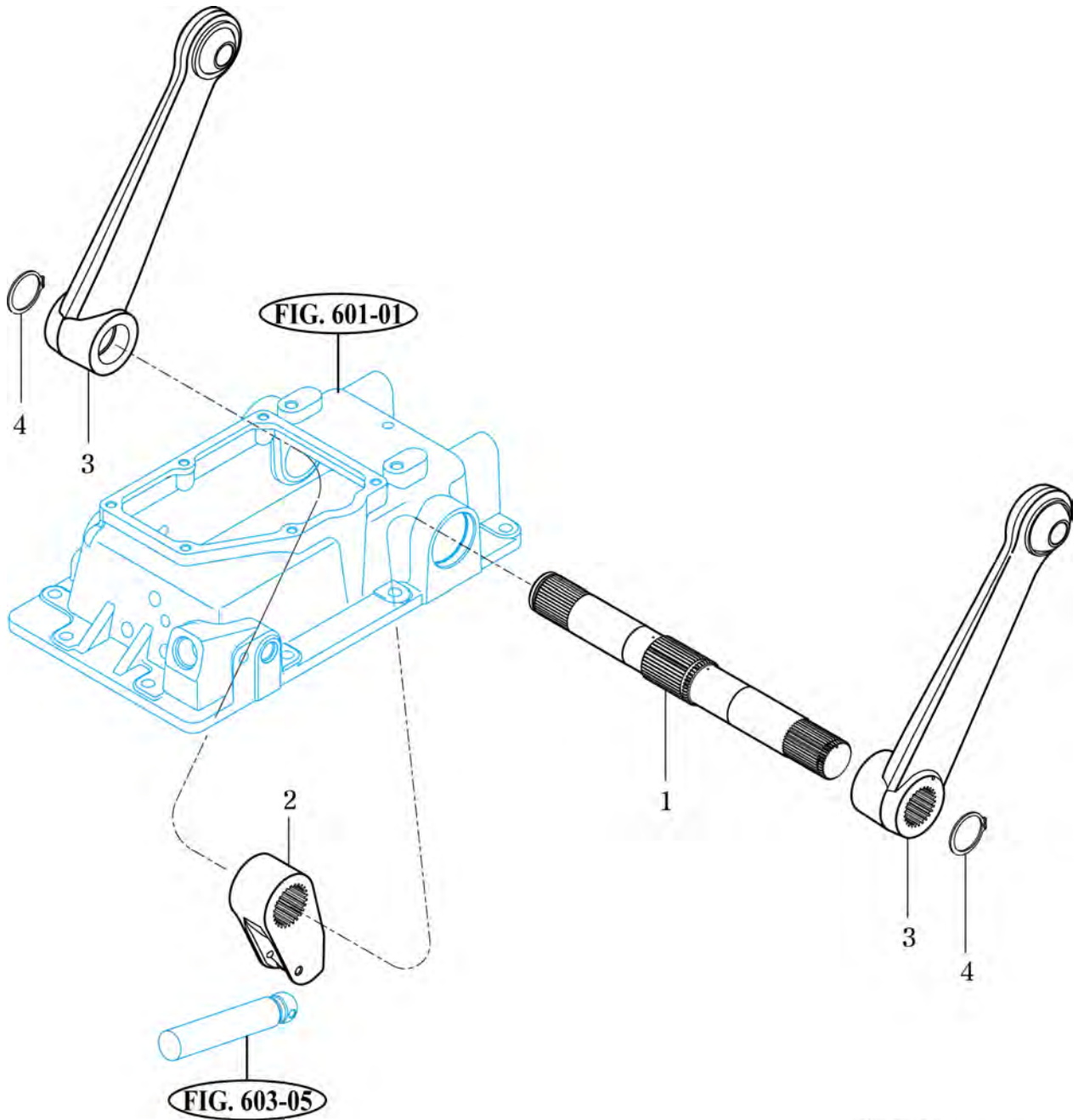
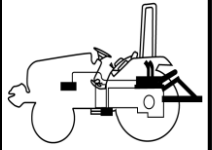
T264NH

LIFT ARM

P1

YEAR

2018



T293-E-602

NOTE

FIG 603

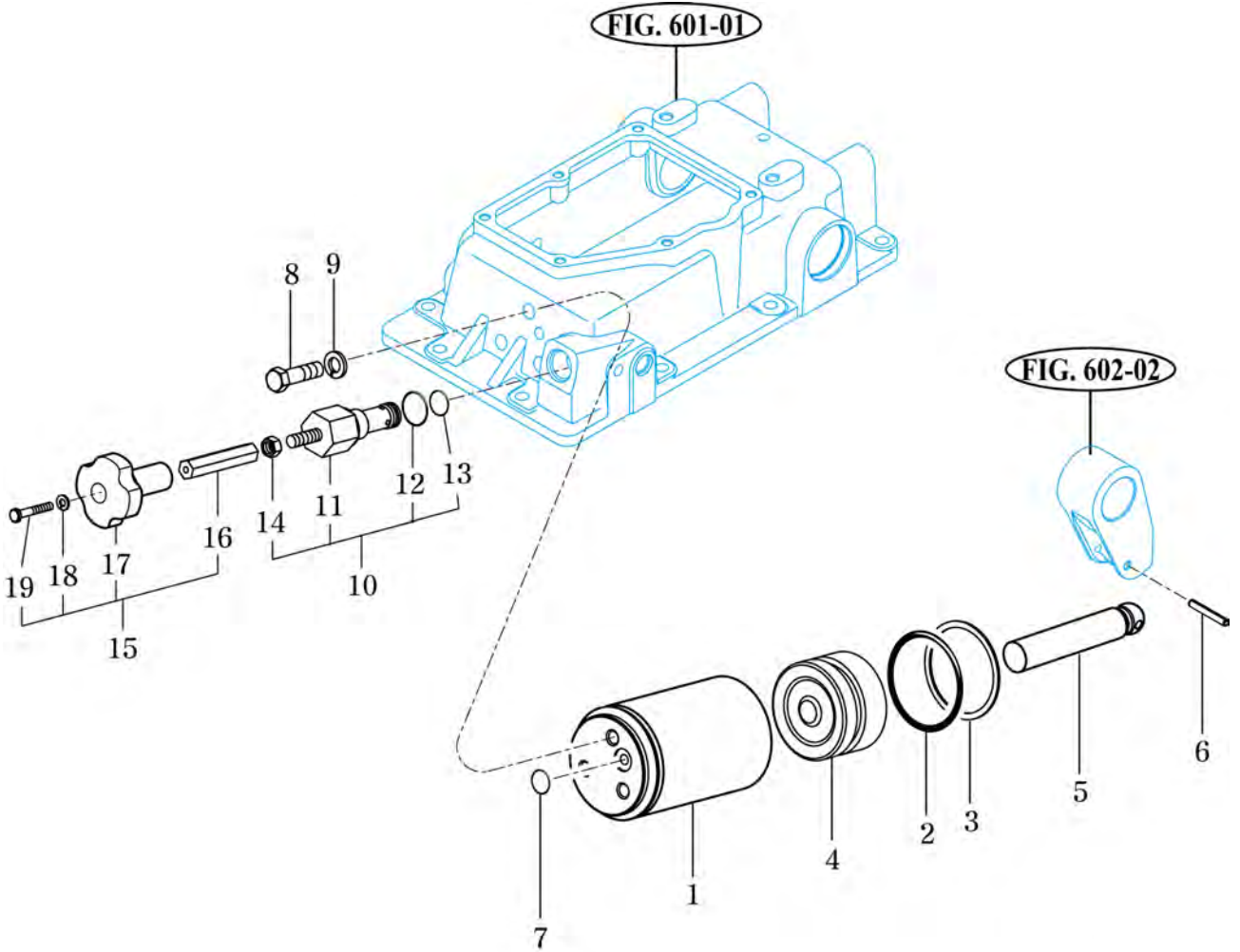
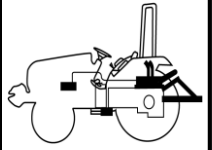
T264NH

FLOW CONTROL VALVE

P1

YEAR

2018



T293-E-603

NOTE

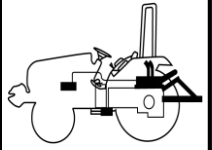
FIG 604

CONTROL VALVE LINKAGE

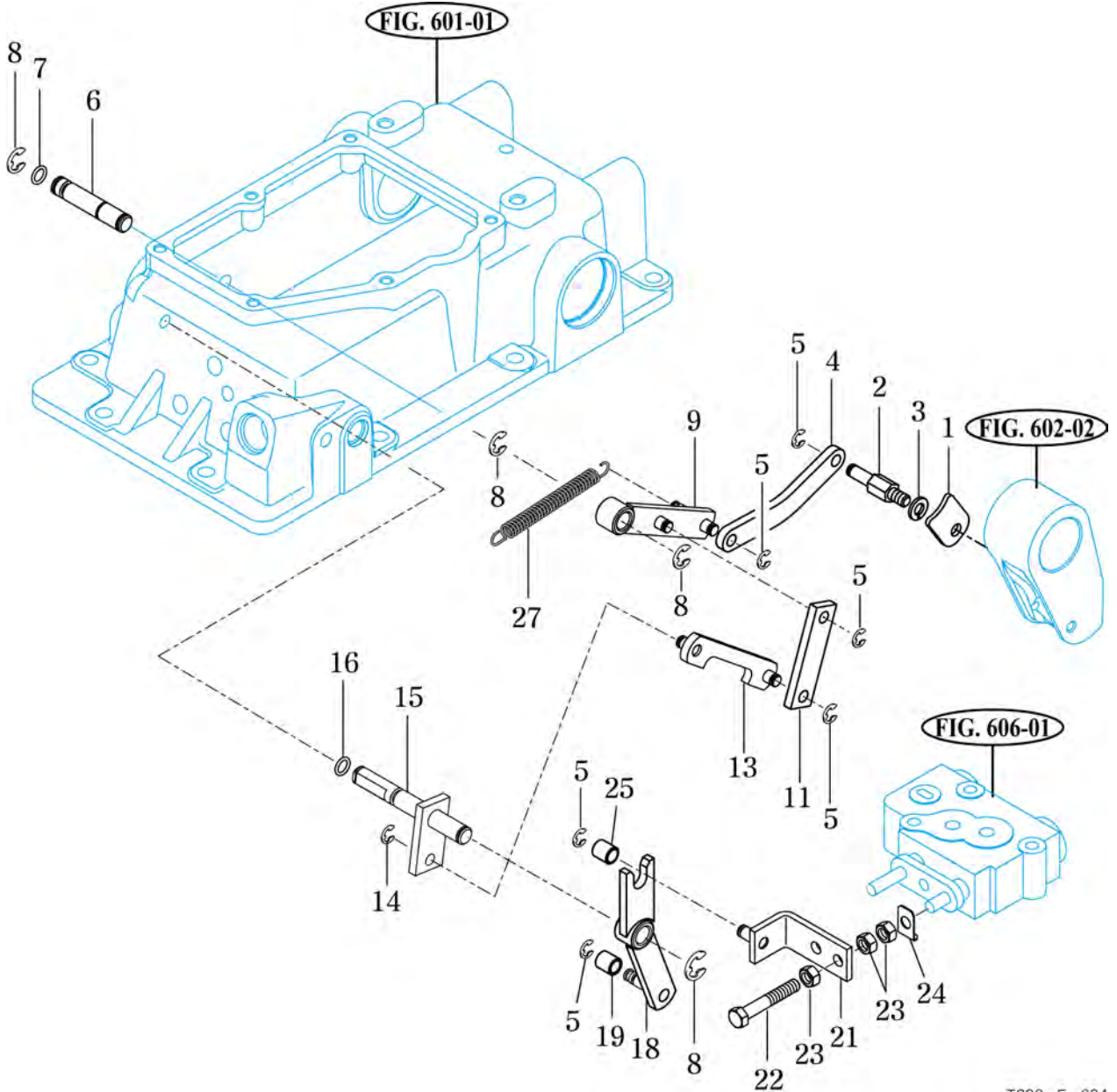
P1

YEAR

2018



T264NH



T293-E-604

NOTE

FIG 605

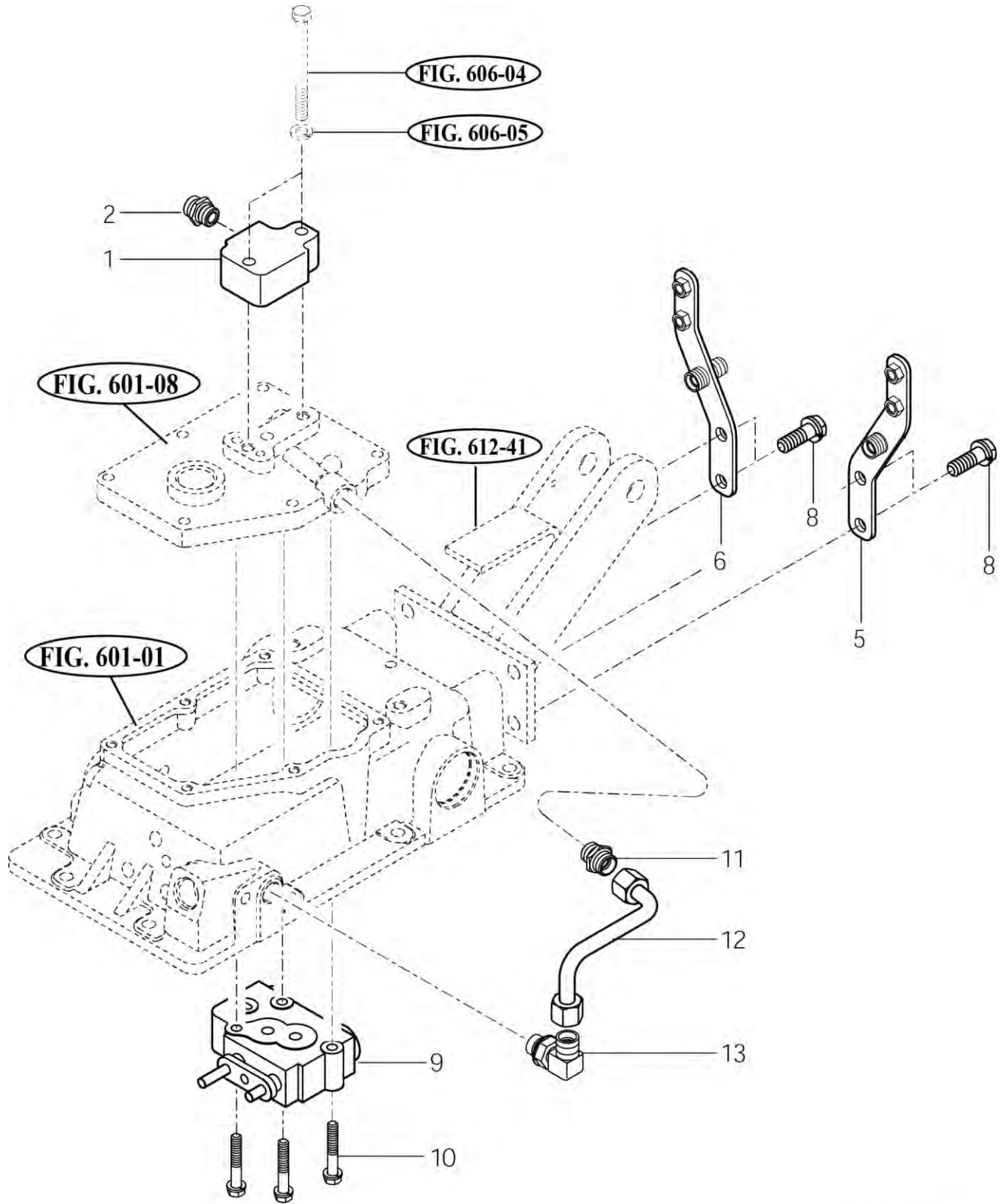
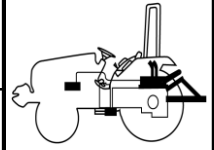
MAIN CONTROL VALVE

T264NH

P1

YEAR

2018



T233/T273-E-605

NOTE

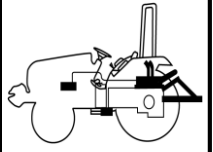
FIG 607

POSITION LEVER LINKAGE

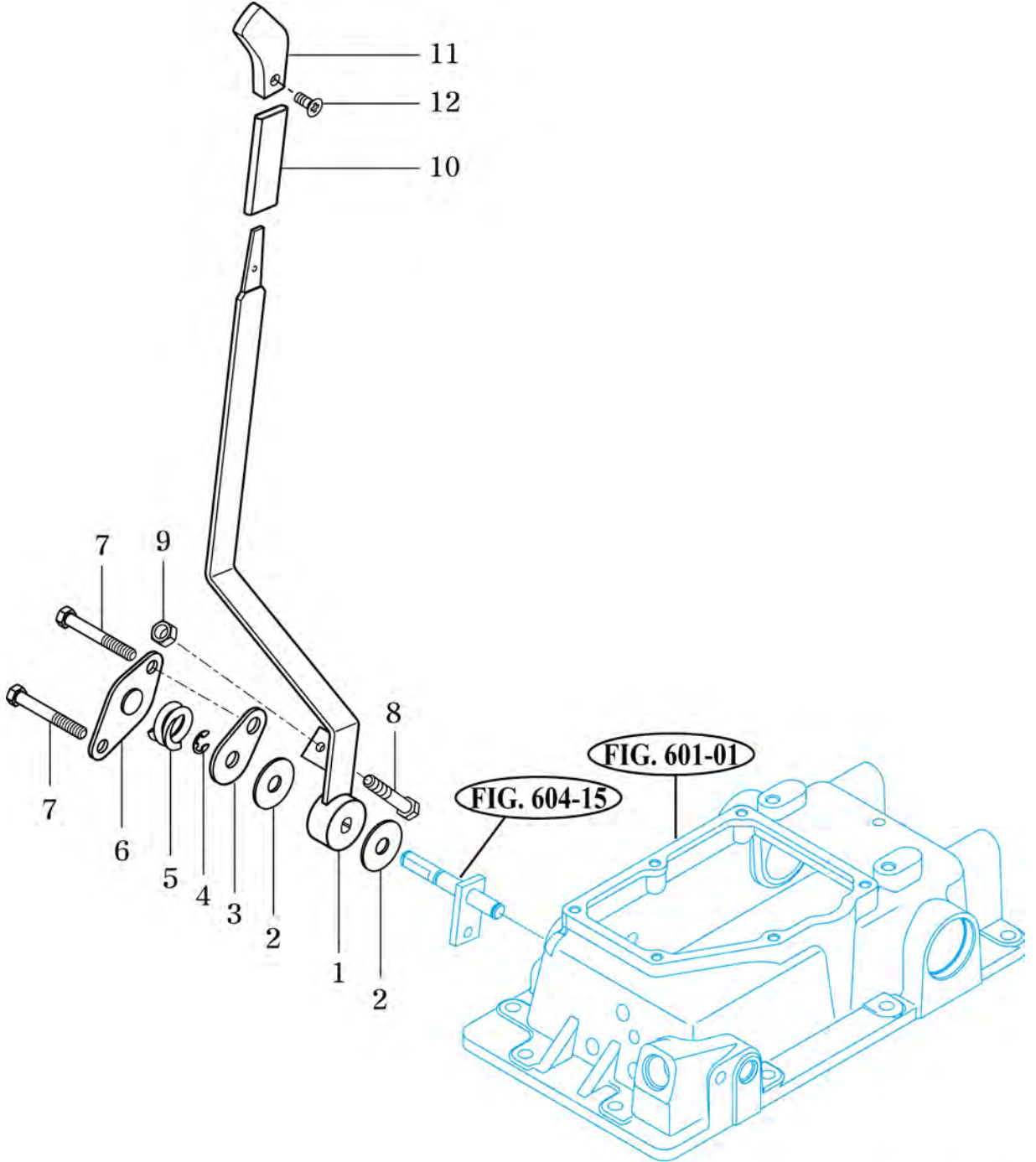
P1

YEAR

2018



T264NH



T293-E-607

NOTE

FIG 608

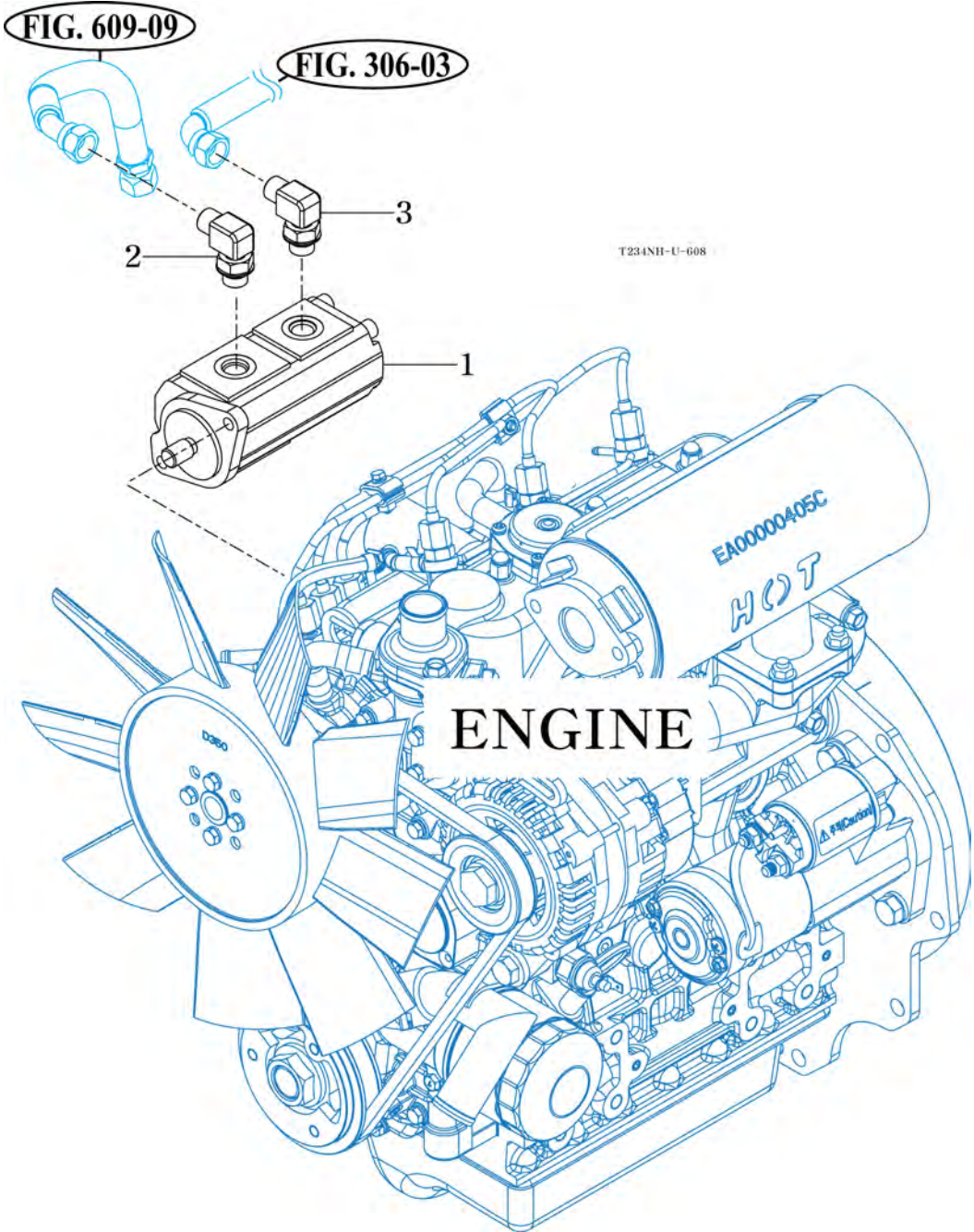
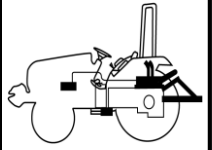
T264NH

GEAR PUMP

P1

YEAR

2018



NOTE

FIG 609

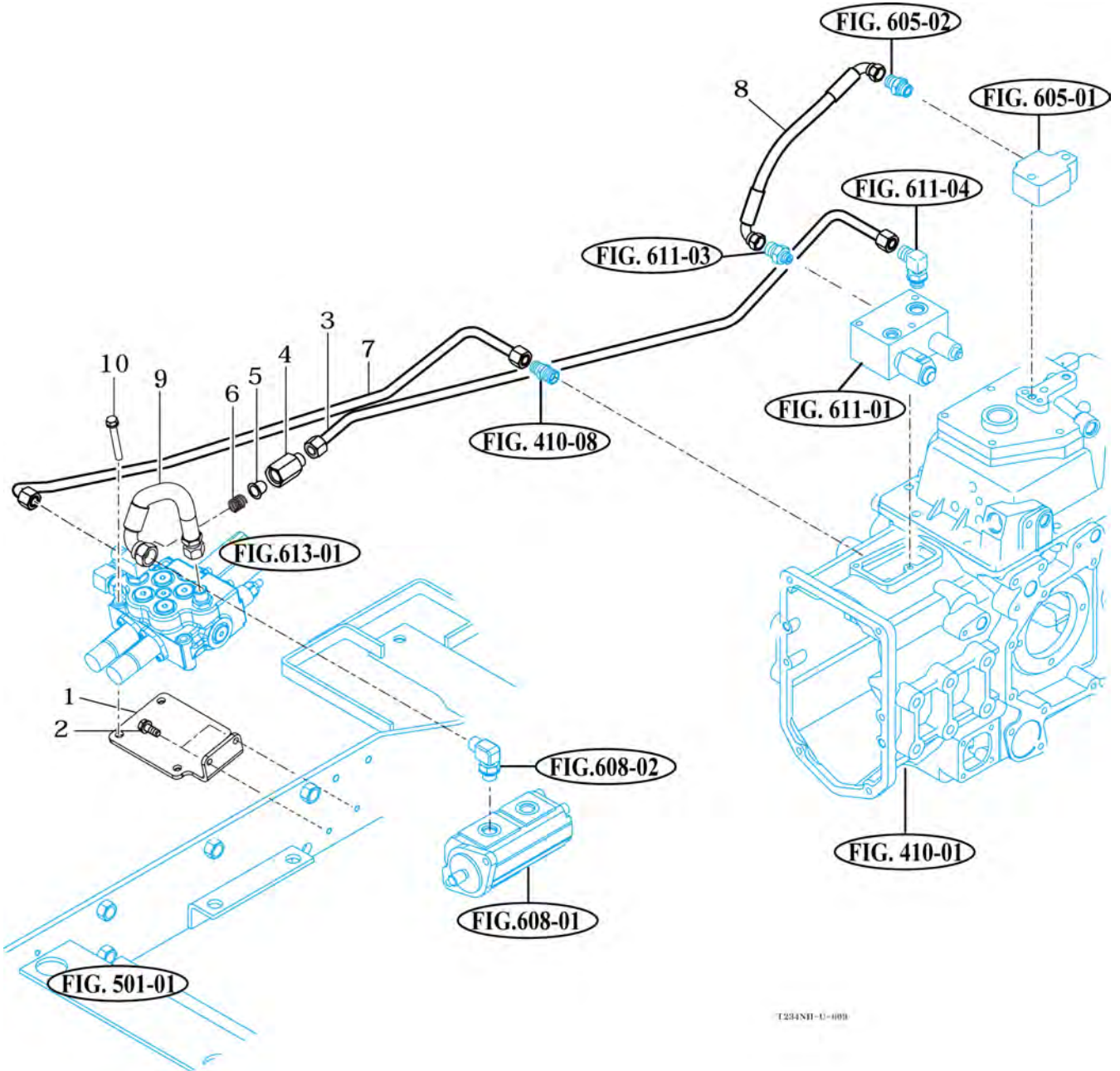
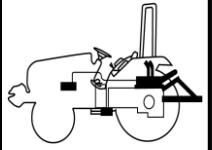
T264NH

HYDRAULIC HOSE (1)

P1

YEAR

2018



T264NH-U-000

NOTE

FIG 610

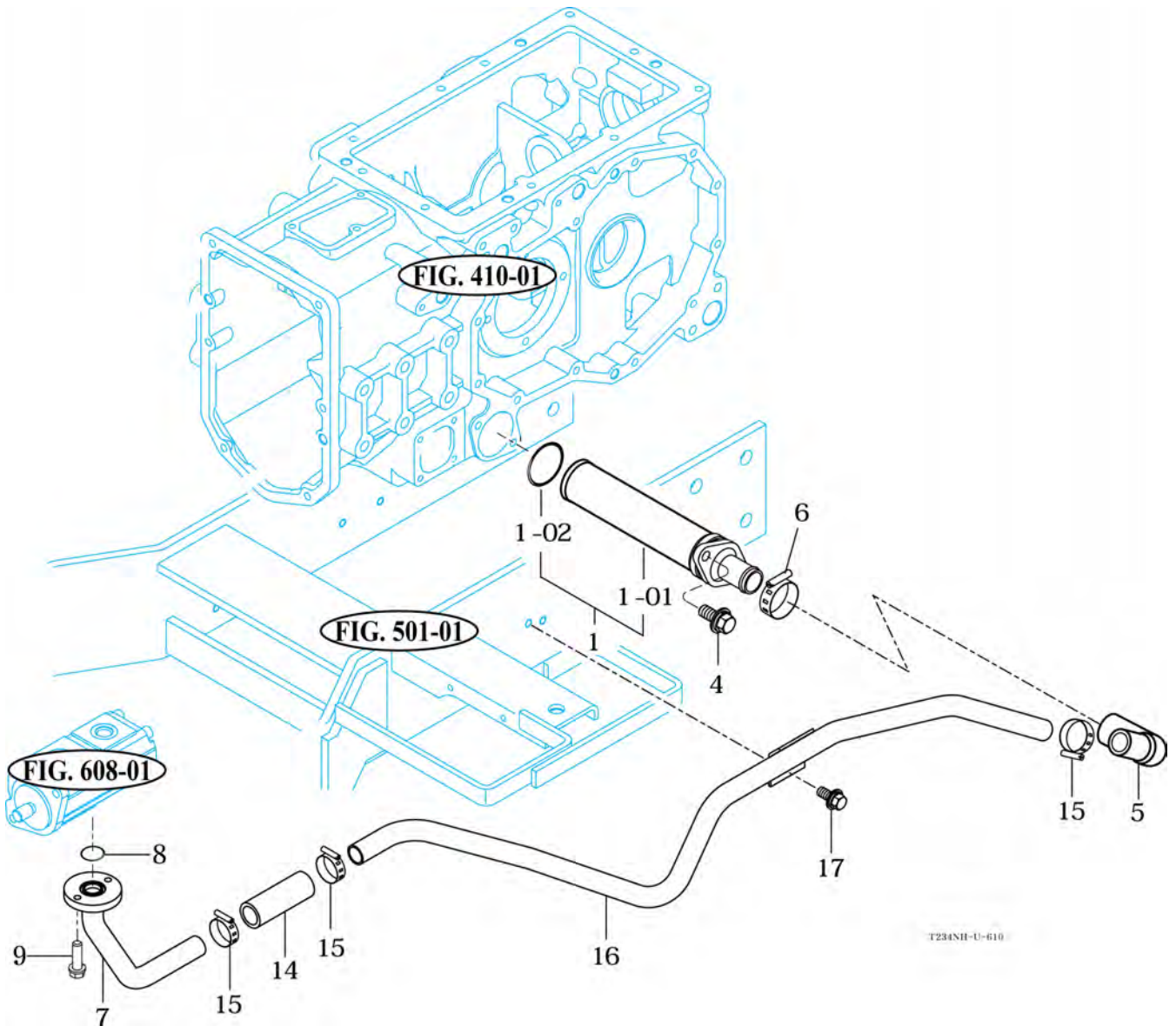
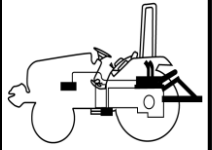
T264NH

HYDRAULIC HOSE (2)

P1

YEAR

2018



T234NH-U-610

NOTE

FIG 611

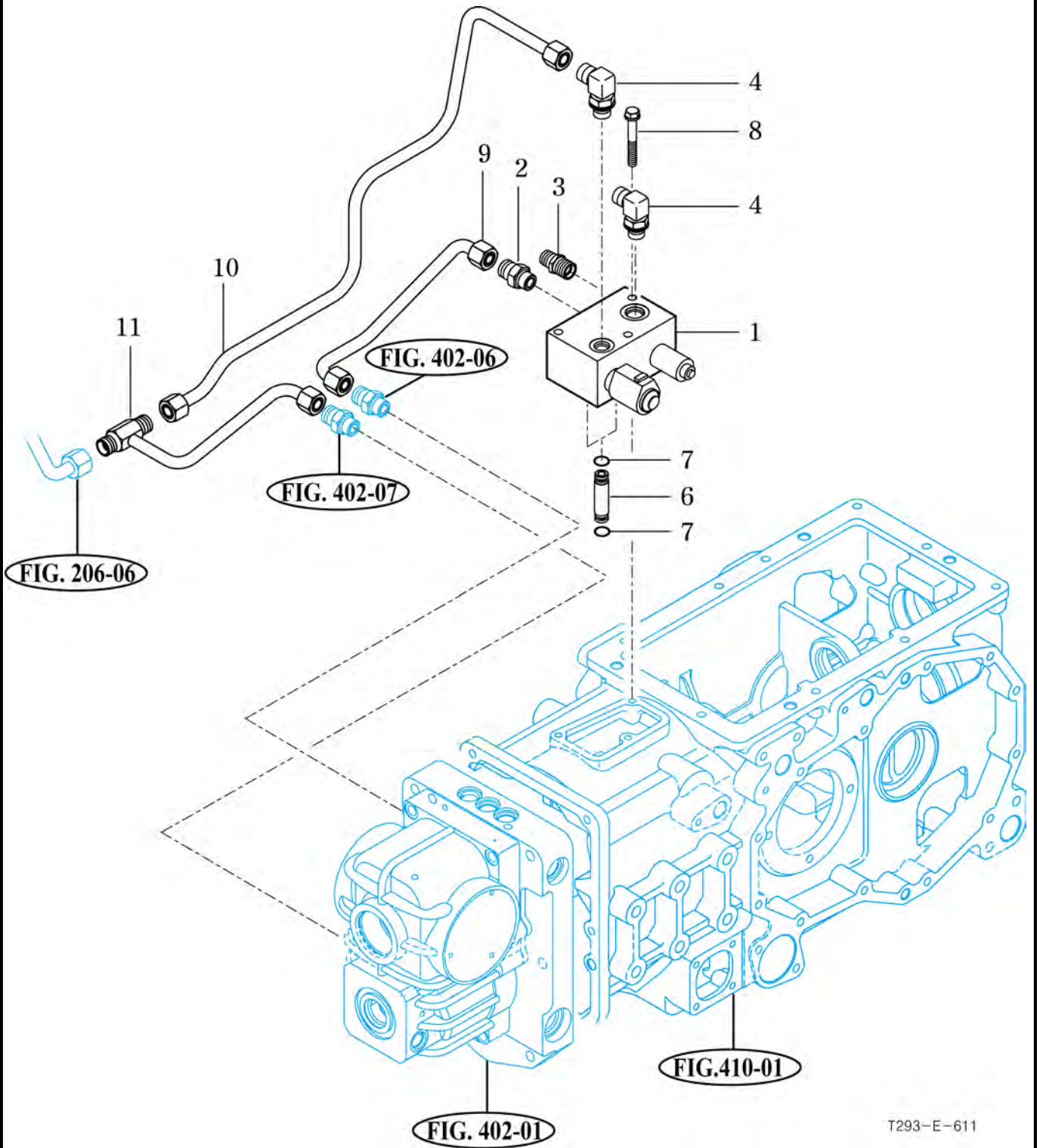
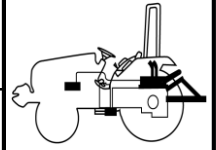
PTO VALVE

T264NH

P1

YEAR

2018



T293-E-611

NOTE

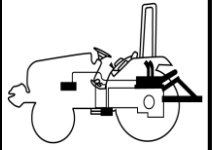
FIG 612

HITCH & 3-POINT LINKAGE

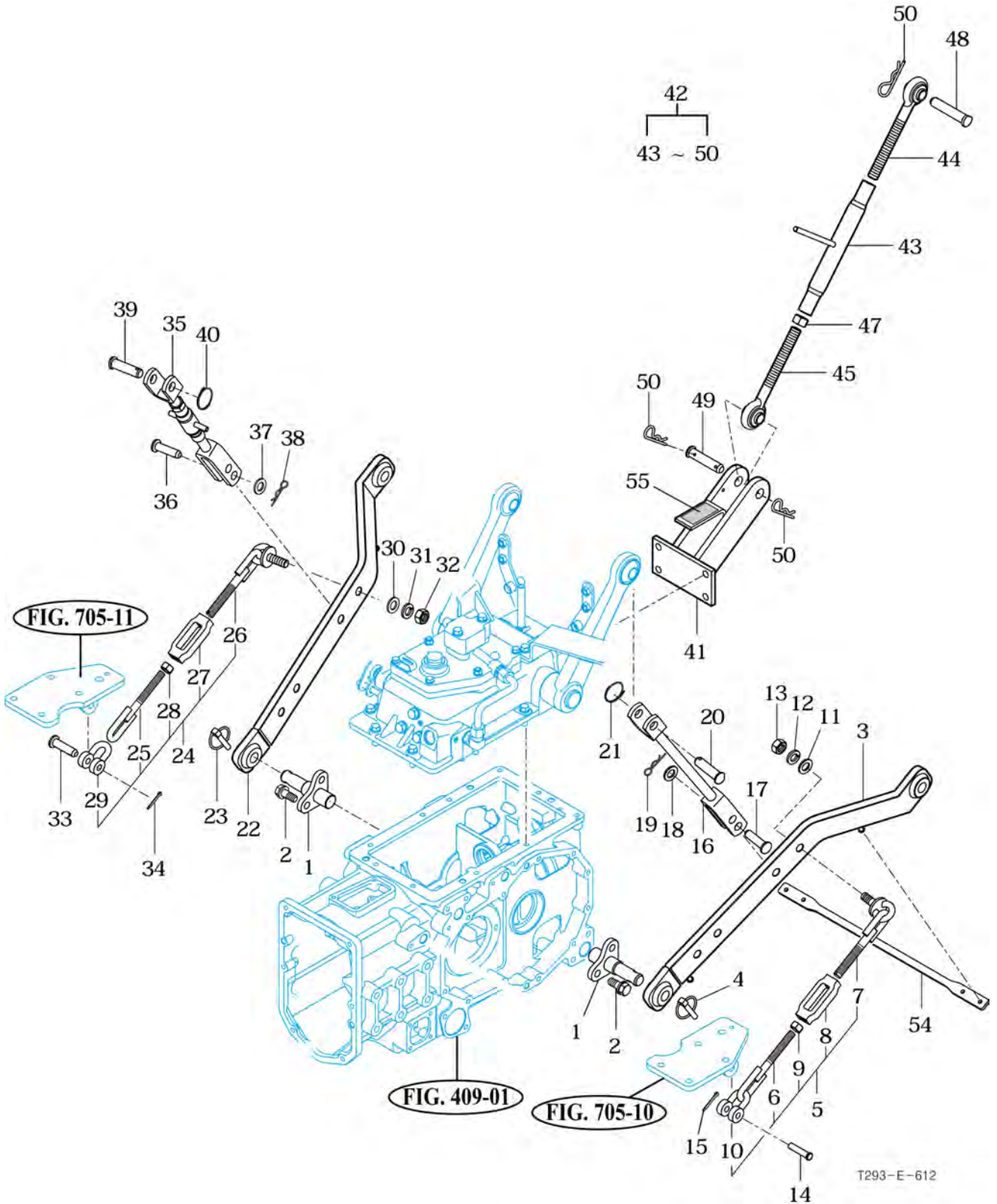
P1

YEAR

2018



T264NH



T293-E-612

NOTE

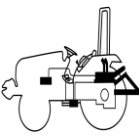
FIG 612		3-POINT LINKAGE			P1	YEAR	
T264NH						2018	
KEY NO.	PART NO.	DESCRIPTION	SPEC.	QTY. NH	REPAIR	EFFECTIVE DATE	REMARKS
612 001	13155205100	PIN COMP, 115		2			
612 002	V2173612030	BOLT, HEX/S	M12X30	4			
612 003	13155202202	LOWER LINK COMP, LH		1			
612 004	14215020020	PIN, LINK		1			
612 005	13155202501	CHAIN ASSY, CHECK		1	C		
612 006	14585142600	CHAIN COMP, RH CHECK		1			
612 007	14585142700	CHAIN COMP, LH CHECK		1			
612 008	13155202511	TURNBUCKLE		1			
612 009	V3012600140	NUT, HEX/2	M14	1			
612 010	14585142520	SHACKLE, CHECK CHAIN		1			
612 011	V4111600160	WASHER, PLAIN	M16	1			
612 012	V4011600160	WASHER, SPRING	M16	1			
612 013	V3313600160	NUT, HEX FINE/2	M16	1			
612 014	79636110030	PIN, 12X48		1			
612 015	V5001930020	PIN, SPLIT	3X20	1			
612 016	13155202401	LIFT ROD COMP, LH		1			
612 017	79636130050	PIN, 16X60		1			
612 018	V4111600160	WASHER, PLAIN	M16	1			
612 019	13059310030	PIN		1			
612 020	12505243500	PIN		1			
612 021	12505240060	Spring		1			
612 022	13155203102	LOWER LINK COMP, RH		1			
612 023	14215020020	PIN, LINK		1			
612 024	13155202501	CHAIN ASSY, CHECK		1	C		
612 025	14585142600	CHAIN COMP, RH CHECK		1			
612 026	14585142700	CHAIN COMP, LH CHECK		1			
612 027	13155202511	TURNBUCKLE		1			
612 028	V3012600140	NUT, HEX/2	M14	1			
612 029	14585142520	SHACKLE, CHECK CHAIN		1			
612 030	V4111600160	WASHER, PLAIN	M16	1			
612 031	V4011600160	WASHER, SPRING	M16	1			
612 032	V3313600160	NUT, HEX FINE/2	M16	1			
612 033	79636110030	PIN, 12X48		1			
612 034	V5001930020	PIN, SPLIT	3X20	1			
612 035	13155203201	LIFT ROD ASSY, RH		1			
612 036	79636130050	PIN, 16X60		1			
612 037	V4111600160	WASHER, PLAIN	M16	1			
612 038	13059310030	PIN		1			
612 039	12505243500	PIN		1			
612 040	12505240060	Spring		1			
612 041	13155204104	BRACKET COMP, TOP LINK		1			
612 042	13155206003	TOP LINK ASSY		1			
612 043	13155206111	TURN BUCKLE		1			
612 044	13155206121	JOINT, LH		1			
612 045	13155206131	JOINT, RH		1			
612 047	V3042600200	NUT, HEX/2	M20	1			
612 048	15645220020	PIN, 19X95		1			
612 049	15645220011	.PIN, 19X86		1			
NOTE							

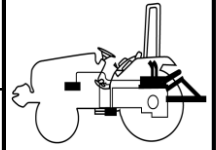
FIG 612

HITCH & 3-POINT LINKAGE

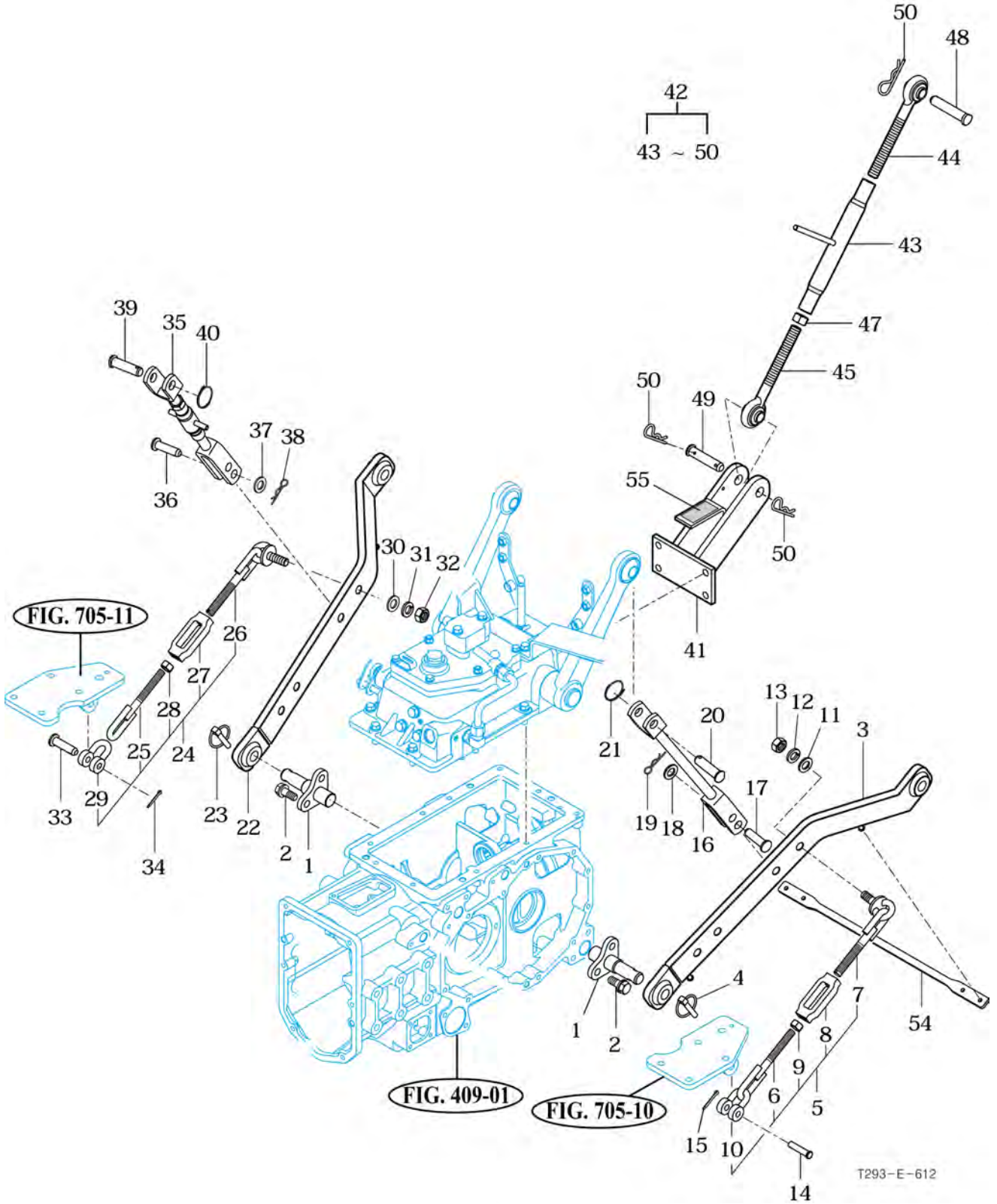
P2

YEAR

2018



T264NH



T293-E-612

NOTE

FIG 613

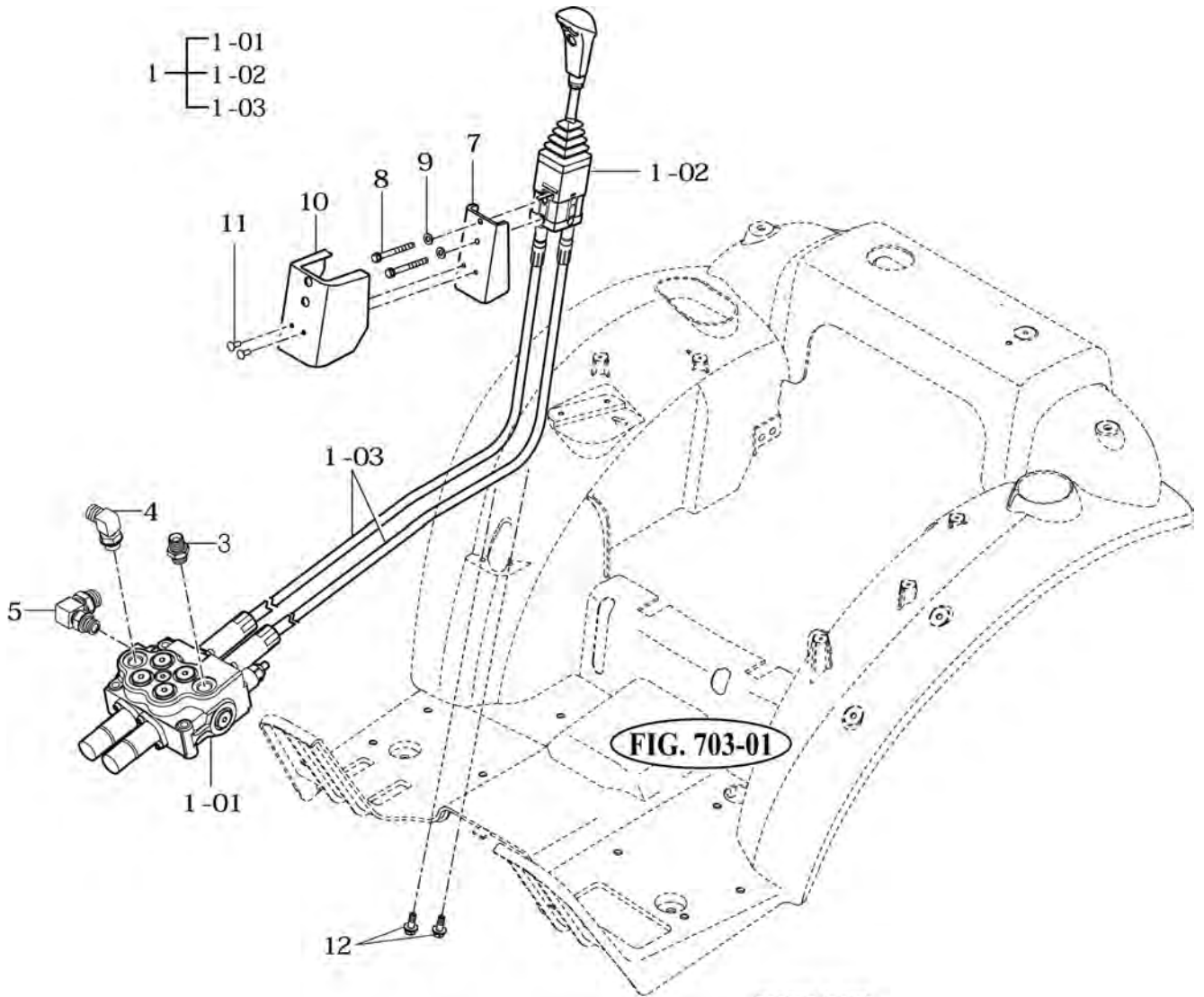
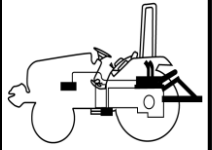
T264NH

JOYSTICK LEVER

P1

YEAR

2018



T233/T273-E-6136

NOTE

FIG 614

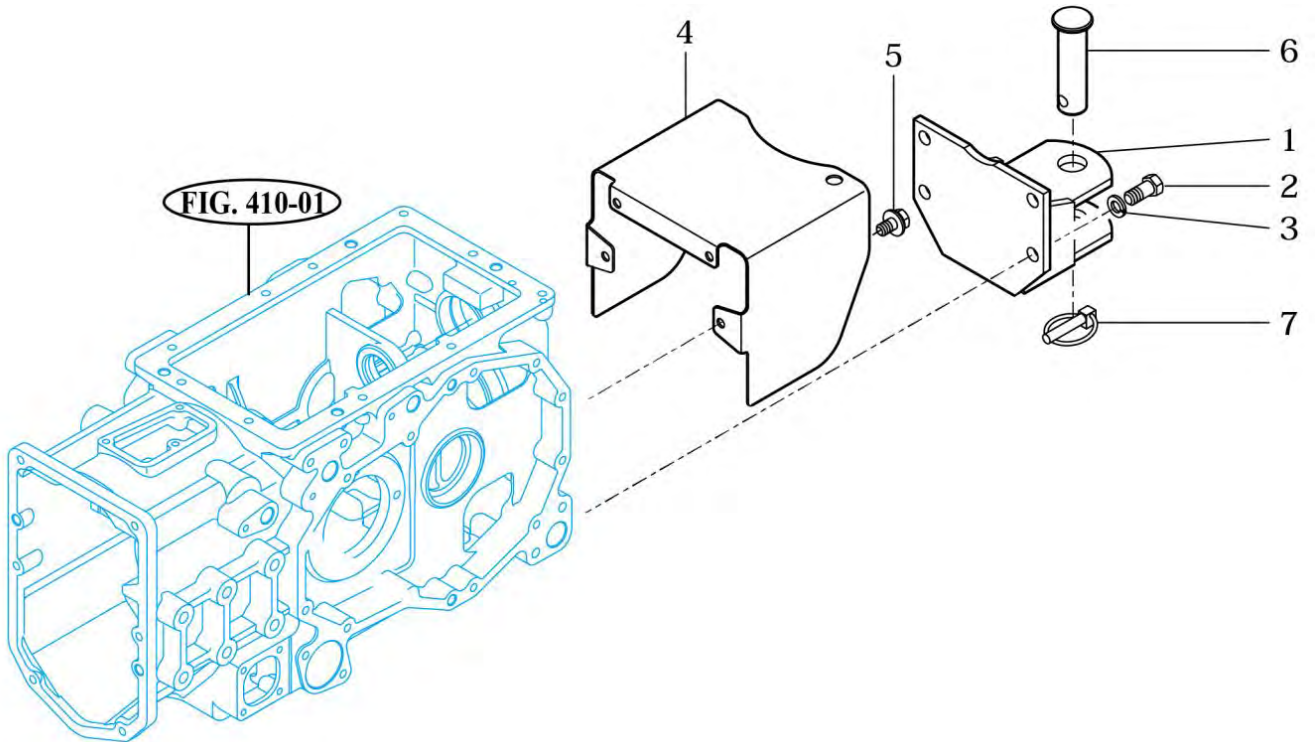
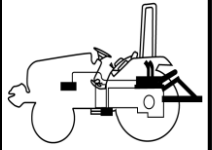
T264NH

HITCH & COVER

P1

YEAR

2018



NOTE

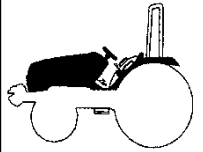
FIG 701

BONNET

P1

YEAR

2018



T264NH

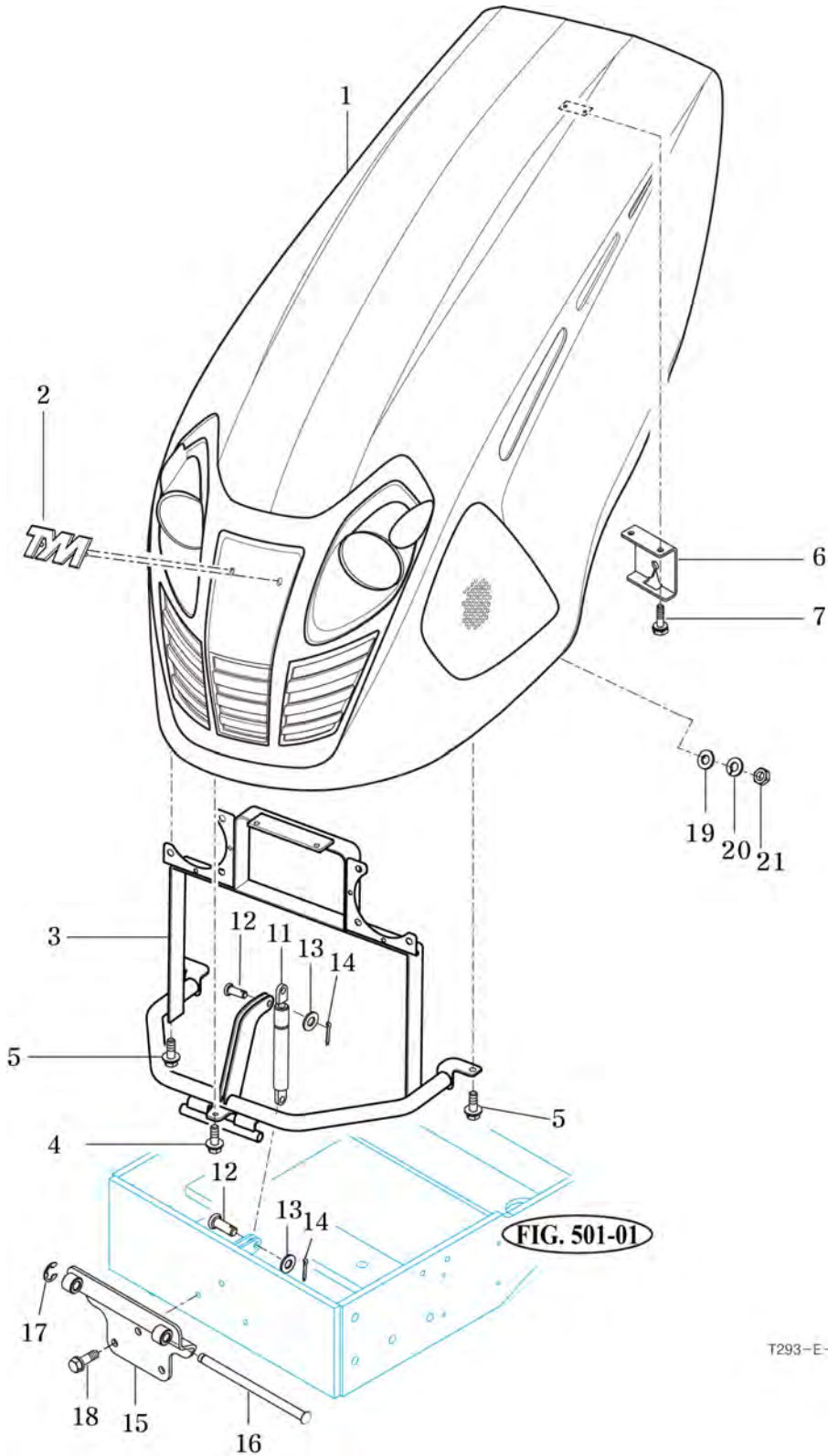


FIG. 501-01

T293-E-701

NOTE

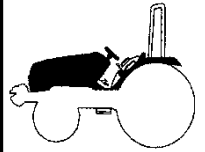
FIG 701

BONNET

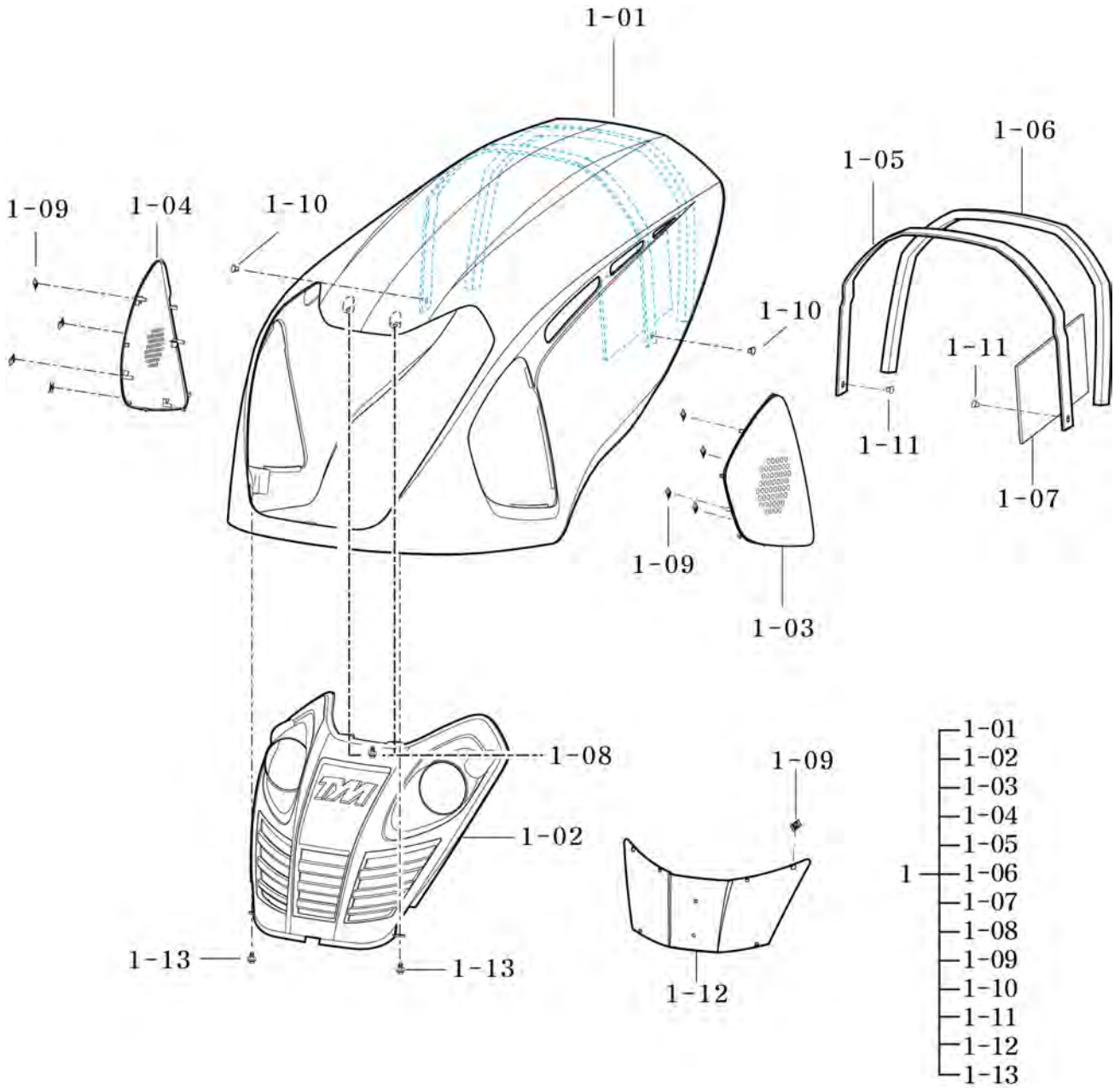
P2

YEAR

2018



T264NH



- 1-01
- 1-02
- 1-03
- 1-04
- 1-05
- 1-06
- 1-07
- 1-08
- 1-09
- 1-10
- 1-11
- 1-12
- 1-13

T293-E-701B

NOTE

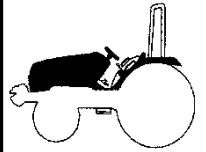
FIG 702

DASH PANEL

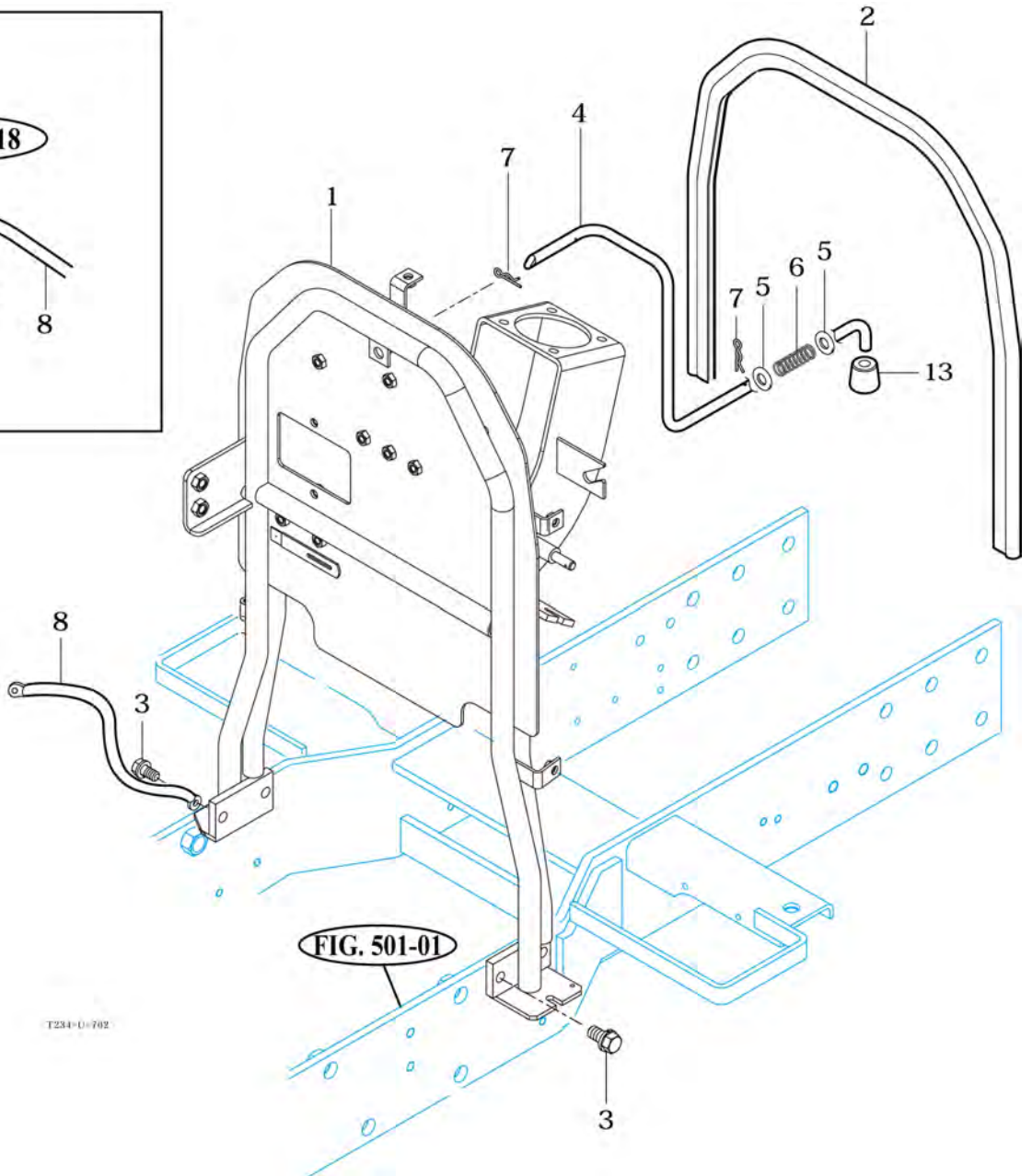
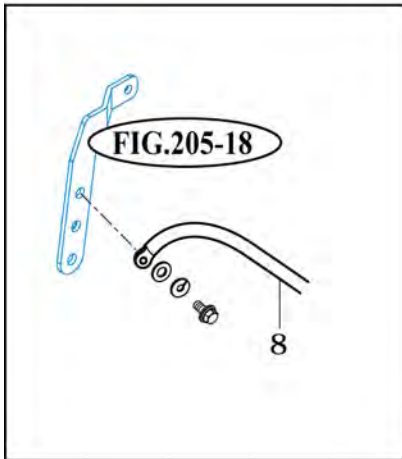
P1

YEAR

2018



T264NH



T234-D-702

NOTE

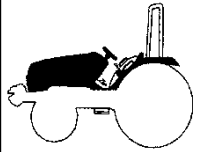
FIG 703

FLOOR

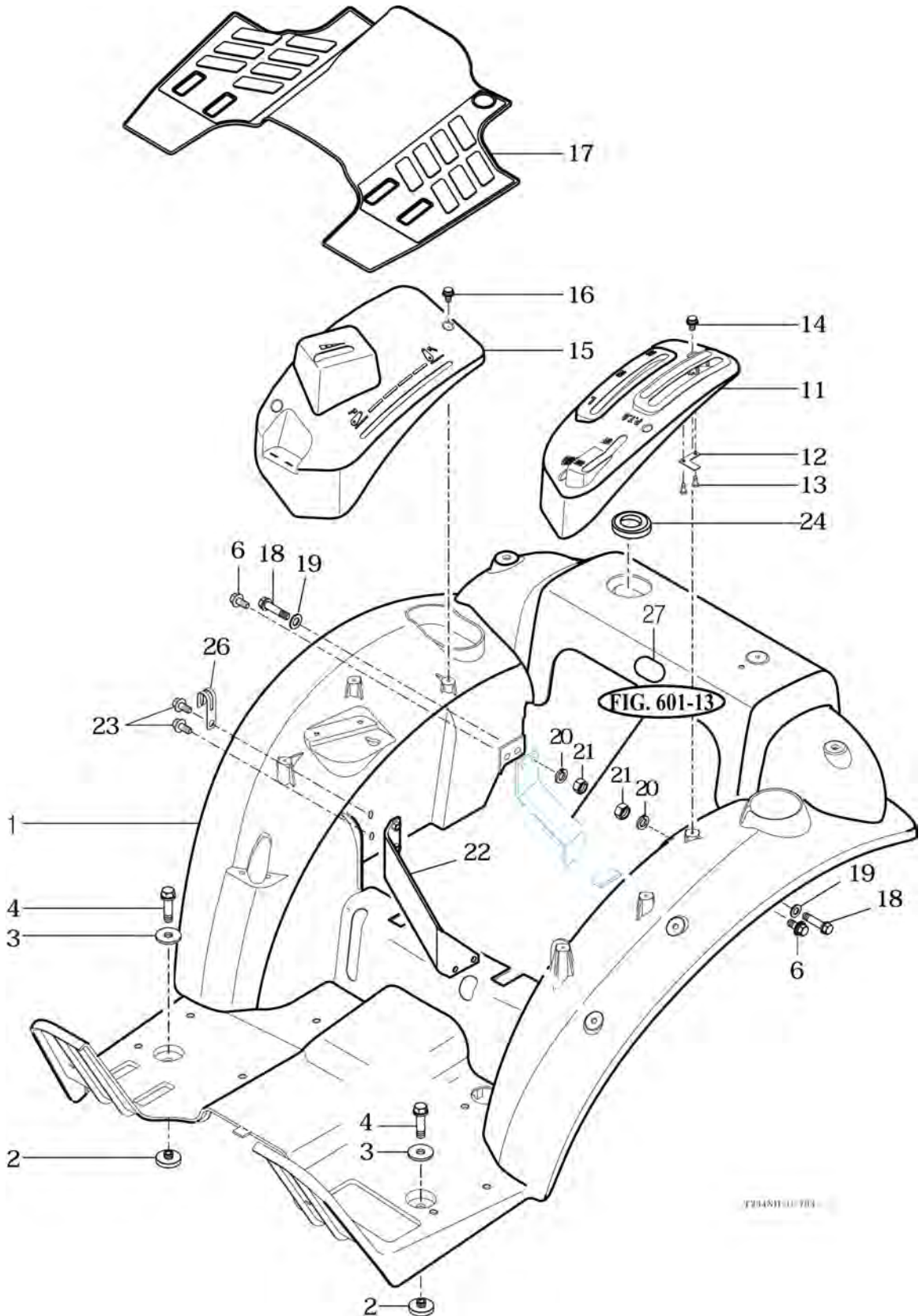
P1

YEAR

2018



T264NH



T264NH 00703

NOTE

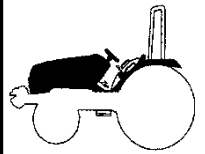
FIG 704

SEAT

P1

YEAR

2018



T264NH

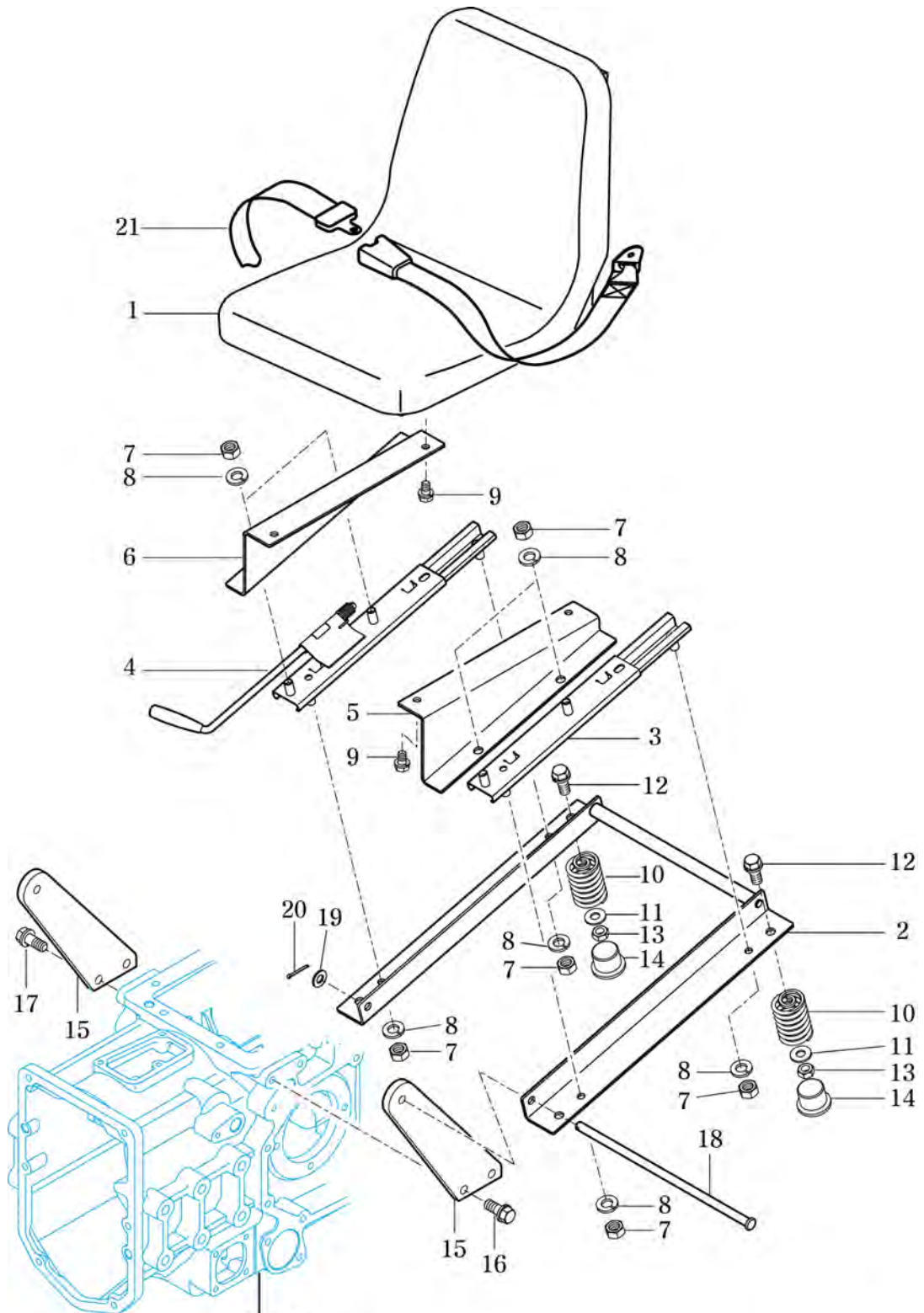


FIG. 410-01

T293-E-704

NOTE

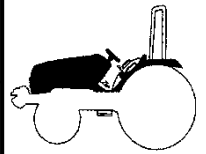
FIG 705

ROPS

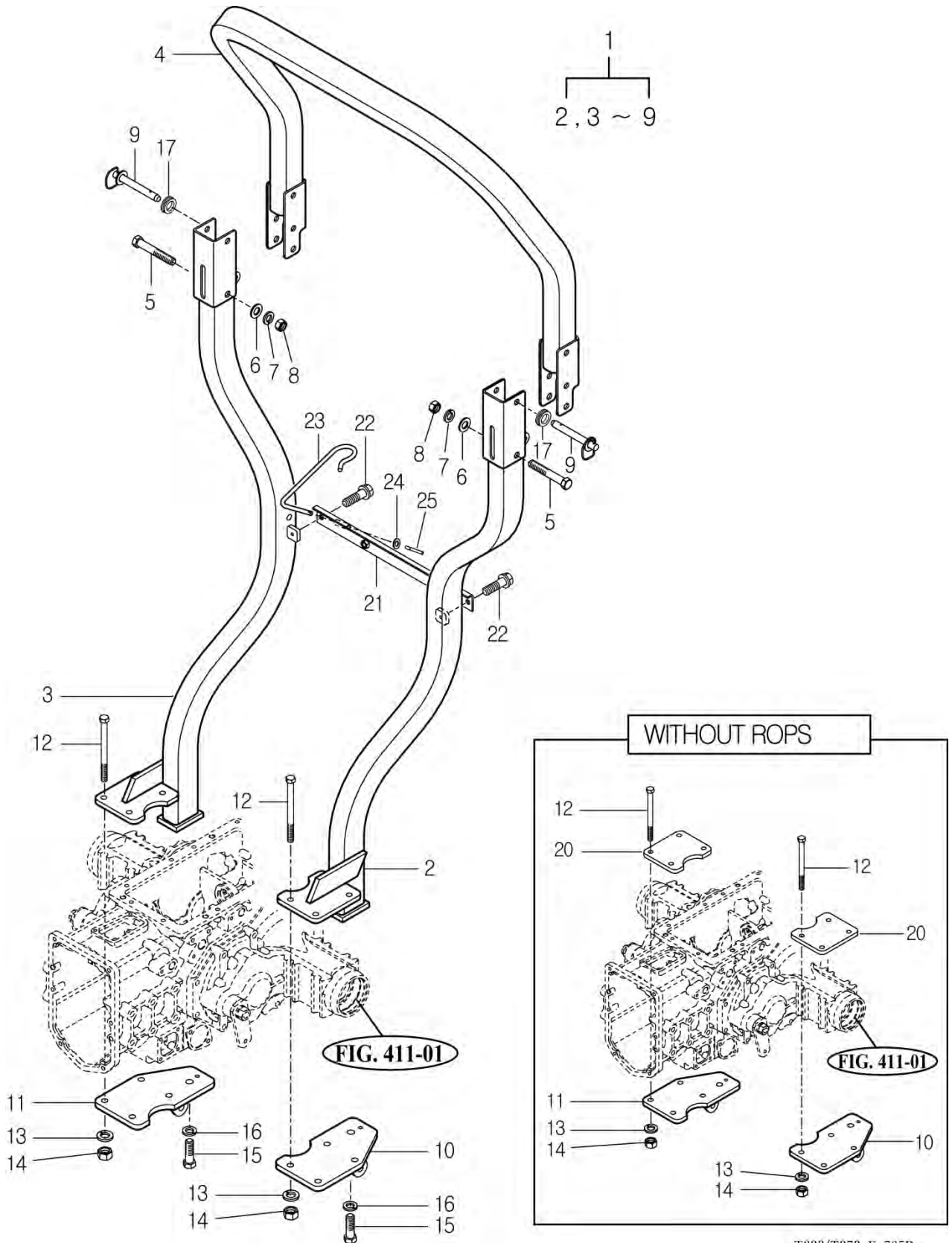
P1

YEAR

2018



T264NH



T233/T273-E-705B

NOTE

FIG 706

CAB FRAME & DOOR(OPTION)

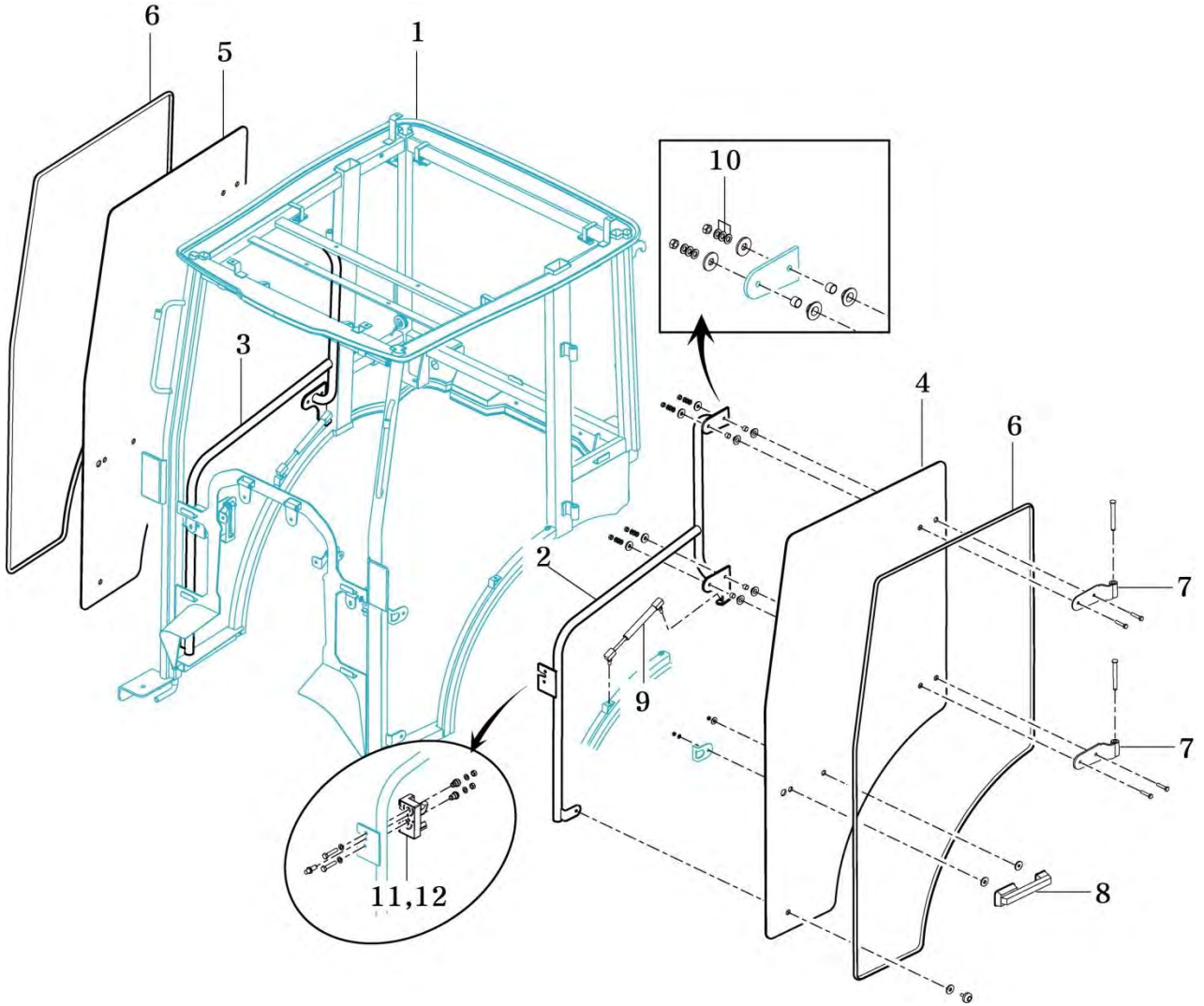
P1

YEAR

2018



T264NH



NOTE

CABIN
OPTION

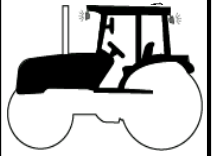
FIG 707

FRONT GLASS(OPTION)

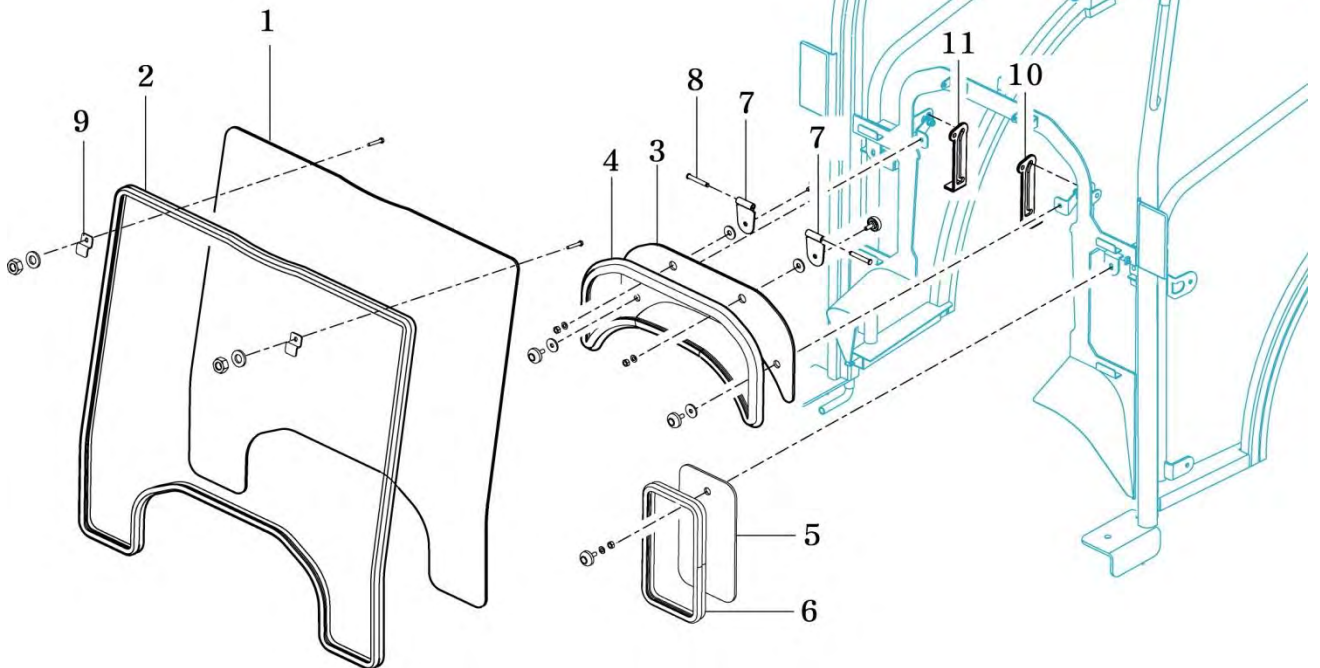
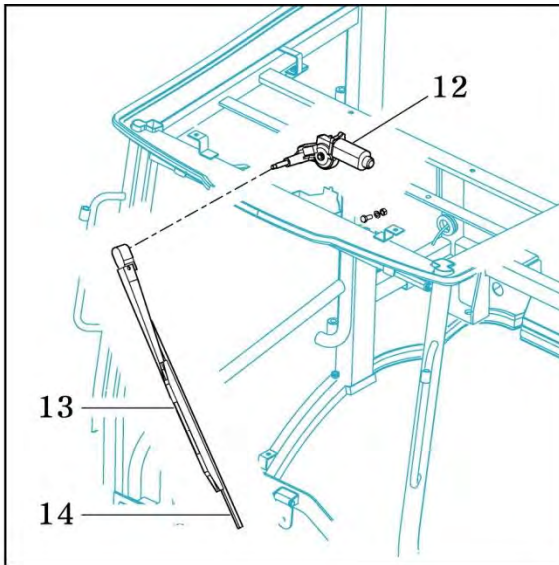
YEAR

P1

2018



T264NH



NOTE

CABIN
OPTION

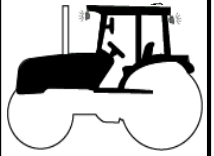
FIG 708

SIDE & REAR GLASS(OPTION)

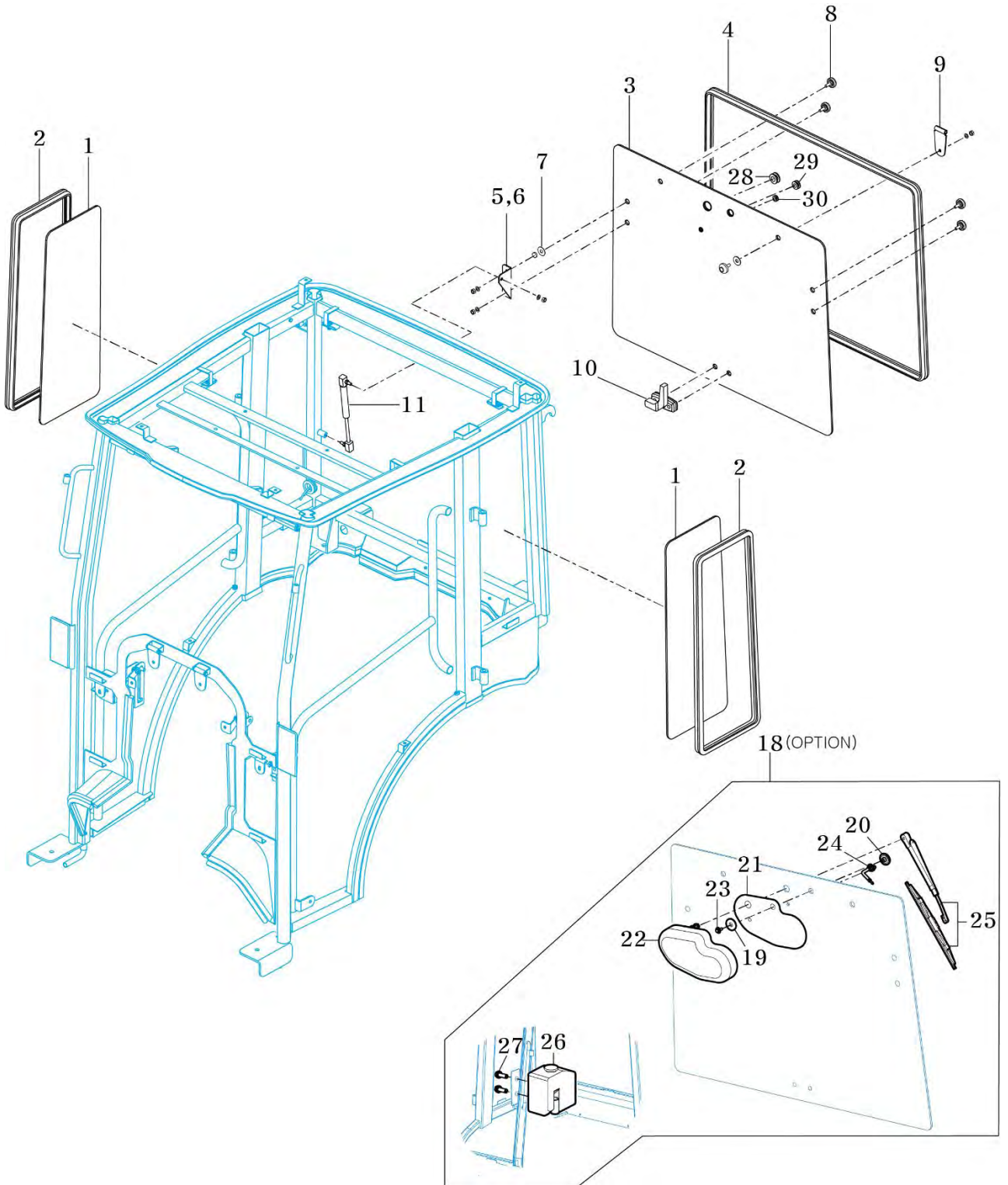
P1

YEAR

2018



T264NH



NOTE

CABIN
OPTION

FIG 709

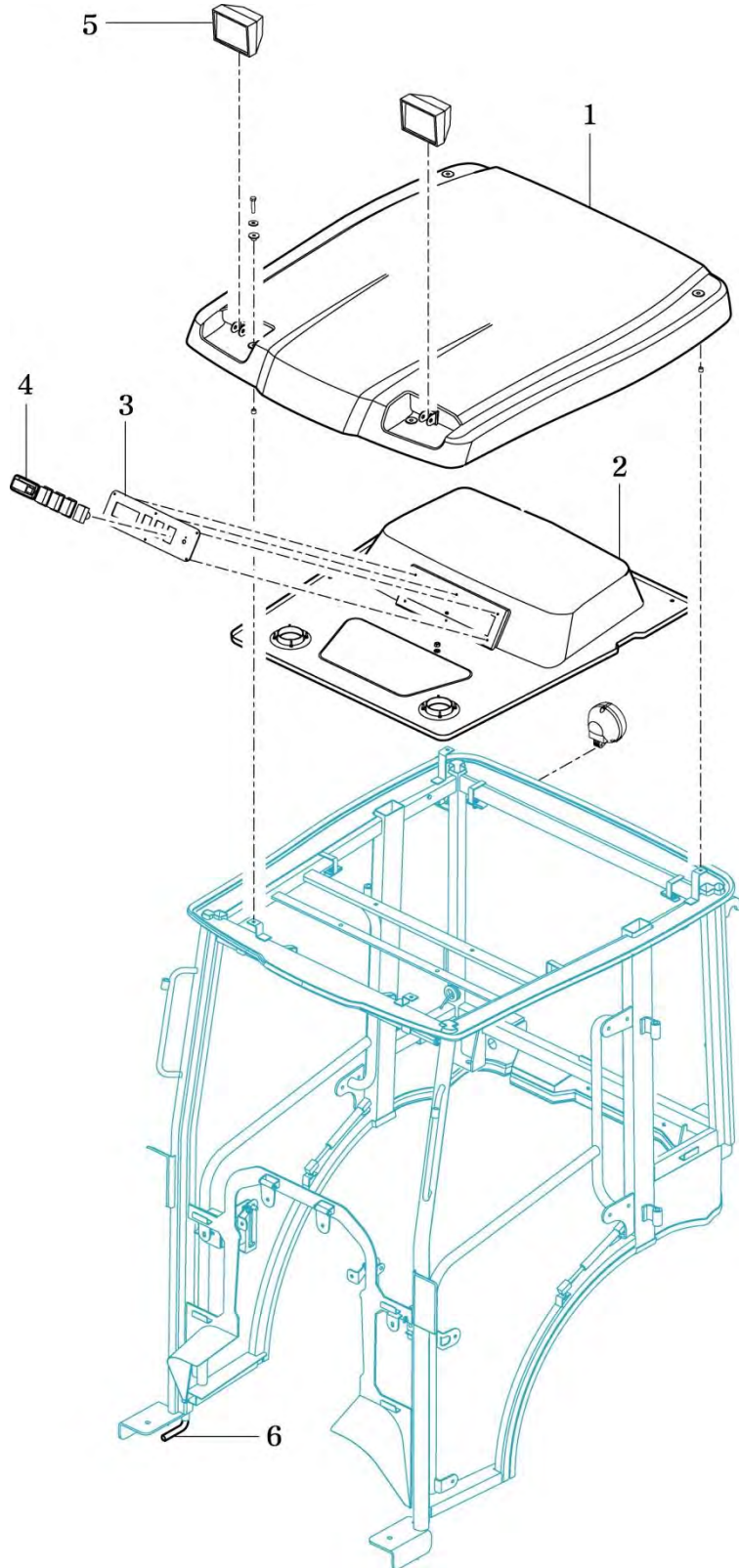
T264NH

ROOF(OPTION)

P1

YEAR

2018



NOTE

CABIN
OPTION

FIG 710

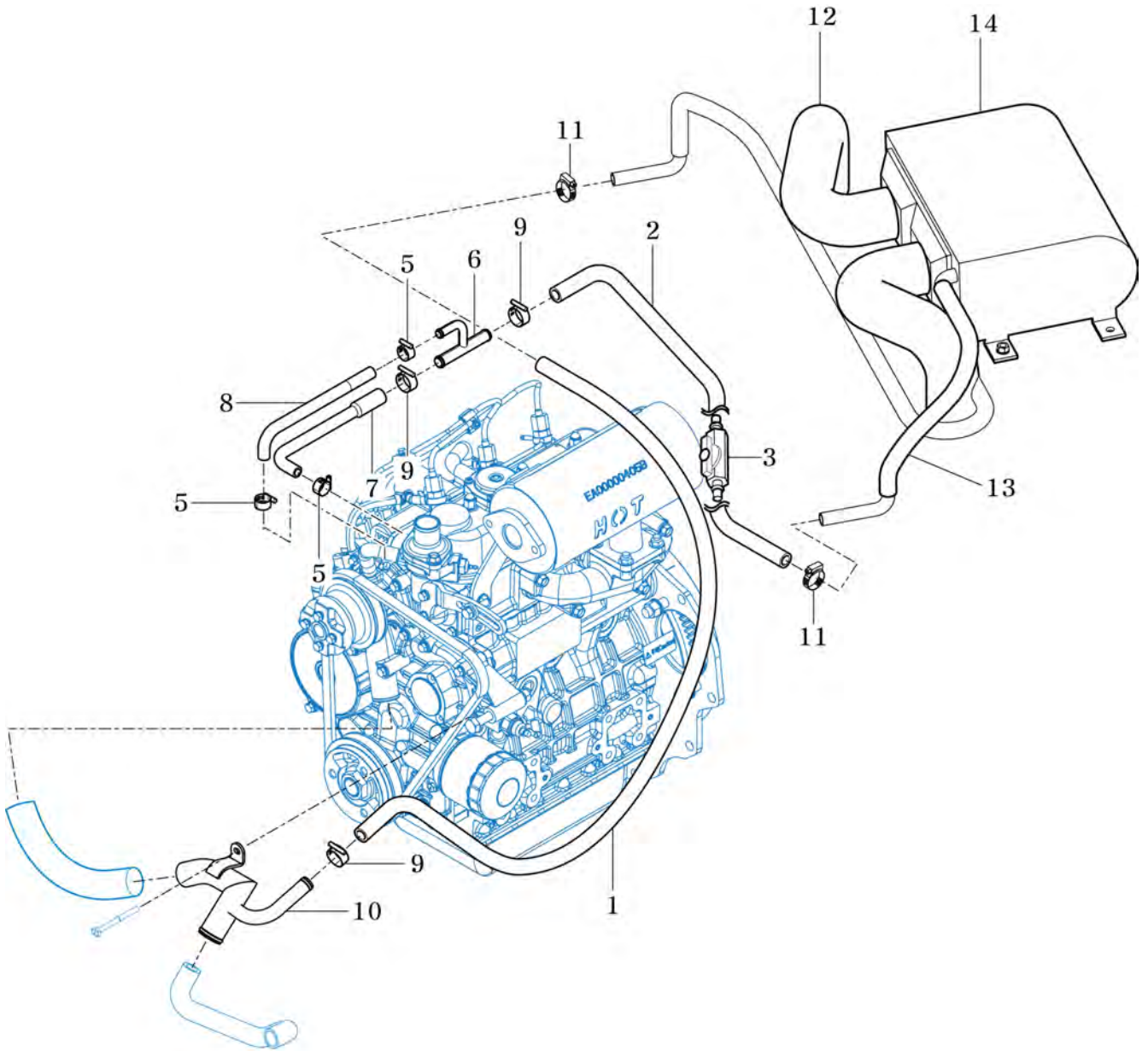
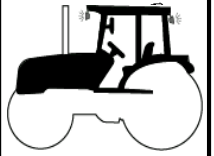
T264NH

HEATER(OPTION)

P1

YEAR

2018



NOTE

CABIN
OPTION

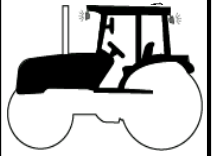
FIG 711

INTERIOR PART(OPTION)

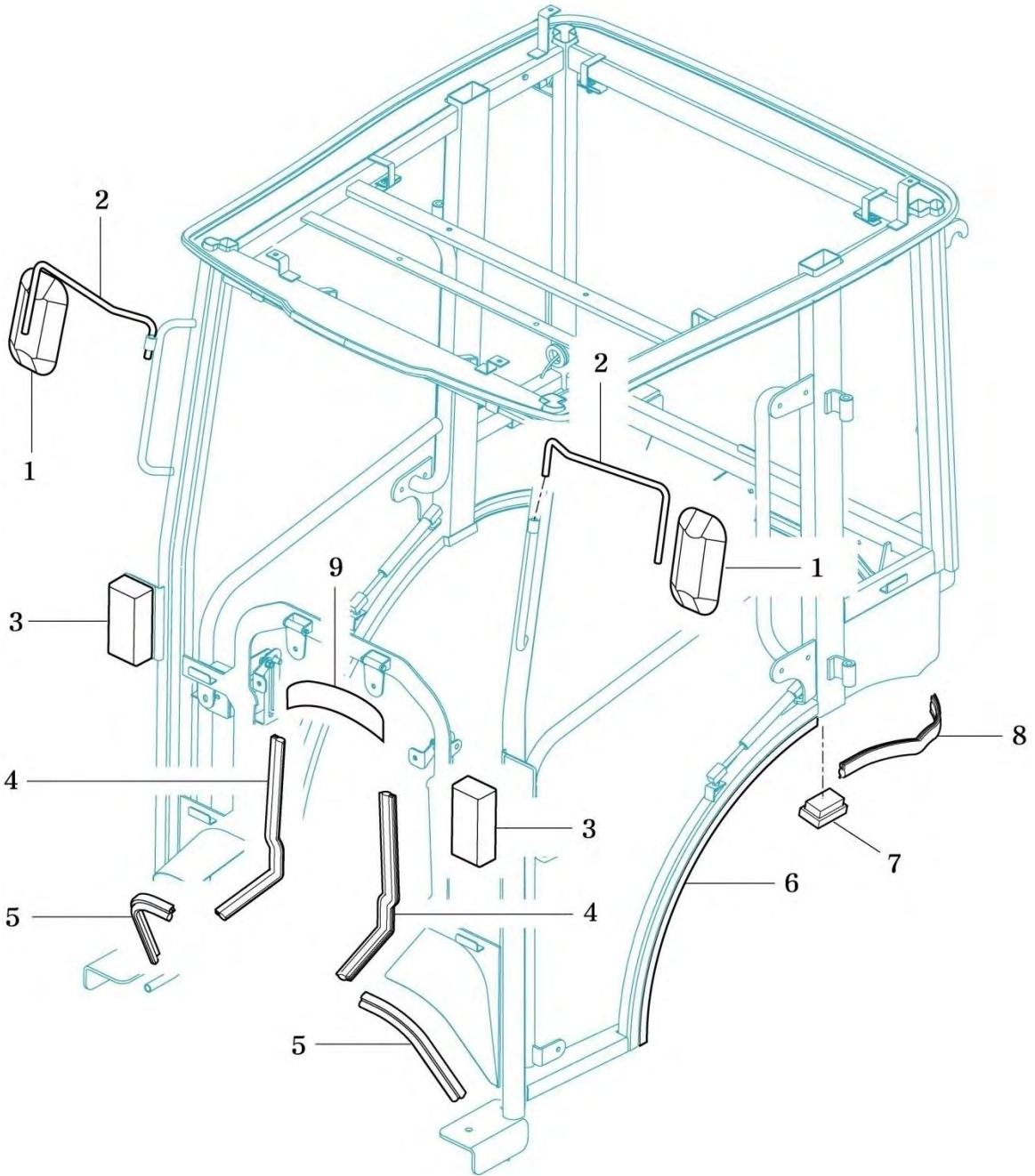
P1

YEAR

2018



T264NH



NOTE

CABIN
OPTION

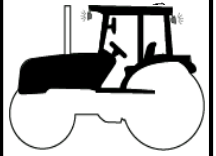
FIG 712

LAMP & COVER(OPTION)

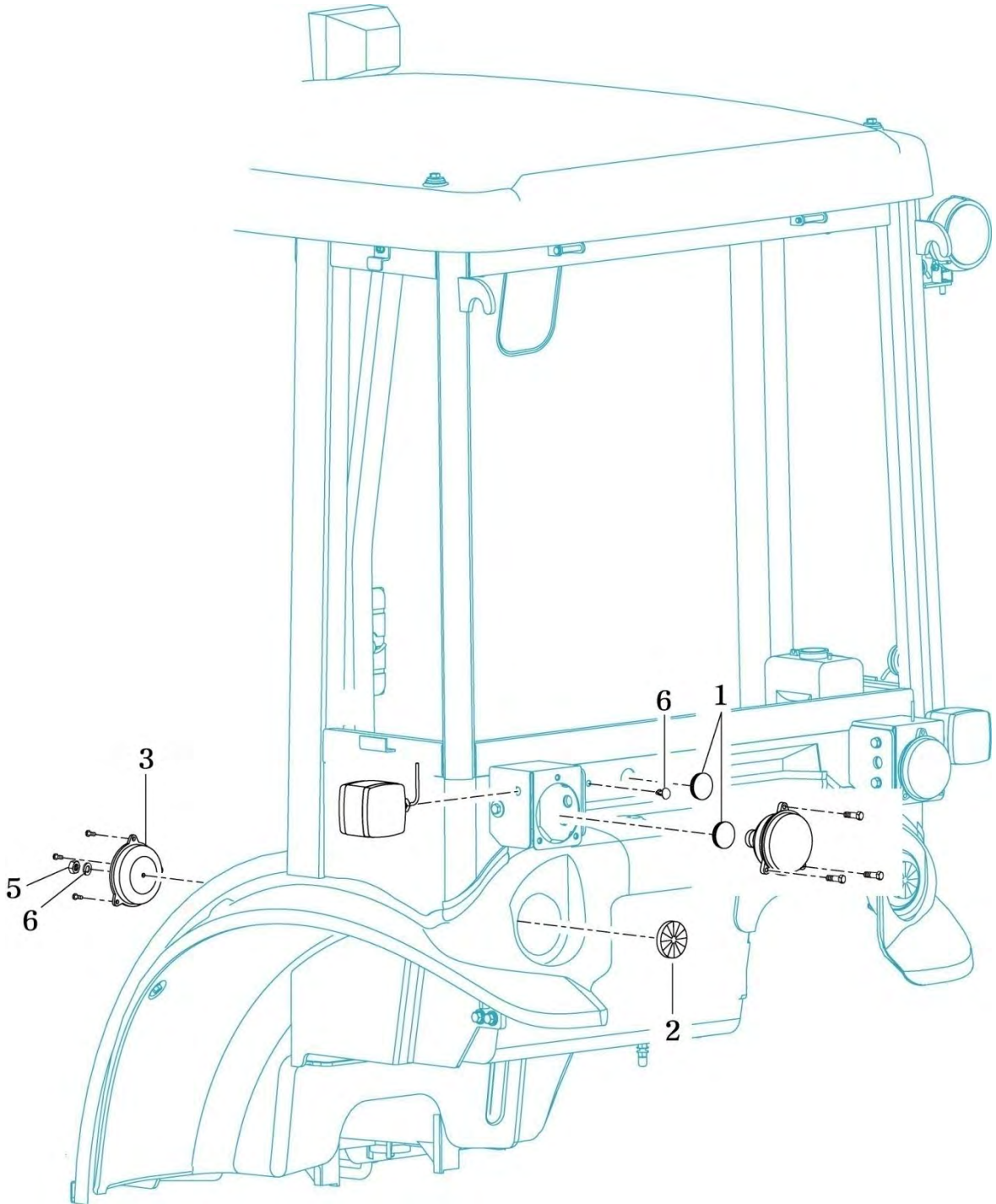
P1

YEAR

2018



T264NH



NOTE

CABIN
OPTION

FIG 713

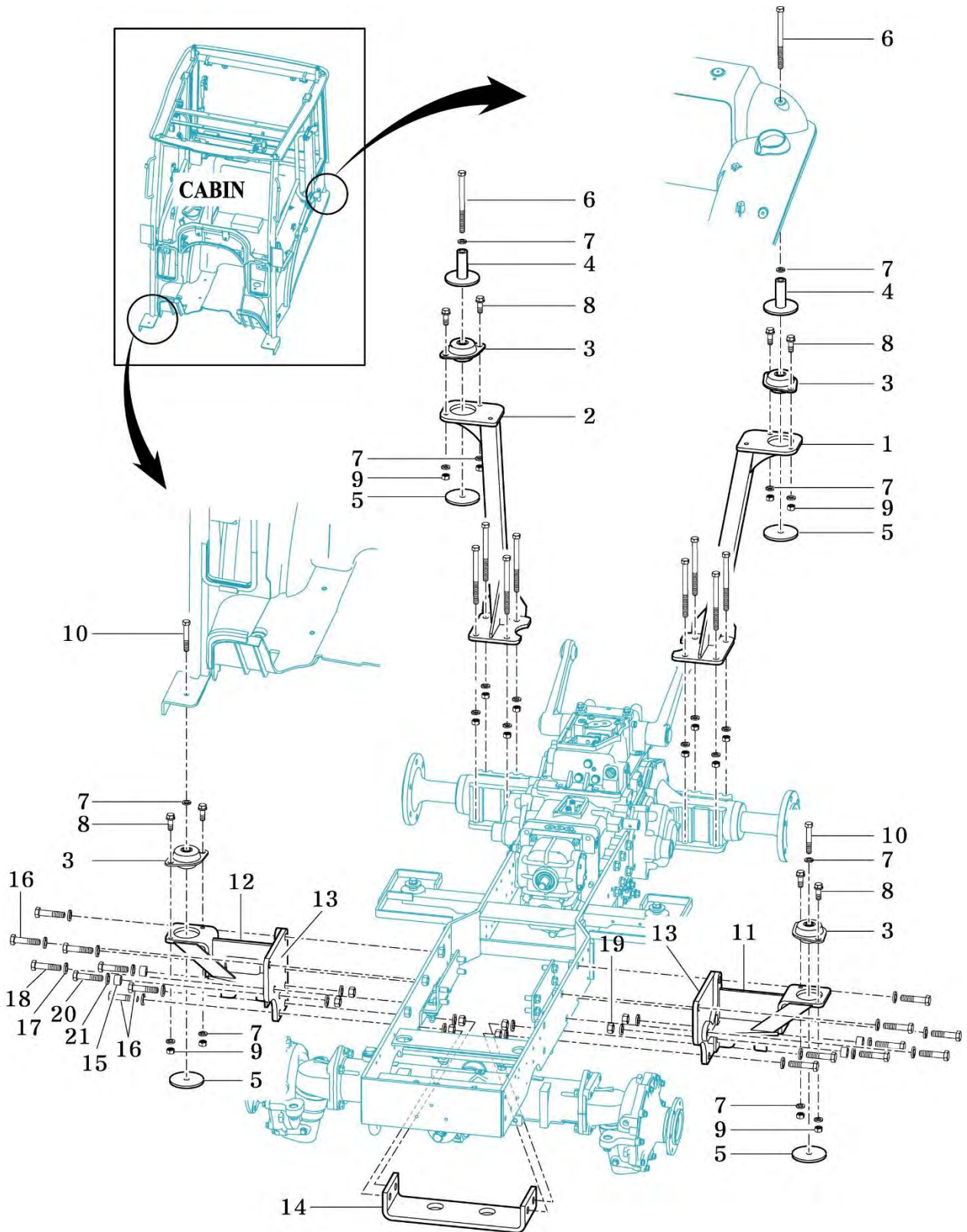
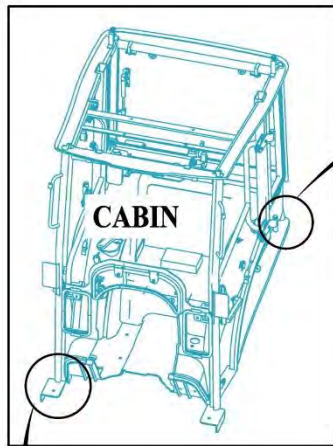
T264NH

FRONT & REAR MOUNTING(OPTION)

P1

YEAR

2018



NOTE

CABIN
OPTION

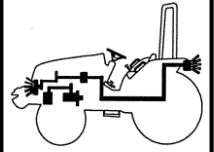
FIG 801

BATTERY & MOUNTING

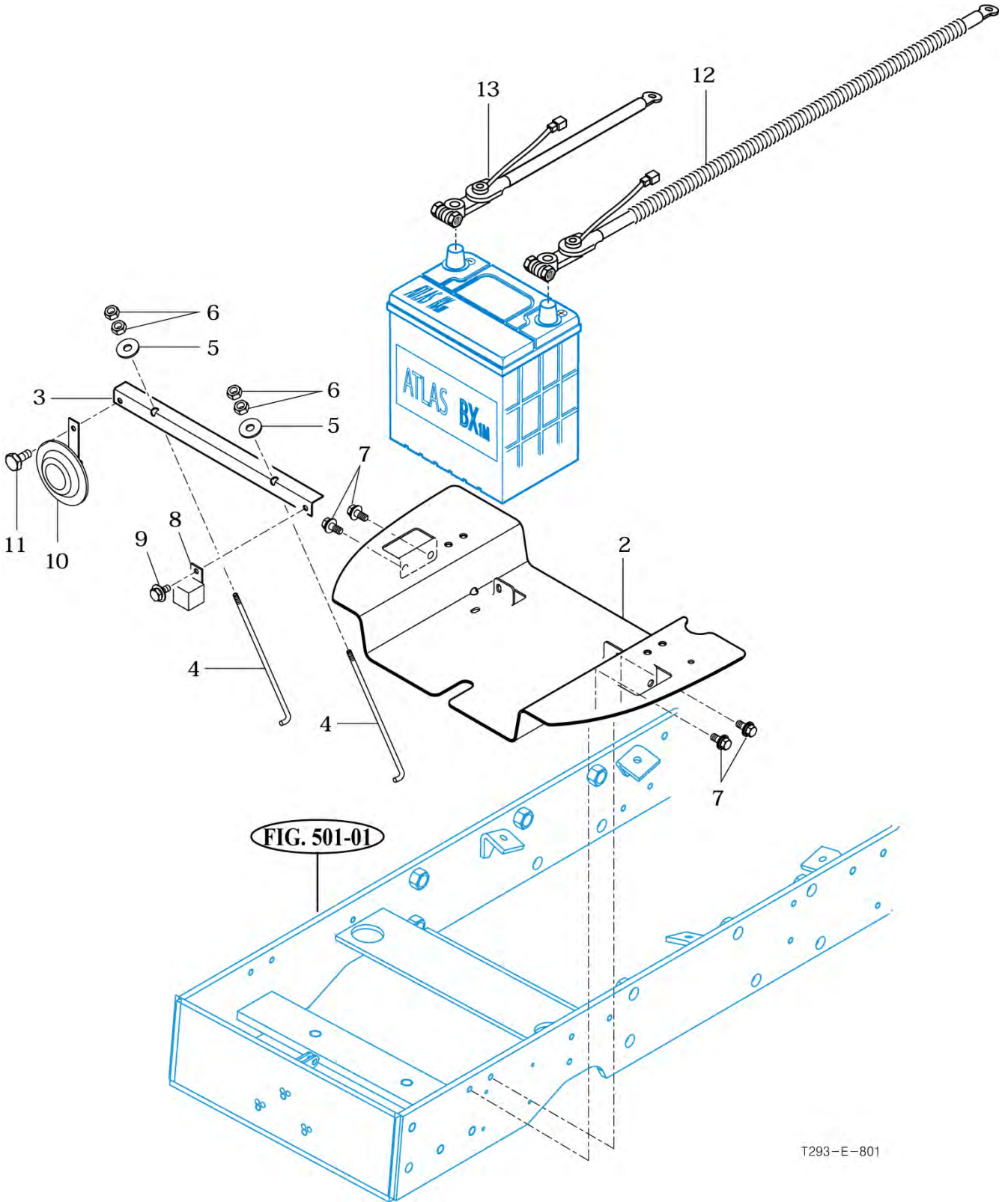
P1

YEAR

2018



T264NH



T293-E-801

NOTE

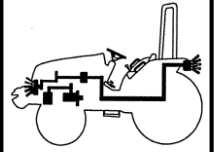
FIG 802

LIGHTS

P1

YEAR

2018



T264NH

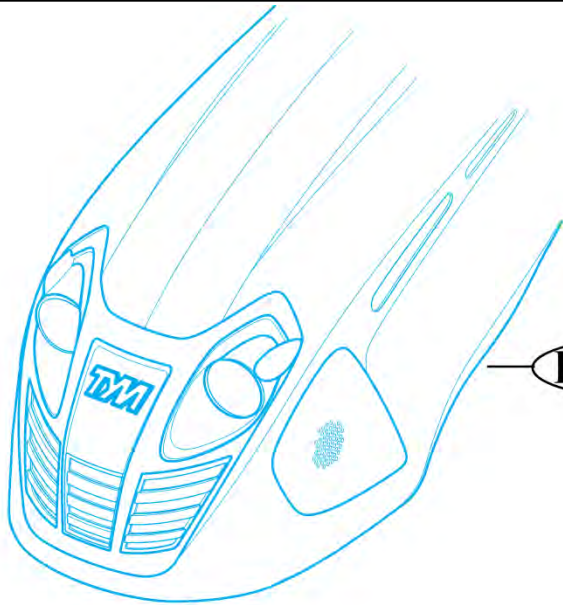


FIG. 701-01

T293-E-802

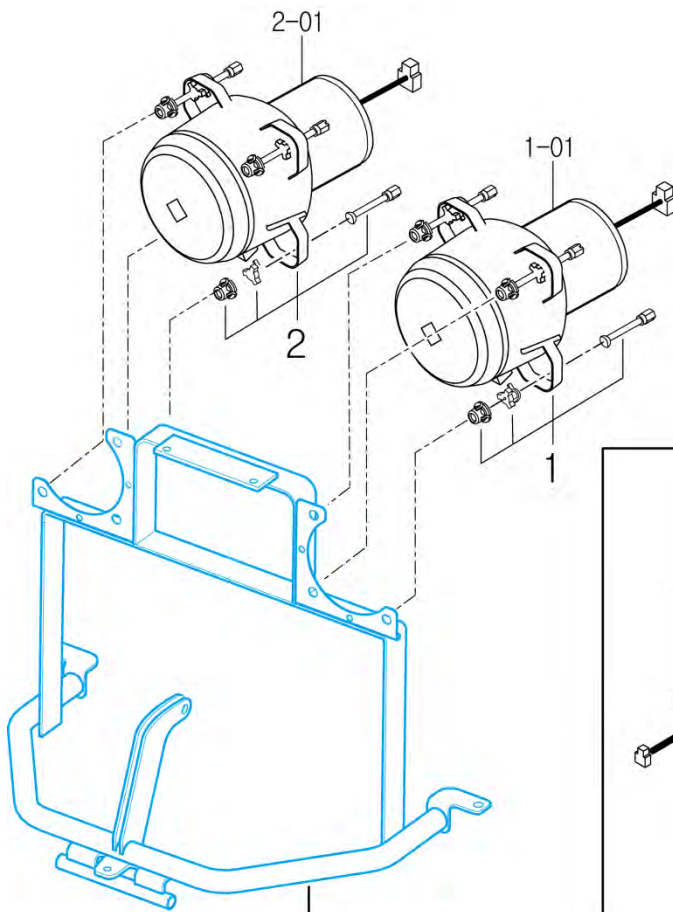
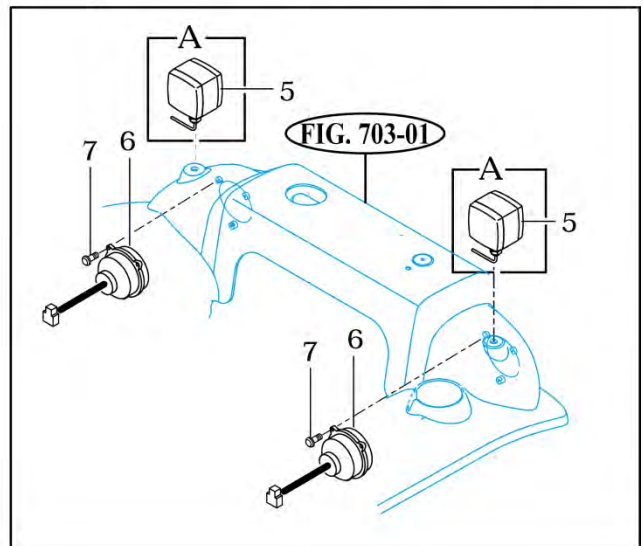
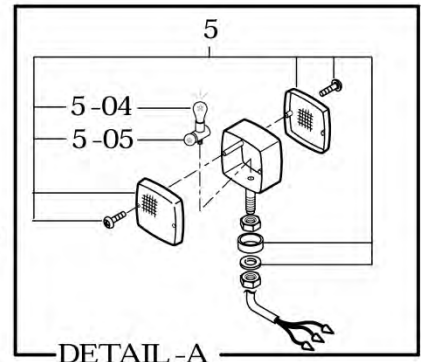


FIG. 701-03



NOTE

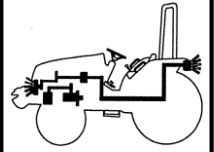
FIG 803

INSTRUMENT PANEL

P1

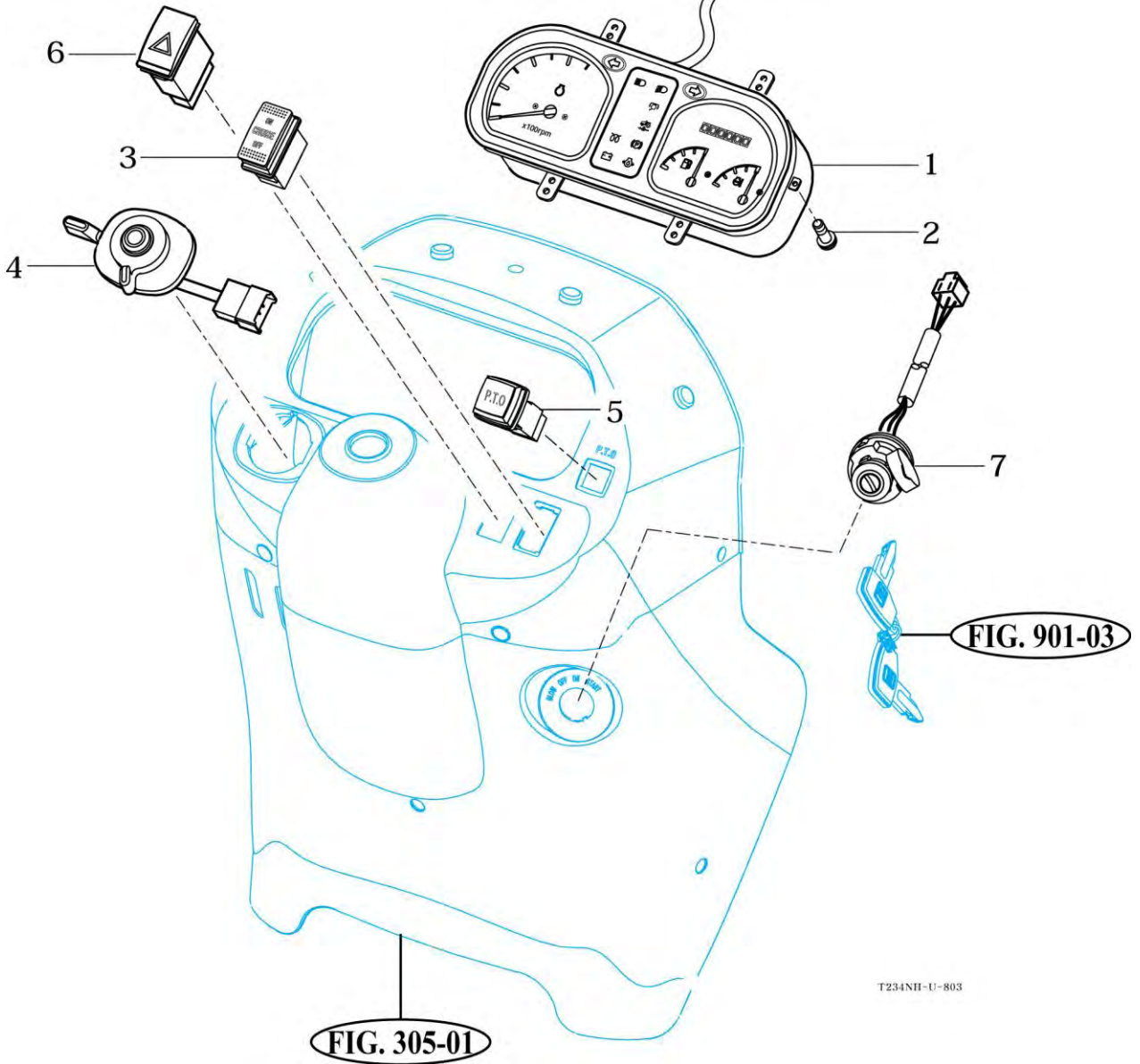
YEAR

2018



T264NH

Forward



T234NH-U-803

NOTE

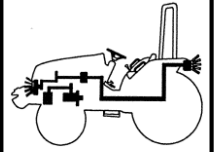
FIG 804

ELECTRIC SYSTEM

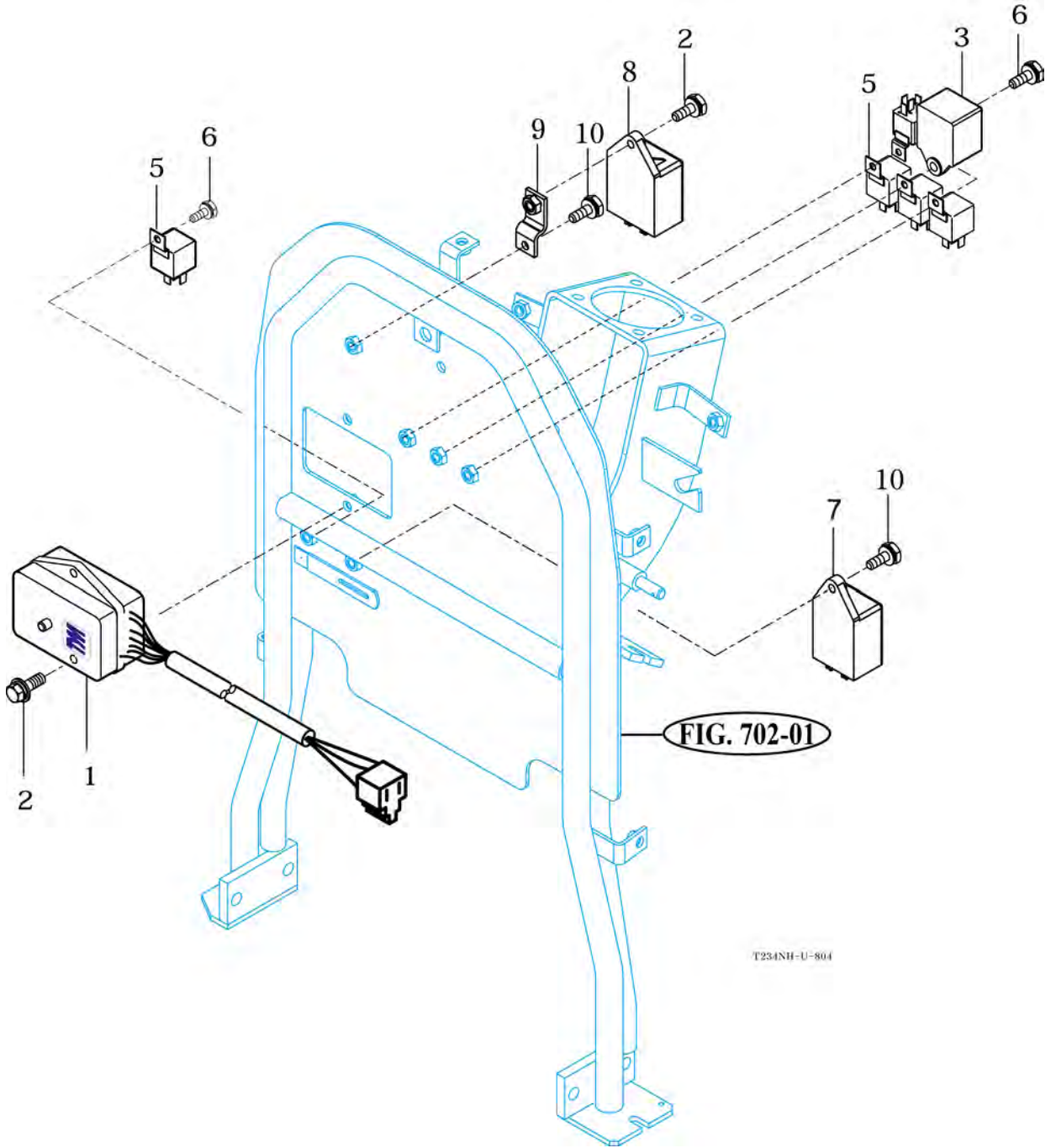
P1

YEAR

2018



T264NH



T234NH-U-804

NOTE

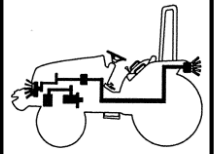
FIG 805

HARNESS

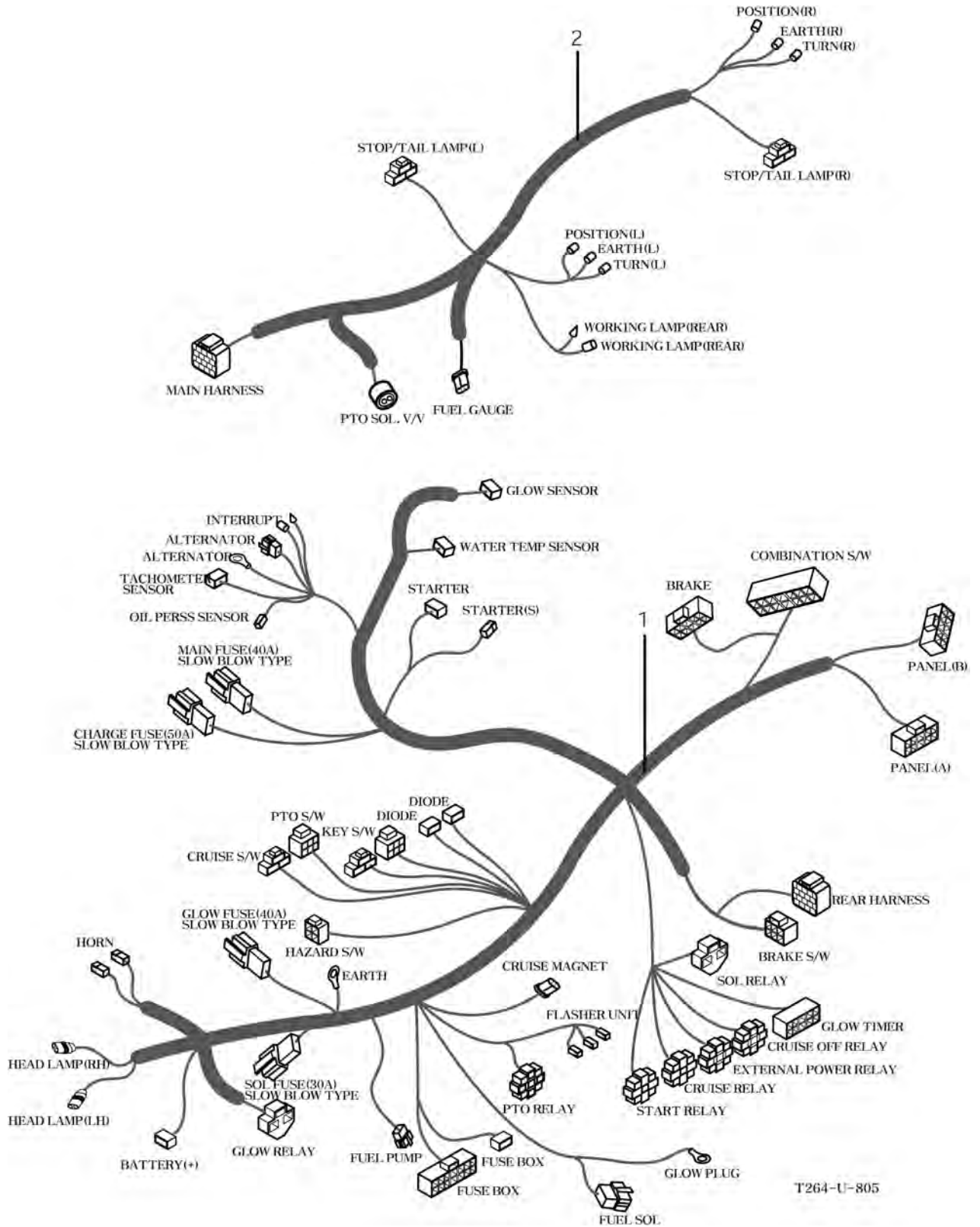
P1

YEAR

2018



T264NH



T264-U-805

NOTE

FIG 901

TOOL & ACCESSORY

P1

YEAR

2018



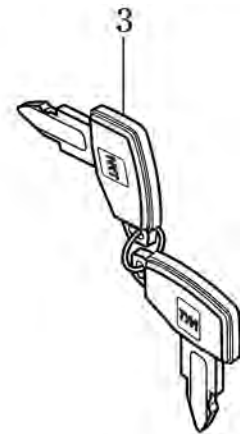
T264NH



1



2



3



4

NOTE

FIG 903

LABEL

P1

YEAR

2018



T264NH

WARNING

Always apply the park brake when parking. Failure to do so can cause accidents and damages.

1200-910-002.0

1

WARNING

Work in ventilated Area.

1200-910-003.0

2

WARNING

Always set the knob to lock when:

- 1.Travelling on the road.
- 2.Replacing blades on an implement.
- 3.Making adjustment to an implement.

Sudden dropping of an implement can cause serious injury or death.

1200-910-004.0

3

WARNING

Do not refuel the tractor while smoking or near naked flame or sparks. Always stop engine before refueling tractors.

1200-910-005.0

4

WARNING

Never use the diff-lock at high speed or on the road as this can cause rollover and injury.

1200-910-006.0

5

WARNING

Brake pedals must always be locked together when travelling on the highway. This will ensure uniform braking and provide maximum stopping ability sharp turns must only be made at slow speeds.

1200-910-007.0

6

CAUTION

Keep hands and clothing away from rotating fan and belts to prevent serious injury.

1200-910-012.0

7

DANGER

Rotating driveline contact can cause death. KEEP AWAY! Keep all drive line. Tractor and equipment shields in place during operation.

1200-910-013.0

8

WARNING

Attach implements and trailers to the tractor only using the prescribed draw-bar or hitch.

1200-910-014.0

9

WARNING

Do not remove radiator cap while engine is hot. Hot steam will injure you.

1200-910-015.0

10

DANGER

Do not ride except operator.

1200-910-019.0

11

WARNING

Always fasten Your seat belt.

1200-910-018.0

12

CAUTION

Do not touch while the system is hot. It cause serious burns

1200-910-024.0

14

Operator's manual

1200-910-025.0

13

15

16

15

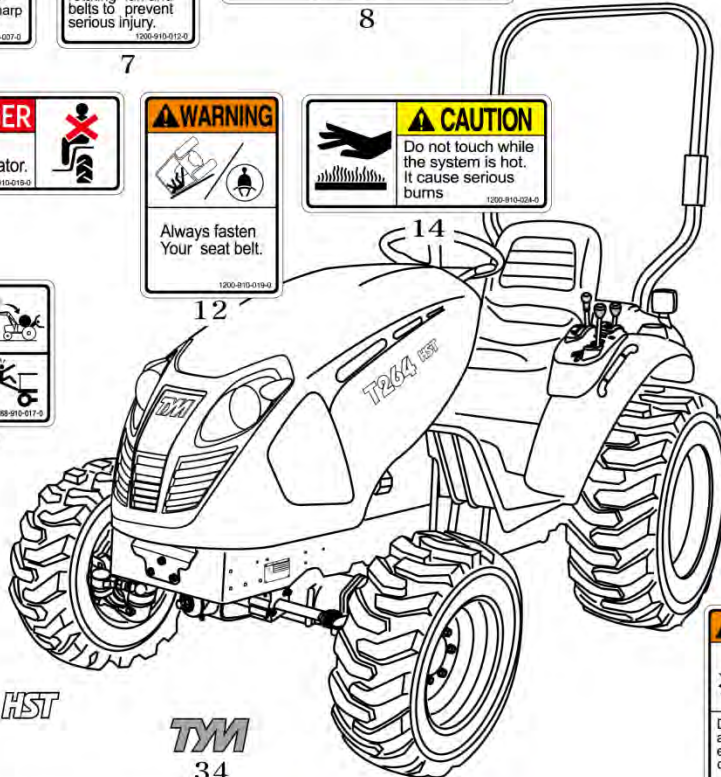
16

PARKING BRAKE

Press down the master brake pedal and lock the parking lever at the same time

1272-904-012.0

21



T264 HST

18

TM

34

WARNING

Additions, alterations, cracking, damage or corrosion to this structure may adversely affect the performance of the ROPS.

23

WARNING

Do not use the accelerator lever except working on the field.

1200-910-021.0

31



35

P.T.O ON — OFF

22

EPA REGULATION

USE ULTRA LOW SULFUR FUEL ONLY

26

TONG YANG MOOL SAN

SERIAL NUMBER	TYPE

Model

36

DANGER

This Tractor may tip over unexpectedly and quicker than an operator is able to jump free

- 1.Never operate a tractor without a proper Roll over Protection Structure (ROPS)
- 2.Always wear your seat belt when operating this tractor equipped with roll over protection.
- 3.Never pull from above or from the rear axle.
- 4.Do not operate the tractor on steep slopes or near drop offs
- 5.Avoid sharp high speed turns

Serious injury or death may result from tractor upsets.

1220-904-001-0

24

WARNING

Death or injury may result if this tractor over turns with the ROPS in the folded down position. Operate this tractor with the ROPS folded down only when necessary. Do not wear seat belt if operated with ROPS folded down

1220-904-002-0

25

EMISSION CONTROL INFORMATION

TONG YANG MOOL SAN CO.,LTD / 35337
2012 () , 2013 () , 2014 () , 2015 ()
E2-2-301A-2800 / www.tym.co.kr

THIS TRACTOR HAS AN ENGINE THAT MEETS U.S. EPA EMISSION STANDARDS UNDER 40 CFR 1039.625 AND CALIFORNIA EMISSION STANDARDS UNDER 13 CCR 2423(d). 1312 901 100-0

31



27

WARNING

Stay clear of raised Boom and bucket.

1200-910-010

33

WARNING

Push the button to lock position with joystick lever is neutral whenever the implement is not operation.

1200-910-008.0

32

NOTE

T234-E-903

CHASSIS

KEY NO.		PART NO.
409	013	11103062000
903	001	12009100020
903	002	12009100030
903	003	12009100040
903	004	12009100050
903	005	12009100060
903	006	12009100070
903	007	12009100120
903	008	12009100130
903	009	12009100140
903	010	12009100150
903	011	12009100160
903	012	12009100190
903	013	12009100230
903	014	12009100240
903	027	12127025110
903	024	12209045010
903	025	12209045020
609	005	12305180020
612	021	12505240060
612	040	12505240060
612	020	12505243500
612	039	12505243500
203	001	13011030010
903	026	13019100120
404	017	13022250030
412	006	13022250030
413	003	13022250030
612	019	13059310030
612	038	13059310030
301	001	13151010010
201	010	13151030023
201	012	13151030031
202	010	13151030031
201	014	13151032300
201	005	13151035001
201	00501	13151035010
201	00502	13151035020
201	00504	13151035030
201	00503	13151035040
202	000	13151040000
202	013	13151040010
202	016	13151040020
202	002	13151040031
202	001	13151040040
202	012	13151040050
202	009	13151040110
202	020	13151042301
202	008	13151043000
202	00801	13151043110

KEY NO.		PART NO.
203	008	13151053110DD
203	009	13151053200DD
203	006	13151053300
204	001	13151112003
204	012	13151112011
612	055	13151112011
204	002	13151112101
204	006	13151112300
204	013	13151113101
204	016	13151113201
202	022	13151120012
801	004	13151120061
801	003	13151122201
207	007	13151123100
205	012	13151160010
205	009	13151162102
205	001	13151162500
205	002	13151163100
301	004	13152100012
405	004	13152171011
405	001	13152171021
405	003	13152212000
402	001	13152302001
402	002	13152302100
404	002	13152311010
402	004	13152311020
302	035	13152312400
302	023	13152320023
302	001	13152322103
302	005	13152322201
302	027	13152322305
302	050	13152322401
302	007	13152323102
302	010	13152323202
302	048	13152323303
302	017	13152324002
302	018	13152324102
302	033	13152325101
302	044	13152332103
409	001	13152400017M
404	006	13152400023M
409	010	13152401011
409	012	13152401021
404	010	13152411010
404	020	13152421011
404	015	13152430011M
404	016	13152430022
411	010	13152440050
411	014	13152442401
411	001	13152444002

KEY NO.		PART NO.
411	002	13152444101
411	009	13152444203
411	003	13152444302
406	017	13152530011
406	012	13152530023
406	010	13152530031
406	008	13152530041
412	001	13152540011M
412	002	13152540022
412	013	13152540030
412	009	13152542002
412	010	13152542102
412	011	13152542201
412	018	13152543102
403	005	13152610021
404	012	13152611010
404	022	13152611020
413	013	13152630011
413	010	13152632102
413	007	13152632201
413	016	13152632302
408	018	13153002110
408	019	13153002120
404	007	13153020010
404	008	13153020020
408	020	13153180011M
408	026	13153180030
408	027	13153180060
408	023	13153180070
408	025	13153180080
408	014	13153180110
408	016	13153180120
408	015	13153180130
408	034	13153181010M
408	033	13153181020
408	032	13153181030
408	028	13153182100
408	004	13153190010M
408	001	13153190020
408	011	13153193100
410	001	13153200011M
410	002	13153230012
410	007	13153230022
410	011	13153240010M
410	013	13153240022
410	010	13153240030
505	018	13153240030
410	012	13153240041
410	005	13153270010M
303	002	13153270021M

KEY NO.		PART NO.
303	005	13153270030
303	003	13153270041M
303	006	13153270090
303	007	13153270090
303	004	13153272100
304	028	13153280023
304	029	13153280032
304	031	13153280040
304	025	13153280050
304	024	13153280061
304	001	13153282104
304	004	13153282204
304	007	13153282303
304	008	13153283103
304	010	13153283203
304	013	13153284001
304	018	13153284101
304	022	13153285001
304	035	13153286301
309	008	13153402100
309	007	13153402200
309	007A	13153403200
309	008A	13153405100
309	009	13153409000
306	001	13154053000
307	00304	13154055010
307	00404	13154055010
307	001	13154055105
307	003	13154055202
307	004	13154055302
307	002	13154055500
307	00301	13154059102
307	00303	13154059201
307	00403	13154059201
307	00401	13154059932
701	016	13154070110
701	016	13154070110
701	015	13154072400
701	015	13154072400
501	025	13154100013
502	013	13154112110
502	018	13154112120
502	021	13154112131
502	016	13154112141
502	023	13154112150
502	015	13154112170
502	002	13154112210
502	006	13154112221
502	004	13154112231
502	005	13154112250

KEY NO.		PART NO.
502	007	13154112250
502	003	13154112260
502	008	13154112270
503	001	13154120014M
503	014	13154122110M
503	008	13154122211M
503	009	13154122220
503	002	13154122300
504	014	13154130011
504	002	13154130021
504	004	13154130030
504	006	13154130041
505	003	13154130051
505	004	13154130061
505	006	13154130070
505	010	13154130081
504	015	13154130091
505	012	13154130110
505	019	13154130122M
505	016	13154130131M
504	001	13154130142M
504	008	13154130150
505	008	13154130160
505	015	13154130170
505	001	13154132014M
505	002	13154132024M
308	005	13154172100
308	004	13154173200
308	005A	13154175100
308	006	13154179000
309	009A	13154179000
608	001	13155001000
601	002	13155010014M
601	008	13155010025M
601	003	13155010030
601	004	13155010040
605	012	13155012102
602	001	13155020011
602	002	13155020025M
602	003	13155022101M
603	005	13155030063
603	001	13155032101M
604	001	13155032221
603	010	13155039200
604	021	13155042100
604	006	13155050010
604	011	13155050021
604	004	13155050030
604	002	13155050041
604	027	13155050051

KEY NO.		PART NO.
604	015	13155052101
604	018	13155052200
604	013	13155052300
604	009	13155052401
607	001	13155062102
610	012	13155100010
402	006	13155100161
611	010	13155102303
611	011	13155102503
611	009	13155102901
610	007	13155103303
610	016	13155103701
610	014	13155103730
611	006	13155104412
609	008	13155104602
611	001	13155113000
605	005	13155122302
605	006	13155122402
610	005	13155150021
614	004	13155201011
612	003	13155202202
612	016	13155202401
612	005	13155202501
612	024	13155202501
612	008	13155202511
612	027	13155202511
612	022	13155203102
612	035	13155203201
612	041	13155204104
612	001	13155205100
612	042	13155206003
612	043	13155206111
612	044	13155206121
612	045	13155206131
614	001	13155212100
701	00101	13156012112SR
701	00101	13156012112SR
701	00103	13156012133
701	00103	13156012133
701	00104	13156012143
701	00104	13156012143
701	00105	13156012151
701	00105	13156012151
701	00110	13156012160
701	00110	13156012160
701	006	13156012213
701	006	13156012213
701	011	13156012301
701	011	13156012301
701	00106	13156030020

KEY NO.	PART NO.
701 00106	13156030020
713 009	13156030021
305 003	13156032111
305 004	13156032121
305 001	13156032213
603 015	13156073300
703 011	13156082112
703 015	13156082122
613 010	13156082133
704 015	13156110010
704 018	13156110020
704 005	13156112010
704 006	13156112020
704 010	13156112030
704 011	13156112040
704 014	13156112050
704 002	13156112100
704 003	13156112200
704 004	13156112300
704 001	13156113000
704 021	13156114001
703 003	13156252110
703 002	13156252121
613 007	13156252205
703 022	13156253101
702 002	13156300011
702 004	13156300023
702 006	13156300030
304 036	13156301001
702 001	13156303000
703 012	13156400010
703 001	13156402114SR
803 007	13156582400
803 00101	13156602110
803 003	13156642100
804 00103	13156642150
803 005	13156642300
803 006	13156682400
805 002	13156683605
705 020	13157020040
705 001	13157022000
705 002	13157022106
705 010	13157022202
705 003	13157023106
705 011	13157023202
705 004	13157024102
903 022	13159100030
901 001	13159120020
201 001	13181033101
203 003	13181052000DD

KEY NO.	PART NO.
206 002	13181063100
801 002	13181122100
205 018	13181161010
401 001	13182102100
403 004	13182610010
501 004	13184070010
501 001	13184072200
501 002	13184073100
501 003	13184073200
206 007	13185102100
206 006	13185102200
306 003	13185103100
306 004	13185103200
306 005	13185103400
609 009	13185103800
609 003	13185104300
609 007	13185104500
613 001	13185106101
613 00102	13185106300
613 00103	13185106400
609 001	13185106500
613 005	13185110010
701 001	13186012100
701 00101	13186012100
701 00102	13186012120
701 00102	13186012120
701 00112	13186012130
701 00112	13186012130
701 003	13186022100
701 003	13186022100
703 017	13186412110
709 001	13187023110
709 003	13187023120
709 005	13187023130
708 004	13187023140
708 005	13187023150
710 001	13187023160
710 003	13187023170
601 013	13196313100
714 003	13197020011
705 021	13197035401
903 023	13199100052
801 010	13266212002
610 011	13267060022
804 001	13276642001
803 004	13276642201
805 001	13276683105
708 001	13347022000GB
709 002	13347023180
709 004	13347023190

KEY NO.	PART NO.
709 006	13347023210
708 006	13347023220
710 002	13347023230
710 004	13347023240
710 008	13347023250
709 009	13347023260
710 007	13347023270
709 007	13347023280
709 008	13347023290
711 006	13347023350
712 006	13347023360
713 008	13347023420
713 006	13347023440
713 007	13347023450
713 004	13347023460
713 005	13347023470
708 010	13347023480
708 002	13347023500
708 003	13347023600
710 005	13347023700
710 006	13347023800
708 009	13347023900
710 011	13347024100
708 007	13347024200
710 009	13347024300
708 011	13347024400
708 012	13347024500
710 010	13347024600
708 008	13347024700
709 010	13347024800
709 011	13347024900
711 002	13347025100
711 001	13347025200SR
711 004	13347025300
711 005	13347025400
713 003	13347025500
709 012	13347025600
709 013	13347025700
709 014	13347025800
713 001	13347025900
713 002	13347026100
711 003	13347026200
712 008	13347026300
712 007	13347026400
706 013	13347027111GB
706 011	13347027201GB
706 005	13347027300GB
706 012	13347027501GB
706 014	13347027600GB
706 004	13347027710GB

KEY NO.		PART NO.
706	015	13347027720
706	001	13347027800GB
706	002	13347028100GB
707	004	13347032110
707	005	13347032120
707	003	13347032130GB
707	002	13347032140
707	001	13347032151
707	007	13347032160
712	005	13347033170
803	001	13366602000
702	008	13366684300
406	003	13372510010
903	018	13379020040
901	002	13379120030
413	001	13402632000
408	017	13403002000
501	021	13404100010GB
309	005A	13414402000
309	006A	13414403000
308	002A	13415172000
308	003A	13415173000
204	018	13424020060
714	002	13606571000
801	012	13716684100
801	013	13716684200
309	005	13753402000
309	006	13753403000
502	001	13754112000
503	013	13754122100
503	007	13754122200
308	002	13754172000
308	003	13754173000
601	001	13755019100
204	017	13764020030
205	005	14041170080
302	038	14043120060
202	003	14046210300
204	007	14046210300
705	017	14046210300
201	011	14151010401
207	00401	14151020040
207	00405	14151020100
503	026	14151060010
406	001	14211340190
501	023	14211340190
612	004	14215020020
612	023	14215020020
614	007	14215020020
202	014	14241010040

KEY NO.		PART NO.
202	017	14241010040
204	019	14256210040
601	010	14256210040
703	026	14256210040
202	015	14271010220
712	001	14271010220
701	012	14322420010
701	012	14322420010
207	00404	14401032010
413	002	14443120010M
406	015	14443140041
406	006	14443140080
408	021	14443180040
408	022	14443180050
503	021	14444120090
610	006	14445100080
612	050	14445140051
901	003	14446213202
405	017	14462162180
204	021	14501410050
207	009	14501410050
207	00403	14571000010
207	004	14571002000
413	005	14572622101
304	014	14573282200
609	004	14585100030
612	010	14585142520
612	029	14585142520
612	006	14585142600
612	025	14585142600
612	007	14585142700
612	026	14585142700
404	023	14602130030
207	005	14611113100
712	002	14628202600
206	001	14721062003
206	004	14721062300
304	039	14721120090
702	013	14721120090
405	016	14722212010
405	013	14722212020
405	008	14722212040
405	012	14722212070
405	015	14722212090
302	043	14722310033
302	019	14722310060
302	051	14722312730
302	046	14722323002
305	007	14724012001
305	00701	14724012100

KEY NO.		PART NO.
605	013	14725100100
611	004	14725100100
613	004	14725100100
703	007	14726071100
903	019	14729020011
903	021	14729040130
614	006	14882472502
202	018	14941040141
608	002	14944050100
804	005	14946212901
601	020	15183062000
714	006	15276040020
412	021	15442190050
413	019	15442190050
304	017	15601320073
412	008	15602231610
607	010	15603160025
309	003	15603200010
603	017	15605070070
607	011	15605110054
612	054	15605250030
804	007	15606642401
603	011	15640040001
405	010	15642212050
405	011	15642212060
405	014	15642212080
406	009	15642730052
406	013	15642730082
612	049	15645220011
612	048	15645220020
802	00504	15646542130
802	005	15666562003
802	00505	15666562040
804	00101	15756230090
804	00102	15756230110
205	003	15965120021
706	003	15966250010
202	004	15991040050
204	008	15991040050
304	032	16177020090
406	020	16322730040
406	019	16322732000
405	009	16342212050
701	00107	16506010140
701	00107	16506010140
705	009	16507027500
304	016	16601220020
307	00302	16604362230
307	00402	16604362230
714	001	16606510210

KEY NO.		PART NO.
804	003	16626692100
409	009	16701015001
405	007	16702212030
411	005	16702230371
412	015	16702230371
408	009	16703180191
303	001	16703270011
303	012	16703272030
503	017	16704020020
503	015	16704332220
603	016	16705030030
603	004	16705030050M
603	003	16705050060
605	011	16705060060
610	00101	16705104900
610	001	16705105000
705	023	16705251100
204	003	16731112130
305	00702	16994012020
409	008	16994080061
605	002	16994080072
608	008	16994080072
611	003	16994080072
613	003	16994080072
402	007	16995304000
611	002	16995304000
207	001	16999052300
205	017	17681170050
307	00307	17682600140
307	00407	17682600140
801	008	17686641110
802	006	17687023401
903	016	17689100170
903	015	17689200050
903	032	17699100090
903	033	17699100100
408	006	17973030420
503	004	17994360221
601	015	17994360221
609	006	17995010210
604	019	17995040131
604	025	17995040131
604	024	17995040170
605	009	17995050100
607	006	17995070170
607	005	17995070180
607	003	17995070200
607	002	17995070211
411	008	17995070270
413	011	17995070270

KEY NO.		PART NO.
605	001	17995080970
503	005	19021024300
601	016	19021024300
802	00101	19026563010
802	00101	19026563010
802	001	19026563102
802	001	19026563202
903	031	19129011000
903	034	19129041130
613	00101	19955162513
712	003	19958200041
701	002	19959010010
701	002	19959010010
304	023	21004100070
304	019	21443370020
302	041	34522150080
608	007	34523500080
202	005	35602010150
204	010	35602010150
801	005	35605033020
205	004	36104400180
703	024	36143110010
201	013	36213040010
204	014	36323600020
202	019	36423600080
202	023	36423600080
204	015	36423600080
207	008	36423600080
503	006	36423600080
601	017	36423600080
610	015	36503050020
204	004	36523102201
302	013	36707030080
302	022	36707030080
304	006	36707030080
204	020	37371720110
608	006	37503502000
610	013	37681850160
712	004	37681850160
612	014	79636110030
612	033	79636110030
612	017	79636130050
612	036	79636130050
301	003	F103512040
402	00101	H016200A
402	00106	H016204A
402	00102	K01005
402	00104	K04015
402	00105	K06099
402	00103	K11010

KEY NO.		PART NO.
402	00108	K11015
402	00107	K11022
501	011	T0019010021
603	019	V1112606040
701	00111	V1122605010
701	00111	V1122605010
607	012	V1122605012
305	002	V1122806016
613	011	V1122806016
701	00108	V1222806012
701	00108	V1222806012
703	014	V1222806012
703	016	V1222806012
701	00113	V1222806016
701	00113	V1222806016
703	013	V1902605012
707	006	V1902605012
802	007	V1902605012
803	002	V1922604016
205	021	V2003610016
705	012	V2004612150
501	009	V2004614035
705	005	V2004614090
503	019	V2004616050
706	016	V2004616055
412	019	V2013608030
413	017	V2013608030
604	022	V2013608050
607	008	V2013608050
203	012	V2013608055
201	017	V2013608090
302	002	V2013610055
607	007	V2013610060
614	002	V2013614030
503	022	V2013614035
705	015	V2013614045
503	024	V2013614050
706	010	V2014612075
706	006	V2014612160
309	001	V2014616030
603	008	V2023612045
204	005	V2053605010
610	010	V2053606050
206	003	V2113606016
801	011	V2113606016
207	002	V2123606020
804	002	V2123606020
305	006	V2123806016
302	024	V2143610050
301	005	V2144612030

KEY NO.		PART NO.
501	005	V2144612030
408	010	V2173608016
411	006	V2173608016
412	016	V2173608016
704	009	V2173608016
201	015	V2173608020
202	006	V2173608020
202	007	V2173608020
203	002	V2173608020
302	006	V2173608020
302	008	V2173608020
302	034	V2173608020
302	045	V2173608020
302	047	V2173608020
302	049	V2173608020
304	002	V2173608020
304	005	V2173608020
306	002	V2173608020
408	030	V2173608020
413	009	V2173608020
609	002	V2173608020
701	018	V2173608020
701	018	V2173608020
801	007	V2173608020
204	011	V2173608025
505	017	V2173608025
601	009	V2173608030
401	002	V2173608035
605	010	V2173608045
609	010	V2173608060
203	011	V2173608065
611	008	V2173608070
608	003	V2173608075
613	008	V2173608075
409	011	V2173610020
601	014	V2173610020
404	003	V2173610025
408	035	V2173610025
410	006	V2173610025
704	012	V2173610025
704	016	V2173610025
410	017	V2173610035
601	019	V2173610035
409	006	V2173610040
703	018	V2173610040
410	018	V2173610055
409	002	V2173610060
307	006	V2173610075
308	001	V2173612030
612	002	V2173612030

KEY NO.		PART NO.
504	017	V2173612035
605	008	V2173612035
706	008	V2173612035
703	004	V2173612040
406	021	V2183608016
501	026	V2183608016
610	017	V2183608016
614	005	V2183608016
705	022	V2183608016
701	004	V2183608020
701	004	V2183608020
205	015	V2183608025
613	012	V2183608025
701	005	V2183608025
701	007	V2183608025
701	005	V2183608025
701	007	V2183608025
703	023	V2183608025
610	004	V2183610025
702	003	V2183610025
703	006	V2183610025
704	017	V2183610030
202	011	V2193606016
801	009	V2193606016
206	005	V2193606025
207	010	V2193606025
804	006	V2323606016
203	015	V2513408025
601	007	V2513408030
409	005	V2513410045
308	008	V2513612030
714	005	V3002600050
801	006	V3002600060
704	013	V3012600100
612	009	V3012600140
612	028	V3012600140
701	021	V3022600060
701	021	V3022600060
203	017	V3042600080
205	016	V3042600080
412	020	V3042600080
413	018	V3042600080
601	012	V3042600080
604	023	V3042600080
607	009	V3042600080
704	007	V3042600080
302	004	V3042600100
603	014	V3042600100
612	047	V3042600200
203	007	V3043600080

KEY NO.		PART NO.
203	014	V3043600080
302	042	V3043600080
304	015	V3043600080
501	007	V3043600080
608	005	V3043600080
608	010	V3043600080
703	010	V3043600080
409	003	V3043600100
703	021	V3043600100
308	009	V3043600120
705	014	V3043600120
706	009	V3043600120
503	025	V3043600140
705	008	V3043600140
309	004	V3043600160
706	019	V3043600160
503	020	V3052600160
205	007	V3232600100
612	013	V3313600160
612	032	V3313600160
411	013	V3342600100
303	010	V3343600160
307	00305	V3343600160
307	00405	V3343600160
701	00109	V3501600060
701	00109	V3501600060
714	004	V4011600050
603	018	V4011600060
610	009	V4011600060
701	020	V4011600060
701	020	V4011600060
203	005	V4011600080
203	016	V4011600080
304	027	V4011600080
501	008	V4011600080
601	011	V4011600080
604	003	V4011600080
608	004	V4011600080
608	009	V4011600080
703	009	V4011600080
704	008	V4011600080
205	020	V4011600100
302	003	V4011600100
302	025	V4011600100
409	004	V4011600100
703	020	V4011600100
301	002	V4011600120
301	006	V4011600120
308	007	V4011600120
603	009	V4011600120

KEY NO.		PART NO.
705	013	V4011600120
706	007	V4011600120
501	010	V4011600140
503	023	V4011600140
614	003	V4011600140
705	007	V4011600140
705	016	V4011600140
303	009	V4011600160
309	002	V4011600160
612	012	V4011600160
612	031	V4011600160
706	017	V4011600160
705	024	V4111600050
205	010	V4111600060
205	013	V4111600060
304	033	V4111600060
304	037	V4111600060
701	019	V4111600060
701	019	V4111600060
201	016	V4111600080
203	013	V4111600080
302	020	V4111600080
302	036	V4111600080
304	020	V4111600080
411	011	V4111600080
413	014	V4111600080
613	009	V4111600080
701	013	V4111600080
701	013	V4111600080
703	008	V4111600080
205	006	V4111600100
205	019	V4111600100
302	014	V4111600100
302	029	V4111600100
702	005	V4111600100
703	019	V4111600100
704	019	V4111600100
301	007	V4111600120
705	006	V4111600140
612	011	V4111600160
612	018	V4111600160
612	030	V4111600160
612	037	V4111600160
302	012	V4111600200
408	007	V4111600200
302	016	V5001920015
302	021	V5001920015
302	030	V5001920015
304	021	V5001920015
304	034	V5001920015

KEY NO.		PART NO.
705	025	V5001920015
205	011	V5001920020
701	014	V5001925015
701	014	V5001925015
205	008	V5001925020
304	038	V5001925020
411	012	V5001925020
412	014	V5001925020
413	015	V5001925020
612	015	V5001930020
612	034	V5001930020
412	007	V5001930025
704	020	V5001930025
307	005	V5201010020
504	016	V5201010020
404	005	V5201010022
409	007	V5201010022
410	016	V5201010022
601	018	V5201010022
501	012	V5502040093
205	014	V5601600008
302	037	V5601600008
702	007	V5601600010
502	010	V5801403025
502	009	V5801405025
408	002	V5801405036
408	024	V5801405036
408	012	V5801406028
304	009	V5801406032
408	005	V5801406032
411	007	V5801406032
412	017	V5801406032
413	008	V5801406032
603	006	V5801406040
408	003	V5801408036
403	003	V6001106004
405	002	V6001106005
405	005	V6001106005
504	007	V6001106006
505	005	V6001106006
408	029	V6001106007
504	003	V6001106007
504	011	V6001106008
408	031	V6001106009
504	009	V6001106009
502	014	V6001106010
406	002	V6001106204
406	007	V6001106205
406	014	V6001106207
410	014	V6001106207

KEY NO.		PART NO.
505	011	V6001106207
410	008	V6001106208
502	011	V6001106210
402	005	V6001106302
403	006	V6001106302
406	004	V6001106305
505	014	V6001106305
410	003	V6001106306
302	015	V6001506000
302	028	V6001506000
404	013	V6001606306
404	019	V6041106206
404	024	V6041106304
404	014	V6041106306
404	009	V6321130304
502	017	V6321133005
404	021	V6544252913
406	011	V6544354026
404	018	V6802000010
412	005	V6802000010
413	004	V6802000010
303	011	V6802000019
302	009	V7041400200
302	031	V7041400200
304	011	V7041400200
402	003	V7041400200
501	024	V7041400200
404	001	V7041400250
404	011	V7041400280
410	004	V7041400300
406	016	V7041400350
410	015	V7041400350
505	013	V7041400350
602	004	V7041400350
502	012	V7041400400
504	012	V7041400400
403	002	V7051400420
502	020	V7051400470
505	007	V7051400550
406	005	V7051400620
408	013	V7051400620
504	005	V7051400620
504	010	V7051400680
406	018	V7051400720
410	009	V7051400800
405	006	V7051400950
304	030	V7081400060
604	005	V7081400060
604	008	V7081400090
607	004	V7081400090

KEY NO.	PART NO.
---------	----------

KEY NO.	PART NO.
---------	----------

KEY NO.	PART NO.
---------	----------

ENGINE

KEY NO.		PART NO.
106	003	04826-22000
106	004	04826-23500
143	001	05204-50200
134	012	05946-01001
135	017	09006-80020
135	002	09011-05110
135	003	09013-10520
135	004	09013-60540
135	005	09013-70130
135	006	09014-02610
135	007	09015-05550
135	008	09016-10210
135	009	09016-30082
135	010	09016-40170
135	011	09017-00170
135	015	09018-30050
135	012	09021-00470
135	019	09024-40180
135	020	09024-50210
135	013	09030-10060
135	022	09031-10010
135	022	09031-10110
135	022	09031-10120
135	022	09031-10130
135	022	09031-10140
135	022	09031-10160
135	022	09031-10170
135	022	09031-10280
135	022	09031-10300
135	022	09031-10310
135	016	09046-70040
131	002	09311-03840
131	005	09312-10380
131	004	09312-70310
131	008	09316-41351
131	006	09317-40070
131	003	09317-51810
131	003	09317-51830
131	003	09317-51850
131	003	09317-51870
131	003	09317-51890
131	003	09317-51910
131	003	09317-51930
131	003	09317-51950
131	003	09317-51970
131	003	09317-51990
131	007	09340-05060
135	023	09450-36820
105	003	30405-31403
143	003	30636-25901

KEY NO.		PART NO.
143	006	30636-25901
145	018	30636-25901
110	010	30A11-00101
145	013	30A11-00101
114	007	30A19-00010
114	008	30A19-00020
114	009	30A19-00030
145	014	30A30-00200
145	015	30A63-00101
137	003	30A66-00101
145	016	30A66-00101
144	001	30A87-00600
142	001	30A87-10042
142	002	30A87-20402
112	005	30H13-00800
126	006	30H45-00101
145	017	30H45-00101
107	002	30L07-00700
133	012	30L63-00030
133	036	30L63-00600
133	015	30L63-00700
133	013	30L63-02100
133	014	30L63-02300
133	042	30L63-02400
133	016	30L63-02600
101	017	31A01-02500
101	018	31A01-02600
101	022	31A01-11101
101	019	31A03-01500
103	007	31A04-00700
103	001	31A04-00800
103	002	31A04-00900
103	003	31A04-01301
103	011	31A04-11024
103	017	31A04-34100
103	018	31A04-34300
105	005	31A05-00300
105	006	31A05-01300
106	005	31A07-00801
107	005	31A07-02300
111	002	31A07-02401
145	019	31A07-02401
107	006	31A07-02500
106	006	31A07-03100
107	003	31A07-11601
107	004	31A07-11701
145	020	31A07-11701
110	002	31A07-11901
145	021	31A07-11901
107	001	31A07-12200

KEY NO.		PART NO.
145	022	31A07-12200
111	004	31A08-04102
110	004	31A11-00802
110	001	31A11-02100
110	008	31A11-05101
110	009	31A11-05201
145	023	31A11-05201
110	005	31A11-11101
145	024	31A11-11101
113	010	31A17-10602
113	001	31A17-11100
113	002	31A17-11200
113	003	31A17-11300
106	023	31A23-00051
117	005	31A23-00600
117	003	31A23-00800
117	004	31A23-01023
117	001	31A23-01302
117	002	31A23-01404
117	007	31A23-01502
119	005	31A30-00300
119	006	31A30-00801
145	025	31A30-00801
120	003	31A32-02100
121	002	31A35-02300
145	026	31A35-02300
121	001	31A35-30010
124	001	31A40-02100
126	009	31A45-20800
127	005	31A46-00064
127	001	31A46-01062
145	002	31A46-01200
127	008	31A46-01202
127	009	31A46-10101
145	027	31A46-10101
108	001	31A46-12400
128	002	31A48-01100
130	014	31A61-01200
130	015	31A61-01500
130	004	31A61-04100
130	005	31A61-04200
130	006	31A61-04300
133	017	31A63-01800
133	034	31A63-02300
133	018	31A63-02600
133	019	31A63-02700
133	020	31A63-05300
133	021	31A63-05400
133	022	31A63-07900
133	030	31A63-10305

KEY NO.		PART NO.
133	032	31A63-11061
133	023	31A63-11301
133	029	31A63-12201
145	028	31A63-12201
133	024	31A63-15200
133	025	31A63-15500
133	031	31A63-20201
133	026	31A63-22100
133	037	31A64-00200
133	043	31A64-00800
133	035	31A64-01080
133	038	31A64-01800
134	014	31A65-00201
134	015	31A65-00400
141	001	31A68-00402
140	001	31A68-02100
140	007	31A68-20300
143	004	31A90-10300
101	023	31B01-23200
145	029	31B01-23200
101	011	31B01-31041
103	008	31B04-00014
103	019	31B04-01010
104	001	31B04-03011
104	002	31B04-13201
145	030	31B04-13201
105	001	31B05-00103
111	001	31B07-04700
106	001	31B07-32032
114	001	31B19-01023
115	002	31B20-00201
115	007	31B20-02101
116	001	31B21-01010
119	004	31B30-00902
145	031	31B30-00902
119	001	31B30-10011
120	001	31B32-00100
120	002	31B32-01200
145	032	31B32-01200
124	002	31B42-21700
130	016	31B61-02600
130	010	31B61-13100
133	027	31B63-00400
133	028	31B63-00500
133	001	31B63-05070
134	016	31B65-00200
136	001	31B65-01200
135	001	31B65-02030
139	002	31B66-04100
145	001	31B94-20062

KEY NO.		PART NO.
103	014	32A04-02401
123	001	32A36-05012
139	001	32A66-03100
145	033	32A91-05100
103	015	32C04-04500
103	016	32C04-06100
123	002	34340-00700
145	034	34340-00700
135	014	90802-20150
135	021	94901-81020
135	024	94903-00030
135	018	94904-80800
141	010	A383X-56570
141	004	A414X-19271
141	006	A414X21271
141	015	A529X-07871
141	003	A628T-62170
141	005	A640X-67070
141	011	A642X-A9970
141	013	A647X-50170
141	014	A860T-40670
141	012	A866X-44682
141	008	A880X-83770
141	007	A930X-94570
141	002	A981X-20771
103	009	F1035-05010
107	006	F1035-08020
120	004	F1035-08020
134	010	F1035-08020
121	003	F1035-08022
112	006	F1035-08040
110	006	F1035-08045
133	033	F1035-08045
120	005	F1035-08055
112	009	F1035-12025
144	002	F1035-12040
118	008	F1805-06012
133	011	F1805-06018
126	002	F1805-06030
128	003	F1805-06045
105	004	F1805-08016
110	003	F1805-08016
136	005	F1805-08016
119	008	F1805-08020
110	011	F1805-08030
119	007	F1805-08035
104	003	F1805-08040
119	009	F1805-08065
102	002	F1805-10020
137	001	F1805-10025

KEY NO.		PART NO.
130	009	F1825-06025
126	007	F1825-08045
126	008	F1825-08060
103	012	F2325-08000
112	008	F2515-08000
106	026	F2846-05000
133	002	F2850-03020
133	003	F3150-01010
106	024	F8000-08000
133	004	K8712630
138	008	M106X-57171
138	017	M212X-09071
138	016	M231C-00401
138	014	M231X-00476
138	015	M357C-70771
138	012	M357X-81371
138	007	M371X-80171
138	023	M385X-03471
138	005	M389X10871
138	021	M391C-00101
138	002	M414X-00472
138	013	M605X-61671
138	006	M640B-11971
138	003	M641X-03972
138	022	M644B-10201
138	020	M649T-04471
138	018	M800X-59471
138	004	M863C-04671
138	011	M981C-73901
138	019	M981C-74001
101	013	MD000245
133	039	MD000961
127	002	MD001370
140	002	MD001521
136	003	MD00425
114	002	MD006704
110	007	MD008762
104	004	MD008784
128	001	MD009015
103	005	MD016483
114	003	MD021105
103	020	MD021204
106	027	MD024256
128	004	MD025523
116	002	MD040556
133	040	MD065628
130	003	MD068353
130	002	MD068355
145	003	MD068355
130	001	MD070171

