

5025R(EU)(AC02117) TRACTOR

Parts Catalogue



CONTENTS

| GROUP NO | GROUP NAME | PAGE |
|-----------|-----------------------------------|------|
| G. ENGINE | | |
| A01_007 | CYLINDER BLOCK | 6 |
| A02_005 | DRIVE PULLY | 8 |
| A03_004 | CRANK SHAFT PULLEY | 10 |
| A04_005 | GLOW PLUG ASS'Y OPTION | 12 |
| A05_005 | CRANK SHAFT ASS'Y OPTION | 14 |
| A06_004 | BREATHER OPTION | 16 |
| A07_005 | CAMSHAFT | 18 |
| A08_003 | ALTERNATOR | 20 |
| A09_003 | COOLING WATER PUMP | 22 |
| A10_008 | COOLING FAN SPACER | 24 |
| A11_007 | INJECTOR | 26 |
| A12_014 | FUEL INJECTON | 28 |
| A13_005 | PLUMBING, FUEL | 30 |
| A14_003 | FUEL FILTER BRACKET | 33 |
| A16_018 | FUEL FILTER ASS'Y OPTION | 35 |
| A17_014 | INTAKE MANIFOLD ASS'Y OPTION | 37 |
| A18_011 | FLYWHEEL | 39 |
| A19_009 | FLYWHEEL HOUSING | 41 |
| A20_010 | HEAD, CYLINDER | 43 |
| A21_004 | HEAD COVER | 45 |
| A23_009 | TURBOCHARGER SUPPORT ASS'Y OPTION | 47 |
| A25_002 | OIL JET ASS'Y OPTION | 49 |
| A26_005 | COOLER, ENGINE OIL | 51 |
| A27_010 | OIL PAN ASS'Y OPTION | 53 |
| A28_001 | PUMP, LUBRICATING OIL | 55 |
| A29_005 | FILTER, LUBRICATING OIL | 57 |
| A30_003 | FRONT GEAR ACCESSORY DRIVE | 59 |
| A31_007 | PISTON | 61 |
| A32_003 | LEVER, LOCKER | 63 |
| A33_013 | EXHAUST MANIFOLD | 65 |
| A35_002 | IDLE GEAR | 67 |
| A36_004 | COVER, FRONT GEAR | 69 |
| A37_001 | BALANCE ASS'Y | 71 |
| A38_007 | GAUGE, OIL LEVEL | 73 |

CONTENTS

| GROUP NO | GROUP NAME | PAGE |
|--------------------------------|-------------------------------|------|
| G. ENGINE | | |
| A39_001 | OIL FILLER CAP | 75 |
| A40_003 | LIFT ASS'Y OPTION | 77 |
| A42_003 | MOTER, STARTIONS | 79 |
| A43_001 | DPF SUPPORT OPTION | 81 |
| A44_006 | DPF MOUNTING OPTION | 83 |
| A45_012 | DPF | 85 |
| A48_006 | V-BELT | 87 |
| B. ENGINE ACCESSORIES | | |
| B01010 | FUEL TANK | 89 |
| B02020 | RADIATOR | 91 |
| B05011 | LEVER ACCELERATOR | 93 |
| C. CLUTCH, BREAK, LEVER | | |
| C01030 | CLUTCH PEDAL | 95 |
| C02010 | BRAKE PEDAL | 97 |
| C02030 | BRAKE ROD | 99 |
| C02051 | CABLE, PARKING BRAKE | 101 |
| C02060 | BRAKE LEVER | 103 |
| C04010 | SHUTTLE ASS'Y | 105 |
| C04031 | LEVER, MAIN SHIFT | 107 |
| C04071 | LEVER ASS'Y, PTO SPEED CHANGE | 109 |
| D. HYDRAULIC | | |
| D01010 | HYD PUMP | 111 |
| D01020 | LOW PRESSURE PIPE | 113 |
| D01040 | HYD FILTER | 115 |
| D02010 | STEERING WHEEL | 117 |
| D02030 | PST HOSE | 119 |
| D02040 | PST CYLINDER | 121 |
| D03040 | JOYSTICK | 123 |
| D04000 | HYDRAULIC CYLINDER | 125 |
| E. FRONT AXLE | | |
| E01010 | FRONT AXLE CASE | 127 |
| E01013 | FRONT AXLE CASE/SPACER | 129 |
| E01020 | SHAFT COVER | 131 |
| E01030 | GEAR CASE, FRONT AXLE | 133 |

CONTENTS

| GROUP NO | GROUP NAME | PAGE |
|-----------------------|---------------------------------|------|
| E. FRONT AXLE | | |
| E01070 | FRONT DRIVE SHAFT | 136 |
| E01080 | TIE ROD | 138 |
| F. TRANSMISSION | | |
| F01010 | CLUTCH HOUSING | 140 |
| F01020 | TRANSMISSION CASE | 142 |
| F01030 | HOUSING, REAR AXLE | 145 |
| F02010 | CLUTCH RELEASE | 147 |
| F02020 | CLUTCH SHAFT | 149 |
| F02060 | REVERSE IDLE SHAFT | 151 |
| F02080 | CLUTH DISC | 153 |
| F03040 | RANGE SHIFT DRIVE SHAFT | 155 |
| F03050 | RANGE SHIFT DRIVEN SHAFT | 157 |
| F03060 | COUNTER SHAFT | 159 |
| F03080 | GUIDE SHAFT, MAIN SHIFT | 161 |
| F04010 | FRONT WHEEL DRIVE SHAFT | 163 |
| F04030 | FRONT WHEEL DRIVE IDLE SHAFT | 165 |
| F05000 | DIFFERENTIAL ASS'Y | 167 |
| F06030 | BRAKE | 170 |
| F06031 | SUPPORT, BRAKE | 172 |
| F07000 | PTO | 174 |
| F07050 | PTO VALVE | 177 |
| F08060 | FORK, PTO SHIFT | 179 |
| F10020 | LIFT ARM | 181 |
| F10030 | SAFTY VALVE | 183 |
| F10040 | STOP VALVE | 185 |
| F10061 | DRAFT/ POSITION CONTROL LEVER | 187 |
| F10063 | DRAFT CONTROL | 189 |
| F10064 | POSITION CONTROL LEVER | 191 |
| F10120 | REAR SCV | 193 |
| F11020 | FRONT DRIVE & RANGE SHIFT LEVER | 195 |
| G. SHEET METAL, CABIN | | |
| G01020 | BONNET | 197 |
| G01060 | FIXED BRACKET, BONNET | 199 |
| G01080 | FRONT AXLE BRACKET | 201 |

CONTENTS

| GROUP NO | GROUP NAME | PAGE |
|--------------------------------|----------------------|------|
| G. SHEET METAL, CABIN | | |
| G04020 | DASH BOARD | 203 |
| G04060 | FLOOR | 205 |
| G04070 | DRIVER'S SEAT | 207 |
| G04090 | FENDER | 209 |
| G04120 | ROPS | 211 |
| G05020 | TOP LINK | 213 |
| G05030 | LOWER LINK | 215 |
| G05050 | LIFT LINK | 217 |
| G05070 | DRAWBAR | 219 |
| H. ELECTRICALS, HARNESS | | |
| H01030 | BATTERY | 221 |
| H02020 | COMBINATION LAMP | 223 |
| H03000 | HARNESS | 225 |
| H04030 | INSTRUMENT PANEL | 227 |
| H04050 | SWITCH | 229 |
| H04090 | HORN | 231 |
| I. WEIGHT, TOOLS, TIRE | | |
| I01010 | FRONT WEIGHT | 233 |
| I03000 | NAME PLATE | 235 |
| I05010 | FRONT WHEEL&TIRE | 237 |
| I05020 | REAR WHEEL&TIRE ASSY | 239 |
| I07010 | SPARE TOOLS | 241 |

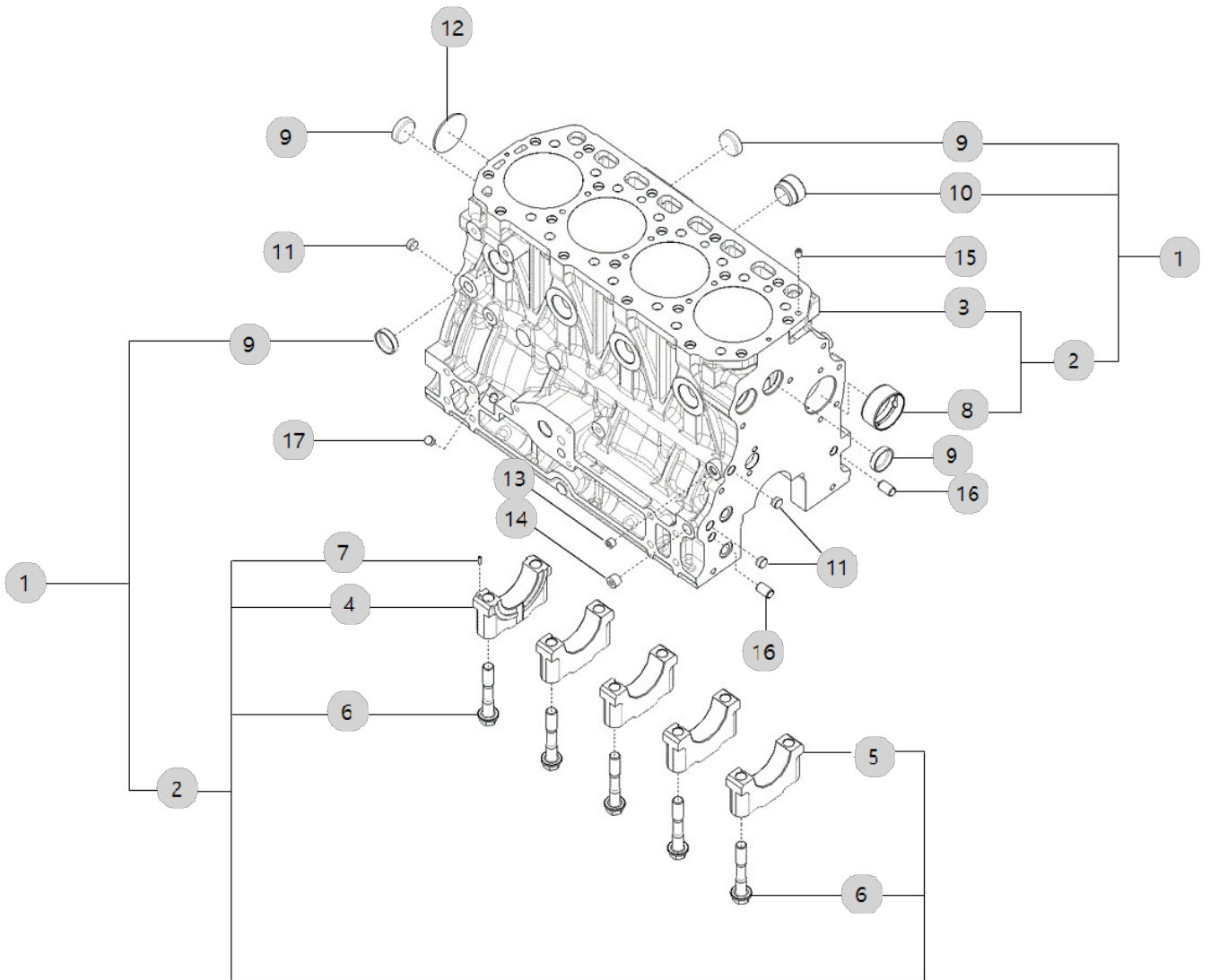
A01_007

A2300N2-ETR_5
(AB00328)

CYLINDER BLOCK

Year/Month

2022-12-16



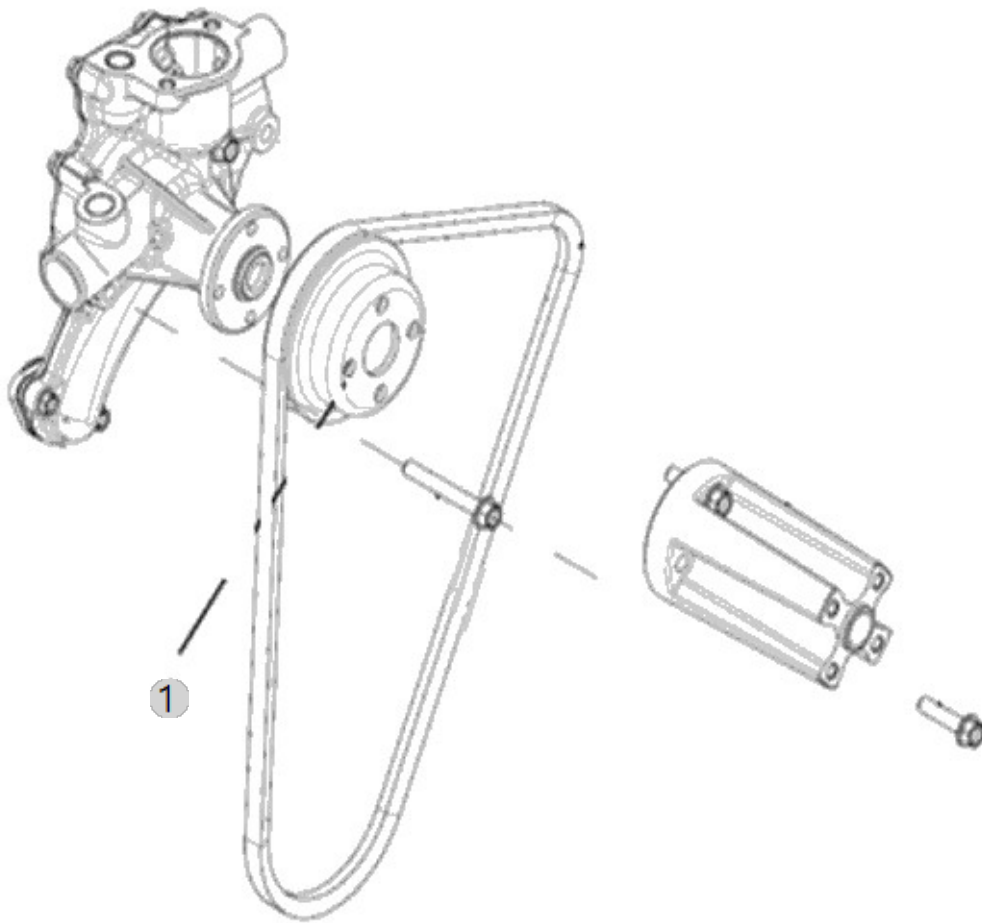
A02_005

A2300N2-ETR_5
(AB00328)

DRIVE PULLY

Year/Month

2022-12-16



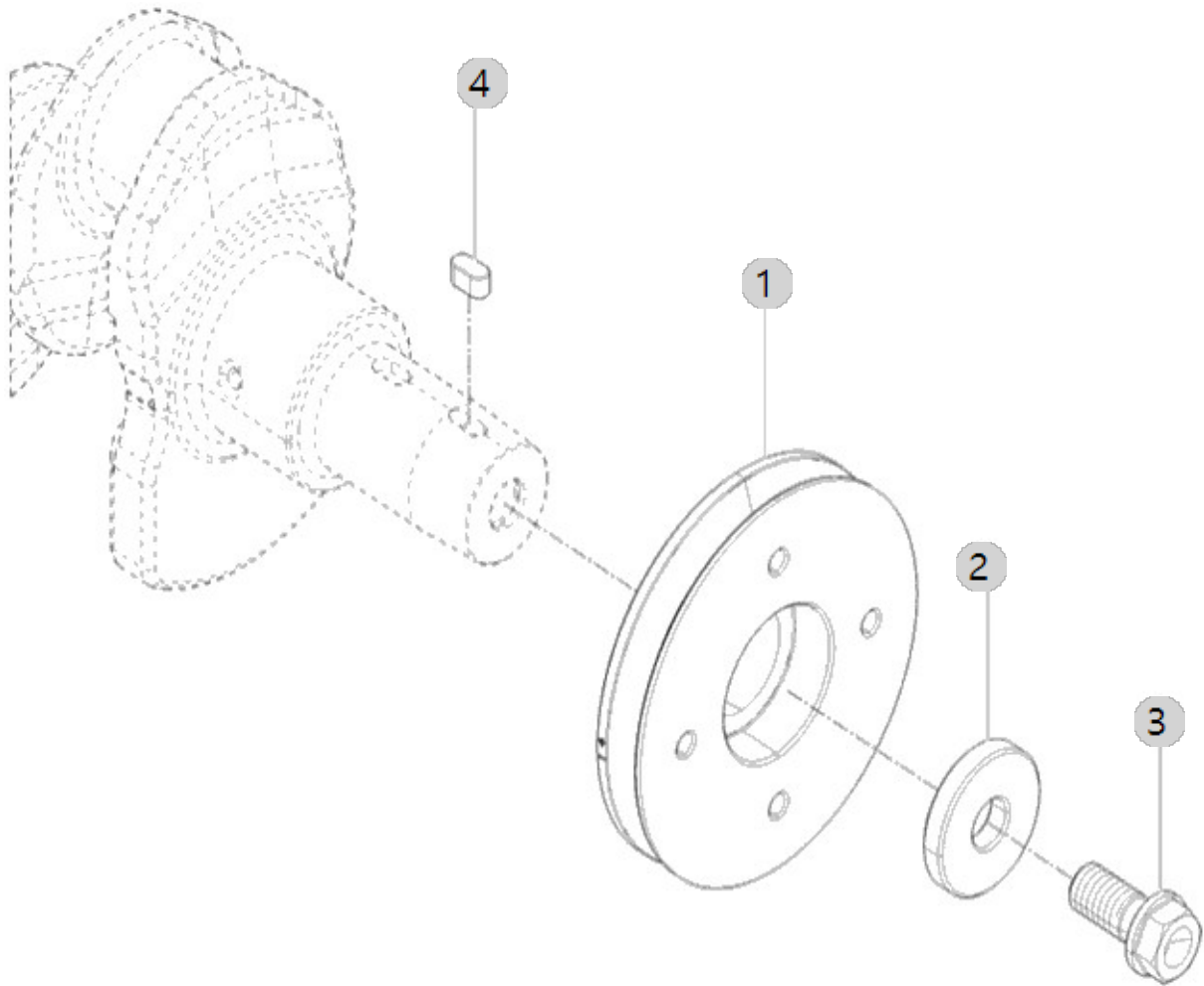
A03_004

A2300N2-ETR_5
(AB00328)

CRANK SHAFT PULLEY

Year/Month

2022-12-16



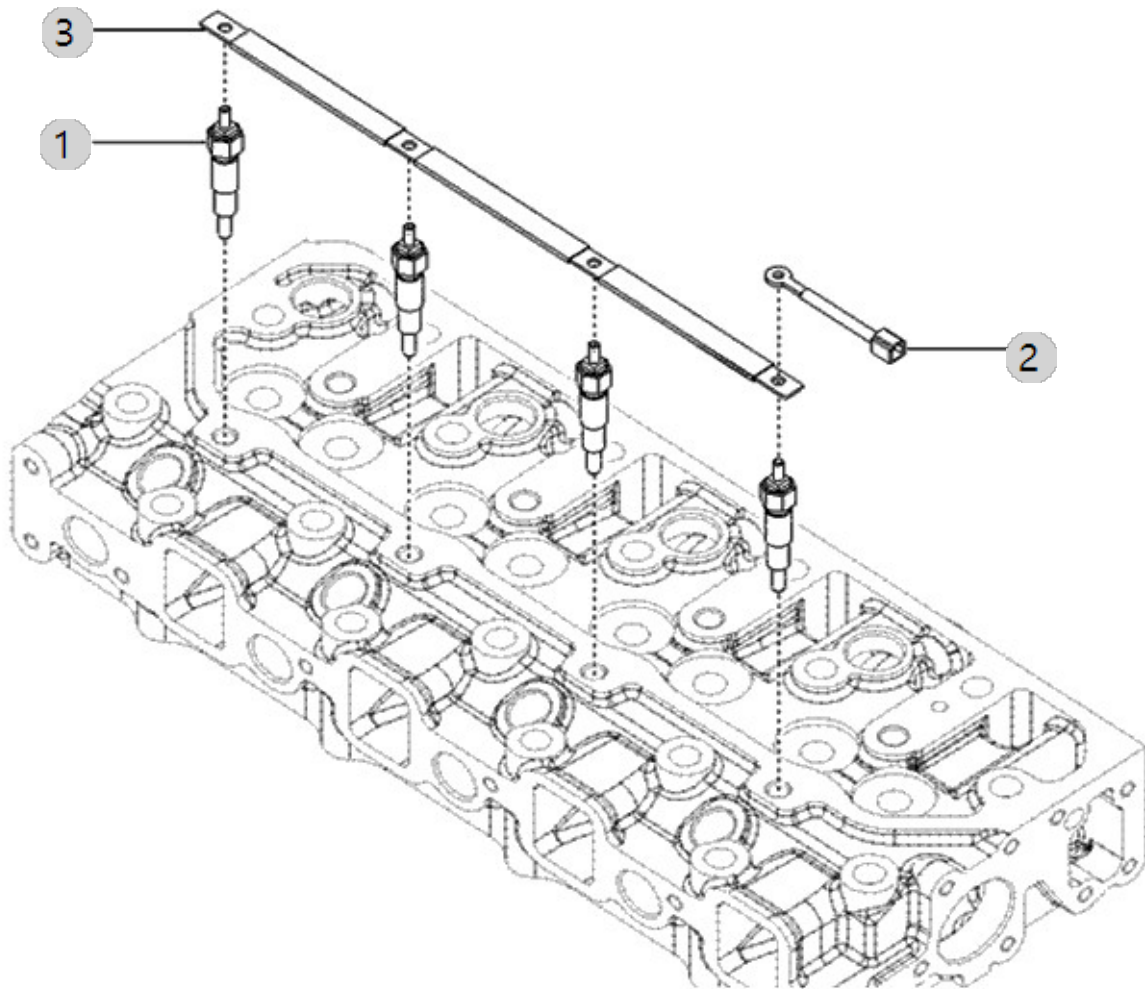
A04_005

A2300N2-ETR_5
(AB00328)

GLOW PLUG ASS'Y OPTION

Year/Month

2022-12-16



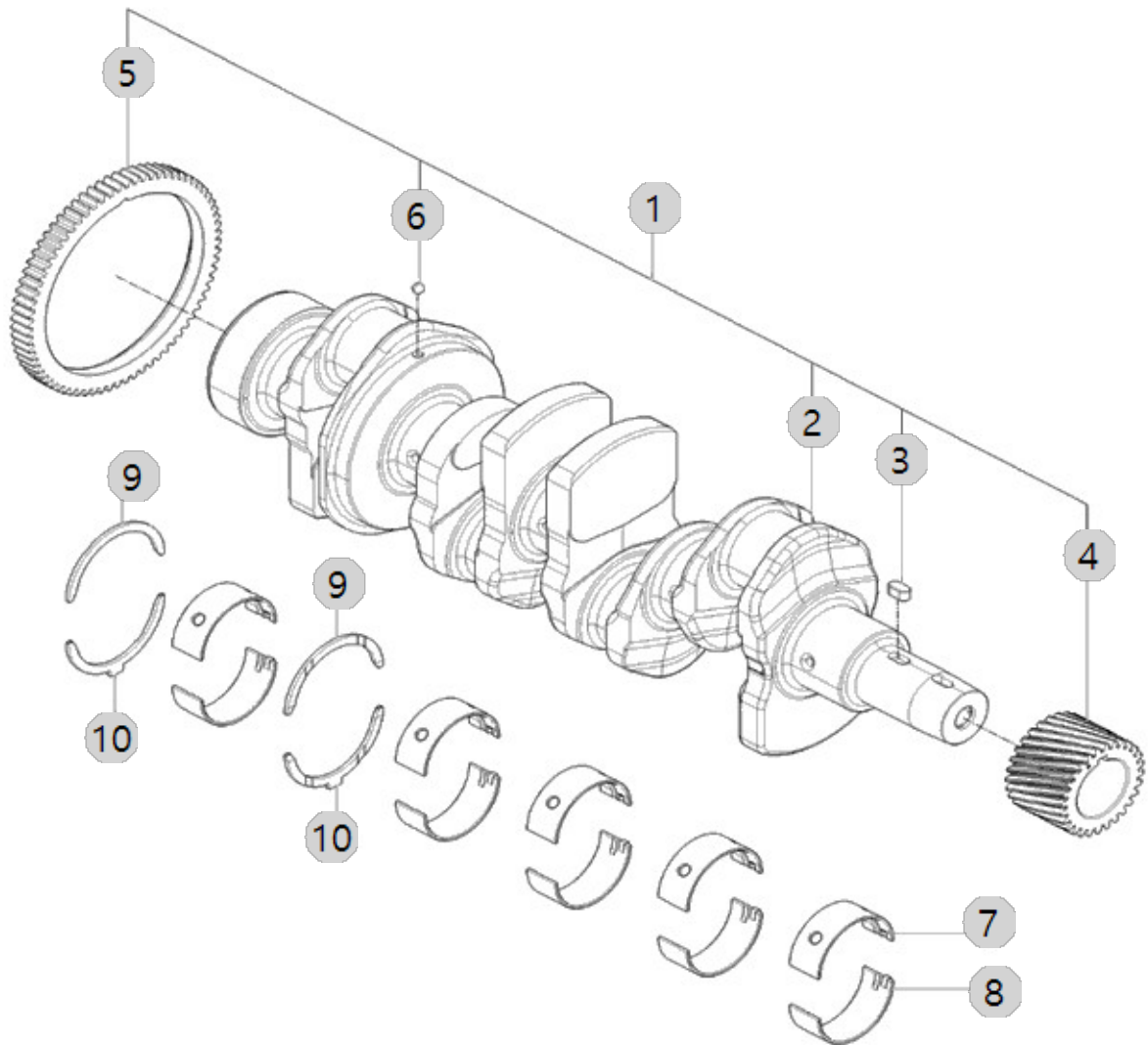
A05_005

A2300N2-ETR_5
(AB00328)

CRANK SHAFT ASS'Y OPTION

Year/Month

2022-12-16



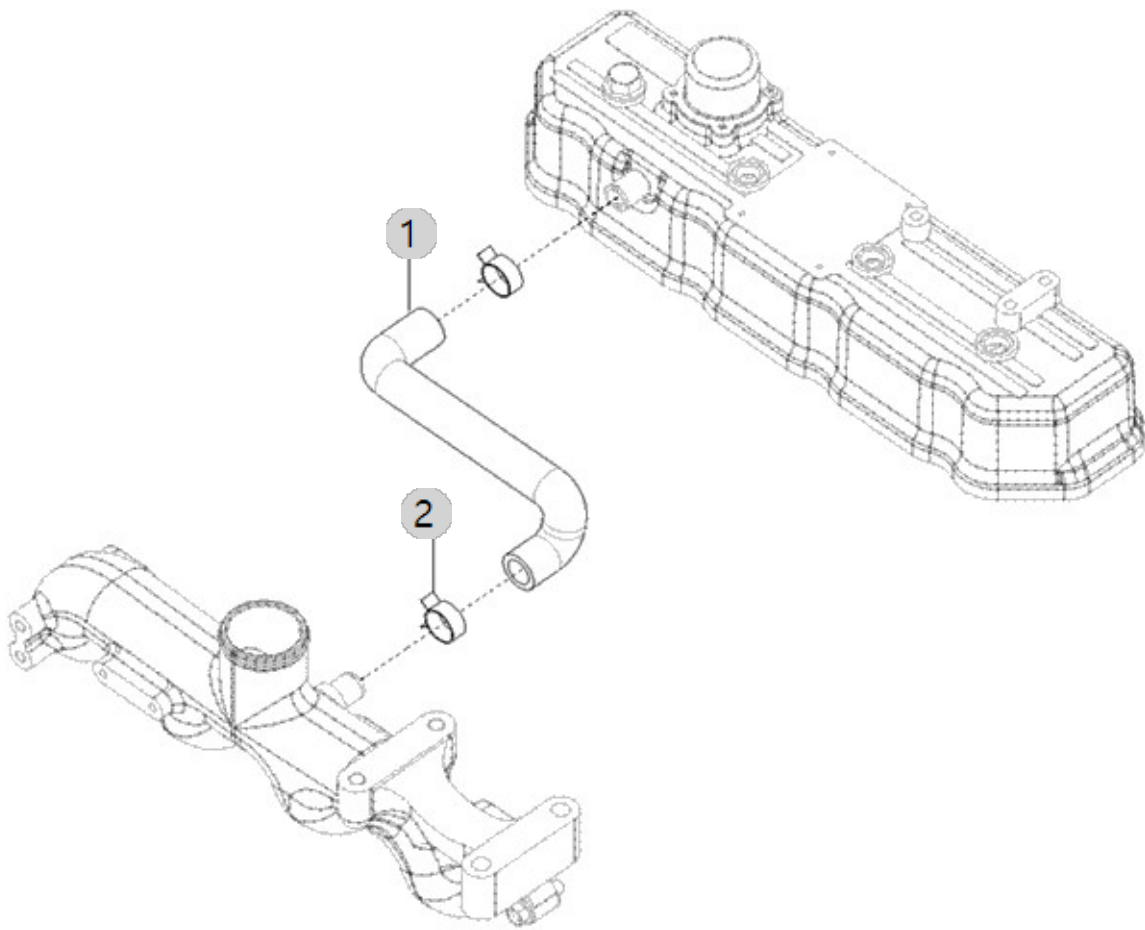
A06_004

A2300N2-ETR_5
(AB00328)

BREATHER OPTION

Year/Month

2022-12-16



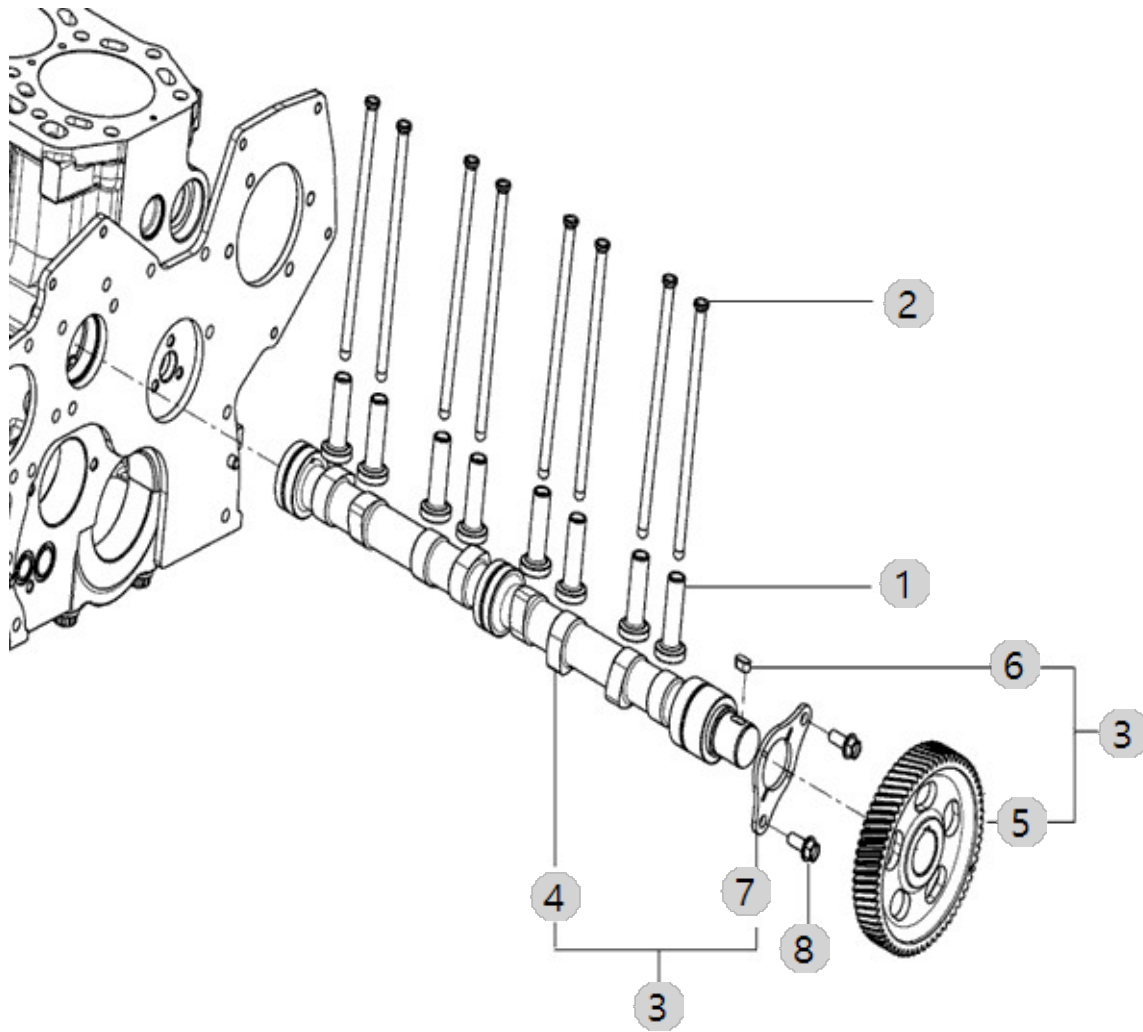
A07_005

A2300N2-ETR_5
(AB00328)

CAMSHAFT

Year/Month

2022-12-16



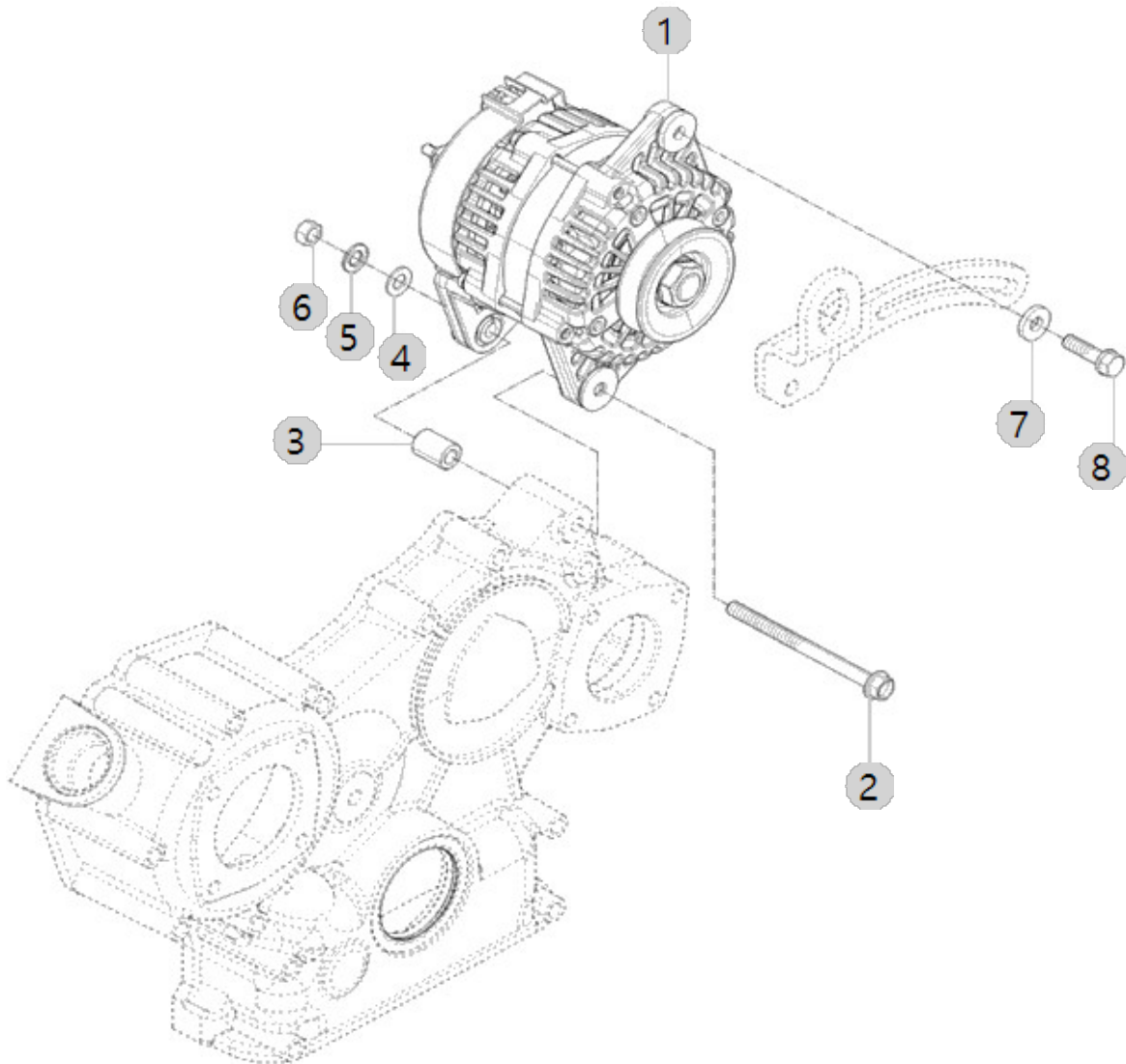
A08_003

A2300N2-ETR_5
(AB00328)

ALTERNATOR

Year/Month

2022-12-16



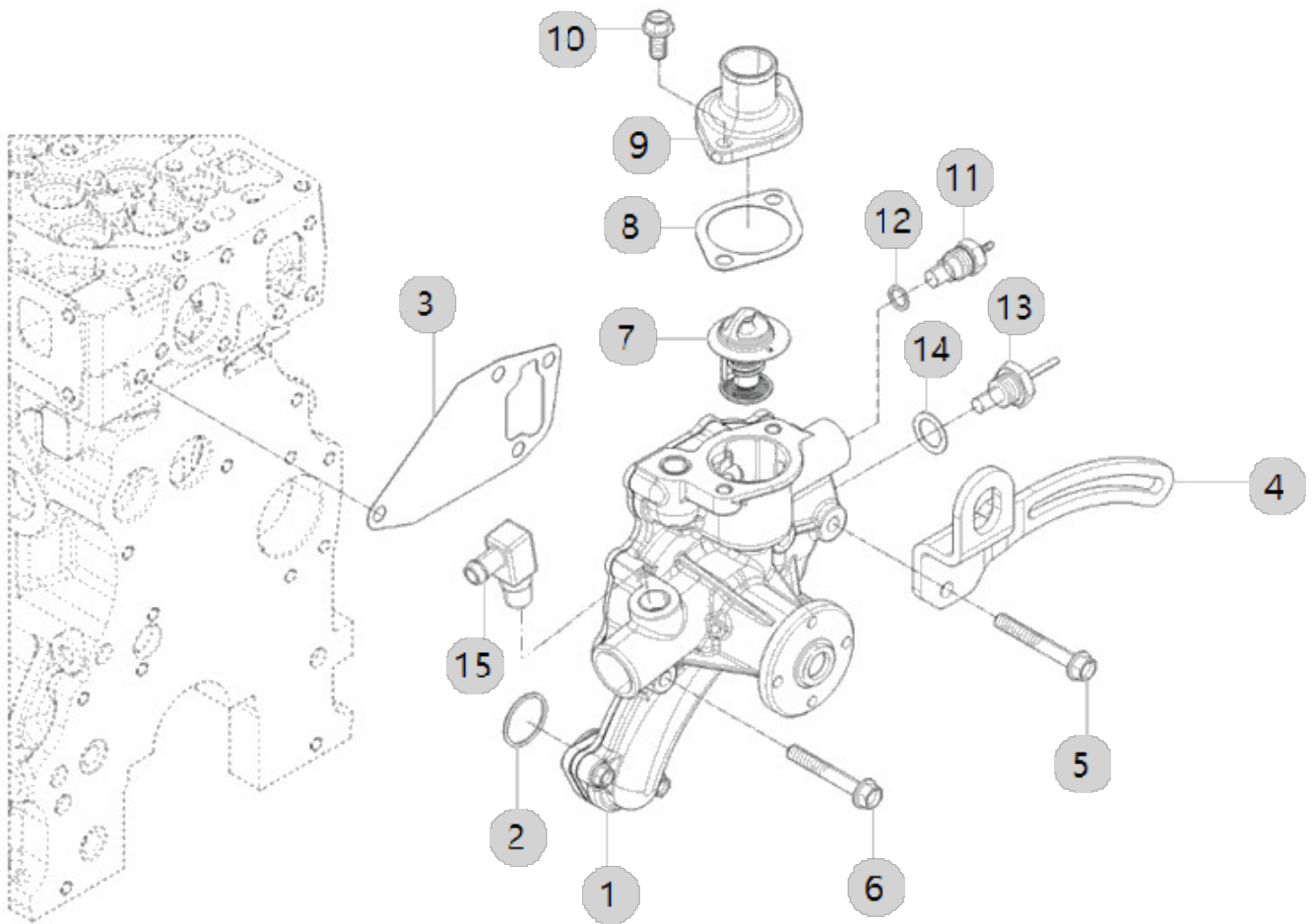
A09_003

A2300N2-ETR_5
(AB00328)

COOLING WATER PUMP

Year/Month

2022-12-16



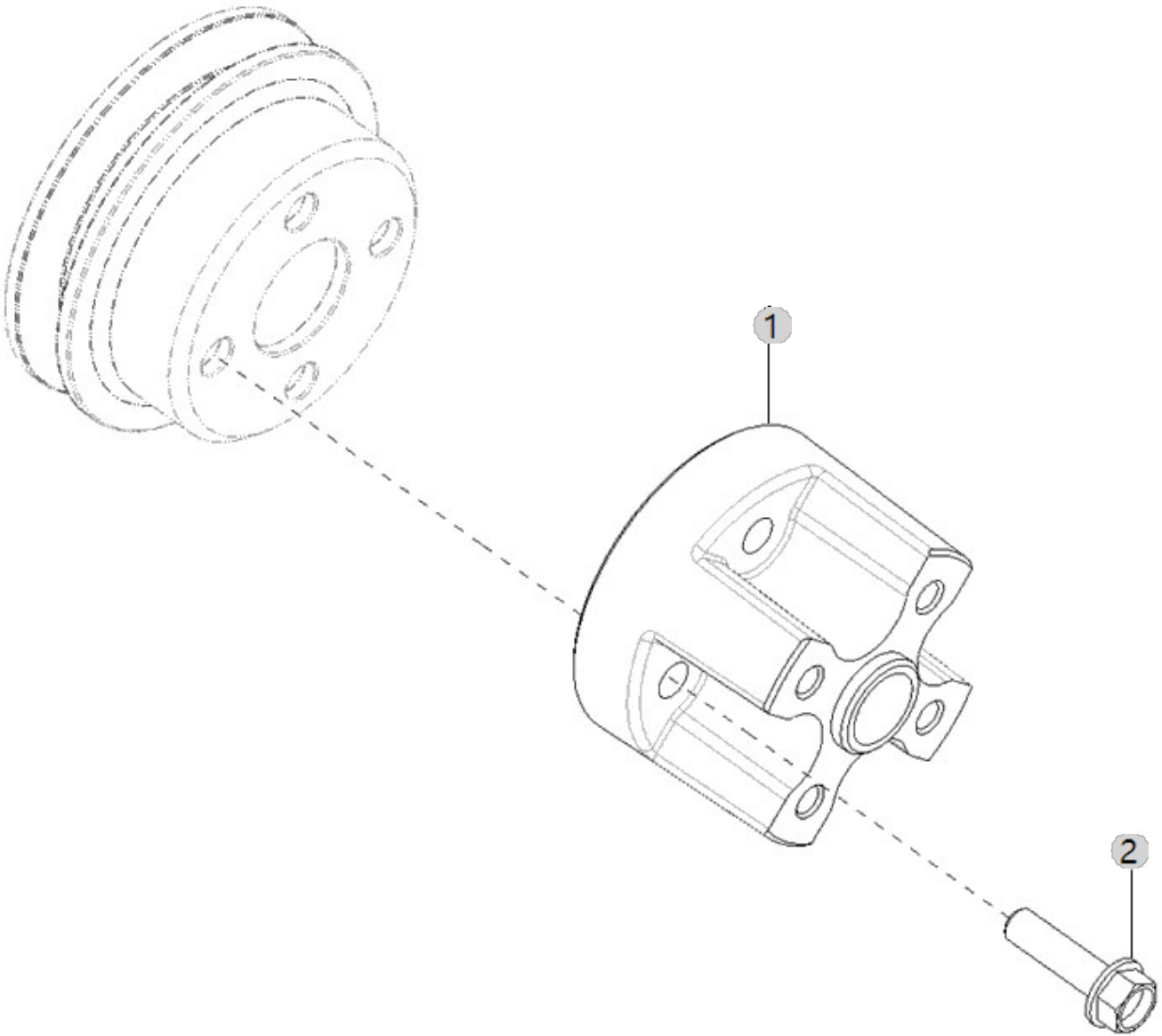
A10_008

A2300N2-ETR_5
(AB00328)

COOLING FAN SPACER

Year/Month

2022-12-16



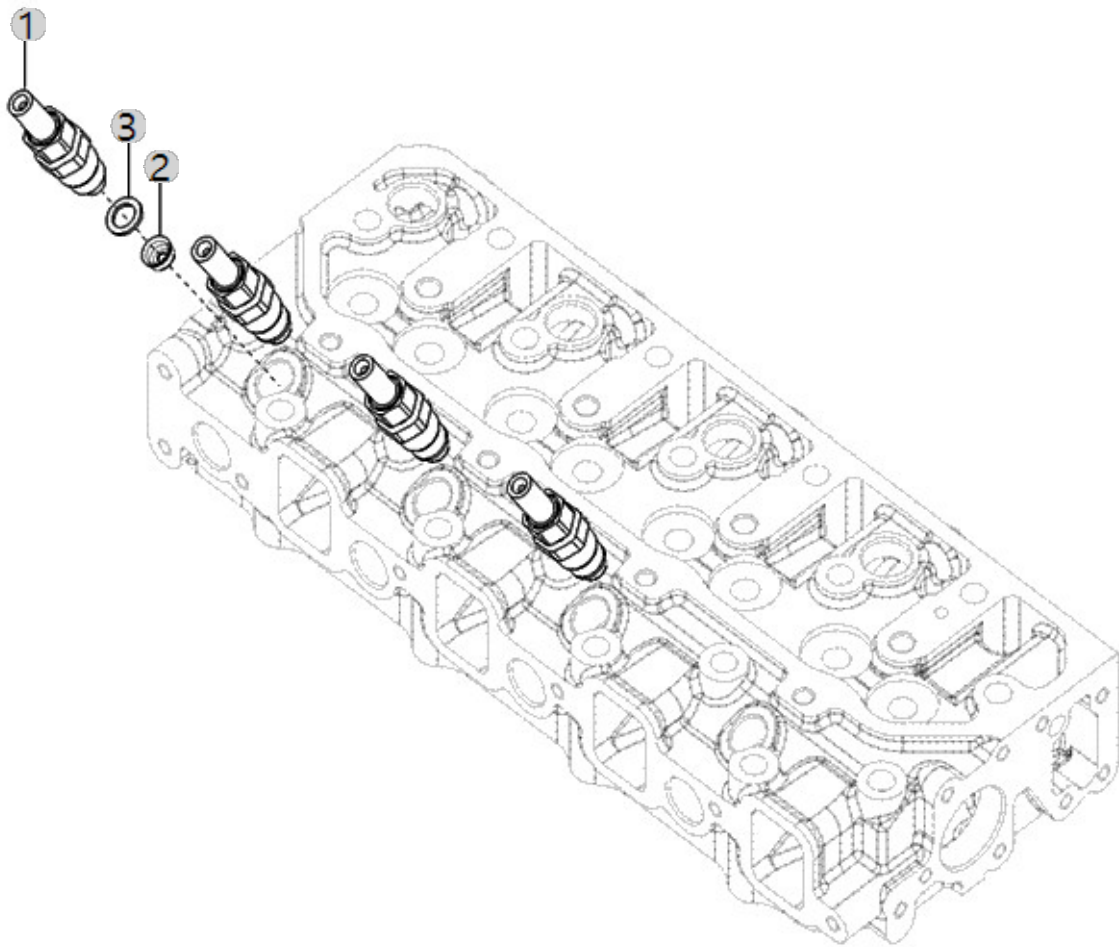
A11_007

A2300N2-ETR_5
(AB00328)

INJECTOR

Year/Month

2022-12-16



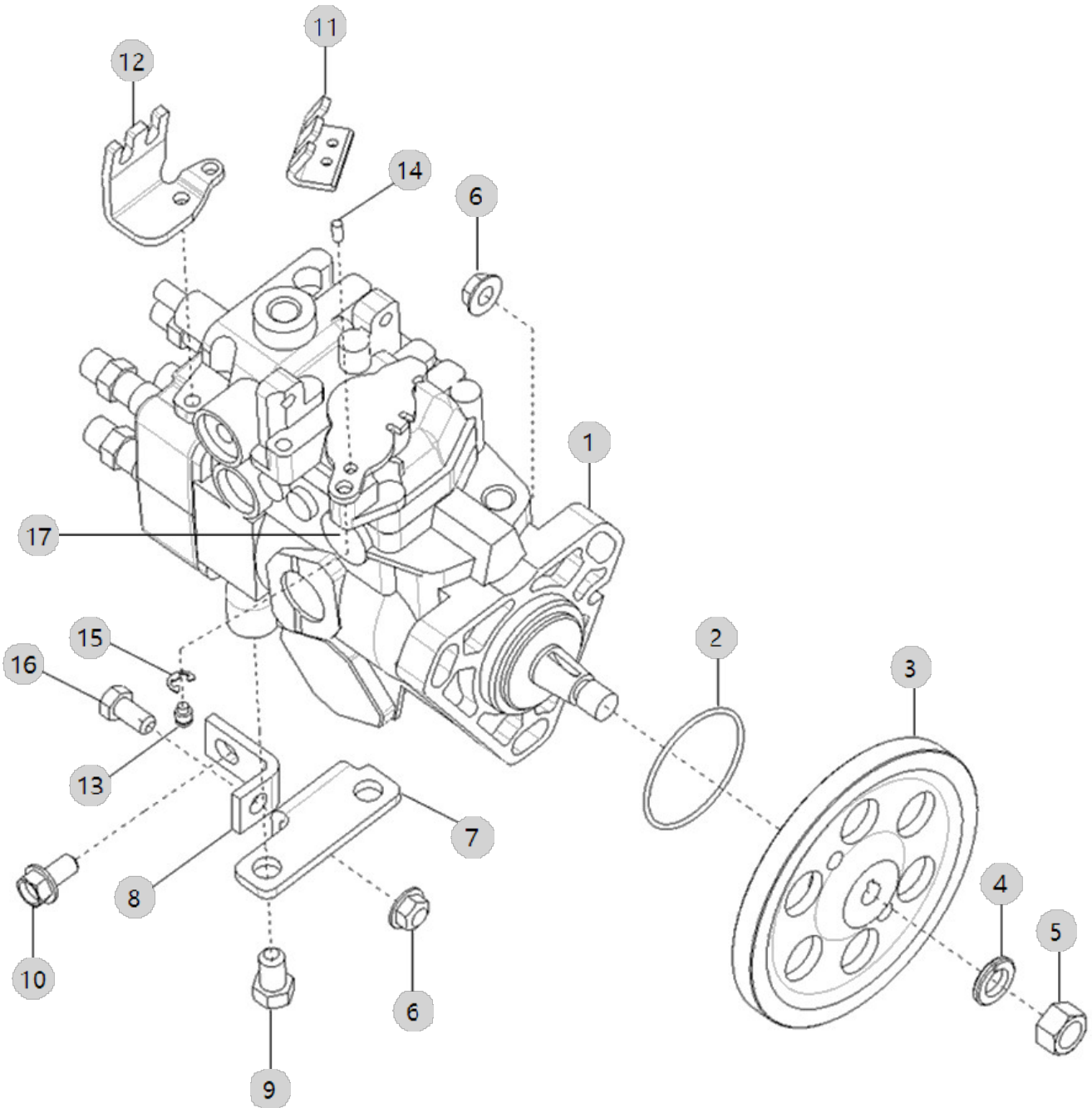
A12_014

A2300N2-ETR_5
(AB00328)

FUEL INJECTOR

Year/Month

2022-12-16



| A12_014 | | FUEL INJECTON | | | | Year/Month |
|----------------------------|-------------------|------------------------|----------------------------|-------------|--------------|----------------|
| A2300N2-ETR_5 (AB00328) | | | | | | 2022-12-16 |
| 순번 (NO) | 부품번호 (PART NO) | 품명 (PART NAME) | 품명 (PART NAME) | 수량 (QTY) | 규격 (SPEC) | 비고 (REMARK) |
| 1 | EA00002882B | 연료분사펌프조합 | FUEL INJECTION PUMP | 1 | | |
| 1 | EA00002882A | 연료분사펌프조합 - 트랙 | FUEL INJECTION PUMP | 1 | | |
| 2 | 24311-000500 | O링 | O-RING, DYNAMIC (Φ50) | 1 | P50 | |
| 3 | HRA070080DC3 | 연료분사펌프기어 | GEAR,FUEL PUMP | 1 | | |
| 3 | HRA070080DB3 | 연료분사펌프기어 | GEAR,FUELPUMP | 1 | | |
| 4 | 22217-120000 | 스프링와셔 | WASHER, SPRING (Φ 12) | 1 | M12 | |
| 5 | 26716-120002 | 295,ALL,육각너트 | HEXA NUT295 | 1 | M12X1.75 | |
| 6 | 26367-080002 | 259, 육각플랜지너트 | HEX FLANGE NUT (Φ8) | 4 | M8XP1.25 | |
| 7 | HRA130020DA4 | 296,A202322,VE지지브라켓(A) | BRACKET(B),PUMP | 1 | T 4.5 | |
| 7 | HRA130020DB4 | VE지지브라켓(A) | BRACKET,PUMP | 1 | T 4.5 | |
| 8 | HRA130030DA4 | 297,A202322,VE지지브라켓(B) | BRACKET(A),PUMP | 1 | T 4.5 | |
| 8 | HRA130030DB4 | VE지지브라켓(B) | BRACKET,PUMP | 1 | T 4.5 | |
| 9 | 26116-100162 | 육각보울트 | SCREW,HEXAGONHEADCAP | 2 | M10X1.5X16 | |
| 10 | 26106-080162 | 플랜지볼트8X16 | SCREW,HEXFLANGEHEADCAP | 1 | M8XP1.25X16 | |
| 11 | EA00004970A | 후크-엑셀레버 | LEVER, HOOK,ACCEL | 1 | | |
| 11 | EA00004970B | 후크-엑셀레버 | LEVER, HOOK,ACCEL | 1 | | |
| 12 | EA00006027A | 써포트(엑셀레버) | SUPPORT(ACCELERATOR LEVER) | 1 | T4.0 | |
| 12 | EA00006027B | 써포트(엑셀레버) | SUPPORT(ACCELERATOR LEVER) | 1 | T4.0 | |
| 13 | HRA1300702A9 | 고정핀 | PIN | 1 | | |
| 14 | EA00002103A | 핀 | PIN | 1 | N4 | |
| 15 | 22272-000050 | E형스냅링5 | RING, CIRCLIP (Φ 05) | 1 | D5 | |
| 16 | 26116-080162 | 육각볼트 | SCREW,HEXAGONHEADCAP | 1 | M8X1.25X16 | |
| 17 | EA00003768A | 픽업센서 | PICKUP SENSOR | 1 | | |

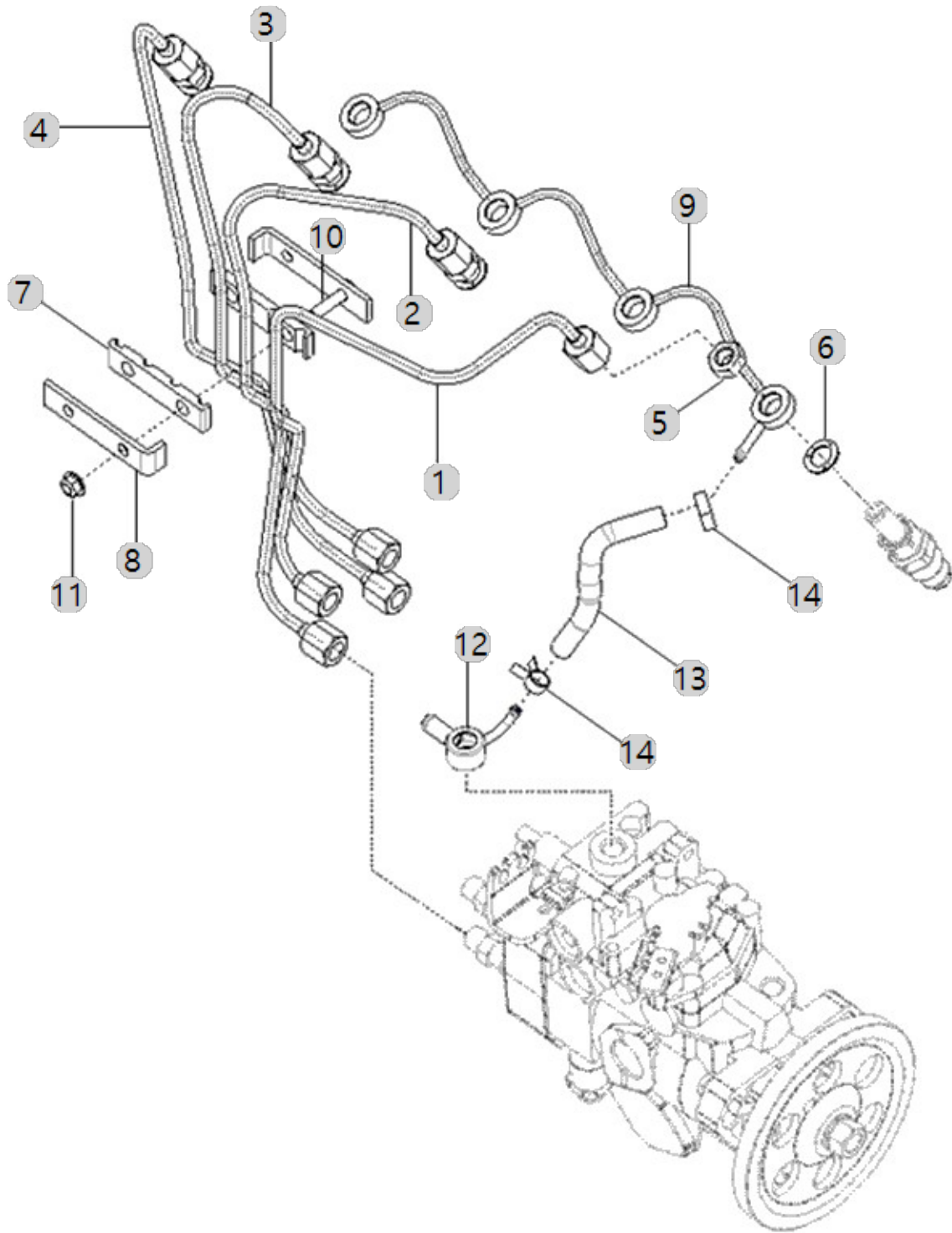
A13_005

A2300N2-ETR_5
(AB00328)

PLUMBING, FUEL

Year/Month

2022-12-16



| A13_005 A2300N2-ETR_5 (AB00328) | | PLUMBING, FUEL | | | | Year/Month 2022-12-16 |
|---------------------------------------|-------------------|------------------------|----------------------------|-------------|--------------|--------------------------|
| 순번 (NO) | 부품번호 (PART NO) | 품명 (PART NAME) | 품명 (PART NAME) | 수량 (QTY) | 규격 (SPEC) | 비고 (REMARK) |
| 1 | HRA150050DB0 | 299,A202322,연료파이프조합(A) | PIPE ASSY, FUEL SUPPLY A | 1 | | |
| 1 | HRA150050DC0 | 연료파이프조합(A) | TUBE,INJECTOR FUEL SUPPLY | 1 | | |
| 1 | HRA150050DB0 | 299,A202322,연료파이프조합(A) | PIPE ASSY, FUEL SUPPLY A | 1 | | |
| 1 | HRA150050DB0 | 299,A202322,연료파이프조합(A) | PIPE ASSY, FUEL SUPPLY A | 1 | | |
| 2 | HRA150060DB0 | 300,A202322,연료파이프조합(B) | PIPE ASSY, FUEL SUPPLY (B) | 1 | | |
| 2 | HRA150060DC0 | 연료파이프조합(B) | TUBE,INJECTOR FUEL SUPPLY | 1 | | |
| 2 | HRA150060DB0 | 300,A202322,연료파이프조합(B) | PIPE ASSY, FUEL SUPPLY (B) | 1 | | |
| 2 | HRA150060DB0 | 300,A202322,연료파이프조합(B) | PIPE ASSY, FUEL SUPPLY (B) | 1 | | |
| 3 | HRA150070DB0 | 301,A202322,연료파이프조합(C) | PIPE ASSY, FUEL SUUPPLY C | 1 | | |
| 3 | HRA150070DB0 | 301,A202322,연료파이프조합(C) | PIPE ASSY, FUEL SUUPPLY C | 1 | | |
| 3 | HRA150070DB0 | 301,A202322,연료파이프조합(C) | PIPE ASSY, FUEL SUUPPLY C | 1 | | |
| 3 | HRA150070DC0 | 연료파이프조합(C) | TUBE,INJECTOR FUEL SUPPLY | 1 | | |
| 4 | HRA150080DC0 | 연료파이프조합(D) | TUBE,INJECTOR FUEL SUPPLY | 1 | | |
| 4 | HRA150080DB0 | 302,A202322,연료파이프조합(D) | PIPE ASSY, FUEL SUPPLY D | 1 | | |
| 4 | HRA150080DB0 | 302,A202322,연료파이프조합(D) | PIPE ASSY, FUEL SUPPLY D | 1 | | |
| 4 | HRA150080DB0 | 302,A202322,연료파이프조합(D) | PIPE ASSY, FUEL SUPPLY D | 1 | | |
| 5 | HK13450000A4 | 육각고정너트 | NUT,REGULARHEXAGON | 4 | M12X1.5 | |
| 5 | HK13450000A4 | 육각고정너트 | NUT,REGULARHEXAGON | 4 | M12X1.5 | |
| 5 | HK13450000A4 | 육각고정너트 | NUT,REGULARHEXAGON | 4 | M12X1.5 | |
| 5 | HK13450000A4 | 육각고정너트 | NUT,REGULARHEXAGON | 4 | M12X1.5 | |
| 6 | HK13440000A4 | 306,ALL,패킹(조인트)(와류실) | GASKET,FUELMANIFOLD | 4 | | |
| 6 | HK13440000A4 | 306,ALL,패킹(조인트)(와류실) | GASKET,FUELMANIFOLD | 4 | | |
| 6 | HK13440000A4 | 306,ALL,패킹(조인트)(와류실) | GASKET,FUELMANIFOLD | 4 | | |
| 6 | HK13440000A4 | 306,ALL,패킹(조인트)(와류실) | GASKET,FUELMANIFOLD | 4 | | |
| 7 | HRA1502700A4 | 462,ALL,브래킷고무 | RUBBER,BRACKET | 2 | | |
| 7 | HRA1502700A4 | 462,ALL,브래킷고무 | RUBBER,BRACKET | 2 | | |
| 7 | HRA1502700A4 | 462,ALL,브래킷고무 | RUBBER,BRACKET | 2 | | |
| 7 | HRA1502700A4 | 462,ALL,브래킷고무 | RUBBER,BRACKET | 2 | | |
| 8 | HRA1502800A4 | 브래킷판 | CLAMP,TUBE | 1 | T 3.2 | |
| 8 | HRA1502800A4 | 브래킷판 | CLAMP,TUBE | 2 | T 3.2 | |
| 8 | HRA1502800A4 | 브래킷판 | CLAMP,TUBE | 1 | T 3.2 | |
| 8 | HRA1502800A4 | 브래킷판 | CLAMP,TUBE | 1 | T 3.2 | |
| 8 | HRA1502800B4 | 브래킷판 | CLAMP,TUBE | 2 | T 3.2 | |
| 9 | HRA1500900C3 | 퇴유파이프조합 | PIPE ASSY, FUEL RETURN | 1 | | |
| 9 | HRA1500900C3 | 퇴유파이프조합 | PIPE ASSY, FUEL RETURN | 1 | | |
| 9 | HRA1500900D3 | 퇴유파이프조합 | PIPE ASSY, FUEL | 1 | | |
| 9 | HRA1500900C3 | 퇴유파이프조합 | PIPE ASSY, FUEL RETURN | 1 | | |
| 10 | HRA1502600B4 | 브래킷(연료파이프) | BRACKET,PIPE | 1 | | |
| 10 | HRA1502600B4 | 브래킷(연료파이프) | BRACKET,PIPE | 1 | | |
| 10 | HRA1502600B4 | 브래킷(연료파이프) | BRACKET,PIPE | 1 | | |
| 10 | HRA1502600B4 | 브래킷(연료파이프) | BRACKET,PIPE | 1 | | |
| 11 | 26367-060002 | 플랜지너트 | Nut, Hexa (Φ6) | 2 | M6XP1.0 | |
| 11 | 26367-060002 | 플랜지너트 | Nut, Hexa (Φ6) | 2 | M6XP1.0 | |
| 11 | 26367-060002 | 플랜지너트 | Nut, Hexa (Φ6) | 2 | M6XP1.0 | |
| 11 | 26367-060002 | 플랜지너트 | Nut, Hexa (Φ6) | 2 | M6XP1.0 | |

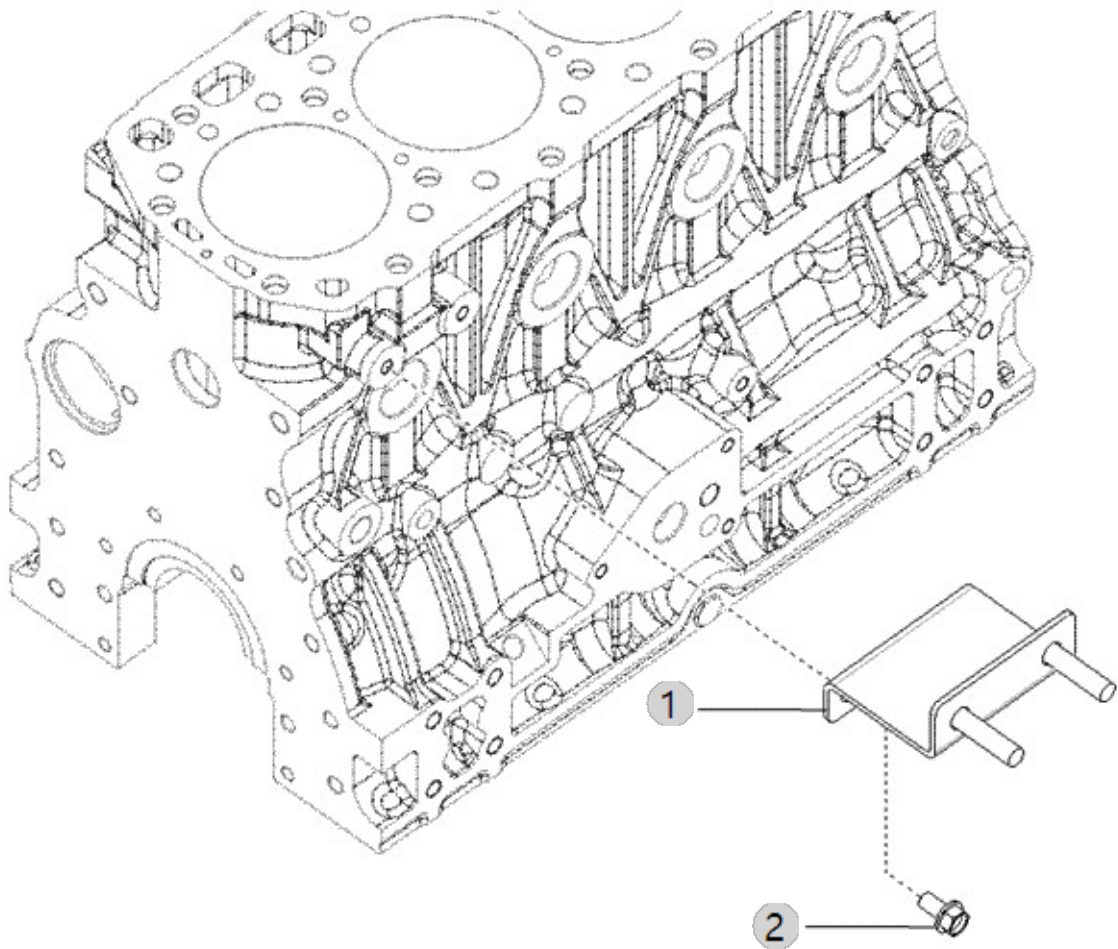
A14_003

A2300N2-ETR_5
(AB00328)

FUEL FILTER BRACKET

Year/Month

2022-12-16



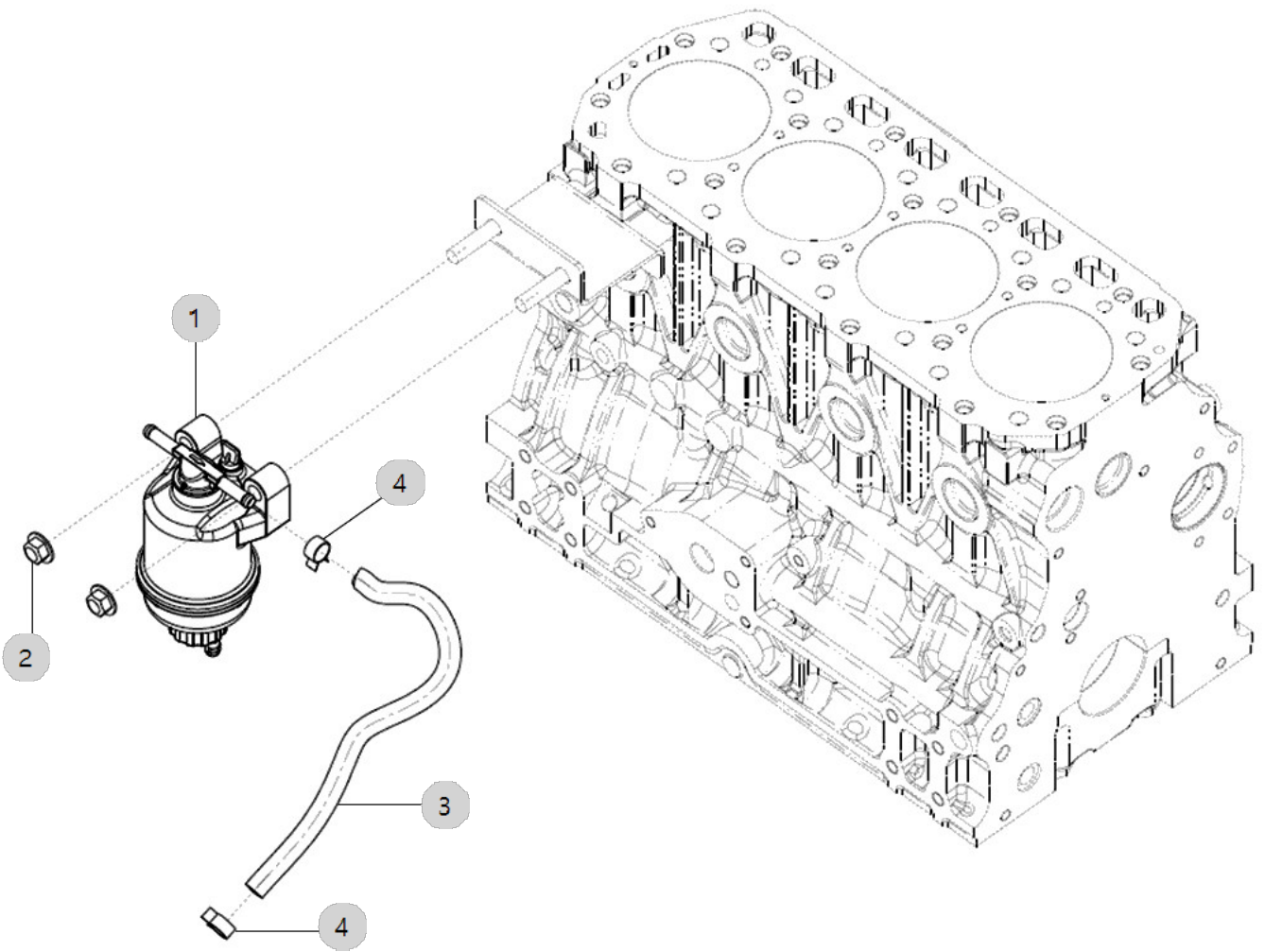
A16_018

A2300N2-ETR_5
(AB00328)

FUEL FILTER ASS'Y OPTION

Year/Month

2022-12-16



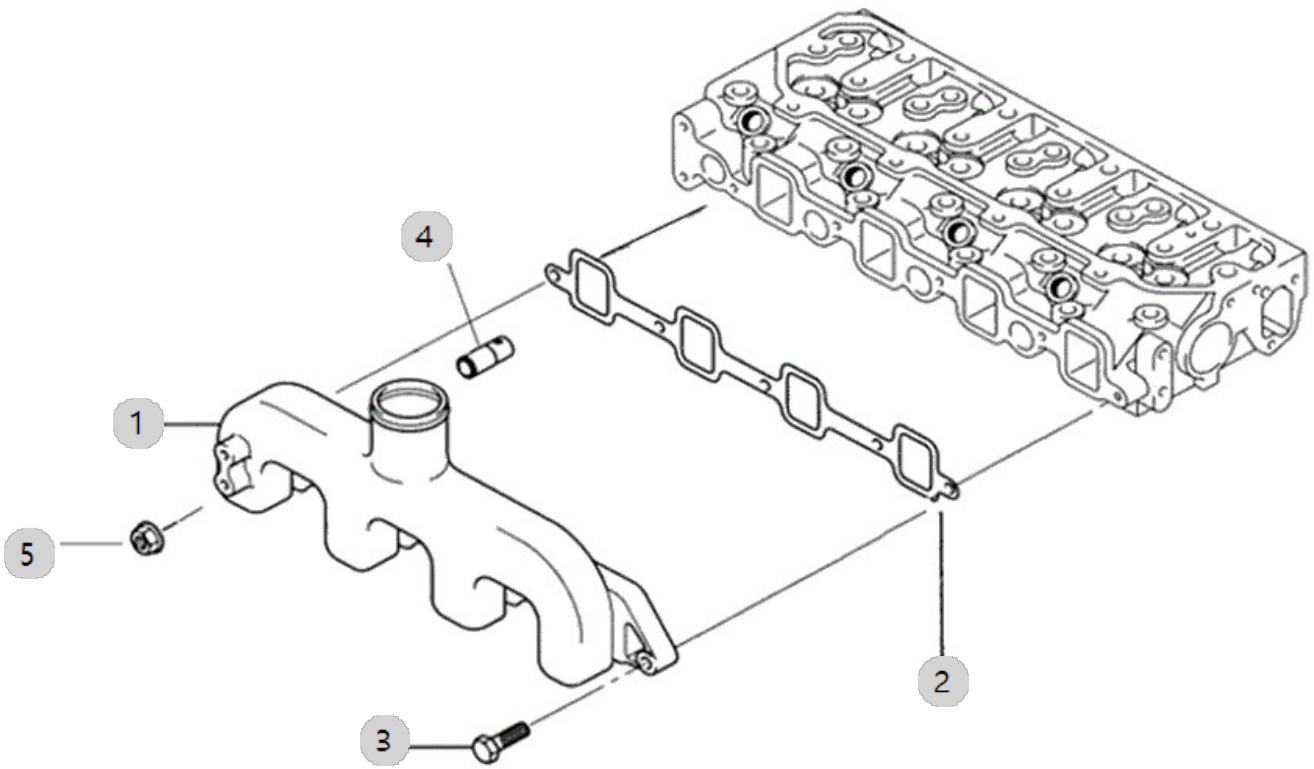
A17_014

A2300N2-ETR_5
(AB00328)

INTAKE MANIFOLD ASS'Y OPTION

Year/Month

2022-12-16



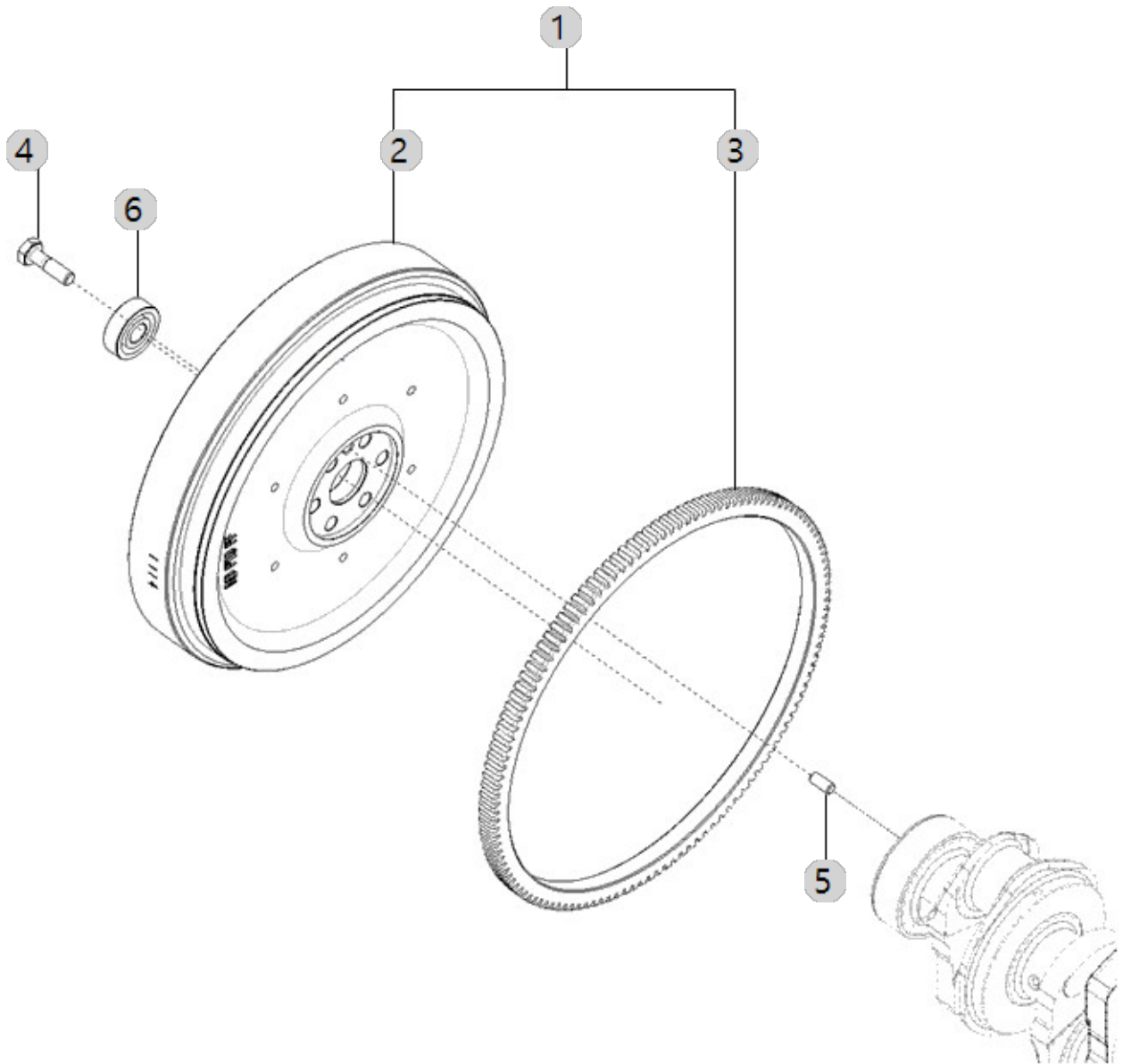
A18_011

A2300N2-ETR_5
(AB00328)

FLYWHEEL

Year/Month

2022-12-16



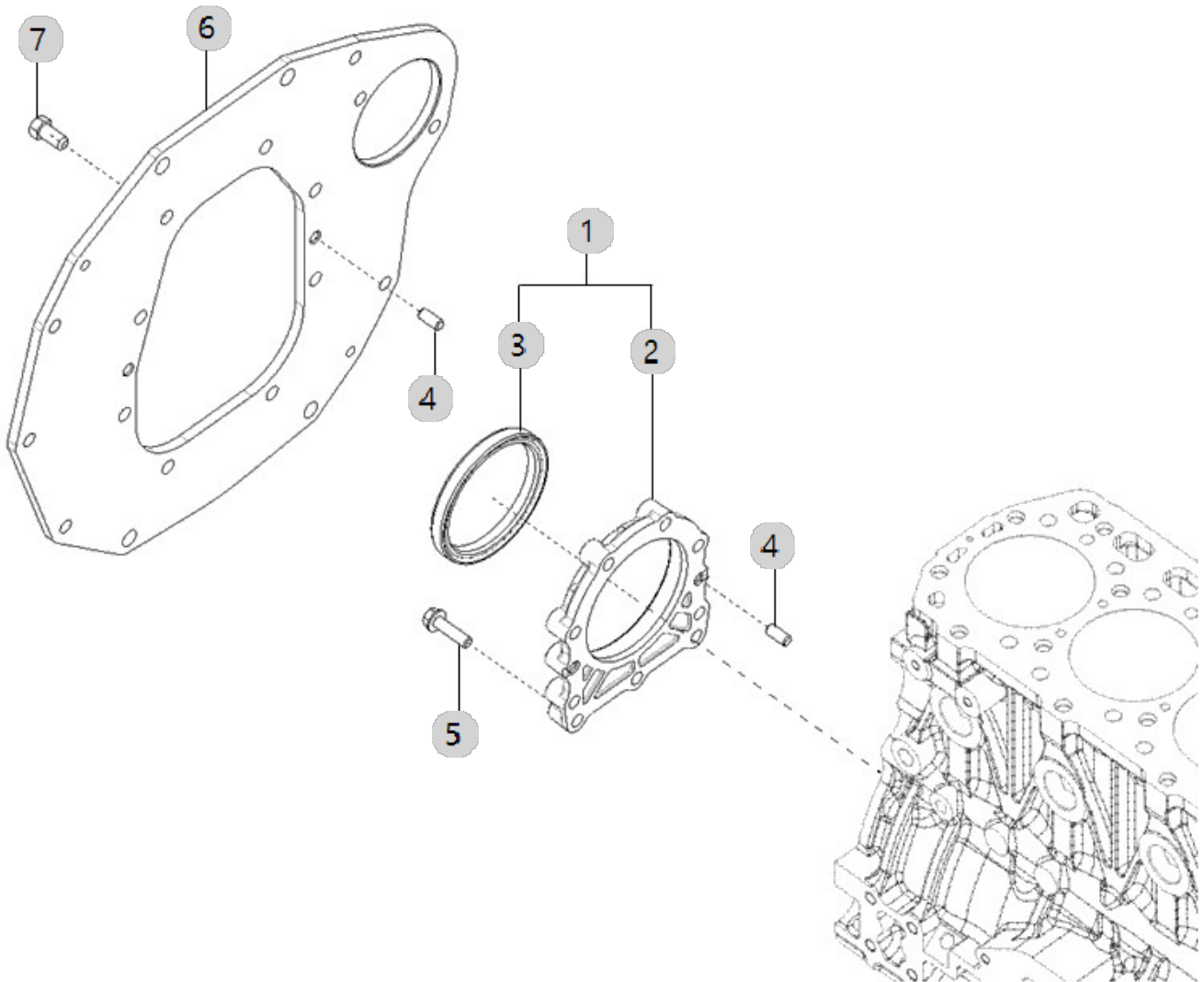
A19_009

A2300N2-ETR_5
(AB00328)

FLYWHEEL HOUSING

Year/Month

2022-12-16



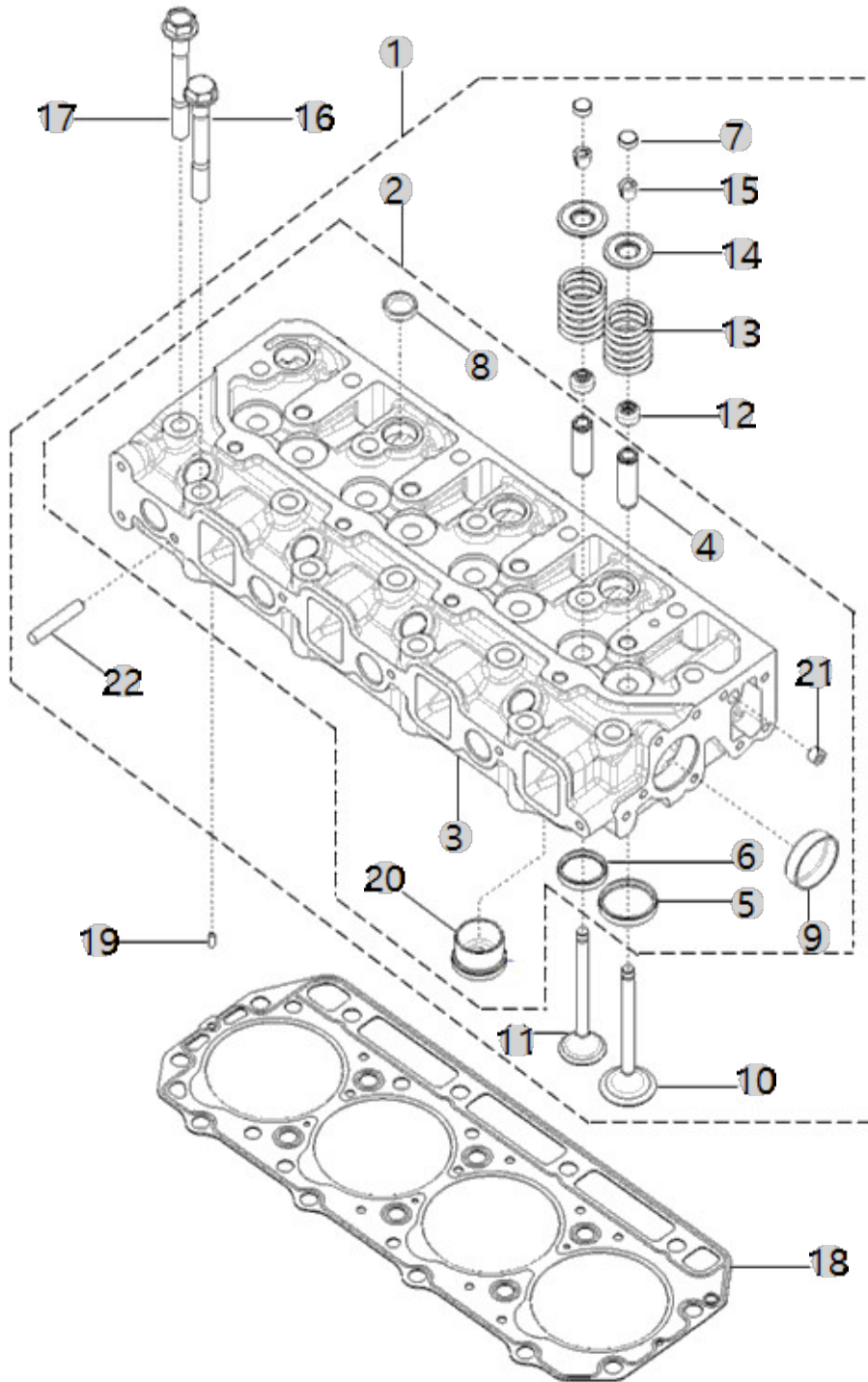
A20_010

A2300N2-ETR_5
(AB00328)

HEAD, CYLINDER

Year/Month

2022-12-16



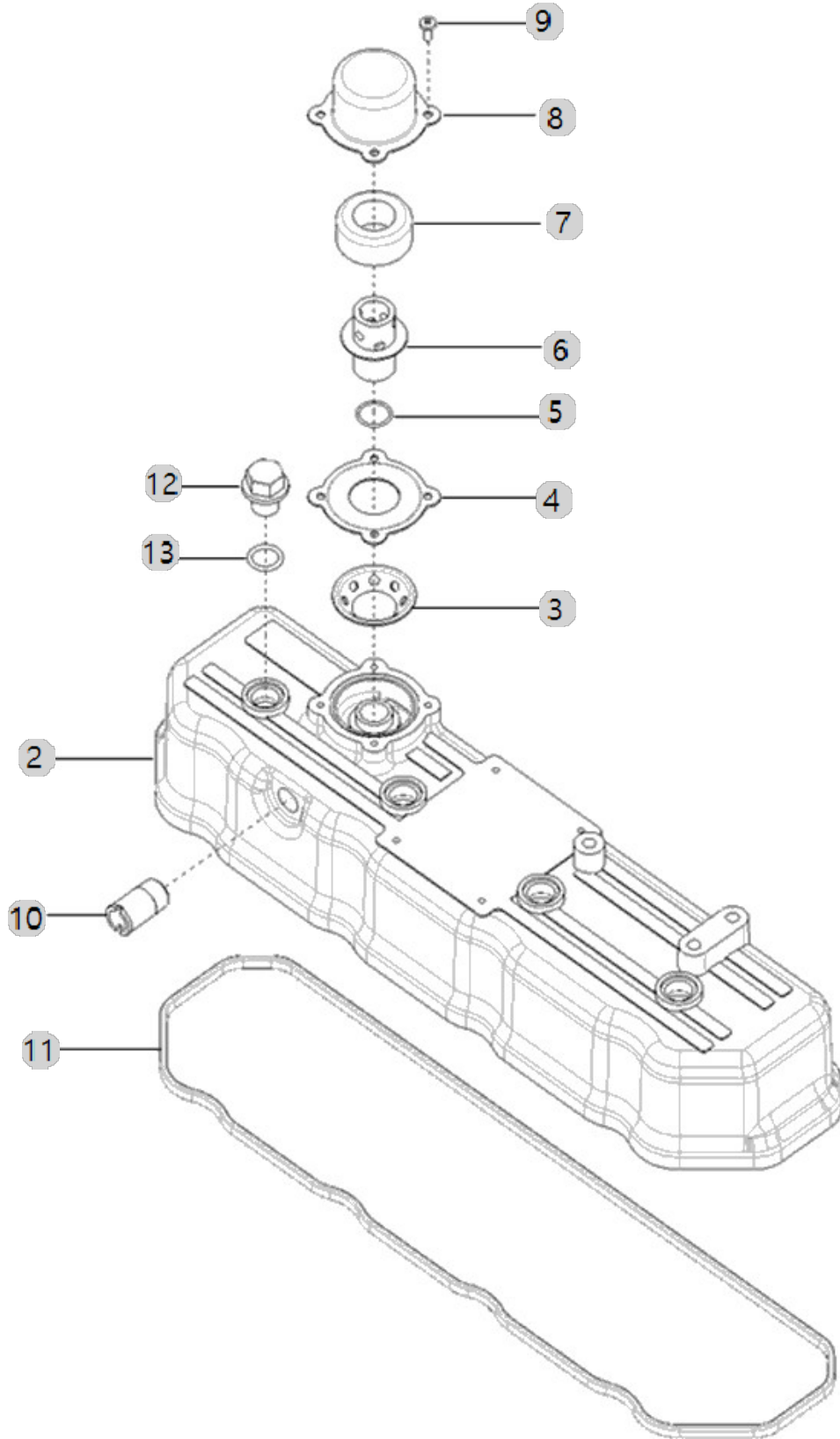
A21_004

A2300N2-ETR_5
(AB00328)

HEAD COVER

Year/Month

2022-12-16



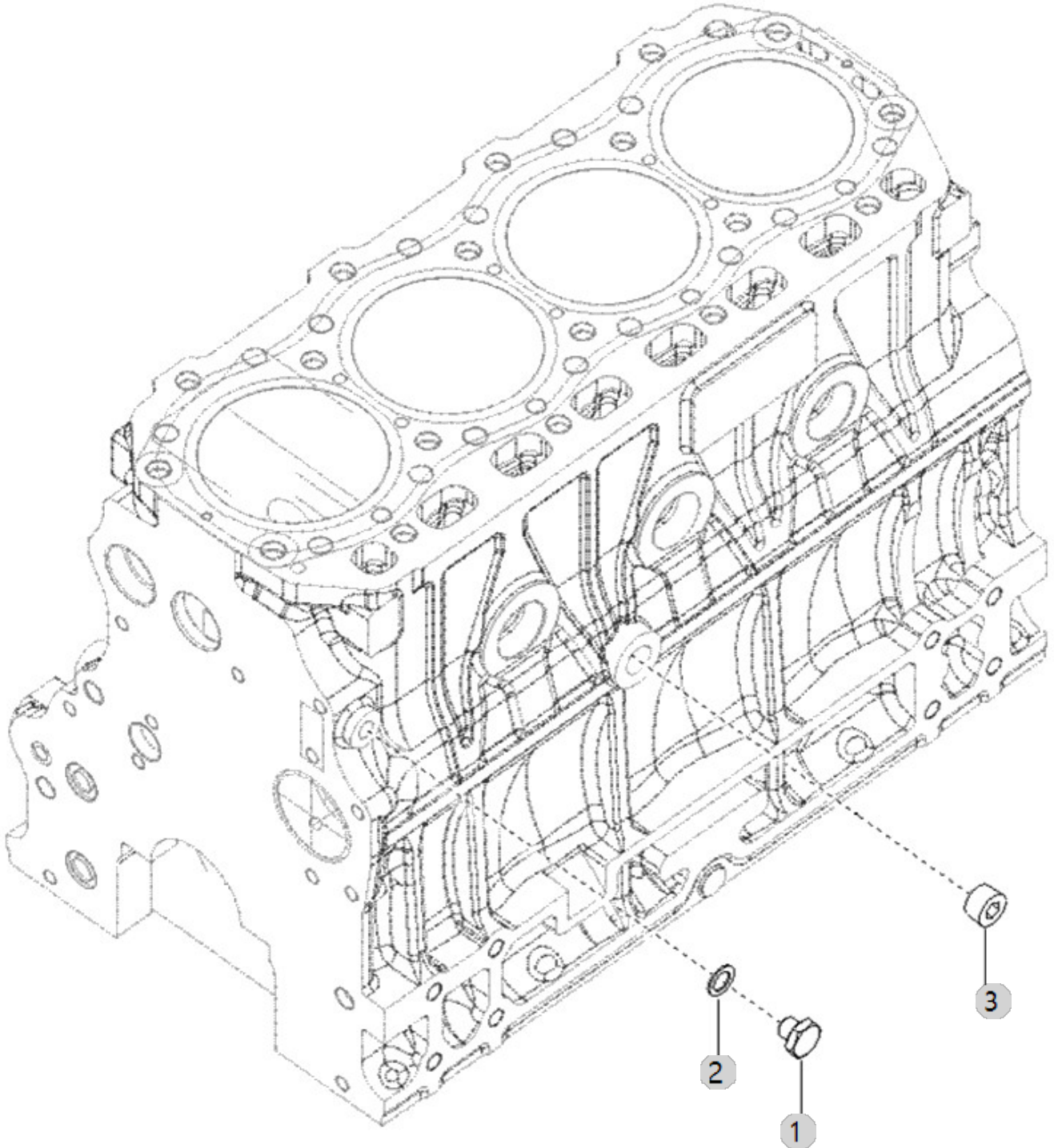
A23_009

A2300N2-ETR_5
(AB00328)

TURBOCHARGER SUPPORT ASS'Y OPTION

Year/Month

2022-12-16



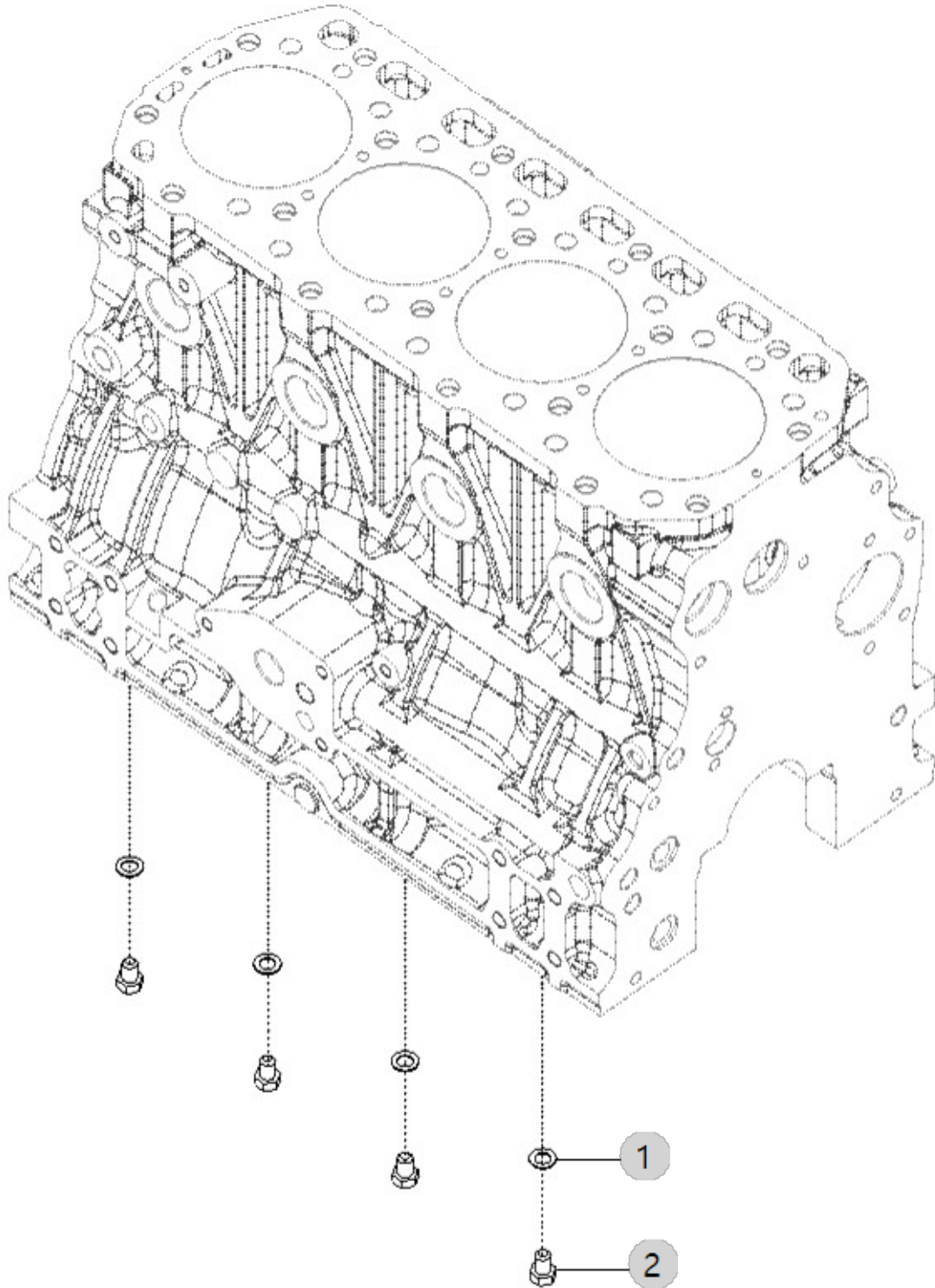
A25_002

A2300N2-ETR_5
(AB00328)

OIL JET ASS'Y OPTION

Year/Month

2022-12-16



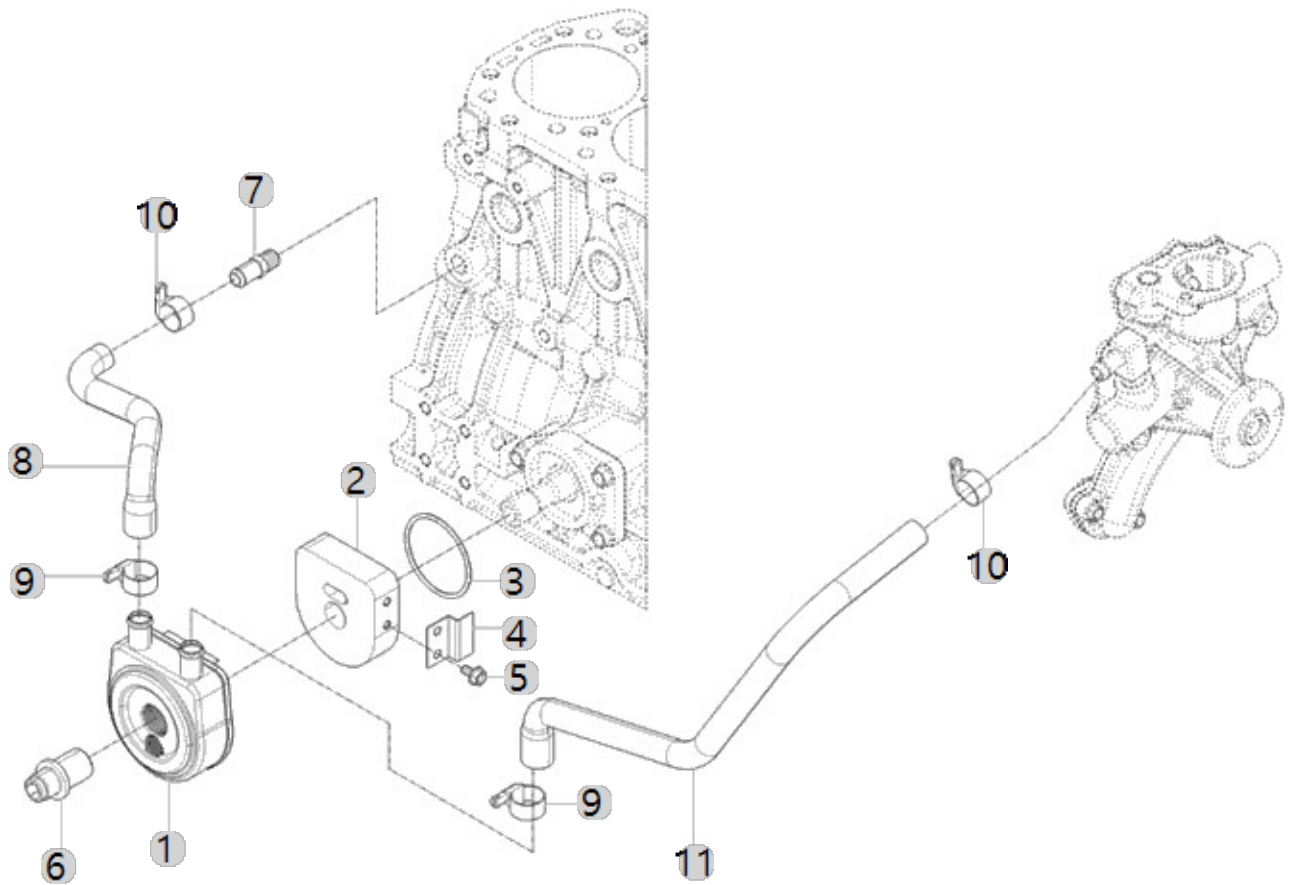
A26_005

A2300N2-ETR_5
(AB00328)

COOLER, ENGINE OIL

Year/Month

2022-12-16



| A26_005 A2300N2-ETR_5 (AB00328) | | COOLER, ENGINE OIL | | | | Year/Month 2022-12-16 |
|---------------------------------------|-------------------|--------------------|--------------------------------------|-------------|--------------|--------------------------|
| 순번 (NO) | 부품번호 (PART NO) | 품명 (PART NAME) | 품명 (PART NAME) | 수량 (QTY) | 규격 (SPEC) | 비고 (REMARK) |
| 1 | EA00000309A | 오일쿨러 | OIL COOLER ASSY | 1 | | |
| 2 | EA00002818A | 스페이서(오일쿨러) | SPACER(PRESSURE C.V) | 1 | | |
| 3 | 24321-000600 | O-링1AG-60(국산) | SEAL,ORING | 1 | G60 | |
| 4 | EA00002900B | 보강브래킷(오일쿨러스페이서) | REINFORCEMENT BRACKET(COOLER SPACER) | 1 | | |
| 4 | EA00002900A | 보강브래킷(오일쿨러스페이서) | REINFORCEMENT BRACKET(COOLER SPACER) | 1 | | |
| 5 | 26106-060122 | 육각플랜지볼트 | HEX BOLT (6-12) | 2 | M6XP1.0X12 | |
| 6 | EA00000310A | 볼트(오일쿨러) | BOLT, OIL COOLER | 1 | | |
| 7 | HRC1204000B4 | 조인트 PT 1/4 | NIPPLE, PLAIN PIPE | 1 | D13.8XT2.3 | |
| 7 | HRC1204000A4 | 369,A22,조인트PT1/4 | NIPPLE,PLAINPIPE | 1 | PT 1/4 | |
| 7 | HRC1204000C4 | 조인트 PT 1/4 | JOINT, PT 1/4 | 1 | D13.8XT2.3 | |
| 8 | EA00004503A | 오일쿨러냉각호스A | LUB COOLER HOSE(A) | 1 | | |
| 9 | EA00006186A | KALE클램프 | KALE CLAMP | 2 | | |
| 10 | EA00006186A | KALE클램프 | KALE CLAMP | 2 | | |
| 11 | EA00002855A | 오일쿨러냉각호스B | COOLANT HOSE B, OIL COOLER | 1 | | |

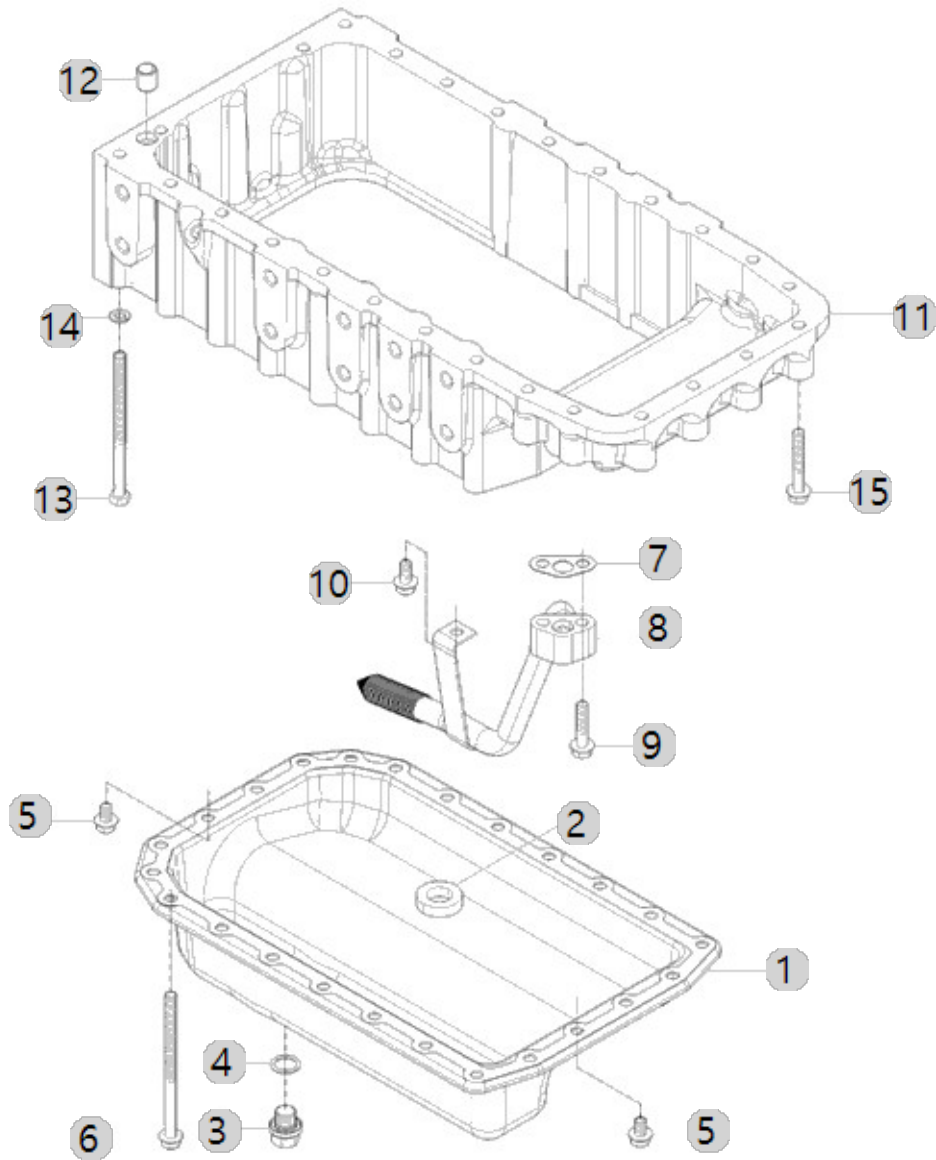
A27_010

A2300N2-ETR_5
(AB00328)

OIL PAN ASS'Y OPTION

Year/Month

2022-12-16



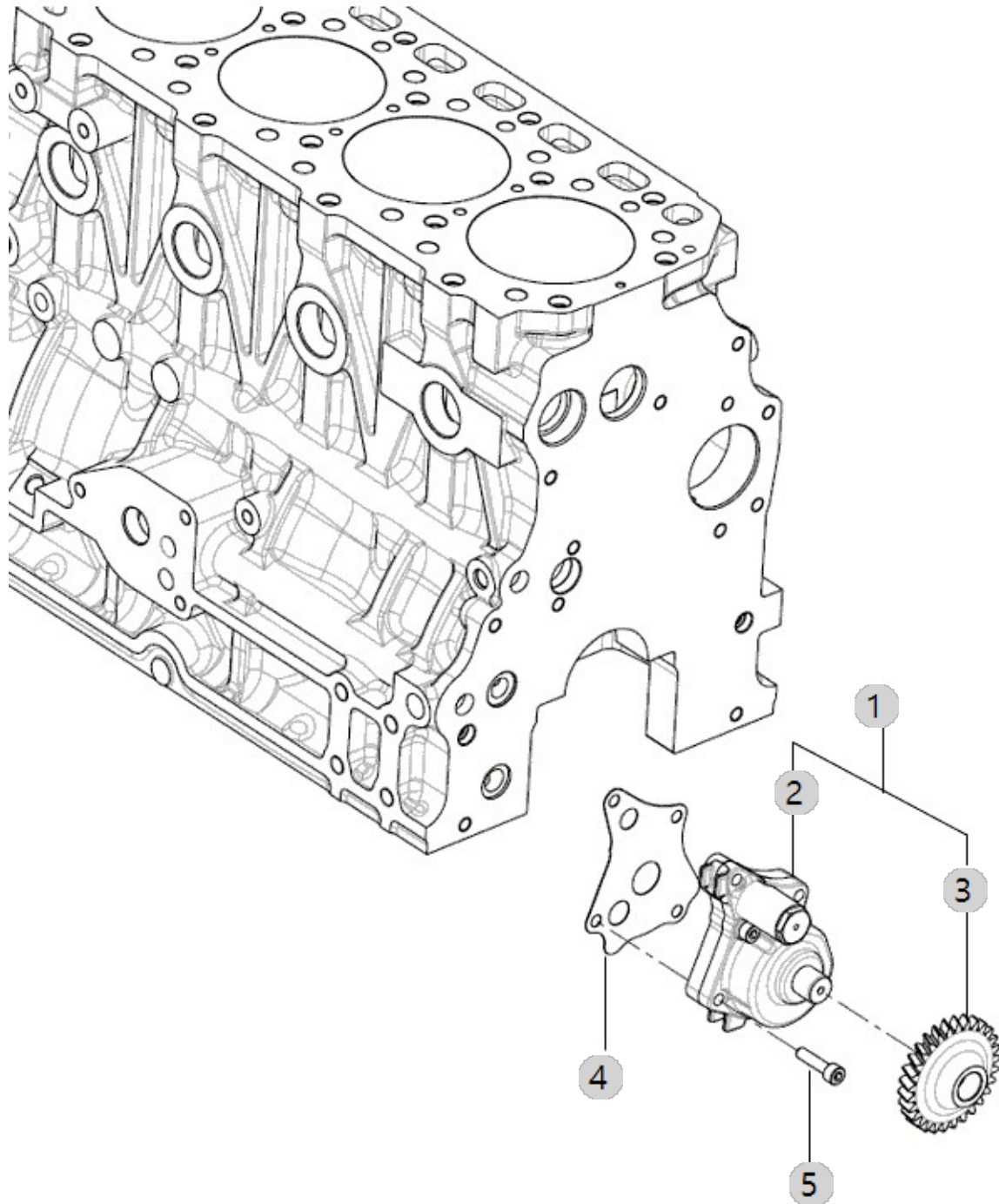
A28_001

A2300N2-ETR_5
(AB00328)

PUMP, LUBRICATING OIL

Year/Month

2022-12-16



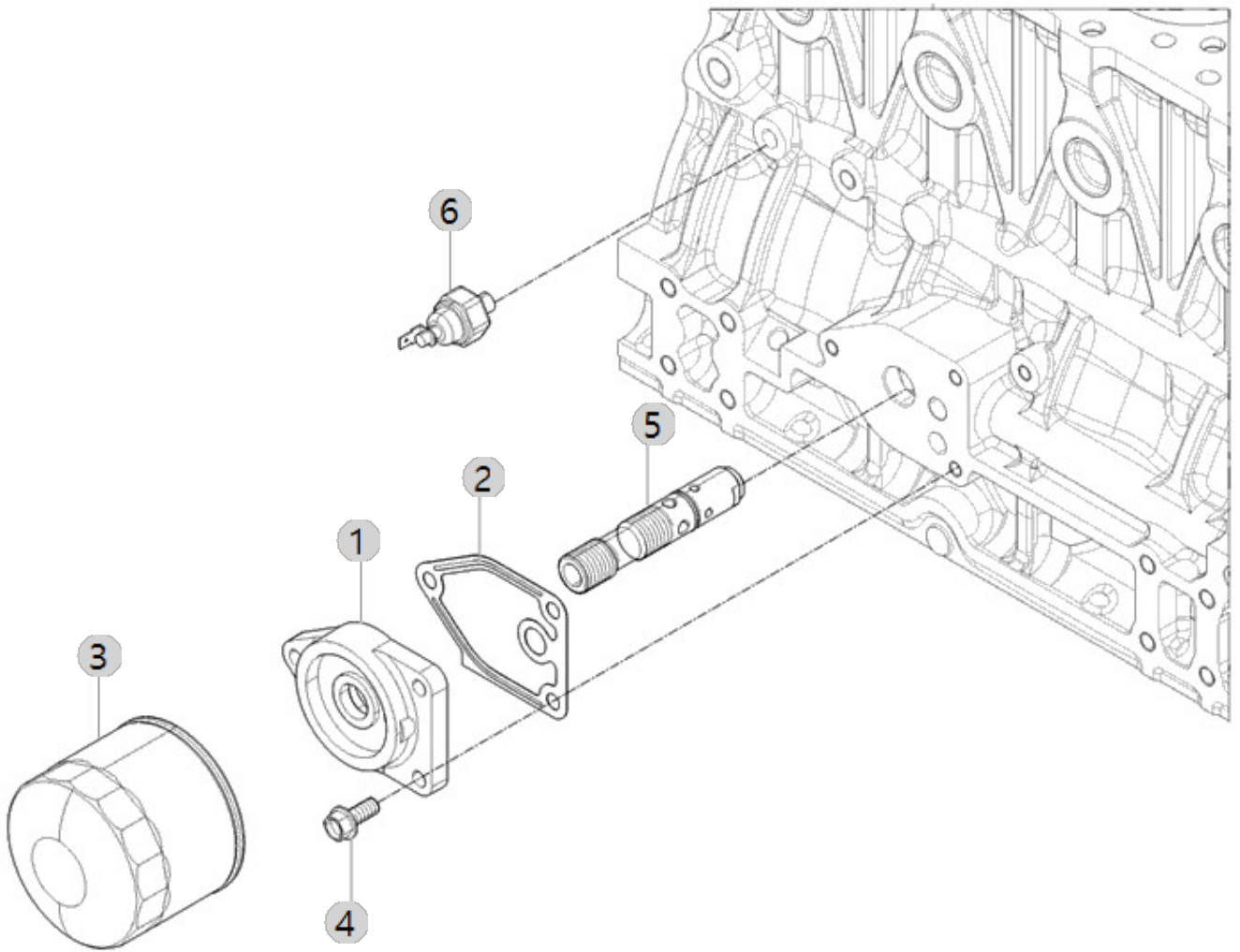
A29_005

A2300N2-ETR_5
(AB00328)

FILTER, LUBRICATING OIL

Year/Month

2022-12-16



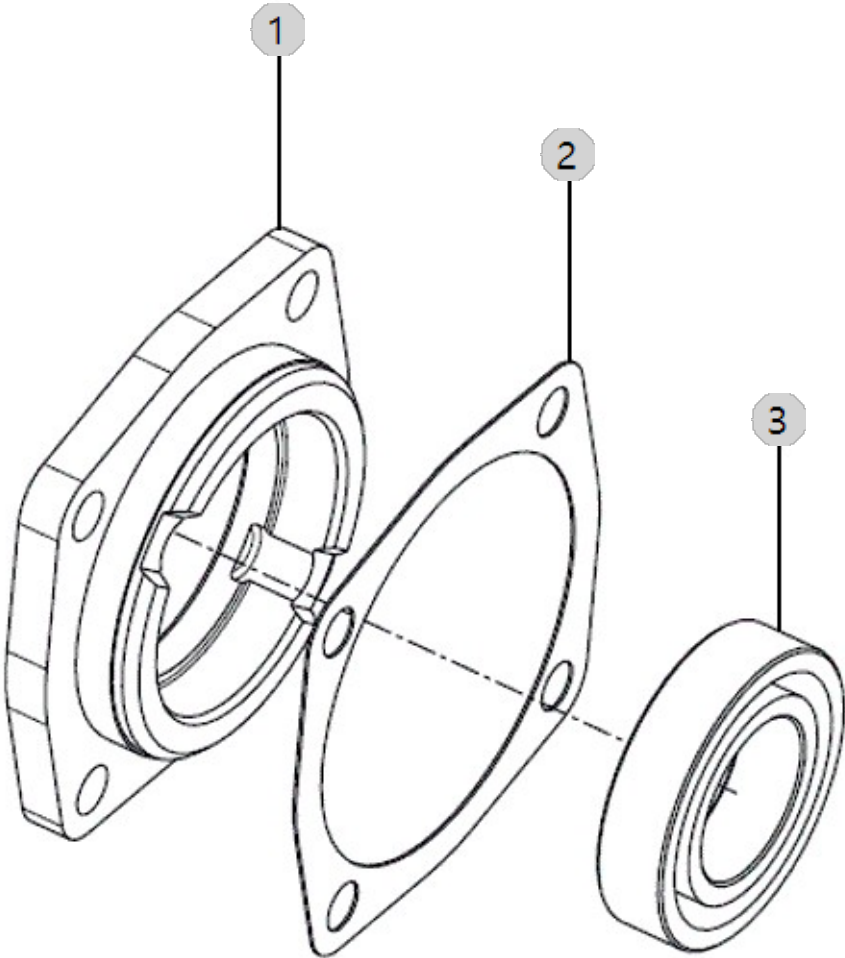
A30_003

A2300N2-ETR_5
(AB00328)

FRONT GEAR ACCESSORY DRIVE

Year/Month

2022-12-16



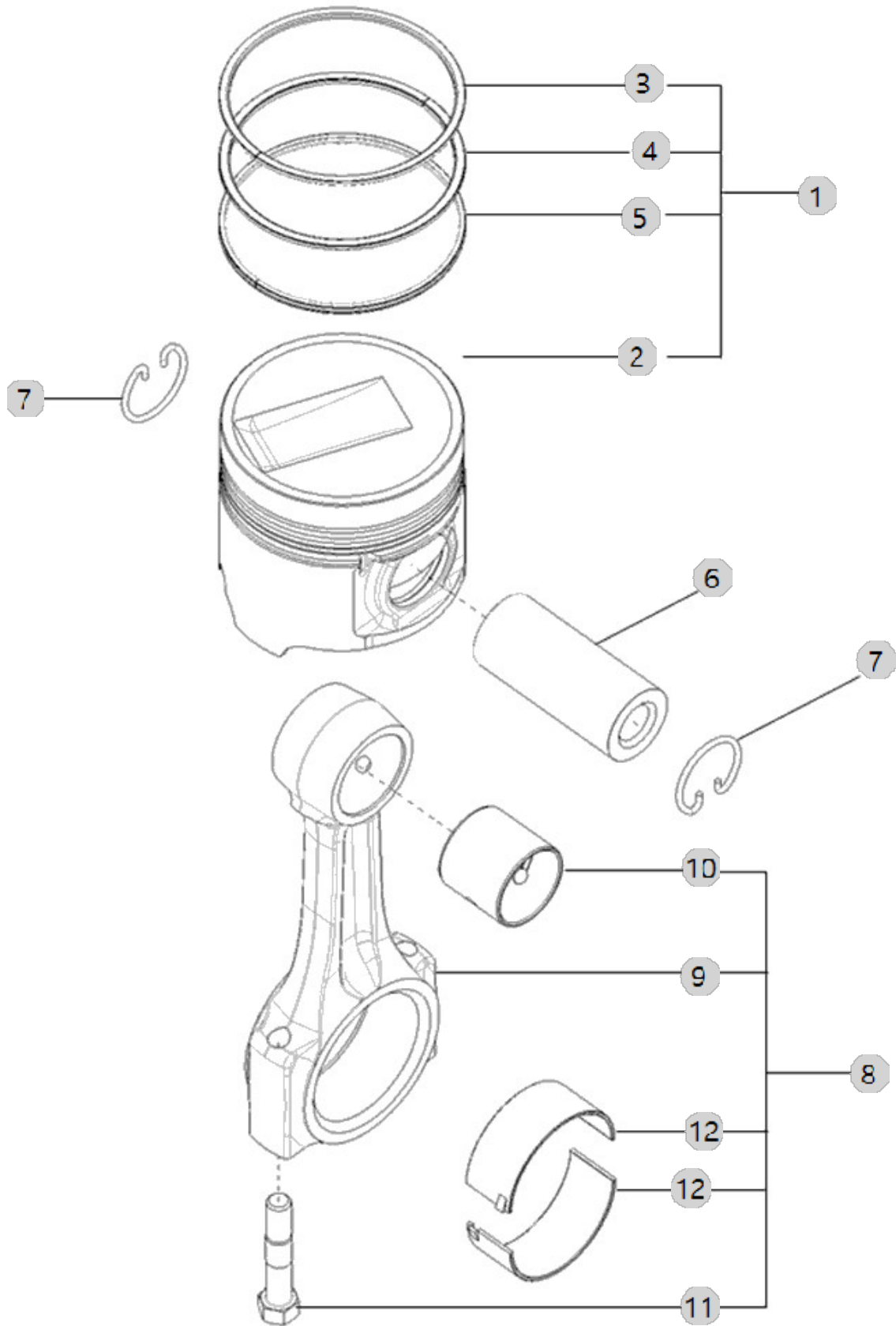
A31_007

A2300N2-ETR_5
(AB00328)

PISTON

Year/Month

2022-12-16



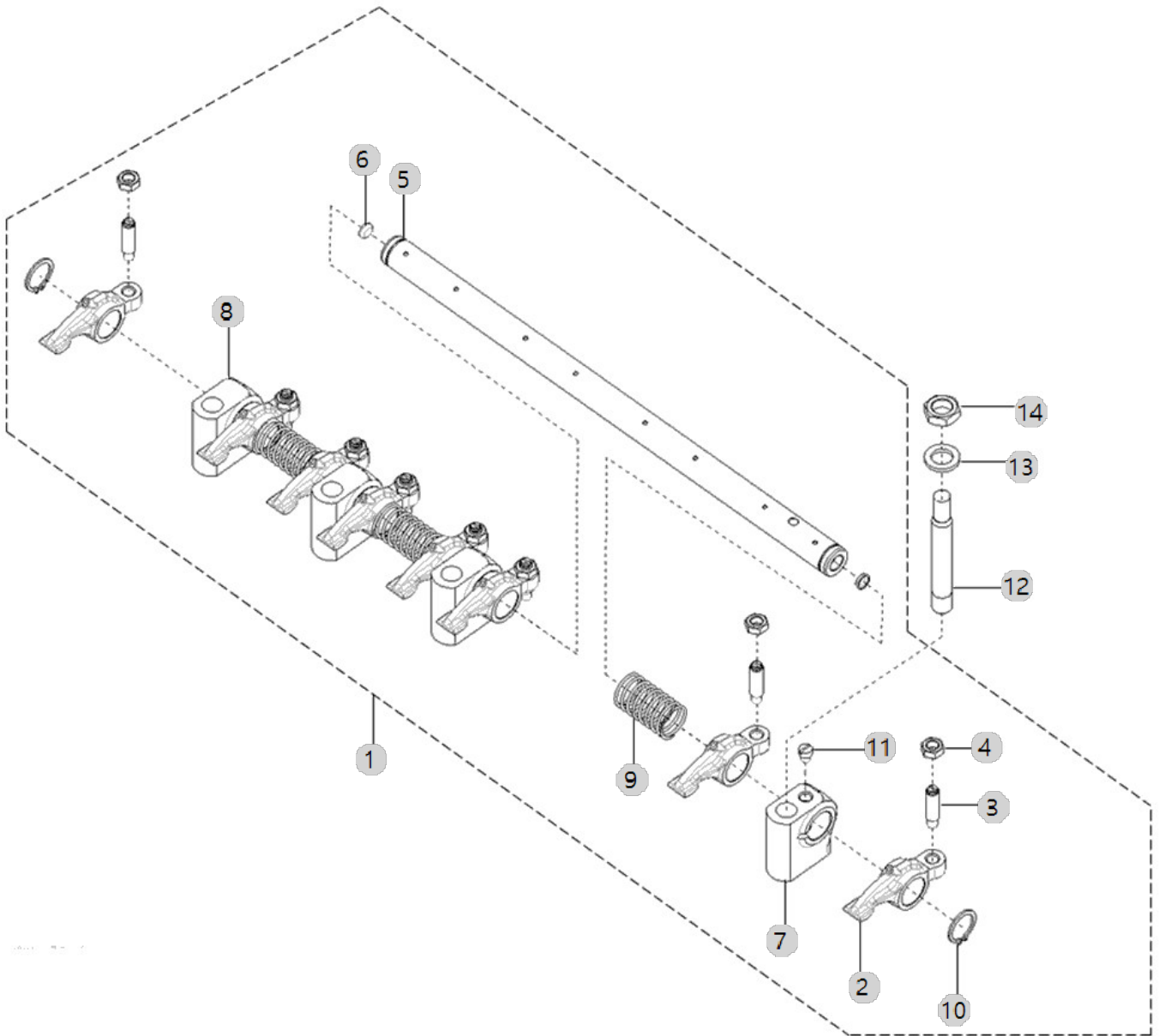
A32_003

A2300N2-ETR_5
(AB00328)

LEVER, LOCKER

Year/Month

2022-12-16



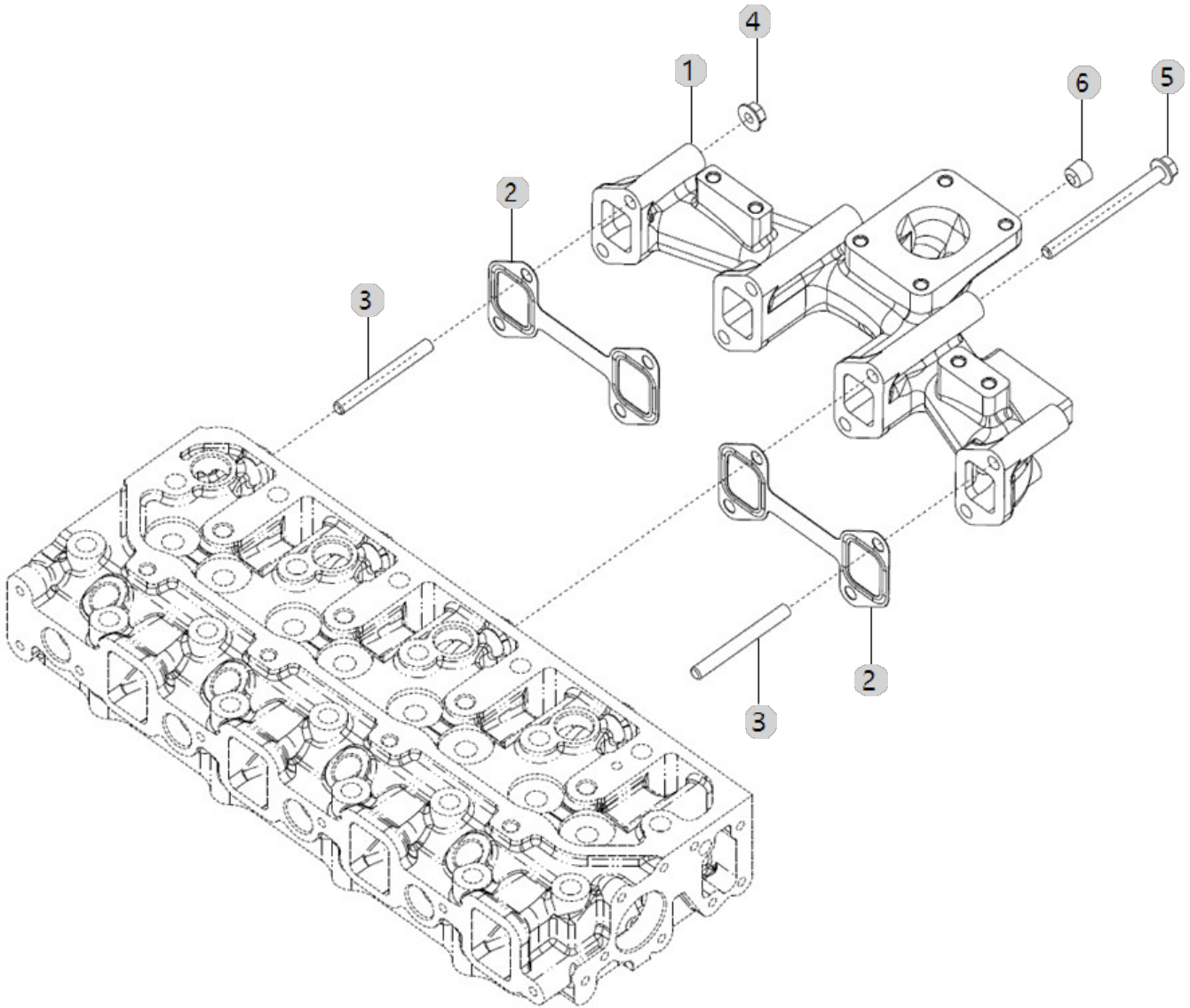
A33_013

A2300N2-ETR_5
(AB00328)

EXHAUST MANIFOLD

Year/Month

2022-12-16



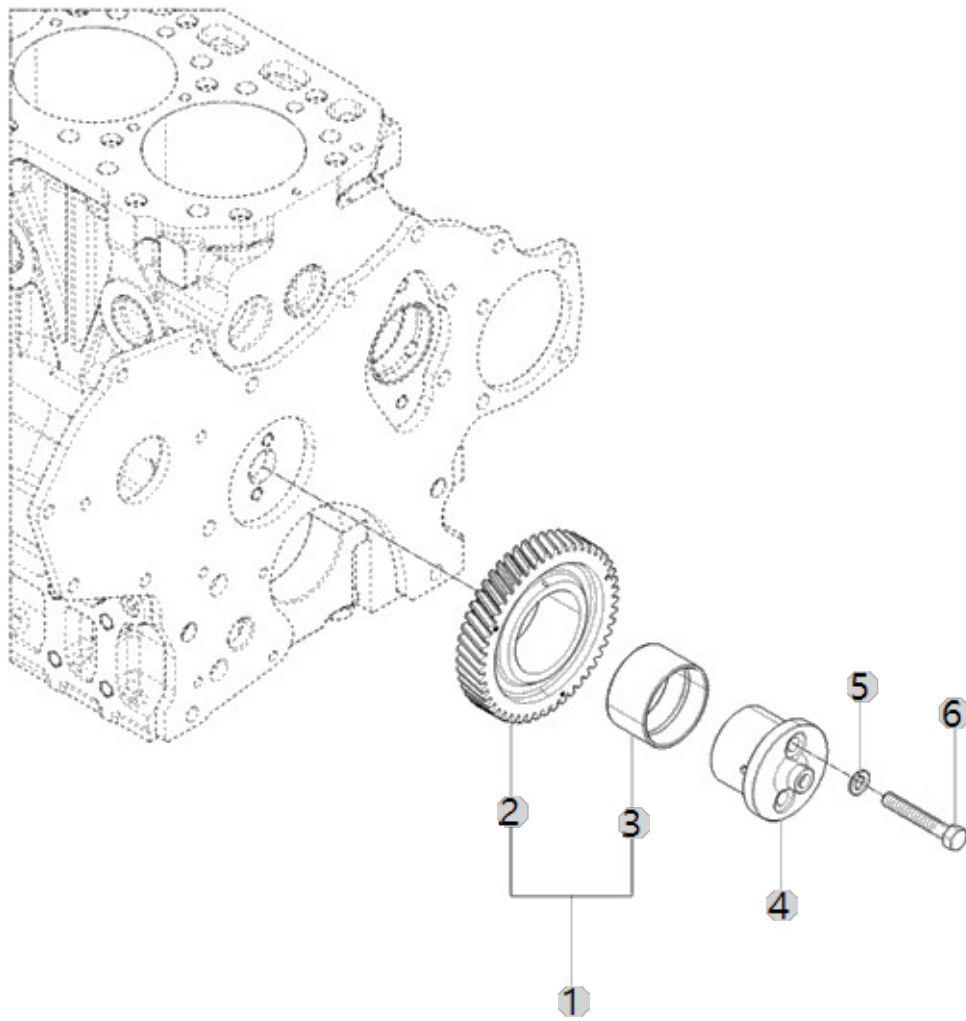
A35_002

A2300N2-ETR_5
(AB00328)

IDLE GEAR

Year/Month

2022-12-16



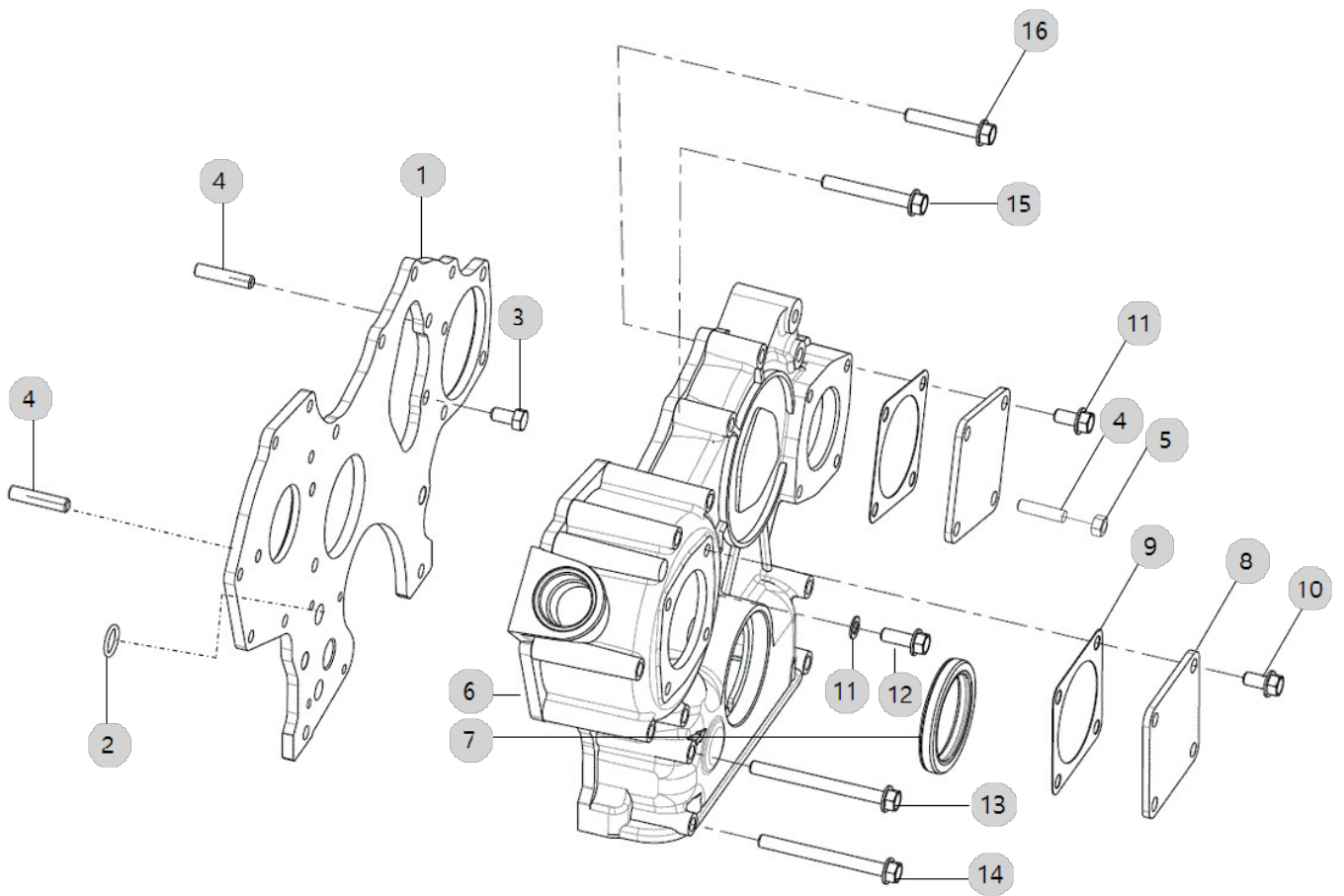
A36_004

A2300N2-ETR_5
(AB00328)

COVER, FRONT GEAR

Year/Month

2022-12-16



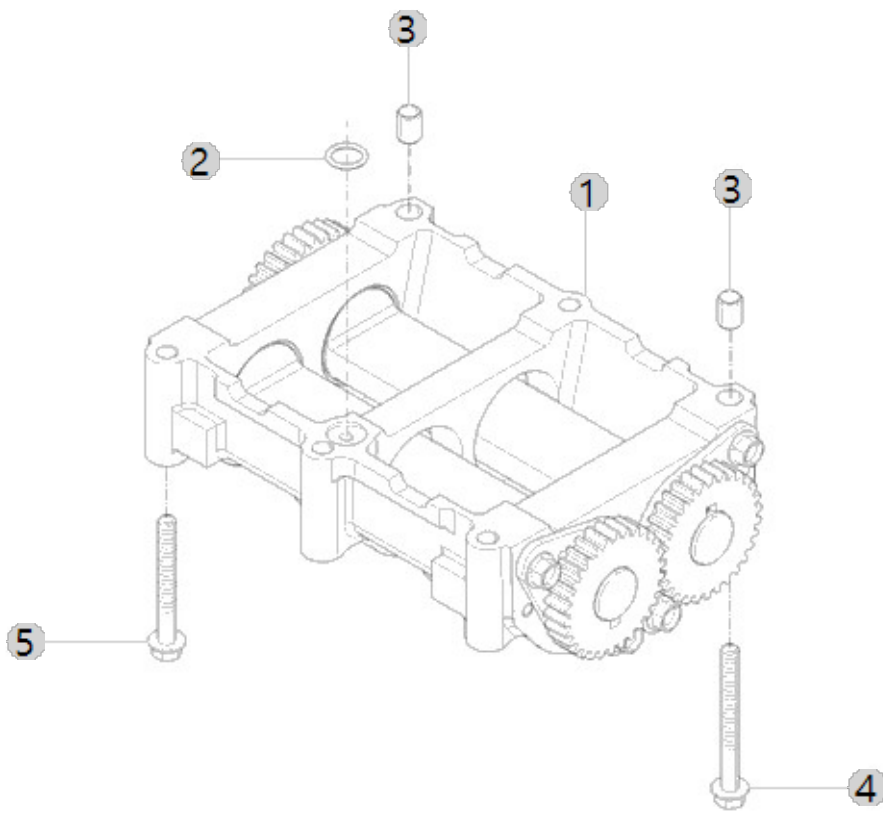
A37_001

A2300N2-ETR_5
(AB00328)

BALANCE ASS'Y

Year/Month

2022-12-16



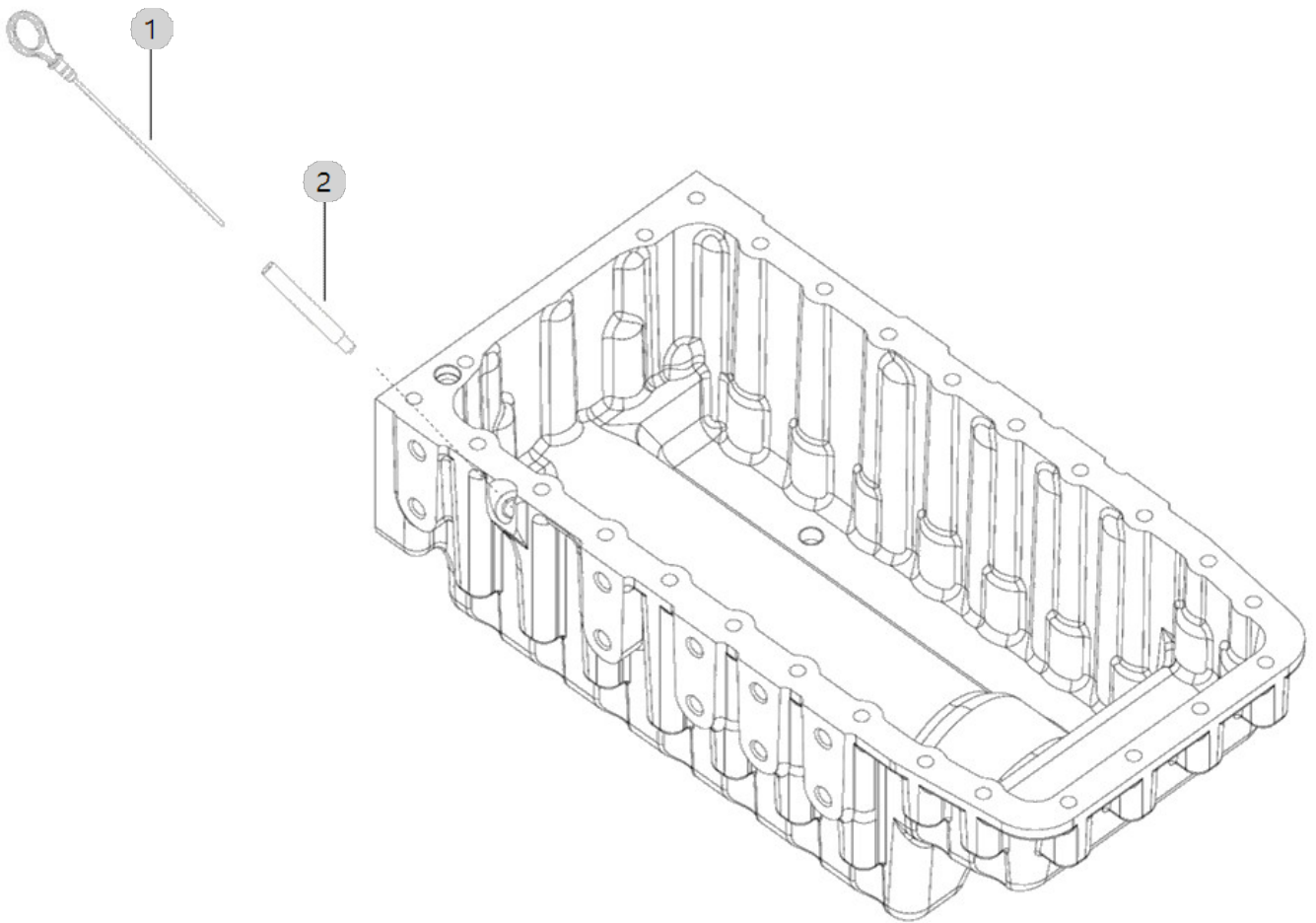
A38_007

A2300N2-ETR_5
(AB00328)

GAUGE, OIL LEVEL

Year/Month

2022-12-16



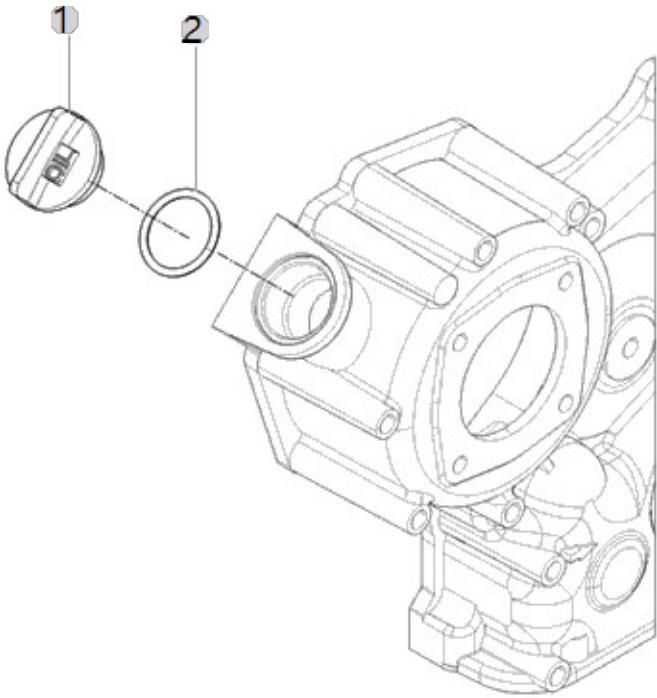
A39_001

A2300N2-ETR_5
(AB00328)

OIL FILLER CAP

Year/Month

2022-12-16



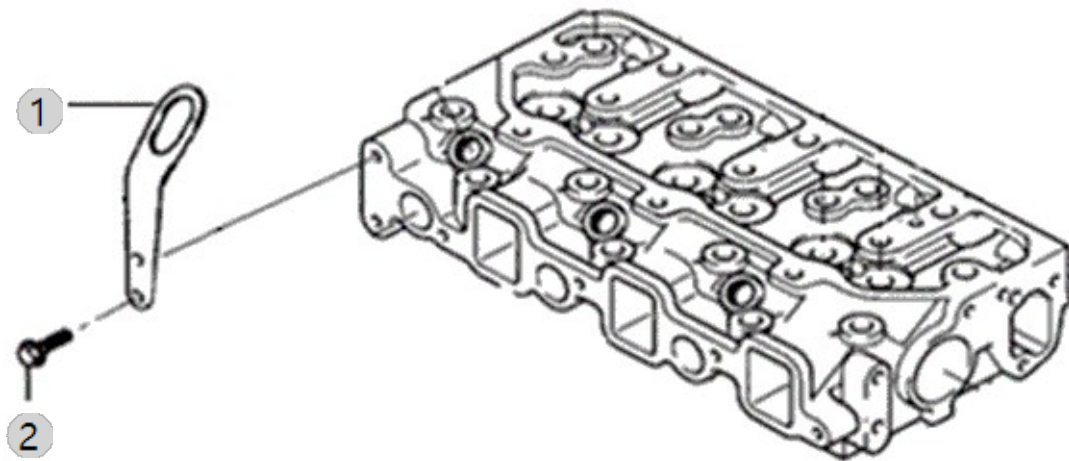
A40_003

A2300N2-ETR_5
(AB00328)

LIFT ASS'Y OPTION

Year/Month

2022-12-16



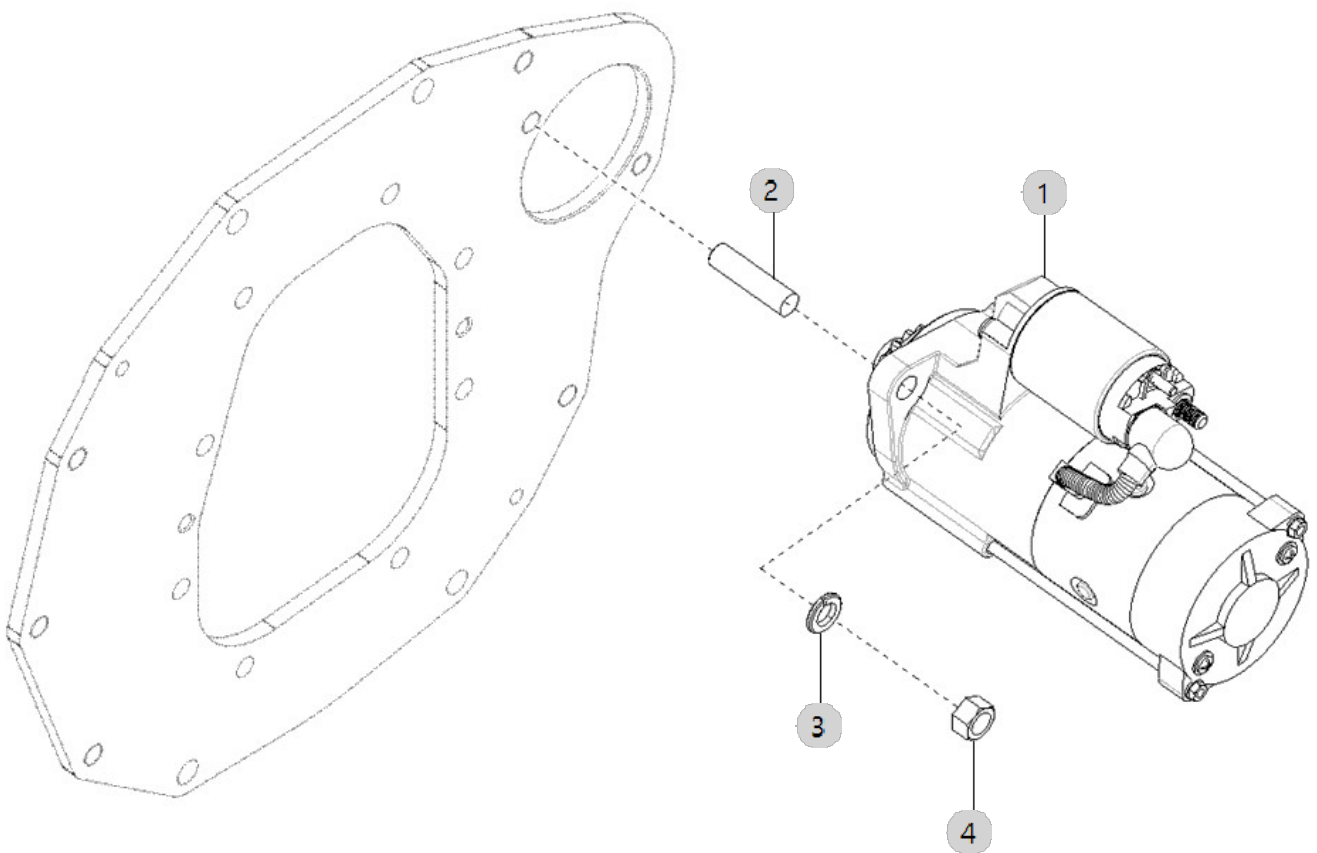
A42_003

A2300N2-ETR_5
(AB00328)

MOTER, STARTIONS

Year/Month

2022-12-16



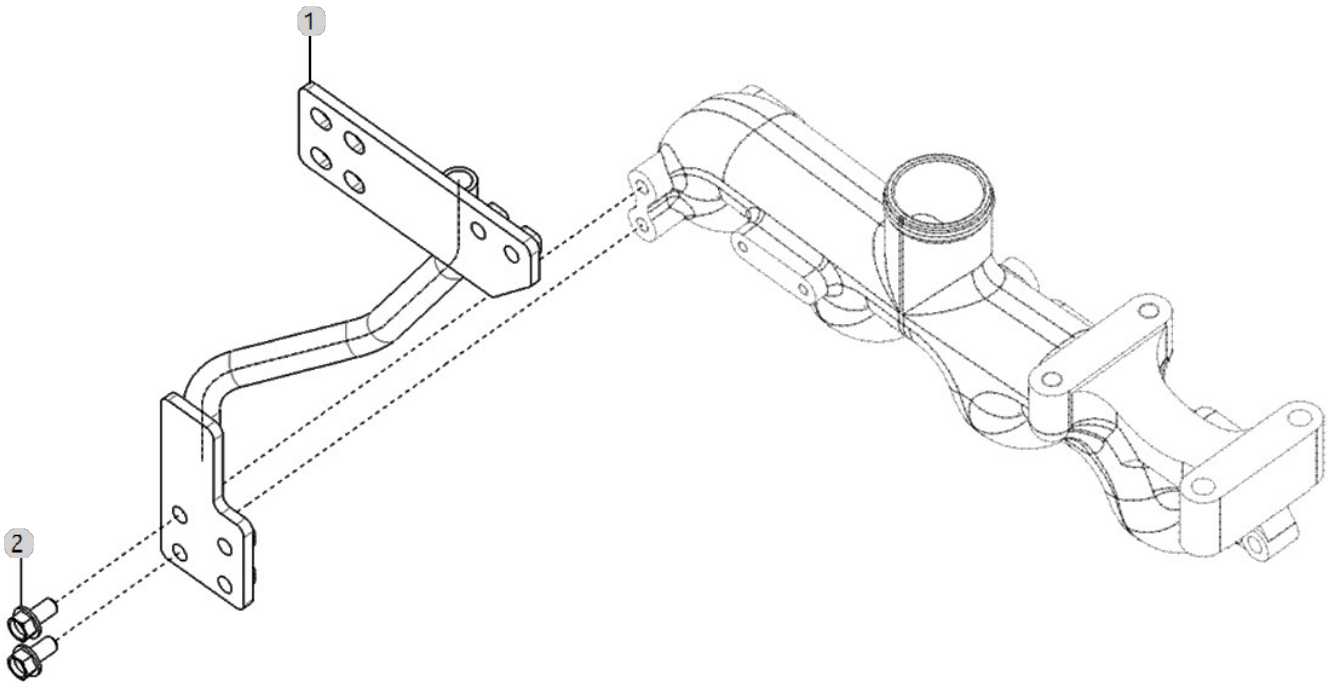
A43_001

A2300N2-ETR_5
(AB00328)

DPF SUPPORT OPTION

Year/Month

2022-12-16



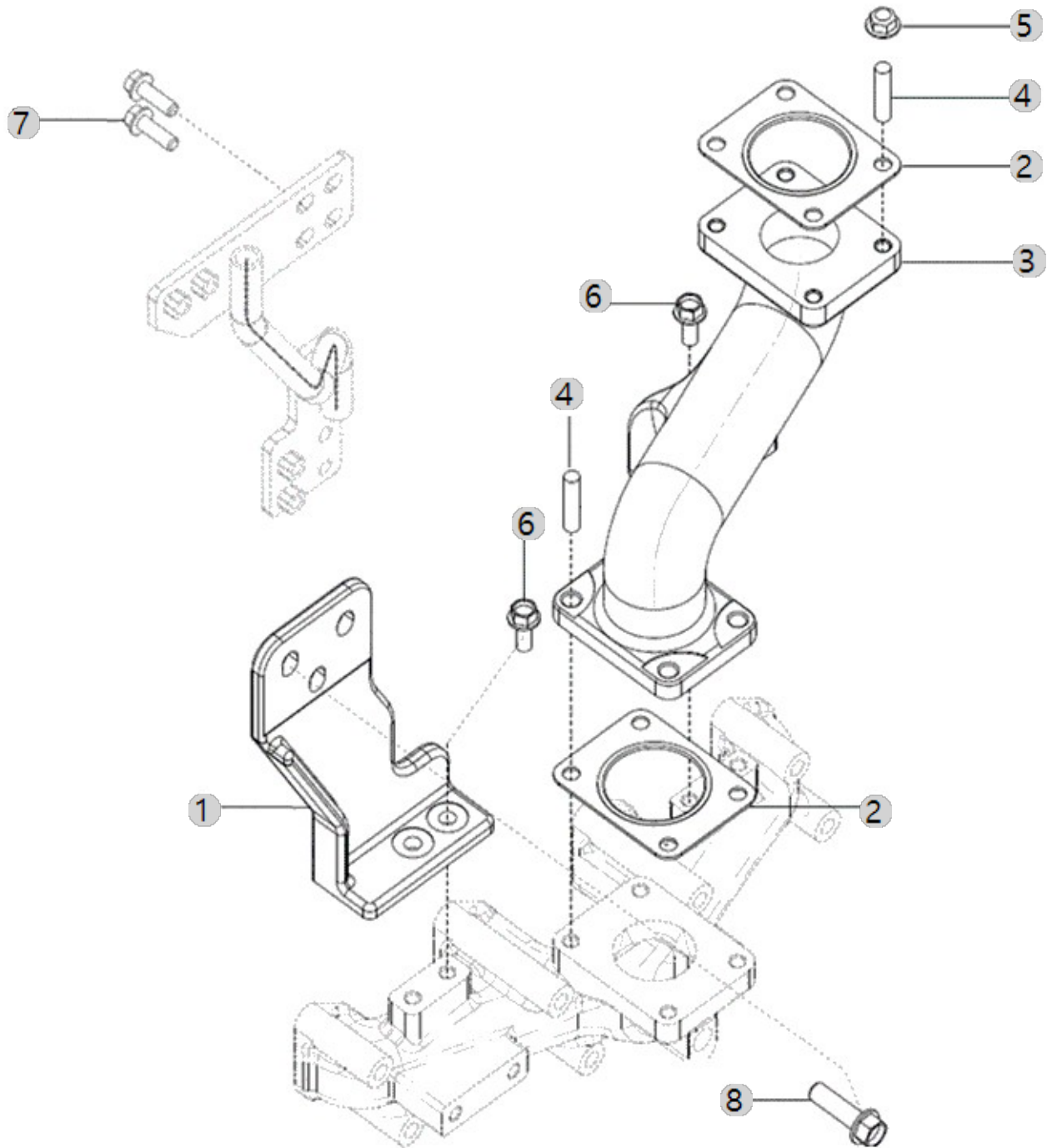
A44_006

A2300N2-ETR_5
(AB00328)

DPF MOUNTING OPTION

Year/Month

2022-12-16



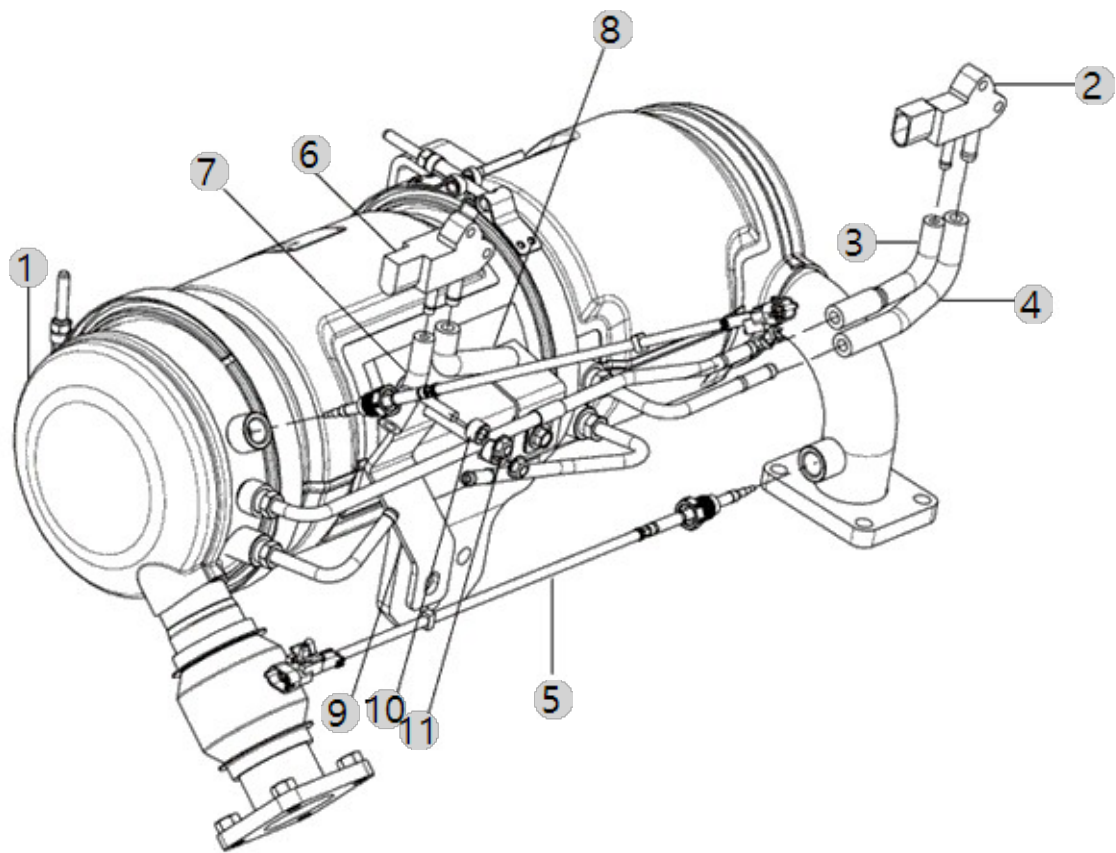
A45_012

A2300N2-ETR_5
(AB00328)

DPF

Year/Month

2022-12-16



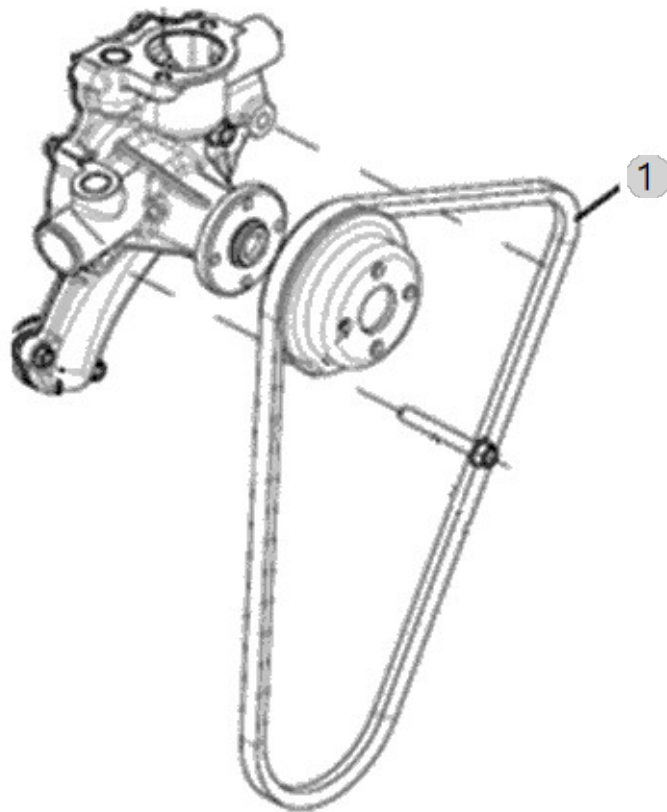
A48_006

A2300N2-ETR_5
(AB00328)

V-BELT

Year/Month

2022-12-16



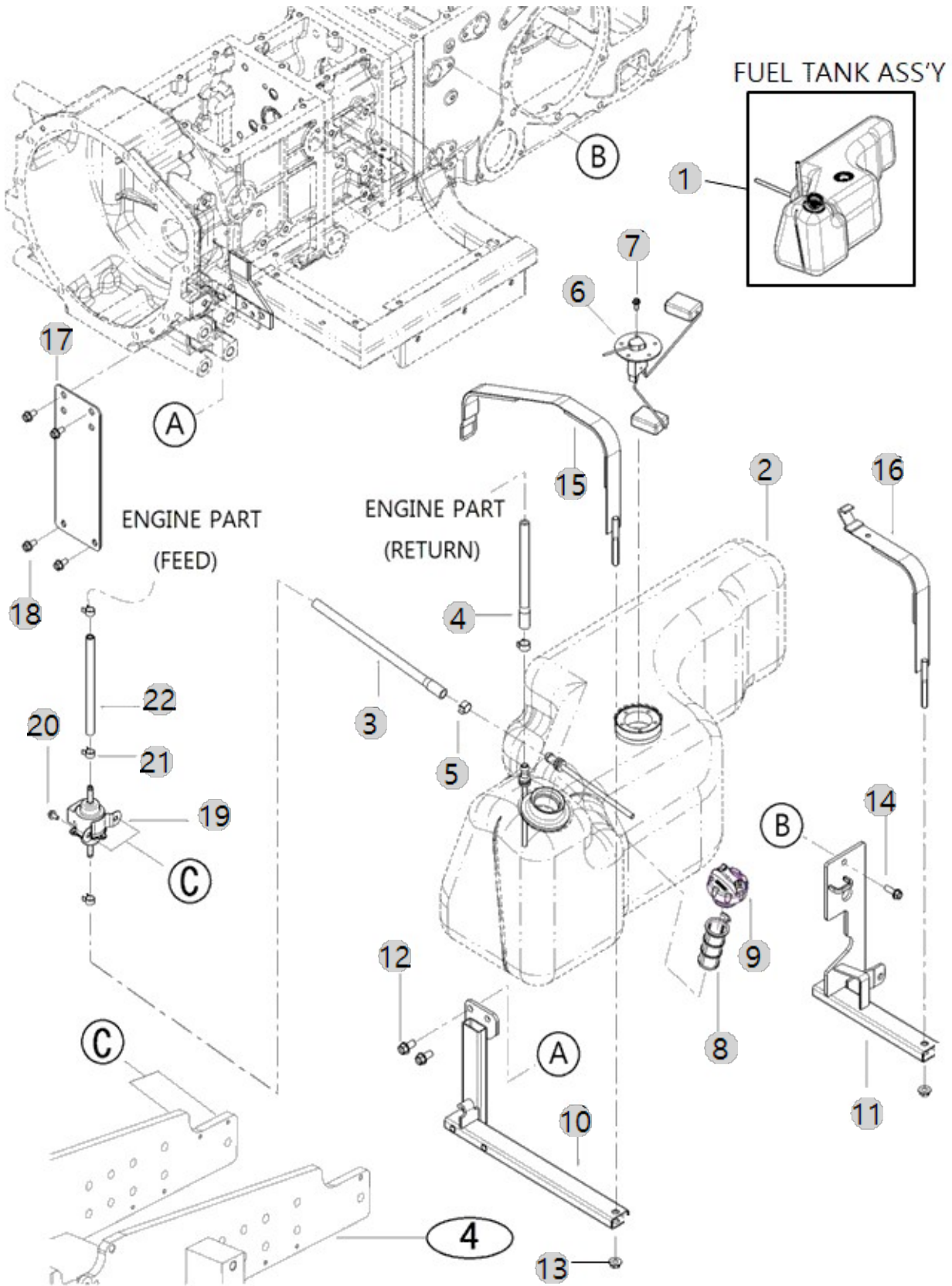
B01010

FUEL TANK

Year/Month

5025R(EU)(AC02117)

2022-12-16



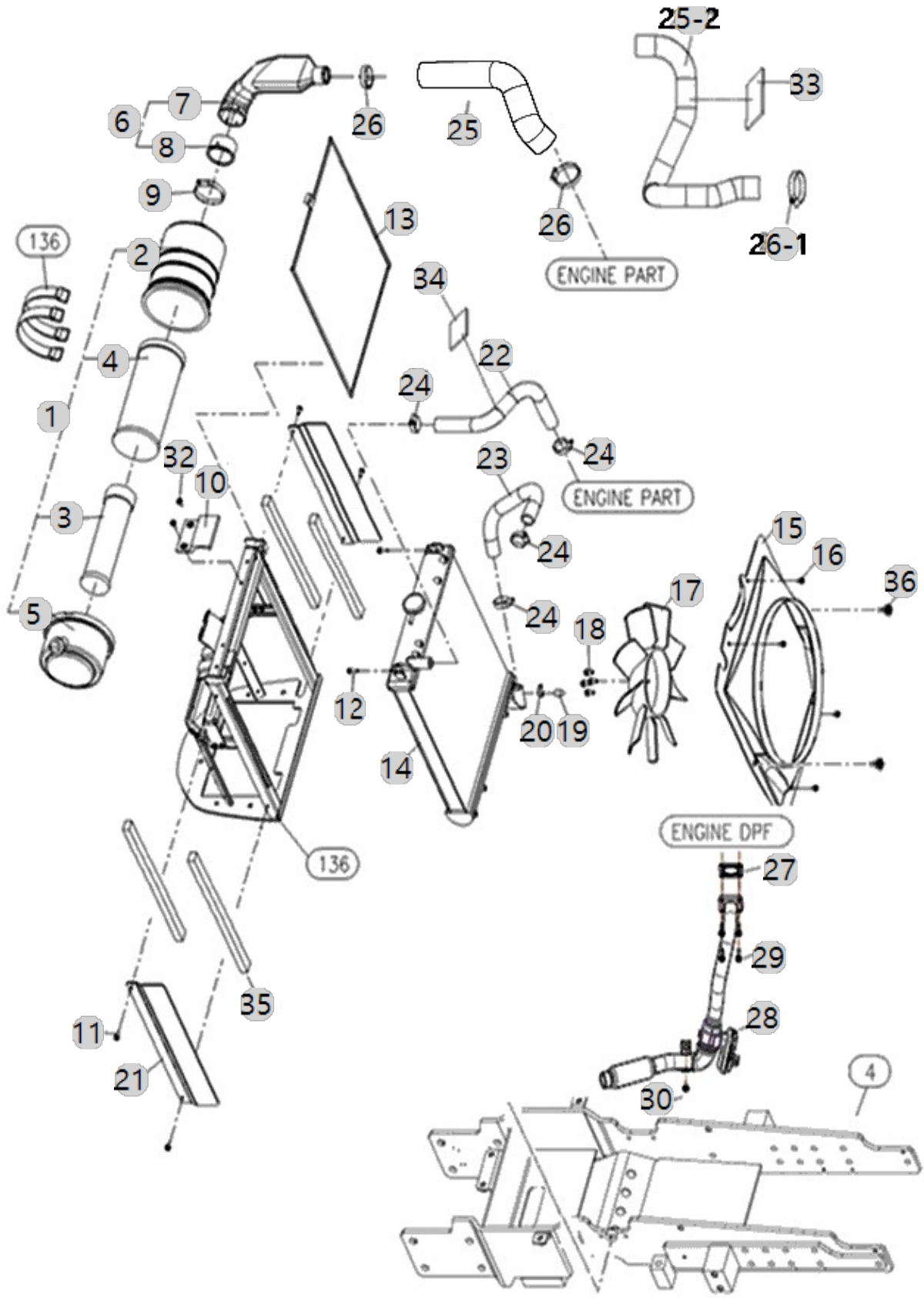
B02020

RADIATOR

Year/Month

5025R(EU)(AC02117)

2022-12-16



| B02020 | | RADIATOR | | | | Year/Month |
|--------------------|-------------------|----------------------|--------------------------------|-------------|--------------|----------------|
| 5025R(EU)(AC02117) | | | | | | 2022-12-16 |
| 순번 (NO) | 부품번호 (PART NO) | 품명 (PART NAME) | 품명 (PART NAME) | 수량 (QTY) | 규격 (SPEC) | 비고 (REMARK) |
| 1 | HLT0621000A2 | 에어크리너 조합 | AIRCLEANER ASSY | 1 | | |
| 2 | HLT0621010A9 | 에어크리너본체 | BODY, AIRCLEANER | 1 | | |
| 3 | HLT0621020A9 | 에어크리너엘레먼트(외) | ELEMENT AIR CLEANER (OUTER) | 1 | | |
| 4 | HLT0621030A9 | 에어크리너엘레먼트(내) | ELEMENT, AIR CLEANER (INNER) | 1 | | |
| 5 | HLT0621040A9 | 커버(에어크리너) | COVER | 1 | | |
| 6 | TA00025594A | 흡기 파이프 조합 | INTAKE PIPE ASSY | 1 | | |
| 7 | TA00025593A | 흡기파이프 | PIPE | 1 | | |
| 8 | TA00021622A | 흡기파이프시일 | SEAL | 1 | - | |
| 9 | 23000-080000 | 호스클램프80 | HOSECLAMP80 | 1 | D80 | |
| 10 | TA00025591A | 방진 고무 | CUSHION RUBBER | 1 | | |
| 11 | 26106-060162 | 육각플랜지 볼트 | HEXFLANGE BOLT | 1 | M6XP1.0X16 | |
| 12 | 26014-060252 | 와셔조립육각볼트(+SW,PW) | Bolt, Hexa (6-25) | 4 | M06X1.00X02 | |
| 13 | TA00024833C | 방진망 조합 | DUSTPROOF NET ASSY | 2 | | |
| 13 | TA00024833B | 방진망 | NET | 2 | | |
| 14 | EA00003972A | 라디에이터(3.5mm피치) | RADIATOR | 1 | | |
| 15 | TA00032760F | 슈라우드 | SHROUD | 1 | | |
| 16 | HRA1203200A4 | 태핑나사 | TAPPINGSCREW | 1 | | |
| 17 | TA00034662A | 냉각팬, DynaQ (d=400mm) | COOLING FAN (D400) | 4 | | |
| 18 | 26106-080162 | 플랜지볼트8X16 | SCREW,HEXFLANGEHEADCAP | 1 | M8XP1.25X16 | |
| 19 | HRC1201200A4 | 오일쿨러캡 | CAP,COOLER | 4 | | |
| 20 | 23000-016000 | 호스클립 | Clip, Hose (Φ16) | 1 | D16 | |
| 21 | TA00049446B | 라디에이터브래킷 조합 | BRACKET ASS'Y, RADIATOR | 1 | | |
| 21 | TA00049446A | 라디에이터브래킷 조합 | BRACKET ASS'Y, RADIATOR | 1 | | |
| 22 | TA00060727A | 냉각수호스A | COOLING WATER HOSE A | 2 | | |
| 23 | TA00025609C | 냉각수 호스 (B) | HOSE IN COOLING | 1 | | |
| 24 | 23010-038000 | 호스밴드 | HOSEBAND | 1 | D38 | |
| 25 | TA00035217A | 흡기호스 | INTAKE HOSE | 4 | | |
| 26 | 23000-054000 | 호스클램프54 | HOSECLAMP54 | 1 | D54 | |
| 26 | 23000-070000 | 351,A22,호스클램프70 | CLAMP,HOSE | 1 | D70 | |
| 27 | EA00004235A | 가스켓(TC_IN) | GASKET(TC_IN) | 1 | | |
| 28 | EA00005796C | 전자식배기밸브ASS'Y(20(S)) | ELECTRONIC EXHAUST VALVE ASS'Y | 1 | | |
| 28 | EA00005796B | 전자식배기밸브ASS'Y(20(S)) | ELECTRONIC EXHAUST VALVE ASS'Y | 1 | | |
| 29 | 26106-080252 | 육각플랜지볼트 | SCREW,HEXFLANGEHEADCAP | 1 | M8XP1.25X25 | |
| 30 | 26106-080122 | 육각플랜지볼트 | Bolt, Hexa (8-12) | 4 | M8XP1.25X12 | |
| 32 | 26015-060162 | 와셔조립육각볼트(S+PW) | BOLT | 1 | M6XP1.0X16 | |
| 33 | TA00036162C | 흡기호스(Turbo)방열판 | INSULATOR | 2 | | |
| 34 | TA00036163C | 냉각수 호스A 방열판 | GUIDE(L),FOOT REST | 3 | | |
| 35 | TA00036707A | 시일(RD) | SEAL(RD) | 1 | | |
| 36 | 26106-080162 | 플랜지볼트8X16 | SCREW,HEXFLANGEHEADCAP | 4 | M8XP1.25X16 | |

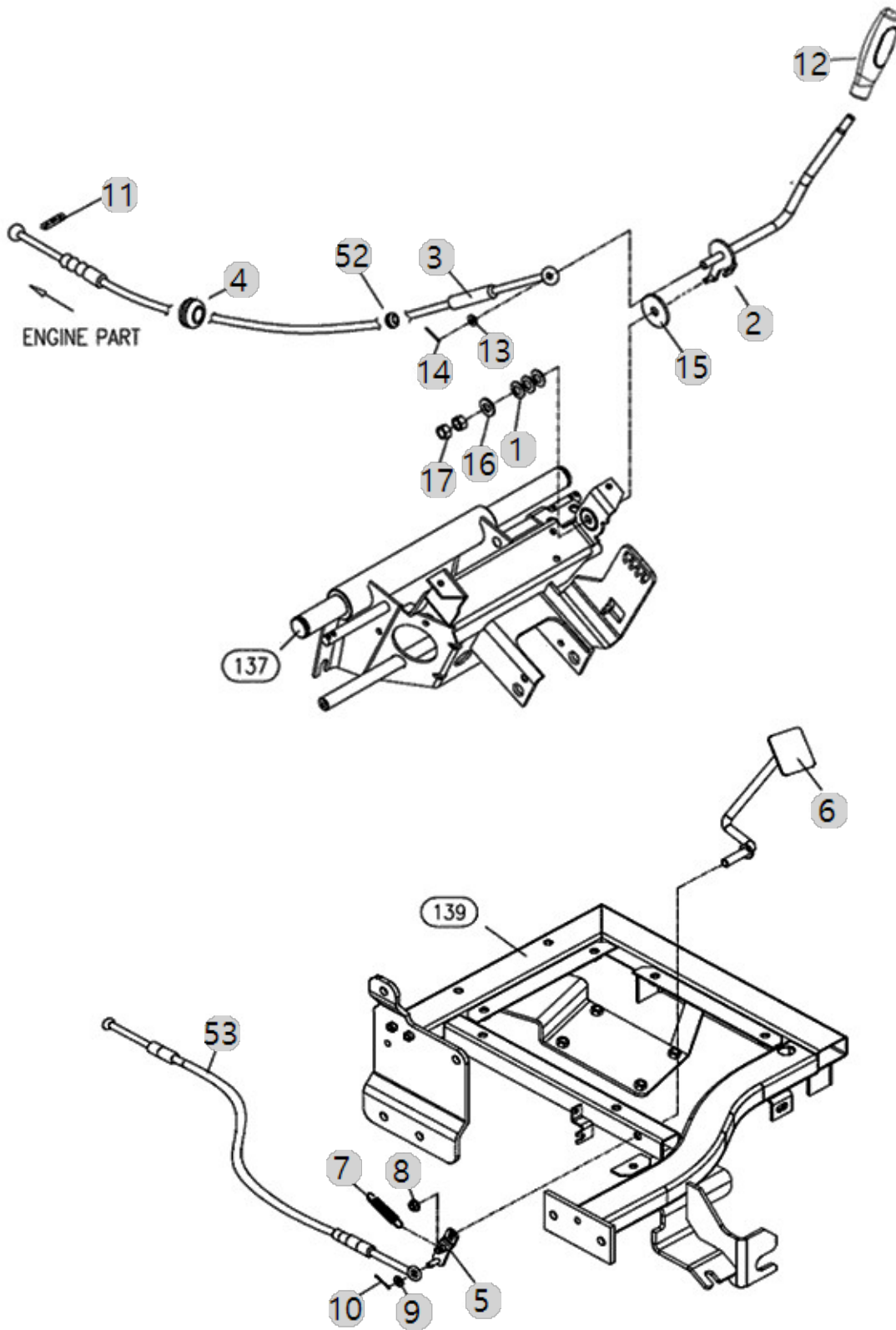
B05011

LEVER ACCELERATOR

Year/Month

5025R(EU)(AC02117)

2022-12-16



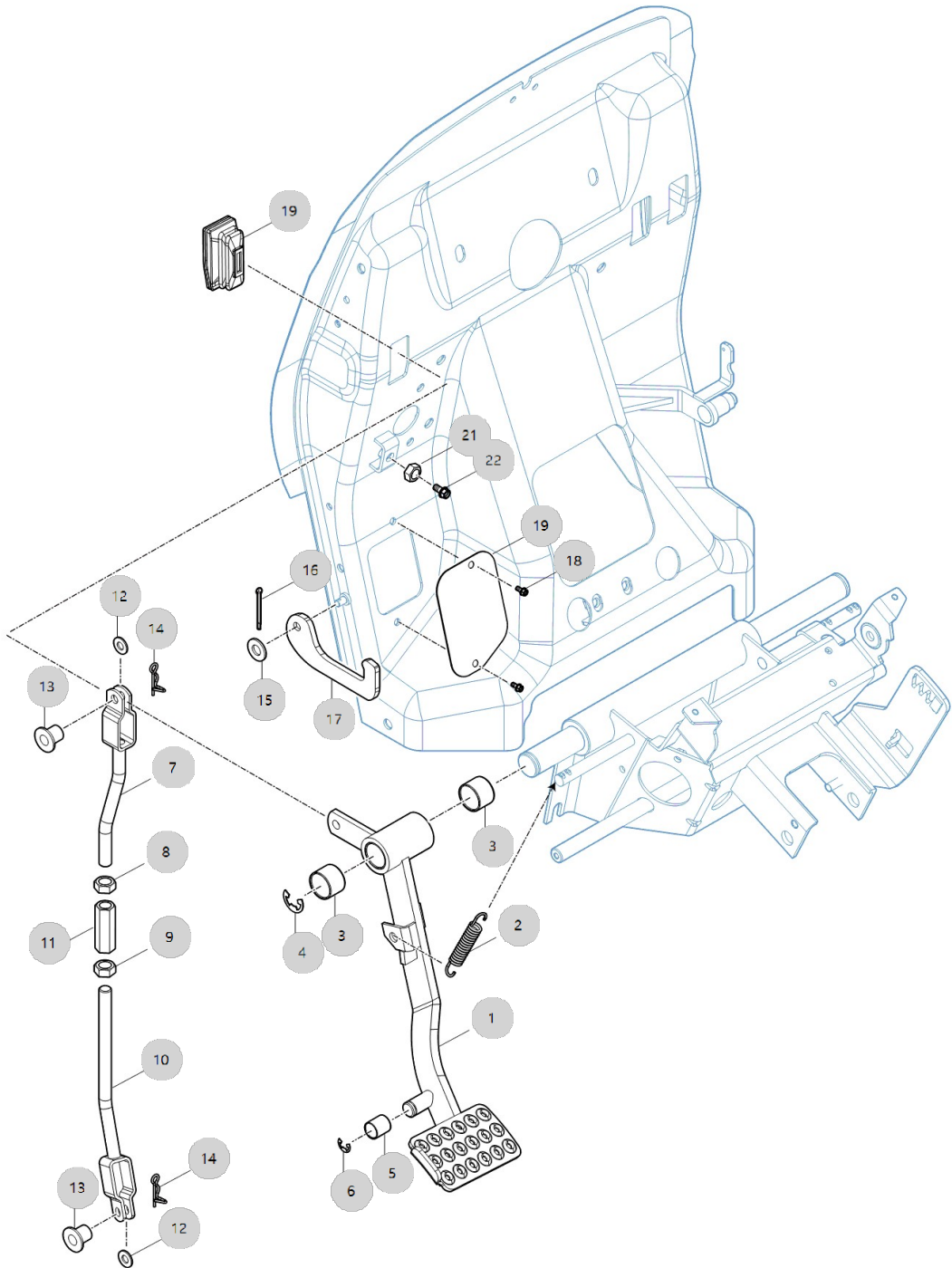
C01030

5025R(EU)(AC02117)

CLUTCH PEDAL

Year/Month

2022-12-16



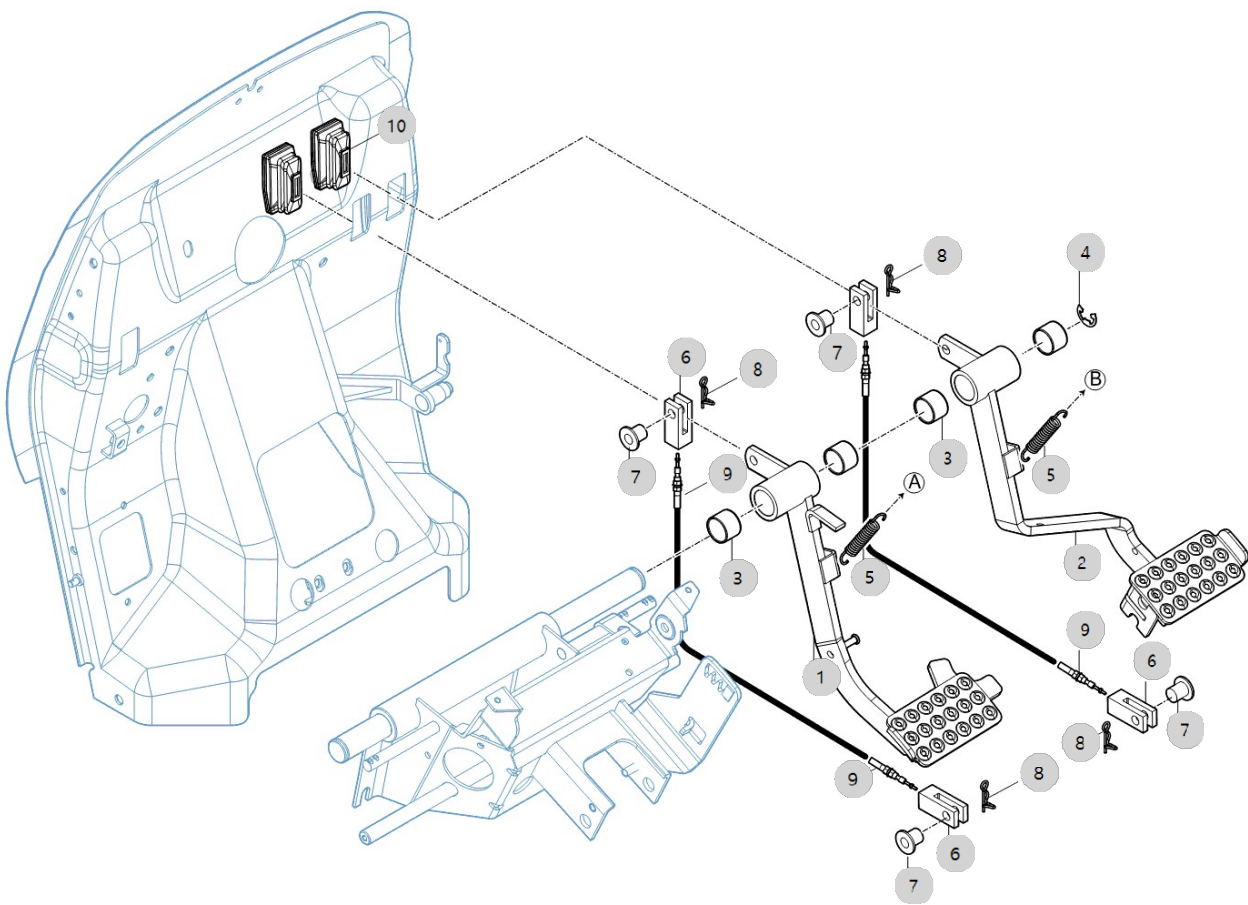
C02010

BRAKE PEDAL

Year/Month

5025R(EU)(AC02117)

2022-12-16



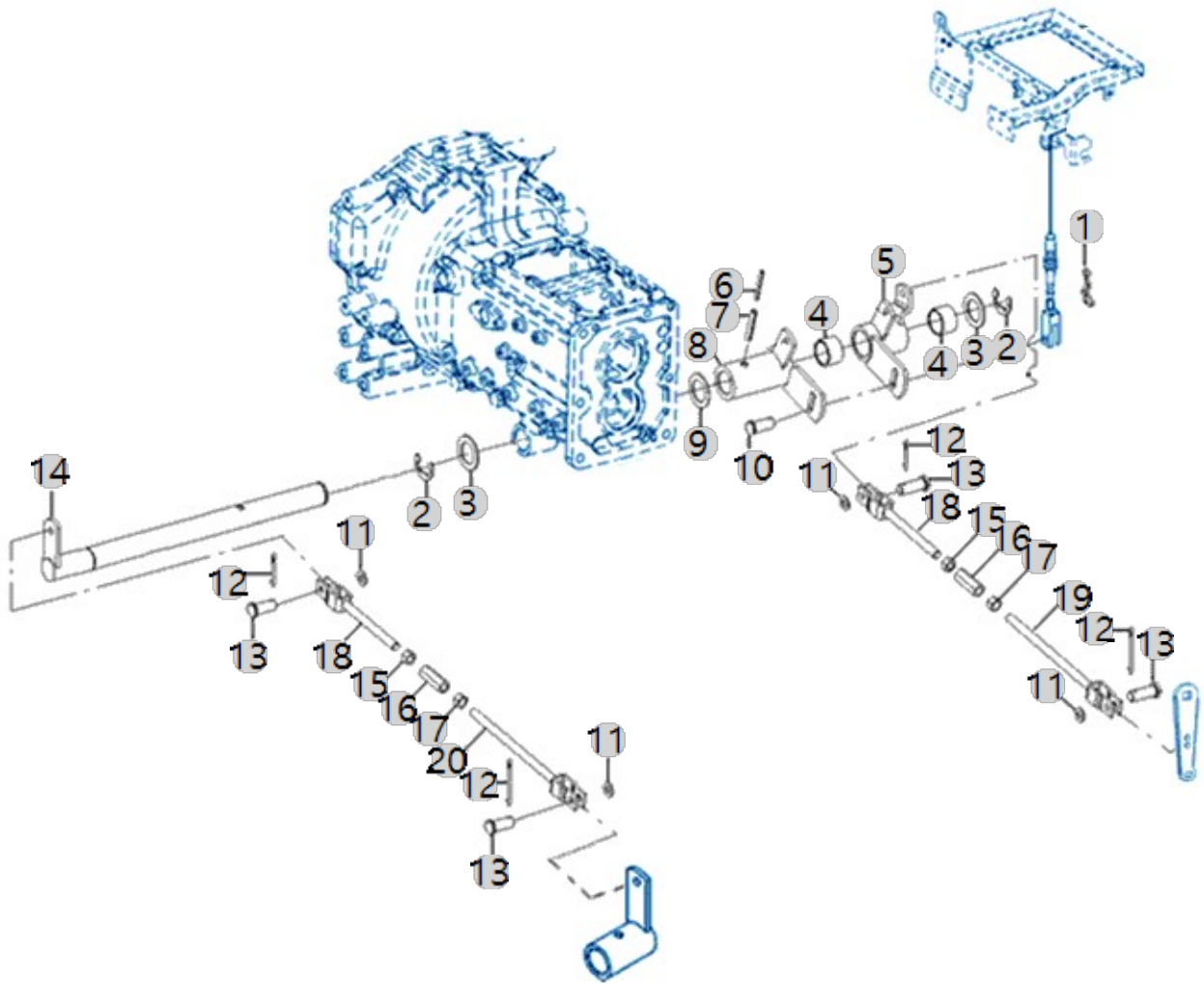
C02030

BRAKE ROD

Year/Month

5025R(EU)(AC02117)

2022-12-16



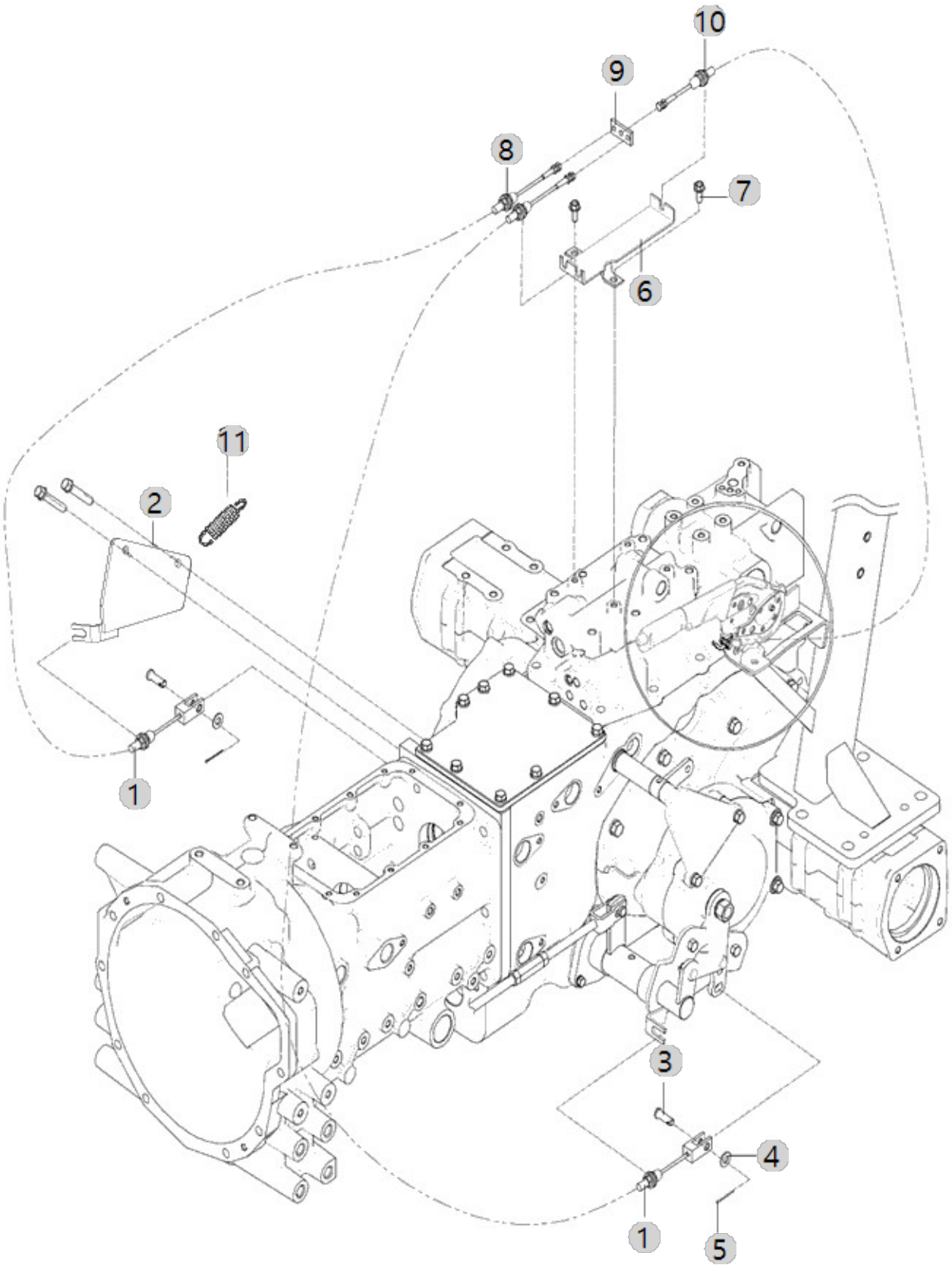
C02051

CABLE, PARKING BRAKE

Year/Month

5025R(EU)(AC02117)

2022-12-16



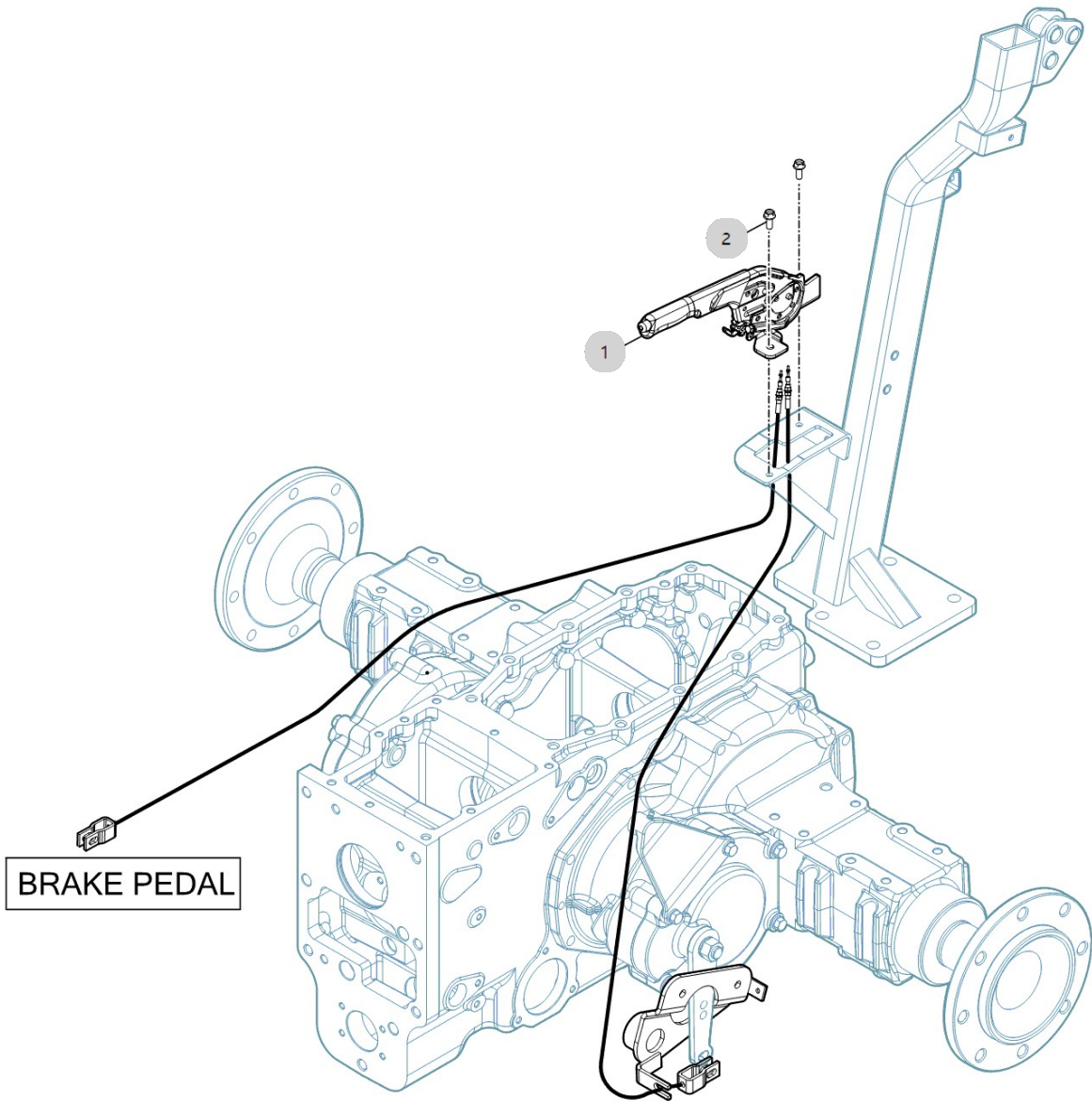
C02060

BRAKE LEVER

Year/Month

5025R(EU)(AC02117)

2022-12-16



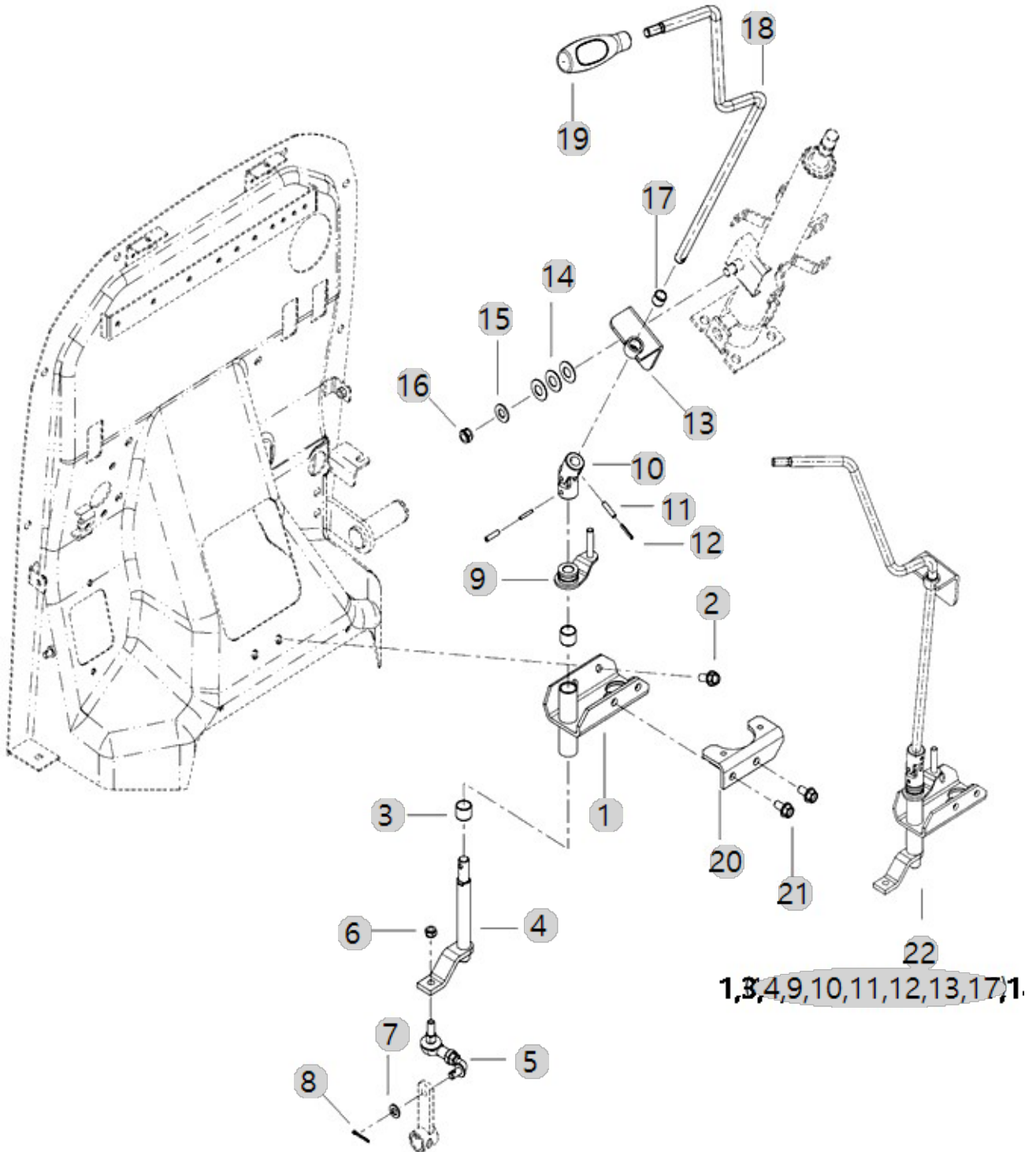
C04010

SHUTTLE ASS'Y

Year/Month

5025R(EU)(AC02117)

2022-12-16



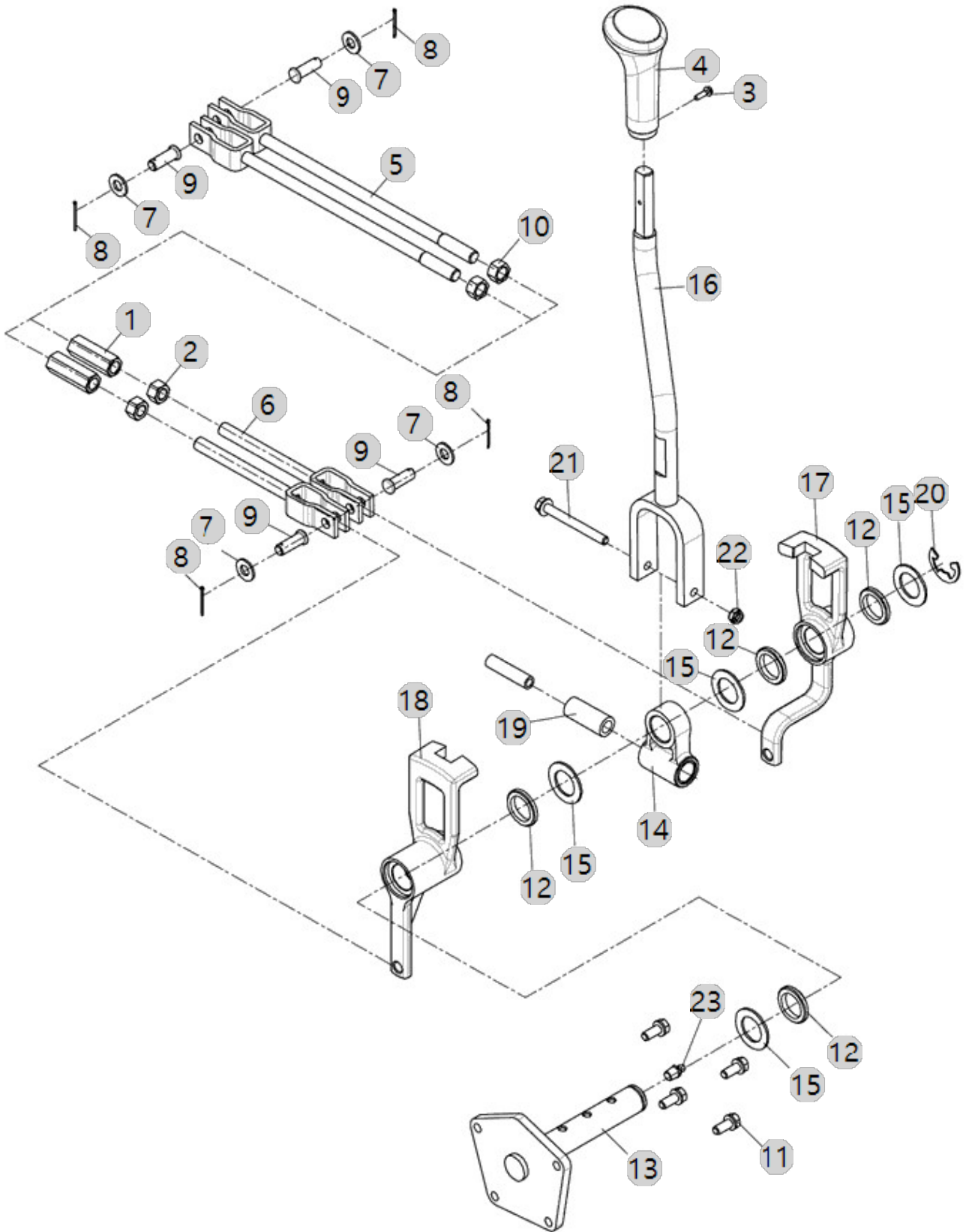
C04031

LEVER, MAIN SHIFT

Year/Month

5025R(EU)(AC02117)

2022-12-16



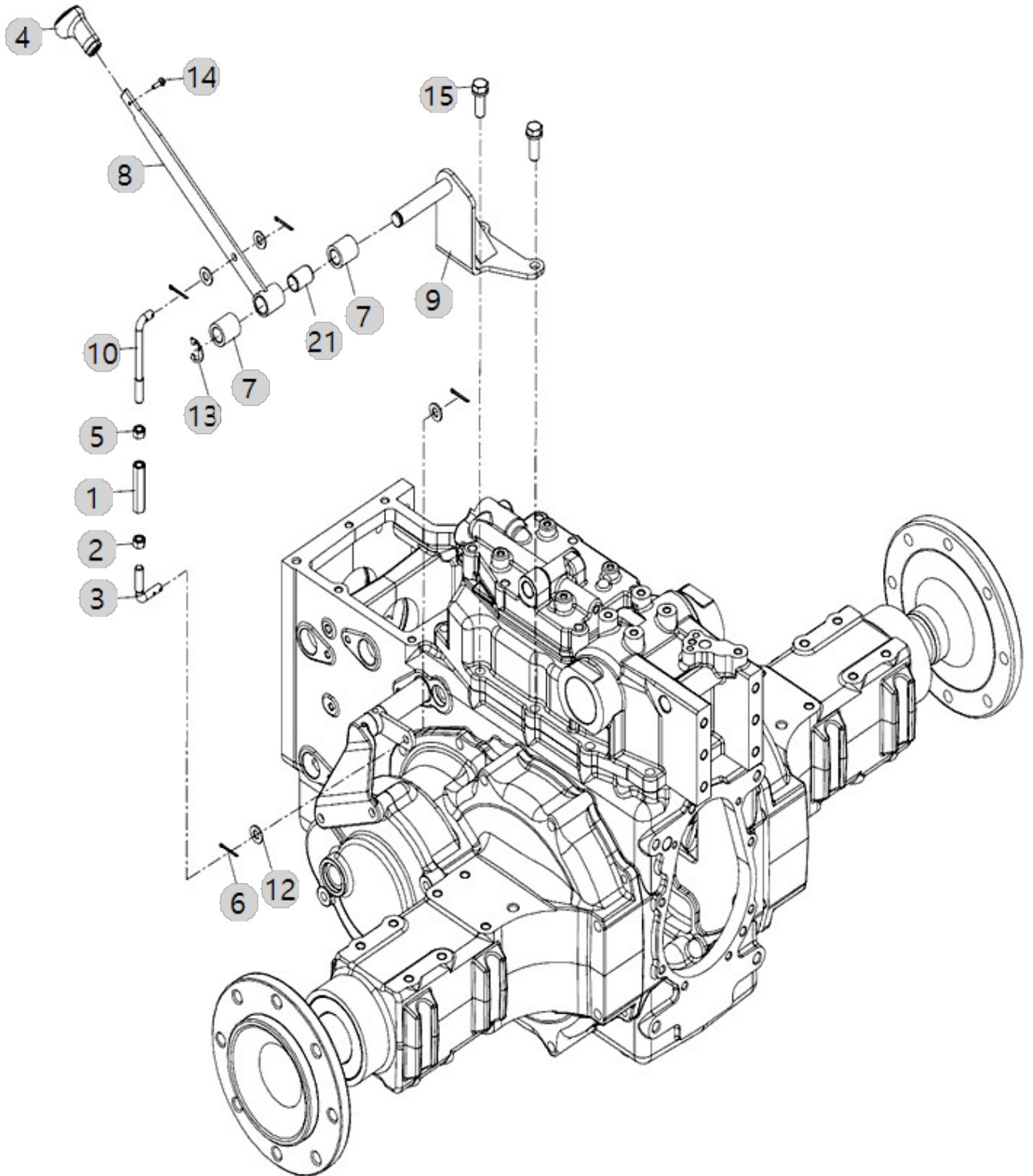
C04071

LEVER ASS'Y, PTO SPEED CHANGE

Year/Month

5025R(EU)(AC02117)

2022-12-16



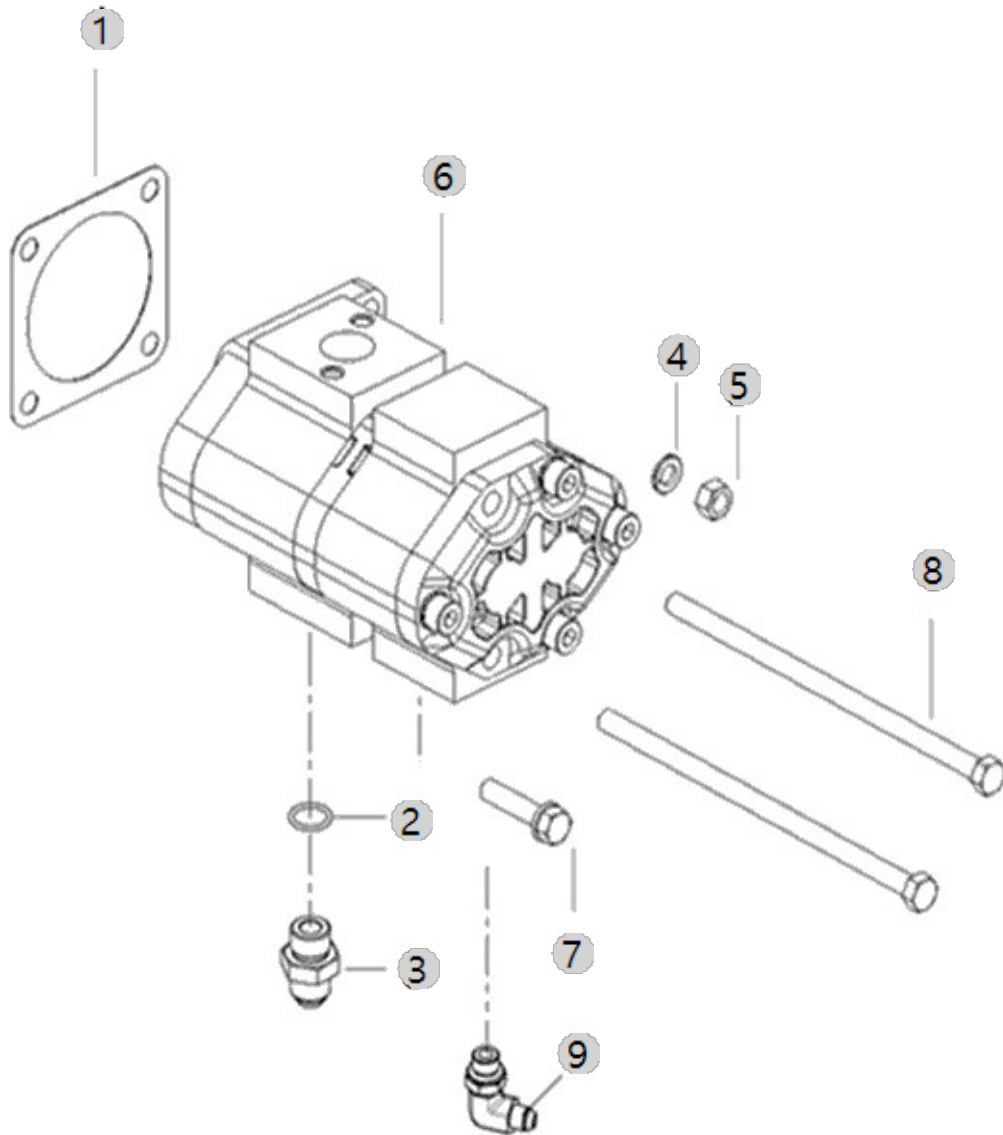
D01010

HYD PUMP

Year/Month

5025R(EU)(AC02117)

2022-12-16



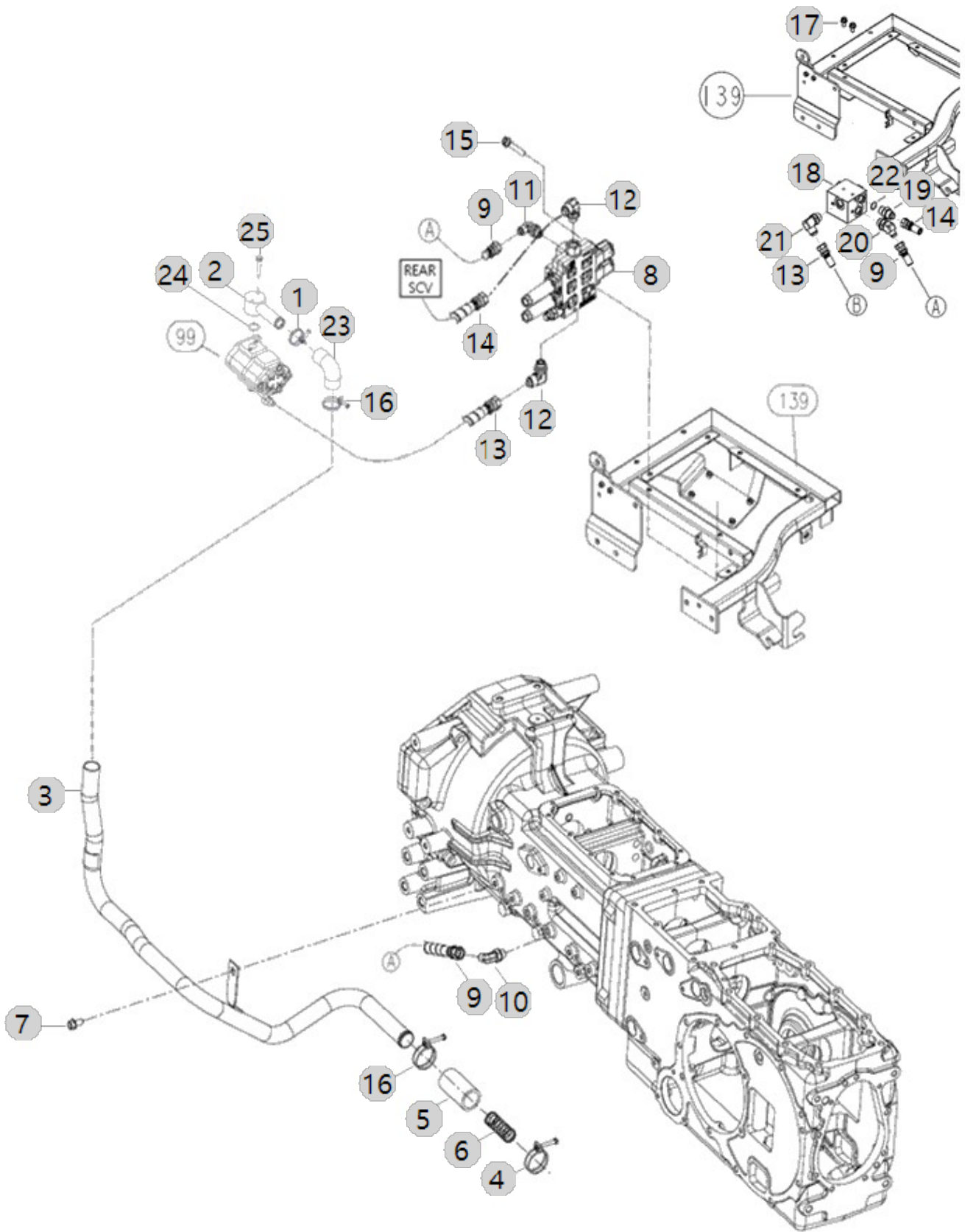
D01020

LOW PRESSURE PIPE

Year/Month

5025R(EU)(AC02117)

2022-12-16



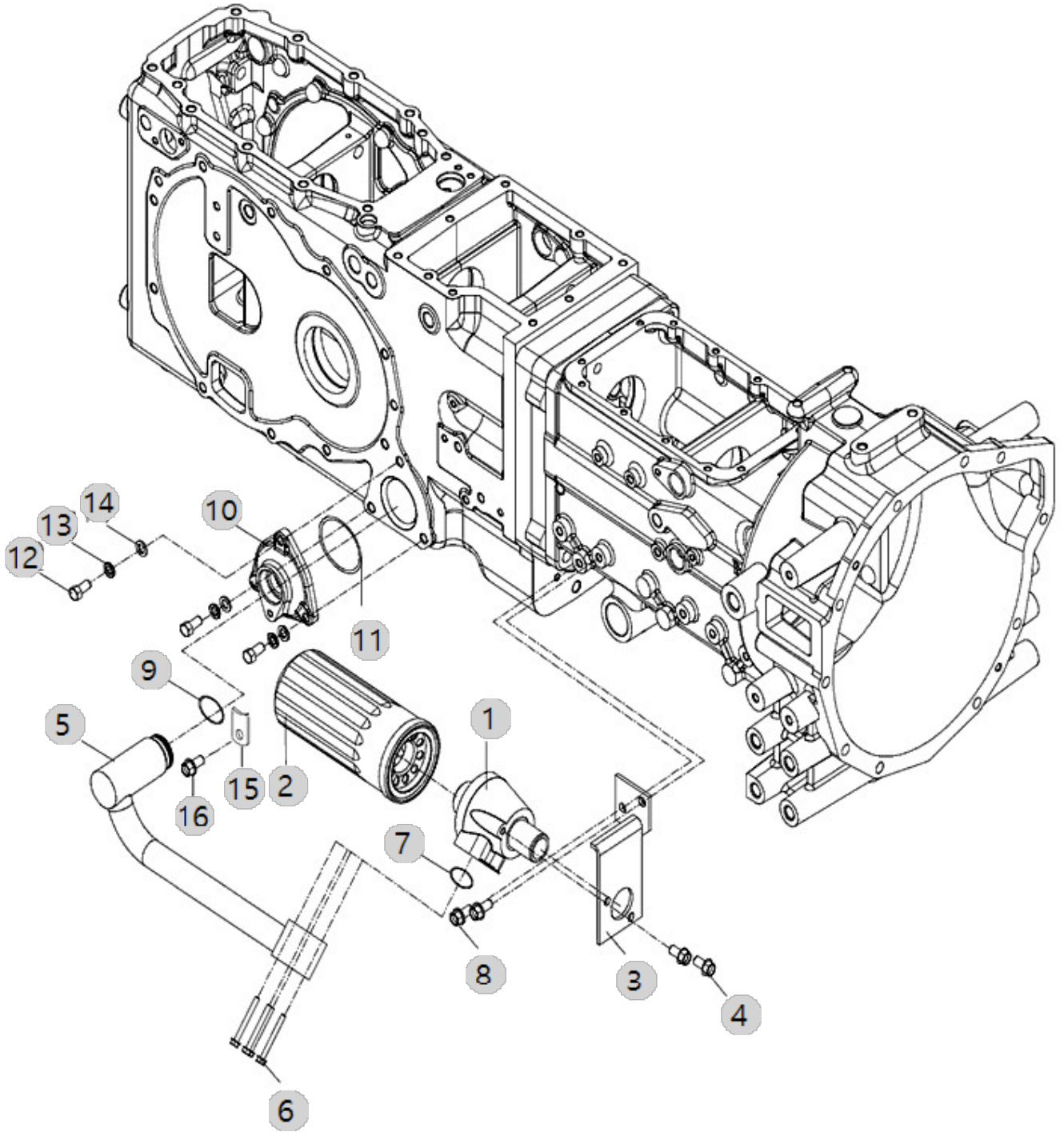
D01040

HYD FILTER

Year/Month

5025R(EU)(AC02117)

2022-12-16



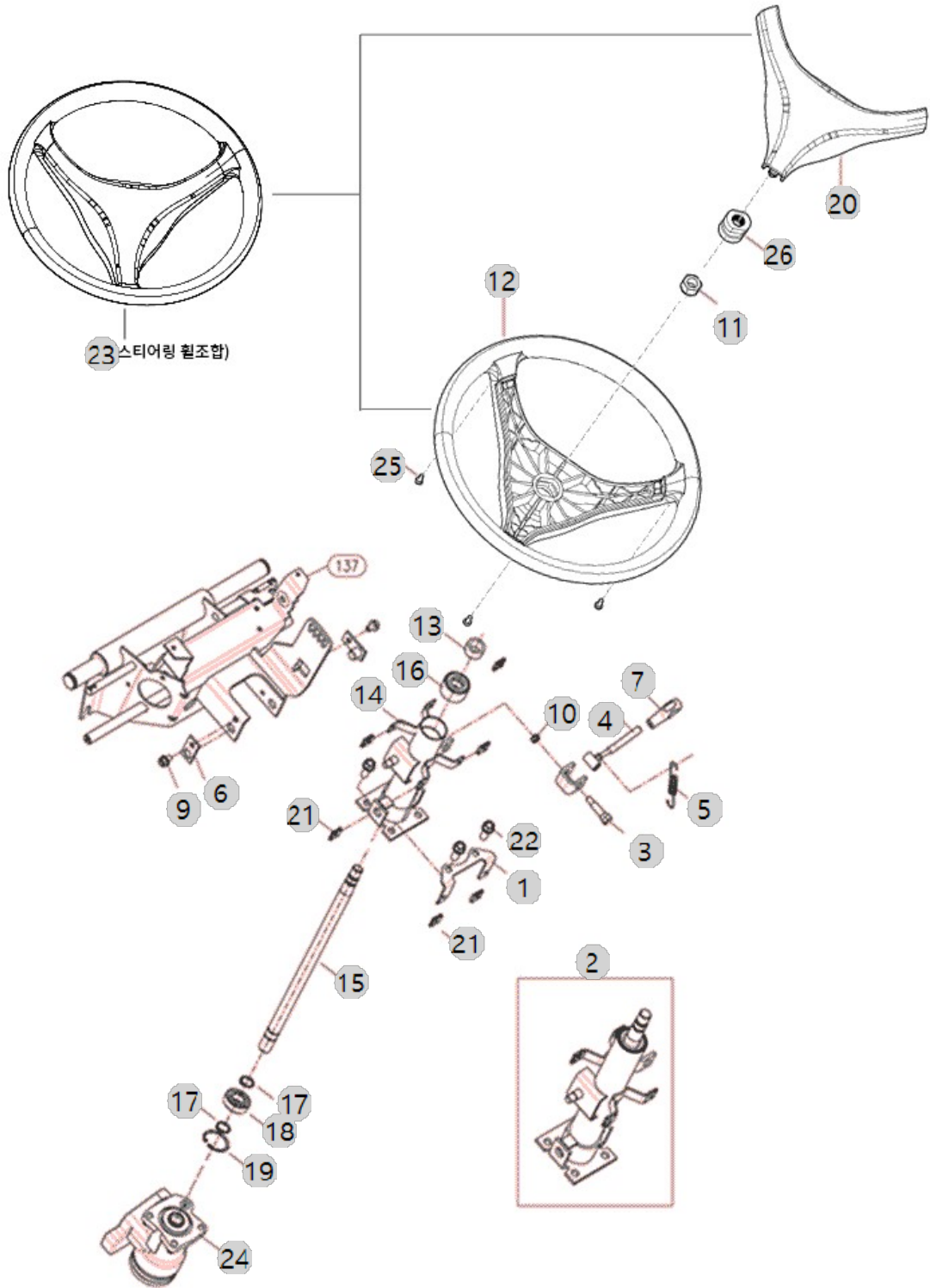
D02010

STEERING WHEEL

Year/Month

5025R(EU)(AC02117)

2022-12-16



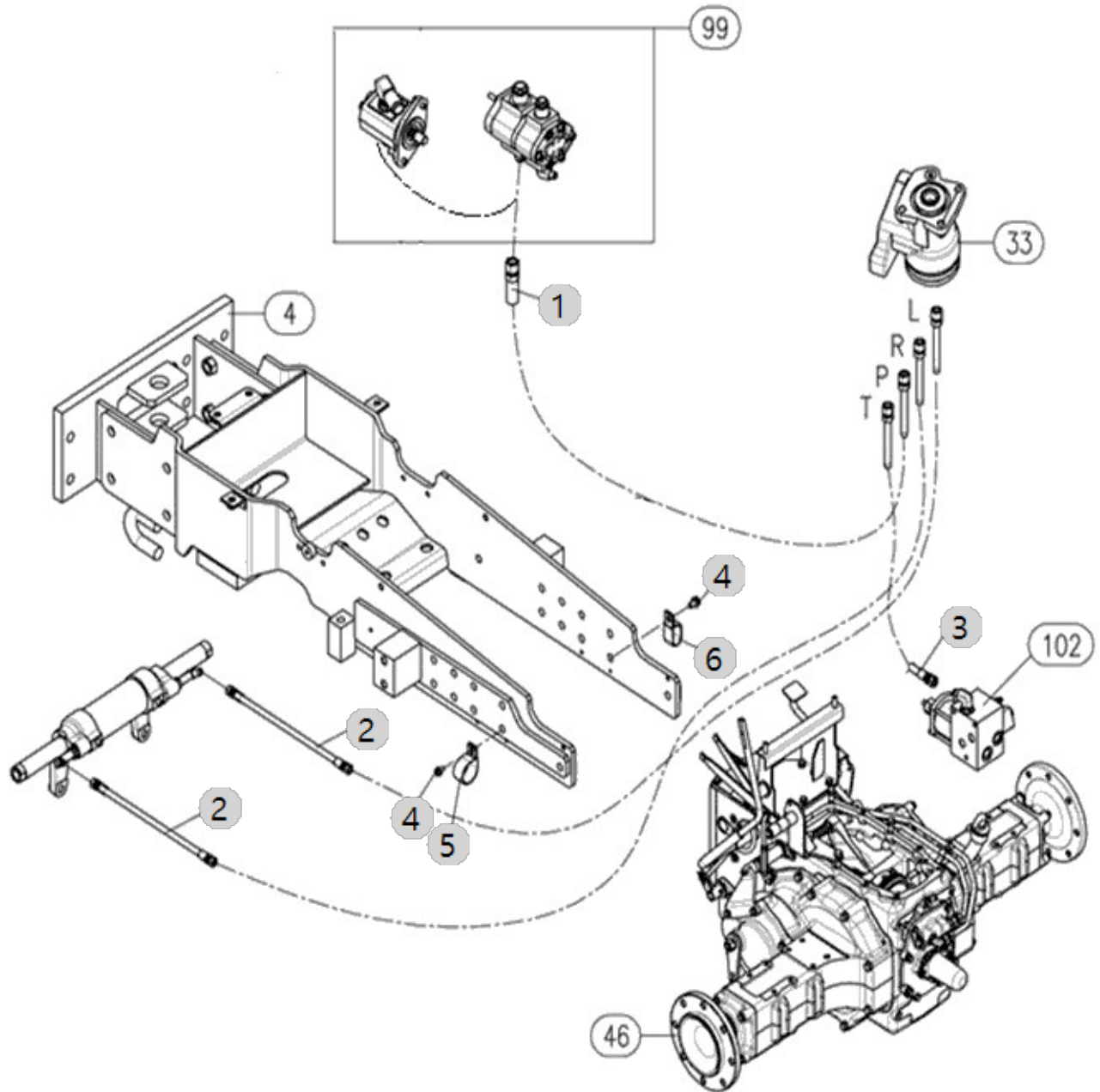
D02030

PST HOSE

Year/Month

5025R(EU)(AC02117)

2022-12-16



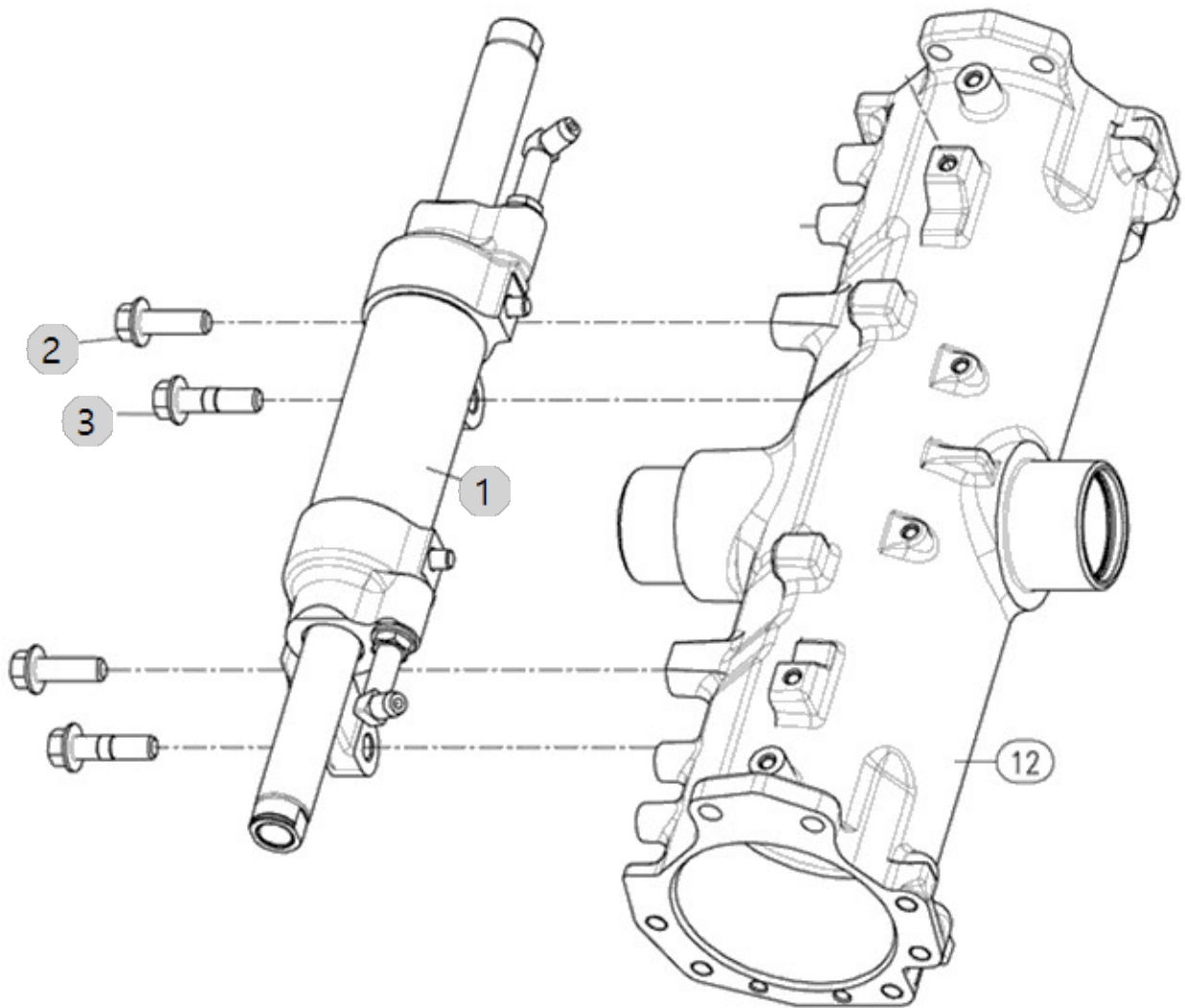
D02040

PST CYLINDER

Year/Month

5025R(EU)(AC02117)

2022-12-16



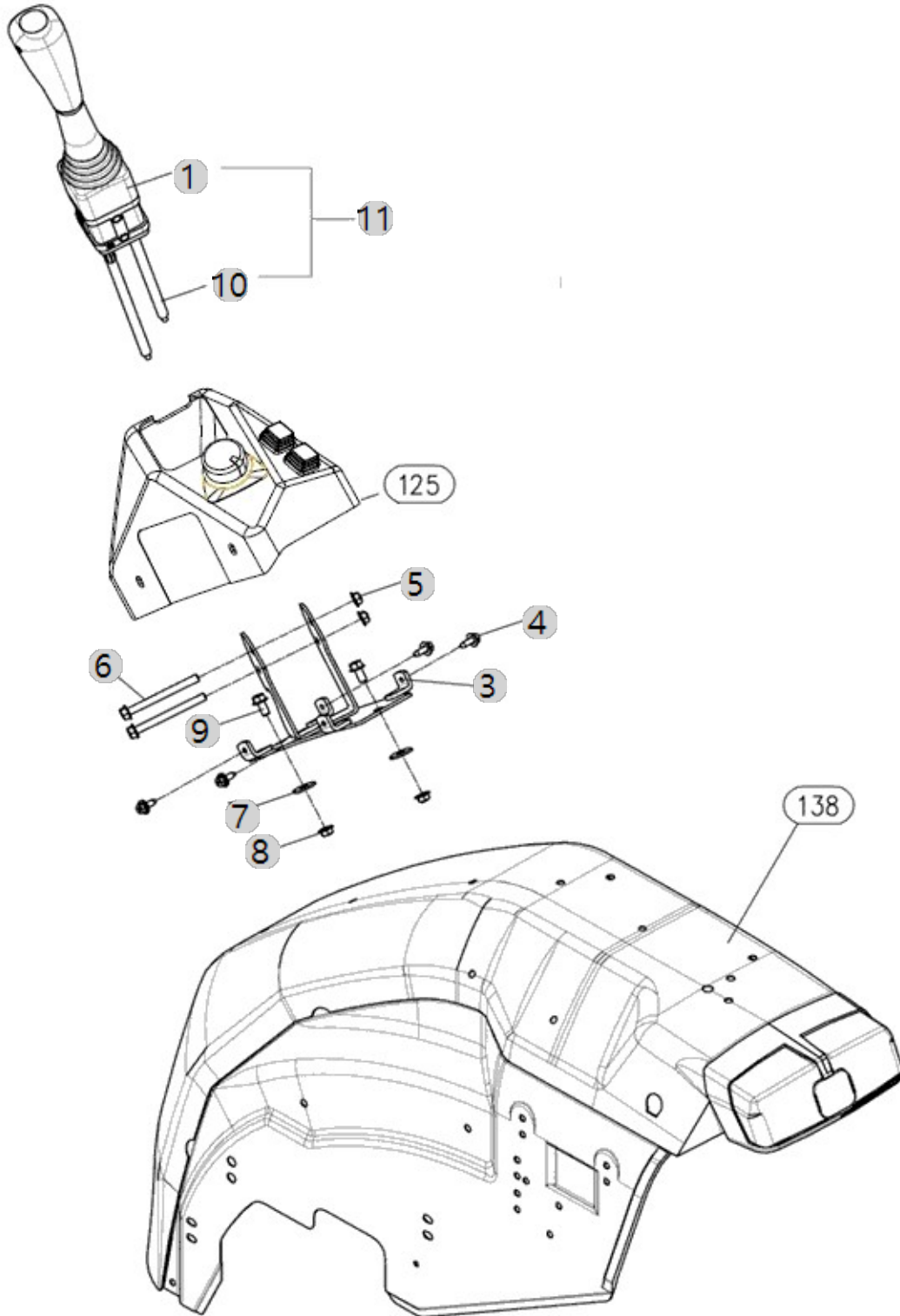
D03040

JOYSTICK

Year/Month

5025R(EU)(AC02117)

2022-12-16



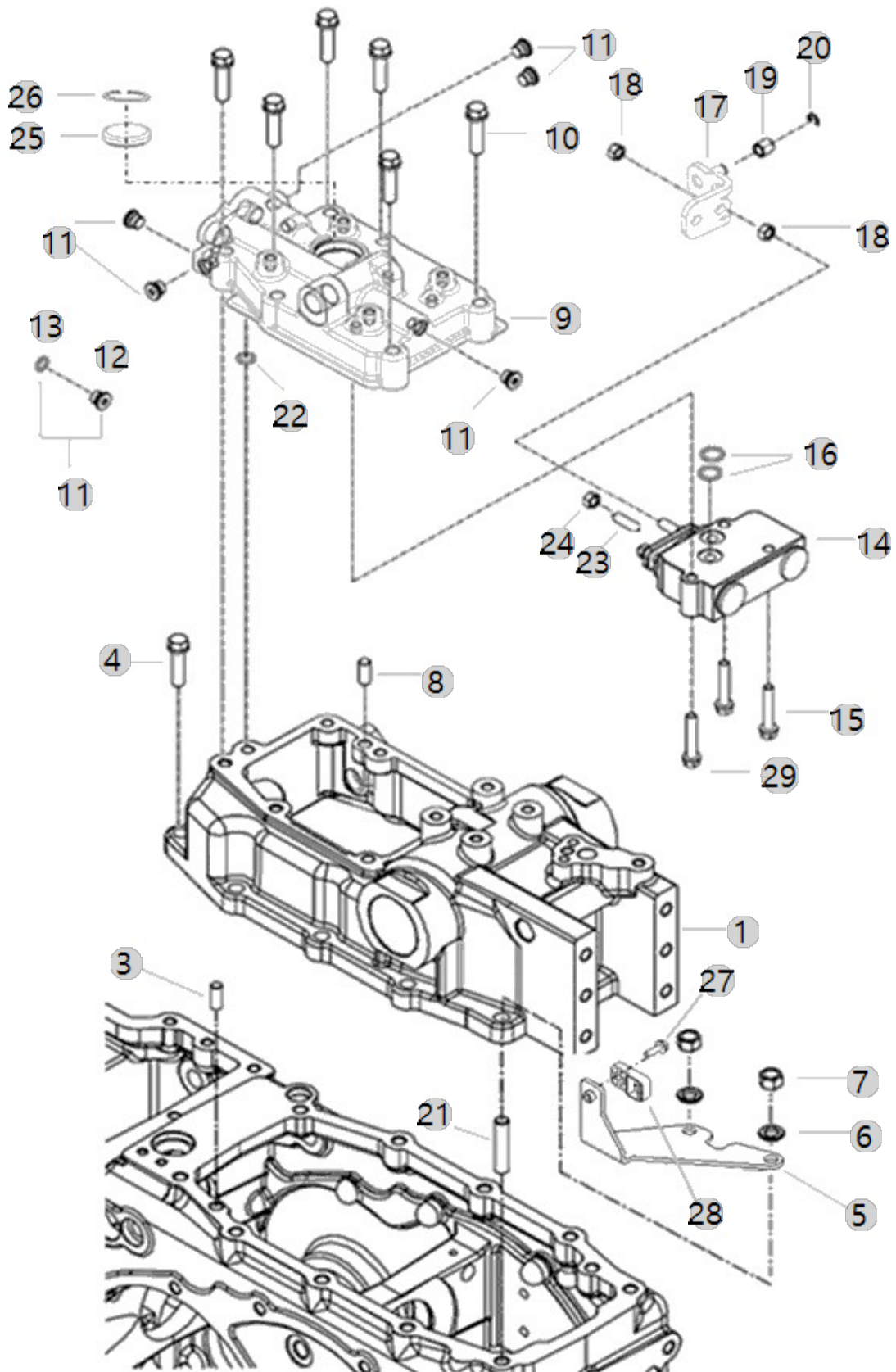
D04000

HYDRAULIC CYLINDER

Year/Month

5025R(EU)(AC02117)

2022-12-16



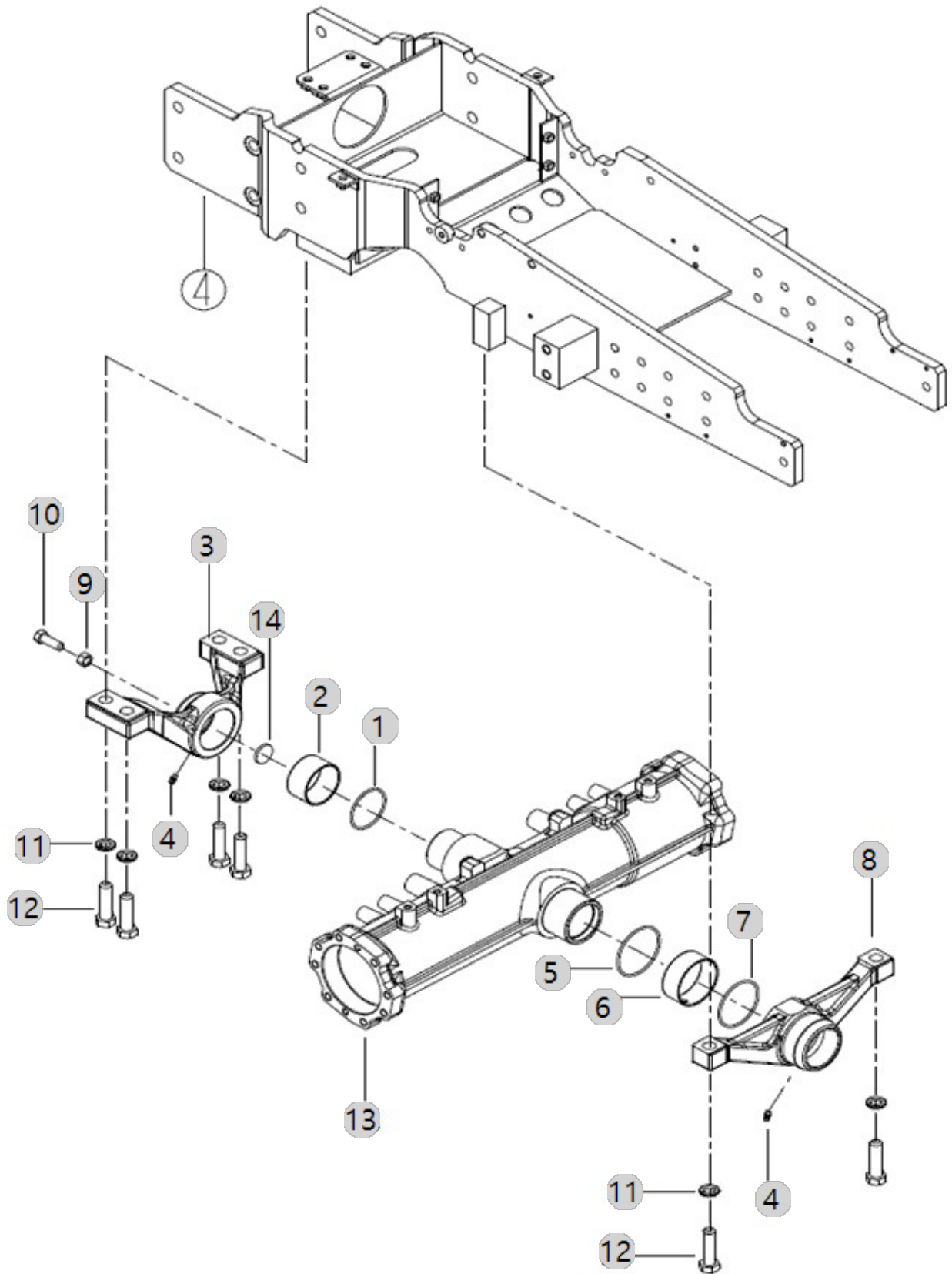
E01010

FRONT AXLE CASE

Year/Month

5025R(EU)(AC02117)

2022-12-16



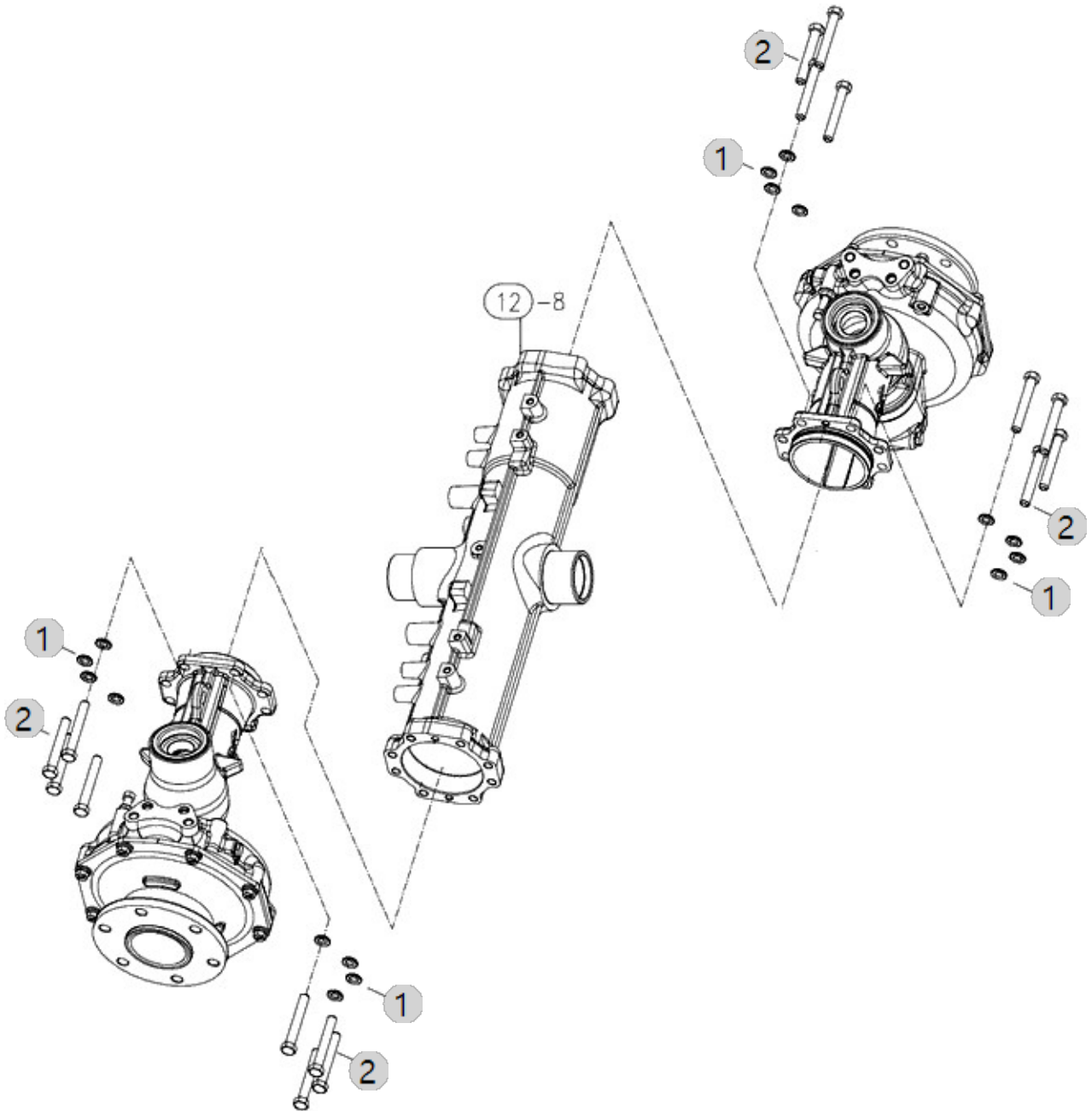
E01013

FRONT AXLE CASE/SPACER

Year/Month

5025R(EU)(AC02117)

2022-12-16



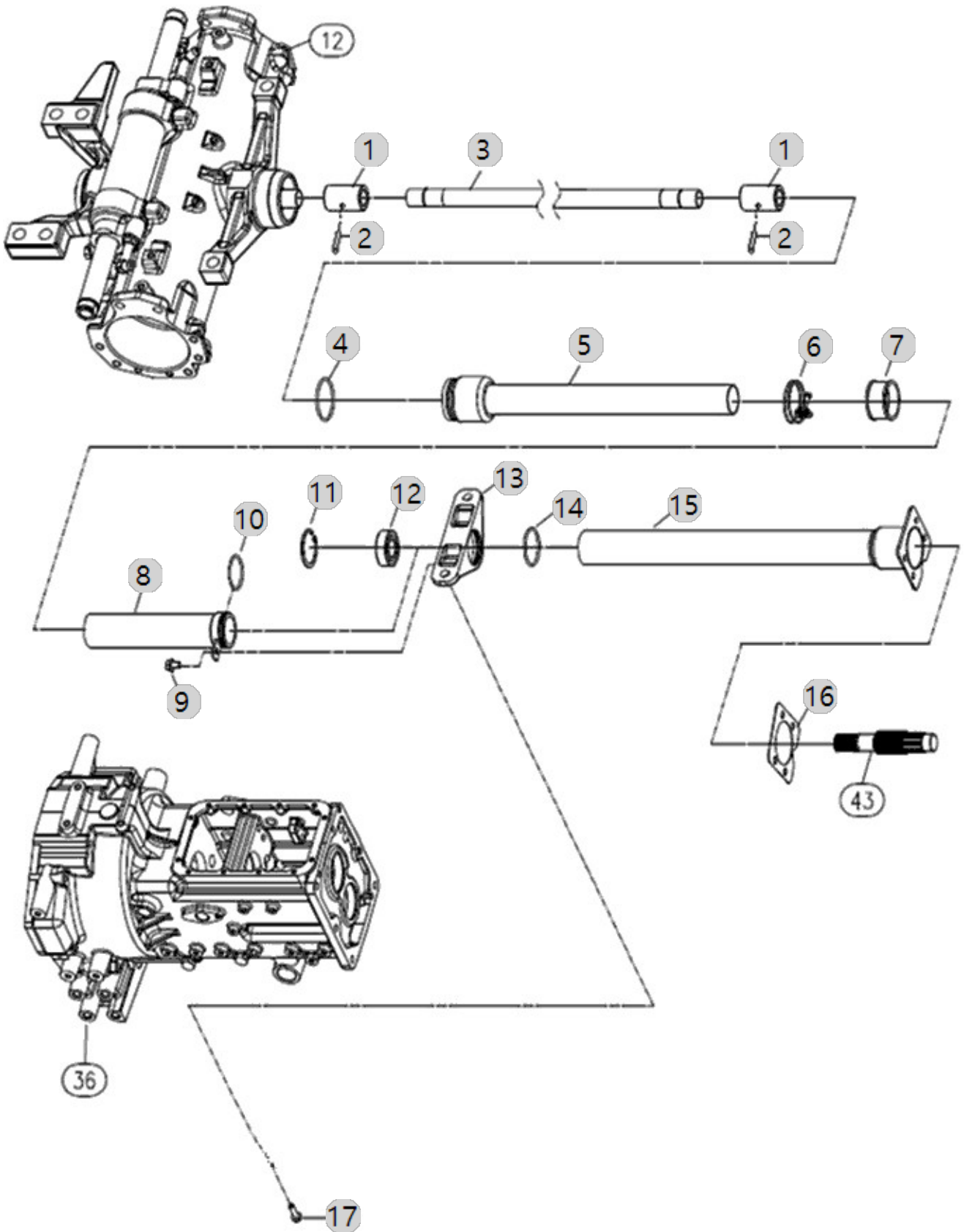
E01020

SHAFT COVER

Year/Month

5025R(EU)(AC02117)

2022-12-16



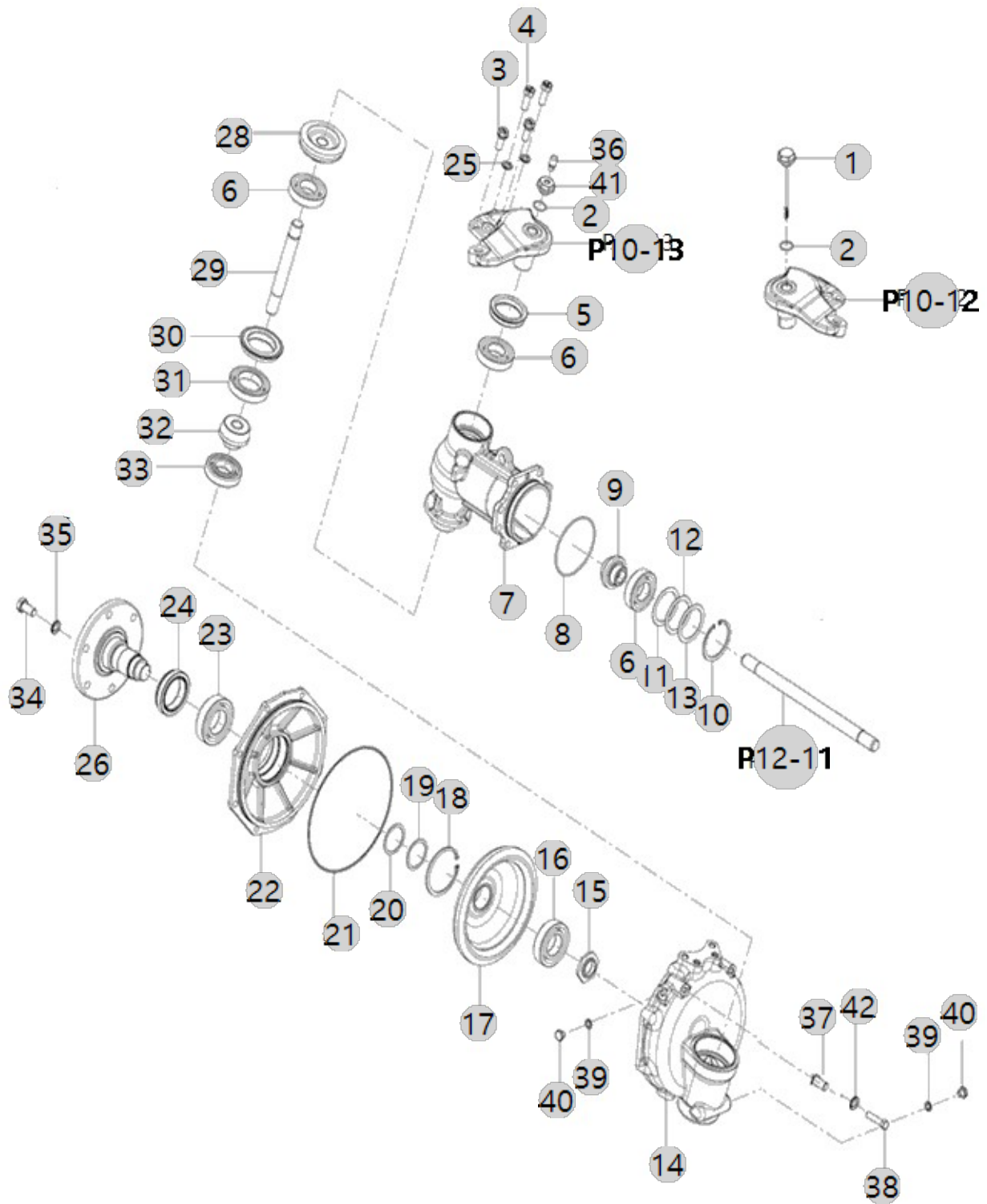
E01030

GEAR CASE, FRONT AXLE

Year/Month

5025R(EU)(AC02117)

2022-12-16



| E01030 | | GEAR CASE, FRONT AXLE | | | | Year/Month |
|--------------------|-------------------|-----------------------|-------------------------|-------------|--------------|----------------|
| 5025R(EU)(AC02117) | | | | | | 2022-12-16 |
| 순번 (NO) | 부품번호 (PART NO) | 품명 (PART NAME) | 품명 (PART NAME) | 수량 (QTY) | 규격 (SPEC) | 비고 (REMARK) |
| 1 | TA00033805A | 검유봉 | OIL GUAGE | 1 | | |
| 2 | 24311-000220 | O-RING1AP-22.0 | O-RING, DYNAMIC (Φ22) | 2 | 1A P22.0 | |
| 3 | TA00033468B | 와셔조립육각볼트 | BOLT W/ WASHER | 4 | | |
| 3 | TA00033468C | 와셔조립육각볼트 | BOLT W/ WASHER | 4 | | |
| 4 | TA00033475A | 리머볼트 | RIMER BOLT | 4 | | |
| 4 | TA00033475B | 리머볼트 | SPACER | 4 | | |
| 5 | FE78010000B | 오일실 (특수) 55x72x13.5 | OIL SEAL (55X72X13.5) | 2 | 55X72X13.5 | |
| 6 | 24101-062074 | 볼베어링6207 | BALL BEARING (#6207) | 6 | #6207 | |
| 7 | TA00048728A | 프런트기어케이스(20) | CASE, FRONT GEAR | 2 | | |
| 8 | 24321-001050 | O-링 | O-RING | 2 | | |
| 9 | TA00033461A | 전1축피니언9T | PINION, FRONT 1ST SHAFT | 2 | | |
| 9 | TA00033461B | 전1축피니언9T | PINION, FRONT 1ST SHAFT | 2 | | |
| 10 | 22252-000720 | 구멍용스냅링72 | RING, CIRCLIP (Φ 72) | 2 | D72 | |
| 11 | TA00033489A | 심 0.2T | SHIM 0.2T | 2 | | |
| 12 | TA00033488A | 심 0.3T | SHIM 0.3T | 2 | | |
| 13 | TA00033487A | 심 0.5T | SHIM 0.5T | 2 | | |
| 14 | TA00033458C | 프런트기어박스 | GEAR BOX, FRONT | 2 | | |
| 14 | TA00033458B | 프런트기어박스 | GEAR BOX, FRONT | 2 | | |
| 15 | TA00033481A | 로크너트 | LOCK NUT | 2 | | |
| 16 | 24101-062084 | 볼베어링6208 | Bearing, Ball (#6208) | 2 | #6208 | |
| 17 | TA00033474A | 베벨기어 49T | GEAR, BEVEL 49T | 2 | | |
| 18 | 22252-000850 | 써클립85H | RING, CIRCLIP (Φ 85) | 2 | | |
| 19 | TA00033486A | 심 0.2T | SHIM 0.2T | 1 | | |
| 20 | TA00033485A | 심 0.5T | SHIM 0.5T | 1 | | |
| 21 | TA00033939A | O링 | O RING | 2 | | |
| 22 | TA00033459C | 프런트베어링케이스 | BEARING CASE, FRONT | 1 | | |
| 22 | TA00033459B | 프런트베어링케이스 | BEARING CASE, FRONT | 2 | | |
| 23 | 24101-062094 | 볼베어링6209 | BALL BEARING (#6209) | 2 | #6209 | |
| 24 | TA00041359A | 오일실 | OILSEAL | 2 | | |
| 25 | 22217-120000 | 스프링와셔 | WASHER, SPRING (Φ 12) | 2 | M12 | |
| 26 | TA00033460C | 프런트스핀들 | SPINDLE, FRONT | 2 | | |
| 26 | TA00033460D | 프런트스핀들 | SPINDLE, FRONT | 2 | | |
| 26 | TA00033460B | 프런트스핀들 | SPINDLE, FRONT | 2 | | |
| 26 | TA00033460E | 프런트스핀들 | SPINDLE, FRONT | 2 | | |
| 27 | TA00033469A | 와셔조립육각볼트 | BOLT W/ WASHER | 16 | | |
| 27 | TA00033469B | 와셔조립육각볼트 | BOLT W/ WASHER | 16 | | |
| 28 | TA00033463A | 전2축기어 | FRONT 2ND AXLE LH | 2 | | |
| 29 | TA00033464A | 전2축 | FRONT 2ND SHAFT | 2 | | |
| 30 | TC60110000A3 | 오일실(AJ) | SEAL, OIL | 2 | | |
| 31 | 24101-060104 | 볼베어링6010 | Bearing, Ball (#6010) | 2 | #6010 | |
| 32 | TA00033473A | 베벨기어 11T | GEAR, BEVEL 11T | 2 | | |
| 33 | TT63050000A4 | 베어링TMB207 | BEARING | 2 | TMB207 | |
| 34 | TD23120000B4 | 프런트 허브 볼트(M14X28) | BOLT | 12 | M14XP1.5 | |
| 34 | TD23120000A4 | 보울트(M14X28) | BOLT | 8 | M14XP1.5 | |
| 35 | 22217-140000 | 스프링와셔14 | WASHER, SPRING (Φ 14) | 12 | M14 | |

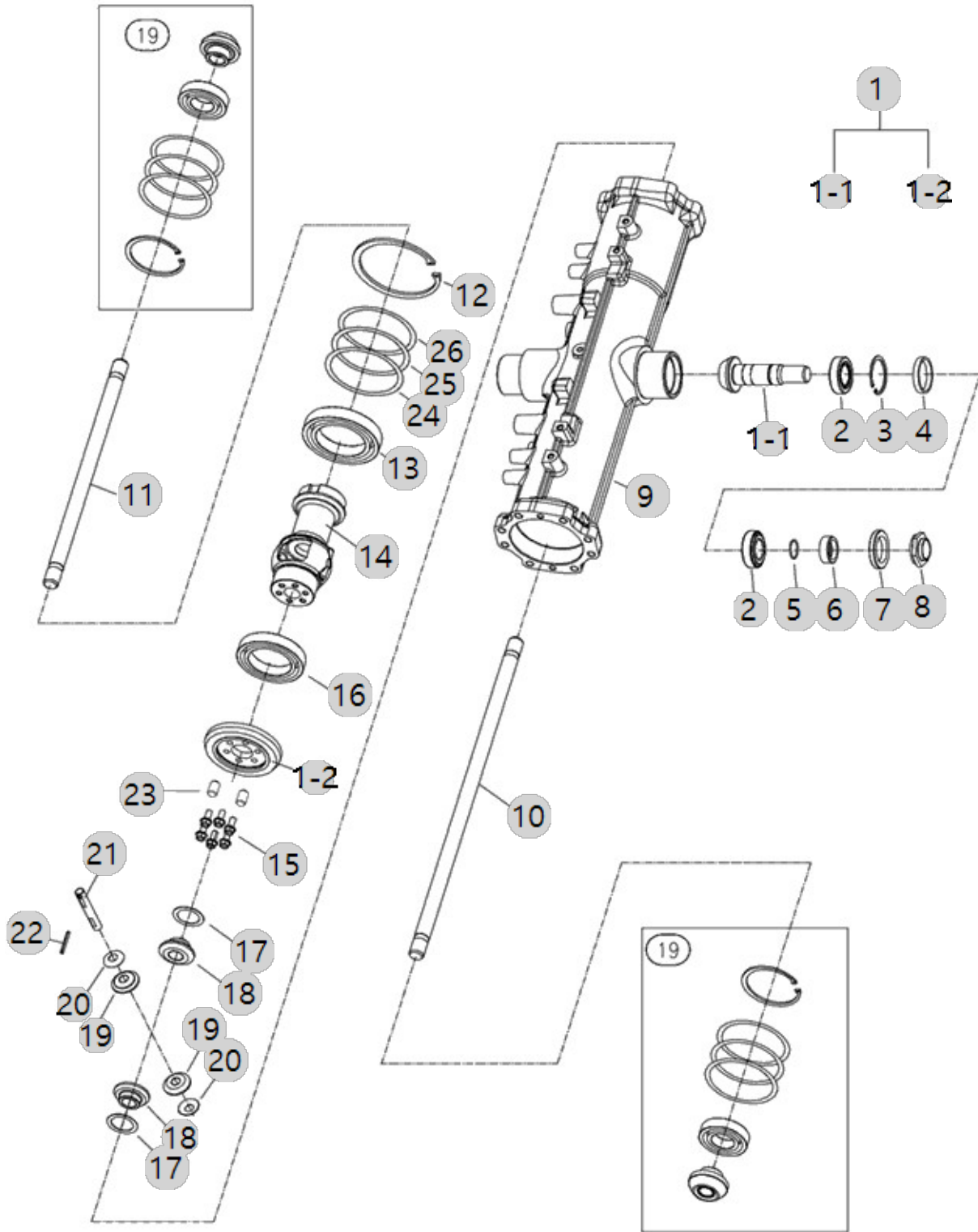
E01070

FRONT DRIVE SHAFT

Year/Month

5025R(EU)(AC02117)

2022-12-16



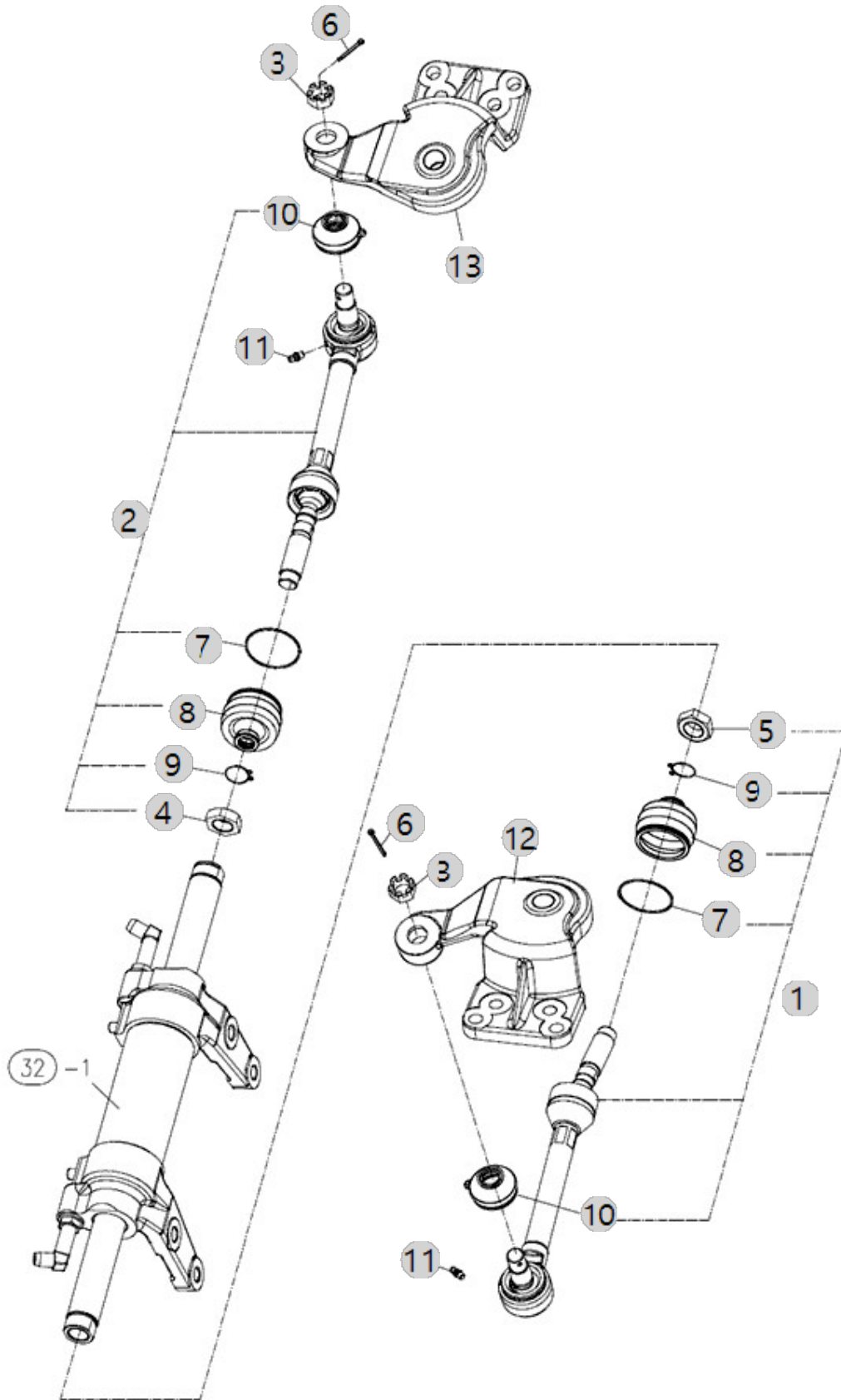
E01080

TIE ROD

Year/Month

5025R(EU)(AC02117)

2022-12-16



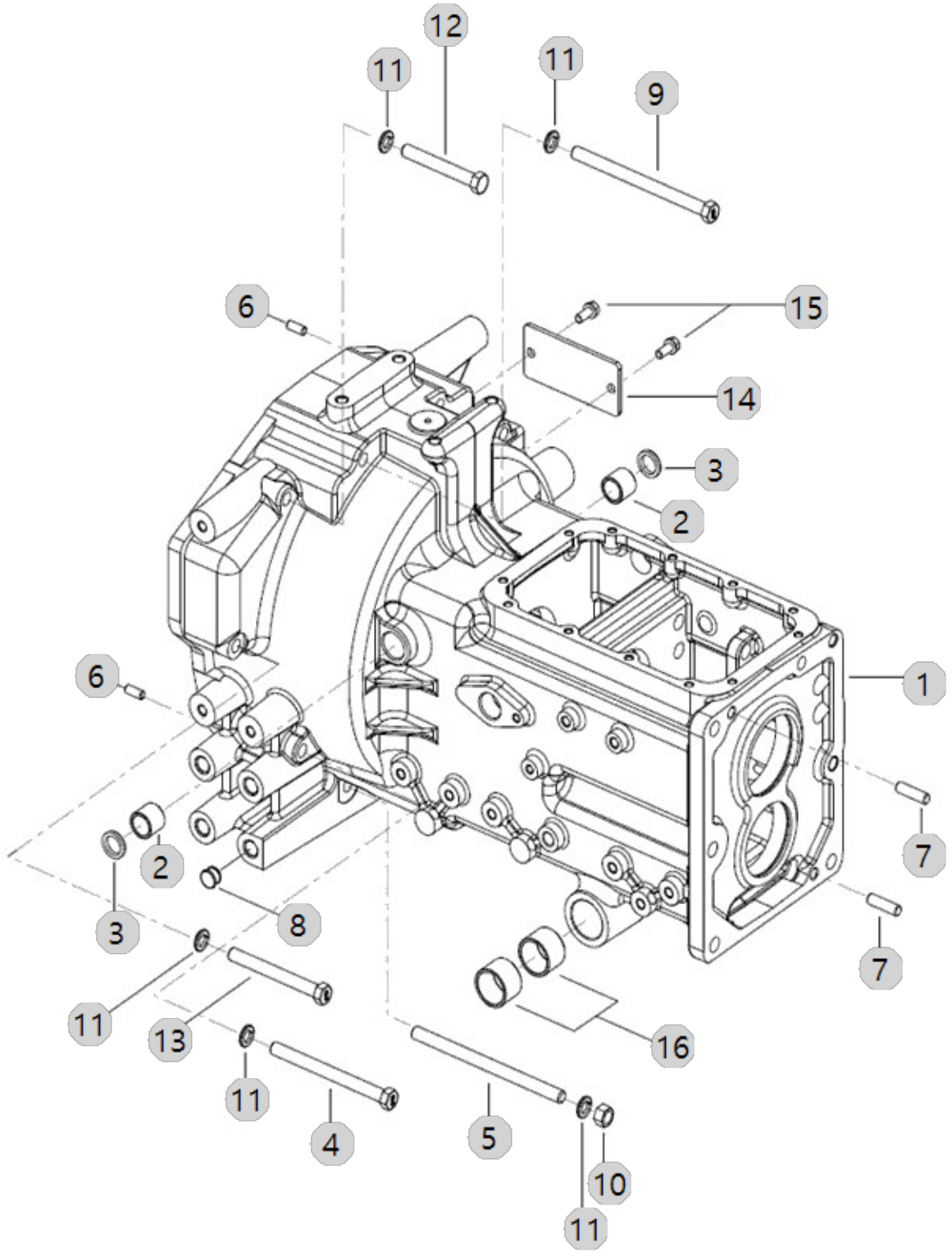
F01010

25ROPS TM총조합
(NEC)(AC01476)

CLUTCH HOUSING

Year/Month

2022-12-16



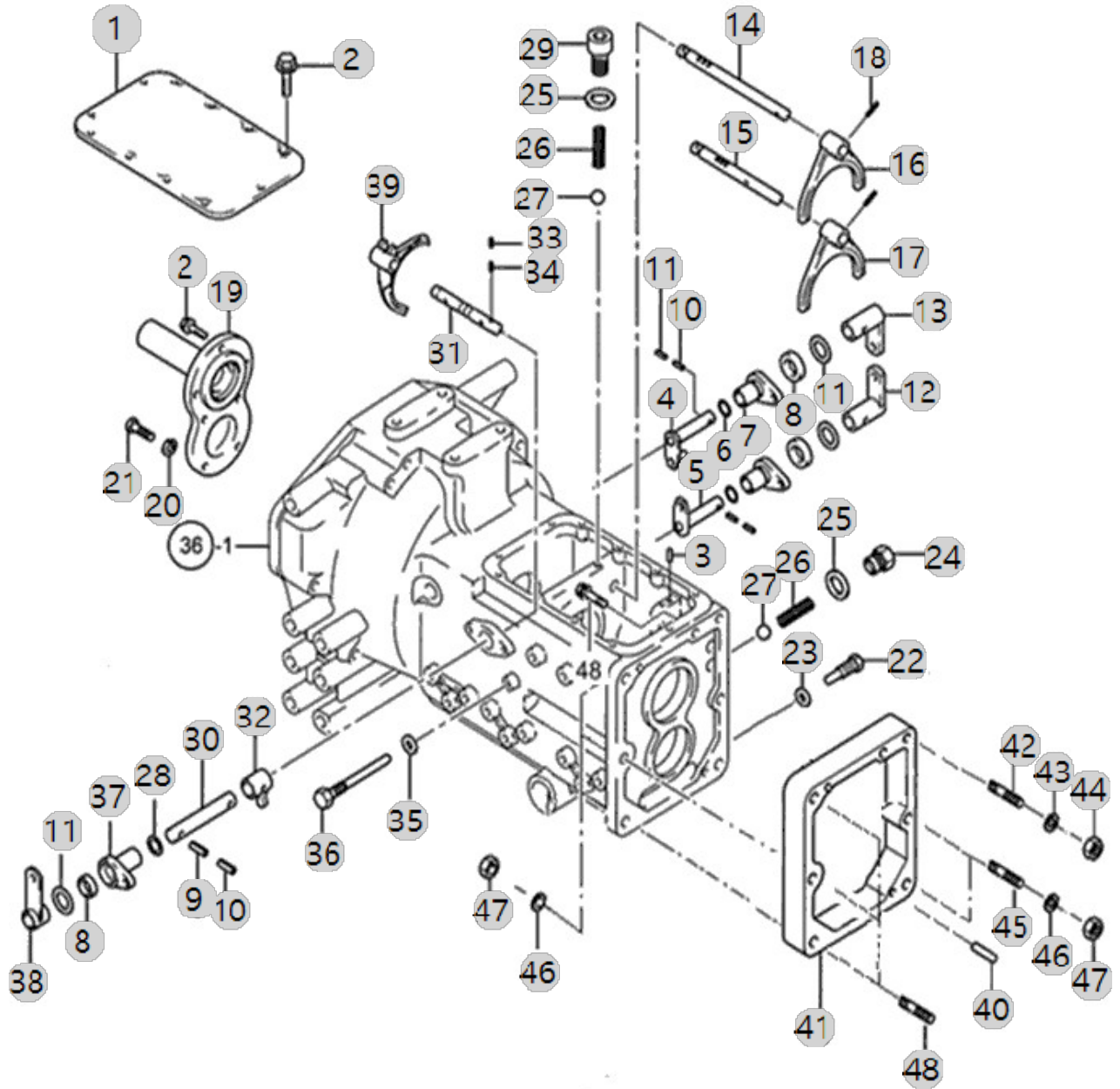
F01020

25ROPS TM총조합
(NEC)(AC01476)

TRANSMISSION CASE

Year/Month

2022-12-16



| F01020 25ROPS TM총조합 (NEC)(AC01476) | | TRANSMISSION CASE | | | | Year/Month 2022-12-16 |
|--|-------------------|------------------------|---------------------------|-------------|--------------|--------------------------|
| 순번 (NO) | 부품번호 (PART NO) | 품명 (PART NAME) | 품명 (PART NAME) | 수량 (QTY) | 규격 (SPEC) | 비고 (REMARK) |
| 1 | NT41010000C3 | 미션상커버 | UPPERCOVER,T/M | 1 | 9.0T | |
| 2 | 26013-080252 | 와셔조립육각볼트(+SW) | Bolt, Hexa (8-25) | 19 | M8XP1.25X25 | |
| 3 | TN41070000A4 | 더블기어방지핀 | PIN | 1 | | |
| 4 | NT41080000A4 | 주변속시프터레버(3-4) | LEVER3-4 | 1 | | |
| 4 | NT41080000B4 | 주변속시프터레버(3-4) | MAIN SHIFTER LEVER-4 | 1 | | |
| 5 | NT41600000A4 | 주변속시프터레버(1-2) | LEVER[1ST-2ND],MAINSHIFT | 1 | | |
| 5 | NT41600000B4 | 주변속시프터레버(1-2) | LEVER(1ST-2ND),MAIN SHIFT | 1 | | |
| 6 | 24311-000210 | 361,A22,O-RING1AP-21.0 | O-RING, DYNAMIC (Φ21) | 3 | P21 | |
| 7 | TN41100000A4 | 주변속시프터홀더 | HOLDERMAINSHIFT | 2 | | |
| 8 | 24421-173007 | 오일실TC173007 | Seal, Oil (#17-30-07) | 3 | TC17X30X7 | |
| 9 | 22351-080028 | 스프링핀8X28 | PIN, SPRING (8-28) | 2 | D8X28 | |
| 10 | 22351-050028 | 스프링핀5X28 | PIN, SPRING (5-02) | 2 | D5X28 | DEL.20221012 |
| 11 | TT65120000A4 | 칼라B | COLLARB | 3 | T2.3X45X45 | |
| 12 | NT41130000B4 | 주변속아암3-4단 | ARM(3-4), MAIN SHIFT | 1 | | |
| 12 | NT41130000C4 | 주변속아암3-4단 | ARM(3-4), MAIN SHIFT | 1 | | |
| 13 | NT41140000A4 | 주변속아암(1-2) | ARM(1-2),MAINSHIFT | 1 | | |
| 13 | NT41140000B4 | 주변속아암(1-2) | ARM(1-2),MAINSHIFT | 1 | | |
| 14 | NT41150000A3 | 주변속3-4단포크축 | FORKSHAFT[3-4],MAINSHIFT | 1 | D15 | |
| 15 | NT41160000A3 | 주변속1-2단포크축 | FORKSHAFT(1-2),MAINSHIFT | 1 | D15 | |
| 16 | TN41170000D3 | 주변속포오크(1-2) | FORK1ST~2ND,MAINSHIFT | 1 | | |
| 17 | TN41180000D3 | 주변속포오크(3-4) | FORK3-4MAINSHAFT | 1 | | |
| 18 | 22351-060030 | 스프링핀 | PIN, SPRING (6-30) | 2 | | |
| 19 | NT41580000C2 | 주축오일실케이스_4기통 | OIL SEAL CASE | 1 | | |
| 20 | 22217-080000 | 스프링와셔8 | WASHER, SPRING (Φ 08) | 5 | M8 | |
| 21 | 26116-080222 | 볼트7T(8X22) | BOLT7T(8X22) | 5 | M8X1.25X22 | |
| 22 | TN41250000B4 | 단붙이고정볼트 | FIXINGBOLT | 1 | | |
| 23 | 23414-100000 | 429,A202322,패킹10 | PLAIN WASHER (D10) | 1 | M10 | |
| 24 | NT41270000B4 | 캡 볼트 | CAPBOLT | 1 | | |
| 25 | 23414-160000 | 동패킹 | WASHER,SEALING | 2 | M16 | |
| 26 | TT42020000A4 | 스프링 | SPRING | 3 | | |
| 27 | 24190-100001 | 강구5/16 | Ball, Steel (5/16) | 3 | 5/16" | |
| 28 | 24311-000110 | O-링 495-11 | O-RING, DYNAMIC (Φ11) | 1 | P11 | |
| 29 | 23871-010000 | 테이퍼플러그 | PLUG | 1 | PT1/8 | |
| 30 | NT41350000A4 | 축(셔틀체인지) | SHAFT, SHUTTLE CHANGE | 1 | | |
| 30 | NT41350000B4 | 축(셔틀체인지) | SHAFTSHUTTLECHANGE | 1 | D17 | |
| 31 | TN41360000A3 | 셔틀시프터포오크축 | SHAFTSH.FORK | 1 | D15X127 | |
| 32 | NT41380000A4 | 셔틀샤프트레버 | LEVERSHUTTLESHAFT | 1 | | |
| 32 | NT41380000B4 | 셔틀시프트레버 | LEVER SHUTTLE SHAFT | 1 | | |
| 33 | 22351-060025 | SPRINGPIN6X25 | PIN, SPRING (6-25) | 2 | D6X25 | |
| 34 | 22351-080028 | 스프링핀8X28 | PIN, SPRING (8-28) | 1 | D8X28 | |
| 35 | 23414-080000 | 320,ALL,패킹8 | WASHER, PLAIN (Φ8) | 1 | M8 | |
| 36 | NT41460000A4 | 단붙이볼트 | BOLT | 1 | | |
| 37 | TN41490000C3 | 셔틀포오크 | FORK,SHUTTLE | 1 | | |
| 38 | NT41540000A4 | 셔틀시프트홀더 | HOLDER,SHUTTLESHIFT | 1 | | |
| 39 | NT41550000D4 | 셔틀링크C | LINKC,SHUTTLE | 1 | | |

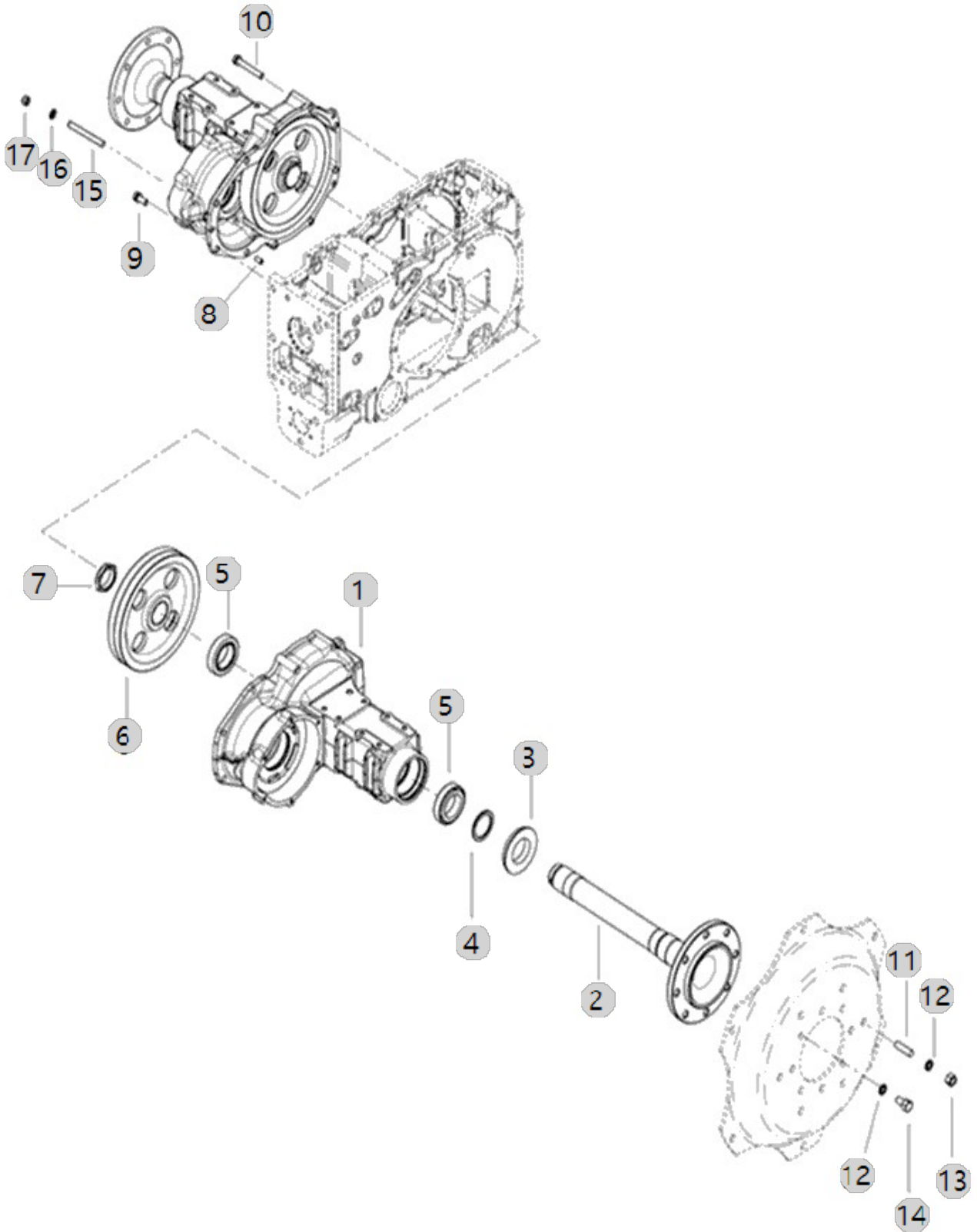
F01030

25ROPS TM총조합
(NEC)(AC01476)

HOUSING, REAR AXLE

Year/Month

2022-12-16



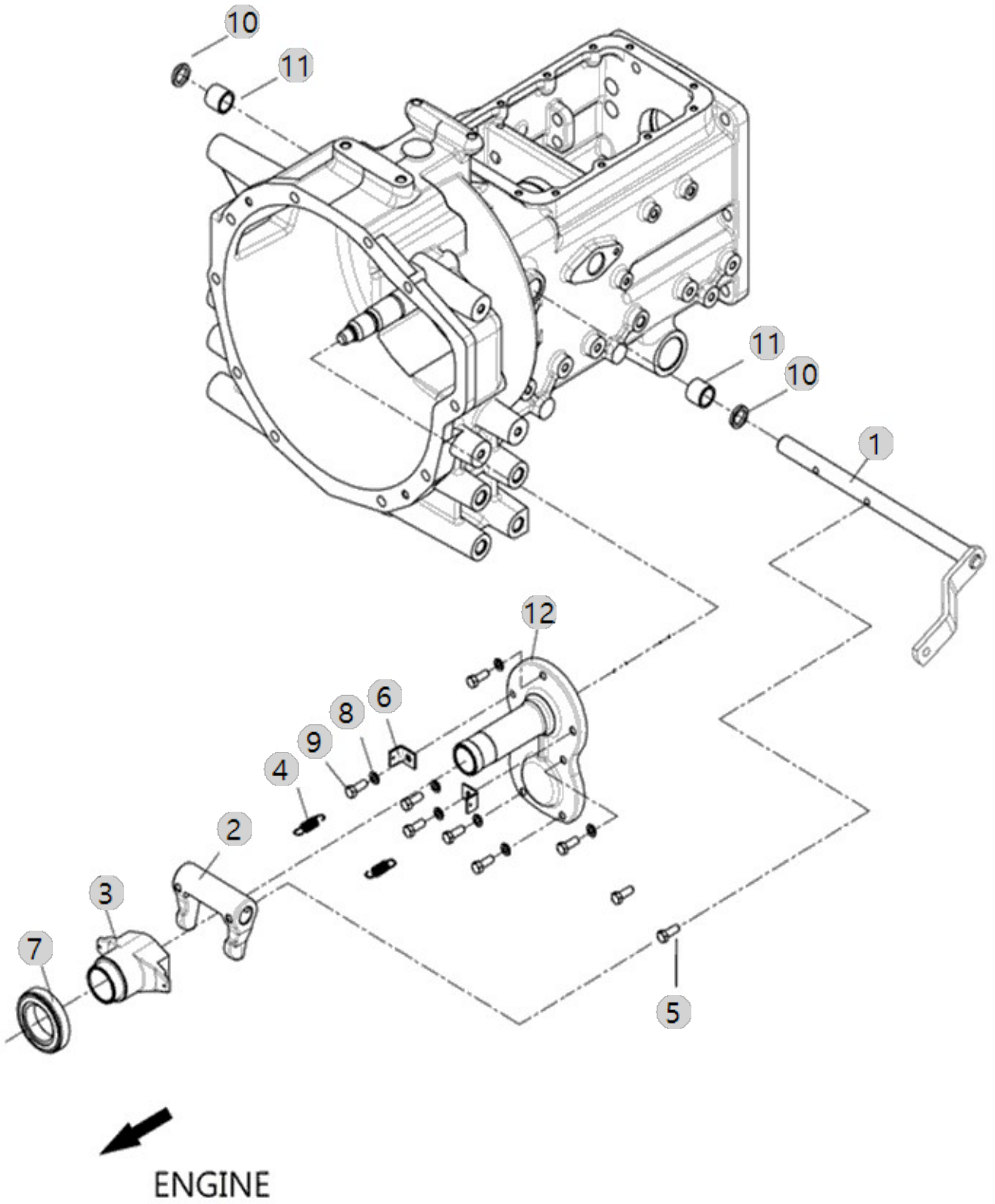
F02010

25ROPS TM총조합
(NEC)(AC01476)

CLUTCH RELEASE

Year/Month

2022-12-16



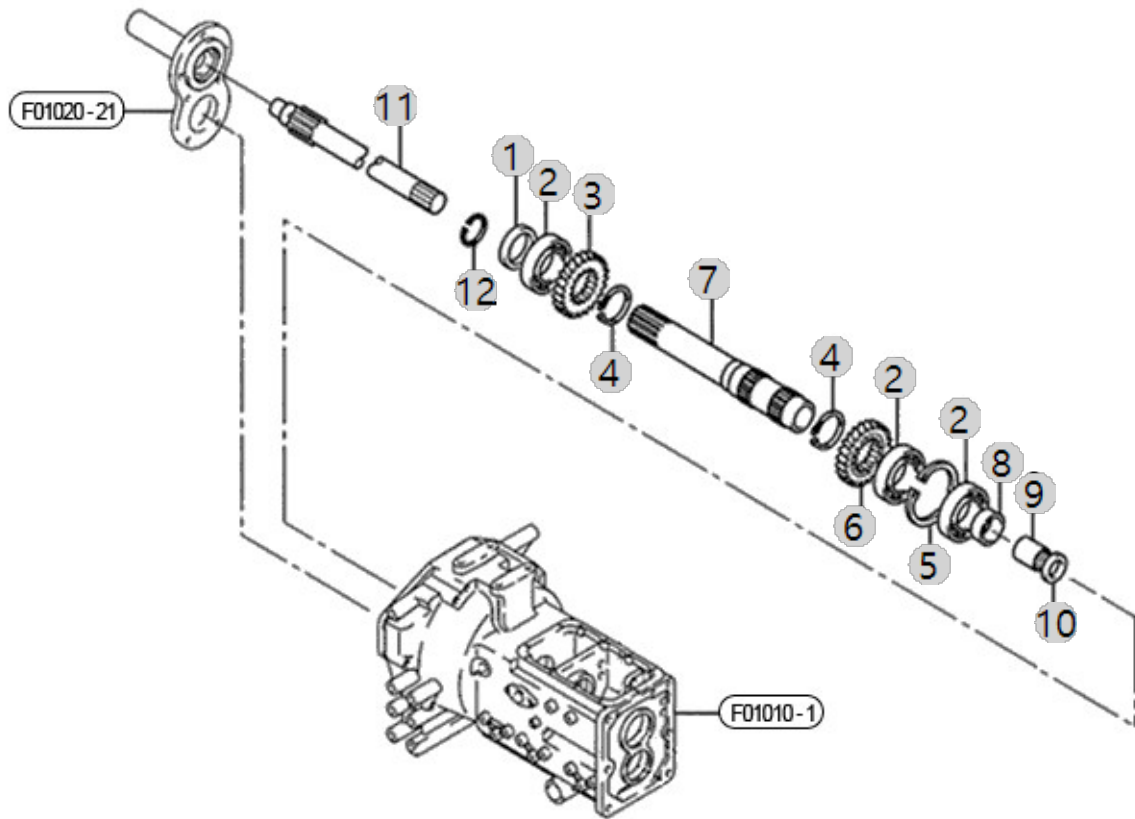
F02020

25ROPS TM총조합
(NEC)(AC01476)

CLUTCH SHAFT

Year/Month

2022-12-16



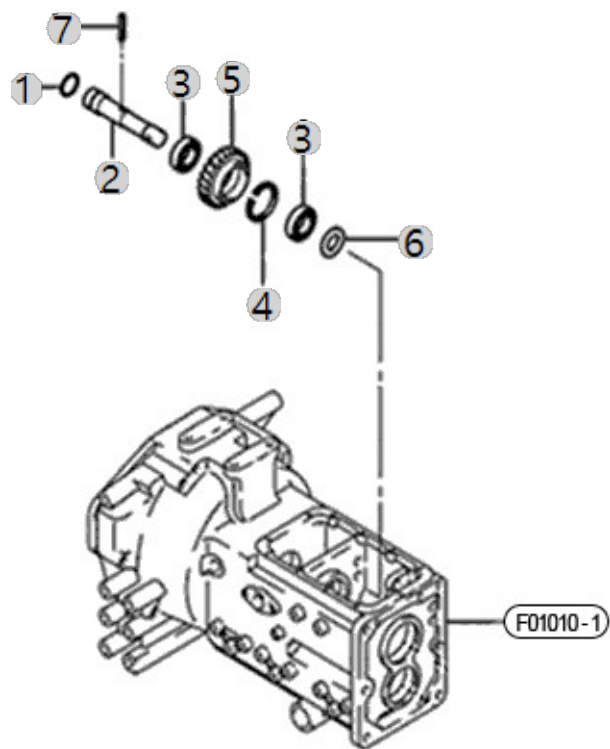
F02060

25ROPS TM총조합
(NEC)(AC01476)

REVERSE IDLE SHAFT

Year/Month

2022-12-16



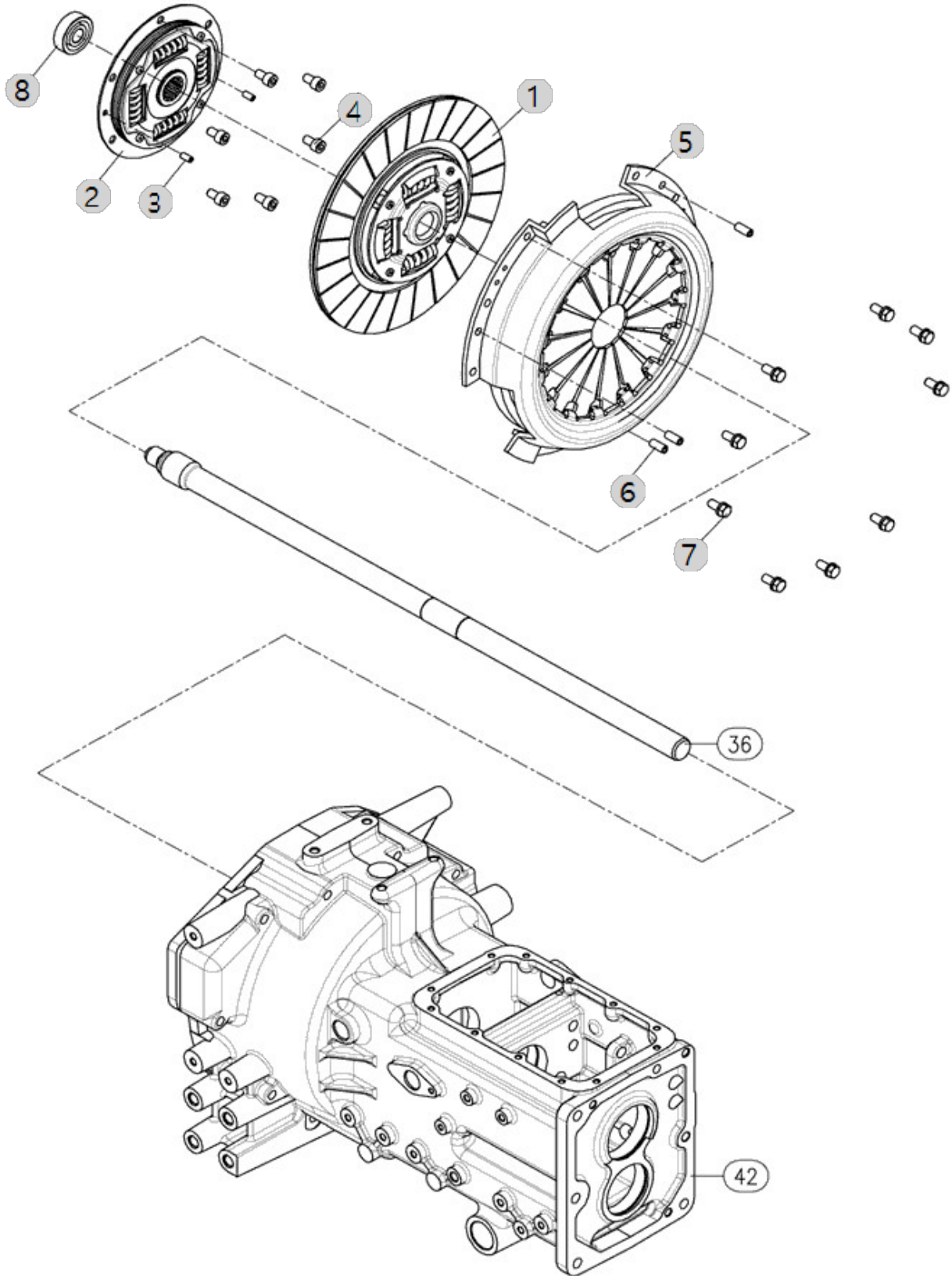
F02080

25ROPS TM총조합
(NEC)(AC01476)

CLUTH DISC

Year/Month

2022-12-16



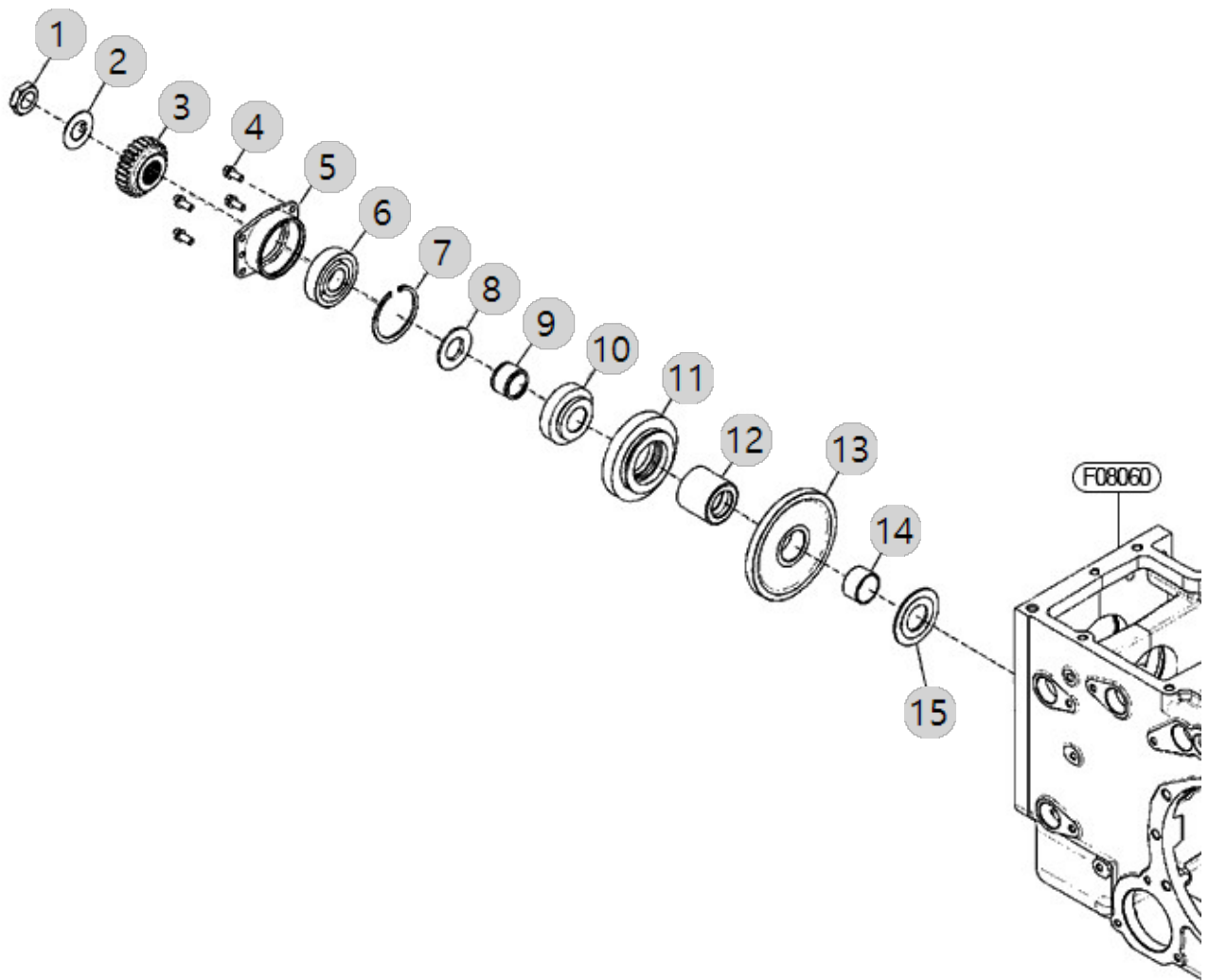
F03040

25ROPS TM총조합
(NEC)(AC01476)

RANGE SHIFT DRIVE SHAFT

Year/Month

2022-12-16



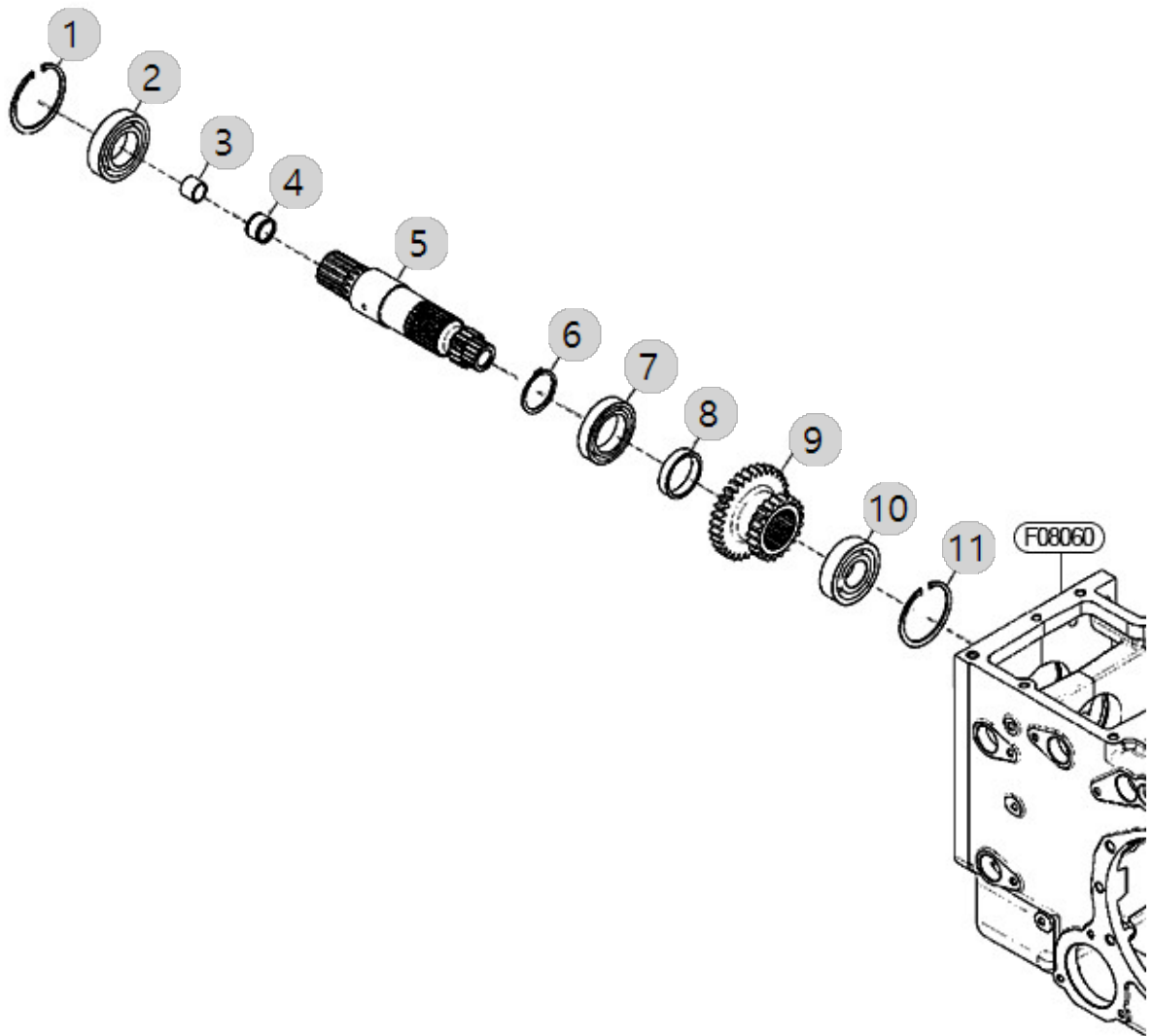
F03050

25ROPS TM총조합
(NEC)(AC01476)

RANGE SHIFT DRIVEN SHAFT

Year/Month

2022-12-16



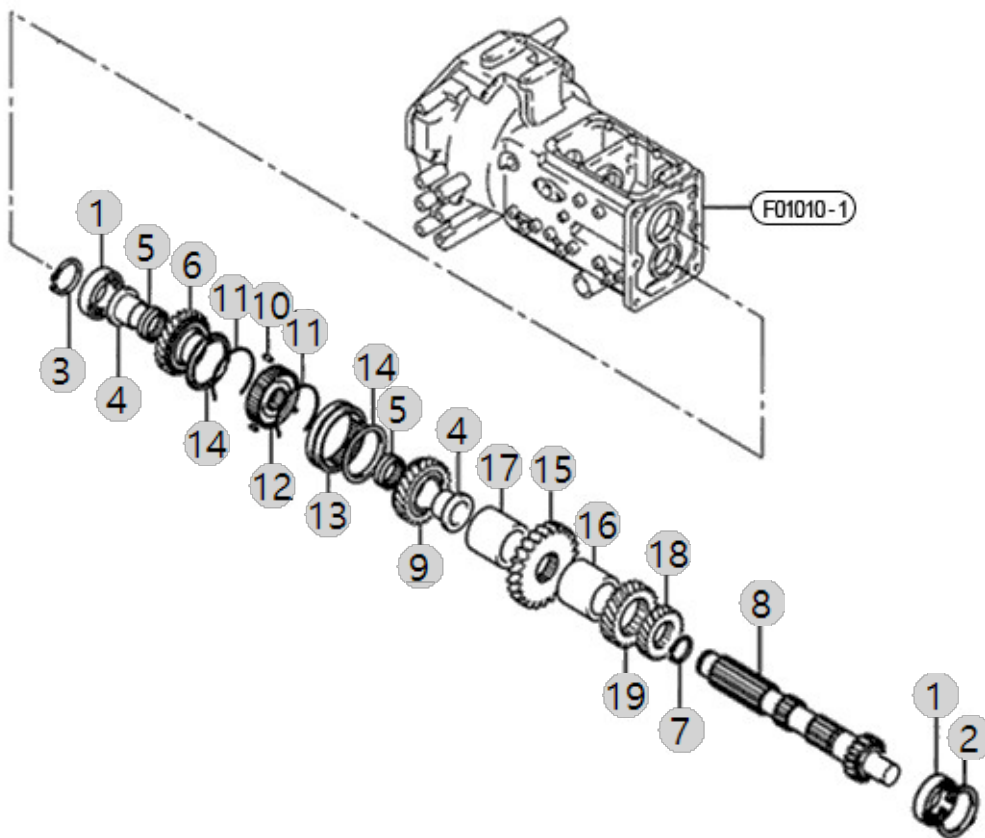
F03060

25ROPS TM총조합
(NEC)(AC01476)

COUNTER SHAFT

Year/Month

2022-12-16



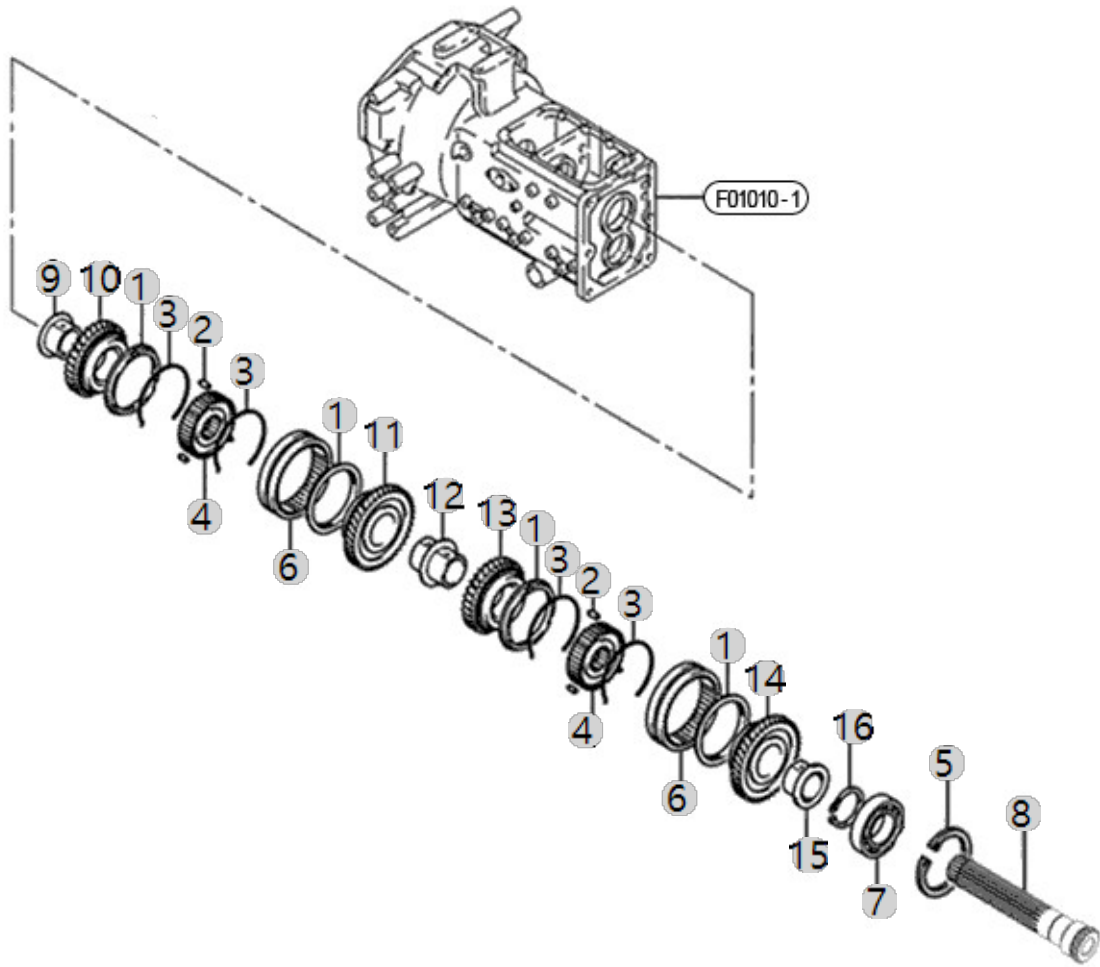
F03080

25ROPS TM총조합
(NEC)(AC01476)

GUIDE SHAFT, MAIN SHIFT

Year/Month

2022-12-16



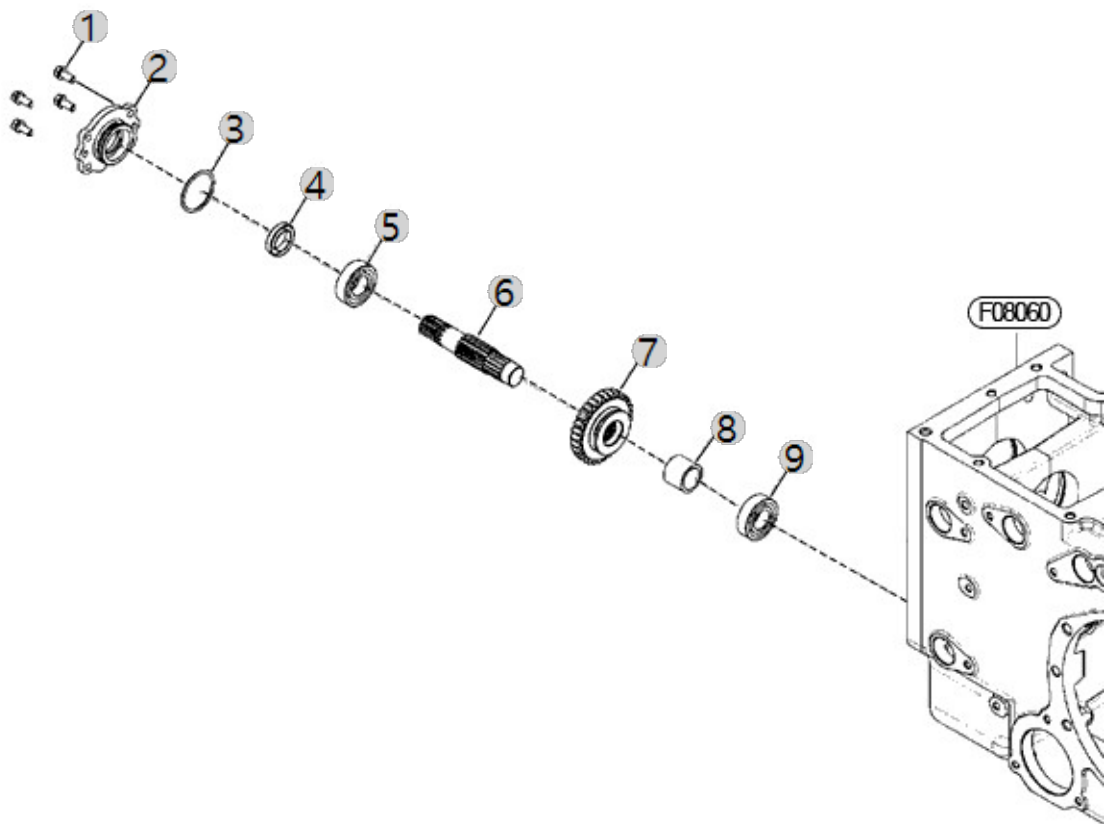
F04010

25ROPS TM총조합
(NEC)(AC01476)

FRONT WHEEL DRIVE SHAFT

Year/Month

2022-12-16



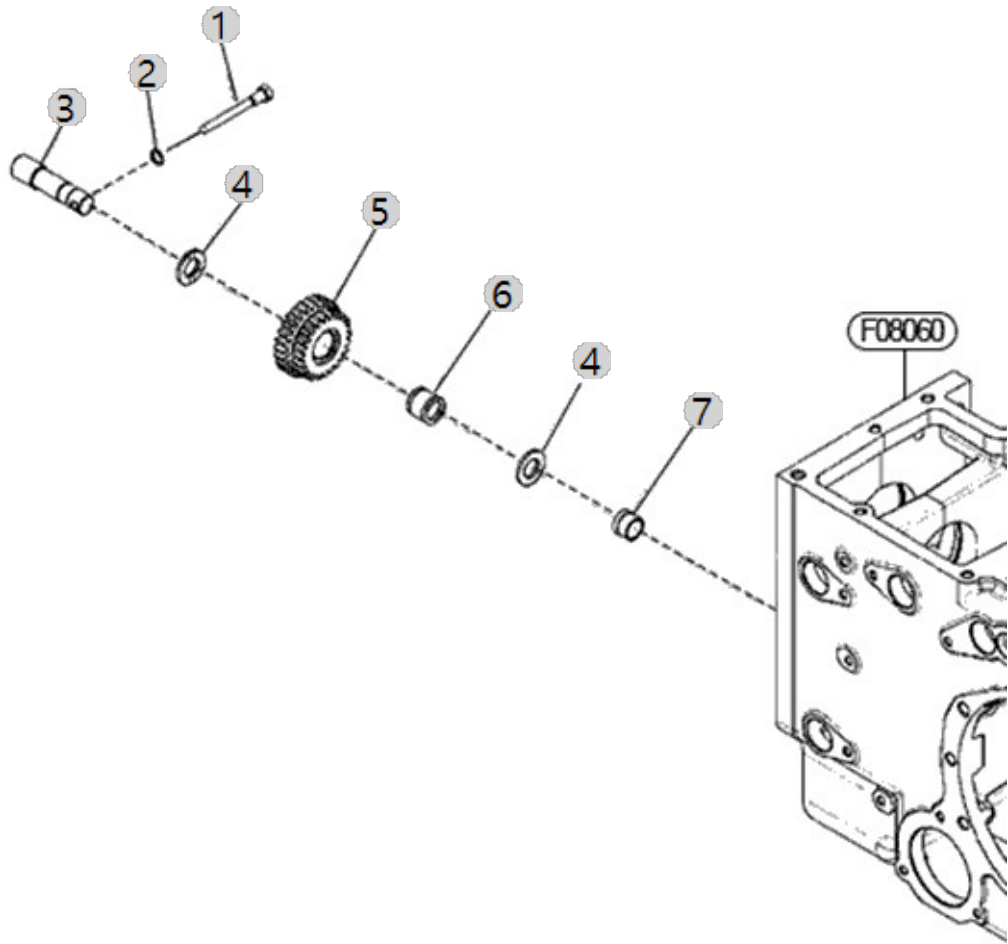
F04030

25ROPS TM총조합
(NEC)(AC01476)

FRONT WHEEL DRIVE IDLE SHAFT

Year/Month

2022-12-16



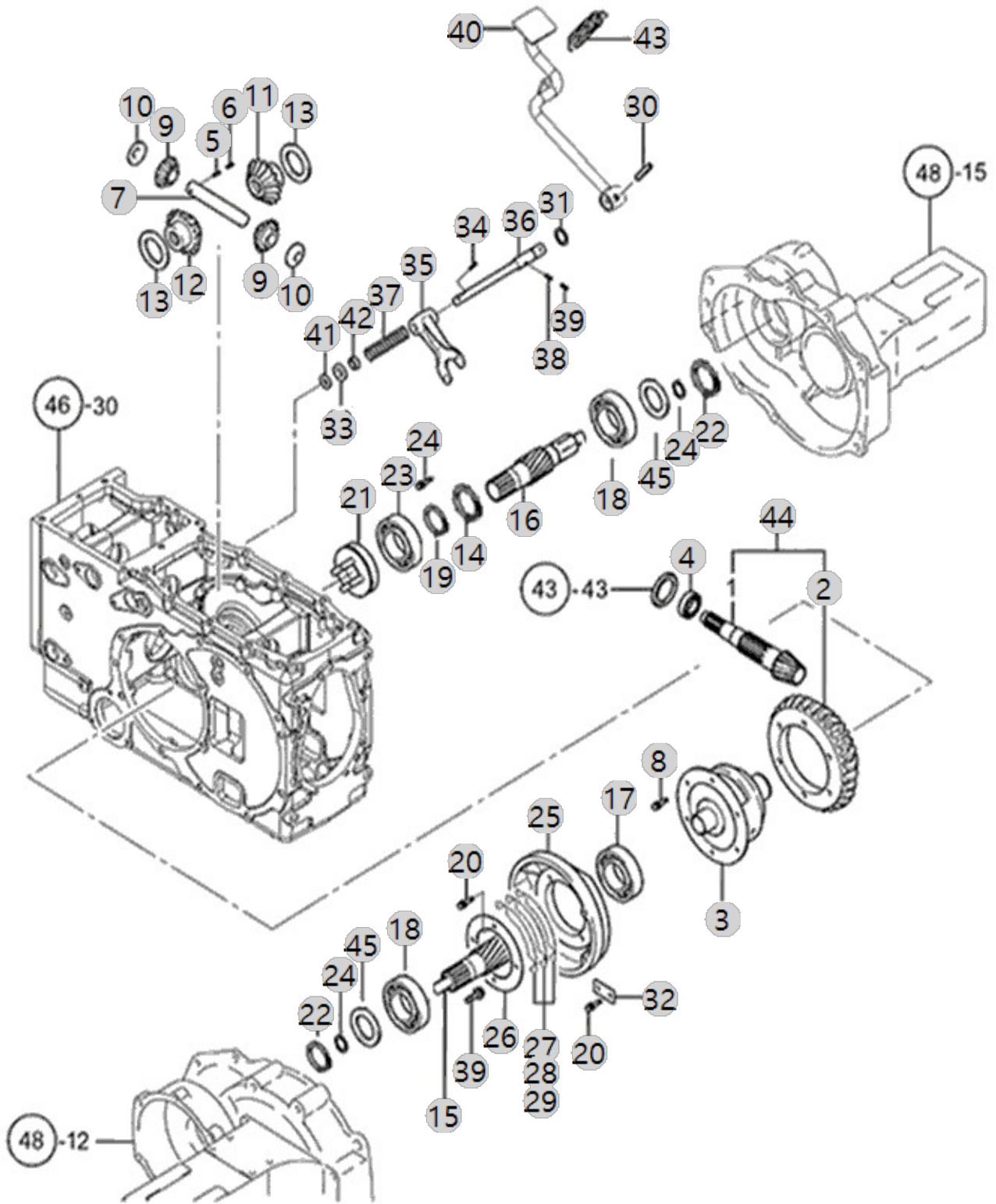
F05000

25ROPS TM총조합
(NEC)(AC01476)

DIFFERENTIAL ASS'Y

Year/Month

2022-12-16



| F05000 25ROPS TM총조합 (NEC)(AC01476) | | DIFFERENTIAL ASS'Y | | | | Year/Month 2022-12-16 |
|--|-------------------|--------------------|---|-------------|--------------|--------------------------|
| 순번 (NO) | 부품번호 (PART NO) | 품명 (PART NAME) | 품명 (PART NAME) | 수량 (QTY) | 규격 (SPEC) | 비고 (REMARK) |
| 1 | TN49510000B2 | 카운터축 | COUNTERSAHFT | 1 | | DEL.20221018 |
| 2 | TN49520000D2 | 링기어 | RINGGEAR | 1 | | DEL.20221018 |
| 3 | TN49030000E2 | 차동케이스 | CASE,DIFFERENTIAL | 1 | | DEL.20221018 |
| 4 | TT78020000A3 | 베어링NJ307R | BEARINGNJ307R | 1 | NJ307R | DEL.20220323 |
| 5 | 22312-060360 | 평행핀 | PIN, DOWEL (6-36) | 1 | D6X36 | DEL.20221018 |
| 6 | 22351-060032 | 스프링핀 | PIN, SPRING (6-32) | 1 | D6X32 | DEL.20221018 |
| 7 | TF64080000A4 | 피니언축 | PINIONSHAFT | 1 | | DEL.20221018 |
| 8 | TF64090000B4 | 볼트 | BOLT | 6 | | DEL.20221018 |
| 9 | TF64100000B3 | 차동피니언 | PINION | 2 | | DEL.20221018 |
| 10 | TF64110000A4 | 피니언라이너 | PINIONLINER | 2 | T1.0 | DEL.20221018 |
| 11 | TF64120000A3 | 차동사이드기어(A) | DIFF.SIDEGEAR(A) | 1 | | DEL.20221018 |
| 12 | TF64130000A3 | 차동사이드기어(B) | DIFF.SIDEGEAR(B) | 1 | | DEL.20221018 |
| 13 | TF64140000B4 | 사이드기어라이너 | SIDEGEARLINER | 2 | | DEL.20221018 |
| 14 | 22252-000800 | 구멍용스냅링80 | RING, CIRCLIP (Φ 80) | 1 | D80 | |
| 15 | TA00032603E | 파이널 피니언(좌) | FINAL PINION(L) | 1 | | DEL.20221018 |
| 16 | TA00032596E | 파이널 피니언(우) | FINAL PINION(R) | 1 | | DEL.20221018 |
| 17 | 24101-062114 | 볼베어링6211 | Bearing, Ball (#6211) | 1 | #6211 | |
| 18 | TF64190000A4 | 베어링6308HL1 | BALL BEARING (#6308HL1) -> TF64190000A3 | 2 | NJ307R | DEL.20220323 |
| 19 | 22242-000500 | 축용스냅링50 | SNAP RING, SHAFT (Φ50) | 1 | D50 | |
| 20 | 26013-080202 | 와셔조립육각볼트(+SW) | Bolt, Hexa (8-20) | 4 | M8XP1.25X20 | DEL.20221018 |
| 21 | TF64250000B3 | 데프록스러스트 | THRUST, DIFF-LOCK ASSY | 1 | | DEL.20221018 |
| 22 | 22252-000900 | 구멍용스냅링90 | RING, CIRCLIP (Φ 90) | 2 | D90 | DEL.20221018 |
| 23 | 24101-060104 | 볼베어링6010 | Bearing, Ball (#6010) | 1 | #6010 | |
| 24 | 22242-000400 | 축용스냅링40 | SNAP RING, SHAFT (Φ 40) | 2 | D40 | DEL.20221018 |
| 25 | TN49550000B2 | 캐리어 | CARRIOR | 1 | | DEL.20221018 |
| 26 | TN49590000A4 | 리테이너 | RETAINER | 1 | | DEL.20221018 |
| 27 | TZ49560000A4 | 심A(0.5) | SHIMA | 3 | | DEL.20221018 |
| 28 | TZ49570000A4 | 심B(0.3) | SHIMB | 3 | | DEL.20221018 |
| 29 | TZ49580000A4 | 심C(0.1) | SHIMC | 2 | | DEL.20221018 |
| 30 | 22351-080032 | 스프링핀 | PIN, SPRING (8-32) | 2 | D8X32 | |
| 31 | 24311-000160 | O-링 P 16 | O-RING, DYNAMIC (Φ16) | 1 | P16 | |
| 32 | TB32360000A4 | 리테이너 | RETAINER | 2 | T4.5X25X50 | DEL.20221018 |
| 33 | TN49380000A4 | 와셔 | WASHER | 1 | T4.2X30X30 | |
| 34 | 26013-080202 | 와셔조립육각볼트(+SW) | Bolt, Hexa (8-20) | 10 | M8XP1.25X20 | DEL.20221018 |
| 35 | TN49400000B2 | 차동포크 | FORKDIFFERENTIALLOCK | 1 | | |
| 36 | TA00027271B | 포크축 | SHAFT | 1 | | DEL.20221018 |
| 36 | TA00027271C | 포크축 | SHAFT | 1 | | |
| 37 | TN49430000A4 | 스프링 | SPRING | 1 | D4.0 | |
| 38 | 22351-080040 | 스프링핀8X40 | PIN, SPRING (8-40) | 1 | D8X40 | |
| 39 | 22351-050040 | 스프링핀5X40 | PIN, SPRING (5-04) | 1 | D5X40 | |
| 40 | TA00001510B | 차동페달(HST20S) | PEDAL, DIFF.LOCK | 1 | | |
| 41 | 22121-140000 | 평와셔 | WASHER, PLAIN (Φ 14) | 1 | M14 | |
| 42 | 24421-152507 | 오일실TC152507 | Seal, Oil (#15-25-07) | 1 | TC15X25X7 | |
| 43 | TTB1300000A4 | 리턴스프링 | SPRING,RETURN | 1 | | |
| 44 | TN49500000C9 | 링기어조합 | RING GEAR ASSY | 1 | | DEL.20221018 |

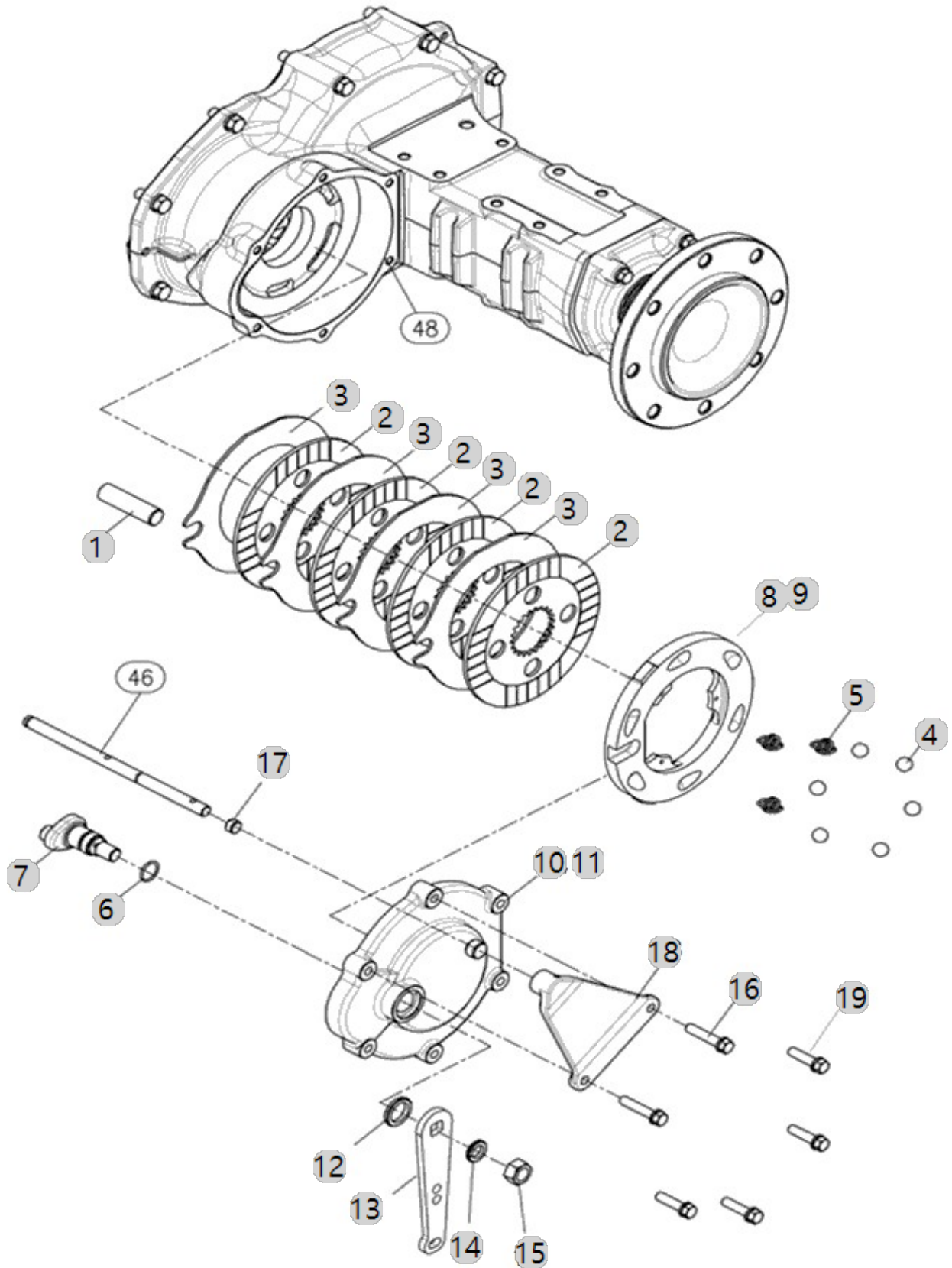
F06030

25ROPS TM총조합
(NEC)(AC01476)

BRAKE

Year/Month

2022-12-16



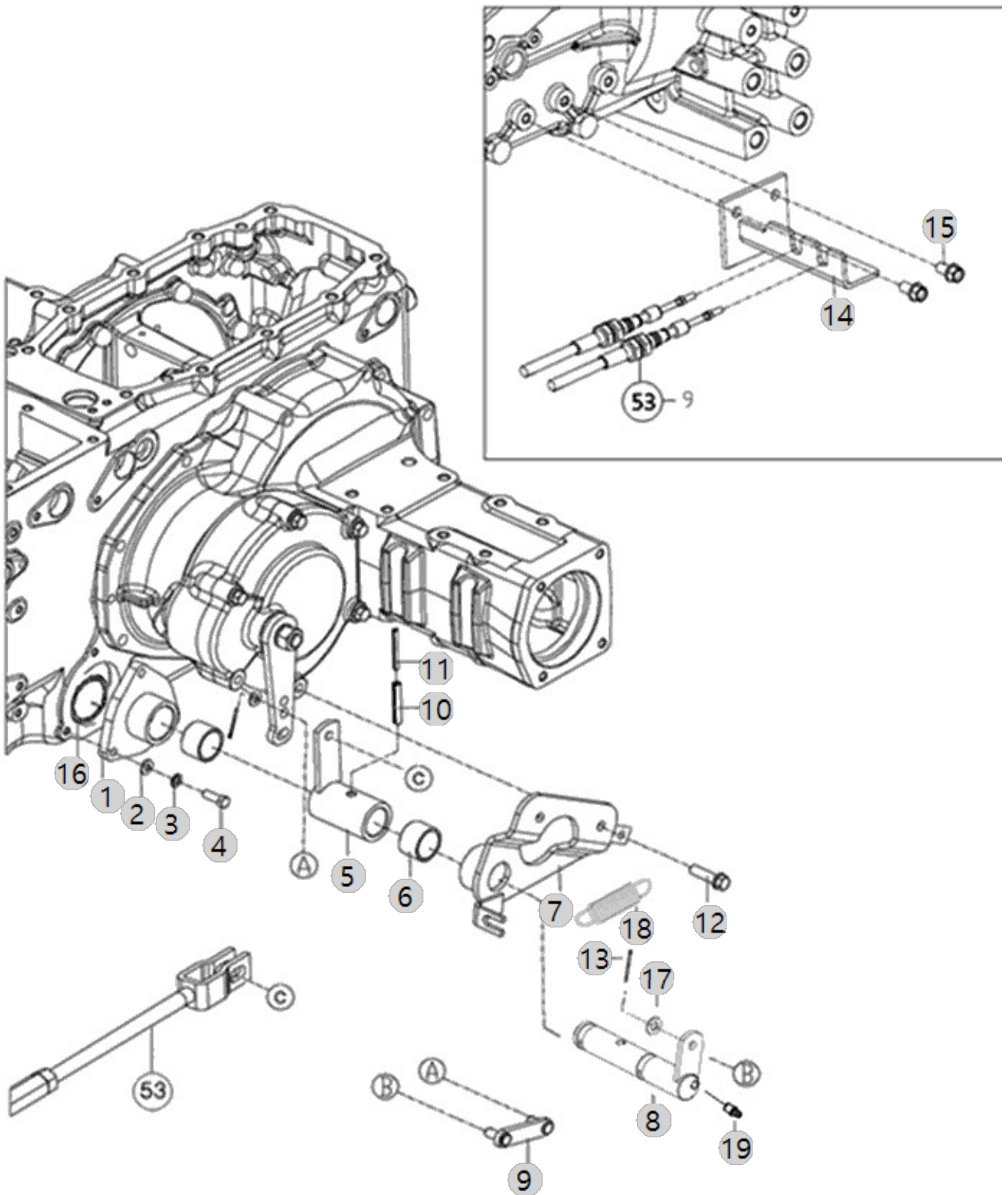
F06031

25ROPS TM총조합
(NEC)(AC01476)

SUPPORT, BRAKE

Year/Month

2022-12-16



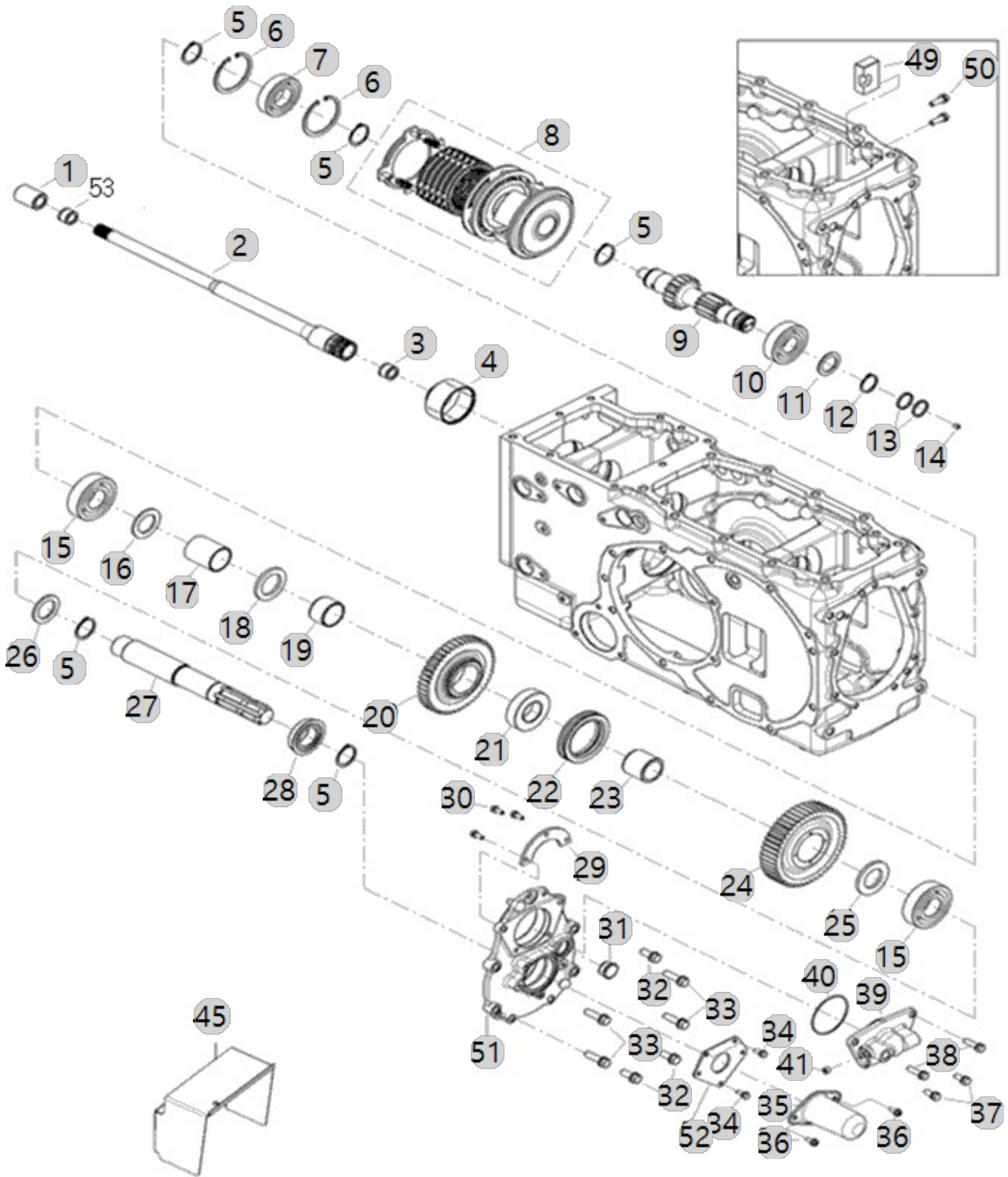
F07000

25ROPS TM총조합
(NEC)(AC01476)

PTO

Year/Month

2022-12-16



| F07000 25ROPS TM총조합 (NEC)(AC01476) | | PTO | | | | Year/Month 2022-12-16 |
|--|-------------------|---------------------|-----------------------------|-------------|--------------|--------------------------|
| 순번 (NO) | 부품번호 (PART NO) | 품명 (PART NAME) | 품명 (PART NAME) | 수량 (QTY) | 규격 (SPEC) | 비고 (REMARK) |
| 1 | TZ43010000A3 | 변속축연결칼라(20용) | COLLAR,COUPLING | 1 | | |
| 2 | TA00015848A | PTO연결축(HST)20 | PTO SHAFT(HST) | 1 | | |
| 3 | 24161-182417 | 니들베어링 | Bearing, Neddle (#18-24-17) | 1 | KT182417 | |
| 4 | NT45480000A3 | PTO커플링 | PTO COUPLING | 1 | | |
| 5 | 22242-000350 | 축용스냅링35 | SNAP RING, SHAFT (Φ 35) | 5 | D35 | |
| 6 | 22252-000720 | 구멍용스냅링72 | RING, CIRCLIP (Φ 72) | 2 | D72 | |
| 7 | 24101-062074 | 볼베어링6207 | BALL BEARING (#6207) | 1 | #6207 | DEL.20220323 |
| 8 | TA00026514D | PTO클러치팩 | PTO CLUTCH PACK | 1 | | |
| 9 | NT45920000A2 | PTO변속축 | SHAFT, PTO SHIFT | 1 | | |
| 10 | 24101-063064 | 볼베어링6306 | Bearing, Ball (#6306) | 1 | #6306 | DEL.20220323 |
| 11 | TN45520000A4 | 칼라 | COLLAR | 1 | | |
| 12 | 22242-000300 | 축용스냅링30 | SNAP RING, SHAFT (Φ 30) | 1 | D30 | |
| 13 | TT64070000B4 | 시일링 | SEAL RING | 2 | 26X30X3 | |
| 14 | TT64080000A4 | 멈춤나사 M7X1 | RETAININGSCREWM7X1 | 1 | M7XP1.0 | |
| 15 | 24101-063074 | 볼베어링6307 | Bearing, Ball (#6307) | 2 | #6307 | DEL.20220323 |
| 16 | NT45670000B4 | 스러스트와셔 | THRUST WASHER | 1 | 3.0T | |
| 17 | NT45680000B4 | 스페이서 | SPACER | 1 | D45XT2.6 | |
| 18 | NT45440000C4 | 칼라 | COLLAR | 1 | | |
| 19 | TA00033210A | 니들부시D | NEEDLE BUSH D | 2 | | |
| 20 | TA00033211C | PTO기어46T | GEAR 46T, PTO | 1 | | |
| 21 | TZ45100000B3 | PTO허브 | HUB,P.T.O | 2 | | |
| 22 | TZ45110000C4 | PTO슬리브 | SLEEVE,P.T.O | 2 | | |
| 23 | TA00033209A | 니들부시B | NEEDLE BUSH B | 1 | | |
| 24 | TA00033212C | PTO기어49T | GEAR 49T, PTO | 1 | | |
| 25 | TZ45140000B4 | 칼라 | COLLAR | 1 | 5T | |
| 26 | TN45120000A4 | 와셔 | WASHER | 1 | T3.0X60X60 | |
| 27 | NT45130000B3 | PTO축 | shaft, PTO | 1 | | |
| 28 | TT62040000A3 | PTO 오일실 QLF35X60X19 | PTO OIL SEAL QLF35X60X19 | 1 | 35X60X19 | |
| 29 | NT45640000A4 | 베어링커버 | Bearing Cover | 1 | | |
| 30 | 26013-060162 | 와셔조립육각볼트(+SW) | Bolt, Hexa (6-16) | 3 | M6XP1.0X16 | |
| 31 | TCA8130000A4 | 검유창 | SIGHTGLASS -> NT45690000A4 | 1 | | |
| 32 | 26013-100252 | 와셔조립육각볼트(+SW) | SCREW, CAPTIVE WASHER CAP | 3 | M10X1.50X02 | |
| 33 | 26013-100352 | 볼트 | Bolt, Hexa (10-35) | 4 | | |
| 34 | 26013-060162 | 와셔조립육각볼트(+SW) | Bolt, Hexa (6-16) | 3 | M6XP1.0X16 | |
| 35 | TT80030000A3 | P.T.O커버 | P.T.OCOVER | 1 | | |
| 36 | 26106-060162 | 육각플랜지 볼트 | HEXFLANGEBOLT | 2 | M6XP1.0X16 | |
| 37 | 26013-080202 | 와셔조립육각볼트(+SW) | Bolt, Hexa (8-20) | 2 | M8XP1.25X20 | |
| 38 | 26013-080302 | 와셔조립육각볼트(+SW) | HEX BOLT W/WASHER | 2 | M8XP1.25X30 | |
| 39 | NT45620000A3 | 실케이스 | SEAL CASE | 1 | | |
| 40 | 24341-000700 | O링(70-S) | O-RING, FIX (Φ70) | 1 | 1A S70.0 | |
| 41 | 23871-010000 | 테이퍼플러그 | PLUG | 1 | PT1/8 | |
| 45 | TA00062857A | PTO커버 | COVER, PTO | 1 | | |
| 45 | TA00062857B | PTO커버 | COVER, PTO | 1 | | |
| 49 | NT45980000A4 | 브레이크잡이 | BRAKE HOLDER | 1 | | |
| 50 | 26013-080252 | 와셔조립육각볼트(+SW) | Bolt, Hexa (8-25) | 2 | M8XP1.25X25 | |

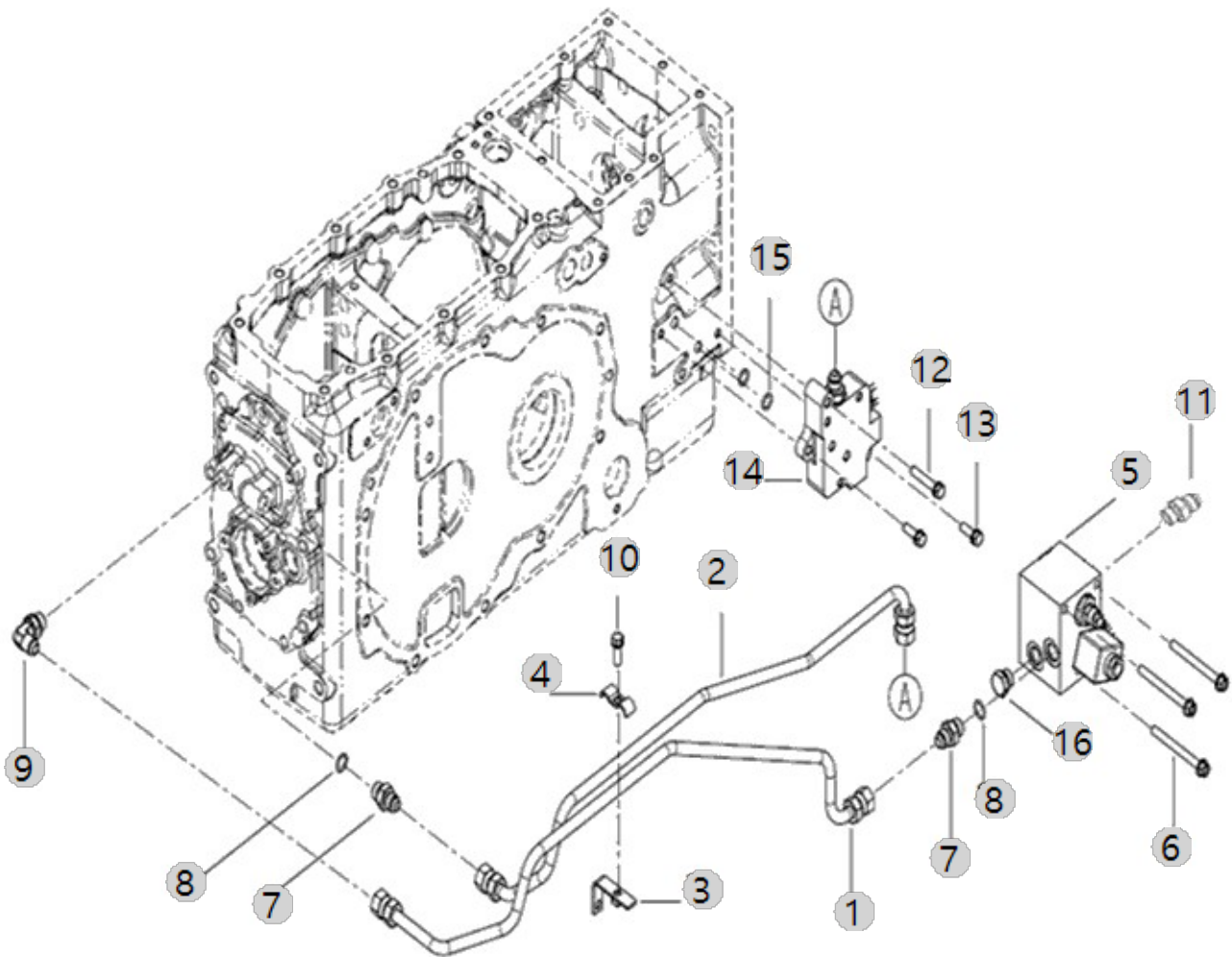
F07050

25ROPS TM총조합
(NEC)(AC01476)

PTO VALVE

Year/Month

2022-12-16



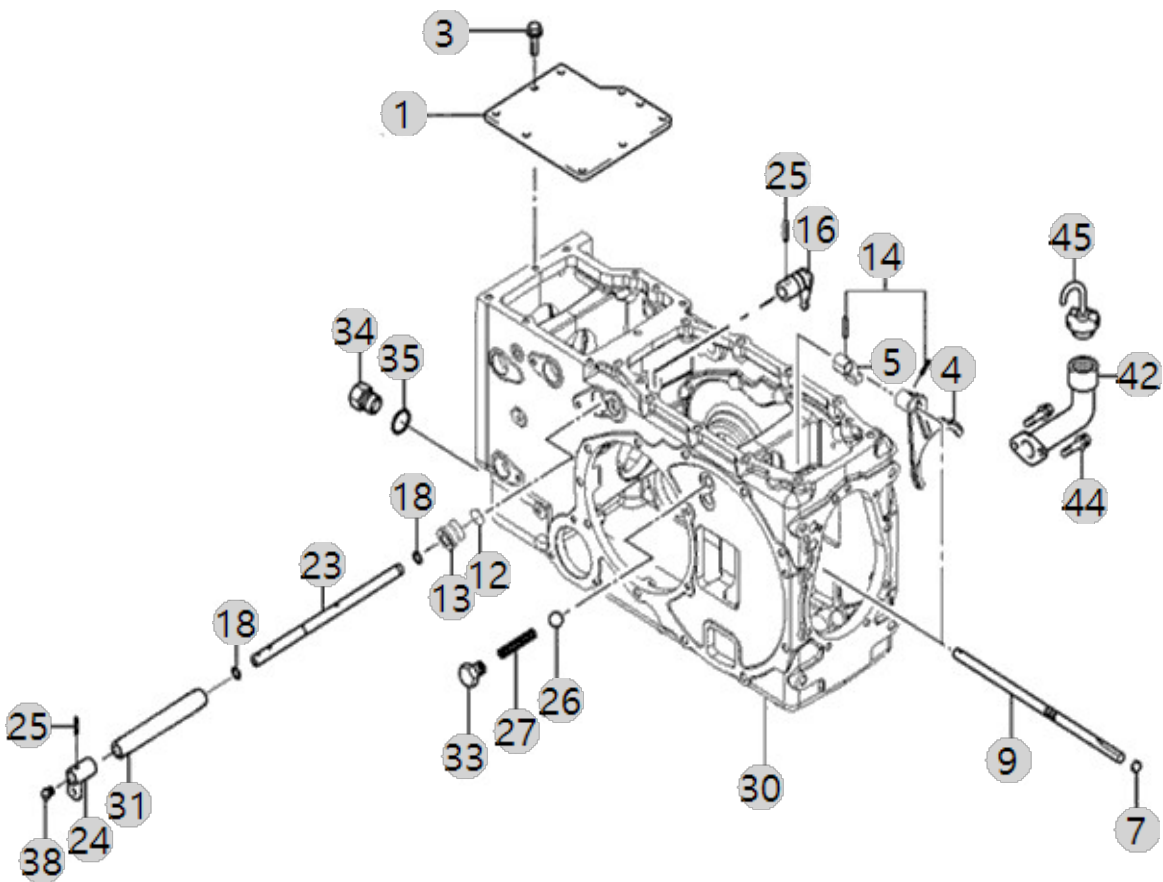
F08060

25ROPS TM총조합
(NEC)(AC01476)

FORK, PTO SHIFT

Year/Month

2022-12-16



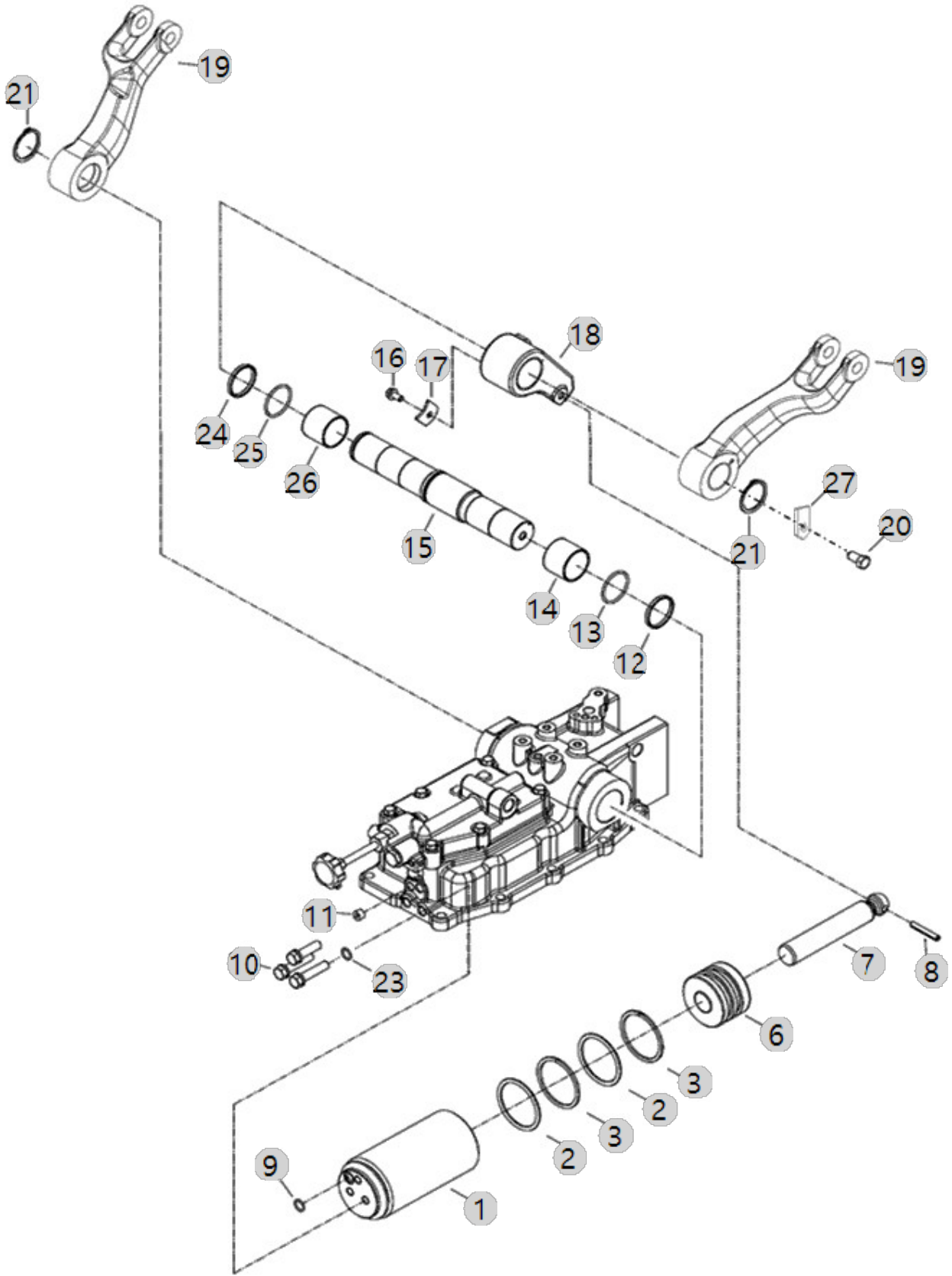
F10020

25ROPS TM총조합
(NEC)(AC01476)

LIFT ARM

Year/Month

2022-12-16



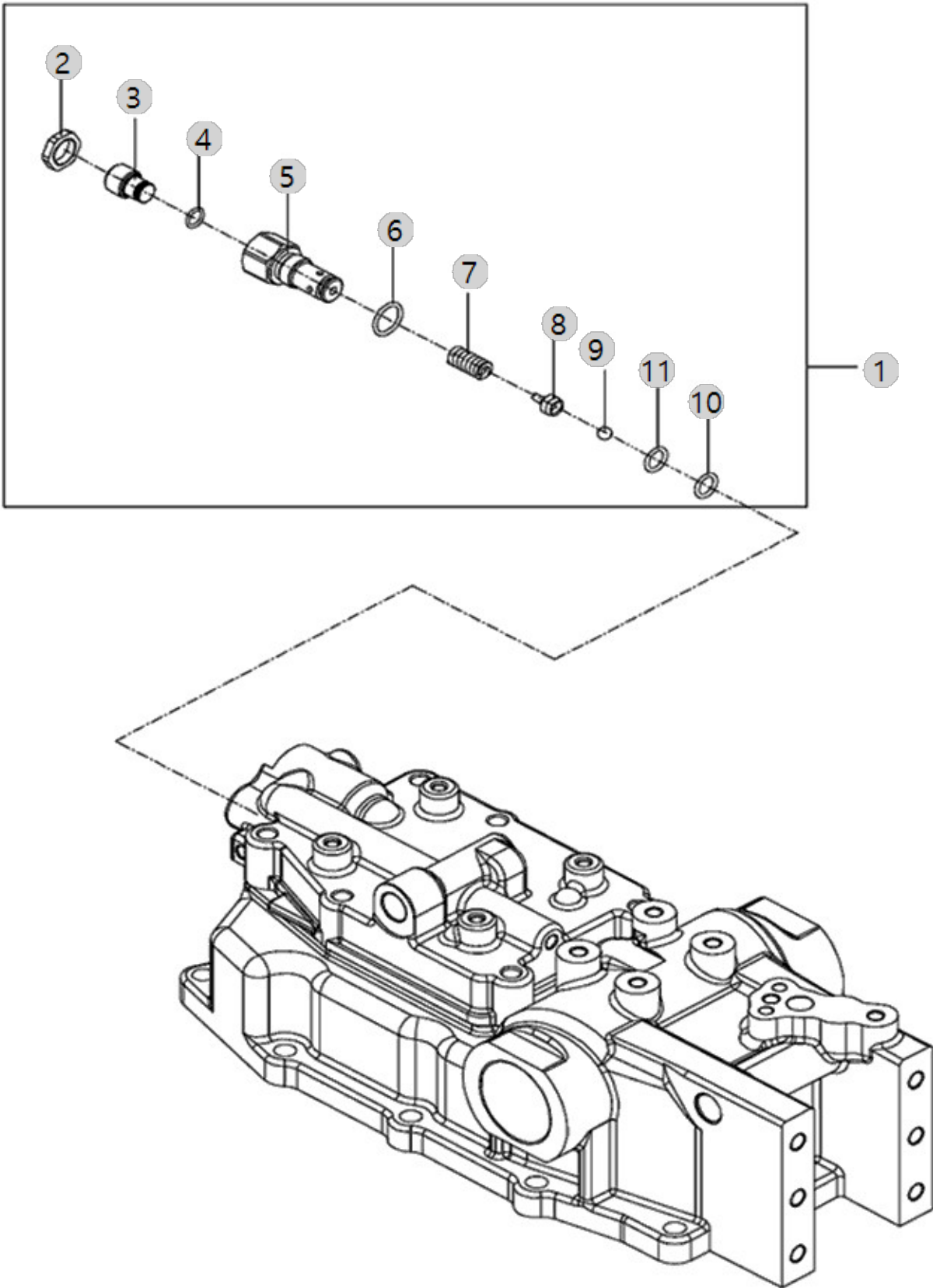
F10030

25ROPS TM총조합
(NEC)(AC01476)

SAFTY VALVE

Year/Month

2022-12-16



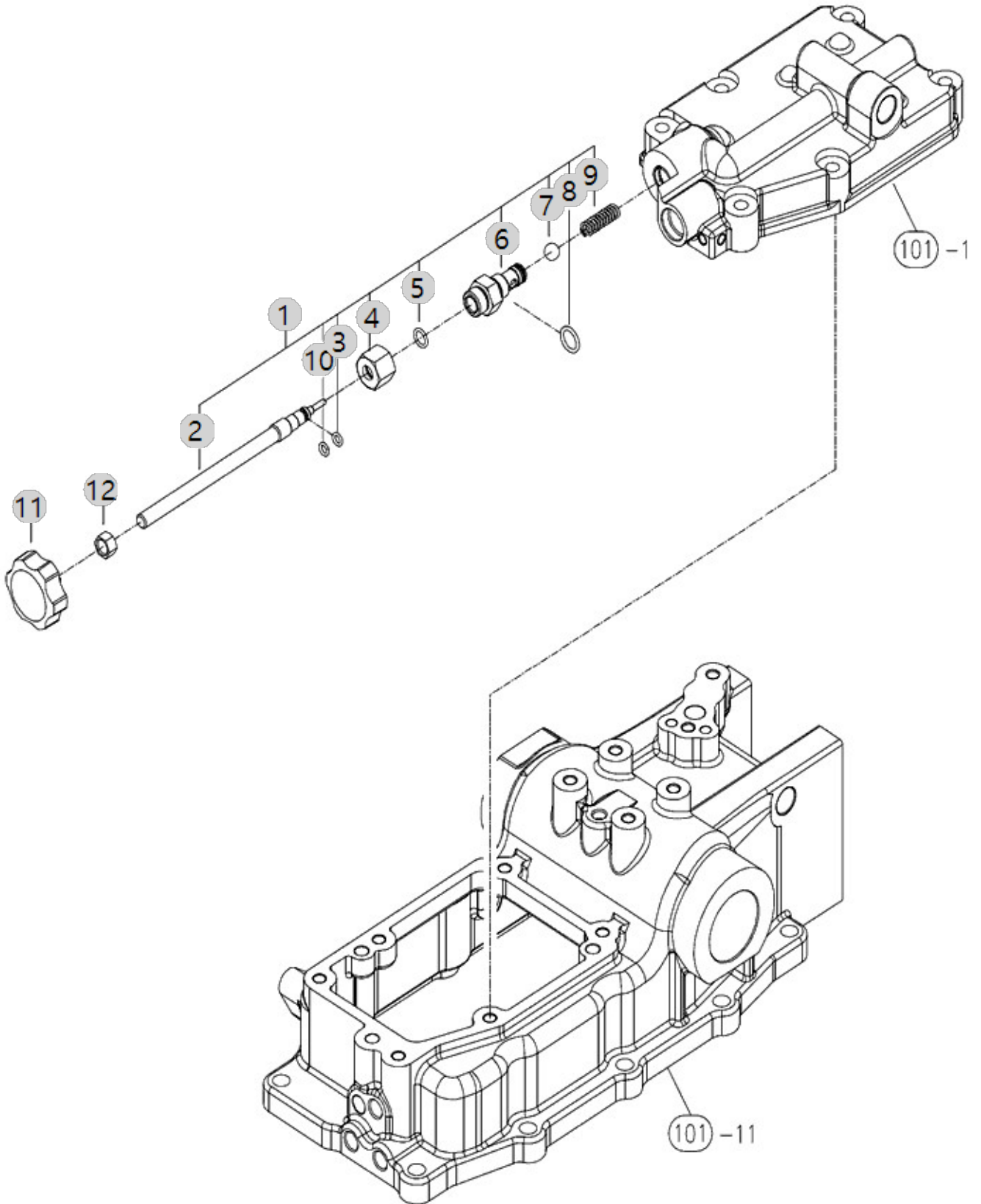
F10040

25ROPS TM총조합
(NEC)(AC01476)

STOP VALVE

Year/Month

2022-12-16



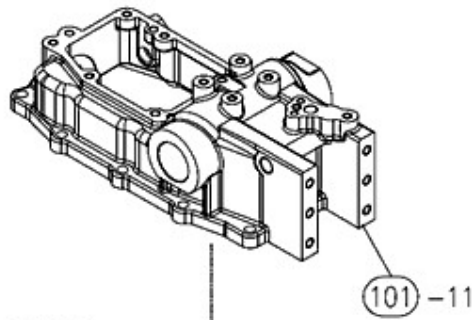
F10061

25ROPS TM총조합
(NEC)(AC01476)

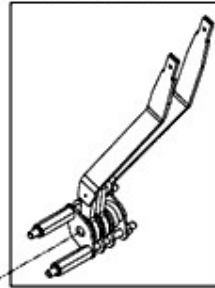
DRAFT/ POSITION CONTROL LEVER

Year/Month

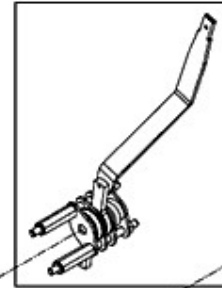
2022-12-16



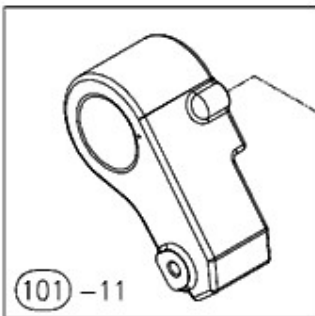
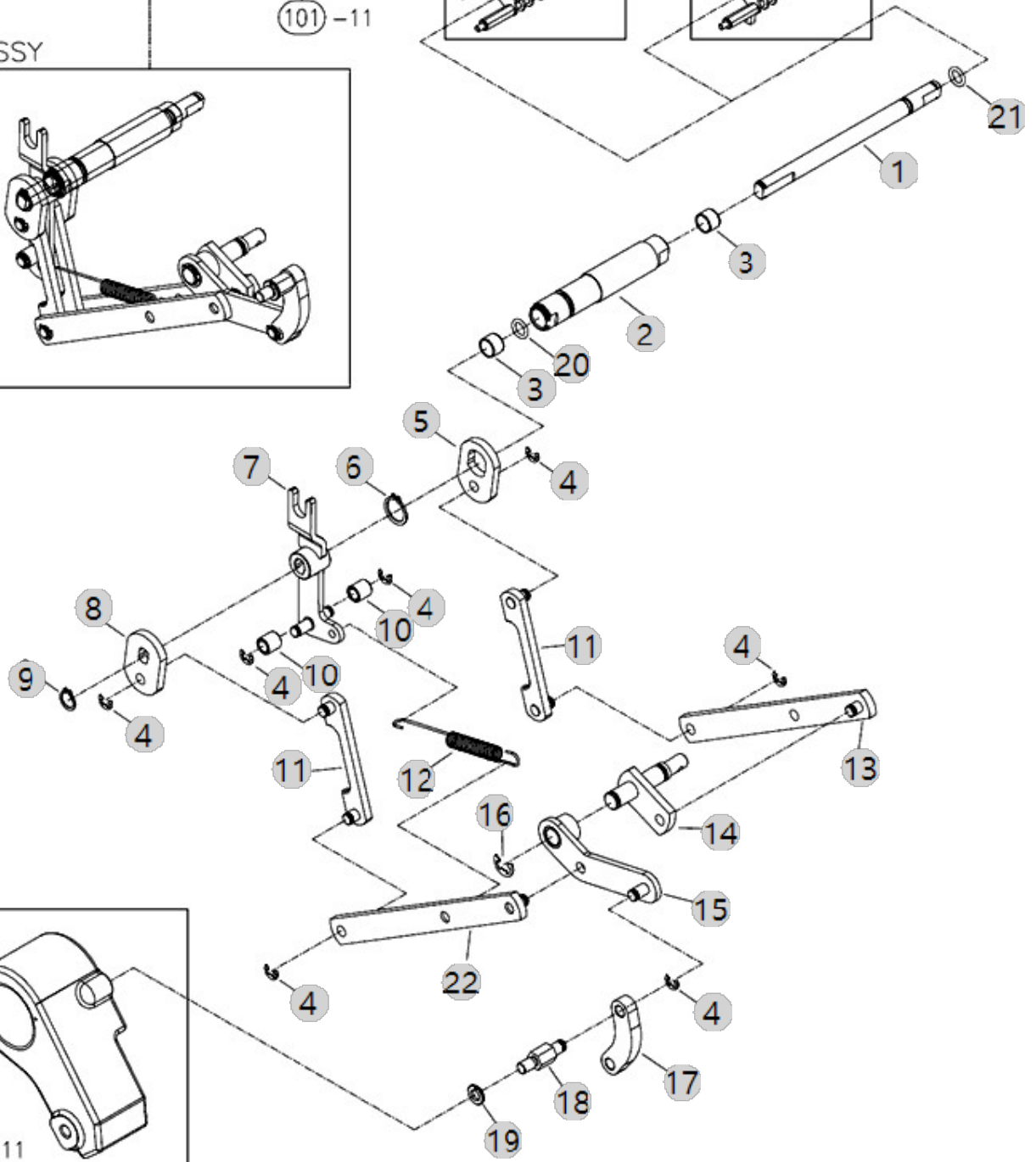
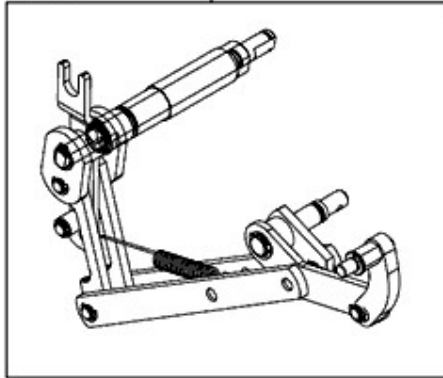
POSITION
& DRAFT



POSITION



ASSY



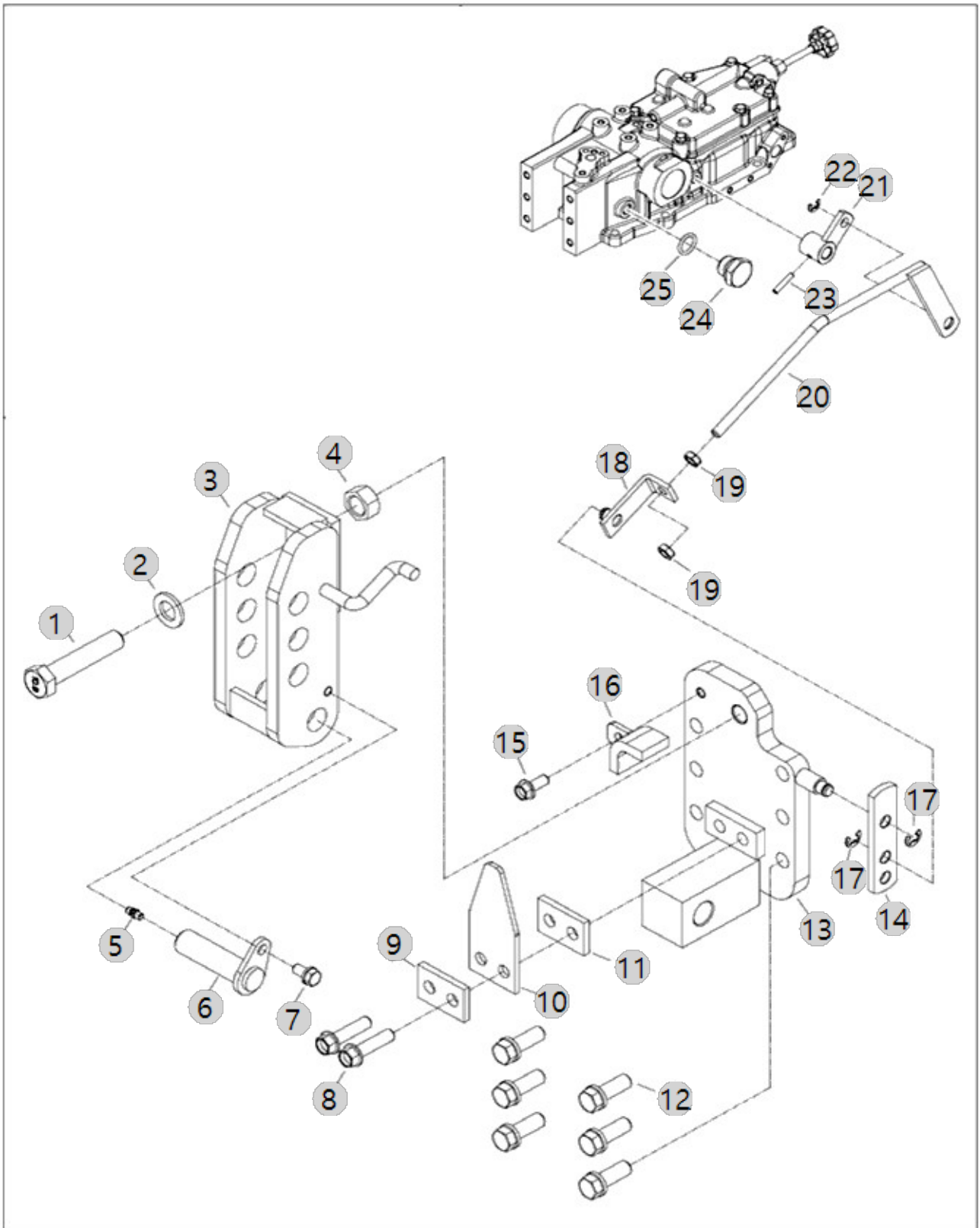
F10063

25ROPS TM총조합
(NEC)(AC01476)

DRAFT CONTROL

Year/Month

2022-12-16



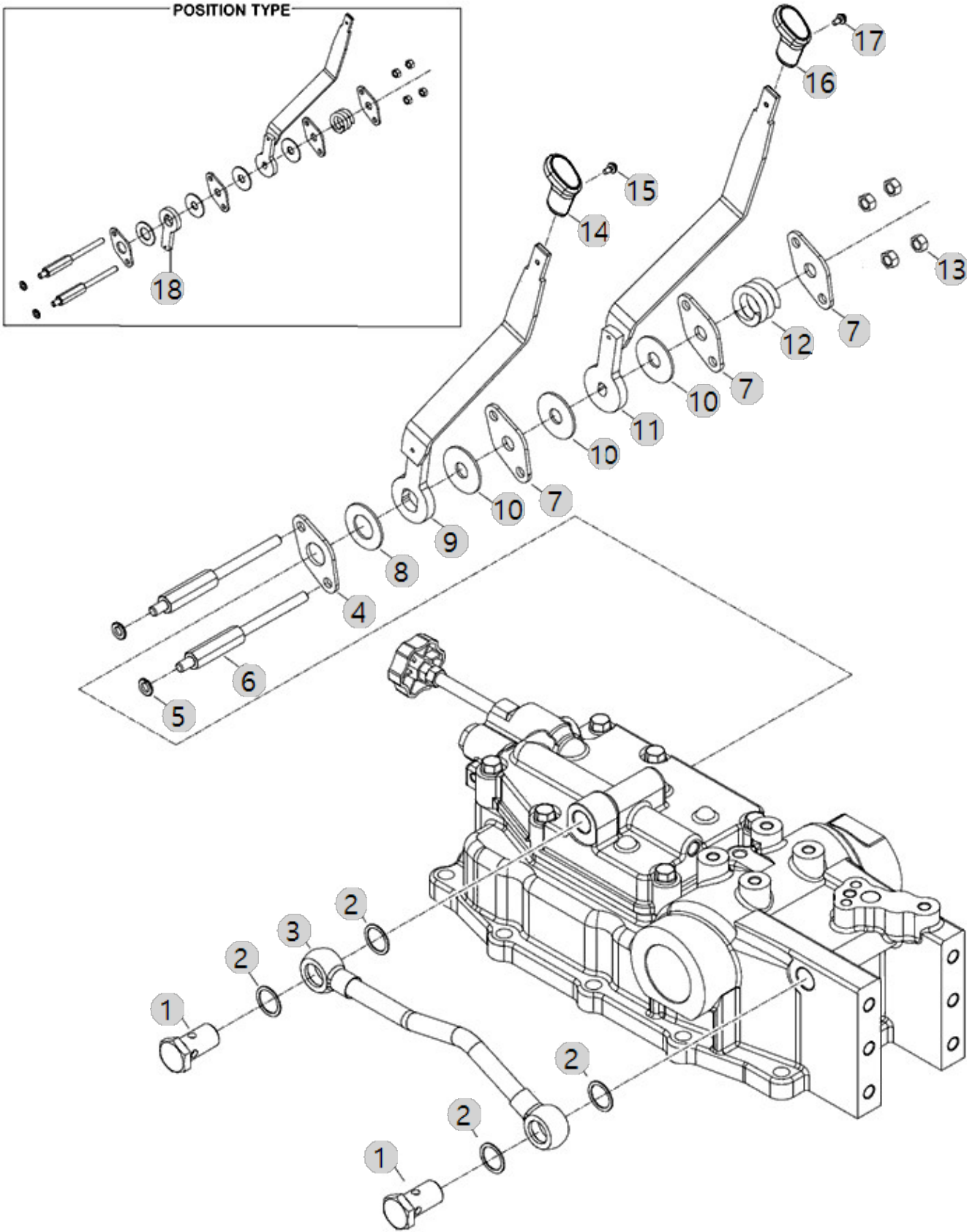
F10064

25ROPS TM총조합
(NEC)(AC01476)

POSITION CONTROL LEVER

Year/Month

2022-12-16



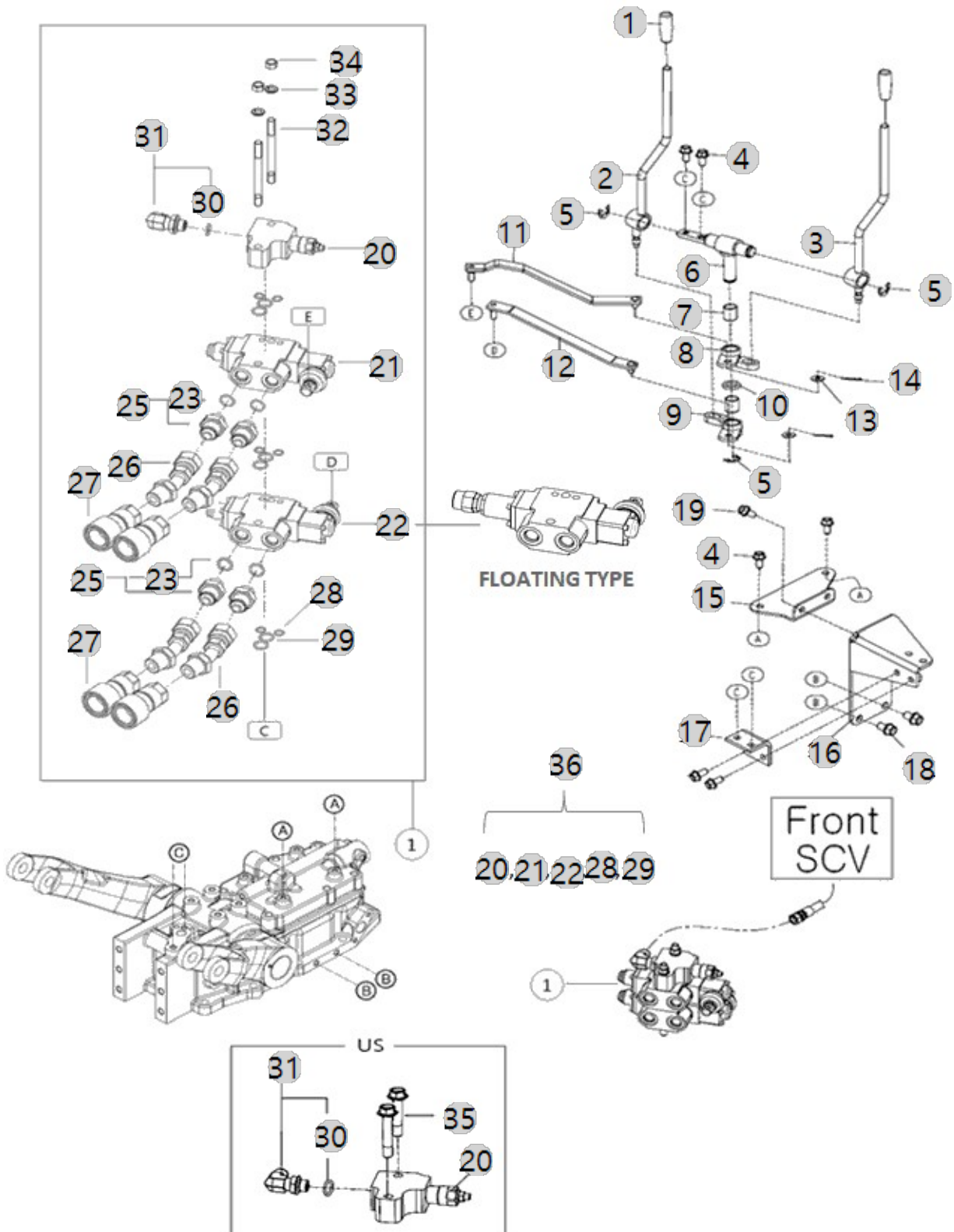
F10120

25ROPS TM총조합
(NEC)(AC01476)

REAR SCV

Year/Month

2022-12-16



| F10120 25ROPS TM총조합 (NEC)(AC01476) | | REAR SCV | | | | Year/Month 2022-12-16 |
|--|-------------------|--------------------|------------------------------|-------------|--------------|--------------------------|
| 순번 (NO) | 부품번호 (PART NO) | 품명 (PART NAME) | 품명 (PART NAME) | 수량 (QTY) | 규격 (SPEC) | 비고 (REMARK) |
| 1 | VD05460000A | SCV레버 노브 | KNOB, SCV LEVER | 2 | | |
| 2 | TA00034047B | 레버 A 조합 | LEVER A ASS'Y | 1 | | |
| 3 | TA00034049B | 레버 B 조합 | LEVER B ASS'Y | 1 | | |
| 4 | 26106-080162 | 플랜지볼트8X16 | SCREW,HEXFLANGEHEADCAP | 6 | M8XP1.25X16 | |
| 5 | 22272-000120 | E형스냅링12 | RING, CIRCLIP (Φ 12) | 3 | D12 | |
| 6 | TA00034042C | 축 조합 | SHAFT ASS'Y | 1 | | |
| 7 | 24550-016200 | 드라이부시16X20 | DRY BUSH 16X20 | 4 | | |
| 8 | TA00036430A | 보스 A 조합 PTO 3단 | BOSS B ASS'Y PTO 3SD | 1 | | |
| 9 | TA00036429A | 보스 B 조합 PTO 3단 | BOSS B ASS'Y PTO 3SD | 1 | | |
| 10 | TA00034062A | 플레이트 | PLATE | 1 | | |
| 11 | TA00036297B | 링크 2 조합 | LINK ASSY 2 | 1 | | |
| 12 | TA00034019A | 링크1조합 | LINK 1 ASS'Y | 1 | | |
| 13 | 22137-080000 | 와셔8 | WASHER, PLAIN (Φ 08) | 4 | M8 | |
| 14 | 22417-200200 | 할핀 | PIN , COTTER (2-20) | 4 | D1.8 | |
| 15 | TA00036443B | 브래킷 | BRACKET | 1 | | |
| 16 | TA00036941A | SCV 고정 레버 브래킷 조합 | HOLDING BRACKET, SCV LEVER | 1 | | |
| 17 | TA00036949A | 고정브라켓 | BRACKET | 1 | | |
| 18 | 26106-100162 | 플랜지볼트M10X16 | SCREW,HEXFLANGEHEADCAP | 2 | M10XP1.5X16 | |
| 19 | 26106-080182 | 444,ALL,플랜지볼트 | SCREW,HEXFLANGEHEADCAP | 4 | | |
| 20 | TA00033977B | 컨트롤 릴리프 | COVER RELIEF | 1 | | |
| 20 | TA00033977C | 컨트롤 릴리프 | COVER RELIEF | 1 | | |
| 21 | TA00037393A | SCV2(D) | SCV2(D) | 1 | | |
| 22A | TA00028226A | SCV 1 | REAR SCV 1 | 1 | | |
| 22A | TA00028226C | SCV 1 | SCV 1 | 1 | | |
| 22B | TA00048561A | SCV(FLOATING) | SCV(FLOATING) | 1 | | |
| 22B | TA00048561C | SCV(FLOATING) | SCV(FLOATING) | 1 | | |
| 23 | 24311-000160 | O-링 P 16 | O-RING, DYNAMIC (Φ16) | 4 | P16 | |
| 25 | TA00042245B | 아댑터(PF1/2) | ADAPTER | 2 | | |
| 26 | TA00042242B | SCV연결파이프(K3) | PIPE, SCV | 2 | | |
| 27 | FBA3150000B3 | 조인트암(1/2") | "ARM, JOINT(1/2")" | 2 | | |
| 28 | 24311-000100 | O-링1AP10.0 | O-RING, DYNAMIC (Φ10) | 4 | P10 | |
| 29 | 24311-000160 | O-링 P 16 | O-RING, DYNAMIC (Φ16) | 4 | P16 | |
| 30 | 24311-000140 | 441,ALL,O-RINGP-14 | O-RING, DYNAMIC (Φ14) | 1 | P14 | |
| 31 | TA00035078A | 90도 엘보 (PF3/8-1/2) | ELBOW | 1 | | |
| 31 | TA00035078B | 90도 엘보 (PF3/8-1/2) | ELBOW | 2 | | |
| 32 | TA00034089A | 심음 볼트 | BOLT | 2 | | |
| 33 | 22217-100000 | 스프링와셔 | WASHER, SPRING (Φ 10) | 2 | M10 | |
| 34 | 26716-100002 | 육각너트 | Nut, Hexa (Φ10) | 2 | M10XP1.5 | |
| 35 | 26013-100452 | 와셔조립육각볼트 | HEX BOLT W/WASHER | 2 | M10X1.5X45 | |
| 36A | TA00034058B | scv 조합 | SCV TOTAL ASS'Y | 1 | | |
| 36B | TA00037386B | PTO2 SCV조합(캐빈용) | SCV TOTAL ASS'Y(DETENT) | 1 | | |
| 36B | TA00037386D | PTO2 SCV조합(캐빈용) | PTO2 SCV TOTAL ASS'Y(DETENT) | 1 | | |

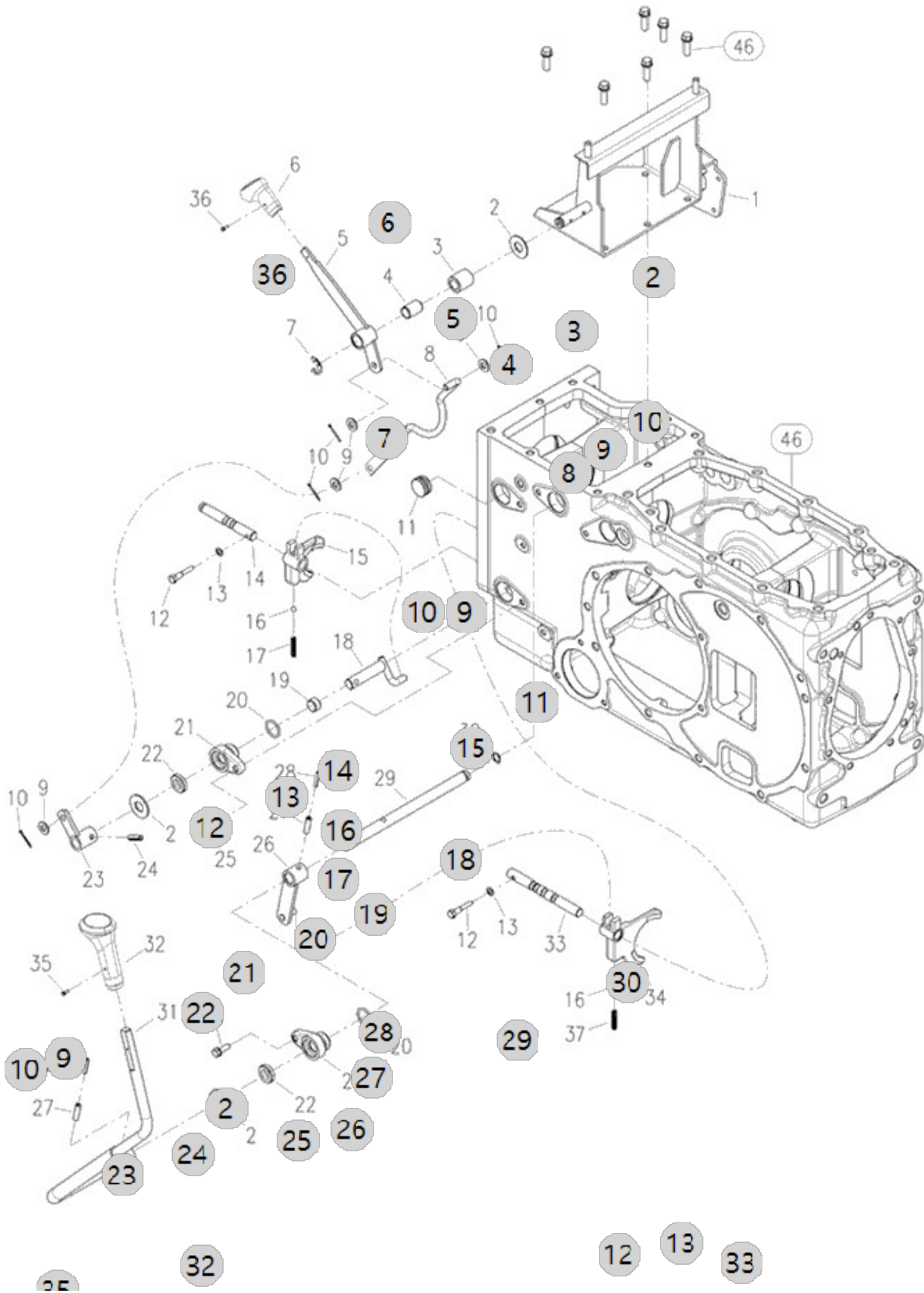
F11020

25ROPS TM총조합
(NEC)(AC01476)

FRONT DRIVE & RANGE SHIFT LEVER

Year/Month

2022-12-16



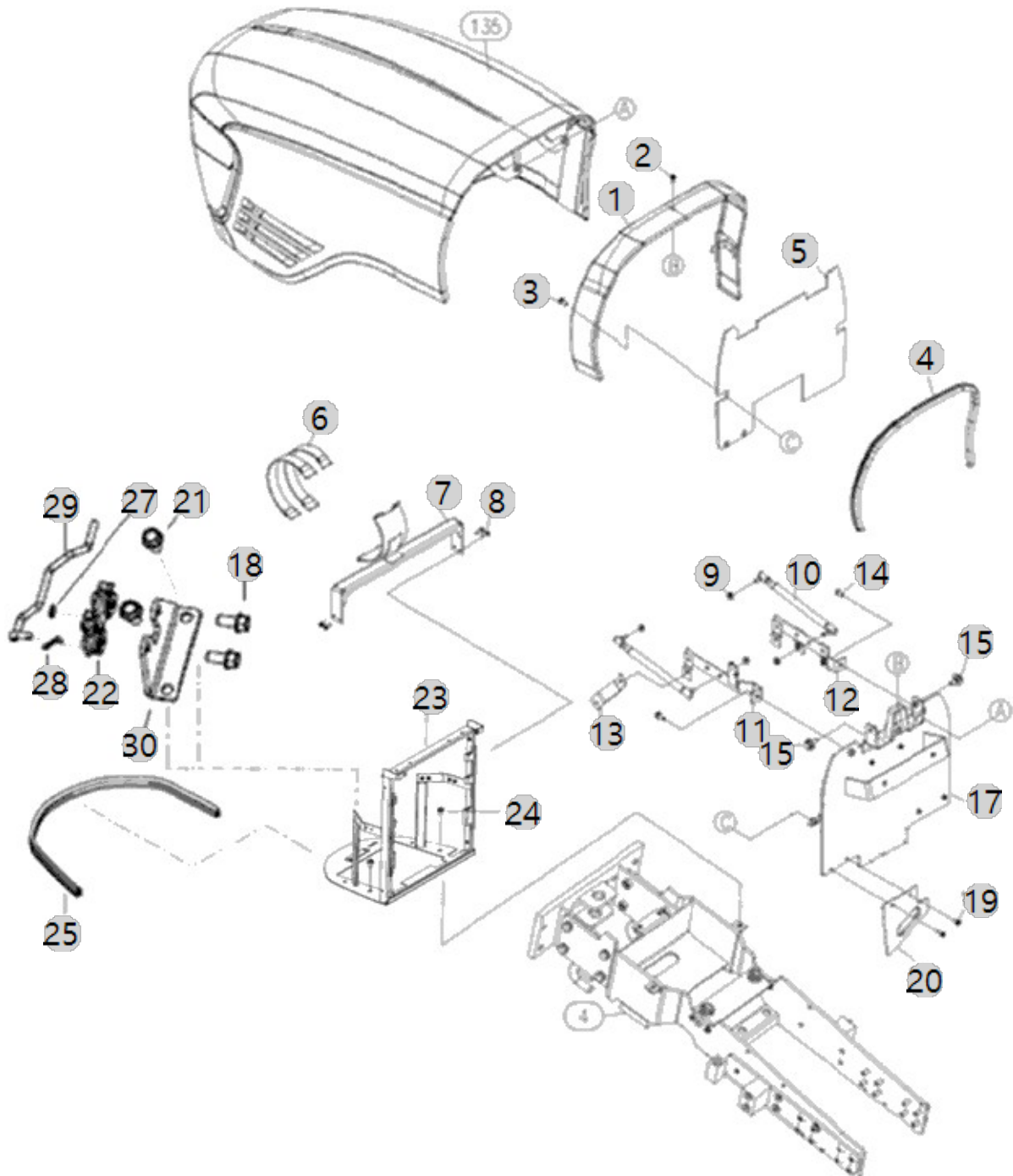
G01060

FIXED BRACKET, BONNET

Year/Month

5025R(EU)(AC02117)

2022-12-16



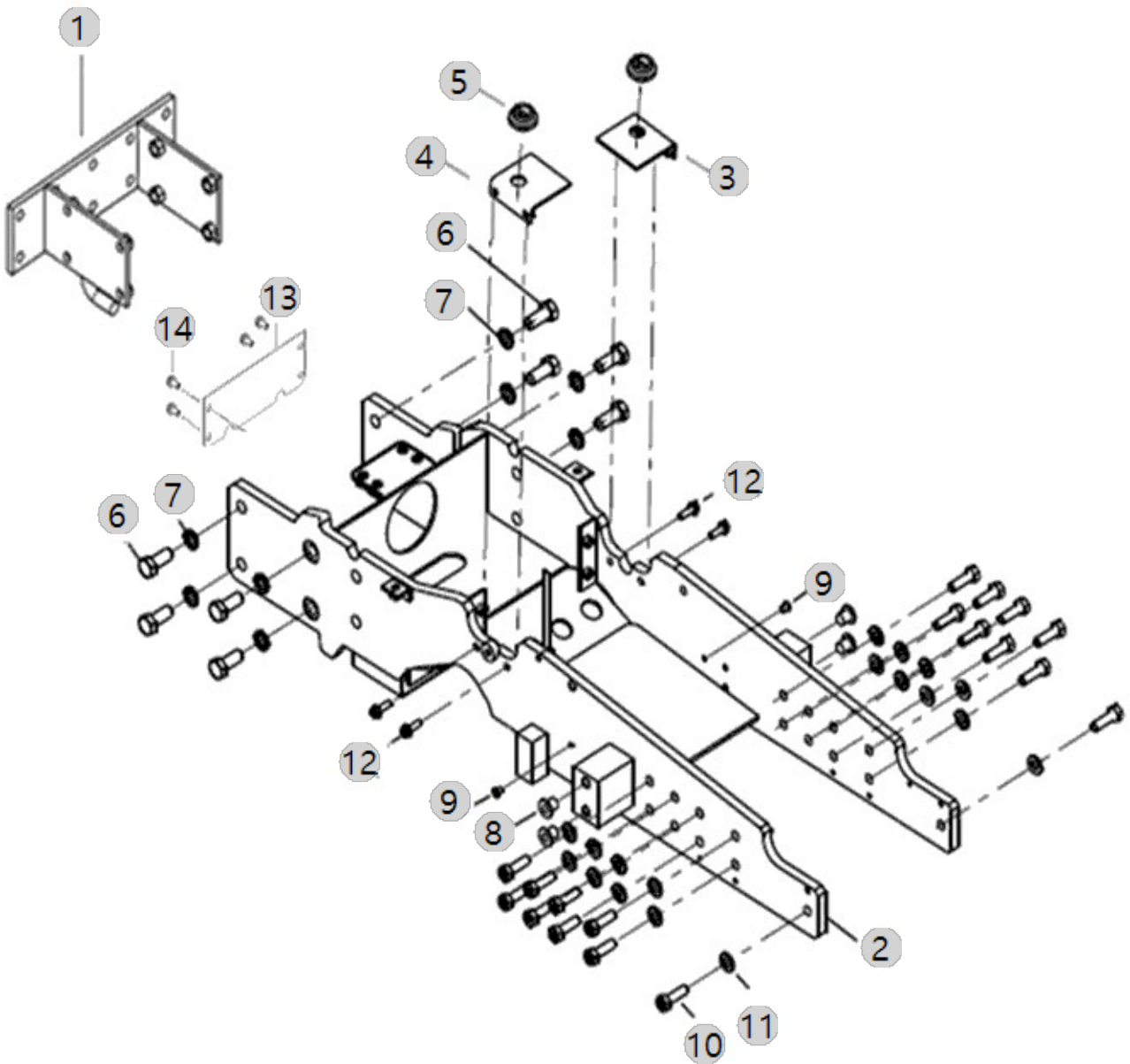
G01080

FRONT AXLE BRACKET

Year/Month

5025R(EU)(AC02117)

2022-12-16



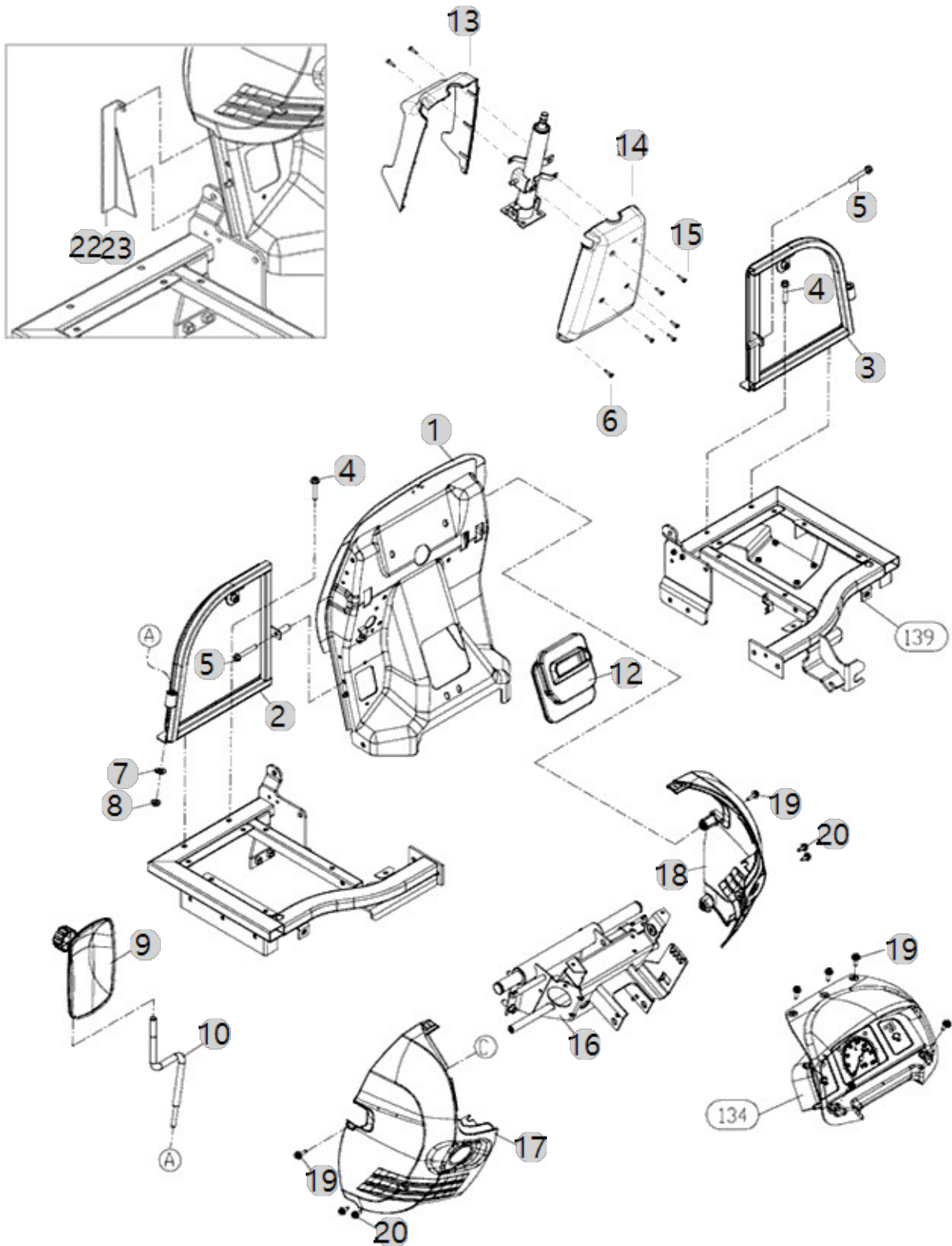
G04020

DASH BOARD

Year/Month

5025R(EU)(AC02117)

2022-12-16



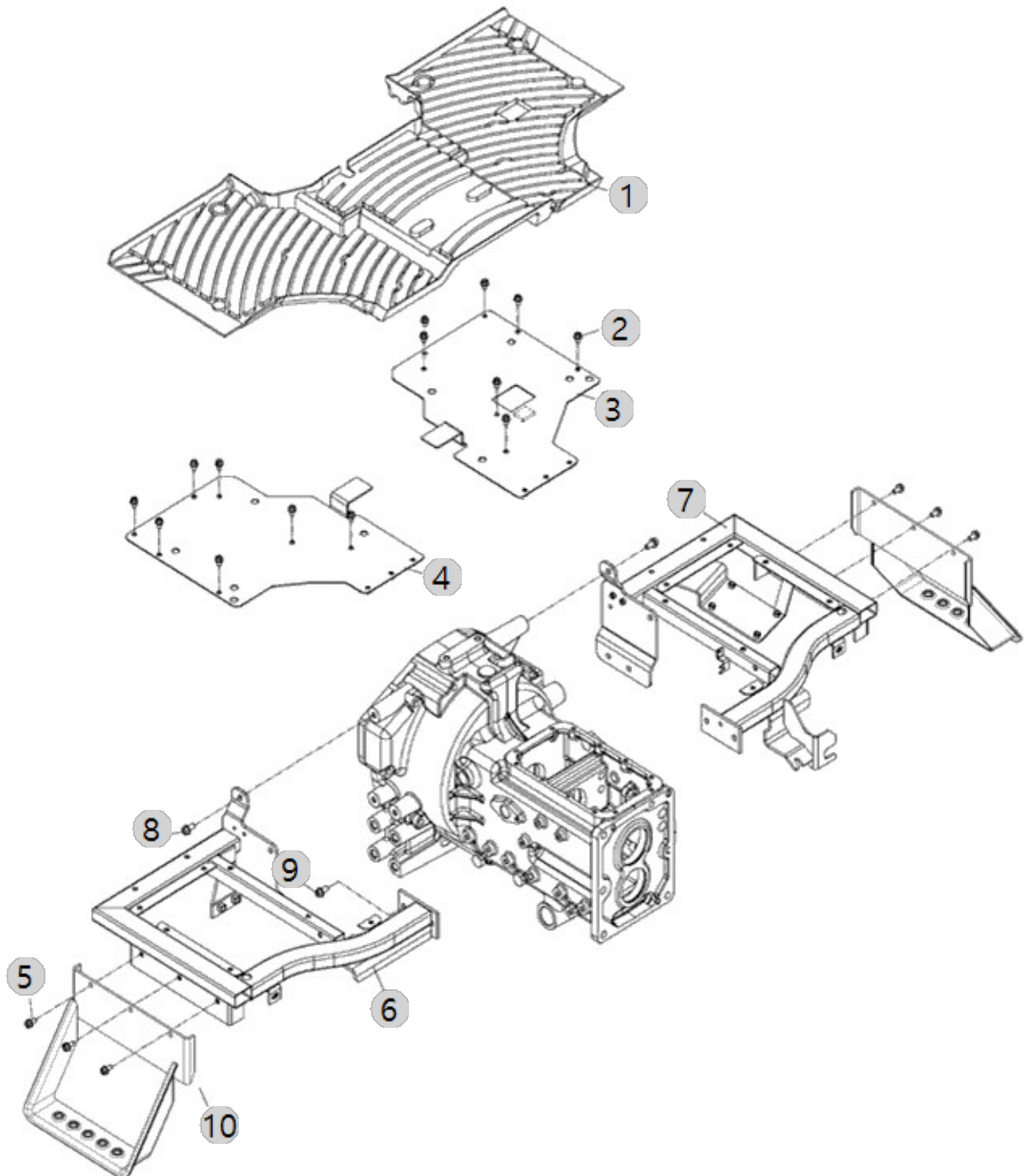
G04060

FLOOR

Year/Month

5025R(EU)(AC02117)

2022-12-16



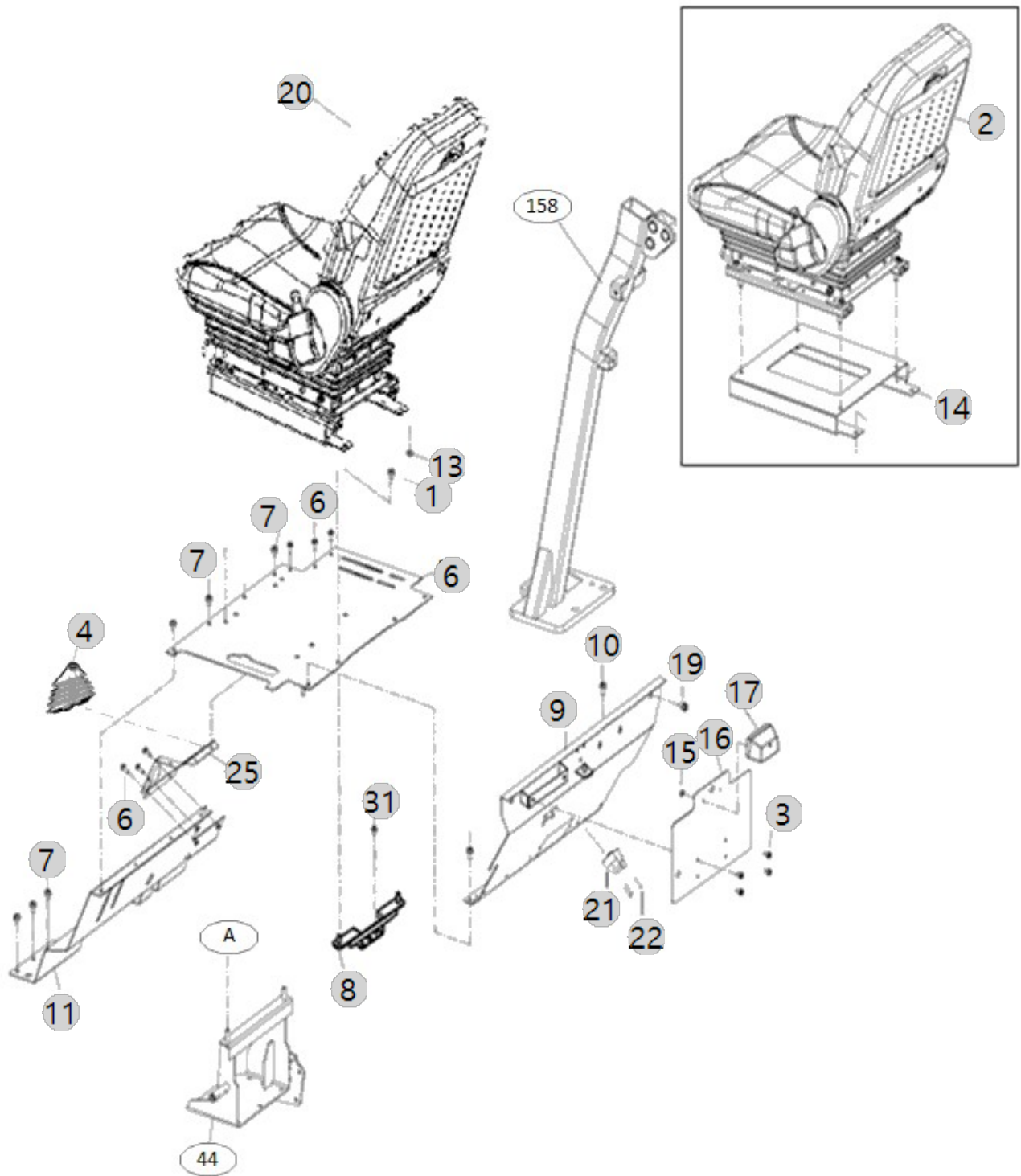
G04070

DRIVER'S SEAT

Year/Month

5025R(EU)(AC02117)

2022-12-16



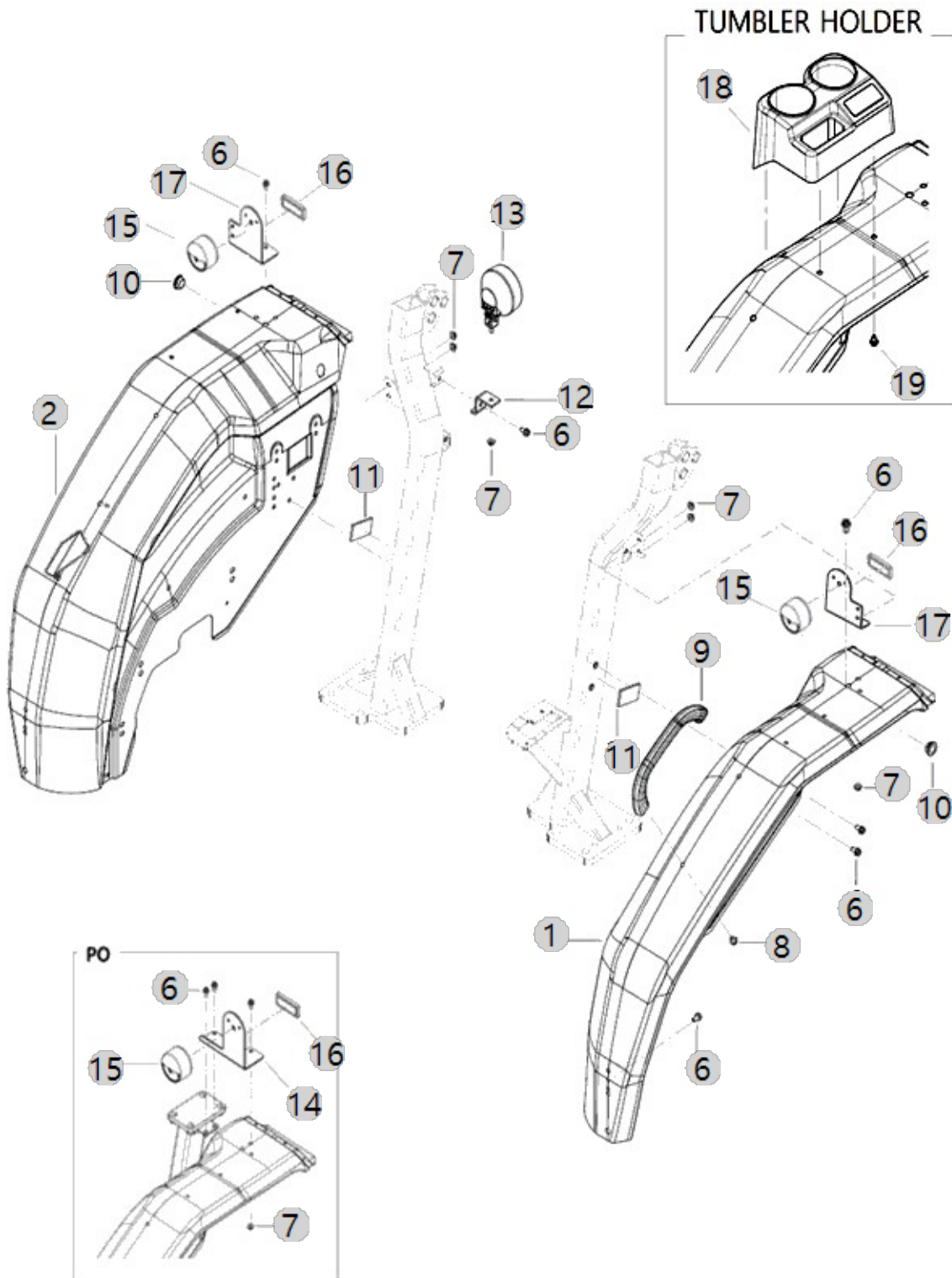
G04090

FENDER

Year/Month

5025R(EU)(AC02117)

2022-12-16



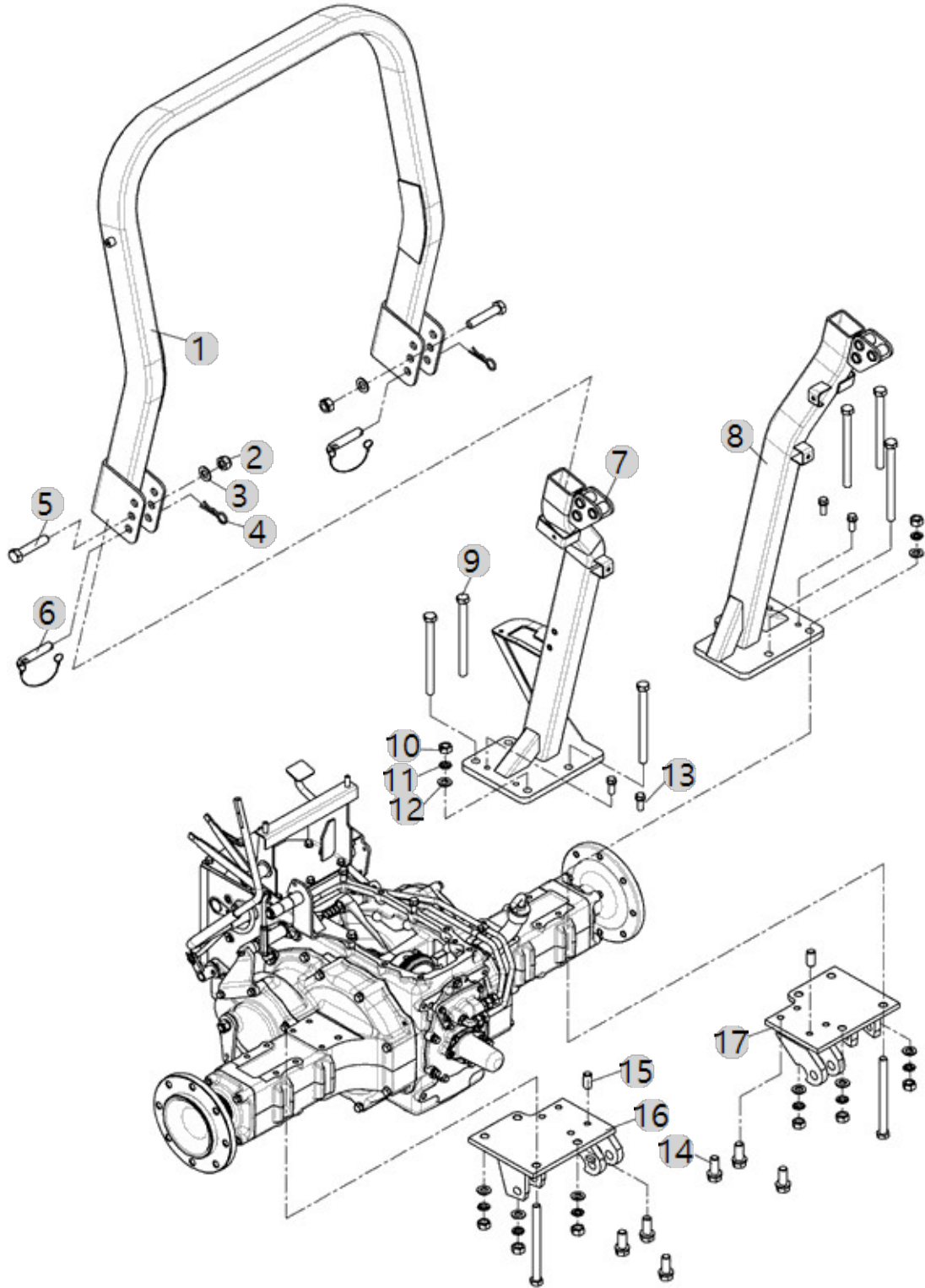
G04120

ROPS

Year/Month

5025R(EU)(AC02117)

2022-12-16



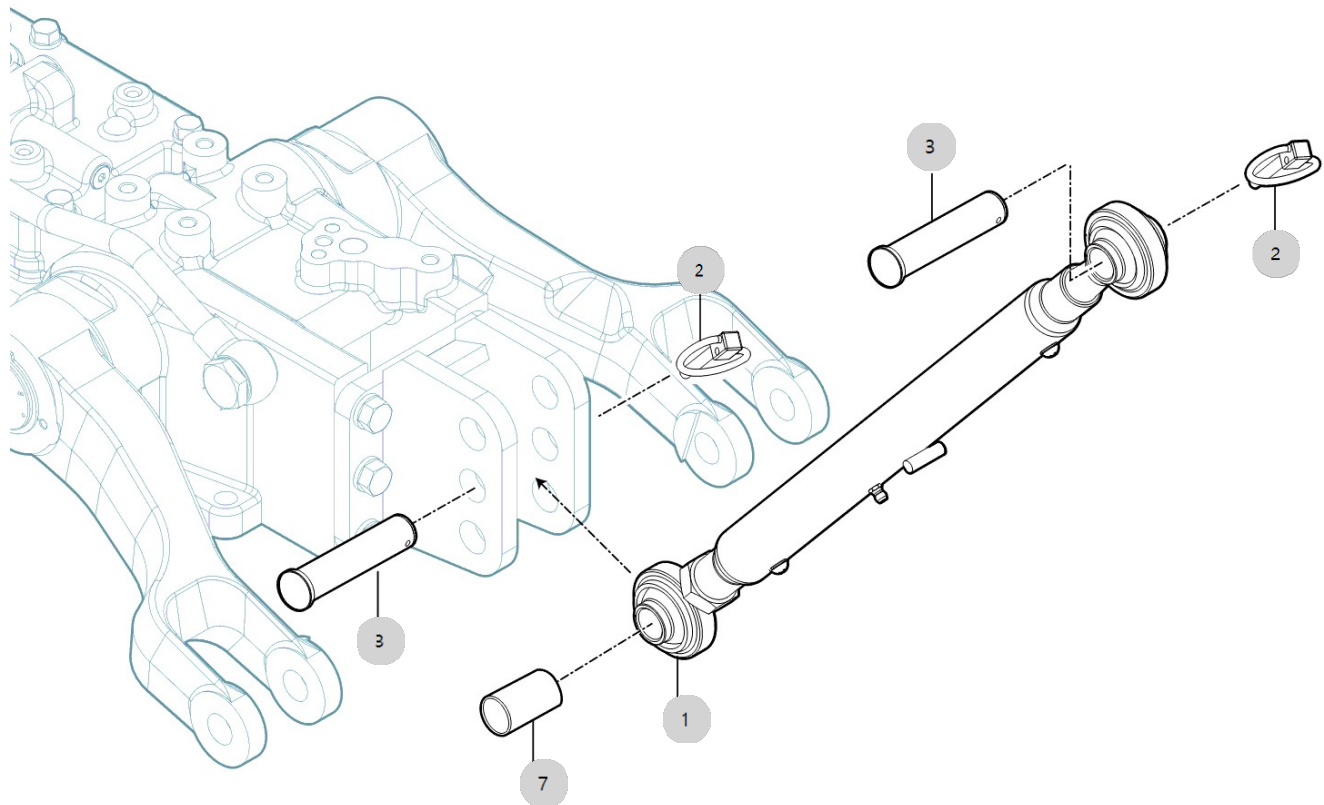
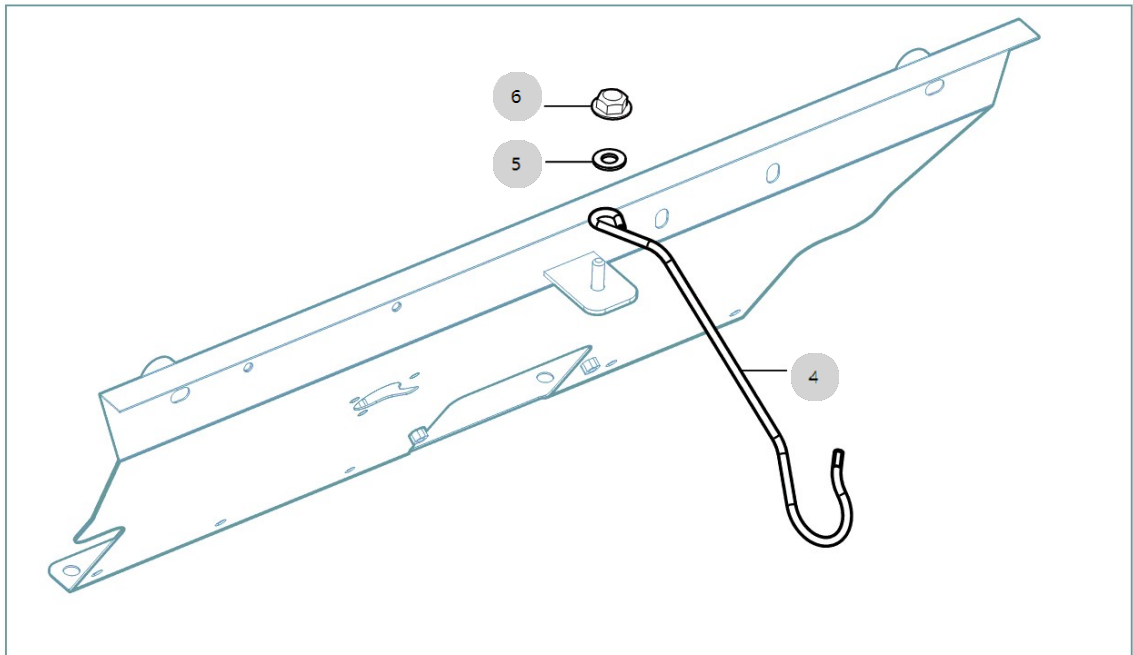
G05020

TOP LINK

Year/Month

5025R(EU)(AC02117)

2022-12-16



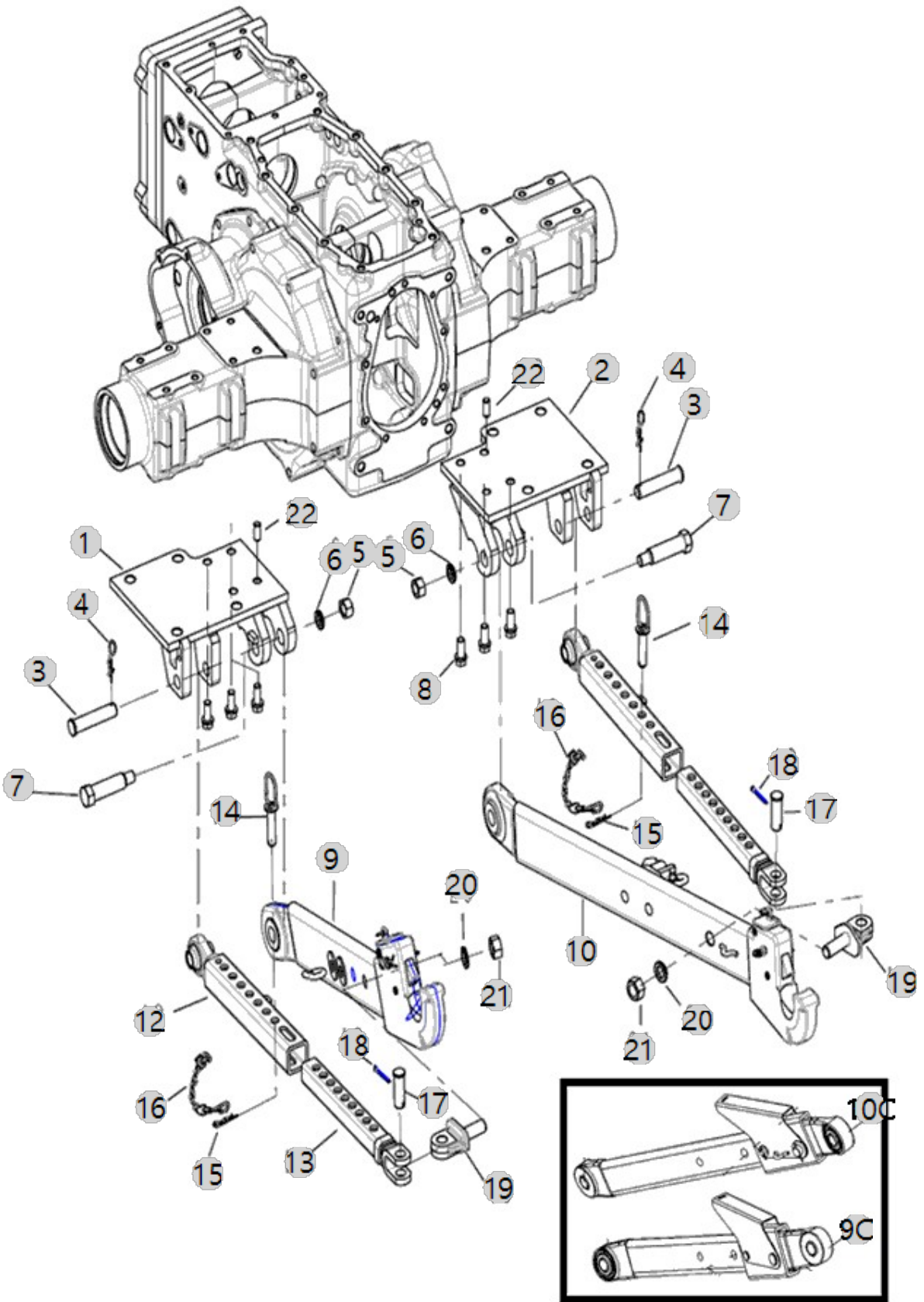
G05030

LOWER LINK

Year/Month

5025R(EU)(AC02117)

2022-12-16



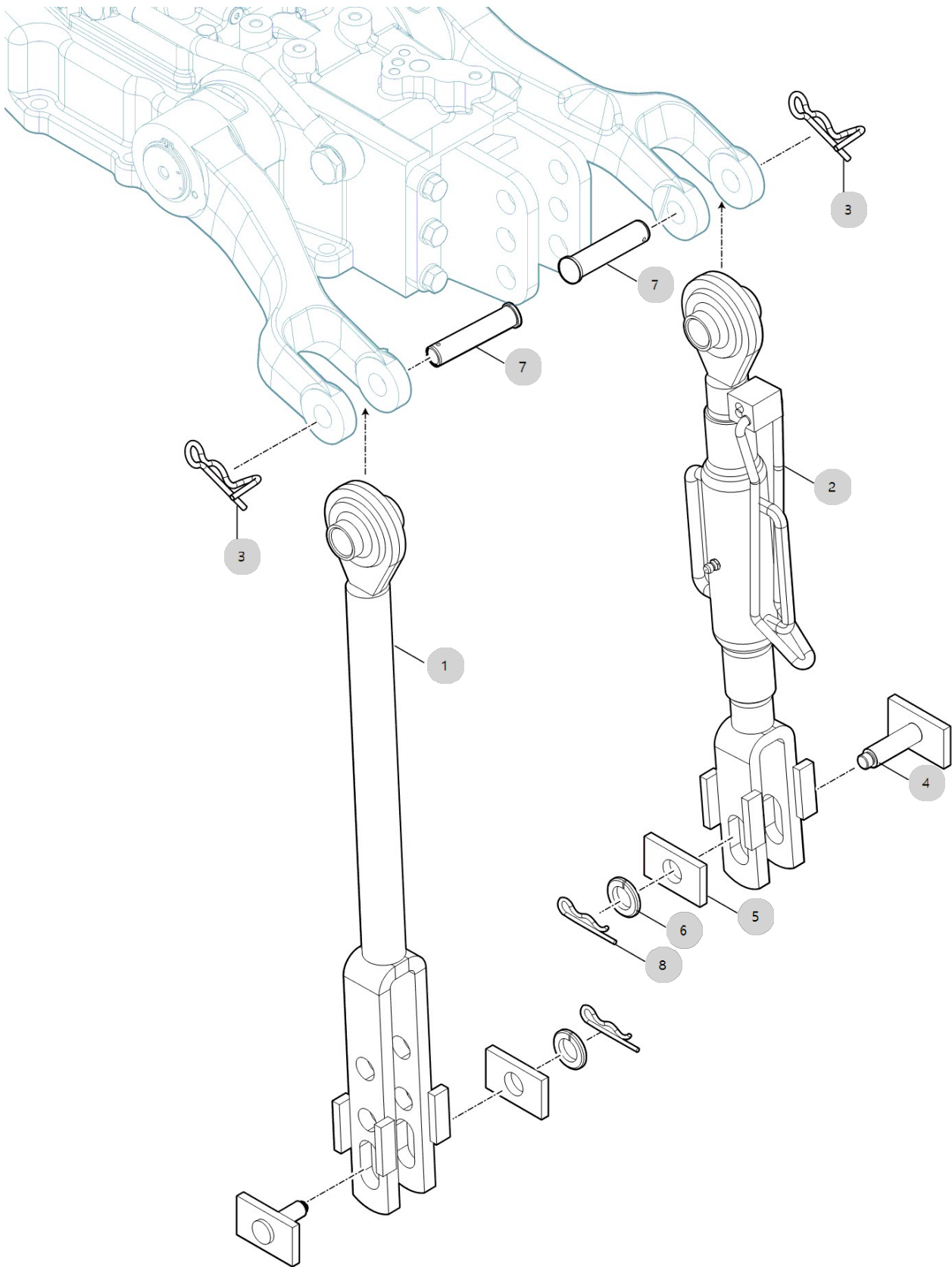
G05050

LIFT LINK

Year/Month

5025R(EU)(AC02117)

2022-12-16



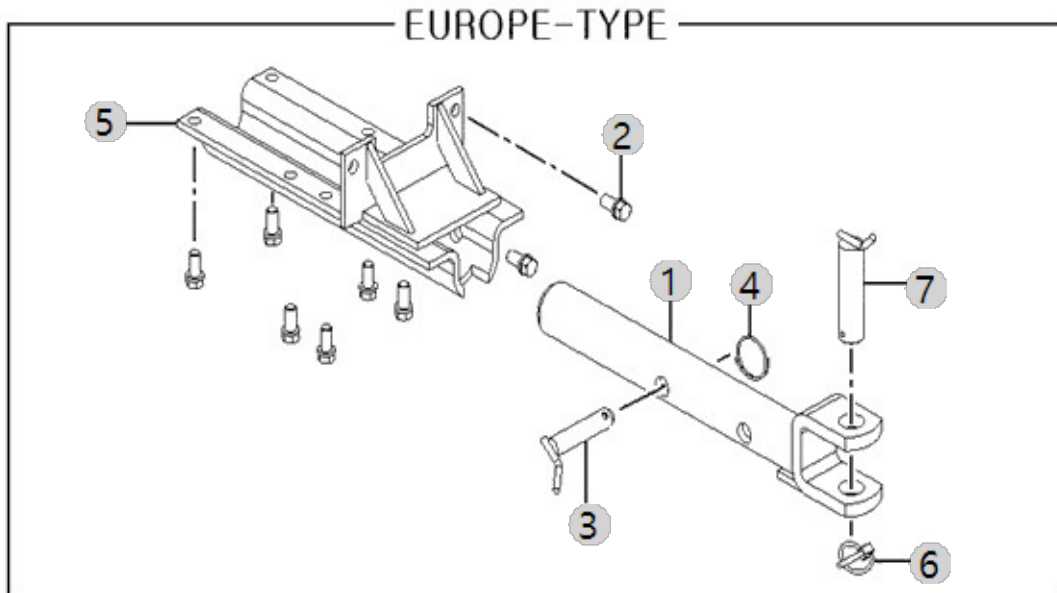
G05070

DRAWBAR

Year/Month

5025R(EU)(AC02117)

2022-12-16



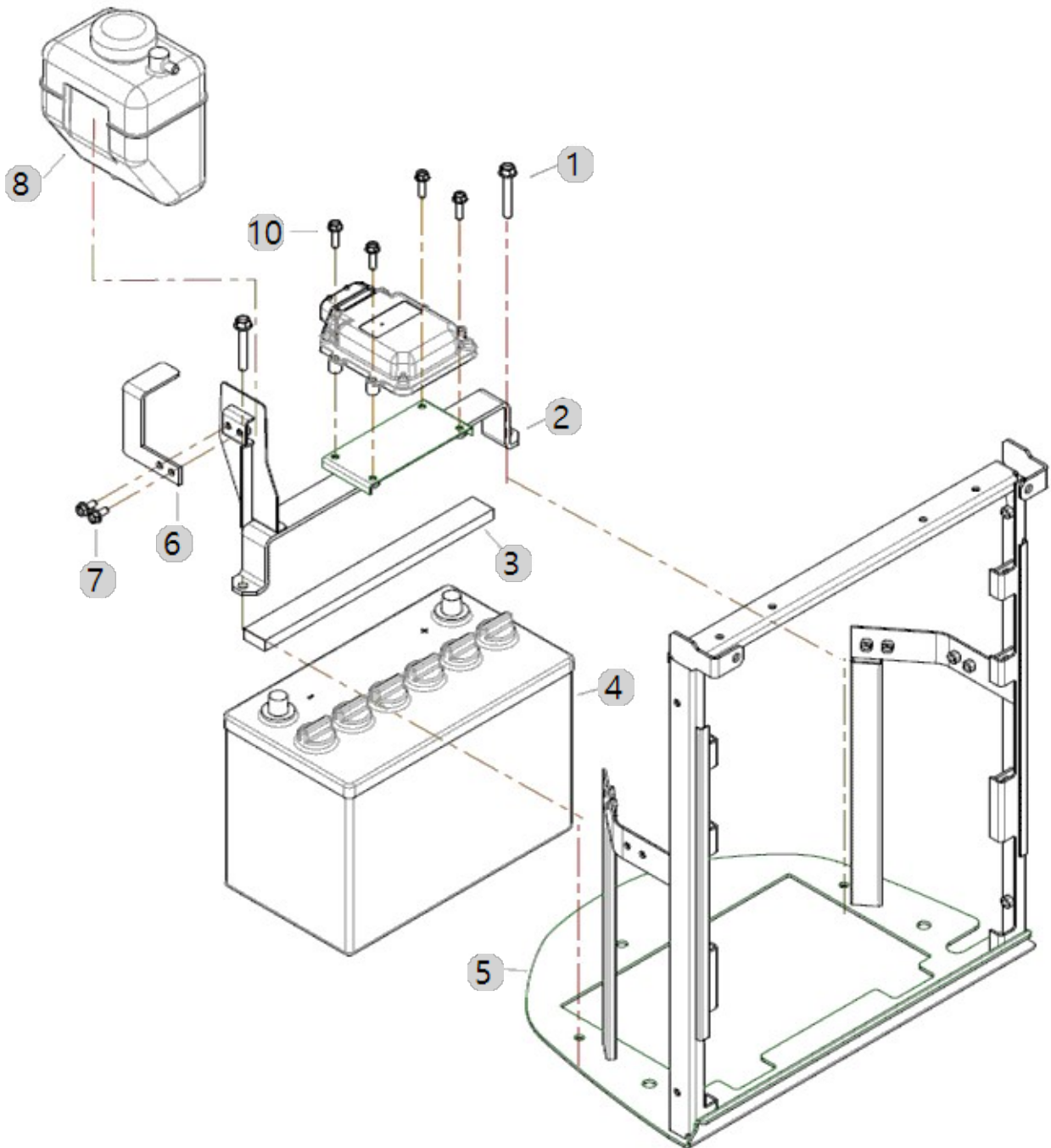
H01030

5025R(EU)(AC02117)

BATTERY

Year/Month

2022-12-16



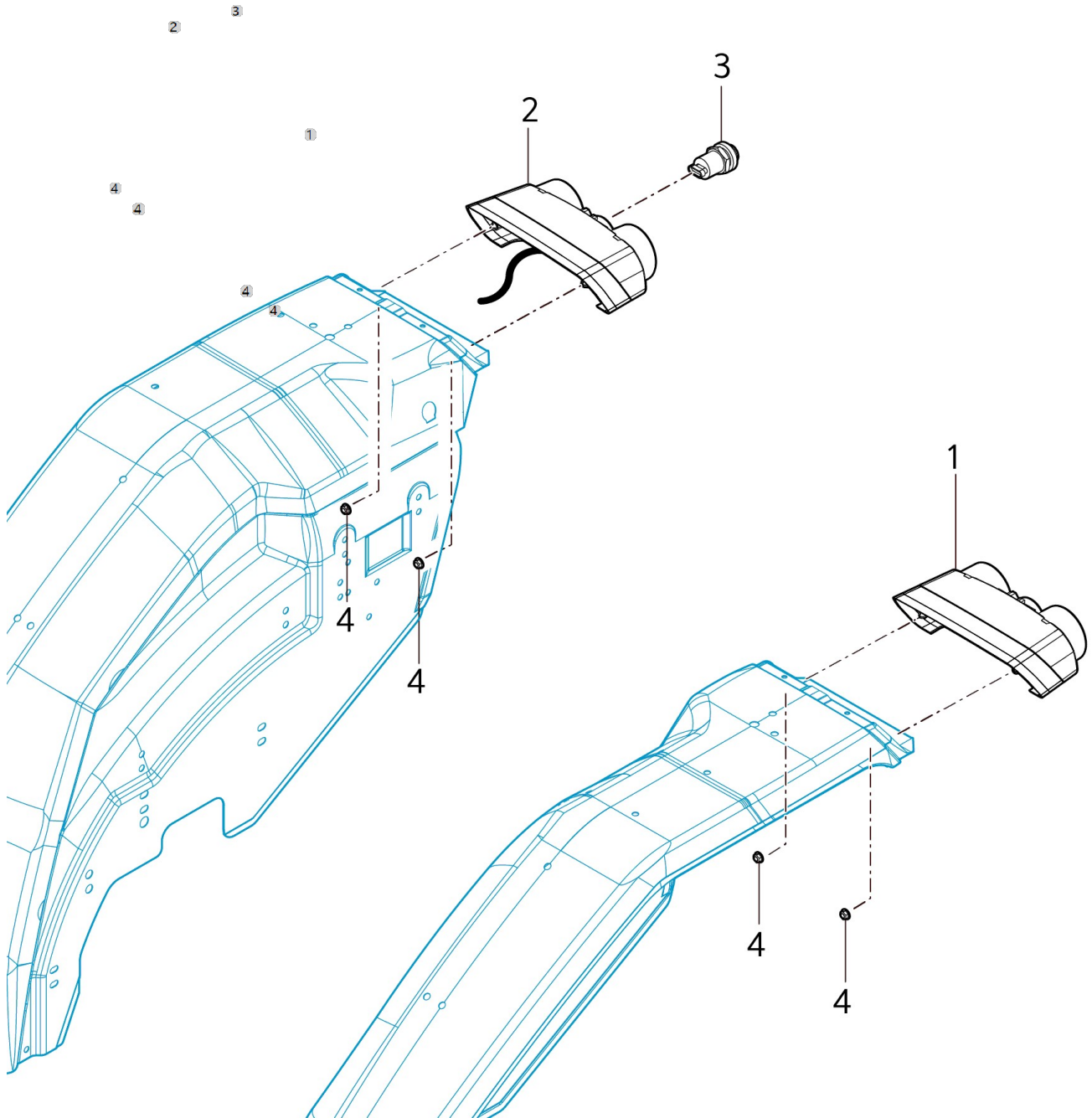
H02020

COMBINATION LAMP

Year/Month

5025R(EU)(AC02117)

2022-12-16



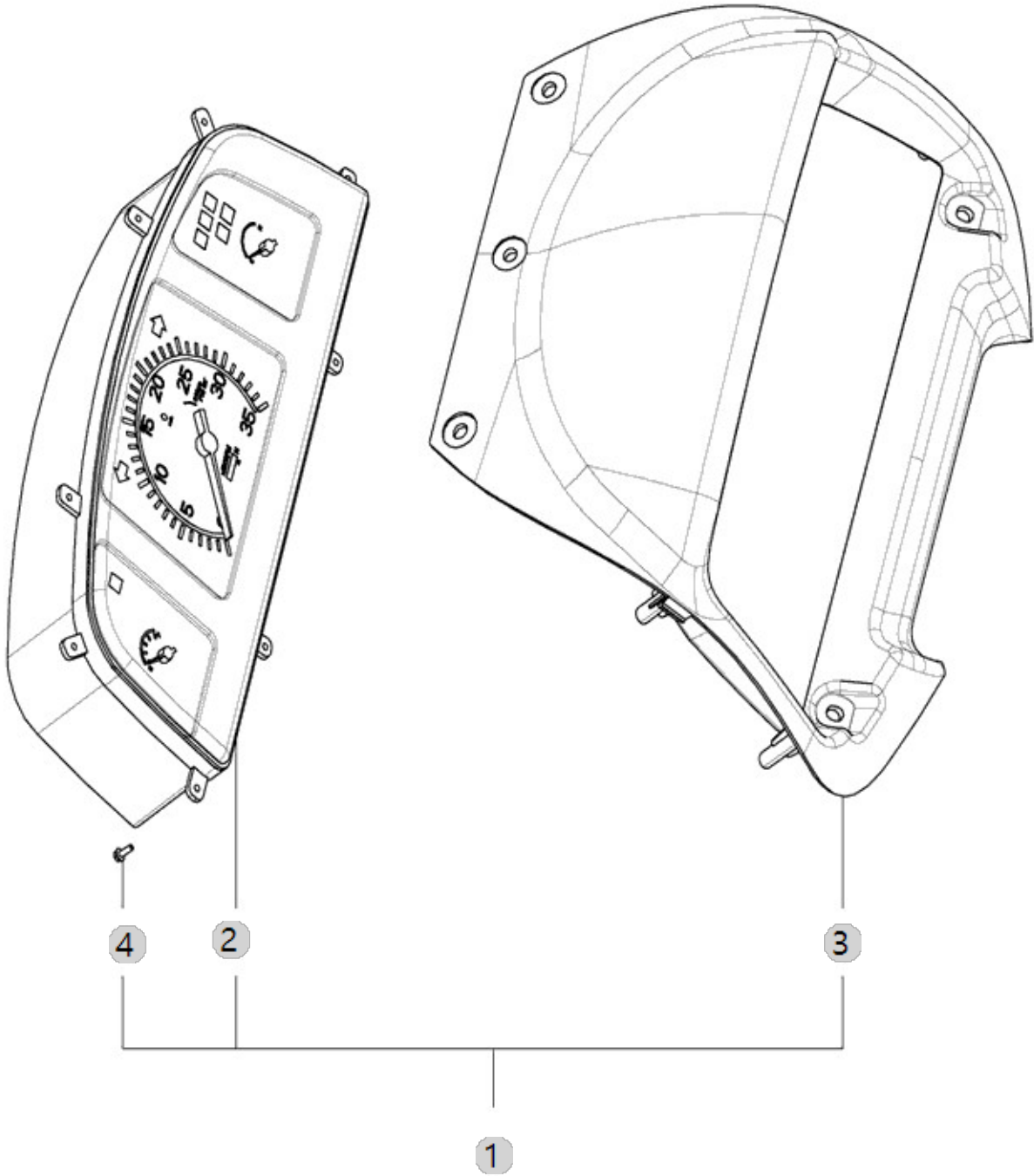
H04030

5025R(EU)(AC02117)

INSTRUMENT PANEL

Year/Month

2022-12-16



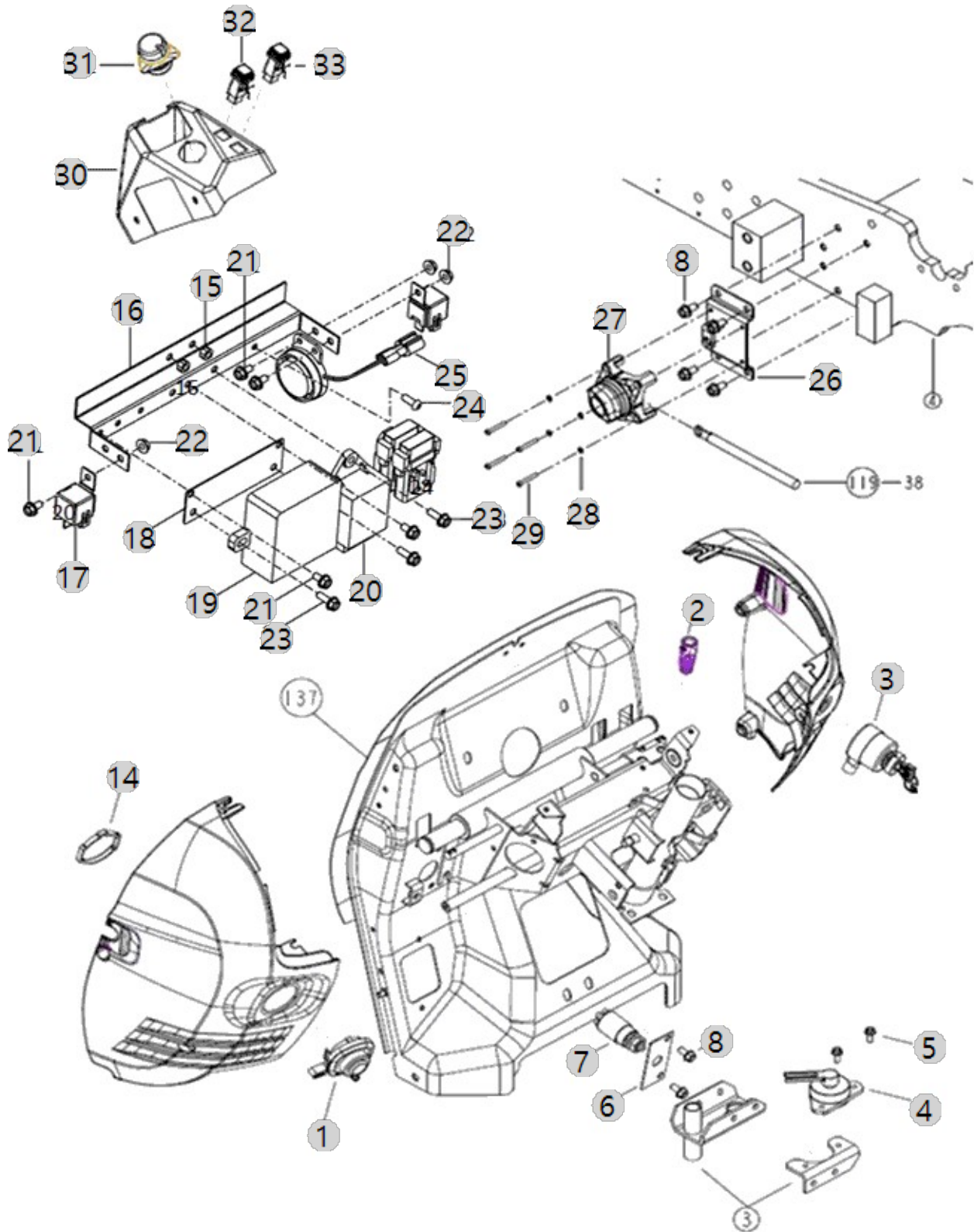
H04050

SWITCH

Year/Month

5025R(EU)(AC02117)

2022-12-16



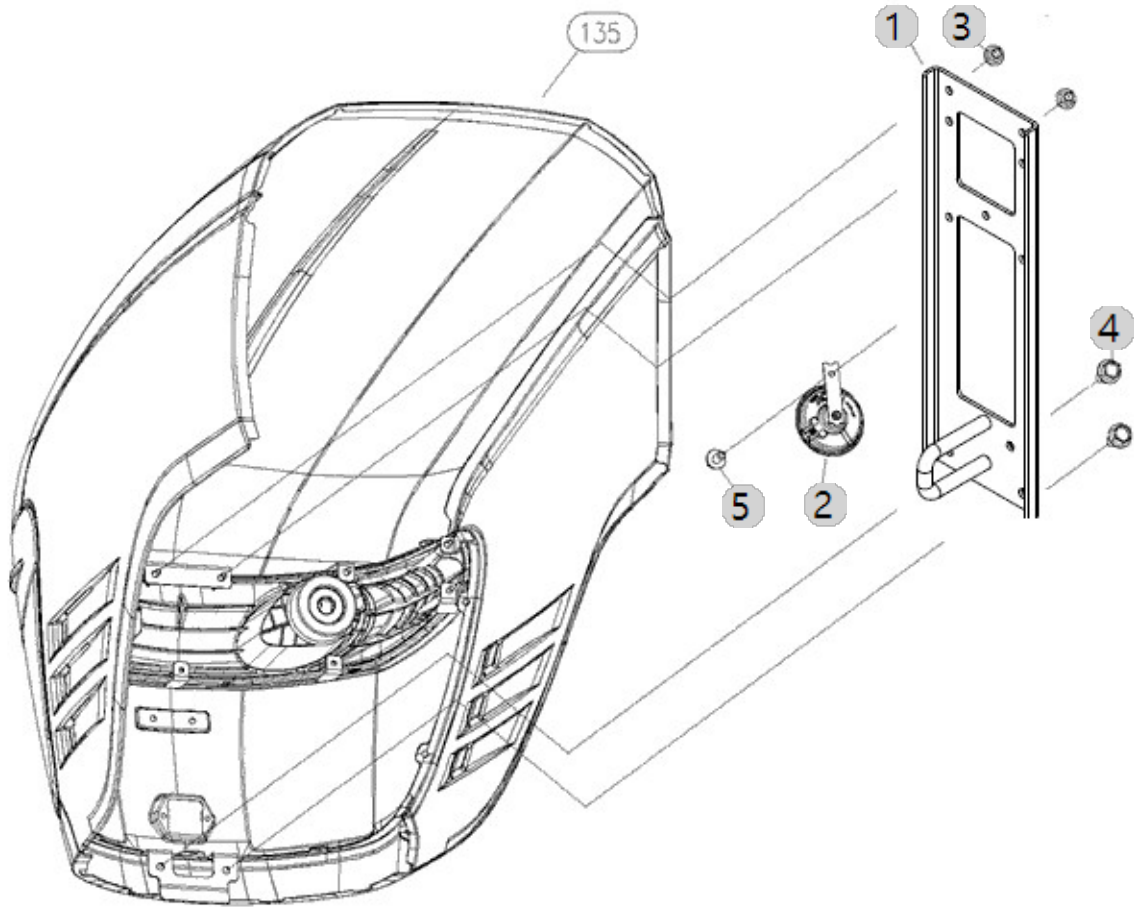
H04090

HORN

Year/Month

5025R(EU)(AC02117)

2022-12-16



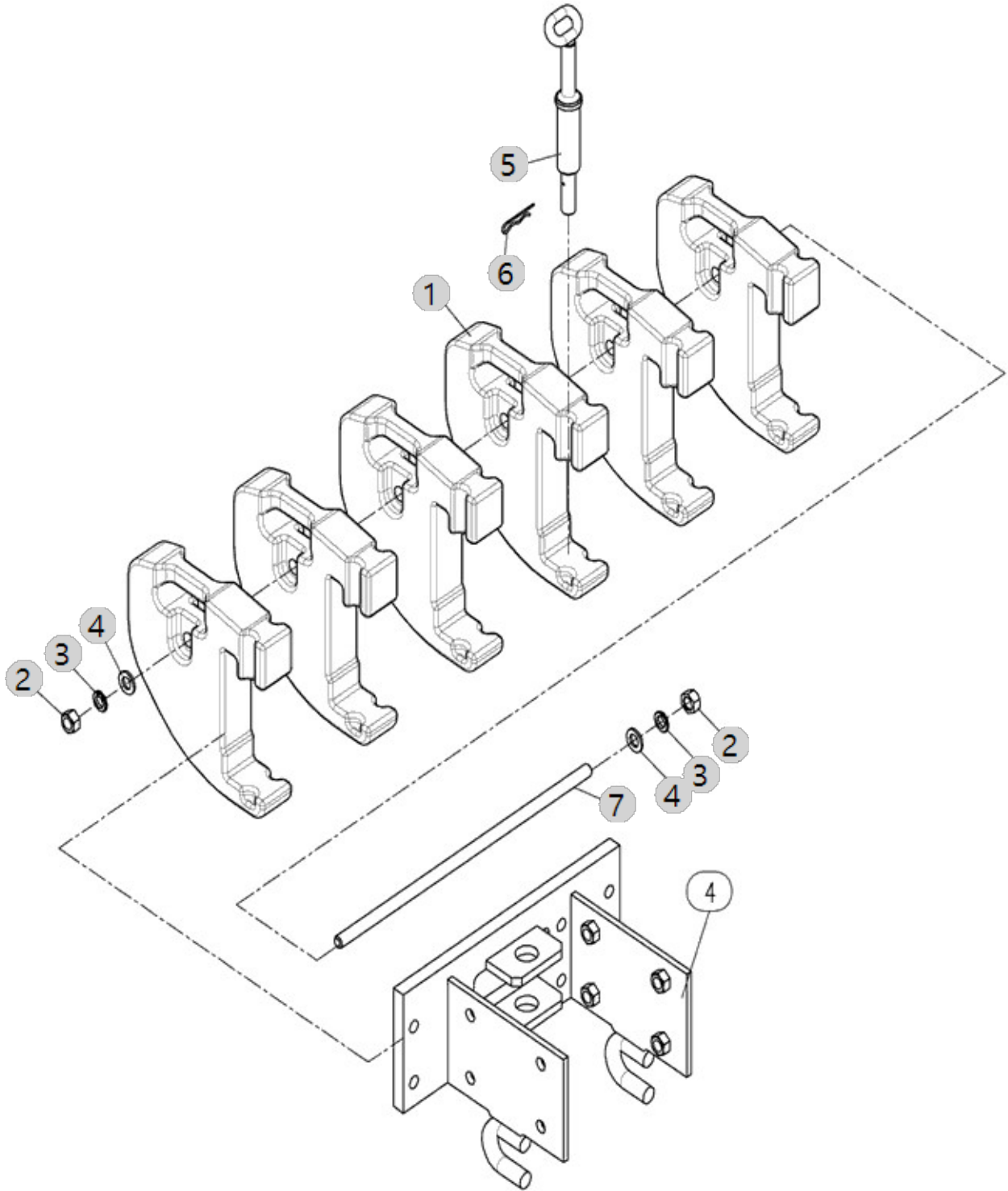
I01010

FRONT WEIGHT

Year/Month

5025R(EU)(AC02117)

2022-12-16



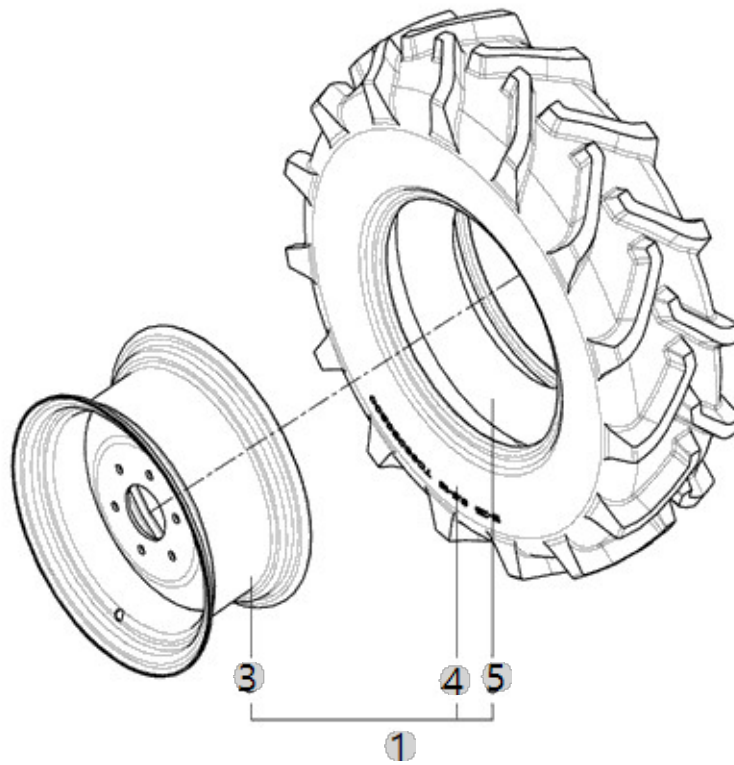
I05010

5025R(EU)(AC02117)

FRONT WHEEL&TIRE

Year/Month

2022-12-16



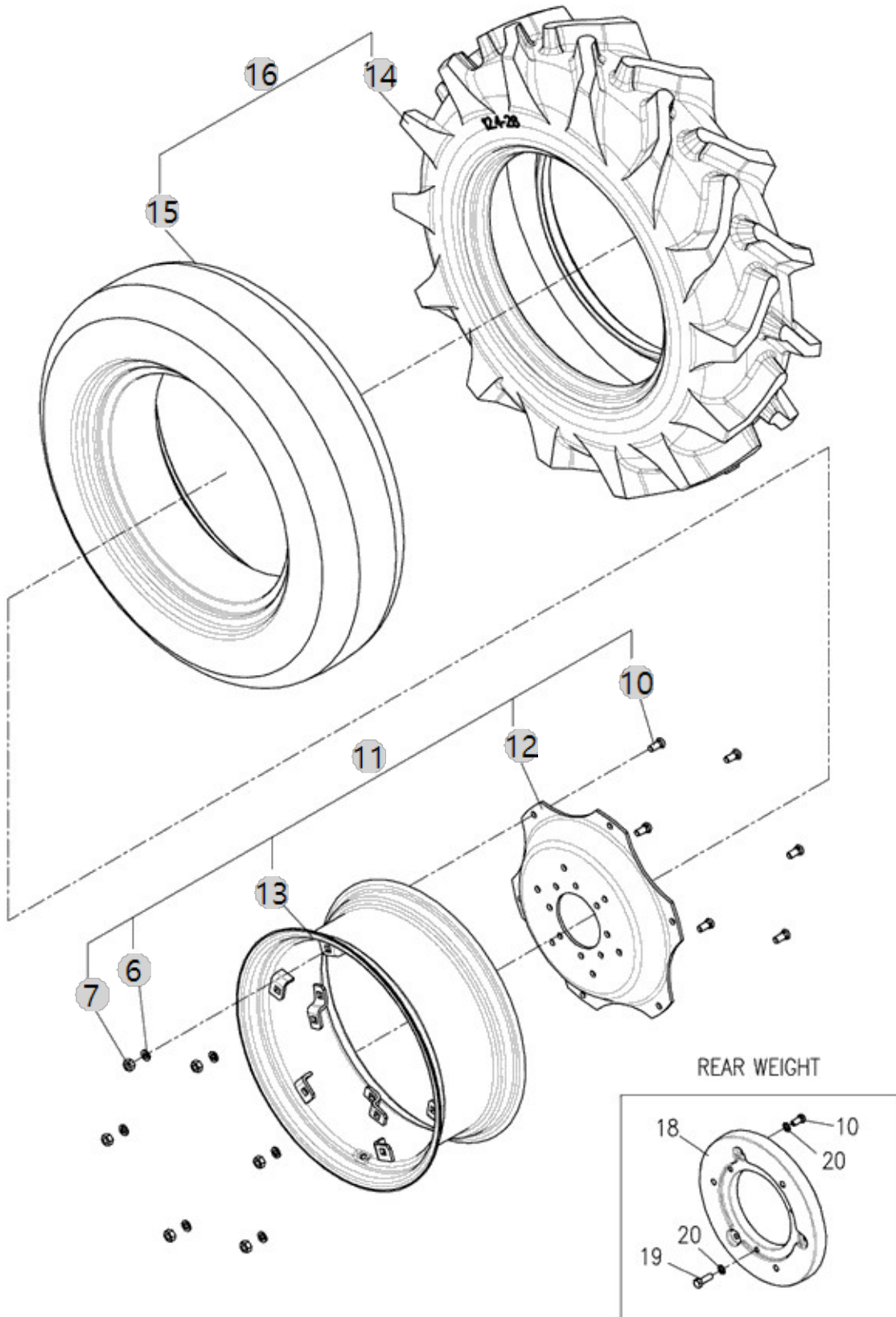
I05020

REAR WHEEL&TIRE ASSY

Year/Month

5025R(EU)(AC02117)

2022-12-16



I07010

5025R(EU)(AC02117)

SPARE TOOLS

Year/Month

2022-12-16

