

T25NHEU3

Parts Catalog

# 목 차

---

---

## 1. 엔진 PART NO. EG

FIG 100 ENGINE ASSY	6
FIG 101 CYLINDER BLOCK	8
FIG 102 GEAR HOUSING	10
FIG 103 OIL SUMP	12
FIG 104 CYLINDER HEAD & BONNET	14
FIG 105 EXHAUST MANIFOLD	17
FIG 106 CAMSHAFT & DRIVING GEAR	19
FIG 107 CRANKSHAFT & PISTON	21
FIG 108 LUB. OIL SYSTEM	23
FIG 109 COOLING WATER SYSTEM	25
FIG 110 FUEL INJECTION PUMP	27
FIG 111 GOVERNOR	29
FIG 112 FUEL INJECTION VALVE	31
FIG 113 FUEL FILTER	33
FIG 114 STARTING MOTOR	35
FIG 115 GENERATOR	37
FIG 116 ACCESORY	39

## 2. 엔진보기품 PART NO. T2

FIG 201 AIR CLEANER	42
FIG 202 RADIATOR	44
FIG 203 MUFFLER	46
FIG 204 FUEL TANK & FUEL LINE	48
FIG 205 ACCELERATOR	50
FIG 206 OIL COOLER	52

## 3. 클러치/브레이크/스티어링 PART NO. T3

FIG 301 FLYWHEEL COVER	55
FIG 302 SPEED CONTROL	57

FIG 303 BRAKE	60
FIG 304 BRAKE PEDAL & LINKAGE	62
FIG 305 STEERING WHEEL & DASH COVER	64
FIG 306 STEERING VALVE	66
FIG 307 STEERING CYLINDER	68
FIG 308 FRONT WHEEL	70
FIG 309 REAR WHEEL	72

#### 4. 트랜스미션 PART NO. T4

FIG 401 INPUT SHAFT	75
FIG 402 HST	77
FIG 403 4WD DRIVE GEAR	79
FIG 404 RANGE GEARS	81
FIG 405 P.T.O DRIVE SHAFT	83
FIG 406 P.T.O SHAFT	85
FIG 408 DIFF LOCK	87
FIG 409 REAR TRANSMISSION CASE	89
FIG 410 REAR AXLE HOUSINGS	91
FIG 411 RANGE SHIFT LEVER	93
FIG 412 P.T.O CHANGE LEVER	95
FIG 413 4WD CHANGE LEVER	97

#### 5. 프론트 액슬 PART NO. T5

FIG 501 FRAME	100
FIG 502 FRONT DIFFERENTIAL GEARS & SHAFT	102
FIG 503 FRONT AXLE HOUSING	104
FIG 504 FRONT GEAR CASE (1)	106
FIG 505 FRONT GEAR CASE (2)	108

#### 6. 유압/3점링크 PART NO. T6

FIG 601 CYLINDER CASE	111
FIG 602 LIFT ARM	113
FIG 603 FLOW CONTROL VALVE	115
FIG 604 CONTROL VALVE LINKAGE	117
FIG 605 MAIN CONTROL VALVE	119

FIG 606 REMOTE CONTROL VALVE	121
FIG 607 POSITION LEVER LINKAGE	123
FIG 608 GEAR PUMP	125
FIG 609 HYDRAULIC HOSE (1)	127
FIG 610 HYDRAULIC HOSE (2)	129
FIG 611 PTO VALVE	131
FIG 612 3-POINT LINKAGE	133
FIG 613 JOYSTICK LEVER	136
FIG 614 HITCH & COVER	138

## 7. 시트메탈/캐빈 PART NO. T7

FIG 701 BONNET	141
FIG 702 DASH PANEL	143
FIG 703 FLOOR	145
FIG 704 SEAT	148
FIG 705 ROPS	150

## 8. 전장 PART NO. T8

FIG 801 BATTERY & MOUNTING	153
FIG 802 LIGHTS	155
FIG 803 INSTRUMENT PANEL	157
FIG 804 ELECTRIC SYSTEM	159
FIG 805 HARNESS	161
FIG 806 HARNESS	163

## 9. 라벨/옵션 PART NO. T9

FIG 901 TOOL & ACCESSORY	166
FIG 902 WEIGHT	168

## 1. 엔진 PART NO. EG

FIG 100 ENGINE ASSY	6
FIG 101 CYLINDER BLOCK	8
FIG 102 GEAR HOUSING	10
FIG 103 OIL SUMP	12
FIG 104 CYLINDER HEAD & BONNET	14
FIG 105 EXHAUST MANIFOLD	17
FIG 106 CAMSHAFT & DRIVING GEAR	19
FIG 107 CRANKSHAFT & PISTON	21
FIG 108 LUB. OIL SYSTEM	23
FIG 109 COOLING WATER SYSTEM	25
FIG 110 FUEL INJECTION PUMP	27
FIG 111 GOVERNOR	29
FIG 112 FUEL INJECTION VALVE	31
FIG 113 FUEL FILTER	33
FIG 114 STARTING MOTOR	35
FIG 115 GENERATOR	37
FIG 116 ACCESORY	39

FIG 100 T25NHEU3	ENGINE ASSY	년/월 Year/Month 2022-12
---------------------	-------------	------------------------------

# ENGINE

1

NOTE	
------	--



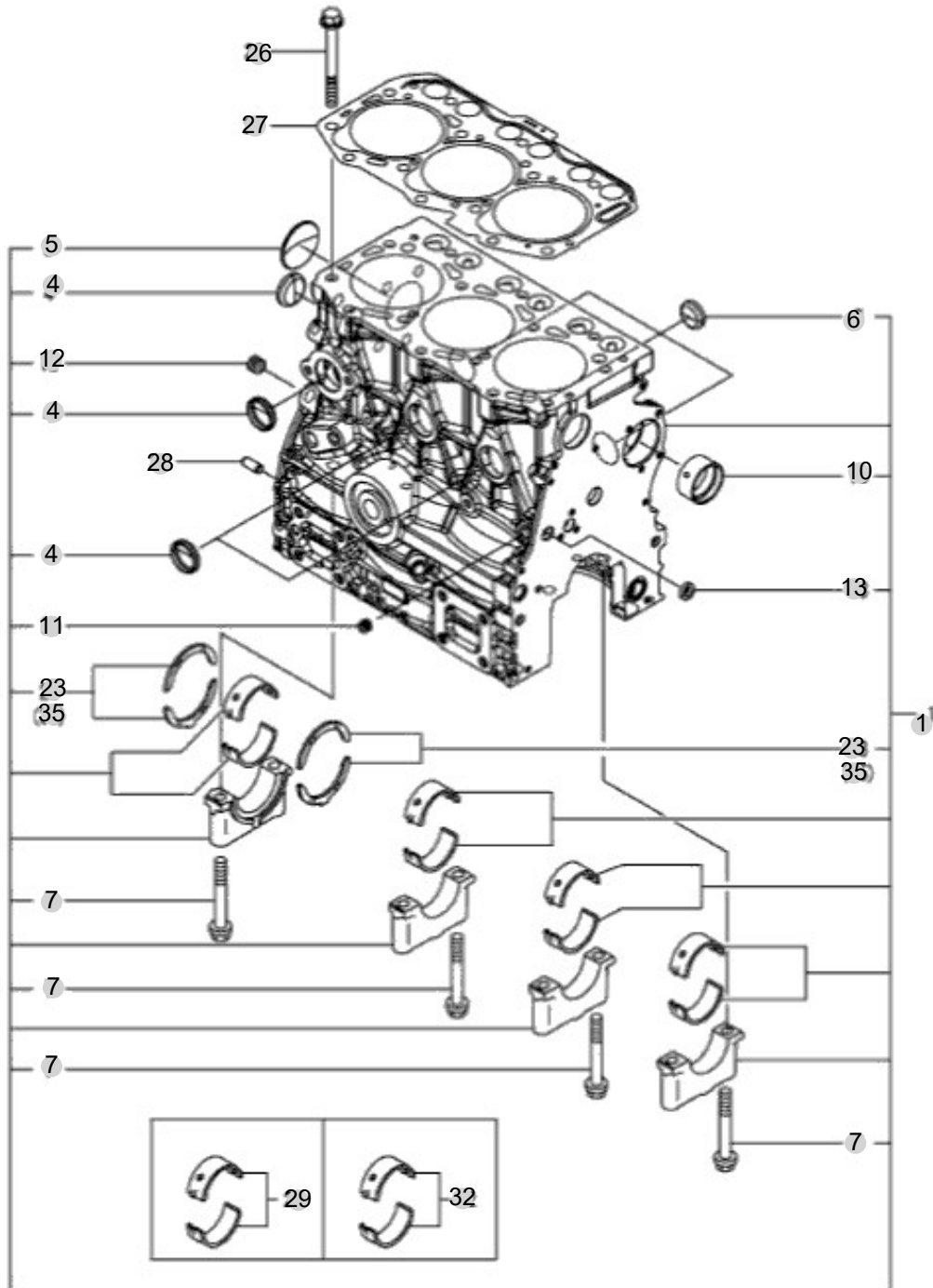
FIG 101

CYLINDER BLOCK

년/월  
Year/Month

2022-12

T25NHEU3



NOTE





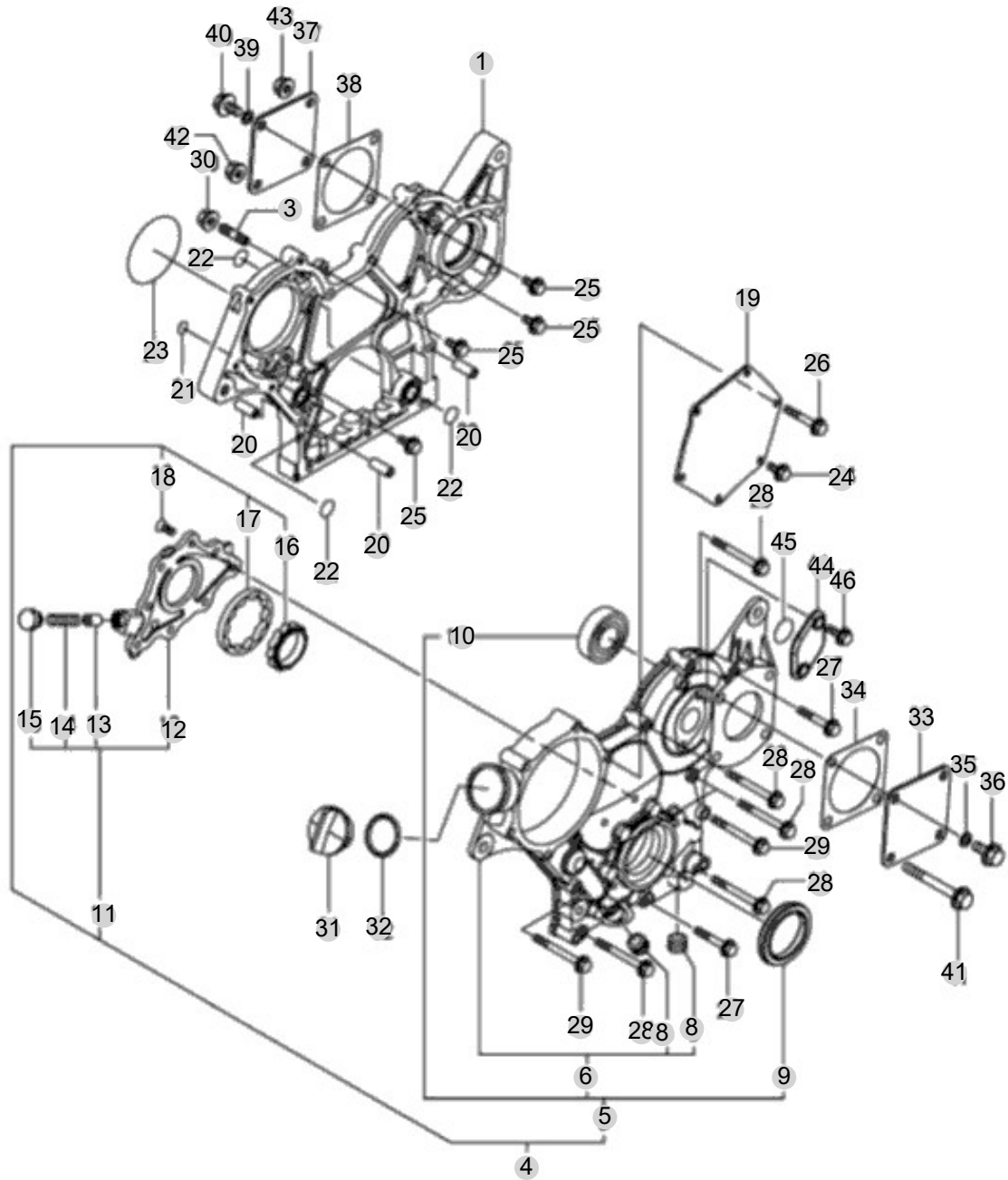
FIG 102

GEAR HOUSING

년/월  
Year/Month

2022-12

T25NHEU3



NOTE

FIG 102		GEAR HOUSING					년/월	
							Year/Month	
T25NHEU3		2022-12						
KEY NO	PART NO	DESCRIPTION	SPEC	QTY	REPAIR	EFFECTIVE DATE	REMARKS	
102	1	119740-01501	CASE, GEAR		1			
102	3	119717-01570	STUD		3			
102	4	119751-01590	COVER ASSY, CASE		1			
102	5	719751-01500	COVER ASSY, CASE		1			
102	6	119751-01521	COVER, GEAR CASE		1			
102	8	23876-030000	PLUG, R03		2			
102	9	119717-01800	SEAL, OIL		1			
102	10	24101-062024	깊은 홈 볼베어링		1			
102	11	119717-32100	COVER ASSY, PUMP		1			
102	12	119717-32080	COVER, OIL PUMP		1			
102	13	129900-32130	VALVE, RELIEF		1			
102	14	129001-32320	SPRING		1			
102	15	129001-32330	PLUG		1			
102	16	119717-32110	ROTOR, INNER		1			
102	17	119717-32120	ROTOR, OUTER		1			
102	18	119802-32130	SCREW, M6X16		8			
102	19	119717-01750	COVER, PUMP		1			
102	20	119660-01911	PIPE, KNOCK 6X17		4			
102	21	119624-32040	O-RING, P12.0		1			
102	22	119717-32050	O-RING, P17.0		3			
102	23	121850-51960	O-RING, FUEL PUMP		1			
102	24	26106-060122	BOLT, M6X 12 PLATED		1			
102	25	26106-060162	BOLT, M6X 16 PLATED		4			
102	26	26106-060402	BOLT, M6X 40 PLATED		4			
102	27	26106-060402	BOLT, M6X 40 PLATED		2			
102	28	26106-060602	BOLT, M6X 60 PLATED		7			
102	29	26106-060652	BOLT, M6X 65 PLATED		2			
102	30	26306-080002	NUT, M8		3			
102	31	124160-01751	CAP, FILLER		1			
102	32	24311-000320	운동용 O링		1			
102	33	124240-01871	COVER, HYDRAULIC PUMP		1			
102	34	129C26-01890	GASKET, PUMP		1			
102	35	22190-080002	WASHER, SEAL 8		1			
102	36	26106-080142	BOLT, M8X 14 PLATED		1			
102	37	124240-01871	COVER, HYDRAULIC PUMP		1			
102	38	129C26-01890	GASKET, PUMP		1			
102	39	22190-080002	WASHER, SEAL 8		1			
102	40	26106-080142	BOLT, M8X 14 PLATED		1			
102	41	26106-080702	BOLT, M8X 70 PLATED		3			
102	42	26306-080002	NUT, M8		1			
102	43	26306-080002	NUT, M8		2			
102	44	121023-01551	COVER, TACHOMETER		1			
102	45	24341-000240	O-RING, 1AS24.0		1			
102	46	26106-060162	BOLT, M6X 16 PLATED		2			
NOTE								

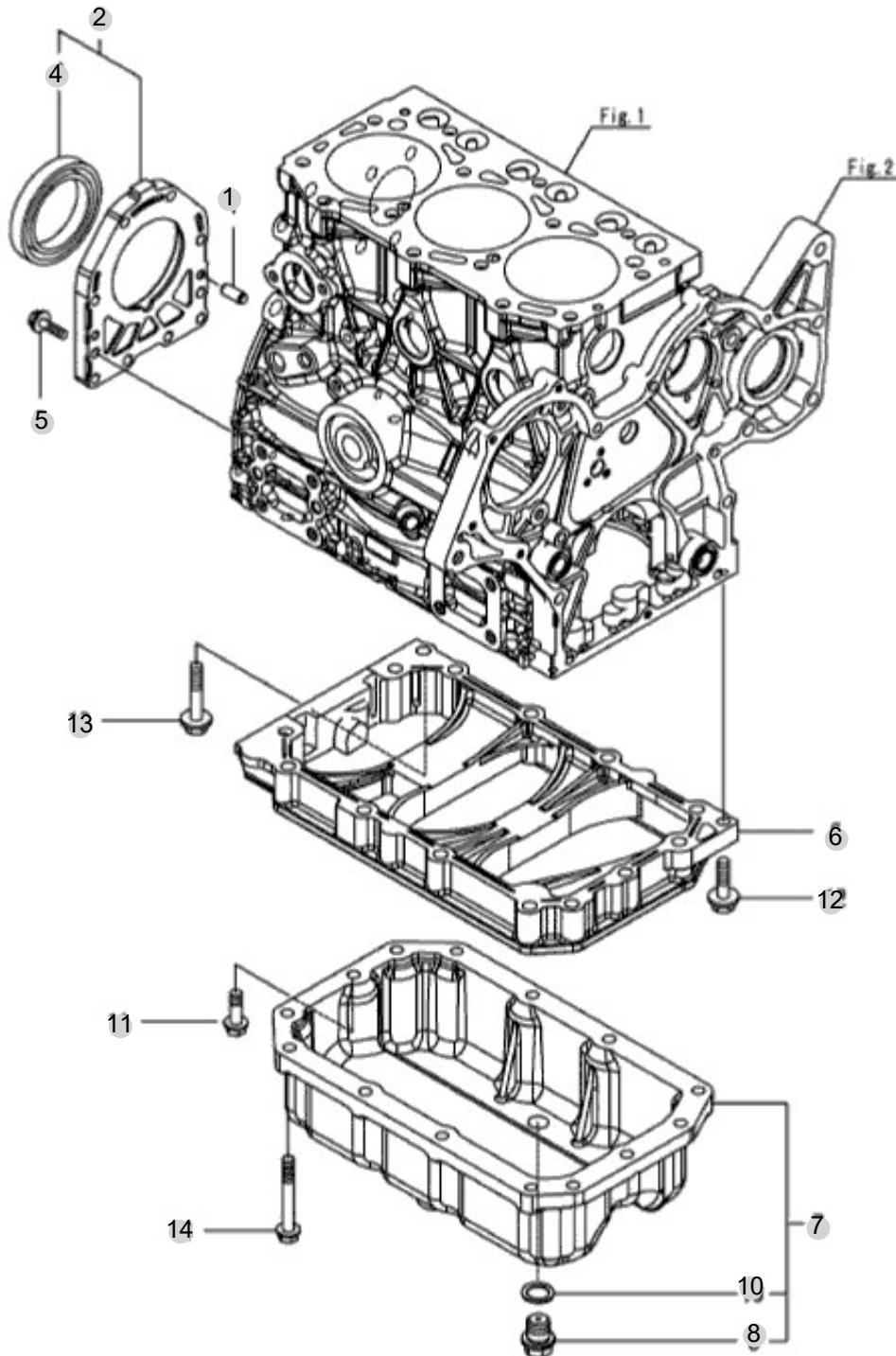
FIG 103

OIL SUMP

년/월  
Year/Month

2022-12

T25NHEU3



NOTE

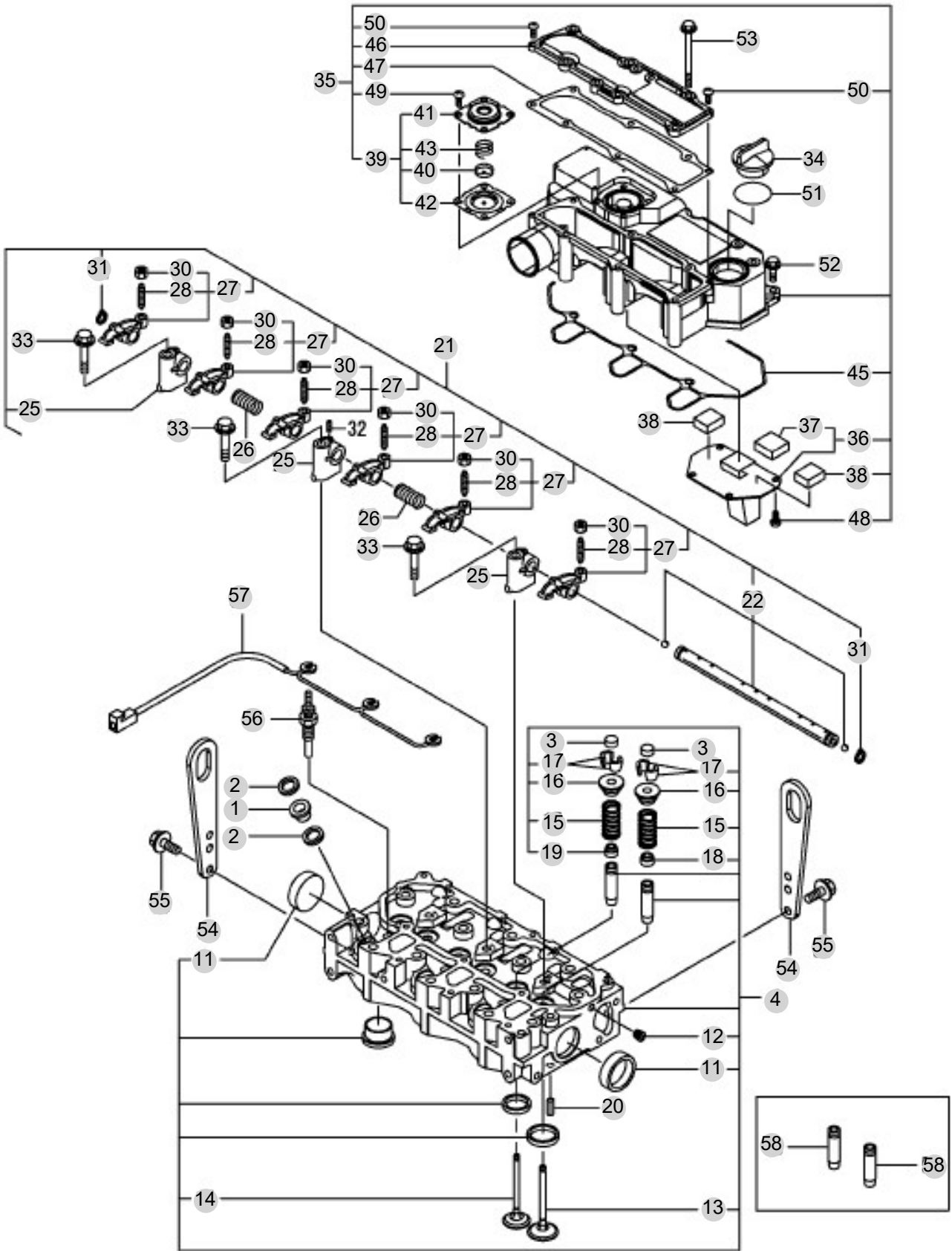
FIG 103		OIL SUMP						년/월 Year/Month	REMARKS
								2022-12	
KEY NO		PART NO	DESCRIPTION	SPEC	QTY	REPAIR	EFFECTIVE DATE		
103	1	119620-01620	PIN, PARALLEL M6X10		2				
103	2	119718-01640	CASE ASSY, OIL SEAL		1				
103	4	119734-02220	SEAL, OIL WHEEL SIDE		1				
103	5	26106-060222	BOLT, M6X 22 PLATED		10				
103	6	119717-01720	SPACER, OIL PAN		1				
103	7	119E10-01790	OIL PAN ASSY		1				
103	8	105425-01690	PLUG, DRAIN M16		2				
103	10	22190-160002	WASHER, SEAL 16		2				
103	11	26106-080252	육각플랜지볼트		1				
103	12	26106-080302	육각플랜지볼트		1				
103	13	26106-080452	BOLT, M8X 45 PLATED		1				
103	14	26106-080602	BOLT, M8X 60 PLATED		13				
NOTE									

FIG 104

CYLINDER HEAD & BONNET

년/월  
Year/Month

2022-12



NOTE

FIG 104		CYLINDER HEAD & BONNET					년/월 Year/Month		
							2022-12		
T25NHEU3		KEY NO	PART NO	DESCRIPTION	SPEC	QTY	REPAIR	EFFECTIVE DATE	REMARKS
104	1	129901-11450	PROTECTOR, NOZZLE			3			
104	2	119600-11460	GASKET, NOZZLE			6			
104	3	105010-11490	CAP, VALVE			6			
104	4	119E10-11750	HEAD ASSY, CYLINDER			1			
104	11	119285-11990	PLUG, 35			2			
104	12	23876-005000	PLUG, R005			1			
104	13	119E10-11100	VALVE, INTAKE			3			
104	14	119E10-11110	VALVE, EXHAUST			3			
104	15	119717-11131	SPRING, VALVE			6			
104	16	129508-11180	RETAINER, SPRING			6			
104	17	119717-11190	COTTER, VALVE			12			
104	18	119717-11340	SEAL, VALVE STEM			3			
104	19	119717-11350	SEAL, VALVE STEM			3			
104	20	22351-060012	스프링핀			2			
104	21	119717-11200	SUPPORT ASSY, ROCKER			1			
104	22	119717-11240	SHAFT ASSY, ARM			1			
104	25	119717-11260	SUPPORT, ROCKER ARM			3			
104	26	119620-11280	SPRING, SHAFT			2			
104	27	119717-11650	ARM ASSY, ROCKER INT			6			
104	28	129150-11230	SCREW, VALVE ADJUST			6			
104	30	129150-11750	NUT, M8XP1.0			6			
104	31	22242-000120	RING, 12			2			
104	32	119260-11270	SCREW			1			
104	33	26106-080402	BOLT, M8X 40 PLATED			3			
104	34	124160-01751	CAP, FILLER			1			
104	35	119717-11381	BONNET ASSY, HEAD			1			
104	36	119717-03031	PLATE, BAFFLE			1			
104	37	119717-03070	BAFFLE, BREATHER			1			
104	38	119717-03070	BAFFLE, BREATHER			2			
104	39	119802-03100	DIAPHRAGM ASSY			1			
104	40	119802-03110	PLATE, DIAPHRAGM			1			
104	41	119802-03121	COVER, DIAPHRAGM			1			
104	42	119802-03131	DIAPHRAGM, BREATHER			1			
104	43	119802-03141	SPRING, DIAPHRAGM			1			
104	45	119718-11310	GASKET, BONNET			1			
104	46	119717-11320	COVER, BONNET			1			
104	47	119717-11331	GASKET, BONNET COVER			1			
104	48	22857-500100	SCREW, 5X10			4			
104	49	22857-500100	SCREW, 5X10			4			
104	50	22857-500160	SCREW, 5X16			2			
104	51	24311-000320	운동용O링			1			
104	52	26106-060202	BOLT, M6X 20 PLATED			3			
104	53	26106-060752	BOLT, M6X 75 PLATED			6			
104	54	129900-07900	LIFTER, ENGINE			2			
104	55	26106-080162	육각플랜지볼트			4			
NOTE									





FIG 105

EXHAUST MANIFOLD

년/월  
Year/Month

2022-12

T25NHEU3

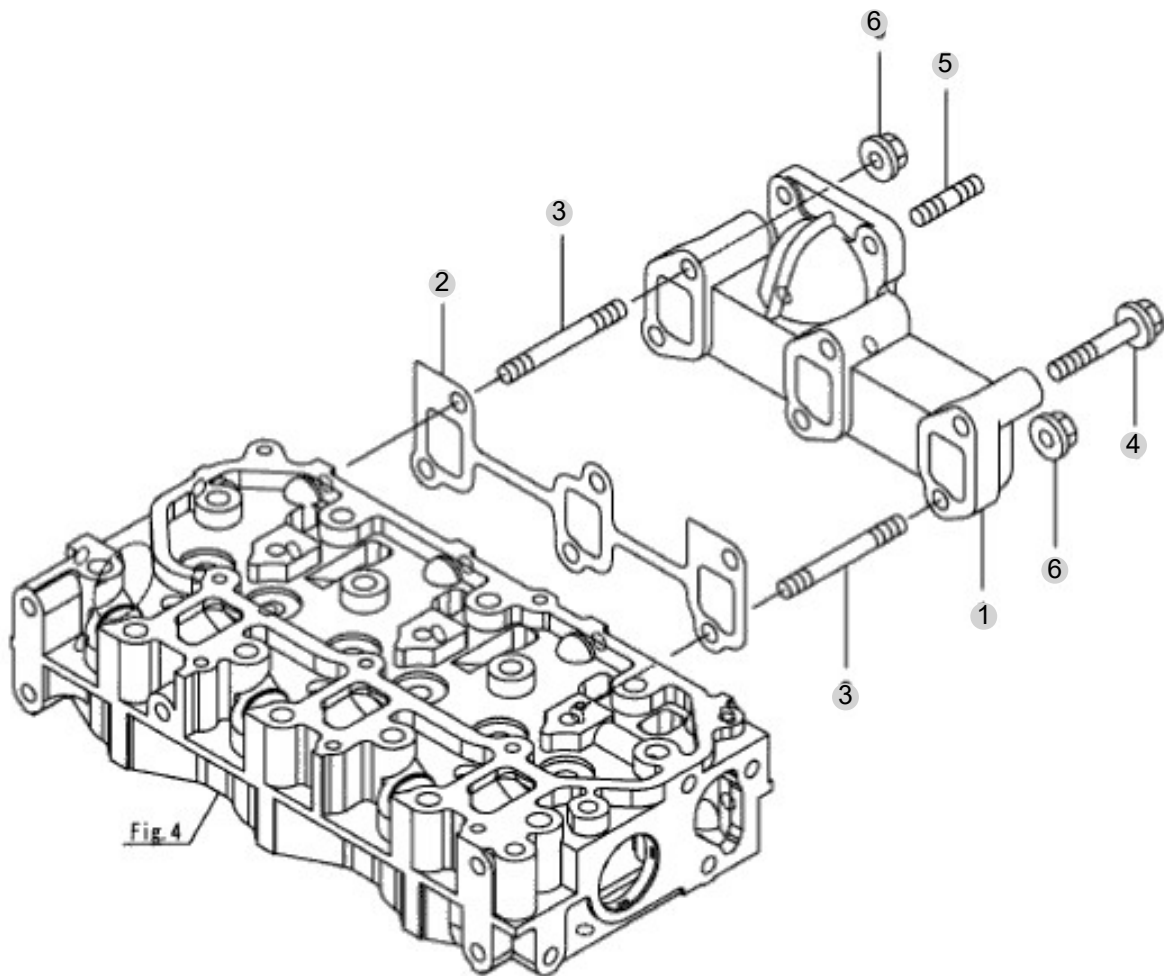


Fig. 4

NOTE



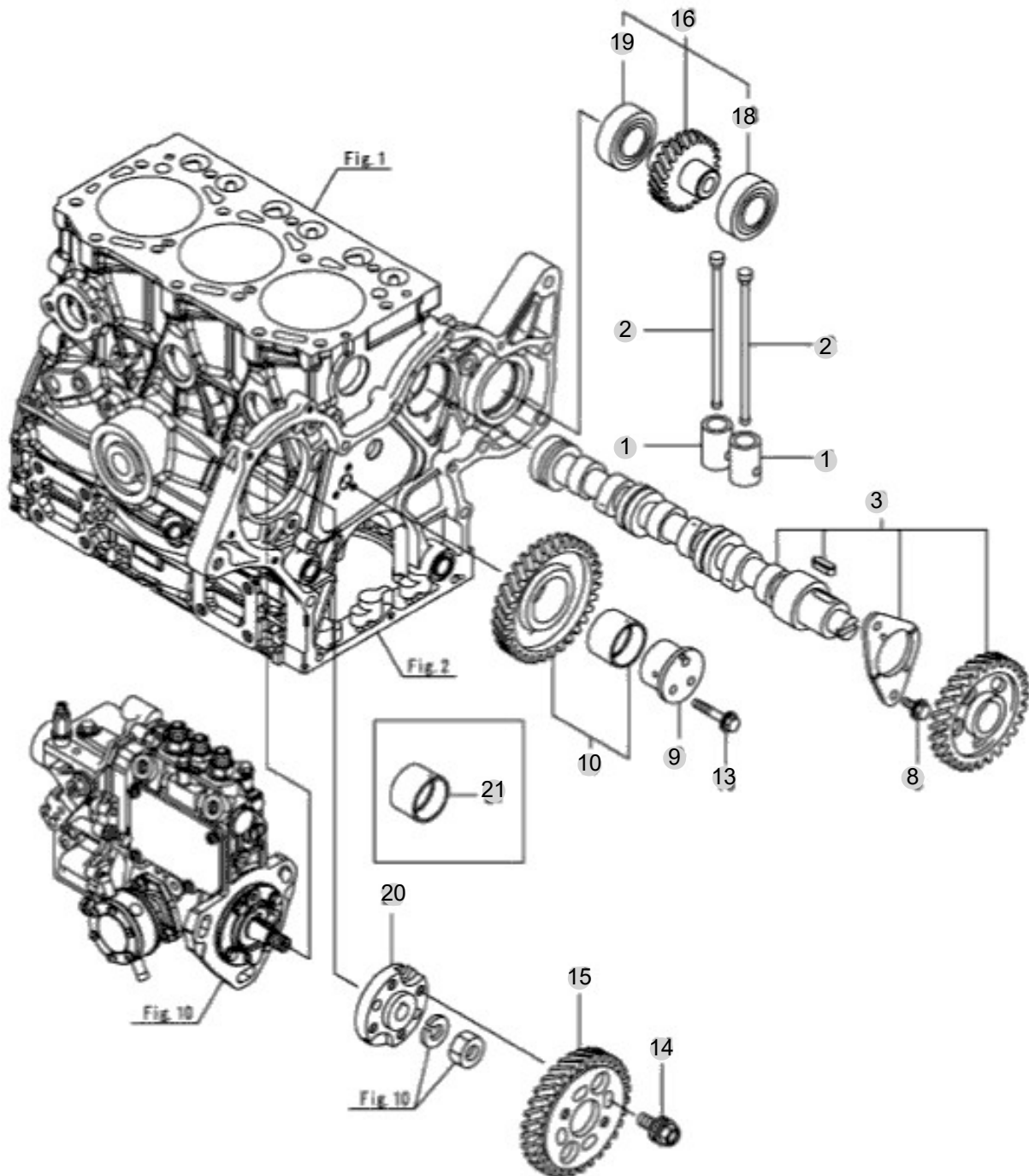
FIG 106

CAMSHAFT & DRIVING GEAR

년/월  
Year/Month

2022-12

T25NHEU3



NOTE



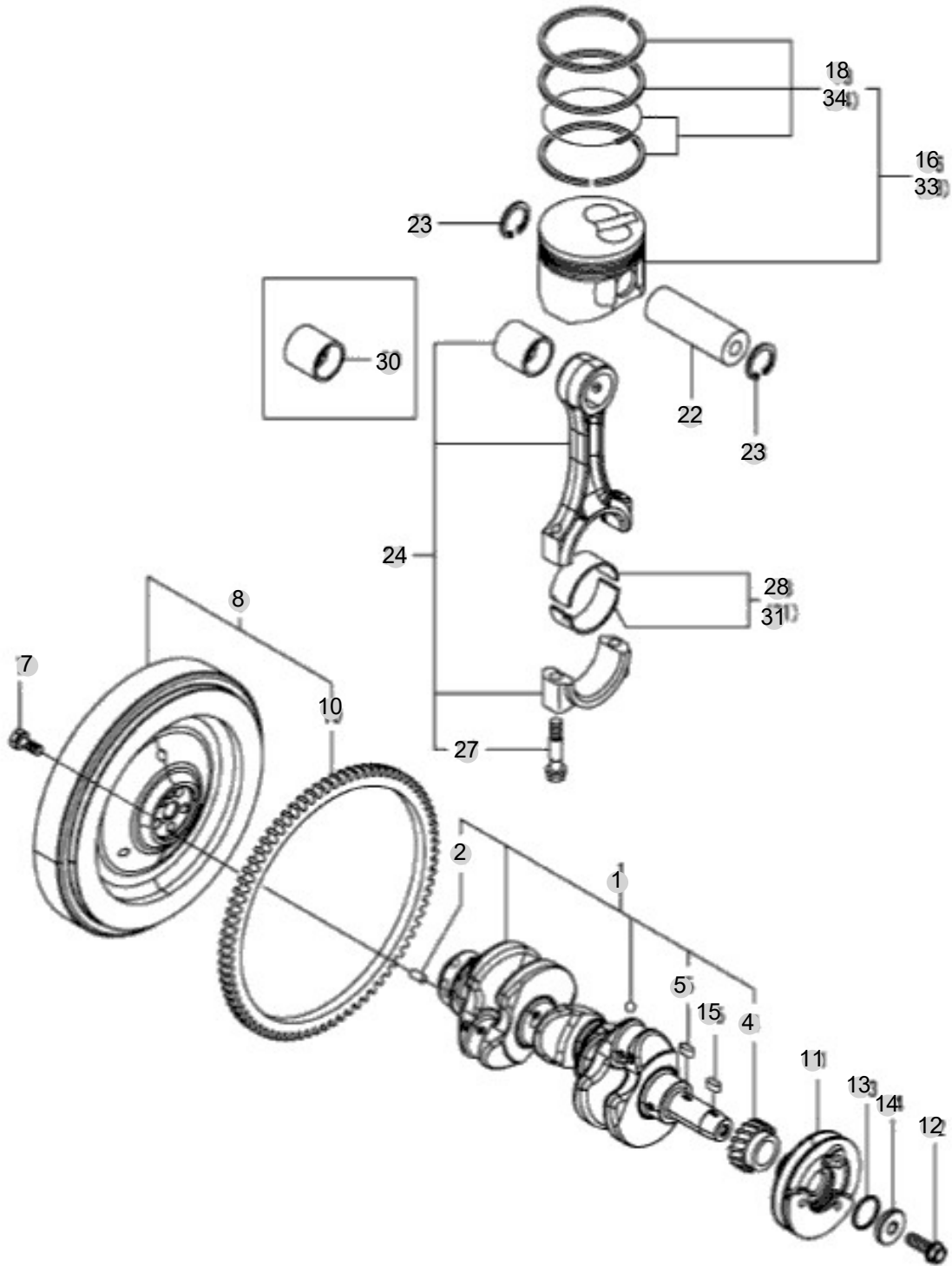
FIG 107

T25NHEU3

CRANKSHAFT & PISTON

년/월  
Year/Month

2022-12



NOTE



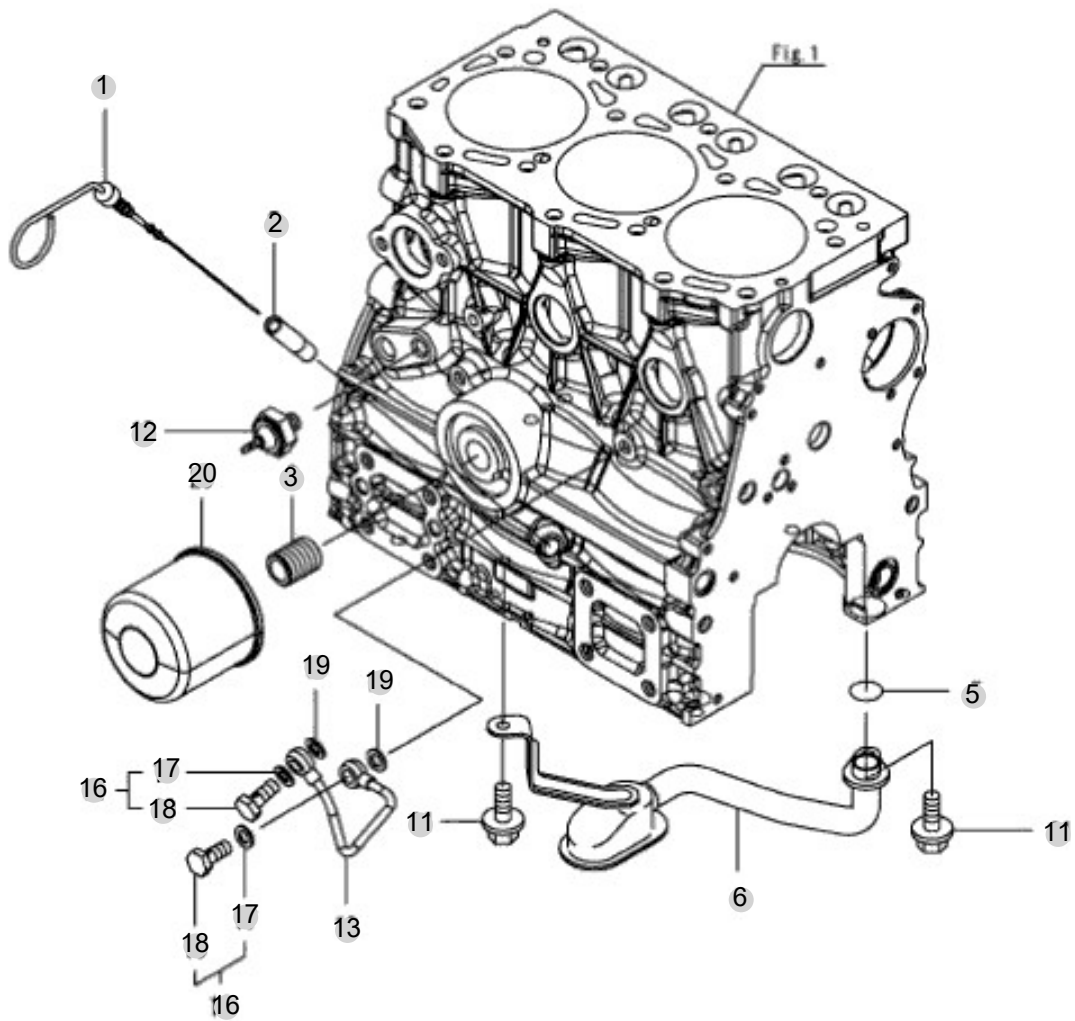
FIG 108

LUB. OIL SYSTEM

년/월  
Year/Month

2022-12

T25NHEU3



NOTE





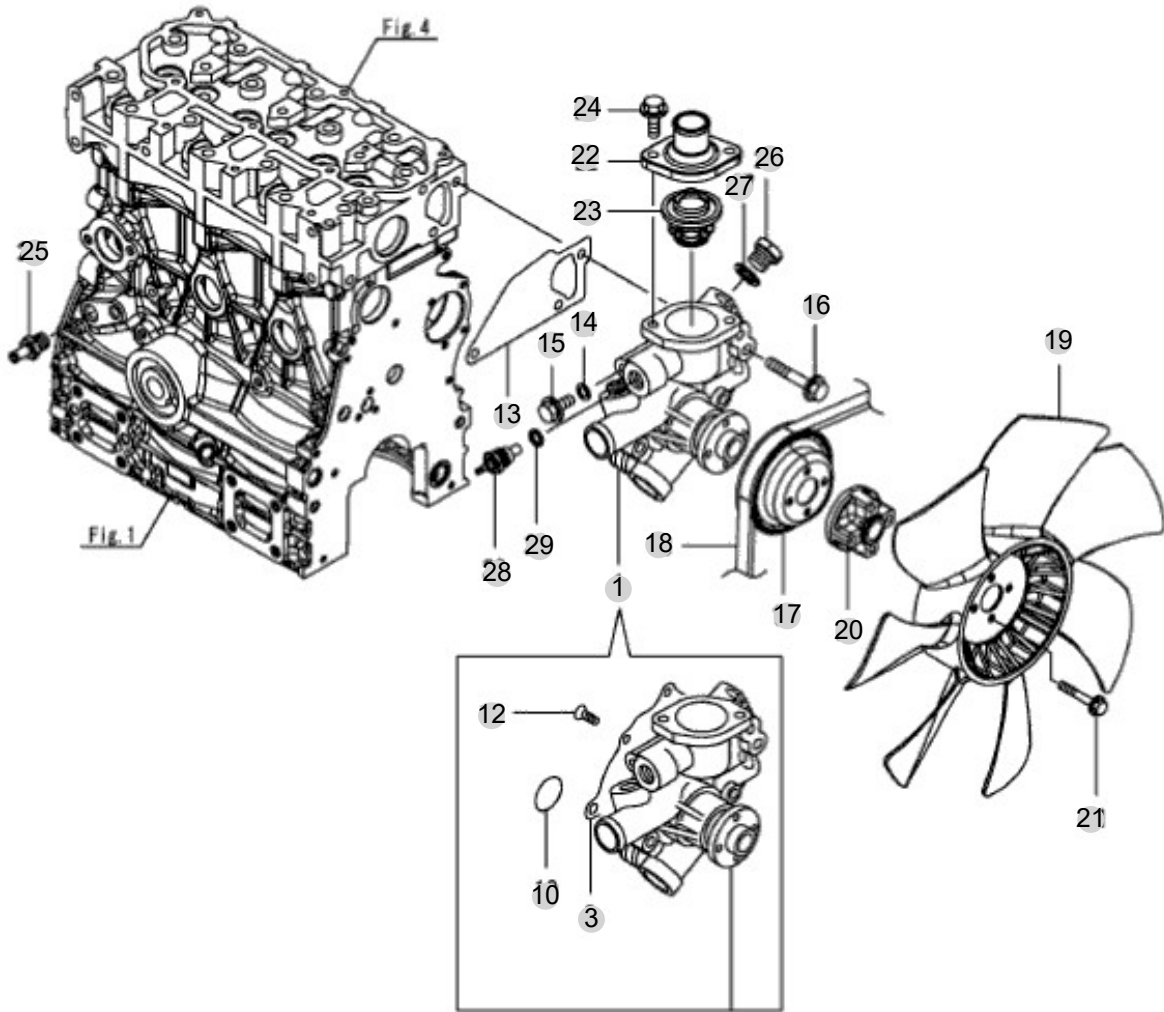
FIG 109

COOLING WATER SYSTEM

년/월  
Year/Month

2022-12

T25NHEU3



NOTE



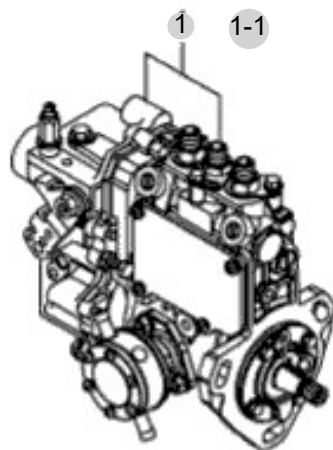
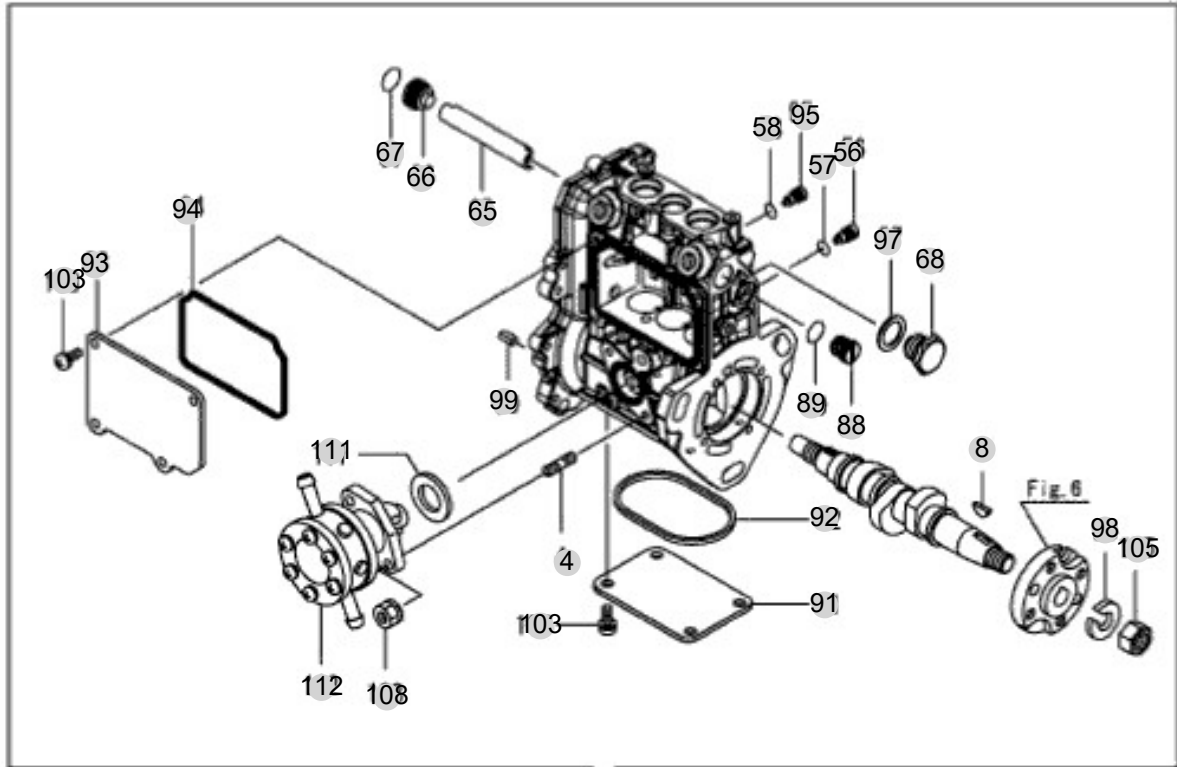
FIG 110

FUEL INJECTION PUMP

년/월  
Year/Month

2022-12

T25NHEU3



NOTE



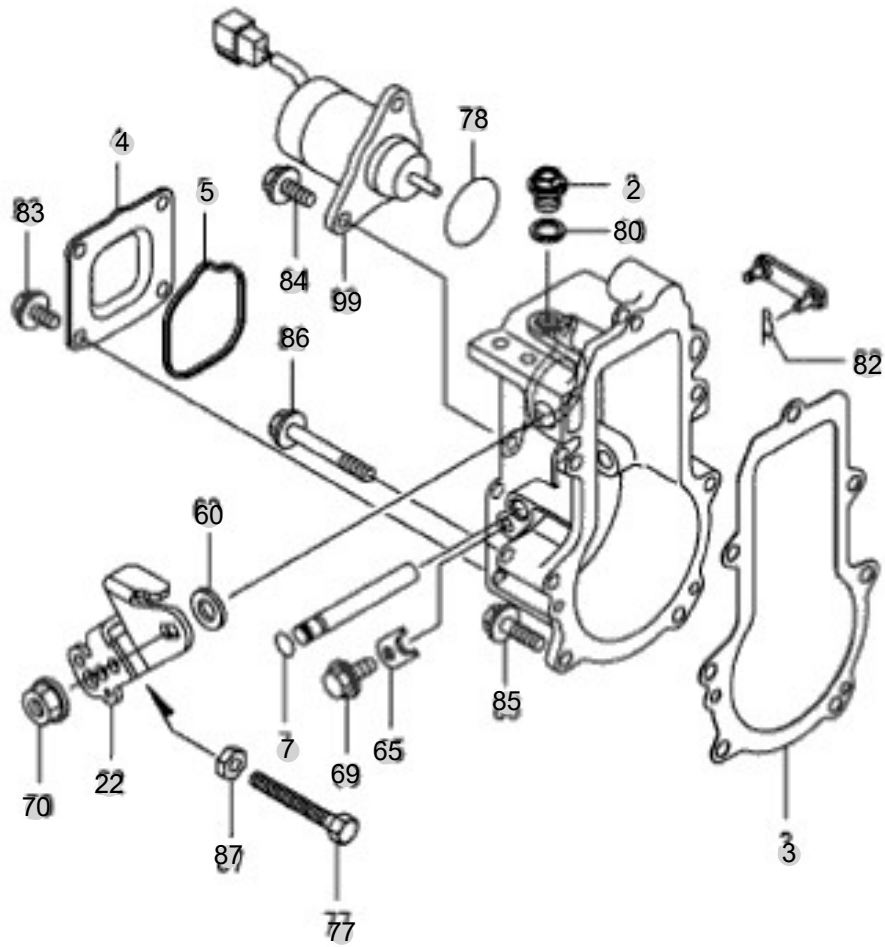
FIG 111

T25NHEU3

GOVERNOR

년/월  
Year/Month

2022-12



NOTE



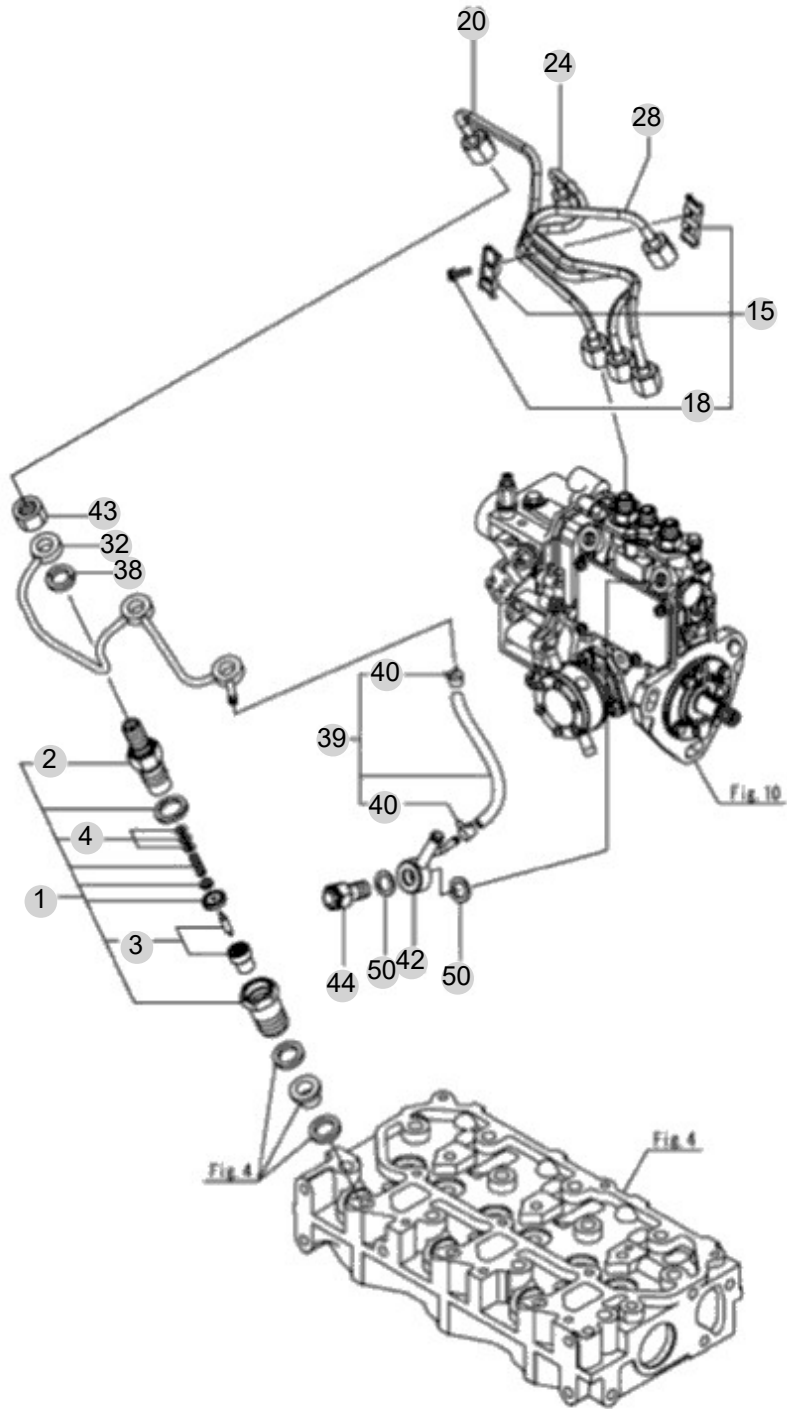
FIG 112

T25NHEU3

FUEL INJECTION VALVE

년/월  
Year/Month

2022-12



NOTE





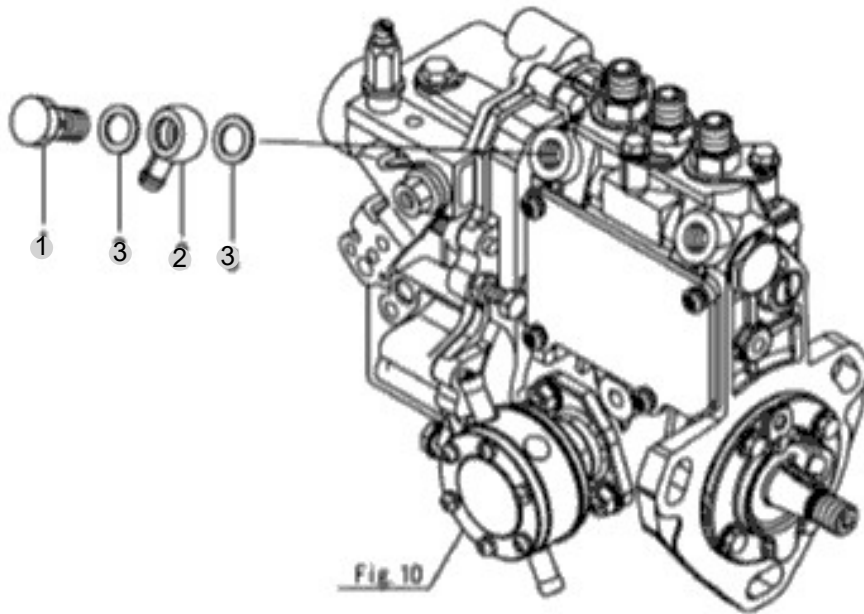
FIG 113

T25NHEU3

FUEL FILTER

년/월  
Year/Month

2022-12



NOTE

FIG 113 T25NHEU3		FUEL FILTER					년/월 Year/Month	
							2022-12	
KEY NO	PART NO	DESCRIPTION	SPEC	QTY	REPAIR	EFFECTIVE DATE	REMARKS	
113	1	103854-39140	BOLT, PIPE JOINT		1			
113	2	101304-59020	JOINT, PIPE 12		1			
113	3	22190-120002	WASHER, SEAL 12		2			
NOTE								

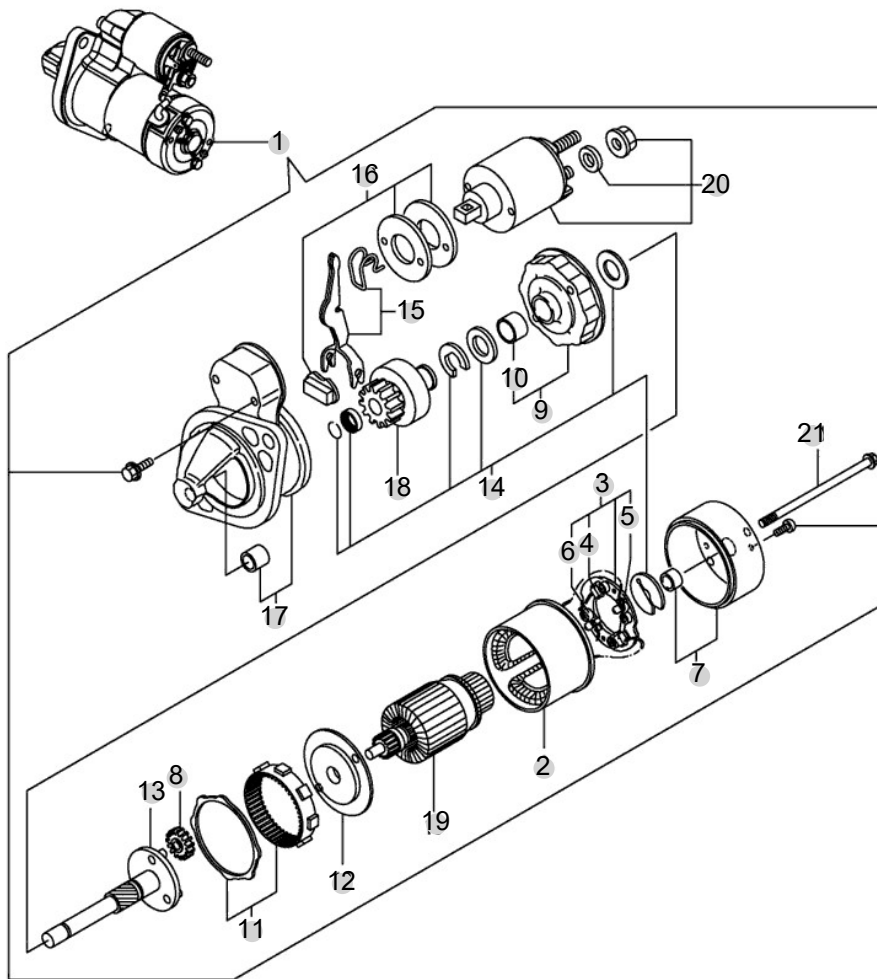
FIG 114

STARTING MOTOR

년/월  
Year/Month

2022-12

T25NHEU3



NOTE



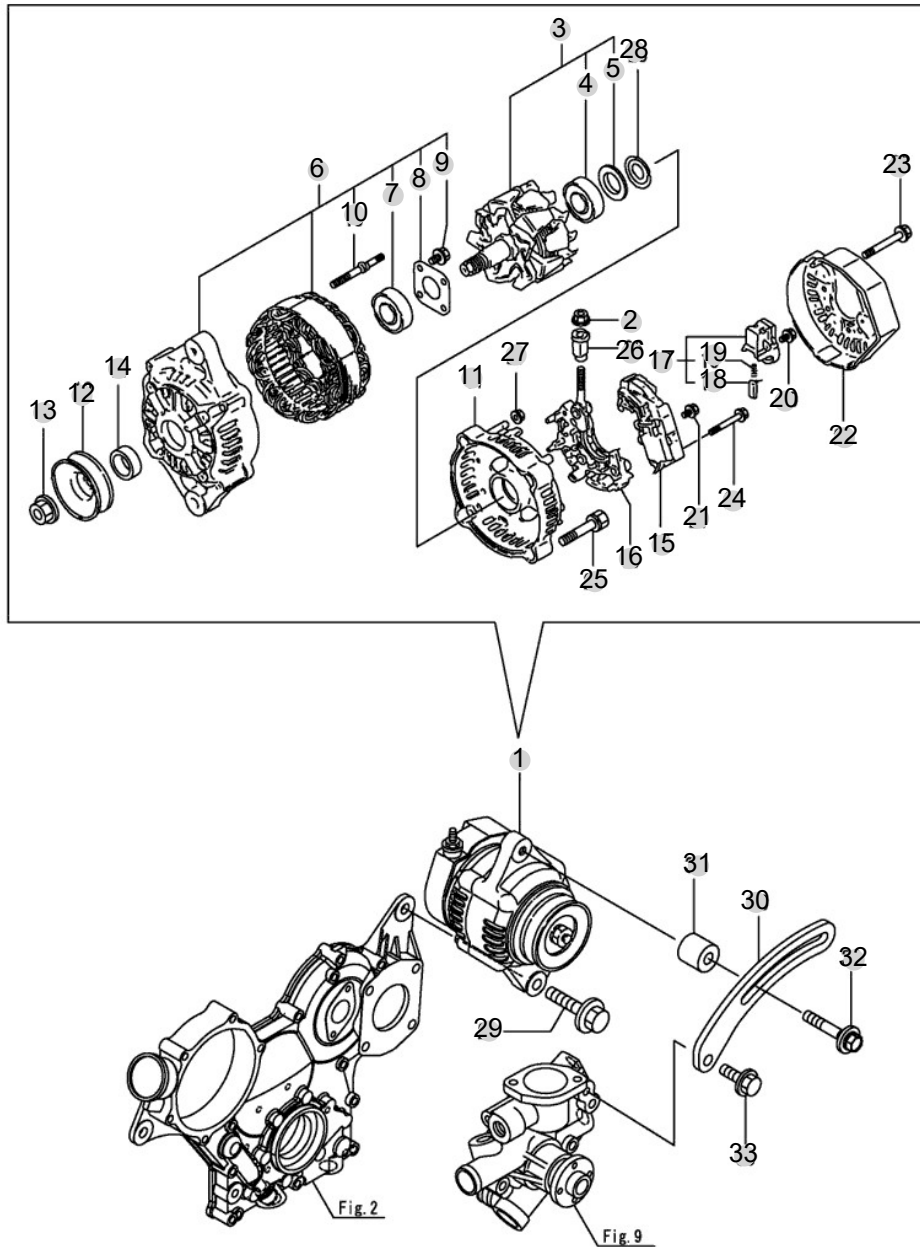
FIG 115

GENERATOR

년/월  
Year/Month

2022-12

T25NHEU3



NOTE



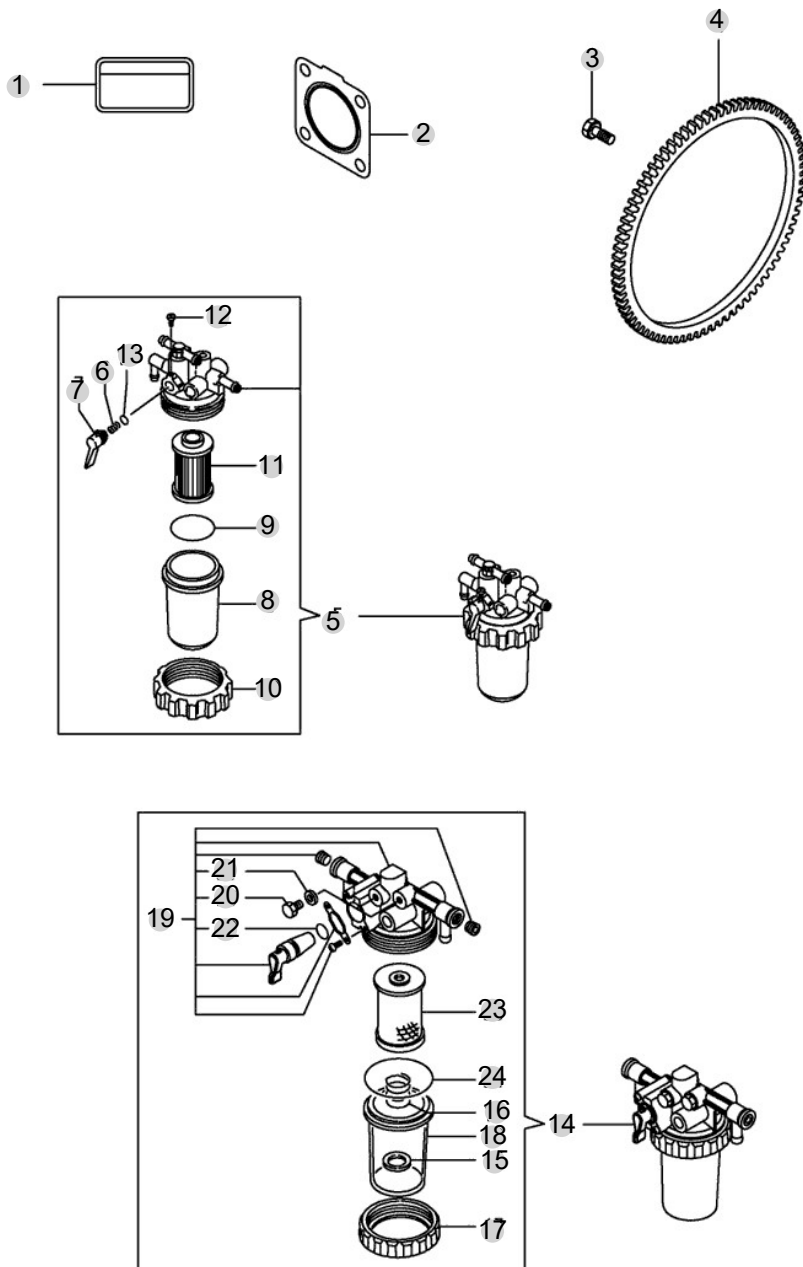
FIG 116

T25NHEU3

ACCESSORY

년/월  
Year/Month

2022-12



NOTE





## 2. 엔진보기품 PART NO. T2

FIG 201 AIR CLEANER	42
FIG 202 RADIATOR	44
FIG 203 MUFFLER	46
FIG 204 FUEL TANK & FUEL LINE	48
FIG 205 ACCELERATOR	50
FIG 206 OIL COOLER	52

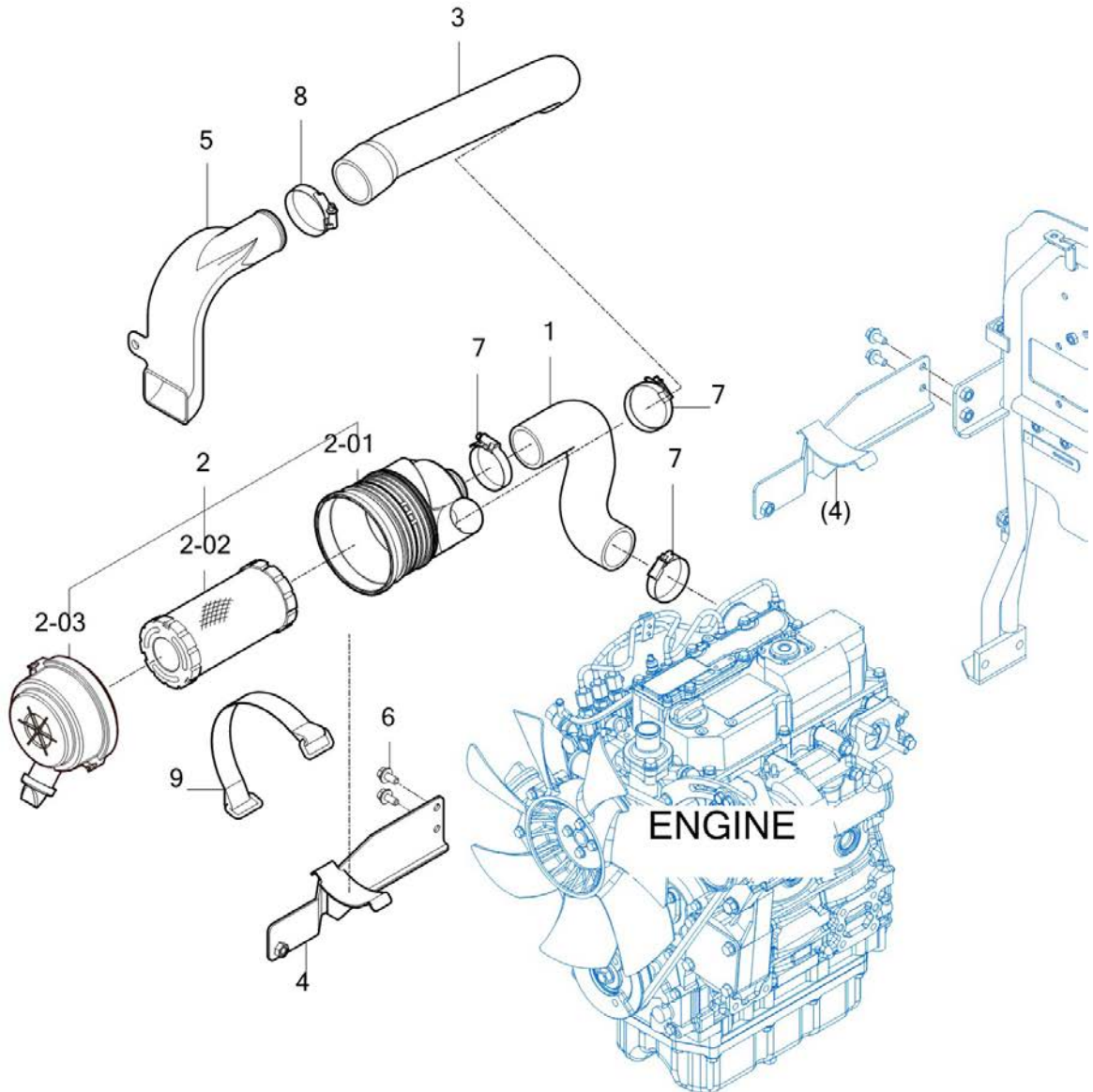
FIG 201

AIR CLEANER

년/월  
Year/Month

2022-12

T25NHEU3



NOTE



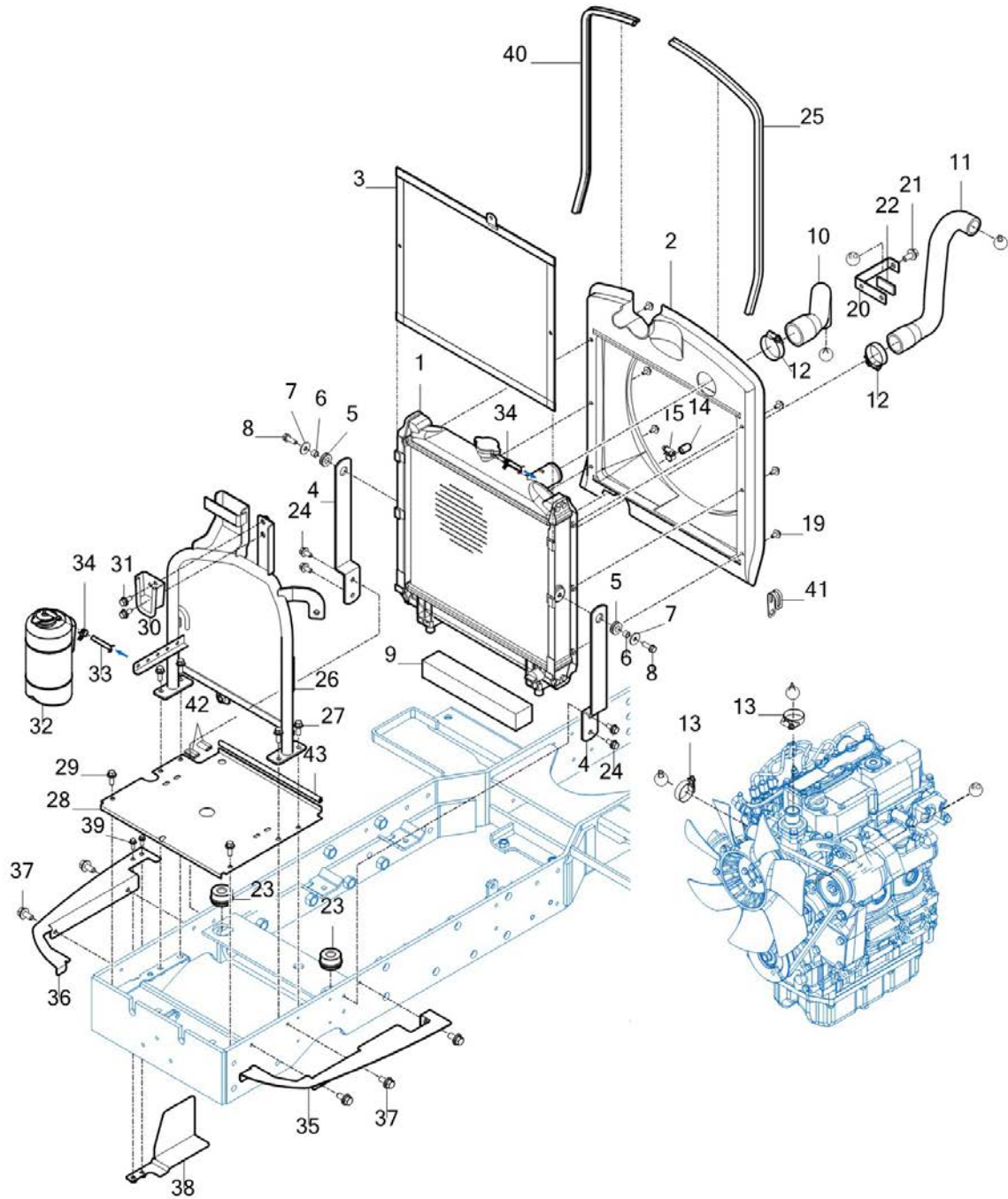
FIG 202

T25NHEU3

RADIATOR

년/월  
Year/Month

2022-12



NOTE



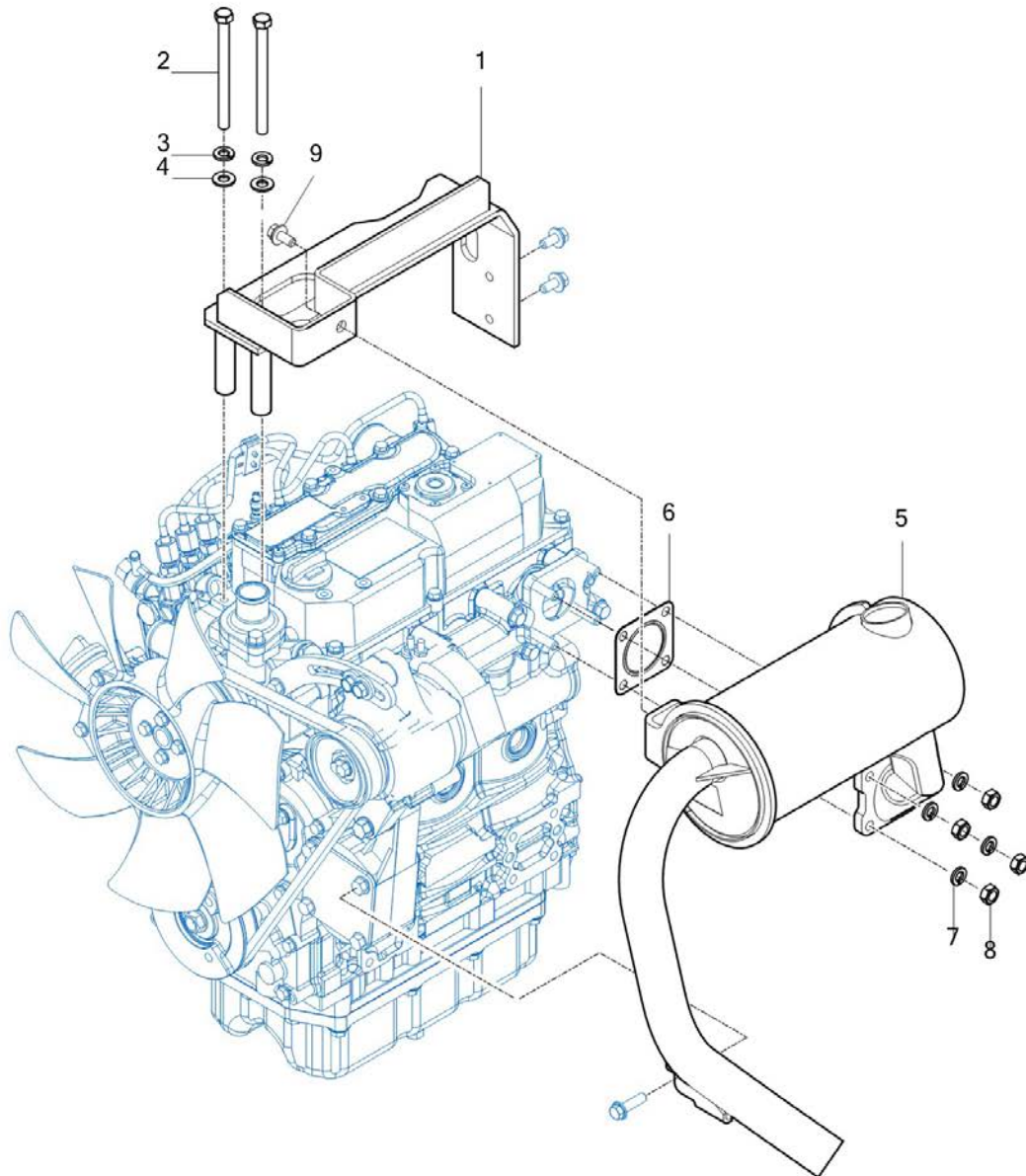
FIG 203

MUFFLER

년/월  
Year/Month

2022-12

T25NHEU3



NOTE



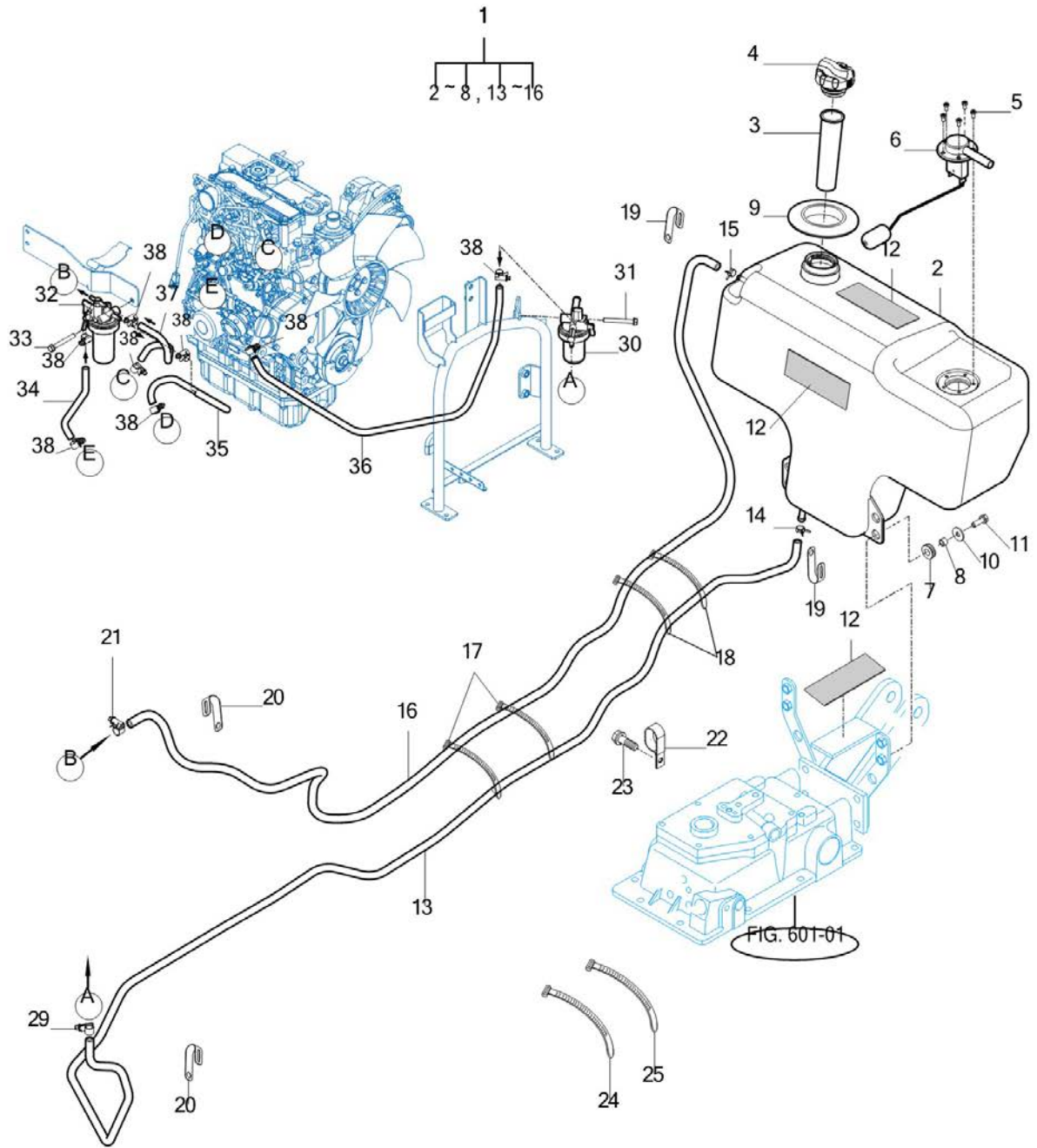
FIG 204

FUEL TANK & FUEL LINE

년/월  
Year/Month

2022-12

T25NHEU3



NOTE





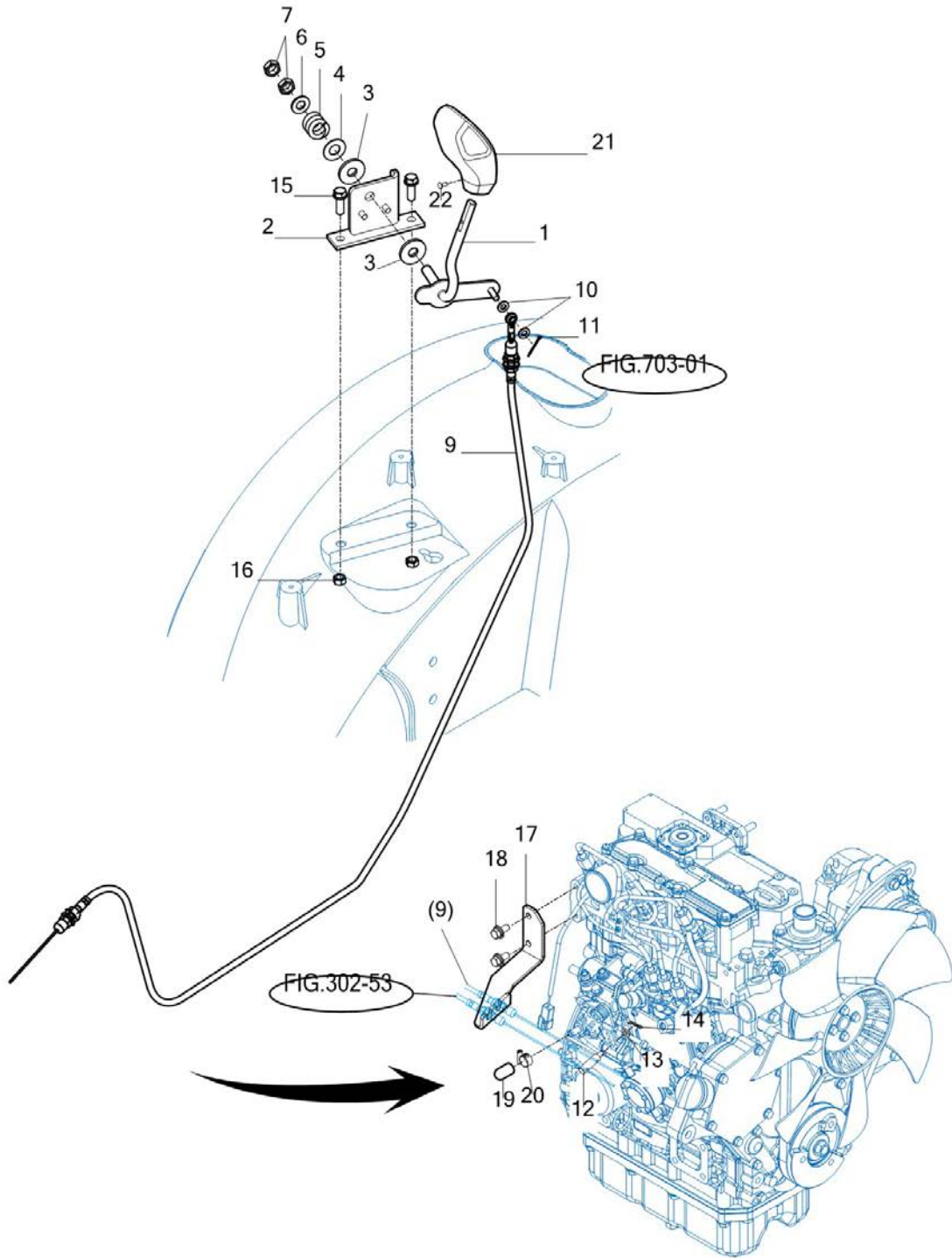
FIG 205

ACCELERATOR

년/월  
Year/Month

2022-12

T25NHEU3



NOTE



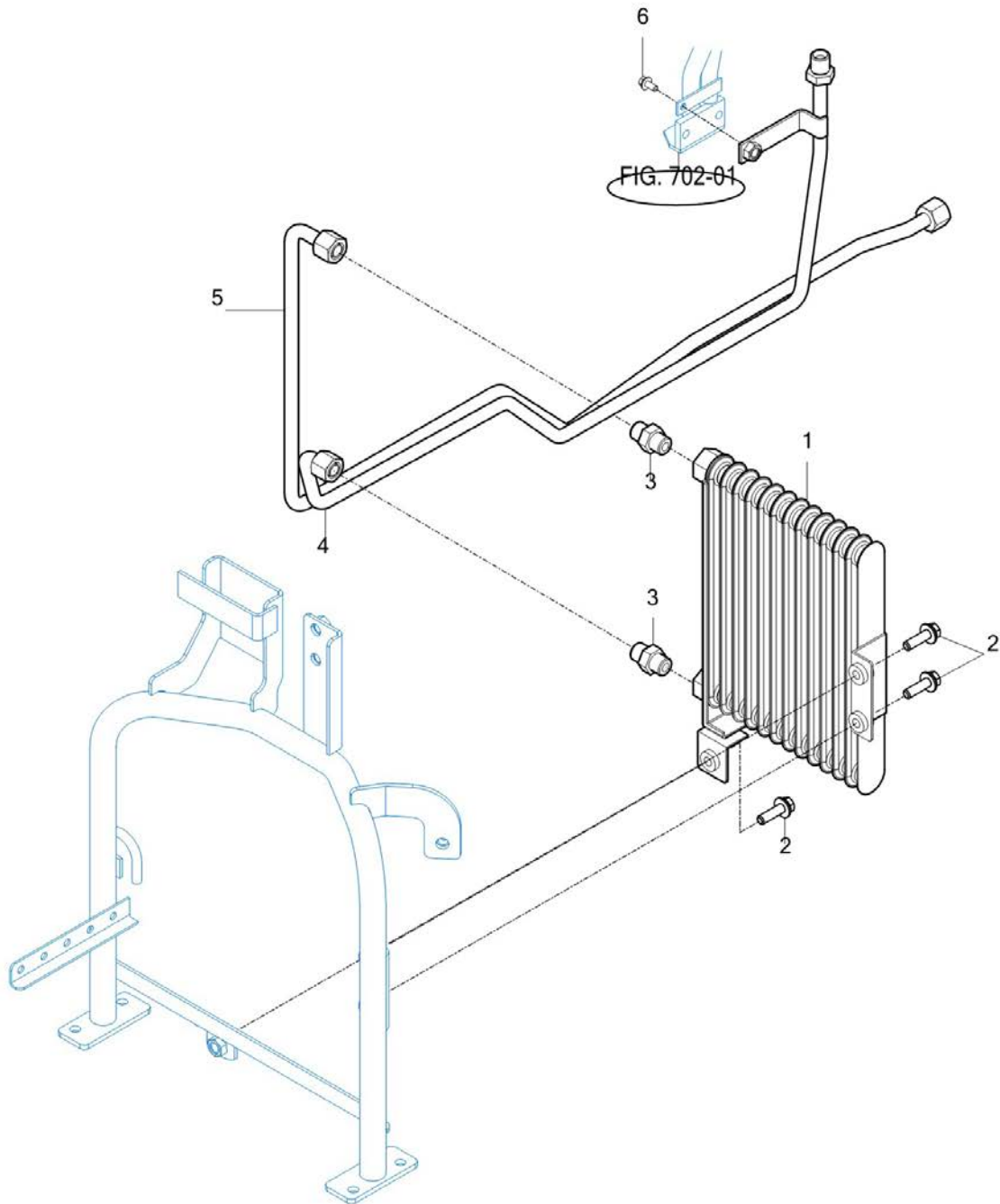
FIG 206

OIL COOLER

년/월  
Year/Month

2022-12

T25NHEU3



NOTE



### 3. 클러치/브레이크/스티어링 PART NO. T3

FIG 301 FLYWHEEL COVER	55
FIG 302 SPEED CONTROL	57
FIG 303 BRAKE	60
FIG 304 BRAKE PEDAL & LINKAGE	62
FIG 305 STEERING WHEEL & DASH COVER	64
FIG 306 STEERING VALVE	66
FIG 307 STEERING CYLINDER	68
FIG 308 FRONT WHEEL	70
FIG 309 REAR WHEEL	72

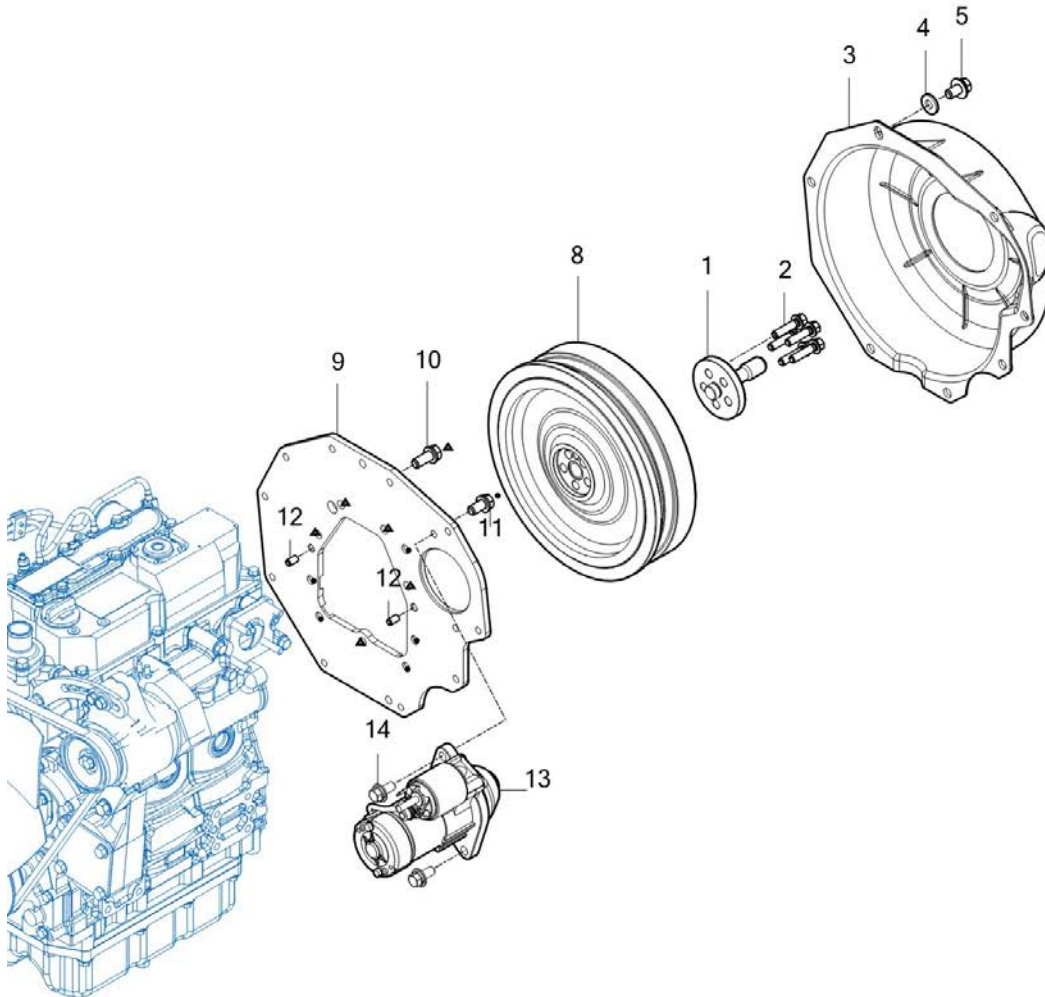
FIG 301

T25NHEU3

FLYWHEEL COVER

년/월  
Year/Month

2022-12



NOTE





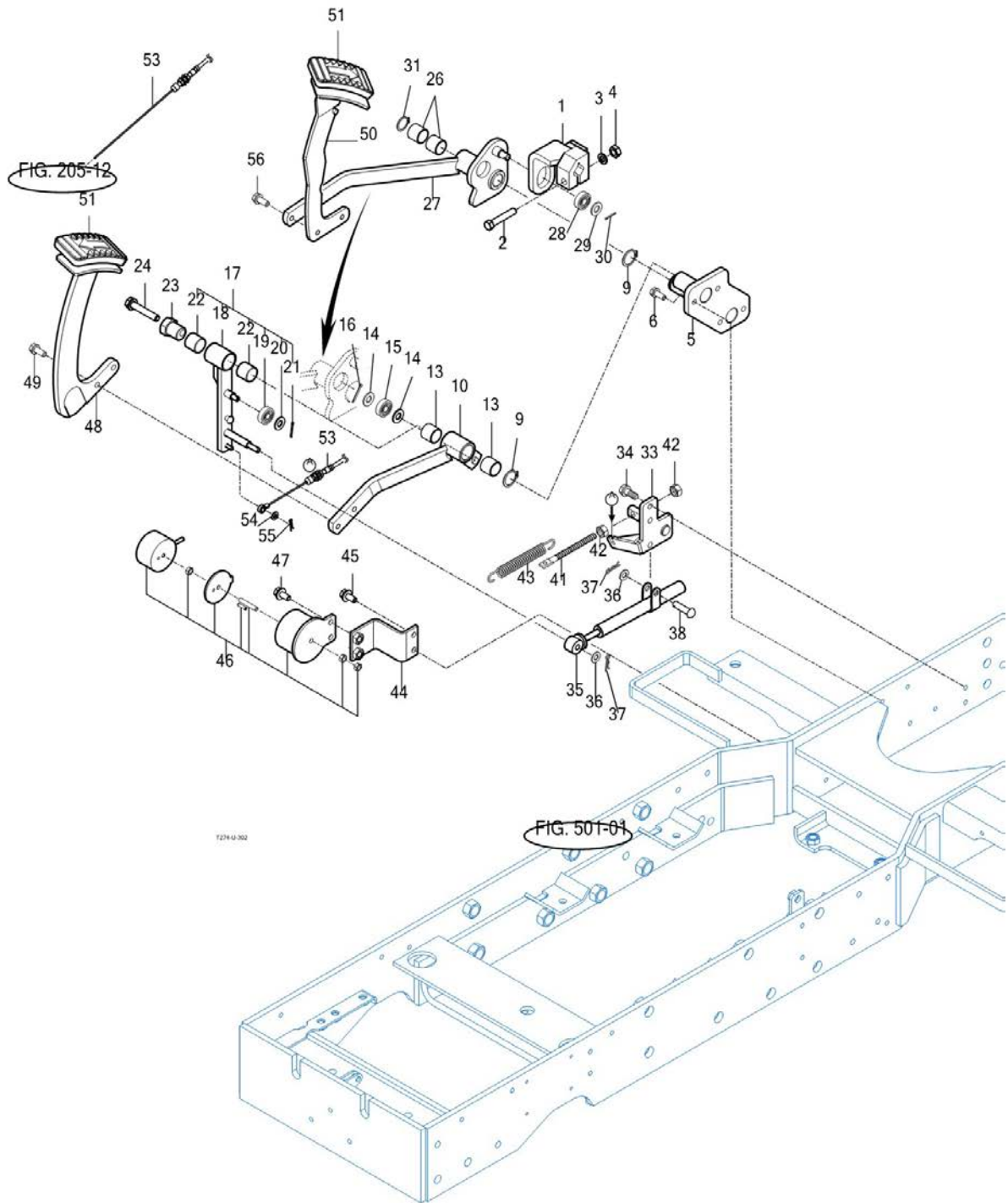
FIG 302

SPEED CONTROL

년/월  
Year/Month

2022-12

T25NHEU3



NOTE

FIG 302		SPEED CONTROL					년/월 Year/Month		
							2022-12		
T25NHEU3		KEY NO	PART NO	DESCRIPTION	SPEC	QTY	REPAIR	EFFECTIVE DATE	REMARKS
302	1	11972322101	홀더 COMP			1			
302	2	V2013608045	소형육각볼트(보통)	M10X45		1			
302	2	V2013608045	소형육각볼트(보통)			1			
302	3	V4011600100	스프링와셔	M10		1			
302	4	V3042600100	소형육각너트보통2종	M10		1			
302	5	11972322200GB	핀 COMP			1			
302	6	V2173608020	소형육각볼트보통(S)	M8X20		4			
302	9	V7041400250	C형멈춤링(축용)	20		2			
302	10	11972323200GB	암(전진) COMP			1			
302	13	11972320030	DU부시(25X28X20)			2			
302	14	V4111600100	평와셔	M10		2			
302	15	V6001506000	볼베어링	6000DD		1			
302	16	V5001920015	분할핀	2X15		1			
302	17	11972324000	캠 SUB ASSY			1			
302	18	11972324100GB	암(캠) COMP			1			
302	19	14722310060	볼베어링(608DD)			1			
302	20	V4111600080	평와셔	M8		1			
302	21	V5001920015	분할핀	2x15		1			
302	22	11972320030	DU부시(25X28X20)			2			
302	23	11972320020	핀(중립)			1			
302	24	V2143610080	소형육각볼트가는(S)	M10X50		1			
302	26	11972320040	DU부시(25X28X30)			2			
302	27	11972322300GB	암 COMP(후진)			1			
302	28	V6001506000	볼베어링	6000DD		1			
302	29	V4111600100	평와셔	M10		1			
302	30	V5001920015	분할핀	2X15		1			
302	31	V7041400250	C형멈춤링(축용)			1			
302	33	11972325100GB	핀(스프링) COMP			1			
302	34	V2173608025	소형육각볼트보통(S)	M8X25		2			
302	35	13152312400	오일 댐퍼			1			
302	36	V4111600080	평와셔	M8		4			
302	37	V5601600008	스냅핀	8		4			
302	38	14043120060	요오크핀 (A)			1			
302	41	34522150080	체인 텐션 로드(82)			1			
302	42	V3043600080	소형육각너트보통2종	M8		2			
302	43	14722310033	스프링(리턴)			1			
302	44	13152332103DG	브래킷(크루즈) COMP			1			
302	44	13152332103GB	브래킷(크루즈) COMP			1			
302	45	V2173608020	소형육각볼트보통(S)	M8X20		2			
302	46	12382323000	크루저 컨트롤 마그네틱 ASSY			1			
302	46	12382323001	크루저 컨트롤 마그네틱 ASSY			1			
302	47	V2173608020	소형육각볼트보통(S)	M8X20		2			
302	48	13152323303GB	페달(전진) COMP			1			
302	49	V2173608020	소형육각볼트보통(S)	M8X20		2			
302	50	11972322400GB	페달(후진) COMP			1			
NOTE									



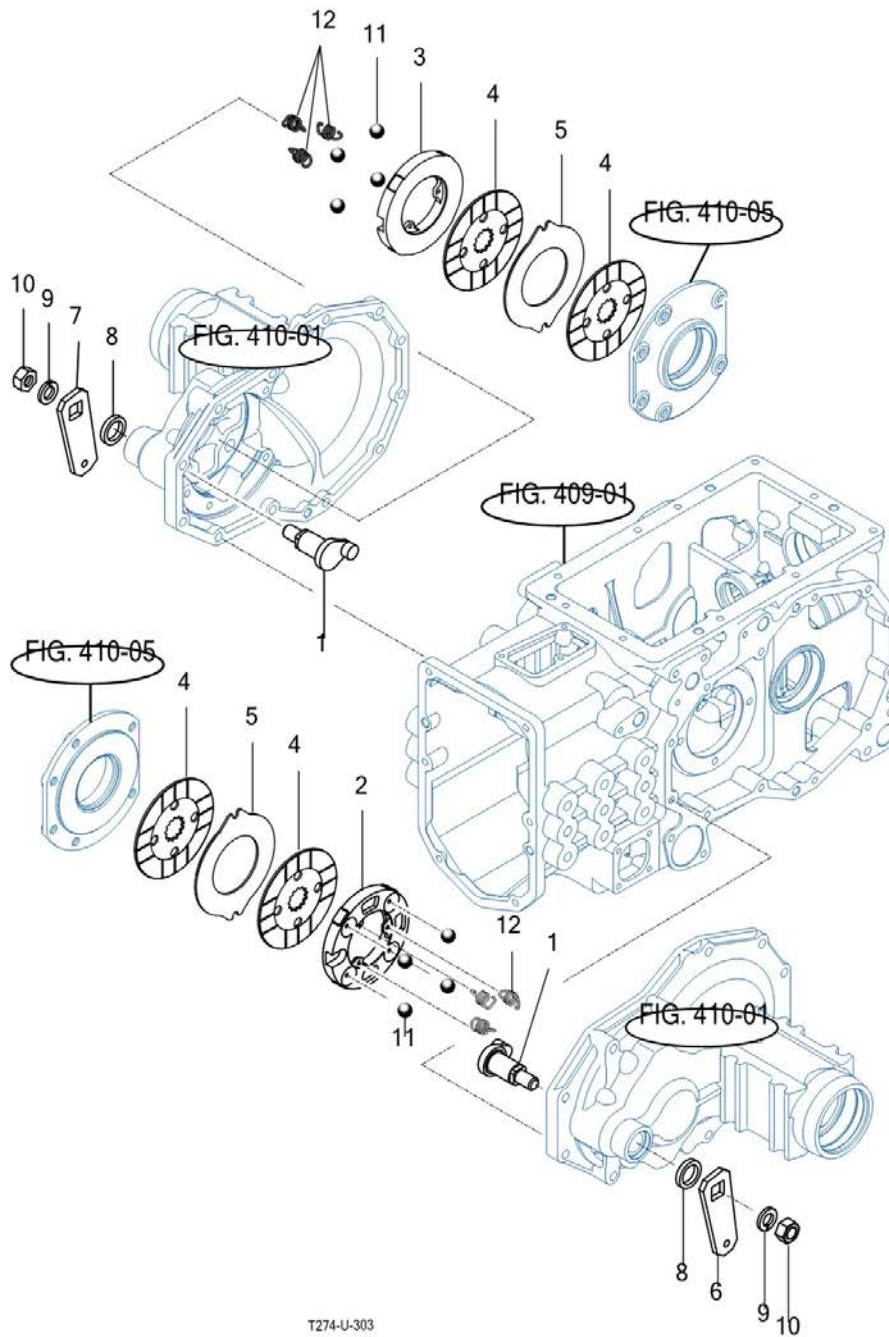
FIG 303

T25NHEU3

BRAKE

년/월  
Year/Month

2022-12



T274-U-303

NOTE

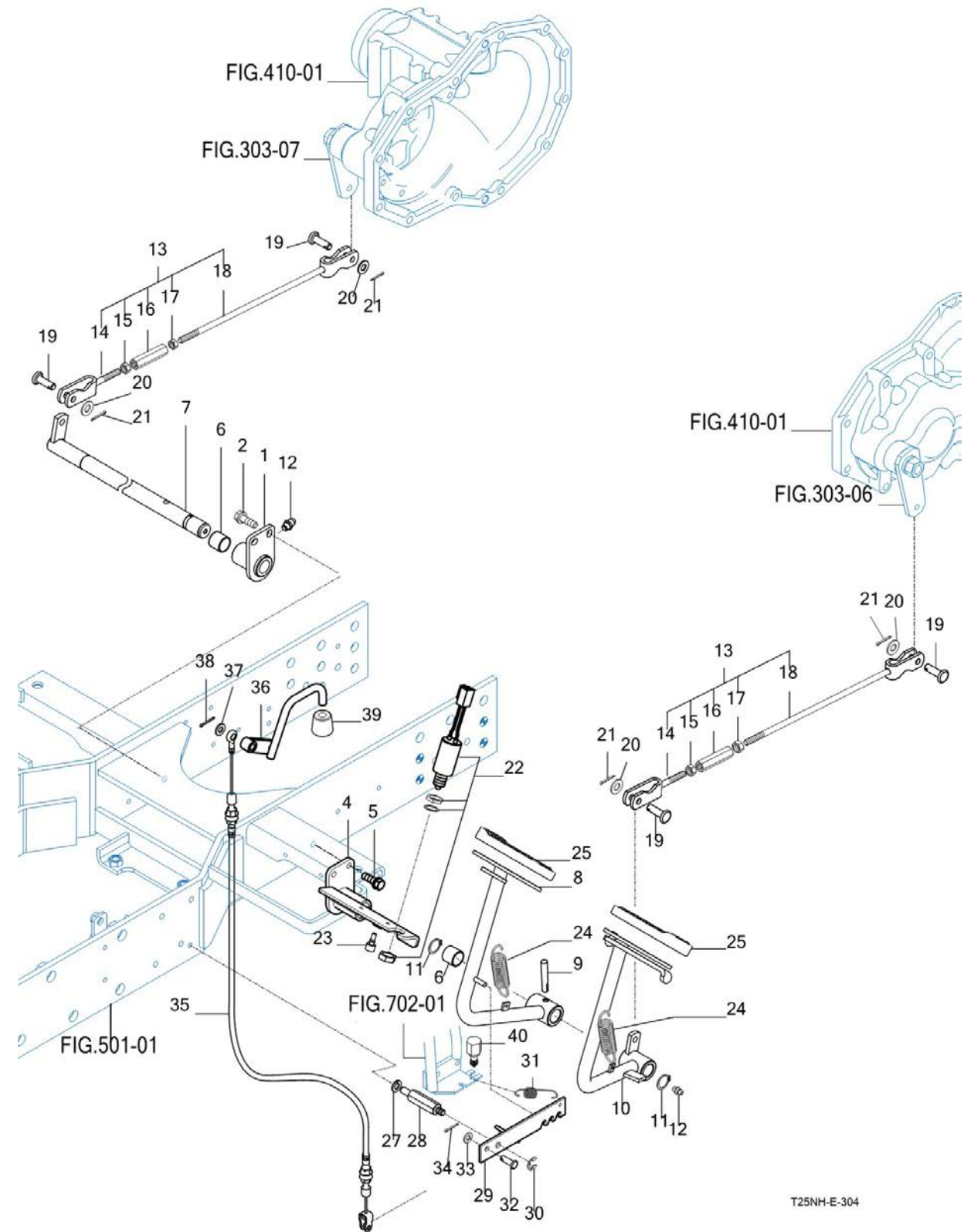


FIG 304

BRAKE PEDAL & LINKAGE

년/월  
Year/Month

2022-12



T25NH-E-304

NOTE



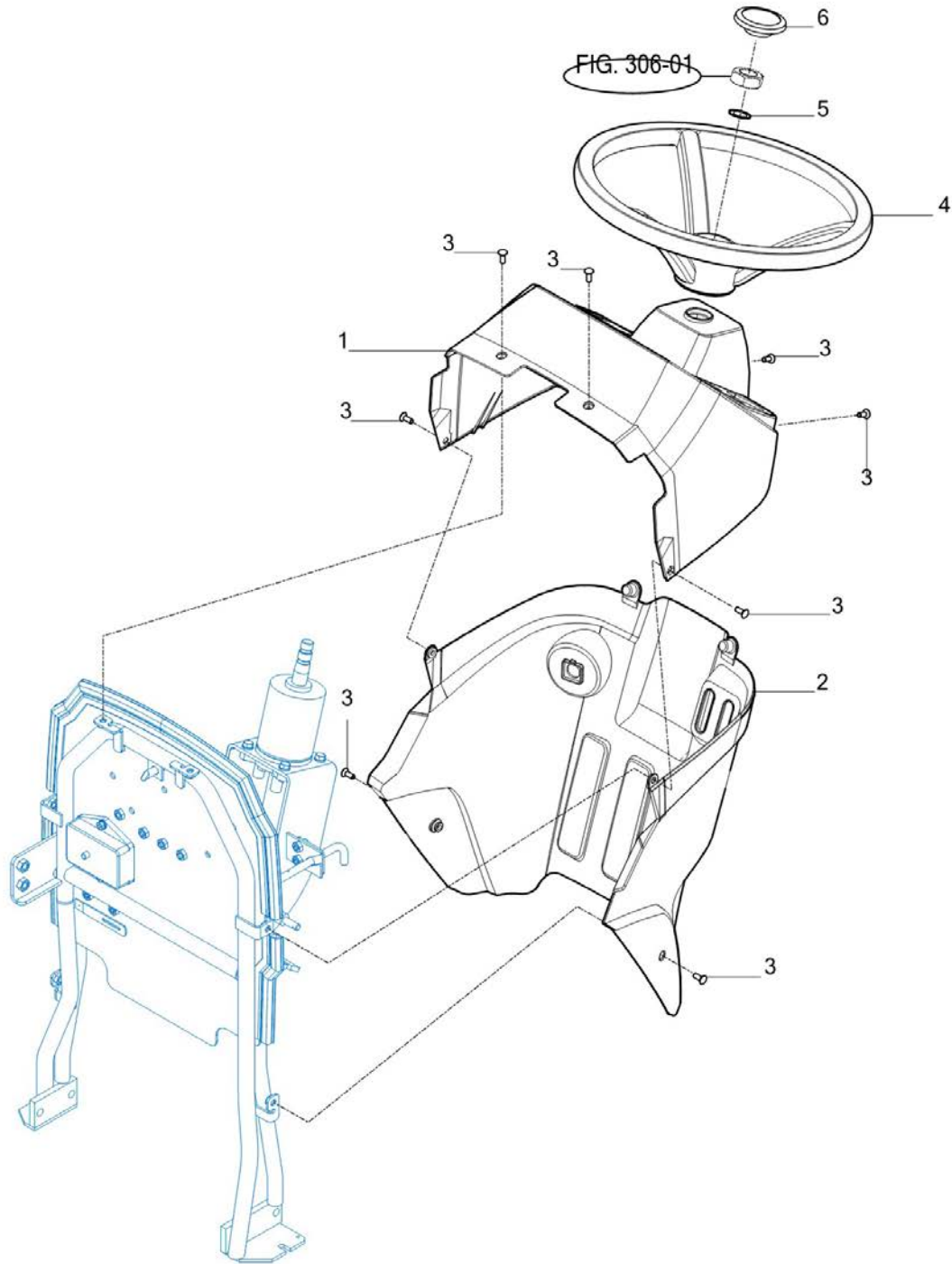
FIG 305

T25NHEU3

STEERING WHEEL & DASH COVER

년/월  
Year/Month

2022-12



NOTE





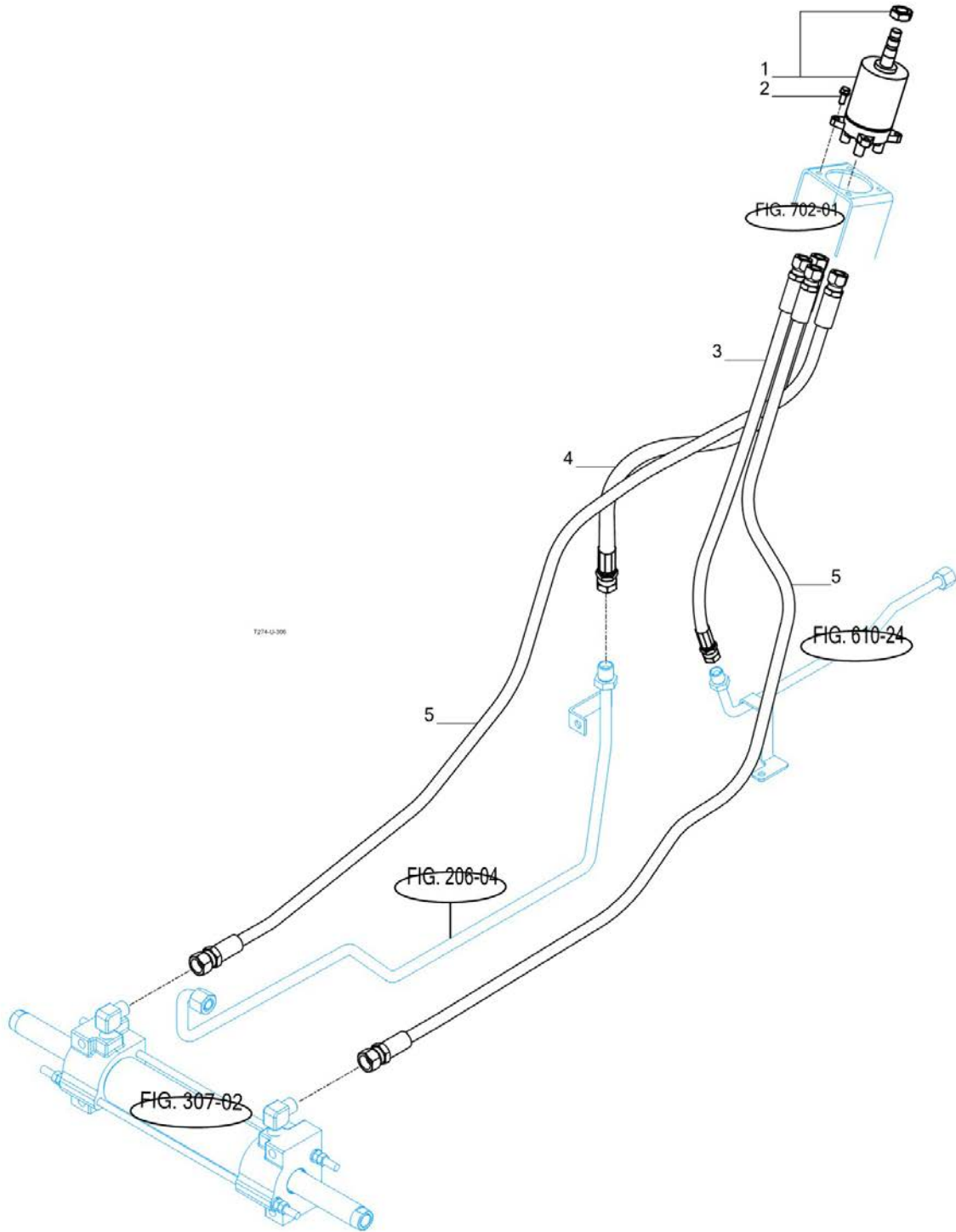
FIG 306

T25NHEU3

STEERING VALVE

년/월  
Year/Month

2022-12



NOTE



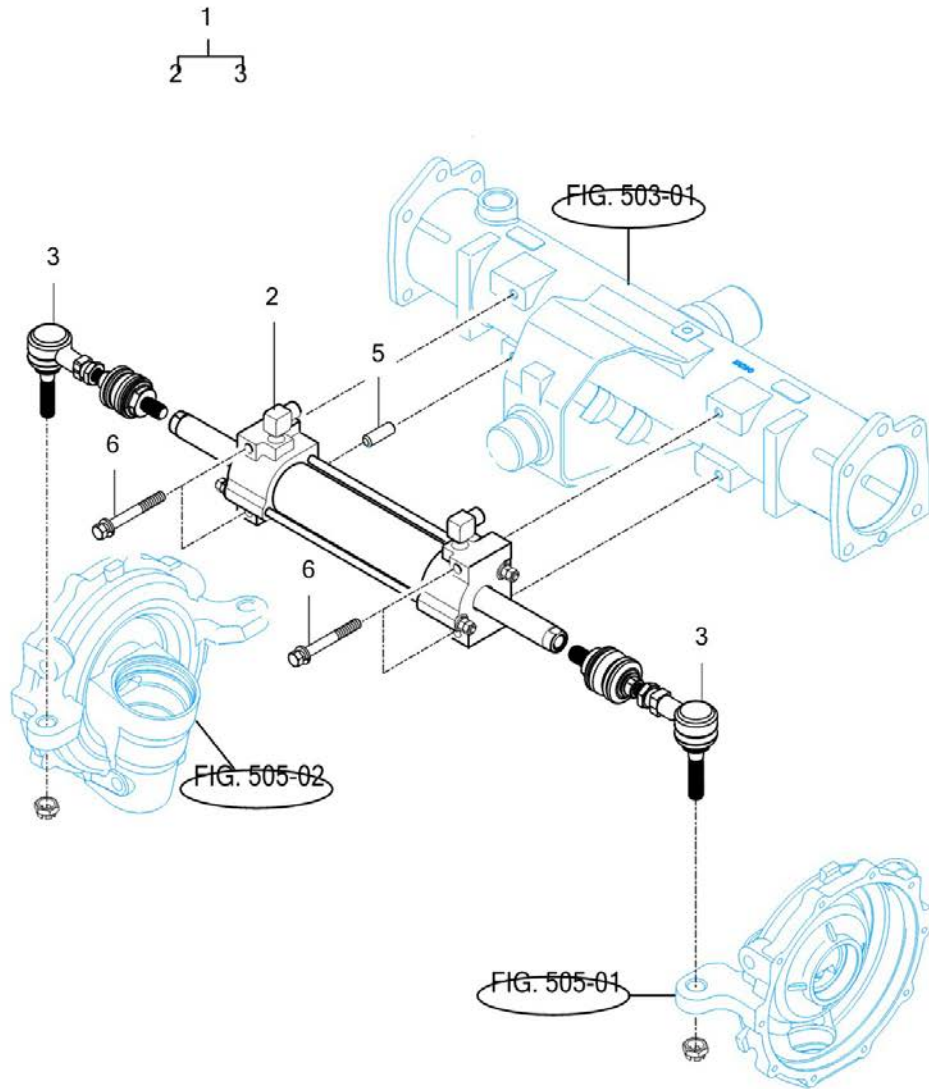
FIG 307

T25NHEU3

STEERING CYLINDER

년/월  
Year/Month

2022-12



NOTE



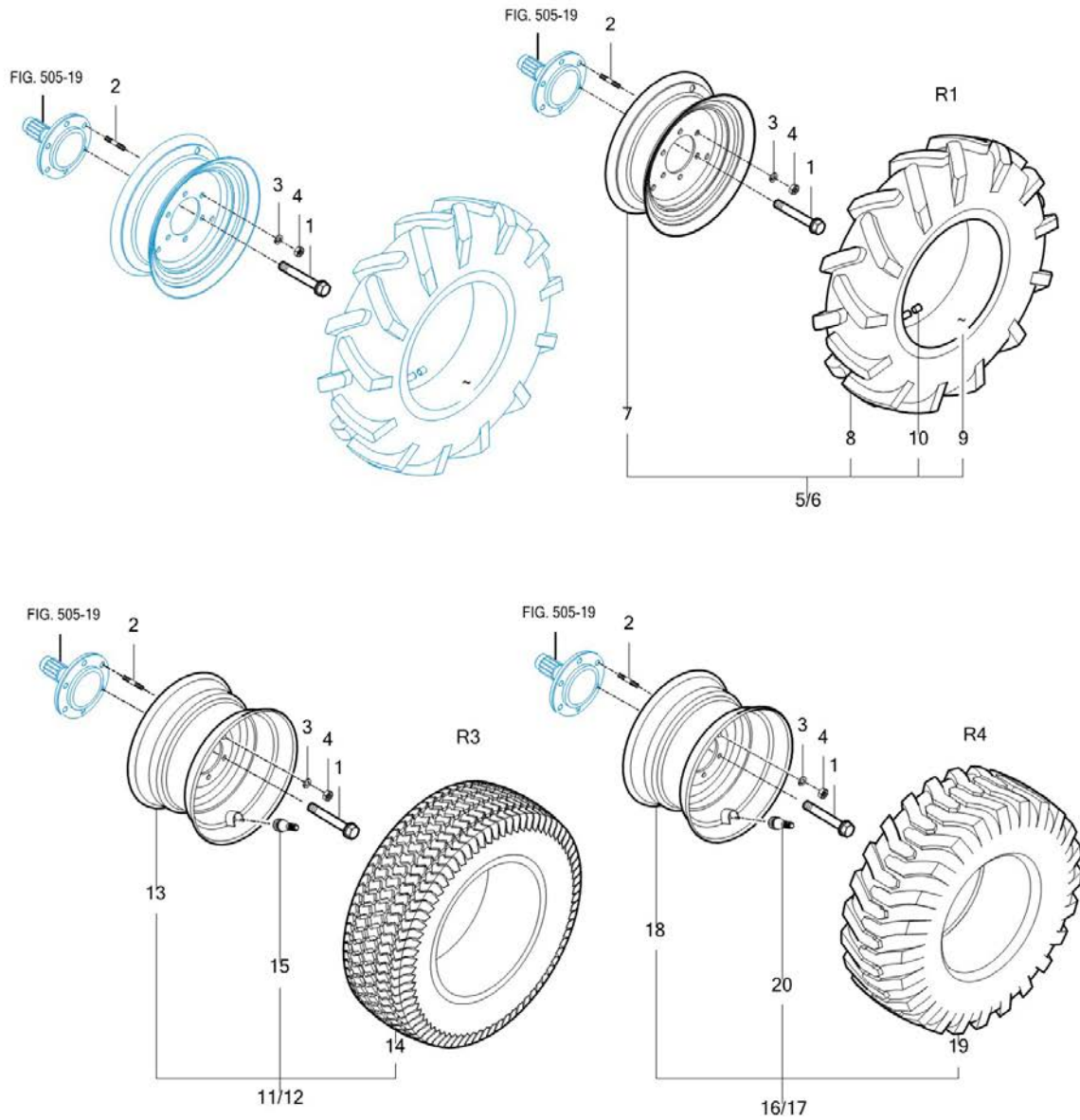
FIG 308

T25NHEU3

FRONT WHEEL

년/월  
Year/Month

2022-12



NOTE



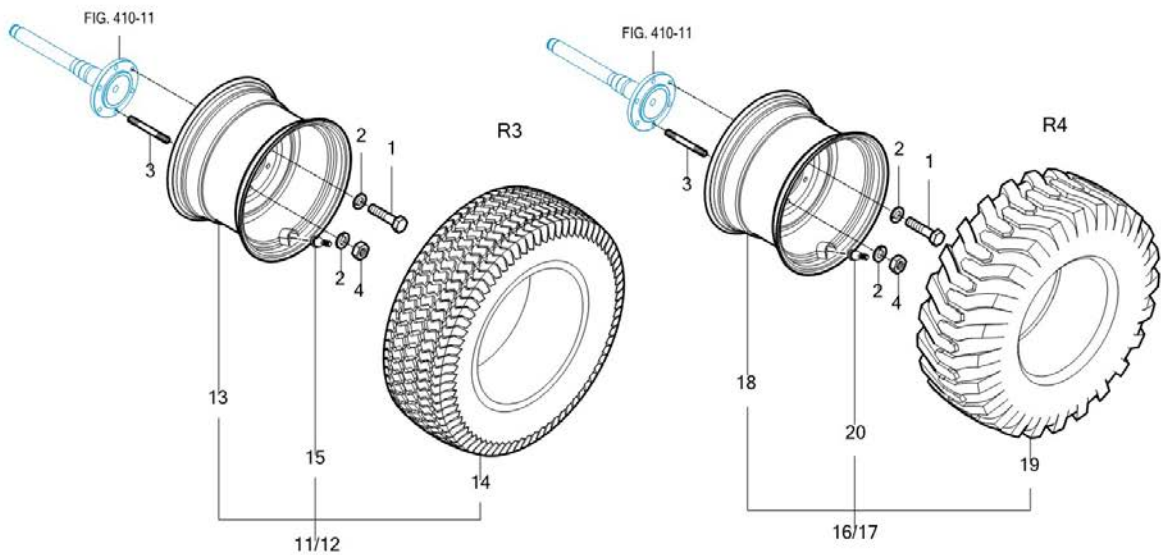
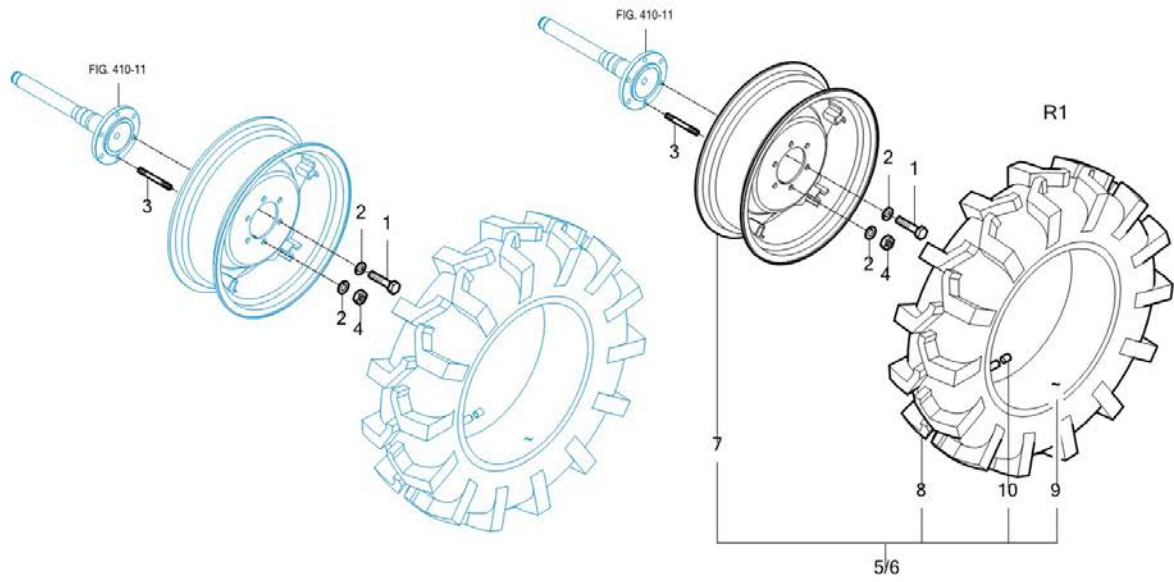
FIG 309

T25NHEU3

REAR WHEEL

년/월  
Year/Month

2022-12



NOTE





#### 4. 트랜스미션 PART NO. T4

FIG 401 INPUT SHAFT	75
FIG 402 HST	77
FIG 403 4WD DRIVE GEAR	79
FIG 404 RANGE GEARS	81
FIG 405 P.T.O DRIVE SHAFT	83
FIG 406 P.T.O SHAFT	85
FIG 408 DIFF LOCK	87
FIG 409 REAR TRANSMISSION CASE	89
FIG 410 REAR AXLE HOUSINGS	91
FIG 411 RANGE SHIFT LEVER	93
FIG 412 P.T.O CHANGE LEVER	95
FIG 413 4WD CHANGE LEVER	97

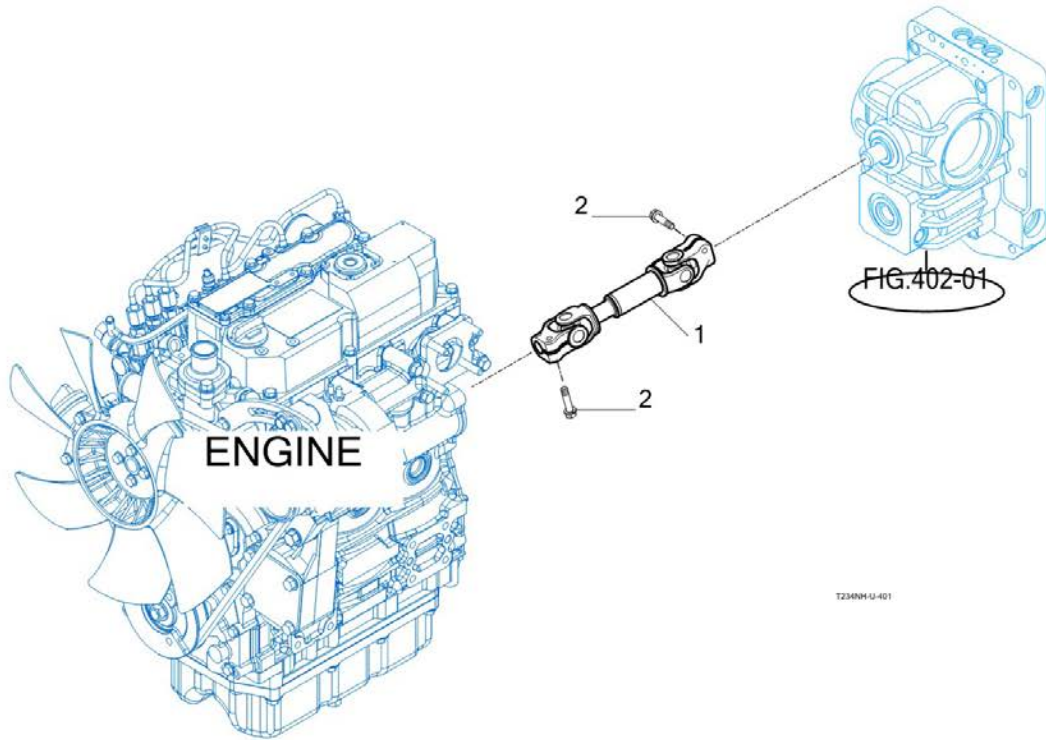
FIG 401

T25NHEU3

INPUT SHAFT

년/월  
Year/Month

2022-12



NOTE



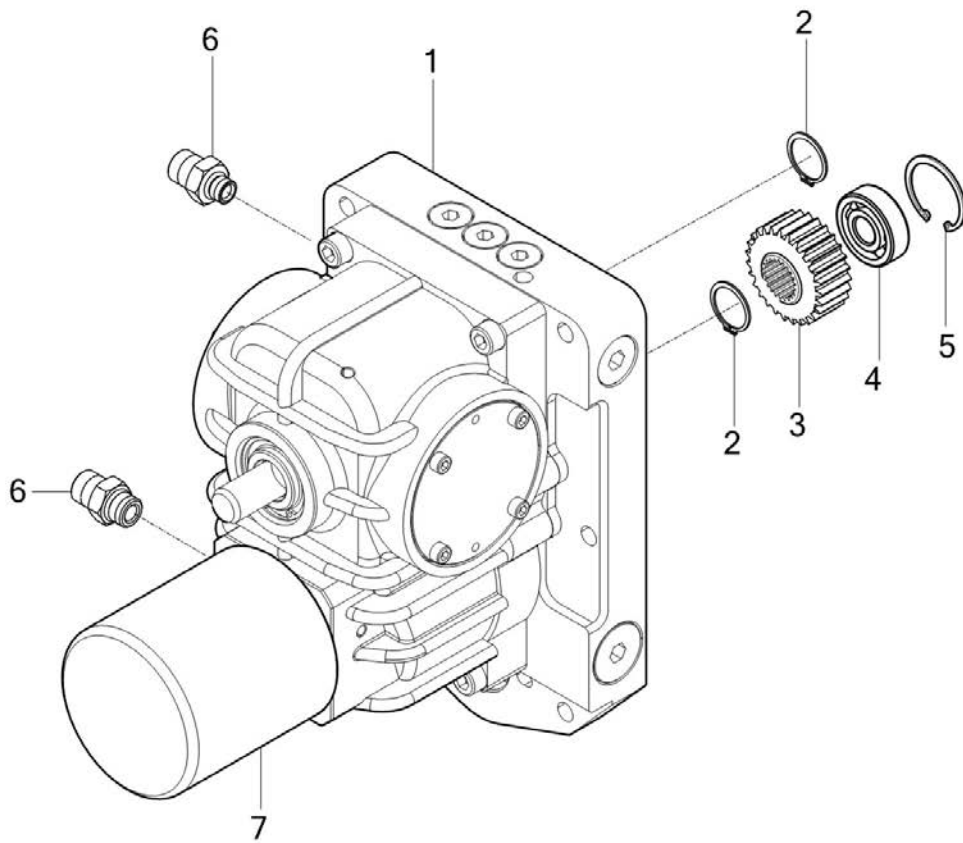
FIG 402

T25NHEU3

HST

년/월  
Year/Month

2022-12



NOTE



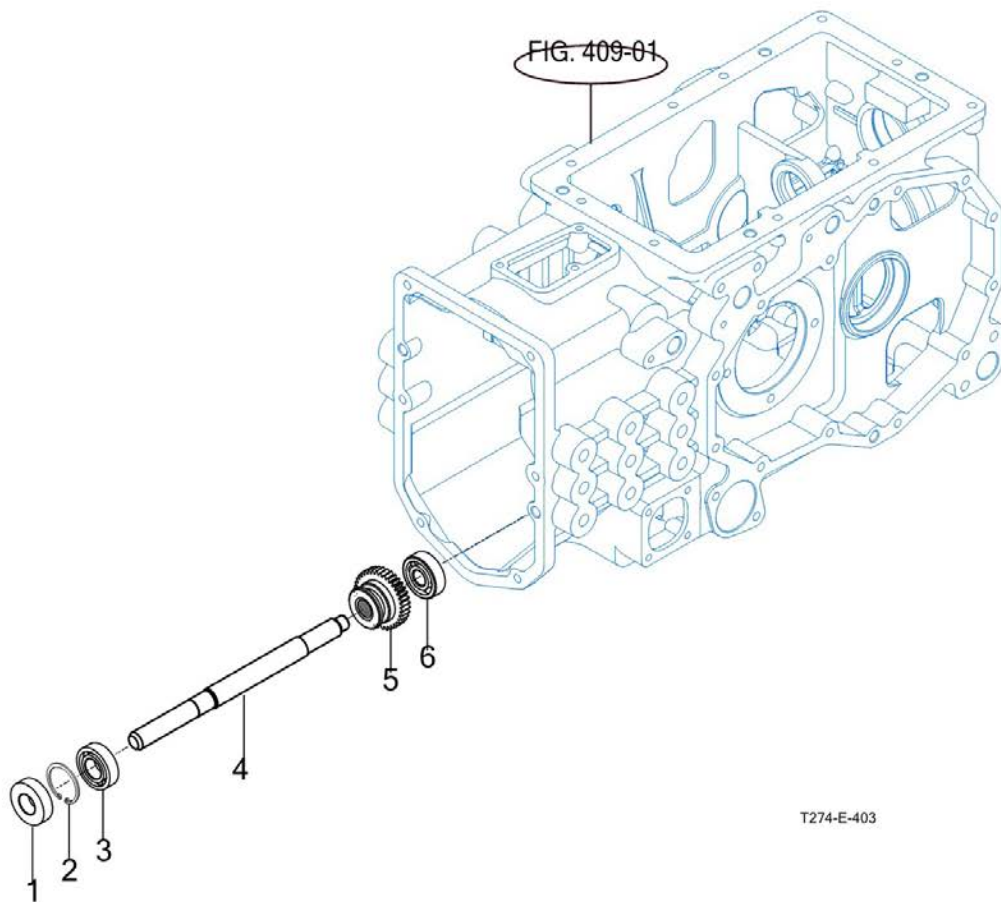
FIG 403

T25NHEU3

4WD DRIVE GEAR

년/월  
Year/Month

2022-12



NOTE





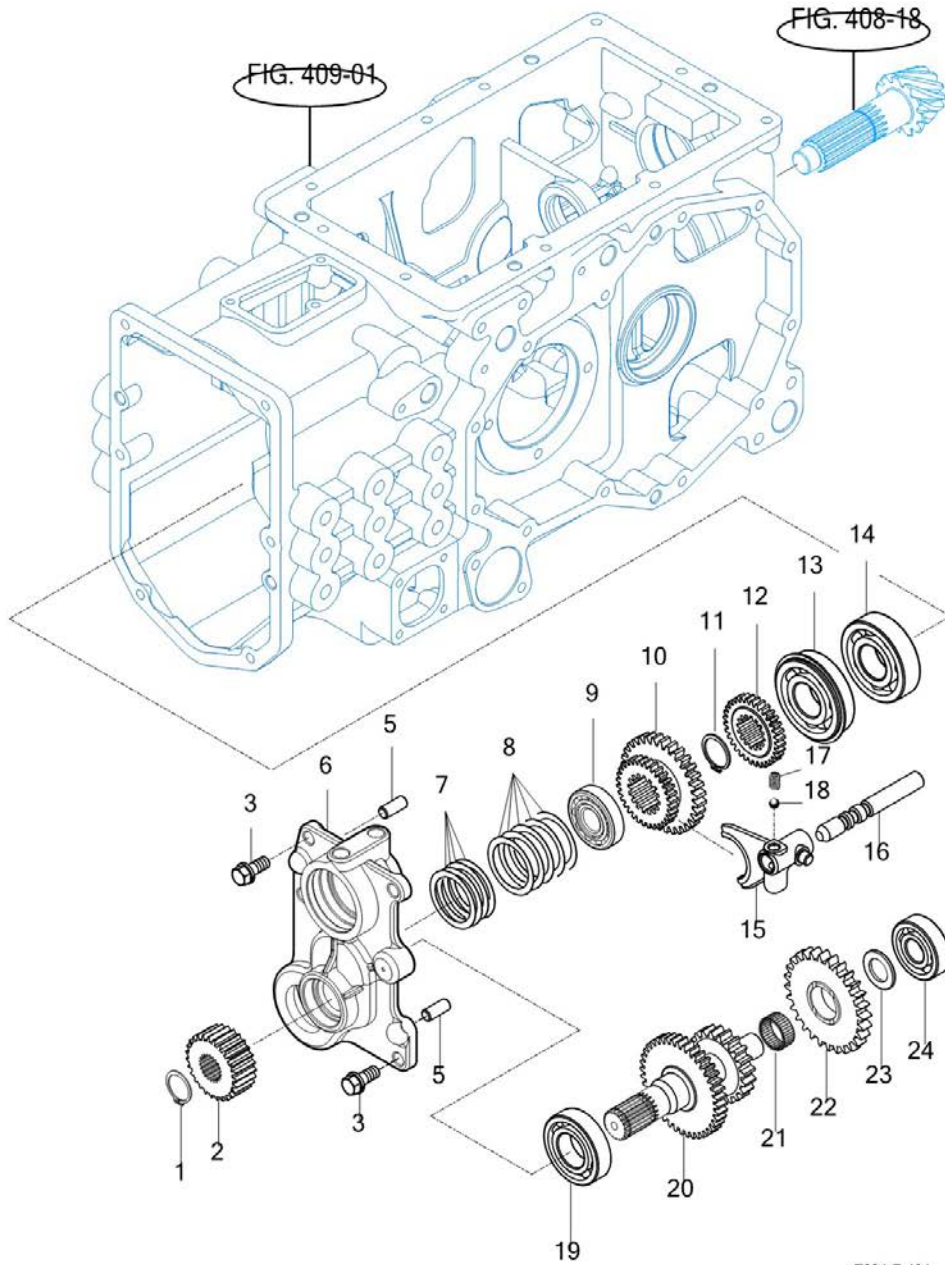
FIG 404

RANGE GEARS

년/월  
Year/Month

2022-12

T25NHEU3



T234-E-404

NOTE



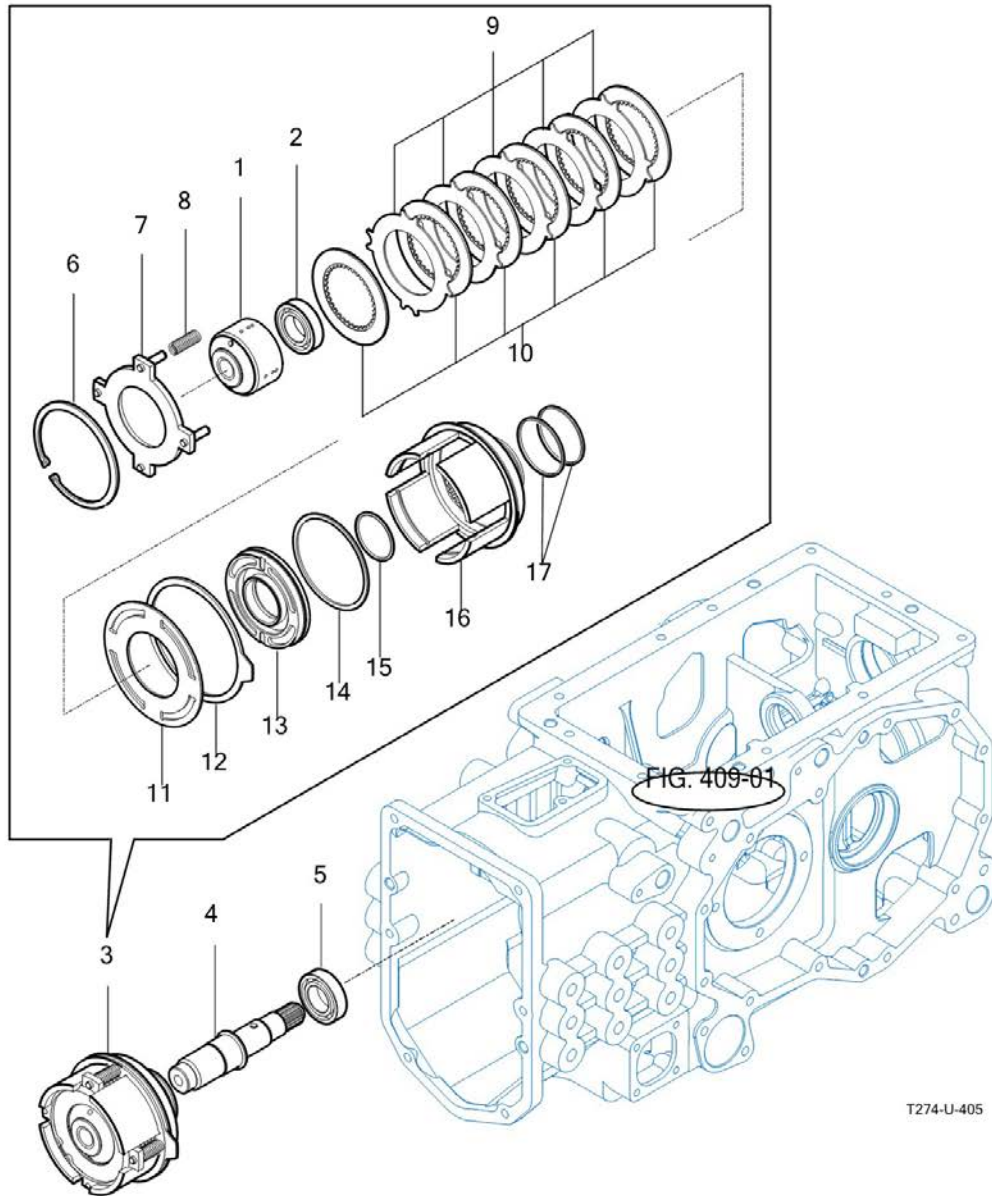
FIG 405

T25NHEU3

P.T.O DRIVE SHAFT

년/월  
Year/Month

2022-12



T274-U-405

NOTE



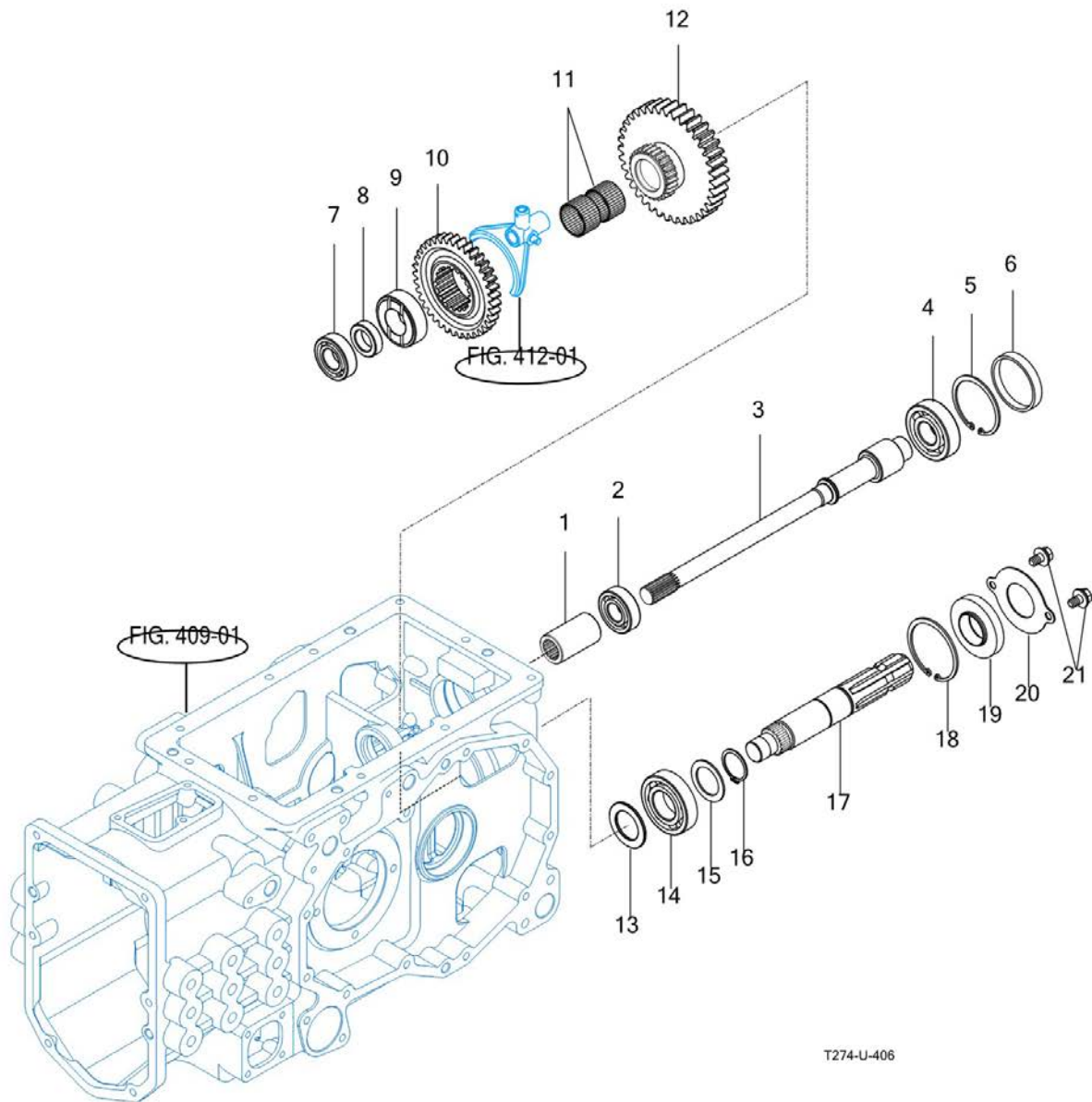
FIG 406

T25NHEU3

P.T.O SHAFT

년/월  
Year/Month

2022-12



T274-U-406

NOTE



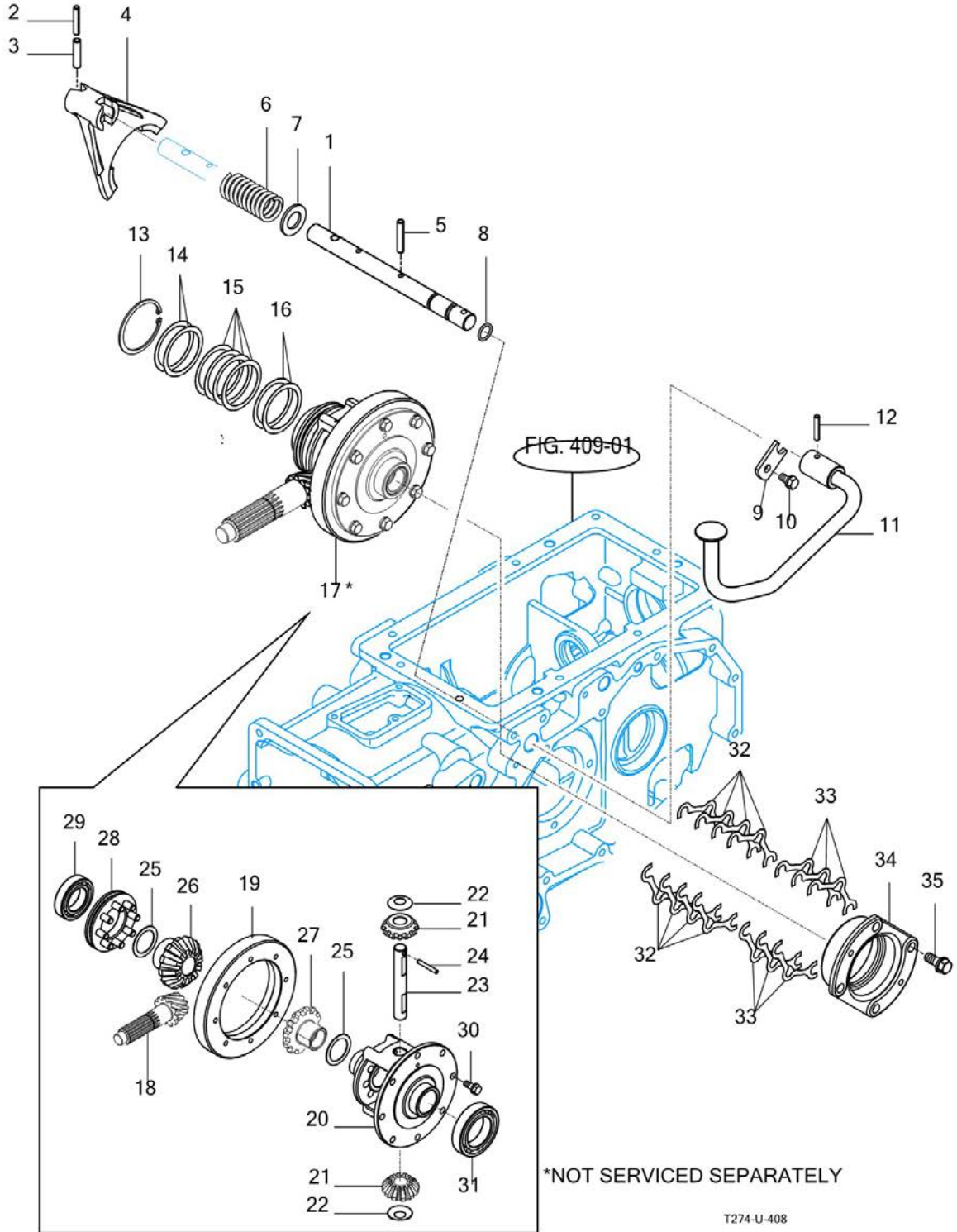
FIG 408

DIFF LOCK

년/월  
Year/Month

T25NHEU3

2022-12



NOTE

FIG 408 T25NHEU3	DIFF LOCK						년/월 Year/Month
							2022-12

KEY NO	PART NO	DESCRIPTION	SPEC	QTY	REPAIR	EFFECTIVE DATE	REMARKS
408	1	13153190020	디프록 샤프트				
408	2	V5801405036	스프링핀	5X36			
408	3	V5801408036	스프링핀	8X36			
408	4	13153190010M	포크(디프록)				
408	5	V5801406032	스프링핀	6X32			
408	6	17973030420	스프링				
408	7	V4111600200	평와셔	M20			
408	8	V7201024016	O링(P)	P16			
408	9	16703180191	플레이트				
408	10	V2173608016	소형육각볼트보통(S)	M8X16			
408	11	13153193100	페달(디프록) COMP				
408	12	V5801406028	스프링핀				
408	12	V5801408036	스프링핀	8X32			
408	13	V7051400620	C형멈춤링(구멍용)	62			
408	14	13153180110	심(RH/0.5)				
408	15	13153180130	심(RH/0.2)				
408	16	13153180120	심(RH/0.1)				
408	17	13403002000	리어 차동장치 ASSY				
408	18	13153002110	드라이브 피니언(9)				
408	19	13153002120	기어(베벨/55)				
408	20	13153180011M	디프 케이스				
408	21	14443180040	디프 피니언(12)				
408	22	14443180050	피니언스ラスト칼라				
408	23	13153180070	디프 피니언 축				
408	24	V5801405036	스프링핀	5X36			
408	25	13153180080	스러스트 와셔(34X46X1)				
408	26	13153180030	베벨기어(20)(RH)				
408	27	13153180060	베벨기어(20)(LH)				
408	28	13153182100	디프록 클러치 COMP				
408	29	V6001106007	볼베어링	6007			
408	30	V2173608020	소형육각볼트보통(S)	M8X20			
408	31	V6001106009	볼베어링	6009			
408	32	13153181030	심(LH/0.2)				
408	33	13153181020	심(LH/0.1)				
408	34	13153181010M	디프 케이스 메탈				
408	35	V2173610025	소형육각볼트보통(S)				

NOTE



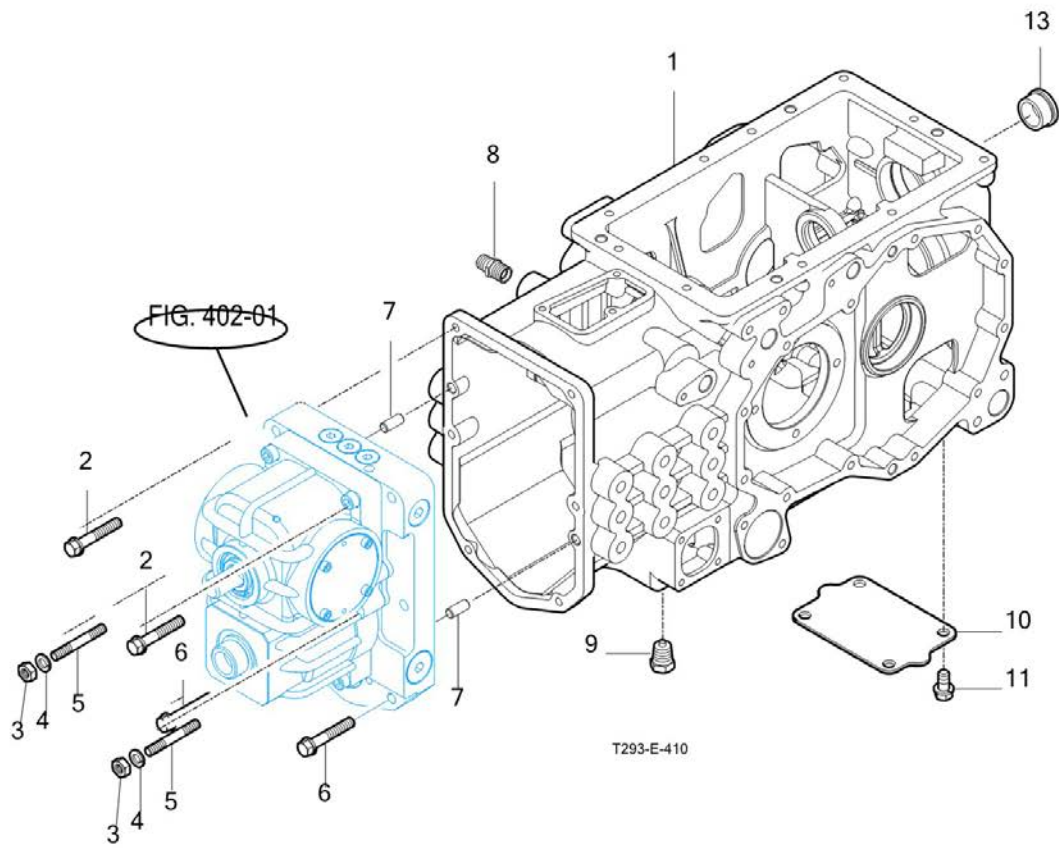
FIG 409

REAR TRANSMISSION CASE

년/월  
Year/Month

T25NHEU3

2022-12



NOTE



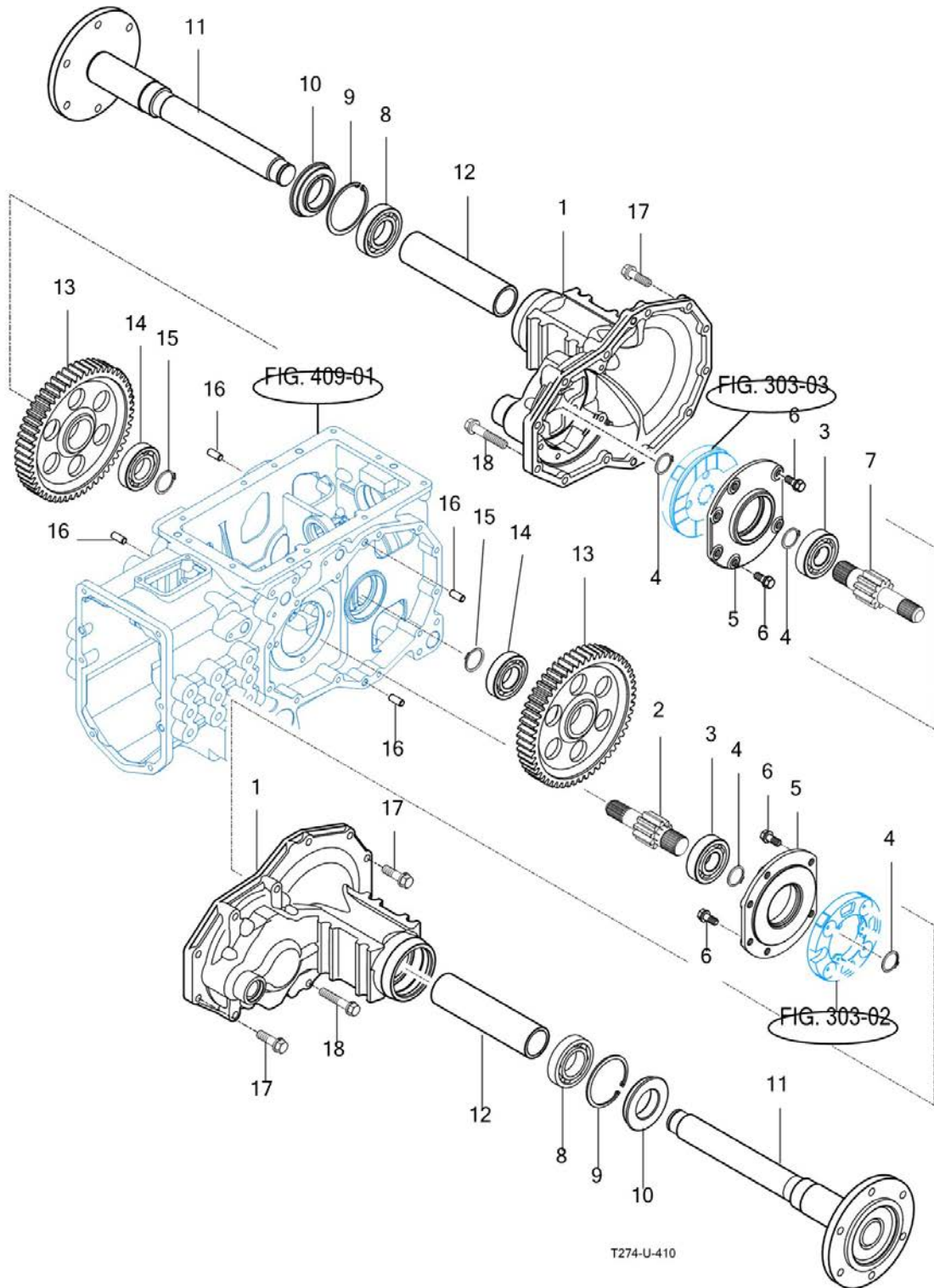
FIG 410

REAR AXLE HOUSINGS

년/월  
Year/Month

T25NHEU3

2022-12



T274-U-410

NOTE



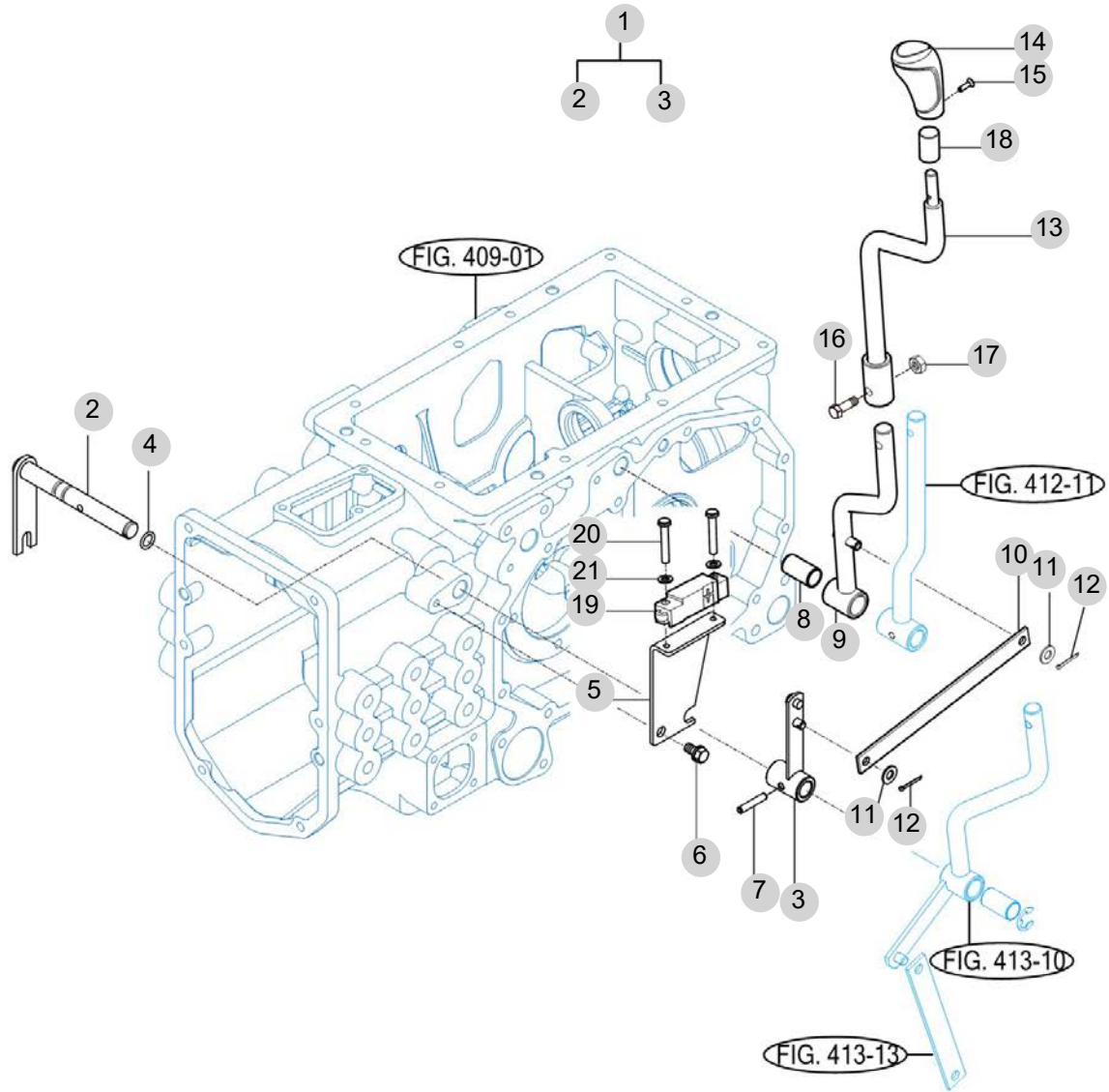
FIG 411

T25NHEU3

RANGE SHIFT LEVER

년/월  
Year/Month

2022-12



T25NH-E-411

NOTE



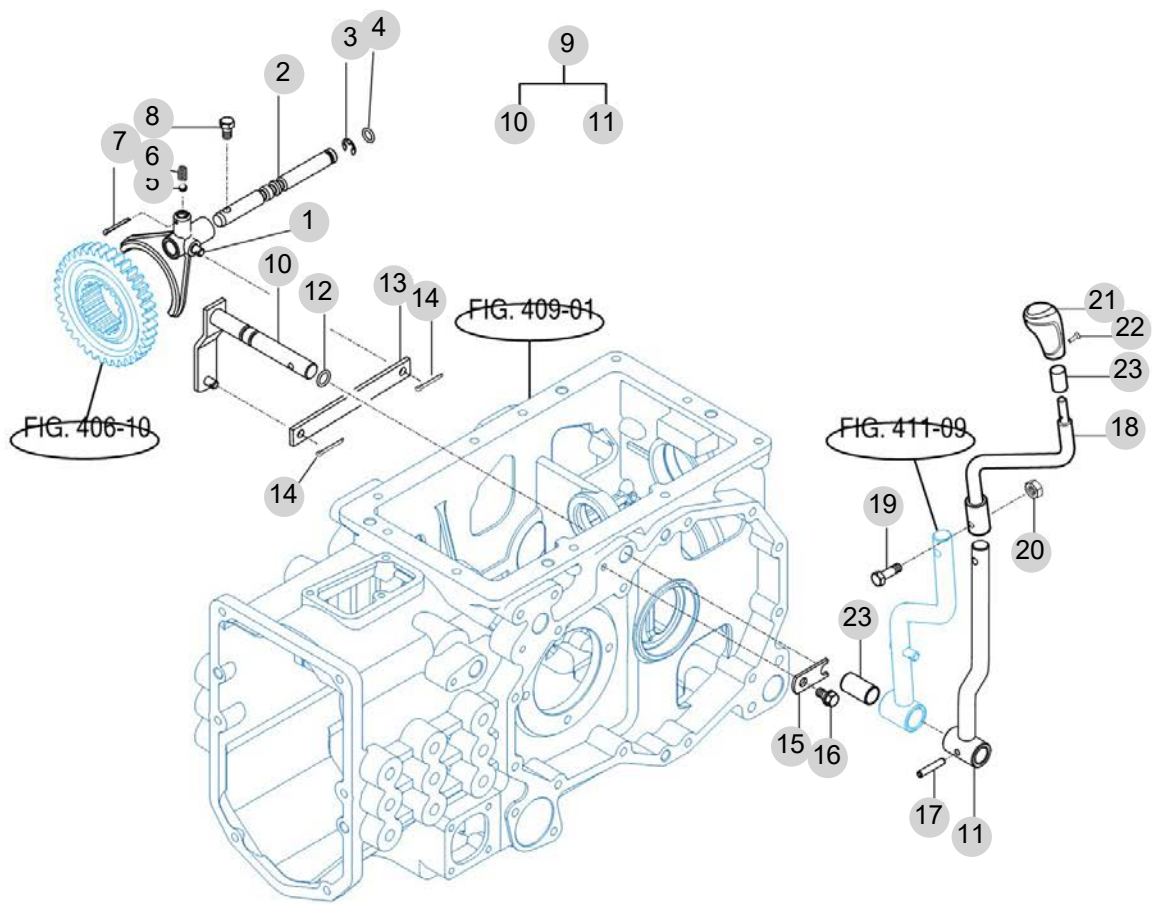
FIG 412

T25NHEU3

P.T.O CHANGE LEVER

년/월  
Year/Month

2022-12



T274-U-412

NOTE



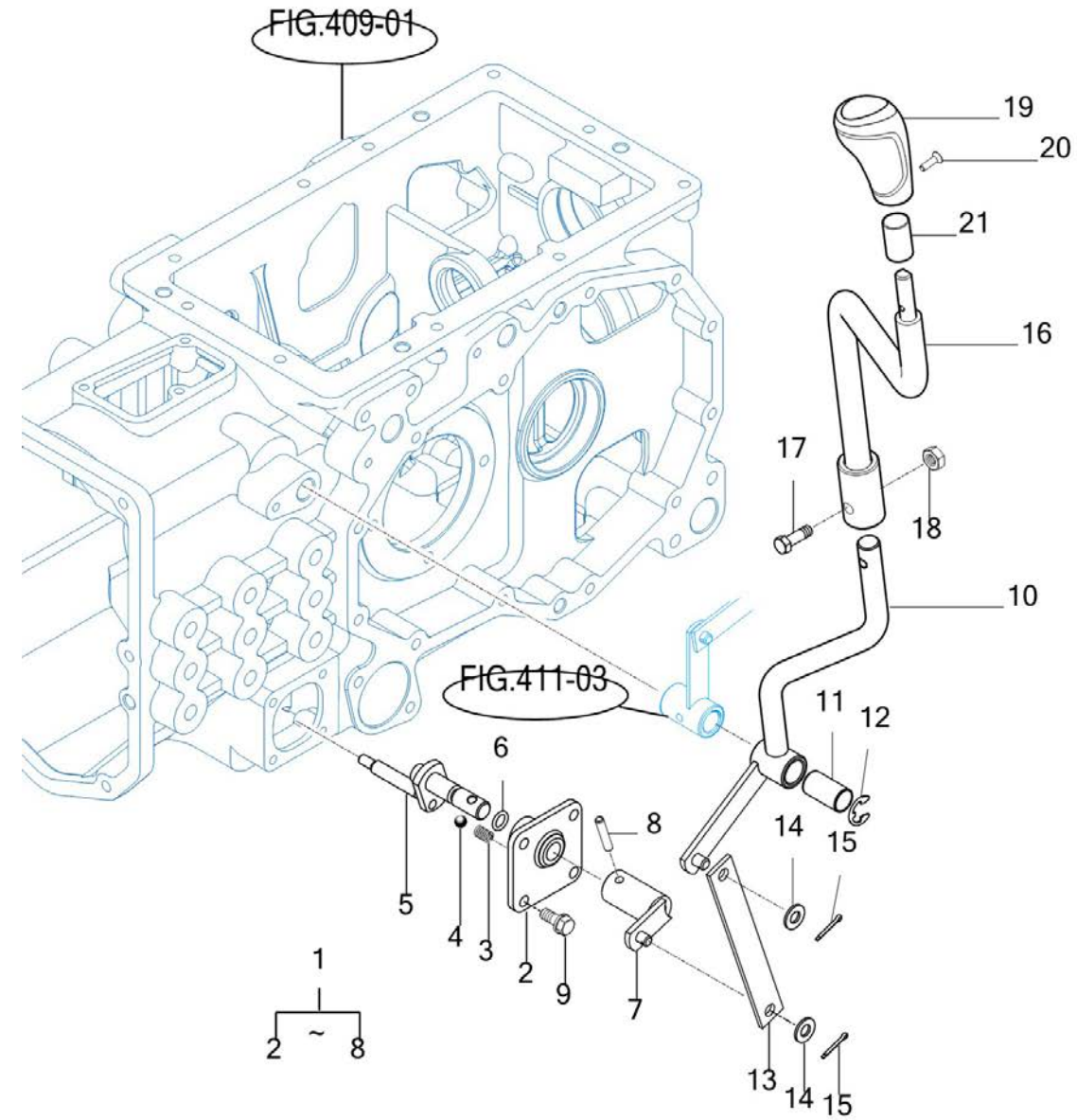


FIG 413

4WD CHANGE LEVER

년/월  
Year/Month

2022-12



T274-U-413

NOTE



## 5. 프런트 액슬 PART NO. T5

FIG 501 FRAME	100
FIG 502 FRONT DIFFERENTIAL GEARS & SHAFT	102
FIG 503 FRONT AXLE HOUSING	104
FIG 504 FRONT GEAR CASE (1)	106
FIG 505 FRONT GEAR CASE (2)	108

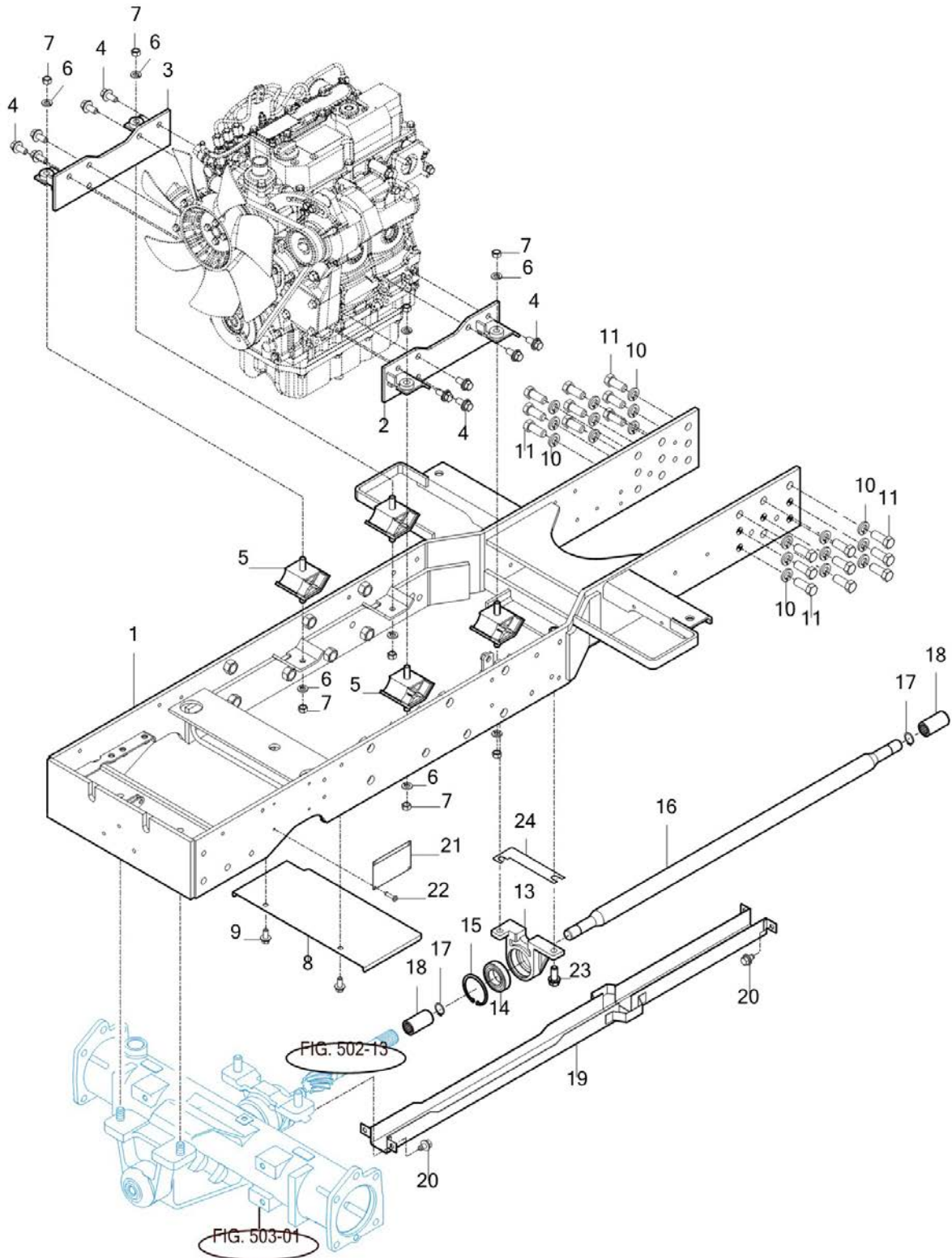
FIG 501

FRAME

년/월  
Year/Month

T25NHEU3

2022-12



NOTE



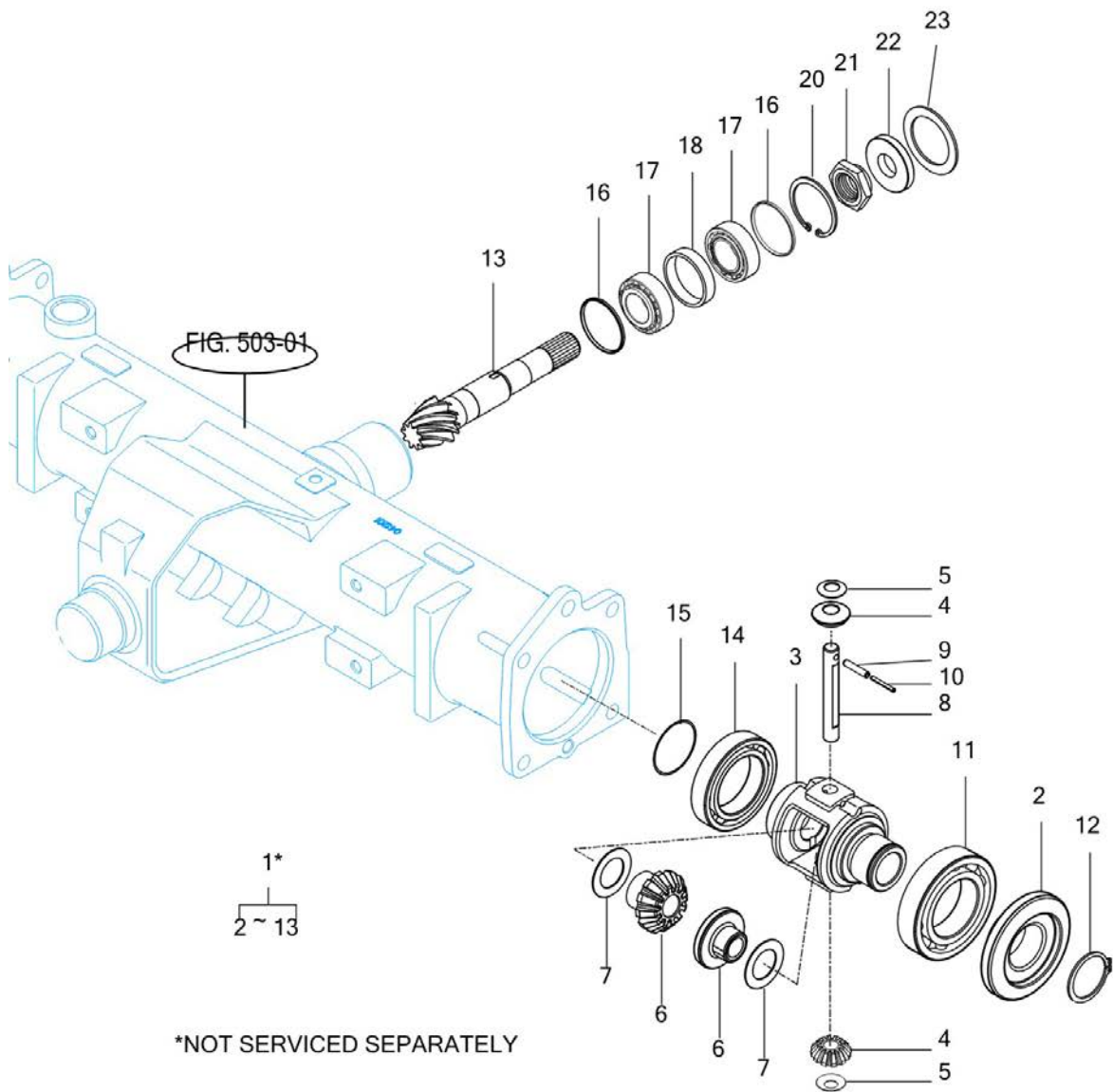
FIG 502

T25NHEU3

FRONT DIFFERENTIAL GEARS & SHAFT

년/월  
Year/Month

2022-12



NOTE



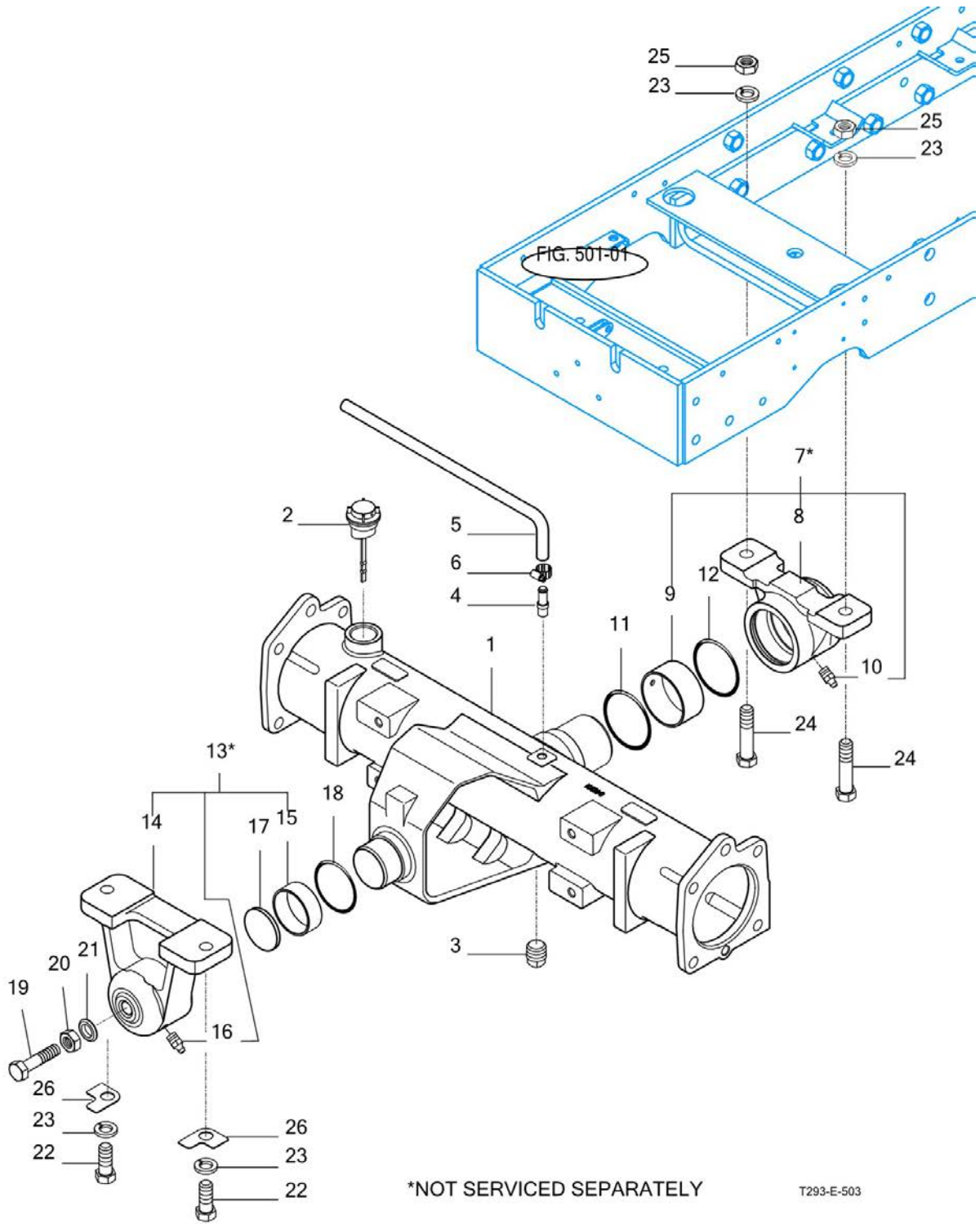
FIG 503

T25NHEU3

FRONT AXLE HOUSING

년/월  
Year/Month

2022-12



NOTE





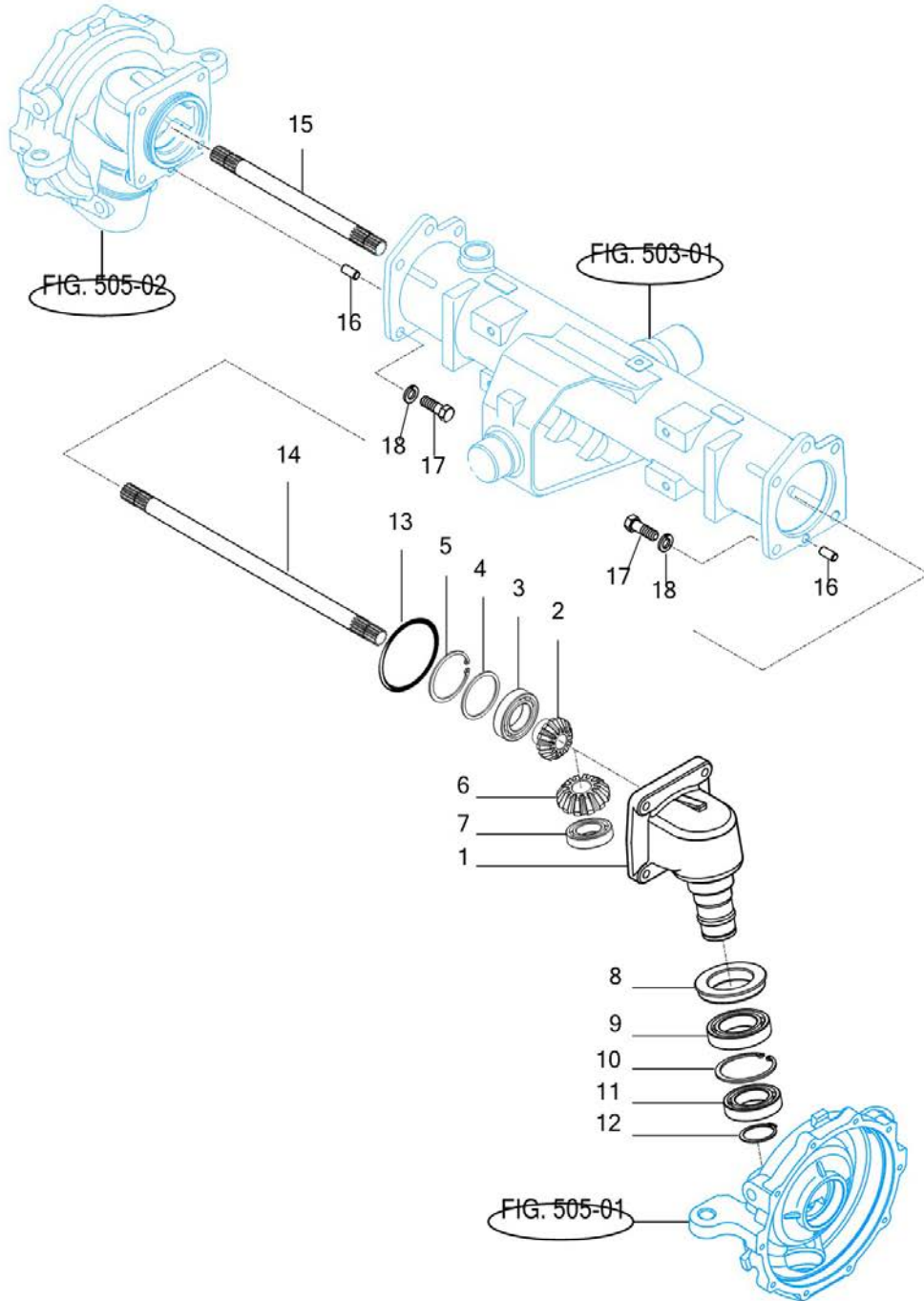
FIG 504

FRONT GEAR CASE (1)

년/월  
Year/Month

2022-12

T25NHEU3



T293-E-504

NOTE



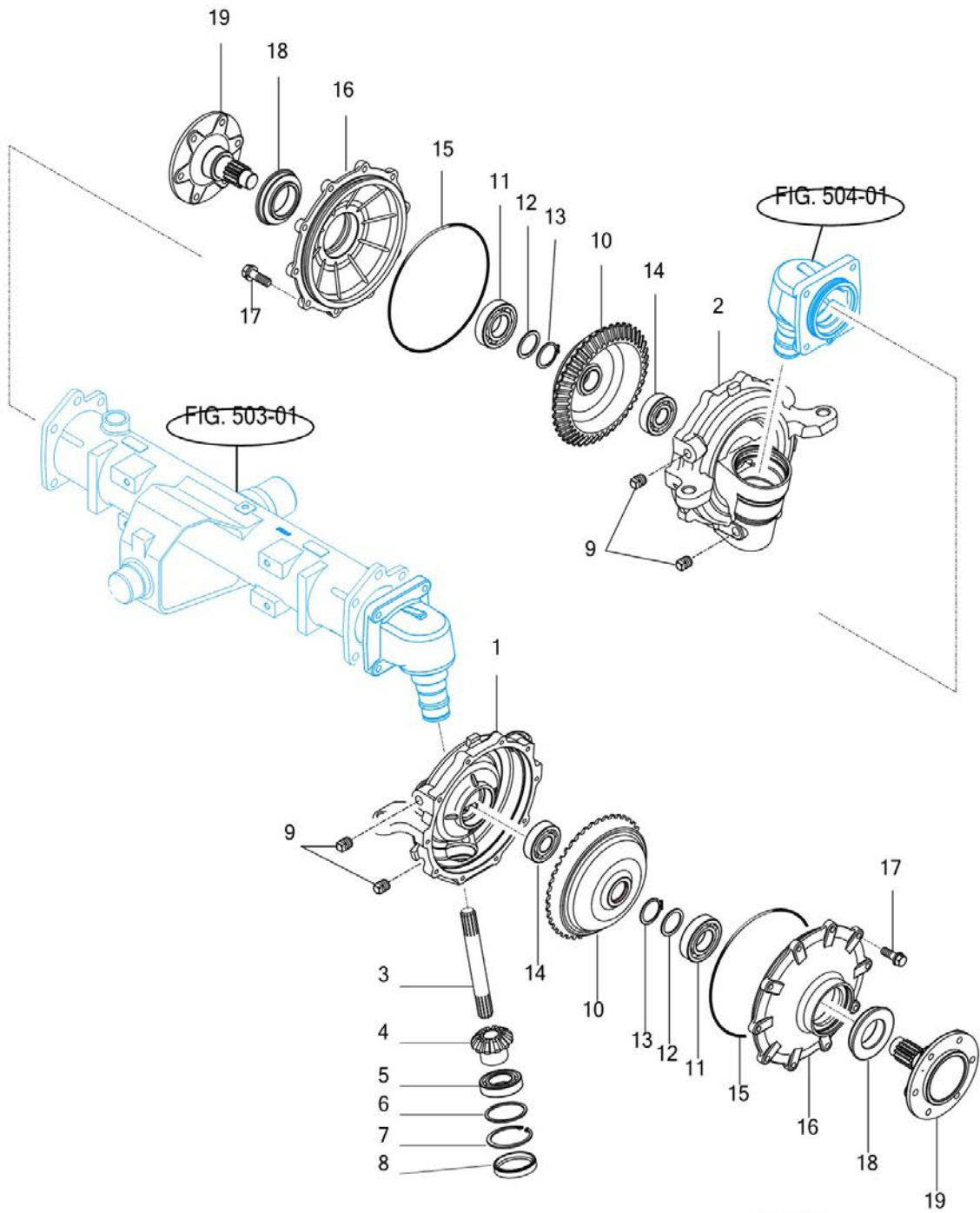
FIG 505

T25NHEU3

FRONT GEAR CASE (2)

년/월  
Year/Month

2022-12



T293-E-505

NOTE



## 6. 유압/3점링크 PART NO. T6

FIG 601 CYLINDER CASE	111
FIG 602 LIFT ARM	113
FIG 603 FLOW CONTROL VALVE	115
FIG 604 CONTROL VALVE LINKAGE	117
FIG 605 MAIN CONTROL VALVE	119
FIG 606 REMOTE CONTROL VALVE	121
FIG 607 POSITION LEVER LINKAGE	123
FIG 608 GEAR PUMP	125
FIG 609 HYDRAULIC HOSE (1)	127
FIG 610 HYDRAULIC HOSE (2)	129
FIG 611 PTO VALVE	131
FIG 612 3-POINT LINKAGE	133
FIG 613 JOYSTICK LEVER	136
FIG 614 HITCH & COVER	138

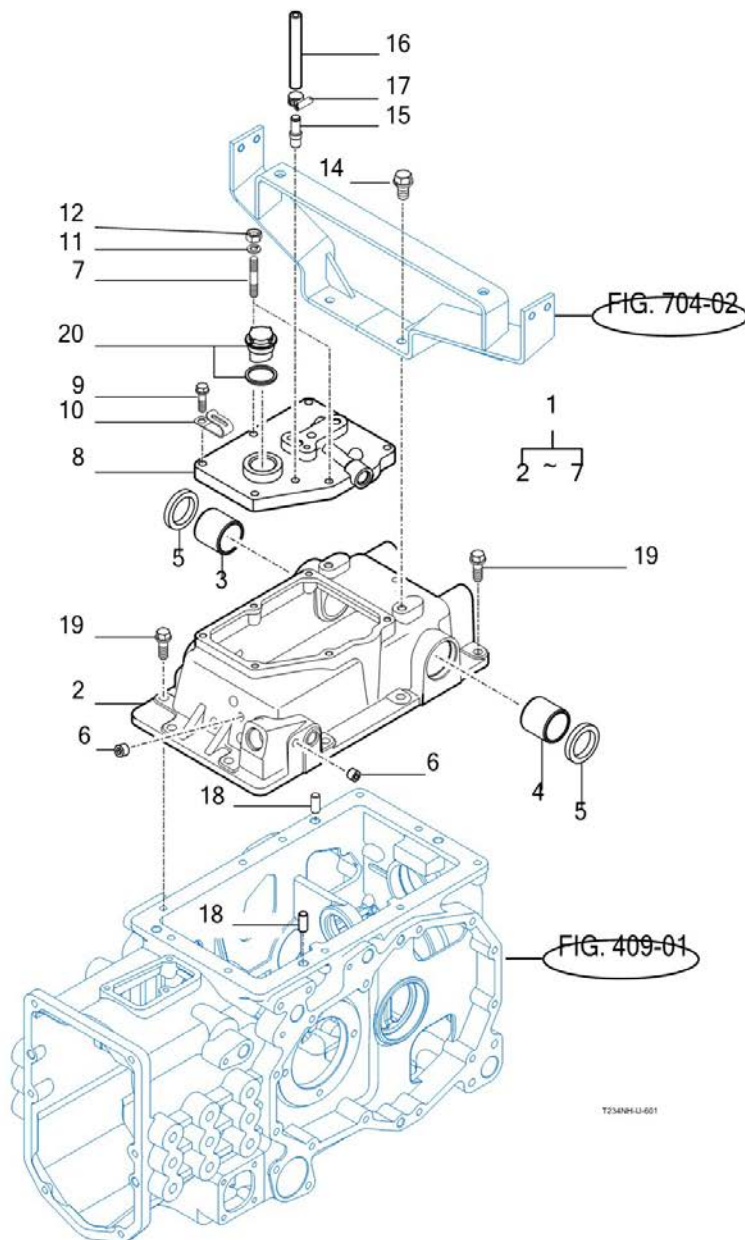
FIG 601

T25NHEU3

CYLINDER CASE

년/월  
Year/Month

2022-12



NOTE





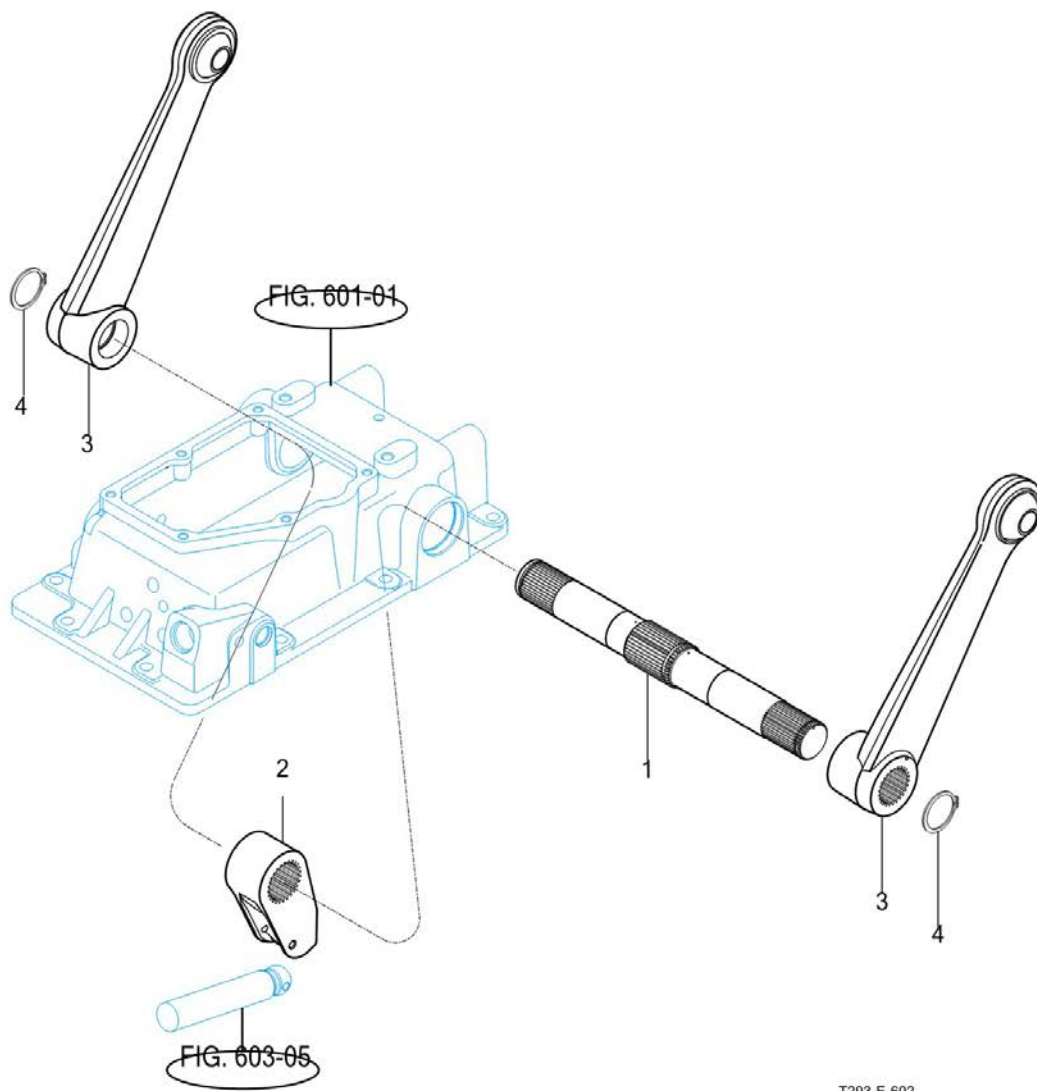
FIG 602

T25NHEU3

LIFT ARM

년/월  
Year/Month

2022-12



T293-E-602

NOTE



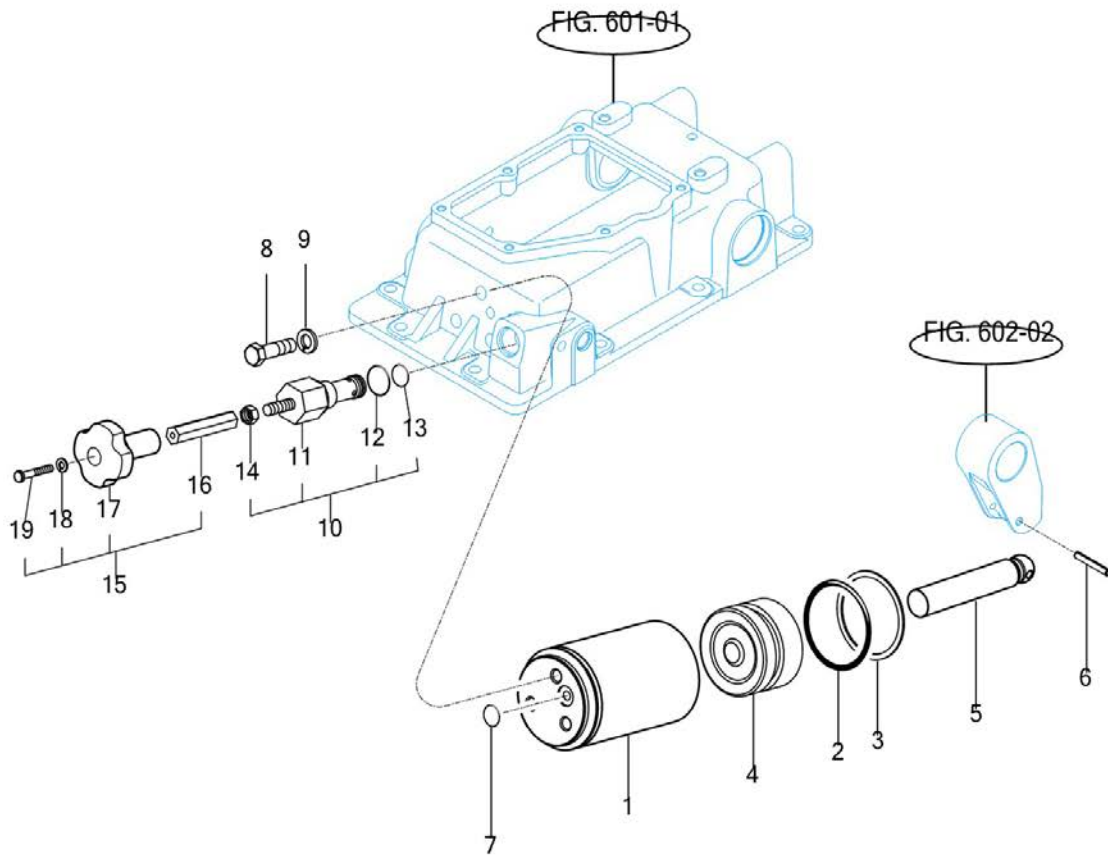
FIG 603

T25NHEU3

FLOW CONTROL VALVE

년/월  
Year/Month

2022-12



T293-E-603

NOTE



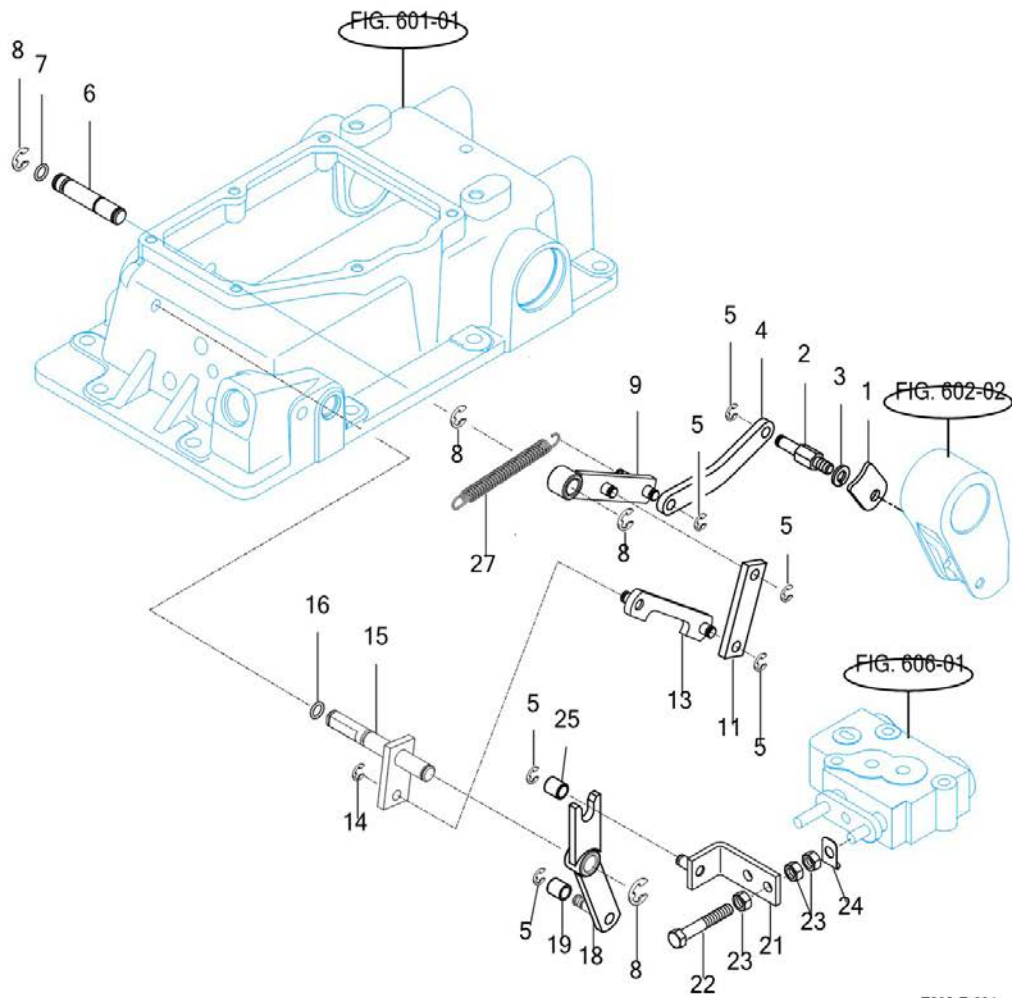
FIG 604

T25NHEU3

CONTROL VALVE LINKAGE

년/월  
Year/Month

2022-12



T293-E-604

NOTE



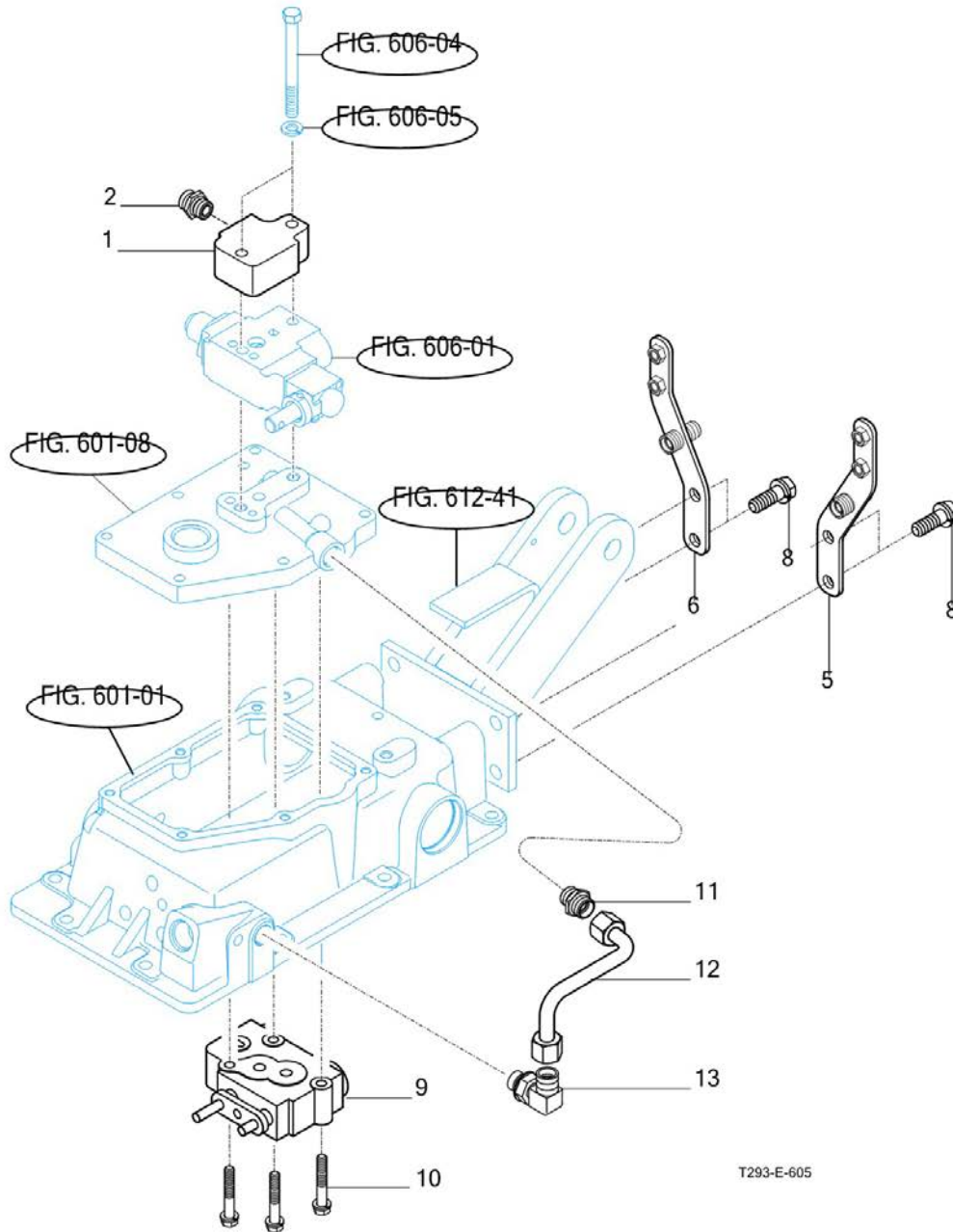
FIG 605

T25NHEU3

# MAIN CONTROL VALVE

년/월  
Year/Month

2022-12



NOTE





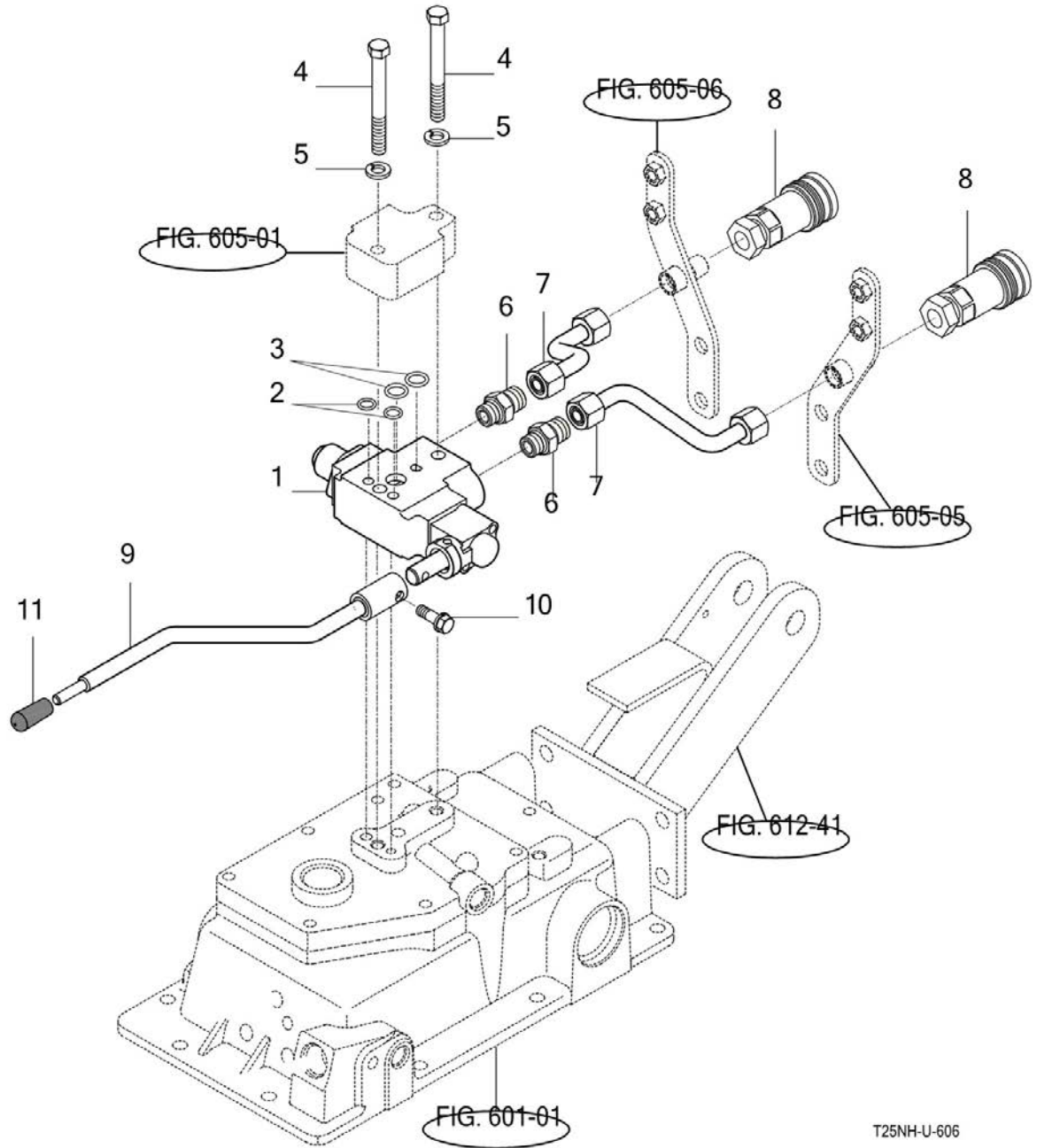
FIG 606

T25NHEU3

REMOTE CONTROL VALVE

년/월  
Year/Month

2022-12



NOTE



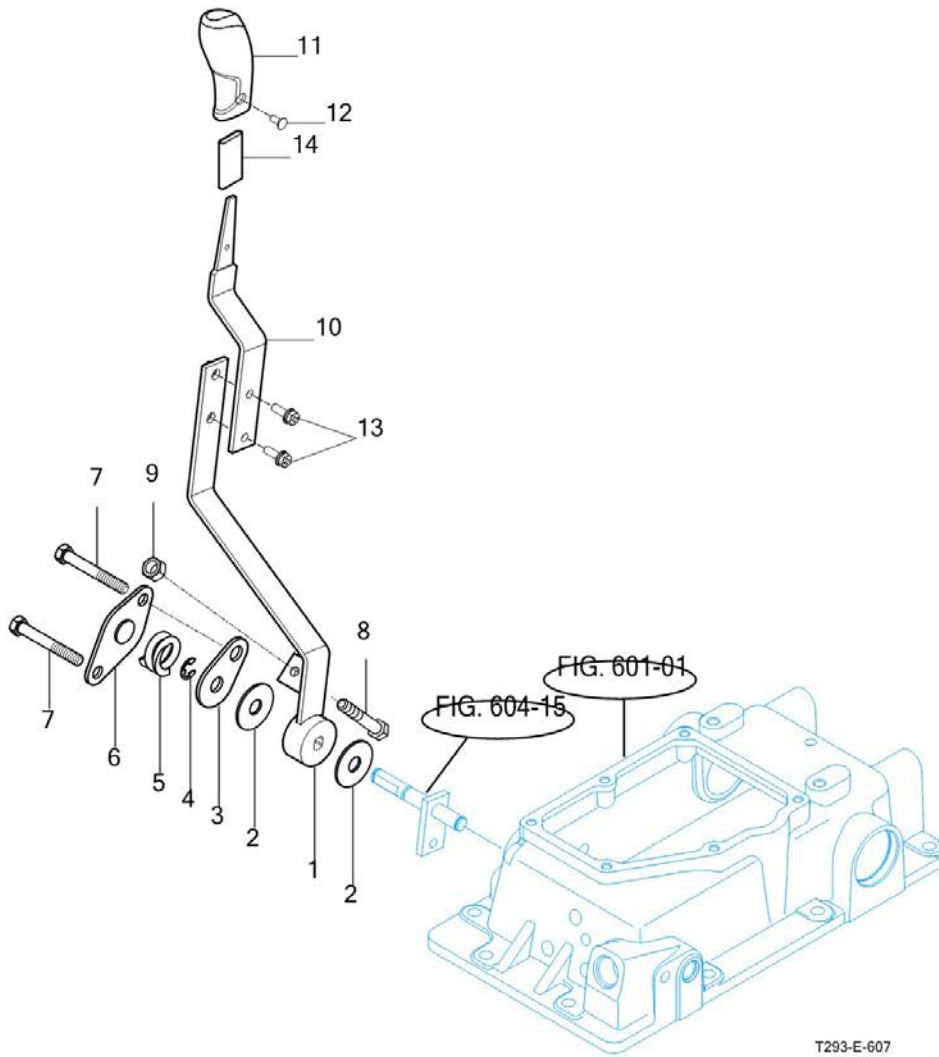
FIG 607

T25NHEU3

POSITION LEVER LINKAGE

년/월  
Year/Month

2022-12



T293-E-607

NOTE



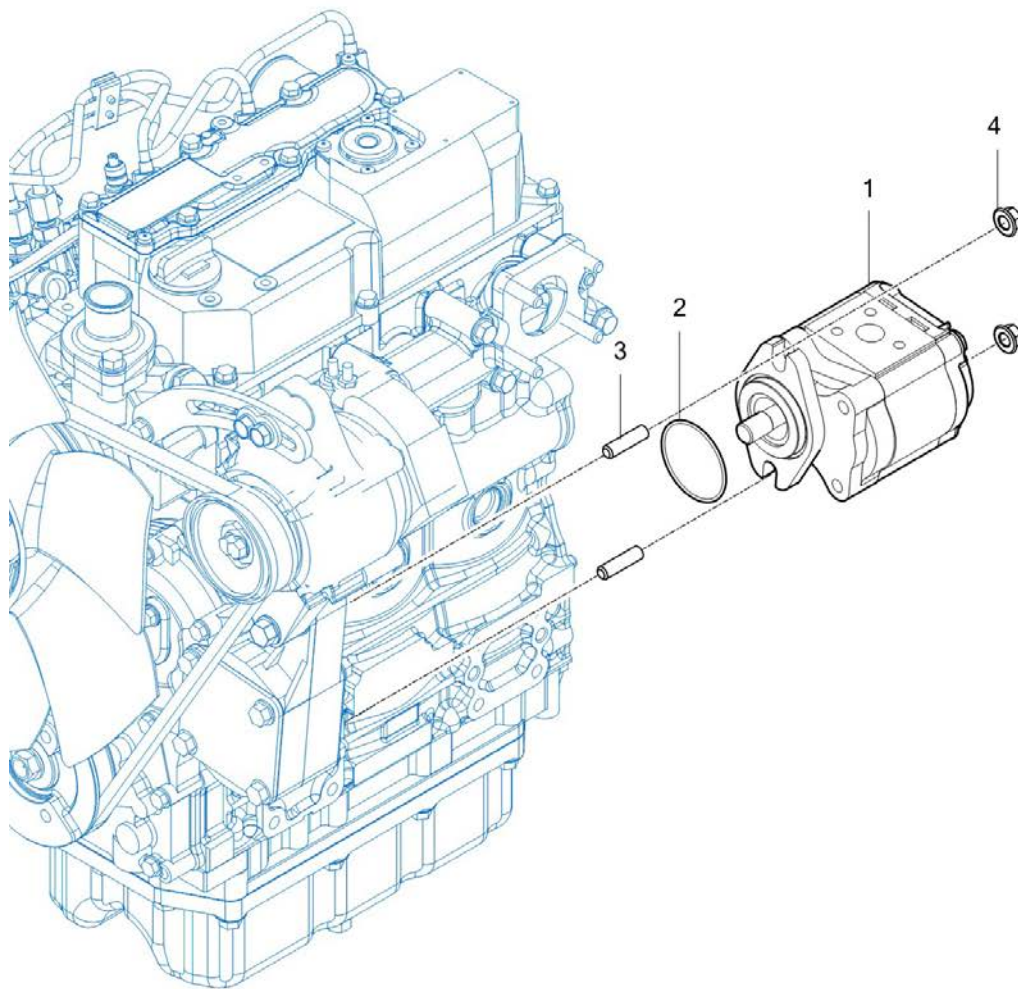
FIG 608

GEAR PUMP

년/월  
Year/Month

T25NHEU3

2022-12



NOTE



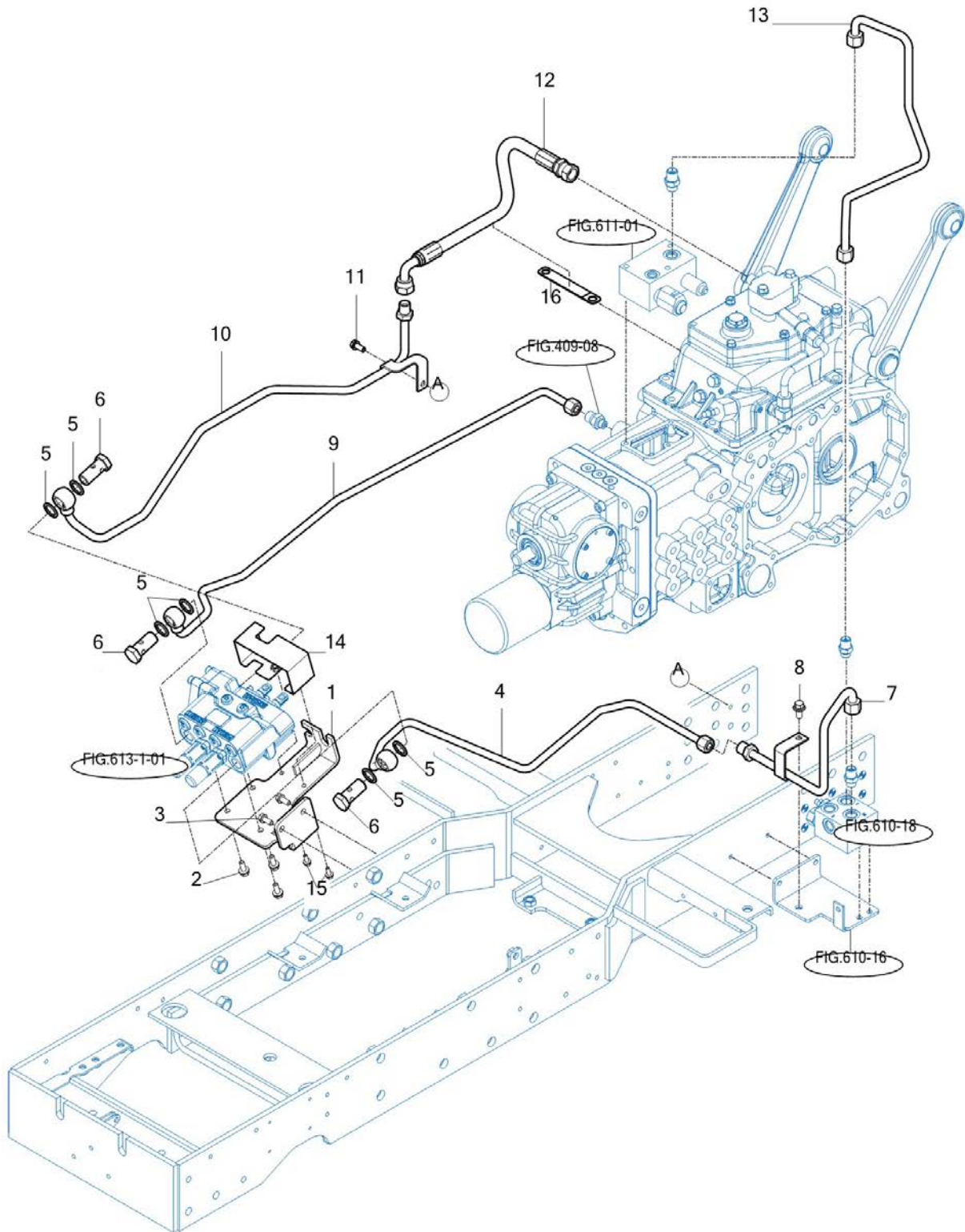
FIG 609

T25NHEU3

HYDRAULIC HOSE (1)

년/월  
Year/Month

2022-12



NOTE

FIG 609		HYDRAULIC HOSE (1)						년/월 Year/Month
T25NHEU3								2022-12
KEY NO	PART NO	DESCRIPTION	SPEC	QTY	REPAIR	EFFECTIVE DATE	REMARKS	
609	1	11815256100GB	로더밸브 브래킷 COMP					
609	2	V2173608025	소형육각볼트보통(S)	M8X25	3			
609	3	V2173608020	소형육각볼트보통(S)	M8X20	2			
609	4	11815253101GB	로더파이프 COMP , P		1			
609	5	19557753010	본디드 씌 , PF1/2		6			
609	6	13875410082	아이 조인트 볼트 (PF1/2)		3			
609	7	11815353200GB	메인파이프 COMP , 후		1			
609	8	V2183608020	소형육각볼트보통(SP)		1			
609	9	11815253200	로더파이프 COMP , T		1			
609	10	11815253300GB	로더파이프 COMP , C(전)		1			
609	11	V2173608020	소형육각볼트보통(S)		1			
609	12	11815204300	유압호스(520)ASSY		1			
609	13	11815252500GB	드레인 파이프 COMP		1			
609	14	11815257100GB	커버 COMP , 로더밸브		1			
609	15	V2123606020	육각볼트(SP)		2			
609	16	36527040020	클램프(20X180)		1			
NOTE								

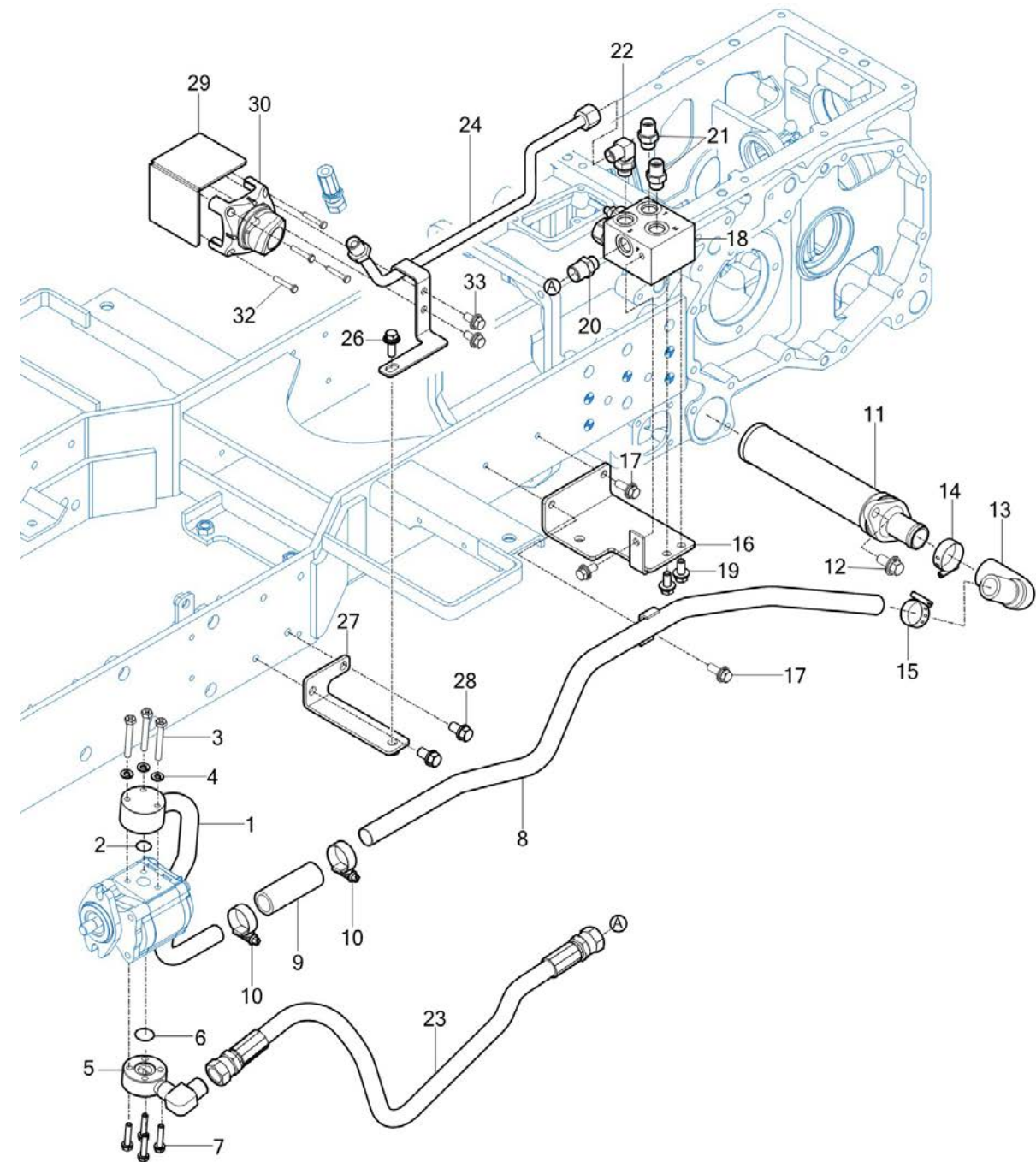


FIG 610

HYDRAULIC HOSE (2)

년/월  
Year/Month

2022-12



NOTE



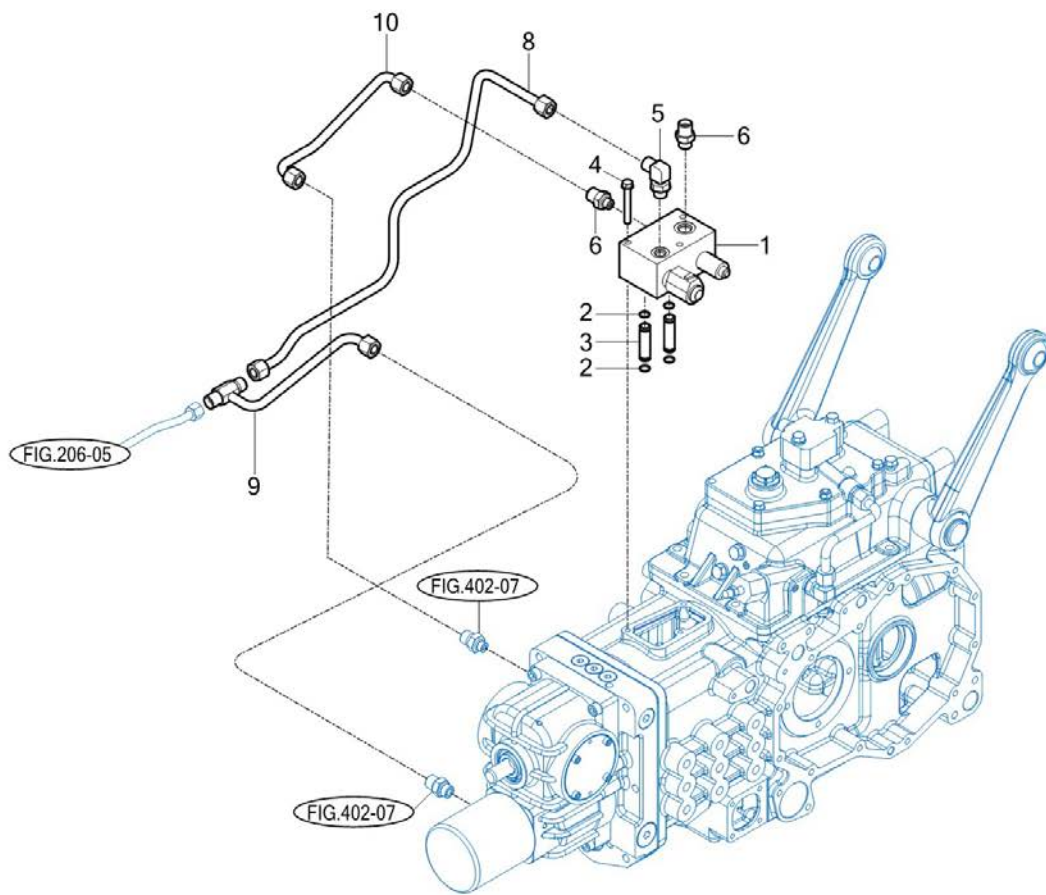
FIG 611

T25NHEU3

PTO VALVE

년/월  
Year/Month

2022-12



NOTE



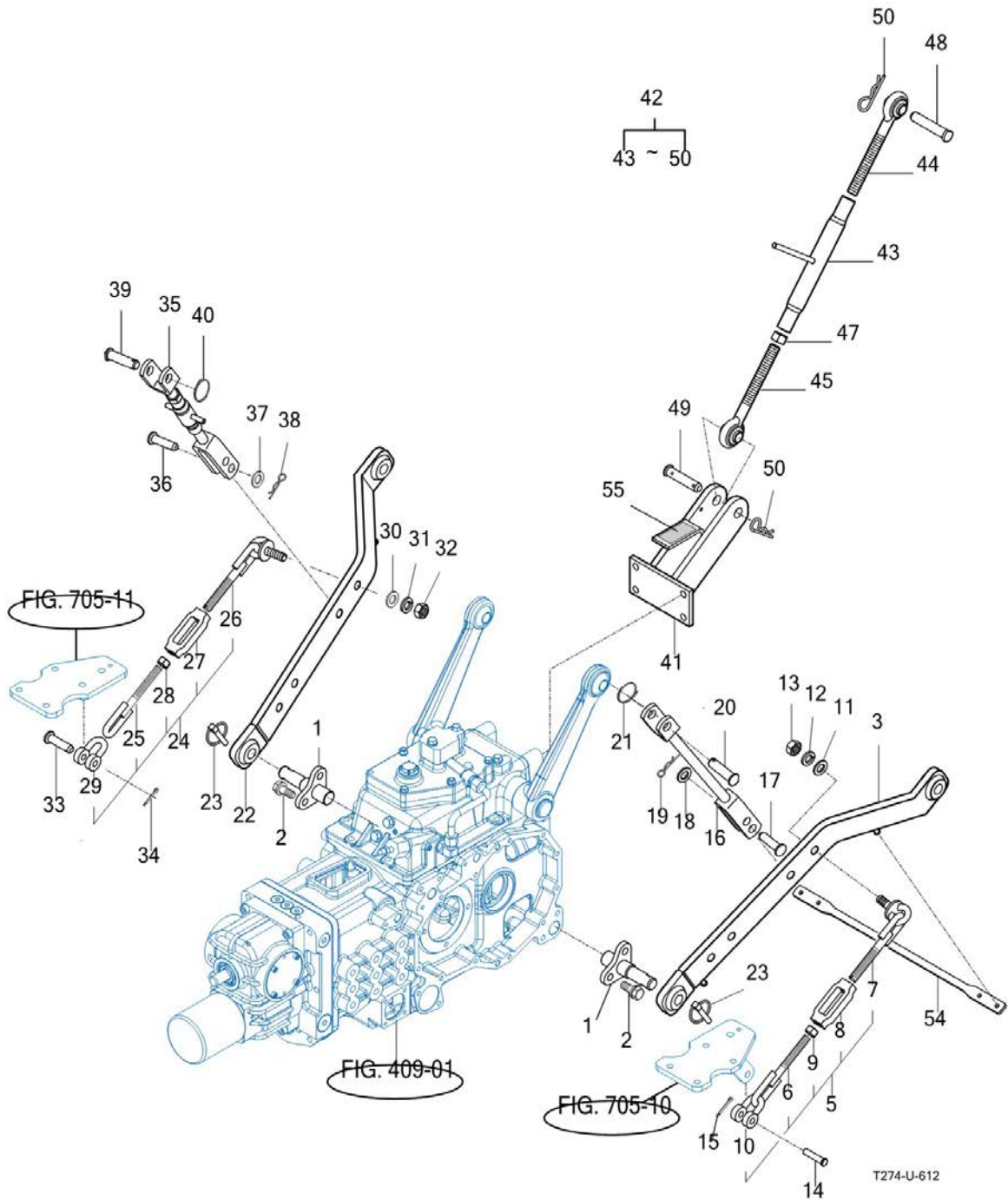
FIG 612

3-POINT LINKAGE

년/월  
Year/Month

T25NHEU3

2022-12



NOTE

FIG 612		3-POINT LINKAGE					년/월 Year/Month		
							2022-12		
T25NHEU3		KEY NO	PART NO	DESCRIPTION	SPEC	QTY	REPAIR	EFFECTIVE DATE	REMARKS
612	1	13155205100	핀(115) COMP			2			
612	2	V2173612030	소형육각볼트보통(S)	M12X30		4			
612	3	13155202202	로어링크(좌) COMP			1			
612	5	13155202501	체인(체크) 조합			1			
612	6	14585142600	체인(체크,RH)COMP			1			
612	7	14585142700	체인(체크,LH)COMP			1			
612	8	13155202511	터언버클			1			
612	9	V3012600140	육각너트보통2종	M14		1			
612	10	14585142520	체크체인 샤클			1			
612	11	V4111600160	평와셔	M16		1			
612	12	V4011600160	스프링와셔	M16		1			
612	13	V3313600160	육각너트가는2종	M16		1			
612	14	79636110030	핀(12X48)			1			
612	15	V5001930020	분할핀	3X20		1			
612	16	13155202401	리프트로드(좌) COMP			1			
612	17	79636130050	핀(16X60)			1			
612	18	V4111600160	평와셔	M16		1			
612	19	13059310030	헤어핀(D=2.3)			1			
612	20	12505243500	핀			1			
612	21	12505240060	스프링			1			
612	22	13155203102	로어링크(우) COMP			1			
612	23	14215020020	링크핀			2			
612	24	13155202501	체인(체크) 조합			1			
612	25	14585142600	체인(체크,RH)COMP			1			
612	26	14585142700	체인(체크,LH)COMP			1			
612	27	13155202511	터언버클			1			
612	28	V3012600140	육각너트보통2종	M14		1			
612	29	14585142520	체크체인 샤클			1			
612	30	V4111600160	평와셔	M16		1			
612	31	V4011600160	스프링와셔	M16		1			
612	32	V3313600160	육각너트가는2종	M16		1			
612	33	79636110030	핀(12X48)			1			
612	34	V5001930020	분할핀	3X20		1			
612	35	13155203201	리프트로드(우) COMP			1			
612	36	79636130050	핀(16X60)			1			
612	37	V4111600160	평와셔	M16		1			
612	38	13059310030	헤어핀(D=2.3)			1			
612	39	12505243500	핀			1			
612	40	12505240060	스프링			1			
612	41	13155204104	톱링크 브래킷 COMP			1			
612	42	13155206002	톱링크 ASSY			1			
612	42	13155206003	톱링크 ASSY			1			
612	42	13155206004	톱링크 ASSY			1			
612	43	13155206111	턴버클			1			
612	44	13155206121	조인트(좌)			1			
NOTE									



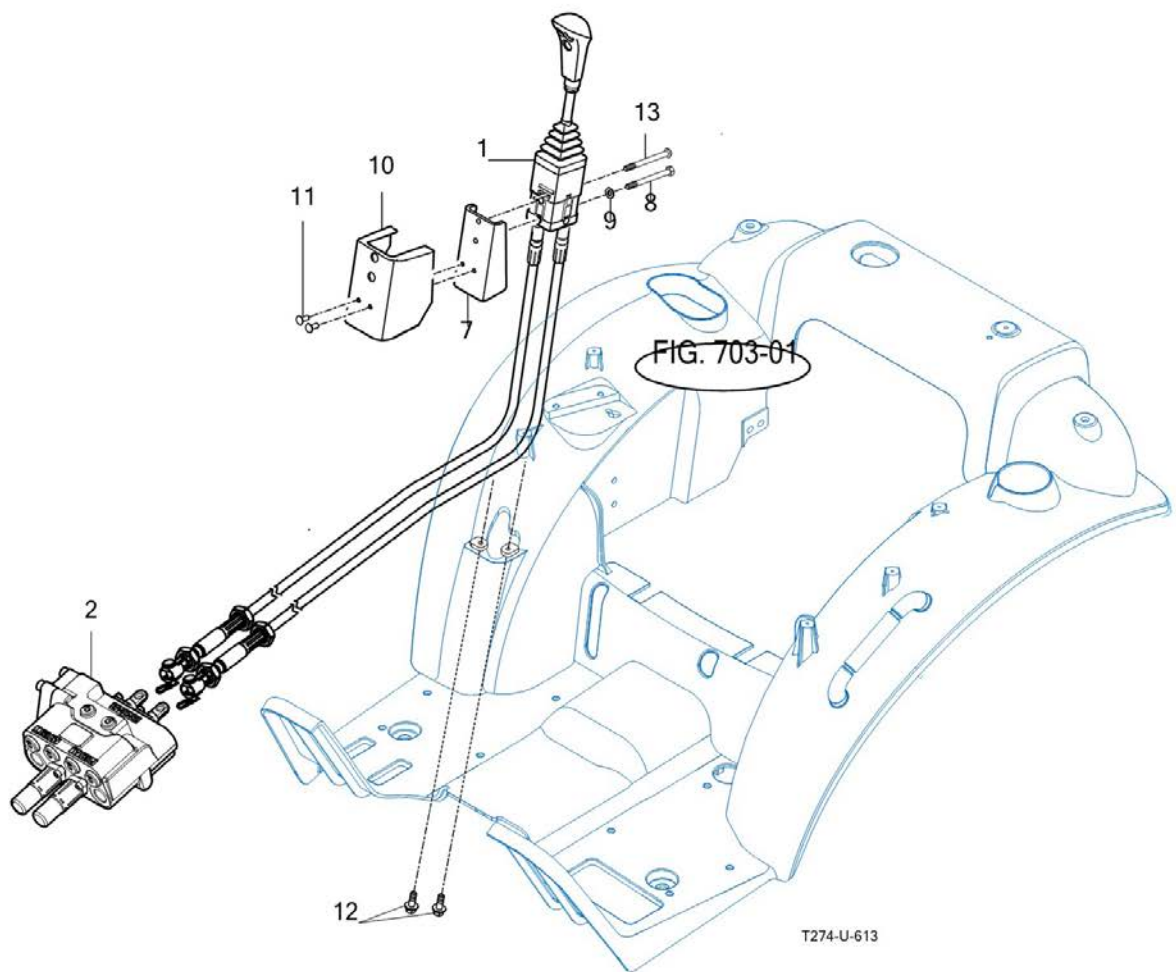
FIG 613

T25NHEU3

JOYSTICK LEVER

년/월  
Year/Month

2022-12



NOTE





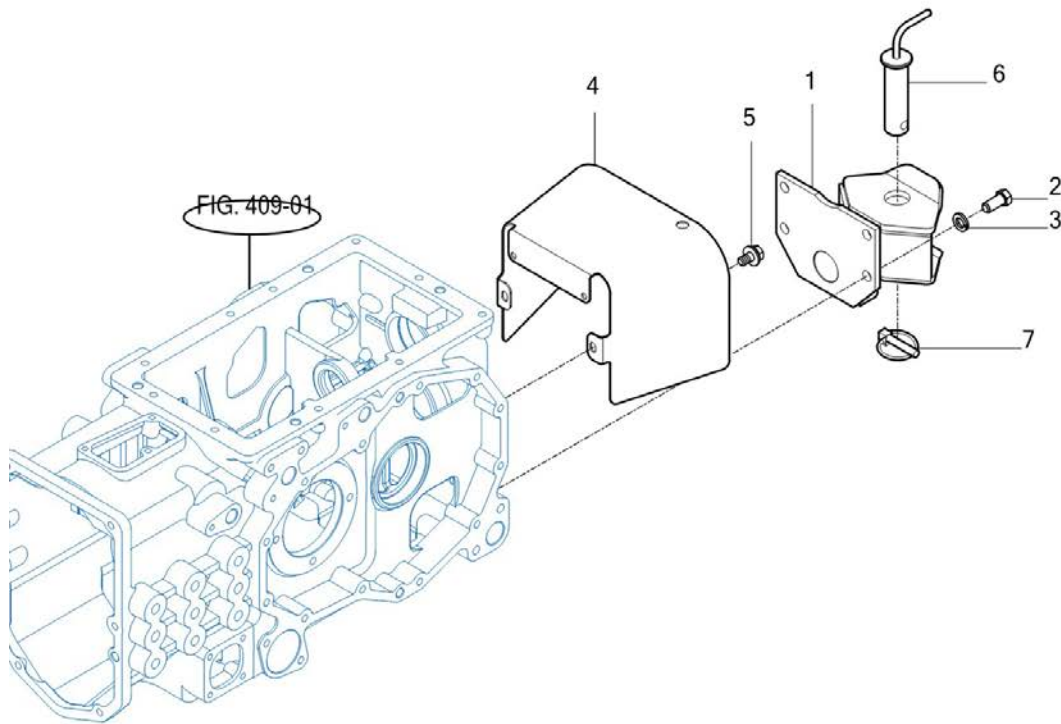
FIG 614

T25NHEU3

HITCH & COVER

년/월  
Year/Month

2022-12



NOTE



## 7. 시트메탈/캐빈 PART NO. T7

FIG 701 BONNET	141
FIG 702 DASH PANEL	143
FIG 703 FLOOR	145
FIG 704 SEAT	148
FIG 705 ROPS	150

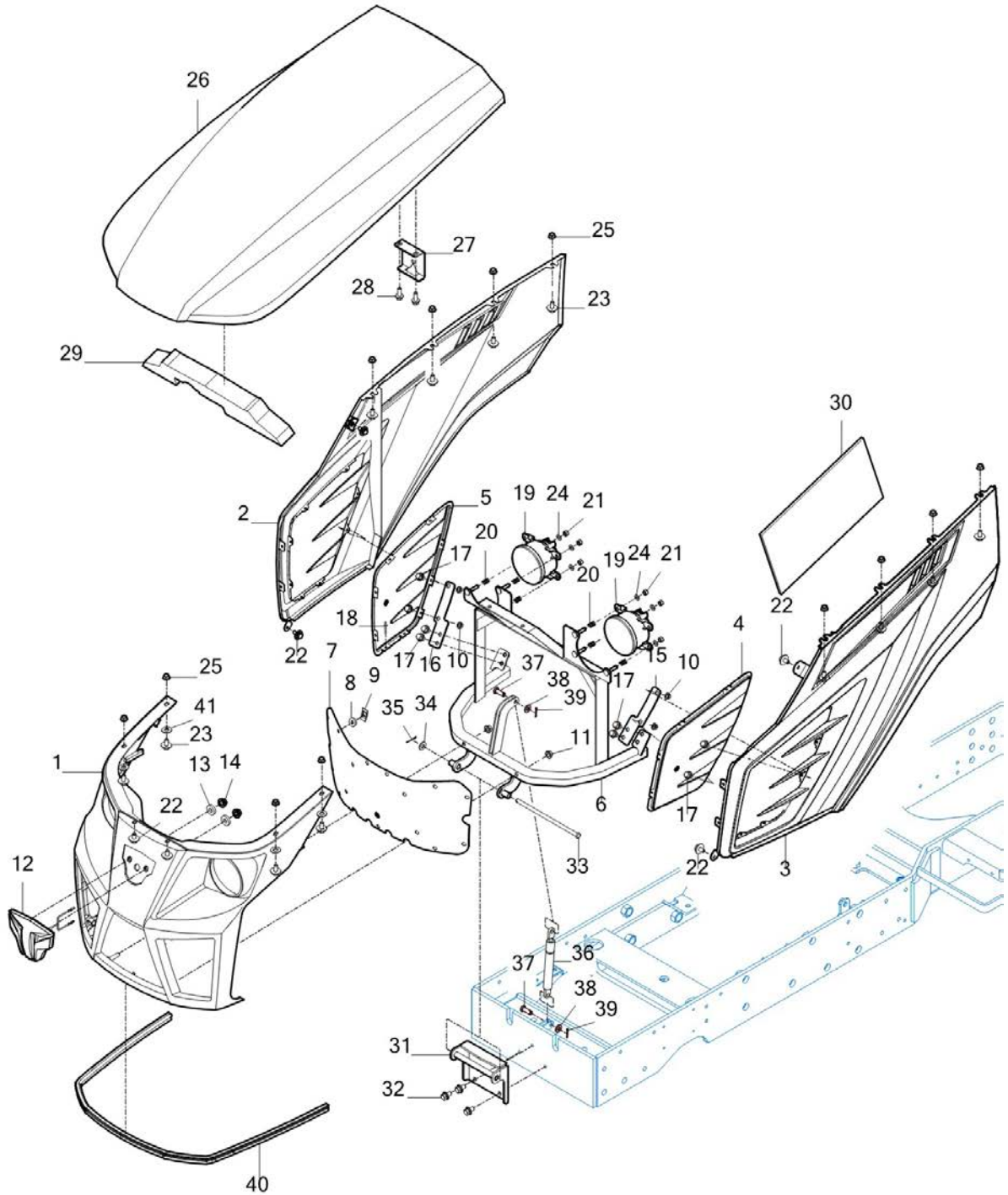
FIG 701

BONNET

년/월  
Year/Month

2022-12

T25NHEU3



NOTE

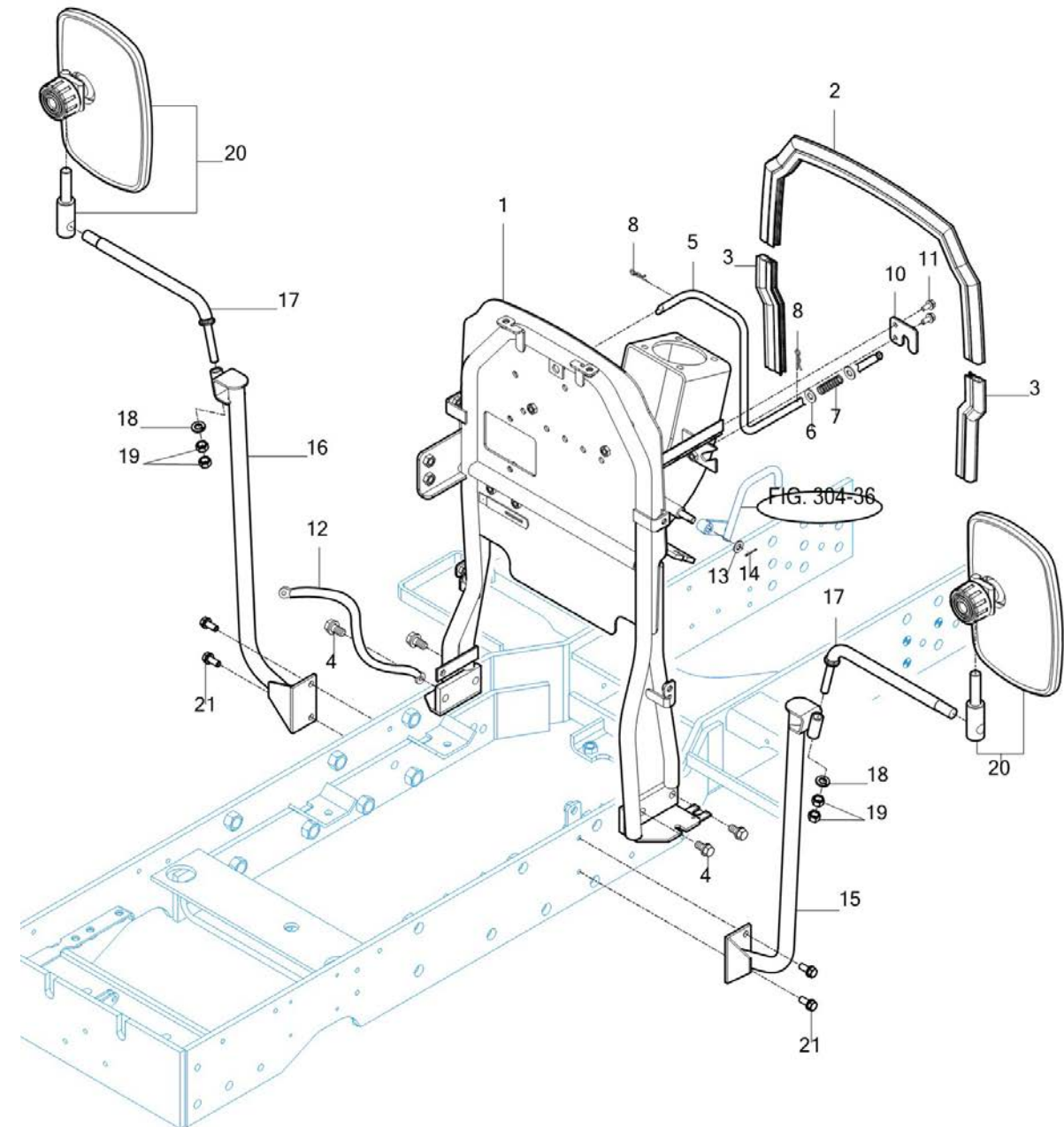
FIG 701		BONNET						년/월 Year/Month	
T25NHEU3								2022-12	
KEY NO	PART NO	DESCRIPTION	SPEC	QTY	REPAIR	EFFECTIVE DATE	REMARKS		
701	1	11816012400GB	그릴 COMP				1		
701	2	11816012300SR	사이드 패널 COMP , 우				1		
701	3	11816012200SR	사이드 패널 COMP , 좌				1		
701	4	11816020020GB	네트 , 좌 / 사이드패널				1		
701	5	11816020030GB	네트 , 우 / 사이드패널				1		
701	6	11816022100GB	후드프레임 COMP				1		
701	7	11816020010GB	네트 , 전 / 그릴				1		
701	8	14446010150	네트와샤(6X14X3)				15		
701	9	V3501600060	스프링 너트				15		
701	10	V3802600060	플랜지볼이육각너트				4		
701	11	V3802600080	플랜지볼이육각너트				2		
701	12	11816010100	엠블럼 ASSY , LED				1		
701	13	V4111600060	평와셔				2		
701	14	V3802600060	플랜지볼이육각너트				2		
701	15	11816022210GB	고정 플레이트 , 좌				1		
701	16	11816022310GB	고정 플레이트 , 우				1		
701	17	V2193606016	육각볼트(SPL)				8		
701	18	V5502040093	브라인더리벳				14		
701	19	11996020090	헤드램프 ASSY, LED				2		
701	20	16998010080	종자출구스프링(HC016)				6		
701	21	19027210060	나일론너트(M6)				6		
701	22	V2193606016	육각볼트(SPL)				6		
701	23	V2193606016	육각볼트(SPL)				12		
701	24	V4111600060	평와셔				6		
701	25	V3802600060	플랜지볼이육각너트				12		
701	26	11816012100SR	후드 COMP				1		
701	27	13156012213	스태이 브래킷				1		
701	28	V2183608020	소형육각볼트보통(SP)				2		
701	29	11816020060	인슐레이터 , 상 / 후드				1		
701	30	16506010140	난연스폰지+은박지				1		
701	31	11816013100GB	브래킷 COMP , 힌지				1		
701	32	V2183608025	소형육각볼트보통(SP)				3		
701	33	13016202060	후드 핀				1		
701	34	V4111600080	평와셔				1		
701	35	V5001925020	핀				1		
701	36	11816022400	가스스프링 , 70kgf				1		
701	37	14322420010	핀				2		
701	38	V4111600080	평와셔				2		
701	39	V5001925015	분할핀				2		
701	40	11816020040	인슐레이터 , 하 / 후드				1		
701	41	19026112050	와셔(6X30X2.3)				4		
NOTE									

FIG 702

DASH PANEL

년/월  
Year/Month

2022-12



NOTE





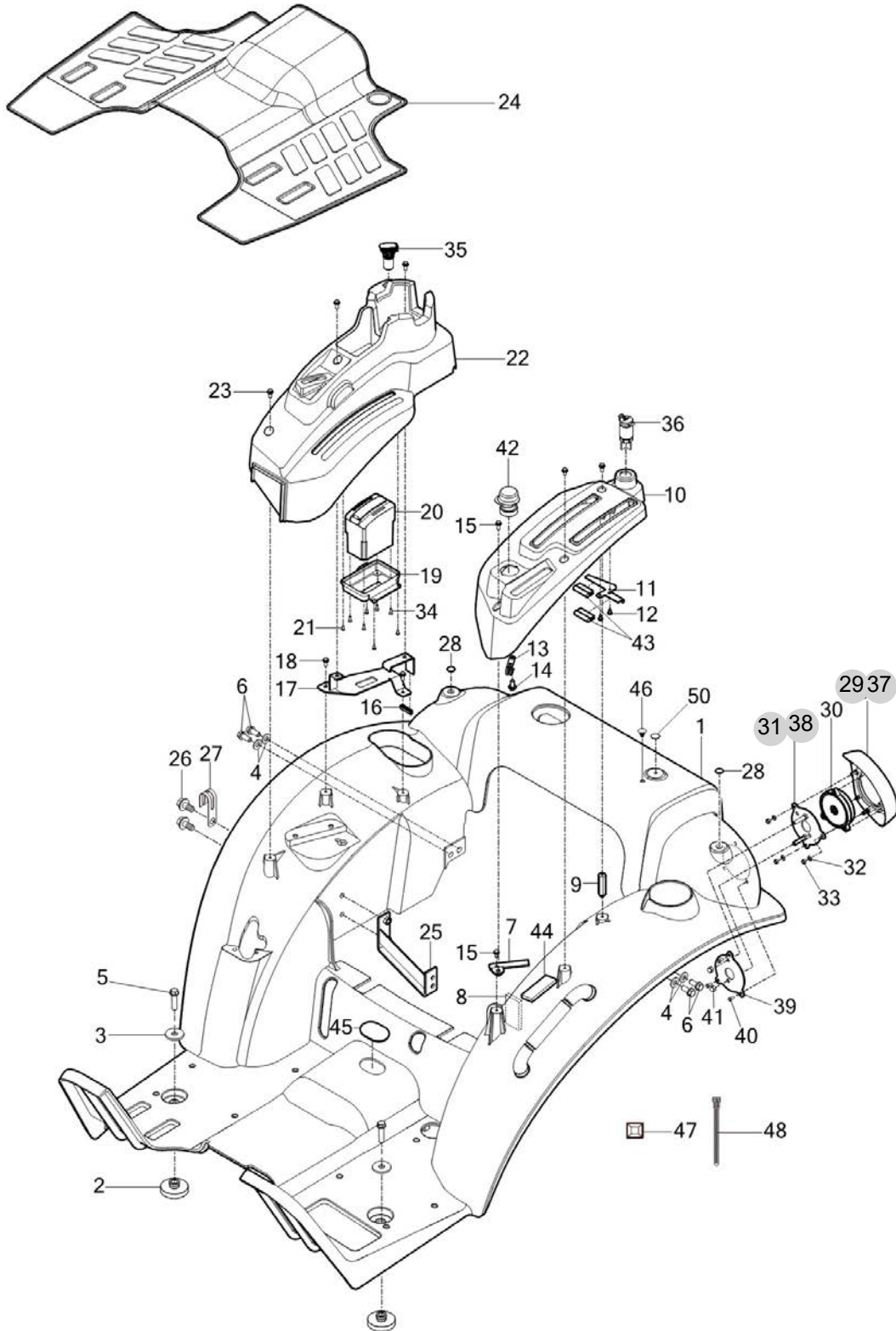
FIG 703

T25NHEU3

FLOOR

년/월  
Year/Month

2022-12



NOTE

FIG 703		FLOOR					년/월	
							Year/Month	
T25NHEU3		2022-12						
KEY NO	PART NO	DESCRIPTION	SPEC	QTY	REPAIR	EFFECTIVE DATE	REMARKS	
703	1	13156402114SR	플로어 패널		1			
703	2	13156252121	인슐레이터		2			
703	3	13156252110	플레이트		2			
703	4	V4111600100	평와셔	M10	4			
703	5	V2173612040	소형육각볼트보통(S)	M12X40	2			
703	6	V2173610040	소형육각볼트보통(S)	M10X40	4			
703	7	11817082300GB	브래킷 COMP , 전/레버커버		1			
703	8	11816400010	인슐레이터, 4WD		1			
703	9	11817095440	볼트 , 커버		1			
703	10	11817082110NG	레버 커버(좌)		1			
703	11	11816400020GB	PTO 레버 플레이트		1			
703	12	V1902605012	심자흡냄비태핑나사(3종)		2			
703	13	37371720090	메인하니스 클램프(하)		1			
703	14	19406110080	탭핑나사 , 트러스/6X16		1			
703	15	V1222806012	심자흡냄비작은나사(SP)		4			
703	16	11816030020	인슐레이터 , 우 / 레버커버		1			
703	17	11817082400GB	브래킷 COMP, 레버커버		1			
703	18	V1222806012	심자흡냄비작은나사(SP)		2			
703	19	11817082220	레버커버, 하/우		1			
703	20	11816602300	무선충전기 ASSY		1			
703	21	V1922604012	탭핑나사		4			
703	22	11817082210NG	레버커버, 상/우		1			
703	23	V1222806012	심자흡냄비작은나사(SP)		3			
703	24	13186412110	매트		1			
703	25	13196253100GB	휠더 지지 플레이트(RH)COMP		1			
703	26	V2183608025	소형육각볼트보통(SP)		2			
703	27	14256210040	하니스클램프(9)		1			
703	28	16606070031	캡(9)		2			
703	29	11817023500NG	정지등 램프커버 COMP , LH		1			
703	30	11997023400	커버 , 액세서리		2			
703	31	11817023700	정지등 고정 플레이트 COMP , LH		1			
703	32	V4011600060	스프링와셔		6			
703	33	V3412700080	소형육각캡너트		6			
703	34	V1122804012	심자흡접시작은나사		4			
703	35	11817018500	USB 소켓 ASSY		1			
703	36	10037018500	파워소켓ASSY		1			
703	37	11817023600NG	정지등 램프커버 COMP , RH		1			
703	38	11817023800	정지등 고정 플레이트 COMP , RH		1			
703	39	11817023710	정지등 고정 플레이트		2			
703	40	V1922605012	탭핑나사		6			
703	41	V3412700080	소형육각캡너트		4			
703	42	11106644000	PTO 스위치ASSY		1			
703	43	11816400030	인슐레이터 , 40 / 레버커버		2			
703	44	11816400040	인슐레이터, 하 / 4WD 레버		1			
703	45	14706300020	막음캡(슬로/리턴)		1			
NOTE								

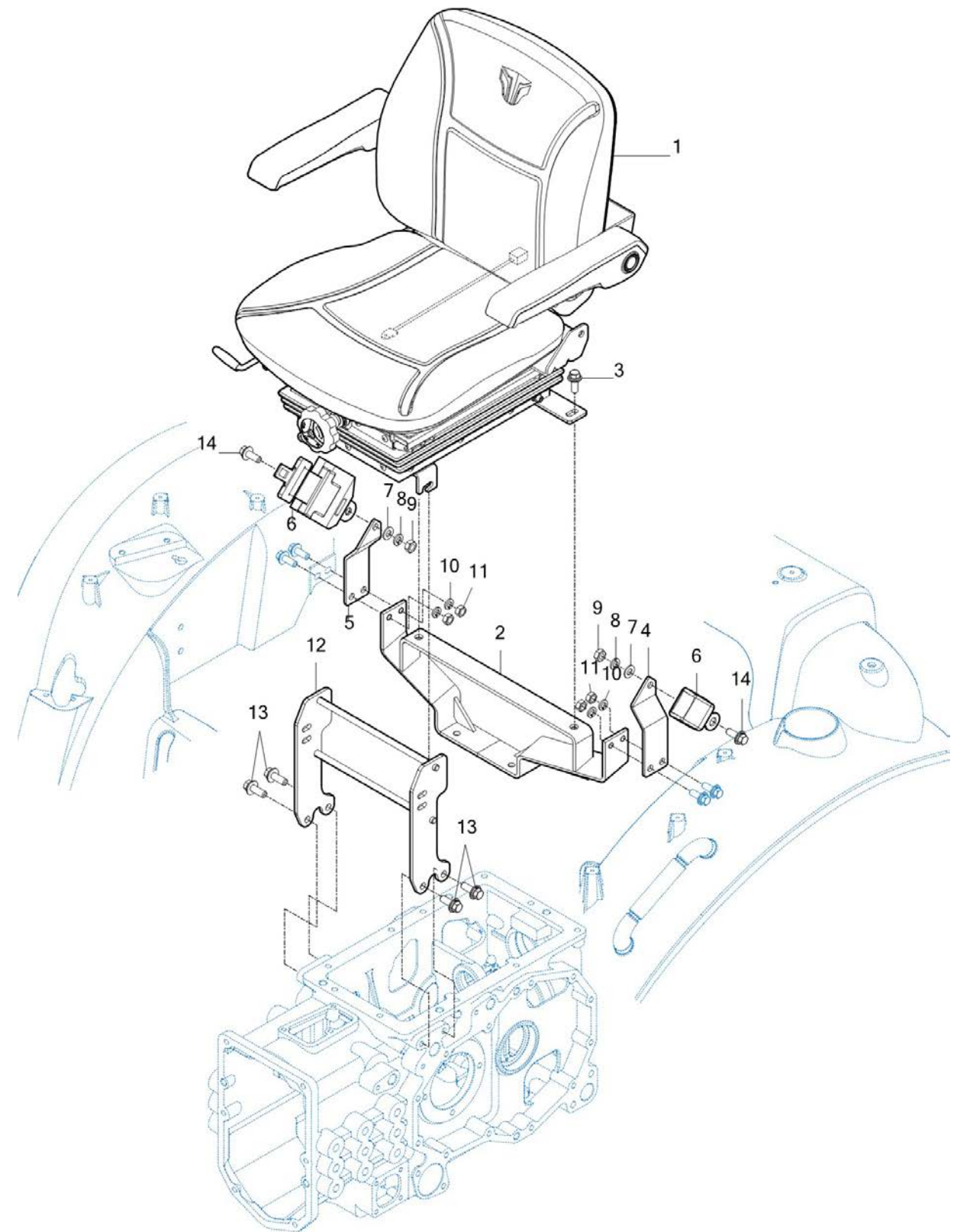


FIG 704

SEAT

년/월  
Year/Month

2022-12



NOTE



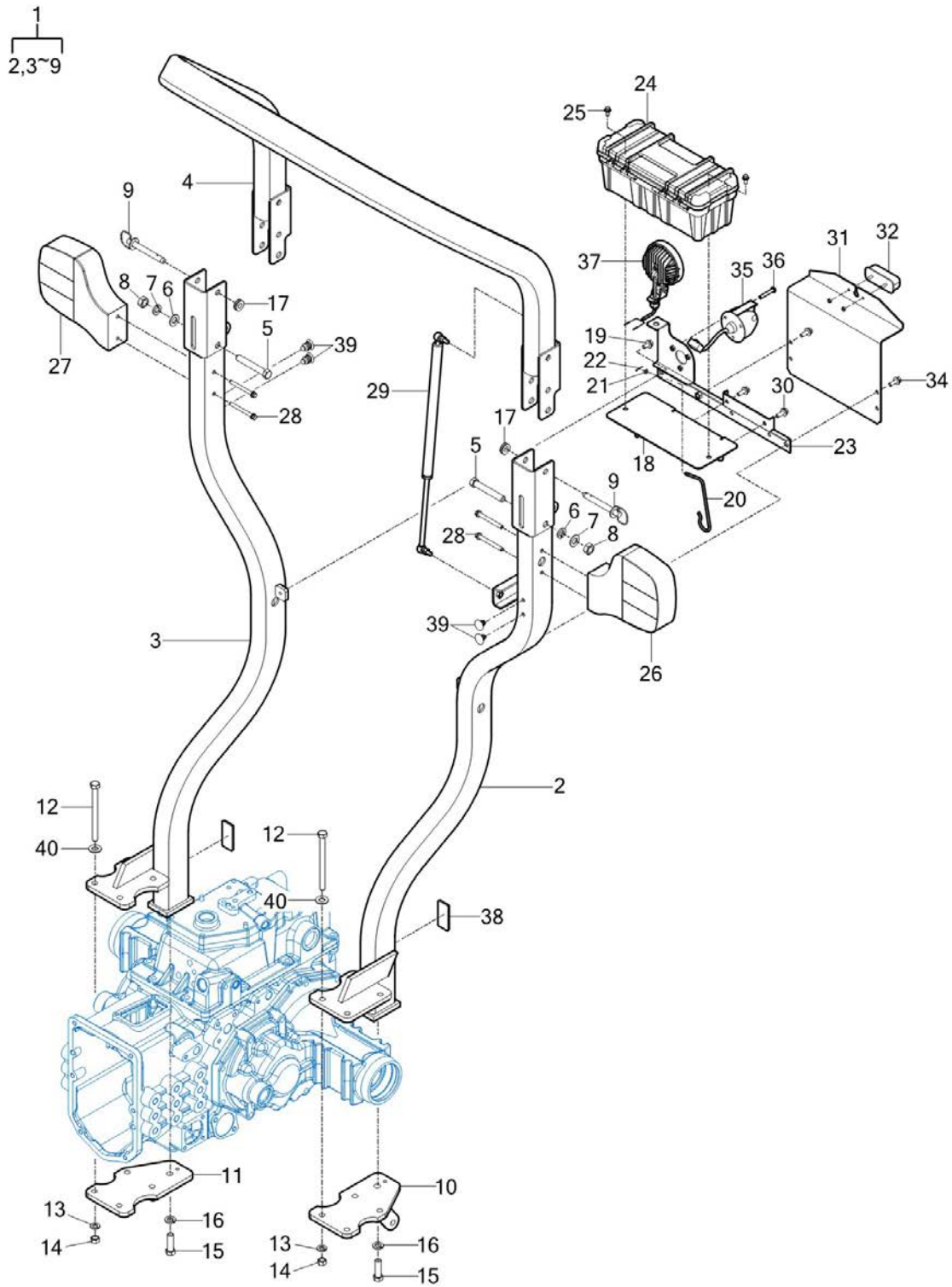
FIG 705

T25NHEU3

ROPS

년/월  
Year/Month

2022-12



NOTE

FIG 705 T25NHEU3	ROPS	년/월 Year/Month
		2022-12

KEY NO	PART NO	DESCRIPTION	SPEC	QTY	REPAIR	EFFECTIVE DATE	REMARKS
705	1	11997022000	ROPS ASSY	1			
705	2	11997022100GB	프레임(좌) COMP	1			
705	3	11817023100GB	프레임(우) COMP	1			
705	4	13397024100GB	프레임(상) COMP	1			
705	5	V2004614090	육각볼트(보통)	2			
705	6	V4111600140	평와셔	2			
705	7	V4011600140	스프링와셔	2			
705	8	V3043600140	소형육각너트보통2종	2			
705	9	16507027500	고정핀 조합	2			
705	10	11817022201GB	브래킷(좌) COMP	1			
705	11	11817023201GB	브래킷(우) COMP	1			
705	12	V2004612150	육각볼트(보통)	8			
705	13	V4011600120	스프링와셔	8			
705	14	V3043600120	소형육각너트보통2종	8			
705	15	V2013614045	소형육각볼트(보통)	2			
705	16	V4011600120	스프링와셔	2			
705	17	14046210300	그로멧	2			
705	18	11817011100GB	브래킷 COMP , 공구박스	1			
705	19	V2183608025	소형육각볼트보통(SP)	1			
705	20	16705251100	후크(톱링크)	1			
705	20	14527071350	후크(톱링크)	1			
705	20	14527071350	후크(톱링크)	1			
705	21	V4111600050	평와셔	1			
705	22	V5001920015	분할핀	1			
705	23	11997035400GB	브라켓 COMP	1			
705	24	13836081180	공구 박스	1			
705	25	V2183608020	소형육각볼트보통(SP)	2			
705	26	13196562200	램프(ком비네이션) ASSY(LH)	1			
705	27	13196562300	램프(ком비네이션) ASSY(RH)	1			
705	28	V2183608060	소형육각볼트보통(SP)	4			
705	29	11147022200	가스 스프링 , ROPS	1			
705	30	V2183608020	소형육각볼트보통(SP)	2			
705	31	13607010012GB	넘버 플레이트	1			
705	32	14887024000	번호판램프ASSY	1			
705	34	V2173610025	소형육각볼트보통(S)	2			
705	35	13267028202	트레일러연결소켓 ASSY	1			
705	36	V1112605030	심자흡냄비작은나사	3			
705	37	11817025800	작업등 ASSY, RH	1			
705	38	11996571000	반사판	2			
705	39	15276040020	트림 클립(8)	4			
705	40	V4111600120	평와셔	8			

NOTE	
------	--

## 8. 전장 PART NO. T8

FIG 801 BATTERY & MOUNTING	153
FIG 802 LIGHTS	155
FIG 803 INSTRUMENT PANEL	157
FIG 804 ELECTRIC SYSTEM	159
FIG 805 HARNESS	161
FIG 806 HARNESS	163



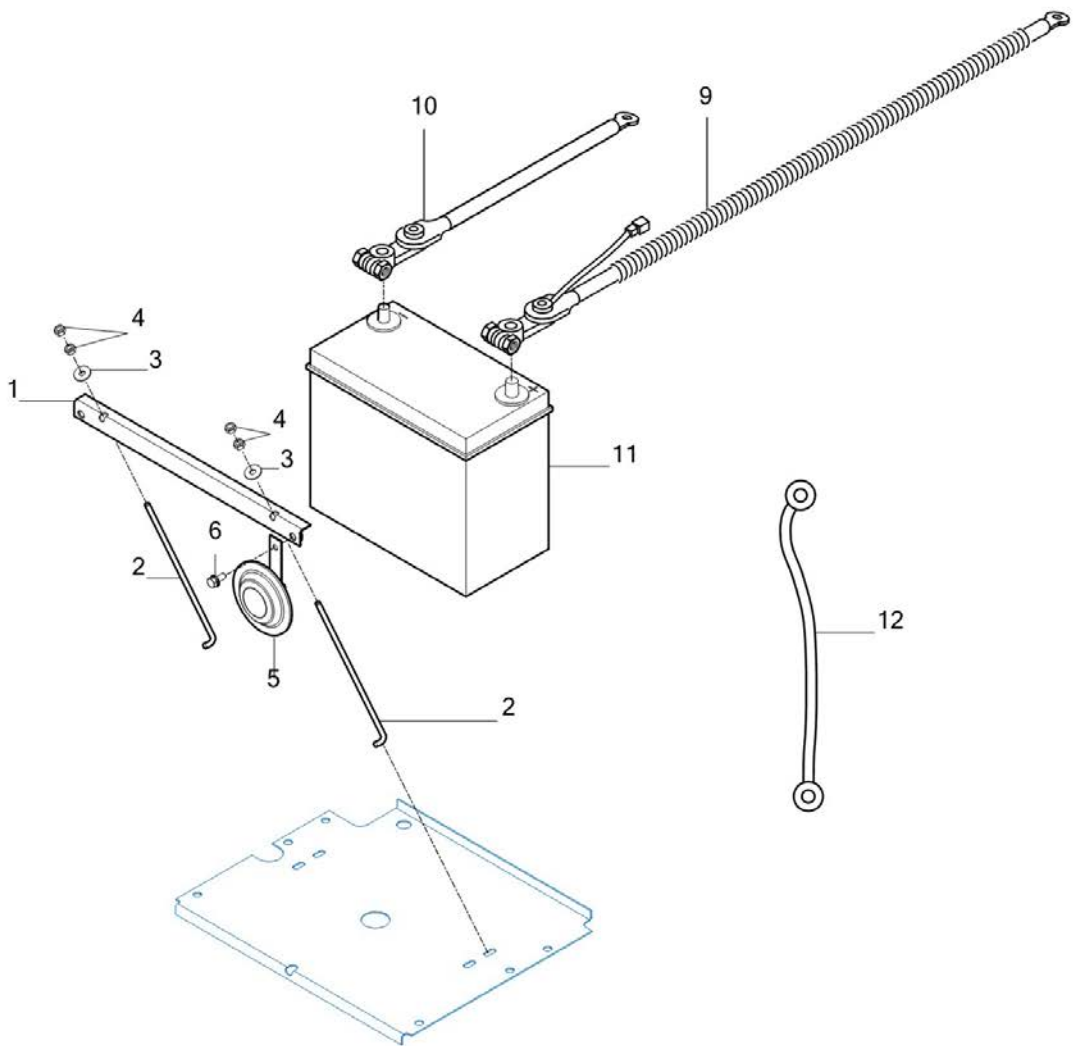
FIG 801

T25NHEU3

BATTERY & MOUNTING

년/월  
Year/Month

2022-12



NOTE

FIG 801 T25NHEU3		BATTERY & MOUNTING						년/월 Year/Month
								2022-12
KEY NO	PART NO	DESCRIPTION	SPEC	QTY	REPAIR	EFFECTIVE DATE	REMARKS	
801	1	13151122201GB	세트플레이트 COMP					
801	2	13151120061	배터리세트볼트					
801	3	35605033020	와이어인출용와셔					
801	4	V3002600060	육각너트보통1종	M6				
801	5	13266212003	흔					
801	6	V2113606016	육각볼트(S)	M6X16				
801	9	12026504200	하니스 ASSY, 배터리					
801	10	11996802301	하니스 (접지선) ASSY					
801	11	13151121002	배터리(12V45AH)ASSY					
801	12	11106684300	하니스(접지)ASSY					
NOTE								

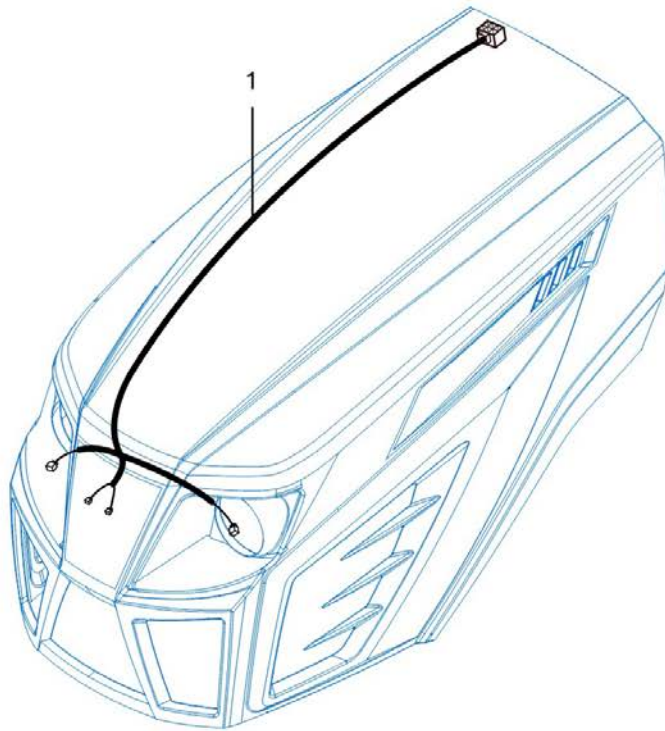
FIG 802

T25NHEU3

LIGHTS

년/월  
Year/Month

2022-12



NOTE

FIG 802 T25NHEU3		LIGHTS						년/월 Year/Month	REMARKS						
								2022-12							
								KEY NO	PART NO	DESCRIPTION	SPEC	QTY	REPAIR	EFFECTIVE DATE	
802	1	11996684000	하니스 ASSY, 헤드램프		1										
NOTE															

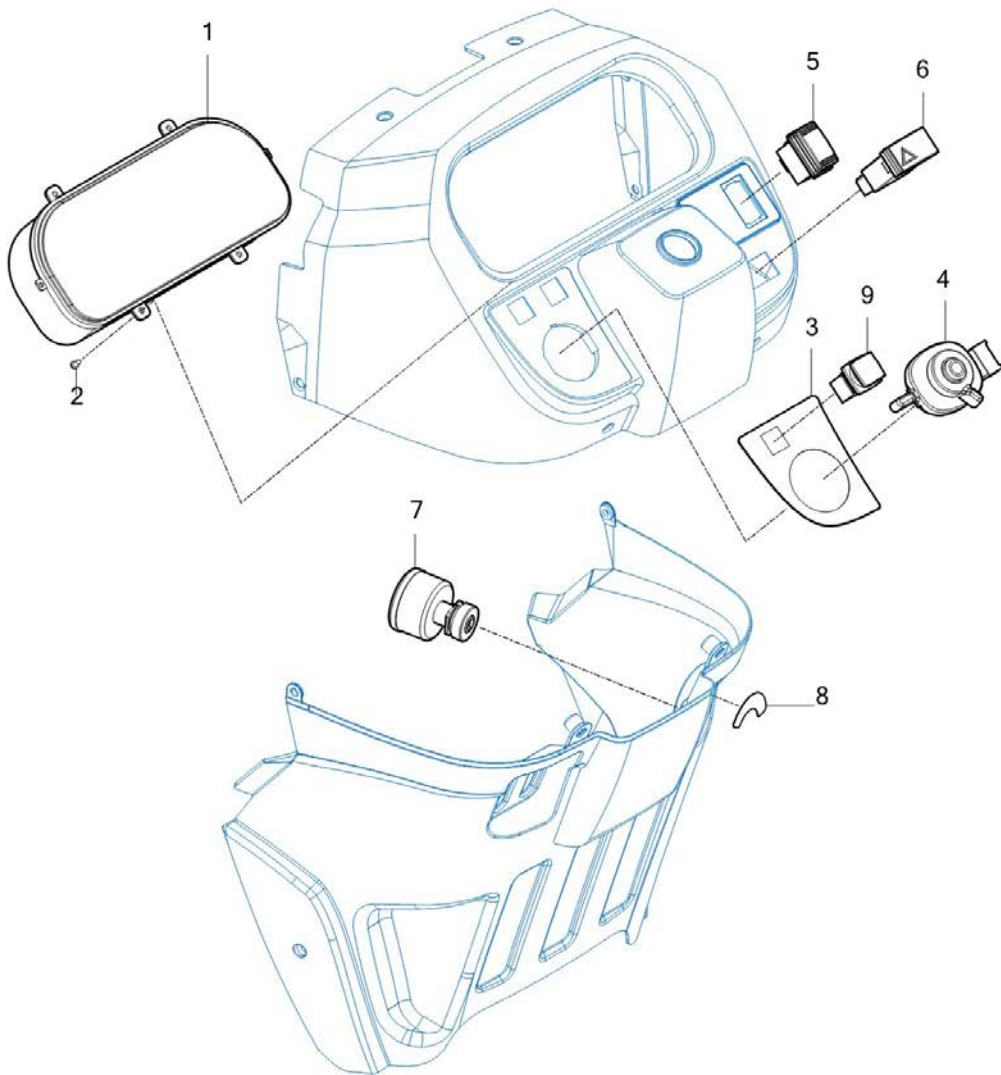
FIG 803

INSTRUMENT PANEL

년/월  
Year/Month

2022-12

T25NHEU3



NOTE



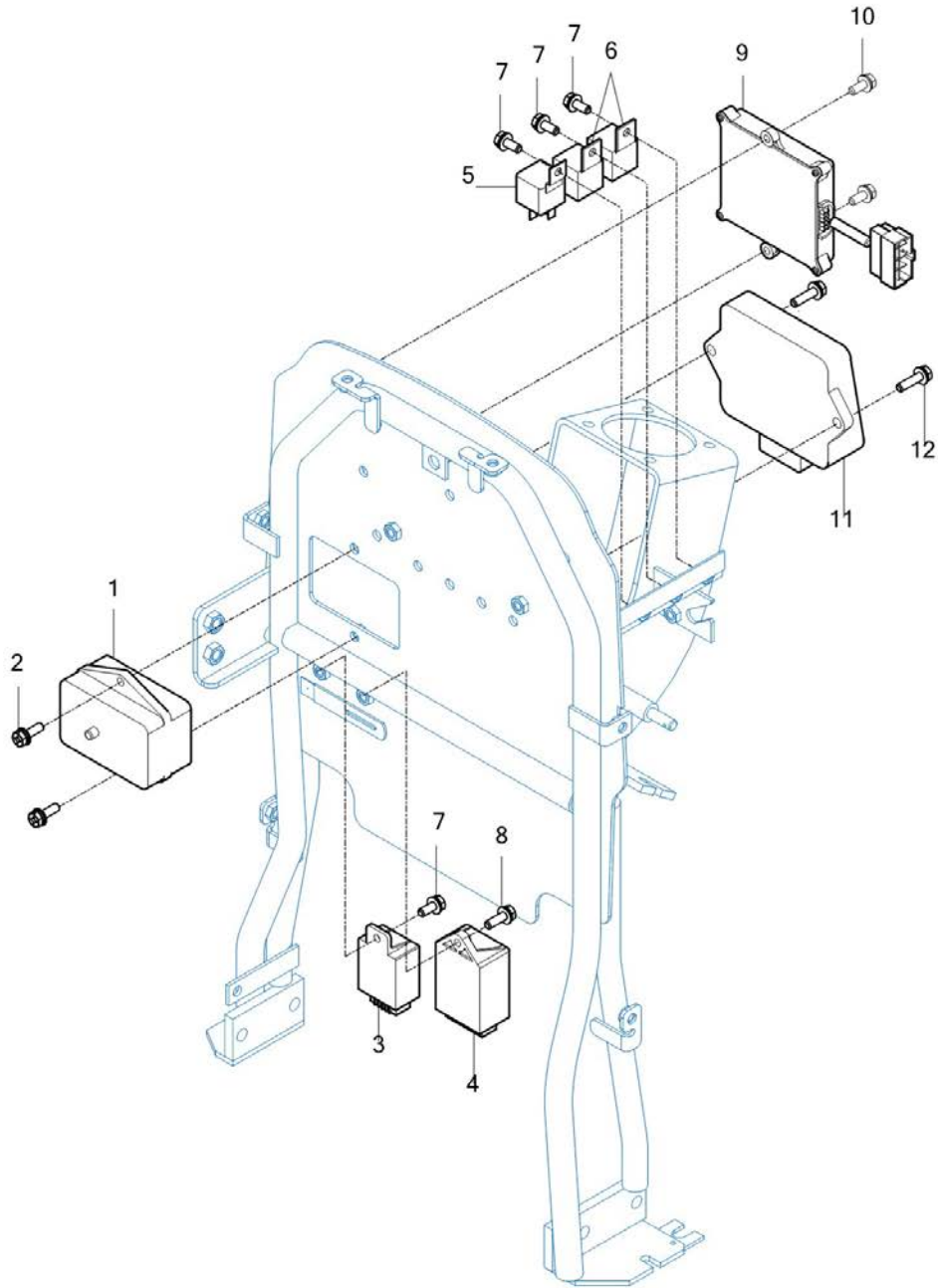
FIG 804

T25NHEU3

ELECTRIC SYSTEM

년/월  
Year/Month

2022-12



NOTE





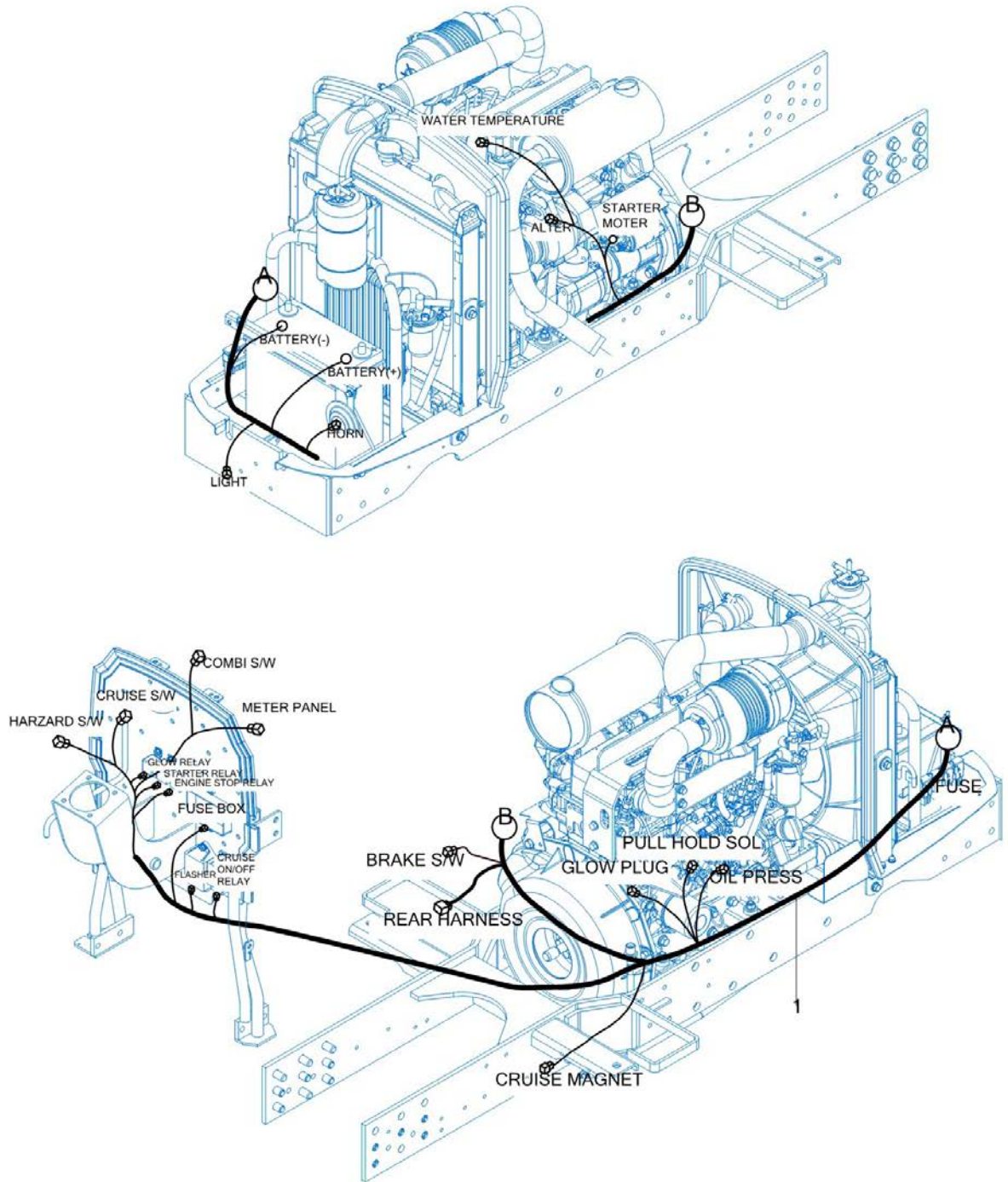
FIG 805

HARNESS

년/월  
Year/Month

T25NHEU3

2022-12



NOTE



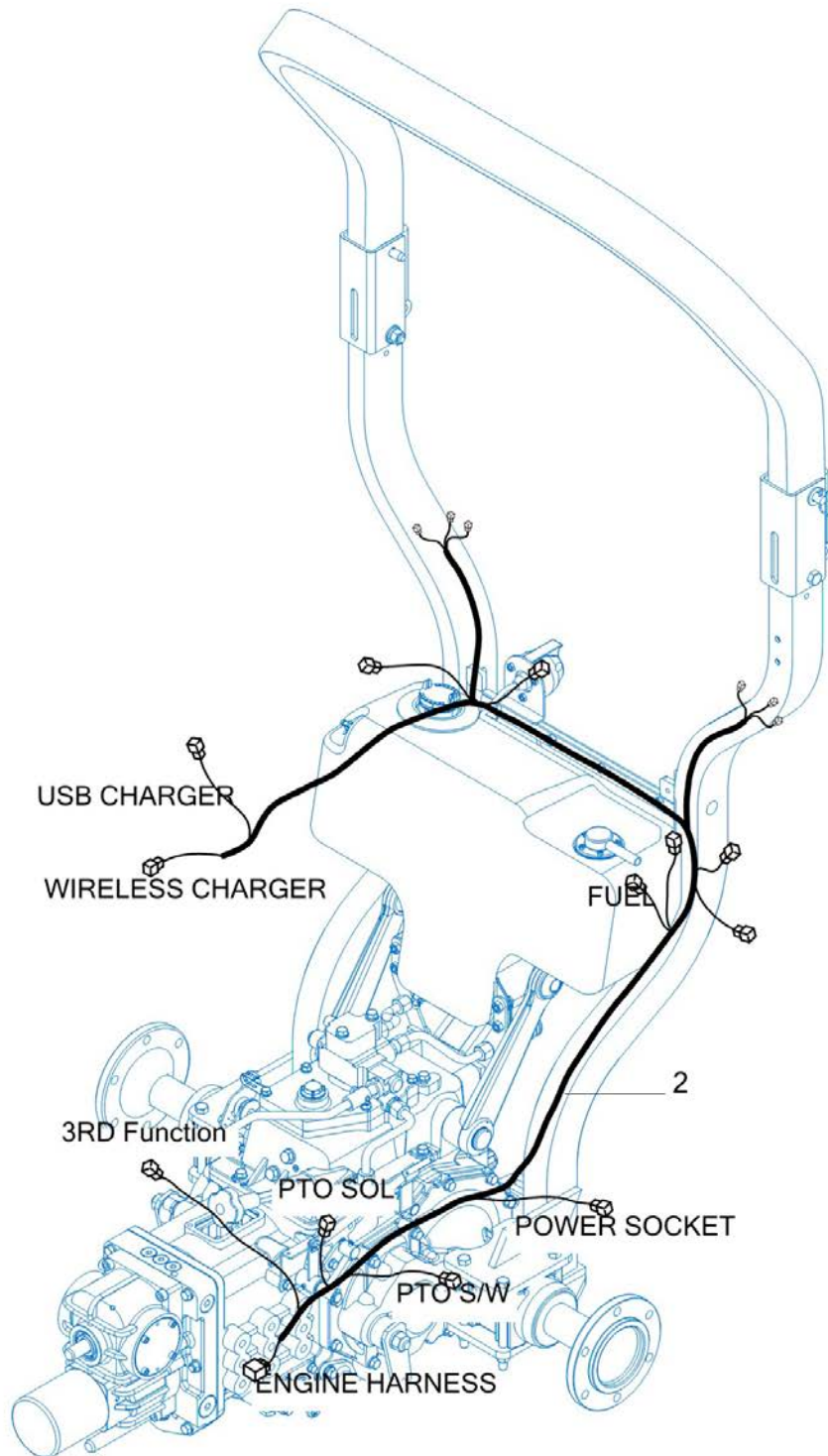
FIG 806

HARNESS

년/월  
Year/Month

T25NHEU3

2022-12



NOTE



## 9. 라벨/옵션 PART NO. T9

FIG 901 TOOL & ACCESSORY

166

FIG 902 WEIGHT

168

FIG 903 LABEL

170

FIG 901

T25NHEU3

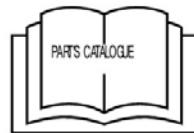
TOOL & ACCESSORY

년/월  
Year/Month

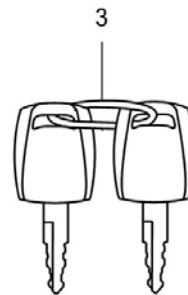
2022-12



1



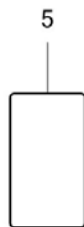
2



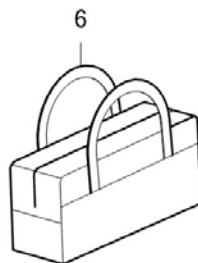
3



4



5



6



7

T2764-001

NOTE



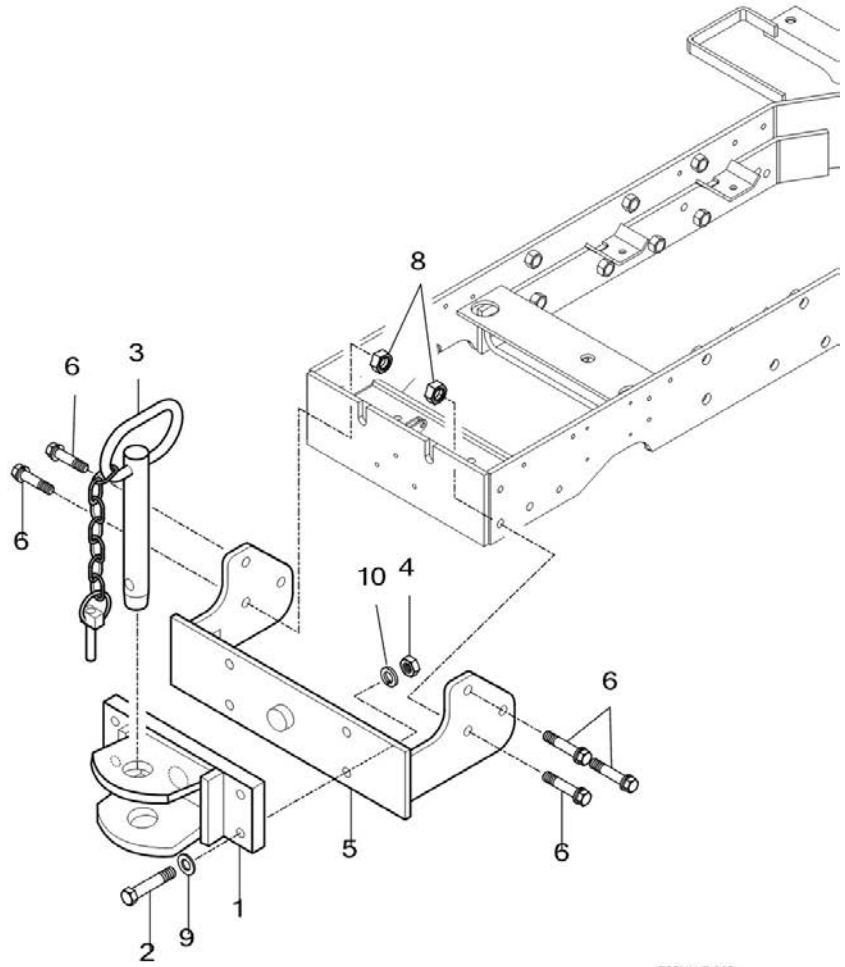
FIG 902

T25NHEU3

WEIGHT

년/월  
Year/Month

2022-12



T25NH-E-902

NOTE





FIG 903

T25NHEU3

LABEL

년/월  
Year/Month

2022-12

**WARNING**

Always apply the park brake when parking. Failure to do so can cause accidents and damages.

1200-910-022.4

1

**WARNING**

Always set the knob to lock when

1. Travelling on the road.
2. Replacing blades on an implement
3. Making adjustment to an implement

Sudden dropping of an implement can cause serious injury or death.

1200-910-026.6

3

**WARNING**

Do not refuel the tractor while smoking or near naked flame or sparks. Always stop engine before refueling tractors.

1200-910-026.4

4

**WARNING**

Never use the diff-lock at high speed or on the road as this can cause rollover and injury.

1200-910-026.0

5

**WARNING**

Brake pedals must always be locked together when travelling on the highway. This will ensure uniform braking and provide maximum stopping ability sharp turns must only be made at slow speeds.

1200-910-027.0

6

**CAUTION**

Keep hands and clothing away from rotating fan and belts to prevent serious injury.

1200-910-012.0

7

**DANGER**

Rotating driveline contact can cause death. **KEEP AWAY!** Keep all drive line. Tractor and equipment shields in place during operation.

1200-910-013.0

8

**WARNING**

Attach implements and trailers to the tractor only using the prescribed drawbar or hitch.

1200-910-014.0

9

**WARNING**

Do not remove radiator cap while engine is hot. Hot steam will injure you.

1200-910-016.0

10

Operator's manual

1200-910-023.0

13

**DANGER**

Do not ride except operator.

1200-910-015.0

11

**WARNING**

Always fasten Your seat belt.

1200-910-019.0

12

**CAUTION**

Do not touch while the system is hot. It cause serious burns.

1200-910-024.0

14

**T25**

18

1200-910-025.0

15

1200-910-017.0

16

**TYM CORPORATION**

TYPE	APPROVAL NUMBER	DATE
4-1	1-1	1-2
5-1	1-1	1-2
5-2	1-1	1-2
5-3	1-1	1-2
5-4	1-1	1-2

1200-910-021.0

40

**WARNING**

Additions, alterations, cracking, damage or corrosion to this structure may adversely affect the performance of the ROPS.

1200-910-020.0

23

**PARKING BRAKE**

Press down the master brake pedal and lock the parking lever at the same time

1177-000-011.0

21



**EPA REGULATION**

USE ULTRA LOW SULFUR FUEL ONLY

1200-910-021.0

26

**DANGER**

This Tractor may tip over unexpectedly and quicker than an operator is able to jump free.

1. Never operate a tractor without a proper Roll over Protection Structure (ROPS)
2. Always wear your seat belt when operating this tractor equipped with roll over protection.
3. Never pull from above or from the rear axle.
4. Do not operate the tractor on steep slopes or near drop offs
5. Avoid sharp high speed turns

Serious injury or death may result from tractor upsets.

1200-910-021.0

24

**WARNING**

Death or injury may result if this tractor over turns with the ROPS in the folded down position. Operate this tractor with the ROPS folded down only when necessary. Do not wear seat belt if operated with ROPS folded down

1200-910-021.0

25

**WARNING**

Stay clear of raised boom and bucket.

1200-910-021.0

33



**BOONET OPEN**

1200-910-021.0

43

50

1200-910-021.0

41

1200-910-021.0

42

**TONGYANGMOOLSAN CO., LTD.**

TYPE: T-CCL

**e13**

00073 NS

T : 3.0 tonnes  
S : 300 kg

1200-910-021.0

44

PTO

1200-910-021.0

46

4WD

ON

OFF

1200-910-021.0

45

**TYM**

47

NOTE

