

T1104SP

Parts Catalog

목 차

0. TRACTOR KIT PART NO. TK1

FIG 000 TRAILER SOCKET KIT 8

1. Engine PART NO. EG

FIG 100 ENGINE	12
FIG 101 CYLINDER HEAD	14
FIG 102 CYLINDER HEAD COVER	16
FIG 103 WATER PUMP	18
FIG 104 THERMOSTAT	20
FIG 105 BREATHER	22
FIG 106 COOLING WATER PIPE	24
FIG 107 VALVE	26
FIG 108 ROCKER ARM	28
FIG 109 TAPPET & PUSH ROD	30
FIG 110 CAMSHAFT	32
FIG 111 CAMSHAFT DRIVE	34
FIG 112 CYLINDER BLOCK	36
FIG 113 OIL SPRAY NOZZLE	38
FIG 114 FLYWHEEL HOUSING	40
FIG 115 ENGINE LIFTING	42
FIG 116 ENGINE MOUNTING	44
FIG 117 OIL PUMP	46
FIG 118 OIL FILTER	48
FIG 119 OIL PAN	50
FIG 120 OIL PIPE	52
FIG 121 OIL SEAL	54
FIG 122 PISTON	56
FIG 123 CONNECTING ROD	58
FIG 124 CRANKSHAFT	60
FIG 125 CRANKSHAFT PULLEY	62
FIG 126 INJECTION PUMP	64

FIG 127 INJECTION NOZZLE	66
FIG 128 INJECTION PIPE	68
FIG 129 FUEL LINE	70
FIG 130 FUEL FILTER	72
FIG 131 EXHAUST MUFFLER	74
FIG 132 INTAKE MANIFOLD	76
FIG 133 EXHAUST MANIFOLD	78
FIG 134 TURBOCHARGER	80
FIG 135 EGR	82
FIG 136 INTAKE STAKE	84
FIG 137 STARTER	86
FIG 138 ALTERNATOR	88
FIG 139 WIRE HARNESS	90
FIG 140 SWITCH & SENSOR	92
FIG 141 E.C.U	94
FIG 142 ALTERNATOR MOUNTING	96
FIG 143 POWER TAKE OFF	98
FIG 144 COOLING FAN	100
FIG 145 GENERAL ACCESSORIES-FIE&AFTER TREATMENT	102
FIG 146 GENERAL ACCESSORIES-ELECTRIC	104

2. Engine Accessories PART NO. T2

FIG 201 AIR CLEANER	107
FIG 202 RADIATOR	109
FIG 203 EXHAUST PIPE	112
FIG 205 FUEL TANK & FUEL LINES	114
FIG 206 CABLE, THROTTLE & ACCELERATOR ASSY	117
FIG 207 INTERCOOLER	119

3. Clutch/Brake/Steering PART NO. T3

FIG 301 DAMPER FLANGE ASSY	122
FIG 302 CASE SUB ASSY, BRAKE	124
FIG 303 BRAKE PIPES	126
FIG 303-2 BRAKE	128
FIG 304 FRONT WHEEL	130
FIG 305 REAR WHEEL	132

FIG 306 STEERING WHEEL ASSY	134
FIG 307 POWER STEERING VALVE	136
FIG 308 POWER STEERING CYLINDER	138
FIG 309 SUB CLUTCH PEDAL	140
FIG 310 HAND BRAKE SUB	142

4. Transmission PART NO. T4

FIG 401 CASE SUB, RR TRANSMISSION	145
FIG 402 METAL SUB ASSY, PINION	147
FIG 402-2 DIFF ASSY, RR	149
FIG 403 SUB CHANGE GEARS	151
FIG 404 SUB CHANGE LEVER	153
FIG 406 HOUSING, RR AXLE	155
FIG 407 540,750,1000 PTO CASE	157
FIG 408 SHAFT, PTO	159
FIG 408-2 PTO CLUTCH ASSY	161
FIG 409 METAL SUB ASSY	163
FIG 410 CASE, MID TRANSMISSION	165
FIG 411 MAIN CHANGE GEARS	167
FIG 412 MAIN CHANGE LEVER	169
FIG 413 PARKING BRAKE	171
FIG 414 POWER SHUTTLE GEAR	173
FIG 415 POWER SHIFT GEAR	175
FIG 416 CASE, FR TRANSMISSION	177
FIG 420 4WD SHAFT SUB (CP6A)	179

5. Front Axle PART NO. T5

FIG 501 FRONT AXLE SUPPORTER	182
FIG 502 FRONT DRIVE SHAFT	185
FIG 503 FRONT AXLE HOUSING	187
FIG 504 FRONT DIFFERENTIAL GEARS	189
FIG 505 FRONT GEAR CASE (1)	191
FIG 506 FRONT GEAR CASE (2)	193
FIG 507 FRONT GEAR CASE (3)	195
FIG 508 MUD GUARD ASSY	197

6. Hydraulic/3P-Link PART NO. T6

FIG 601 VALVE SUB, SHIFT	200
--------------------------	-----

FIG 601-2 VALVE SUB, MAIN	202
FIG 602 DRAWBAR ASSY	204
FIG 603 FILTER SUB, SUCTION	206
FIG 603-2 GEAR PUMP ASSY	208
FIG 604 CASE, CYLINDER	210
FIG 605 ARM SUB, LIFT	212
FIG 606 MAIN CONTROL VALVE SUB	214
FIG 607 AUX VALVE & FILTER SUB	216
FIG 607-2 LEVER SUB, AUX	218
FIG 608 HITCH & 3-POINT LINK	220
FIG 608-2 LOWER LINK & LIFT ROD	222
FIG 609 HYDRAULIC PIPE & HOSES	224
FIG 609-2 HYDRAULIC PIPE & HOSES	226
FIG 610 JOYSTICK	228
FIG 610-2 JOYSTICK	230

7. Sheet Metal & Cabin PART NO. T7

FIG 701 FRONT FRAME SUB	233
FIG 702 FRAME, HOOD	235
FIG 703 HOOD(T1104SP)	237
FIG 704 STEP & BOOTS	240
FIG 705 FRONT & REAR MOUNTING	242
FIG 706 SEAT & MAT	244
FIG 708 DOOR-LH	246
FIG 709-2 DOOR-RH	248
FIG 710 FRAME COMP & FRONT GLASS(T1104SP)	250
FIG 711 SIDE GLASS	252
FIG 712 REAR GLASS	254
FIG 713 SUB FENDER & COVER	256
FIG 714 REARVIEW MIRRORS	258
FIG 715 HEATER & AIR-CON (1)	260
FIG 716 HEATER & AIR-CON(2)	262
FIG 717 ROOF	264
FIG 718 CABIN INTERIOR	266
FIG 719 DASHCOVER	268
FIG 720 TANK ASSY, WASH	270
FIG 721 ROOM MIRROR ASSY	272

FIG 722 COVER-FENDER&JOYSTICK LEVER 274

8. Electrical System PART NO. T8

FIG 801 BATTERY & MOUNTING 277
FIG 802 ELECTRIC SYSTEM (1) 279
FIG 803 ELECTRIC SYSTEM (2) 281
FIG 804 ELECTRIC SYSTEM (3)(T1104SP) 283
FIG 805 ELECTRIC SYSTEM (4) 285
FIG 806 ELECTRIC SYSTEM (5) 287
FIG 807 ELECTRIC SYSTEM (5) 289

9. Label/Option PART NO. T9

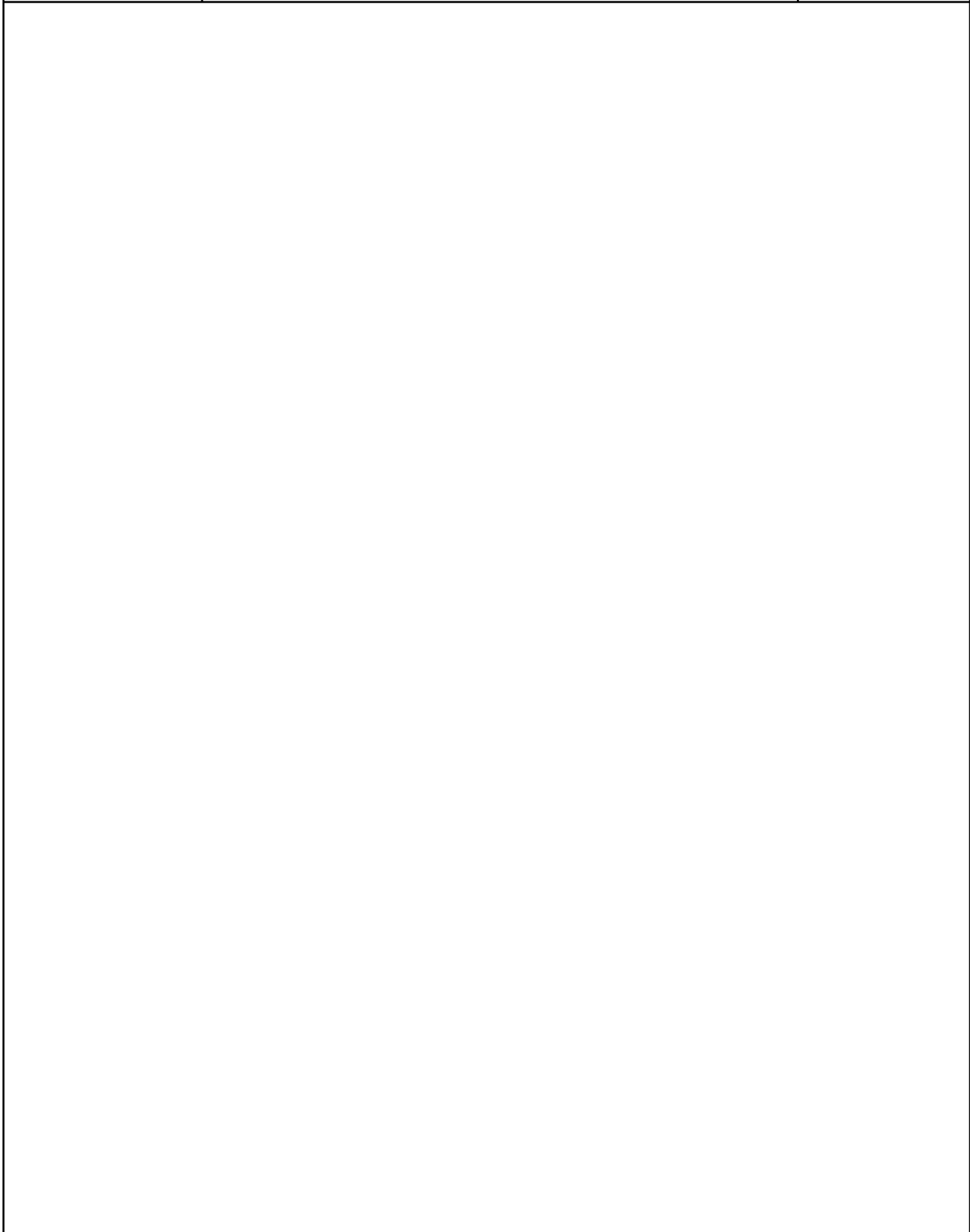
FIG 901 TOOL & ACCESSORY 292
FIG 903 LABEL 294

0. TRACTOR KIT PART NO. TK1

FIG 000 TRAILER SOCKET KIT

8

FIG 000 T1104SP	TRAILER SOCKET KIT	년/월 Year/Month 2022-12
--------------------	--------------------	------------------------------



NOTE	
------	--

1. Engine PART NO. EG

FIG 100 ENGINE	12
FIG 101 CYLINDER HEAD	14
FIG 102 CYLINDER HEAD COVER	16
FIG 103 WATER PUMP	18
FIG 104 THERMOSTAT	20
FIG 105 BREATHER	22
FIG 106 COOLING WATER PIPE	24
FIG 107 VALVE	26
FIG 108 ROCKER ARM	28
FIG 109 TAPPET & PUSH ROD	30
FIG 110 CAMSHAFT	32
FIG 111 CAMSHAFT DRIVE	34
FIG 112 CYLINDER BLOCK	36
FIG 113 OIL SPRAY NOZZLE	38
FIG 114 FLYWHEEL HOUSING	40
FIG 115 ENGINE LIFTING	42
FIG 116 ENGINE MOUNTING	44
FIG 117 OIL PUMP	46
FIG 118 OIL FILTER	48
FIG 119 OIL PAN	50
FIG 120 OIL PIPE	52
FIG 121 OIL SEAL	54
FIG 122 PISTON	56
FIG 123 CONNECTING ROD	58
FIG 124 CRANKSHAFT	60
FIG 125 CRANKSHAFT PULLEY	62
FIG 126 INJECTION PUMP	64
FIG 127 INJECTION NOZZLE	66
FIG 128 INJECTION PIPE	68
FIG 129 FUEL LINE	70
FIG 130 FUEL FILTER	72
FIG 131 EXHAUST MUFFLER	74
FIG 132 INTAKE MANIFOLD	76
FIG 133 EXHAUST MANIFOLD	78
FIG 134 TURBOCHARGER	80
FIG 135 EGR	82
FIG 136 INTAKE STAKE	84
FIG 137 STARTER	86

FIG 138 ALTERNATOR	88
FIG 139 WIRE HARNESS	90
FIG 140 SWITCH & SENSOR	92
FIG 141 E.C.U	94
FIG 142 ALTERNATOR MOUNTING	96
FIG 143 POWER TAKE OFF	98
FIG 144 COOLING FAN	100
FIG 145 GENERAL ACCESSORIES-FIE&AFTER TREATMENT	102
FIG 146 GENERAL ACCESSORIES-ELECTRIC	104

FIG 100 T1104SP	ENGINE	년/월 Year/Month
		2022-12
NOTE		

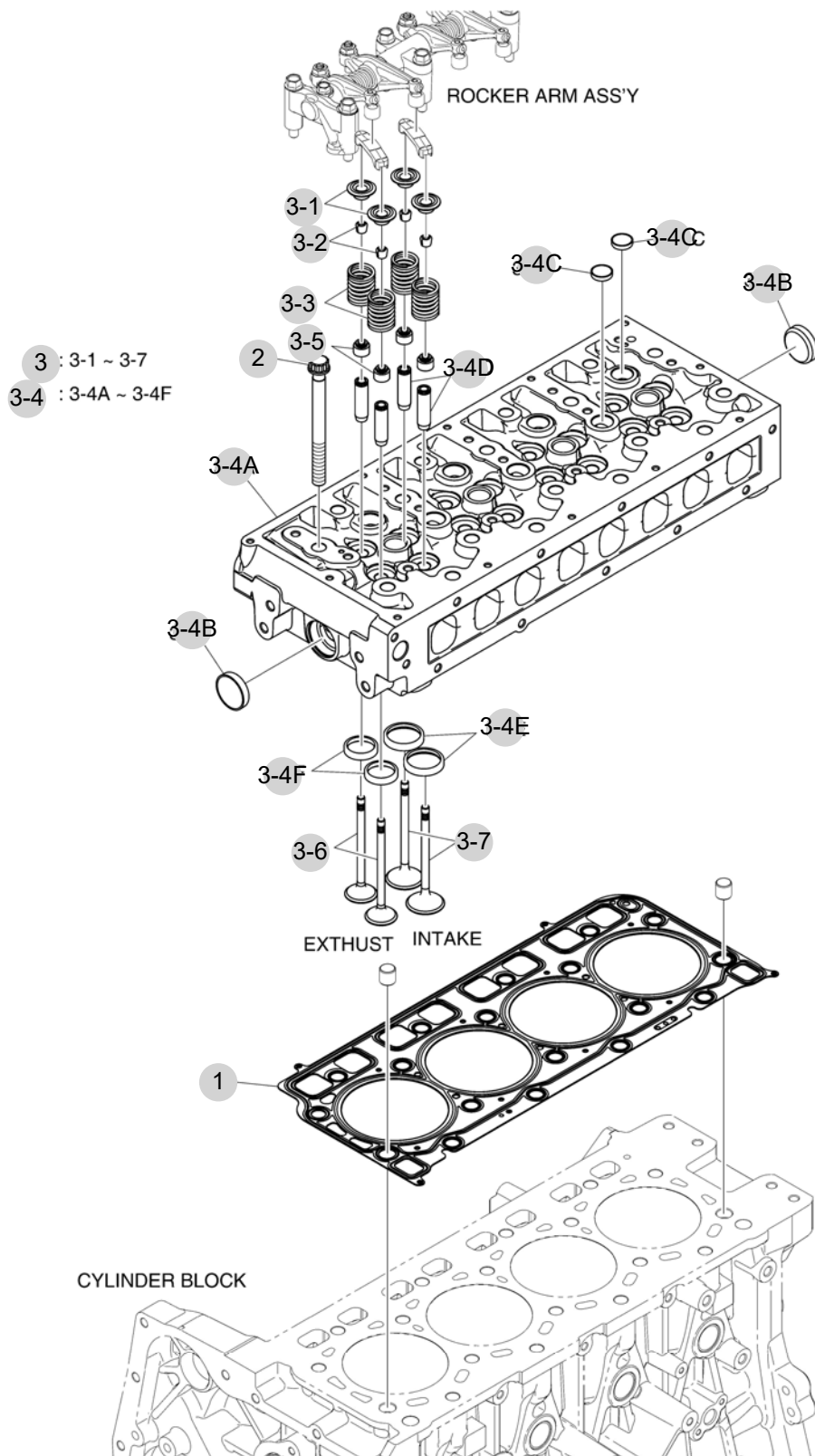
FIG 101

CYLINDER HEAD

년/월
Year/Month

2022-12

T1104SP



EDL03-P101-010-1

NOTE

FIG 101 T1104SP		CYLINDER HEAD						년/월 Year/Month	
								2022-12	
KEY NO		PART NO	DESCRIPTION	SPEC	QTY	REPAIR	EFFECTIVE DATE	REMARKS	
101	1	400603-00139	GASKET,CYLINDER HEAD		1				
101	2	120106-00299A	BOLT,HEX FLANGE		18				
101	3-4F	410206-00018A	SEAT,VALVE		8				
101	3-4E	410206-00033A	SEAT,VALVE		8				
101	3-4D	110922-00008A	GUIDE,VALVE		16				
101	3-4C	65.90302-0045	PLUG;CORE		7				
101	3-4B	65.90302-0032	CUP;SEALING(REAR)(D=36)		2				
101	3-4A	150113-00146D	HEAD,CYLINDER		1				
101	3	150113-00677	HEAD ASSY,CYLINDER		1				
101	3-1	110943-00184	RETAINER,VALVE SPRING		16				
101	3-2	110971-00040	COTTER		32				
101	3-3	111601-00130	SPRING,VALVE		16				
101	3-4	150113-00145E	HEAD ASSY,CYLINDER		1				
101	3-5	401112-00001	SEAL,VALVE STEM		16				
101	3-6	410112-00095	VALVE,EXHAUST		8				
101	3-7	410112-00094	VALVE,INTAKE		8				
NOTE									

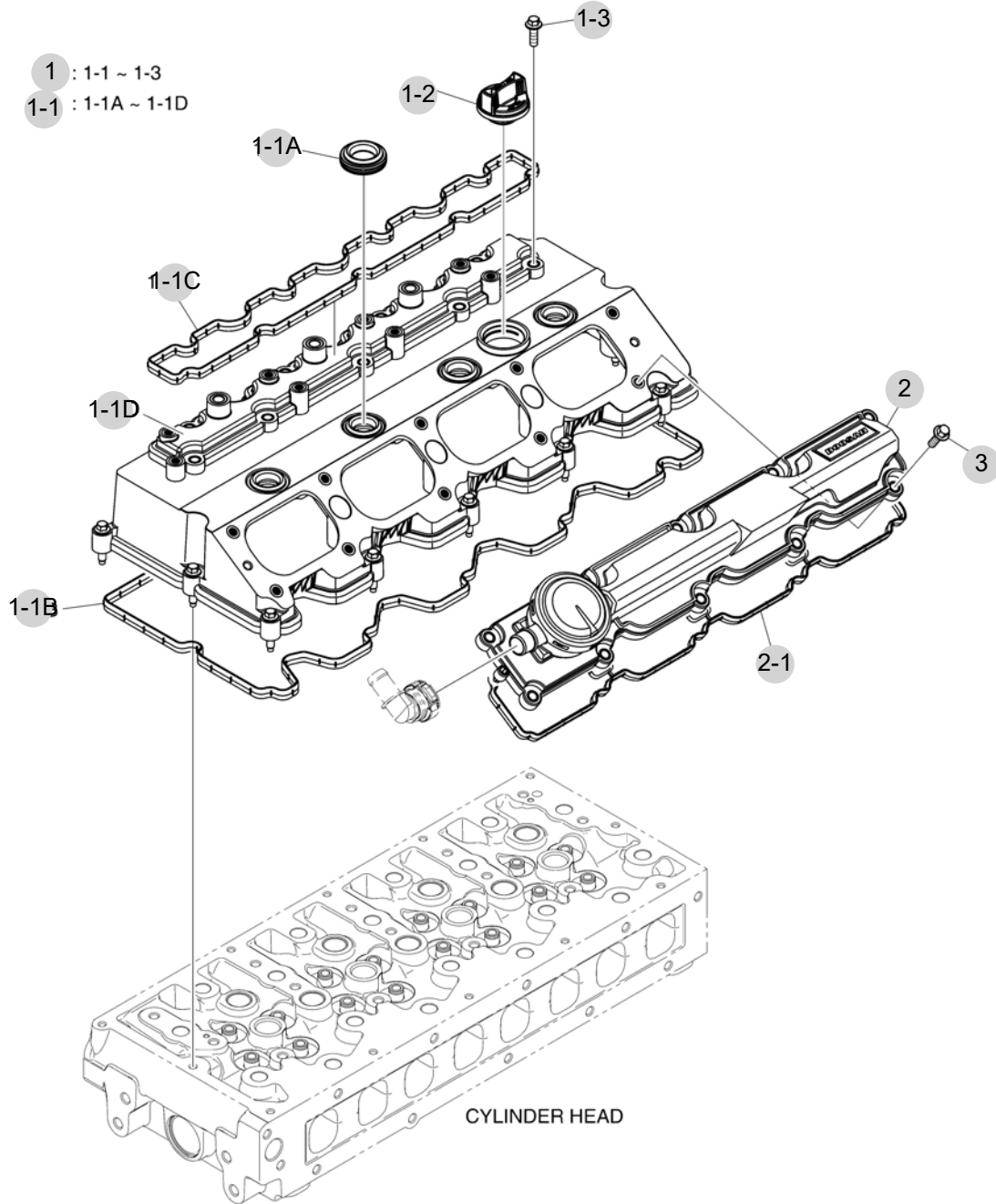
FIG 102

CYLINDER HEAD COVER

년/월
Year/Month

2022-12

T1104SP



EDL03-P102-090-1

NOTE

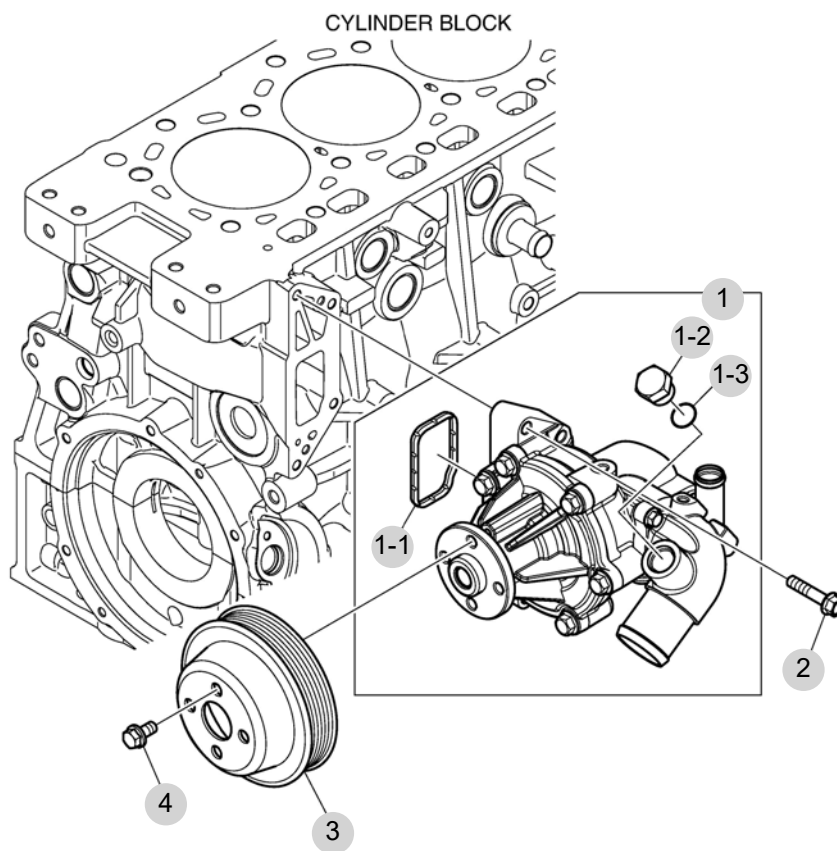
FIG 103

WATER PUMP

년/월
Year/Month

2022-12

T1104SP



EDL03-P103-001-1

NOTE

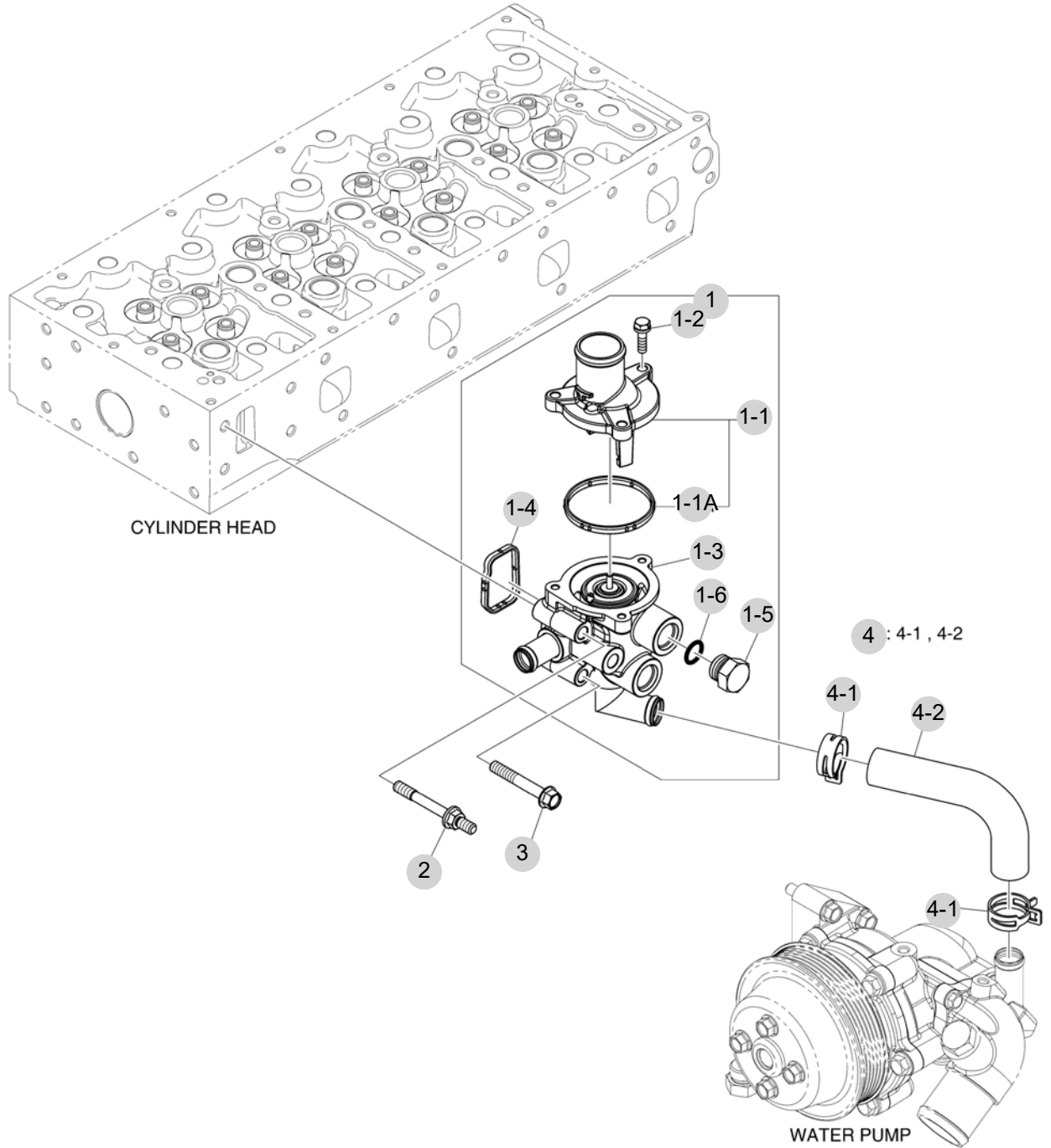
FIG 103		WATER PUMP					년/월 Year/Month	
T1104SP		2022-12						
KEY NO	PART NO	DESCRIPTION	SPEC	QTY	REPAIR	EFFECTIVE DATE	REMARKS	
103	1	400921-00321B	PUMP ASSY,WATER		1			
103	1-1	400606-00907	PACKING,RUBBER		1			
103	1-2	430221-00087	PLUG,DRAIN		1			
103	1-3	401002-01451	RING,O		1			
103	2	89CM840	BOLT,HEX FLANGE M8x1.25x40		4			
103	3	130707-00034	PULLEY,WATER PUMP		1			
103	4	89CM816	BOLT,HEX FLANGE M8x1.25x16		4			
NOTE								

FIG 104

THERMOSTAT

년/월
Year/Month

2022-12



EDL03-P104-090-1

NOTE

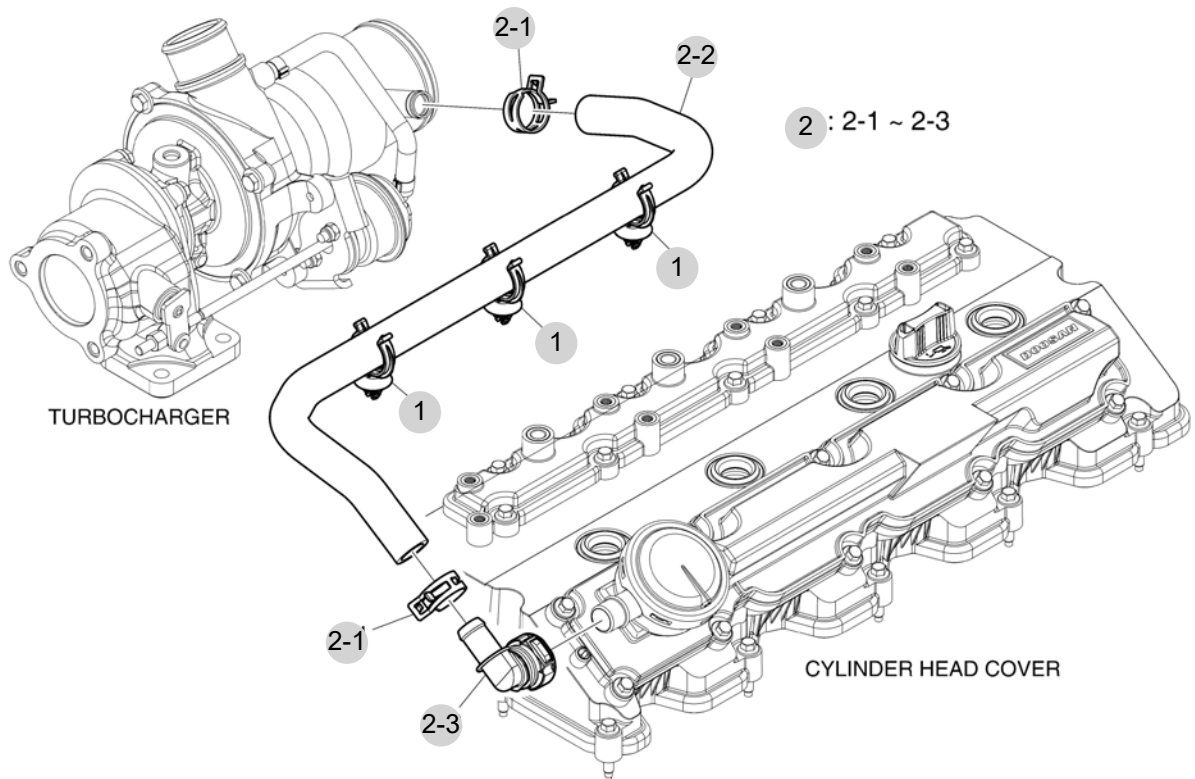
FIG 105

T1104SP

BREATHER

년/월
Year/Month

2022-12



NOTE

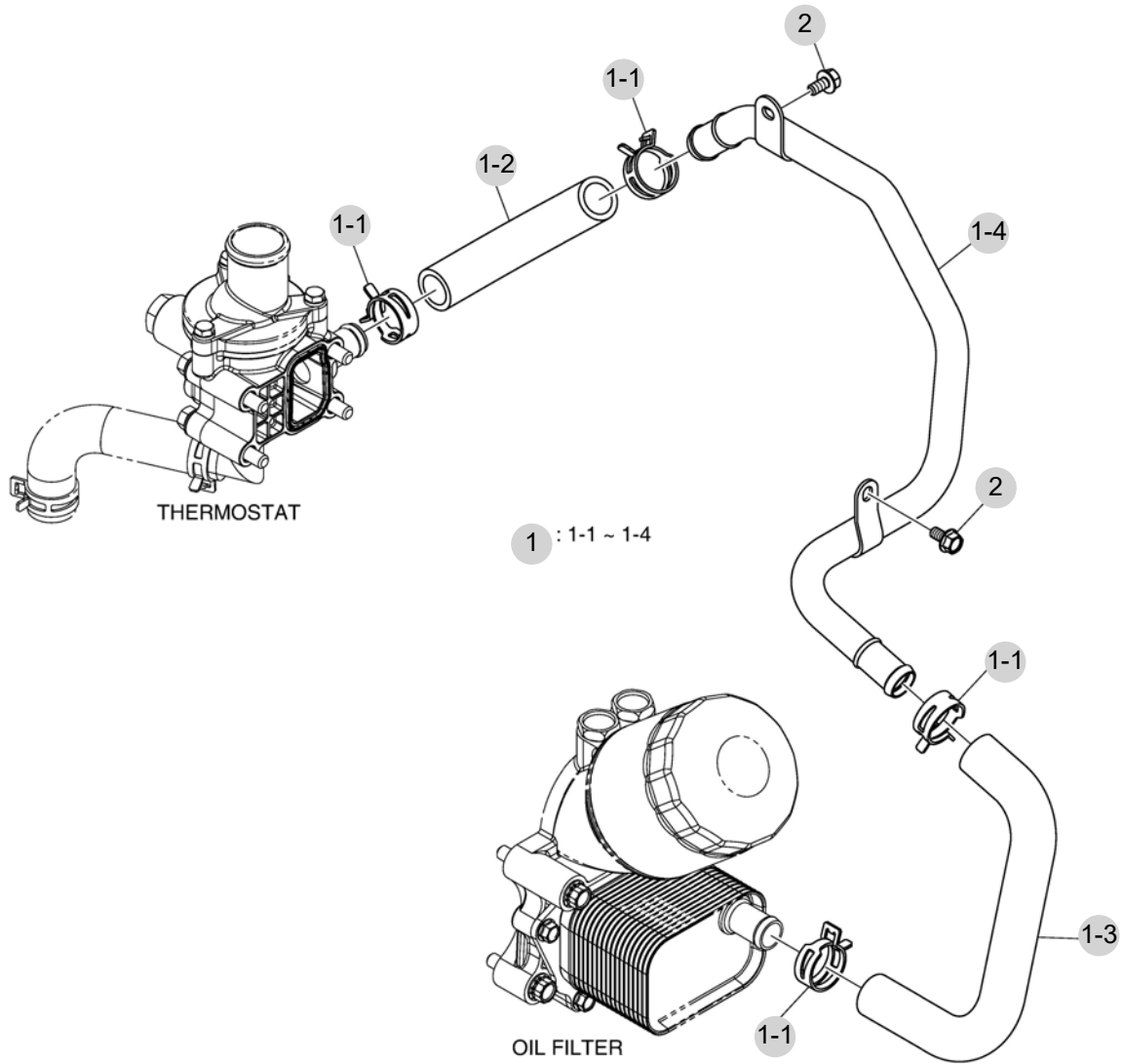
FIG 106

COOLING WATER PIPE

년/월
Year/Month

T1104SP

2022-12



NOTE

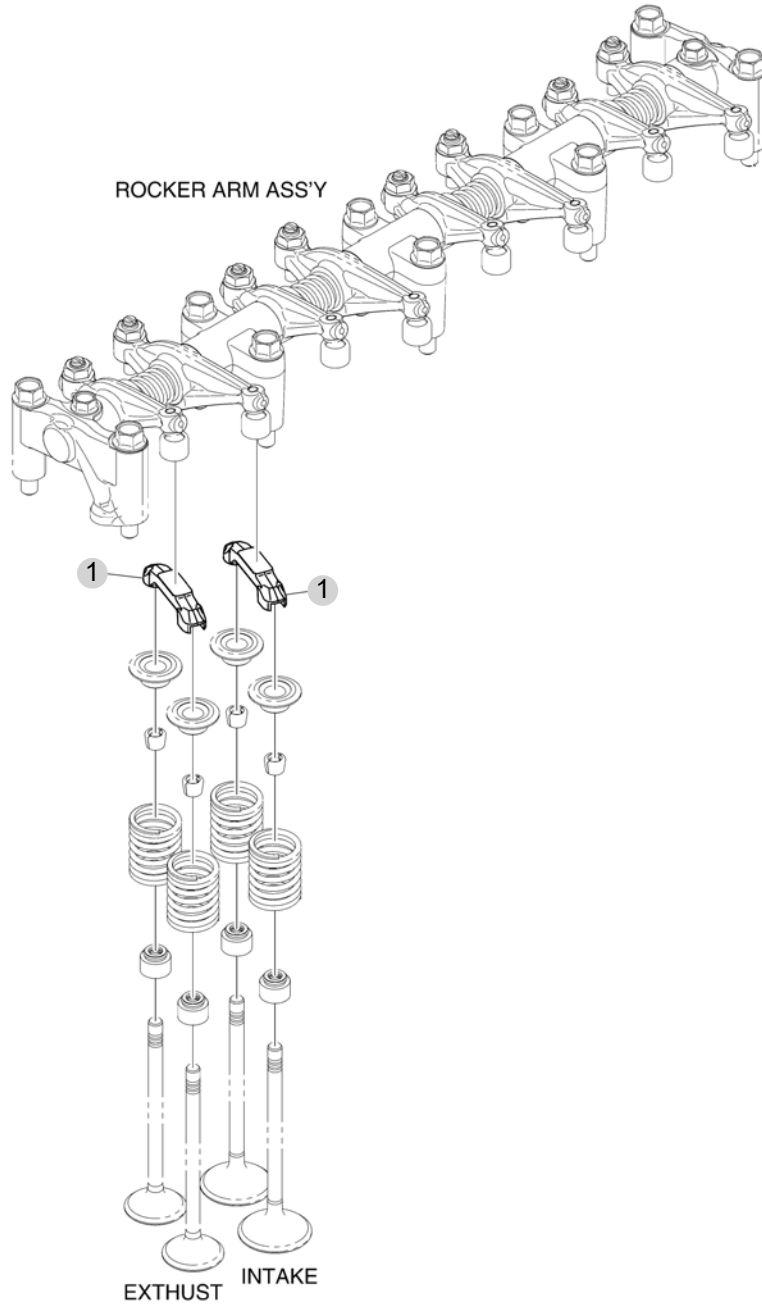
FIG 107

T1104SP

VALVE

년/월
Year/Month

2022-12



NOTE

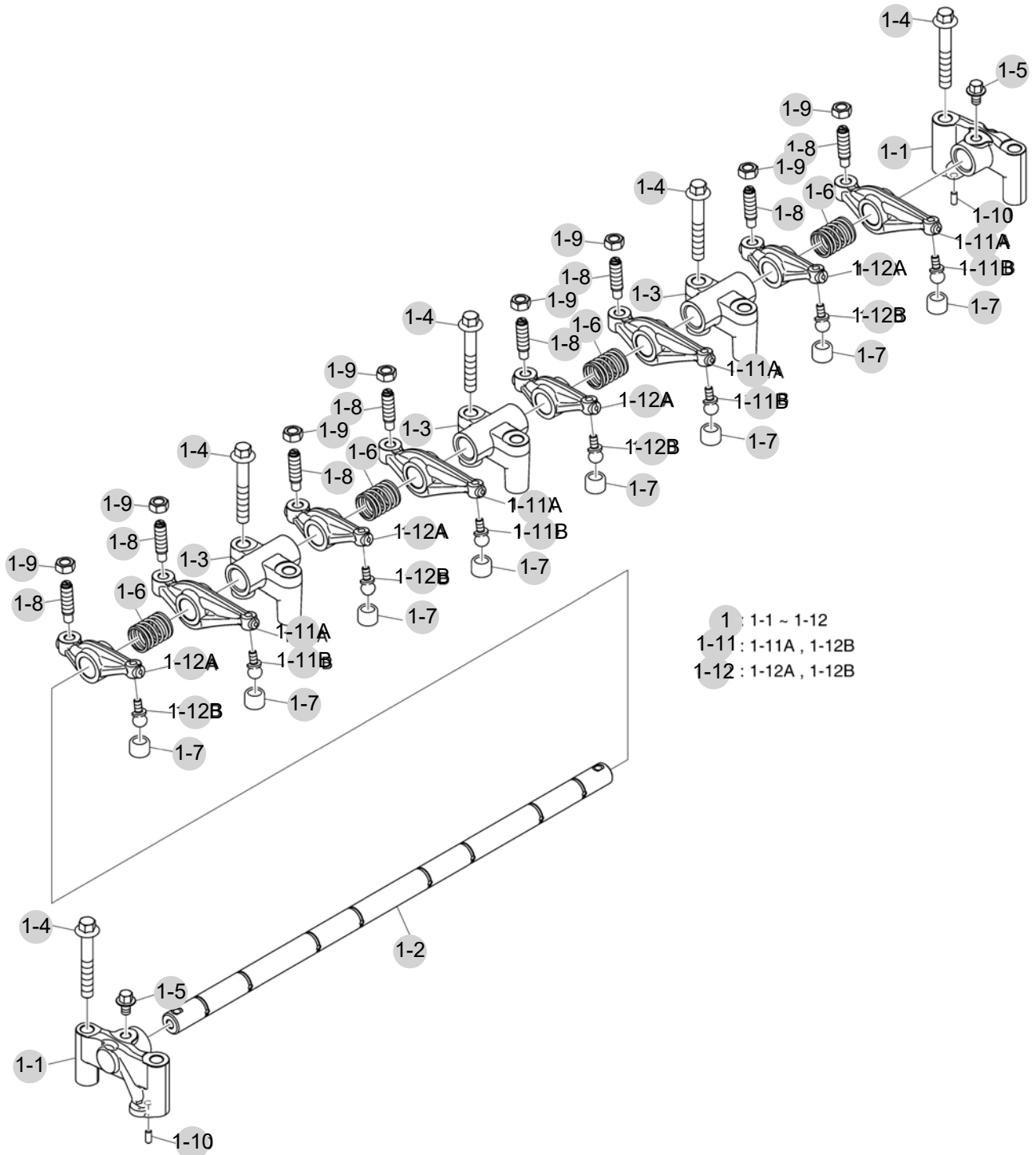
FIG 108

ROCKER ARM

년/월
Year/Month

2022-12

T1104SP



NOTE

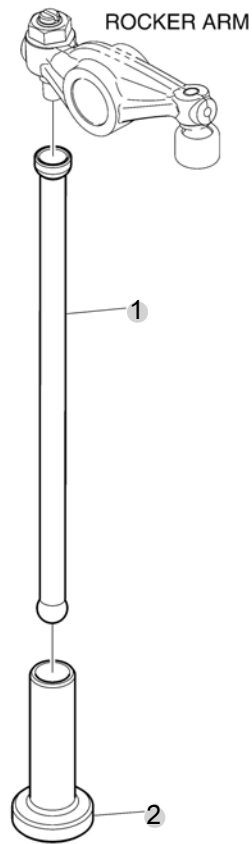
FIG 109

TAPPET & PUSH ROD

년/월
Year/Month

2022-12

T1104SP



NOTE

FIG 109 T1104SP		TAPPET & PUSH ROD					년/월 Year/Month 2022-12	
KEY NO	PART NO	DESCRIPTION	SPEC	QTY	REPAIR	EFFECTIVE DATE	REMARKS	
109	1	150123-00019A	PUSHROD	8				
109	2	150125-00003C	TAPPET,VALVE	8				
NOTE								

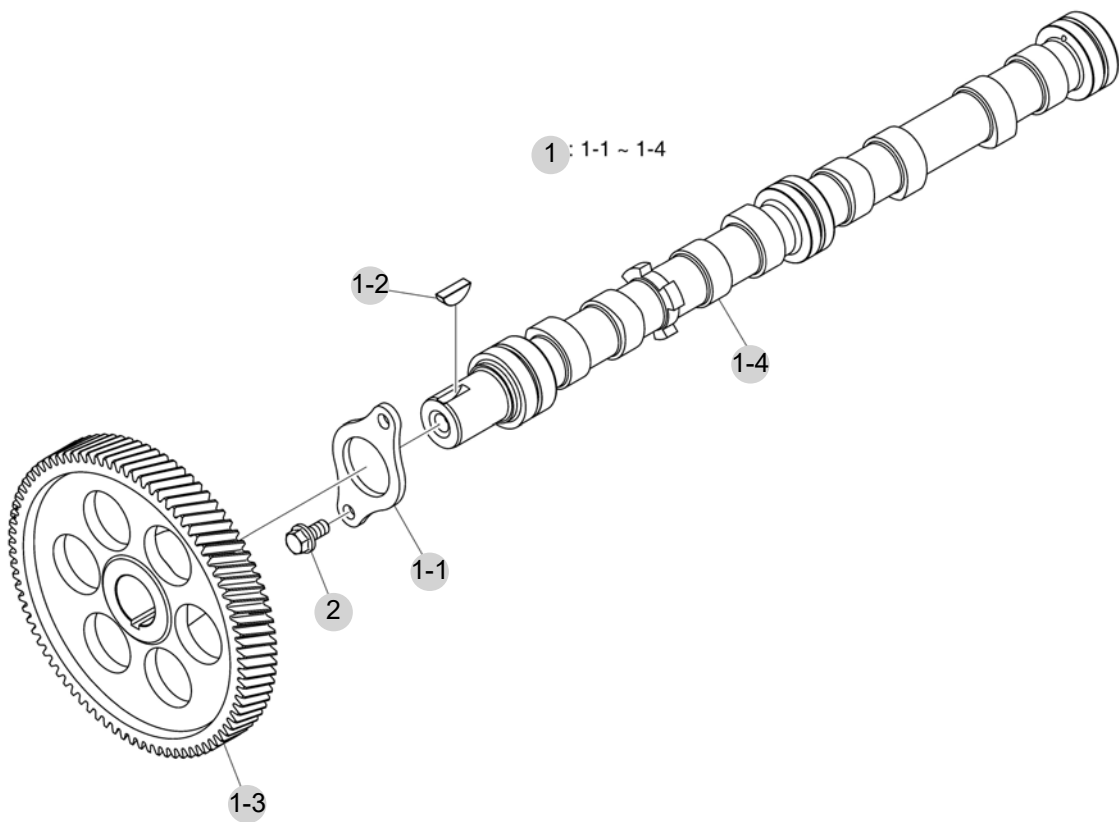
FIG 110

CAMSHAFT

년/월
Year/Month

2022-12

T1104SP



NOTE

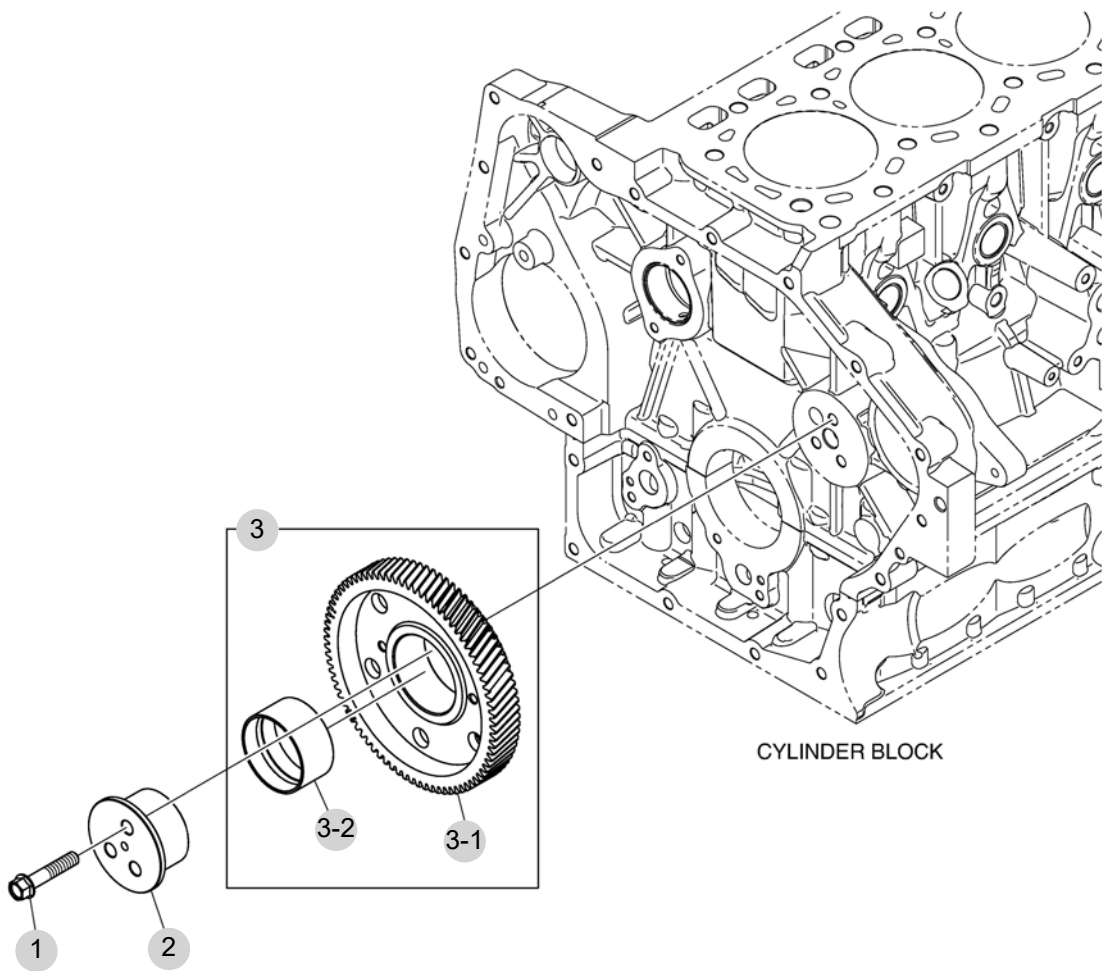
FIG 111

CAMSHAFT DRIVE

년/월
Year/Month

T1104SP

2022-12



EDL03-P205-089-1

NOTE

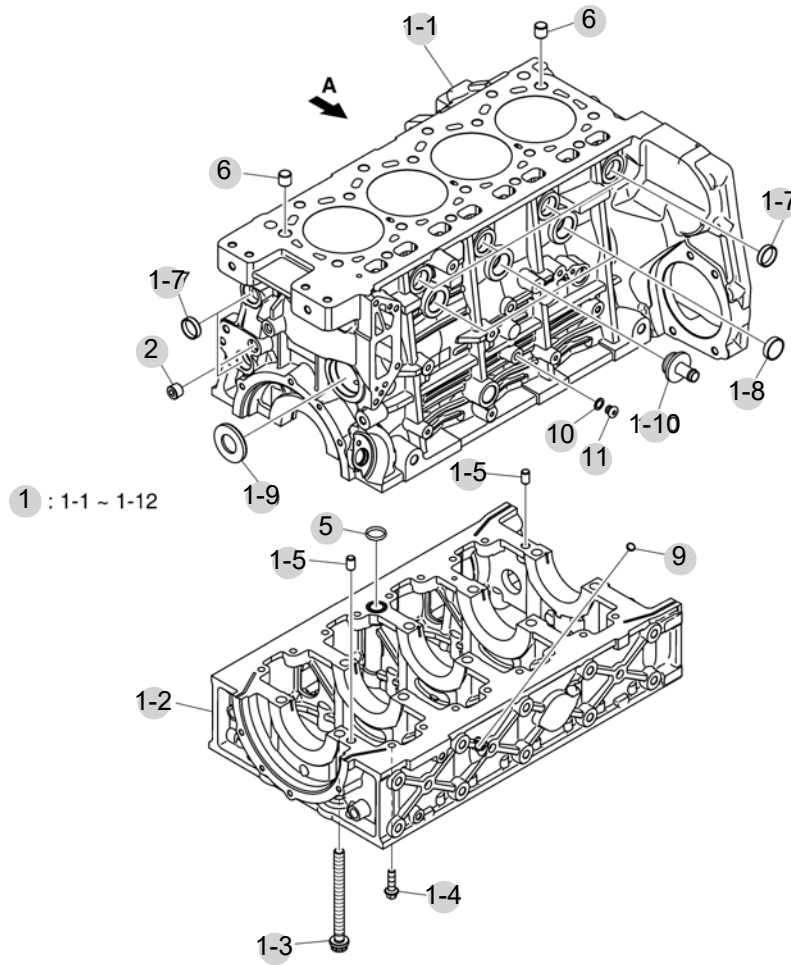
FIG 112

CYLINDER BLOCK

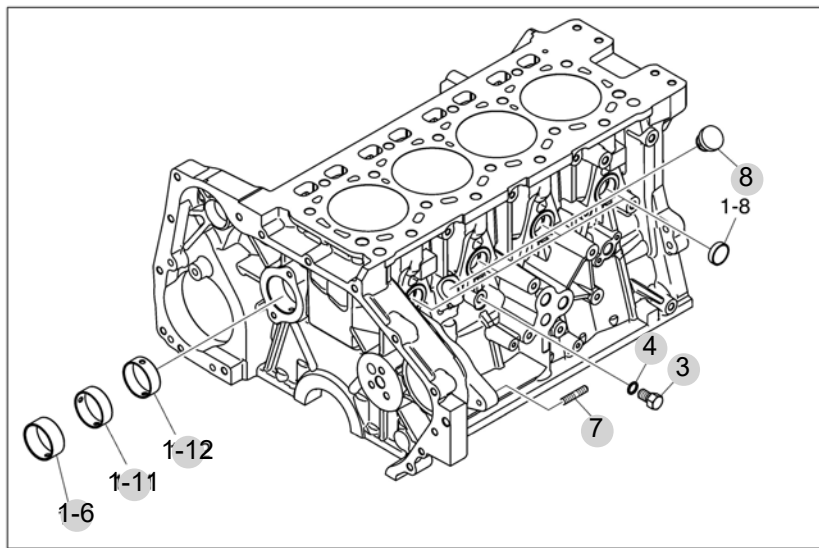
년/월
Year/Month

2022-12

T1104SP



1 : 1-1 ~ 1-12



VIEW A

NOTE

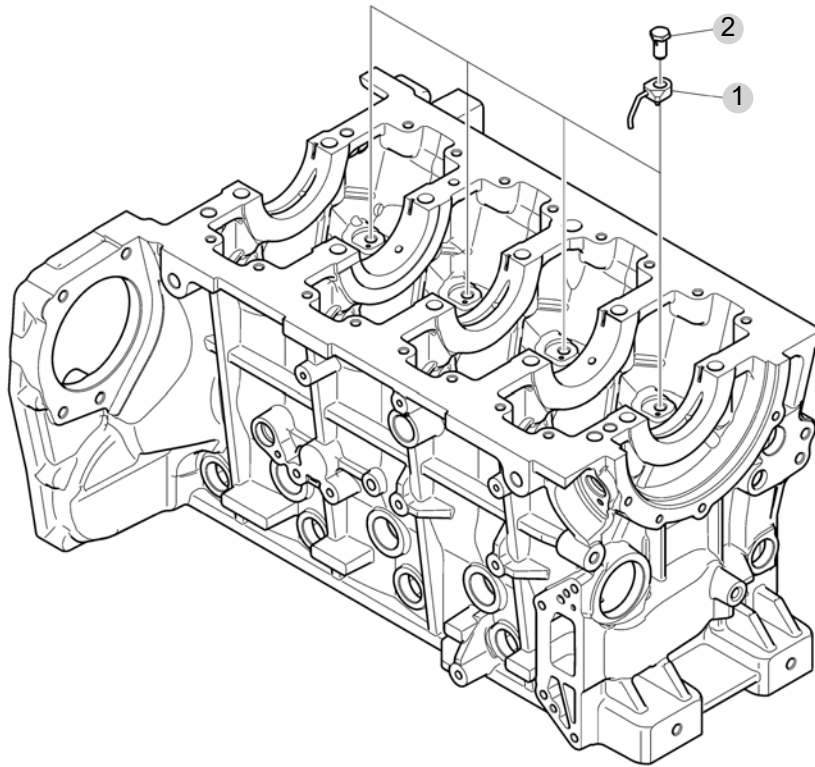
FIG 113

T1104SP

OIL SPRAY NOZZLE

년/월
Year/Month

2022-12



NOTE

FIG 113 T1104SP		OIL SPRAY NOZZLE					년/월 Year/Month 2022-12	
KEY NO	PART NO	DESCRIPTION	SPEC	QTY	REPAIR	EFFECTIVE DATE	REMARKS	
113	1	430218-00027A		4				
113	2	410127-00310		4				
NOTE								

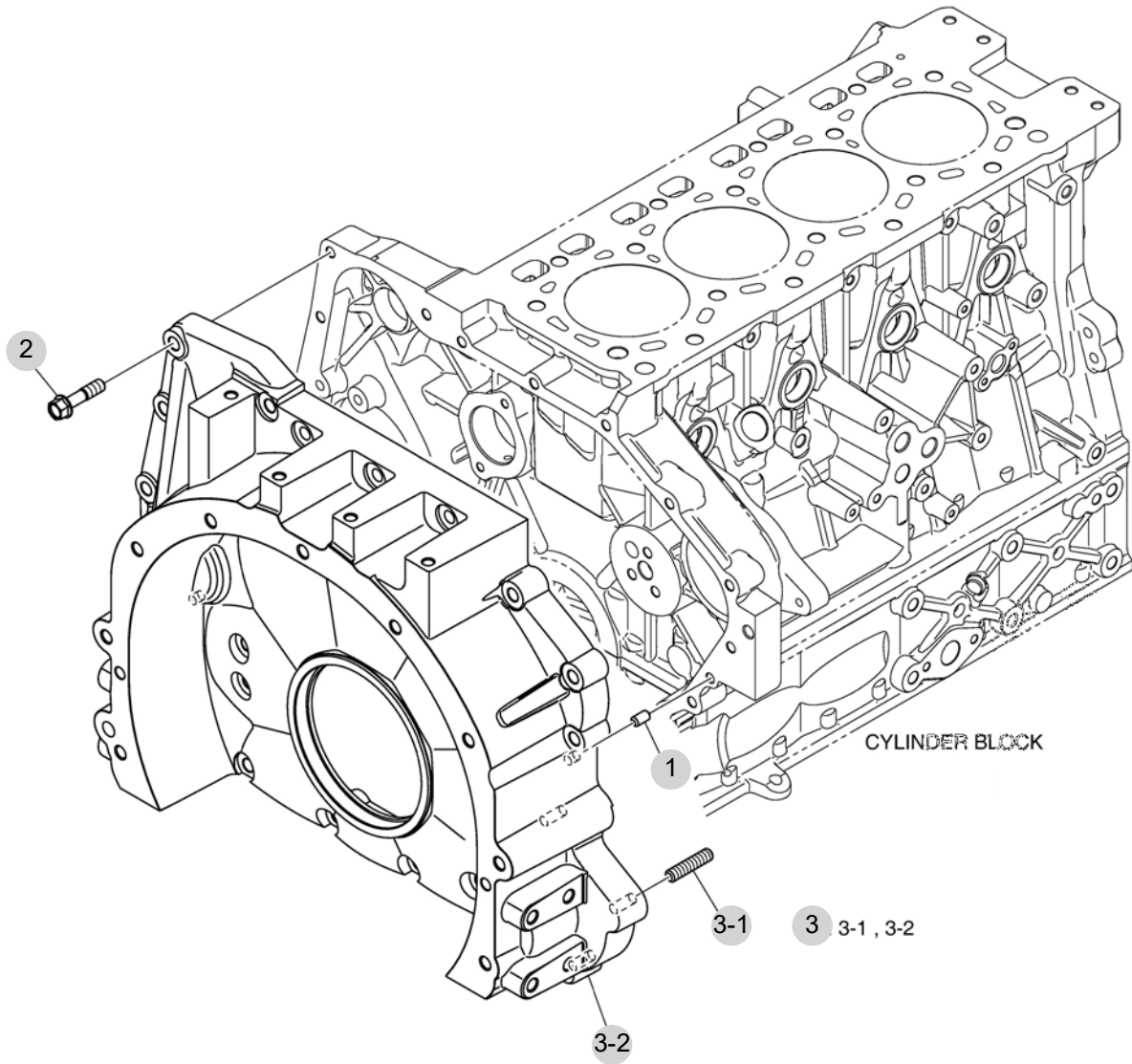
FIG 114

FLYWHEEL HOUSING

년/월
Year/Month

T1104SP

2022-12



NOTE

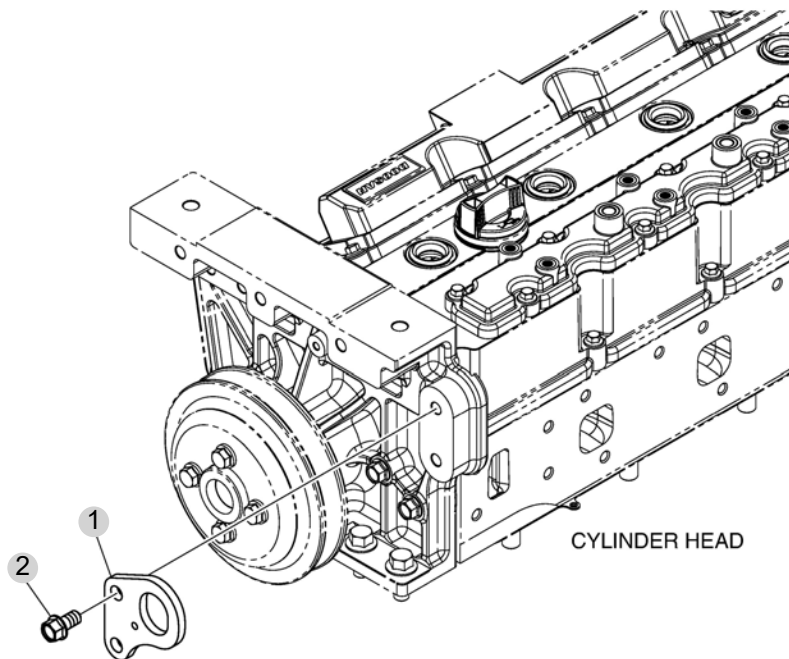
FIG 115

T1104SP

ENGINE LIFTING

년/월
Year/Month

2022-12



NOTE

FIG 115

ENGINE LIFTING

T1104SP

년/월
Year/Month

2022-12

KEY NO	PART NO	DESCRIPTION	SPEC	QTY	REPAIR	EFFECTIVE DATE	REMARKS
115	1	65.19202-0005	HOOK;LIFTING	1			
115	2	89CM1020	BOLT,HEX FLANGE M10x20	2			
NOTE							

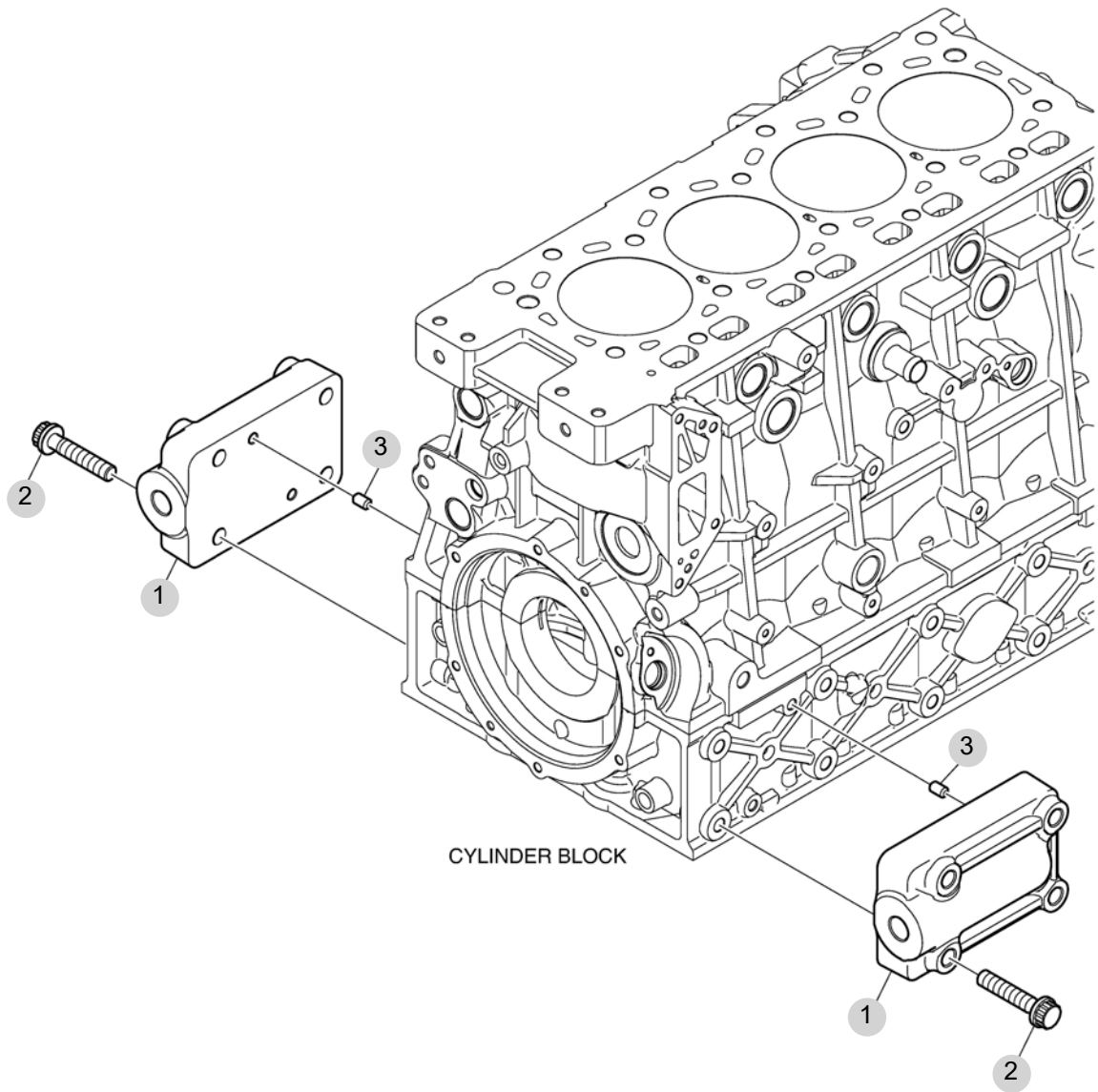
FIG 116

ENGINE MOUNTING

년/월
Year/Month

2022-12

T1104SP



NOTE

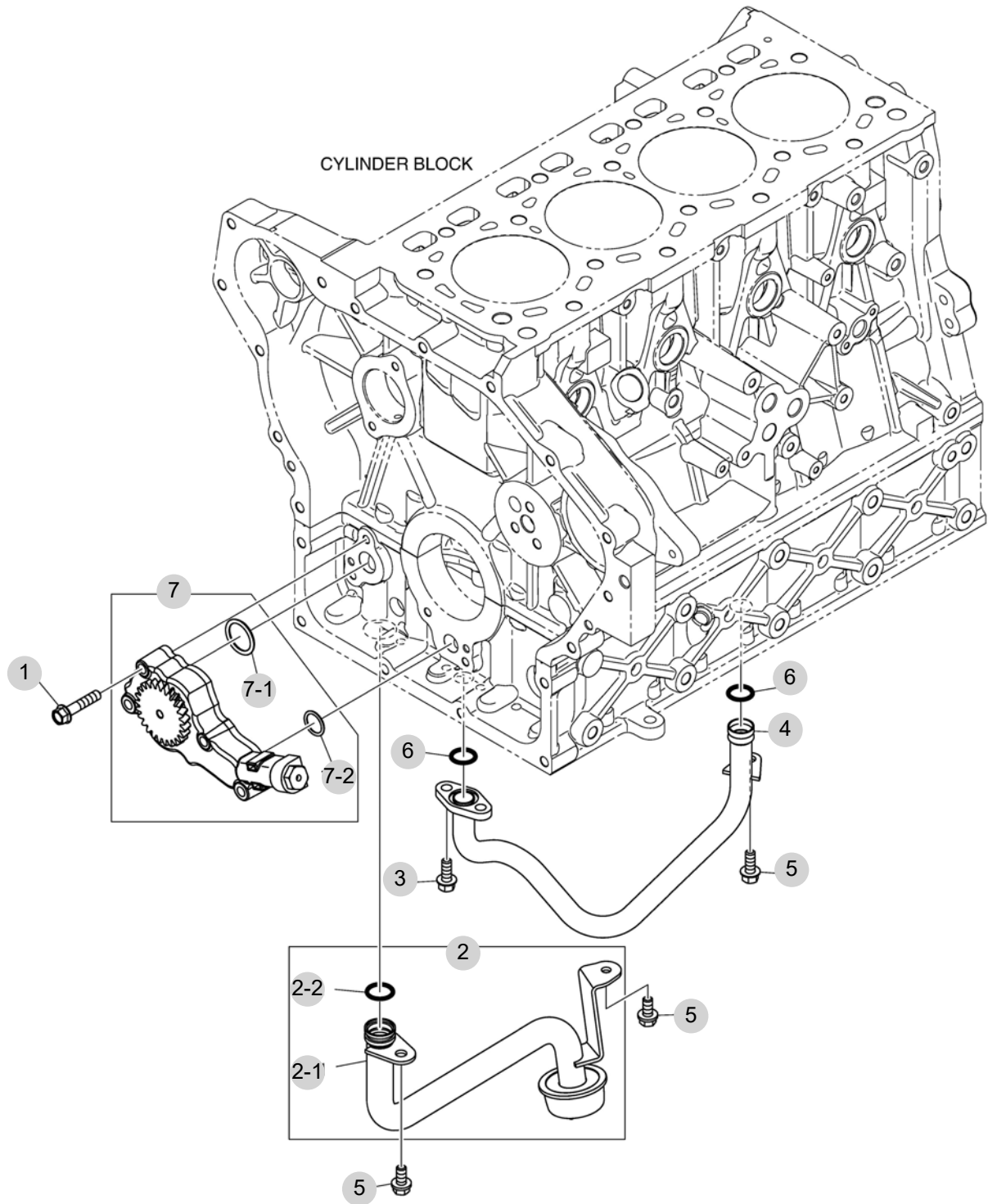
FIG 117

T1104SP

OIL PUMP

년/월
Year/Month

2022-12



NOTE

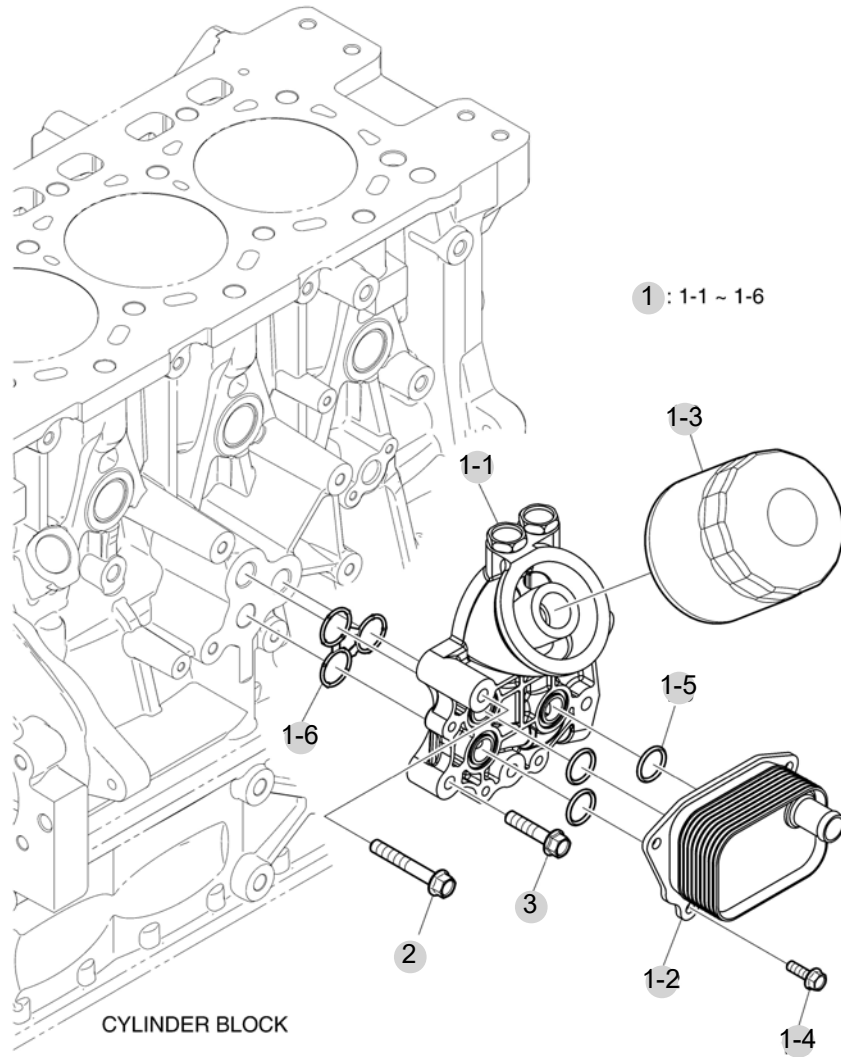
FIG 118

T1104SP

OIL FILTER

년/월
Year/Month

2022-12



NOTE

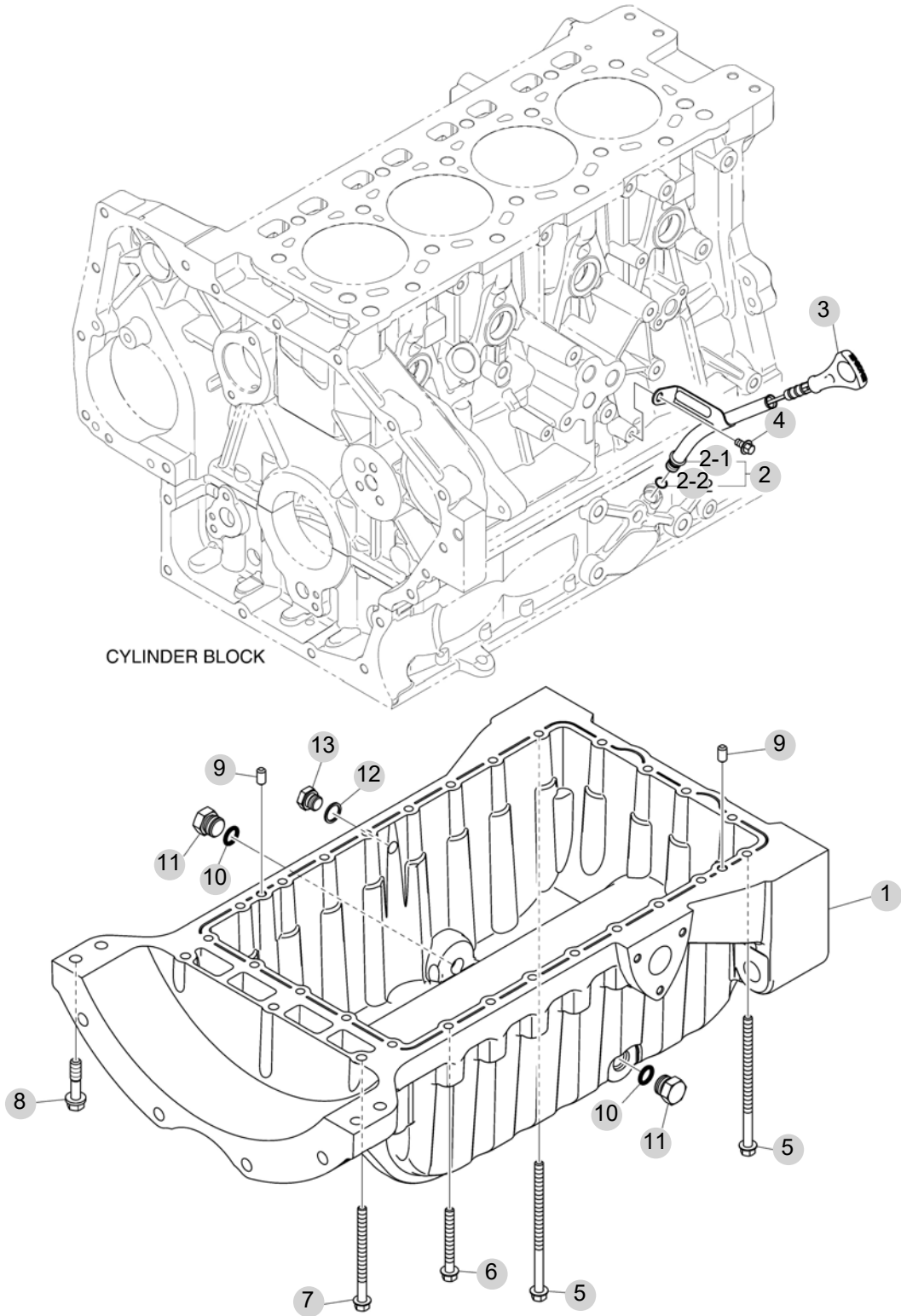
FIG 119

OIL PAN

년/월
Year/Month

T1104SP

2022-12



NOTE

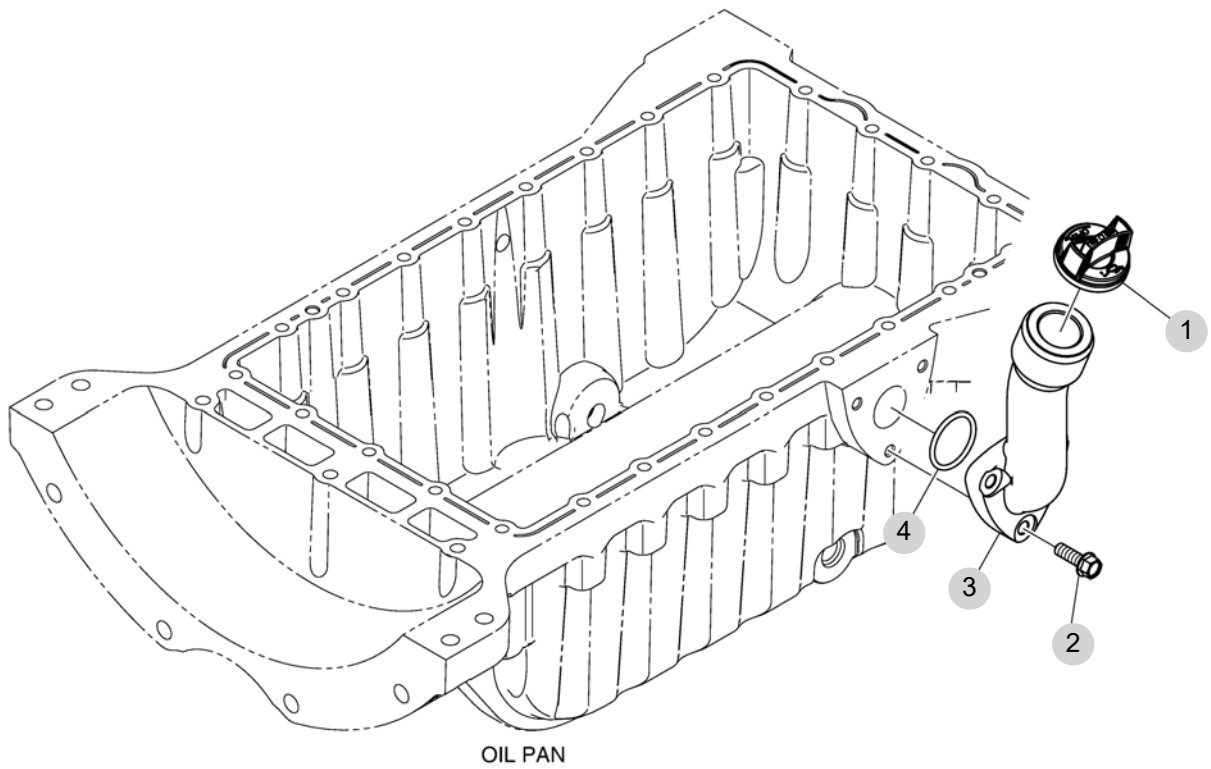
FIG 120

T1104SP

OIL PIPE

년/월
Year/Month

2022-12



NOTE

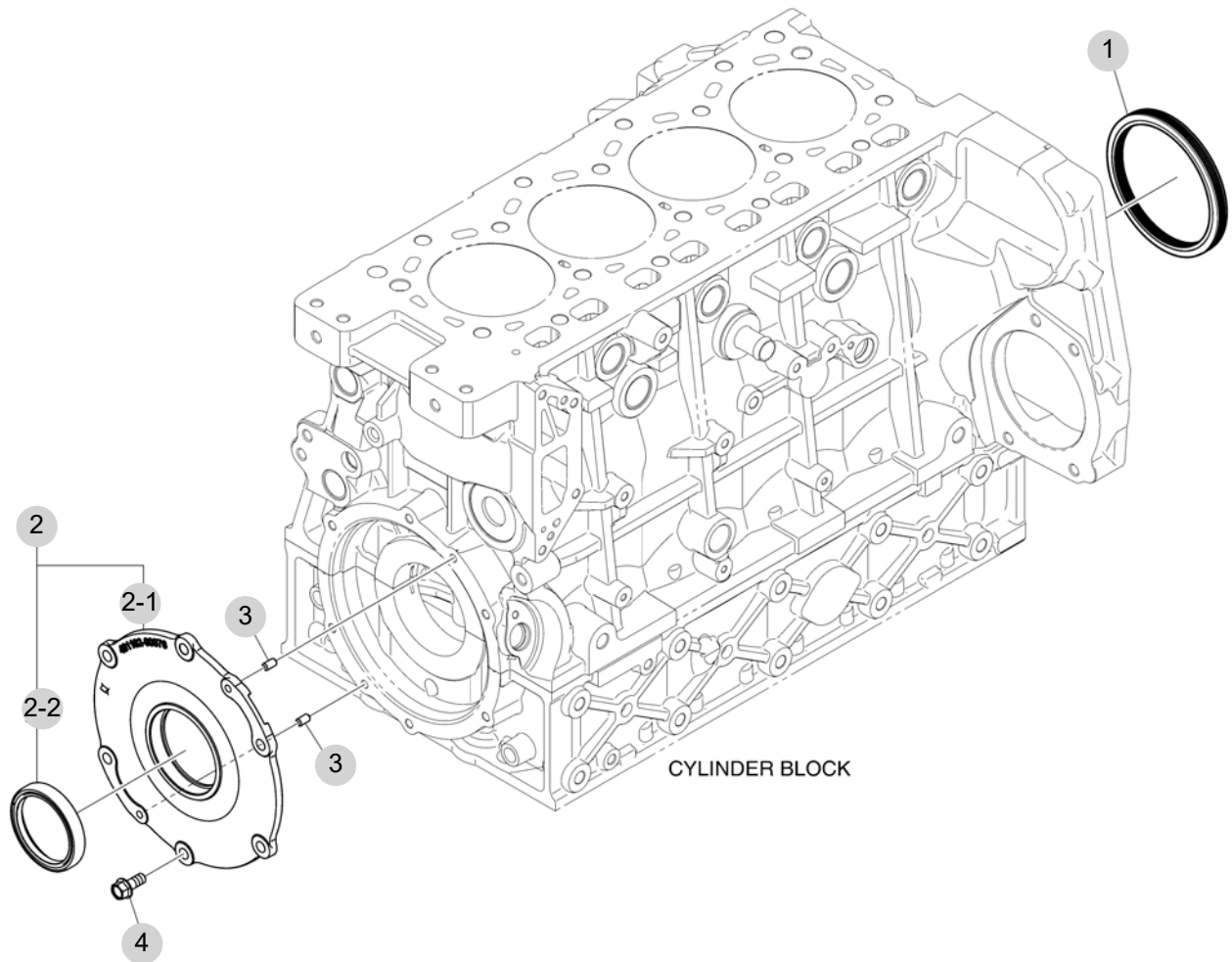
FIG 121

OIL SEAL

년/월
Year/Month

2022-12

T1104SP



EDL03-P401-041-1

NOTE

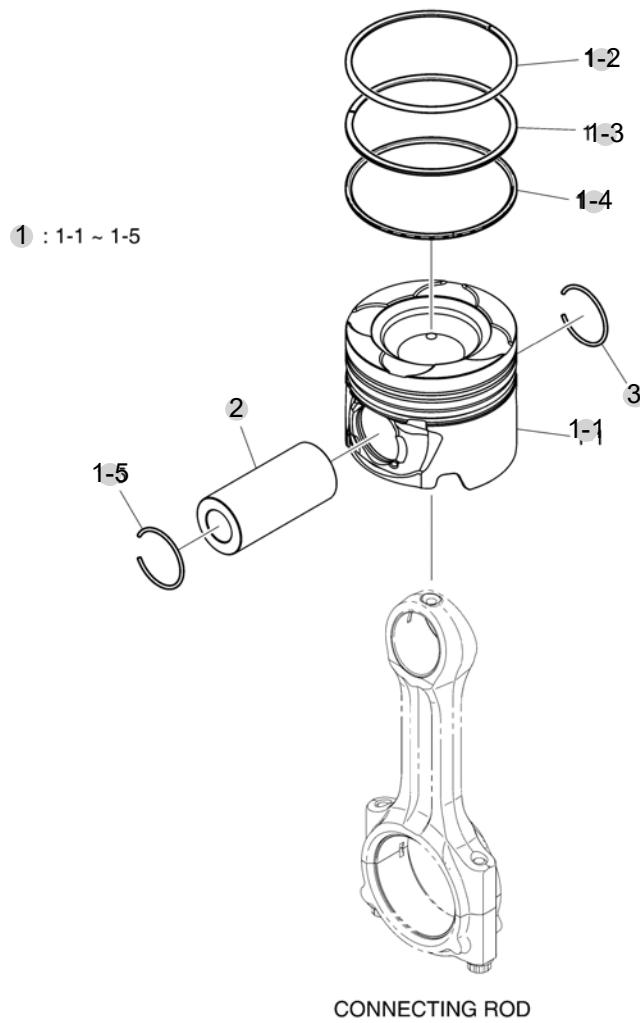
FIG 122

T1104SP

PISTON

년/월
Year/Month

2022-12



NOTE

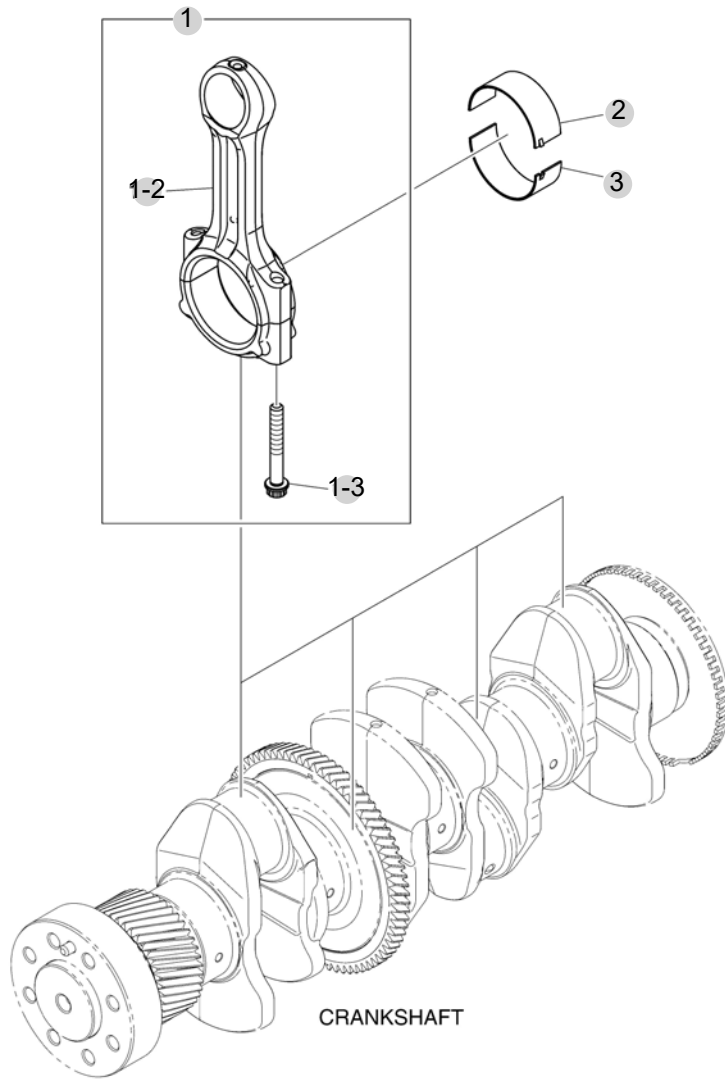
FIG 123

T1104SP

CONNECTING ROD

년/월
Year/Month

2022-12



NOTE

FIG 123

T1104SP

CONNECTING ROD

년/월
Year/Month

2022-12

KEY NO		PART NO	DESCRIPTION	SPEC	QTY	REPAIR	EFFECTIVE DATE	REMARKS
123	1	150121-00114D	CON-ROD ASSY		4			
123	1-2	150121-00115C	CON-ROD ASSY		4			
123	1-3	120112-00183A	BOLT,CONNECTING ROD		8			
123	2	140112-00138	UPPER BEARING		4			
123	3	140112-00140	BEARING,CON-ROD (LOWER,STD)		4			

NOTE

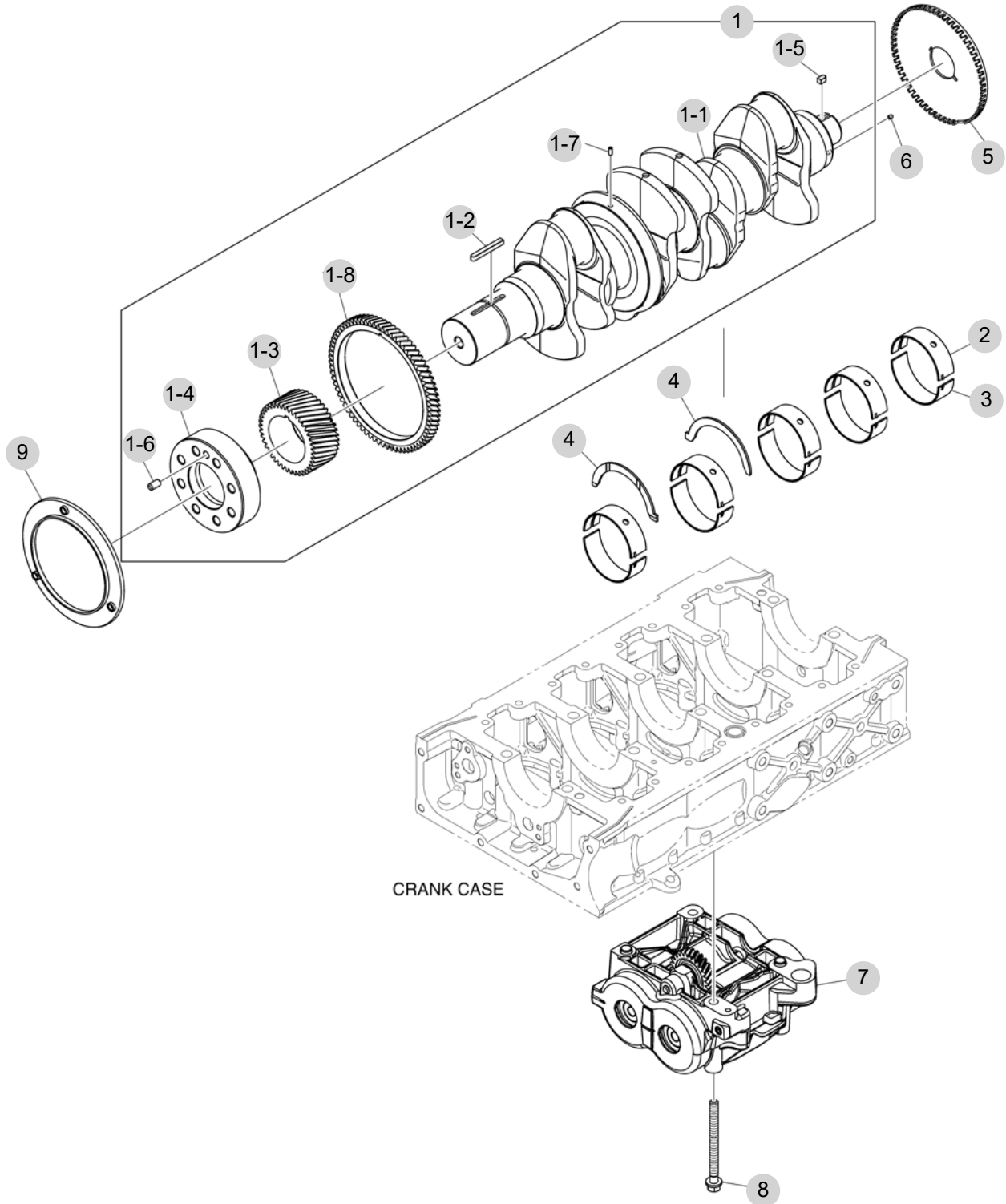
FIG 124

CRANKSHAFT

년/월
Year/Month

2022-12

T1104SP



CRANK CASE

EDL03-P404-091-1

NOTE

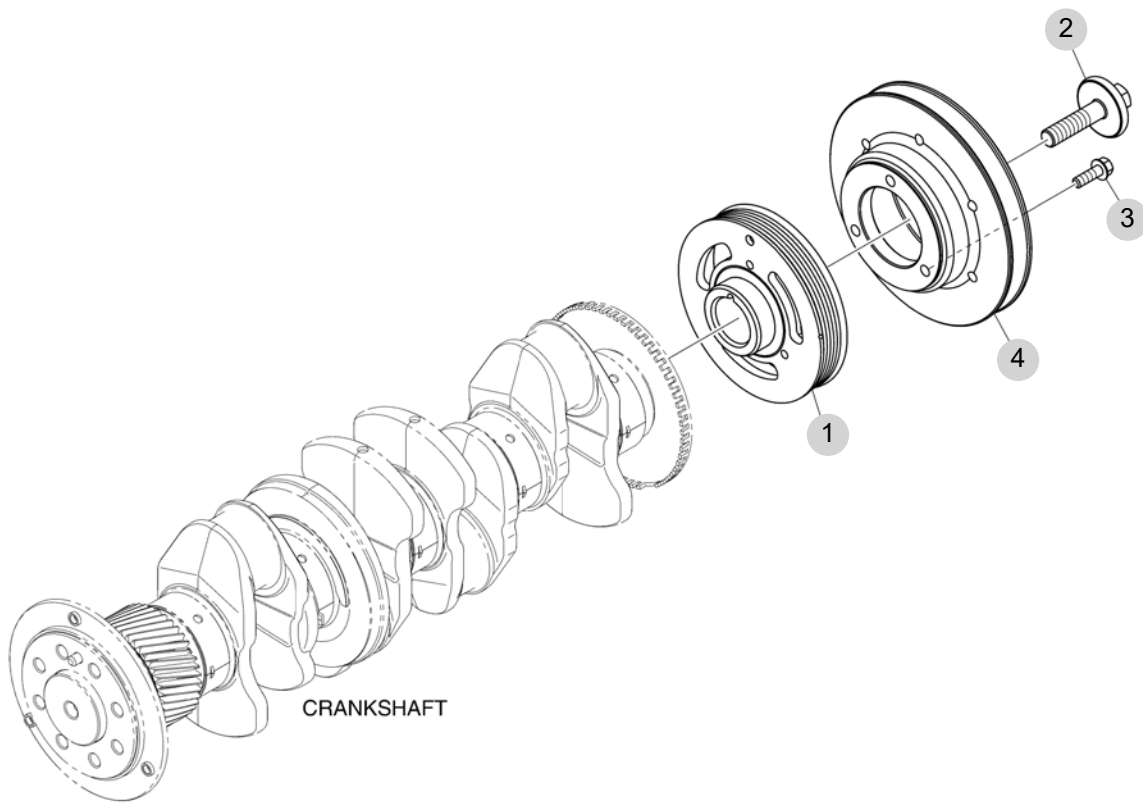
FIG 125

T1104SP

CRANKSHAFT PULLEY

년/월
Year/Month

2022-12



NOTE

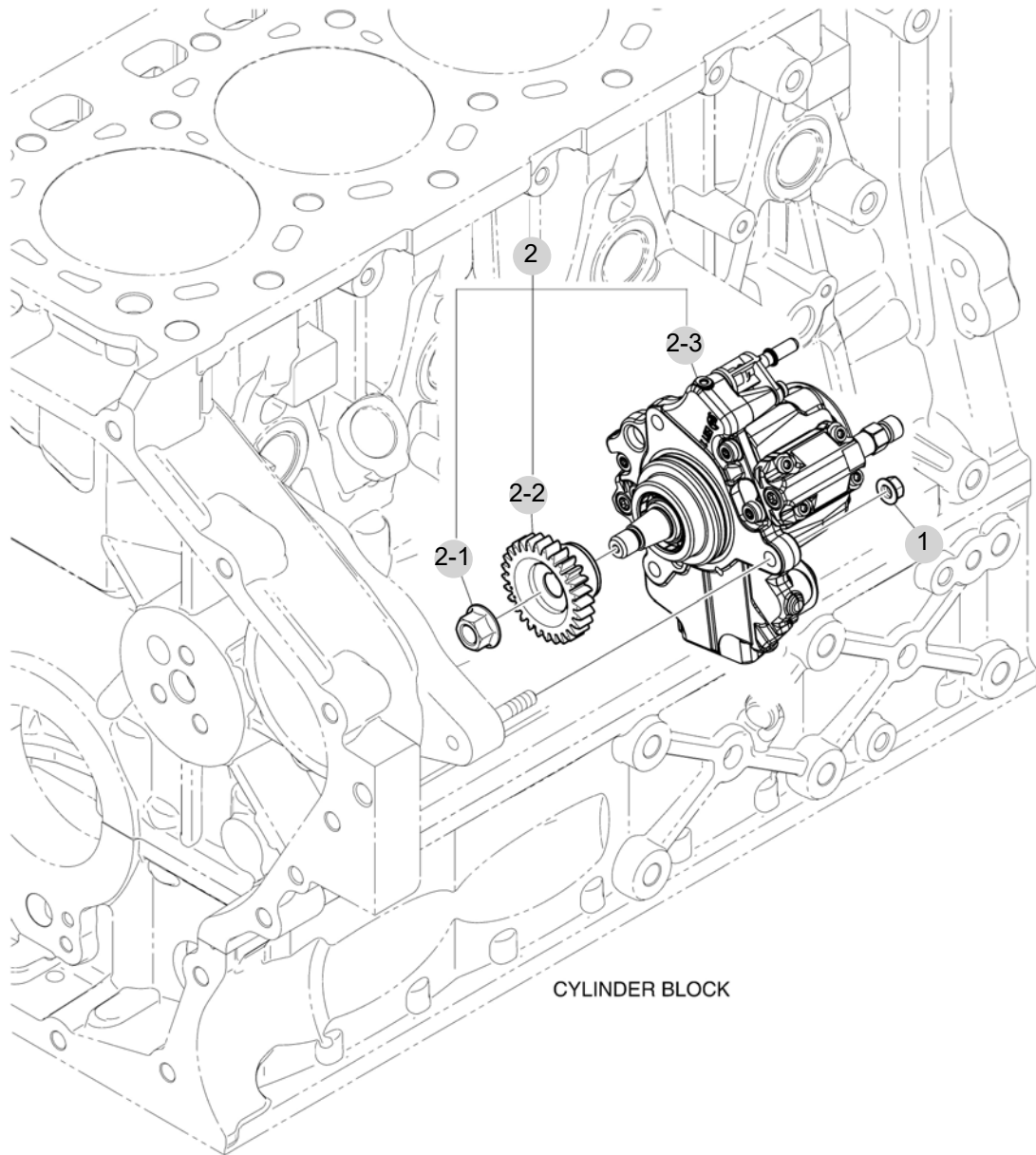
FIG 126

INJECTION PUMP

년/월
Year/Month

T1104SP

2022-12



NOTE

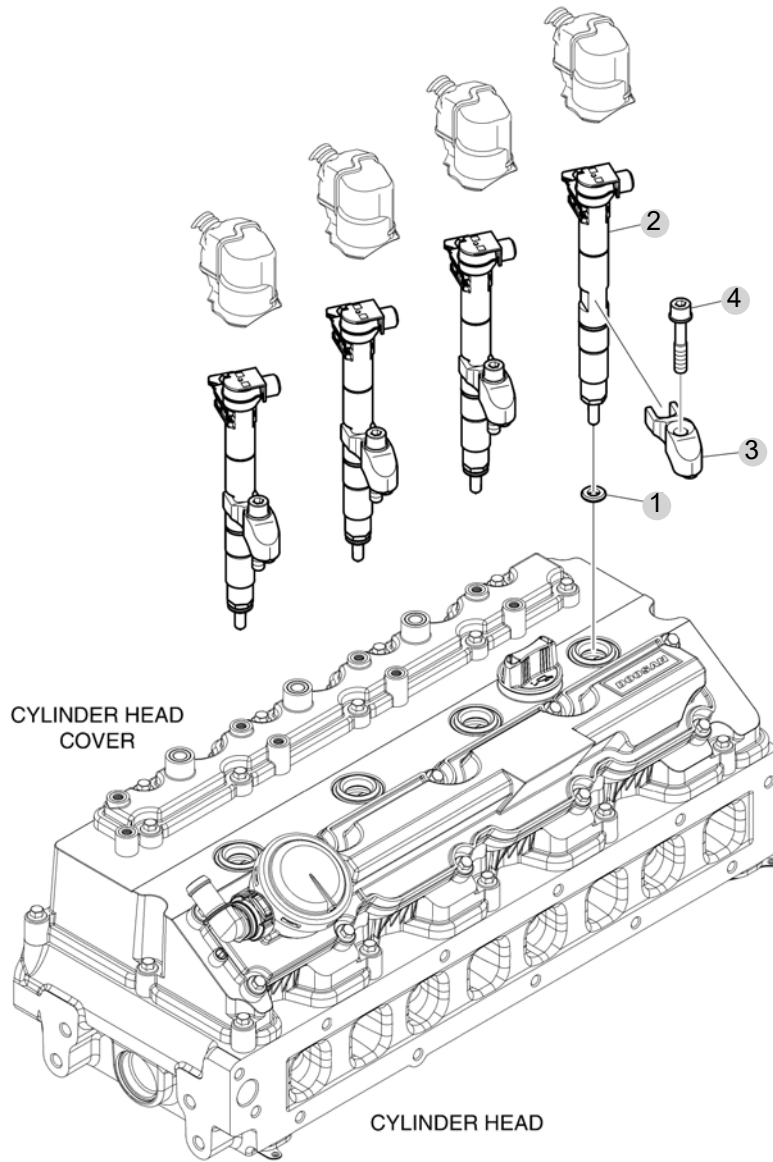
FIG 127

T1104SP

INJECTION NOZZLE

년/월
Year/Month

2022-12



NOTE

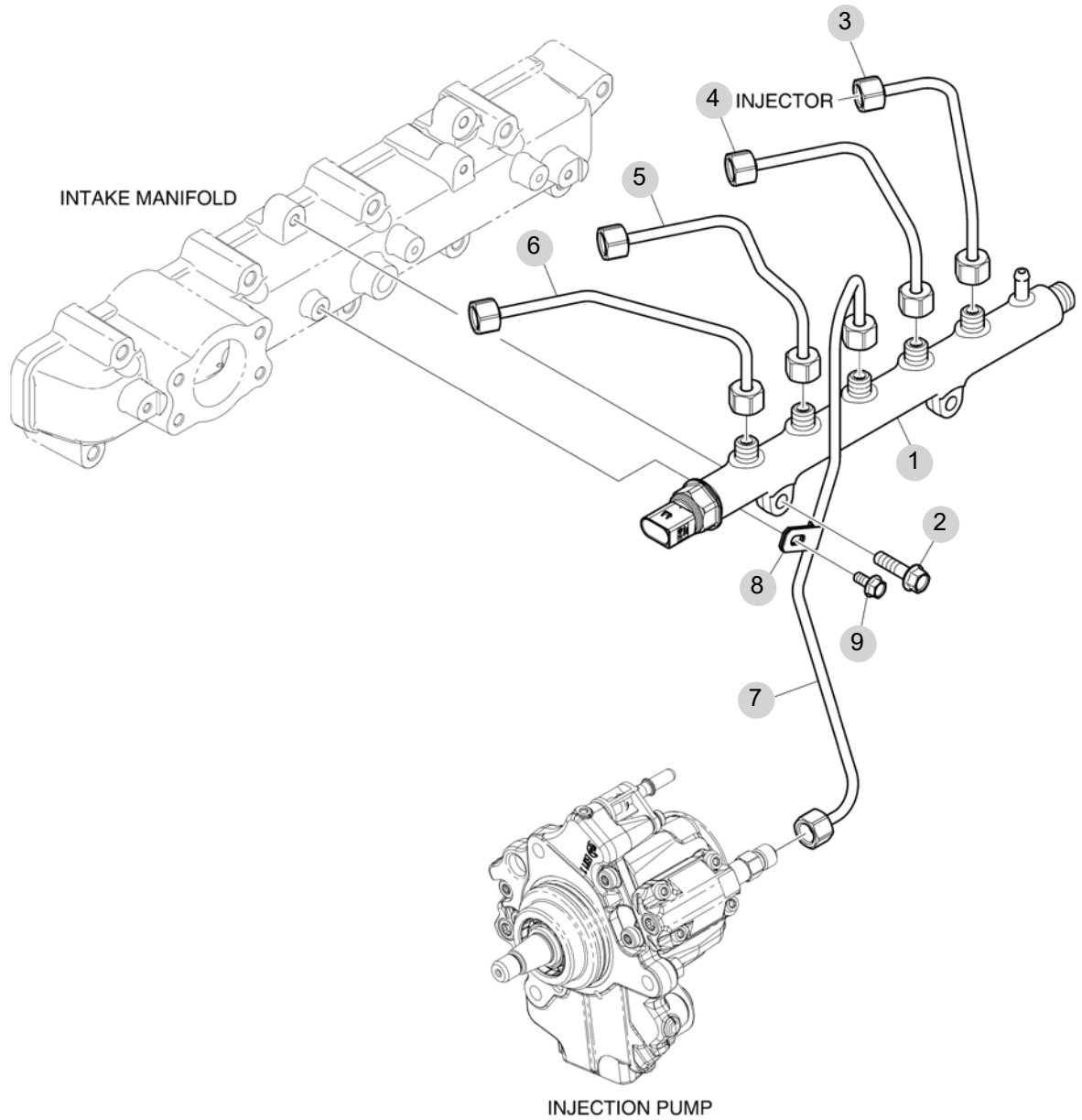
FIG 128

T1104SP

INJECTION PIPE

년/월
Year/Month

2022-12



NOTE

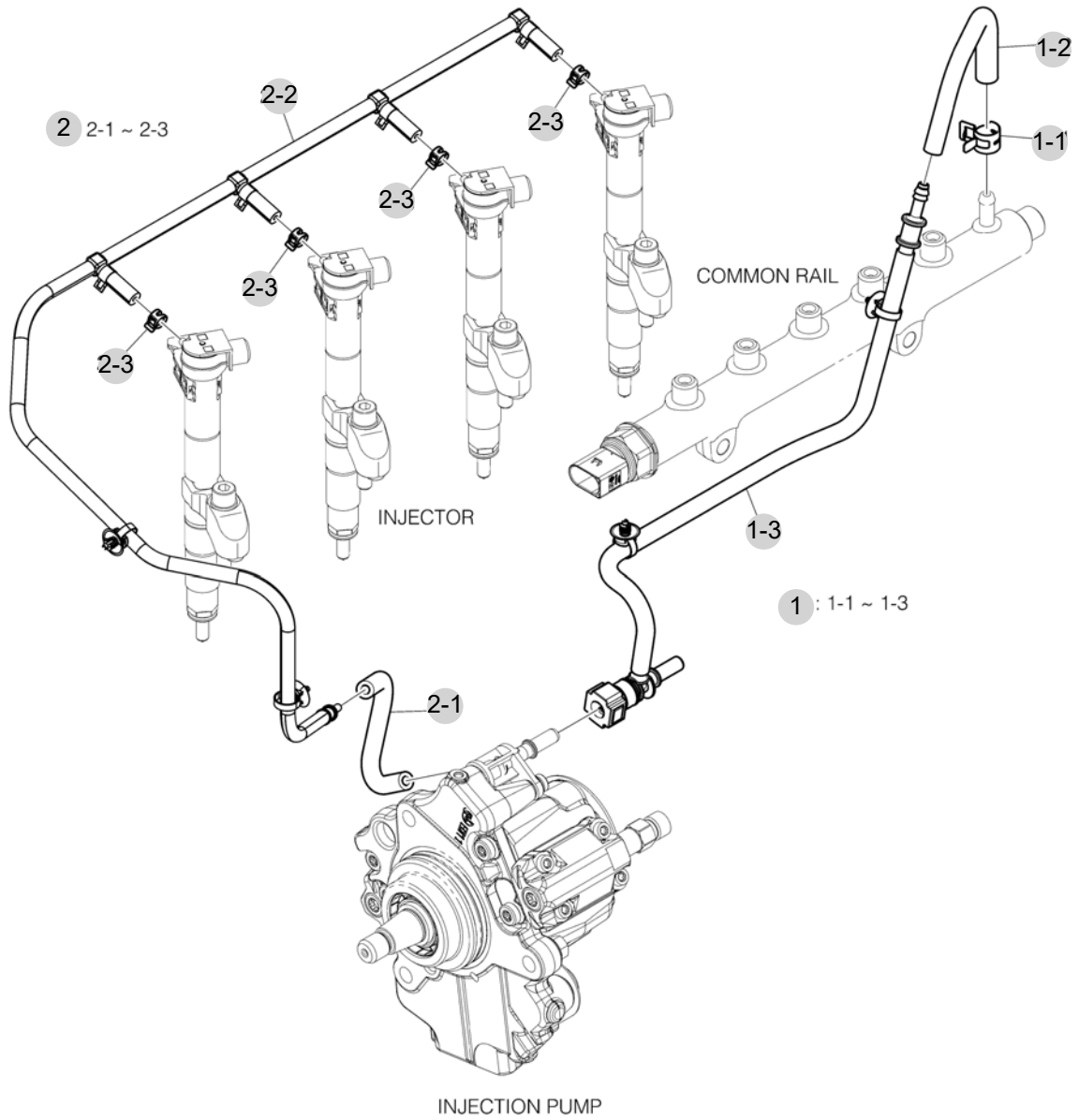
FIG 129

FUEL LINE

년/월
Year/Month

T1104SP

2022-12



NOTE

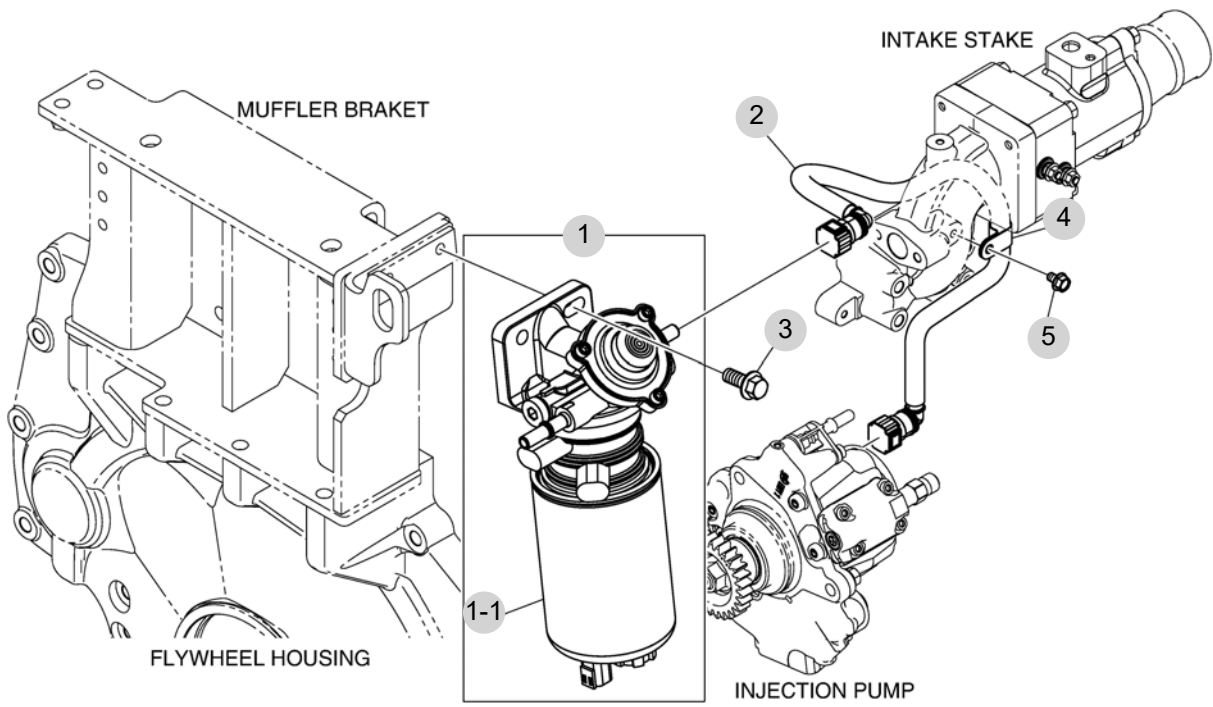
FIG 130

T1104SP

FUEL FILTER

년/월
Year/Month

2022-12



NOTE

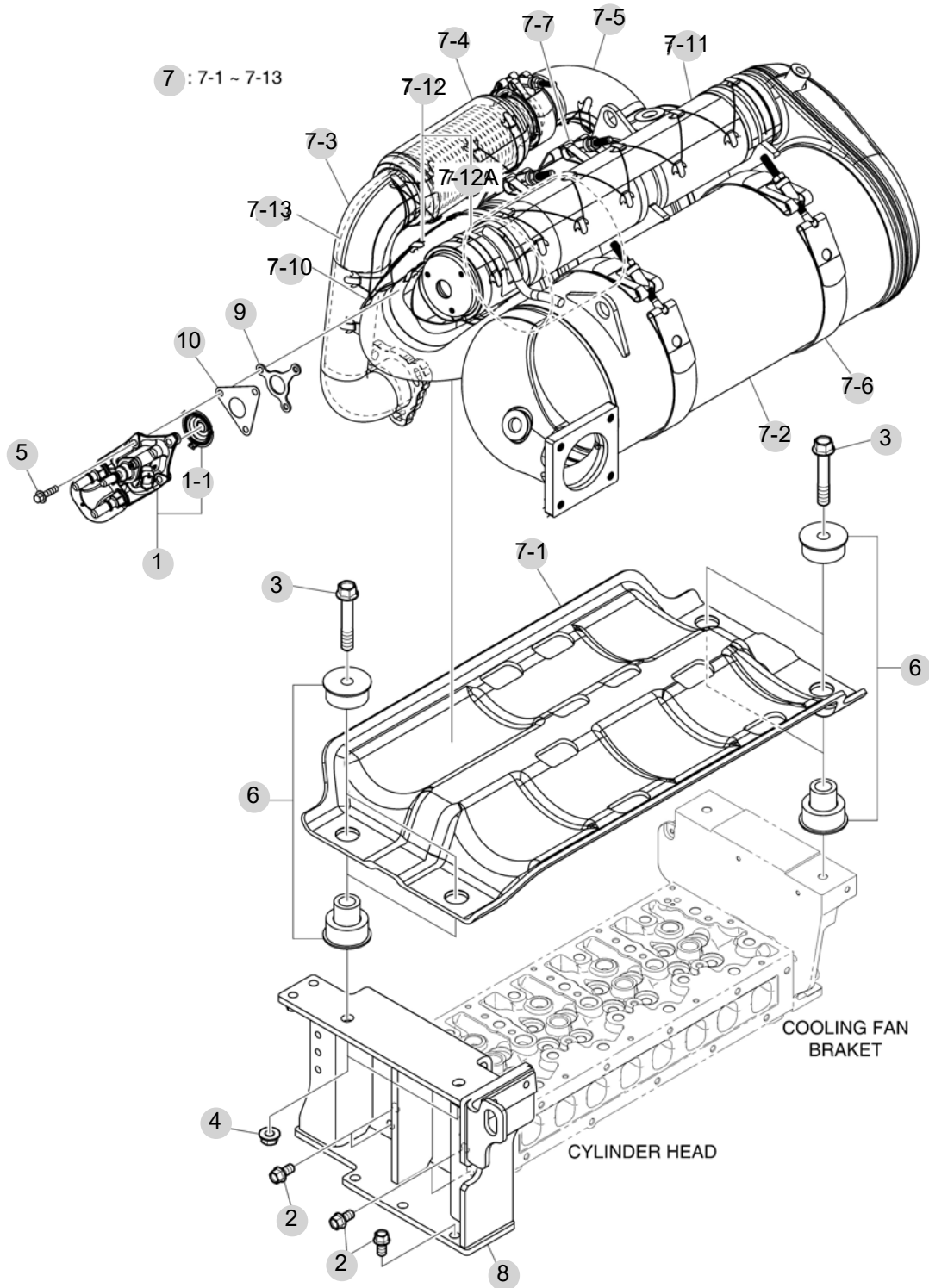
FIG 131

EXHAUST MUFFLER

년/월
Year/Month

2022-12

T1104SP



NOTE

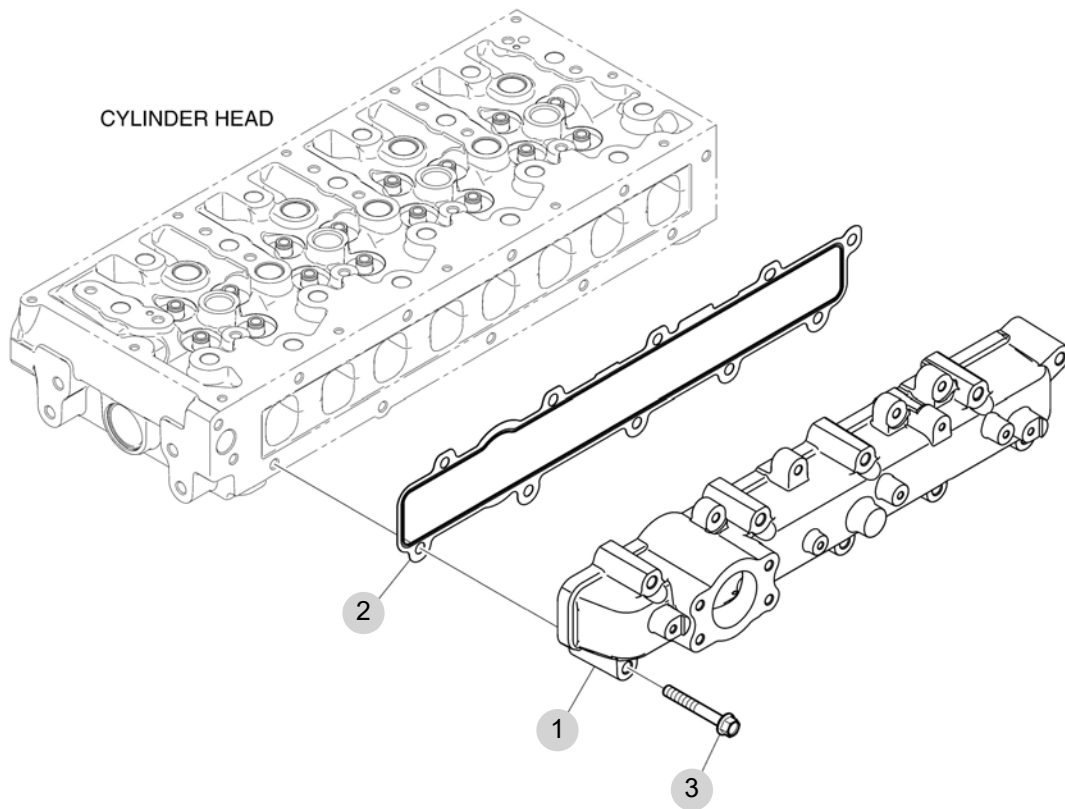
FIG 132

INTAKE MANIFOLD

년/월
Year/Month

T1104SP

2022-12



NOTE

FIG 132		INTAKE MANIFOLD						년/월 Year/Month
T1104SP								2022-12
KEY NO	PART NO	DESCRIPTION	SPEC	QTY	REPAIR	EFFECTIVE DATE	REMARKS	
132	1	240203-00412	MANIFOLD,INTAKE	1				
132	2	400617-00008B	GASKET,INTAKE MANIFOLD	1				
132	3	89CM860	BOLT,HEX FLANGE M8x1.25x60	10				
NOTE								

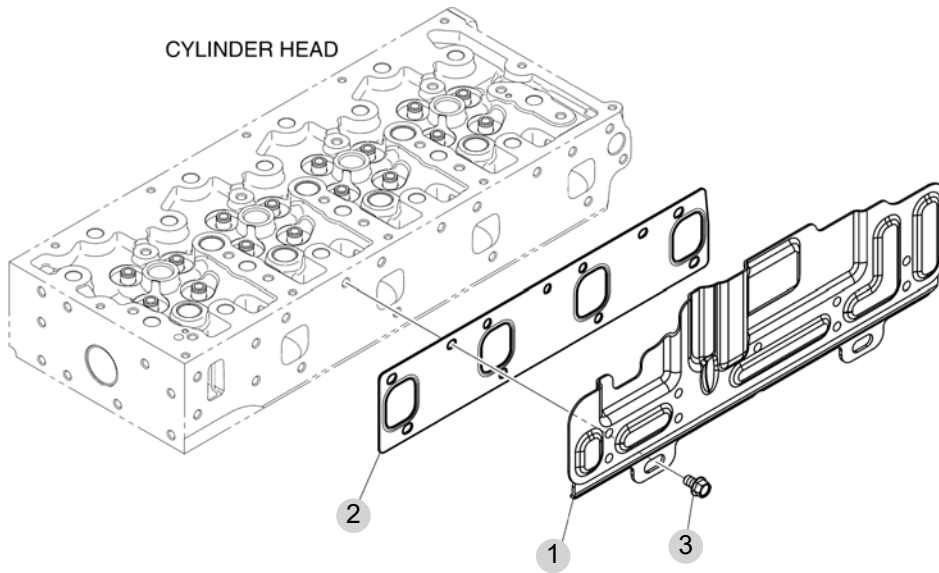
FIG 133

T1104SP

EXHAUST MANIFOLD

년/월
Year/Month

2022-12



NOTE

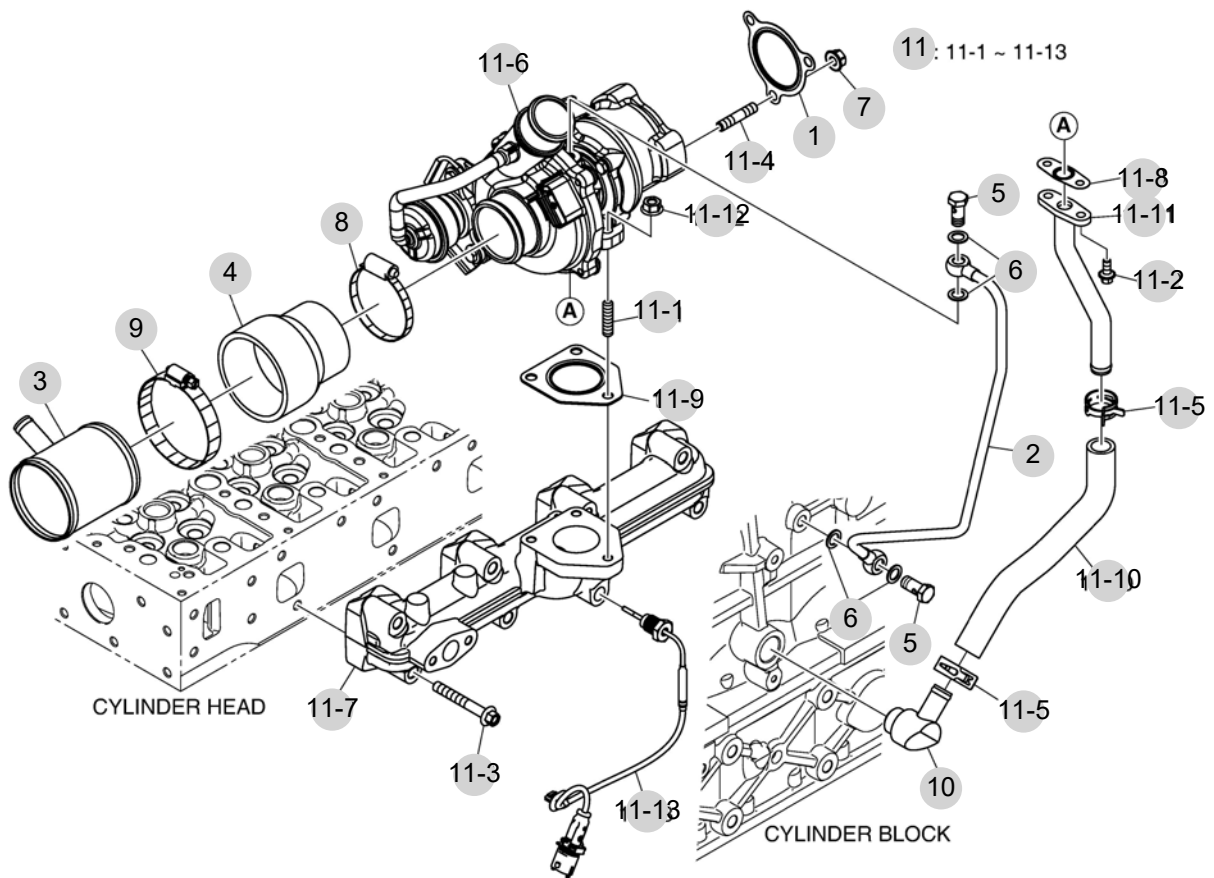
FIG 134

TURBOCHARGER

년/월
Year/Month

2022-12

T1104SP



NOTE

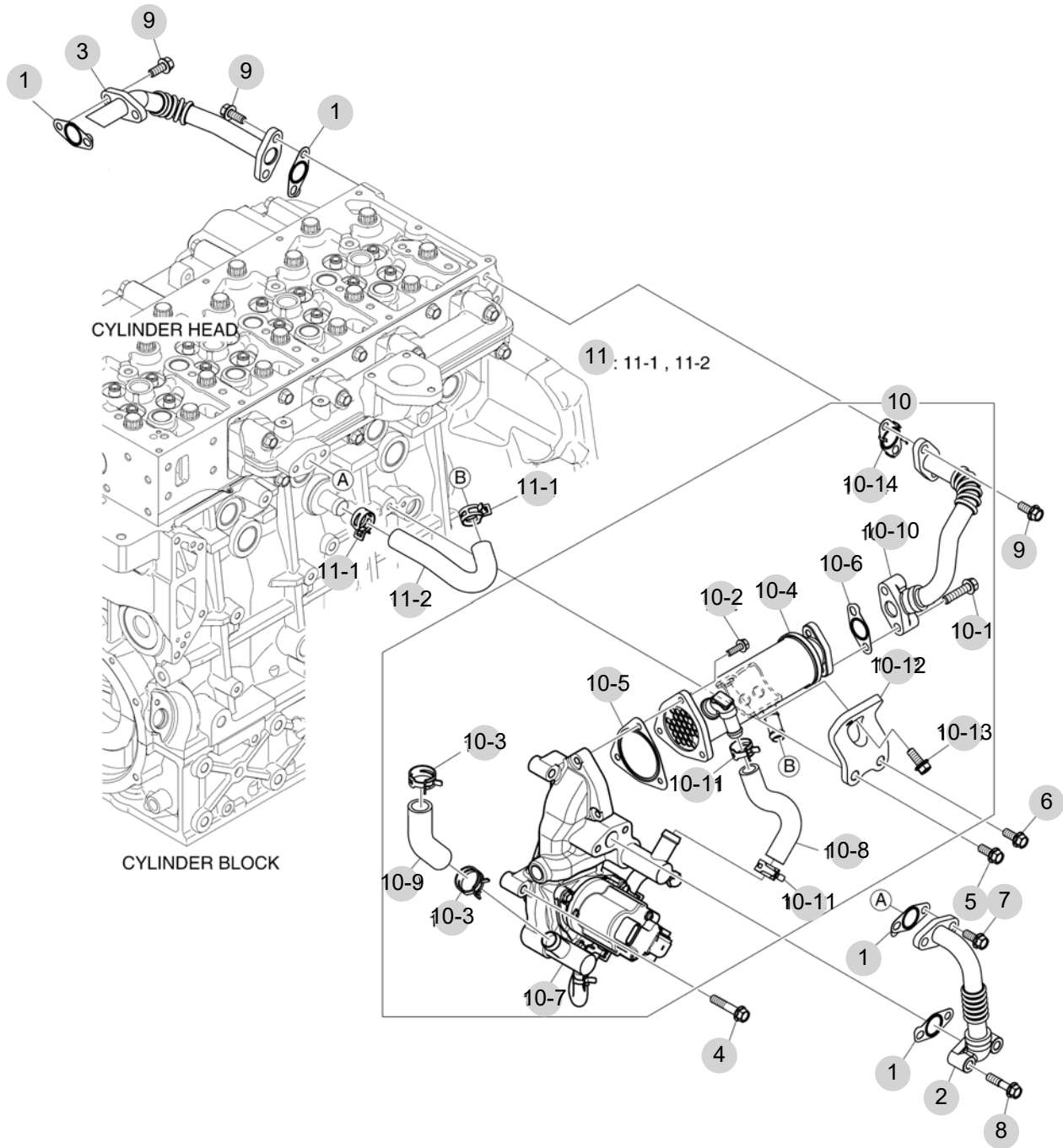
FIG 135

T1104SP

EGR

년/월
Year/Month

2022-12



NOTE

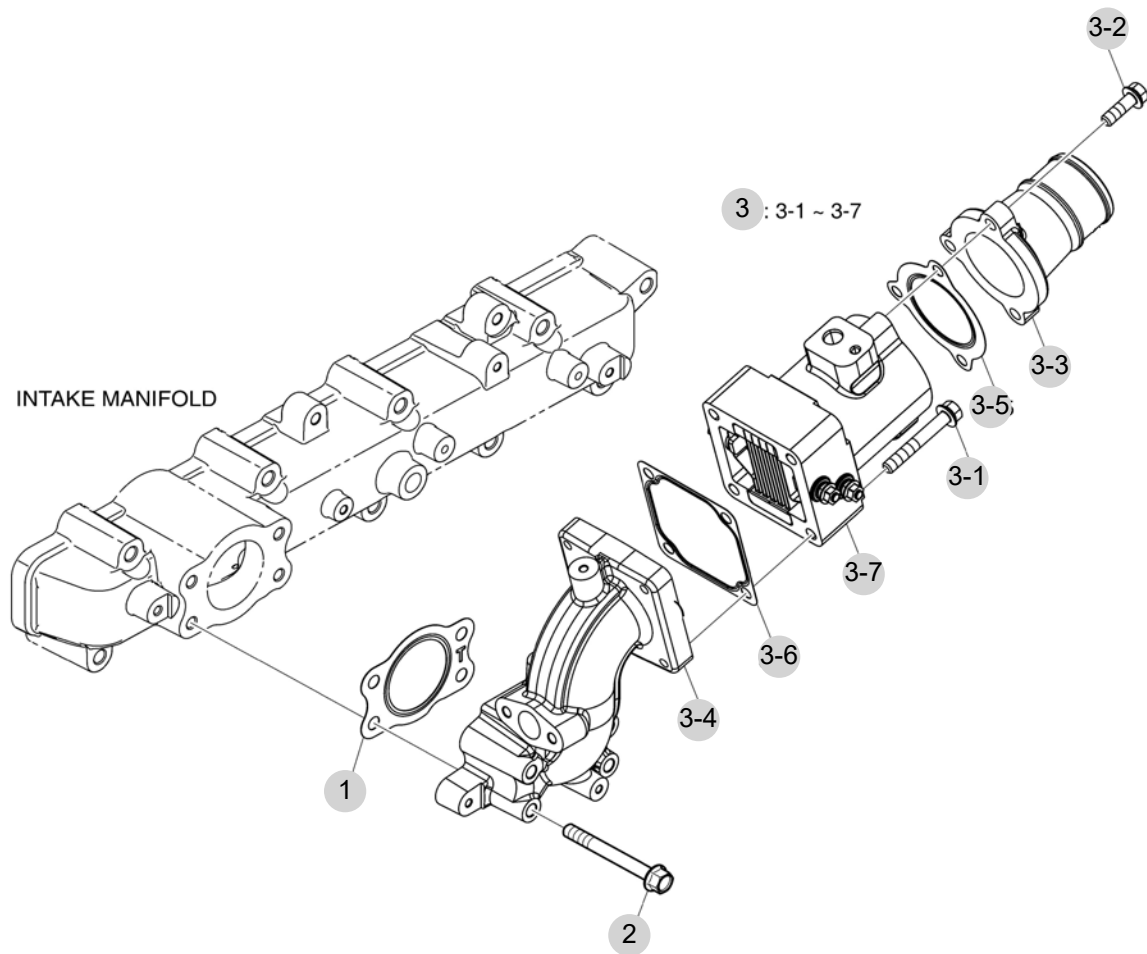
FIG 136

INTAKE STAKE

년/월
Year/Month

2022-12

T1104SP



NOTE

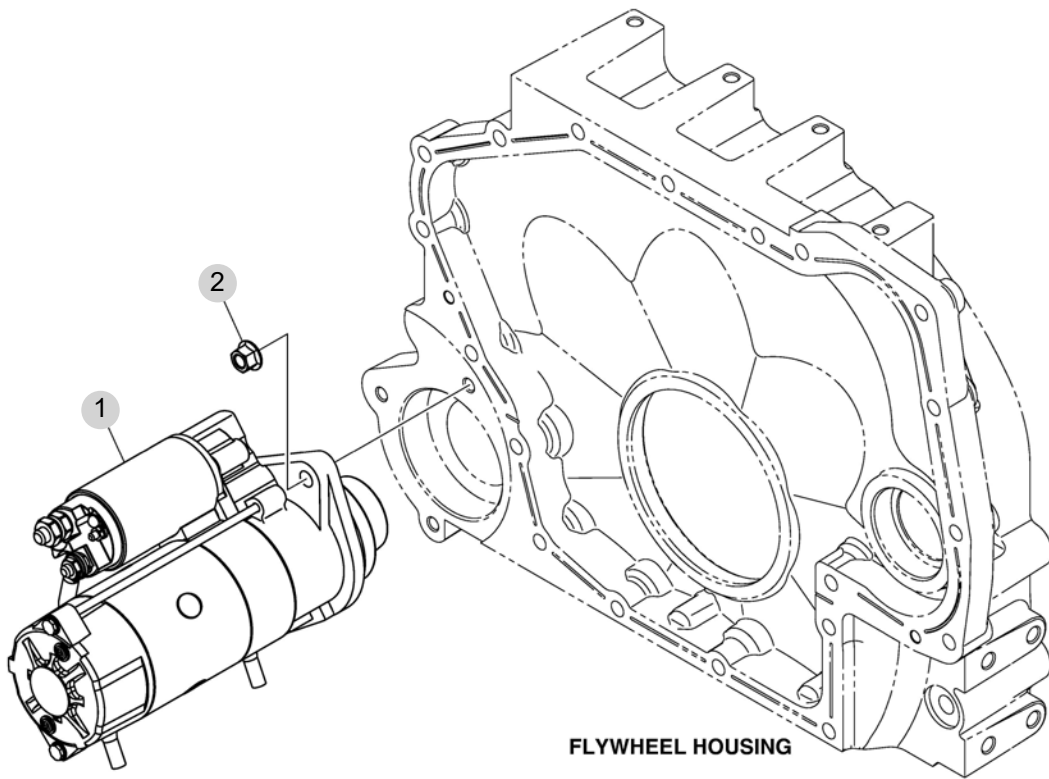
FIG 137

T1104SP

STARTER

년/월
Year/Month

2022-12



NOTE

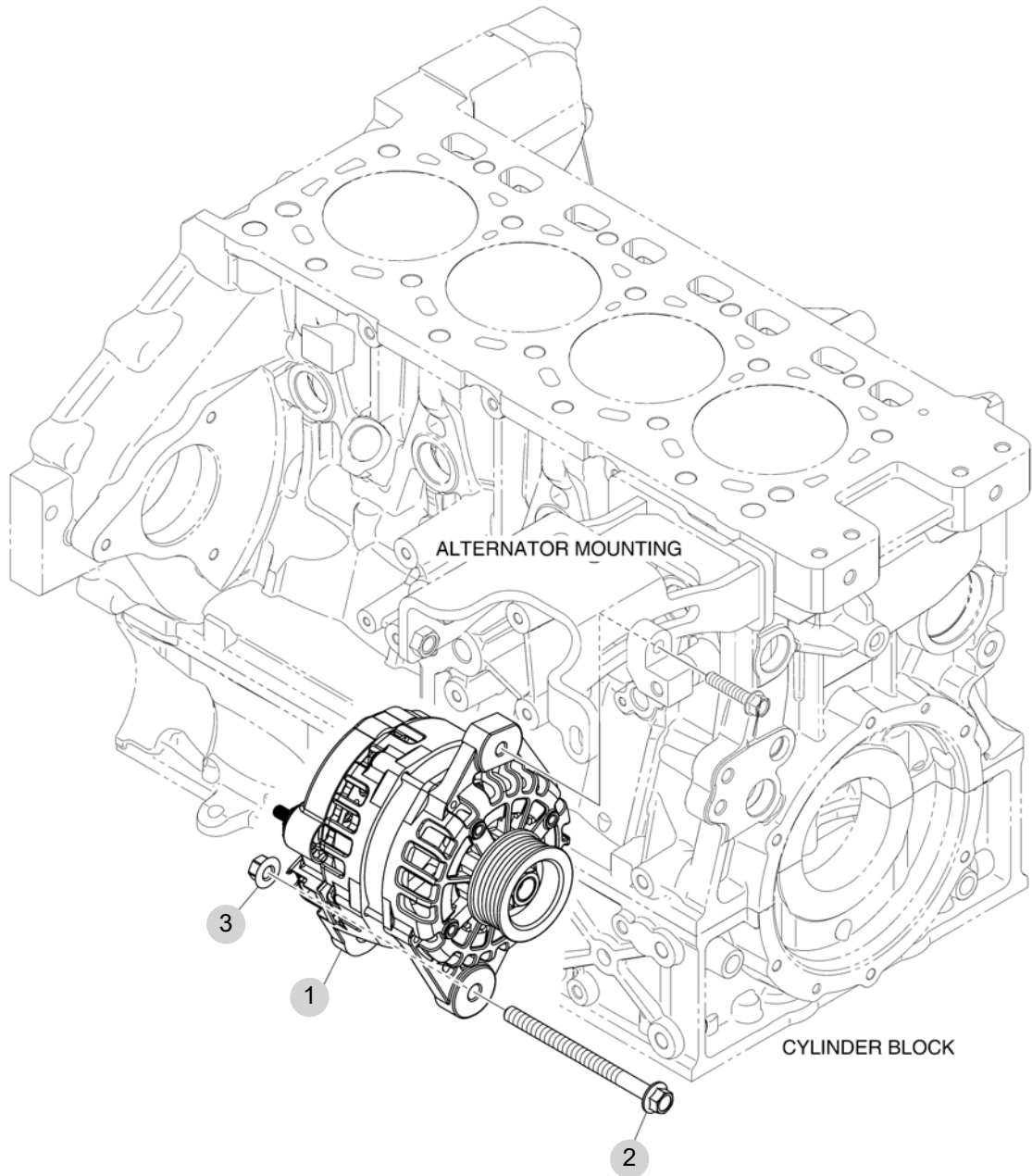
FIG 138

ALTERNATOR

년/월
Year/Month

T1104SP

2022-12



EDL03-P703-074-1

NOTE

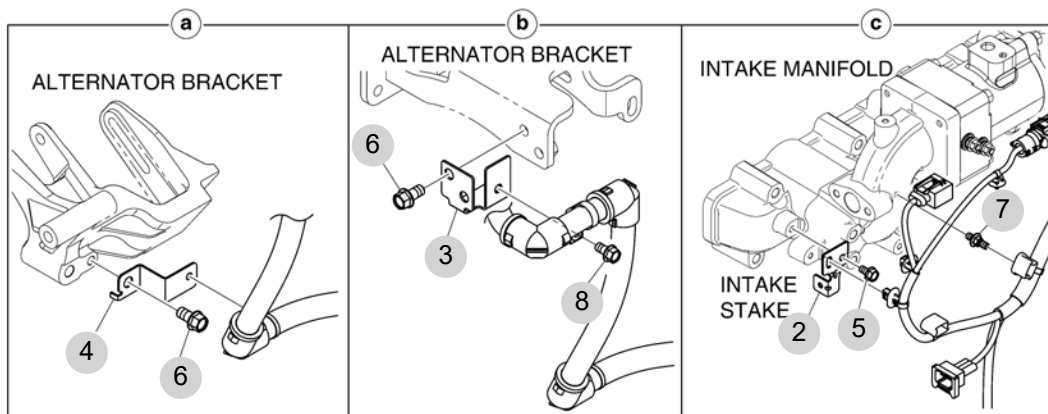
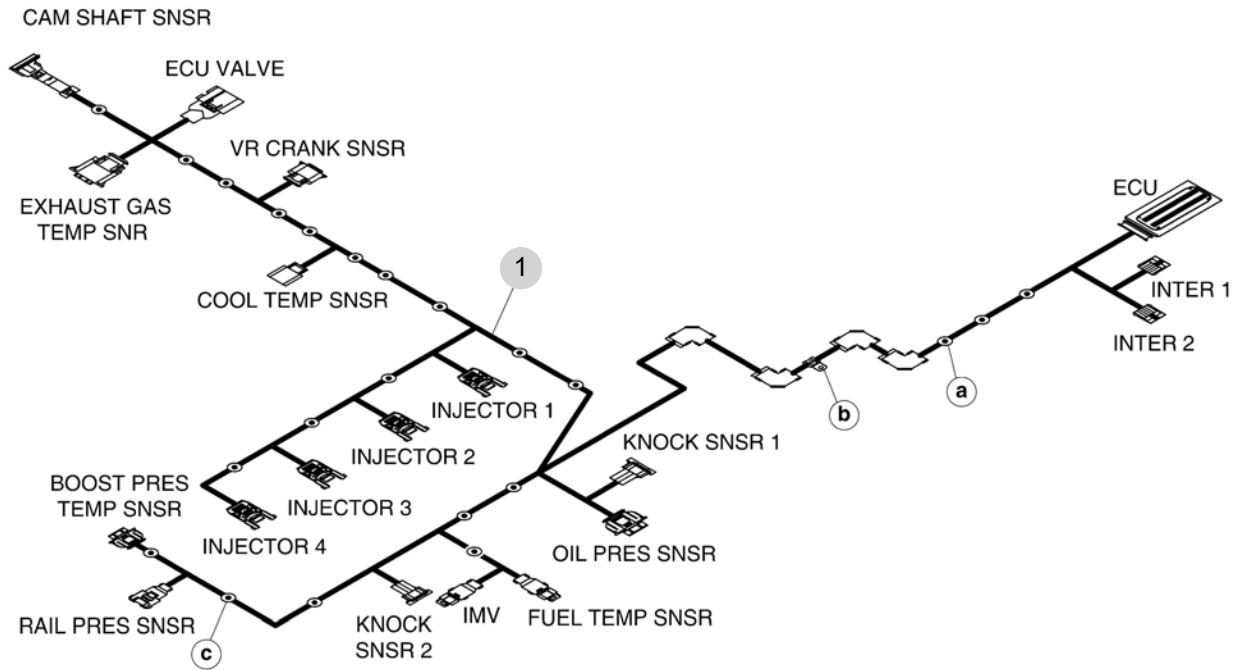
FIG 139

WIRE HARNESS

년/월
Year/Month

T1104SP

2022-12



NOTE

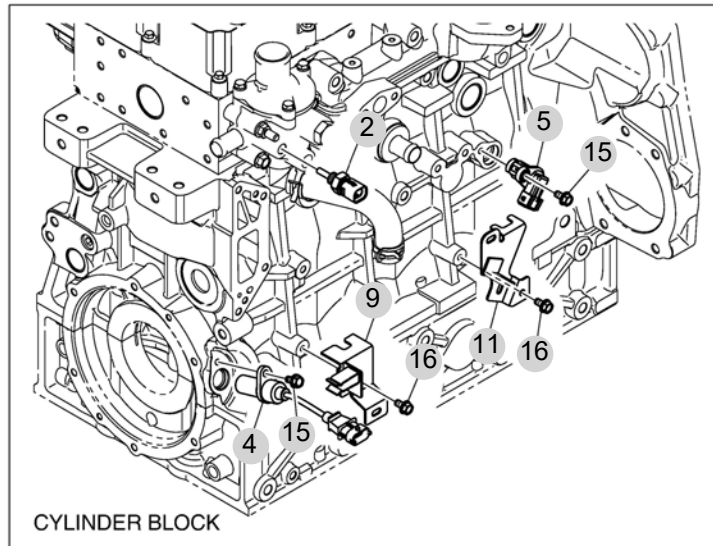
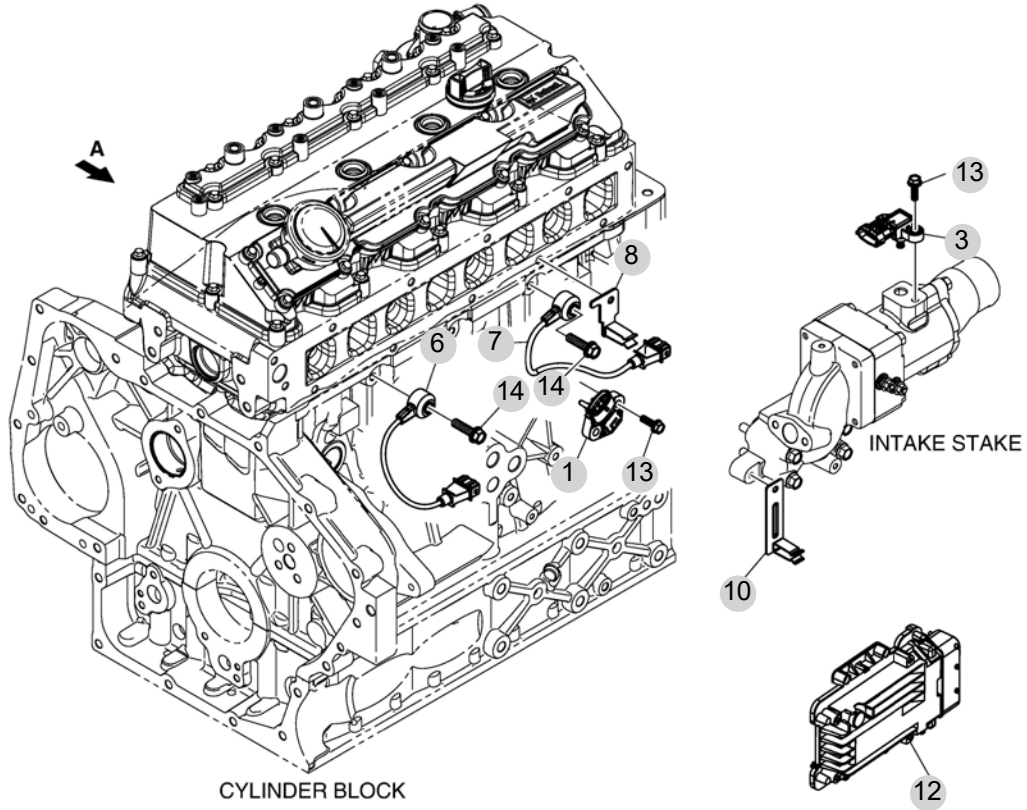
FIG 140

SWITCH & SENSOR

년/월
Year/Month

2022-12

T1104SP



NOTE

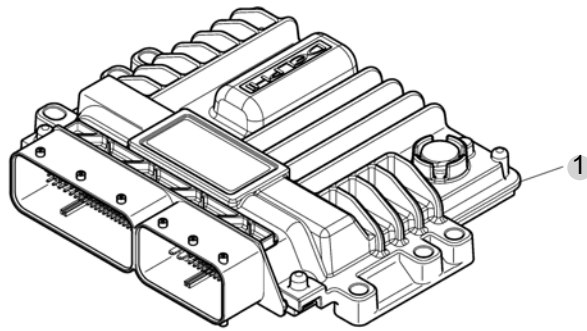
FIG 141

T1104SP

E.C.U

년/월
Year/Month

2022-12



NOTE

FIG 141 T1104SP		E.C.U						년/월 Year/Month	
								2022-12	
KEY NO		PART NO	DESCRIPTION	SPEC	QTY	REPAIR	EFFECTIVE DATE	REMARKS	
141	1	300618-00037B	ECU		1				
NOTE									

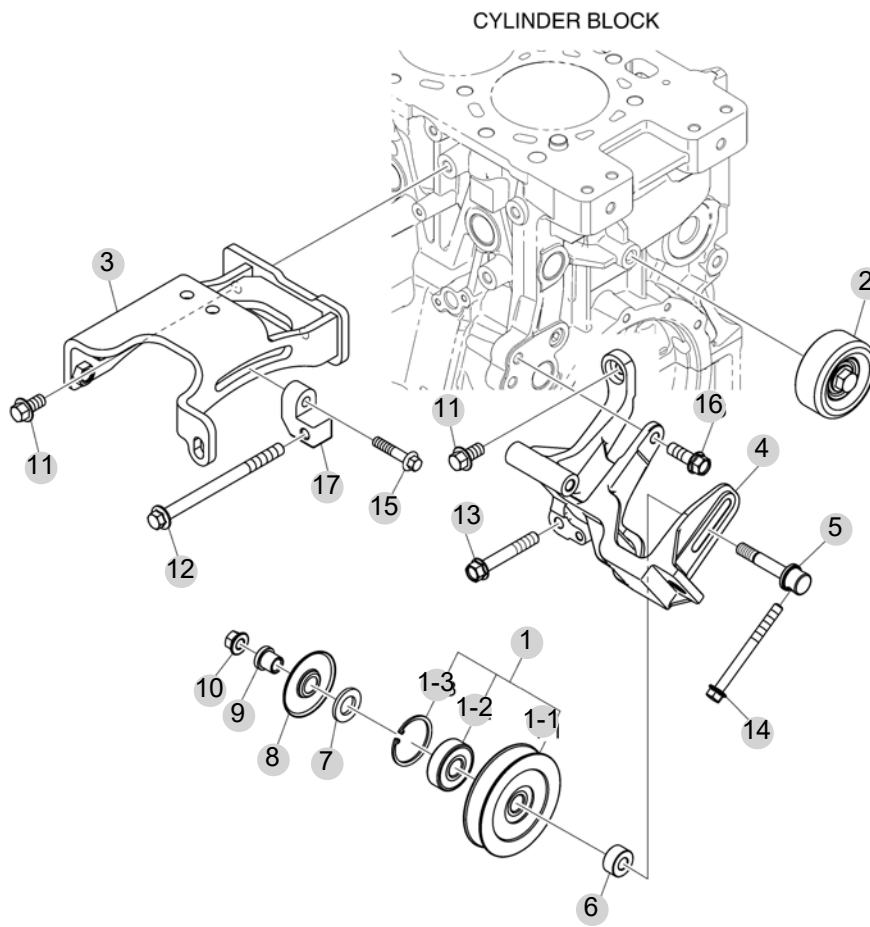
FIG 142

ALTERNATOR MOUNTING

년/월
Year/Month

2022-12

T1104SP



NOTE

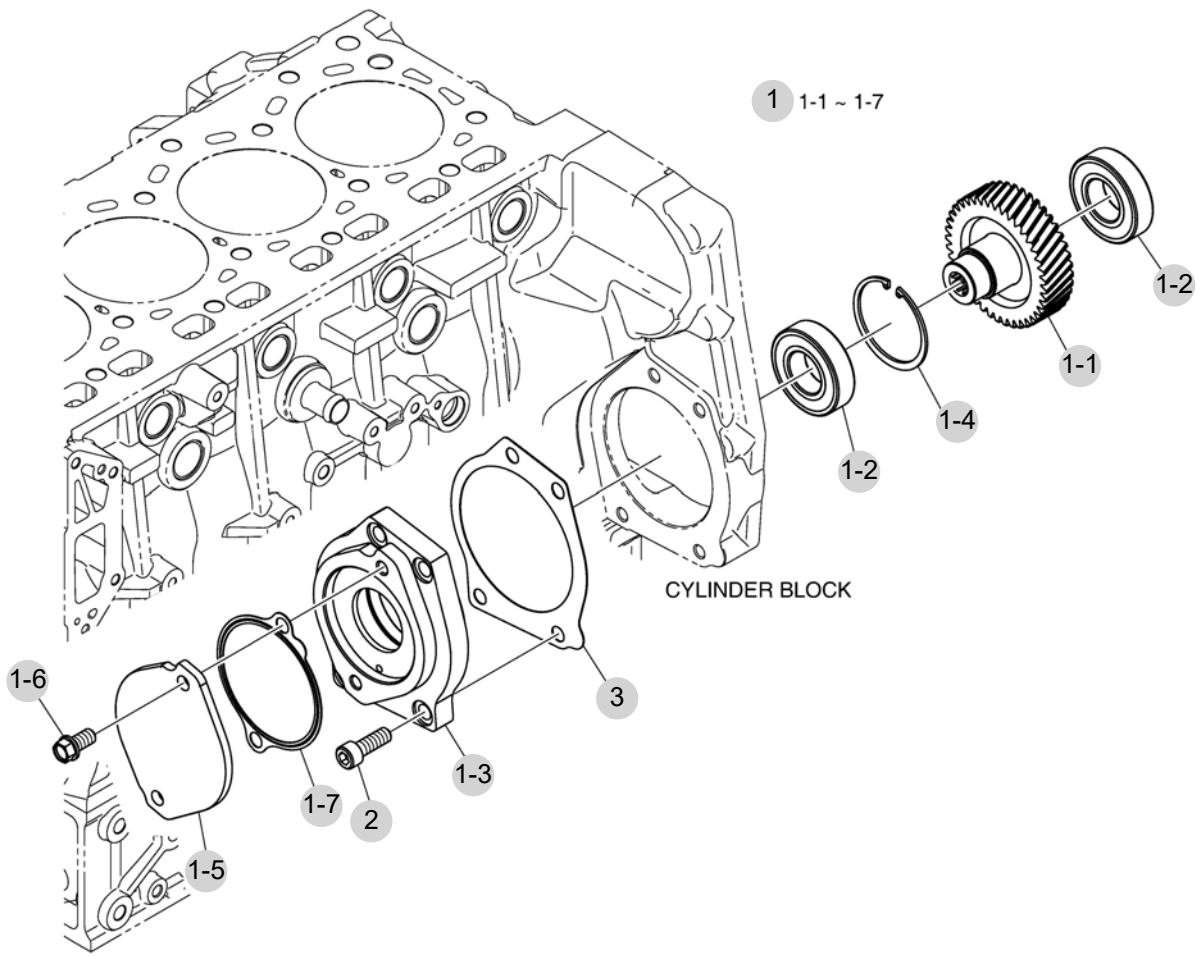
FIG 143

POWER TAKE OFF

년/월
Year/Month

2022-12

T1104SP



NOTE

FIG 143 T1104SP		POWER TAKE OFF						년/월 Year/Month	
								2022-12	
KEY NO	PART NO	DESCRIPTION	SPEC	QTY	REPAIR	EFFECTIVE DATE	REMARKS		
143	1	130807-00022H	PTO ASSY						
143	1-1	130412-00140B	GEAR,PUMP DRIVE						
143	1-2	140101-01012	BEARING,BALL						
143	1-3	110978-00021A	HOUSING,PTO						
143	1-4	06.29020-0136	RING;SNAP 62X2						
143	1-5	110531-00006B	COVER,PTO						
143	1-6	65.90020-0062B	BOLT,HEX M10x20						
143	1-7	400602-01162	GASKET						
143	2	120107-00344A	BOLT,SOCKET HEAD M10x1.5x30						
143	3	400602-01049A	GASKET/PTO HOUSING						
NOTE									

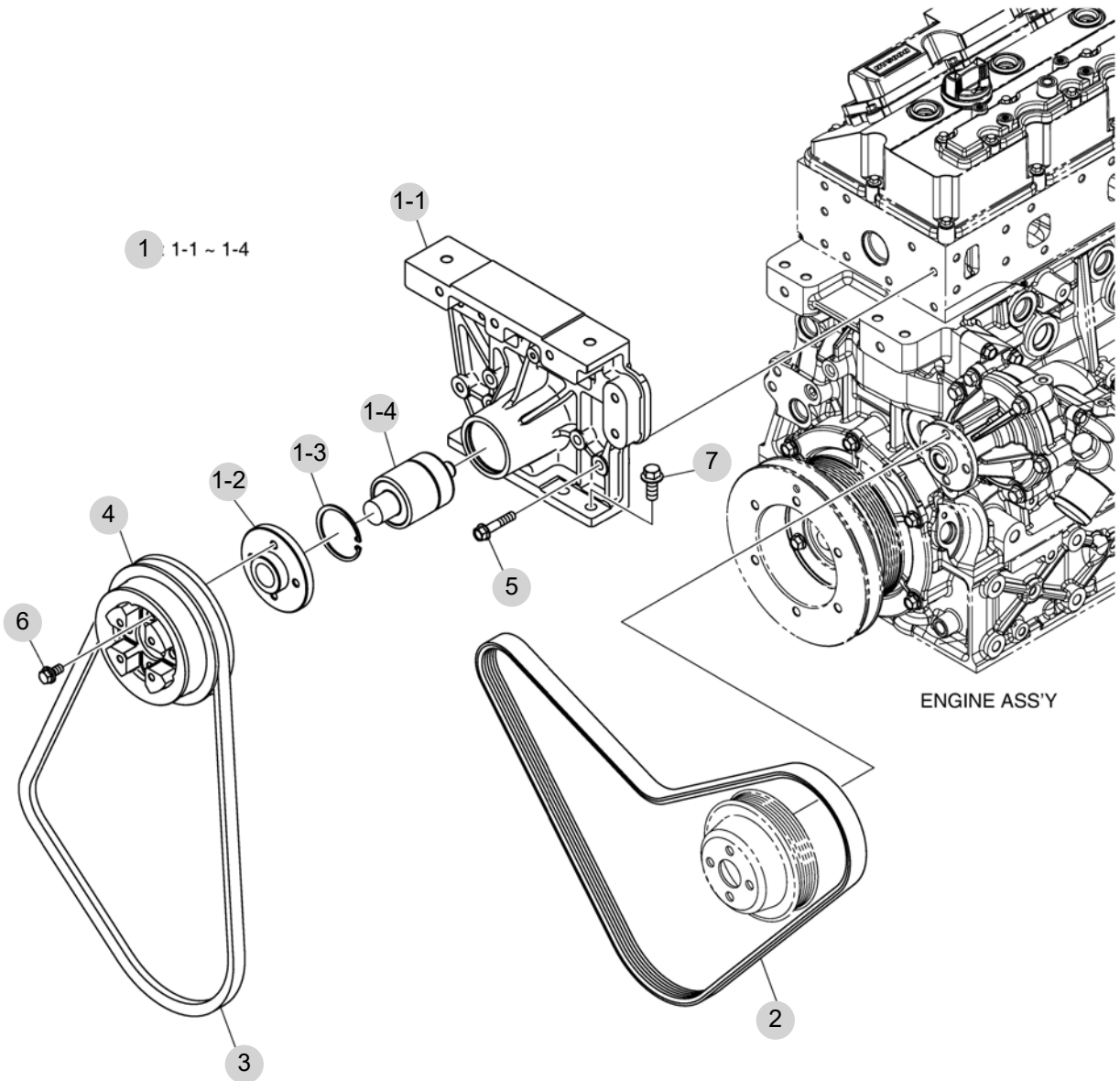
FIG 144

COOLING FAN

년/월
Year/Month

2022-12

T1104SP



NOTE

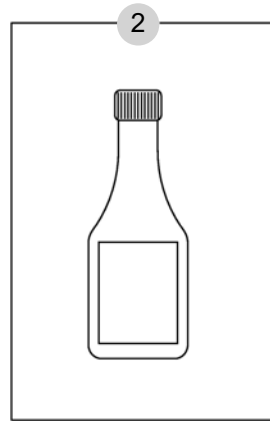
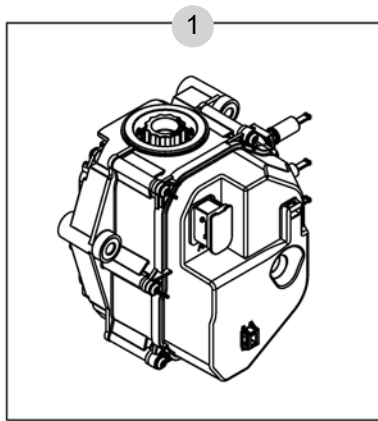
FIG 145

T1104SP

GENERAL ACCESSORIES-FIE&AFTER
TREATMENT

년/월
Year/Month

2022-12



NOTE

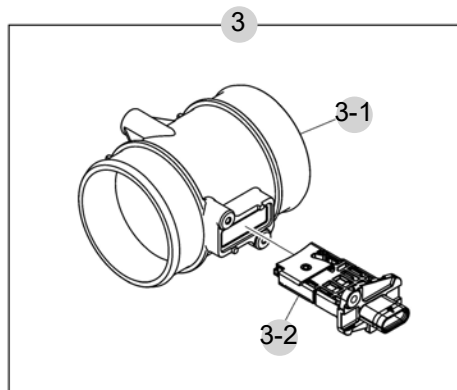
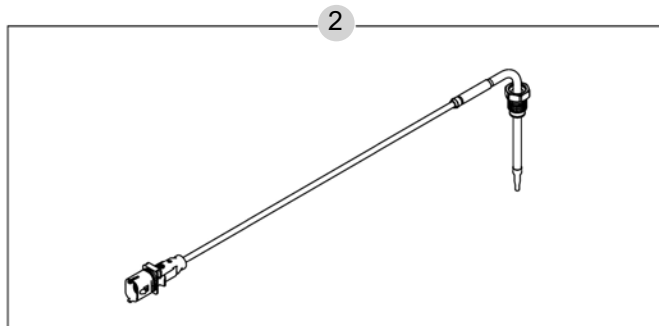
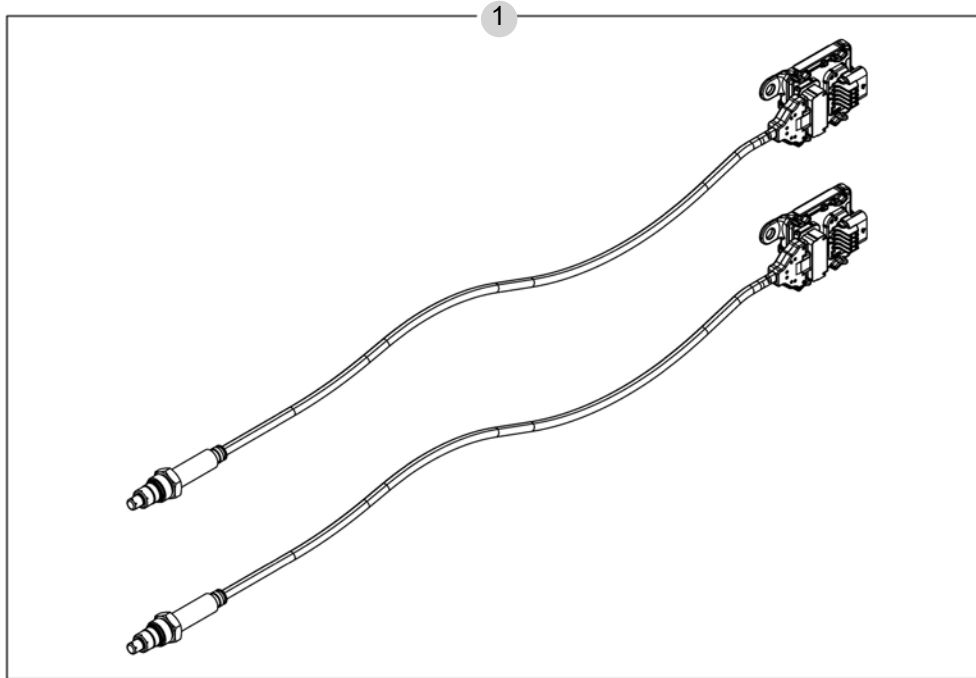
FIG 146

T1104SP

GENERAL ACCESSORIES-ELECTRIC

년/월
Year/Month

2022-12



NOTE

2. Engine Accessories PART NO. T2

FIG 201 AIR CLEANER	107
FIG 202 RADIATOR	109
FIG 203 EXHAUST PIPE	112
FIG 205 FUEL TANK & FUEL LINES	114
FIG 206 CABLE, THROTTLE & ACCELERATOR ASSY	117
FIG 207 INTERCOOLER	119

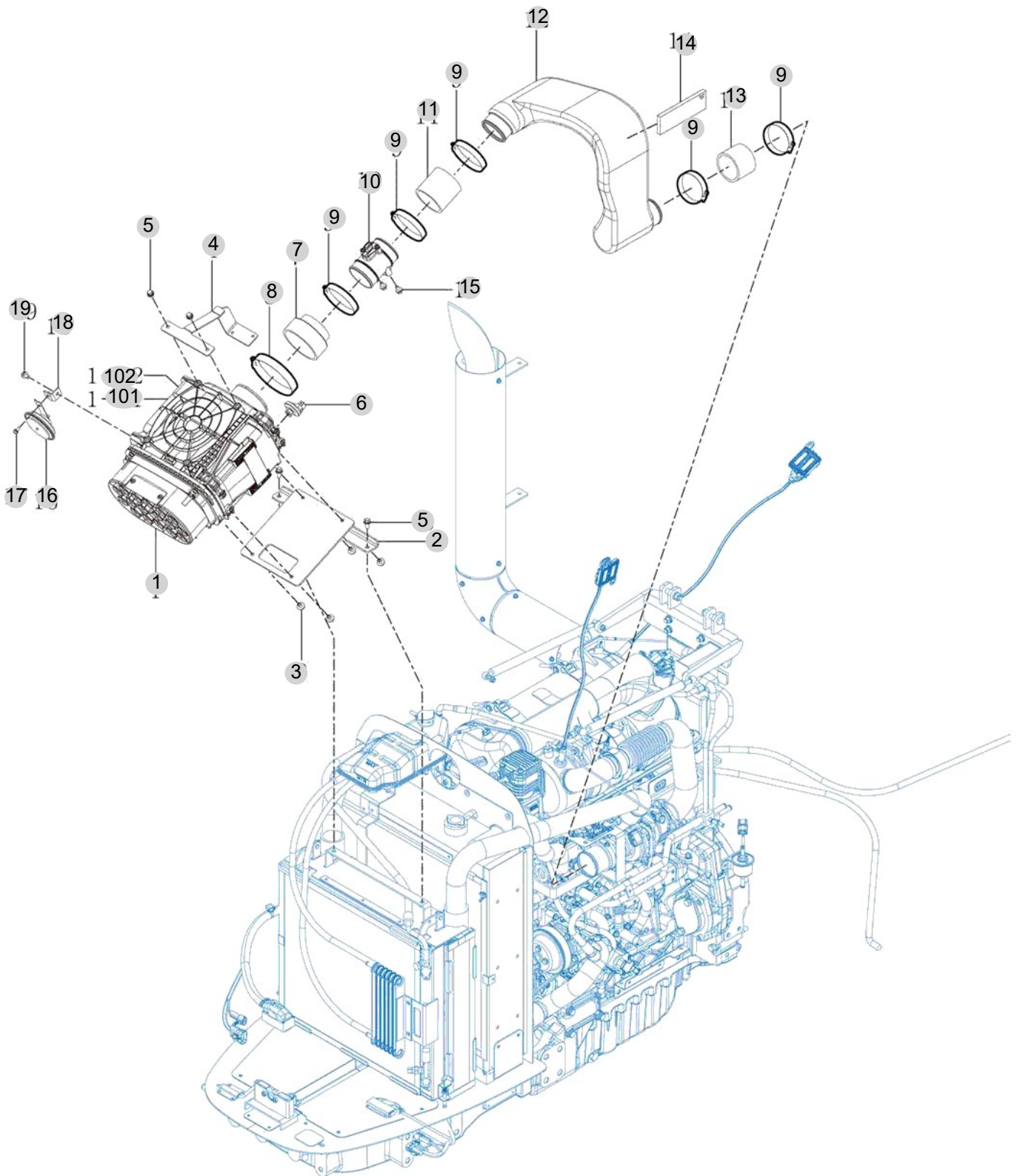
FIG 201

AIR CLEANER

년/월
Year/Month

2022-12

T1104SP



NOTE

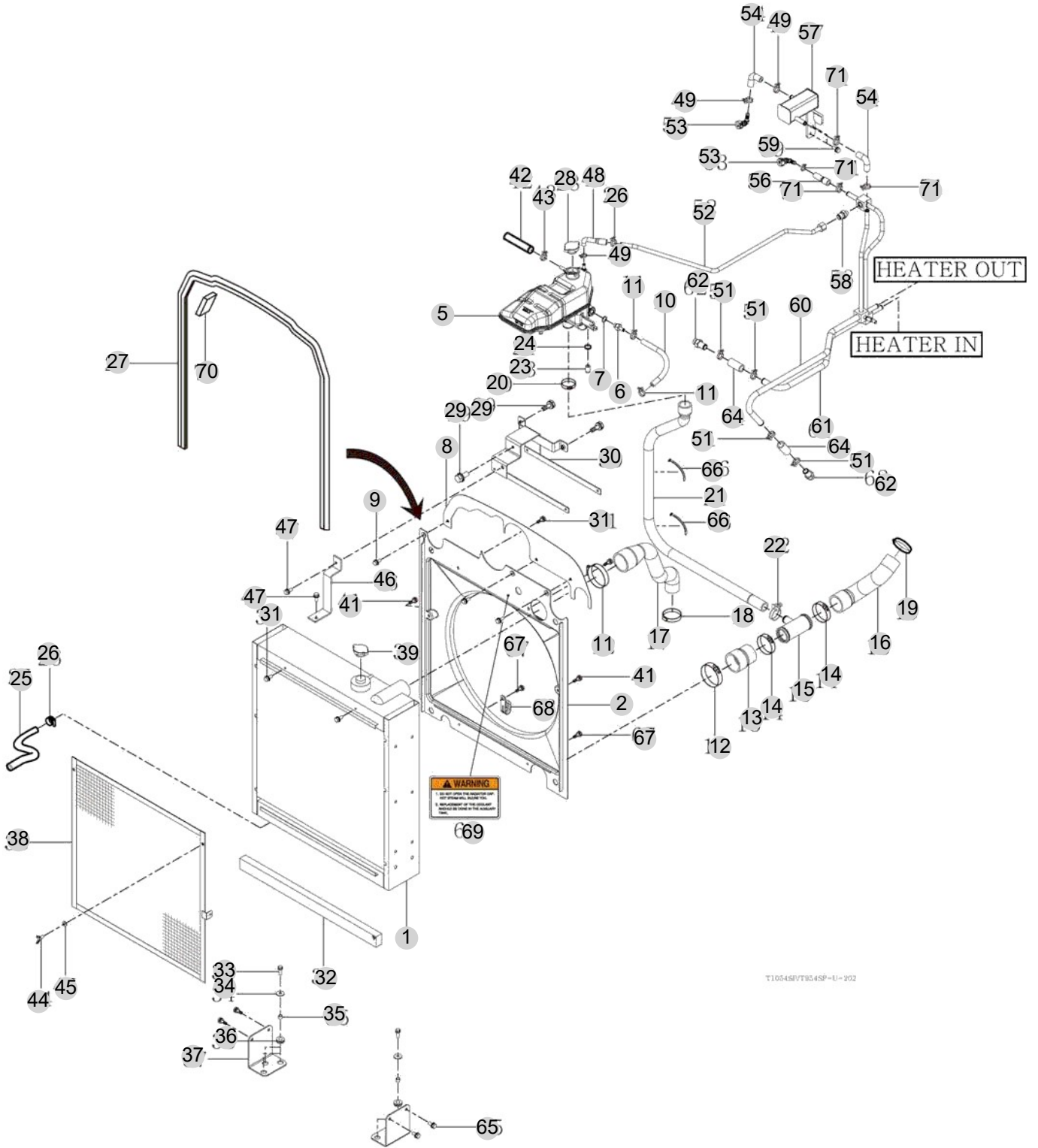
FIG 202

RADIATOR

년/월
Year/Month

2022-12

T1104SP



T1104SP/T1104SP-U-202

NOTE

FIG 202		RADIATOR					년/월 Year/Month		
							2022-12		
T1104SP		KEY NO	PART NO	DESCRIPTION	SPEC	QTY	REPAIR	EFFECTIVE DATE	REMARKS
202	1	18711042101	RADIATOR ASSY			1			
202	2	18711042200	SHROUD			1			
202	5	18021041002	RESERVE TANK			1			
202	5	18021041003	RESERVOIR TANK			1			
202	6	18718200040	NIPPLE , COOLANT VANT M14			1			
202	7	18021020140	WASHER , GASKET M14			1			
202	8	18711046100GB	PLATE COMP , SEAL D			1			
202	9	V2123606016	BOLT , HEX /SP	M6X16		3			
202	10	18711101600	HOSE , ID8X250			1			
202	11	18027090160	BAND CLAMP 16 EMBO TYPE			2			
202	12	14885050150	BAND CLAMP 75			1			
202	12	10031020700	HOSE CLIP , TORRO 50-70/12 W3 WF			1			
202	13	18711040600	HOSE , RADIATOR OUTLET A			1			
202	14	10031020600	HOSE CLIP , TORRO 40-60/12 W3 WF			2			
202	15	18711045500	PIPE COMP , COOLANT JOINT			1			
202	16	18711040700	HOSE , RADIATOR OUTLET B			1			
202	17	18711040500	HOSE , RADIATOR INLET			1			
202	18	14241010040	WIRE CLAMP 45			1			
202	18	10031020450	HOSE CLIP , TORRO 30-45/12 W3 WF			1			
202	19	10031020500	HOSE CLIP , TORRO 35-50/12 W3 WF			1			
202	20	14241010050	WIRE CLAMP 42			1			
202	20	18027090500	BAND CLAMP 50 EMBO TYPE			1			
202	21	18711040800	HOSE , COOLANT ID22			1			
202	22	18027090320	BAND CLAMP 32 EMBO TYPE			1			
202	23	12651040300	CAP , RADIATOR			1			
202	24	14501410050	BAND CLAMP 16			1			
202	25	18711101800	HOSE , ID8X450			1			
202	26	37481850030	BAND CLAMP 18			2			
202	27	18711040320	INSULATOR 2120			1			
202	28	13011042110	CAP 0.9bar			1			
202	29	V2193606020	BOLT , HEX/SPL	M6X20		3			
202	30	18711071600GB	BRACKET COMP , RESERVER TANK			1			
202	30	18711071601GB	BRACKET COMP , RESERVER TANK			1			
202	31	V2193606020	BOLT , HEX/SPL	M6X20		4			
202	32	18711120060	NISULATOR RR600			1			
202	33	V2173608025	BOLT , HEX/S	M8X25		6			
202	34	35602010150	WASHER , BIND SHAFT			6			
202	35	15991040050	COLLAR , 08X12X08			6			
202	36	14046210300	GROMMET			6			
202	37	18711052901GB	BKT , RADIATOR FIX/LOW			2			
202	38	18711042301GB	NET COMP , RADIATOR			1			
202	39	18021042110	CAP ASSY OKPa			1			
202	41	V2183608016	BOLT , HEX/SP	M8X16		2			
202	42	18711101900	HOSE , ID8X350			1			
202	43	18027090160	BAND CLAMP 16 EMBO TYPE			1			
NOTE									

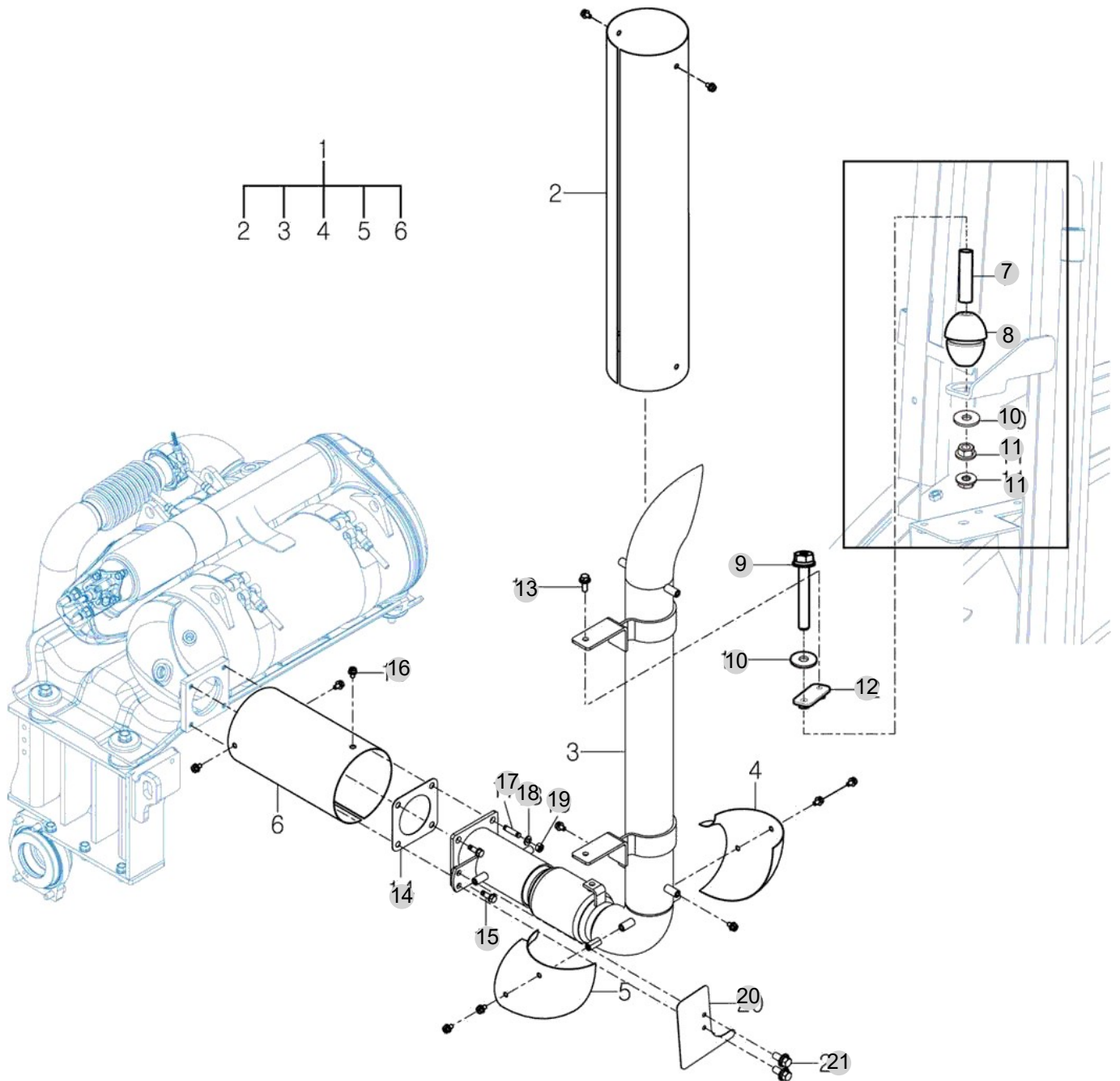
FIG 203

EXHAUST PIPE

년/월
Year/Month

2022-12

T1104SP



T1104SP/T954SP-U-203

NOTE

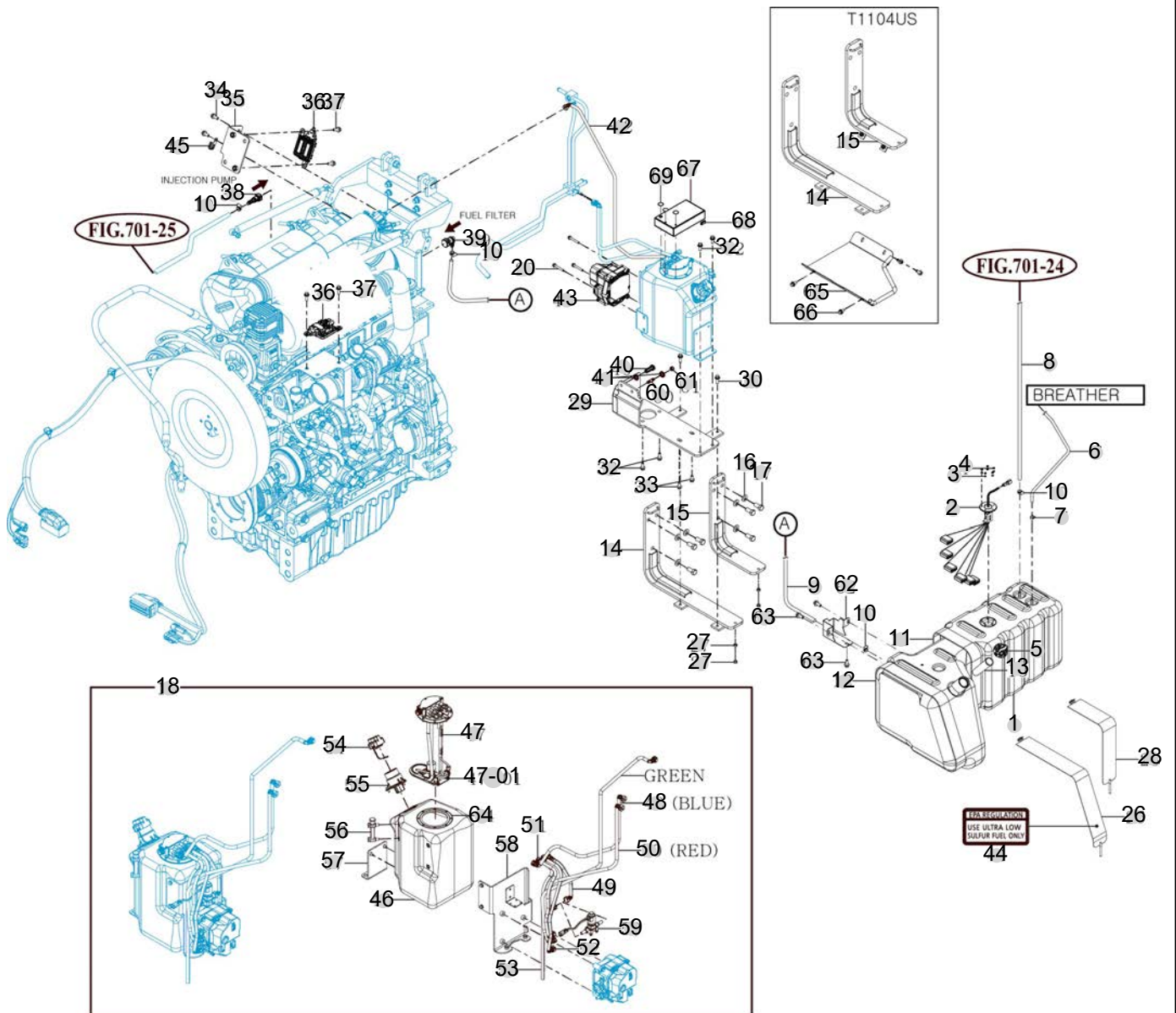
FIG 205

FUEL TANK & FUEL LINES

년/월
Year/Month

2022-12

T1104SP



NOTE

FIG 205		FUEL TANK & FUEL LINES					년/월 Year/Month		
							2022-12		
T1104SP		KEY NO	PART NO	DESCRIPTION	SPEC	QTY	REPAIR	EFFECTIVE DATE	REMARKS
205	1	18711112102	FUEL TANK COMP			1			
205	2	18711112200	GAUGE , FUEL			1			
205	3	V4011600050	WASHER , SPRING	M5		5			
205	4	V3012600050	NUT , HEX/2	M5		5			
205	5	19143102200	CAP ASSY , FUEL			1			
205	5	19143102201	CAP ASSY , FUEL			1			
205	6	19141110020	HOSE , BREATHER/650			1			
205	7	14501410050	BAND CLAMP 16			1			
205	8	18711112300	HOSE , FUEL/FKM2000			1			
205	9	18711112400	HOSE , FUEL/FKM1500			1			
205	10	18027090200	BAND CLAMP 20 EMBO TYPE			4			
205	11	18711112700	SPONGE , 1140			1			
205	12	18711112600	SPONGE , 1570			1			
205	13	18711112500	FILTER , FUEL TANK			1			
205	14	19631113100GB	BRACKET COMP , FUEL TANK/FR			1			
205	14	18711113101GB	BRACKET COMP , FUEL TANK/FR			1			
205	15	19631113200GB	BRACKET COMP , FUEL TANK/RR			1			
205	15	18711113200GB	BRACKET COMP , FUEL TANK/RR			1			
205	16	V4011600160	WASHER , SPRING	M16		6			
205	17	V2014616035	BOLT , HEX	M16X35		6			
205	18	18711122001	UREA TANK ASSY			1			
205	18	18711122002	UREA TANK ASSY			1			
205	18	18711122003	UREA TANK ASSY			1			
205	20	V2183608060	BOLT , HEX/SP	M8X60		3			
205	26	18711114100GB	TANK BAND COMP , FUEL TANK/FR			1			
205	27	V3043600100	NUT , HEX/2	M10		2			
205	28	18711114200GB	TANK BAND COMP , FUEL TANK/RR			1			
205	29	18711113301GB	BRACKET COMP , UREA TANK			1			
205	30	V2183610035	BOLT , HEX/SP	M10X35		2			
205	32	V2183610030	BOLT , HEX/SP	M10X30		4			
205	33	V2183610025	BOLT , HEX/SP	M10X25		2			
205	34	V2183608020	BOLT , HEX/SP	M8X20		2			
205	35	18711046400GB	BKT , NOx SENSOR			1			
205	36	301308-00454	NOx, SENSOR ASS'Y			2			
205	37	V2183608016	BOLT , HEX/SP	M8X16		4			
205	38	18711101200	QUICK CONNECTOR D8			1			
205	39	18711101100	QUICK CONNECTOR D9.89 ELBOW			1			
205	40	V2013612020	BOLT , HEX	M12X20		1			
205	41	V4011600120	WASHER , SPRING	M12		2			
205	42	18711122800	UREA HOSE , OUT			1			
205	43	300628-00302	SUPPLY MODULE			1			
205	44	18711201100	LABEL , ULTRA LOW SULFUR			1			
205	45	14256210040	CLAMP , 9			1			
205	46	18711122100	UREA TANK COMP			1			
205	47	18711122202	UREA LEVEL SENDER ASSY			1			
NOTE									

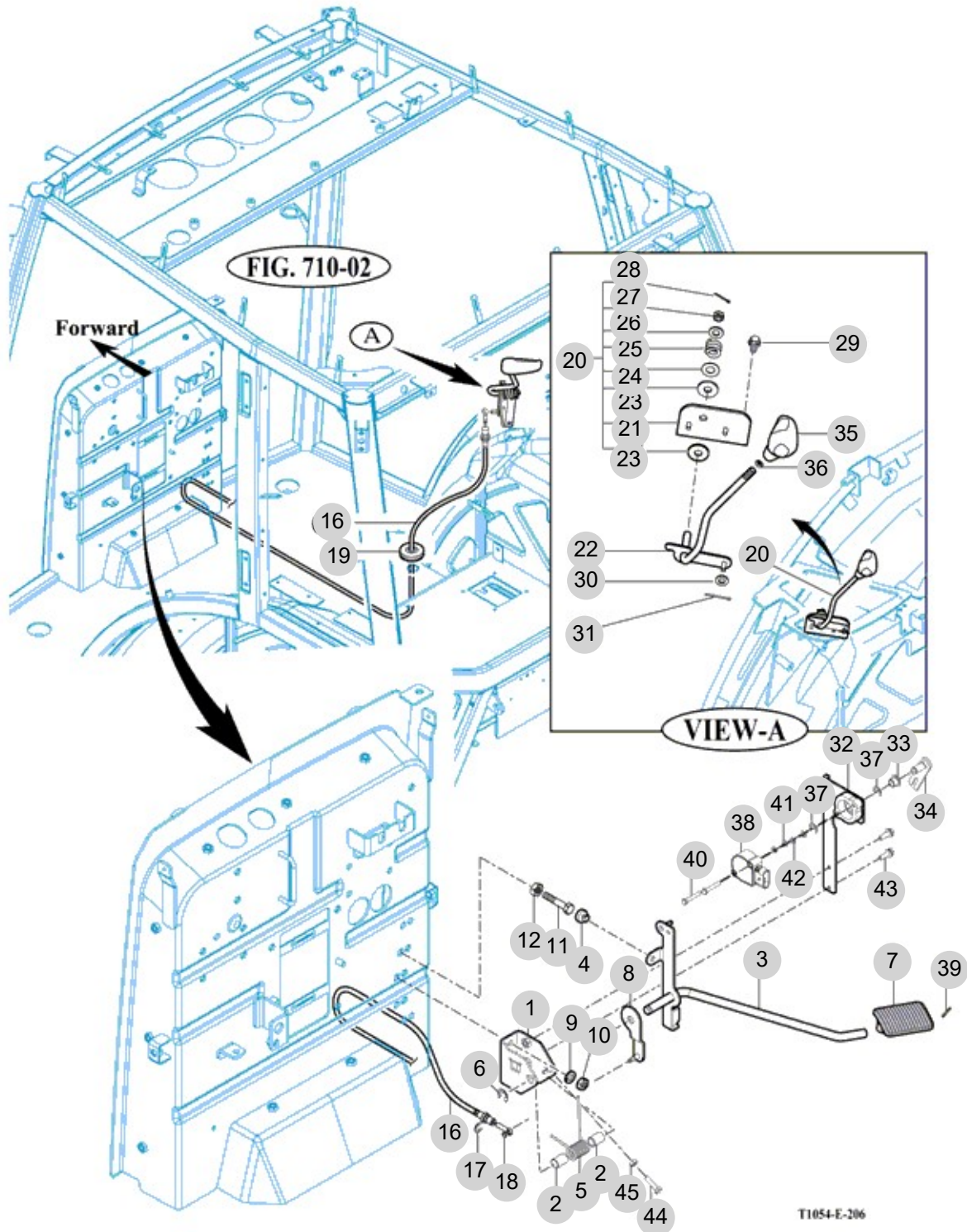
FIG 206

CABLE, THROTTLE & ACCELERATOR ASSY

년/월
Year/Month

2022-12

T1104SP



NOTE

FIG 206		CABLE, THROTTLE & ACCELERATOR ASSY					년/월 Year/Month	
T1104SP		2022-12						
KEY NO	PART NO	DESCRIPTION	SPEC	QTY	REPAIR	EFFECTIVE DATE	REMARKS	
206	1	18717552200	PLATE COMP , SUPPORT		1			
206	2	36504400140	BUSH , 12X14X20		2			
206	3	18717552100GB	PEDAL COMP , ACCELERATOR		1			
206	4	13156032121	RUBBER		1			
206	5	19027552020	SPRING , ACCEL	D=2.9	1			
206	6	V7081400100	E-RING	10	1			
206	7	19027552032	PEDAL , ACCEL		1			
206	8	19027552300	PLATE COMP		1			
206	9	V4011600080	WASHER , SPRING	M8	2			
206	10	V3042600080	NUT , HEX/2	M8	2			
206	11	V2013608040	BOLT , HEX	M8X40	1			
206	12	V3042600080	NUT , HEX/2	M8	1			
206	16	19027553201	CABLE ASSY , HAND THROTTLE		1			
206	17	V7081400080	E-RING	8	1			
206	18	V7081400040	E-RING	4	1			
206	19	19027553230	GROMMET , CABLE/D8		1			
206	20	19157553000	ACCELERATOR ASSY		1			
206	21	13151163100GB	BRACKET COMP , ACCELERATOR		1			
206	22	19157553100GB	LEVER COMP , THROTTLE		1			
206	23	15965120021	LINING , 11X30X03	11X30X3	2			
206	24	36104400180	WASHER	T=1.0	1			
206	25	14041170080	SPRING , COMPRESSION 22		1			
206	26	V4111600100	WASHER , PLAIN	M10	1			
206	27	V3232600100	NUT , HEX SLOT & CASTLE	M10	1			
206	28	V5001925020	PIN D2.5x20	2.5X20	1			
206	29	V2183608020	BOLT , HEX/SP	M8X20	2			
206	30	V4111600060	WASHER , PLAIN	M6	1			
206	31	V5001920020	PIN , SPLIT	2X20	1			
206	32	18717552400	PLATE COMP , SENSOR		1			
206	33	15645120010	BUSH , 10X18X10		1			
206	34	18717552500	SHAFT COMP , ARM		1			
206	35	19157553300	KNOB COMP , HAND THROTTLE		1			
206	36	19027010010	NUT , HEX FINE/2	M10	1			
206	37	V7081400080	E-RING		2			
206	38	17466462500	THROTTLE SENSOR ASSY		1			
206	39	V5001925025	PIN , SPLIT	5X25	1			
206	40	V1112605030	SCREW , C/R PAN		2			
206	41	V4111600050	WASHER , PLAIN	M5	2			
206	42	V4011600050	WASHER , SPRING	M5	2			
206	43	V2123606020	BOLT , HEX /SP	M6X20	2			
206	44	V2003606025	BOLT , HEX	M6X25	1			
206	45	V3012600060	NUT , HEX/2	M6	1			

NOTE

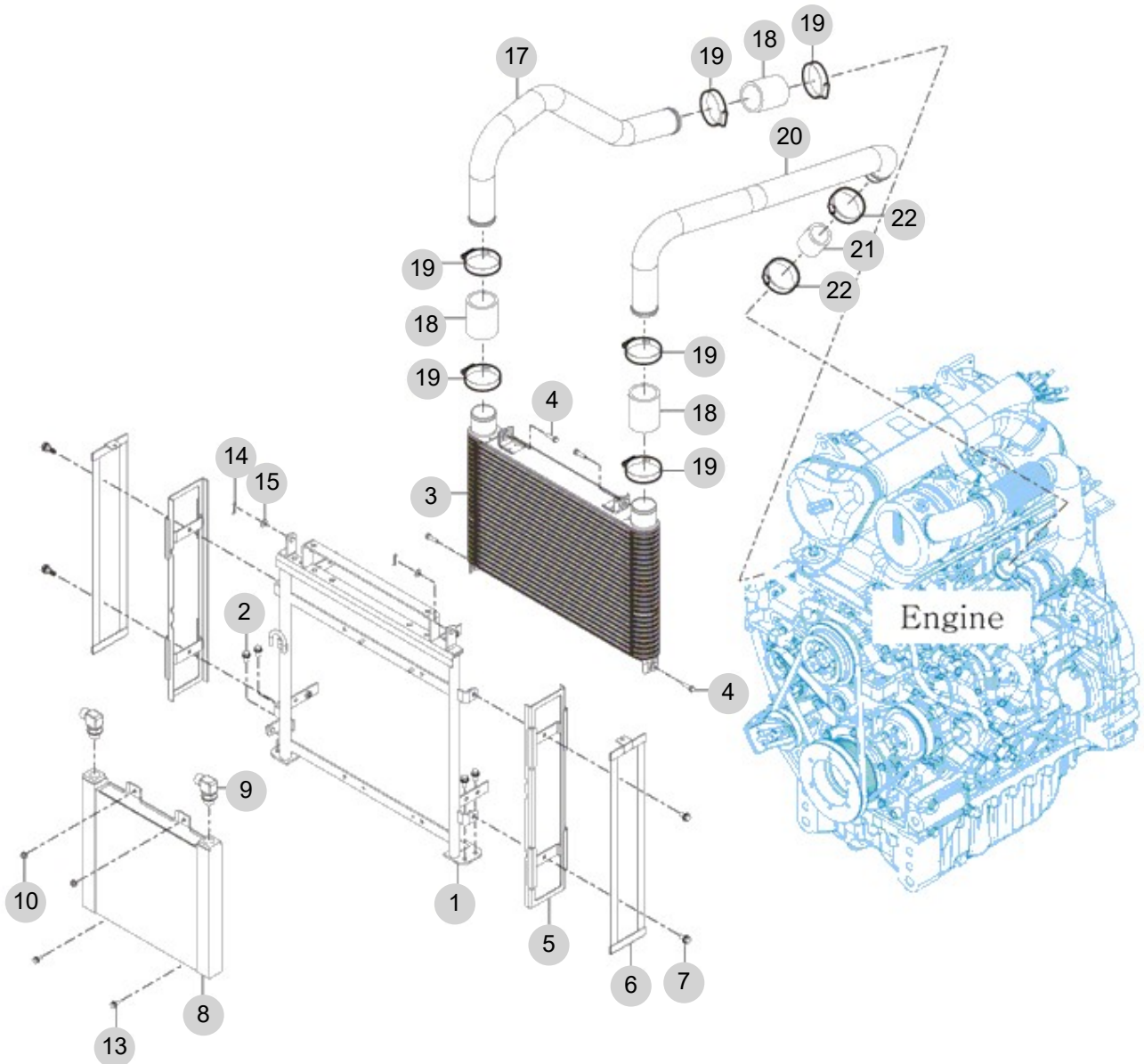
FIG 207

INTERCOOLER

년/월
Year/Month

2022-12

T1104SP



NOTE

3. Clutch/Brake/Steering PART NO. T3

FIG 301 DAMPER FLANGE ASSY	122
FIG 302 CASE SUB ASSY, BRAKE	124
FIG 303 BRAKE PIPES	126
FIG 303-2 BRAKE	128
FIG 304 FRONT WHEEL	130
FIG 305 REAR WHEEL	132
FIG 306 STEERING WHEEL ASSY	134
FIG 307 POWER STEERING VALVE	136
FIG 308 POWER STEERING CYLINDER	138
FIG 309 SUB CLUTCH PEDAL	140
FIG 310 HAND BRAKE SUB	142

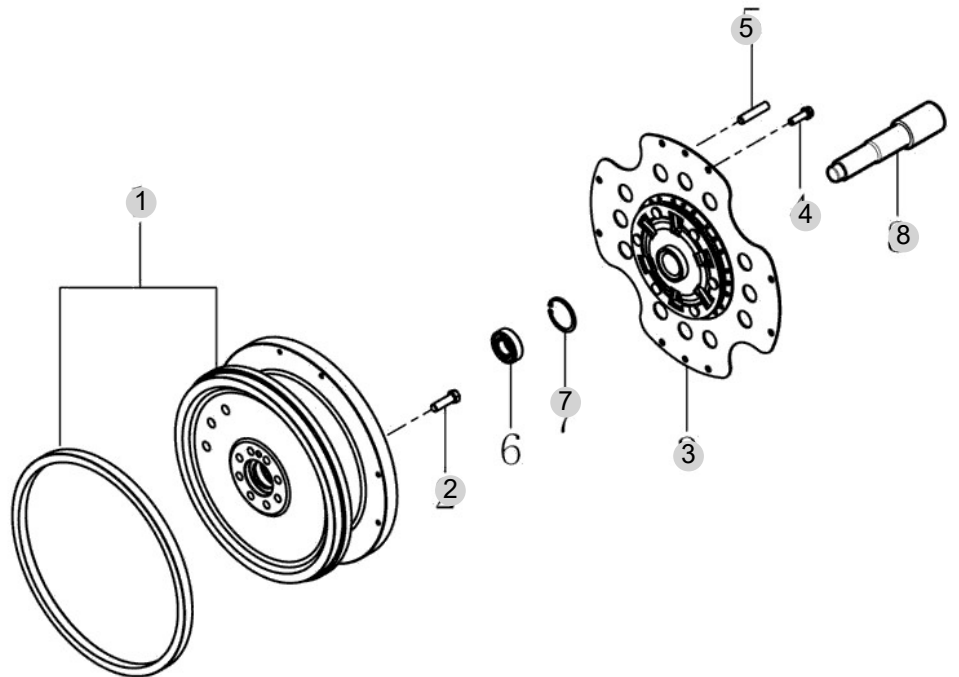
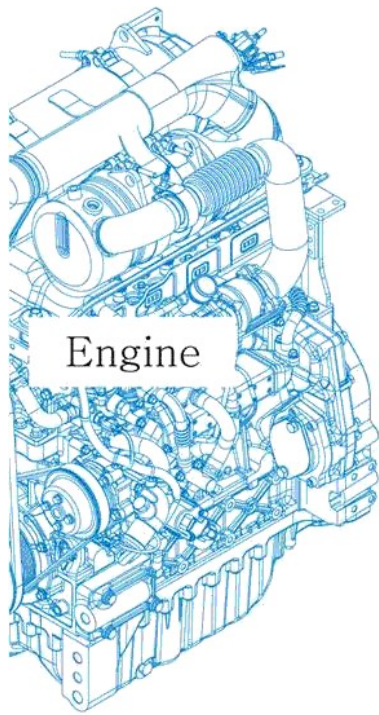
FIG 301

T1104SP

DAMPER FLANGE ASSY

년/월
Year/Month

2022-12



NOTE

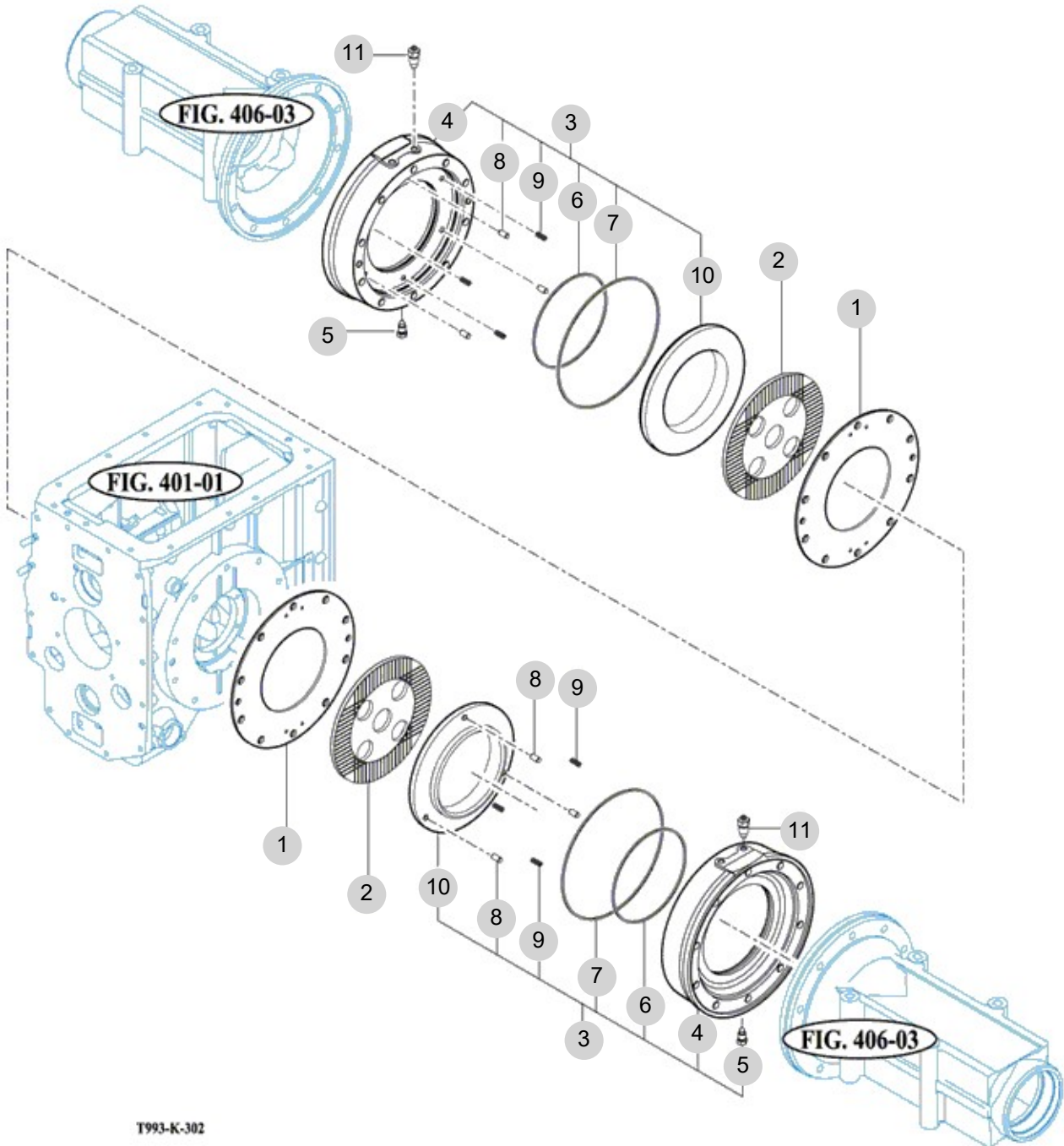
FIG 302

T1104SP

CASE SUB ASSY, BRAKE

년/월
Year/Month

2022-12



T993-K-302

NOTE

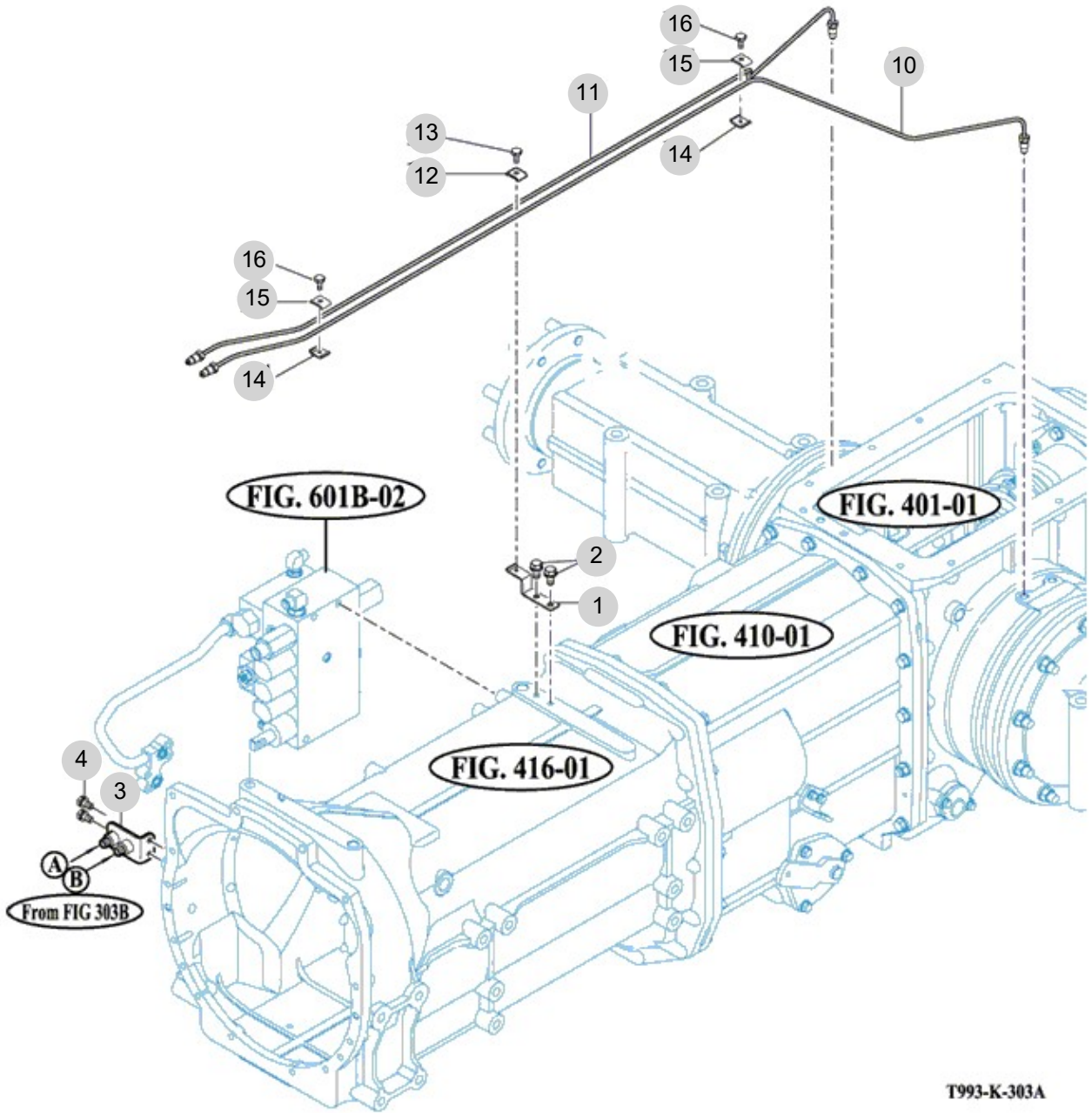
FIG 303

T1104SP

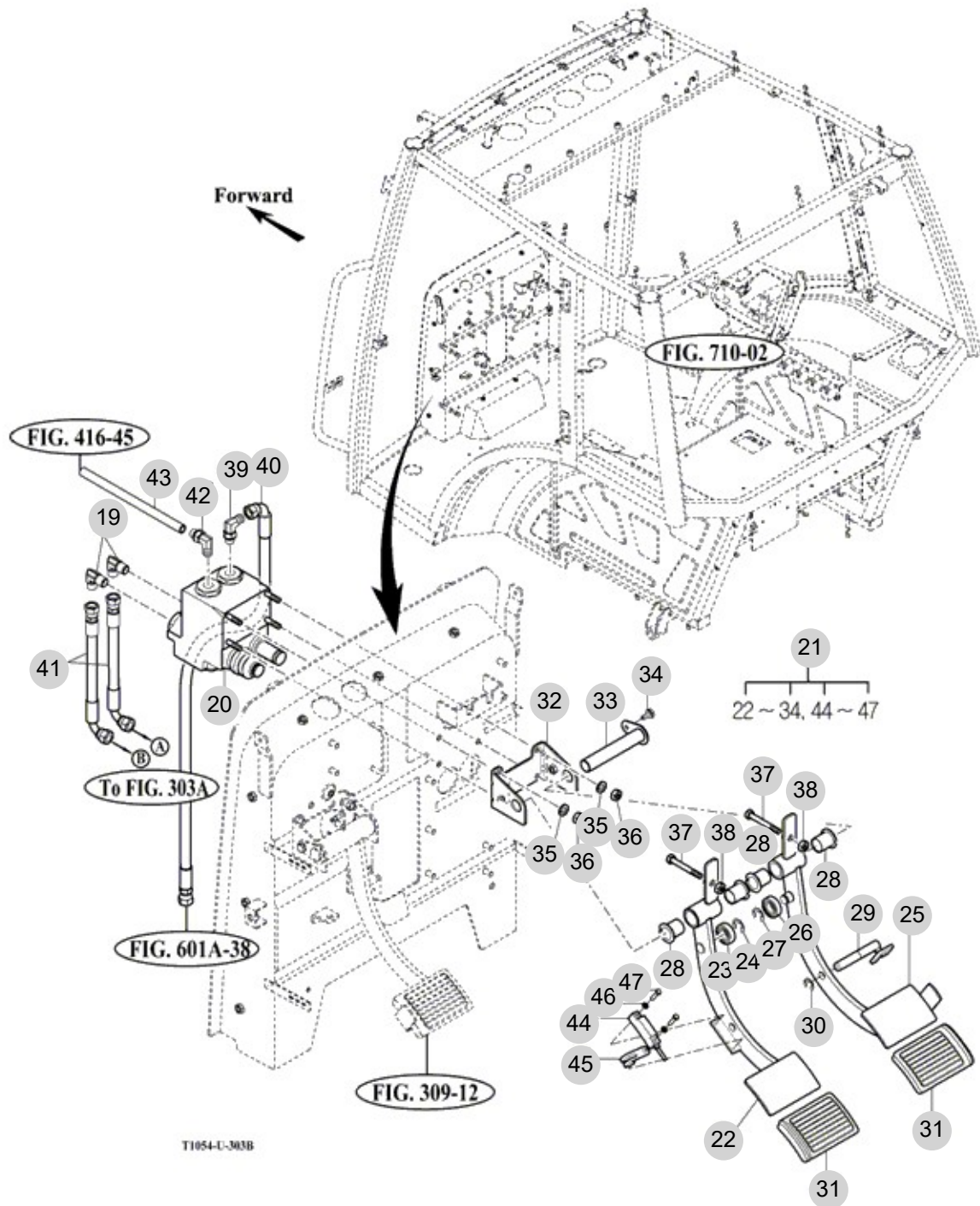
BRAKE PIPES

년/월
Year/Month

2022-12



NOTE



NOTE

FIG 303-2 T1104SP	BRAKE	년/월 Year/Month
		2022-12

KEY NO	PART NO	DESCRIPTION	SPEC	QTY	REPAIR	EFFECTIVE DATE	REMARKS
303-2	19	19055204030	ELBOW , PT1/4,PF1/4		2		
303-2	20	18715302100	VALVE , BRAKE		1		
303-2	21	19027562001	PEDAL SUB , BRAKE		1		
303-2	22	19027562101GB	PEDAL COMP , BRAKE LH		1		
303-2	23	V6001506002	BEARING , BALL	6002DD	1		
303-2	24	V7081400120	E-RING	12	1		
303-2	25	19027562200GB	PEDAL COMP , BRAKE RH		1		
303-2	26	V6001506002	BEARING , BALL	6002DD	1		
303-2	27	V7081400120	E-RING	12	1		
303-2	28	19027562010	BUSHING , 20X23X25		4		
303-2	29	19027562301	PIN COMP , BRAKE PEDAL		1		
303-2	29	15897562300	PIN COMP , BRAKE PEDAL		1		
303-2	29	19027562301	PIN COMP , BRAKE PEDAL		1		
303-2	30	V7081400100	E-RING	10	1		
303-2	31	19027562020	PAD , BRAKE		2		
303-2	32	19027562401	BRACKET COMP , PEDAL		1		
303-2	33	19027562500	PIN COMP		1		
303-2	34	V2123606016	BOLT , HEX /SP	M6X16	1		
303-2	35	V4011600080	WASHER , SPRING	M8	4		
303-2	36	V3042600080	NUT , HEX/2	M8	4		
303-2	37	V2013608060	BOLT , HEX	M8X60	2		
303-2	38	V3042600080	NUT , HEX/2	M8	2		
303-2	39	19027562050	ADAPTER , PF1/4	PF1/4	1		
303-2	40	19027562070	HOSE ASSY , BRAKET		1		
303-2	41	18717562060	HOSE ASSY , HYD 520		2		
303-2	42	19027562081	ADAPTER (BRAKE/RETURN)		1		
303-2	43	19027562091	HOSE (BRAKE/RETURN)		1		
303-2	44	17136702100	SWITCH ASSY , BRAKE		1		
303-2	45	14256210040	CLAMP , 9		1		
303-2	46	V4111600050	WASHER , PLAIN		2		
303-2	47	V1112605020	SCREW , C/R PAN		2		

NOTE

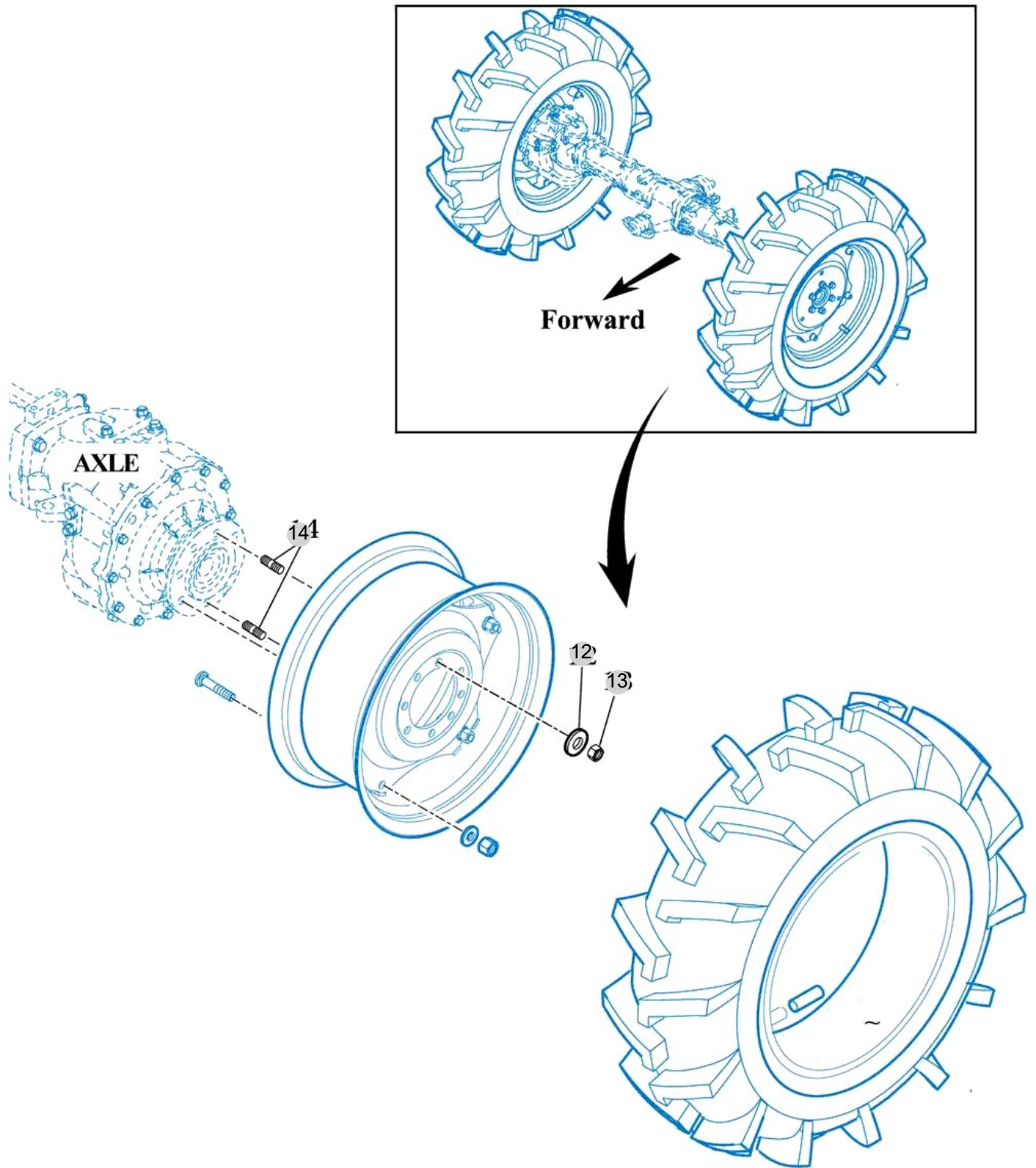
FIG 304

FRONT WHEEL

년/월
Year/Month

T1104SP

2022-12



NOTE

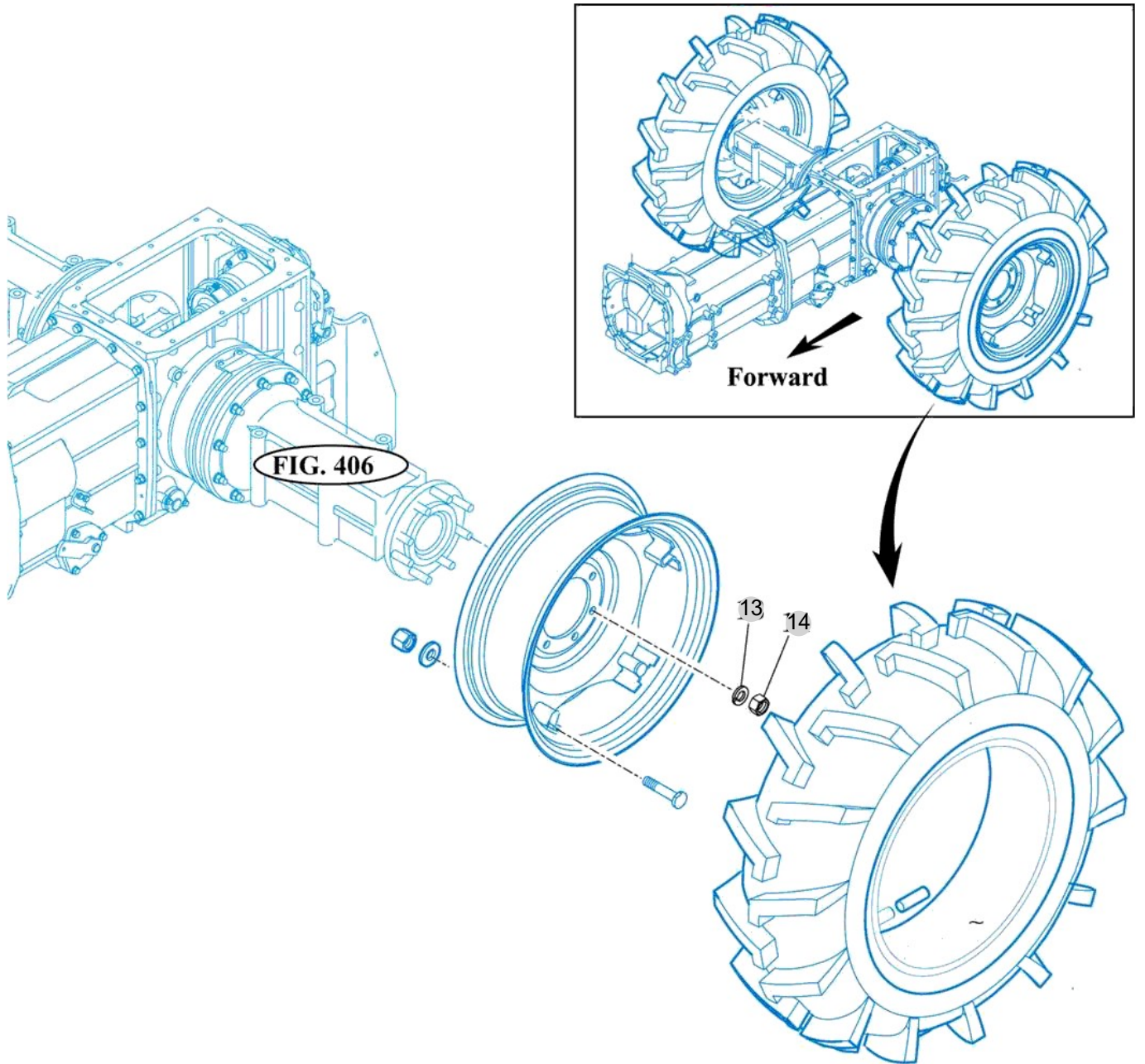
FIG 305

REAR WHEEL

년/월
Year/Month

T1104SP

2022-12



NOTE

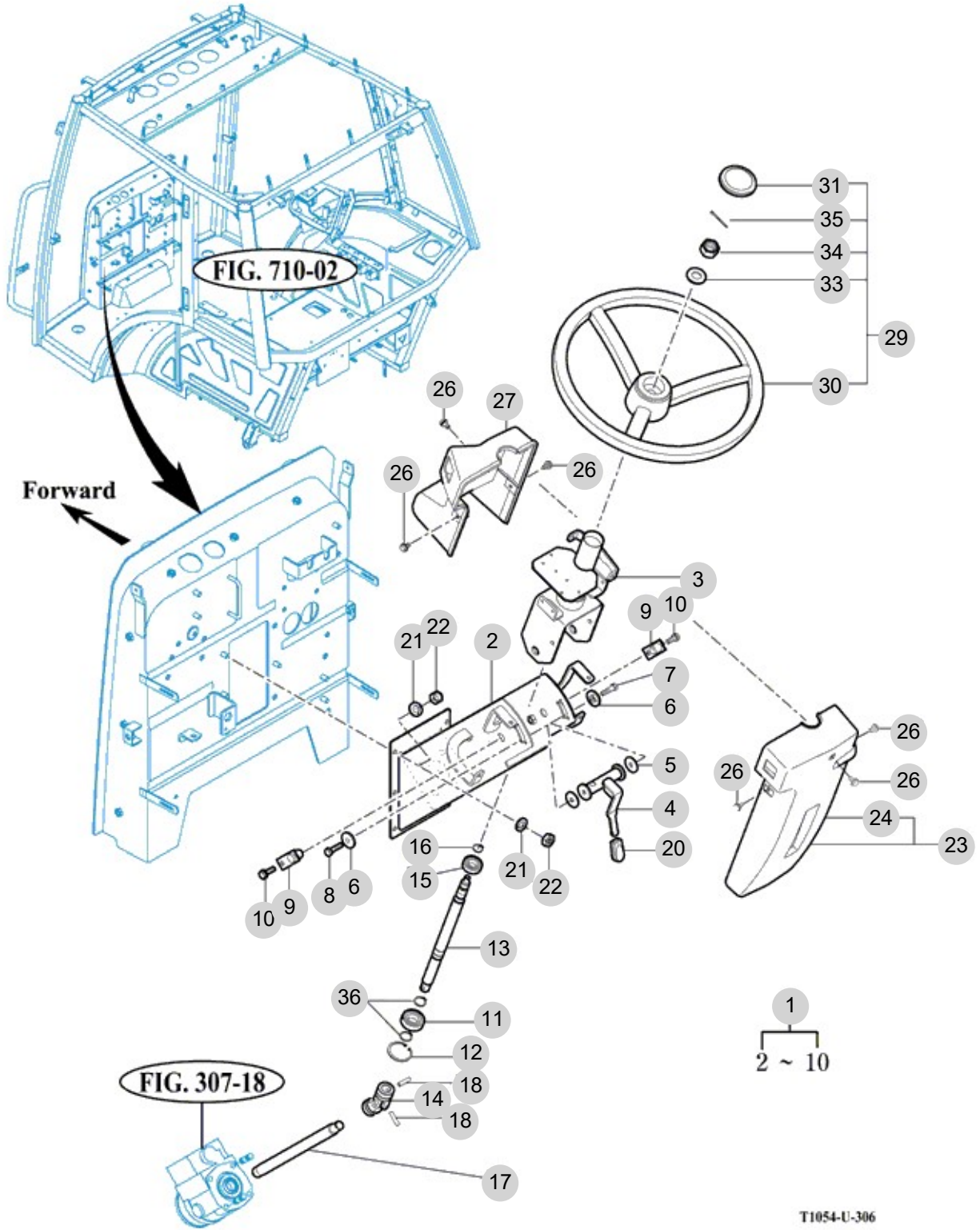
FIG 306

T1104SP

STEERING WHEEL ASSY

년/월
Year/Month

2022-12



T1054-U-306

NOTE

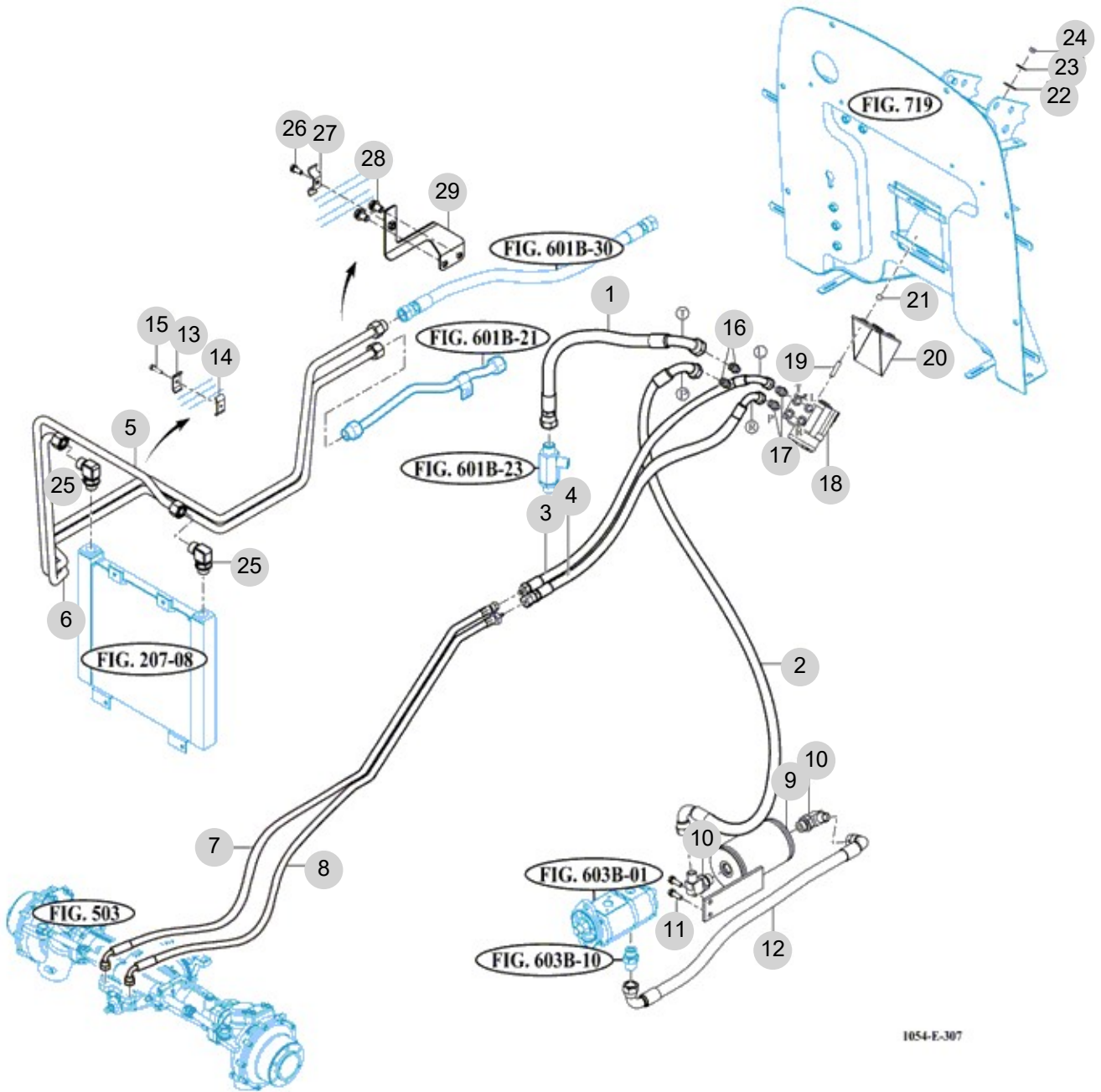
FIG 307

T1104SP

POWER STEERING VALVE

년/월
Year/Month

2022-12



1054-E-307

NOTE

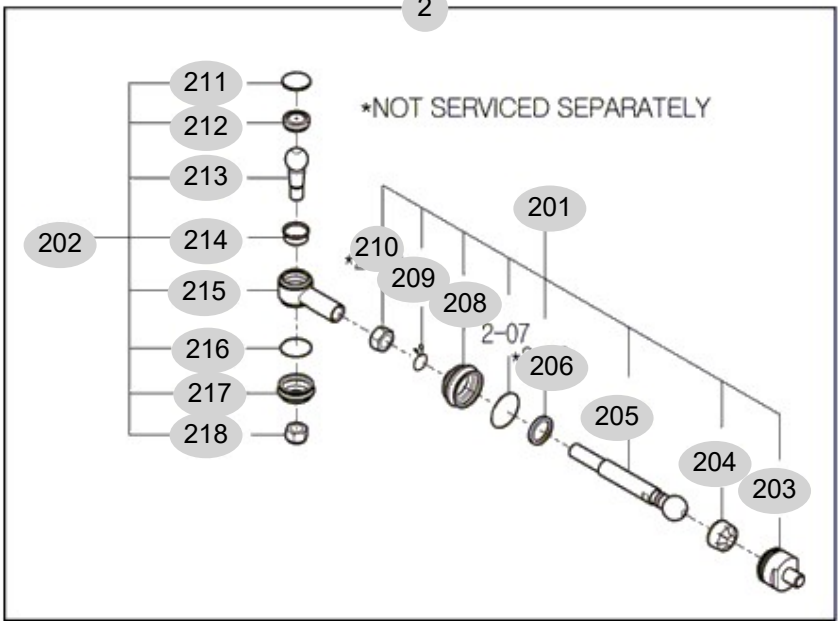
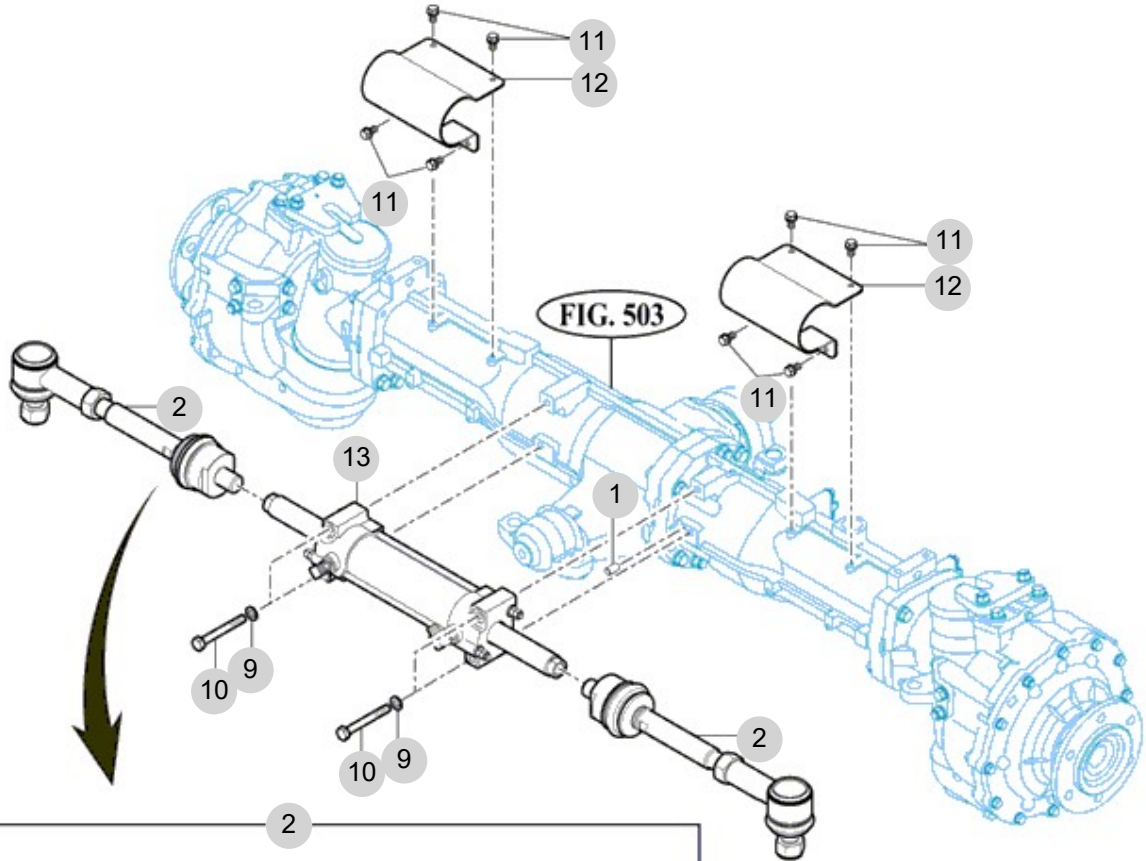
FIG 308

POWER STEERING CYLINDER

년/월
Year/Month

2022-12

T1104SP



TX1003/903-K-308

NOTE

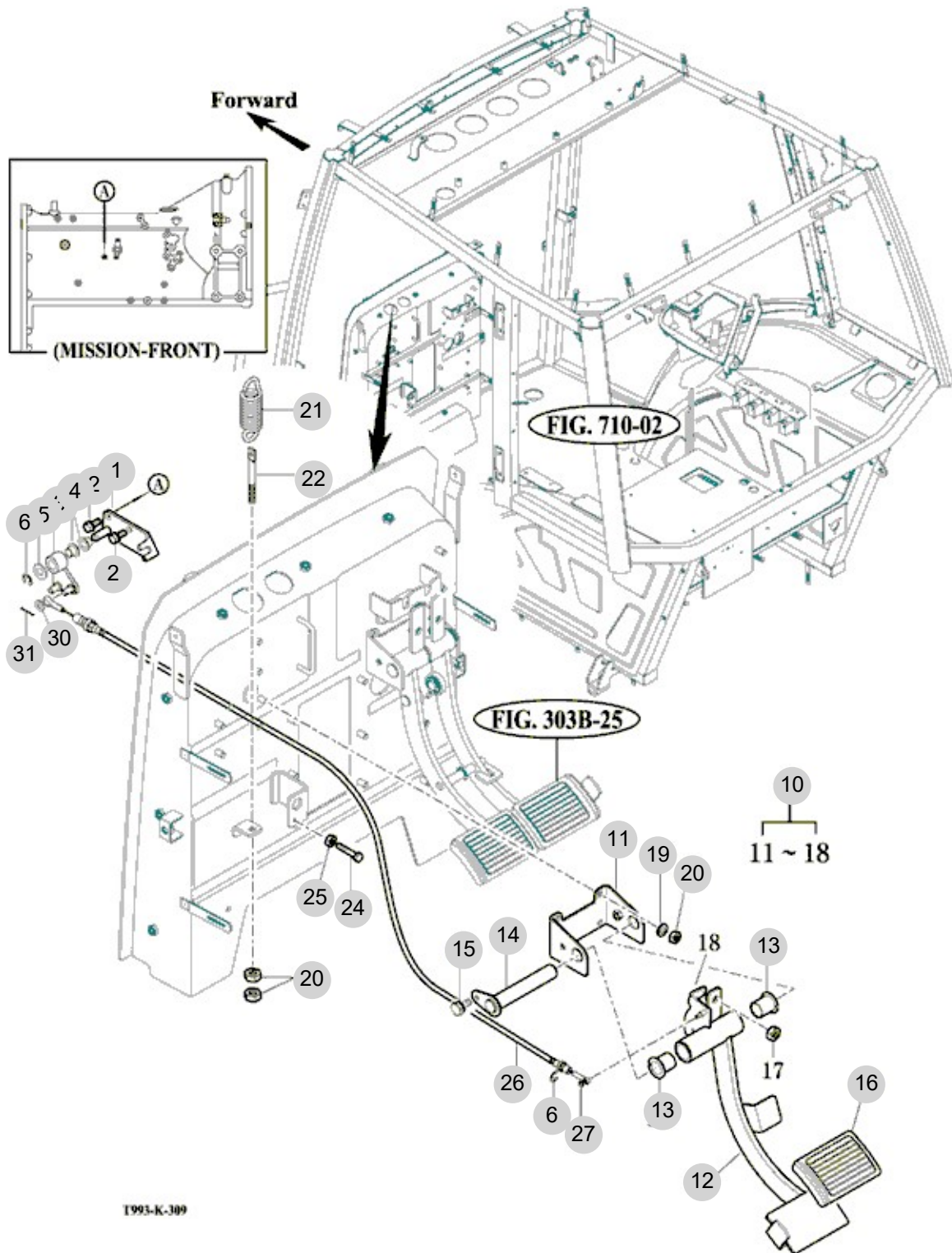
FIG 309

SUB CLUTCH PEDAL

년/월
Year/Month

2022-12

T1104SP



NOTE

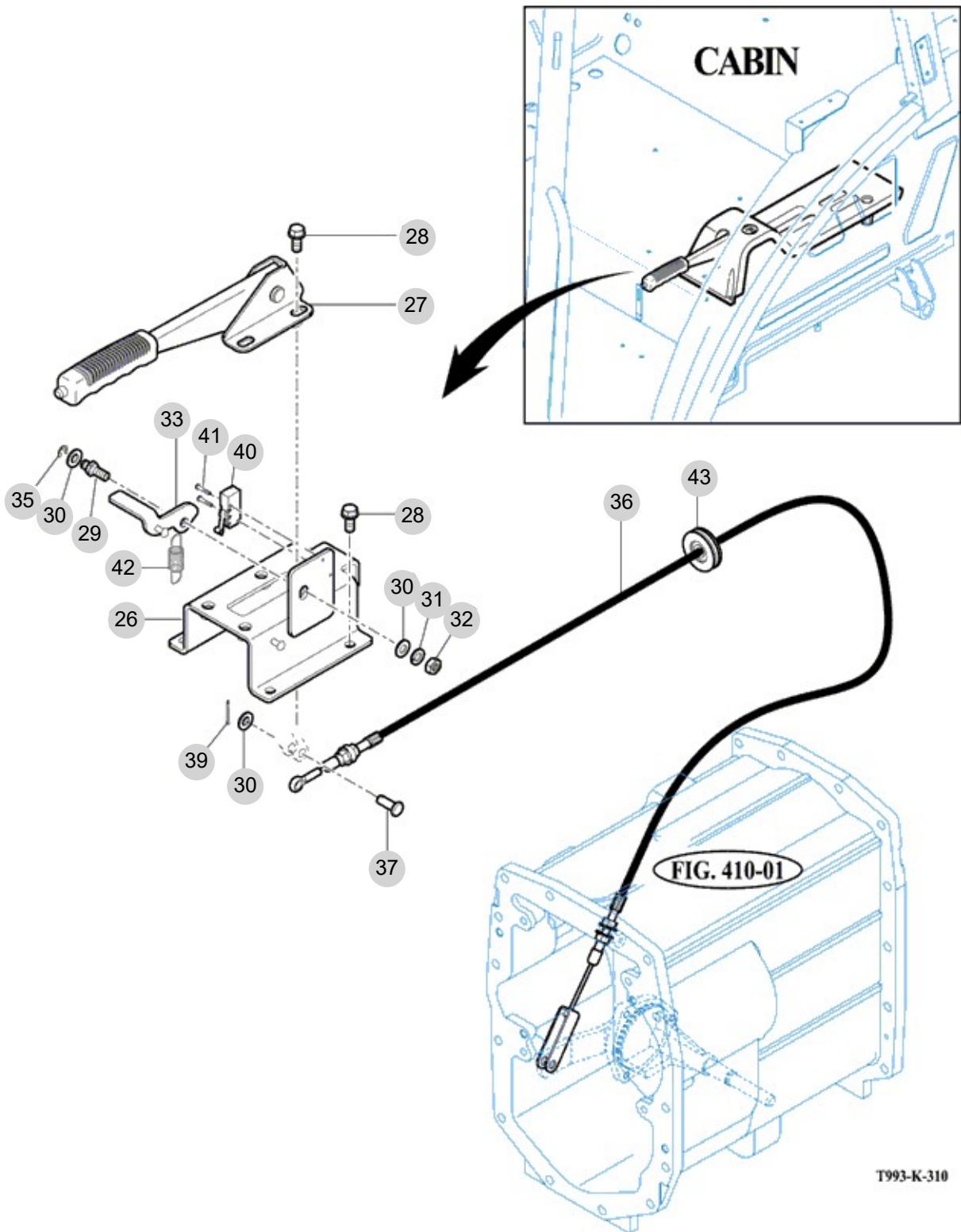
FIG 310

T1104SP

HAND BRAKE SUB

년/월
Year/Month

2022-12



T993-K-310

NOTE

4. Transmission PART NO. T4

FIG 401 CASE SUB, RR TRANSMISSION	145
FIG 402 METAL SUB ASSY, PINION	147
FIG 402-2 DIFF ASSY, RR	149
FIG 403 SUB CHANGE GEARS	151
FIG 404 SUB CHANGE LEVER	153
FIG 406 HOUSING, RR AXLE	155
FIG 407 540,750,1000 PTO CASE	157
FIG 408 SHAFT, PTO	159
FIG 408-2 PTO CLUTCH ASSY	161
FIG 409 METAL SUB ASSY	163
FIG 410 CASE, MID TRANSMISSION	165
FIG 411 MAIN CHANGE GEARS	167
FIG 412 MAIN CHANGE LEVER	169
FIG 413 PARKING BRAKE	171
FIG 414 POWER SHUTTLE GEAR	173
FIG 415 POWER SHIFT GEAR	175
FIG 416 CASE, FR TRANSMISSION	177
FIG 420 4WD SHAFT SUB (CP6A)	179

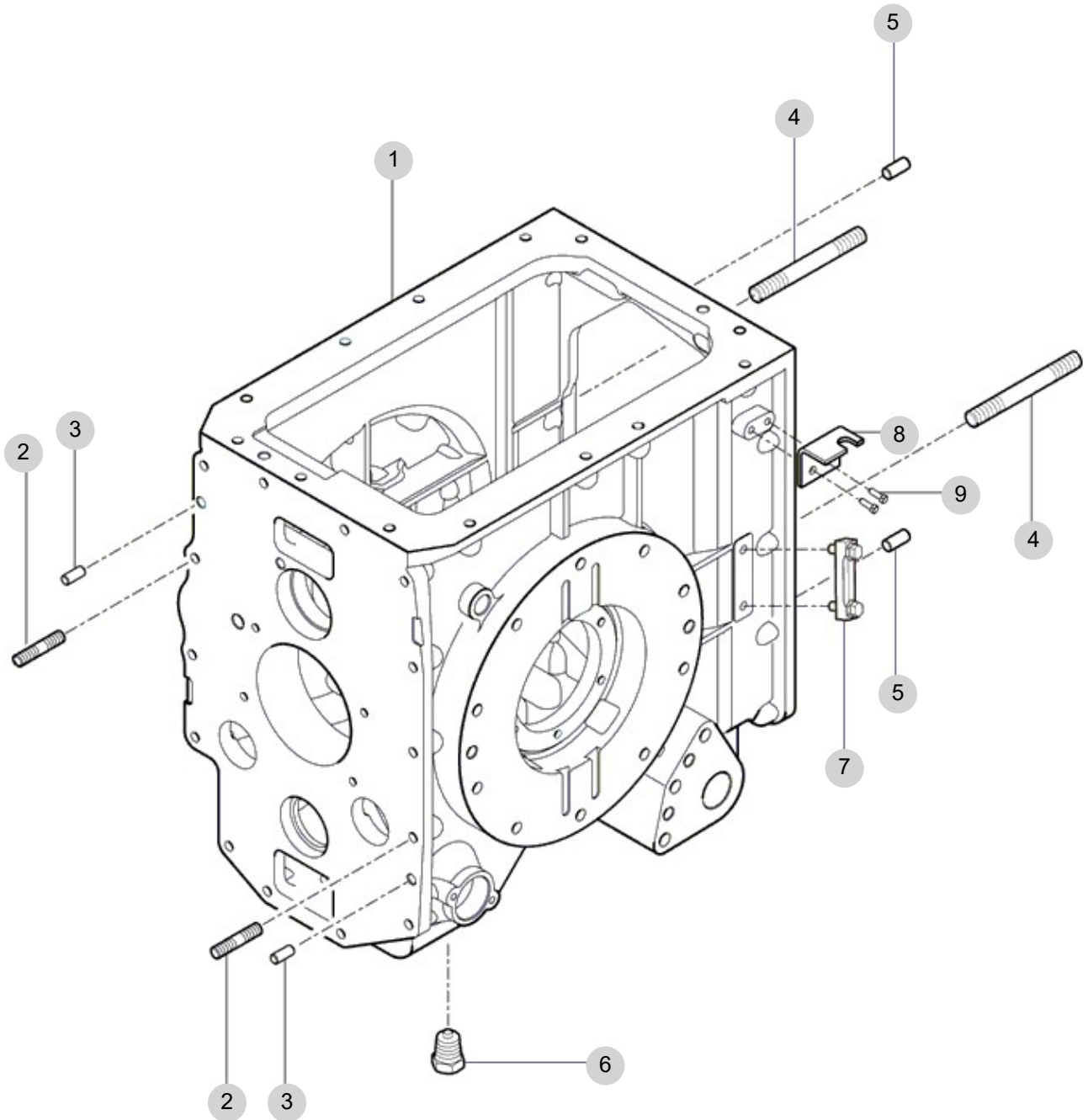
FIG 401

T1104SP

CASE SUB, RR TRANSMISSION

년/월
Year/Month

2022-12



T1104SP-11-401

NOTE

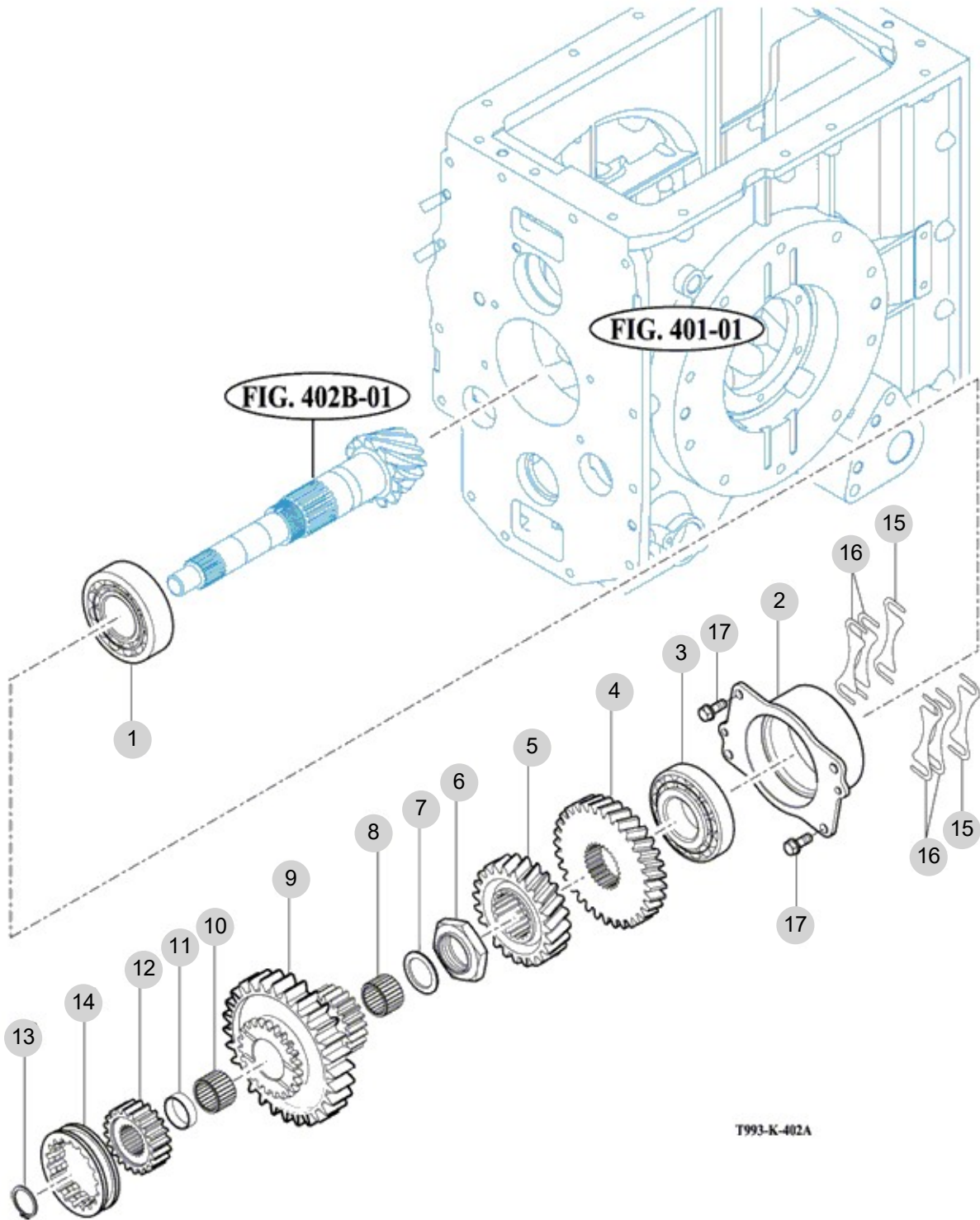
FIG 402

T1104SP

METAL SUB ASSY, PINION

년/월
Year/Month

2022-12



NOTE

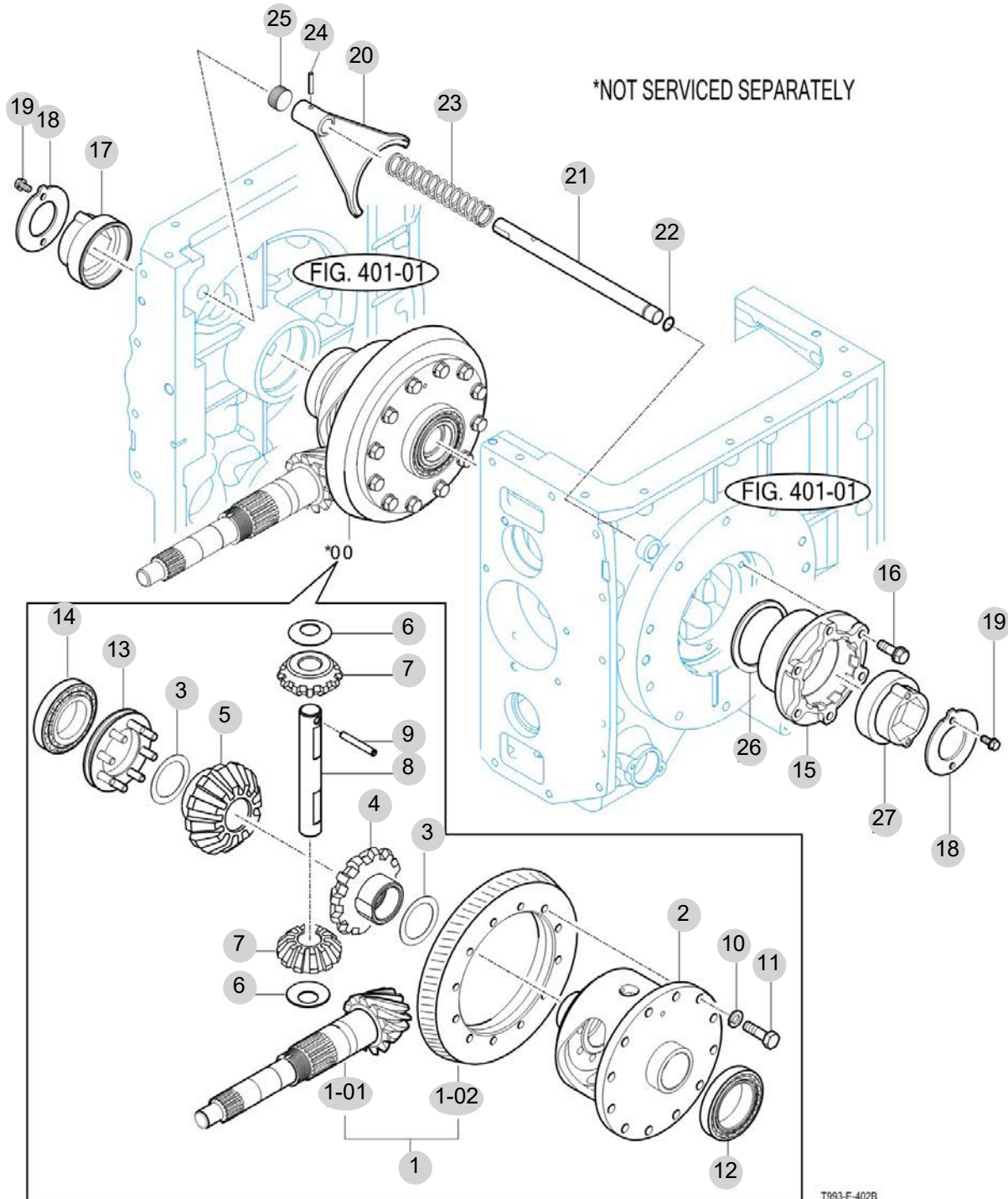
FIG 402-2

DIFF ASSY, RR

년/월
Year/Month

T1104SP

2022-12



T993-E-402B

NOTE

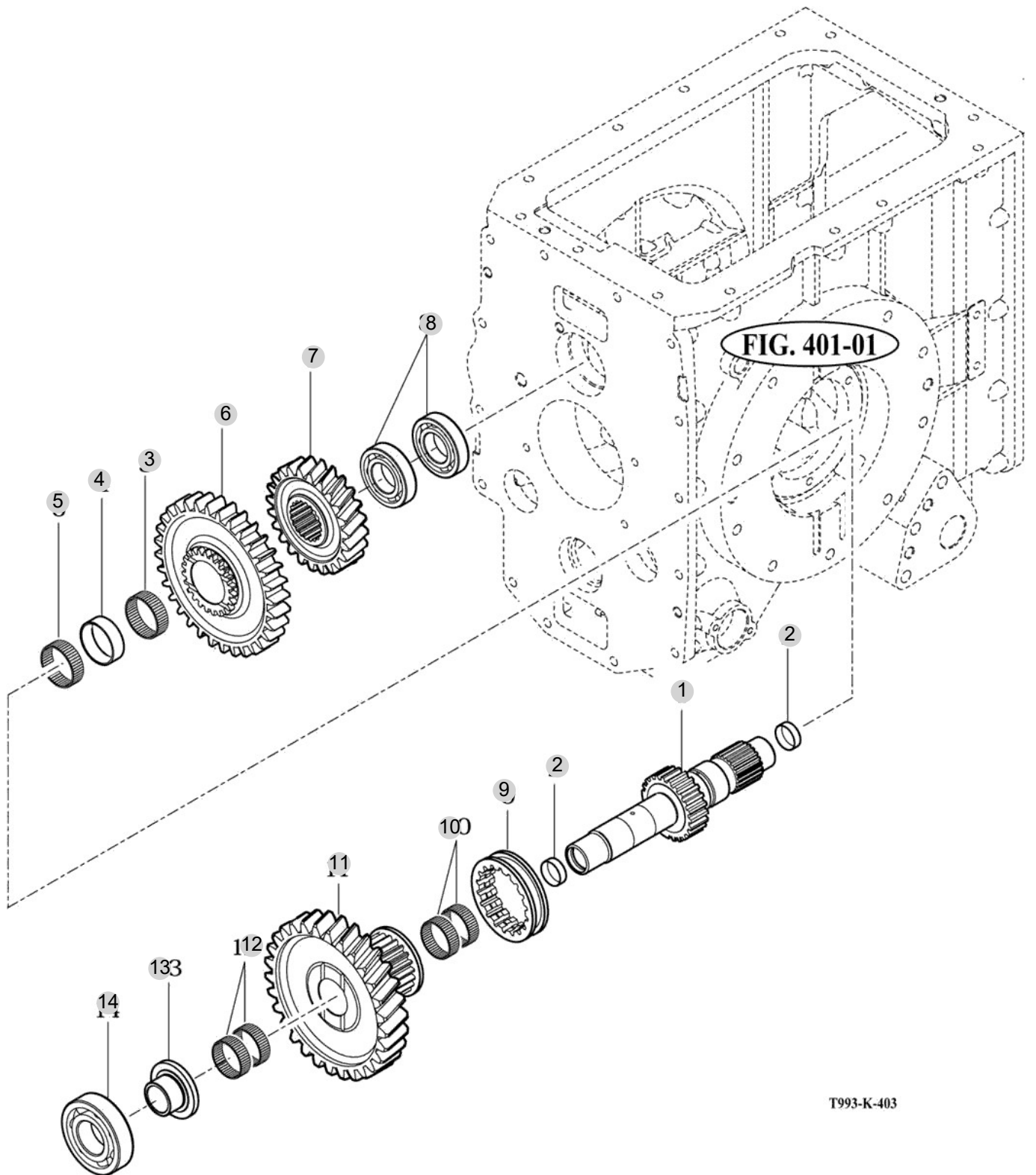
FIG 403

SUB CHANGE GEARS

년/월
Year/Month

T1104SP

2022-12



T993-K-403

NOTE

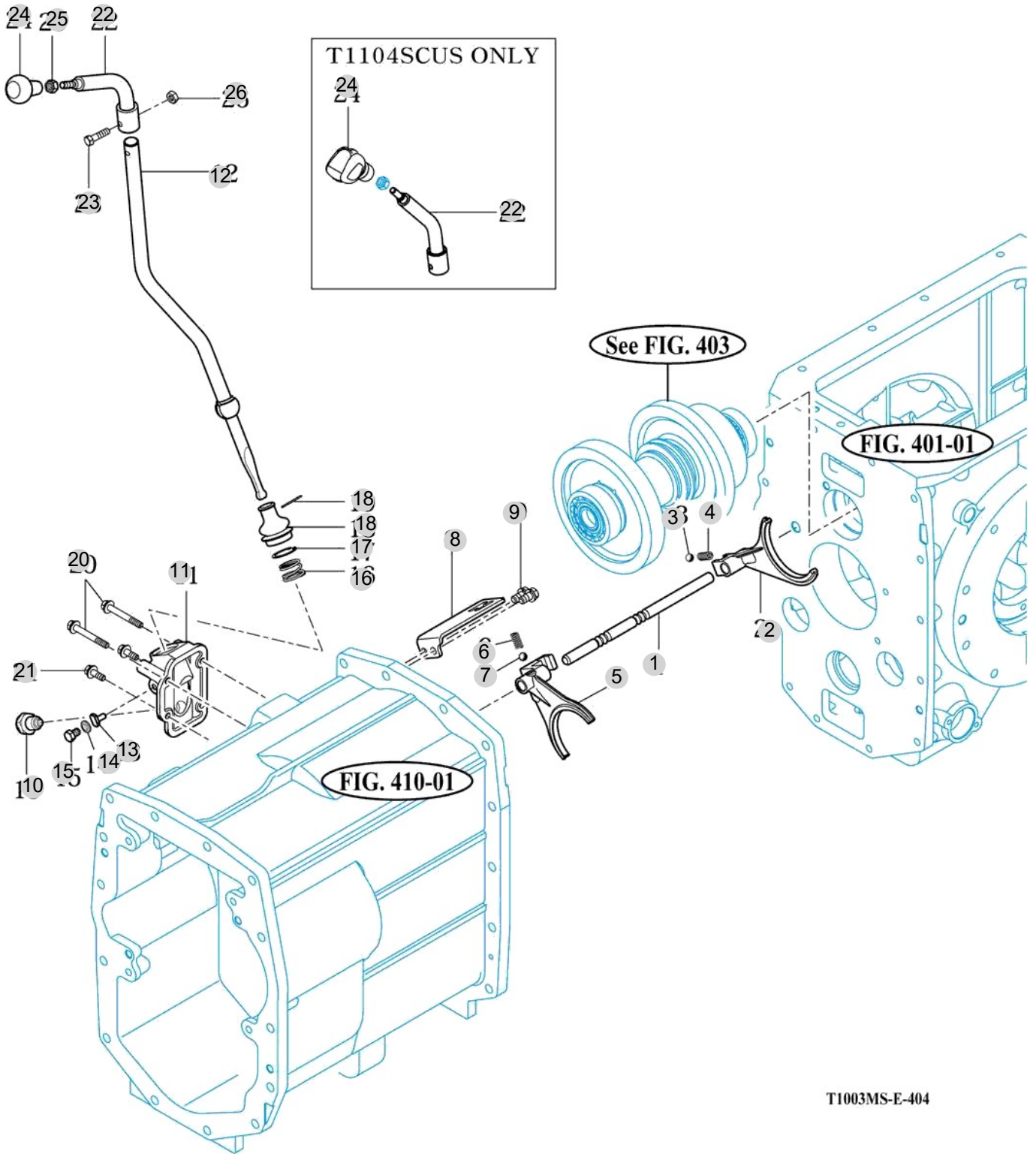
FIG 404

SUB CHANGE LEVER

년/월
Year/Month

2022-12

T1104SP



NOTE

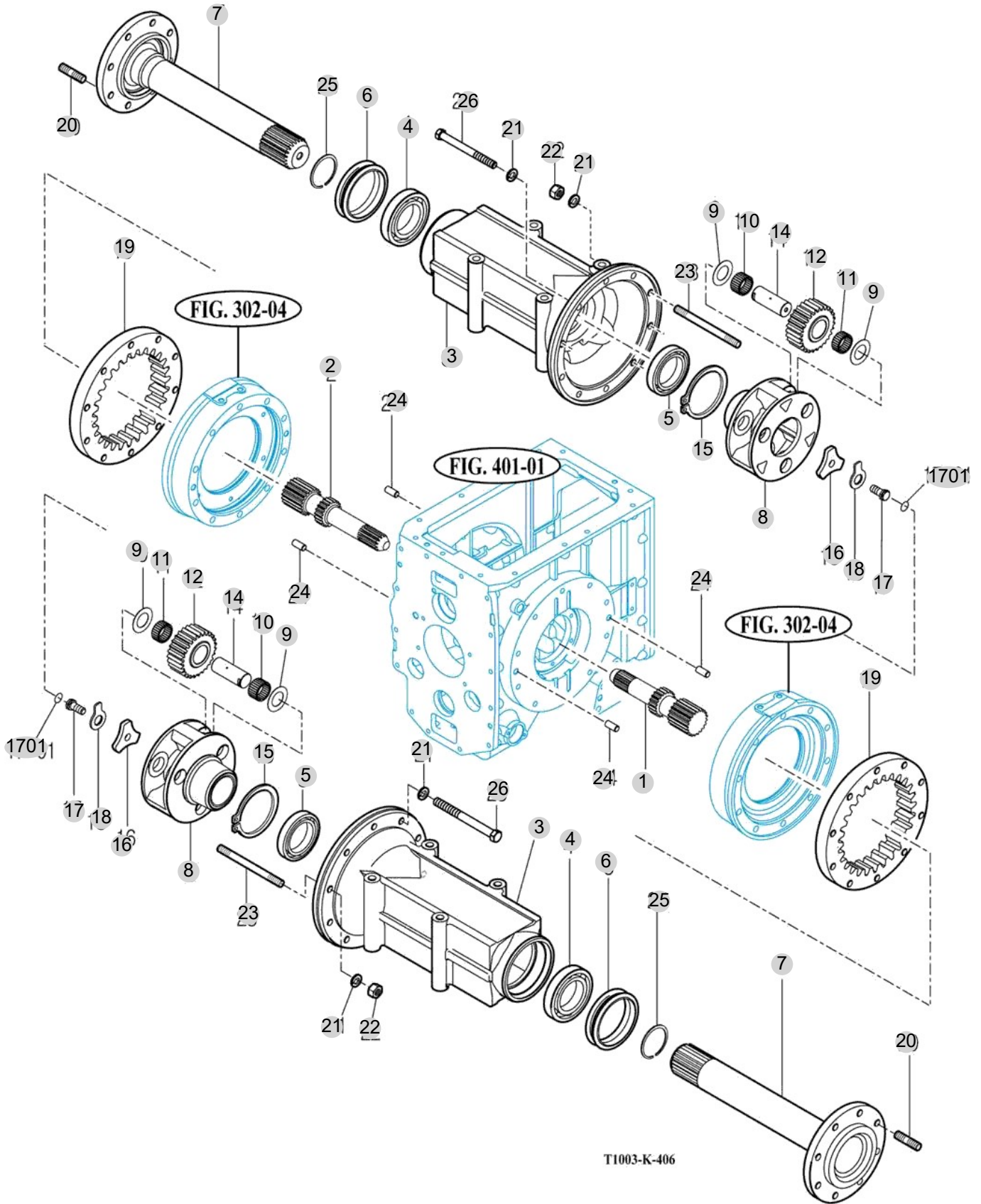
FIG 406

HOUSING, RR AXLE

년/월
Year/Month

2022-12

T1104SP



NOTE

FIG 406 T1104SP	HOUSING, RR AXLE	년/월 Year/Month 2022-12
------------------------	------------------	----------------------------------

KEY NO	PART NO	DESCRIPTION	SPEC	QTY	REPAIR	EFFECTIVE DATE	REMARKS
406	1	19022470011	GEAR , LH SPUR13T	1X1X1	1		
406	2	19022470021	GEAR , RH SPUR13T	1X1X1	1		
406	3	19022450014M	HOUSING , RR AXLE	1X1X1	2		
406	4	V6001106215	BEARING , BALL	6215	2		
406	5	V6001106015	BEARING , BALL	6015	2		
406	6	19022452100	SEAL ASSY , FLOATING	1X1X1	2		
406	7	19022450024	SHAFT , RR WHEEL	1X1X1	2		
406	8	19022470032M	CARRIER , PLANET	1X1X1	2		
406	9	19022470040	COLLAR , 36X61X1	T=1.0	12		
406	10	V6544354525	BEARING , NEEDLE CAGED	KT354525	6		
406	11	V6544354525	BEARING , NEEDLE CAGED	KT354525	6		
406	12	19022470050	GEAR , SPUR 25T	1X1X1	6		
406	14	19022470060	PIN35X92	1X1X1	6		
406	15	V7041401200	C-RING , SHAFT	120	2		
406	16	19022470070	WASHER , STOP	T=10.0	2		
406	17	10012470070	BOLT, HEX FINE	HEX=24	2		
406	1701	V7201024022	O-RING , P	P22	2		
406	18	19022470081	STOPPER	T=4.0	2		
406	19	19022470090	GEAR , RING 65T	1X1X1	2		
406	20	19026620010	STUDBOLT , M18	D=19	16		
406	21	V4011600140	WASHER , SPRING	M14	20		
406	22	V3043600140	NUT , HEX/2	M14	4		
406	23	19022470160	BOLT , STUD/2	D=14	6		
406	24	V5201012025	PIN , PARALLEL/A	12X25	4		
406	25	19022450030	RING , STOP		2		
406	26	V2014614155	BOLT , HEX	M14X155	14		

NOTE	
-------------	--

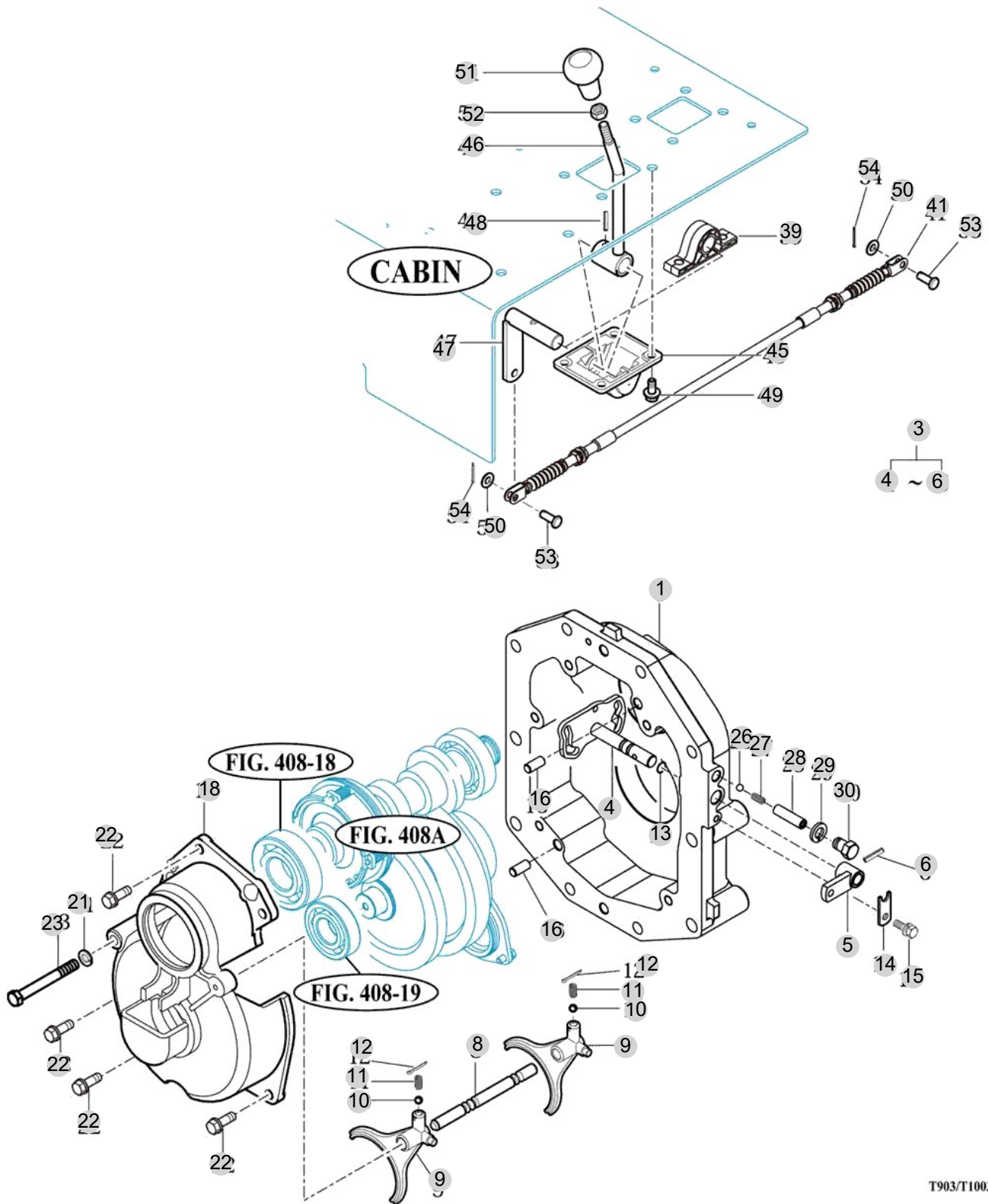
FIG 407

540,750,1000 PTO CASE

년/월
Year/Month

2022-12

T1104SP



T903/T1003-K-407

NOTE

FIG 407 T1104SP	540,750,1000 PTO CASE						년/월 Year/Month
							2022-12

KEY NO	PART NO	DESCRIPTION	SPEC	QTY	REPAIR	EFFECTIVE DATE	REMARKS
407	1	18712600011M	CASE , PTO(540/750/1000)				
407	3	19022652005	ARMSET , PTO	1X1X1			
407	4	10012652100	SELECTOR COMP	1X1X1			
407	4	10012652101	SELECTOR COMP				
407	5	19022652203	ARM COMP	1X1X1			
407	6	V5801406028	PIN , SPRING	6X28			
407	8	19022650011	STAY , PTO SHIFT	1X1X1			
407	9	19022650021M	FORK , PTO SHIFT	1X1X1			
407	10	V6802000010	BALL , STEEL	5/16			
407	11	13022250030	SPRING , SHIFTER	D=1.4			
407	12	V5001930025	PIN , SPLIT	3X25			
407	13	V7201024012	O-RING , P	P12			
407	14	16702230371	PLATE	T=3			
407	15	V2173608016	BOLT , HEX/S	M8X16			
407	16	V5201012025	PIN , PARALLEL/A	12X25			
407	18	19022600022M	METAL , PTO	1X1X1			
407	21	V4011600120	WASHER , SPRING	M12			
407	22	V2173612035	BOLT , HEX/S	M12X35			
407	23	V2003612110	BOLT , HEX	M12X110			
407	26	V6802000010	BALL , STEEL	5/16			
407	27	13022250030	SPRING , SHIFTER	D=1.4			
407	28	10012650010	스프링시트	D=12			
407	29	V4011600140	WASHER , SPRING	M14			
407	30	V2013614020	BOLT , HEX	M14X20			
407	39	19027532020	BRACKET, SUPPORT	1X1X1			
407	41	19027534100	CABLE ASSY, PTO	1X1X1			
407	43	V3042600120	NUT , HEX/2	M12			
407	45	19027532011	BRACKET , PTO LEVER	1X1X1			
407	46	19027532203GB	LEVER COMP , PTO	1X1X1			
407	47	19027532302	ARM COMP	1X1X1			
407	48	V5801406025	PIN , SPRING	6X25			
407	49	V2183608020	BOLT , HEX/SP	M8X20			
407	50	V4111600100	WASHER , PLAIN	M10			
407	51	16992190102	GRIP , PTO				
407	51	19682190100	GRIP , PTO				
407	51	16992190101	GRIP , PTO				
407	52	19027010010	NUT , HEX FINE/2	M10			
407	53	14723280030	PIN ,10X30	D=10			
407	54	V5001920020	PIN , SPLIT	2X20			

NOTE

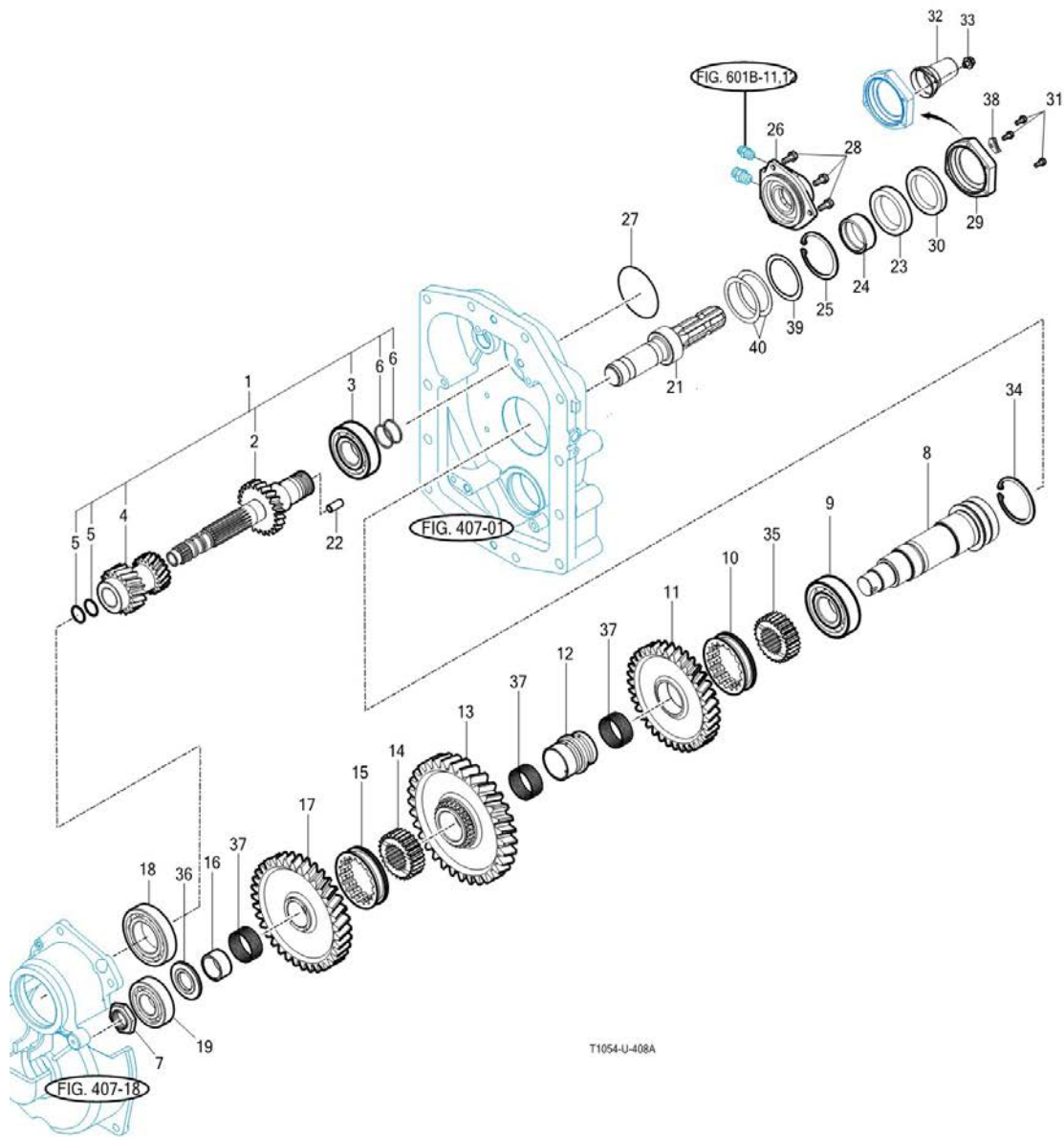
FIG 408

T1104SP

SHAFT, PTO

년/월
Year/Month

2022-12



NOTE

FIG 408		SHAFT, PTO					년/월	
							Year/Month	
T1104SP		2022-12						
KEY NO	PART NO	DESCRIPTION	SPEC	QTY	REPAIR	EFFECTIVE DATE	REMARKS	
408	1	19022615100	GEAR SUB , HELICAL 22T	1X1X1	1			
408	2	19022610011	HELICAL , 22T	1X1X1	1			
408	3	V6001106308	BEARING , BALL	6308	1			
408	4	19022610021	GEAR , HELICAL 18-14T	1X1X1	1			
408	5	V7201035025	O RING .P	P25	2			
408	6	19022120050	SEAL , 40	6.7X7.3X20.4	2			
408	7	14573020041	NUT , M30 P1.5	B=46	1			
408	8	18712630011	SHAFT , PTO(3)		1			
408	9	V6001106211	BEARING , BALL	6211	1			
408	10	19022630111	COUPLING , SLIDE 80		2			
408	11	18712630081	GEAR , HELICAL 49T		1			
408	12	18712630070	BUSH , 50X56X66		1			
408	13	18712630020	GEAR , HELICAL 57T		1			
408	14	18712630030	HUB , 47X80X22		1			
408	15	19022630111	COUPLING , SLIDE 80		1			
408	16	18712630040	BUSH , 45X55X28		1			
408	17	18712630050	GEAR , HELICAL 53T		1			
408	18	V6041106211	BEARING , BALL/HL1	6211HL1	1			
408	19	V6001106307	BEARING , BALL	6307	1			
408	21	18712630061	SHAFT , PTO 540/1000	D=45	1			
408	22	19022123110	AVSEAL(6)	Φ6	1			
408	23	18712600072	SEAL , PTO		1			
408	23	18712600071	SEAL , PTO		1			
408	24	19402630140	SLEEVE , PTO SHAFT/75		1			
408	24	18712630140	SLEEVE , PTO SHAFT/75		1			
408	25	V7051400500	C-RING , HOLE	R50	1			
408	26	19022600032M	COVER , DRIVE SHAFT	1X1X1	1			
408	27	V7211031085	O RING	1A, G85	1			
408	28	V2173608020	BOLT , HEX/S	M8X20	3			
408	29	19402600040M	COVER , PTO SHAFT		1			
408	29	18712600040	COVER , OIL SEAL		1			
408	30	19402605210	SEAL , PTO		1			
408	31	V2173608035	BOLT , HEX/S	M8X35	3			
408	31	V2173608020	BOLT , HEX/S	M8X20	3			
408	32	18712600080	CAP , PTO SHAFT		1			
408	33	V2183608012	BOLT , HEX/SP	M8X12	1			
408	34	V7051401000	C-RING , HOLE	100	1			
408	35	18712630090	HUB , 52X80X22		1			
408	36	18712630120	COLLAR , 37X72X7		1			
408	37	V6544556027	BEARING , NEEDLE CAGED	KT556027	3			
408	38	18712600090	PLATE , GUIDE		1			
408	39	15892600060	SIM, 79X99X0.3		1			
408	40	15892600070	SIM, 79X99X0.2		2			
NOTE								

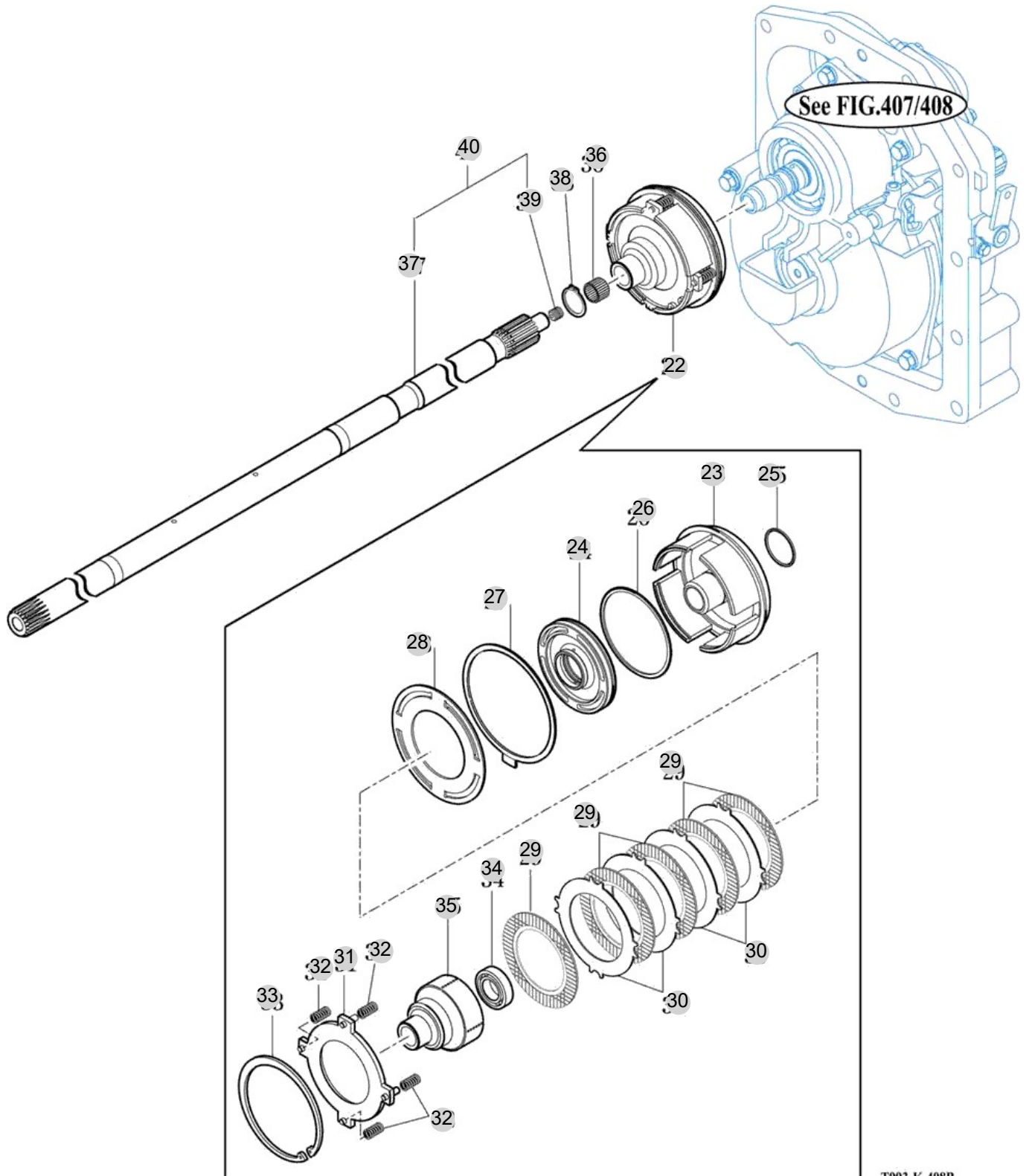
FIG 408-2

PTO CLUTCH ASSY

년/월
Year/Month

2022-12

T1104SP



T993-K-408B

NOTE

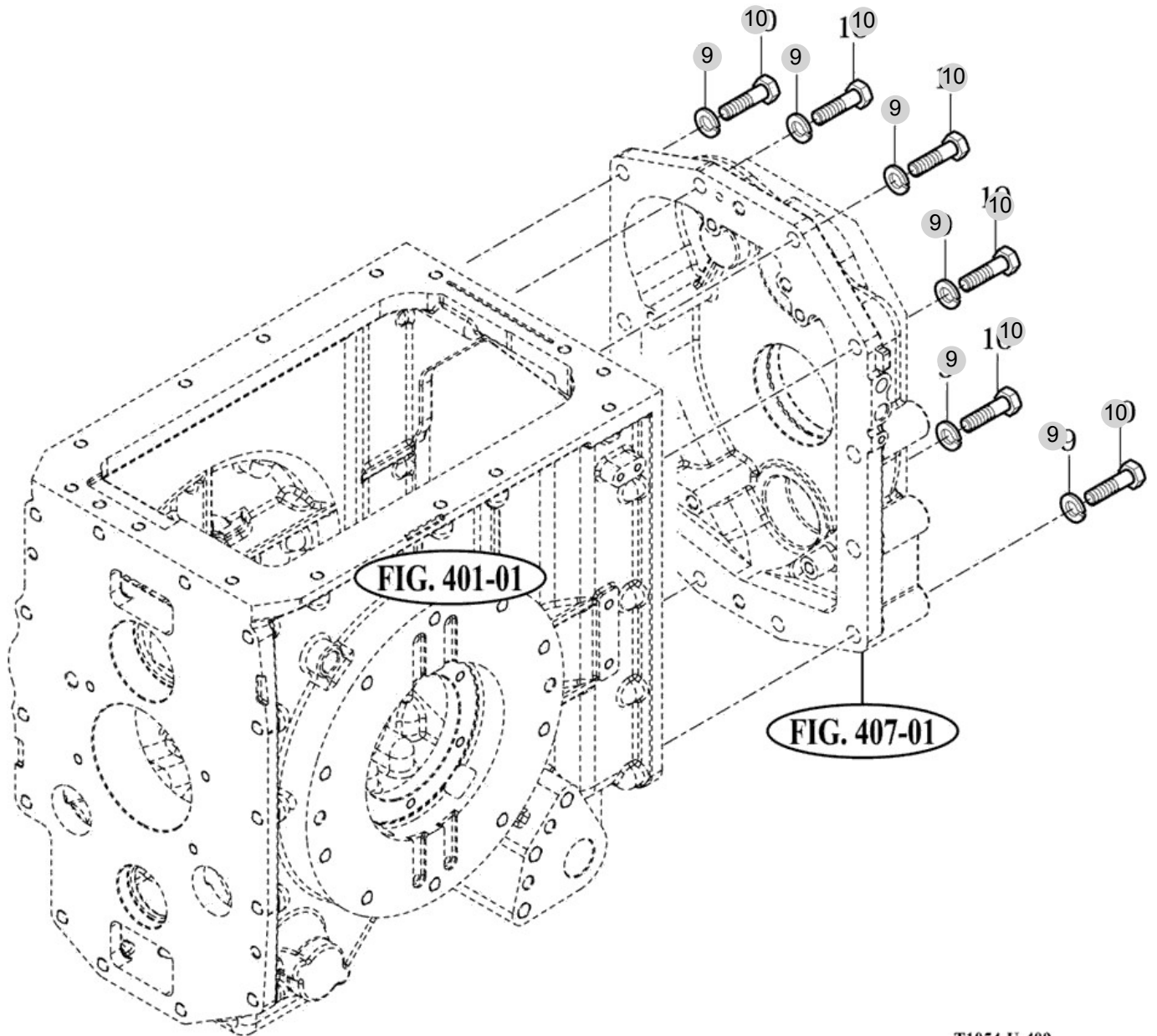
FIG 409

METAL SUB ASSY

년/월
Year/Month

T1104SP

2022-12



T1054-U-409

NOTE

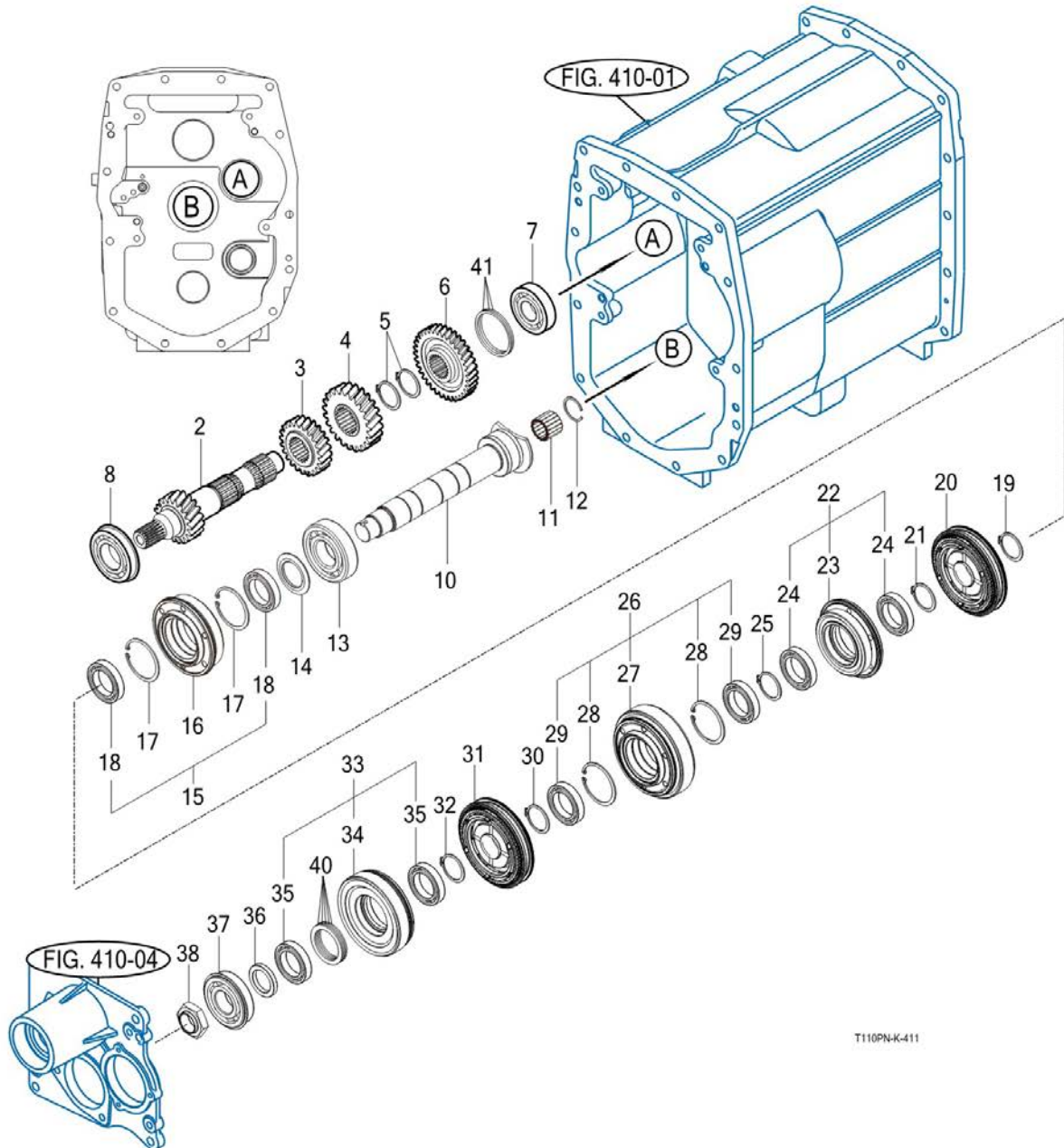
FIG 411

T1104SP

MAIN CHANGE GEARS

년/월
Year/Month

2022-12



NOTE

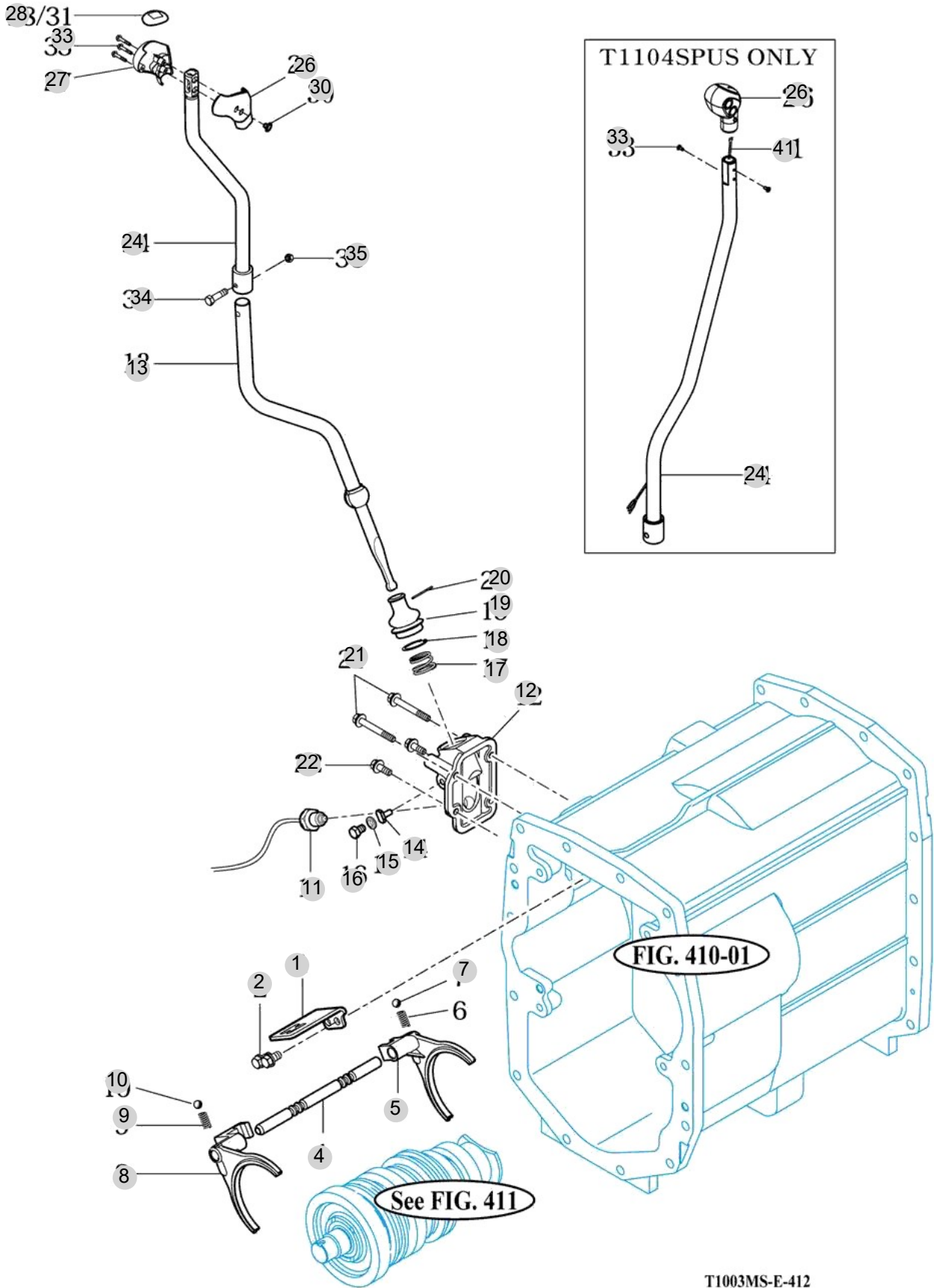
FIG 412

MAIN CHANGE LEVER

년/월
Year/Month

T1104SP

2022-12



NOTE

FIG 412 T1104SP		MAIN CHANGE LEVER						년/월 Year/Month	
								2022-12	
KEY NO	PART NO	DESCRIPTION	SPEC	QTY	REPAIR	EFFECTIVE DATE	REMARKS		
412	1	19022230041	GUIDE , MAIN	T=4.5	1				
412	2	V2173610020	BOLT , HEX/S	M10X20	2				
412	4	18712230010	STAY , MAIN SHIFT		1				
412	5	18712230020M	FORK , MAIN SHIFT 3-4		1				
412	7	V6802000010	BALL , STEEL	5/16	1				
412	8	18712230030M	FORK , MAIN SHIFT 1-2		1				
412	9	13022250030	SPRING , SHIFTER	D=1.4	1				
412	10	V6802000010	BALL , STEEL	5/16	1				
412	11	19022230061	MAIN SWITCH , SAFETY	1X1X1	1				
412	12	19022233110M	METAL , MAIN	1X1X1	1				
412	13	19022232102			1				
412	13	19022232103	LEVER COMP , LOW MAIN	1X1X1	1				
412	14	19022230080	KEY , SHIFT		1				
412	14	19022230081	KEY , SHIFT	6X16(A)	1				
412	15	15602230085	SEAL	WF-8-15-1.WF-8-15-1.6	1				
412	16	16007060020	BOLT . DRAIN	M8X12XP1.25	1				
412	17	19022230070	SPRING	D=2.6	1				
412	18	V7051400320	C-RING , HOLE	32	1				
412	19	15602800044	BOOT		1				
412	20	V5901010070	WIRE , STEEL	1.0X70	1				
412	21	V2173608065	BOLT , HEX/S	M8X65	2				
412	22	V2173608025	BOLT , HEX/S	M8X25	2				
412	24	19557512200GB	MAIN LEVER COMP		1				
412	24	19027512104GB	MAIN LEVER COMP	1X1X1	1				
412	25	13764020030	CABLE TIE , 140		1				
412	26	15857512300	KNOB SUB ASSY, MAIN(D,+ -)		1				
412	26	19027512021	KNOB , LOW/LH MAIN	1X1X1	1				
412	27	19027512031	KNOB , LOW/RH MAIN	1X1X1	1				
412	28	18717512040	KNOB , UPR MAIN		1				
412	29	19027512051	BUTTON , MAIN KNOB	1X1X1	1				
412	30	19027512061	SWITCH ASSY , POWER SHIFT	1X1X1	1				
412	32	V1902603006	SCREW , TAPPING C/R PAN/3	M3X6	2				
412	33	V1122804010	SCREW , C/R FLAT	4X10	2				
412	33	V1902604020	SCREW , TAPPING C/R PAN	M4X20	3				
412	34	V2013608040	BOLT , HEX	M8X40	1				
412	35	V3042600080	NUT , HEX/2	M8	1				
412	36	19027512301GB	HUB, COMP	1X1X1	1				
412	37	19027512200	GROMET, MAIN LEVER	1X1X1	1				
412	38	19027512500	COLLAR(8.2x13x10.8)	1X1X1	2				
412	39	V2183608025	BOLT , HEX/SP	M8X25	2				
412	40	19027512600	WASHER(8.2x20x2.3)	1X1X1	2				
412	41	19557512310	HARNESS , MAIN SHIFT LEVER		1				
NOTE									

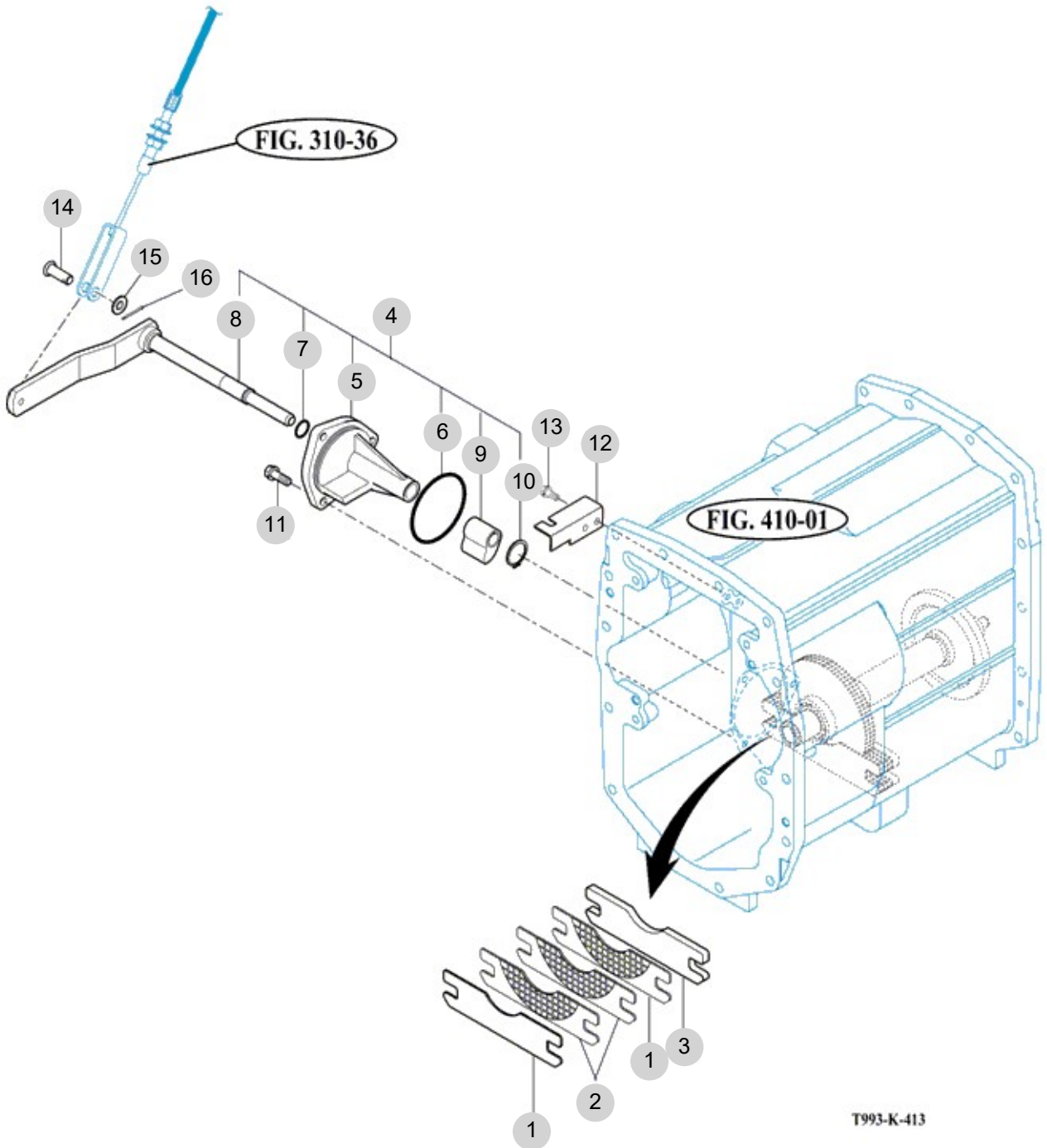
FIG 413

PARKING BRAKE

년/월
Year/Month

2022-12

T1104SP



NOTE

FIG 413 T1104SP			PARKING BRAKE				년/월 Year/Month	REMARKS
							2022-12	
KEY NO	PART NO	DESCRIPTION	SPEC	QTY	REPAIR	EFFECTIVE DATE		
413	1	19022292100	SECTOR COMP					
413	2	19022292200	SECTOR COMP(2)					
413	3	19022290020	PLATE , BRAKE					
413	4	19022295001	METAL SUB , BRAKE					
413	5	19022290031M	METAL , BRAKE					
413	5	19022290032M	METAL , BRAKE					
413	6	V7211031090	O-RING , G	1A, G90				
413	7	V7441203007	SEAL , OIL/D					
413	8	19022292302						
413	8	19022292303	LEVER COMP , PARKING BRAKE					
413	8	19022292304	LEVER COMP , PARKING BRAKE					
413	9	19022290040	CAM					
413	10	V7041400200	C-RING , SHAFT	20				
413	11	V2173610030	BOLT , HEX/S	M10X30				
413	12	19022290100	BRACKET COMP , CABLE					
413	13	V2173608020	BOLT , HEX/S	M8X20				
413	14	14322420010	PIN	M8				
413	15	V4111600080	WASHER , PLAIN	D=8				
413	16	V5001920020	PIN , SPLIT	2X20				
NOTE								

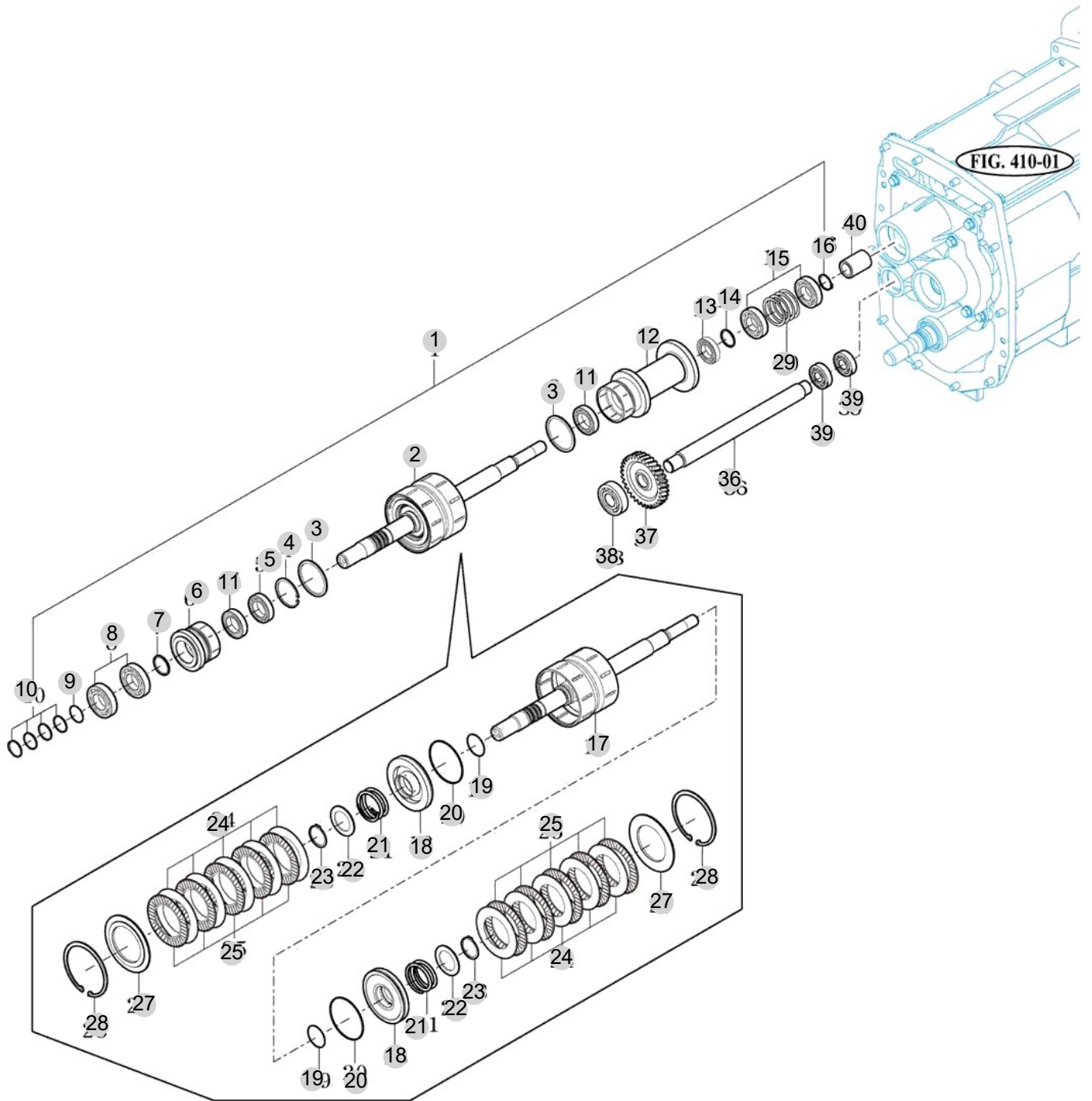
FIG 414

POWER SHUTTLE GEAR

년/월
Year/Month

2022-12

T1104SP



NOTE

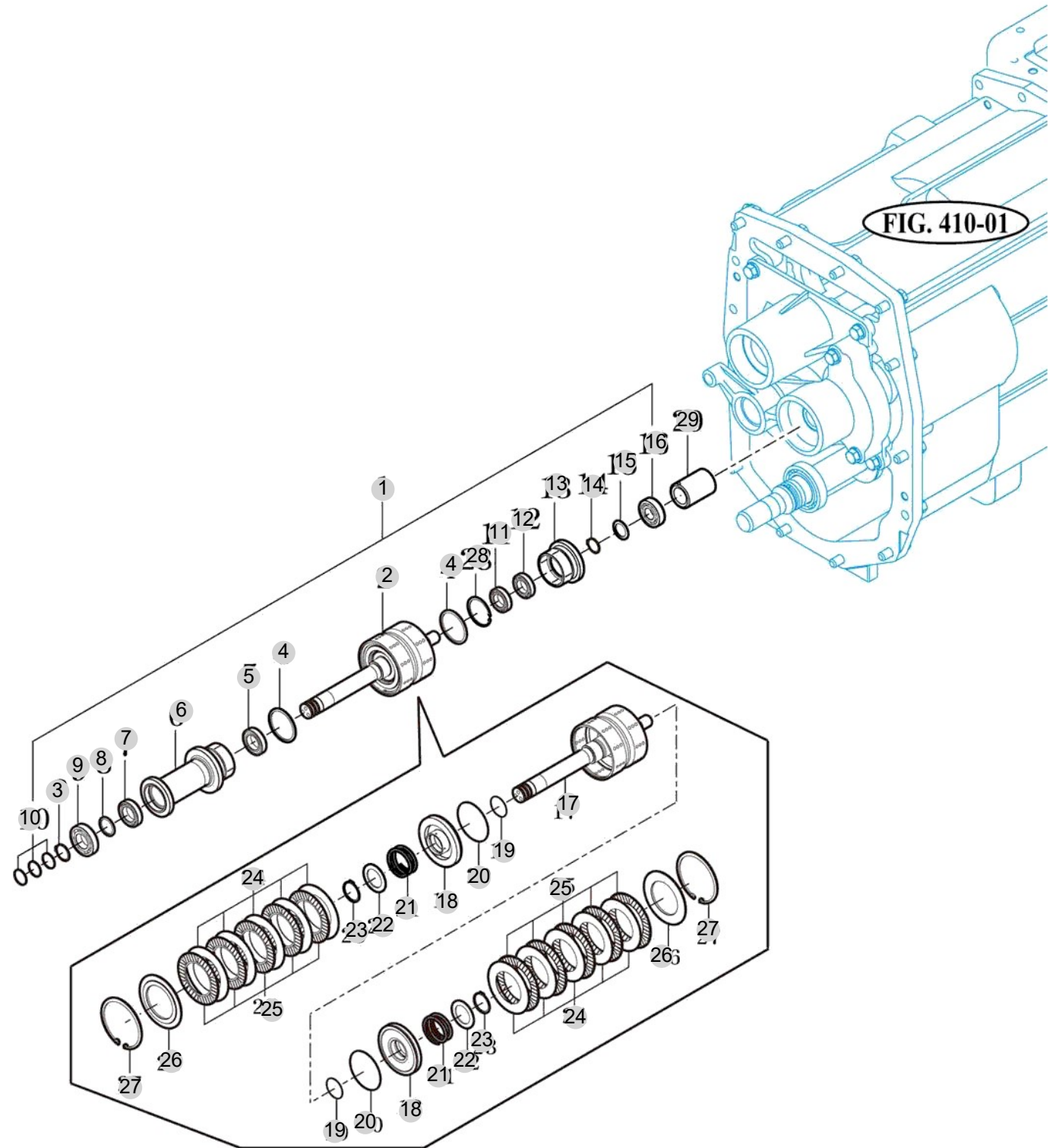
FIG 415

POWER SHIFT GEAR

년/월
Year/Month

T1104SP

2022-12



NOTE

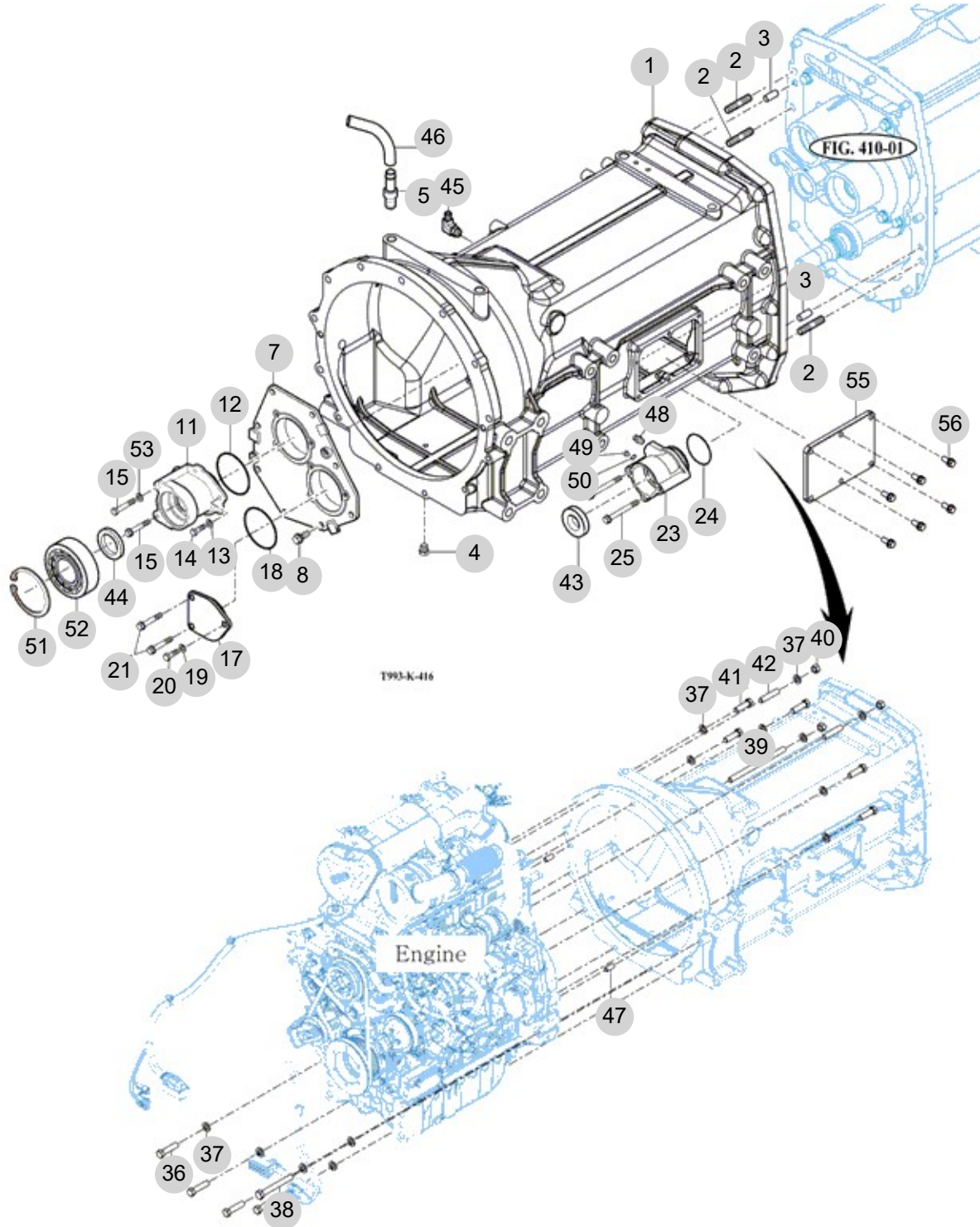
FIG 416

CASE, FR TRANSMISSION

년/월
Year/Month

T1104SP

2022-12



NOTE

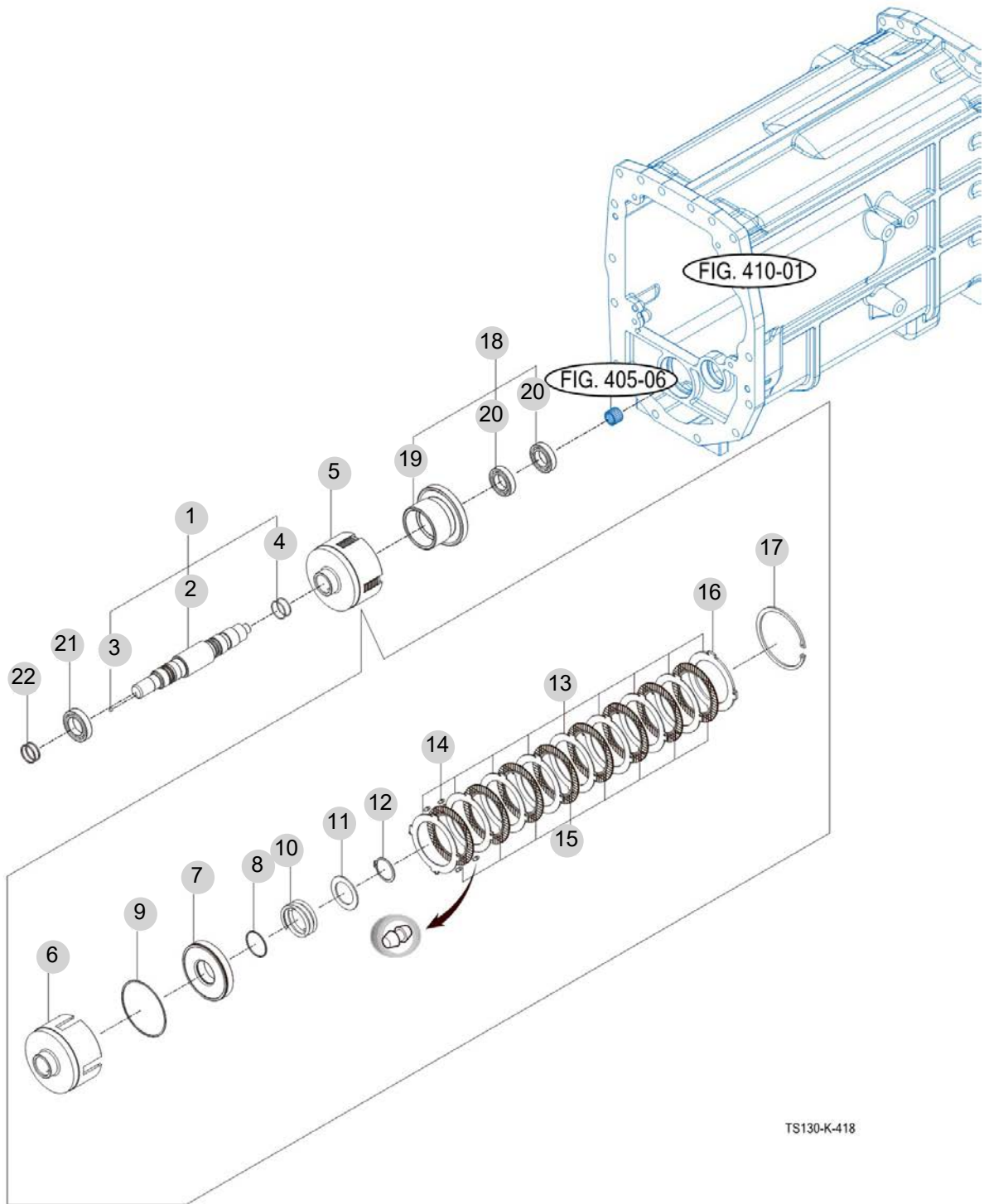
FIG 420

T1104SP

4WD SHAFT SUB (CP6A)

년/월
Year/Month

2022-12



NOTE

5. Front Axle PART NO. T5

FIG 501 FRONT AXLE SUPPORTER	182
FIG 502 FRONT DRIVE SHAFT	185
FIG 503 FRONT AXLE HOUSING	187
FIG 504 FRONT DIFFERENTIAL GEARS	189
FIG 505 FRONT GEAR CASE (1)	191
FIG 506 FRONT GEAR CASE (2)	193
FIG 507 FRONT GEAR CASE (3)	195
FIG 508 MUD GUARD ASSY	197

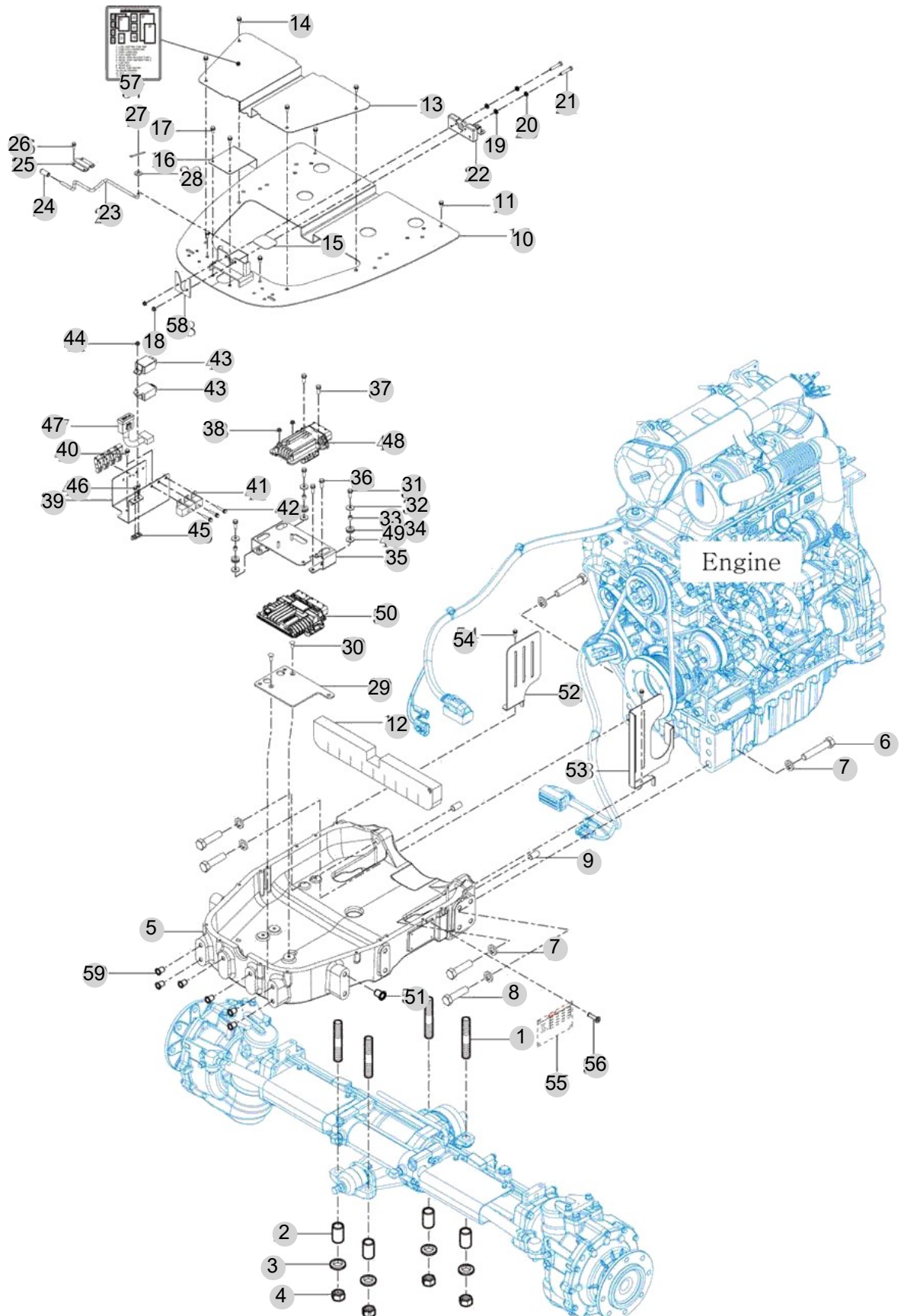
FIG 501

FRONT AXLE SUPPORTER

T1104SP

년/월
Year/Month

2022-12



NOTE

FIG 501		FRONT AXLE SUPPORTER					년/월 Year/Month	
T1104SP							2022-12	
KEY NO	PART NO	DESCRIPTION	SPEC	QTY	REPAIR	EFFECTIVE DATE	REMARKS	
501	1	19023251870	BOLT , STUD			4		
501	2	S2155901000	BUSH , 18.5X24X35			4		
501	3	S2159903000	COLLAR , 19X35X6			4		
501	4	15189240180	NUT,M18xP2.5			4		
501	5	18711021101M	FRONT AXLE SUPPORT			1		
501	6	V2034620110	BOLT , HEX FINE	M20X110		2		
501	7	V4011600120	WASHER , SPRING	M20		6		
501	8	V2034620080	BOLT , HEX FINE	M20X80		4		
501	9	18711021200	PARALLEL PIN 18X35	18X35		2		
501	10	18711071102GB	PLATE COMP , GRILL			1		
501	11	V2183608020	BOLT , HEX/SP	M8X20		4		
501	12	18711030500	INSULATOR			1		
501	13	18711071200GB	COVER COMP , DCU RELAY			1		
501	13	19641071200GB	COVER COMP , / DCU RELAY			1		
501	14	V2183608020	BOLT , HEX/SP	M8X20		4		
501	15	13016400010	SEAL , BATTERY BRACKET			1		
501	16	18711071300GB	COVER , FR PTO HOLE			1		
501	17	V2123606016	BOLT , HEX /SP	M6X16		2		
501	18	V3802600060	NUT , HEX FLANGE	M6		2		
501	19	V4111600060	WASHER , PLAIN	M6		2		
501	20	V4011600060	WASHER , SPRING	M6		2		
501	21	V2053606040	BOLT , HEX C/R	M6X40		2		
501	22	17686020600	LOCK COMP . HOOD			1		
501	23	18716020010	PIN , HOOD LOCK			1		
501	24	21615250020	GRIP , LEVER/RED			1		
501	25	18506020020GB	PLATE , PIN GUIDE			1		
501	26	V2113606016	BOLT , HEX /S	M6X16		4		
501	27	V5001920020	PIN , SPLIT			1		
501	28	V4111600060	WASHER , PLAIN	M6		1		
501	29	18711046600GB	BASE PLATE , ECU			1		
501	29	18711046601GB	PLATE COMP , ECU			1		
501	30	V1122808020	SCREW , C/R FLAT	M8X20		2		
501	31	V2173608025	BOLT , HEX/S	M8X25		3		
501	32	15991040050	COLLAR , 08X12X08			3		
501	33	35602010150	WASHER , BIND SHAFT			3		
501	34	14046210300	GROMMET			3		
501	35	18711071401GB	PLATE COMP , ECU			1		
501	36	V2123606025	BOLT , HEX /SP	M6X25		4		
501	37	V2123606025	BOLT , HEX /SP	M6X25		2		
501	38	V3802600060	NUT , HEX FLANGE	M6		2		
501	39	18711081101GB	PLATE COMP , FUSE			1		
501	39	19641612200GB	BRACKET COMP , FUSE BOX			1		
501	40	V2183608016	BOLT , HEX/SP	M8X16		2		
501	41	17686641110	RELAY , PREHEAT			3		
501	42	V2123606012	BOLT , HEX /SP	M6X12		3		
NOTE								

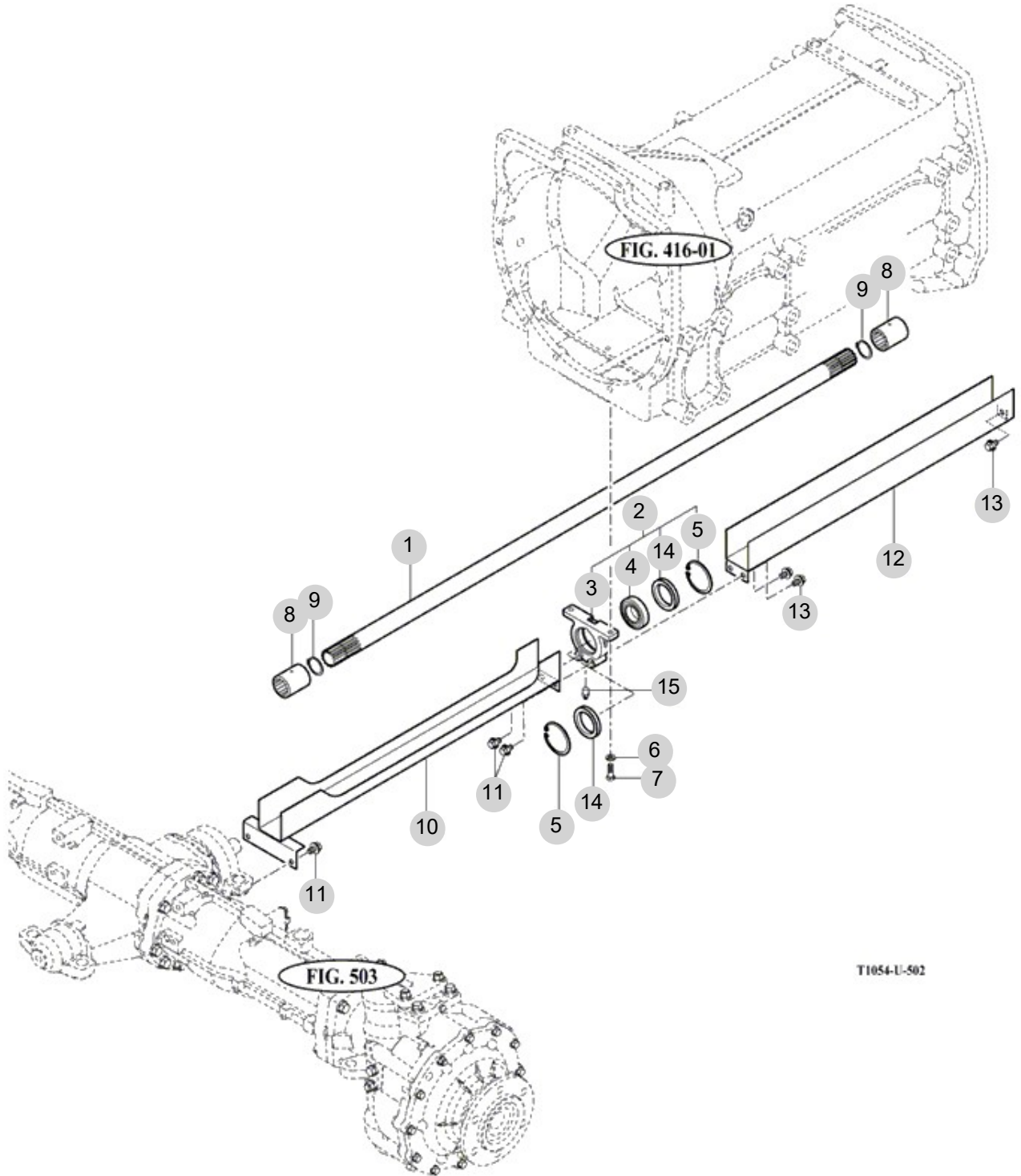
FIG 502

T1104SP

FRONT DRIVE SHAFT

년/월
Year/Month

2022-12



NOTE

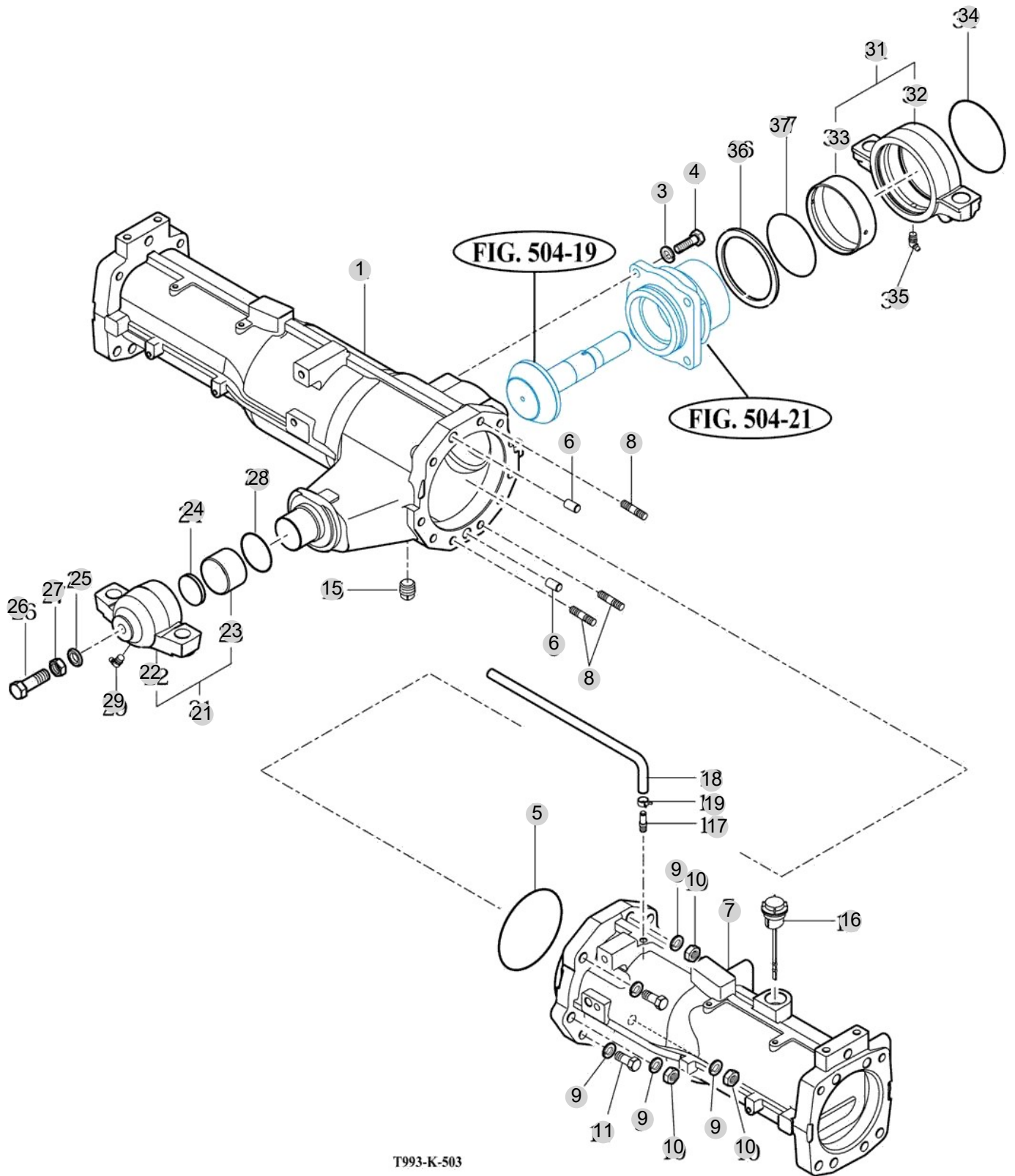
FIG 503

FRONT AXLE HOUSING

년/월
Year/Month

2022-12

T1104SP



T993-K-503

NOTE

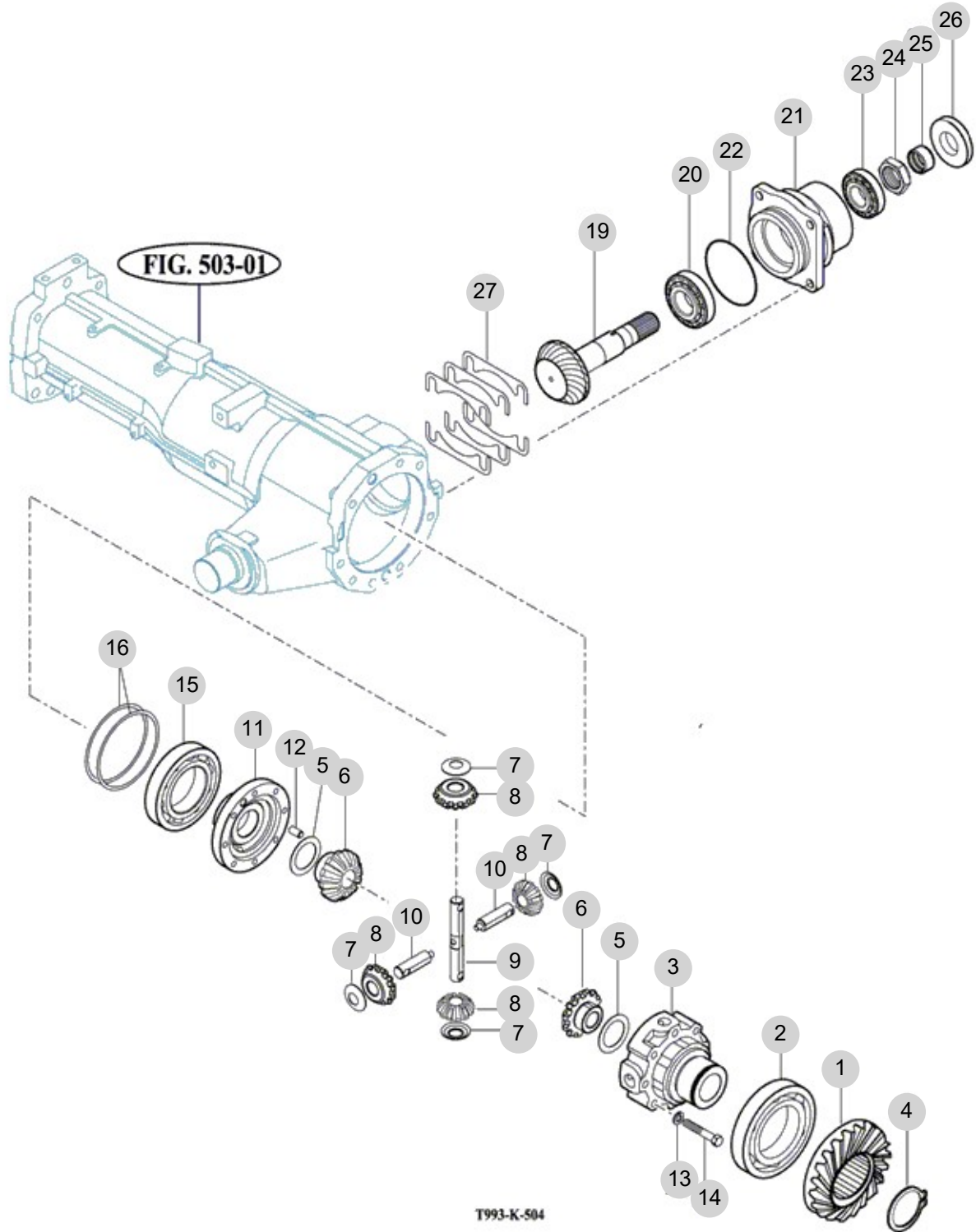
FIG 504

FRONT DIFFERENTIAL GEARS

년/월
Year/Month

2022-12

T1104SP



T993-K-504

NOTE

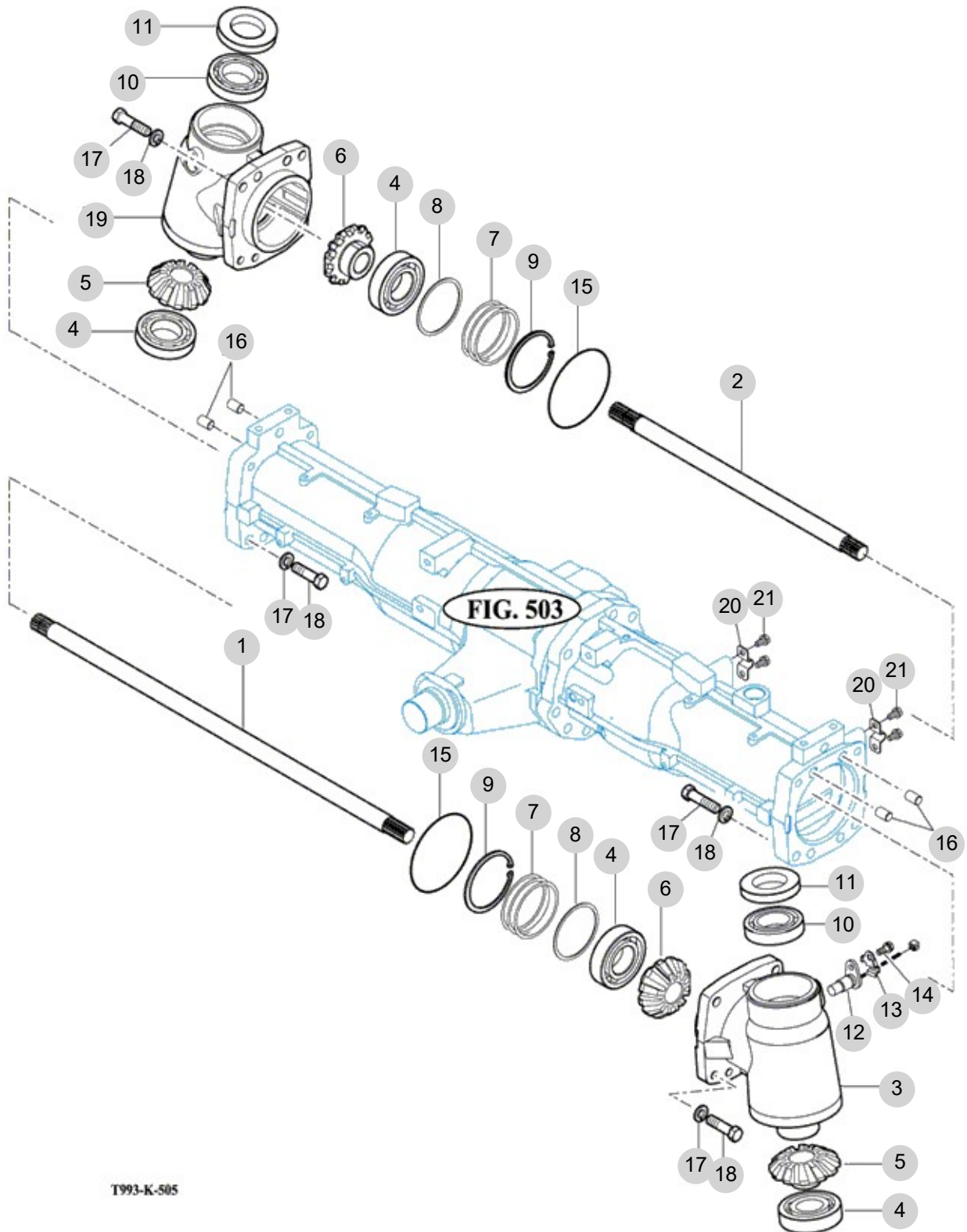
FIG 505

T1104SP

FRONT GEAR CASE (1)

년/월
Year/Month

2022-12



T993-K-505

NOTE

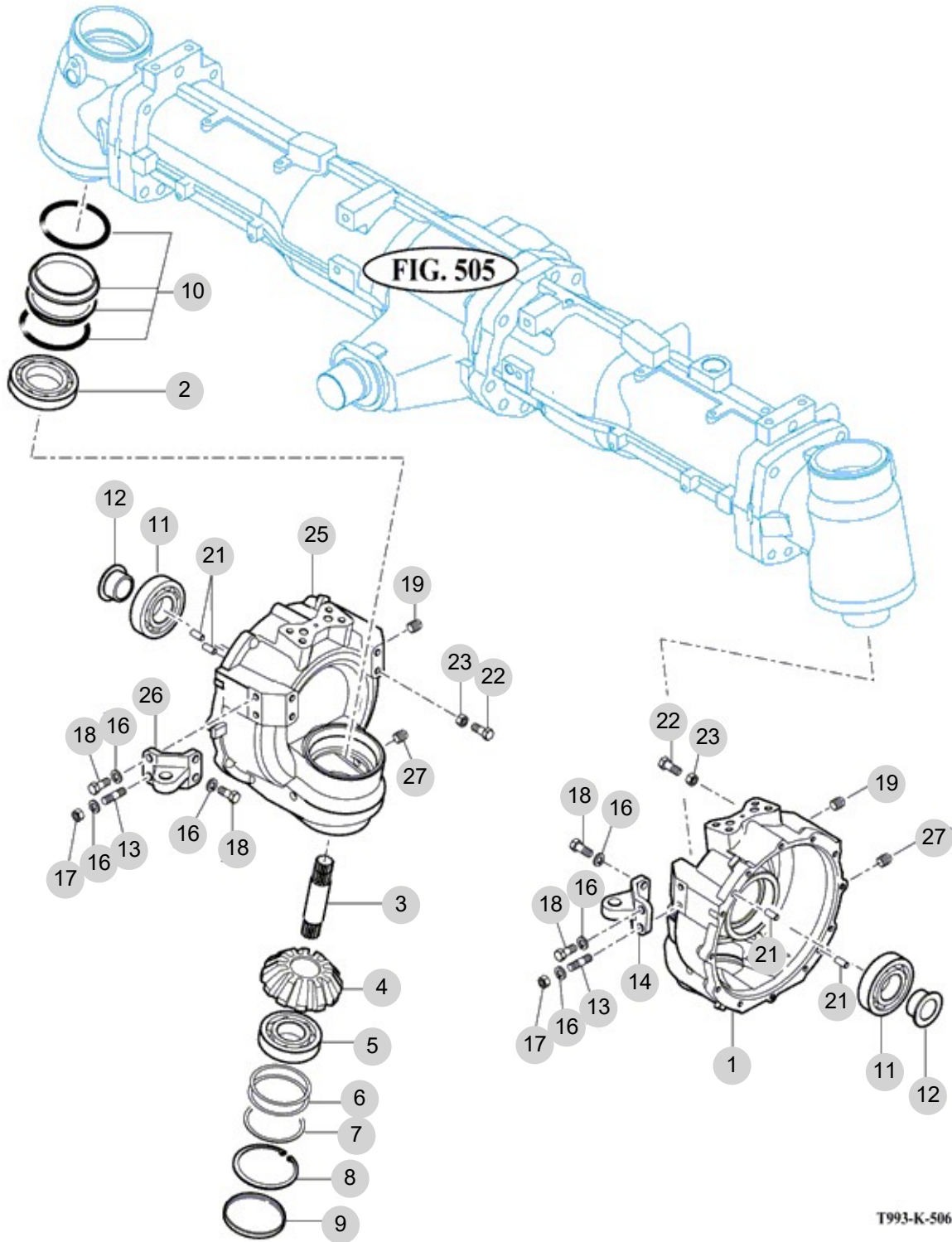
FIG 506

T1104SP

FRONT GEAR CASE (2)

년/월
Year/Month

2022-12



T993-K-506

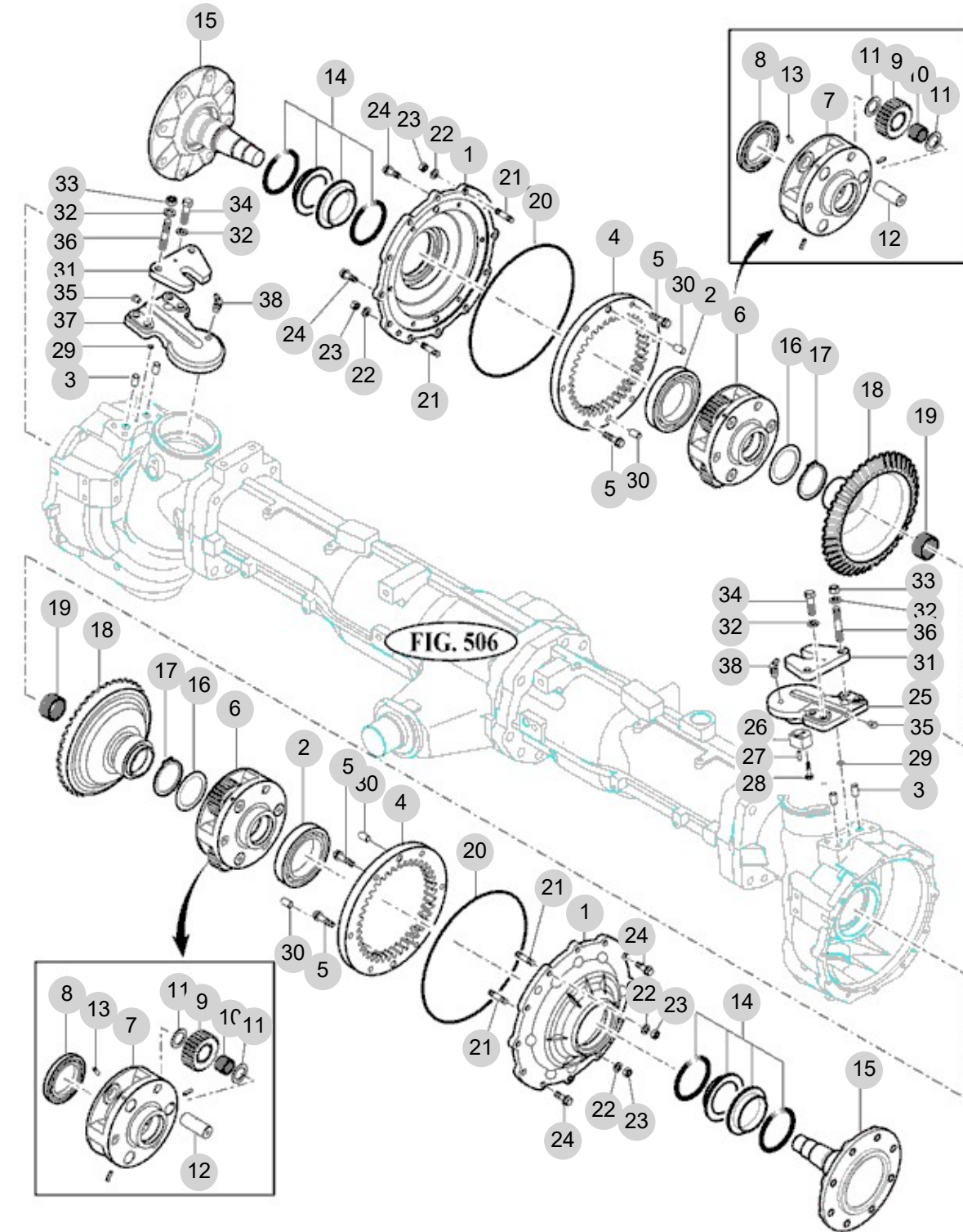
NOTE

FIG 507

FRONT GEAR CASE (3)

년/월
Year/Month

2022-12



T953-K-507

NOTE

FIG 507 T1104SP		FRONT GEAR CASE (3)					년/월 Year/Month 2022-12	
KEY NO	PART NO	DESCRIPTION	SPEC	QTY	REPAIR	EFFECTIVE DATE	REMARKS	
507	1	19024130131M	COVER , WHEEL					
507	2	V6001106016	BEARING , BALL	6016				
507	3	V5201012020	PIN , PARALLEL/A	12X20(A)				
507	4	19024132021	GEAR , SPUR 60T					
507	5	V2174610040	BOLT , HEX /S	M10X40				
507	6	19024132102	PLANET GEAR ASSY					
507	7	19024132110M	HOUSING , PLANET GEAR					
507	8	V6001116013	BEARING , BALL	16013				
507	9	19024132120	GEAR , SPUR19T					
507	10	15683020010	BEARING , NEEDLE 253224	KT253224				
507	11	19024132130	WASHER , 25X40X2					
507	12	19024132141	PIN , 25X62					
507	13	V5801406022	PIN .SPRING	6X22				
507	14	17994420020	SEAL , MECHANICAL					
507	15	19404130150	SHAFT , WHEEL					
507	16	19024130160	WASHER , 50X65X3					
507	17	V7041400500	C-RING , SHAFT	50				
507	18	19024130080	GEAR , BEVEL 37T					
507	19	V6544404825	BEARING , NEEDLE CAGED	KT404825				
507	20	V7211057270	O-RING , G	1A, G270				
507	21	V2514410030	BOLT , STUD/2	M10X30				
507	22	V4011600100	WASHER , SPRING	M10				
507	23	V3043600100	NUT , HEX/2	M10				
507	24	V2174610030	BOLT , HEX/S	M10X30				
507	25	19024130174M	METAL , PIVOT/LH					
507	26	19024142102	INDICATOR					
507	27	V5201006016	PIN , PARALLEL/A	6X16(A)				
507	28	V2123606030	BOLT . HEX /SP	M6X30				
507	29	V7201019007	O-RING , P	1A, P7				
507	30	V5201012020	PIN , PARALLEL/A	12X20(A)				
507	31	19024130193	PLATE , GUIDE	T=16				
507	32	V4011600120	WASHER , SPRING	M12				
507	33	V3043600120	NUT , HEX/2	M12				
507	34	V2014612040	BOLT , HEX	M12X40				
507	35	V7801000002	PLUG , HEX-SOCKET	R1/8				
507	36	V2513412055	BOLT , STUD/2	M12X55				
507	37	19024130271M	METAL , PIVOT/RH					
507	38	V7631500000	NIPPLE , GREASE/B-PT	B-PT 1/8				
NOTE								

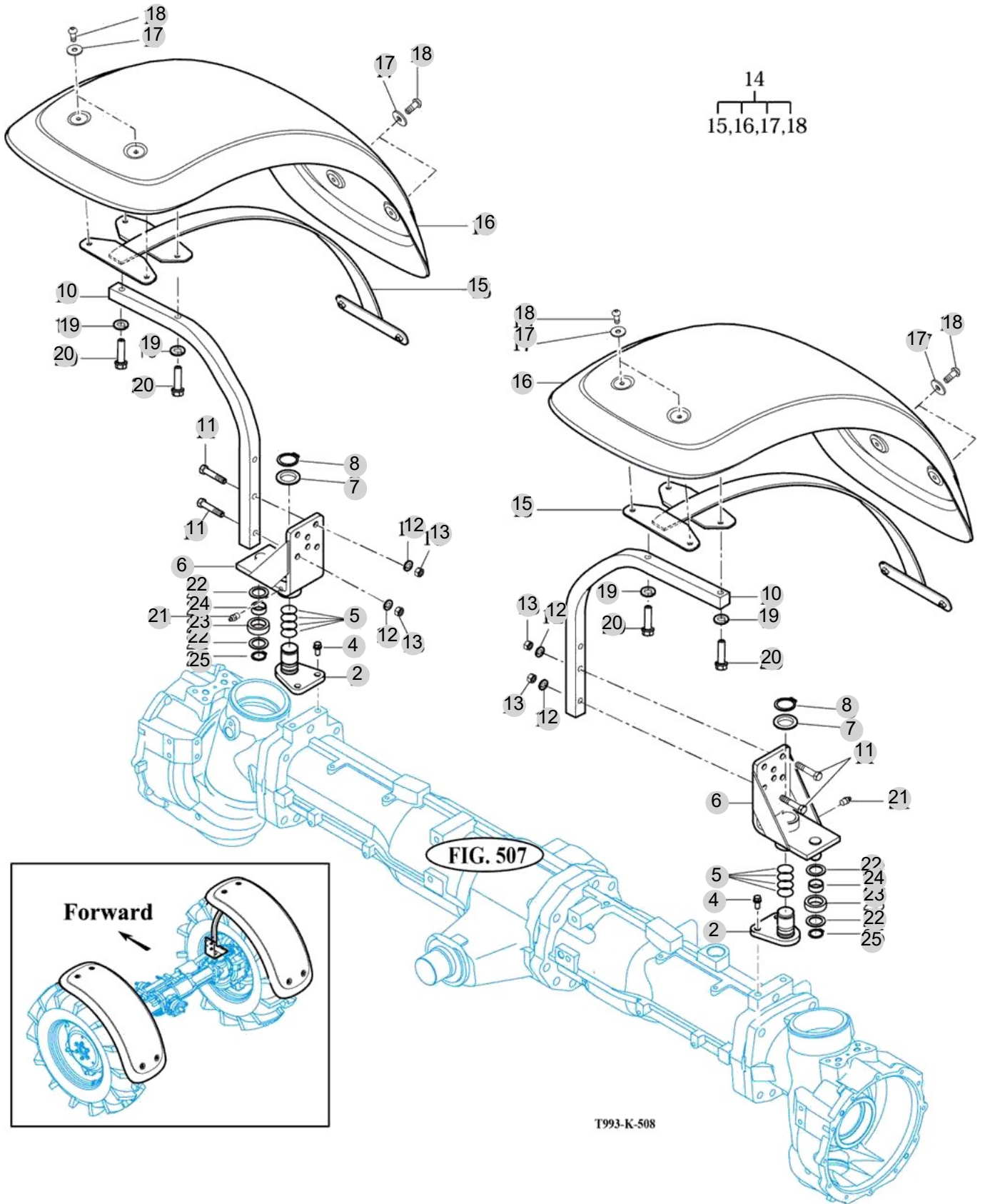
FIG 508

MUD GUARD ASSY

년/월
Year/Month

2022-12

T1104SP



NOTE

6. Hydraulic/3P-Link PART NO. T6

FIG 601 VALVE SUB, SHIFT	200
FIG 601-2 VALVE SUB, MAIN	202
FIG 602 DRAWBAR ASSY	204
FIG 603 FILTER SUB, SUCTION	206
FIG 603-2 GEAR PUMP ASSY	208
FIG 604 CASE, CYLINDER	210
FIG 605 ARM SUB, LIFT	212
FIG 606 MAIN CONTROL VALVE SUB	214
FIG 607 AUX VALVE & FILTER SUB	216
FIG 607-2 LEVER SUB, AUX	218
FIG 608 HITCH & 3-POINT LINK	220
FIG 608-2 LOWER LINK & LIFT ROD	222
FIG 609 HYDRAULIC PIPE & HOSES	224
FIG 609-2 HYDRAULIC PIPE & HOSES	226
FIG 610 JOYSTICK	228
FIG 610-2 JOYSTICK	230

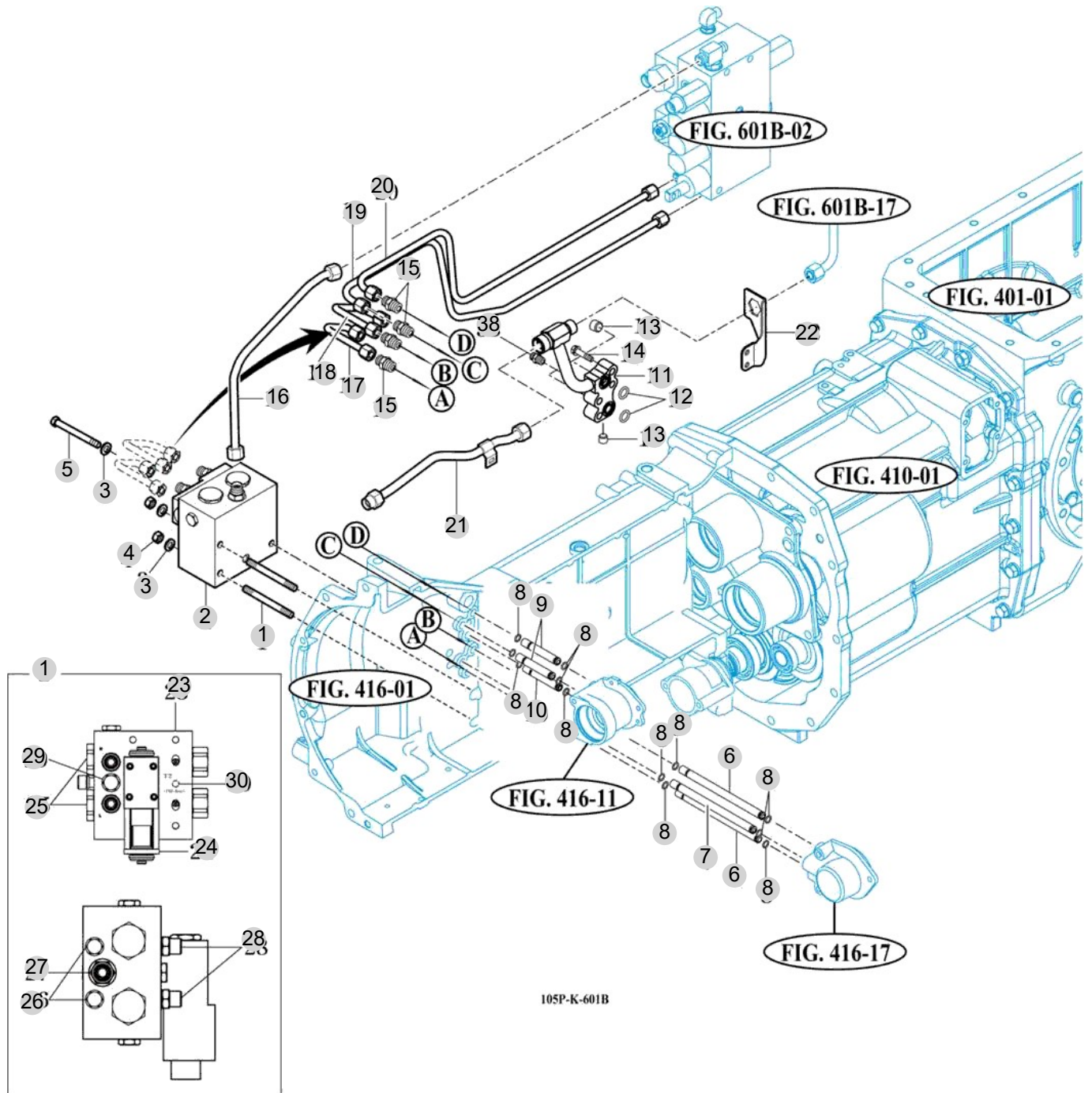
FIG 601

VALVE SUB, SHIFT

년/월
Year/Month

2022-12

T1104SP



NOTE

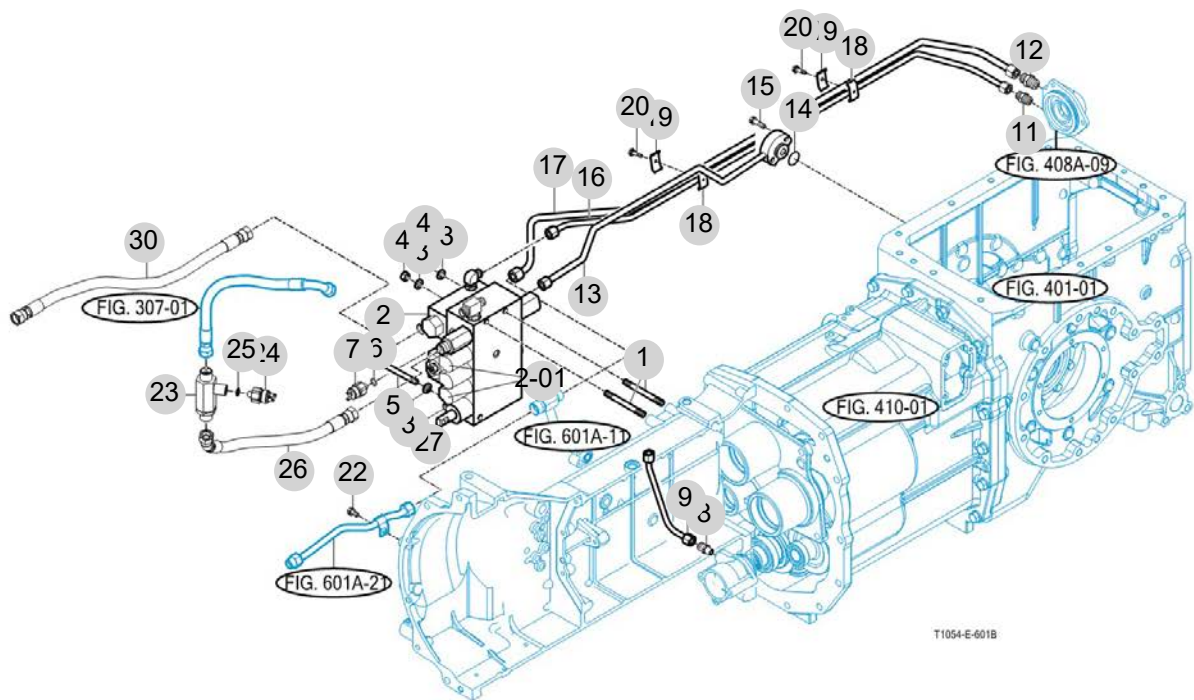
FIG 601-2

T1104SP

VALVE SUB, MAIN

년/월
Year/Month

2022-12



NOTE

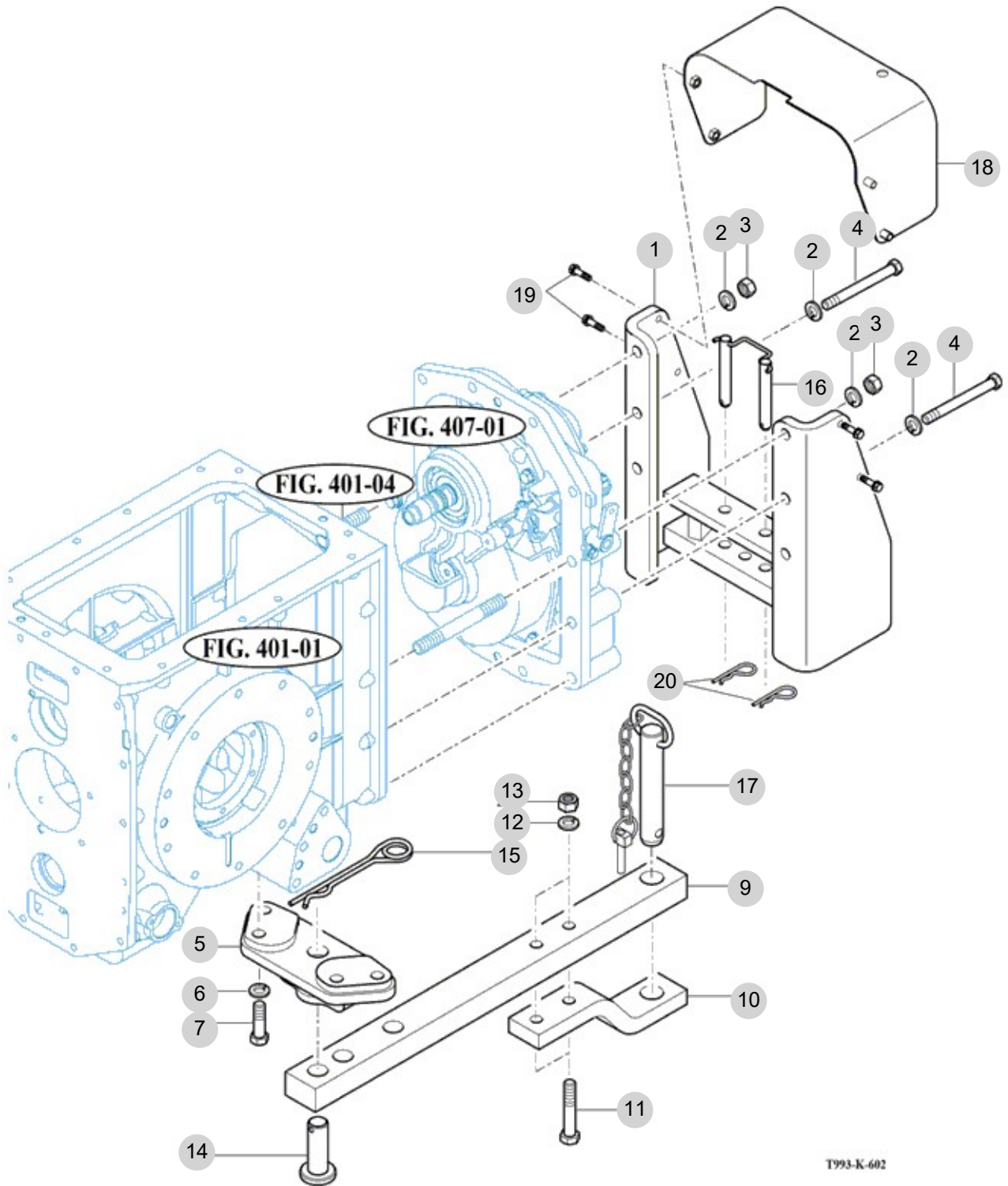
FIG 602

DRAWBAR ASSY

년/월
Year/Month

2022-12

T1104SP



T993-K-602

NOTE

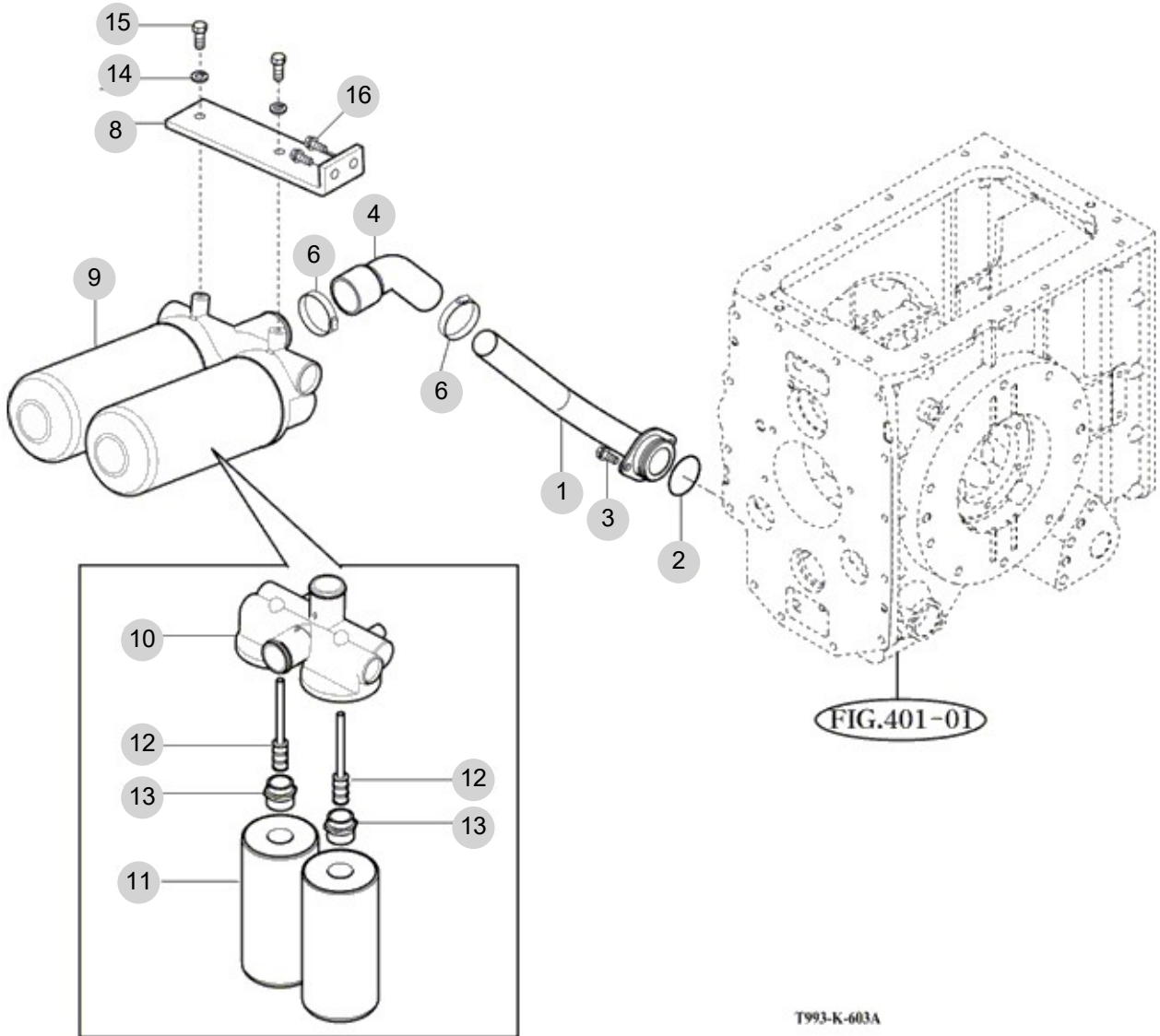
FIG 603

FILTER SUB, SUCTION

년/월
Year/Month

2022-12

T1104SP



NOTE

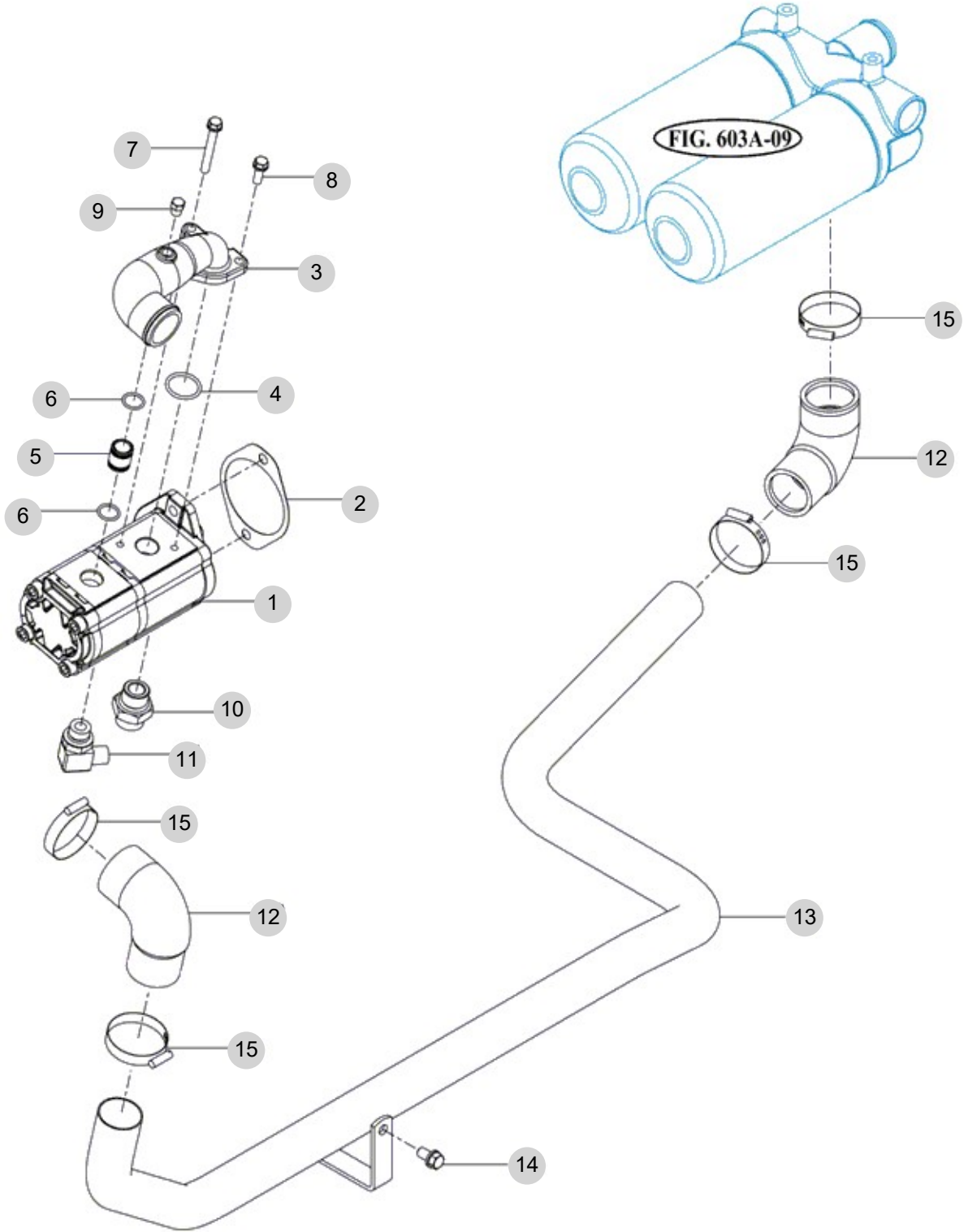
FIG 603-2

T1104SP

GEAR PUMP ASSY

년/월
Year/Month

2022-12



NOTE

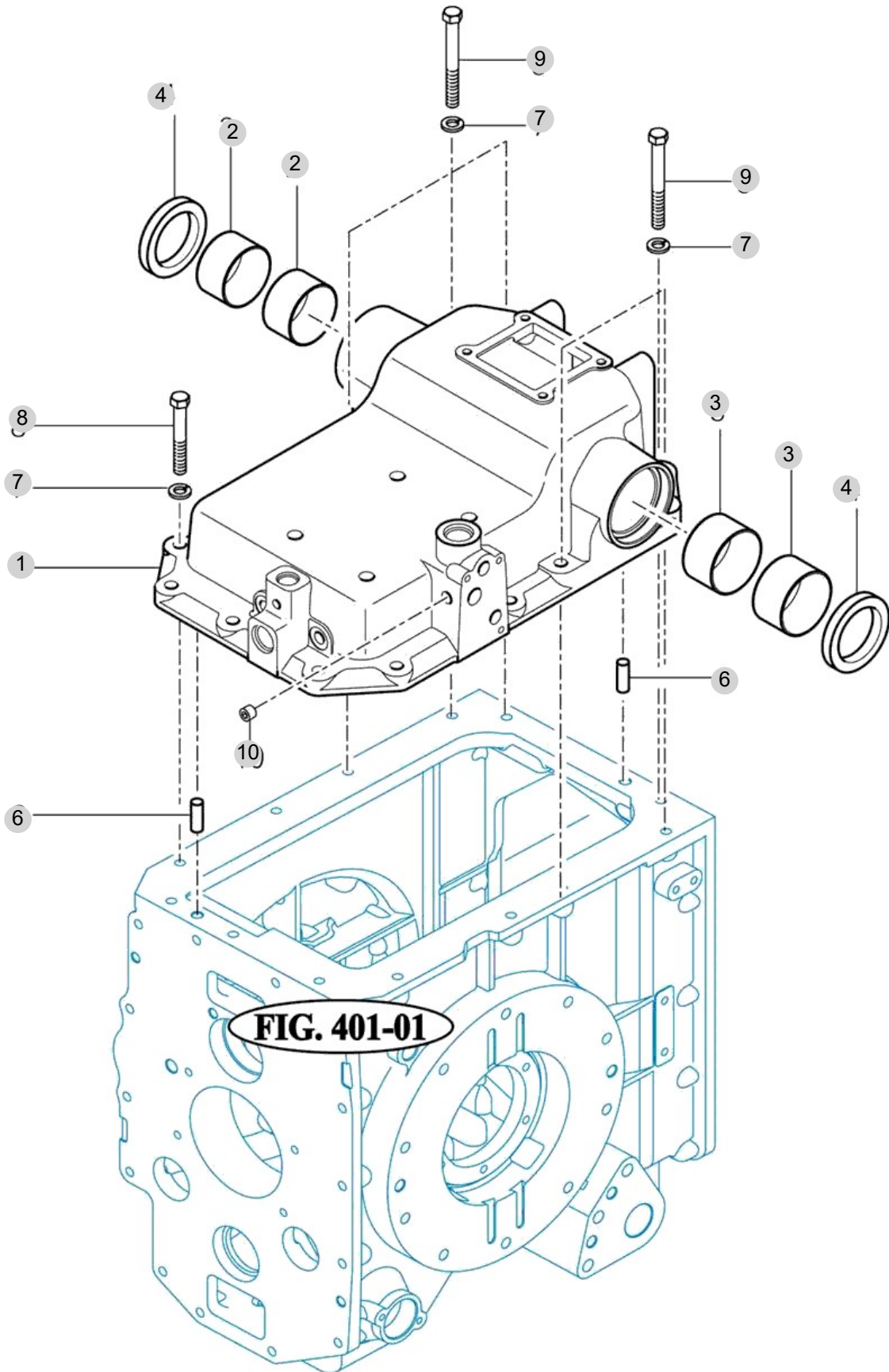
FIG 604

CASE, CYLINDER

년/월
Year/Month

2022-12

T1104SP



NOTE

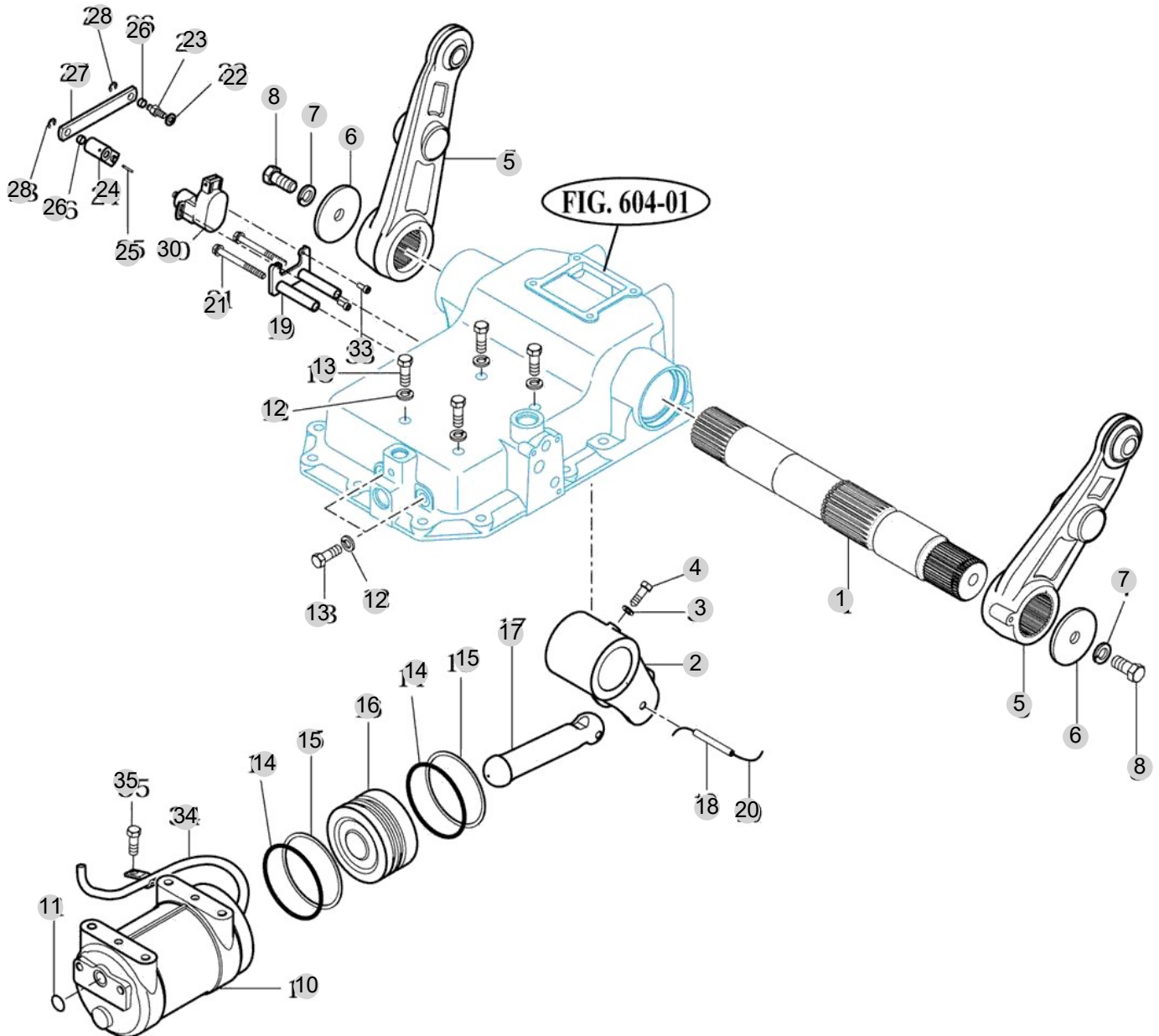
FIG 605

T1104SP

ARM SUB, LIFT

년/월
Year/Month

2022-12



NOTE

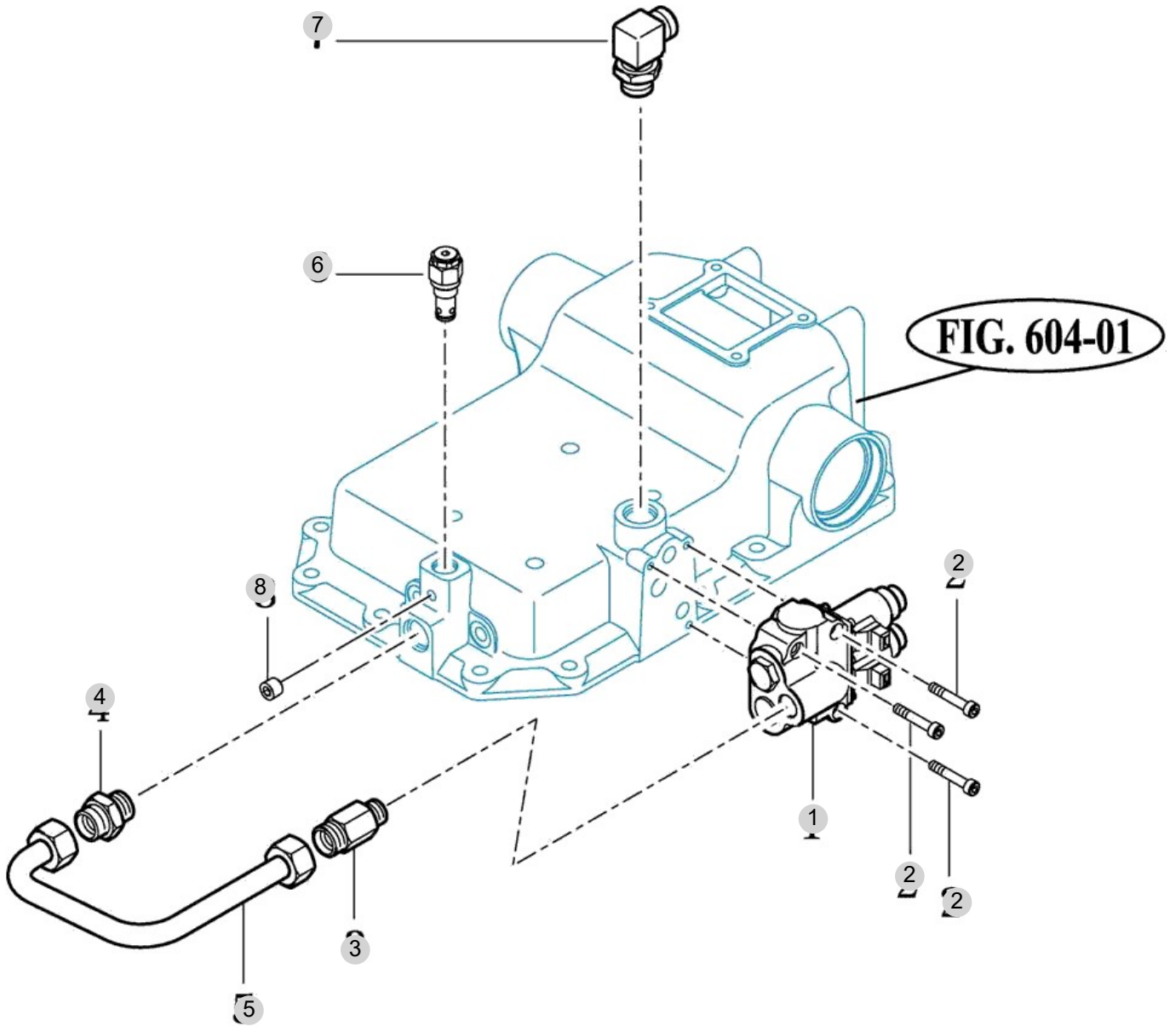
FIG 606

T1104SP

MAIN CONTROL VALVE SUB

년/월
Year/Month

2022-12



T993-K-606

NOTE

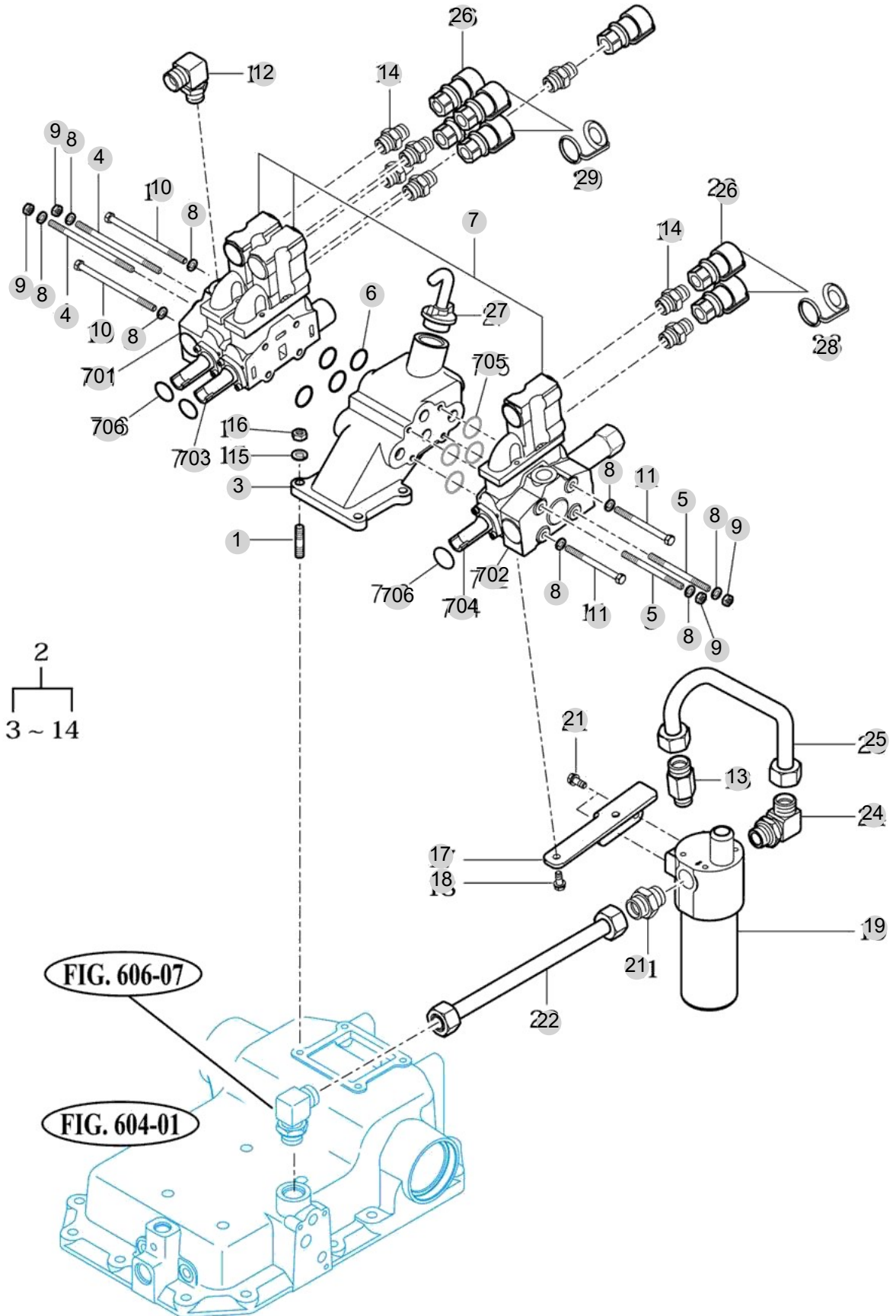
FIG 607

T1104SP

AUX VALVE & FILTER SUB

년/월
Year/Month

2022-12



NOTE

FIG 607 T1104SP		AUX VALVE & FILTER SUB						년/월 Year/Month
								2022-12
KEY NO	PART NO	DESCRIPTION		SPEC	QTY	REPAIR	EFFECTIVE DATE	REMARKS
607	1	V2513410030	BOLT , STUD/2	M10X30	4			
607	2	19145151000	AUX VALVE SUB	1X1X1	1			
607	2	18715151000	AUX VALVE SUB		1			
607	2	18715151001	AUX VALVE SUB		1			
607	3	19025110094M	CASE , AUX	1X1X1	1			
607	4	19125151011	STUDBOLT , M8X150	11T	2			
607	5	19025151022	STUDBOLT , M8X95	11T	2			
607	6	V7211031025	O-RING , G	1A, G25	4			
607	7	19145152001	VALVE ASSY , AUXI		1			
607	701	19025152101	COVER SUB , INLET	1X1X1	1			
607	702	19025152201	COVER SUB , OUTLET	1X1X1	1			
607	703	19025152301	AUX VALVE SUB , D/A	1X1X1	2			
607	704	19125152601	AUX VALVE SUB , FLOAT 3/DETENT		1			
607	705	19025152020	O-RING, AUX VALVE	1X1X1	16			
607	706	V7231020024	O-RING , S		3			
607	8	19025152020	O-RING, AUX VALVE	1X1X1	8			
607	9	V3043600080	NUT , HEX/2	M8	4			
607	10	V2014608140	BOLT , HEX	M8X140	2			
607	11	V2014608095	BOLT , HEX	M8X95	2			
607	12	19025151030	ELBOW , M22 PF3/4	1X1X1	1			
607	13	19025140054	UNION , M22 M28	"HEX,B=30"	1			
607	14	19025153321	UNION , M22 PT1/2	HEX B=27	7			
607	15	V4011600100	WASHER , SPRING	M10	4			
607	16	V3042600100	NUT , HEX/2	M10	4			
607	17	19025150040	PLATE , FILTER	T=6.0	1			
607	18	V2173608020	BOLT , HEX/S	M8X20	2			
607	19	19025153103	FILTER ASSY , HIGH PRESSURE		1			
607	20	19025153110	ELEMENT , HIGH	1X1X1	1			
607	21	V2173608020	BOLT , HEX/S	M8X20	2			
607	22	19025140060	UNION , PF3/4 M28	"HEX,B=36"	1			
607	23	19025142203	PIPE COMP , MAIN VALVE	1X1X1	1			
607	24	19025140071	ELBOW , PF3/4 M28	1X1X1	1			
607	25	19025142401	PIPE COMP , FILTER	1X1X1	1			
607	26	16995152360	COUPLING , 1/2		7			
607	27	18715110110	CAP ASSY , OIL		1			
607	28	18715152410	CAP , DUST BLUE		2			
607	29	18715152420	CAP , DUST Green		2			
NOTE								

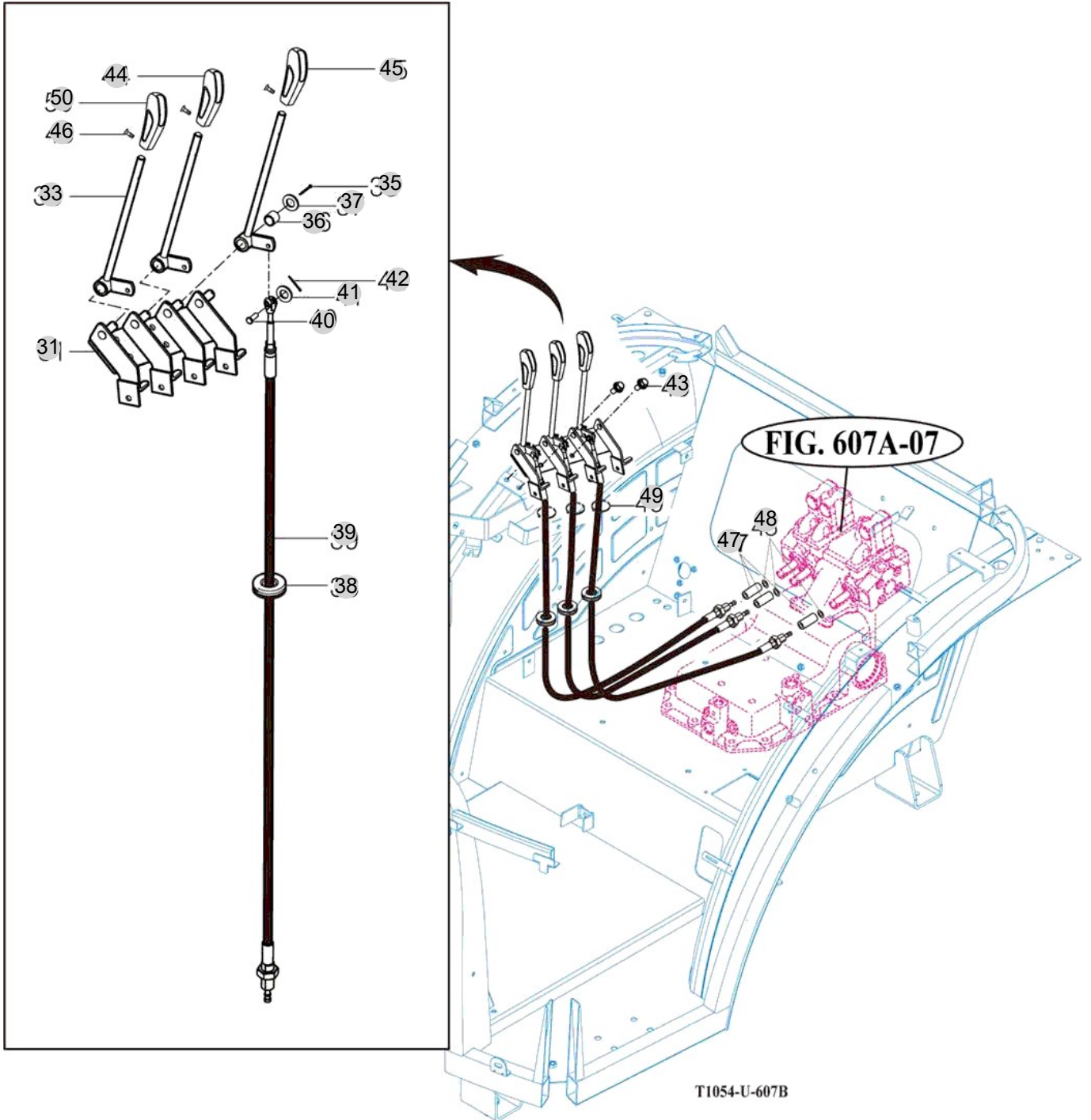
FIG 607-2

LEVER SUB, AUX

년/월
Year/Month

T1104SP

2022-12



T1054-U-607B

NOTE

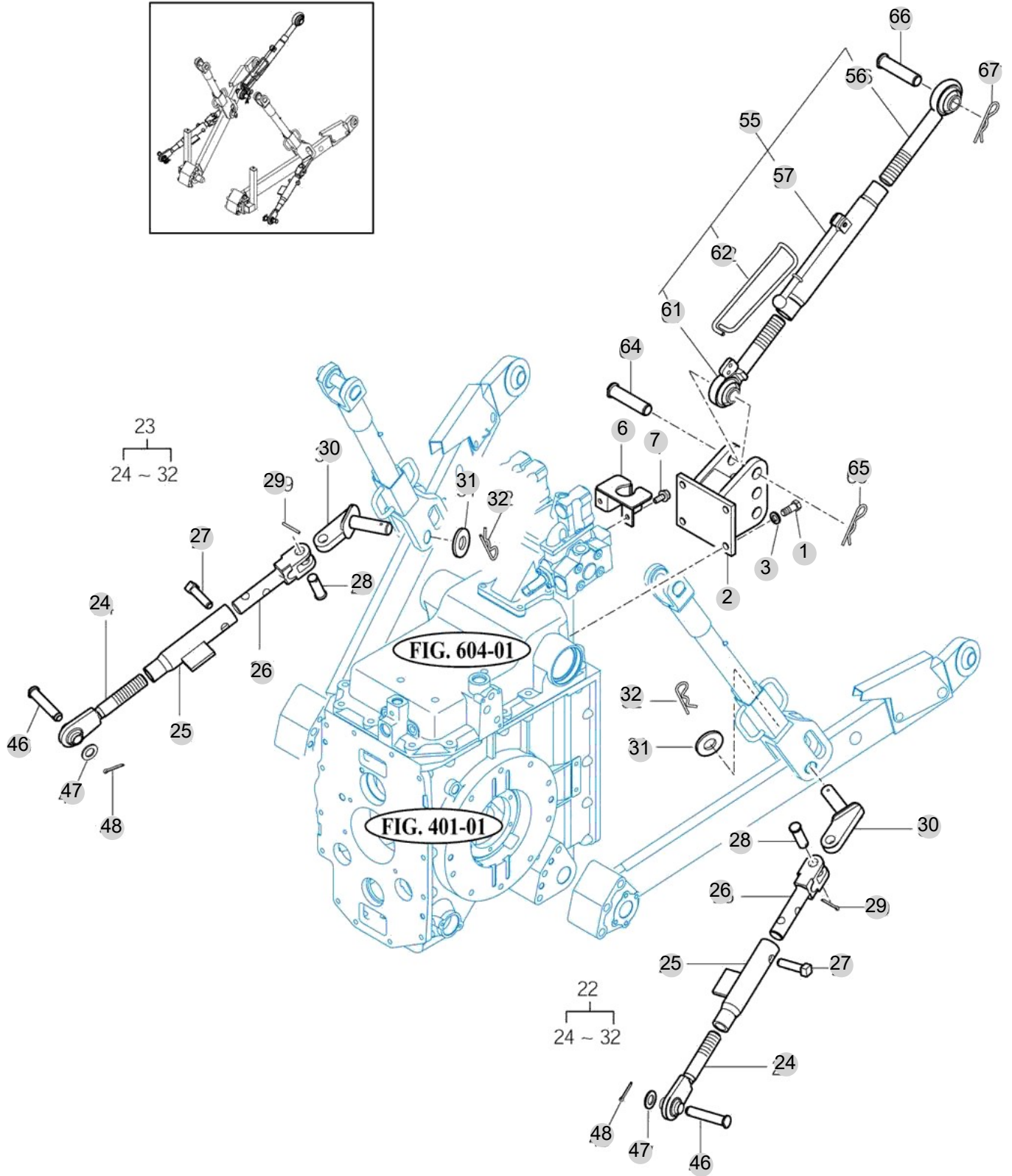
FIG 608

T1104SP

HITCH & 3-POINT LINK

년/월
Year/Month

2022-12



NOTE

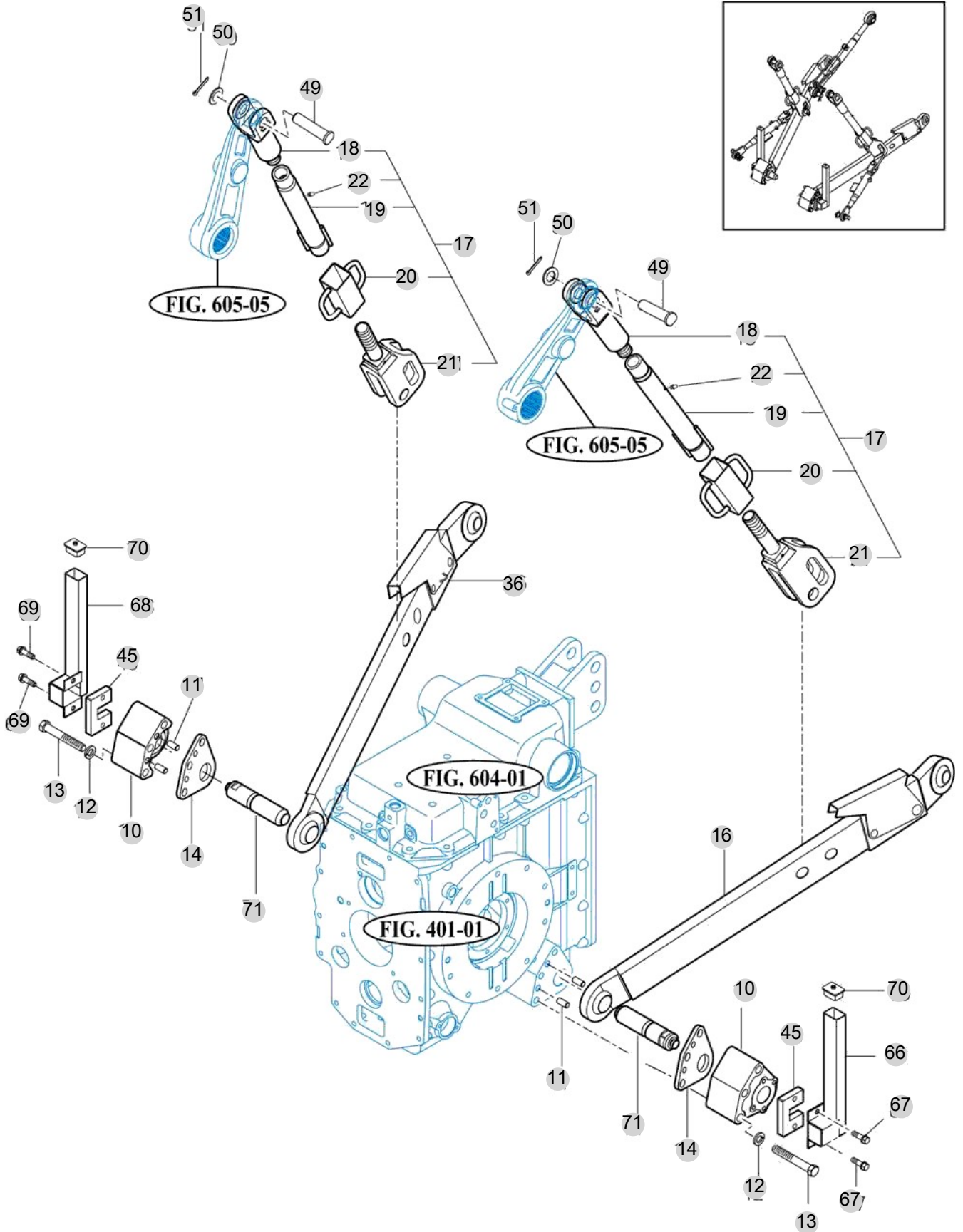
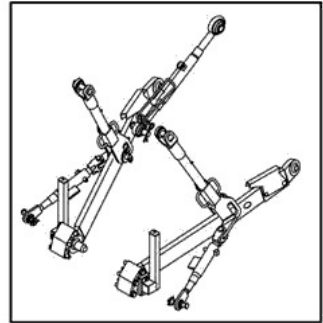
FIG 608-2

LOWER LINK & LIFT ROD

년/월
Year/Month

2022-12

T1104SP



NOTE

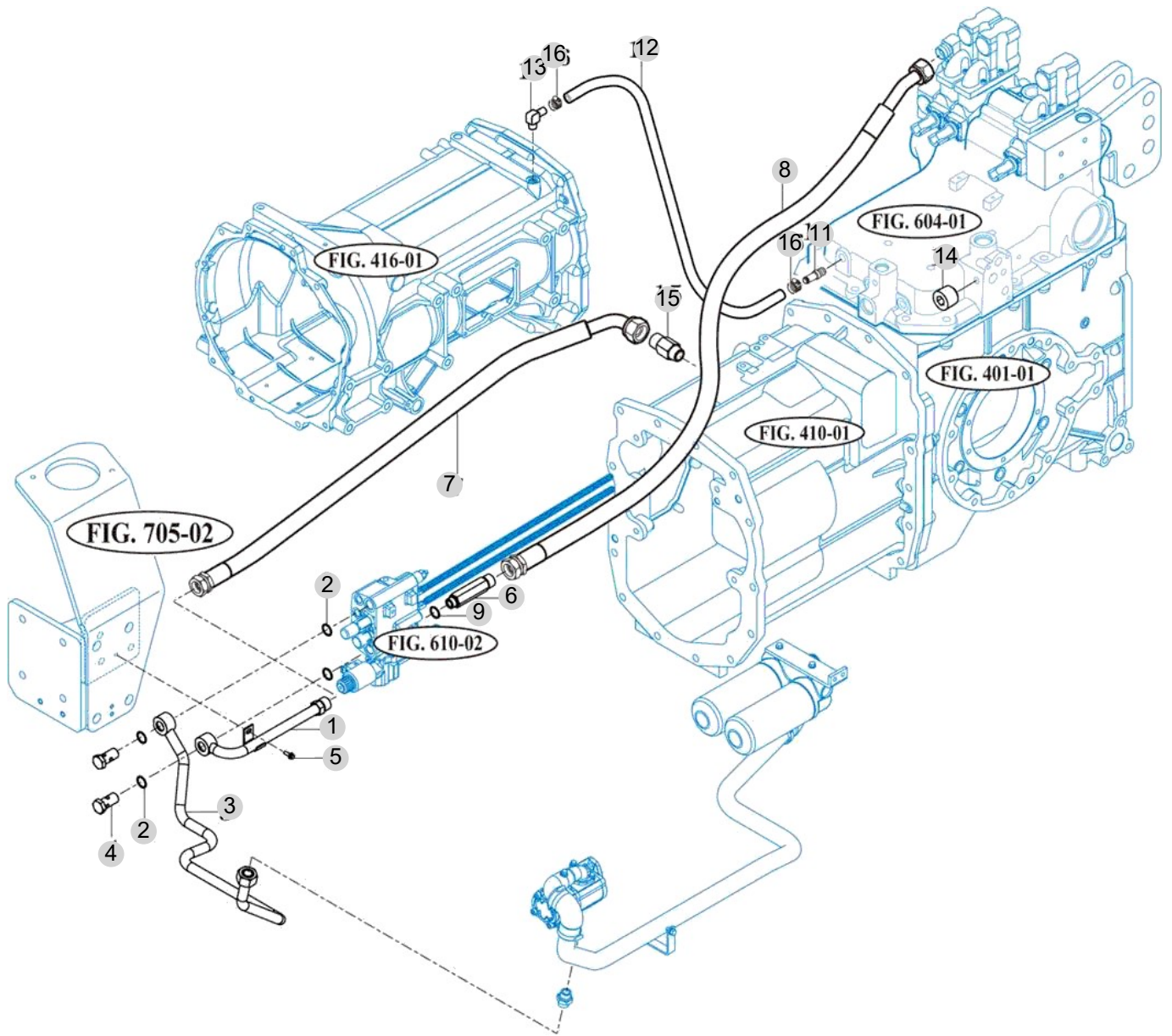
FIG 609

T1104SP

HYDRAULIC PIPE & HOSES

년/월
Year/Month

2022-12



NOTE

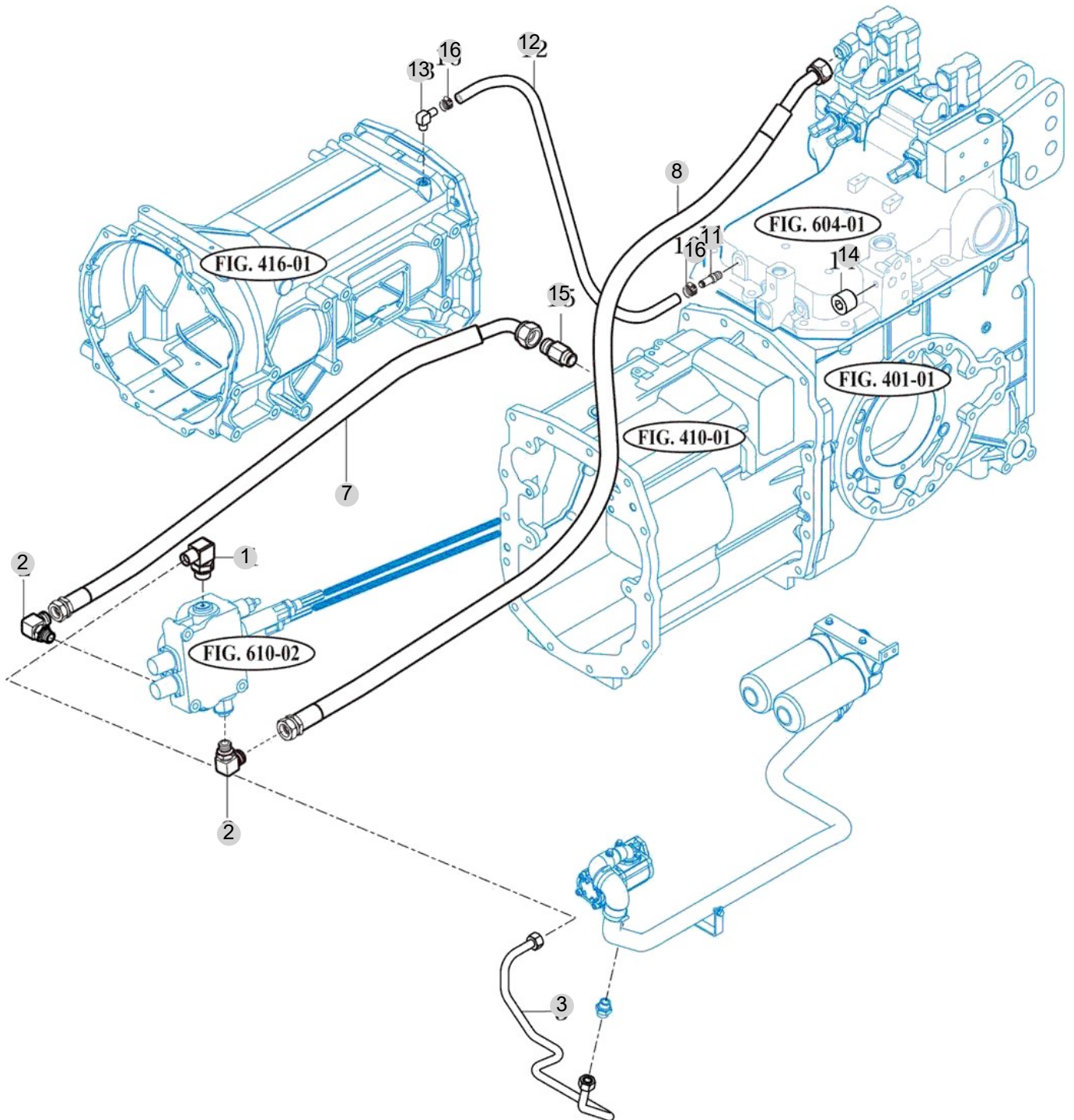
FIG 609-2

HYDRAULIC PIPE & HOSES

년/월
Year/Month

T1104SP

2022-12



NOTE

FIG 609-2		HYDRAULIC PIPE & HOSES						년/월	
								Year/Month	
T1104SP		2022-12							
KEY NO		PART NO	DESCRIPTION	SPEC	QTY	REPAIR	EFFECTIVE DATE	REMARKS	
609-2	1	19025410031	ELBOW , UNF7/8-14 M28	1X1X1	1				
609-2	2	19025410050	ELBOW , UNF7/8-14 PF3/4	1X1X1	2				
609-2	3	18715412101GB	PIPE COMP , MAIN		1				
609-2	7	19025412602	HOSE ASSY , TANK	1X1X1	1				
609-2	8	19025412501	HOSE ASSY , CYLINDER	1X1X1	1				
609-2	11	13012011110	CONNECTOR(PT3/8)	1X1X1	1				
609-2	12	19022000011	HOSE, BREATHER		1				
609-2	13	16992011110	CONNECTOR		1				
609-2	14	V7821000008	PLUG , HEX TAPER		1				
609-2	15	19025410041	UNION , PF3/4 PT3/4	"HEX,B=30"	1				
609-2	16	37681850160	BAND CLAMP 25		2				
NOTE									

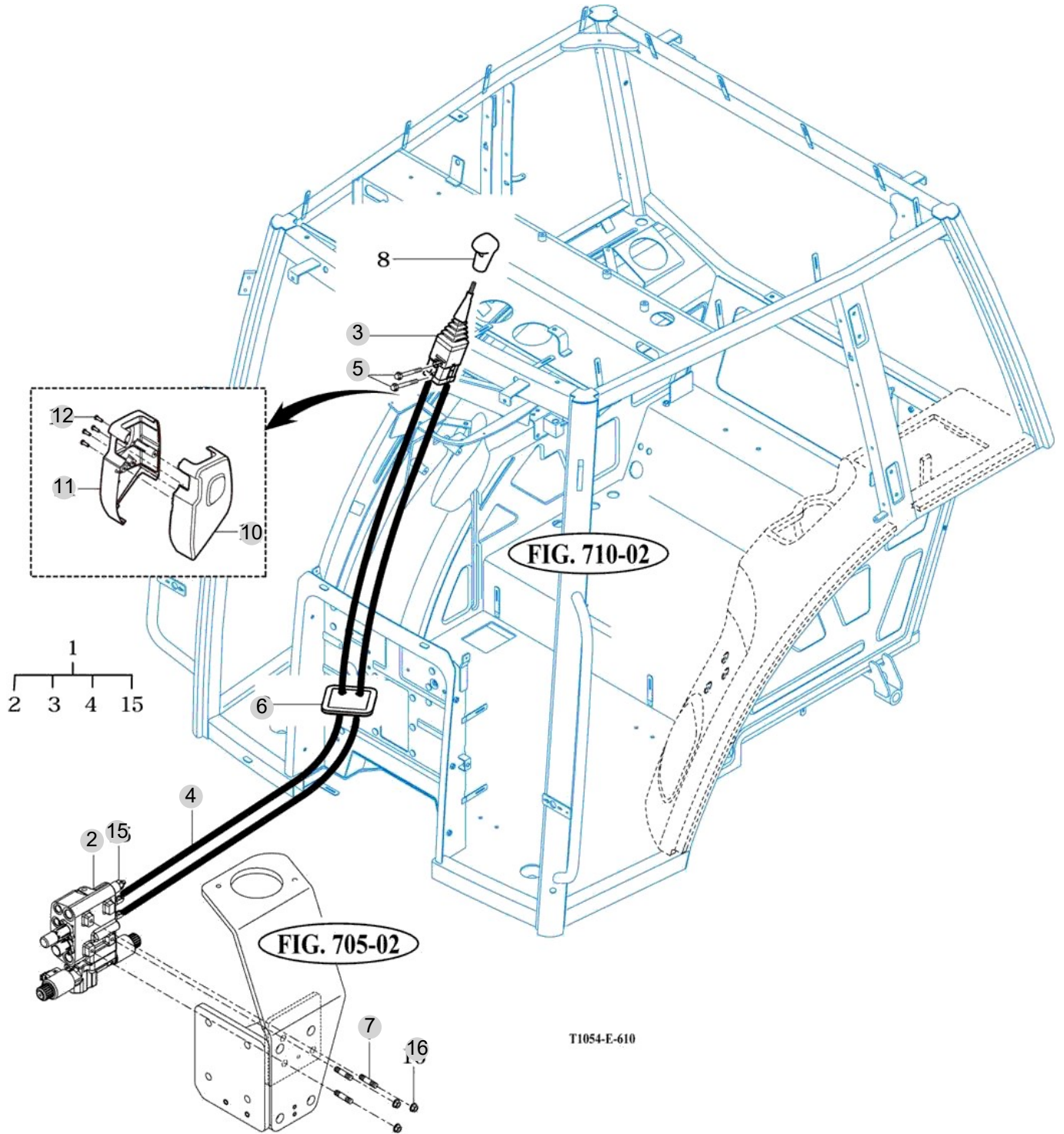
FIG 610

JOYSTICK

년/월
Year/Month

T1104SP

2022-12



NOTE

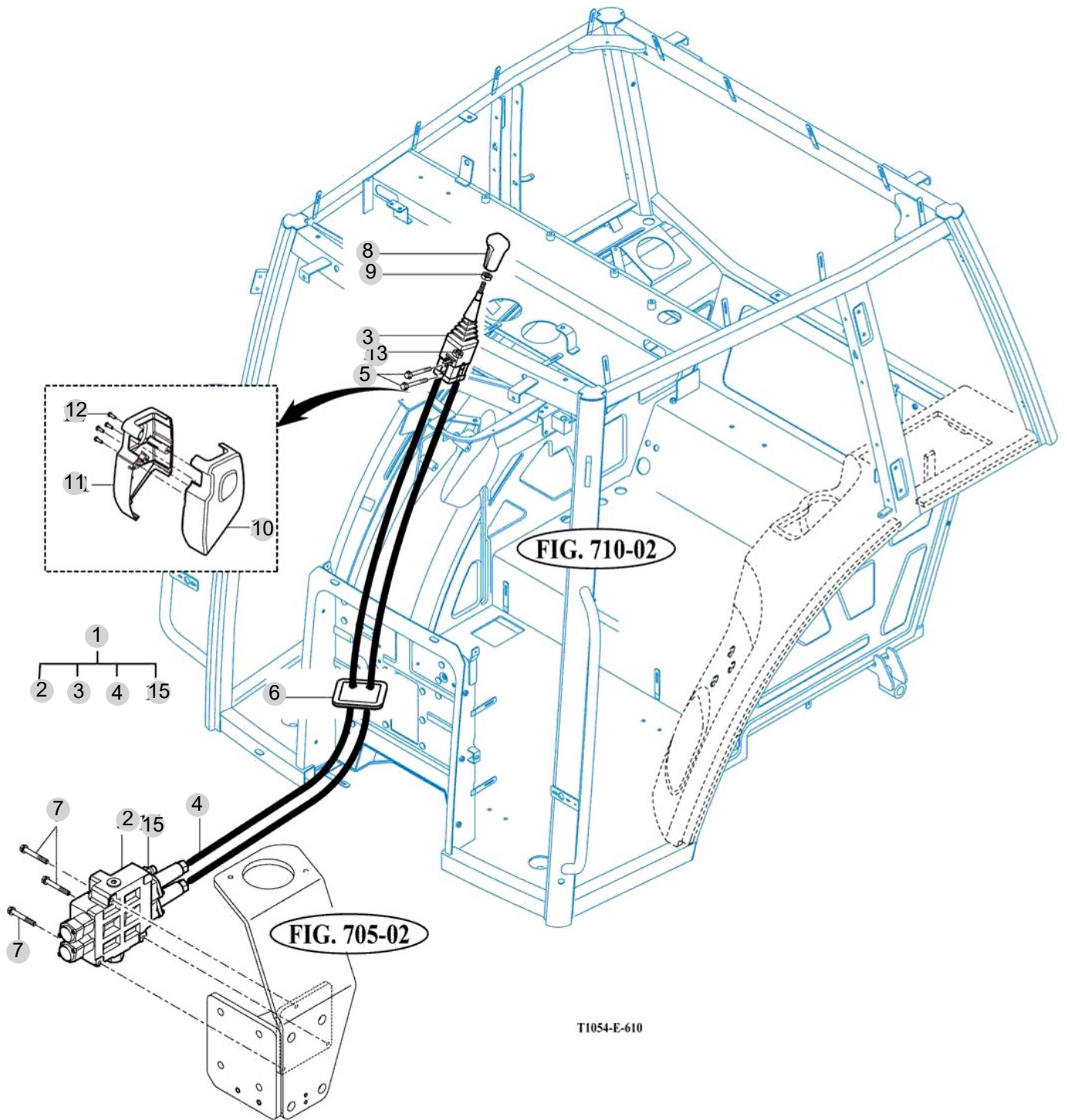
FIG 610-2

JOYSTICK

년/월
Year/Month

T1104SP

2022-12



T1054-E-610

NOTE

7. Sheet Metal & Cabin PART NO. T7

FIG 701 FRONT FRAME SUB	233
FIG 702 FRAME, HOOD	235
FIG 703 HOOD(T1104SP)	237
FIG 704 STEP & BOOTS	240
FIG 705 FRONT & REAR MOUNTING	242
FIG 706 SEAT & MAT	244
FIG 708 DOOR-LH	246
FIG 709-2 DOOR-RH	248
FIG 710 FRAME COMP & FRONT GLASS(T1104SP)	250
FIG 711 SIDE GLASS	252
FIG 712 REAR GLASS	254
FIG 713 SUB FENDER & COVER	256
FIG 714 REARVIEW MIRRORS	258
FIG 715 HEATER & AIR-CON (1)	260
FIG 716 HEATER & AIR-CON(2)	262
FIG 717 ROOF	264
FIG 718 CABIN INTERIOR	266
FIG 719 DASHCOVER	268
FIG 720 TANK ASSY, WASH	270
FIG 721 ROOM MIRROR ASSY	272
FIG 722 COVER-FENDER&JOYSTICK LEVER	274

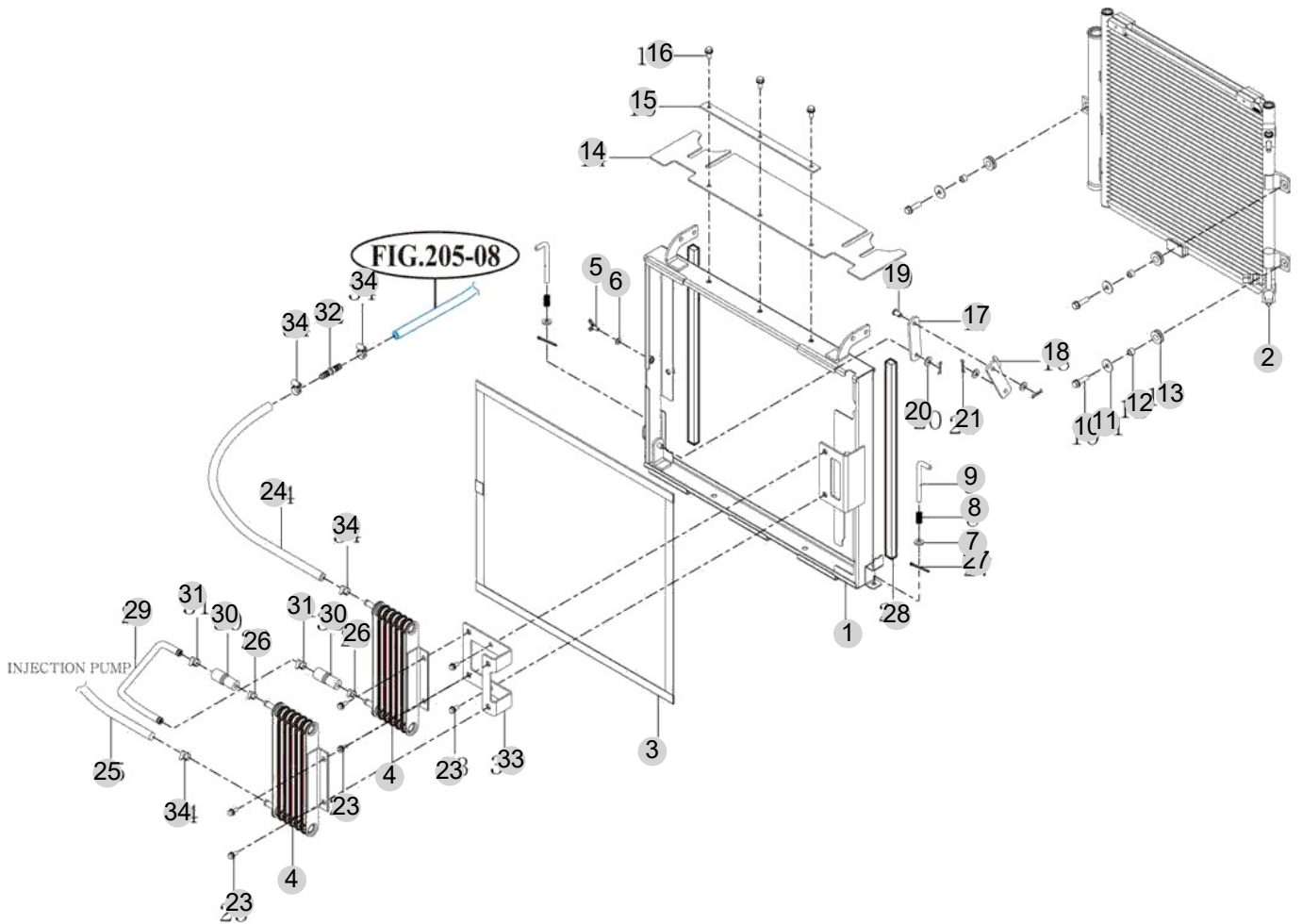
FIG 701

T1104SP

FRONT FRAME SUB

년/월
Year/Month

2022-12



NOTE

FIG 701 T1104SP		FRONT FRAME SUB					년/월 Year/Month	
							2022-12	
KEY NO	PART NO	DESCRIPTION	SPEC	QTY	REPAIR	EFFECTIVE DATE		
701	1	18711052202GB	FRAME COMP , CONDENSOR			1		
701	1	18711052203GB	FRAME COMP , CONDENSOR			1		
701	2	18508303701	CONDENSER ASSY			1		
701	3	18711052401GB	NET COMP , CONDENSOR			1		
701	4	18501044100	COOLER COMP, FUEL			2		
701	5	V2712606012	BOLT , WING	M6X12		1		
701	6	V4111600060	WASHER , PLAIN	M6		1		
701	7	V4111600080	WASHER , PLAIN	M8		2		
701	8	18711081700	SPRING , TILT PIN			2		
701	9	18711081400	TILT , PIN COMP			2		
701	10	V2173608025	BOLT , HEX/S	M8X25		3		
701	11	35602010150	WASHER , BIND SHAFT			3		
701	12	19026010020	COLLAR , 10X12X08			3		
701	13	19026210300	GROMMET(12X17X10)			3		
701	14	18711041101	RUBBER PLATE			1		
701	15	18711053400GB	PLATE , RUBBER FIX			1		
701	16	V2123606016	BOLT , HEX /SP	M6X16		3		
701	17	18711052700	EXTENSION BAR B			1		
701	18	18711052600	EXTENSION BAR A			1		
701	19	18711052800	HEAD PIN 8X12			2		
701	20	V4111600080	WASHER , PLAIN	M8		2		
701	21	V5601600008	PIN , SNAP			2		
701	23	V2183608020	BOLT , HEX/SP	M8X20		6		
701	24	18711101500	HOSE , FUEL FKM 1650			1		
701	25	18711101400	HOSE , FUEL FKM1850			1		
701	26	16601850160	BAND CLAMP 22			2		
701	26	18027090250	BAND CLAMP 25 EMBO TYPE			2		
701	26	18027090200	BAND CLAMP 20 EMBO TYPE			2		
701	27	V5001920015	PIN , SPLIT			2		
701	28	18711042340	SPONGE , 480			2		
701	29	18711301200	CONNECTION PIPE , FUEL COOLER			1		
701	30	18021024210	FUEL CONNECTION HOSE , A			2		
701	31	16601850160	BAND CLAMP 22			3		
701	31	18027090250	BAND CLAMP 25 EMBO TYPE			3		
701	31	18027090200	BAND CLAMP 20 EMBO TYPE			2		
701	32	18711041600	HOSE , CONNECTION D9.5			1		
701	33	18711301100GB	BRACKET , FUEL COOLER			1		
701	34	18027090200	BAND CLAMP 20 EMBO TYPE			4		
NOTE								

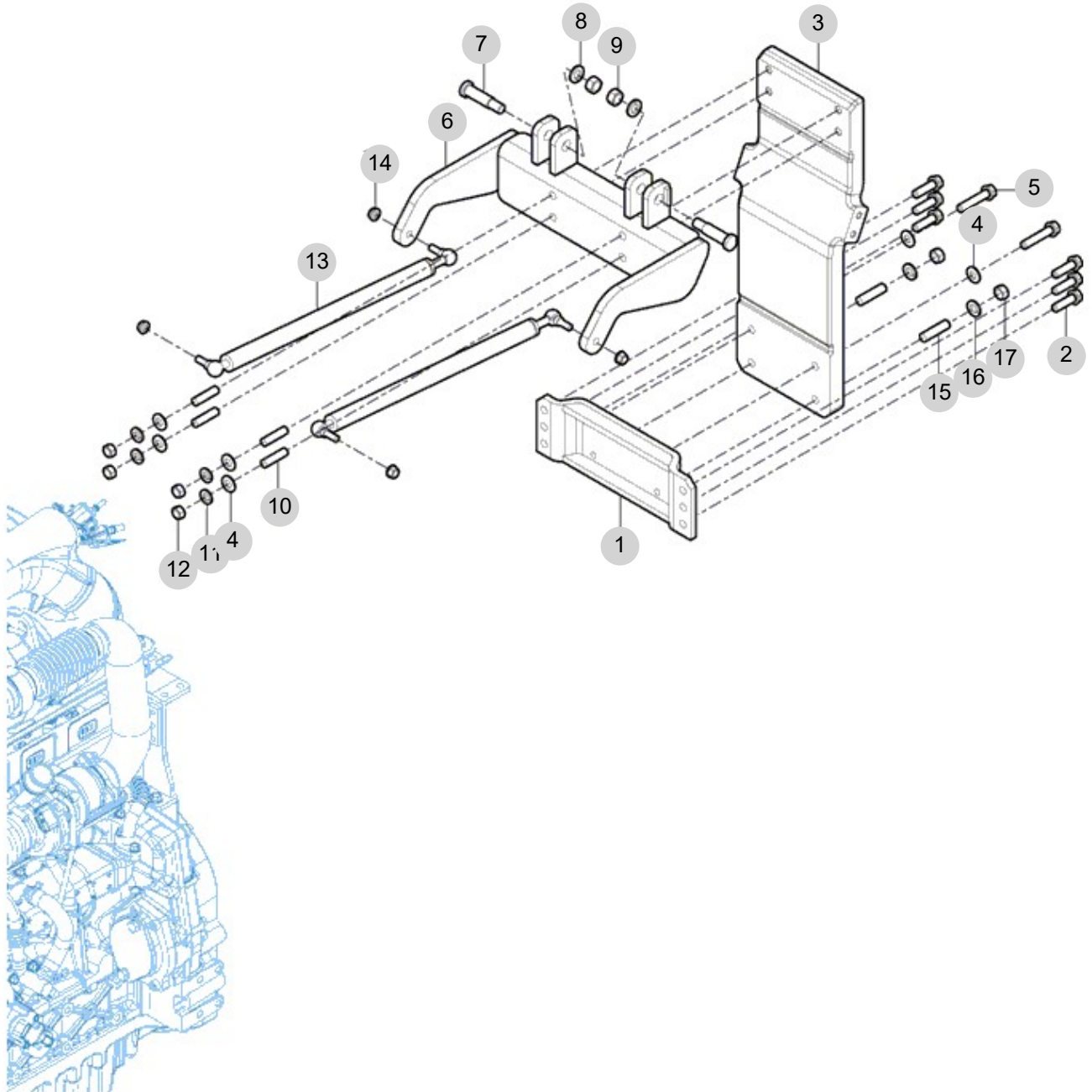
FIG 702

FRAME, HOOD

년/월
Year/Month

2022-12

T1104SP



NOTE

FIG 702 T1104SP		FRAME, HOOD						년/월	REMARKS
								Year/Month	
								2022-12	
KEY NO	PART NO	DESCRIPTION	SPEC	QTY	REPAIR	EFFECTIVE DATE	REMARKS		
702	1	18716053100GB	SUPPORT COMP , FRAME						
702	2	V2173610035	BOLT , HEX/S	M10X35	6				
702	3	18716050010GB	FRAME , HOOD		1				
702	4	V4111600100	WASHER , PLAIN	M10	6				
702	5	V2174610050	BOLT , HEX/S	M10X50	2				
702	6	18716052100	HINGE COMP , HOOD		1				
702	7	19026052021	PIN , HOOD		2				
702	8	V4011600120	WASHER , SPRING	M12	2				
702	9	V3042600120	NUT , HEX/2	M12	2				
702	10	V2514410025	BOLT , STUD/2		4				
702	11	V4011600100	WASHER , SPRING	M10	4				
702	12	V3042600100	NUT , HEX/2	M10	4				
702	13	18717022201	GAS SPRING , HOOD		2				
702	14	V3802600080	NUT , HEX FLANGE	M8	4				
702	15	V2514410045	BOLT , STUD/2		2				
702	16	V4011600100	WASHER , SPRING	M10	2				
702	17	V3042600100	NUT , HEX/2	M10	2				
NOTE									

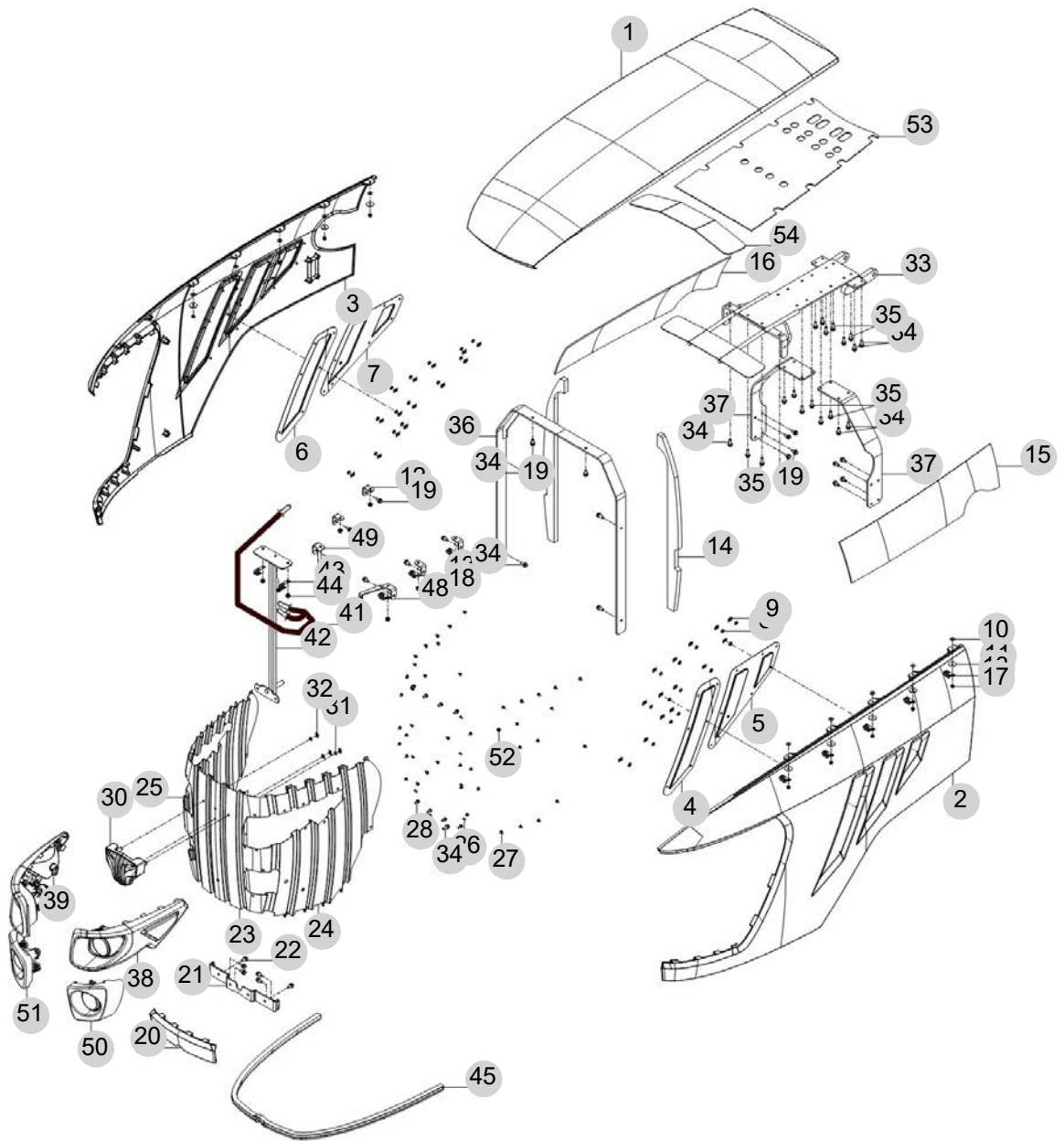
FIG 703

HOOD(T1104SP)

년/월
Year/Month

T1104SP

2022-12



NOTE

FIG 703		HOOD(T1104SP)					년/월 Year/Month		
							2022-12		
T1104SP		KEY NO	PART NO	DESCRIPTION	SPEC	QTY	REPAIR	EFFECTIVE DATE	REMARKS
703	1	18716112100SR	COVER COMP , HOOD			1			
703	1	18716112101SR	COVER COMP , HOOD			1			
703	2	18716112200SR	PANEL COMP , SIDE/LH			1			
703	2	18716112201SR	SIDE PANEL COMP/LH			1			
703	3	18716112300SR	PANEL COMP , SIDE/RH			1			
703	3	18716112301SR	SIDE PANEL COMP/RH			1			
703	4	18716113010GB	SIDE GRILL , FR/LH			1			
703	5	18716113020GB	SIDE GRILL , RR/LH			1			
703	6	18716113030GB	SIDE GRILL , FR/RH			1			
703	7	18716113040GB	SIDE GRILL , RR/RH			1			
703	8	14446010150	WASHER , NET			28			
703	9	V3501600060	NUT, PUSH-ON SPRING			28			
703	10	35605033020	WASHER , WIRE WITHDRAWAL			10			
703	11	19026112050	WASHER , 6X30X2.3			10			
703	12	18716113051GB	PLATE , HOOD			4			
703	13	14256210040	CLAMP , 9			8			
703	14	18716112060	INSULATOR , SIDE PANEL			2			
703	15	18716110010	INSULATOR , SIDE PANEL/LH			1			
703	16	18716110020	INSULATOR , SIDE PANEL/RH			1			
703	17	V3802600060	NUT , HEX FLANGE	M6		10			
703	18	V3802600080	NUT , HEX FLANGE	M8		6			
703	19	V2183608020	BOLT , HEX/SP	M8X20		16			
703	19	V3802600080	NUT , HEX FLANGE			6			
703	20	18716112900SR	HOOD COMP , LOW			1			
703	20	18716112901SR	HOOD COMP , LOW			1			
703	21	18716112090GB	BRACKET , HOOD/ROW			1			
703	22	V2183608020	BOLT , HEX/SP	M8X20		6			
703	23	18786113130GB	GRILL , FRONT/CTR			1			
703	23	18786113131GB	GRILL , FRONT/CTR			1			
703	24	18736113141GB	GRILL , FRONT/LH			1			
703	25	18736113151GB	GRILL , FRONT/RH			1			
703	26	V5502040093	RIVET , BLIND			8			
703	27	V1922805012	SCREW , TAPPING C/R PAN/4			20			
703	28	V2123606016	BOLT , HEX /SP	M6X16		8			
703	30	10016010012	EMBLEM , TYM			1			
703	30	19556110100	EMBLEM ASSY , HOOD			1			
703	31	14446010150	WASHER , NET			3			
703	32	V3501600060	NUT, PUSH-ON SPRING			3			
703	33	19556112500GB	FRAME COMP , HOOD			1			
703	34	V2183608025	BOLT , HEX/SP	M8X25		16			
703	34	V3802600080	NUT , HEX FLANGE			12			
703	35	V2183608030	BOLT , HEX/SP	M8X30		10			
703	35	V3802600080	NUT , HEX FLANGE			16			
703	36	18716112700GB	FRAME COMP , FRONT			1			
703	37	18716112800GB	FRAME COMP , SIDE			2			
NOTE									

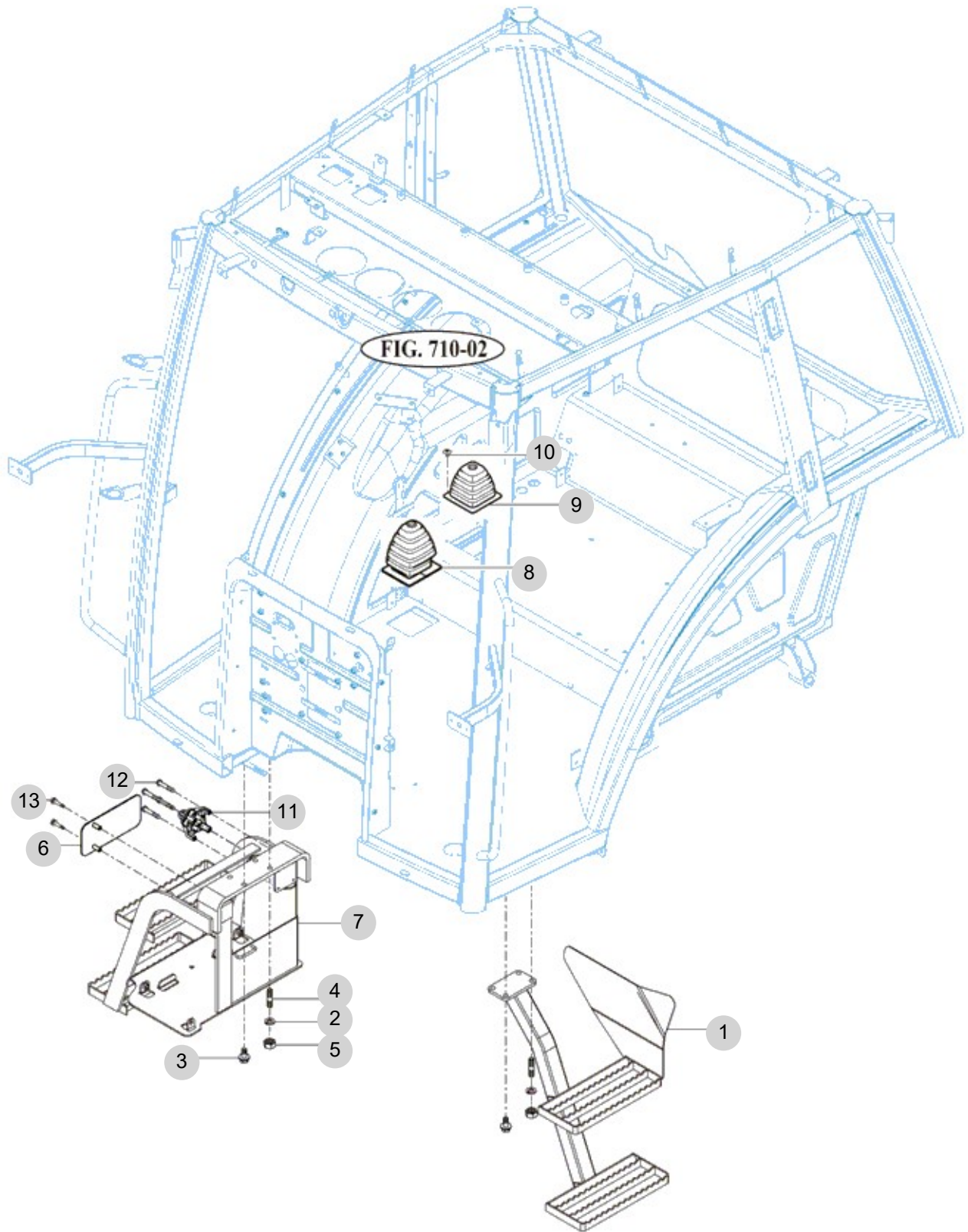
FIG 704

T1104SP

STEP & BOOTS

년/월
Year/Month

2022-12



NOTE

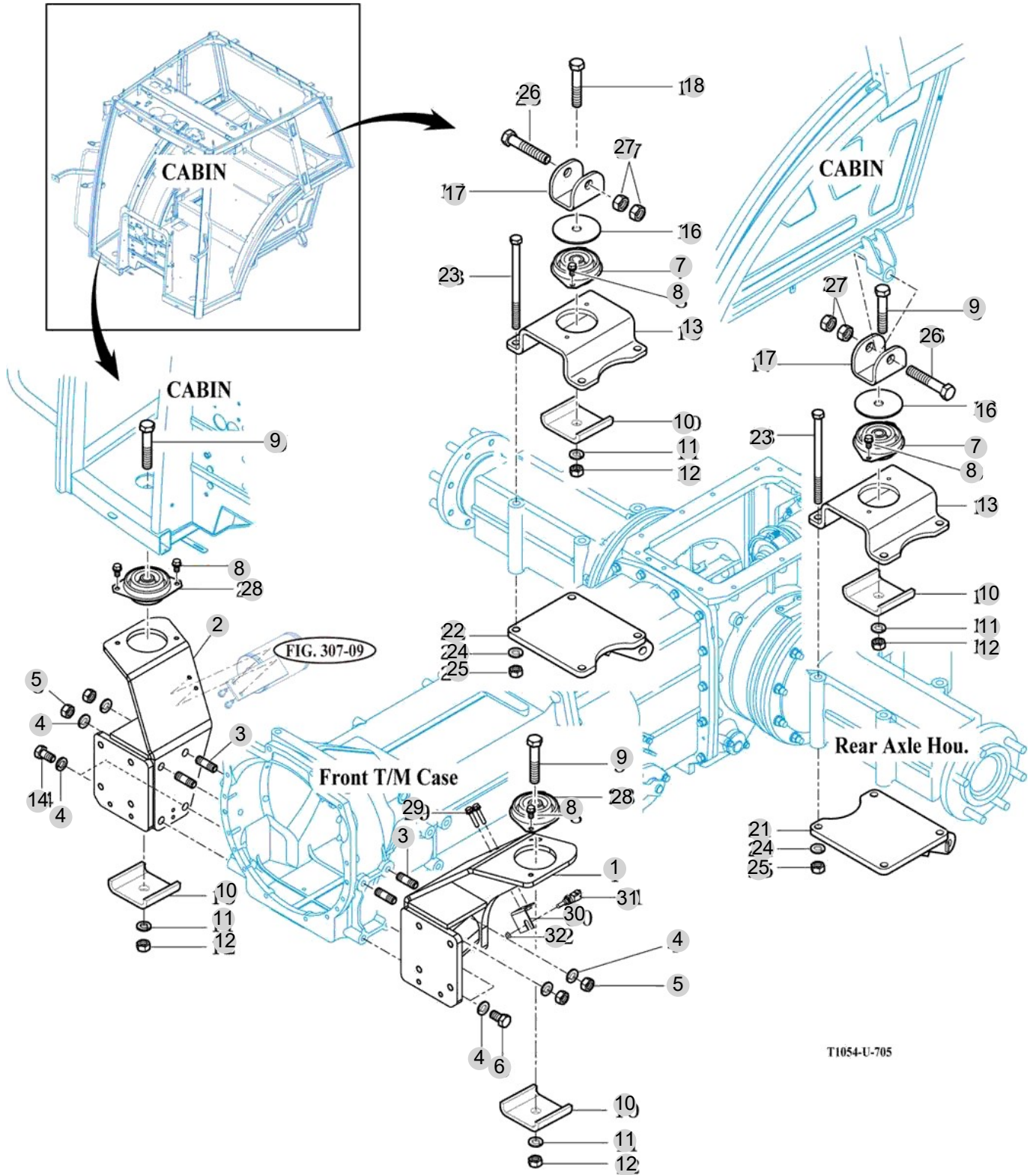
FIG 705

FRONT & REAR MOUNTING

년/월
Year/Month

2022-12

T1104SP



T1054-U-705

NOTE

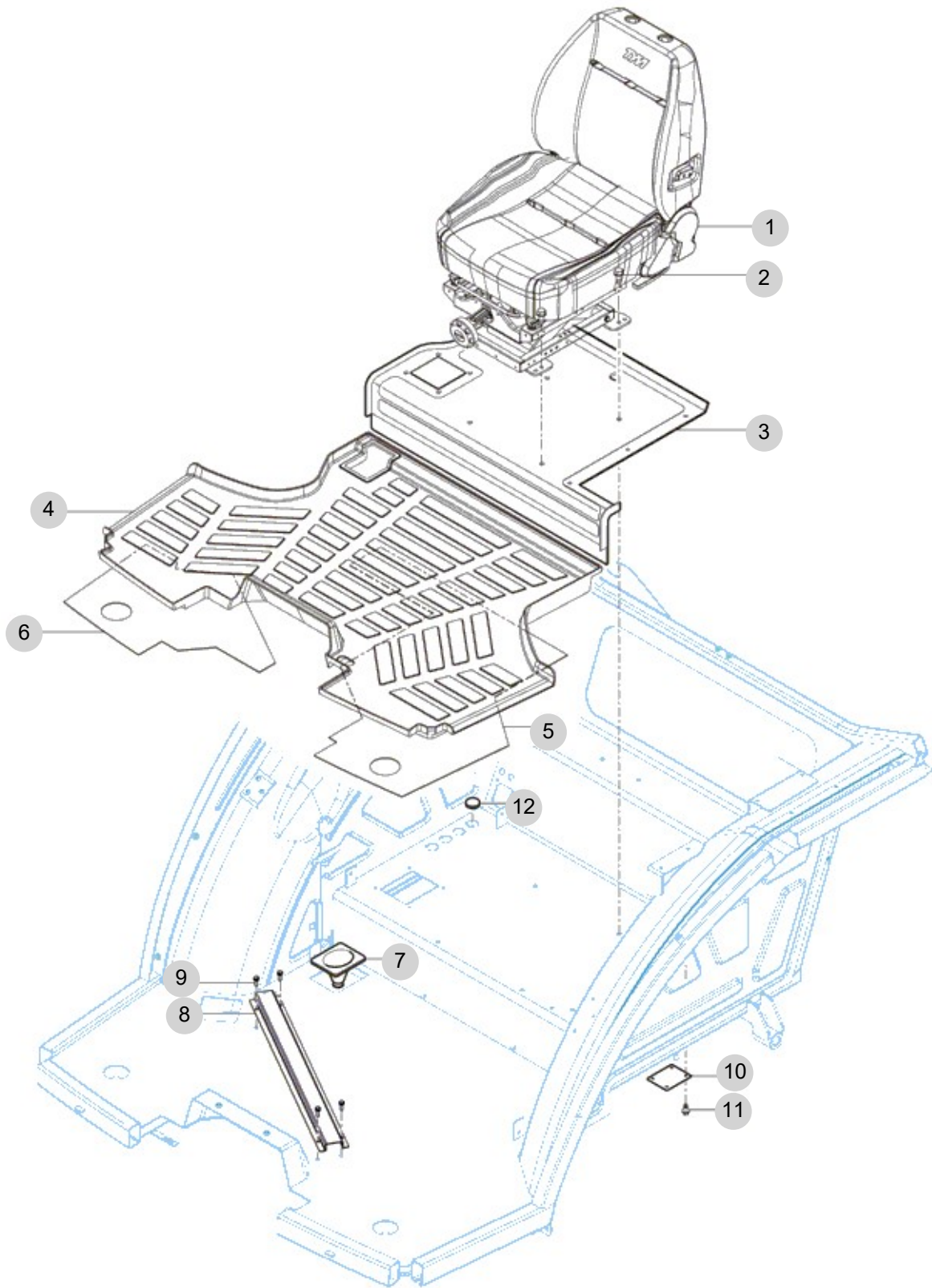
FIG 706

SEAT & MAT

년/월
Year/Month

2022-12

T1104SP



NOTE

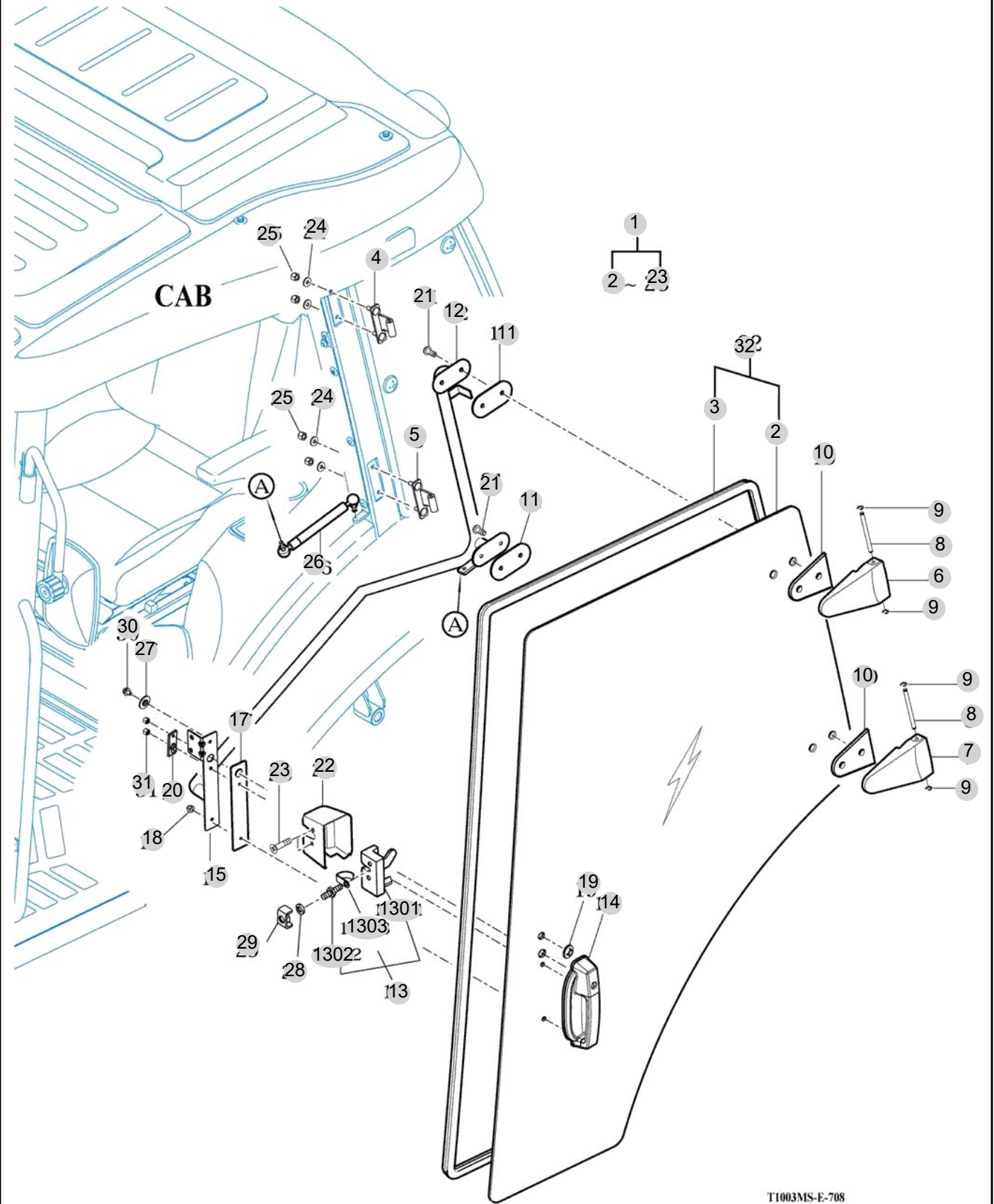
FIG 708

DOOR-LH

년/월
Year/Month

2022-12

T1104SP



T1003MS-E-708

NOTE

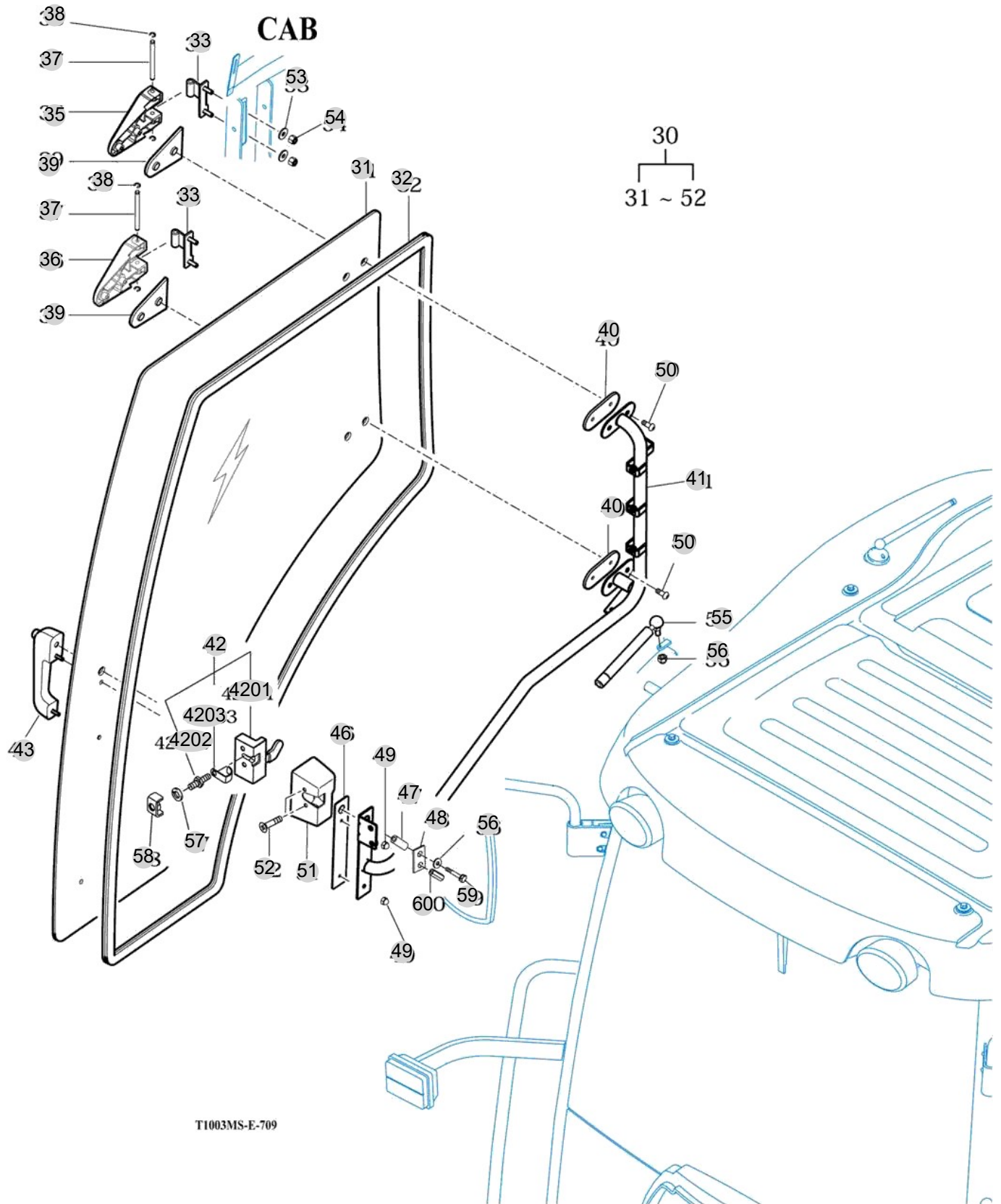
FIG 709-2

DOOR-RH

년/월
Year/Month

2022-12

T1104SP



NOTE

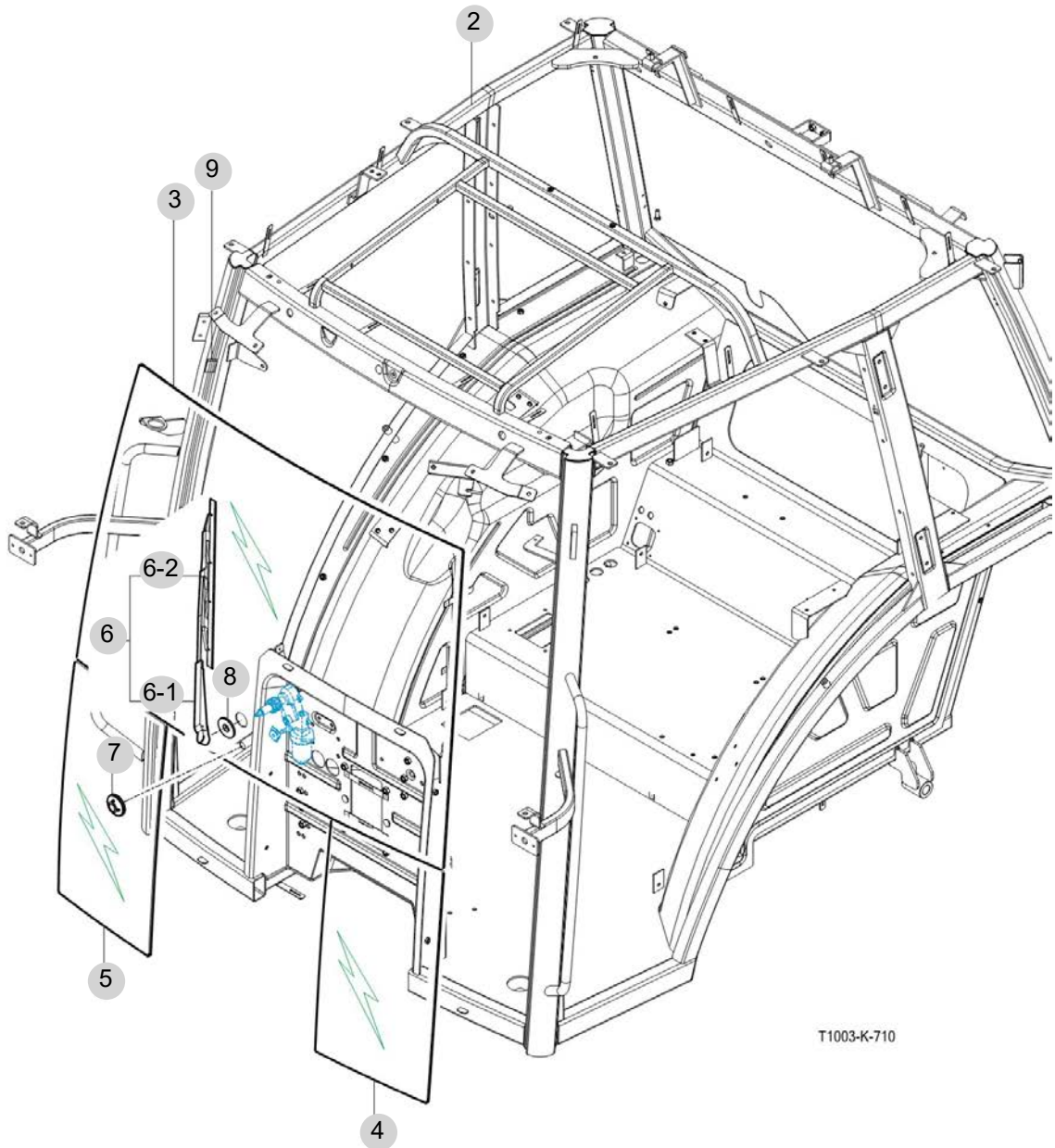
FIG 710

FRAME COMP & FRONT GLASS(T1104SP)

년/월
Year/Month

2022-12

T1104SP



T1003-K-710

NOTE

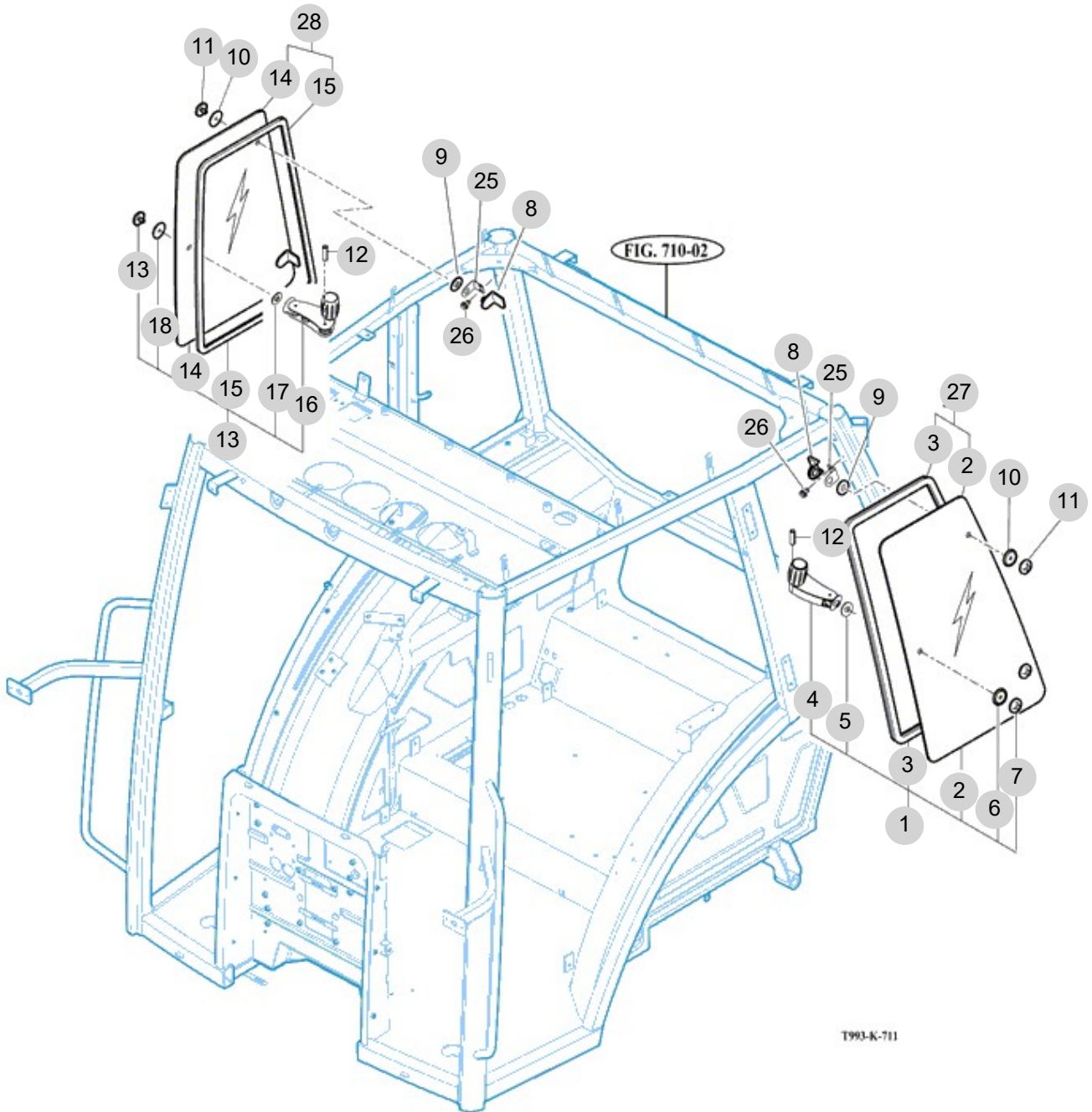
FIG 711

T1104SP

SIDE GLASS

년/월
Year/Month

2022-12



NOTE

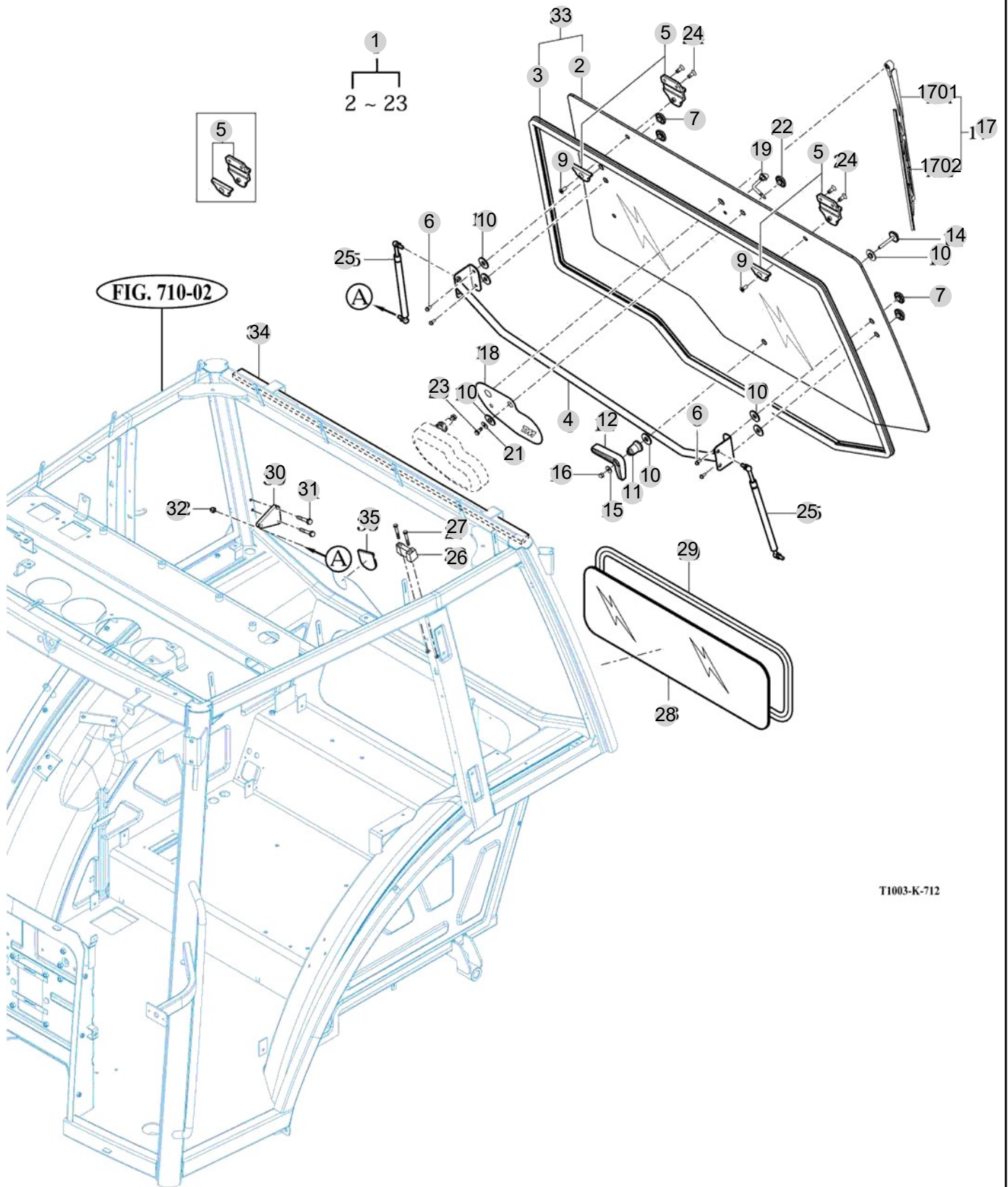
FIG 712

REAR GLASS

년/월
Year/Month

2022-12

T1104SP



T1003-K-712

NOTE

FIG 712 T1104SP	REAR GLASS	년/월 Year/Month
		2022-12

KEY NO	PART NO	DESCRIPTION	SPEC	QTY	REPAIR	EFFECTIVE DATE	REMARKS
712	1	18507722000	GLASS SUB , RR WINDOW	1			
712	1	18737722000	GLASS SUB , RR WINDOW	1			
712	2	18507722010	GLASS , REAR	1			
712	3	18507722020	INSULATOR , GLASS REAR	1			
712	4	19027722202GB	FRAME COMP , RR GLASS	1X1X1	1		
712	5	17407401120	HINGE ASSY . WINDOW	1X1X1	2		
712	6	V1222806016	SCREW , C/R PAN/SP	M6X16	4		
712	7	14527042500	NUT COMP , GLASS	1X1X1	4		
712	9	V1122808020	SCREW , C/R FLAT	M8X20	2		
712	10	15817401130	GROMMET , 13X17X02		7		
712	11	14527042140	SPACE , HANDLE/REAR	N6	1		
712	12	14527042150	HANDLE , GLASS/REAR	N6	1		
712	14	14527042600	BOLT COMP, GLASS /M8L	1X1X1	1		
712	15	21447350060	WASHER , 08X22X02	T=2.3	1		
712	16	19027722070	NUT , CAP	M8	1		
712	17	16997023200	ARM & WIPER , ASSY		1		
712	1701	16997023210	ARM , WIPER		1		
712	1702	16997023220	BLADE ASSY	1X1X1	1		
712	18	17687030031	LABEL , COVER		1		
712	19	16997027700	NOZZLE SET		1		
712	21	35605033020	WASHER , WIRE WITHDRAWAL	T=1.6	1		
712	22	14527042500	NUT COMP , GLASS	1X1X1	1		
712	23	V2193606020	BOLT , HEX/SPL	M6X20	1		
712	24	V1122808020	SCREW , C/R FLAT	M8X20	4		
712	25	19027722051	SPRING ASSY , REAR	1X1X1	2		
712	26	14527040050	STOPPER , RR/LOCK	N6	1		
712	27	V1112806040	SCREW , C/R PAN	M6X40	2		
712	28	18507723010	GLASS , WINDOW REAR LOW		1		
712	29	19027723020	INSULATOR , REAR GLASS/LOW		1		
712	30	19027720010GB	PLATE, HINDGE	T=4.5	2		
712	31	V1222806025	SCREW , C/R PAN/SP	M6X25	4		
712	32	19027722070	NUT , CAP	M8	2		
712	33	18507722100	GLASS ASSY , REAR		1		
712	34	19027721110	INSULATOR , RR GLASS	20X1170X5	1		
712	35	10017042010	CAP , GLASS/REAR	1X1X1	1		

NOTE

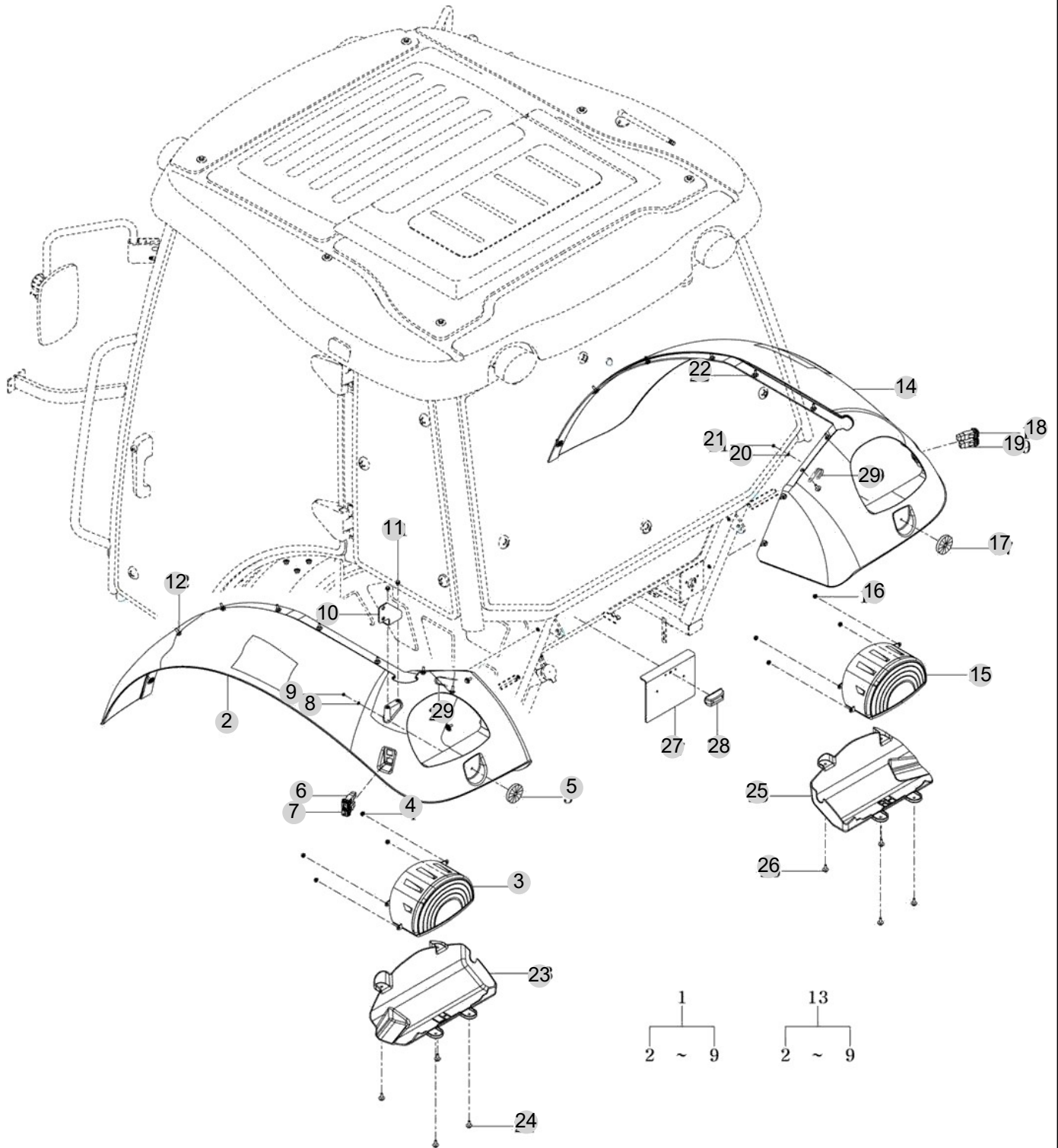
FIG 713

SUB FENDER & COVER

년/월
Year/Month

T1104SP

2022-12



NOTE

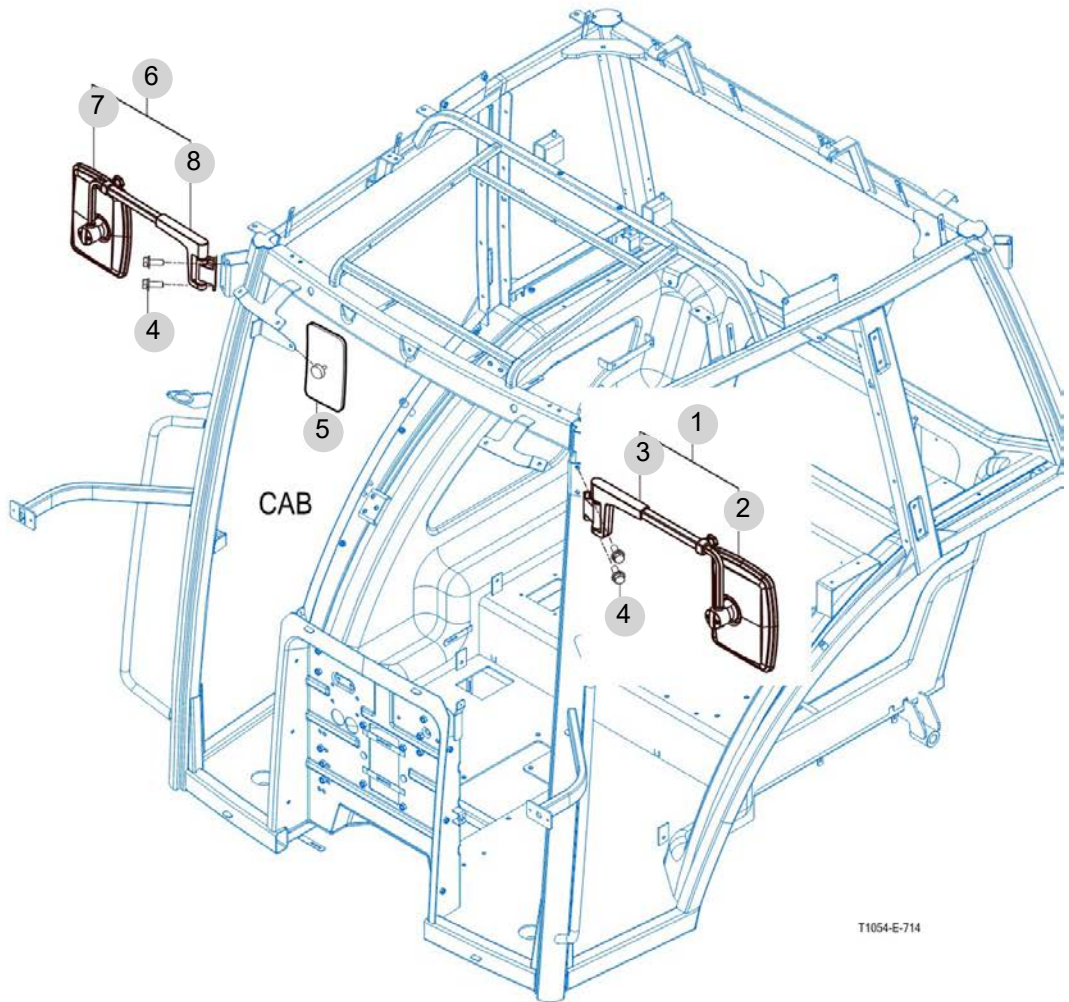
FIG 714

T1104SP

REARVIEW MIRRORS

년/월
Year/Month

2022-12



T1054-E-714

NOTE

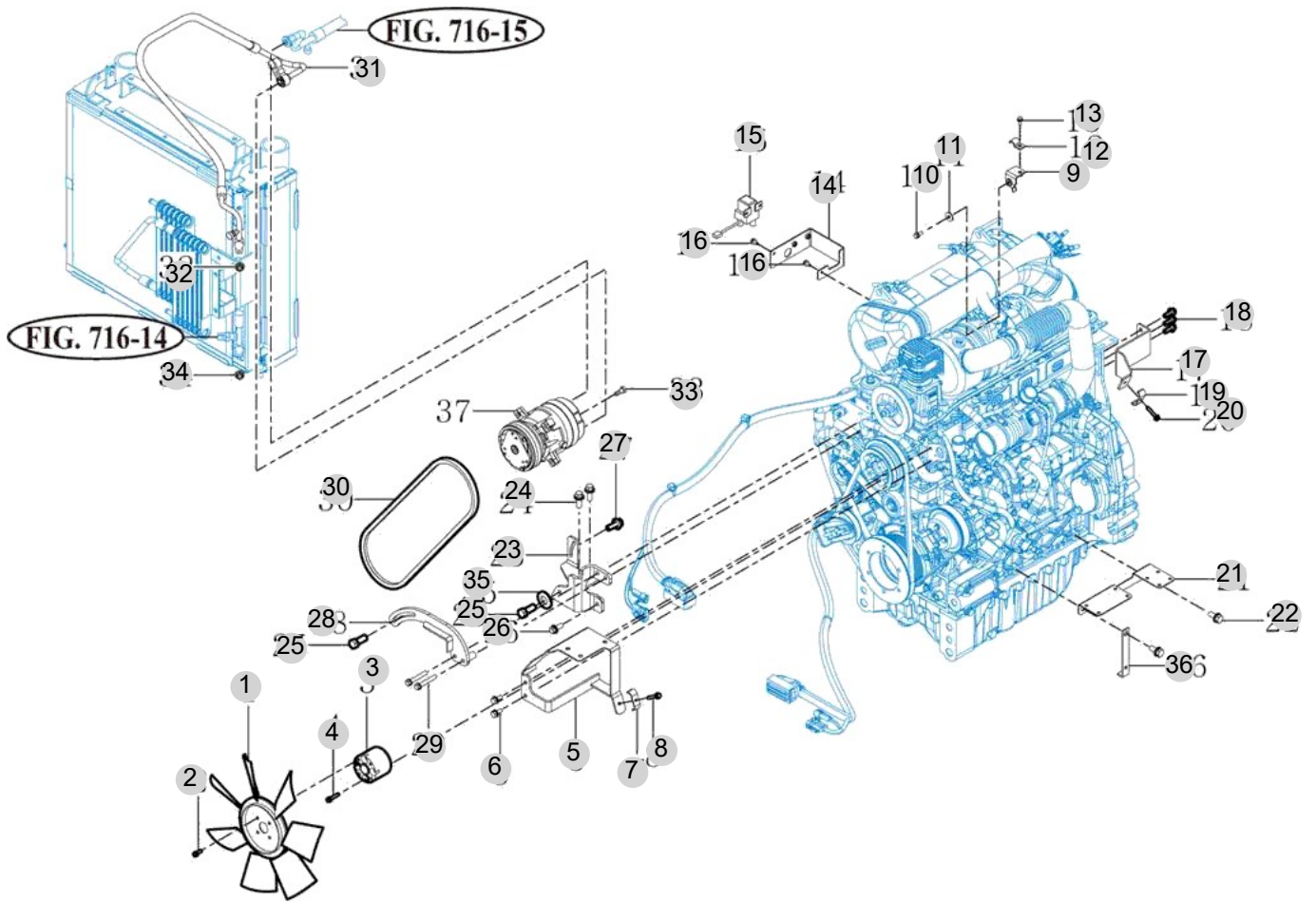
FIG 715

T1104SP

HEATER & AIR-CON (1)

년/월
Year/Month

2022-12



NOTE

FIG 716		HEATER & AIR-CON(2)						년/월 Year/Month	
T1104SP								2022-12	
KEY NO	PART NO	DESCRIPTION		SPEC	QTY	REPAIR	EFFECTIVE DATE	REMARKS	
716	1	17827082411	HVAC ASSY			1			
716	1	17827082412	HVAC ASSY			1			
716	2	V3802600080	NUT , HEX FLANGE		M8	4			
716	3	15807622500	DUCT ASSY, FR/RH			1			
716	4	15807622400	DUCT ASSY, FR/LH			1			
716	5	V1922605012	SCREW , TAPPING		M5X12	4			
716	6	15807622300	DUCT ASSY, SIDE			2			
716	8	14527081160	CLAMP,HOSE/19.3		T=1.2	12			
716	9	17827081110	HOSE, OUT / HEAT CORE			1			
716	10	15807231020GB	FIX BRACKET , FR/LH/DUCT			1			
716	11	17827620030	DRAIN HOSE, EVA			2			
716	13	15807010010GB	FIX BRACKET , SIDE/DUCT			2			
716	14	15807081150	HOSE , OUT2/HEAT CORE			2			
716	1401	15807081160	HOSE , IN/HEAT			1			
716	15	15807081140	HOSE , HEAT CORE			2			
716	16	15807231030GB	FIX BRACKET , FR/RH/DUCT			1			
716	17	V2183606020	BOLT , HEX/SP		M6X20	8			
716	18	15807015701GB	PLATE COMP , RELAY			1			
716	19	V2183608020	BOLT , HEX/SP		M8X20	2			
716	20	10017070074	RELAY BOX ASSY , CABIN			1			
716	21	V2123606016	BOLT , HEX /SP		M6X16	2			
716	22	14216210380	CABLE TIE , 200			1			
716	23	16601850160	BAND CLAMP 22		1X1X1	2			
716	27	14527081160	CLAMP,HOSE/19.3			4			
716	28	16601850160	BAND CLAMP 22			4			
716	29	15807622050	SUC HOSE ASSY , NO.3			1			
716	29	17827081220	SUCTION HOSE, NO3			1			
716	30	15807622040	LIQ HOSE ASSY , NO.4			1			
716	30	17827081210	HOSE ASSY, LIQ.NO4			1			
716	31	17688200050	ELBOW , 90			6			
716	3201	18717081131	HOSE , ENGINE/IN			1			
716	3202	18717620011	HOSE , ENGINE/OUT			1			
716	34	18718302400	LIQ HOSE ASSY , NO3			1			
716	35	15807622070	SUC PIPE ASSY			1			
716	37	18717622061	LIQ HOSE ASSY , NO2			1			
716	38	14527081240	HOSE ASSY, SUC.2		1X1X1	1			
716	39	14527081260	SEAL,PIPE		1X1X1	2			
716	40	15807010070	INSULATOR , SIDE/DUCT			2			
716	41	15807010080	INSULATOR , FR/DUCT			2			
716	42	17827010080	RUBBER			2			
NOTE									

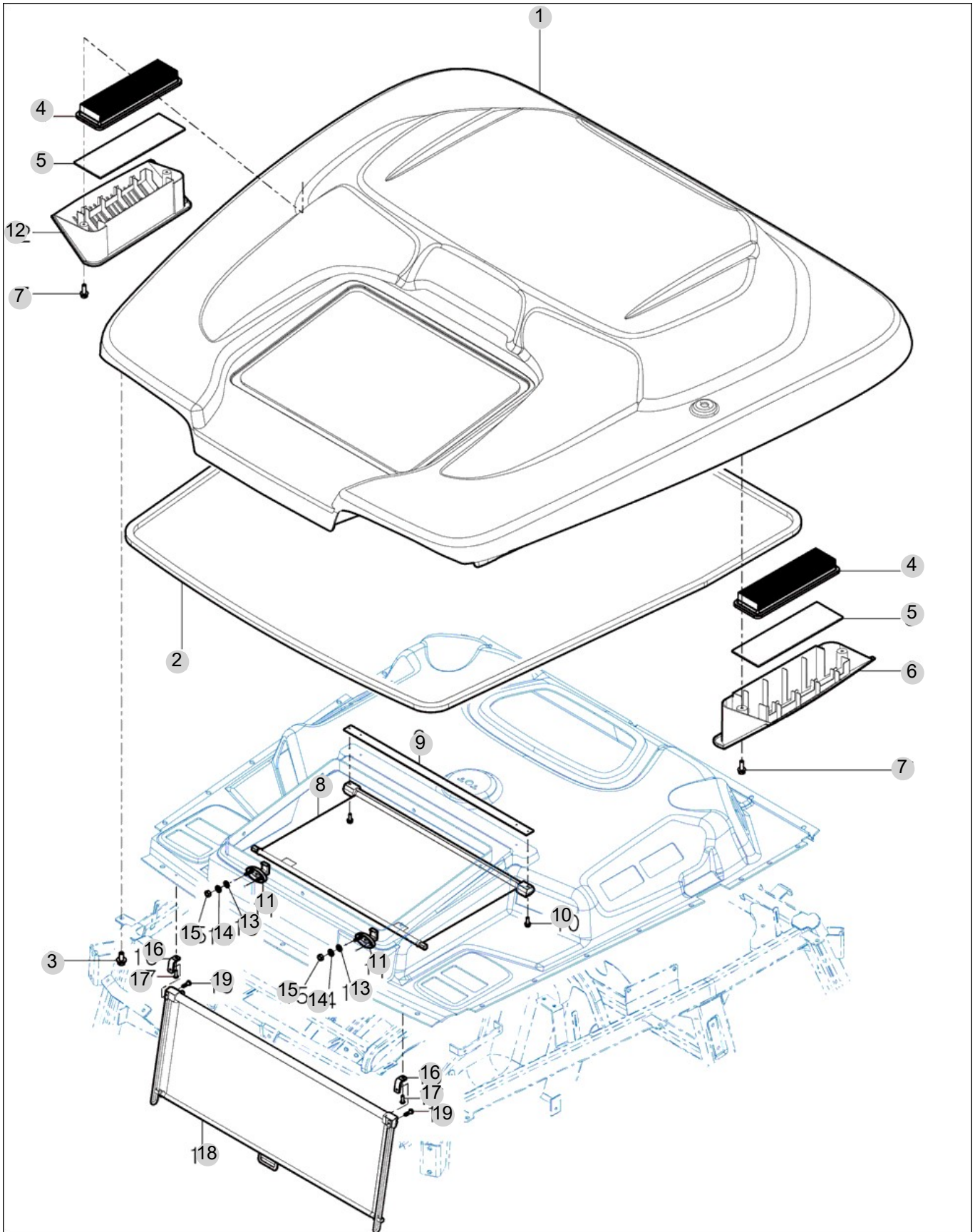
FIG 717

ROOF

년/월
Year/Month

2022-12

T1104SP



NOTE

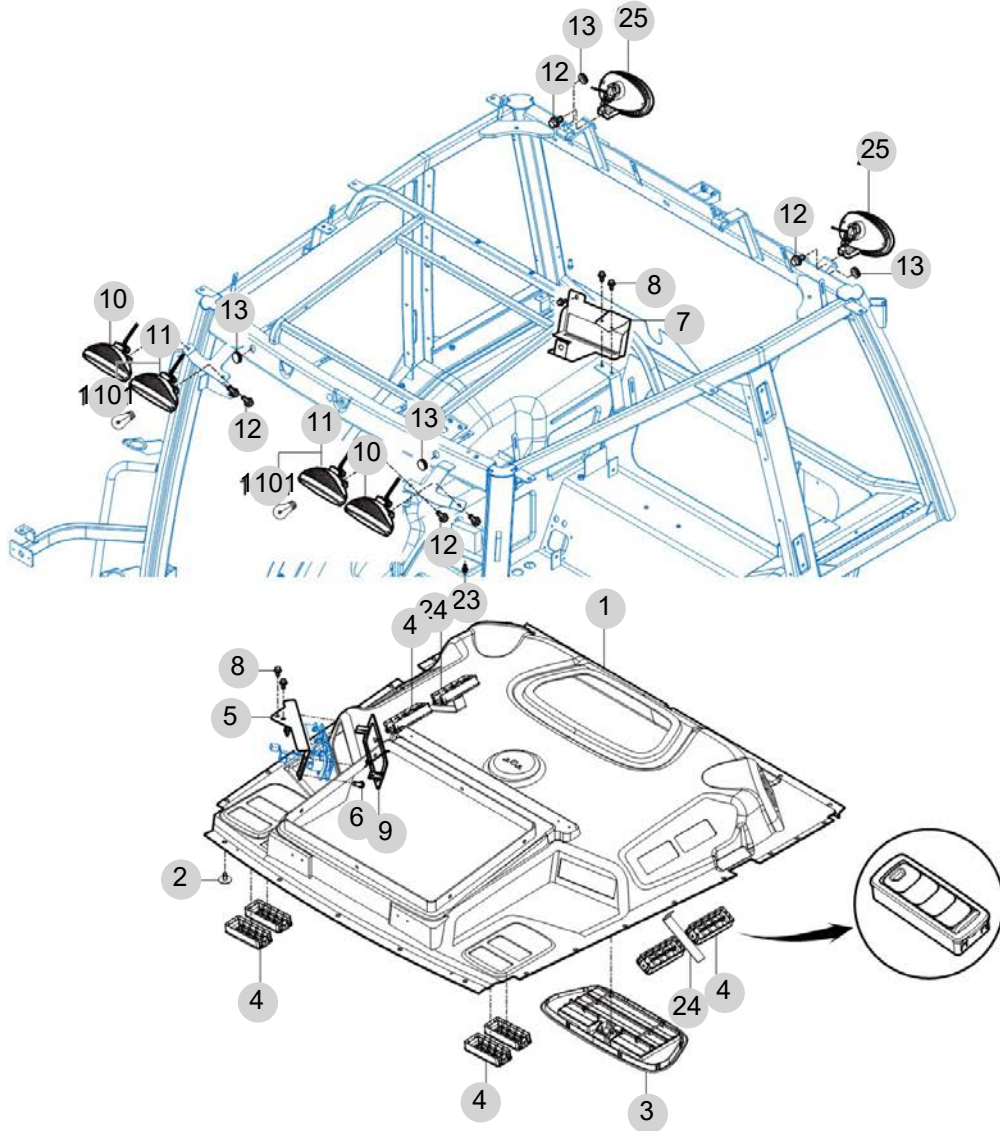
FIG 718

CABIN INTERIOR

년/월
Year/Month

2022-12

T1104SP



NOTE

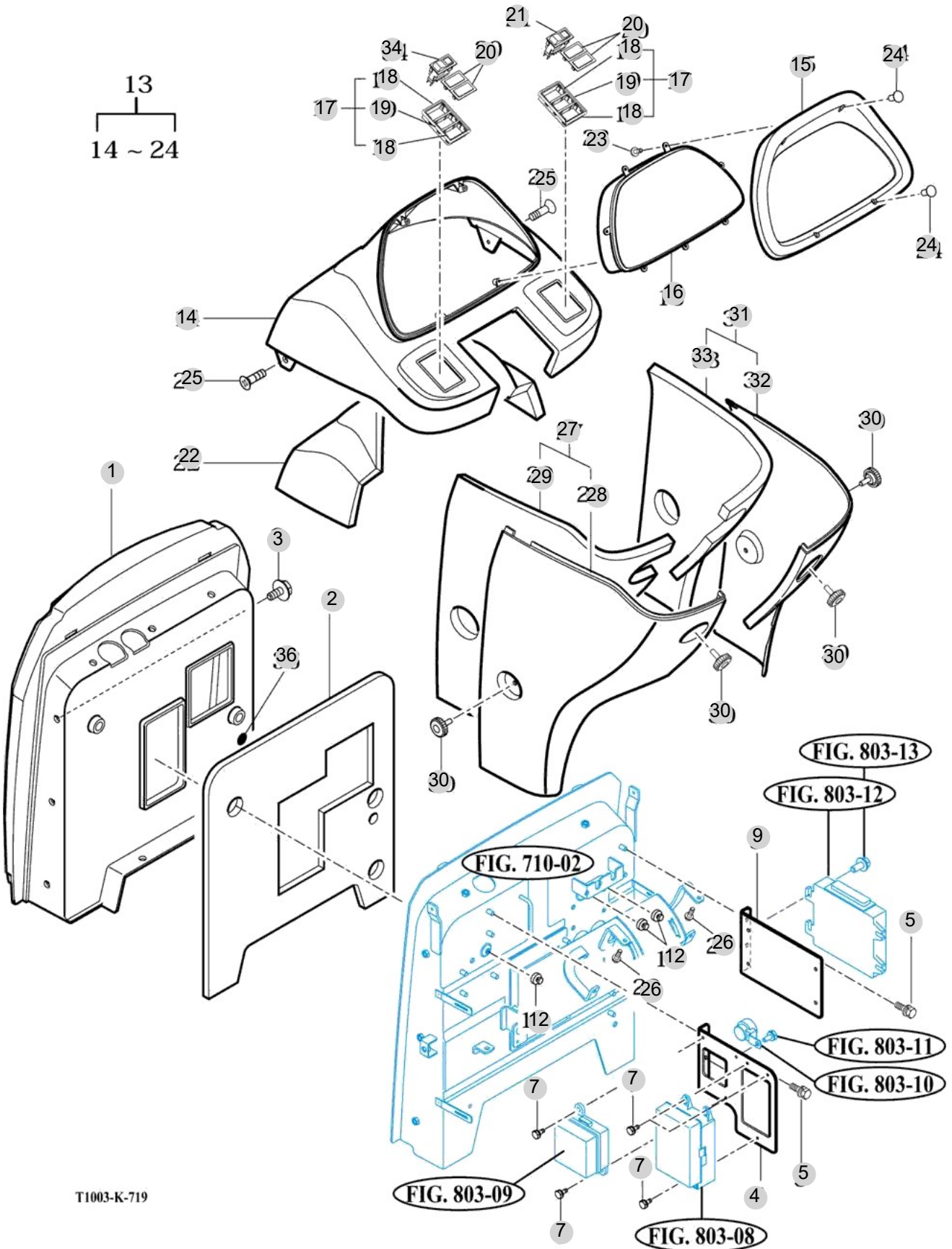
FIG 719

DASHCOVER

년/월
Year/Month

2022-12

T1104SP



T1003-K-719

NOTE

FIG 719	DASHCOVER	년/월 Year/Month
T1104SP		2022-12

KEY NO	PART NO	DESCRIPTION	SPEC	QTY	REPAIR	EFFECTIVE DATE	REMARKS
719	1	19027312405	COVER COMP , EXTENSION				
719	2	19027310012	INSULATOR , DASH	T=15.0	1		
719	3	V2193606016	BOLT , HEX/SPL	M6X16	11		
719	4	19026492011	PLATE , FUSEBOX	T=3.2	1		
719	5	V4011600080	WASHER , SPRING	M8	4		
719	7	V2123606016	BOLT , HEX /SP	M6X16	5		
719	9	19026492021	BRACKET , MAIN CONTROLLER	T=4.0	1		
719	12	13156032121	RUBBER	1X1X1	2		
719	13	18717312100	COVER SUB , DASH/UPR		1		
719	13	18787312100	COVER SUB , DASH/UPR		1		
719	14	19027312111	COVER DASH, UPER	T=3	1		
719	14	15807312110	COVER , UPPER/DASH		1		
719	15	19027312150	COVER , INSTRUMENT PANEL	1X1X1	1		
719	16	18716452102	PANEL ASSY , METER		1		
719	17	19027313100	BEZEL ASSY , SWITCH	1X1X1	2		
719	18	19027313111	BEZEL , SIDE	1X1X1	4		
719	19	19027313121	BEZEL , CENTER	1X1X1	2		
719	20	19027312131	ROCKER SWITCH CAP	1x1x1	4		
719	21	18716462400	SWITCH ASSY(HARZARD)		1		
719	22	19027312141	INSULATOR , DASHCOVER	T=20	1		
719	23	V1902604012	SCREW , TAPPING C/R PAN	M4X12	7		
719	24	V1122805012	SCREW , C/R FLAT	M5X12	4		
719	25	V1122606016	SCREW , C/R FLAT	M6X16	2		
719	26	V2123606020	BOLT , HEX /SP	M6X20	2		
719	27	19027312201	COVER ASSY , DASH LOW/LH	1X1X1	1		
719	28	19027312211	COVER , DASH LOW/LH	T=3.5	1		
719	29	19027312220	INSULATOR , DASHCOVER LOW/LH	T=20	1		
719	30	13766010031	BOLT , HAND		4		
719	31	19027312302	COVER ASSY , DASH LOW/RH	1X1X1	1		
719	32	19027312312	COVER , DASH LOW/RH	T=3.5	1		
719	33	19027312321	INSULATOR , DASHCOVER LOW/RH	T=20	1		
719	34	18716454100	SWITCH ASSY(DeSOx)		1		
719	36	19029010070	LABEL , SEAL	T=0.05	1		

NOTE	
------	--

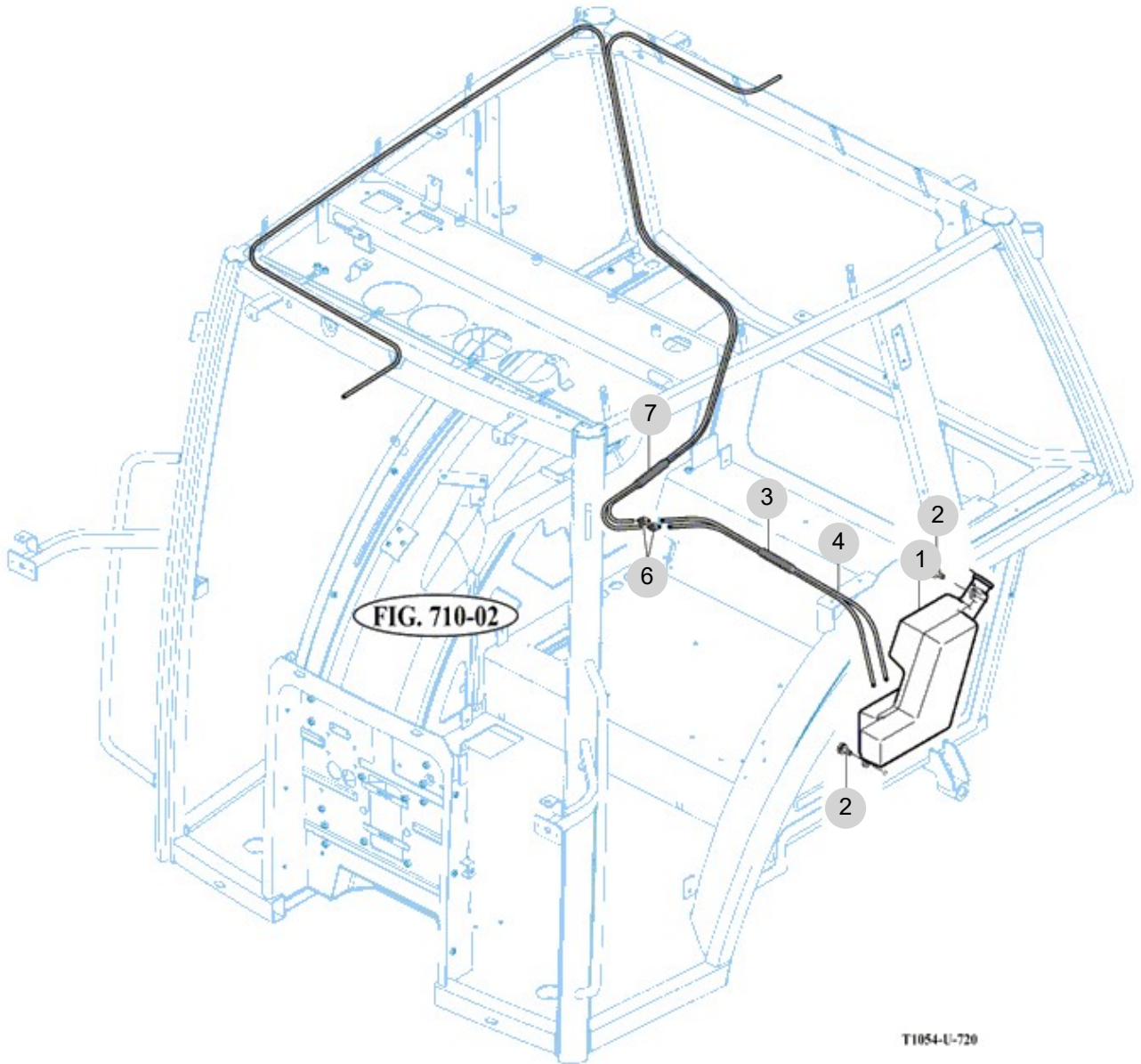
FIG 720

T1104SP

TANK ASSY, WASH

년/월
Year/Month

2022-12



NOTE

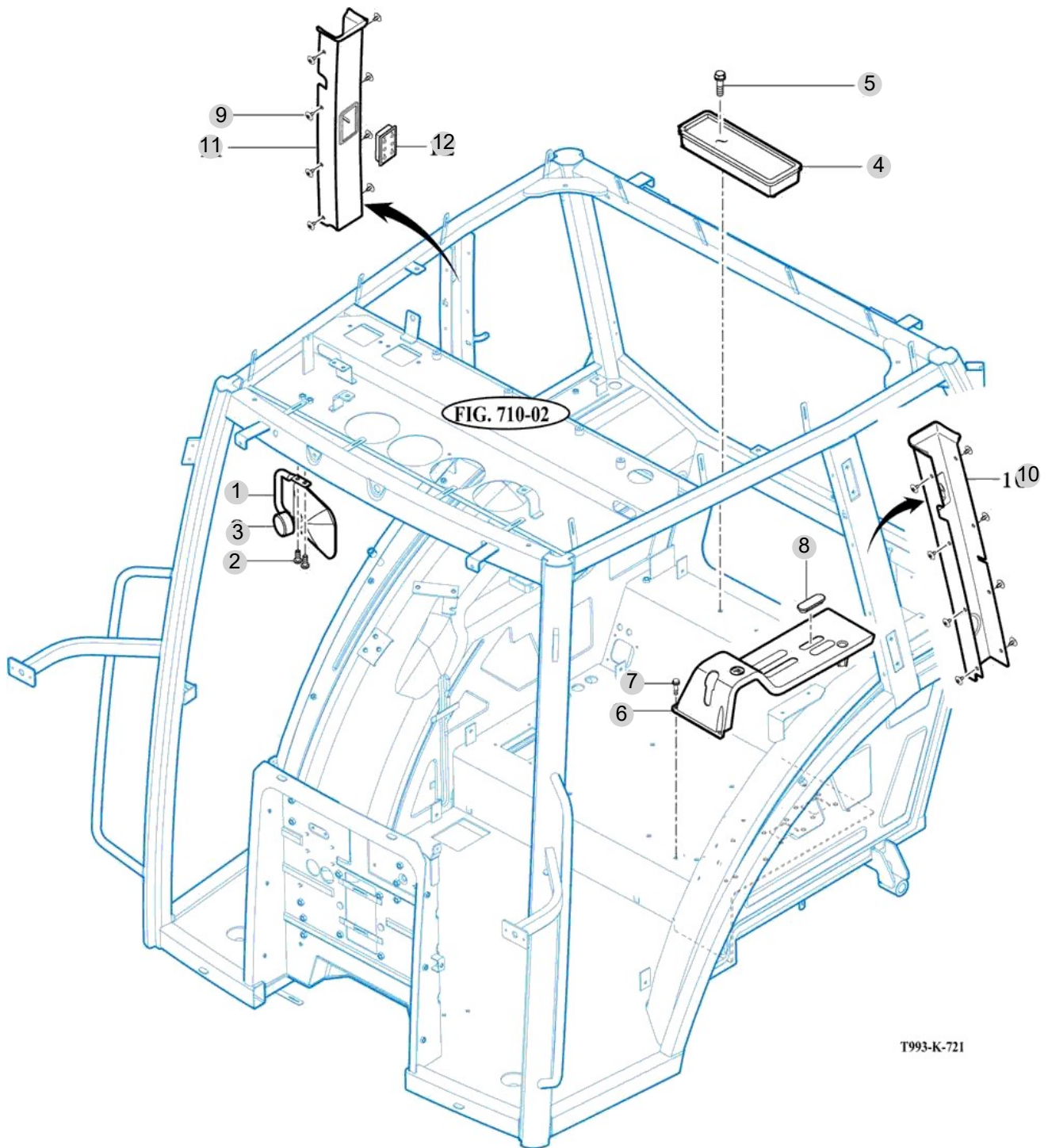
FIG 721

T1104SP

ROOM MIRROR ASSY

년/월
Year/Month

2022-12



T993-K-721

NOTE

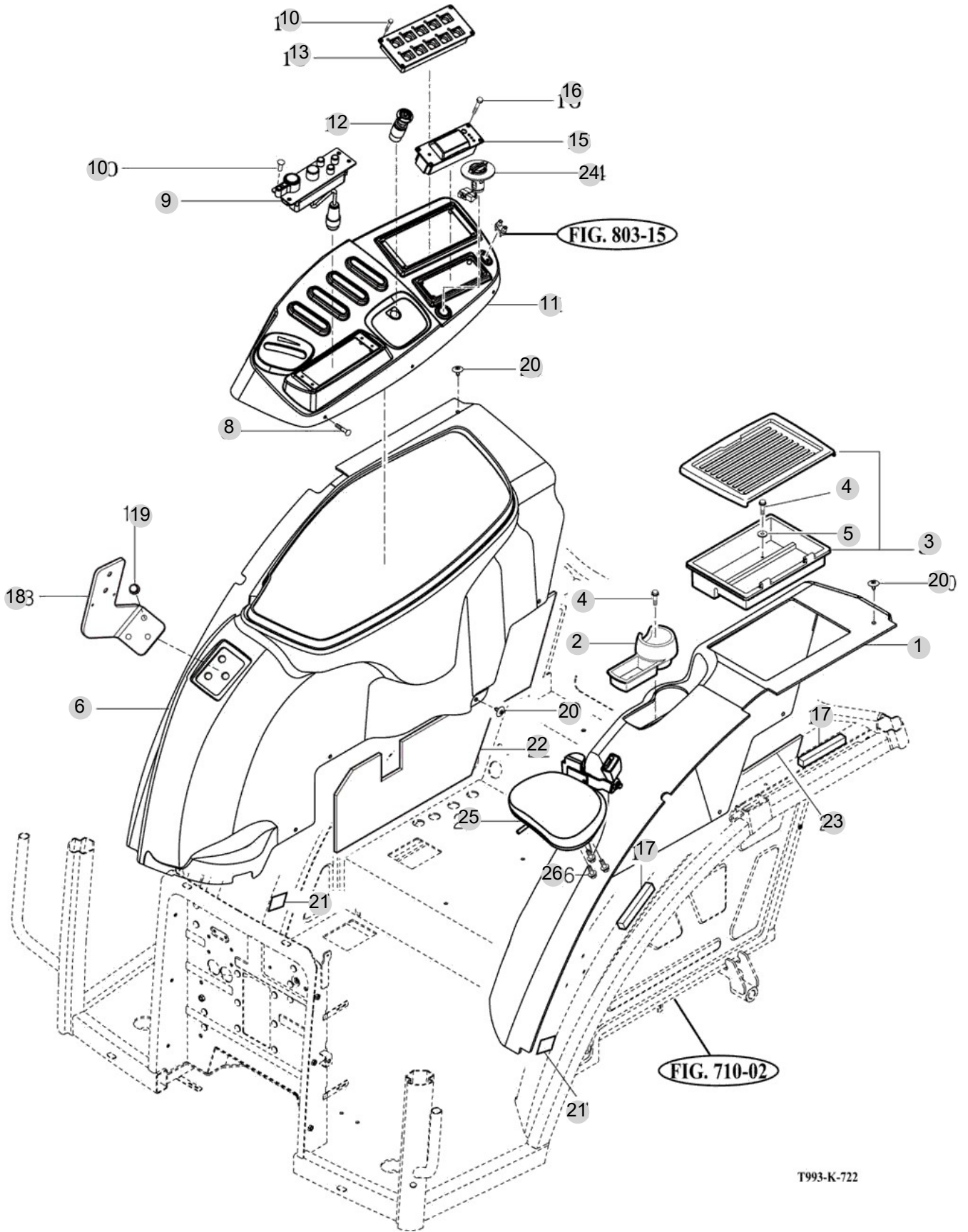
FIG 722

COVER-FENDER&JOYSTICK LEVER

년/월
Year/Month

2022-12

T1104SP



T993-K-722

NOTE

8. Electrical System PART NO. T8

FIG 801 BATTERY & MOUNTING	277
FIG 802 ELECTRIC SYSTEM (1)	279
FIG 803 ELECTRIC SYSTEM (2)	281
FIG 804 ELECTRIC SYSTEM (3)(T1104SP)	283
FIG 805 ELECTRIC SYSTEM (4)	285
FIG 806 ELECTRIC SYSTEM (5)	287
FIG 807 ELECTRIC SYSTEM (5)	289

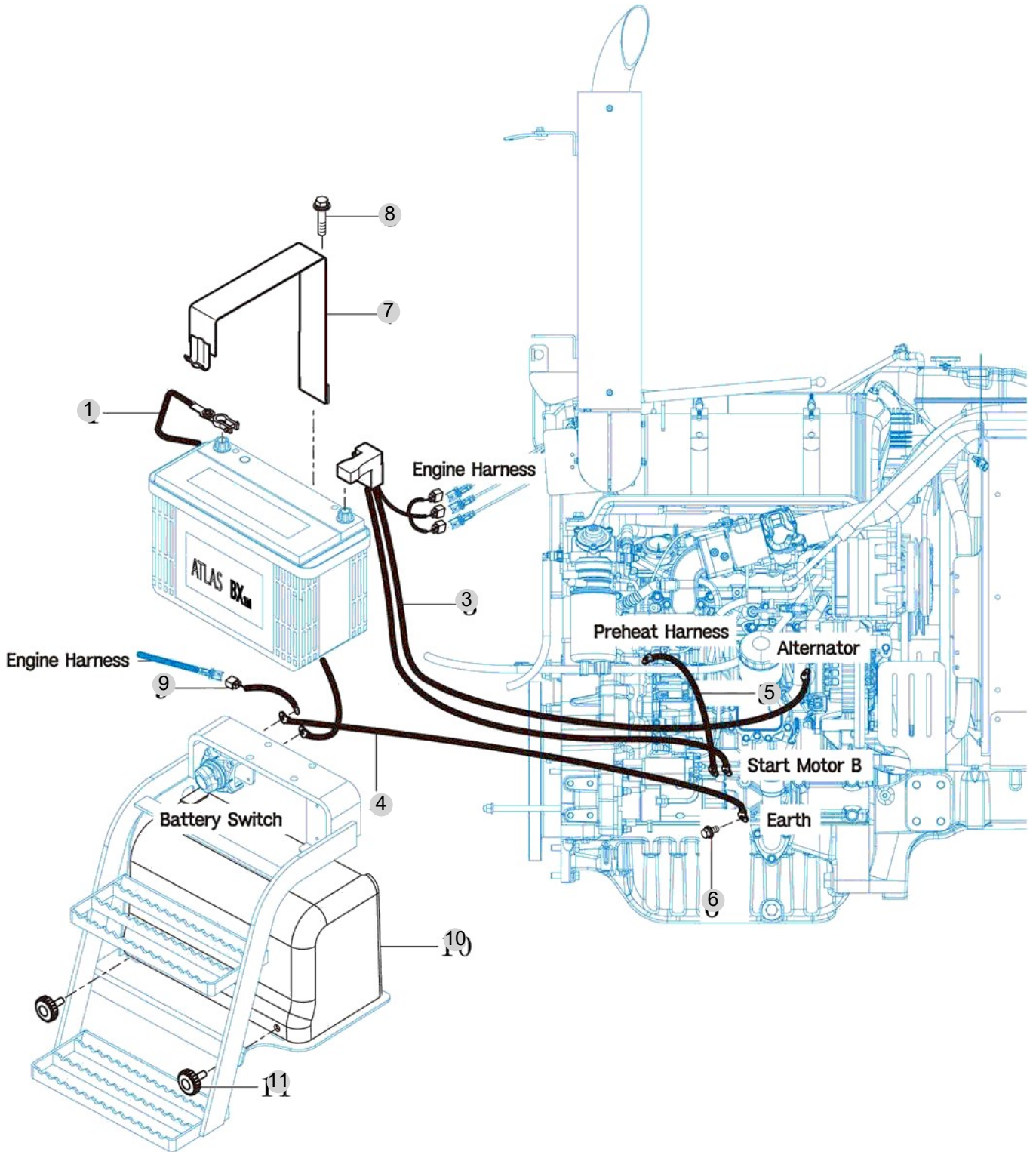
FIG 801

BATTERY & MOUNTING

년/월
Year/Month

2022-12

T1104SP



NOTE

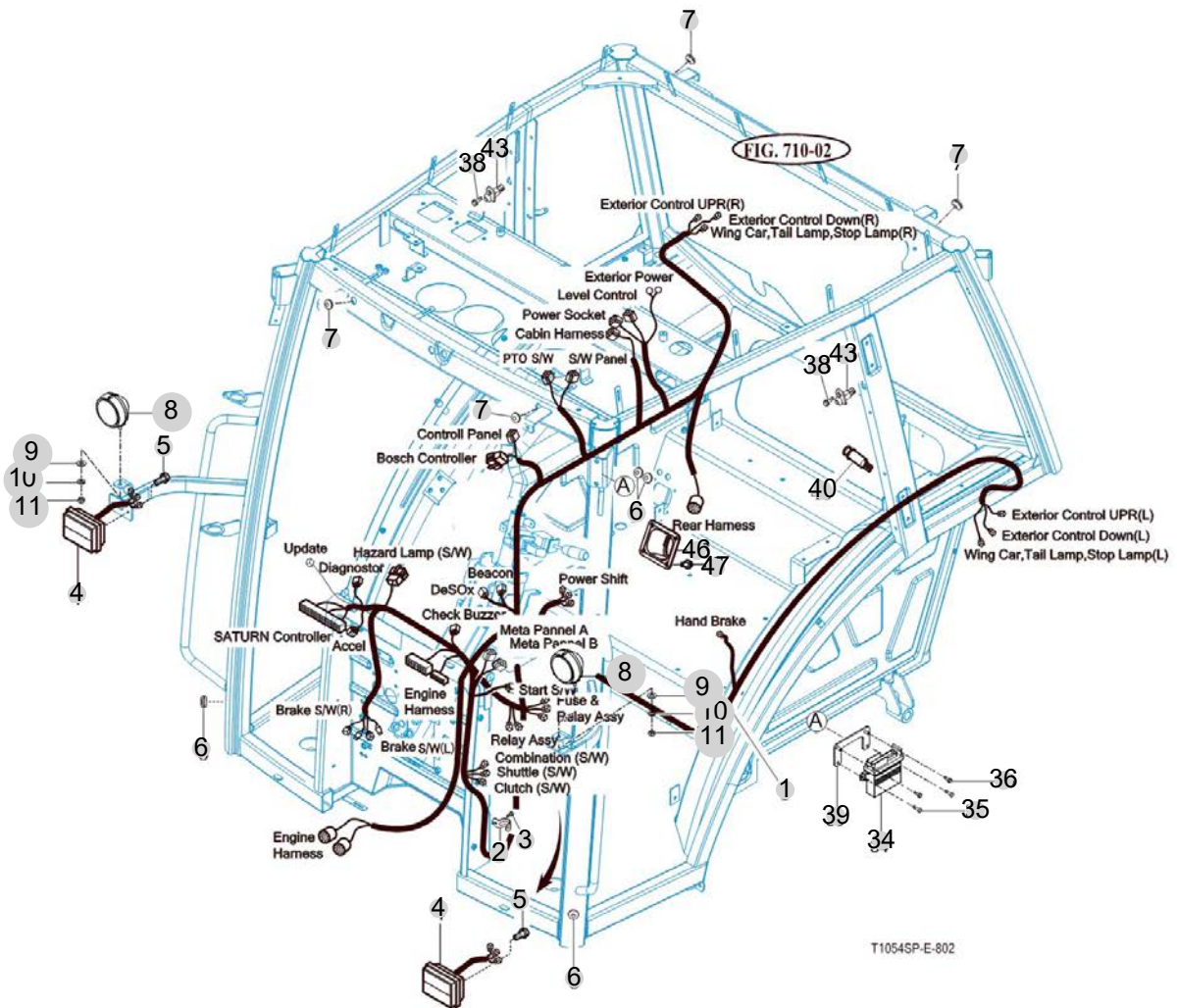
FIG 802

ELECTRIC SYSTEM (1)

년/월
Year/Month

T1104SP

2022-12



NOTE

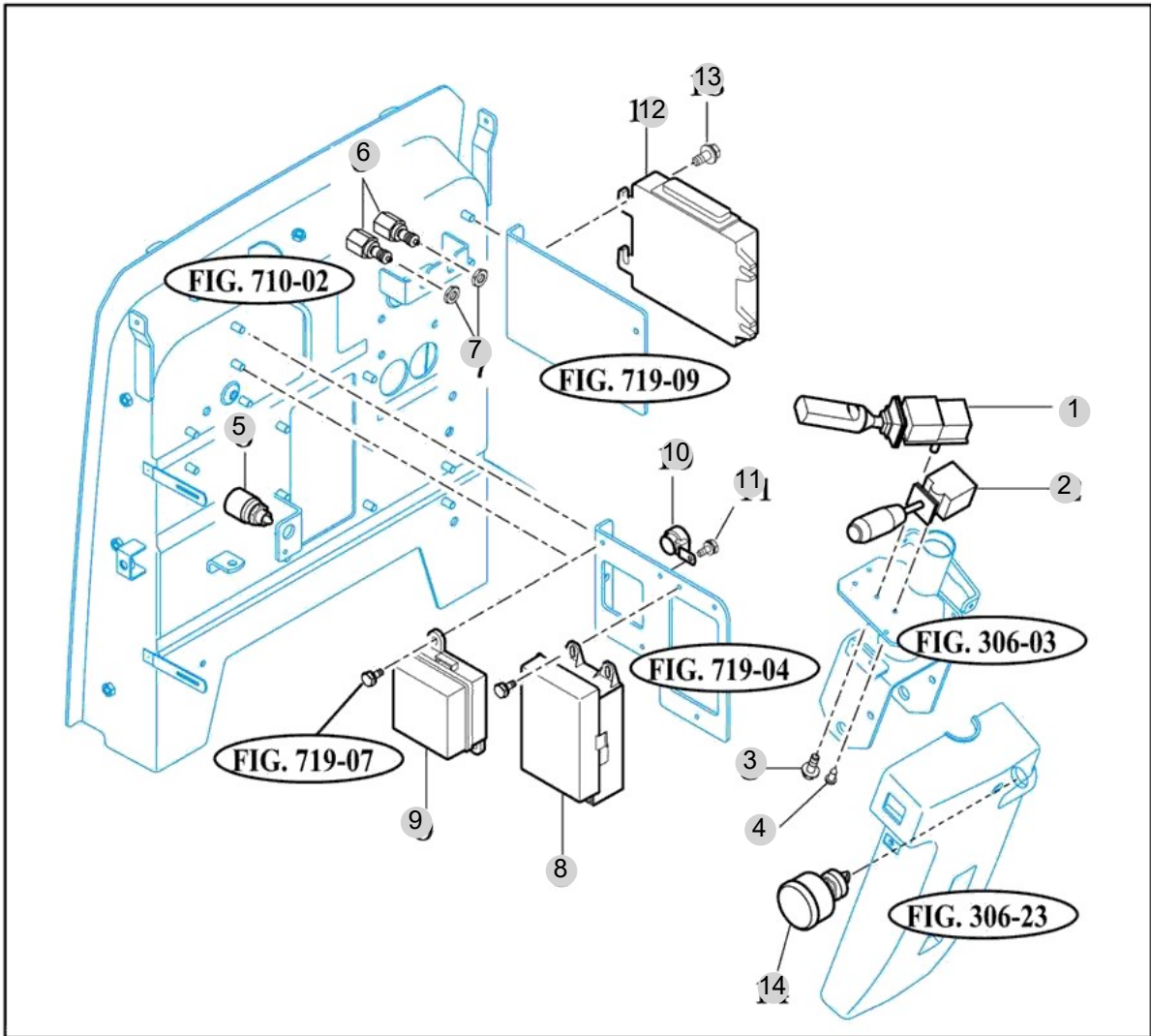
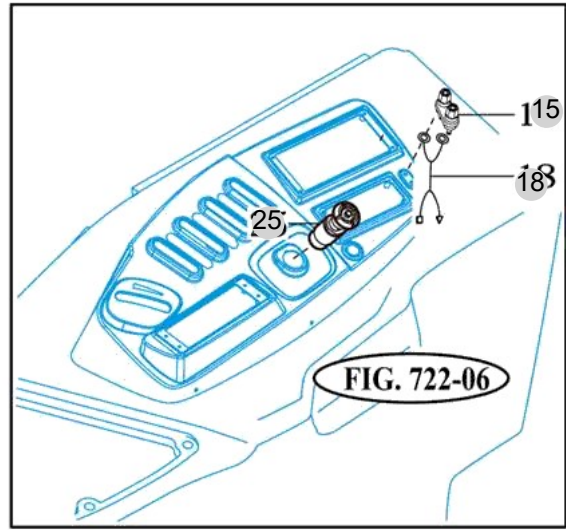
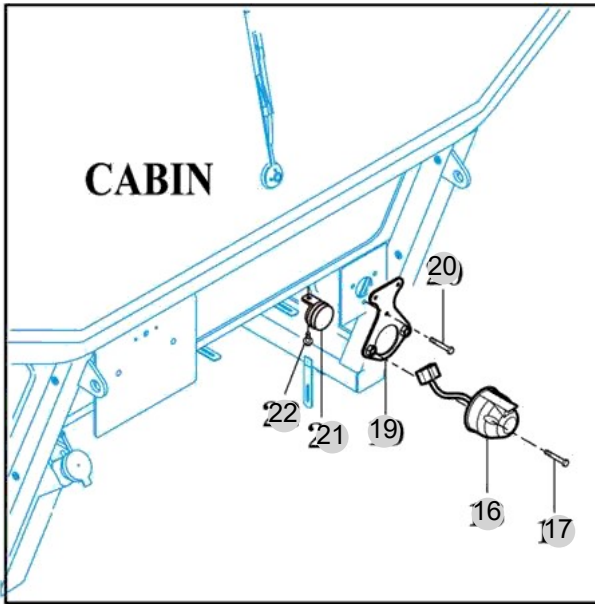
FIG 803

ELECTRIC SYSTEM (2)

년/월
Year/Month

T1104SP

2022-12



T1054-E-804

NOTE

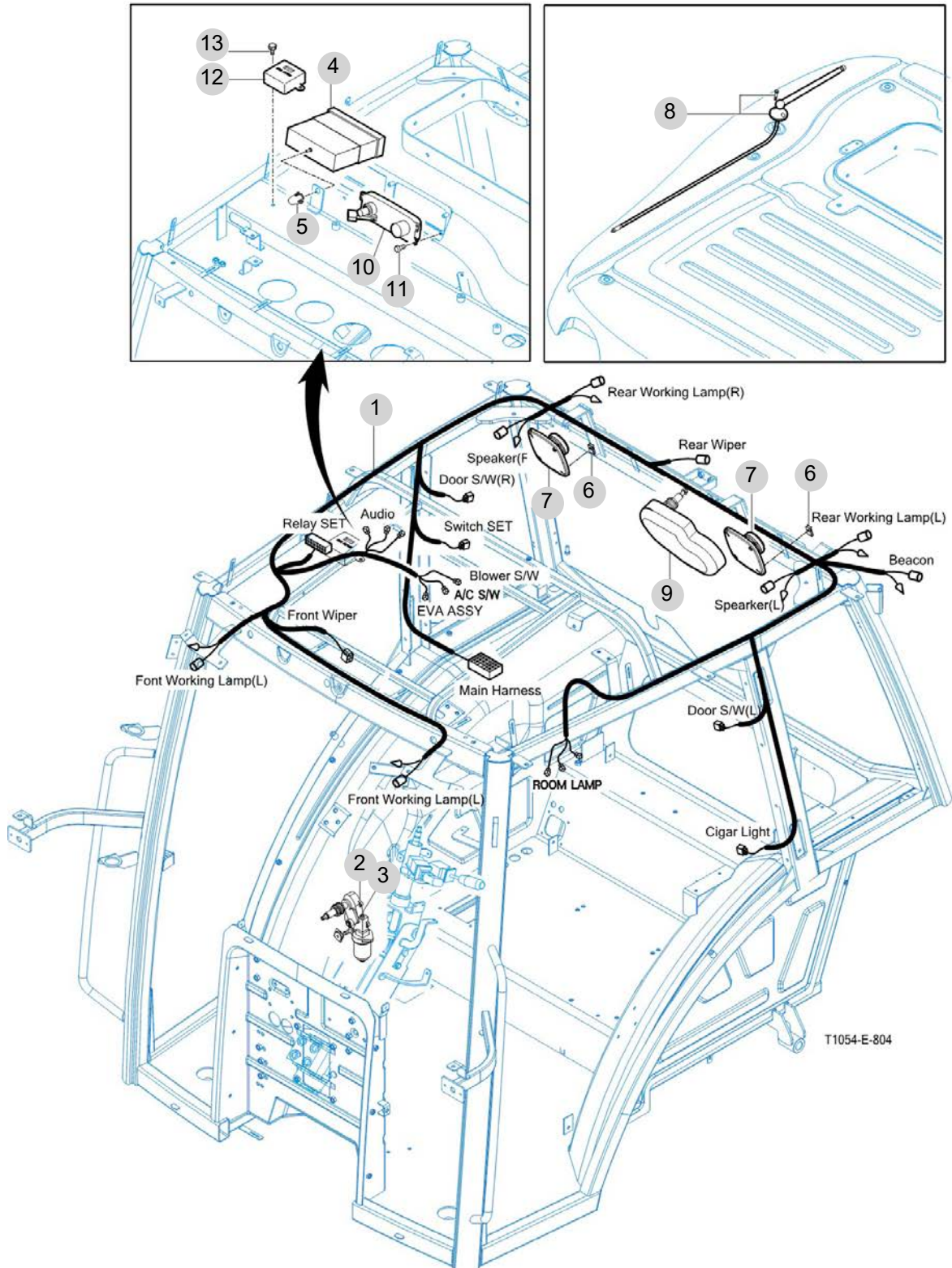
FIG 804

ELECTRIC SYSTEM (3)(T1104SP)

년/월
Year/Month

T1104SP

2022-12



NOTE

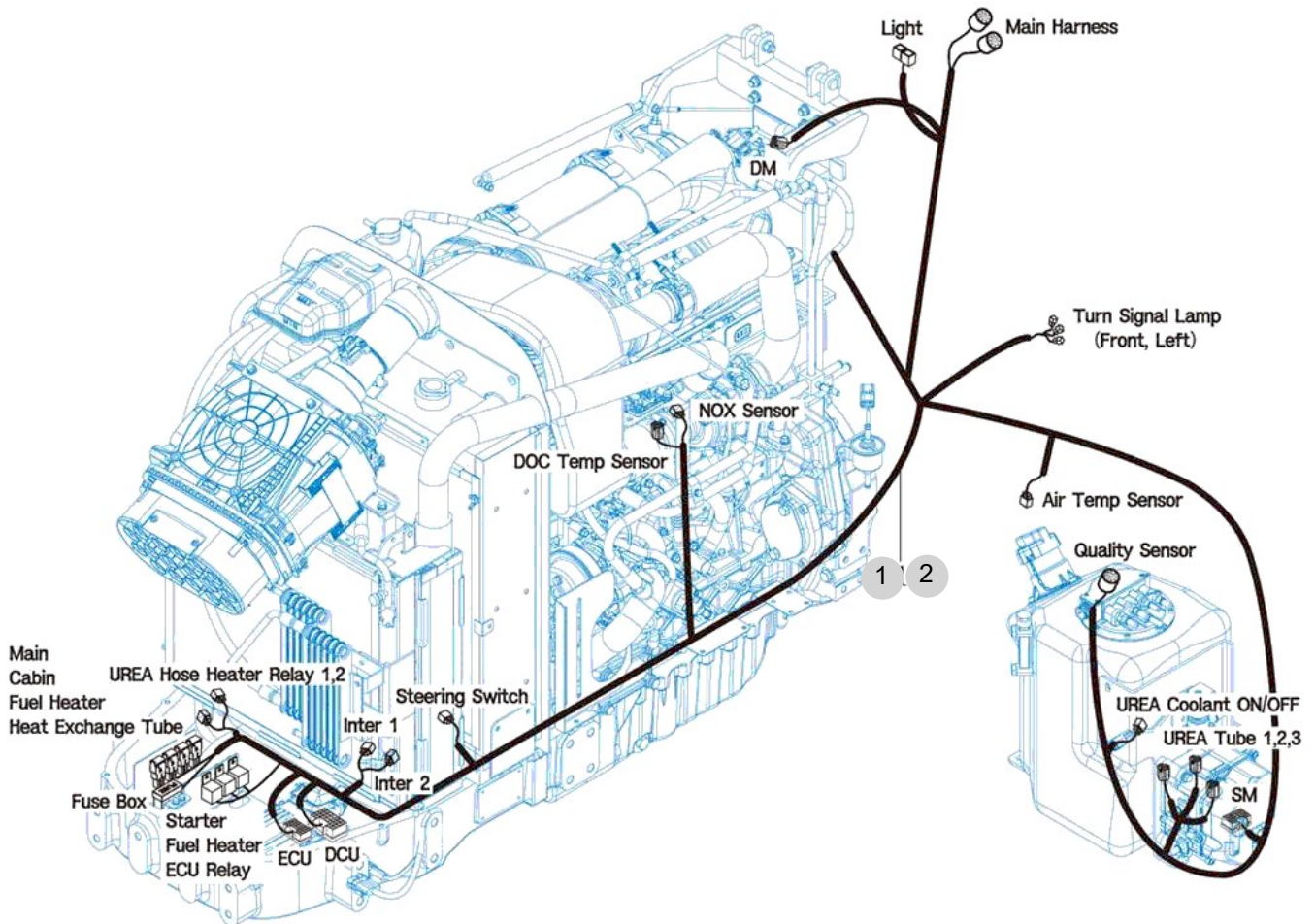
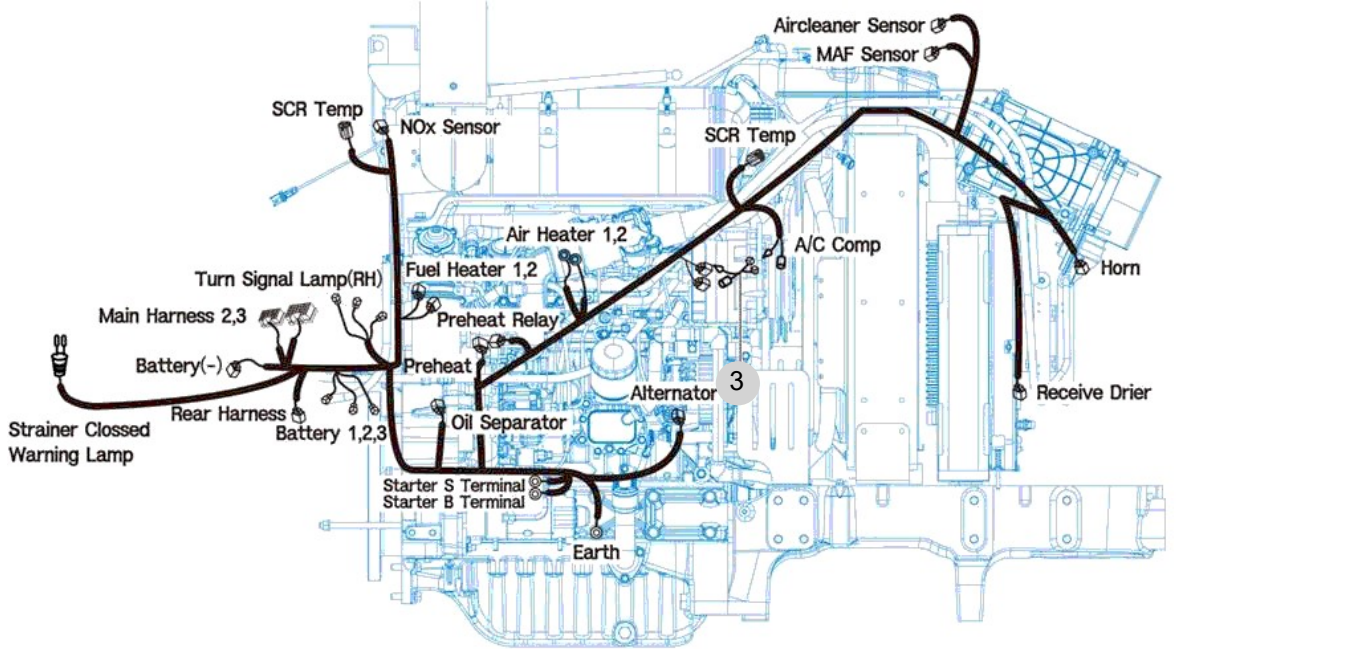
FIG 805

ELECTRIC SYSTEM (4)

년/월
Year/Month

2022-12

T1104SP



NOTE

FIG 805 T1104SP		ELECTRIC SYSTEM (4)					년/월 Year/Month	
							2022-12	
KEY NO	PART NO	DESCRIPTION	SPEC	QTY	REPAIR	EFFECTIVE DATE	REMARKS	
805	1	18786802102	HARNESS ASSY , E/G			1		
805	1	18786802103	HARNESS ASSY , E/G			1		
805	1	18786802104	HARNESS ASSY , E/G			1		
805	3	18716803300	HARNESS ASSY , A/C COMP			1		
NOTE								

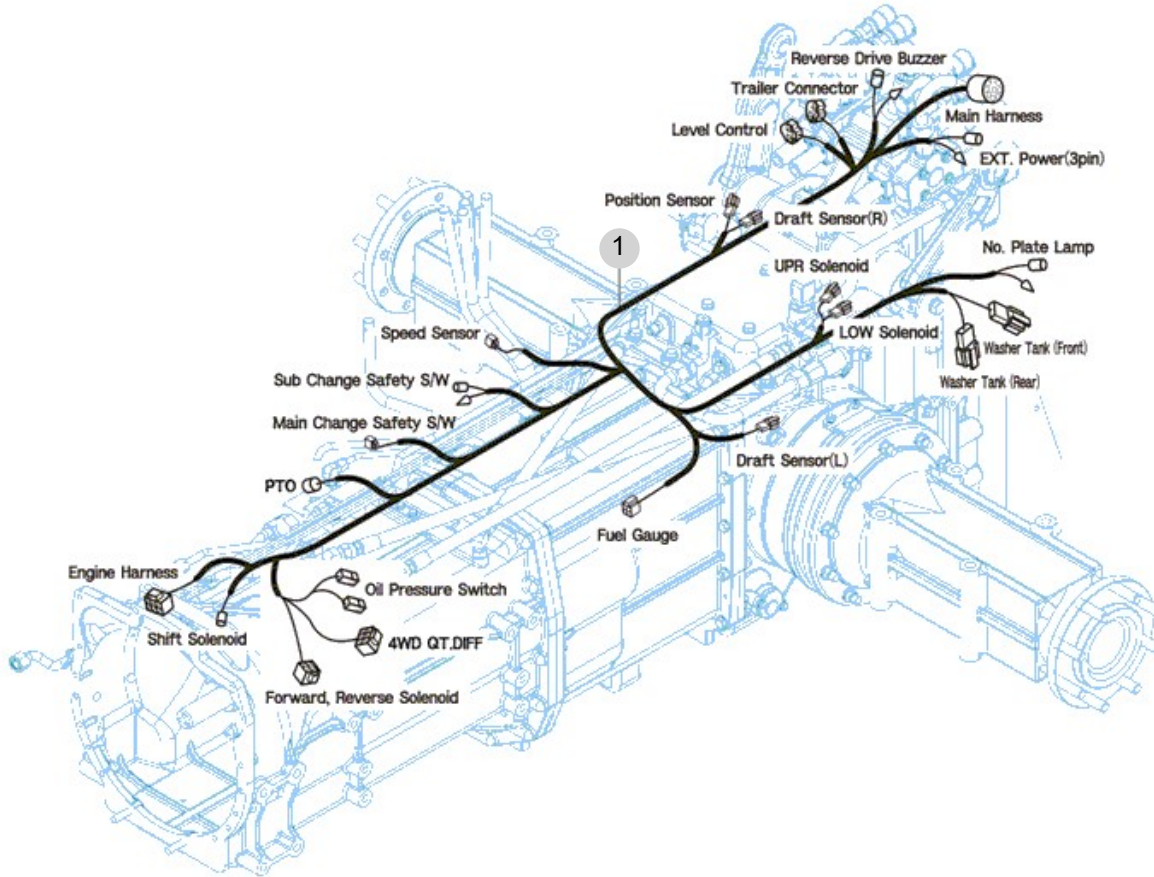
FIG 806

T1104SP

ELECTRIC SYSTEM (5)

년/월
Year/Month

2022-12



NOTE

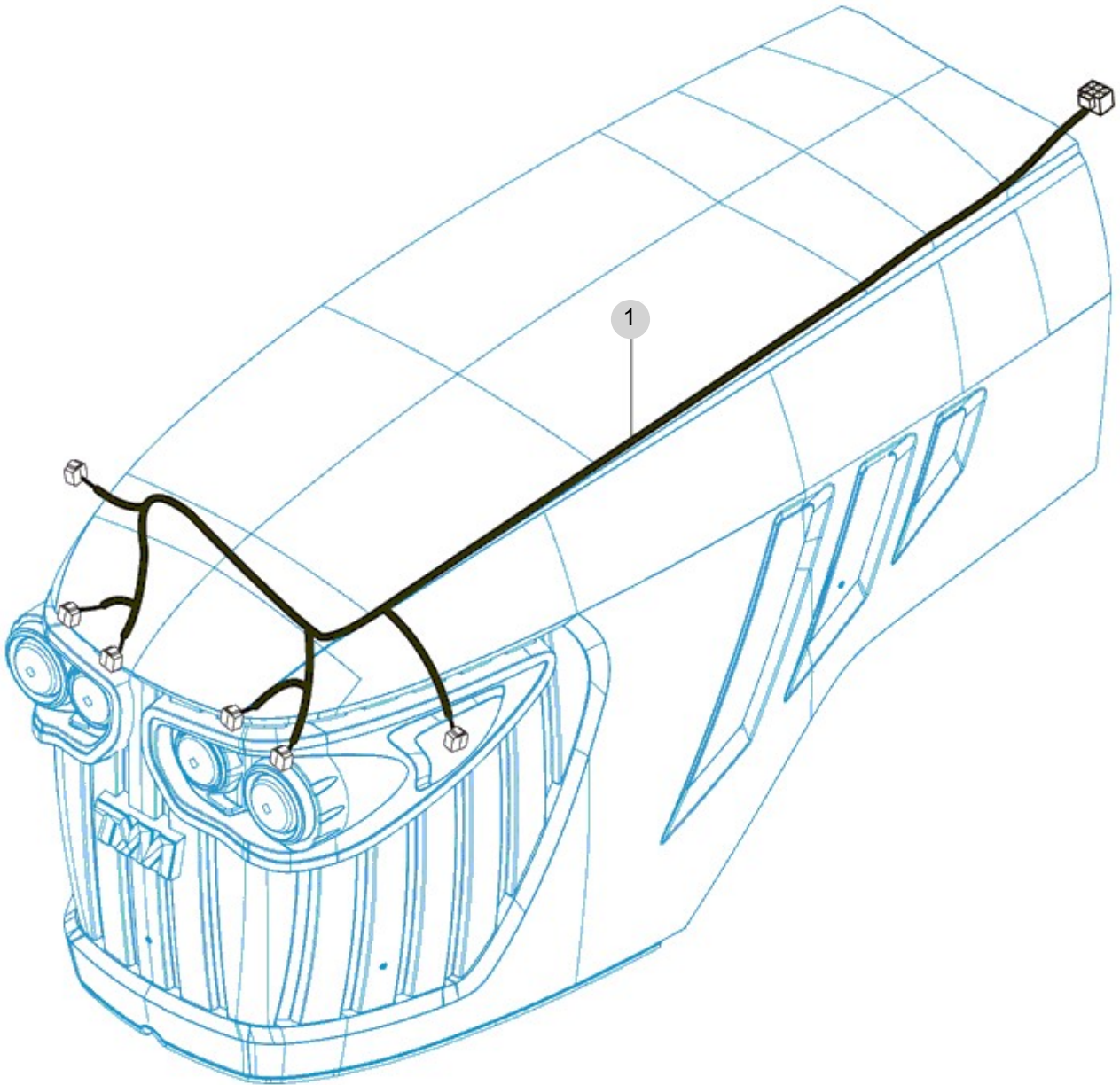
FIG 807

T1104SP

ELECTRIC SYSTEM (5)

년/월
Year/Month

2022-12



NOTE

9. Label/Option PART NO. T9

FIG 901 TOOL & ACCESSORY

292

FIG 903 LABEL

294

FIG 903-2 LABEL

296

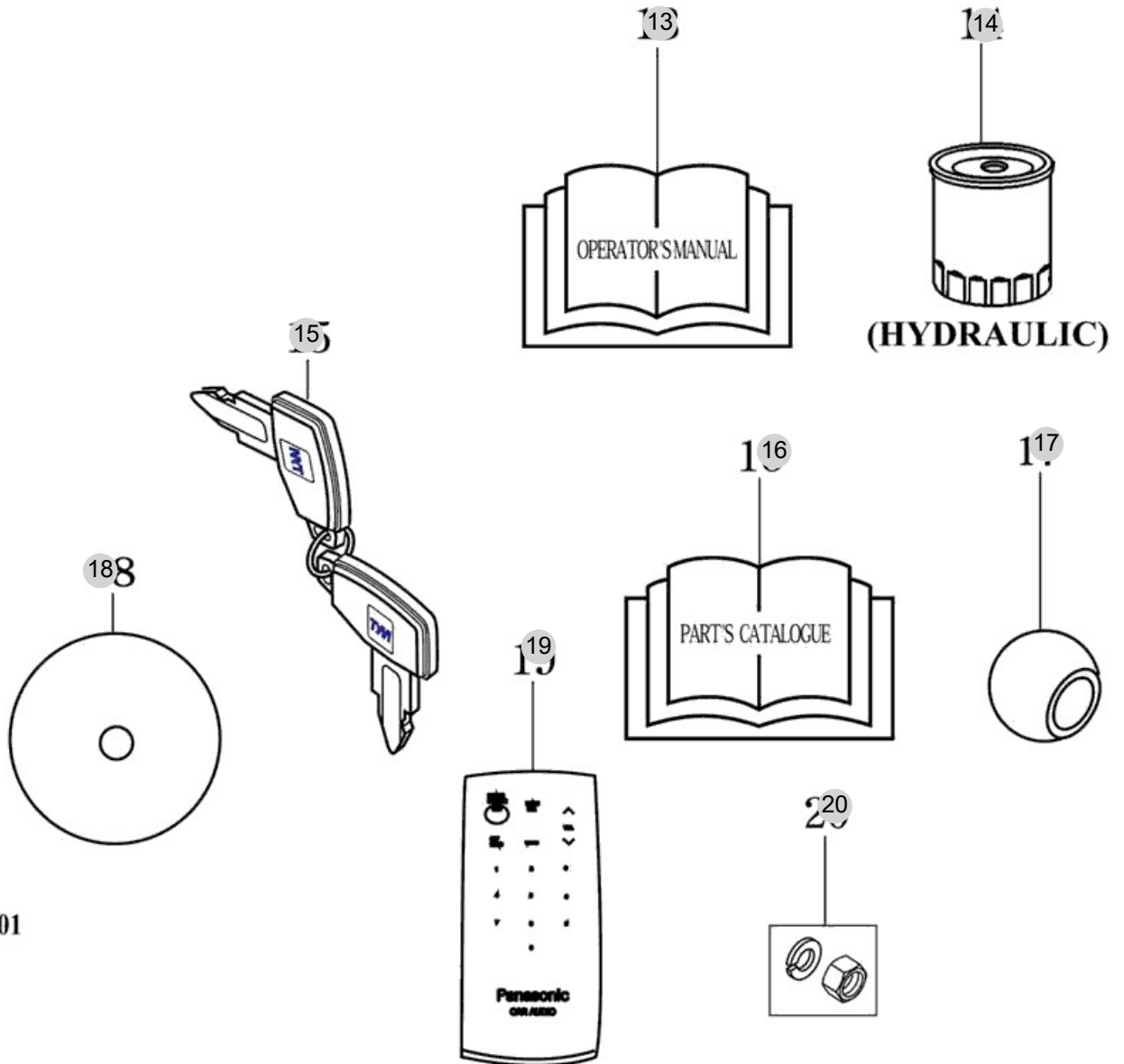
FIG 901

T1104SP

TOOL & ACCESSORY

년/월
Year/Month

2022-12



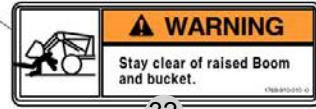
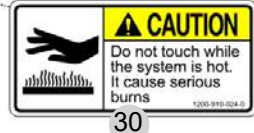
T1054-U-901

NOTE

FIG 901 T1104SP		TOOL & ACCESSORY						년/월 Year/Month 2022-12
KEY NO	PART NO	DESCRIPTION	SPEC	QTY	REPAIR	EFFECTIVE DATE	REMARKS	
901	1	14509050001	TOOLS SET	1X1X1	1			
901	2	14019060050	SPANNER , RING		1			
901	3	V9361500150	PLIERS		1			
901	4	V9201508010	SPANNER , OPEN		1			
901	5	V9201512014	SPANNER , OPEN		1			
901	6	V9201513017	SPANNER , OPEN		1			
901	7	V9201519022	SPANNER , OPEN		1			
901	8	V9201524027	SPANNER , OPEN		1			
901	9	V9451506100	DRIVER , C/R		1			
901	10	V9411506100	DRIVER , SLOT		1			
901	11	37614120021	BAG , TOOLS	1X1X1	1			
901	12	14219060031	PUMP , GREASE	350CC	1			
901	13	18719300010	OPERATOR'S MANUAL (T854/T954/T1054SP)		1			
901	13	18719300011	OPERATOR'S MANUAL (T854/T954/T1054SP)		1			
901	14	19025172120	CARTRIDGE	1X1X1	2			
901	15	14527078720	KEY ASSY	1X1X1	1			
901	15	14527078721	KEY SET , TYM		1			
901	15	12147078721	KEY SET		1			
901	16	18719500010	PARTS CATALOGUE , (T954/T1054US)_SP		1			
901	17	17525252500	BALL		2			
901	18	17817024833	OPERATOR'S MANUAL(CD)		1			
901	18	10547024831	OPERATOR'S MANUAL(ENGLISH- BLUETOOTH)		1			
901	19	17817024812	Remote control		1			
901	19	10547024811	Remote control		1			
901	20	19026601200	BOLT SET , REAR		2			
NOTE								



33



T1104 TYM



T1054SC-E-903A

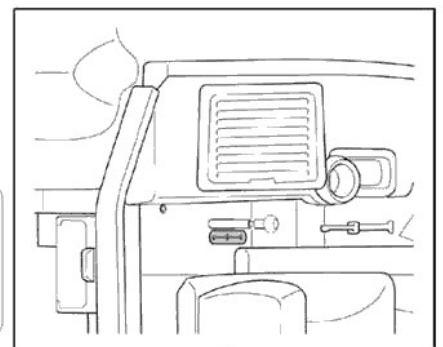
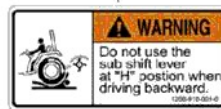
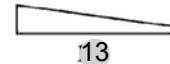
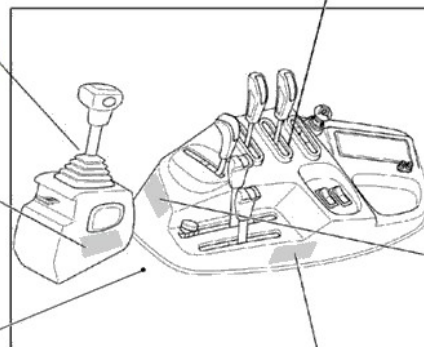
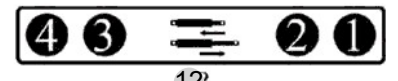
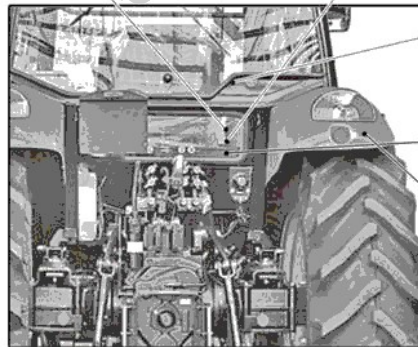
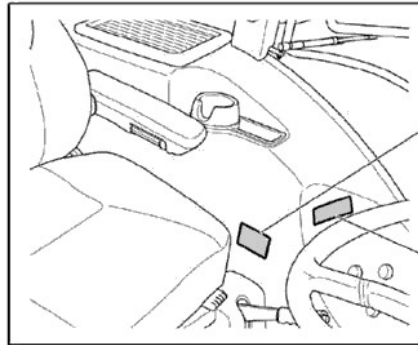
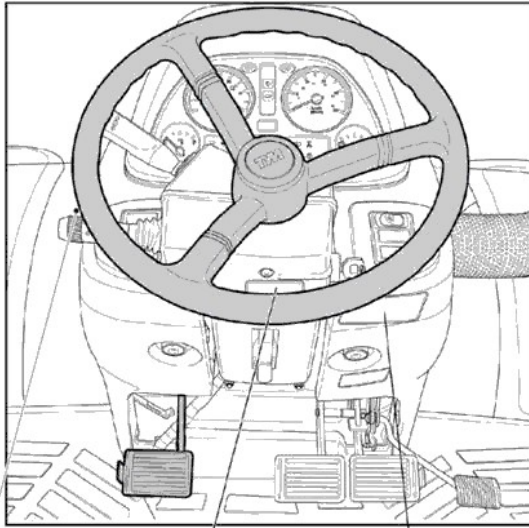
FIG 903-2

LABEL

년/월
Year/Month

T1104SP

2022-12



NOTE

