

T25NHEU

Parts Catalog

목 차

1. 엔진 PART NO. EG

| | |
|---------------------------------|----|
| FIG 100 ENGINE ASSY | 6 |
| FIG 101 CYLINDER BLOCK | 8 |
| FIG 102 GEAR HOUSING | 10 |
| FIG 103 OIL SUMP | 12 |
| FIG 104 CYLINDER HEAD & BONNET | 14 |
| FIG 105 EXHAUST MANIFOLD | 17 |
| FIG 106 CAMSHAFT & DRIVING GEAR | 19 |
| FIG 107 CRANKSHAFT & PISTON | 21 |
| FIG 108 LUB. OIL SYSTEM | 23 |
| FIG 109 COOLING WATER SYSTEM | 25 |
| FIG 110 FUEL INJECTION PUMP | 27 |
| FIG 111 GOVERNOR | 29 |
| FIG 112 FUEL INJECTION VALVE | 31 |
| FIG 113 FUEL FILTER | 33 |
| FIG 114 STARTING MOTOR | 35 |
| FIG 115 GENERATOR | 37 |
| FIG 116 ACCESORY | 39 |

2. 엔진보기품 PART NO. T2

| | |
|-------------------------------|----|
| FIG 201 AIR CLEANER | 42 |
| FIG 202 RADIATOR | 44 |
| FIG 203 MUFFLER | 46 |
| FIG 204 FUEL TANK & FUEL LINE | 48 |
| FIG 205 ACCELERATOR | 50 |
| FIG 206 OIL COOLER | 52 |

3. 클러치/브레이크/스티어링 PART NO. T3

| | |
|------------------------|----|
| FIG 301 FLYWHEEL COVER | 55 |
| FIG 302 SPEED CONTROL | 57 |

| | |
|-------------------------------------|----|
| FIG 303 BRAKE | 60 |
| FIG 304 BRAKE PEDAL & LINKAGE | 62 |
| FIG 305 STEERING WHEEL & DASH COVER | 64 |
| FIG 306 STEERING VALVE | 66 |
| FIG 307 STEERING CYLINDER | 68 |
| FIG 308 FRONT WHEEL | 70 |
| FIG 309 REAR WHEEL | 72 |

4. 트랜스미션 PART NO. T4

| | |
|--------------------------------|----|
| FIG 401 INPUT SHAFT | 75 |
| FIG 402 HST | 77 |
| FIG 403 4WD DRIVE GEAR | 79 |
| FIG 404 RANGE GEARS | 81 |
| FIG 405 P.T.O DRIVE SHAFT | 83 |
| FIG 406 P.T.O SHAFT | 85 |
| FIG 408 DIFF LOCK | 87 |
| FIG 409 REAR TRANSMISSION CASE | 89 |
| FIG 410 REAR AXLE HOUSINGS | 91 |
| FIG 411 RANGE SHIFT LEVER | 93 |
| FIG 412 P.T.O CHANGE LEVER | 95 |
| FIG 413 4WD CHANGE LEVER | 97 |

5. 프론트 액슬 PART NO. T5

| | |
|--|-----|
| FIG 501 FRAME | 100 |
| FIG 502 FRONT DIFFERENTIAL GEARS & SHAFT | 102 |
| FIG 503 FRONT AXLE HOUSING | 104 |
| FIG 504 FRONT GEAR CASE (1) | 106 |
| FIG 505 FRONT GEAR CASE (2) | 108 |

6. 유압/3점링크 PART NO. T6

| | |
|-------------------------------|-----|
| FIG 601 CYLINDER CASE | 111 |
| FIG 602 LIFT ARM | 113 |
| FIG 603 FLOW CONTROL VALVE | 115 |
| FIG 604 CONTROL VALVE LINKAGE | 117 |
| FIG 605 MAIN CONTROL VALVE | 119 |

| | |
|--------------------------------|-----|
| FIG 606 REMOTE CONTROL VALVE | 121 |
| FIG 607 POSITION LEVER LINKAGE | 123 |
| FIG 608 GEAR PUMP | 125 |
| FIG 609 HYDRAULIC HOSE (1) | 127 |
| FIG 610 HYDRAULIC HOSE (2) | 129 |
| FIG 611 PTO VALVE | 131 |
| FIG 612 3-POINT LINKAGE | 133 |
| FIG 613 JOYSTICK LEVER | 136 |
| FIG 614 HITCH & COVER | 138 |

7. 시트메탈/캐빈 PART NO. T7

| | |
|--------------------|-----|
| FIG 701 BONNET | 141 |
| FIG 702 DASH PANEL | 143 |
| FIG 703 FLOOR | 145 |
| FIG 704 SEAT | 148 |
| FIG 705 ROPS | 150 |

8. 전장 PART NO. T8

| | |
|----------------------------|-----|
| FIG 801 BATTERY & MOUNTING | 153 |
| FIG 802 LIGHTS | 155 |
| FIG 803 INSTRUMENT PANEL | 157 |
| FIG 804 ELECTRIC SYSTEM | 159 |
| FIG 805 HARNESS | 161 |
| FIG 806 HARNESS | 163 |

9. 라벨/옵션 PART NO. T9

| | |
|--------------------------|-----|
| FIG 901 TOOL & ACCESSORY | 166 |
| FIG 902 WEIGHT | 168 |

1. 엔진 PART NO. EG

| | |
|---------------------------------|----|
| FIG 100 ENGINE ASSY | 6 |
| FIG 101 CYLINDER BLOCK | 8 |
| FIG 102 GEAR HOUSING | 10 |
| FIG 103 OIL SUMP | 12 |
| FIG 104 CYLINDER HEAD & BONNET | 14 |
| FIG 105 EXHAUST MANIFOLD | 17 |
| FIG 106 CAMSHAFT & DRIVING GEAR | 19 |
| FIG 107 CRANKSHAFT & PISTON | 21 |
| FIG 108 LUB. OIL SYSTEM | 23 |
| FIG 109 COOLING WATER SYSTEM | 25 |
| FIG 110 FUEL INJECTION PUMP | 27 |
| FIG 111 GOVERNOR | 29 |
| FIG 112 FUEL INJECTION VALVE | 31 |
| FIG 113 FUEL FILTER | 33 |
| FIG 114 STARTING MOTOR | 35 |
| FIG 115 GENERATOR | 37 |
| FIG 116 ACCESORY | 39 |

| | | |
|--------------------|-------------|-------------------|
| FIG 100 T25NHEU | ENGINE ASSY | 년/월 Year/Month |
| | | 2022-12 |

ENGINE

1

| | |
|------|--|
| NOTE | |
|------|--|

| FIG 100 T25NHEU | | ENGINE ASSY | | | | | | 년/월 | Year/Month |
|--------------------|---|-------------|----------------------|------|-----|--------|----------------|---------|------------|
| | | | | | | | | 2022-12 | |
| KEY NO | | PART NO | DESCRIPTION | SPEC | QTY | REPAIR | EFFECTIVE DATE | REMARKS | |
| 100 | 1 | 11811001100 | 엔진 , 3TNV80F-NXDKTFX | | 1 | | | | |
| | | | | | | | | | |
| | | | | | | | | | |
| | | | | | | | | | |
| | | | | | | | | | |
| | | | | | | | | | |
| | | | | | | | | | |
| | | | | | | | | | |
| | | | | | | | | | |
| | | | | | | | | | |
| | | | | | | | | | |
| | | | | | | | | | |
| | | | | | | | | | |
| | | | | | | | | | |
| | | | | | | | | | |
| | | | | | | | | | |
| | | | | | | | | | |
| | | | | | | | | | |
| | | | | | | | | | |
| | | | | | | | | | |
| | | | | | | | | | |
| | | | | | | | | | |
| | | | | | | | | | |
| | | | | | | | | | |
| | | | | | | | | | |
| | | | | | | | | | |
| | | | | | | | | | |
| | | | | | | | | | |
| | | | | | | | | | |
| | | | | | | | | | |
| | | | | | | | | | |
| | | | | | | | | | |
| | | | | | | | | | |
| NOTE | | | | | | | | | |

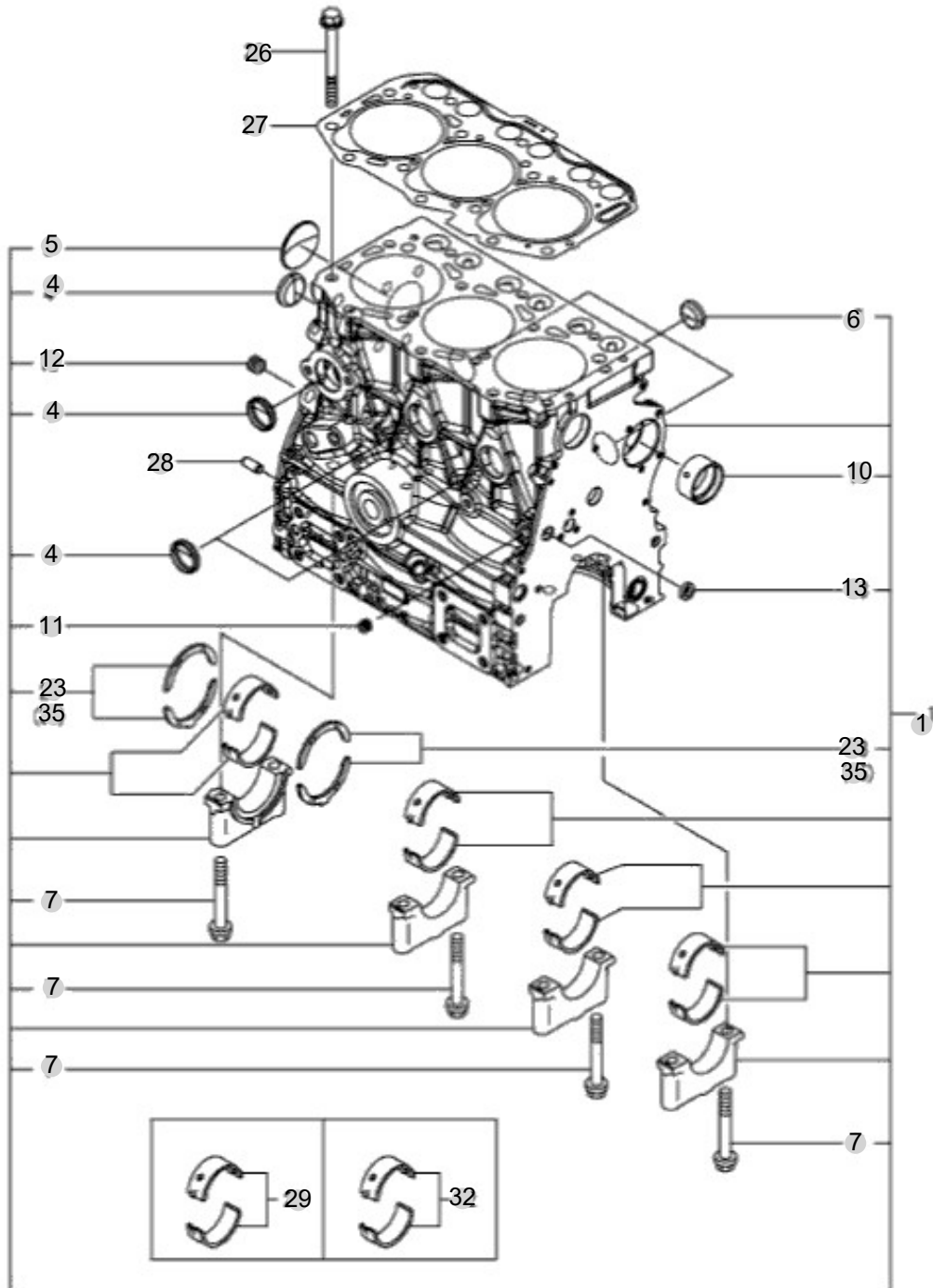
FIG 101

CYLINDER BLOCK

년/월
Year/Month

2022-12

T25NHEU



NOTE

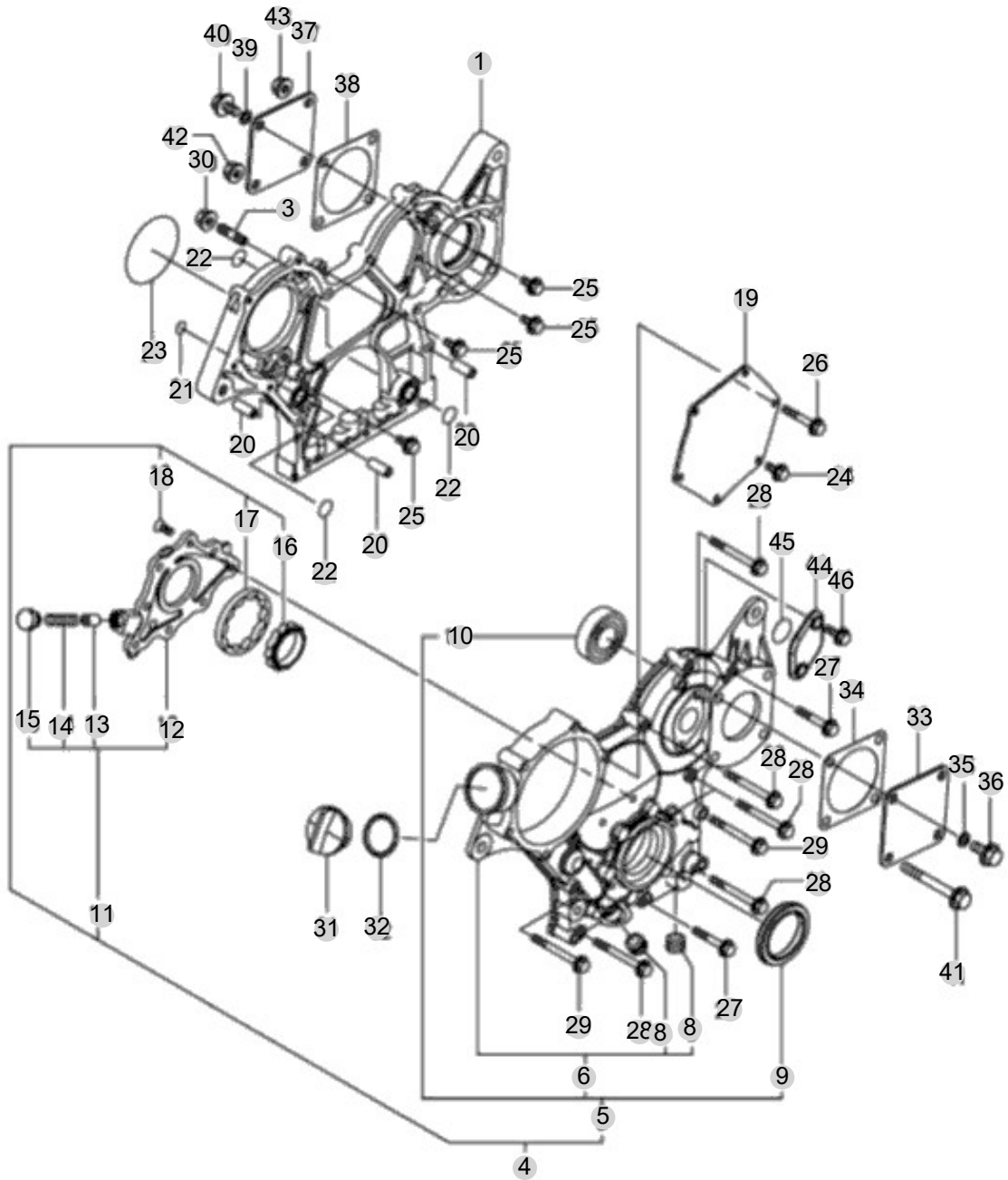
FIG 102

GEAR HOUSING

년/월
Year/Month

2022-12

T25NHEU



NOTE

| FIG 102 | | GEAR HOUSING | | | | | 년/월 Year/Month | | |
|---------|----|--------------|-----------------------|-------------|------|-----|-------------------|----------------|---------|
| | | | | | | | 2022-12 | | |
| T25NHEU | | KEY NO | PART NO | DESCRIPTION | SPEC | QTY | REPAIR | EFFECTIVE DATE | REMARKS |
| 102 | 1 | 119740-01501 | CASE, GEAR | | | 1 | | | |
| 102 | 3 | 119717-01570 | STUD | | | 3 | | | |
| 102 | 4 | 119751-01590 | COVER ASSY, CASE | | | 1 | | | |
| 102 | 5 | 719751-01500 | COVER ASSY, CASE | | | 1 | | | |
| 102 | 6 | 119751-01521 | COVER, GEAR CASE | | | 1 | | | |
| 102 | 8 | 23876-030000 | PLUG, R03 | | | 2 | | | |
| 102 | 9 | 119717-01800 | SEAL, OIL | | | 1 | | | |
| 102 | 10 | 24101-062024 | 깊은홈 볼베어링 | | | 1 | | | |
| 102 | 11 | 119717-32100 | COVER ASSY, PUMP | | | 1 | | | |
| 102 | 12 | 119717-32080 | COVER, OIL PUMP | | | 1 | | | |
| 102 | 13 | 129900-32130 | VALVE, RELIEF | | | 1 | | | |
| 102 | 14 | 129001-32320 | SPRING | | | 1 | | | |
| 102 | 15 | 129001-32330 | PLUG | | | 1 | | | |
| 102 | 16 | 119717-32110 | ROTOR, INNER | | | 1 | | | |
| 102 | 17 | 119717-32120 | ROTOR, OUTER | | | 1 | | | |
| 102 | 18 | 119802-32130 | SCREW, M6X16 | | | 8 | | | |
| 102 | 19 | 119717-01750 | COVER, PUMP | | | 1 | | | |
| 102 | 20 | 119660-01911 | PIPE, KNOCK 6X17 | | | 4 | | | |
| 102 | 21 | 119624-32040 | O-RING, P12.0 | | | 1 | | | |
| 102 | 22 | 119717-32050 | O-RING, P17.0 | | | 3 | | | |
| 102 | 23 | 121850-51960 | O-RING, FUEL PUMP | | | 1 | | | |
| 102 | 24 | 26106-060122 | BOLT, M6X 12 PLATED | | | 1 | | | |
| 102 | 25 | 26106-060162 | BOLT, M6X 16 PLATED | | | 4 | | | |
| 102 | 26 | 26106-060402 | BOLT, M6X 40 PLATED | | | 4 | | | |
| 102 | 27 | 26106-060402 | BOLT, M6X 40 PLATED | | | 2 | | | |
| 102 | 28 | 26106-060602 | BOLT, M6X 60 PLATED | | | 7 | | | |
| 102 | 29 | 26106-060652 | BOLT, M6X 65 PLATED | | | 2 | | | |
| 102 | 30 | 26306-080002 | NUT, M8 | | | 3 | | | |
| 102 | 31 | 124160-01751 | CAP, FILLER | | | 1 | | | |
| 102 | 32 | 24311-000320 | 운동용O링 | | | 1 | | | |
| 102 | 33 | 124240-01871 | COVER, HYDRAULIC PUMP | | | 1 | | | |
| 102 | 34 | 129C26-01890 | GASKET, PUMP | | | 1 | | | |
| 102 | 35 | 22190-080002 | WASHER, SEAL 8 | | | 1 | | | |
| 102 | 36 | 26106-080142 | BOLT, M8X 14 PLATED | | | 1 | | | |
| 102 | 37 | 124240-01871 | COVER, HYDRAULIC PUMP | | | 1 | | | |
| 102 | 38 | 129C26-01890 | GASKET, PUMP | | | 1 | | | |
| 102 | 39 | 22190-080002 | WASHER, SEAL 8 | | | 1 | | | |
| 102 | 40 | 26106-080142 | BOLT, M8X 14 PLATED | | | 1 | | | |
| 102 | 41 | 26106-080702 | BOLT, M8X 70 PLATED | | | 3 | | | |
| 102 | 42 | 26306-080002 | NUT, M8 | | | 1 | | | |
| 102 | 43 | 26306-080002 | NUT, M8 | | | 2 | | | |
| 102 | 44 | 121023-01551 | COVER, TACHOMETER | | | 1 | | | |
| 102 | 45 | 24341-000240 | O-RING, 1AS24.0 | | | 1 | | | |
| 102 | 46 | 26106-060162 | BOLT, M6X 16 PLATED | | | 2 | | | |
| | | | | | | | | | |
| NOTE | | | | | | | | | |

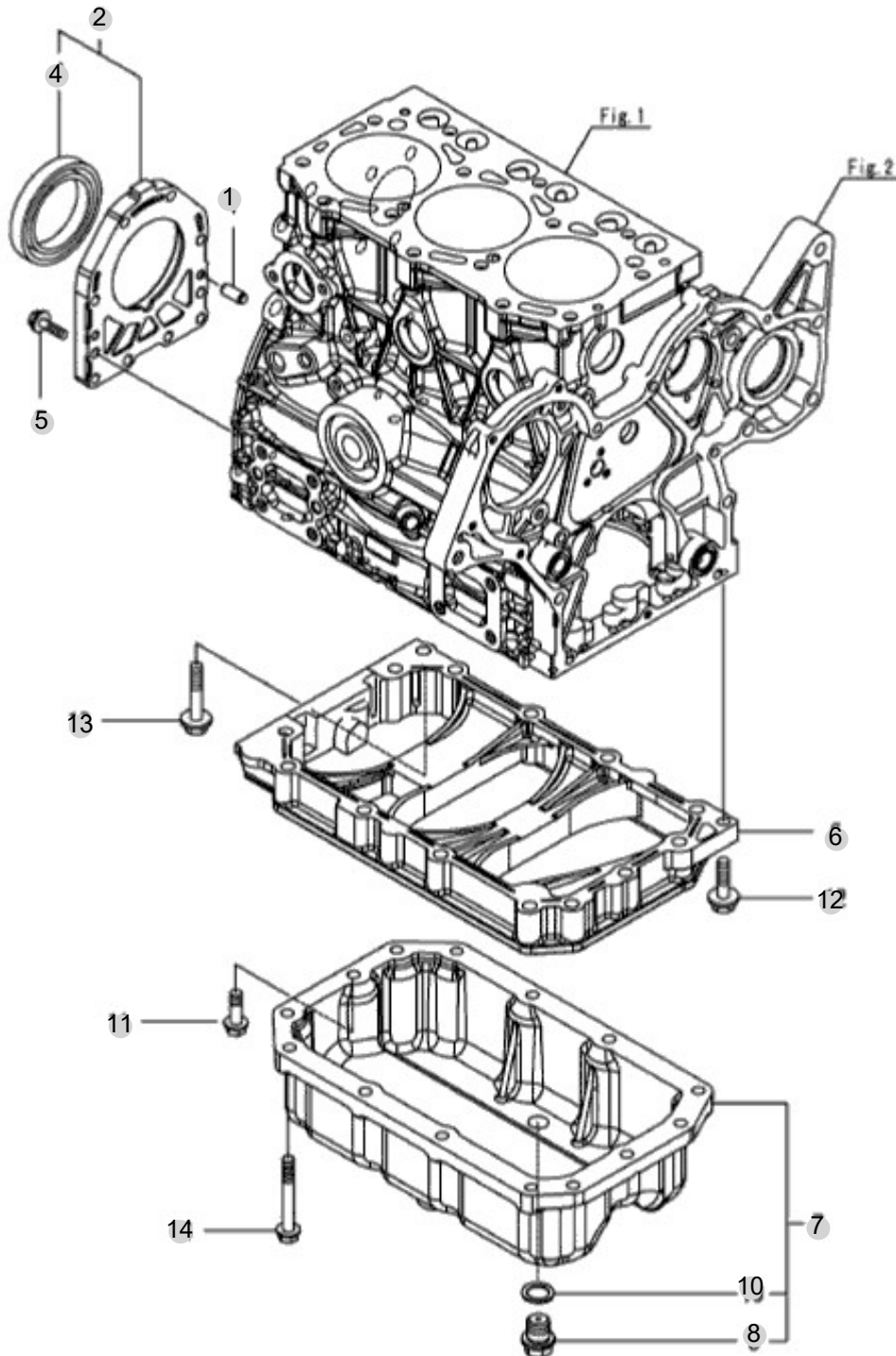
FIG 103

OIL SUMP

년/월
Year/Month

2022-12

T25NHEU



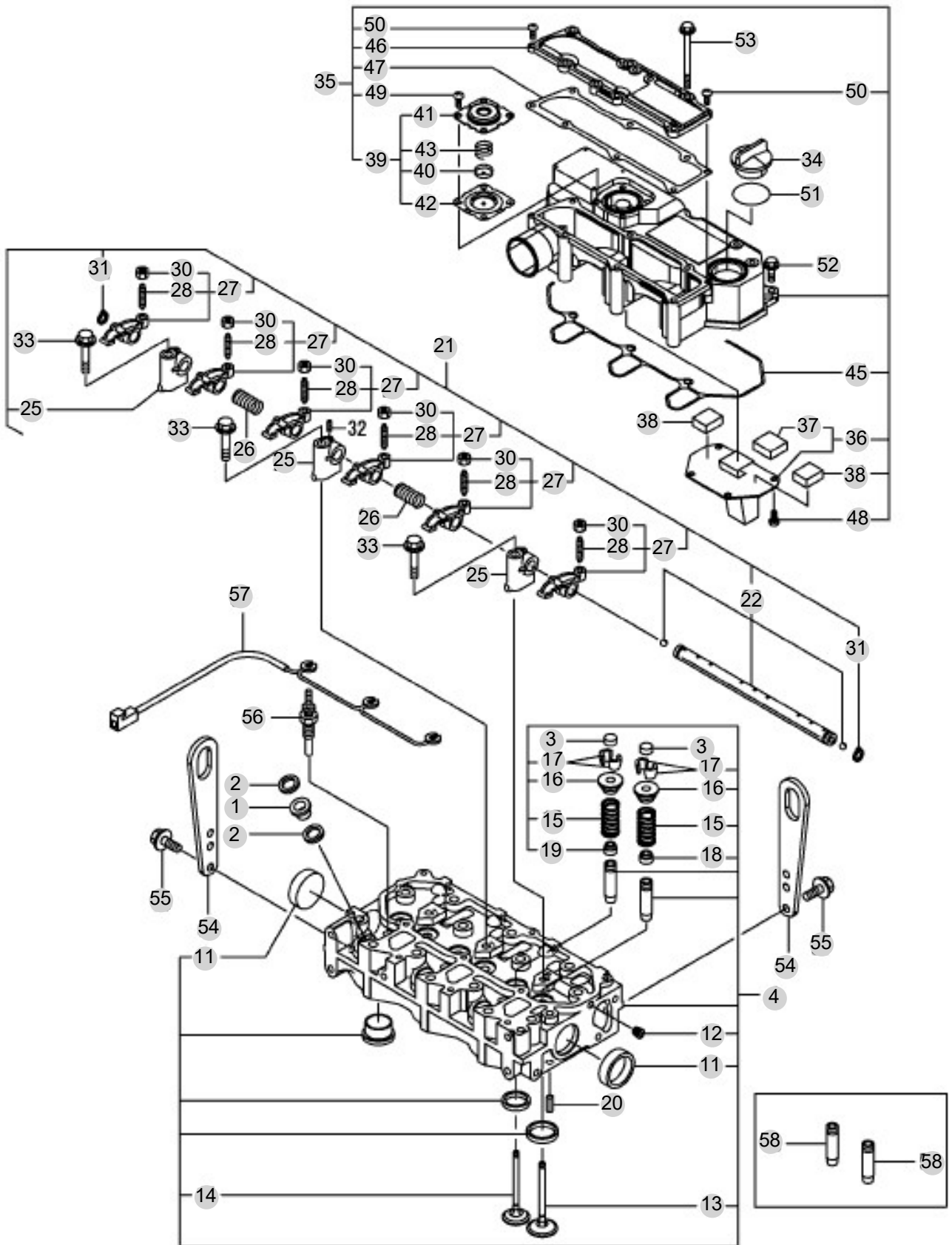
NOTE

FIG 104

CYLINDER HEAD & BONNET

년/월
Year/Month

2022-12



NOTE

| FIG 104 | | CYLINDER HEAD & BONNET | | | | | 년/월 Year/Month | | |
|---------|----|------------------------|----------------------|-------------|------|-----|-------------------|----------------|---------|
| | | | | | | | 2022-12 | | |
| T25NHEU | | KEY NO | PART NO | DESCRIPTION | SPEC | QTY | REPAIR | EFFECTIVE DATE | REMARKS |
| 104 | 1 | 129901-11450 | PROTECTOR, NOZZLE | | | 3 | | | |
| 104 | 2 | 119600-11460 | GASKET, NOZZLE | | | 6 | | | |
| 104 | 3 | 105010-11490 | CAP, VALVE | | | 6 | | | |
| 104 | 4 | 119E10-11750 | HEAD ASSY, CYLINDER | | | 1 | | | |
| 104 | 11 | 119285-11990 | PLUG, 35 | | | 2 | | | |
| 104 | 12 | 23876-005000 | PLUG, R005 | | | 1 | | | |
| 104 | 13 | 119E10-11100 | VALVE, INTAKE | | | 3 | | | |
| 104 | 14 | 119E10-11110 | VALVE, EXHAUST | | | 3 | | | |
| 104 | 15 | 119717-11131 | SPRING, VALVE | | | 6 | | | |
| 104 | 16 | 129508-11180 | RETAINER, SPRING | | | 6 | | | |
| 104 | 17 | 119717-11190 | COTTER, VALVE | | | 12 | | | |
| 104 | 18 | 119717-11340 | SEAL, VALVE STEM | | | 3 | | | |
| 104 | 19 | 119717-11350 | SEAL, VALVE STEM | | | 3 | | | |
| 104 | 20 | 22351-060012 | 스프링핀 | | | 2 | | | |
| 104 | 21 | 119717-11200 | SUPPORT ASSY, ROCKER | | | 1 | | | |
| 104 | 22 | 119717-11240 | SHAFT ASSY, ARM | | | 1 | | | |
| 104 | 25 | 119717-11260 | SUPPORT, ROCKER ARM | | | 3 | | | |
| 104 | 26 | 119620-11280 | SPRING, SHAFT | | | 2 | | | |
| 104 | 27 | 119717-11650 | ARM ASSY, ROCKER INT | | | 6 | | | |
| 104 | 28 | 129150-11230 | SCREW, VALVE ADJUST | | | 6 | | | |
| 104 | 30 | 129150-11750 | NUT, M8XP1.0 | | | 6 | | | |
| 104 | 31 | 22242-000120 | RING, 12 | | | 2 | | | |
| 104 | 32 | 119260-11270 | SCREW | | | 1 | | | |
| 104 | 33 | 26106-080402 | BOLT, M8X 40 PLATED | | | 3 | | | |
| 104 | 34 | 124160-01751 | CAP, FILLER | | | 1 | | | |
| 104 | 35 | 119717-11381 | BONNET ASSY, HEAD | | | 1 | | | |
| 104 | 36 | 119717-03031 | PLATE, BAFFLE | | | 1 | | | |
| 104 | 37 | 119717-03070 | BAFFLE, BREATHER | | | 1 | | | |
| 104 | 38 | 119717-03070 | BAFFLE, BREATHER | | | 2 | | | |
| 104 | 39 | 119802-03100 | DIAPHRAGM ASSY | | | 1 | | | |
| 104 | 40 | 119802-03110 | PLATE, DIAPHRAGM | | | 1 | | | |
| 104 | 41 | 119802-03121 | COVER, DIAPHRAGM | | | 1 | | | |
| 104 | 42 | 119802-03131 | DIAPHRAGM, BREATHER | | | 1 | | | |
| 104 | 43 | 119802-03141 | SPRING, DIAPHRAGM | | | 1 | | | |
| 104 | 45 | 119718-11310 | GASKET, BONNET | | | 1 | | | |
| 104 | 46 | 119717-11320 | COVER, BONNET | | | 1 | | | |
| 104 | 47 | 119717-11331 | GASKET, BONNET COVER | | | 1 | | | |
| 104 | 48 | 22857-500100 | SCREW, 5X10 | | | 4 | | | |
| 104 | 49 | 22857-500100 | SCREW, 5X10 | | | 4 | | | |
| 104 | 50 | 22857-500160 | SCREW, 5X16 | | | 2 | | | |
| 104 | 51 | 24311-000320 | 운동용O링 | | | 1 | | | |
| 104 | 52 | 26106-060202 | BOLT, M6X 20 PLATED | | | 3 | | | |
| 104 | 53 | 26106-060752 | BOLT, M6X 75 PLATED | | | 6 | | | |
| 104 | 54 | 129900-07900 | LIFTER, ENGINE | | | 2 | | | |
| 104 | 55 | 26106-080162 | 육각플랜지볼트 | | | 4 | | | |
| NOTE | | | | | | | | | |

| FIG 104 T25NHEU | | CYLINDER HEAD & BONNET | | | | | 년/월 Year/Month | |
|--------------------|---------|------------------------|----------------------|-----|--------|----------------|-------------------|--|
| | | | | | | | 2022-12 | |
| KEY NO | PART NO | DESCRIPTION | SPEC | QTY | REPAIR | EFFECTIVE DATE | REMARKS | |
| 104 | 56 | 119717-77801 | PLUG, GLOW | | 3 | | | |
| 104 | 57 | 119717-77820 | CONNECTOR, GLOW PLUG | | 1 | | | |
| 104 | 58 | 119717-11800 | GUIDE, VALVE | | 6 | | | |
| | | | | | | | | |
| | | | | | | | | |
| | | | | | | | | |
| | | | | | | | | |
| | | | | | | | | |
| | | | | | | | | |
| | | | | | | | | |
| | | | | | | | | |
| | | | | | | | | |
| | | | | | | | | |
| | | | | | | | | |
| | | | | | | | | |
| | | | | | | | | |
| | | | | | | | | |
| | | | | | | | | |
| | | | | | | | | |
| | | | | | | | | |
| | | | | | | | | |
| | | | | | | | | |
| | | | | | | | | |
| | | | | | | | | |
| | | | | | | | | |
| | | | | | | | | |
| | | | | | | | | |
| | | | | | | | | |
| | | | | | | | | |
| | | | | | | | | |
| | | | | | | | | |
| | | | | | | | | |
| | | | | | | | | |
| | | | | | | | | |
| | | | | | | | | |
| | | | | | | | | |
| | | | | | | | | |
| | | | | | | | | |
| | | | | | | | | |
| | | | | | | | | |
| | | | | | | | | |
| | | | | | | | | |
| | | | | | | | | |
| | | | | | | | | |
| | | | | | | | | |
| NOTE | | | | | | | | |

FIG 105

EXHAUST MANIFOLD

년/월
Year/Month

T25NHEU

2022-12

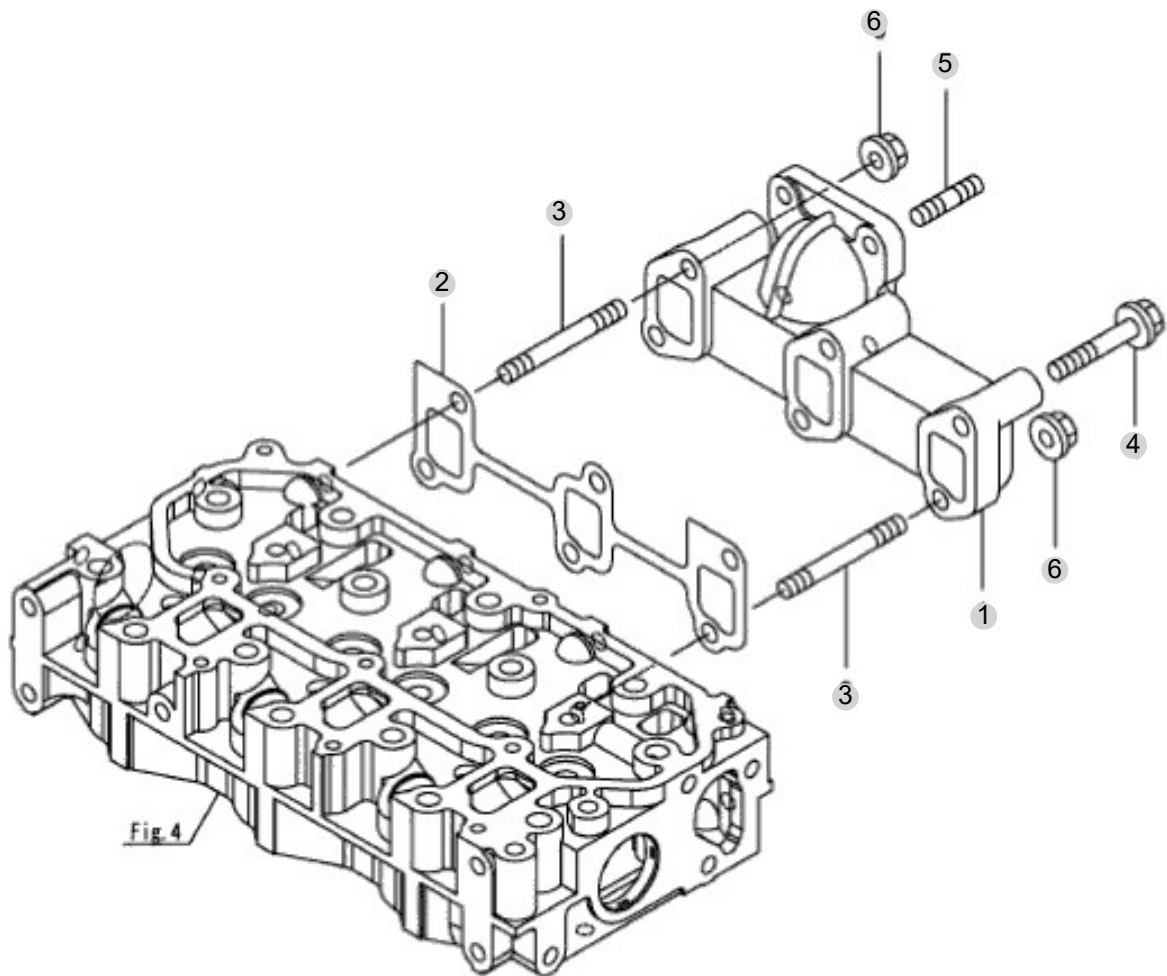


Fig. 4

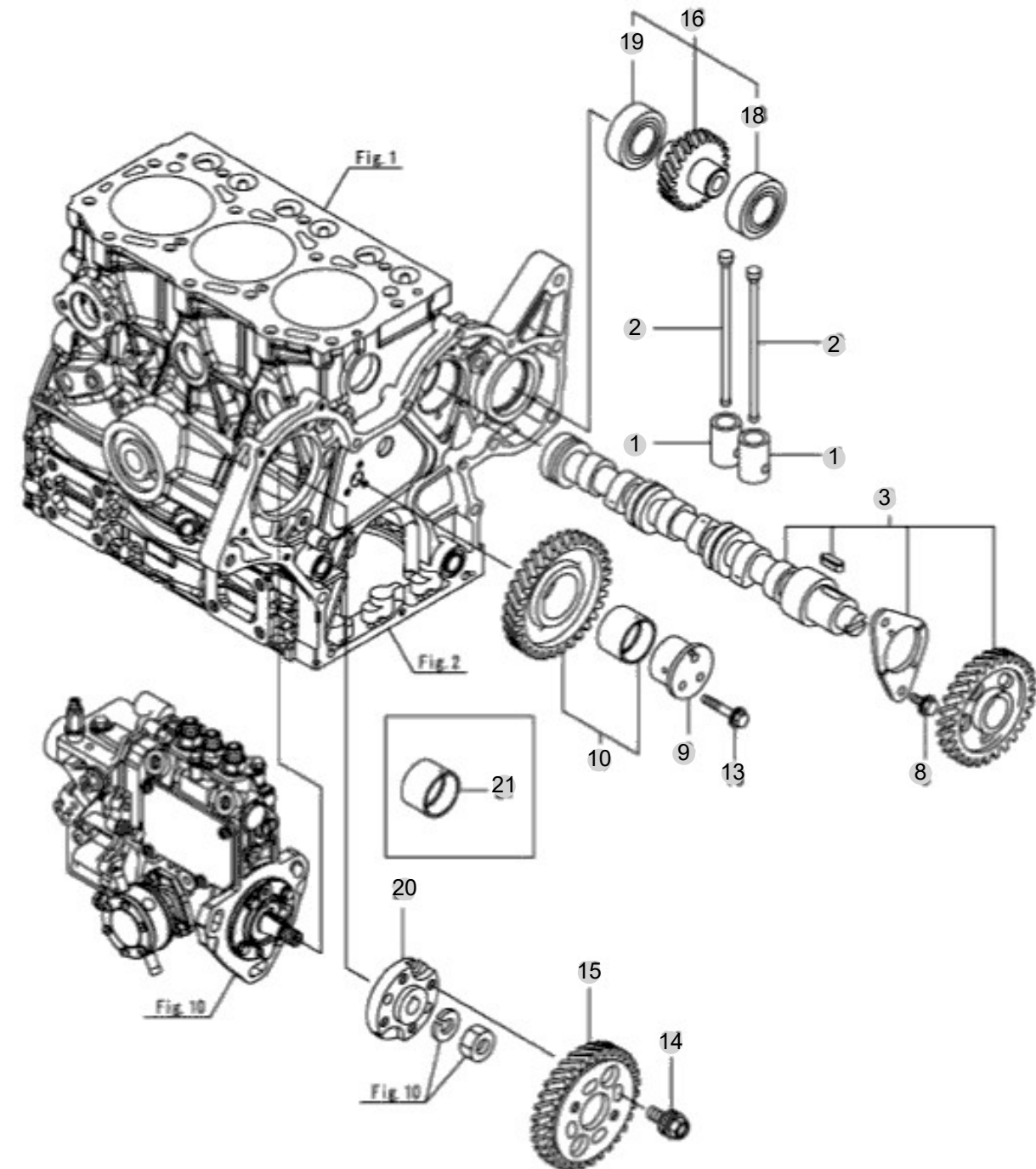
NOTE

FIG 106

CAMSHAFT & DRIVING GEAR

년/월
Year/Month

2022-12



NOTE

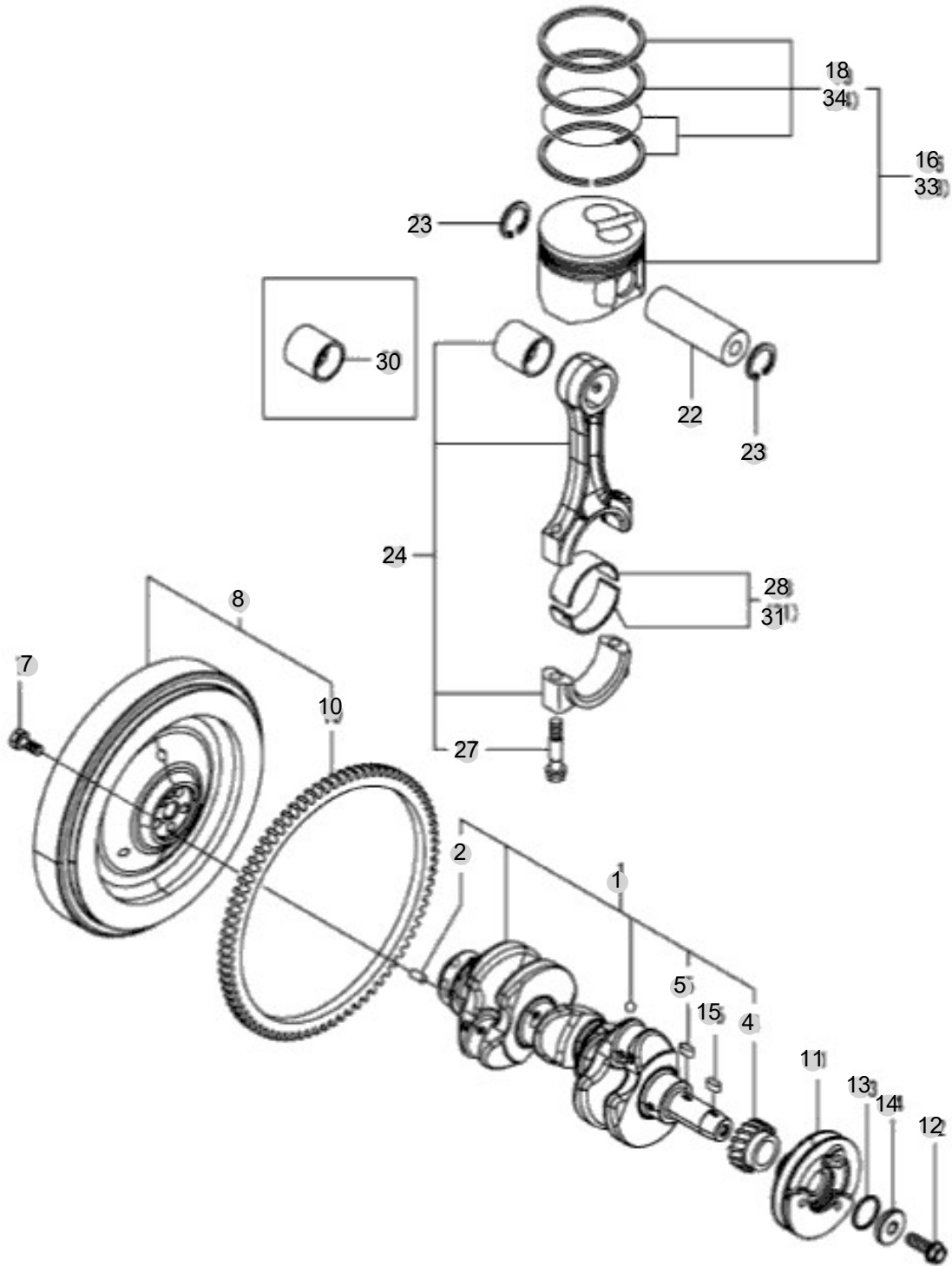
FIG 107

CRANKSHAFT & PISTON

년/월
Year/Month

2022-12

T25NHEU



NOTE

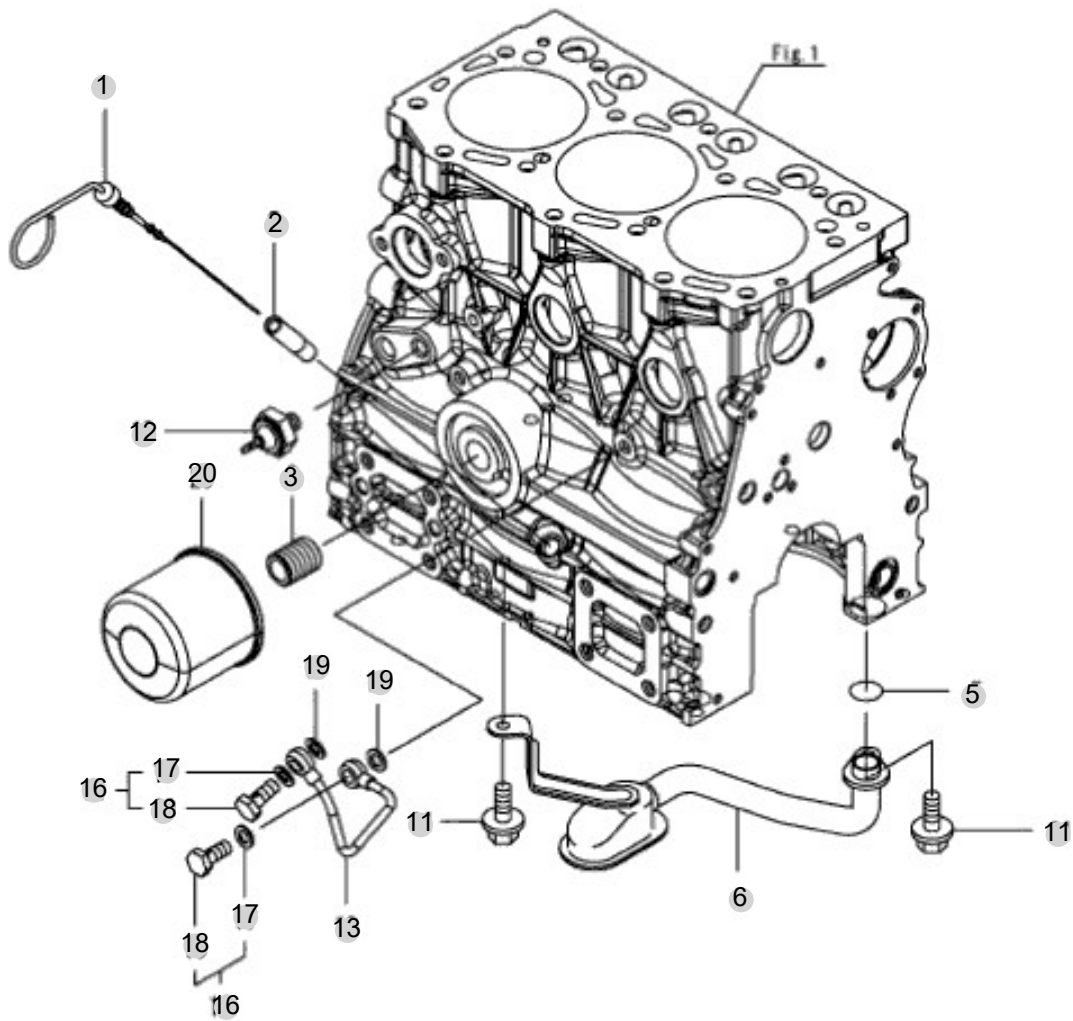
FIG 108

LUB. OIL SYSTEM

년/월
Year/Month

2022-12

T25NHEU



NOTE

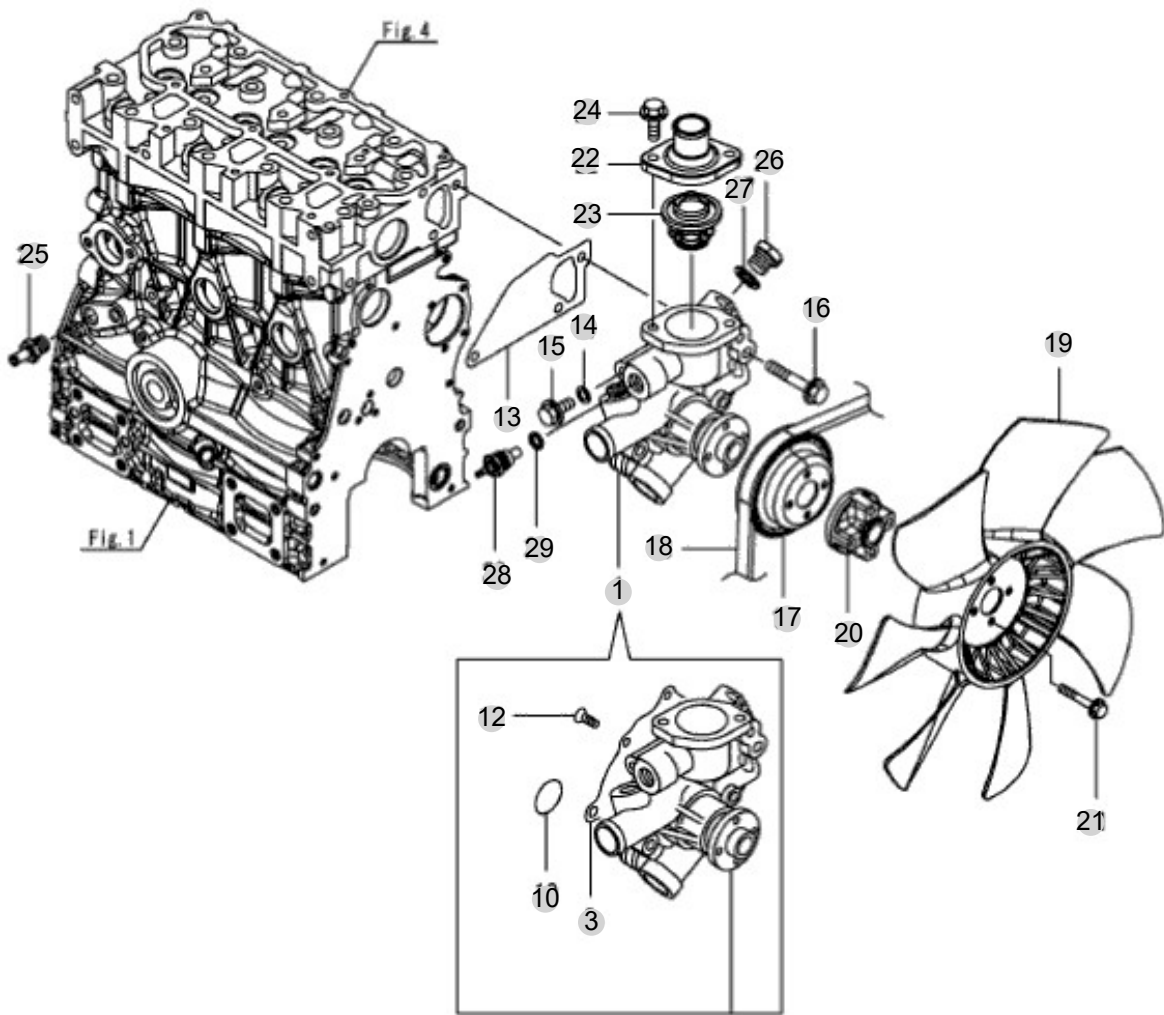
FIG 109

COOLING WATER SYSTEM

년/월
Year/Month

2022-12

T25NHEU



NOTE

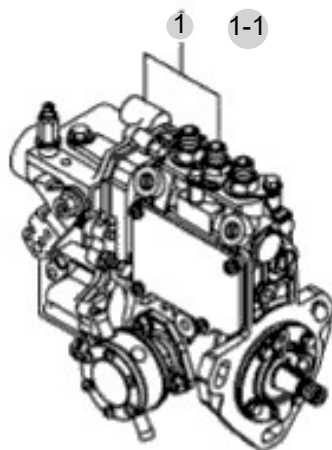
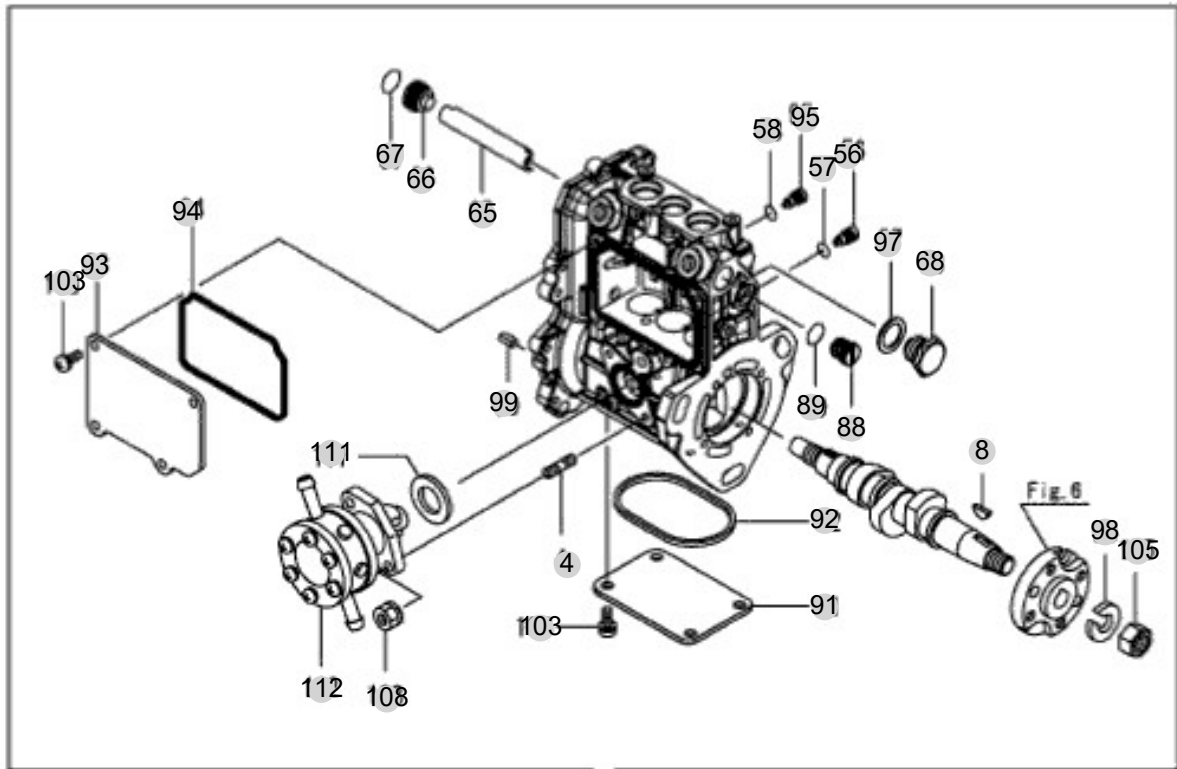
FIG 110

FUEL INJECTION PUMP

년/월
Year/Month

2022-12

T25NHEU



NOTE

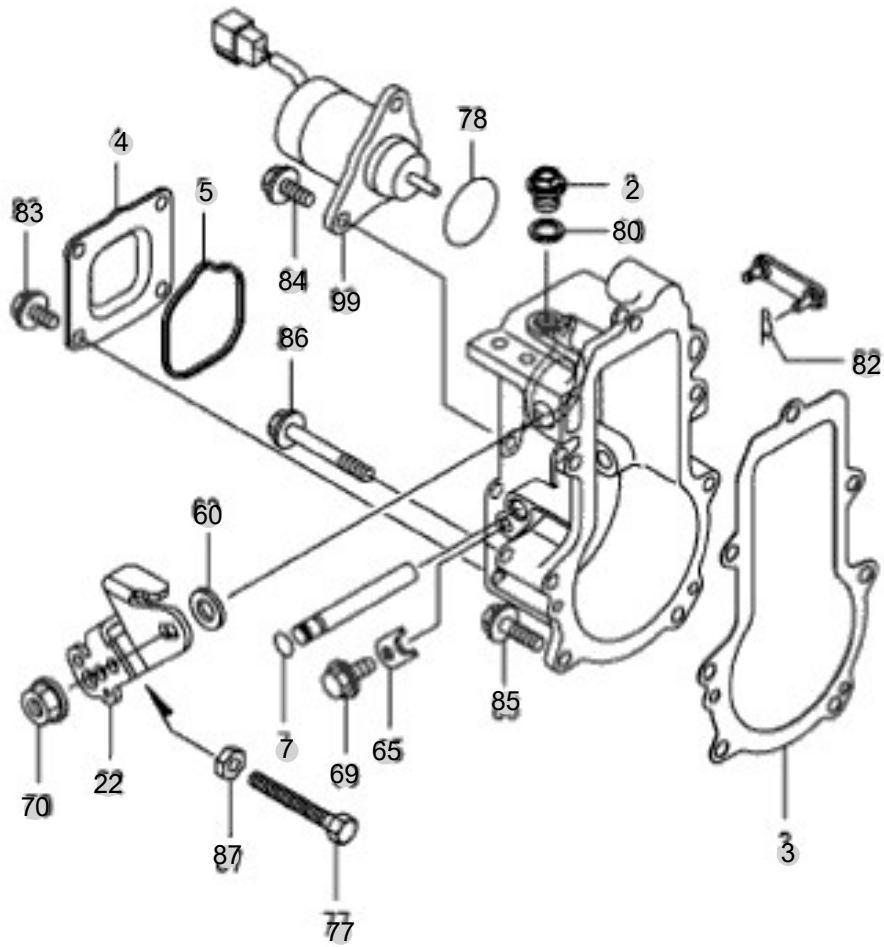
FIG 111

T25NHEU

GOVERNOR

년/월
Year/Month

2022-12



NOTE

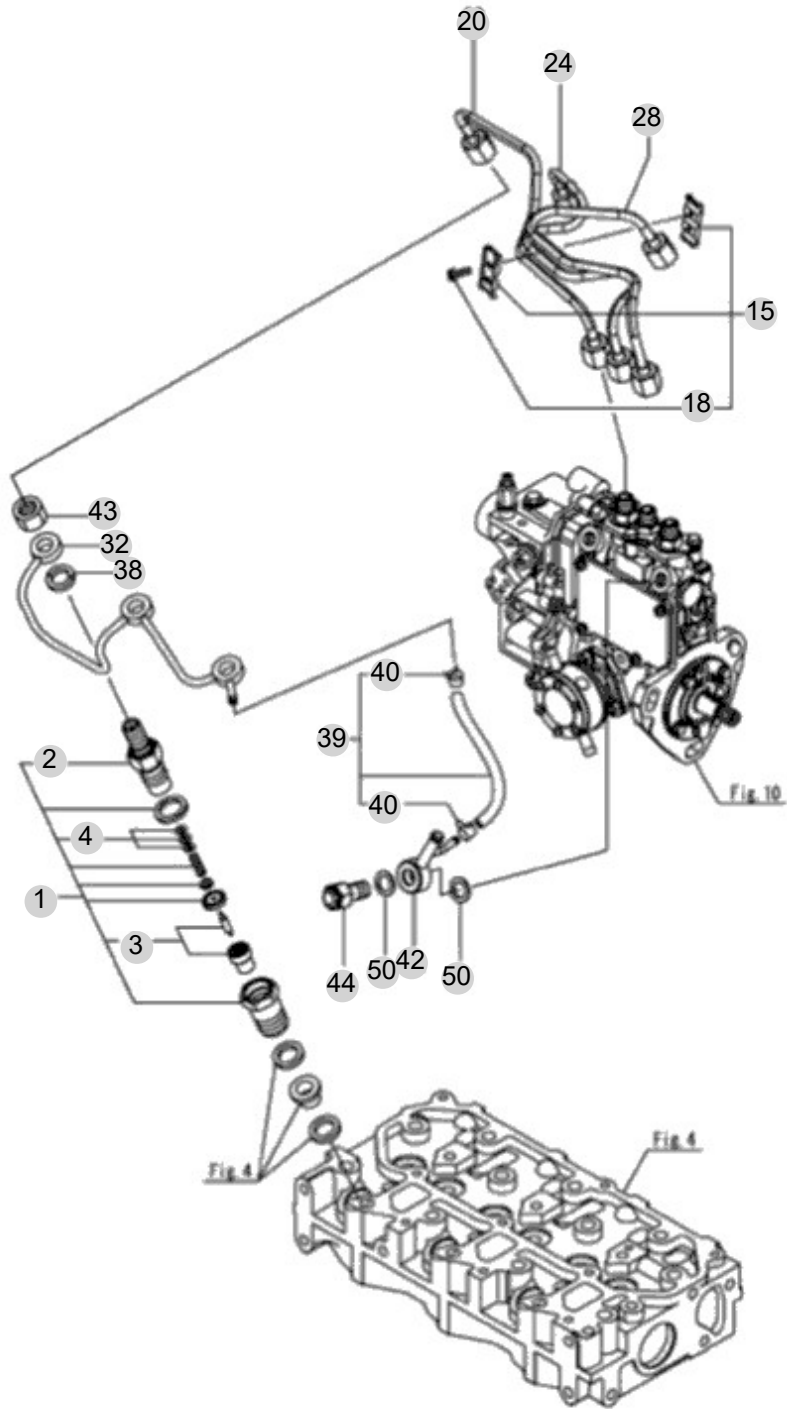
FIG 112

T25NHEU

FUEL INJECTION VALVE

년/월
Year/Month

2022-12



NOTE

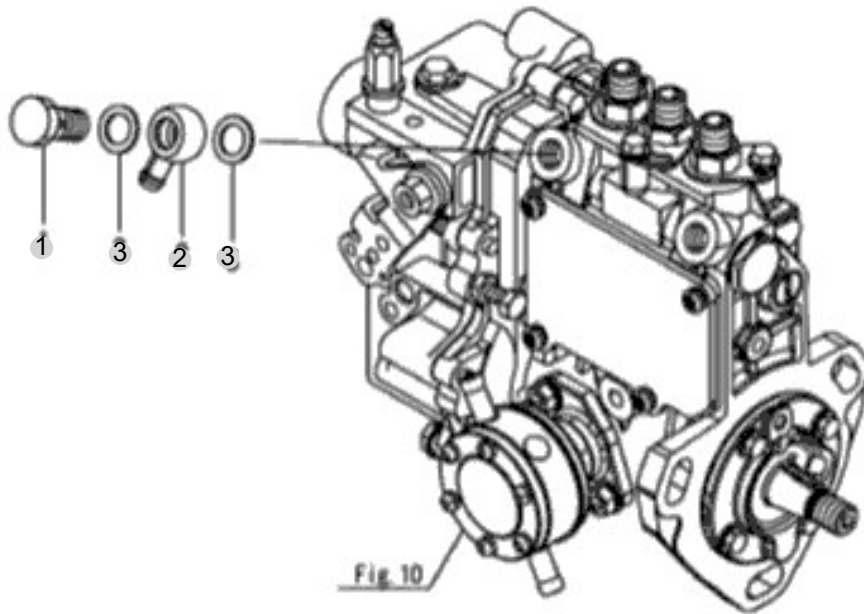
FIG 113

T25NHEU

FUEL FILTER

년/월
Year/Month

2022-12



NOTE

FIG 113
T25NHEU

FUEL FILTER

년/월
Year/Month

2022-12

| KEY NO | PART NO | DESCRIPTION | SPEC | QTY | REPAIR | EFFECTIVE DATE | REMARKS |
|--------|---------|--------------|------------------|-----|--------|----------------|---------|
| 113 | 1 | 103854-39140 | BOLT, PIPE JOINT | 1 | | | |
| 113 | 2 | 101304-59020 | JOINT, PIPE 12 | 1 | | | |
| 113 | 3 | 22190-120002 | WASHER, SEAL 12 | 2 | | | |
| | | | | | | | |
| | | | | | | | |
| | | | | | | | |
| | | | | | | | |
| | | | | | | | |
| | | | | | | | |
| | | | | | | | |
| | | | | | | | |
| | | | | | | | |
| | | | | | | | |
| | | | | | | | |
| | | | | | | | |
| | | | | | | | |
| | | | | | | | |
| | | | | | | | |
| | | | | | | | |
| | | | | | | | |
| | | | | | | | |
| | | | | | | | |
| | | | | | | | |
| | | | | | | | |
| | | | | | | | |
| | | | | | | | |
| | | | | | | | |
| | | | | | | | |
| | | | | | | | |
| | | | | | | | |
| | | | | | | | |
| | | | | | | | |
| | | | | | | | |
| | | | | | | | |
| | | | | | | | |
| | | | | | | | |
| | | | | | | | |
| | | | | | | | |
| | | | | | | | |
| | | | | | | | |
| | | | | | | | |
| | | | | | | | |
| | | | | | | | |
| | | | | | | | |
| NOTE | | | | | | | |

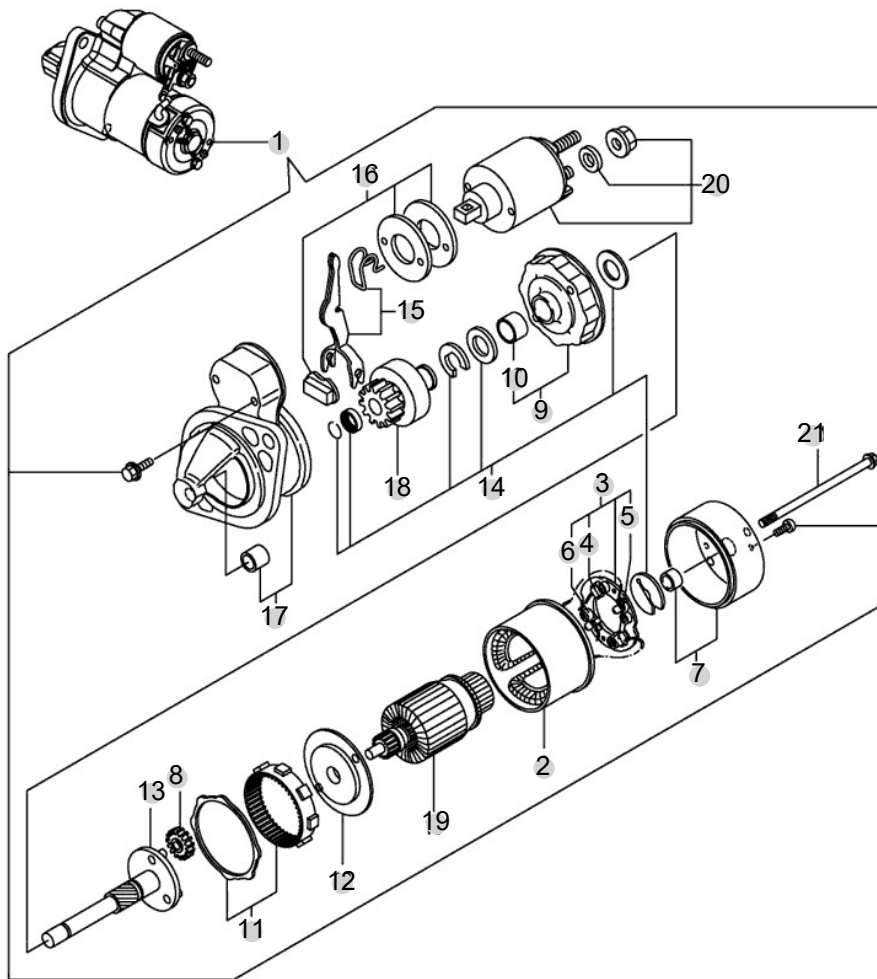
FIG 114

STARTING MOTOR

년/월
Year/Month

2022-12

T25NHEU



NOTE

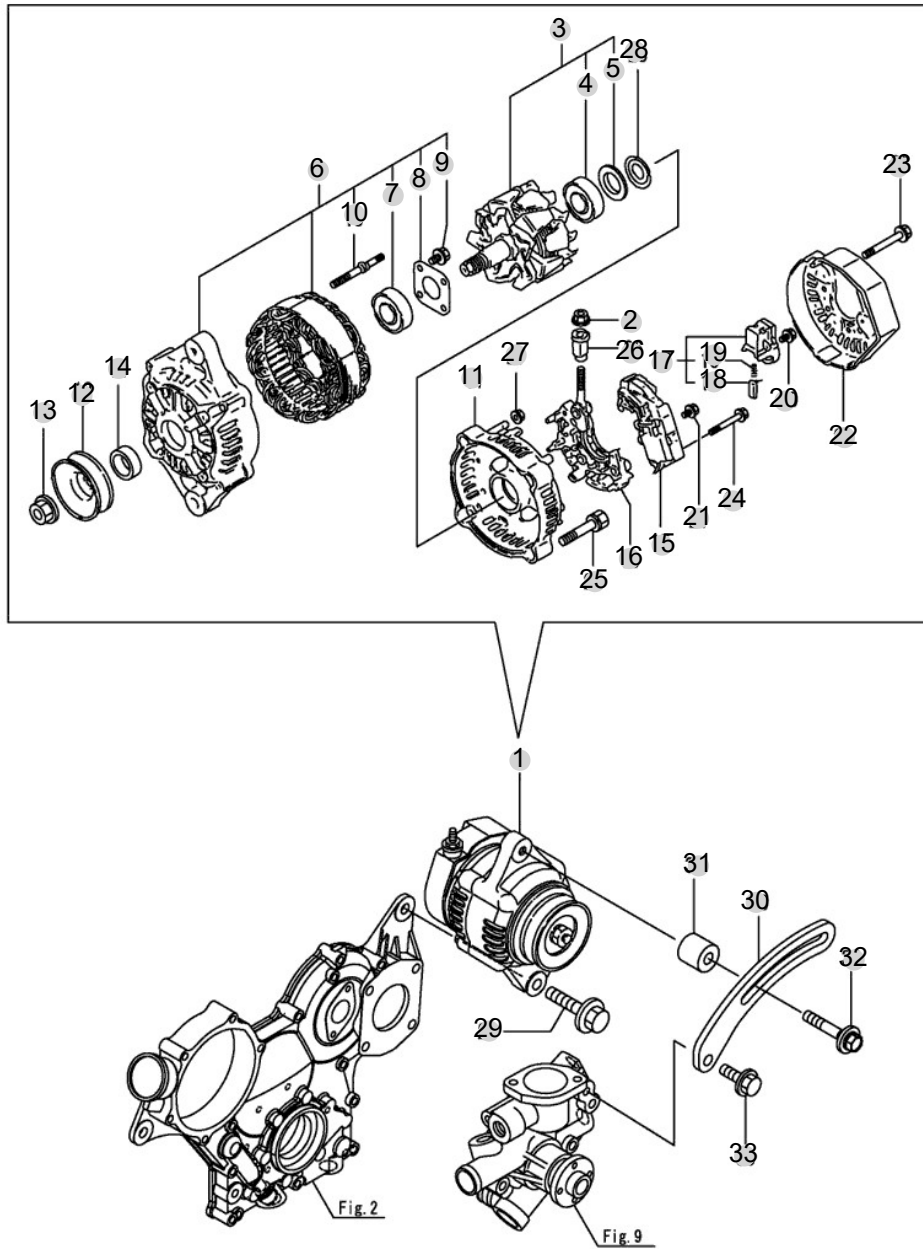
FIG 115

GENERATOR

년/월
Year/Month

2022-12

T25NHEU



NOTE

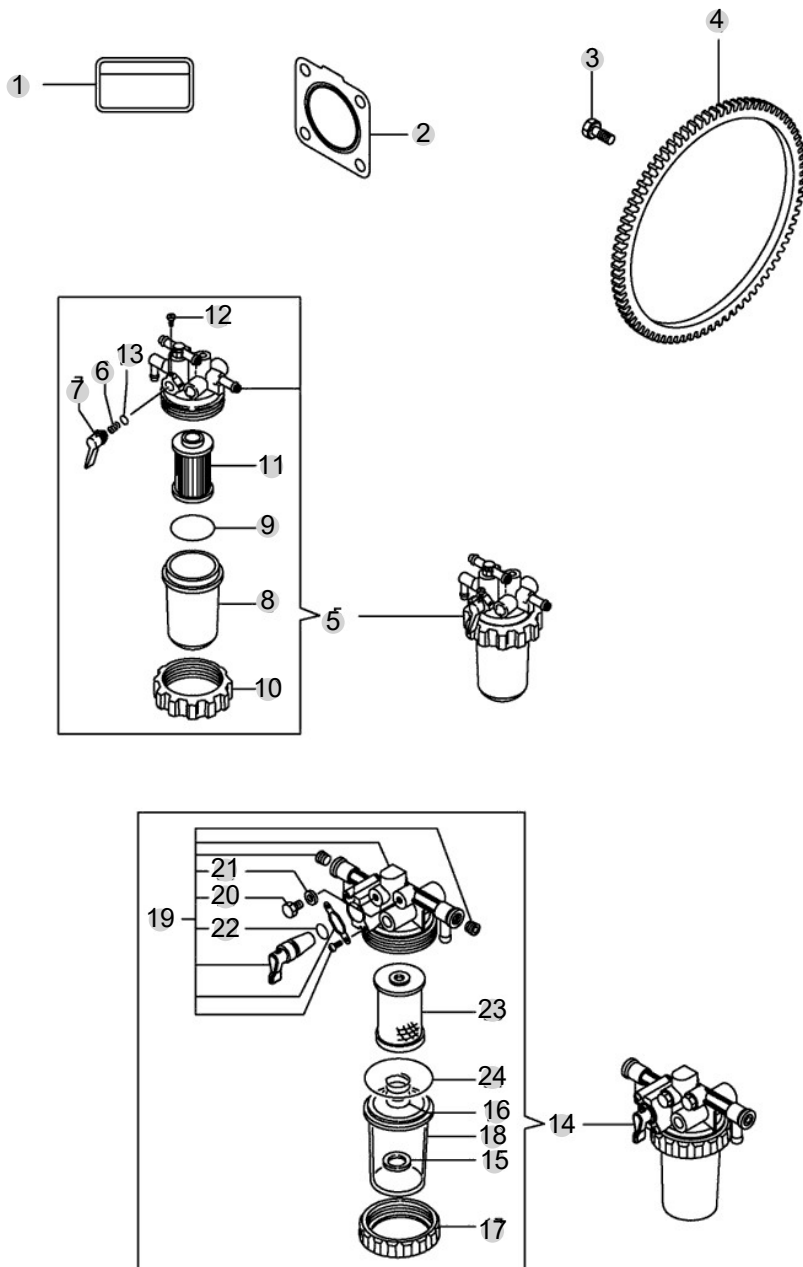
FIG 116

T25NHEU

ACCESSORY

년/월
Year/Month

2022-12



NOTE

2. 엔진보기품 PART NO. T2

| | |
|-------------------------------|----|
| FIG 201 AIR CLEANER | 42 |
| FIG 202 RADIATOR | 44 |
| FIG 203 MUFFLER | 46 |
| FIG 204 FUEL TANK & FUEL LINE | 48 |
| FIG 205 ACCELERATOR | 50 |
| FIG 206 OIL COOLER | 52 |

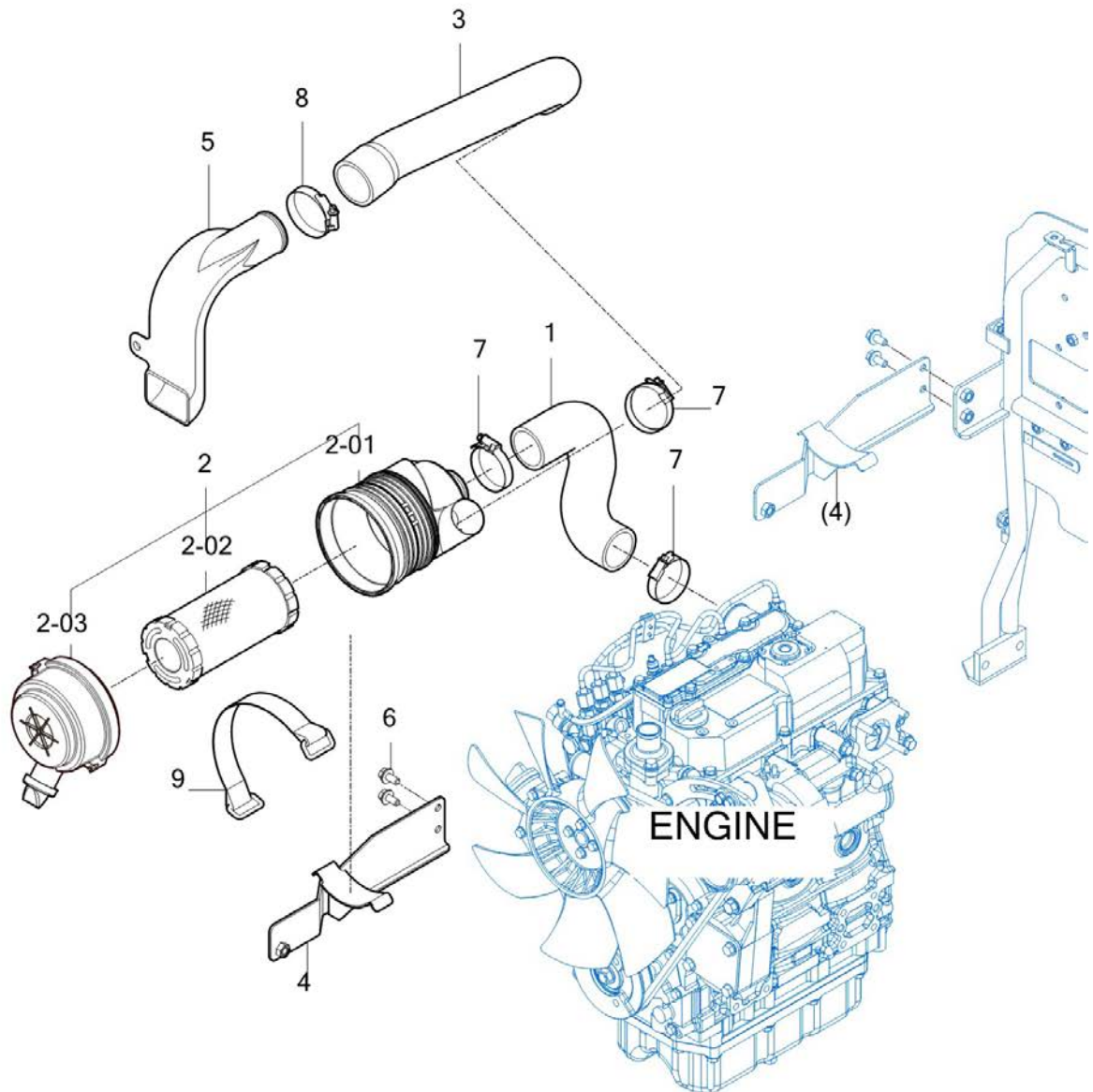
FIG 201

AIR CLEANER

년/월
Year/Month

2022-12

T25NHEU



NOTE

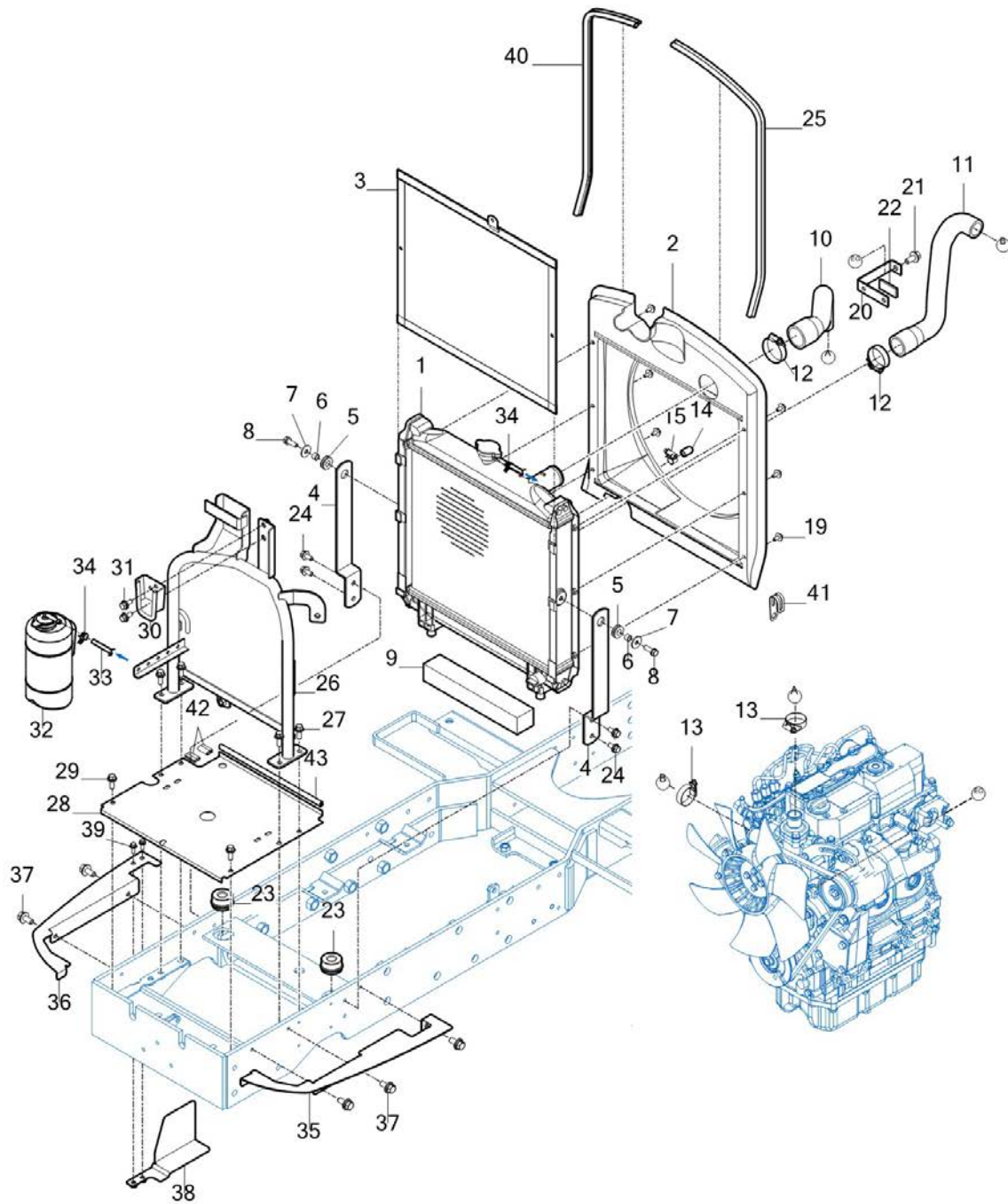
FIG 202

RADIATOR

년/월
Year/Month

2022-12

T25NHEU



NOTE

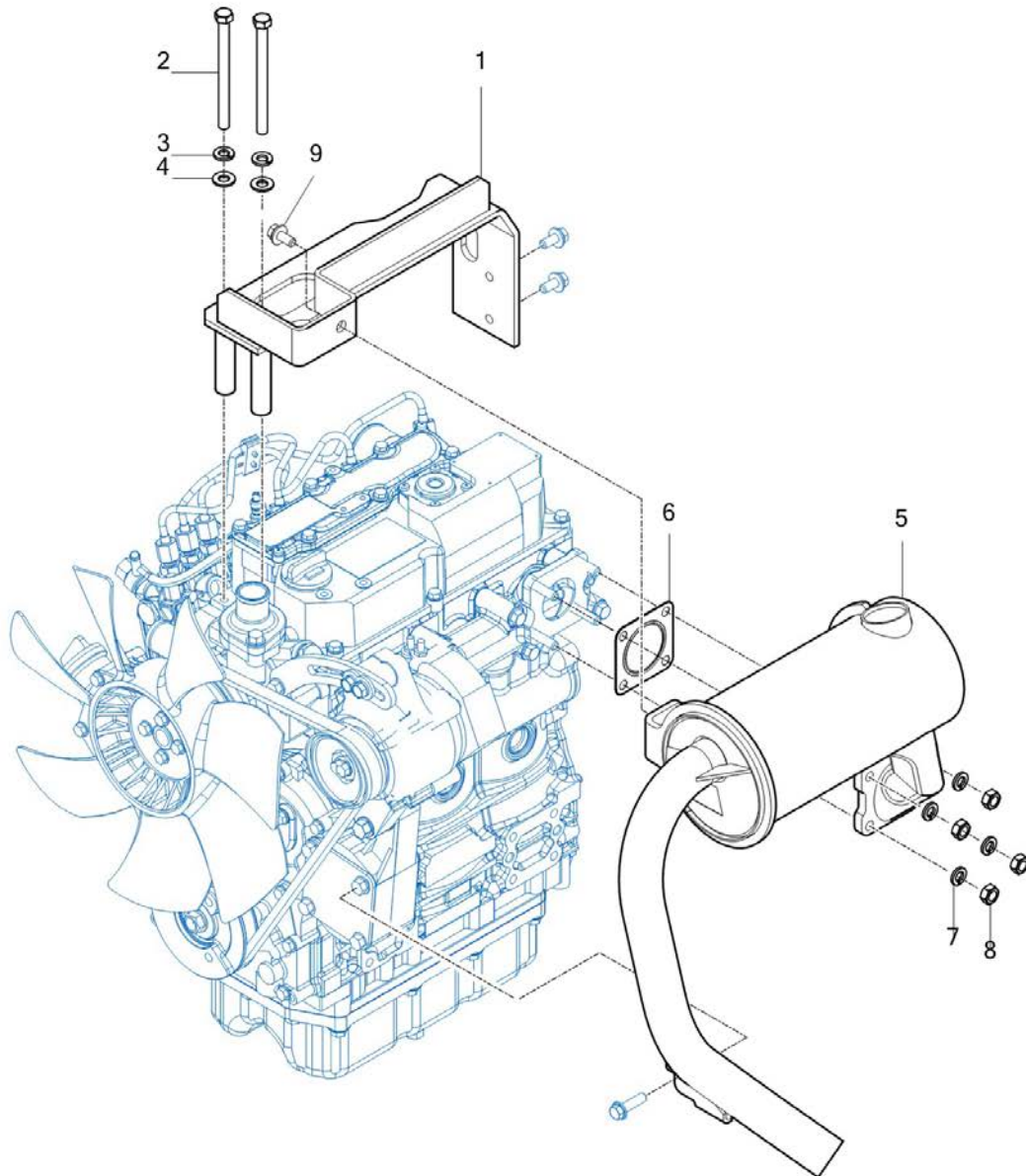
FIG 203

MUFFLER

년/월
Year/Month

2022-12

T25NHEU



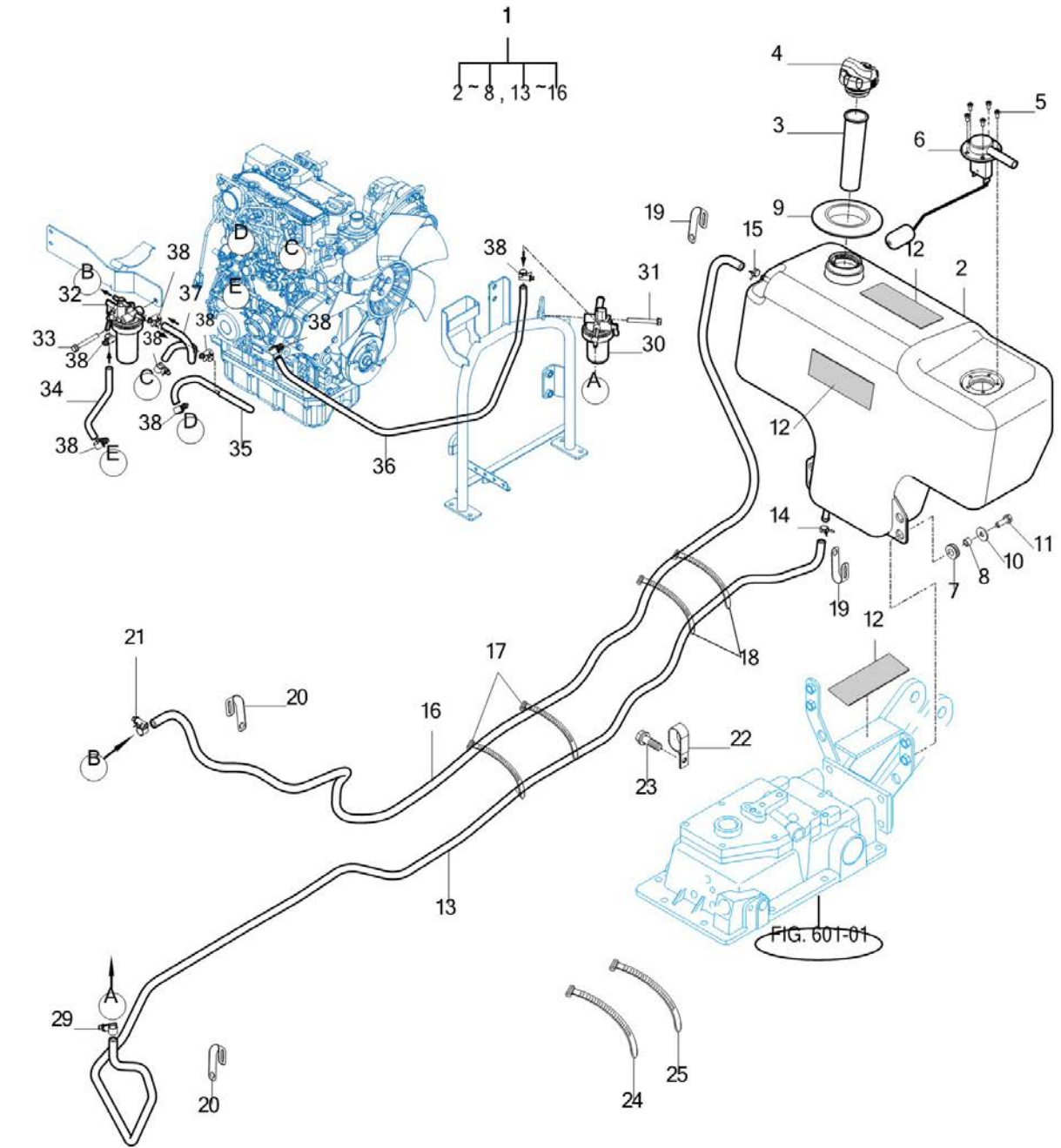
NOTE

FIG 204

FUEL TANK & FUEL LINE

년/월
Year/Month

2022-12



NOTE

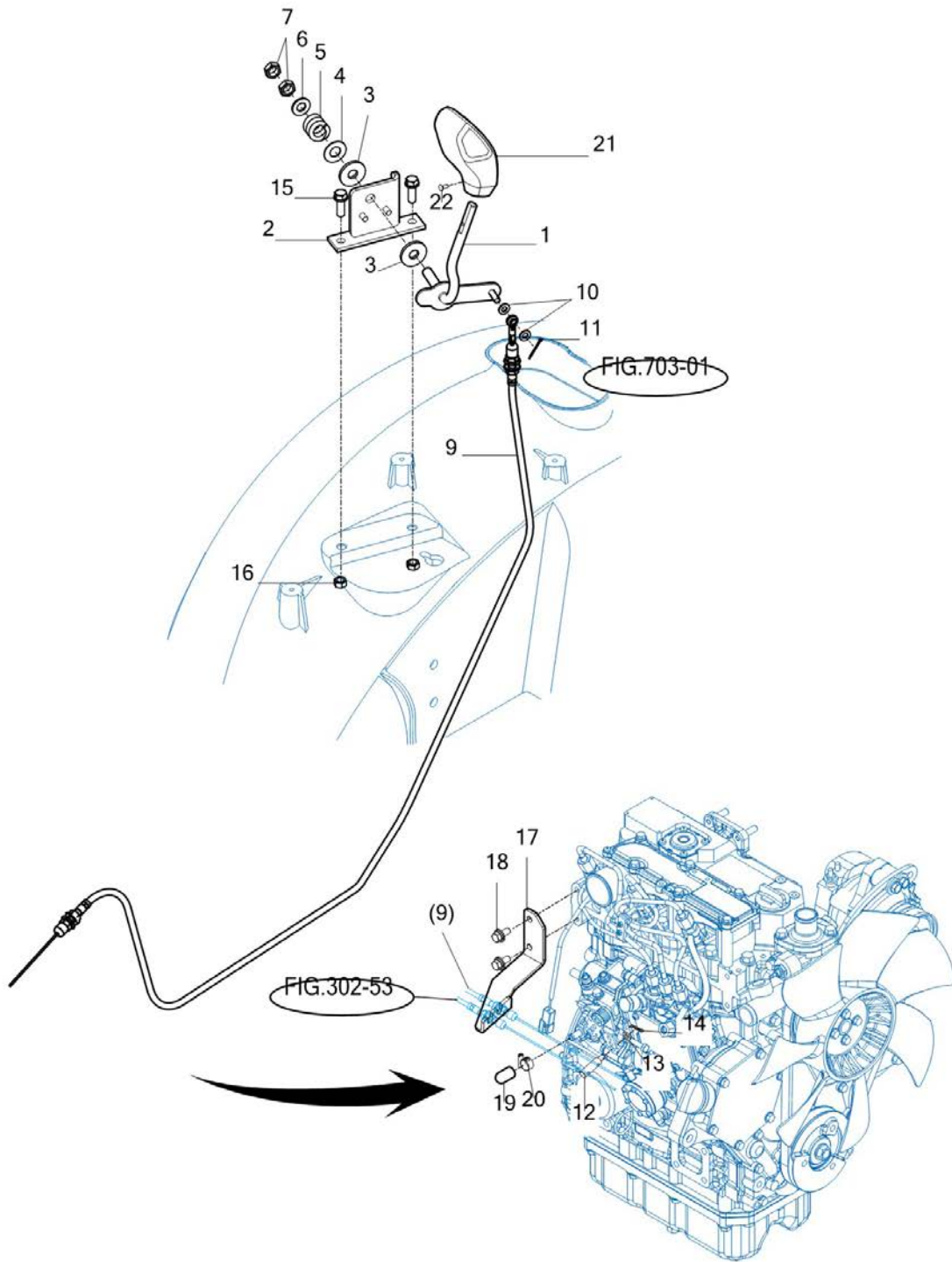
FIG 205

ACCELERATOR

년/월
Year/Month

2022-12

T25NHEU



NOTE

| FIG 205 | | ACCELERATOR | | | | | | 년/월 |
|---------|---------|---------------|------------------|-------|--------|----------------|---------|------------|
| | | | | | | | | Year/Month |
| T25NHEU | | 2022-12 | | | | | | |
| KEY NO | PART NO | DESCRIPTION | SPEC | QTY | REPAIR | EFFECTIVE DATE | REMARKS | |
| 205 | 1 | 11811162500GB | 스로틀 레버 COMP | | 1 | | | |
| 205 | 2 | 11811163100GB | 브래킷 COMP , 액셀레이터 | | 1 | | | |
| 205 | 3 | 15965120021 | 라이닝(11X30X03) | | 2 | | | |
| 205 | 4 | 36104400180 | 소입폴리핀 와셔 | | 1 | | | |
| 205 | 5 | 14041170080 | 압축스프링 (22) | | 1 | | | |
| 205 | 6 | V4111600100 | 평와셔 | M10 | 1 | | | |
| 205 | 7 | V3053600100 | 소형육각너트보통3종 | | 2 | | | |
| 205 | 9 | 11811162100 | 핸드 스토틀 케이블 | | 1 | | | |
| 205 | 10 | V4111600060 | 평와셔 | | 2 | | | |
| 205 | 11 | V5001920020 | 분할핀 | | 1 | | | |
| 205 | 12 | 11111162411 | 핀 , 액셀레이터 | | 1 | | | |
| 205 | 13 | V4111600060 | 평와셔 | | 1 | | | |
| 205 | 14 | V5001916015 | 분할핀 | | 1 | | | |
| 205 | 15 | V2173608025 | 소형육각볼트보통(S) | | 2 | | | |
| 205 | 16 | V3042600080 | 소형육각너트보통2종 | | 2 | | | |
| 205 | 17 | 11811611100GB | 액셀 와이어 홀더 | | 1 | | | |
| 205 | 18 | V2183608020 | 소형육각볼트보통(SP) | | 2 | | | |
| 205 | 19 | 12651040300 | 캡 , 라디에이터 | | 1 | | | |
| 205 | 20 | 36423600080 | 호스클립(D=12.5) | | 1 | | | |
| 205 | 21 | 11817513600 | 손잡이(스토틀) | | 1 | | | |
| 205 | 22 | V1122804012 | 심자흡점시작은나사 | M4X12 | 1 | | | |
| | | | | | | | | |
| | | | | | | | | |
| | | | | | | | | |
| | | | | | | | | |
| | | | | | | | | |
| | | | | | | | | |
| | | | | | | | | |
| | | | | | | | | |
| | | | | | | | | |
| | | | | | | | | |
| | | | | | | | | |
| | | | | | | | | |
| | | | | | | | | |
| | | | | | | | | |
| | | | | | | | | |
| | | | | | | | | |
| | | | | | | | | |
| | | | | | | | | |
| | | | | | | | | |
| | | | | | | | | |
| | | | | | | | | |
| | | | | | | | | |
| | | | | | | | | |
| NOTE | | | | | | | | |

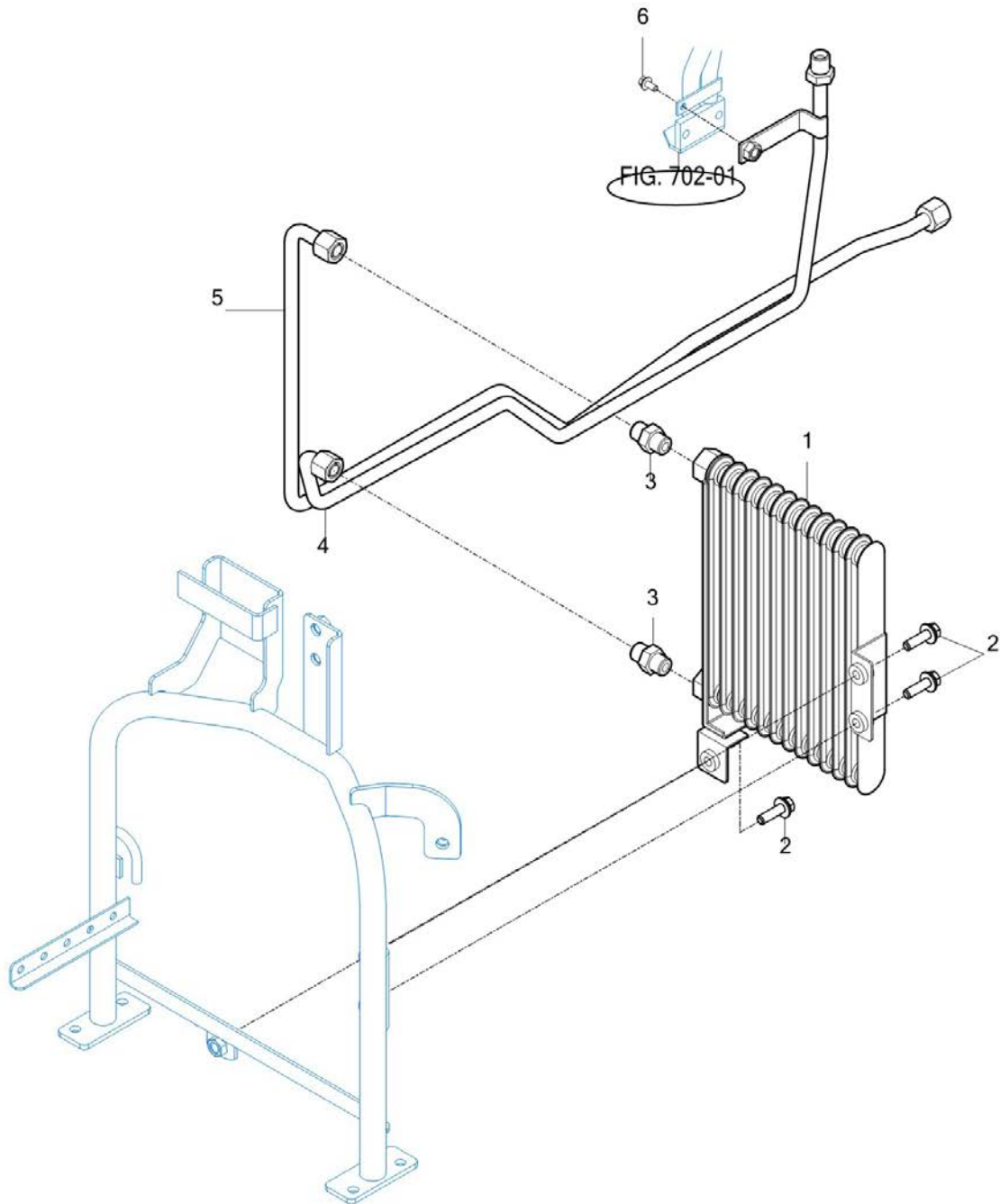
FIG 206

OIL COOLER

년/월
Year/Month

T25NHEU

2022-12



NOTE

3. 클러치/브레이크/스티어링 PART NO. T3

| | |
|-------------------------------------|----|
| FIG 301 FLYWHEEL COVER | 55 |
| FIG 302 SPEED CONTROL | 57 |
| FIG 303 BRAKE | 60 |
| FIG 304 BRAKE PEDAL & LINKAGE | 62 |
| FIG 305 STEERING WHEEL & DASH COVER | 64 |
| FIG 306 STEERING VALVE | 66 |
| FIG 307 STEERING CYLINDER | 68 |
| FIG 308 FRONT WHEEL | 70 |
| FIG 309 REAR WHEEL | 72 |

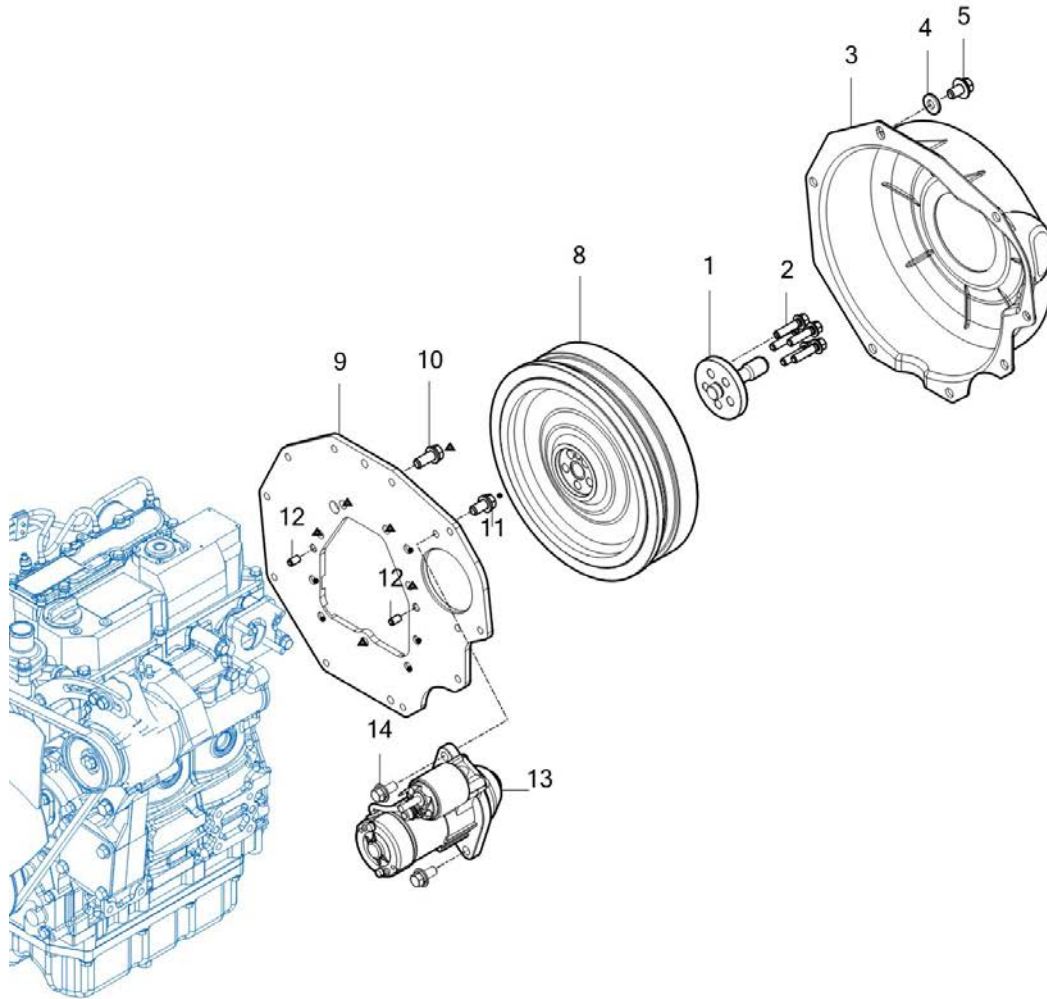
FIG 301

T25NHEU

FLYWHEEL COVER

년/월
Year/Month

2022-12



NOTE

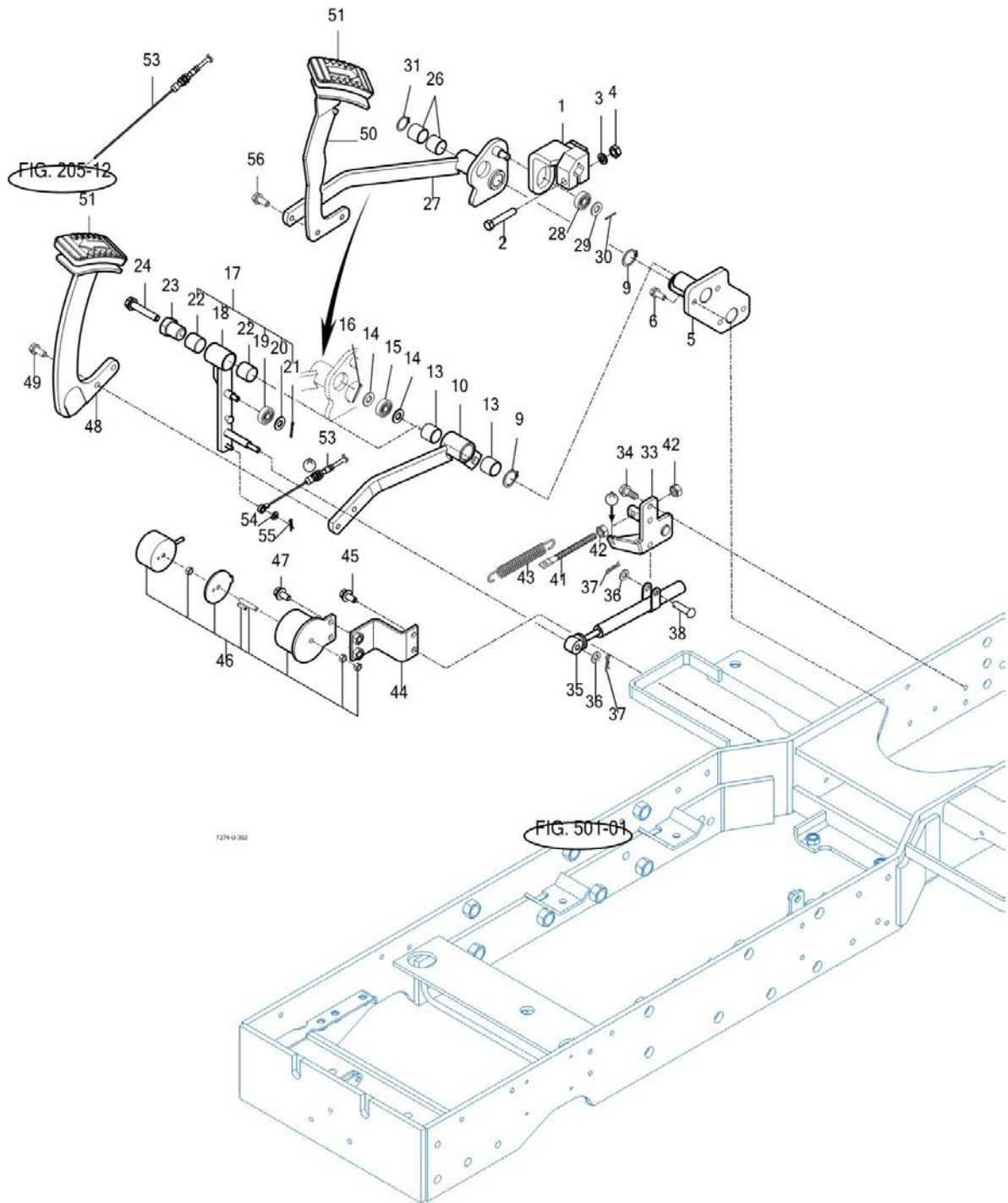
FIG 302

SPEED CONTROL

년/월
Year/Month

2022-12

T25NHEU



NOTE

| FIG 302 | | SPEED CONTROL | | | | | 년/월 Year/Month | | |
|---------|----|---------------|-------------------|-------------|------|-----|-------------------|----------------|---------|
| | | | | | | | 2022-12 | | |
| T25NHEU | | KEY NO | PART NO | DESCRIPTION | SPEC | QTY | REPAIR | EFFECTIVE DATE | REMARKS |
| 302 | 1 | 11972322101 | 홀더 COMP | | | 1 | | | |
| 302 | 2 | V2013608045 | 소형육각볼트(보통) | M10X45 | | 1 | | | |
| 302 | 2 | V2013608045 | 소형육각볼트(보통) | | | 1 | | | |
| 302 | 3 | V4011600100 | 스프링와셔 | M10 | | 1 | | | |
| 302 | 4 | V3042600100 | 소형육각너트보통2종 | M10 | | 1 | | | |
| 302 | 5 | 11972322200GB | 핀 COMP | | | 1 | | | |
| 302 | 6 | V2173608020 | 소형육각볼트보통(S) | M8X20 | | 4 | | | |
| 302 | 9 | V7041400250 | C형멈춤링(축용) | 20 | | 2 | | | |
| 302 | 10 | 11972323200GB | 암(전진) COMP | | | 1 | | | |
| 302 | 13 | 11972320030 | DU부시(25X28X20) | | | 2 | | | |
| 302 | 14 | V4111600100 | 평와셔 | M10 | | 2 | | | |
| 302 | 15 | V6001506000 | 볼베어링 | 6000DD | | 1 | | | |
| 302 | 16 | V5001920015 | 분할핀 | 2X15 | | 1 | | | |
| 302 | 17 | 11972324000 | 캠 SUB ASSY | | | 1 | | | |
| 302 | 18 | 11972324100GB | 암(캠) COMP | | | 1 | | | |
| 302 | 19 | 14722310060 | 볼베어링(608DD) | | | 1 | | | |
| 302 | 20 | V4111600080 | 평와셔 | M8 | | 1 | | | |
| 302 | 21 | V5001920015 | 분할핀 | 2x15 | | 1 | | | |
| 302 | 22 | 11972320030 | DU부시(25X28X20) | | | 2 | | | |
| 302 | 23 | 11972320020 | 핀(중립) | | | 1 | | | |
| 302 | 24 | V2143610080 | 소형육각볼트가는(S) | M10X50 | | 1 | | | |
| 302 | 26 | 11972320040 | DU부시(25X28X30) | | | 2 | | | |
| 302 | 27 | 11972322300GB | 암 COMP(후진) | | | 1 | | | |
| 302 | 28 | V6001506000 | 볼베어링 | 6000DD | | 1 | | | |
| 302 | 29 | V4111600100 | 평와셔 | M10 | | 1 | | | |
| 302 | 30 | V5001920015 | 분할핀 | 2X15 | | 1 | | | |
| 302 | 31 | V7041400250 | C형멈춤링(축용) | | | 1 | | | |
| 302 | 33 | 11972325100GB | 핀(스프링) COMP | | | 1 | | | |
| 302 | 34 | V2173608025 | 소형육각볼트보통(S) | M8X25 | | 2 | | | |
| 302 | 35 | 13152312400 | 오일 댐퍼 | | | 1 | | | |
| 302 | 36 | V4111600080 | 평와셔 | M8 | | 4 | | | |
| 302 | 37 | V5601600008 | 스냅핀 | 8 | | 4 | | | |
| 302 | 38 | 14043120060 | 요오크핀 (A) | | | 1 | | | |
| 302 | 41 | 34522150080 | 체인 텐션 로드(82) | | | 1 | | | |
| 302 | 42 | V3043600080 | 소형육각너트보통2종 | M8 | | 2 | | | |
| 302 | 43 | 14722310033 | 스프링(리턴) | | | 1 | | | |
| 302 | 44 | 13152332103DG | 브래킷(크루즈) COMP | | | 1 | | | |
| 302 | 44 | 13152332103GB | 브래킷(크루즈) COMP | | | 1 | | | |
| 302 | 45 | V2173608020 | 소형육각볼트보통(S) | M8X20 | | 2 | | | |
| 302 | 46 | 12382323000 | 크루저 컨트롤 마그네틱 ASSY | | | 1 | | | |
| 302 | 46 | 12382323001 | 크루저 컨트롤 마그네틱 ASSY | | | 1 | | | |
| 302 | 47 | V2173608020 | 소형육각볼트보통(S) | M8X20 | | 2 | | | |
| 302 | 48 | 13152323303GB | 페달(전진) COMP | | | 1 | | | |
| 302 | 49 | V2173608020 | 소형육각볼트보통(S) | M8X20 | | 2 | | | |
| 302 | 50 | 11972322400GB | 페달(후진) COMP | | | 1 | | | |
| NOTE | | | | | | | | | |

| FIG 302 | | SPEED CONTROL | | | | | | 년/월 | |
|---------|---------|---------------|------------------|-------|--------|----------------|---------|------------|--|
| | | | | | | | | Year/Month | |
| T25NHEU | | 2022-12 | | | | | | | |
| KEY NO | PART NO | DESCRIPTION | SPEC | QTY | REPAIR | EFFECTIVE DATE | REMARKS | | |
| 302 | 51 | 14722312730 | 패드 | | | | | | |
| 302 | 53 | 11971162000 | 케이블 ASSY , 오토스로틀 | | | | | | |
| 302 | 54 | V4111600060 | 평와서 | M6 | 1 | | | | |
| 302 | 55 | V5601600006 | 스냅핀 | | 1 | | | | |
| 302 | 56 | V2183608020 | 소형 육각볼트보통(SP) | M8X20 | 2 | | | | |
| | | | | | | | | | |
| | | | | | | | | | |
| | | | | | | | | | |
| | | | | | | | | | |
| | | | | | | | | | |
| | | | | | | | | | |
| | | | | | | | | | |
| | | | | | | | | | |
| | | | | | | | | | |
| | | | | | | | | | |
| | | | | | | | | | |
| | | | | | | | | | |
| | | | | | | | | | |
| | | | | | | | | | |
| | | | | | | | | | |
| | | | | | | | | | |
| | | | | | | | | | |
| | | | | | | | | | |
| | | | | | | | | | |
| | | | | | | | | | |
| | | | | | | | | | |
| | | | | | | | | | |
| | | | | | | | | | |
| | | | | | | | | | |
| | | | | | | | | | |
| | | | | | | | | | |
| | | | | | | | | | |
| NOTE | | | | | | | | | |

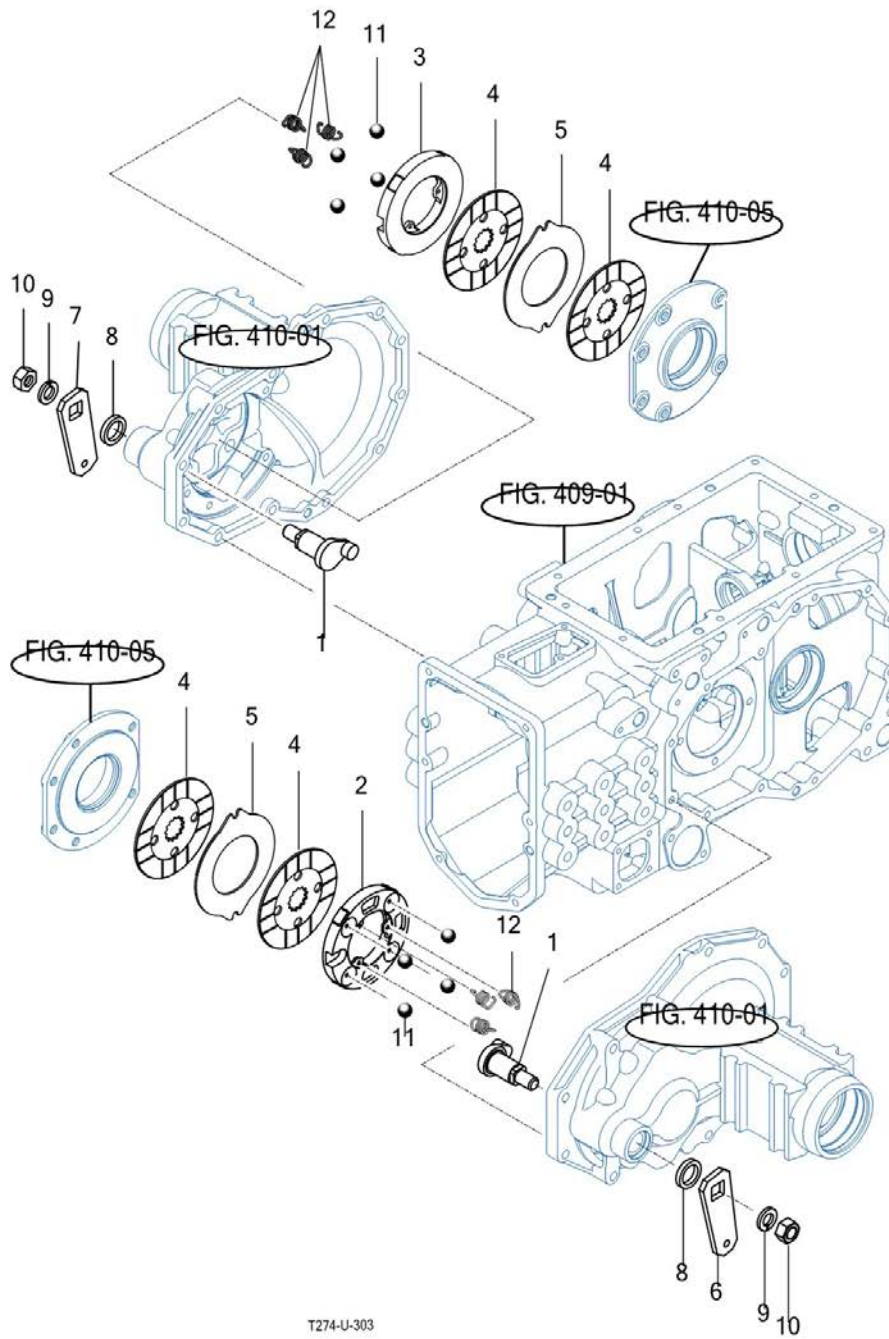
FIG 303

T25NHEU

BRAKE

년/월
Year/Month

2022-12



T274-U-303

NOTE

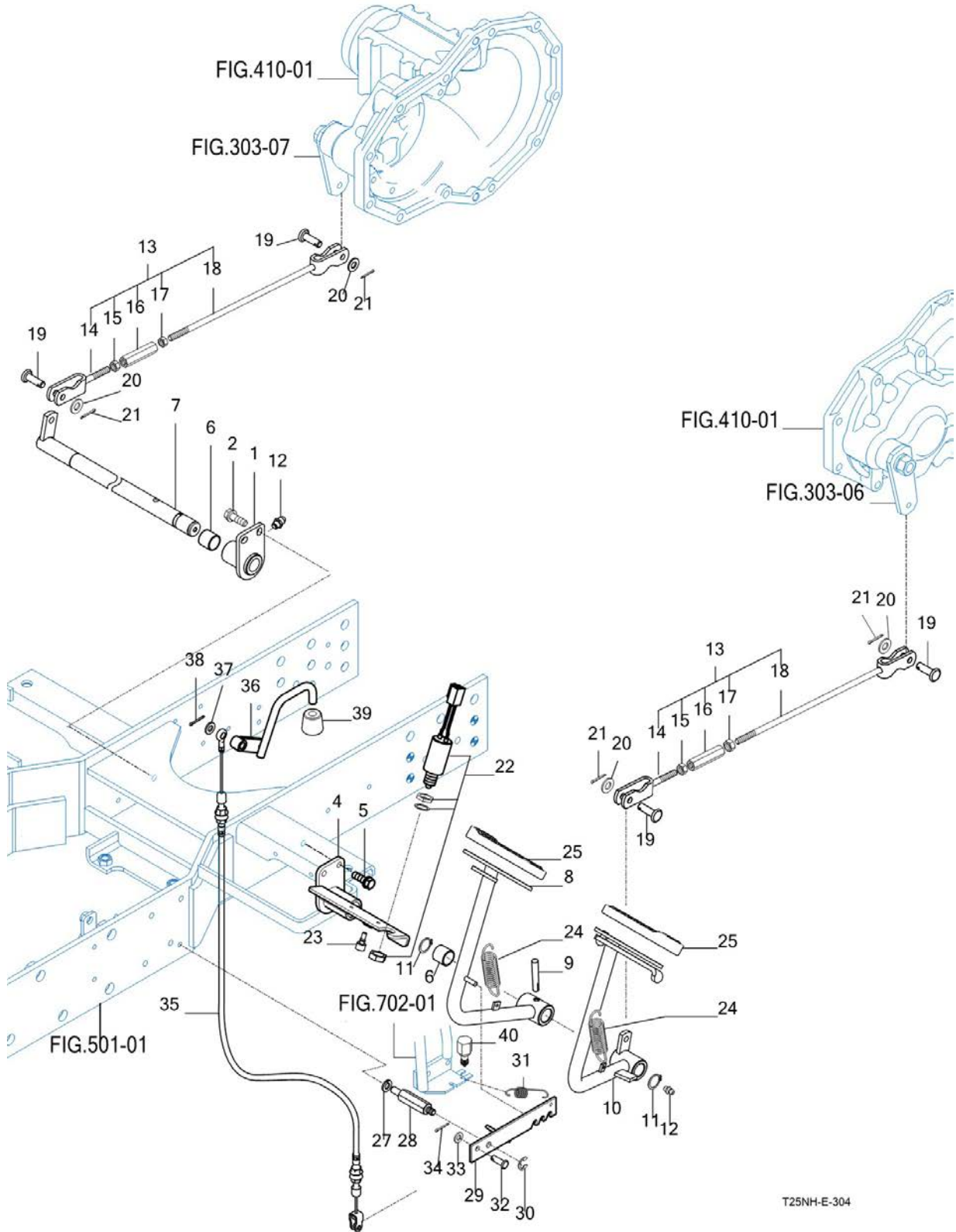
FIG 304

BRAKE PEDAL & LINKAGE

년/월
Year/Month

T25NHEU

2022-12



T25NH-E-304

NOTE

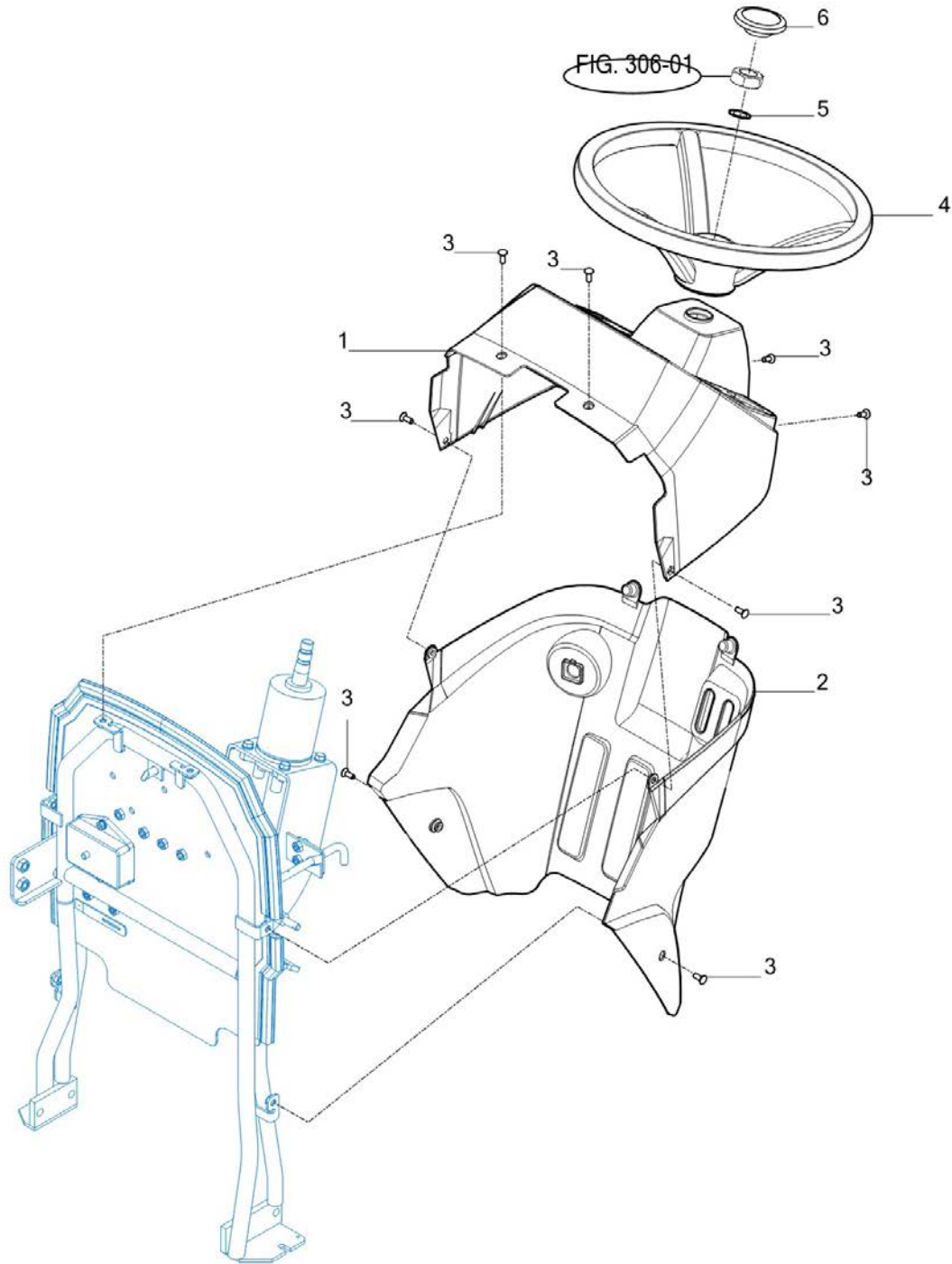
FIG 305

T25NHEU

STEERING WHEEL & DASH COVER

년/월
Year/Month

2022-12



NOTE

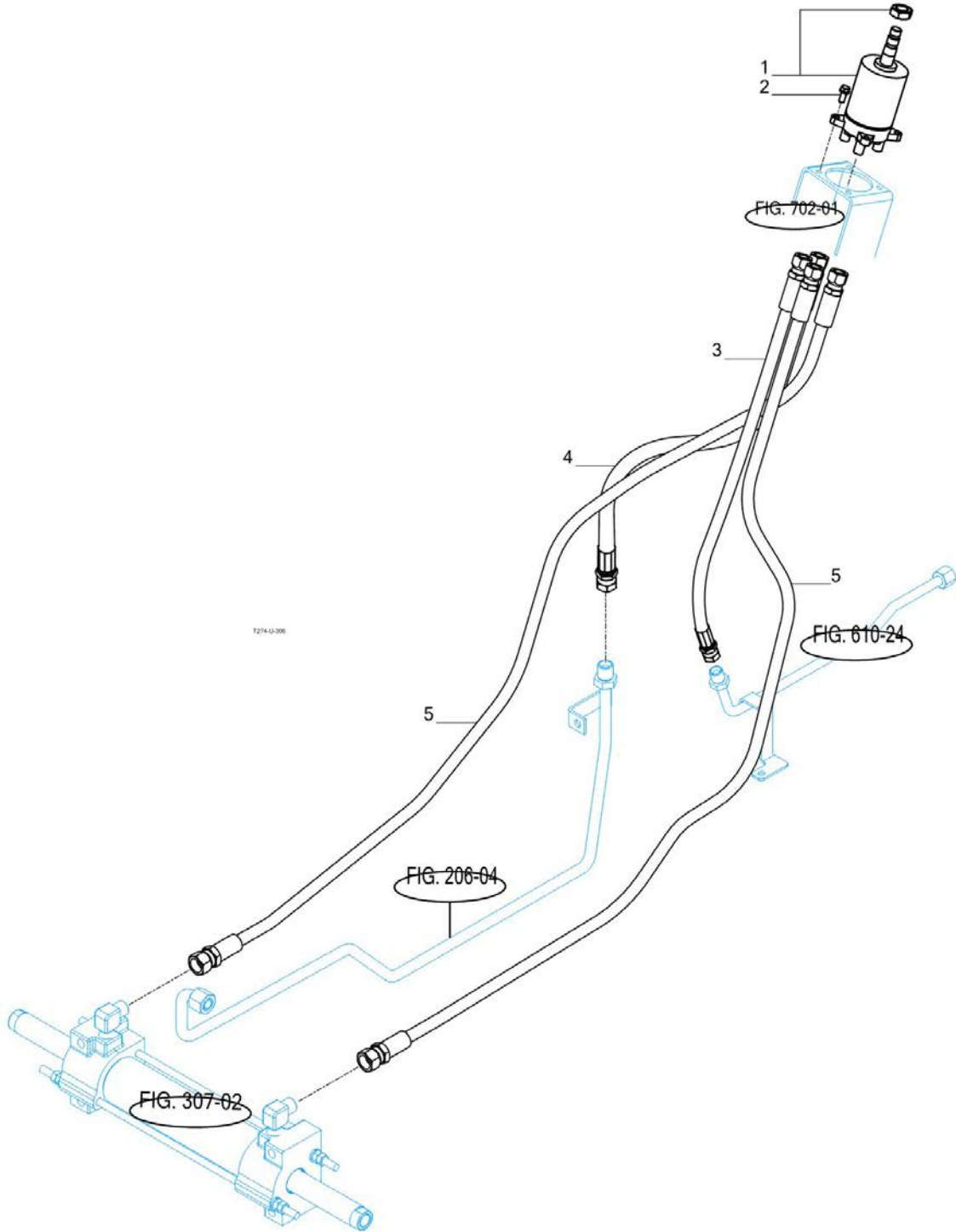
FIG 306

T25NHEU

STEERING VALVE

년/월
Year/Month

2022-12



NOTE

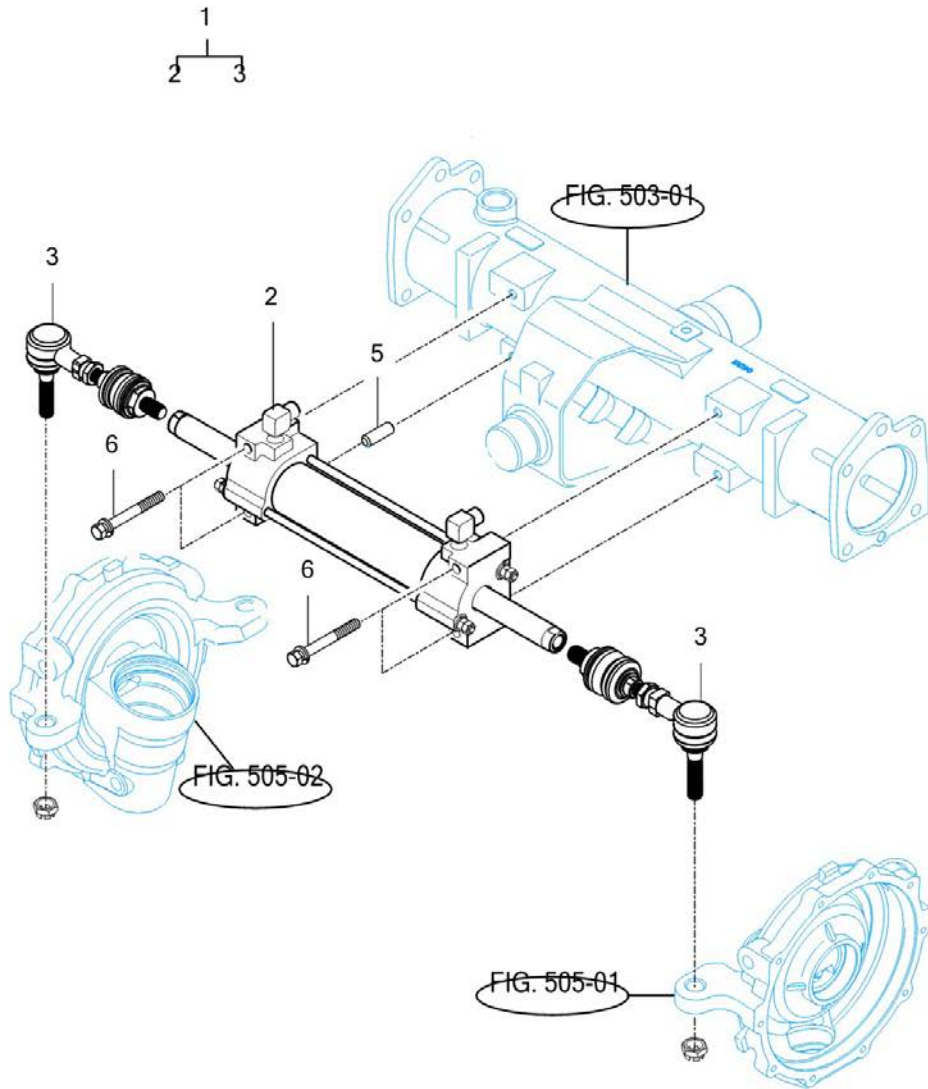
FIG 307

T25NHEU

STEERING CYLINDER

년/월
Year/Month

2022-12



NOTE

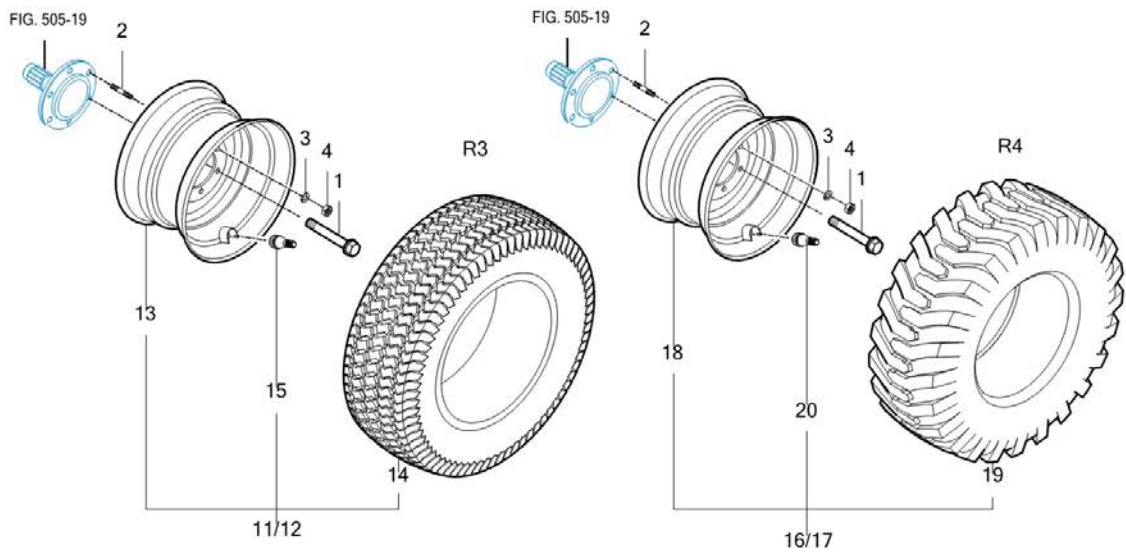
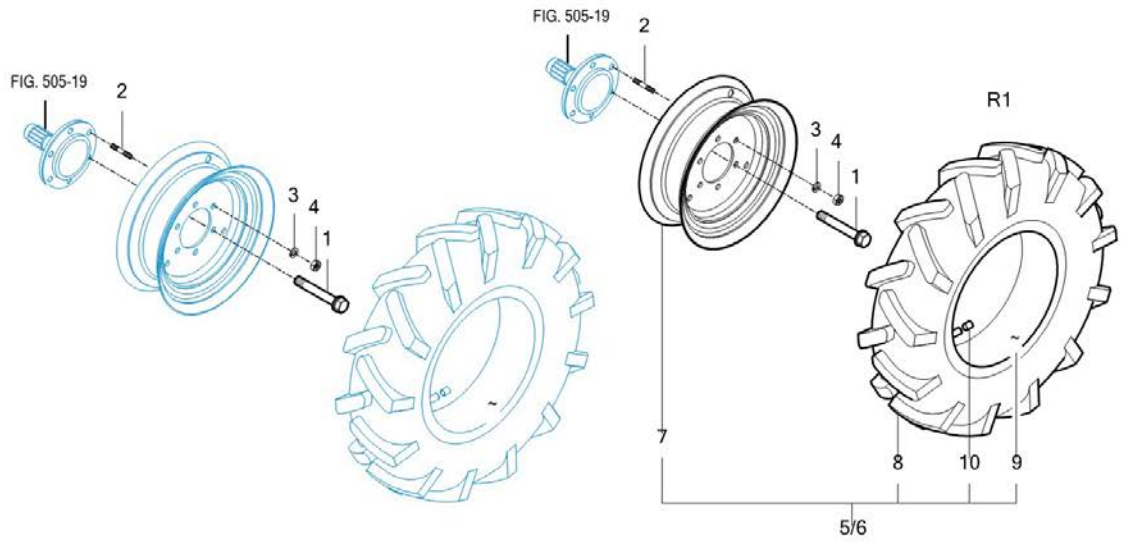
FIG 308

T25NHEU

FRONT WHEEL

년/월
Year/Month

2022-12



NOTE

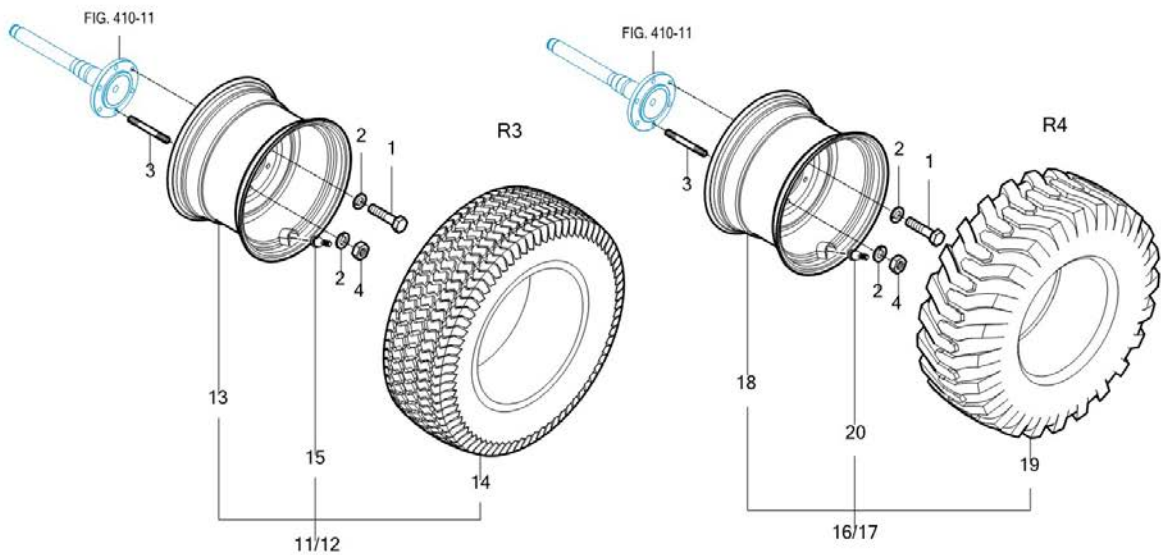
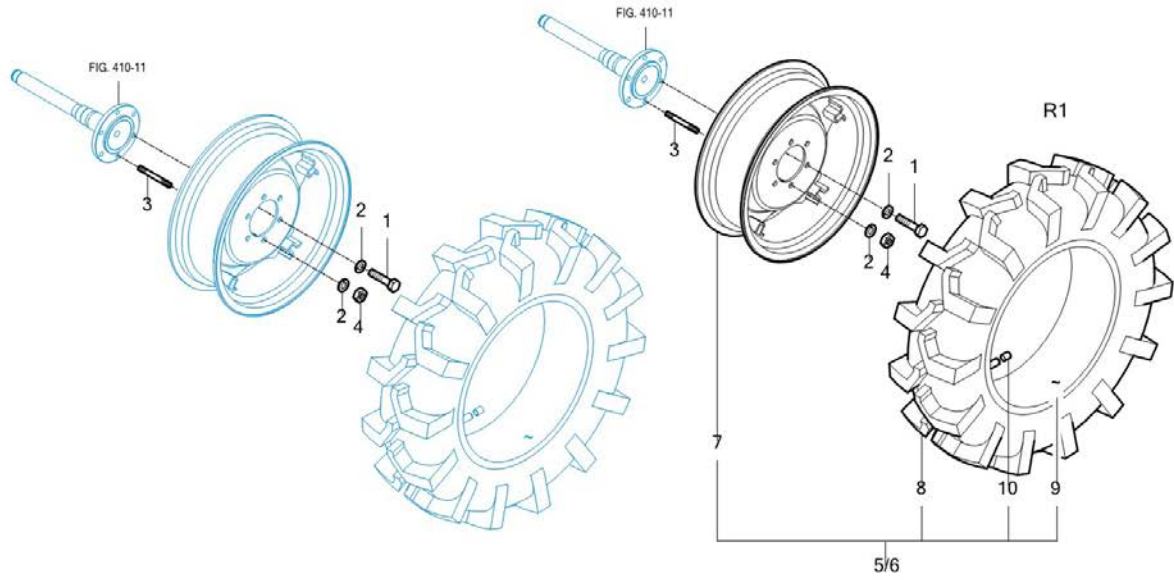
FIG 309

T25NHEU

REAR WHEEL

년/월
Year/Month

2022-12



NOTE

4. 트랜스미션 PART NO. T4

| | |
|--------------------------------|----|
| FIG 401 INPUT SHAFT | 75 |
| FIG 402 HST | 77 |
| FIG 403 4WD DRIVE GEAR | 79 |
| FIG 404 RANGE GEARS | 81 |
| FIG 405 P.T.O DRIVE SHAFT | 83 |
| FIG 406 P.T.O SHAFT | 85 |
| FIG 408 DIFF LOCK | 87 |
| FIG 409 REAR TRANSMISSION CASE | 89 |
| FIG 410 REAR AXLE HOUSINGS | 91 |
| FIG 411 RANGE SHIFT LEVER | 93 |
| FIG 412 P.T.O CHANGE LEVER | 95 |
| FIG 413 4WD CHANGE LEVER | 97 |

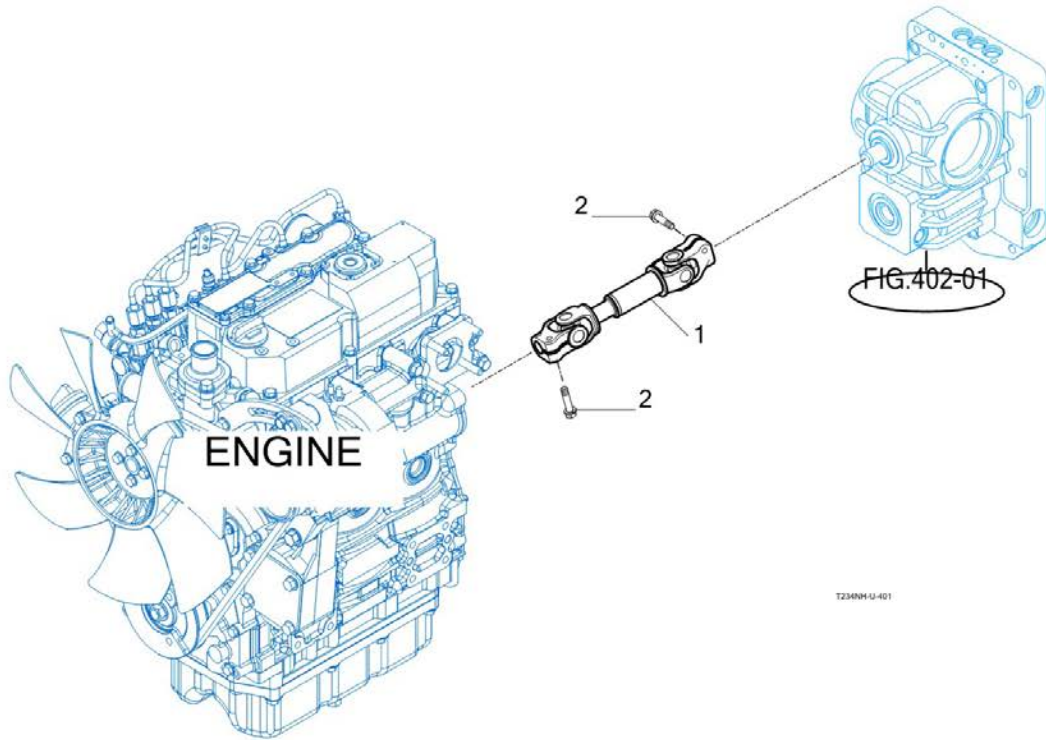
FIG 401

T25NHEU

INPUT SHAFT

년/월
Year/Month

2022-12



NOTE

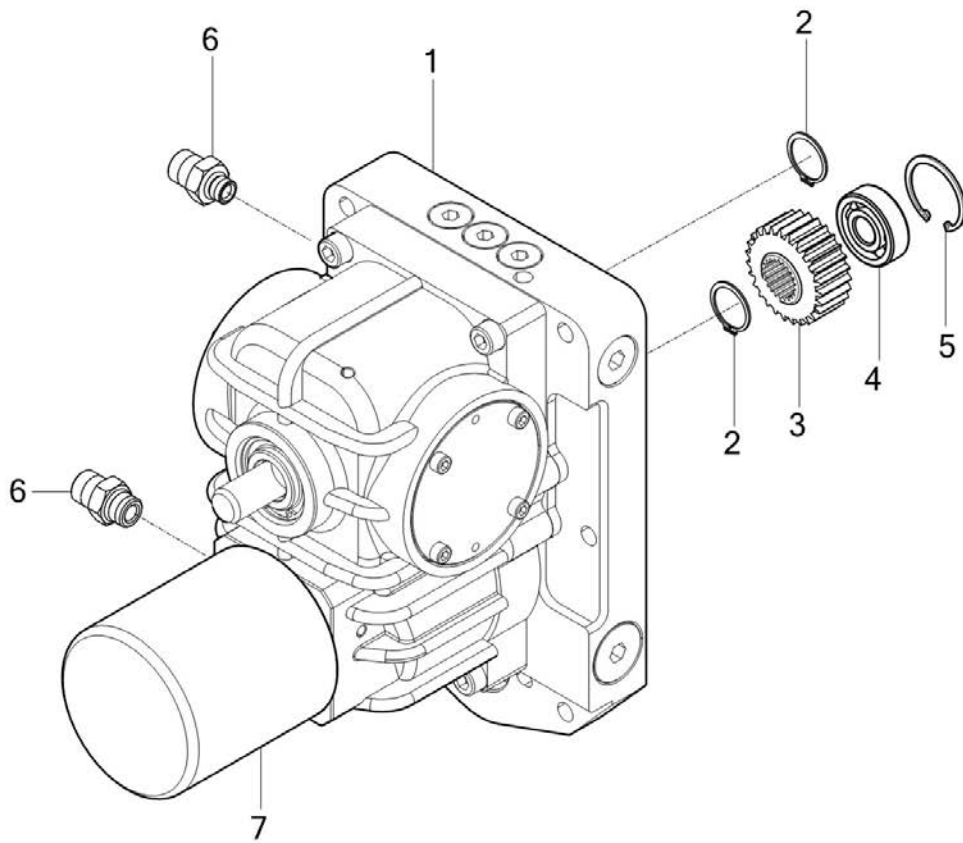
FIG 402

T25NHEU

HST

년/월
Year/Month

2022-12



NOTE

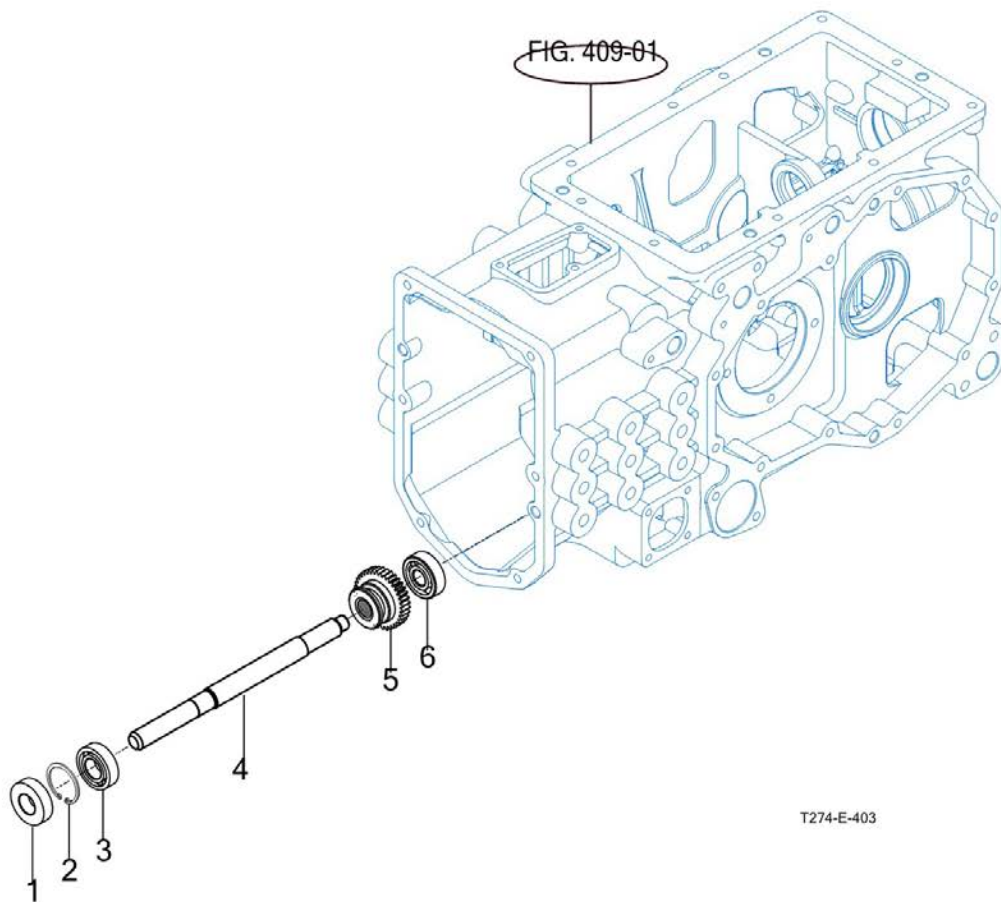
FIG 403

T25NHEU

4WD DRIVE GEAR

년/월
Year/Month

2022-12



T274-E-403

NOTE

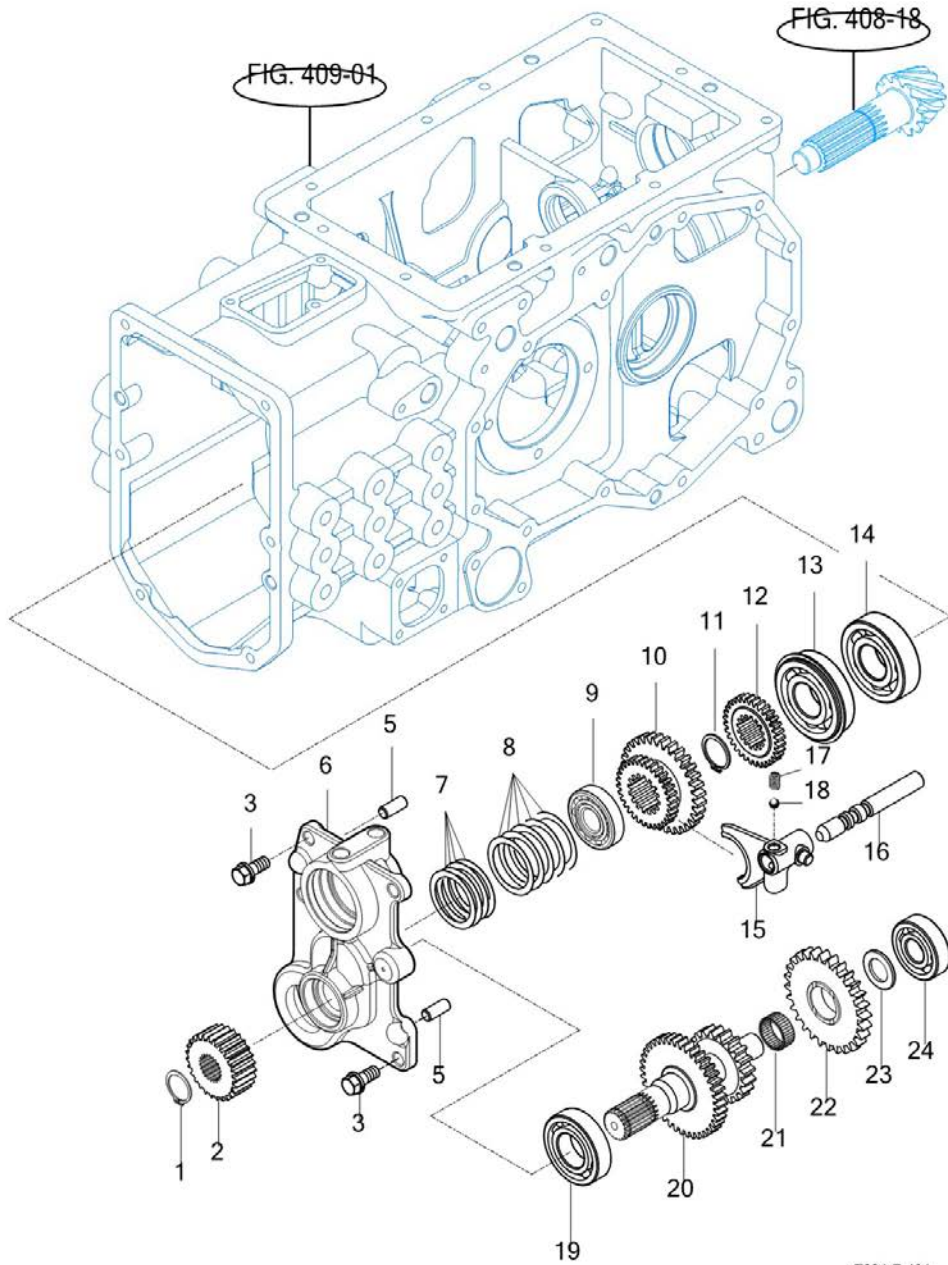
FIG 404

T25NHEU

RANGE GEARS

년/월
Year/Month

2022-12



T234-E-404

NOTE

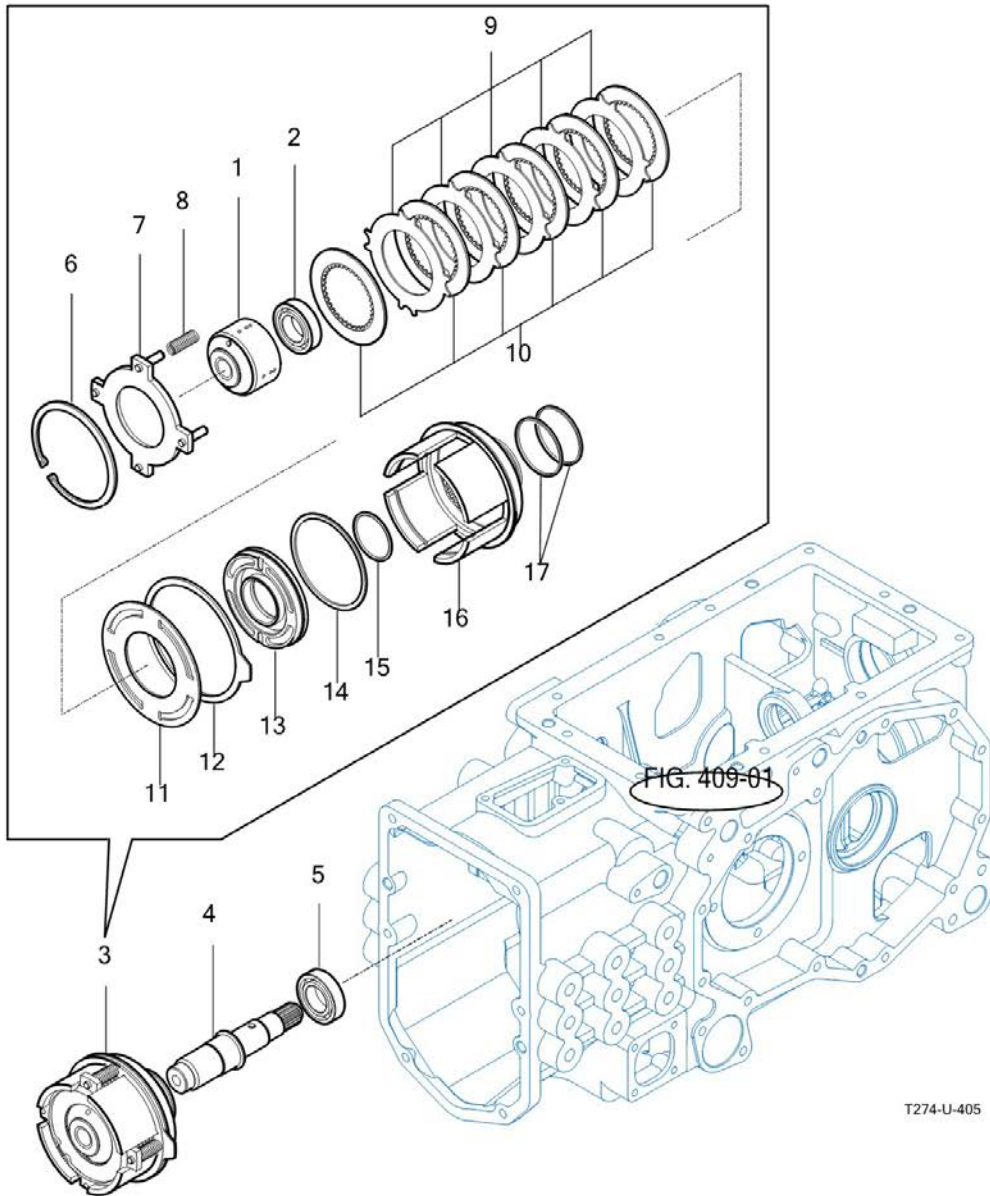
FIG 405

T25NHEU

P.T.O DRIVE SHAFT

년/월
Year/Month

2022-12



NOTE

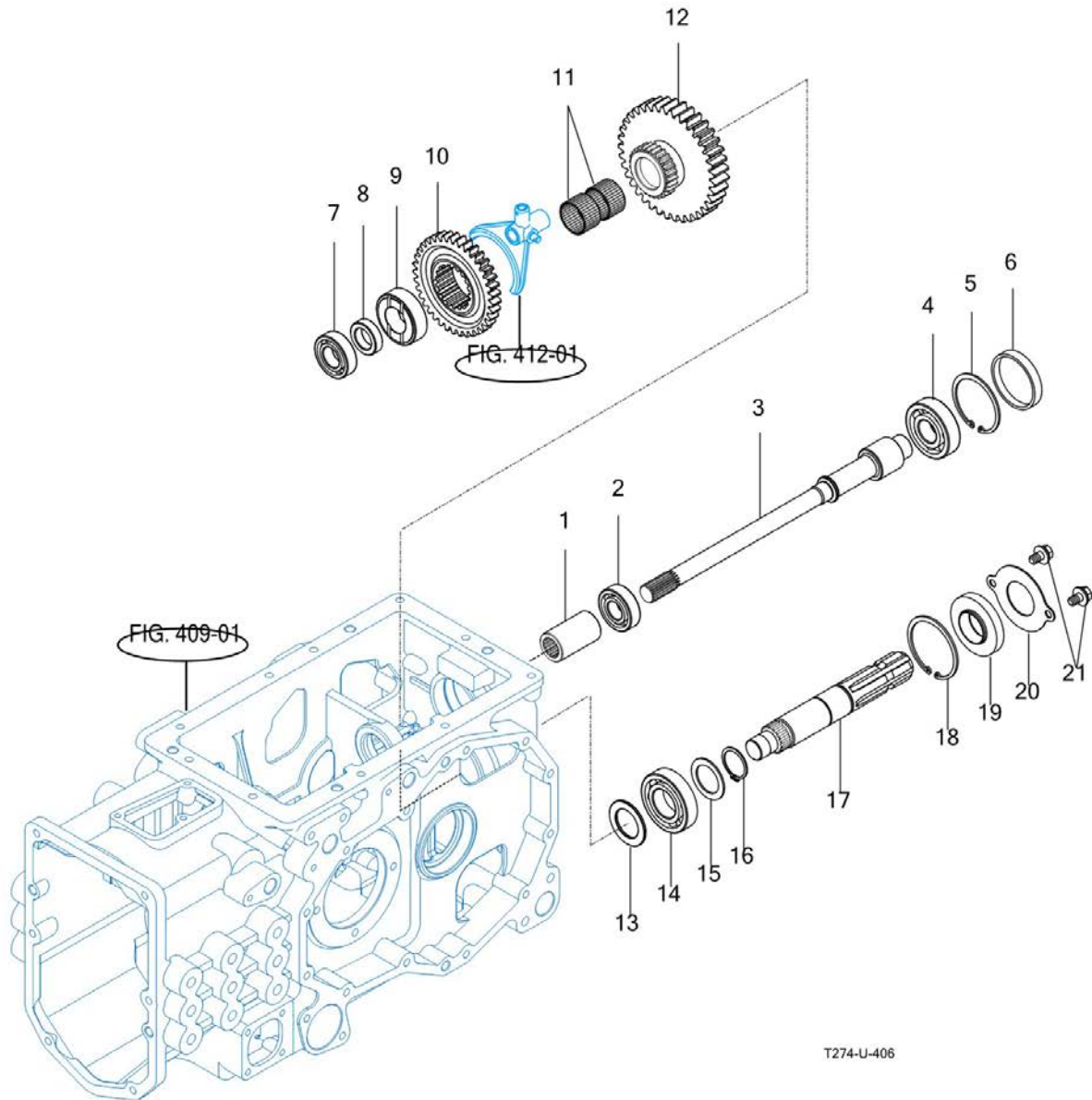
FIG 406

T25NHEU

P.T.O SHAFT

년/월
Year/Month

2022-12



T274-U-406

NOTE

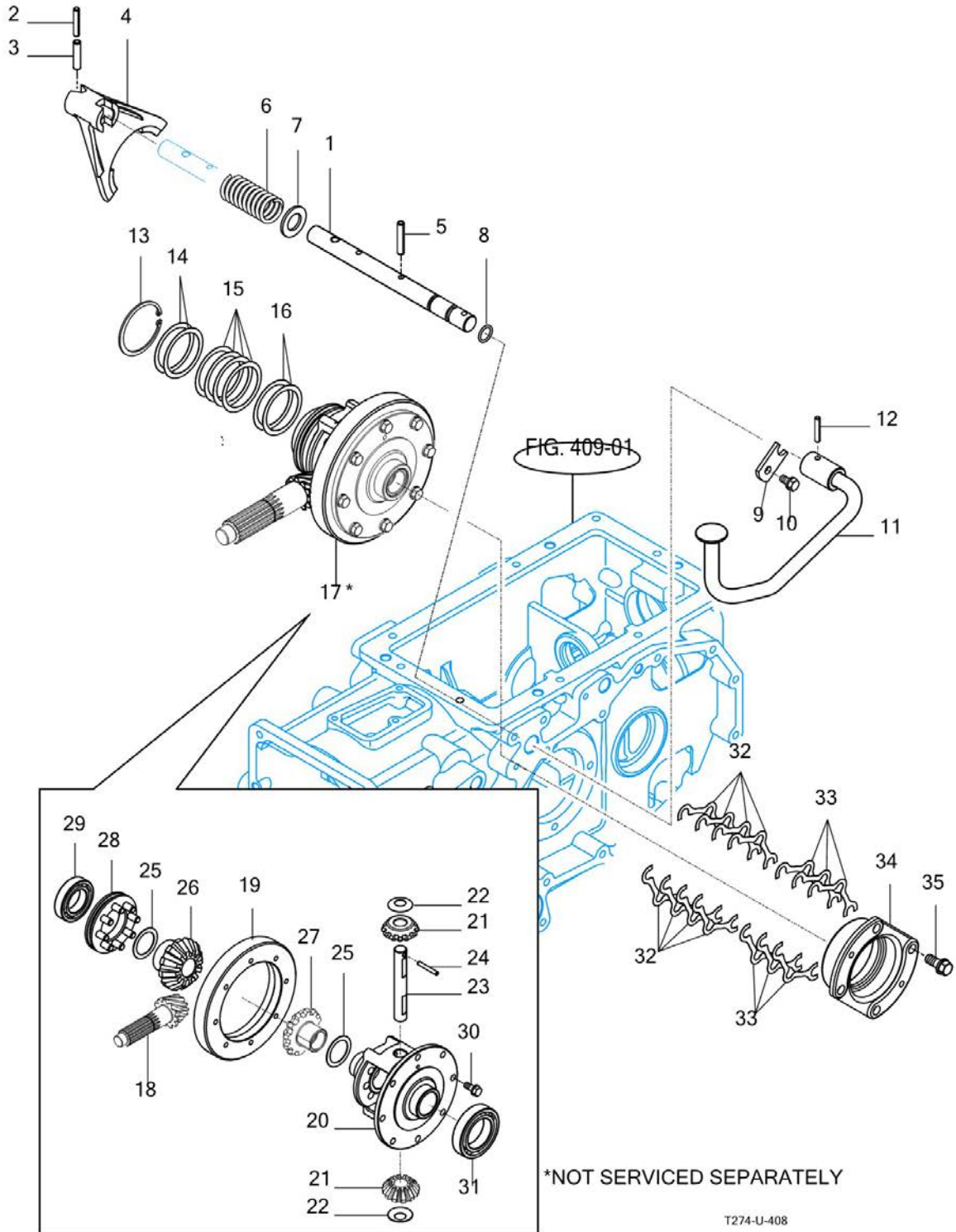
FIG 408

DIFF LOCK

년/월
Year/Month

T25NHEU

2022-12



NOTE

| | | |
|----------------|------------------|-------------------|
| FIG 408 | DIFF LOCK | 년/월 Year/Month |
| | | 2022-12 |

| KEY NO | PART NO | DESCRIPTION | SPEC | QTY | REPAIR | EFFECTIVE DATE | REMARKS |
|--------|---------|--------------|------------------|-------|--------|----------------|---------|
| 408 | 1 | 13153190020 | 디프록 샤프트 | | | | |
| 408 | 2 | V5801405036 | 스프링핀 | 5X36 | | | |
| 408 | 3 | V5801408036 | 스프링핀 | 8X36 | | | |
| 408 | 4 | 13153190010M | 포크(디프록) | | | | |
| 408 | 5 | V5801406032 | 스프링핀 | 6X32 | | | |
| 408 | 6 | 17973030420 | 스프링 | | | | |
| 408 | 7 | V4111600200 | 평와셔 | M20 | | | |
| 408 | 8 | V7201024016 | O링(P) | P16 | | | |
| 408 | 9 | 16703180191 | 플레이트 | | | | |
| 408 | 10 | V2173608016 | 소형육각볼트보통(S) | M8X16 | | | |
| 408 | 11 | 13153193100 | 페달(디프록) COMP | | | | |
| 408 | 12 | V5801406028 | 스프링핀 | | | | |
| 408 | 12 | V5801408036 | 스프링핀 | 8X32 | | | |
| 408 | 13 | V7051400620 | C형멈춤링(구멍용) | 62 | | | |
| 408 | 14 | 13153180110 | 심(RH/0.5) | | | | |
| 408 | 15 | 13153180130 | 심(RH/0.2) | | | | |
| 408 | 16 | 13153180120 | 심(RH/0.1) | | | | |
| 408 | 17 | 13403002000 | 리어 차동장치 ASSY | | | | |
| 408 | 18 | 13153002110 | 드라이브 피니언(9) | | | | |
| 408 | 19 | 13153002120 | 기어(베벨/55) | | | | |
| 408 | 20 | 13153180011M | 디프 케이스 | | | | |
| 408 | 21 | 14443180040 | 디프피니언(12) | | | | |
| 408 | 22 | 14443180050 | 피니언스ラスト칼라 | | | | |
| 408 | 23 | 13153180070 | 디프 피니언 축 | | | | |
| 408 | 24 | V5801405036 | 스프링핀 | 5X36 | | | |
| 408 | 25 | 13153180080 | 스러스트 와셔(34X46X1) | | | | |
| 408 | 26 | 13153180030 | 베벨기어(20)(RH) | | | | |
| 408 | 27 | 13153180060 | 베벨기어(20)(LH) | | | | |
| 408 | 28 | 13153182100 | 디프록 클러치 COMP | | | | |
| 408 | 29 | V6001106007 | 볼베어링 | 6007 | | | |
| 408 | 30 | V2173608020 | 소형육각볼트보통(S) | M8X20 | | | |
| 408 | 31 | V6001106009 | 볼베어링 | 6009 | | | |
| 408 | 32 | 13153181030 | 심(LH/0.2) | | | | |
| 408 | 33 | 13153181020 | 심(LH/0.1) | | | | |
| 408 | 34 | 13153181010M | 디프 케이스 메탈 | | | | |
| 408 | 35 | V2173610025 | 소형육각볼트보통(S) | | | | |
| | | | | | | | |
| | | | | | | | |
| | | | | | | | |
| | | | | | | | |
| | | | | | | | |
| | | | | | | | |
| | | | | | | | |
| | | | | | | | |
| | | | | | | | |
| | | | | | | | |
| | | | | | | | |
| | | | | | | | |
| | | | | | | | |
| | | | | | | | |
| | | | | | | | |

NOTE

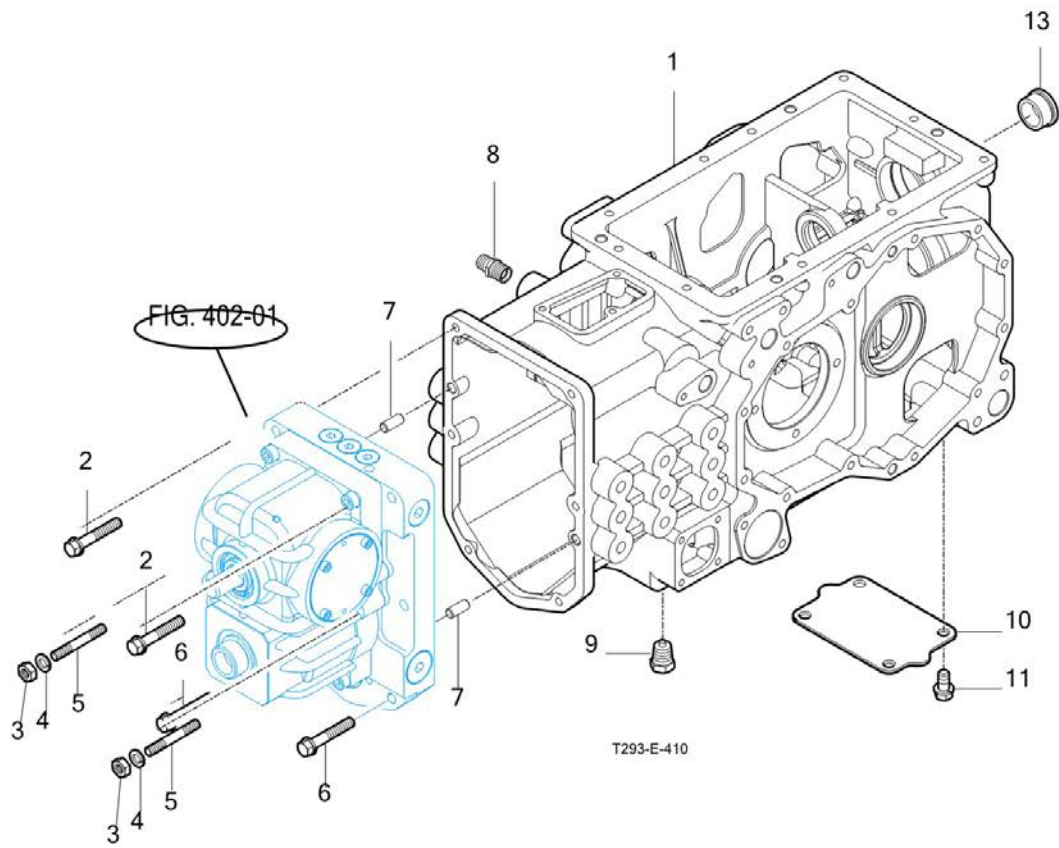
FIG 409

REAR TRANSMISSION CASE

년/월
Year/Month

T25NHEU

2022-12



NOTE

| FIG 409 | | REAR TRANSMISSION CASE | | | | | | 년/월 Year/Month | |
|---------|---------|------------------------|----------------|------|--------|--------|----------------|-------------------|--|
| T25NHEU | | | | | | | | 2022-12 | |
| KEY NO | PART NO | DESCRIPTION | | SPEC | QTY | REPAIR | EFFECTIVE DATE | REMARKS | |
| 409 | 1 | 13152400018M | 리어 트랜스미션 케이스 | | | 1 | | | |
| 409 | 1 | 13152400017M | 리어 트랜스미션 케이스 | | | 1 | | | |
| 409 | 2 | V2173610060 | 소형육각볼트보통(S) | | M10X60 | 2 | | | |
| 409 | 3 | V3043600100 | 소형육각너트보통2종 | | M10 | 2 | | | |
| 409 | 4 | V4011600100 | 스프링와셔 | | M10 | 2 | | | |
| 409 | 5 | V2513410045 | 스터드볼트2종 | | M10X45 | 2 | | | |
| 409 | 6 | V2173610040 | 소형육각볼트보통(S) | | M10X40 | 2 | | | |
| 409 | 7 | V5201010022 | 평행핀(A) | | 10X22 | 2 | | | |
| 409 | 8 | 16994080061 | 유니온(PT3/8,M18) | | | 1 | | | |
| 409 | 9 | 16701015001 | 마그넷플러그ASSY | | | 1 | | | |
| 409 | 10 | 13152401011 | 플레이트 | | | 1 | | | |
| 409 | 11 | V2173610020 | 소형육각볼트보통(S) | | M10X20 | 4 | | | |
| 409 | 13 | 11103062000 | 오일 점검게이지ASSY | | | 1 | | | |
| | | | | | | | | | |
| | | | | | | | | | |
| | | | | | | | | | |
| | | | | | | | | | |
| | | | | | | | | | |
| | | | | | | | | | |
| | | | | | | | | | |
| | | | | | | | | | |
| | | | | | | | | | |
| | | | | | | | | | |
| | | | | | | | | | |
| | | | | | | | | | |
| | | | | | | | | | |
| | | | | | | | | | |
| | | | | | | | | | |
| | | | | | | | | | |
| | | | | | | | | | |
| | | | | | | | | | |
| | | | | | | | | | |
| | | | | | | | | | |
| | | | | | | | | | |
| | | | | | | | | | |
| | | | | | | | | | |
| | | | | | | | | | |
| | | | | | | | | | |
| | | | | | | | | | |
| | | | | | | | | | |
| | | | | | | | | | |
| | | | | | | | | | |
| | | | | | | | | | |
| | | | | | | | | | |
| | | | | | | | | | |
| | | | | | | | | | |
| | | | | | | | | | |
| | | | | | | | | | |
| | | | | | | | | | |
| NOTE | | | | | | | | | |

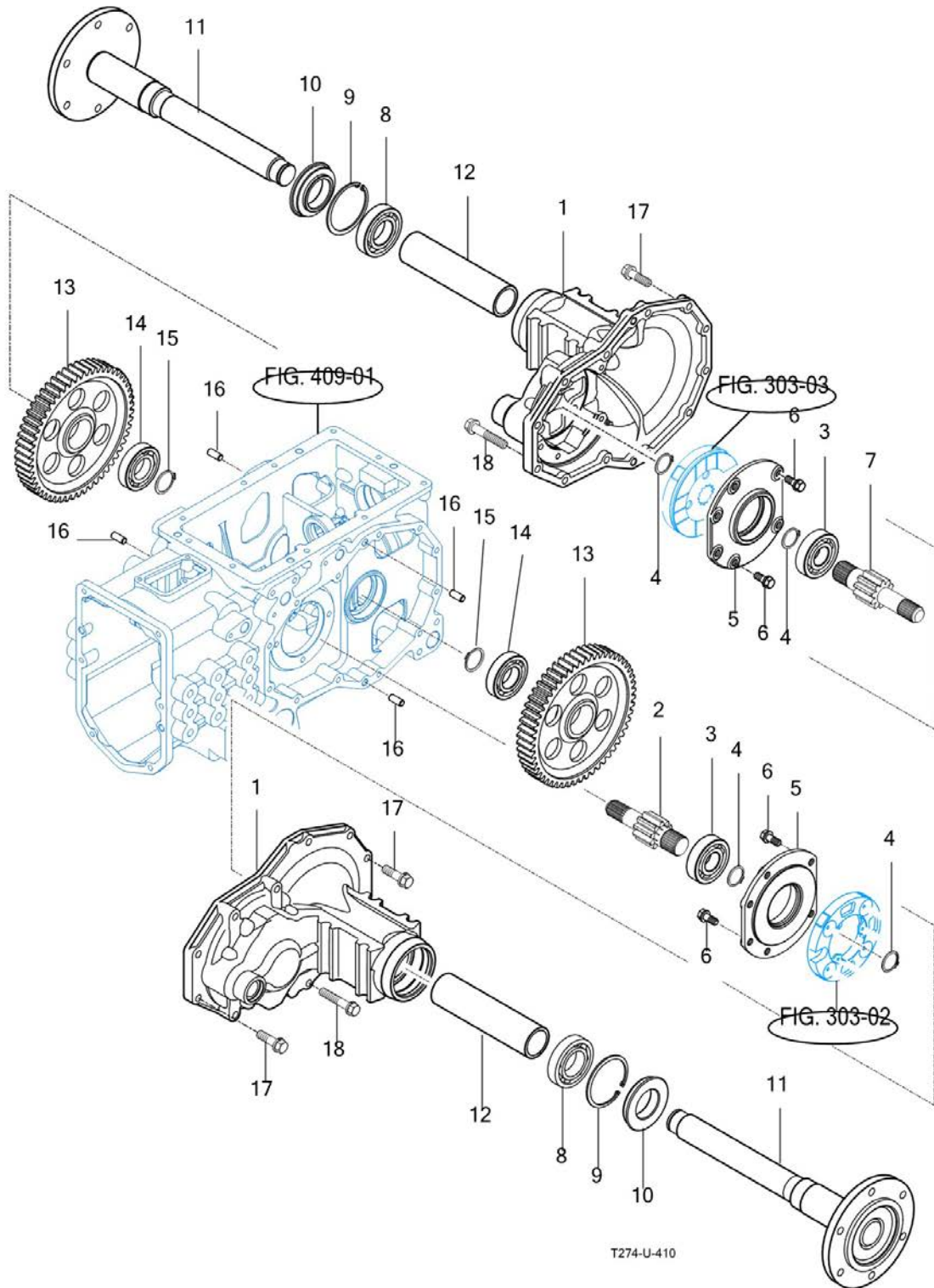
FIG 410

REAR AXLE HOUSINGS

년/월
Year/Month

2022-12

T25NHEU



T274-U-410

NOTE

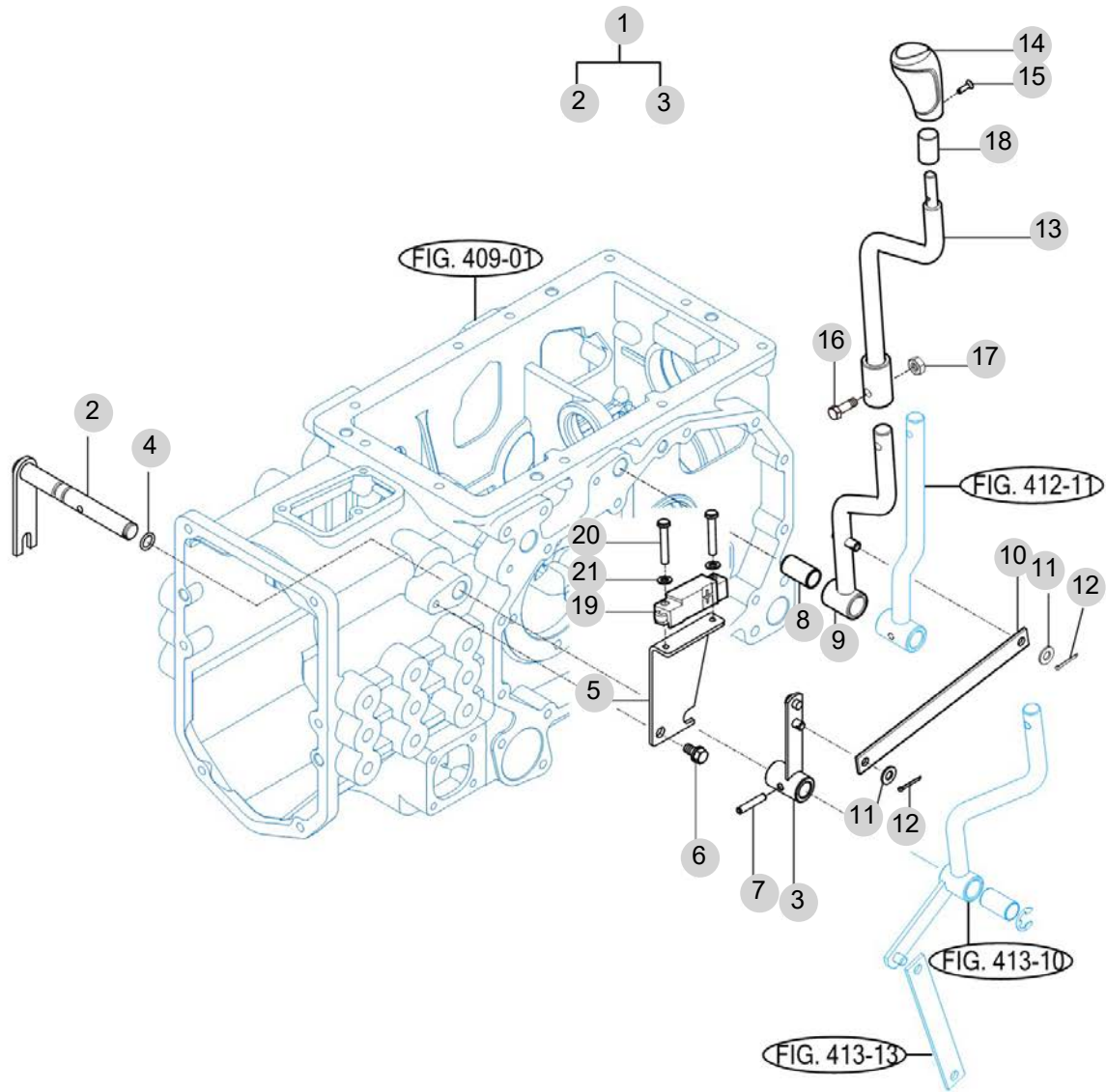
FIG 411

T25NHEU

RANGE SHIFT LEVER

년/월
Year/Month

2022-12



T25NH-E-411

NOTE

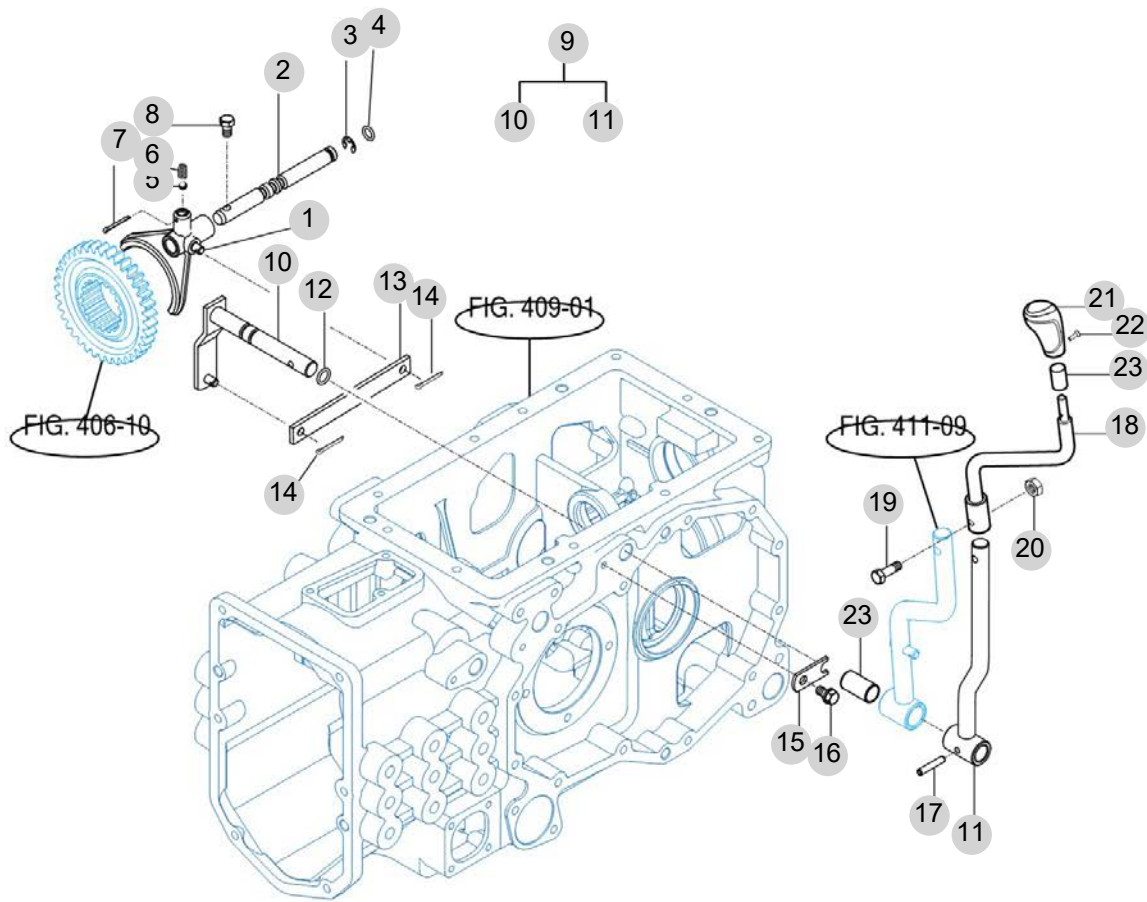
FIG 412

T25NHEU

P.T.O CHANGE LEVER

년/월
Year/Month

2022-12



T274-U-412

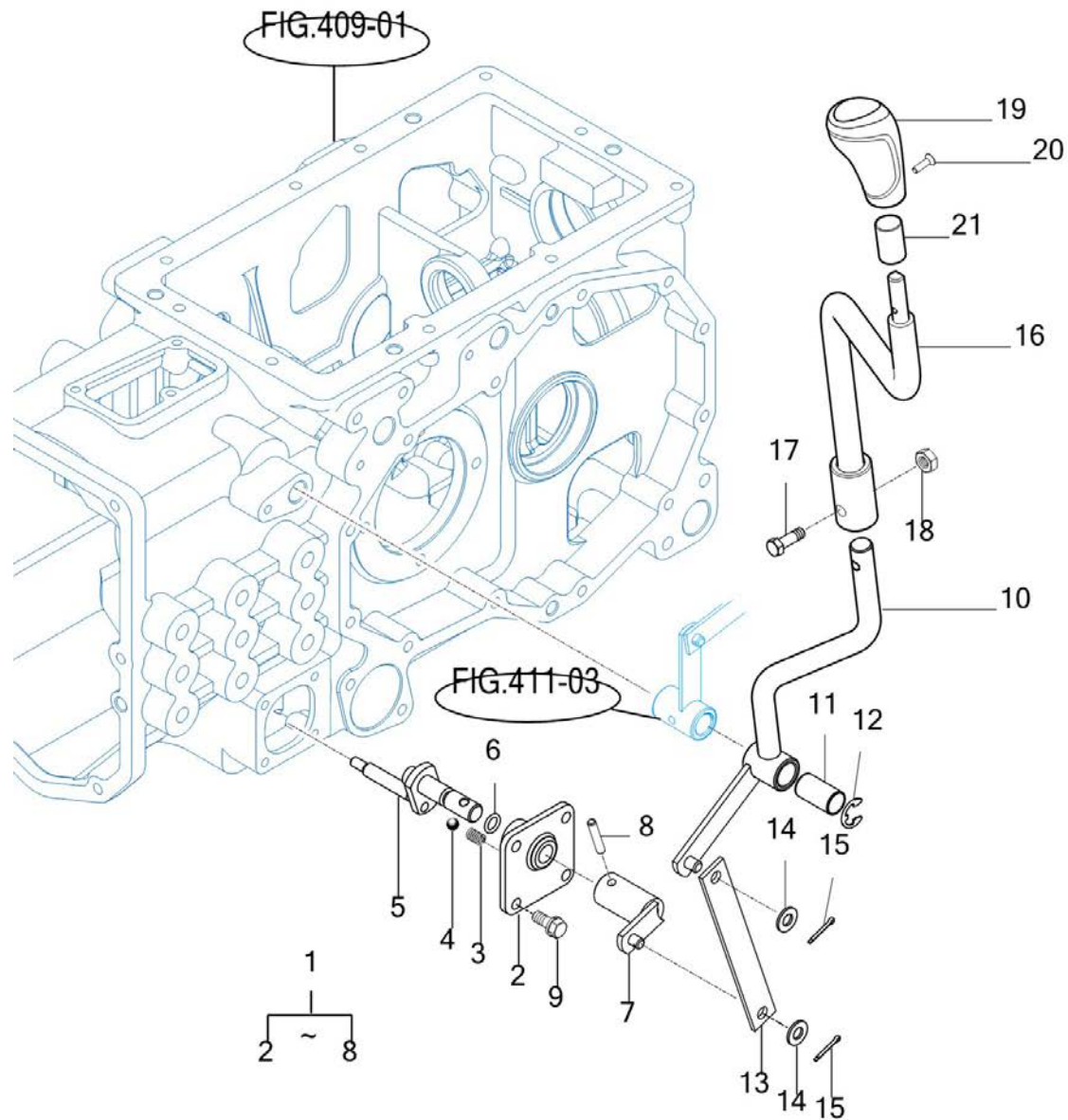
NOTE

FIG 413

4WD CHANGE LEVER

년/월
Year/Month

2022-12



T274-U-413

NOTE

5. 프런트 액슬 PART NO. T5

| | |
|--|-----|
| FIG 501 FRAME | 100 |
| FIG 502 FRONT DIFFERENTIAL GEARS & SHAFT | 102 |
| FIG 503 FRONT AXLE HOUSING | 104 |
| FIG 504 FRONT GEAR CASE (1) | 106 |
| FIG 505 FRONT GEAR CASE (2) | 108 |

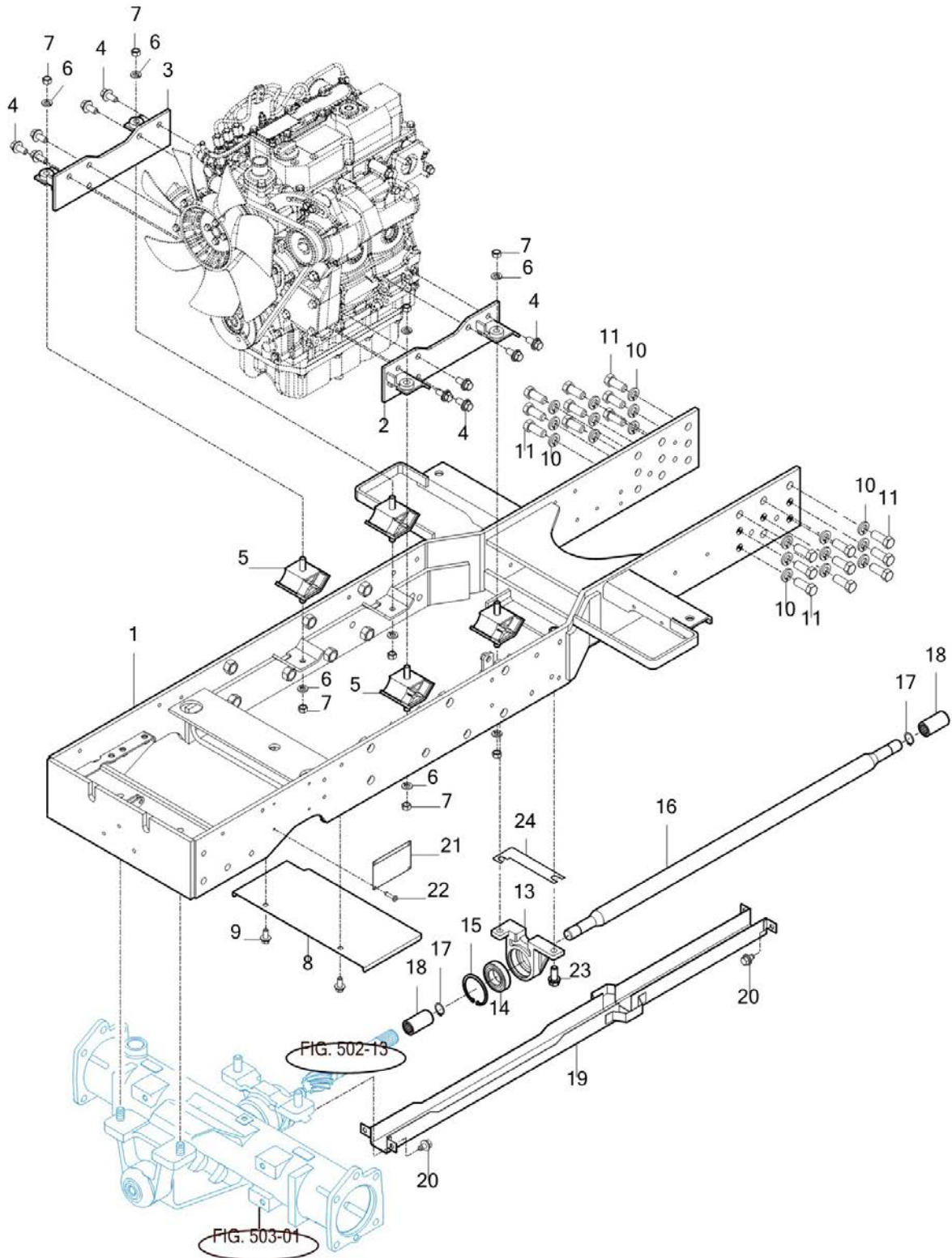
FIG 501

FRAME

년/월
Year/Month

T25NHEU

2022-12



NOTE

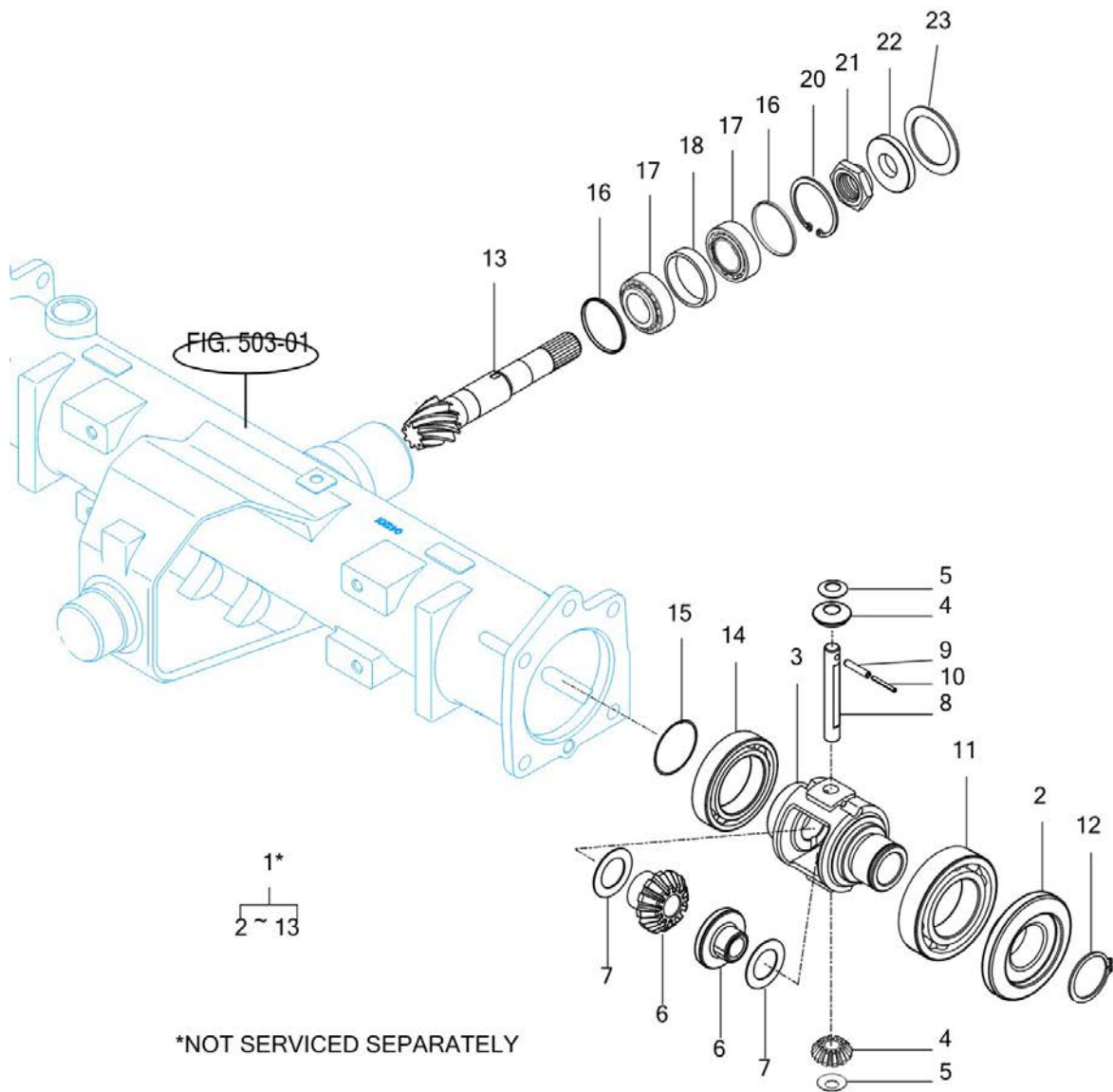
FIG 502

T25NHEU

FRONT DIFFERENTIAL GEARS & SHAFT

년/월
Year/Month

2022-12



T293-E-502

NOTE

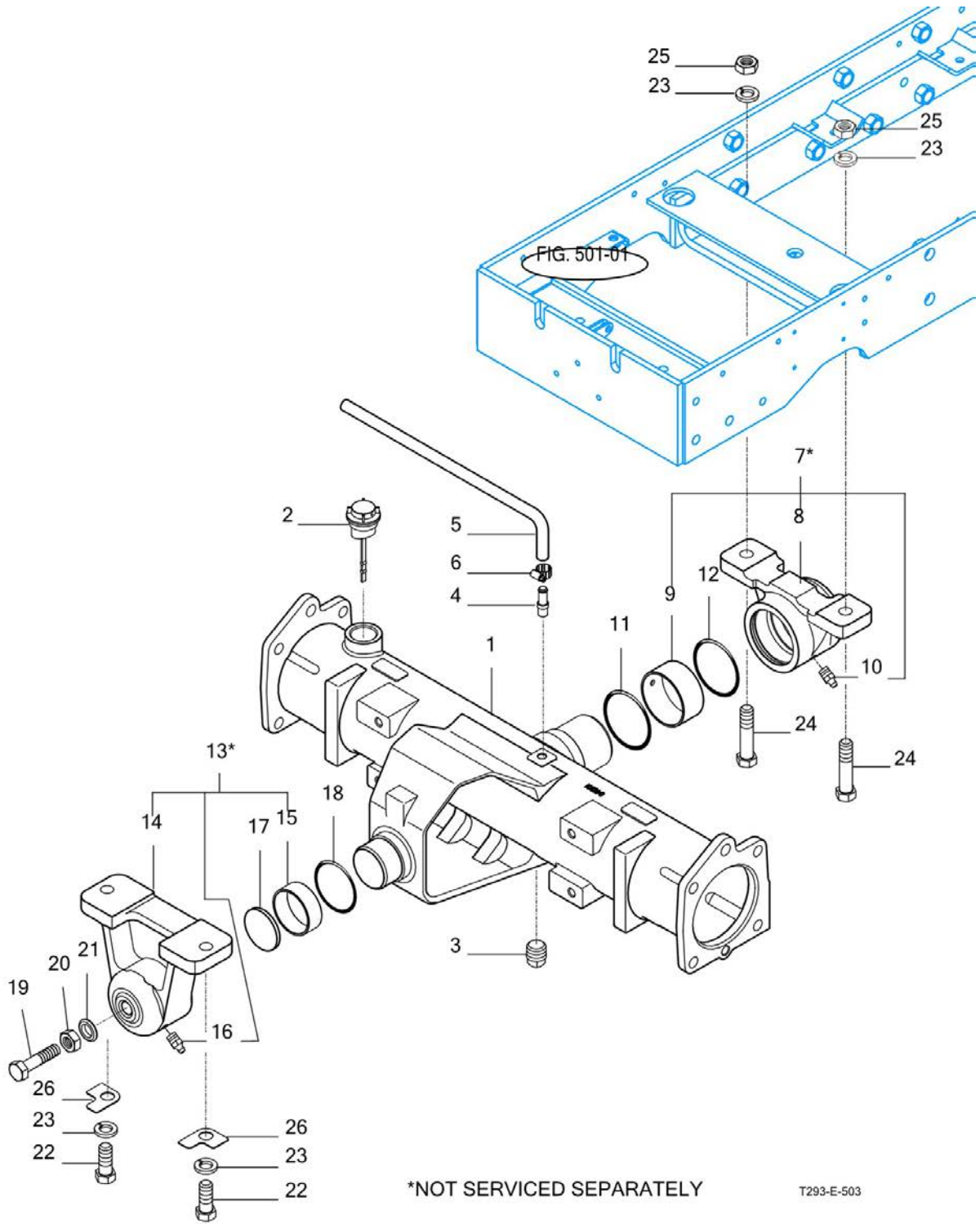
FIG 503

FRONT AXLE HOUSING

년/월
Year/Month

T25NHEU

2022-12



NOTE

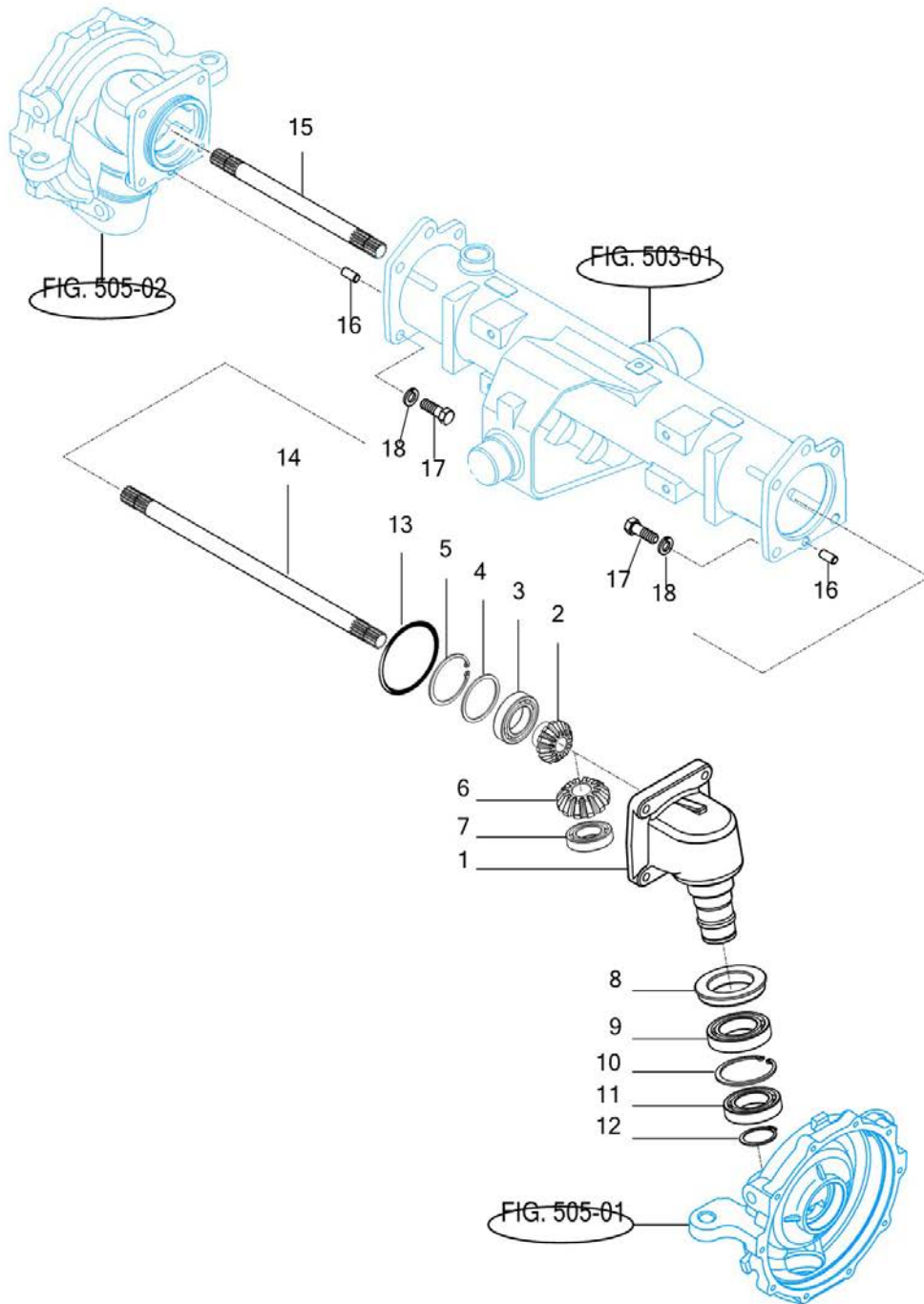
FIG 504

T25NHEU

FRONT GEAR CASE (1)

년/월
Year/Month

2022-12



T293-E-504

NOTE

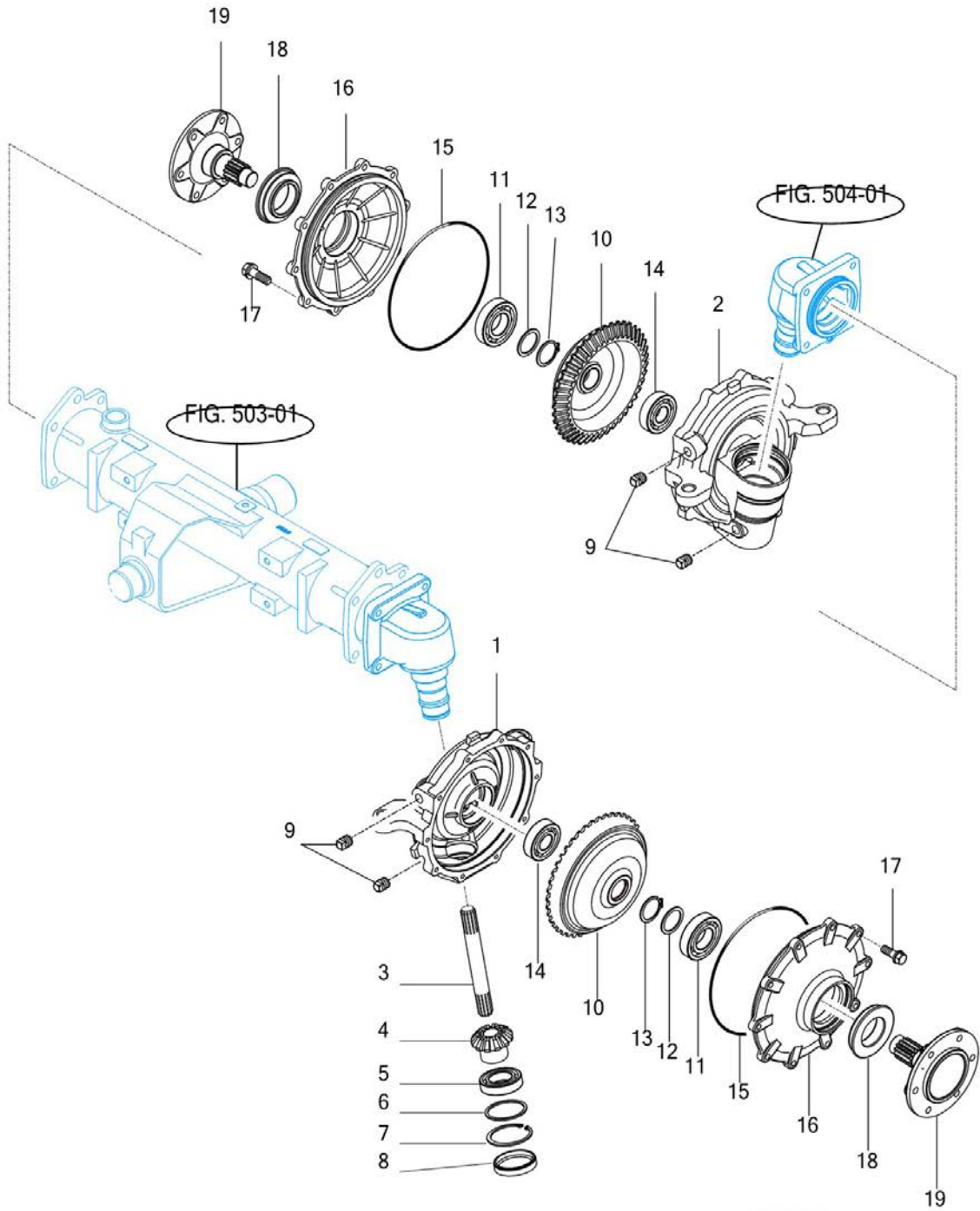
FIG 505

T25NHEU

FRONT GEAR CASE (2)

년/월
Year/Month

2022-12



T293-E-505

NOTE

6. 유압/3점링크 PART NO. T6

| | |
|--------------------------------|-----|
| FIG 601 CYLINDER CASE | 111 |
| FIG 602 LIFT ARM | 113 |
| FIG 603 FLOW CONTROL VALVE | 115 |
| FIG 604 CONTROL VALVE LINKAGE | 117 |
| FIG 605 MAIN CONTROL VALVE | 119 |
| FIG 606 REMOTE CONTROL VALVE | 121 |
| FIG 607 POSITION LEVER LINKAGE | 123 |
| FIG 608 GEAR PUMP | 125 |
| FIG 609 HYDRAULIC HOSE (1) | 127 |
| FIG 610 HYDRAULIC HOSE (2) | 129 |
| FIG 611 PTO VALVE | 131 |
| FIG 612 3-POINT LINKAGE | 133 |
| FIG 613 JOYSTICK LEVER | 136 |
| FIG 614 HITCH & COVER | 138 |

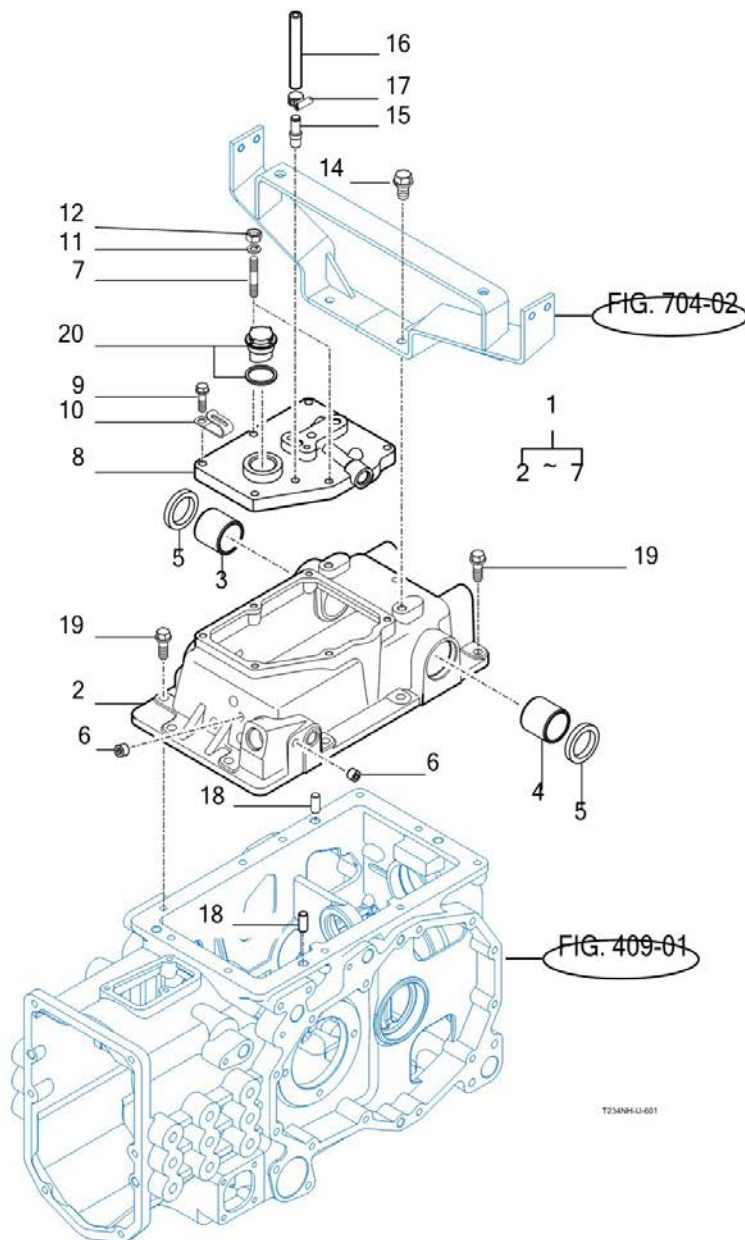
FIG 601

T25NHEU

CYLINDER CASE

년/월
Year/Month

2022-12



NOTE

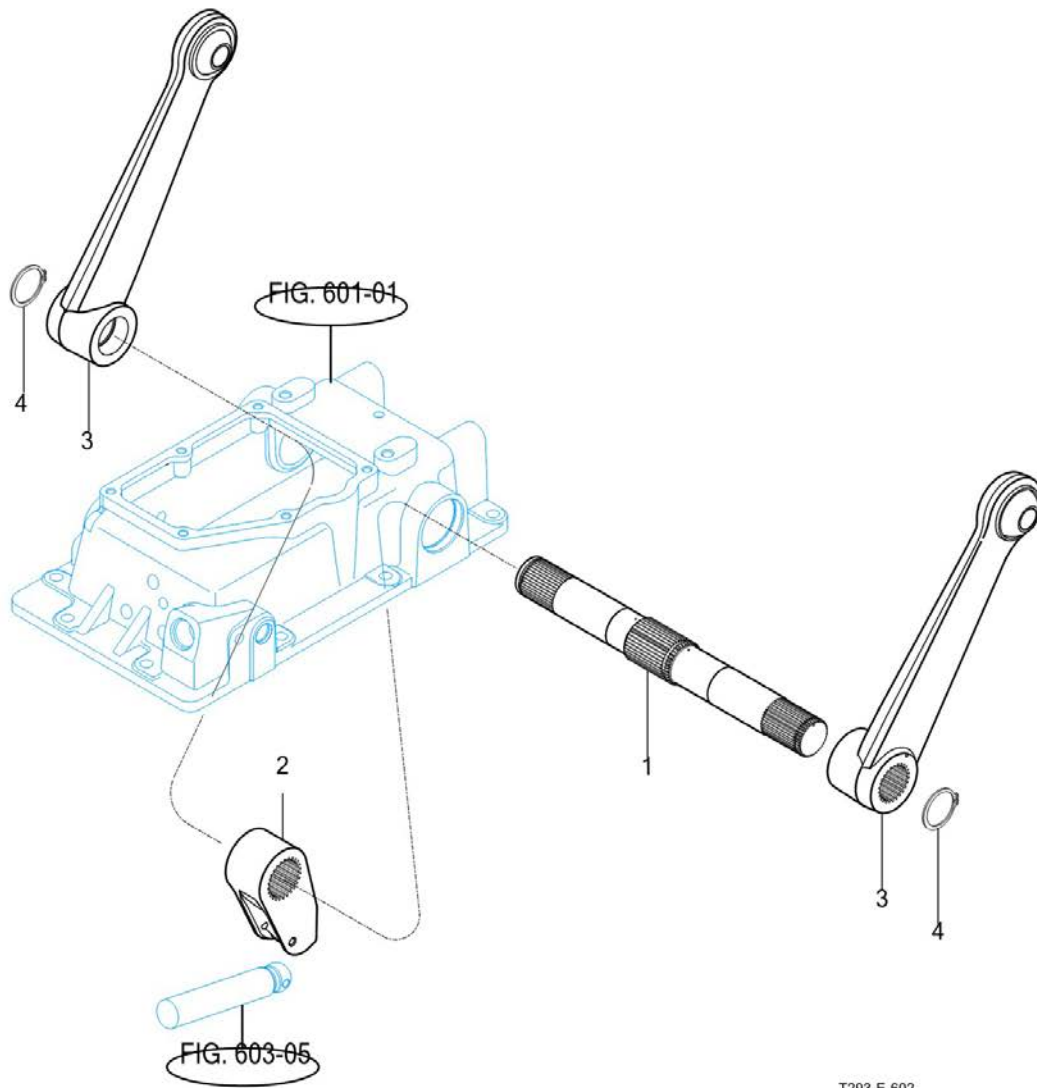
FIG 602

T25NHEU

LIFT ARM

년/월
Year/Month

2022-12



T293-E-602

NOTE

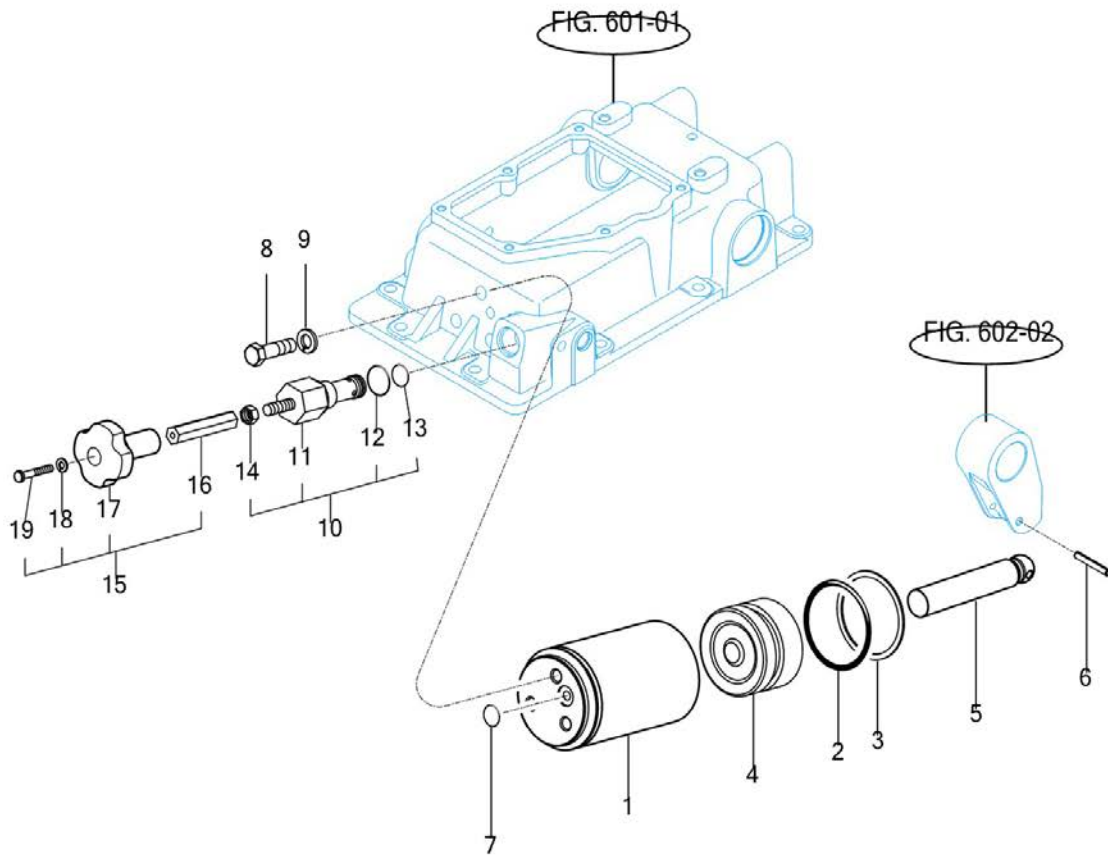
FIG 603

T25NHEU

FLOW CONTROL VALVE

년/월
Year/Month

2022-12



T293-E-603

NOTE

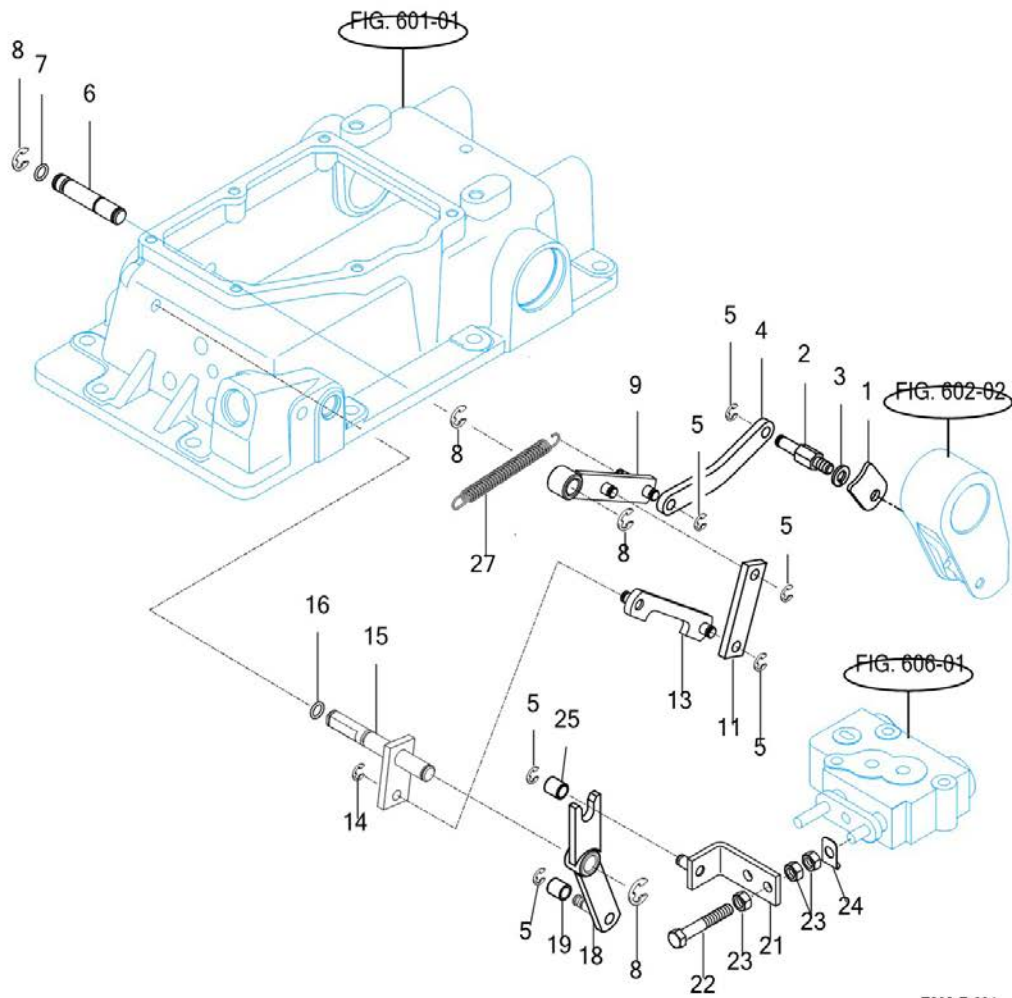
FIG 604

CONTROL VALVE LINKAGE

년/월
Year/Month

2022-12

T25NHEU



T293-E-604

NOTE

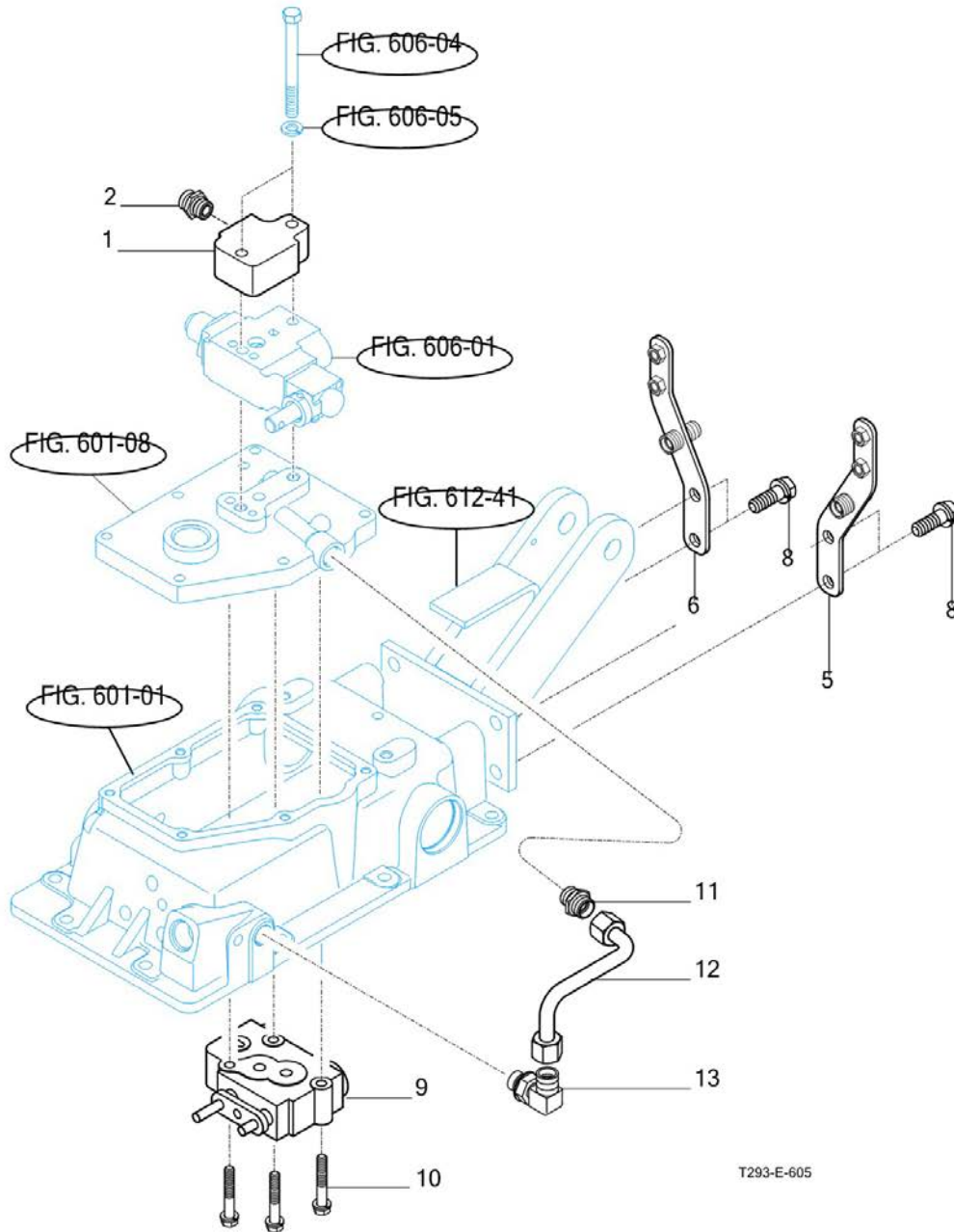
FIG 605

T25NHEU

MAIN CONTROL VALVE

년/월
Year/Month

2022-12



NOTE

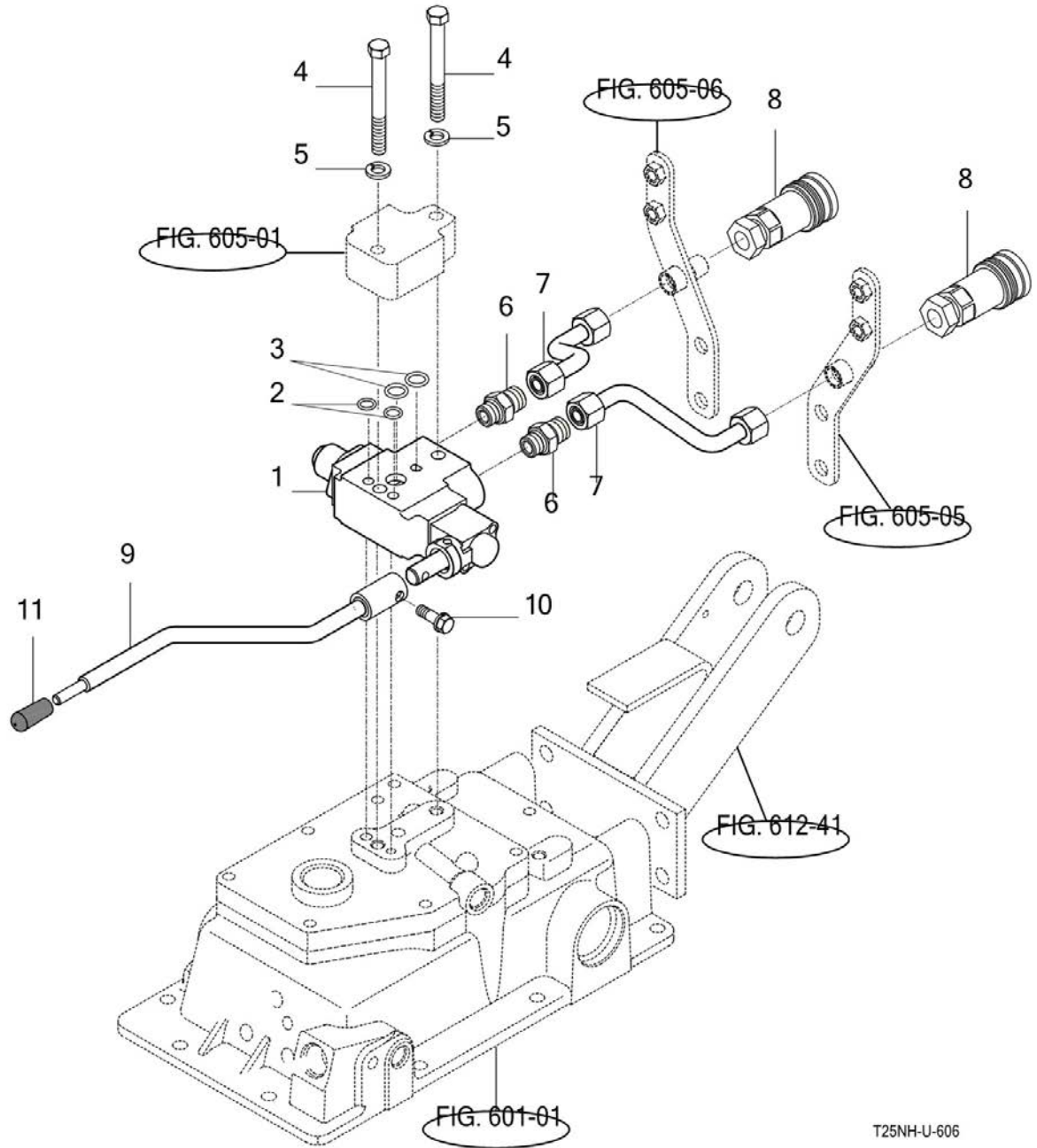
FIG 606

T25NHEU

REMOTE CONTROL VALVE

년/월
Year/Month

2022-12



T25NH-U-606

NOTE

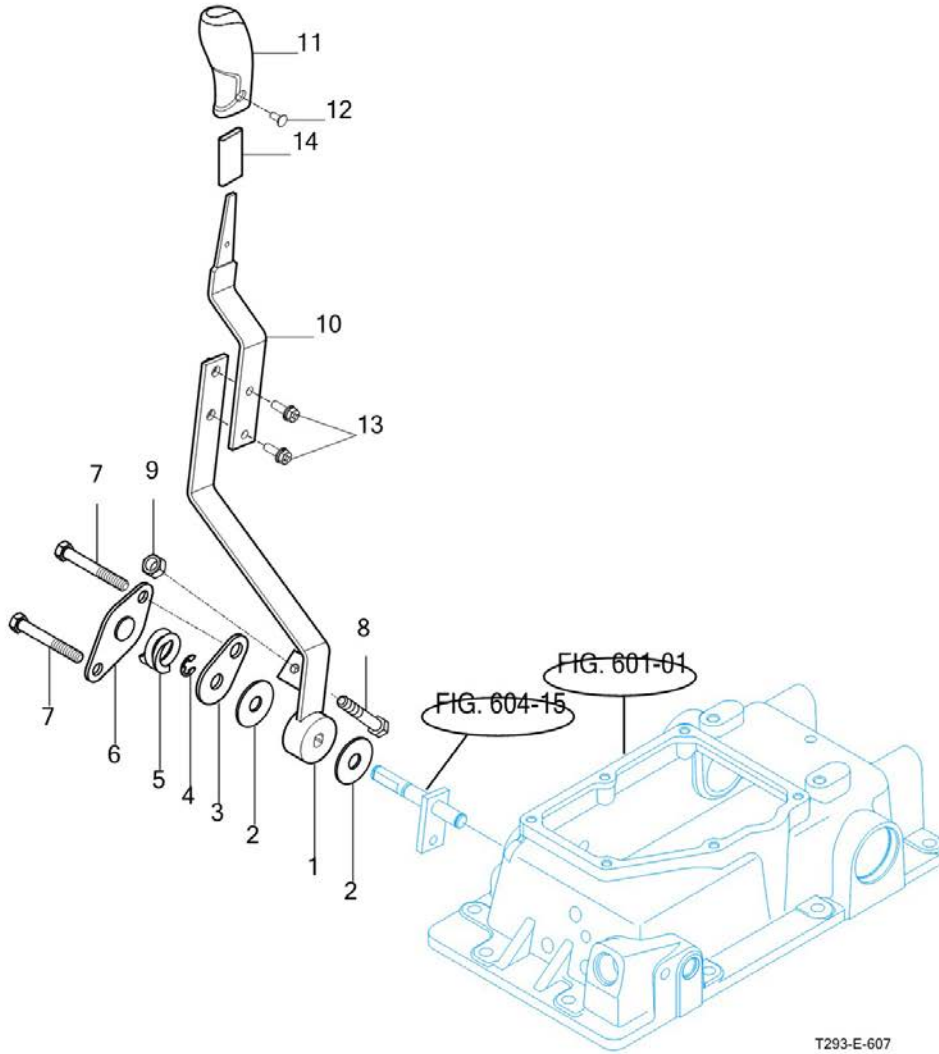
FIG 607

T25NHEU

POSITION LEVER LINKAGE

년/월
Year/Month

2022-12



T293-E-607

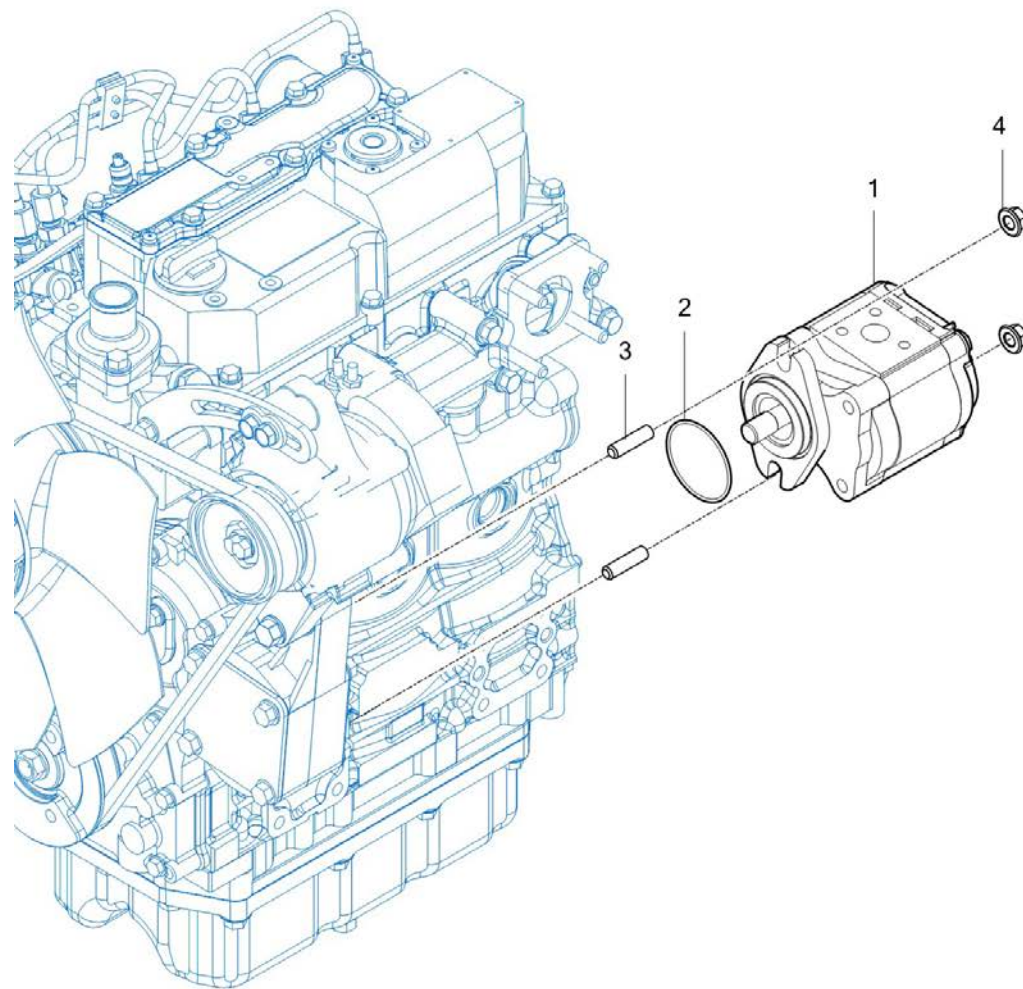
NOTE

FIG 608

GEAR PUMP

년/월
Year/Month

2022-12



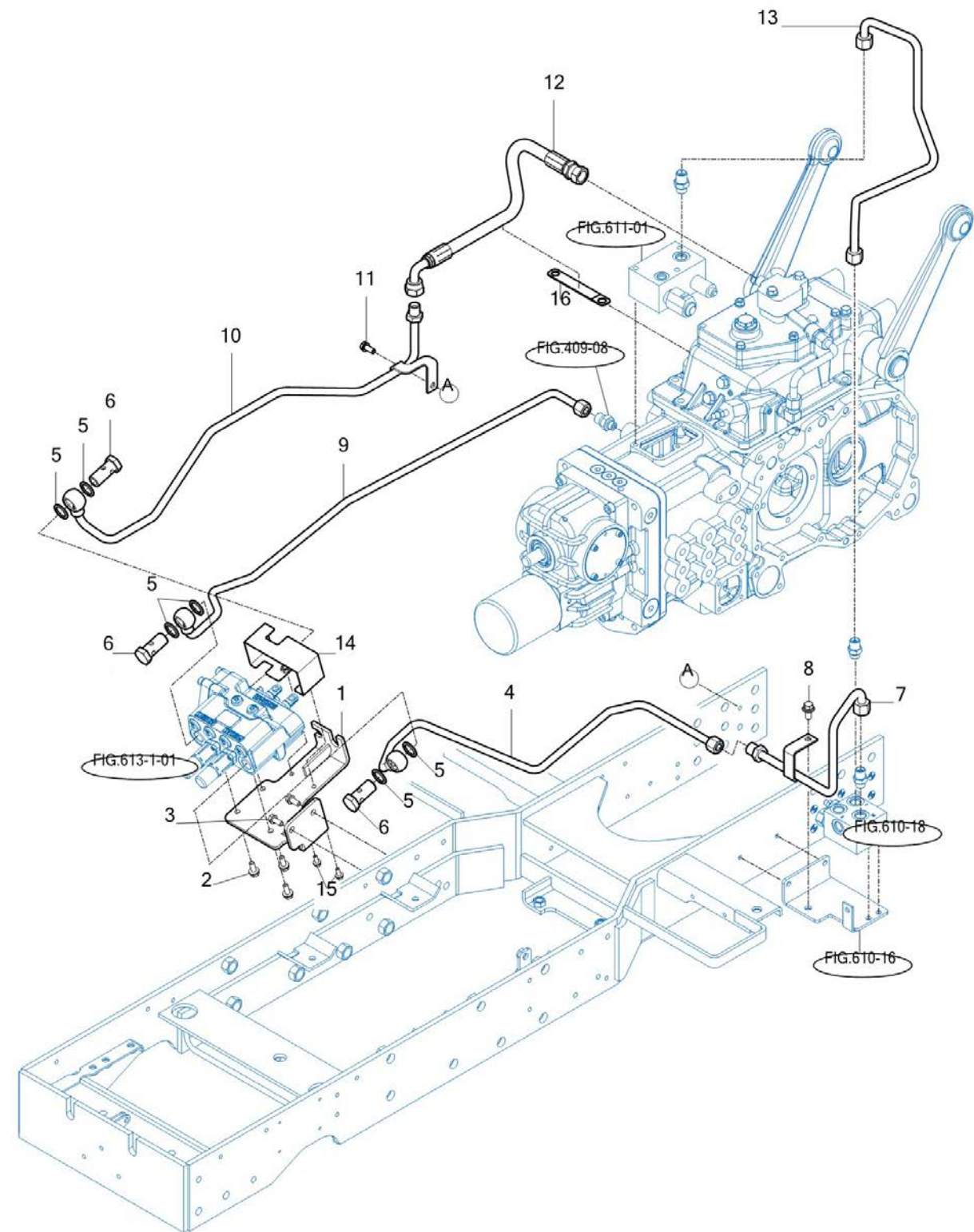
NOTE

FIG 609

HYDRAULIC HOSE (1)

년/월
Year/Month

2022-12



NOTE

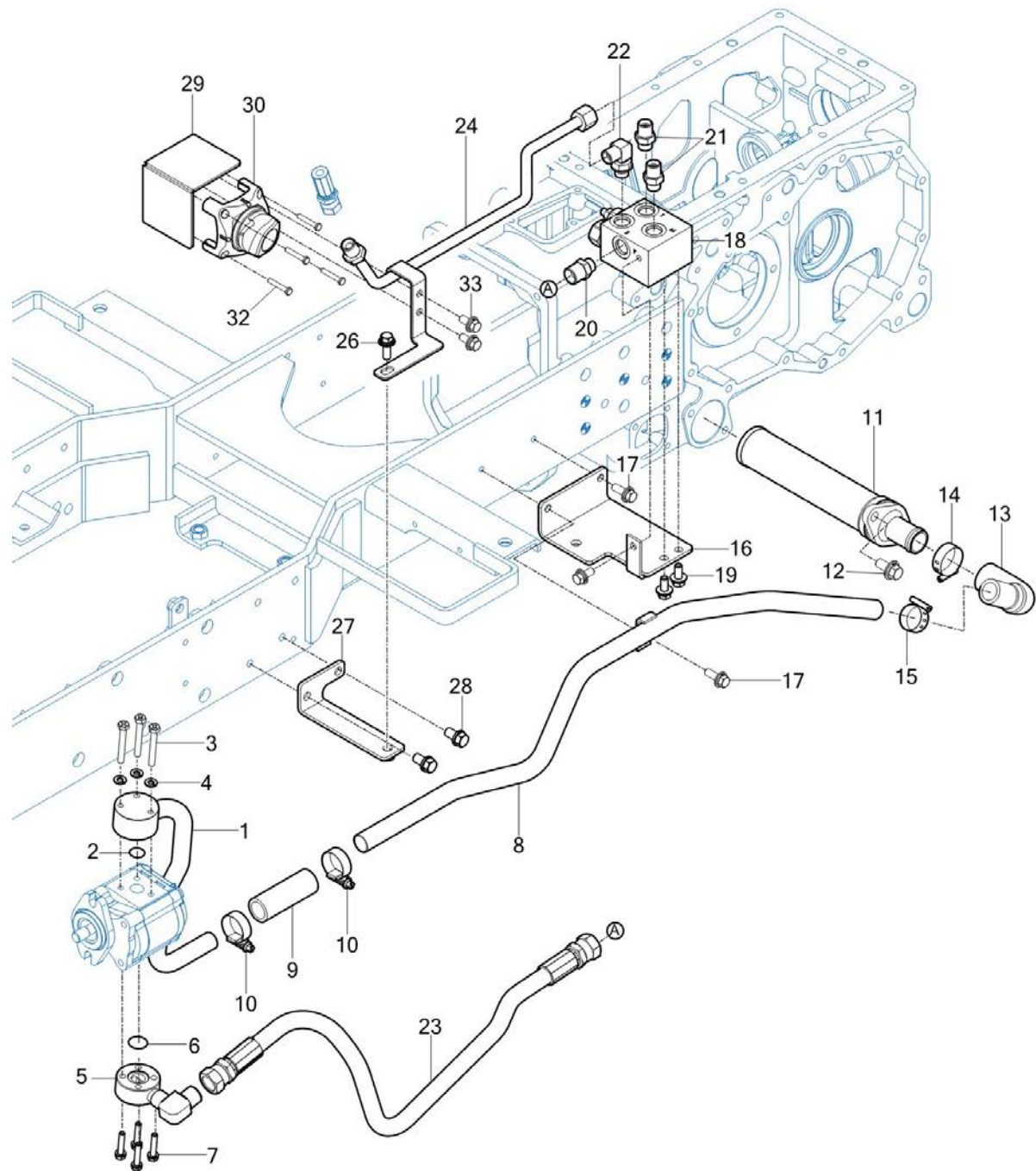
| FIG 609 T25NHEU | | HYDRAULIC HOSE (1) | | | | | 년/월 Year/Month | |
|--------------------|---------|--------------------|-------------------|-------|--------|----------------|-------------------|--|
| | | | | | | | 2022-12 | |
| KEY NO | PART NO | DESCRIPTION | SPEC | QTY | REPAIR | EFFECTIVE DATE | REMARKS | |
| 609 | 1 | 11815256100GB | 로더밸브 브래킷 COMP | | | 1 | | |
| 609 | 2 | V2173608025 | 소형육각볼트보통(S) | M8X25 | | 3 | | |
| 609 | 3 | V2173608020 | 소형육각볼트보통(S) | M8X20 | | 2 | | |
| 609 | 4 | 11815253101GB | 로더파이프 COMP, P | | | 1 | | |
| 609 | 5 | 19557753010 | 본디드 씰, PF1/2 | | | 6 | | |
| 609 | 6 | 13875410082 | 아이 조인트 볼트 (PF1/2) | | | 3 | | |
| 609 | 7 | 11815353200GB | 메인파이프 COMP, 후 | | | 1 | | |
| 609 | 8 | V2183608020 | 소형육각볼트보통(SP) | | | 1 | | |
| 609 | 9 | 11815253200 | 로더파이프 COMP, T | | | 1 | | |
| 609 | 10 | 11815253300GB | 로더파이프 COMP, C(전) | | | 1 | | |
| 609 | 11 | V2173608020 | 소형육각볼트보통(S) | | | 1 | | |
| 609 | 12 | 11815204300 | 유압호스(520)ASSY | | | 1 | | |
| 609 | 13 | 11815252500GB | 드레인 파이프 COMP | | | 1 | | |
| 609 | 14 | 11815257100GB | 커버 COMP, 로더밸브 | | | 1 | | |
| 609 | 15 | V2123606020 | 육각볼트(SP) | | | 2 | | |
| 609 | 16 | 36527040020 | 클램프(20X180) | | | 1 | | |
| | | | | | | | | |
| | | | | | | | | |
| | | | | | | | | |
| | | | | | | | | |
| | | | | | | | | |
| | | | | | | | | |
| | | | | | | | | |
| | | | | | | | | |
| | | | | | | | | |
| | | | | | | | | |
| | | | | | | | | |
| | | | | | | | | |
| | | | | | | | | |
| | | | | | | | | |
| | | | | | | | | |
| | | | | | | | | |
| | | | | | | | | |
| | | | | | | | | |
| | | | | | | | | |
| | | | | | | | | |
| | | | | | | | | |
| | | | | | | | | |
| | | | | | | | | |
| | | | | | | | | |
| | | | | | | | | |
| | | | | | | | | |
| | | | | | | | | |
| | | | | | | | | |
| | | | | | | | | |
| | | | | | | | | |
| | | | | | | | | |
| | | | | | | | | |
| NOTE | | | | | | | | |

FIG 610

HYDRAULIC HOSE (2)

년/월
Year/Month

2022-12



NOTE

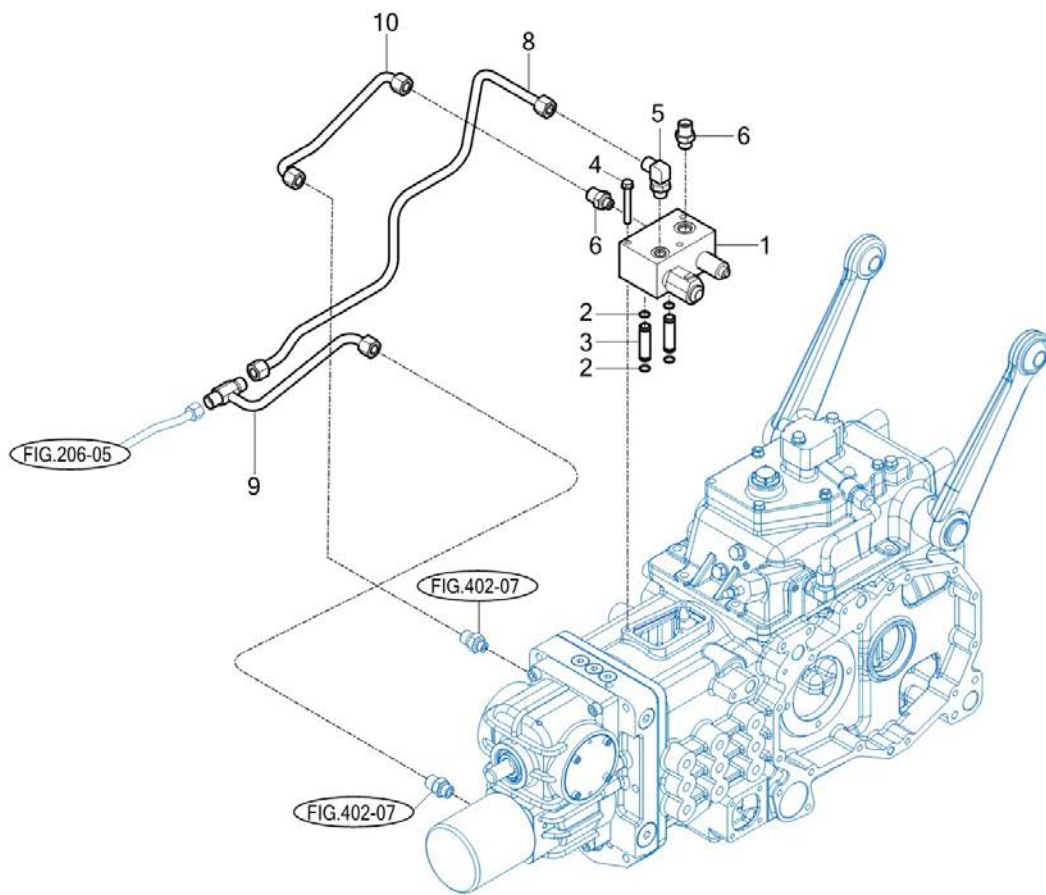
FIG 611

T25NHEU

PTO VALVE

년/월
Year/Month

2022-12



NOTE

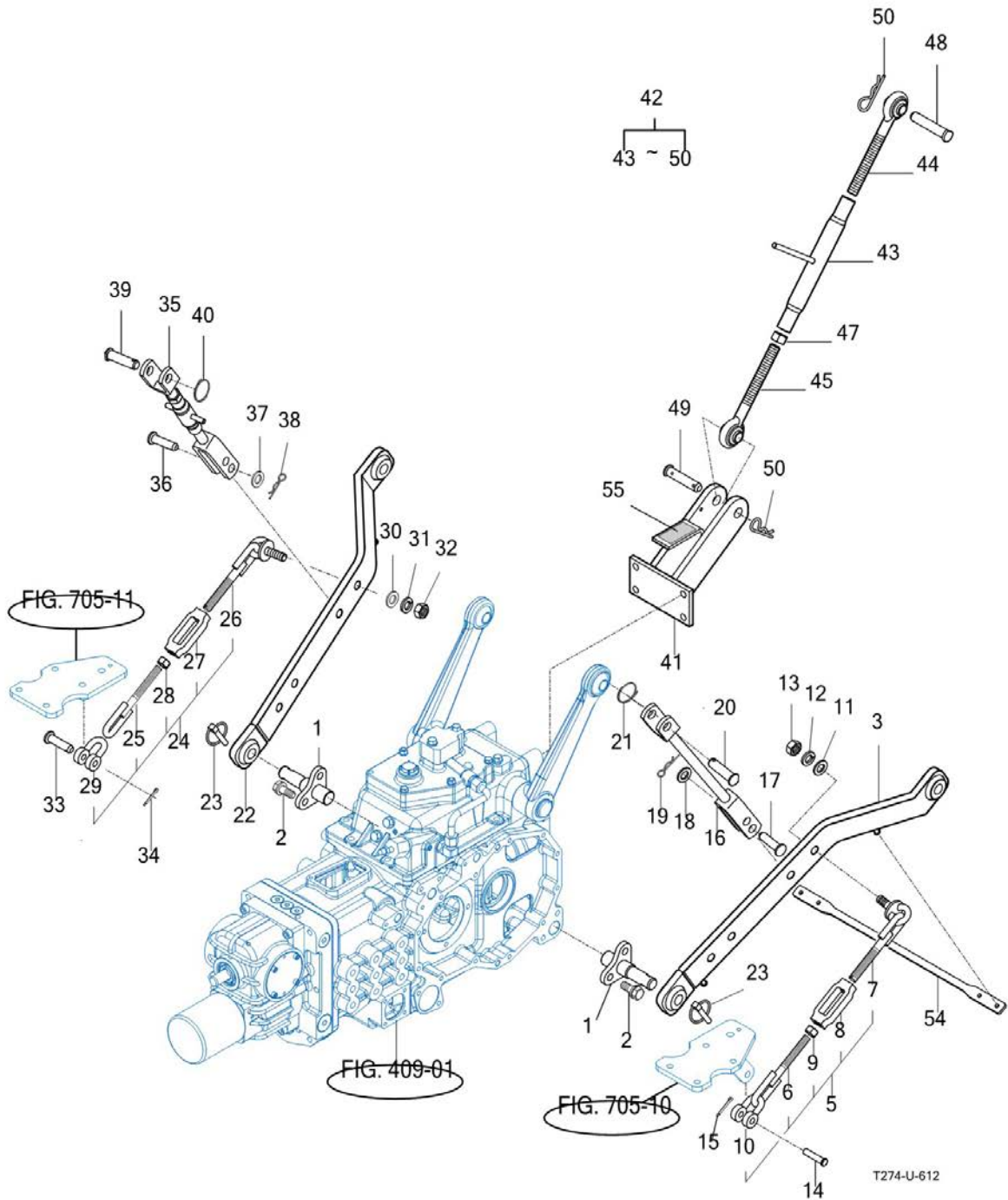
FIG 612

T25NHEU

3-POINT LINKAGE

년/월
Year/Month

2022-12



NOTE

| FIG 612 | | 3-POINT LINKAGE | | | | | 년/월 | |
|---------|---------|-----------------|---------------|--------|--------|----------------|------------|--|
| | | | | | | | Year/Month | |
| T25NHEU | | 2022-12 | | | | | | |
| KEY NO | PART NO | DESCRIPTION | SPEC | QTY | REPAIR | EFFECTIVE DATE | REMARKS | |
| 612 | 1 | 13155205100 | 핀(115) COMP | | 2 | | | |
| 612 | 2 | V2173612030 | 소형육각볼트보통(S) | M12X30 | 4 | | | |
| 612 | 3 | 13155202202 | 로어링크(좌) COMP | | 1 | | | |
| 612 | 5 | 13155202501 | 체인(체크) 조합 | | 1 | | | |
| 612 | 6 | 14585142600 | 체인(체크,RH)COMP | | 1 | | | |
| 612 | 7 | 14585142700 | 체인(체크,LH)COMP | | 1 | | | |
| 612 | 8 | 13155202511 | 터언버클 | | 1 | | | |
| 612 | 9 | V3012600140 | 육각너트보통2종 | M14 | 1 | | | |
| 612 | 10 | 14585142520 | 체크체인 샤클 | | 1 | | | |
| 612 | 11 | V4111600160 | 평와셔 | M16 | 1 | | | |
| 612 | 12 | V4011600160 | 스프링와셔 | M16 | 1 | | | |
| 612 | 13 | V3313600160 | 육각너트가는2종 | M16 | 1 | | | |
| 612 | 14 | 79636110030 | 핀(12X48) | | 1 | | | |
| 612 | 15 | V5001930020 | 분할핀 | 3X20 | 1 | | | |
| 612 | 16 | 13155202401 | 리프트로드(좌) COMP | | 1 | | | |
| 612 | 17 | 79636130050 | 핀(16X60) | | 1 | | | |
| 612 | 18 | V4111600160 | 평와셔 | M16 | 1 | | | |
| 612 | 19 | 13059310030 | 헤어핀(D=2.3) | | 1 | | | |
| 612 | 20 | 12505243500 | 핀 | | 1 | | | |
| 612 | 21 | 12505240060 | 스프링 | | 1 | | | |
| 612 | 22 | 13155203102 | 로어링크(우) COMP | | 1 | | | |
| 612 | 23 | 14215020020 | 링크핀 | | 2 | | | |
| 612 | 24 | 13155202501 | 체인(체크) 조합 | | 1 | | | |
| 612 | 25 | 14585142600 | 체인(체크,RH)COMP | | 1 | | | |
| 612 | 26 | 14585142700 | 체인(체크,LH)COMP | | 1 | | | |
| 612 | 27 | 13155202511 | 터언버클 | | 1 | | | |
| 612 | 28 | V3012600140 | 육각너트보통2종 | M14 | 1 | | | |
| 612 | 29 | 14585142520 | 체크체인 샤클 | | 1 | | | |
| 612 | 30 | V4111600160 | 평와셔 | M16 | 1 | | | |
| 612 | 31 | V4011600160 | 스프링와셔 | M16 | 1 | | | |
| 612 | 32 | V3313600160 | 육각너트가는2종 | M16 | 1 | | | |
| 612 | 33 | 79636110030 | 핀(12X48) | | 1 | | | |
| 612 | 34 | V5001930020 | 분할핀 | 3X20 | 1 | | | |
| 612 | 35 | 13155203201 | 리프트로드(우) COMP | | 1 | | | |
| 612 | 36 | 79636130050 | 핀(16X60) | | 1 | | | |
| 612 | 37 | V4111600160 | 평와셔 | M16 | 1 | | | |
| 612 | 38 | 13059310030 | 헤어핀(D=2.3) | | 1 | | | |
| 612 | 39 | 12505243500 | 핀 | | 1 | | | |
| 612 | 40 | 12505240060 | 스프링 | | 1 | | | |
| 612 | 41 | 13155204104 | 톱링크 브래킷 COMP | | 1 | | | |
| 612 | 42 | 13155206002 | 톱링크 ASSY | | 1 | | | |
| 612 | 42 | 13155206003 | 톱링크 ASSY | | 1 | | | |
| 612 | 42 | 13155206004 | 톱링크 ASSY | | 1 | | | |
| 612 | 43 | 13155206111 | 턴버클 | | 1 | | | |
| 612 | 44 | 13155206121 | 조인트(좌) | | 1 | | | |
| NOTE | | | | | | | | |

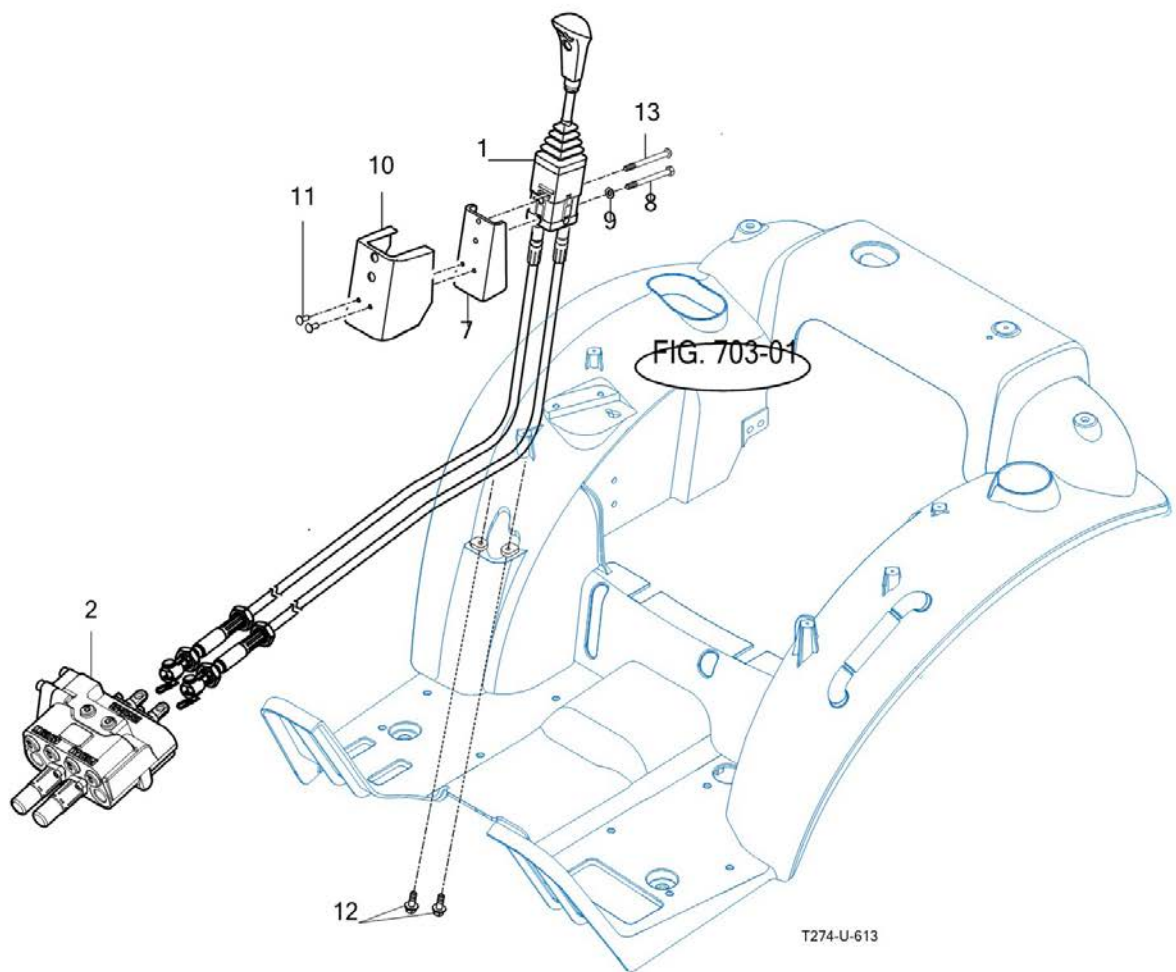
FIG 613

JOYSTICK LEVER

년/월
Year/Month

T25NHEU

2022-12



NOTE

| FIG 613 | | JOYSTICK LEVER | | | | | | 년/월 Year/Month | |
|---------|----|----------------|----------------|-------|-----|--------|----------------|-------------------|--|
| T25NHEU | | | | | | | | 2022-12 | |
| KEY NO | | PART NO | DESCRIPTION | SPEC | QTY | REPAIR | EFFECTIVE DATE | REMARKS | |
| 613 | 1 | 11815252200 | 조이스틱 레버 SUB | | 1 | | | | |
| 613 | 2 | 11815252000 | 로더밸브 SUB | | 1 | | | | |
| 613 | 7 | 13156252205 | 조이스틱 플레이트 COMP | | 1 | | | | |
| 613 | 8 | V2173608075 | 소형육각볼트보통(S) | M8X75 | 1 | | | | |
| 613 | 9 | V4111600080 | 평와셔 | M8 | 1 | | | | |
| 613 | 10 | 11816082130NG | 조이스틱 커버 | | 1 | | | | |
| 613 | 11 | V1122806016 | 십자홈접시작은나사 | M6X16 | 2 | | | | |
| 613 | 12 | V2183608025 | 소형육각볼트보통(SP) | M8X25 | 2 | | | | |
| 613 | 13 | 11816250080 | 둥근머리볼트(M8X70) | | 1 | | | | |
| | | | | | | | | | |
| | | | | | | | | | |
| | | | | | | | | | |
| | | | | | | | | | |
| | | | | | | | | | |
| | | | | | | | | | |
| | | | | | | | | | |
| | | | | | | | | | |
| | | | | | | | | | |
| | | | | | | | | | |
| | | | | | | | | | |
| | | | | | | | | | |
| | | | | | | | | | |
| | | | | | | | | | |
| | | | | | | | | | |
| | | | | | | | | | |
| | | | | | | | | | |
| | | | | | | | | | |
| | | | | | | | | | |
| | | | | | | | | | |
| | | | | | | | | | |
| | | | | | | | | | |
| | | | | | | | | | |
| | | | | | | | | | |
| | | | | | | | | | |
| | | | | | | | | | |
| | | | | | | | | | |
| | | | | | | | | | |
| | | | | | | | | | |
| | | | | | | | | | |
| | | | | | | | | | |
| | | | | | | | | | |
| | | | | | | | | | |
| | | | | | | | | | |
| NOTE | | | | | | | | | |

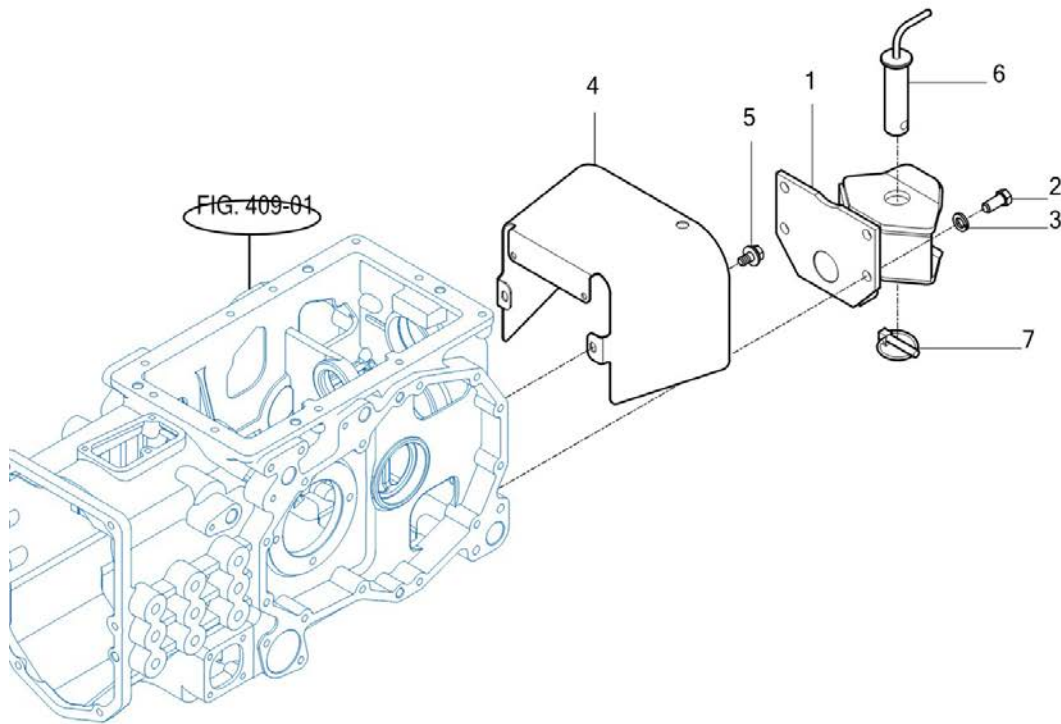
FIG 614

T25NHEU

HITCH & COVER

년/월
Year/Month

2022-12



NOTE

7. 시트메탈/캐빈 PART NO. T7

| | |
|--------------------|-----|
| FIG 701 BONNET | 141 |
| FIG 702 DASH PANEL | 143 |
| FIG 703 FLOOR | 145 |
| FIG 704 SEAT | 148 |
| FIG 705 ROPS | 150 |

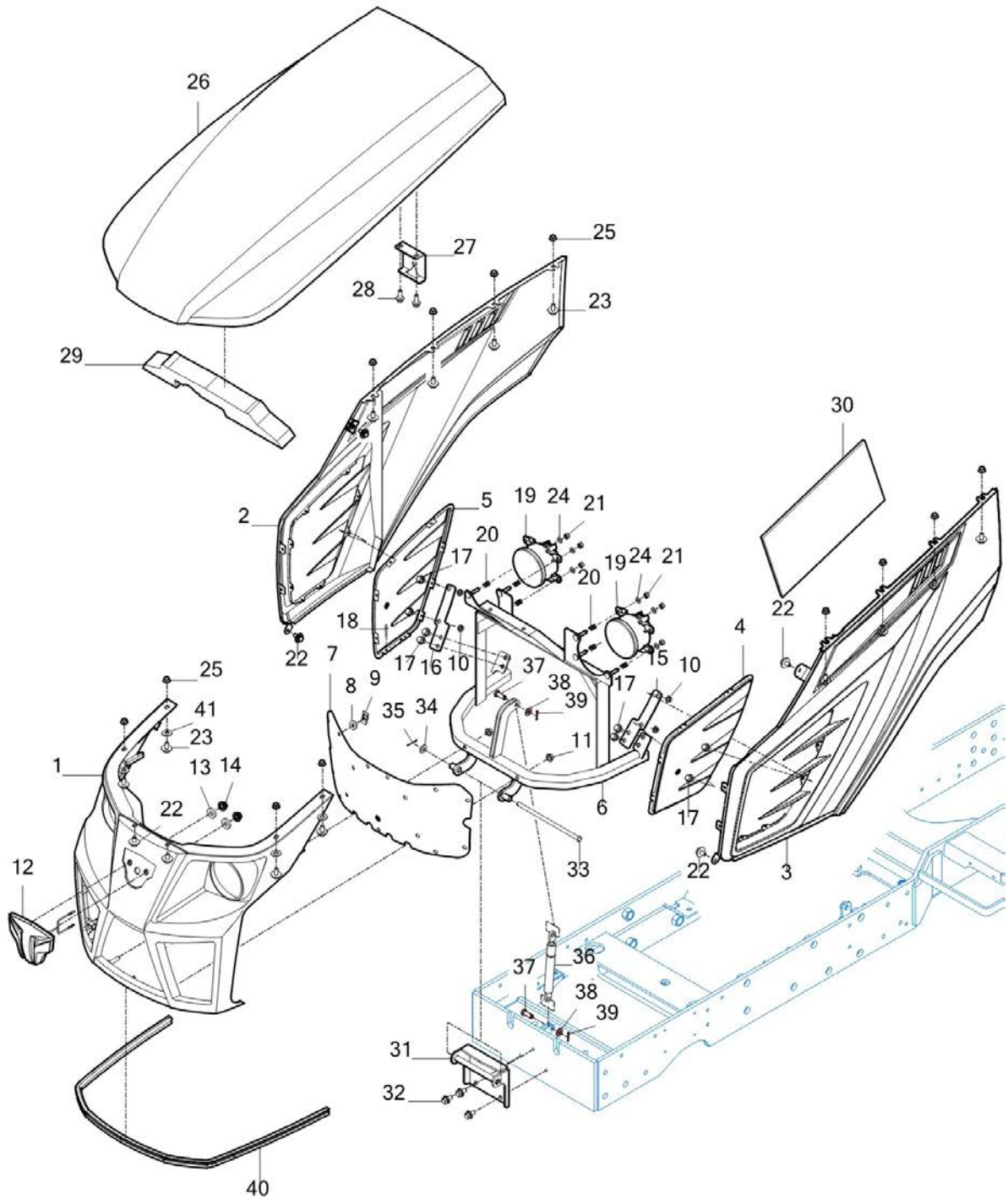
FIG 701

T25NHEU

BONNET

년/월
Year/Month

2022-12



NOTE

| FIG 701 | | BONNET | | | | | 년/월 Year/Month | |
|-------------|---------|---------------|-----------------|-----|--------|----------------|-------------------|--|
| T25NHEU | | | | | | 2022-12 | | |
| KEY NO | PART NO | DESCRIPTION | SPEC | QTY | REPAIR | EFFECTIVE DATE | REMARKS | |
| 701 | 1 | 11816012400GB | 그릴 COMP | | | 1 | | |
| 701 | 2 | 11816012300SR | 사이드 패널 COMP , 우 | | | 1 | | |
| 701 | 3 | 11816012200SR | 사이드 패널 COMP , 좌 | | | 1 | | |
| 701 | 4 | 11816020020GB | 네트 , 좌 / 사이드패널 | | | 1 | | |
| 701 | 5 | 11816020030GB | 네트 , 우 / 사이드패널 | | | 1 | | |
| 701 | 6 | 11816022100GB | 후드프레임 COMP | | | 1 | | |
| 701 | 7 | 11816020010GB | 네트 , 전 / 그릴 | | | 1 | | |
| 701 | 8 | 14446010150 | 네트와샤(6X14X3) | | | 15 | | |
| 701 | 9 | V3501600060 | 스프링 너트 | | | 15 | | |
| 701 | 10 | V3802600060 | 플랜지볼이육각너트 | | | 4 | | |
| 701 | 11 | V3802600080 | 플랜지볼이육각너트 | | | 2 | | |
| 701 | 12 | 11816010100 | 엠블럼 ASSY , LED | | | 1 | | |
| 701 | 13 | V4111600060 | 평와셔 | | | 2 | | |
| 701 | 14 | V3802600060 | 플랜지볼이육각너트 | | | 2 | | |
| 701 | 15 | 11816022210GB | 고정 플레이트 , 좌 | | | 1 | | |
| 701 | 16 | 11816022310GB | 고정 플레이트 , 우 | | | 1 | | |
| 701 | 17 | V2193606016 | 육각볼트(SPL) | | | 8 | | |
| 701 | 18 | V5502040093 | 브라인더리벳 | | | 14 | | |
| 701 | 19 | 11996020090 | 헤드램프 ASSY, LED | | | 2 | | |
| 701 | 20 | 16998010080 | 종자출구스프링(HC016) | | | 6 | | |
| 701 | 21 | 19027210060 | 나일론너트(M6) | | | 6 | | |
| 701 | 22 | V2193606016 | 육각볼트(SPL) | | | 6 | | |
| 701 | 23 | V2193606016 | 육각볼트(SPL) | | | 12 | | |
| 701 | 24 | V4111600060 | 평와셔 | | | 6 | | |
| 701 | 25 | V3802600060 | 플랜지볼이육각너트 | | | 12 | | |
| 701 | 26 | 11816012100SR | 후드 COMP | | | 1 | | |
| 701 | 27 | 13156012213 | 스테인 브래킷 | | | 1 | | |
| 701 | 28 | V2183608020 | 소형육각볼트보통(SP) | | | 2 | | |
| 701 | 29 | 11816020060 | 인슐레이터 , 상 / 후드 | | | 1 | | |
| 701 | 30 | 16506010140 | 난연스폰지+은박지 | | | 1 | | |
| 701 | 31 | 11816013100GB | 브래킷 COMP , 힌지 | | | 1 | | |
| 701 | 32 | V2183608025 | 소형육각볼트보통(SP) | | | 3 | | |
| 701 | 33 | 13016202060 | 후드 핀 | | | 1 | | |
| 701 | 34 | V4111600080 | 평와셔 | | | 1 | | |
| 701 | 35 | V5001925020 | 핀 | | | 1 | | |
| 701 | 36 | 11816022400 | 가스스프링 , 70kgf | | | 1 | | |
| 701 | 37 | 14322420010 | 핀 | | | 2 | | |
| 701 | 38 | V4111600080 | 평와셔 | | | 2 | | |
| 701 | 39 | V5001925015 | 분할핀 | | | 2 | | |
| 701 | 40 | 11816020040 | 인슐레이터 , 하 / 후드 | | | 1 | | |
| 701 | 41 | 19026112050 | 와셔(6X30X2.3) | | | 4 | | |
| | | | | | | | | |
| | | | | | | | | |
| | | | | | | | | |
| | | | | | | | | |
| NOTE | | | | | | | | |

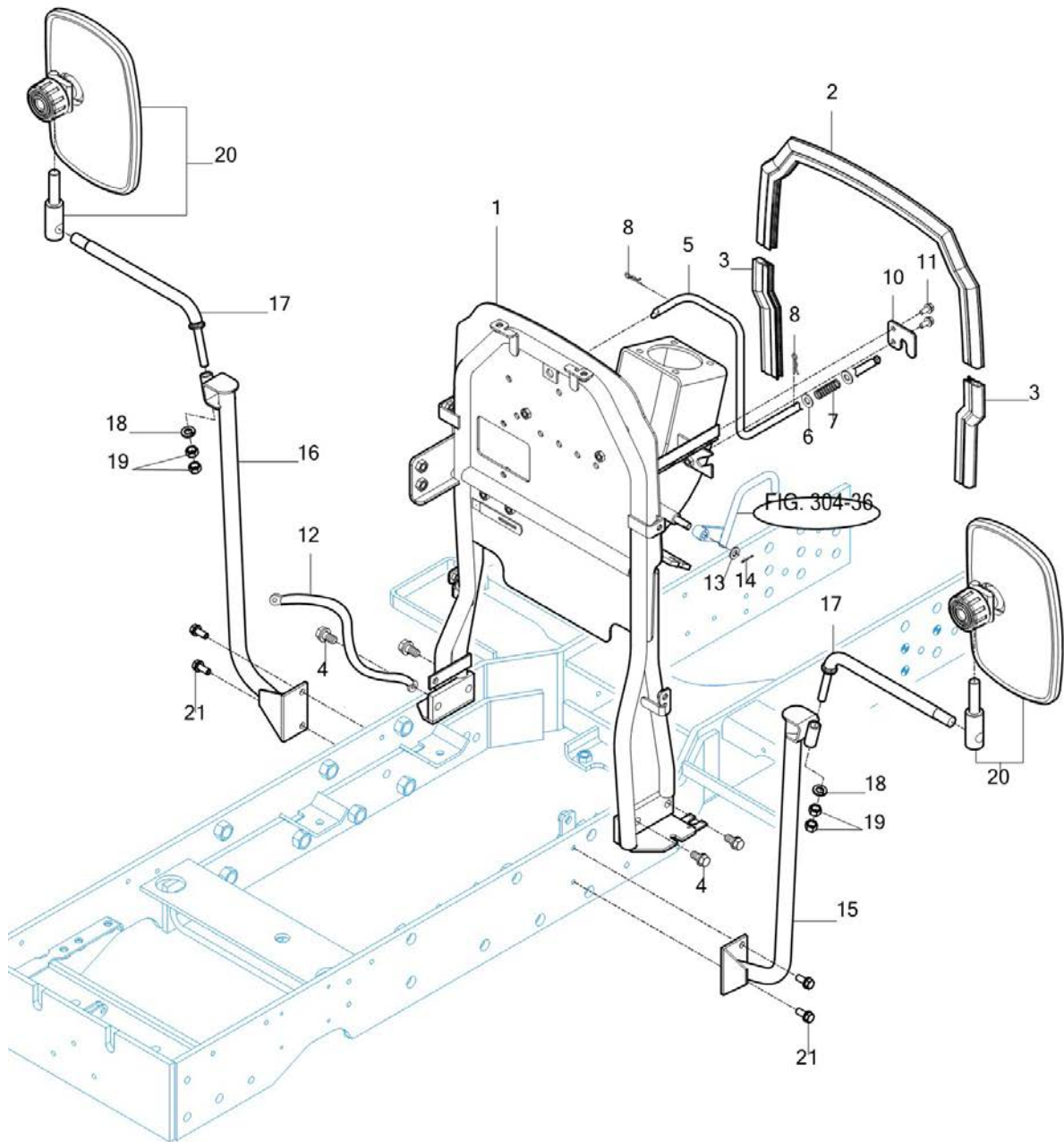
FIG 702

T25NHEU

DASH PANEL

년/월
Year/Month

2022-12



NOTE

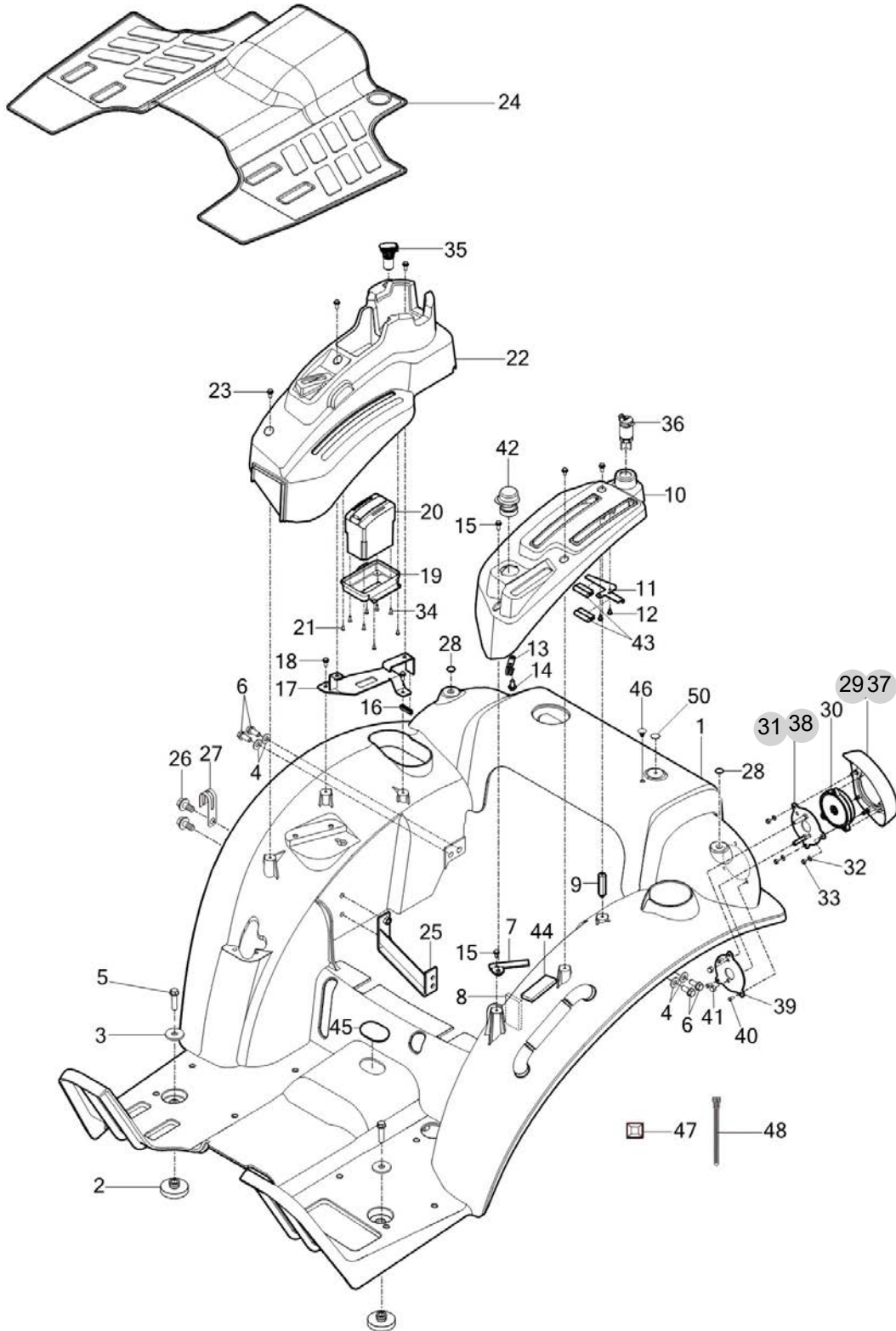
FIG 703

T25NHEU

FLOOR

년/월
Year/Month

2022-12



NOTE

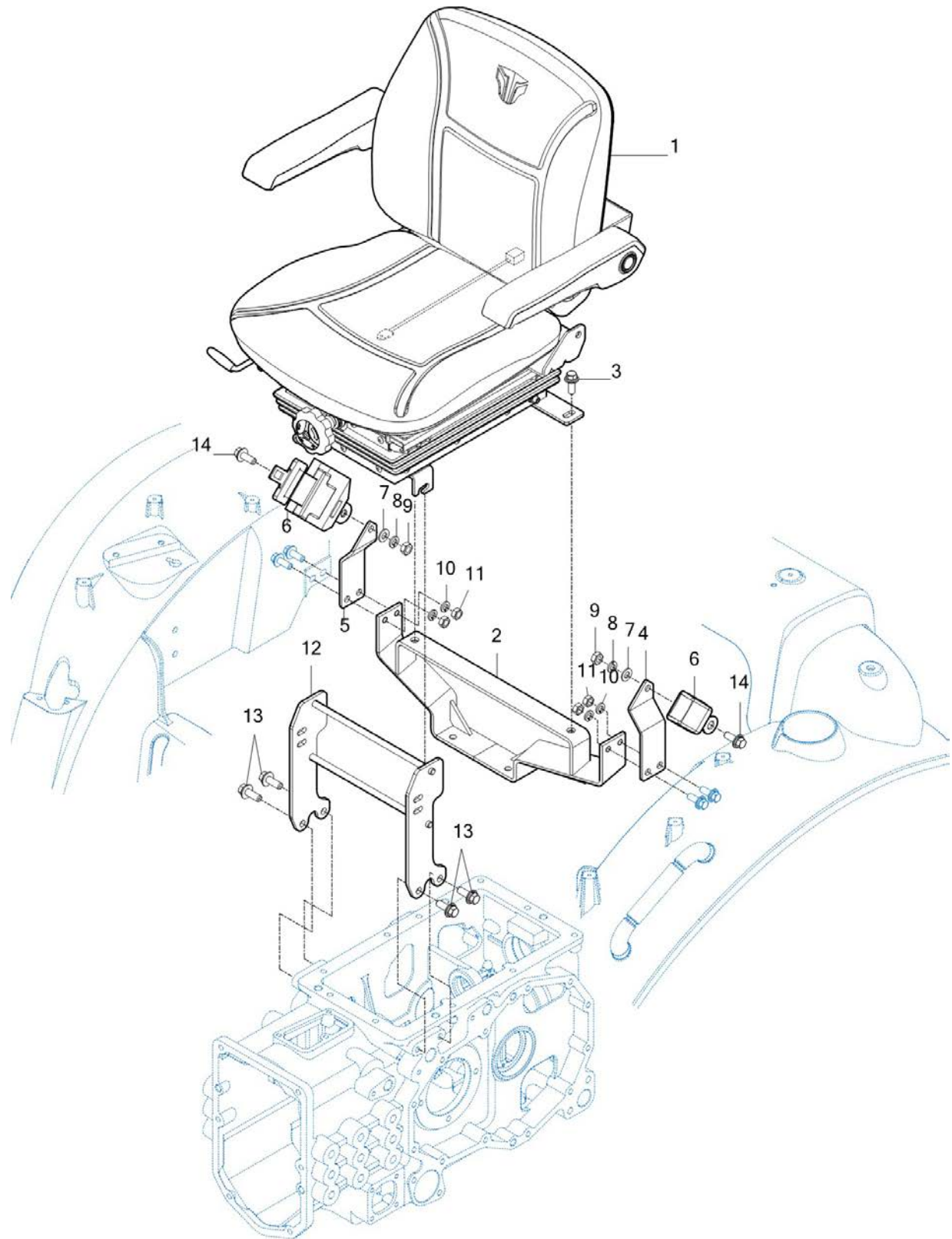
| FIG 703 | | FLOOR | | | | | 년/월 Year/Month | |
|---------|---------|---------------|-----------------------|--------|--------|----------------|-------------------|--|
| T25NHEU | | | | | | | 2022-12 | |
| KEY NO | PART NO | DESCRIPTION | SPEC | QTY | REPAIR | EFFECTIVE DATE | REMARKS | |
| 703 | 1 | 13156402114SR | 플로어 패널 | | | | | |
| 703 | 2 | 13156252121 | 인슐레이터 | 2 | | | | |
| 703 | 3 | 13156252110 | 플레이트 | 2 | | | | |
| 703 | 4 | V4111600100 | 평와셔 | M10 | 4 | | | |
| 703 | 5 | V2173612040 | 소형육각볼트보통(S) | M12X40 | 2 | | | |
| 703 | 6 | V2173610040 | 소형육각볼트보통(S) | M10X40 | 4 | | | |
| 703 | 7 | 11817082300GB | 브래킷 COMP , 전/레버커버 | | 1 | | | |
| 703 | 8 | 11816400010 | 인슐레이터, 4WD | | 1 | | | |
| 703 | 9 | 11817095440 | 볼트 , 커버 | | 1 | | | |
| 703 | 10 | 11817082110NG | 레버 커버(좌) | | 1 | | | |
| 703 | 11 | 11816400020GB | PTO 레버 플레이트 | | 1 | | | |
| 703 | 12 | V1902605012 | 심자흡냄비태핑나사(3종) | | 2 | | | |
| 703 | 13 | 37371720090 | 메인하니스 클램프(하) | | 1 | | | |
| 703 | 14 | 19406110080 | 탭핑나사 , 트러스/6X16 | | 1 | | | |
| 703 | 15 | V1222806012 | 심자흡냄비작은나사(SP) | | 4 | | | |
| 703 | 16 | 11816030020 | 인슐레이터 , 우 / 레버커버 | | 1 | | | |
| 703 | 17 | 11817082400GB | 브래킷 COMP, 레버커버 | | 1 | | | |
| 703 | 18 | V1222806012 | 심자흡냄비작은나사(SP) | | 2 | | | |
| 703 | 19 | 11817082220 | 레버커버, 하/우 | | 1 | | | |
| 703 | 20 | 11816602300 | 무선충전기 ASSY | | 1 | | | |
| 703 | 21 | V1922604012 | 탭핑나사 | | 4 | | | |
| 703 | 22 | 11817082210NG | 레버커버, 상/우 | | 1 | | | |
| 703 | 23 | V1222806012 | 심자흡냄비작은나사(SP) | | 3 | | | |
| 703 | 24 | 13186412110 | 매트 | | 1 | | | |
| 703 | 25 | 13196253100GB | 휠더 지지 플레이트(RH)COMP | | 1 | | | |
| 703 | 26 | V2183608025 | 소형육각볼트보통(SP) | | 2 | | | |
| 703 | 27 | 14256210040 | 하니스클램프(9) | | 1 | | | |
| 703 | 28 | 16606070031 | 캡(9) | | 2 | | | |
| 703 | 29 | 11817023500NG | 정지등 램프커버 COMP , LH | | 1 | | | |
| 703 | 30 | 11997023400 | 커버 , 액세서리 | | 2 | | | |
| 703 | 31 | 11817023700 | 정지등 고정 플레이트 COMP , LH | | 1 | | | |
| 703 | 32 | V4011600060 | 스프링와셔 | | 6 | | | |
| 703 | 33 | V3412700080 | 소형육각캡너트 | | 6 | | | |
| 703 | 34 | V1122804012 | 심자흡접시작은나사 | | 4 | | | |
| 703 | 35 | 11817018500 | USB 소켓 ASSY | | 1 | | | |
| 703 | 36 | 10037018500 | 파워소켓ASSY | | 1 | | | |
| 703 | 37 | 11817023600NG | 정지등 램프커버 COMP , RH | | 1 | | | |
| 703 | 38 | 11817023800 | 정지등 고정 플레이트 COMP , RH | | 1 | | | |
| 703 | 39 | 11817023710 | 정지등 고정 플레이트 | | 2 | | | |
| 703 | 40 | V1922605012 | 탭핑나사 | | 6 | | | |
| 703 | 41 | V3412700080 | 소형육각캡너트 | | 4 | | | |
| 703 | 42 | 11106644000 | PTO 스위치ASSY | | 1 | | | |
| 703 | 43 | 11816400030 | 인슐레이터 , 40 / 레버커버 | | 2 | | | |
| 703 | 44 | 11816400040 | 인슐레이터, 하 / 4WD 레버 | | 1 | | | |
| 703 | 45 | 14706300020 | 막음캡(슬로/리턴) | | 1 | | | |
| NOTE | | | | | | | | |

FIG 704

SEAT

년/월
Year/Month

2022-12



NOTE

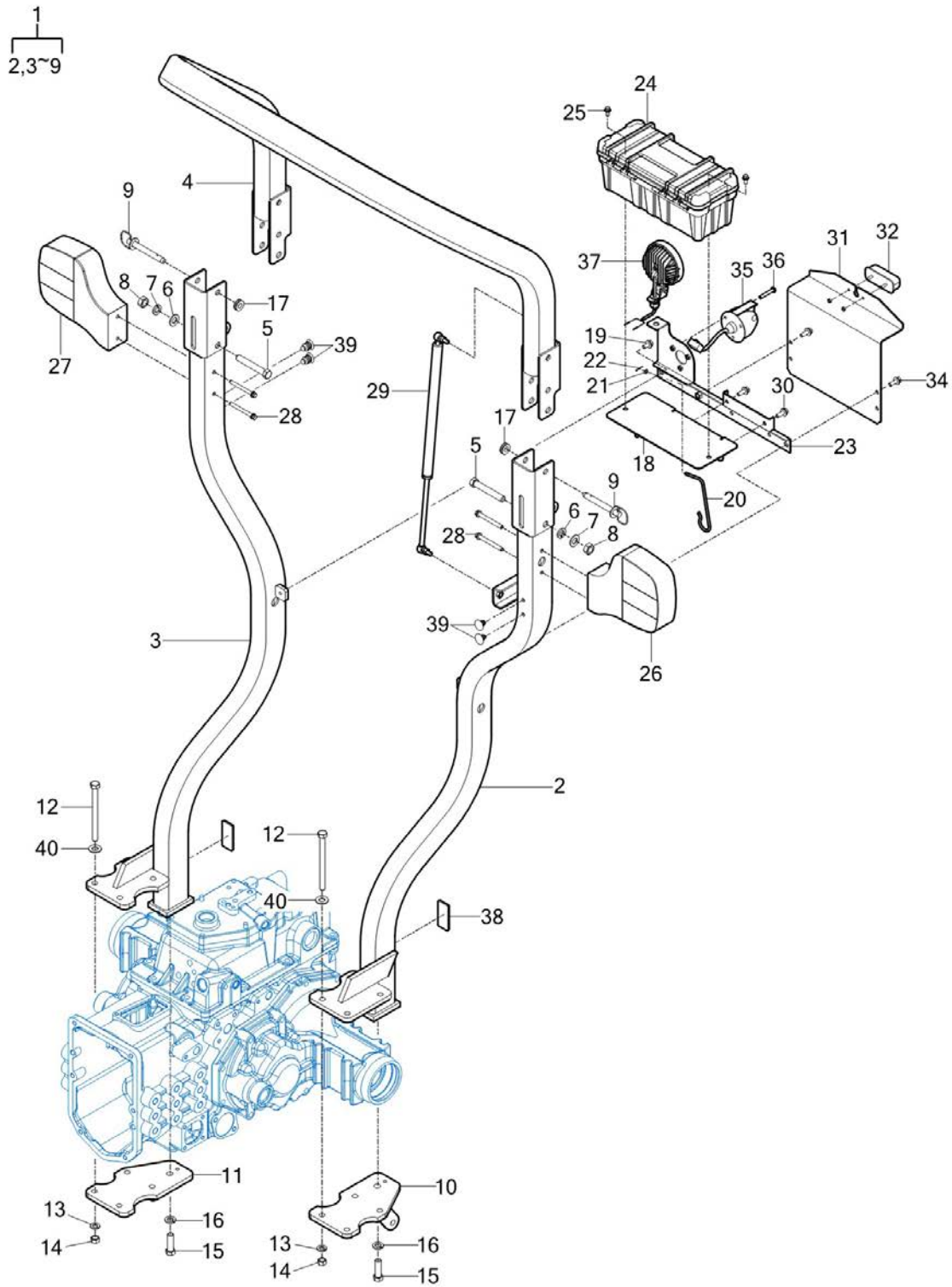
FIG 705

T25NHEU

ROPS

년/월
Year/Month

2022-12



NOTE

| | | | | | | | |
|--------------------|------|--|--|--|--|--|-------------------|
| FIG 705 T25NHEU | ROPS | | | | | | 년/월 Year/Month |
| | | | | | | | 2022-12 |

| KEY NO | PART NO | DESCRIPTION | SPEC | QTY | REPAIR | EFFECTIVE DATE | REMARKS |
|--------|---------|---------------|--------------------|-----|--------|----------------|---------|
| 705 | 1 | 11997022000 | ROPS ASSY | | 1 | | |
| 705 | 2 | 11997022100GB | 프레임(좌) COMP | | 1 | | |
| 705 | 3 | 11817023100GB | 프레임(우) COMP | | 1 | | |
| 705 | 4 | 13397024100GB | 프레임(상) COMP | | 1 | | |
| 705 | 5 | V2004614090 | 육각볼트(보통) | | 2 | | |
| 705 | 6 | V4111600140 | 평와셔 | | 2 | | |
| 705 | 7 | V4011600140 | 스프링와셔 | | 2 | | |
| 705 | 8 | V3043600140 | 소형육각너트보통2종 | | 2 | | |
| 705 | 9 | 16507027500 | 고정핀 조합 | | 2 | | |
| 705 | 10 | 11817022201GB | 브래킷(좌) COMP | | 1 | | |
| 705 | 11 | 11817023201GB | 브래킷(우) COMP | | 1 | | |
| 705 | 12 | V2004612150 | 육각볼트(보통) | | 8 | | |
| 705 | 13 | V4011600120 | 스프링와셔 | | 8 | | |
| 705 | 14 | V3043600120 | 소형육각너트보통2종 | | 8 | | |
| 705 | 15 | V2013614045 | 소형육각볼트(보통) | | 2 | | |
| 705 | 16 | V4011600120 | 스프링와셔 | | 2 | | |
| 705 | 17 | 14046210300 | 그로맷 | | 2 | | |
| 705 | 18 | 11817011100GB | 브래킷 COMP , 공구박스 | | 1 | | |
| 705 | 19 | V2183608025 | 소형육각볼트보통(SP) | | 1 | | |
| 705 | 20 | 16705251100 | 후크(톱링크) | | 1 | | |
| 705 | 20 | 14527071350 | 후크(톱링크) | | 1 | | |
| 705 | 20 | 14527071350 | 후크(톱링크) | | 1 | | |
| 705 | 21 | V4111600050 | 평와셔 | | 1 | | |
| 705 | 22 | V5001920015 | 분할핀 | | 1 | | |
| 705 | 23 | 11997035400GB | 브라켓 COMP | | 1 | | |
| 705 | 24 | 13836081180 | 공구 박스 | | 1 | | |
| 705 | 25 | V2183608020 | 소형육각볼트보통(SP) | | 2 | | |
| 705 | 26 | 13196562200 | 램프(조합네이션) ASSY(LH) | | 1 | | |
| 705 | 27 | 13196562300 | 램프(조합네이션) ASSY(RH) | | 1 | | |
| 705 | 28 | V2183608060 | 소형육각볼트보통(SP) | | 4 | | |
| 705 | 29 | 11147022200 | 가스 스프링 , ROPS | | 1 | | |
| 705 | 30 | V2183608020 | 소형육각볼트보통(SP) | | 2 | | |
| 705 | 31 | 13607010012GB | 넘버 플레이트 | | 1 | | |
| 705 | 32 | 14887024000 | 번호판램프ASSY | | 1 | | |
| 705 | 34 | V2173610025 | 소형육각볼트보통(S) | | 2 | | |
| 705 | 35 | 13267028202 | 트레일러연결소켓 ASSY | | 1 | | |
| 705 | 36 | V1112605030 | 심자흡냄비작은나사 | | 3 | | |
| 705 | 37 | 11817025800 | 작업등 ASSY, RH | | 1 | | |
| 705 | 38 | 11996571000 | 반사판 | | 2 | | |
| 705 | 39 | 15276040020 | 트림 클립(8) | | 4 | | |
| 705 | 40 | V4111600120 | 평와셔 | | 8 | | |
| | | | | | | | |
| | | | | | | | |
| | | | | | | | |
| | | | | | | | |

| | | | | | | | |
|------|--|--|--|--|--|--|--|
| NOTE | | | | | | | |
|------|--|--|--|--|--|--|--|

8. 전장 PART NO. T8

| | |
|----------------------------|-----|
| FIG 801 BATTERY & MOUNTING | 153 |
| FIG 802 LIGHTS | 155 |
| FIG 803 INSTRUMENT PANEL | 157 |
| FIG 804 ELECTRIC SYSTEM | 159 |
| FIG 805 HARNESS | 161 |
| FIG 806 HARNESS | 163 |

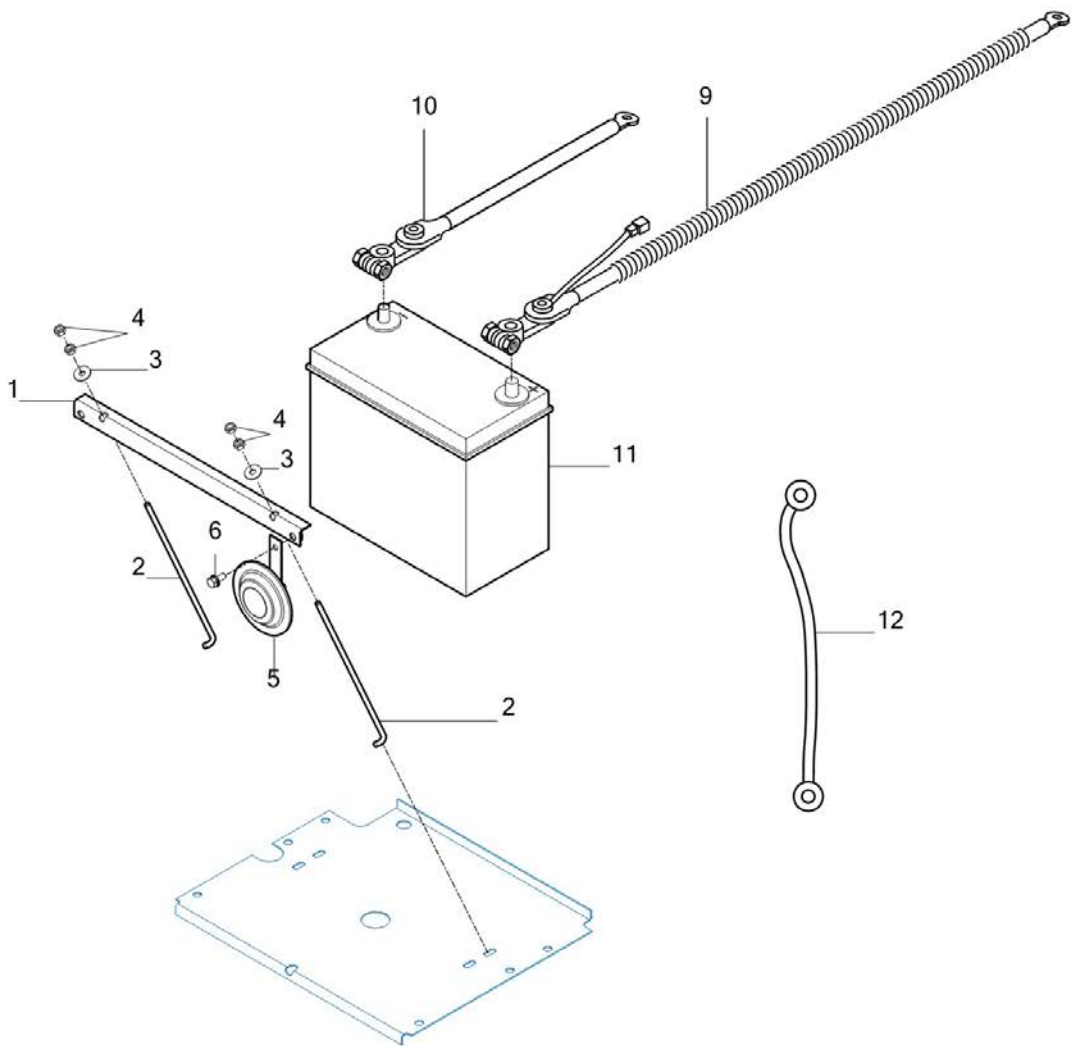
FIG 801

T25NHEU

BATTERY & MOUNTING

년/월
Year/Month

2022-12



NOTE

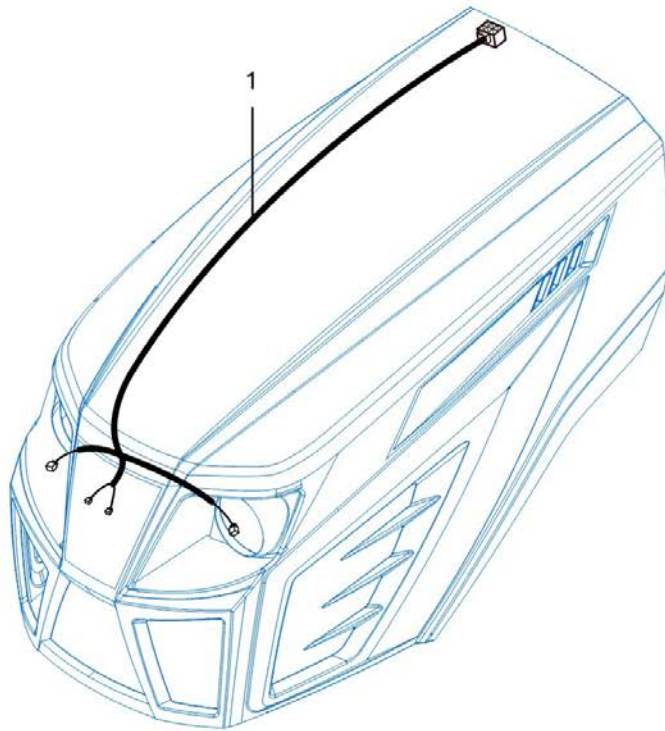
FIG 802

T25NHEU

LIGHTS

년/월
Year/Month

2022-12



NOTE

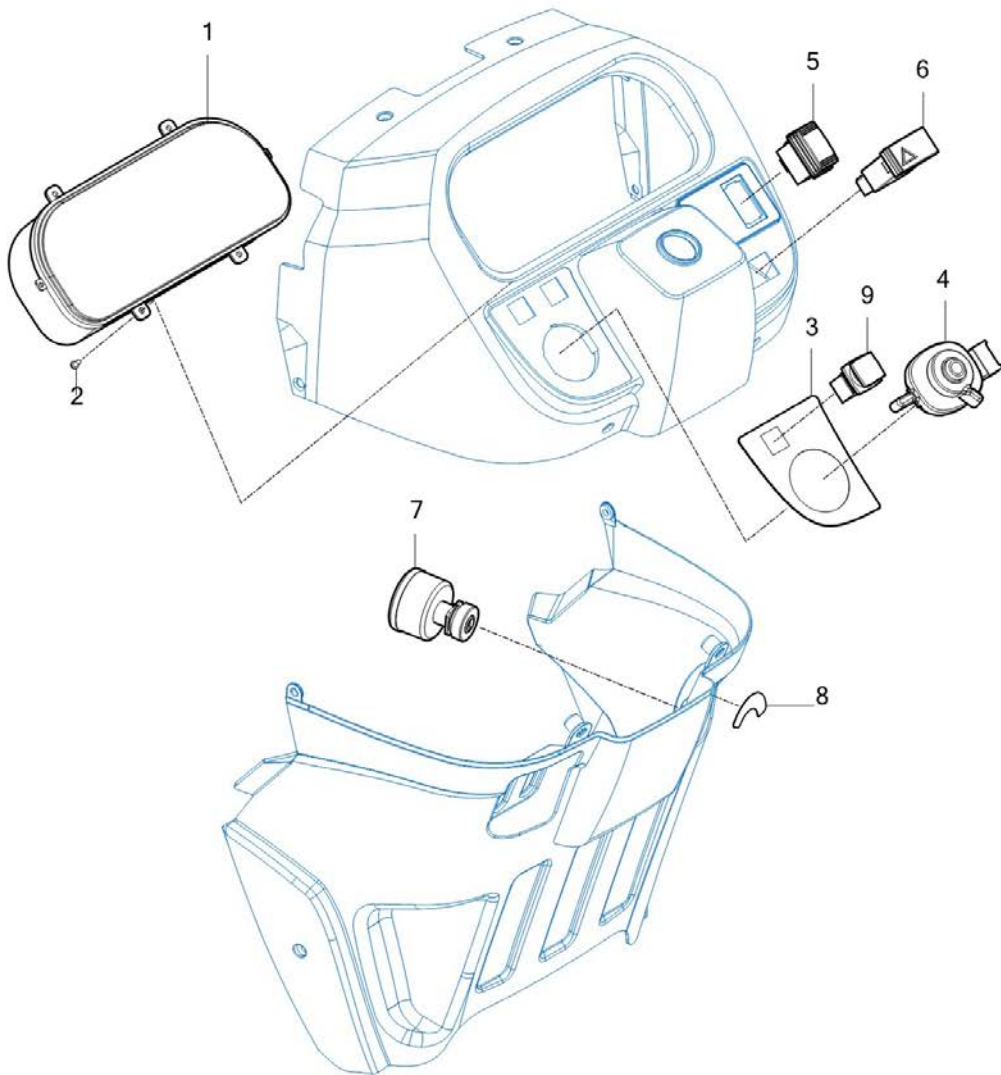
FIG 803

T25NHEU

INSTRUMENT PANEL

년/월
Year/Month

2022-12



NOTE

| FIG 803 T25NHEU | | INSTRUMENT PANEL | | | | | | 년/월 Year/Month | |
|--------------------|---------|------------------|---------------------|------|-----|--------|----------------|-------------------|--|
| | | | | | | | | 2022-12 | |
| KEY NO | PART NO | | DESCRIPTION | SPEC | QTY | REPAIR | EFFECTIVE DATE | | |
| 803 | 1 | 11996602100 | 메타판널 ASSY | | 1 | | | | |
| 803 | 2 | V1922604016 | 탭핑나사 | | 4 | | | | |
| 803 | 3 | 11996030010 | 라벨, 좌 / 컨트롤 | | 1 | | | | |
| 803 | 4 | 13276642201 | 콤비 스위치 | | 1 | | | | |
| 803 | 5 | 13156642100 | 크루즈 스위치 | | 1 | | | | |
| 803 | 6 | 14537072501 | 캡형비상점멸스위치ASSY | | 1 | | | | |
| 803 | 7 | 14527078702 | 스위치셋트,키 | | 1 | | | | |
| 803 | 8 | 12127025110 | 라벨, 스타터 | | 1 | | | | |
| 803 | 9 | 14326462600 | 스위치 ASSY, INTENTION | | 1 | | | | |
| | | | | | | | | | |
| | | | | | | | | | |
| | | | | | | | | | |
| | | | | | | | | | |
| | | | | | | | | | |
| | | | | | | | | | |
| | | | | | | | | | |
| | | | | | | | | | |
| | | | | | | | | | |
| | | | | | | | | | |
| | | | | | | | | | |
| | | | | | | | | | |
| | | | | | | | | | |
| | | | | | | | | | |
| | | | | | | | | | |
| | | | | | | | | | |
| | | | | | | | | | |
| | | | | | | | | | |
| | | | | | | | | | |
| | | | | | | | | | |
| | | | | | | | | | |
| | | | | | | | | | |
| | | | | | | | | | |
| | | | | | | | | | |
| | | | | | | | | | |
| | | | | | | | | | |
| | | | | | | | | | |
| | | | | | | | | | |
| | | | | | | | | | |
| | | | | | | | | | |
| NOTE | | | | | | | | | |

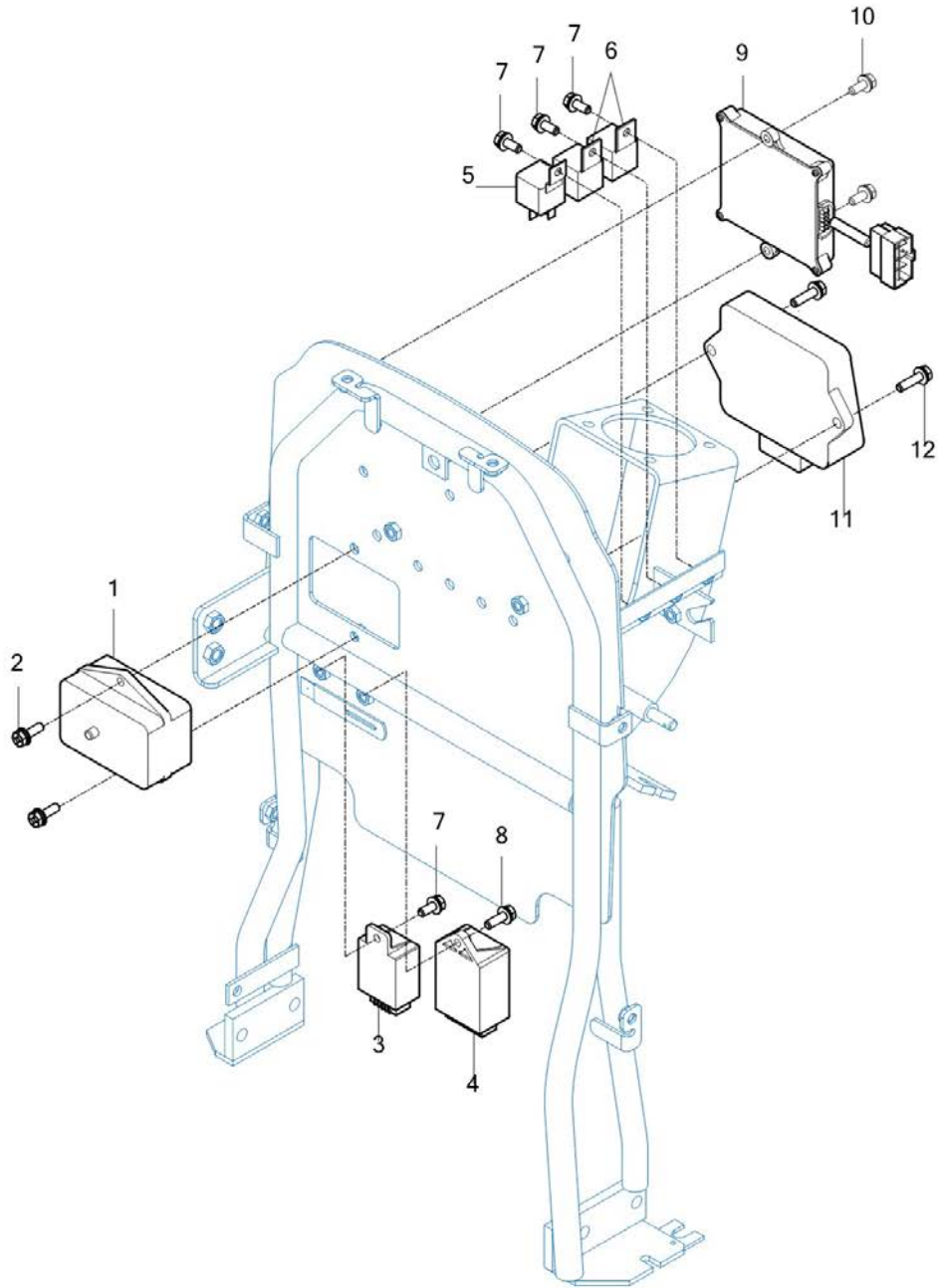
FIG 804

T25NHEU

ELECTRIC SYSTEM

년/월
Year/Month

2022-12



NOTE

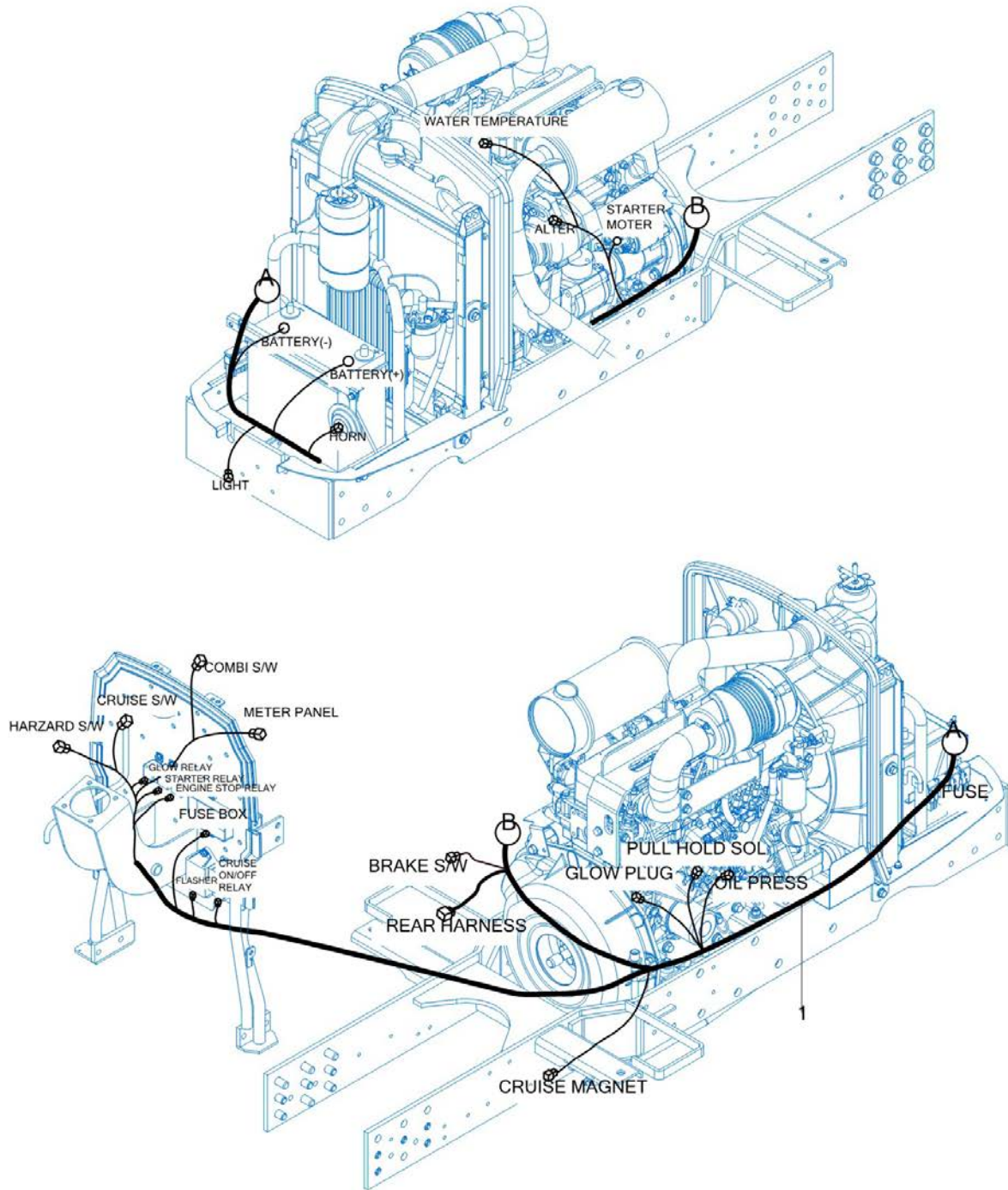
FIG 805

HARNESS

년/월
Year/Month

T25NHEU

2022-12



NOTE

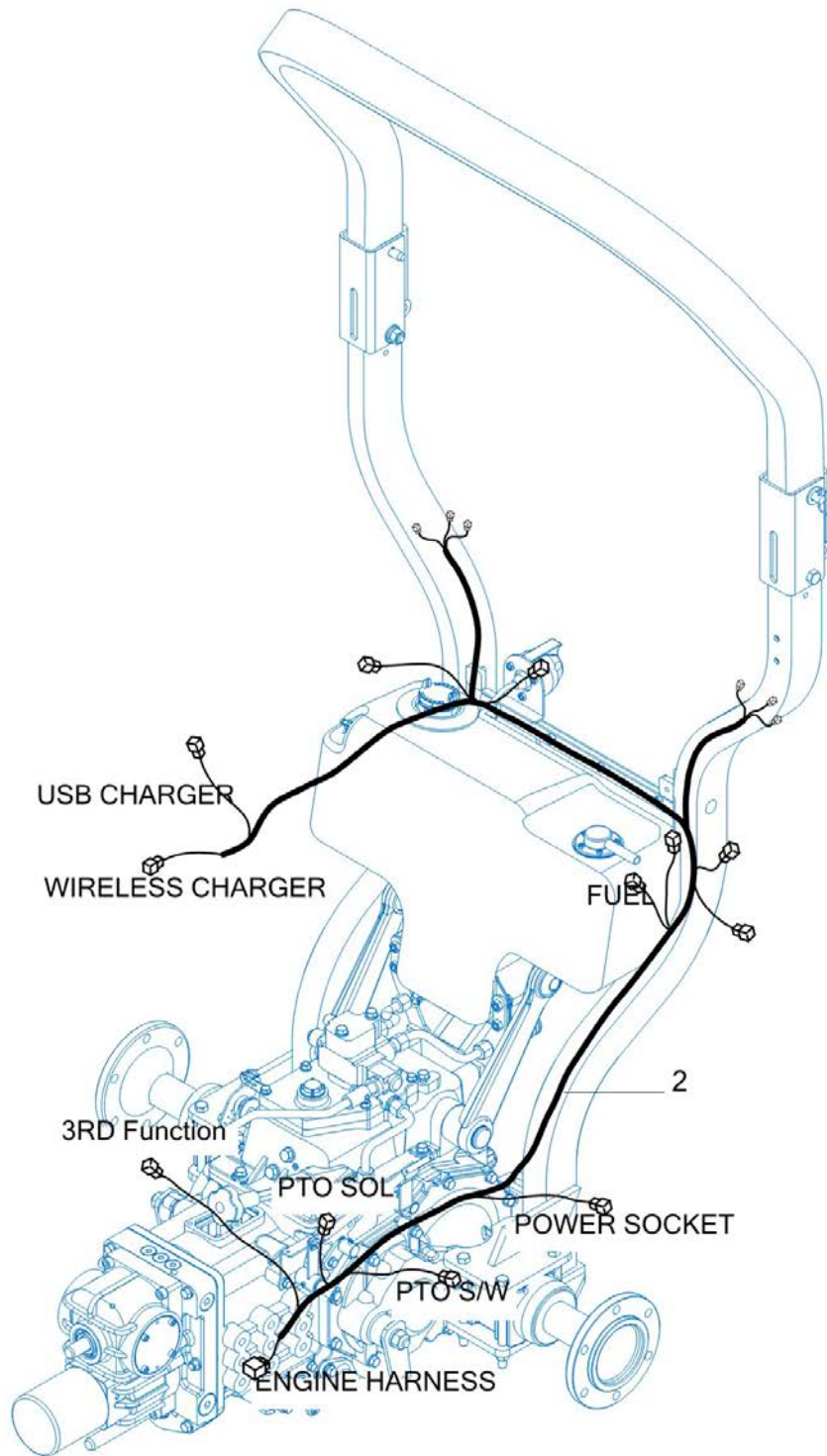
FIG 806

T25NHEU

HARNESS

년/월
Year/Month

2022-12



NOTE

9. 라벨/옵션 PART NO. T9

FIG 901 TOOL & ACCESSORY

166

FIG 902 WEIGHT

168

FIG 903 LABEL

170

FIG 901

T25NHEU

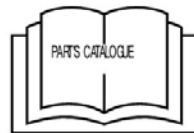
TOOL & ACCESSORY

년/월
Year/Month

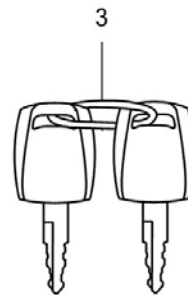
2022-12



1



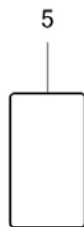
2



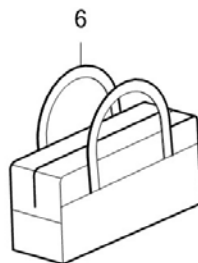
3



4



5



6



7

T2764-001

NOTE

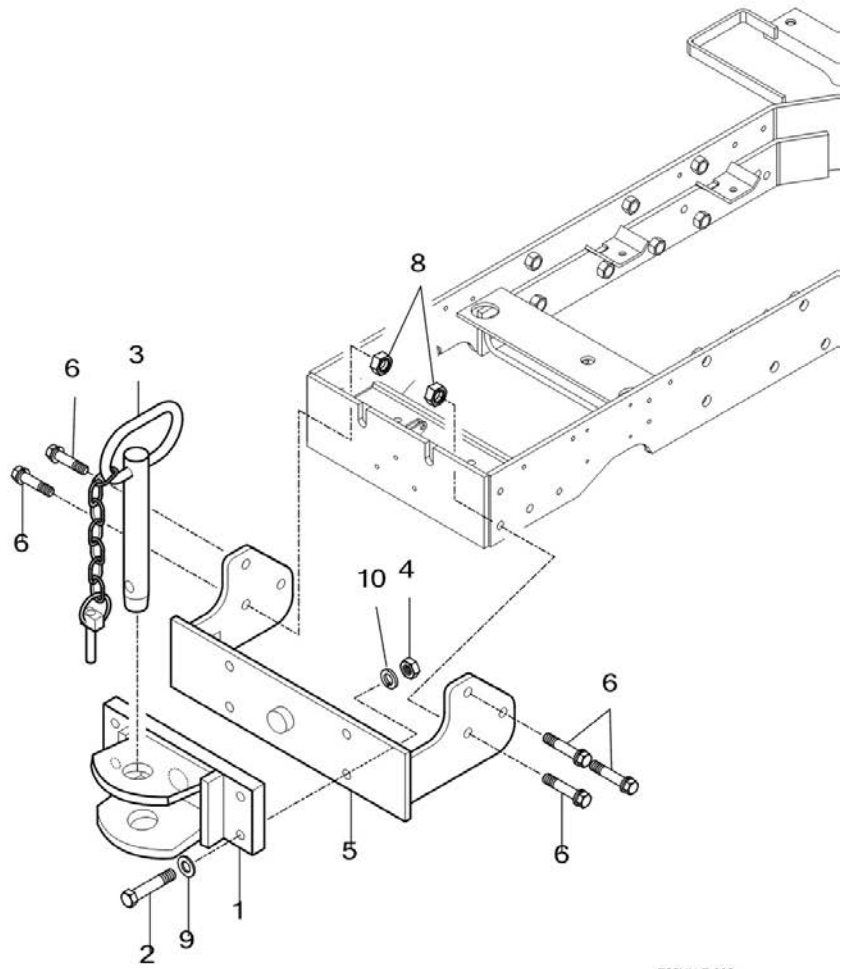
FIG 902

T25NHEU

WEIGHT

년/월
Year/Month

2022-12



T25NH-E-902

NOTE

FIG 903

LABEL

년/월
Year/Month

T25NHEU

2022-12

WARNING

Always apply the park brake when parking. Failure to do so can cause accidents and damages.

1200-910-022-4

1

WARNING

Always set the knob to lock when:

1. Travelling on the road.
2. Replacing blades on an implement.
3. Making adjustment to an implement.

Sudden dropping of an implement can cause serious injury or death.

1200-910-026-6

3

WARNING

Do not refuel the tractor while smoking or near naked flame or sparks. Always stop engine before refueling tractors.

1200-910-026-4

4

WARNING

Never use the diff-lock at high speed or on the road as this can cause rollover and injury.

1200-910-026-0

5

WARNING

Brake pedals must always be locked together when travelling on the highway. This will ensure uniform braking and provide maximum stopping ability sharp turns must only be made at slow speeds.

1200-910-027-0

6

CAUTION

Keep hands and clothing away from rotating fan and belts to prevent serious injury.

1200-910-012-0

7

DANGER

Rotating driveline contact can cause death. **KEEP AWAY!** Keep all drive line. Tractor and equipment shields in place during operation.

1200-910-013-0

8

WARNING

Attach implements and trailers to the tractor only using the prescribed drawbar or hitch.

1200-910-014-0

9

WARNING

Do not remove radiator cap while engine is hot. Hot steam will injure you.

1200-910-016-0

10

Operator's manual

1200-910-023-0

13

DANGER

Do not ride except operator.

1200-910-016-0

11

WARNING

Always fasten Your seat belt.

1200-910-019-0

12

CAUTION

Do not touch while the system is hot. It cause serious burns.

1200-910-024-0

14

T25

18

1200-910-025-0

15

1200-910-017-0

16

TYM CORPORATION

| TYPE | APPROVAL NUMBER | DATE |
|------|-----------------|------|
| 4-1 | 1-1 | 1-2 |
| 5-1 | 1-1 | 1-2 |
| 5-2 | 1-1 | 1-2 |
| 5-3 | 1-1 | 1-2 |
| 5-4 | 1-1 | 1-2 |

1200-910-024-0

40

WARNING

Additions, alterations, cracking, damage or corrosion to this structure may adversely affect the performance of the ROPS.

23

PARKING BRAKE

Press down the master brake pedal and lock the parking lever at the same time.

1177-000-011-0

21



EPA REGULATION

USE ULTRA LOW SULFUR FUEL ONLY

26

DANGER

This Tractor may tip over unexpectedly and quicker than an operator is able to jump free.

1. Never operate a tractor without a proper Roll over Protection Structure (ROPS).
2. Always wear your seat belt when operating this tractor equipped with roll over protection.
3. Never pull from above or from the rear axle.
4. Do not operate the tractor on steep slopes or near drop offs.
5. Avoid sharp high speed turns.

Serious injury or death may result from tractor upsets.

1200-910-021-0

24

WARNING

Death or injury may result if this tractor over turns with the ROPS in the folded down position. Operate this tractor with the ROPS folded down only when necessary. Do not wear seat belt if operated with ROPS folded down.

25

WARNING

Stay clear of raised boom and bucket.

33



50

41

TONGYANGMOOLSAN CO., LTD.

TYPE: T-CCL

e13

00073 NS

T : 3.0 tonnes

S : 900 kg

44

BOONET OPEN

43

42

PTO

46

ON

4WD

OFF

45



47

NOTE

