

T115SPUS1

Parts Catalog

목 차

1. Engine PART NO. EG

FIG 000	ENGINE	11
FIG 001	DIPSTICK	13
FIG 002	BLANKING PARTS	15
FIG 003	BREATHER LINE	17
FIG 004	BREATHER LINE	19
FIG 005	REAR END COVER	21
FIG 006	ENGINE BLOCK	23
FIG 007	BLANKING PARTS	25
FIG 008	OIL FILLER TUBE	27
FIG 009	OIL PAN	29
FIG 010	V-RIB.BELT PULLEY	31
FIG 011	V-RIB.BELT PULLEY	33
FIG 012	CRANKSHAFT	35
FIG 013	DYNAMIC BALANCER	37
FIG 014	CONNECTING ROD	39
FIG 015	PISTON	41
FIG 016	FASTENINGS	43
FIG 017	HEAT PROT. SHIELD	45
FIG 018	CYLINDER HEAD	47
FIG 019	VALVE MECHAN.COVER	49
FIG 020	IDLER GEAR	51
FIG 021	FASTENINGS	53
FIG 022	GEARCASE	55
FIG 023	CAMSHAFT	57
FIG 024	VALVE DRIVE	59
FIG 025	OIL COOLER ASSY	61
FIG 026	BRACKET	63
FIG 027	OIL RETURN LINE	65
FIG 028	LUBRICAT. OIL LINE	67
FIG 029	BRACKET	69
FIG 030	OIL SUCTION LINE	71

FIG 031	FUEL INJECT. PUMP	73
FIG 032	FUEL INJECTOR	75
FIG 033	FUEL PREFILTER	77
FIG 034	FUEL SUPPLY PUMP	79
FIG 035	BRACKET	81
FIG 036	FUEL FILTER	83
FIG 037	QUICK-CLUTCH/COUP.	85
FIG 038	FUEL LINE	87
FIG 039	RAIL	89
FIG 040	FUEL LINE	91
FIG 041	SENSOR	93
FIG 042	CHARGE AIR PIPE	95
FIG 043	FASTENINGS	97
FIG 044	THROTTLE VALVE	99
FIG 045	CONTROL UNIT	101
FIG 046	V-RIB.BELT PULLEY	103
FIG 047	V-GROOVED PULLEY	105
FIG 048	COOLANT PUMP	107
FIG 049	COOLING WATER LINE	109
FIG 050	FASTENINGS	111
FIG 051	HOSE	113
FIG 052	HOUSING	115
FIG 053	EGR COOLER	117
FIG 054	SCREW PLUG	119
FIG 055	HEAT PROT. SHIELD	121
FIG 056	EXHAUST MANIFOLD	123
FIG 057	EXHAUST GAS BEND	125
FIG 058	EXHAUST PIPE	127
FIG 059	PRESSURESENSOR MTG	129
FIG 060	COOLING WATER LINE	131
FIG 061	GASKET	133
FIG 062	TURBOCHARGER	135
FIG 063	FASTENINGS	137
FIG 064	STARTER	139
FIG 065	BELT TENSIONER	141
FIG 066	GENERATOR	143
FIG 067	ATTACHMENT PLUG	145
FIG 068	LEVEL SWITCH	147

FIG 069	ELECTRIC LINE	149
FIG 070	RELAY	151
FIG 071	FASTENINGS	153
FIG 072	FASTENINGS	155
FIG 073	FASTENINGS	157
FIG 074	CONNECTING PIPE	159
FIG 075	FASTENINGS	161
FIG 076	RELAY	163
FIG 077	ELECTRIC LINE	165
FIG 078	FASTENINGS	167
FIG 079	CABLE HARNESS	169
FIG 080	SPEED SENSOR	171
FIG 081	SENSOR	173
FIG 082	PRESSURE PICK-UP	175
FIG 083	GLOW PLUG	177
FIG 084	WATER HOSE	179
FIG 085	SOLENOID VALVE	181
FIG 086	PIPE/LINE/LEAD	183
FIG 087	Tank/reservoir	185
FIG 088	SUPPLY PUMP	187
FIG 089	PLUG	189
FIG 090	MOUNT	191
FIG 091	MOUNT	193
FIG 092	PARTICULATE FILTER	195
FIG 093	BLANKING PARTS	197
FIG 094	BRACKET	199
FIG 095	EXHAUST PIPE	201
FIG 096	PRESSURESENSOR MTG	203
FIG 097	CATALYST	205
FIG 098	COVER	207
FIG 099	GASKET SET	209

2. Engine Accessories PART NO. T2

FIG 201	AIR CLEANER	212
FIG 202	RADIATOR	214
FIG 203	EXHAUST PIPE	217
FIG 204	FUEL TANK & FUEL LINES	219

FIG 205	FUEL FILTER & FUEL LINES	222
FIG 206	ACCELERATOR ASSY	224
FIG 207	INTERCOOLER	226
FIG 208	FIX PLATE & MIXING PIPE	228
FIG 209	COOLANT DIVIDER PIPE	230

3. Clutch/Brake/Steering PART NO. T3

FIG 301	DAMPER FLANGE ASSY	233
FIG 302	BRAKE CASE SUB ASSY	235
FIG 303A	BRAKE PIPES	237
FIG 303B	BRAKE	239
FIG 304	FRONT WHEEL	241
FIG 305	REAR WHEEL	243
FIG 306	STEERING WHEEL ASSY	245
FIG 307	POWER STEERING VALVE	247
FIG 308	POWER STEERING CYLINDER	249
FIG 309	SUB CLUTCH PEDAL	251
FIG 310	HAND BRAKE SUB	253

4. Transmission PART NO. T4

FIG 401	RR TRANSMISSION CASE SUB	256
FIG 402A	PINION METAL SUB ASSY	258
FIG 402B	RR DIFF ASSY	260
FIG 403	SUB CHANGE GEARS	262
FIG 404	SUB CHANGE LEVER	264
FIG 405	4WD SHAFT SUB	266
FIG 406	RR AXLE HOUSING	268
FIG 407	540,750,1000 PTO CASE	270
FIG 408A	PTO SHAFT	272
FIG 408B	PTO CLUTCH ASSY	274
FIG 409	METAL SUB ASSY	276
FIG 410	MID TRANSMISSION CASE	278
FIG 411	MAIN CHANGE GEARS	280
FIG 412	MAIN CHANGE LEVER	282
FIG 413	PARKING BRAKE	284
FIG 414	POWER SHUTTLE GEAR	286

FIG 415	POWER SHIFT GEAR	288
FIG 416	FR TRANSMISSION CASE	290
FIG 417	DRIVE PUMP SUB	293

5. Front Axle PART NO. T5

FIG 501	FRONT AXLE SUPPORTER	296
FIG 502	FRONT DRIVE SHAFT	299
FIG 503	FRONT AXLE HOUSING	301
FIG 504	FRONT DIFFERENTIAL GEARS	303
FIG 505	FRONT GEAR CASE (1)	305
FIG 506	FRONT GEAR CASE (2)	307
FIG 507	FRONT GEAR CASE (3)	309
FIG 508	MUD GUARD ASSY	311

6. Hydraulic/3P-Link PART NO. T6

FIG 601	MAIN VALVE SUB	314
FIG 602	DRAWBAR ASSY	316
FIG 603A	SUCTION FILTER SUB	318
FIG 603B	GEAR PUMP ASSY	320
FIG 604	CYLINDER CASE	322
FIG 605	LIFT ARM SUB	324
FIG 606	MAIN CONTROL VALVE SUB	326
FIG 607A	AUX VALVE & FILTER SUB	328
FIG 607B	AUX LEVER SUB	330
FIG 608A	HITCH & 3-POINT LINK	332
FIG 608B	LOWER LINK & LIFT ROD	334
FIG 609	HYDRAULIC PIPE & HOSES	336
FIG 610	JOYSTICK	338
FIG 611	CONTROL VALVE SYSTEM	340

7. Sheet Metal & Cabin PART NO. T7

FIG 701	FRONT FRAME SUB	343
FIG 702	HOOD FRAME	345
FIG 703	HOOD	347
FIG 704	STEP & BOOTS	350

FIG 705	FRONT & REAR MOUNTING	352
FIG 706	SEAT & MAT	354
FIG 708	DOOR-LH	356
FIG 709	DOOR-RH	358
FIG 710	FRAME COMP & FRONT GLASS	360
FIG 711	SIDE GLASS	362
FIG 712	REAR GLASS	364
FIG 713	SUB FENDER & COVER	366
FIG 714	REARVIEW MIRRORS	368
FIG 715	HEATER & AIR-CON (1)	370
FIG 716	HEATER & AIR-CON (2)	372
FIG 717	ROOF	374
FIG 718	CABIN INTERIOR	376
FIG 719	DASHCOVER	378
FIG 720	WASH TANK ASSY	380
FIG 721	COVER ASSY	382
FIG 722	COVER-FENDER & JOYSTICK LEVER	384

8. Electrical System PART NO. T8

FIG 801	BATTERY & MOUNTING	387
FIG 802	ELECTRIC SYSTEM (1)	389
FIG 803	ELECTRIC SYSTEM (2)	391
FIG 804	ELECTRIC SYSTEM (3)	393
FIG 805	ELECTRIC SYSTEM (4)	395
FIG 806	ELECTRIC SYSTEM (5)	397
FIG 807	ELECTRIC SYSTEM (6)	399

9. Label/Option PART NO. T9

FIG 901	TOOL & ACCESSORY	402
FIG 904	LABEL	404
FIG 904-2	LABEL	406

1. Engine PART NO. EG

FIG 000	ENGINE	11
FIG 001	DIPSTICK	13
FIG 002	BLANKING PARTS	15
FIG 003	BREATHER LINE	17
FIG 004	BREATHER LINE	19
FIG 005	REAR END COVER	21
FIG 006	ENGINE BLOCK	23
FIG 007	BLANKING PARTS	25
FIG 008	OIL FILLER TUBE	27
FIG 009	OIL PAN	29
FIG 010	V-RIB.BELT PULLEY	31
FIG 011	V-RIB.BELT PULLEY	33
FIG 012	CRANKSHAFT	35
FIG 013	DYNAMIC BALANCER	37
FIG 014	CONNECTING ROD	39
FIG 015	PISTON	41
FIG 016	FASTENINGS	43
FIG 017	HEAT PROT. SHIELD	45
FIG 018	CYLINDER HEAD	47
FIG 019	VALVE MECHAN.COVER	49
FIG 020	IDLER GEAR	51
FIG 021	FASTENINGS	53
FIG 022	GEARCASE	55
FIG 023	CAMSHAFT	57
FIG 024	VALVE DRIVE	59
FIG 025	OIL COOLER ASSY	61
FIG 026	BRACKET	63
FIG 027	OIL RETURN LINE	65
FIG 028	LUBRICAT. OIL LINE	67
FIG 029	BRACKET	69
FIG 030	OIL SUCTION LINE	71
FIG 031	FUEL INJECT. PUMP	73
FIG 032	FUEL INJECTOR	75
FIG 033	FUEL PREFILTER	77
FIG 034	FUEL SUPPLY PUMP	79
FIG 035	BRACKET	81
FIG 036	FUEL FILTER	83
FIG 037	QUICK-CLUTCH/COUP.	85

FIG 038	FUEL LINE	87
FIG 039	RAIL	89
FIG 040	FUEL LINE	91
FIG 041	SENSOR	93
FIG 042	CHARGE AIR PIPE	95
FIG 043	FASTENINGS	97
FIG 044	THROTTLE VALVE	99
FIG 045	CONTROL UNIT	101
FIG 046	V-RIB.BELT PULLEY	103
FIG 047	V-GROOVED PULLEY	105
FIG 048	COOLANT PUMP	107
FIG 049	COOLING WATER LINE	109
FIG 050	FASTENINGS	111
FIG 051	HOSE	113
FIG 052	HOUSING	115
FIG 053	EGR COOLER	117
FIG 054	SCREW PLUG	119
FIG 055	HEAT PROT. SHIELD	121
FIG 056	EXHAUST MANIFOLD	123
FIG 057	EXHAUST GAS BEND	125
FIG 058	EXHAUST PIPE	127
FIG 059	PRESSURESENSOR MTG	129
FIG 060	COOLING WATER LINE	131
FIG 061	GASKET	133
FIG 062	TURBOCHARGER	135
FIG 063	FASTENINGS	137
FIG 064	STARTER	139
FIG 065	BELT TENSIONER	141
FIG 066	GENERATOR	143
FIG 067	ATTACHMENT PLUG	145
FIG 068	LEVEL SWITCH	147
FIG 069	ELECTRIC LINE	149
FIG 070	RELAY	151
FIG 071	FASTENINGS	153
FIG 072	FASTENINGS	155
FIG 073	FASTENINGS	157
FIG 074	CONNECTING PIPE	159
FIG 075	FASTENINGS	161

FIG 076	RELAY	163
FIG 077	ELECTRIC LINE	165
FIG 078	FASTENINGS	167
FIG 079	CABLE HARNESS	169
FIG 080	SPEED SENSOR	171
FIG 081	SENSOR	173
FIG 082	PRESSURE PICK-UP	175
FIG 083	GLOW PLUG	177
FIG 084	WATER HOSE	179
FIG 085	SOLENOID VALVE	181
FIG 086	PIPE/LINE/LEAD	183
FIG 087	Tank/reservoir	185
FIG 088	SUPPLY PUMP	187
FIG 089	PLUG	189
FIG 090	MOUNT	191
FIG 091	MOUNT	193
FIG 092	PARTICULATE FILTER	195
FIG 093	BLANKING PARTS	197
FIG 094	BRACKET	199
FIG 095	EXHAUST PIPE	201
FIG 096	PRESSURESENSOR MTG	203
FIG 097	CATALYST	205
FIG 098	COVER	207
FIG 099	GASKET SET	209

FIG 000

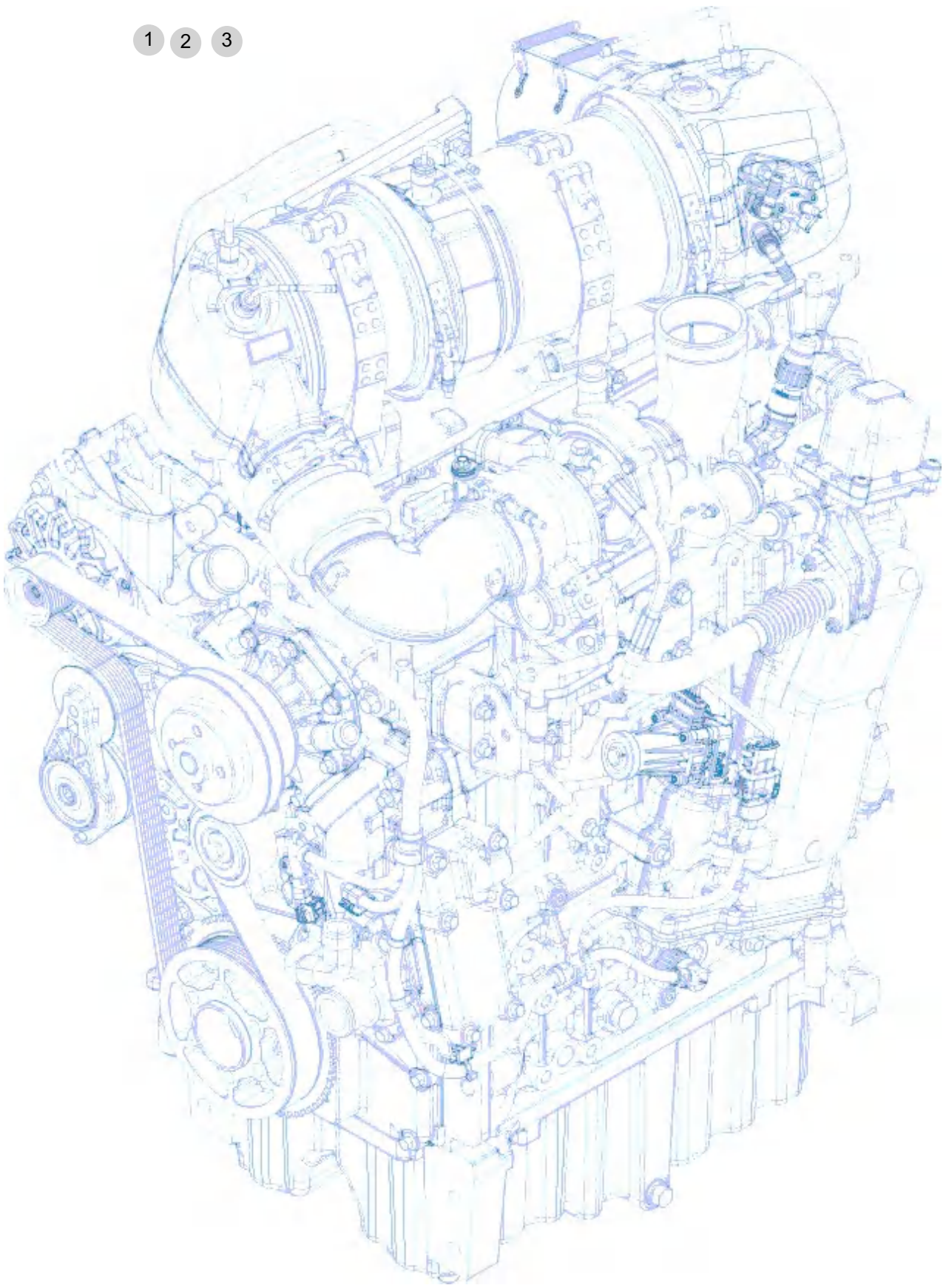
ENGINE

년/월
Year/Month

T115SPUS1

2024-03

1 2 3



NOTE

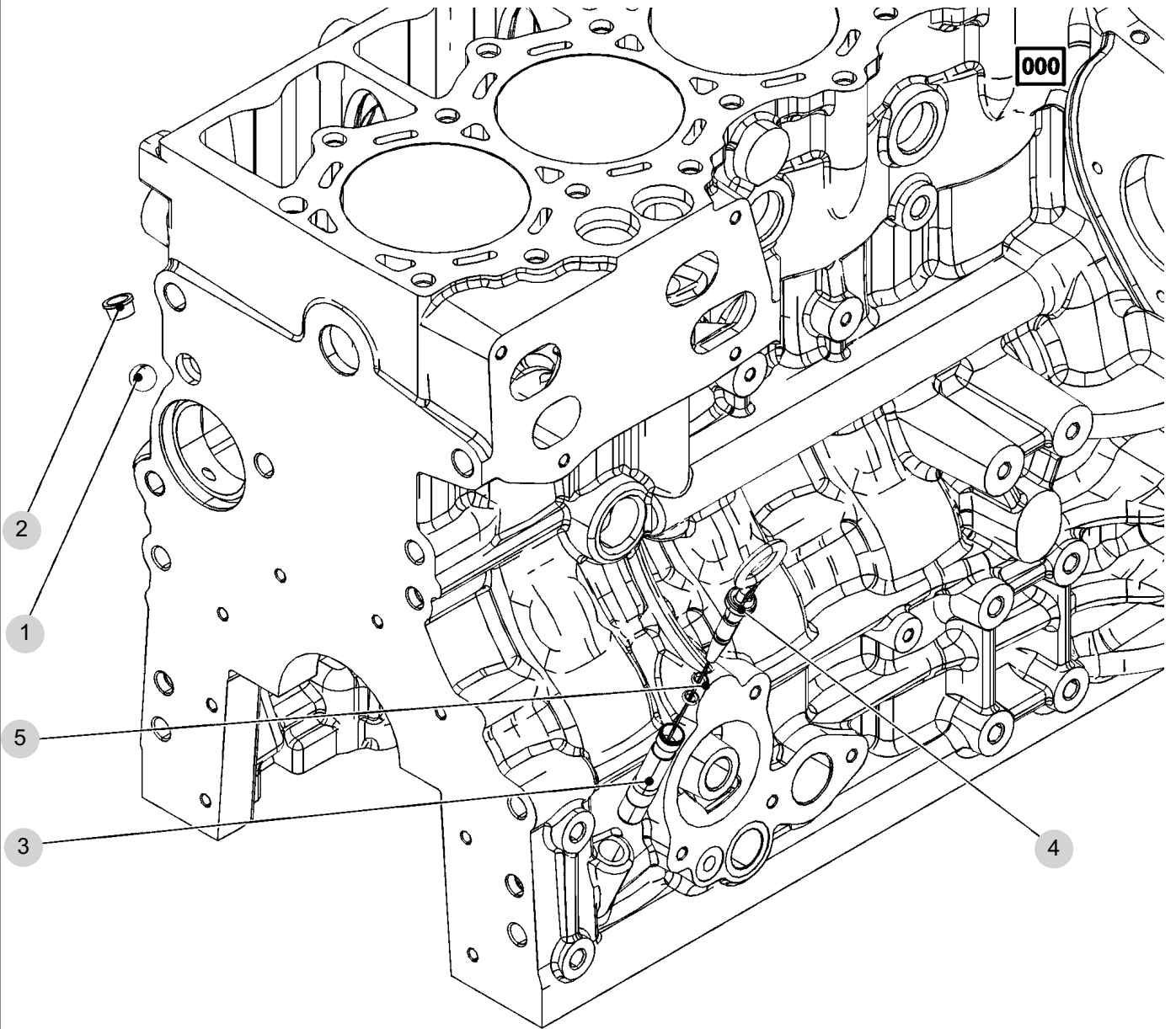
FIG 001

DIPSTICK

년/월
Year/Month

2024-03

T115SPUS1



NOTE

FIG 002

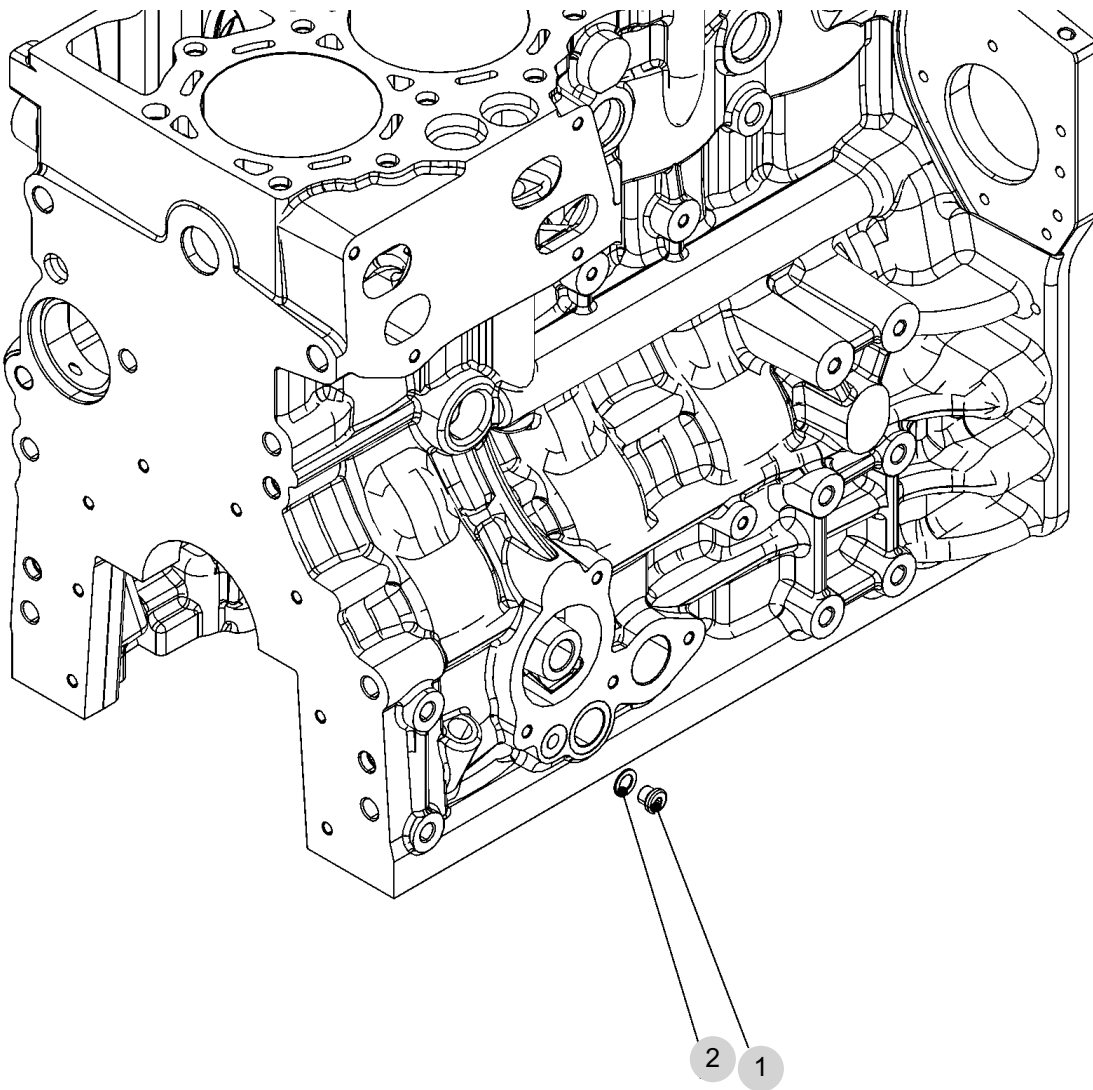
BLANKING PARTS

년/월
Year/Month

2024-03

T115SPUS1

000



NOTE

FIG 003

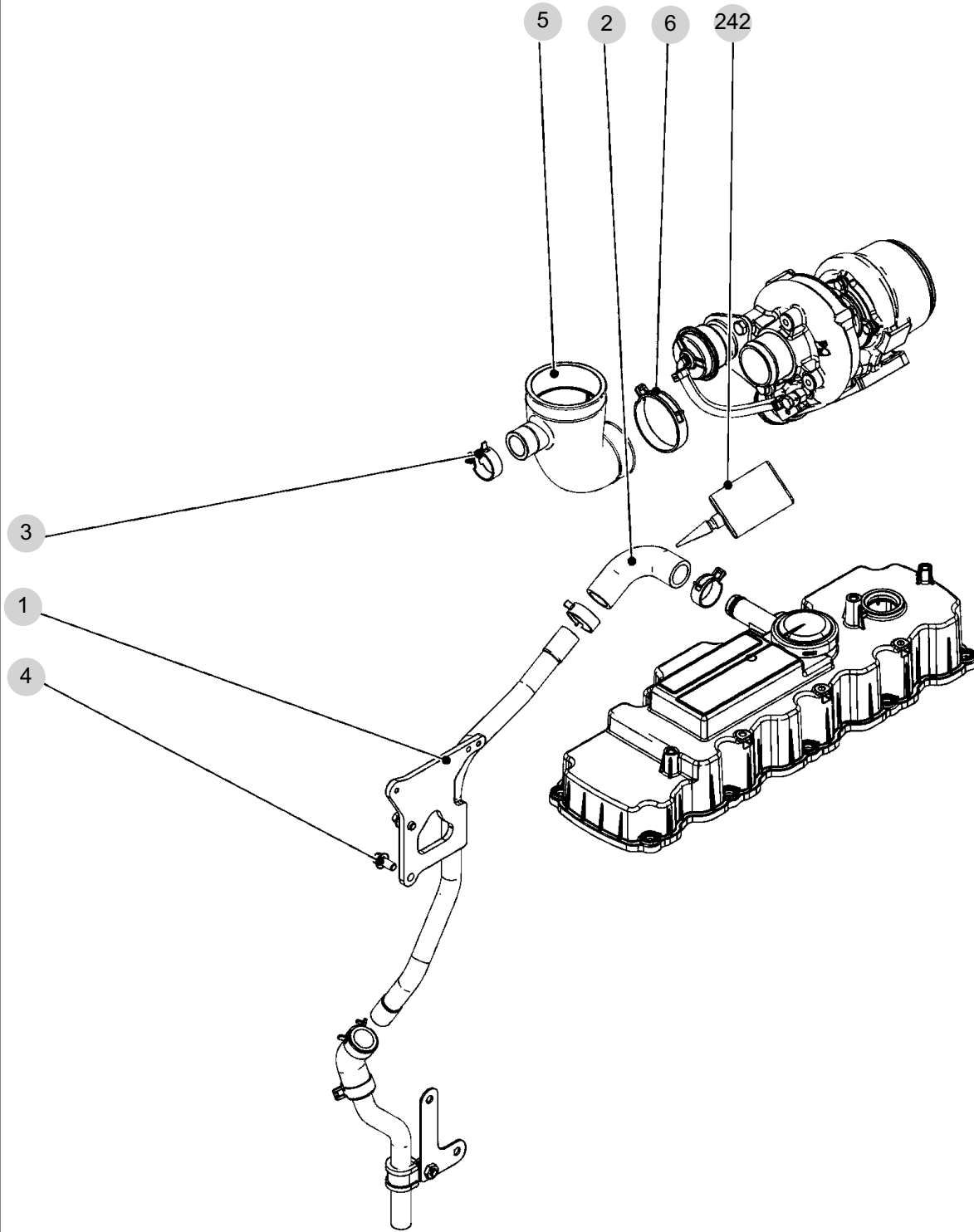
BREATHER LINE

년/월
Year/Month

2024-03

T115SPUS1

000



NOTE

FIG 004

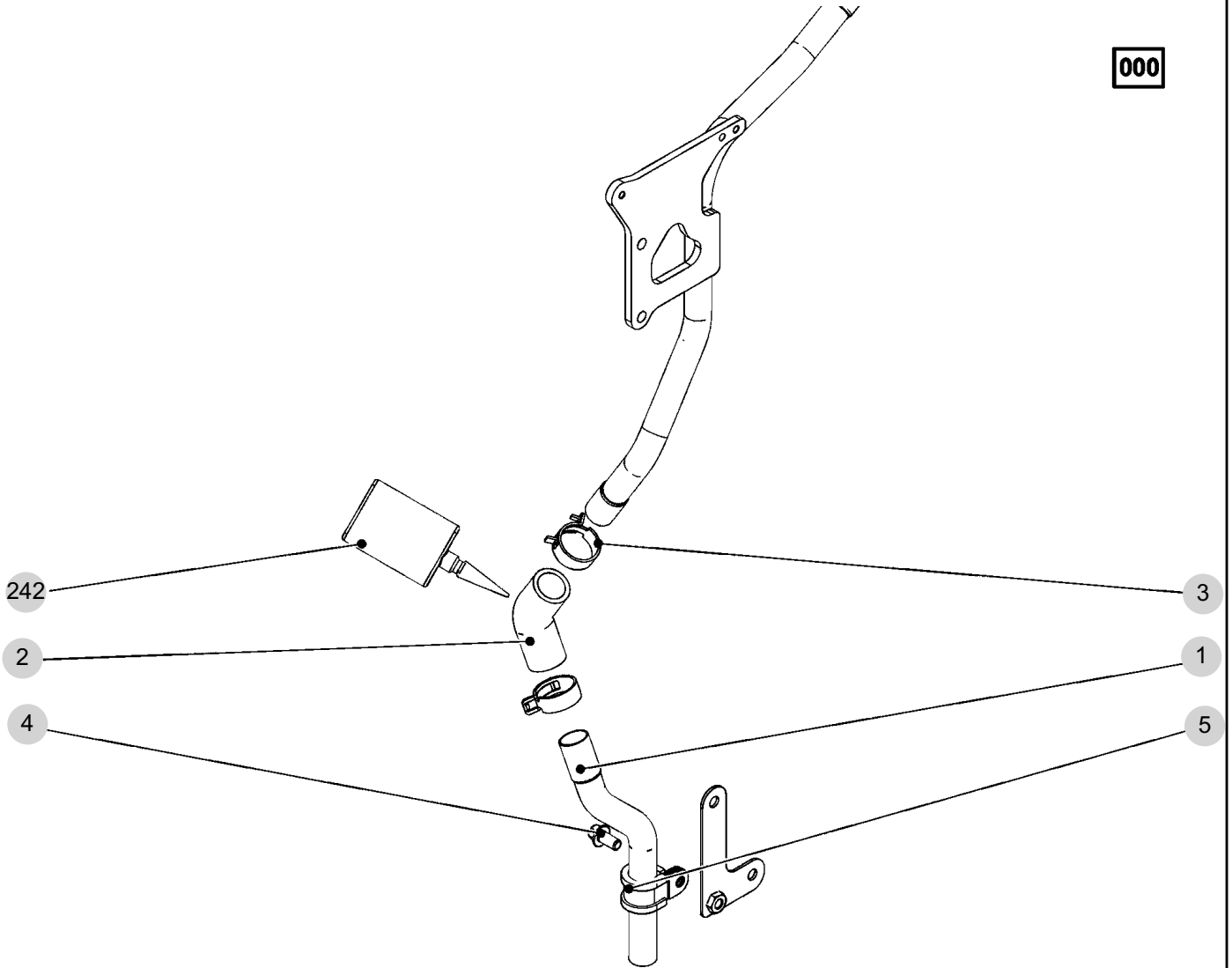
T115SPUS1

BREATHER LINE

년/월
Year/Month

2024-03

000



NOTE

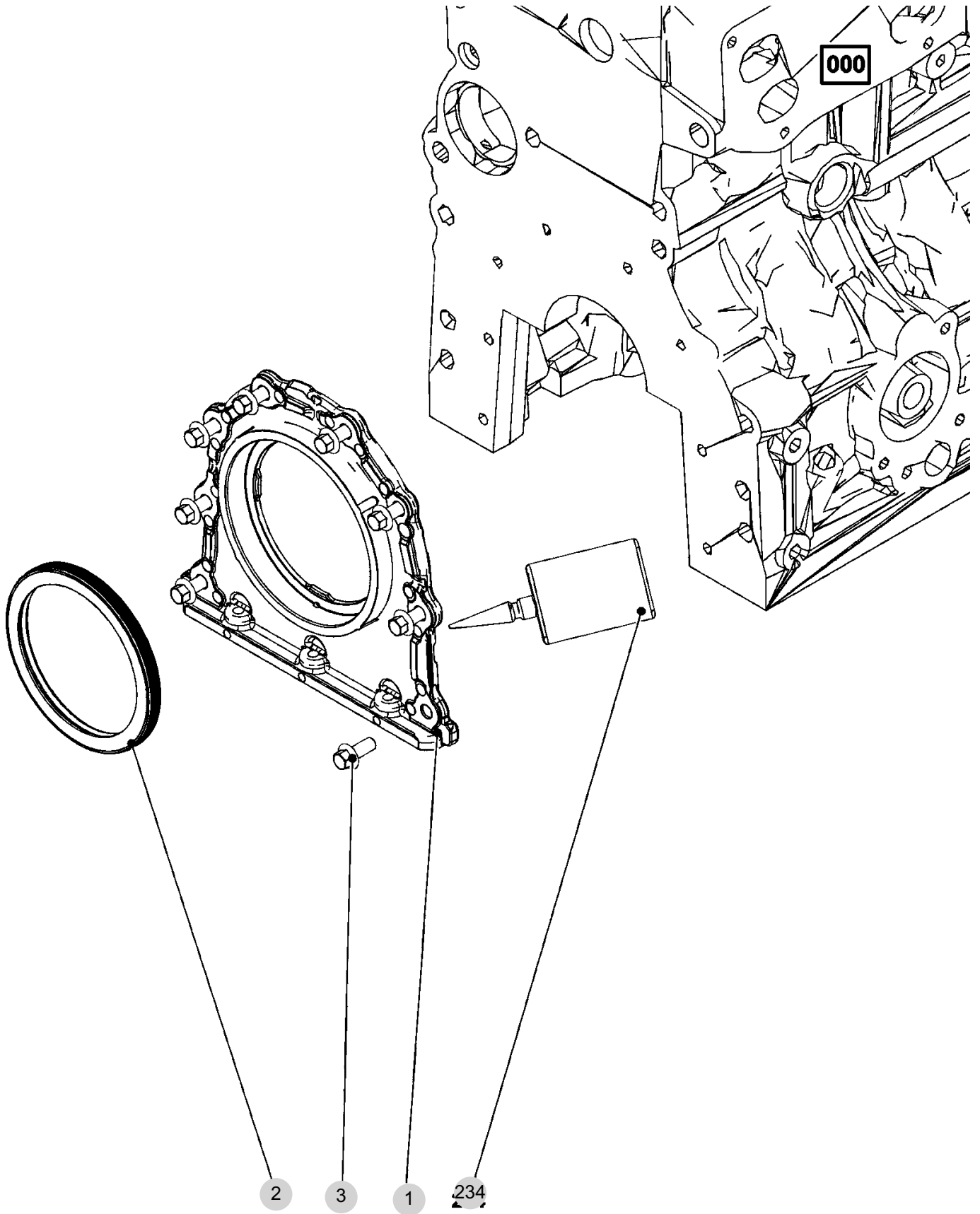
FIG 005

REAR END COVER

년/월
Year/Month

2024-03

T115SPUS1



NOTE

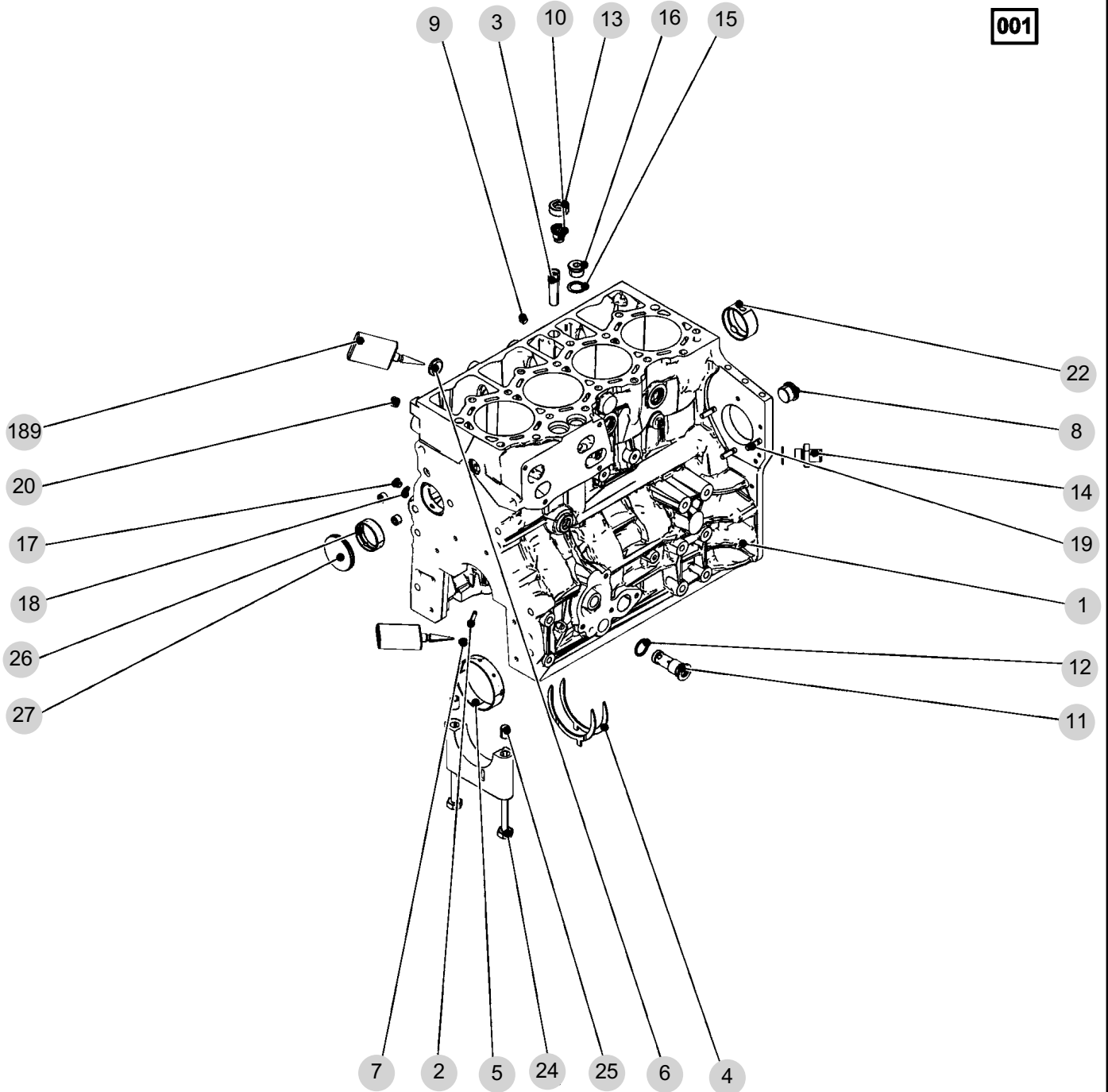
FIG 006

T115SPUS1

ENGINE BLOCK

년/월
Year/Month

2024-03



NOTE

FIG 007

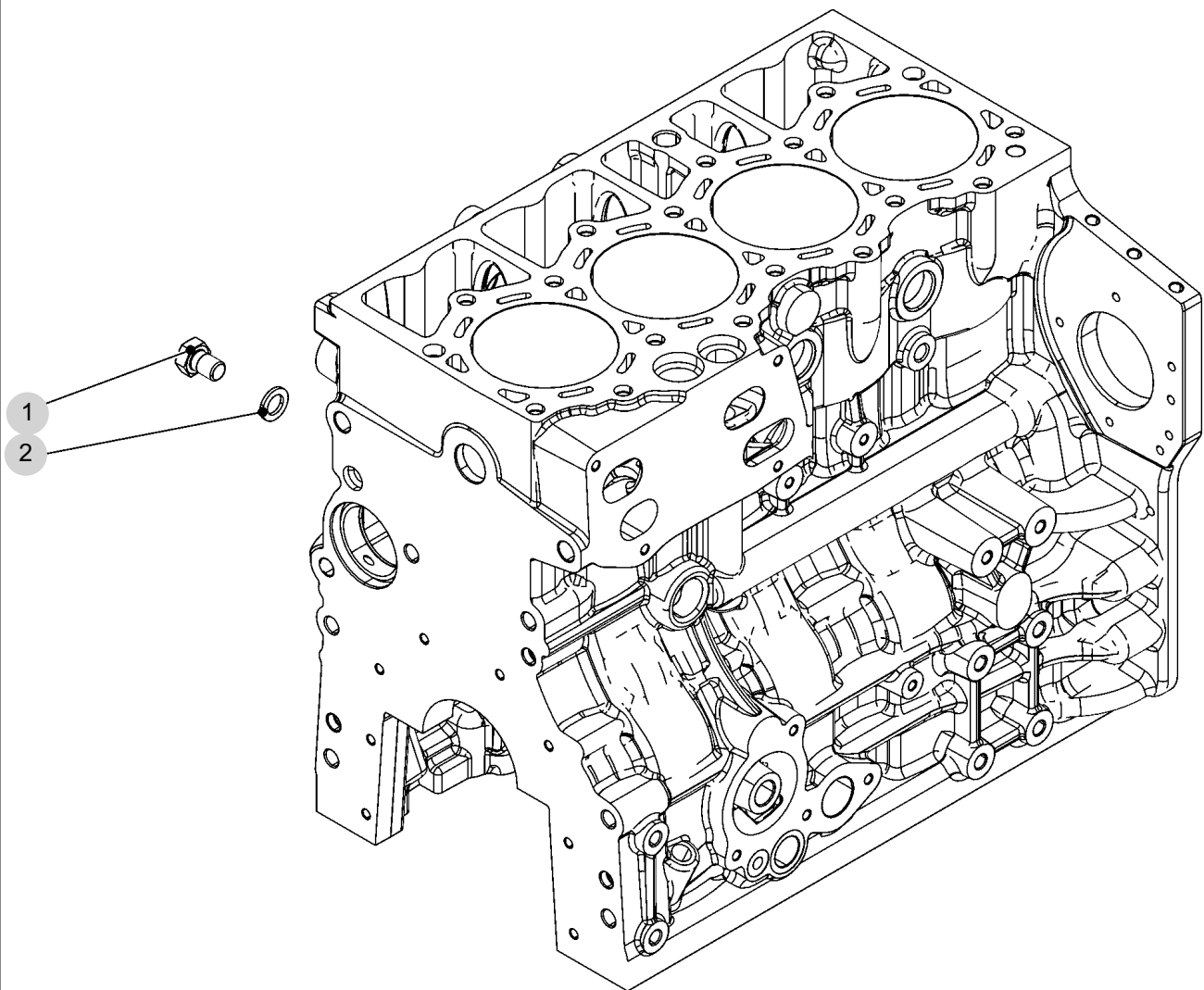
BLANKING PARTS

년/월
Year/Month

2024-03

T115SPUS1

000



NOTE

FIG 008

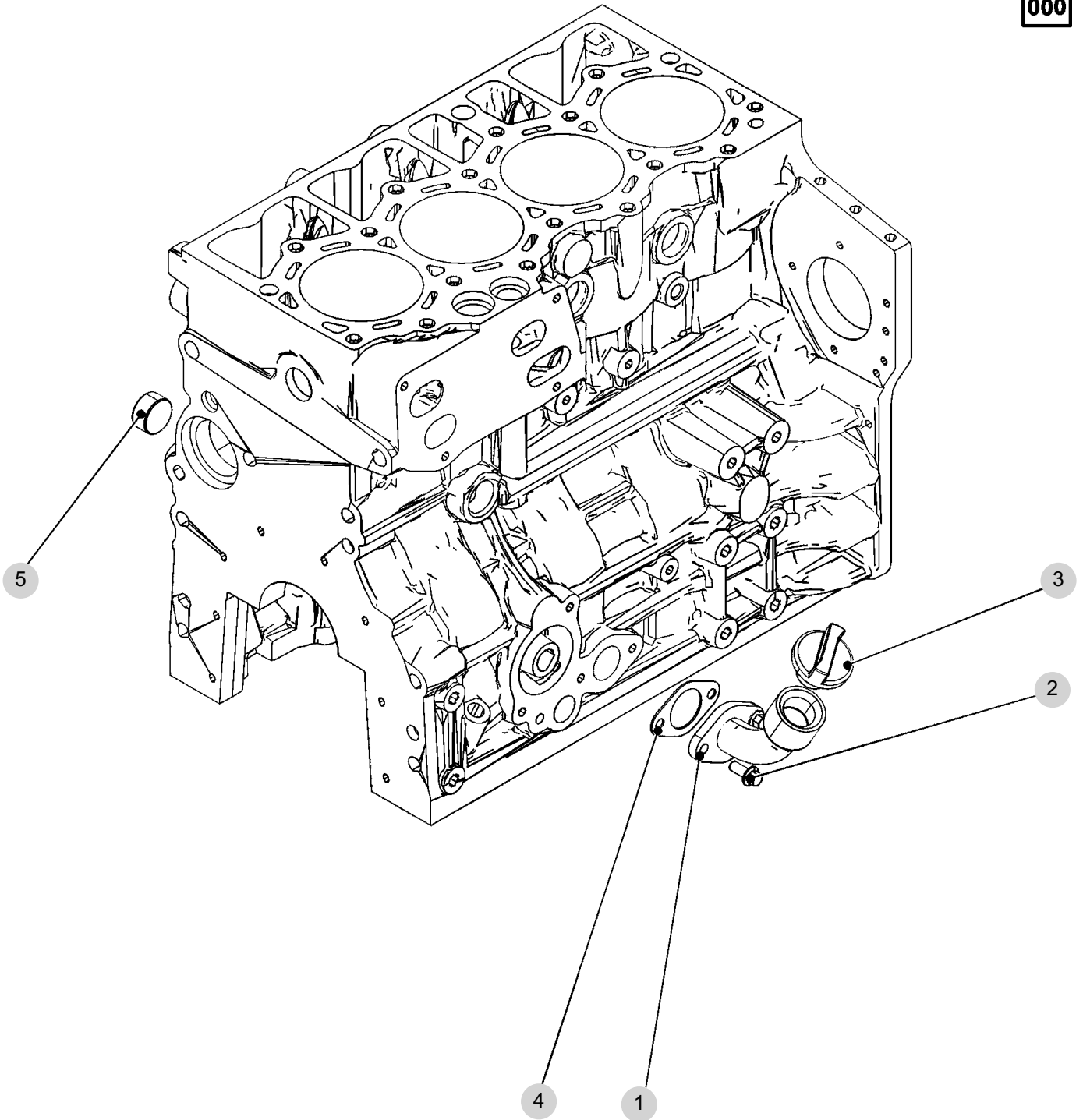
OIL FILLER TUBE

년/월
Year/Month

2024-03

T115SPUS1

000



NOTE

FIG 009

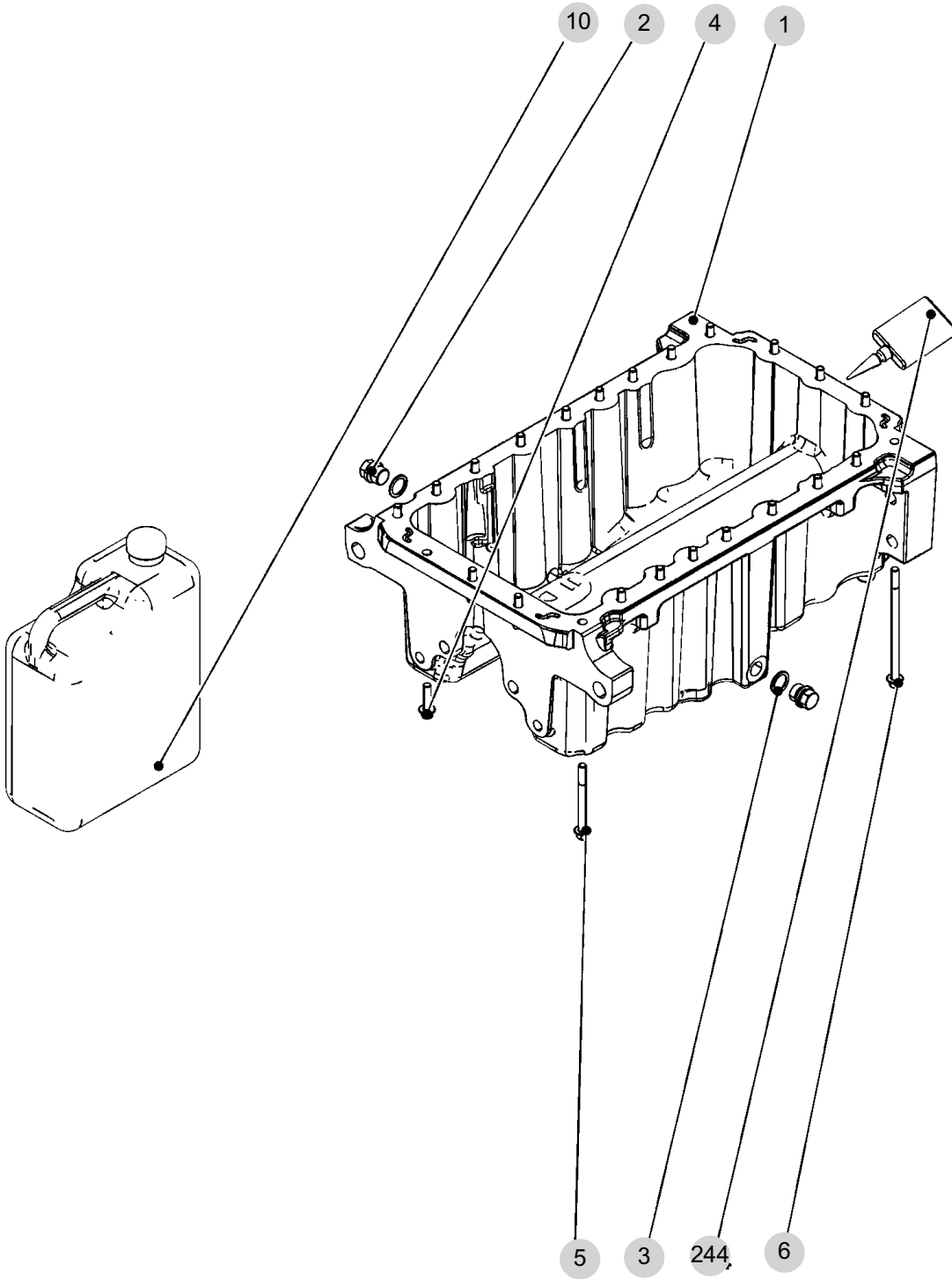
T115SPUS1

OIL PAN

년/월
Year/Month

2024-03

002



NOTE

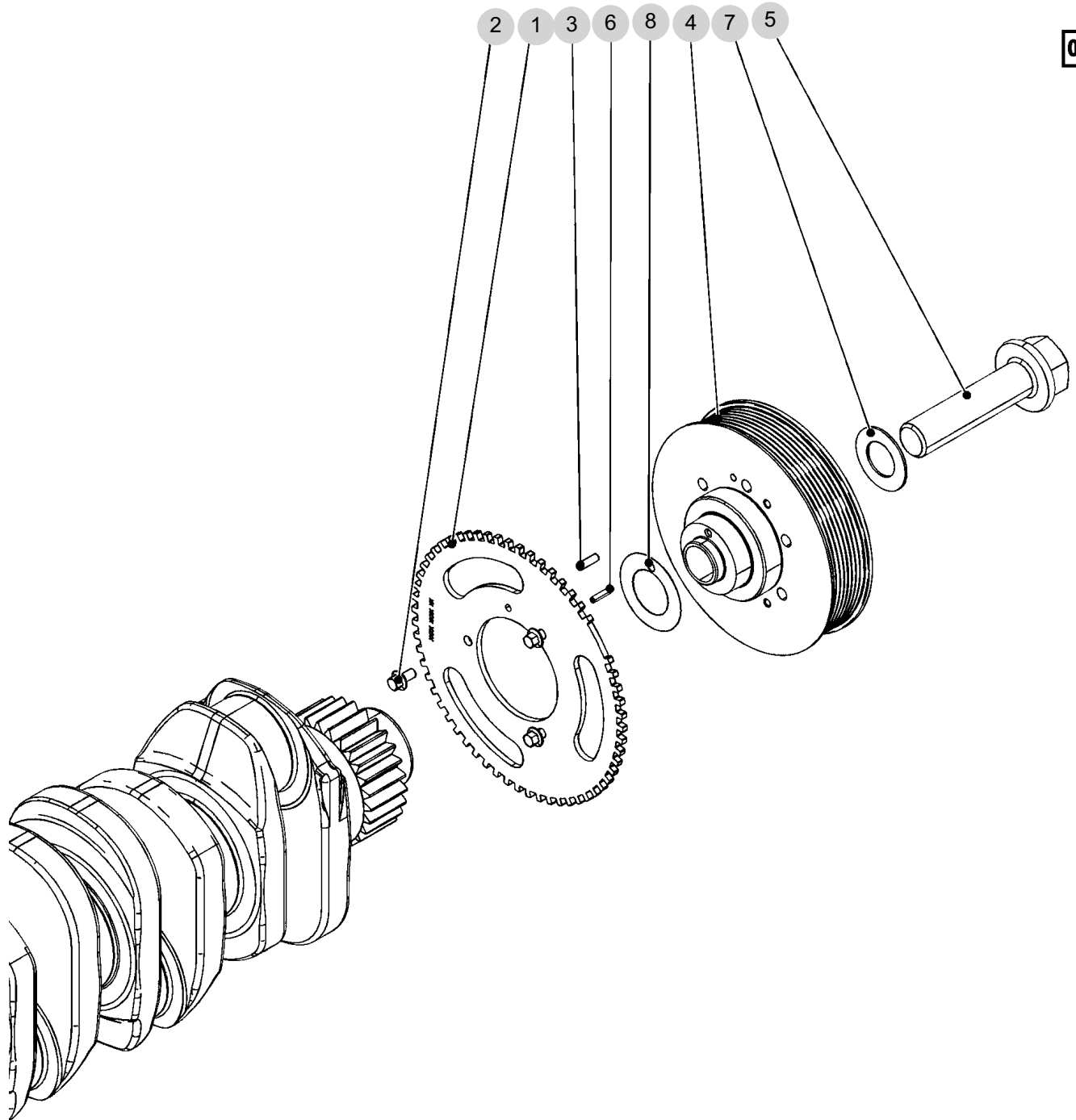
FIG 010

V-RIB.BELT PULLEY

년/월
Year/Month

2024-03

T115SPUS1



NOTE

FIG 011

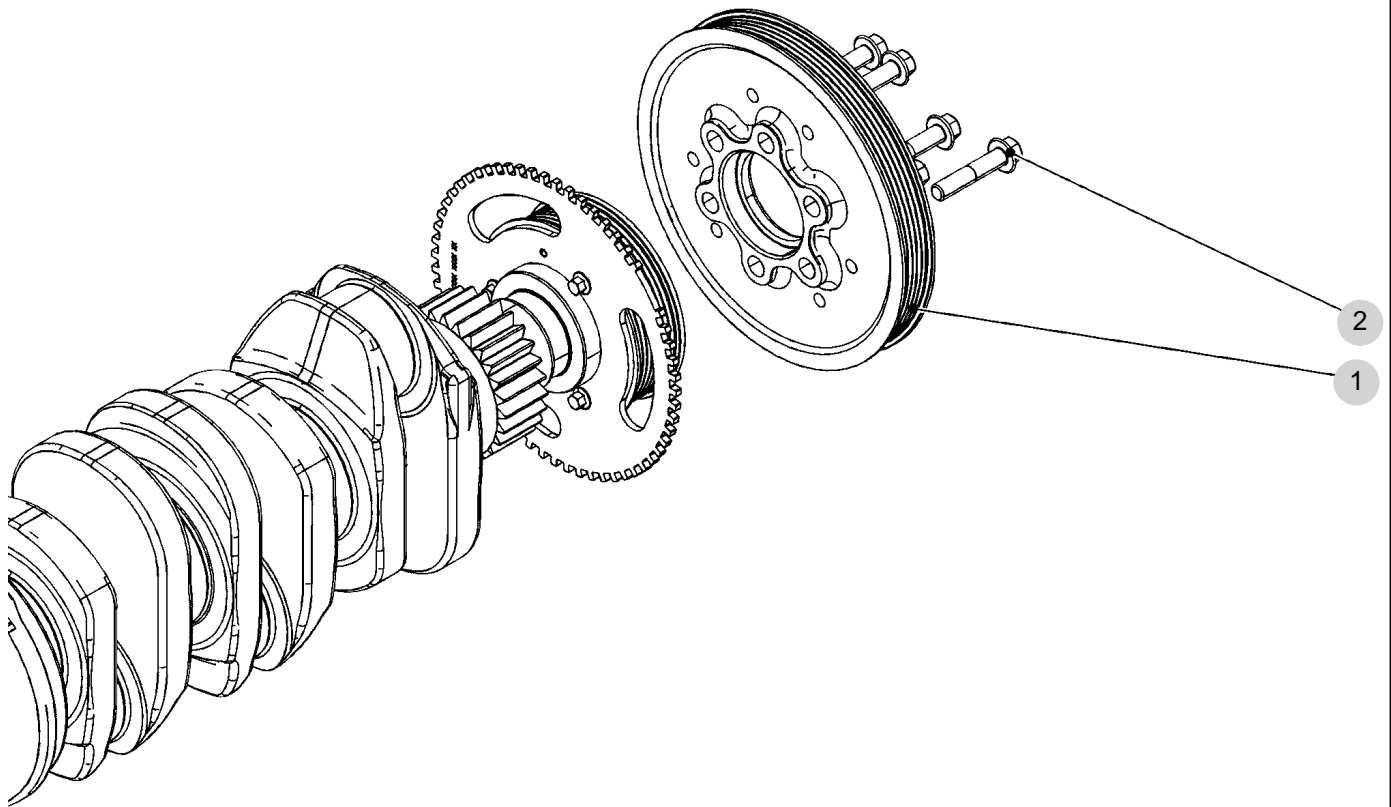
V-RIB.BELT PULLEY

년/월
Year/Month

2024-03

T115SPUS1

000



NOTE

FIG 012

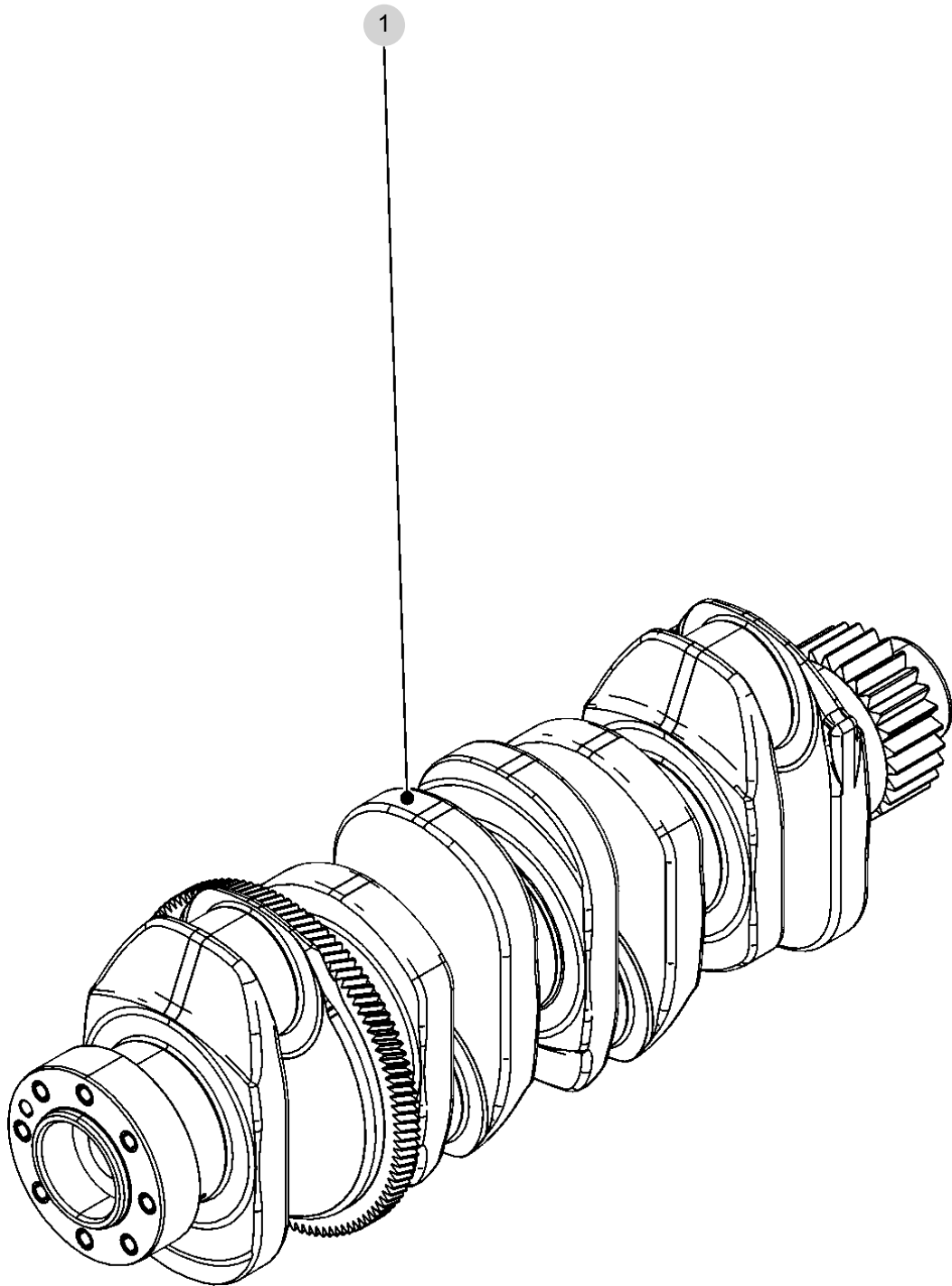
CRANKSHAFT

년/월
Year/Month

2024-03

T115SPUS1

000



NOTE

FIG 013

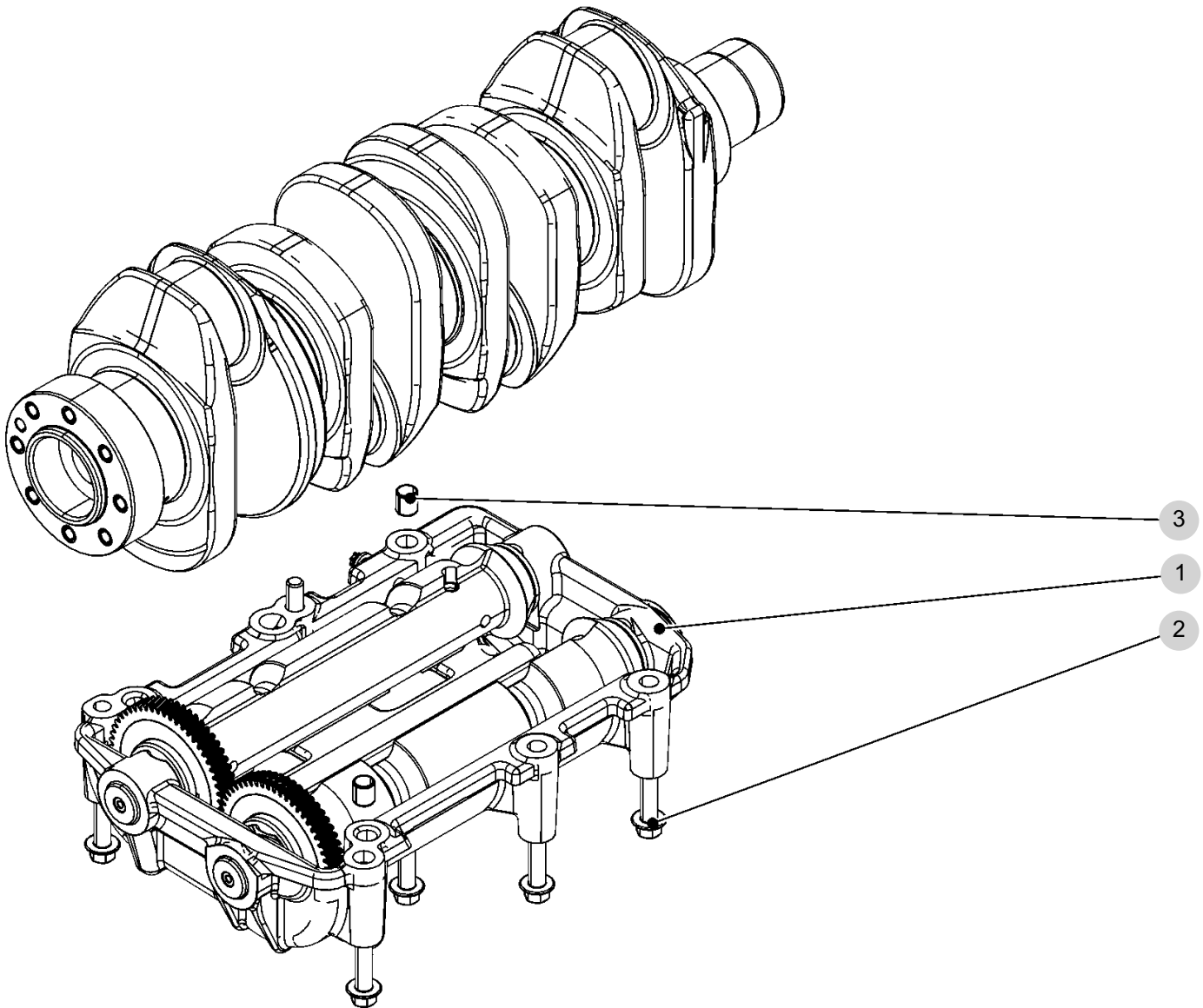
DYNAMIC BALANCER

년/월
Year/Month

2024-03

T115SPUS1

000



NOTE

FIG 014

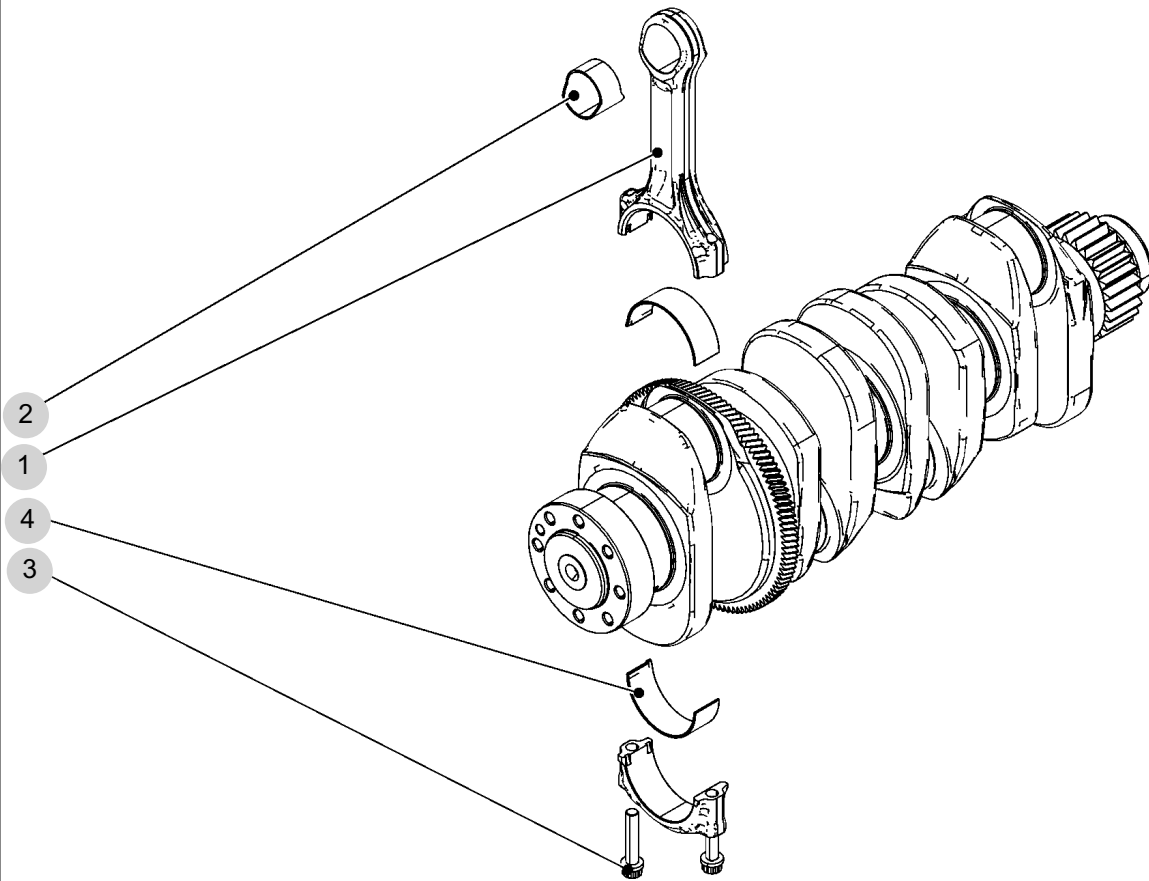
T115SPUS1

CONNECTING ROD

년/월
Year/Month

2024-03

000



NOTE

FIG 015

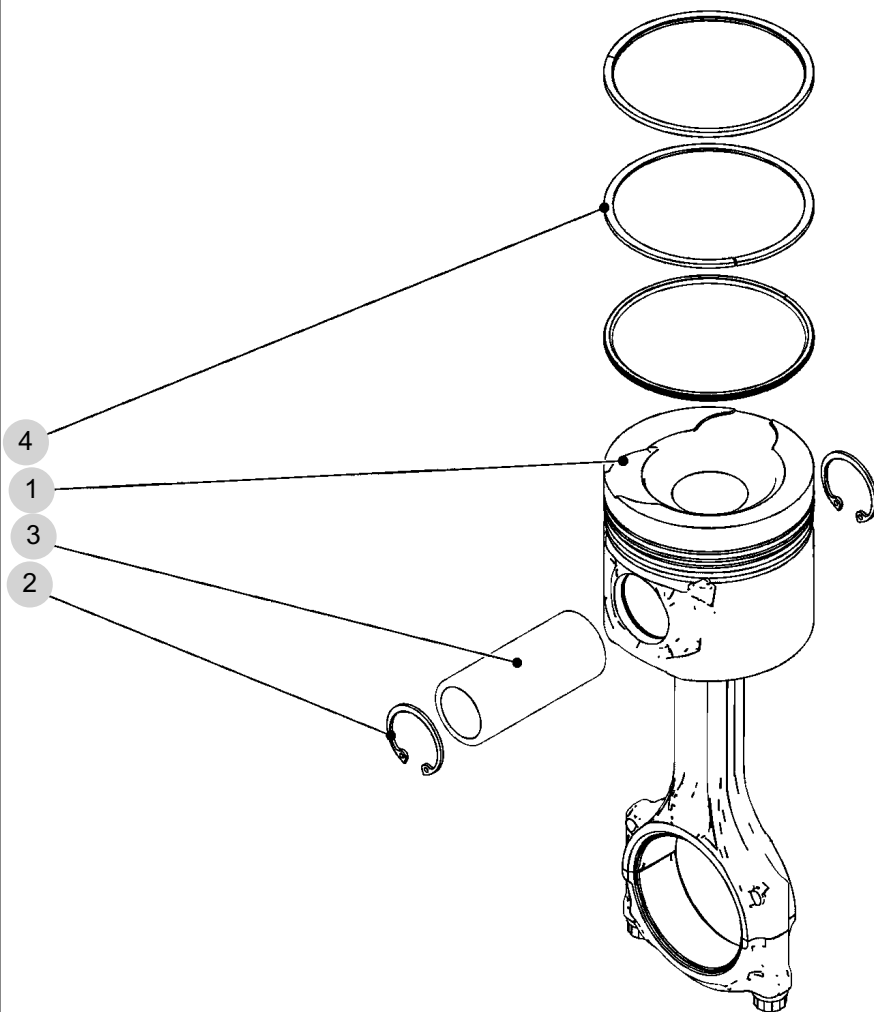
PISTON

년/월
Year/Month

2024-03

T115SPUS1

000



NOTE

FIG 016

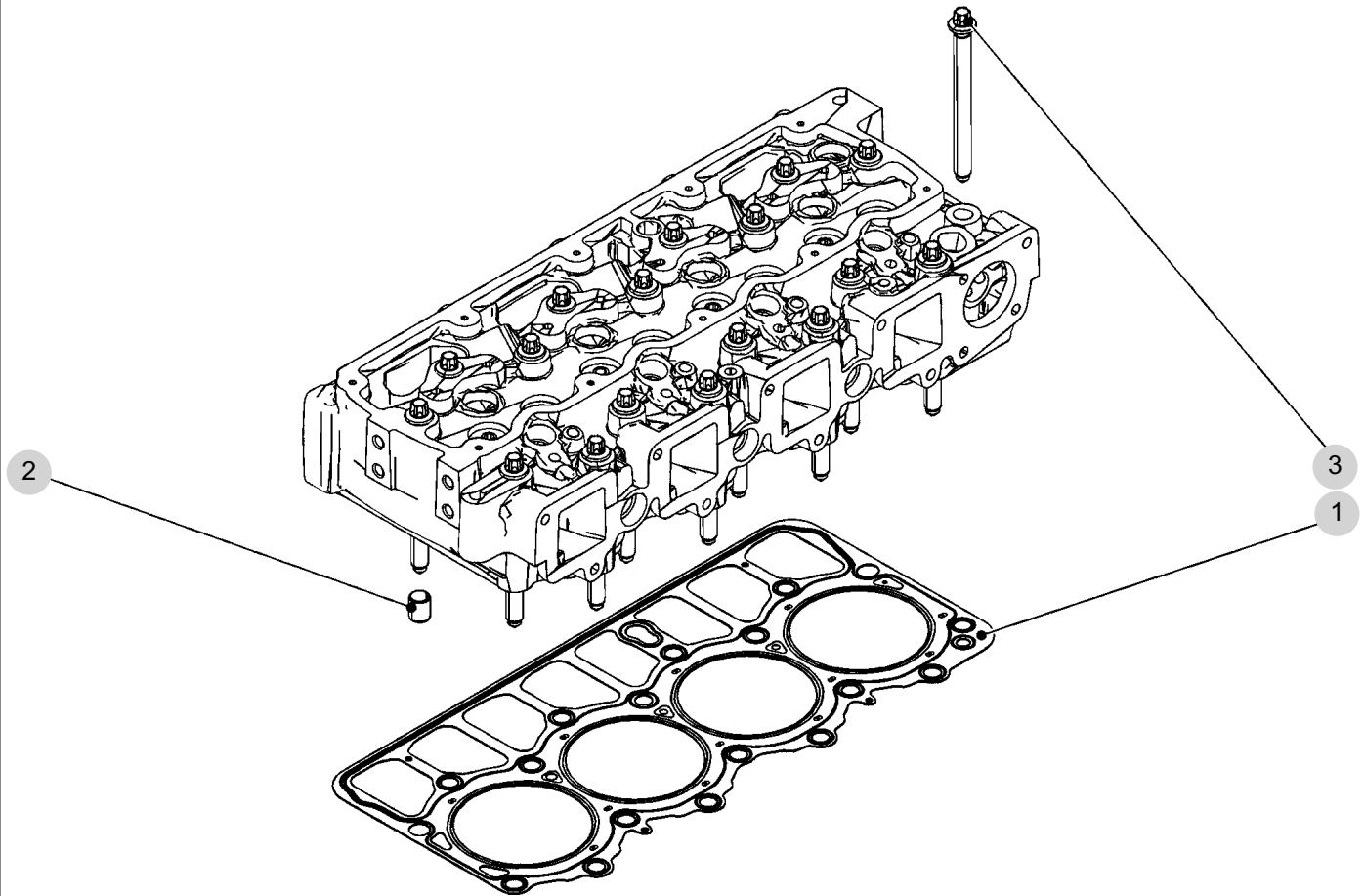
FASTENINGS

년/월
Year/Month

T115SPUS1

2024-03

001



NOTE

FIG 017

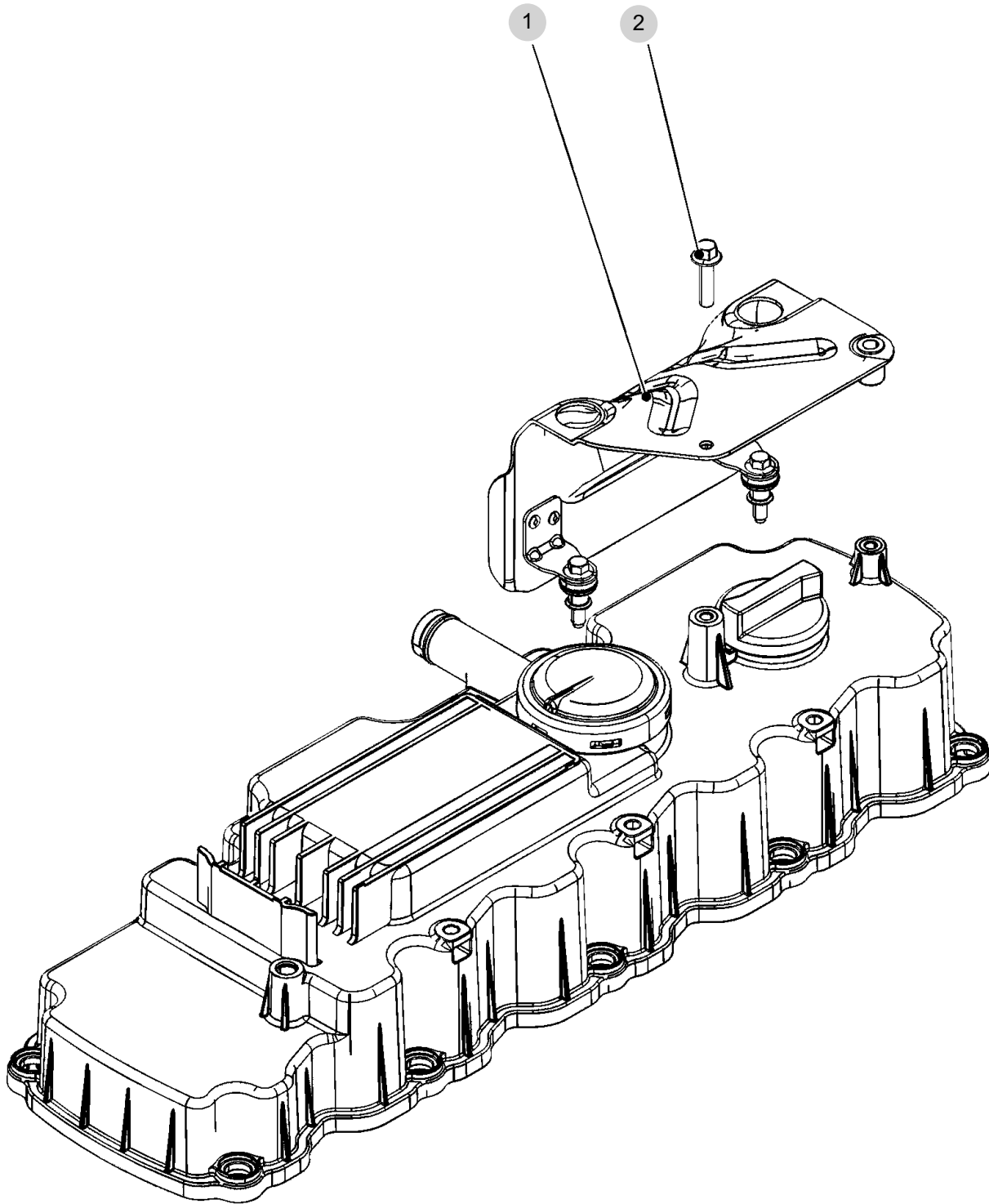
HEAT PROT. SHIELD

년/월
Year/Month

2024-03

T115SPUS1

000



NOTE

FIG 018

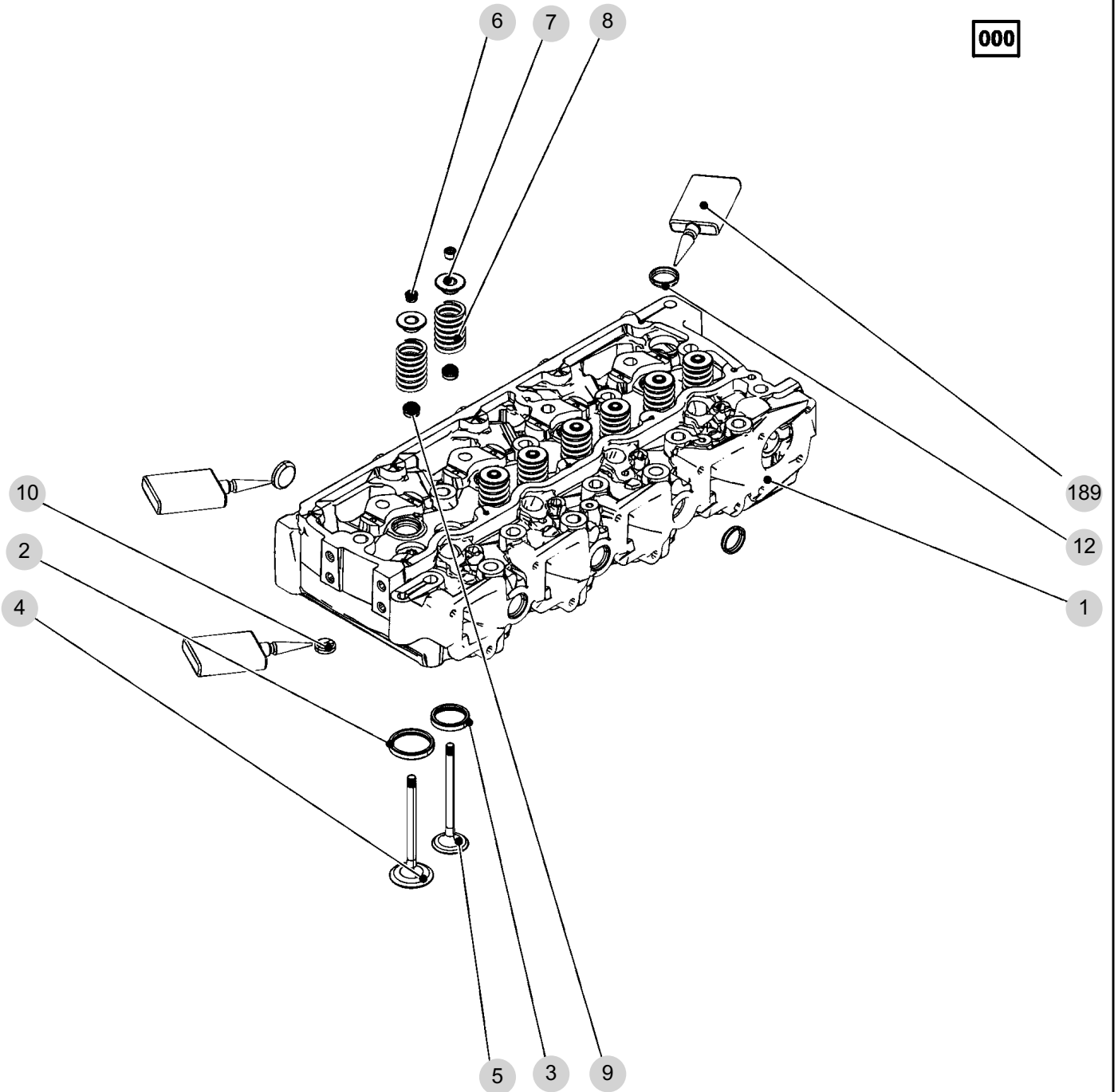
CYLINDER HEAD

년/월
Year/Month

2024-03

T115SPUS1

000



NOTE

FIG 019

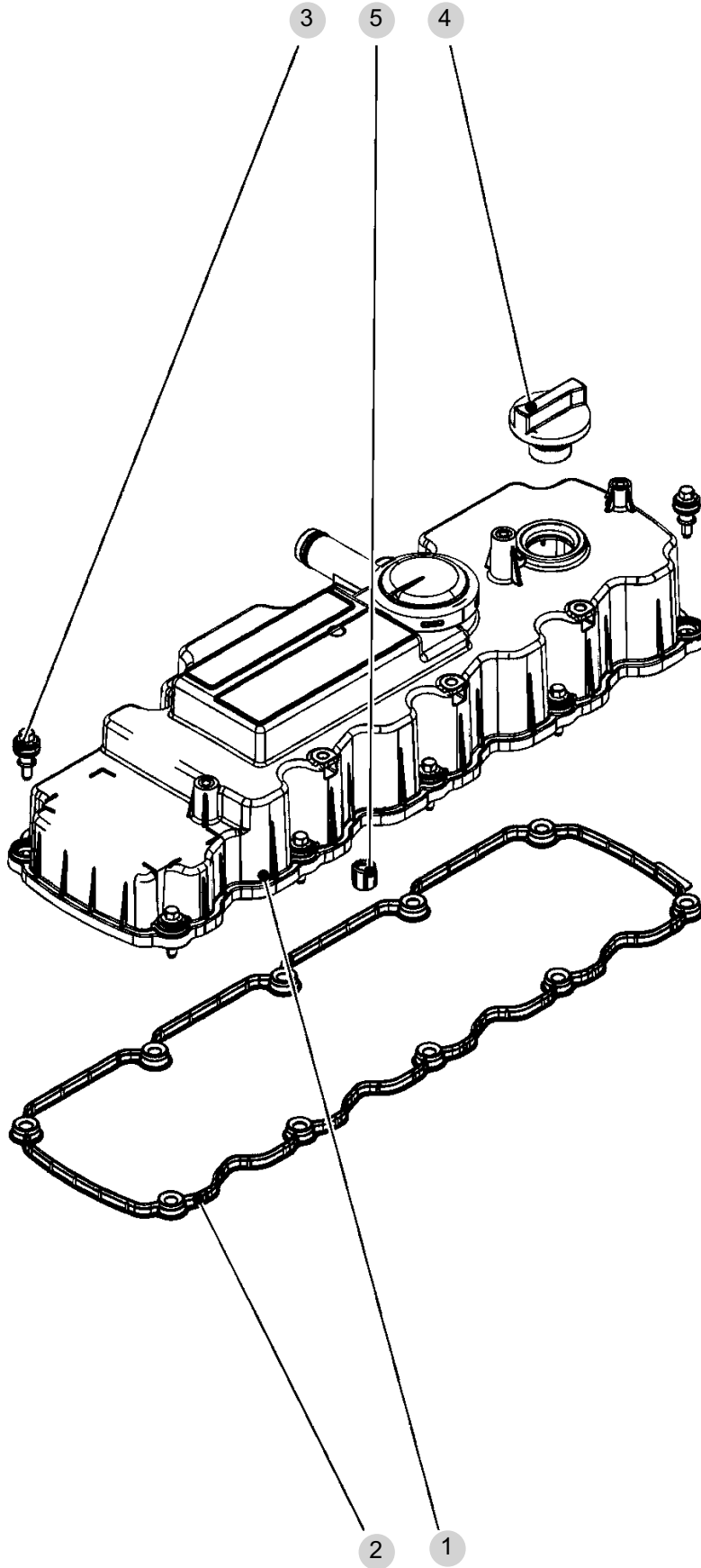
VALVE MECHAN.COVER

년/월
Year/Month

2024-03

T115SPUS1

000



NOTE

FIG 020

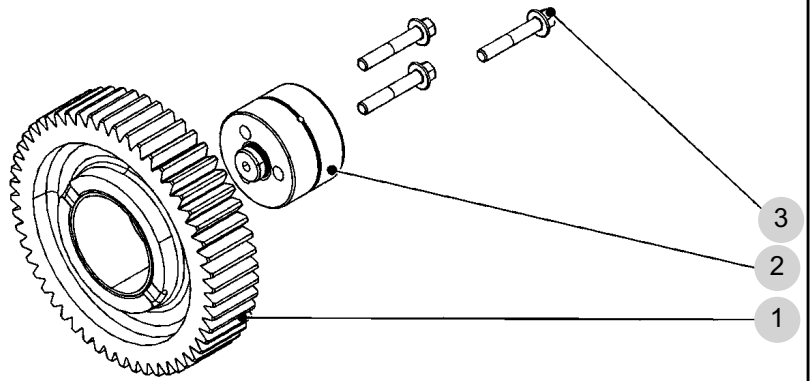
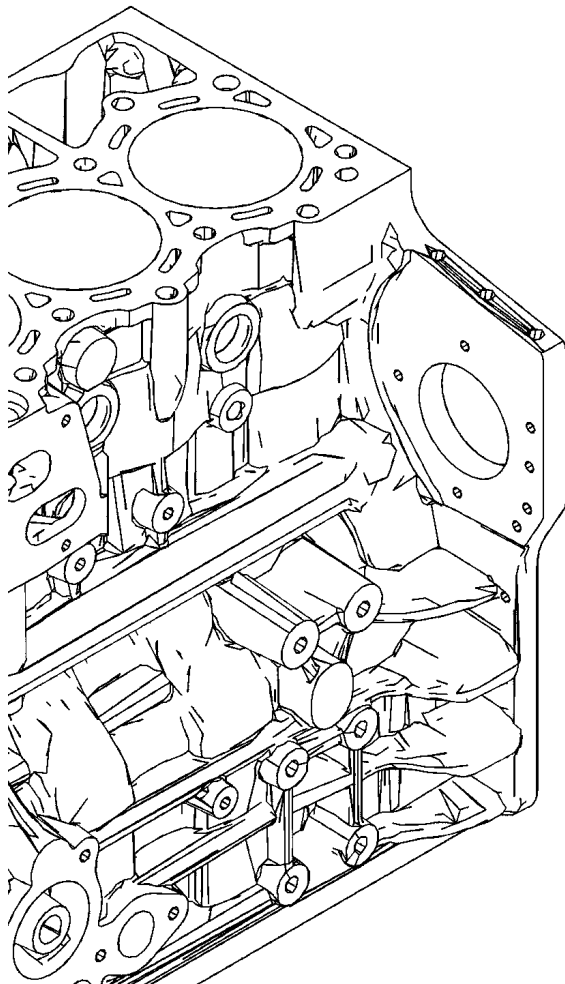
IDLER GEAR

년/월
Year/Month

2024-03

T115SPUS1

001



NOTE

FIG 021

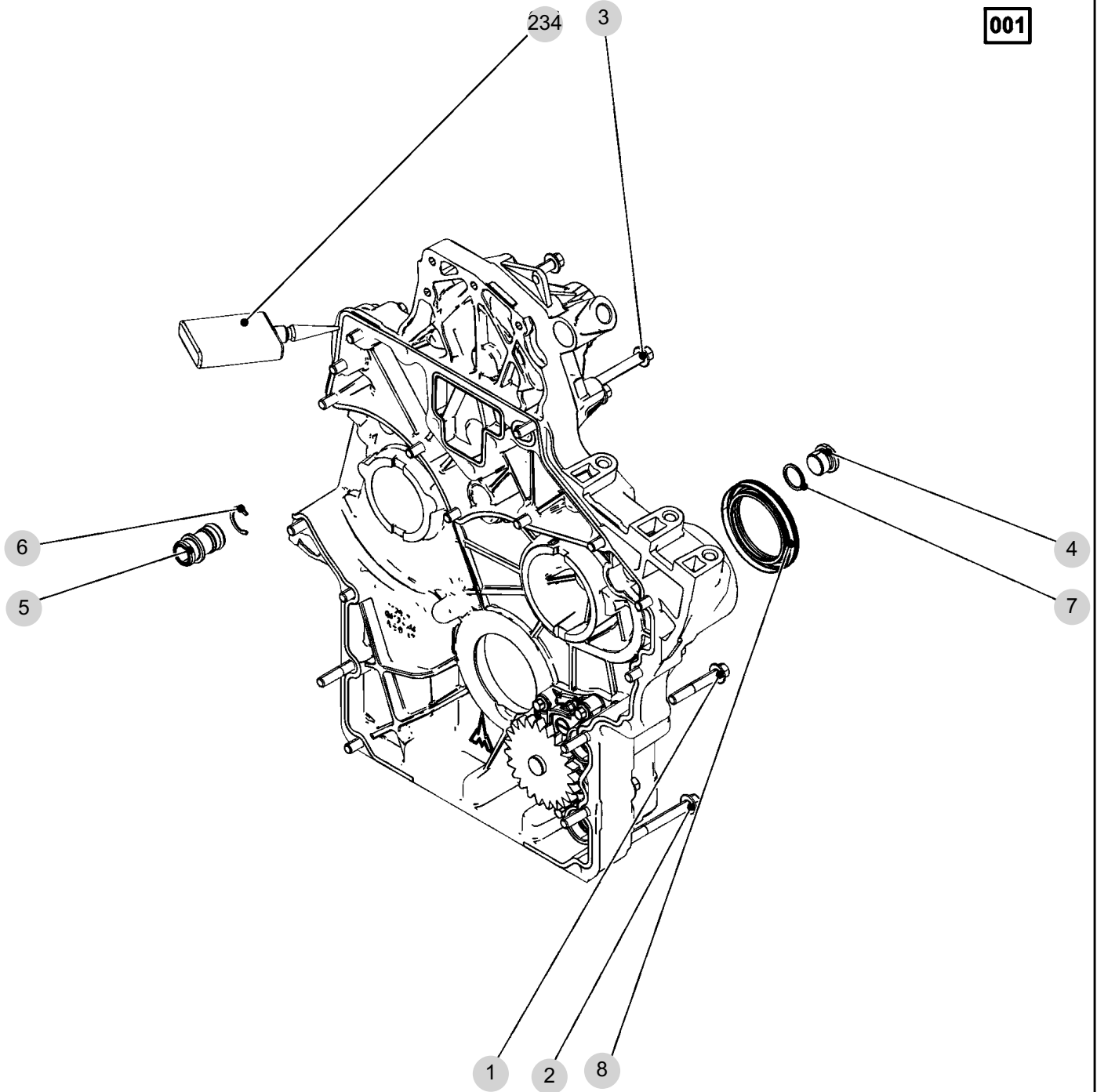
T115SPUS1

FASTENINGS

년/월
Year/Month

2024-03

001



NOTE

FIG 022

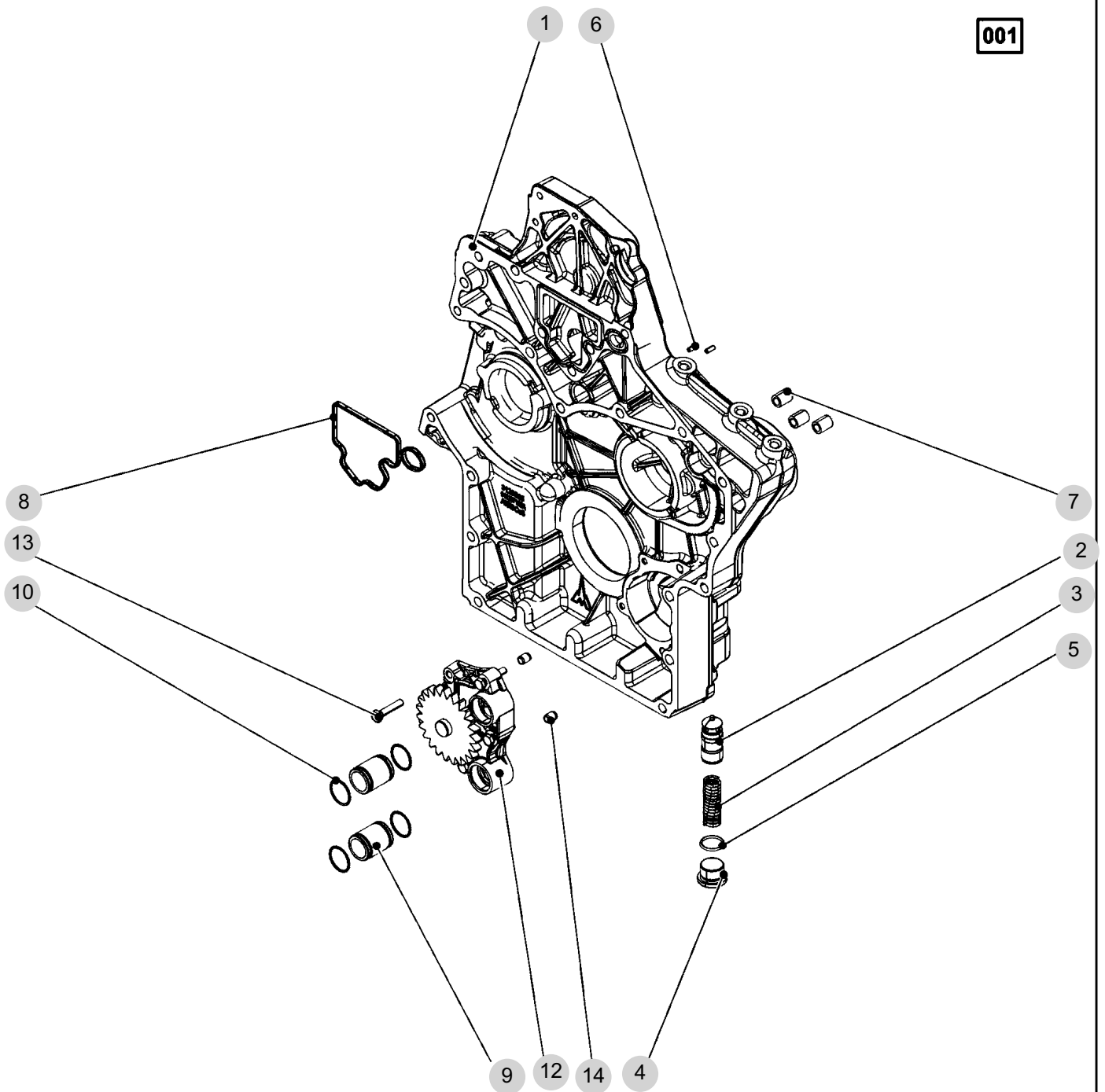
GEARCASE

년/월
Year/Month

2024-03

T115SPUS1

001



NOTE

FIG 023

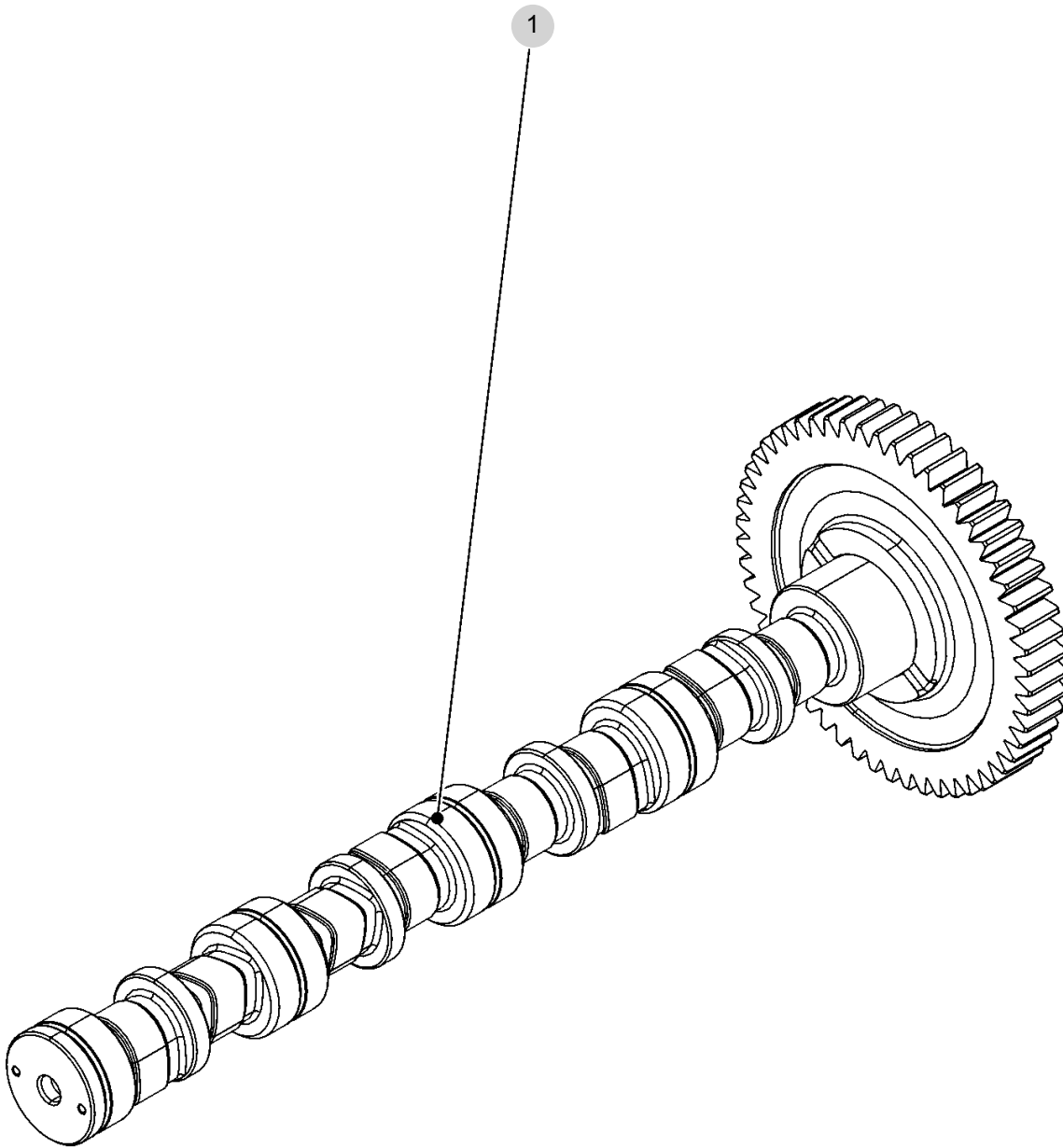
CAMSHAFT

년/월
Year/Month

2024-03

T115SPUS1

000



NOTE

FIG 024

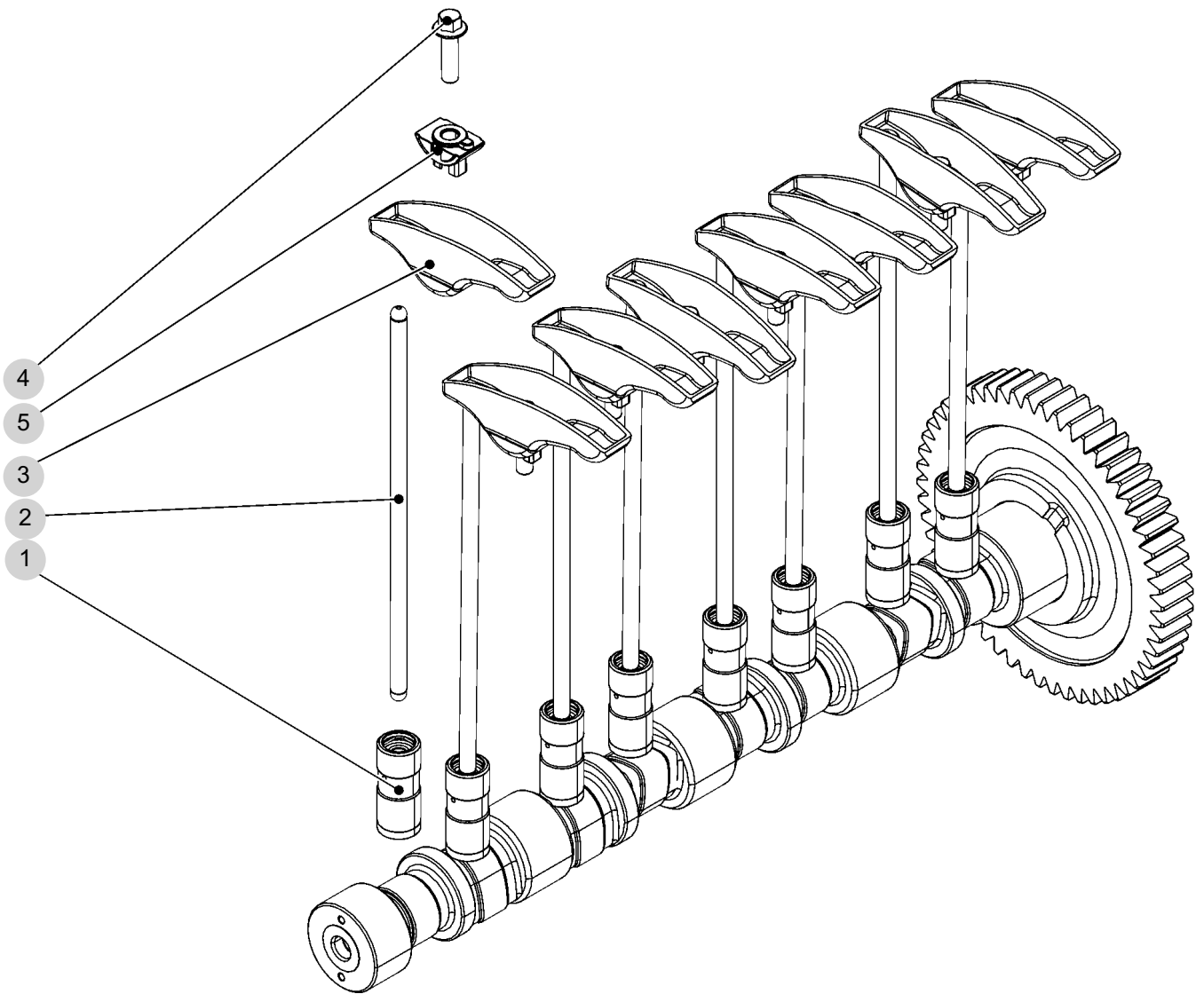
VALVE DRIVE

년/월
Year/Month

2024-03

T115SPUS1

000



NOTE

FIG 025

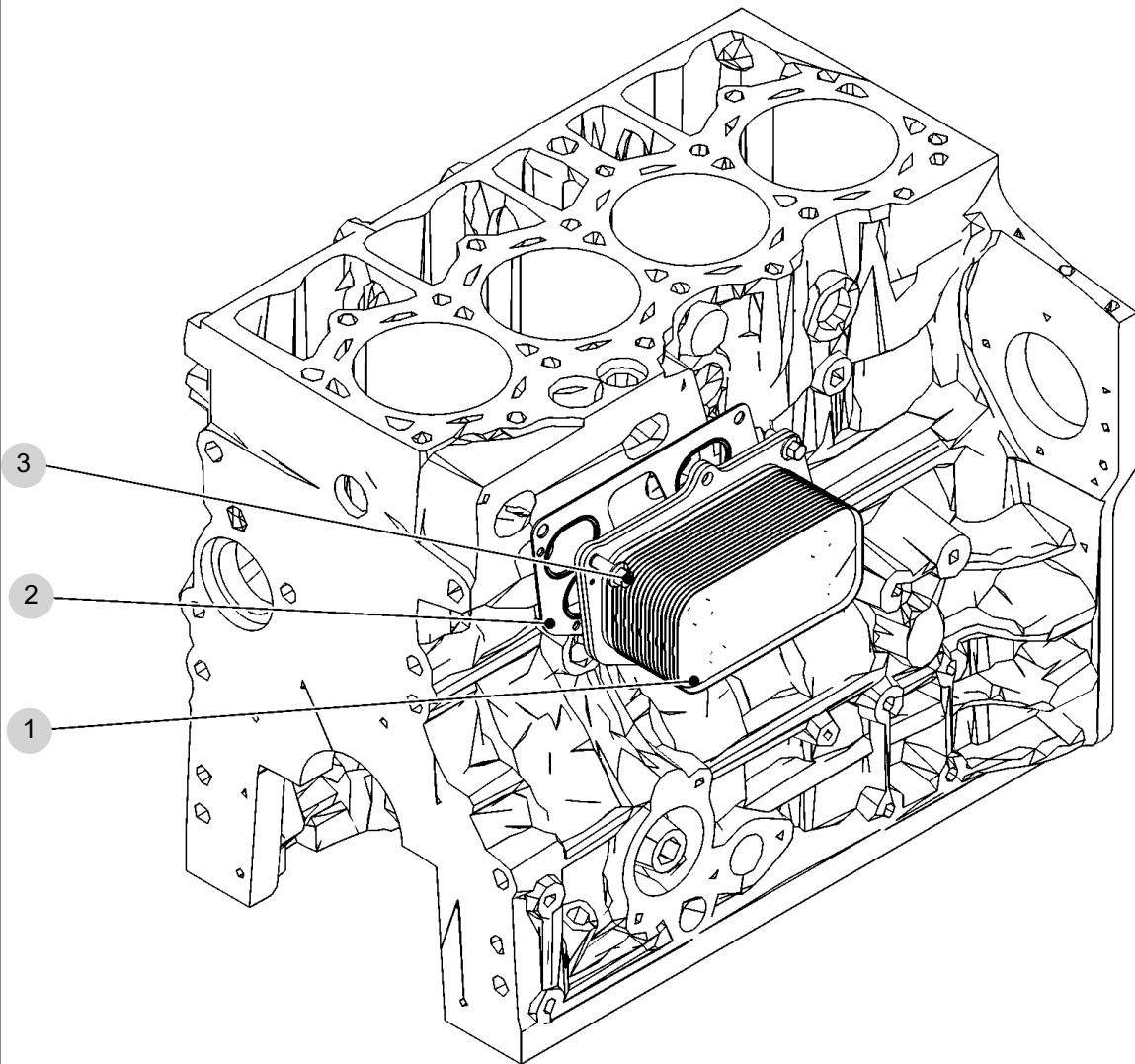
OIL COOLER ASSY

년/월
Year/Month

2024-03

T115SPUS1

000



NOTE

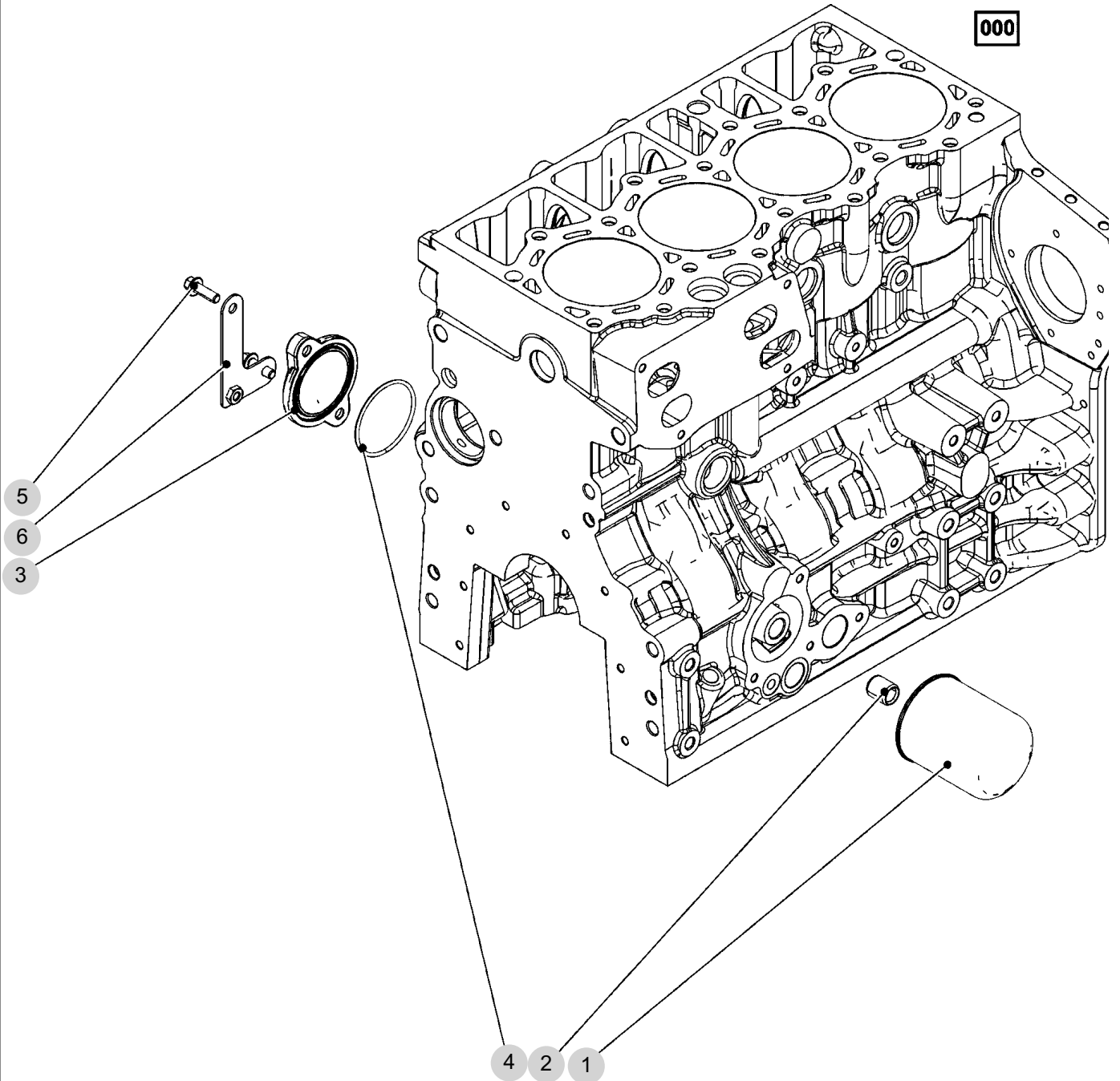
FIG 026

BRACKET

년/월
Year/Month

2024-03

T115SPUS1



NOTE

FIG 027

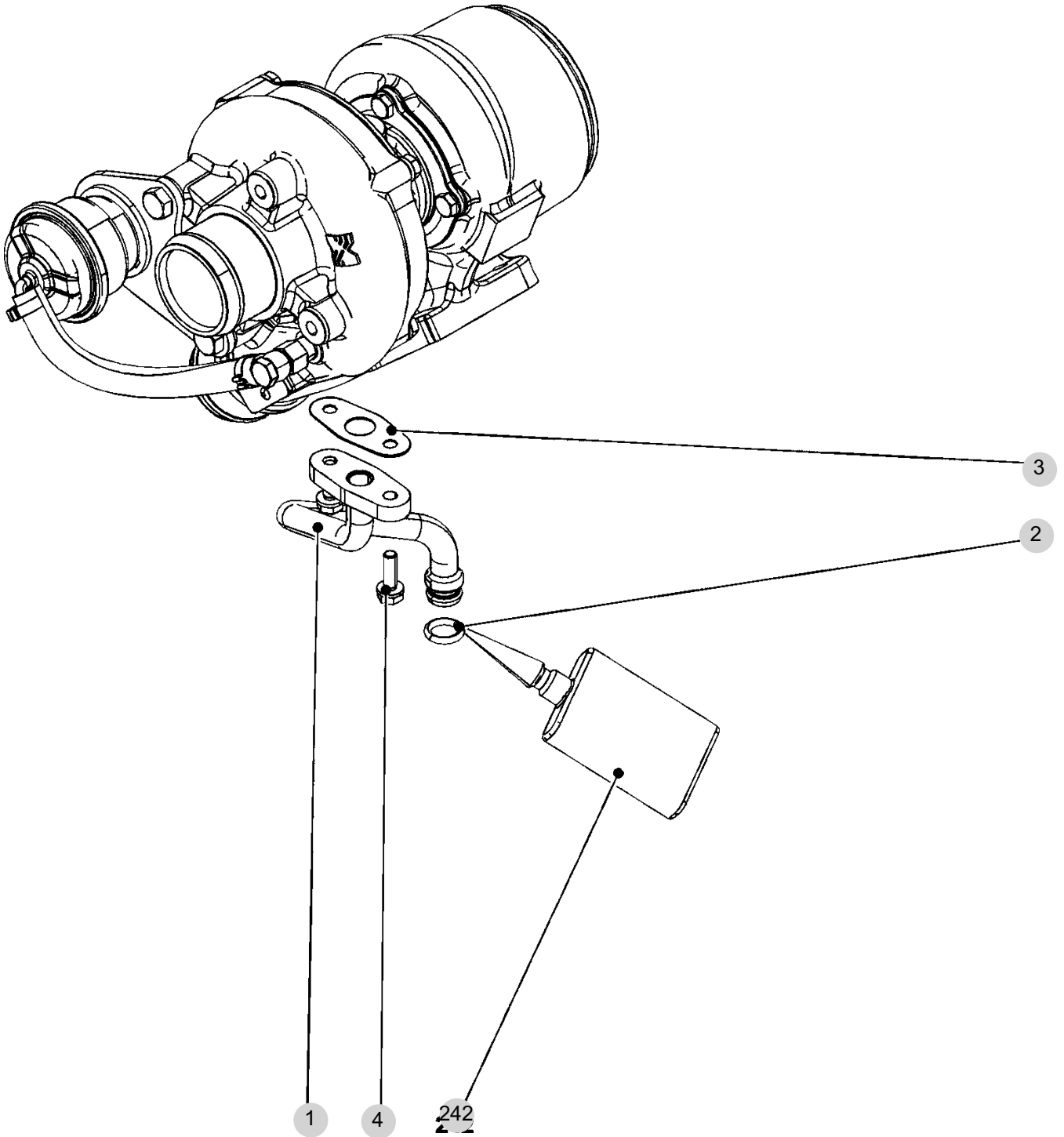
OIL RETURN LINE

년/월
Year/Month

2024-03

T115SPUS1

000



NOTE

FIG 028

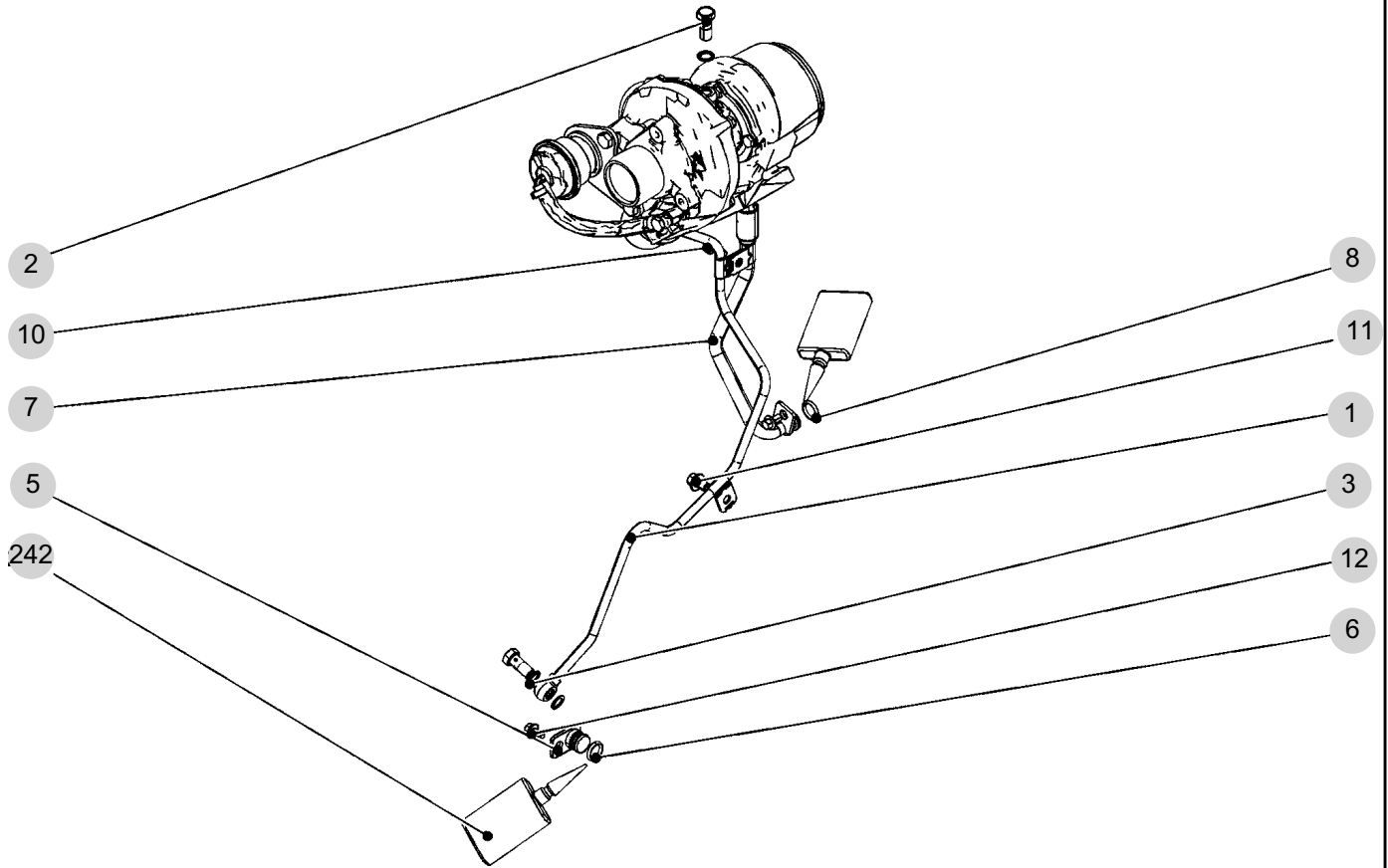
LUBRICAT. OIL LINE

년/월
Year/Month

T115SPUS1

2024-03

001



NOTE

FIG 029

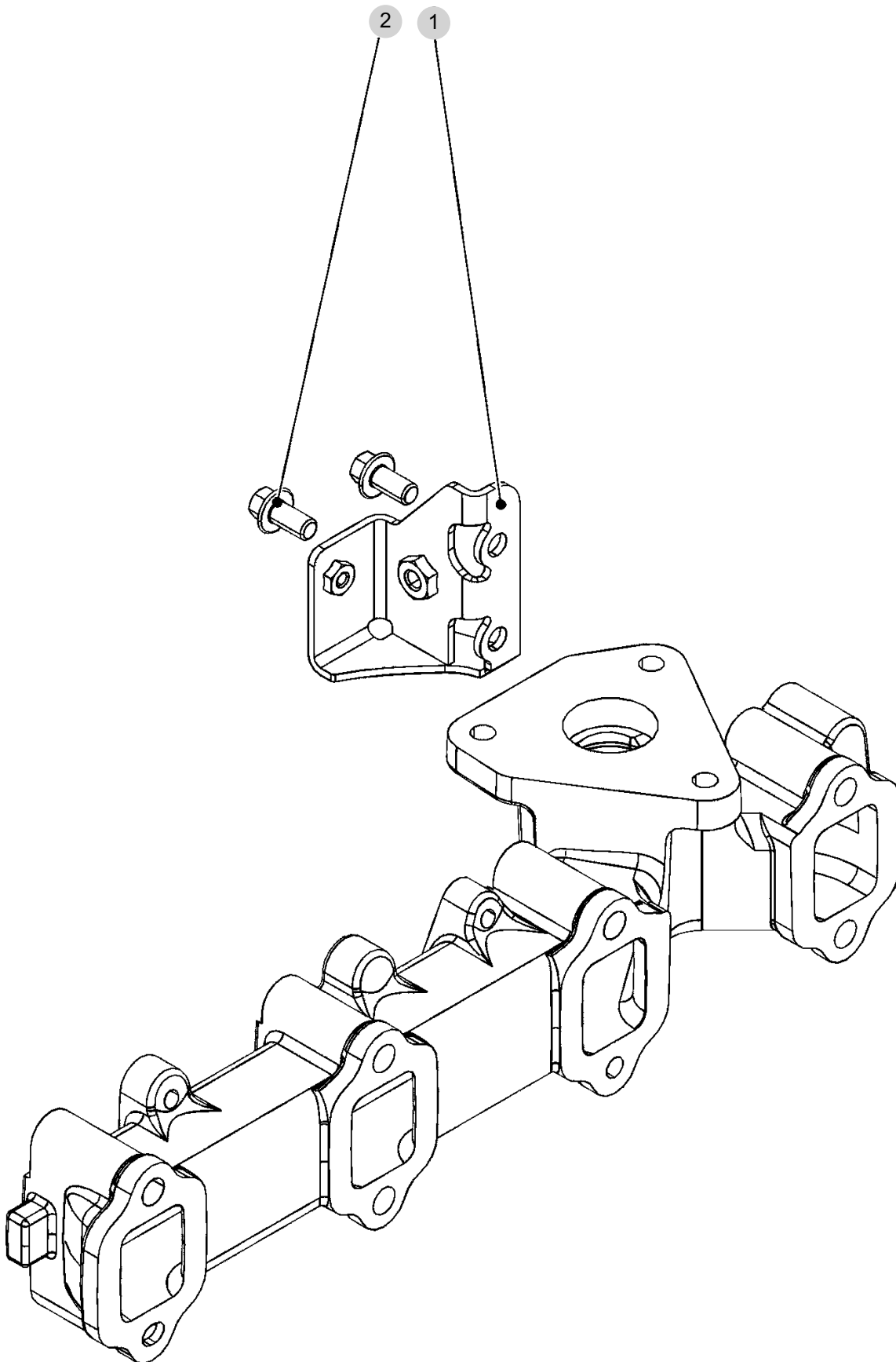
BRACKET

년/월
Year/Month

2024-03

T115SPUS1

000



NOTE

FIG 030

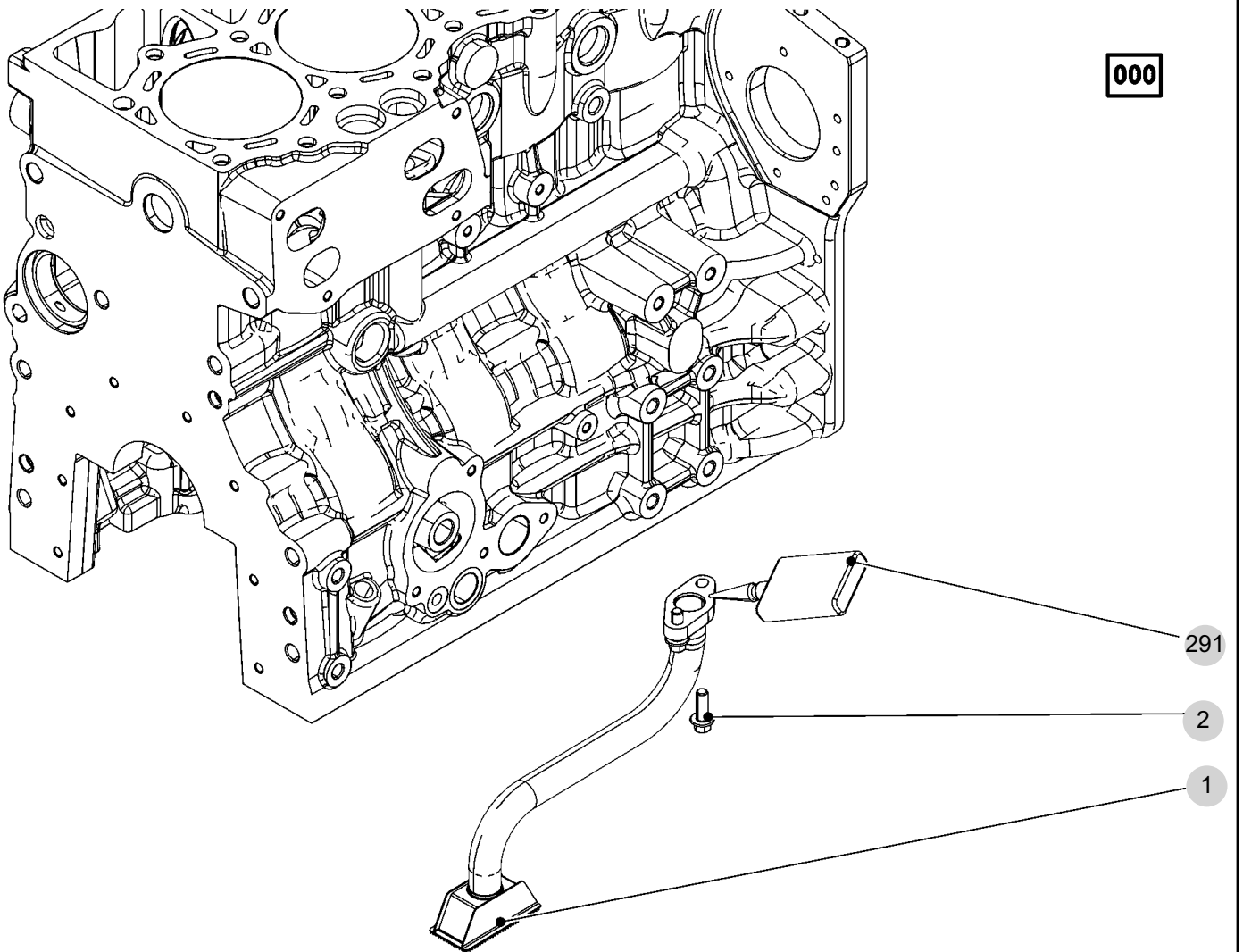
OIL SUCTION LINE

년/월
Year/Month

2024-03

T115SPUS1

000



NOTE

FIG 031

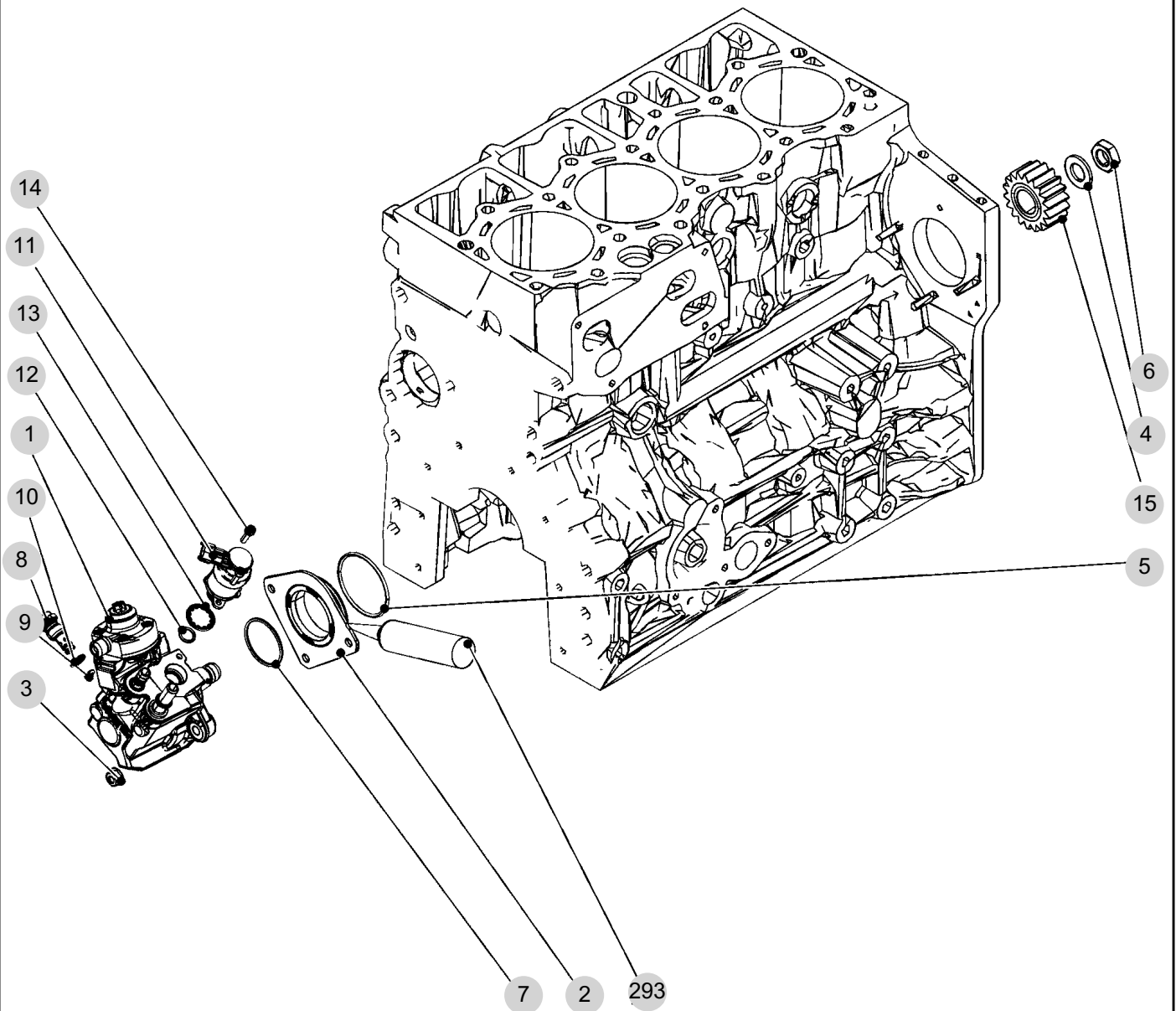
FUEL INJECT. PUMP

년/월
Year/Month

2024-03

T115SPUS1

000



NOTE

FIG 032

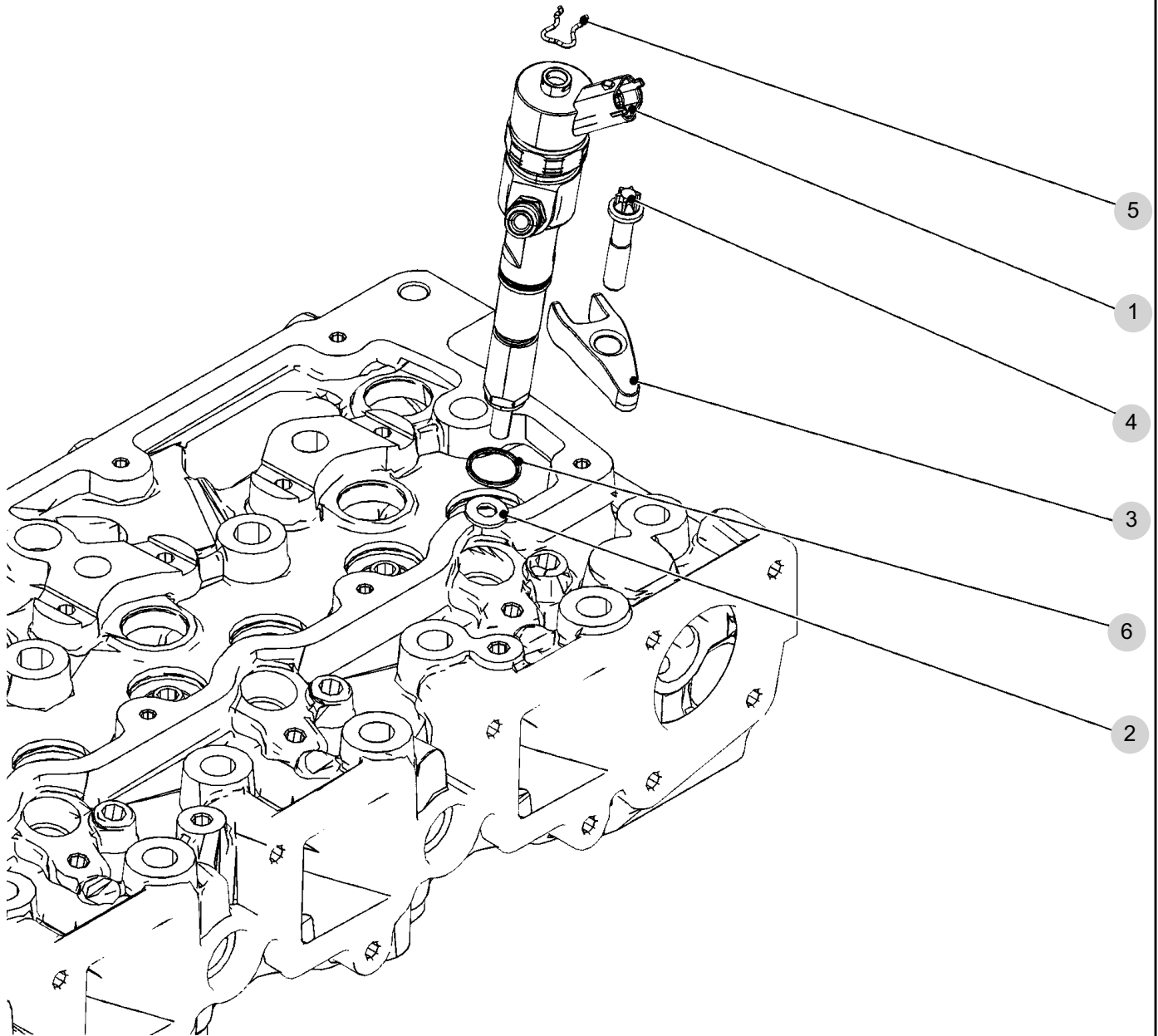
FUEL INJECTOR

년/월
Year/Month

2024-03

T115SPUS1

002



NOTE

FIG 033

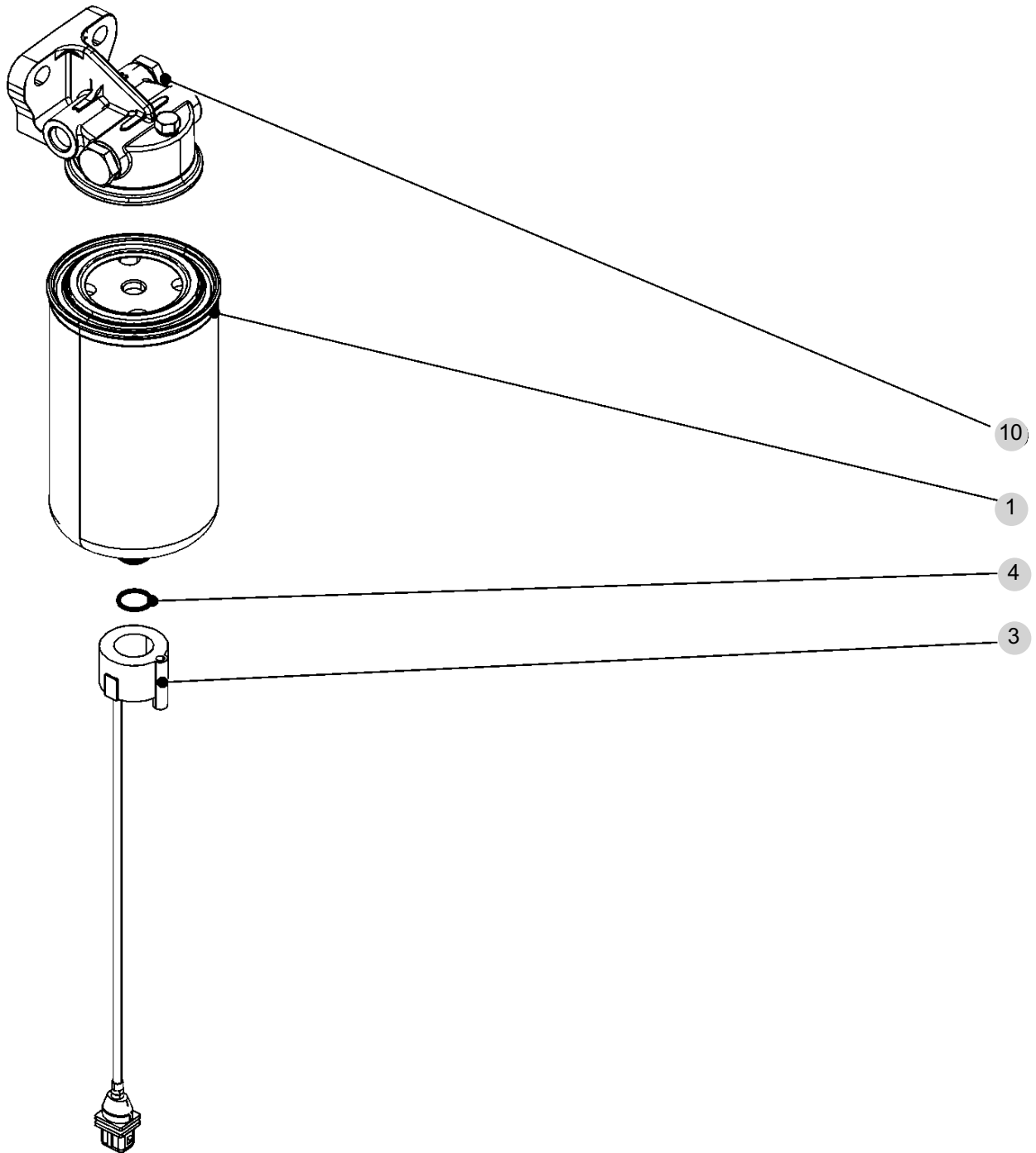
FUEL PREFILTER

년/월
Year/Month

2024-03

T115SPUS1

001



NOTE

FIG 034

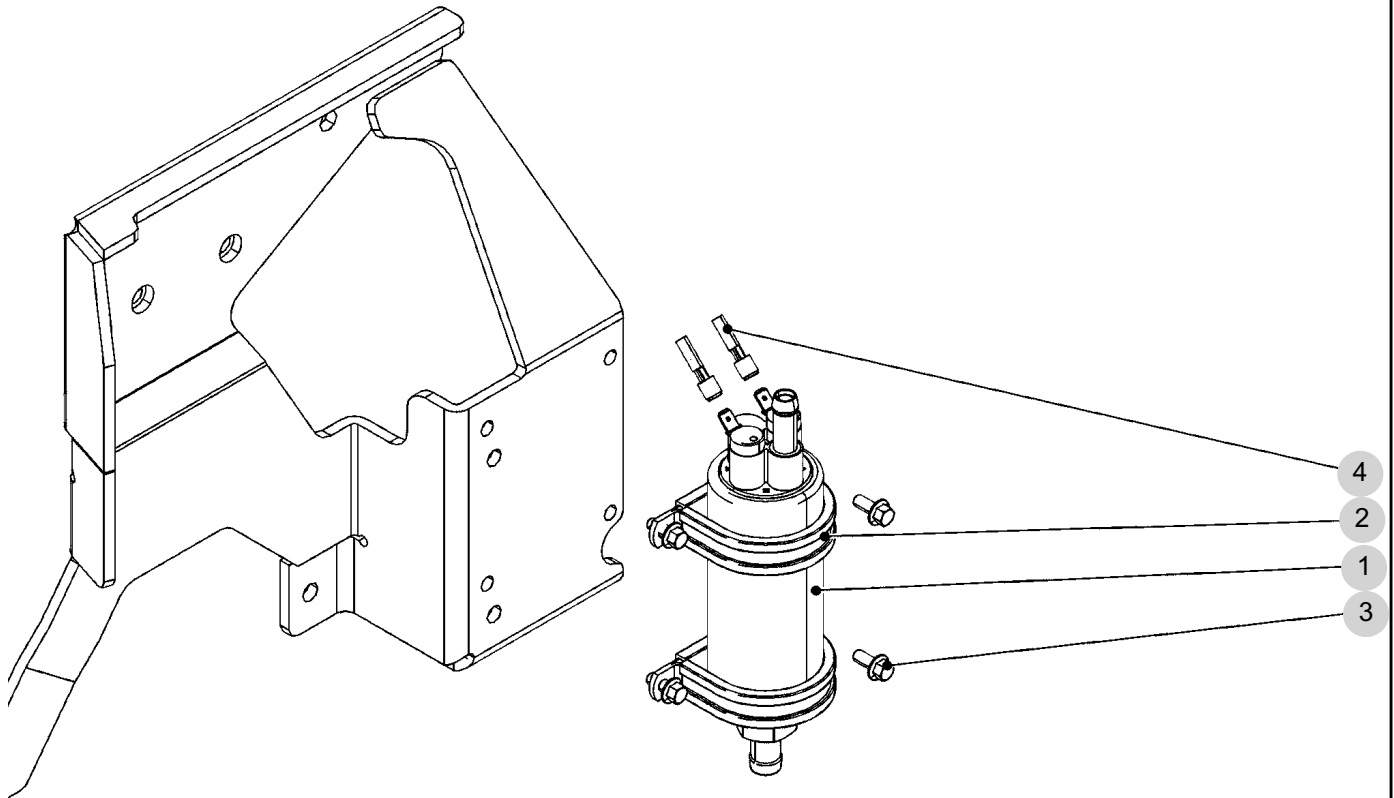
FUEL SUPPLY PUMP

년/월
Year/Month

2024-03

T115SPUS1

002



NOTE

FIG 035

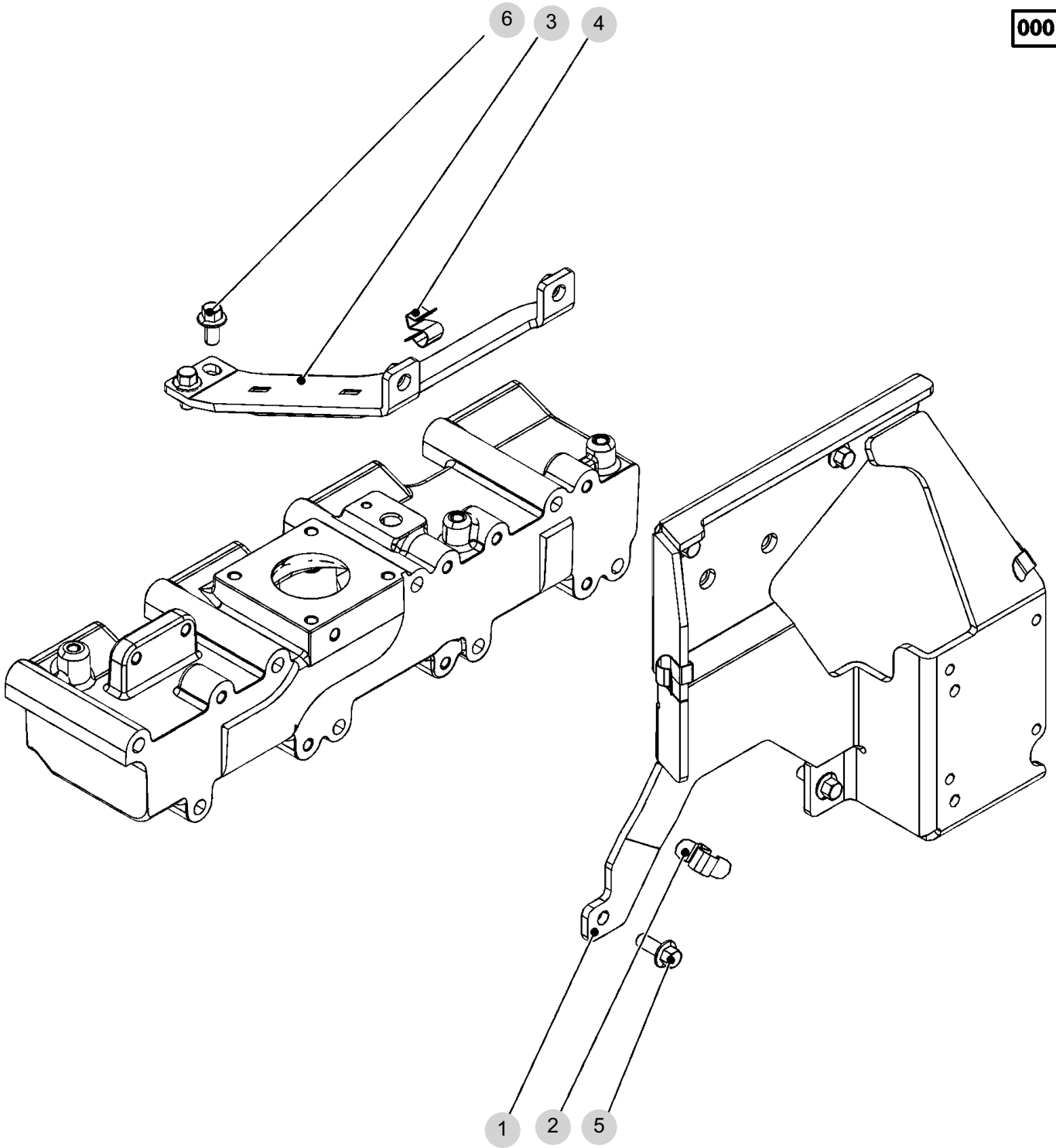
BRACKET

년/월
Year/Month

2024-03

T115SPUS1

000



NOTE

FIG 037

QUICK-CLUTCH/COUP.

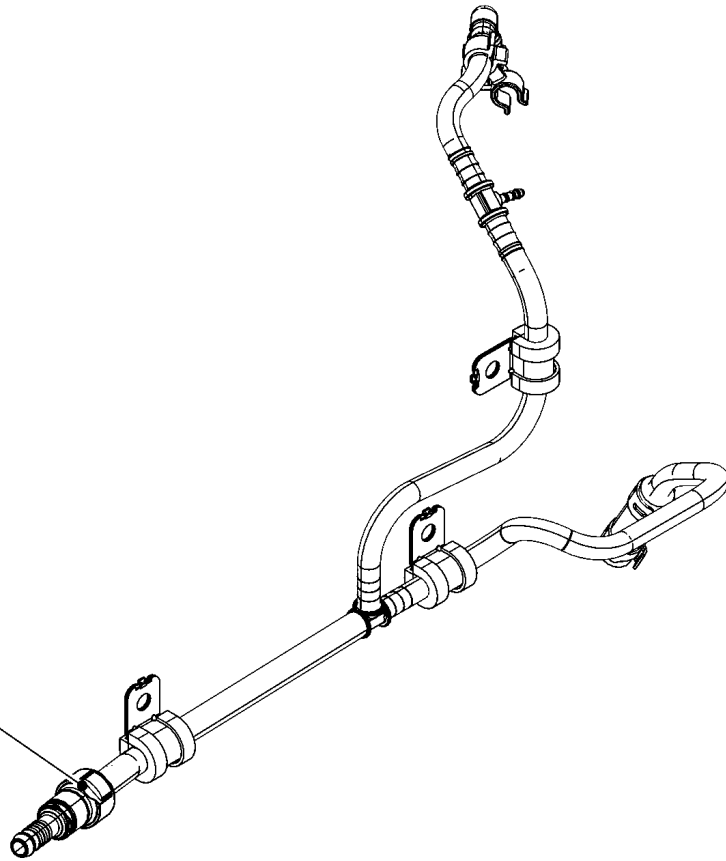
년/월
Year/Month

T115SPUS1

2024-03

000

1



NOTE

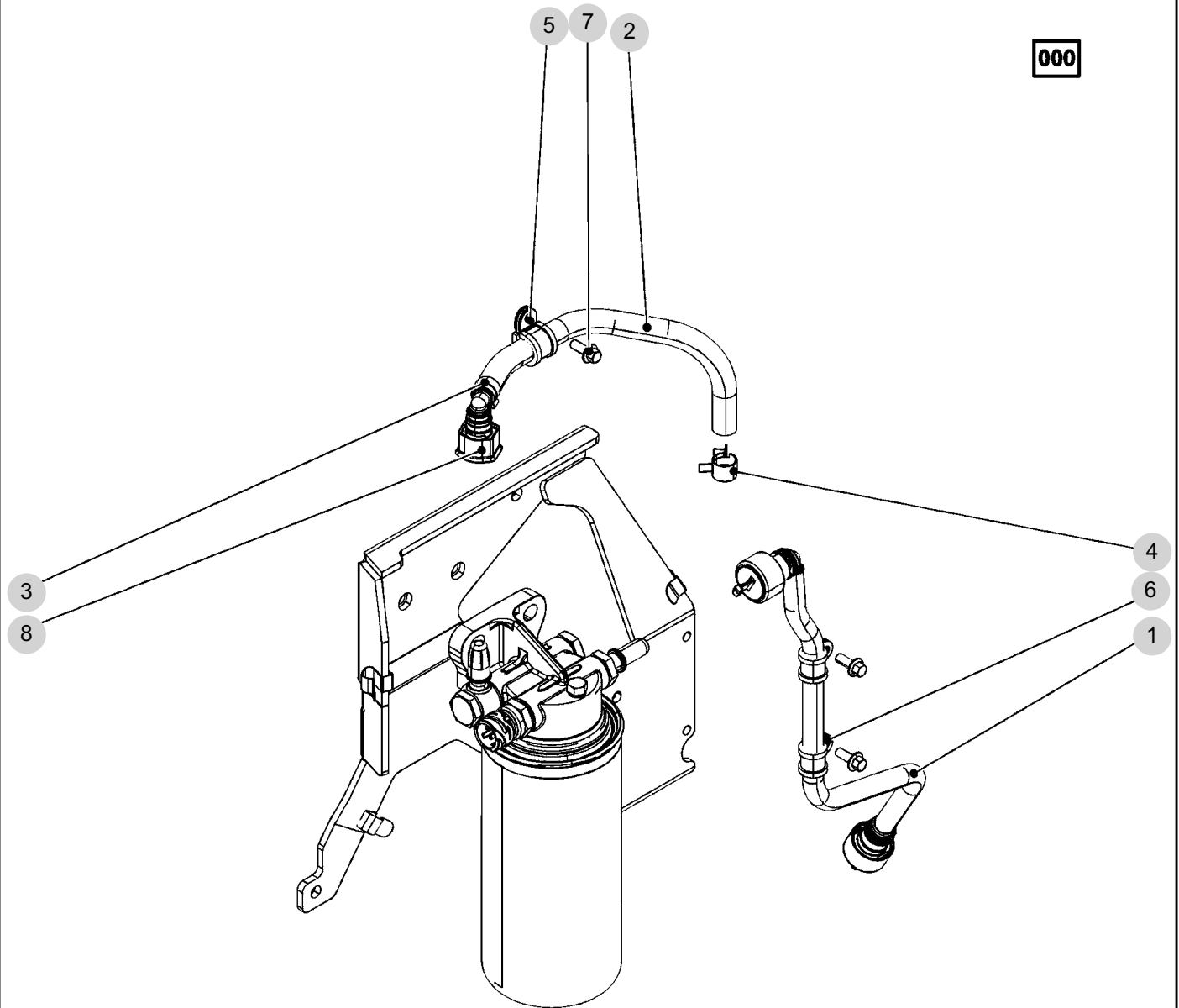
FIG 038

T115SPUS1

FUEL LINE

년/월
Year/Month

2024-03



NOTE

FIG 039

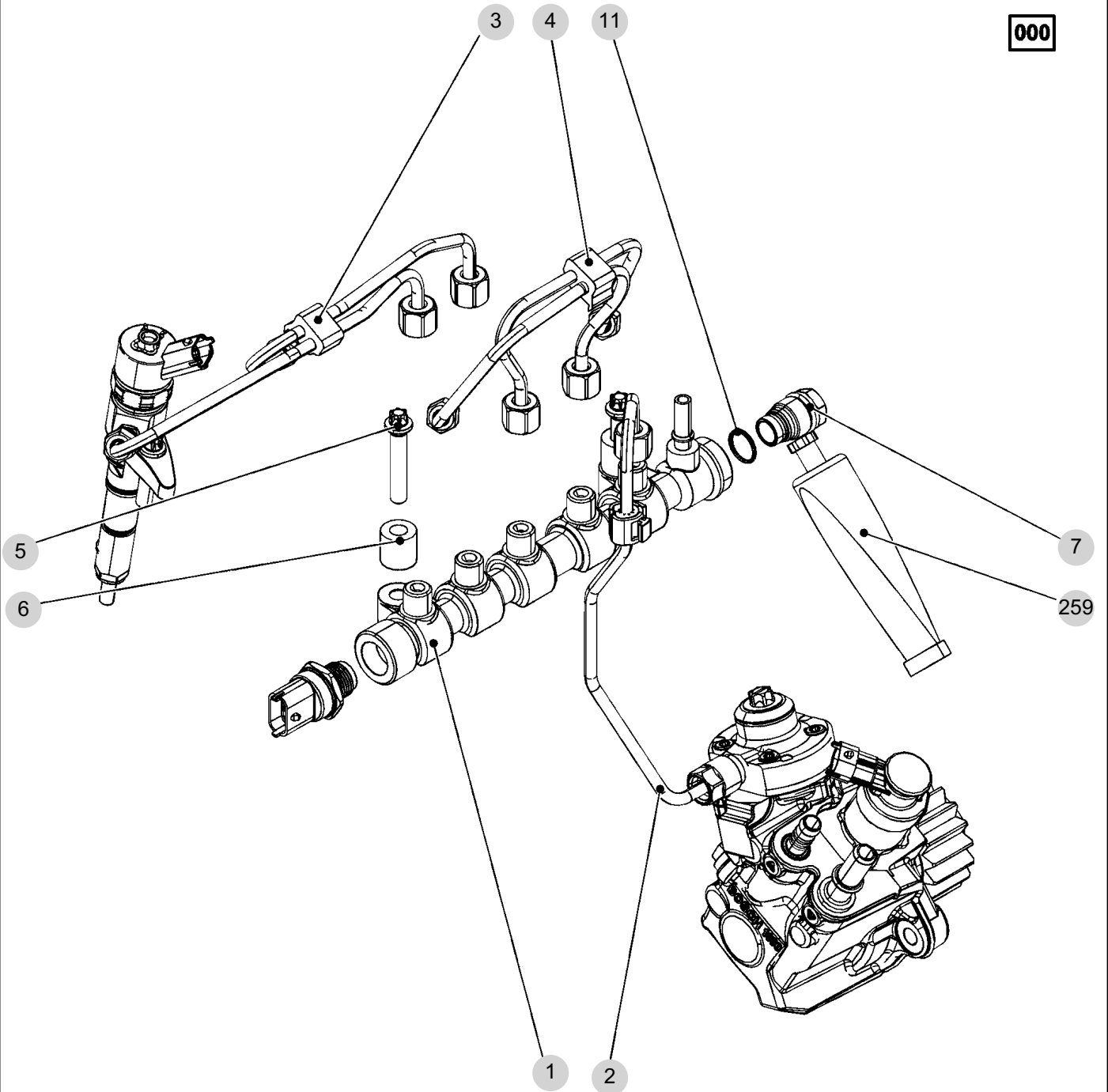
T115SPUS1

RAIL

년/월
Year/Month

2024-03

000



NOTE

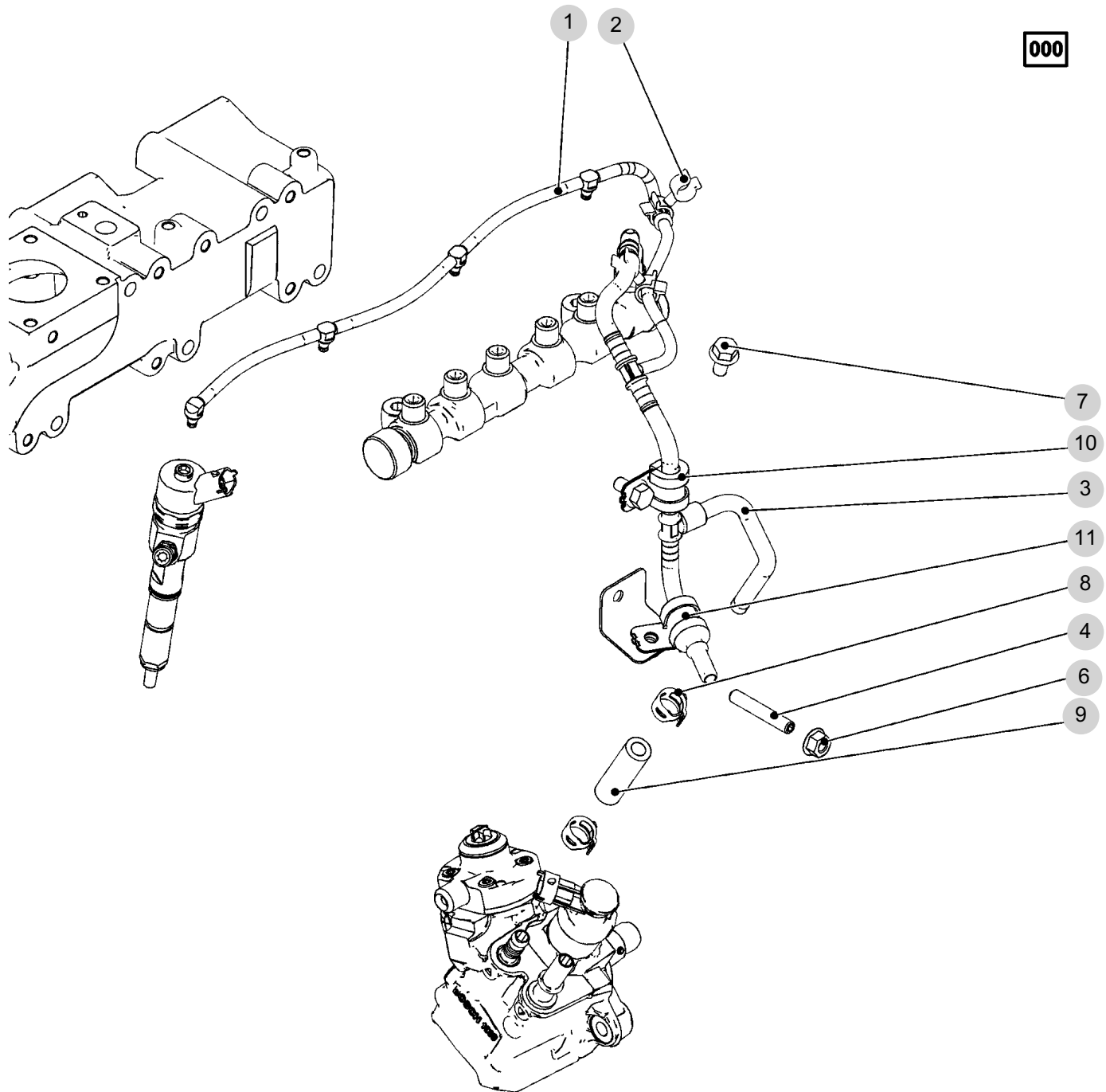
FIG 040

T115SPUS1

FUEL LINE

년/월
Year/Month

2024-03



NOTE

FIG 041

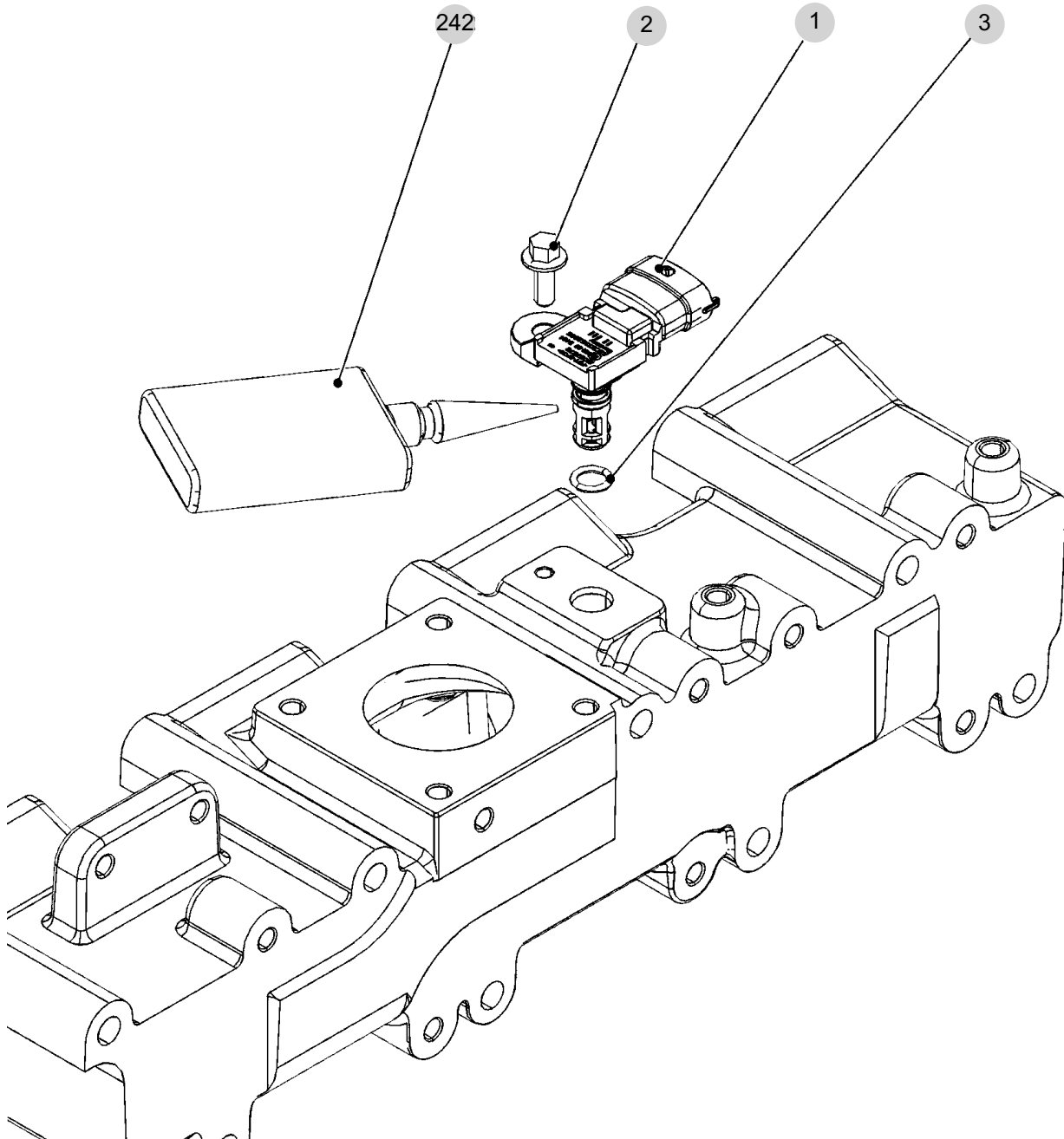
T115SPUS1

SENSOR

년/월
Year/Month

2024-03

001



NOTE

FIG 042

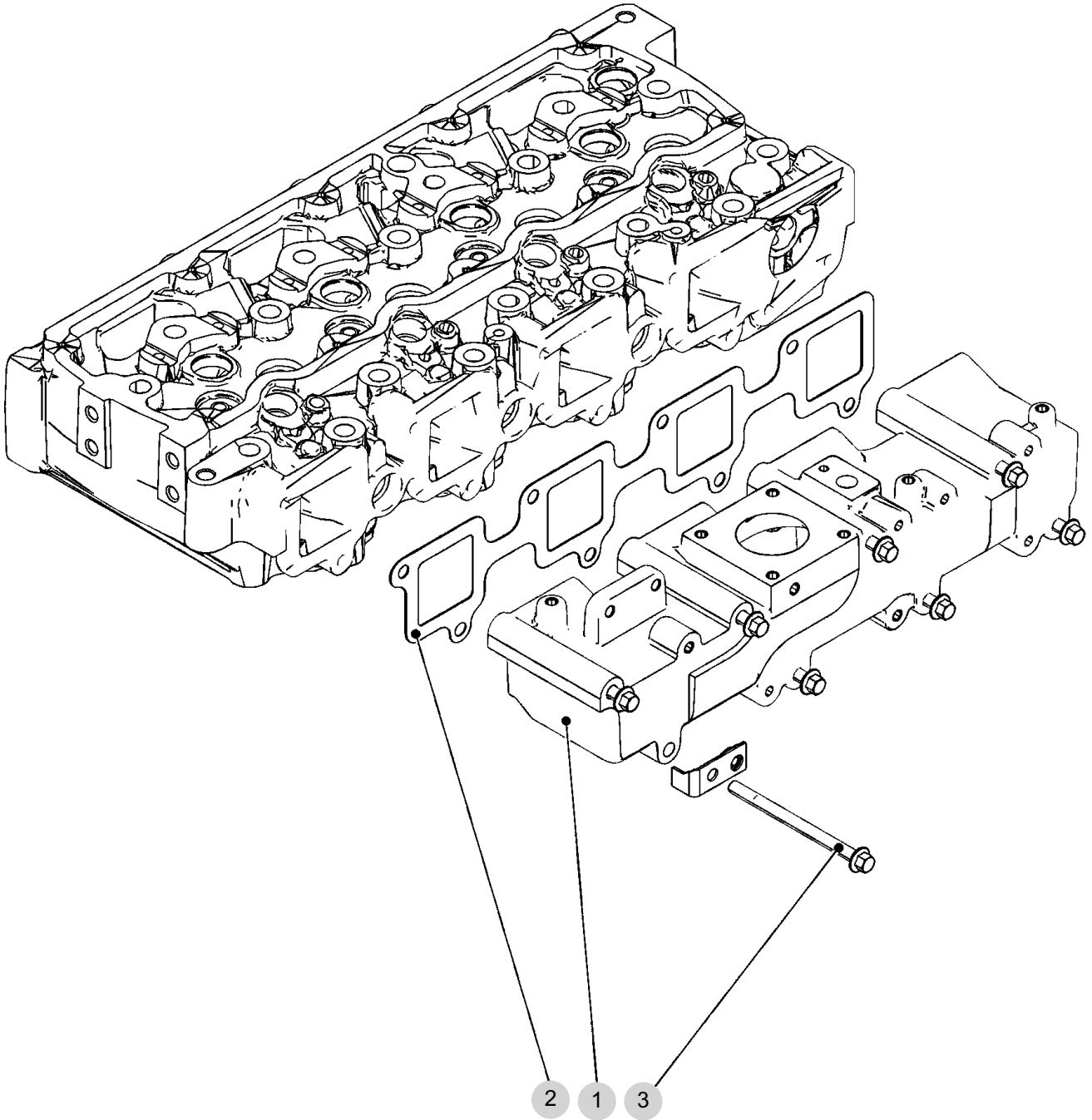
CHARGE AIR PIPE

년/월
Year/Month

2024-03

T115SPUS1

000



NOTE

FIG 043

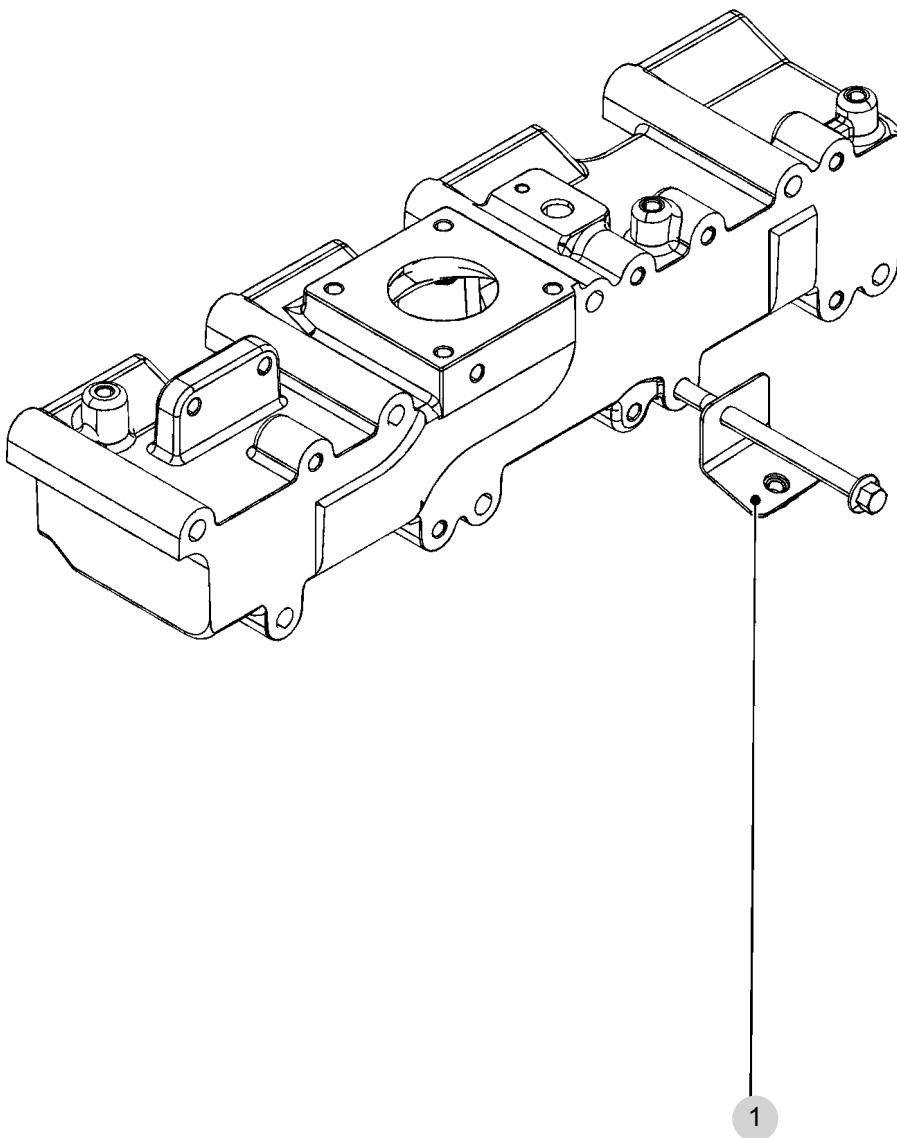
FASTENINGS

년/월
Year/Month

2024-03

T115SPUS1

001



NOTE

FIG 044

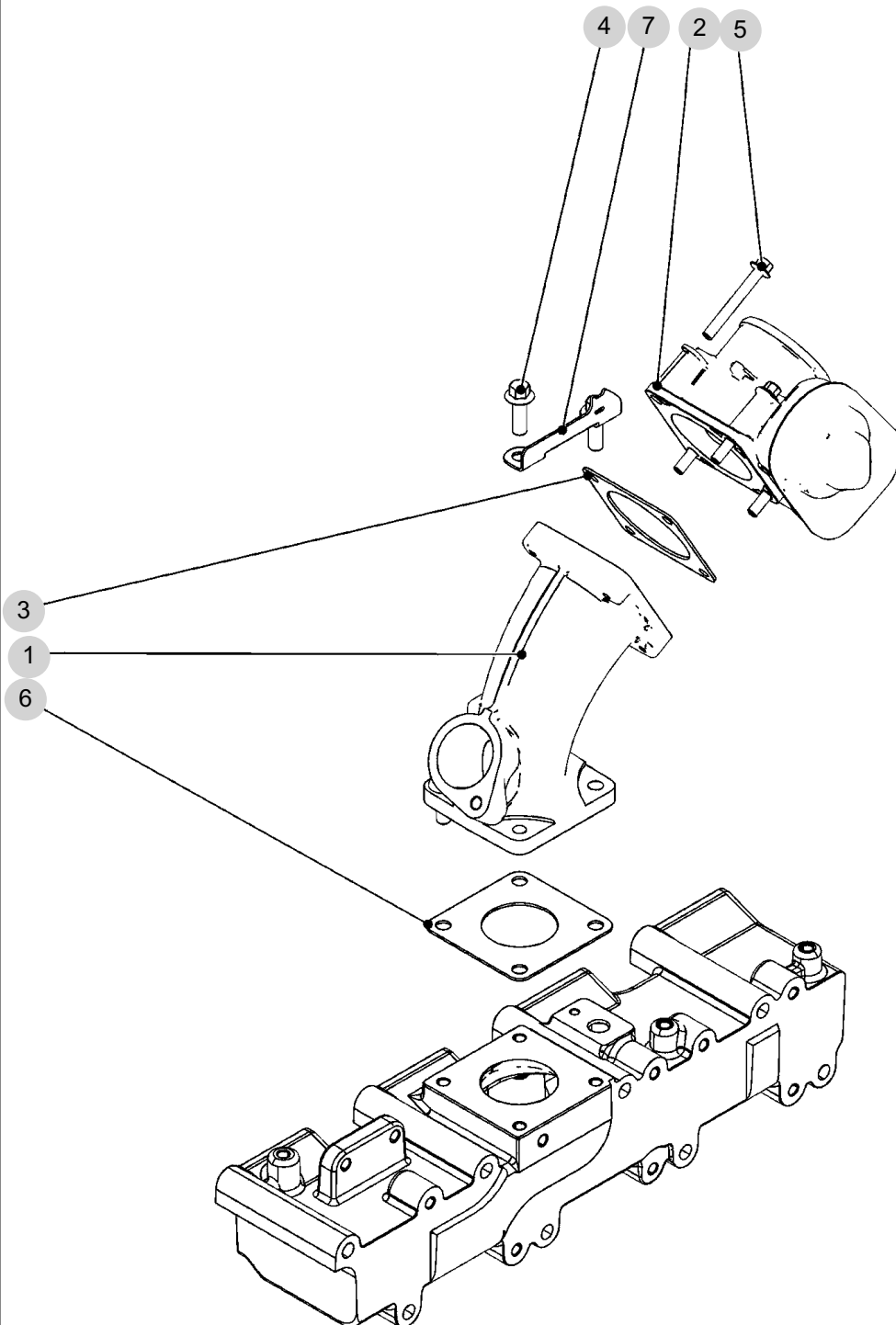
THROTTLE VALVE

년/월
Year/Month

2024-03

T115SPUS1

000



NOTE

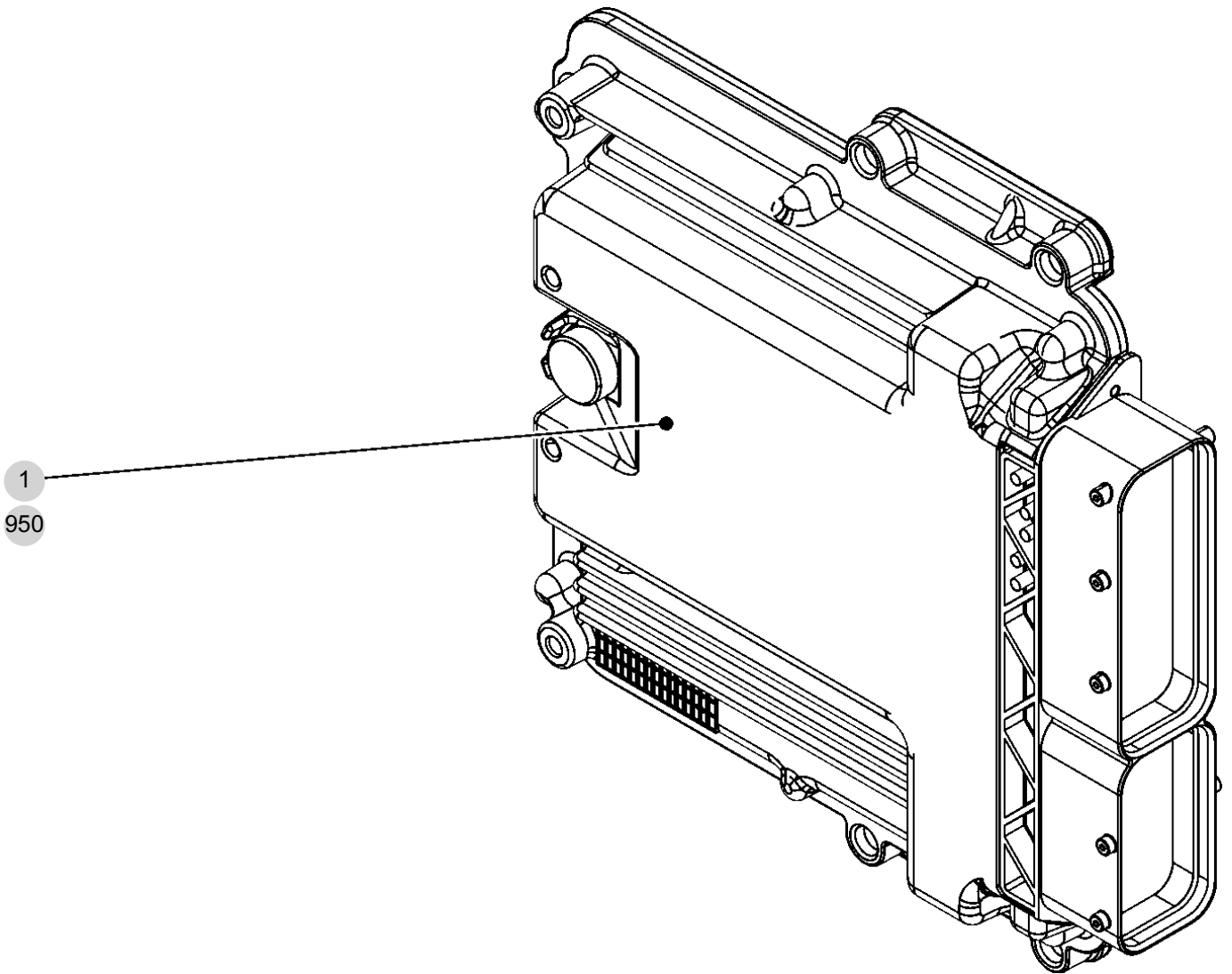
FIG 045

CONTROL UNIT

년/월
Year/Month

2024-03

T115SPUS1



NOTE

FIG 046

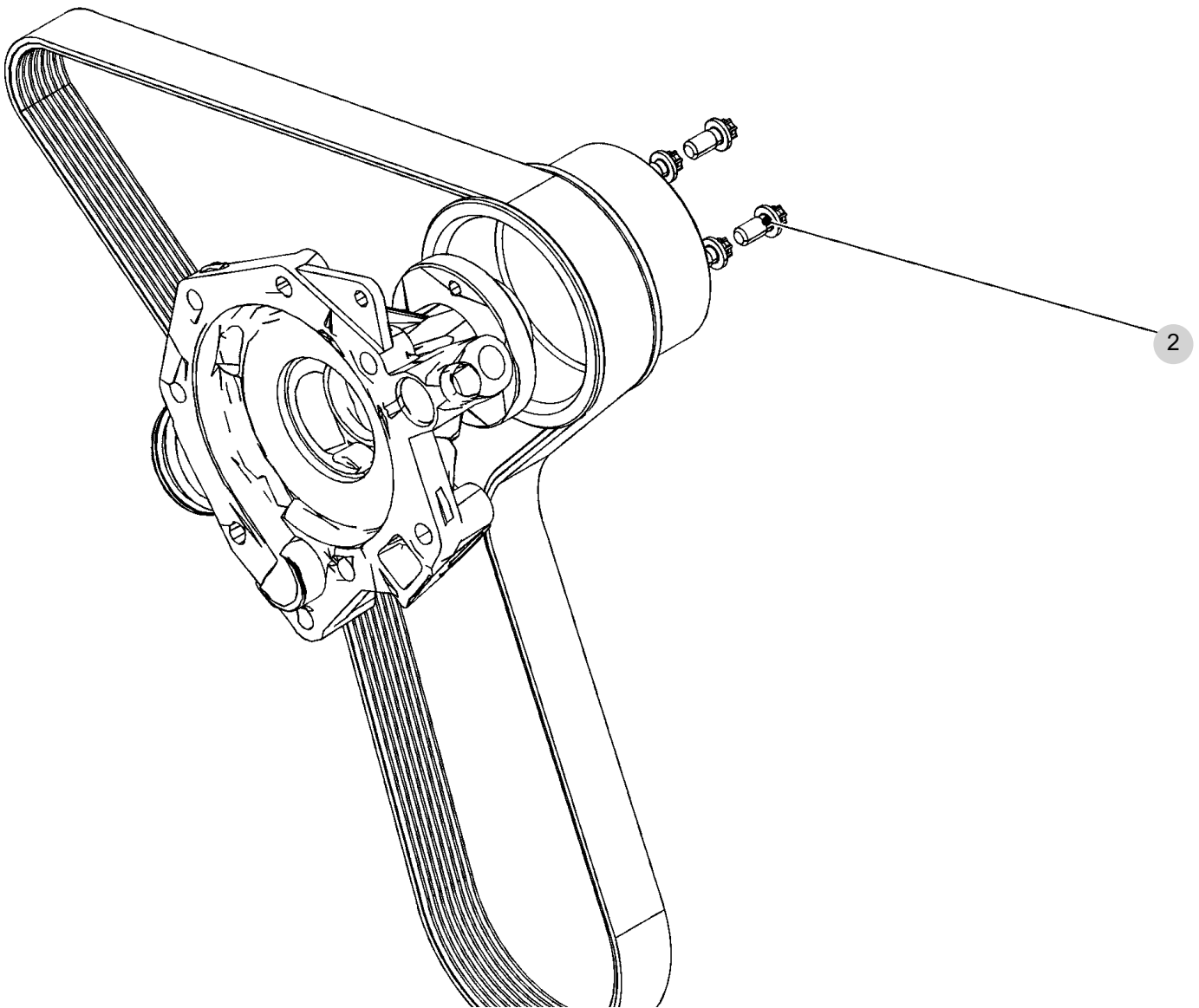
V-RIB.BELT PULLEY

년/월
Year/Month

2024-03

T115SPUS1

002



NOTE

FIG 047

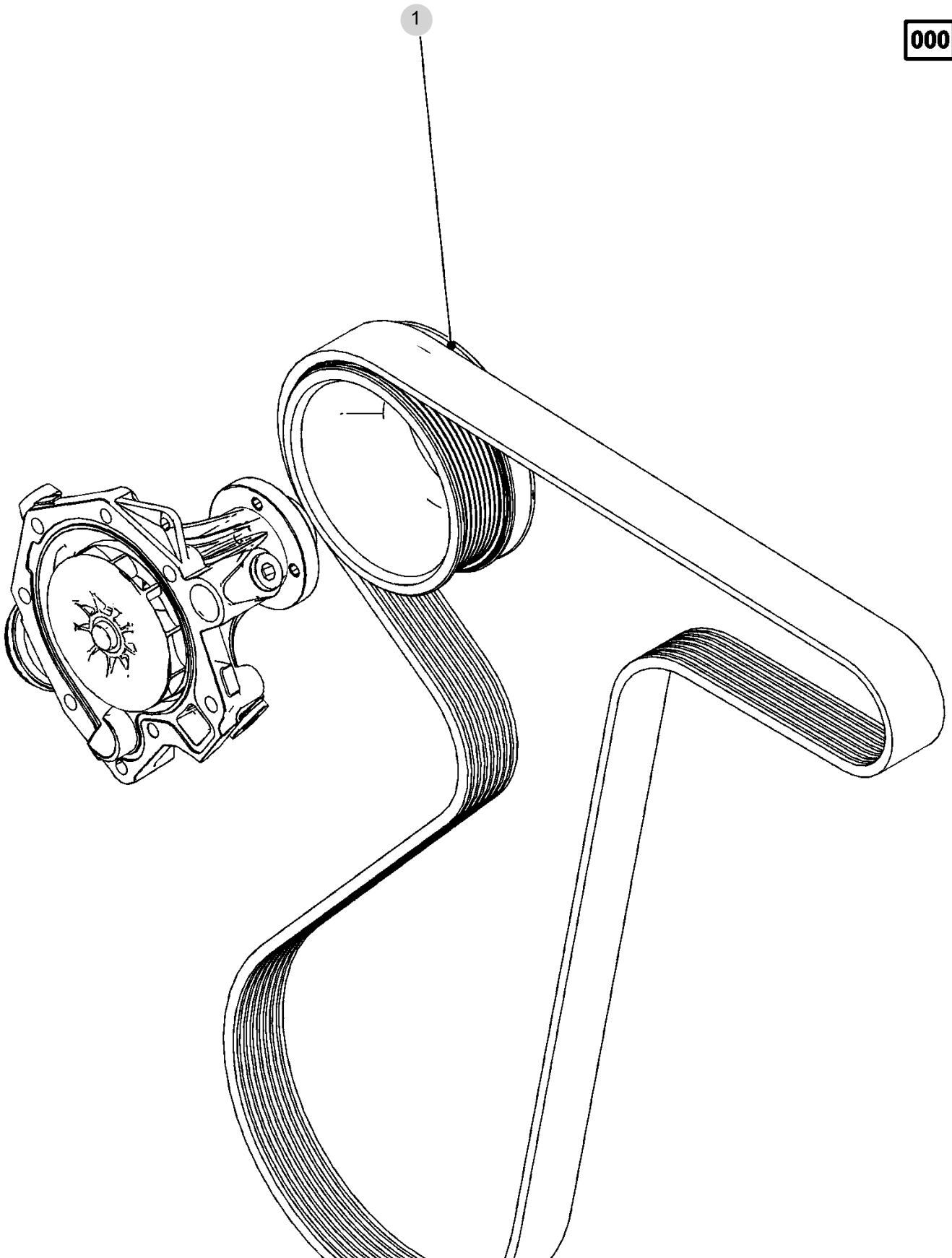
V-GROOVED PULLEY

년/월
Year/Month

2024-03

T115SPUS1

000



NOTE

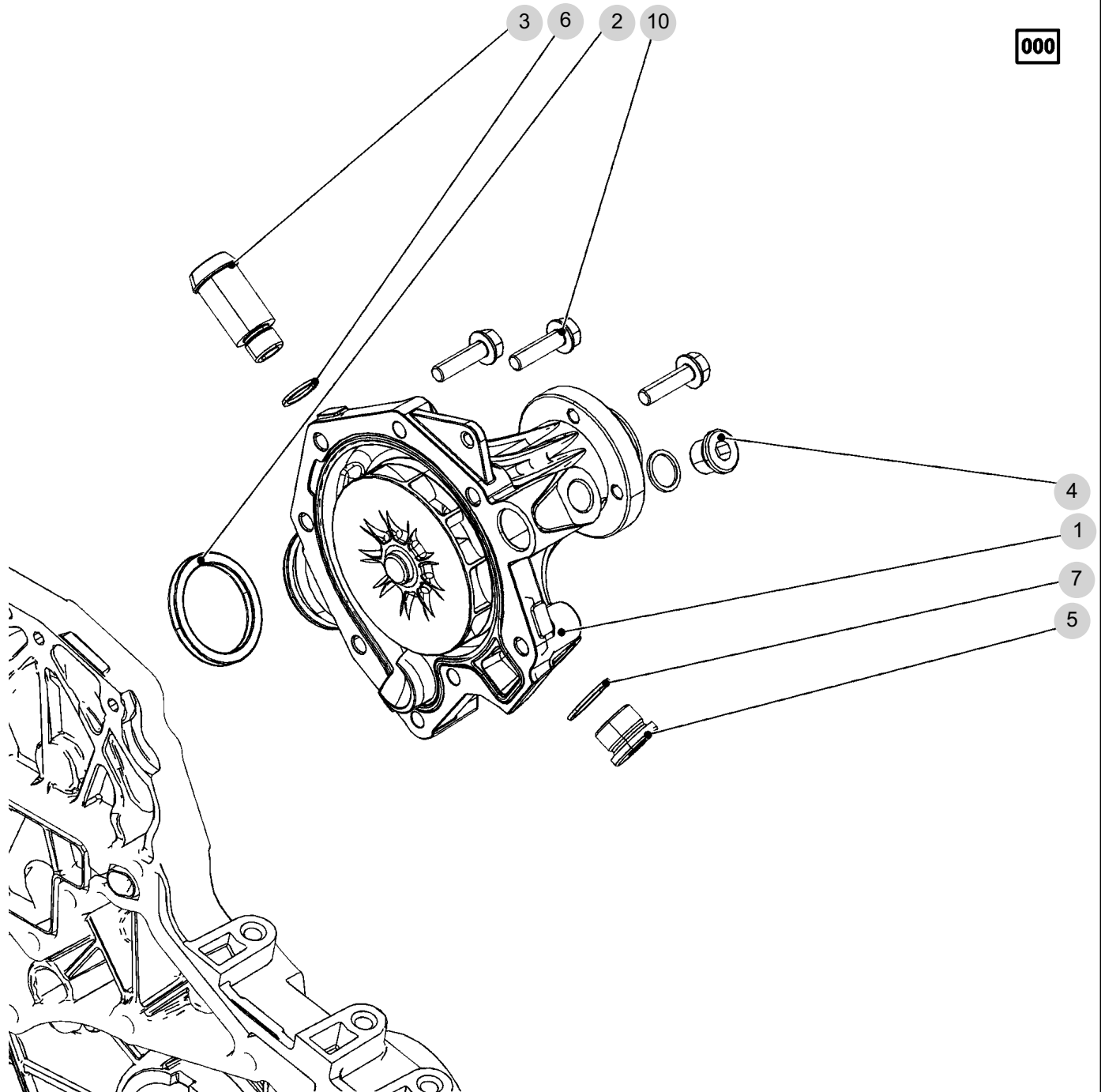
FIG 048

COOLANT PUMP

년/월
Year/Month

2024-03

T115SPUS1



NOTE

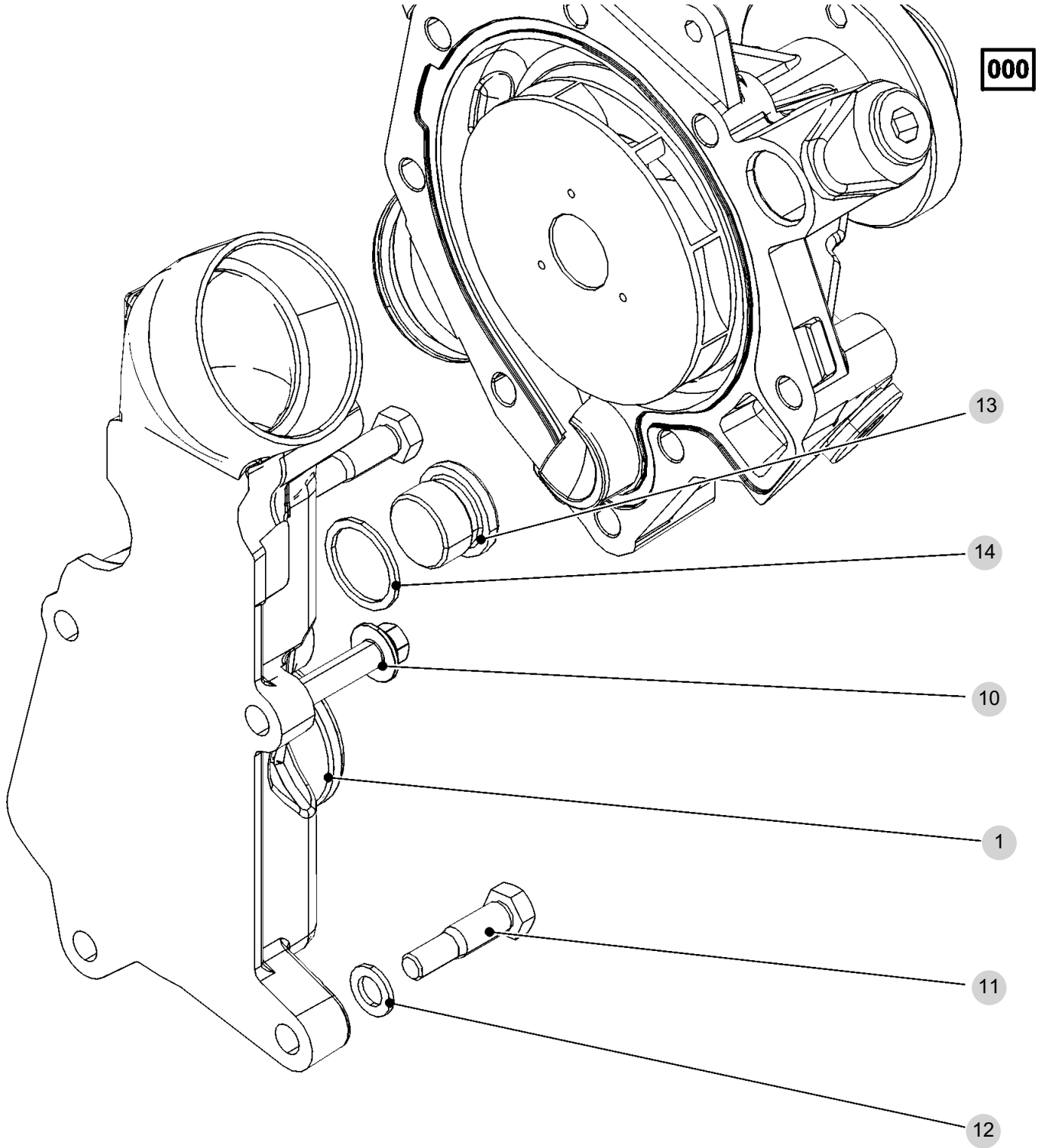
FIG 049

COOLING WATER LINE

년/월
Year/Month

2024-03

T115SPUS1



NOTE

FIG 050

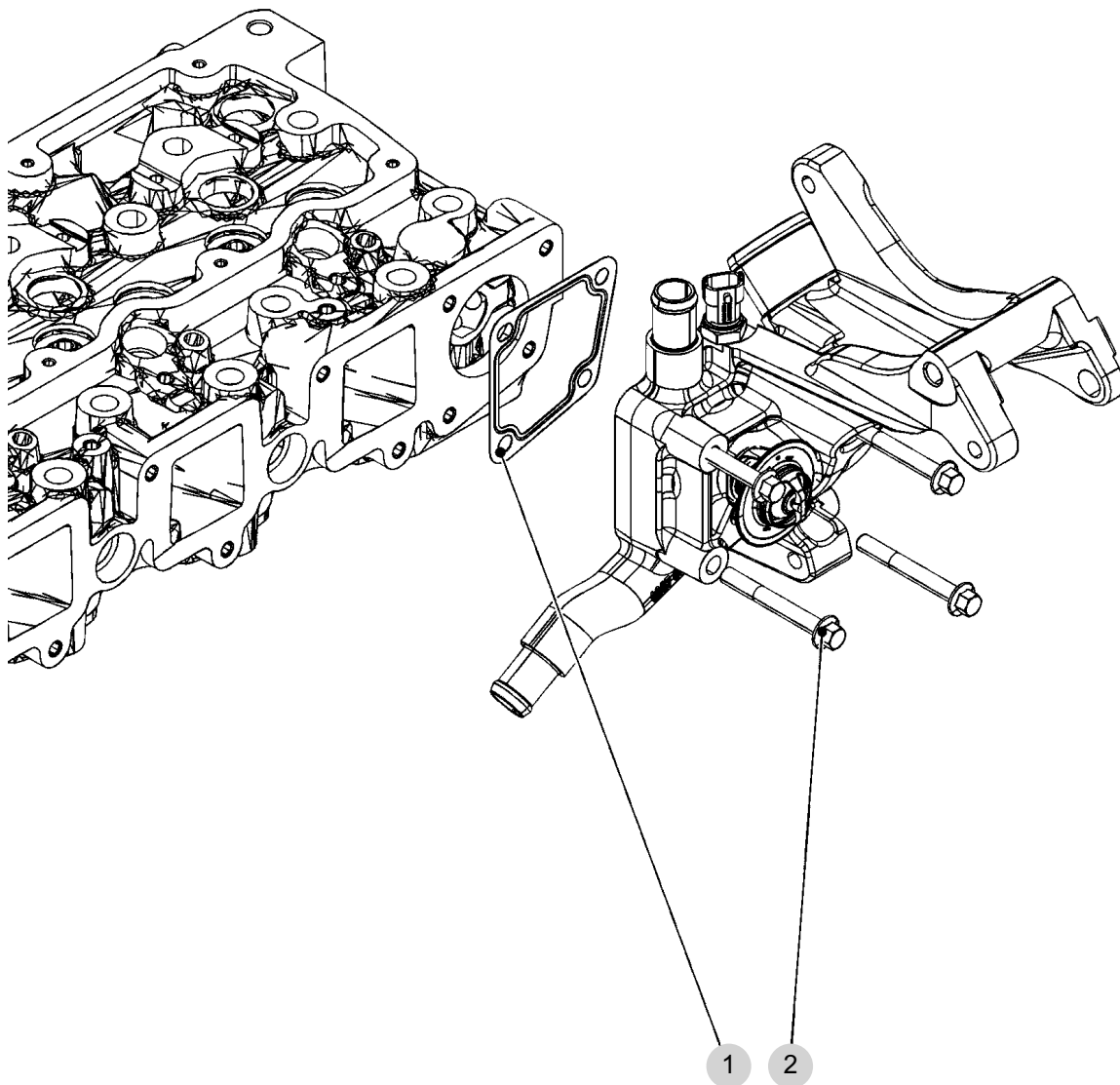
FASTENINGS

년/월
Year/Month

2024-03

T115SPUS1

000



NOTE

FIG 051

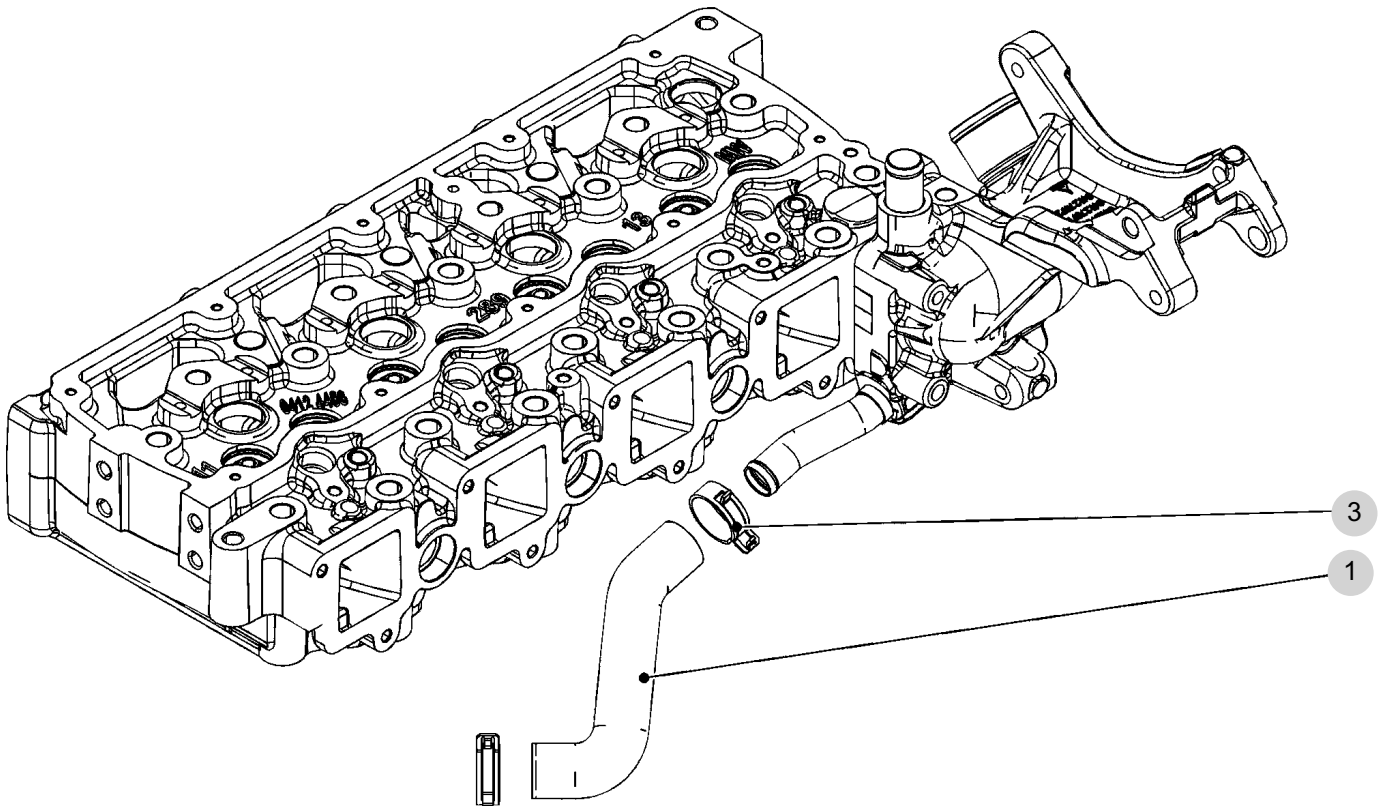
HOSE

년/월
Year/Month

2024-03

T115SPUS1

000



NOTE

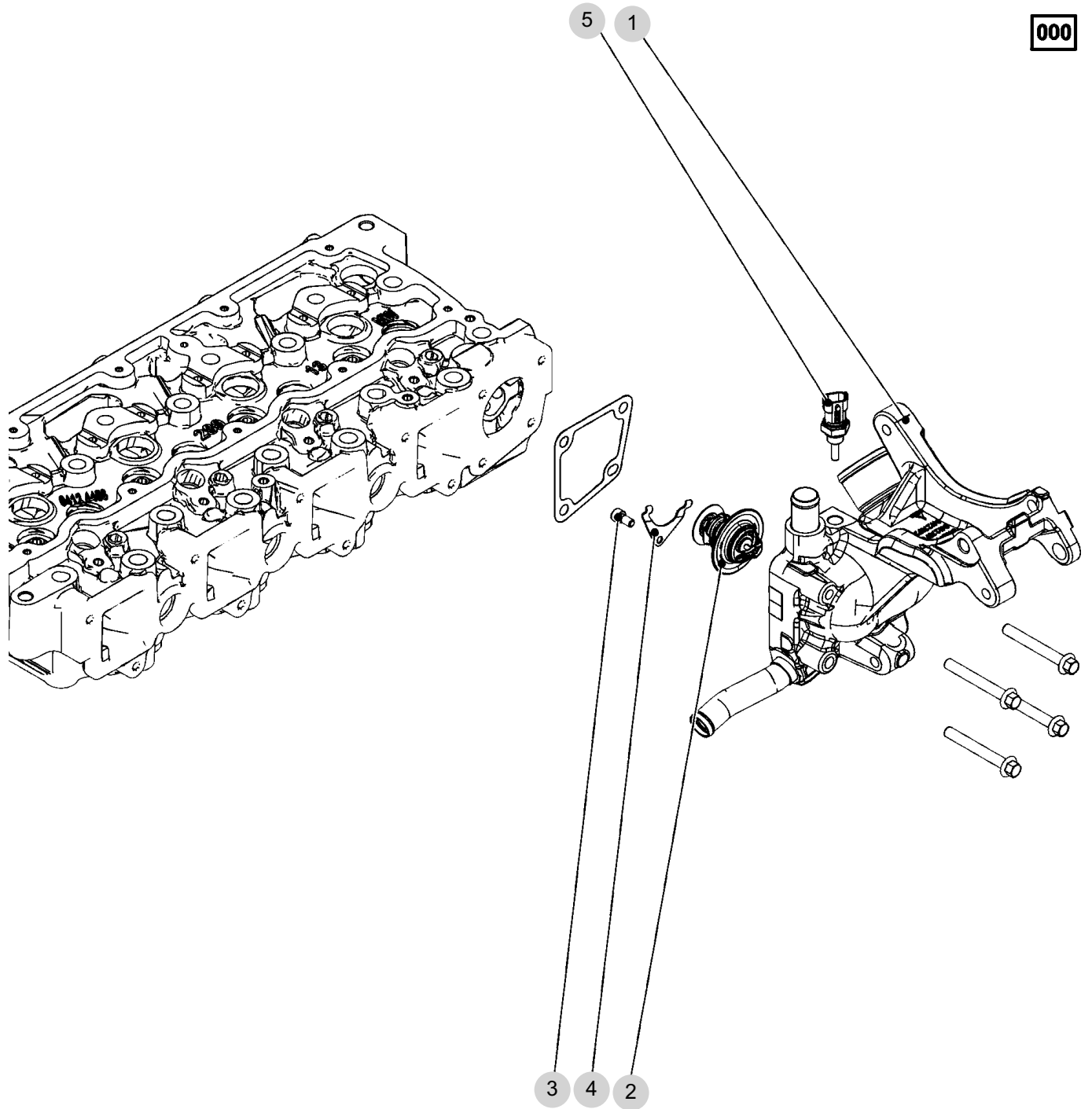
FIG 052

HOUSING

년/월
Year/Month

T115SPUS1

2024-03



NOTE

FIG 053

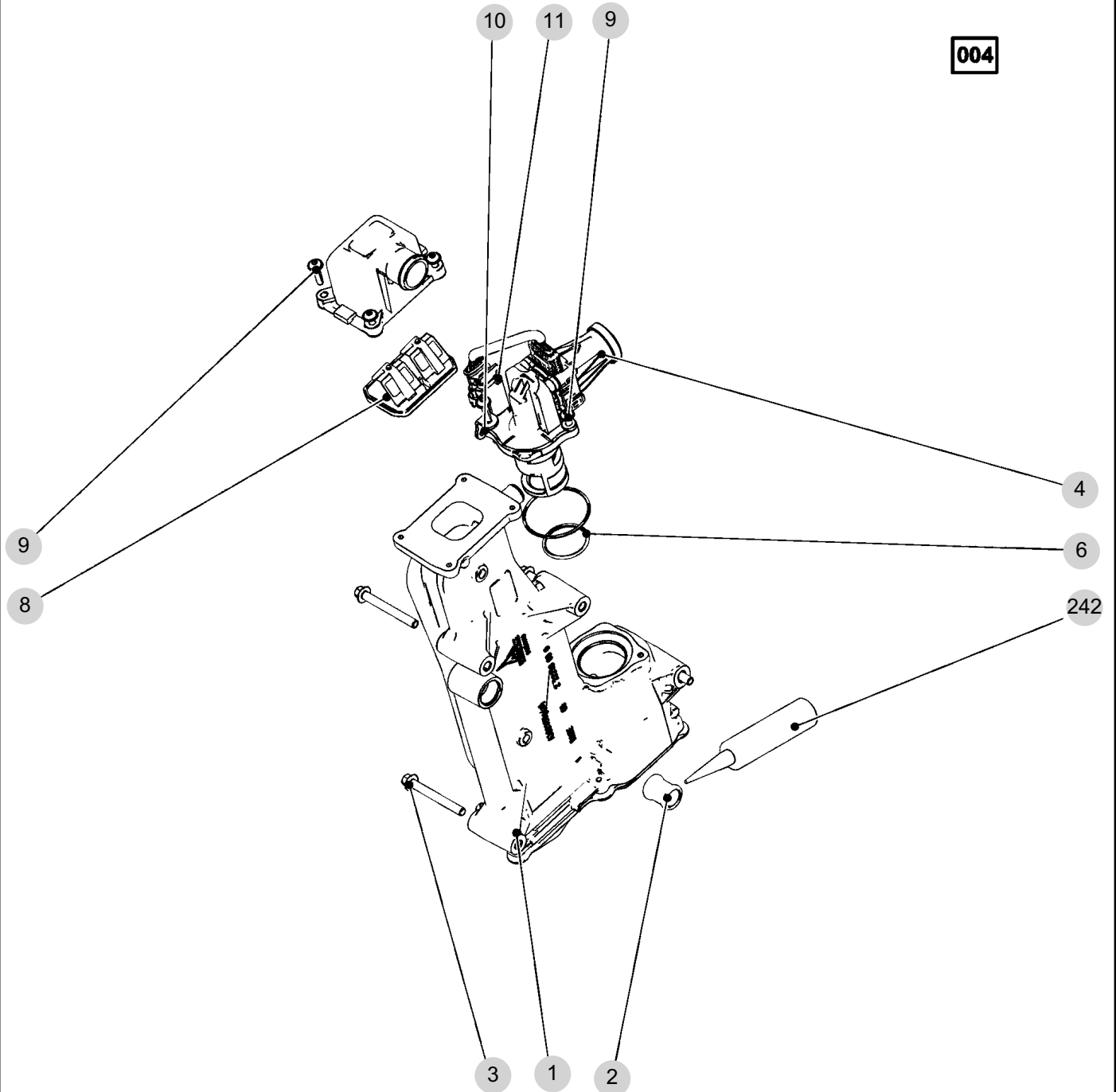
T115SPUS1

EGR COOLER

년/월
Year/Month

2024-03

004



NOTE

FIG 054

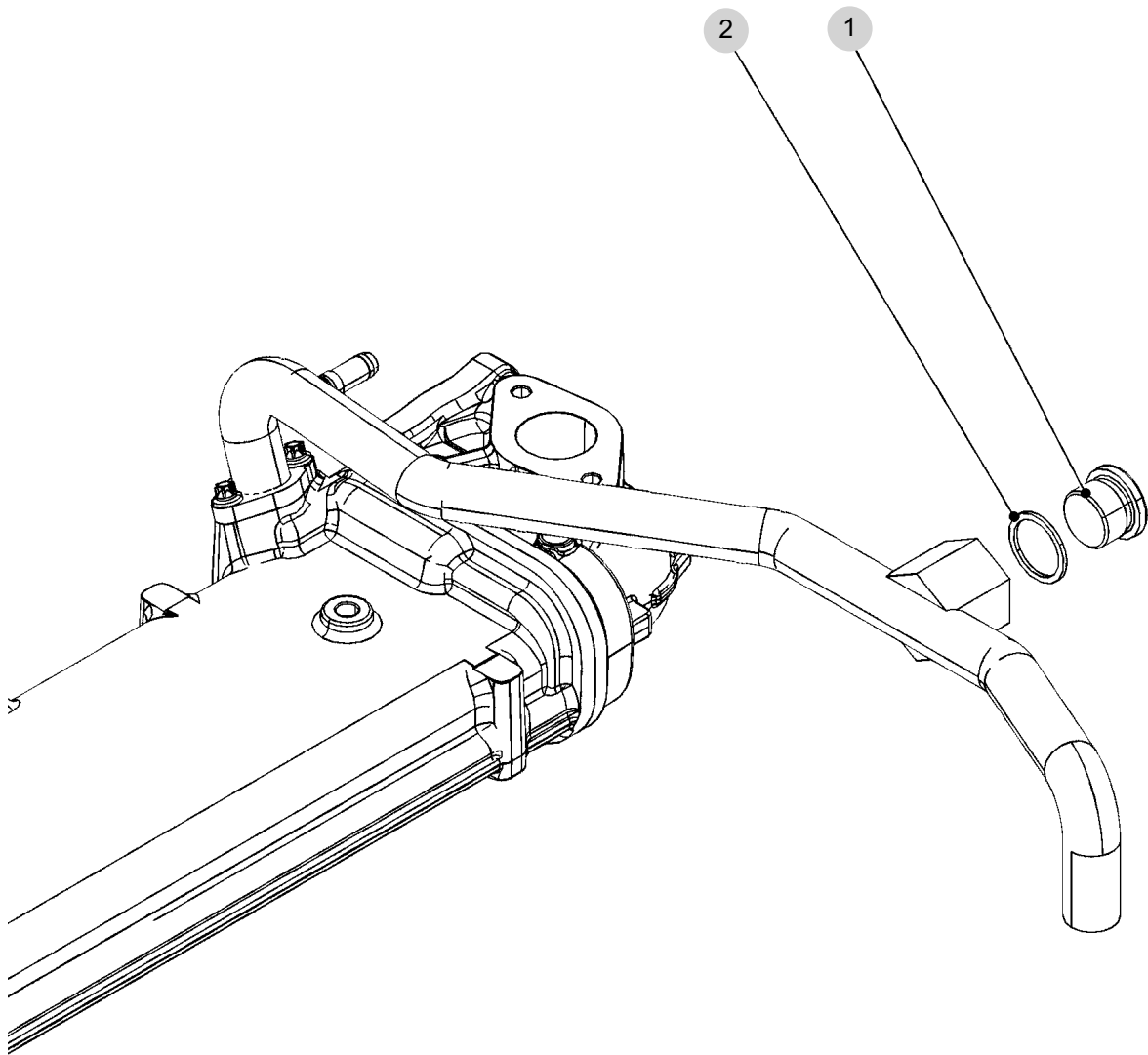
SCREW PLUG

년/월
Year/Month

2024-03

T115SPUS1

000



NOTE

FIG 055

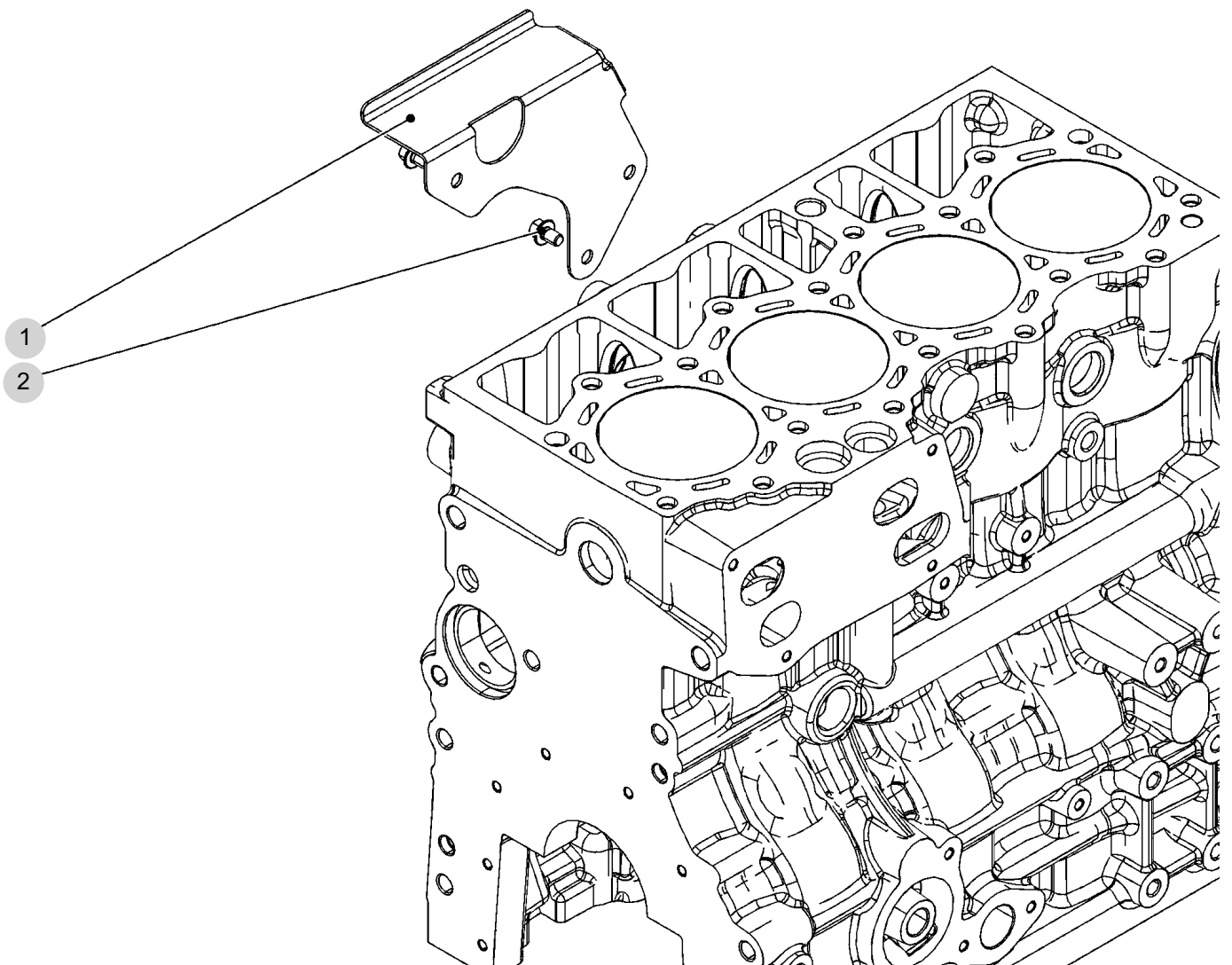
HEAT PROT. SHIELD

년/월
Year/Month

2024-03

T115SPUS1

000



NOTE

FIG 056

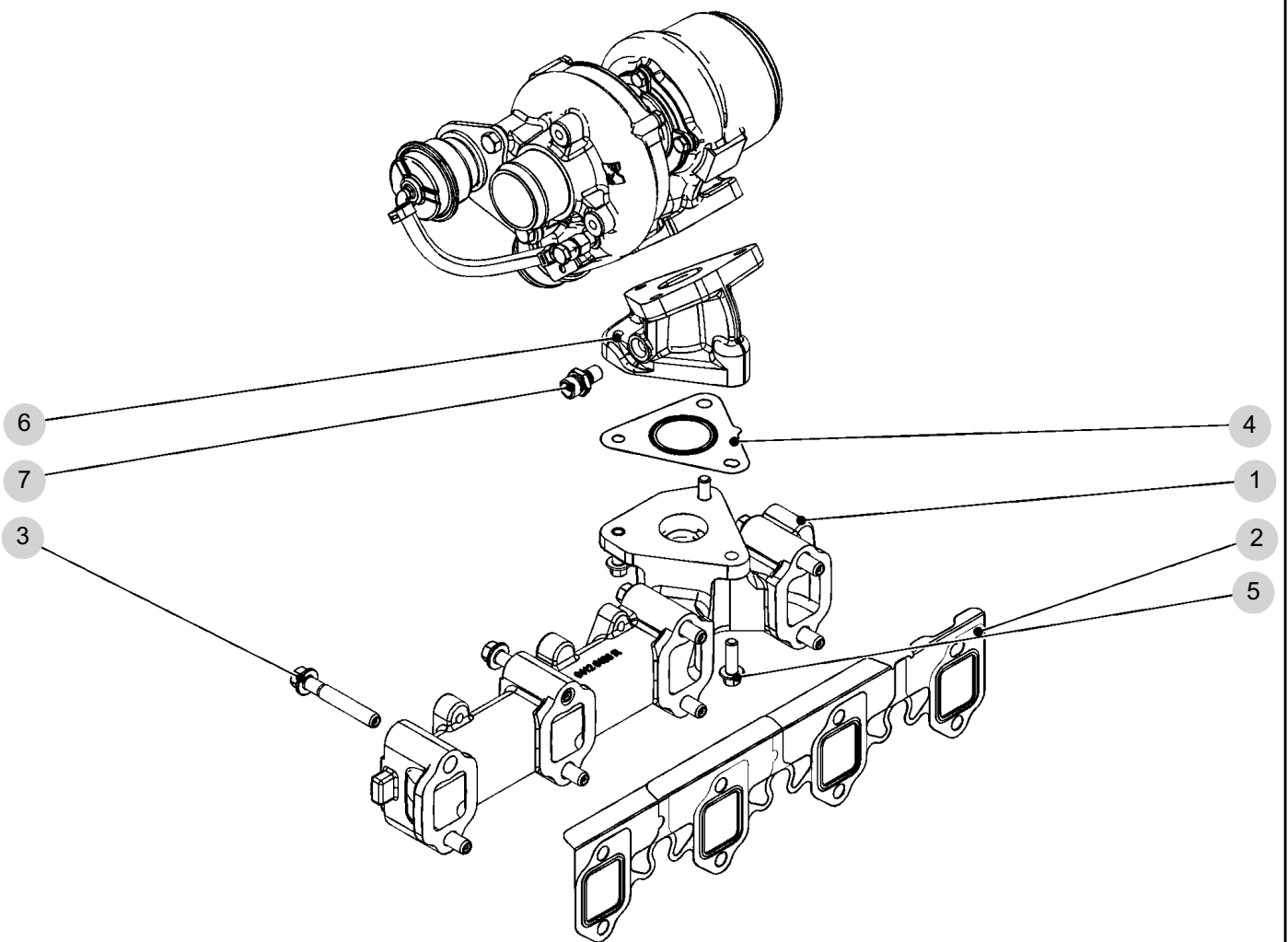
EXHAUST MANIFOLD

년/월
Year/Month

2024-03

T115SPUS1

000



NOTE

FIG 057

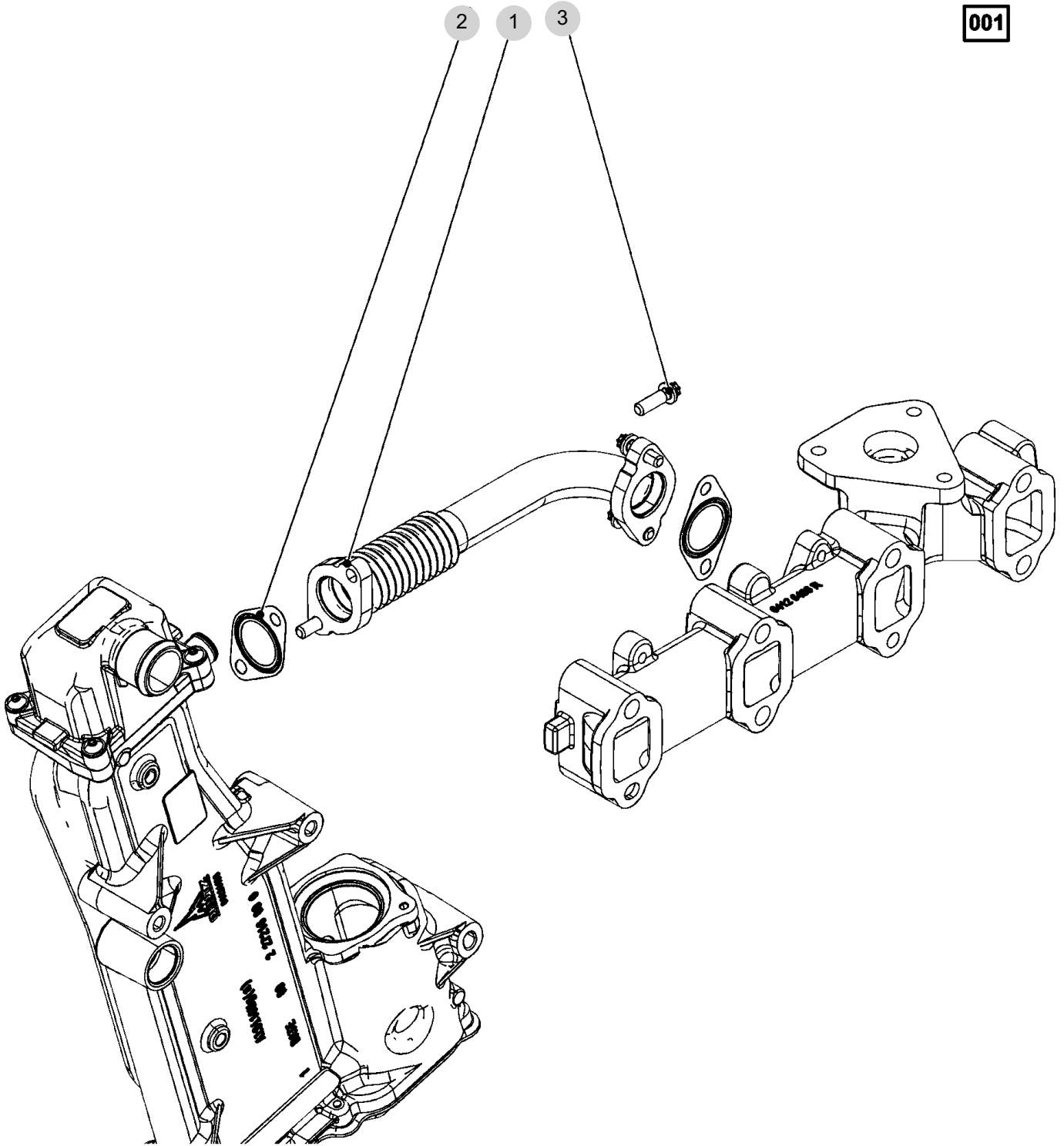
EXHAUST GAS BEND

년/월
Year/Month

2024-03

T115SPUS1

001



NOTE

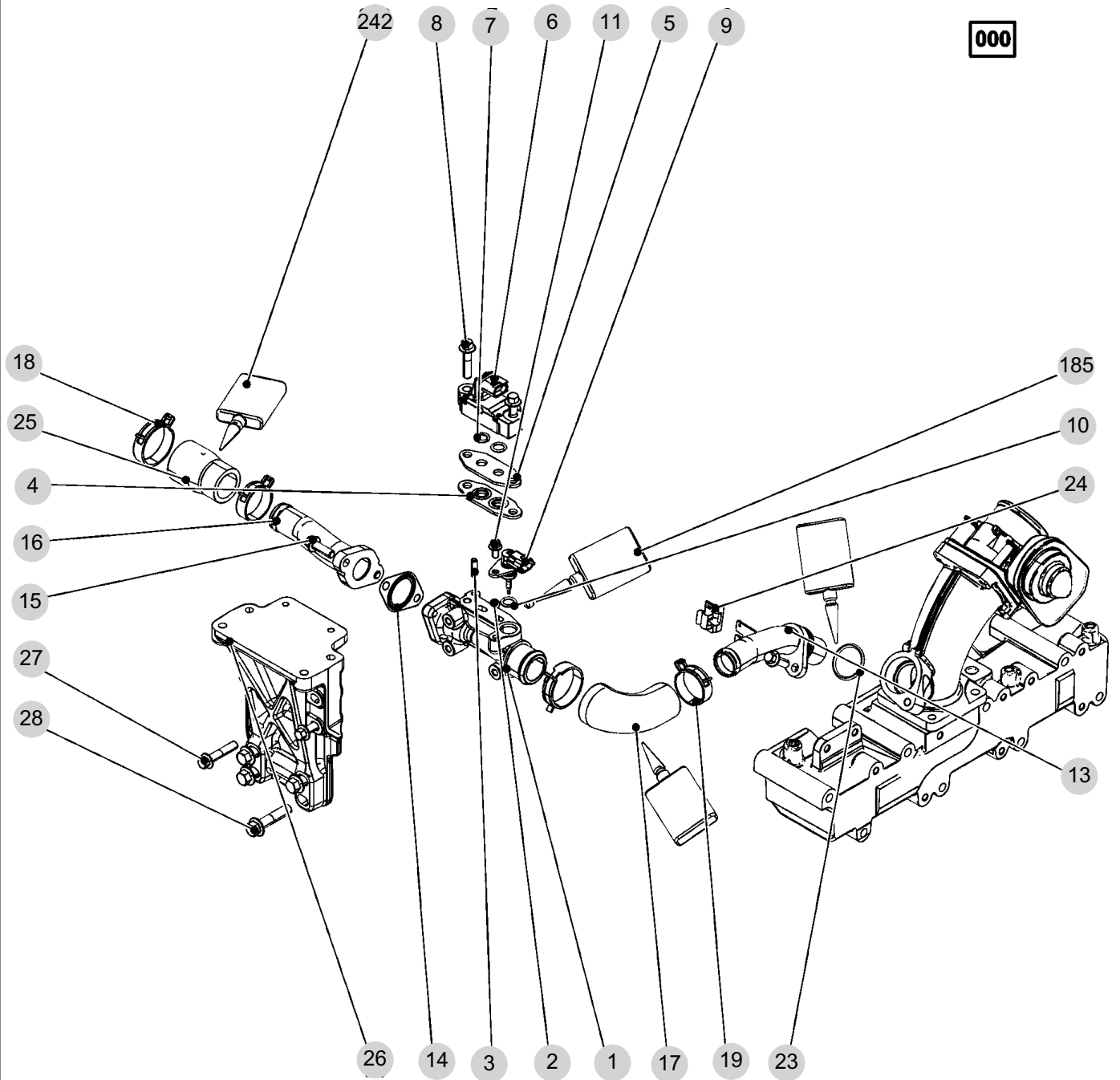
FIG 058

EXHAUST PIPE

년/월
Year/Month

2024-03

T115SPUS1



NOTE

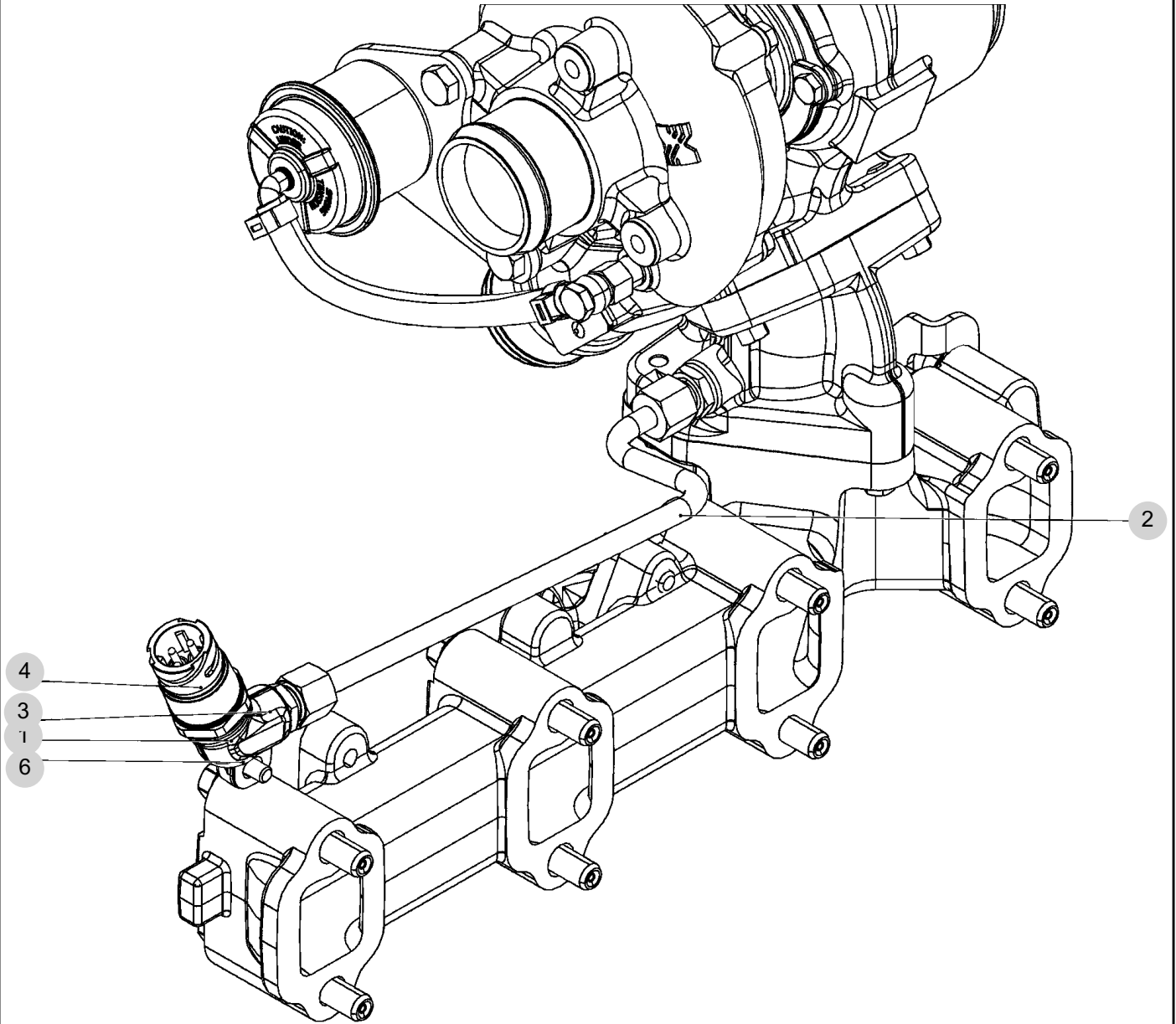
FIG 059

PRESSURESENSOR MTG

년/월
Year/Month

2024-03

T115SPUS1



NOTE

FIG 060

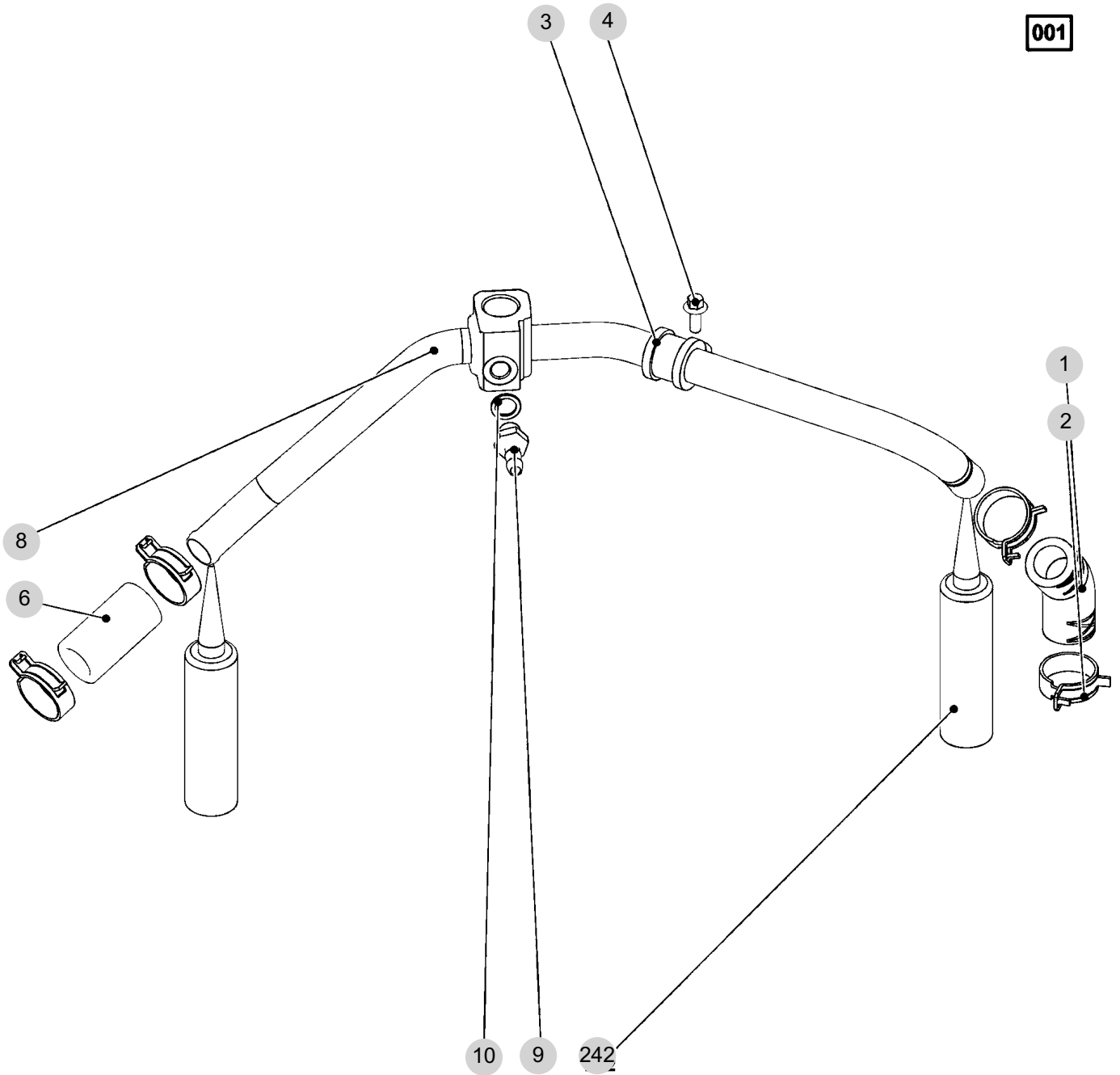
COOLING WATER LINE

년/월
Year/Month

2024-03

T115SPUS1

001



NOTE

FIG 061

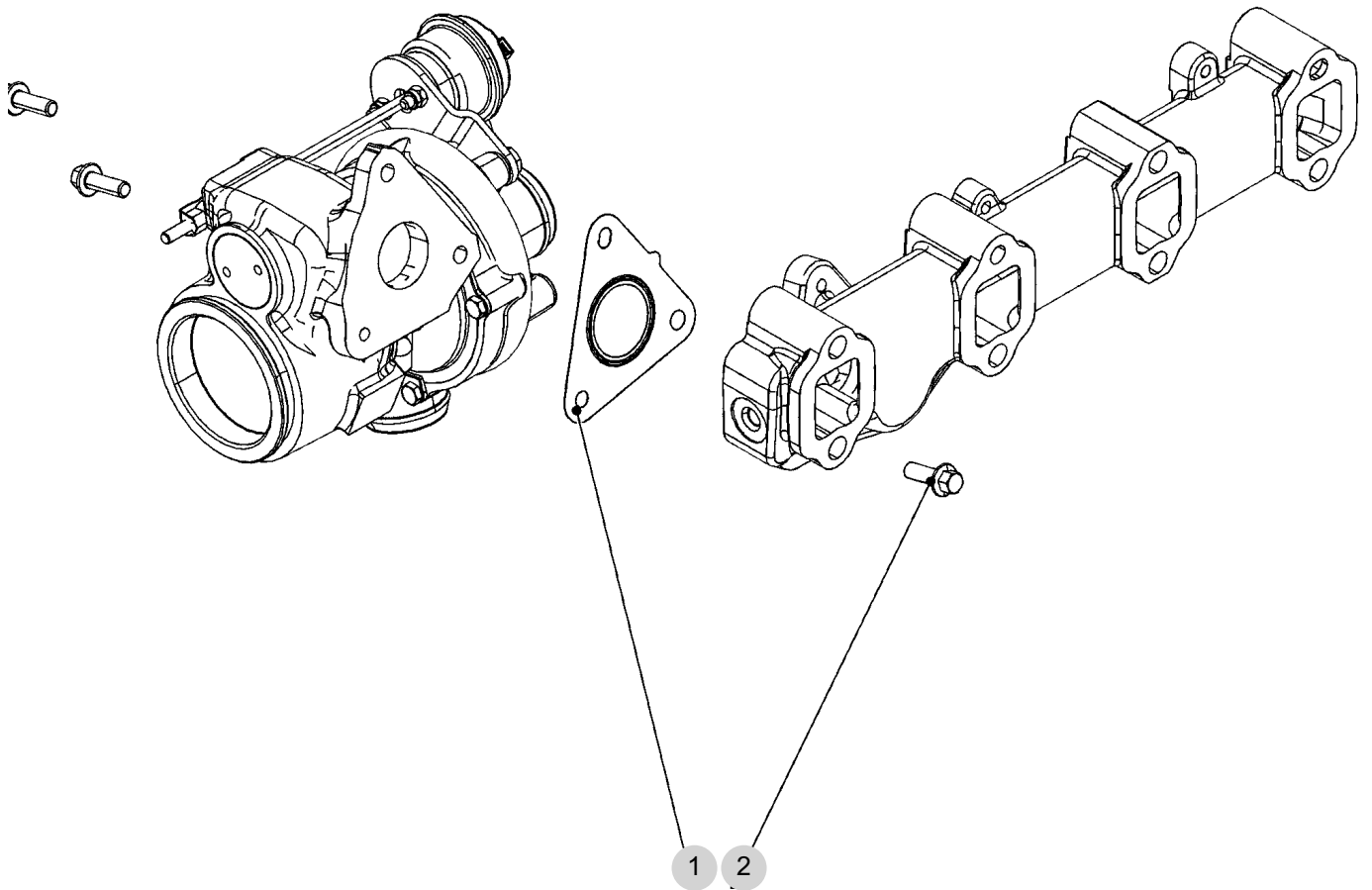
GASKET

년/월
Year/Month

2024-03

T115SPUS1

001



NOTE

FIG 062

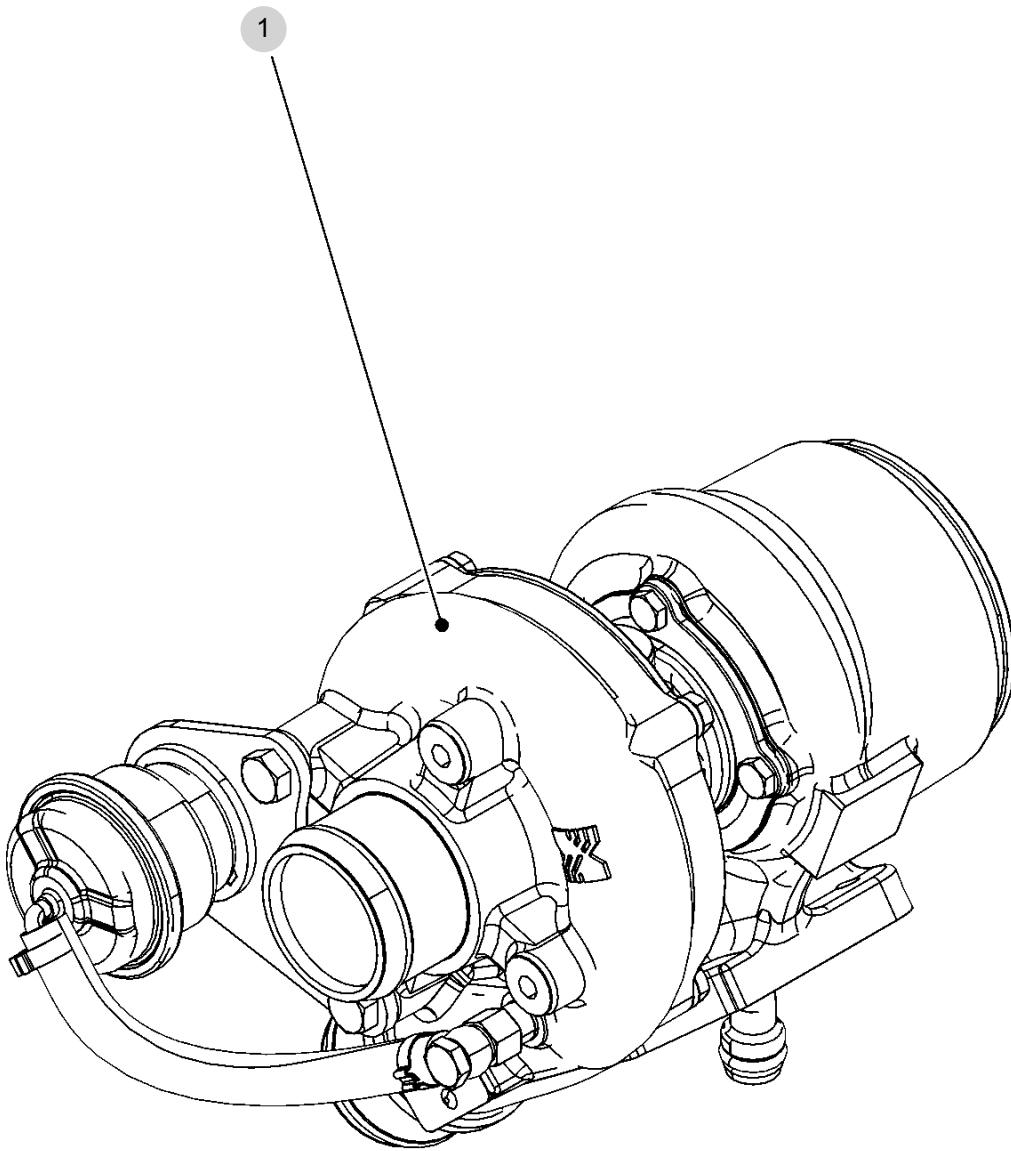
TURBOCHARGER

년/월
Year/Month

2024-03

T115SPUS1

000



NOTE

FIG 063

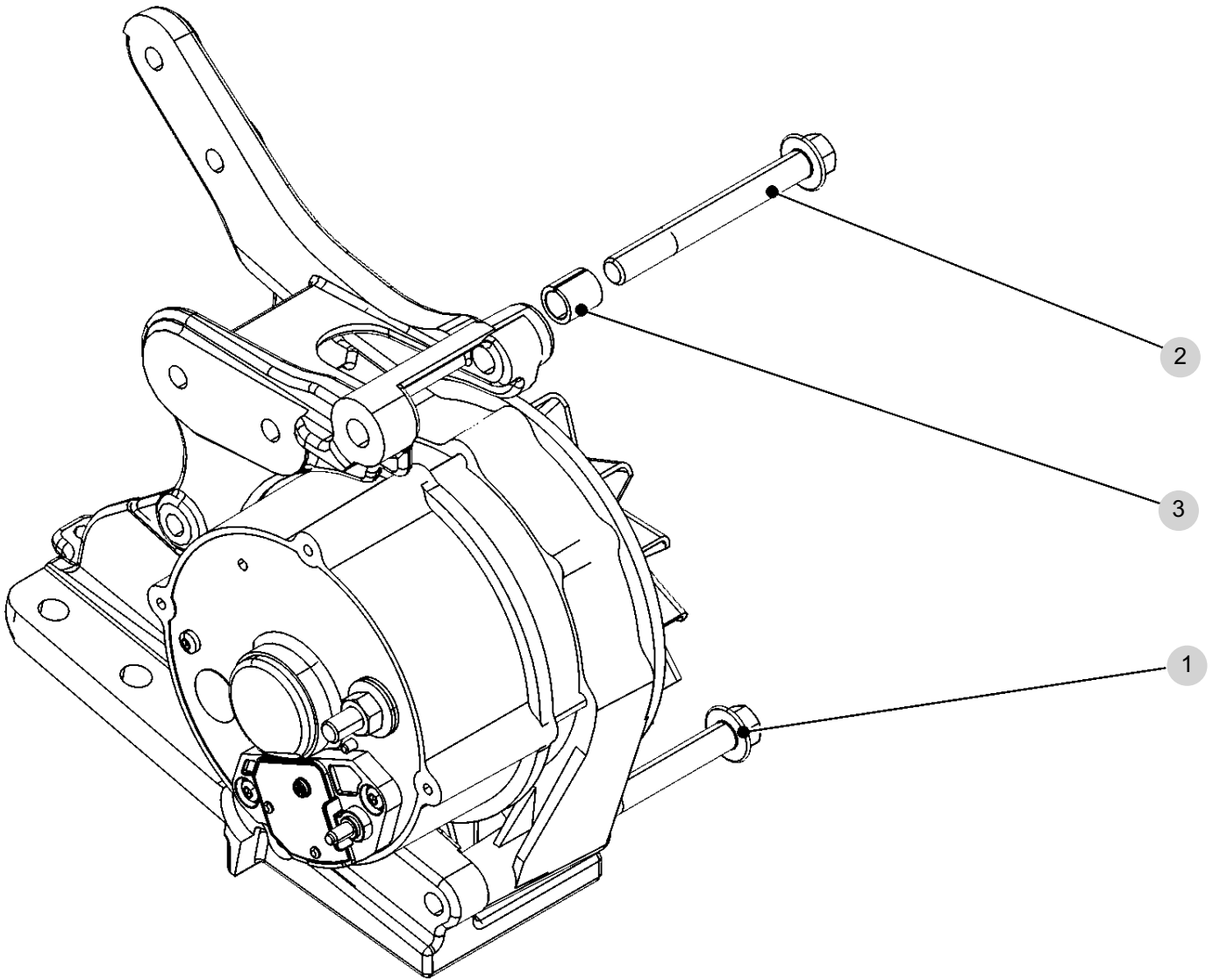
FASTENINGS

년/월
Year/Month

2024-03

T115SPUS1

000



NOTE

FIG 064

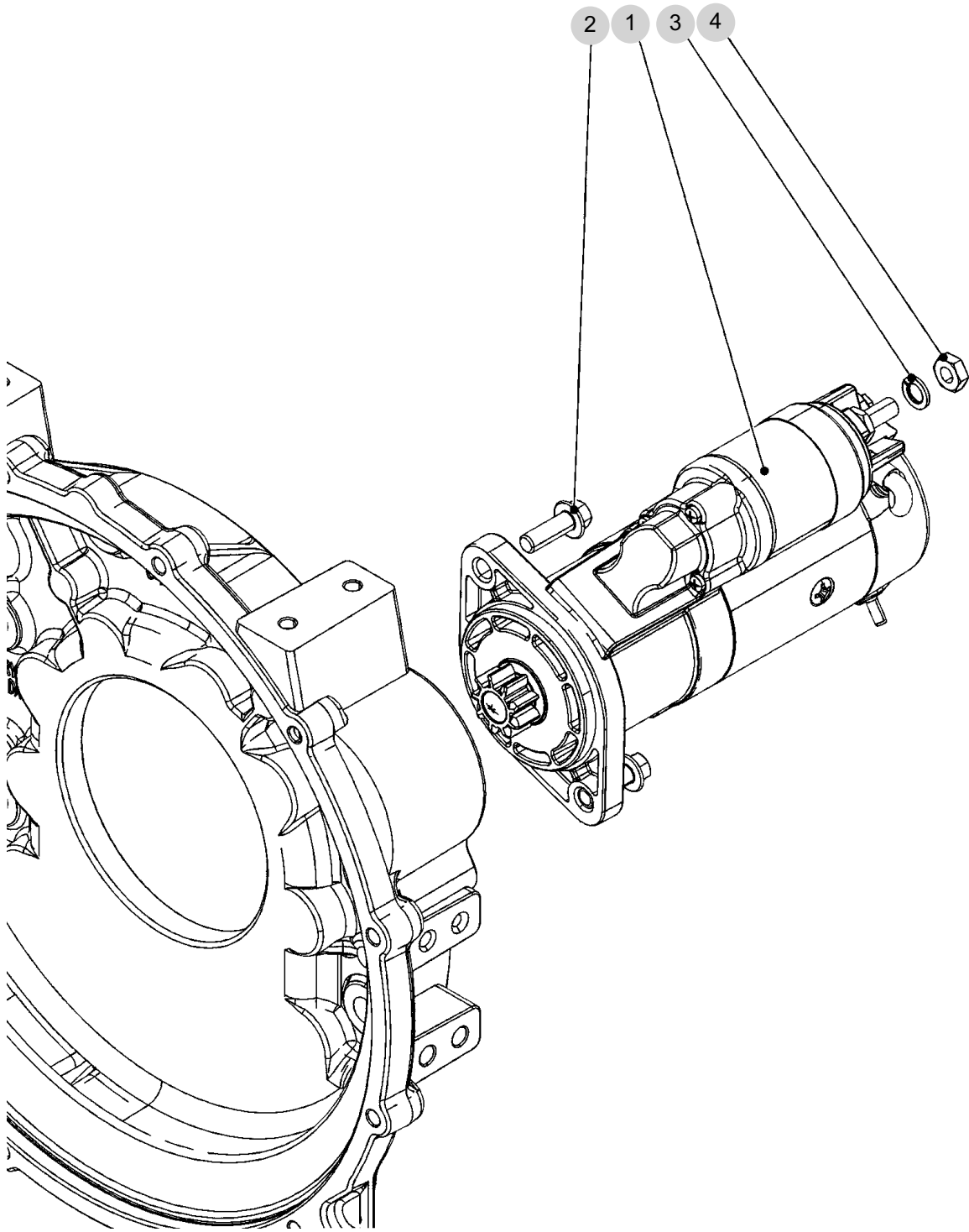
STARTER

년/월
Year/Month

2024-03

T115SPUS1

001



NOTE

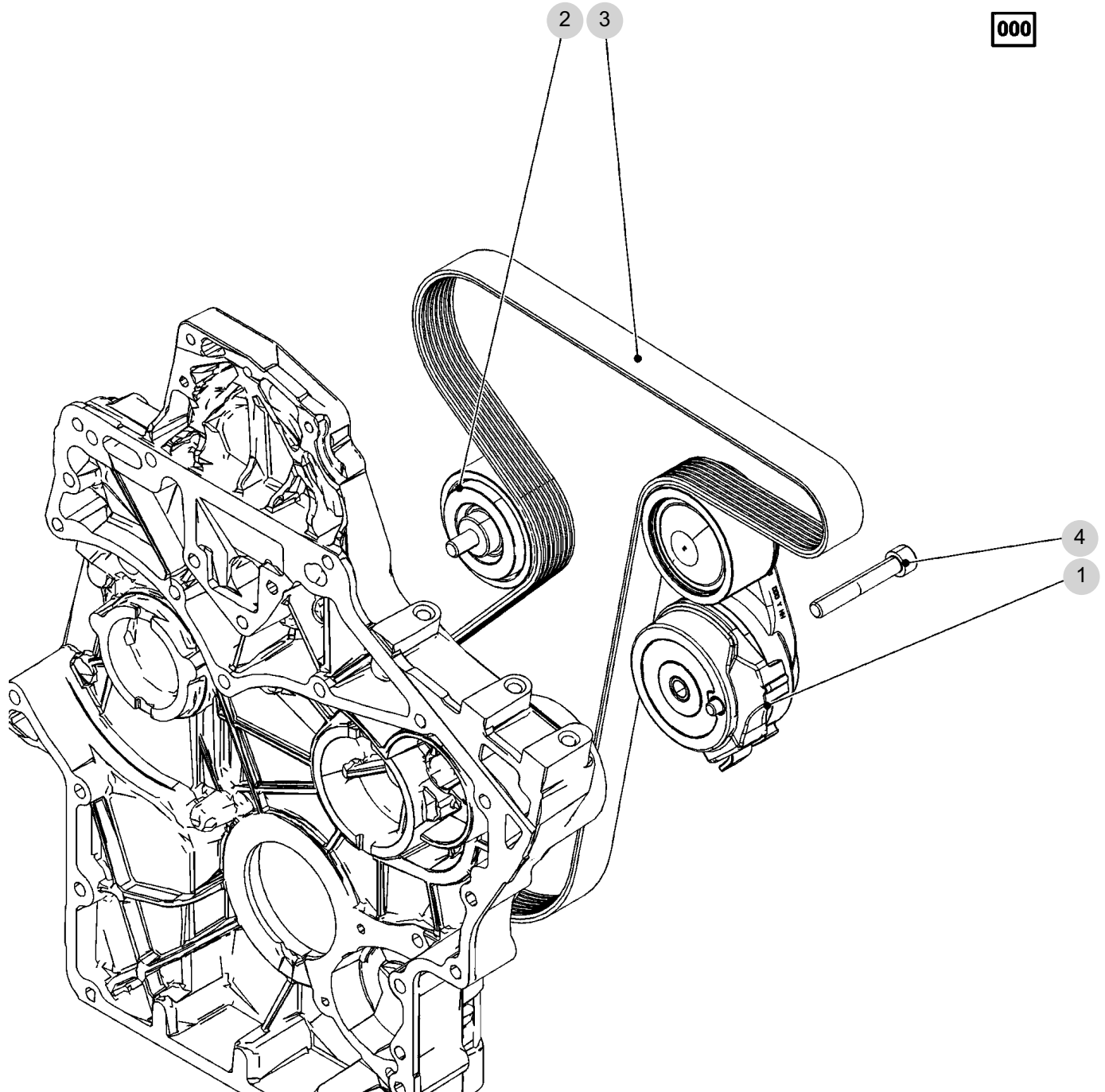
FIG 065

BELT TENSIONER

년/월
Year/Month

2024-03

T115SPUS1



NOTE

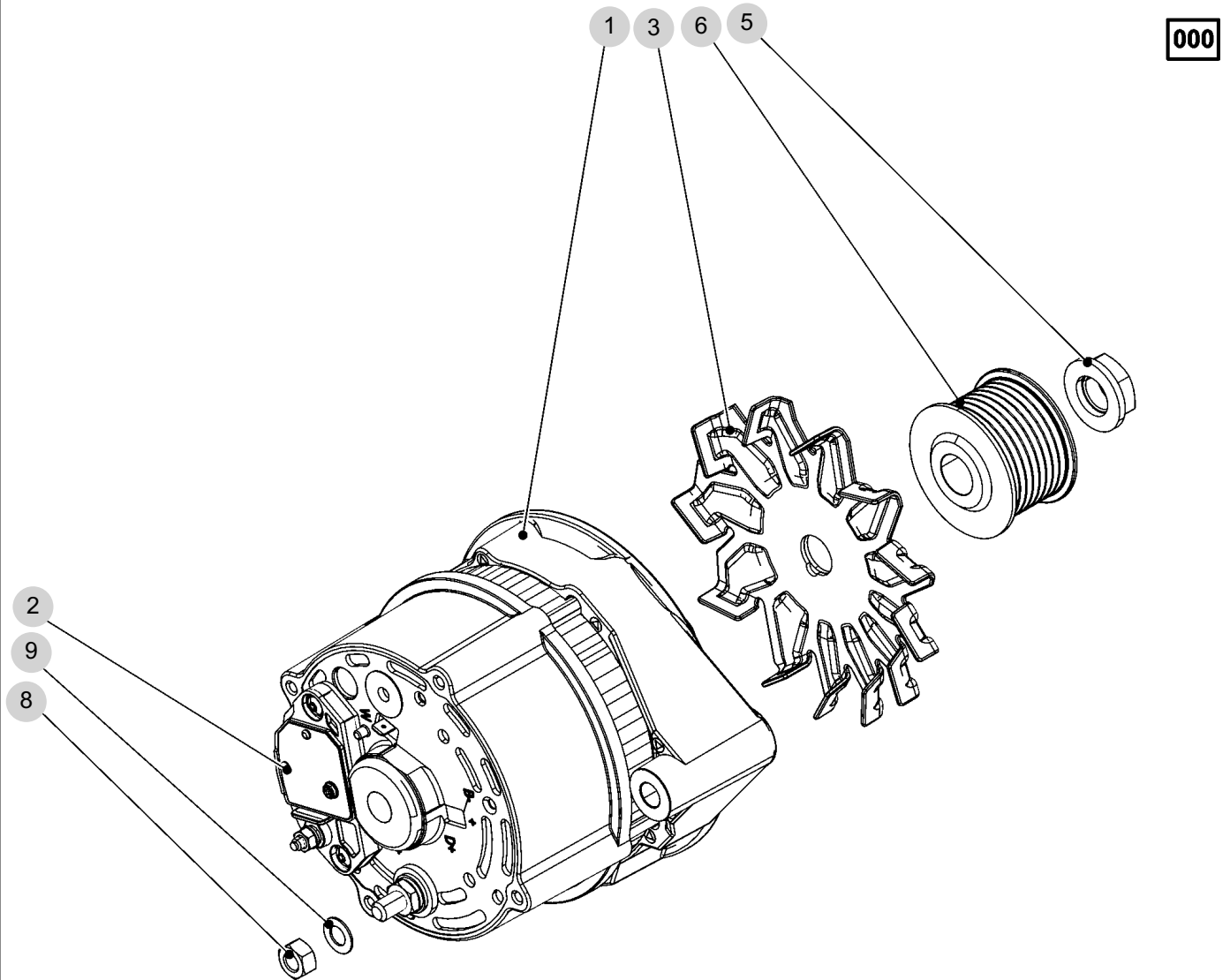
FIG 066

GENERATOR

년/월
Year/Month

2024-03

T115SPUS1



NOTE

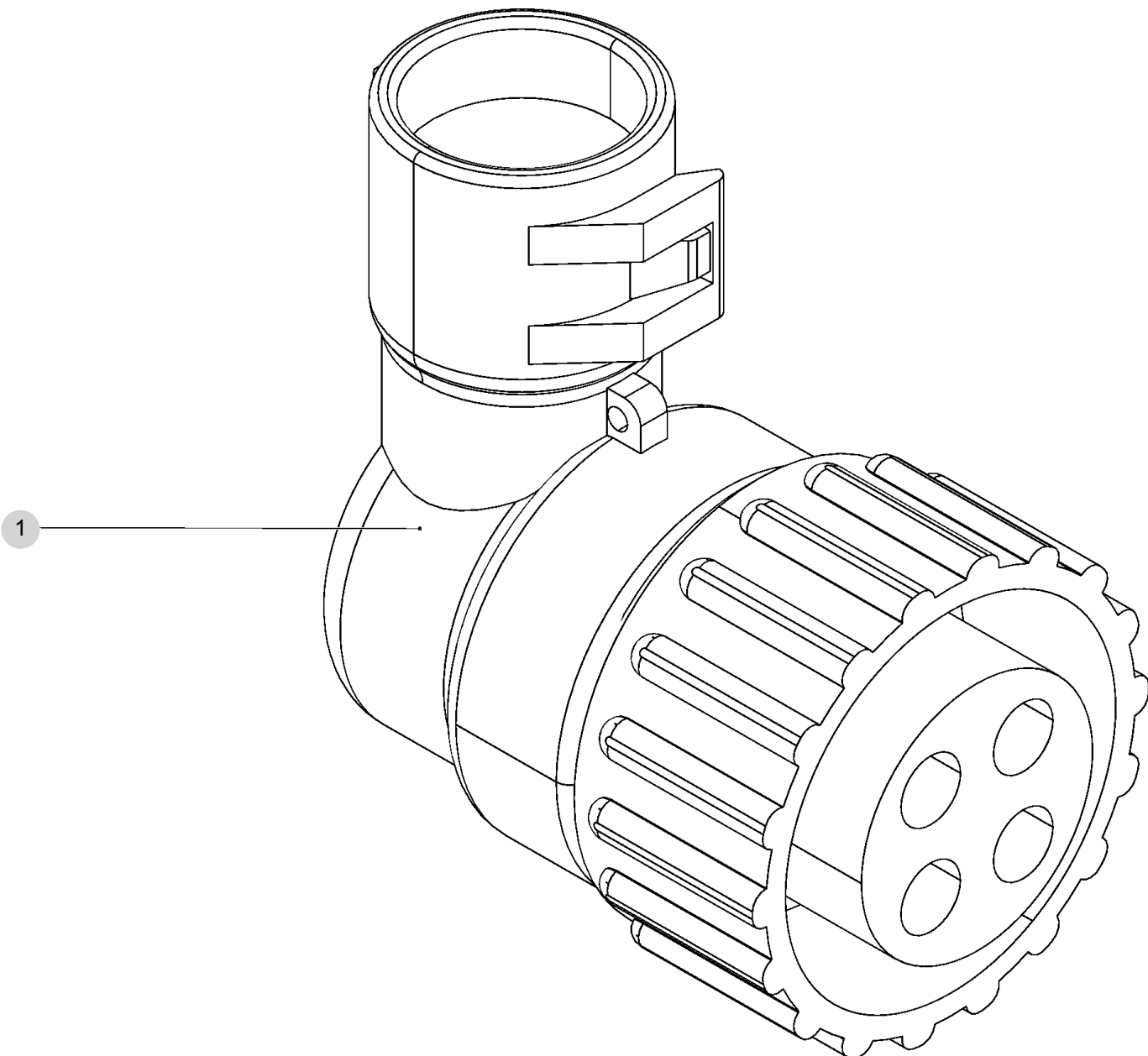
FIG 067

ATTACHMENT PLUG

년/월
Year/Month

2024-03

T115SPUS1



NOTE

FIG 068

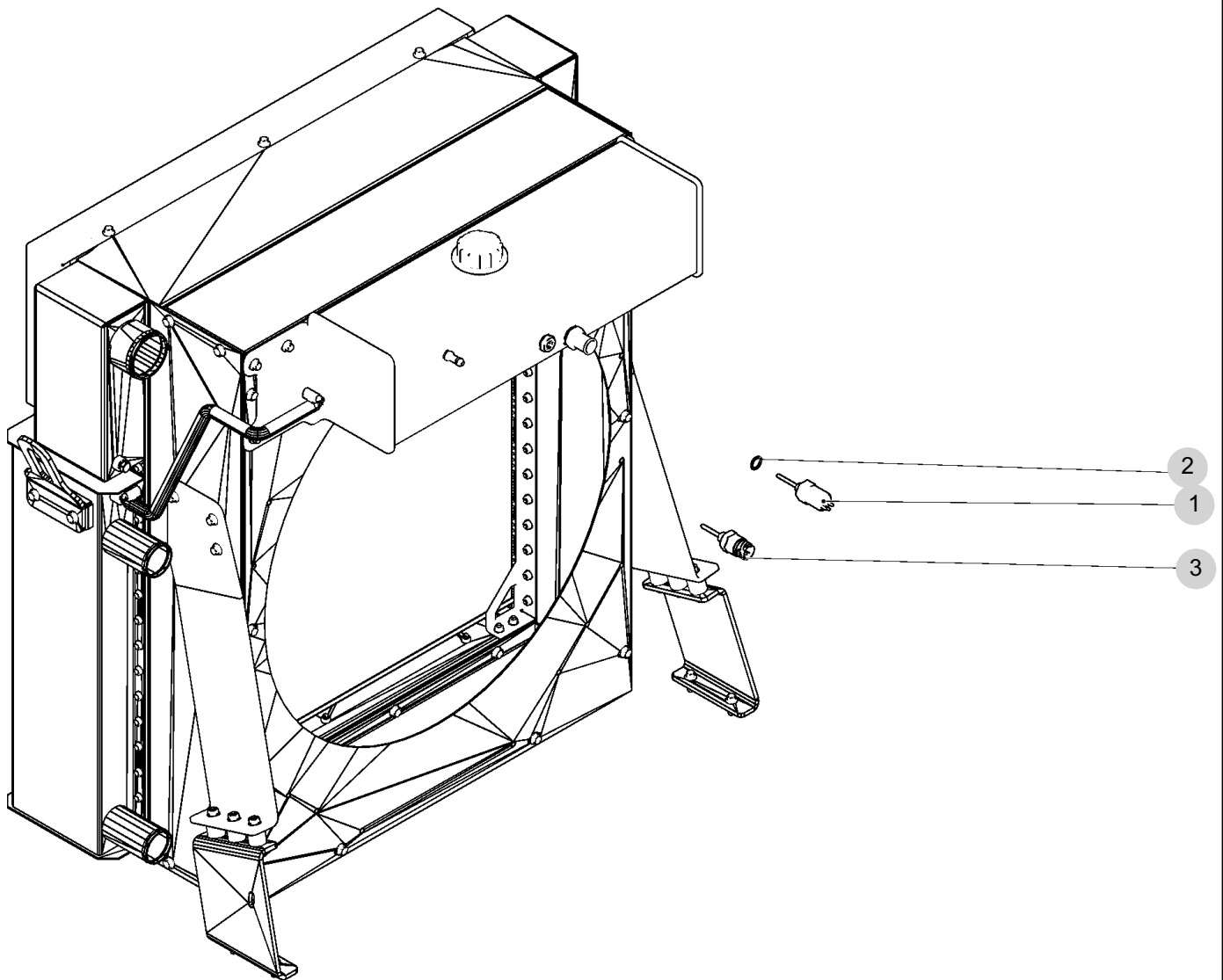
LEVEL SWITCH

년/월
Year/Month

2024-03

T115SPUS1

001



NOTE

FIG 069

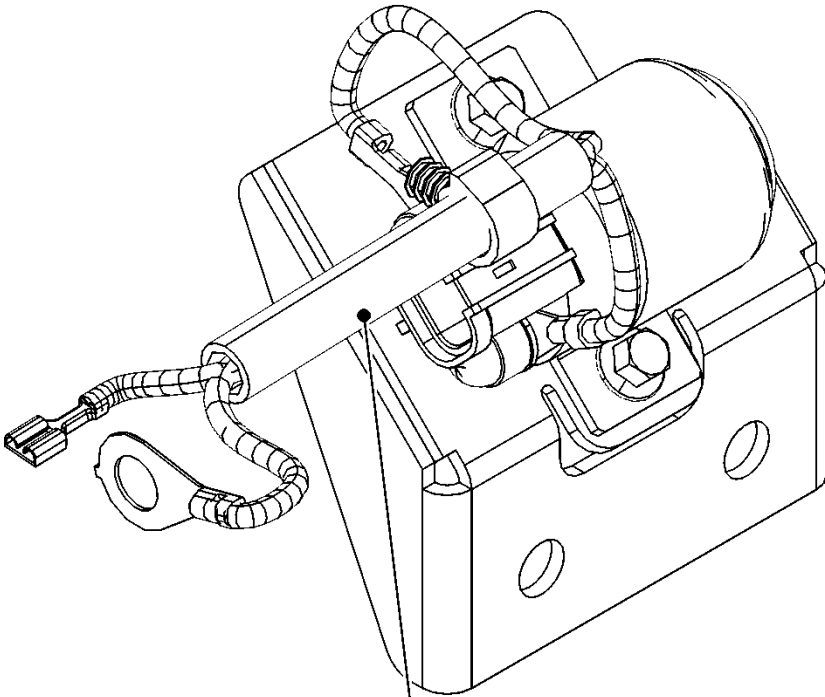
ELECTRIC LINE

년/월
Year/Month

2024-03

T115SPUS1

000



1

NOTE

FIG 070

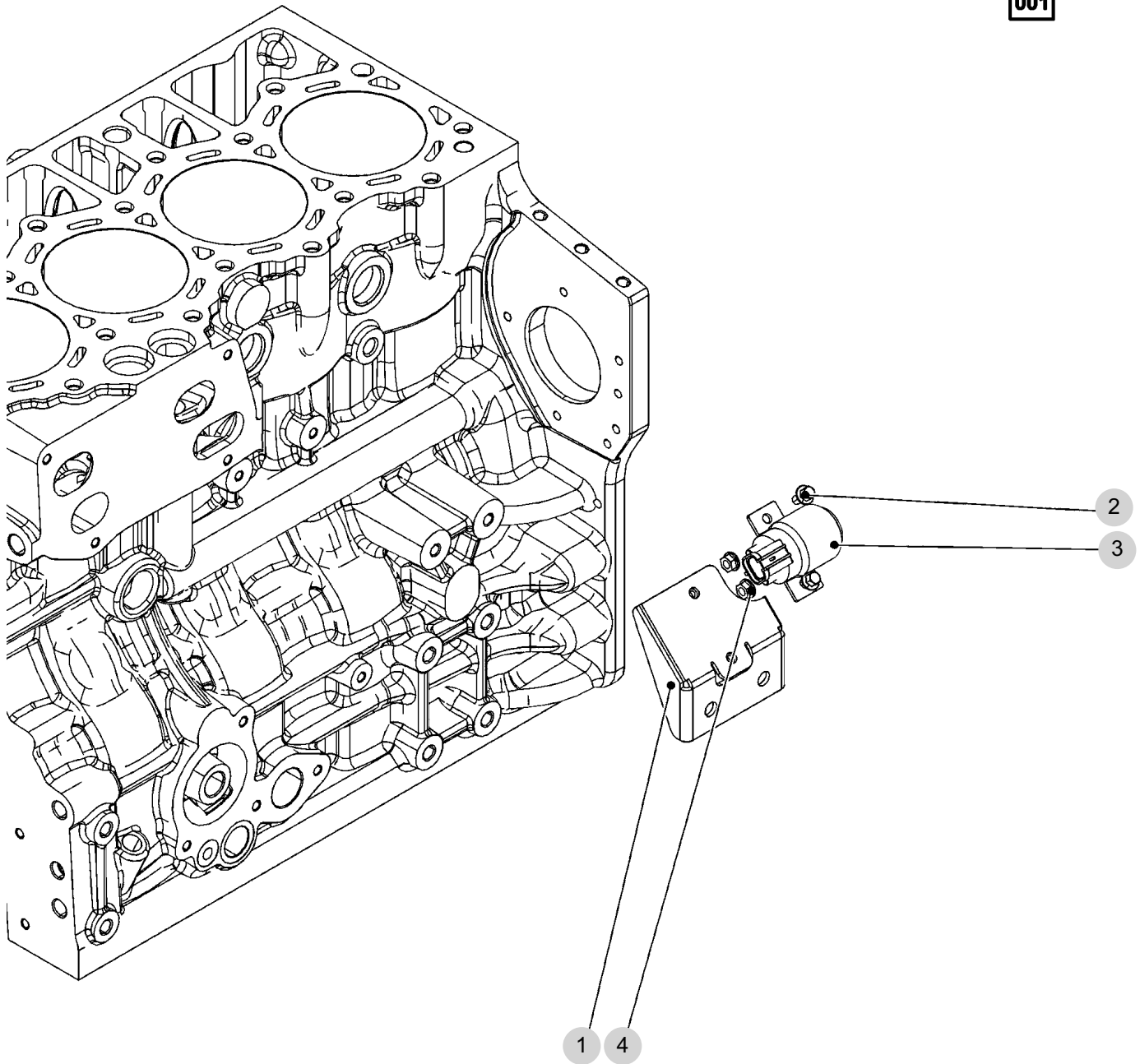
RELAY

년/월
Year/Month

2024-03

T115SPUS1

001



NOTE

FIG 071

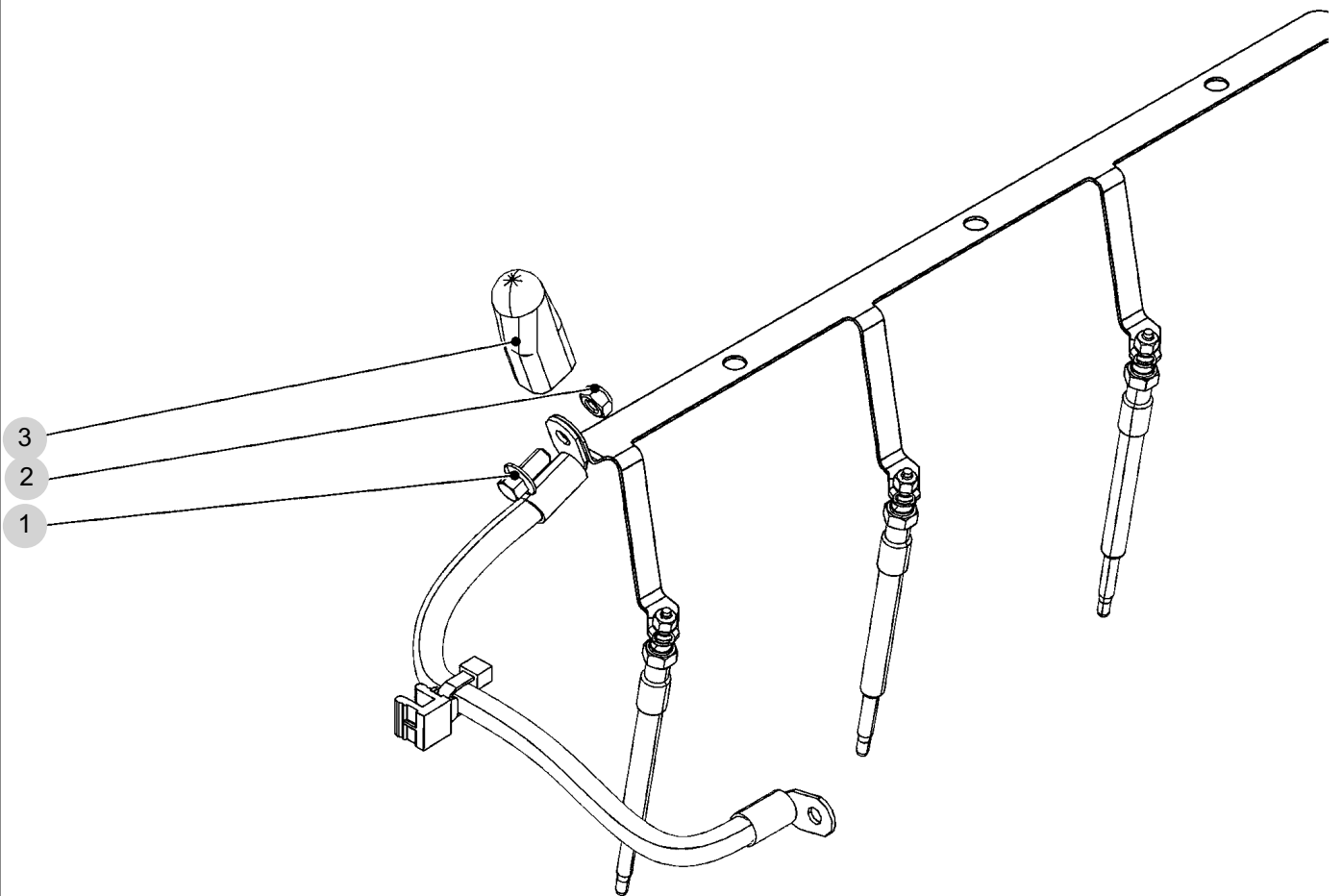
FASTENINGS

년/월
Year/Month

2024-03

T115SPUS1

001



NOTE

FIG 071 T115SPUS1	FASTENINGS					년/월 Year/Month
						2024-03

KEY NO	PART NO	DESCRIPTION	SPEC	QTY	REPAIR	EFFECTIVE DATE	REMARKS
071	1	01181442	HEXAGON BOLT	1			
071	2	01133500	HEXAGON NUT	1			
071	3	01182802	PROTECTING CAP	1			
NOTE							

FIG 072

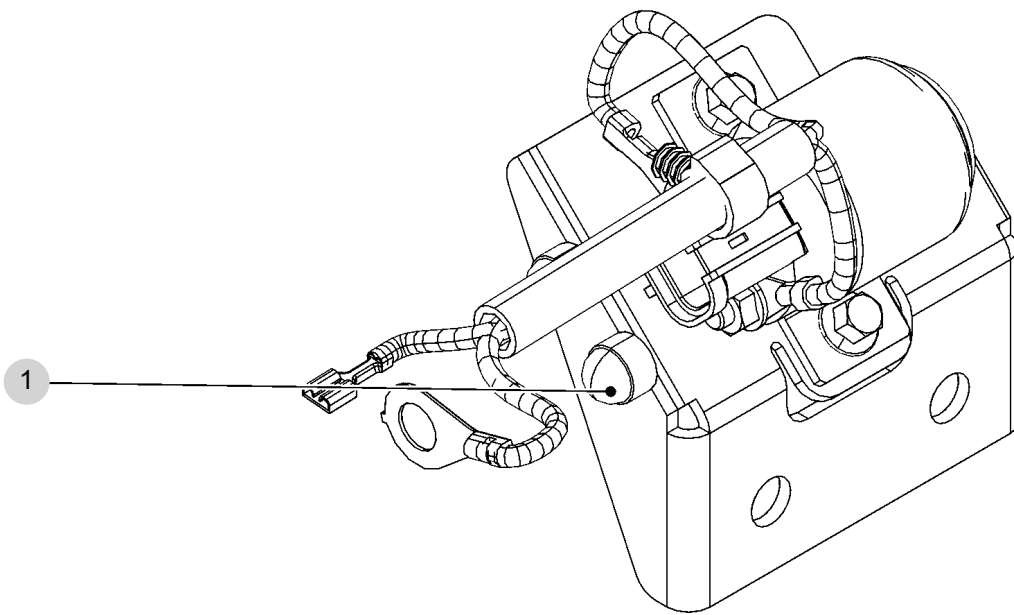
FASTENINGS

년/월
Year/Month

2024-03

T115SPUS1

000



NOTE

FIG 072		FASTENINGS						년/월 Year/Month
T115SPUS1								2024-03
KEY NO		PART NO	DESCRIPTION	SPEC	QTY	REPAIR	EFFECTIVE DATE	REMARKS
072	1	01182593	PROTECTING CAP		2			
NOTE								

FIG 073

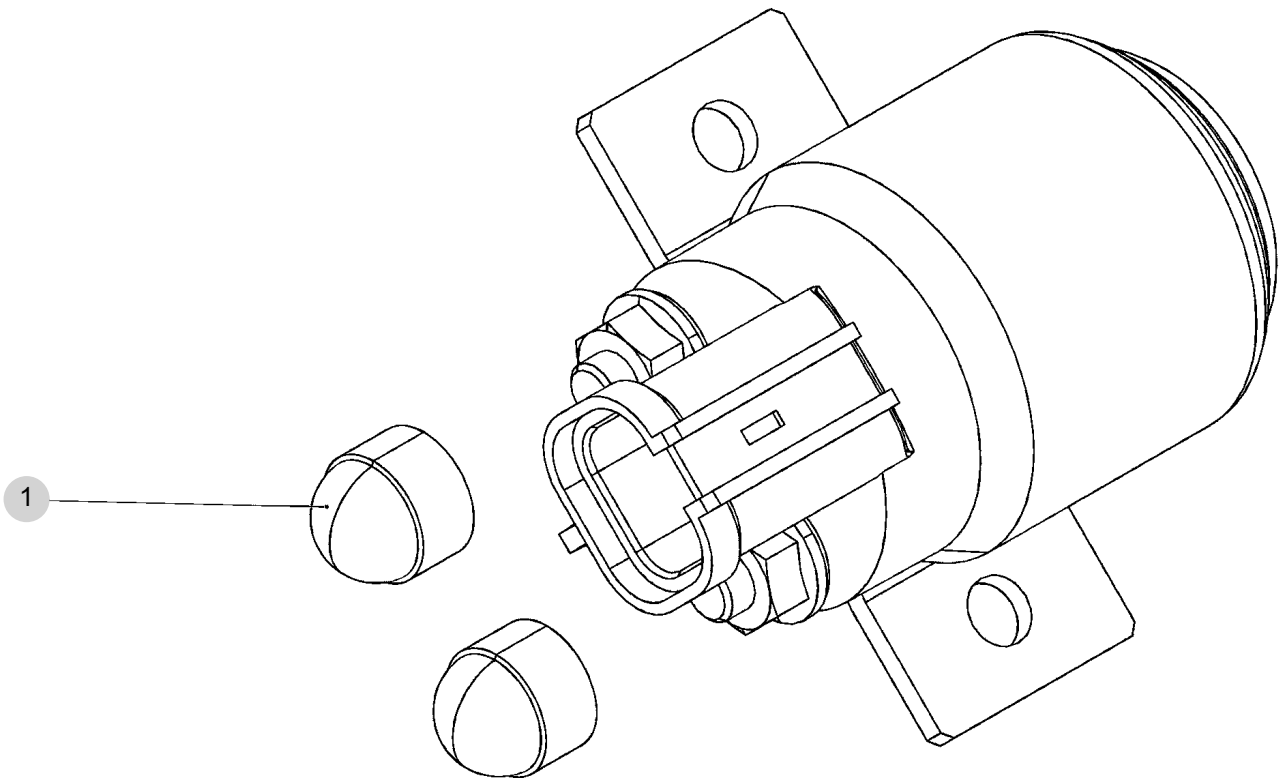
FASTENINGS

년/월
Year/Month

T115SPUS1

2024-03

000



NOTE

FIG 074

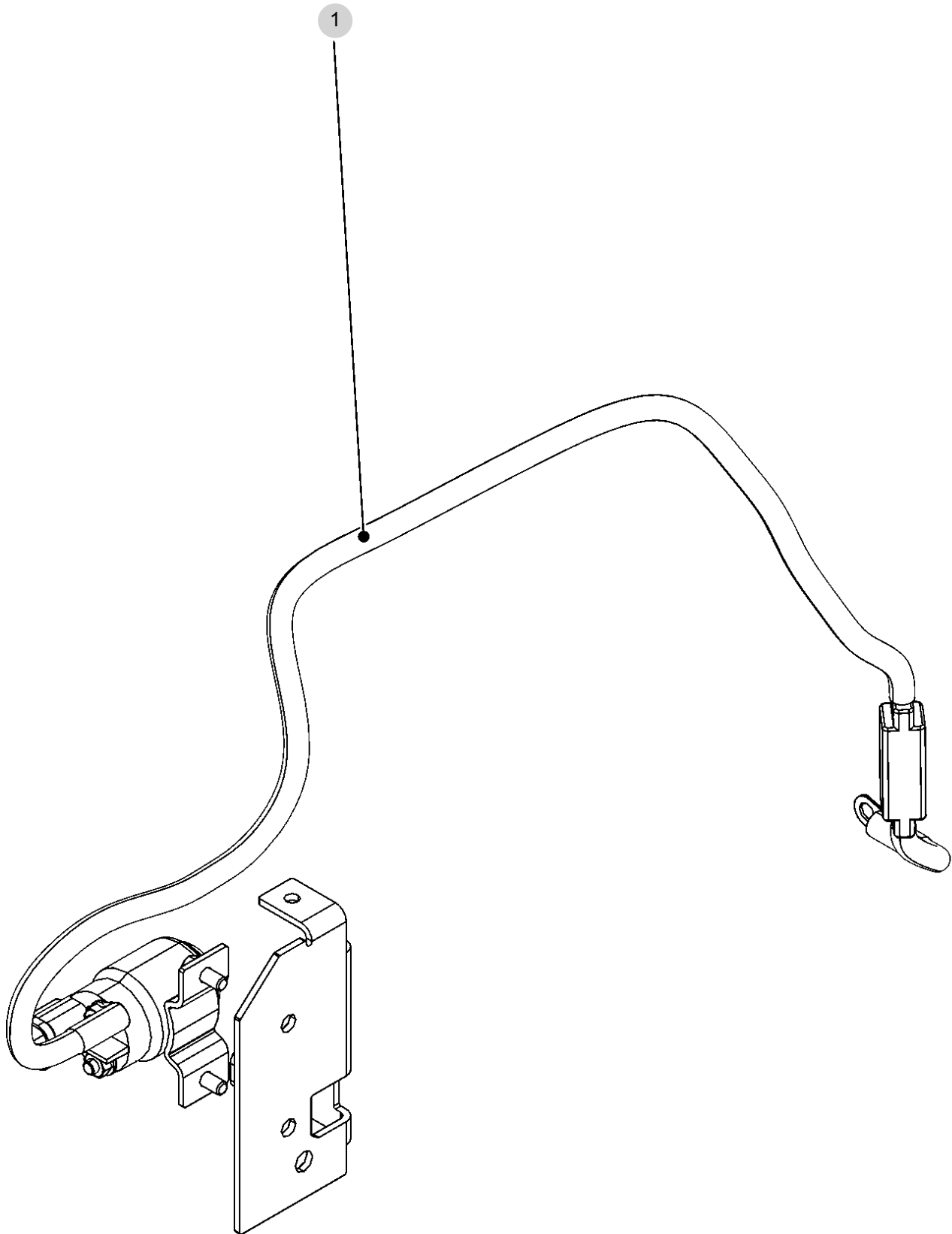
T115SPUS1

CONNECTING PIPE

년/월
Year/Month

2024-03

000



NOTE

FIG 075

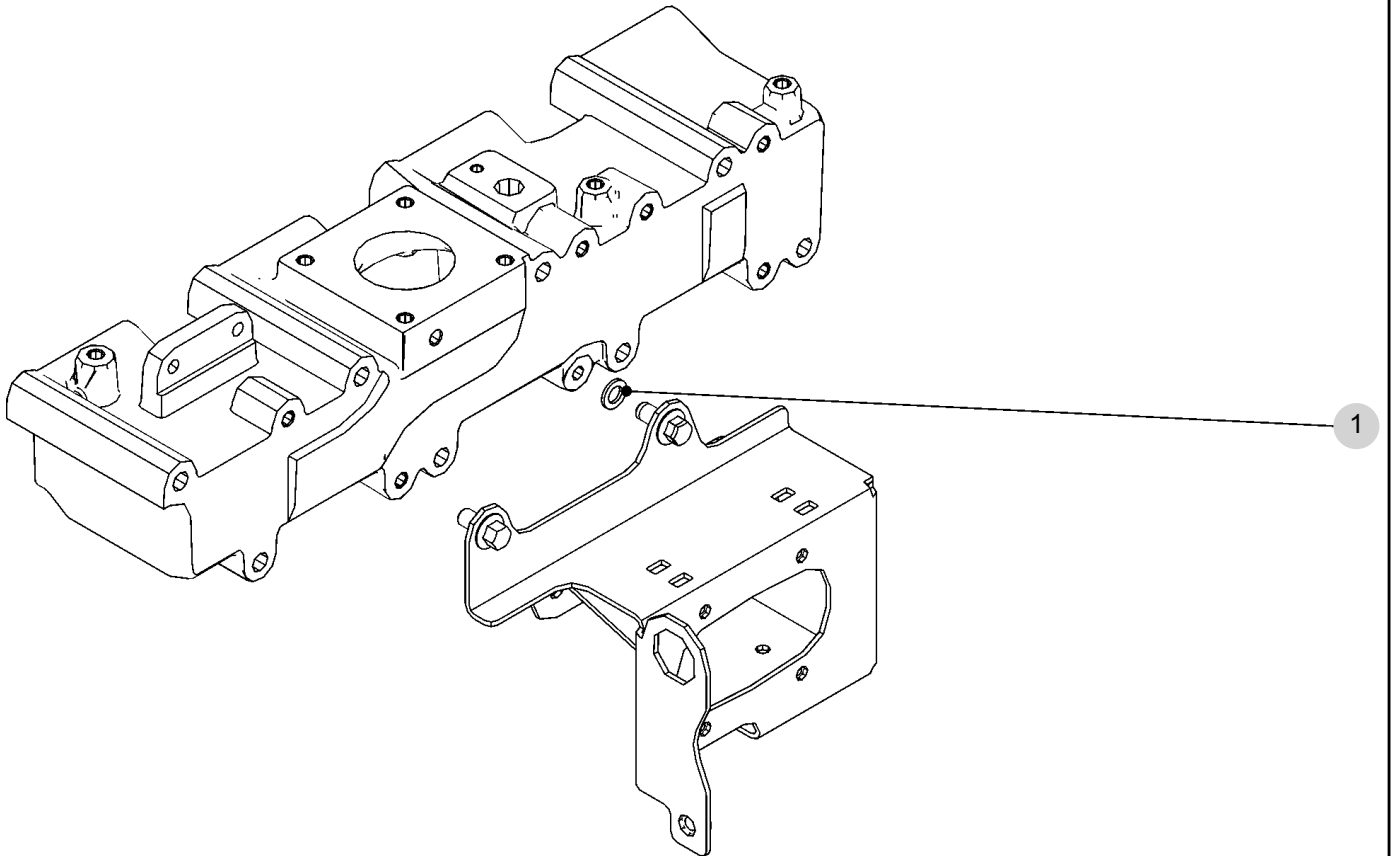
FASTENINGS

년/월
Year/Month

2024-03

T115SPUS1

000



NOTE

FIG 076

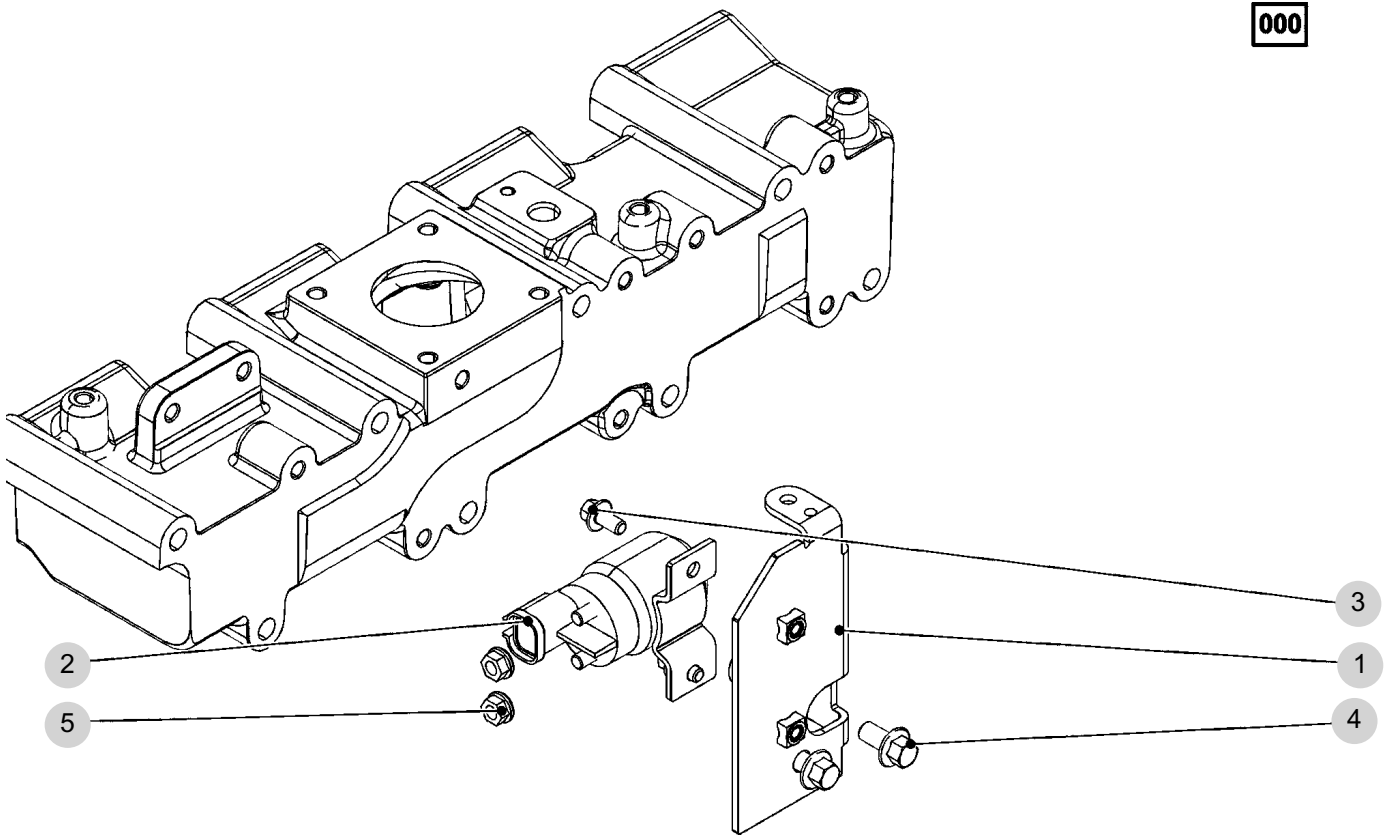
T115SPUS1

RELAY

년/월
Year/Month

2024-03

000



NOTE

FIG 077

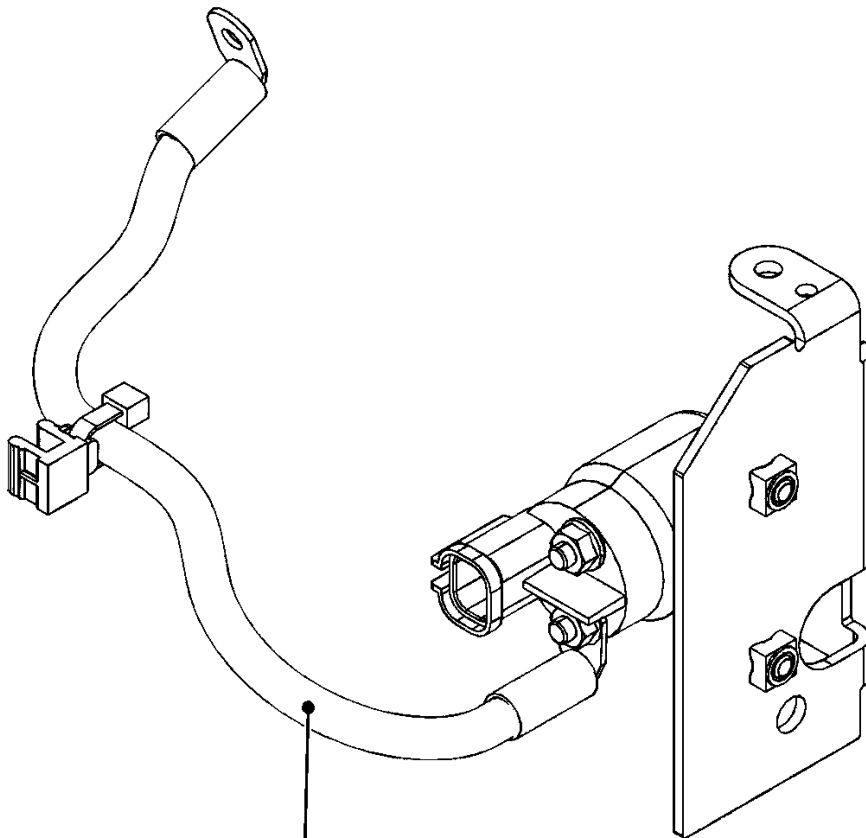
ELECTRIC LINE

년/월
Year/Month

T115SPUS1

2024-03

000



1

NOTE

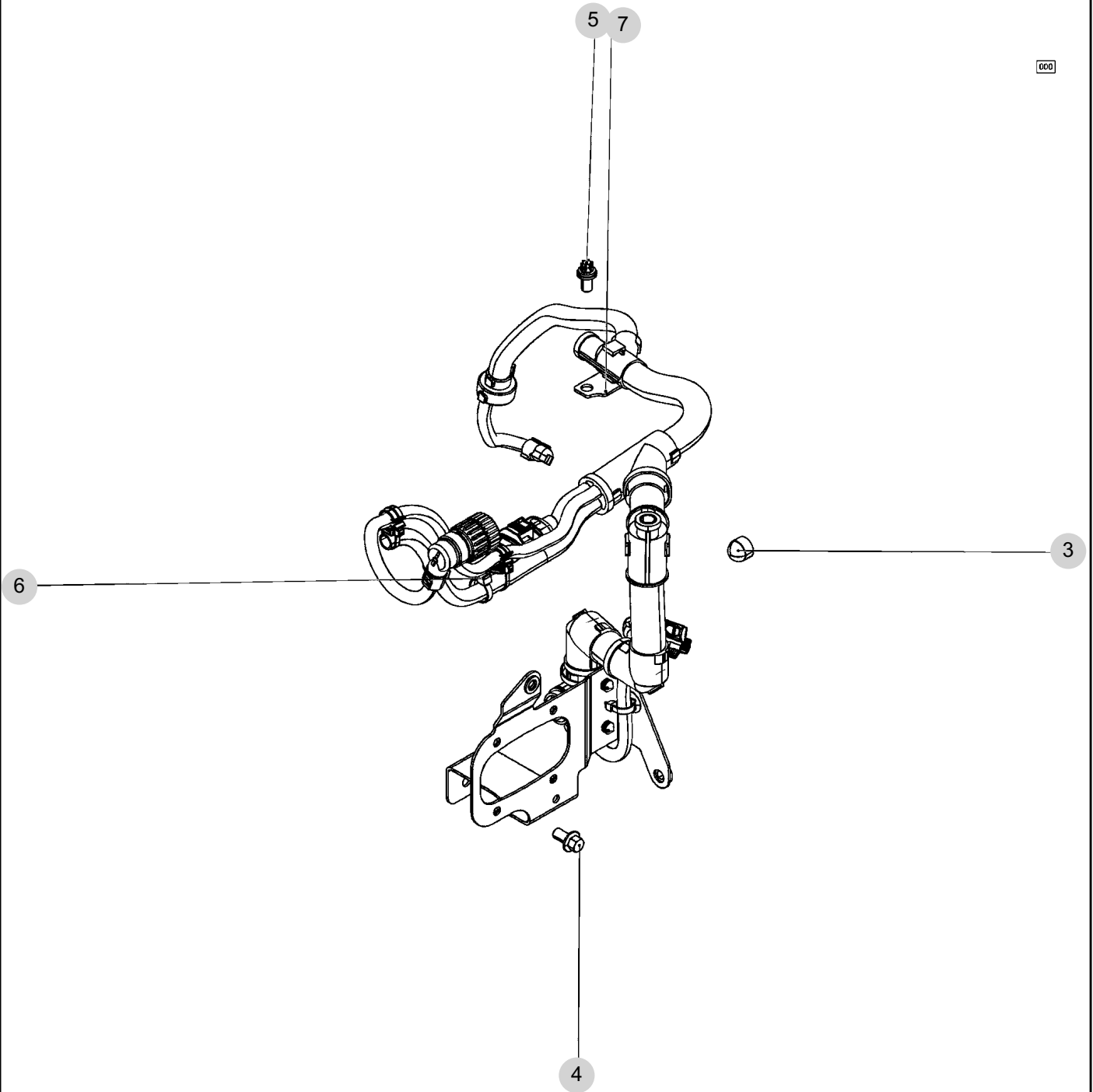
FIG 078

T115SPUS1

FASTENINGS

년/월
Year/Month

2024-03



NOTE

FIG 078

FASTENINGS

T115SPUS1

년/월
Year/Month

2024-03

KEY NO	PART NO	DESCRIPTION	SPEC	QTY	REPAIR	EFFECTIVE DATE	REMARKS
078	3	01183015	PROTECTING CAP	1			
078	4	01181436	HEXAGON BOLT	1			
078	5	01181420	TORX-HEAD BOLT	1			
078	6	01176435	CLAMPING BAND	1			
078	7	04213828	RETAINING PLATE	1			
NOTE							

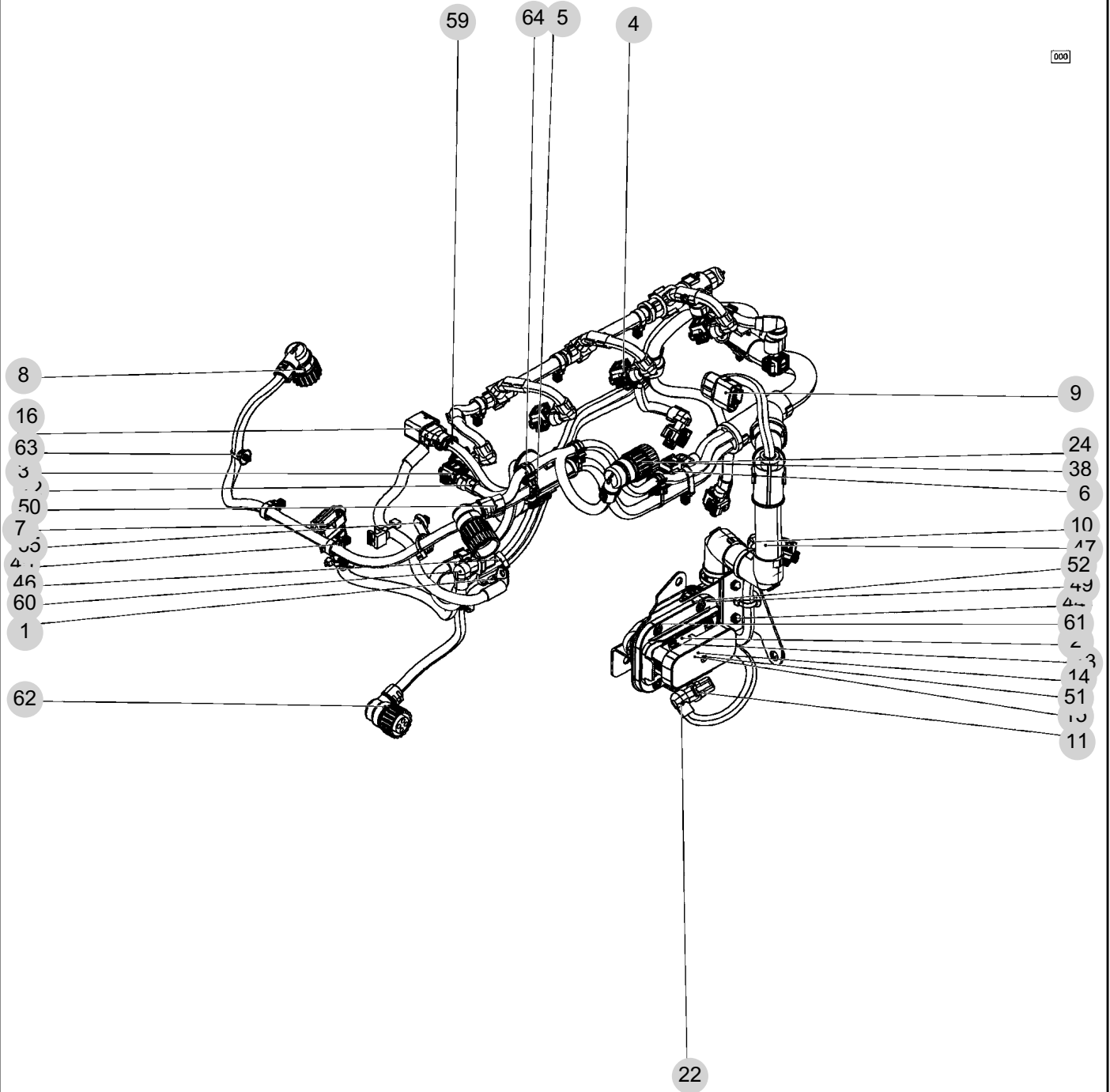
FIG 079

CABLE HARNESS

년/월
Year/Month

2024-03

T115SPUS1



NOTE

FIG 079		CABLE HARNESS					년/월 Year/Month	
T115SPUS1							2024-03	
KEY NO	PART NO	DESCRIPTION	SPEC	QTY	REPAIR	EFFECTIVE DATE	REMARKS	
079	1	04467977		CABLE HARNESS		1		
079	2	04216798		PLUG-IN CONNECTOR		1		
079	3	04212745		PLUG-IN CONNECTOR		4		
079	4	04212744		PLUG-IN CONNECTOR		5		
079	5	04212746		PLUG-IN CONNECTOR		1		
079	6	04212747		PLUG-IN CONNECTOR		1		
079	7	04216073		PLUG-IN CONNECTOR		1		
079	8	04215408		PLUG-IN CONNECTOR		3		
079	9	04218980		PLUG-IN CONNECTOR		1		
079	10	04212267		ADAPTER		5		
079	11	04216072		PLUG-IN CONNECTOR		2		
079	12	04214201		ADAPTER		2		
079	13	04213944		ADAPTER		1		
079	14	04213943		FIXING BRACKET		1		
079	15	01149491		CHEESE HEAD SCREW		4		
079	16	04216997		PLUG-IN CONNECTOR		1		
079	22	04215732		ADAPTER		2		
079	24	04194851		ADAPTER		1		
079	38	04213431		PROTECTING CAP		1		
079	44	04214334		CLAMPING BAND		4		
079	45	04214077		CLAMPING BAND		10		
079	46	01176435		CLAMPING BAND		3		
079	47	04212266		ADAPTER		5		
079	49	04217807		WIRE FASTENER		1		
079	50	04216271		SUPPORT		1		
079	51	04466082		CAP		1		
079	52	04219346		RETAINING PLATE		1		
079	59	01180017		CLAMPING BAND		1		
079	60	04213121		FIXING CLIP		3		
079	61	04213653		CAP		1		
079	62	04199599		CAP		3		
079	63	04211188		CLAMPING BAND		1		
079	64	04217899		WIRE FASTENER		4		
079	65	04299960		FIXING CLIP		1		
NOTE								

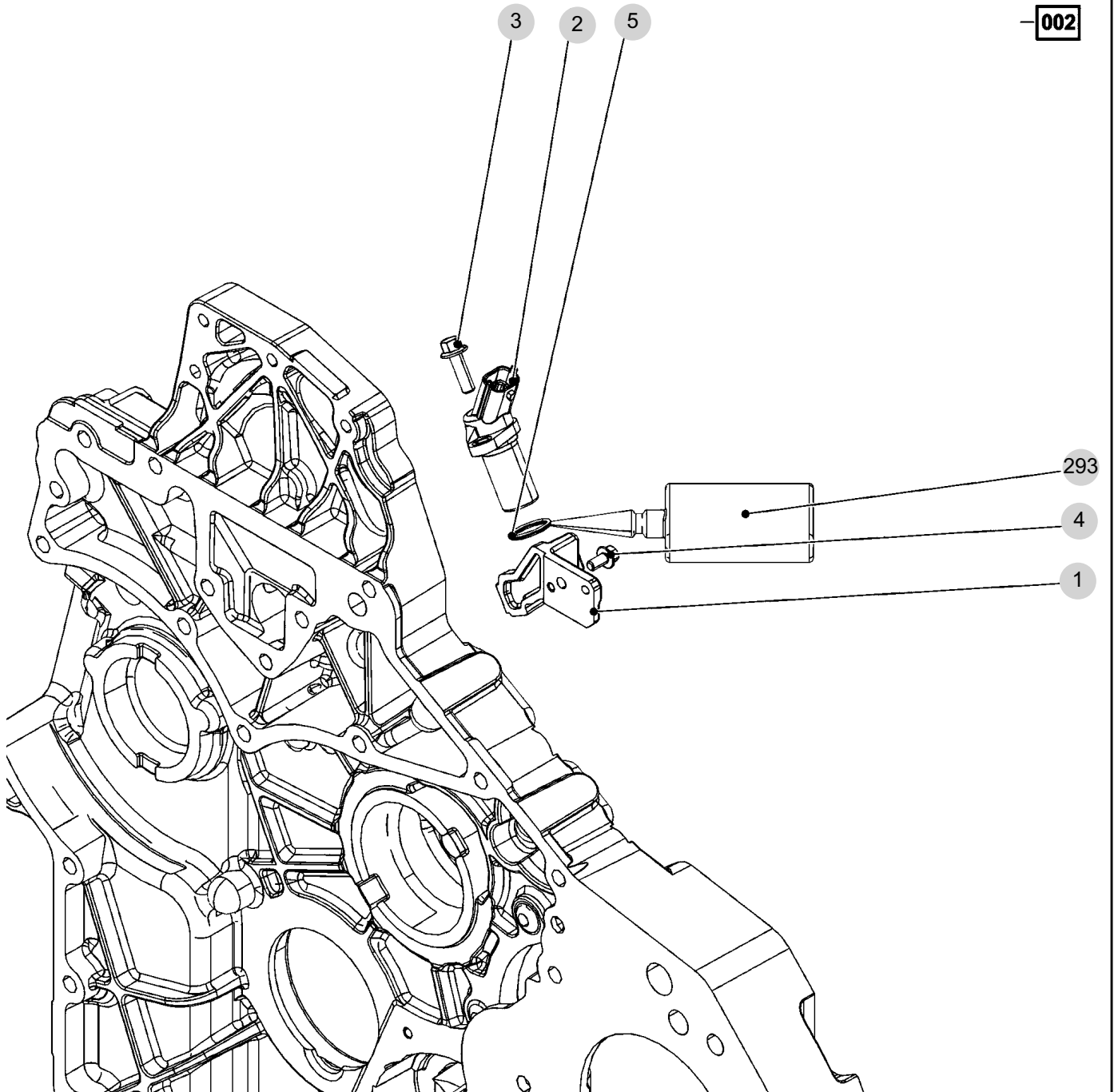
FIG 080

SPEED SENSOR

년/월
Year/Month

2024-03

T115SPUS1



002

NOTE

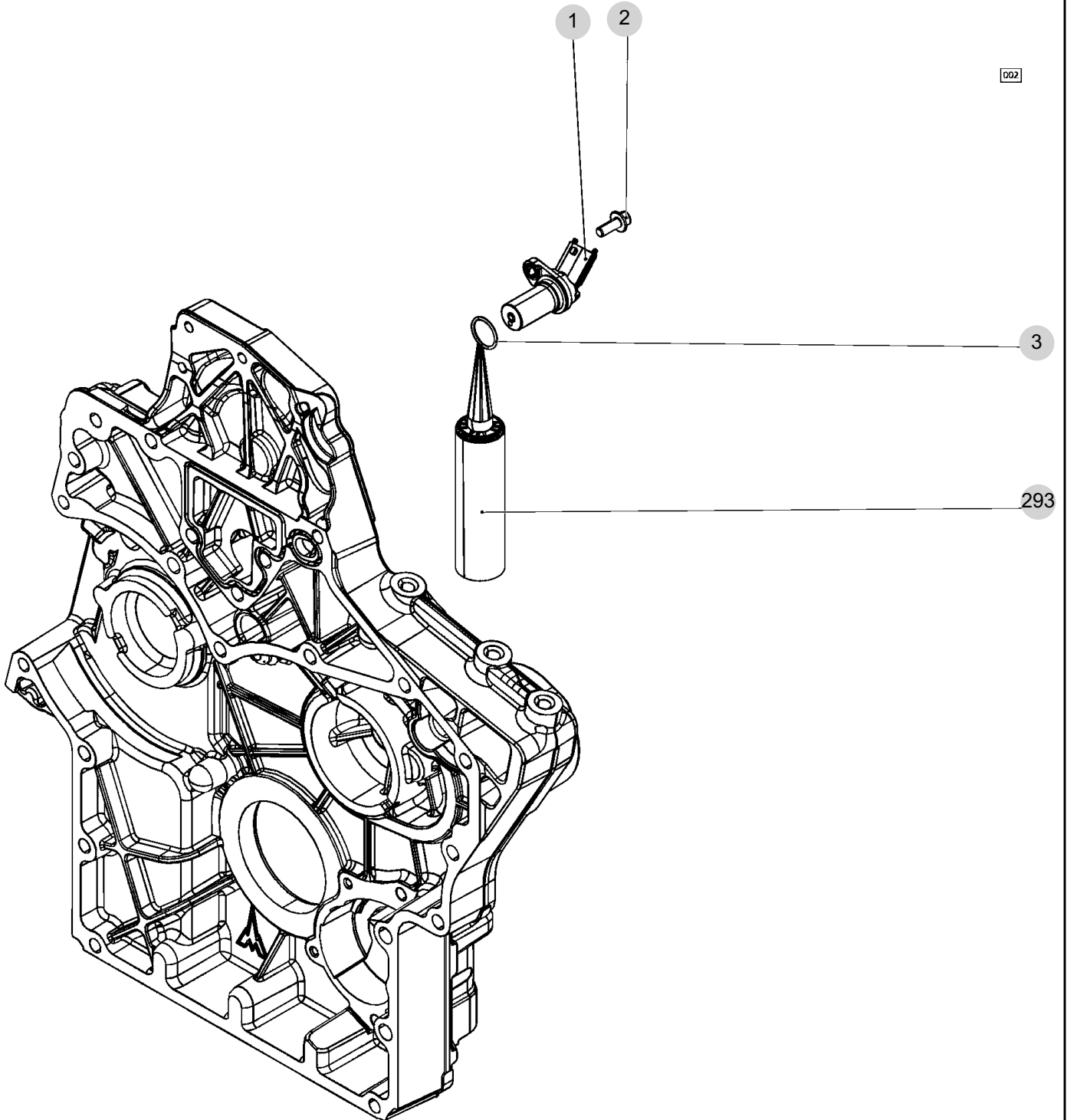
FIG 081

SENSOR

년/월
Year/Month

2024-03

T115SPUS1



NOTE

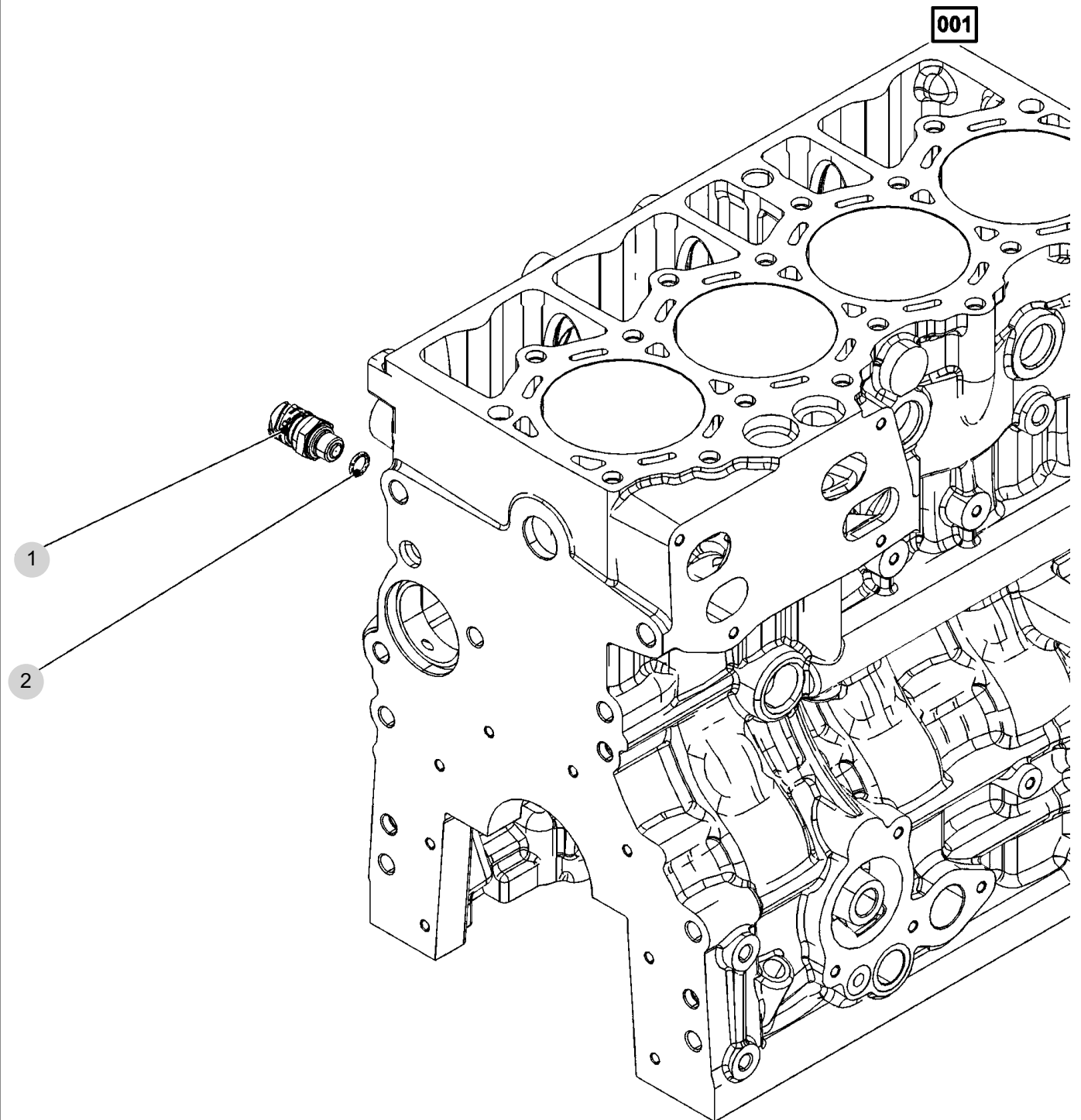
FIG 082

PRESSURE PICK-UP

년/월
Year/Month

2024-03

T115SPUS1



NOTE

FIG 083

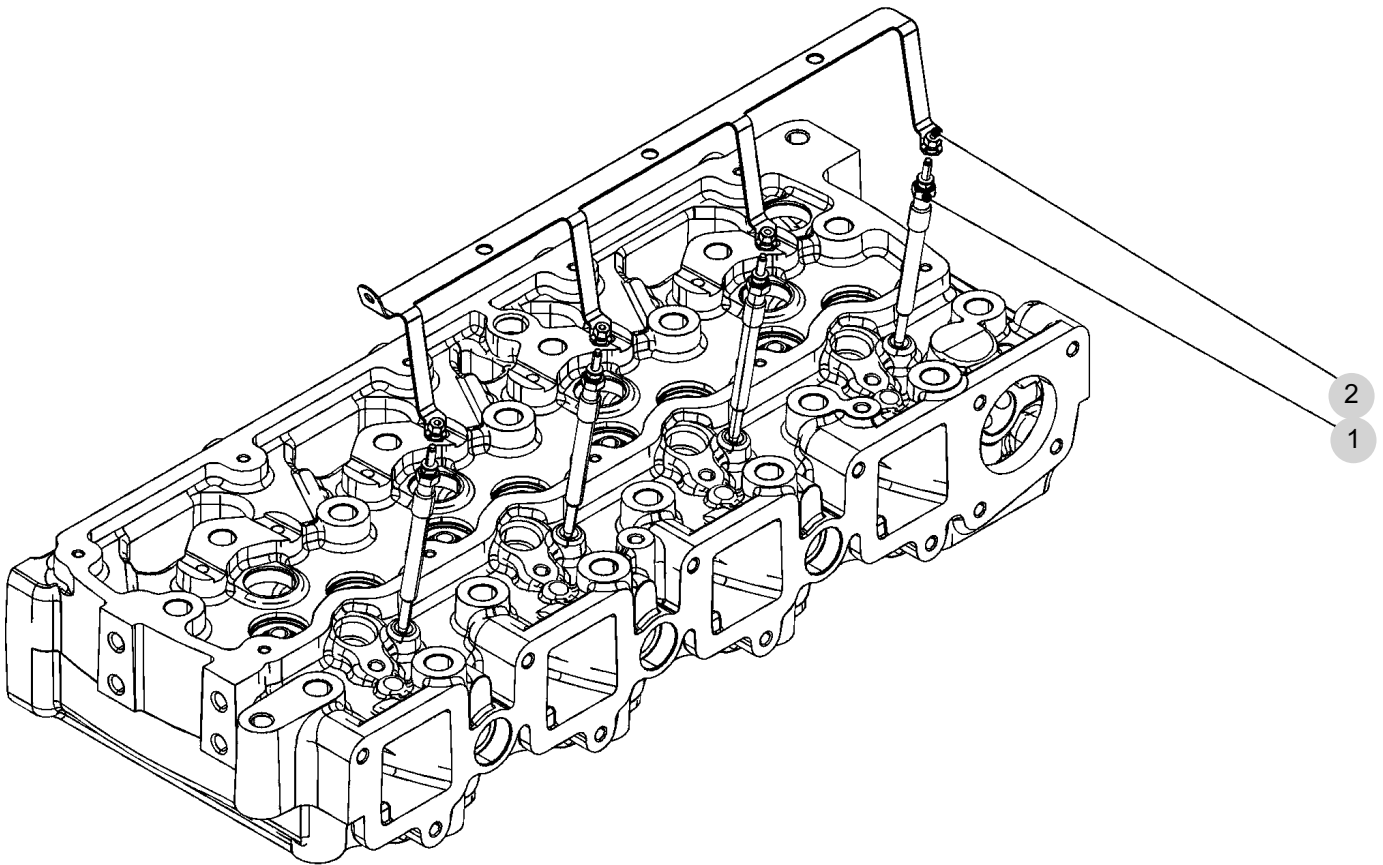
GLOW PLUG

년/월
Year/Month

T115SPUS1

2024-03

000



NOTE

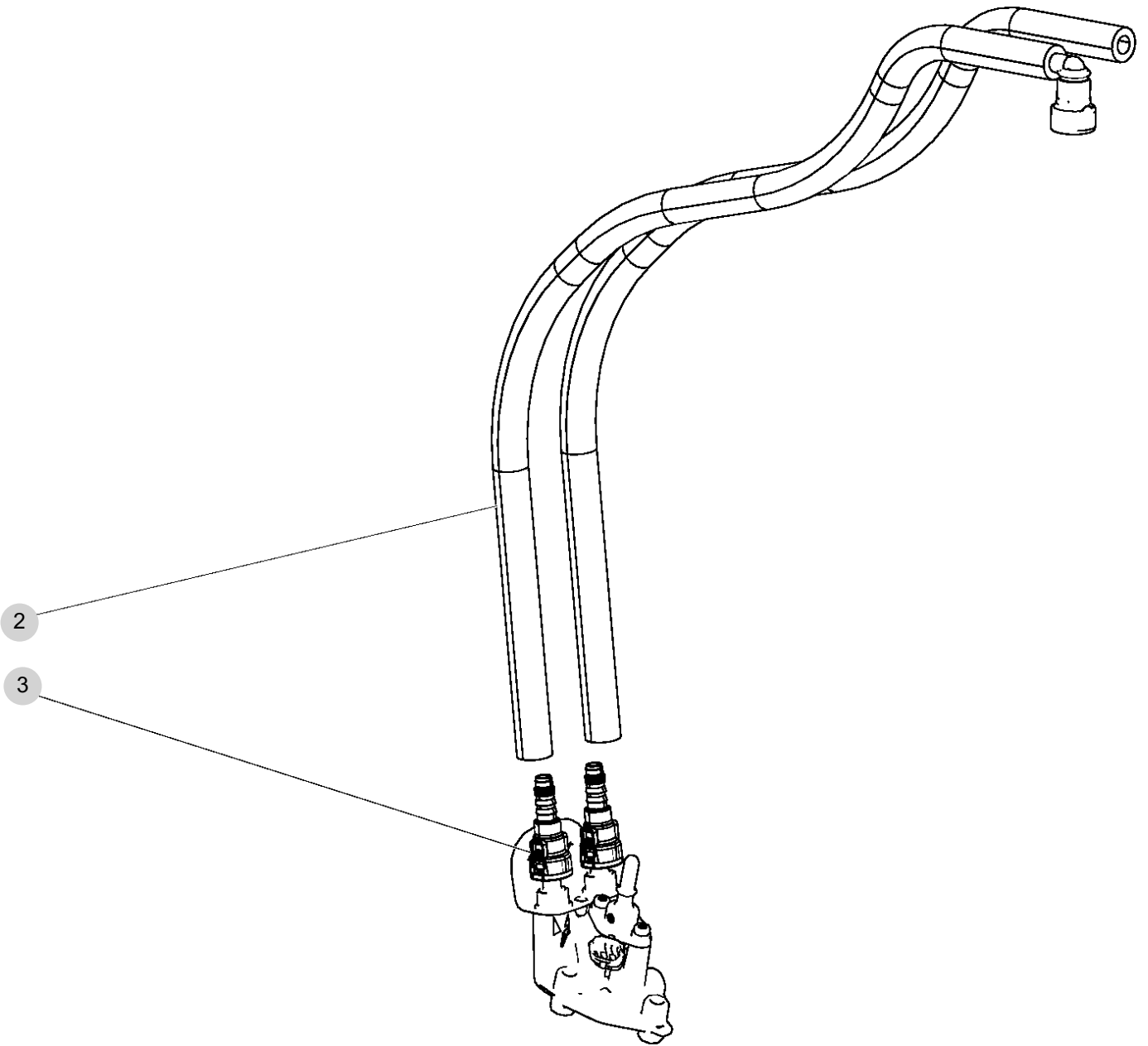
FIG 084

WATER HOSE

년/월
Year/Month

2024-03

T115SPUS1



NOTE

FIG 085

SOLENOID VALVE

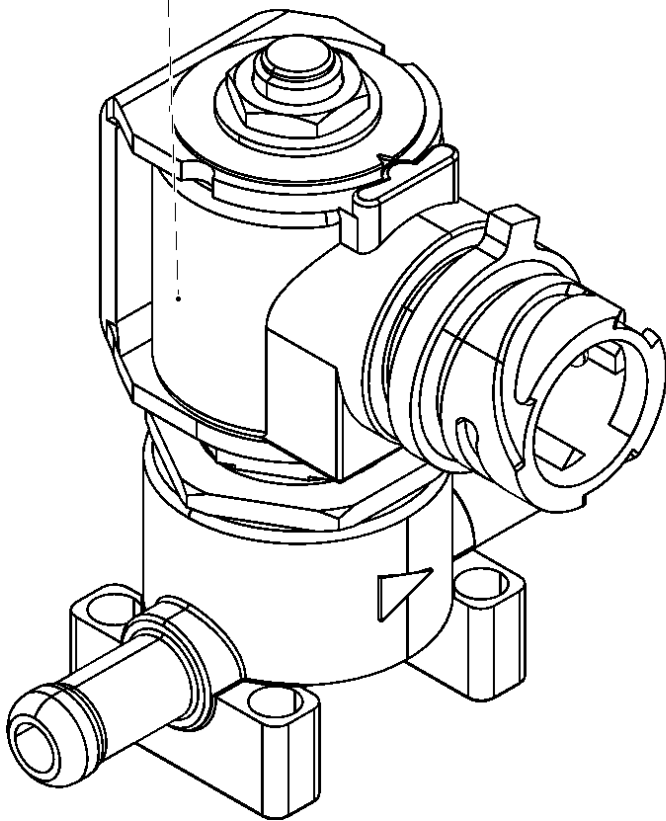
년/월
Year/Month

2024-03

T115SPUS1

000

1



NOTE

FIG 086

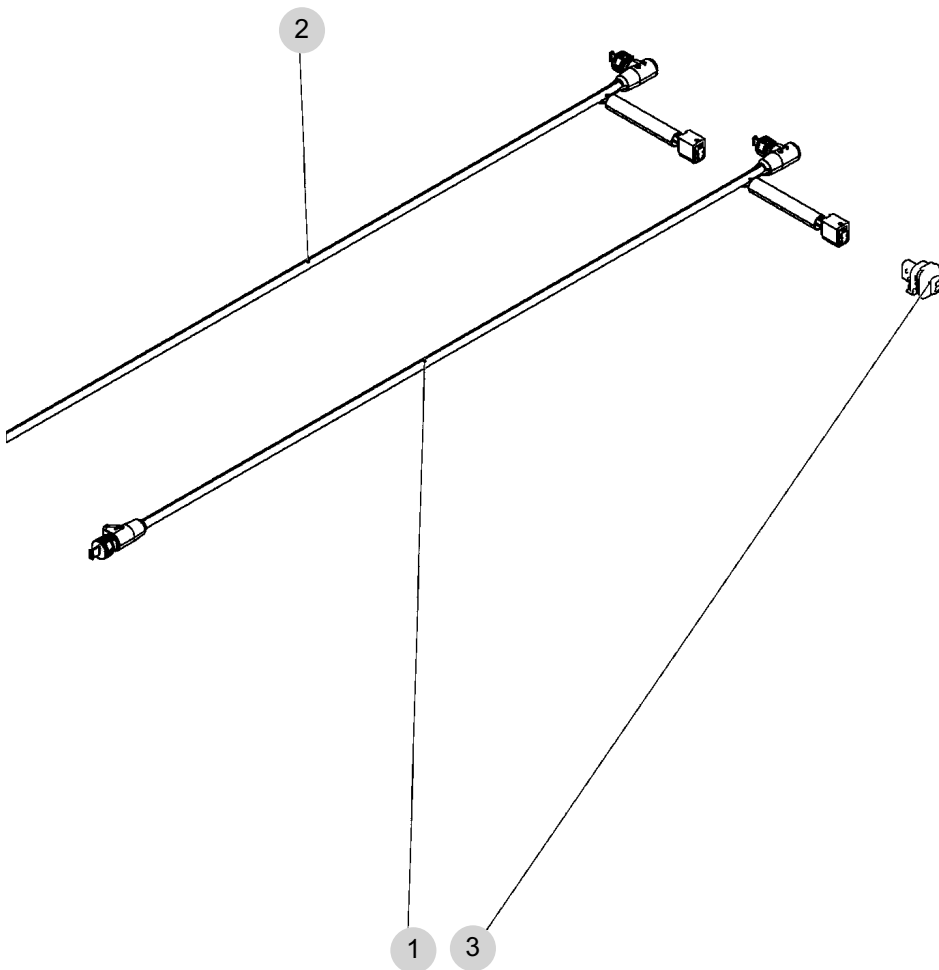
T115SPUS1

PIPE/LINE/LEAD

년/월
Year/Month

2024-03

[001]



NOTE

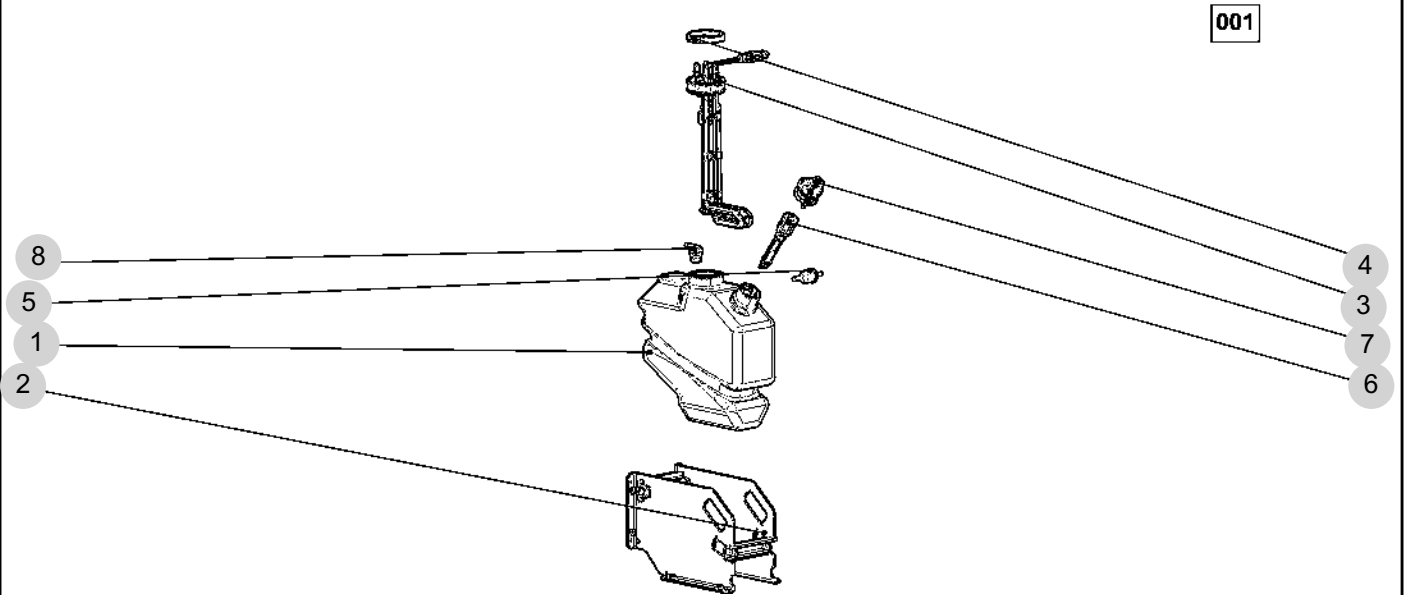
FIG 087

Tank/reservoir

년/월
Year/Month

2024-03

T115SPUS1



NOTE

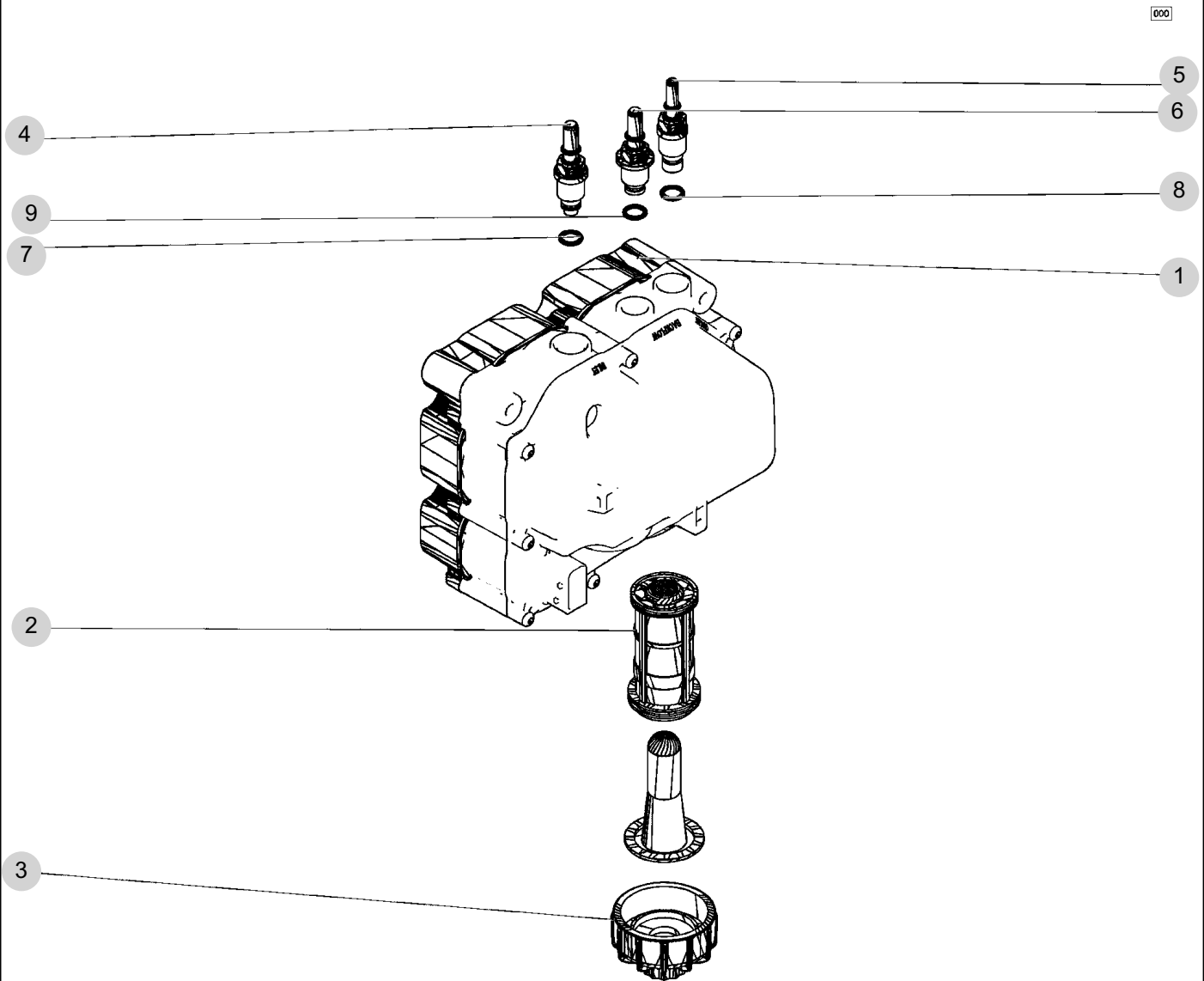
FIG 088

SUPPLY PUMP

년/월
Year/Month

2024-03

T115SPUS1



NOTE

FIG 089

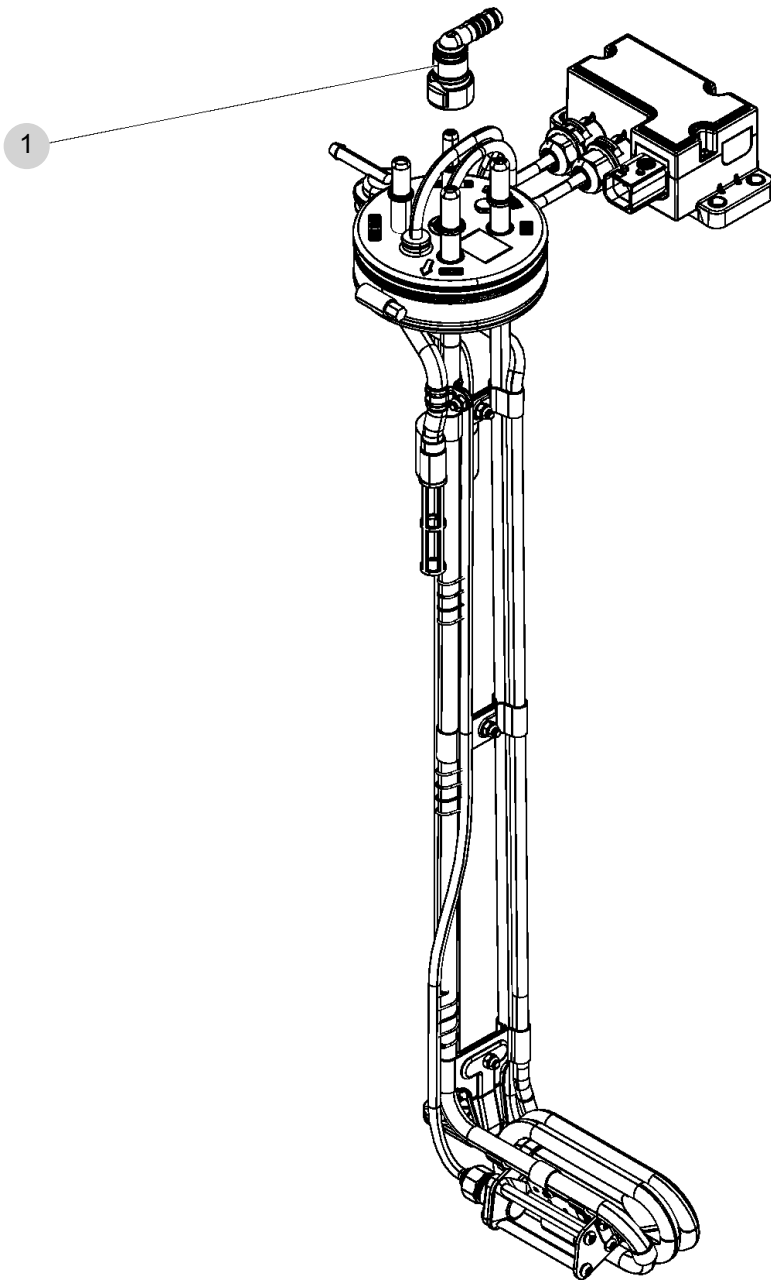
T115SPUS1

PLUG

년/월
Year/Month

2024-03

000



NOTE

FIG 090

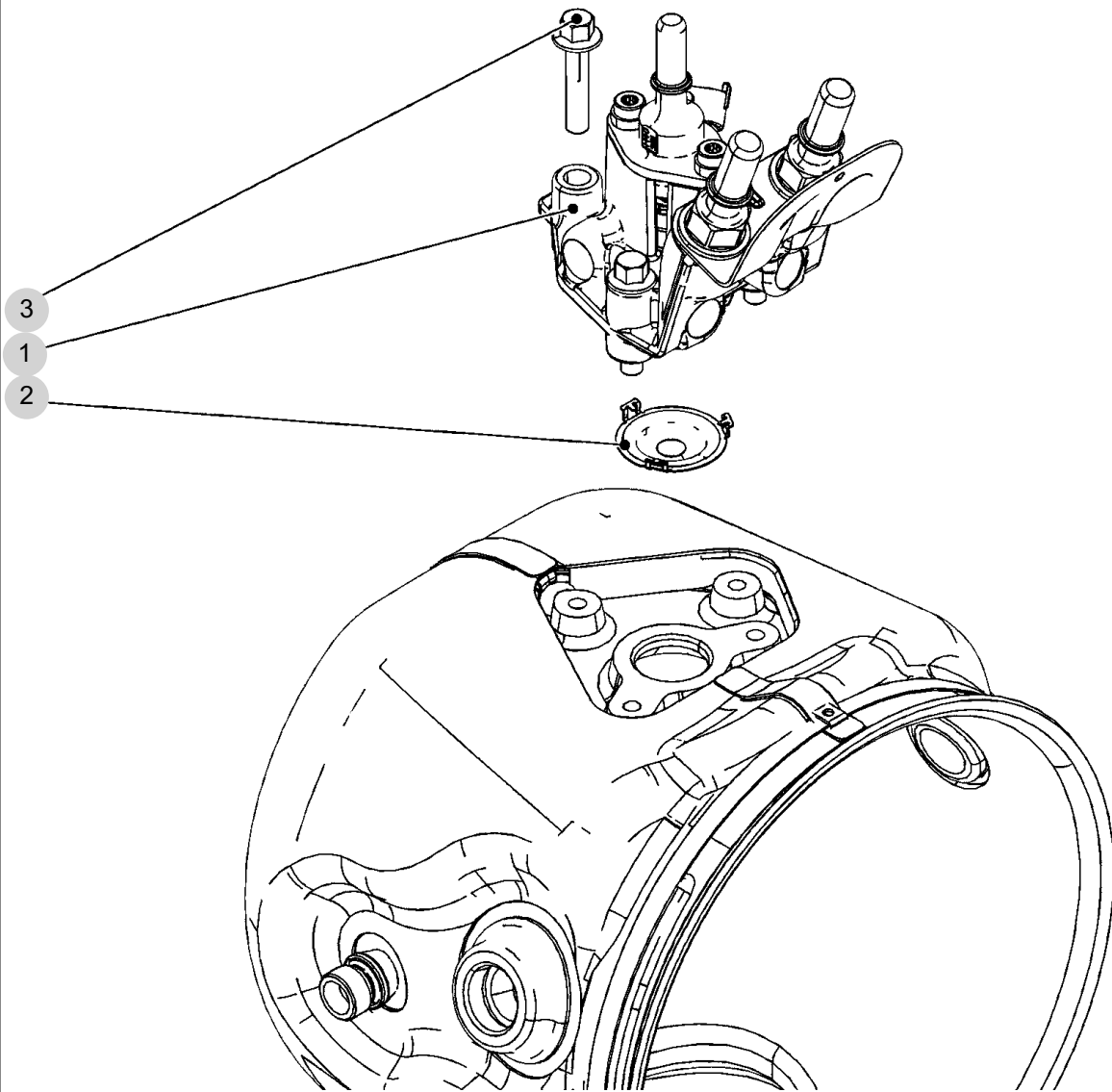
T115SPUS1

MOUNT

년/월
Year/Month

2024-03

000



NOTE

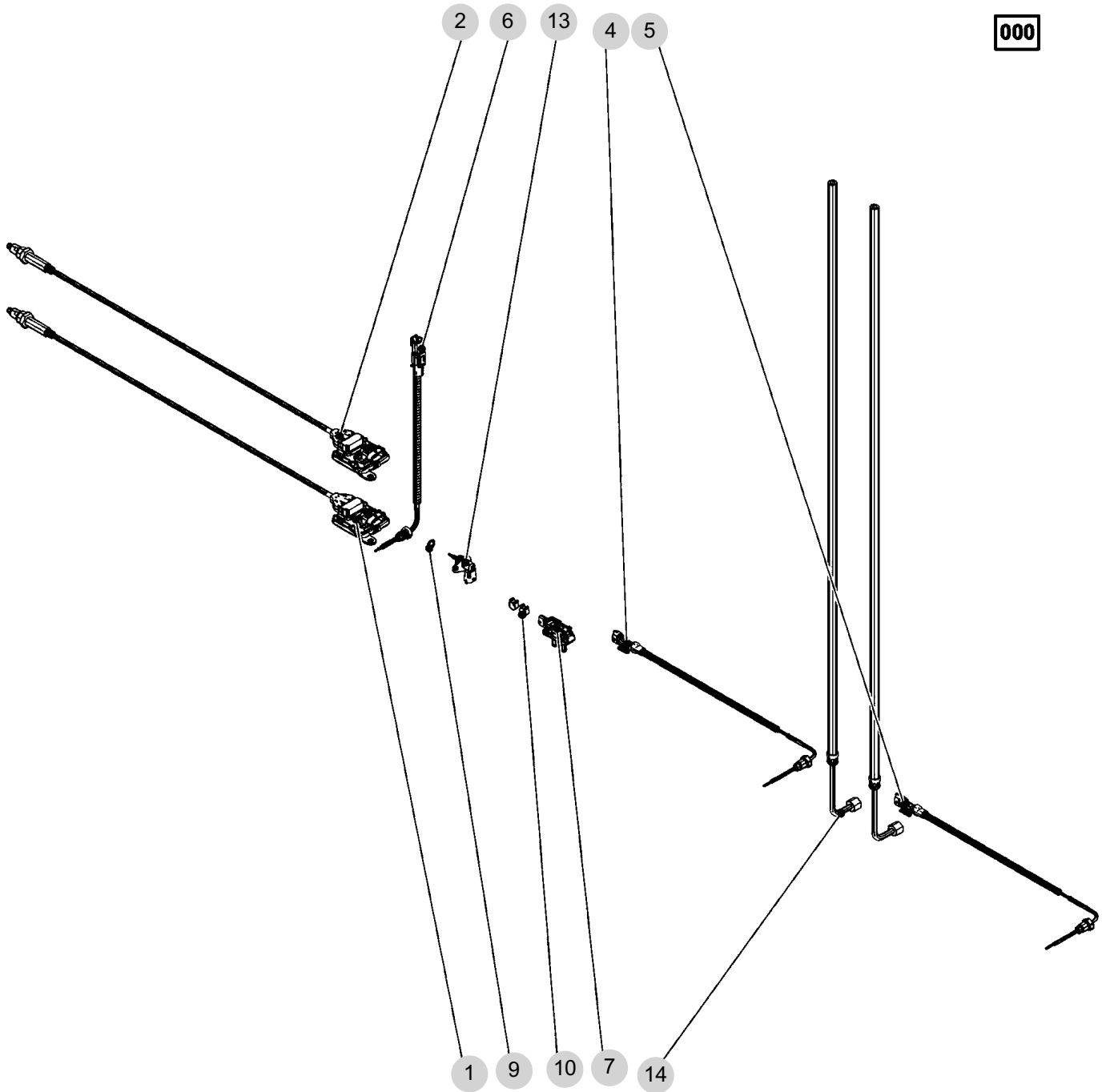
FIG 091

T115SPUS1

MOUNT

년/월
Year/Month

2024-03



NOTE

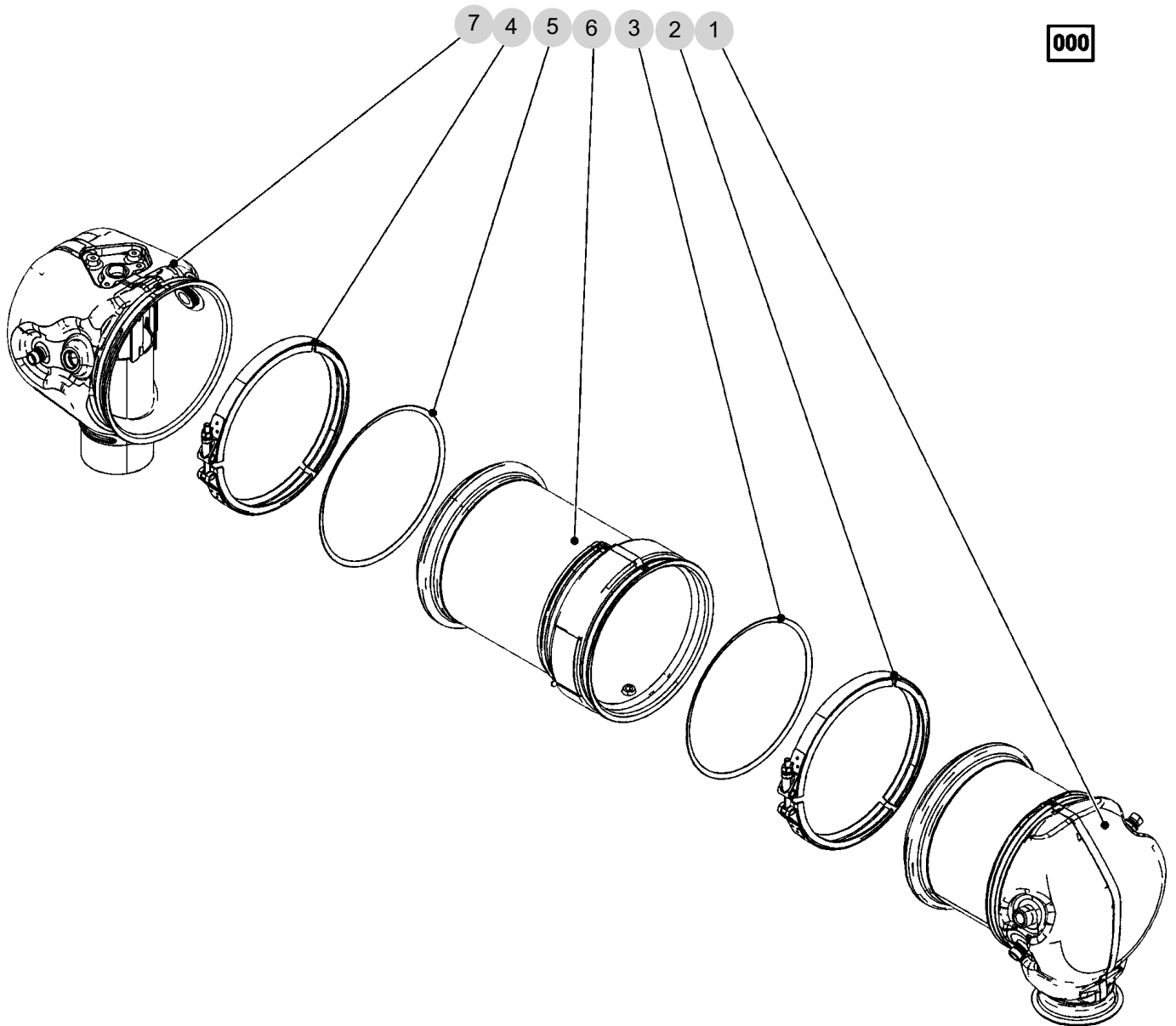
FIG 092

PARTICULATE FILTER

년/월
Year/Month

2024-03

T115SPUS1



NOTE

FIG 093

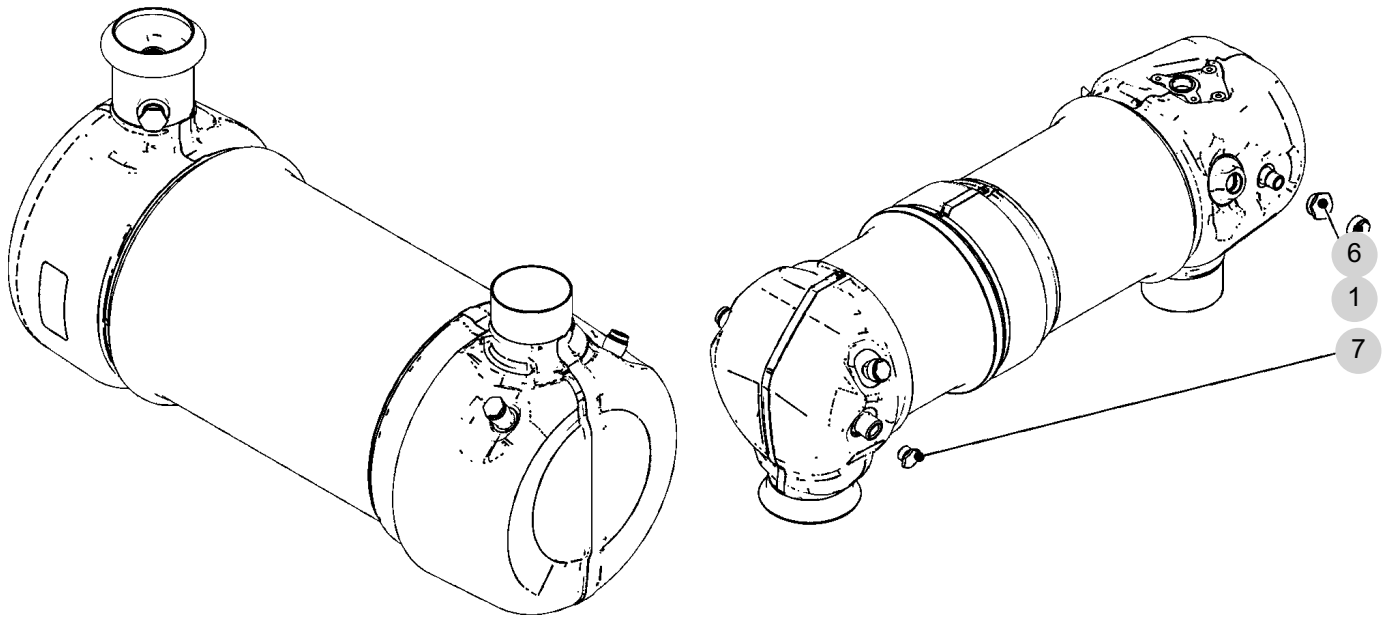
BLANKING PARTS

년/월
Year/Month

2024-03

T115SPUS1

000



NOTE

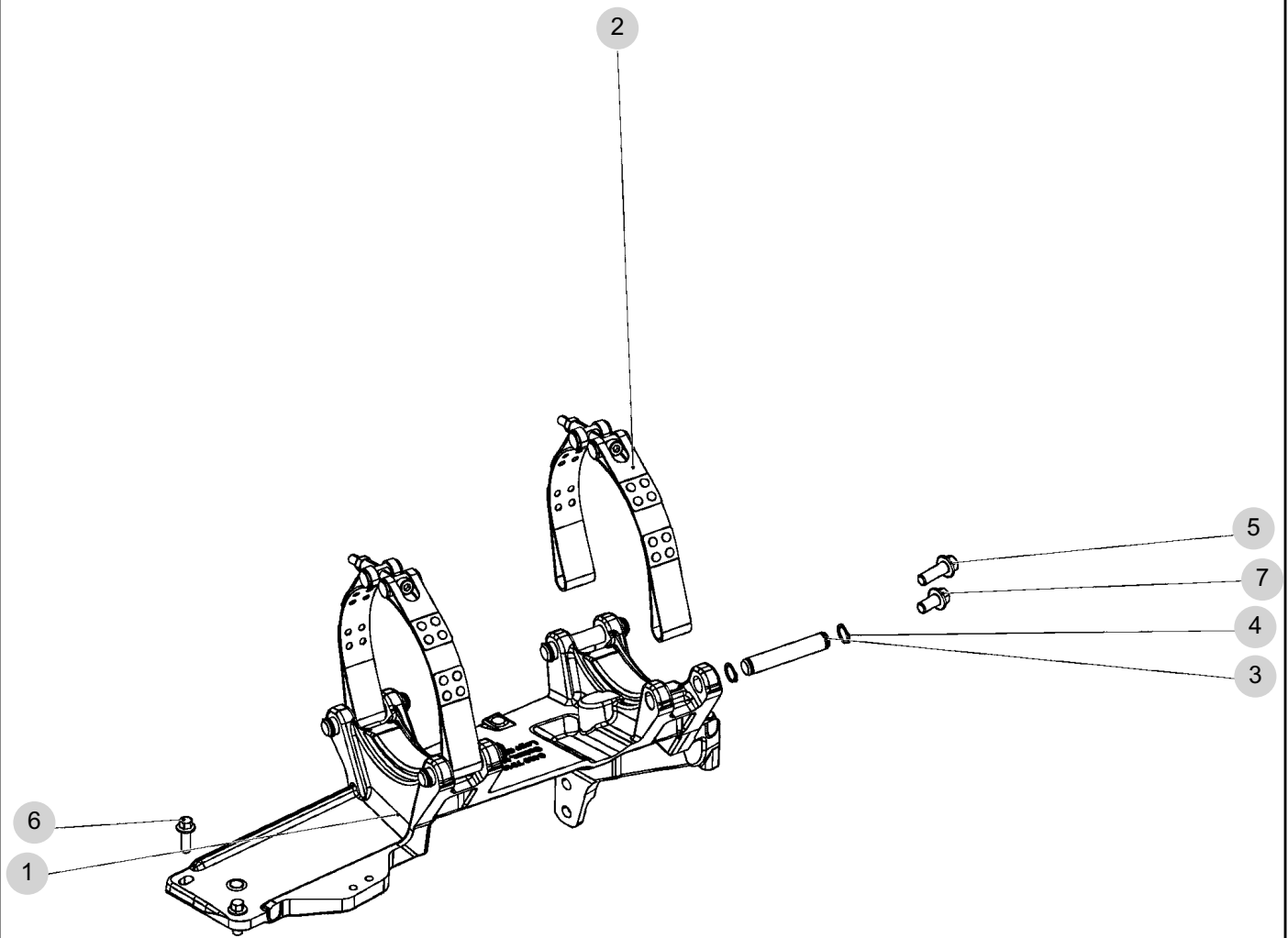
FIG 094

BRACKET

년/월
Year/Month

2024-03

T115SPUS1



NOTE

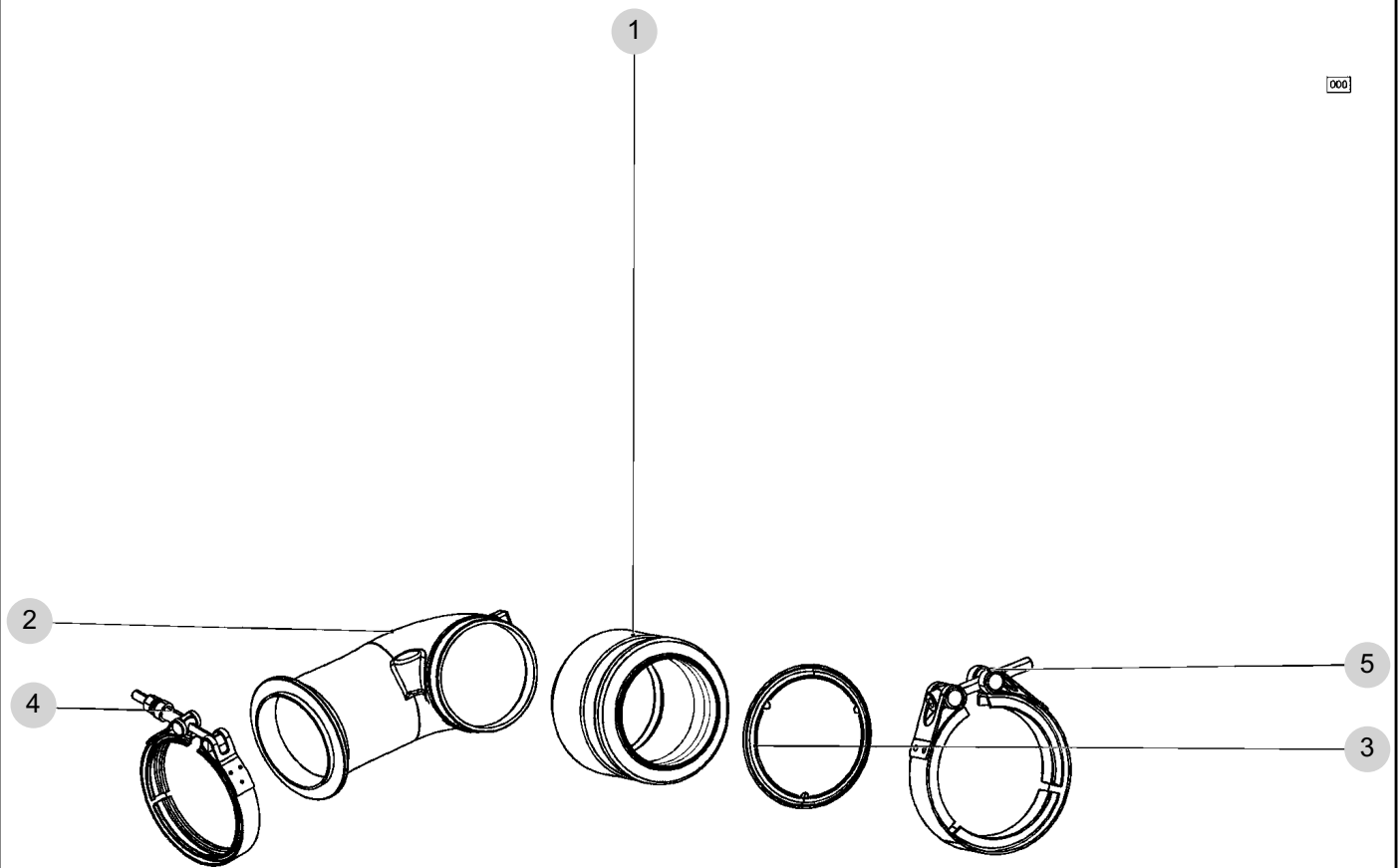
FIG 095

EXHAUST PIPE

년/월
Year/Month

2024-03

T115SPUS1



NOTE

FIG 096

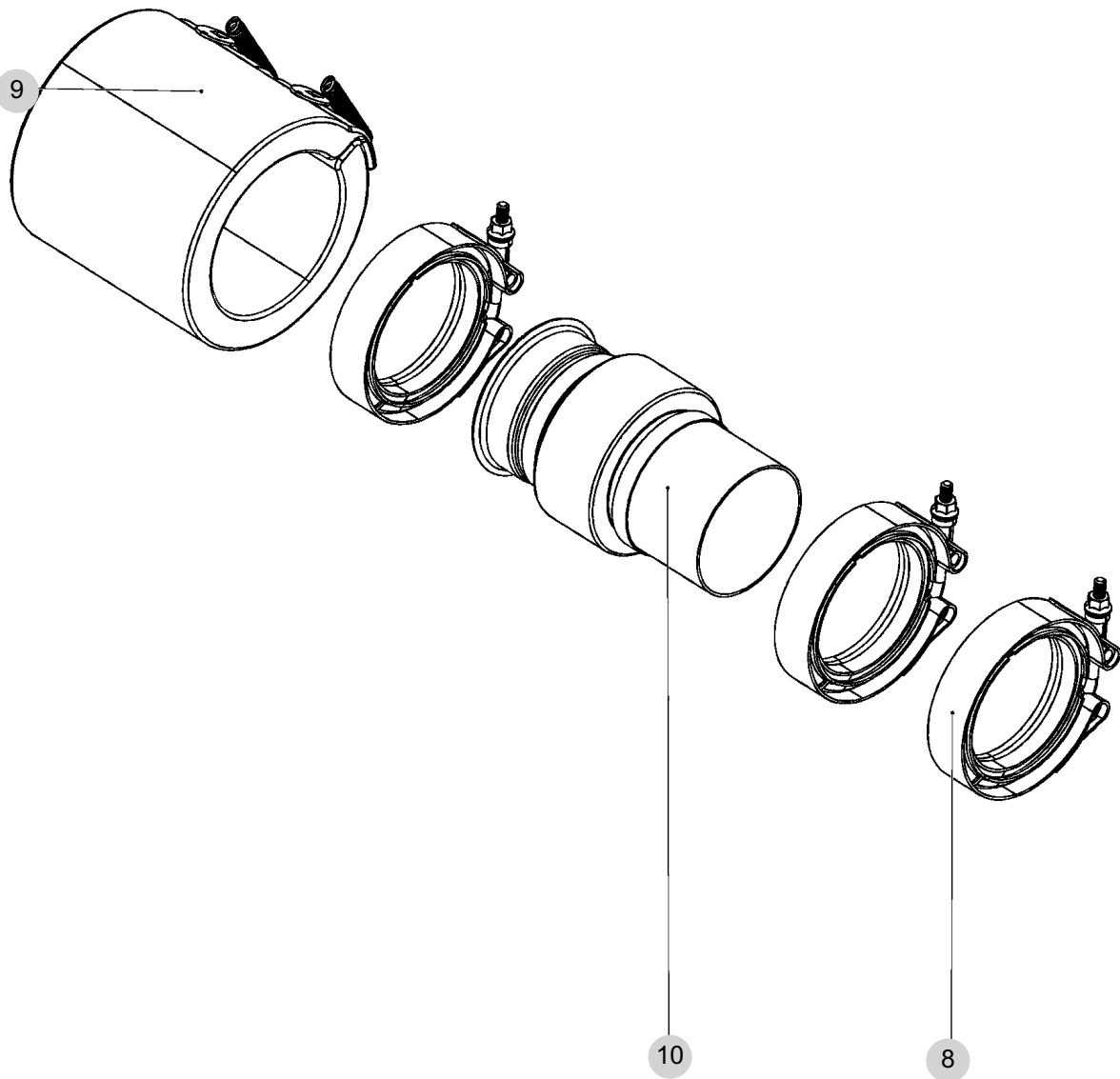
PRESSURESENSOR MTG

년/월
Year/Month

T115SPUS1

2024-03

[000]



NOTE

FIG 097

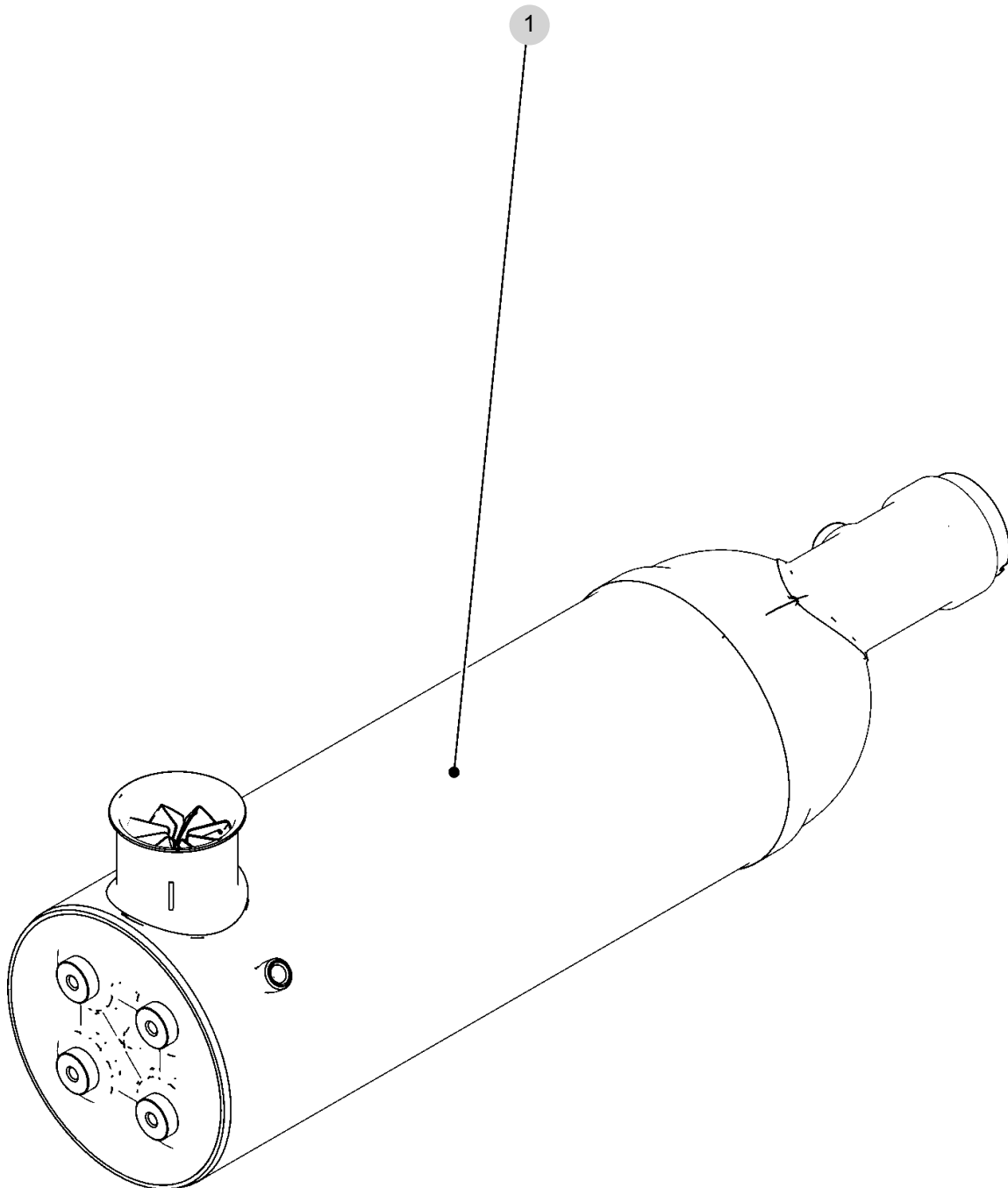
CATALYST

년/월
Year/Month

2024-03

T115SPUS1

000



NOTE

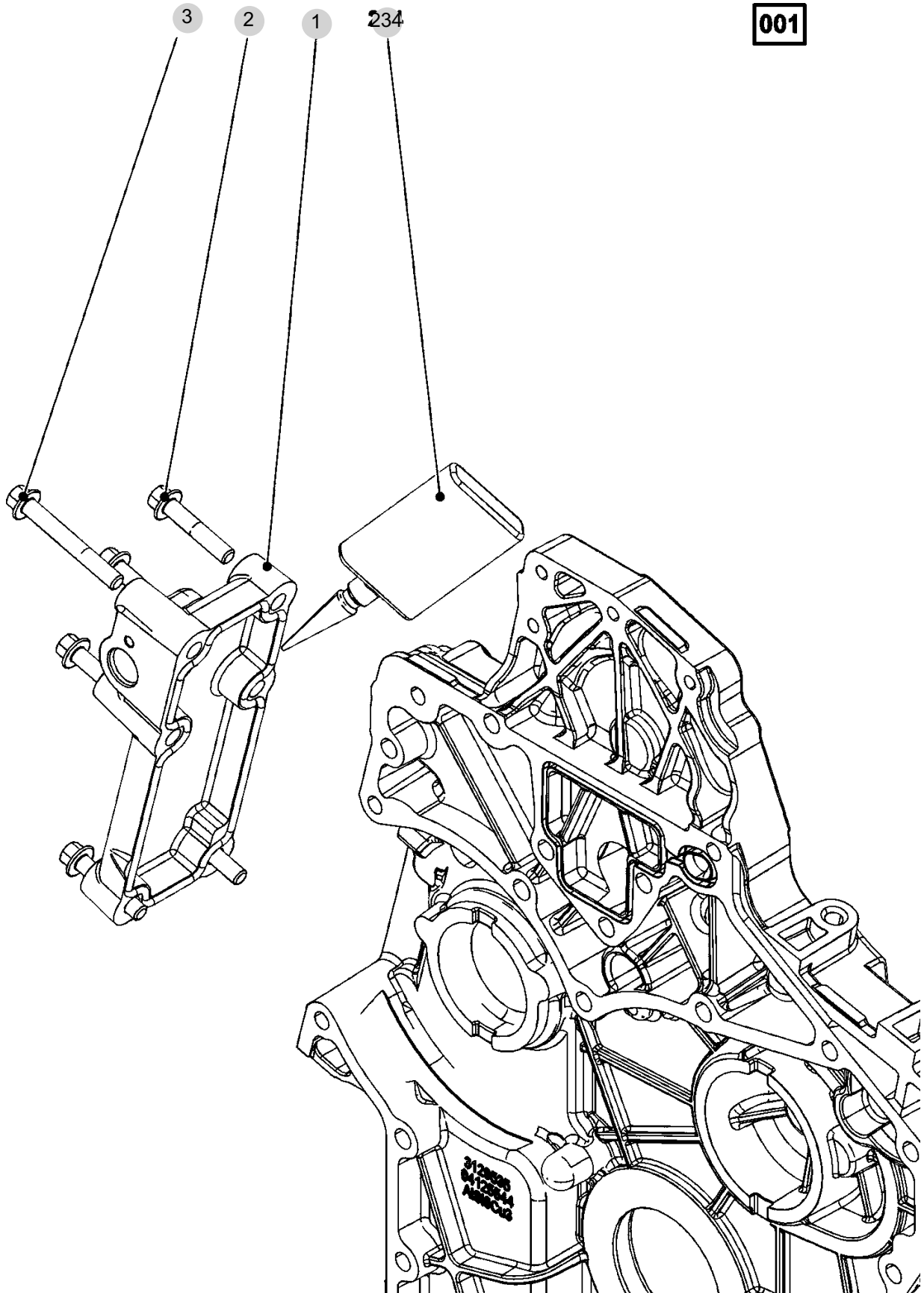
FIG 098

COVER

년/월
Year/Month

T115SPUS1

2024-03



NOTE

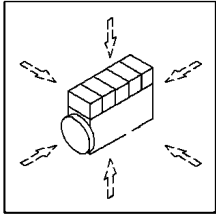
FIG 099

GASKET SET

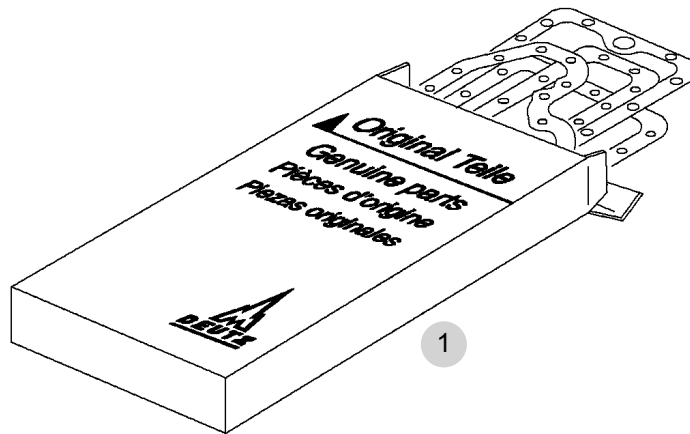
년/월
Year/Month

T115SPUS1

2024-03



000 ©



NOTE

2. Engine Accessories PART NO. T2

FIG 201	AIR CLEANER	212
FIG 202	RADIATOR	214
FIG 203	EXHAUST PIPE	217
FIG 204	FUEL TANK & FUEL LINES	219
FIG 205	FUEL FILTER & FUEL LINES	222
FIG 206	ACCELERATOR ASSY	224
FIG 207	INTERCOOLER	226
FIG 208	FIX PLATE & MIXING PIPE	228
FIG 209	COOLANT DIVIDER PIPE	230

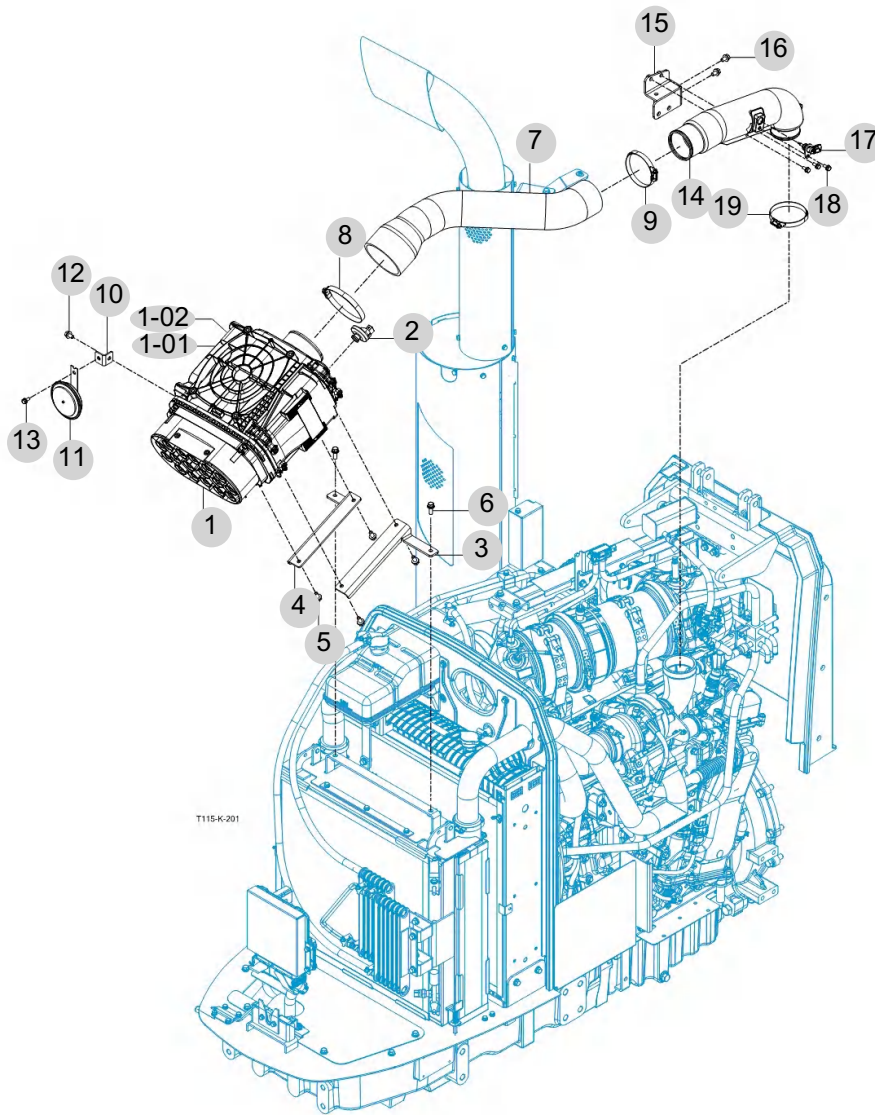
FIG 201

AIR CLEANER

년/월
Year/Month

2024-03

T115SPUS1



NOTE

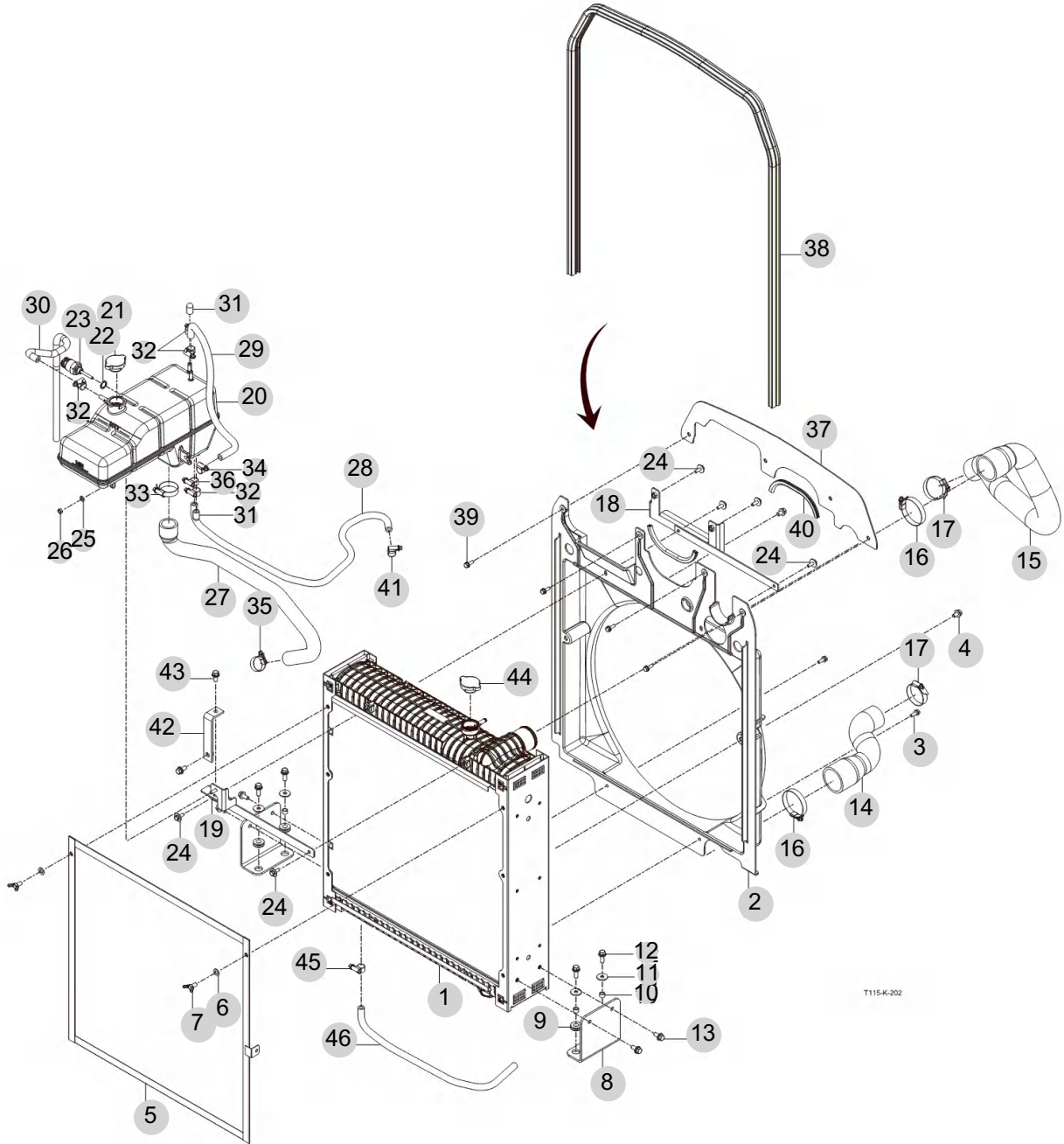
FIG 202

RADIATOR

년/월
Year/Month

2024-03

T115SPUS1



NOTE

FIG 202		RADIATOR					년/월 Year/Month		
							2024-03		
T115SPUS1		KEY NO	PART NO	DESCRIPTION	SPEC	QTY	REPAIR	EFFECTIVE DATE	REMARKS
202	1	18711042101	RADIATOR ASSY			1			
202	2	19261521100	SHROUD			1			
202	3	V2183606020	BOLT , HEX/SP	M6X20		2			
202	4	V2183608016	BOLT , HEX/SP	M8X16		2			
202	5	18711042301GB	NET COMP , RADIATOR			1			
202	6	V4111600080	WASHER , PLAIN	M8		2			
202	7	V2712608015	BOLT , WING			2			
202	8	19261521200GB	BRACKET , RADIATOR			2			
202	9	14046210300	GROMMET			4			
202	10	15991040050	COLLAR , 08X12X08			4			
202	11	35602010150	WASHER , BIND SHAFT			4			
202	12	V2173608025	BOLT , HEX/S	M8X25		4			
202	13	V2183608020	BOLT , HEX/SP	M8X20		4			
202	14	19261522200	HOSE , OUT /RADIATOR			1			
202	15	19261522100	HOSE , IN /RADIATOR			1			
202	16	18027090700	BAND CLAMP 70 EMBO TYPE			2			
202	17	18027090600	BAND CLAMP 60 EMBO TYPE			2			
202	18	19261523100GB	BRACKET COMP , RR/RESERVE TANK			1			
202	19	19261523200GB	BRACKET COMP , FR/RESERVE TANK			1			
202	20	15801041001	RESERVOIR TANK			1			
202	21	13011042110	CAP 0.9bar			1			
202	22	01148836	SEALING RING			1			
202	23	04218372	Level Switch			1			
202	24	V2193606020	BOLT , HEX/SPL	M6X20		6			
202	25	V4111600060	WASHER , PLAIN	M6		1			
202	26	V3013600060	NUT .HEX NORMAL /2	M6		1			
202	27	19261523300	HOSE , /ID22			1			
202	28	18361520500	HOSE , 800			1			
202	29	15801090010	HOSE , 430			1			
202	30	10131523600	HOSE , /470			1			
202	31	12651040300	CAP , RADIATOR			2			
202	32	18027090160	BAND CLAMP 16 EMBO TYPE			4			
202	33	18027090500	BAND CLAMP 50 EMBO TYPE			1			
202	34	18027090160	BAND CLAMP 16 EMBO TYPE			1			
202	35	18027090320	BAND CLAMP 32 EMBO TYPE			1			
202	36	18027090160	BAND CLAMP 16 EMBO TYPE			1			
202	37	19261521300GB	PLATE COMP , /SHROUD SEAL			1			
202	38	19261524100	WEATHER STRIP , /G2100			1			
202	39	V2123606020	BOLT , HEX /SP	M6X20		4			
202	40	19261524200	WEATHER STRIP , /G190			2			
202	41	18027090160	BAND CLAMP 16 EMBO TYPE			1			
202	42	19261521400GB	PLATE COMP , /RADIATOR FIX			1			
202	43	V2183608020	BOLT , HEX/SP	M8X20		2			
202	44	18021042110	CAP ASSY OKPa			1			
202	45	18027090160	BAND CLAMP 16 EMBO TYPE			1			
NOTE									

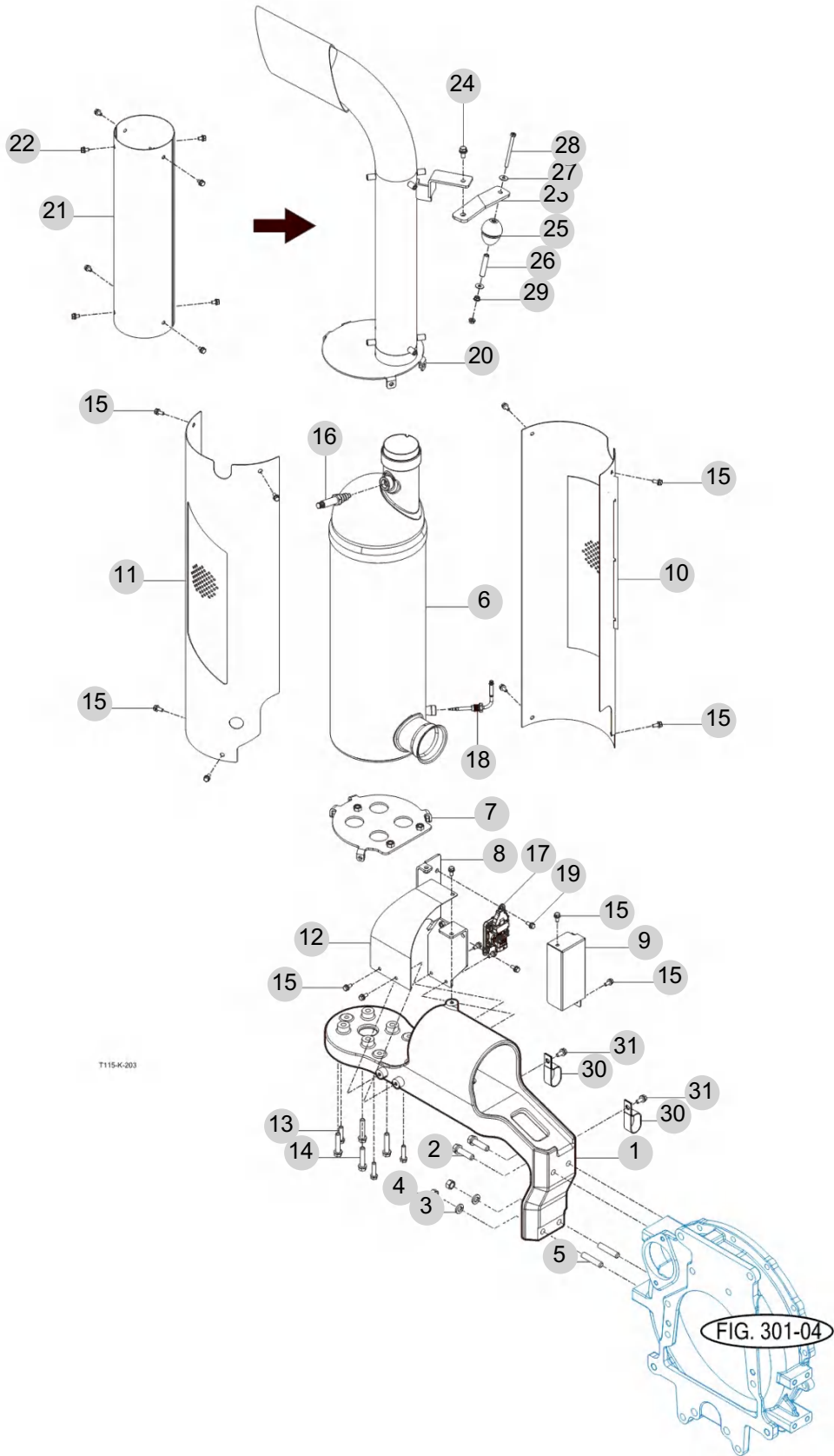
FIG 203

T115SPUS1

EXHAUST PIPE

년/월
Year/Month

2024-03



NOTE

FIG 204 T115SPUS1		FUEL TANK & FUEL LINES					년/월 Year/Month	
							2024-03	
KEY NO	PART NO	DESCRIPTION	SPEC	QTY	REPAIR	EFFECTIVE DATE	REMARKS	
204	1	19261311100GB	SUPPORT , DEF		1			
204	2	V2173612040	BOLT , HEX/S		2			
204	3	V2514412040	BOLT , STUD/2		2			
204	4	V4011600120	WASHER , SPRING		2			
204	5	V3043600120	NUT , HEX/2		2			
204	6	04604249-	TANK/RESERVOIR		1			
204	7	V2173608035	BOLT , HEX/S		4			
204	8	19261311200GB	BRACKET COMP , /DEF DEVICE		1			
204	9	19261311400GB	COVER COMP , /DEF TANK		1			
204	10	19261311500	COVER , / DEF TANK		1			
204	11	15801120030	GROMMET 74		1			
204	12	V2173608025	BOLT , HEX/S		3			
204	13	V2123606012	BOLT , HEX /SP		4			
204	14	V2193606016	BOLT , HEX/SPL		4			
204	15	19261313100	INSULATOR , /DEF COVER		1			
204	16	14946212901	RELAY 5P		1			
204	17	20115300010	RELAY ASSY , TWIN		2			
204	19	V2123606016	BOLT , HEX /SP		3			
204	20	04609000	SUPPLY PUMP		1			
204	21	04604038	SOLENOID VALVE		1			
204	22	V2173608085	BOLT , HEX/S		3			
204	23	V2123606040	BOLT , HEX /SP		4			
204	24	19261311600GB	PLATE COMP , /BREATHE FILTER		1			
204	25	19026642010	GROMMET , 12X17X3.2		2			
204	26	04606000	UREA BREATHER FILTER		1			
204	27	V2183608020	BOLT , HEX/SP		1			
204	28	13451312100	HOSE , /DEF SUCTION		1			
204	29	13451312200	HOSE , /DEF RETURN		1			
204	30	19261312300	HOSE , / DEF PRESSURE		1			
204	31	19261312400	HOSE , /BREATHE 320		1			
204	32	18711101100	QUICK CONNECTOR D9.89 ELBOW		2			
204	33	13451312500	HOSE , IN /DEF TANK		1			
204	34	19261312600	HOSE , IN /HEATING		1			
204	35	13451312700	HOSE , OUT /DEF TANK		1			
204	36	36423600080	CLIP , HOSE D=12.5		2			
204	37	18027090200	BAND CLAMP 20 EMBO TYPE		6			
204	38	10131353400GB	PLATE , /DEF HOSE FIX		1			
204	39	19261112100	TANK COMP , FEUL		1			
204	40	18711112200	GAUGE , FUEL		1			
204	41	V4011600050	WASHER , SPRING		5			
204	42	V3012600050	NUT , HEX/2		5			
204	43	19053102200	CAP ASSY , FUEL		1			
204	44	19141110020	HOSE , BREATHER/650		1			
204	45	14501410050	BAND CLAMP 16		1			
204	46	18711112600	SPONGE , 1570		1			
NOTE								

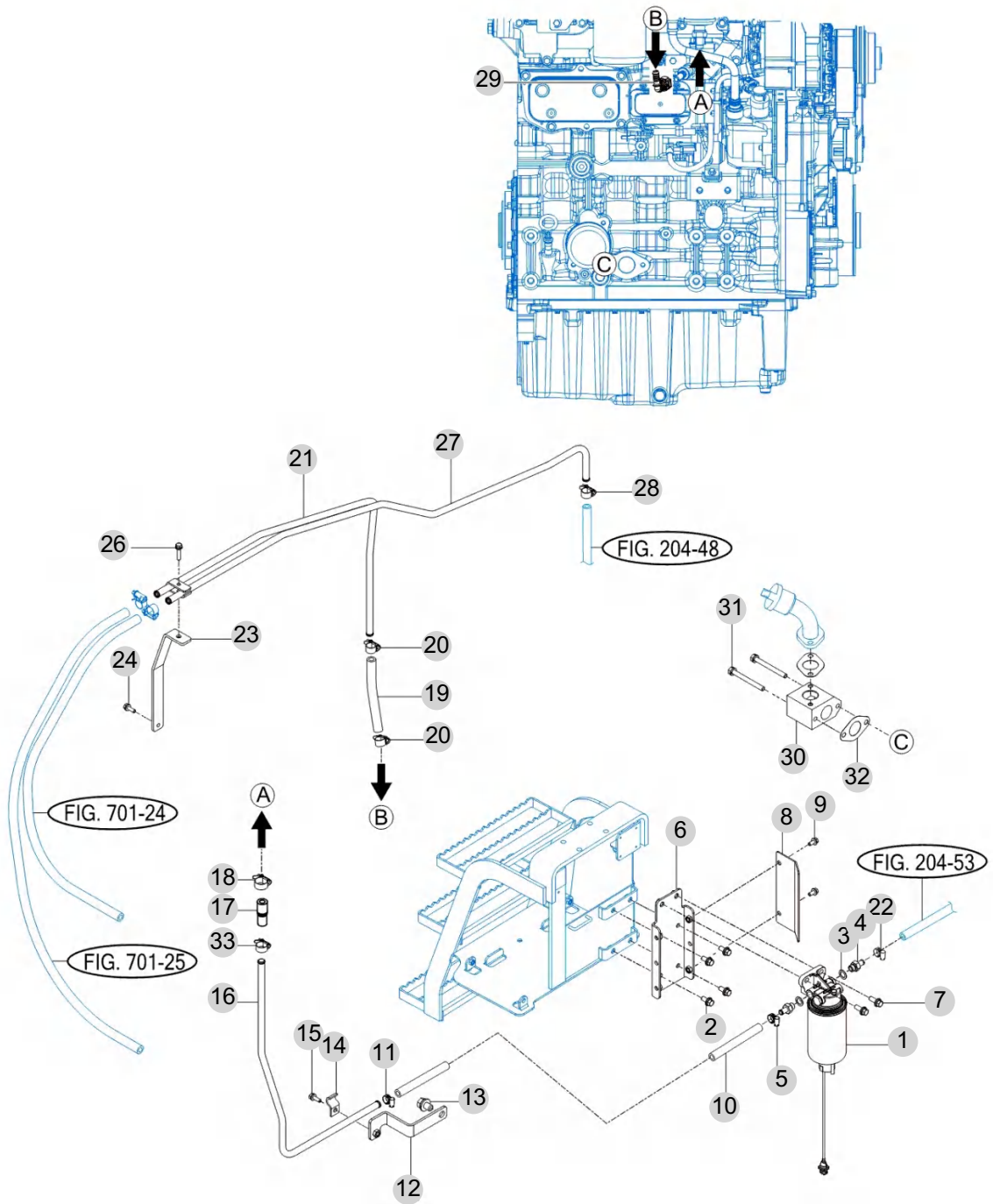
FIG 205

T115SPUS1

FUEL FILTER & FUEL LINES

년/월
Year/Month

2024-03



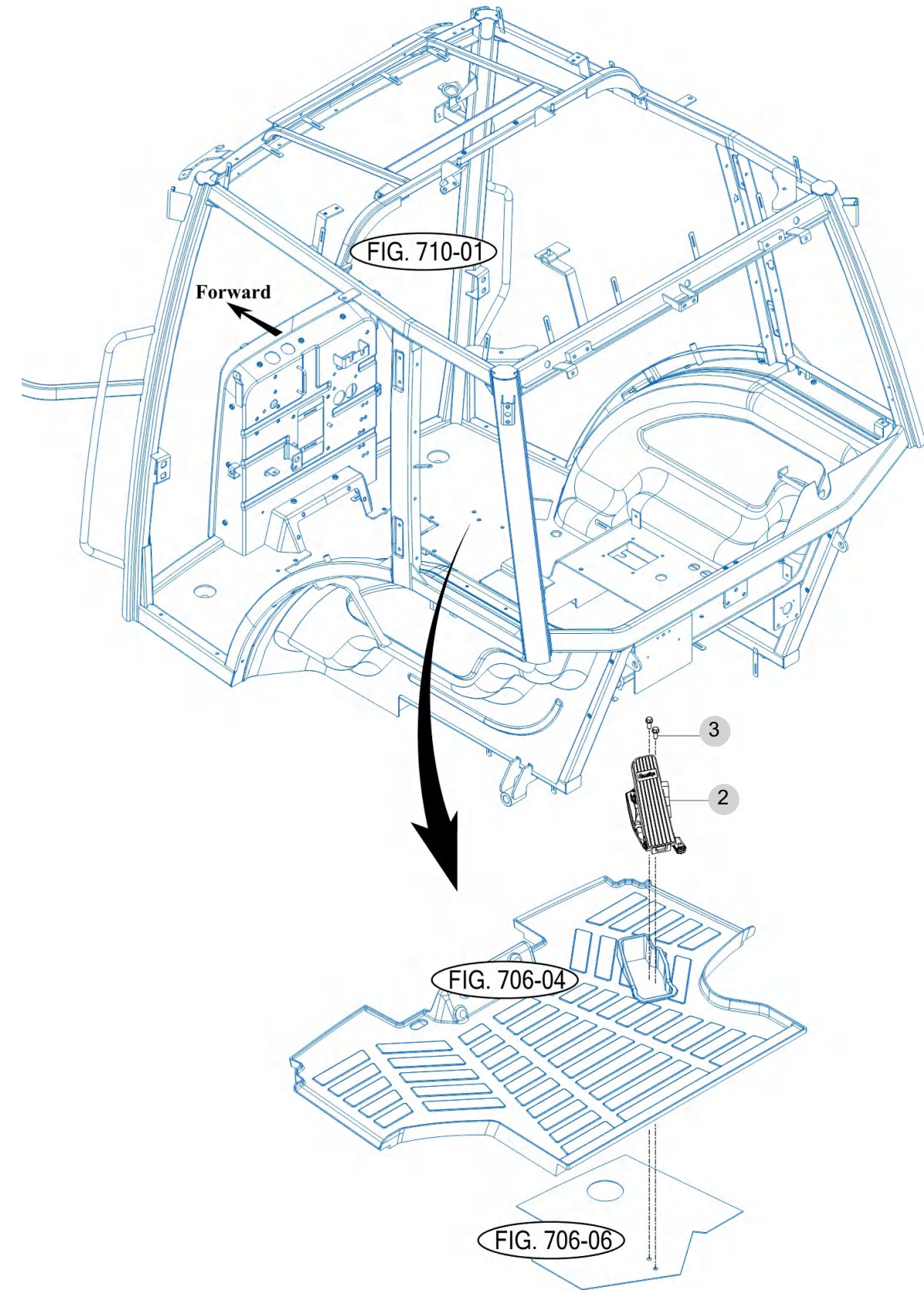
NOTE

FIG 206

ACCELERATOR ASSY

년/월
Year/Month

2024-03



NOTE

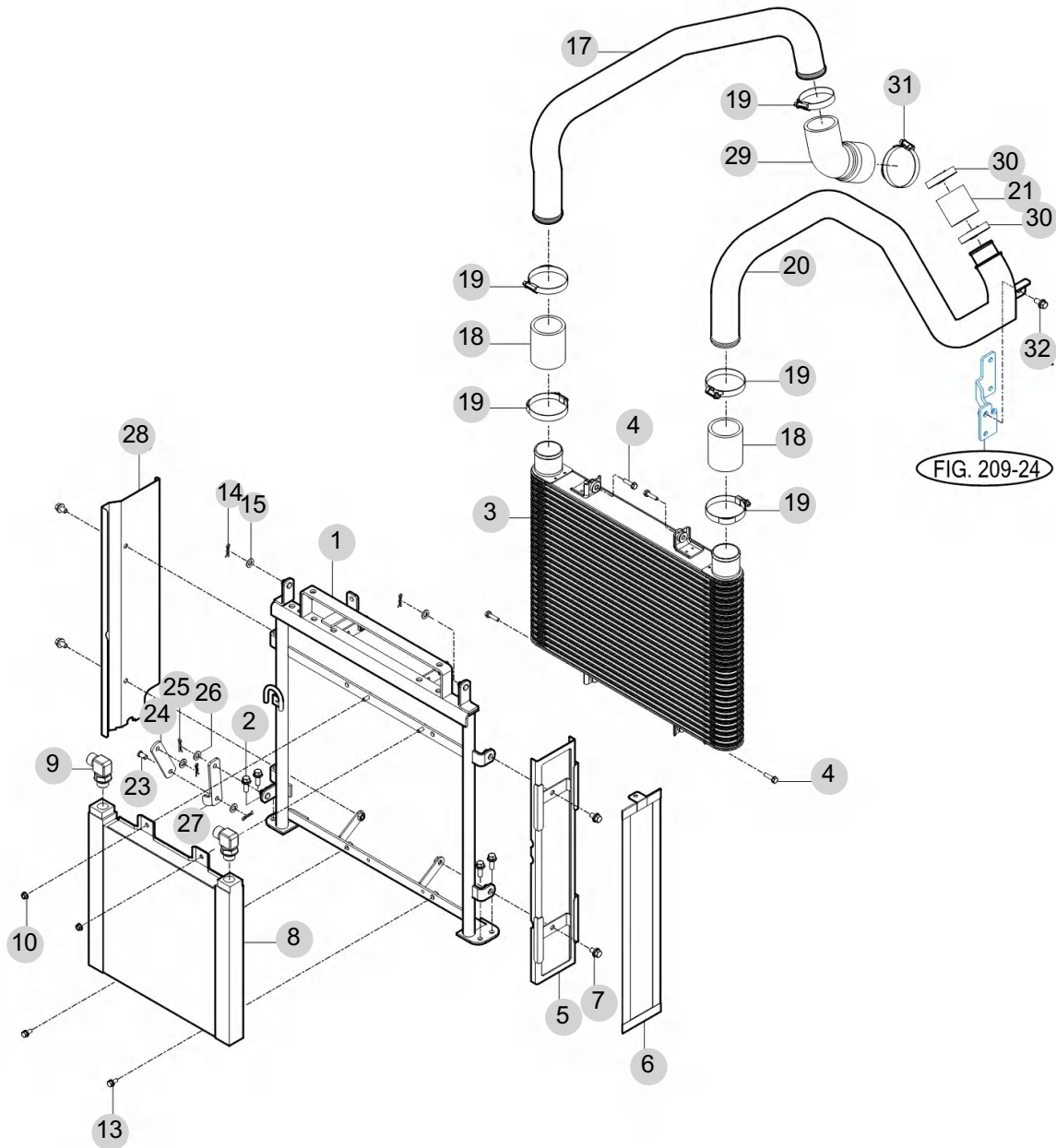
FIG 207

INTERCOOLER

년/월
Year/Month

2024-03

T115SPUS1



NOTE

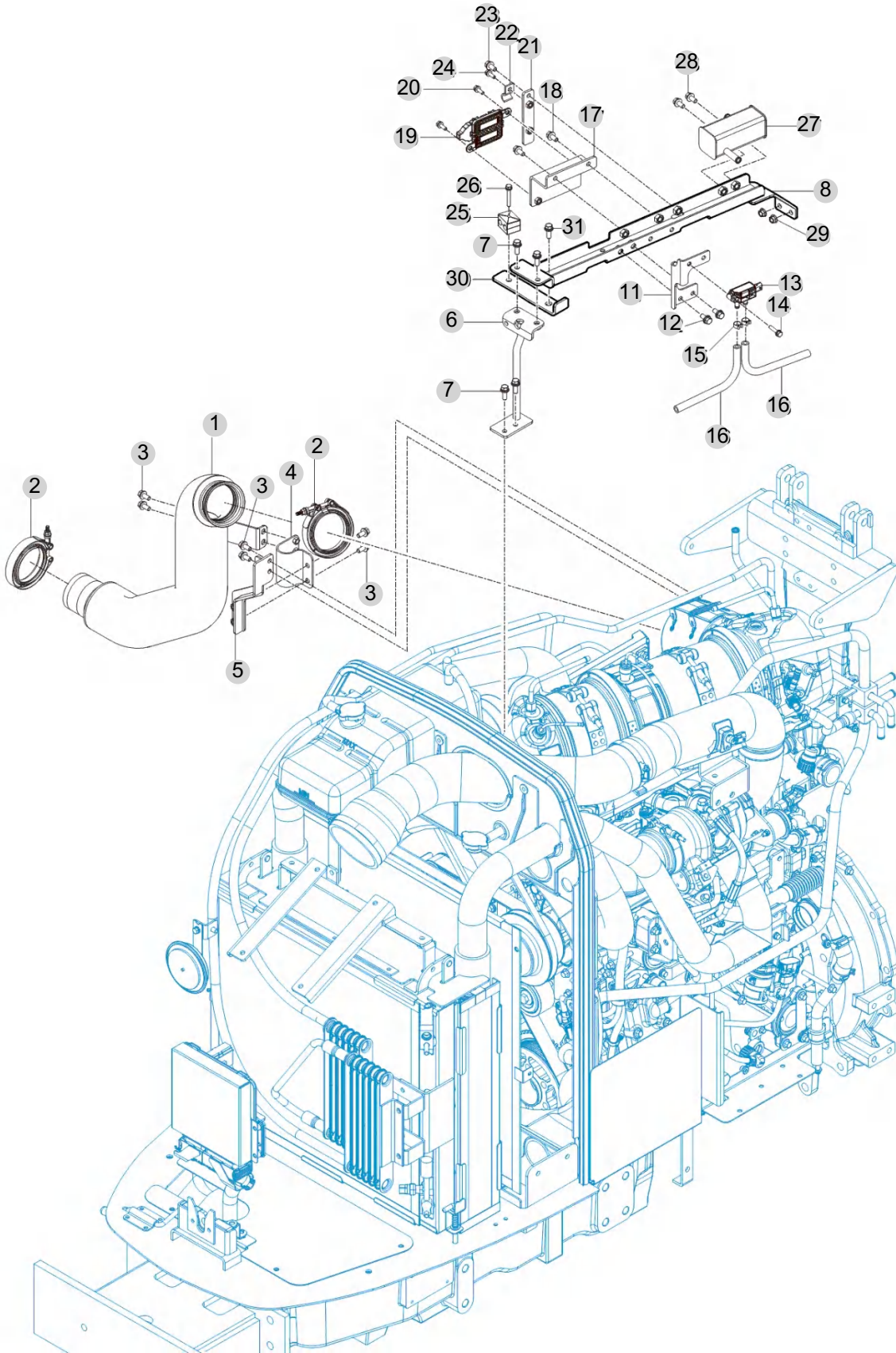
FIG 208

FIX PLATE & MIXING PIPE

년/월
Year/Month

2024-03

T115SPUS1



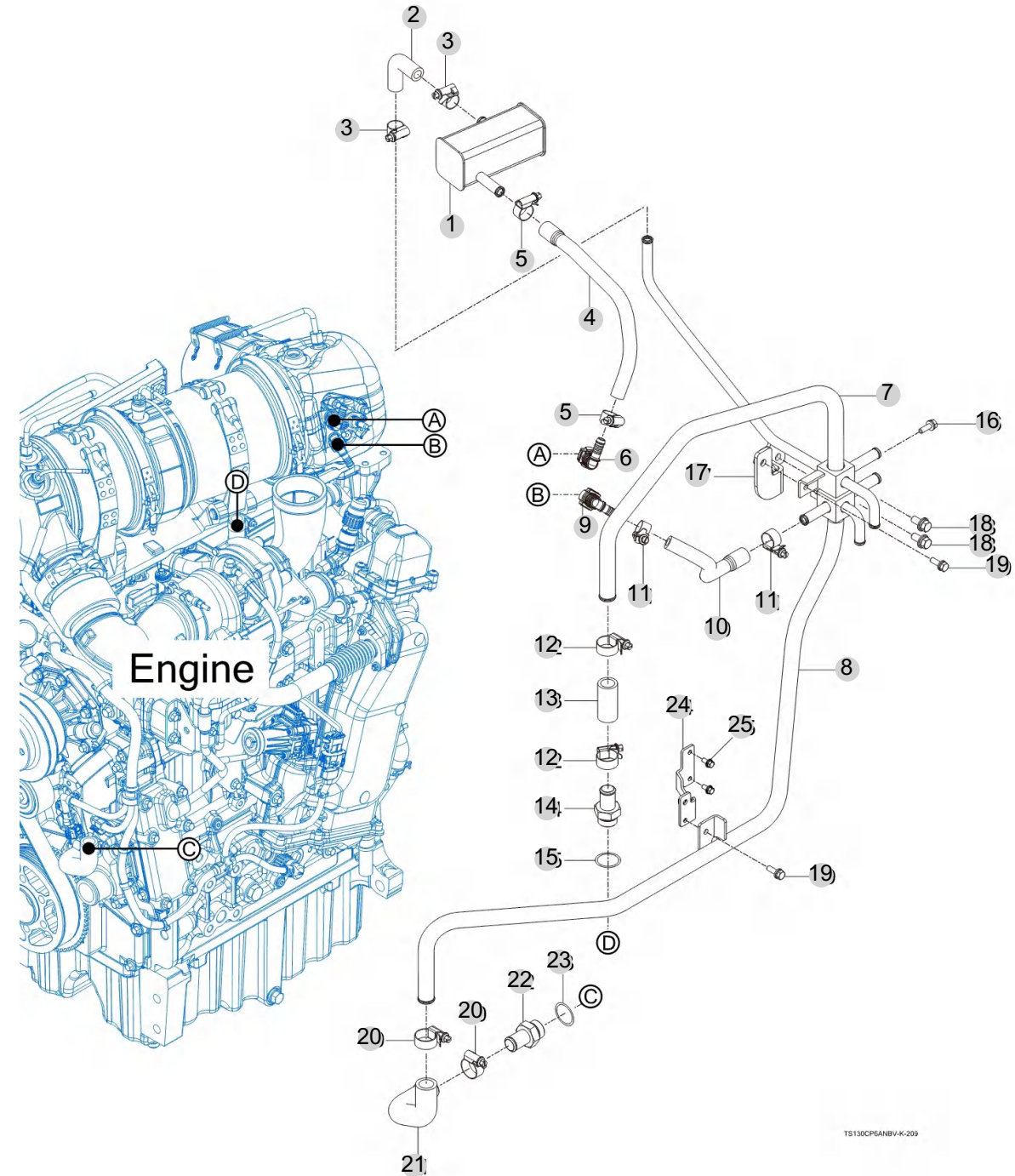
NOTE

FIG 209

COOLANT DIVIDER PIPE

년/월
Year/Month

2024-03



NOTE

3. Clutch/Brake/Steering PART NO. T3

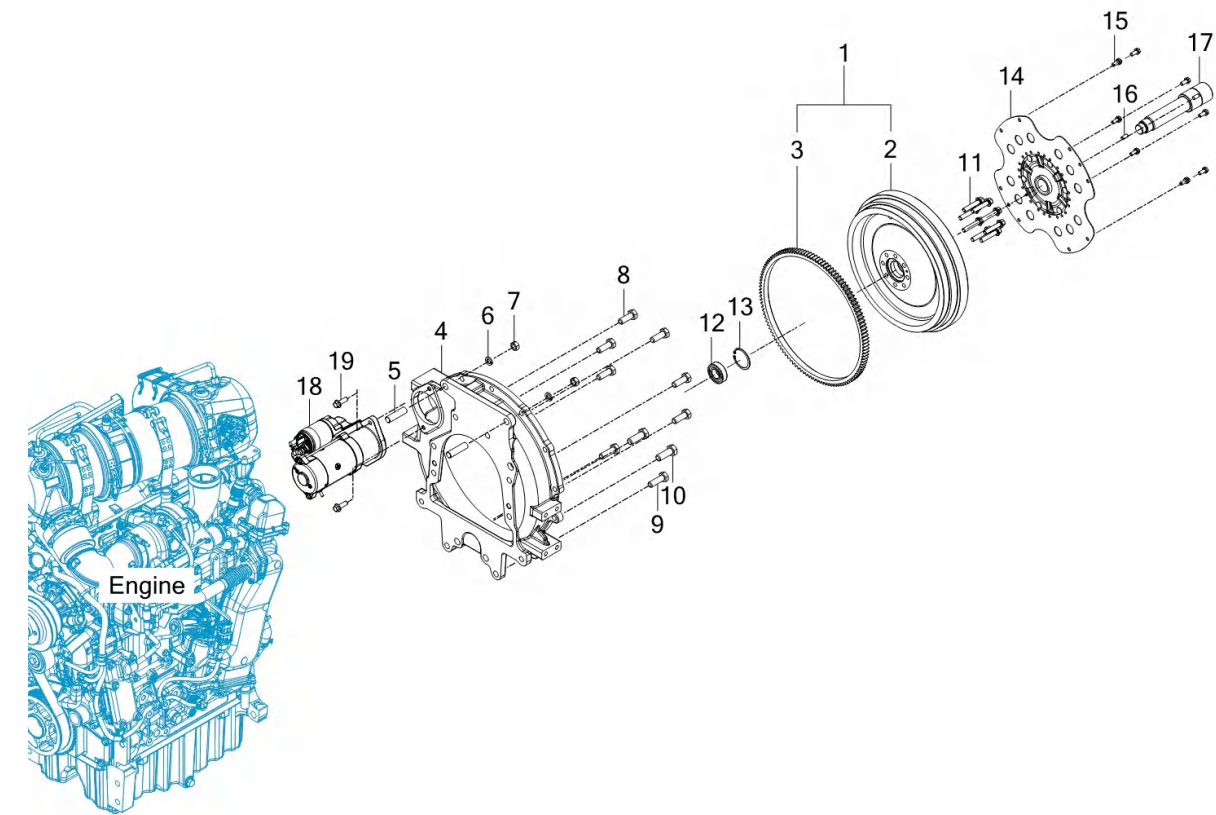
FIG 301	DAMPER FLANGE ASSY	233
FIG 302	BRAKE CASE SUB ASSY	235
FIG 303A	BRAKE PIPES	237
FIG 303B	BRAKE	239
FIG 304	FRONT WHEEL	241
FIG 305	REAR WHEEL	243
FIG 306	STEERING WHEEL ASSY	245
FIG 307	POWER STEERING VALVE	247
FIG 308	POWER STEERING CYLINDER	249
FIG 309	SUB CLUTCH PEDAL	251
FIG 310	HAND BRAKE SUB	253

FIG 301

DAMPER FLANGE ASSY

년/월
Year/Month

2024-03



NOTE

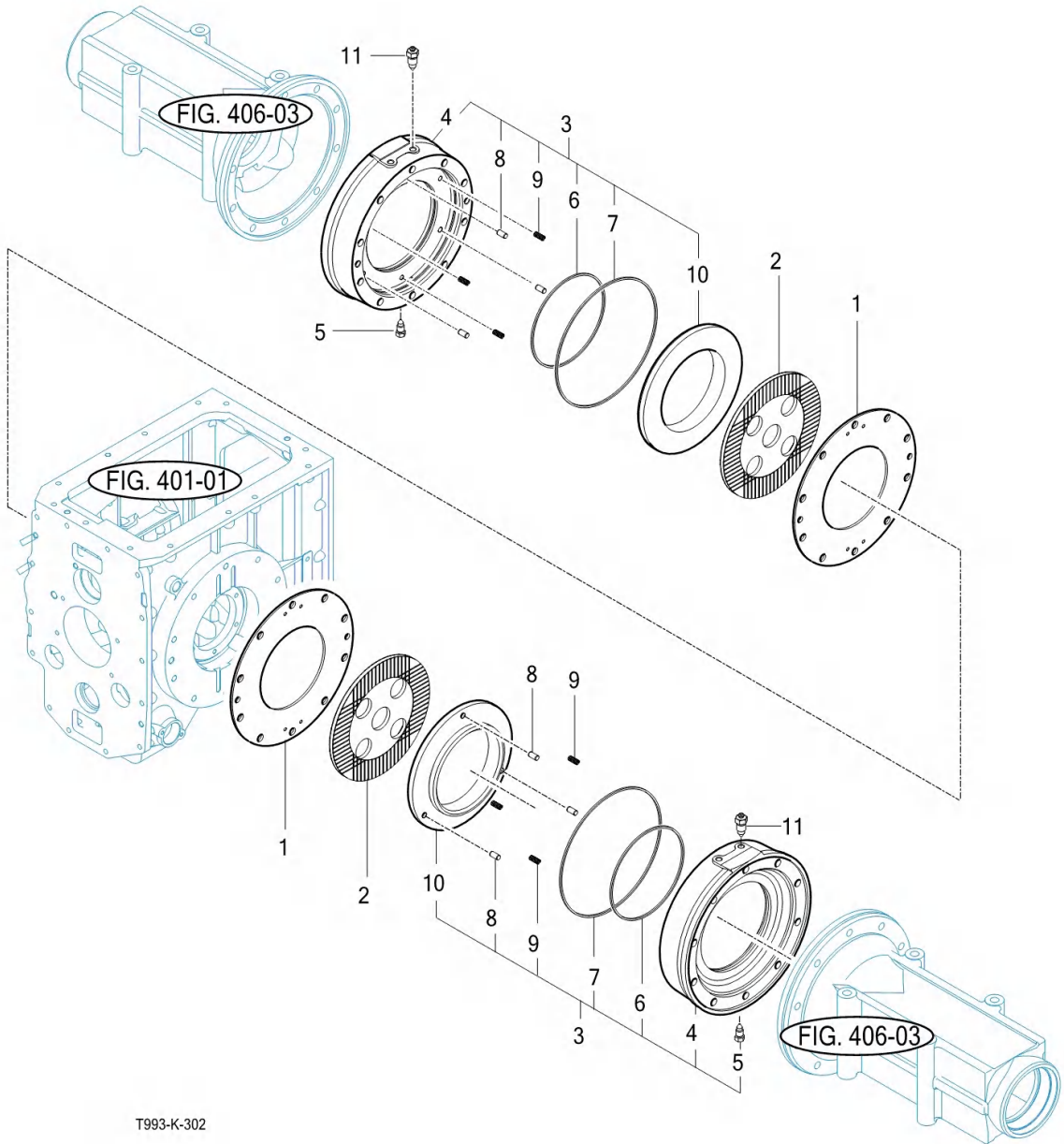
FIG 302

BRAKE CASE SUB ASSY

년/월
Year/Month

2024-03

T115SPUS1



T993-K-302

NOTE

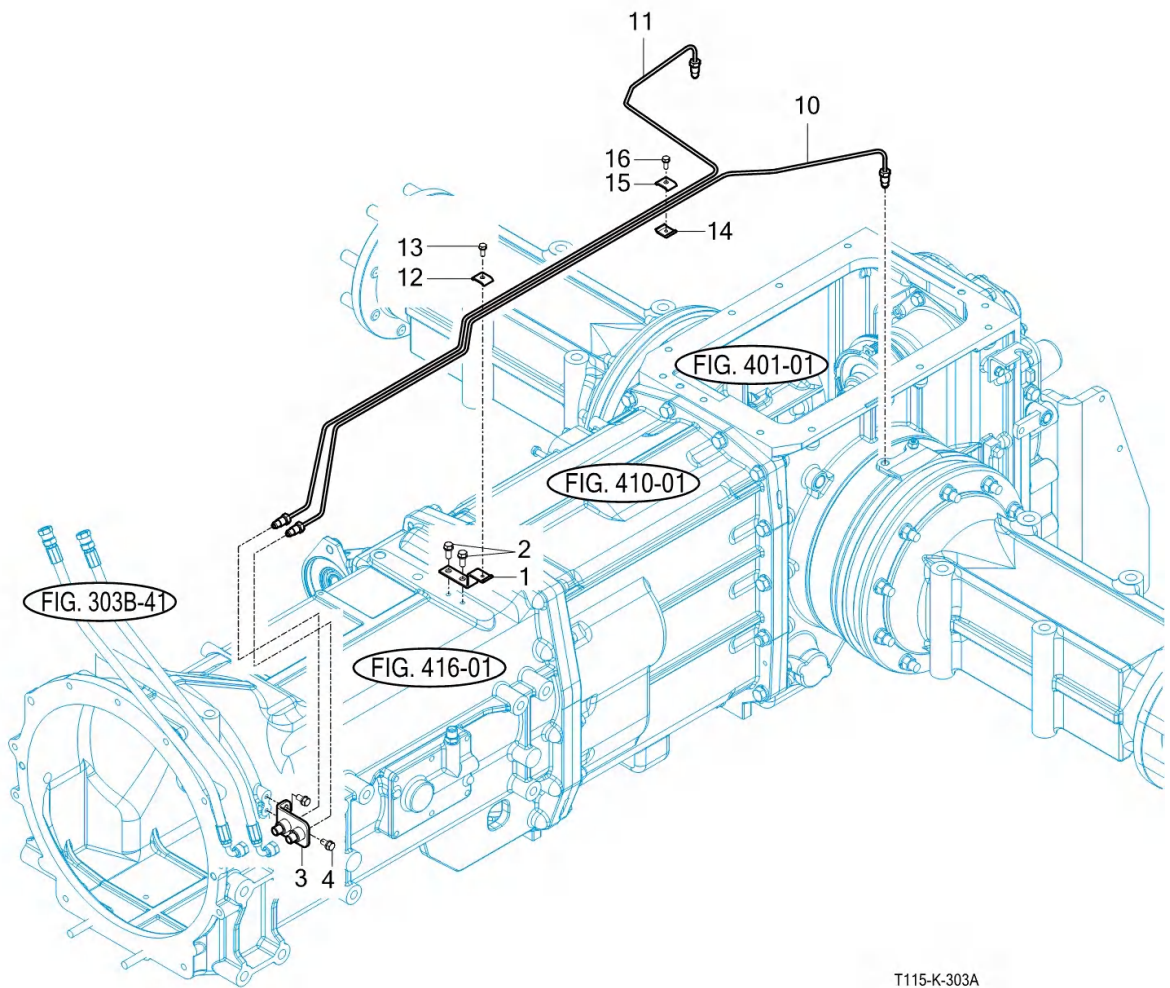
FIG 303A

BRAKE PIPES

년/월
Year/Month

2024-03

T115SPUS1



NOTE

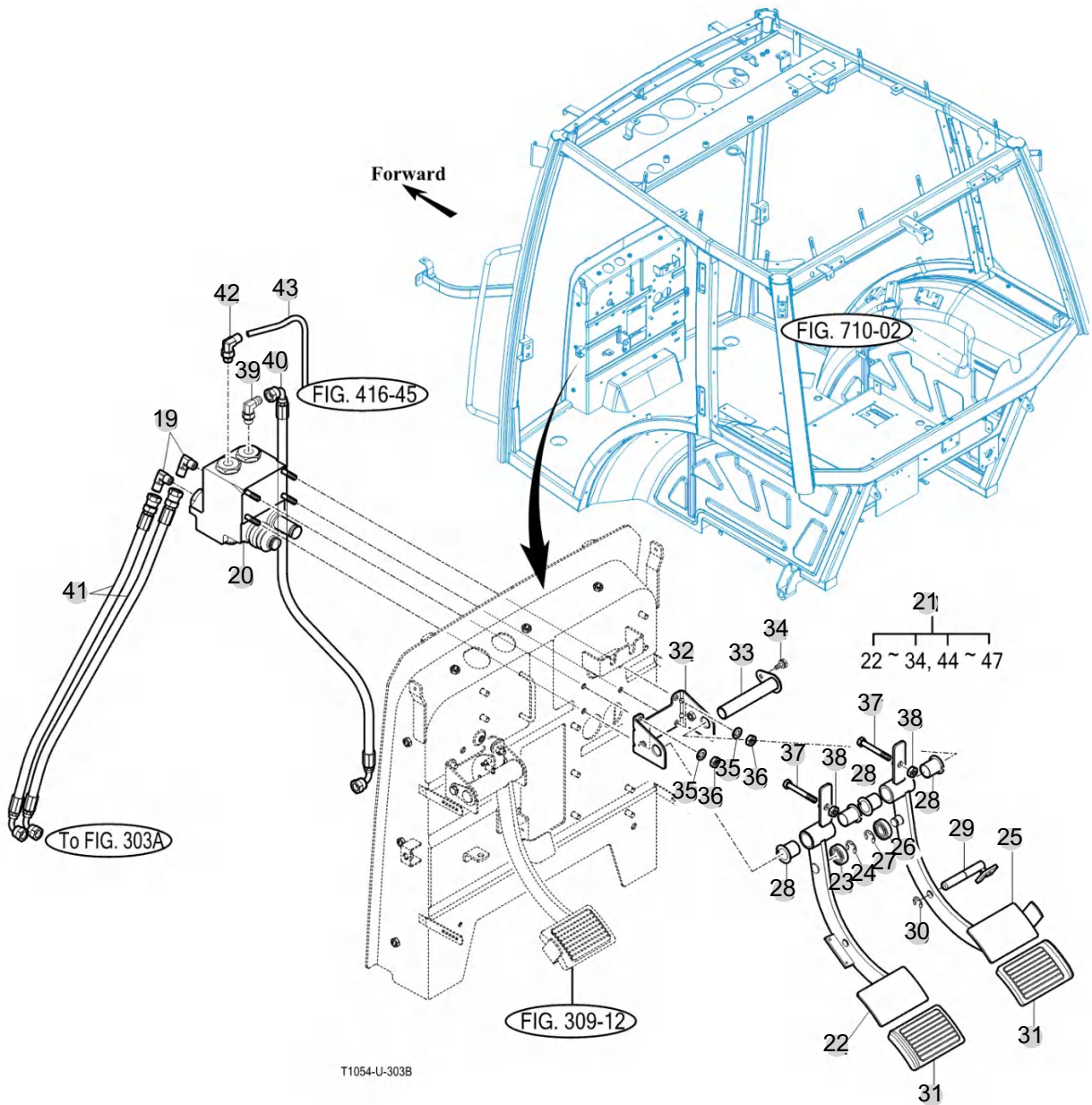
FIG 303B

BRAKE

년/월
Year/Month

2024-03

T115SPUS1



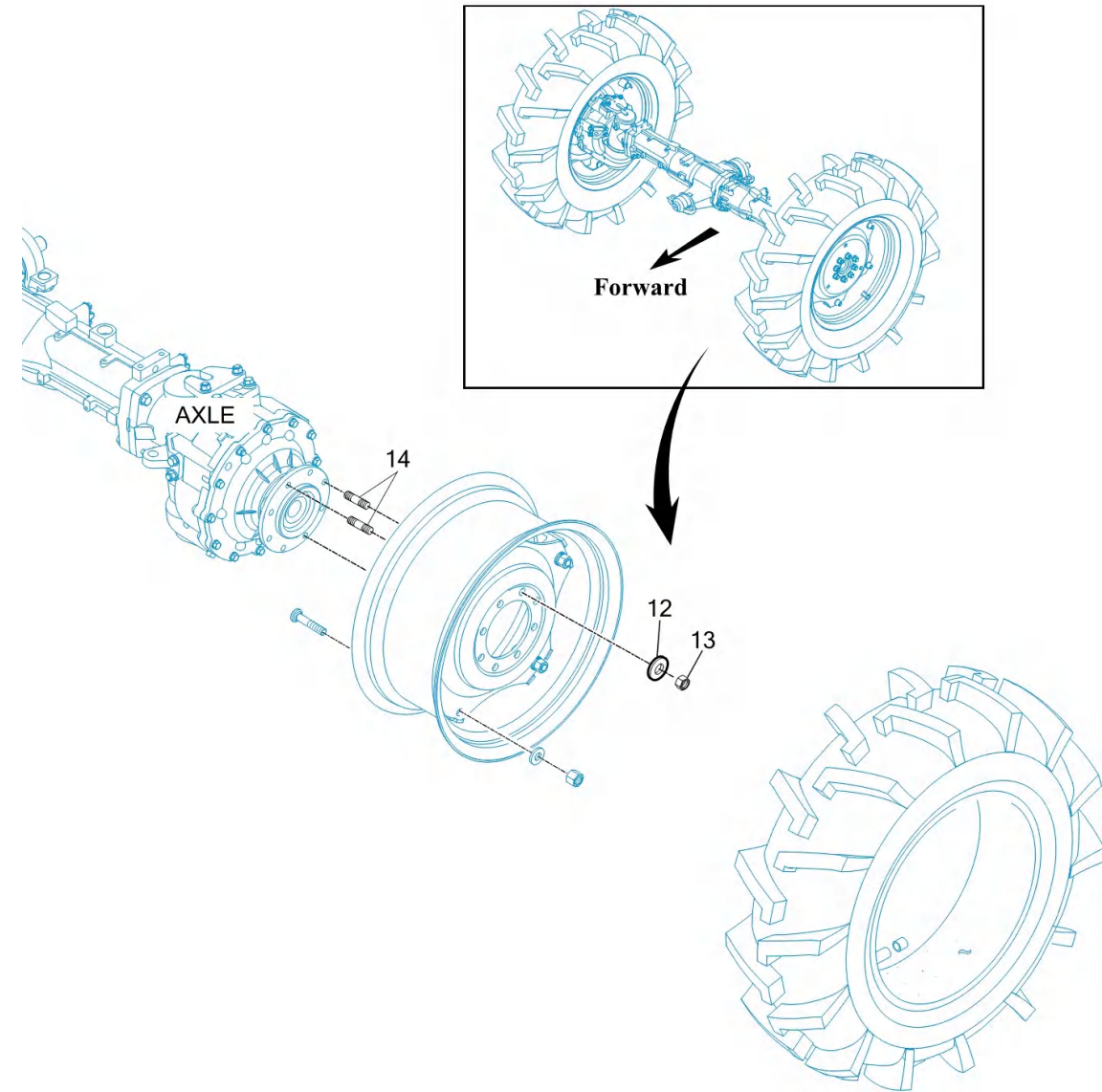
NOTE

FIG 304

FRONT WHEEL

년/월
Year/Month

2024-03



T115-U-304

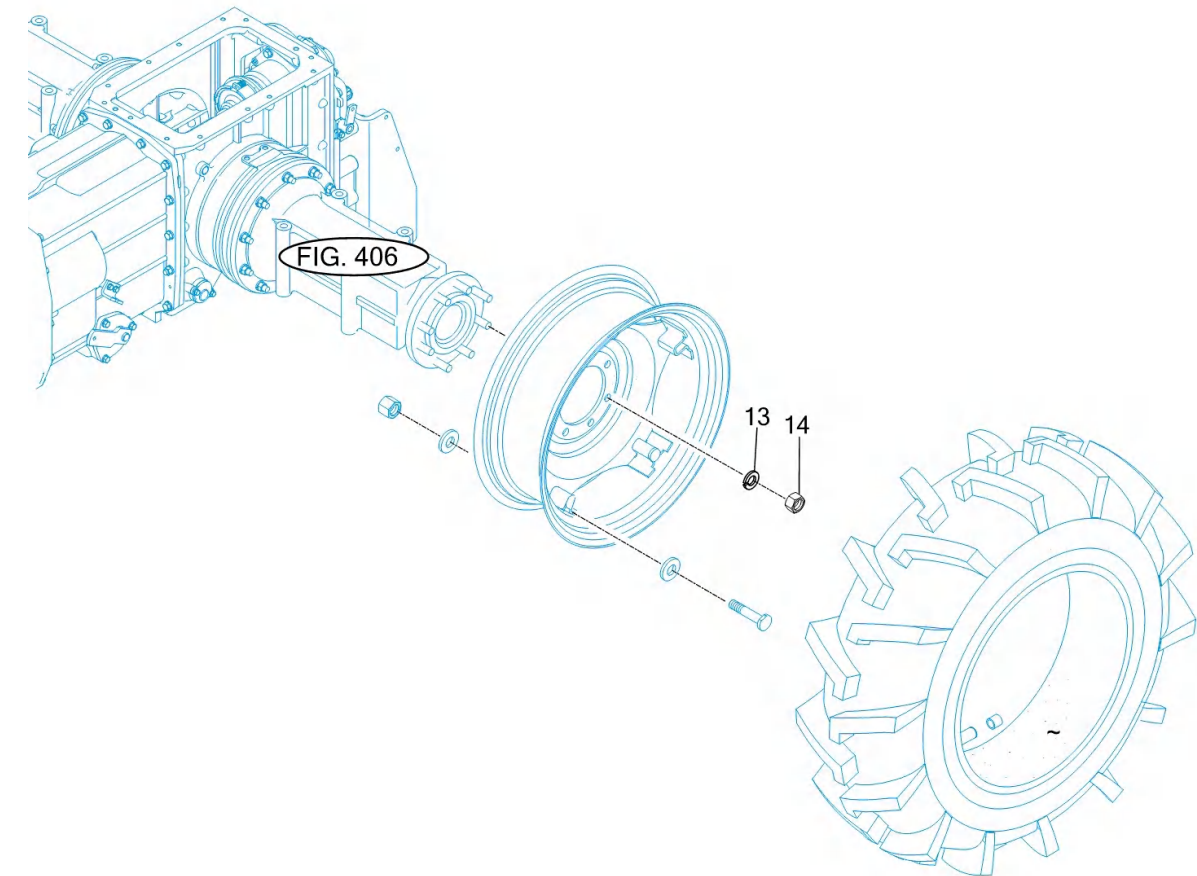
NOTE

FIG 305

REAR WHEEL

년/월
Year/Month

2024-03



T115-U-305

NOTE

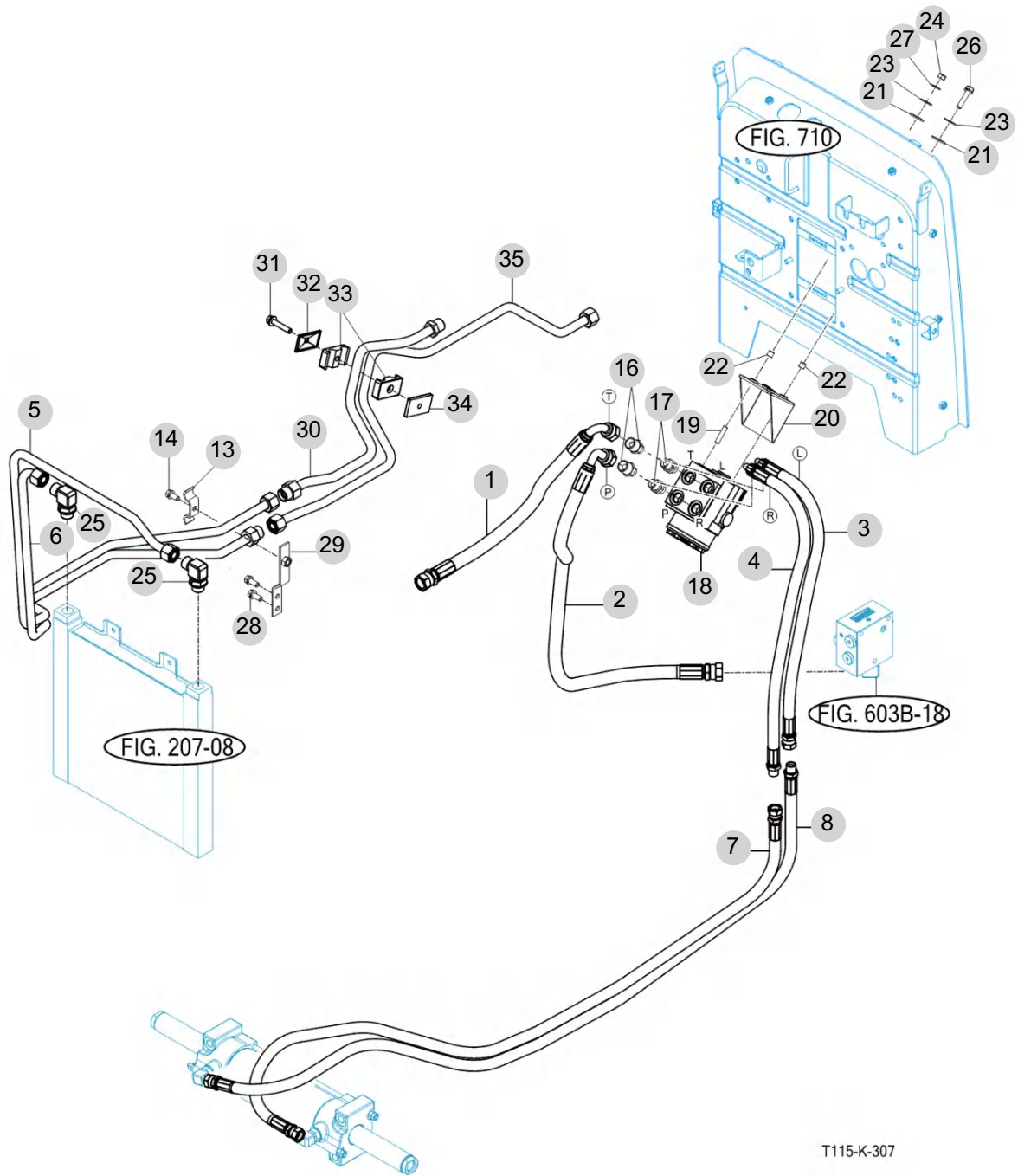
FIG 307

POWER STEERING VALVE

년/월
Year/Month

T115SPUS1

2024-03



T115-K-307

NOTE

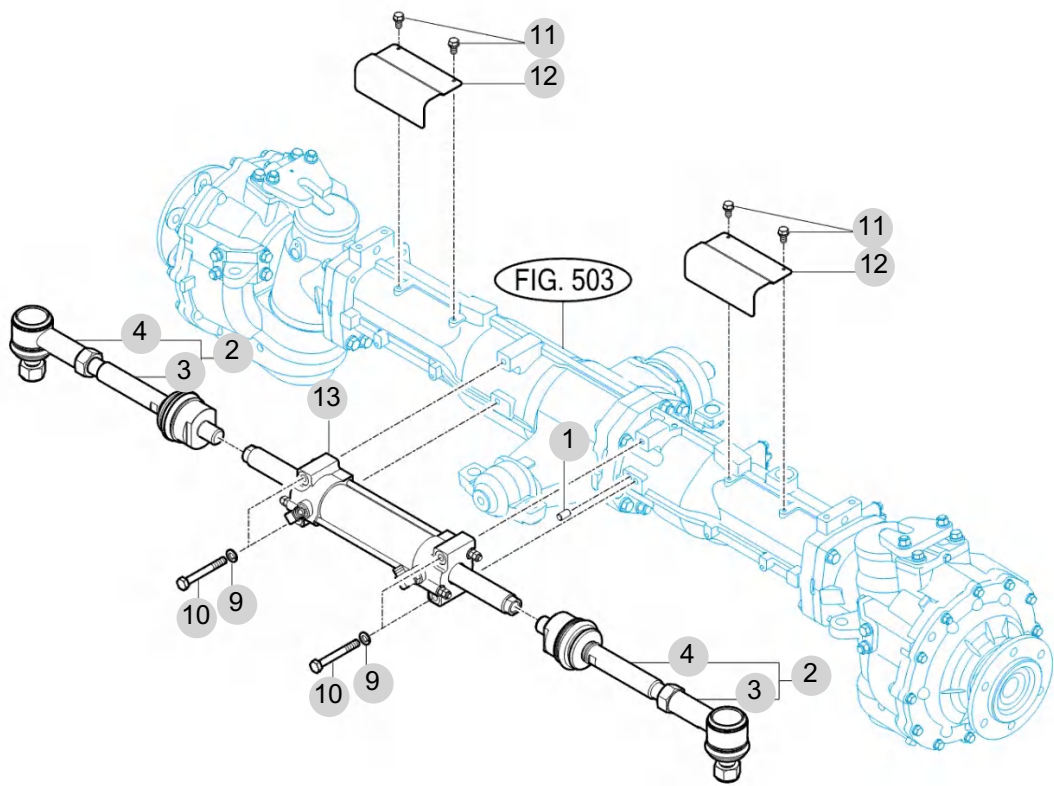
FIG 308

POWER STEERING CYLINDER

년/월
Year/Month

2024-03

T115SPUS1



T110PHK-308

NOTE

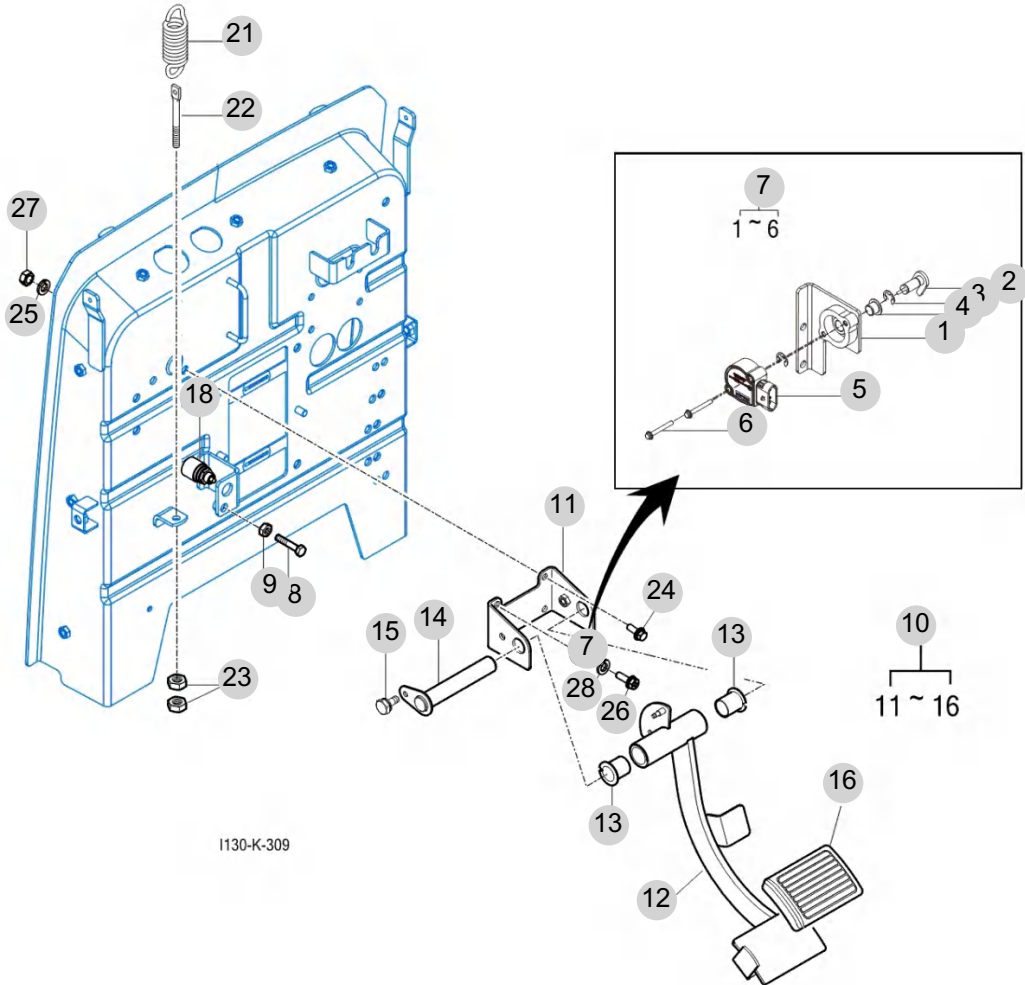
FIG 309

SUB CLUTCH PEDAL

년/월
Year/Month

2024-03

T115SPUS1



NOTE

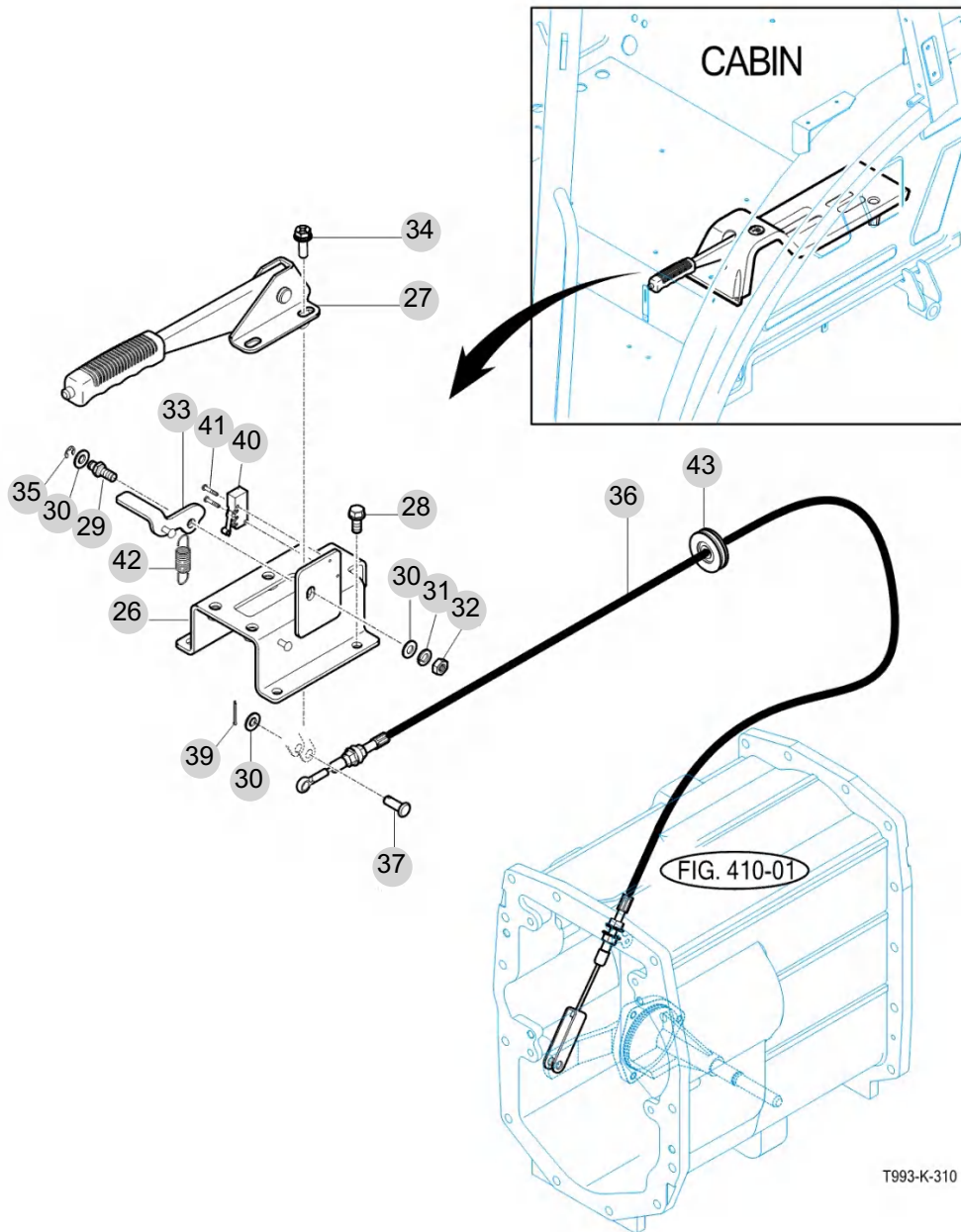
FIG 310

HAND BRAKE SUB

년/월
Year/Month

2024-03

T115SPUS1



T993-K-310

NOTE

4. Transmission PART NO. T4

FIG 401	RR TRANSMISSION CASE SUB	256
FIG 402A	PINION METAL SUB ASSY	258
FIG 402B	RR DIFF ASSY	260
FIG 403	SUB CHANGE GEARS	262
FIG 404	SUB CHANGE LEVER	264
FIG 405	4WD SHAFT SUB	266
FIG 406	RR AXLE HOUSING	268
FIG 407	540,750,1000 PTO CASE	270
FIG 408A	PTO SHAFT	272
FIG 408B	PTO CLUTCH ASSY	274
FIG 409	METAL SUB ASSY	276
FIG 410	MID TRANSMISSION CASE	278
FIG 411	MAIN CHANGE GEARS	280
FIG 412	MAIN CHANGE LEVER	282
FIG 413	PARKING BRAKE	284
FIG 414	POWER SHUTTLE GEAR	286
FIG 415	POWER SHIFT GEAR	288
FIG 416	FR TRANSMISSION CASE	290
FIG 417	DRIVE PUMP SUB	293

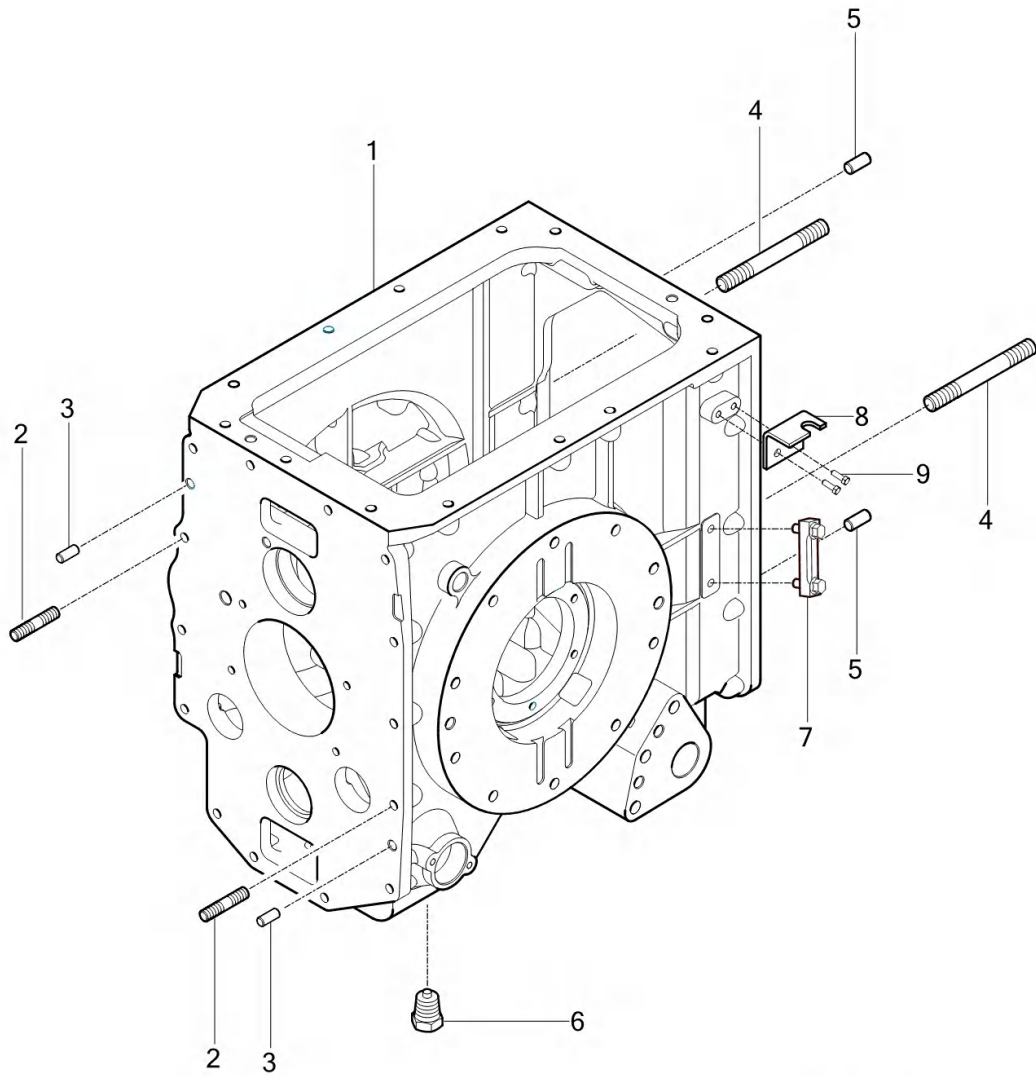
FIG 401

RR TRANSMISSION CASE SUB

년/월
Year/Month

2024-03

T115SPUS1



T1054SPY7954SP-U-401

NOTE

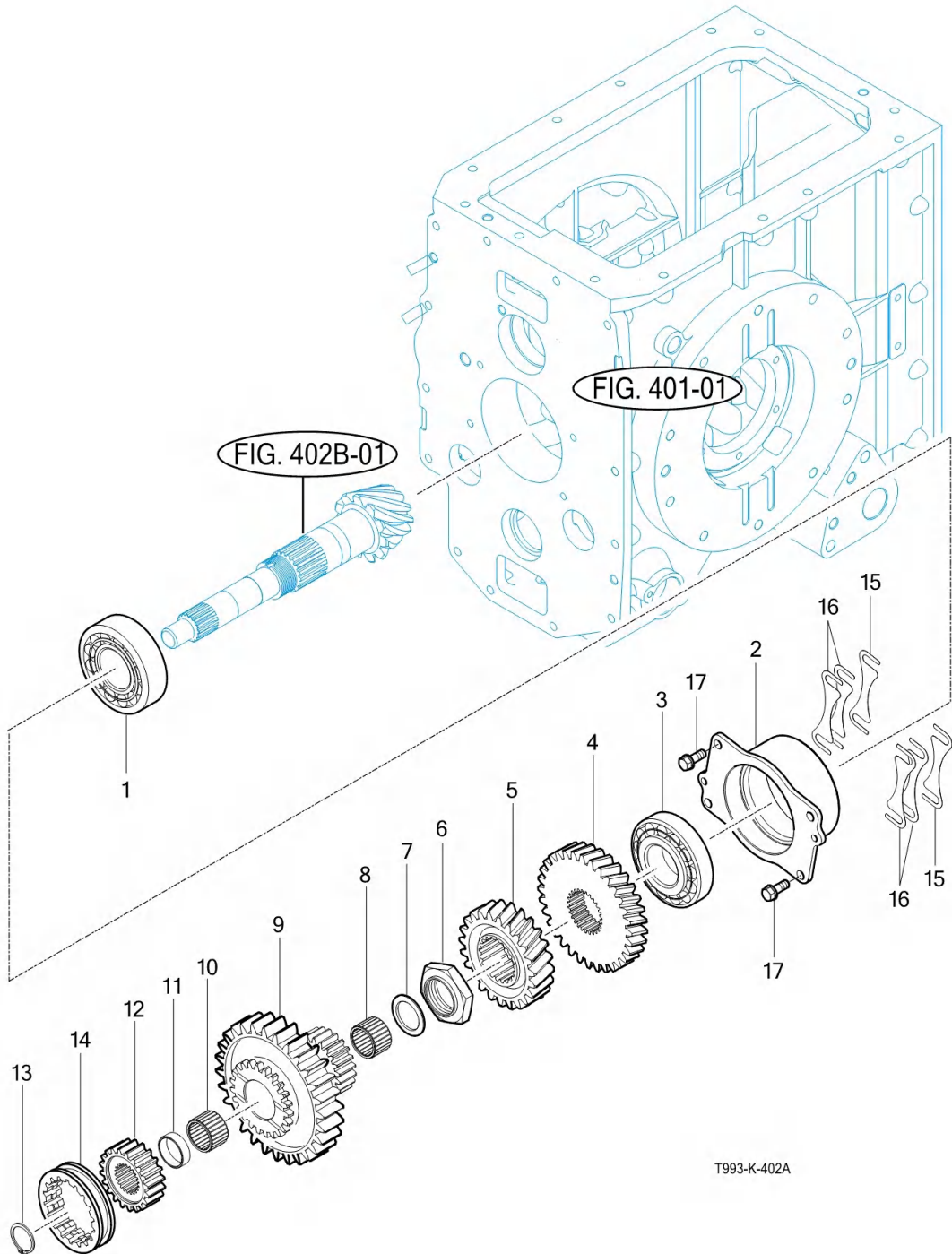
FIG 402A

PINION METAL SUB ASSY

년/월
Year/Month

2024-03

T115SPUS1



NOTE

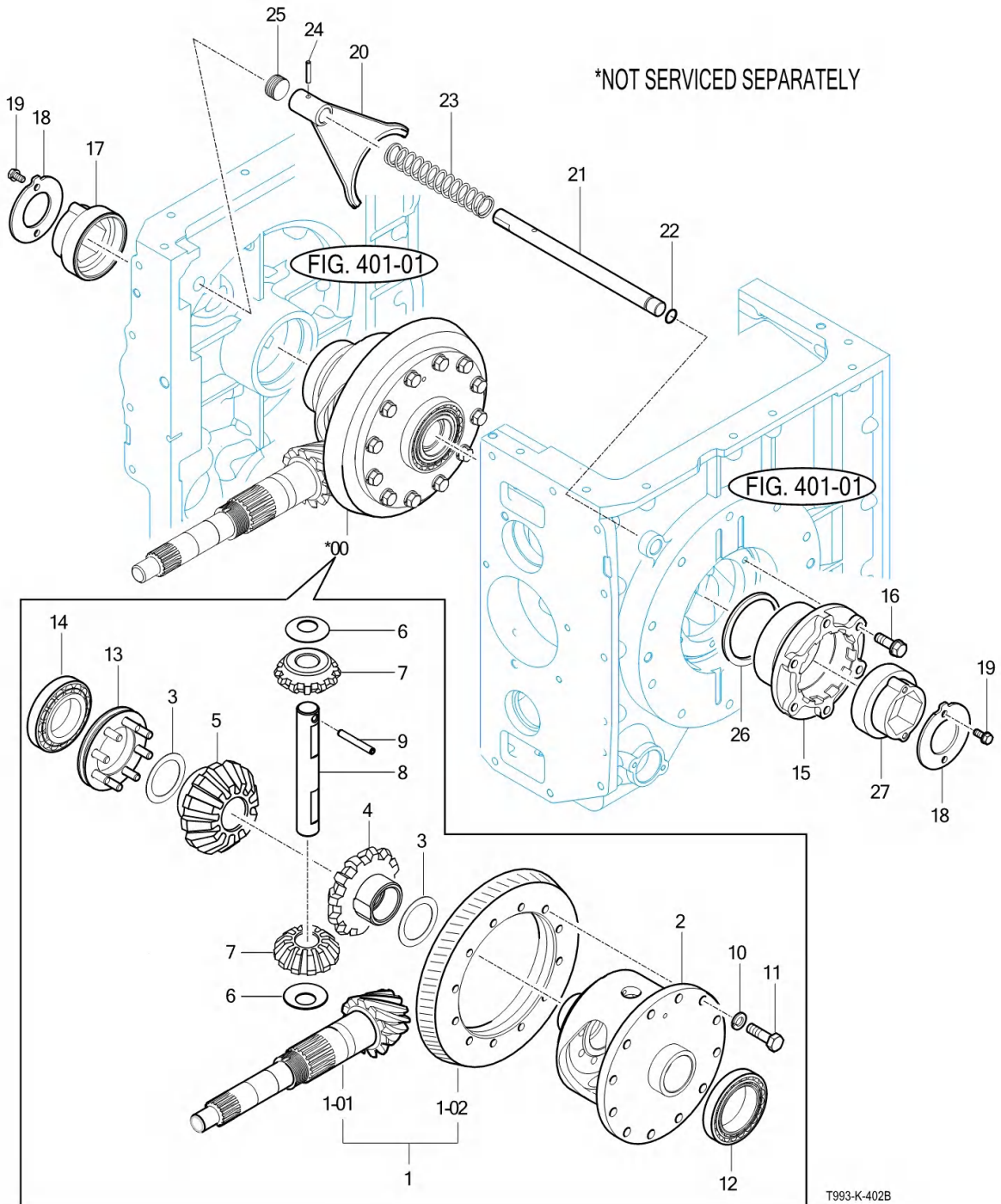
FIG 402B

RR DIFF ASSY

년/월
Year/Month

2024-03

T115SPUS1



T993-K-402B

NOTE

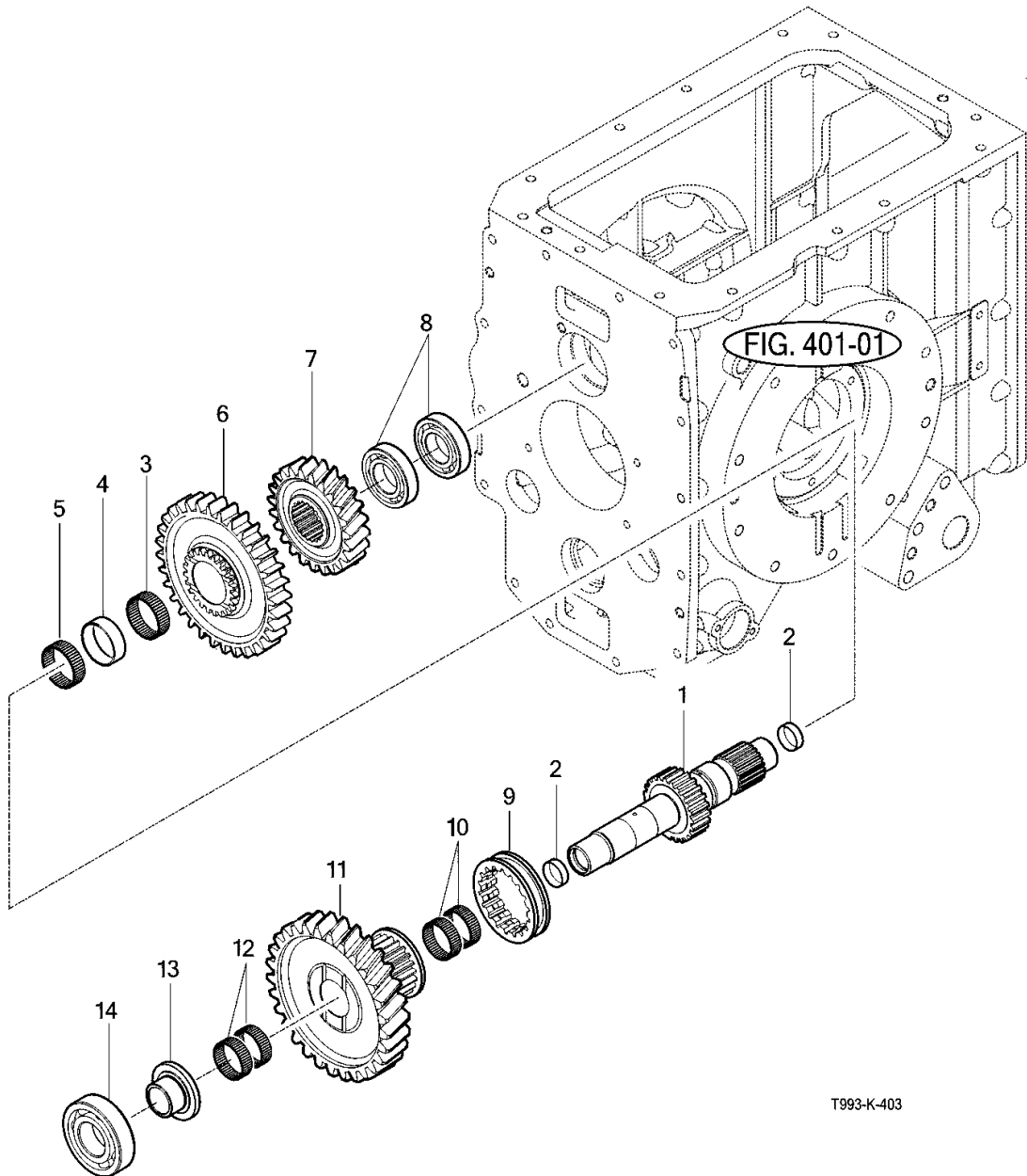
FIG 403

SUB CHANGE GEARS

년/월
Year/Month

2024-03

T115SPUS1



T993-K-403

NOTE

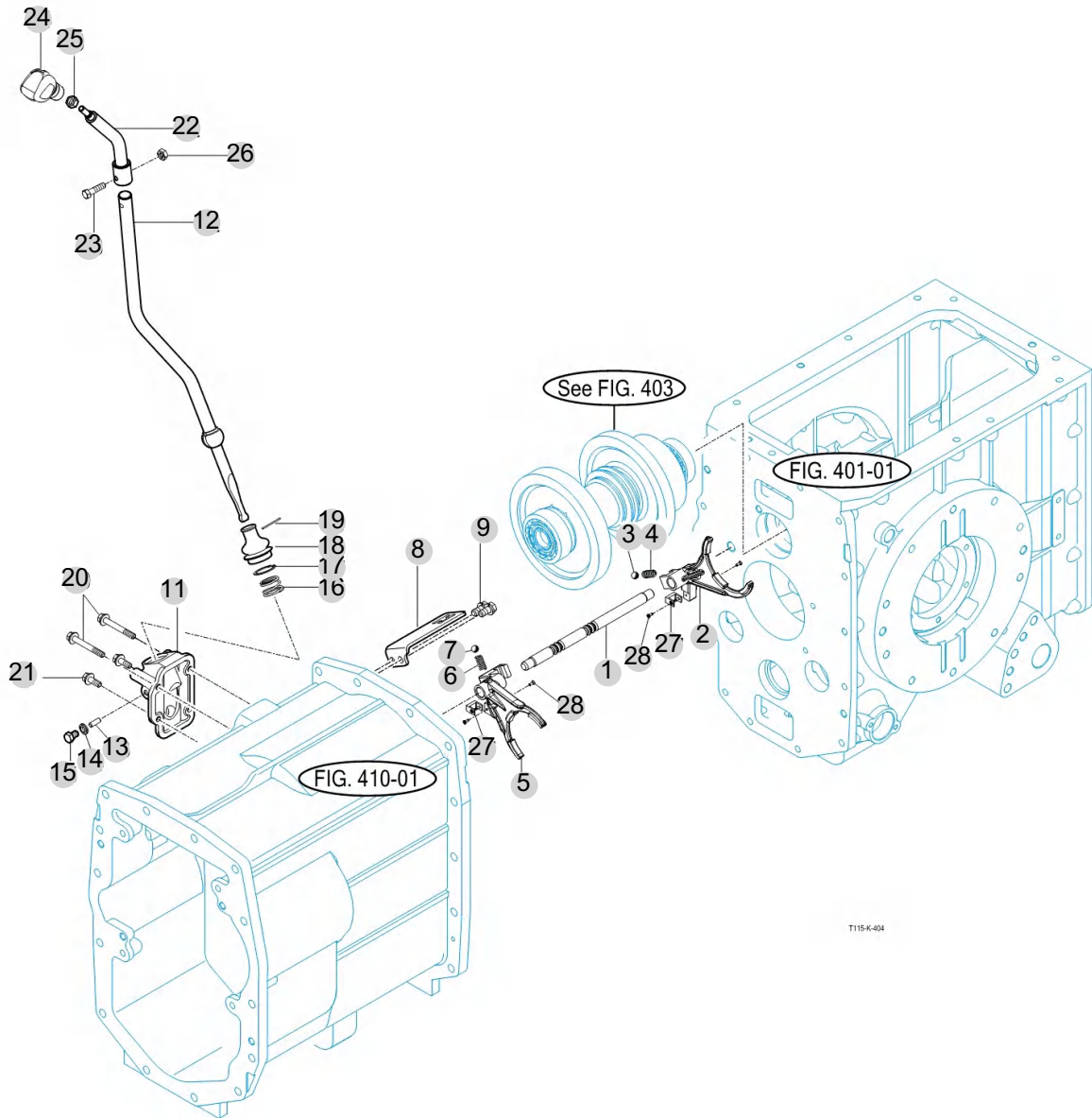
FIG 404

SUB CHANGE LEVER

년/월
Year/Month

2024-03

T115SPUS1



T115-K-404

NOTE

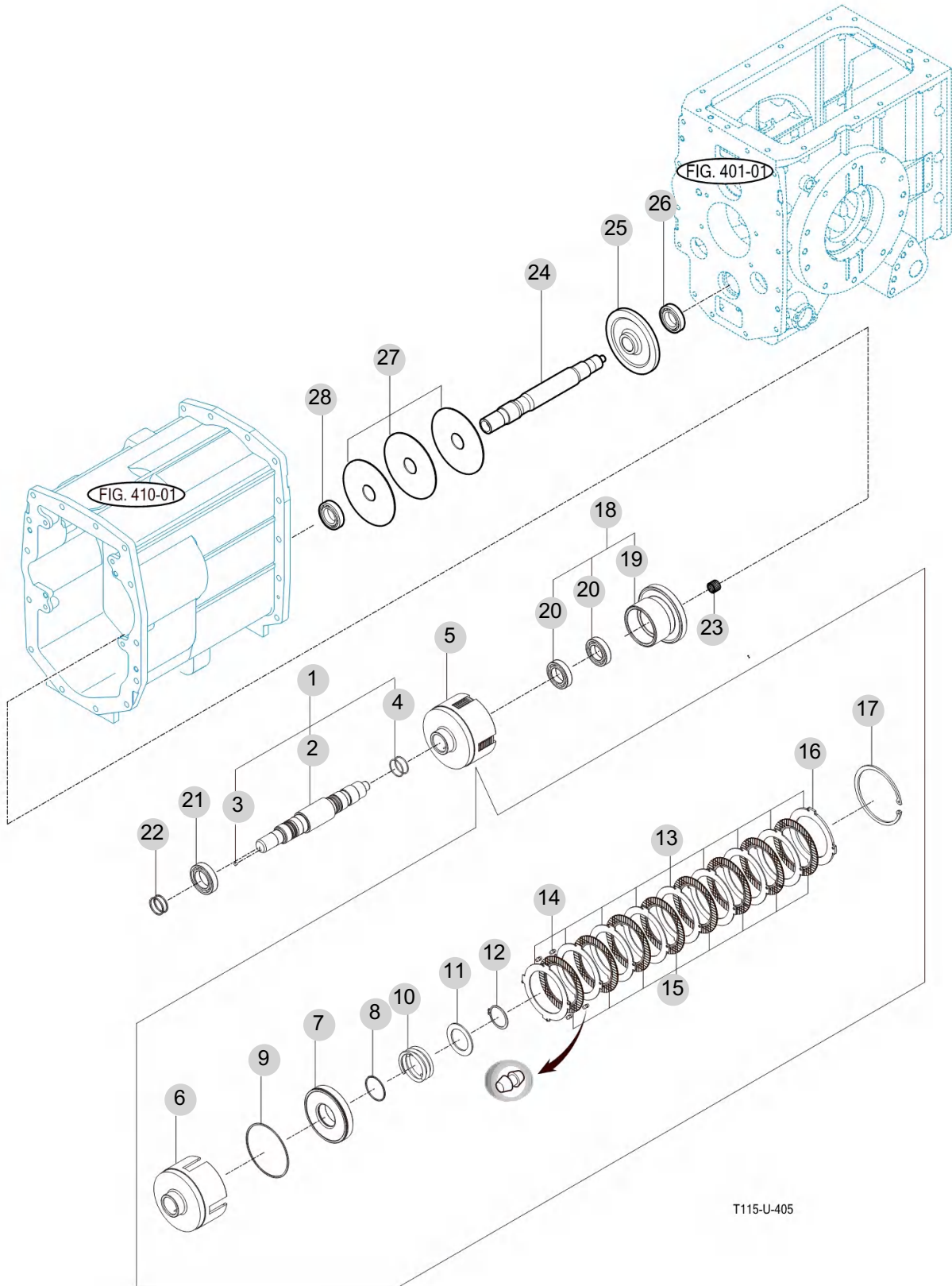
FIG 405

4WD SHAFT SUB

년/월
Year/Month

T115SPUS1

2024-03



T115-U-405

NOTE

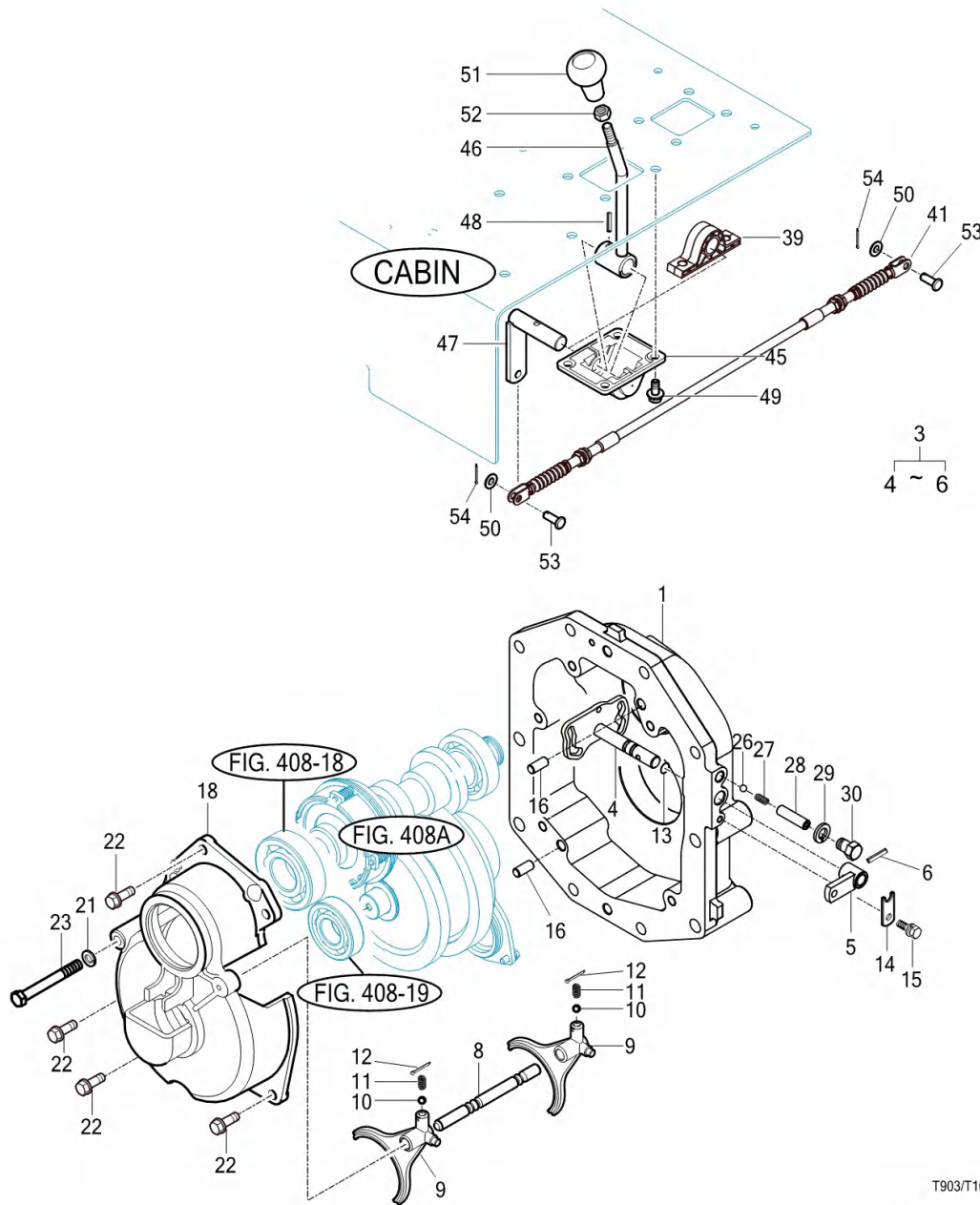
FIG 407

540,750,1000 PTO CASE

년/월
Year/Month

2024-03

T115SPUS1



T903/T1003-K-407

NOTE

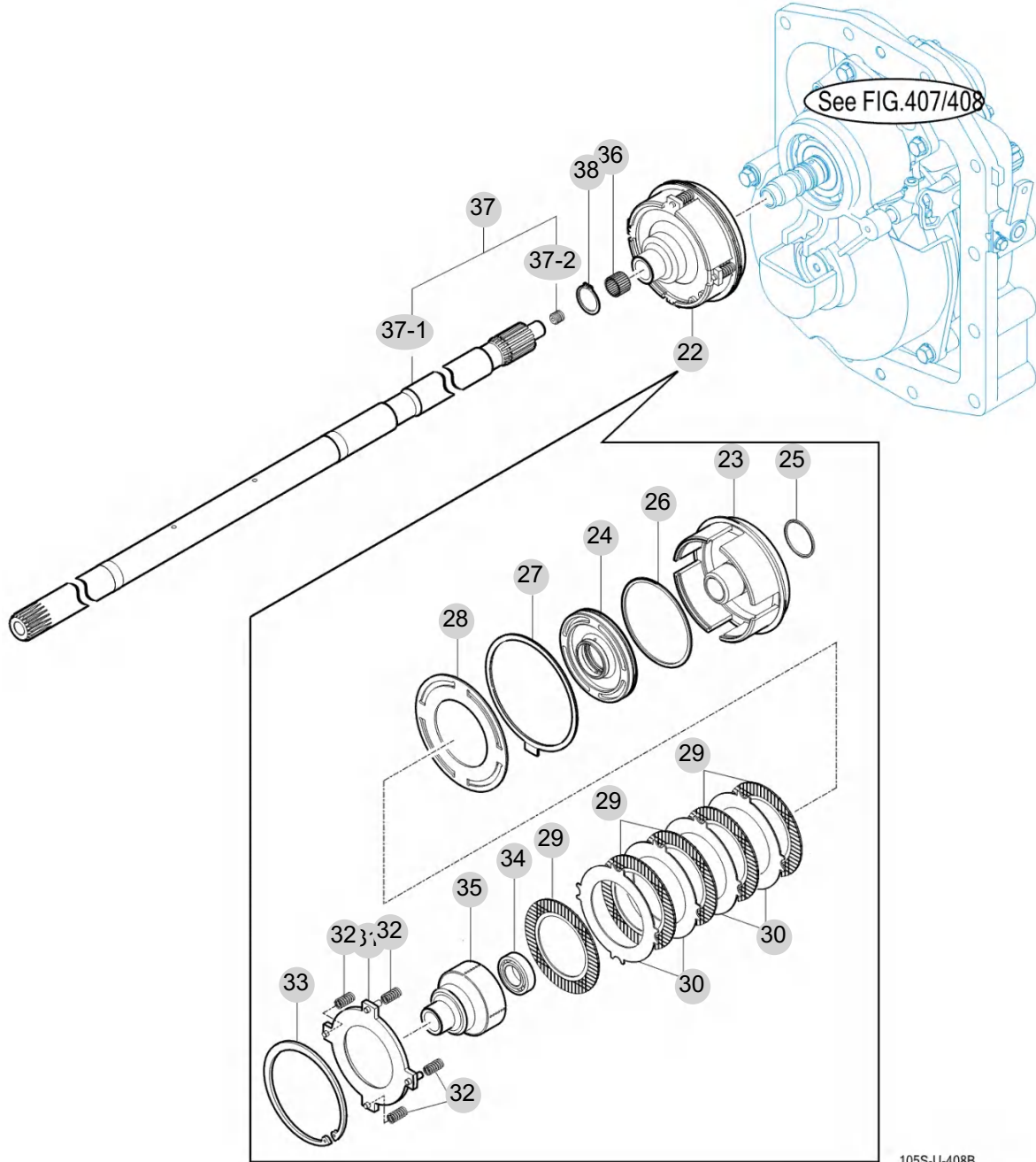
FIG 408B

PTO CLUTCH ASSY

년/월
Year/Month

2024-03

T115SPUS1



105S-U-408B

NOTE

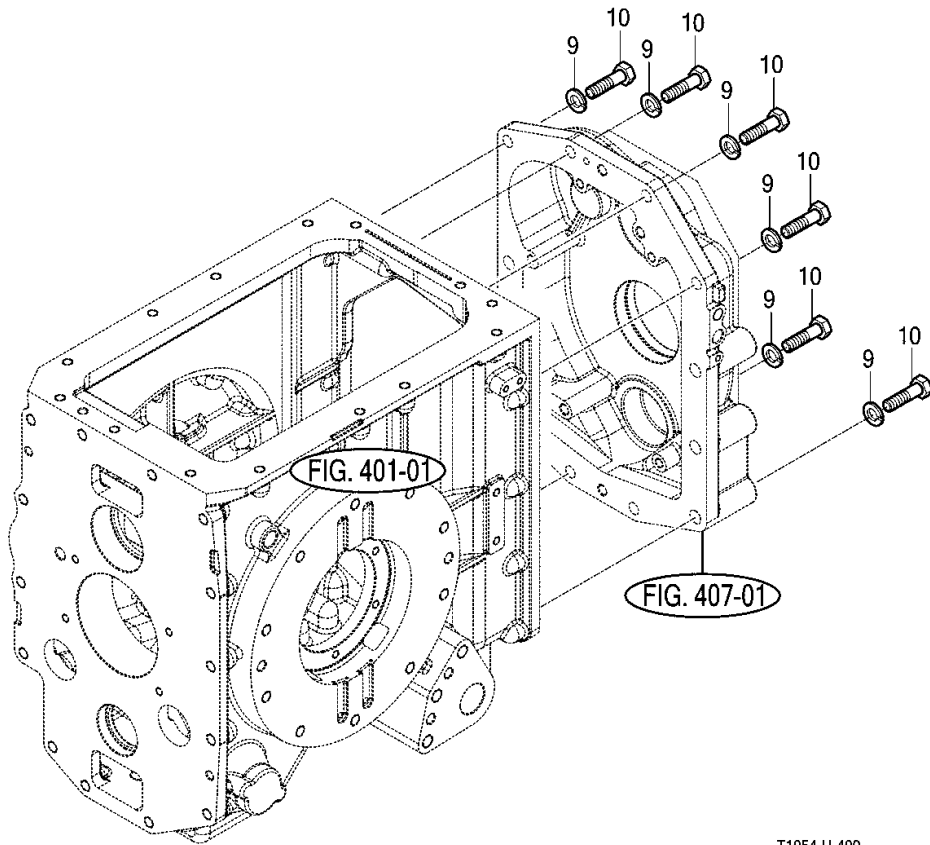
FIG 409

T115SPUS1

METAL SUB ASSY

년/월
Year/Month

2024-03



T1054-U-409

NOTE

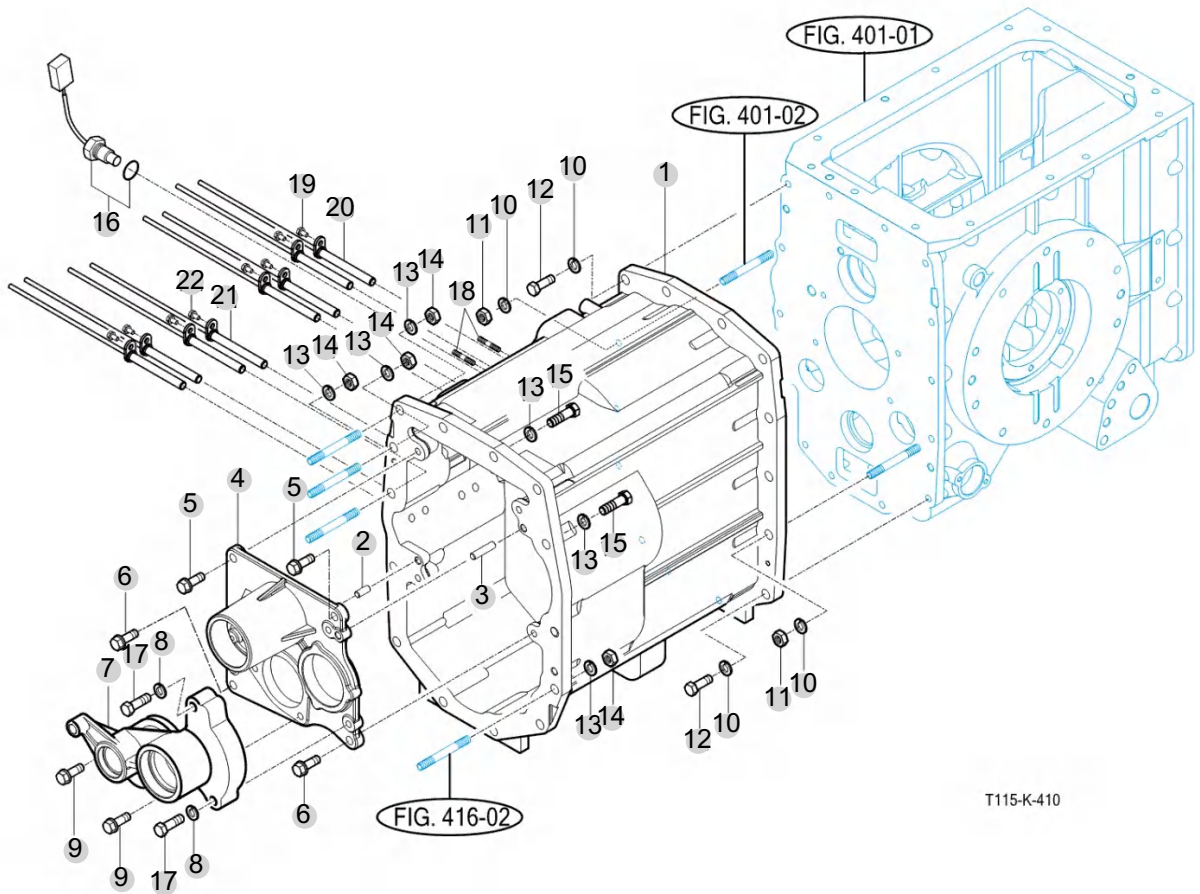
FIG 410

MID TRANSMISSION CASE

년/월
Year/Month

2024-03

T115SPUS1



T115-K-410

NOTE

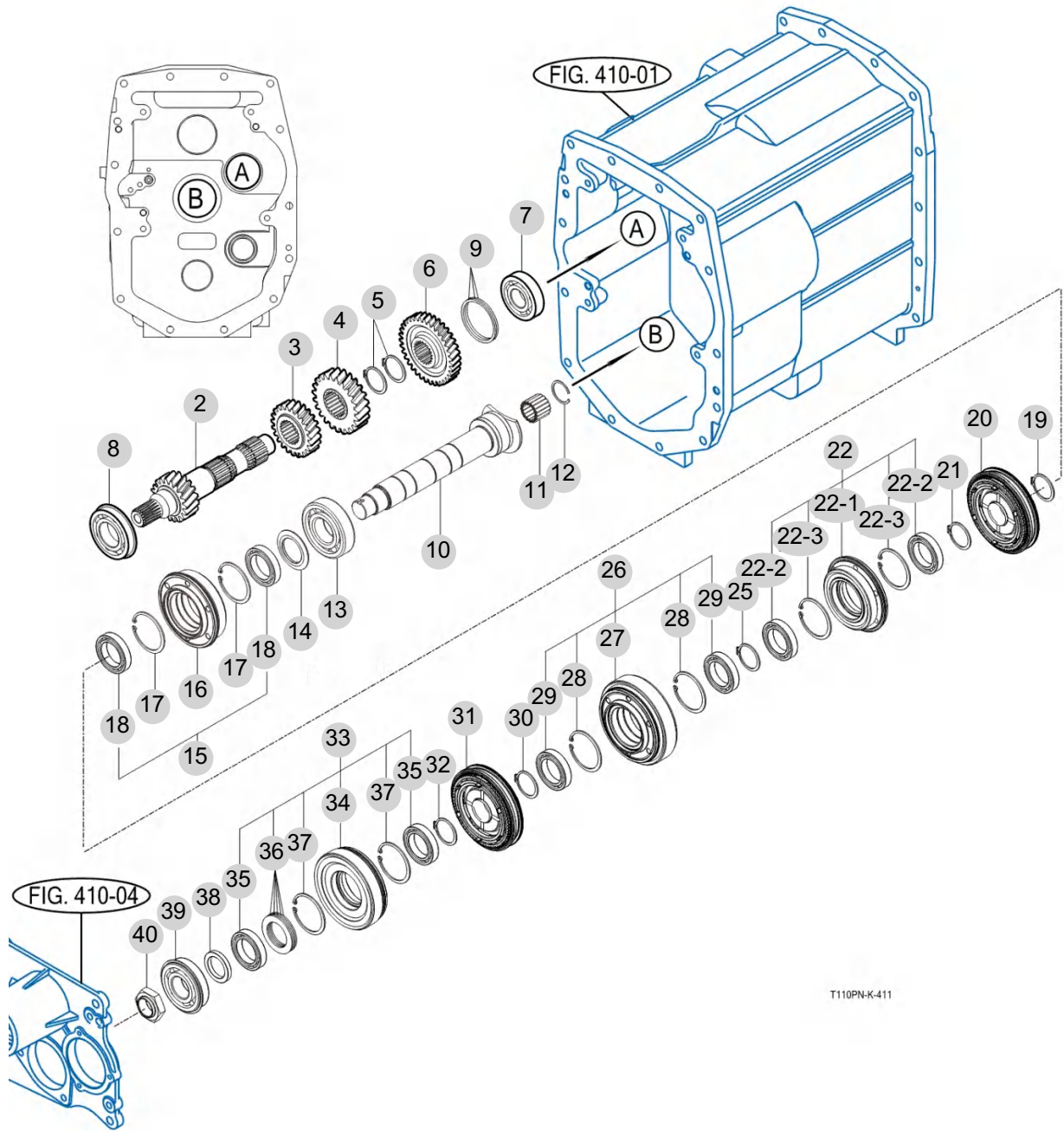
FIG 411

MAIN CHANGE GEARS

년/월
Year/Month

2024-03

T115SPUS1



T110PN-K-411

NOTE

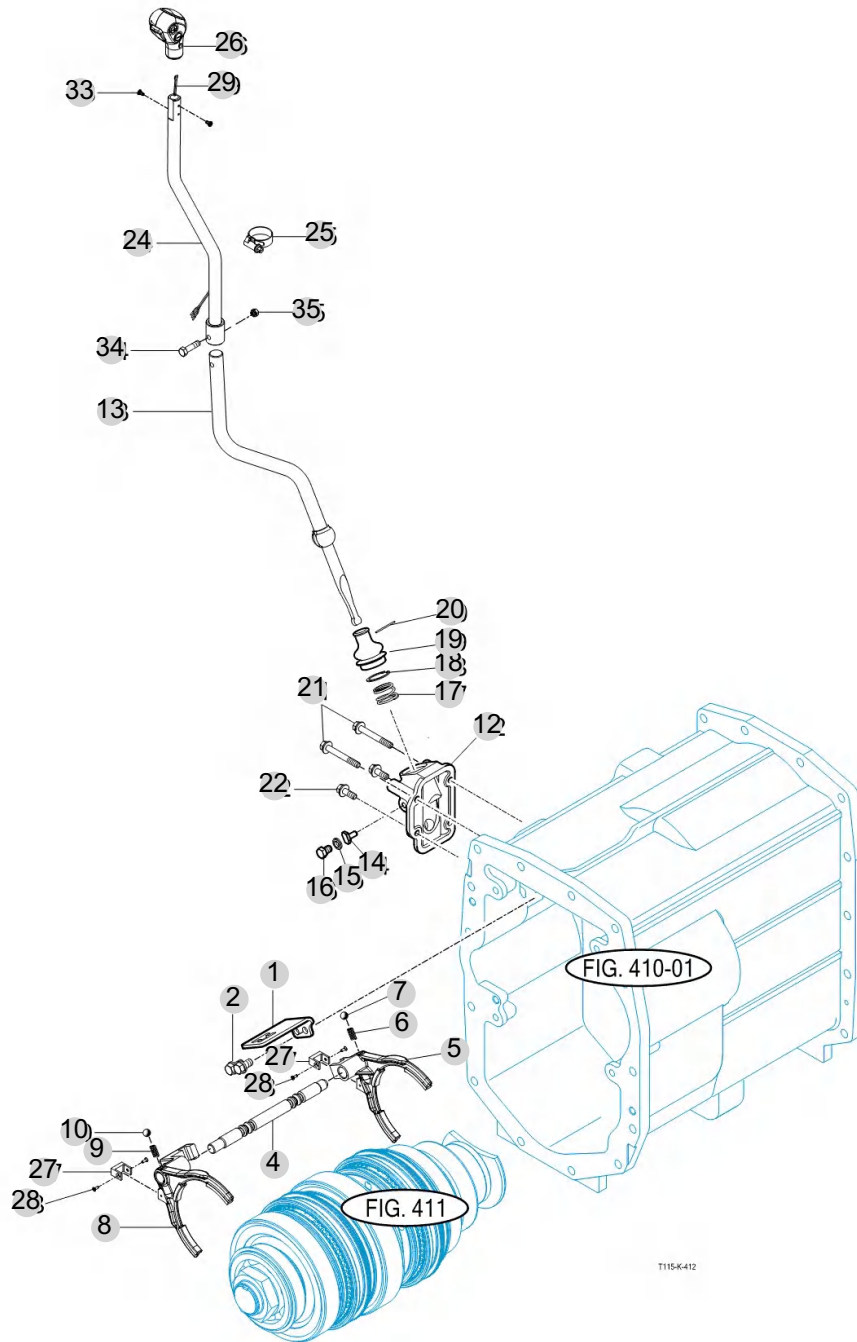
FIG 412

T115SPUS1

MAIN CHANGE LEVER

년/월
Year/Month

2024-03



T115-K-412

NOTE

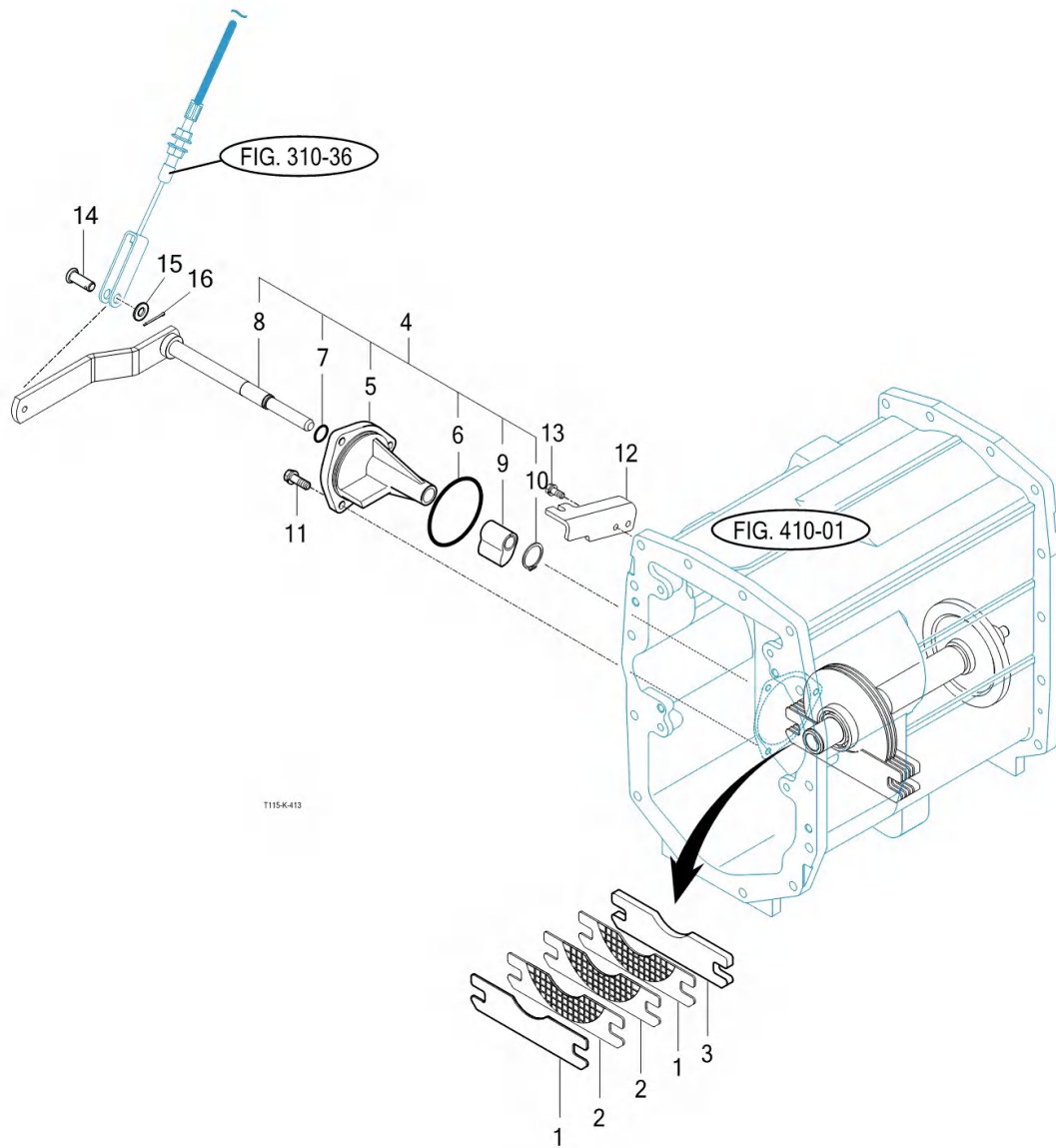
FIG 413

PARKING BRAKE

년/월
Year/Month

2024-03

T115SPUS1



NOTE

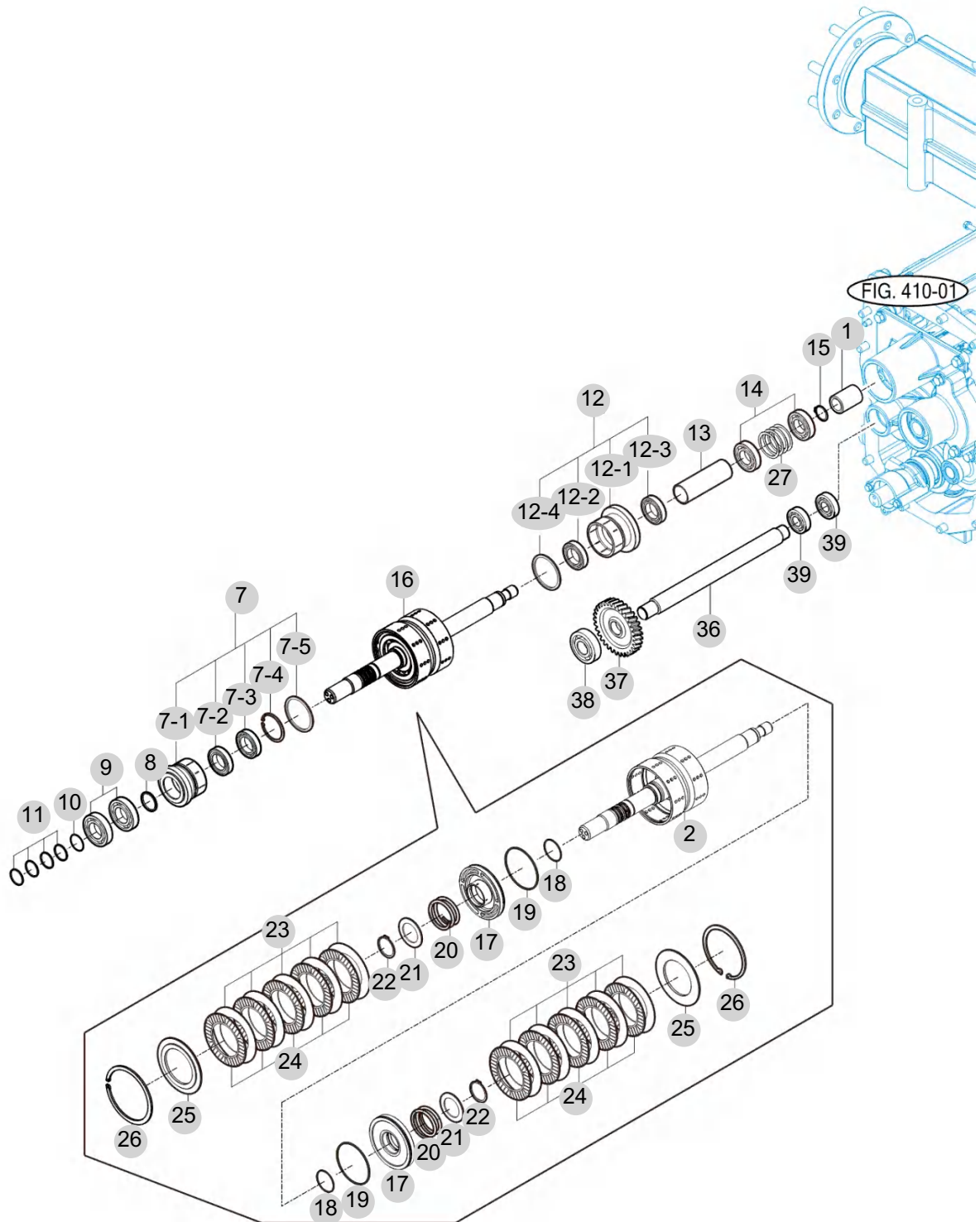
FIG 414

POWER SHUTTLE GEAR

년/월
Year/Month

2024-03

T115SPUS1



NOTE

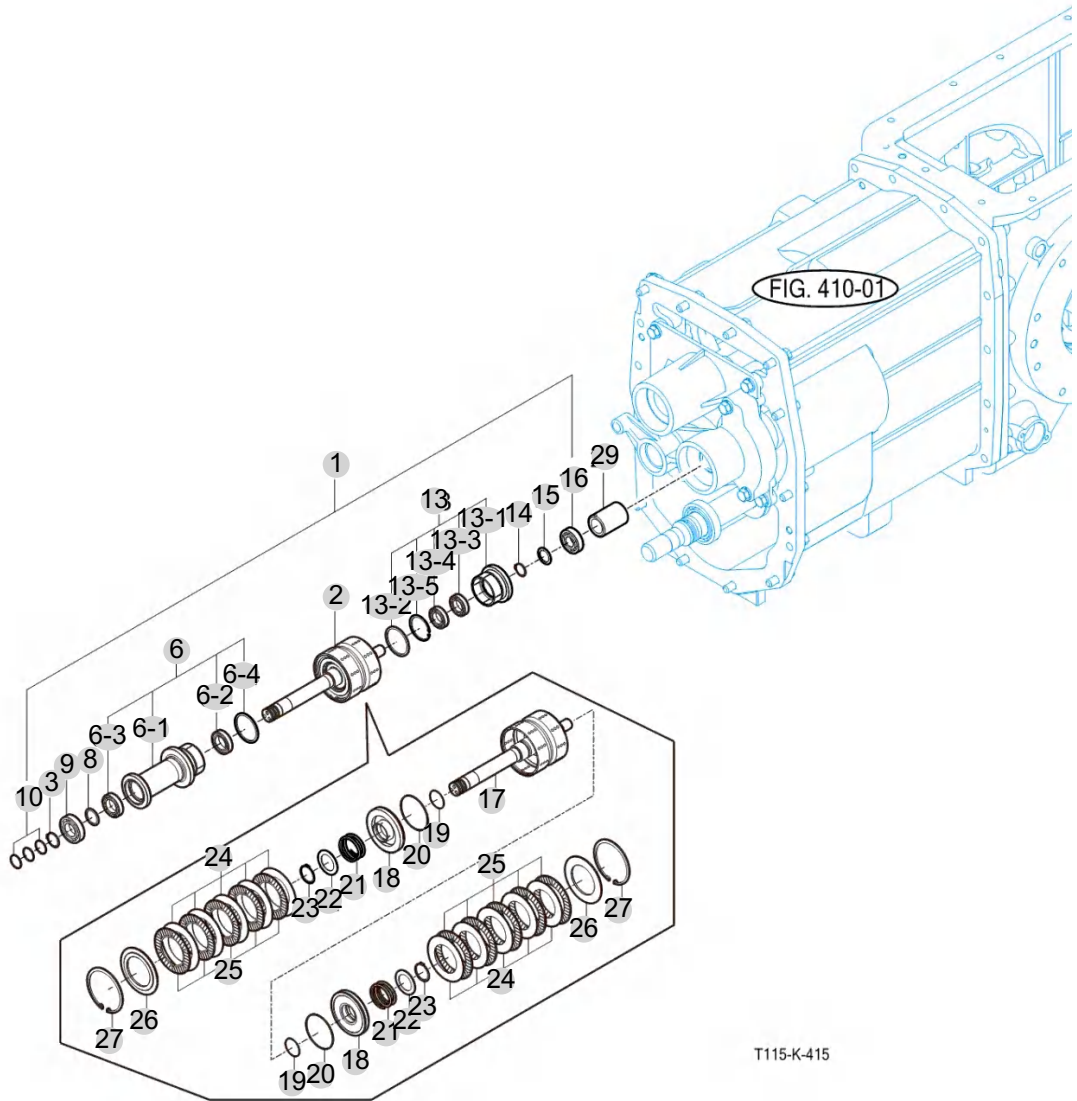
FIG 415

POWER SHIFT GEAR

년/월
Year/Month

2024-03

T115SPUS1



T115-K-415

NOTE

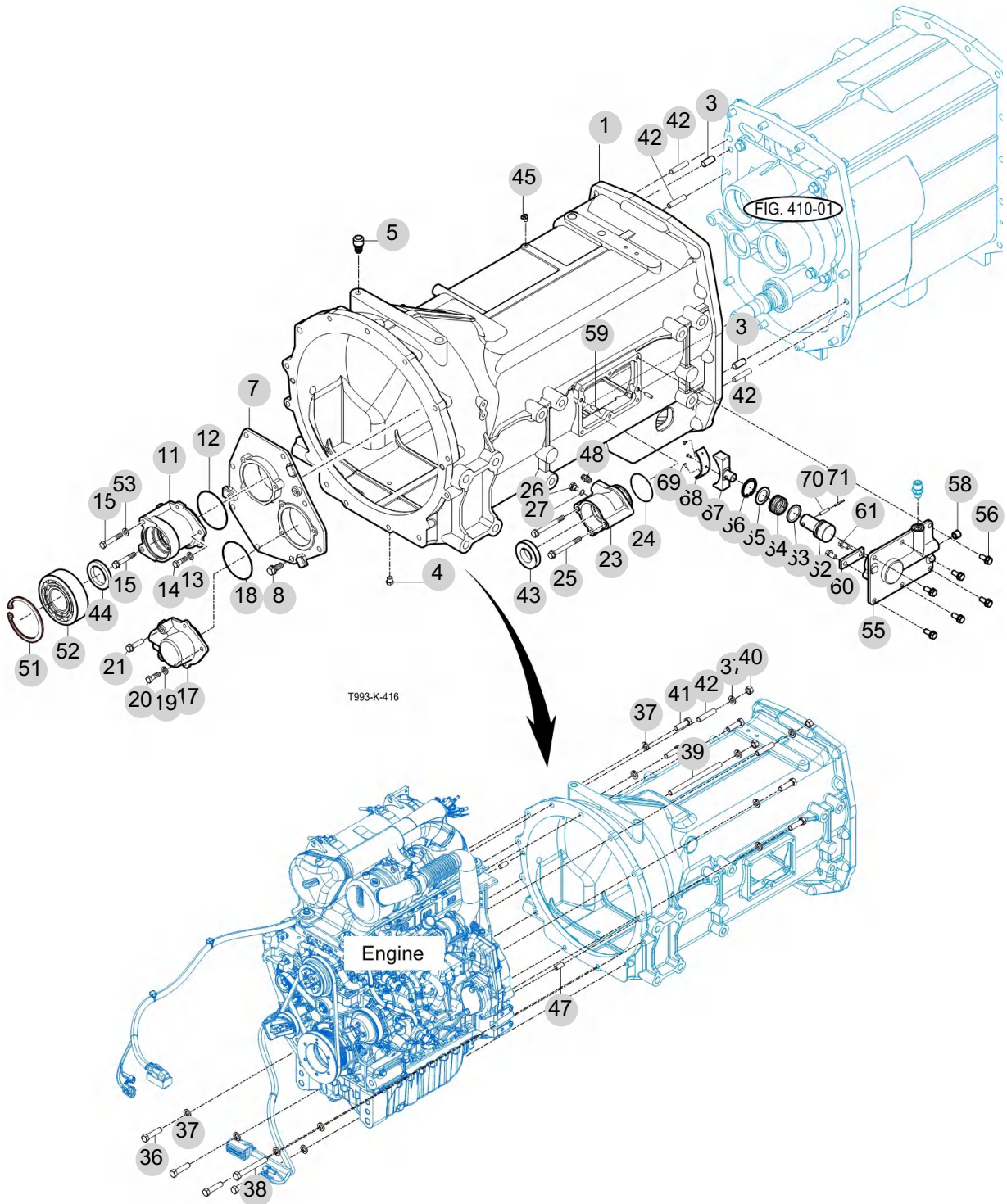
FIG 416

FR TRANSMISSION CASE

년/월
Year/Month

2024-03

T115SPUS1



NOTE

FIG 416 T115SPUS1		FR TRANSMISSION CASE					년/월 Year/Month	
							2024-03	
KEY NO	PART NO	DESCRIPTION	SPEC	QTY	REPAIR	EFFECTIVE DATE	REMARKS	
416	1	19262100011M	CASE , FR TRANSMISSION		1			
416	3	V5201010022	PIN , PARALLEL/A	10X22	2			
416	4	13267060022	PLUG , DRAIN		1			
416	5	10134080020	AIR BREATHER		1			
416	7	19022100033M	METAL , INPUT		1			
416	8	V2173610025	BOLT , HEX/S	M10X25	8			
416	11	19022121100	COVER ASSY, SHUTTLE		1			
416	12	V7231020075	O-RING , S	S75	1			
416	13	V4011600080	WASHER , SPRING	M8	1			
416	14	14151210090	BOLT , REAMER		1			
416	15	V2013608095	BOLT , HEX	M8X95	2			
416	17	19022161100	COVER ASSY, POWER SHIFT		1			
416	18	V7231020075	O-RING , S		1			
416	19	V4011600080	WASHER , SPRING		1			
416	20	14151210090	BOLT , REAMER		1			
416	21	V2173608020	BOLT , HEX/S	M8X20	2			
416	23	19022280111M	COVER , 4WD		1			
416	24	V7211031055	O-RING , G		1			
416	25	V2173608085	BOLT , HEX/S	M8X85	2			
416	26	76500800100	PLUG , HEX		1			
416	27	V7201024011	O-RING , P		1			
416	37	V4011600120	WASHER , SPRING	M12	5			
416	40	V3013600120	NUT , HEX/2		5			
416	41	V2174612040	BOLT , HEX/S	M12X40	8			
416	42	V2513412035	BOLT , STUD/2		5			
416	43	V7441305512	SEAL , OIL/D		1			
416	44	19022120900	SEAL , OIL		1			
416	45	19027562081	ADAPTER (BRAKE/RETURN)		1			
416	47	V5201010022	PIN , PARALLEL/A		2			
416	48	19025162400	UNION(PF1/4-M16)		1			
416	51	V7051400680	C-RING , HOLE		1			
416	52	V6001506008	BEARING , BALL		1			
416	53	V4011600080	WASHER , SPRING	M8	2			
416	55	19262141010M	METAL , DRAG BRAKE		1			
416	56	V2173608020	BOLT , HEX/S	M8X20	6			
416	58	V7801000004	PLUG , HEX-SOCKET		1			
416	59	V5201006016	PIN , PARALLEL/A	6X16	2			
416	60	19262141030	PLATE , DRAG BRAKE		1			
416	61	V2173608016	BOLT , HEX/S	M8X16	2			
416	62	19262141020	PISTON , DRAG BRAKE		1			
416	63	V7201035029	O RING		1			
416	64	19262141050	SPRING , RETURN		1			
416	65	19262141040	WASHER , /24X35X2		1			
416	66	V7051400350	C-RING , HOLE		1			
416	67	19262141060M	ROD , DRAG BRAKE		1			
NOTE								

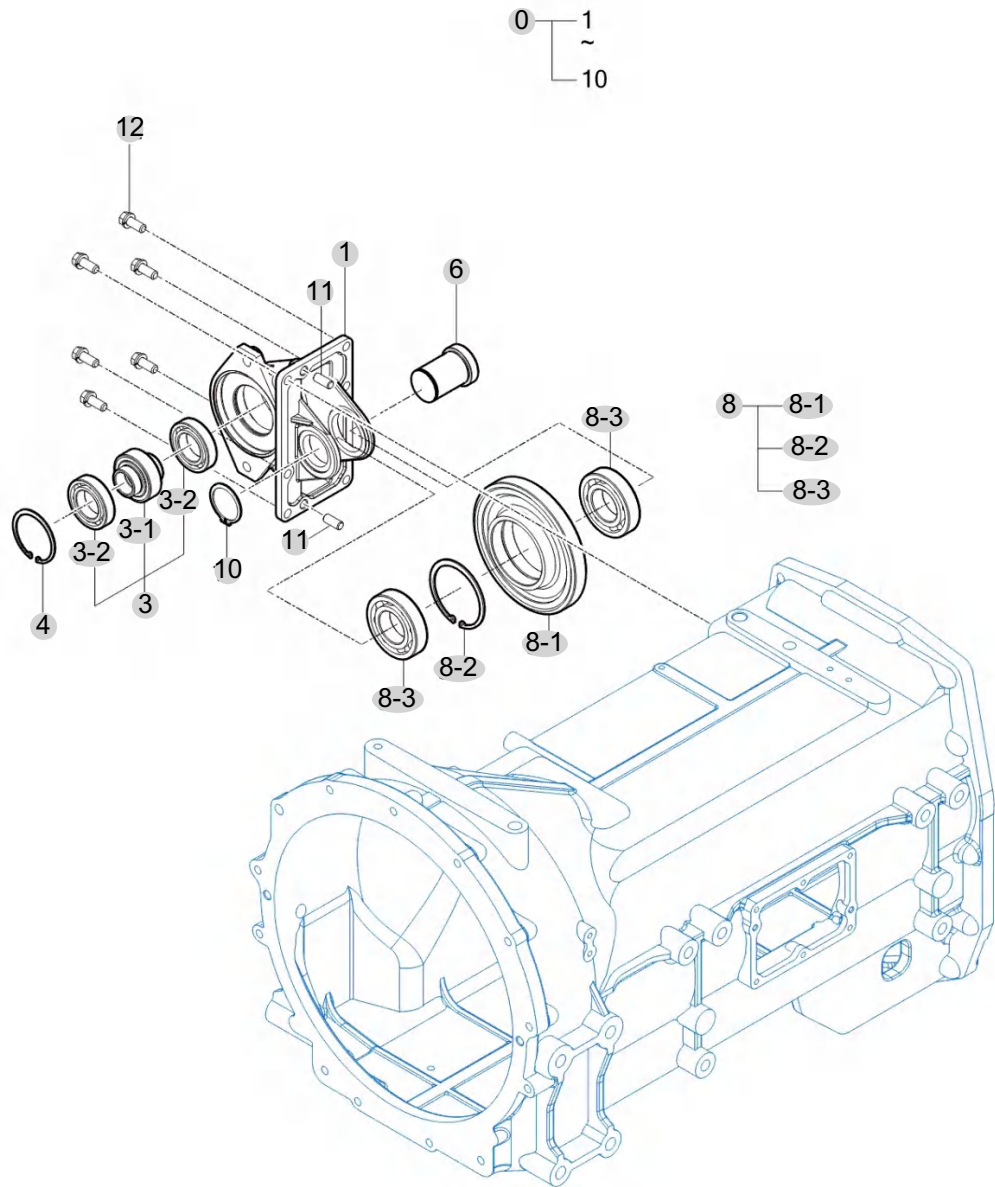
FIG 417

DRIVE PUMP SUB

년/월
Year/Month

2024-03

T115SPUS1



NOTE

5. Front Axle PART NO. T5

FIG 501	FRONT AXLE SUPPORTER	296
FIG 502	FRONT DRIVE SHAFT	299
FIG 503	FRONT AXLE HOUSING	301
FIG 504	FRONT DIFFERENTIAL GEARS	303
FIG 505	FRONT GEAR CASE (1)	305
FIG 506	FRONT GEAR CASE (2)	307
FIG 507	FRONT GEAR CASE (3)	309
FIG 508	MUD GUARD ASSY	311

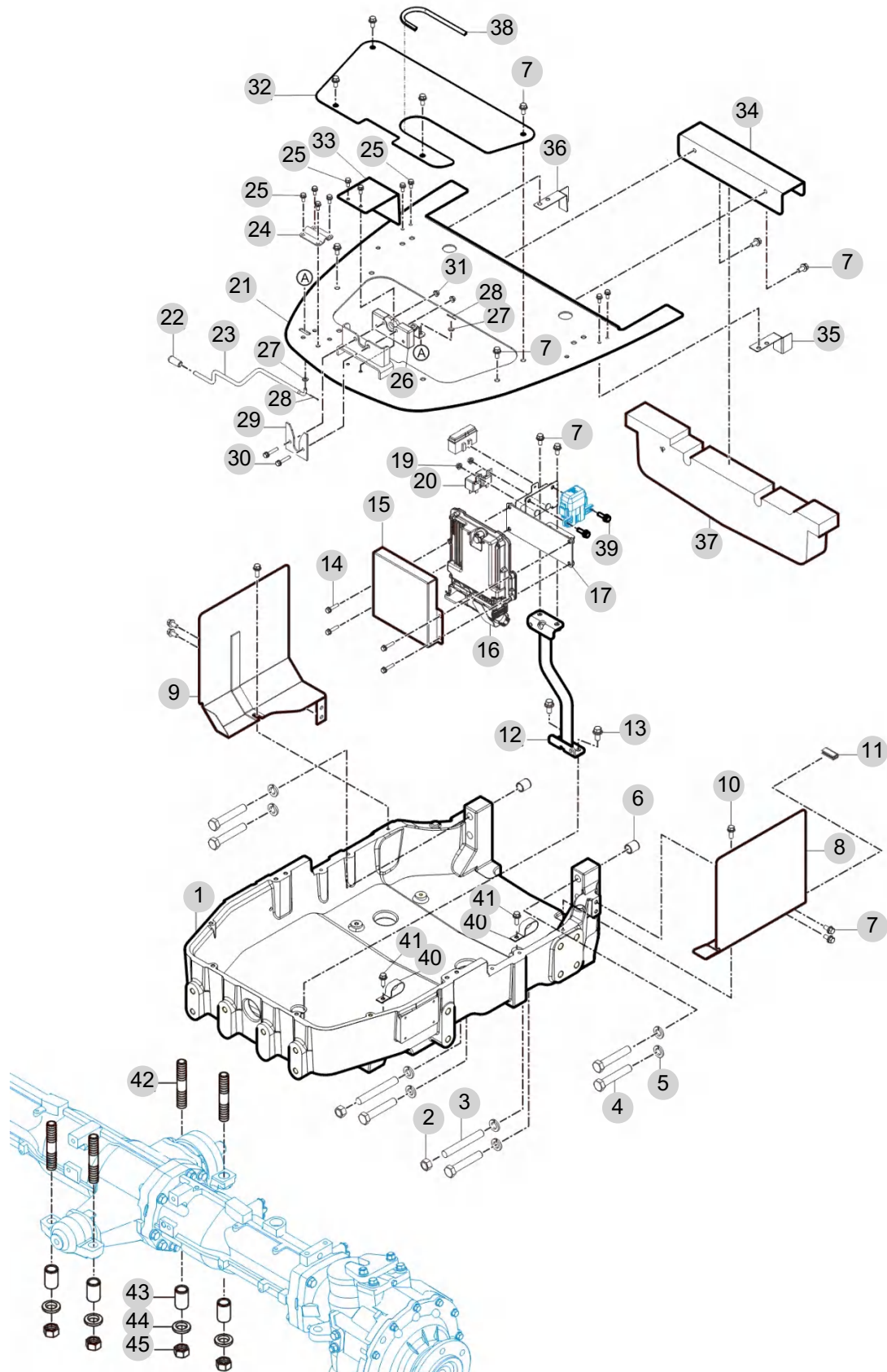
FIG 501

FRONT AXLE SUPPORTER

년/월
Year/Month

2024-03

T115SPUS1



NOTE

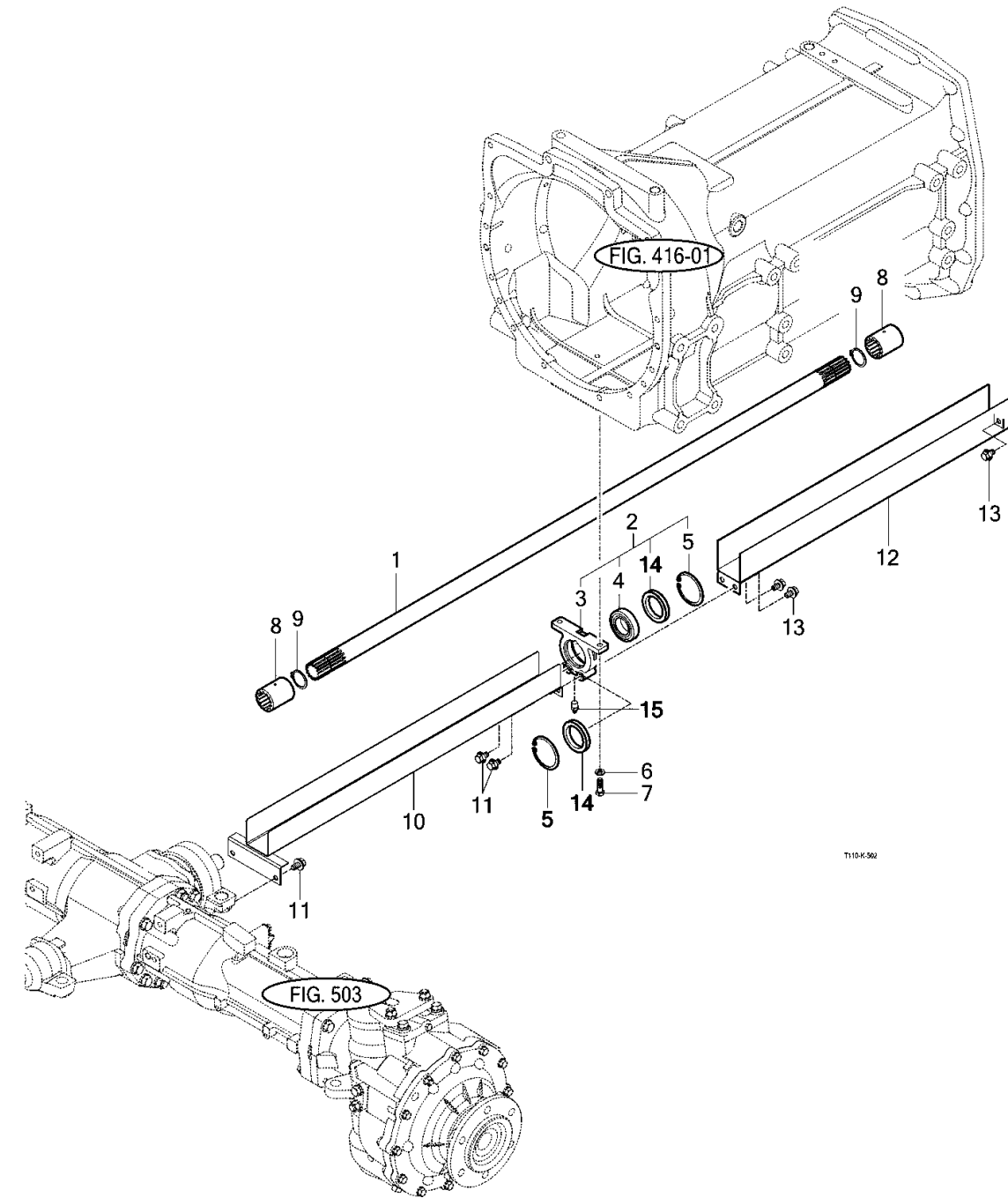
FIG 501 T115SPUS1		FRONT AXLE SUPPORTER					년/월 Year/Month	
							2024-03	
KEY NO	PART NO	DESCRIPTION	SPEC	QTY	REPAIR	EFFECTIVE DATE	REMARKS	
501	1	19261011100M	SUPPORT , AXLE		1			
501	2	V3043600160	NUT , HEX/2	M16	2			
501	3	17814100020	BOLT , STUD M16X117		2			
501	4	V2004616090	BOLT , HEX	M16X90	6			
501	5	V4011600160	WASHER , SPRING	M16	8			
501	6	18024100050	BUSH(16.5X22)		2			
501	7	V2183608020	BOLT , HEX/SP	M8X20	14			
501	8	19261831100GB	COVER COMP , LH /PROTECT		1			
501	9	19261831200GB	COVER COMP , RH /PROTECT		1			
501	10	V2183608025	BOLT , HEX/SP	M8X25	2			
501	11	16997021960	INSULATOR , 32		1			
501	12	19261611600GB	PIPE COMP , ECU		1			
501	12	19261611500GB	PIPE COMP , ECU		1			
501	13	V2183610025	BOLT , HEX/SP	M10X25	2			
501	14	V2123606030	BOLT . HEX /SP	M6X30	4			
501	15	18021025200GB	COVER , ECU		1			
501	16	04216846	ECU		1			
501	17	19261611100GB	BRACKET COMP , ECU		1			
501	19	V3802600060	NUT , HEX FLANGE	M6X12	2			
501	20	14946212901	RELAY 5P		1			
501	21	19261021100GB	PLATE COMP , HOOD		1			
501	22	21615250020	GRIP , LEVER/RED		1			
501	23	18716020010	PIN , HOOD LOCK		1			
501	24	18506020020GB	PLATE , PIN GUIDE		1			
501	25	V2123606016	BOLT , HEX /SP	M6X16	10			
501	26	17686020600	LOCK COMP . HOOD		1			
501	27	V4111600060	WASHER , PLAIN	M6	2			
501	28	V5001920020	PIN , SPLIT		2			
501	29	17406014300	GUIDE, HOOD PIN		1			
501	30	V2123606035	BOLT , HEX /SP	M6X35	2			
501	31	V3802600060	NUT , HEX FLANGE	M6	2			
501	32	19261021400GB	COVER COMP , SUPPORT		1			
501	32	19261021200GB	COVER COMP , SUPPORT		1			
501	33	19261021300GB	COVER , FR PTO		1			
501	34	19261023100GB	PLATE RADIATOR		1			
501	35	19261022300GB	BRACKET COMP , LH /SCREEN		1			
501	36	19261022400GB	BRACKET COMP , RH /SCREEN		1			
501	37	19261023200	SPONGE , RADIATOR		1			
501	38	17136040050	INSULATOR , SUPPORT		1			
501	39	V2123606020	BOLT , HEX /SP		2			
501	40	14441010161	CLAMP , RADIATOR HOSE		2			
501	41	V2183608020	BOLT , HEX/SP		2			
501	42	19023251870	BOLT , STUD		4			
501	43	S2155901000	BUSH , 18.5X24X35		4			
501	44	S2159903000	COLLAR , 19X35X6		4			
NOTE								

FIG 502

FRONT DRIVE SHAFT

년/월
Year/Month

2024-03



NOTE

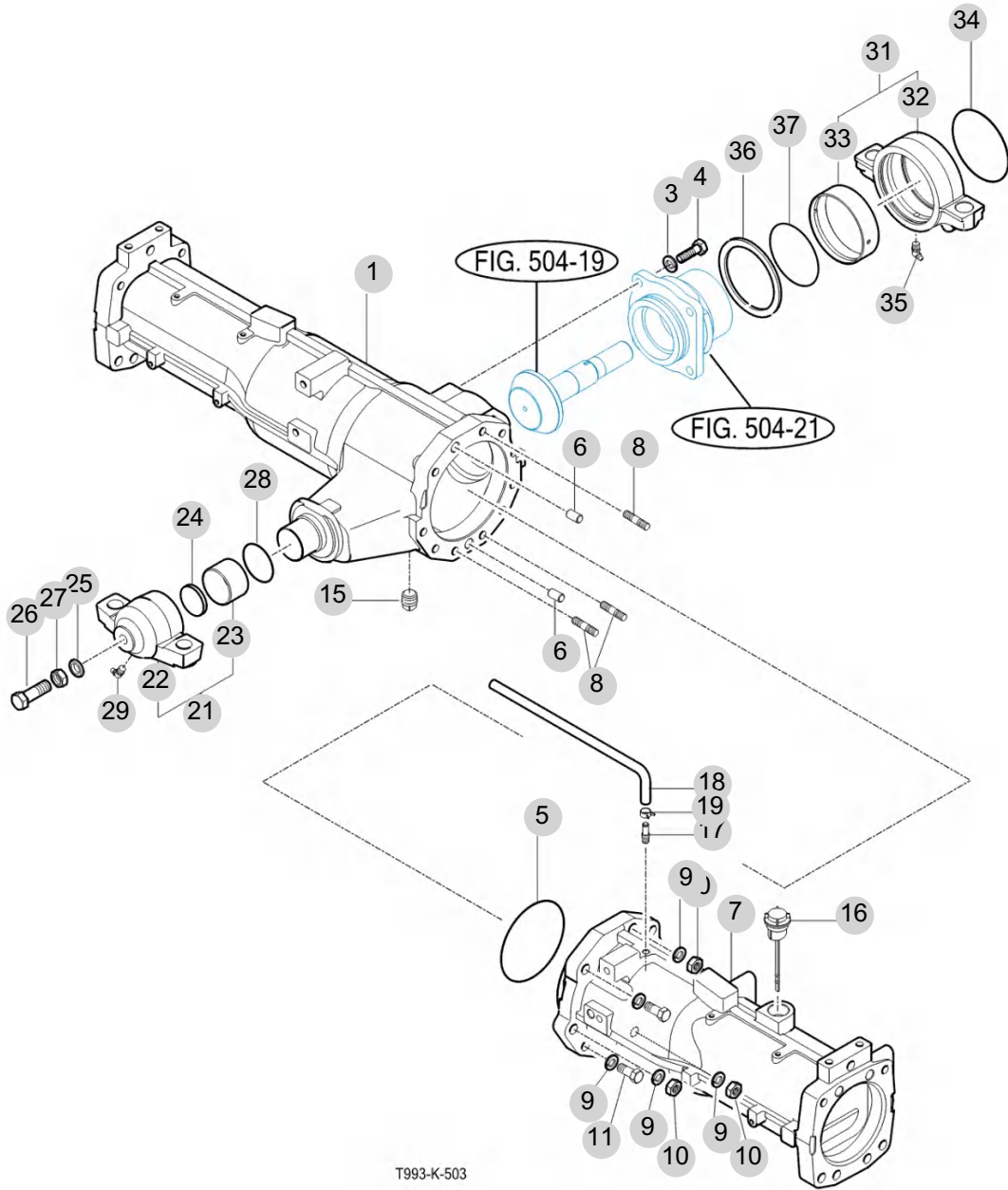
FIG 503

FRONT AXLE HOUSING

년/월
Year/Month

T115SPUS1

2024-03



T993-K-503

NOTE

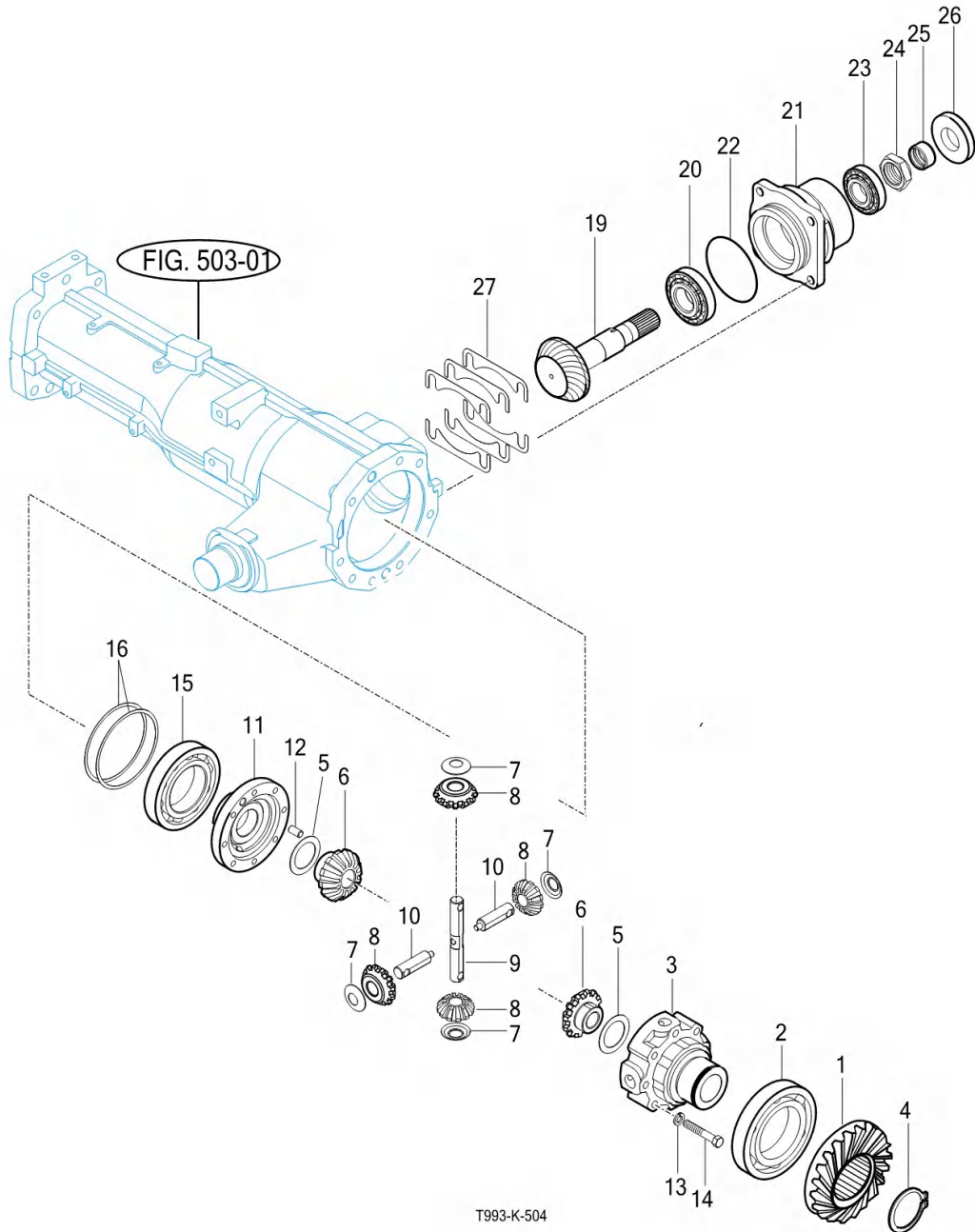
FIG 504

FRONT DIFFERENTIAL GEARS

년/월
Year/Month

2024-03

T115SPUS1



NOTE

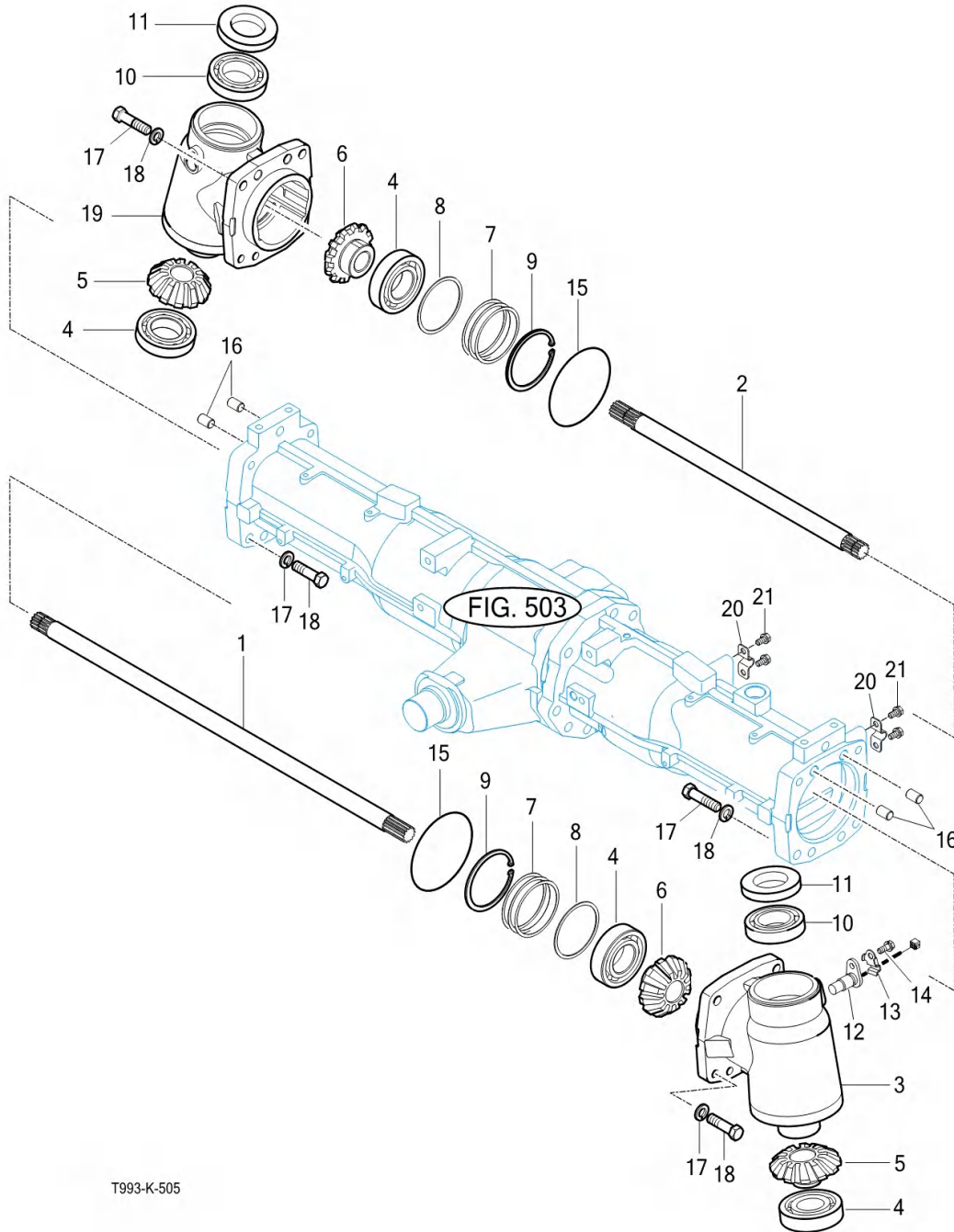
FIG 505

T115SPUS1

FRONT GEAR CASE (1)

년/월
Year/Month

2024-03



NOTE

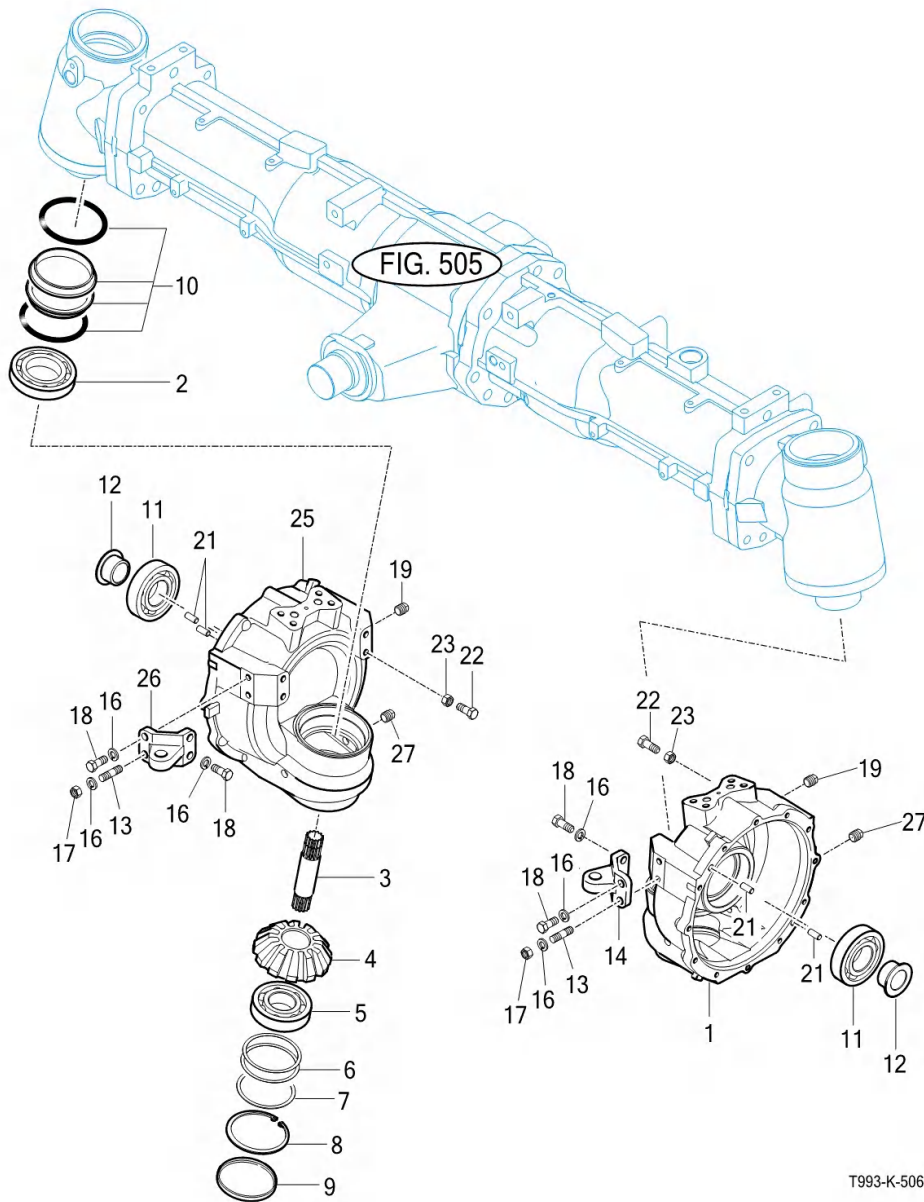
FIG 506

T115SPUS1

FRONT GEAR CASE (2)

년/월
Year/Month

2024-03



NOTE

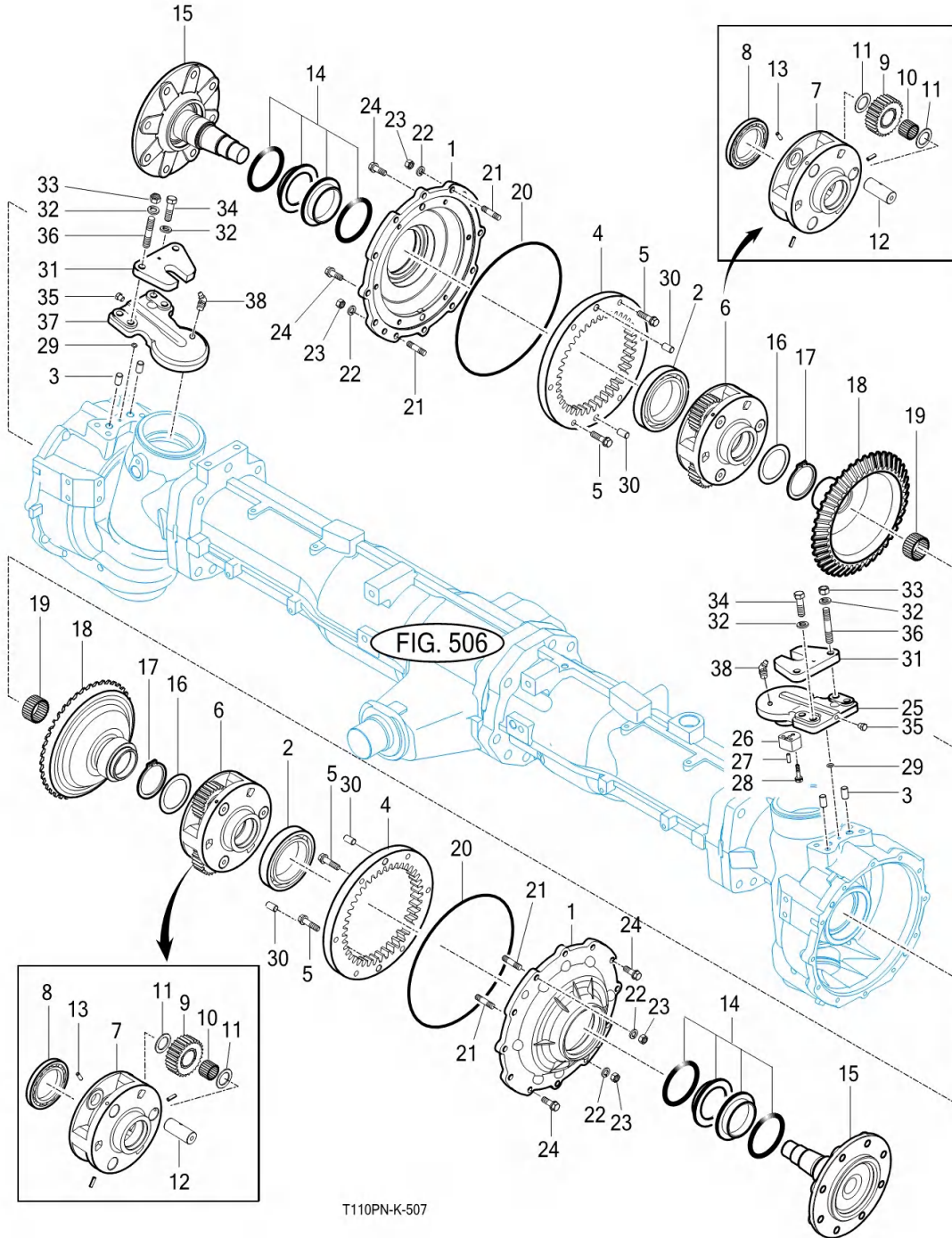
FIG 507

FRONT GEAR CASE (3)

년/월
Year/Month

2024-03

T115SPUS1



T110PN-K-507

NOTE

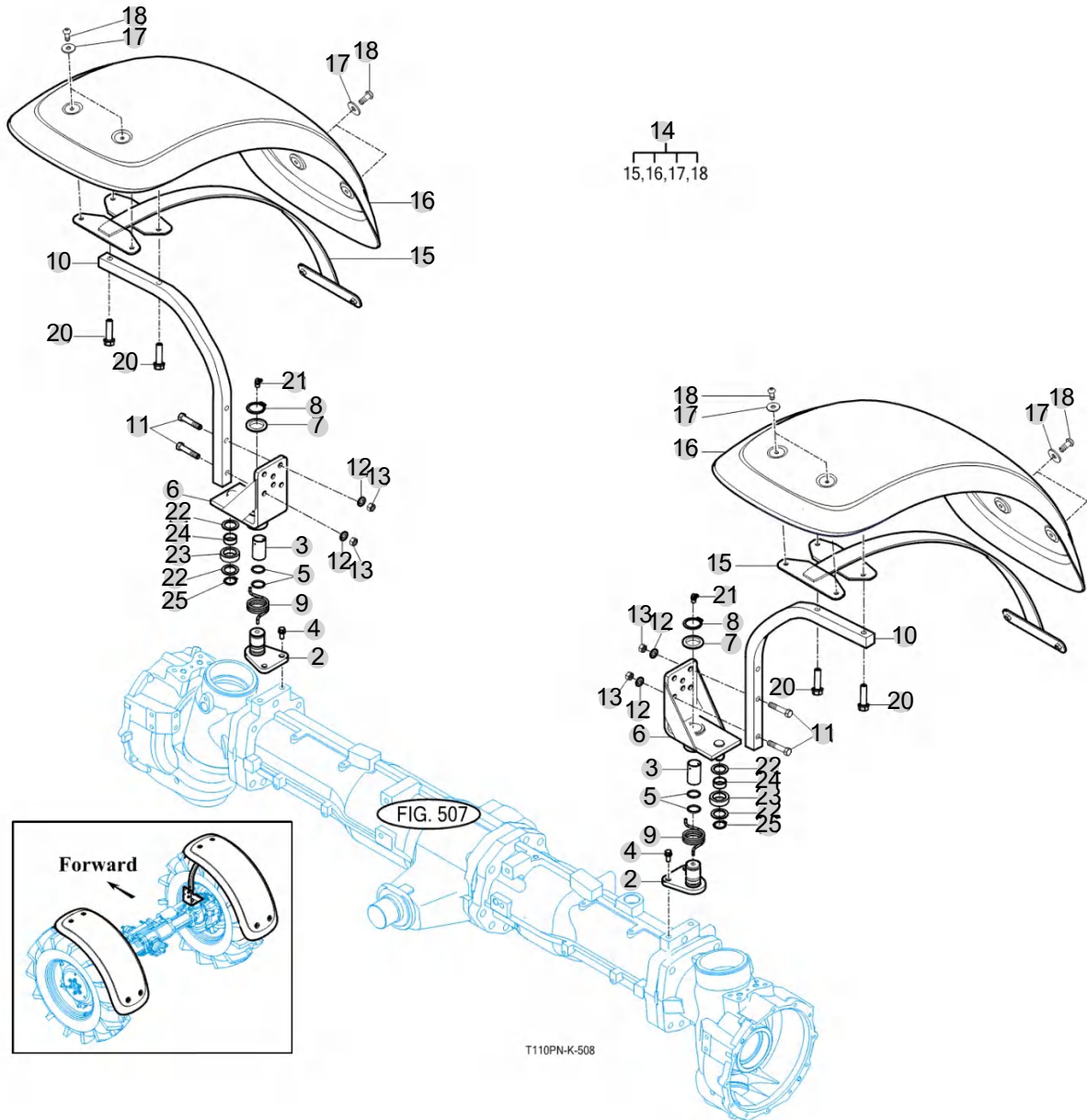
FIG 508

T115SPUS1

MUD GUARD ASSY

년/월
Year/Month

2024-03



T110PN-K-508

NOTE

6. Hydraulic/3P-Link PART NO. T6

FIG 601	MAIN VALVE SUB	314
FIG 602	DRAWBAR ASSY	316
FIG 603A	SUCTION FILTER SUB	318
FIG 603B	GEAR PUMP ASSY	320
FIG 604	CYLINDER CASE	322
FIG 605	LIFT ARM SUB	324
FIG 606	MAIN CONTROL VALVE SUB	326
FIG 607A	AUX VALVE & FILTER SUB	328
FIG 607B	AUX LEVER SUB	330
FIG 608A	HITCH & 3-POINT LINK	332
FIG 608B	LOWER LINK & LIFT ROD	334
FIG 609	HYDRAULIC PIPE & HOSES	336
FIG 610	JOYSTICK	338
FIG 611	CONTROL VALVE SYSTEM	340

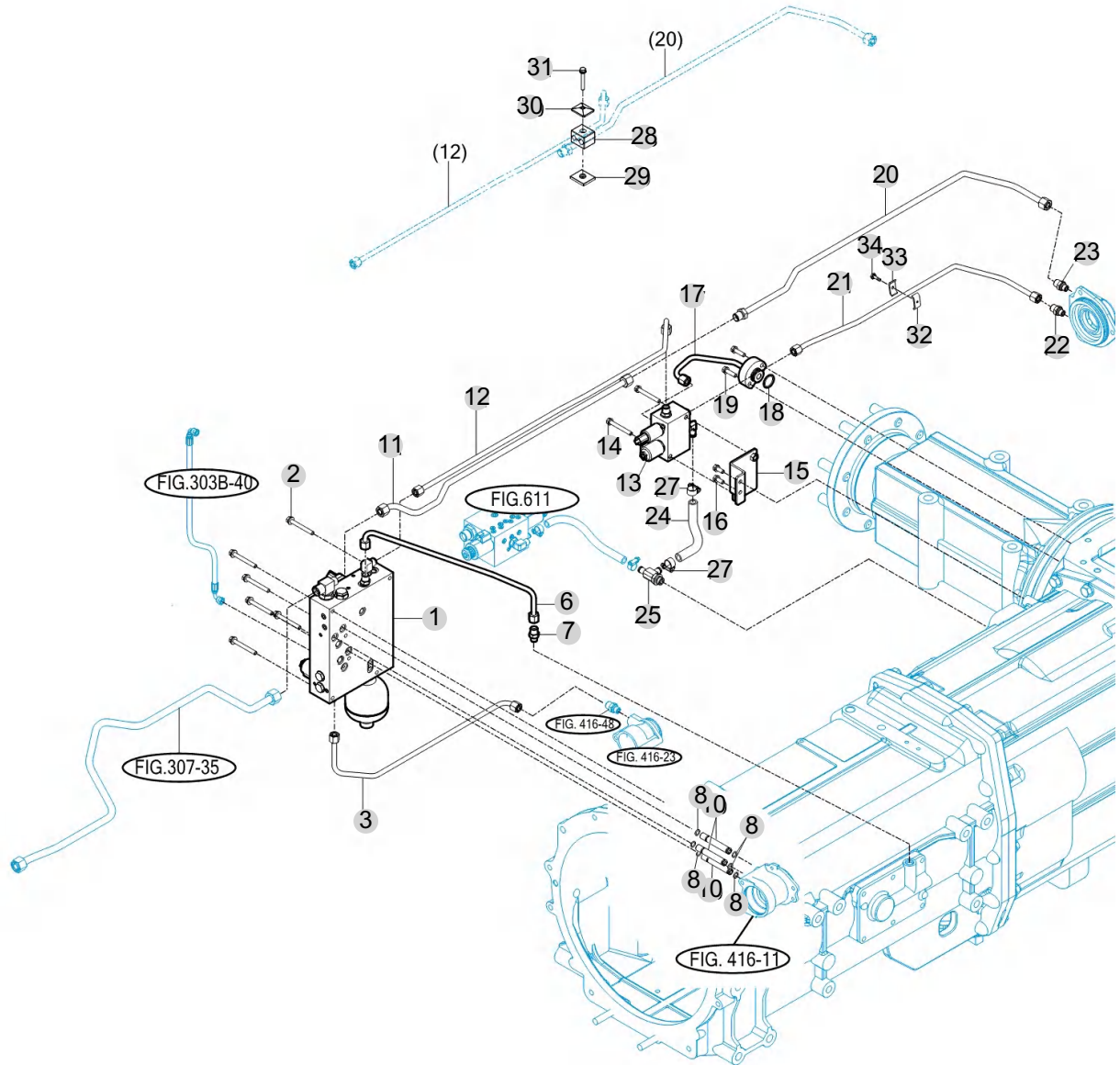
FIG 601

MAIN VALVE SUB

년/월
Year/Month

2024-03

T115SPUS1



T115K-601

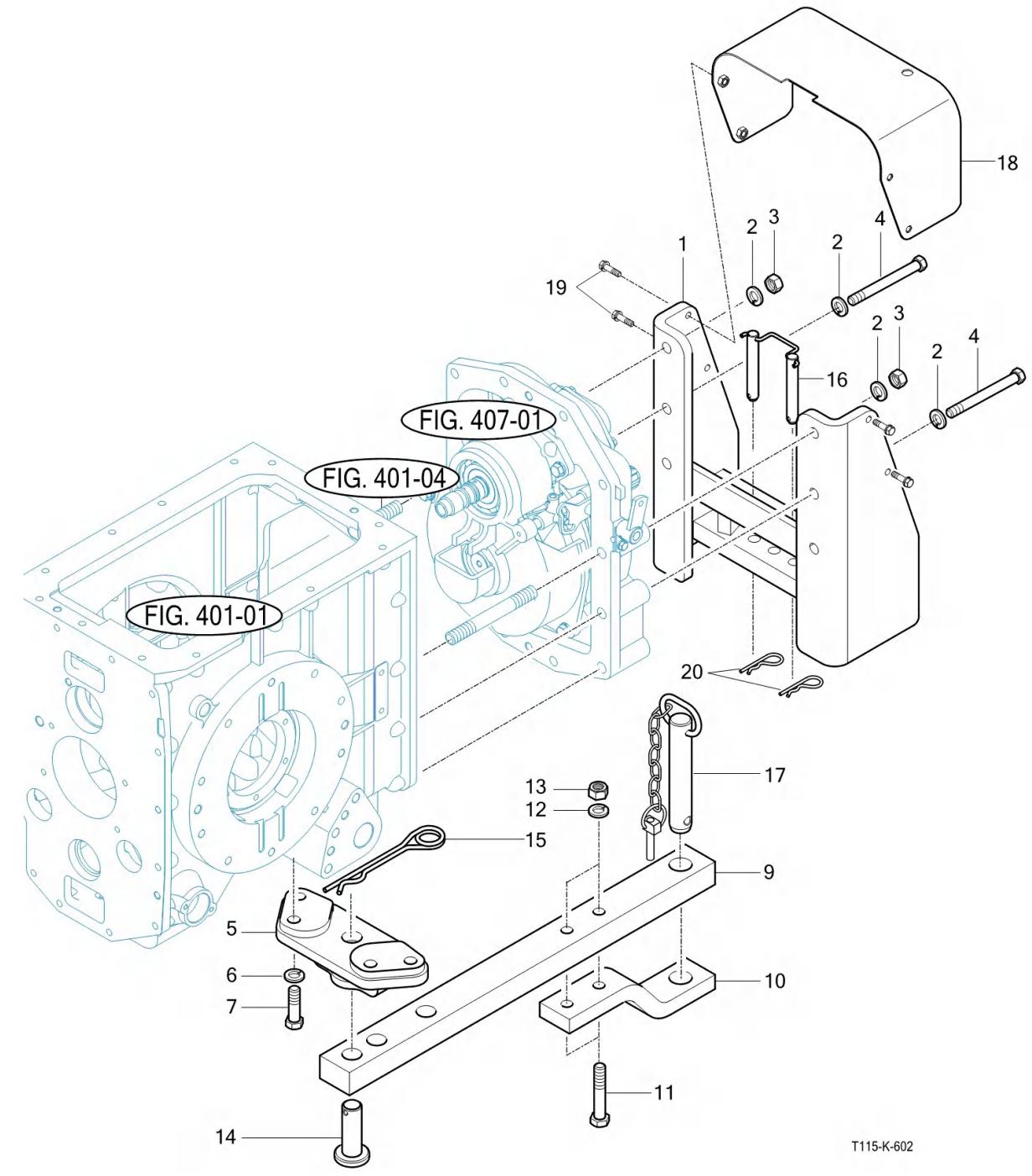
NOTE

FIG 602

DRAWBAR ASSY

년/월
Year/Month

2024-03



T115-K-602

NOTE

FIG 603A

SUCTION FILTER SUB

년/월
Year/Month

2024-03

T115SPUS1

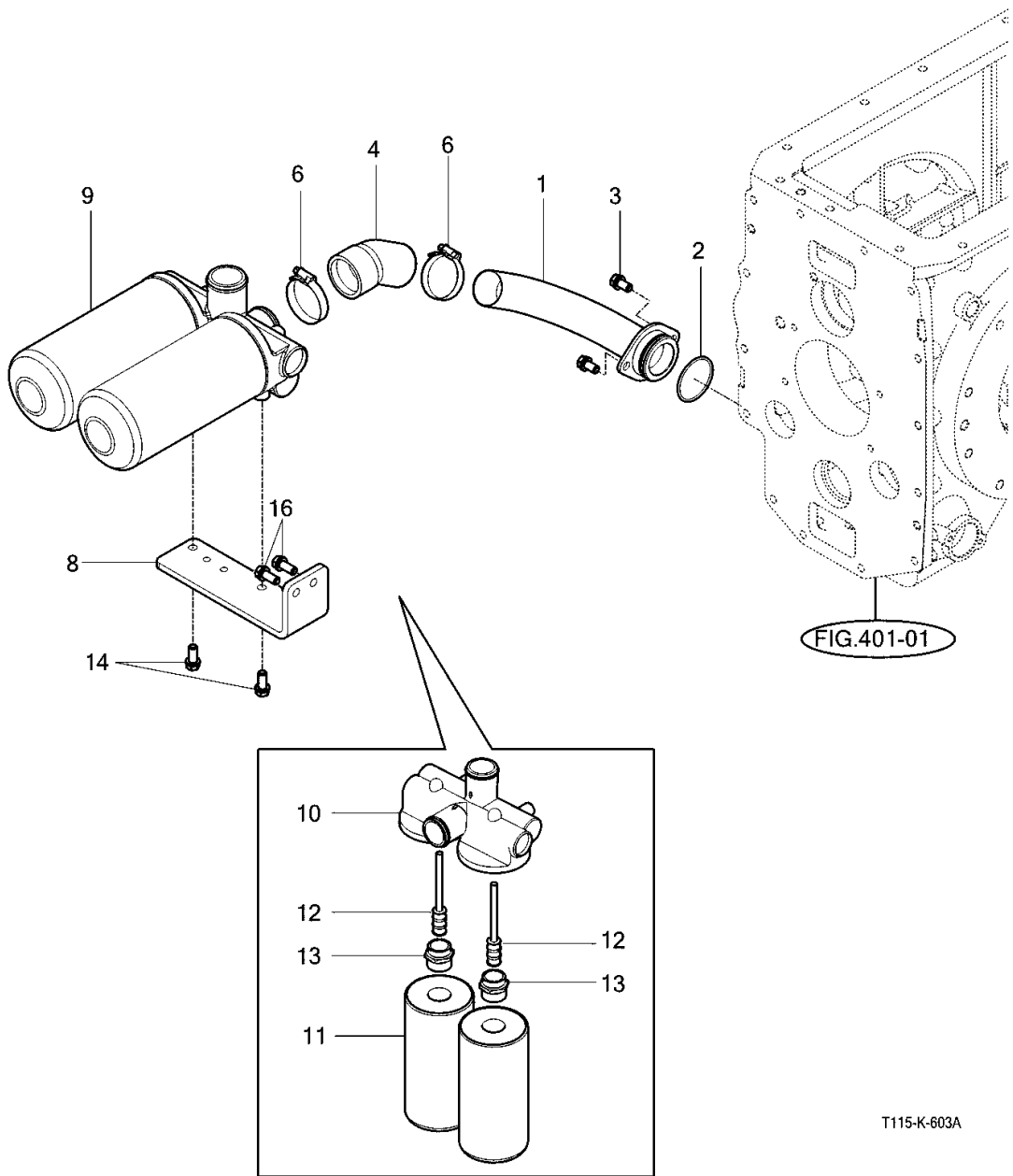


FIG.401-01

T115-K-603A

NOTE

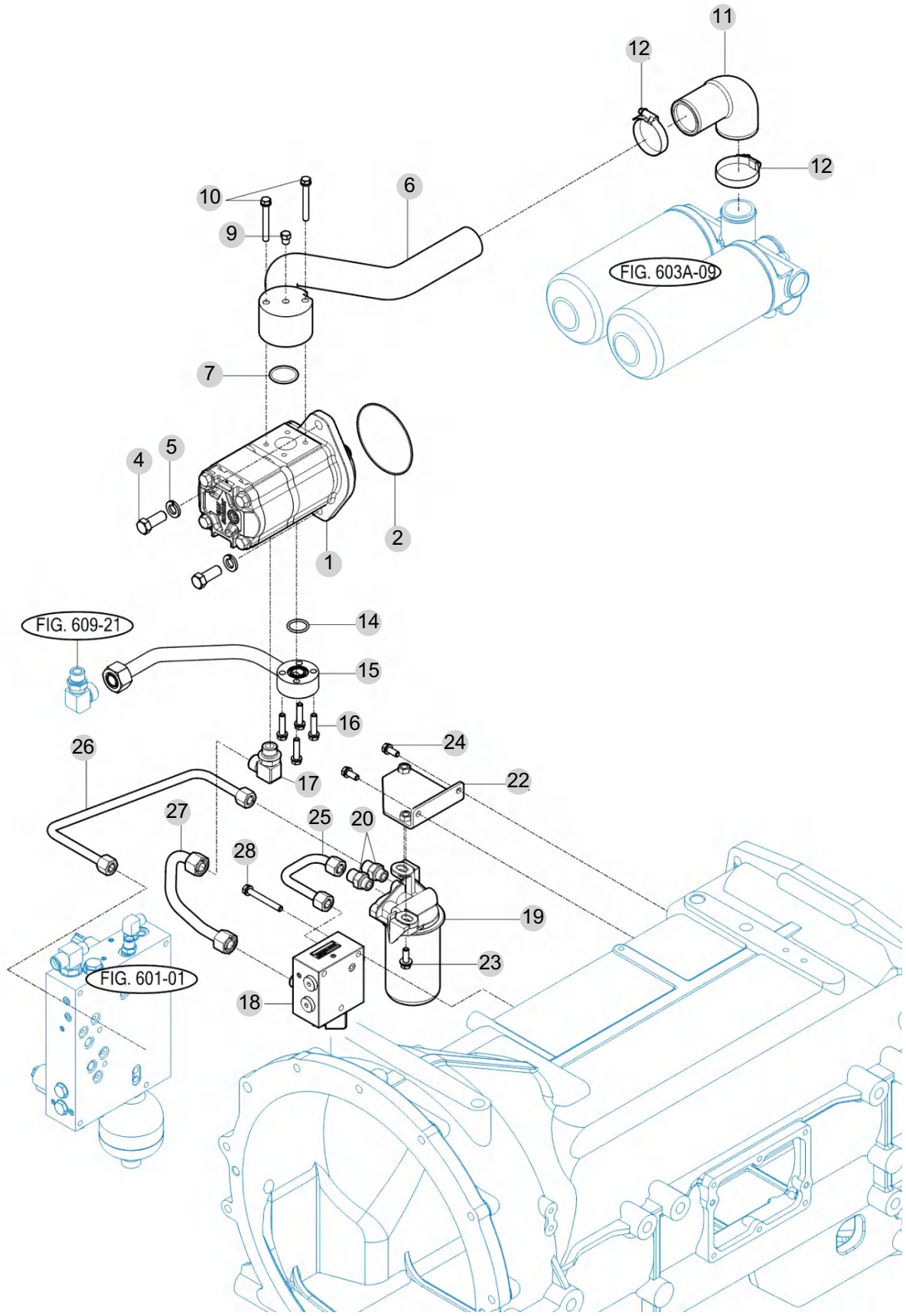
FIG 603B

GEAR PUMP ASSY

년/월
Year/Month

2024-03

T115SPUS1



NOTE

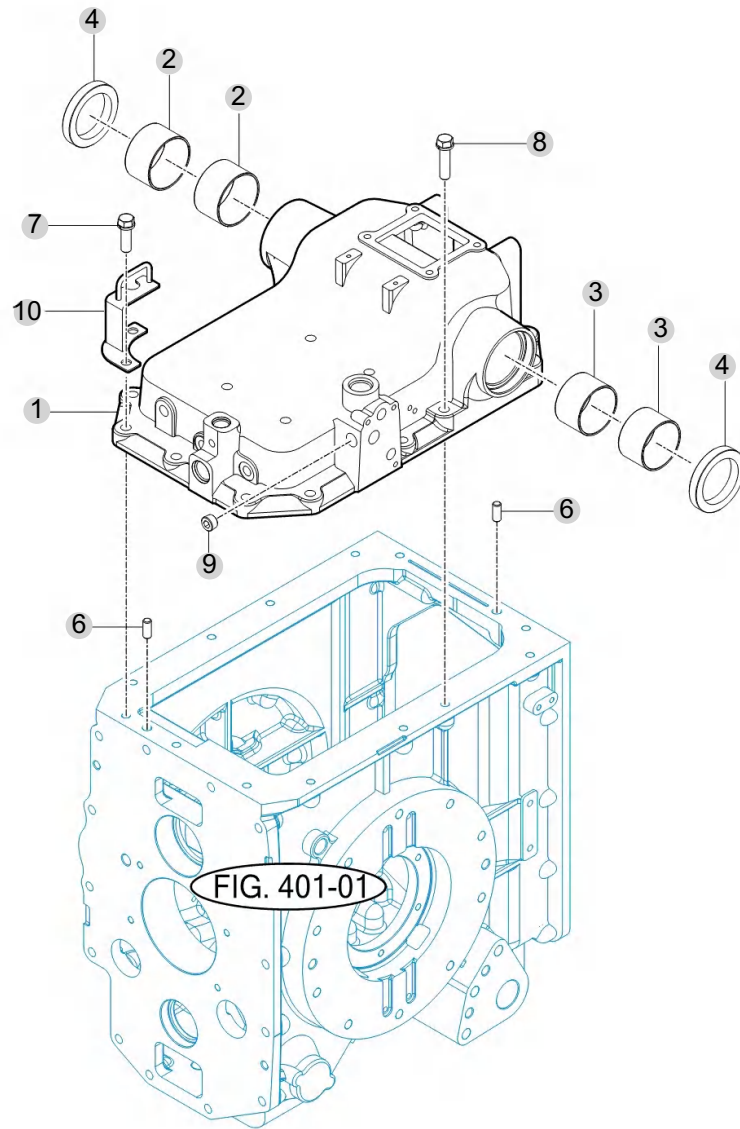
FIG 604

CYLINDER CASE

년/월
Year/Month

2024-03

T115SPUS1



NOTE

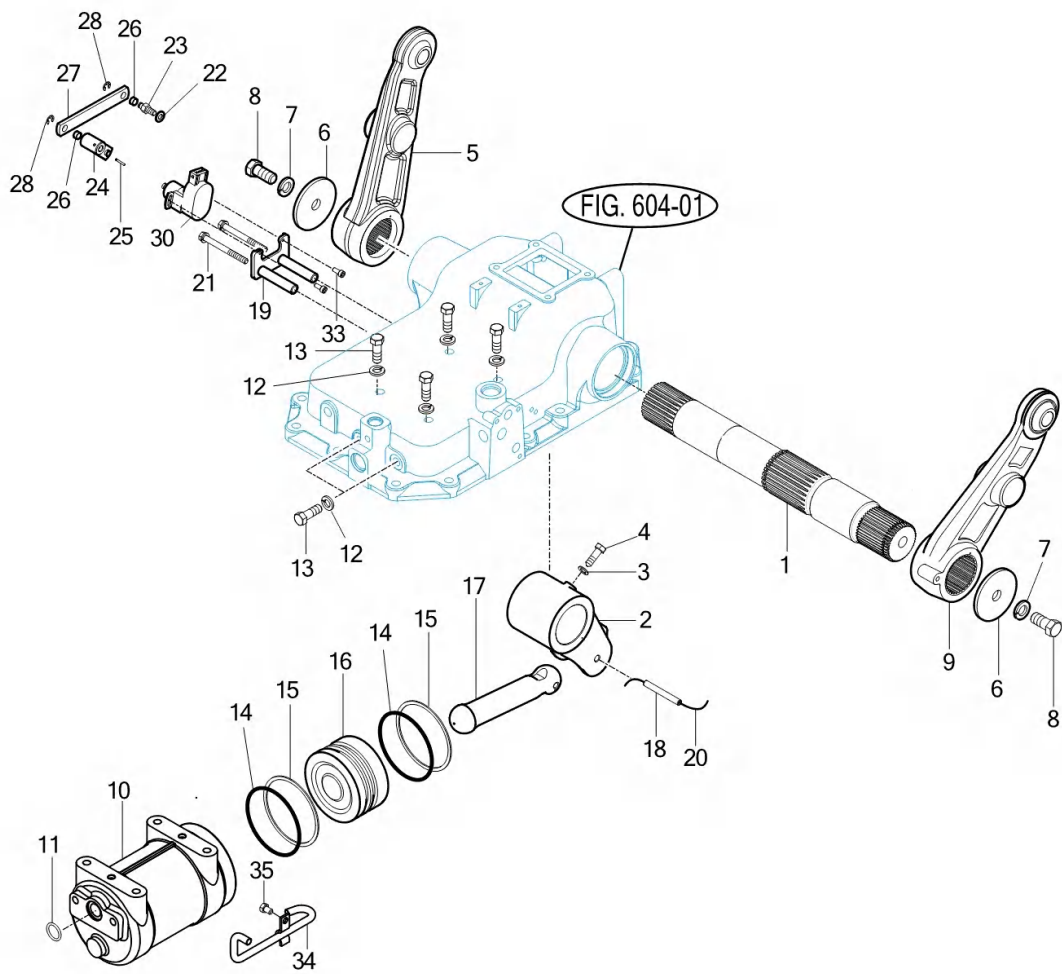
FIG 605

LIFT ARM SUB

년/월
Year/Month

2024-03

T115SPUS1



NOTE

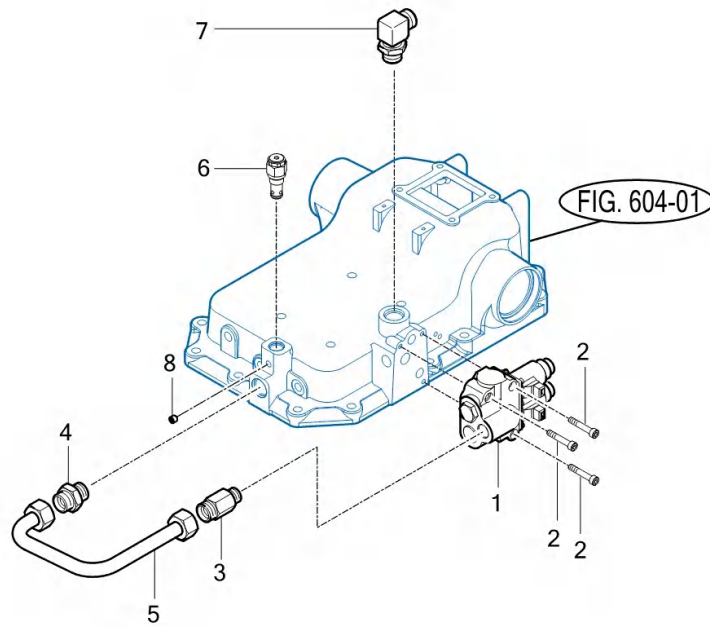
FIG 606

T115SPUS1

MAIN CONTROL VALVE SUB

년/월
Year/Month

2024-03



T115-K-606

NOTE

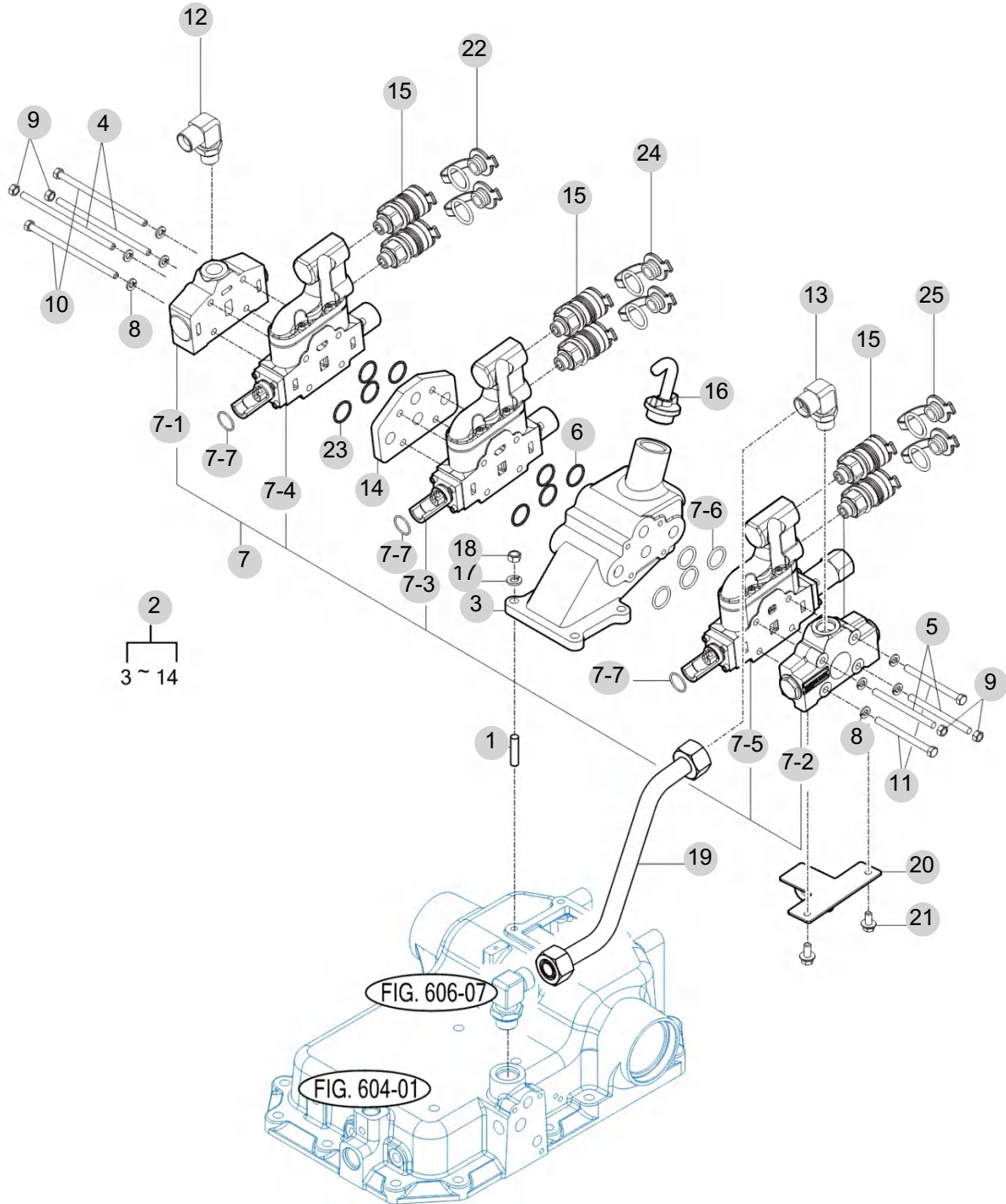
FIG 607A

AUX VALVE & FILTER SUB

년/월
Year/Month

2024-03

T115SPUS1



NOTE

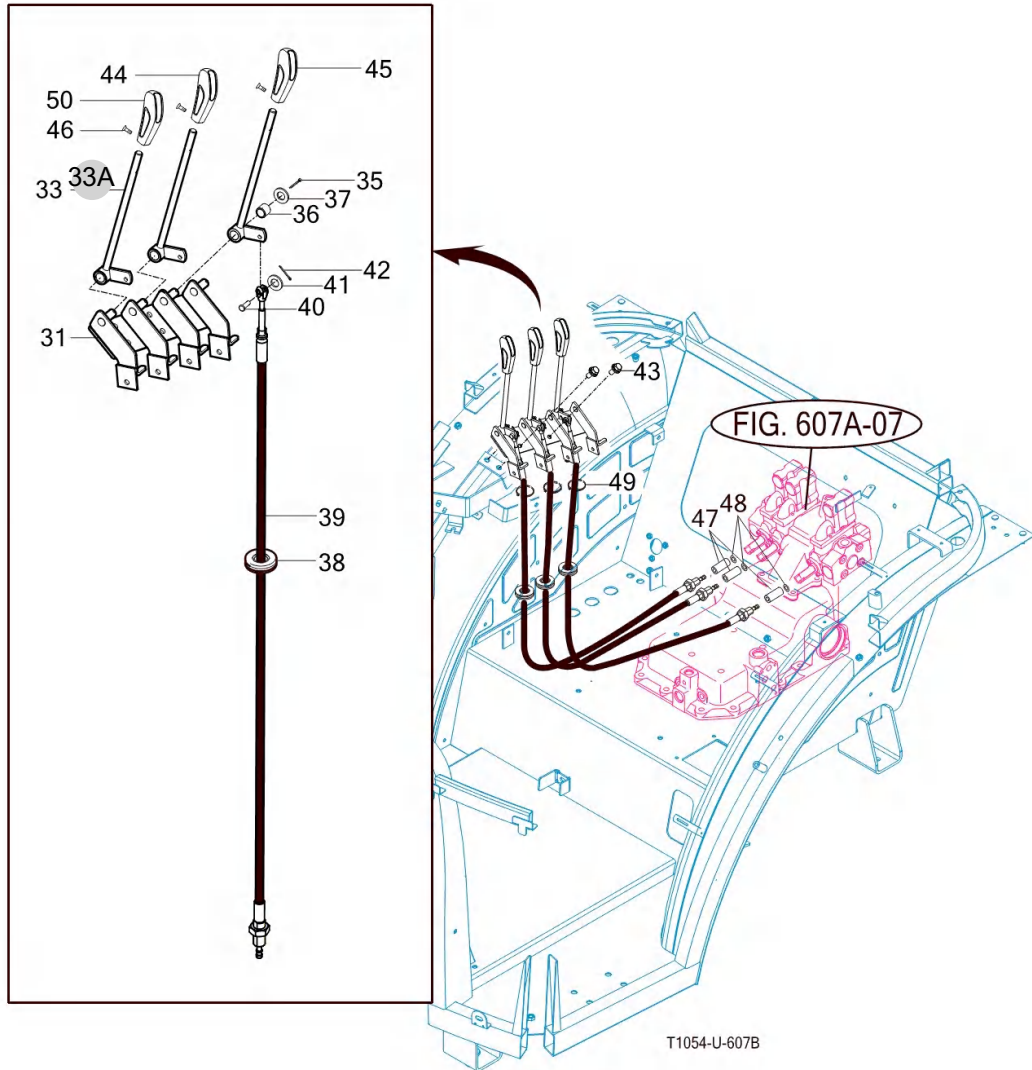
FIG 607B

AUX LEVER SUB

년/월
Year/Month

2024-03

T115SPUS1



NOTE

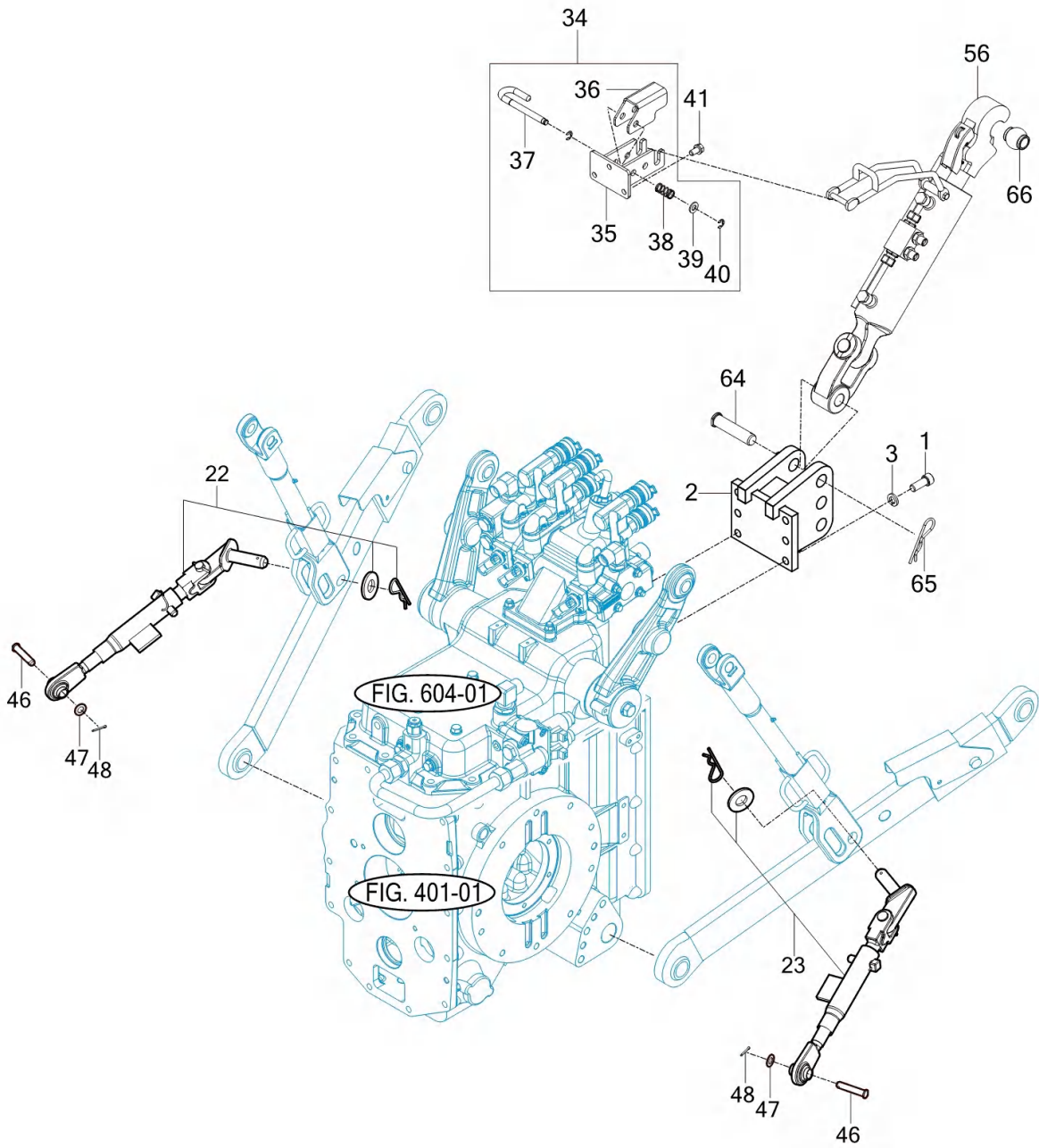
FIG 608A

HITCH & 3-POINT LINK

년/월
Year/Month

2024-03

T115SPUS1



T115-US-608A

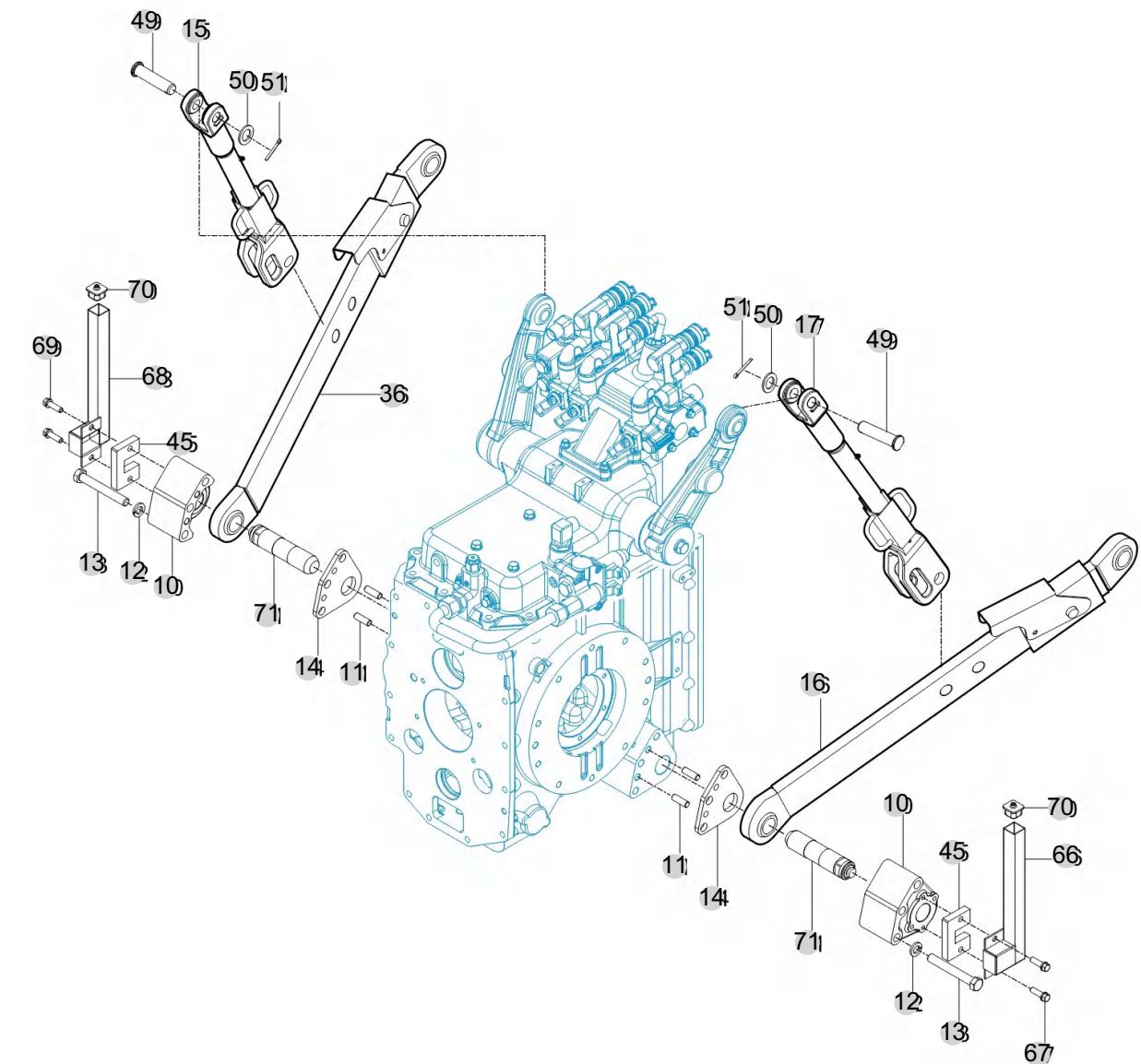
NOTE

FIG 608B

LOWER LINK & LIFT ROD

년/월
Year/Month

2024-03



NOTE

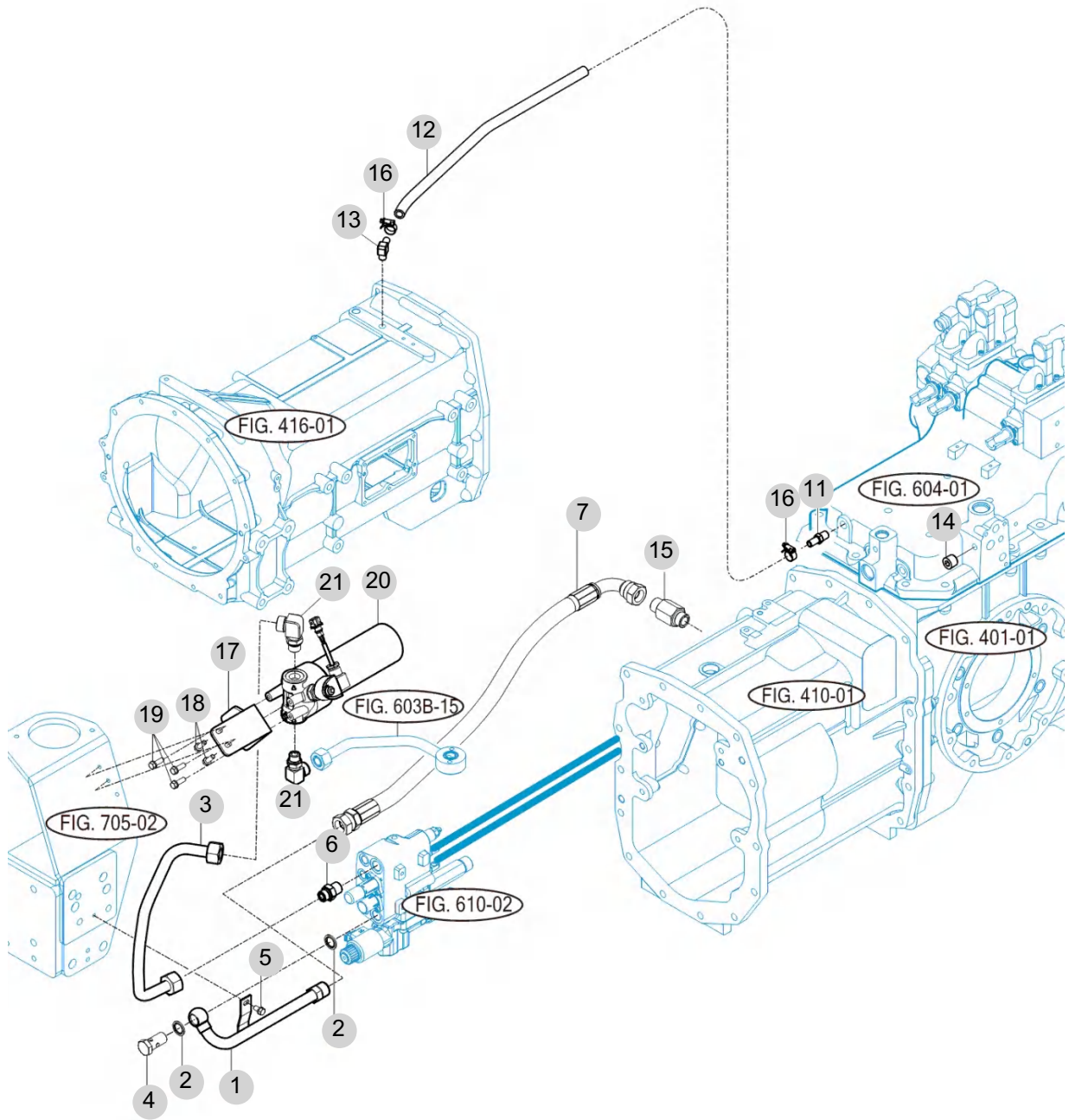
FIG 609

HYDRAULIC PIPE & HOSES

년/월
Year/Month

T115SPUS1

2024-03



NOTE

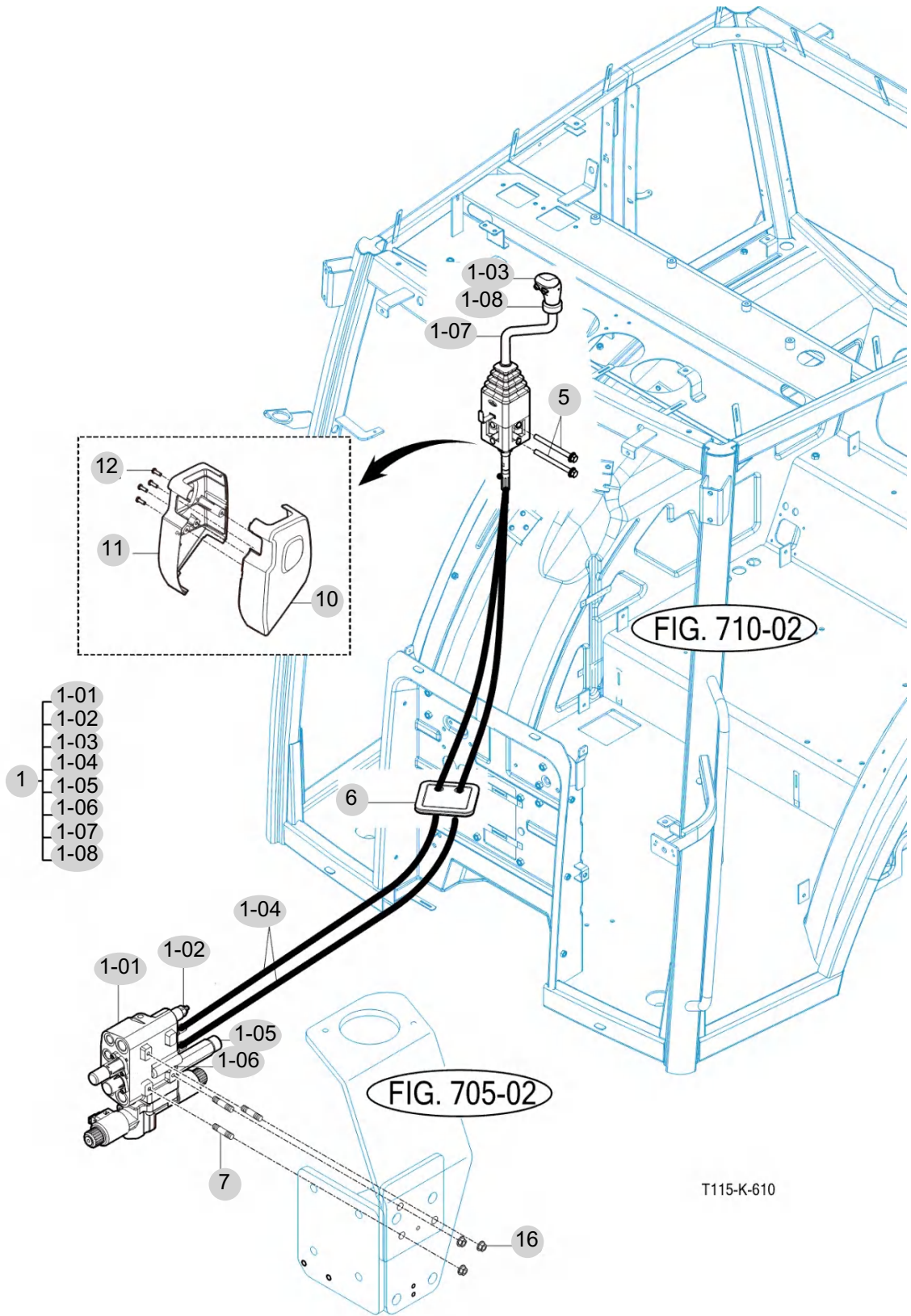
FIG 610

JOYSTICK

년/월
Year/Month

2024-03

T115SPUS1



T115-K-610

NOTE

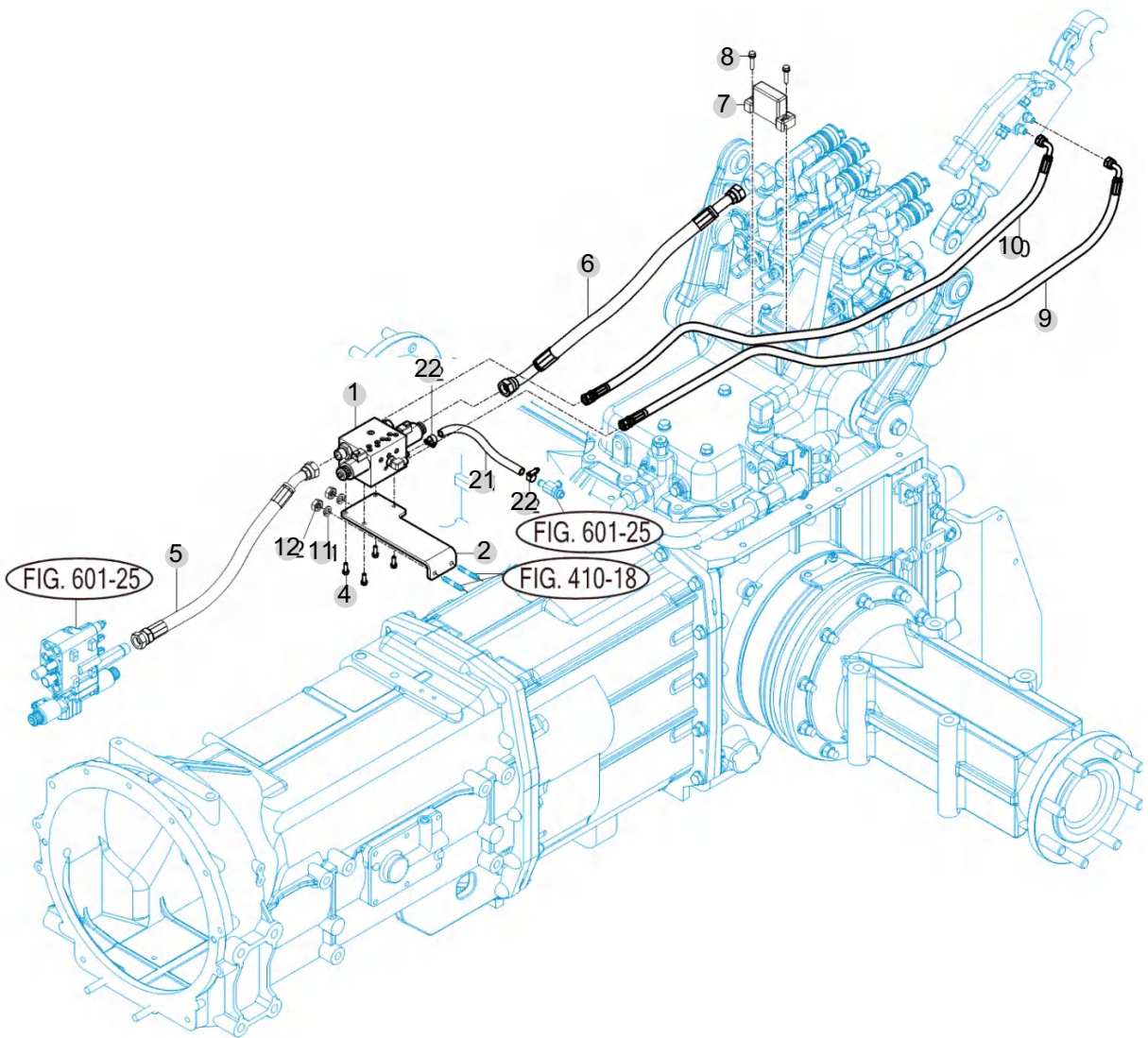
FIG 611

CONTROL VALVE SYSTEM

년/월
Year/Month

T115SPUS1

2024-03



NOTE

7. Sheet Metal & Cabin PART NO. T7

FIG 701	FRONT FRAME SUB	343
FIG 702	HOOD FRAME	345
FIG 703	HOOD	347
FIG 704	STEP & BOOTS	350
FIG 705	FRONT & REAR MOUNTING	352
FIG 706	SEAT & MAT	354
FIG 708	DOOR-LH	356
FIG 709	DOOR-RH	358
FIG 710	FRAME COMP & FRONT GLASS	360
FIG 711	SIDE GLASS	362
FIG 712	REAR GLASS	364
FIG 713	SUB FENDER & COVER	366
FIG 714	REARVIEW MIRRORS	368
FIG 715	HEATER & AIR-CON (1)	370
FIG 716	HEATER & AIR-CON (2)	372
FIG 717	ROOF	374
FIG 718	CABIN INTERIOR	376
FIG 719	DASHCOVER	378
FIG 720	WASH TANK ASSY	380
FIG 721	COVER ASSY	382
FIG 722	COVER-FENDER & JOYSTICK LEVER	384

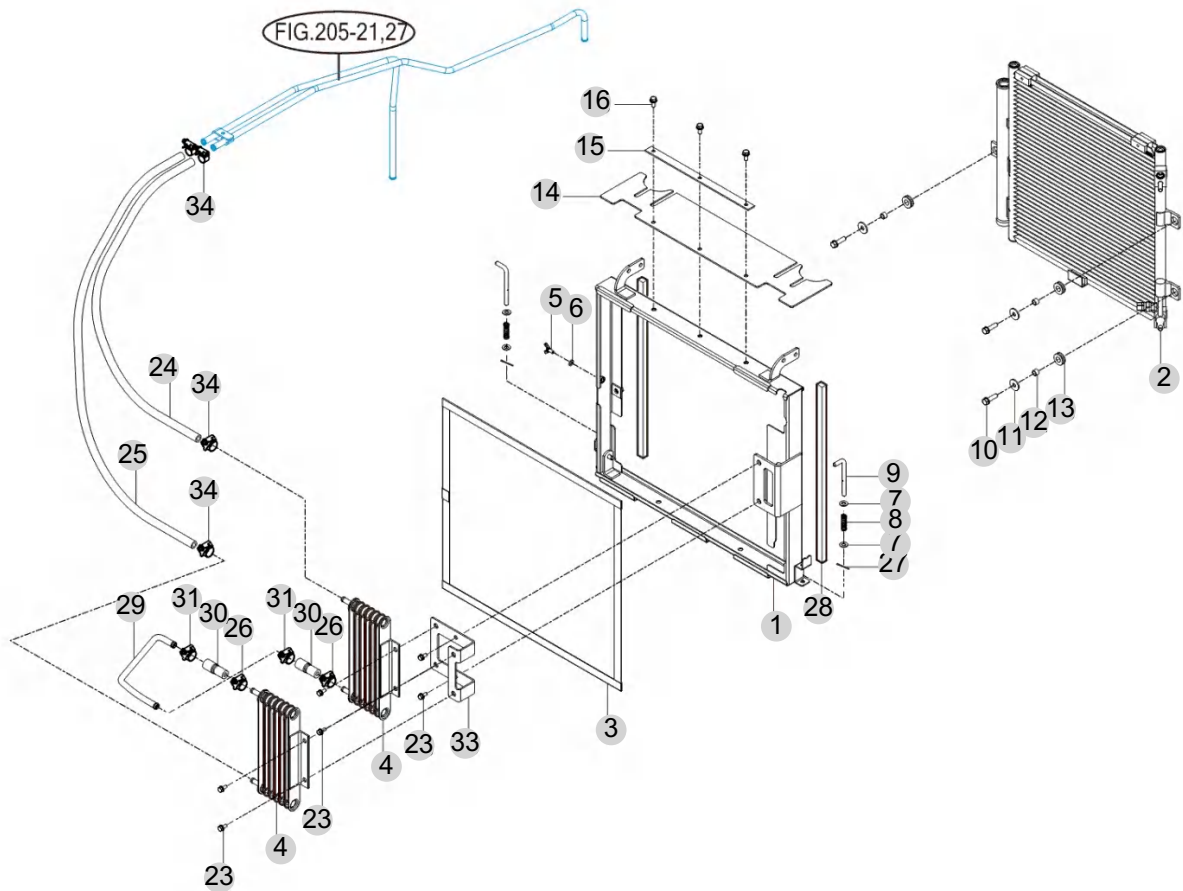
FIG 701

FRONT FRAME SUB

년/월
Year/Month

2024-03

T115SPUS1



NOTE

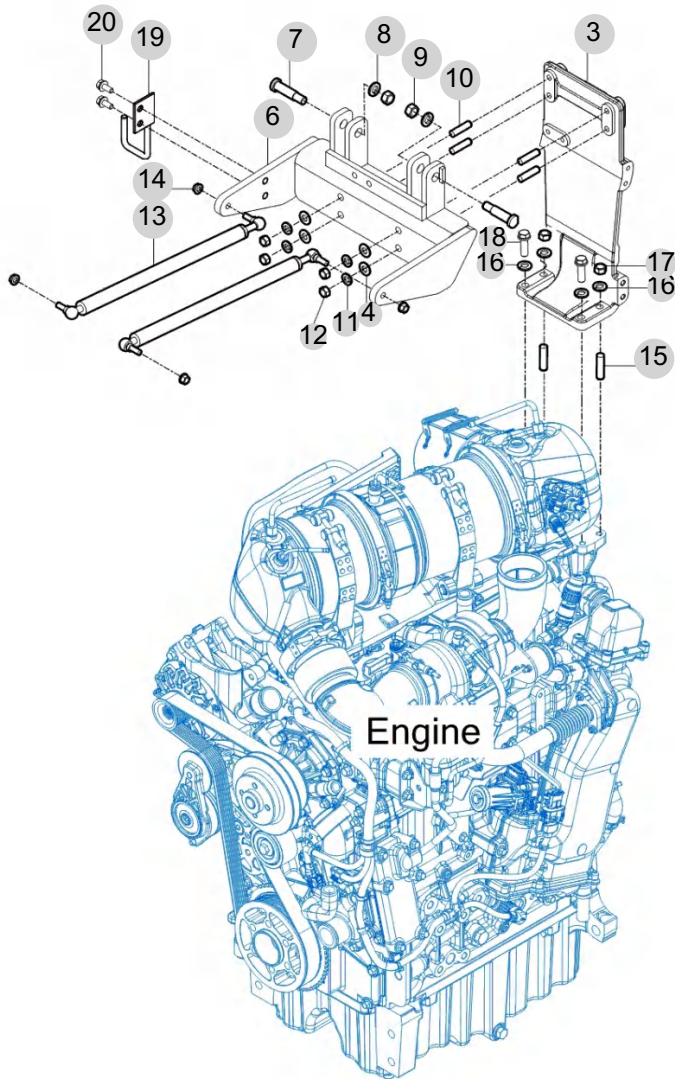
FIG 702

HOOD FRAME

년/월
Year/Month

2024-03

T115SPUS1



NOTE

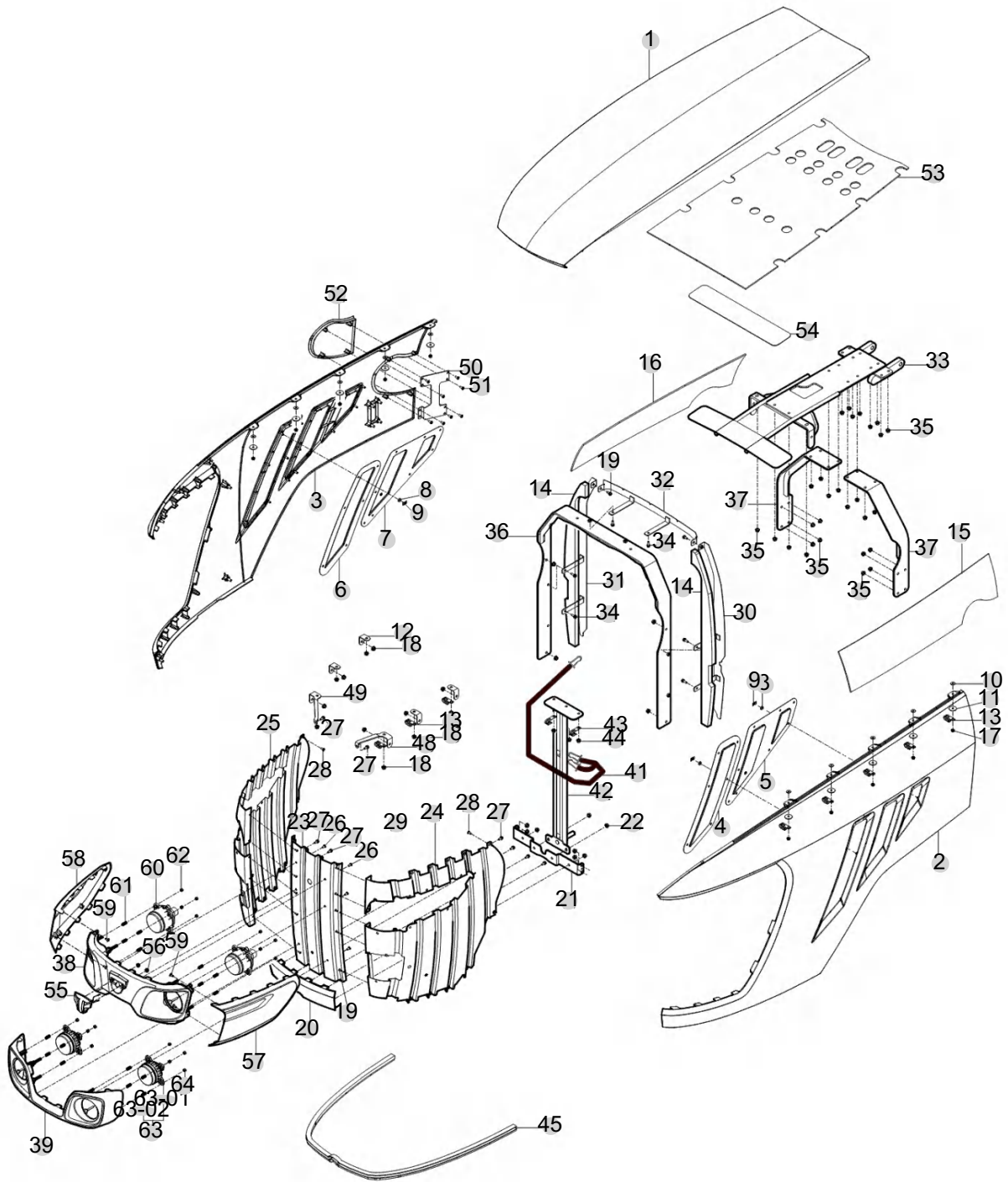
FIG 703

HOOD

년/월
Year/Month

2024-03

T115SPUS1



NOTE

FIG 703 T115SPUS1		HOOD					년/월 Year/Month	
							2024-03	
KEY NO	PART NO	DESCRIPTION	SPEC	QTY	REPAIR	EFFECTIVE DATE	REMARKS	
703	1	18716112101SR	COVER COMP , HOOD		1			
703	2	18716112201SR	SIDE PANEL COMP/LH		1			
703	3	18716112301SR	SIDE PANEL COMP/RH		1			
703	4	18716113010GB	SIDE GRILL , FR/LH		1			
703	5	18716113020GB	SIDE GRILL , RR/LH		1			
703	6	18716113030GB	SIDE GRILL , FR/RH		1			
703	7	18716113040GB	SIDE GRILL , RR/RH		1			
703	8	14446010150	WASHER , NET		28			
703	9	V3501600060	NUT , PUSH-ON SPRING		28			
703	10	35605033020	WASHER , WIRE WITHDRAWAL		10			
703	11	19026112050	WASHER , 6X30X2.3		10			
703	12	18716113051GB	PLATE , HOOD		4			
703	13	14256210040	CLAMP , 9		8			
703	14	18716112060	INSULATOR , SIDE PANEL		2			
703	15	18716110010	INSULATOR , SIDE PANEL/LH		1			
703	16	18716110020	INSULATOR , SIDE PANEL/RH		1			
703	17	V3802600060	NUT , HEX FLANGE	M6	10			
703	18	V3802600080	NUT , HEX FLANGE	M8	12			
703	19	V5502040093	RIVET , BLIND		10			
703	20	18716112901SR	HOOD COMP , LOW		1			
703	21	18716112090GB	BRACKET , HOOD/ROW		1			
703	22	V3802600080	NUT , HEX FLANGE	M8	8			
703	23	19266113130GB	GRILLE , FR /CTR		1			
703	24	19266113140GB	GRILLE , FR /LH		1			
703	25	19266113150GB	GRILLE , FR /RH		1			
703	26	19266110080	TAPPING SCREW , TRUSS/6X12		28			
703	27	V2123606016	BOLT , HEX /SP	M6X16	8			
703	28	19406110080	TAPPING SCREW , TRUSS/6X16	M6X16	20			
703	30	19266113200GB	BRACKET COMP , LH		1			
703	31	19266113300GB	BRACKET COMP , RH		1			
703	32	19266113100GB	BRACKET COMP , UPR		1			
703	33	19266112500GB	FRAME COMP , HOOD		1			
703	34	V2123606020	BOLT , HEX /SP	M6X20	6			
703	35	V3802600080	NUT , HEX FLANGE	M8	28			
703	36	19266112700GB	FRAME COMP , FR		1			
703	37	18716112800GB	FRAME COMP , SIDE		2			
703	38	19266565100	COVER COMP , FR /LAMP		1			
703	39	19266566100	COVER COMP , LOW /LAMP		1			
703	41	15896017600	BAND COMP , BONNET DAMPING		1			
703	42	18716112600GB	PIN COMP , HOOD LOCK		1			
703	43	14256210040	CLAMP , 9		2			
703	44	V3802600080	NUT , HEX FLANGE	M8	3			
703	45	18716112080	INSULATOR , HOOD		1			
703	48	18716113060GB	BRACKET , HOOD/LH		1			
703	49	18716113070GB	BRACKET , HOOD/RH		1			
NOTE								

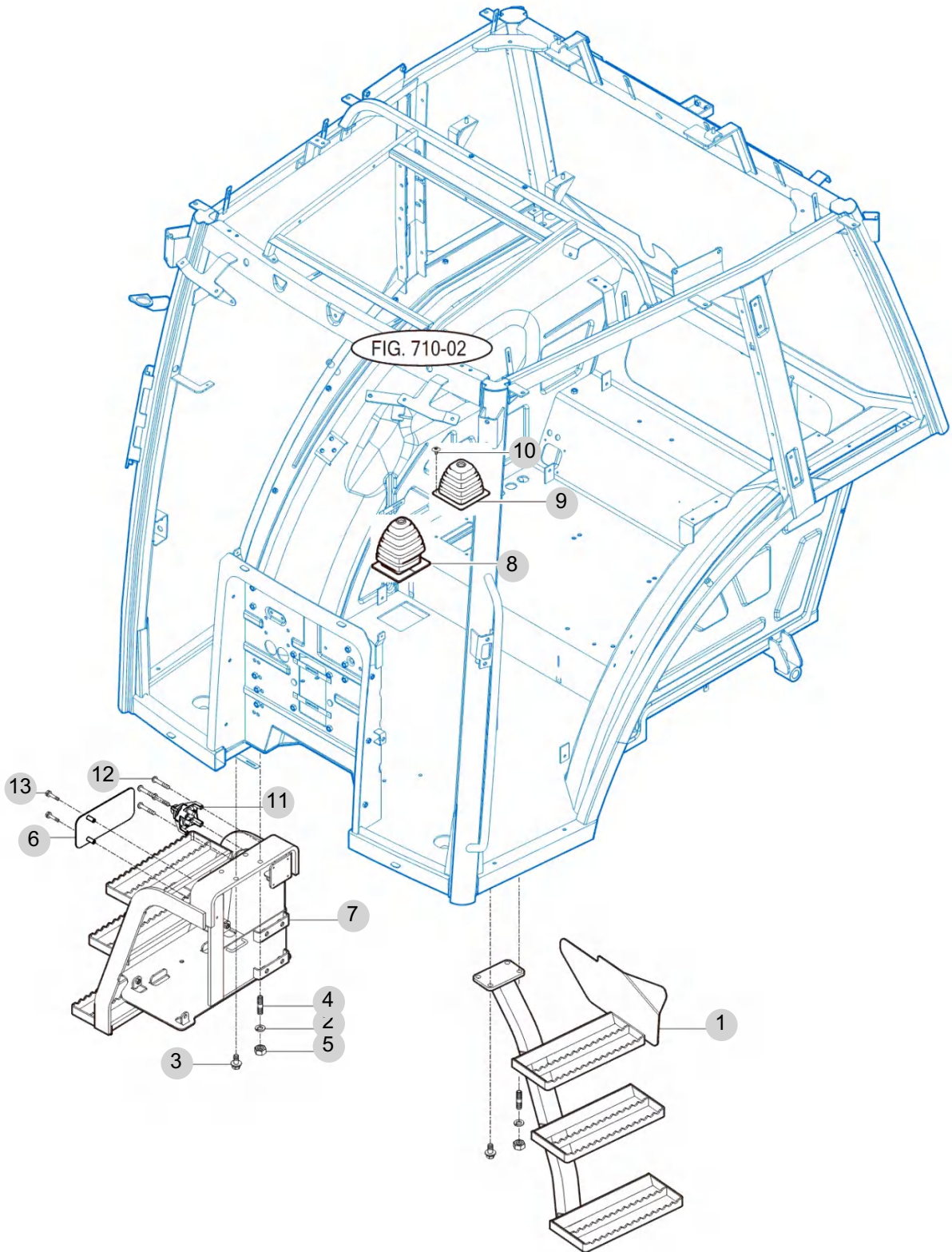
FIG 704

STEP & BOOTS

년/월
Year/Month

2024-03

T115SPUS1



NOTE

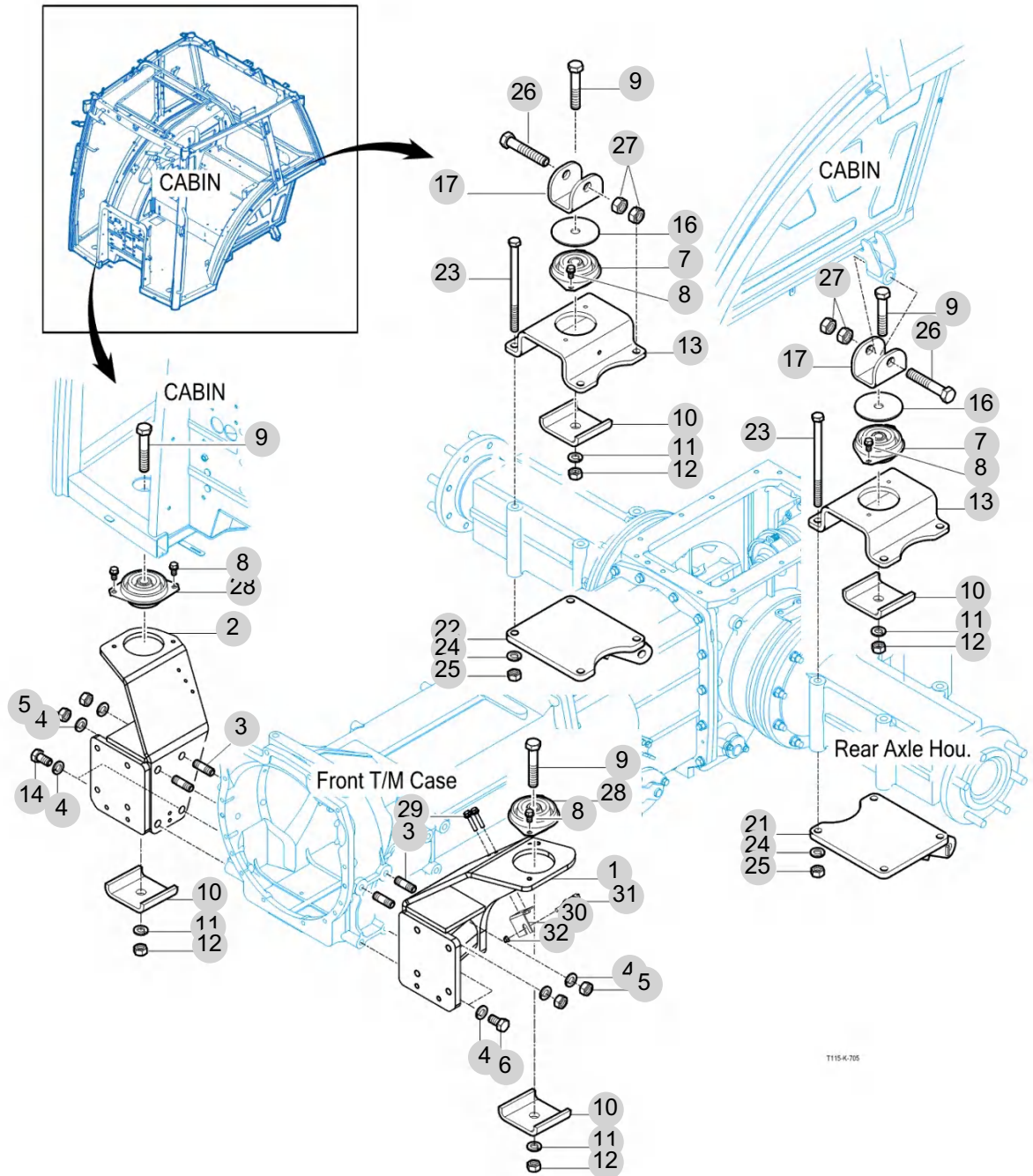
FIG 705

FRONT & REAR MOUNTING

년/월
Year/Month

2024-03

T115SPUS1



T1154-705

NOTE

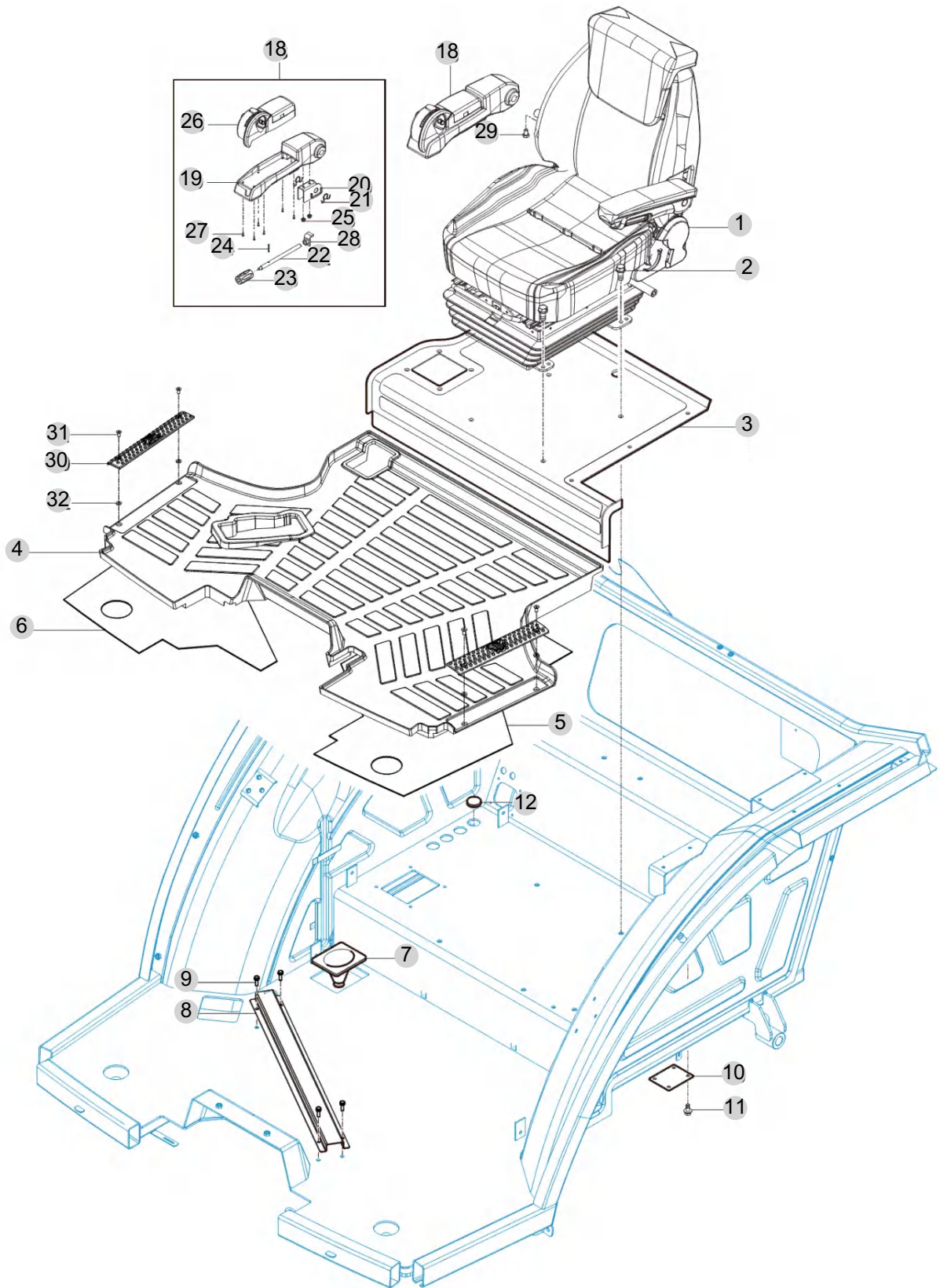
FIG 706

SEAT & MAT

년/월
Year/Month

2024-03

T115SPUS1



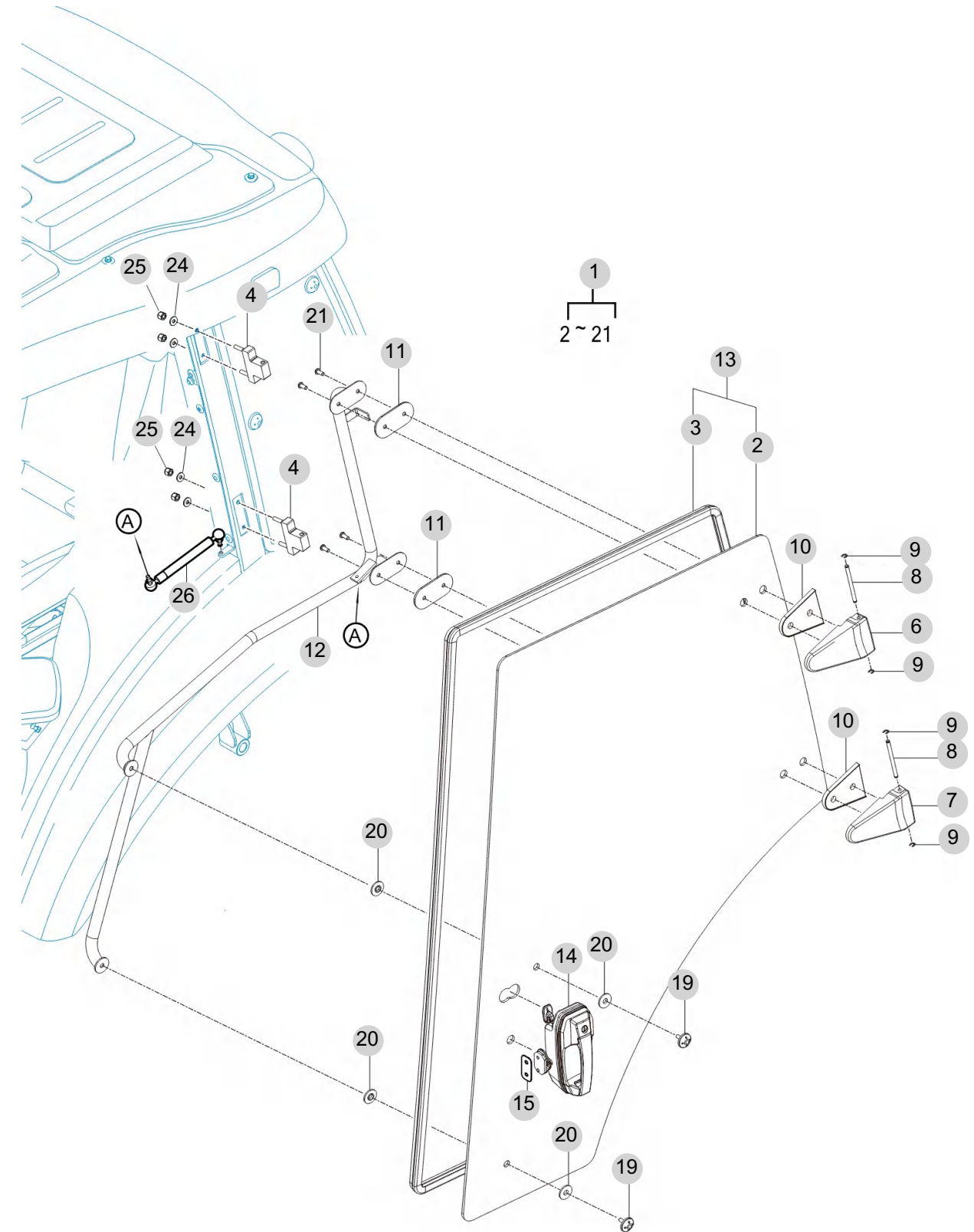
NOTE

FIG 708

DOOR-LH

년/월
Year/Month

2024-03



NOTE

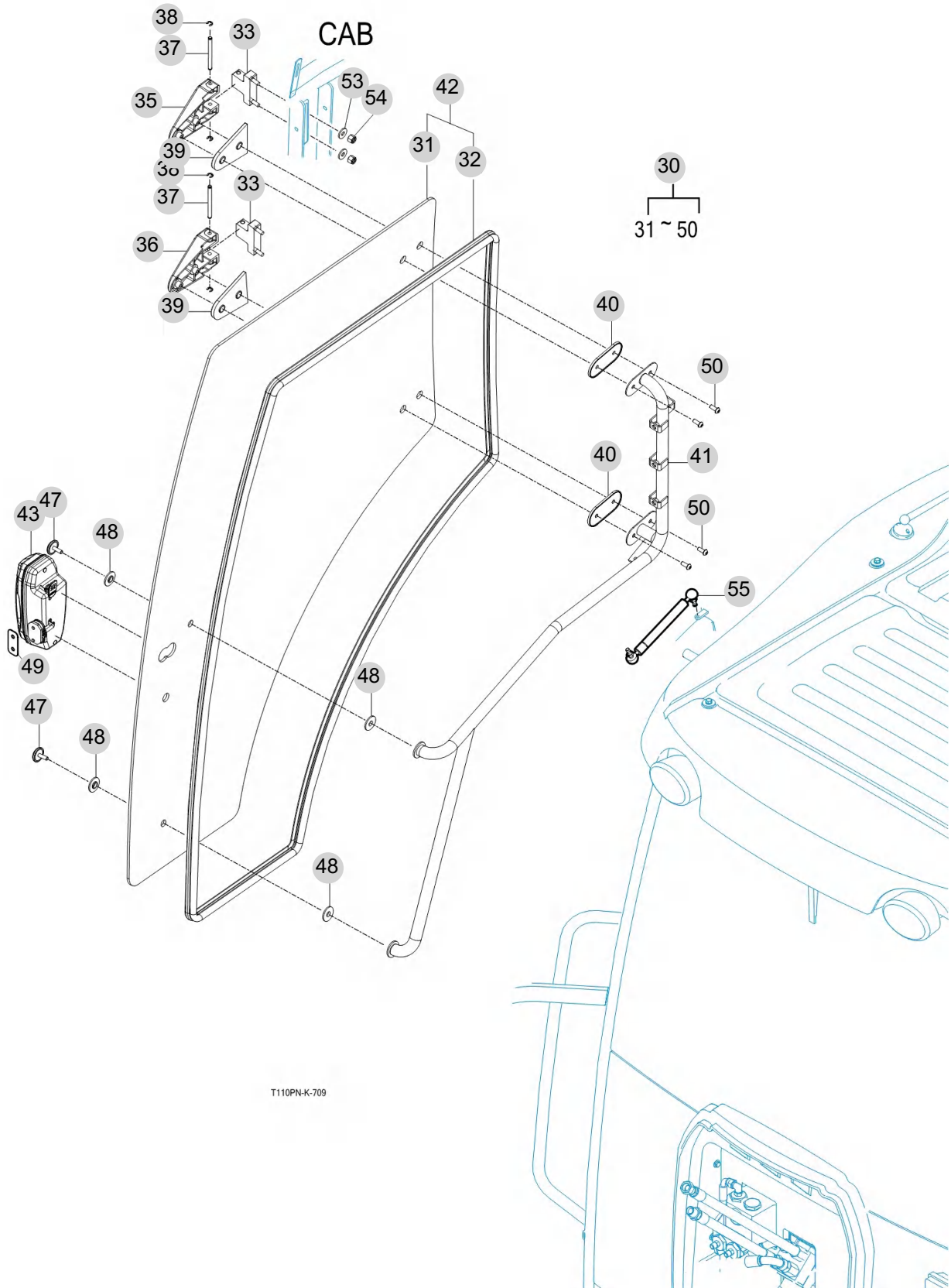
FIG 709

T115SPUS1

DOOR-RH

년/월
Year/Month

2024-03



NOTE

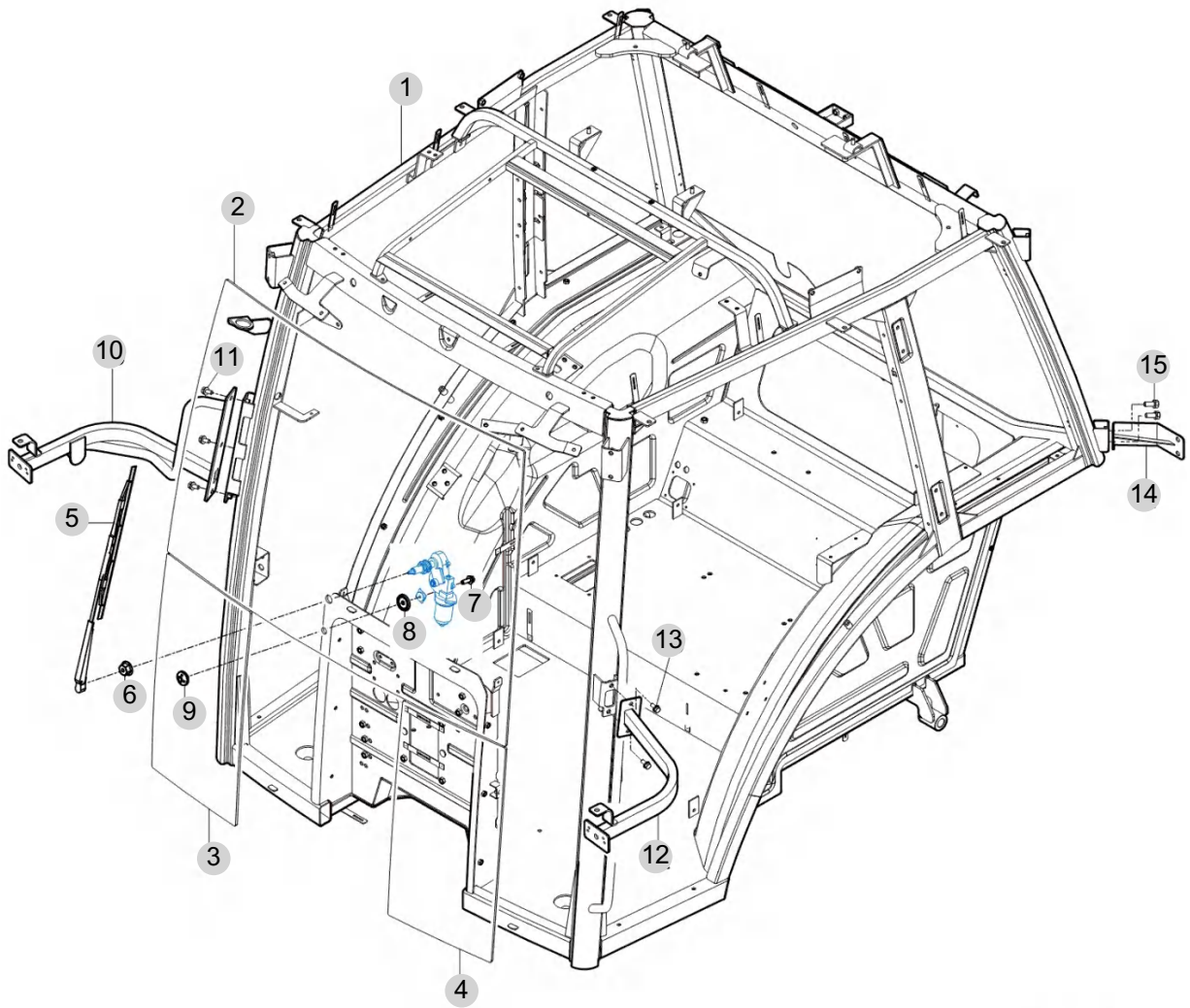
FIG 710

FRAME COMP & FRONT GLASS

년/월
Year/Month

2024-03

T115SPUS1



T115-U-710

NOTE

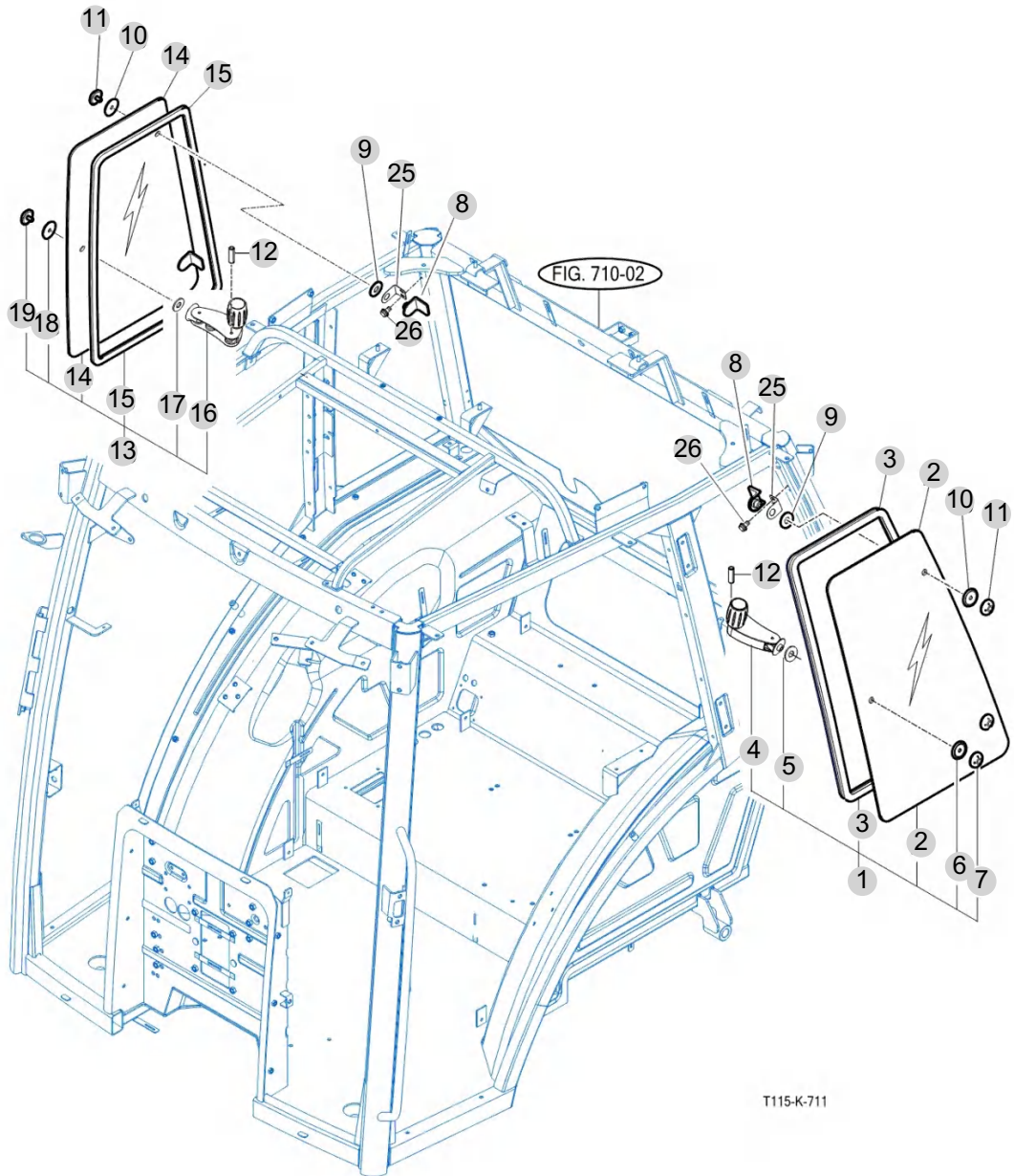
FIG 711

SIDE GLASS

년/월
Year/Month

2024-03

T115SPUS1



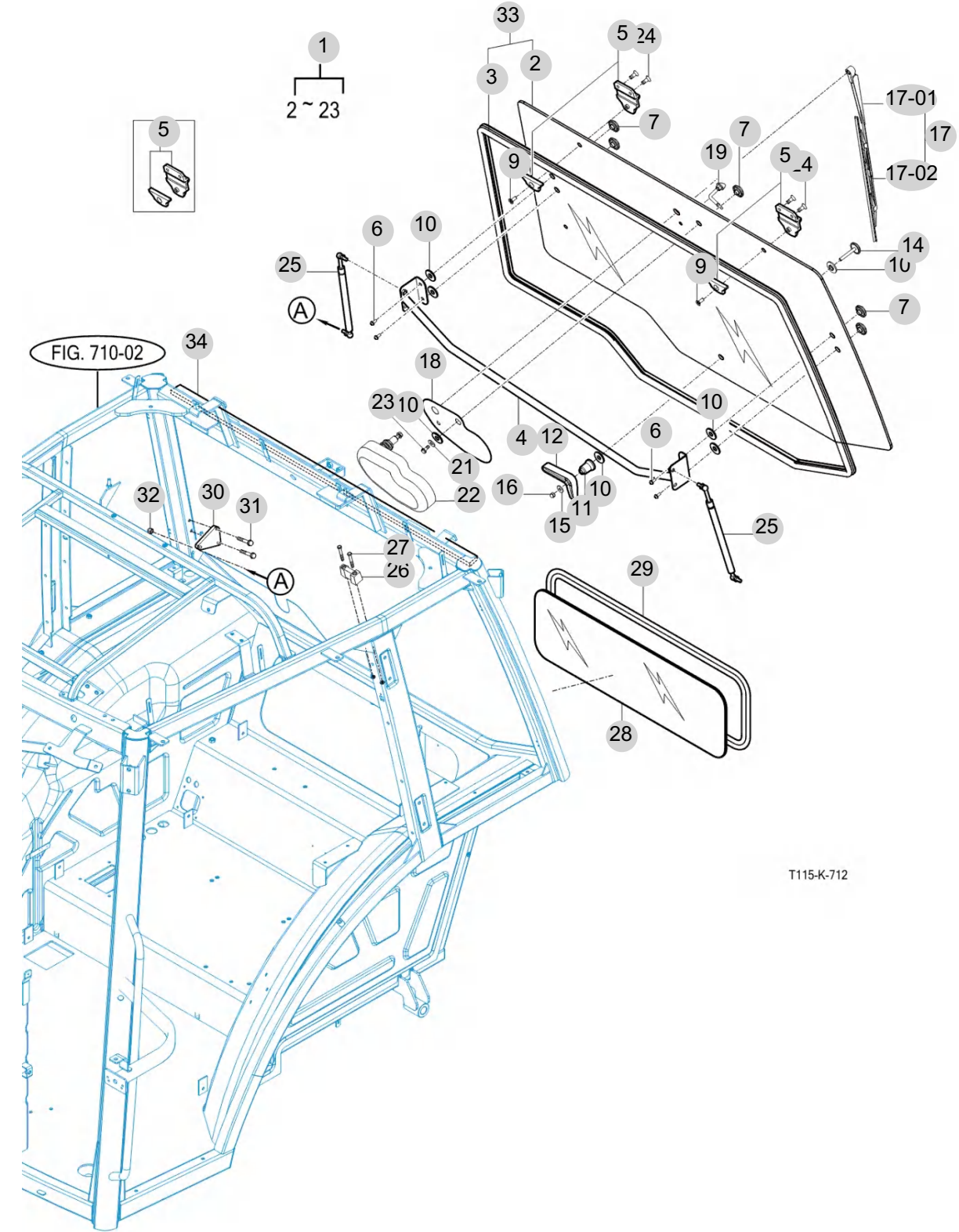
NOTE

FIG 712

REAR GLASS

년/월
Year/Month

2024-03



T115-K-712

NOTE

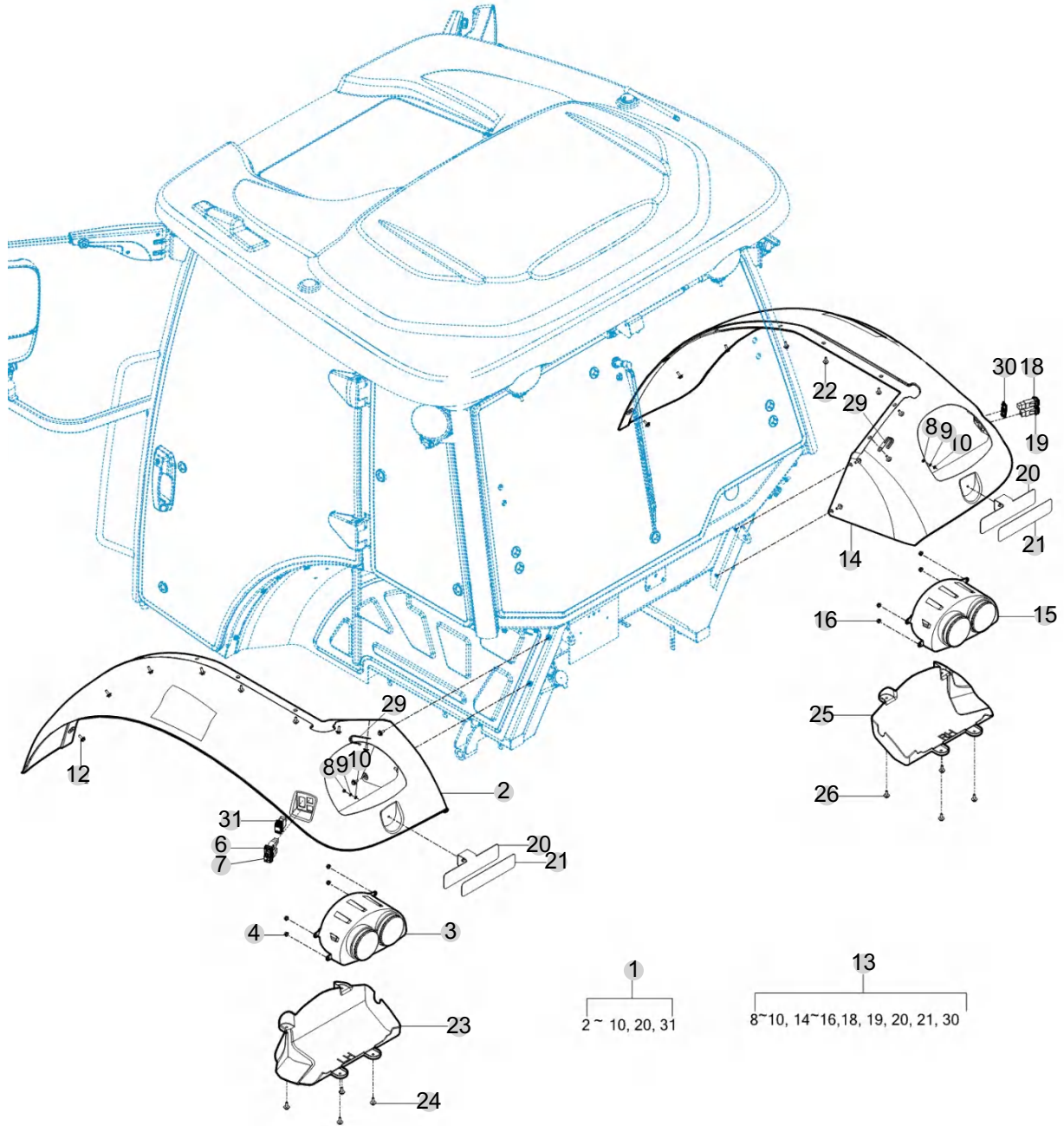
FIG 713

SUB FENDER & COVER

년/월
Year/Month

T115SPUS1

2024-03



NOTE

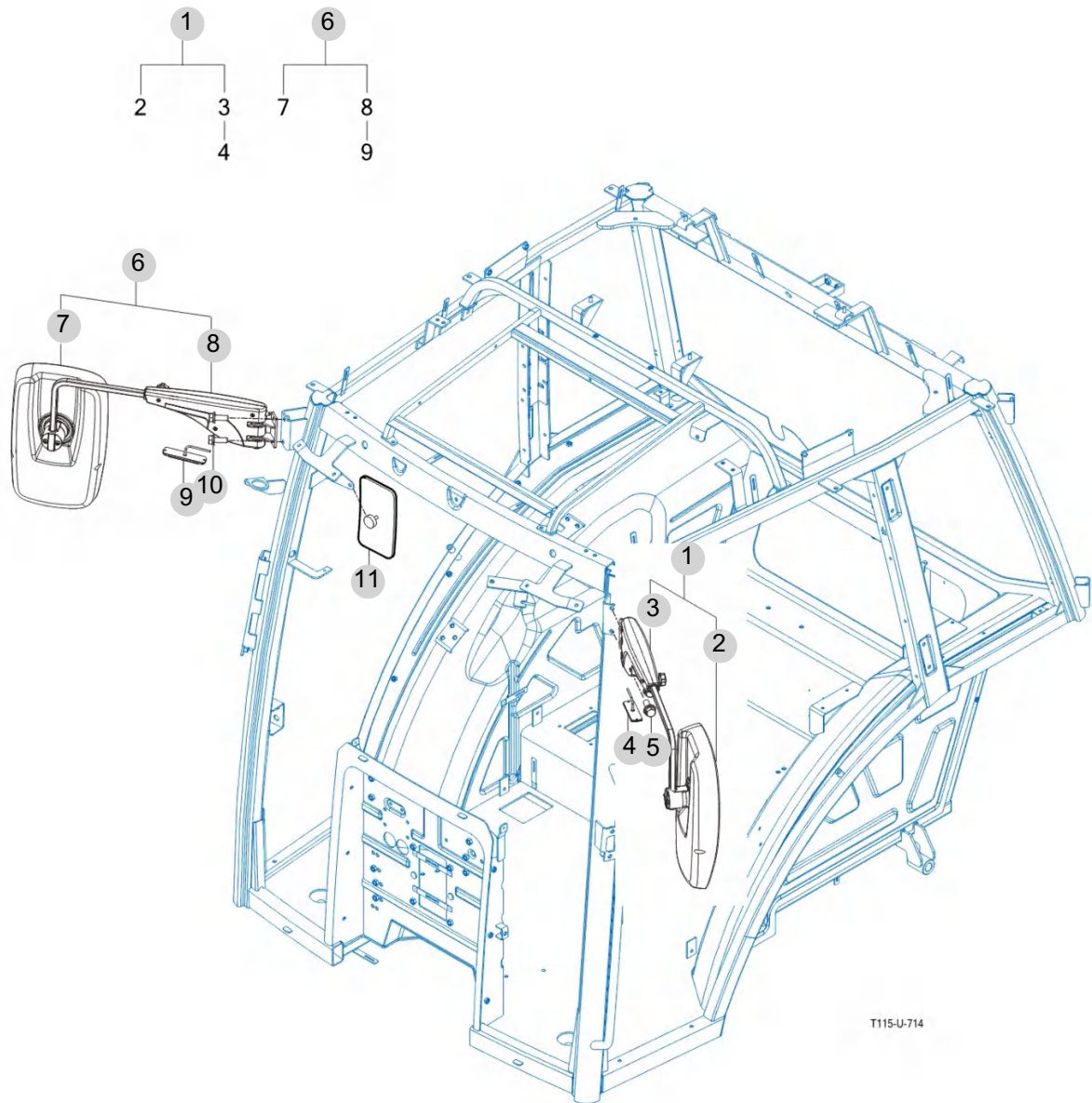
FIG 714

REARVIEW MIRRORS

년/월
Year/Month

2024-03

T115SPUS1



T115-U-714

NOTE

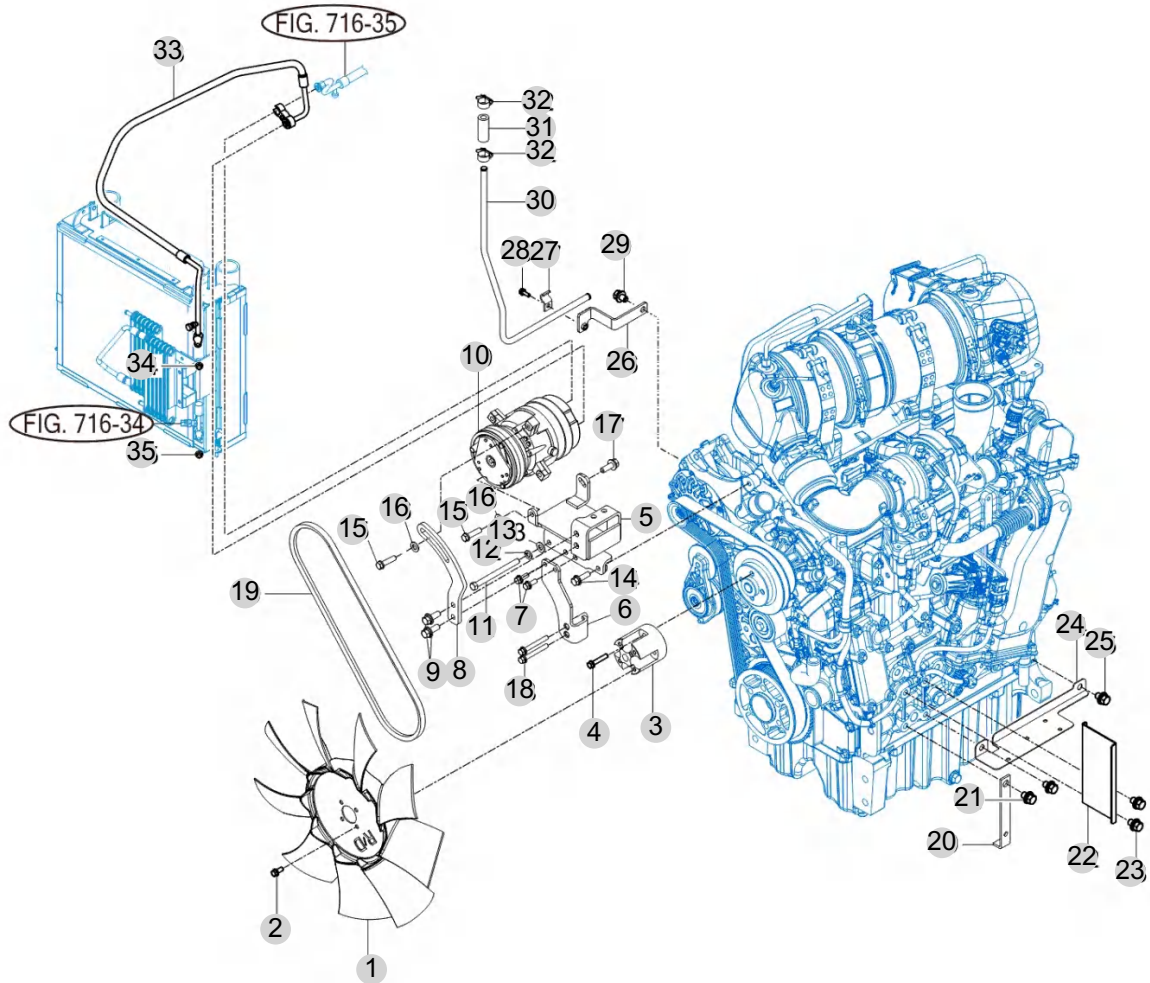
FIG 715

HEATER & AIR-CON (1)

년/월
Year/Month

2024-03

T115SPUS1



NOTE

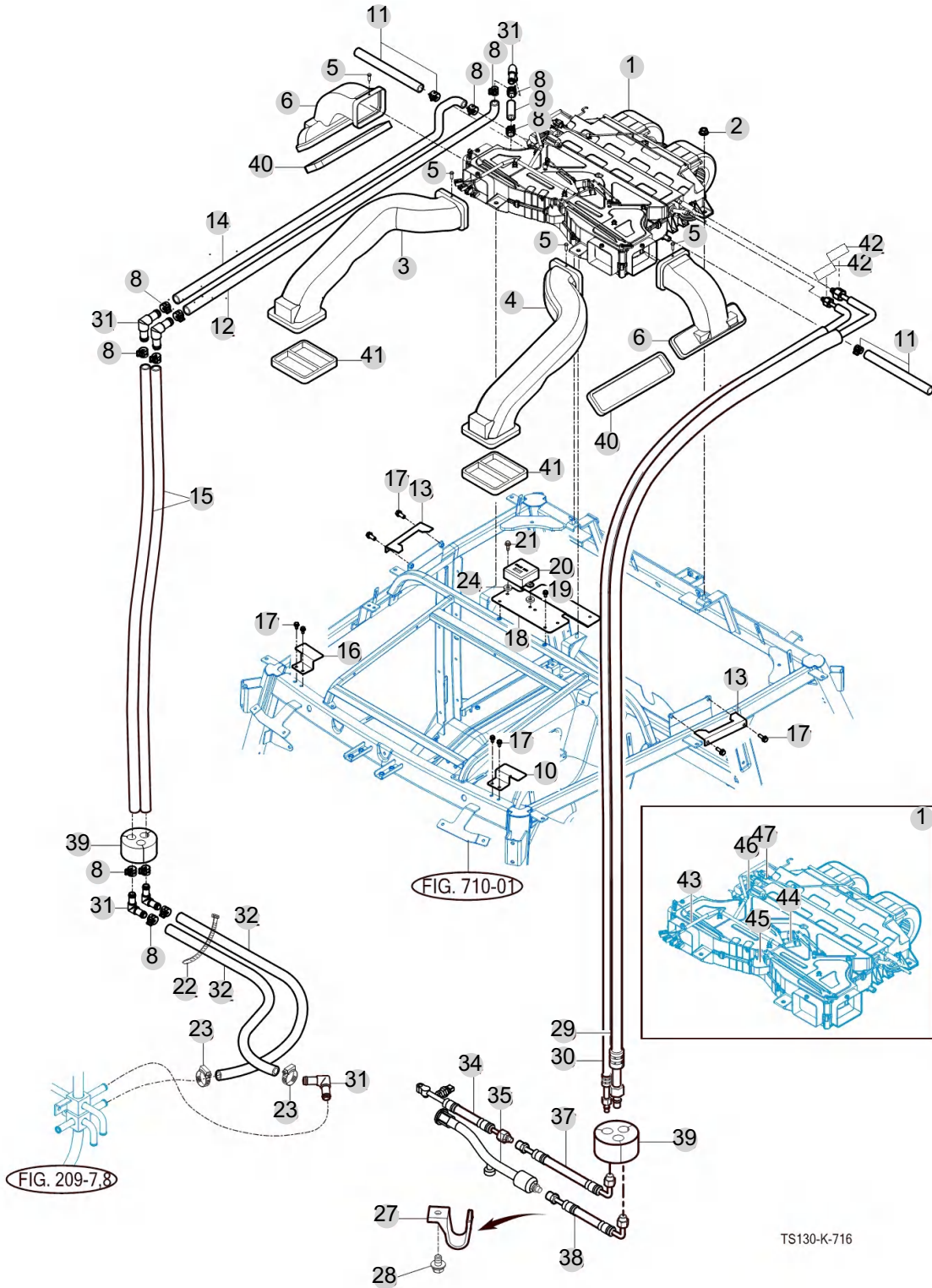
FIG 716

HEATER & AIR-CON (2)

년/월
Year/Month

2024-03

T115SPUS1



TS130-K-716

NOTE

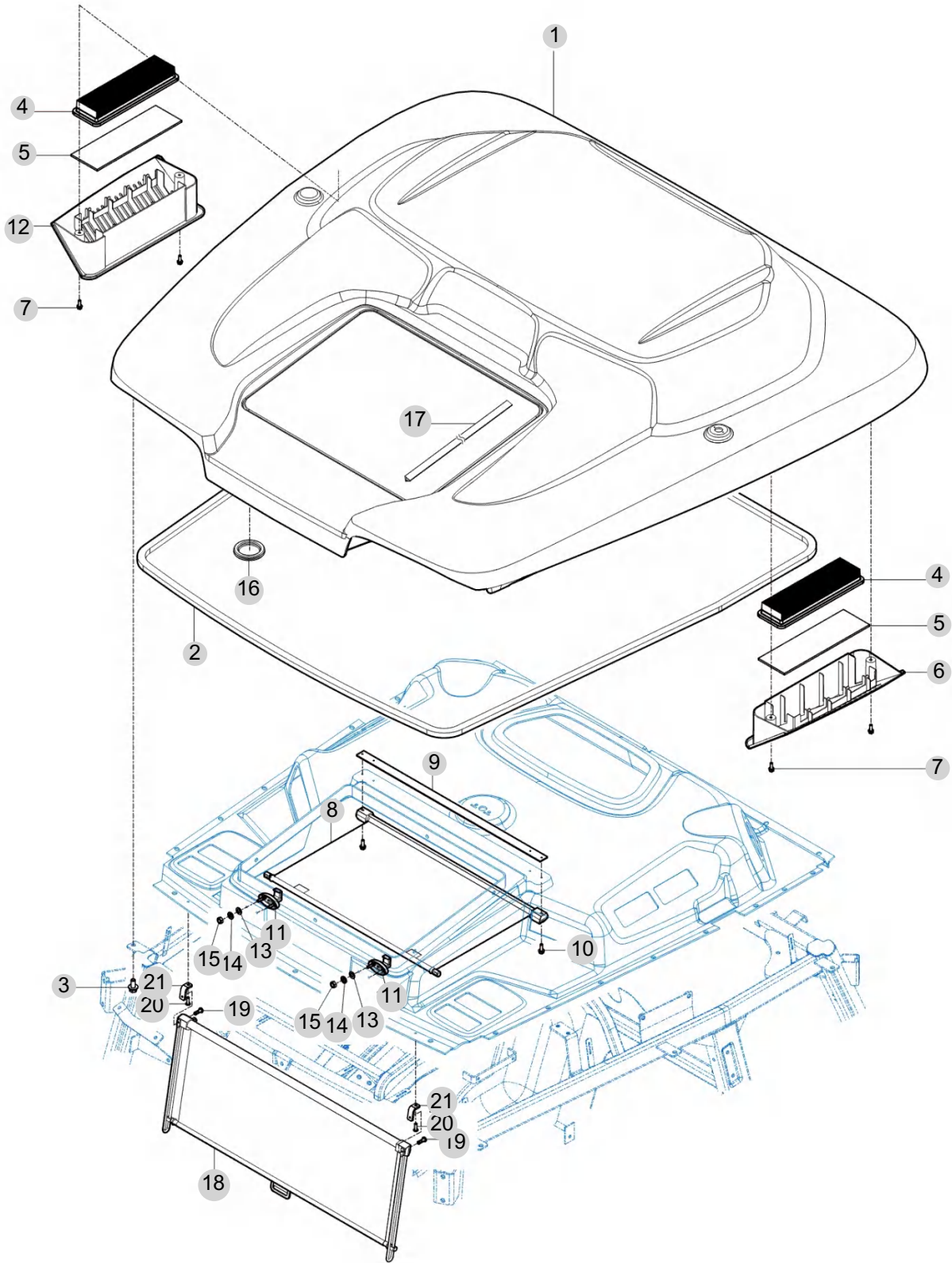
FIG 717

T115SPUS1

ROOF

년/월
Year/Month

2024-03



NOTE

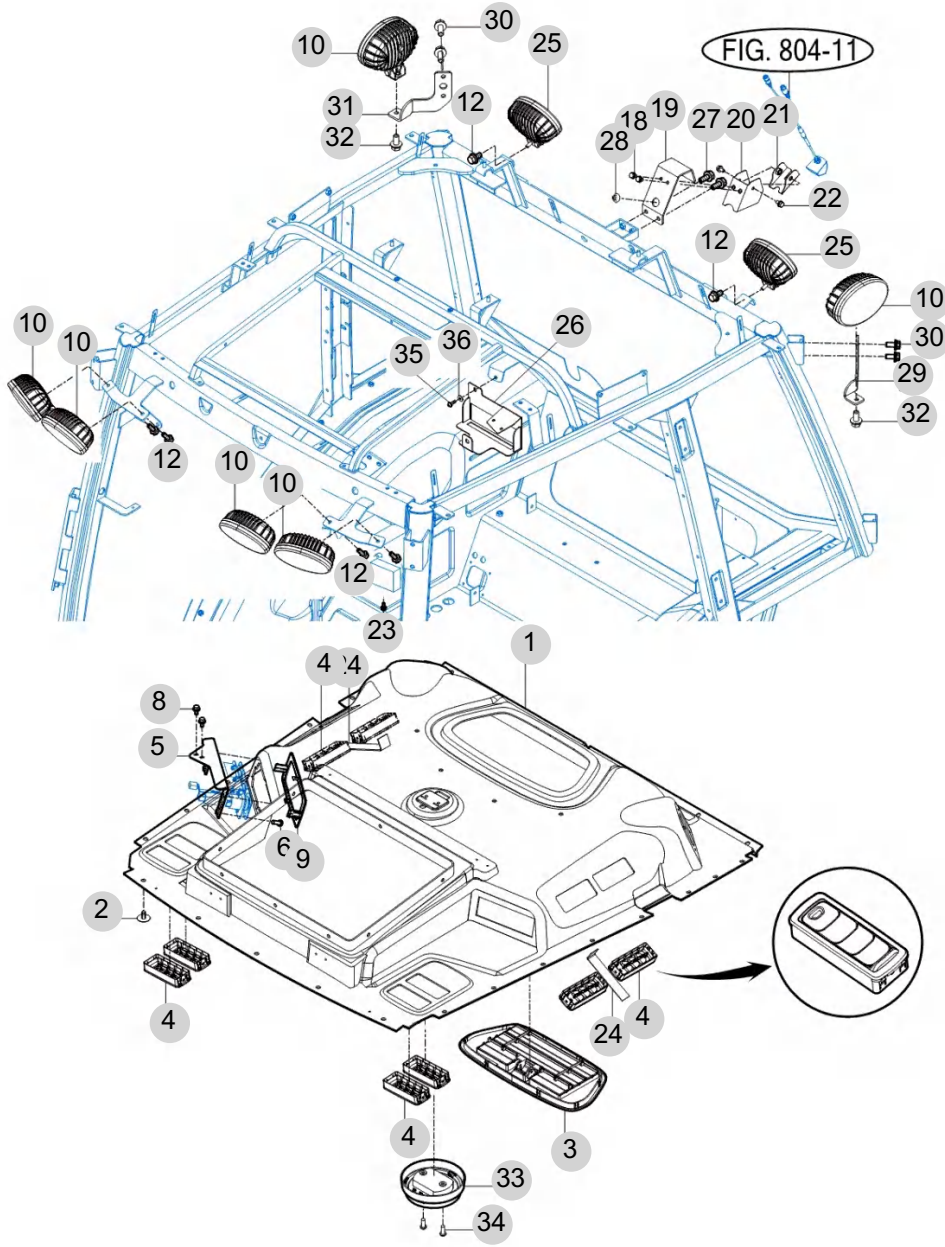
FIG 718

CABIN INTERIOR

년/월
Year/Month

2024-03

T115SPUS1



NOTE

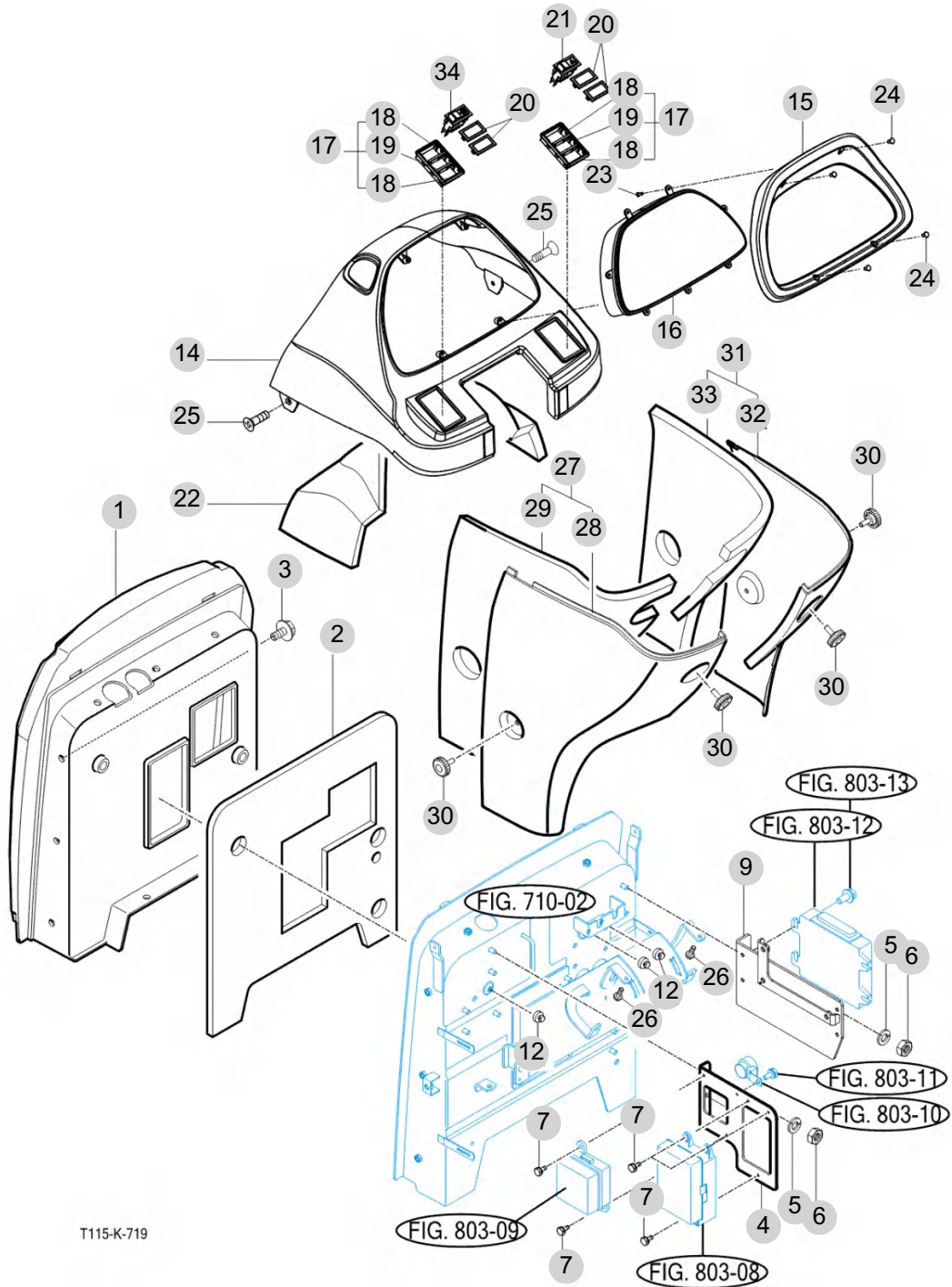
FIG 719

DASHCOVER

년/월
Year/Month

2024-03

T115SPUS1



NOTE

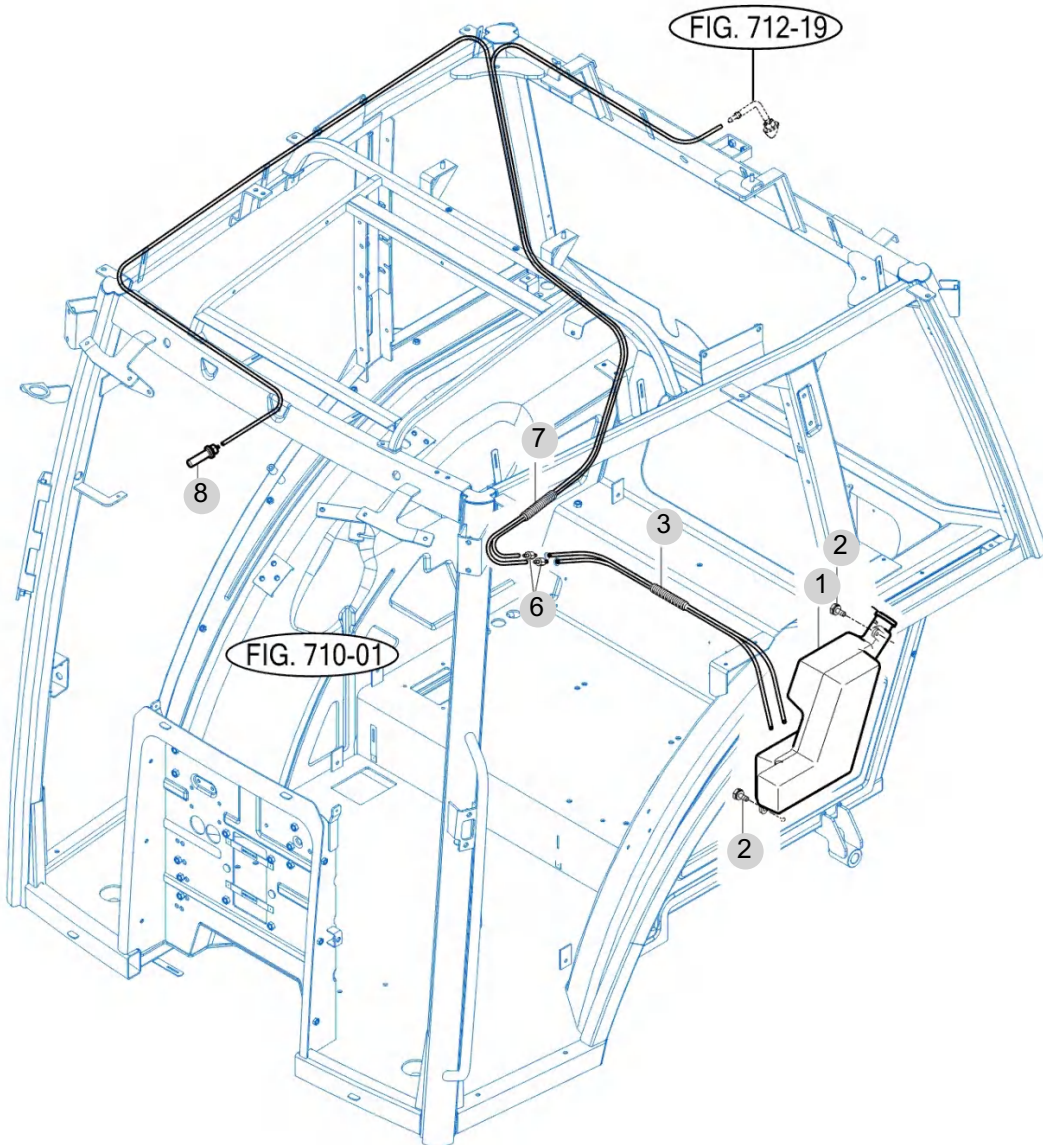
FIG 720

WASH TANK ASSY

년/월
Year/Month

2024-03

T115SPUS1



NOTE

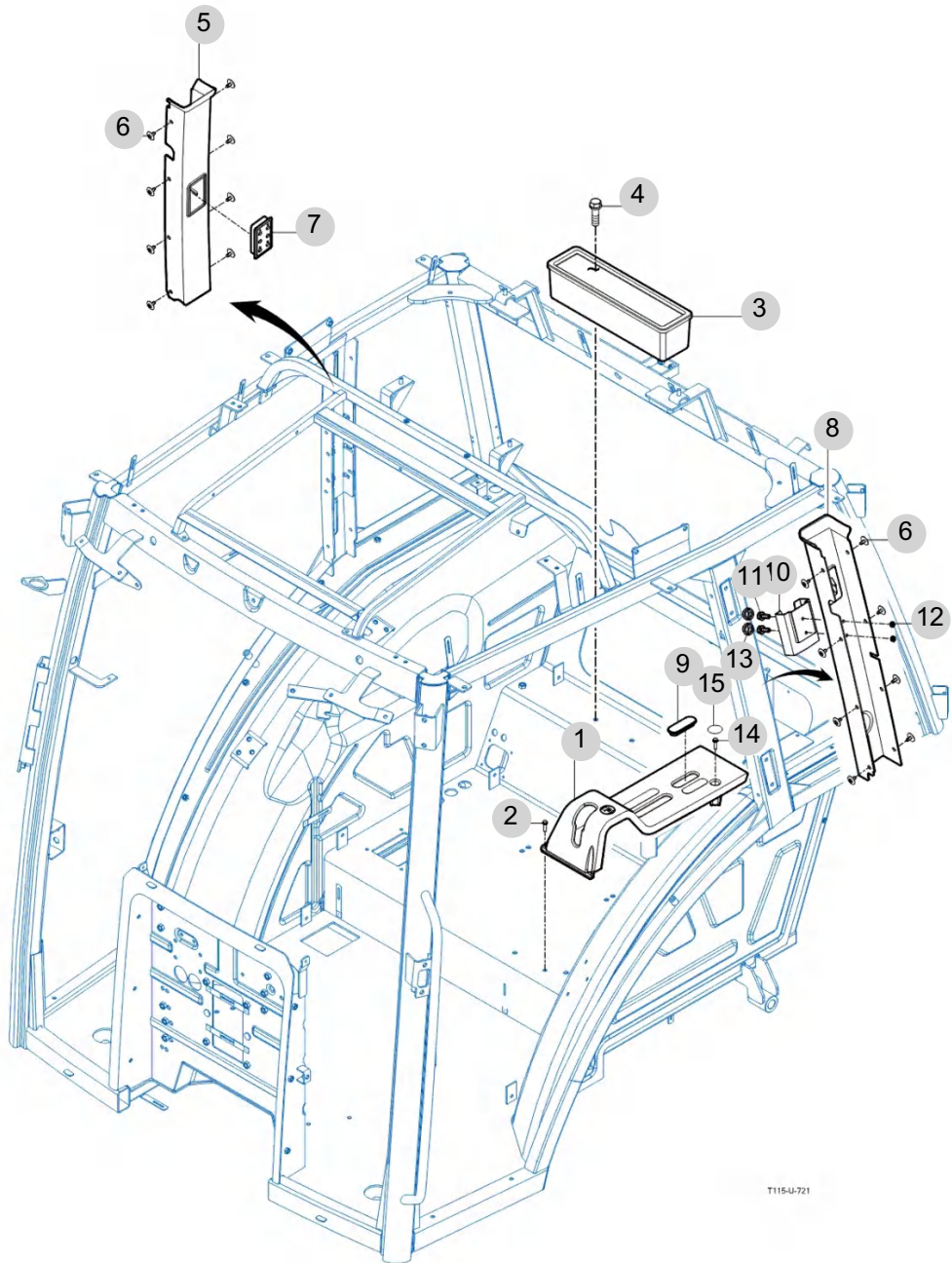
FIG 721

COVER ASSY

년/월
Year/Month

2024-03

T115SPUS1



NOTE

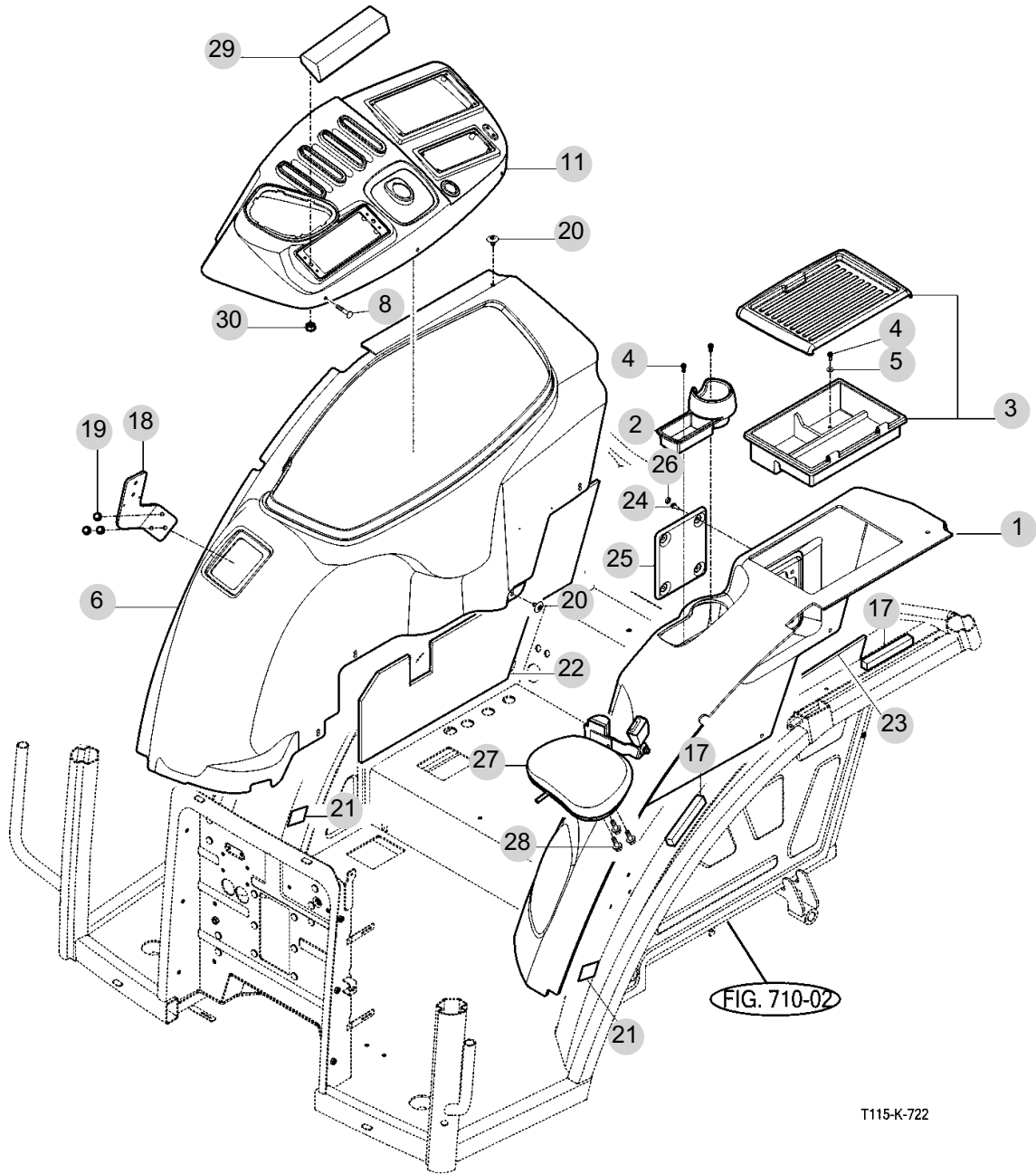
FIG 722

T115SPUS1

COVER-FENDER & JOYSTICK LEVER

년/월
Year/Month

2024-03



NOTE

8. Electrical System PART NO. T8

FIG 801	BATTERY & MOUNTING	387
FIG 802	ELECTRIC SYSTEM (1)	389
FIG 803	ELECTRIC SYSTEM (2)	391
FIG 804	ELECTRIC SYSTEM (3)	393
FIG 805	ELECTRIC SYSTEM (4)	395
FIG 806	ELECTRIC SYSTEM (5)	397
FIG 807	ELECTRIC SYSTEM (6)	399

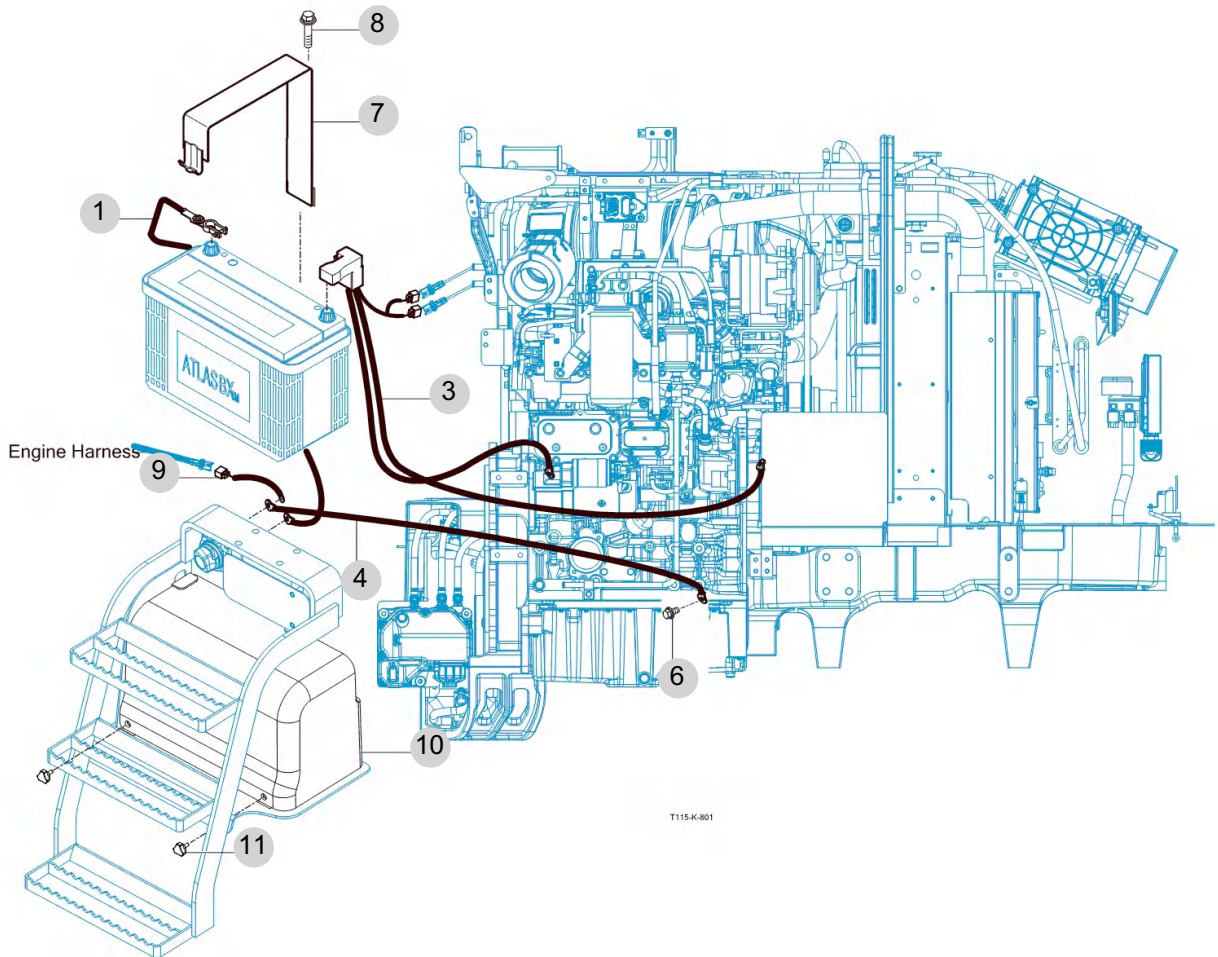
FIG 801

T115SPUS1

BATTERY & MOUNTING

년/월
Year/Month

2024-03



NOTE

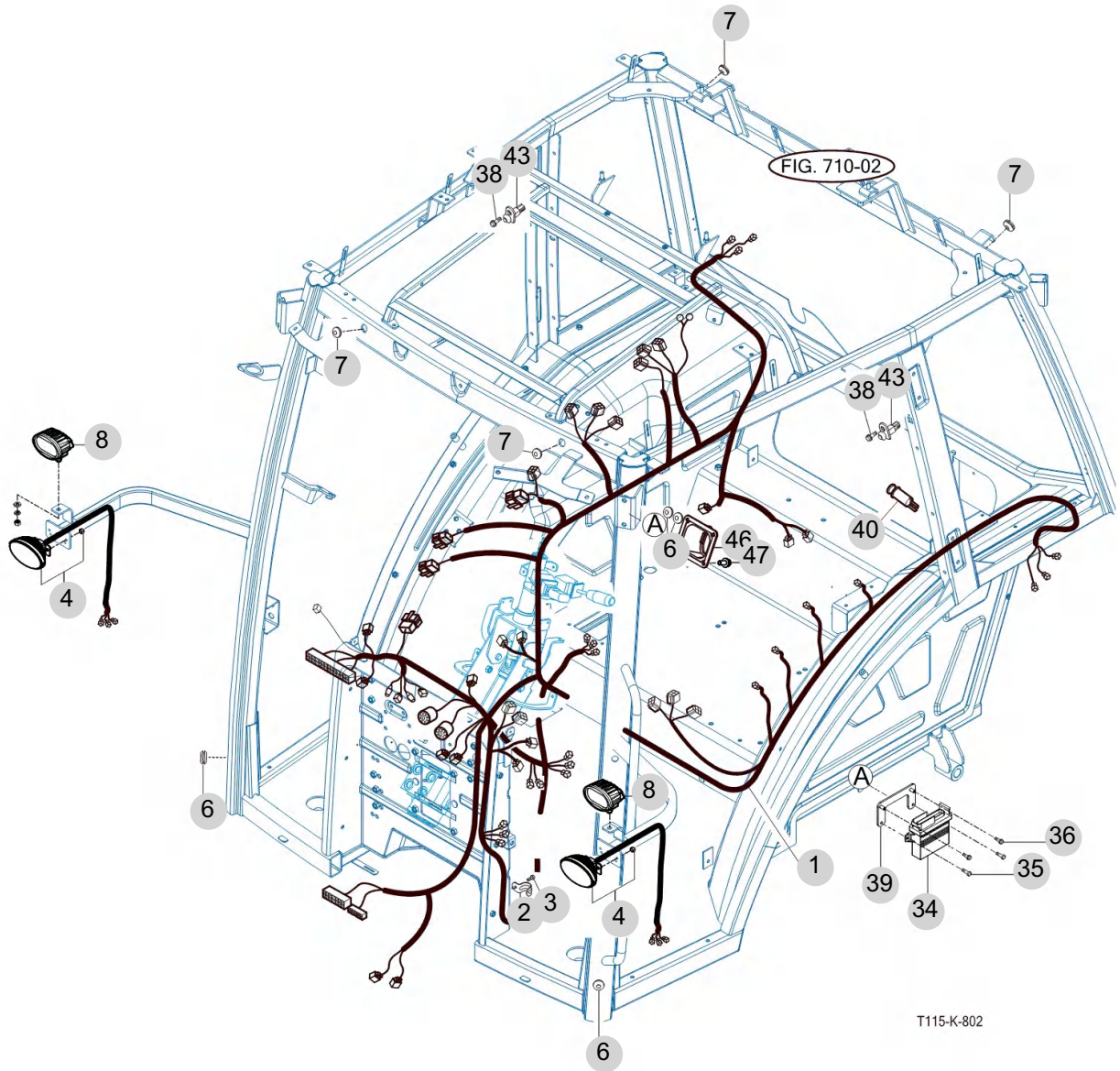
FIG 802

T115SPUS1

ELECTRIC SYSTEM (1)

년/월
Year/Month

2024-03



T115-K-802

NOTE

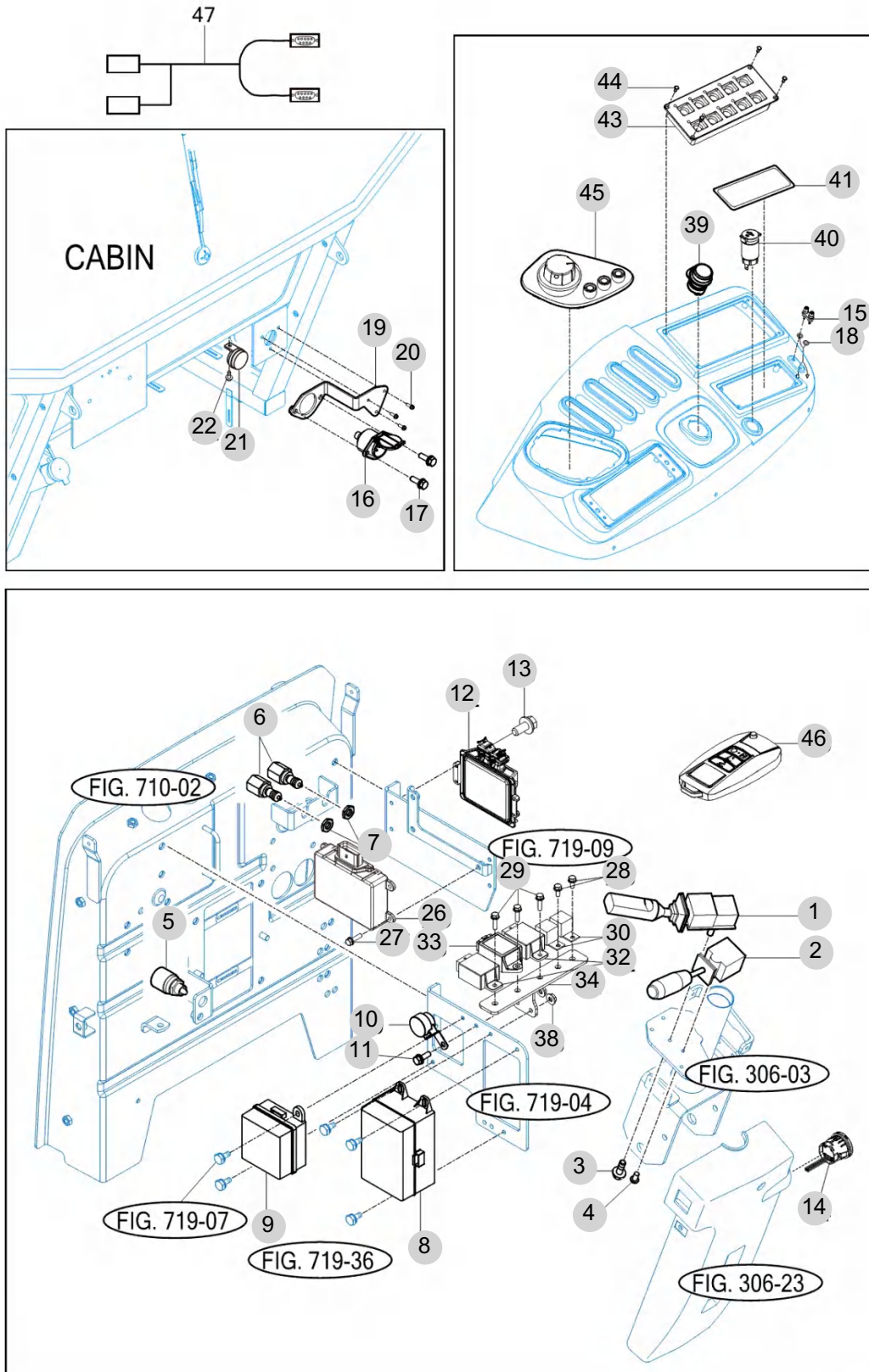
FIG 803

T115SPUS1

ELECTRIC SYSTEM (2)

년/월
Year/Month

2024-03



TS130CP6AN-K-804

NOTE

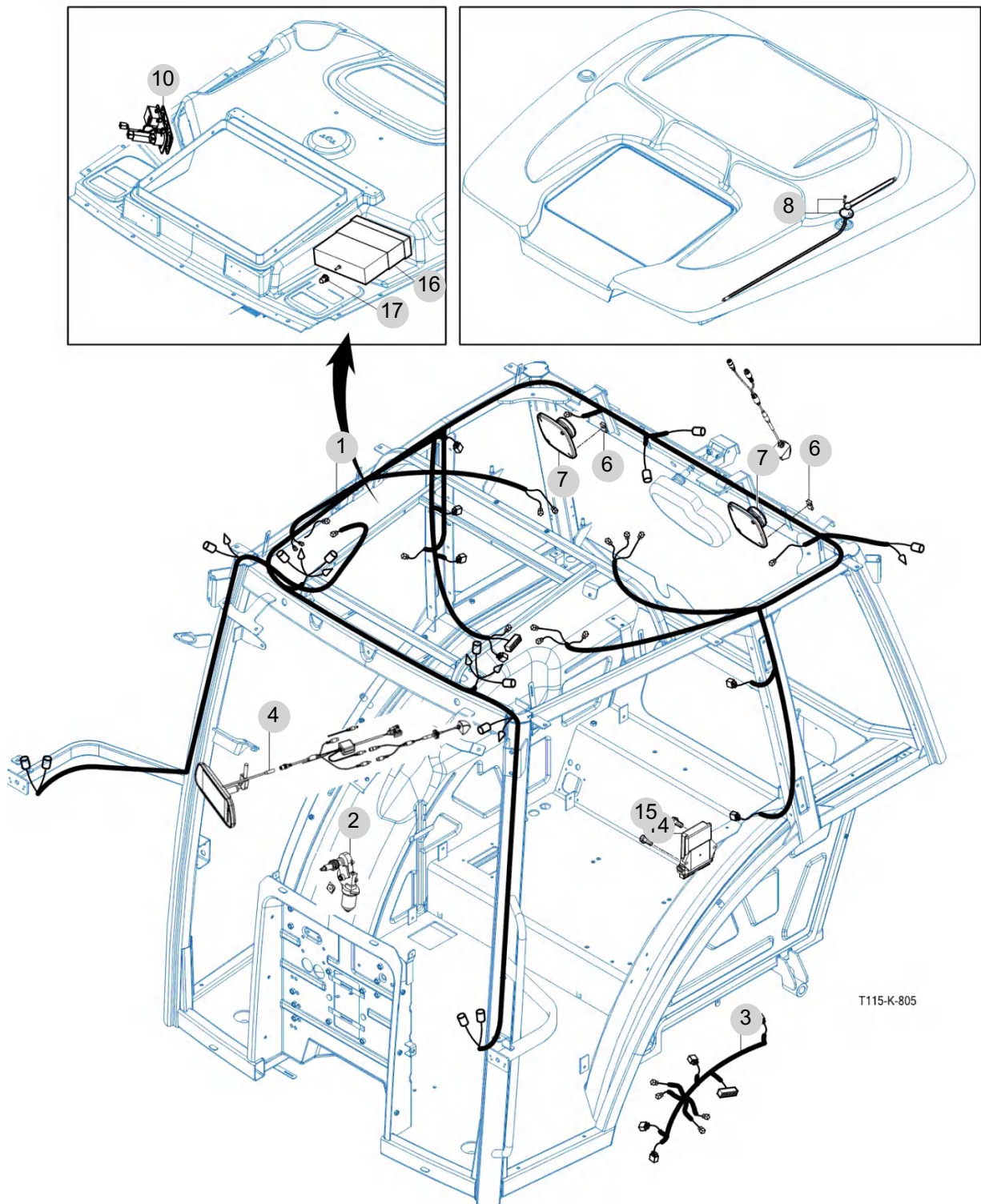
FIG 804

ELECTRIC SYSTEM (3)

년/월
Year/Month

T115SPUS1

2024-03



T115-K-805

NOTE

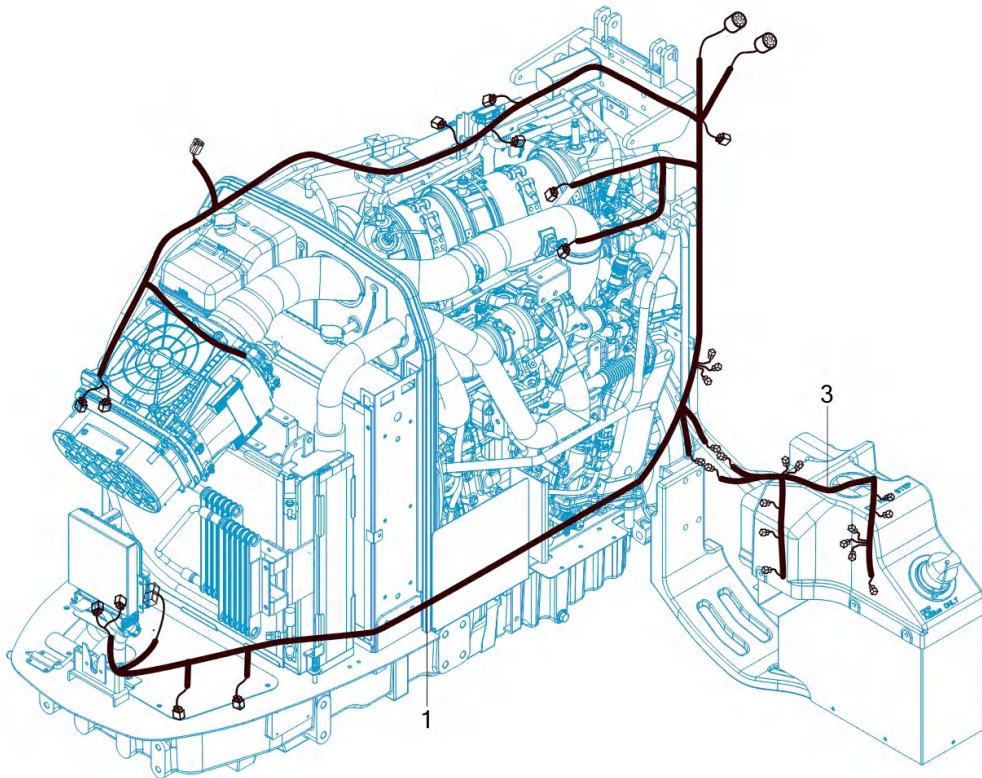
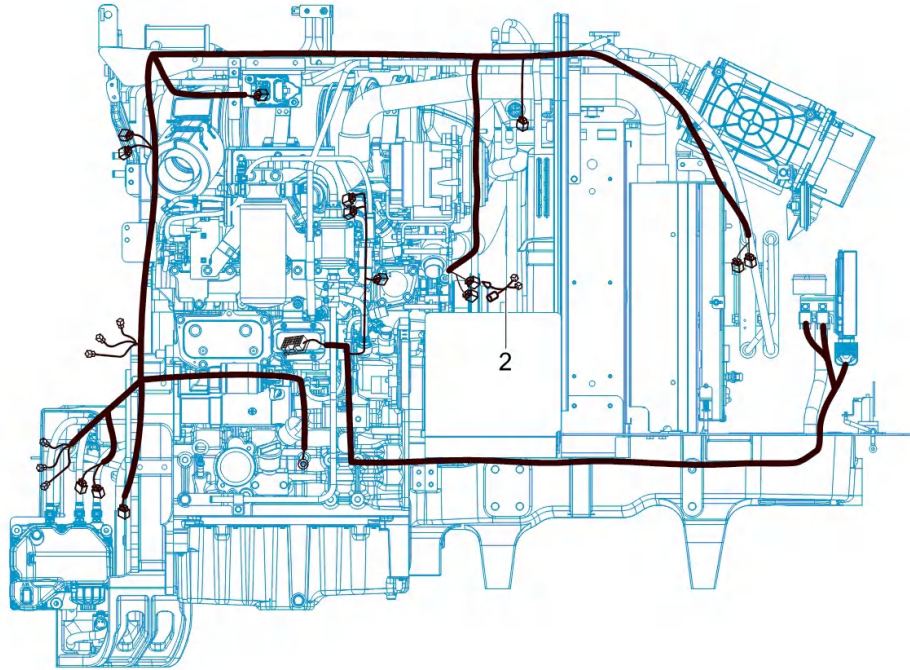
FIG 805

ELECTRIC SYSTEM (4)

년/월
Year/Month

T115SPUS1

2024-03



NOTE

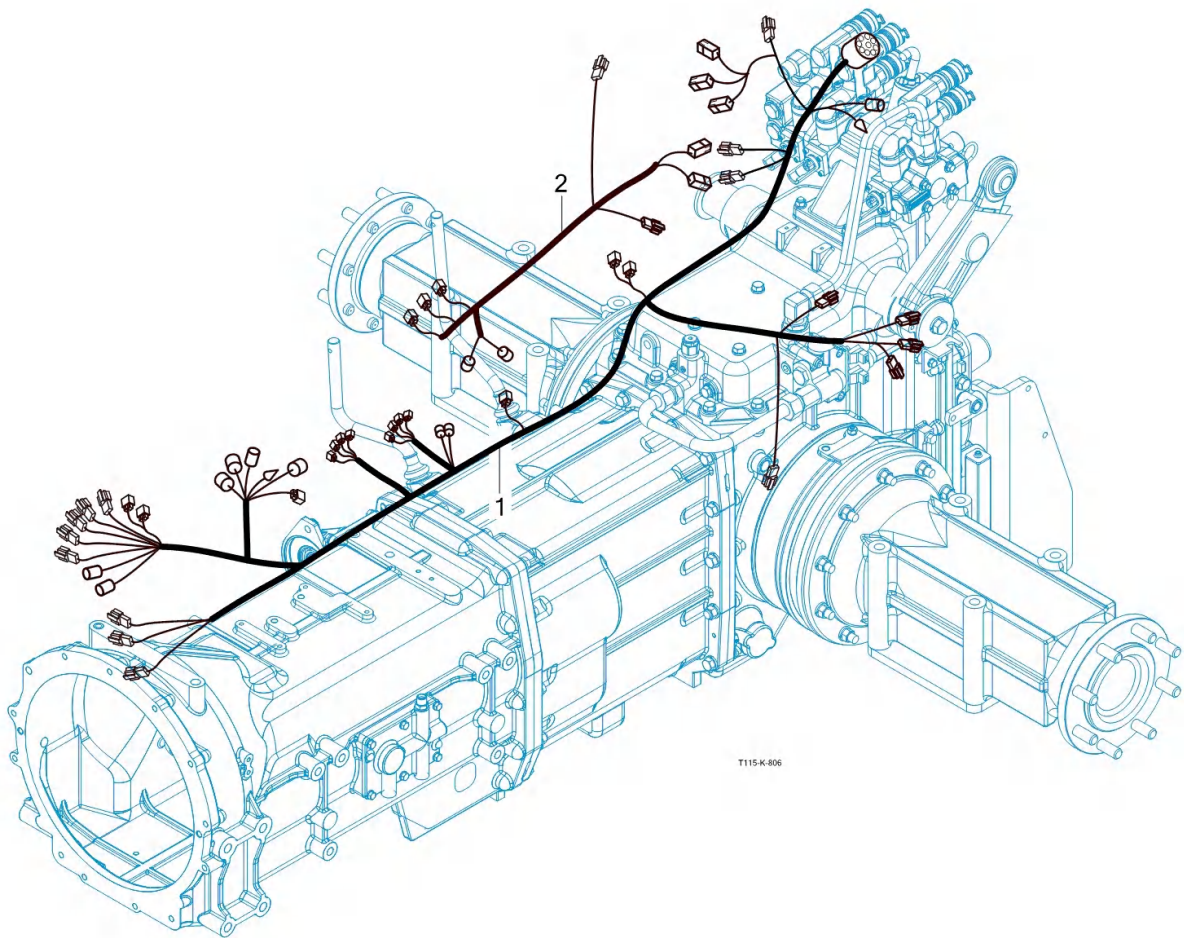
FIG 806

T115SPUS1

ELECTRIC SYSTEM (5)

년/월
Year/Month

2024-03



NOTE

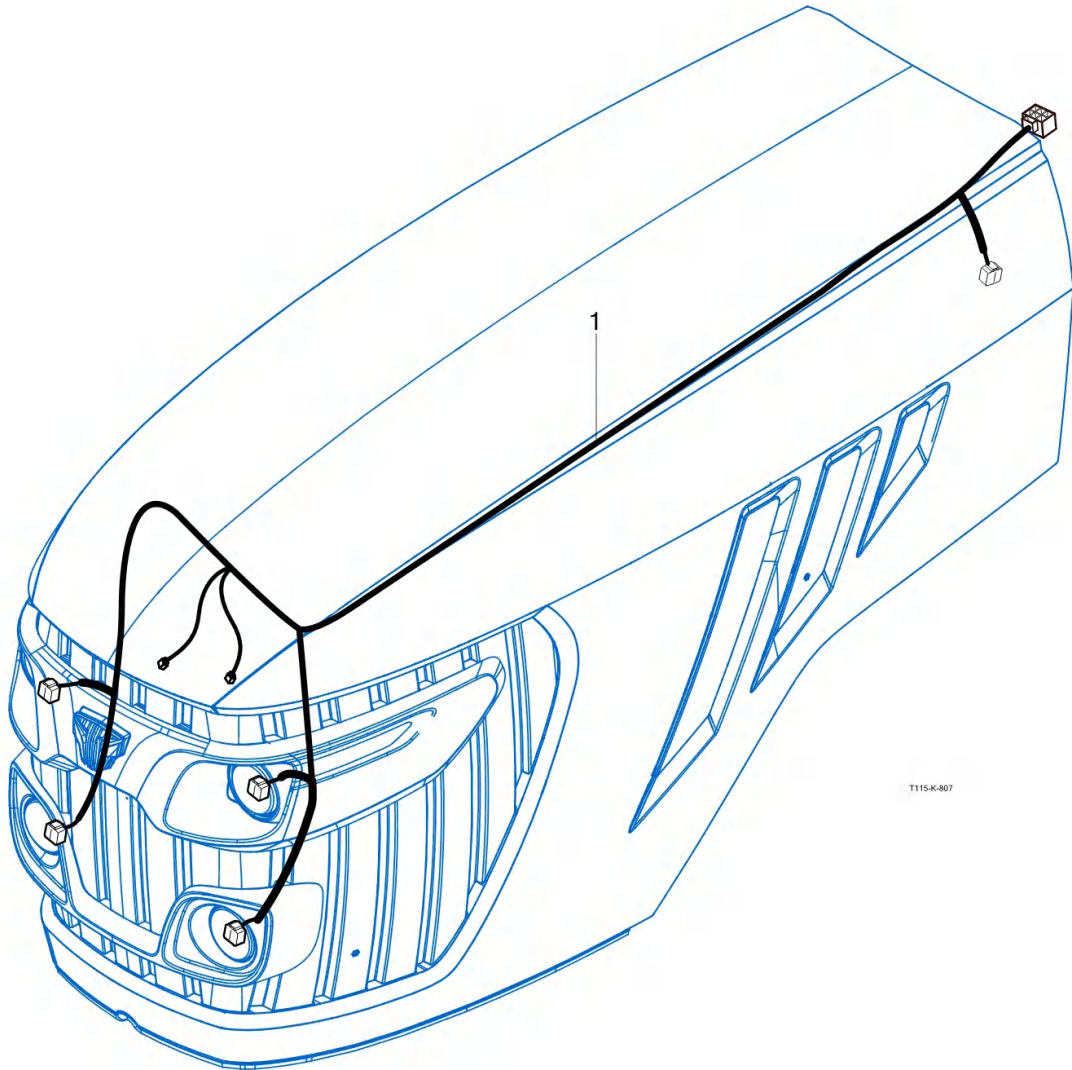
FIG 807

ELECTRIC SYSTEM (6)

년/월
Year/Month

T115SPUS1

2024-03



NOTE

9. Label/Option PART NO. T9

FIG 901 TOOL & ACCESSORY	402
FIG 904 LABEL	404
FIG 904-2 LABEL	406

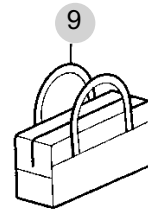
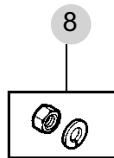
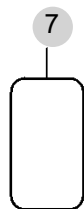
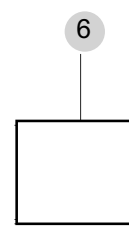
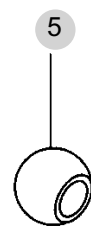
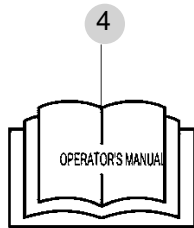
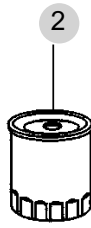
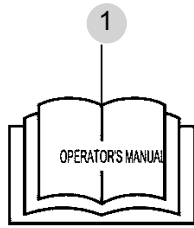
FIG 901

TOOL & ACCESSORY

년/월
Year/Month

T115SPUS1

2024-03



T115-0901

NOTE

FIG 904

T115SPUS1

LABEL

년/월
Year/Month

2024-03



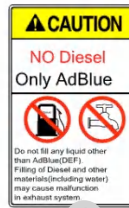
1



2



3



4



5



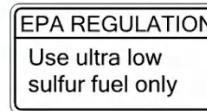
6



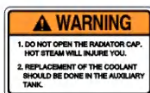
7



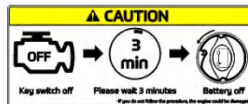
8



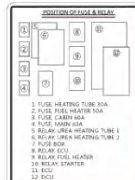
9



10



11



12

T115

13



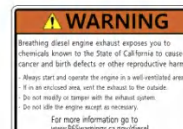
14



15



16



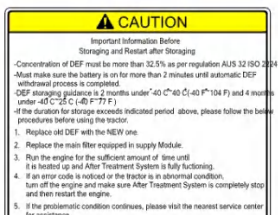
17



18



19



20



21



22

NOTE

FIG 904-2

LABEL

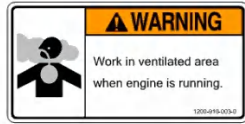
년/월
Year/Month

T115SPUS1

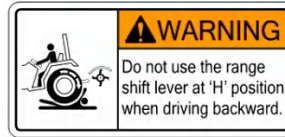
2024-03



19



20



21



22



23



24



25



26



27



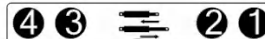
28



29



30



31



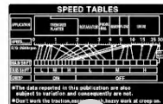
32



33



34



35



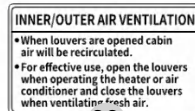
36



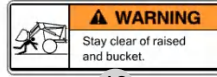
37



38



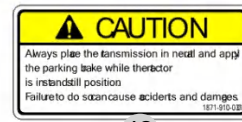
39



40



41



42



43



44

NOTE

