

T555SHGBC

Parts Catalog

목 차

1. 엔진 PART NO. EG

FIG 100 ENGINE	7
FIG 101A CYLINDER BLOCK (T554)	9
FIG 102 GEAR HOUSING	11
FIG 103 FLYWHEEL HOUSING & OIL SUMP	13
FIG 104A CYLINDER HEAD & BONNET (T554)	15
FIG 105A SUCTION MANIFOLD (T554)	18
FIG 106A EXHAUST MANIFOLD (T554)	20
FIG 107A DIESEL PARTICULATE FILTER (T554)	22
FIG 108 CAMSHAFT & DRIVING GEAR	24
FIG 109 TURBINE (T554)	26
FIG 110A CRANKSHAFT & PISTON (T554)	28
FIG 111 BALANCER	30
FIG 112A LUB. OIL SYSTEM (T554)	32
FIG 113 LUB. OIL LINE (T554)	34
FIG 114 COOLING WATER SYSTEM	36
FIG 115 FUEL SUPPLY PUMP	38
FIG 116A FUEL INJECTION VALVE (T554)	40
FIG 117 FUEL LINE	42
FIG 118 STARTING MOTOR	44
FIG 119 GENERATOR	46
FIG 120A ELECTRONIC CONTROL UNIT (T554)	48
FIG 121A ELECTRIC PARTS (T554)	50
FIG 122A ACCESSORY (T554)	52

2. 엔진보기품 PART NO. T2

FIG 201 AIR CLEANER	55
FIG 202 RADIATOR	57
FIG 203 MUFFLER	59
FIG 204 FUEL HOSE & FILTER	61
FIG 205 FUEL TANK	63

FIG 206 ACCELERATOR	65
FIG 207 OIL COOLER	67
FIG 208 COOLING FAN	69

3. 클러치/브레이크/스티어링 PART NO. T3

FIG 301 CLUTCH	72
FIG 302 CLUTCH PEDAL	74
FIG 303 BRAKE	76
FIG 304 BRAKE PEDAL & LINK	78
FIG 305A FRONT WHEEL	80
FIG 305B FRONT WHEEL (R4 OPTION)	82
FIG 306A REAR WHEEL	84
FIG 306B REAR WHEEL (R4 OPTION)	86
FIG 307 POWER STEERING WHEEL	88
FIG 308 POWER STEERING VALVE	90
FIG 309 POWER STEERING CYLINDER	92

4. 트랜스미션 PART NO. T4

FIG 401 TRANSMISSION FRONT CASE	95
FIG 402 HST	97
FIG 403 MID TRANSMISSION CASE	99
FIG 404 TRANSTER GEAR SET	101
FIG 405 TRANSMISSION REAR CASE	103
FIG 406 SUB CHANGE GEARS	105
FIG 407 SUB CHANGE SHIFTER	107
FIG 408 DRIVE GEARS	109
FIG 409 4WD CHANGE LEVER	111
FIG 410 P.T.O DRIVE SHAFT	113
FIG 411 P.T.O CHANGE GEARS	115
FIG 412 REAR DIFFERENTIAL GEARS	117
FIG 413 REAR AXLE HOUSING	120
FIG 414 P.T.O CHANGE SHIFTER	122

5. 프런트 액슬 PART NO. T5

FIG 501 FRONT AXLE SUPPORT	125
----------------------------	-----

FIG 502 FRONT DRIVE SHAFT	127
FIG 503 FRONT AXLE HOUSING	129
FIG 504 FRONT DIFFERENTIAL GEARS	131
FIG 505 FRONT GEAR CASE (1)	133
FIG 506 FRONT GEAR CASE (2)	135
FIG 507 FRONT GEAR CASE (3)	137

6. 유압/3점 링크 PART NO. T6

FIG 601 CYLINDER CASE	140
FIG 602 LIFT ARM	142
FIG 603 CYLINDER	144
FIG 604 POSITION LINK	146
FIG 605 CONTROL VALVE	148
FIG 606 DRAFT LINK	150
FIG 607 POSITION & DRAFT LEVER	152
FIG 608 EXTERIOR HYD.VALVE	154
FIG 609 HYDRAULIC PIPE	156
FIG 610 JOYSTICK	159
FIG 611 HYDRAULIC HOSE	161
FIG 612 HITCH & 3-POINT LINK	163
FIG 613 LOWER LINK & LIFT ROD	166

7. 시트메탈/캐빈 PART NO. T7

FIG 701 HOOD (1)	169
FIG 702 HOOD (2)	171
FIG 704A LEVER COVER & STEP	173
FIG 705 FRONT & REAR MOUNTING	175
FIG 706 SEAT & MAT	177
FIG 709 DOOR	179
FIG 710A FRONT GLASS	182
FIG 711 SIDE GLASS	184
FIG 712 REAR GLASS	186
FIG 713A SUB FENDER & COVER	188
FIG 714A MIRROR	190
FIG 715A HEATER & AIR-CON	192
FIG 715B HEATER & AIR-CON	194

FIG 716 FENDER COVER	196
FIG 717 ROOF	198
FIG 718 CABIN INTERIOR	200
FIG 719 PEDAL SUB ASSY	202

8. 전장 PART NO. T8

FIG 801 BATTERY MOUNTING	205
FIG 802 LIGHT & BACK LAMP	207
FIG 803 INSTRUMENT PANEL	209
FIG 804 ELECTRIC SYSTEM (1)	211
FIG 805A ELECTRIC SYSTEM (2)	213
FIG 806 ELECTRIC SYSTEM (3)	215

9. 라벨/옵션 PART NO. T9

FIG 901 TOOL & ACCESSORY	218
FIG 902 WEIGHT	220
FIG 903-1 LABEL	222

1. 엔진 PART NO. EG

FIG 100 ENGINE	7
FIG 101A CYLINDER BLOCK (T554)	9
FIG 102 GEAR HOUSING	11
FIG 103 FLYWHEEL HOUSING & OIL SUMP	13
FIG 104A CYLINDER HEAD & BONNET (T554)	15
FIG 105A SUCTION MANIFOLD (T554)	18
FIG 106A EXHAUST MANIFOLD (T554)	20
FIG 107A DIESEL PARTICULATE FILTER (T554)	22
FIG 108 CAMSHAFT & DRIVING GEAR	24
FIG 109 TURBINE (T554)	26
FIG 110A CRANKSHAFT & PISTON (T554)	28
FIG 111 BALANCER	30
FIG 112A LUB. OIL SYSTEM (T554)	32
FIG 113 LUB. OIL LINE (T554)	34
FIG 114 COOLING WATER SYSTEM	36
FIG 115 FUEL SUPPLY PUMP	38
FIG 116A FUEL INJECTION VALVE (T554)	40
FIG 117 FUEL LINE	42
FIG 118 STARTING MOTOR	44
FIG 119 GENERATOR	46
FIG 120A ELECTRONIC CONTROL UNIT (T554)	48
FIG 121A ELECTRIC PARTS (T554)	50
FIG 122A ACCESSORY (T554)	52

FIG 100 T555SHGBC	ENGINE	년/월 Year/Month 2022-12
----------------------	--------	------------------------------

--	--

NOTE	
------	--

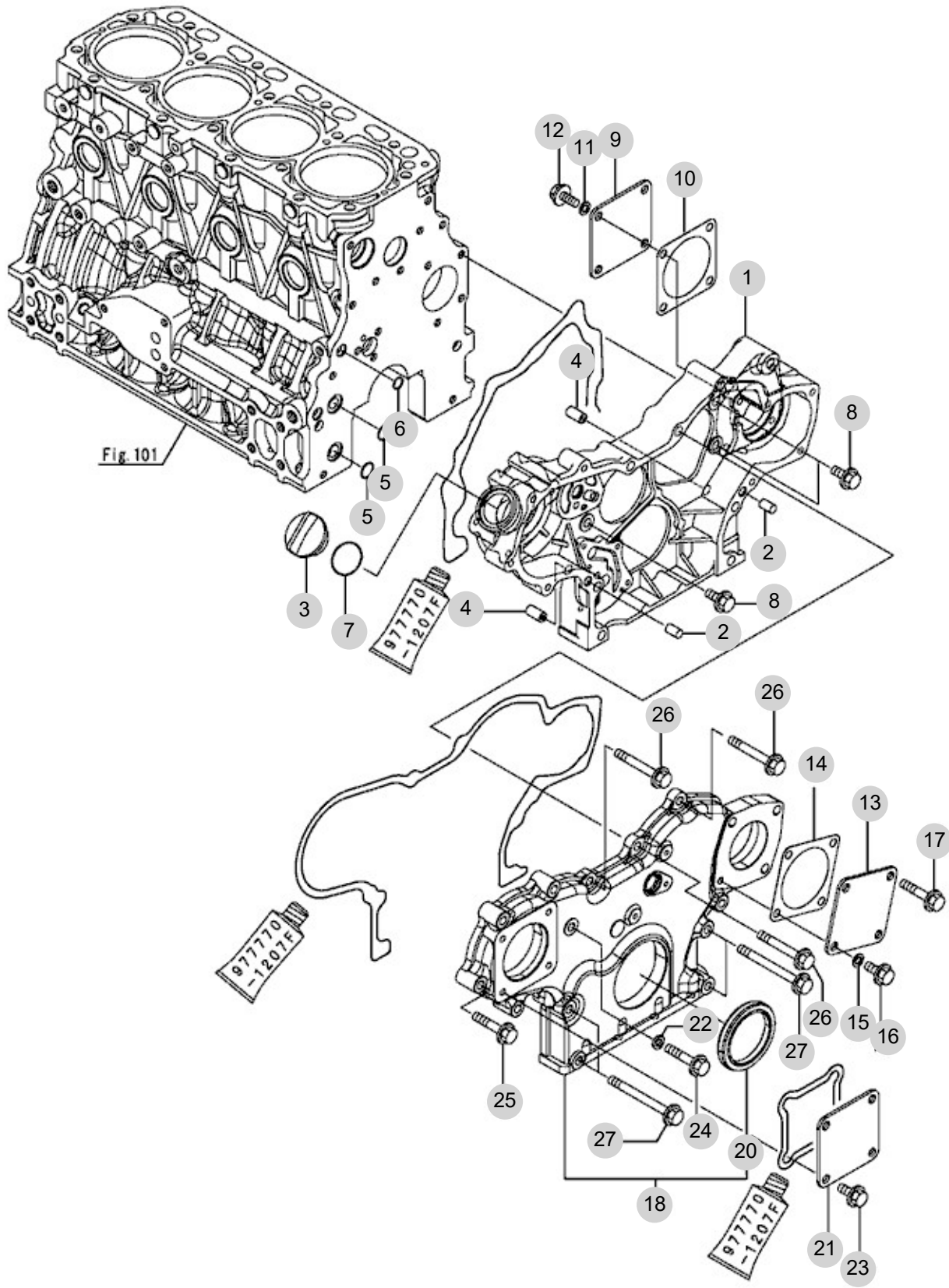
FIG 102

GEAR HOUSING

년/월
Year/Month

2022-12

T555SHGBC



NOTE

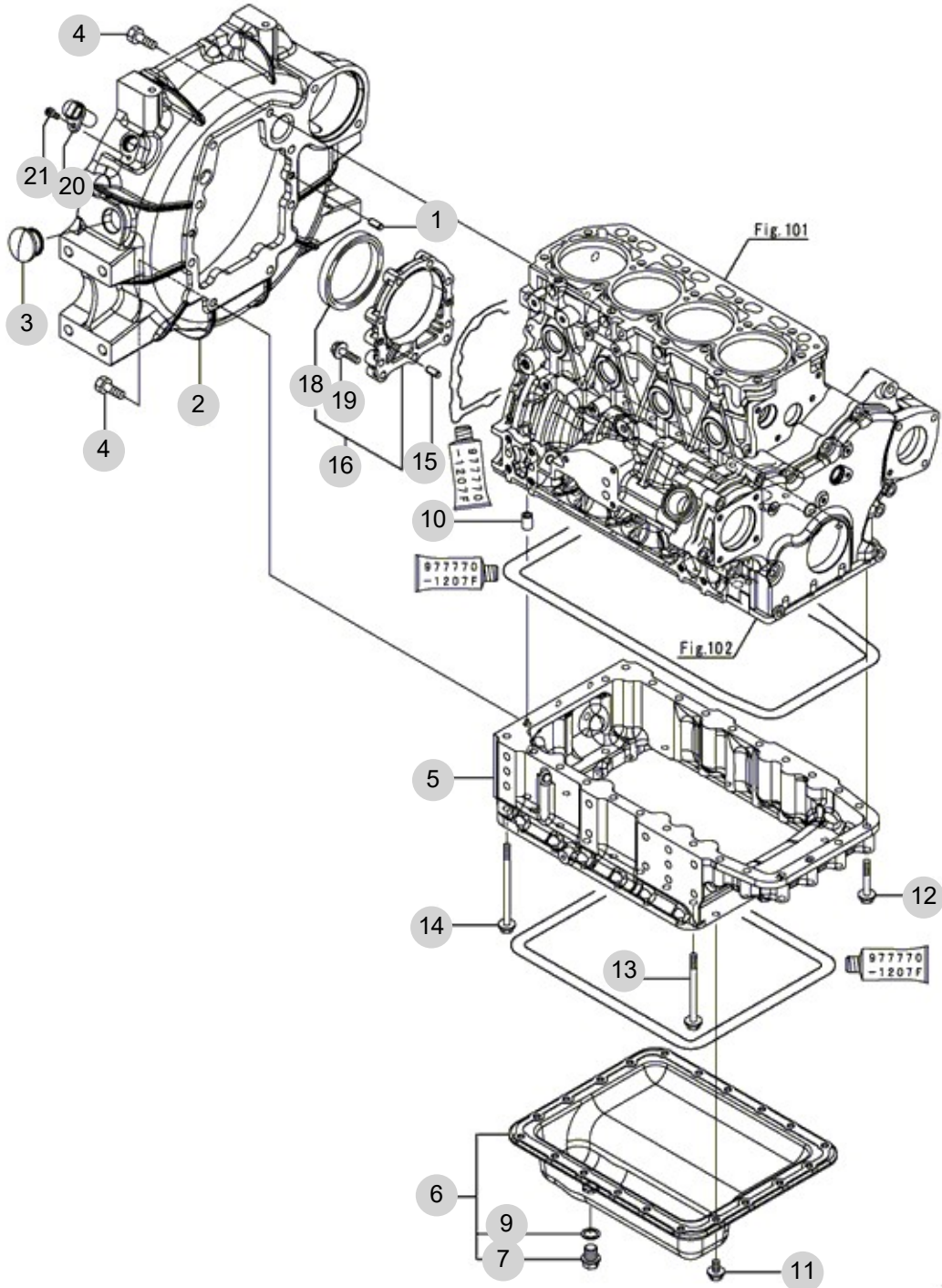
FIG 103

T555SHGBC

FLYWHEEL HOUSING & OIL SUMP

년/월
Year/Month

2022-12



NOTE

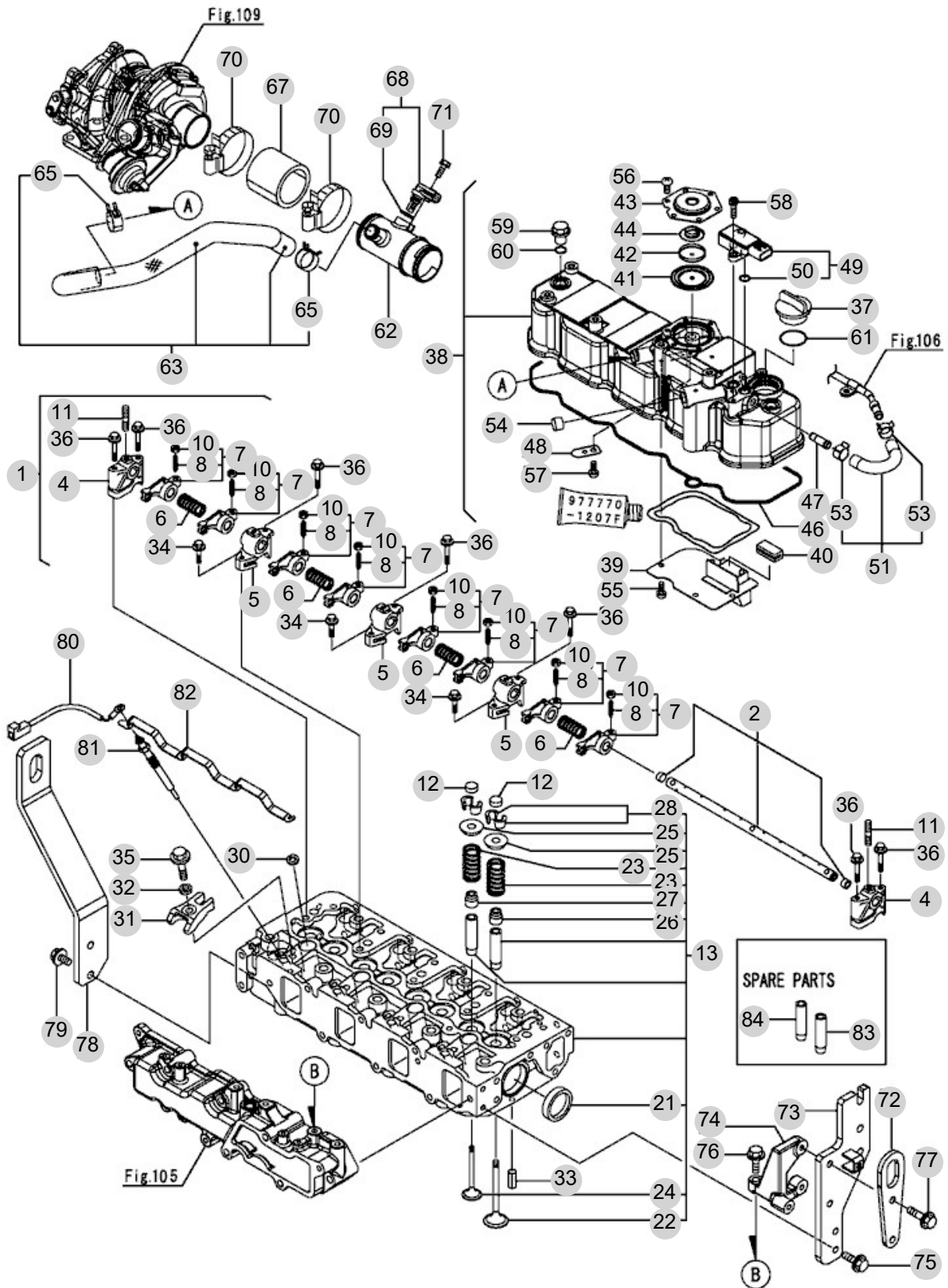
FIG 104A

CYLINDER HEAD & BONNET (T554)

년/월
Year/Month

2022-12

T555SHGBC



NOTE

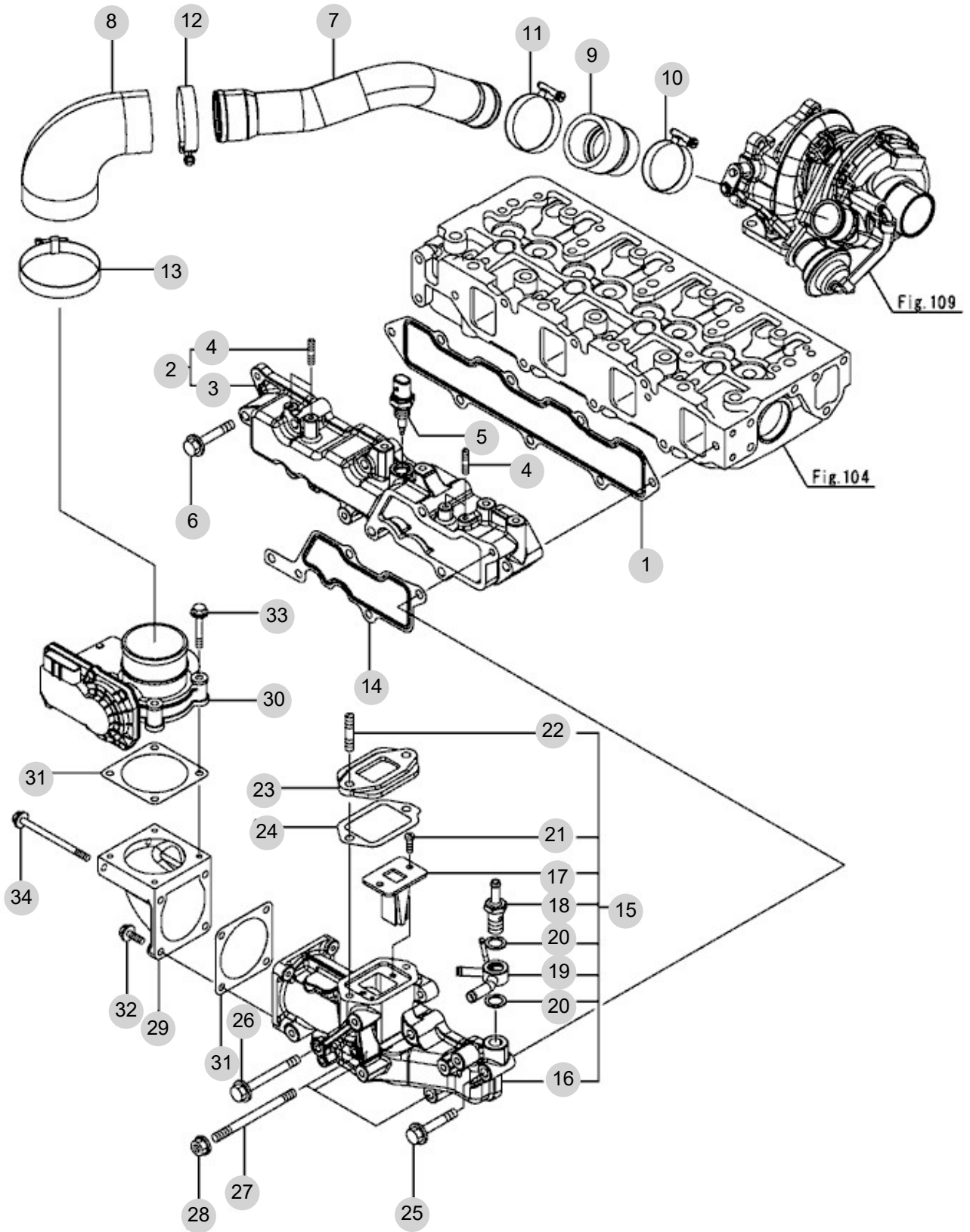
FIG 104A		CYLINDER HEAD & BONNET (T554)					년/월 Year/Month		
							2022-12		
T555SHGBC		KEY NO	PART NO	DESCRIPTION	SPEC	QTY	REPAIR	EFFECTIVE DATE	REMARKS
104A	1	129601-11241	SHAFT ASSY, ROCKER			1			
104A	2	129601-11251	SHAFT, ROCKER ARM			1			
104A	4	119802-11260	SUPPORT, ?ROCKER?ARM			2			
104A	5	119802-11270	SUPPORT, ROCKER ARM			3			
104A	6	129150-11280	SPRING			4			
104A	7	129004-11650	ARM, ?ROCKER			8			
104A	8	129150-11230	SCREW, VALVE ADJUST			8			
104A	10	129150-11750	NUT, M8			8			
104A	11	26226-080182	STUD, ?M8X18			3			
104A	12	129150-11370	CAP, VALVE			8			
104A	13	129C01-11700	HEAD ASSY, CYLINDER			1			
104A	21	27241-400000	PLUG, ?40			2			
104A	22	129005-11100	VALVE, INTAKE			4			
104A	23	129795-11120	SPRING, VALVE			8			
104A	24	129100-11130	VALVE, ?EXHAUST			4			
104A	25	129795-11180	RETAINER, SPRING			8			
104A	26	124460-11340	SEAL, VALVE STEM			4			
104A	27	129A00-11340	SEAL, ?VALVE?STEM			4			
104A	28	27310-080001	COTTER, 8			8			
104A	30	129978-11871	GASKET, INJECTOR			4			
104A	31	129A00-11900	RETAINER, ?INJECTOR			4			
104A	32	120270-54410	WASHER, INJECTOR			4			
104A	33	22351-060012	스프링핀			2			
104A	34	26106-080252	육각플랜지볼트			3			
104A	35	26106-080352	육각플랜지볼트			4			
104A	36	26106-080502	BOLT, M8X50 PLATED			7			
104A	37	124160-01751	COVER, ?FILLER			1			
104A	38	129C01-11351	BONNET ASSY			1			
104A	39	129004-03010	PLATE			1			
104A	40	129150-03070	BAFFLE, ?BREATHER			1			
104A	41	123907-03100	DIAPHRAGM			1			
104A	42	123907-03110	PLATE			1			
104A	43	123907-03120	PLATE, ?BREATHER			1			
104A	44	123907-03140	SPRING, DIAPHRAGM			1			
104A	46	129C00-11310	GASKET, COVER			1			
104A	47	129A00-11330	JOINT			1			
104A	48	129009-11340	SPRING			1			
104A	49	129A00-12703	SENSOR, PRESSURE			1			
104A	50	129A00-12780	O-RING, PRES?SENSOR			2			
104A	51	129A00-13360	HOSE ASSY, PRES EXH			1			
104A	53	129A00-13380	CLIP, HOSE 14			2			
104A	54	119640-61400	PLUG			1			
104A	55	22857-500100	SCREW, 5X10			4			
104A	56	22857-500100	SCREW, 5X10			6			
104A	57	22857-500100	SCREW, ?5X10			1			
NOTE									

FIG 105A

SUCTION MANIFOLD (T554)

년/월
Year/Month

2022-12



NOTE

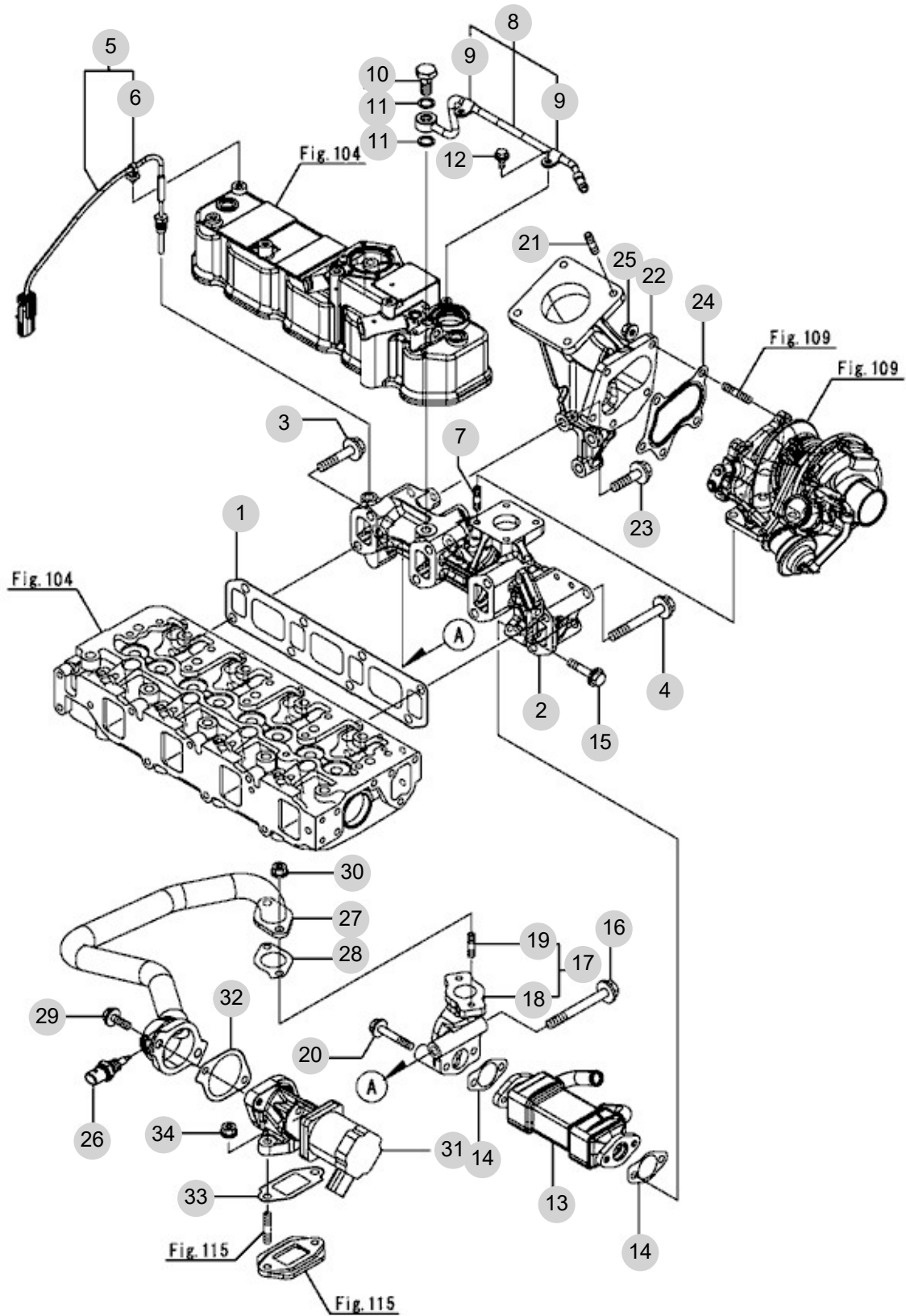
FIG 106A

EXHAUST MANIFOLD (T554)

년/월
Year/Month

2022-12

T555SHGBC



NOTE

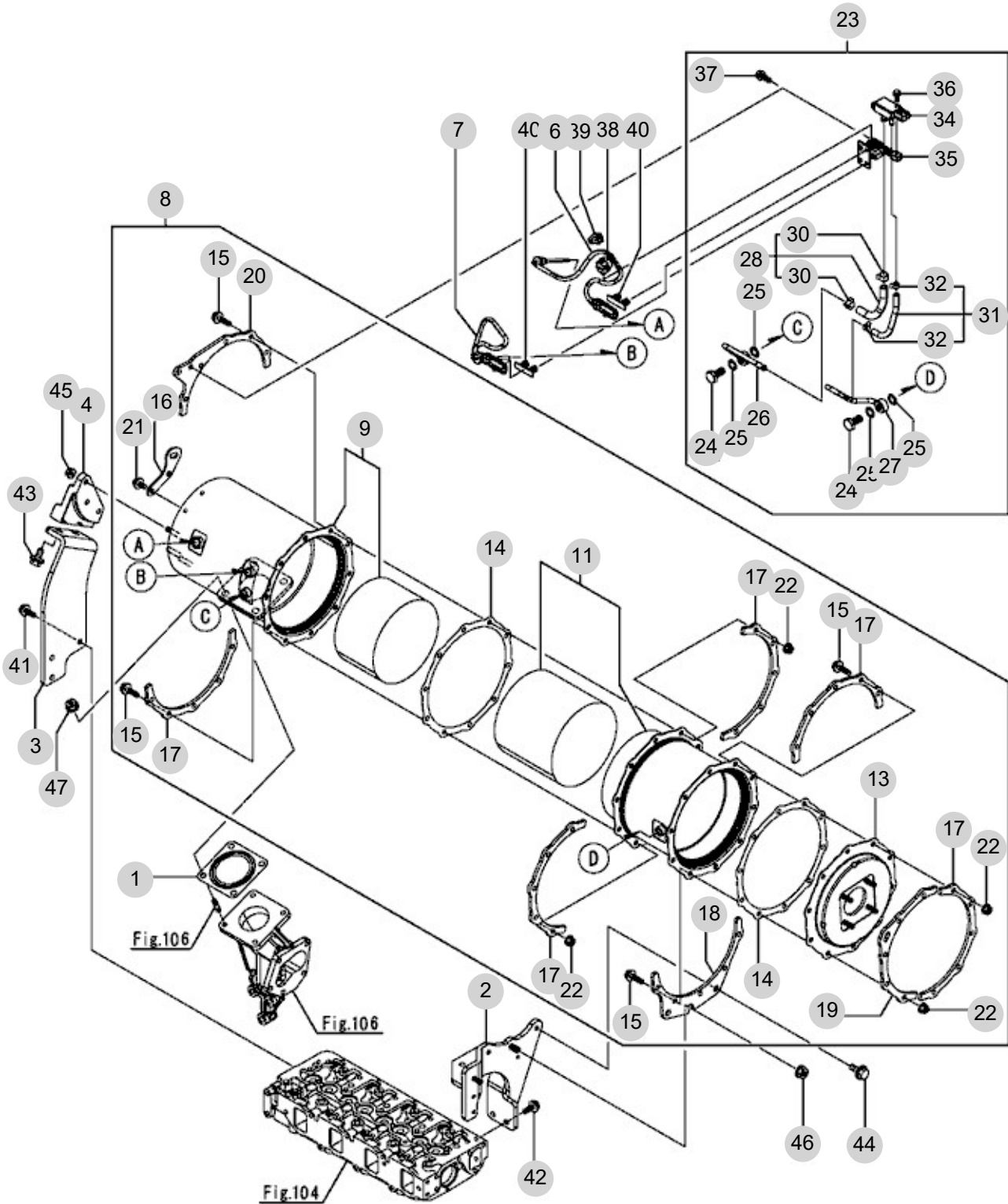
FIG 107A

T555SHGBC

DIESEL PARTICULATE FILTER (T554)

년/월
Year/Month

2022-12



NOTE

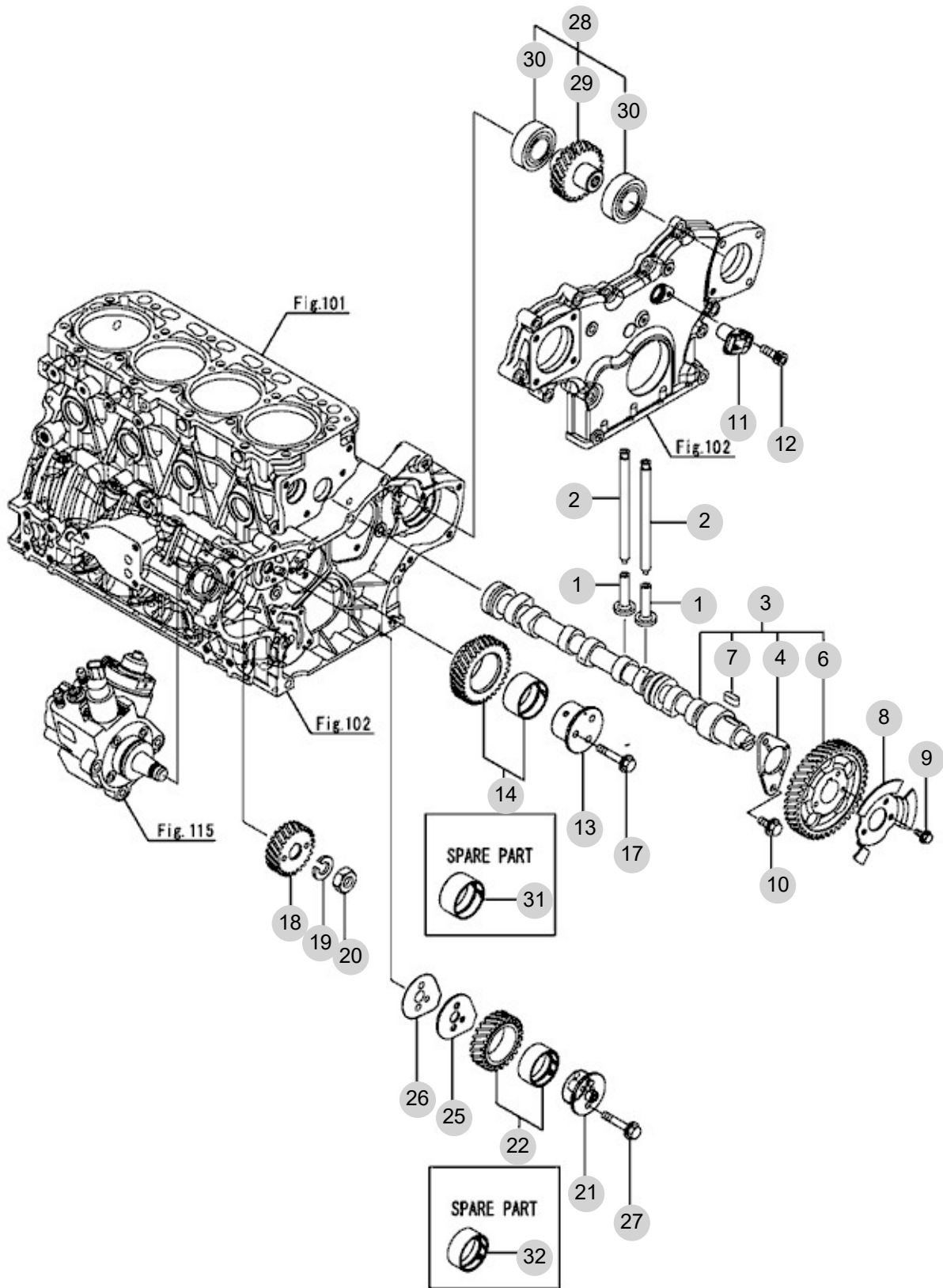
FIG 108

T555SHGBC

CAMSHAFT & DRIVING GEAR

년/월
Year/Month

2022-12



NOTE

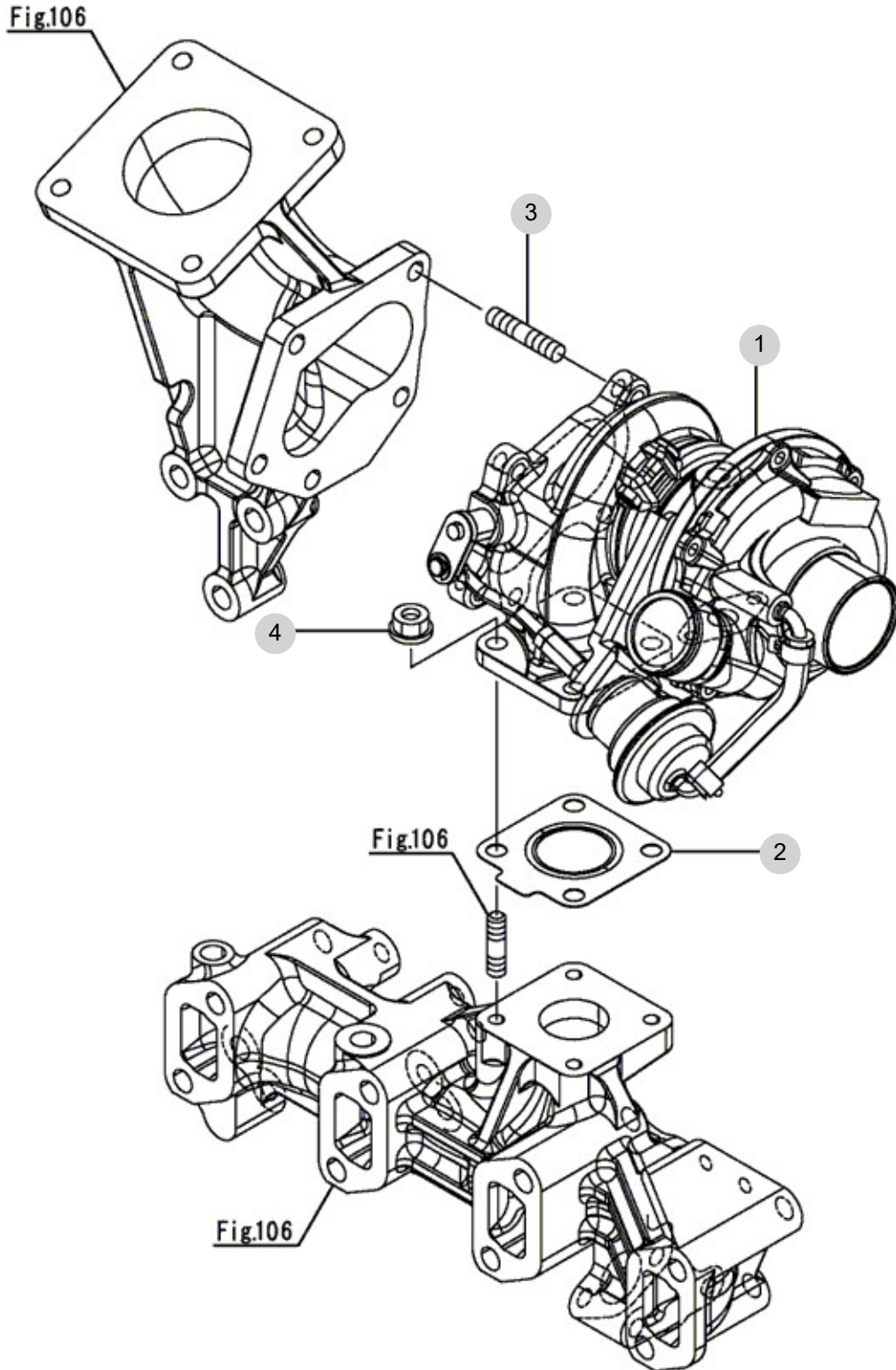
FIG 109

TURBINE (T554)

년/월
Year/Month

2022-12

T555SHGBC



NOTE

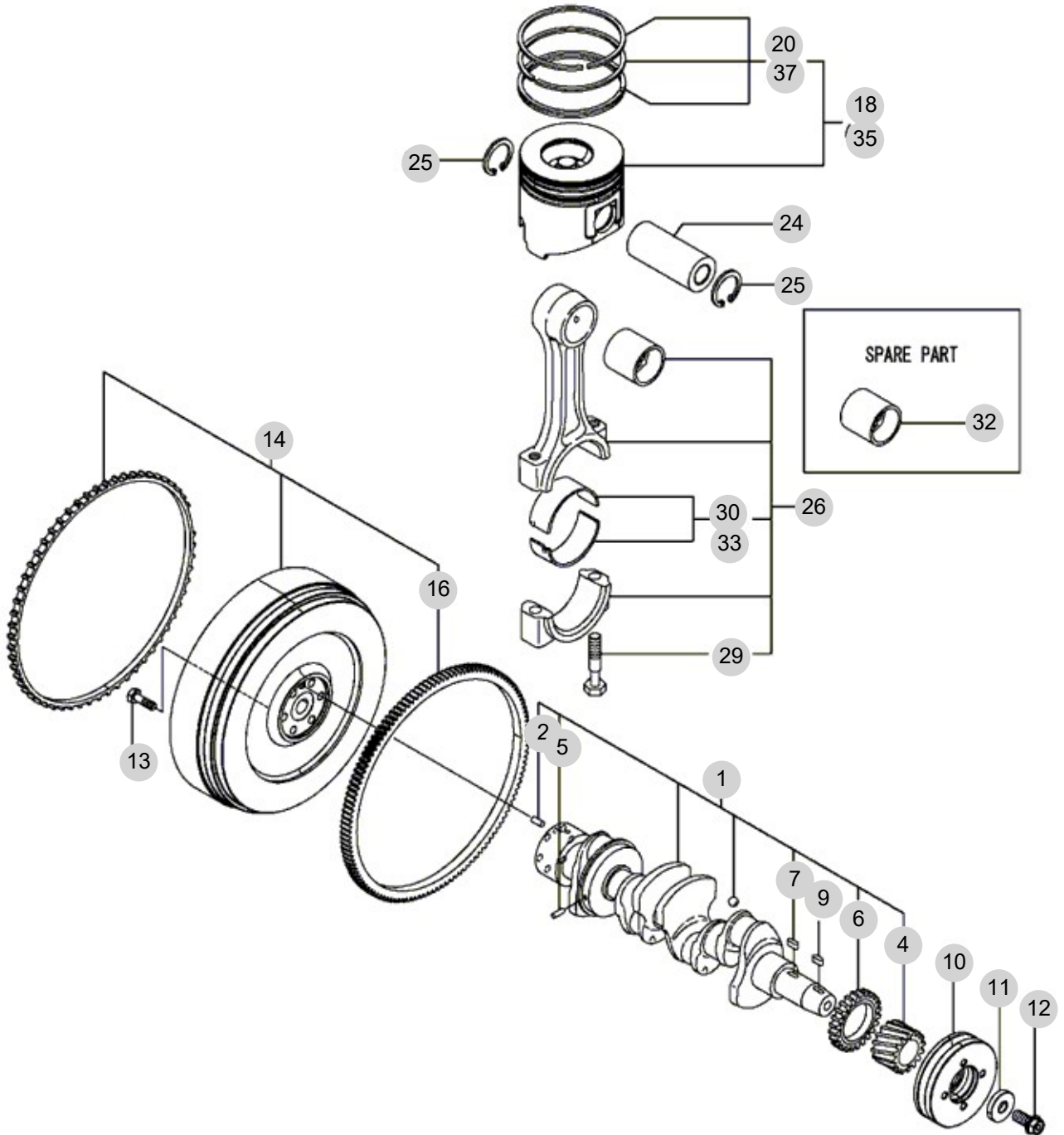
FIG 110A

T555SHGBC

CRANKSHAFT & PISTON (T554)

년/월
Year/Month

2022-12



NOTE

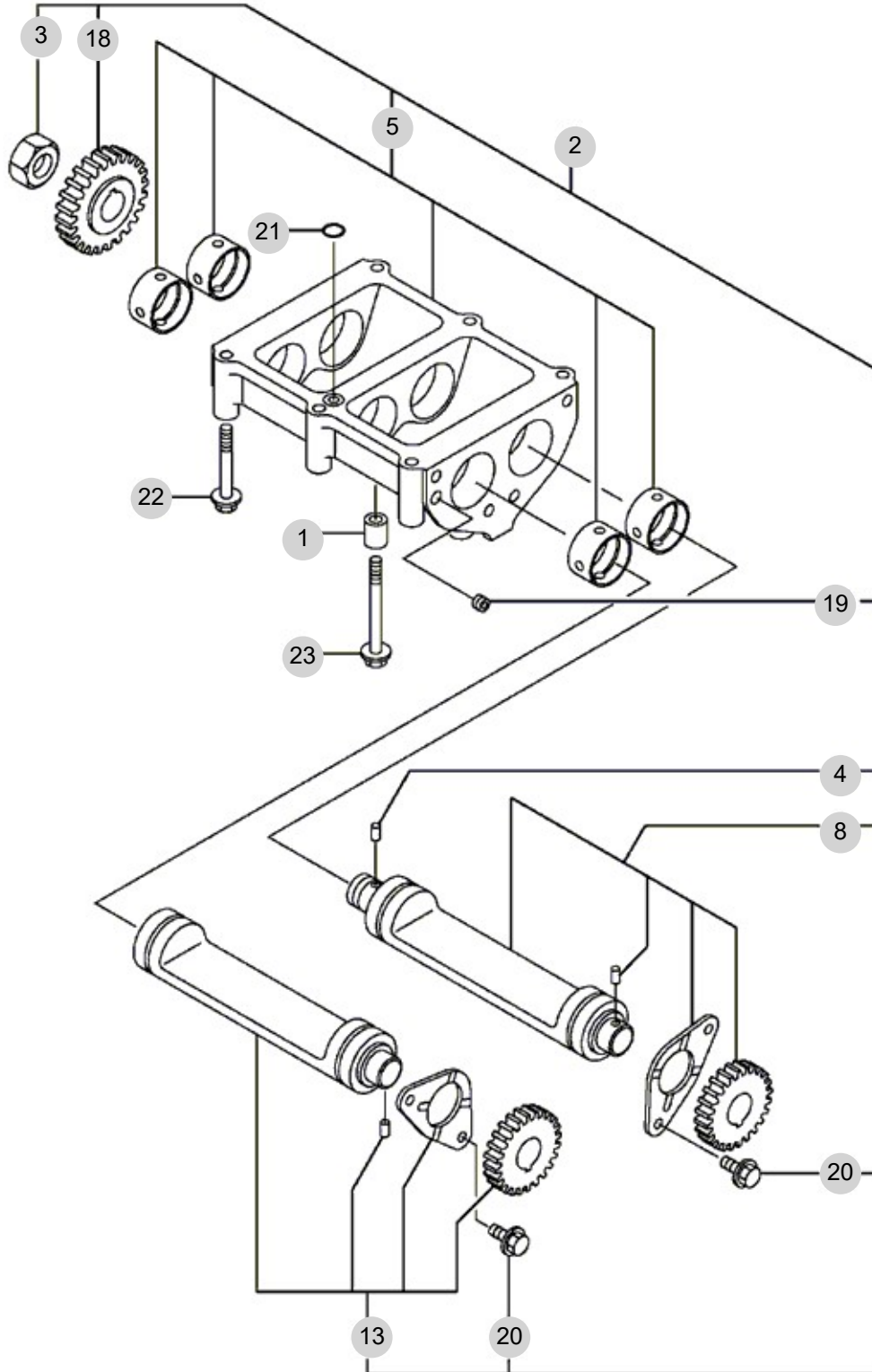
FIG 111

BALANCER

년/월
Year/Month

2022-12

T555SHGBC



NOTE

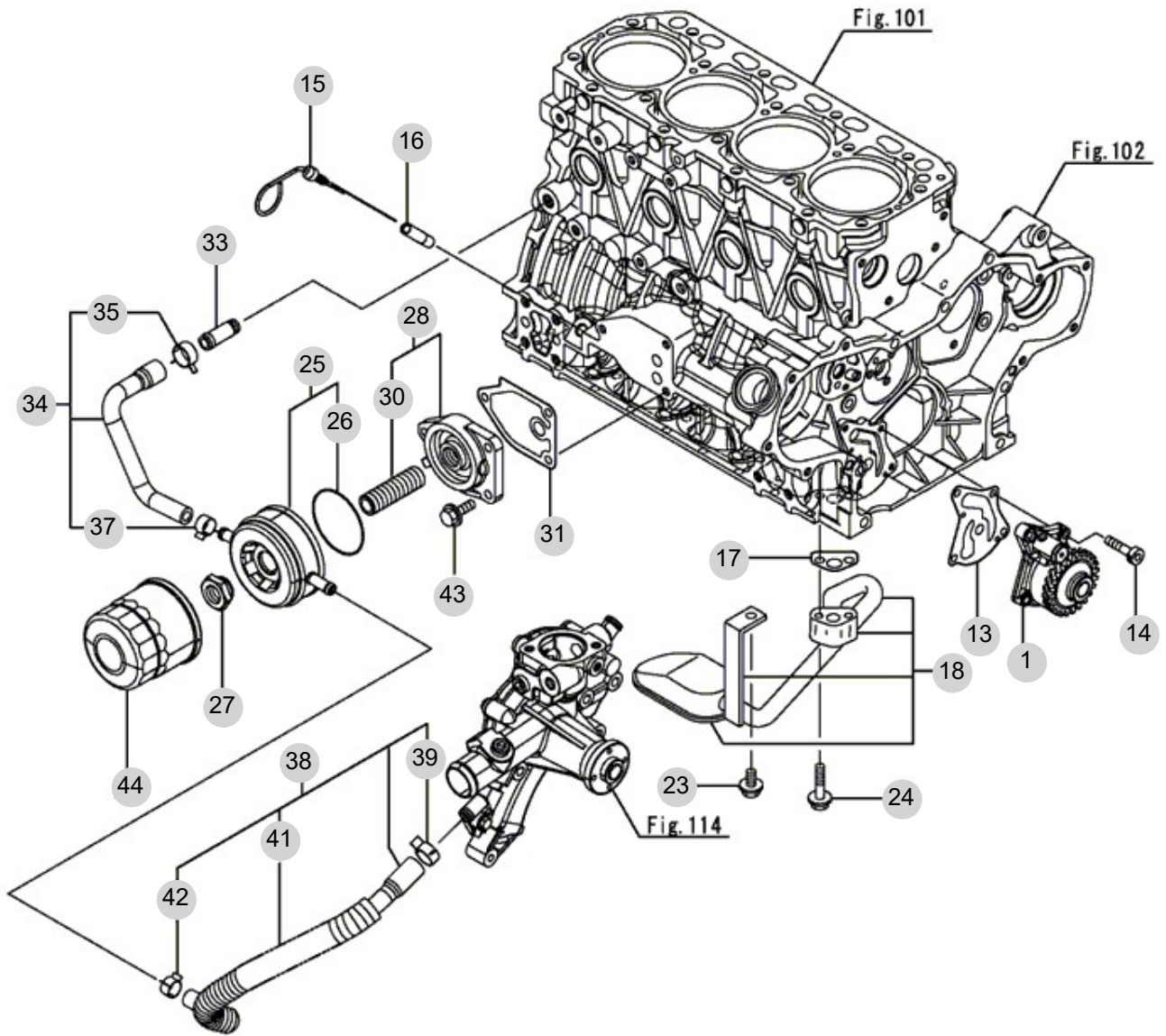
FIG 112A

T555SHGBC

LUB. OIL SYSTEM (T554)

년/월
Year/Month

2022-12



NOTE

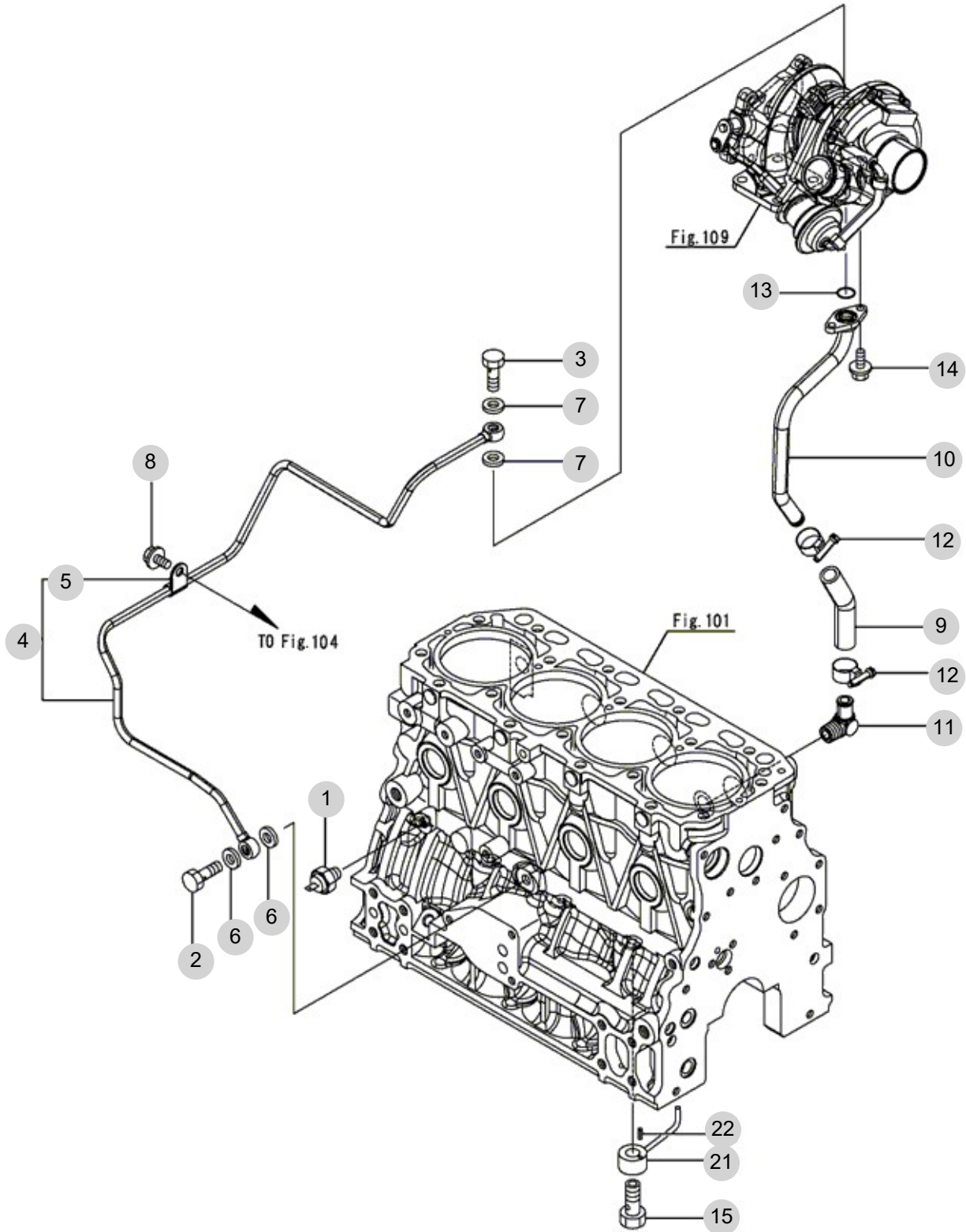
FIG 113

T555SHGBC

LUB. OIL LINE (T554)

년/월
Year/Month

2022-12



NOTE

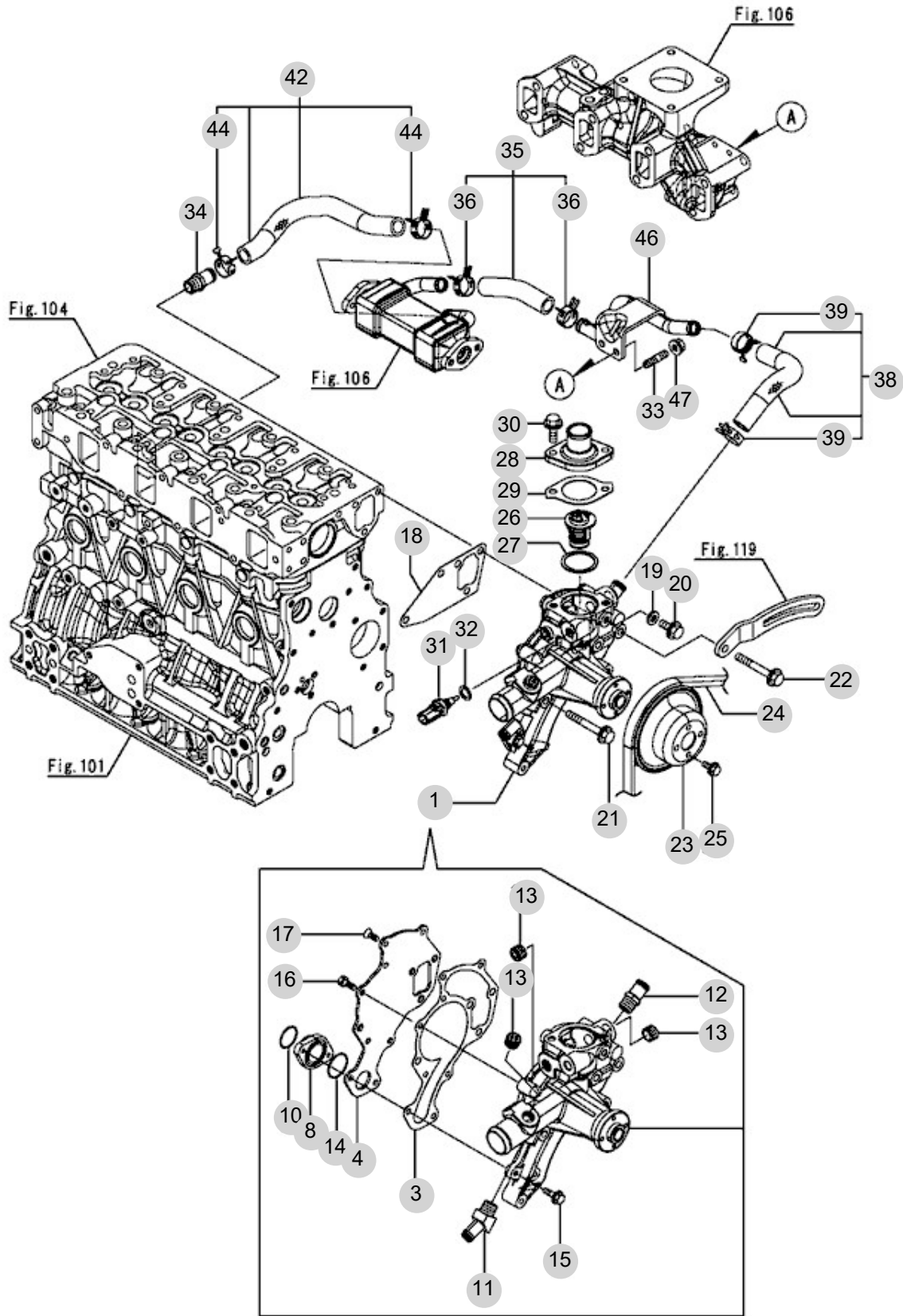
FIG 114

COOLING WATER SYSTEM

년/월
Year/Month

2022-12

T555SHGBC



NOTE

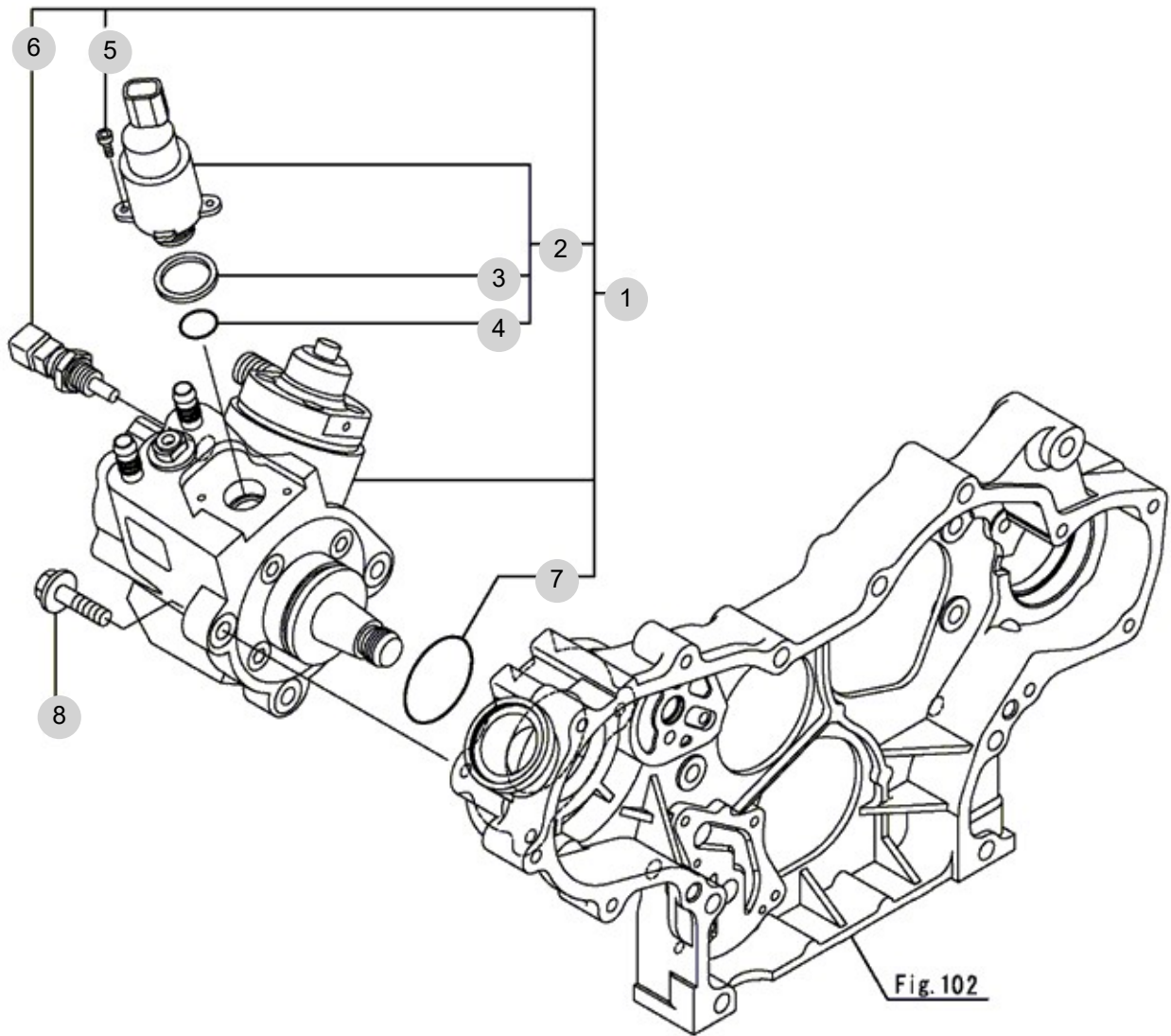
FIG 115

T555SHGBC

FUEL SUPPLY PUMP

년/월
Year/Month

2022-12



NOTE

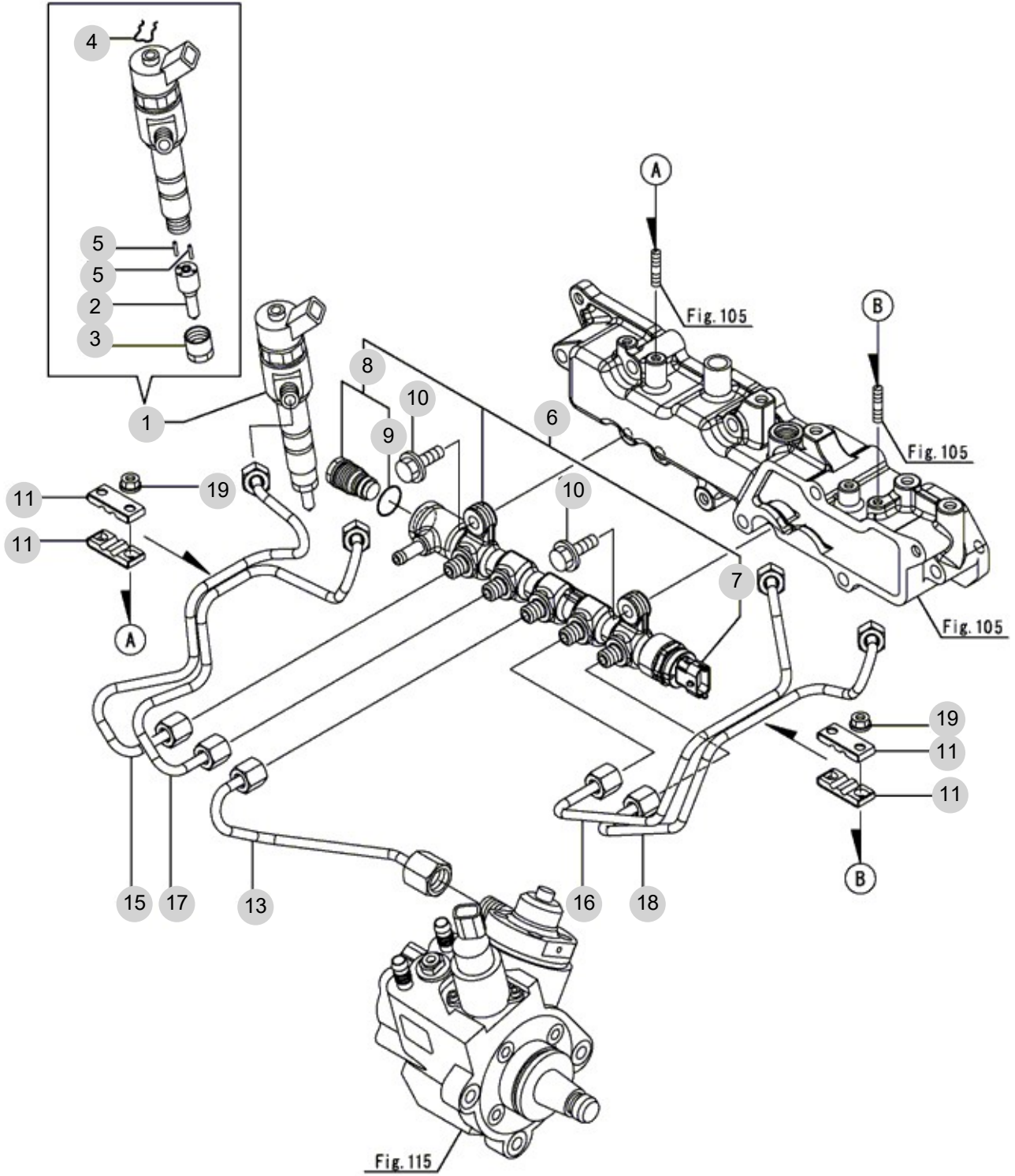
FIG 116A

T555SHGBC

FUEL INJECTION VALVE (T554)

년/월
Year/Month

2022-12



NOTE

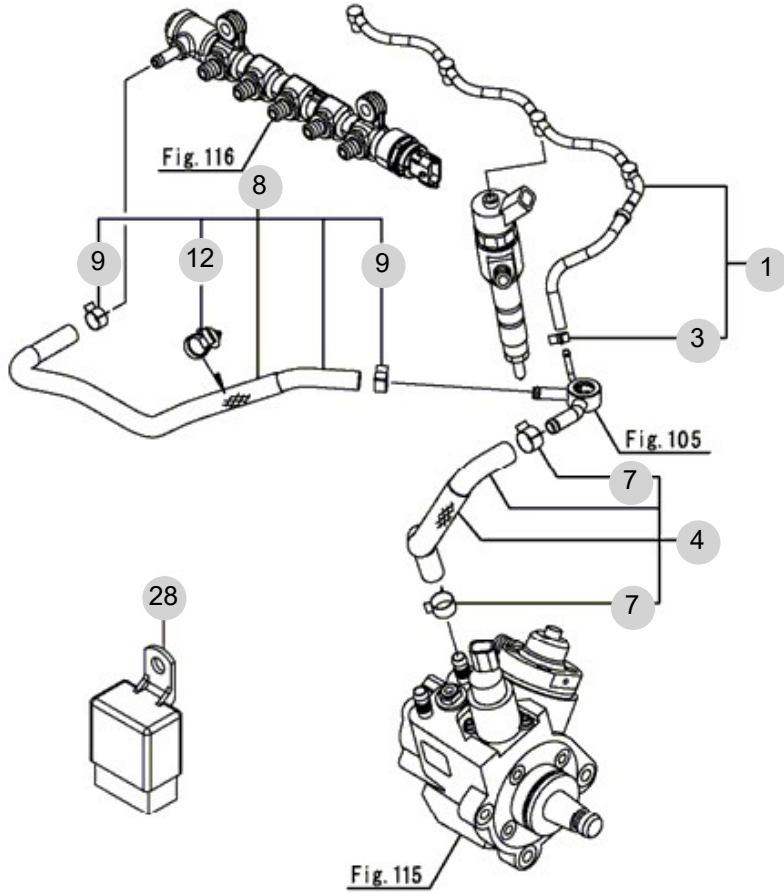
FIG 117

T555SHGBC

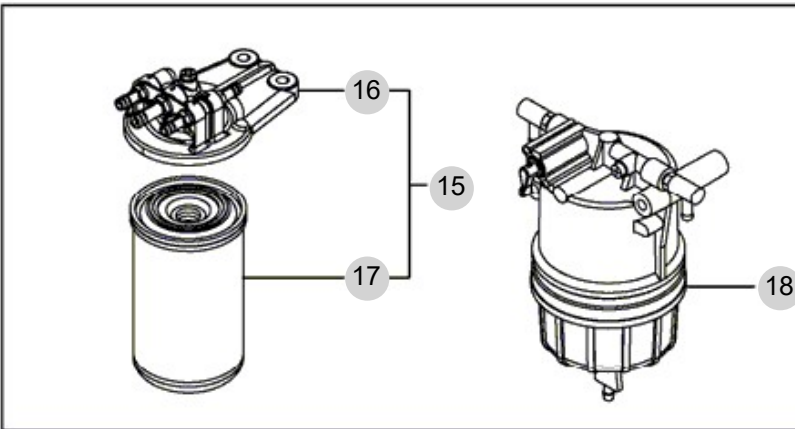
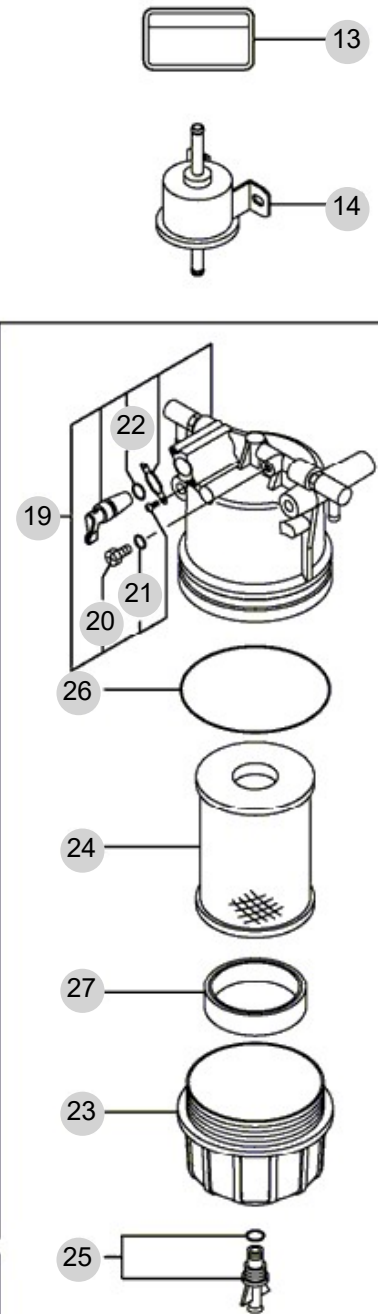
FUEL LINE

년/월
Year/Month

2022-12



LOOSE PARTS



NOTE

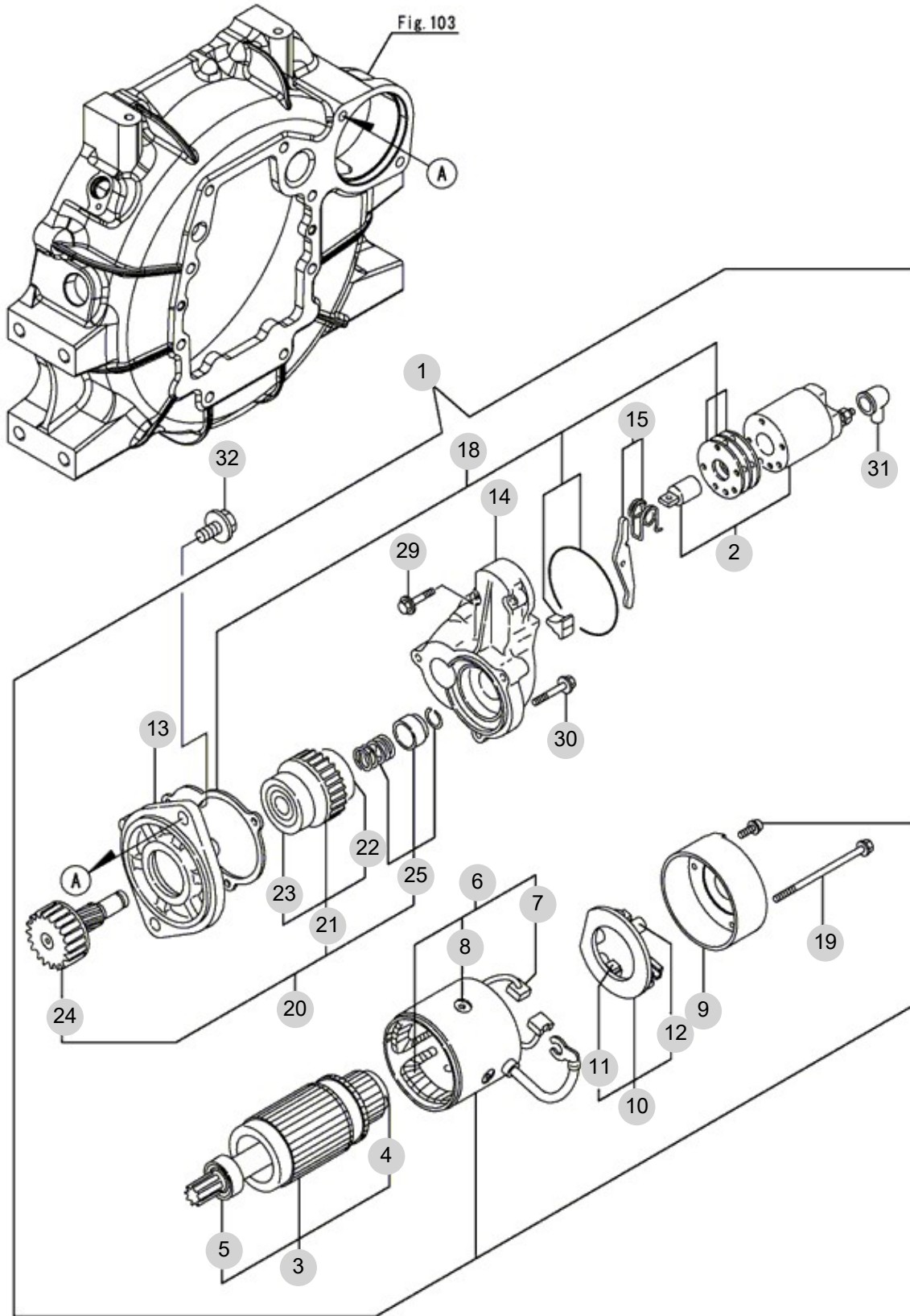
FIG 118

STARTING MOTOR

년/월
Year/Month

2022-12

T555SHGBC



NOTE

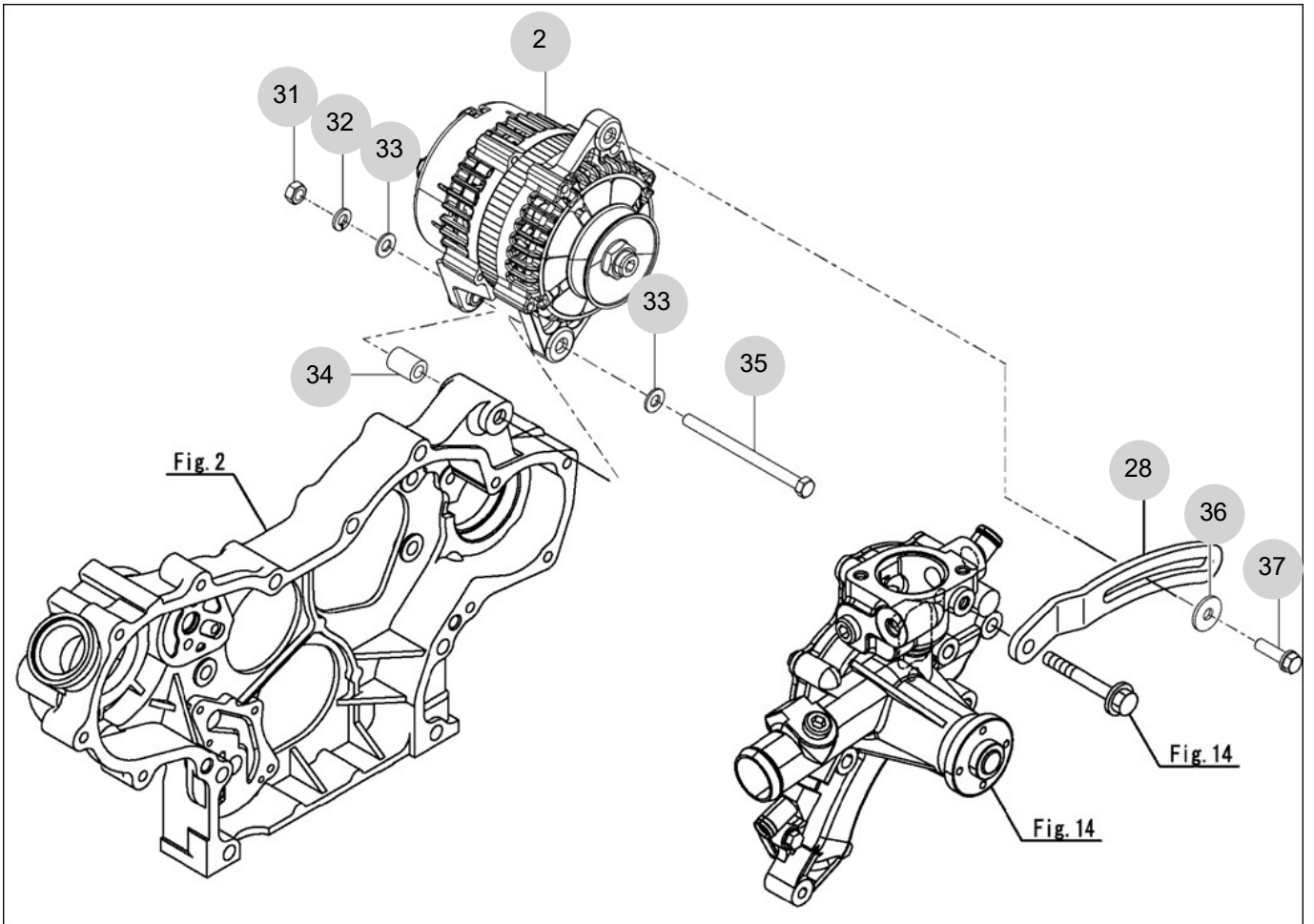
FIG 119

GENERATOR

년/월
Year/Month

2022-12

T555SHGBC



NOTE

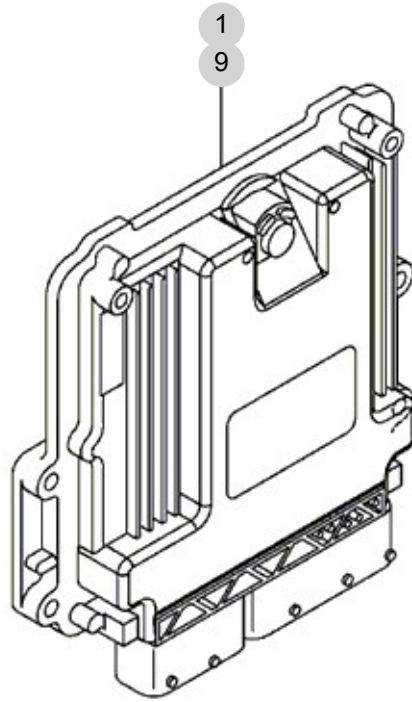
FIG 120A

T555SHGBC

ELECTRONIC CONTROL UNIT (T554)

년/월
Year/Month

2022-12



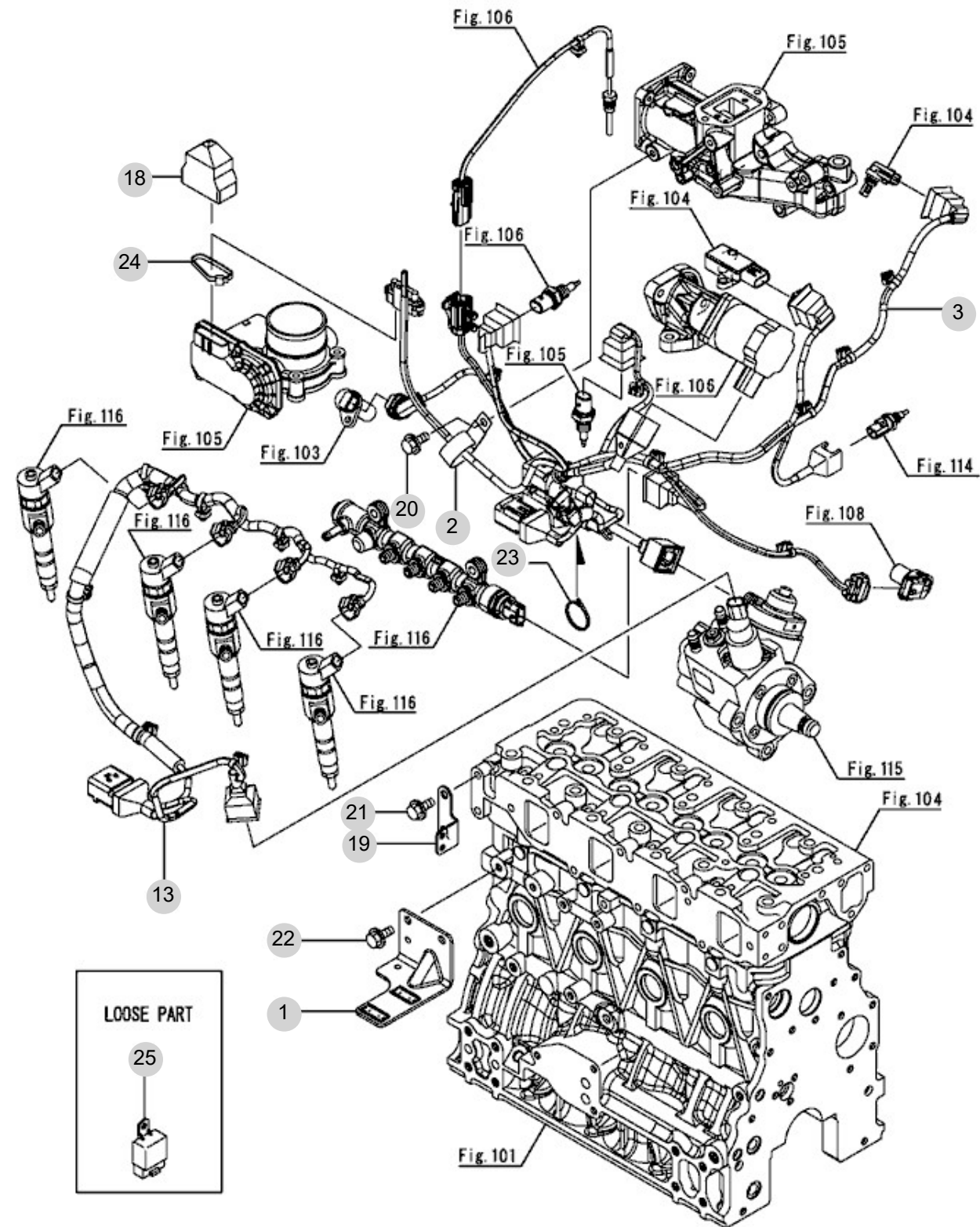
NOTE

FIG 121A

ELECTRIC PARTS (T554)

년/월
Year/Month

2022-12



NOTE

FIG 122A

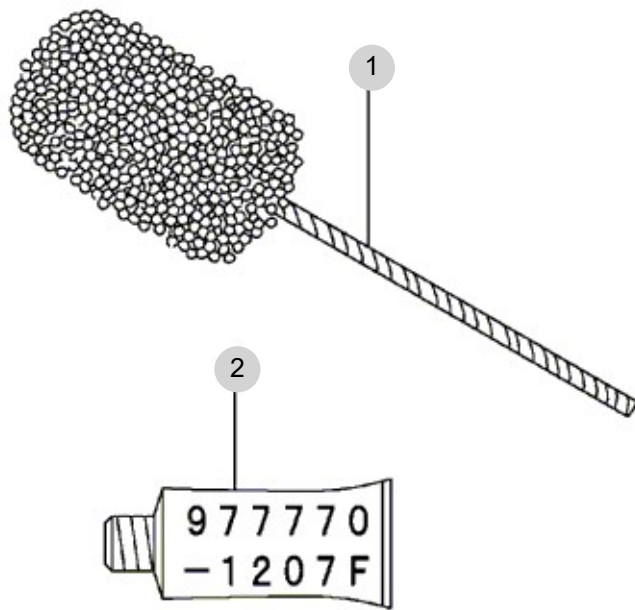
T555SHGBC

ACCESSORY (T554)

년/월
Year/Month

2022-12

OPTIONAL PARTS



NOTE

FIG 122A T555SHGBC		ACCESSORY (T554)					년/월 Year/Month	
							2022-12	
KEY NO		PART NO	DESCRIPTION	SPEC	QTY	REPAIR	EFFECTIVE DATE	REMARKS
122A	1	129400-92420	HONE		1			
122A	2	977770-1207F	GASKET , LIQUID		1			
NOTE								

2. 엔진보기품 PART NO. T2

FIG 201 AIR CLEANER	55
FIG 202 RADIATOR	57
FIG 203 MUFFLER	59
FIG 204 FUEL HOSE & FILTER	61
FIG 205 FUEL TANK	63
FIG 206 ACCELERATOR	65
FIG 207 OIL COOLER	67
FIG 208 COOLING FAN	69

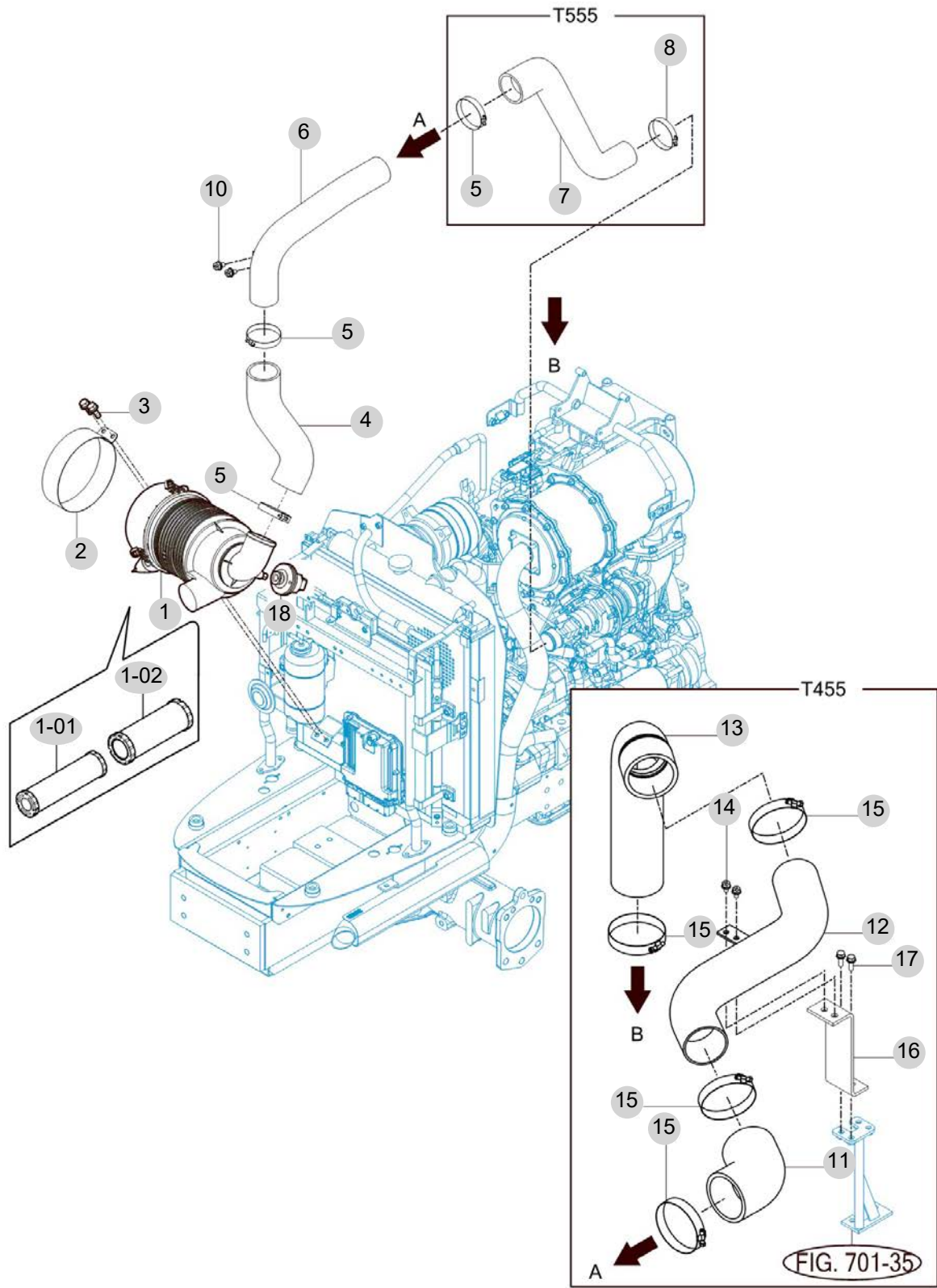
FIG 201

T555SHGBC

AIR CLEANER

년/월
Year/Month

2022-12



NOTE

FIG 202

T555SHGBC

RADIATOR

년/월
Year/Month

2022-12

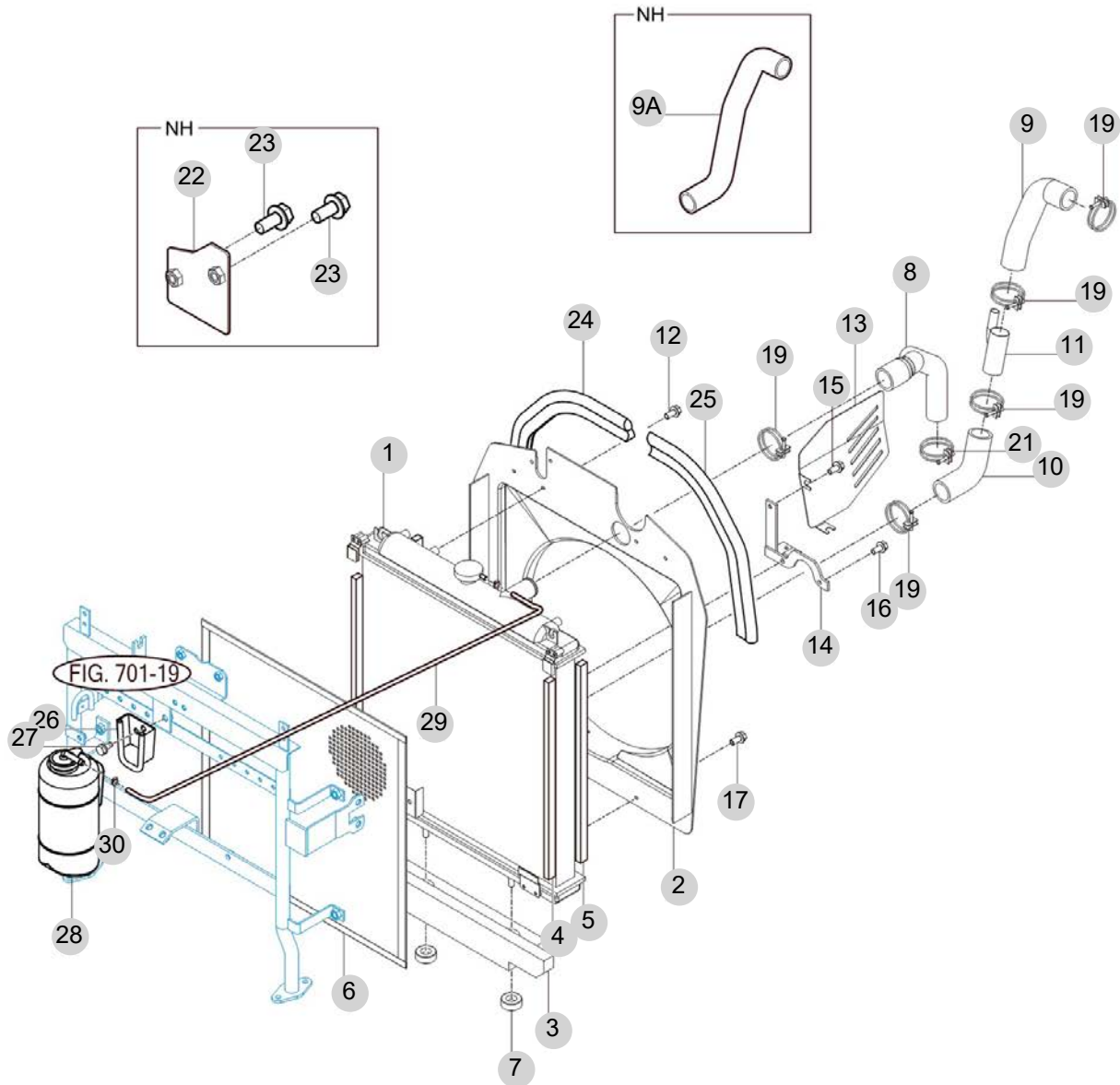


FIG. 701-19

NOTE

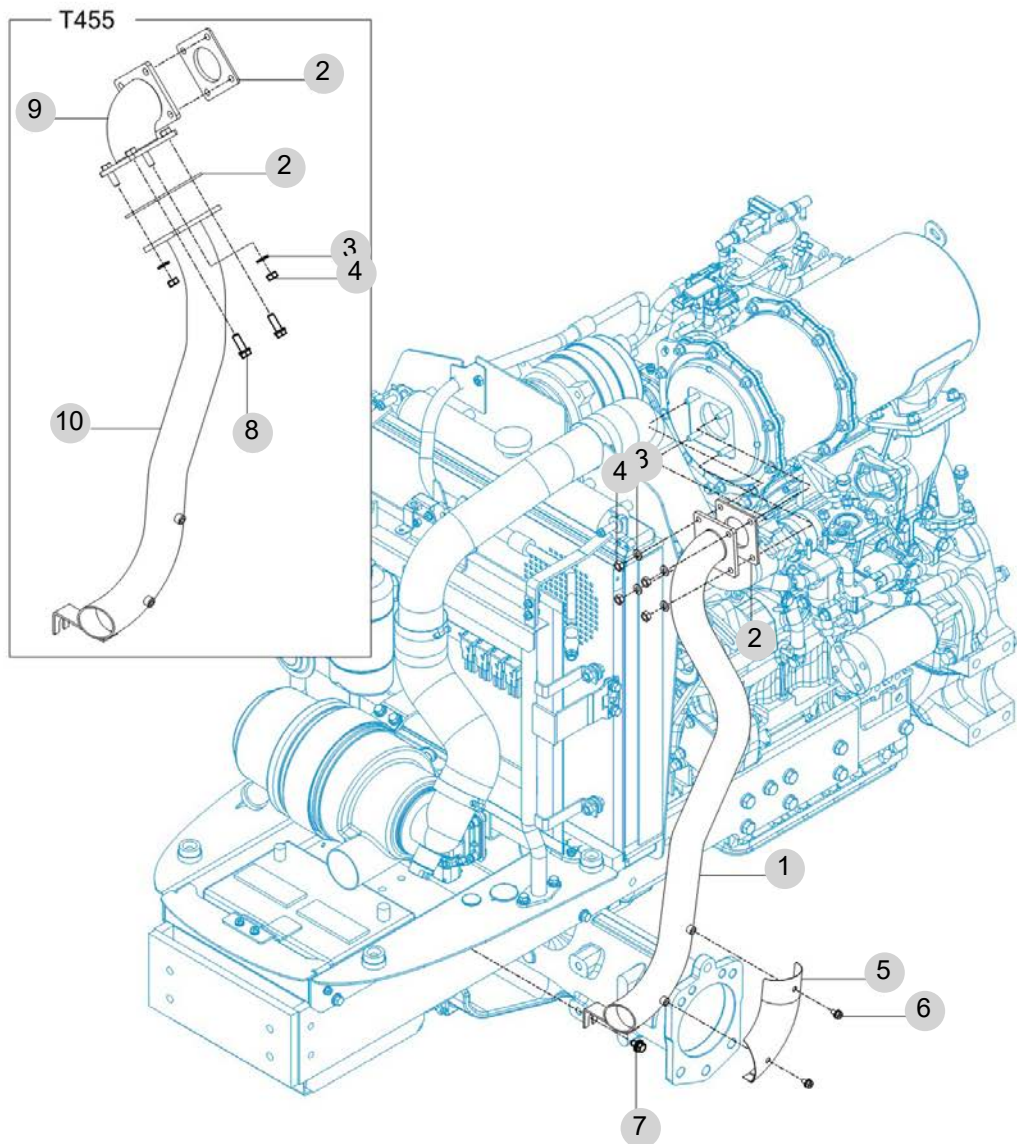
FIG 203

T555SHGBC

MUFFLER

년/월
Year/Month

2022-12



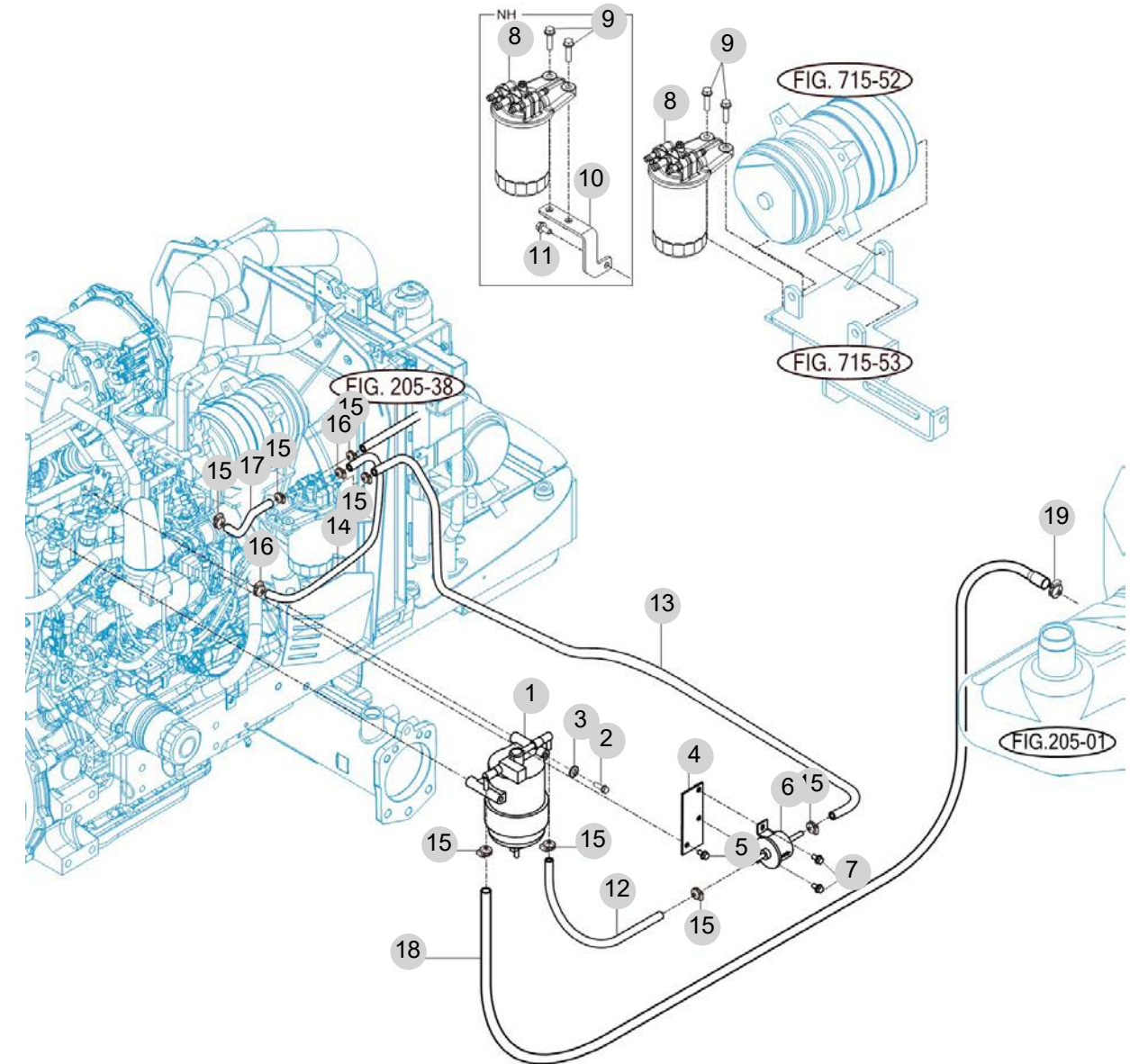
NOTE

FIG 204

FUEL HOSE & FILTER

년/월
Year/Month

2022-12



NOTE

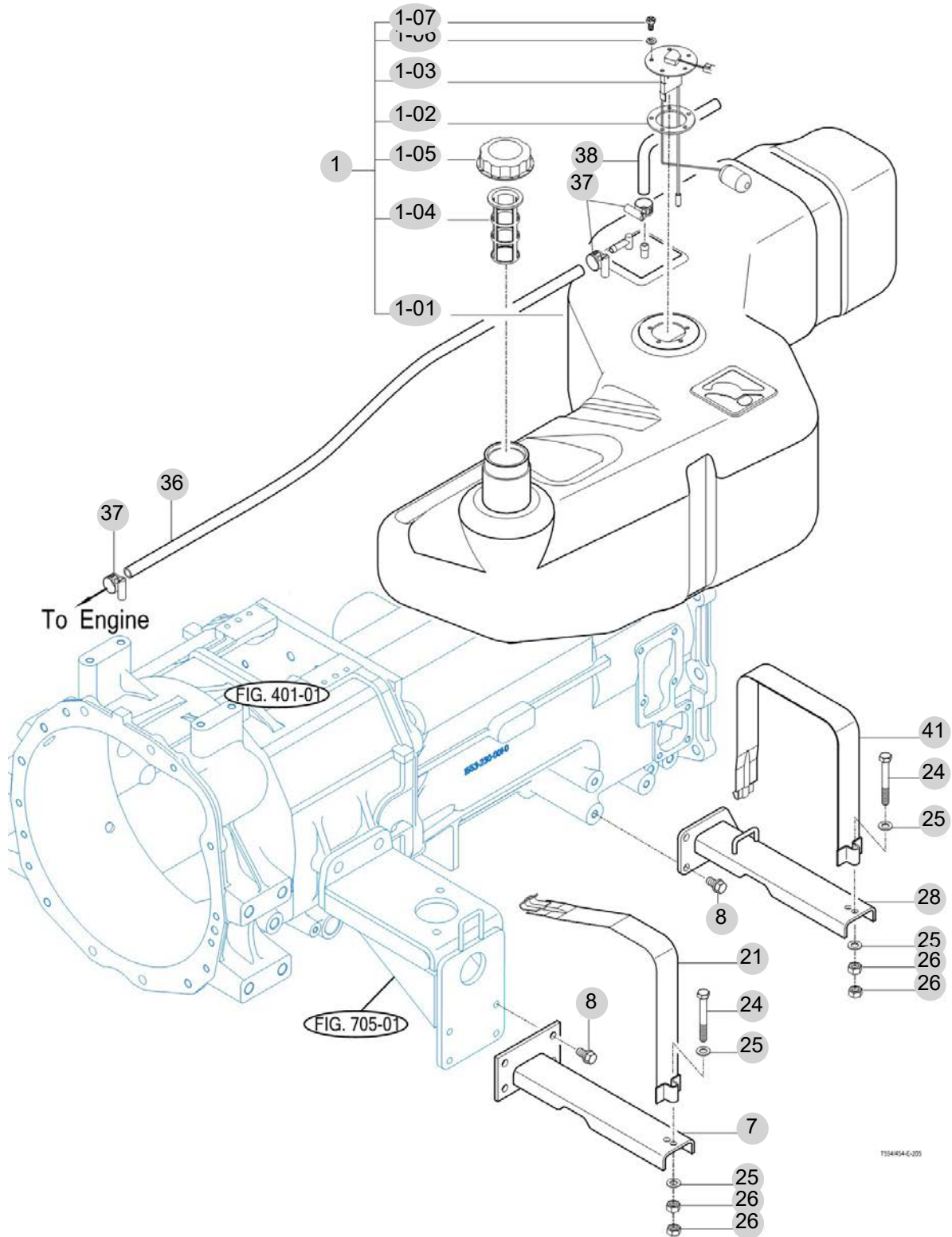
FIG 205

T555SHGBC

FUEL TANK

년/월
Year/Month

2022-12



NOTE

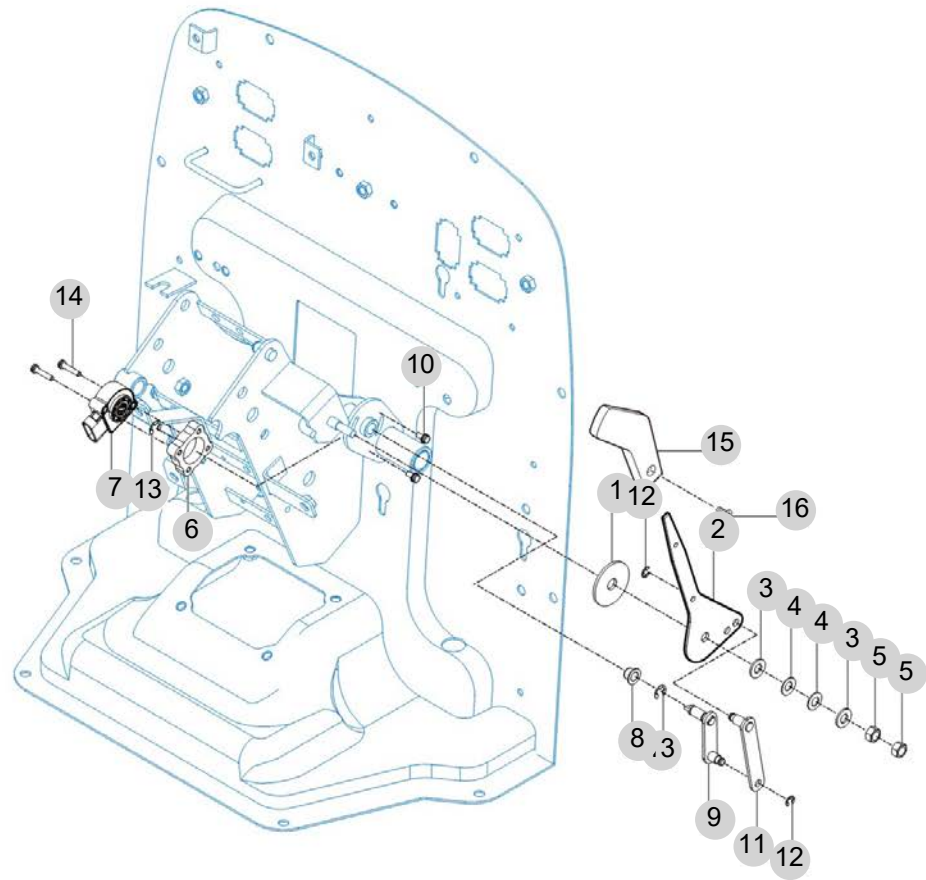
FIG 206

ACCELERATOR

년/월
Year/Month

2022-12

T555SHGBC



NOTE

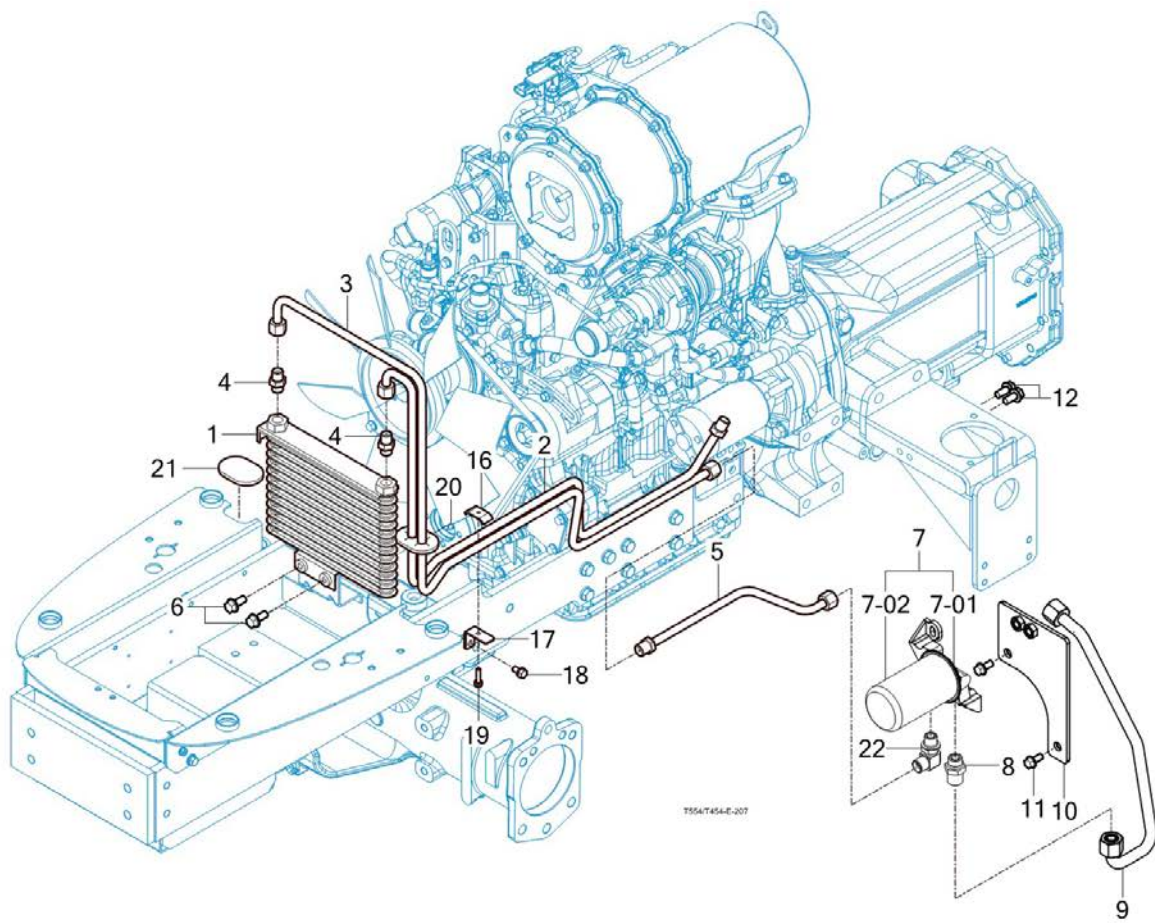
FIG 207

T555SHGBC

OIL COOLER

년/월
Year/Month

2022-12



NOTE

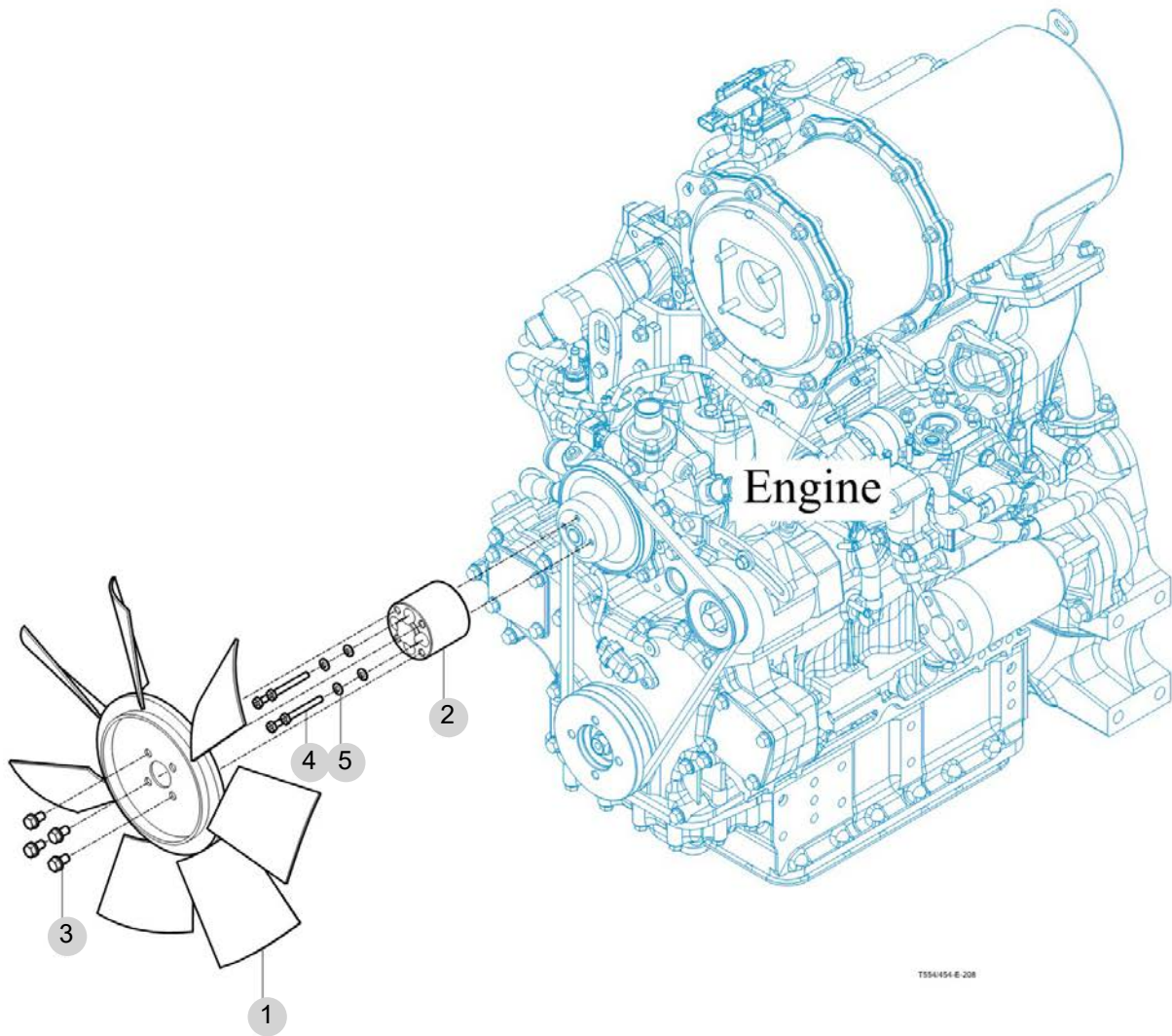
FIG 208

COOLING FAN

년/월
Year/Month

2022-12

T555SHGBC



T55456 E-208

NOTE

3. 클러치/브레이크/스티어링 PART NO. T3

FIG 301 CLUTCH	72
FIG 302 CLUTCH PEDAL	74
FIG 303 BRAKE	76
FIG 304 BRAKE PEDAL & LINK	78
FIG 305A FRONT WHEEL	80
FIG 305B FRONT WHEEL (R4 OPTION)	82
FIG 306A REAR WHEEL	84
FIG 306B REAR WHEEL (R4 OPTION)	86
FIG 307 POWER STEERING WHEEL	88
FIG 308 POWER STEERING VALVE	90
FIG 309 POWER STEERING CYLINDER	92

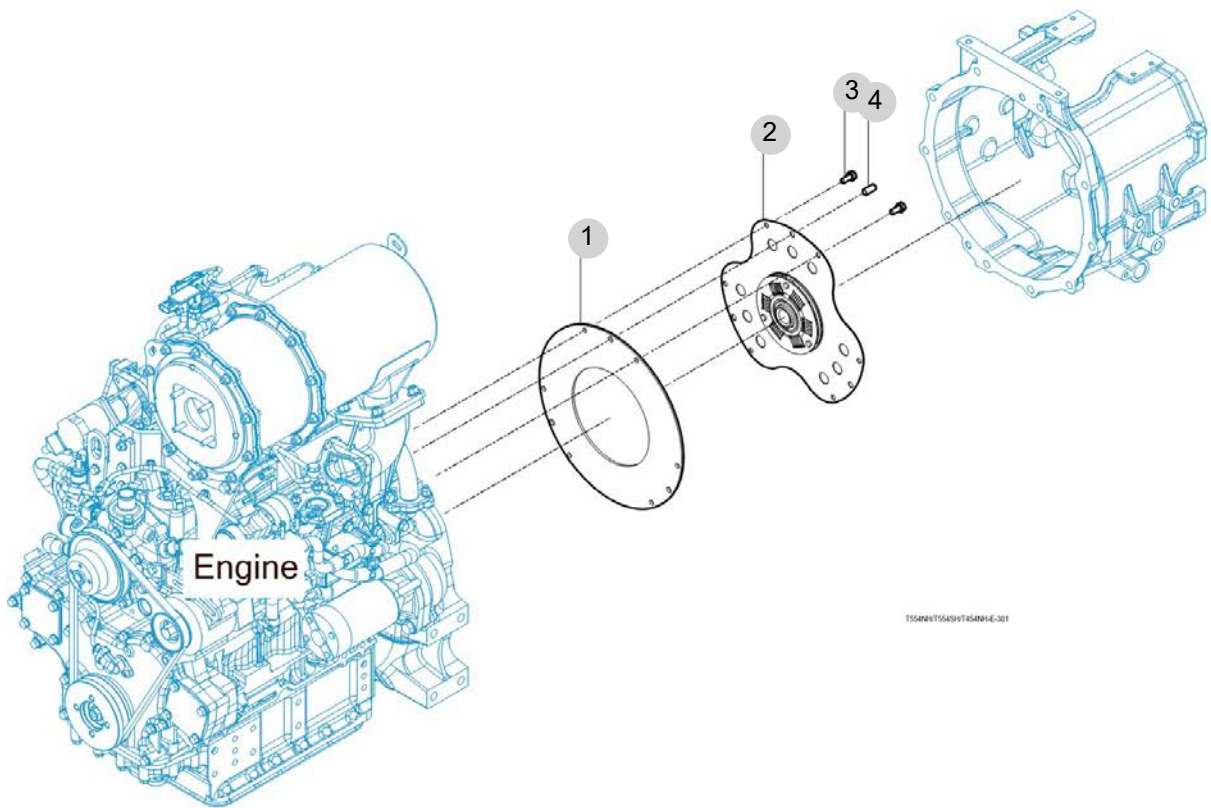
FIG 301

T555SHGBC

CLUTCH

년/월
Year/Month

2022-12



NOTE

FIG 301 T555SHGBC		CLUTCH						년/월 Year/Month
								2022-12
KEY NO	PART NO	DESCRIPTION	SPEC	QTY	REPAIR	EFFECTIVE DATE	REMARKS	
301	1	17481210010	댐퍼 플레이트					
301	2	15531212000	댐퍼 플랜지 ASSY, 315					
301	3	V2173608020	소형육각볼트보통(S)	M8X20	6			
301	4	V5201010020	평행핀(A)		3			
NOTE								

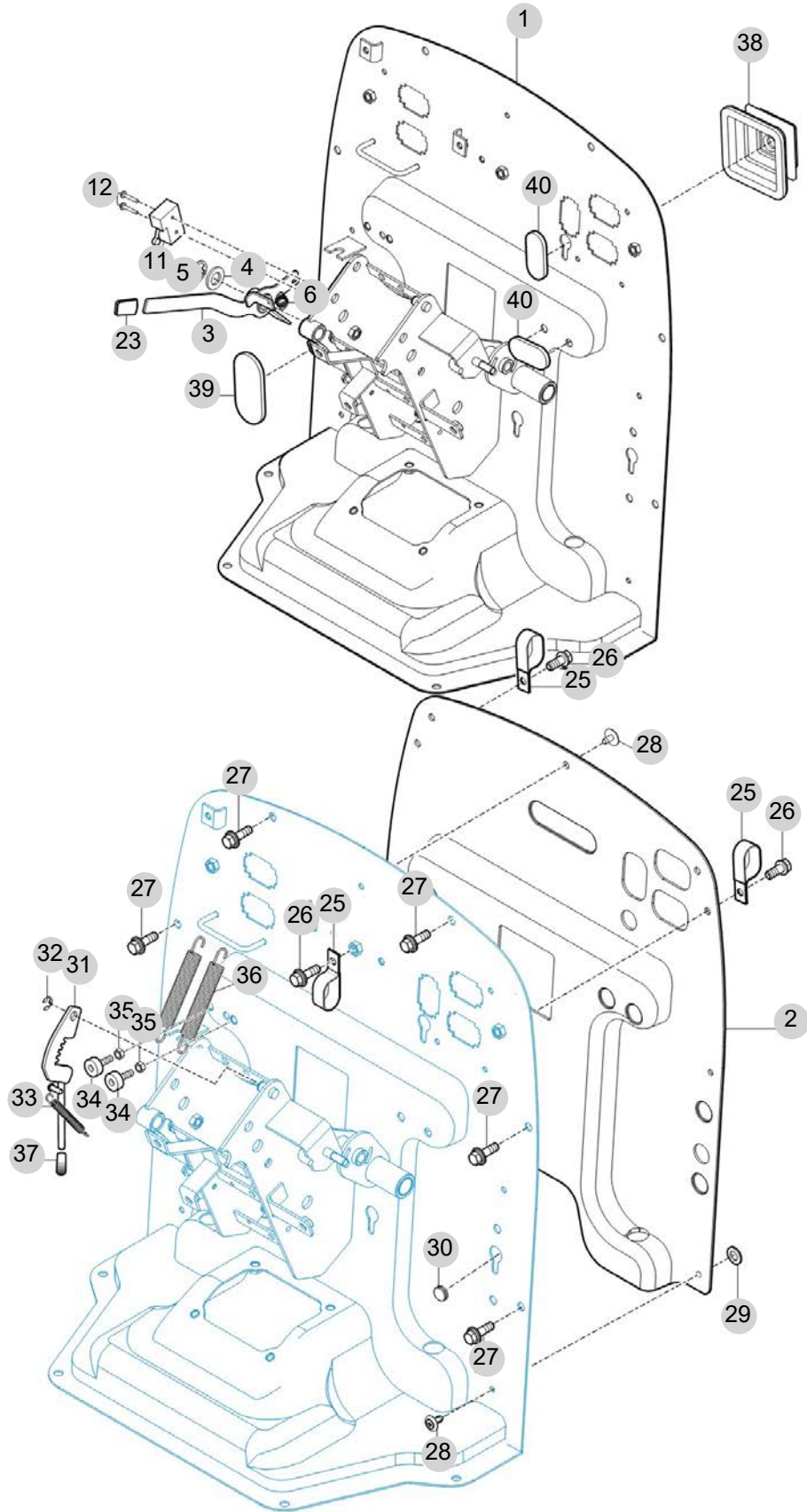
FIG 302

CLUTCH PEDAL

년/월
Year/Month

2022-12

T555SHGBC



NOTE

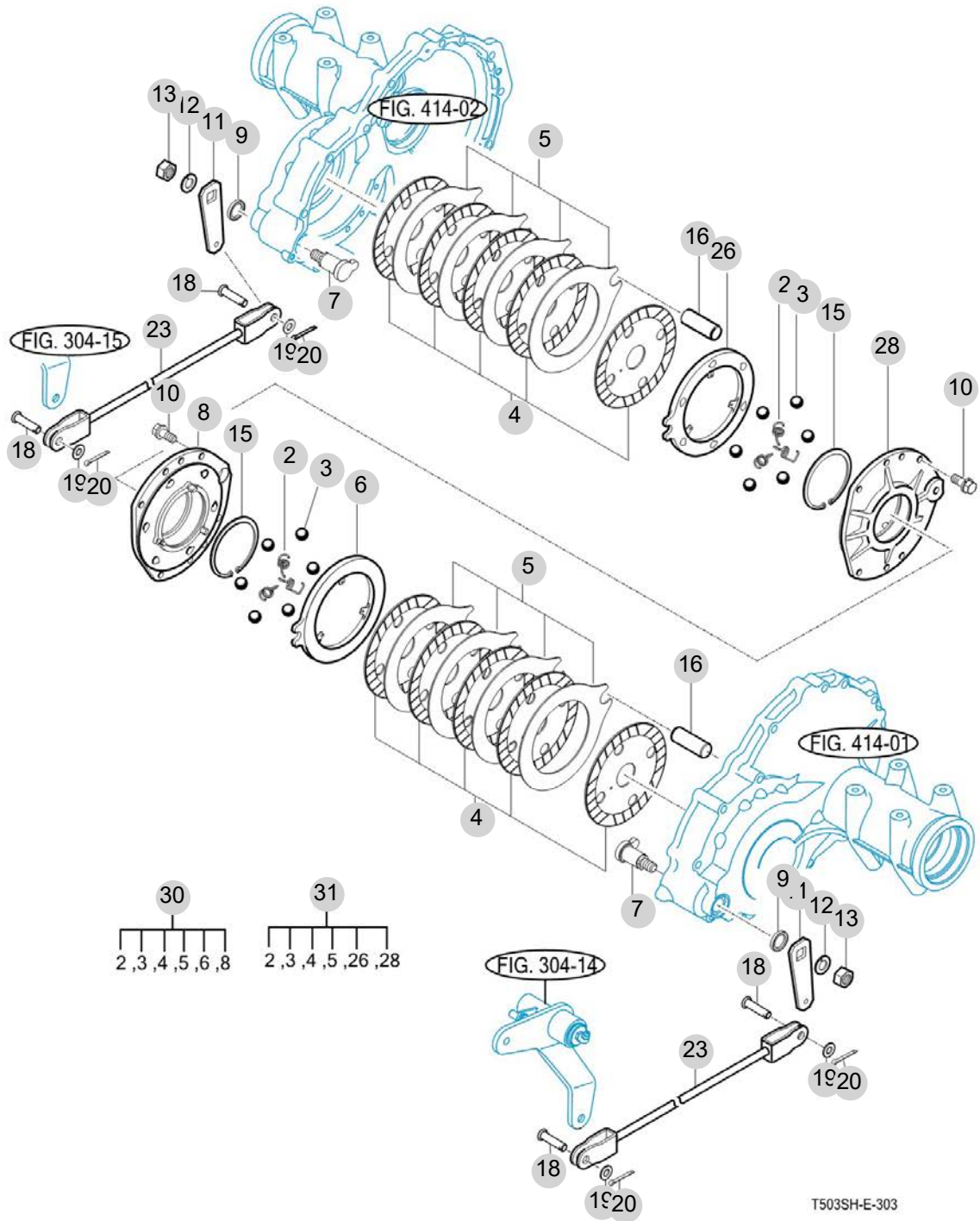
FIG 303

T555SHGBC

BRAKE

년/월
Year/Month

2022-12



NOTE

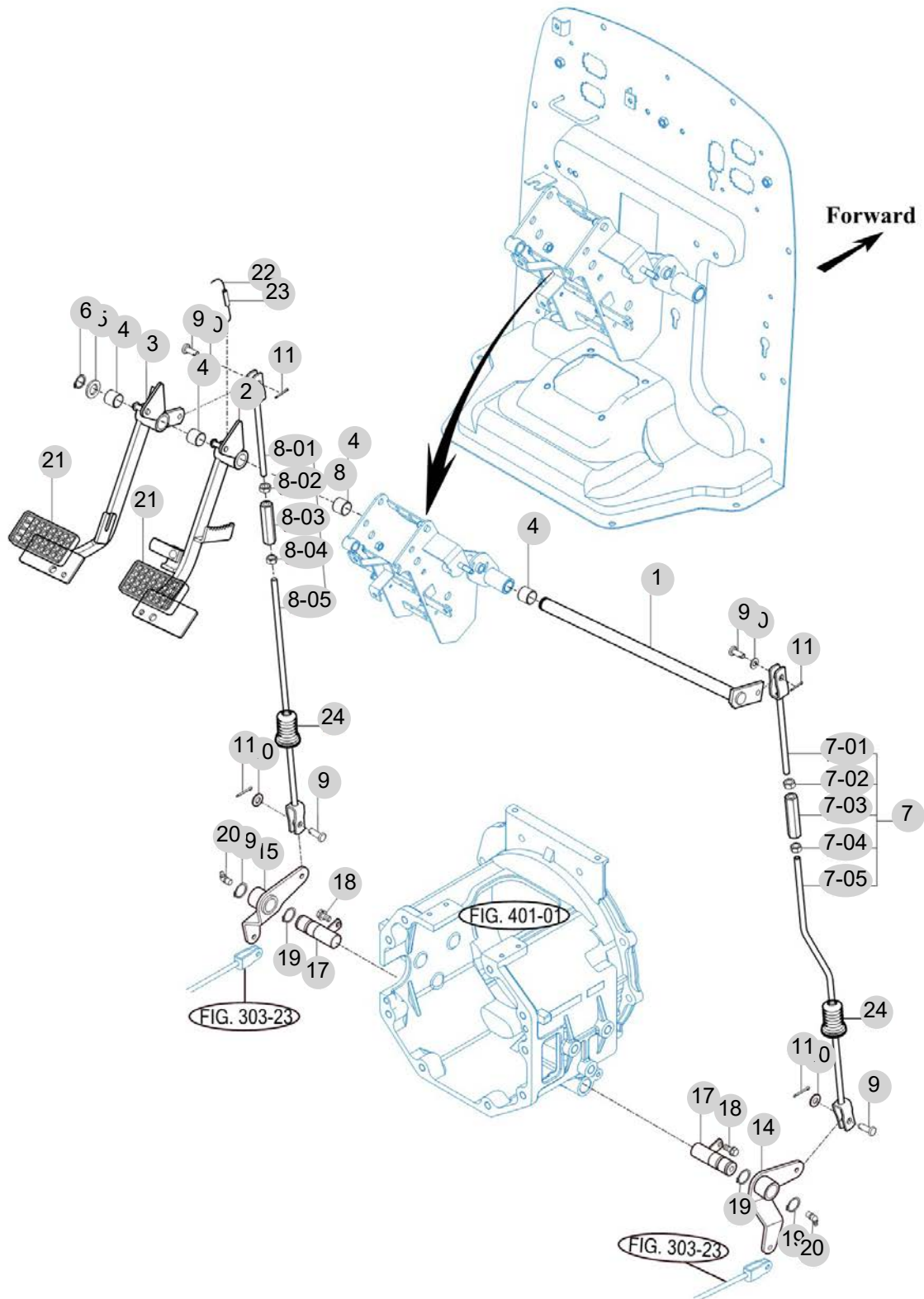
FIG 304

T555SHGBC

BRAKE PEDAL & LINK

년/월
Year/Month

2022-12



NOTE

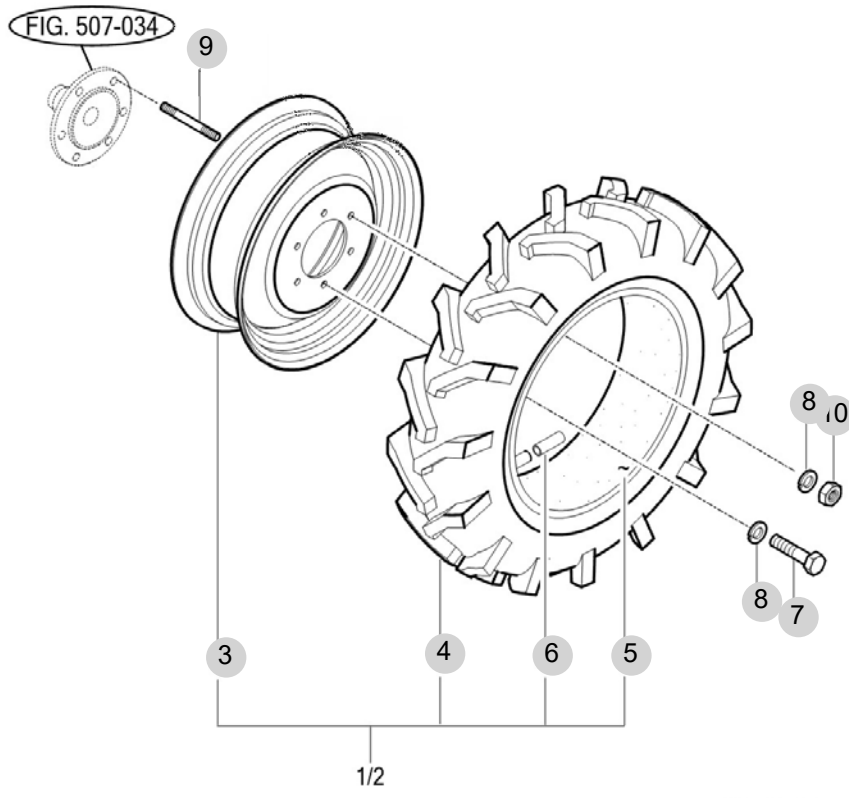
FIG 305A

T555SHGBC

FRONT WHEEL

년/월
Year/Month

2022-12



NOTE

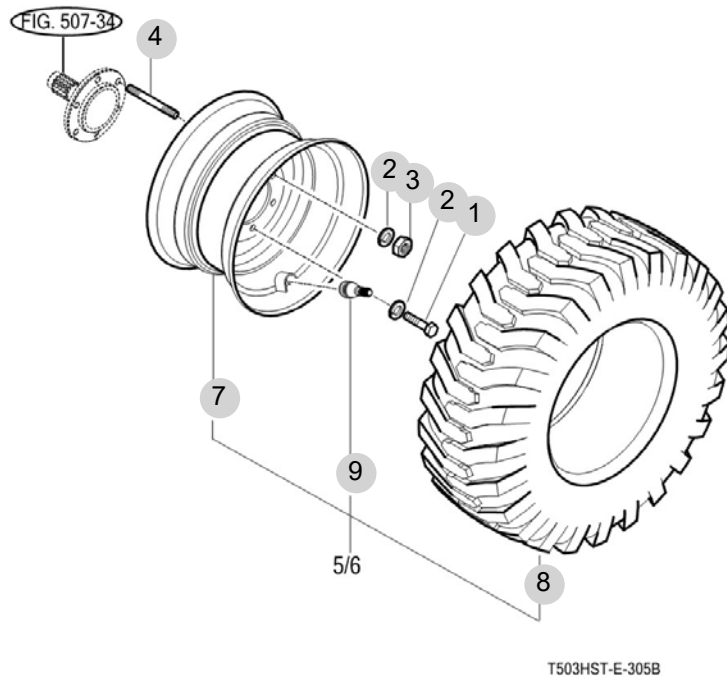
FIG 305B

T555SHGBC

FRONT WHEEL (R4 OPTION)

년/월
Year/Month

2022-12



NOTE

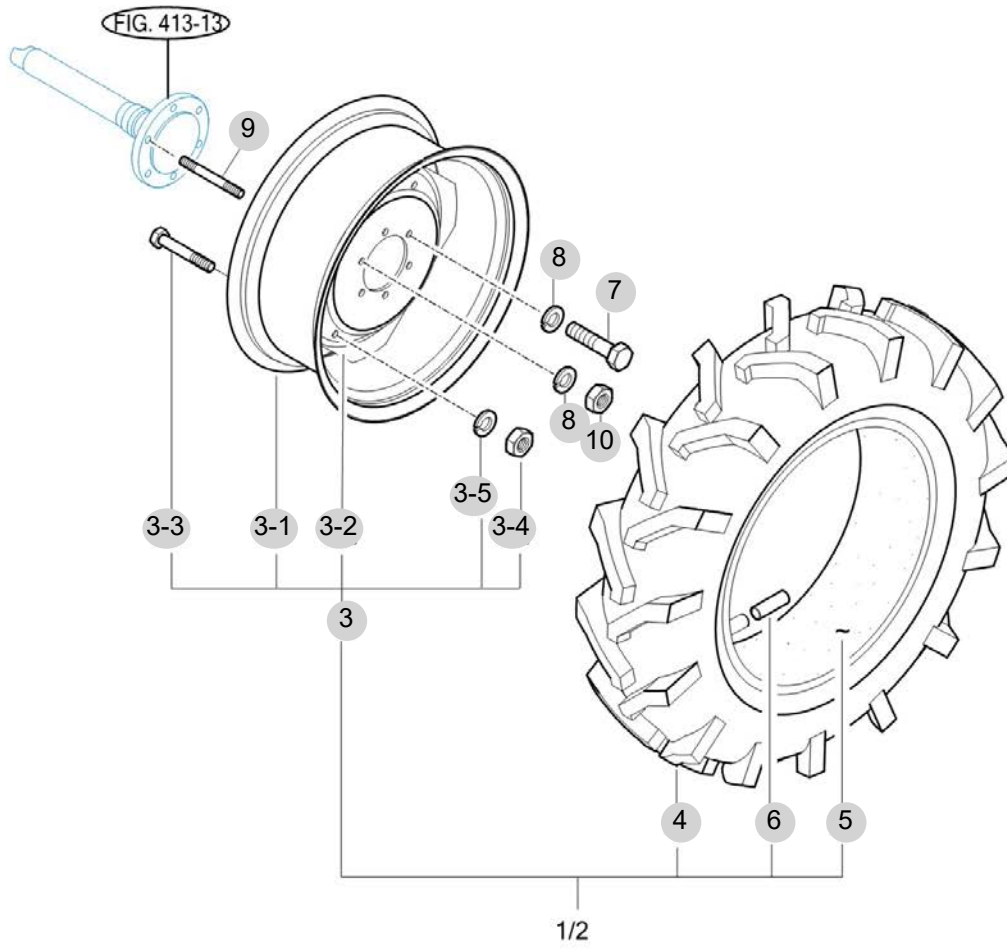
FIG 306A

T555SHGBC

REAR WHEEL

년/월
Year/Month

2022-12



T503HST-E-306A

NOTE

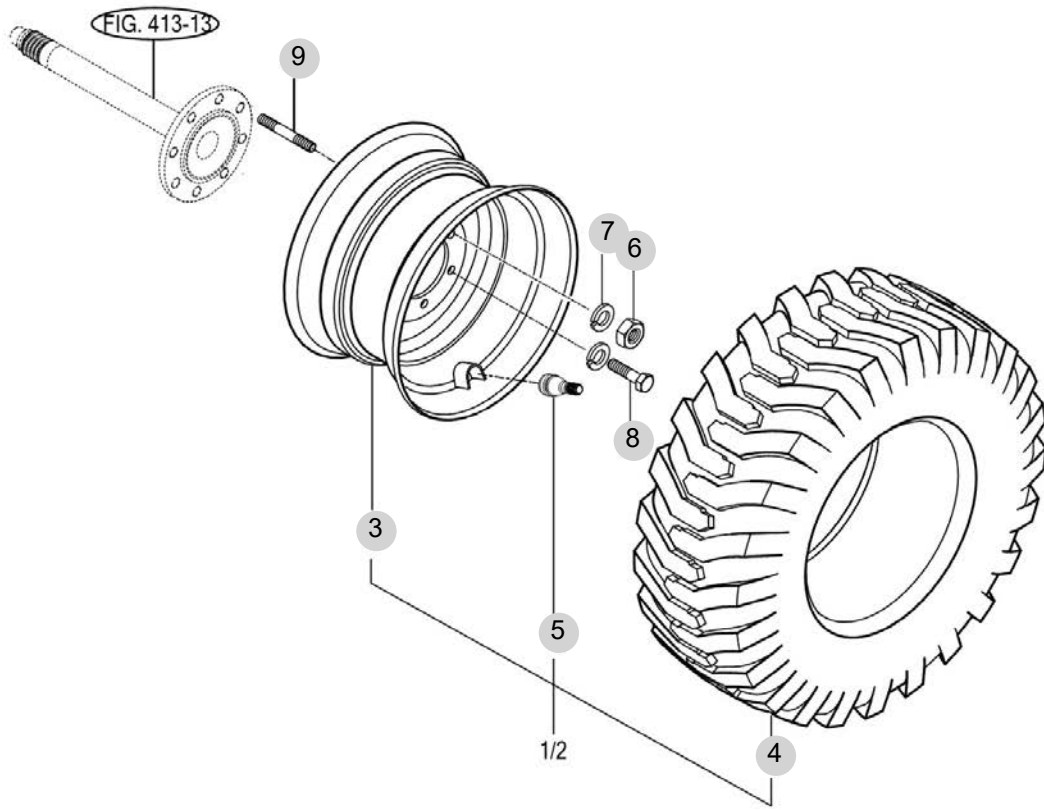
FIG 306B

T555SHGBC

REAR WHEEL (R4 OPTION)

년/월
Year/Month

2022-12



T503HST-E-306B

NOTE

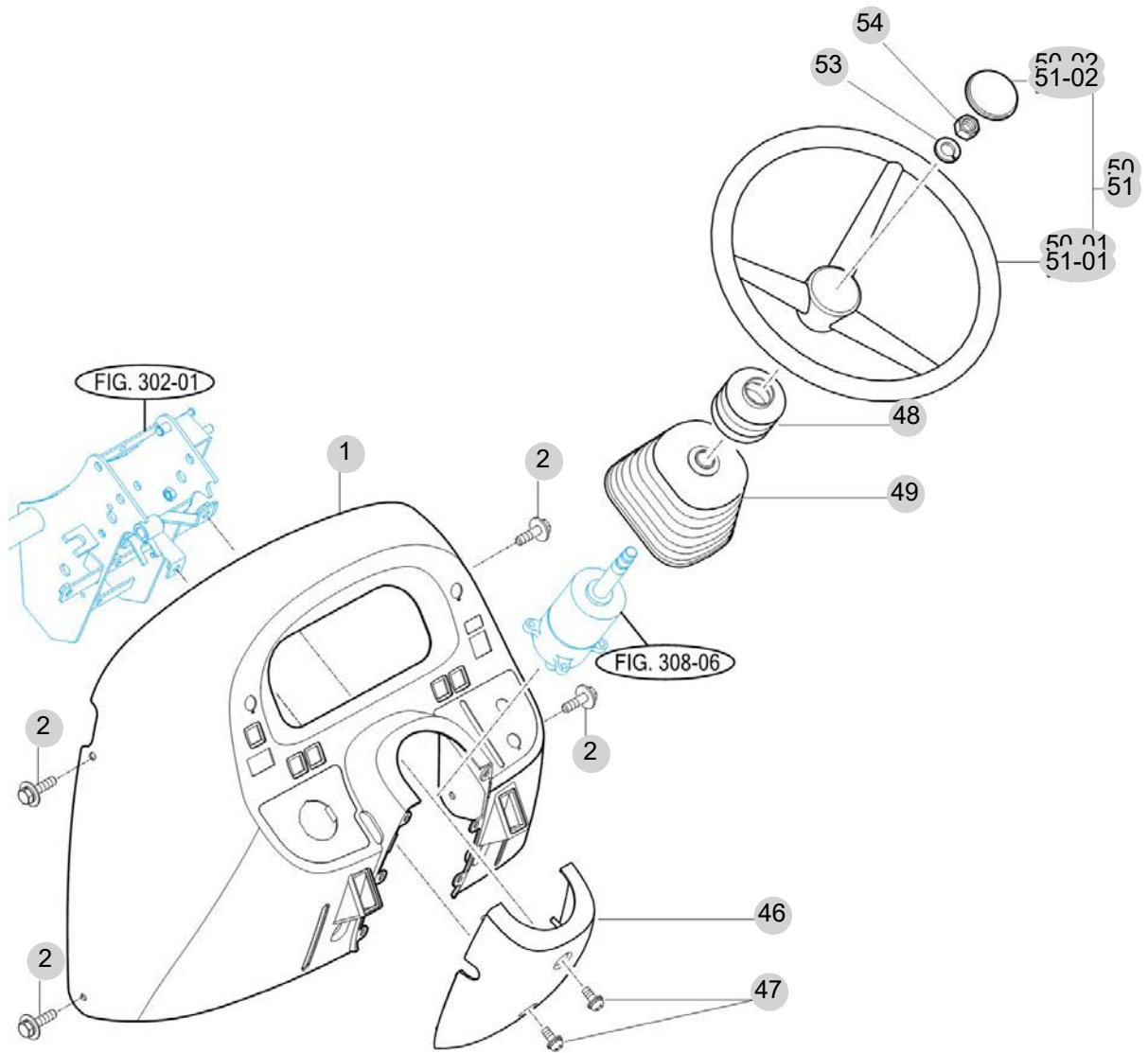
FIG 307

T555SHGBC

POWER STEERING WHEEL

년/월
Year/Month

2022-12



T503SH-K-307

NOTE

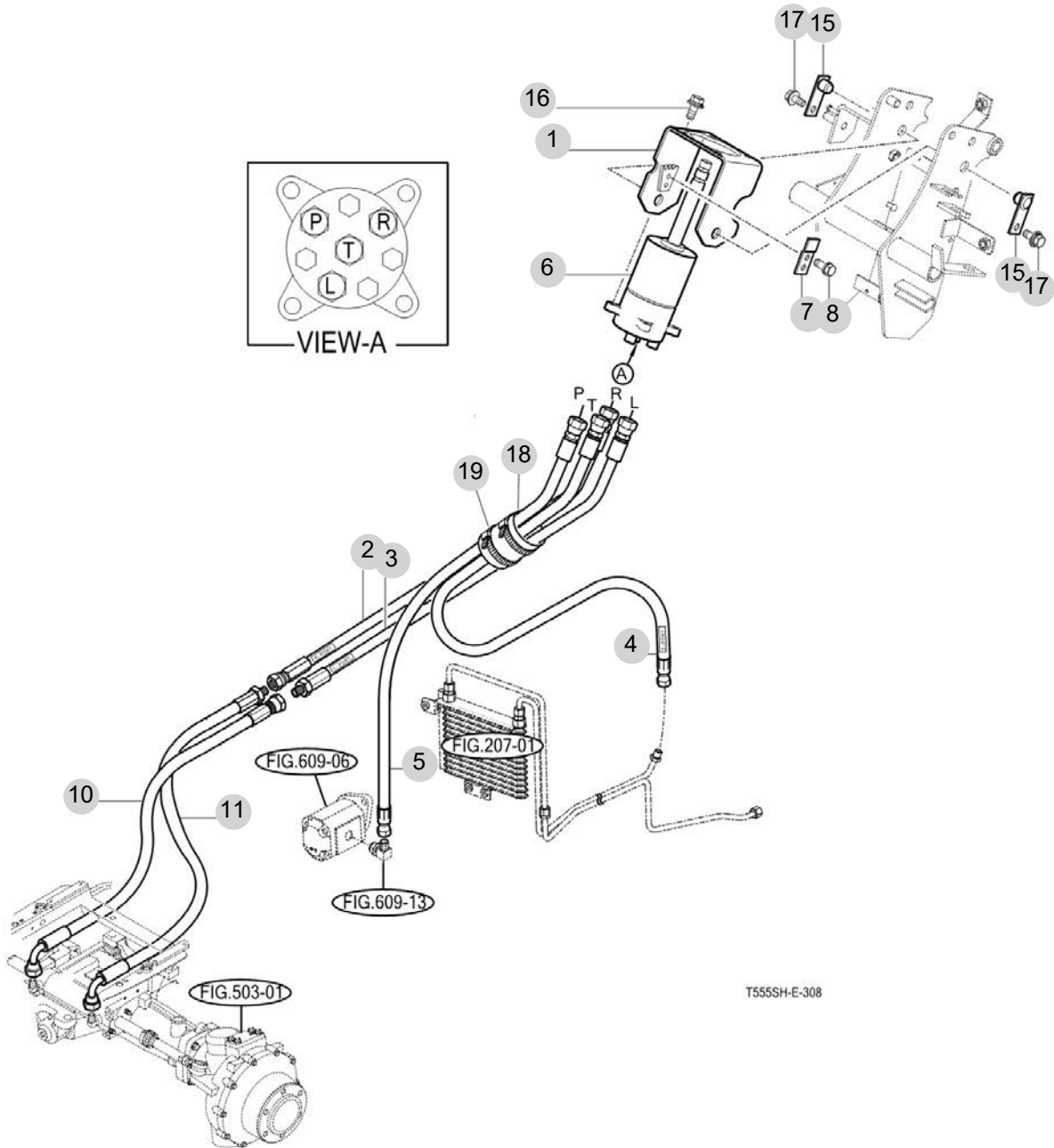
FIG 308

T555SHGBC

POWER STEERING VALVE

년/월
Year/Month

2022-12



T555SH-E-308

NOTE

FIG 308 T555SHGBC			POWER STEERING VALVE					년/월 Year/Month 2022-12
KEY NO		PART NO	DESCRIPTION	SPEC	QTY	REPAIR	EFFECTIVE DATE	REMARKS
308	1	14524043302GB	브래킷조합,스티어링밸브		1			
308	2	17484072501	유압호스(970)ASSY		1			
308	3	17484072600	유압호스(1130)ASSY		1			
308	4	17484073500	유압호스 (1180) ASSY		1			
308	5	14524072701	유압호스ASSY,1320/P		1			
308	6	14524054002	스티어링밸브 유닛		1			
308	6	14524054003	스티어링밸브 유닛		1			
308	7	14724040201	플레이트(가이드)		1			
308	8	V2113606010	육각볼트(S)	M6X10	1			
308	10	17484072801	유압호스(560)ASSY		1			
308	11	17484052800	유압호스(820)ASSY		1			
308	15	16754042100GB	핀(16X21/LH)COMP		2			
308	16	V2183608020	소형육각볼트보통(SP)	M8X20	4			
308	17	V2183608020	소형육각볼트보통(SP)	M8X20	2			
308	18	14524041110	패드, 호스		1			
308	19	13424020060	케이블타이(300)		5			
NOTE								

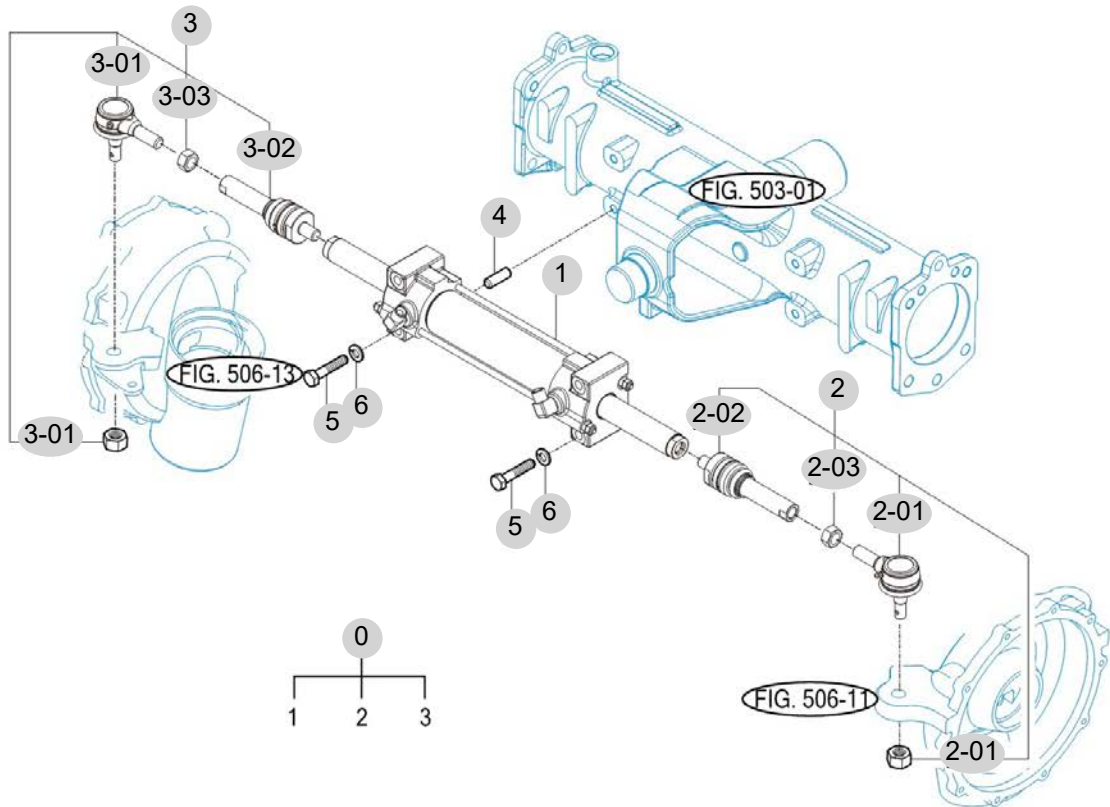
FIG 309

T555SHGBC

POWER STEERING CYLINDER

년/월
Year/Month

2022-12



T5555T/4594C-E-309

NOTE

4. 트랜스미션 PART NO. T4

FIG 401 TRANSMISSION FRONT CASE	95
FIG 402 HST	97
FIG 403 MID TRANSMISSION CASE	99
FIG 404 TRANSTER GEAR SET	101
FIG 405 TRANSMISSION REAR CASE	103
FIG 406 SUB CHANGE GEARS	105
FIG 407 SUB CHANGE SHIFTER	107
FIG 408 DRIVE GEARS	109
FIG 409 4WD CHANGE LEVER	111
FIG 410 P.T.O DRIVE SHAFT	113
FIG 411 P.T.O CHANGE GEARS	115
FIG 412 REAR DIFFERENTIAL GEARS	117
FIG 413 REAR AXLE HOUSING	120
FIG 414 P.T.O CHANGE SHIFTER	122

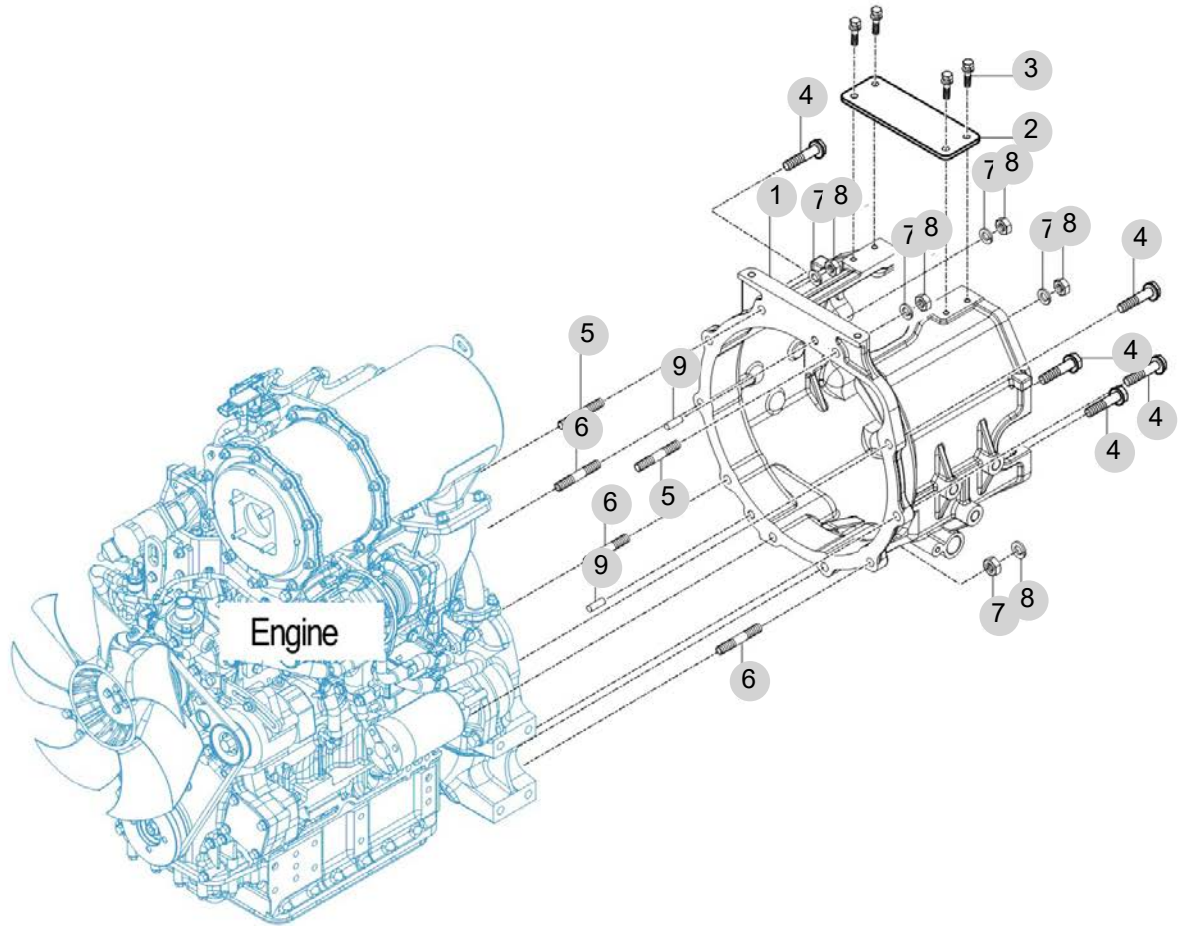
FIG 401

TRANSMISSION FRONT CASE

년/월
Year/Month

2022-12

T555SHGBC



T554NH/T554SH/T454NH E-401

NOTE

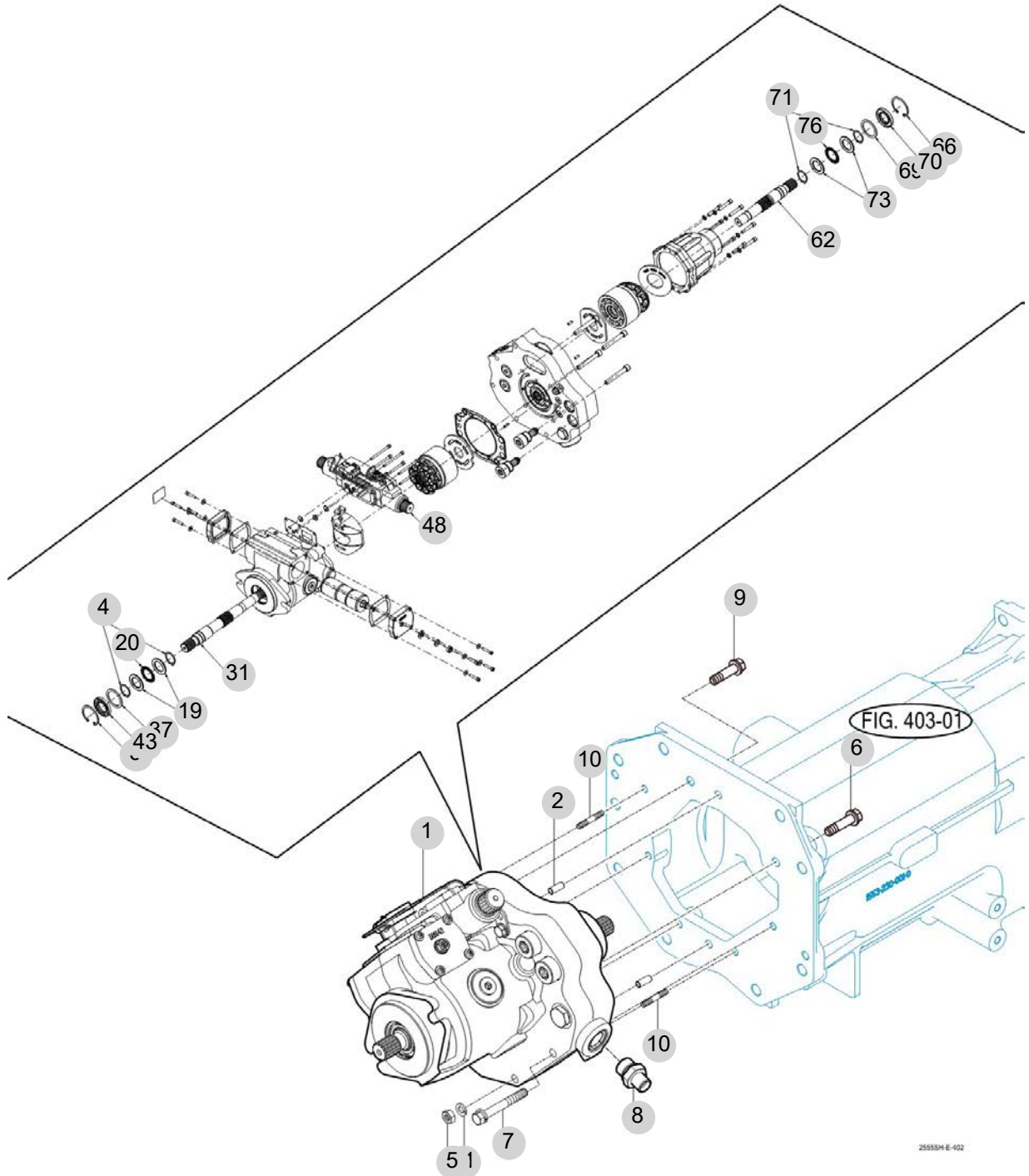
FIG 402

T555SHGBC

HST

년/월
Year/Month

2022-12



NOTE

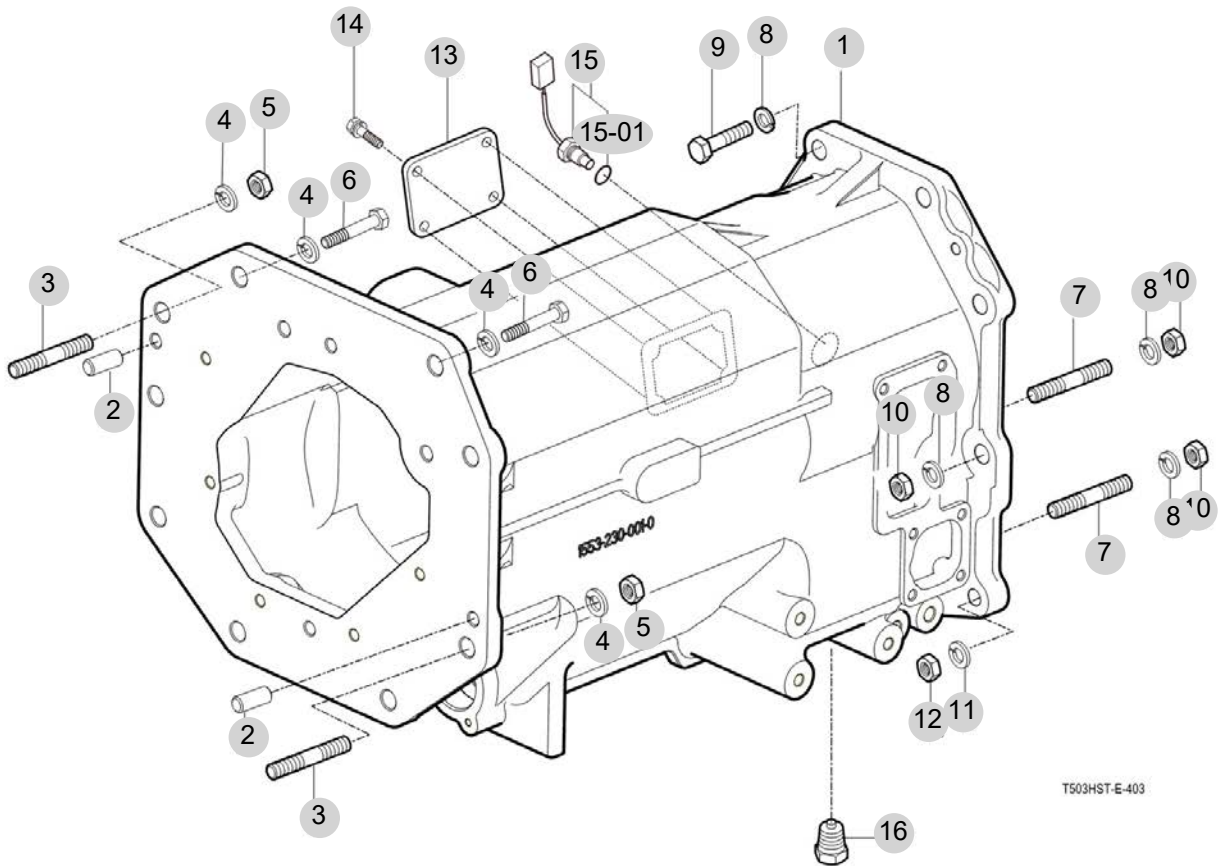
FIG 403

MID TRANSMISSION CASE

년/월
Year/Month

2022-12

T555SHGBC



T503HST-E-403

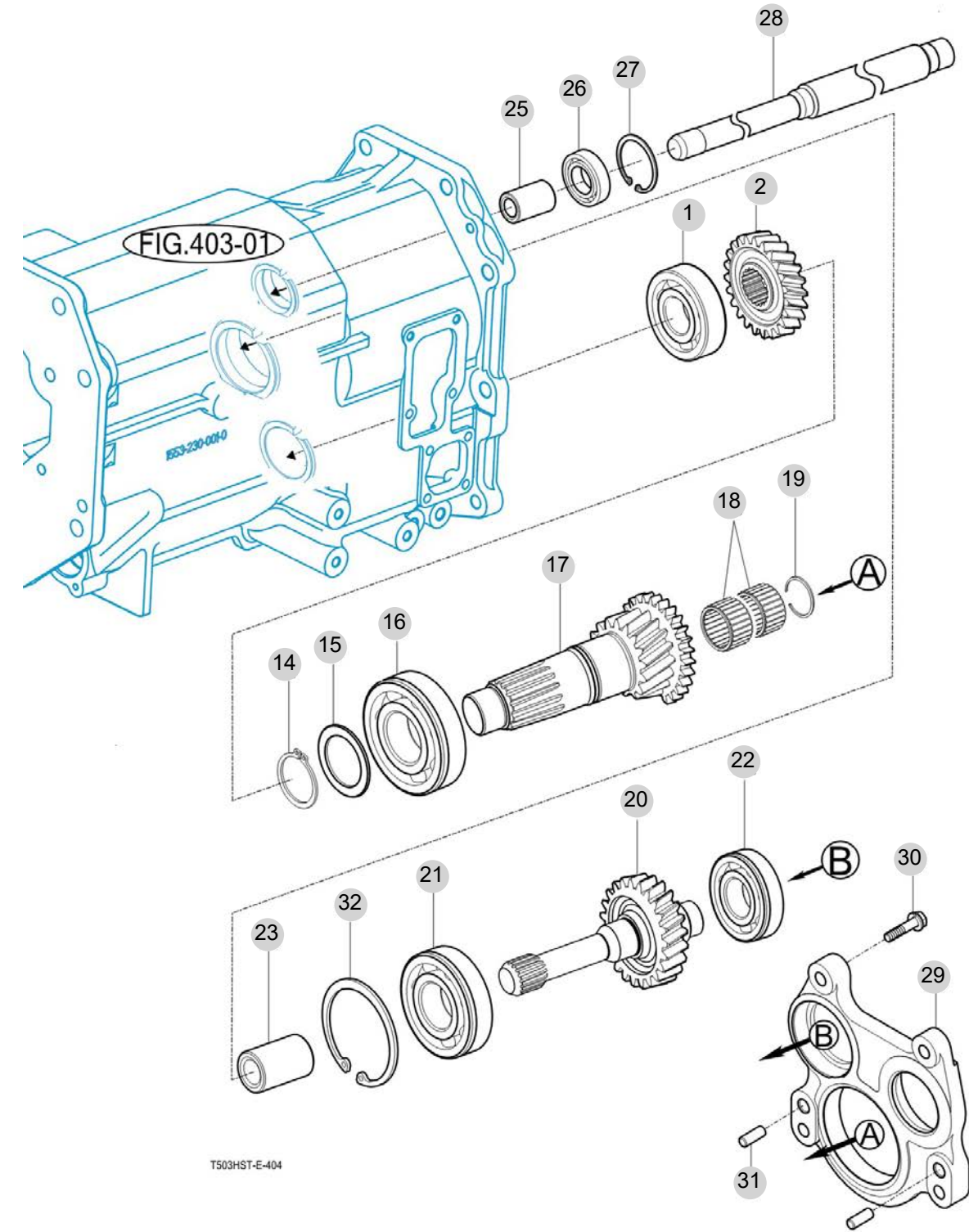
NOTE

FIG 404

TRANSFER GEAR SET

년/월
Year/Month

2022-12



NOTE

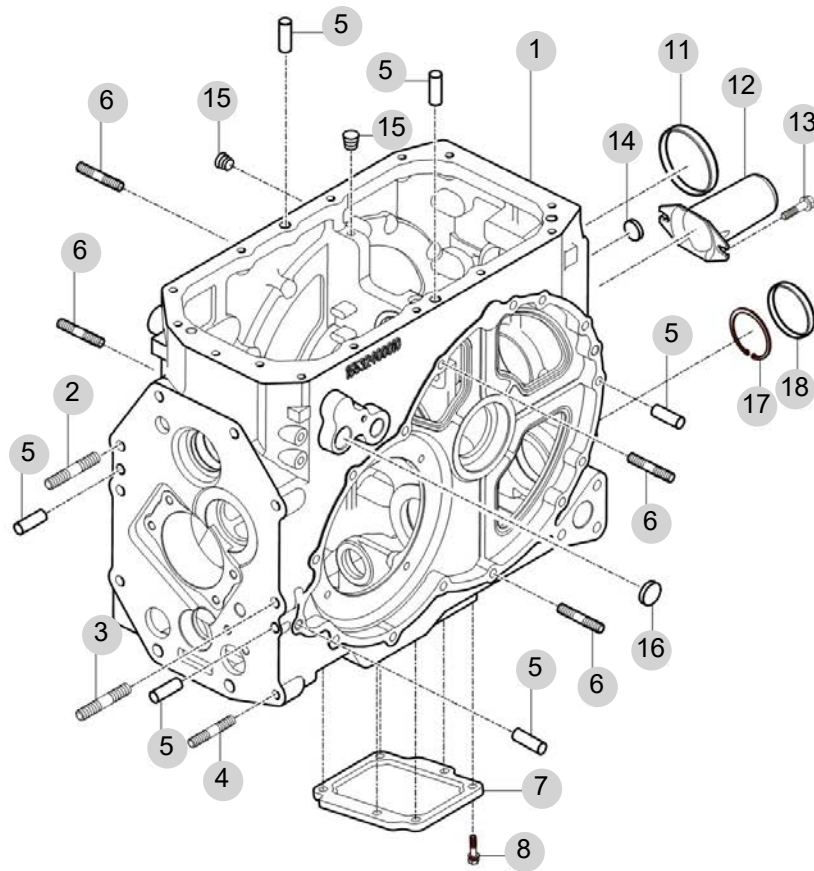
FIG 405

TRANSMISSION REAR CASE

년/월
Year/Month

2022-12

T555SHGBC



T503HST-E-405

NOTE

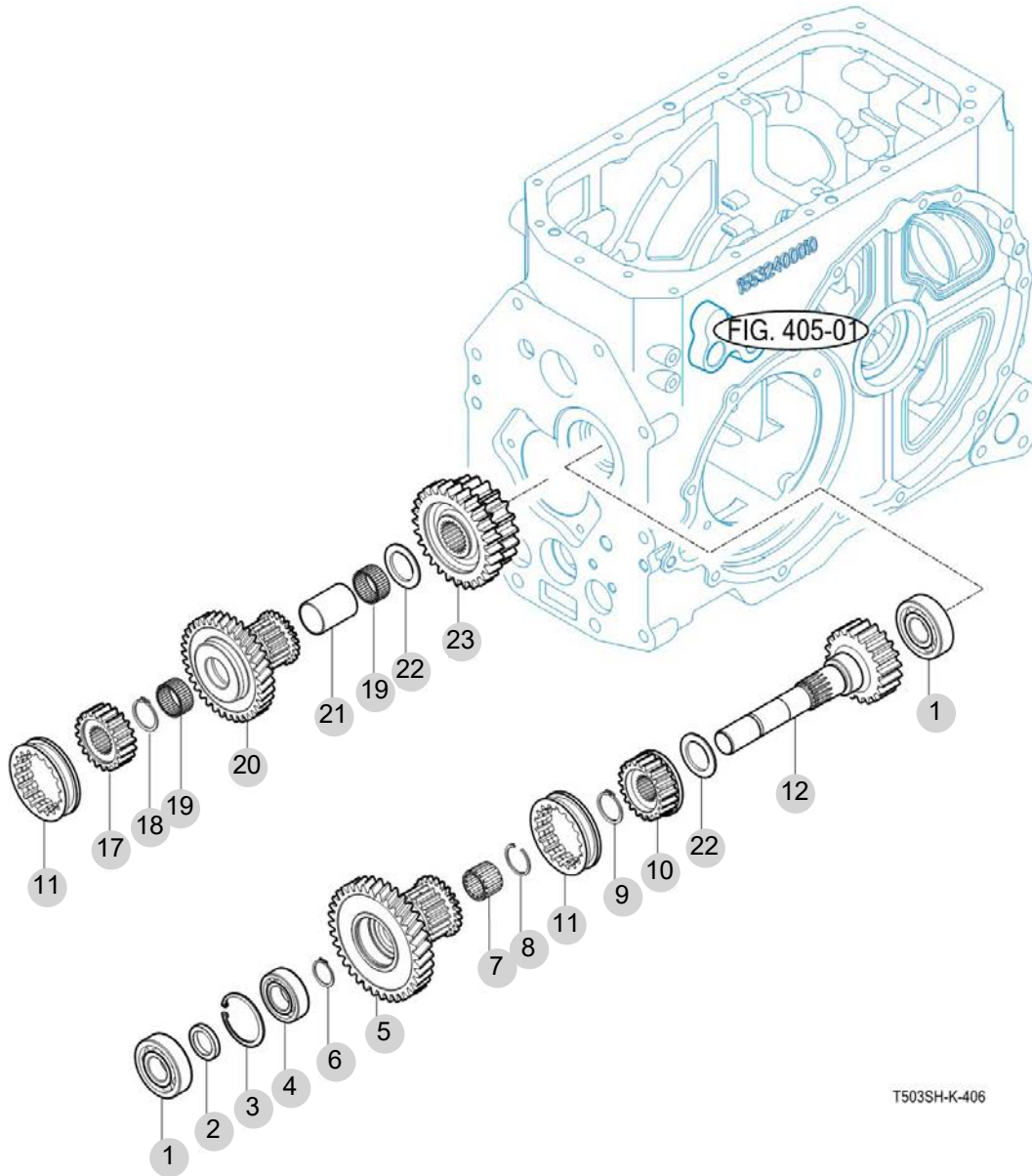
FIG 406

T555SHGBC

SUB CHANGE GEARS

년/월
Year/Month

2022-12



T503SH-K-406

NOTE

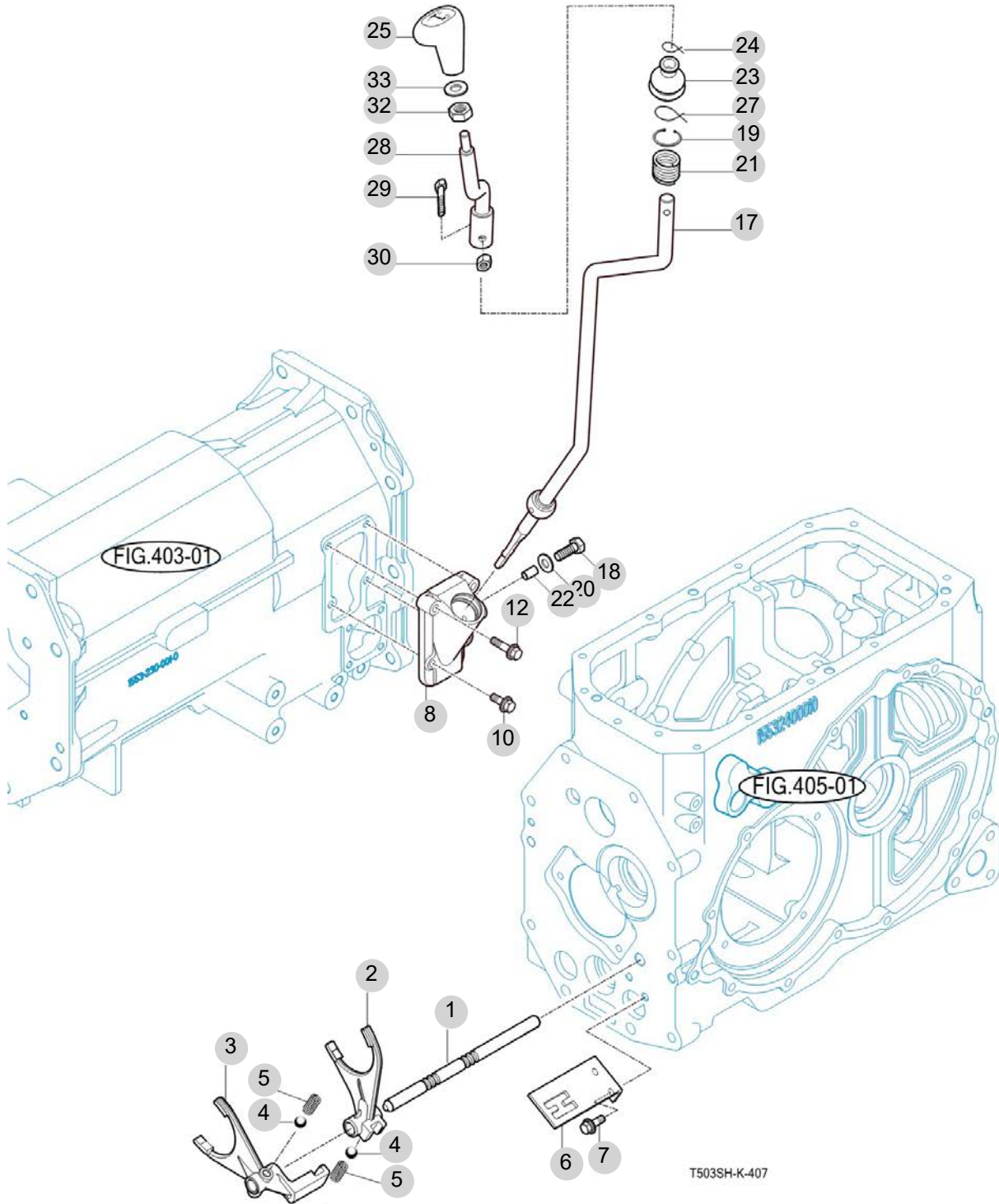
FIG 407

SUB CHANGE SHIFTER

년/월
Year/Month

2022-12

T555SHGBC



NOTE

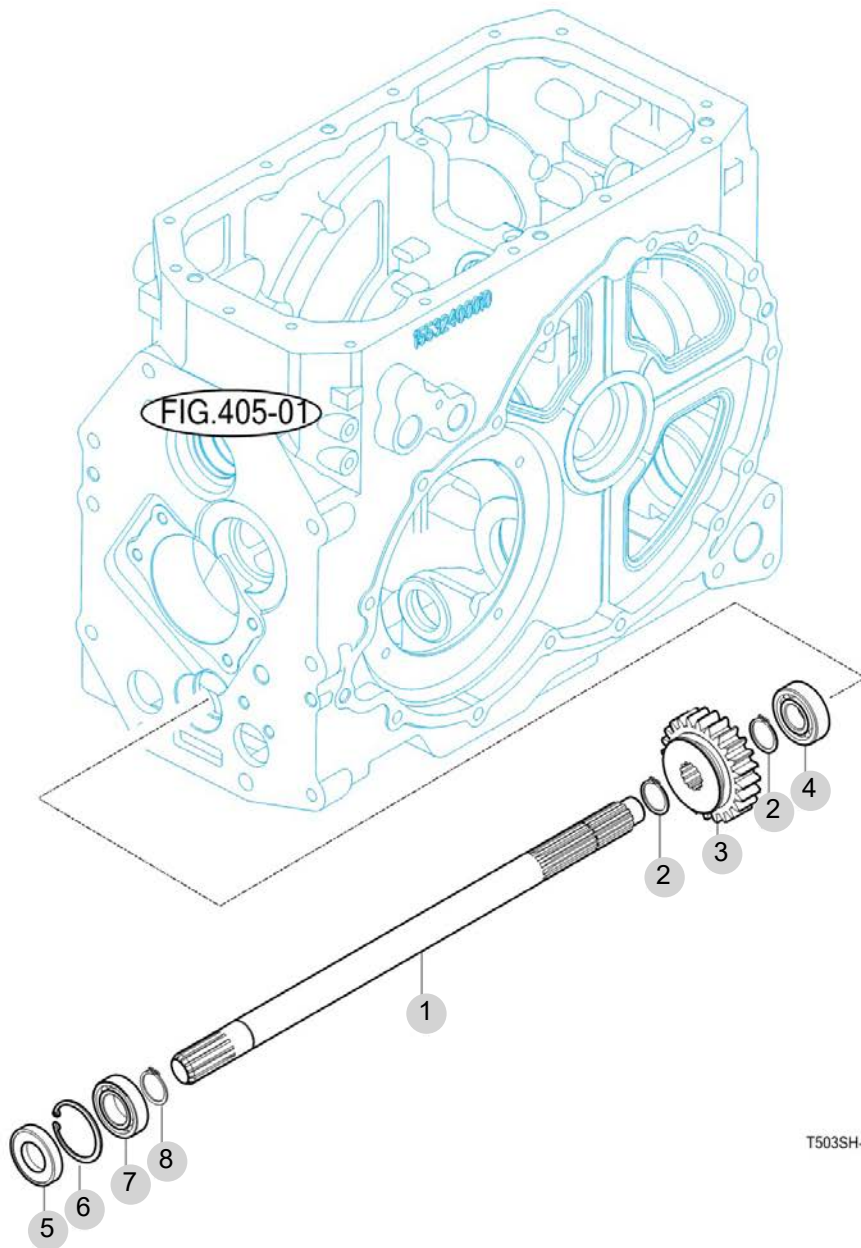
FIG 408

T555SHGBC

DRIVE GEARS

년/월
Year/Month

2022-12



NOTE

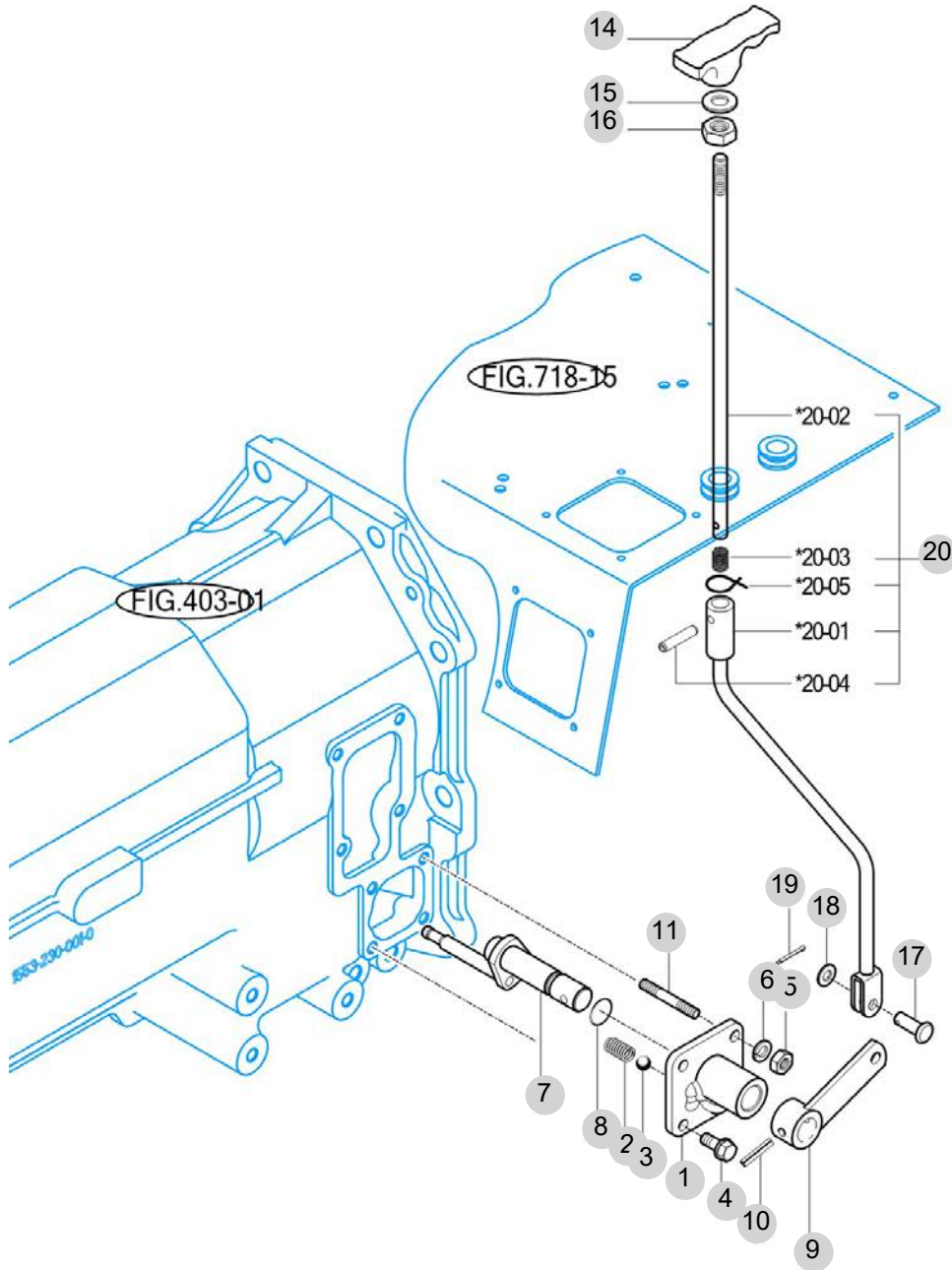
FIG 409

4WD CHANGE LEVER

년/월
Year/Month

2022-12

T555SHGBC



*NOT SERVICED SEPARATELY

T503SH-E-409

NOTE

FIG 409 T555SHGBC		4WD CHANGE LEVER					년/월 Year/Month	
							2022-12	
KEY NO	PART NO	DESCRIPTION	SPEC	QTY	REPAIR	EFFECTIVE DATE	REMARKS	
409	1	15602650021M	메탈(시프터)		1			
409	2	13022250030	시프터스프링		1			
409	3	V6802000010	강구	5/16	1			
409	4	V2173608020	소형육각볼트보통(S)	M8X20	2			
409	5	V3042600080	소형육각너트보통2종	M8	2			
409	6	V4011600080	스프링와셔	M8	2			
409	7	14522652200	암COMP(4WD)		1			
409	8	V7201024014	O링(P)	P14	1			
409	9	14522652000	암 COMP		1			
409	10	V5801406025	스프링핀	6X25	1			
409	11	V2513408020	스터드볼트2종	8X20	2			
409	14	16702190060	그립(4WD)		1			
409	15	V4111600100	평와셔	M10	1			
409	16	V3342600100	소형육각너트가는2종	M10	1			
409	17	14322420010	핀		1			
409	18	V4111600080	평와셔	M8	1			
409	19	V5001925020	핀	2.5X20	1			
409	20	14522882102GB	로드(4WD)ASSY		1			
409	20-01	14522882300	로드(LOWER)COMP		1			
409	20-02	14522882140	로드(UPPER)		1			
409	20-03	14522882200	스프링		1			
409	20-04	V5801405020	스프링핀		1			
409	20-05	V5901010070	철선		1			
NOTE								

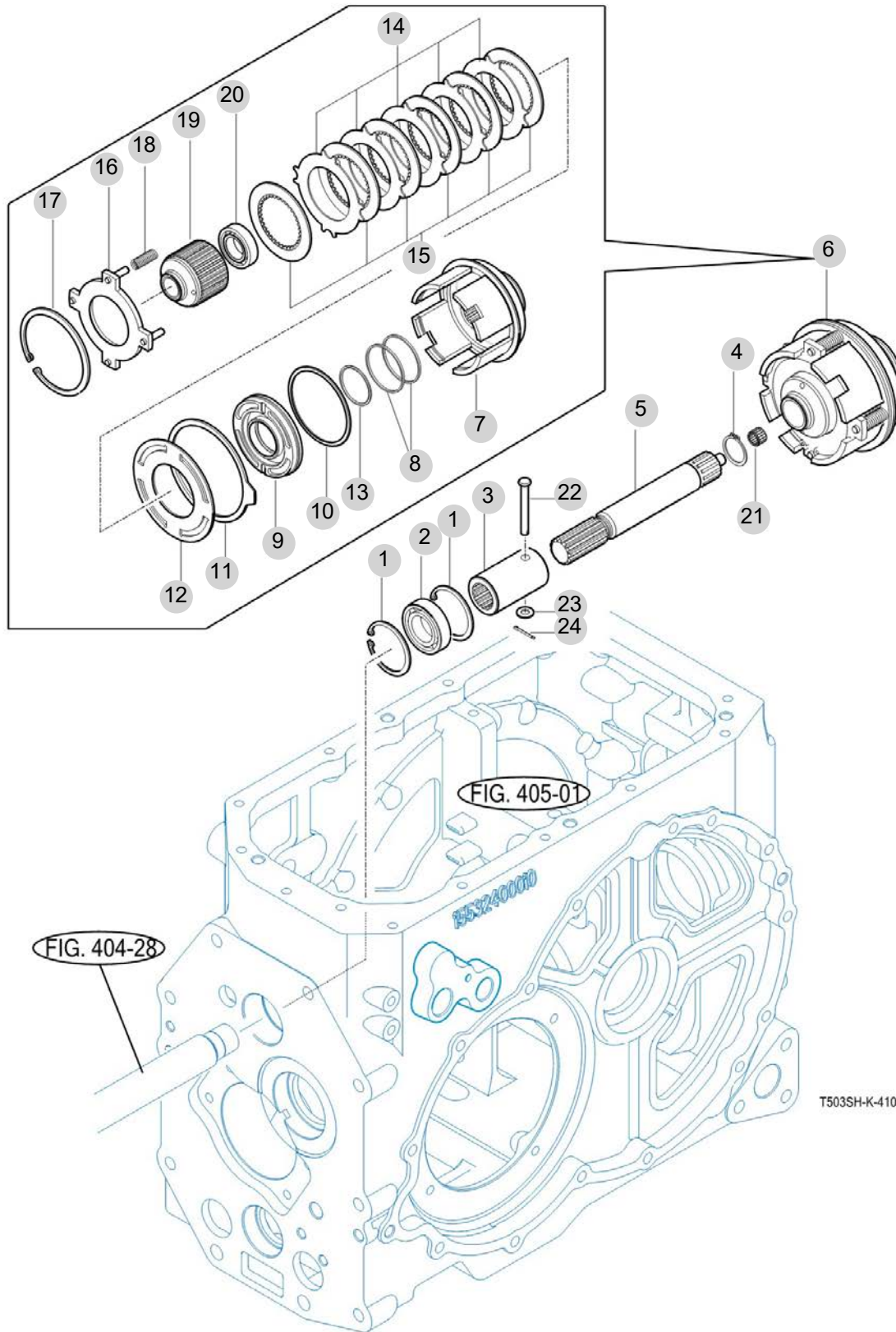
FIG 410

T555SHGBC

P.T.O DRIVE SHAFT

년/월
Year/Month

2022-12



NOTE

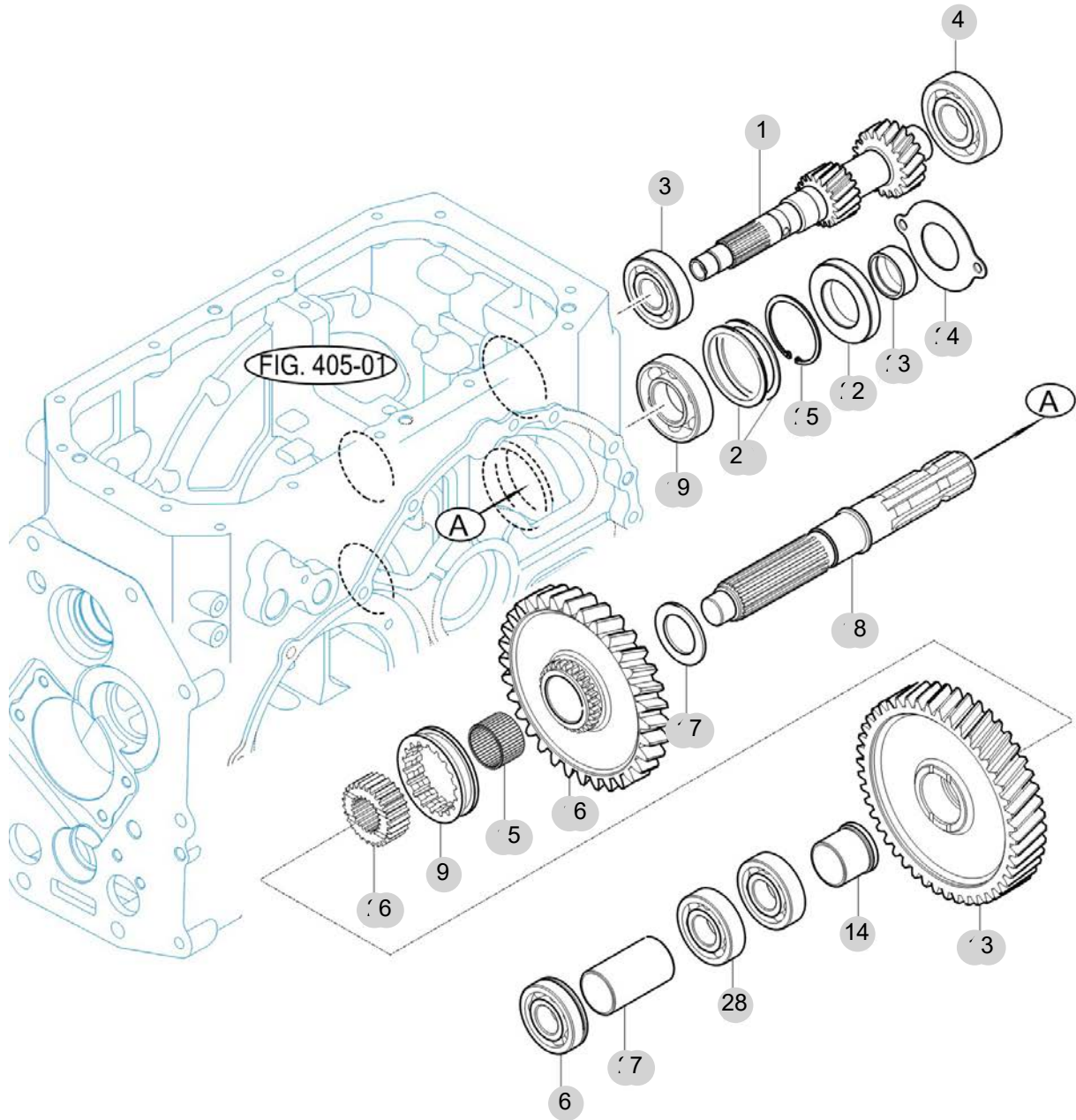
FIG 411

T555SHGBC

P.T.O CHANGE GEARS

년/월
Year/Month

2022-12



T503SH-E-411B

NOTE

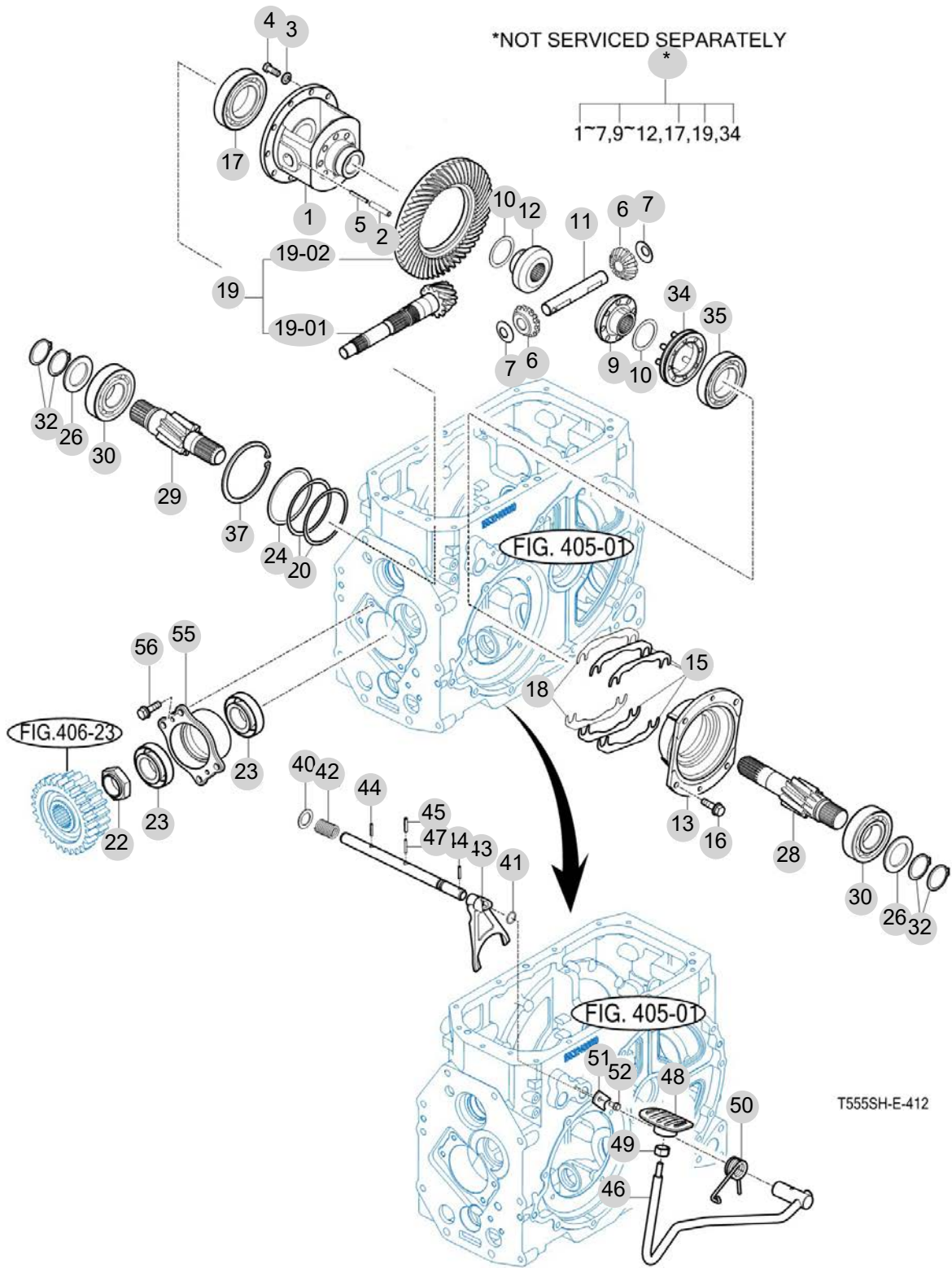
FIG 412

REAR DIFFERENTIAL GEARS

년/월
Year/Month

2022-12

T555SHGBC



NOTE

FIG 412		REAR DIFFERENTIAL GEARS					년/월 Year/Month		
							2022-12		
T555SHGBC		KEY NO	PART NO	DESCRIPTION	SPEC	QTY	REPAIR	EFFECTIVE DATE	REMARKS
412	0	14523031001	리어차동장치(47PS)ASSY			1			
412	1	14523030010M	케이스(디프)			1			
412	2	V5801408040	스프링핀	8X40		1			
412	3	V4011600100	스프링와셔	M10		10			
412	4	V2024610025	소형육각볼트(가는)	M10X25		10			
412	5	V5801405036	스프링핀	5X36		1			
412	6	14523180041	피니언(차동)			2			
412	7	14523030080	칼라(피니언)			2			
412	9	14523180061	피니언(베벨/16 LH)			1			
412	10	14523030100	와셔(스러스트)			2			
412	11	14523030110	디프피니언샤프트			1			
412	12	14523180031	피니언(베벨/16 RH)			1			
412	13	14523030131M	메탈(LH/디프케이스)			1			
412	15	14523010090	심(B)	T=0.2		4			
412	16	V2173610025	소형육각볼트보통(S)	M10X25		4			
412	17	V6001106212	볼베어링	6212		1			
412	18	14523010080	심(A)	T=0.1		2			
412	19	14523022100	기어(10X41)SET			1			
412	19-01	14523022111	베벨피니언			1			
412	19-02	14523022120	스파이럴베벨기어			1			
412	20	14523010050	심(0.1)	T=0.1		1			
412	22	15533030020	너트(M40XP1.5)			1			
412	23	V6321132208	테이퍼로울러베어링(보통)	32208CR		2			
412	24	14523010100	심(0.2)	T=0.2		2			
412	26	15133060030	스러스트칼라(45X68X4)			2			
412	28	14523060011	피니언(헬리컬/11/LH)			1			
412	29	14523060021	피니언(헬리컬/11/RH)			1			
412	30	V6041106309	볼베어링(HL1)	6309		2			
412	32	V7041400450	C형멈춤링(축용)	45		4			
412	34	14523033400	슬리브COMP			1			
412	35	V6001106211	볼베어링	6211		1			
412	37	V7051401100	C형멈춤링(구멍용)	R110		1			
412	39	15533193010	디프록 샤프트			1			
412	40	V4111600200	평와셔	M20		1			
412	41	V7201024016	O링(P)	P16		1			
412	42	17973030420	스프링			1			
412	43	14523190011M	포크(디프록)			1			
412	44	V5801406032	스프링핀	6X32		2			
412	45	V5801408036	스프링핀	8X36		1			
412	46	15533193100	디프록페달COMP			1			
412	47	V5801405036	스프링핀	5X36		1			
412	48	14521220120	페달COMP,액셀			1			
412	49	V3342600100	소형육각너트가는2종	M10		1			
412	50	15533190020	스프링(디프 페달)			1			
412	50	15533190021	스프링(디프 페달)			1			
NOTE									

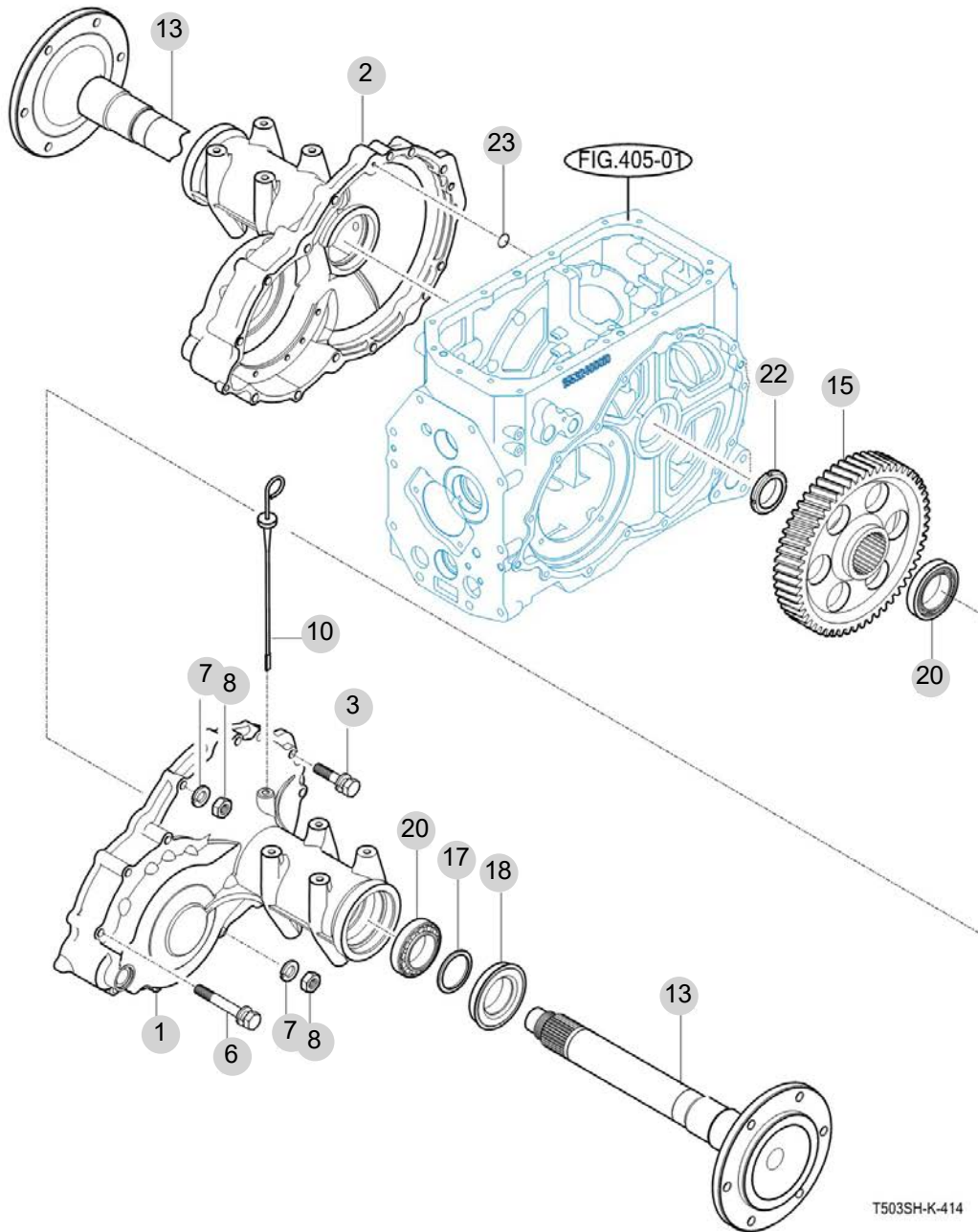
FIG 413

REAR AXLE HOUSING

년/월
Year/Month

2022-12

T555SHGBC



NOTE

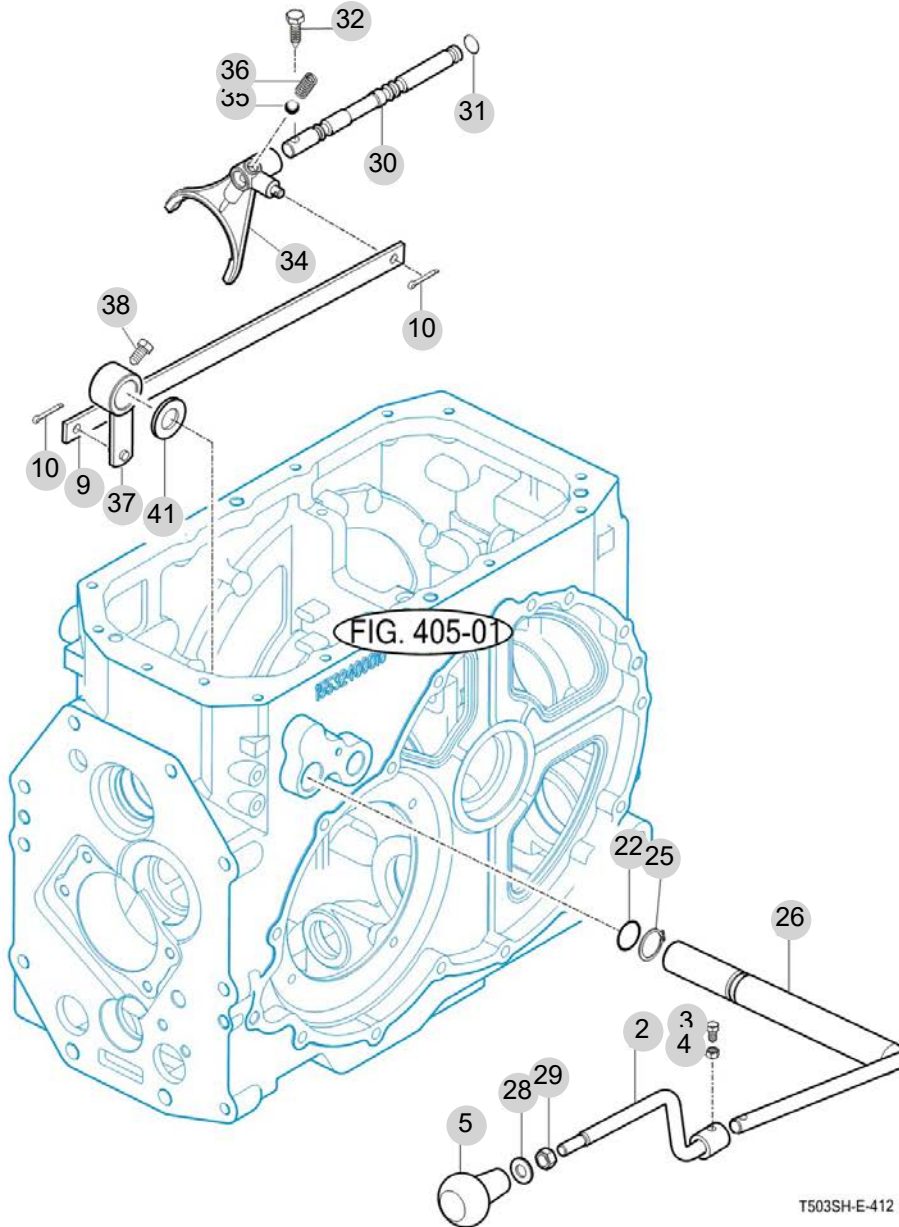
FIG 414

T555SHGBC

P.T.O CHANGE SHIFTER

년/월
Year/Month

2022-12



NOTE

5. 프런트 액슬 PART NO. T5

FIG 501 FRONT AXLE SUPPORT	125
FIG 502 FRONT DRIVE SHAFT	127
FIG 503 FRONT AXLE HOUSING	129
FIG 504 FRONT DIFFERENTIAL GEARS	131
FIG 505 FRONT GEAR CASE (1)	133
FIG 506 FRONT GEAR CASE (2)	135
FIG 507 FRONT GEAR CASE (3)	137

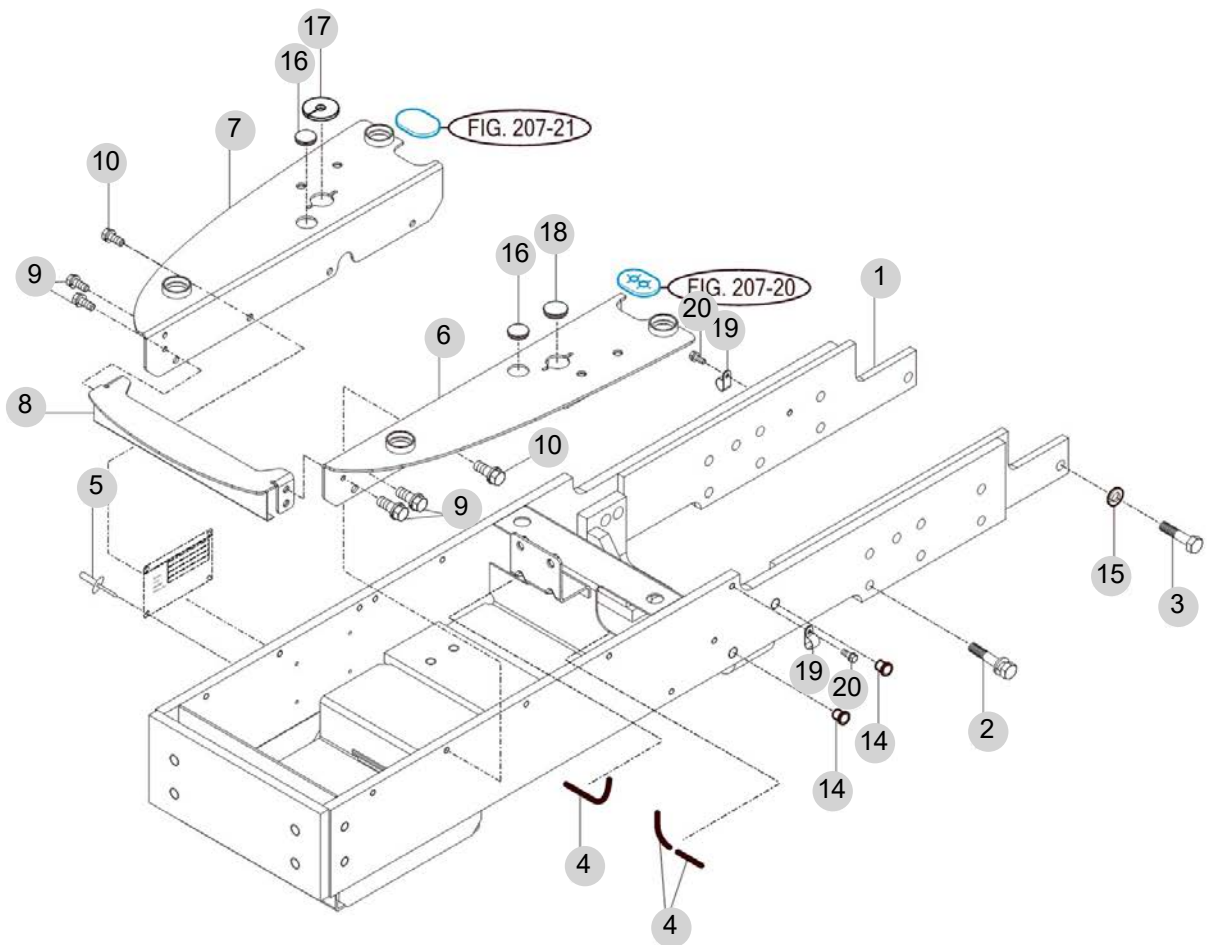
FIG 501

T555SHGBC

FRONT AXLE SUPPORT

년/월
Year/Month

2022-12



NOTE

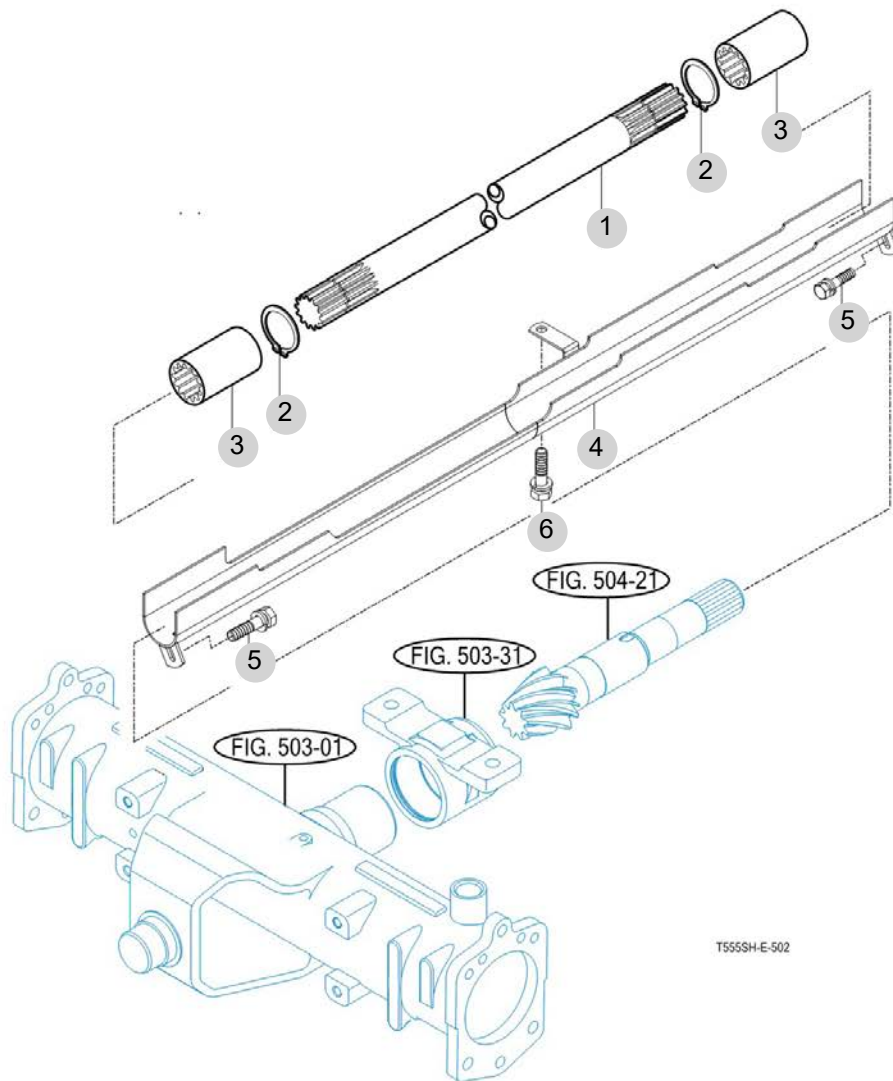
FIG 502

T555SHGBC

FRONT DRIVE SHAFT

년/월
Year/Month

2022-12



NOTE

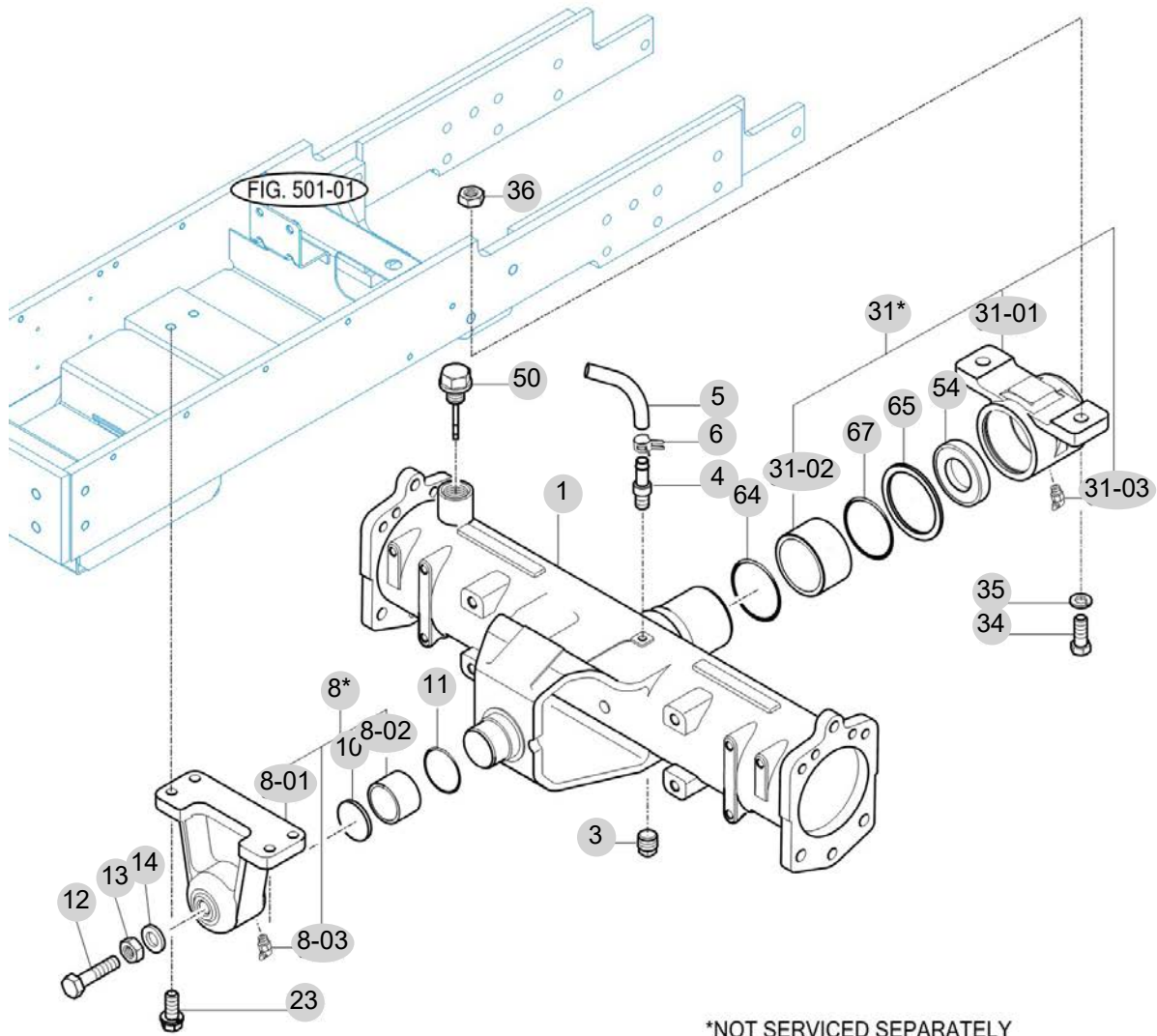
FIG 503

FRONT AXLE HOUSING

년/월
Year/Month

2022-12

T555SHGBC



T554454-E-503

NOTE

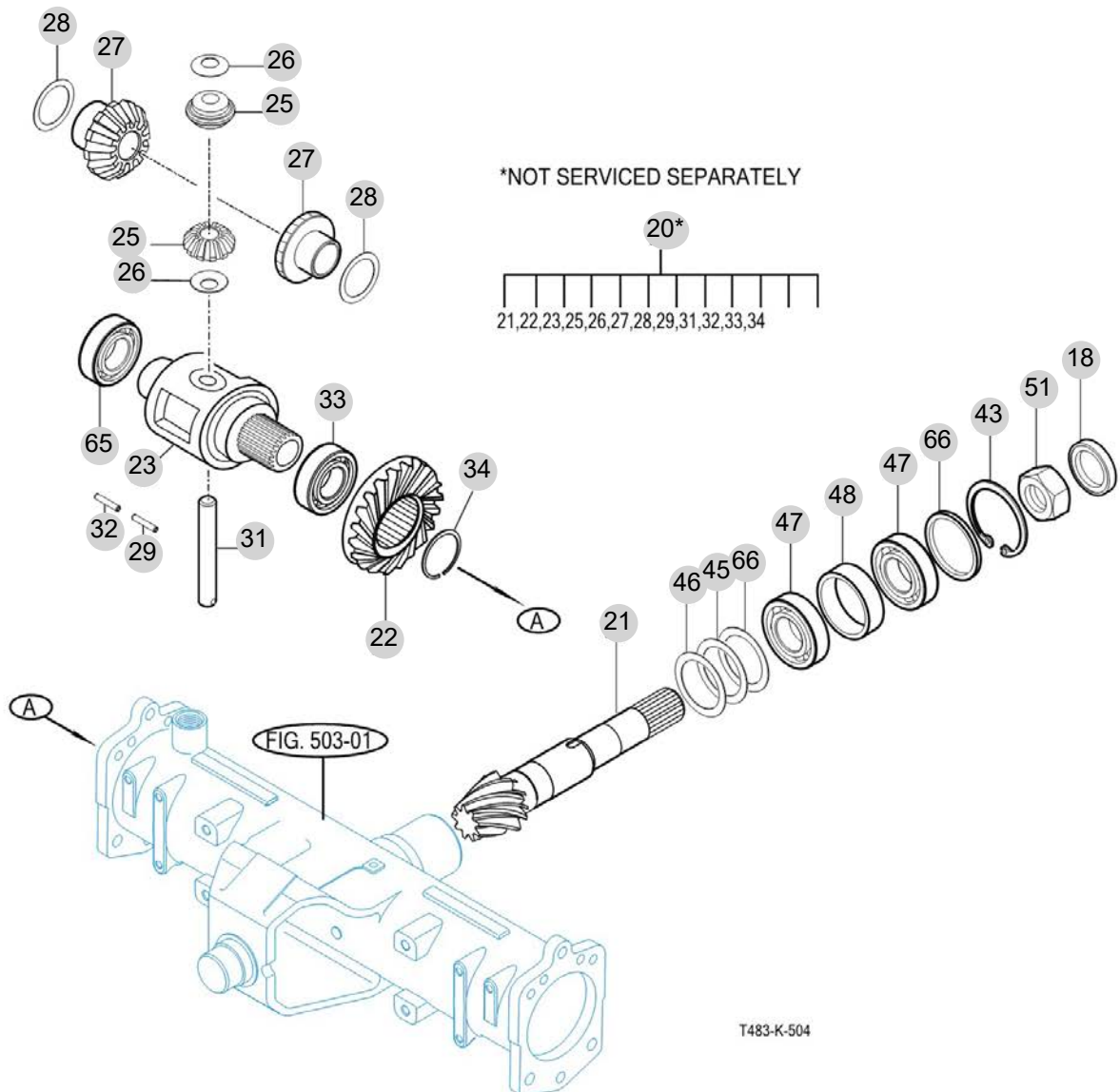
FIG 504

FRONT DIFFERENTIAL GEARS

년/월
Year/Month

2022-12

T555SHGBC



NOTE

FIG 504 T555SHGBC		FRONT DIFFERENTIAL GEARS					년/월 Year/Month	
							2022-12	
KEY NO		PART NO	DESCRIPTION	SPEC	QTY	REPAIR	EFFECTIVE DATE	REMARKS
504	18	V7441256210	오일실(D)	D256210	1			
504	20	16704112001	디프렌셜시스템(완)(전)		1			
504	21	16704112010	베벨피니언(8)		1			
504	22	16704112110	베벨기어(23)		1			
504	23	16704310031	프런트디프케이스		1			
504	25	16704320020	차동피니언(12)		2			
504	26	14273010050	피니언스라스트칼라		2			
504	27	16704310160	차동사이드기어(20)		2			
504	28	16704320050	스러스트와셔		2			
504	29	V5801405025	스프링핀	5X25	1			
504	31	16704110060	차동피니언축		1			
504	32	V5801403025	스프링핀	3X25	1			
504	33	V6001106212	볼베어링	6212	1			
504	34	17994420060	C형멈춤링(축용)		1			
504	43	V7051400620	C형멈춤링(구멍용)	62	1			
504	45	14254310080	심(A)		1			
504	46	14152050160	심(B)		1			
504	47	15024320020	원추로올러베어링		2			
504	48	16704112120	칼라		1			
504	51	14884110090	너트(M30)		1			
504	65	V6001106211	볼베어링	6211	1			
504	66	16704110121	간격심		2			
NOTE								

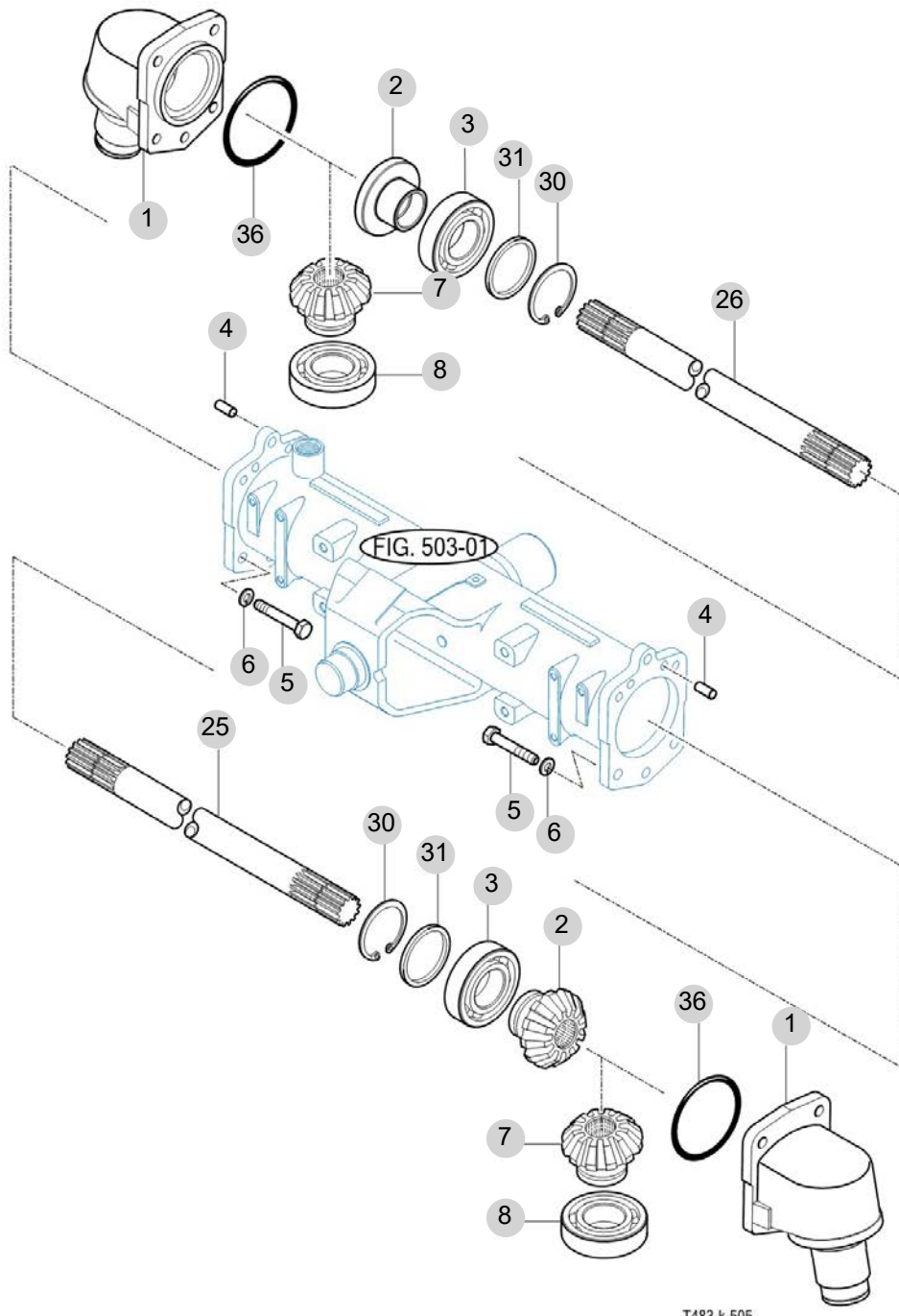
FIG 505

T555SHGBC

FRONT GEAR CASE (1)

년/월
Year/Month

2022-12



NOTE

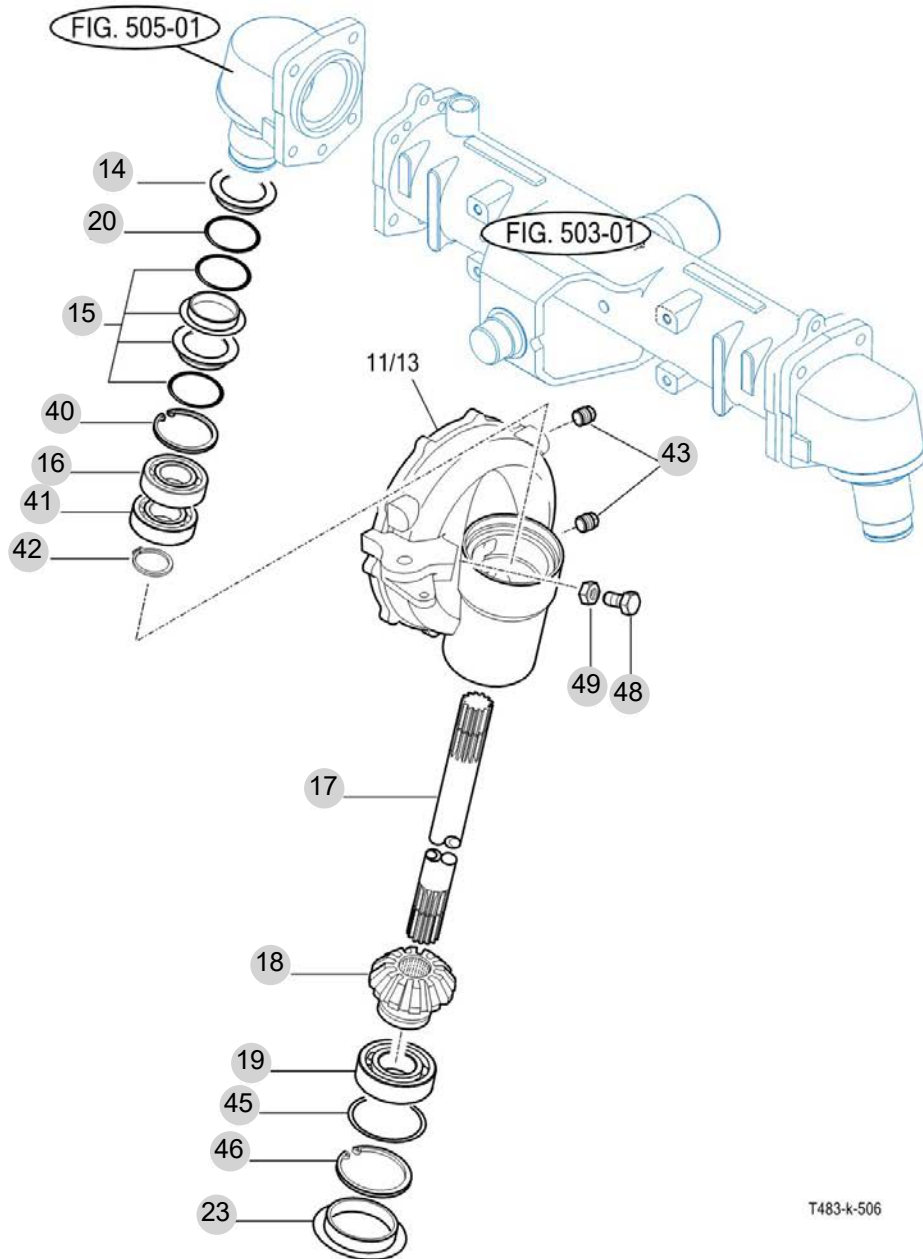
FIG 506

T555SHGBC

FRONT GEAR CASE (2)

년/월
Year/Month

2022-12



T483-k-506

NOTE

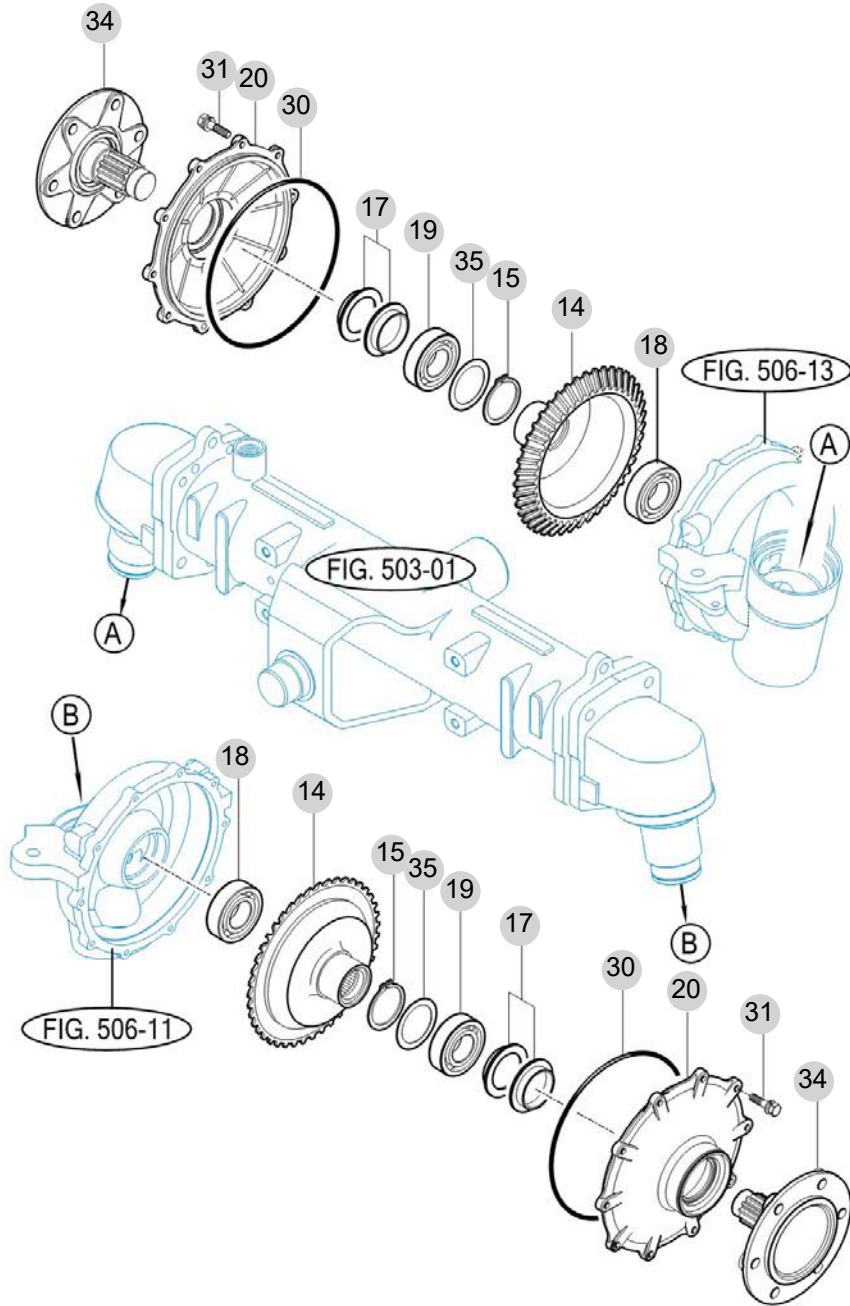
FIG 507

T555SHGBC

FRONT GEAR CASE (3)

년/월
Year/Month

2022-12



T483-k-507

NOTE

6. 유압/3점링크 PART NO. T6

FIG 601 CYLINDER CASE	140
FIG 602 LIFT ARM	142
FIG 603 CYLINDER	144
FIG 604 POSITION LINK	146
FIG 605 CONTROL VALVE	148
FIG 606 DRAFT LINK	150
FIG 607 POSITION & DRAFT LEVER	152
FIG 608 EXTERIOR HYD.VALVE	154
FIG 609 HYDRAULIC PIPE	156
FIG 610 JOYSTICK	159
FIG 611 HYDRAULIC HOSE	161
FIG 612 HITCH & 3-POINT LINK	163
FIG 613 LOWER LINK & LIFT ROD	166

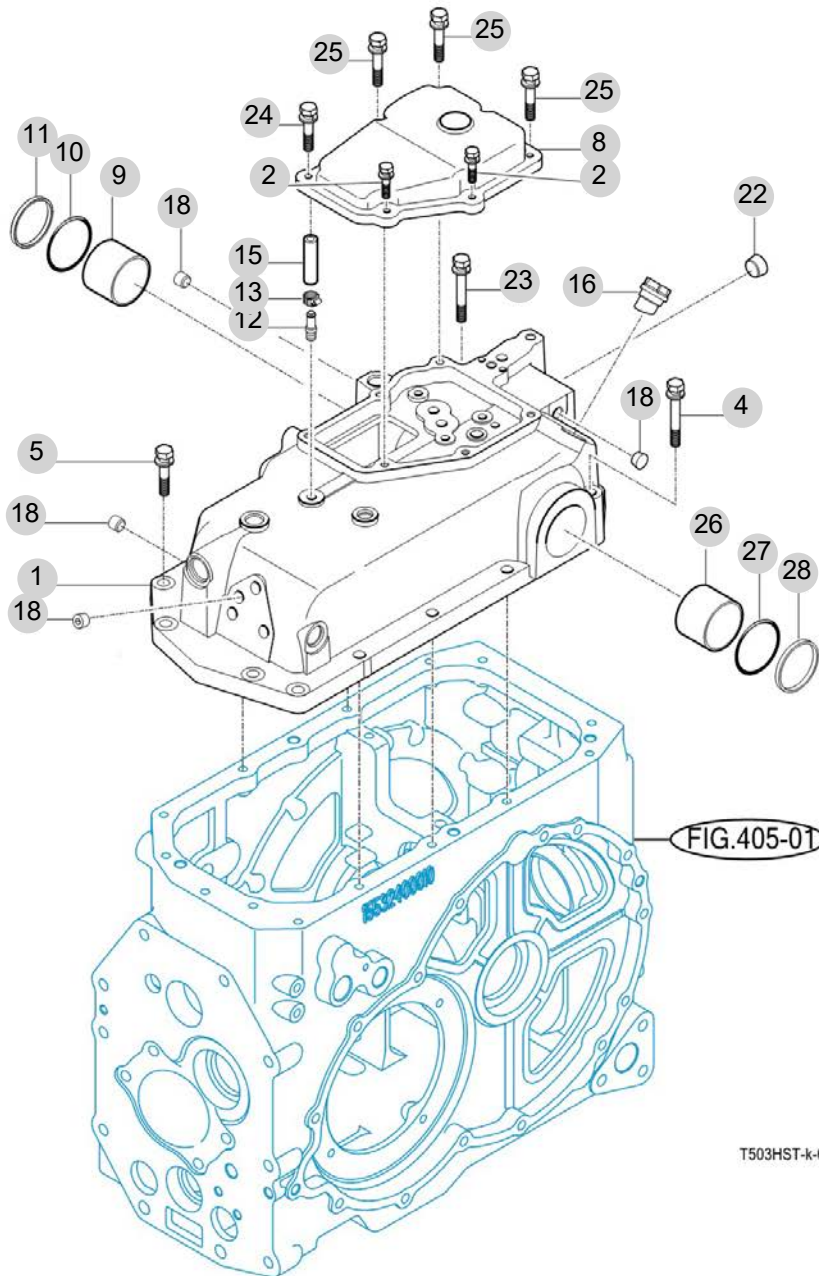
FIG 601

T555SHGBC

CYLINDER CASE

년/월
Year/Month

2022-12



T503HST-k-601

NOTE

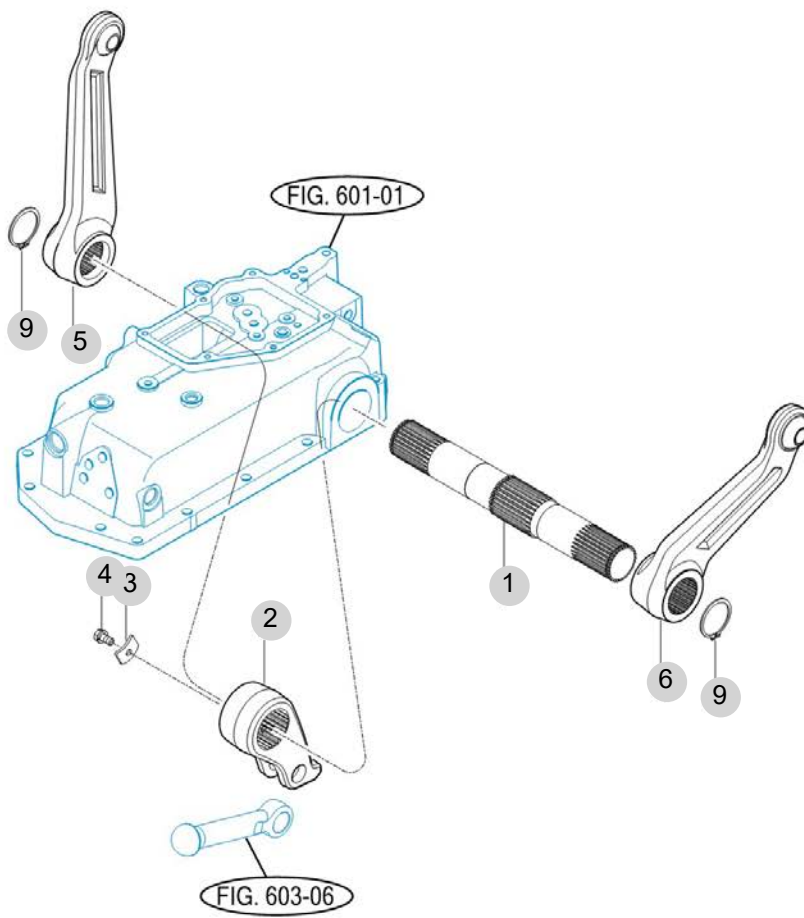
FIG 602

T555SHGBC

LIFT ARM

년/월
Year/Month

2022-12



T483-K-602

NOTE

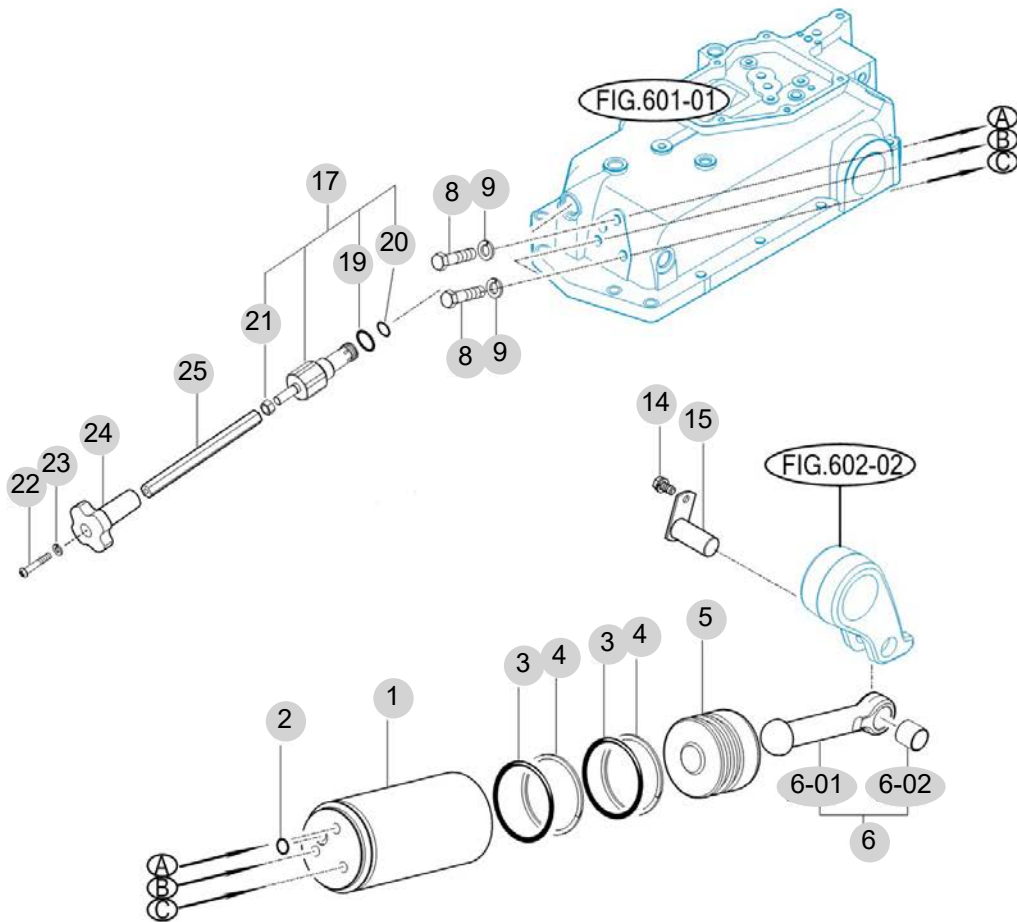
FIG 603

T555SHGBC

CYLINDER

년/월
Year/Month

2022-12



T483-K-603

NOTE

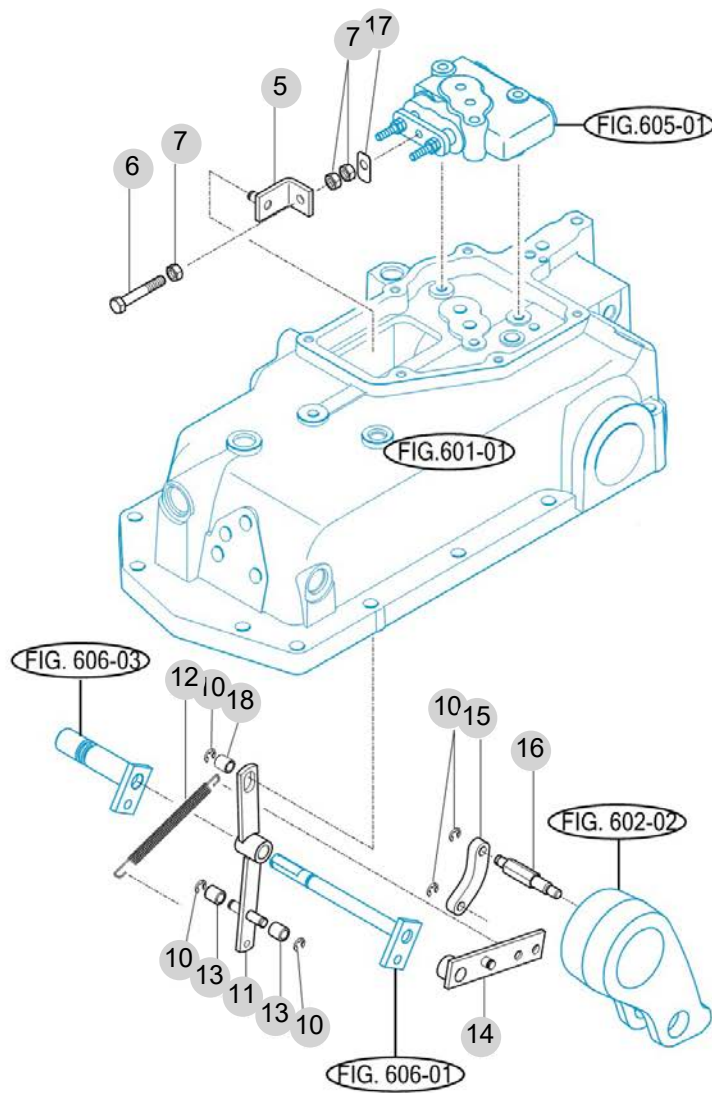
FIG 604

T555SHGBC

POSITION LINK

년/월
Year/Month

2022-12



T483-K-604

NOTE

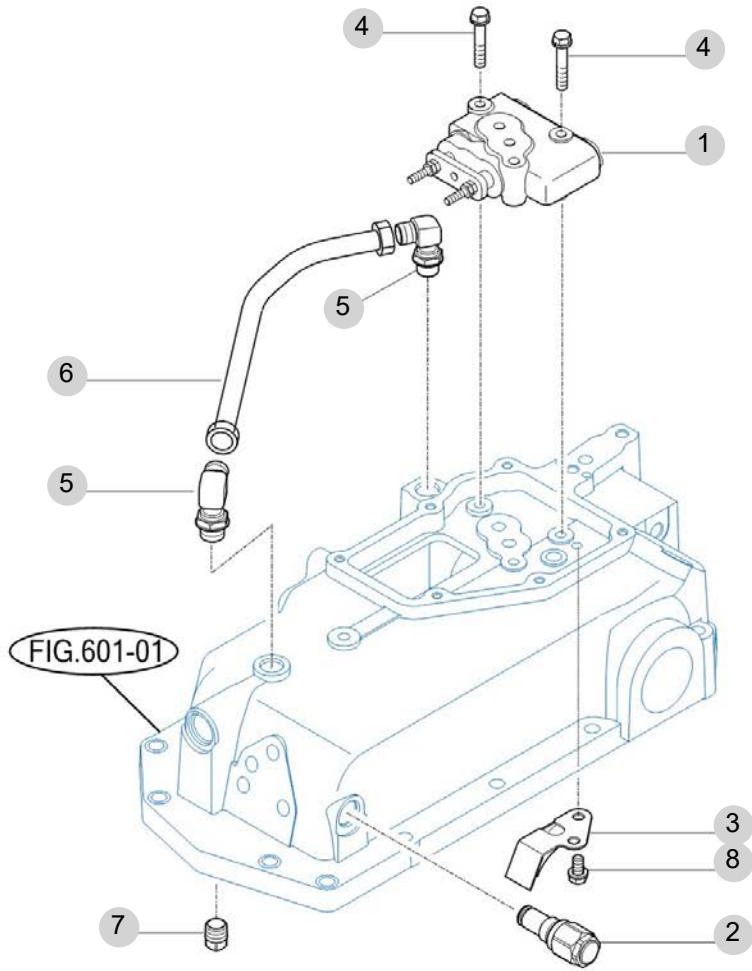
FIG 605

T555SHGBC

CONTROL VALVE

년/월
Year/Month

2022-12



T483-K-605

NOTE

FIG 605 T555SHGBC	CONTROL VALVE						년/월 Year/Month
							2022-12

KEY NO	PART NO	DESCRIPTION	SPEC	QTY	REPAIR	EFFECTIVE DATE	REMARKS
605	1	17995050100	메인 컨트롤 밸브			1	
605	2	17680070000	릴리프밸브ASSY			1	
605	3	17995050030	오일 가이드			1	
605	4	V2173608045	소형육각볼트보통(S)	M8X45		3	
605	5	14725100100	엘보 PF 3/8xM18			2	
605	5	16735304100	엘보(오링,90)			2	
605	6	16735050601	파이프(실린더)			1	
605	7	V7811600006	플러그(사각테이퍼)	R3/8		1	
605	8	V2173608012	소형육각볼트보통(S)	M8X12		2	
NOTE							

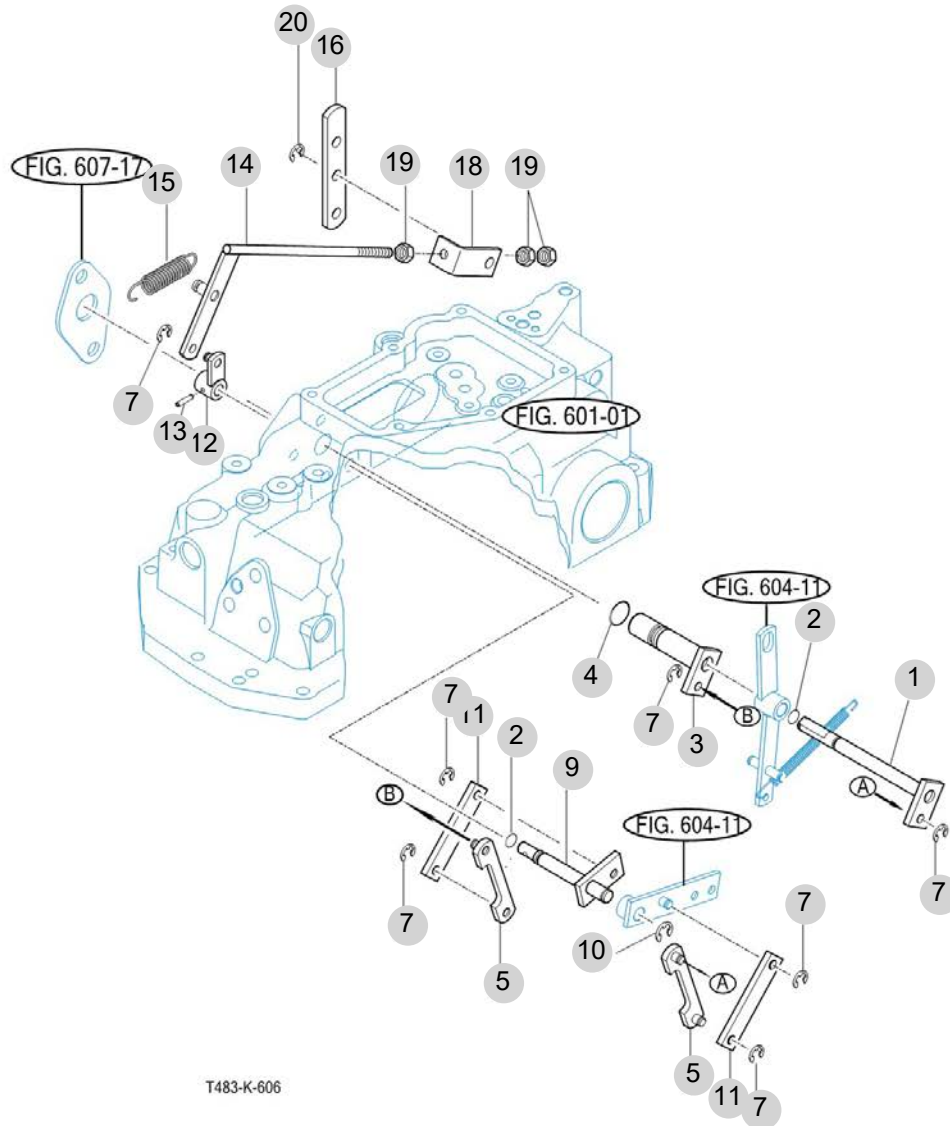
FIG 606

T555SHGBC

DRAFT LINK

년/월
Year/Month

2022-12



NOTE

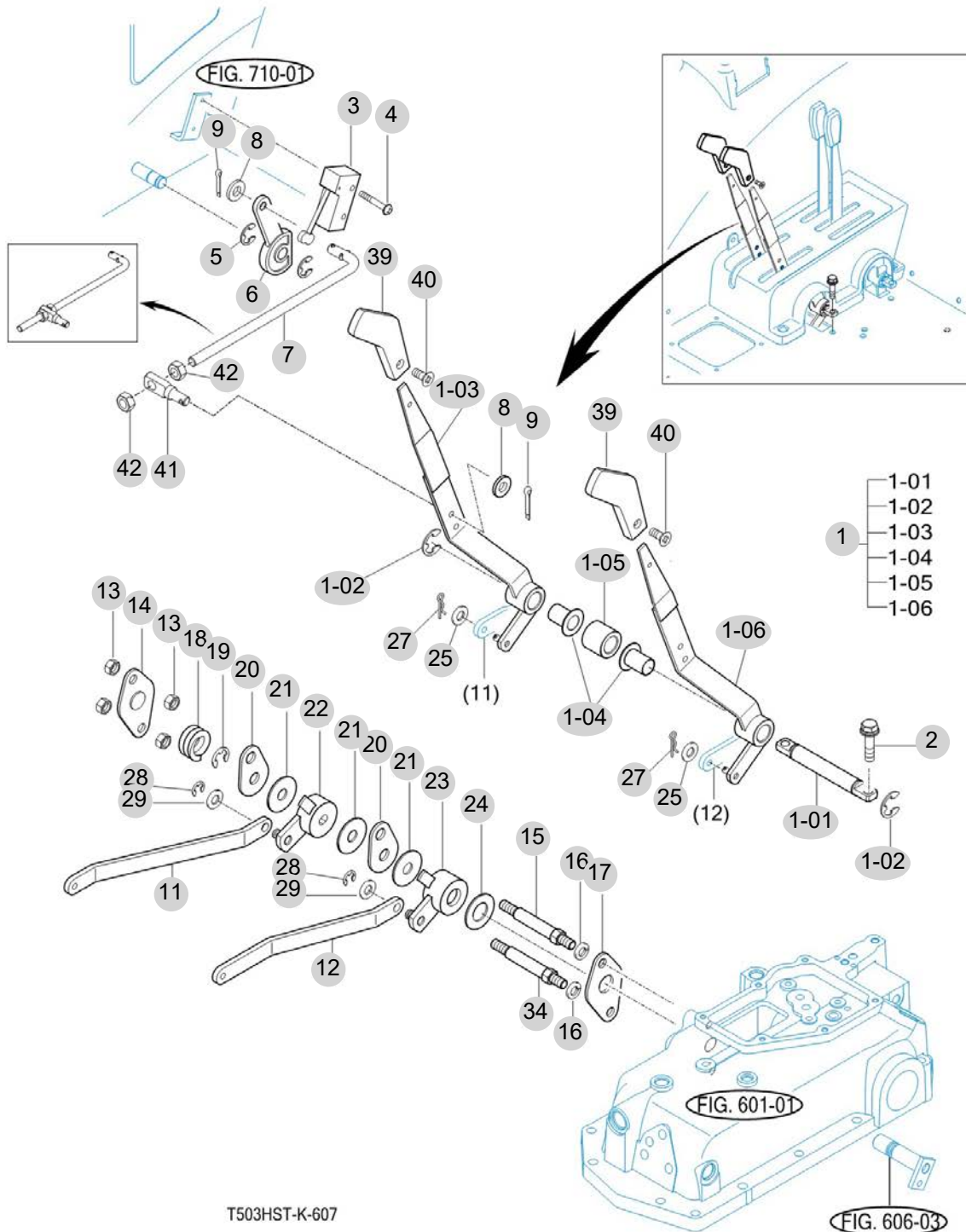
FIG 607

POSITION & DRAFT LEVER

년/월
Year/Month

2022-12

T555SHGBC



NOTE

FIG 607		POSITION & DRAFT LEVER						년/월 Year/Month	
								2022-12	
T555SHGBC									
KEY NO	PART NO	DESCRIPTION	SPEC	QTY	REPAIR	EFFECTIVE DATE	REMARKS		
607	1	10567092100	레버서브, 포지션/드래프트		1				
607	1-01	14527092110	샤프트	D=16	1				
607	1-02	V7081400150	E형멈춤링	15	2				
607	1-03	14527092201GB	레버조합,포지션/드레프트		1				
607	1-04	14527092120	부시,나ylon/16X18X27		2				
607	1-05	14527092251	칼라(스페이스)		1				
607	1-06	10567092300GB	레버조합,포지션/드레프트		1				
607	2	V2183608020	소형육각볼트보통(SP)	M8X20	2				
607	3	16606742301	스위치(리미트)ASSY		1				
607	4	V1222604025	심자흡냄비작은나사(SP)	M4X25	2				
607	5	V7081400080	E형멈춤링	8	2				
607	6	14527090020	캠,센서		1				
607	7	19997090010	로드, 스위치	D=6	1				
607	8	V4111600060	평와셔	M6	2				
607	9	V5001920020	분할핀	2X20	2				
607	11	14525070121	플레이트(포지션)	19X6T	1				
607	12	14525070141	플레이트(드래프트)	19X6T	1				
607	13	V3043600100	소형육각너트보통2종	M10	4				
607	14	17995070140	플레이트(C)	3.2T	1				
607	15	17995070150	지지볼트	H14X108.9	1				
607	16	V4011600100	스프링와셔	M10	2				
607	17	17995070170	플레이트(D)	3.2T	1				
607	18	17995070180	스프링		1				
607	19	V7081400120	E형멈춤링	12	1				
607	20	17995070200	플레이트(A)	3.2T	2				
607	21	17995070211	마찰판(소)		3				
607	21	13835070210	마찰판(소)		3				
607	22	14525070221	암(포지션레버)COMP		1				
607	23	14525070230	암COMP(드래프트레버)		1				
607	24	17995070241	마찰대(대)	21X40X2T	1				
607	24	13835070220	마찰대(대)		1				
607	25	V4111600060	평와셔	M6	2				
607	27	21306010180	헤어핀(6)		2				
607	28	V7081400080	E형멈춤링	8	2				
607	29	V4111600100	평와셔	M10	2				
607	34	17995070340	지지볼트		1				
607	39	15605110054	그림(03X17X97)	3X17X97	2				
607	40	V1122605012	심자흡점시작은나사	M5X12	2				
607	41	19997090210	핀, 포지션로드		1				
607	42	V3002600060	육각너트보통1종		2				
NOTE									

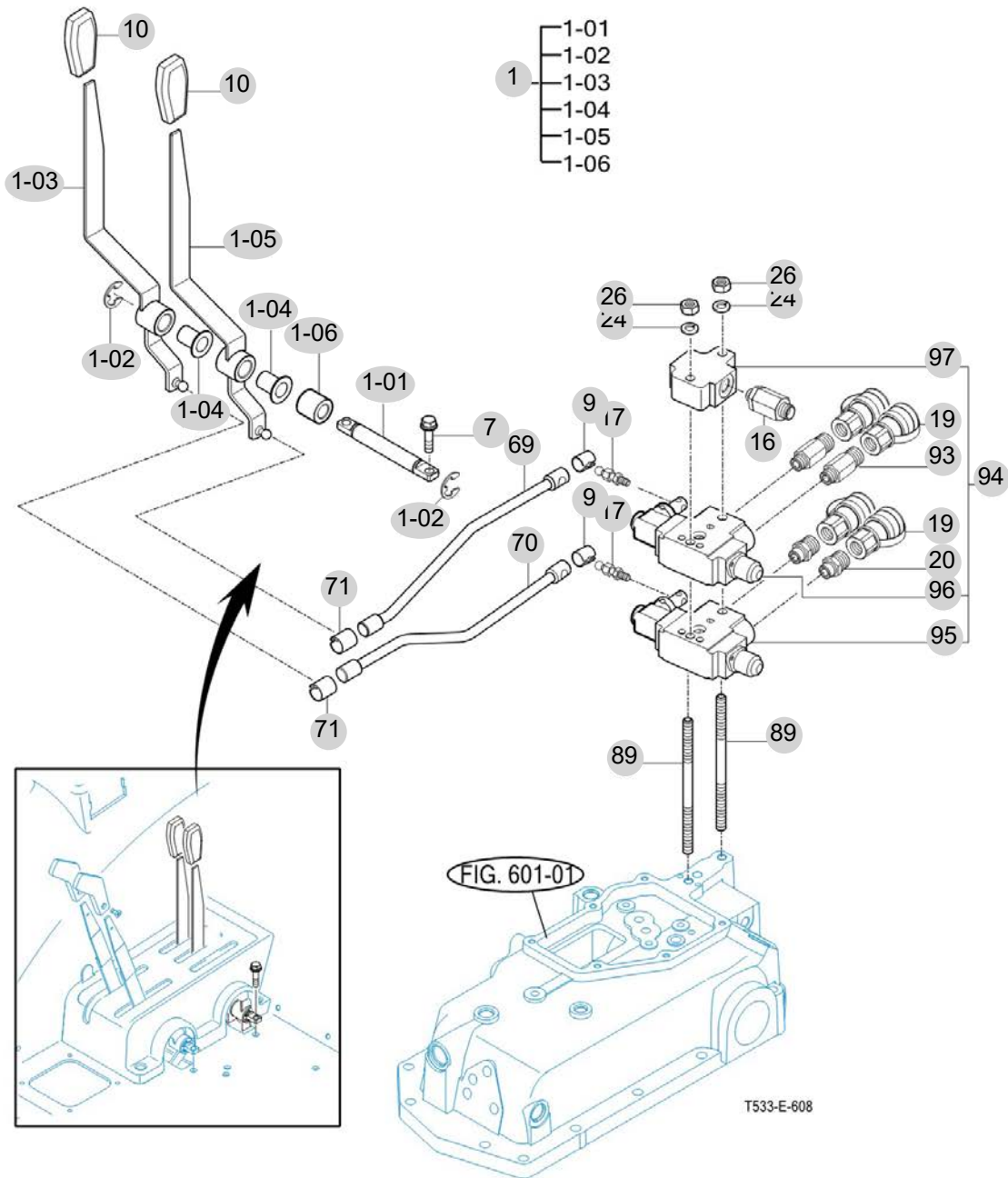
FIG 608

T555SHGBC

EXTERIOR HYD.VALVE

년/월
Year/Month

2022-12



NOTE

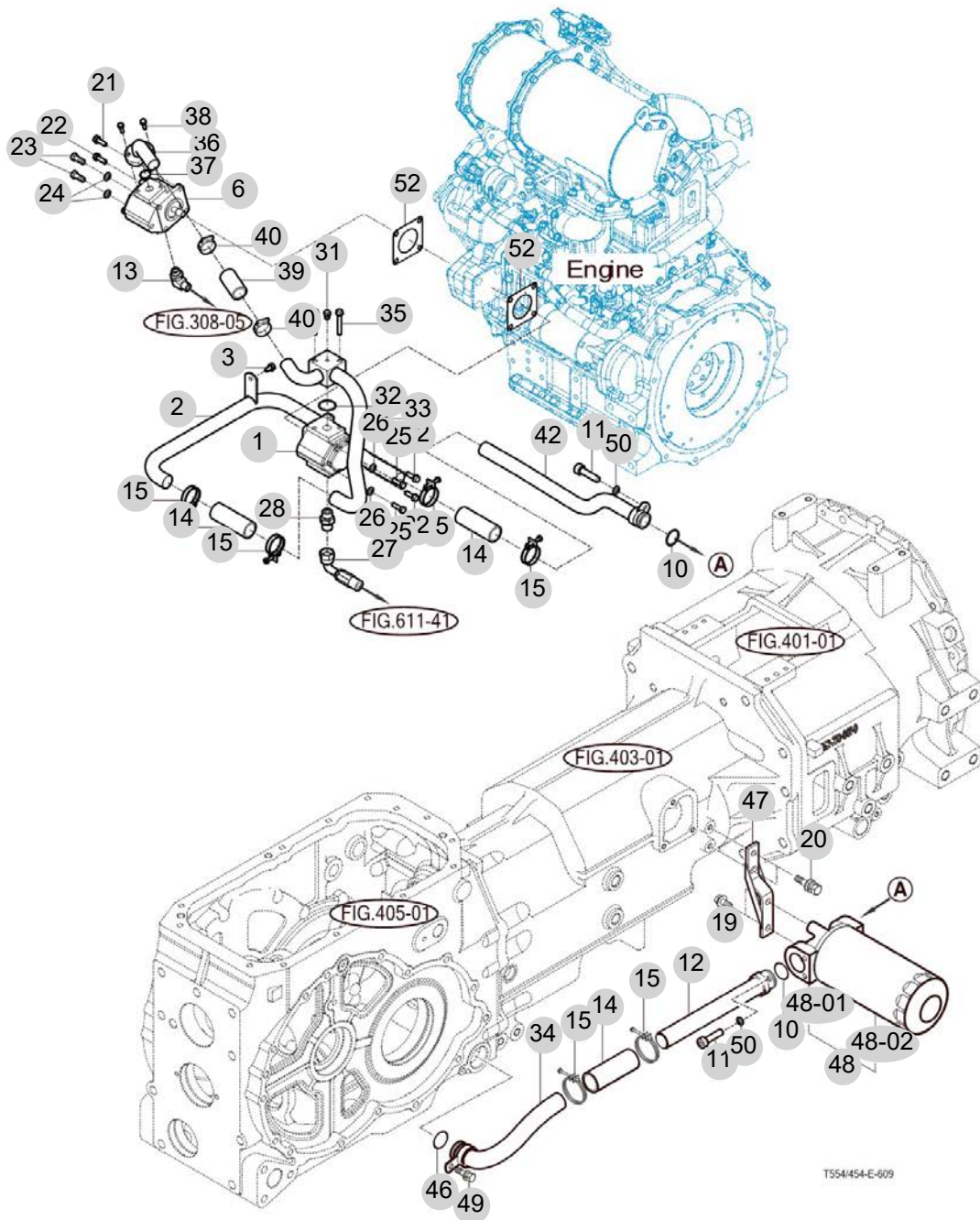
FIG 609

HYDRAULIC PIPE

년/월
Year/Month

2022-12

T555SHGBC



T554/454-E-609

NOTE

FIG 609 T555SHGBC		HYDRAULIC PIPE					년/월 Year/Month	
							2022-12	
KEY NO	PART NO	DESCRIPTION	SPEC	QTY	REPAIR	EFFECTIVE DATE	REMARKS	
609	1	15115100001	기어펌프(MAIN)ASSY			1		
609	2	17465152201GB	흡입 파이프 COMP (FR/RR)			1		
609	2	17465152202GB	흡입 파이프 COMP (FR/RR)			1		
609	3	V2173608016	소형육각볼트보통(S)			1		
609	6	15115200000	기어펌프(PS)ASSY			1		
609	10	V7211031030	O링(G)			2		
609	11	V2205408016	육각홀트	M8X16		2		
609	12	14525153401	파이프(석션/F)COMP			1		
609	12	14525153401PC	파이프(석션/F)COMP			1		
609	12	14525153401	파이프(석션/F)COMP			1		
609	13	36313530021	어댑터(고압)			1		
609	14	15605150031	호스(100)			3		
609	15	18027090400	밴드 클램프 40 홀식	D=40		6		
609	19	V2183610025	소형육각볼트보통(SP)	M10X25		2		
609	20	V2183608020	소형육각볼트보통(SP)	M8X20		2		
609	21	V2173608040	소형육각볼트보통(S)	M8X40		1		
609	22	V2173608025	소형육각볼트보통(S)	M8X25		3		
609	23	V2013608110	소형육각볼트(보통)	M8X110		2		
609	24	V4011600080	스프링와셔	M8		2		
609	25	V2013608110	소형육각볼트(보통)	M8X110		2		
609	26	V4011600080	스프링와셔	M8		2		
609	27	14525152331	유압호스(1560)ASSY			1		
609	28	16582630620	콘넥터(PF1/2)			1		
609	31	13267060022	드레인플러그			1		
609	32	V7211031030	O링(G)			1		
609	33	17465153301GB	흡입 파이프 COMP (앞)			1		
609	33	17465153302GB	흡입 파이프 COMP (앞)			1		
609	33	17465153303GB	흡입 파이프 COMP (앞)			1		
609	34	14525162402PC	파이프(석션/RR)COMP			1		
609	34	14525162403	파이프(석션/RR)COMP			1		
609	35	V2173608055	소형육각볼트보통(S)	M8X55		2		
609	36	15155152901GB	파이프(석션/P)COMP			1		
609	37	V7201024018	O링(P)	P18		1		
609	38	V2113606020	육각볼트(S)	M6X20		2		
609	39	19955100010	호스(26X34X60)			1		
609	40	18027090400	밴드 클램프 40 홀식			2		
609	42	14525152101	파이프(석션/R/IN)COMP			1		
609	42	14525152102	파이프 COMP , 석션/R/IN			1		
609	42	14525152102PC	파이프 COMP , 석션/R/IN			1		
609	42	14525152103	파이프 COMP , 석션/R/IN			1		
609	46	V7211031030	O링(G)	G30		1		
609	47	14525150000GB	브래킷(오일필터)			1		
609	47	14525150000	브래킷(오일필터)			1		
609	47	14525150001	브래킷(오일필터)			1		
609	48	17975152001	필터(흡입/43)ASSY			1		
NOTE								

FIG 609 T555SHGBC		HYDRAULIC PIPE						년/월 Year/Month
								2022-12
KEY NO		PART NO	DESCRIPTION	SPEC	QTY	REPAIR	EFFECTIVE DATE	REMARKS
609	48-01	17975152010	필터헤드		1			
609	48-02	17975152101	ELEMENT , SUCTION FILTER TM		1			
609	49	V2173608016	소형육각볼트보통(S)	M8X16	1			
609	50	V4011600080	스프링와셔	M8	2			
609	52	14045030060	오일펌프팩킹		2			
NOTE								

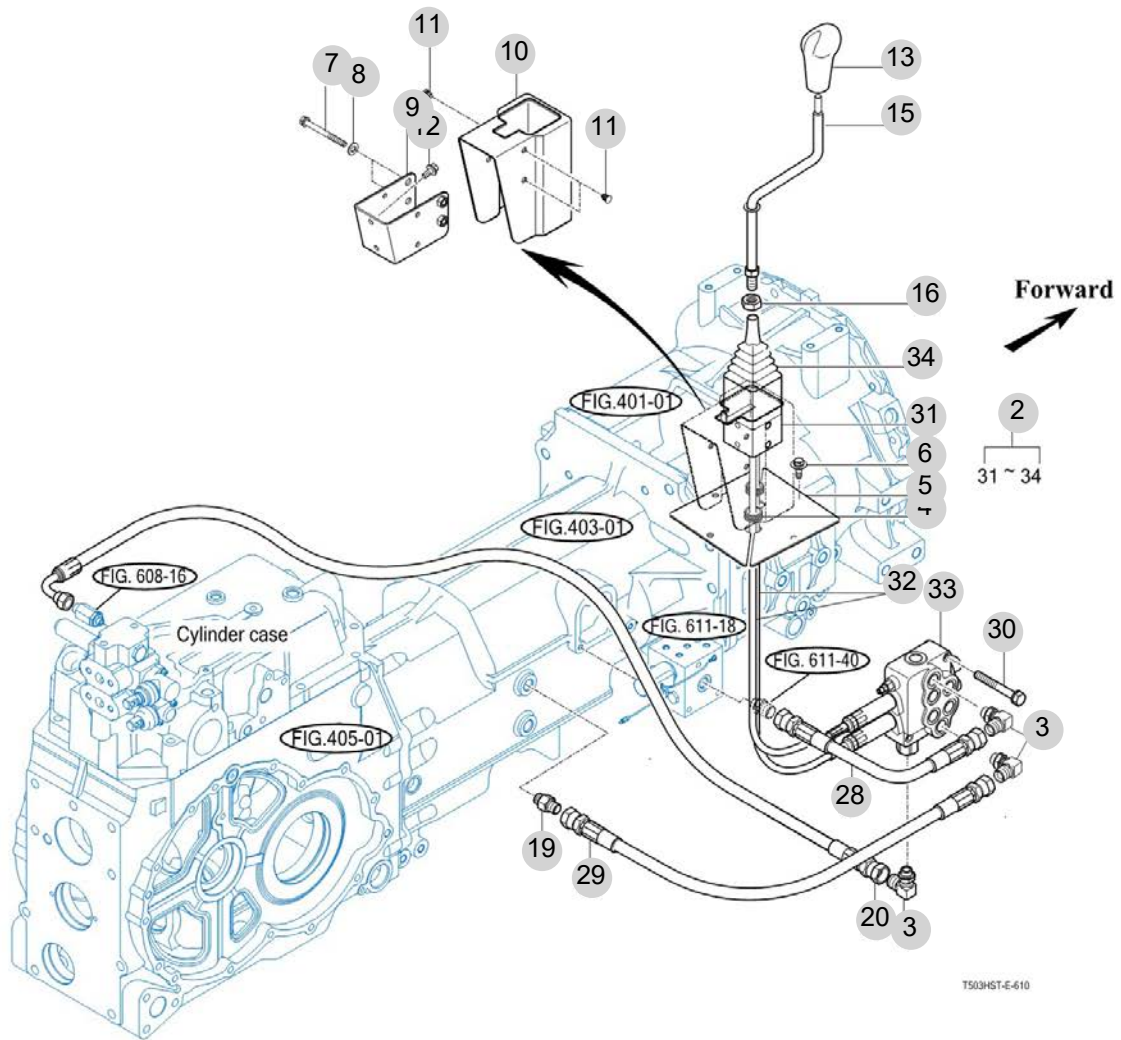
FIG 610

T555SHGBC

JOYSTICK

년/월
Year/Month

2022-12



NOTE

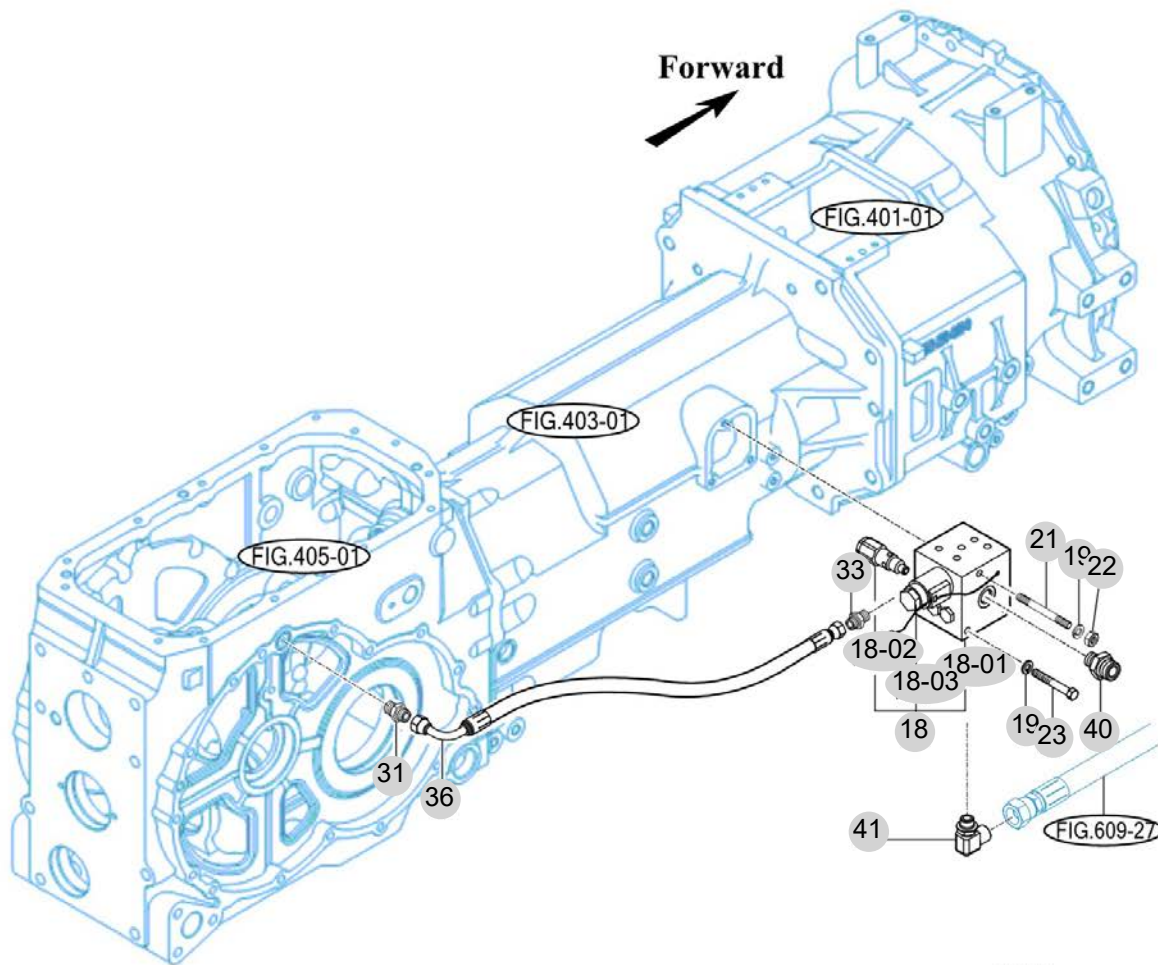
FIG 611

T555SHGBC

HYDRAULIC HOSE

년/월
Year/Month

2022-12



T5549A-E-011

NOTE

FIG 612		HITCH & 3-POINT LINK						년/월 Year/Month	
								2022-12	
T555SHGBC		KEY NO	PART NO	DESCRIPTION	SPEC	QTY	REPAIR	EFFECTIVE DATE	REMARKS
612	1	15535202002GB	스윙드로바 브래킷, COMP			1			
612	1	15535202003GB	스윙드로바 브래킷, COMP			1			
612	2	V2013616035	소형육각볼트(보통)	M16X35		2			
612	3	V4011600160	스프링와셔	M16		4			
612	10	V2013616035	소형육각볼트(보통)	M16X35		3			
612	11	V4011600160	스프링와셔	M16		5			
612	12	V2513416035	스터드볼트2종	M16X35		4			
612	13	V3043600160	소형육각너트보통2종	M16		4			
612	14	16735222102GB	링크 COMP			1			
612	15	15185222000GB	브래킷 COMP			1			
612	17	14525254100GB	브래킷(후)COMP			1			
612	18	14525254100GB	브래킷(후)COMP			1			
612	19	V2173612030	소형육각볼트보통(S)	M12X30		8			
612	22	15685252204	핀(L) COMP			1			
612	23	15685252801	핀(R) COMP			1			
612	24	V2013614040	소형육각볼트(보통)	M14X40		6			
612	27	V4011600140	스프링와셔	M14		6			
612	28	15645250010	핀(19X122)			1			
612	29	15645220020	핀(19X95)			1			
612	30	14445140051	헤어핀(19)			3			
612	31	15645250010	핀(19X122)			1			
612	38	16505245501GB	톱링크ASSY			1			
612	38	16505245502GB	톱링크 ASSY			1			
612	38-01	16505245510	톱링크COMP(RH)			1			
612	38-02	16505245520	톱링크COMP(LH)			1			
612	38-03	14555140251	턴버클 조합(톱링크)			1			
612	38-04	16505245530	육각너트			1			
612	44	15645220011	핀(19X86)			1			
612	45	14445140051	헤어핀(19)			1			
612	47	14215020020	링크핀			2			
612	57	S0973063031	핀ASSY			1			
612	58	15252470010	쿠션고무			1			
612	65	V4011600140	스프링와셔	M14		4			
612	66	V2013614035	소형육각볼트(보통)	M14X35		4			
612	68	13605200012GB	커버(씰드)			1			
612	69	V2183608016	소형육각볼트보통(SP)			4			
612	80	15155253000GB	조정링크(완)ASSY			2			
612	81	15155253100	로드 SUB, FR			2			
612	82	17705254200	린치핀			2			
612	85	15155253300	로드 SUB, RR			2			
612	86	15155253400	핀, ø20X59			2			
612	88	V5001940035	분할핀	4.0X35		2			
612	89	15155253500	아이볼트			2			
612	90	V4111600220	평와셔	M22		2			
612	91	V3343600220	소형육각너트가는2종	M22		2			
NOTE									

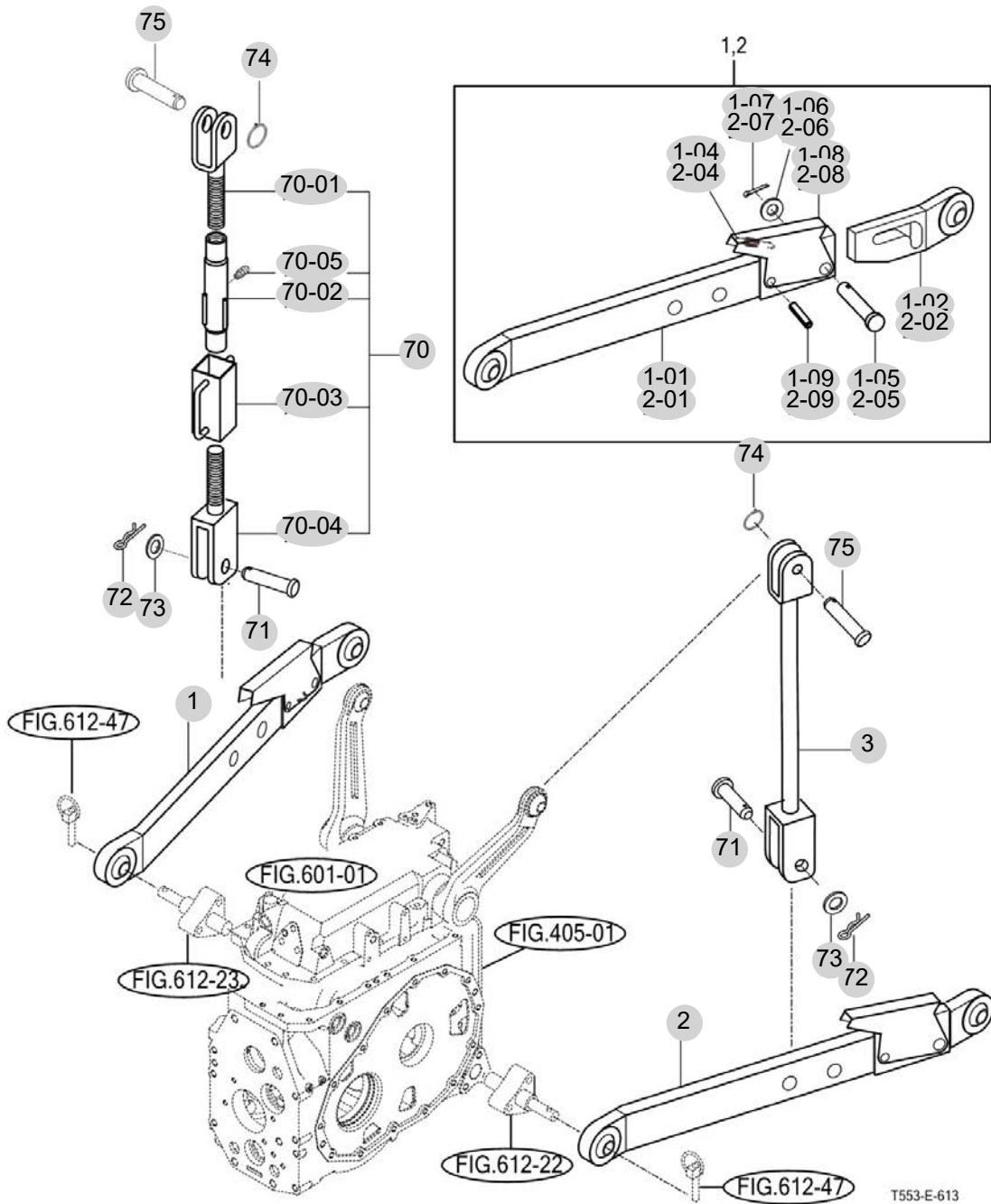
FIG 613

T555SHGBC

LOWER LINK & LIFT ROD

년/월
Year/Month

2022-12



T553-E-613

NOTE

7. 시트메탈/캐빈 PART NO. T7

FIG 701 HOOD (1)	169
FIG 702 HOOD (2)	171
FIG 704A LEVER COVER & STEP	173
FIG 705 FRONT & REAR MOUNTING	175
FIG 706 SEAT & MAT	177
FIG 709 DOOR	179
FIG 710A FRONT GLASS	182
FIG 711 SIDE GLASS	184
FIG 712 REAR GLASS	186
FIG 713A SUB FENDER & COVER	188
FIG 714A MIRROR	190
FIG 715A HEATER & AIR-CON	192
FIG 715B HEATER & AIR-CON	194
FIG 716 FENDER COVER	196
FIG 717 ROOF	198
FIG 718 CABIN INTERIOR	200
FIG 719 PEDAL SUB ASSY	202

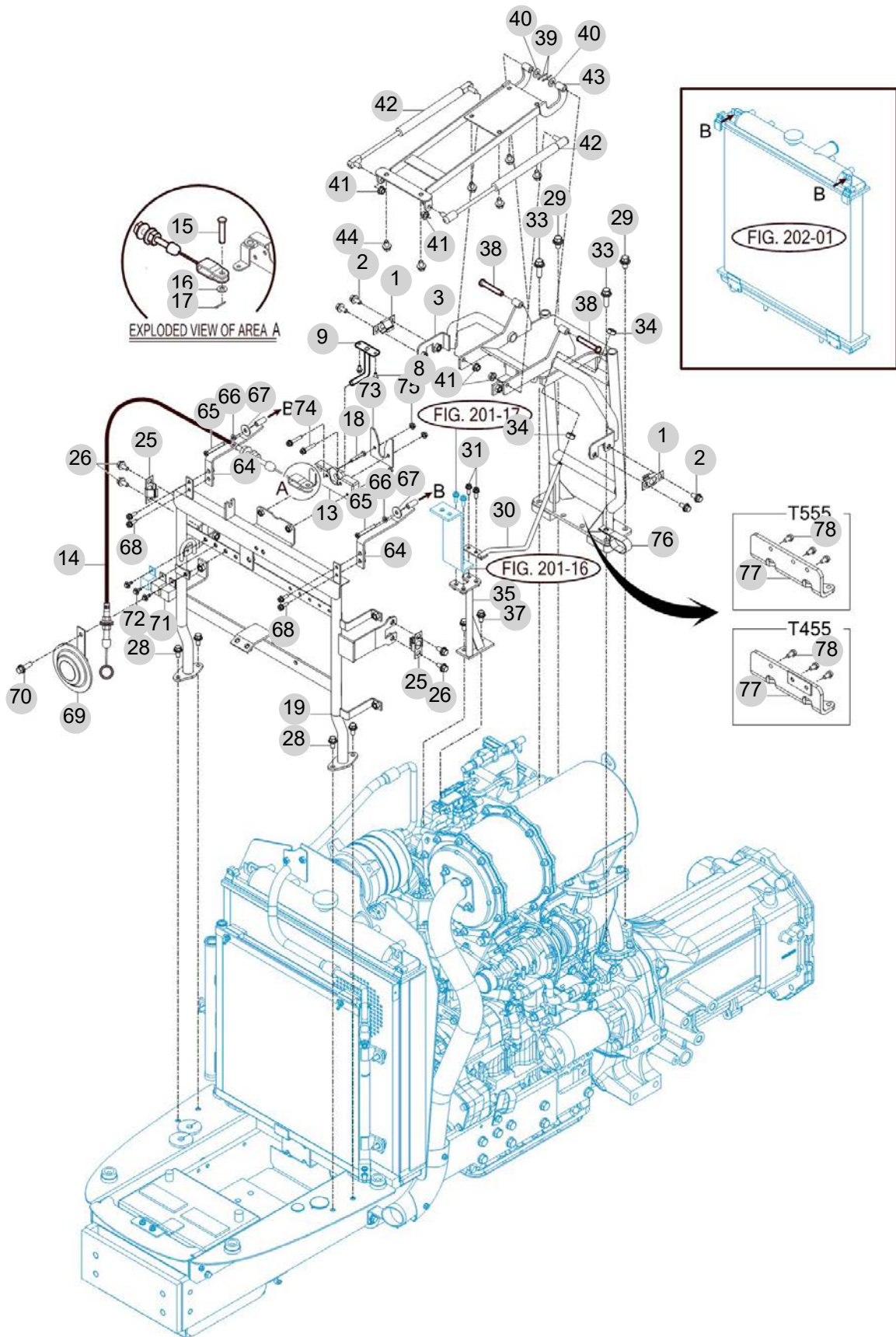
FIG 701

T555SHGBC

HOOD (1)

년/월
Year/Month

2022-12



NOTE

FIG 701		HOOD (1)						년/월 Year/Month	
T555SHGBC								2022-12	
KEY NO	PART NO	DESCRIPTION	SPEC	QTY	REPAIR	EFFECTIVE DATE	REMARKS		
701	1	17686013502	고정스프링		2				
701	2	V2183608020	소형육각볼트보통(SP)	M8X20	4				
701	3	17466052000GB	프레임(후드/서포트)COMP		1				
701	8	V2183608016	소형육각볼트보통(SP)	M8X16	2				
701	9	17466022100	브래킷 COMP , 후드 록		1				
701	13	17686020600	잠금장치(후드)COMP		1				
701	14	12146020650	후드 케이블ASSY		1				
701	15	15601160083	핀 (06X16)		1				
701	16	V4111600060	평와셔	M6	1				
701	17	V5001920020	분할핀		1				
701	18	V2053606035	심자흡육각볼트	M6X35	2				
701	19	17466011001GB	프레임(후드/프런트)COMP		1				
701	25	17686013502	고정스프링		2				
701	26	V2183608020	소형육각볼트보통(SP)	M8X20	4				
701	28	V2183608020	소형육각볼트보통(SP)	M8X20	4				
701	29	V2183610020	소형육각볼트보통(SP)	M10X20	2				
701	30	17463282200	로드 COMP		1				
701	31	V2123606020	육각볼트(SP)	M6X20	2				
701	33	V2174610050	소형육각볼트보통(S)	M10X50	2				
701	34	V3013600100	육각너트보통2종	M10	2				
701	35	17466052300GB	서포트 COMP		1				
701	37	V2183608020	소형육각볼트보통(SP)	M8X20	2				
701	38	16996024552	두부핀		2				
701	39	V5001920020	분할핀		2				
701	40	V4111600080	평와셔	M8	2				
701	41	V3802600080	플랜지불이육각너트	M8	4				
701	42	19957022201	댐퍼(후드)ASSY_35kg		2				
701	43	19956054600GB	후드 OPEN 브래킷 COMP		1				
701	44	V2183608016	소형육각볼트보통(SP)	M8X16	6				
701	64	17466012101GB	라디에이터 고정브래킷COMP		2				
701	65	V2053606050	심자흡육각볼트	M6X50	2				
701	66	V4011600060	스프링와셔	M6	2				
701	67	35602010150	결속축와셔		2				
701	68	V2123606020	육각볼트(SP)	M6X20	4				
701	69	13266212003	흔		1				
701	70	V2113606012	육각볼트(S)	M6X12	1				
701	71	17686641110	예열릴레이		2				
701	72	V2193606016	육각볼트(SPL)	M6X16	3				
701	73	17406014300	후드핀 가이드		1				
701	74	V2123606035	육각볼트(SP)	M6X35	2				
701	75	V3802600060	플랜지불이육각너트		2				
701	76	14441010161	라디에이터호스클램프		1				
701	77	14137001200GB	하우징 서포터 COMP		1				
701	78	V2173608030	소형육각볼트보통(S)	M8X30	3				
NOTE									

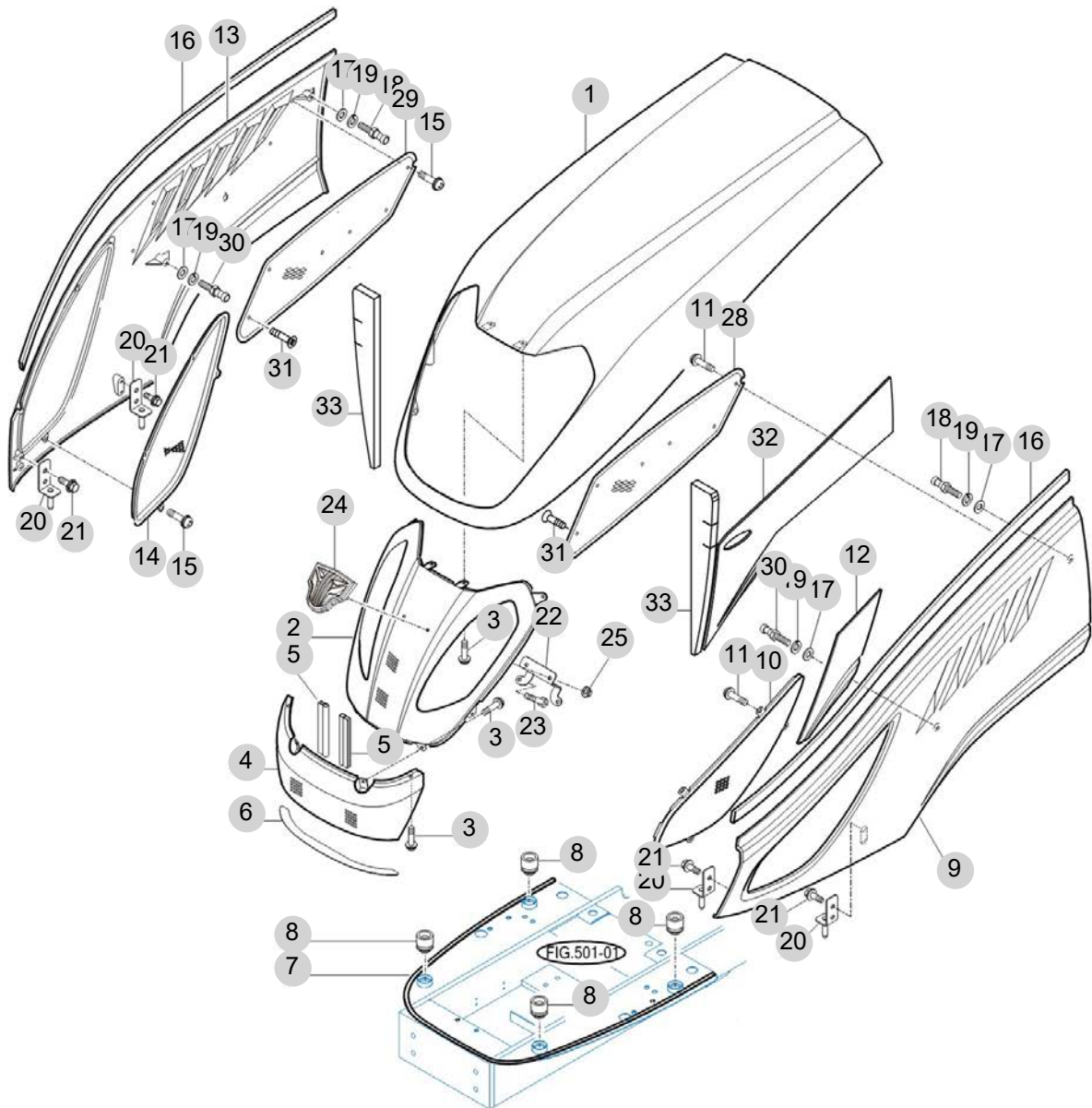
FIG 702

T555SHGBC

HOOD (2)

년/월
Year/Month

2022-12



T554/454-E-702

NOTE

FIG 702 T555SHGBC	HOOD (2)	년/월 Year/Month 2022-12
---------------------------------	-----------------	----------------------------------

KEY NO	PART NO	DESCRIPTION	SPEC	QTY	REPAIR	EFFECTIVE DATE	REMARKS
702	1	19956200012SR	후드	1			
702	2	19956200051GB	프런트 그릴	1			
702	2	19956200052GB	프런트 그릴	1			
702	2	19956200053GB	프런트 그릴	1			
702	3	V1222606010	심자흡냄비작은나사(SP)	10			
702	4	19956205102DG	프런트그릴(하) COMP	1			
702	5	19956300022	인슐레이터, 프런트 그릴	2			
702	6	19956200070	인슐레이터(언더/ 프런트)	1			
702	7	17466300030	인슐레이터 사이드커버(하)	1			
702	8	16996015511	고무(가이드)	4			
702	9	19956202013DG	사이드커버(좌)	1			
702	10	19956202021GB	사이드네트(LH)	1			
702	11	V1222606010	심자흡냄비작은나사(SP)	8			
702	12	19956024711	인슐레이터, 후드(방열)	1			
702	13	19956203013DG	사이드커버(우)	1			
702	14	19956203021GB	사이드 네트 (우)	1			
702	15	V1222606010	심자흡냄비작은나사(SP)	10			
702	16	19956300010	인슐레이터,사이드커버	2			
702	17	V4111600080	평와셔	M8	4		
702	18	17686013602	고정핀		2		
702	19	V4011600080	스프링와셔		4		
702	20	19956043601	고정핀(후/하)COMP		4		
702	21	V2123606012	육각볼트(SP)		8		
702	22	19956524301GB	헤드램프 고정브래킷COMP		1		
702	22	19956524302GB	헤드램프 고정브래킷COMP		1		
702	23	V2193606016	육각볼트(SPL)	M6X16	2		
702	24	19959010010	엠블럼		1		
702	24	19959010011	엠블럼		1		
702	24	11116222000	엠블럼 ASSY, K1		1		
702	25	V3802600060	플랜지붙이육각너트	M6	2		
702	28	14521040400GB	메탈, 머플러(LH)		1		
702	29	14521050400GB	메탈, 머플러(RH)		1		
702	30	14526013600	고정핀		2		
702	31	V1122606012	심자흡접시작은나사		2		
702	32	17466024720	인슐레이터, 사이드		1		
702	33	17466024731	인슐레이터, 슈라우드		2		
NOTE							

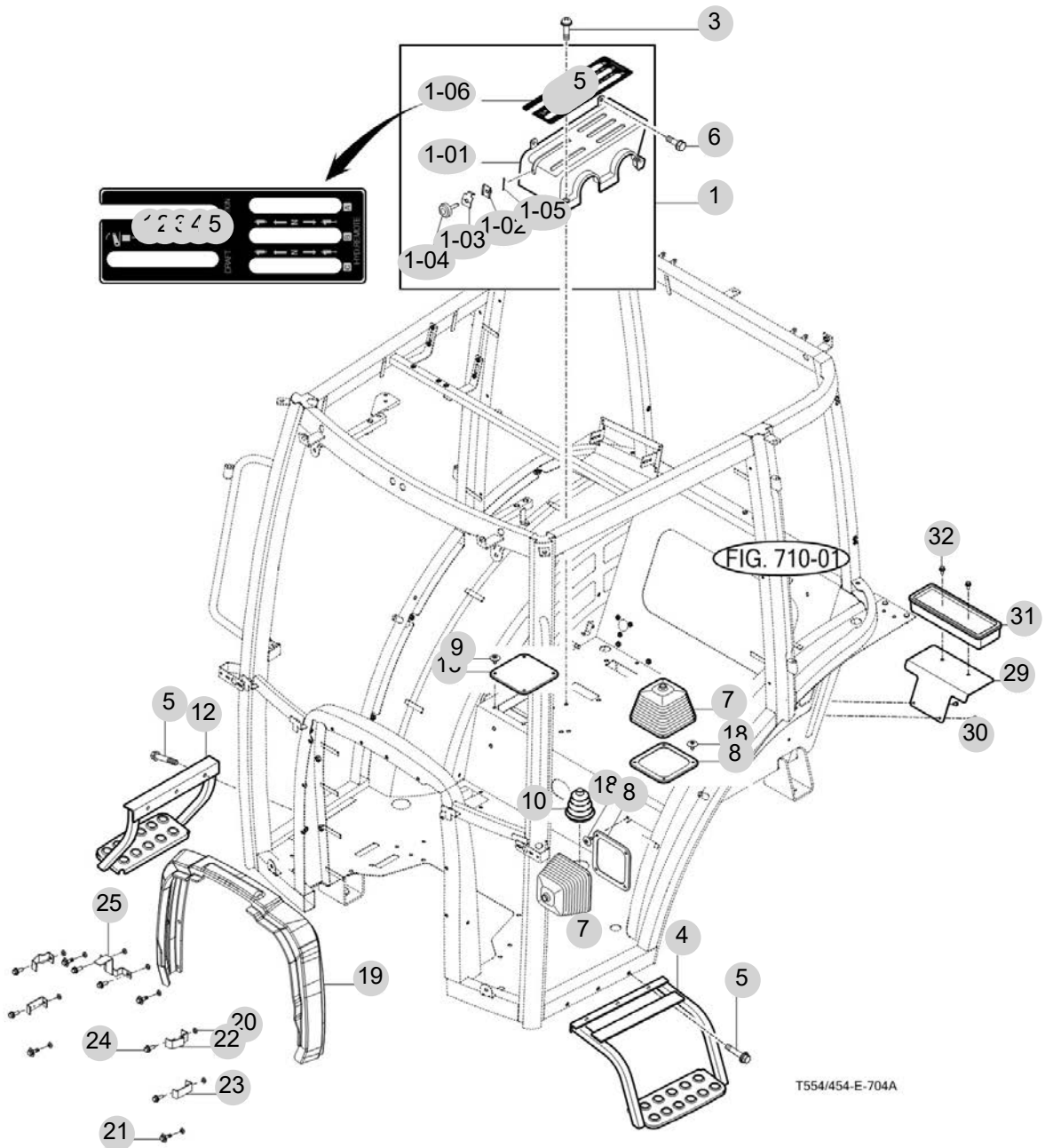
FIG 704A

T555SHGBC

LEVER COVER & STEP

년/월
Year/Month

2022-12



NOTE

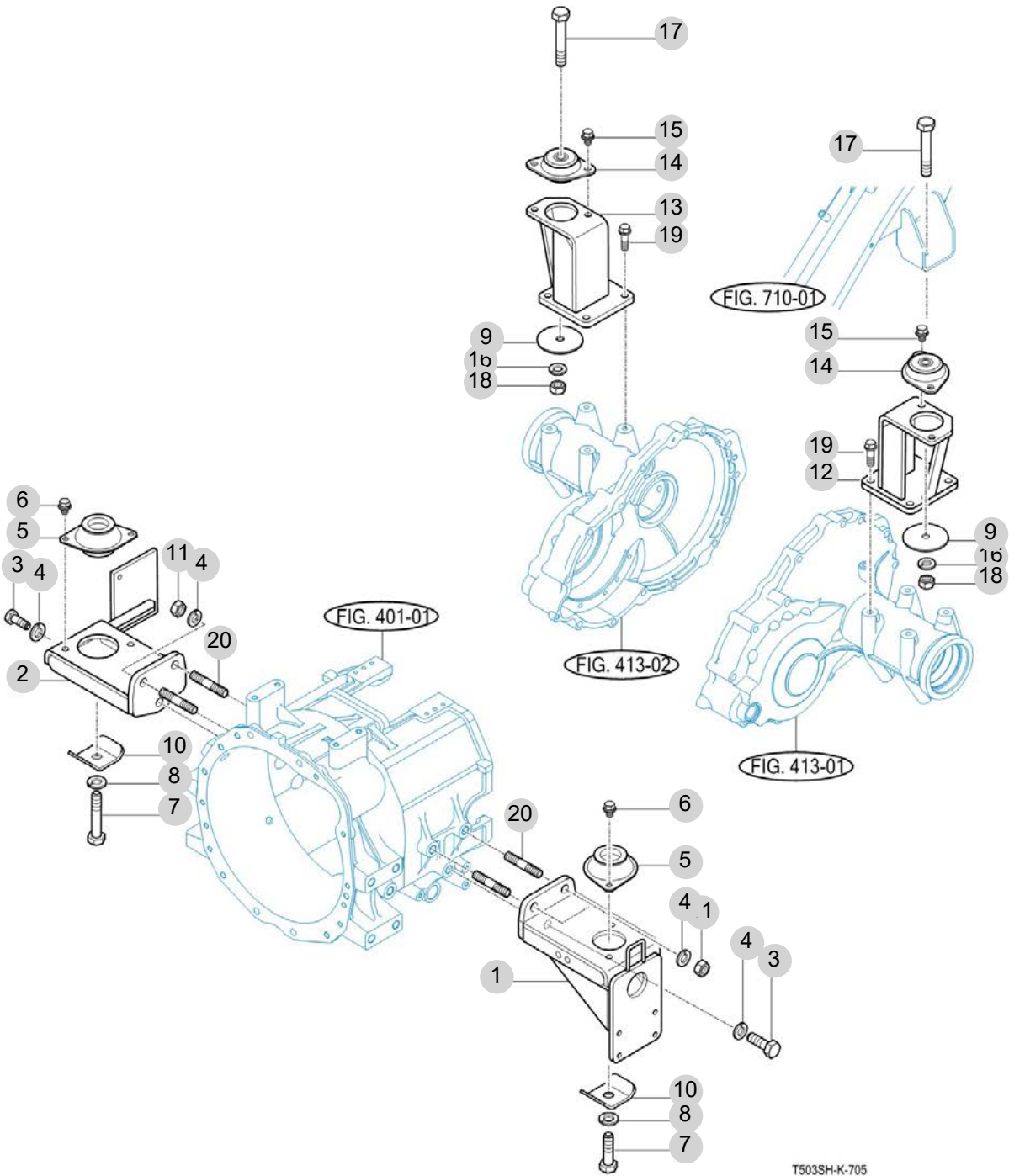
FIG 705

T555SHGBC

FRONT & REAR MOUNTING

년/월
Year/Month

2022-12



T503SH-K-705

NOTE

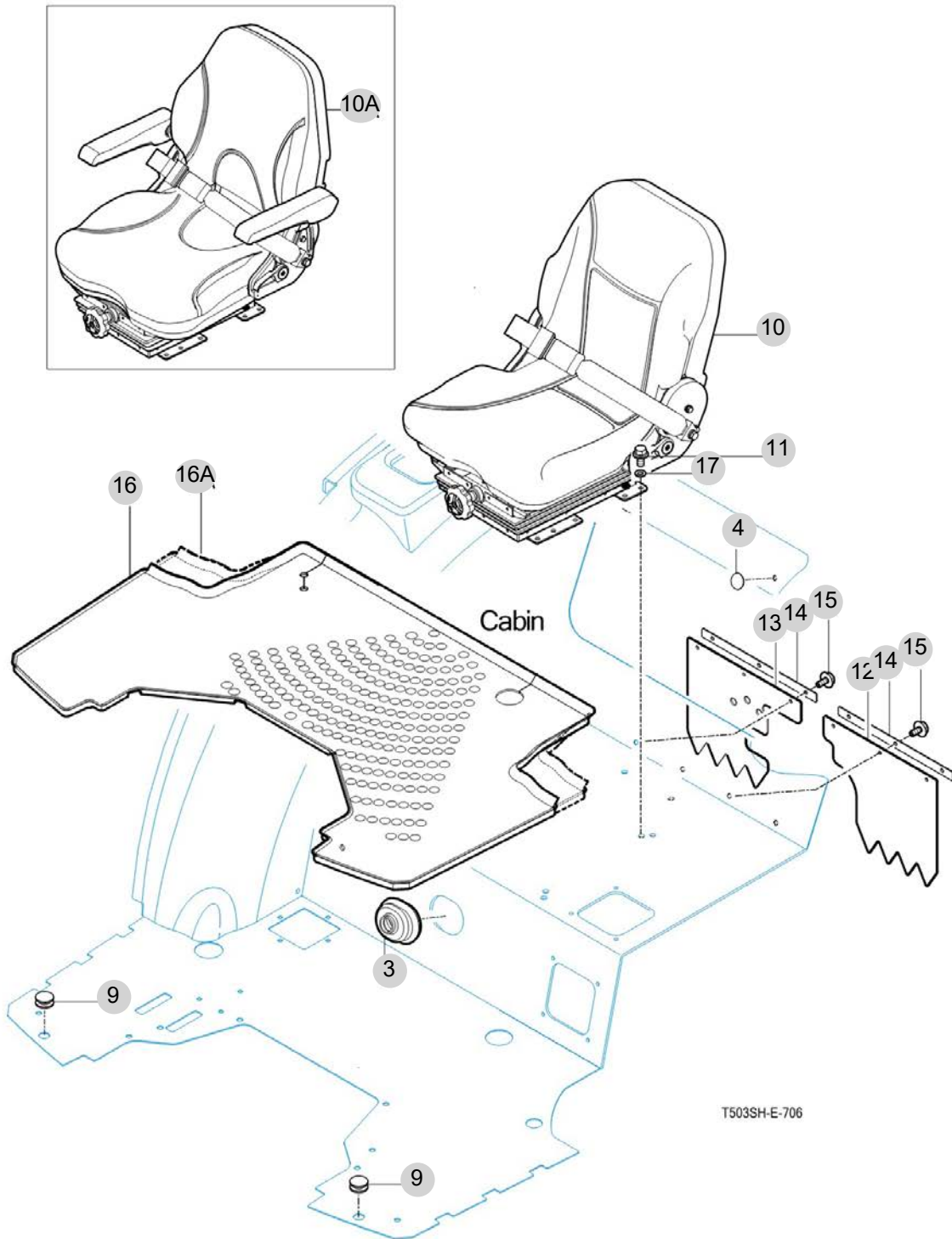
FIG 706

SEAT & MAT

년/월
Year/Month

2022-12

T555SHGBC



T503SH-E-706

NOTE

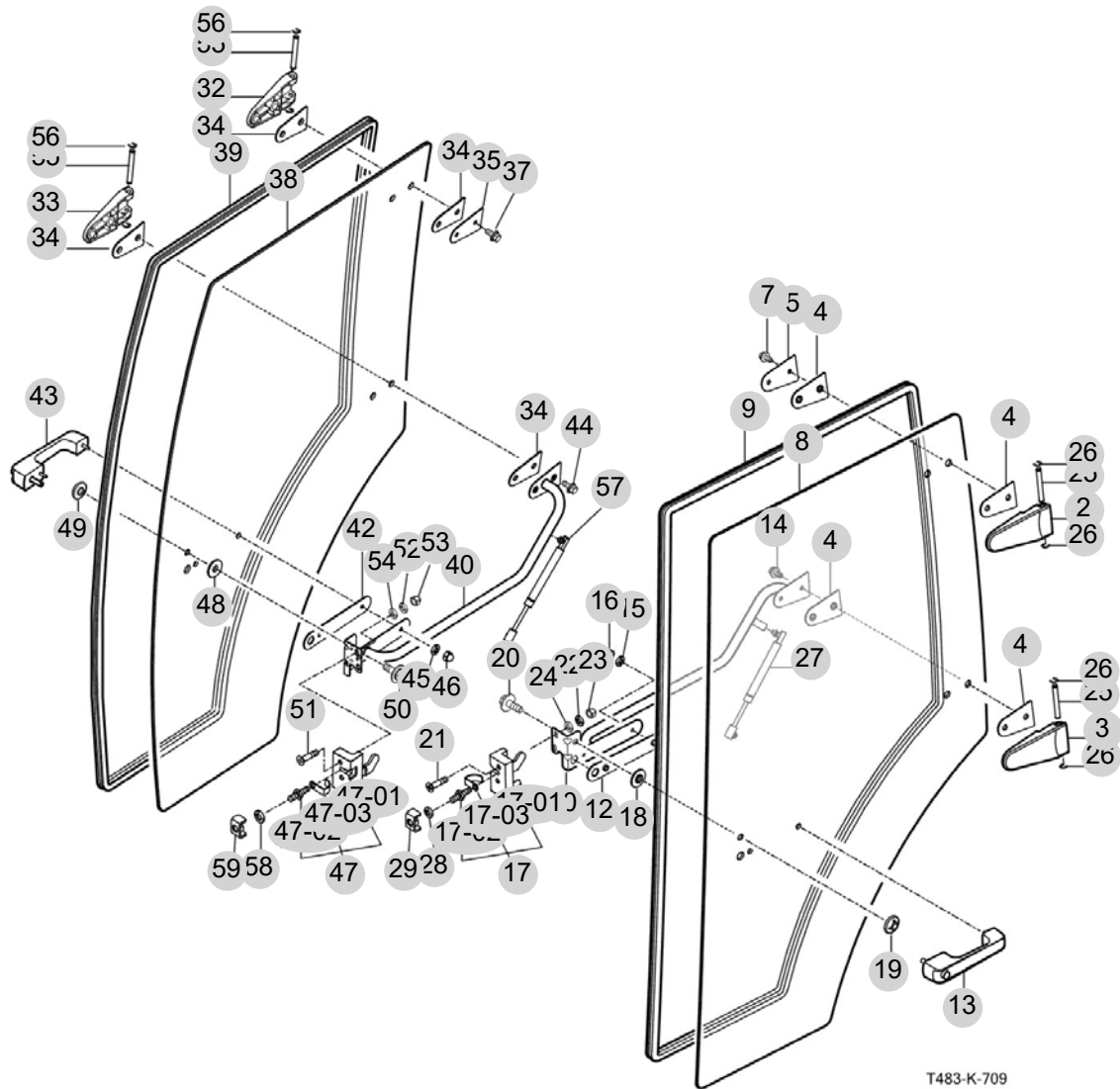
FIG 709

DOOR

년/월
Year/Month

2022-12

T555SHGBC



NOTE

FIG 709 T555SHGBC		DOOR					년/월 Year/Month	
							2022-12	
KEY NO	PART NO	DESCRIPTION	SPEC	QTY	REPAIR	EFFECTIVE DATE	REMARKS	
709	2	14527052300	도어힌지조합, 상/LH		1			
709	3	14527052400	도어힌지조합, 상/RH		1			
709	4	14527052110	개스킷, 도어힌지		4			
709	5	14527052120GB	플레이터,도어힌지		1			
709	7	V2183608020	소형육각볼트보통(SP)	M8X20	2			
709	8	14527052131	그라스, 도어/LH	6t	1			
709	9	14527052140	인슐레이터 / 도어		1			
709	10	14527052500GB	가이드 조합/LH/도어		1			
709	12	14527052150	개스킷, 도어손잡이		1			
709	13	14527052600	잠금장치 손잡이ASSY		1			
709	14	V2183608020	소형육각볼트보통(SP)	M8X20	2			
709	15	V4011600060	스프링와셔	M6	2			
709	16	V3402700060	육각캡너트	M6	2			
709	17	14527052700	록크SET,LH/도어		1			
709	17-01	14527052710	록ASSY,LH/도어		1			
709	17-02	14527052720	스트라이크		1			
709	17-03	14527052730	가이드		1			
709	18	15817401130	크로메트(13X17X02)		1			
709	19	14527042500	그라스너트조합		1			
709	20	V2193606012	육각볼트(SPL)	M6X12	1			
709	21	V1122608040	심자흡점시작은나사	M8X40	2			
709	22	V4011600080	스프링와셔	M8	2			
709	23	V3412700080	소형육각캡너트	M8	2			
709	24	V4111600080	평와셔		2			
709	25	14527041110	핀, 도어힌지	D=8	2			
709	26	V7082400070	E형멈춤링(sus)	7	4			
709	27	14527301080	댐퍼(도어)ASSY_20kg	20KG	1			
709	28	V4011600100	스프링와셔	M10	1			
709	29	14527062500GB	브래킷 조합,도어록		1			
709	32	14527052300	도어힌지조합, 상/LH		1			
709	33	14527052400	도어힌지조합, 상/RH		1			
709	34	14527052110	개스킷, 도어힌지		4			
709	35	14527052120GB	플레이터,도어힌지		1			
709	37	V2183608020	소형육각볼트보통(SP)	M8X20	2			
709	38	14527053131	그라스, 도어/RH	6t	1			
709	39	14527052140	인슐레이터 / 도어		1			
709	40	14527053500GB	가이드 조합,RH/ 도어		1			
709	42	14527052150	개스킷, 도어손잡이		1			
709	43	14527052600	잠금장치 손잡이ASSY		1			
709	44	V2183608020	소형육각볼트보통(SP)	M8X20	2			
709	45	V4011600060	스프링와셔	M6	2			
709	46	V3402700060	육각캡너트	M6	2			
709	47	14527053700	록크SET,RH/도어		1			
709	47-01	14527053710	록크ASSY,RH/도어		1			
709	47-02	14527052720	스트라이크		1			
NOTE								

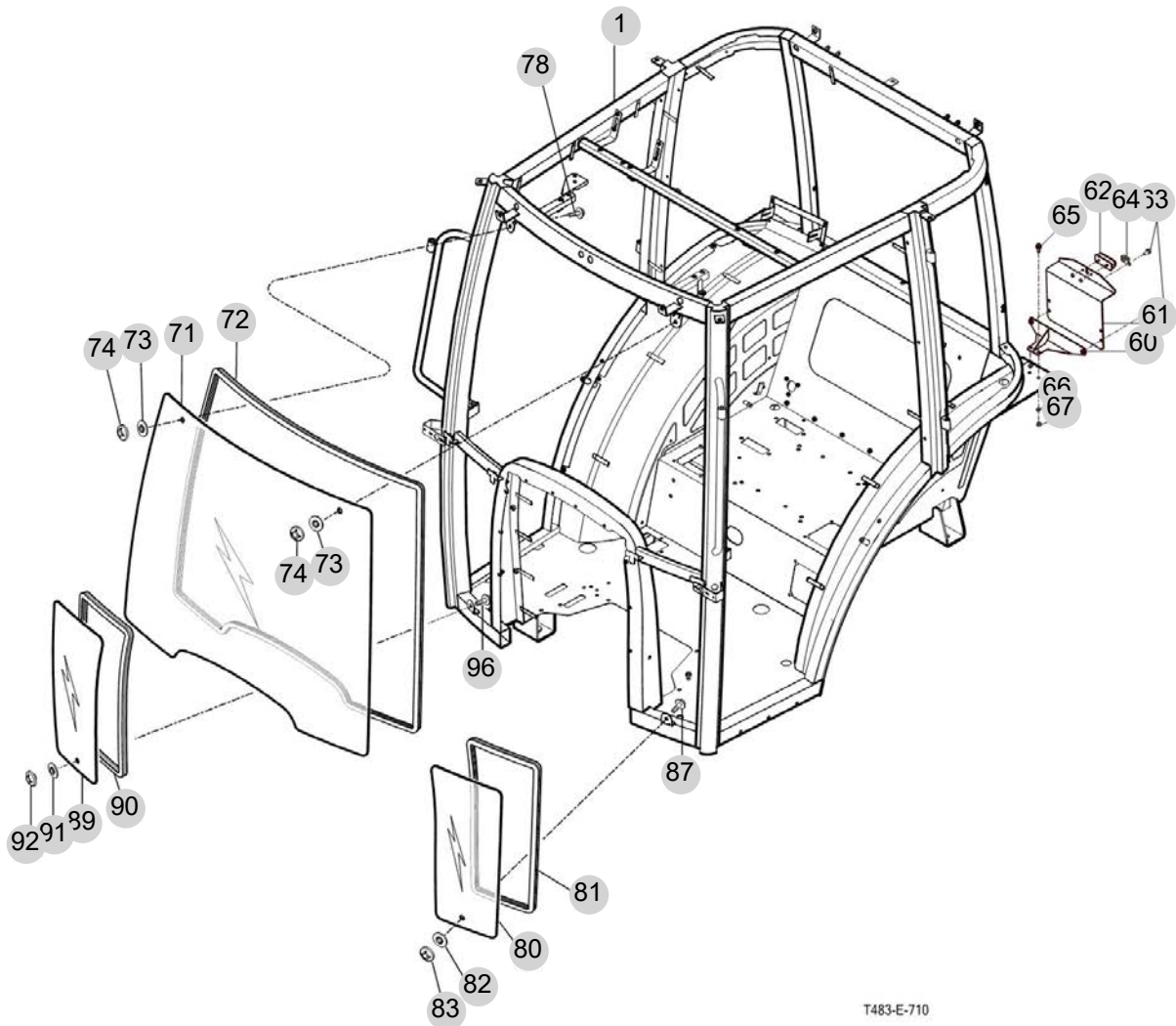
FIG 710A

T555SHGBC

FRONT GLASS

년/월
Year/Month

2022-12



T483-E-710

NOTE

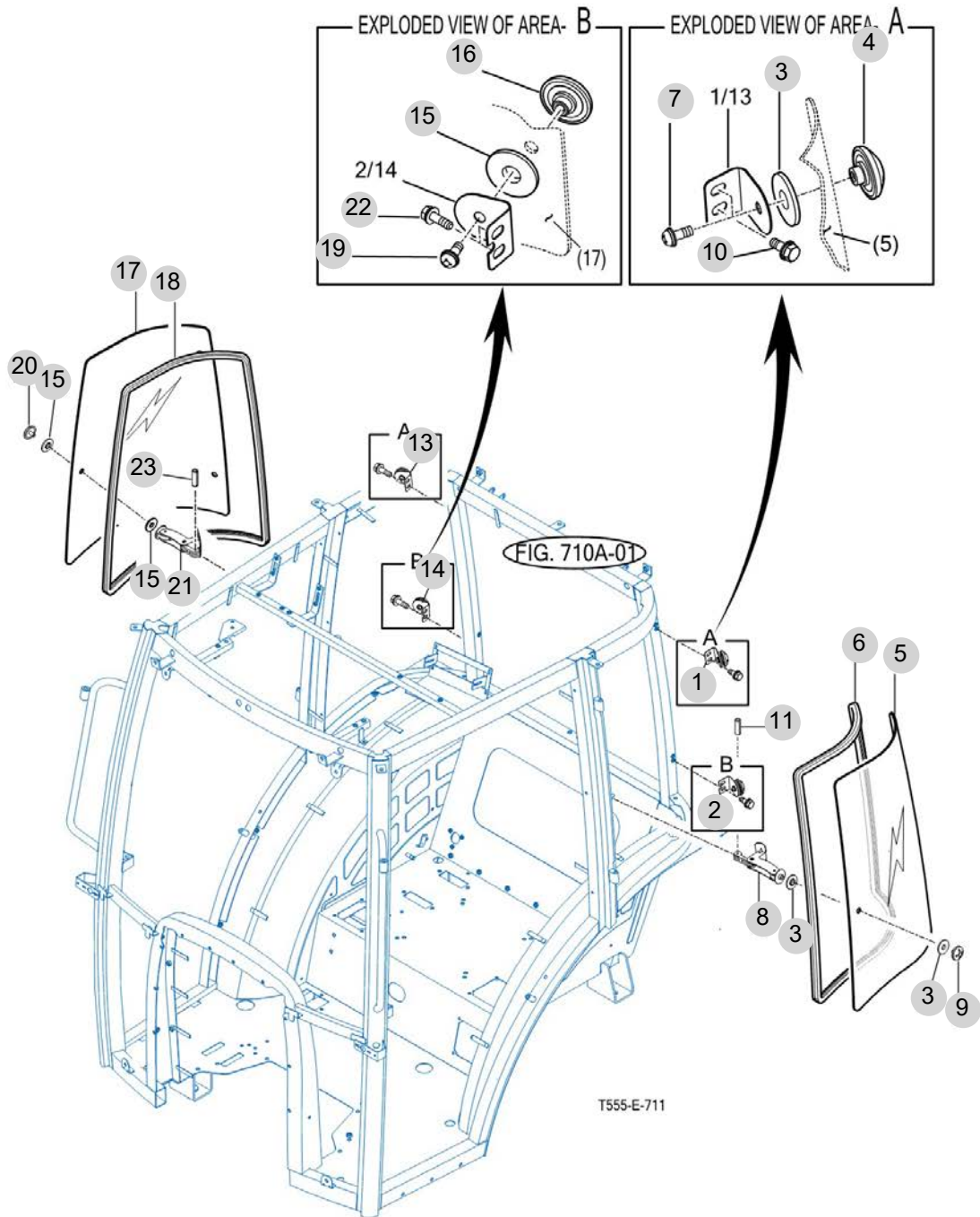
FIG 711

SIDE GLASS

년/월
Year/Month

2022-12

T555SHGBC



NOTE

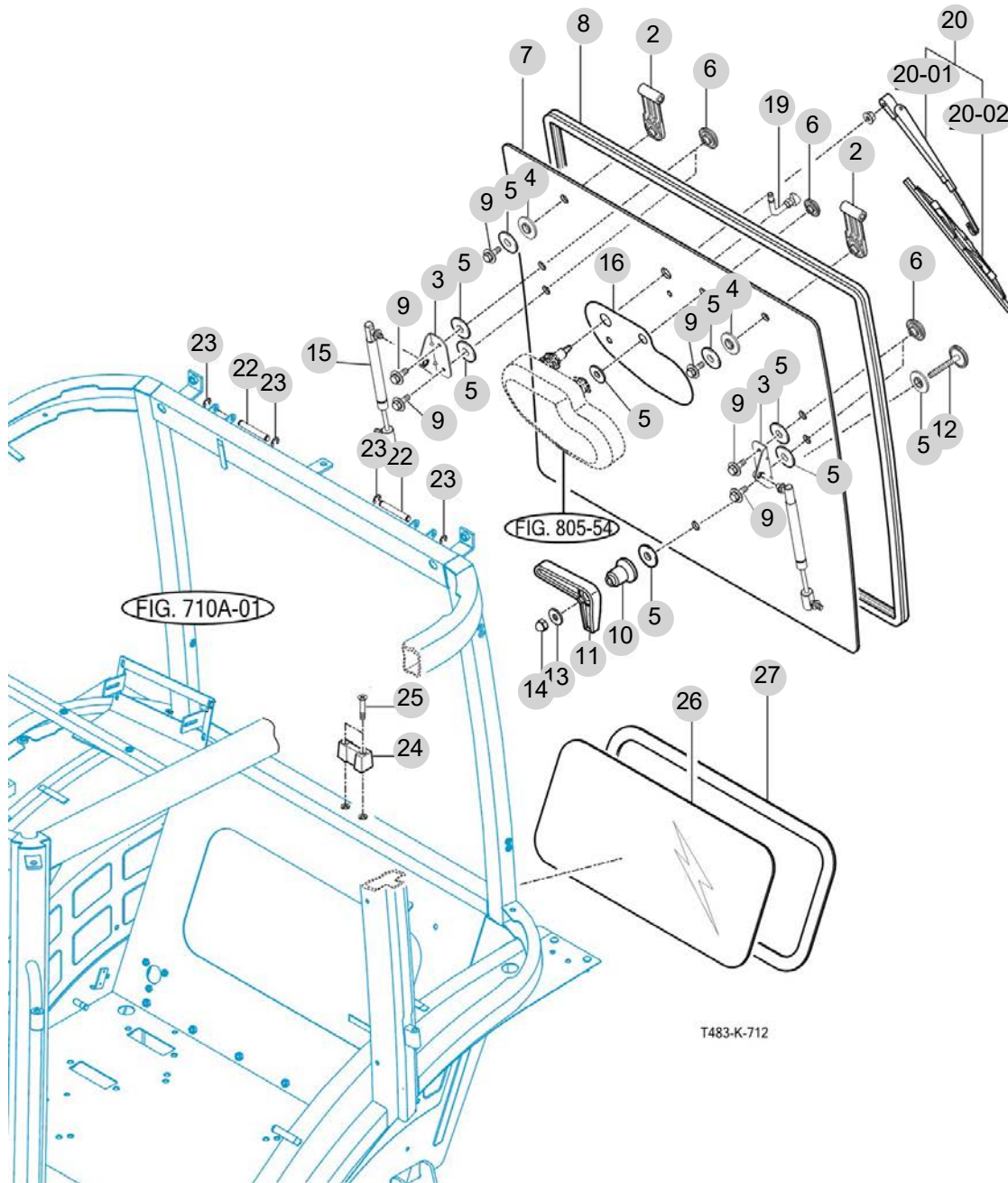
FIG 712

T555SHGBC

REAR GLASS

년/월
Year/Month

2022-12



NOTE

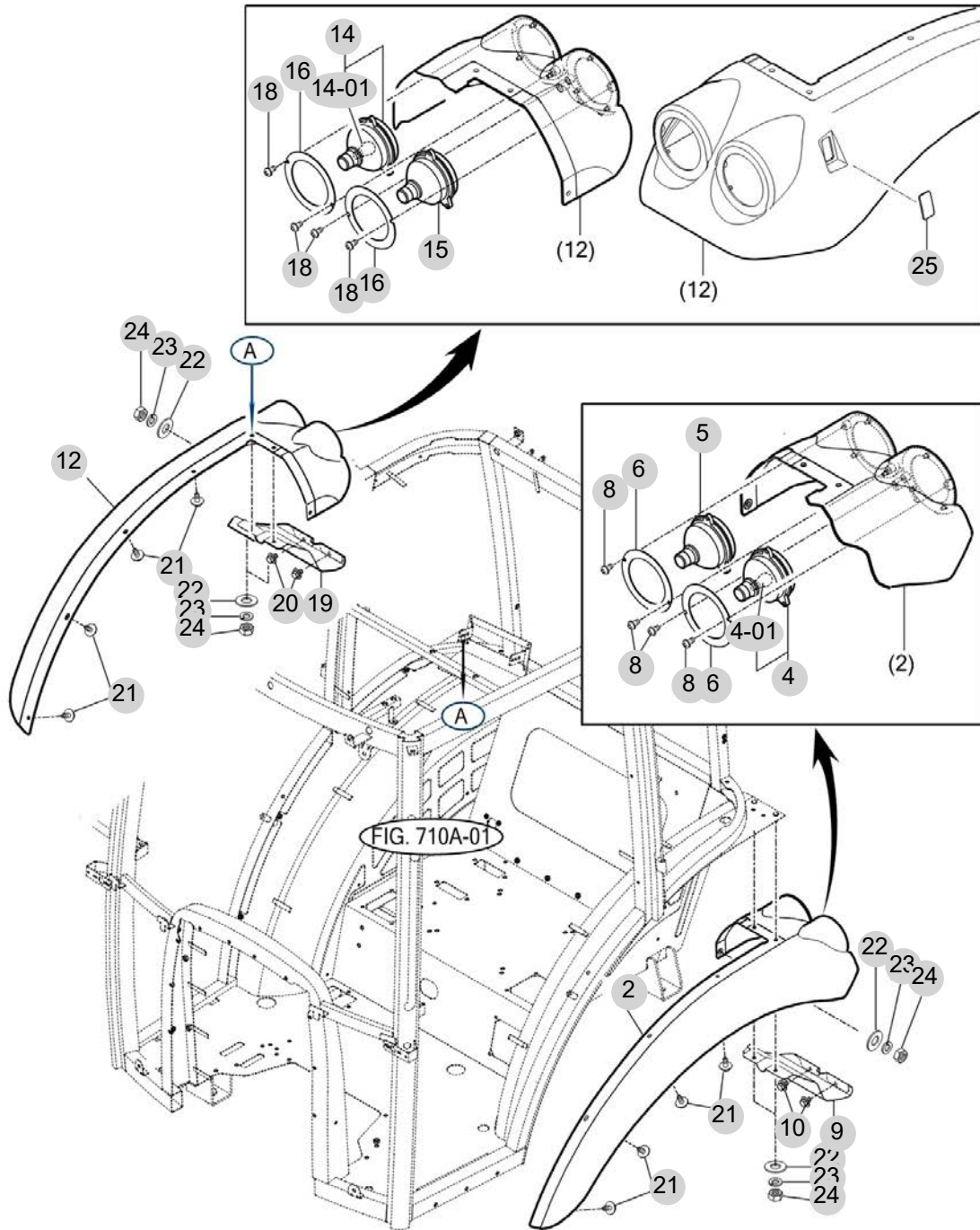
FIG 713A

T555SHGBC

SUB FENDER & COVER

년/월
Year/Month

2022-12



T555-E-713A

NOTE

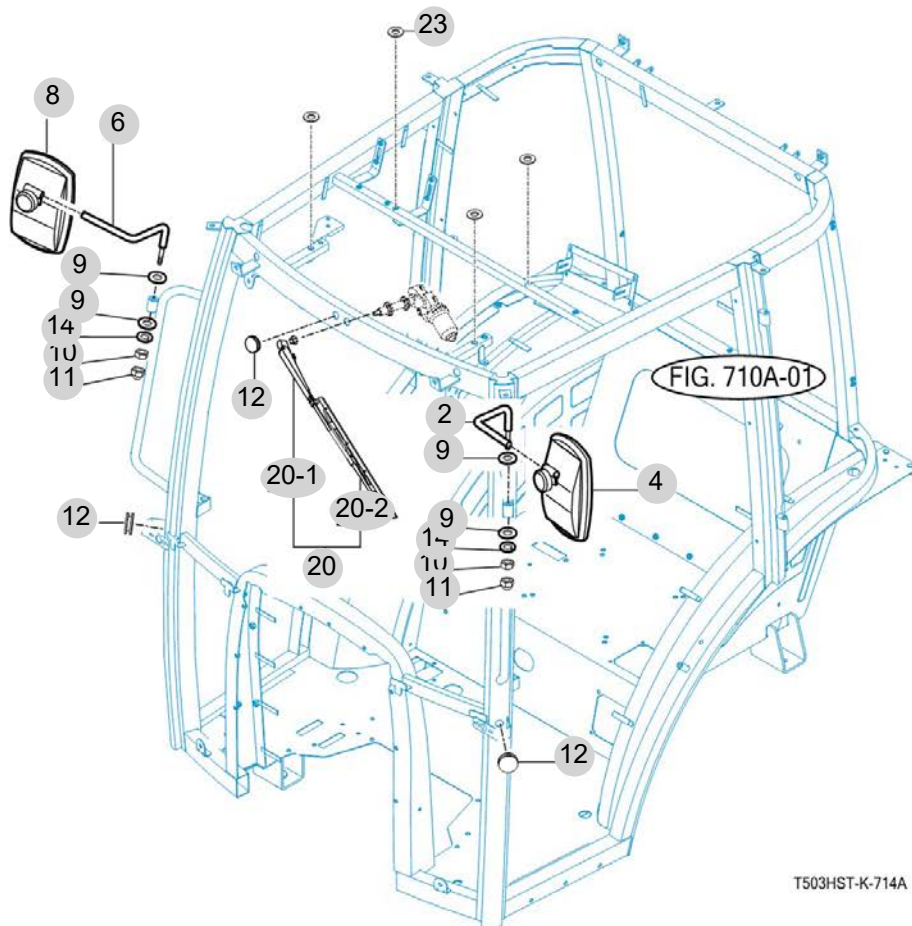
FIG 714A

T555SHGBC

MIRROR

년/월
Year/Month

2022-12



T503HST-K-714A

NOTE

FIG 714A T555SHGBC		MIRROR					년/월 Year/Month	
							2022-12	
KEY NO	PART NO	DESCRIPTION	SPEC	QTY	REPAIR	EFFECTIVE DATE	REMARKS	
714A	2	14527062110GB	미러 스테이 ,LH					
714A	4	15186313000	미러ASSY					
714A	6	14527062310GB	미러 스테이 ,RH					
714A	8	15186313000	미러ASSY					
714A	9	V4111600100	평와셔	M10	4			
714A	10	V3013600100	육각너트보통2종	M10	2			
714A	11	V3402700100	육각캡너트	M10	2			
714A	12	14326510210	고무캡(20)		3			
714A	14	V4011600100	스프링와셔	M10	2			
714A	20	14527023200	암(와이퍼) & 블레이드(전) ASSY		1			
714A	20-01	14527023210	암(와이퍼)		1			
714A	20-02	19957023220	블레이드 ASSY		1			
714A	23	V4111600140	평와셔	M14	4			
NOTE								

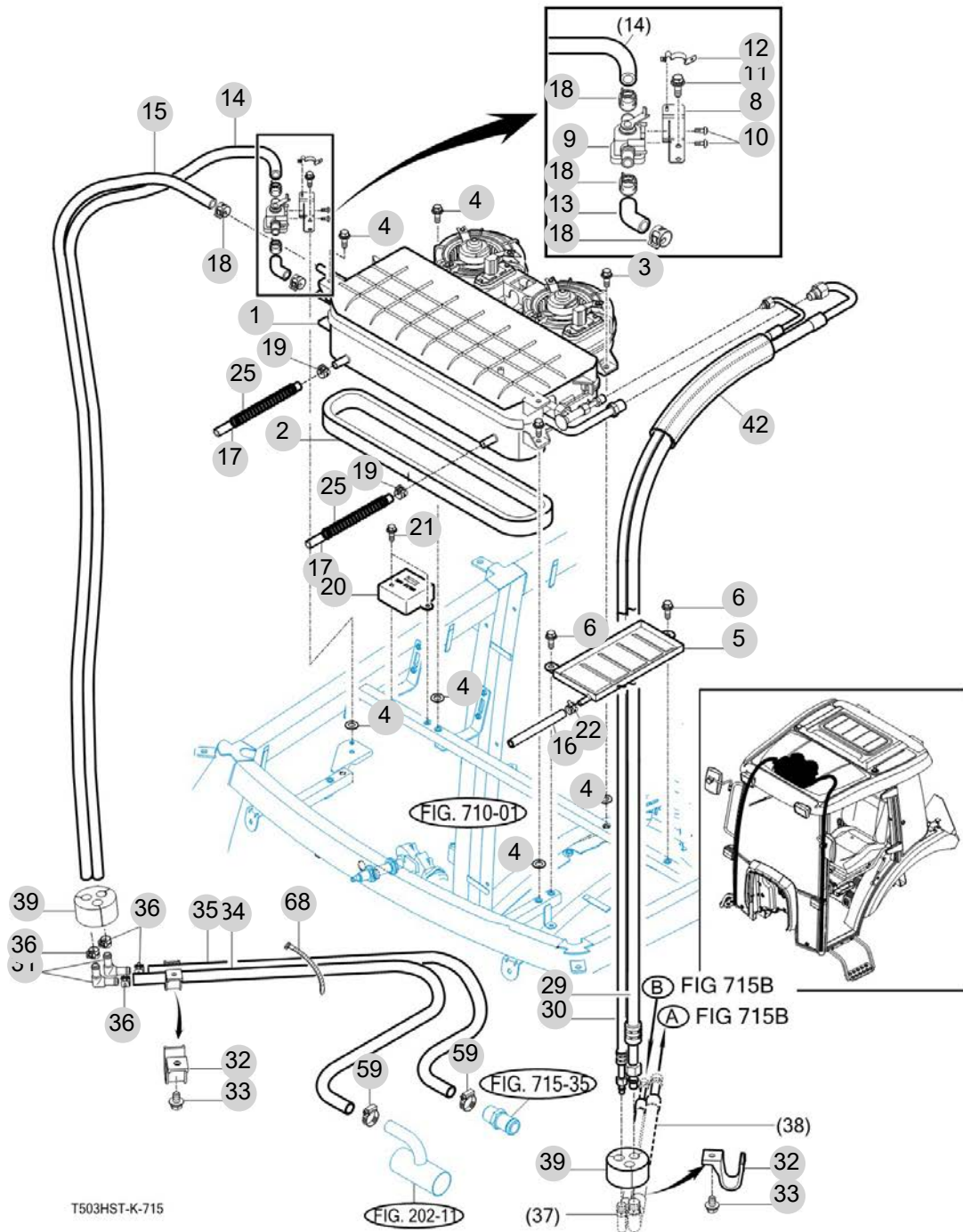
FIG 715A

T555SHGBC

HEATER & AIR-CON

년/월
Year/Month

2022-12



NOTE

FIG 715A		HEATER & AIR-CON					년/월 Year/Month
T555SHGBC							2022-12
KEY NO	PART NO	DESCRIPTION	SPEC	QTY	REPAIR	EFFECTIVE DATE	REMARKS
715A	1	12427082410	에어컨ASSY		1		
715A	1	12427082411	에어컨ASSY		1		
715A	2	14527082420	인슐레이터,덕터		1		
715A	3	V2183608025	소형육각볼트보통(SP)	M8X25	4		
715A	4	V4111600140	평와셔	M14	4		
715A	5	14527080051	플레이트,드레인		1		
715A	6	V2183608020	소형육각볼트보통(SP)	M8X20	2		
715A	8	14527082311	브래킷, 워터밸브		1		
715A	9	17688202100	워터밸브ASSY		1		
715A	10	V1902604008	심자흡냄비태핑나사	M4X8	2		
715A	11	V2123606016	육각볼트(SP)	M6X16	2		
715A	12	17687025300	케이블클립		1		
715A	13	14527081110	히터 호스, 워터밸브 /아웃		1		
715A	14	14527081120	히터호스,인너 / 워터밸브		1		
715A	15	14527081130	히터 호스, 아웃 / 히터코어		1		
715A	16	14527081140	드레인호스,B		1		
715A	17	19027620031	드레인호스(L=2200)		2		
715A	18	14527081160	호스클램프(19.3)		4		
715A	19	12427082530	호스클램프,15.1		2		
715A	20	14527070073	릴레이박스ASSY		1		
715A	21	V2123606016	육각볼트(SP)	M6X16	2		
715A	22	14527081170	호스클램프,148		1		
715A	25	14527081881	호스용 스프링		2		
715A	29	14527081220	석션호스,NO3		1		
715A	30	14527081210	리퀴드호스,NO4		1		
715A	31	17688200050	엘보(90)		2		
715A	32	14527081750	클램프,에어컨호스		2		
715A	33	V2183608020	소형육각볼트보통(SP)	M8X20	2		
715A	34	17467081181	히터호스,엔진 /IN		1		
715A	35	17467081250	히터호스,엔진 /OUT		1		
715A	36	14527081160	호스클램프(19.3)		4		
715A	37	14527081230	리퀴드호스,3		1		
715A	38	14527081240	석션호스,2		1		
715A	39	14527081260	막음솜,파이프		2		
715A	42	16998201771	인슐레이터(석션1)		1		
715A	59	18027090250	밴드 클램프 25 흡식		2		
715A	68	14216210380	케이블타이(200)		1		
NOTE							

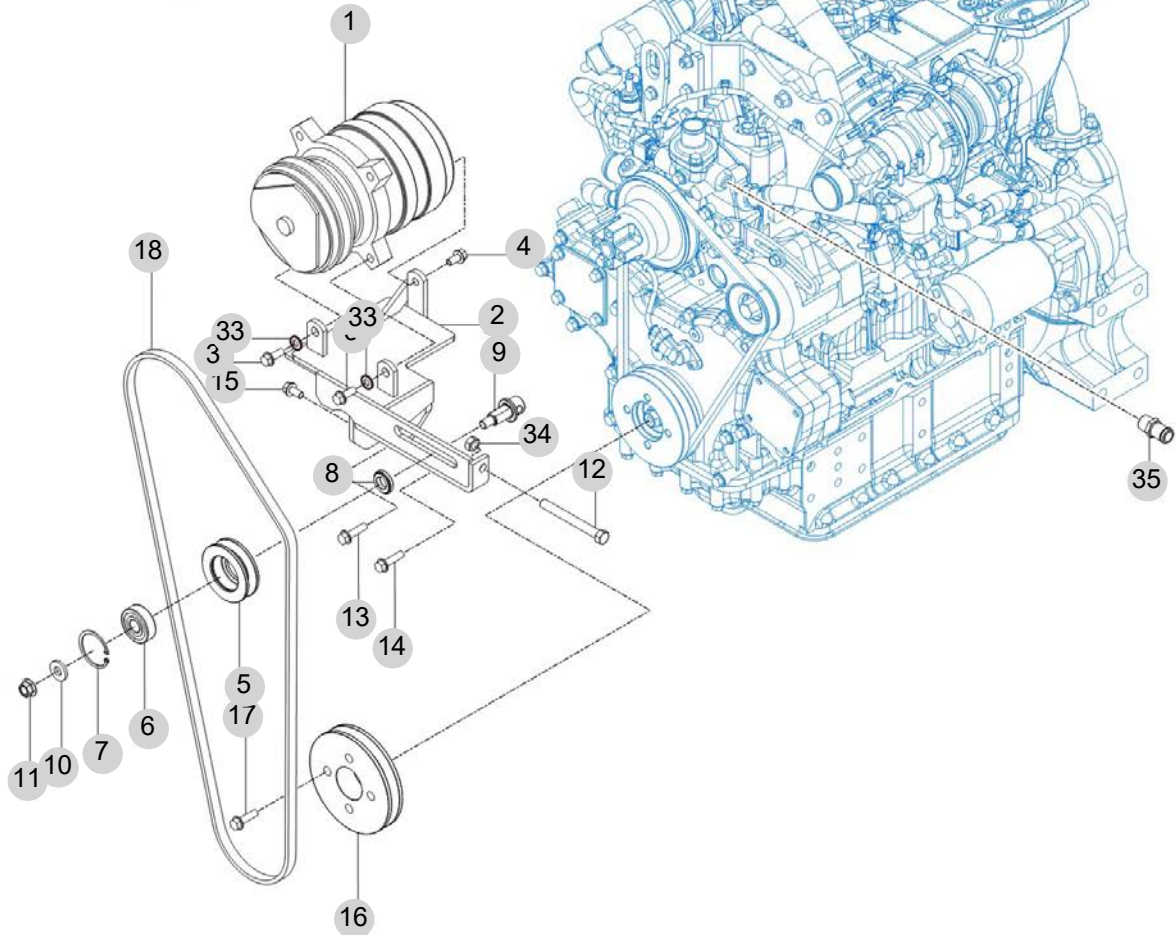
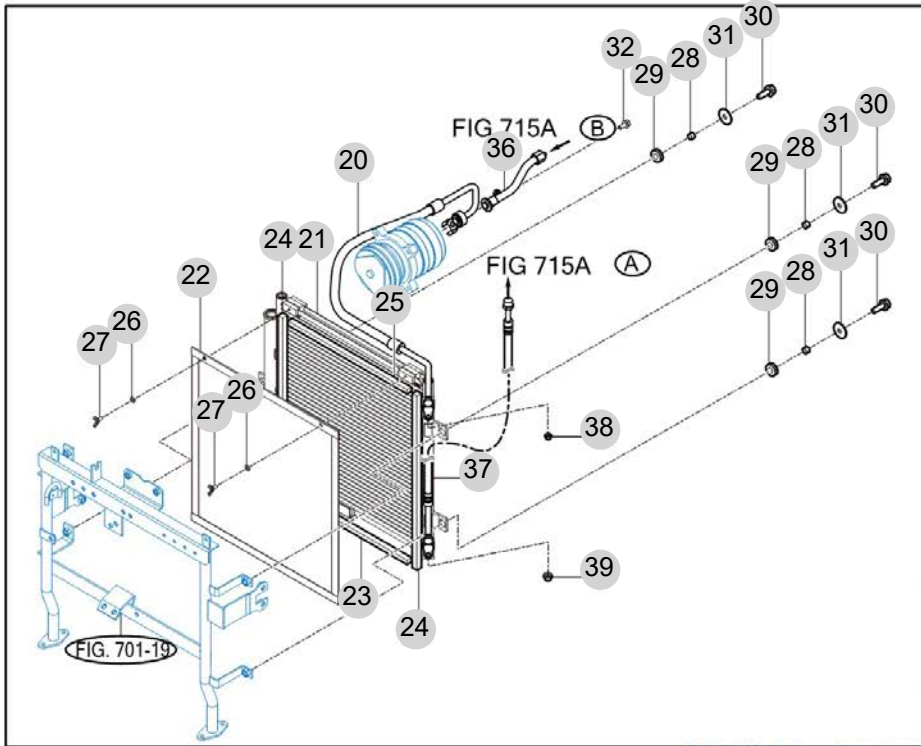
FIG 715B

HEATER & AIR-CON

년/월
Year/Month

2022-12

T555SHGBC



NOTE

FIG 715B T555SHGBC	HEATER & AIR-CON						년/월 Year/Month
							2022-12

KEY NO	PART NO	DESCRIPTION	SPEC	QTY	REPAIR	EFFECTIVE DATE	REMARKS
715B	1	16608303202	컴프레서ASSY				
715B	2	17465807200GB	컴프레서 브래킷COMP				
715B	3	V2143610035	소형육각볼트가는(S)	M10X35	2		
715B	4	V2183608025	소형육각볼트보통(SP)	M8X25	1		
715B	5	14622100531GB	중간폴리		1		
715B	6	V6001506302	볼베어링		1		
715B	7	V7051400420	C형멈춤링(구멍용)		1		
715B	8	14622100541	간격통		1		
715B	9	14627300531	중간폴리축		1		
715B	10	13377210020	와셔(11X24X3)		1		
715B	11	14622600100	플랜지너트(M10/세목/4T)		1		
715B	12	W2004610090	육각볼트(보통)	M10X90	1		
715B	13	V2183608020	소형육각볼트보통(SP)	M8X20	1		
715B	14	V2183608040	소형육각볼트보통(SP)	M8X40	1		
715B	15	V2183608055	소형육각볼트보통(SP)	M8X55	1		
715B	16	14661210010GB	컴프레서 폴리		1		
715B	17	V2173610040	소형육각볼트보통(S)	M10X40	4		
715B	18	17468079300	에어콘벨트(REC A58)	58A	1		
715B	19	V3042600100	소형육각너트보통2종	M10	1		
715B	20	17468302201	디스차지 호스 ASSY		1		
715B	21	17468303700	콘덴서 ASSY		1		
715B	22	18508304200GB	네트(콘덴서) COMP		1		
715B	23	18501042360	스폰지(170)		2		
715B	24	18501042370	스폰지(430)		2		
715B	25	18501042350	스폰지(295)		1		
715B	26	V4111600060	평와셔		2		
715B	27	V2712606012	나비볼트	M6X12	2		
715B	28	15991040050	칼라(08X12X08)		3		
715B	29	14046210300	그로멧		3		
715B	30	V2183608030	소형육각볼트보통(SP)	M8X30	3		
715B	31	35602010150	결속축와셔		3		
715B	32	V2143610035	소형육각볼트가는(S)	M10X35	1		
715B	33	V4111600100	평와셔	M10	2		
715B	34	V3042600100	소형육각너트보통2종	M10	1		
715B	35	18018200060	니플(PT3/8)		1		
715B	36	17468302801	석션파이프 ASSY		1		
715B	37	17468302402	호스(LIQUID/NO.2) ASSY		1		
715B	38	V3802600080	플랜지불이육각너트	M8	1		
715B	39	V3802600060	플랜지불이육각너트	M6	1		

NOTE

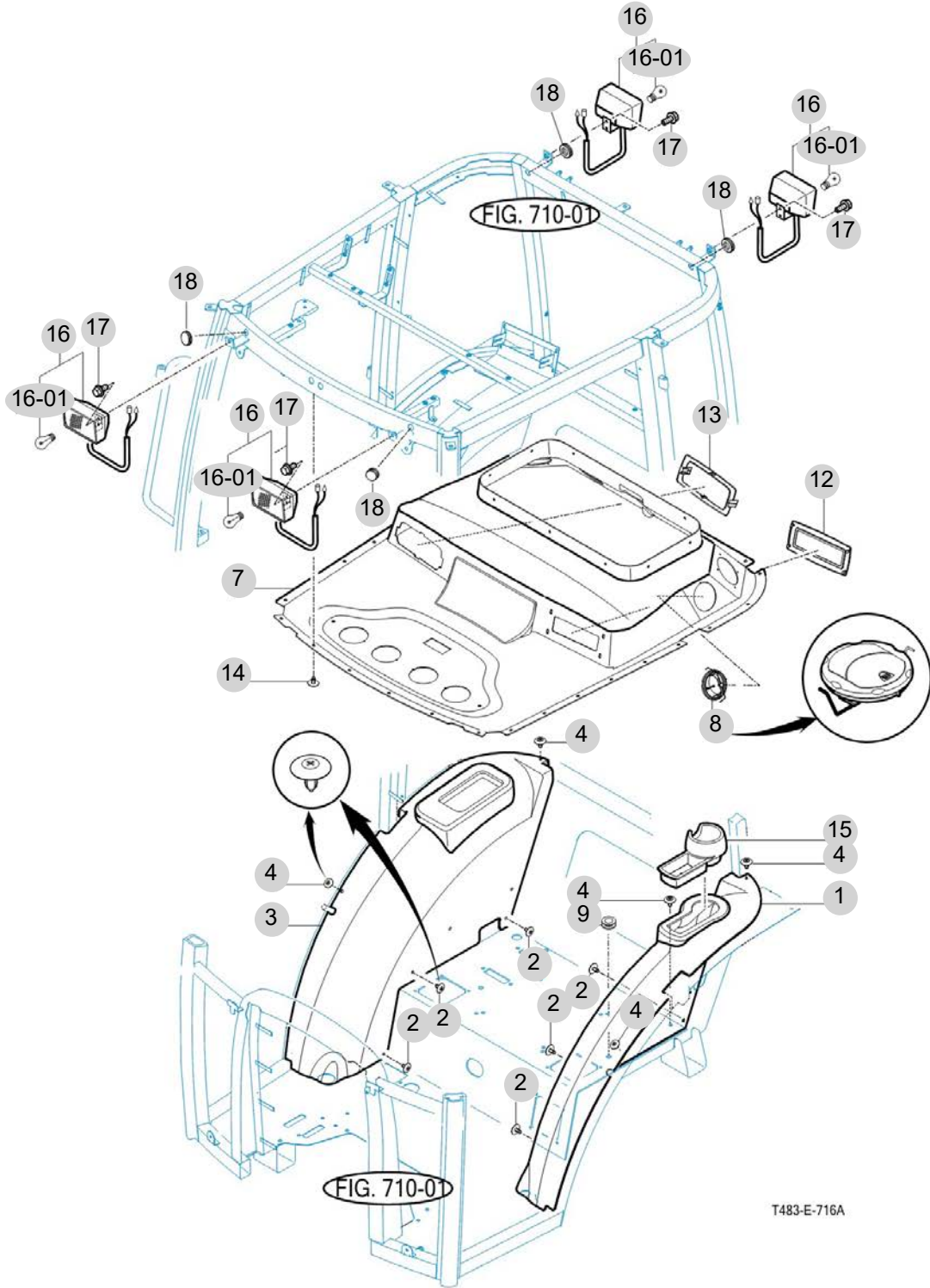
FIG 716

FENDER COVER

년/월
Year/Month

2022-12

T555SHGBC



T483-E-716A

NOTE

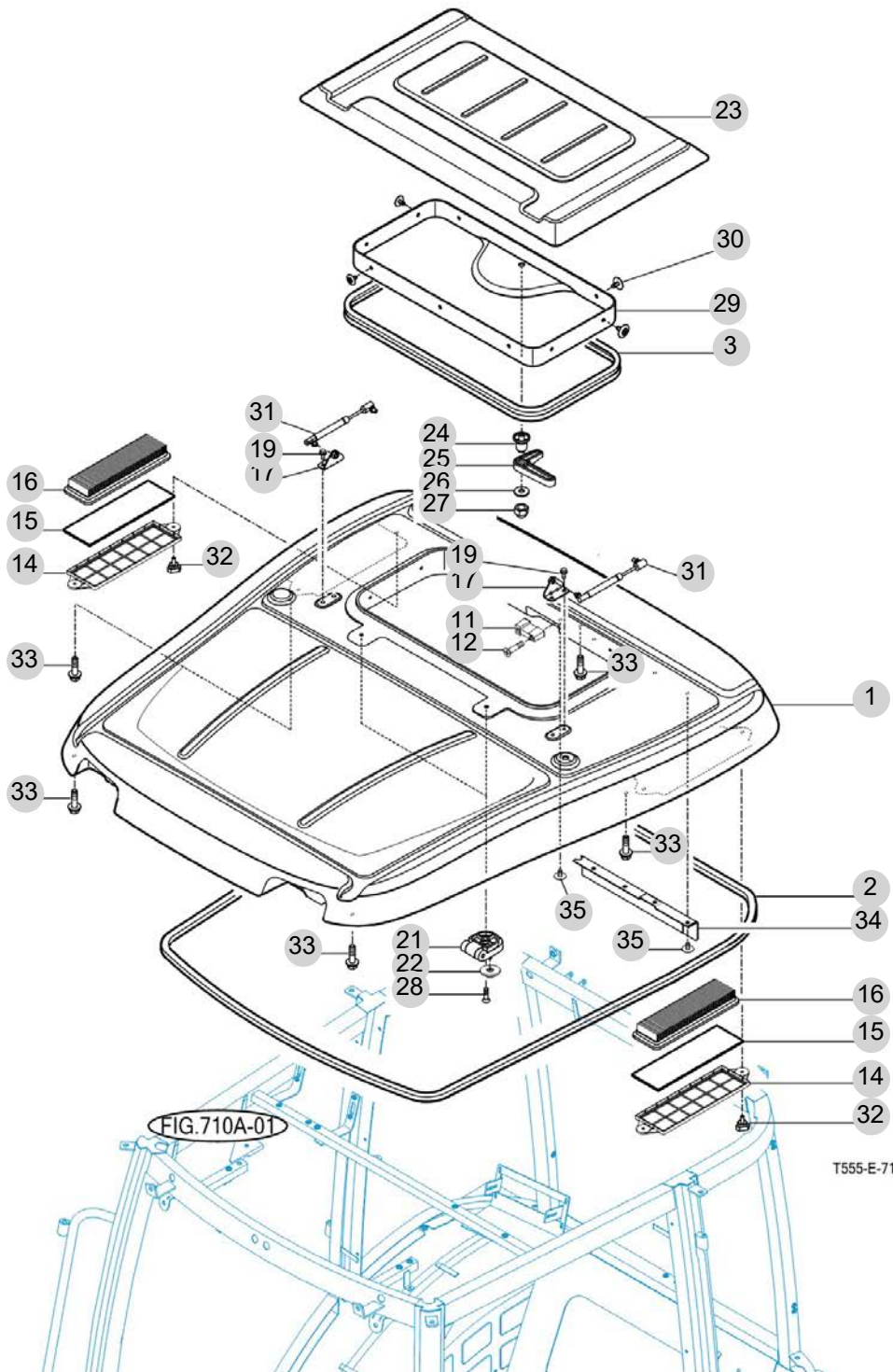
FIG 717

T555SHGBC

ROOF

년/월
Year/Month

2022-12



NOTE

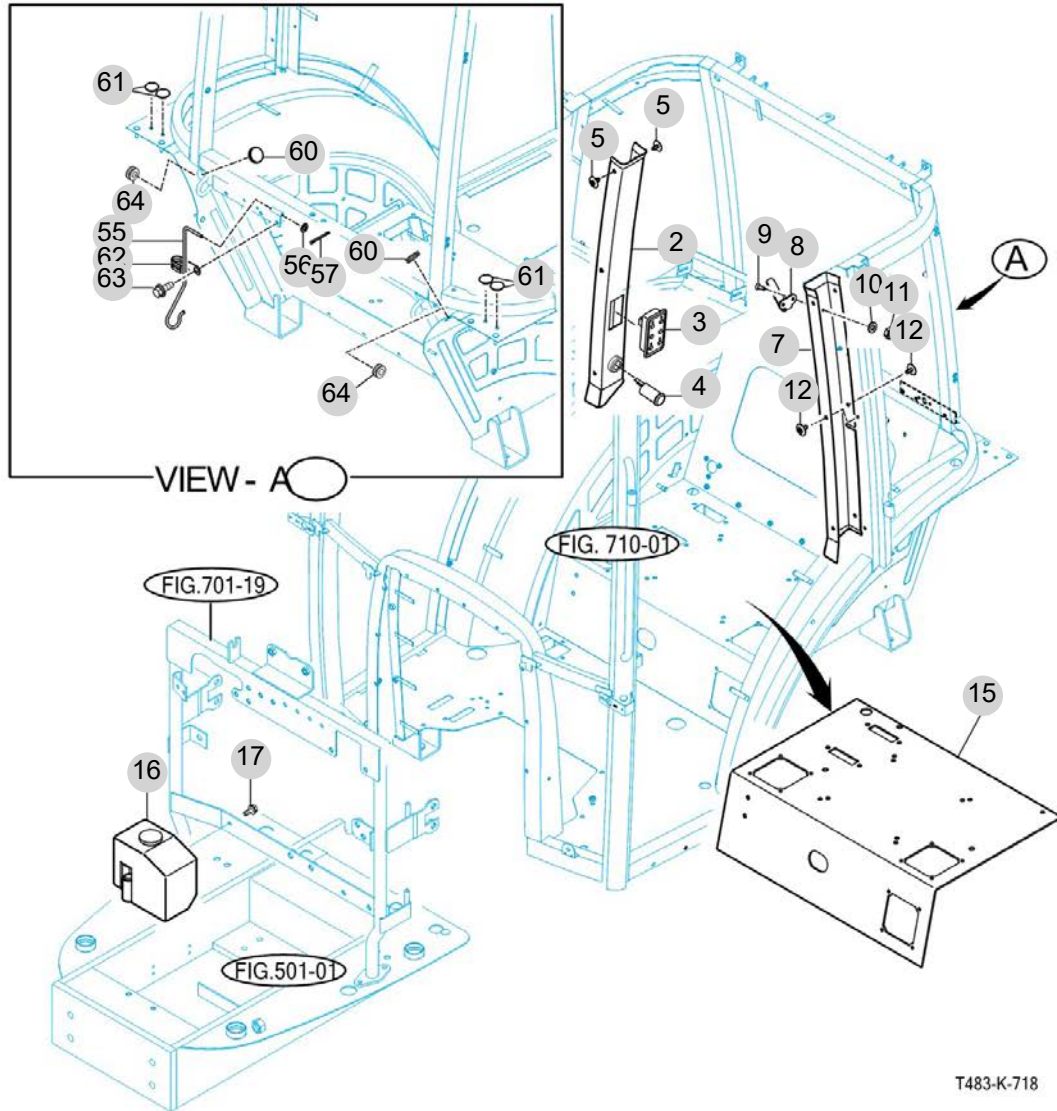
FIG 718

CABIN INTERIOR

년/월
Year/Month

2022-12

T555SHGBC



T483-K-718

NOTE

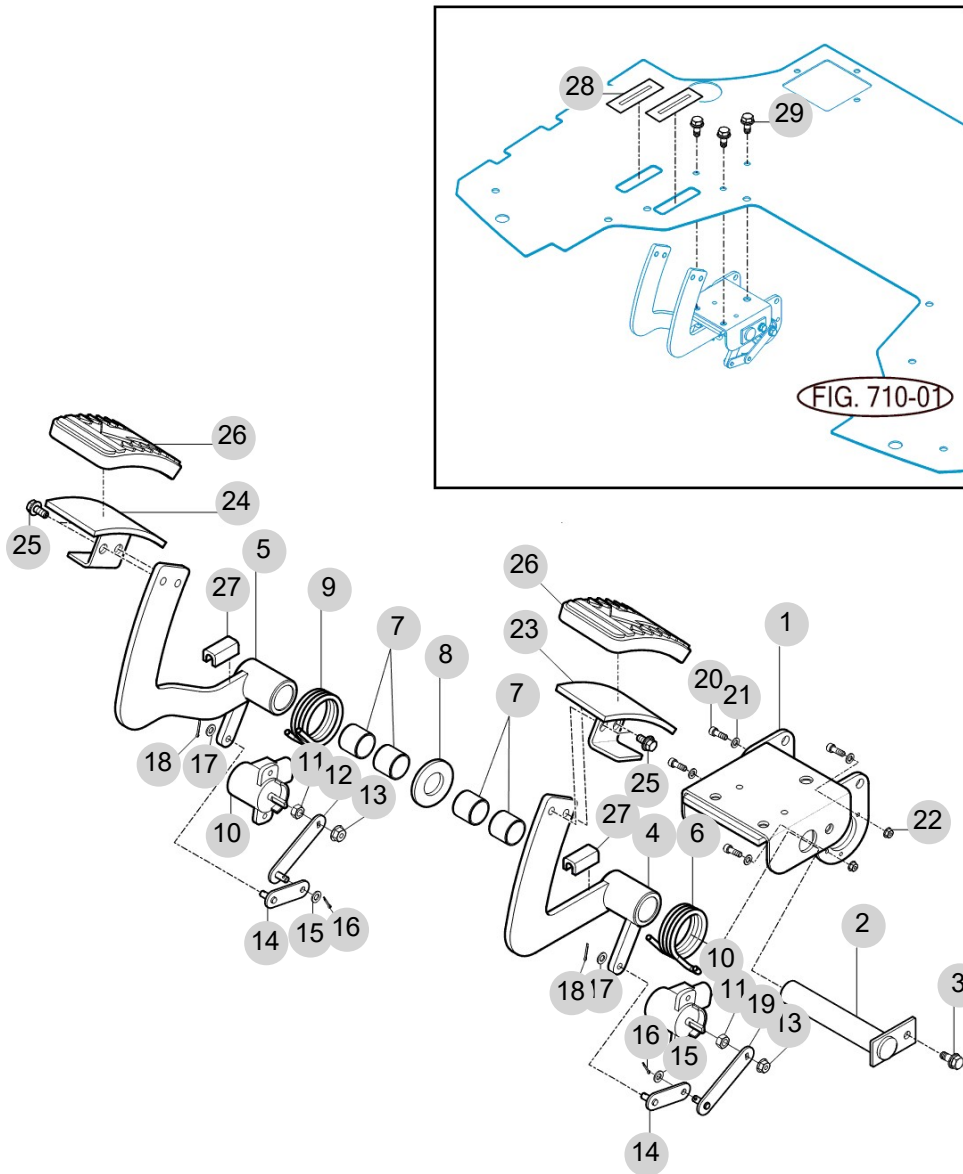
FIG 719

T555SHGBC

PEDAL SUB ASSY

년/월
Year/Month

2022-12



NOTE

8. 전장 PART NO. T8

FIG 801 BATTERY MOUNTING	205
FIG 802 LIGHT & BACK LAMP	207
FIG 803 INSTRUMENT PANEL	209
FIG 804 ELECTRIC SYSTEM (1)	211
FIG 805A ELECTRIC SYSTEM (2)	213
FIG 806 ELECTRIC SYSTEM (3)	215

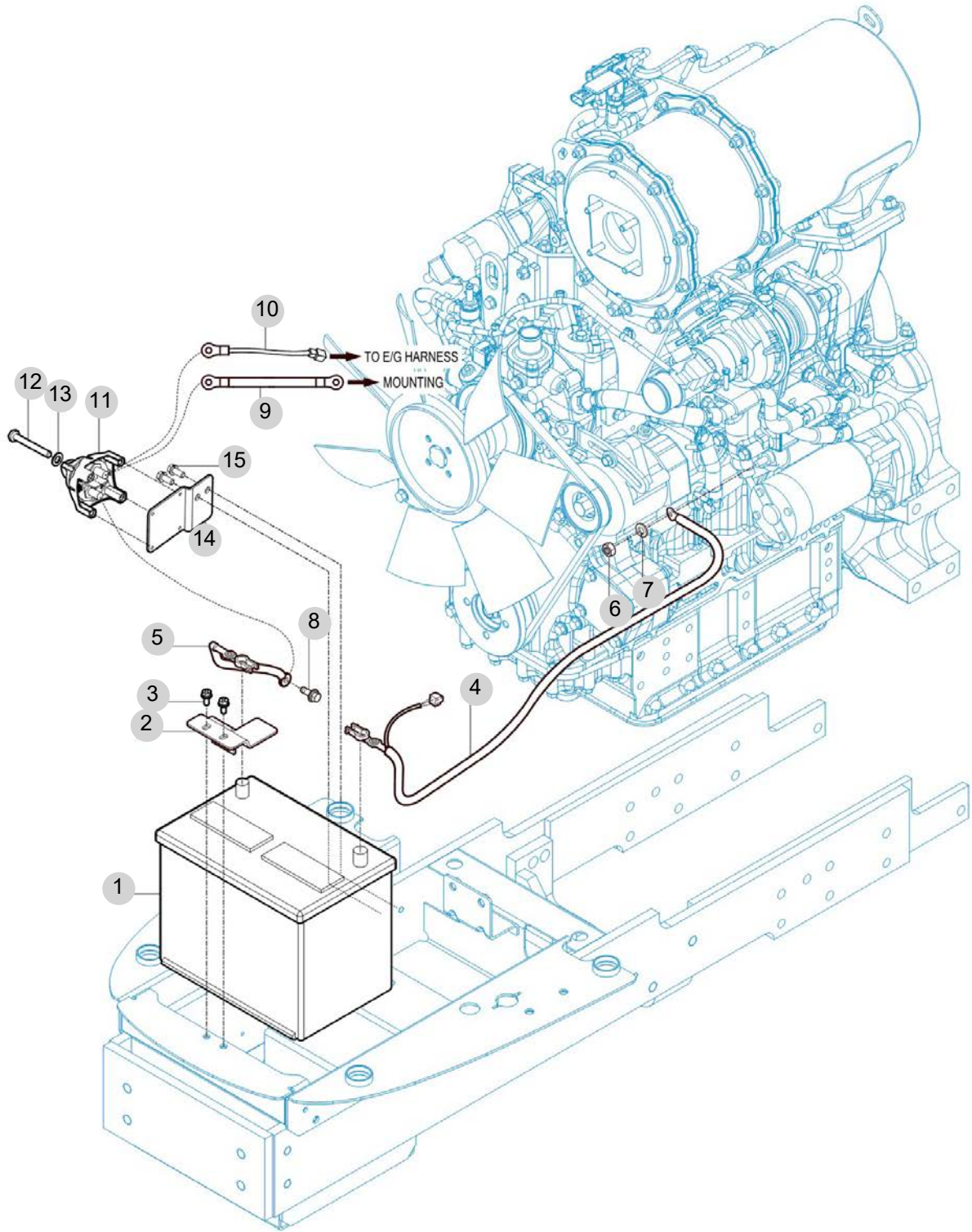
FIG 801

BATTERY MOUNTING

년/월
Year/Month

2022-12

T555SHGBC



NOTE

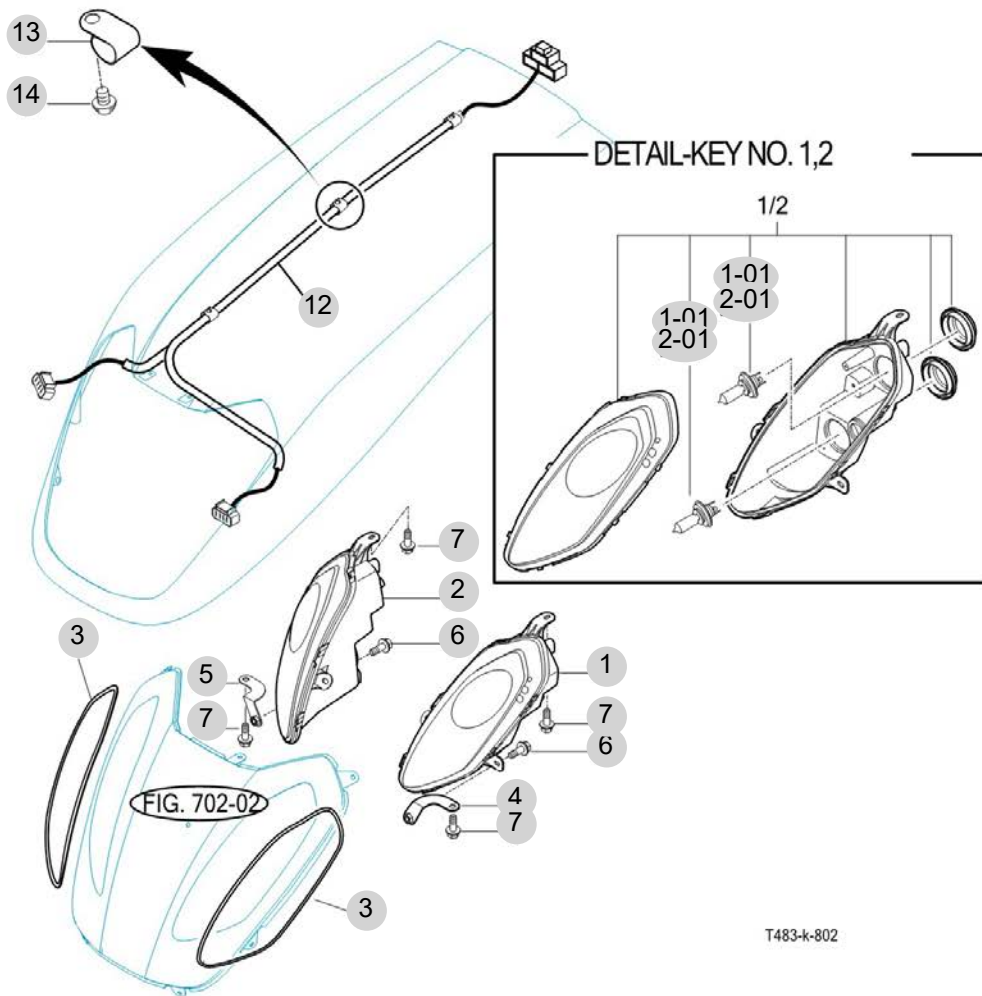
FIG 802

T555SHGBC

LIGHT & BACK LAMP

년/월
Year/Month

2022-12



NOTE

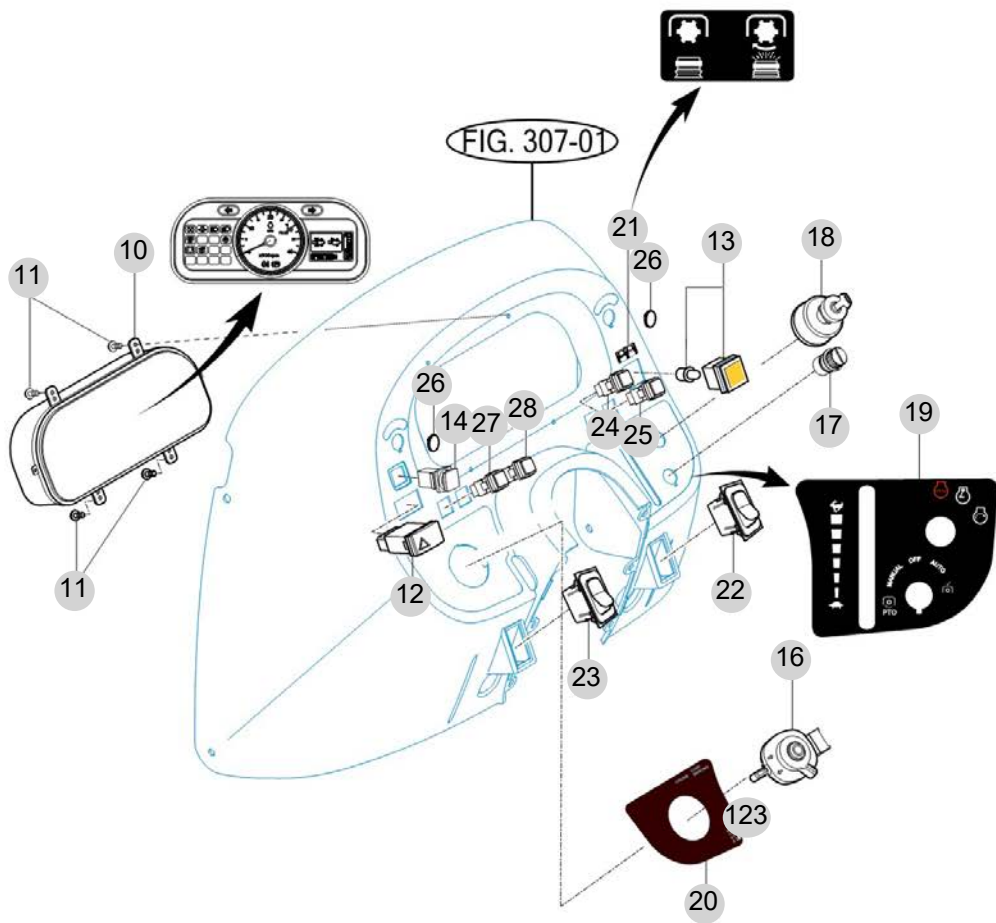
FIG 803

INSTRUMENT PANEL

년/월
Year/Month

2022-12

T555SHGBC



NOTE

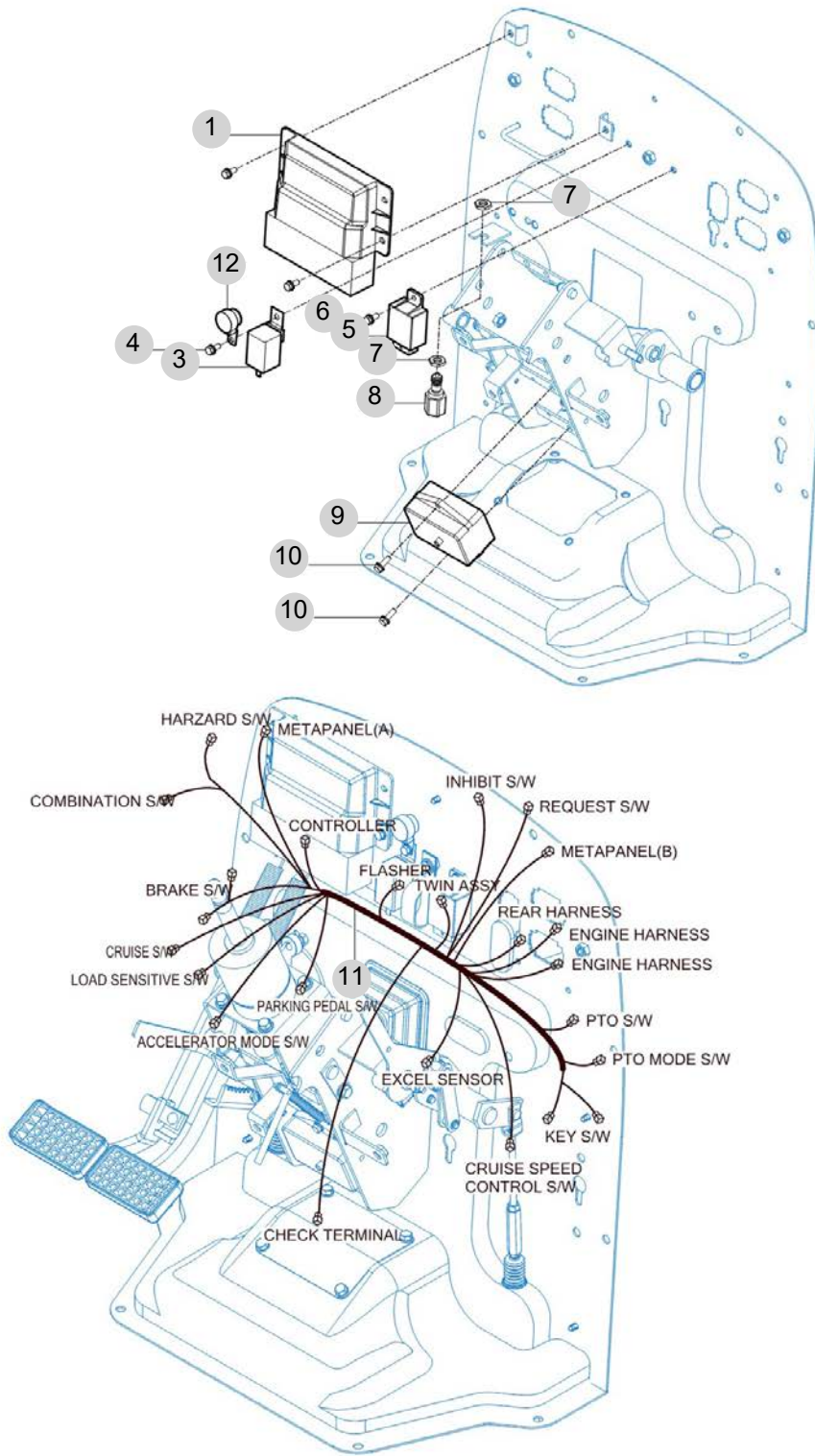
FIG 804

ELECTRIC SYSTEM (1)

년/월
Year/Month

2022-12

T555SHGBC



NOTE

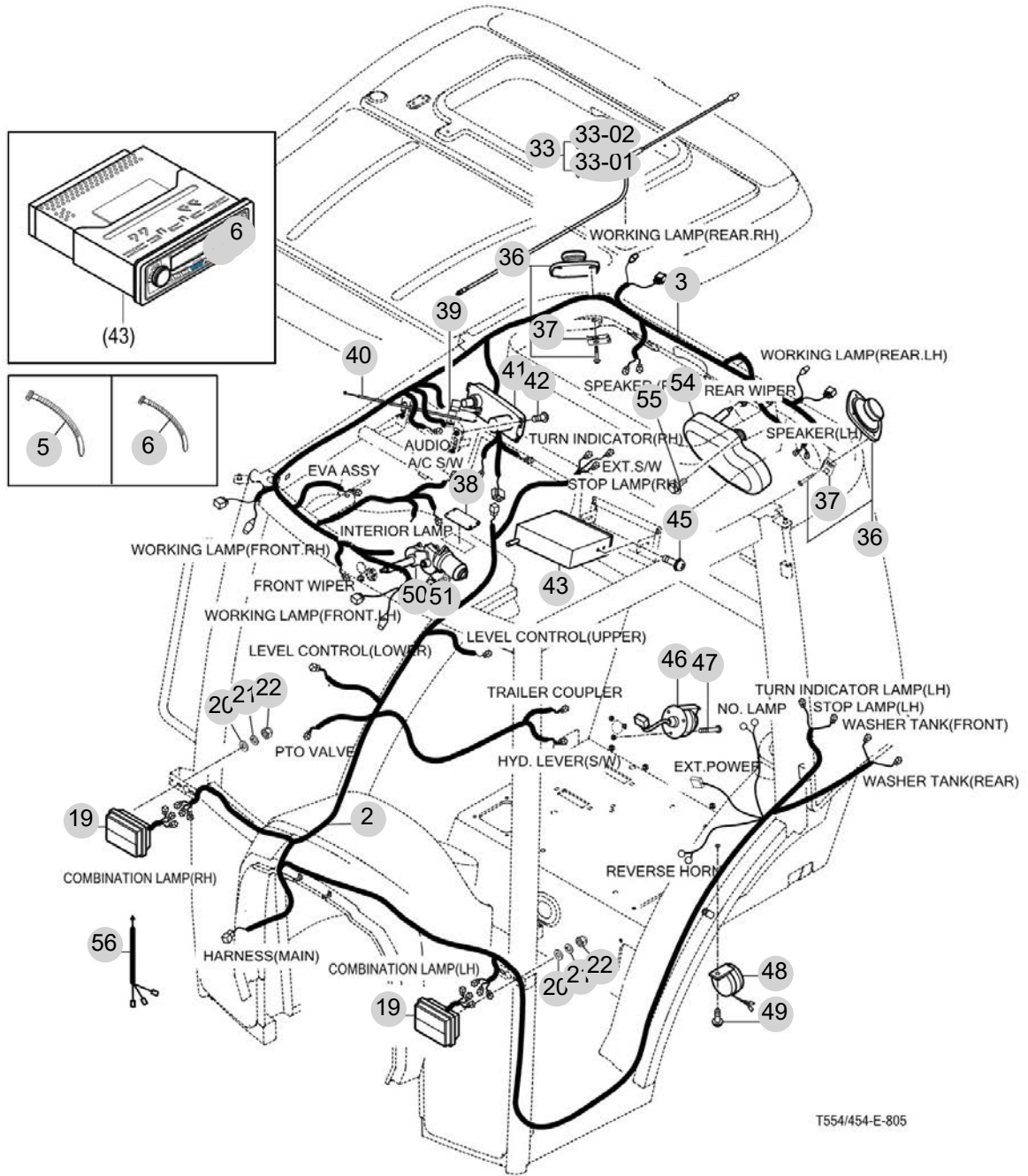
FIG 805A

ELECTRIC SYSTEM (2)

년/월
Year/Month

2022-12

T555SHGBC



T554/454-E-805

NOTE

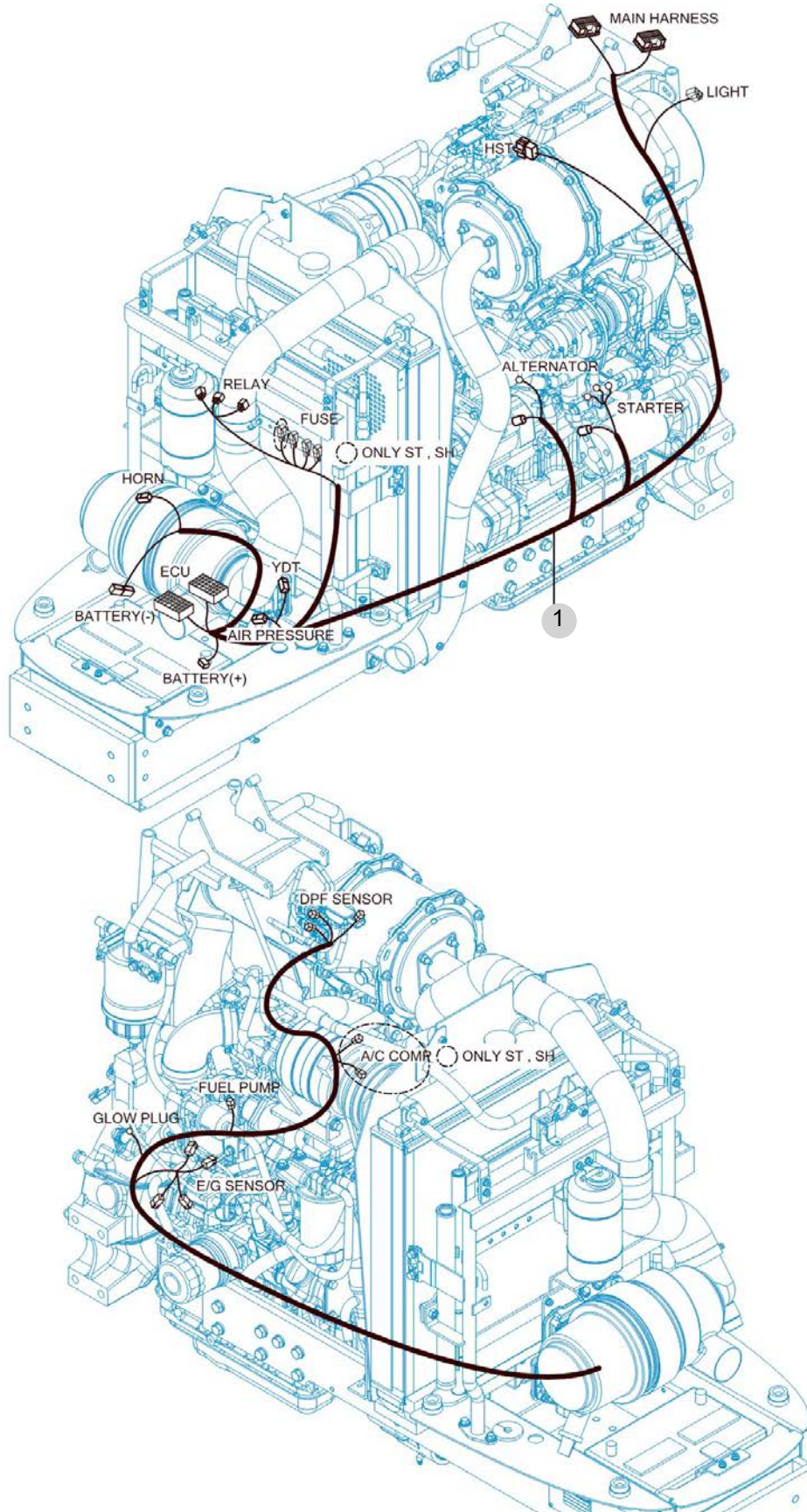
FIG 806

ELECTRIC SYSTEM (3)

년/월
Year/Month

2022-12

T555SHGBC



NOTE

9. 라벨/옵션 PART NO. T9

FIG 901 TOOL & ACCESSORY	218
FIG 902 WEIGHT	220
FIG 903-1 LABEL	222
FIG 903-2 LABEL	224

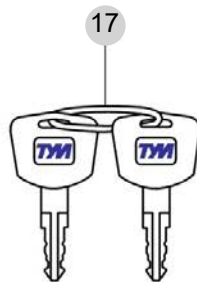
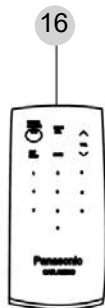
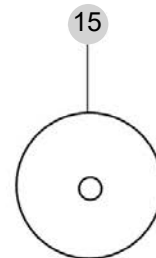
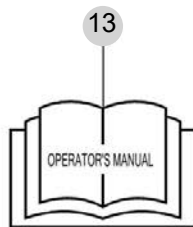
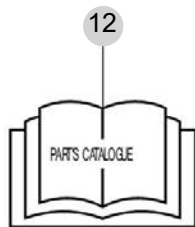
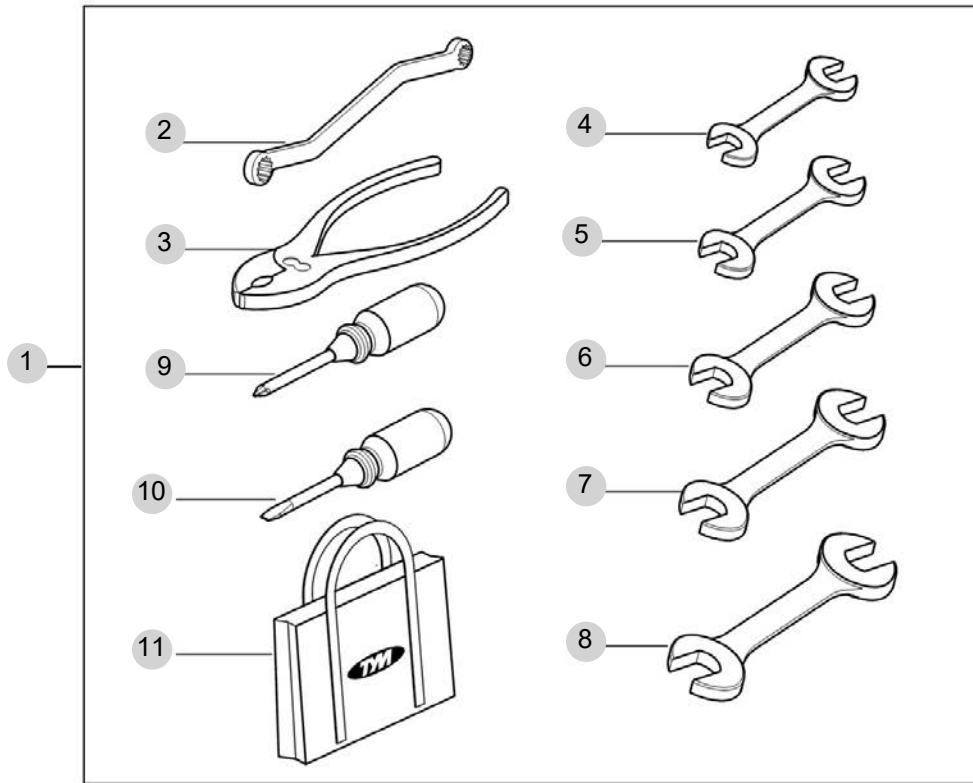
FIG 901

T555SHGBC

TOOL & ACCESSORY

년/월
Year/Month

2022-12



NOTE

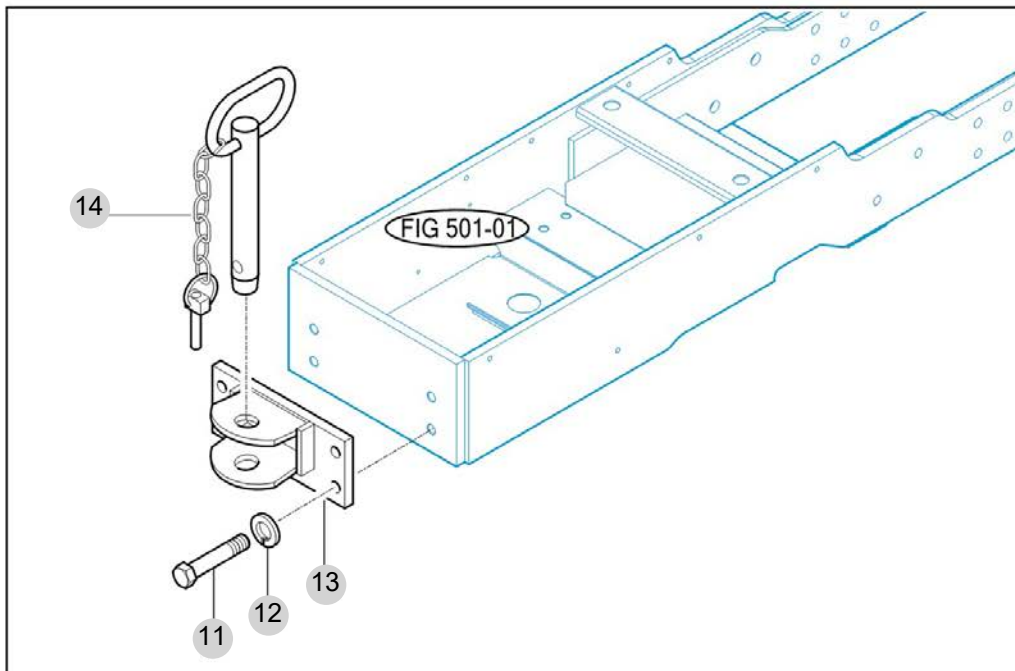
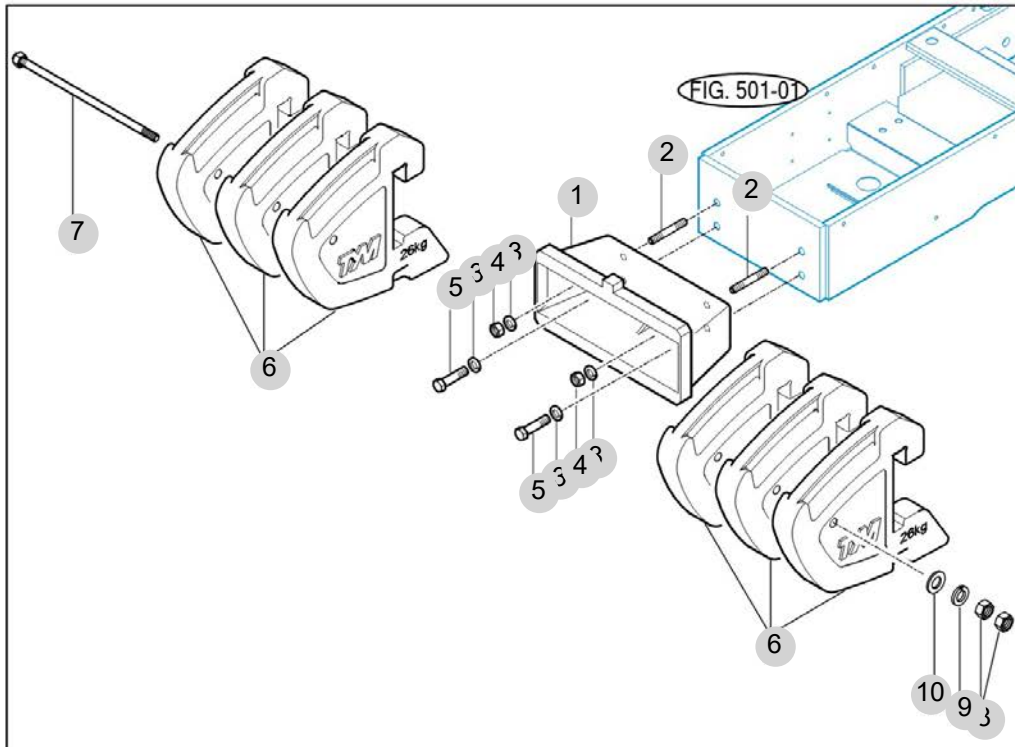
FIG 902

T555SHGBC

WEIGHT

년/월
Year/Month

2022-12



T575-E-902

NOTE

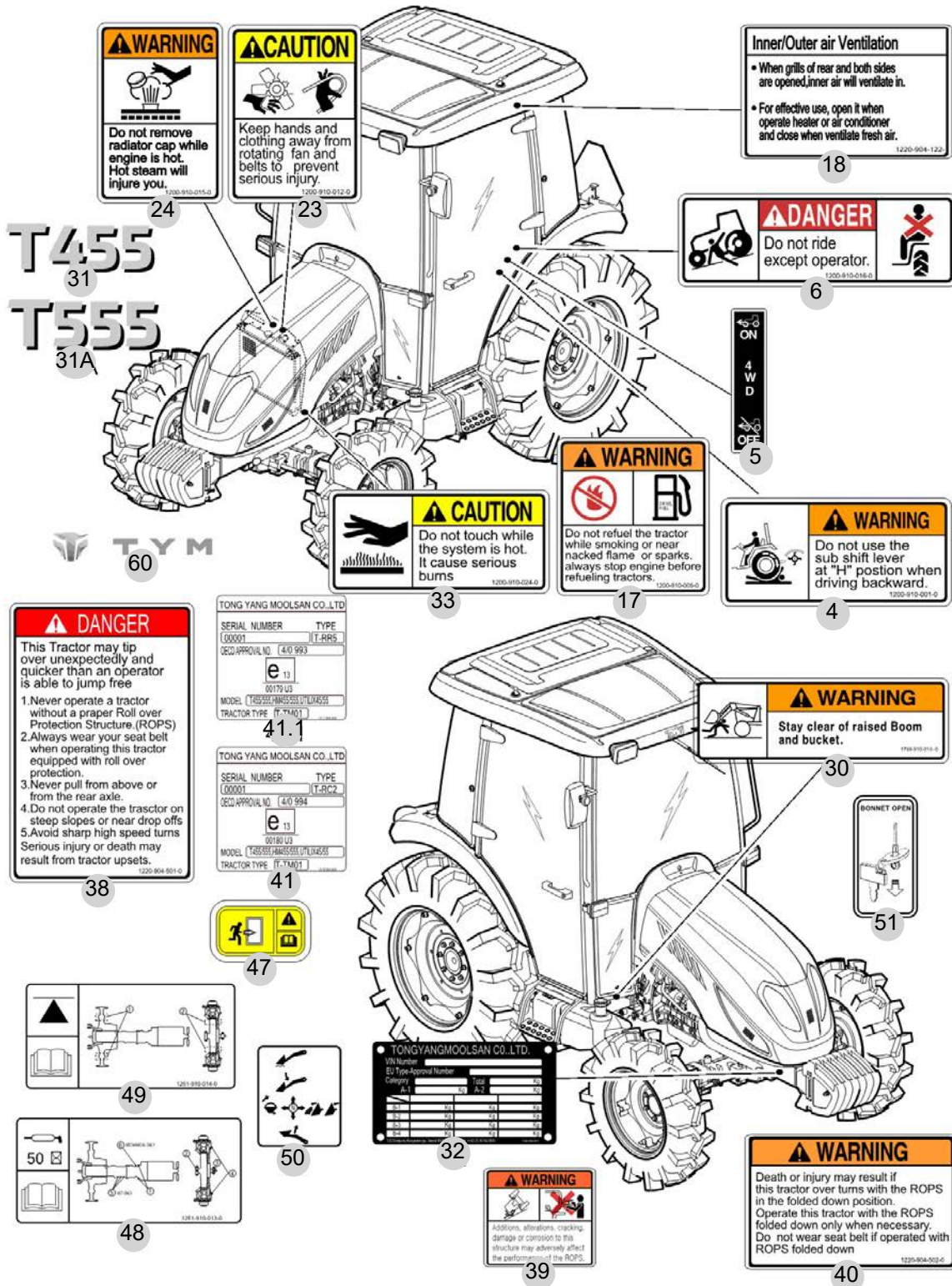
FIG 903-1

LABEL

년/월
Year/Month

T555SHGBC

2022-12



NOTE

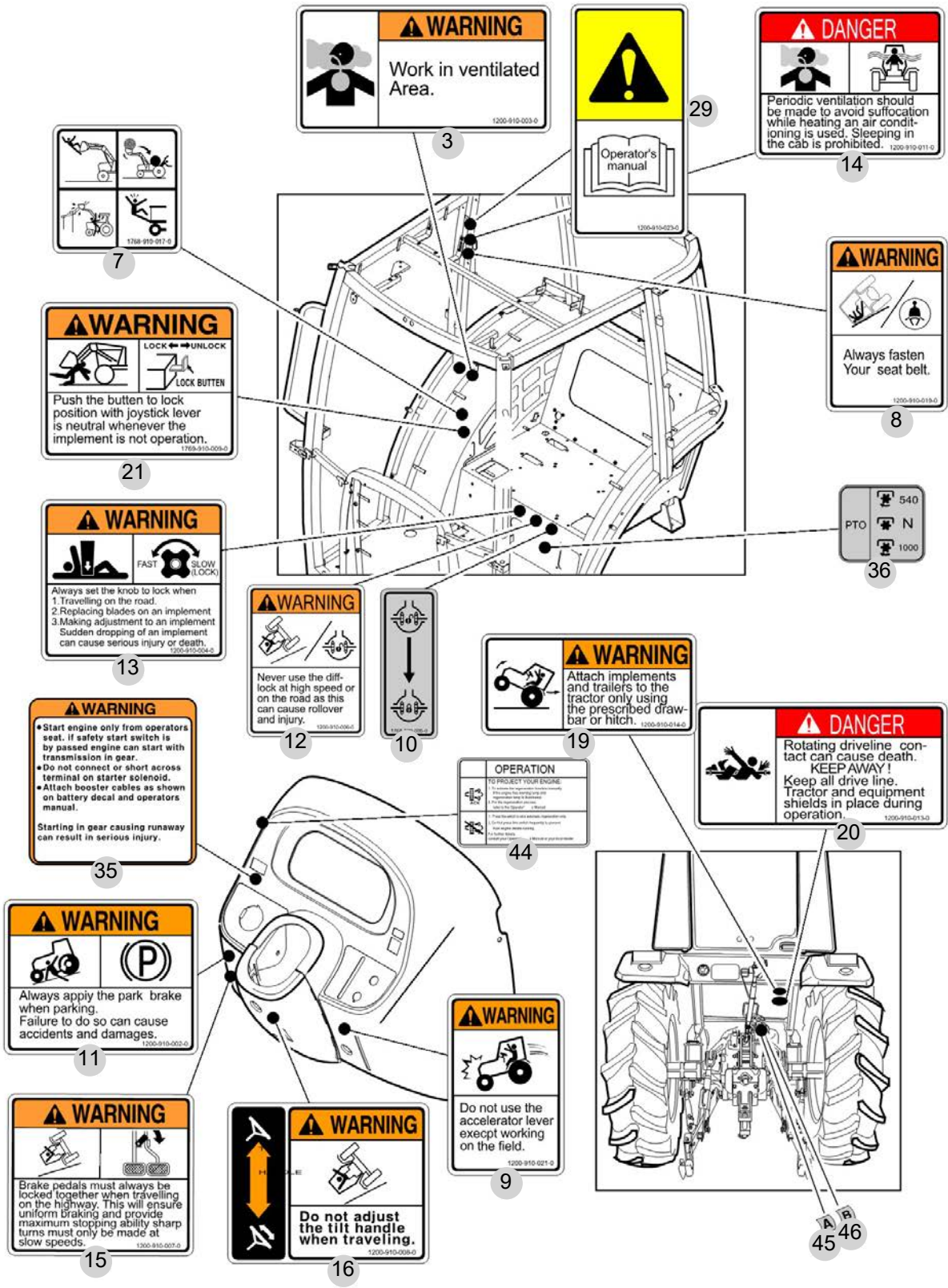
FIG 903-2

LABEL

년/월
Year/Month

T555SHGBC

2022-12



NOTE

