

6225R(AC02121) TRACTOR

Parts Catalogue



CONTENTS

GROUP NO	GROUP NAME	PAGE
G. ENGINE		
A01_007	CYLINDER BLOCK	6
A02_005	DRIVE PULLY	8
A03_004	CRANK SHAFT PULLEY	10
A04_005	GLOW PLUG ASS'Y OPTION	12
A05_005	CRANK SHAFT ASS'Y OPTION	14
A06_006	BREATHER OPTION	16
A07_005	CAMSHAFT	18
A08_003	ALTERNATOR	20
A09_003	COOLING WATER PUMP	22
A10_008	COOLING FAN SPACER	24
A11_007	INJECTOR	26
A12_014	FUEL INJECTON	28
A13_005	PLUMBING, FUEL	30
A14_003	FUEL FILTER BRACKET	33
A16_003	FUEL FILTER ASS'Y OPTION	35
A17_008	INTAKE MANIFOLD ASS'Y OPTION	37
A18_011	FLYWHEEL	39
A19_009	FLYWHEEL HOUSING	41
A20_011	HEAD, CYLINDER	43
A21_004	HEAD COVER	45
A23_008	TURBOCHARGER SUPPORT ASS'Y OPTION	47
A24_003	TURBOCHARGER	49
A25_003	OIL JET ASS'Y OPTION	51
A26_005	COOLER, ENGINE OIL	53
A27_010	OIL PAN ASS'Y OPTION	55
A28_001	PUMP, LUBRICATING OIL	57
A29_005	FILTER, LUBRICATING OIL	59
A30_003	FRONT GEAR ACCESSORY DRIVE	61
A31_007	PISTON	63
A32_003	LEVER, LOCKER	65
A33_011	EXHAUST MANIFOLD	67
A35_002	IDLE GEAR	69
A36_004	COVER, FRONT GEAR	71
A37_001	BALANCE ASS'Y	73

CONTENTS

GROUP NO	GROUP NAME	PAGE
G. ENGINE		
A38_007	GAUGE, OIL LEVEL	75
A39_001	OIL FILLER CAP	77
A40_003	LIFT ASS'Y OPTION	79
A42_003	MOTER, STARTIONS	81
A43_001	DPF SUPPORT OPTION	83
A44_008	DPF MOUNTING OPTION	85
A45_012	DPF	87
A48_006	V-BELT	89
A51_006	INTAKE HOSE ASSY OPTION	91
B. ENGINE ACCESSORIES		
B01010	FUEL TANK	93
B02020	RADIATOR	95
B05011	LEVER ACCELERATOR	97
C. CLUTCH, BREAK, LEVER		
C01030	CLUTCH PEDAL	99
C02010	BRAKE PEDAL	101
C02030	BRAKE ROD	103
C02051	CABLE, PARKING BRAKE	105
C02060	BRAKE LEVER	107
C04010	SHUTTLE ASS'Y	109
C04031	LEVER, MAIN SHIFT	111
C04071	LEVER ASS'Y, PTO SPEED CHANGE	113
D. HYDRAULIC		
D01010	HYD PUMP	115
D01020	LOW PRESSURE PIPE	117
D01040	HYD FILTER	119
D02010	STEERING WHEEL	121
D02030	PST HOSE	123
D02040	PST CYLINDER	125
D03040	JOYSTICK	127
D04000	HYDRAULIC CYLINDER	129
E. FRONT AXLE		
E01010	FRONT AXLE CASE	131
E01013	FRONT AXLE CASE/SPACER	133

CONTENTS

GROUP NO	GROUP NAME	PAGE
E. FRONT AXLE		
E01020	SHAFT COVER	135
E01030	GEAR CASE, FRONT AXLE	137
E01070	FRONT DRIVE SHAFT	140
E01080	TIE ROD	142
F. TRANSMISSION		
F01010	CLUTCH HOUSING	144
F01020	TRANSMISSION CASE	146
F01030	HOUSING, REAR AXLE	149
F02010	CLUTCH RELEASE	151
F02020	CLUTCH SHAFT	153
F02060	REVERSE IDLE SHAFT	155
F02080	CLUTH DISC	157
F03040	RANGE SHIFT DRIVE SHAFT	159
F03050	RANGE SHIFT DRIVEN SHAFT	161
F03060	COUNTER SHAFT	163
F03080	GUIDE SHAFT, MAIN SHIFT	165
F04010	FRONT WHEEL DRIVE SHAFT	167
F04030	FRONT WHEEL DRIVE IDLE SHAFT	169
F05000	DIFFERENTIAL ASS'Y	171
F06030	BRAKE	174
F06031	SUPPORT, BRAKE	176
F07000	PTO	178
F07050	PTO VALVE	181
F08060	FORK, PTO SHIFT	183
F10020	LIFT ARM	185
F10030	SAFTY VALVE	187
F10040	STOP VALVE	189
F10061	DRAFT/ POSITION CONTROL LEVER	191
F10063	DRAFT CONTROL	193
F10064	POSITION CONTROL LEVER	195
F10120	REAR SCV	197
F11020	FRONT DRIVE & RANGE SHIFT LEVER	199
G. SHEET METAL, CABIN		
G01020	BONNET	201

CONTENTS

GROUP NO	GROUP NAME	PAGE
G. SHEET METAL, CABIN		
G01060	FIXED BRACKET, BONNET	203
G01080	FRONT AXLE BRACKET	205
G04020	DASH BOARD	207
G04060	FLOOR	209
G04070	DRIVER'S SEAT	211
G04090	FENDER	213
G04120	ROPS	215
G05020	TOP LINK	217
G05030	LOWER LINK	219
G05050	LIFT LINK	221
G05070	DRAWBAR	223
H. ELECTRICALS, HARNESS		
H01030	BATTERY	225
H02020	COMBINATION LAMP	227
H03000	HARNESS	229
H04030	INSTRUMENT PANEL	231
H04050	SWITCH	233
H04090	HORN	235
I. WEIGHT, TOOLS, TIRE		
I01010	FRONT WEIGHT	237
I03000	NAME PLATE	239
I05010	FRONT WHEEL&TIRE	241
I05020	REAR WHEEL&TIRE ASSY	243
I07010	SPARE TOOLS	245

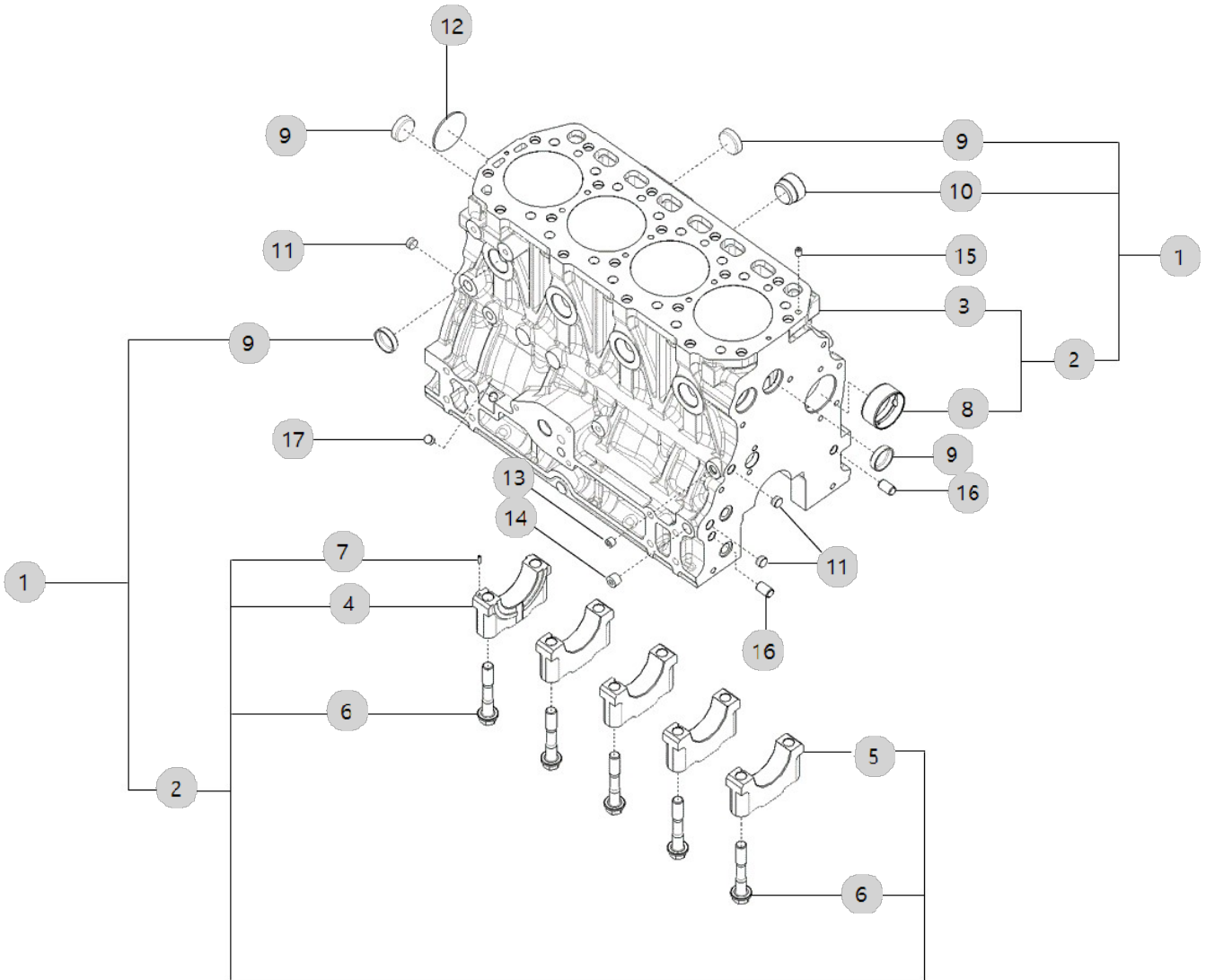
A01_007

A2300T3-ETR_5
(AB00332)

CYLINDER BLOCK

Year/Month

2022-12-19



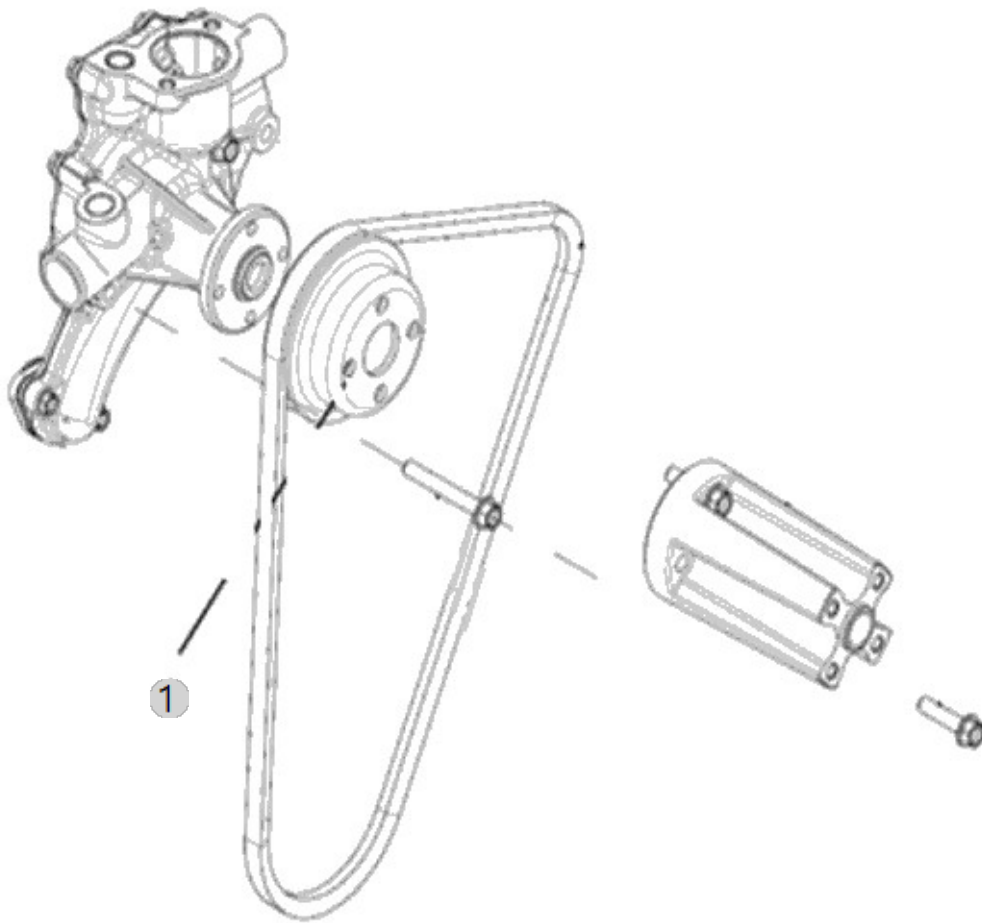
A02_005

A2300T3-ETR_5
(AB00332)

DRIVE PULLY

Year/Month

2022-12-19



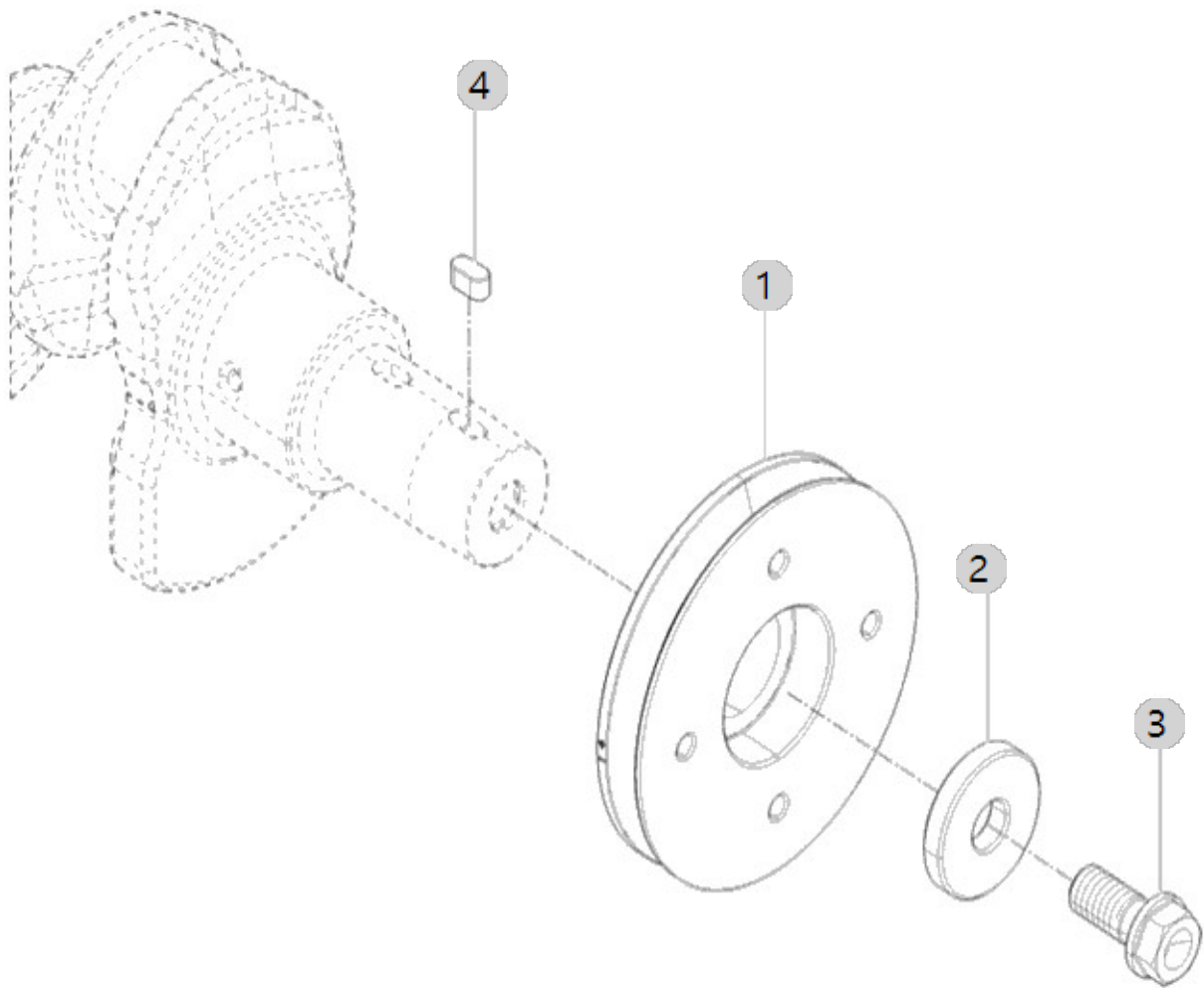
A03_004

A2300T3-ETR_5
(AB00332)

CRANK SHAFT PULLEY

Year/Month

2022-12-19



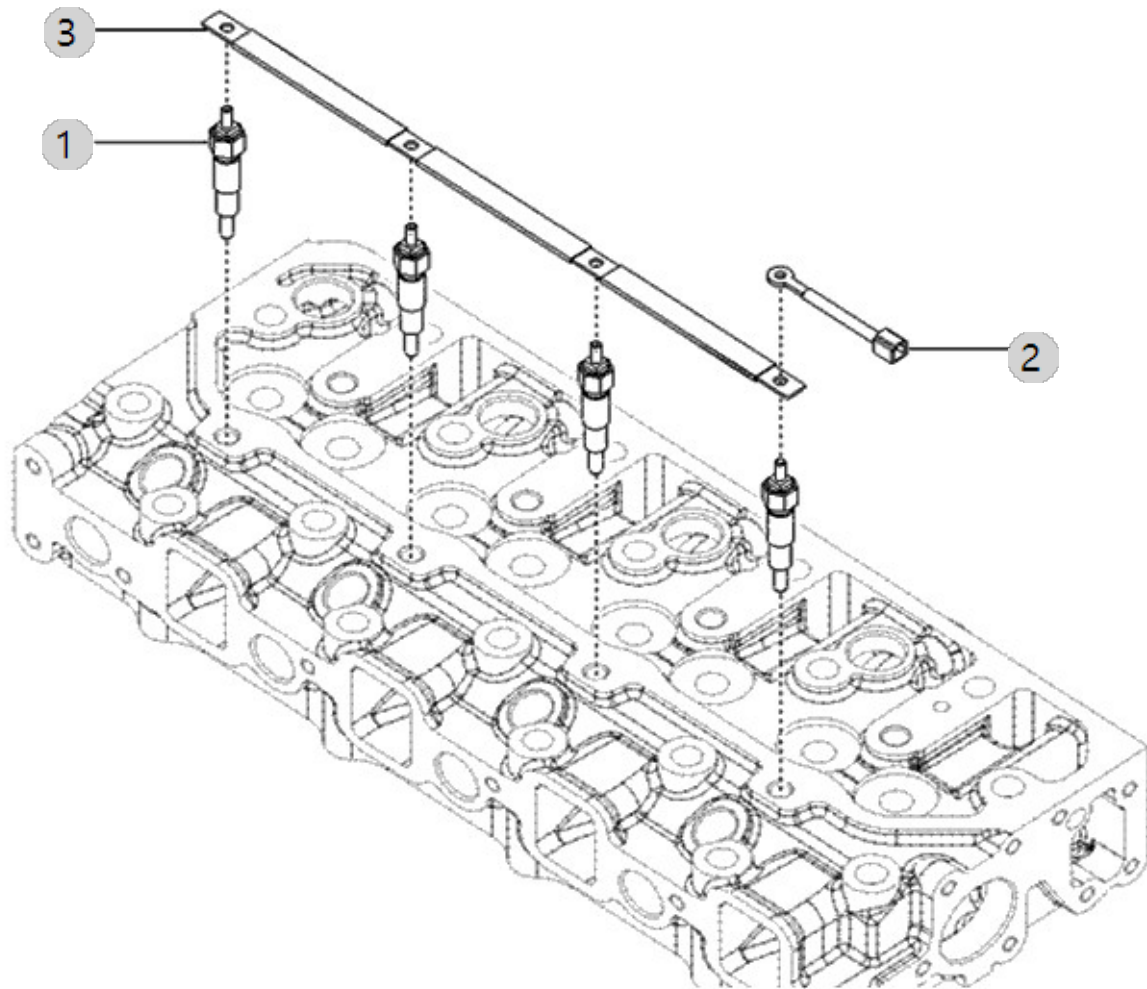
A04_005

A2300T3-ETR_5
(AB00332)

GLOW PLUG ASS'Y OPTION

Year/Month

2022-12-19



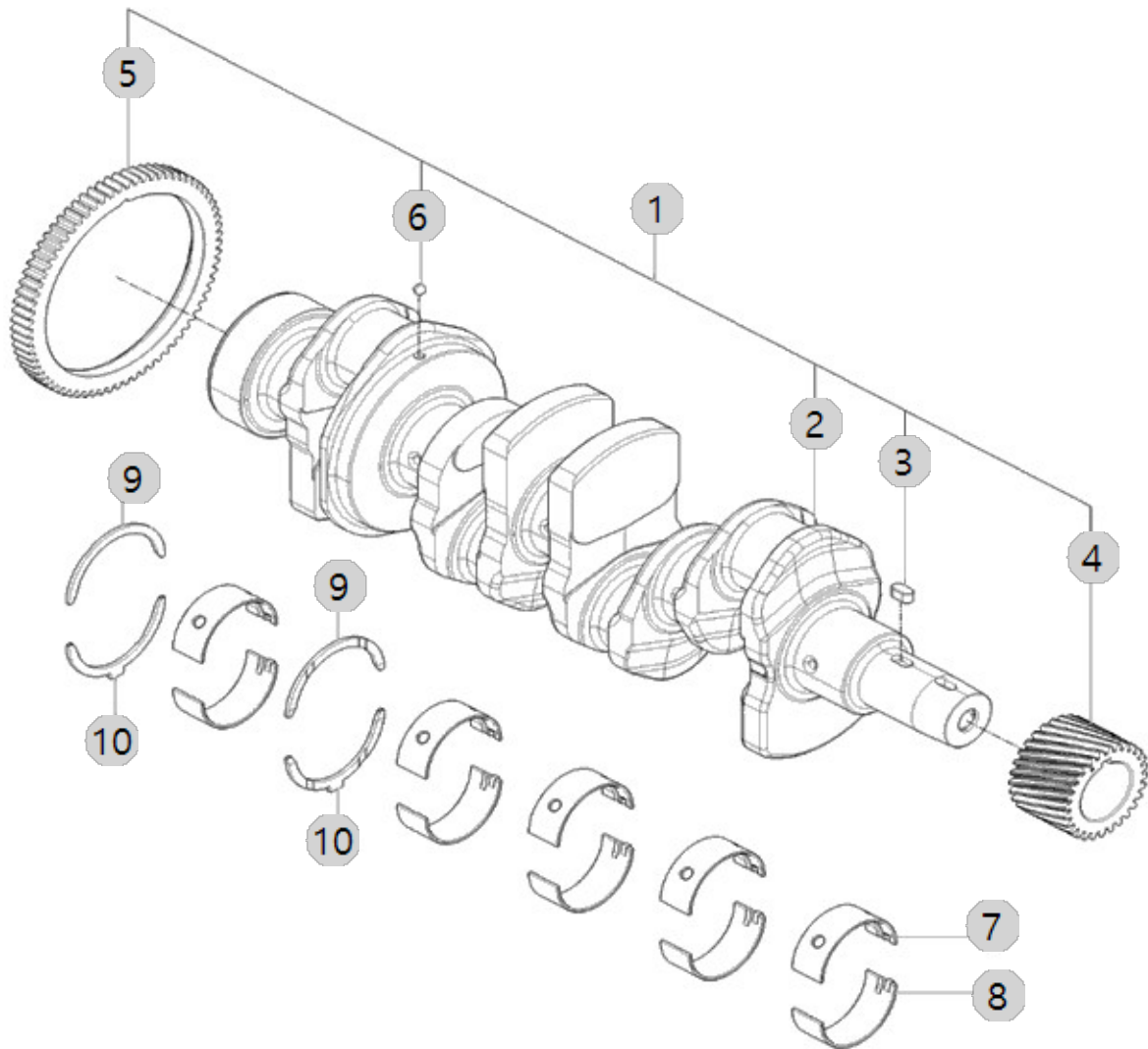
A05_005

A2300T3-ETR_5
(AB00332)

CRANK SHAFT ASS'Y OPTION

Year/Month

2022-12-19



A05_005 A2300T3-ETR_5 (AB00332)	CRANK SHAFT ASS'Y OPTION	Year/Month
		2022-12-19

순번 (NO)	부품번호 (PART NO)	품명 (PART NAME)	품명 (PART NAME)	수량 (QTY)	규격 (SPEC)	비고 (REMARK)
1	EA00004512A	크랭크축조합	CRANKSHAFT ASS'Y	1		
2	HRA0800101D0	크랭크축	CRANKSHAFT	1		
2	HRA0800101E0	크랭크축	CRANKSHAFT	1		
3	22512-070140	230,ALL,슬라이딩키(7*7*14)	KEY, SLIDING (07-14)	1	7X7X14	
4	HRA0800200A3	229,ALL,크랭크기어	GEAR,CRANK SHAFT	1		
5	HRA0800400A3	밸런스구동기어(A)	GEAR,BALANCERDRIVEN	1		
6	24190-080002	강구1/4	Ball, Steel	1	1/4	
7	HRA0100201A3	233,ALL,메인베어링(상)	BEARING,MAIN (UPPER)	5		
8	HRA0100202A3	234,ALL,메인베어링(하)	BEARING,MAIN (LOWER)	5		
9	HRA0100301A3	236,ALL,스러스트베어링(상)	THRUST BEARING,CRANKSHAFT (UPPER)	2		
10	HRA0100302A3	237,ALL,스러스트베어링(하)	THRUST BEARING,CRANKSHAFT (LOWER)	2		

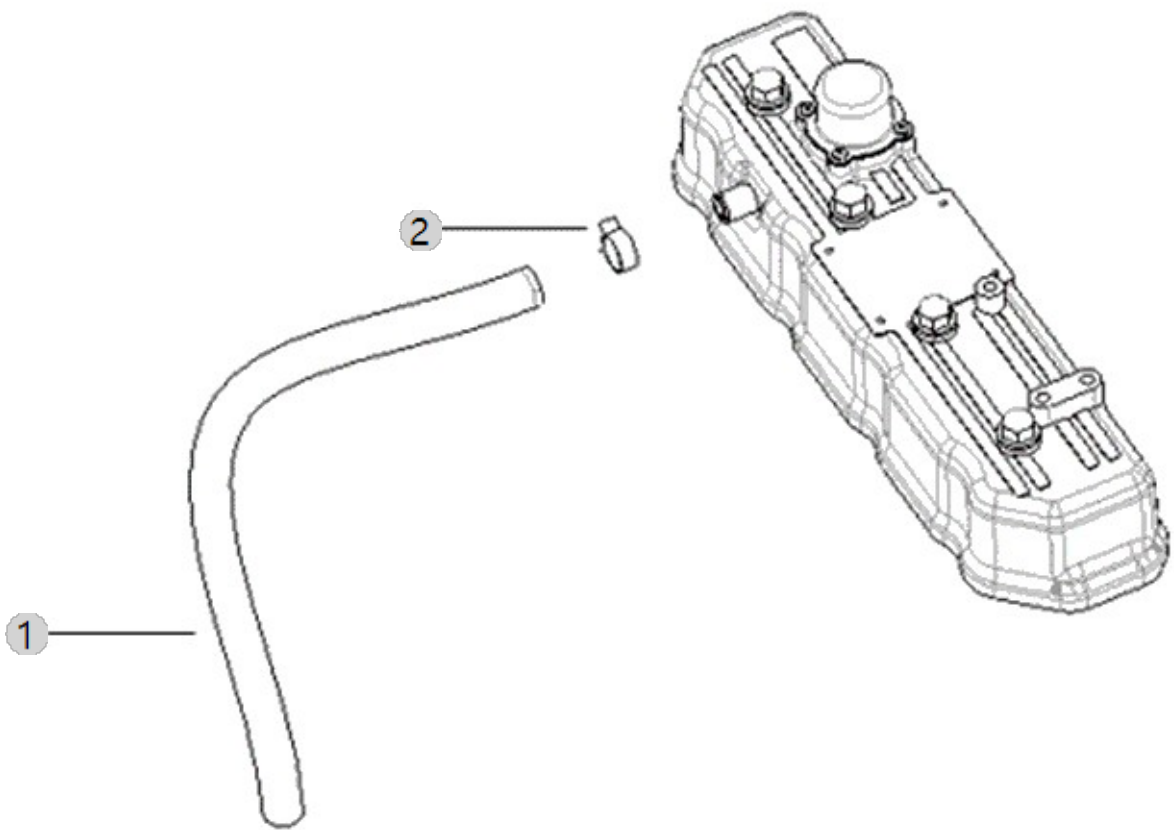
A06_006

A2300T3-ETR_5
(AB00332)

BREATHER OPTION

Year/Month

2022-12-19



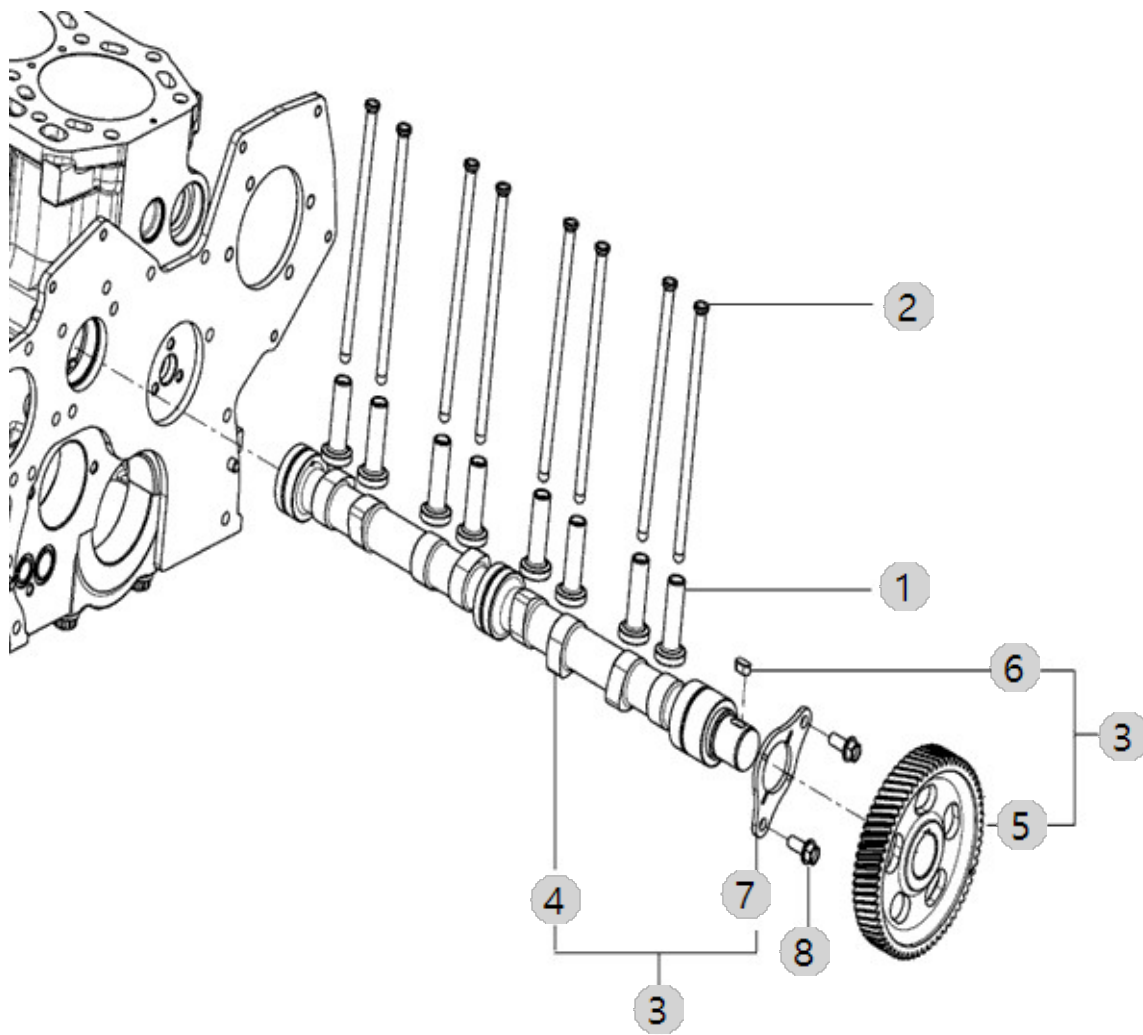
A07_005

A2300T3-ETR_5
(AB00332)

CAMSHAFT

Year/Month

2022-12-19



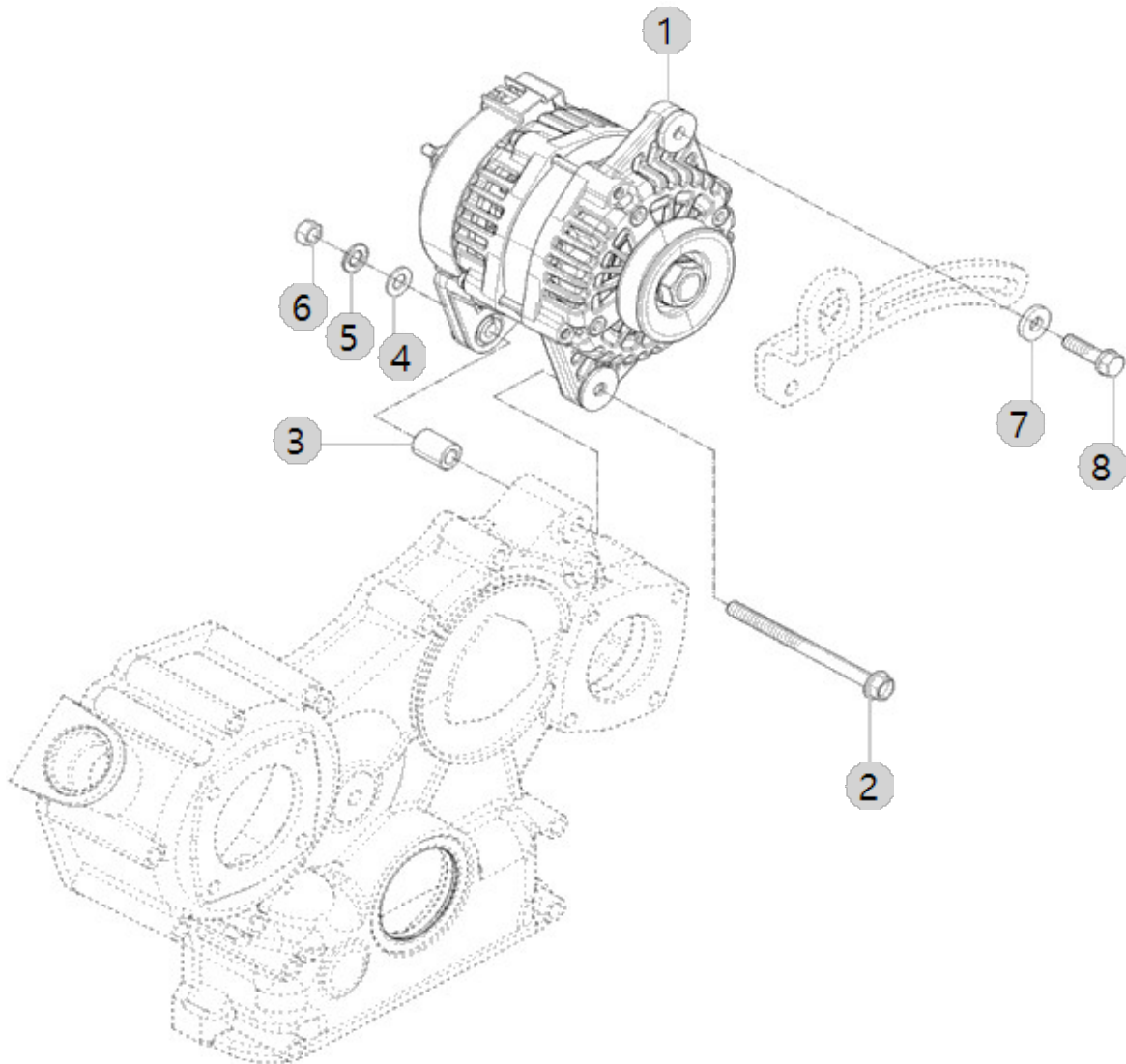
A08_003

A2300T3-ETR_5
(AB00332)

ALTERNATOR

Year/Month

2022-12-19



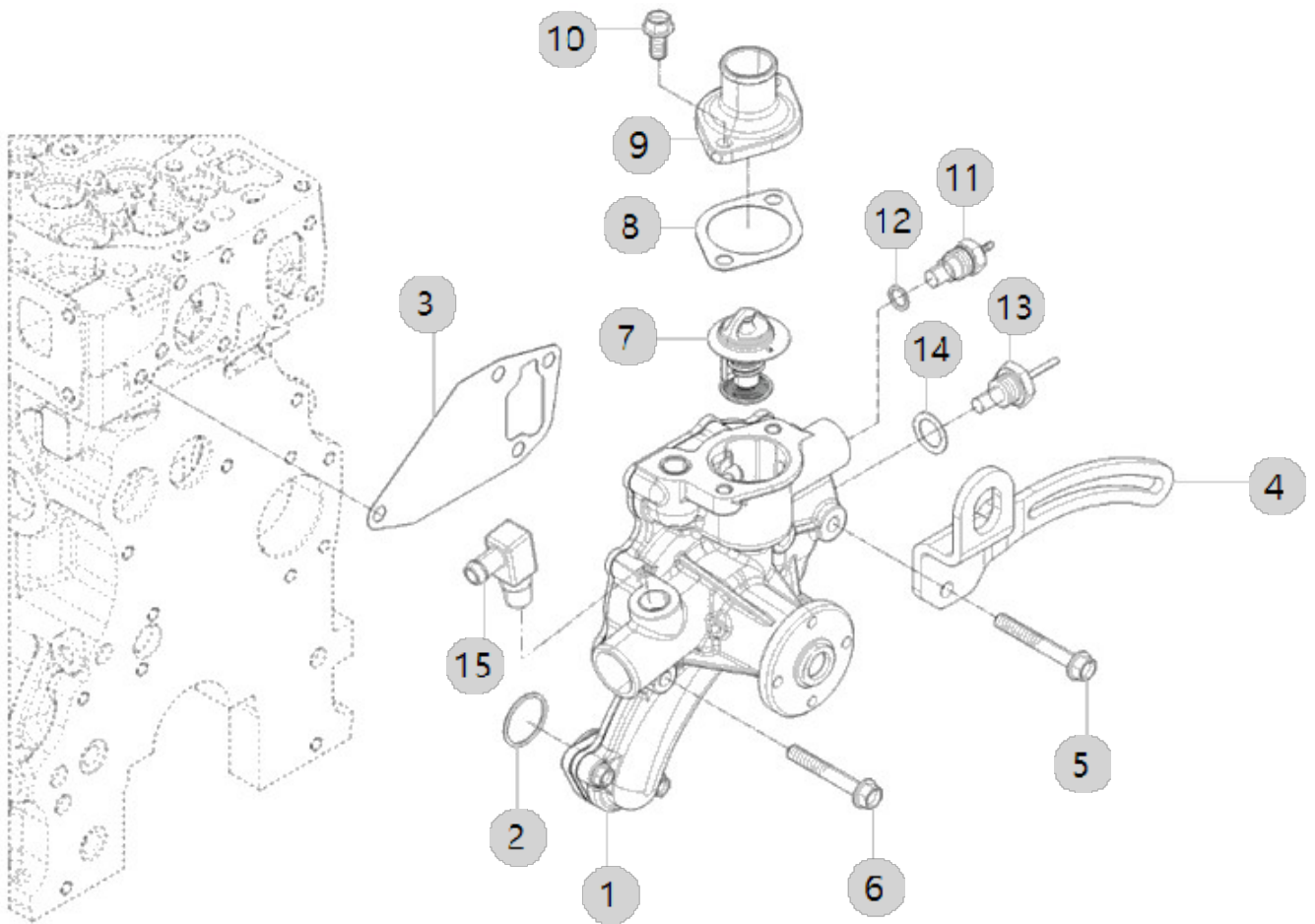
A09_003

A2300T3-ETR_5
(AB00332)

COOLING WATER PUMP

Year/Month

2022-12-19



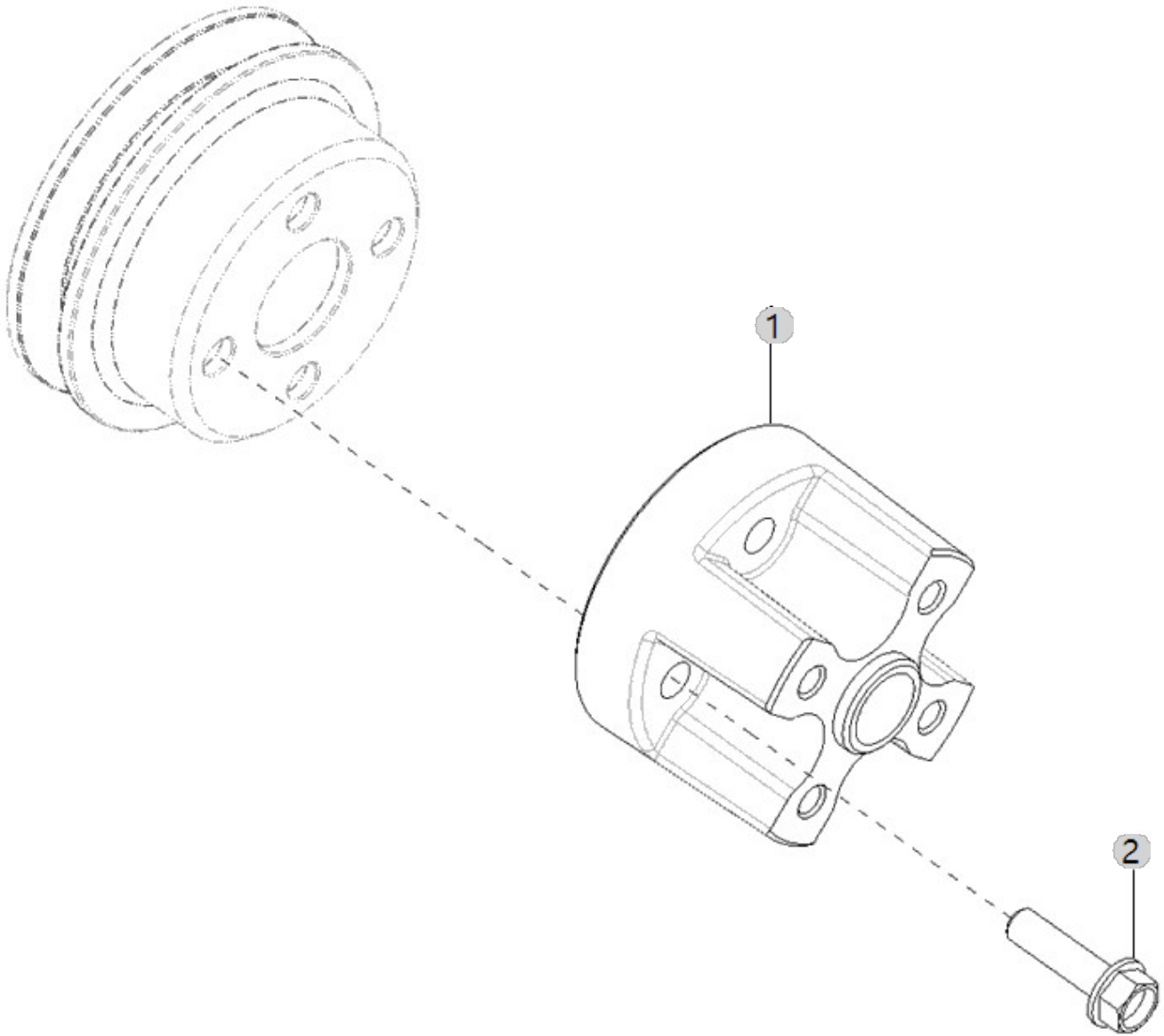
A10_008

A2300T3-ETR_5
(AB00332)

COOLING FAN SPACER

Year/Month

2022-12-19



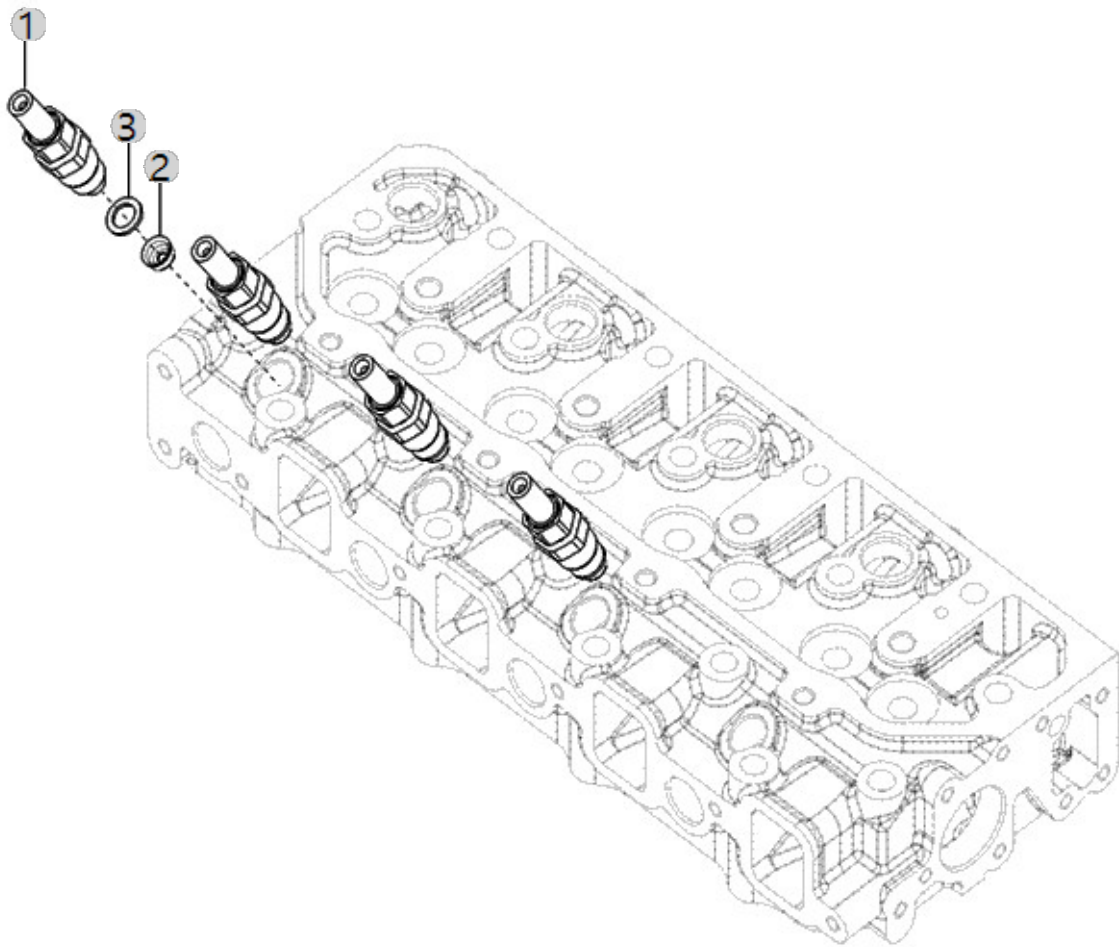
A11_007

A2300T3-ETR_5
(AB00332)

INJECTOR

Year/Month

2022-12-19



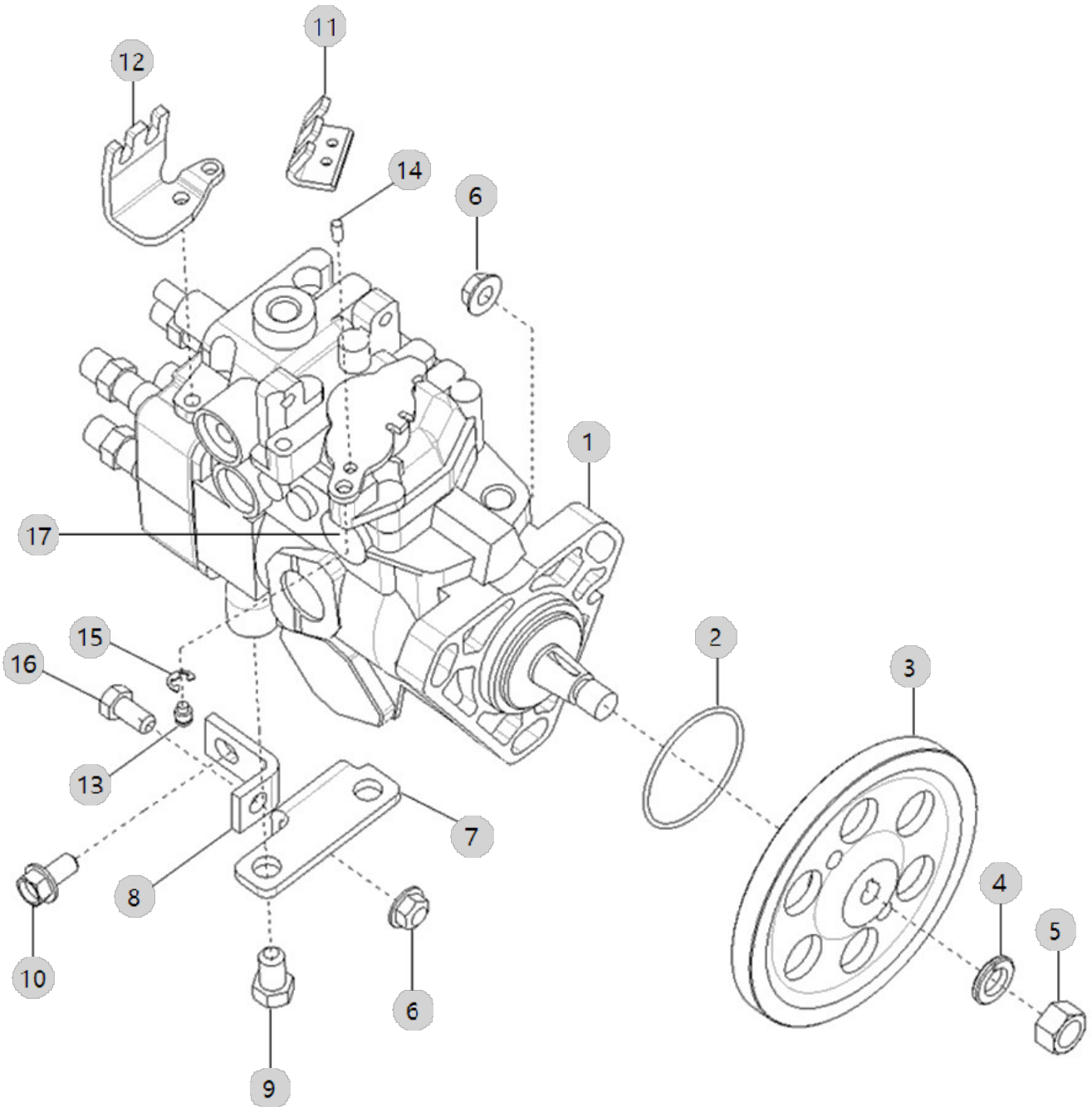
A12_014

A2300T3-ETR_5
(AB00332)

FUEL INJECTOR

Year/Month

2022-12-19



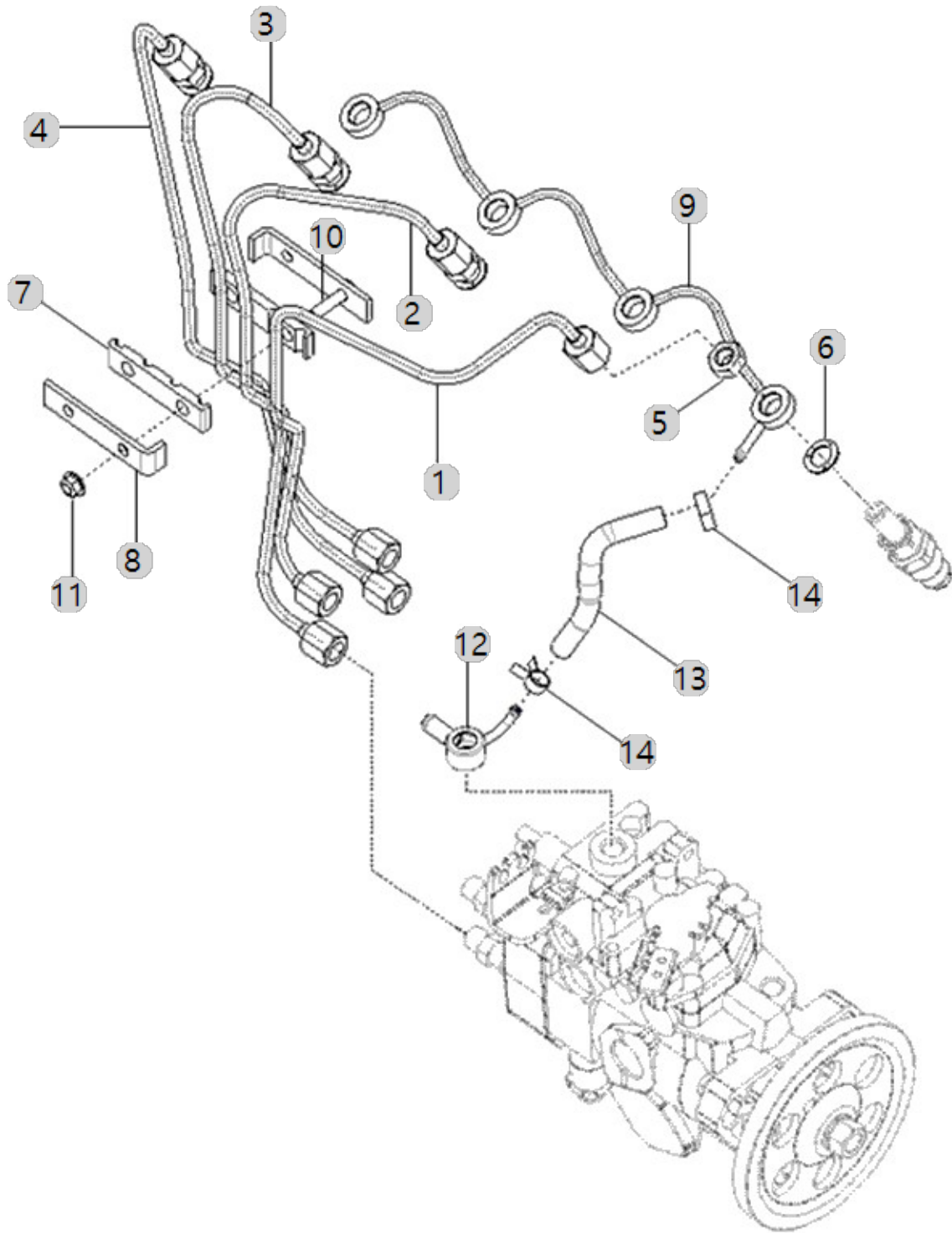
A13_005

A2300T3-ETR_5
(AB00332)

PLUMBING, FUEL

Year/Month

2022-12-19



A13_005 A2300T3-ETR_5 (AB00332)		PLUMBING, FUEL				Year/Month 2022-12-19
순번 (NO)	부품번호 (PART NO)	품명 (PART NAME)	품명 (PART NAME)	수량 (QTY)	규격 (SPEC)	비고 (REMARK)
1	HRA150050DB0	299,A202322,연료파이프조합(A)	PIPE ASSY, FUEL SUPPLY A	1		
1	HRA150050DC0	연료파이프조합(A)	TUBE,INJECTOR FUEL SUPPLY	1		
1	HRA150050DB0	299,A202322,연료파이프조합(A)	PIPE ASSY, FUEL SUPPLY A	1		
1	HRA150050DB0	299,A202322,연료파이프조합(A)	PIPE ASSY, FUEL SUPPLY A	1		
2	HRA150060DB0	300,A202322,연료파이프조합(B)	PIPE ASSY, FUEL SUPPLY (B)	1		
2	HRA150060DC0	연료파이프조합(B)	TUBE,INJECTOR FUEL SUPPLY	1		
2	HRA150060DB0	300,A202322,연료파이프조합(B)	PIPE ASSY, FUEL SUPPLY (B)	1		
2	HRA150060DB0	300,A202322,연료파이프조합(B)	PIPE ASSY, FUEL SUPPLY (B)	1		
3	HRA150070DB0	301,A202322,연료파이프조합(C)	PIPE ASSY, FUEL SUUPPLY C	1		
3	HRA150070DB0	301,A202322,연료파이프조합(C)	PIPE ASSY, FUEL SUUPPLY C	1		
3	HRA150070DC0	연료파이프조합(C)	TUBE,INJECTOR FUEL SUPPLY	1		
3	HRA150070DB0	301,A202322,연료파이프조합(C)	PIPE ASSY, FUEL SUUPPLY C	1		
4	HRA150080DB0	302,A202322,연료파이프조합(D)	PIPE ASSY, FUEL SUPPLY D	1		
4	HRA150080DB0	302,A202322,연료파이프조합(D)	PIPE ASSY, FUEL SUPPLY D	1		
4	HRA150080DB0	302,A202322,연료파이프조합(D)	PIPE ASSY, FUEL SUPPLY D	1		
4	HRA150080DC0	연료파이프조합(D)	TUBE,INJECTOR FUEL SUPPLY	1		
5	HK13450000A4	육각고정너트	NUT,REGULARHEXAGON	4	M12X1.5	
5	HK13450000A4	육각고정너트	NUT,REGULARHEXAGON	4	M12X1.5	
5	HK13450000A4	육각고정너트	NUT,REGULARHEXAGON	4	M12X1.5	
5	HK13450000A4	육각고정너트	NUT,REGULARHEXAGON	4	M12X1.5	
6	HK13440000A4	306,ALL,패킹(조인트)(와류실)	GASKET,FUELMANIFOLD	4		
6	HK13440000A4	306,ALL,패킹(조인트)(와류실)	GASKET,FUELMANIFOLD	4		
6	HK13440000A4	306,ALL,패킹(조인트)(와류실)	GASKET,FUELMANIFOLD	4		
6	HK13440000A4	306,ALL,패킹(조인트)(와류실)	GASKET,FUELMANIFOLD	4		
7	HRA1502700A4	462,ALL,브래킷고무	RUBBER,BRACKET	2		
7	HRA1502700A4	462,ALL,브래킷고무	RUBBER,BRACKET	2		
7	HRA1502700A4	462,ALL,브래킷고무	RUBBER,BRACKET	2		
7	HRA1502700A4	462,ALL,브래킷고무	RUBBER,BRACKET	2		
8	HRA1502800A4	브래킷판	CLAMP,TUBE	2	T 3.2	
8	HRA1502800A4	브래킷판	CLAMP,TUBE	1	T 3.2	
8	HRA1502800A4	브래킷판	CLAMP,TUBE	1	T 3.2	
8	HRA1502800A4	브래킷판	CLAMP,TUBE	1	T 3.2	
8	HRA1502800B4	브래킷판	CLAMP,TUBE	2	T 3.2	
9	HRA1500900C3	퇴유파이프조합	PIPE ASSY, FUEL RETURN	1		
9	HRA1500900D3	퇴유파이프조합	PIPE ASSY, FUEL	1		
9	HRA1500900C3	퇴유파이프조합	PIPE ASSY, FUEL RETURN	1		
9	HRA1500900C3	퇴유파이프조합	PIPE ASSY, FUEL RETURN	1		
10	HRA1502600B4	브래킷(연료파이프)	BRACKET,PIPE	1		
10	HRA1502600B4	브래킷(연료파이프)	BRACKET,PIPE	1		
10	HRA1502600B4	브래킷(연료파이프)	BRACKET,PIPE	1		
10	HRA1502600B4	브래킷(연료파이프)	BRACKET,PIPE	1		
11	26367-060002	플랜지너트	Nut, Hexa (Φ6)	2	M6XP1.0	
11	26367-060002	플랜지너트	Nut, Hexa (Φ6)	2	M6XP1.0	
11	26367-060002	플랜지너트	Nut, Hexa (Φ6)	2	M6XP1.0	
11	26367-060002	플랜지너트	Nut, Hexa (Φ6)	2	M6XP1.0	

A13_005 A2300T3-ETR_5 (AB00332)	PLUMBING, FUEL	Year/Month
		2022-12-19

순번 (NO)	부품번호 (PART NO)	품명 (PART NAME)	품명 (PART NAME)	수량 (QTY)	규격 (SPEC)	비고 (REMARK)
12	HRA1502400B4	310,ALL,조인트	CONNECTOR,BANJO	1		
12	HRA1502400C4	조인트	CONNECTOR, BANJO	1		
12	HRA1502400C4	조인트	CONNECTOR, BANJO	1		
12	HRA1502400D4	조인트	CONNECTOR, BANJO	1		
13	EA00000700A	퇴유호스	TUBE, FUEL DRAIN	1	NONE	
13	EA00000700A	퇴유호스	TUBE, FUEL DRAIN	1	NONE	
13	EA00000700A	퇴유호스	TUBE, FUEL DRAIN	1	NONE	
13	EA00000700A	퇴유호스	TUBE, FUEL DRAIN	1	NONE	
14	EA00006187A	Cobra클램프(Ø11)	COBRA CLAMP	2		

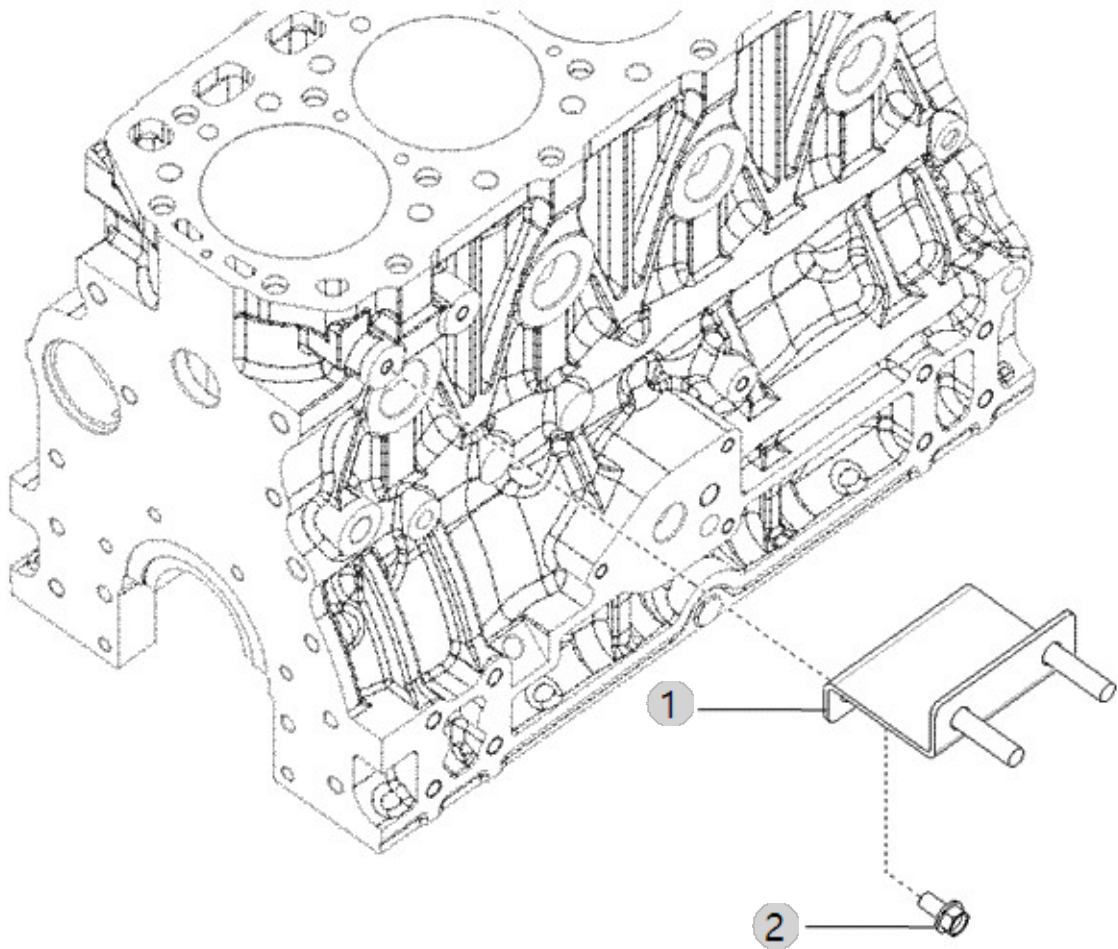
A14_003

A2300T3-ETR_5
(AB00332)

FUEL FILTER BRACKET

Year/Month

2022-12-19



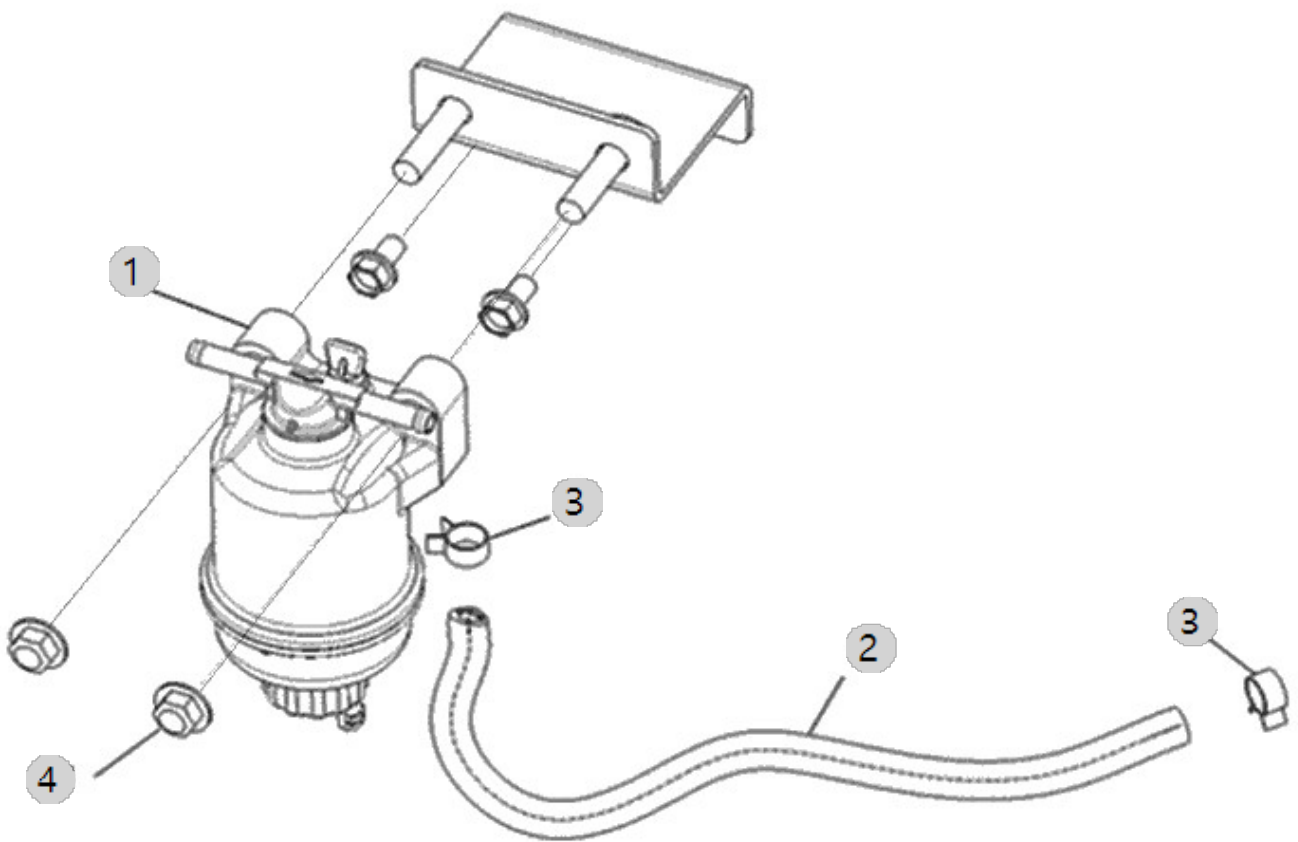
A16_003

A2300T3-ETR_5
(AB00332)

FUEL FILTER ASS'Y OPTION

Year/Month

2022-12-19



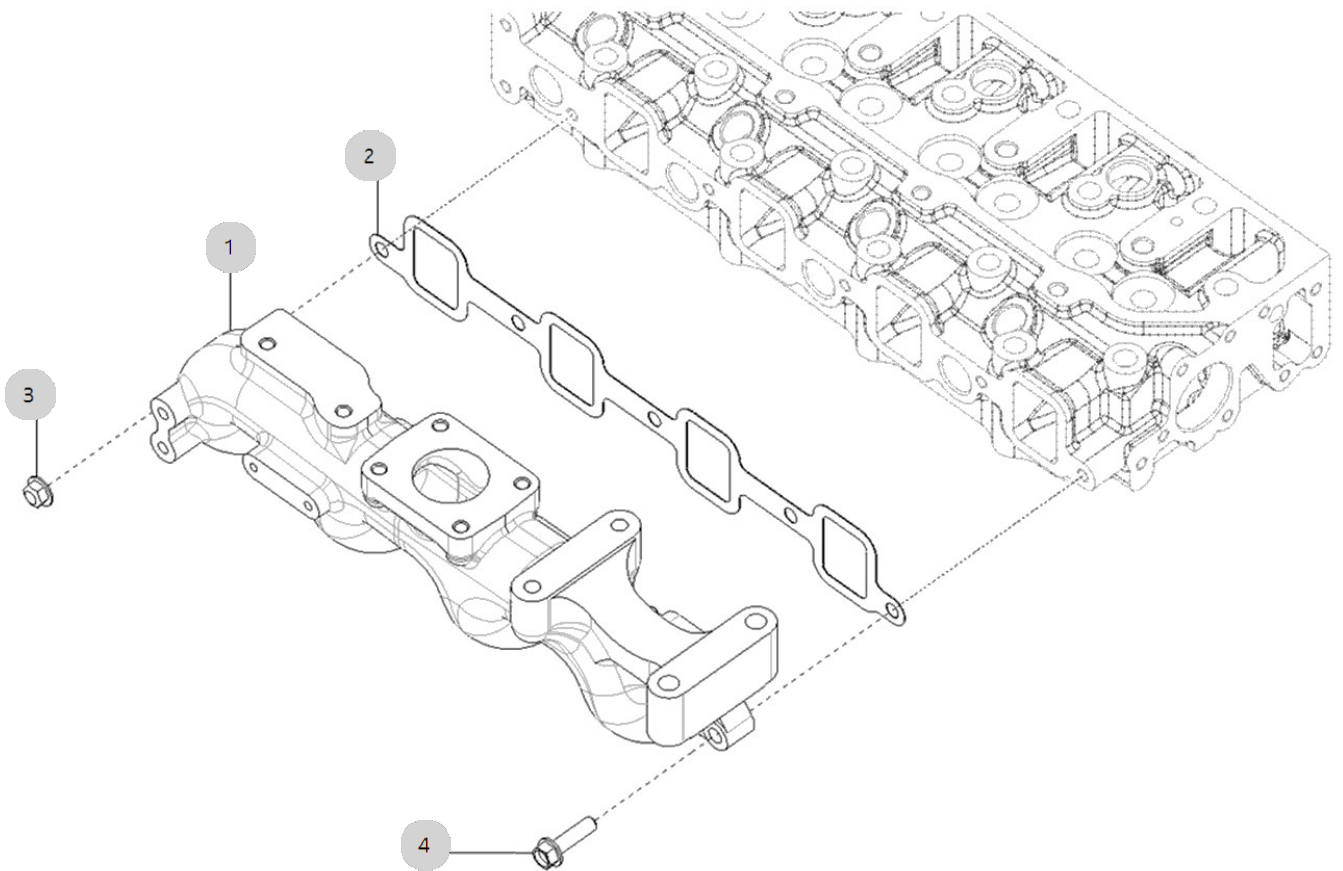
A17_008

A2300T3-ETR_5
(AB00332)

INTAKE MANIFOLD ASS'Y OPTION

Year/Month

2022-12-19



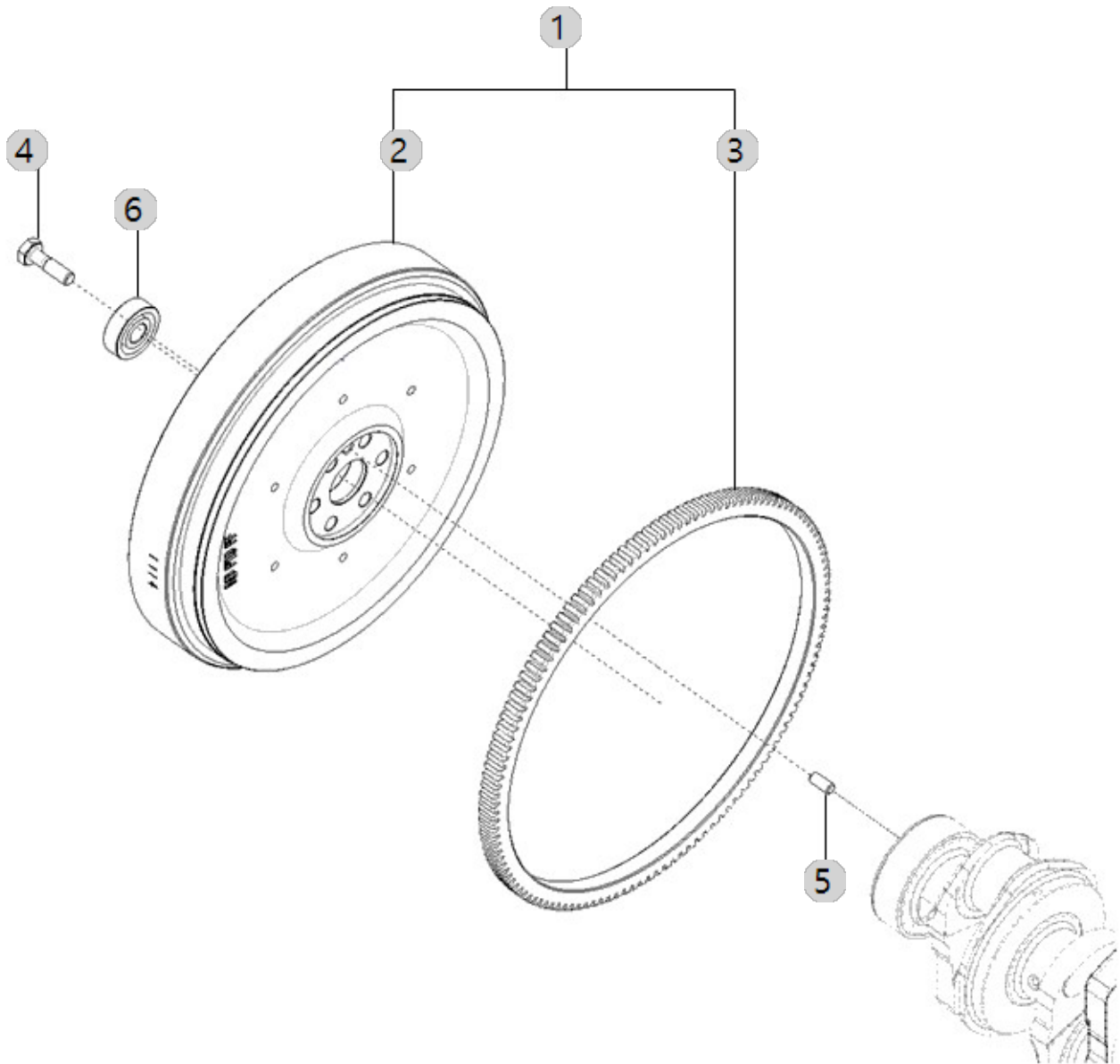
A18_011

A2300T3-ETR_5
(AB00332)

FLYWHEEL

Year/Month

2022-12-19



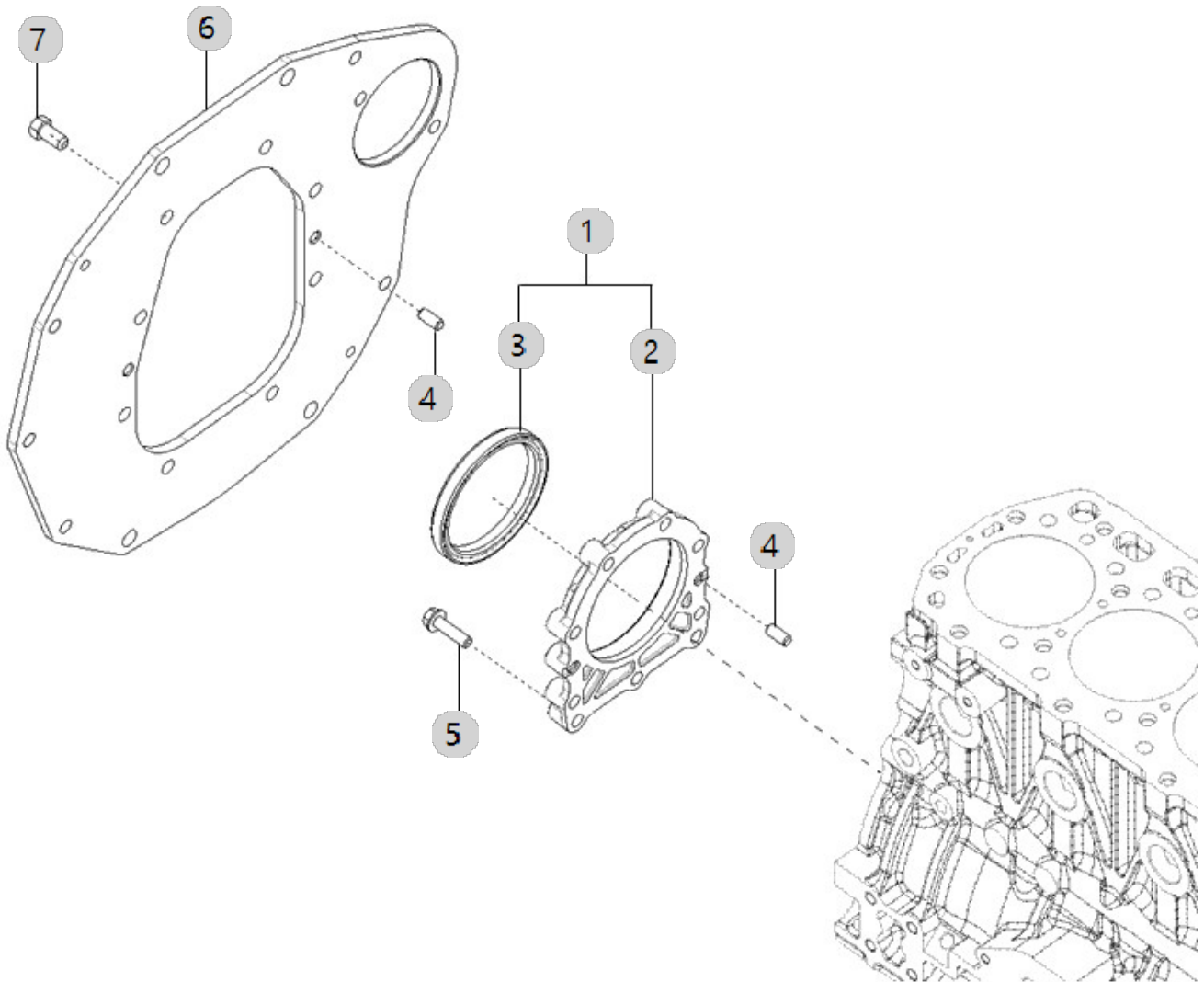
A19_009

A2300T3-ETR_5
(AB00332)

FLYWHEEL HOUSING

Year/Month

2022-12-19



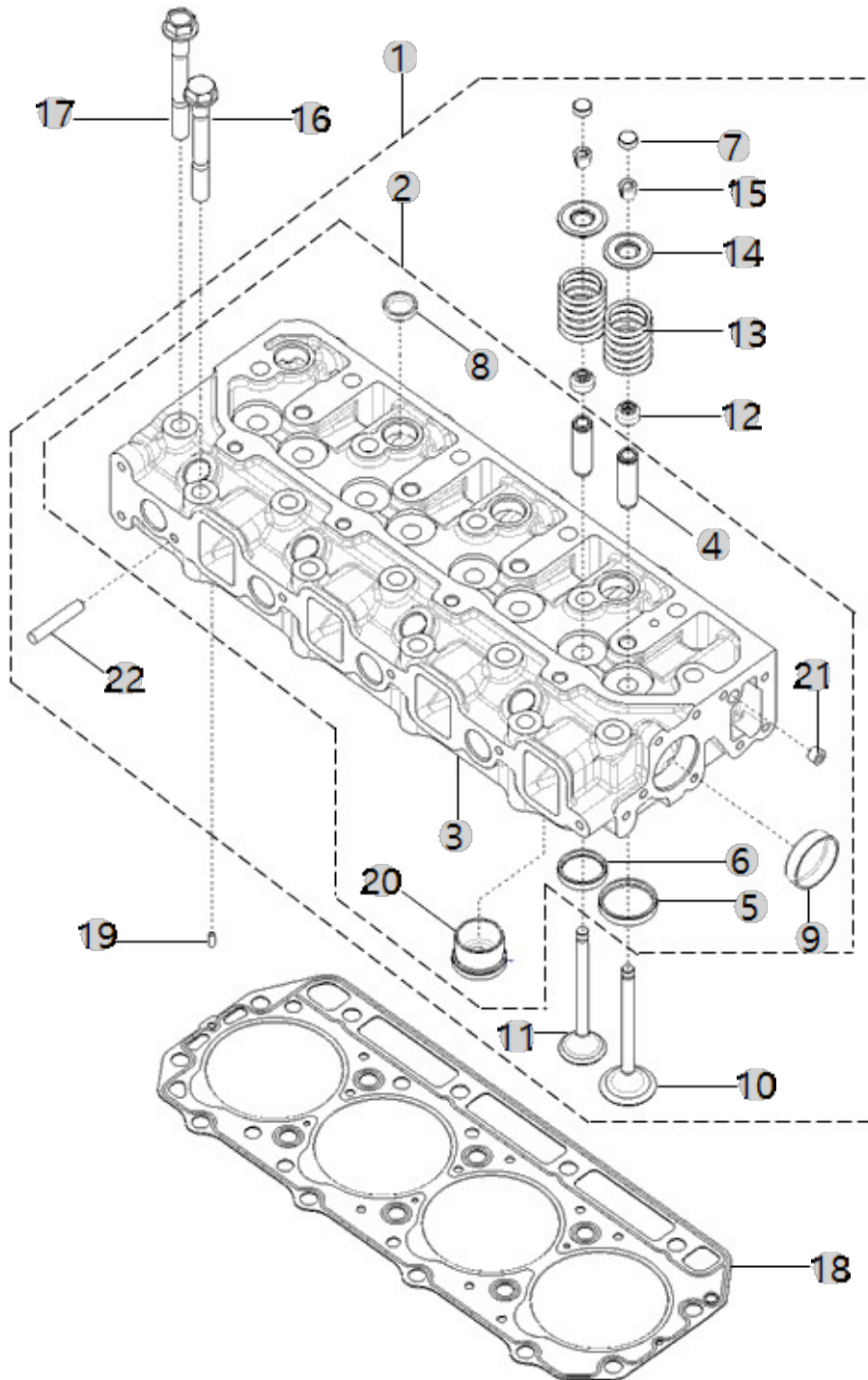
A20_011

A2300T3-ETR_5
(AB00332)

HEAD, CYLINDER

Year/Month

2022-12-19



A20_011 A2300T3-ETR_5 (AB00332)		HEAD, CYLINDER				Year/Month 2022-12-19
순번 (NO)	부품번호 (PART NO)	품명 (PART NAME)	품명 (PART NAME)	수량 (QTY)	규격 (SPEC)	비고 (REMARK)
1	EA00004718A	실린더헤드조립-A2300T15-KTR_4	CYLINDER HEAD ASSY	1		
2	EA00000635A	실린더헤드조립	HEAD, CYLINDER	1	NONE	
3	HRU220100MC0	실린더헤드(소재)	HEAD, CYLINDER	1		
3	HRU220100MB0	실린더헤드(소재)	HEAD, CYLINDER	1		
4	HRA0400103C4	배기밸브가이드	GUIDEVALVE STEM	8	D13/D8	
4	HRA0400103C4	배기밸브가이드	GUIDEVALVE STEM	4	D13/D8	
4	HRA0400103B4	배기밸브가이드	GUIDE,VALVESTEM	4		
5	HRA0400104B4	흡기밸브시트	SEAT,ENGINEINTAKEVALVE	4		
6	HRA0400105B4	배기밸브시트	SEAT,ENGINE EXHAUST VALVE	4		
7	HK03680000B4	344,ALL, 밸브캡	CAP,VALVE	8		
8	27241-220000	캡형플러그 22	PLUG,EXPANSION	8		
9	27241-400000	캡형플러그 40 (335,ALL,PLUG40)	PLUG (D40)	2		
10	HRA0400200A4	337,ALL, 흡기밸브	VALVE,INTAKE	4		
11	HRA0400300A4	338,ALL, 배기밸브	VALVE,EXHAUST	4		
12	HA03070000A4	340,ALL, 밸브축시일	SEAL,VALVESTEM	8		
13	HRA0400700A4	341,ALL, 밸브스프링	SPRING,VALVE	8		
14	HRA0400800A4	342,ALL, 밸브스프링리테이너	RETAINER,VALVESPRING	8		
15	HRA0400900A4	343,ALL, 밸브스프링코터	COTTER,VALVE	16		
16	HRA0100700A4	347,ALL, 볼트(실린더헤드)	SCREW,HEXFLANGEHEADCAP	4	M11X1.5X92	
17	HRA0100500A4	실린더헤드 볼트	SCREW,HEXFLANGEHEADCAP	14	M11X1.5	
18	HRU0100400A2	헤드가스켓-A2300	GASKET,CYLINDER HEAD (A2300)	1		
18	HRU0100400B2	헤드가스켓	GASKET,CYLINDER HEAD	1	T1.28	
19	22312-040100	평행핀	PIN, DOWEL (4-10)	2	D4X10	
20	EA00000083A	예연소실	PRE-CHAMBER	4		
21	23871-010000	테이퍼플러그	PLUG	1	PT1/8	
22	26216-080352	심음볼트(1.5D)	BOLT, STUD 8 X 35	1	M8X1.25X35	

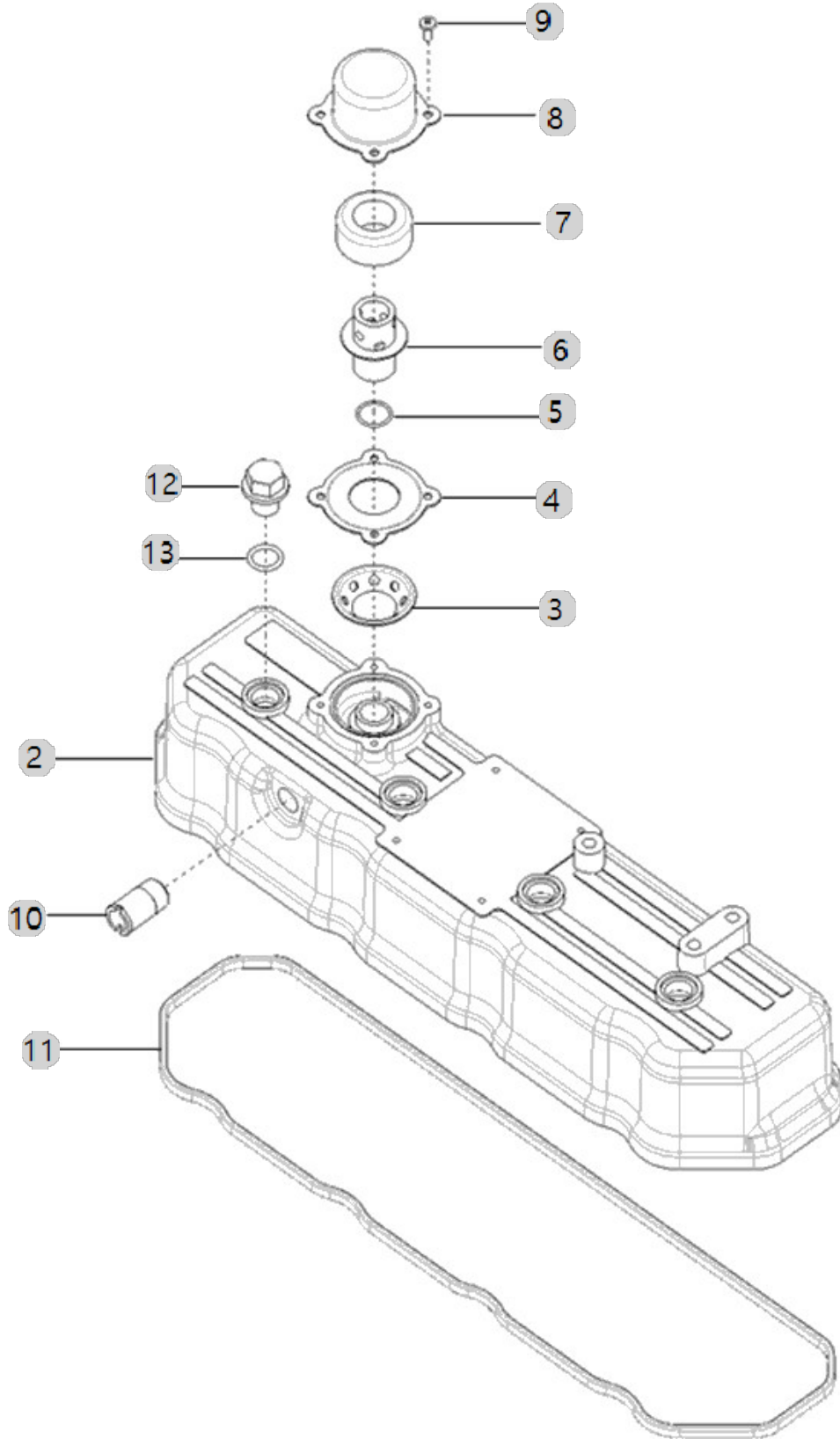
A21_004

A2300T3-ETR_5
(AB00332)

HEAD COVER

Year/Month

2022-12-19



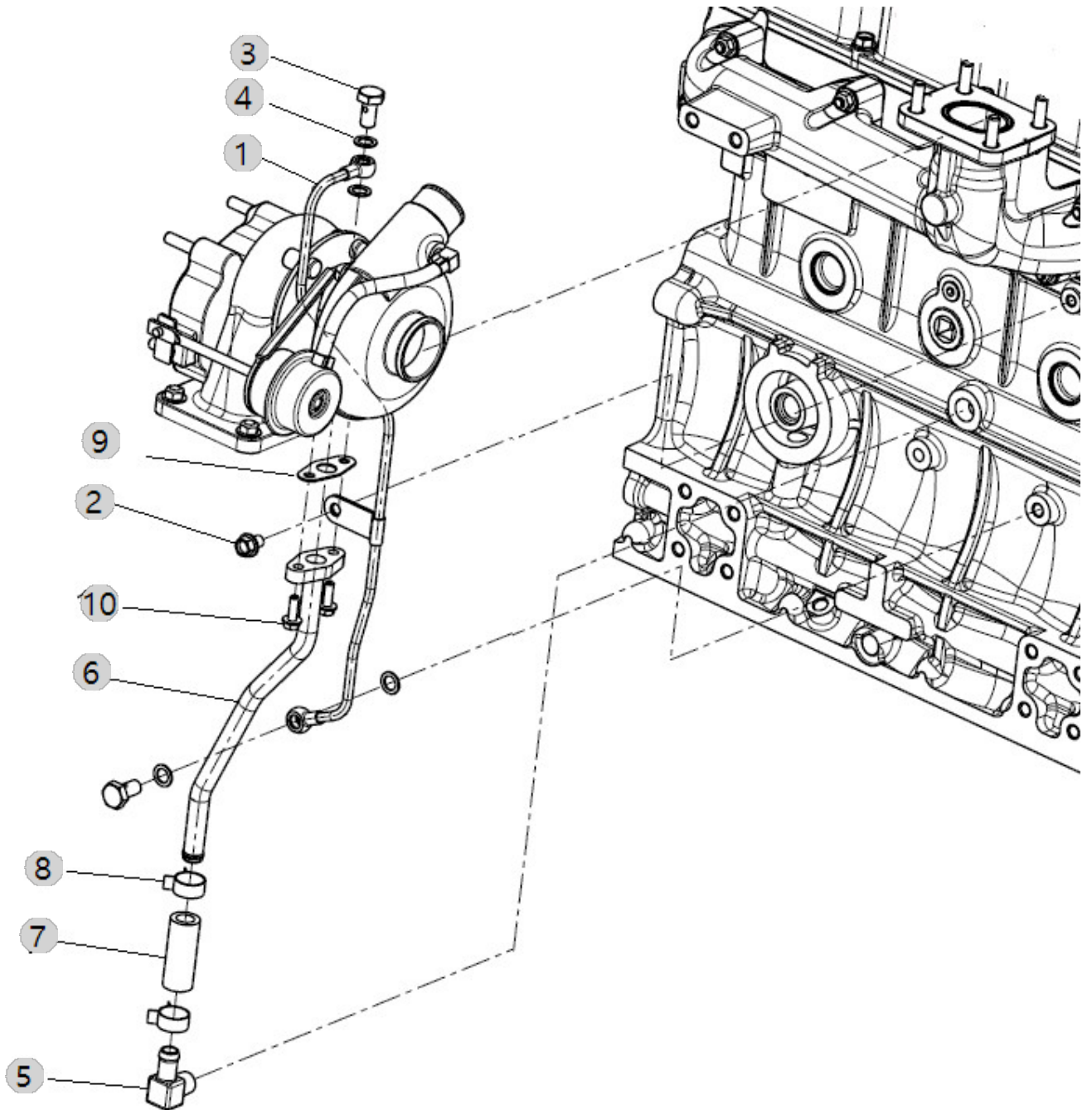
A23_008

A2300T3-ETR_5
(AB00332)

TURBOCHARGER SUPPORT ASS'Y OPTION

Year/Month

2022-12-19



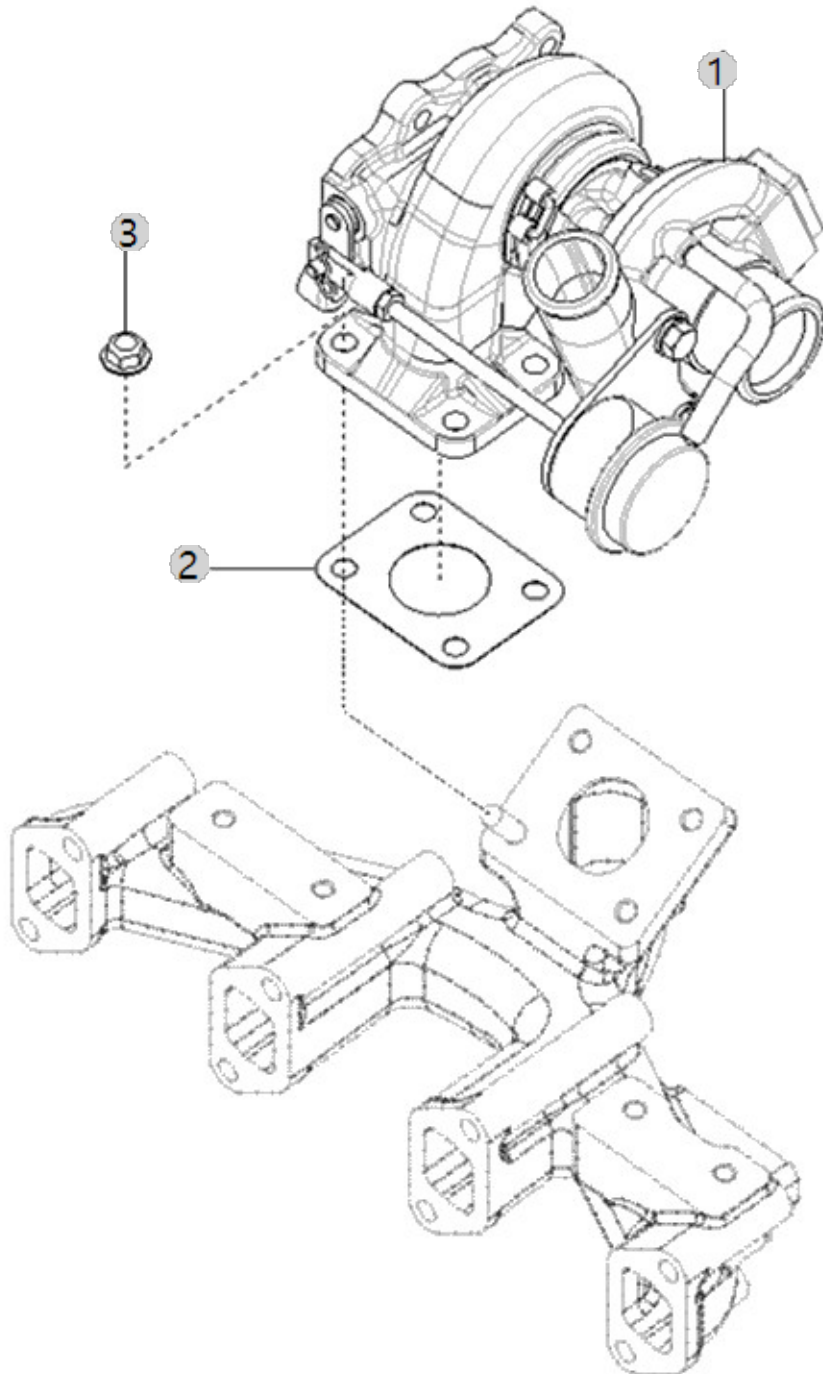
A24_003

A2300T3-ETR_5
(AB00332)

TURBOCHARGER

Year/Month

2022-12-19



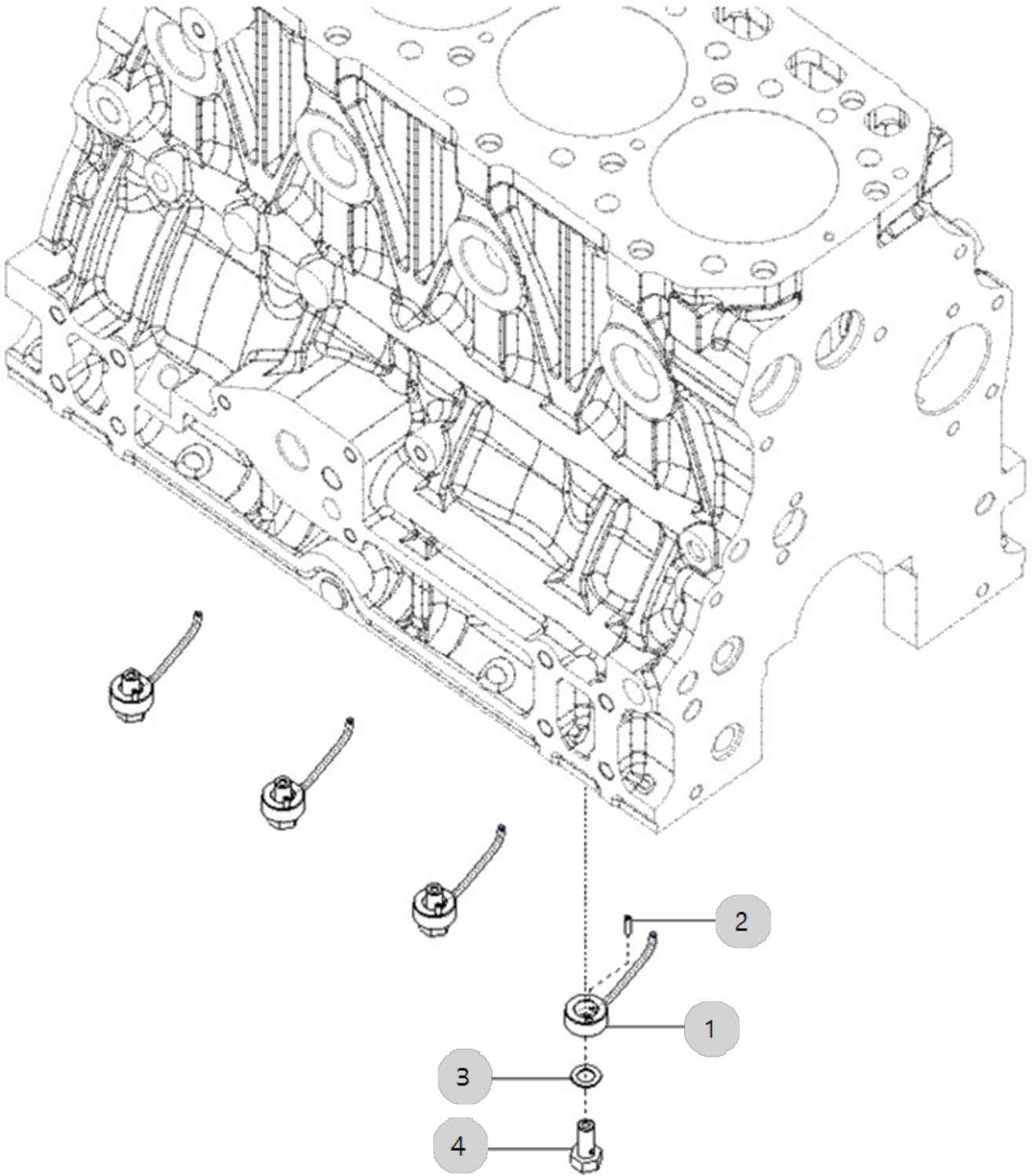
A25_003

A2300T3-ETR_5
(AB00332)

OIL JET ASS'Y OPTION

Year/Month

2022-12-19



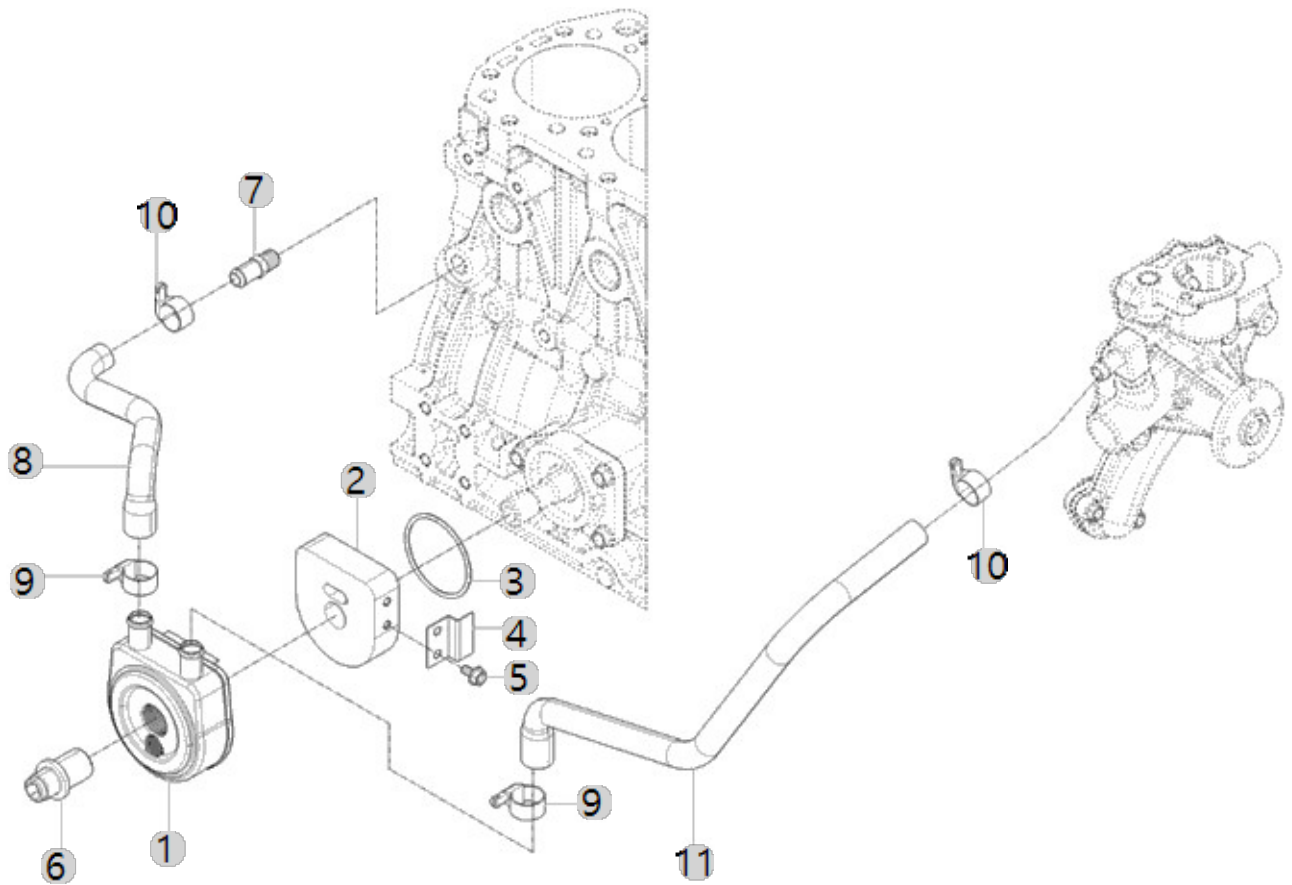
A26_005

A2300T3-ETR_5
(AB00332)

COOLER, ENGINE OIL

Year/Month

2022-12-19



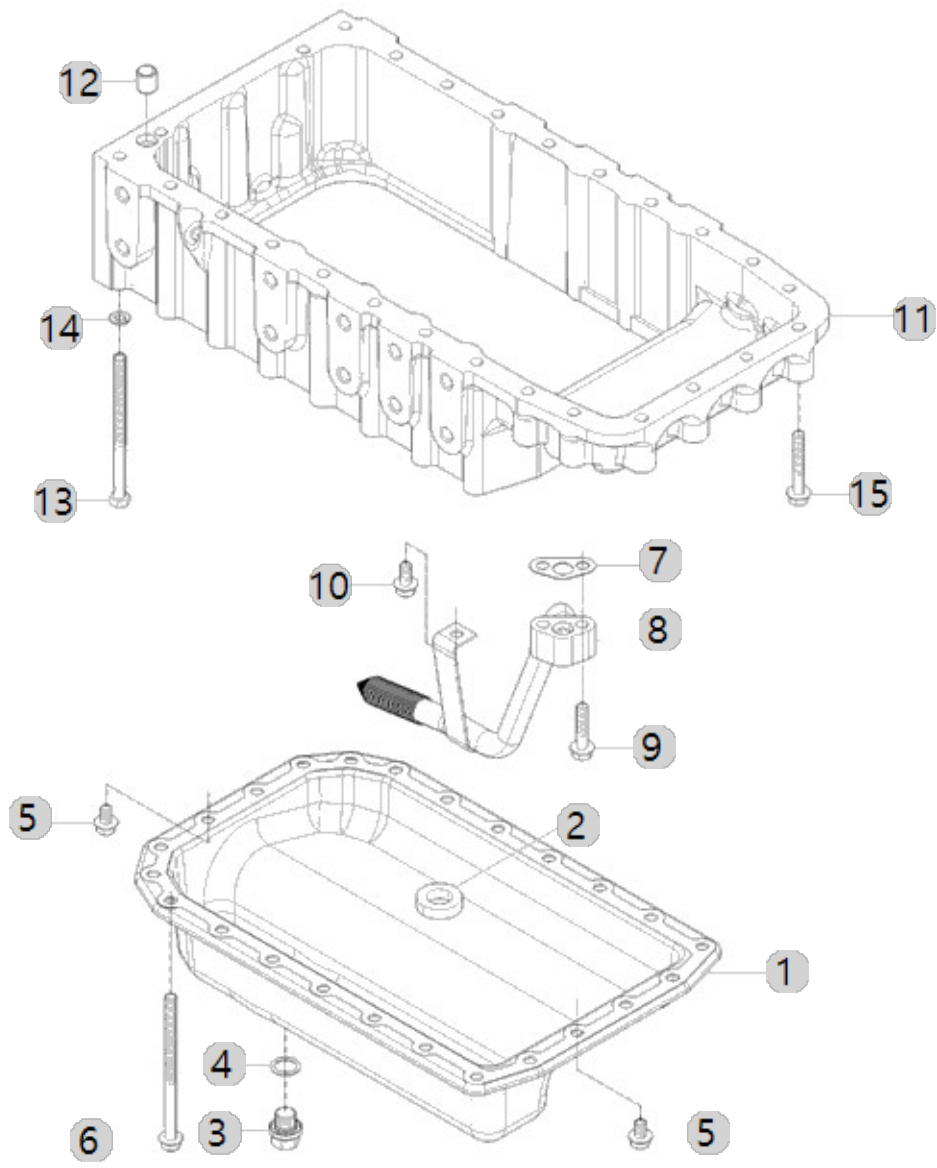
A27_010

A2300T3-ETR_5
(AB00332)

OIL PAN ASS'Y OPTION

Year/Month

2022-12-19



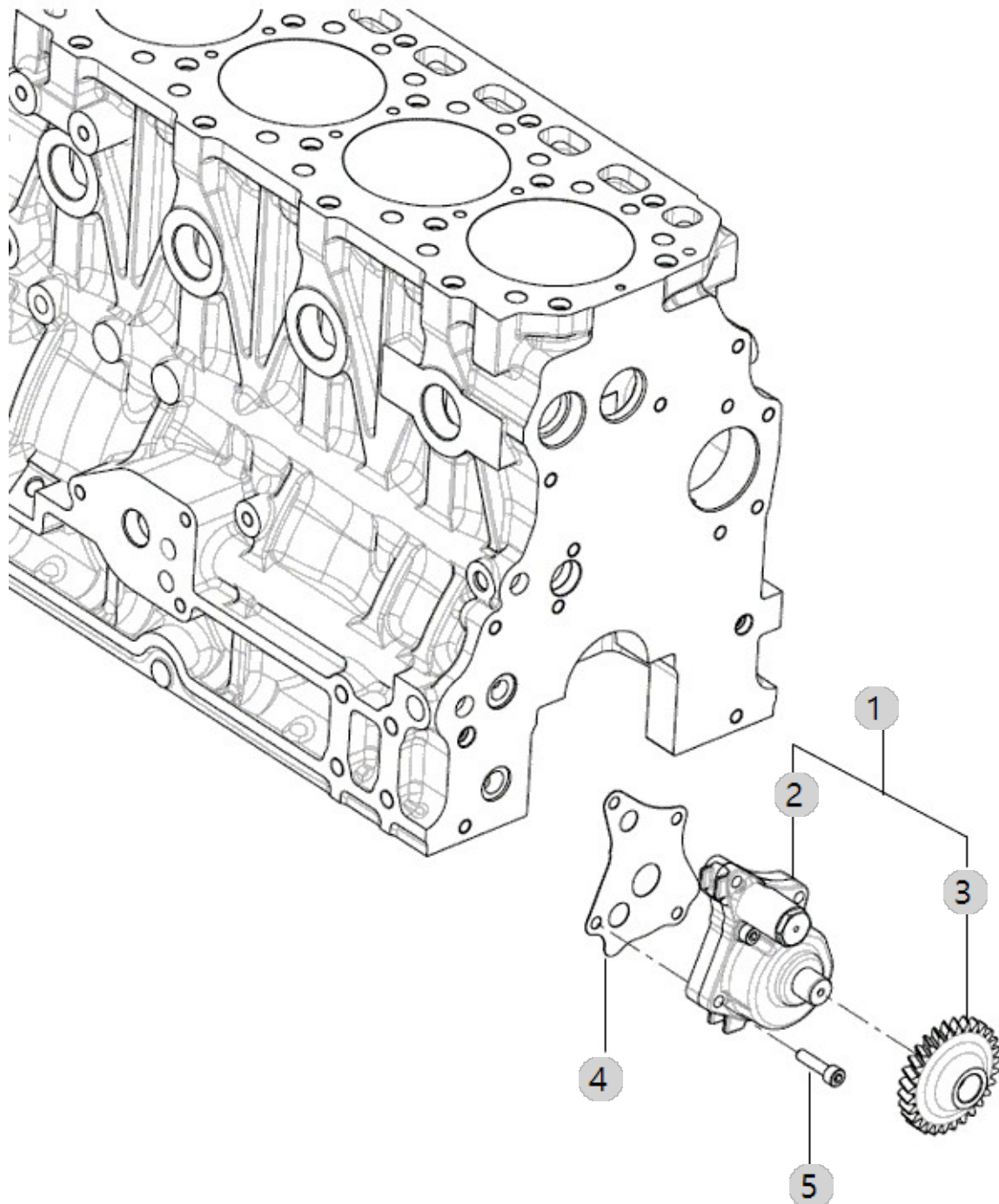
A28_001

A2300T3-ETR_5
(AB00332)

PUMP, LUBRICATING OIL

Year/Month

2022-12-19



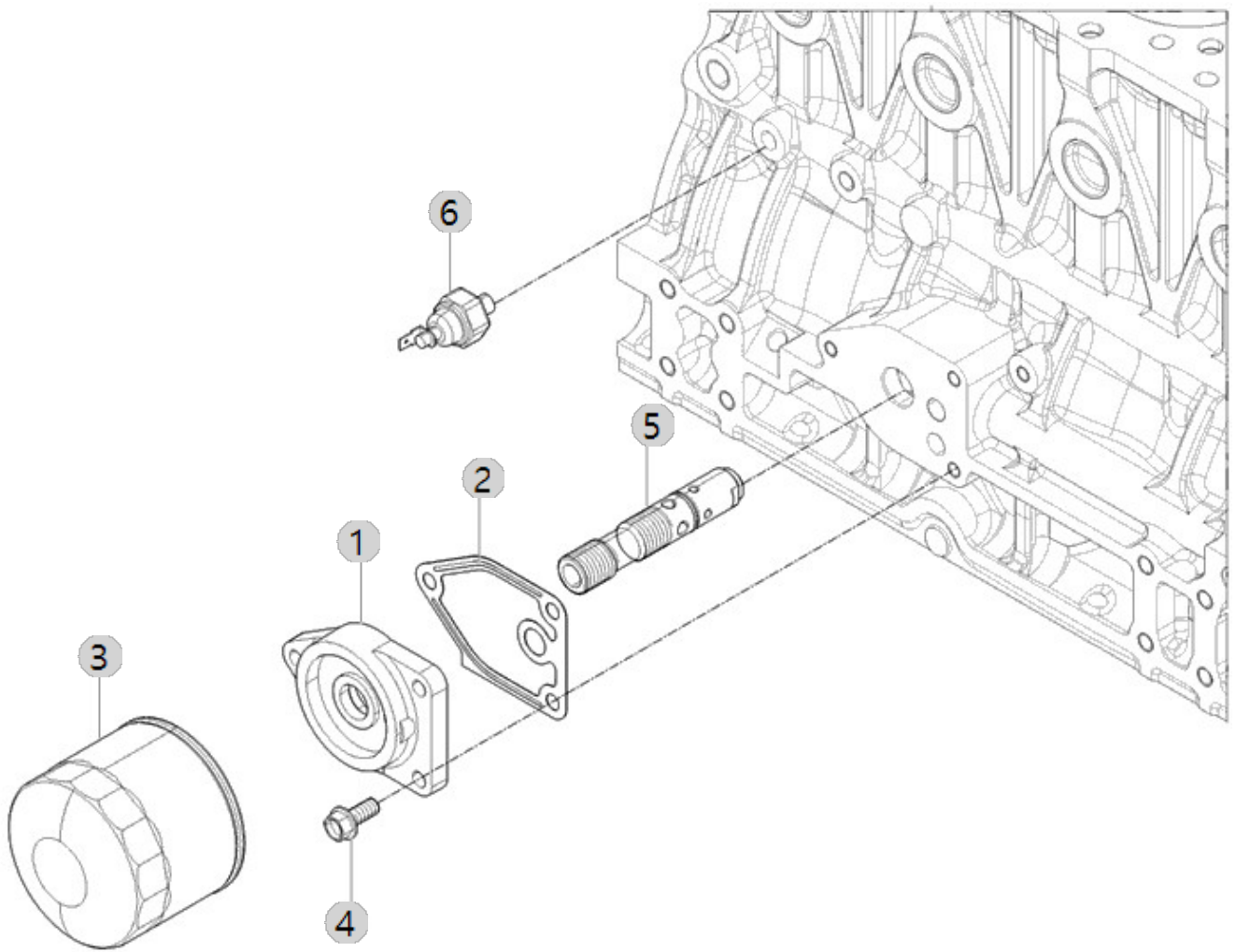
A29_005

A2300T3-ETR_5
(AB00332)

FILTER, LUBRICATING OIL

Year/Month

2022-12-19



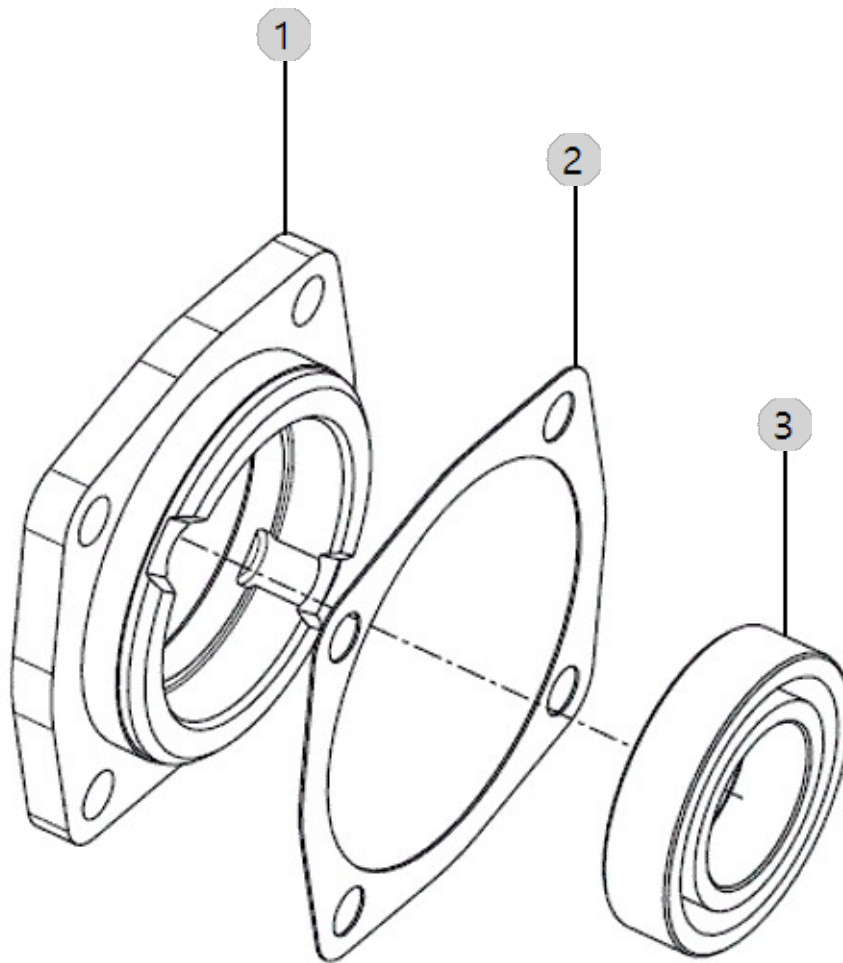
A30_003

A2300T3-ETR_5
(AB00332)

FRONT GEAR ACCESSORY DRIVE

Year/Month

2022-12-19



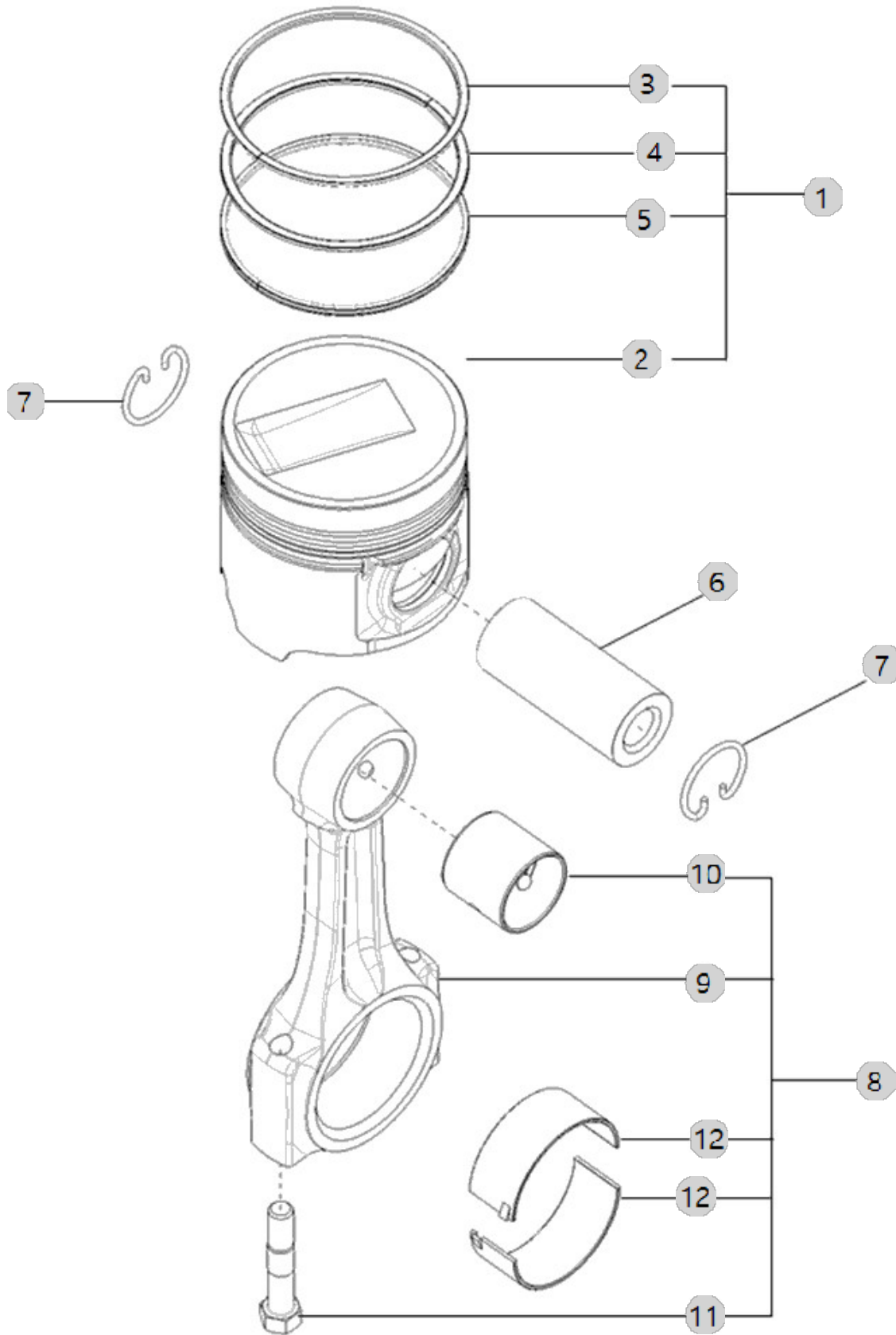
A31_007

A2300T3-ETR_5
(AB00332)

PISTON

Year/Month

2022-12-19



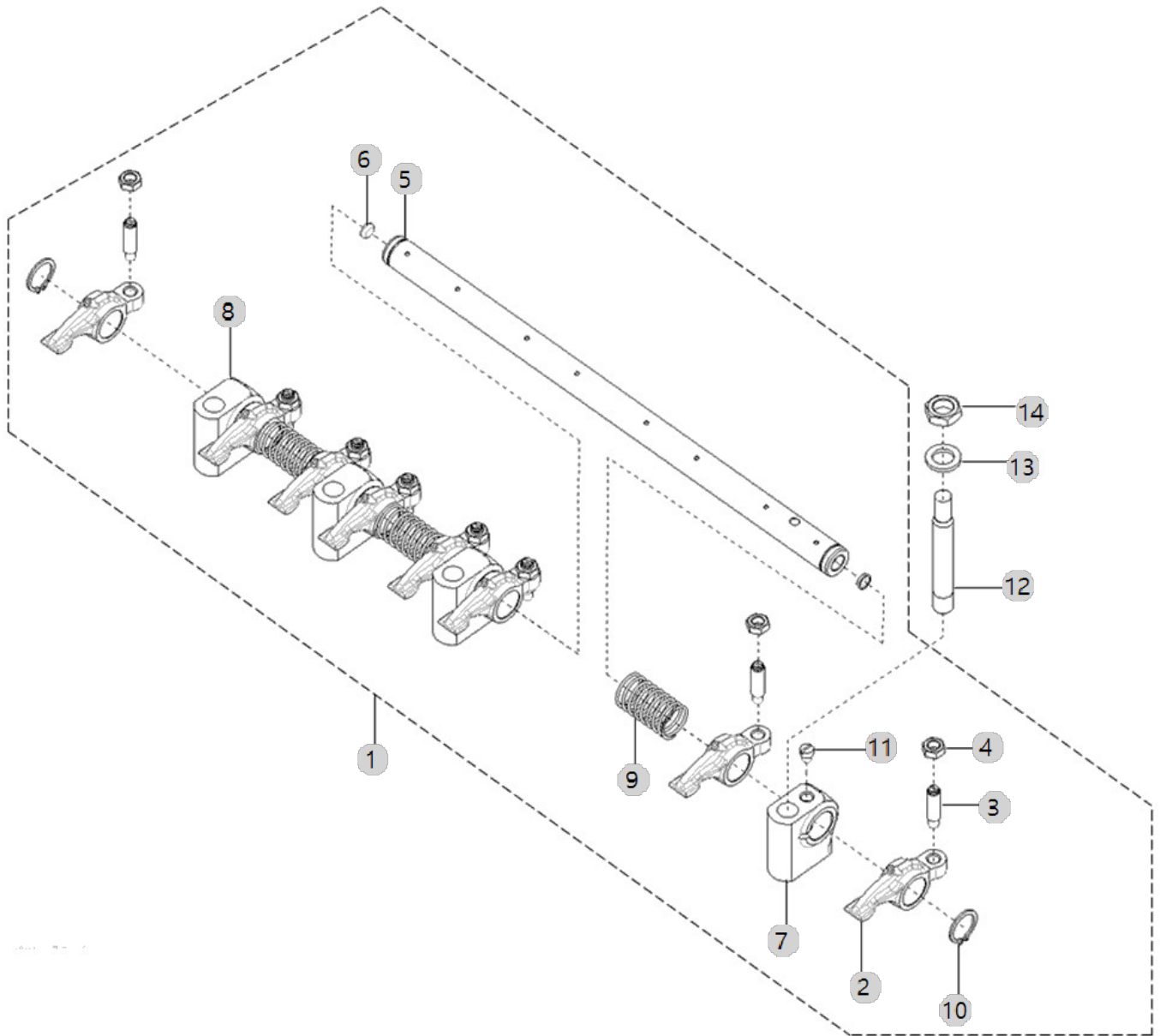
A32_003

A2300T3-ETR_5
(AB00332)

LEVER, LOCKER

Year/Month

2022-12-19



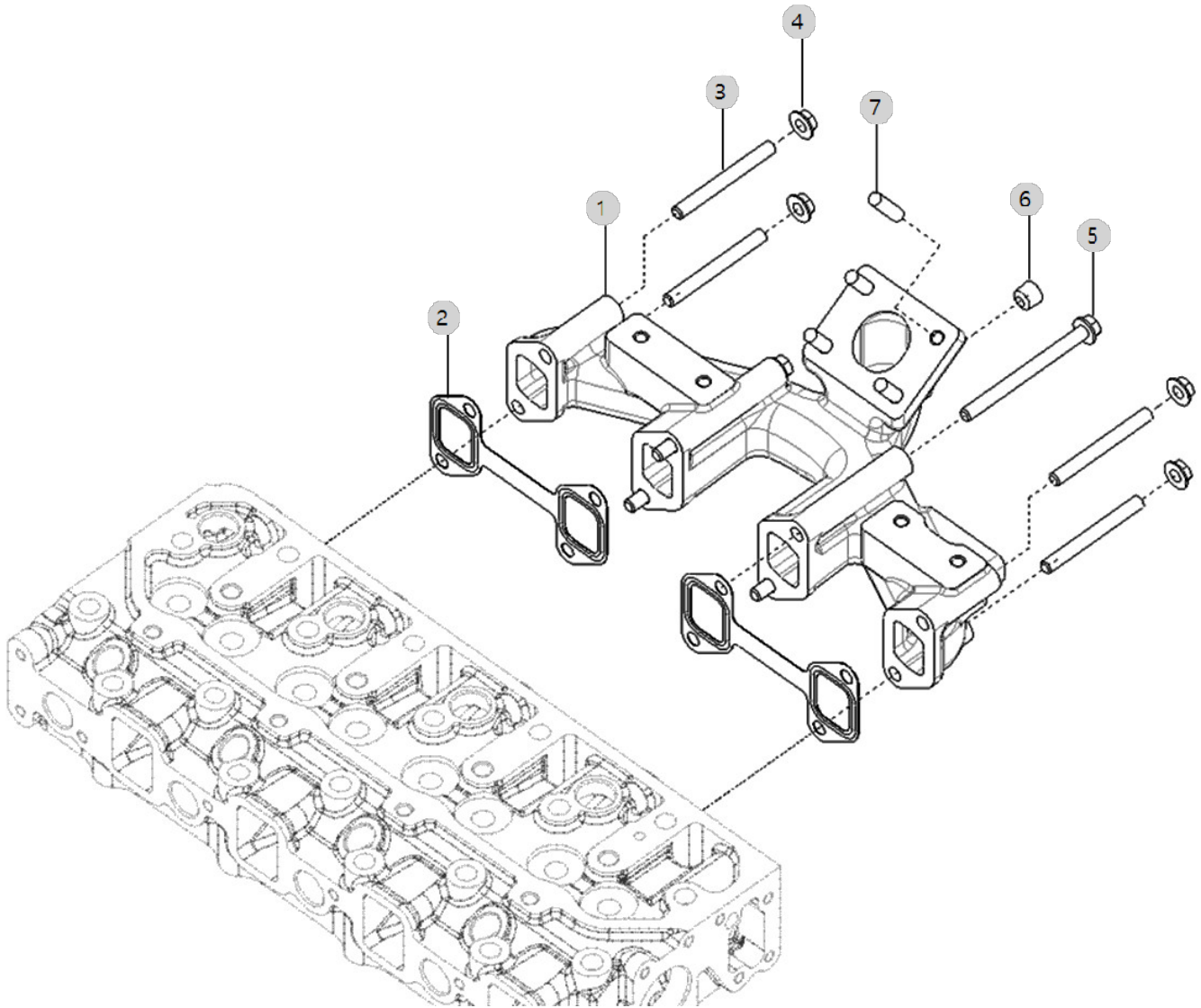
A33_011

A2300T3-ETR_5
(AB00332)

EXHAUST MANIFOLD

Year/Month

2022-12-19



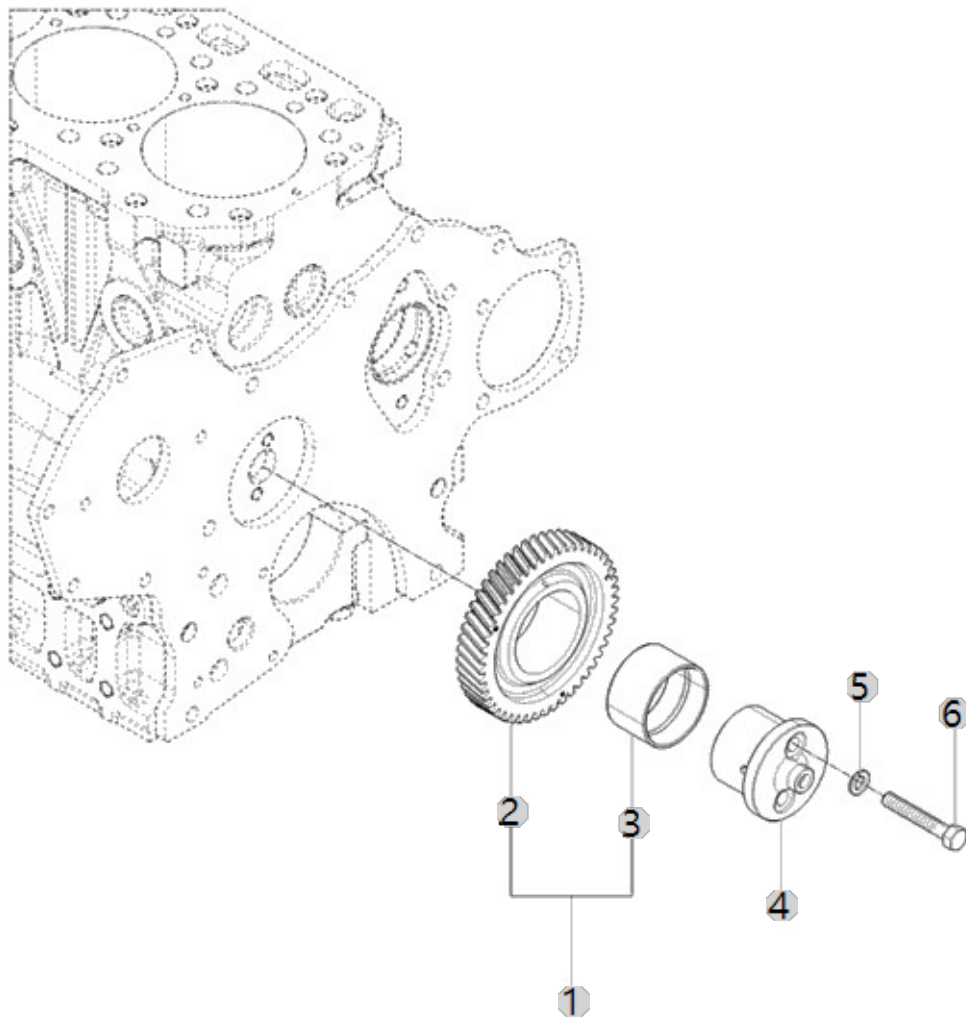
A35_002

A2300T3-ETR_5
(AB00332)

IDLE GEAR

Year/Month

2022-12-19



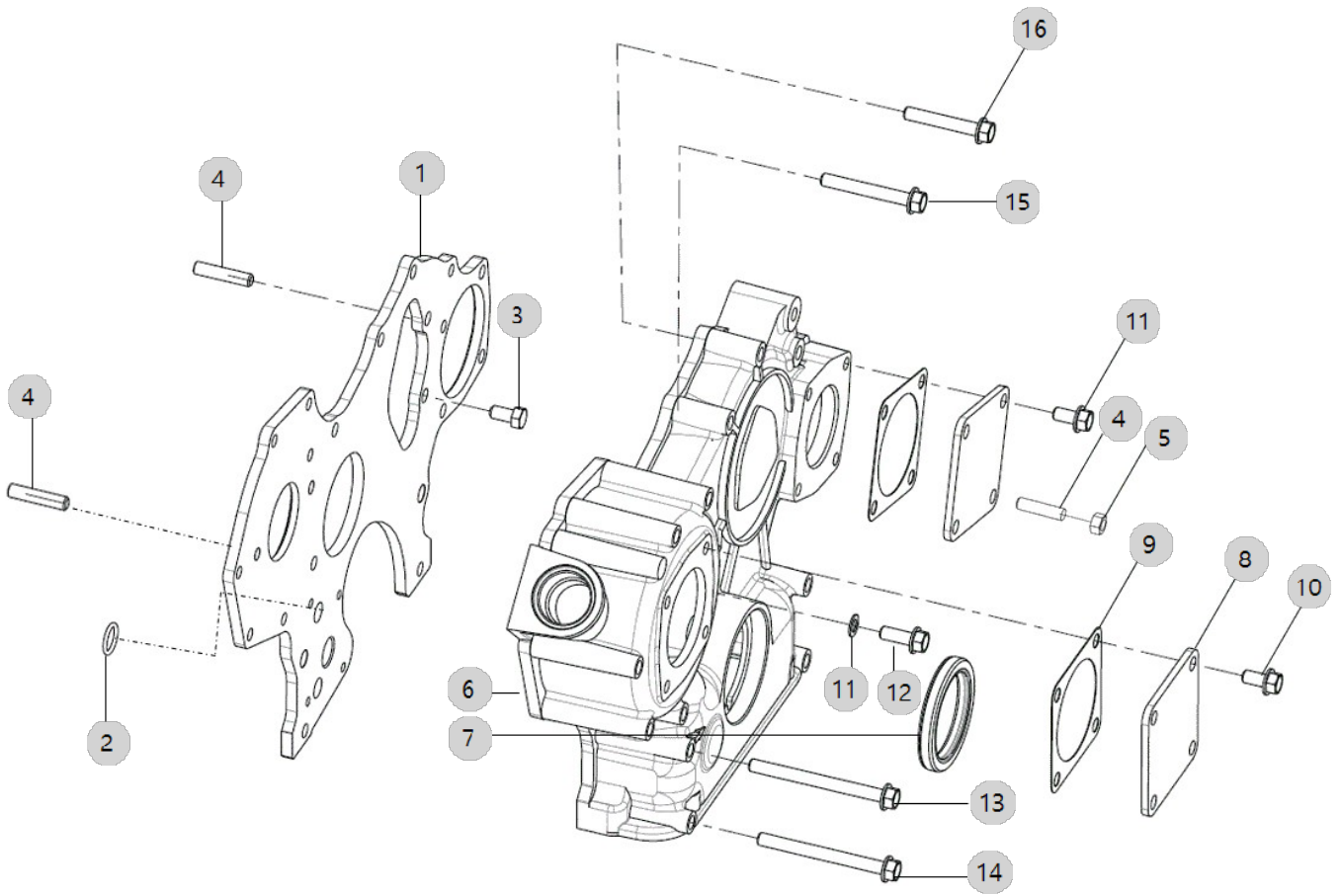
A36_004

A2300T3-ETR_5
(AB00332)

COVER, FRONT GEAR

Year/Month

2022-12-19



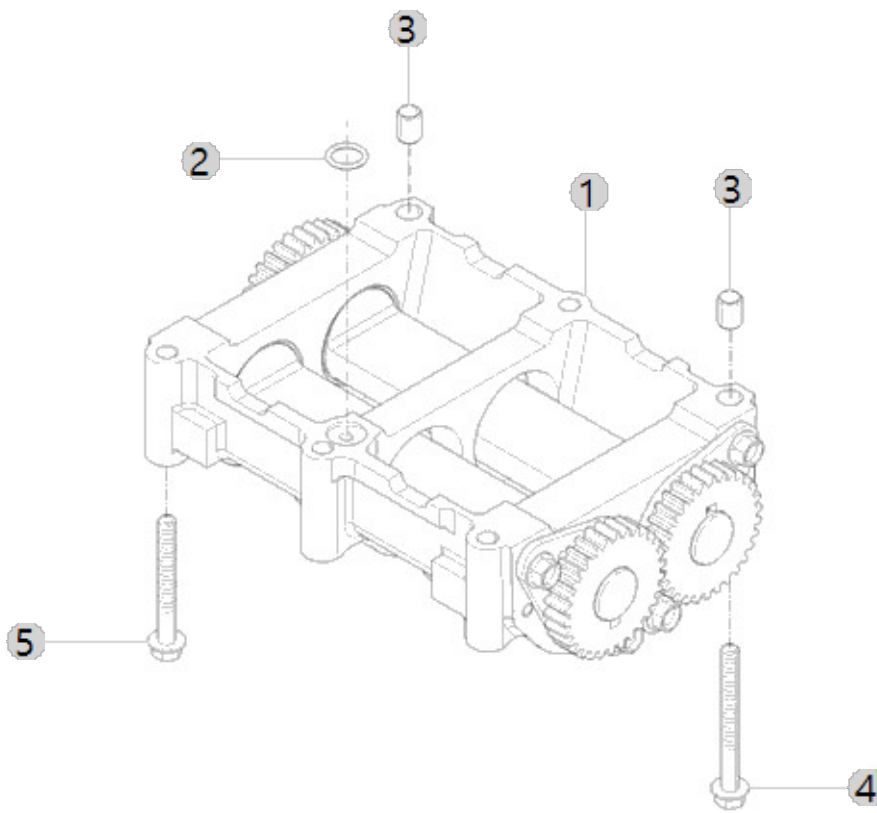
A37_001

A2300T3-ETR_5
(AB00332)

BALANCE ASS'Y

Year/Month

2022-12-19



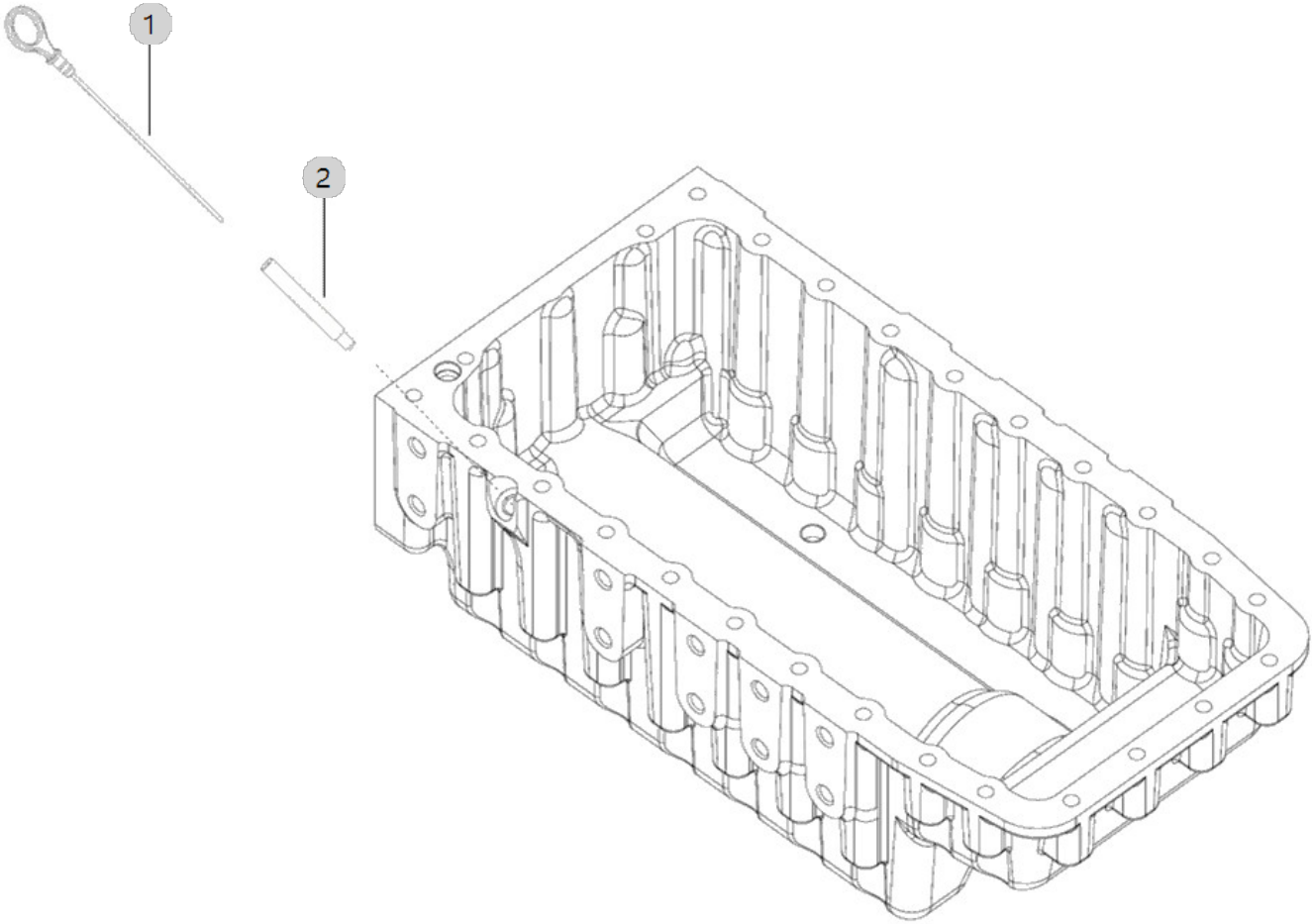
A38_007

A2300T3-ETR_5
(AB00332)

GAUGE, OIL LEVEL

Year/Month

2022-12-19



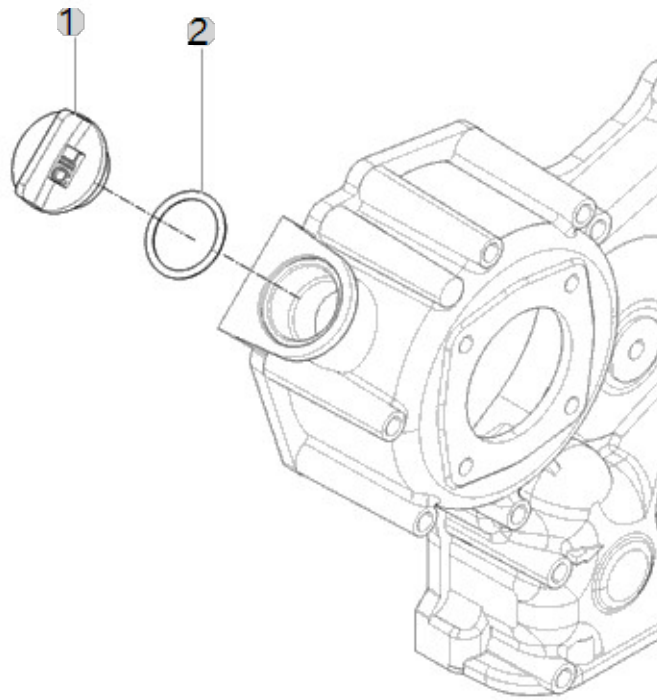
A39_001

A2300T3-ETR_5
(AB00332)

OIL FILLER CAP

Year/Month

2022-12-19



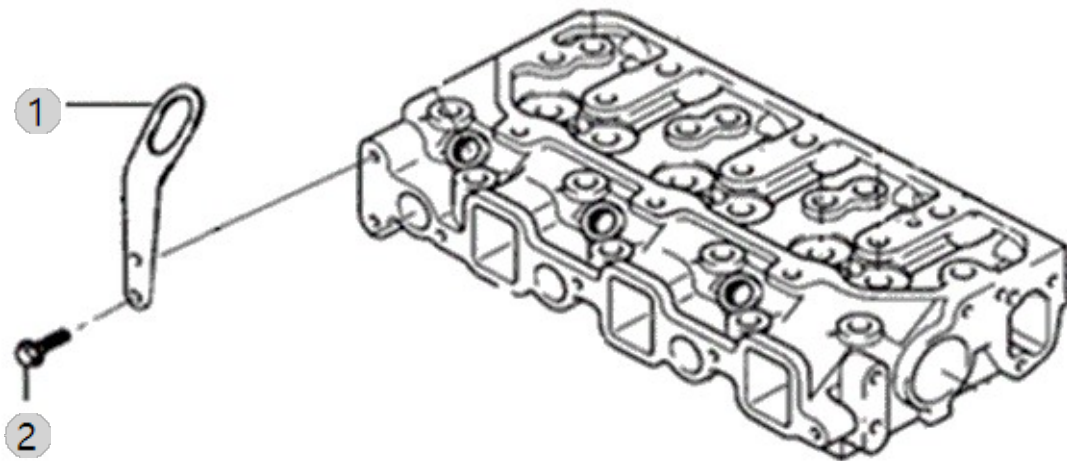
A40_003

A2300T3-ETR_5
(AB00332)

LIFT ASS'Y OPTION

Year/Month

2022-12-19



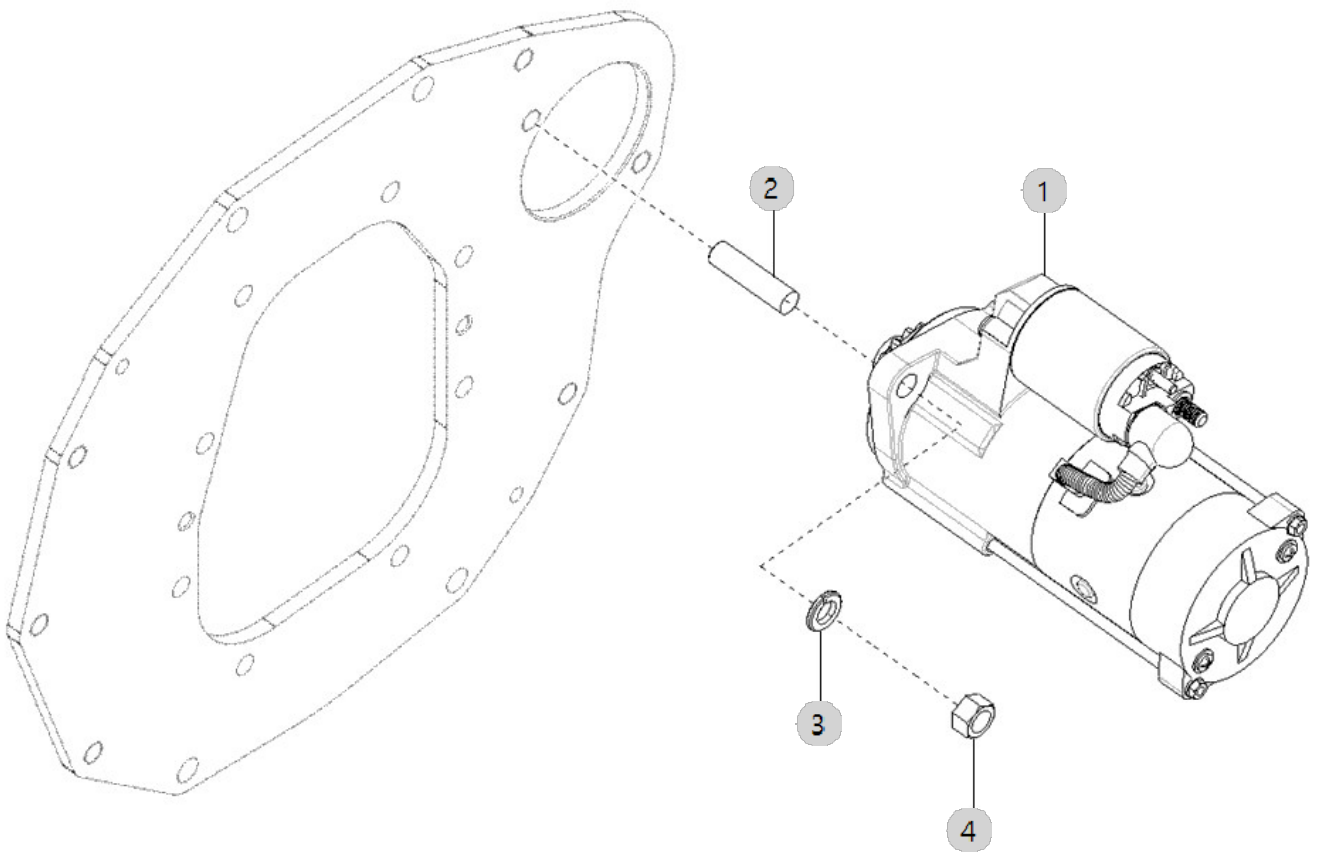
A42_003

A2300T3-ETR_5
(AB00332)

MOTER, STARTIONS

Year/Month

2022-12-19



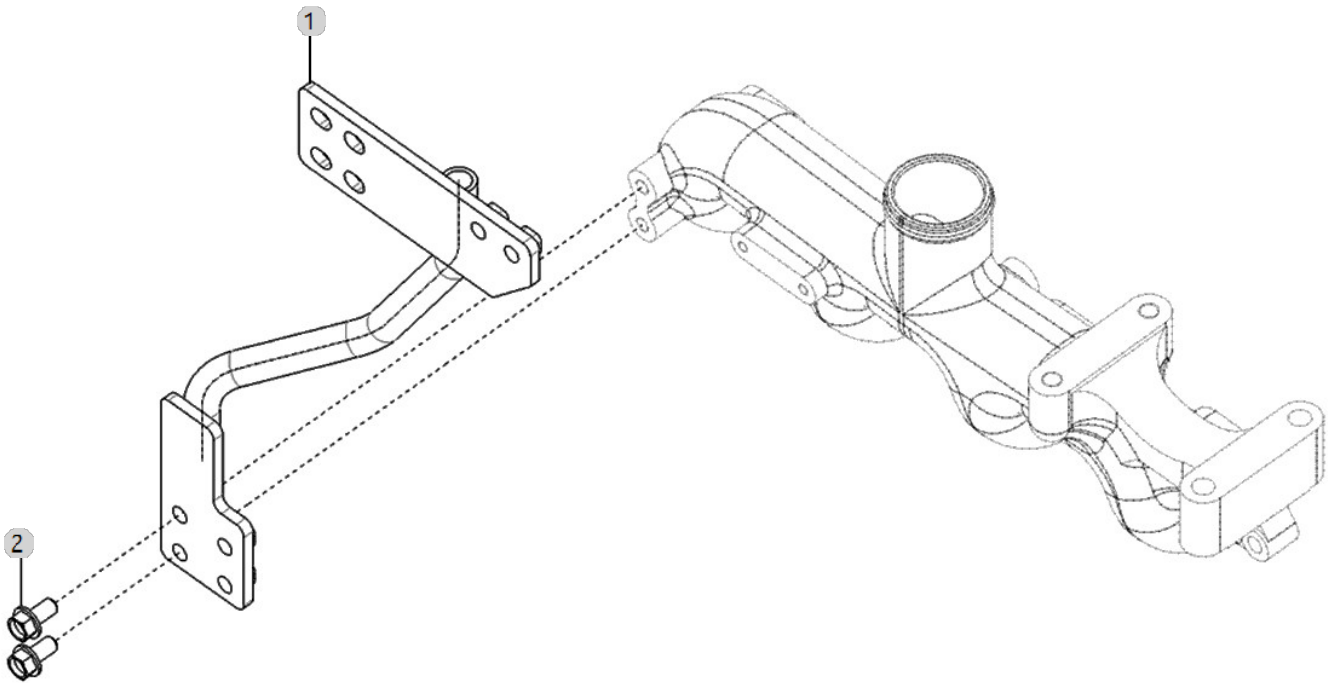
A43_001

A2300T3-ETR_5
(AB00332)

DPF SUPPORT OPTION

Year/Month

2022-12-19



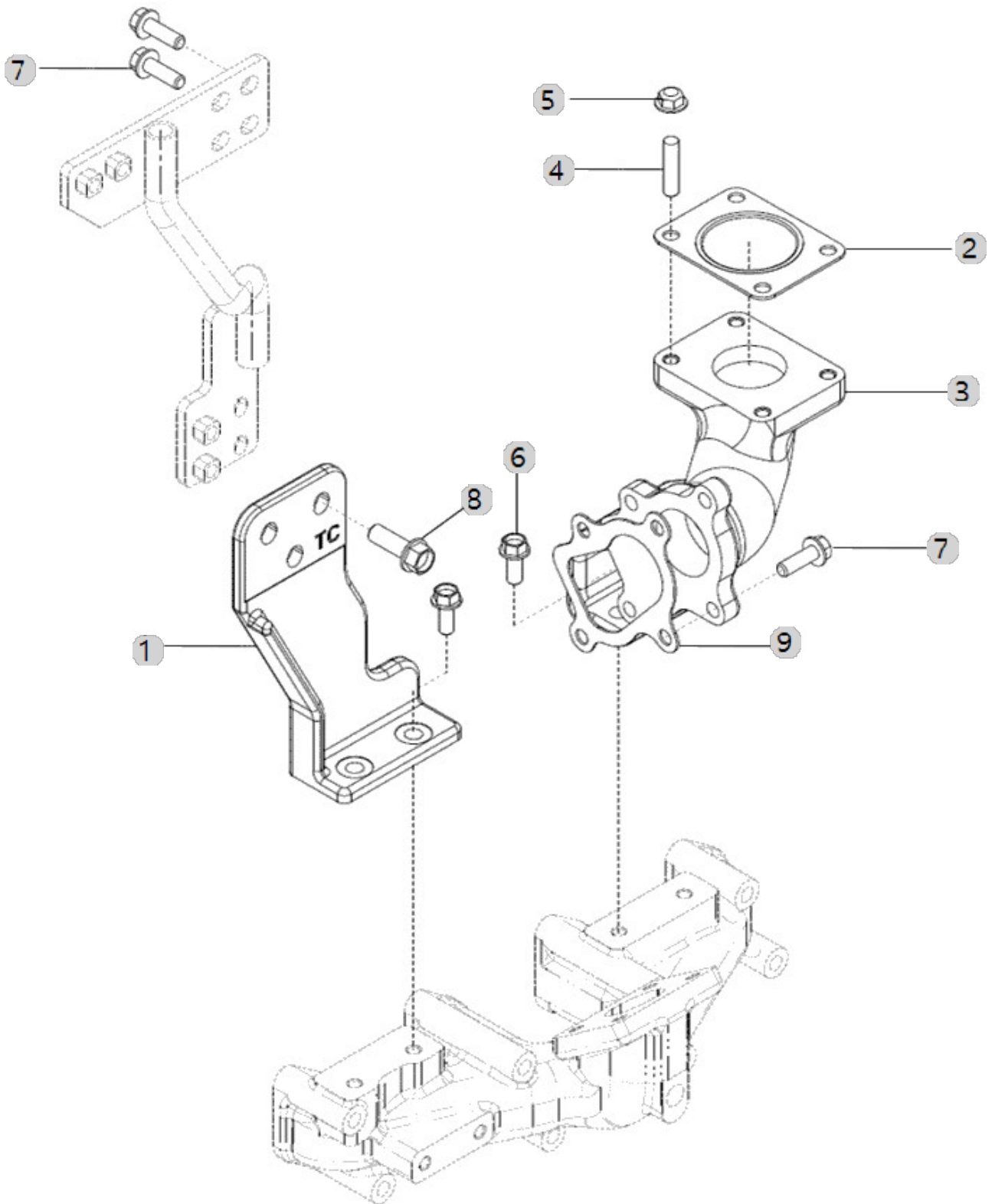
A44_008

A2300T3-ETR_5
(AB00332)

DPF MOUNTING OPTION

Year/Month

2022-12-19



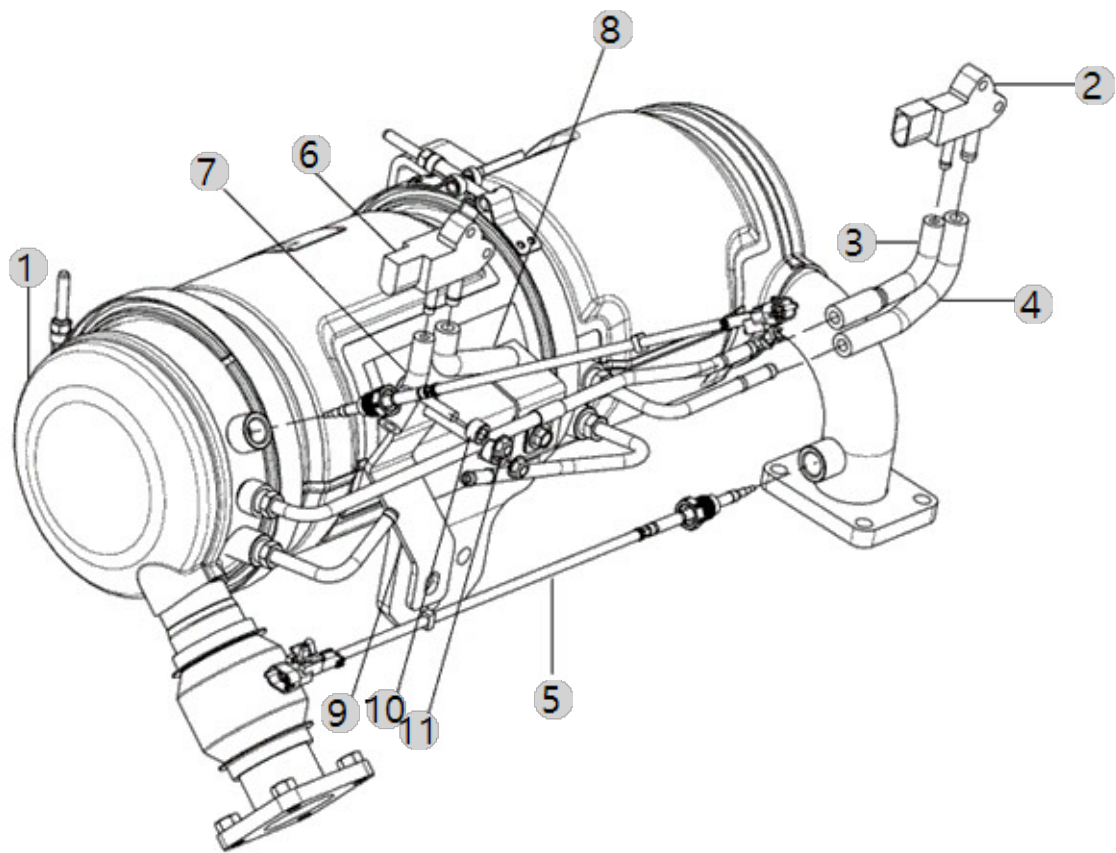
A45_012

A2300T3-ETR_5
(AB00332)

DPF

Year/Month

2022-12-19



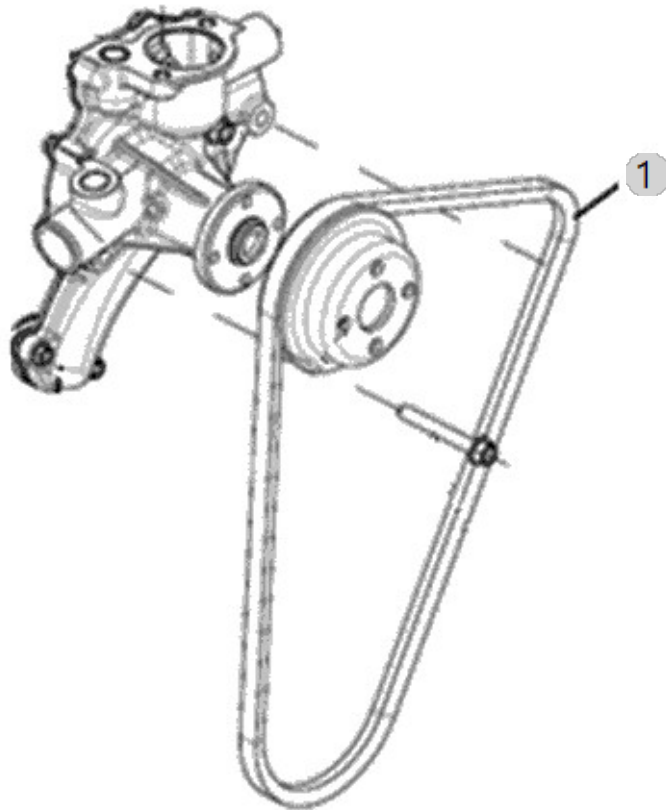
A48_006

A2300T3-ETR_5
(AB00332)

V-BELT

Year/Month

2022-12-19



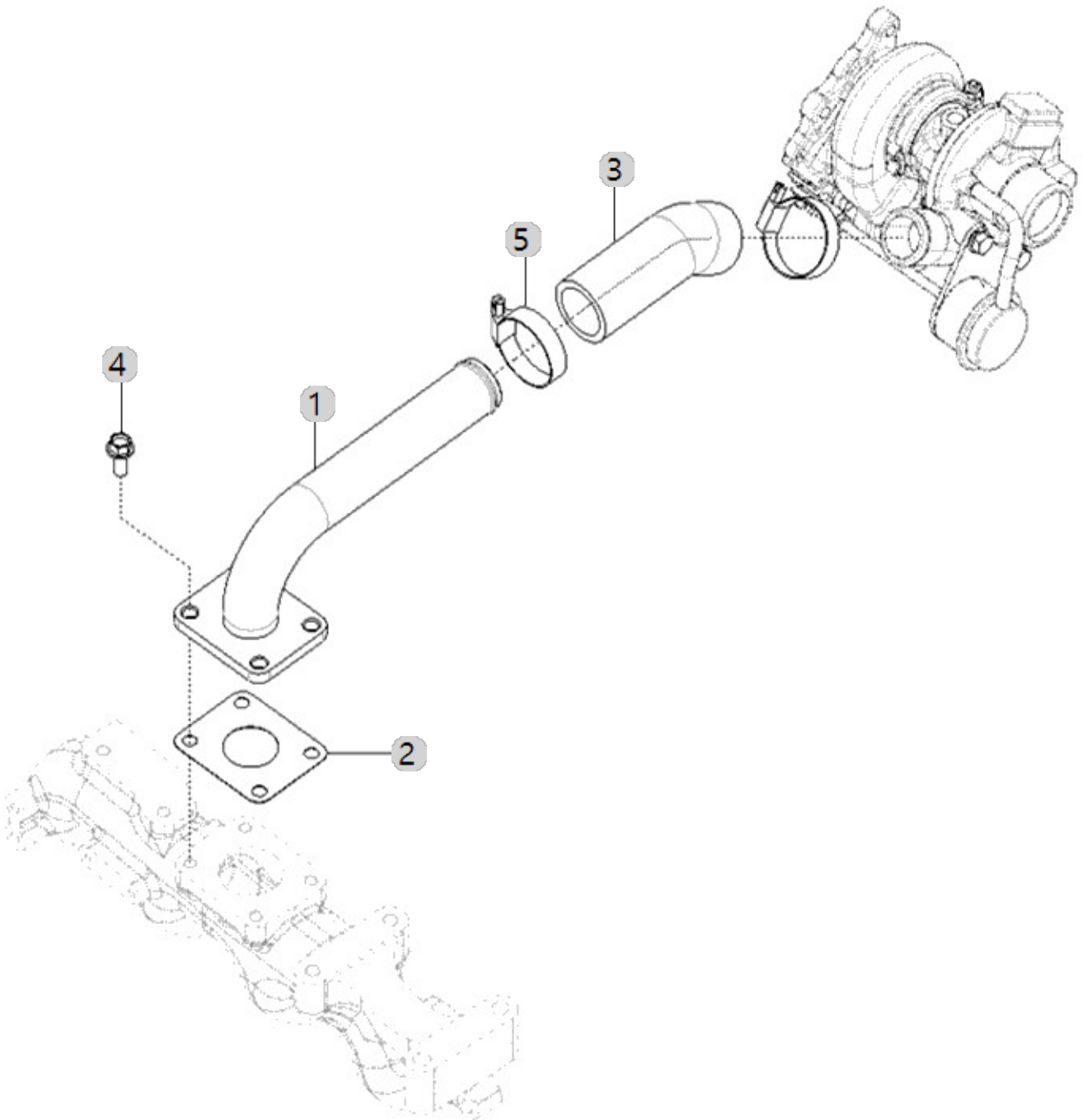
A51_006

A2300T3-ETR_5
(AB00332)

INTAKE HOSE ASSY OPTION

Year/Month

2022-12-19



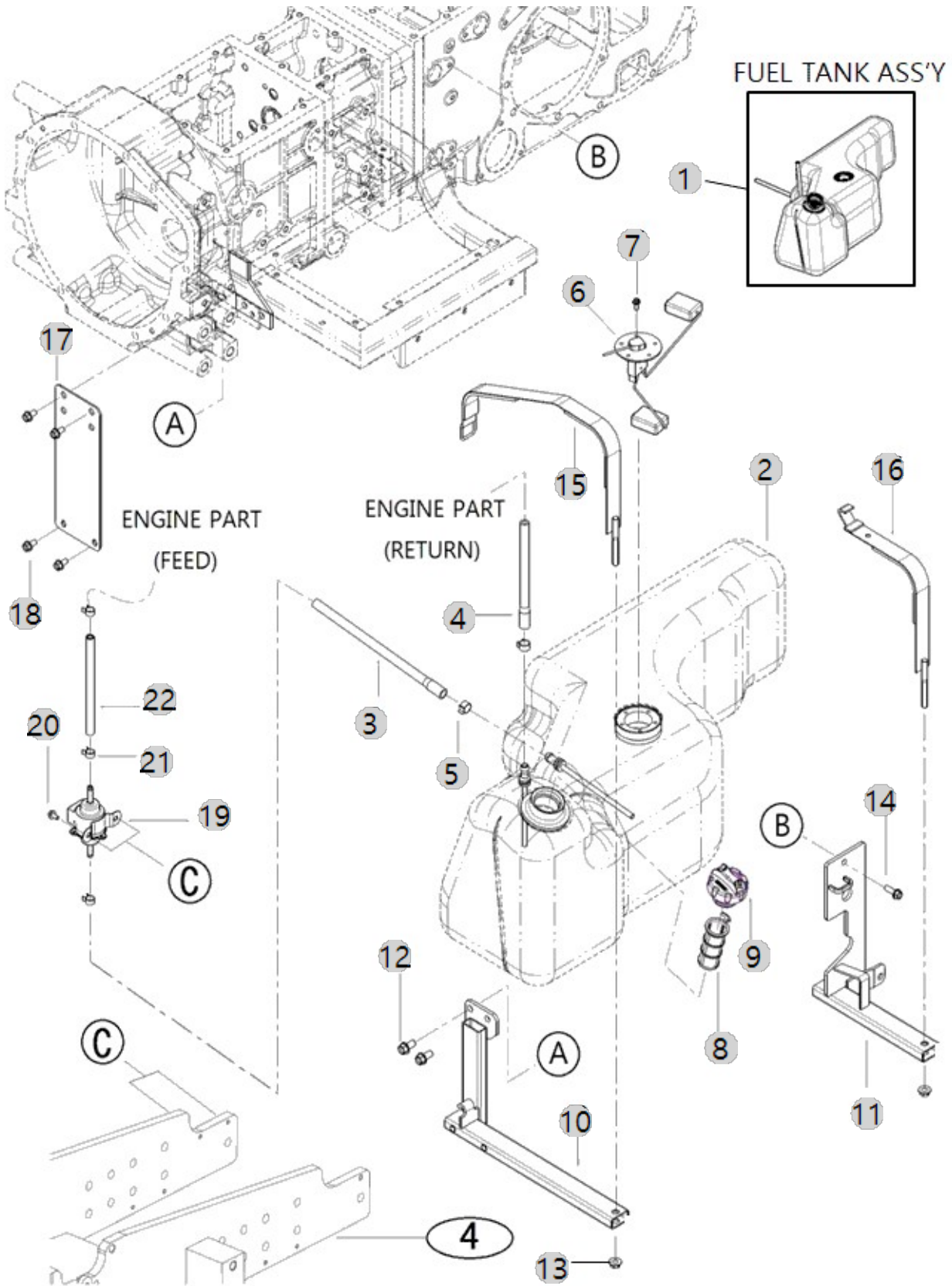
B01010

6225R(AC02121)

FUEL TANK

Year/Month

2022-12-19



B01010 6225R(AC02121)	FUEL TANK	Year/Month
		2022-12-19

순번 (NO)	부품번호 (PART NO)	품명 (PART NAME)	품명 (PART NAME)	수량 (QTY)	규격 (SPEC)	비고 (REMARK)
1	TA00037917C	연료탱크 총조합	FUEL TANK ASSY	1		
2	TA00035291D	연료탱크조합	FUEL TANK ASSY	1		
3	TA00036178C	연료호스(850)조합	FUEL LINE(1000)	1		
4	TA00036175C	연료호스(1100)조합	FUEL LINE(1100)	1		
5	23080-015000	호스클램프	Clamp, Hose (Φ15)	2	D15	
6	HA00000855A	연료센서(EXCELLENT)	FUEL SENSOR	1		
7	26106-050142	육각플랜지볼트	HEX FLANGE BOLT (5-14)	5		
8	TA00056576A	연료여과망	FUEL TANK STRAINER	1		
9	TA00037880A	주유구 캡	FUEL CAP	1		
10	TA00035817G	연료탱크전방서포트	FUEL TANK SUPPORT ASSY	1		
10	TA00035817F	연료탱크전방서포트	FUEL TANK SUPPORT ASSY	1		
10	TA00035817I	연료탱크전방서포트	FUEL TANK SUPPORT ASSY	1		
11	TA00035819F	연료탱크후방서포트	FUEL TANK REAR SUPPORT	1		
11	TA00035819D	연료탱크후방서포트	FUEL TANK REAR SUPPORT	1		
12	26106-100202	육각플랜지볼트	HEX BOLT, (10-20)	6	M10XP1.5X20	
13	26367-100002	263,ALL,고정너트(우나사)	NUT,HEXAGONFLANGE	2	M10X1025	
14	26106-080252	육각플랜지볼트	SCREW,HEXFLANGEHEADCAP	1	M8XP1.25X25	
15	TA00035957G	전방밴드조합	FRONT BAND ASSY	1		
15	TA00035957E	전방밴드조합	FRONT BAND ASSY	1		
16	TA00035974H	후방밴드조합	BAND REAR ASSY	1		
16	TA00035974F	후방밴드조합	BAND REAR ASSY	1		
17	TA00035811D	연료탱크 커버	FUEL TANK COVER	1		
17	TA00035811C	연료탱크 커버	COVER	1		
18	26106-080162	플랜지볼트8X16	SCREW,HEXFLANGEHEADCAP	4	M8XP1.25X16	
19	HF20190000A2	피드펌프	PUMP ASSY, FUEL FEED	1		
20	26106-060122	육각플랜지볼트	HEX BOLT (6-12)	2	M6XP1.0X12	
21	23080-013000	호스 클립	Clamp, Hose (Φ13)	2	D13	
22	TA00055012C	연료호스(PF)	HOSE, FUEL	1		

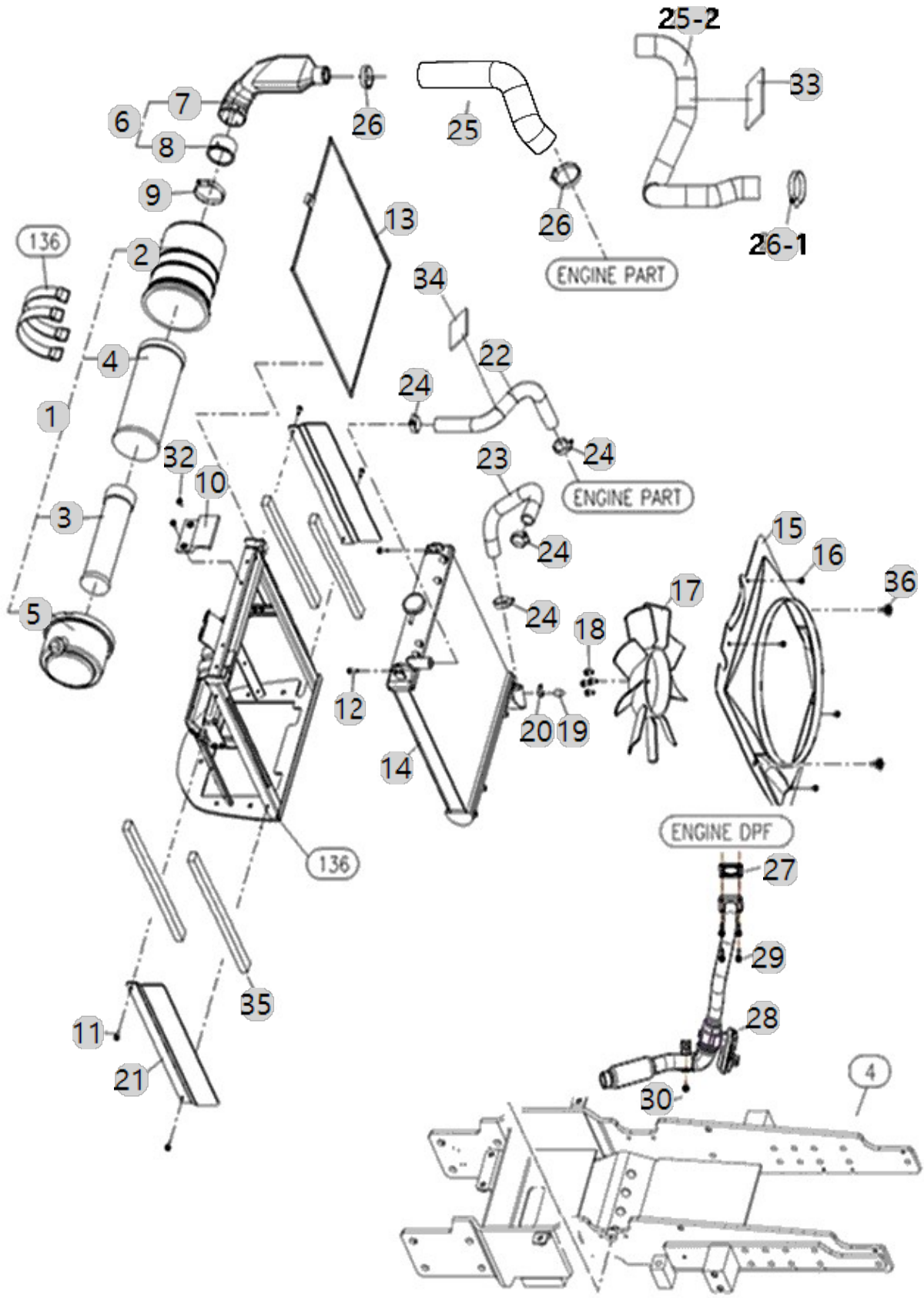
B02020

6225R(AC02121)

RADIATOR

Year/Month

2022-12-19



B02020		RADIATOR				Year/Month
6225R(AC02121)						2022-12-19
순번 (NO)	부품번호 (PART NO)	품명 (PART NAME)	품명 (PART NAME)	수량 (QTY)	규격 (SPEC)	비고 (REMARK)
1	HLT0621000A2	에어크리너 조합	AIRCLEANER ASSY	1		
2	HLT0621010A9	에어크리너본체	BODY, AIRCLEANER	1		
3	HLT0621020A9	에어크리너엘레먼트(외)	ELEMENT AIR CLEANER (OUTER)	1		
4	HLT0621030A9	에어크리너엘레먼트(내)	ELEMENT, AIR CLEANER (INNER)	1		
5	HLT0621040A9	커버(에어크리너)	COVER	1		
6	TA00034859A	흡기 파이프 조합	INTAKE PIPE ASSY	1		
7	TA00034847	흡기파이프	INTAKE PIPE	1		
8	TA00021622A	흡기파이프시일	SEAL	1	-	
9	23000-080000	호스클램프80	HOSECLAMP80	1	D80	
10	TA00025591A	방진 고무	CUSHION RUBBER	1		
11	26106-060162	육각플랜지 볼트	HEXFLANGE BOLT	1	M6XP1.0X16	
12	26014-060252	와셔조립육각볼트(+SW,PW)	Bolt, Hexa (6-25)	4	M06X1.00X02	
13	TA00024833B	방진망	NET	2		
13	TA00024833C	방진망 조합	DUSTPROOF NET ASSY	2		
14	EA00003972A	라디에이터(3.5mm피치)	RADIATOR	1		
15	TA00032760F	슈라우드	SHROUD	1		
16	HRA1203200A4	태핑나사	TAPPINGSCREW	1		
17	TA00034662A	냉각팬, DynaQ (d=400mm)	COOLING FAN (D400)	4		
18	26106-080162	플랜지볼트8X16	SCREW,HEXFLANGEHEADCAP	1	M8XP1.25X16	
19	HRC1201200A4	오일쿨러캡	CAP,COOLER	4		
20	23000-016000	호스클립	Clip, Hose (Φ16)	1	D16	
21	TA00049446A	라디에이터브래킷 조합	BRACKET ASS'Y, RADIATOR	1		
21	TA00049446B	라디에이터브래킷 조합	BRACKET ASS'Y, RADIATOR	1		
22	TA00060727A	냉각수호스A	COOLING WATER HOSE A	2		
23	TA00025609C	냉각수 호스 (B)	HOSE IN COOLING	1		
24	23010-038000	호스밴드	HOSEBAND	1	D38	
25	TA00034847A	흡기 파이프	INTAKE PIPE	1		
26	23000-054000	호스클램프54	HOSECLAMP54	1	D54	
26	23000-070000	351,A22,호스클램프70	CLAMP,HOSE	1	D70	
27	EA00004235A	가스켓(TC_IN)	GASKET(TC_IN)	1		
28	EA00005796B	전자식배기밸브ASS'Y(20(S))	ELECTRONIC EXHAUST VALVE ASS'Y	1		
28	EA00005796C	전자식배기밸브ASS'Y(20(S))	ELECTRONIC EXHAUST VALVE ASS'Y	1		
29	26106-080252	육각플랜지볼트	SCREW,HEXFLANGEHEADCAP	1	M8XP1.25X25	
30	26106-080122	육각플랜지볼트	Bolt, Hexa (8-12)	4	M8XP1.25X12	
32	26015-060162	와셔조립육각볼트(S+PW)	BOLT	1	M6XP1.0X16	
33	TA00036162C	흡기호스(Turbo)방열판	INSULATOR	2		
34	TA00036163C	냉각수 호스A 방열판	GUIDE(L),FOOT REST	3		
35	TA00036707A	시일(RD)	SEAL(RD)	1		
36	26106-080162	플랜지볼트8X16	SCREW,HEXFLANGEHEADCAP	4	M8XP1.25X16	

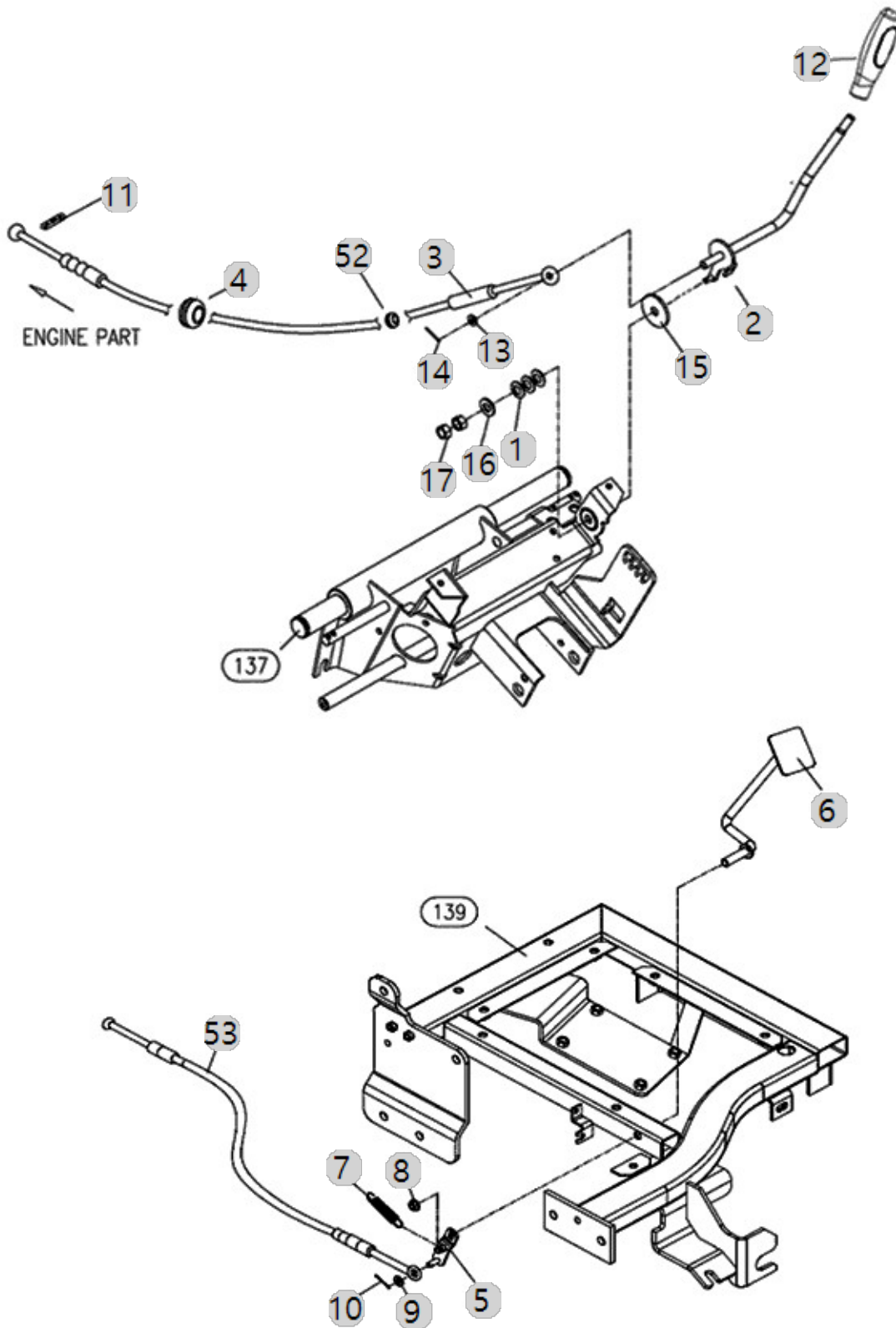
B05011

6225R(AC02121)

LEVER ACCELERATOR

Year/Month

2022-12-19



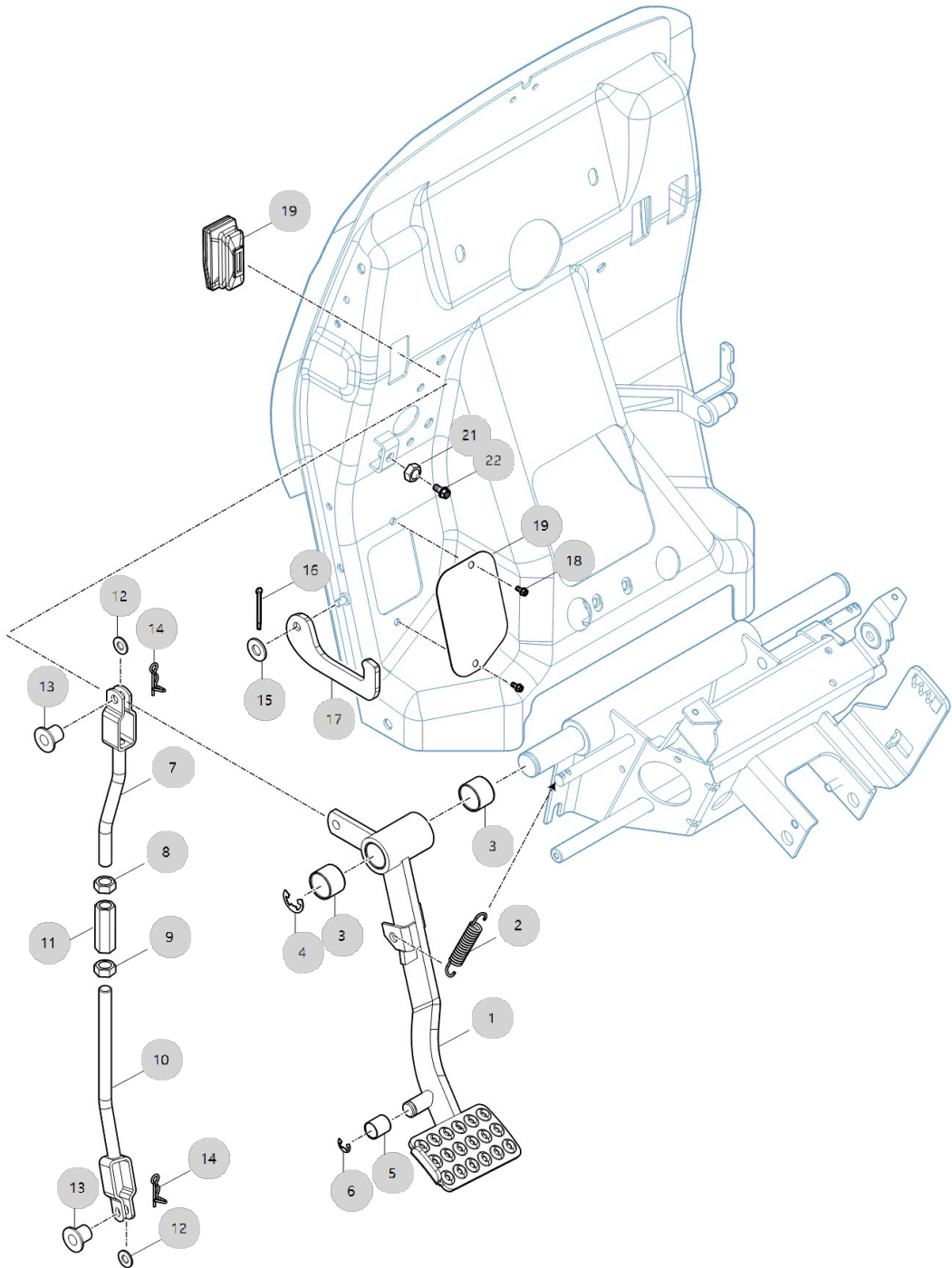
C01030

6225R(AC02121)

CLUTCH PEDAL

Year/Month

2022-12-19



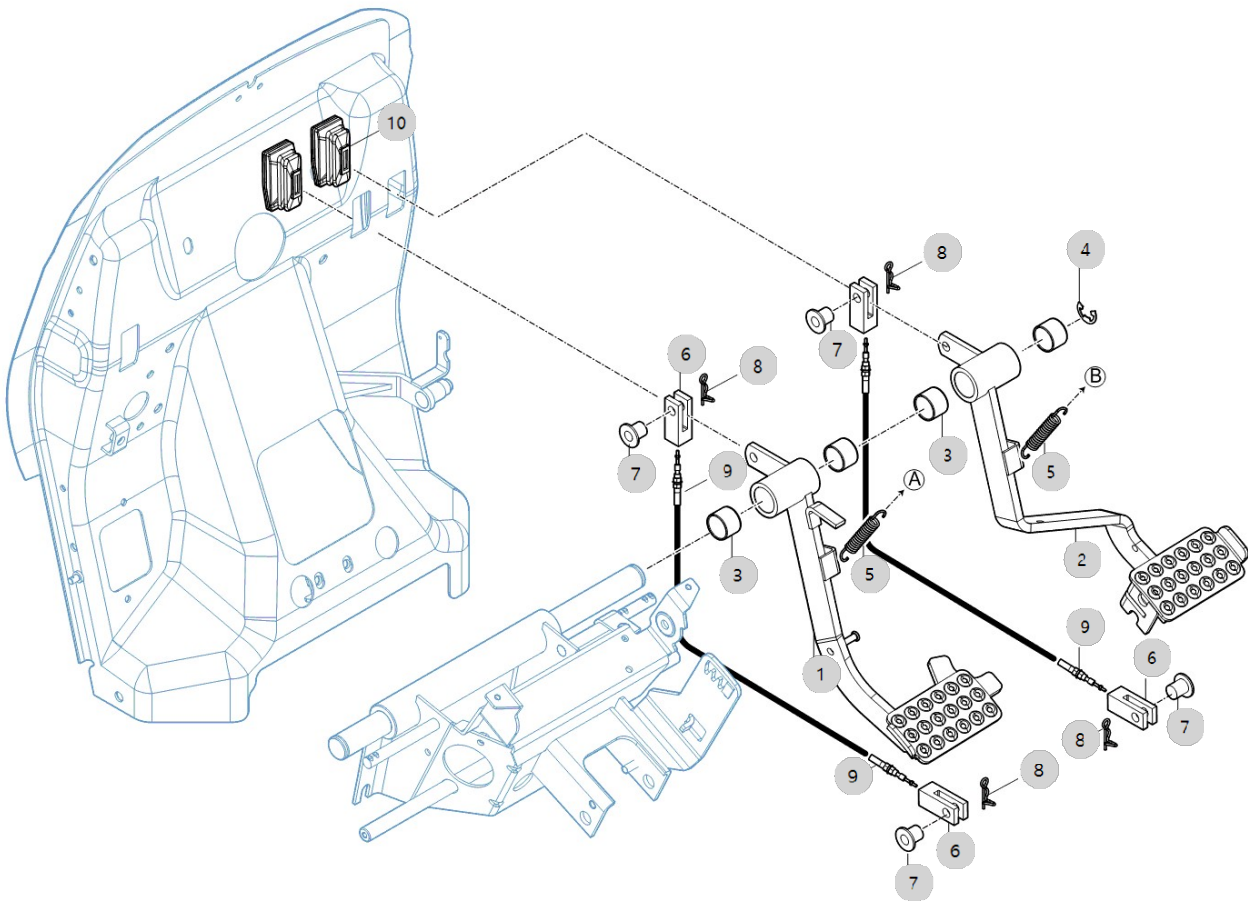
C02010

Year/Month

6225R(AC02121)

BRAKE PEDAL

2022-12-19



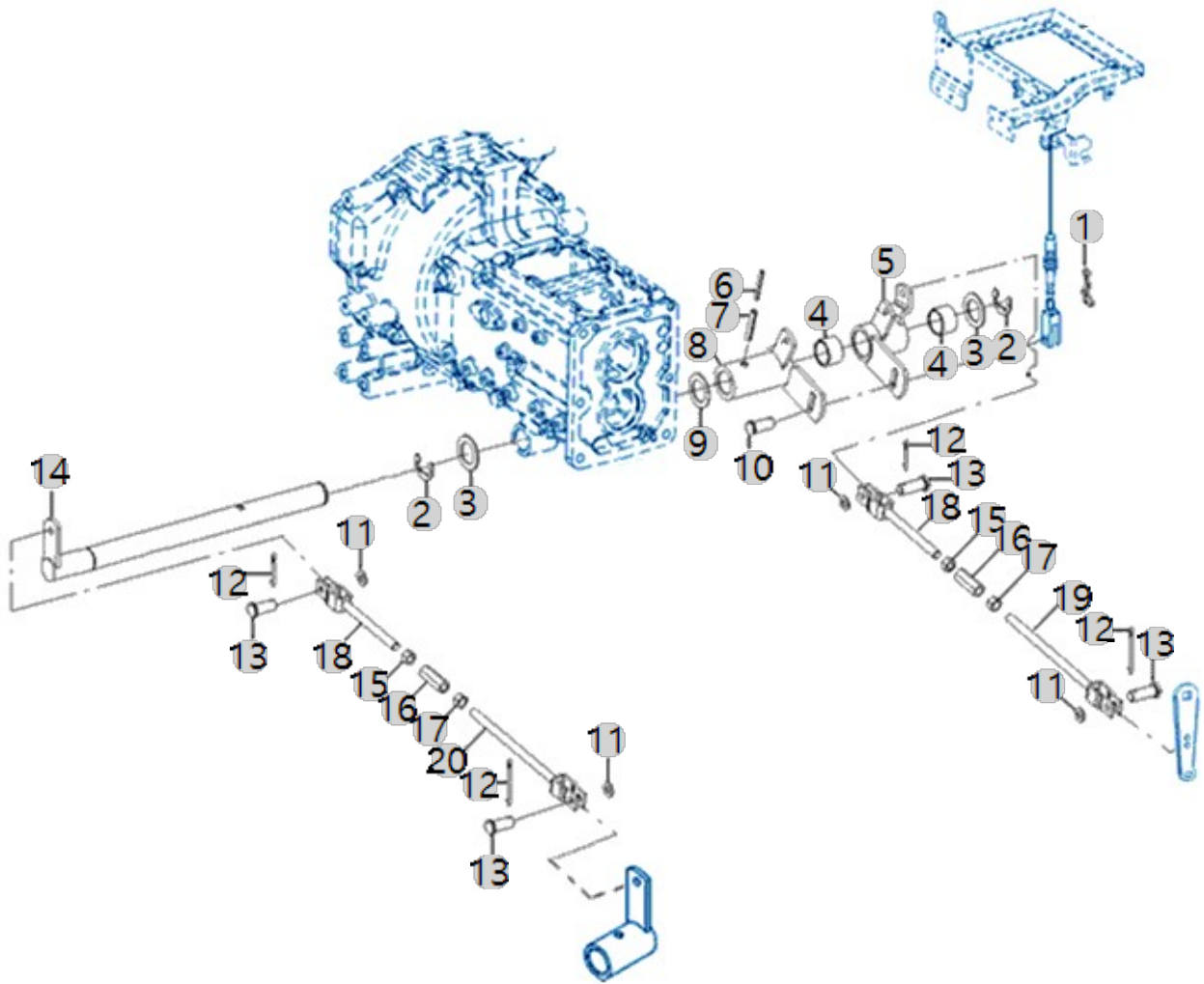
C02030

Year/Month

6225R(AC02121)

BRAKE ROD

2022-12-19



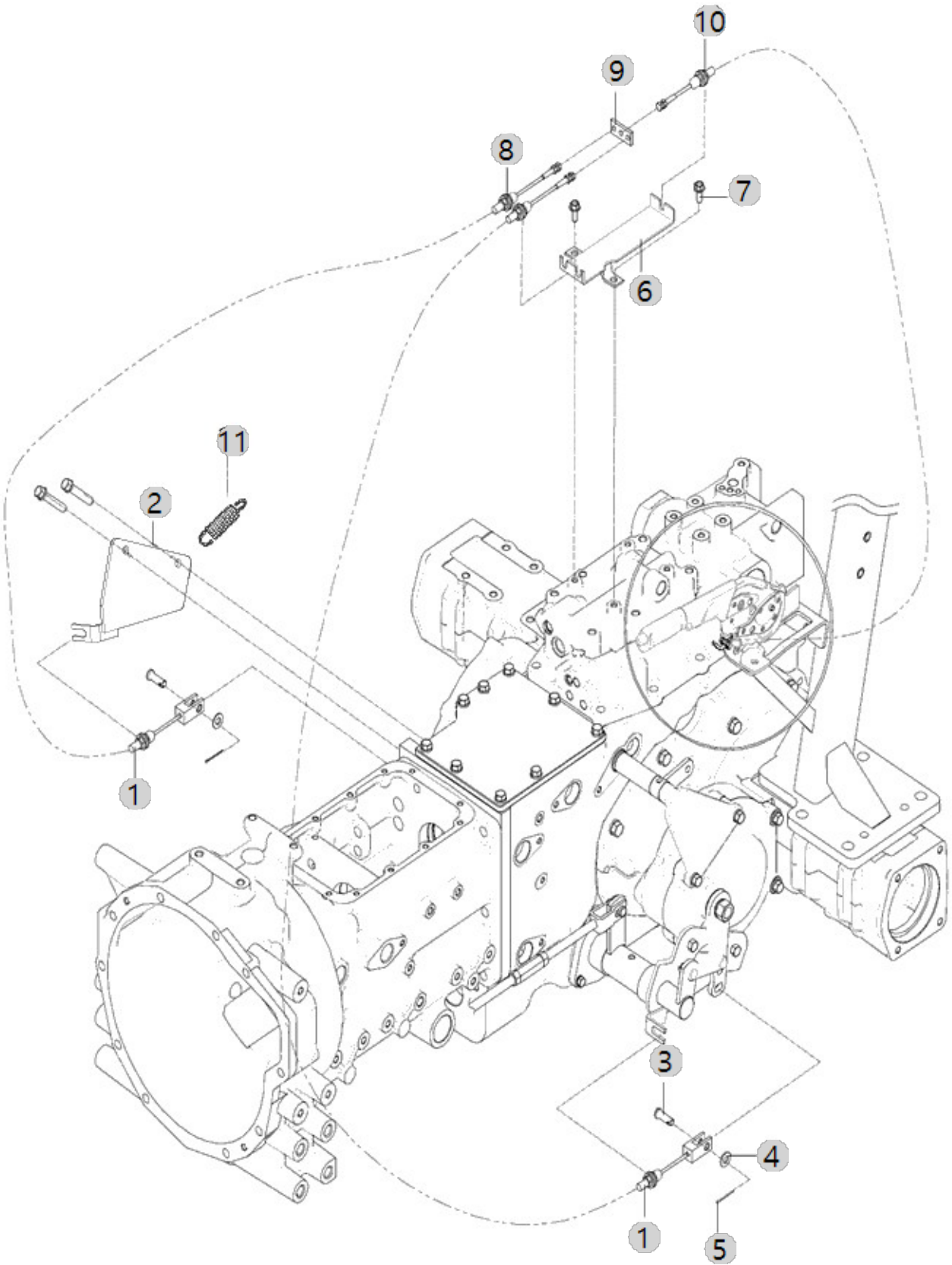
C02051

6225R(AC02121)

CABLE, PARKING BRAKE

Year/Month

2022-12-19



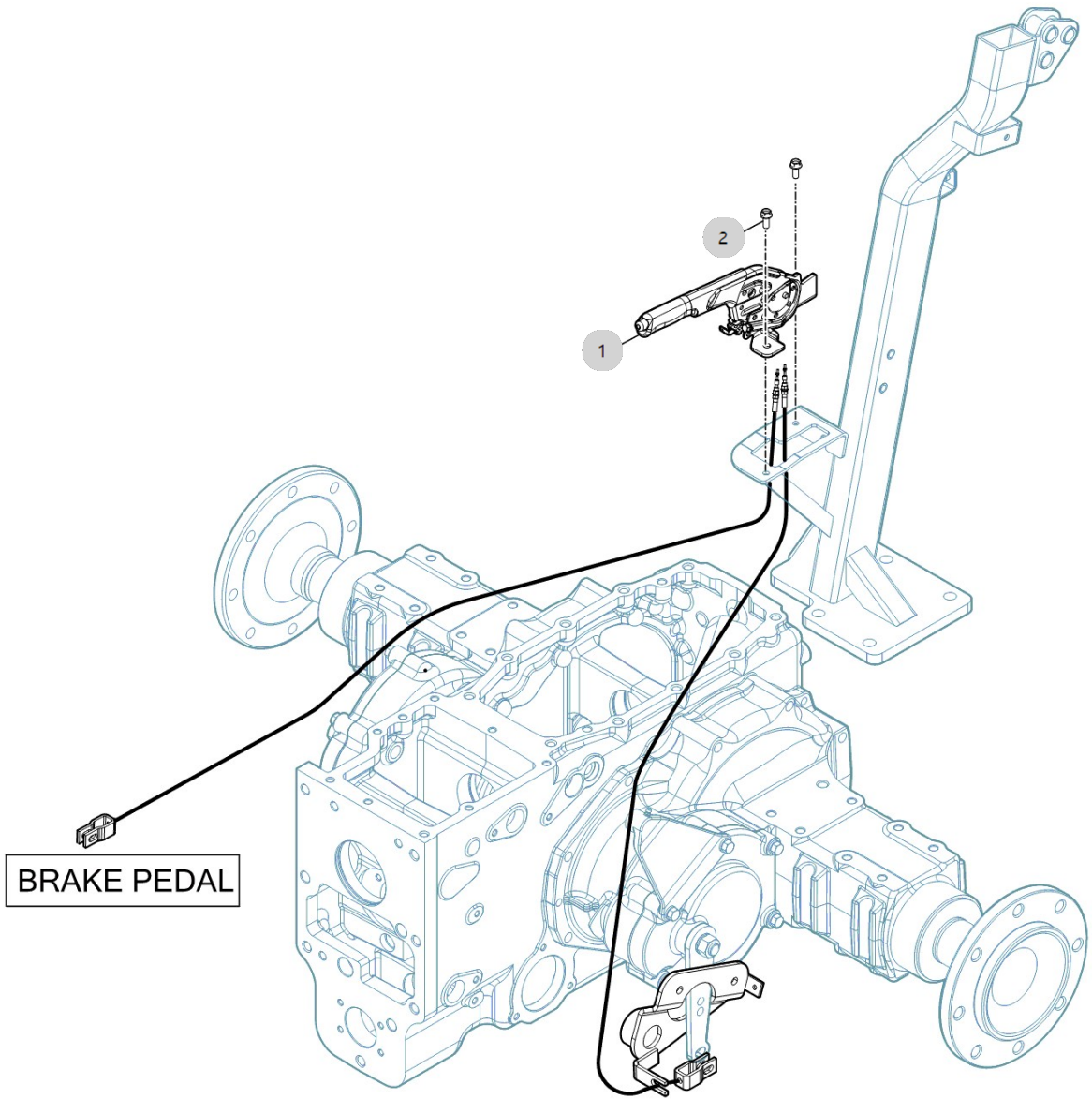
C02060

6225R(AC02121)

BRAKE LEVER

Year/Month

2022-12-19



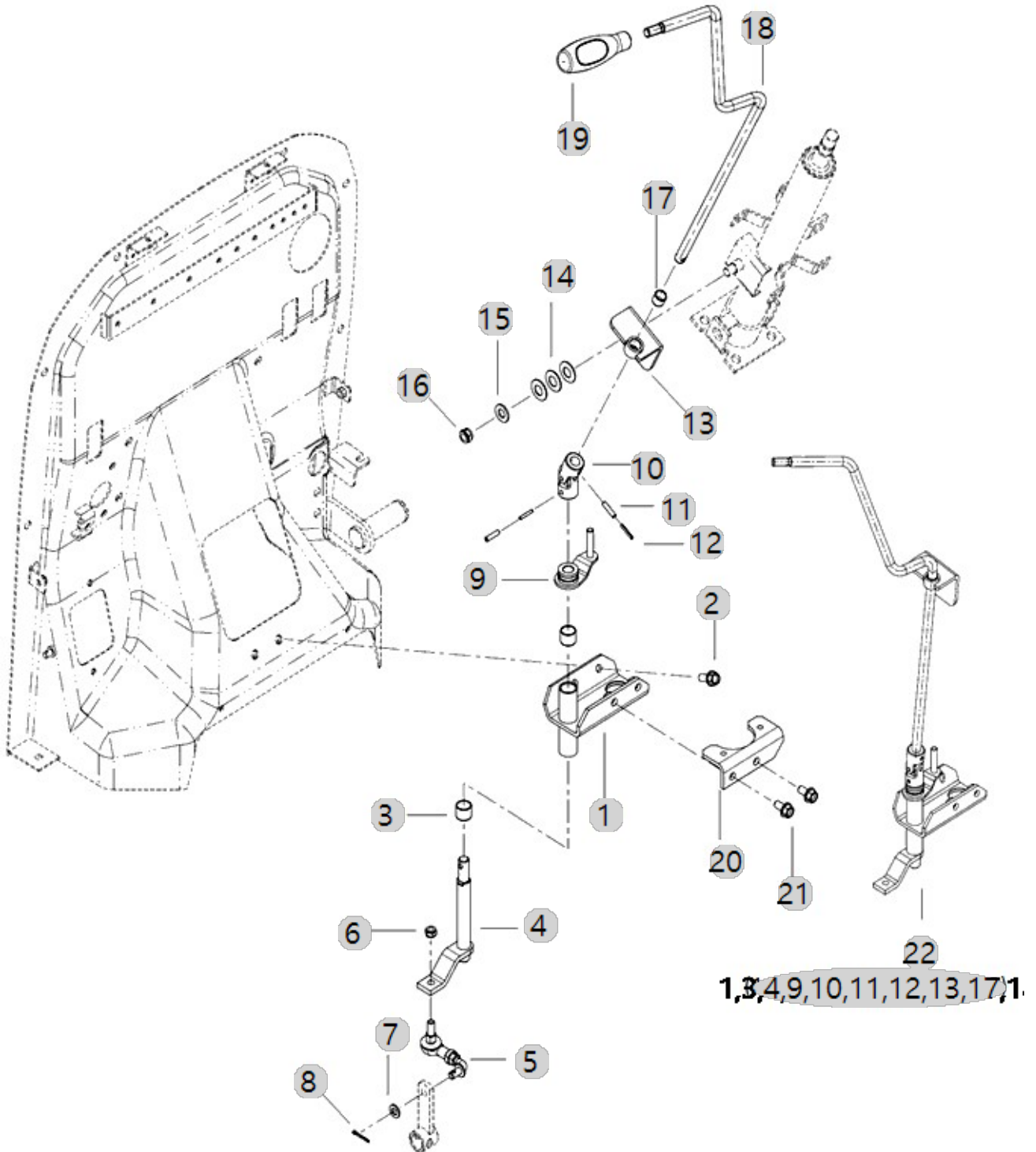
C04010

Year/Month

6225R(AC02121)

SHUTTLE ASS'Y

2022-12-19



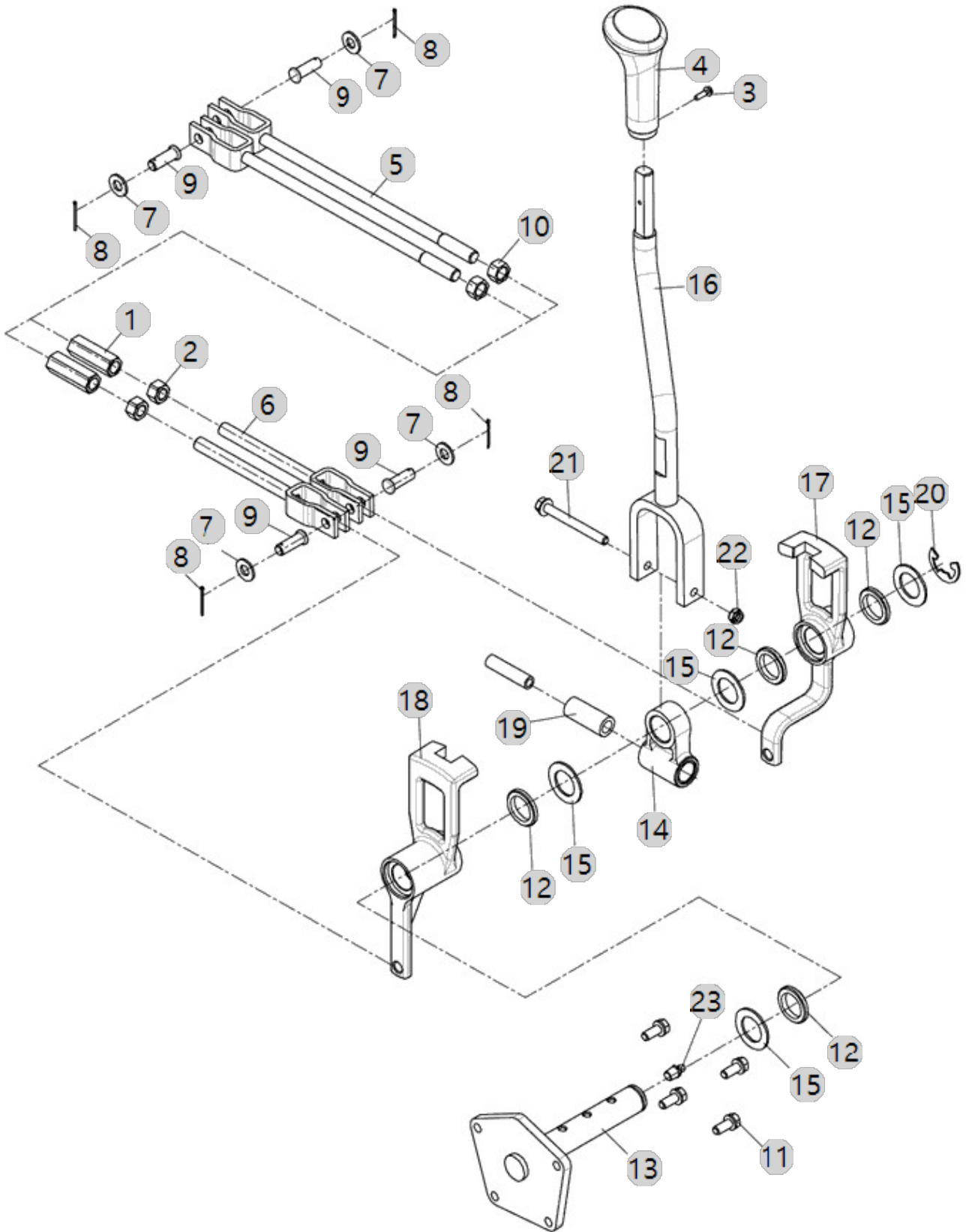
C04031

Year/Month

6225R(AC02121)

LEVER, MAIN SHIFT

2022-12-19



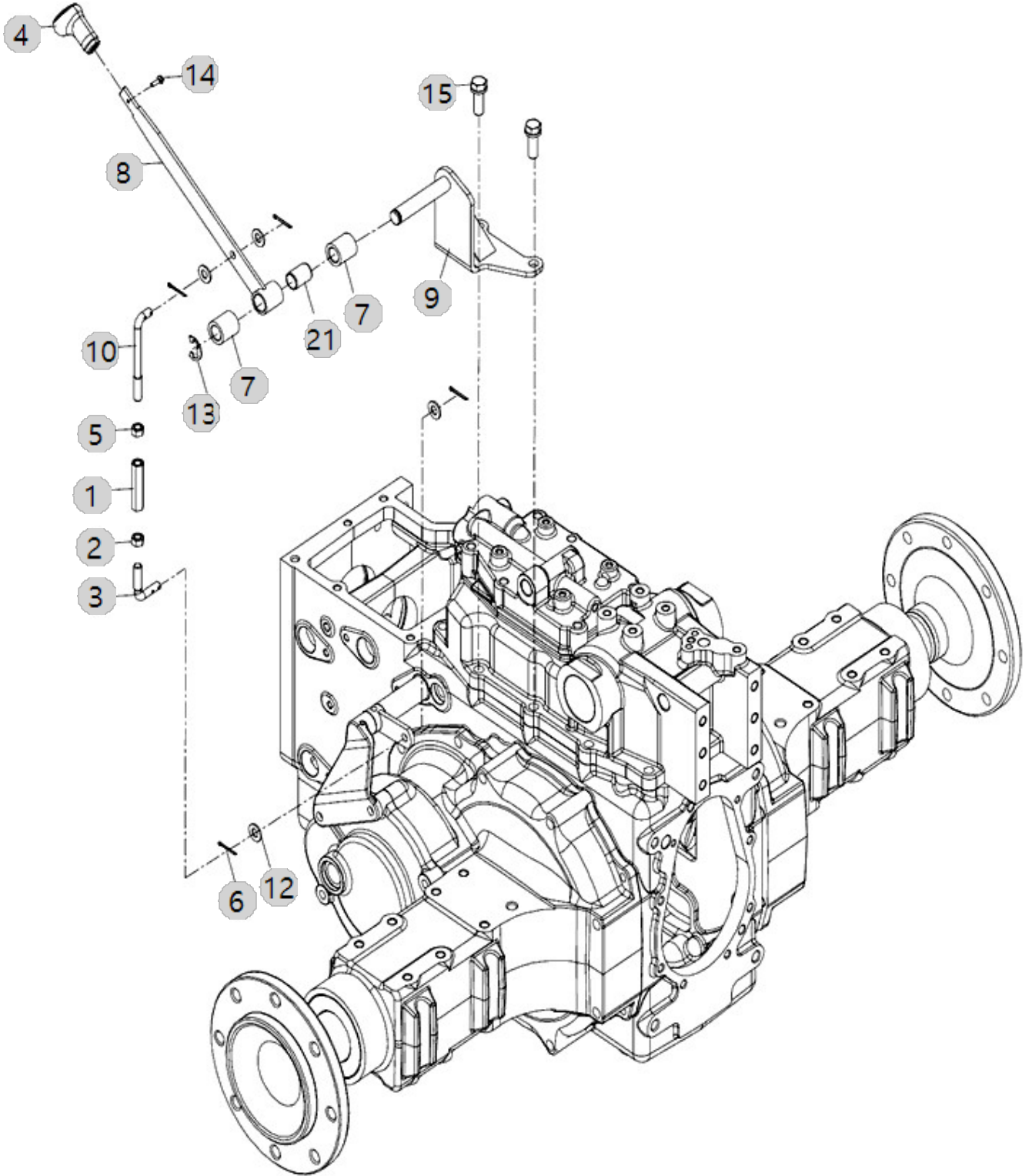
C04071

6225R(AC02121)

LEVER ASS'Y, PTO SPEED CHANGE

Year/Month

2022-12-19



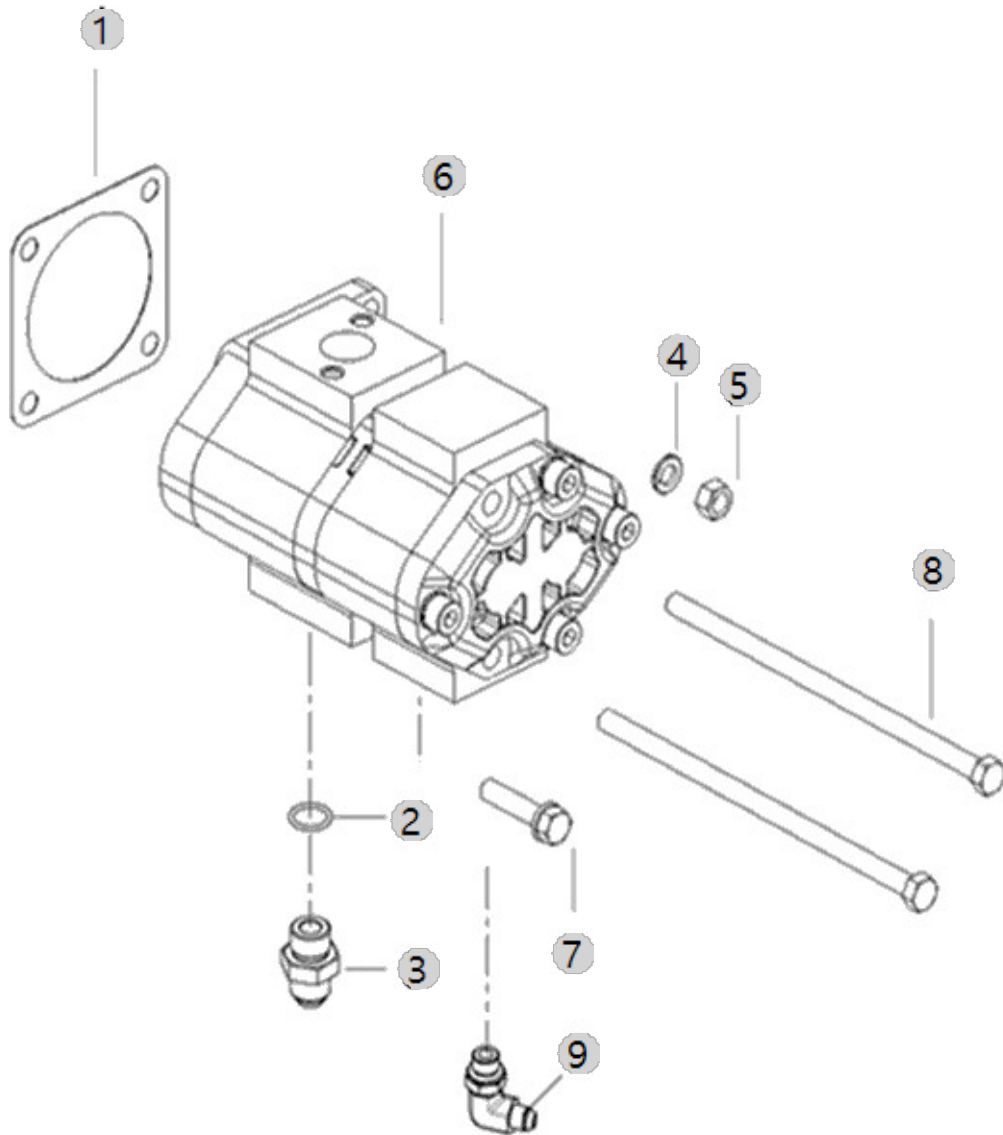
D01010

6225R(AC02121)

HYD PUMP

Year/Month

2022-12-19



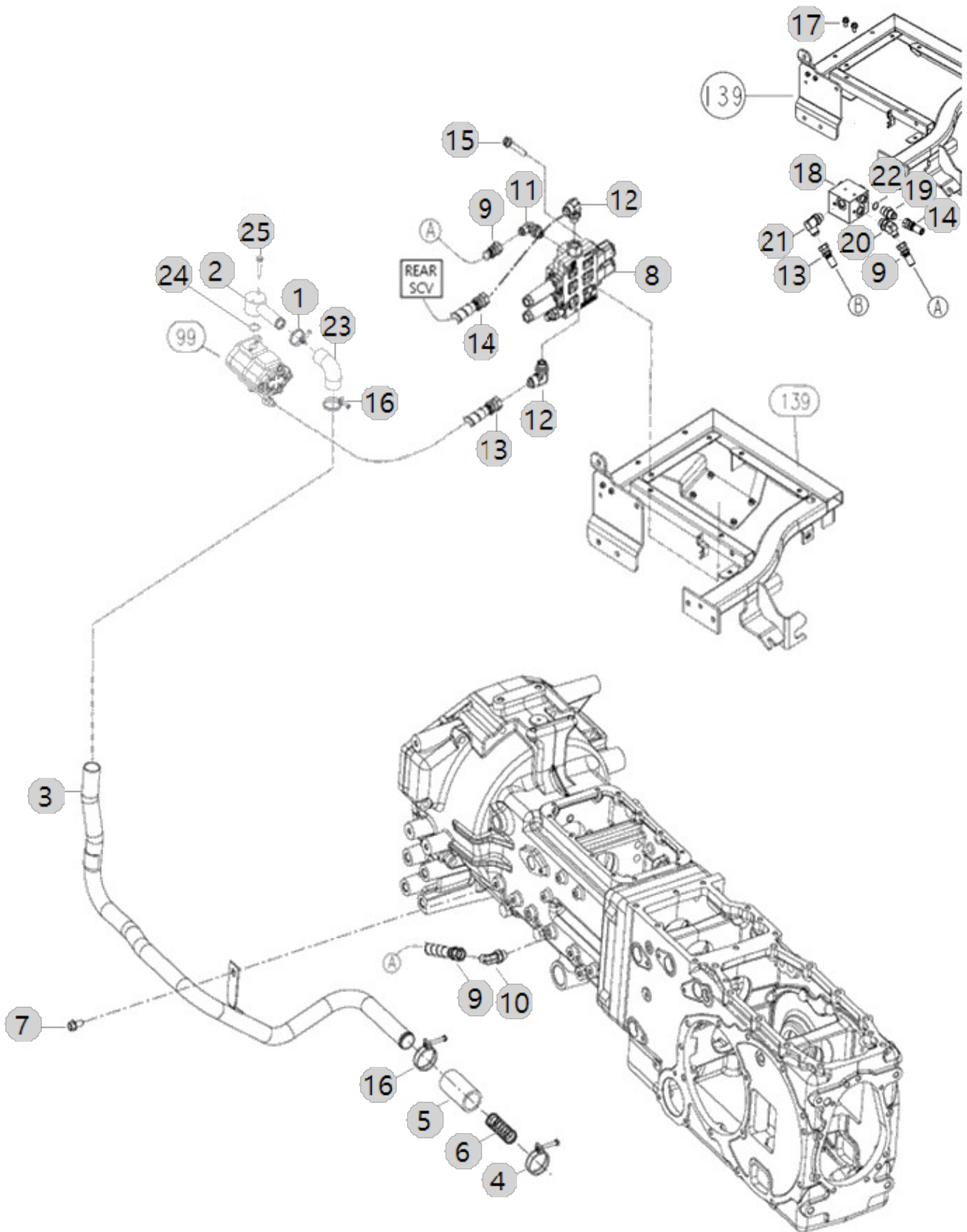
D01020

Year/Month

6225R(AC02121)

LOW PRESSURE PIPE

2022-12-19



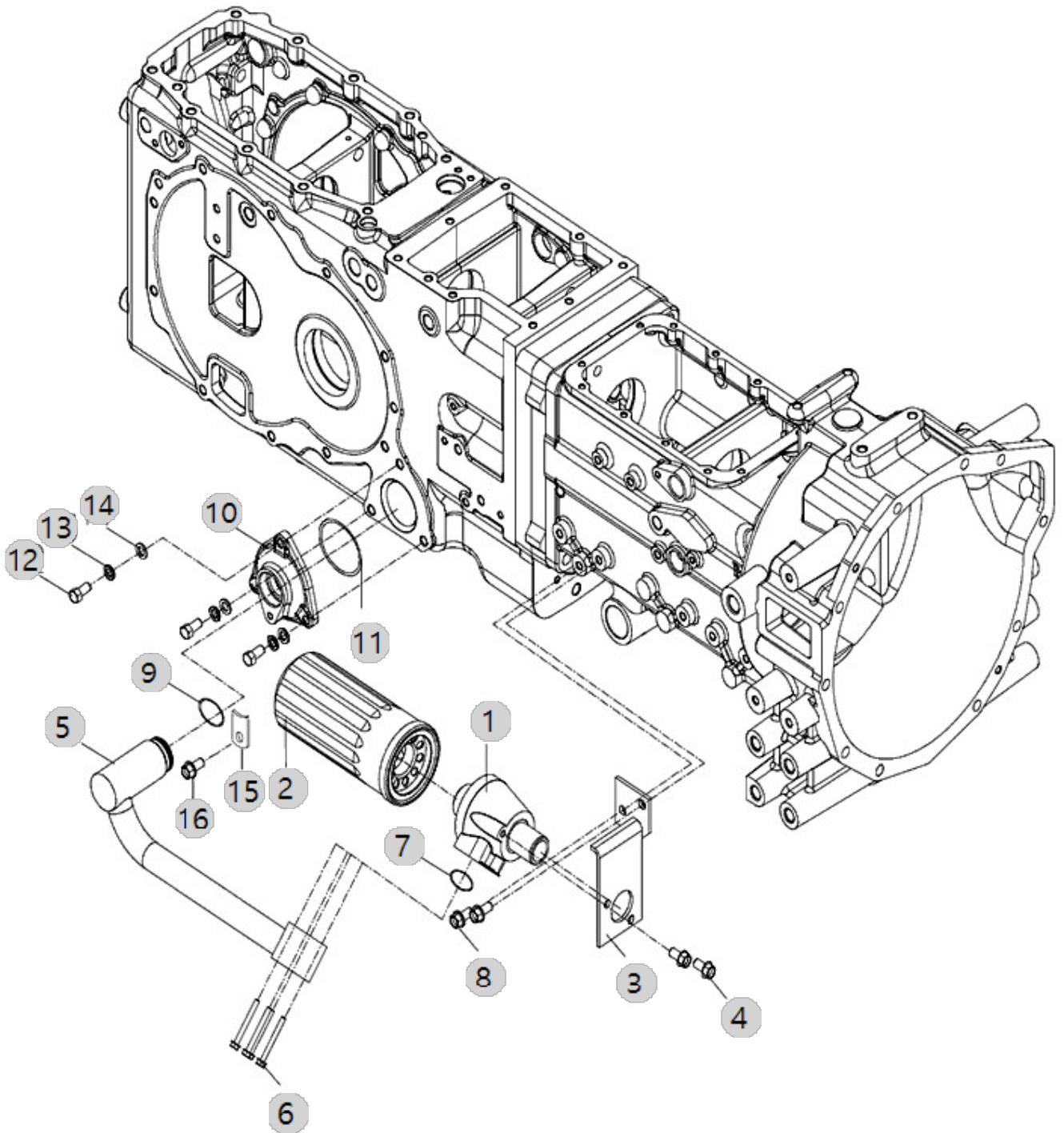
D01040

Year/Month

6225R(AC02121)

HYD FILTER

2022-12-19



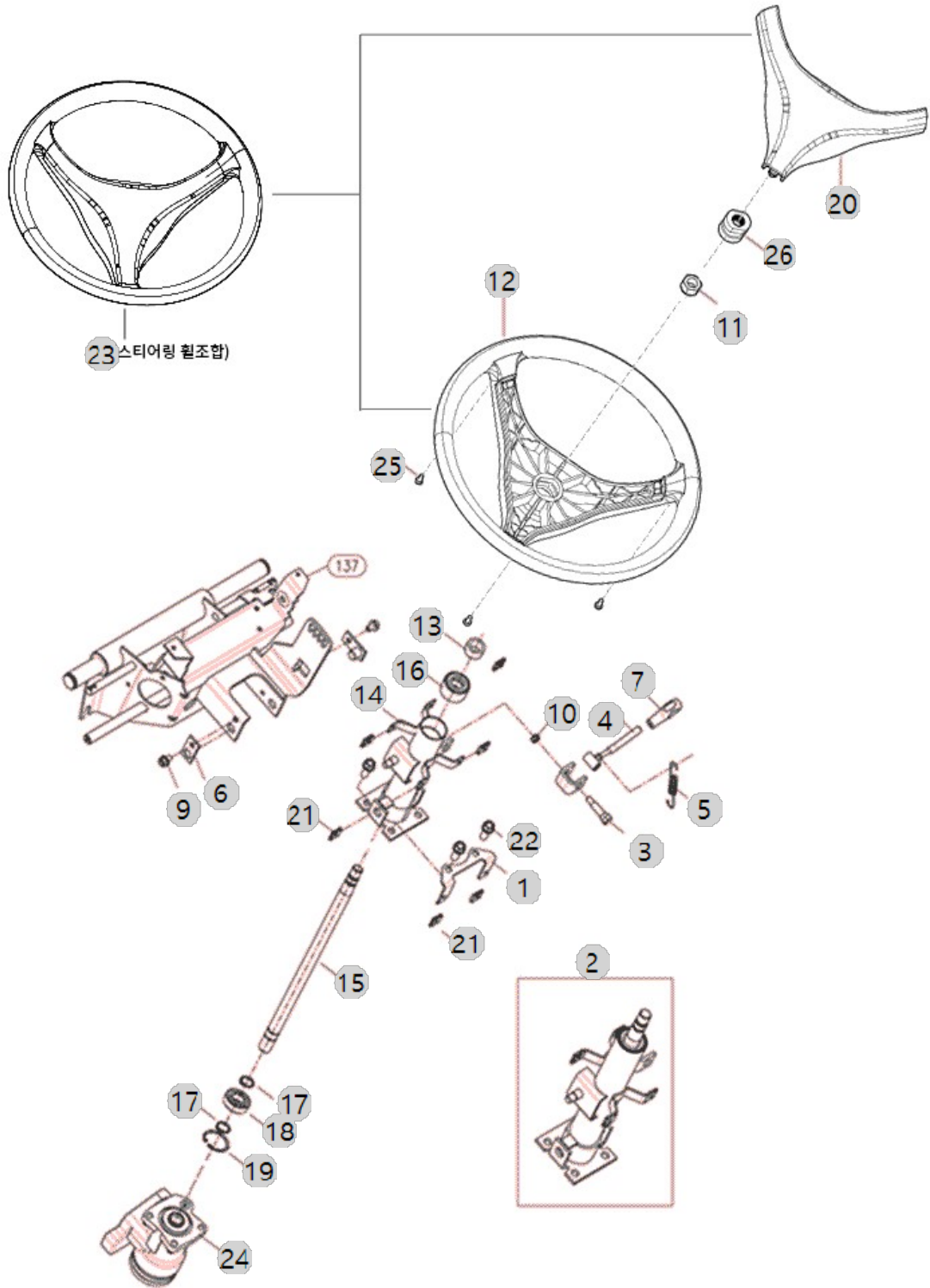
D02010

6225R(AC02121)

STEERING WHEEL

Year/Month

2022-12-19



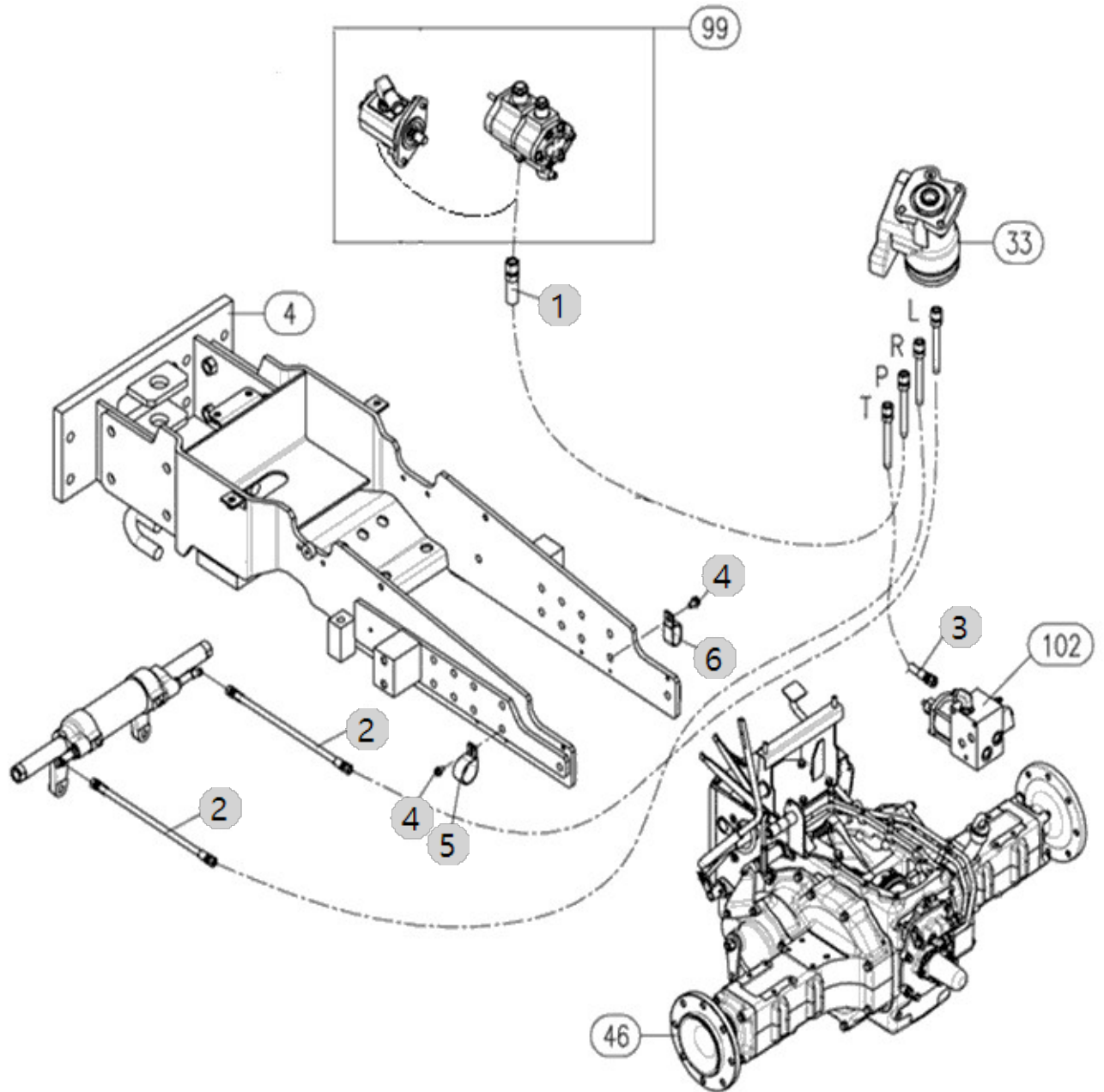
D02030

Year/Month

6225R(AC02121)

PST HOSE

2022-12-19



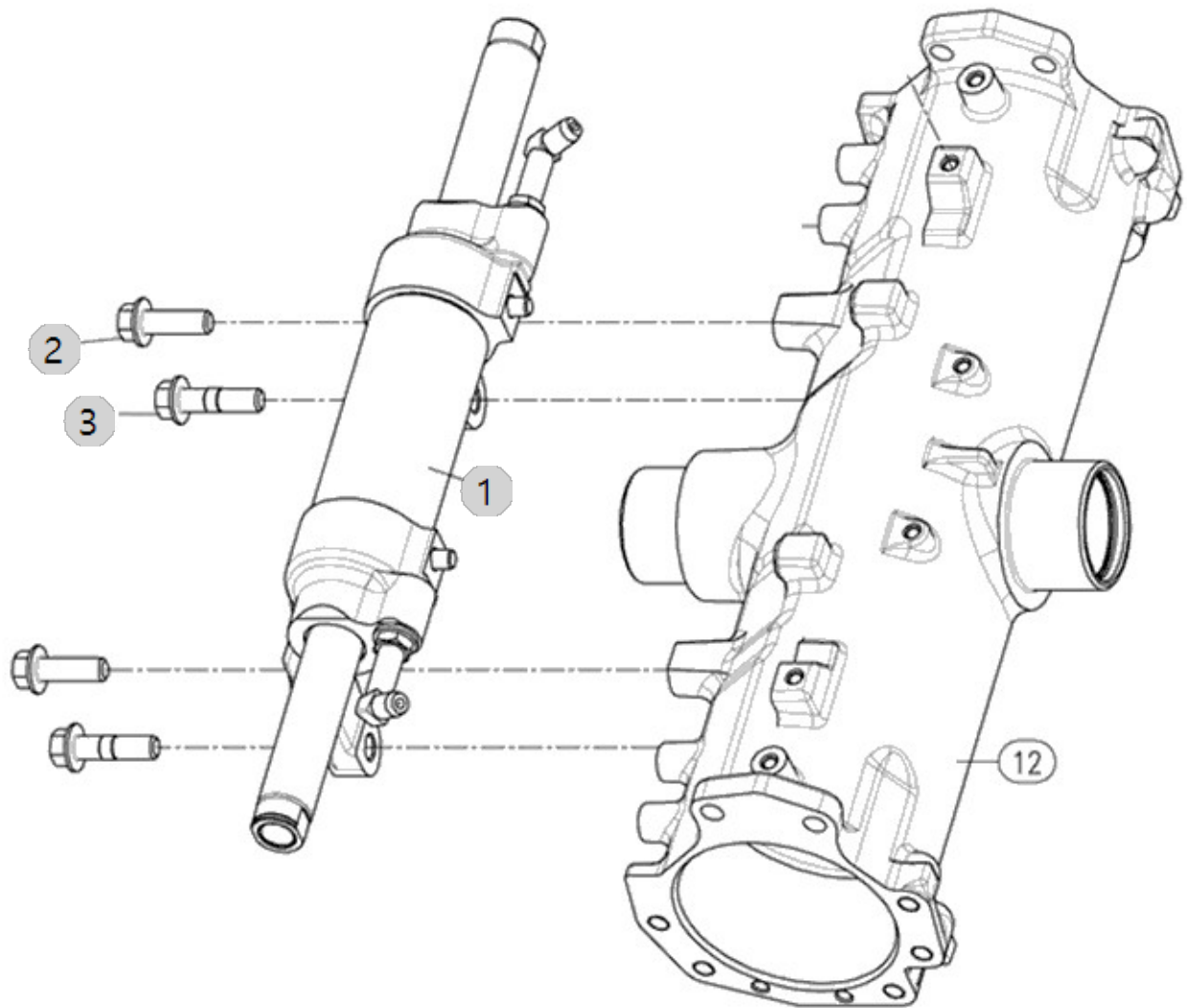
D02040

Year/Month

6225R(AC02121)

PST CYLINDER

2022-12-19



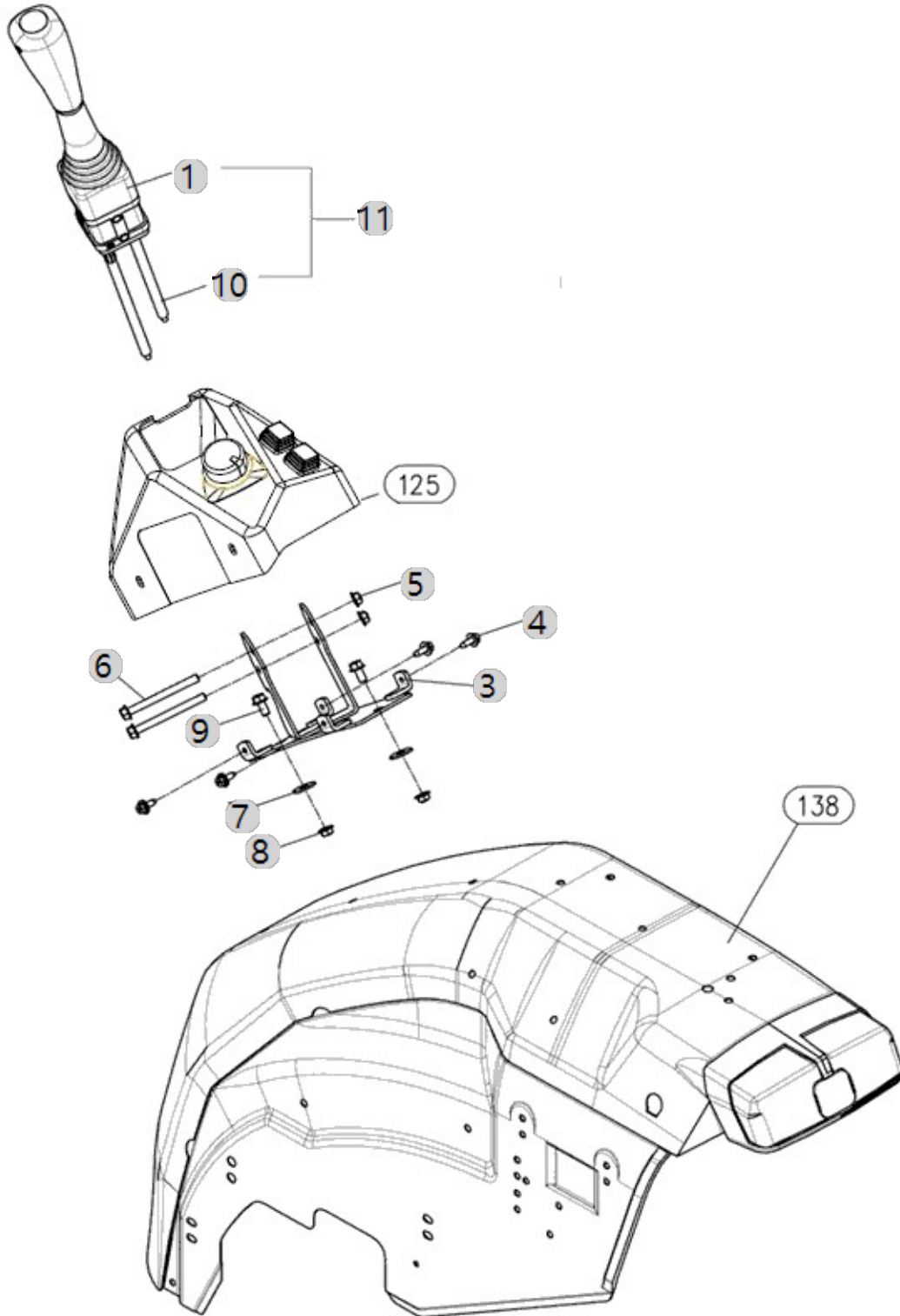
D03040

Year/Month

6225R(AC02121)

JOYSTICK

2022-12-19



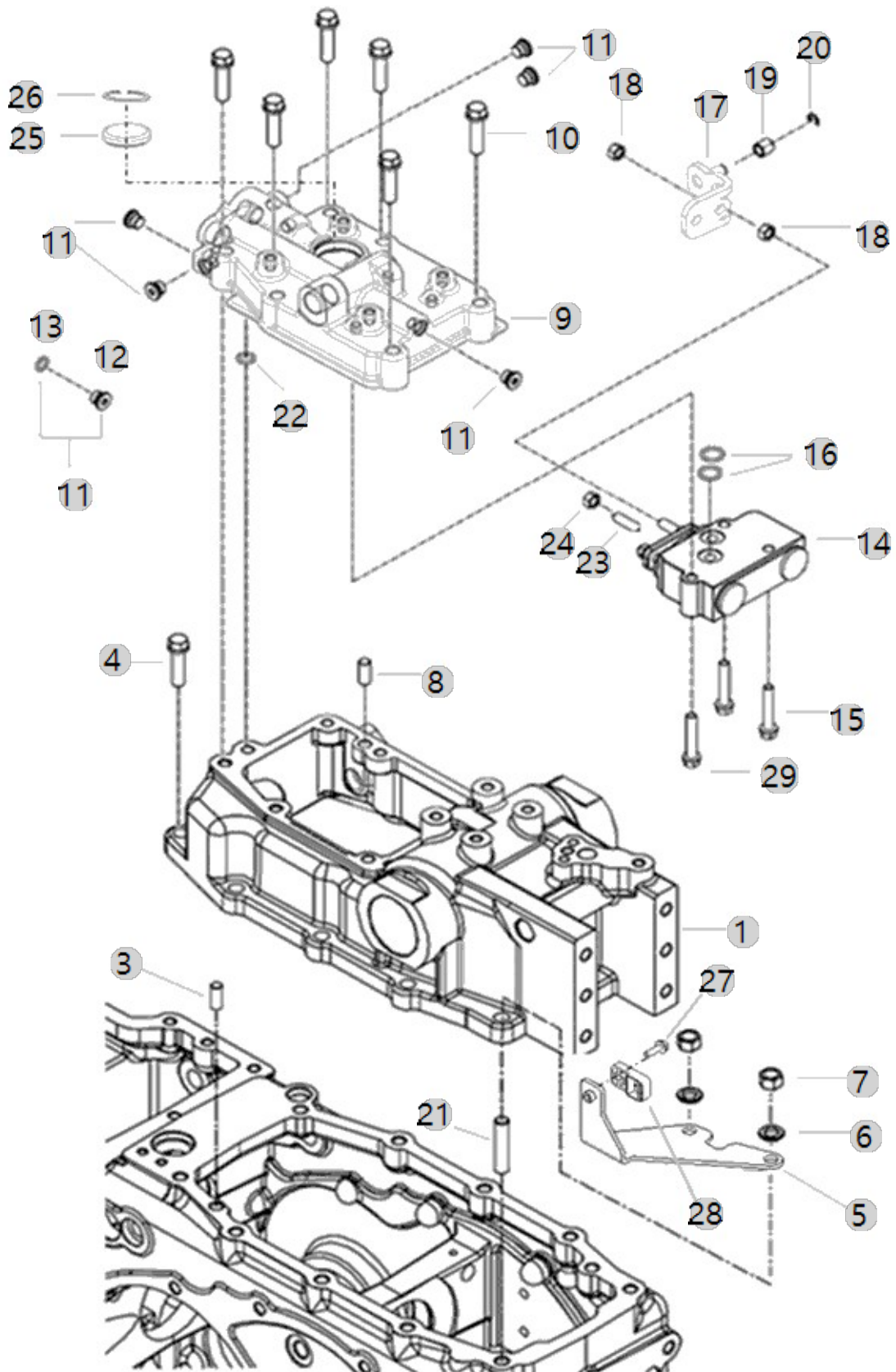
D04000

6225R(AC02121)

HYDRAULIC CYLINDER

Year/Month

2022-12-19



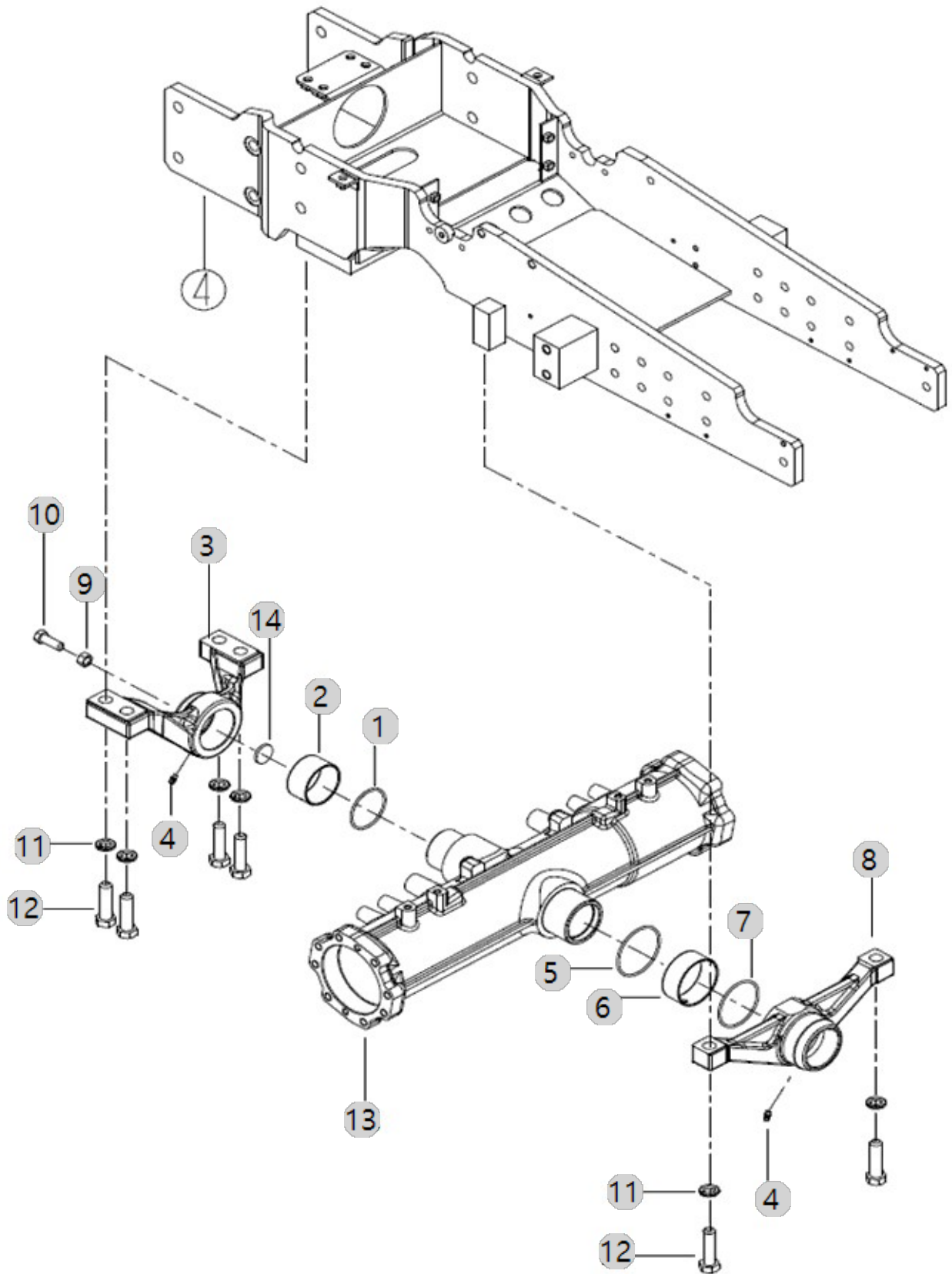
E01010

Year/Month

6225R(AC02121)

FRONT AXLE CASE

2022-12-19



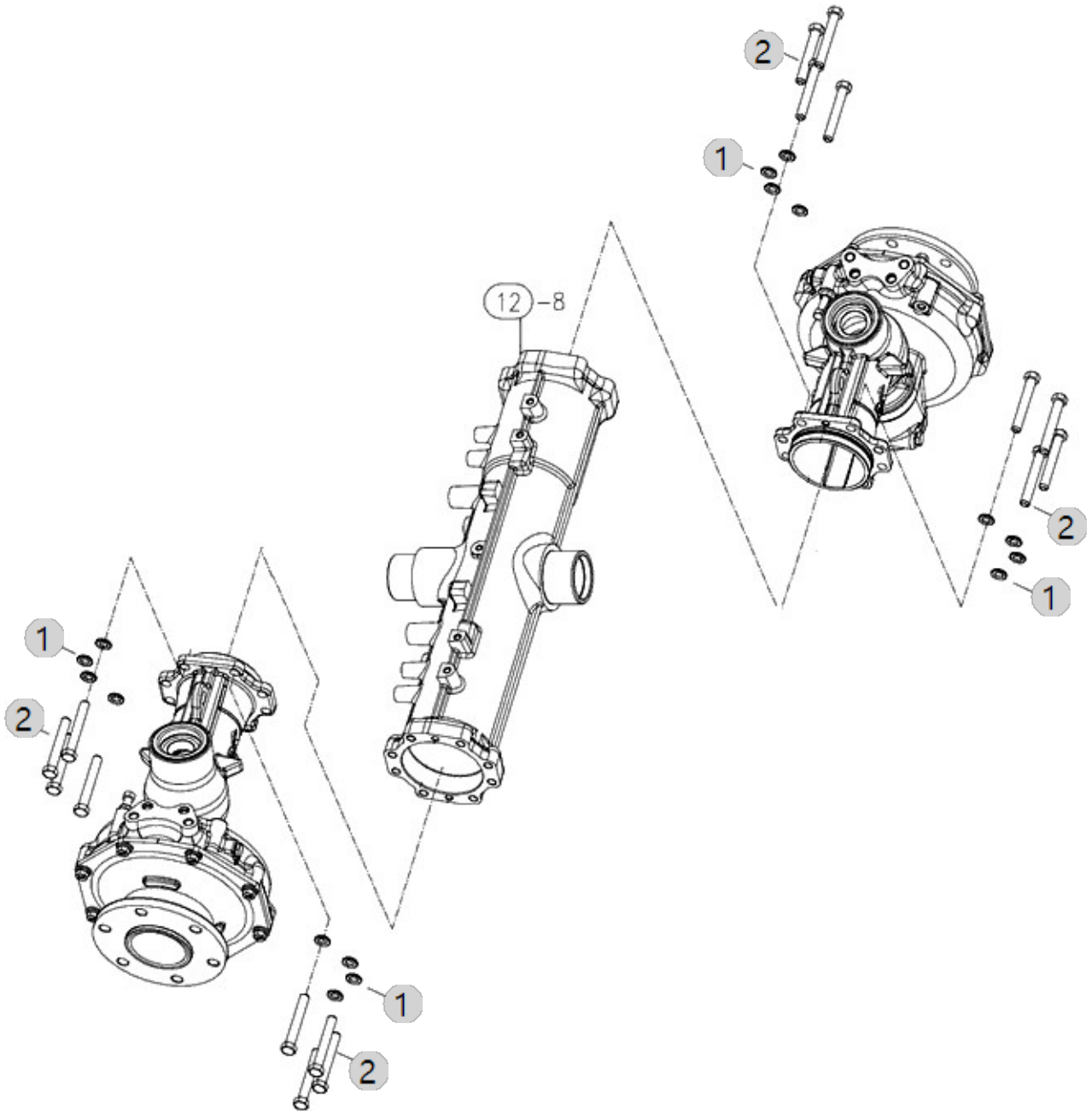
E01013

6225R(AC02121)

FRONT AXLE CASE/SPACER

Year/Month

2022-12-19



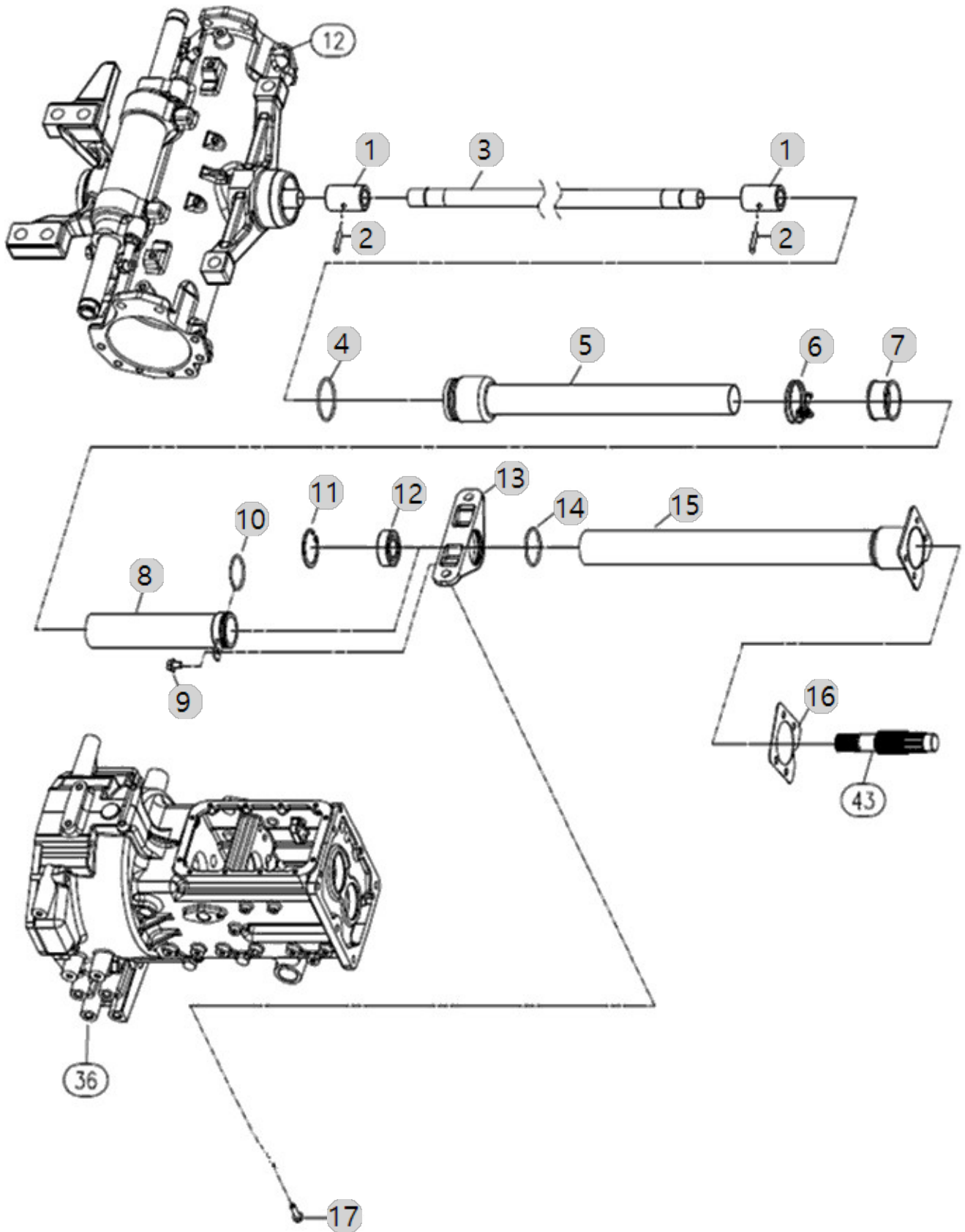
E01020

6225R(AC02121)

SHAFT COVER

Year/Month

2022-12-19



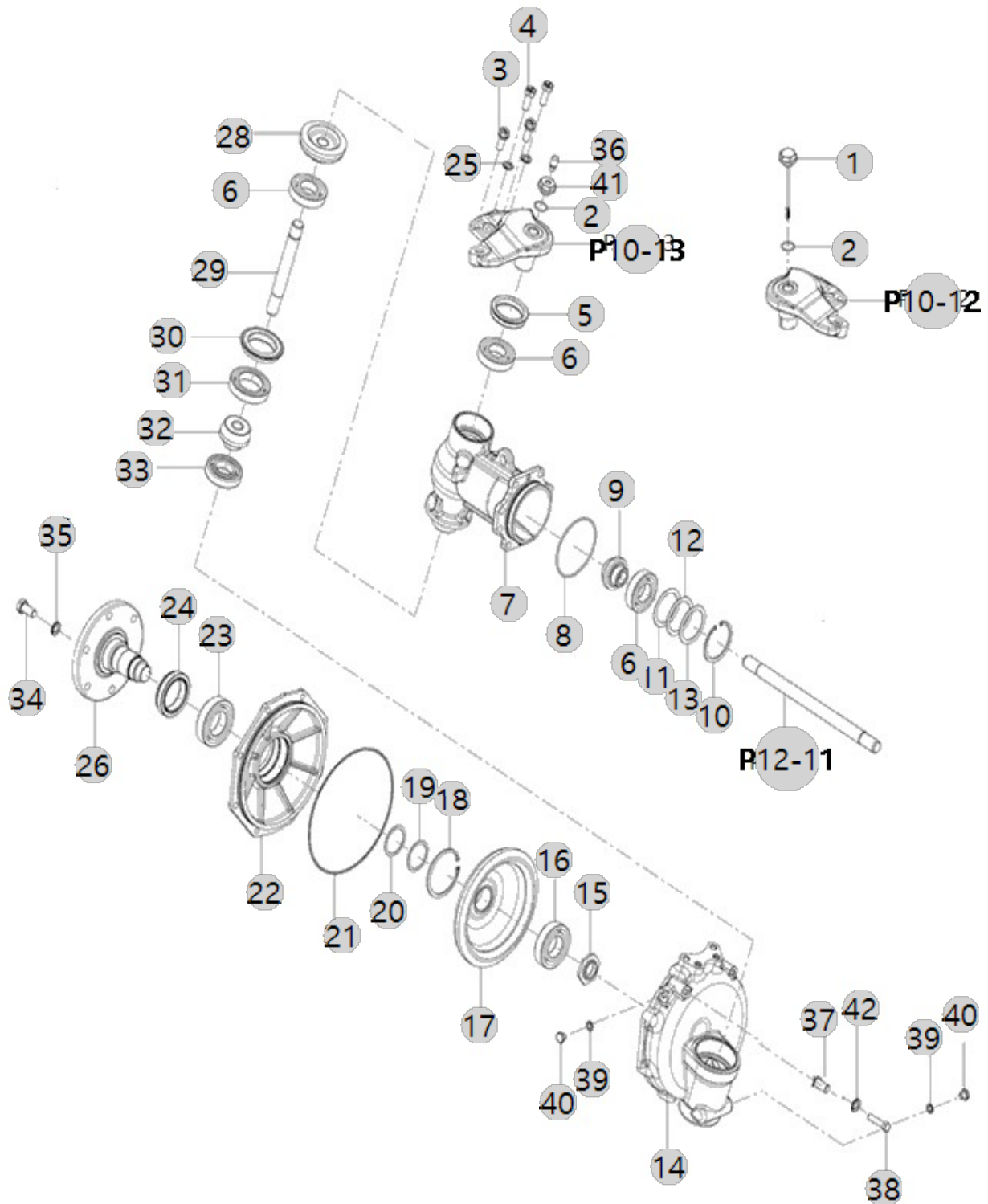
E01030

Year/Month

6225R(AC02121)

GEAR CASE, FRONT AXLE

2022-12-19



E01030 6225R(AC02121)		GEAR CASE, FRONT AXLE				Year/Month 2022-12-19
순번 (NO)	부품번호 (PART NO)	품명 (PART NAME)	품명 (PART NAME)	수량 (QTY)	규격 (SPEC)	비고 (REMARK)
1	TA00033805A	검유봉	OIL GUAGE	1		
2	24311-000220	O-RING1AP-22.0	O-RING, DYNAMIC (Φ22)	2	1A P22.0	
3	TA00033468B	와셔조립육각볼트	BOLT W/ WASHER	4		
3	TA00033468C	와셔조립육각볼트	BOLT W/ WASHER	4		
4	TA00033475A	리머볼트	RIMER BOLT	4		
4	TA00033475B	리머볼트	SPACER	4		
5	FE78010000B	오일실 (특수) 55x72x13.5	OIL SEAL (55X72X13.5)	2	55X72X13.5	
6	24101-062074	볼베어링6207	BALL BEARING (#6207)	6	#6207	
7	TA00048728A	프런트기어케이스(20)	CASE, FRONT GEAR	2		
8	24321-001050	O-링	O-RING	2		
9	TA00033461A	전1축피니언9T	PINION, FRONT 1ST SHAFT	2		
9	TA00033461B	전1축피니언9T	PINION, FRONT 1ST SHAFT	2		
10	22252-000720	구멍용스냅링72	RING, CIRCLIP (Φ 72)	2	D72	
11	TA00033489A	심 0.2T	SHIM 0.2T	2		
12	TA00033488A	심 0.3T	SHIM 0.3T	2		
13	TA00033487A	심 0.5T	SHIM 0.5T	2		
14	TA00033458B	프런트기어박스	GEAR BOX, FRONT	2		
14	TA00033458C	프런트기어박스	GEAR BOX, FRONT	2		
15	TA00033481A	로크너트	LOCK NUT	2		
16	24101-062084	볼베어링6208	Bearing, Ball (#6208)	2	#6208	
17	TA00033474A	베벨기어 49T	GEAR, BEVEL 49T	2		
18	22252-000850	써클립85H	RING, CIRCLIP (Φ 85)	2		
19	TA00033486A	심 0.2T	SHIM 0.2T	1		
20	TA00033485A	심 0.5T	SHIM 0.5T	1		
21	TA00033939A	O링	O RING	2		
22	TA00033459B	프런트베어링케이스	BEARING CASE, FRONT	2		
22	TA00033459C	프런트베어링케이스	BEARING CASE, FRONT	1		
23	24101-062094	볼베어링6209	BALL BEARING (#6209)	2	#6209	
24	TA00041359A	오일실	OILSEAL	2		
25	22217-120000	스프링와셔	WASHER, SPRING (Φ 12)	2	M12	
26	TA00033460D	프런트스핀들	SPINDLE, FRONT	2		
26	TA00033460B	프런트스핀들	SPINDLE, FRONT	2		
26	TA00033460E	프런트스핀들	SPINDLE, FRONT	2		
26	TA00033460C	프런트스핀들	SPINDLE, FRONT	2		
27	TA00033469B	와셔조립육각볼트	BOLT W/ WASHER	16		
27	TA00033469A	와셔조립육각볼트	BOLT W/ WASHER	16		
28	TA00033463A	전2축기어	FRONT 2ND AXLE LH	2		
29	TA00033464A	전2축	FRONT 2ND SHAFT	2		
30	TC60110000A3	오일실(AJ)	SEAL, OIL	2		
31	24101-060104	볼베어링6010	Bearing, Ball (#6010)	2	#6010	
32	TA00033473A	베벨기어 11T	GEAR, BEVEL 11T	2		
33	TT63050000A4	베어링TMB207	BEARING	2	TMB207	
34	TD23120000B4	프런트 허브 볼트(M14X28)	BOLT	12	M14XP1.5	
34	TD23120000A4	보울트(M14X28)	BOLT	8	M14XP1.5	
35	22217-140000	스프링와셔14	WASHER, SPRING (Φ 14)	12	M14	

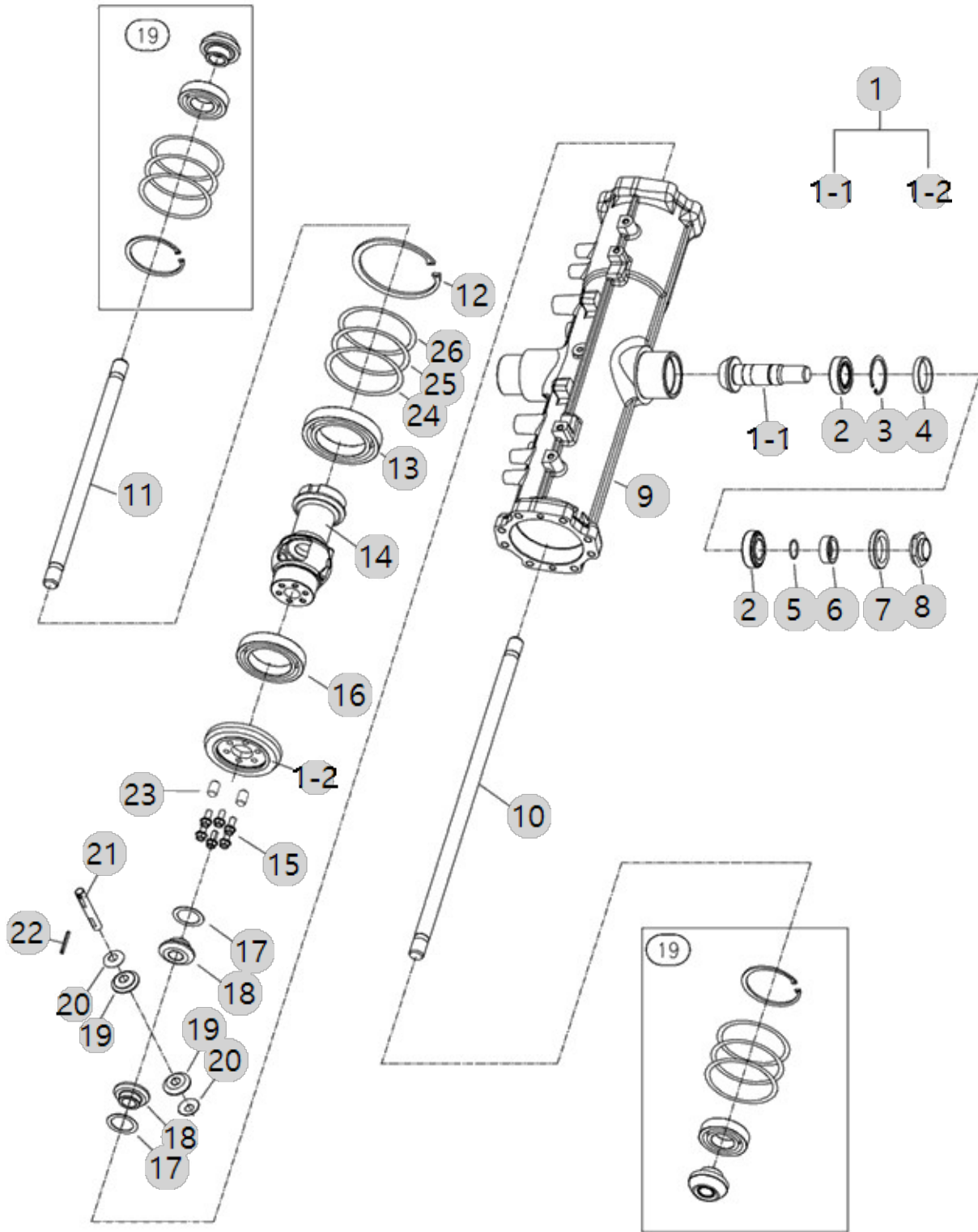
E01070

6225R(AC02121)

FRONT DRIVE SHAFT

Year/Month

2022-12-19



E01070		FRONT DRIVE SHAFT				Year/Month
6225R(AC02121)						2022-12-19
순번 (NO)	부품번호 (PART NO)	품명 (PART NAME)	품명 (PART NAME)	수량 (QTY)	규격 (SPEC)	비고 (REMARK)
1	TA00033454C	링기어조합	RING GEAR ASSY	1		
1-1	TA00033455B	카운터축	COUNT SHAFT	1		
1-2	TA00033456C	링기어	RING GEAR	1		
2	24141-320060	테이퍼롤러베어링320060	BEARING, ROLLER (#32-00-60)	2	32006	
3	22252-000550	구멍용스냅링(C형)	RING, CIRCLIP (Φ 55)	1	D55	
4	TA00033478A	간격판	PLATE	1		
5	24311-000300	O링(P형)	O RING(P TYPE)	1	P30	
6	TA00033471A	부시	BUSH	1		
7	24421-405508	오일실TC405508	OIL SEAL	1		
8	TA00033472A	너트	NUT	1		
9	TA00033449A	전차축케이스	CASE, FRONT AXLE	1		
10	TA00033827A	전1축LH_20h	1ST SHAFT	1		
11	TA00033828A	전1축RH_20h	1ST SHAFT	1		
12	22252-001100	구멍용스냅링	RING, CIRCLIP (Φ110)	2	D110	
13	24101-060144	볼베어링6014	BALL BEARING (#6014)	1	#6014	
14	TA00033451C	차동케이스	DIFF. CASE	1		
15	TA00054318B	볼트(M8X1.0)	BOLT	6		
15	TA00054318A	볼트(M8X1.0)	BOLT	6		
16	24101-060134	볼베어링6013	BALL BEARING (#6013)	2		
17	TC57120000A4	차동사이드기어라이너	LINER, DIFFERENTIAL GEAR	2		
18	TC57090000A4	차동사이드기어14	GEAR, DIFFERENTIAL 14	2		
19	TC57100000A4	차동피니언기어10	DIFFERENTIAL PINION GEAR 10	2		
20	TC57130000A4	차동피니언라이너	LINER, DIFFERENTIAL PINION	2		
21	TC57110000B4	차동피니언축	SHAFT, PINION	1		
22	22351-040040	스프링핀	PIN, SPRING (4-04)	1	D4X40	
23	22312-080140	평행핀	PIN, DOWEL (8-14)	2	D8X14	
24	TA00033482A	심 0.5T	SHIM 0.5T	1		
25	TA00033483A	심 0.3T	SHIM 0.3T	1		
26	TA00033484A	심 0.2T	SHIM 0.2T	1		

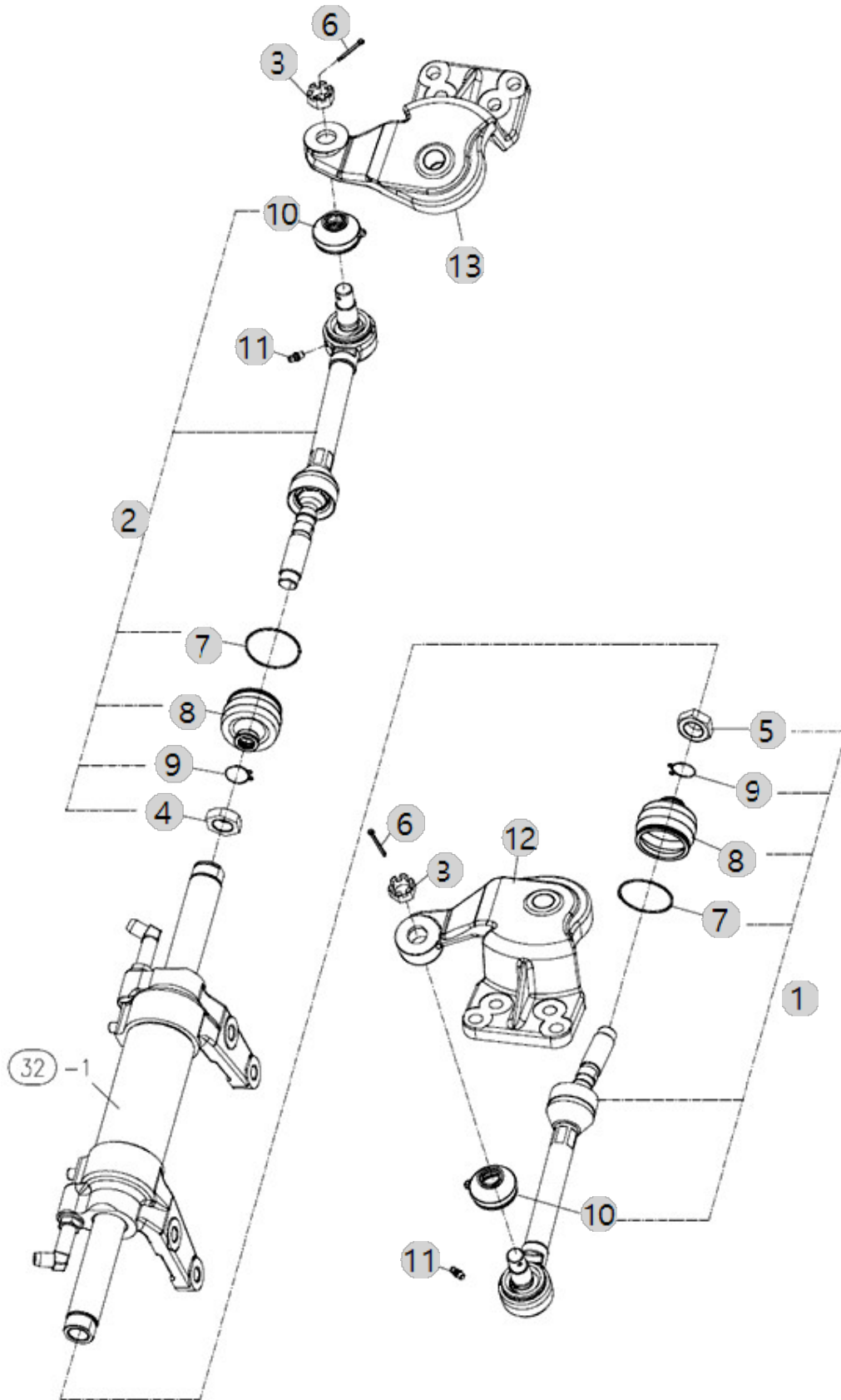
E01080

6225R(AC02121)

TIE ROD

Year/Month

2022-12-19



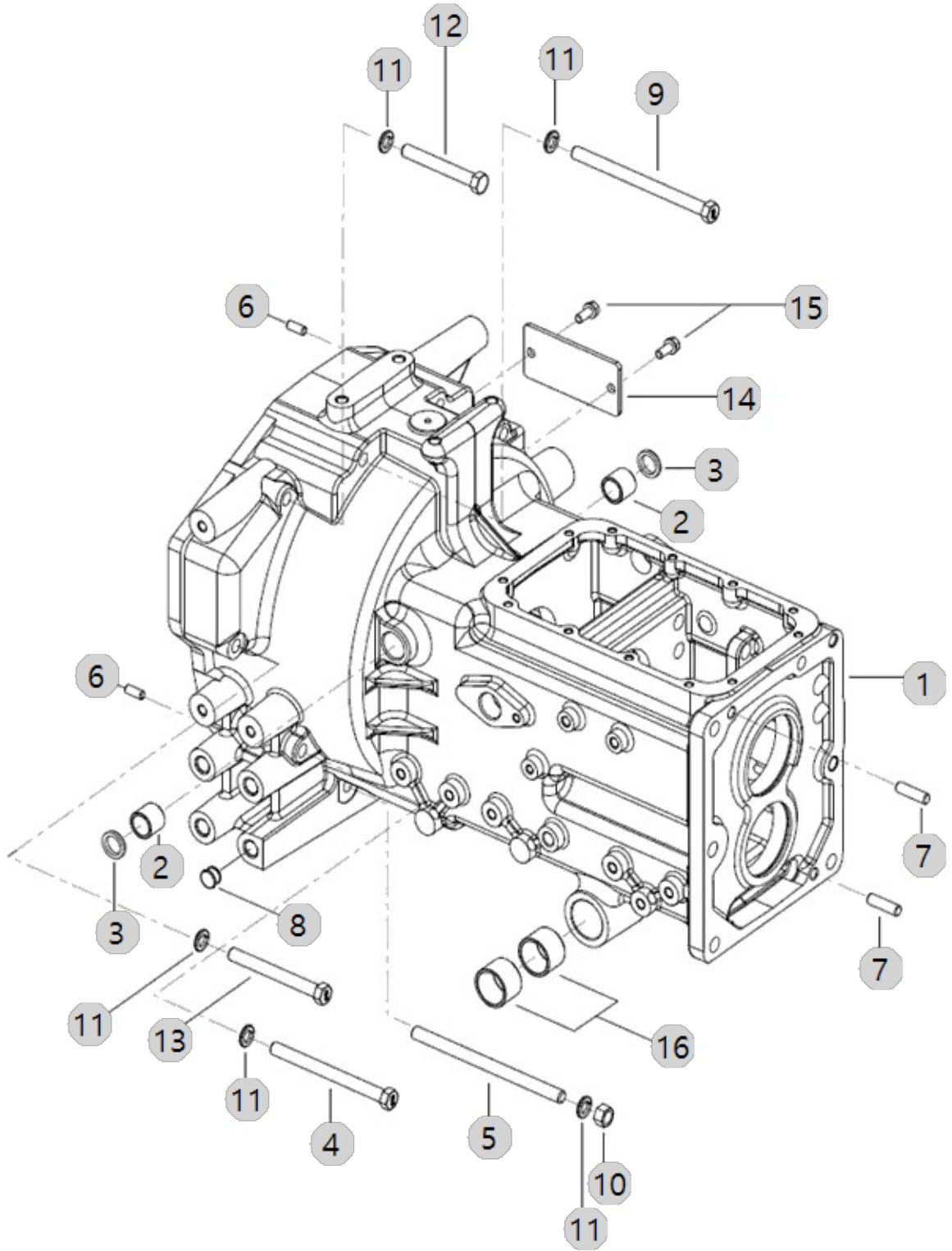
F01010

25ROPS TM총조합
(NEC)(AC01476)

CLUTCH HOUSING

Year/Month

2022-12-19



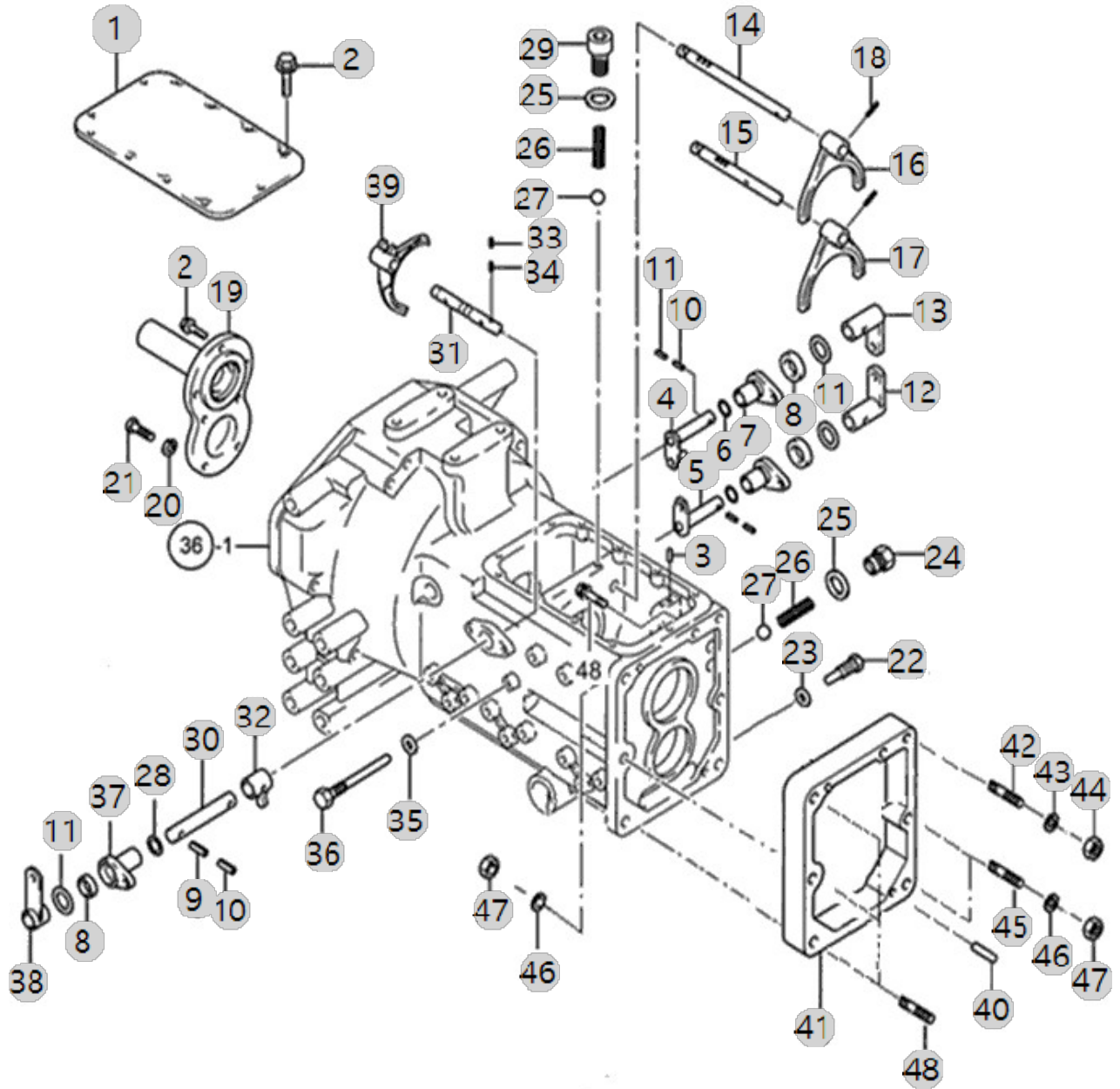
F01020

25ROPS TM총조합
(NEC)(AC01476)

TRANSMISSION CASE

Year/Month

2022-12-19



F01020 25ROPS TM총조합 (NEC)(AC01476)		TRANSMISSION CASE				Year/Month 2022-12-19
순번 (NO)	부품번호 (PART NO)	품명 (PART NAME)	품명 (PART NAME)	수량 (QTY)	규격 (SPEC)	비고 (REMARK)
1	NT41010000C3	미션상커버	UPPERCOVER,T/M	1	9.0T	
2	26013-080252	와셔조립육각볼트(+SW)	Bolt, Hexa (8-25)	19	M8XP1.25X25	
3	TN41070000A4	더블기어방지핀	PIN	1		
4	NT41080000A4	주변속시프트레버(3-4)	LEVER3-4	1		
4	NT41080000B4	주변속시프트레버(3-4)	MAIN SHIFTER LEVER-4	1		
5	NT41600000A4	주변속시프트레버(1-2)	LEVER[1ST-2ND],MAINSHIFT	1		
5	NT41600000B4	주변속시프트레버(1-2)	LEVER(1ST-2ND),MAIN SHIFT	1		
6	24311-000210	361,A22,O-RING1AP-21.0	O-RING, DYNAMIC (Φ21)	3	P21	
7	TN41100000A4	주변속시프트홀더	HOLDERMAINSHIFT	2		
8	24421-173007	오일실TC173007	Seal, Oil (#17-30-07)	3	TC17X30X7	
9	22351-080028	스프링핀8X28	PIN, SPRING (8-28)	2	D8X28	
10	22351-050028	스프링핀5X28	PIN, SPRING (5-02)	2	D5X28	DEL.20221012
11	TT65120000A4	칼라B	COLLARB	3	T2.3X45X45	
12	NT41130000B4	주변속아암3-4단	ARM(3-4), MAIN SHIFT	1		
12	NT41130000C4	주변속아암3-4단	ARM(3-4), MAIN SHIFT	1		
13	NT41140000A4	주변속아암(1-2)	ARM(1-2),MAINSHIFT	1		
13	NT41140000B4	주변속아암(1-2)	ARM(1-2),MAINSHIFT	1		
14	NT41150000A3	주변속3-4단포크축	FORKSHAFT[3-4],MAINSHIFT	1	D15	
15	NT41160000A3	주변속1-2단포크축	FORKSHAFT(1-2),MAINAHIFT	1	D15	
16	TN41170000D3	주변속포오크(1-2)	FORK1ST~2ND,MAINSHIFT	1		
17	TN41180000D3	주변속포오크(3-4)	FORK3-4MAINSHAFT	1		
18	22351-060030	스프링핀	PIN, SPRING (6-30)	2		
19	NT41580000C2	주축오일실케이스_4기통	OIL SEAL CASE	1		
20	22217-080000	스프링와셔8	WASHER, SPRING (Φ 08)	5	M8	
21	26116-080222	볼트7T(8X22)	BOLT7T(8X22)	5	M8X1.25X22	
22	TN41250000B4	단불이고정볼트	FIXINGBOLT	1		
23	23414-100000	429,A202322,패킹10	PLAIN WASHER (D10)	1	M10	
24	NT41270000B4	캡 볼트	CAPBOLT	1		
25	23414-160000	동패킹	WASHER,SEALING	2	M16	
26	TT42020000A4	스프링	SPRING	3		
27	24190-100001	강구5/16	Ball, Steel (5/16)	3	5/16"	
28	24311-000110	O-링 495-11	O-RING, DYNAMIC (Φ11)	1	P11	
29	23871-010000	테이퍼플러그	PLUG	1	PT1/8	
30	NT41350000A4	축(셔틀체인지)	SHAFT, SHUTTLE CHANGE	1		
30	NT41350000B4	축(셔틀체인지)	SHAFTSHUTTLECHANGE	1	D17	
31	TN41360000A3	셔틀시프터포오크축	SHAFTSH.FORK	1	D15X127	
32	NT41380000A4	셔틀샤프트레버	LEVERSHUTTLESHAFT	1		
32	NT41380000B4	셔틀시프트레버	LEVER SHUTTLE SHAFT	1		
33	22351-060025	SPRINGPIN6X25	PIN, SPRING (6-25)	2	D6X25	
34	22351-080028	스프링핀8X28	PIN, SPRING (8-28)	1	D8X28	
35	23414-080000	320,ALL,패킹8	WASHER, PLAIN (Φ8)	1	M8	
36	NT41460000A4	단불이볼트	BOLT	1		
37	TN41490000C3	셔틀포오크	FORK,SHUTTLE	1		
38	NT41540000A4	셔틀시프트홀더	HOLDER,SHUTTLESHIFT	1		
39	NT41550000D4	셔틀링크C	LINKC,SHUTTLE	1		

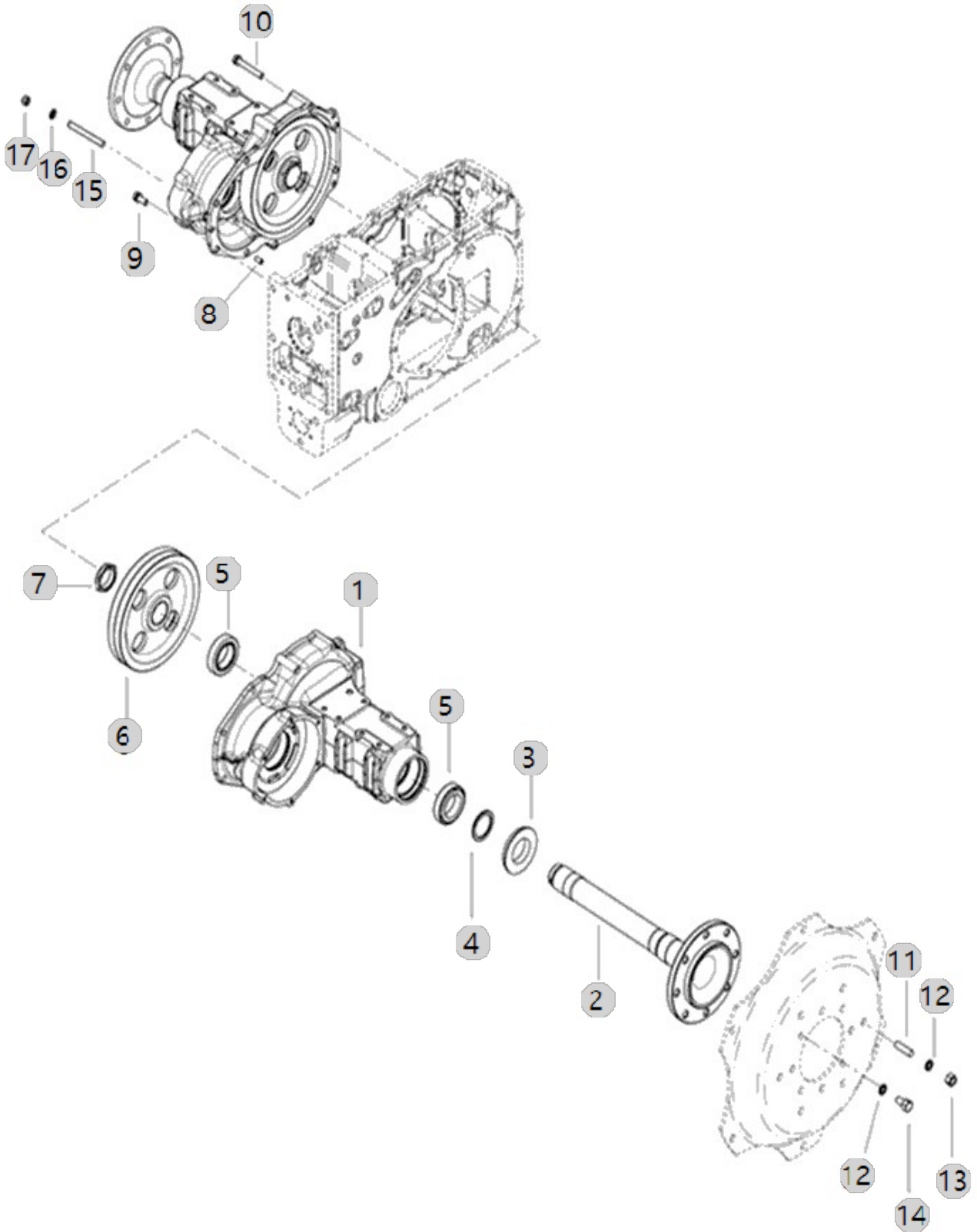
F01030

25ROPS TM총조합
(NEC)(AC01476)

HOUSING, REAR AXLE

Year/Month

2022-12-19



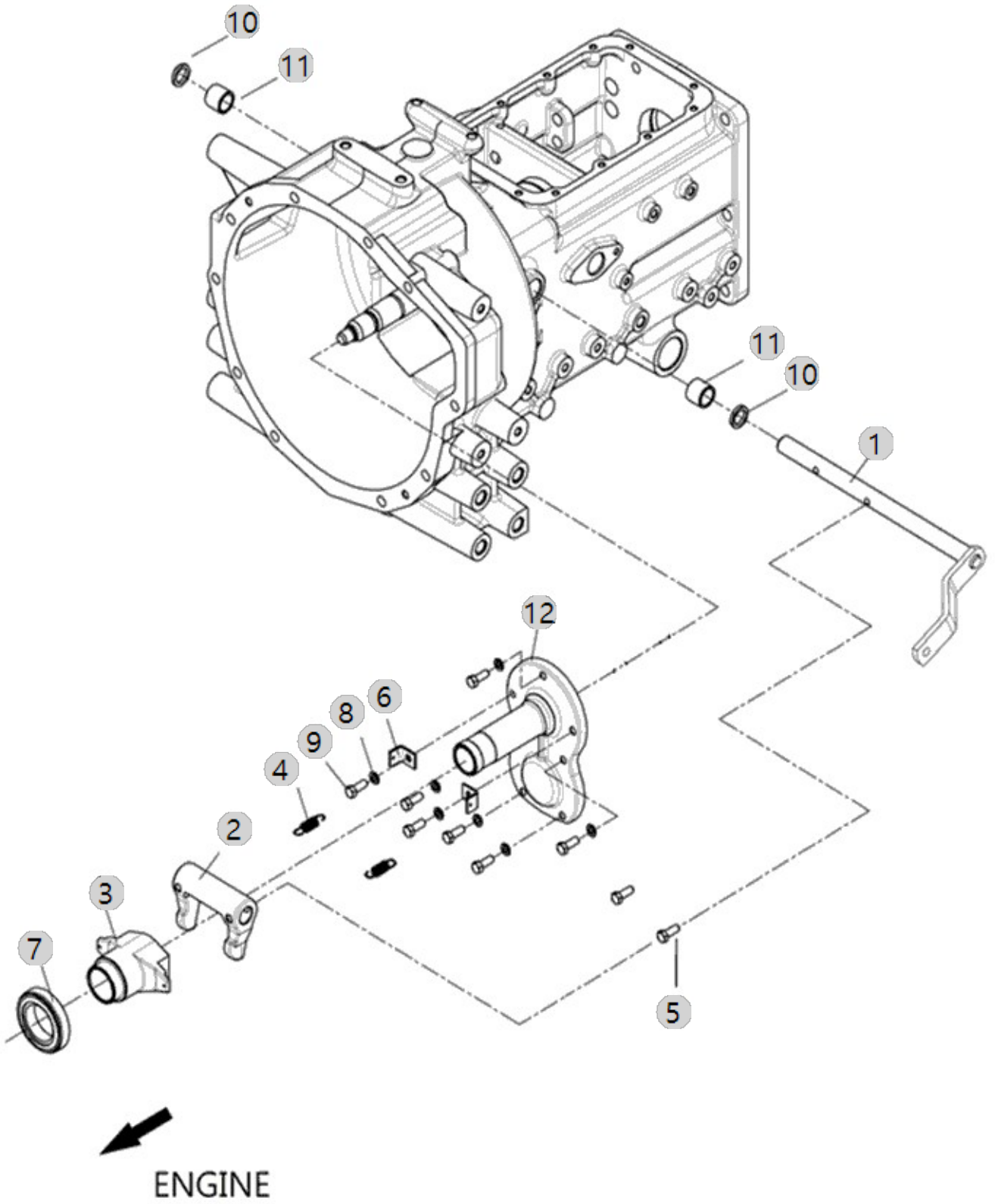
F02010

25ROPS TM총조합
(NEC)(AC01476)

CLUTCH RELEASE

Year/Month

2022-12-19



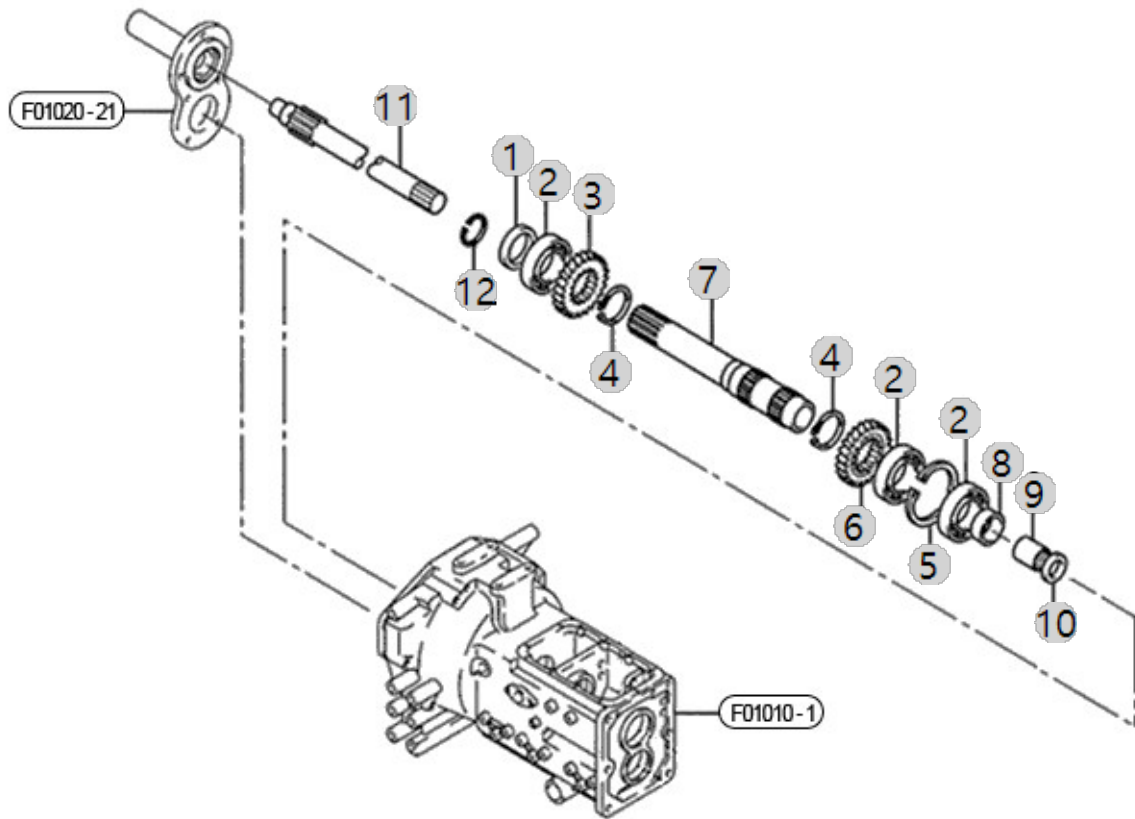
F02020

25ROPS TM총조합
(NEC)(AC01476)

CLUTCH SHAFT

Year/Month

2022-12-19



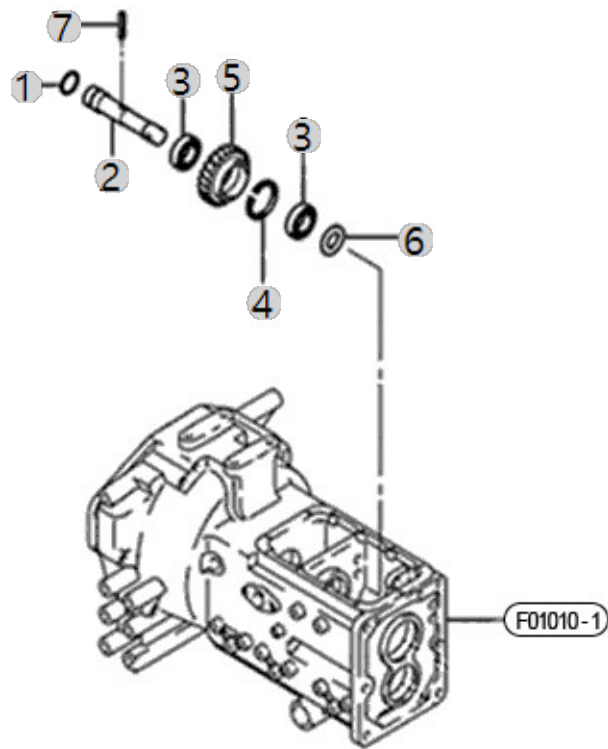
F02060

25ROPS TM총조합
(NEC)(AC01476)

REVERSE IDLE SHAFT

Year/Month

2022-12-19



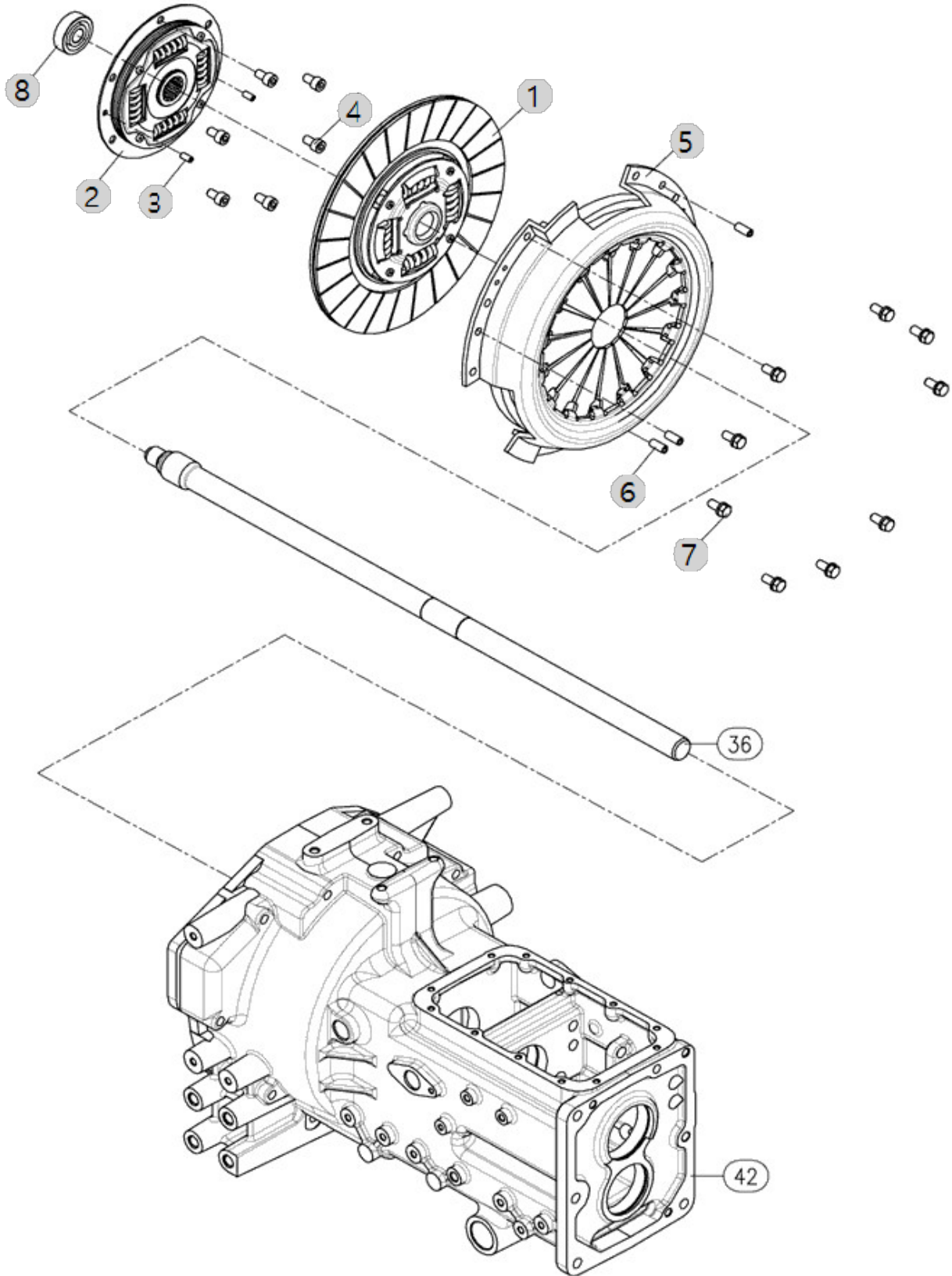
F02080

25ROPS TM총조합
(NEC)(AC01476)

CLUTH DISC

Year/Month

2022-12-19



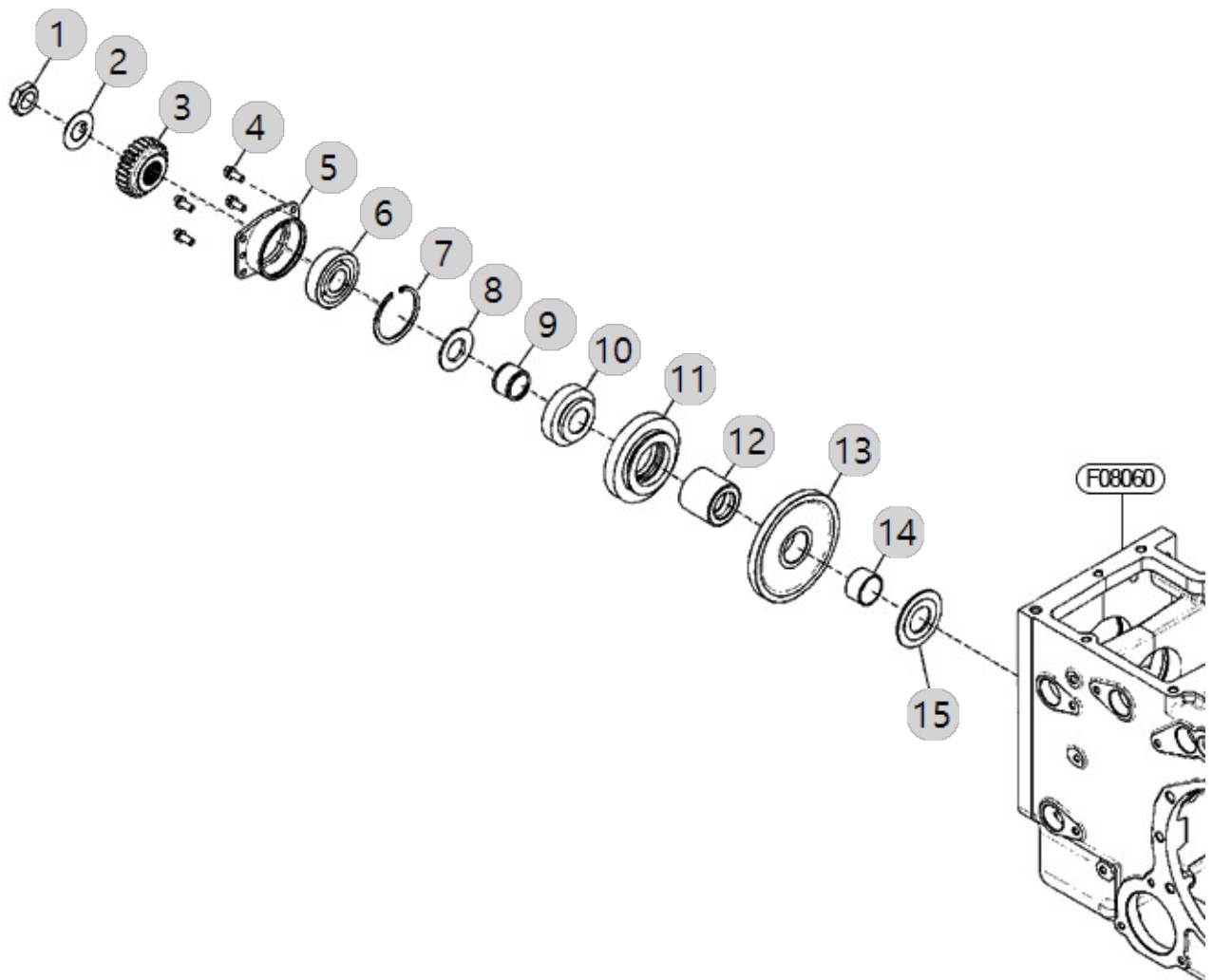
F03040

25ROPS TM총조합
(NEC)(AC01476)

RANGE SHIFT DRIVE SHAFT

Year/Month

2022-12-19



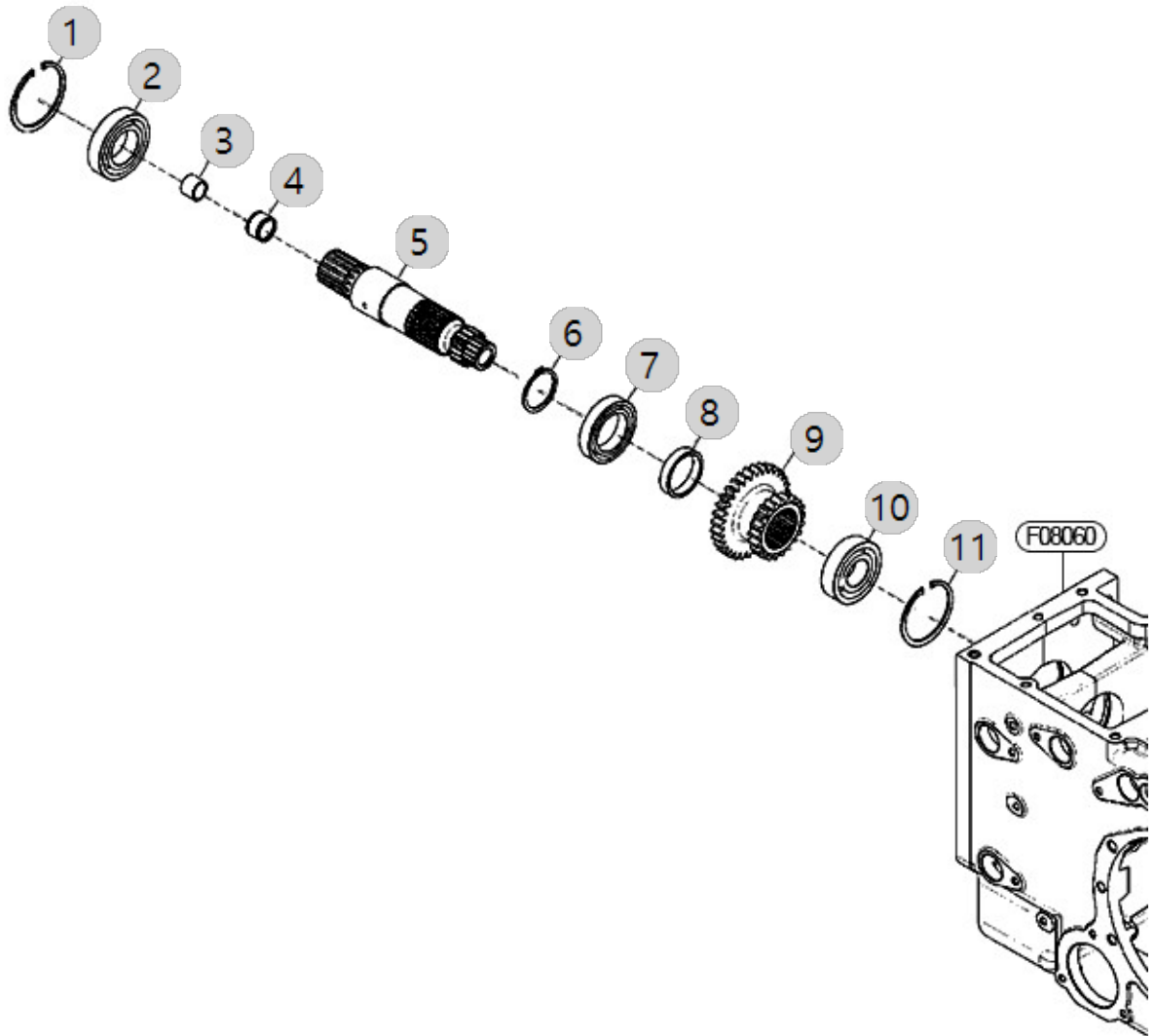
F03050

25ROPS TM총조합
(NEC)(AC01476)

RANGE SHIFT DRIVEN SHAFT

Year/Month

2022-12-19



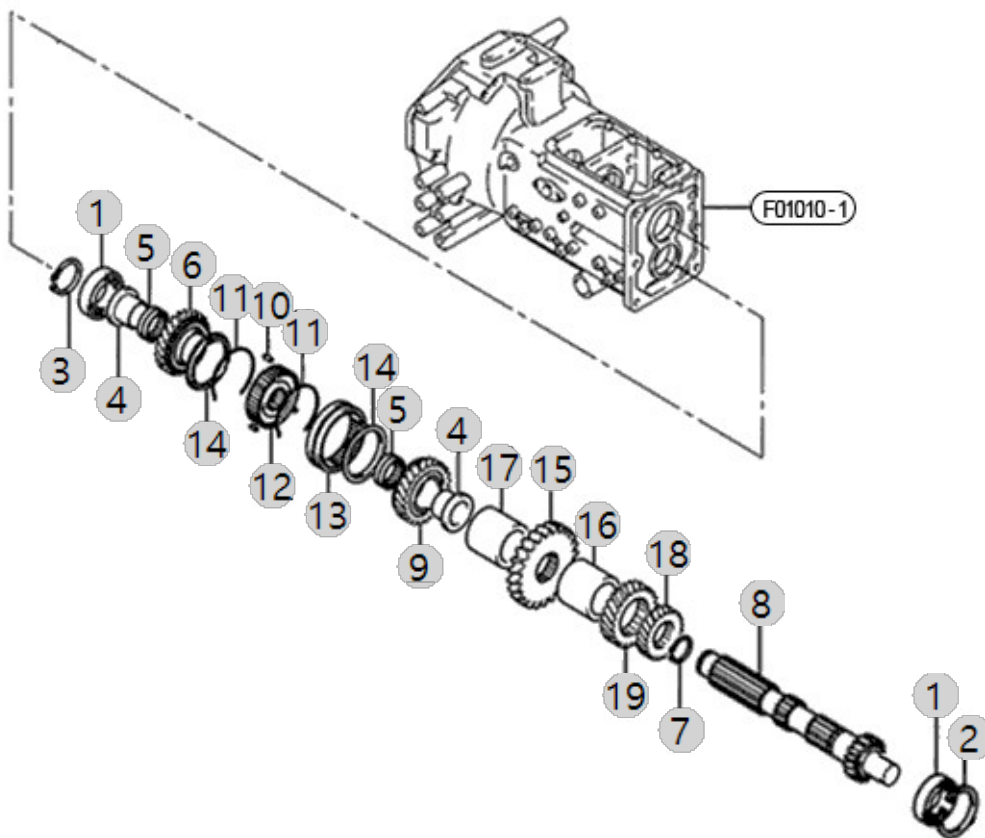
F03060

25ROPS TM총조합
(NEC)(AC01476)

COUNTER SHAFT

Year/Month

2022-12-19



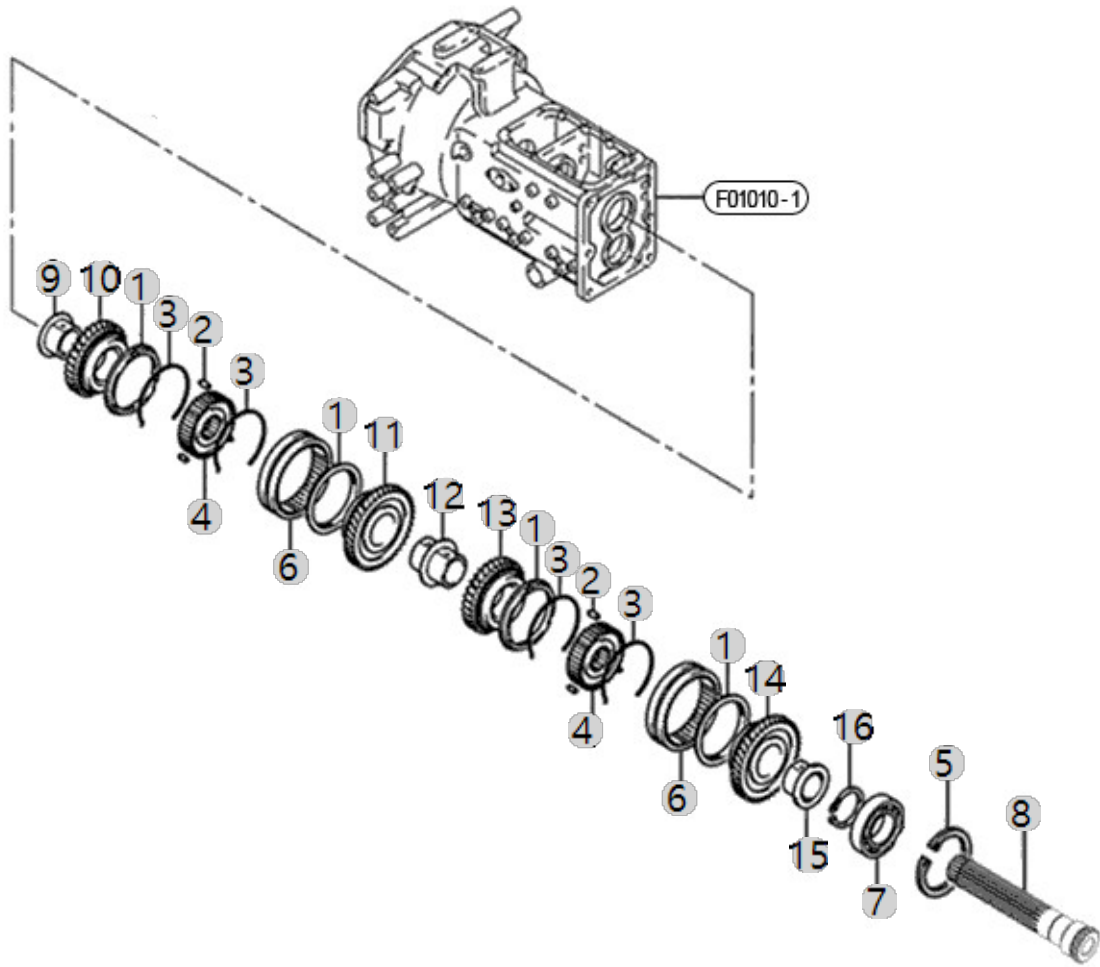
F03080

25ROPS TM총조합
(NEC)(AC01476)

GUIDE SHAFT, MAIN SHIFT

Year/Month

2022-12-19



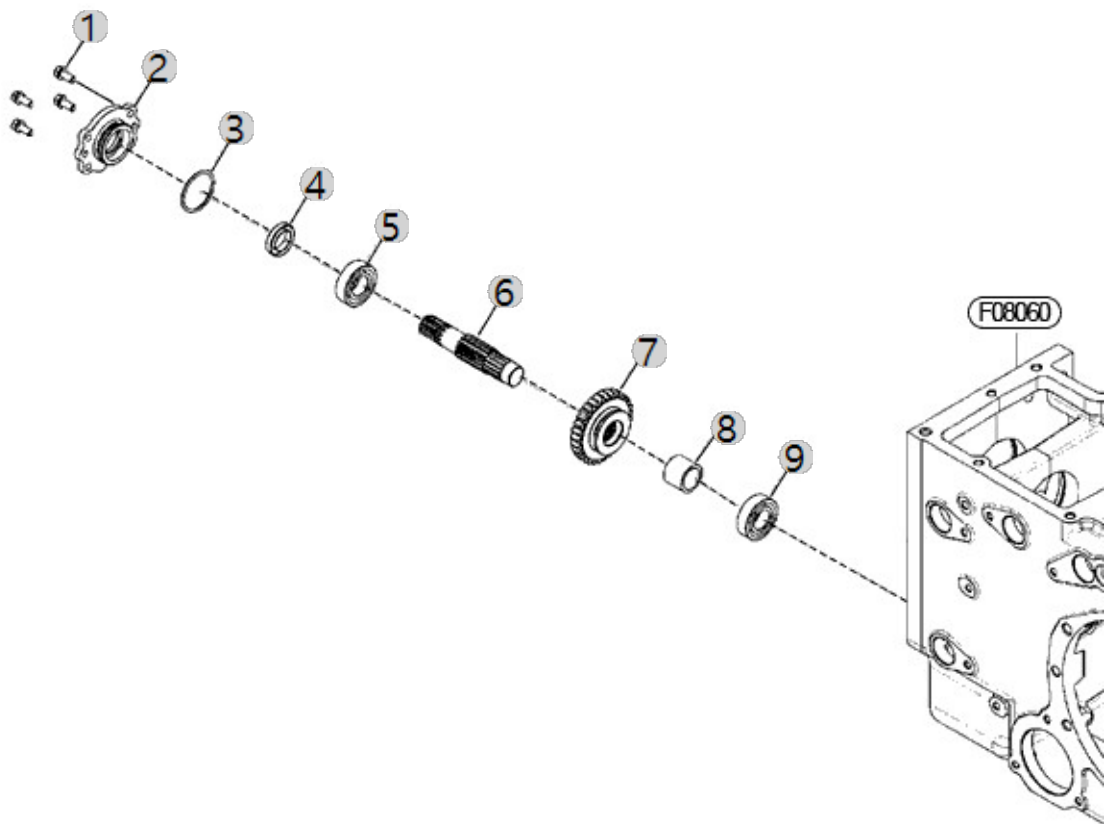
F04010

25ROPS TM총조합
(NEC)(AC01476)

FRONT WHEEL DRIVE SHAFT

Year/Month

2022-12-19



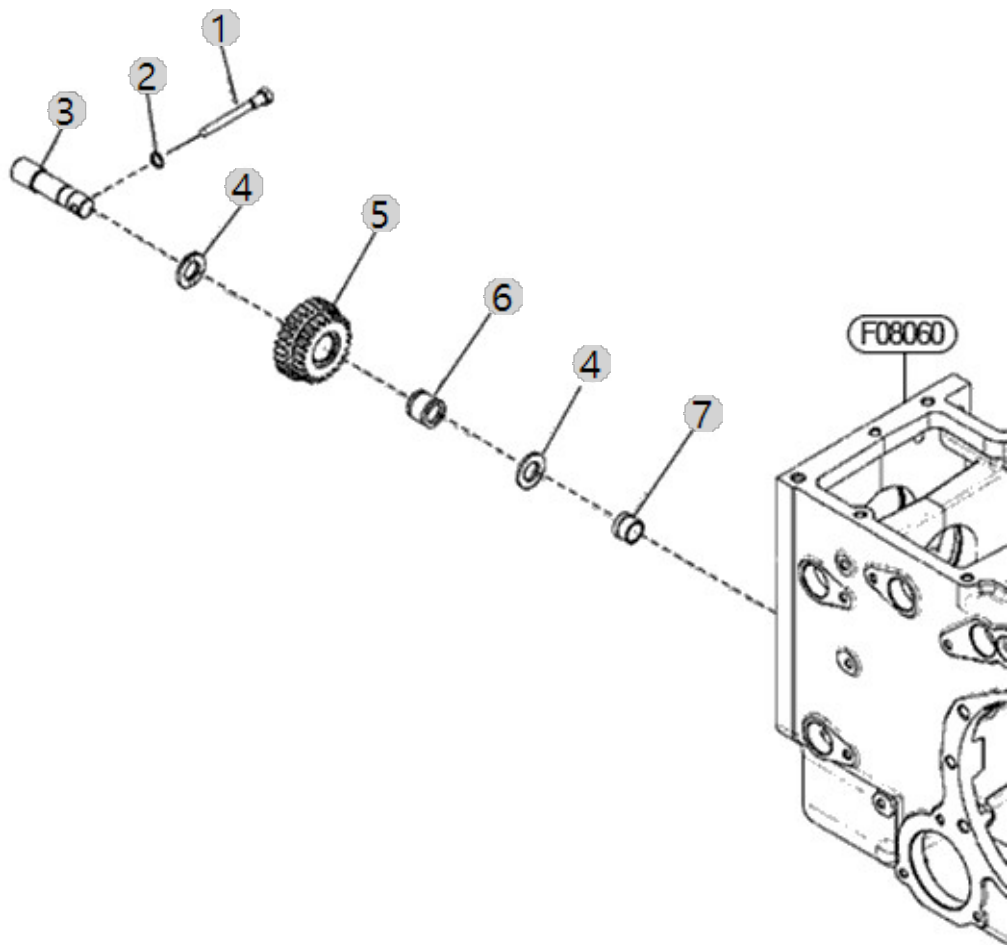
F04030

25ROPS TM총조합
(NEC)(AC01476)

FRONT WHEEL DRIVE IDLE SHAFT

Year/Month

2022-12-19



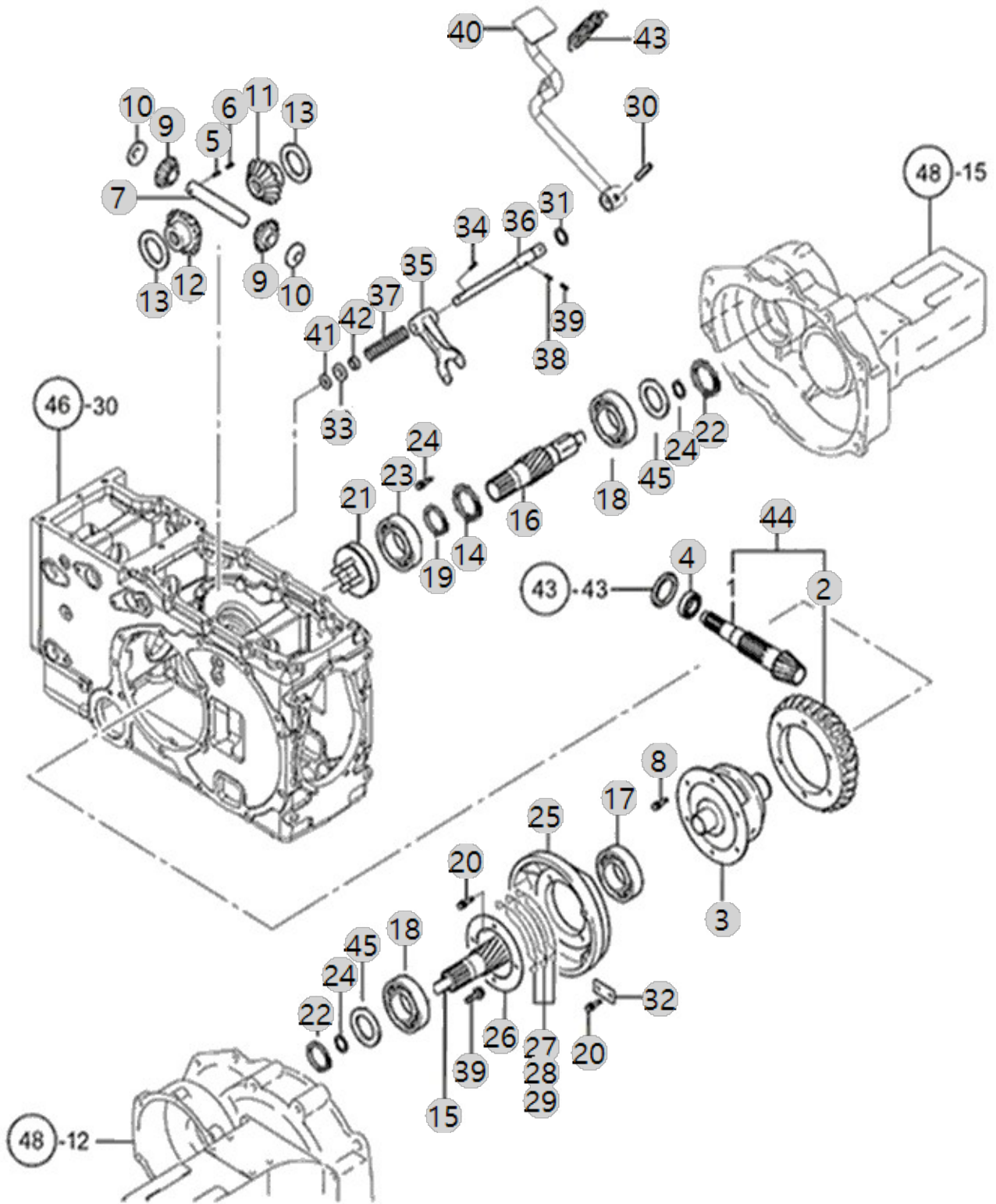
F05000

25ROPS TM총조합
(NEC)(AC01476)

DIFFERENTIAL ASS'Y

Year/Month

2022-12-19



F05000 25ROPS TM총조합 (NEC)(AC01476)		DIFFERENTIAL ASS'Y				Year/Month 2022-12-19
순번 (NO)	부품번호 (PART NO)	품명 (PART NAME)	품명 (PART NAME)	수량 (QTY)	규격 (SPEC)	비고 (REMARK)
1	TN49510000B2	카운터축	COUNTERSAHFT	1		DEL.20221018
2	TN49520000D2	링기어	RINGGEAR	1		DEL.20221018
3	TN49030000E2	차동케이스	CASE,DIFFERENTIAL	1		DEL.20221018
4	TT78020000A3	베어링NJ307R	BEARINGNJ307R	1	NJ307R	DEL.20220323
5	22312-060360	평행핀	PIN, DOWEL (6-36)	1	D6X36	DEL.20221018
6	22351-060032	스프링핀	PIN, SPRING (6-32)	1	D6X32	DEL.20221018
7	TF64080000A4	피니언축	PINIONSHAFT	1		DEL.20221018
8	TF64090000B4	볼트	BOLT	6		DEL.20221018
9	TF64100000B3	차동피니언	PINION	2		DEL.20221018
10	TF64110000A4	피니언라이너	PINIONLINER	2	T1.0	DEL.20221018
11	TF64120000A3	차동사이드기어(A)	DIFF.SIDEGEAR(A)	1		DEL.20221018
12	TF64130000A3	차동사이드기어(B)	DIFF.SIDEGEAR(B)	1		DEL.20221018
13	TF64140000B4	사이드기어라이너	SIDEGEARLINER	2		DEL.20221018
14	22252-000800	구멍용스냅링80	RING, CIRCLIP (Φ 80)	1	D80	
15	TA00032603E	파이널 피니언(좌)	FINAL PINION(L)	1		DEL.20221018
16	TA00032596E	파이널 피니언(우)	FINAL PINION(R)	1		DEL.20221018
17	24101-062114	볼베어링6211	Bearing, Ball (#6211)	1	#6211	
18	TF64190000A4	베어링6308HL1	BALL BEARING (#6308HL1) -> TF64190000A3	2	NJ307R	DEL.20220323
19	22242-000500	축용스냅링50	SNAP RING, SHAFT (Φ50)	1	D50	
20	26013-080202	와셔조립육각볼트(+SW)	Bolt, Hexa (8-20)	4	M8XP1.25X20	DEL.20221018
21	TF64250000B3	데프록스러스트	THRUST, DIFF-LOCK ASSY	1		DEL.20221018
22	22252-000900	구멍용스냅링90	RING, CIRCLIP (Φ 90)	2	D90	DEL.20221018
23	24101-060104	볼베어링6010	Bearing, Ball (#6010)	1	#6010	
24	22242-000400	축용스냅링40	SNAP RING, SHAFT (Φ 40)	2	D40	DEL.20221018
25	TN49550000B2	캐리어	CARRIOR	1		DEL.20221018
26	TN49590000A4	리테이너	RETAINER	1		DEL.20221018
27	TZ49560000A4	심A(0.5)	SHIMA	3		DEL.20221018
28	TZ49570000A4	심B(0.3)	SHIMB	3		DEL.20221018
29	TZ49580000A4	심C(0.1)	SHIMC	2		DEL.20221018
30	22351-080032	스프링핀	PIN, SPRING (8-32)	2	D8X32	
31	24311-000160	O-링 P 16	O-RING, DYNAMIC (Φ16)	1	P16	
32	TB32360000A4	리테이너	RETAINER	2	T4.5X25X50	DEL.20221018
33	TN49380000A4	와셔	WASHER	1	T4.2X30X30	
34	26013-080202	와셔조립육각볼트(+SW)	Bolt, Hexa (8-20)	10	M8XP1.25X20	DEL.20221018
35	TN49400000B2	차동포크	FORKDIFFERENTIALLOCK	1		
36	TA00027271B	포크축	SHAFT	1		DEL.20221018
36	TA00027271C	포크축	SHAFT	1		
37	TN49430000A4	스프링	SPRING	1	D4.0	
38	22351-080040	스프링핀8X40	PIN, SPRING (8-40)	1	D8X40	
39	22351-050040	스프링핀5X40	PIN, SPRING (5-04)	1	D5X40	
40	TA00001510B	차동페달(HST20S)	PEDAL, DIFF.LOCK	1		
41	22121-140000	평와셔	WASHER, PLAIN (Φ 14)	1	M14	
42	24421-152507	오일실TC152507	Seal, Oil (#15-25-07)	1	TC15X25X7	
43	TTB1300000A4	리턴스프링	SPRING,RETURN	1		
44	TN49500000C9	링기어조합	RING GEAR ASSY	1		DEL.20221018

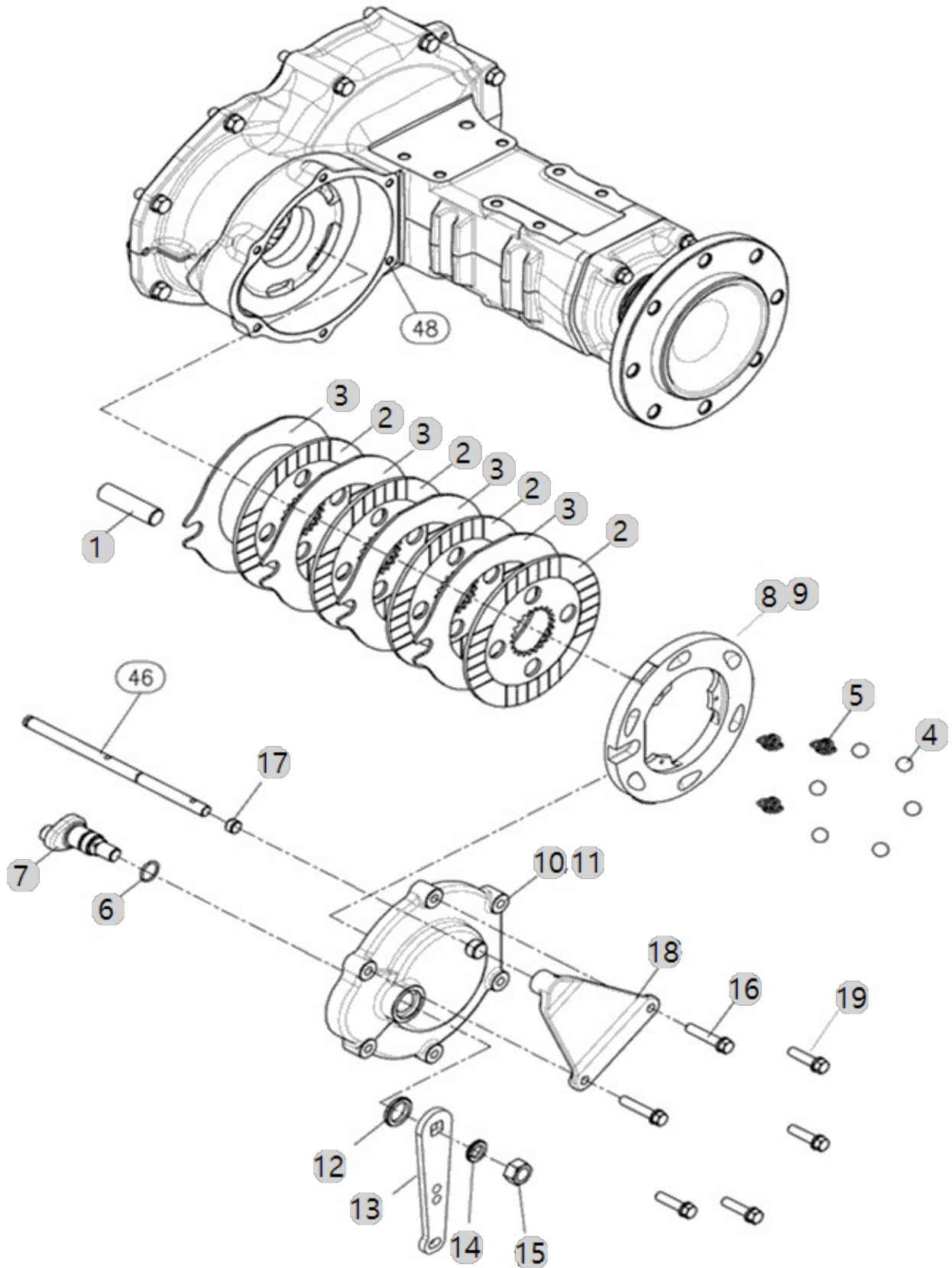
F06030

25ROPS TM총조합
(NEC)(AC01476)

BRAKE

Year/Month

2022-12-19



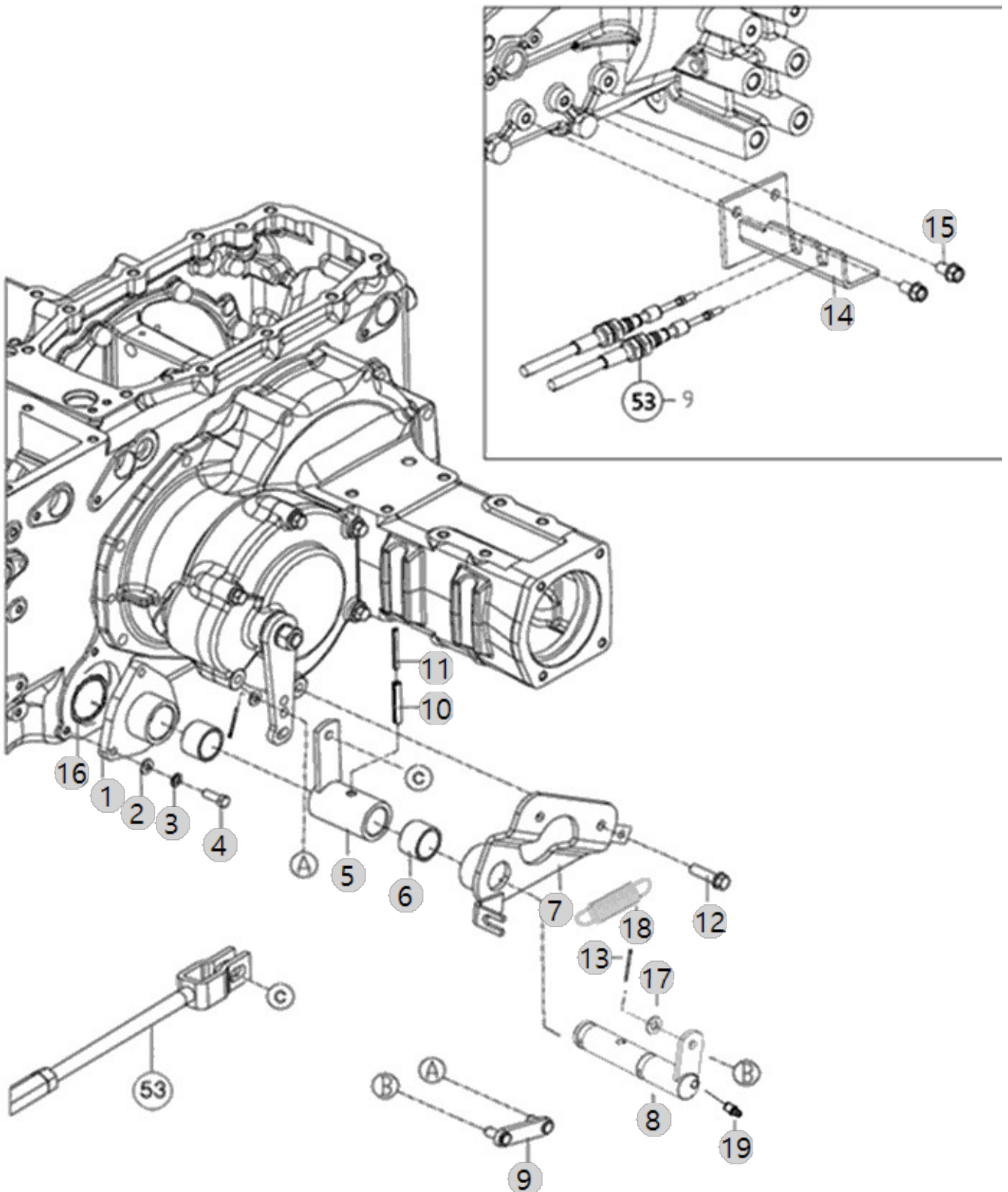
F06031

25ROPS TM총조합
(NEC)(AC01476)

SUPPORT, BRAKE

Year/Month

2022-12-19



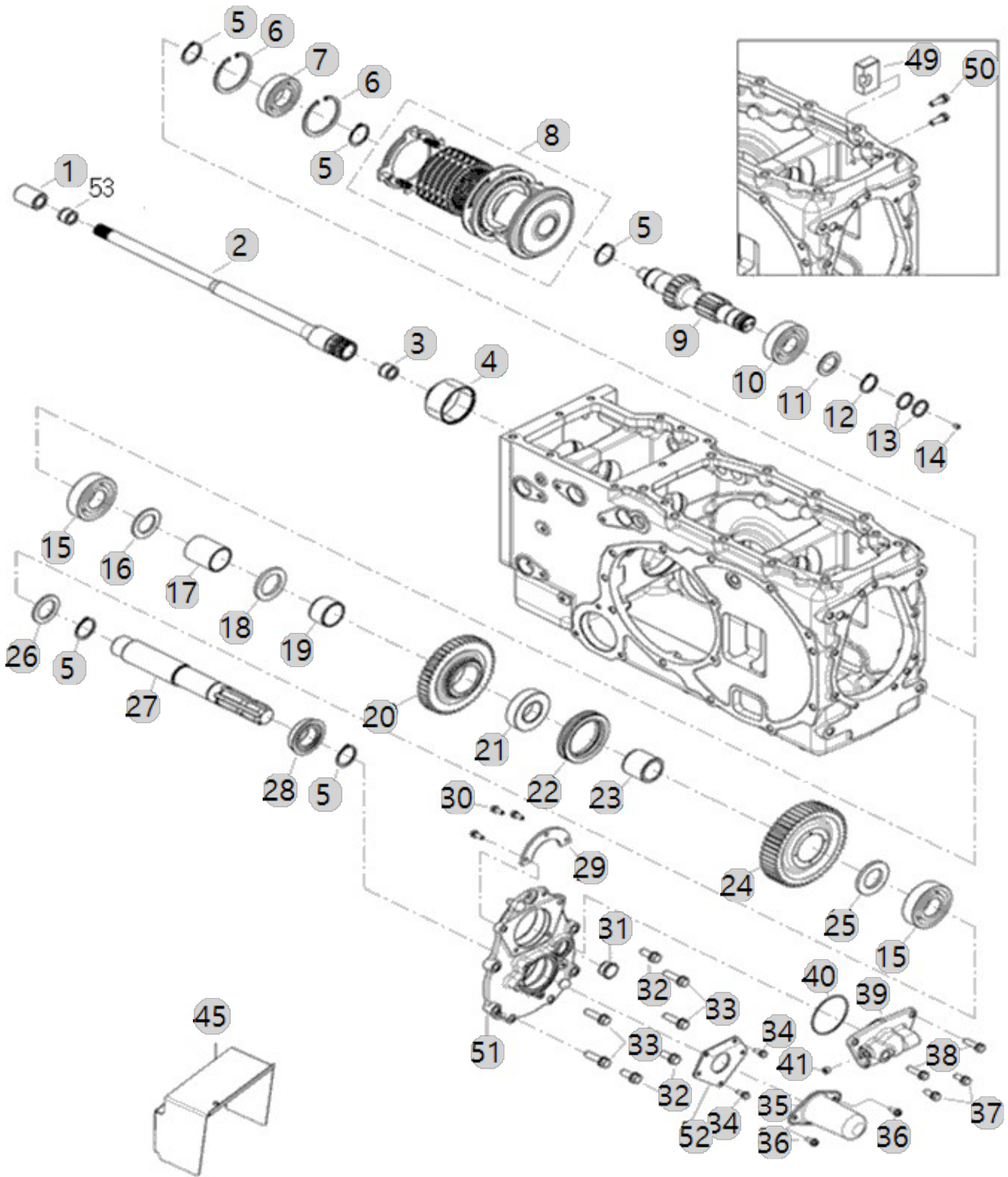
F07000

25ROPS TM총조합
(NEC)(AC01476)

PTO

Year/Month

2022-12-19



F07000 25ROPS TM총조합 (NEC)(AC01476)		PTO				Year/Month 2022-12-19
순번 (NO)	부품번호 (PART NO)	품명 (PART NAME)	품명 (PART NAME)	수량 (QTY)	규격 (SPEC)	비고 (REMARK)
1	TZ43010000A3	변속축연결칼라(20용)	COLLAR,COUPLING	1		
2	TA00015848A	PTO연결축(HST)20	PTO SHAFT(HST)	1		
3	24161-182417	니들베어링	Bearing, Neddle (#18-24-17)	1	KT182417	
4	NT45480000A3	PTO커플링	PTO COUPLING	1		
5	22242-000350	축용스냅링35	SNAP RING, SHAFT (Φ 35)	5	D35	
6	22252-000720	구멍용스냅링72	RING, CIRCLIP (Φ 72)	2	D72	
7	24101-062074	볼베어링6207	BALL BEARING (#6207)	1	#6207	DEL.20220323
8	TA00026514D	PTO클러치팩	PTO CLUTCH PACK	1		
9	NT45920000A2	PTO변속축	SHAFT, PTO SHIFT	1		
10	24101-063064	볼베어링6306	Bearing, Ball (#6306)	1	#6306	DEL.20220323
11	TN45520000A4	칼라	COLLAR	1		
12	22242-000300	축용스냅링30	SNAP RING, SHAFT (Φ 30)	1	D30	
13	TT64070000B4	시일링	SEAL RING	2	26X30X3	
14	TT64080000A4	멈춤나사 M7X1	RETAININGSCREWM7X1	1	M7XP1.0	
15	24101-063074	볼베어링6307	Bearing, Ball (#6307)	2	#6307	DEL.20220323
16	NT45670000B4	스러스트와셔	THRUST WASHER	1	3.0T	
17	NT45680000B4	스페이서	SPACER	1	D45XT2.6	
18	NT45440000C4	칼라	COLLAR	1		
19	TA00033210A	니들부시D	NEEDLE BUSH D	2		
20	TA00033211C	PTO기어46T	GEAR 46T, PTO	1		
21	TZ45100000B3	PTO허브	HUB,P.T.O	2		
22	TZ45110000C4	PTO슬리브	SLEEVE,P.T.O	2		
23	TA00033209A	니들부시B	NEEDLE BUSH B	1		
24	TA00033212C	PTO기어49T	GEAR 49T, PTO	1		
25	TZ45140000B4	칼라	COLLAR	1	5T	
26	TN45120000A4	와셔	WASHER	1	T3.0X60X60	
27	NT45130000B3	PTO축	shaft, PTO	1		
28	TT62040000A3	PTO 오일실 QLF35X60X19	PTO OIL SEAL QLF35X60X19	1	35X60X19	
29	NT45640000A4	베어링커버	Bearing Cover	1		
30	26013-060162	와셔조립육각볼트(+SW)	Bolt, Hexa (6-16)	3	M6XP1.0X16	
31	TCA8130000A4	검유창	SIGHTGLASS -> NT45690000A4	1		
32	26013-100252	와셔조립육각볼트(+SW)	SCREW, CAPTIVE WASHER CAP	3	M10X1.50X02	
33	26013-100352	볼트	Bolt, Hexa (10-35)	4		
34	26013-060162	와셔조립육각볼트(+SW)	Bolt, Hexa (6-16)	3	M6XP1.0X16	
35	TT80030000A3	P.T.O커버	P.T.OCOVER	1		
36	26106-060162	육각플랜지 볼트	HEXFLANGEBOLT	2	M6XP1.0X16	
37	26013-080202	와셔조립육각볼트(+SW)	Bolt, Hexa (8-20)	2	M8XP1.25X20	
38	26013-080302	와셔조립육각볼트(+SW)	HEX BOLT W/WASHER	2	M8XP1.25X30	
39	NT45620000A3	실케이스	SEAL CASE	1		
40	24341-000700	O링(70-S)	O-RING, FIX (Φ70)	1	1A S70.0	
41	23871-010000	테이퍼플러그	PLUG	1	PT1/8	
45	TA00062857A	PTO커버	COVER, PTO	1		
45	TA00062857B	PTO커버	COVER, PTO	1		
49	NT45980000A4	브레이크잡이	BRAKE HOLDER	1		
50	26013-080252	와셔조립육각볼트(+SW)	Bolt, Hexa (8-25)	2	M8XP1.25X25	

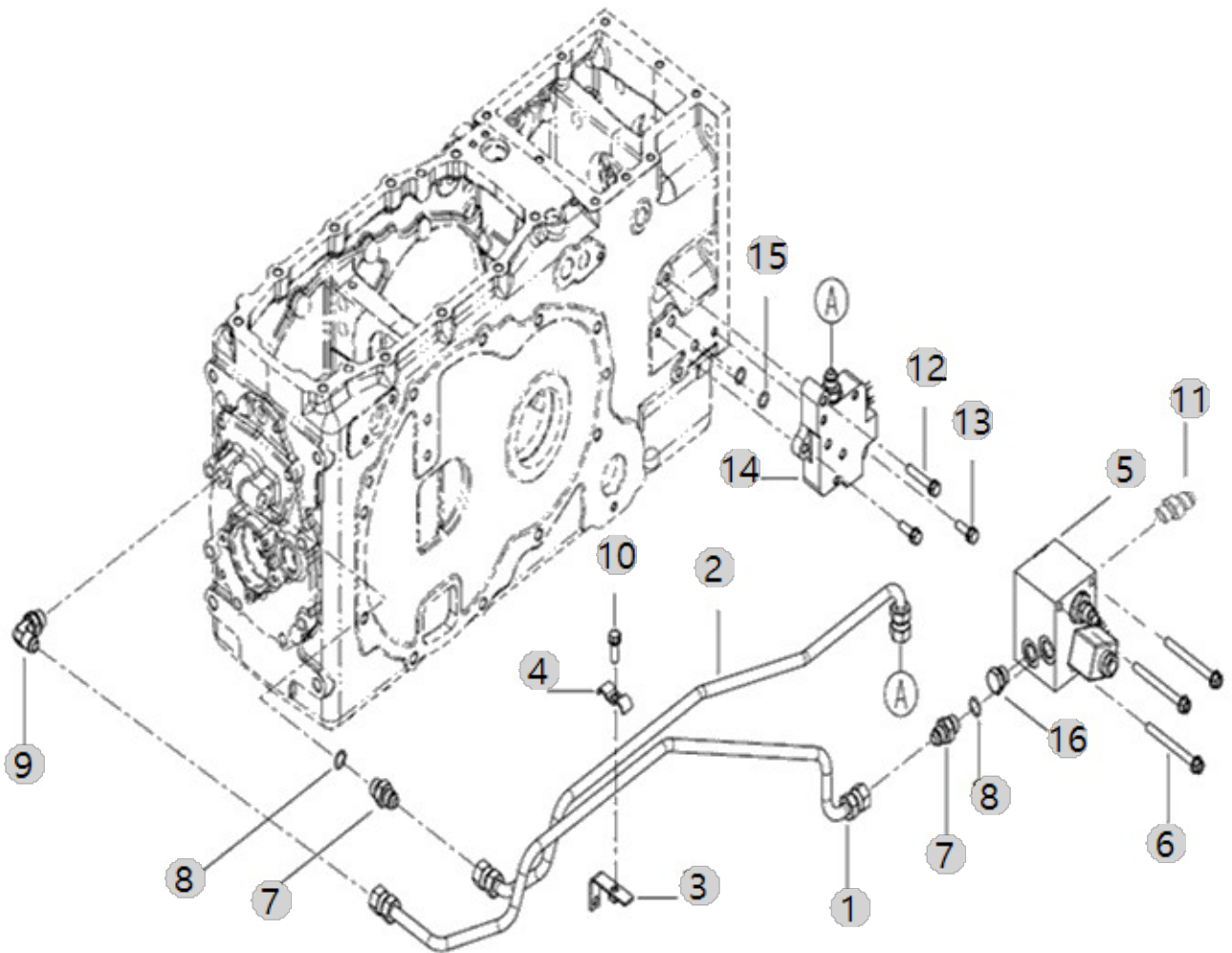
F07050

25ROPS TM총조합
(NEC)(AC01476)

PTO VALVE

Year/Month

2022-12-19



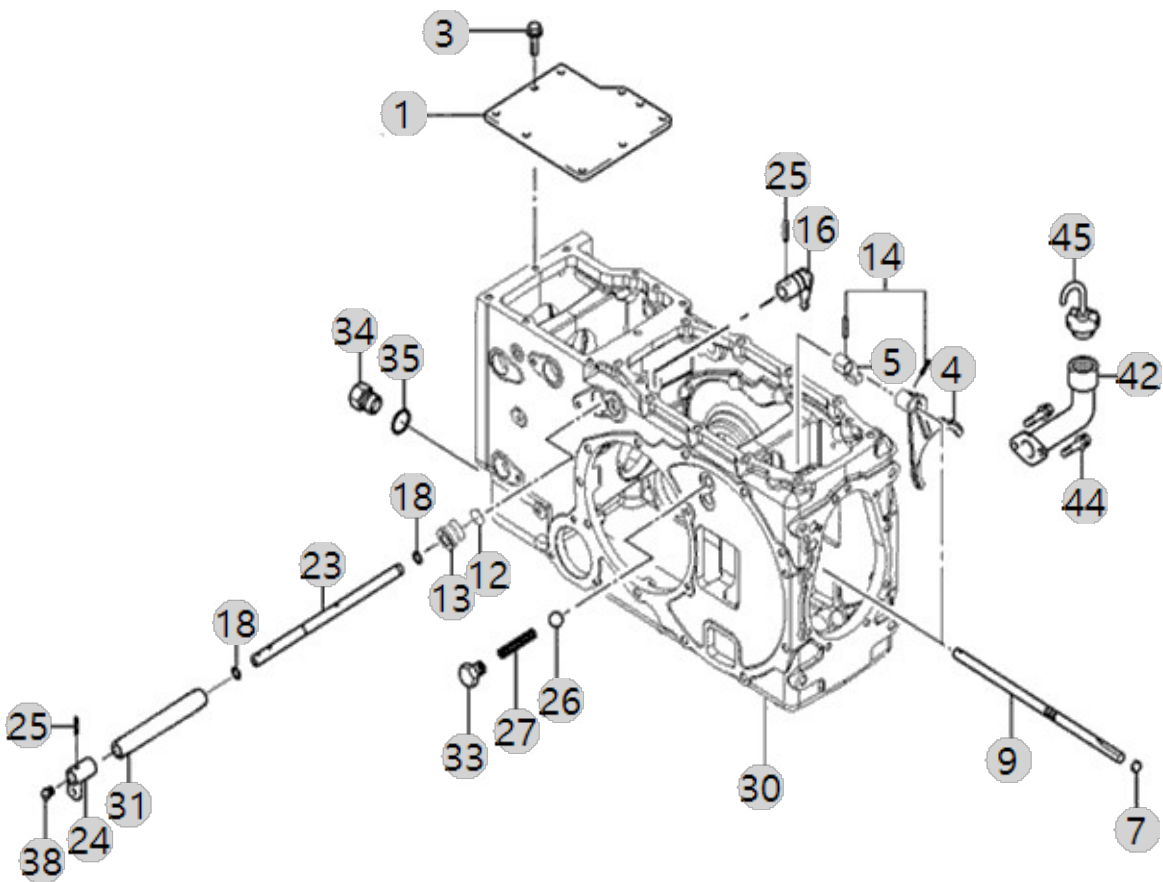
F08060

25ROPS TM총조합
(NEC)(AC01476)

FORK, PTO SHIFT

Year/Month

2022-12-19



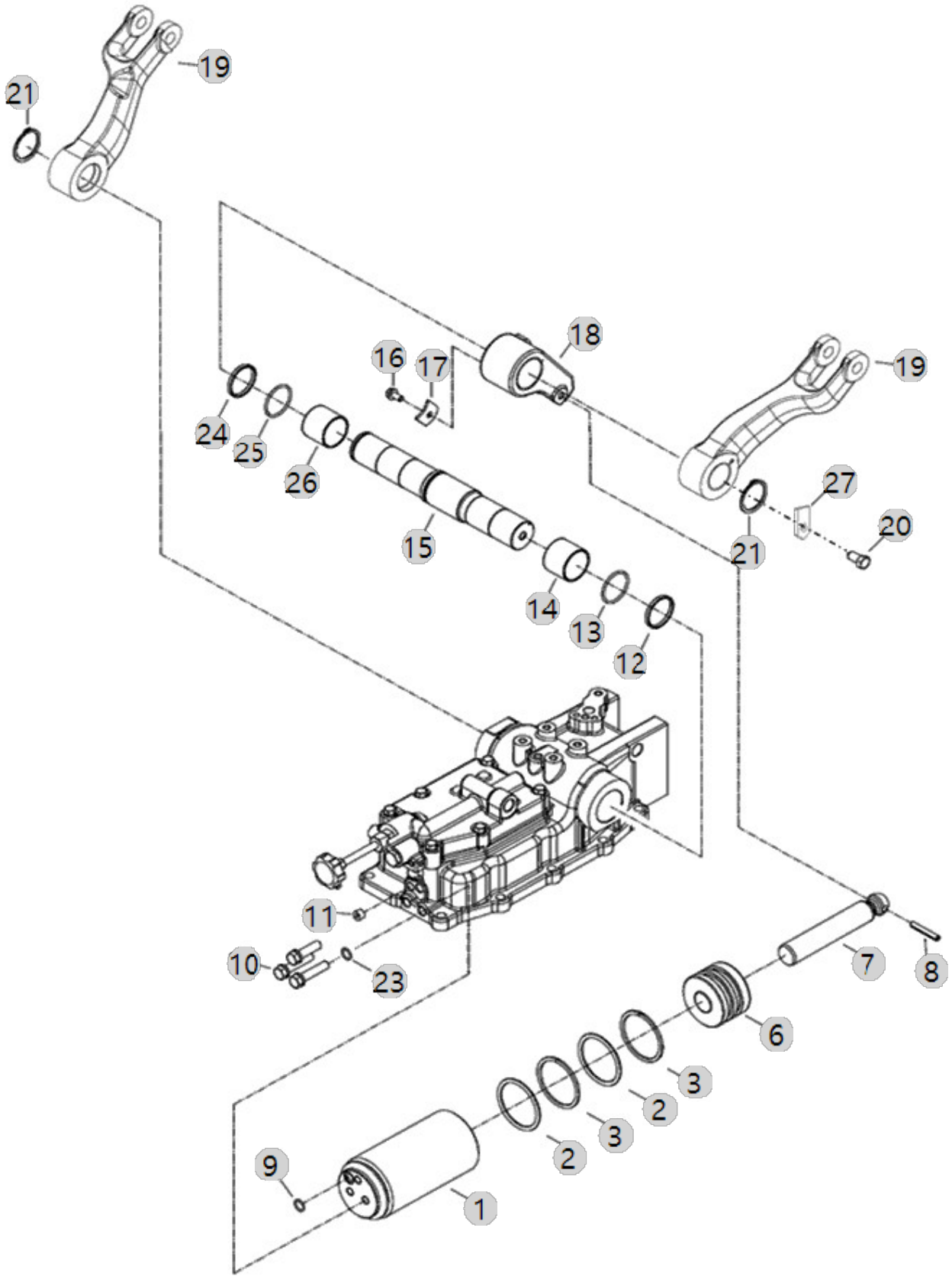
F10020

25ROPS TM총조합
(NEC)(AC01476)

LIFT ARM

Year/Month

2022-12-19



F10020 25ROPS TM총조합 (NEC)(AC01476)		LIFT ARM				Year/Month 2022-12-19
순번 (NO)	부품번호 (PART NO)	품명 (PART NAME)	품명 (PART NAME)	수량 (QTY)	규격 (SPEC)	비고 (REMARK)
1	TA00046960B	실린더조합(ID90)	CYLINDER	1		
2	TA00046958A	O-링	O RING	2		
3	TA00046957A	백업링	BACKUP-RING	2		
6	TA00046959A	피스톤(OD90)	PISTON	1		
7	TA00033094A	피스톤로드	ROD, PISTON	1		
8	22351-080050	스프링핀	PIN, SPRING (8-50)	1		
9	34311-000140	O-링	O-RING	1		
10	26156-120552	육각볼트(세목)	HEXAGON HEAD BOLT	3		
11	TA00045690A	플러그조합	PLUG ASS'Y	1		
12	TA00035651A	백업링	RING	1		
13	24321-000500	O링(G형)	O-RING (D50)	1	G50	
14	TA00035650A	부시(D55X40)	BUSH	1		
15	TA00033089C	리프트링크축	SHAFT, LIFT LINK	1		
16	26106-080162	플랜지볼트8X16	SCREW,HEXFLANGEHEADCAP	1	M8XP1.25X16	
17	TA00033095A	플레이트	PLATE	1		
18	TA00033093B	리프트크랭크	CRANK, LIFT	1		
19	TA00040302B	리프트암	LIFT ARM	2		
20	26106-100202	육각플랜지볼트	HEX BOLT, (10-20)	1	M10XP1.5X20	
21	22242-000450	축용스냅링45	SNAP RING, SHAFT (φ 45)	2	D45	
23	TA00035675A	본디드실(M12)	BONDED SEAL	3		
24	TA00033100A	백업링	RING, BACK UP	1		
25	24321-000450	O링(G형)	O-RING, DYNAMIC (φ45)	1	G45	
26	TA00033099A	부시	BUSH	1		
27	HA00001435A	리프트센서(무접점)조합	LIFT SENSOR	1		

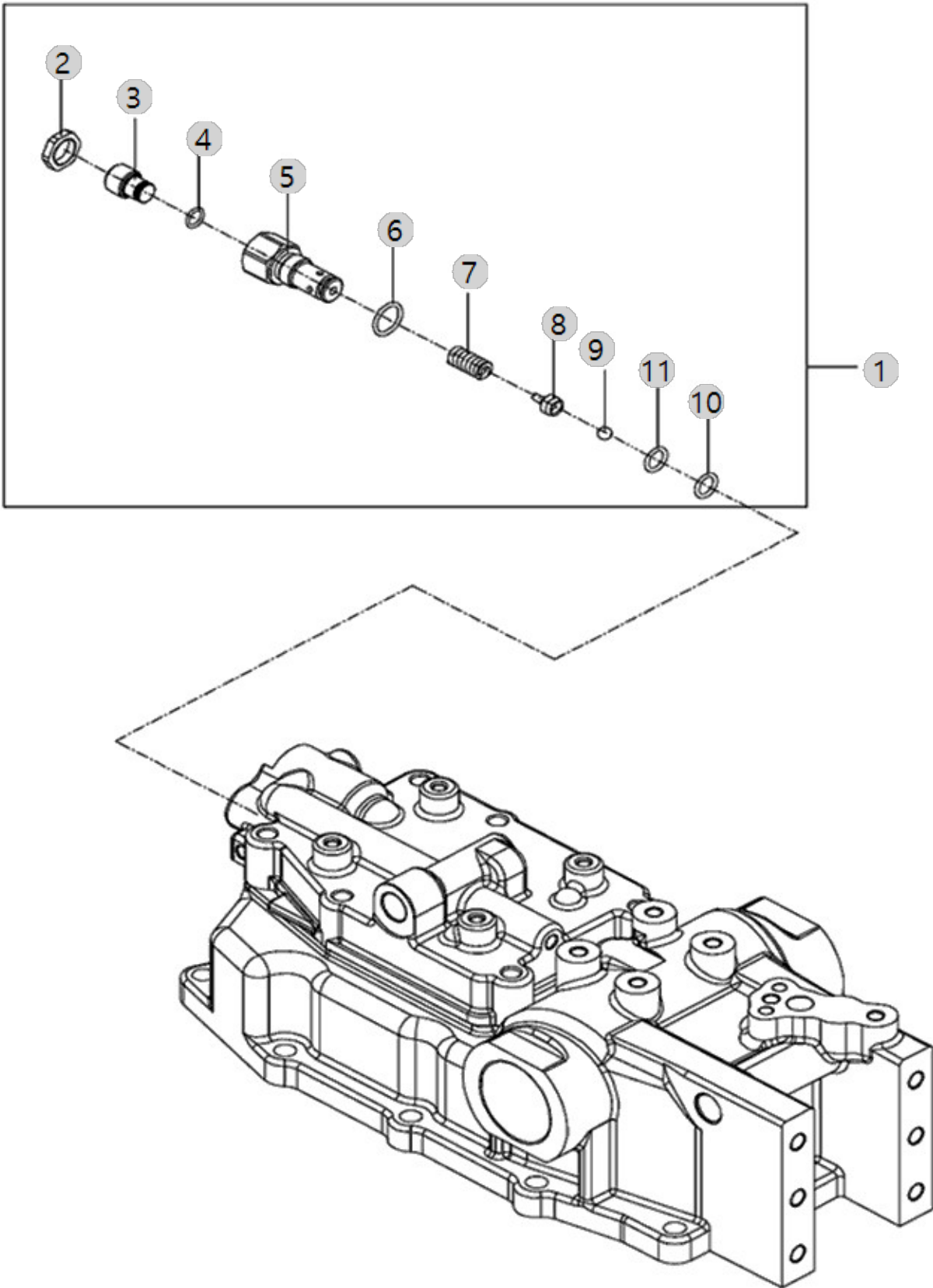
F10030

25ROPS TM총조합
(NEC)(AC01476)

SAFTY VALVE

Year/Month

2022-12-19



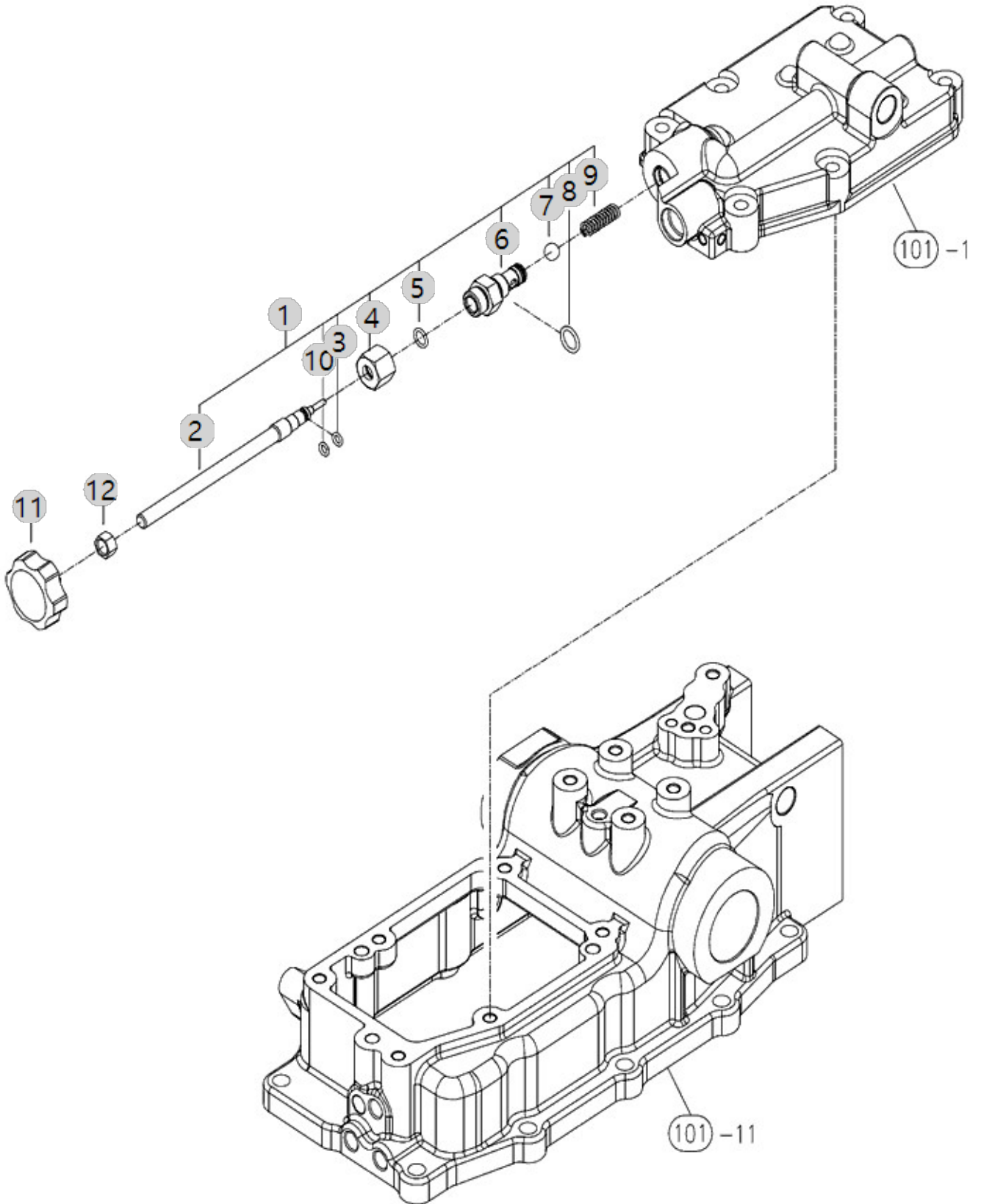
F10040

25ROPS TM총조합
(NEC)(AC01476)

STOP VALVE

Year/Month

2022-12-19



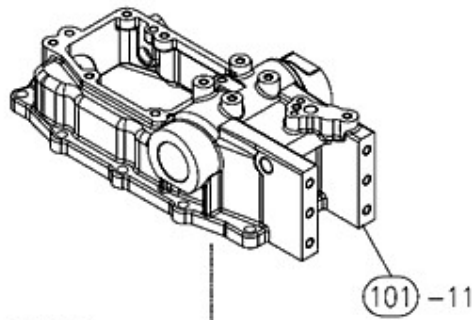
F10061

25ROPS TM총조합
(NEC)(AC01476)

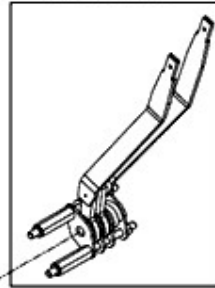
DRAFT/ POSITION CONTROL LEVER

Year/Month

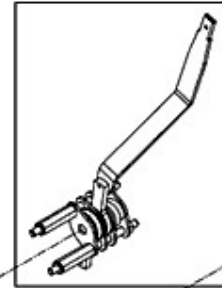
2022-12-19



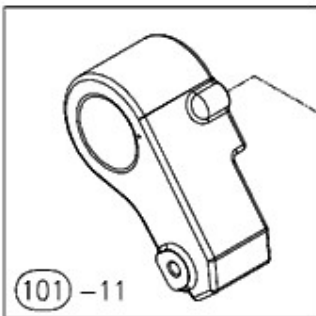
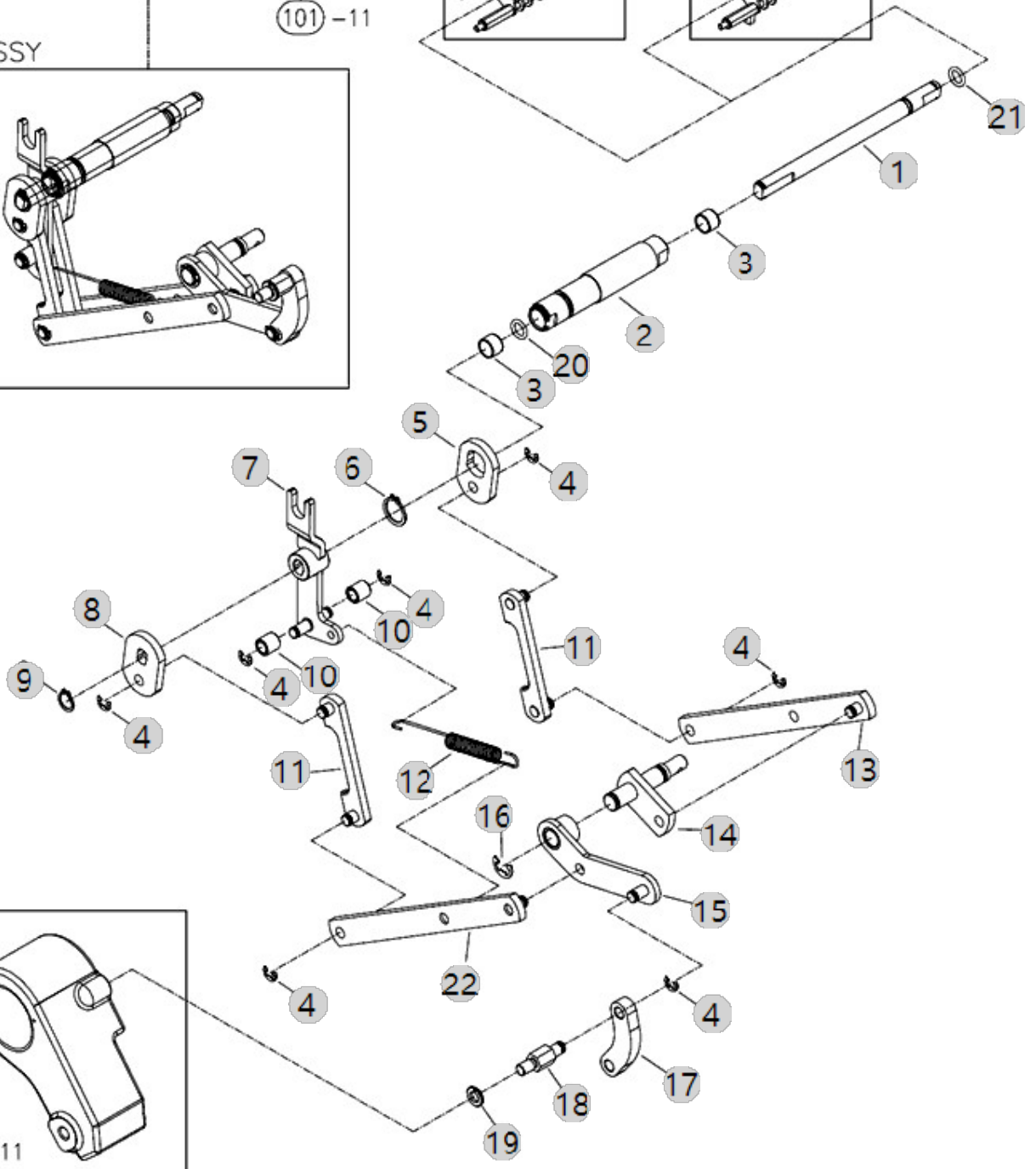
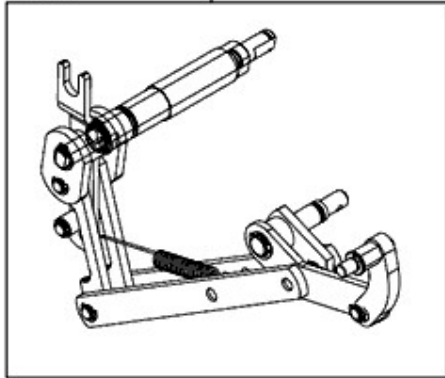
POSITION
& DRAFT



POSITION



ASSY



F10061 25ROPS TM총조합 (NEC)(AC01476)	DRAFT/ POSITION CONTROL LEVER	Year/Month
		2022-12-19

순번 (NO)	부품번호 (PART NO)	품명 (PART NAME)	품명 (PART NAME)	수량 (QTY)	규격 (SPEC)	비고 (REMARK)
1	TA00033128B	축	SHAFT	1		
2	TA00033127B	축	SHAFT	1		
3	24550-012100	드라이부시	BUSH	2		
4	22272-000060	SNAP RING	RING, CIRCLIP (Φ 06)	7	D6	
5	TA00033119A	견인 제어 플레이트	CONTROL PLATE, DRAFT	1		
6	22242-000180	축용스냅링18	SNAP RING, SHAFT (Φ 18)	1	D18	
7	TA00033121B	연결 링크조합	LINK ASSY, CONNECTING	1		
8	TA00033120A	위치 제어 플레이트	CONTROL PLATE, POSITION	1		
9	22242-000120	축용스냅링12	SNAP RING, SHAFT (Φ 12)	1	D12(축용)	
10	TA00033126A	롤러	ROLLER	2		
11	TA00033117B	링크B 조합	LINK ASSY B	2		
12	TA00033902C	스프링	SPRING	1		
13	TA00033111B	견인부하제어링크	CONTROL LINK, DRAFT LOAD	1		
14	TA00033108B	링크조합(IN)	LINK ASSY (IN)	1		
15	TA00033106B	위치피드백링크	FEED BACK LINK, POSTION	1		
16	22272-000090	E형스냅링9	RING, CIRCLIP (Φ 09)	1	D9	
17	TA00033102B	리프트크랭크링크	LINK, LIFT CRANK	1		
18	TA00033101A	피드백링크핀	LINK PIN, FEEDBACK	1		
19	22217-080000	스프링와셔8	WASHER, SPRING (Φ 08)	1	M8	
20	24311-000160	O-링 P 16	O-RING, DYNAMIC (Φ16)	1	P16	
21	24311-240100	O-링(P형)	SEAL, O-RING	1	P10	
22	TA00033114C	포지션 링크	LINK, POSITION	1		

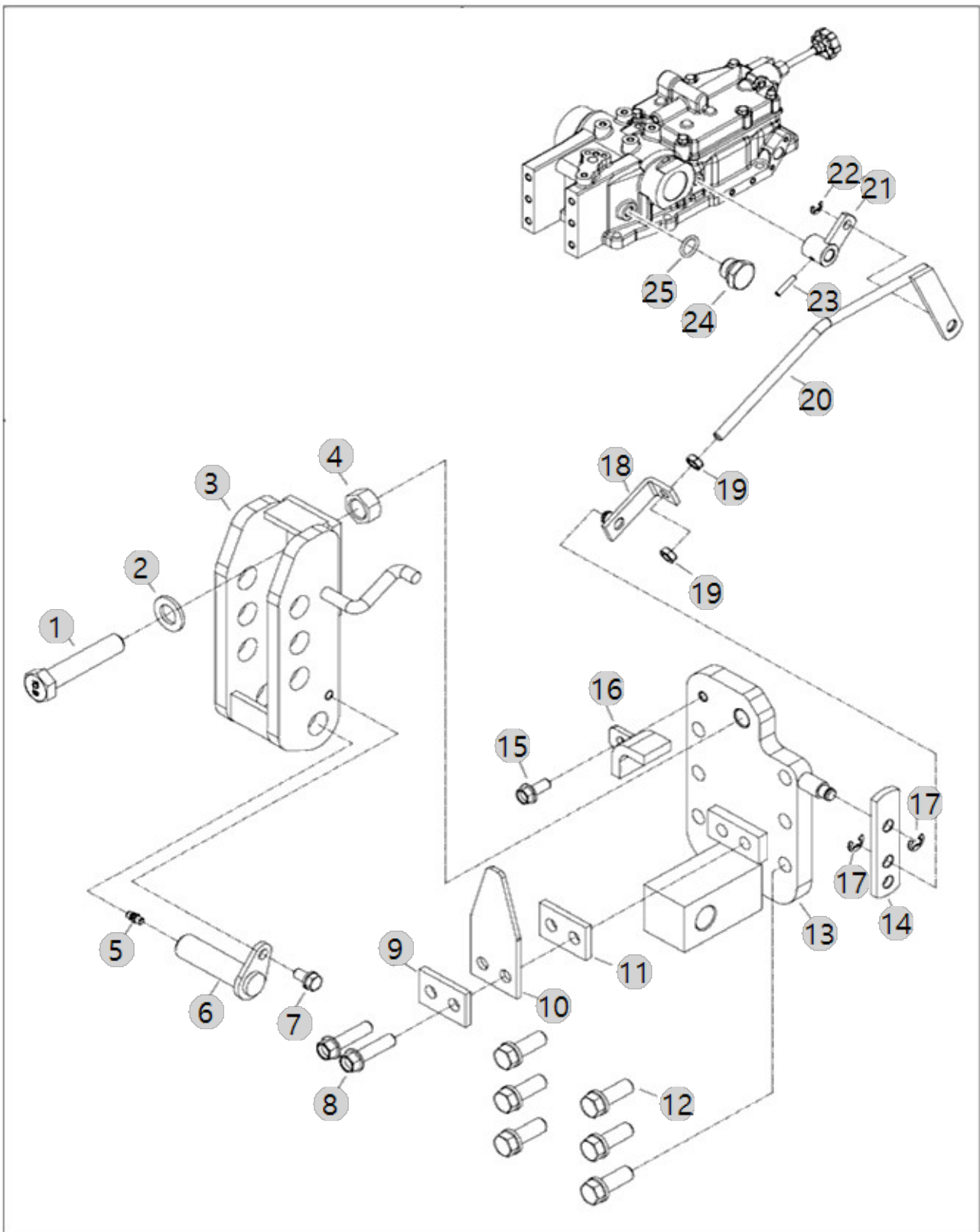
F10063

25ROPS TM총조합
(NEC)(AC01476)

DRAFT CONTROL

Year/Month

2022-12-19



F10063 25ROPS TM총조합 (NEC)(AC01476)		DRAFT CONTROL				Year/Month
						2022-12-19
순번 (NO)	부품번호 (PART NO)	품명 (PART NAME)	품명 (PART NAME)	수량 (QTY)	규격 (SPEC)	비고 (REMARK)
1	TA00000660C	육각볼트	HEX BOLT	1		
2	22137-160000	washer	WASHER, PLAIN (Φ 16)	1	M16	
3	TA00033138B	톱링크힌지D	HINGE D, TOP LINK	1		
4	26736-160002	특수NUT	HEXNUT	1	M16XP1.5	
5	TA27160000A	그리스니플	NIPPLE	1		
6	TTB3090000A	힌지핀	PIN, HINGE	1		
7	26013-080162	washer조립육각볼트(+SW)	Bolt, Hexa (8-16)	1	M8XP1.25X16	
8	26106-100402	플랜지볼트	SCREW,HEXFLANGEHEADCAP	2	M10X1.5X40	
9	TA00034144A	고정판	PLATE	1		
10	TA00033137A	힌지판	PLATE, HINGE	1		
11	TA00034144A	고정판	PLATE	1		
13	TA00034018B	힌지서포터 조합	SUPPORT D, HINGE ASSY	1		
14	TA00033143D	플레이트	PLATE	1		
15	26106-080202	육각플랜지볼트	SQR FLANGE BOLT	1	M8XP1.25X20	
16	TA00034142B	연결판 조합	PLATE ASS'Y	1		
17	22272-000080	E형스냅링8	RING, CIRCLIP (Φ 08)	2	D8	
18	TA00033144C	플레이트조합	PLATE ASSY	1		
19	26756-080002	고정너트M8	NUT	2	M8X1.25	
20	TA00033150C	견인제어로드	CONTROL ROD, DRAFT	1		
21	TA00033147C	링크조합(OUT)	LINK ASSY (OUT)	1		
22	22272-000060	SNAP RING	RING, CIRCLIP (Φ 06)	1	D6	
23	22351-040020	스프링핀	PIN, SPRING (4X20)	1	D4X20	
24	NTA1130100A9	몸체	BODY	1		
25	24311-000140	운동용O링	SEAL,ORING	1	P14	

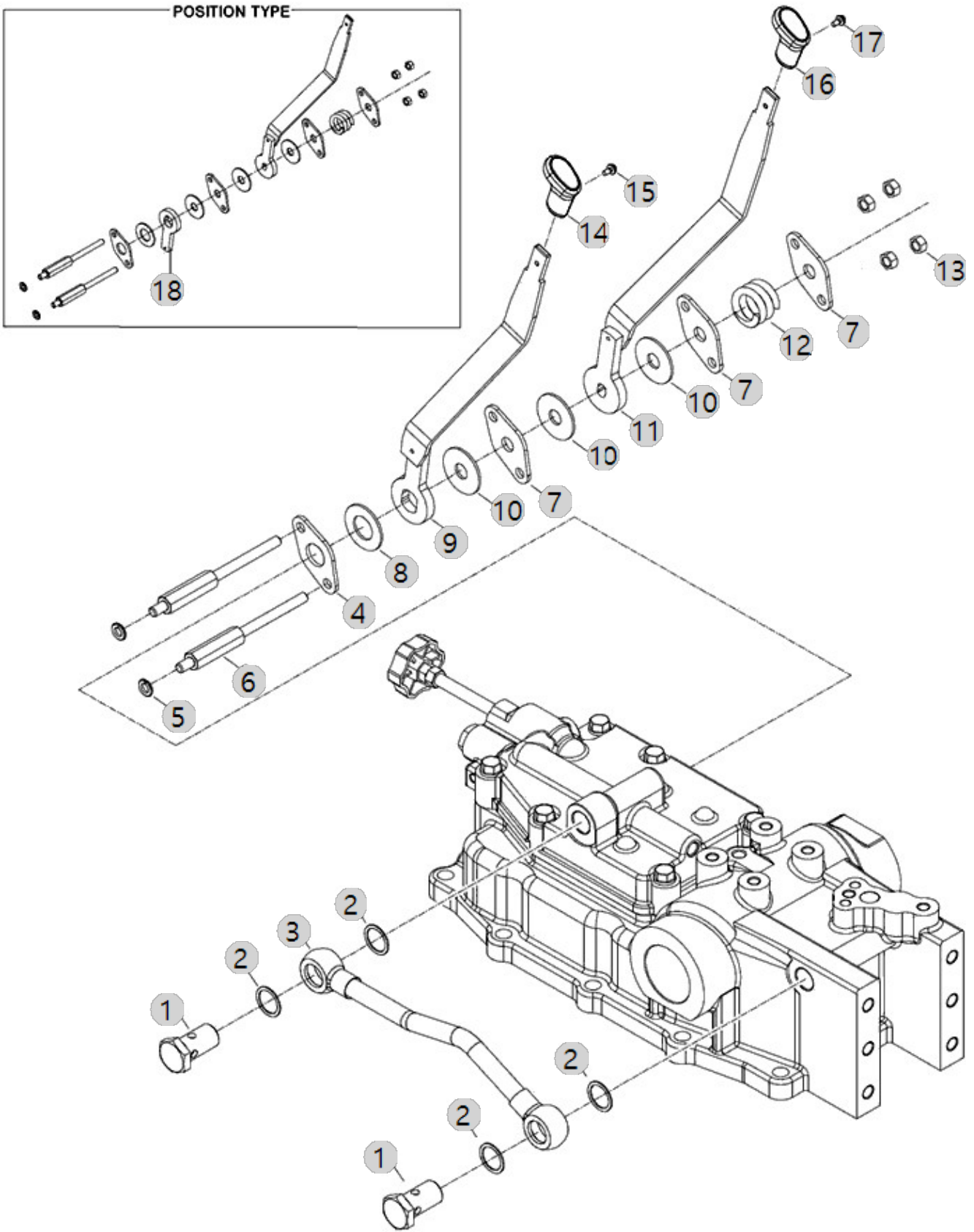
F10064

25ROPS TM총조합
(NEC)(AC01476)

POSITION CONTROL LEVER

Year/Month

2022-12-19



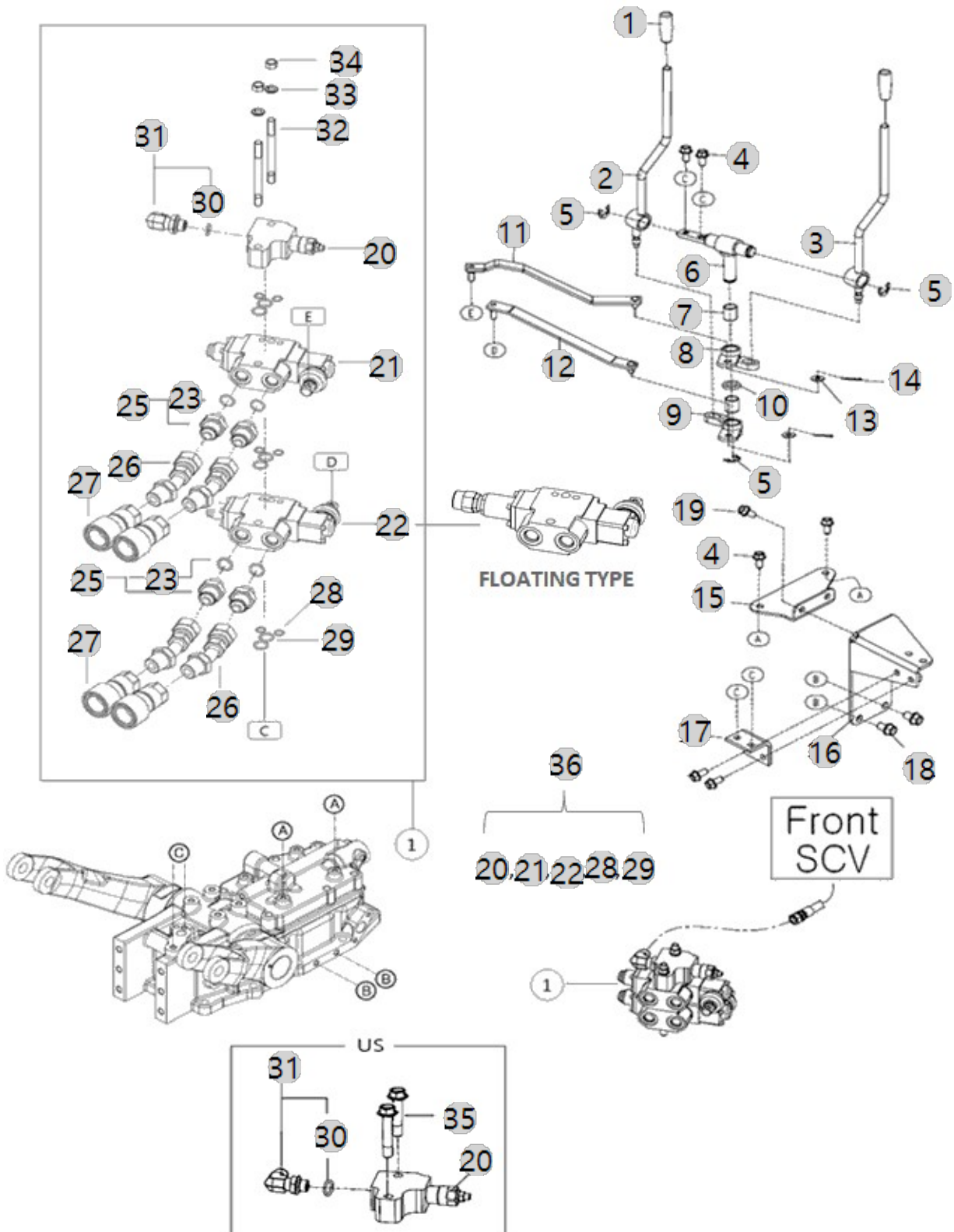
F10120

25ROPS TM총조합
(NEC)(AC01476)

REAR SCV

Year/Month

2022-12-19



F10120 25ROPS TM총조합 (NEC)(AC01476)		REAR SCV				Year/Month 2022-12-19
순번 (NO)	부품번호 (PART NO)	품명 (PART NAME)	품명 (PART NAME)	수량 (QTY)	규격 (SPEC)	비고 (REMARK)
1	VD05460000A	SCV레버 노브	KNOB, SCV LEVER	2		
2	TA00034047B	레버 A 조합	LEVER A ASS'Y	1		
3	TA00034049B	레버 B 조합	LEVER B ASS'Y	1		
4	26106-080162	플랜지볼트8X16	SCREW,HEXFLANGEHEADCAP	6	M8XP1.25X16	
5	22272-000120	E형스냅링12	RING, CIRCLIP (Φ 12)	3	D12	
6	TA00034042C	축 조합	SHAFT ASS'Y	1		
7	24550-016200	드라이부시16X20	DRY BUSH 16X20	4		
8	TA00036430A	보스 A 조합 PTO 3단	BOSS B ASS'Y PTO 3SD	1		
9	TA00036429A	보스 B 조합 PTO 3단	BOSS B ASS'Y PTO 3SD	1		
10	TA00034062A	플레이트	PLATE	1		
11	TA00036297B	링크 2 조합	LINK ASSY 2	1		
12	TA00034019A	링크1조합	LINK 1 ASS'Y	1		
13	22137-080000	와셔8	WASHER, PLAIN (Φ 08)	4	M8	
14	22417-200200	할핀	PIN , COTTER (2-20)	4	D1.8	
15	TA00036443B	브래킷	BRACKET	1		
16	TA00036941A	SCV 고정 레버 브래킷 조합	HOLDING BRACKET, SCV LEVER	1		
17	TA00036949A	고정브라켓	BRACKET	1		
18	26106-100162	플랜지볼트M10X16	SCREW,HEXFLANGEHEADCAP	2	M10XP1.5X16	
19	26106-080182	444,ALL,플랜지볼트	SCREW,HEXFLANGEHEADCAP	4		
20	TA00033977B	컨트롤 릴리프	COVER RELIEF	1		
20	TA00033977C	컨트롤 릴리프	COVER RELIEF	1		
21	TA00037393A	SCV2(D)	SCV2(D)	1		
22A	TA00028226A	SCV 1	REAR SCV 1	1		
22A	TA00028226C	SCV 1	SCV 1	1		
22B	TA00048561A	SCV(FLOATING)	SCV(FLOATING)	1		
22B	TA00048561C	SCV(FLOATING)	SCV(FLOATING)	1		
23	24311-000160	O-링 P 16	O-RING, DYNAMIC (Φ16)	4	P16	
25	TA00042245B	아댑터(PF1/2)	ADAPTER	2		
26	TA00042242B	SCV연결파이프(K3)	PIPE, SCV	2		
27	FBA3150000B3	조인트암(1/2")	"ARM, JOINT(1/2")"	2		
28	24311-000100	O-링1AP10.0	O-RING, DYNAMIC (Φ10)	4	P10	
29	24311-000160	O-링 P 16	O-RING, DYNAMIC (Φ16)	4	P16	
30	24311-000140	운동용O링	SEAL,ORING	1	P14	
31	TA00035078A	90도 엘보 (PF3/8-1/2)	ELBOW	1		
31	TA00035078B	90도 엘보 (PF3/8-1/2)	ELBOW	2		
32	TA00034089A	심음 볼트	BOLT	2		
33	22217-100000	스프링와셔	WASHER, SPRING (Φ 10)	2	M10	
34	26716-100002	육각너트	Nut, Hexa (Φ10)	2	M10XP1.5	
35	26013-100452	와셔조립육각볼트	HEX BOLT W/WASHER	2	M10X1.5X45	
36A	TA00034058B	scv 조합	SCV TOTAL ASS'Y	1		
36B	TA00037386B	PTO2 SCV조합(캐빈용)	SCV TOTAL ASS'Y(DETENT)	1		
36B	TA00037386D	PTO2 SCV조합(캐빈용)	PTO2 SCV TOTAL ASS'Y(DETENT)	1		

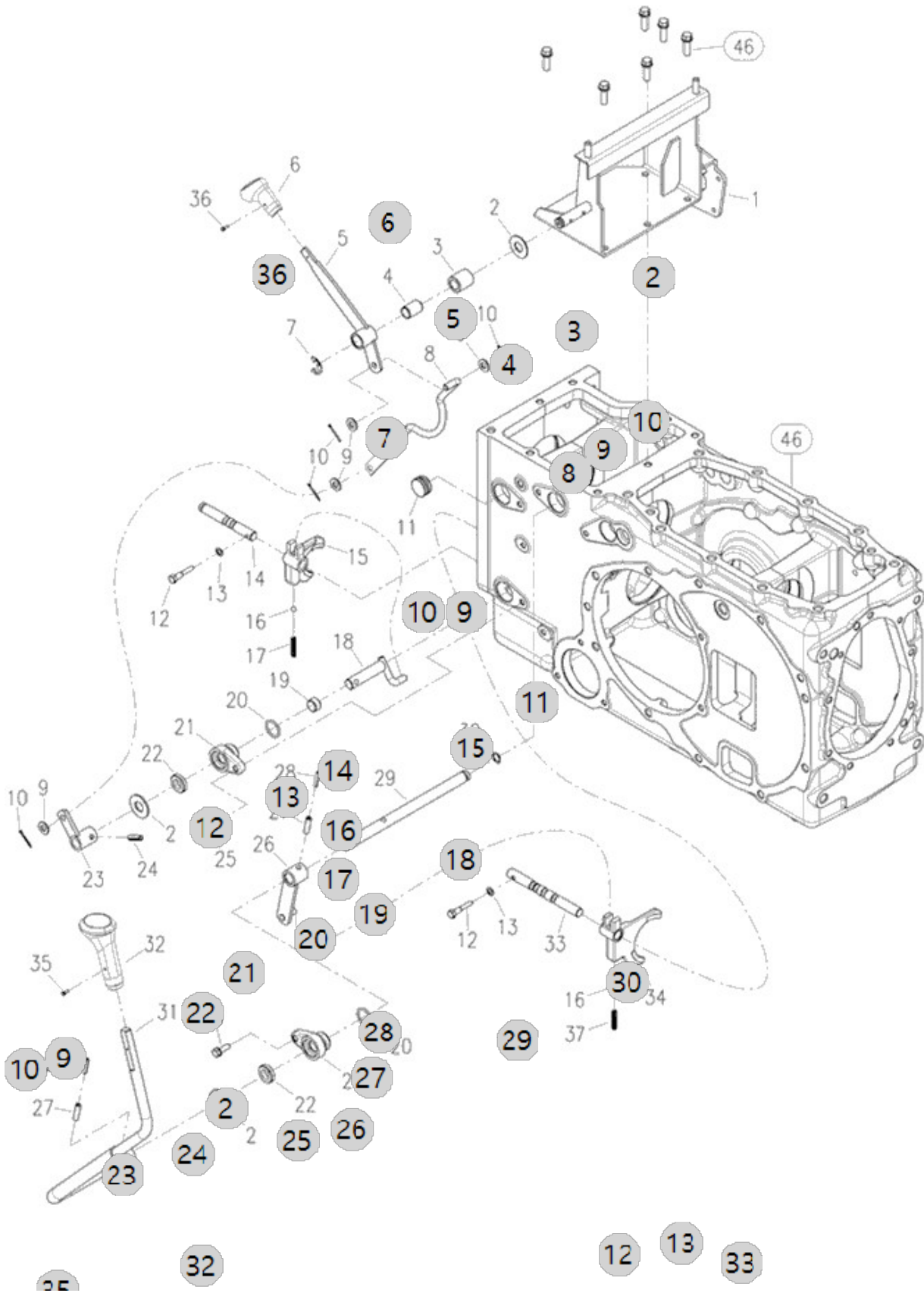
F11020

25ROPS TM총조합
(NEC)(AC01476)

FRONT DRIVE & RANGE SHIFT LEVER

Year/Month

2022-12-19



F11020 25ROPS TM총조합 (NEC)(AC01476)	FRONT DRIVE & RANGE SHIFT LEVER				Year/Month
					2022-12-19

순번 (NO)	부품번호 (PART NO)	품명 (PART NAME)	품명 (PART NAME)	수량 (QTY)	규격 (SPEC)	비고 (REMARK)
1	TA00002757E	의자 레일 스테이 조합	STAY ASS'Y,SEATRAIL	1		
1	TA00002757F	의자 레일 스테이 조합	STAY ASS'Y, SEAT RAIL	1		
2	TT65120000A4	칼라B	COLLARB	3	T2.3X45X45	
3	TZ44080000A4	초저속레버보스	BOSSCREEPER	1		
4	24550-017150	드라이부시	BUSH	2		
5	NT44100000B3	전륜구동 레버	Lever, Front Drive	1	-	
6	TA00062657A	전륜구동 노브 조합	LEVER, FRONT DRIVE KNOB	1		
7	22272-000150	E형스냅링15	RING, CIRCLIP (Φ 15)	1	D15	
8	TA00036164B	전륜구동로드조합	LEVER ASSY	1		
9	22137-100000	평와셔 10	WASHER, PLAIN (Φ 10)	4	M10	
10	22417-250250	가름핀2.5X25	PIN , COTTER (2-25)	4	D2.5X25	
11	TZ44610000A4	플러그	PLUG	1		
12	TN44400000B4	단볼이볼트	BOLT	2		
13	23414-080000	320,ALL,패킹8	WASHER, PLAIN (Φ8)	2	M8	
14	TN44230000A3	전륜구동포오크축	SHAFTFRONTDRIVEFORK	1	D15X120	
15	TN44220000B3	전륜구동포오크	FORKFRONTDRIVE	1		
16	24190-100001	강구5/16	Ball, Steel (5/16)	2	5/16"	
17	TT42020000A4	스프링	SPRING	1		
18	TN44380000A4	전륜구동레버조합A	LEVERASS'YF.DRIVE	1		
19	TT70090000A4	부시	BUSH	1	17X20X12	
20	24321-000250	O-링	O-RING	3	25G	
21	TN44370000A4	시프트아암홀더	HOLDERSHIFTARM	2		
22	24421-173007	오일실TC173007	Seal, Oil (#17-30-07)	2	TC17X30X7	
23	TA00036167A	전륜구동레버조합B	LEVER ASSY	1		
24	22351-080030	스프링핀	PIN, SPRING (8-30)	1		DEL.20221012
25	26013-080252	와셔조립육각볼트(+SW)	Bolt, Hexa (8-25)	2	M8XP1.25X25	
26	TN44440000D4	부변속레버조합B	LEVERASS'Y(B),RANGESHAF	1		
26	TN44440000E4	부변속레버조합B	LEVER ASS'Y(B),RANGE SHIFT	1		
27	22351-080030	스프링핀	PIN, SPRING (8-30)	2		
28	22351-050030	스프링핀F형5X30	PIN, SPRING (5-03)	2	D5X30	DEL.20221012
29	TN44520000B3	시프터레버(축랜지)	SHAFT,RANGESHIFTLEVER	1		
29	TN44520000C3	부변속레버축	SHAFT, RANGE SHIFT LEVER	1	D15	
30	TN46180000A4	O-링	O-RING	1		
31	TA00001060C	부변속레버	LEVER, SUB SHIFT	1		
32	TA00062665A	부변속 노브 조합	KNOB	1		
33	TN44410000D3	부변속 포크축	SHAFT,RANGESHIFTFORK	1	D15X160	
34	TN44420000B3	부변속포오크	FORKRANGESHIFT	1		
35	26023-040162	와셔조립남비작은나사(SW+PW)	SCREW	1	M4X16	
36	26023-040082	와셔조립남비작은나사(SW+PW)	SCREW AND WASHER ASSEMBLY	1	M4X8	
37	TA00048409B	포크 스프링	SPRING, FORK	1		

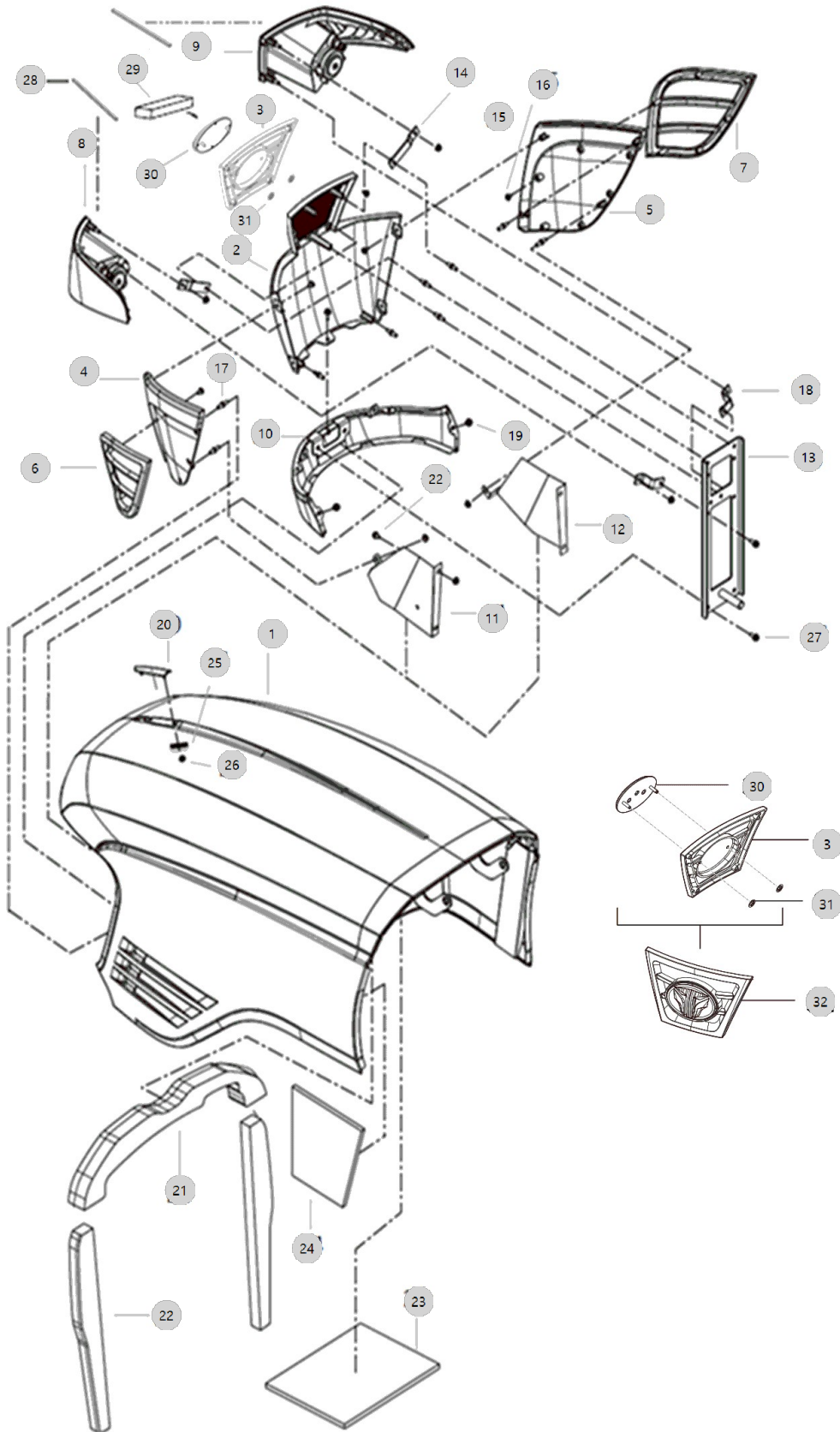
G01020

6225R(AC02121)

BONNET

Year/Month

2022-12-19



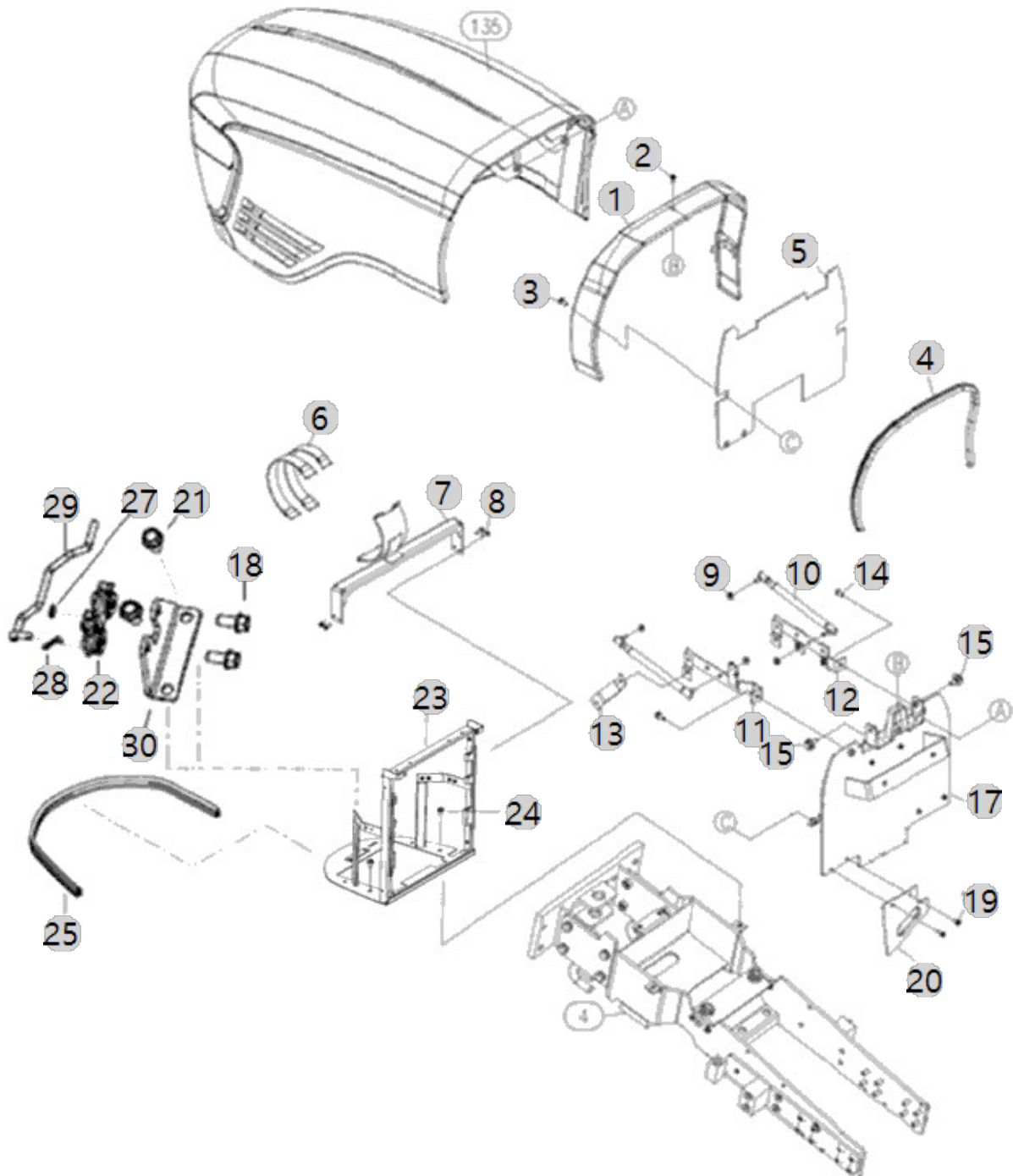
G01060

6225R(AC02121)

FIXED BRACKET, BONNET

Year/Month

2022-12-19



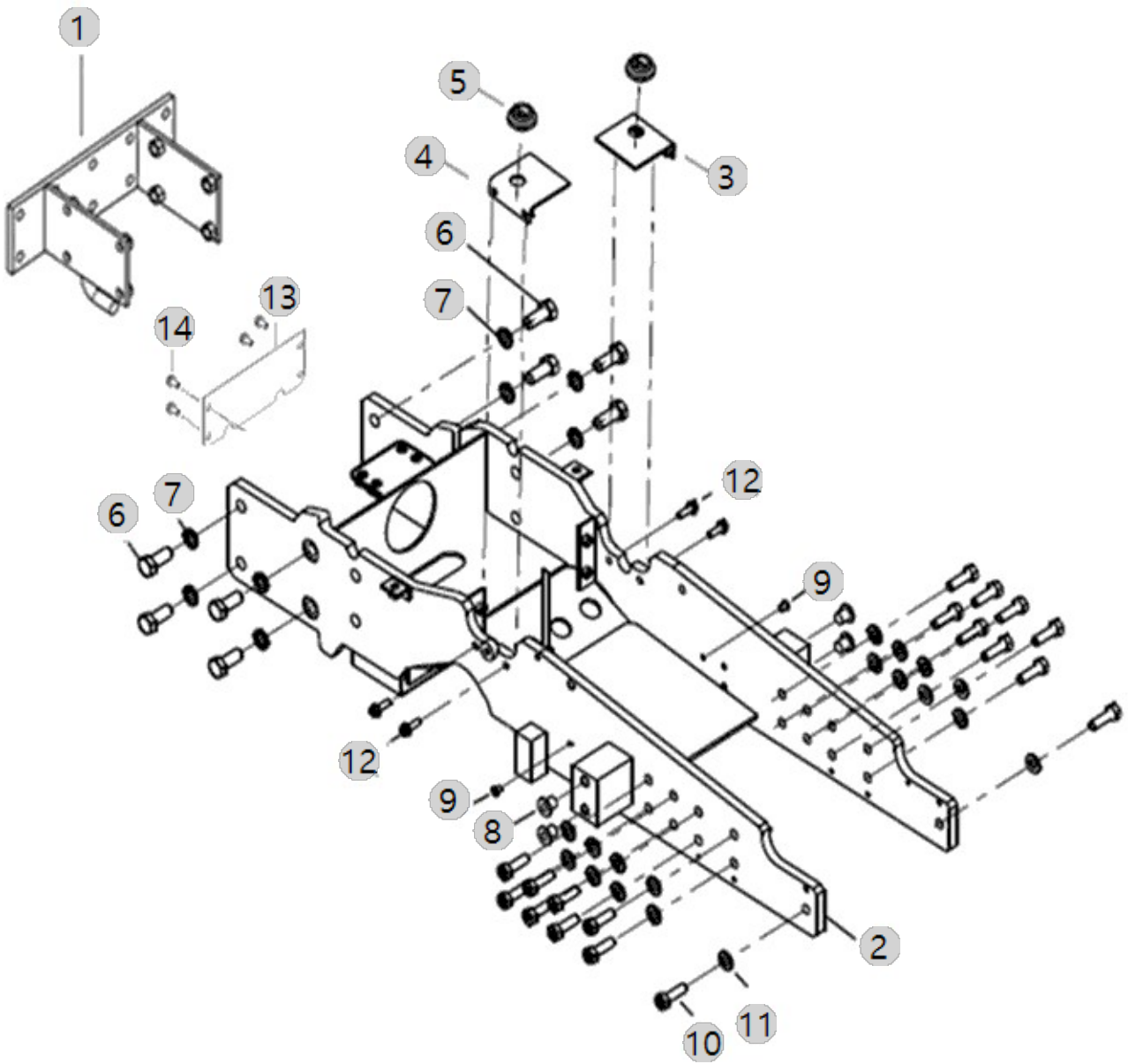
G01080

6225R(AC02121)

FRONT AXLE BRACKET

Year/Month

2022-12-19



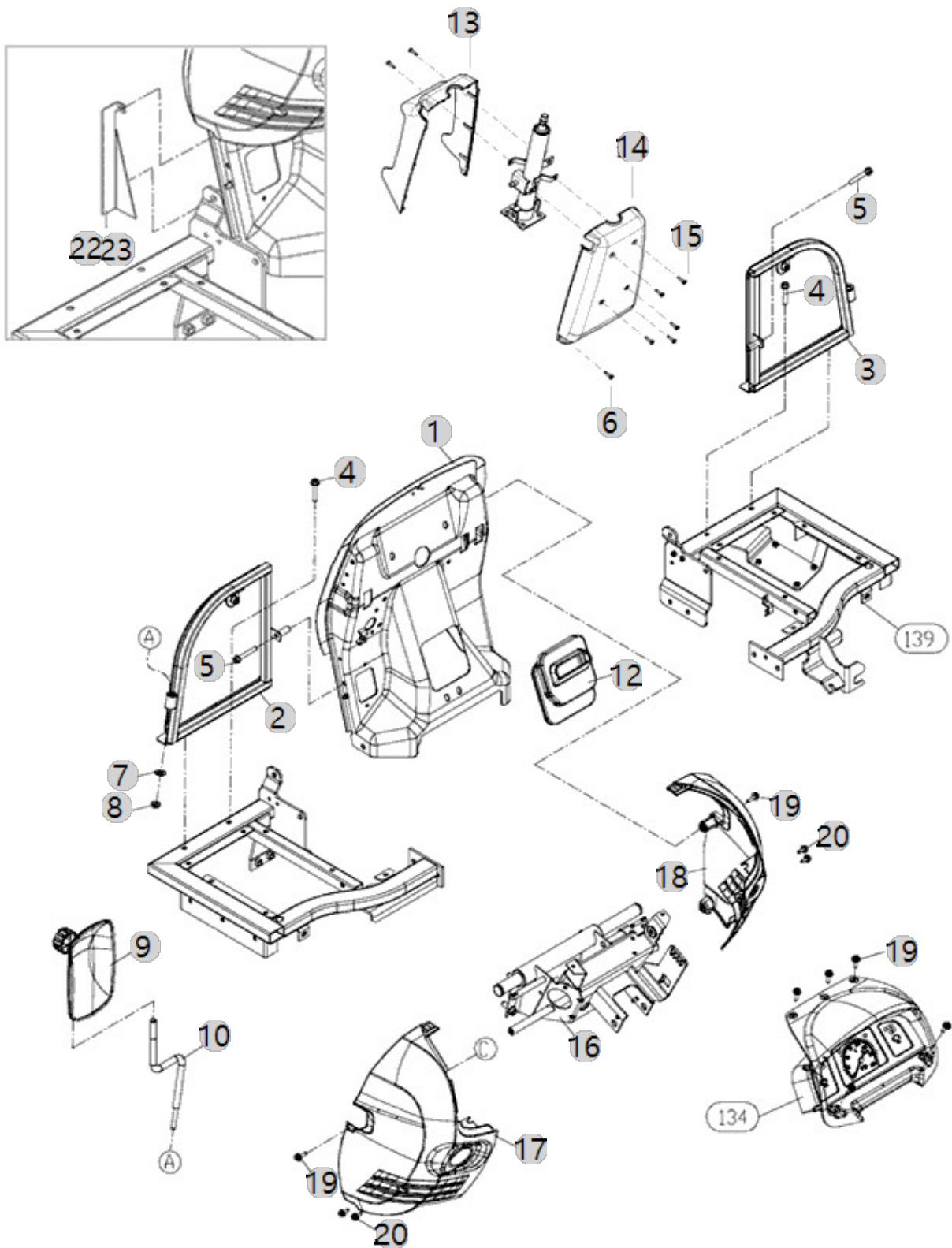
G04020

6225R(AC02121)

DASH BOARD

Year/Month

2022-12-19



G04020 6225R(AC02121)		DASH BOARD				Year/Month
						2022-12-19
순번 (NO)	부품번호 (PART NO)	품명 (PART NAME)	품명 (PART NAME)	수량 (QTY)	규격 (SPEC)	비고 (REMARK)
1	TA00027847G	방풍판조합	ASS'Y PLATE	1		
1	TA00027847H	방풍판조합	WINDSHIELD ASS'Y	1		
2	TA00026276A	방풍판(좌)조합	WINDSHIELD LH	1		
3	TA00026281A	방풍판(우)조합	WINDSHIELD RH	1		
4	26106-080452	394,ALL,플랜지볼트8X45	HEX FLANGE BOLT 8X45	4	M8X1.25X45	
5	26106-080502	328,ALL,육각플랜지볼트	SCREW,HEXFLANGEHEADCAP	2	M8X1.25X50	
7	22217-100000	스프링와셔	WASHER, SPRING (Φ 10)	1	M10	
8	26716-100002	육각너트	Nut, Hexa (Φ10)	2	M10XP1.5	
9	TCF5170000B3	백미러	SIDE MIRROR	1		
10	NTD716E000C3	백미러스테이	BACKMIRROR,STAY	1	D15	
10	NTD716E000D3	백미러스테이	REARVIEW MIRROR STAY	1	D15	
12	TA00002039A	PST 부츠	PST BOOT	1	NONE	
13	TA00023577B	컬럼 커버(전)	COLUM COVER(FRONT)	1		
14	TA00045810B	컬럼 커버(후)	COLUMN COVER R	1		
15	TTD7090000C4	(+)자 홈볼이 탭핑 나사	CROSS RECESSED HEAD TAPPING SCREW	8	M5X16	
16	TA00051445C	페달축스테이조합(EU)	PEDAL SHAFT STAY ASSY	1		
17	TA00032771A	대시보드 사이드 (L)	DASH BOARD(L)	1		
18	TA00032772C	대시보드 사이드(R)	DASH BOARD(R)	1		
19	TCE9020000C4	볼트(BC)6x20	BOLT(BC)	6	M6XP1.0X25	
20	TCE9010000C4	쇄기볼트	BOLT	4	NONE	
21	26657-100002	캡너트10	CAPNUT10	1		
22	TA00033320A	보조방풍판 조합	.	1		
22	TA00033320B	보조방풍판 조합	AUX. WINDSHIELD ASS'Y	1		
23	TA00033321A	보조방풍판 조합(우)	.	1		
23	TA00033321B	보조방풍판 조합(우)	AUX. WINDSHIELD ASS'Y, RH	1		

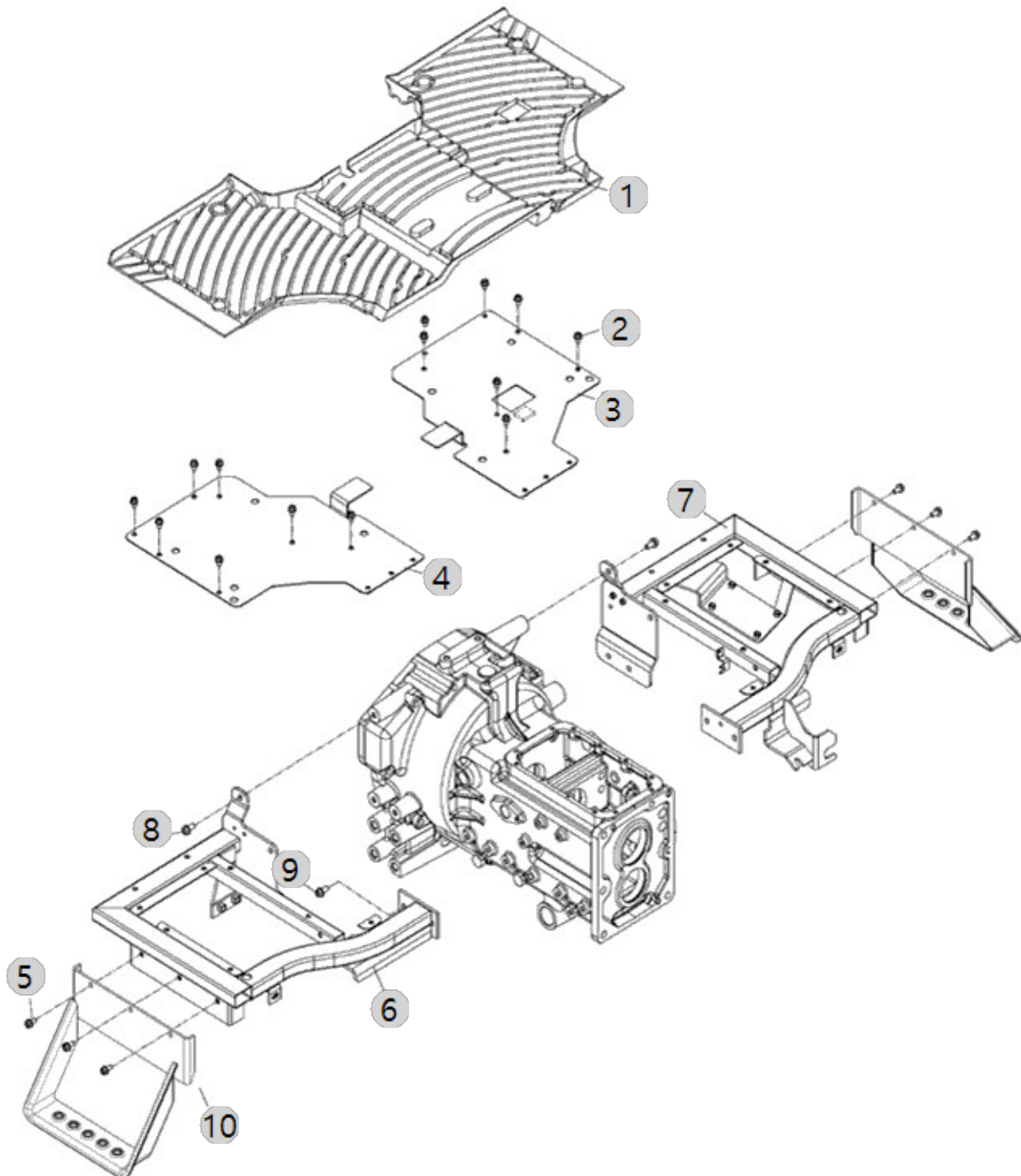
G04060

6225R(AC02121)

FLOOR

Year/Month

2022-12-19



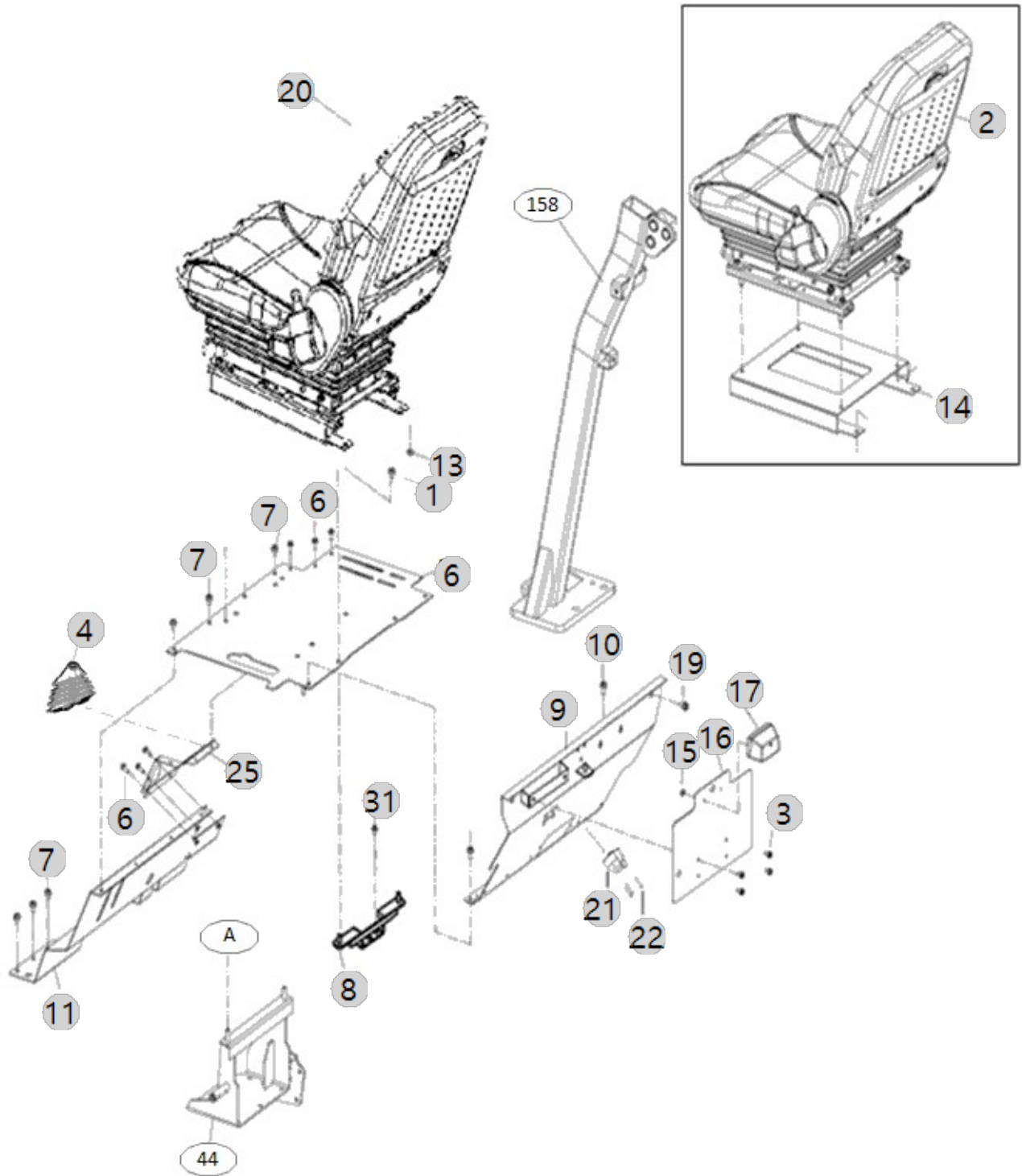
G04070

6225R(AC02121)

DRIVER'S SEAT

Year/Month

2022-12-19



G04070 6225R(AC02121)		DRIVER'S SEAT				Year/Month 2022-12-19
순번 (NO)	부품번호 (PART NO)	품명 (PART NAME)	품명 (PART NAME)	수량 (QTY)	규격 (SPEC)	비고 (REMARK)
1	26367-100002	263,ALL,고정너트(우나사)	NUT,HEXAGONFLANGE	4	M10X1025	
2	TA00051290D	시트	SEAT ASSY(25SE)	1		
2	TA00051290E	시트	SEAT ASS'Y(25SE)	1		
2	TA00051290F	시트	SEAT ASS'Y(25SE)	1		
2	TA00072854A	시트_TYM(W09)	SEAT	1		
3	26106-060122	육각플랜지볼트	HEX BOLT (6-12)	3	M6XP1.0X12	
4	NTE0140000A2	주변속부츠	BOOTS,MAINSHIFT	1		
5	TA00034087G	의자 프레임 커버 조합	COVER,SEAT FRAME	1		
5	TA00034087F	의자 프레임 커버 조합	COVER,SEAT FRAME	1		
6	26106-060162	육각플랜지 볼트	HEXFLANGEBOLT	8	M6XP1.0X16	
7	26106-080122	육각플랜지볼트	Bolt, Hexa (8-12)	10	M8XP1.25X12	
8	TA00034064C	브래킷 조합	BRACKET ASS'Y	1		
8	TA00034064D	브래킷 조합	BRACKET ASS'Y	1		
9	TA00037253E	후면커버 조합(EU)	COVER ASS'Y, REAR	1		
9	TA00037253D	후면커버 조합(EU)	COVER ASS'Y, REAR	1		
10	26106-080162	플랜지볼트8X16	SCREW,HEXFLANGEHEADCAP	2	M8XP1.25X16	
11	TA00034126D	먼지커버 조합(초저속 ? PTO2단))	COVER ASS'Y, DUST	1		
11	TA00034126E	먼지커버 조합(초저속 ? PTO2단))	COVER ASS'Y, DUST	1		
12	TA00002820C	주변속 레버 가이드	LEVER GUIDE,MAIN SHIFT	1	-	
12	TA00002820B	주변속 레버 가이드	LEVER GUIDE,MAIN SHIFT	1	-	
13	26367-080002	259, 육각플랜지너트	HEX FLANGE NUT (Φ8)	4	M8XP1.25	
14	TA00041888B	시트브래킷(유럽)	SEAT_BRACKET(EU)	1		
14	TA00041888C	시트브래킷(유럽)	SEAT_BRACKET(EU)	1		
15	26716-050002	너트M5	Nut, Hexa (Φ5)	2	M5X0.8	
16	TA00018438B	번호판등 브래킷	BRACKET NAMEPLATE LAMP	1	T1.6	
16	TA00018438C	번호판등 브래킷	BRACKET, NAME PLATE LAMP	1	T1.6	
17	FBK182000EA3	번호판램프	NUMBER PLATE LAMP	1		
18	26106-100162	플랜지볼트M10X16	SCREW,HEXFLANGEHEADCAP	2	M10XP1.5X16	
19	26106-080352	육각플랜지볼트	SCREW,HEXFLANGEHEADCAP	2	M8XP1.25X35	
20	TA00072857A	시트조합_TYM_ROPS(EU)	SEAT_ASSY	1		
20	TA00063123B	시트조합(EU)_ROPS	SEAT ASS'Y(EU)_ROPS	1		
21	HA00000454C	트레일러 연결소켓	TRAILERSOCKET	1		
22	26557-060352	[+]자홈남비작은나사	SCREW, +GROOVE	3	M6XP1.0X35	

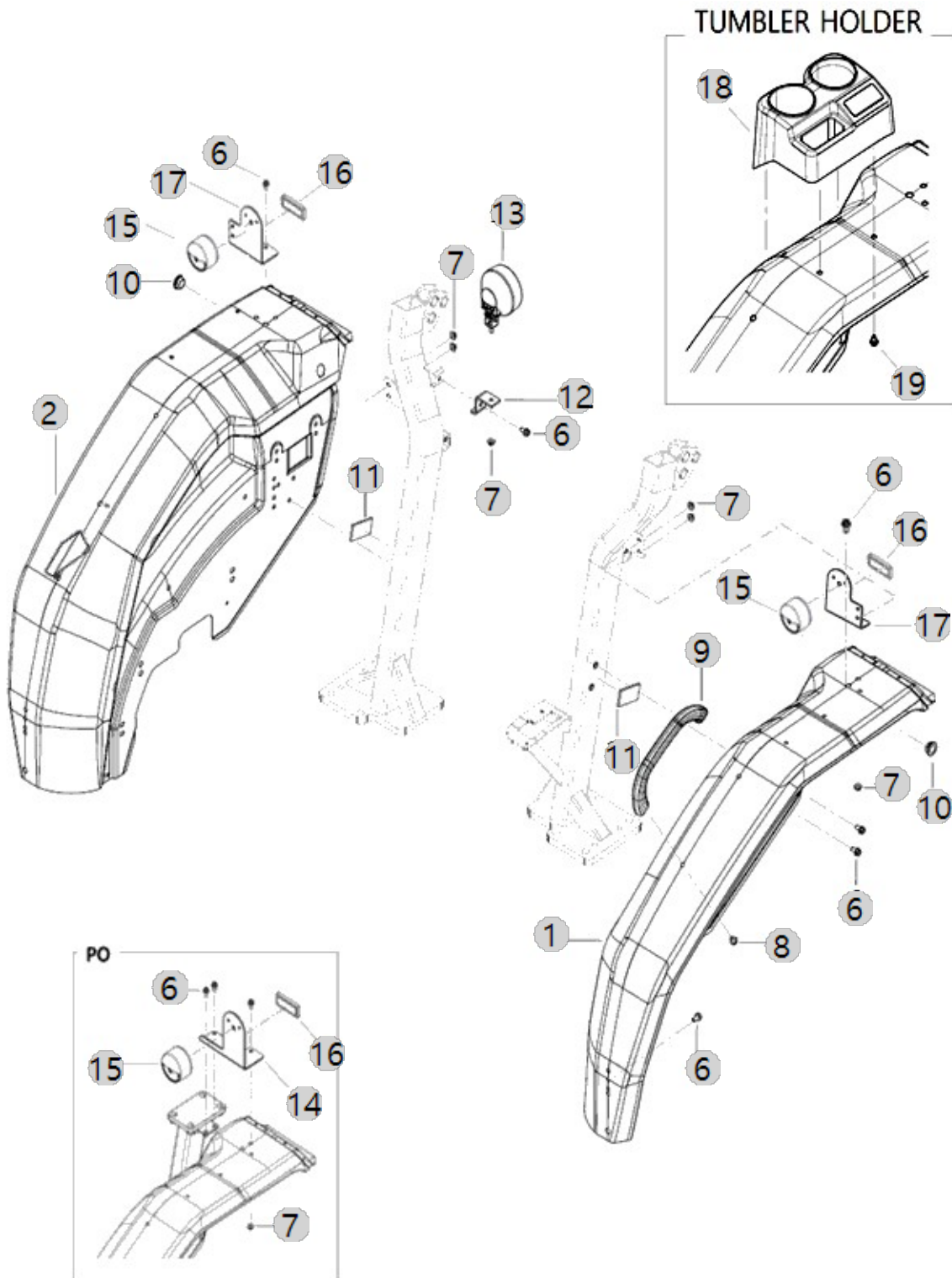
G04090

Year/Month

6225R(AC02121)

FENDER

2022-12-19



G04090 6225R(AC02121)	FENDER	Year/Month
		2022-12-19

순번 (NO)	부품번호 (PART NO)	품명 (PART NAME)	품명 (PART NAME)	수량 (QTY)	규격 (SPEC)	비고 (REMARK)
1	TA00072411A	웬더 L 조합	FENDER L ASS'Y	1		
2	TA00072413A	웬더 R 조합	FENDER R ASS'Y	1		
6	26106-080162	플랜지볼트8X16	SCREW,HEXFLANGEHEADCAP	9	M8XP1.25X16	
7	26367-080002	259, 육각플랜지너트	HEX FLANGE NUT (Φ8)	7	M8XP1.25	
8	26106-080122	육각플랜지볼트	Bolt, Hexa (8-12)	2	M8XP1.25X12	
9	NTD8120000A3	웬더손잡이	FENDERGRIP	1		
10	TTB9280000A4	그로메트25/18	GROMMET25/18	2		
11	FT06250000B4	탱크브라켓 패드	TANK BRACKET PAD	2	5T	
12	NTD8400000A4	브라켓	BRACKET	1		
13	CEG6250000A2	작업등조합	Lamp Ass'y, Working	1		
15	FBE113000EB3	콤비네이션램프 - 00, 20R(C), LUXEN	COMBINATION LAMP	2		
16	TA00041349A	리플렉터	REFLECTOR	2		
17	TA00047143C	고정브라켓조합L(유럽)	BRACKET ASS'Y	1		
18	TA00019128C	컵홀더	CUP HOLDER	1		
19	26106-060102	플랜지볼트6X10	Bolt, Hexa (6-10)	4	M6X1.0X10	

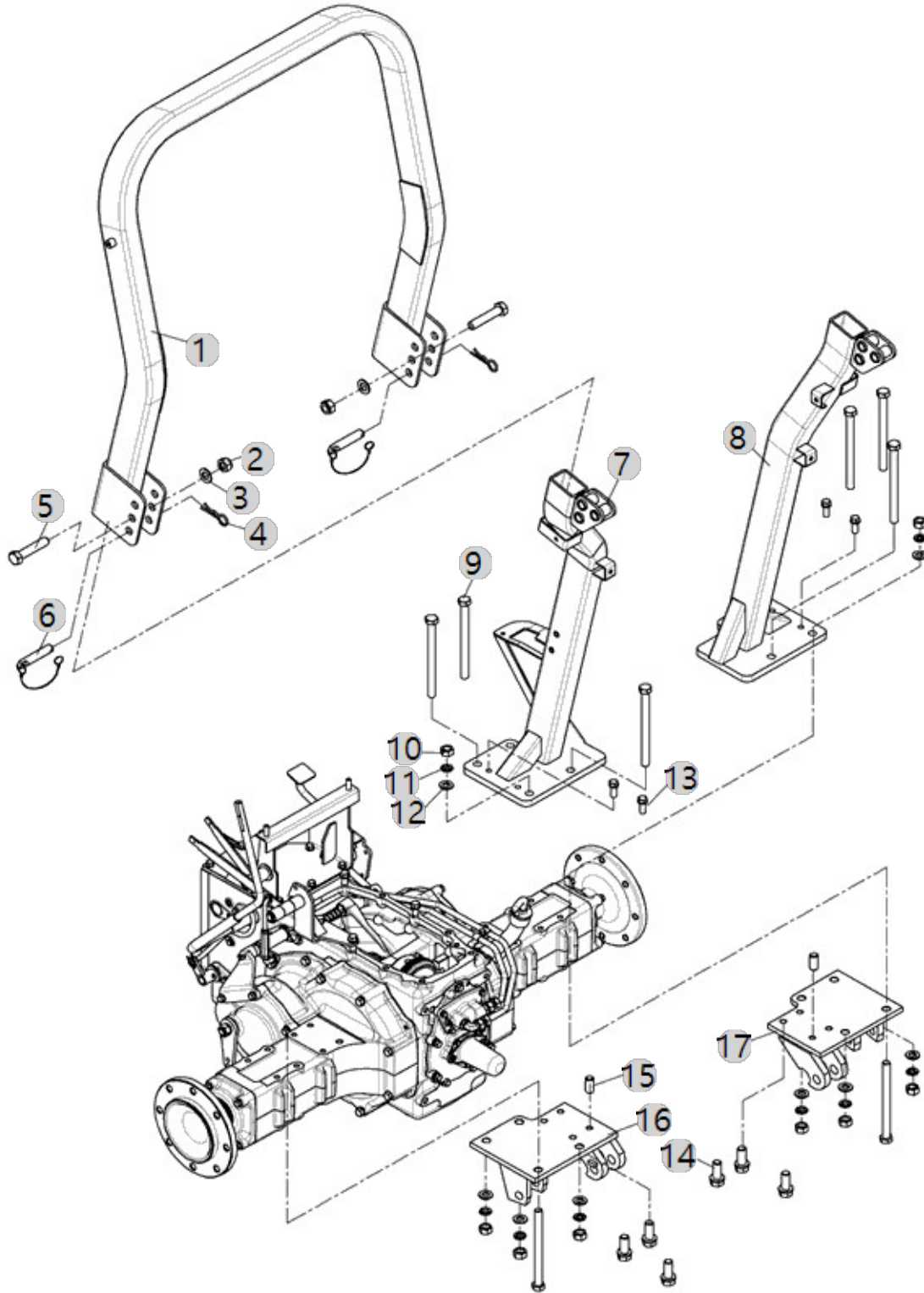
G04120

6225R(AC02121)

ROPS

Year/Month

2022-12-19



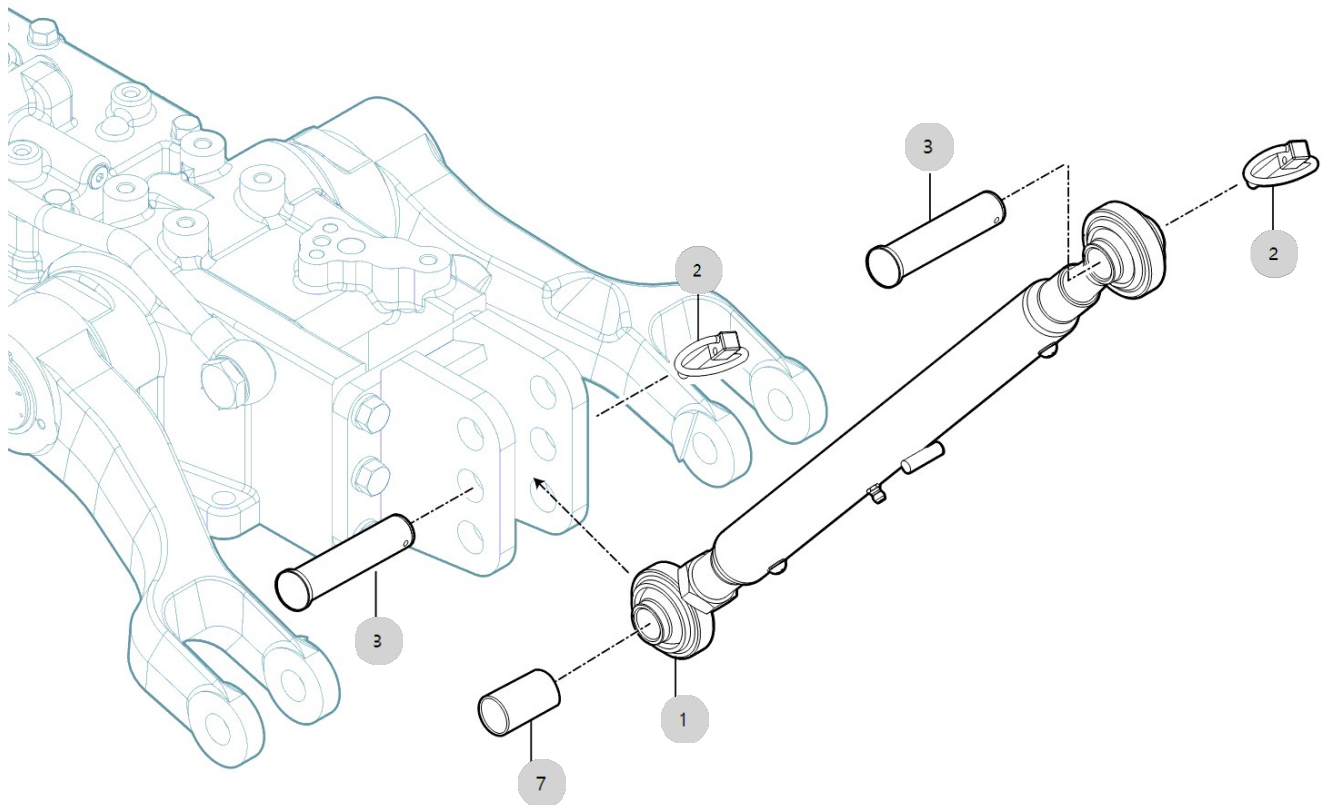
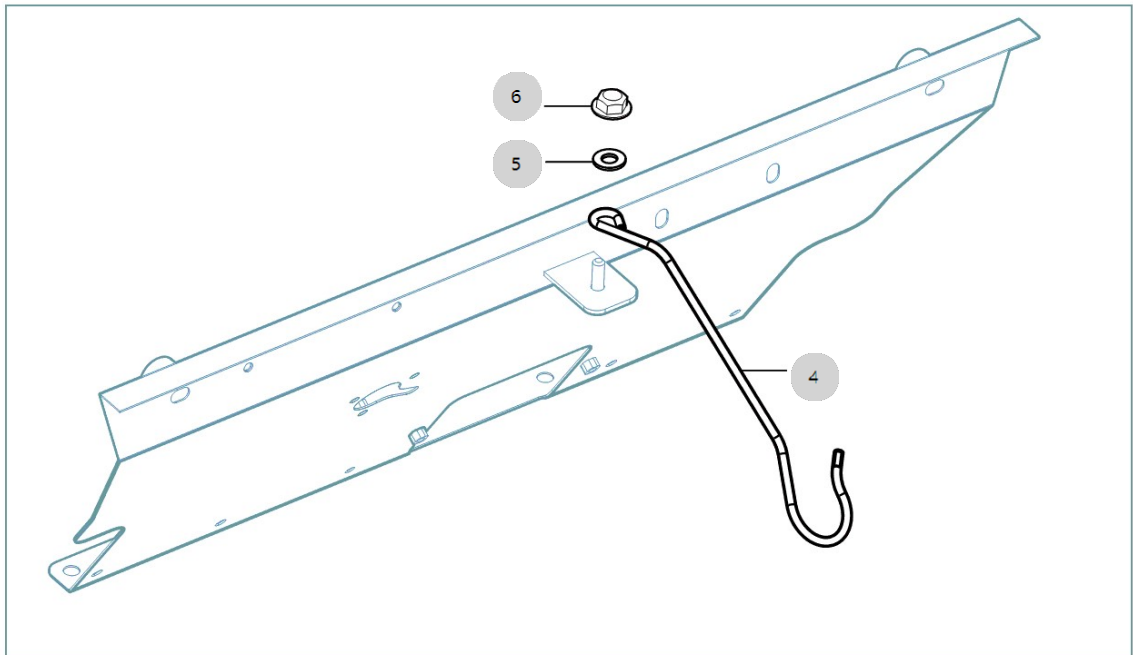
G05020

Year/Month

6225R(AC02121)

TOP LINK

2022-12-19



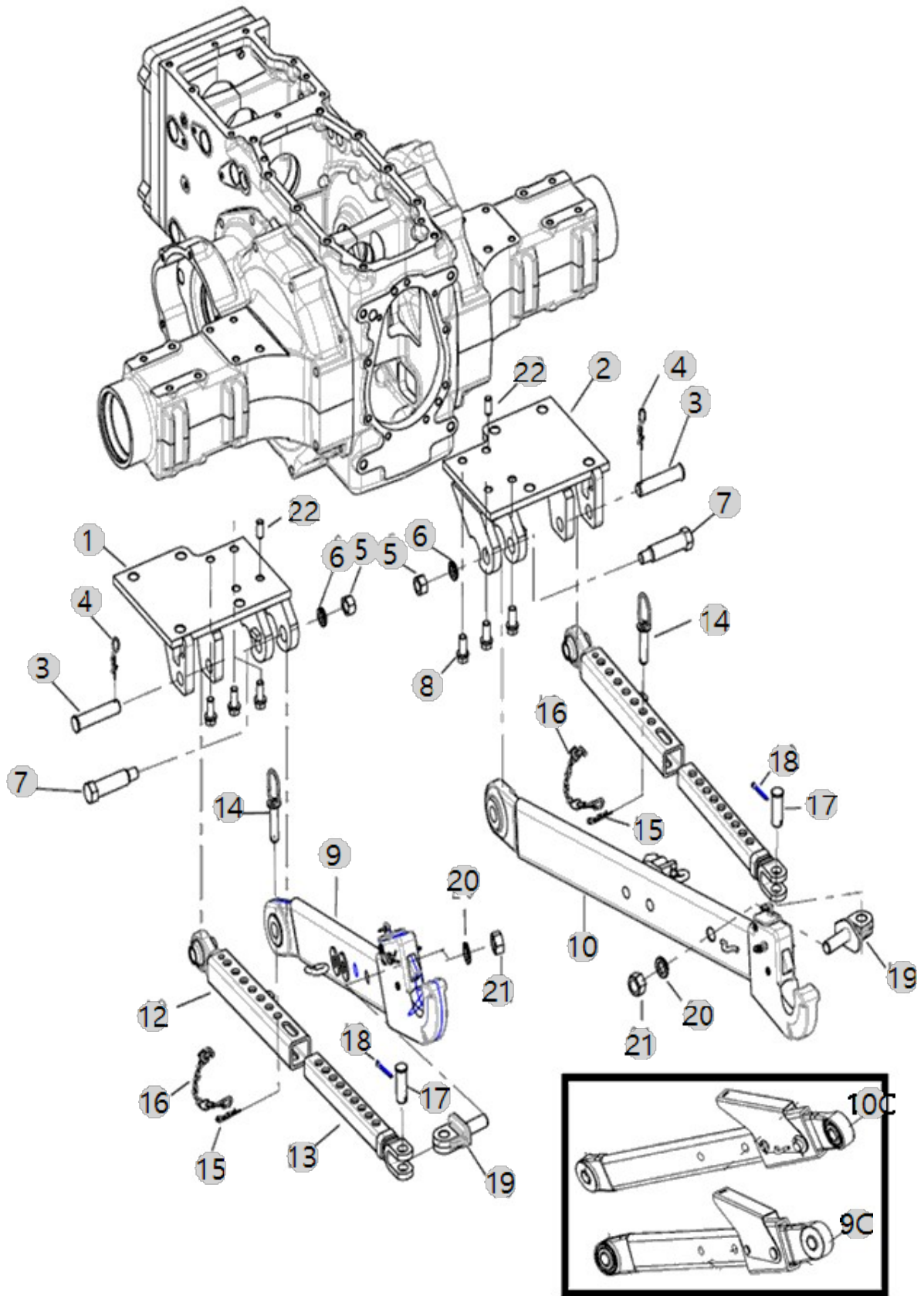
G05030

6225R(AC02121)

LOWER LINK

Year/Month

2022-12-19



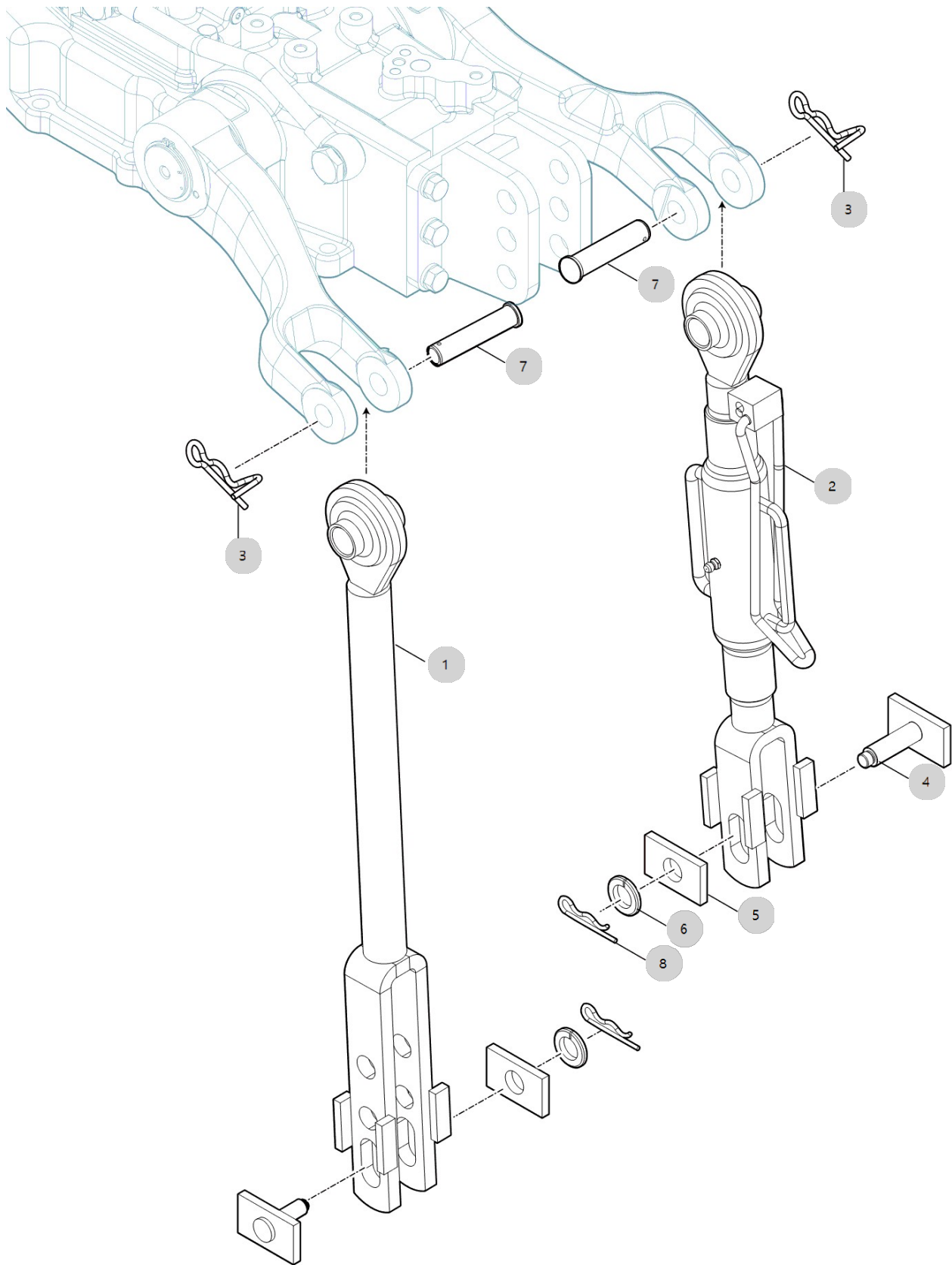
G05050

Year/Month

6225R(AC02121)

LIFT LINK

2022-12-19



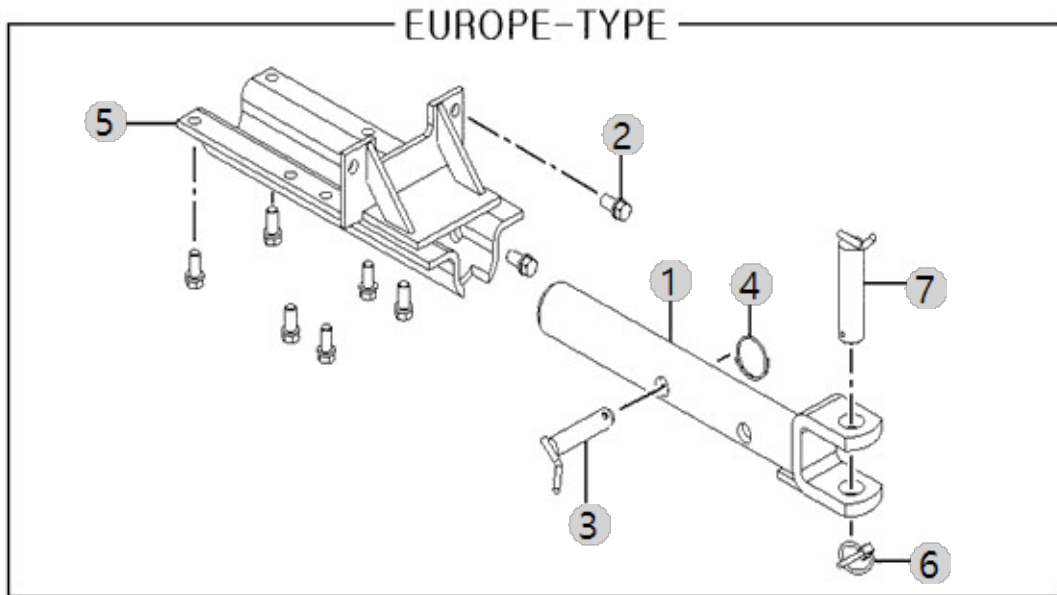
G05070

Year/Month

6225R(AC02121)

DRAWBAR

2022-12-19



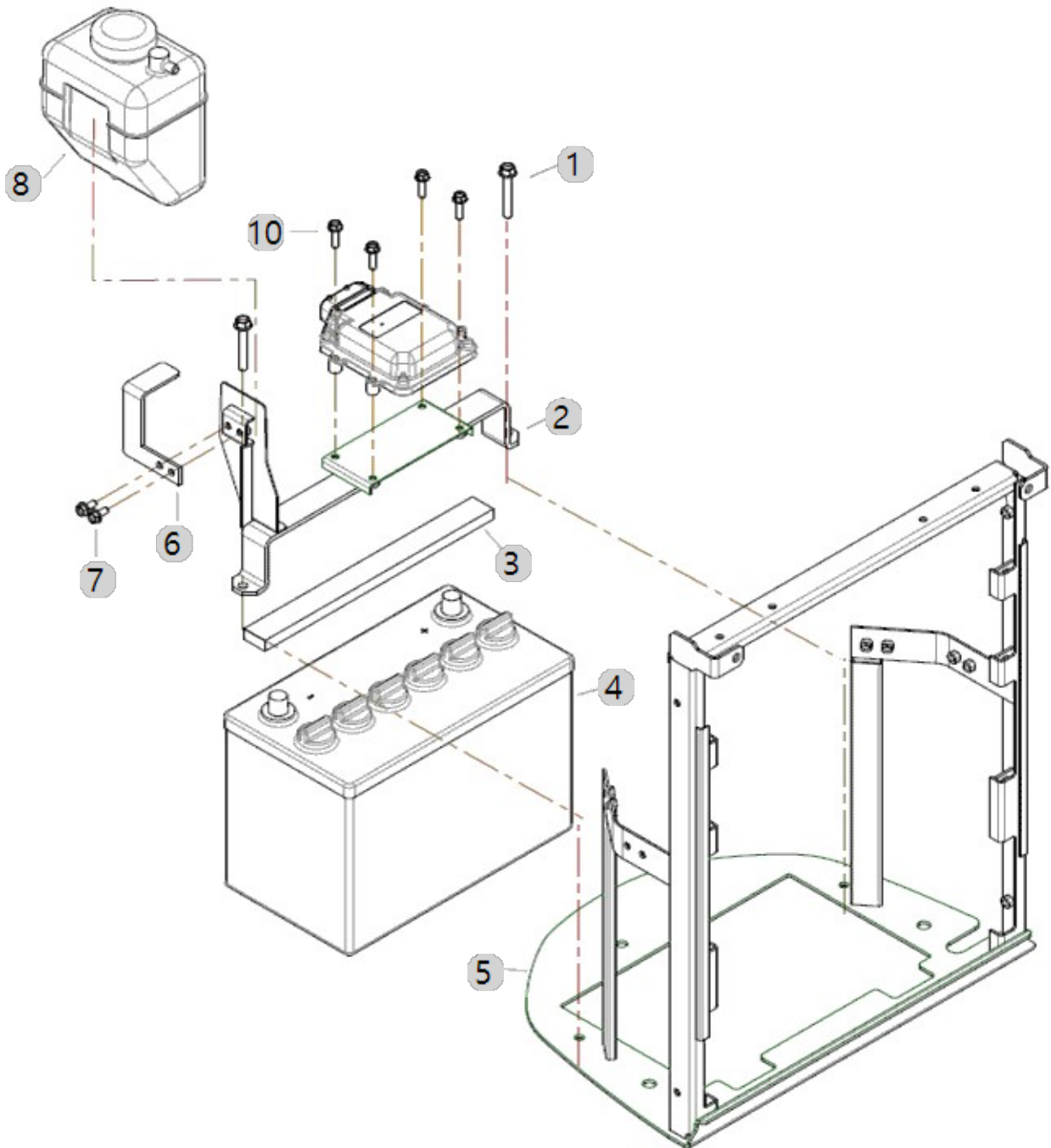
H01030

6225R(AC02121)

BATTERY

Year/Month

2022-12-19



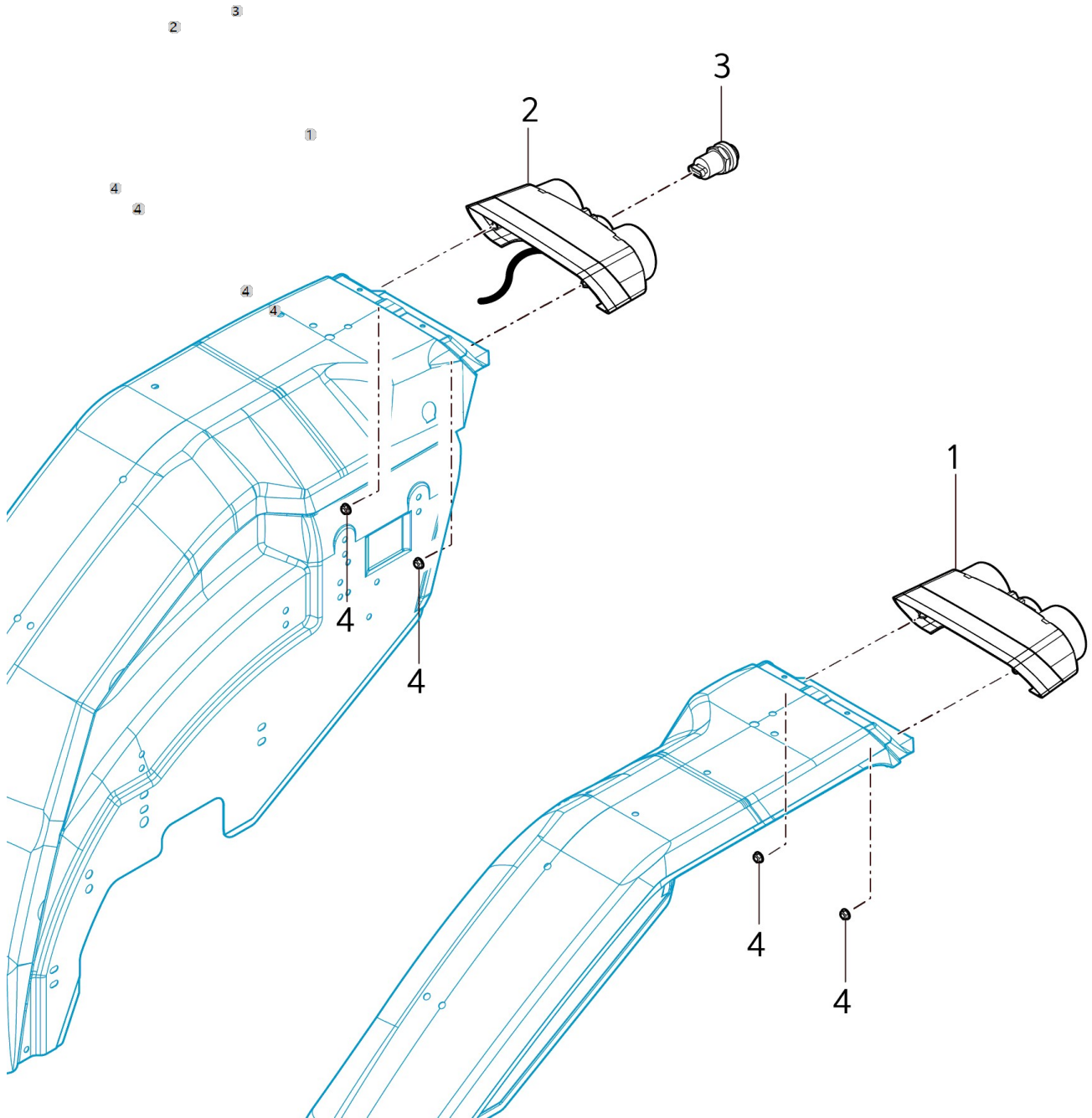
H02020

6225R(AC02121)

COMBINATION LAMP

Year/Month

2022-12-19



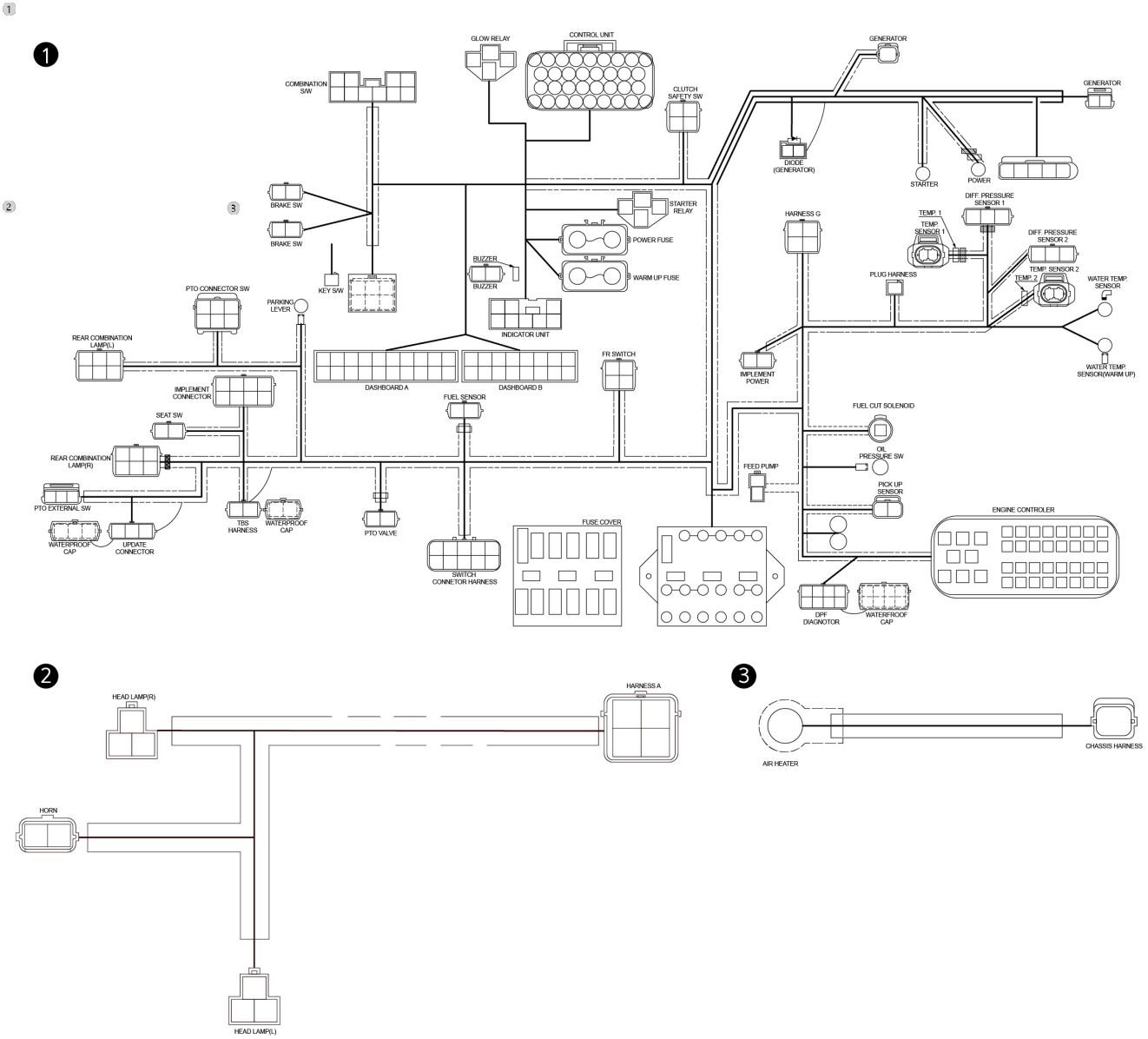
H03000

6225R(AC02121)

HARNESS

Year/Month

2022-12-19



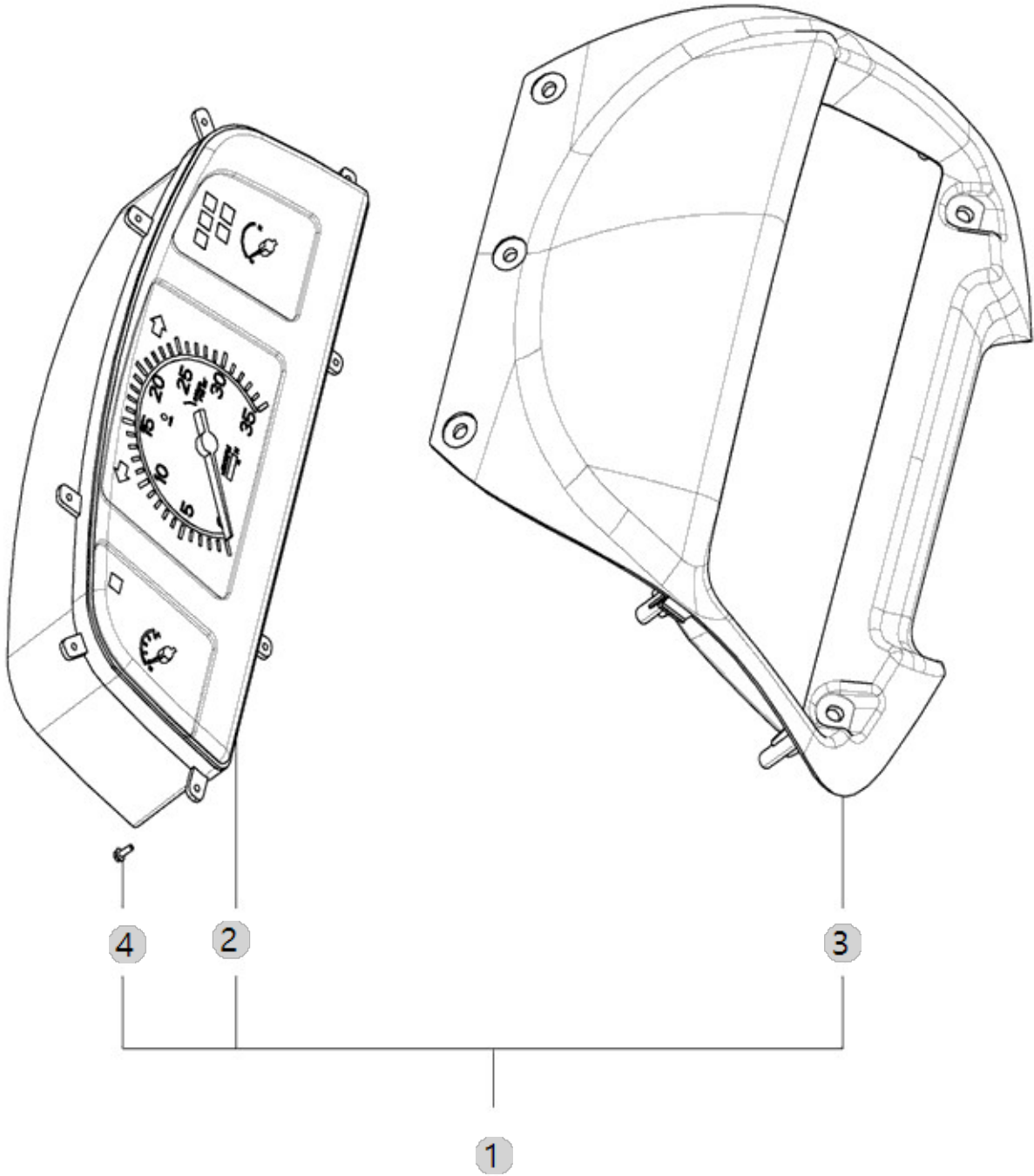
H04030

6225R(AC02121)

INSTRUMENT PANEL

Year/Month

2022-12-19



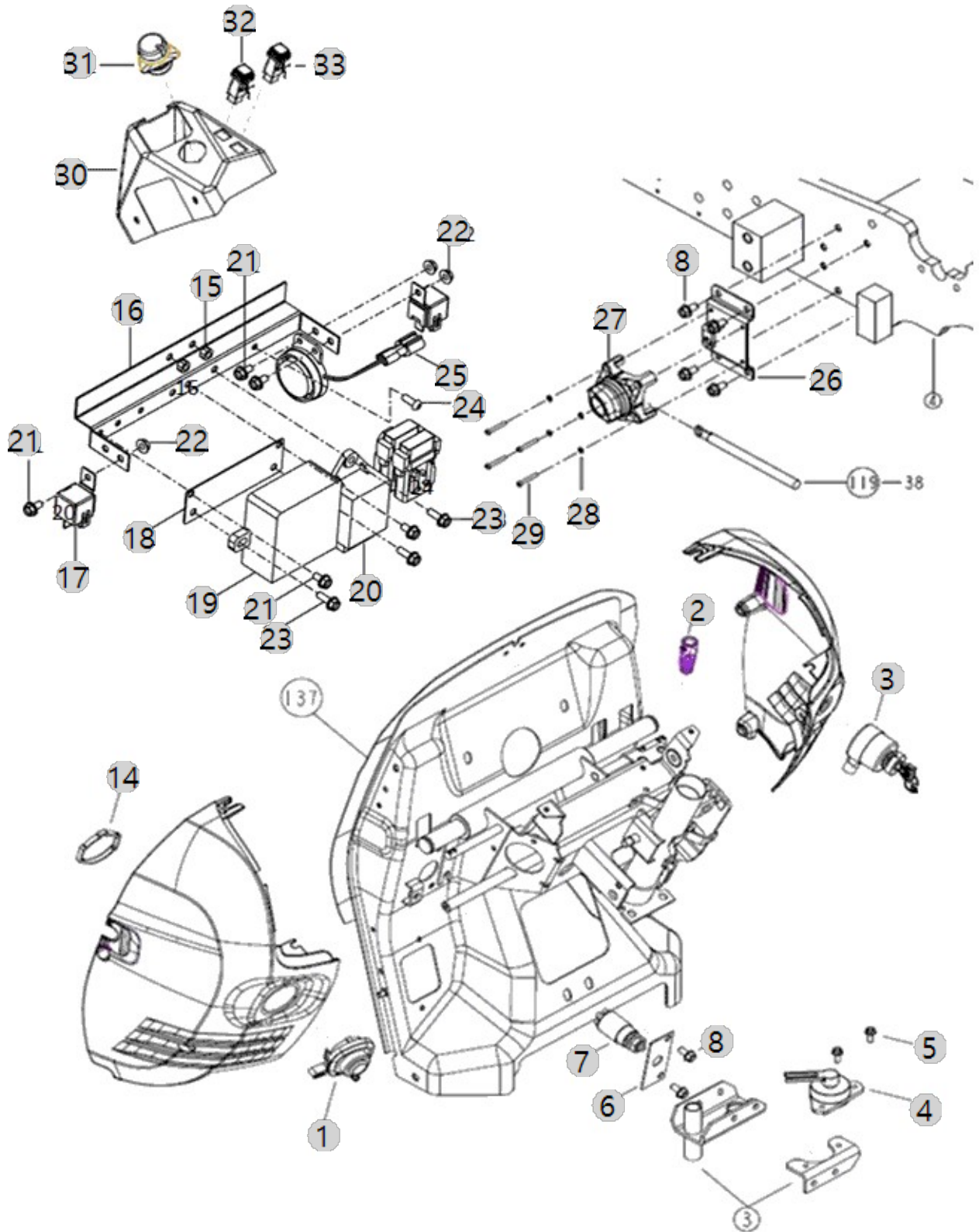
H04050

6225R(AC02121)

SWITCH

Year/Month

2022-12-19



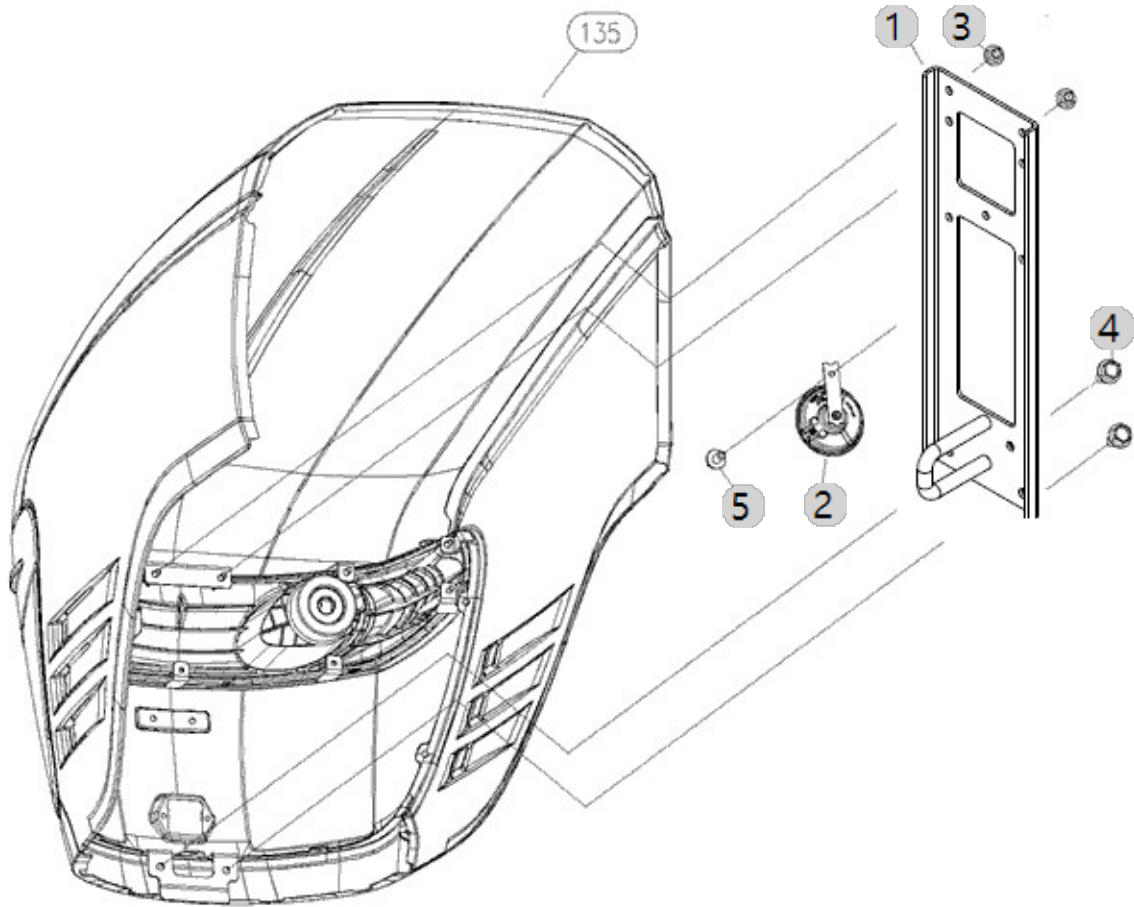
H04090

Year/Month

6225R(AC02121)

HORN

2022-12-19



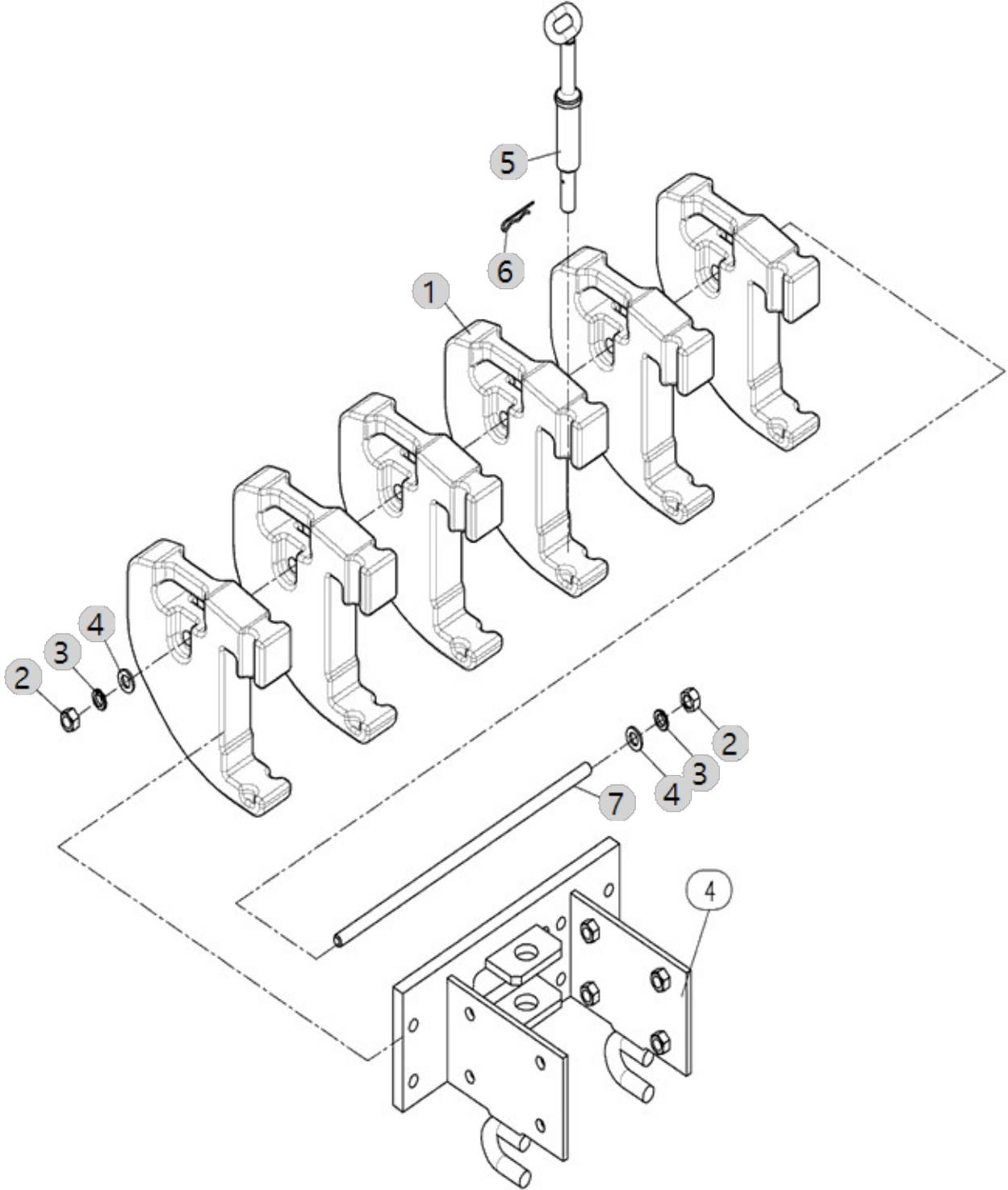
I01010

6225R(AC02121)

FRONT WEIGHT

Year/Month

2022-12-19



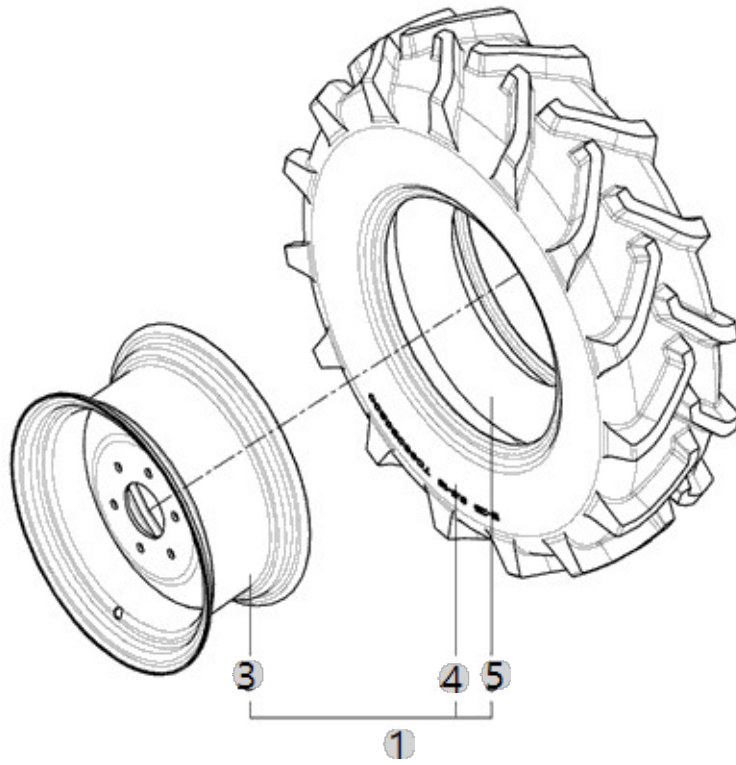
I05010

6225R(AC02121)

FRONT WHEEL&TIRE

Year/Month

2022-12-19



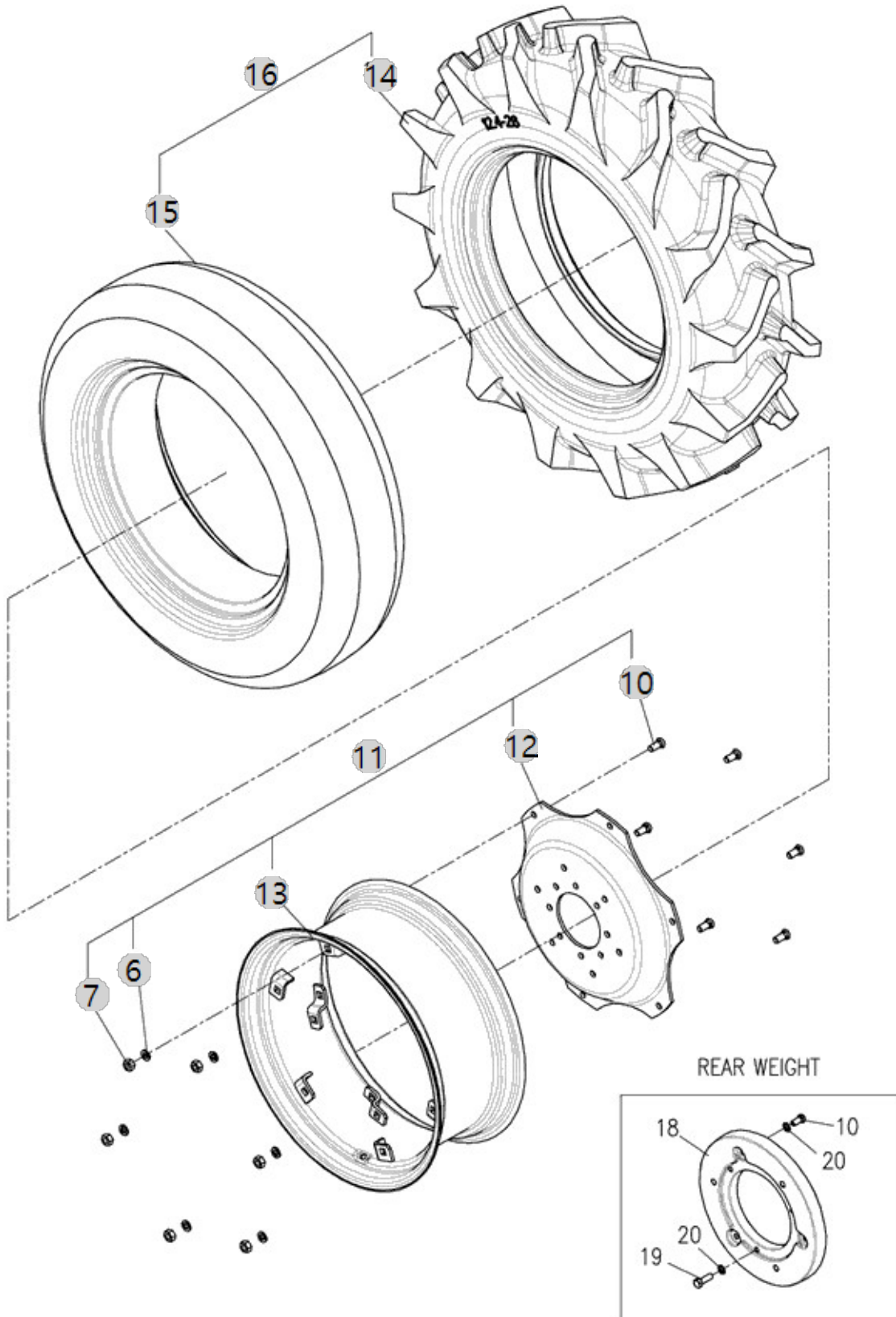
I05020

Year/Month

6225R(AC02121)

REAR WHEEL&TIRE ASSY

2022-12-19



I07010

6225R(AC02121)

SPARE TOOLS

Year/Month

2022-12-19

