

T574NH-B

Parts Catalog

목 차

0. TRACTOR KIT PART NO. TK1

| | |
|-----------------------------------|----|
| FIG 000 TRAILER SOCKET KIT | 8 |
| FIG 001 ADAPTER KIT | 10 |
| FIG 002 3rd FUNCTION KIT , LOADER | 12 |

1. Engine PART NO. EG

| | |
|---|----|
| FIG 100 ENGINE | 16 |
| FIG 101 CYLINDER BLOCK | 18 |
| FIG 102A OILJET ASS'Y OPTION(T574) | 20 |
| FIG 103 CRANK SHAFT | 22 |
| FIG 104 PISTON | 24 |
| FIG 105 CYLINDER HEAD | 26 |
| FIG 106 ROCKER LEVER | 28 |
| FIG 107 HEAD COVER | 30 |
| FIG 108 GEAR CASE | 32 |
| FIG 109 IDLE GEAR | 34 |
| FIG 110 CAM SHAFT | 36 |
| FIG 111 OIL PUMP | 38 |
| FIG 112 HYD. PUMP DRIVE | 40 |
| FIG 113 2ND BALANCE | 42 |
| FIG 114 OIL PAN | 44 |
| FIG 115A INTAKE MANIFOLD(T574) | 46 |
| FIG 116A EXHAUST MANIFOLD(T574) | 48 |
| FIG 117A TURBOCHARGER ASS'Y(T574) | 50 |
| FIG 118A TURBOCHARGER PLUMBING OPTION(T574) | 52 |
| FIG 119A BREATHER(T574) | 54 |
| FIG 120 FUEL INJECTION PUMP | 56 |
| FIG 121 FUEL INJECTION VALVE | 58 |
| FIG 122 FUEL PIPE ASS'Y | 60 |
| FIG 123 OIL FILTER | 62 |
| FIG 124 OIL COOLER | 64 |

| | |
|--|-----|
| FIG 125 OIL GAUGUE | 66 |
| FIG 126 OIL FILLER CAP | 68 |
| FIG 127 COOLING WATER PUMP | 70 |
| FIG 128 CRANK SHAFT PULLEY | 72 |
| FIG 129 V-PULLEY | 74 |
| FIG 130 COOLING FAN | 76 |
| FIG 131 FLYWHEEL HOUSING | 78 |
| FIG 132 FLYWHEEL | 80 |
| FIG 133 GLOW PLUG ASS'Y OPTION | 82 |
| FIG 134 STARTING MOTOR | 84 |
| FIG 135 FUEL FILTER BRACKET ASS'Y | 86 |
| FIG 136 ALTERNATOR | 88 |
| FIG 137 V-BELT | 90 |
| FIG 138 FUEL FILTER | 92 |
| FIG 139A DPF SUPPORT (T574) | 94 |
| FIG 140 DATAPLATE | 96 |
| FIG 142A DPF ASS'Y (T574) | 98 |
| FIG 143 LIFT ASS'Y | 100 |
| FIG 144 COMP . DRIVE PULLEY ASS'Y OPTION | 102 |
| FIG 145 INTAKE PIPE | 104 |
| FIG 146 CCV ASS'Y | 106 |
| FIG 147 LOOSED PARTS | 108 |

2. Engine Accessories PART NO. T2

| | |
|-----------------------------|-----|
| FIG 201A AIR CLEANER (T574) | 111 |
| FIG 202 RADIATOR | 113 |
| FIG 203 MUFFLER | 115 |
| FIG 204 FUEL HOSE & FILTER | 117 |
| FIG 205 FUEL TANK | 119 |
| FIG 206 ACCELERATOR | 121 |
| FIG 207 OIL COOLER | 123 |

3. Clutch/Brake/Steering PART NO. T3

| | |
|--------------------------|-----|
| FIG 301 FLYWHEEL HOUSING | 126 |
| FIG 302 CLUTCH PEDAL | 128 |
| FIG 303 BRAKE | 130 |

| | |
|---------------------------------|-----|
| FIG 304 BRAKE PEDAL & LINK | 132 |
| FIG 305 FRONT WHEEL | 134 |
| FIG 306 REAR WHEEL | 136 |
| FIG 307 POWER STEERING WHEEL | 138 |
| FIG 308 POWER STEERING VALVE | 140 |
| FIG 309 POWER STEERING CYLINDER | 142 |
| FIG 310 HST CONTROL LINK | 144 |

4. Transmission PART NO. T4

| | |
|---------------------------------|-----|
| FIG 401 TRANSMISSION FRONT CASE | 148 |
| FIG 402 HST | 150 |
| FIG 403 MID TRANSMISSION CASE | 152 |
| FIG 404 TRANSFER GEAR SET | 154 |
| FIG 405 TRANSMISSION REAR CASE | 156 |
| FIG 406 SUB CHANGE GEARS | 158 |
| FIG 407 SUB CHANGE SHIFTER | 160 |
| FIG 408 DRIVE GEARS | 162 |
| FIG 409 4WD CHANGE LEVER | 164 |
| FIG 410 P.T.O DRIVE SHAFT | 166 |
| FIG 411 P.T.O CHANGE GEARS | 168 |
| FIG 412 REAR DIFFERENTIAL GEARS | 170 |
| FIG 413 REAR AXLE HOUSING | 173 |

5. Front Axle PART NO. T5

| | |
|----------------------------------|-----|
| FIG 501 FRONT AXLE SUPPORT | 176 |
| FIG 502 FRONT DRIVE SHAFT | 178 |
| FIG 503 FRONT AXLE HOUSING | 180 |
| FIG 504 FRONT DIFFERENTIAL GEARS | 182 |
| FIG 505 FRONT GEAR CASE (1) | 184 |
| FIG 506 FRONT GEAR CASE (2) | 186 |
| FIG 507 FRONT GEAR CASE (3) | 188 |

6. Hydraulic/3P-Link PART NO. T6

| | |
|-----------------------|-----|
| FIG 601 CYLINDER CASE | 191 |
| FIG 602 LIFT ARM | 193 |

| | |
|-------------------------------------|-----|
| FIG 603 CYLINDER | 195 |
| FIG 604 POSITION LINK | 197 |
| FIG 605 CONTROL VALVE | 199 |
| FIG 606 DRAFT LINK | 201 |
| FIG 607 POSITION & DRAFT LEVER | 203 |
| FIG 607-2 POSITION & DRAFT LEVER(2) | 205 |
| FIG 608 EXTERIOR HYD. VALVE | 207 |
| FIG 609 HYDRAULIC PIPE | 209 |
| FIG 610 JOYSTICK | 211 |
| FIG 612 HITCH & 3-POINT LINK | 213 |
| FIG 613 LOWER LINK & LIFT ROD | 216 |

7. Sheet Metal & Cabin PART NO. T7

| | |
|---------------------------------------|-----|
| FIG 701 BONNET FRAME | 219 |
| FIG 702 BONNET (1) | 221 |
| FIG 702-2 BONNET (2) | 223 |
| FIG 703 EXTENSION COVER | 225 |
| FIG 704-2 LEVER COVER & STEP-NON CAB | 227 |
| FIG 705 FRONT & REAR MOUNTING | 229 |
| FIG 706 SEAT & MAT | 231 |
| FIG 710-2 FRAME & 2POLES-ROPS-NON CAB | 233 |
| FIG 713-2 SUB FENDER & COVER-NON CAB | 235 |
| FIG 714-2 MIRROR&WORKING LAMP-NON CAB | 237 |

8. Electrical System PART NO. T8

| | |
|---------------------------------------|-----|
| FIG 801 BATTERY & MOUNTING | 240 |
| FIG 802 HARNESS LAMP | 242 |
| FIG 803 INSTRUMENT PANEL | 244 |
| FIG 804 ELECTRIC SYSTEM (1) | 246 |
| FIG 805-2 ELECTRIC SYSTEM (2)-NON CAB | 248 |
| FIG 806 ELECTRIC SYSTEM (3) | 250 |

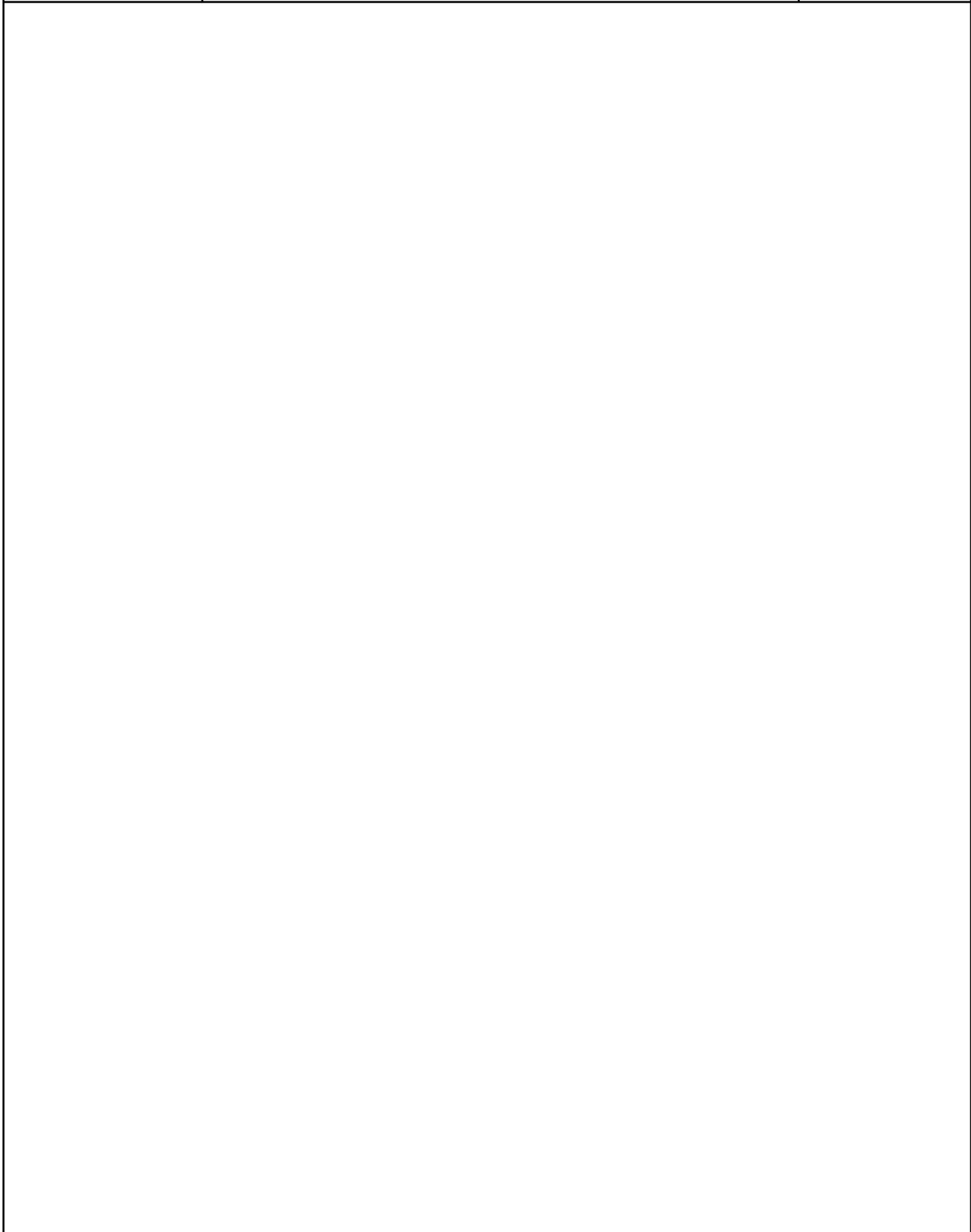
9. Label/Option PART NO. T9

| | |
|--------------------------|-----|
| FIG 901 TOOL & ACCESSORY | 253 |
| FIG 902 LABEL | 255 |

0. TRACTOR KIT PART NO. TK1

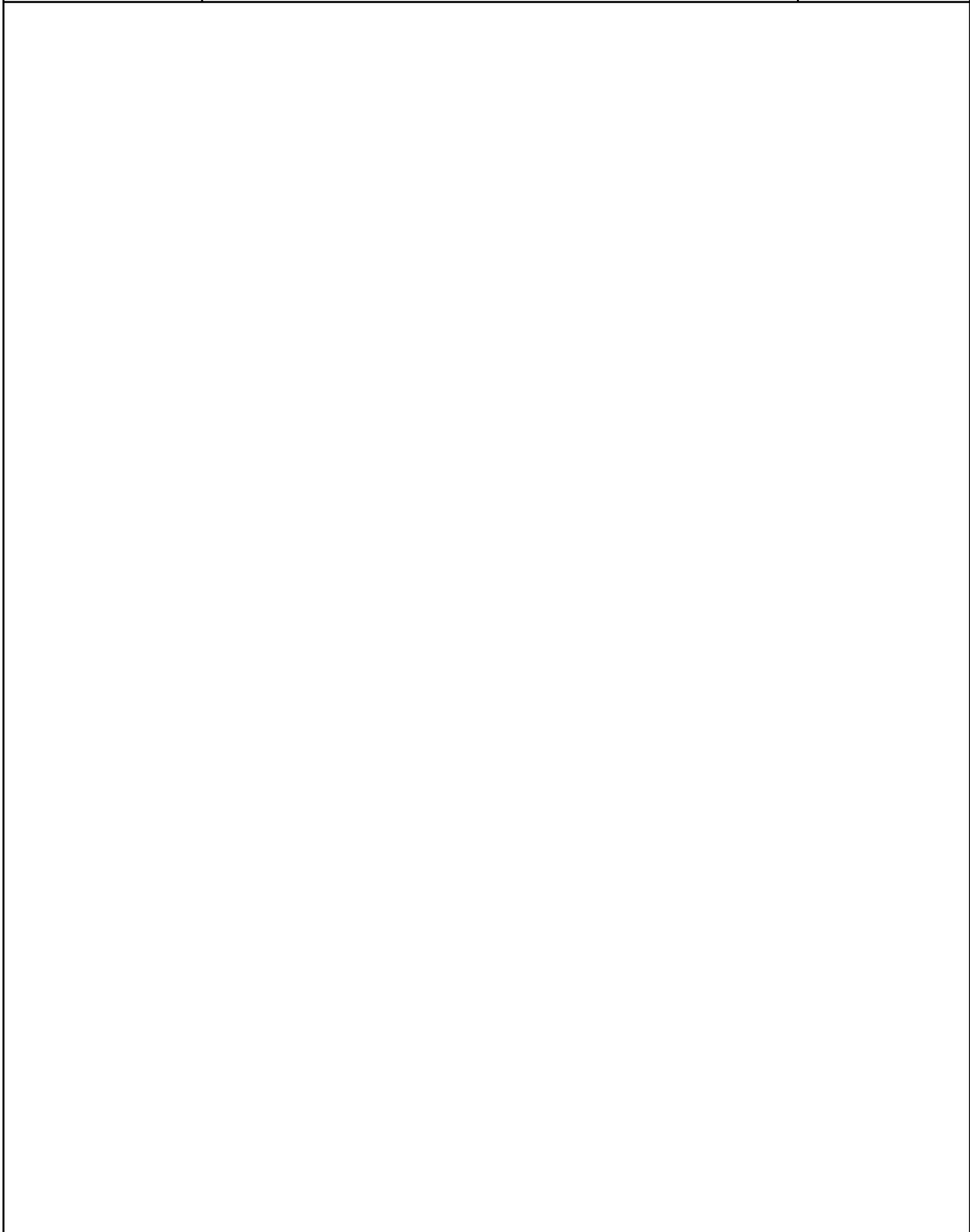
| | |
|-----------------------------------|----|
| FIG 000 TRAILER SOCKET KIT | 8 |
| FIG 001 ADAPTER KIT | 10 |
| FIG 002 3rd FUNCTION KIT , LOADER | 12 |

| | | |
|---------------------|--------------------|------------------------------|
| FIG 000 T574NH-B | TRAILER SOCKET KIT | 년/월 Year/Month 2022-12 |
|---------------------|--------------------|------------------------------|



| | |
|------|--|
| NOTE | |
|------|--|

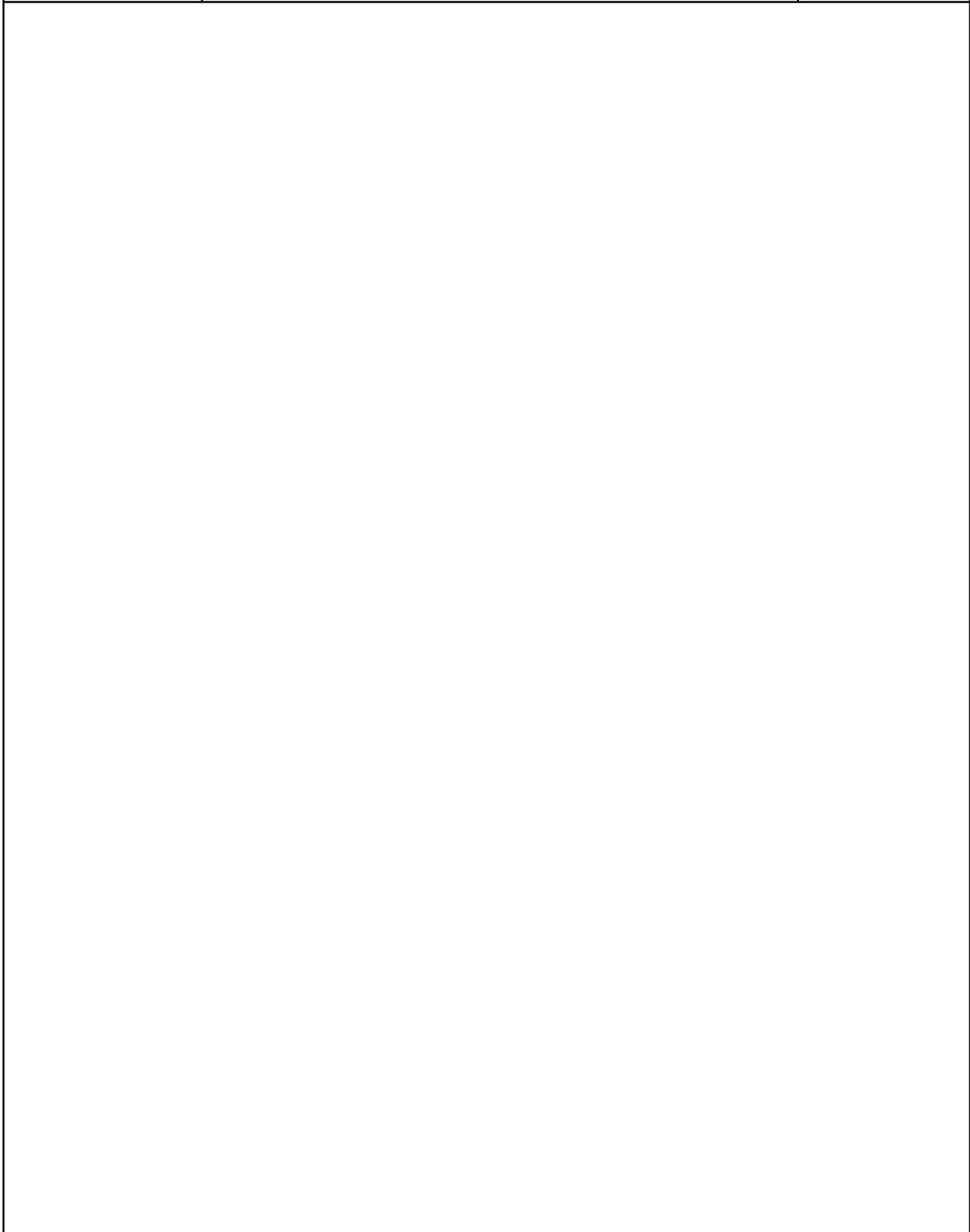
| | | |
|---------------------|-------------|------------------------------|
| FIG 001 T574NH-B | ADAPTER KIT | 년/월 Year/Month 2022-12 |
|---------------------|-------------|------------------------------|



| | |
|------|--|
| NOTE | |
|------|--|

| FIG 001 | | ADAPTER KIT | | | | | 년/월 Year/Month | |
|----------|---------|-------------|---------------------------|-----|--------|----------------|-------------------|--|
| T574NH-B | | 2022-12 | | | | | | |
| KEY NO | PART NO | DESCRIPTION | SPEC | QTY | REPAIR | EFFECTIVE DATE | REMARKS | |
| 001 | 0 | 10555800000 | HST PRESSURE CHECK KIT | | 1 | | | |
| 001 | 1 | 10555800110 | ADAPTOR(PF3/8, UNF1/2-20) | | 1 | | | |
| 001 | 2 | 10555800120 | ADAPTOR(PF3/8, UNF3/4-16) | | 1 | | | |
| 001 | 3 | 10555800130 | ADAPTOR(PF3/8, PF1/2) | | 1 | | | |
| | | | | | | | | |
| | | | | | | | | |
| | | | | | | | | |
| | | | | | | | | |
| | | | | | | | | |
| | | | | | | | | |
| | | | | | | | | |
| | | | | | | | | |
| | | | | | | | | |
| | | | | | | | | |
| | | | | | | | | |
| | | | | | | | | |
| | | | | | | | | |
| | | | | | | | | |
| | | | | | | | | |
| | | | | | | | | |
| | | | | | | | | |
| | | | | | | | | |
| | | | | | | | | |
| | | | | | | | | |
| | | | | | | | | |
| | | | | | | | | |
| | | | | | | | | |
| | | | | | | | | |
| | | | | | | | | |
| | | | | | | | | |
| | | | | | | | | |
| | | | | | | | | |
| | | | | | | | | |
| | | | | | | | | |
| | | | | | | | | |
| | | | | | | | | |
| | | | | | | | | |
| | | | | | | | | |
| | | | | | | | | |
| | | | | | | | | |
| | | | | | | | | |
| | | | | | | | | |
| | | | | | | | | |
| | | | | | | | | |
| NOTE | | | | | | | | |

| | | |
|---------------------|---------------------------|------------------------------|
| FIG 002 T574NH-B | 3rd FUNCTION KIT , LOADER | 년/월 Year/Month 2022-12 |
|---------------------|---------------------------|------------------------------|



| | |
|------|--|
| NOTE | |
|------|--|

1. Engine PART NO. EG

| | |
|---|----|
| FIG 100 ENGINE | 16 |
| FIG 101 CYLINDER BLOCK | 18 |
| FIG 102A OILJET ASS'Y OPTION(T574) | 20 |
| FIG 103 CRANK SHAFT | 22 |
| FIG 104 PISTON | 24 |
| FIG 105 CYLINDER HEAD | 26 |
| FIG 106 ROCKER LEVER | 28 |
| FIG 107 HEAD COVER | 30 |
| FIG 108 GEAR CASE | 32 |
| FIG 109 IDLE GEAR | 34 |
| FIG 110 CAM SHAFT | 36 |
| FIG 111 OIL PUMP | 38 |
| FIG 112 HYD. PUMP DRIVE | 40 |
| FIG 113 2ND BALANCE | 42 |
| FIG 114 OIL PAN | 44 |
| FIG 115A INTAKE MANIFOLD(T574) | 46 |
| FIG 116A EXHAUST MANIFOLD(T574) | 48 |
| FIG 117A TURBOCHARGER ASS'Y(T574) | 50 |
| FIG 118A TURBOCHARGER PLUMBING OPTION(T574) | 52 |
| FIG 119A BREATHER(T574) | 54 |
| FIG 120 FUEL INJECTION PUMP | 56 |
| FIG 121 FUEL INJECTION VALVE | 58 |
| FIG 122 FUEL PIPE ASS'Y | 60 |
| FIG 123 OIL FILTER | 62 |
| FIG 124 OIL COOLER | 64 |
| FIG 125 OIL GAUGUE | 66 |
| FIG 126 OIL FILLER CAP | 68 |
| FIG 127 COOLING WATER PUMP | 70 |
| FIG 128 CRANK SHAFT PULLEY | 72 |
| FIG 129 V-PULLEY | 74 |
| FIG 130 COOLING FAN | 76 |
| FIG 131 FLYWHEEL HOUSING | 78 |
| FIG 132 FLYWHEEL | 80 |
| FIG 133 GLOW PLUG ASS'Y OPTION | 82 |
| FIG 134 STARTING MOTOR | 84 |
| FIG 135 FUEL FILTER BRACKET ASS'Y | 86 |
| FIG 136 ALTERNATOR | 88 |
| FIG 137 V-BELT | 90 |

| | |
|--|-----|
| FIG 138 FUEL FILTER | 92 |
| FIG 139A DPF SUPPORT (T574) | 94 |
| FIG 140 DATAPLATE | 96 |
| FIG 142A DPF ASS'Y (T574) | 98 |
| FIG 143 LIFT ASS'Y | 100 |
| FIG 144 COMP . DRIVE PULLEY ASS'Y OPTION | 102 |
| FIG 145 INTAKE PIPE | 104 |
| FIG 146 CCV ASS'Y | 106 |
| FIG 147 LOOSED PARTS | 108 |

| | | |
|---------------------|--------|-------------------|
| FIG 100 T574NH-B | ENGINE | 년/월 Year/Month |
| | | 2022-12 |

| | |
|--|--|
| | |
|--|--|

| | |
|------|--|
| NOTE | |
|------|--|

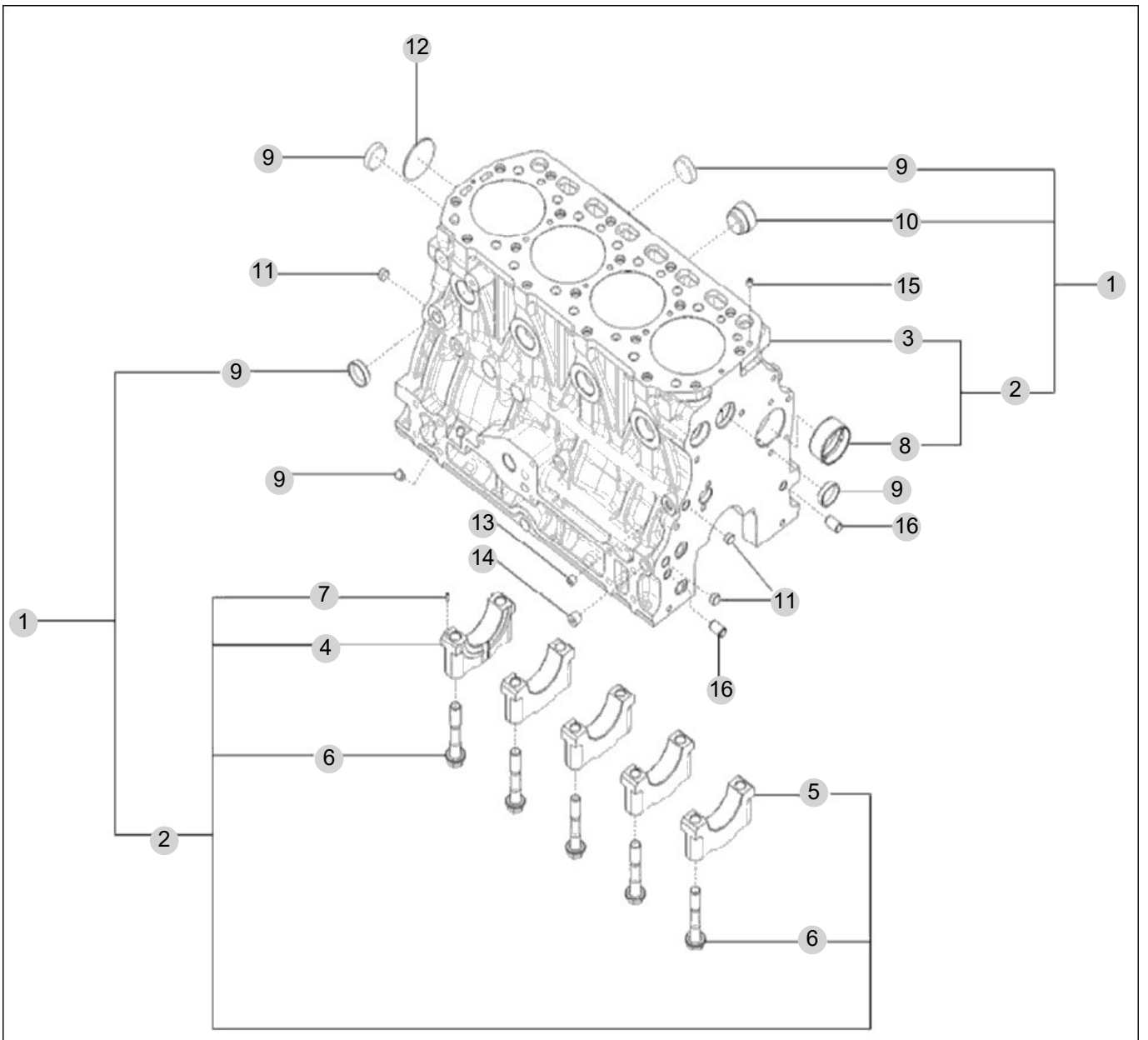
FIG 101

T574NH-B

CYLINDER BLOCK

년/월
Year/Month

2022-12



NOTE

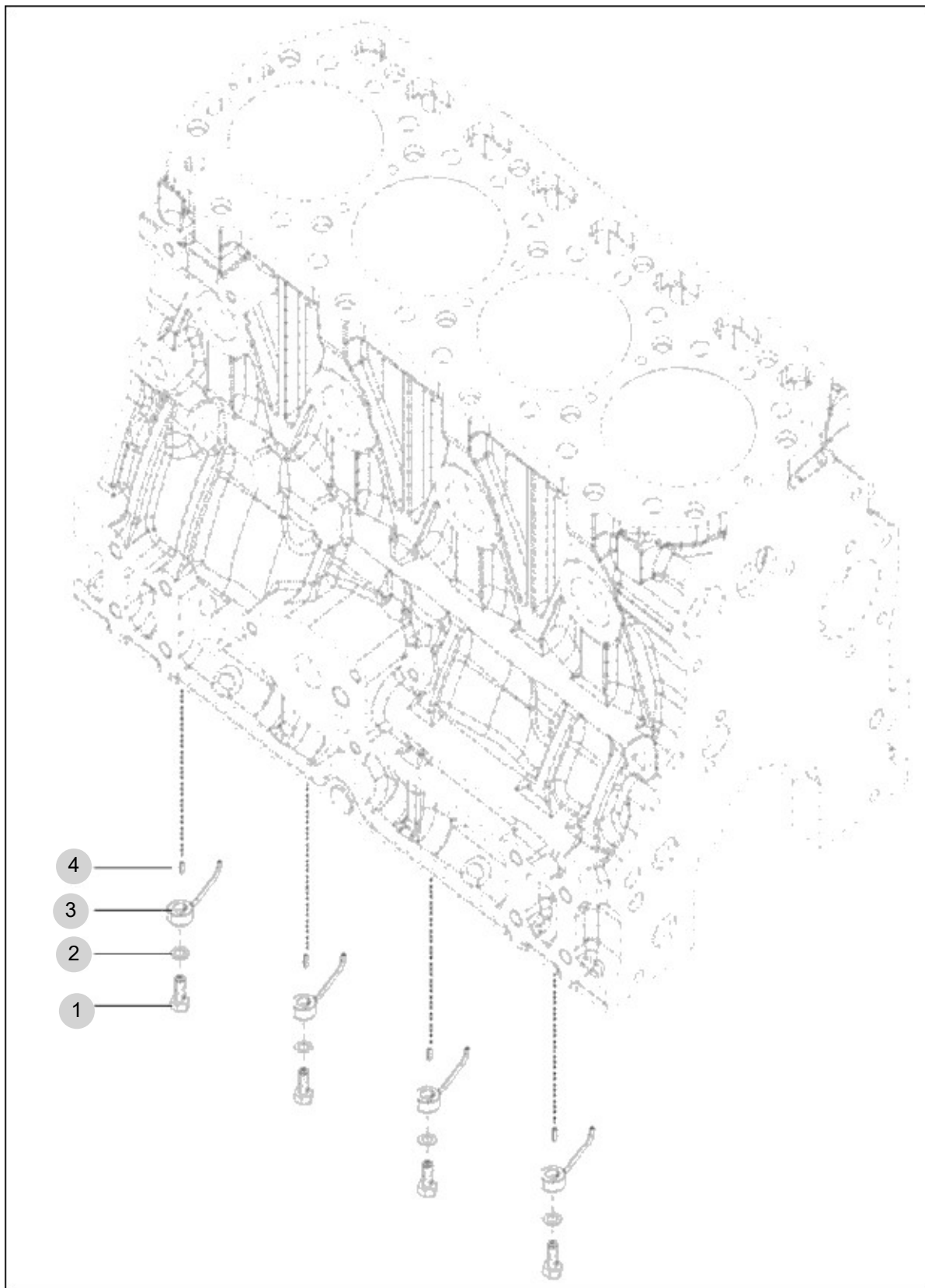
FIG 102A

OILJET ASS'Y OPTION(T574)

년/월
Year/Month

2022-12

T574NH-B



NOTE

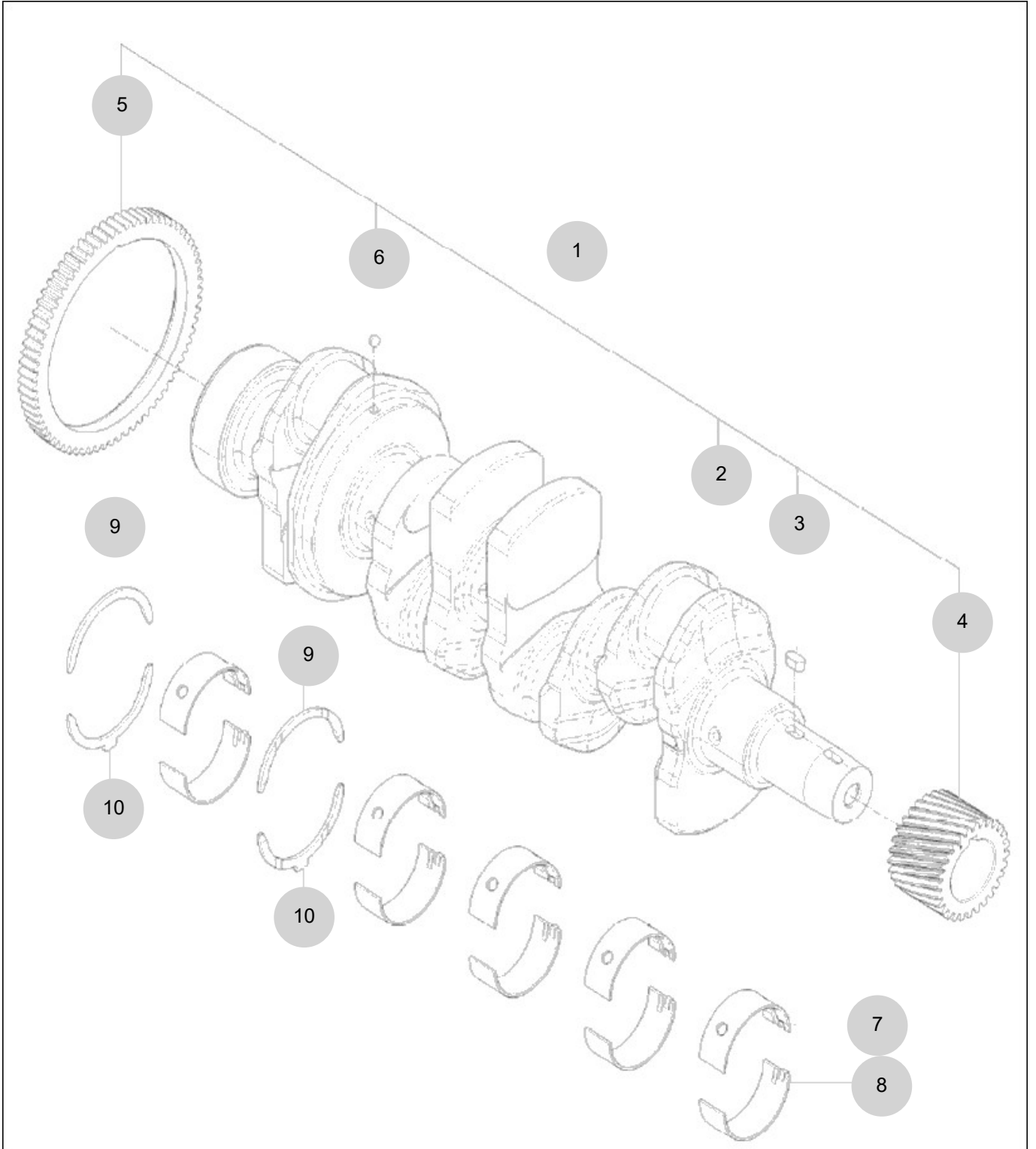
FIG 103

T574NH-B

CRANK SHAFT

년/월
Year/Month

2022-12



NOTE

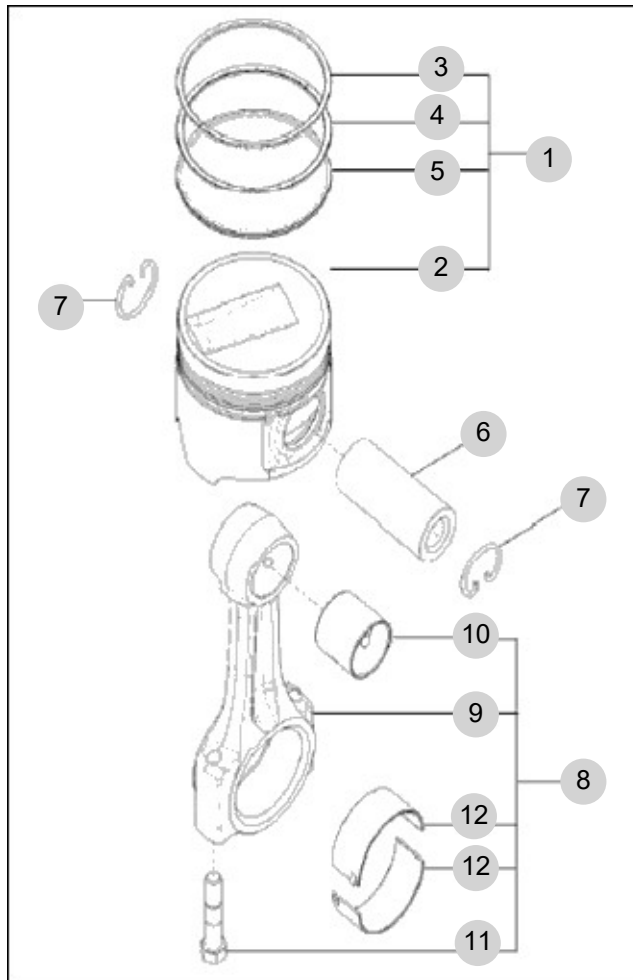
FIG 104

T574NH-B

PISTON

년/월
Year/Month

2022-12



NOTE

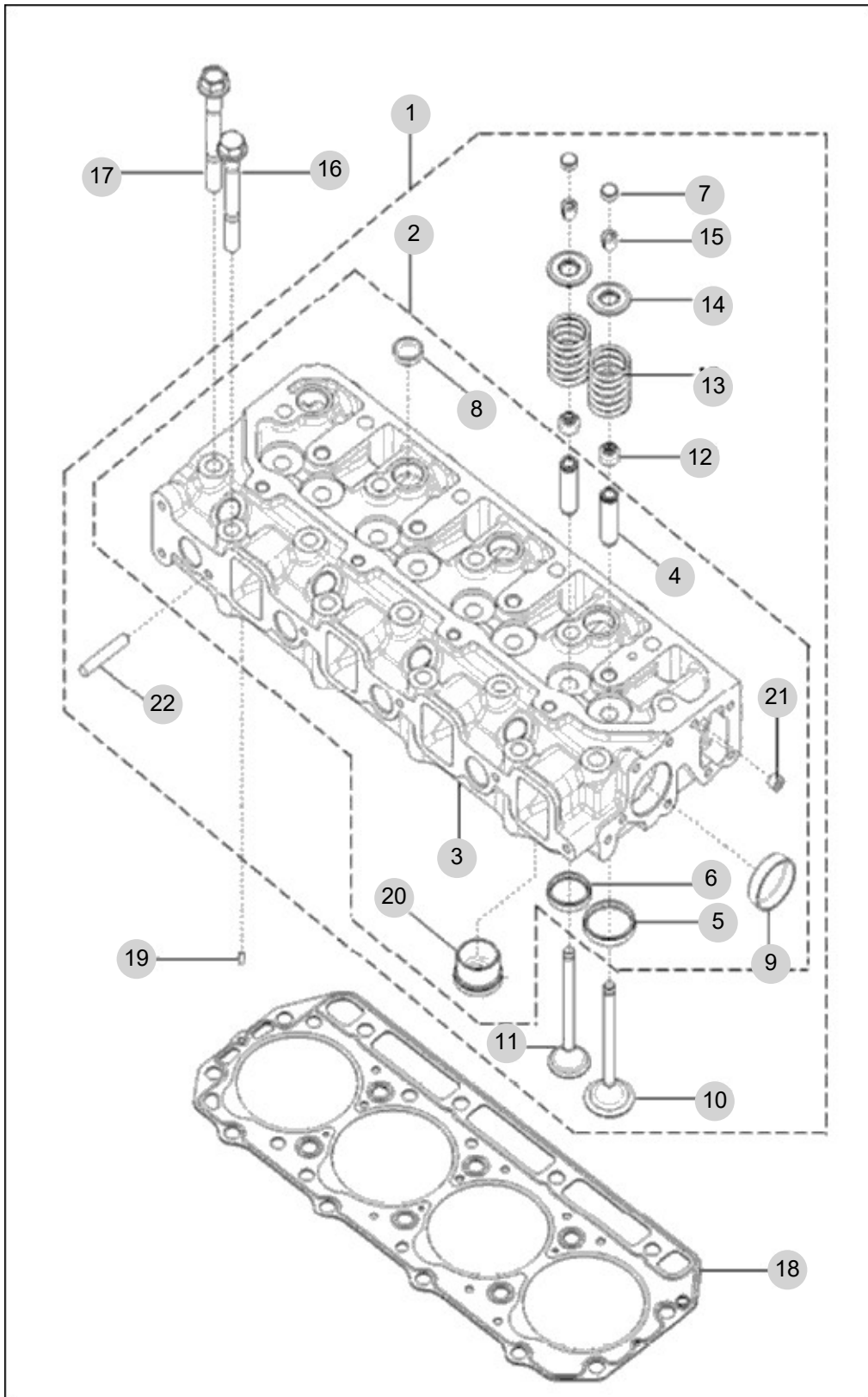
FIG 105

CYLINDER HEAD

년/월
Year/Month

2022-12

T574NH-B



NOTE

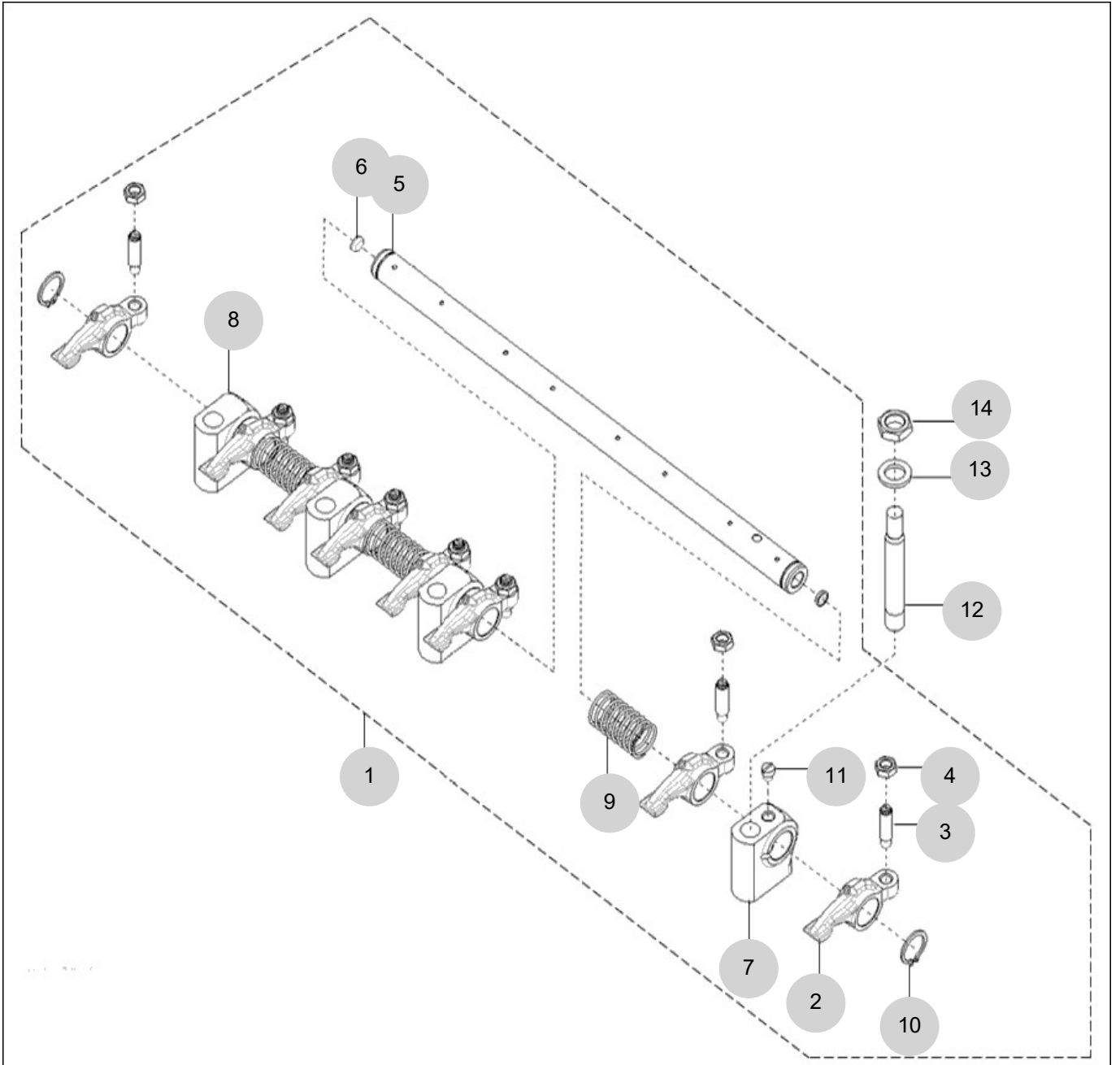
FIG 106

T574NH-B

ROCKER LEVER

년/월
Year/Month

2022-12



NOTE

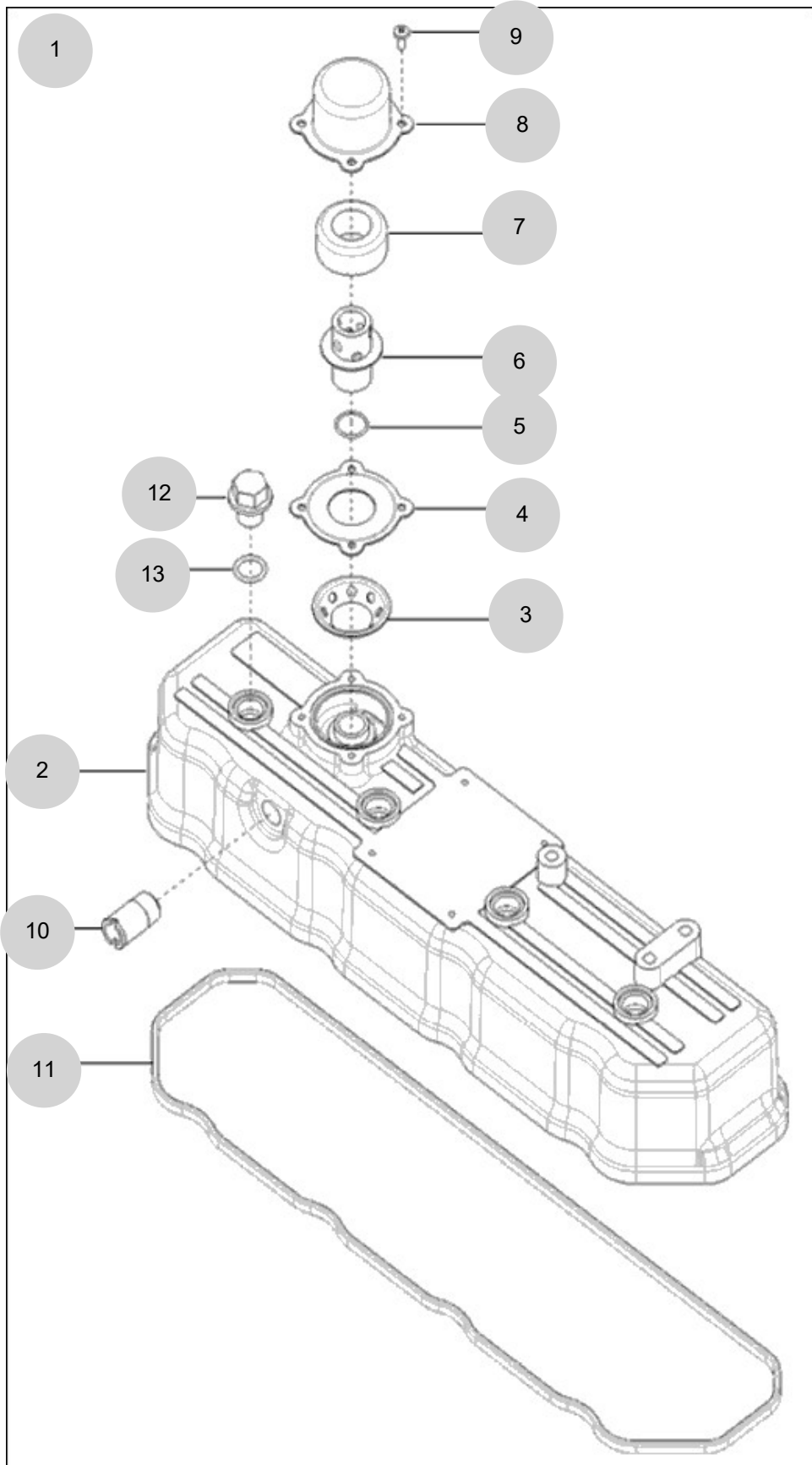
FIG 107

T574NH-B

HEAD COVER

년/월
Year/Month

2022-12



NOTE

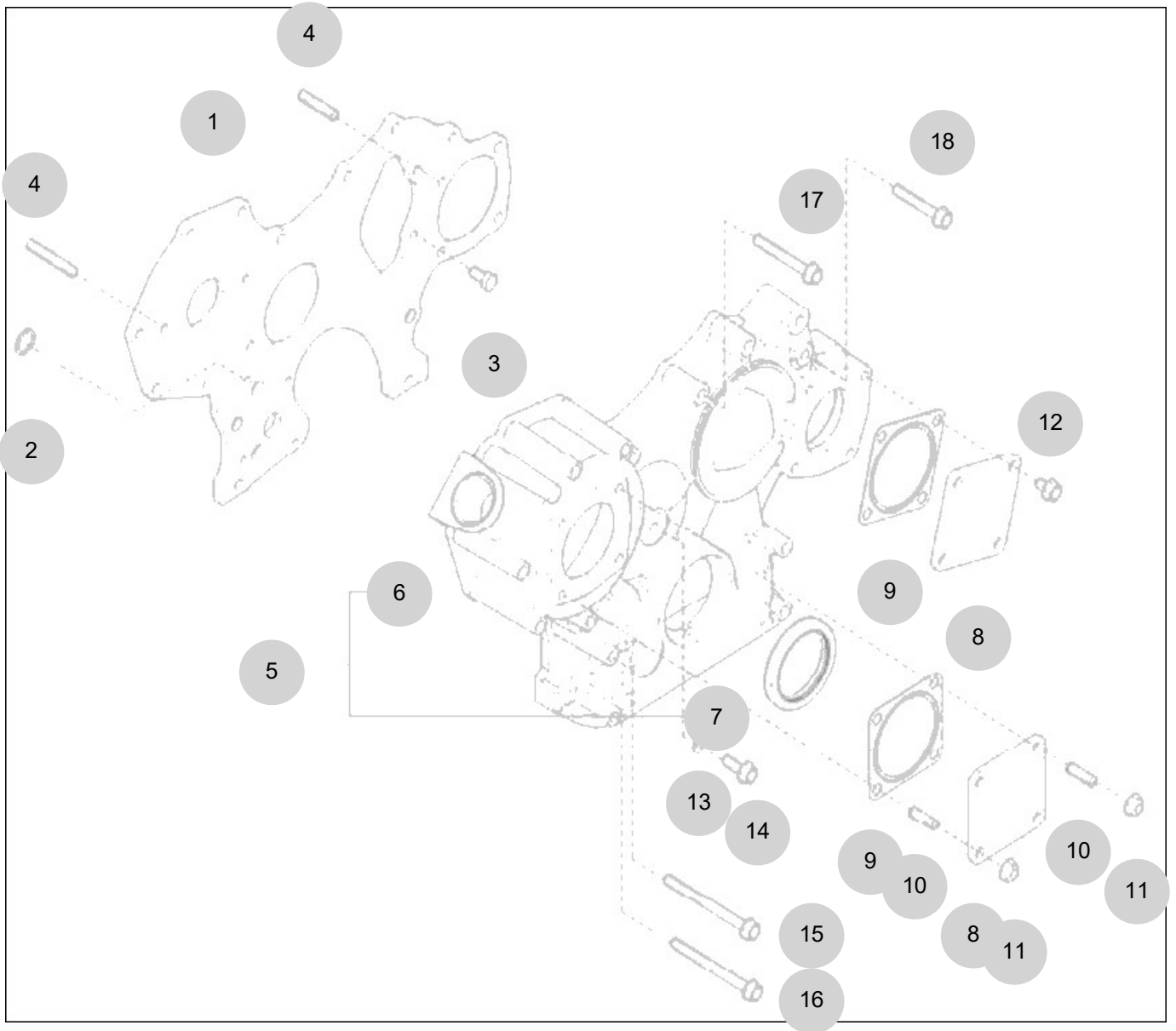
FIG 108

GEAR CASE

년/월
Year/Month

T574NH-B

2022-12



NOTE

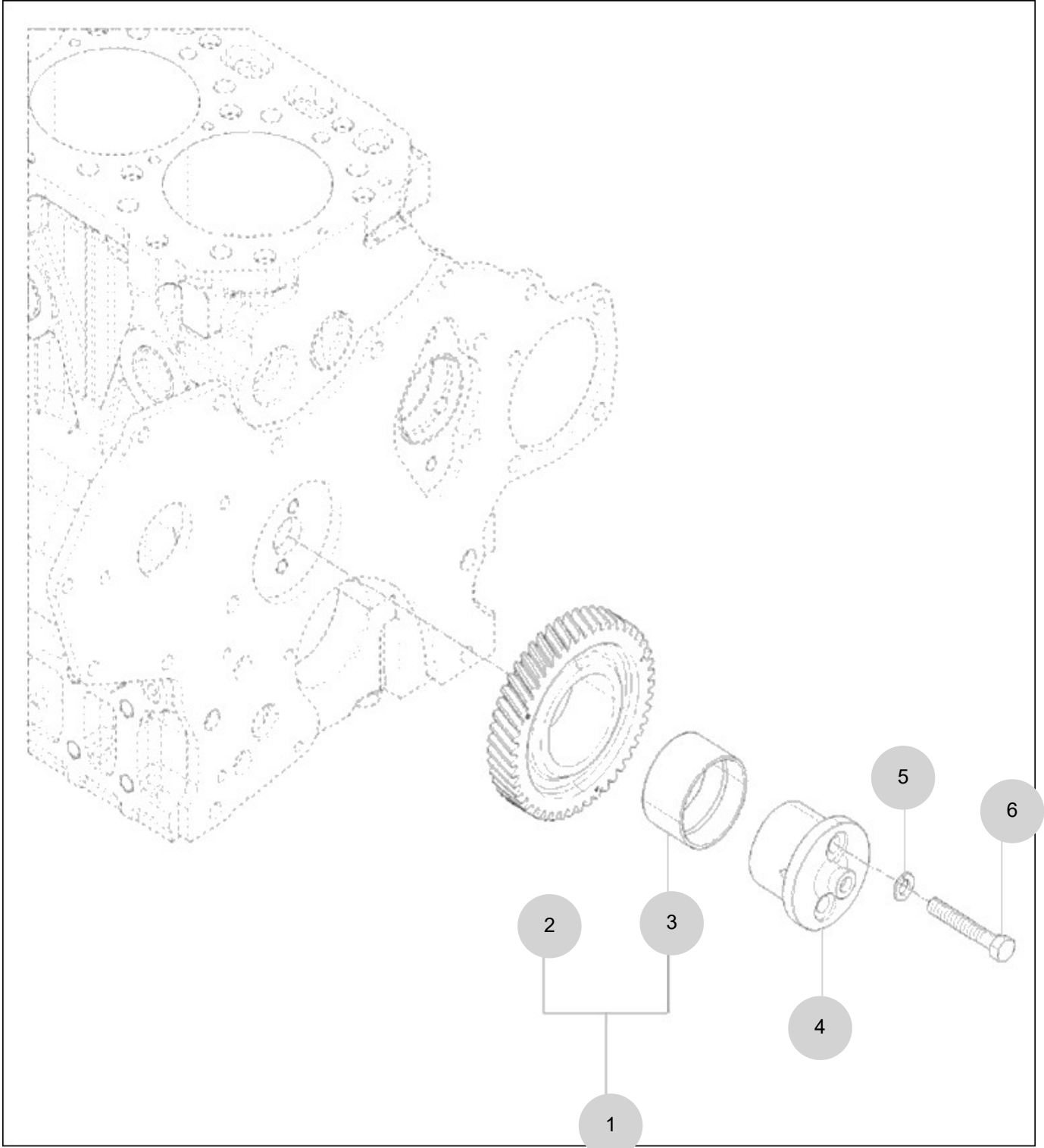
FIG 109

T574NH-B

IDLE GEAR

년/월
Year/Month

2022-12



NOTE

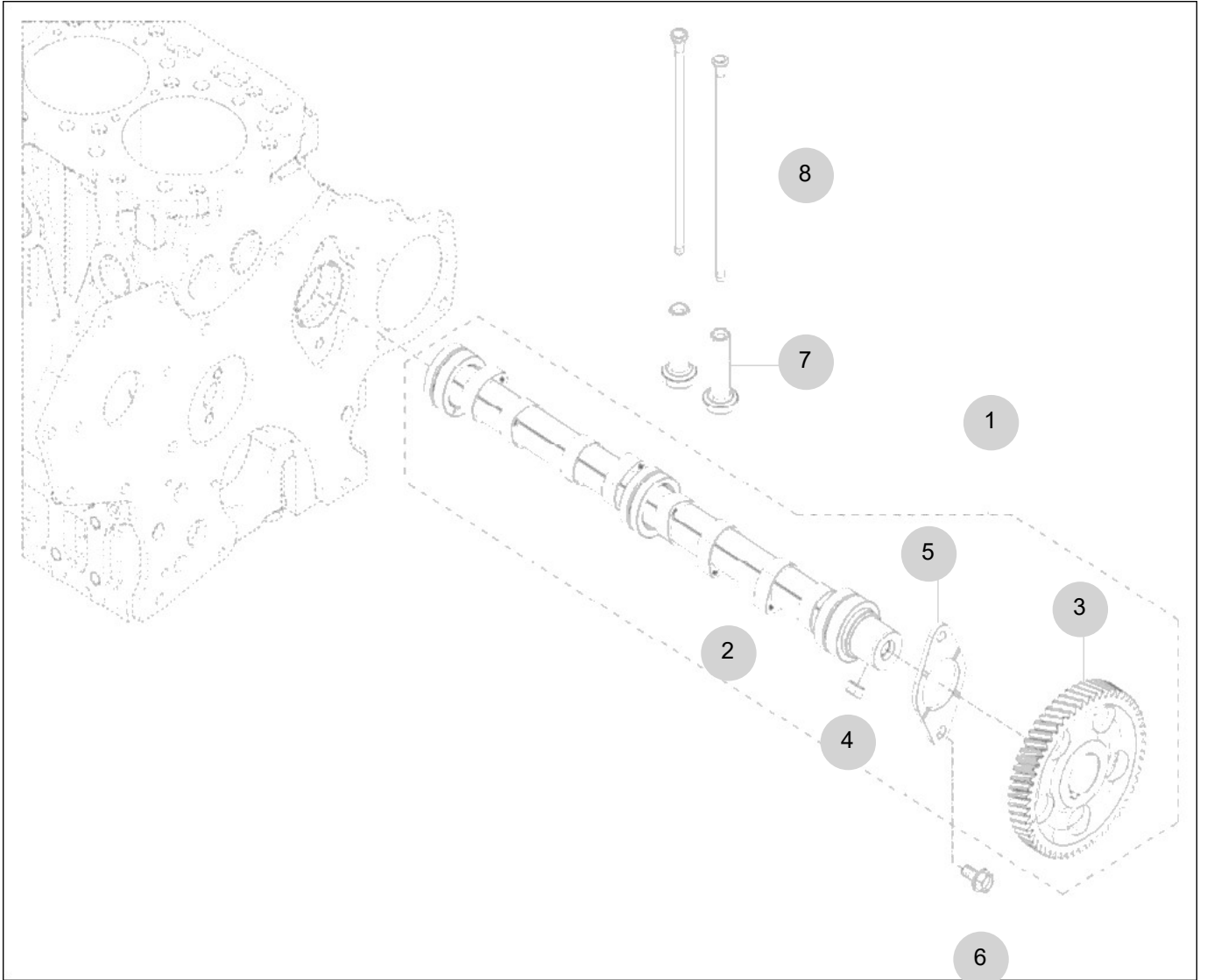
FIG 110

T574NH-B

CAM SHAFT

년/월
Year/Month

2022-12



NOTE

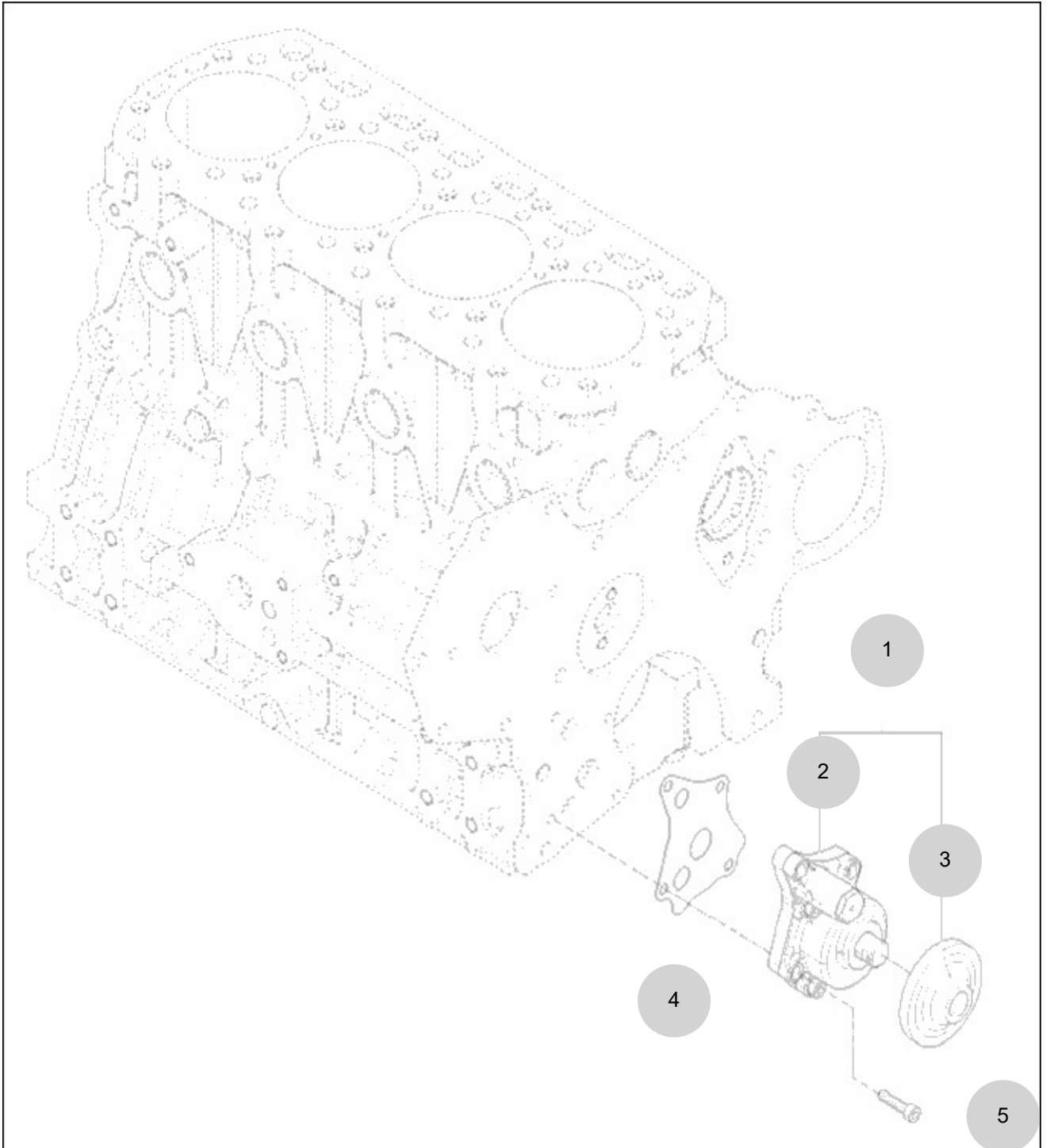
FIG 111

OIL PUMP

년/월
Year/Month

T574NH-B

2022-12



NOTE

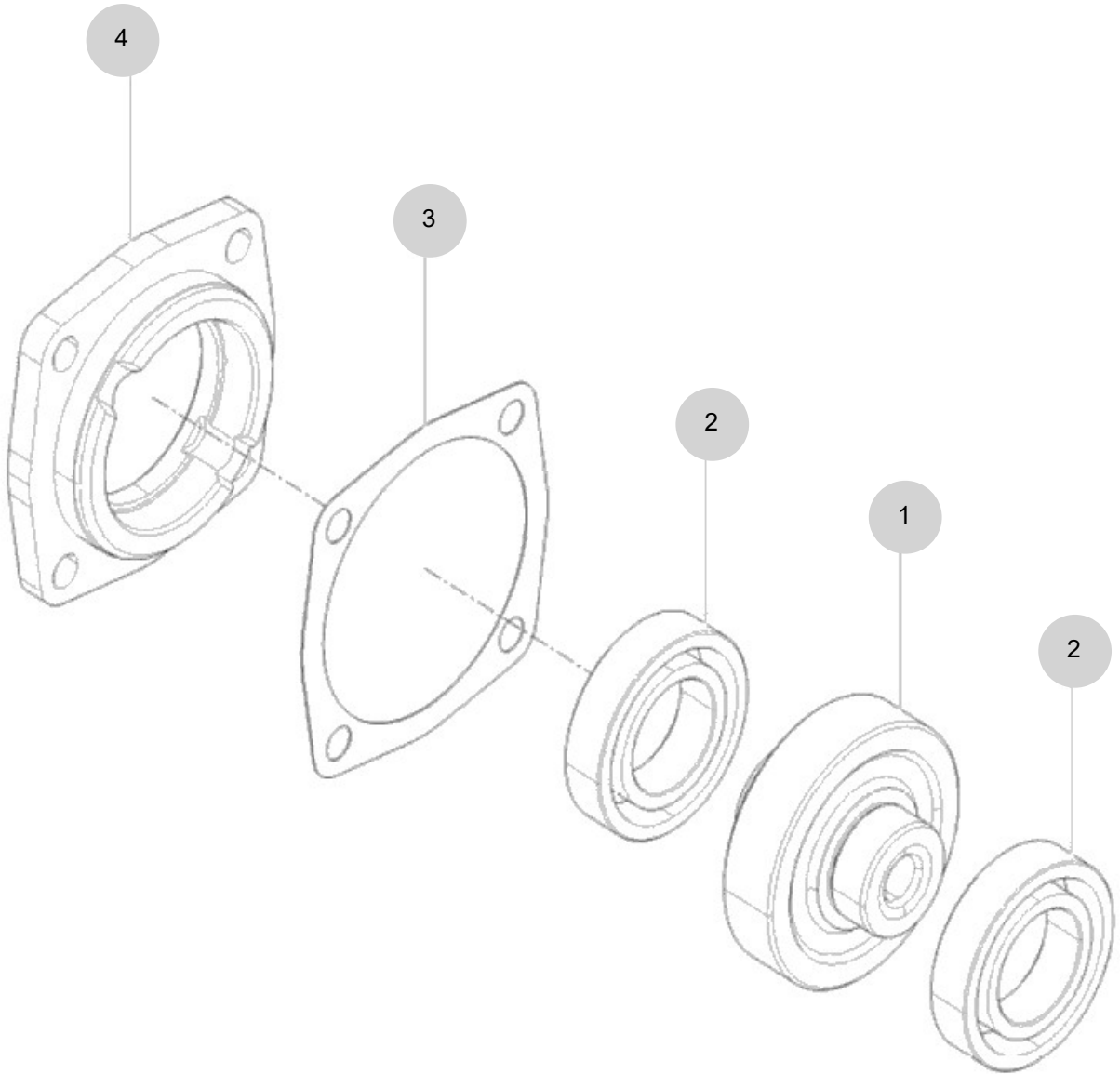
FIG 112

T574NH-B

HYD. PUMP DRIVE

년/월
Year/Month

2022-12



NOTE

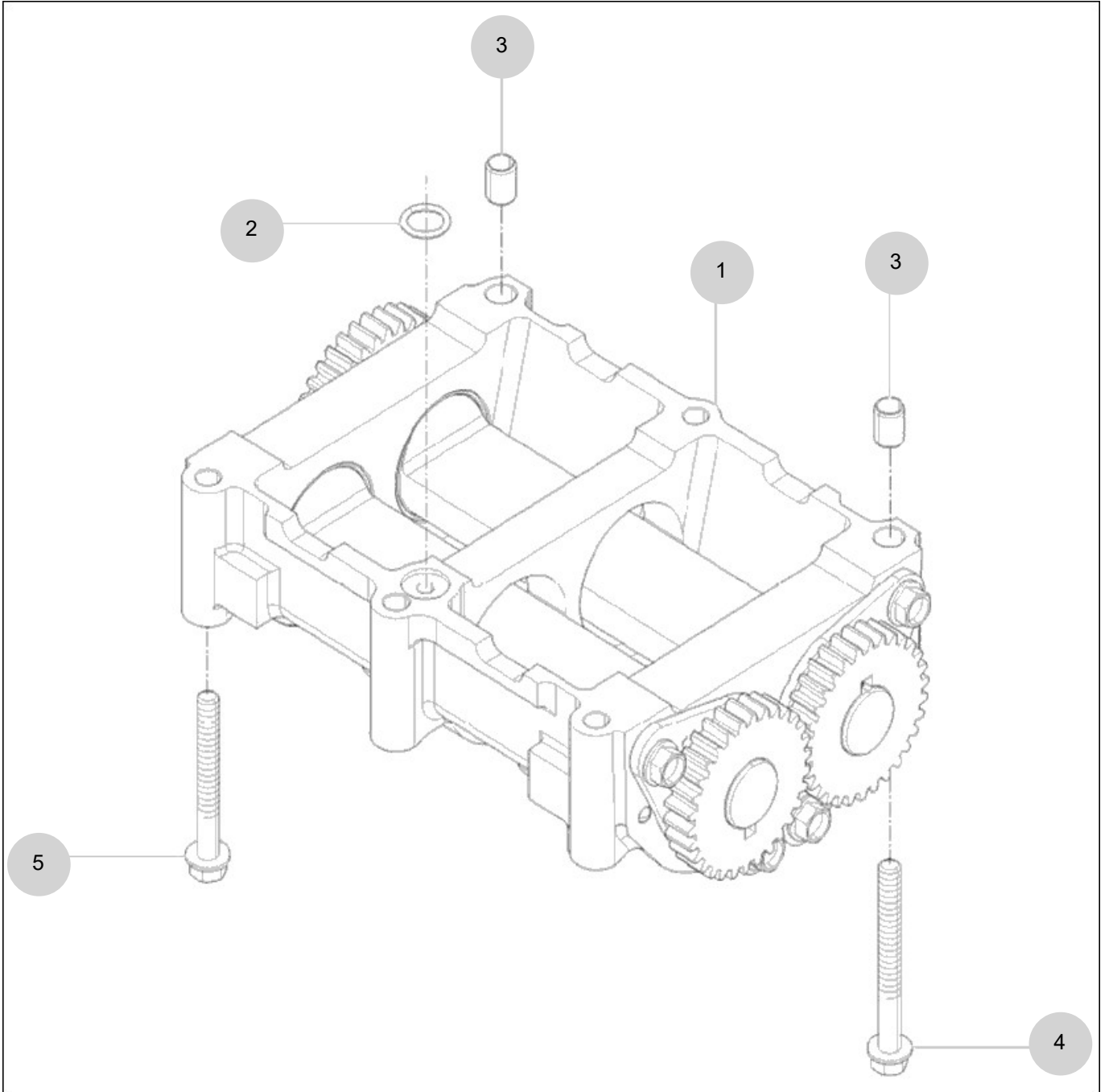
FIG 113

T574NH-B

2ND BALANCE

년/월
Year/Month

2022-12



NOTE

| FIG 113 T574NH-B | | 2ND BALANCE | | | | | | 년/월 Year/Month |
|---------------------|---------|--------------|-----------------------|-----|--------|----------------|---------|-------------------|
| | | | | | | | | 2022-12 |
| KEY NO | PART NO | DESCRIPTION | SPEC | QTY | REPAIR | EFFECTIVE DATE | REMARKS | |
| 113 | 1 | HRA1000100A | BALANCE ASS'Y | | | 1 | | |
| 113 | 2 | 24311-000140 | O-RING, DYNAMIC (Φ14) | | | 1 | | |
| 113 | 3 | HRA1000700A | PIN, GUIDE | | | 2 | | |
| 113 | 4 | 26106-080752 | HEX. FLANGE BOLT | | | 2 | | |
| 113 | 5 | 26106-080652 | BOLT | | | 4 | | |
| | | | | | | | | |
| | | | | | | | | |
| | | | | | | | | |
| | | | | | | | | |
| | | | | | | | | |
| | | | | | | | | |
| | | | | | | | | |
| | | | | | | | | |
| | | | | | | | | |
| | | | | | | | | |
| | | | | | | | | |
| | | | | | | | | |
| | | | | | | | | |
| | | | | | | | | |
| | | | | | | | | |
| | | | | | | | | |
| | | | | | | | | |
| | | | | | | | | |
| | | | | | | | | |
| | | | | | | | | |
| | | | | | | | | |
| | | | | | | | | |
| | | | | | | | | |
| | | | | | | | | |
| | | | | | | | | |
| | | | | | | | | |
| | | | | | | | | |
| | | | | | | | | |
| | | | | | | | | |
| | | | | | | | | |
| | | | | | | | | |
| | | | | | | | | |
| | | | | | | | | |
| | | | | | | | | |
| NOTE | | | | | | | | |

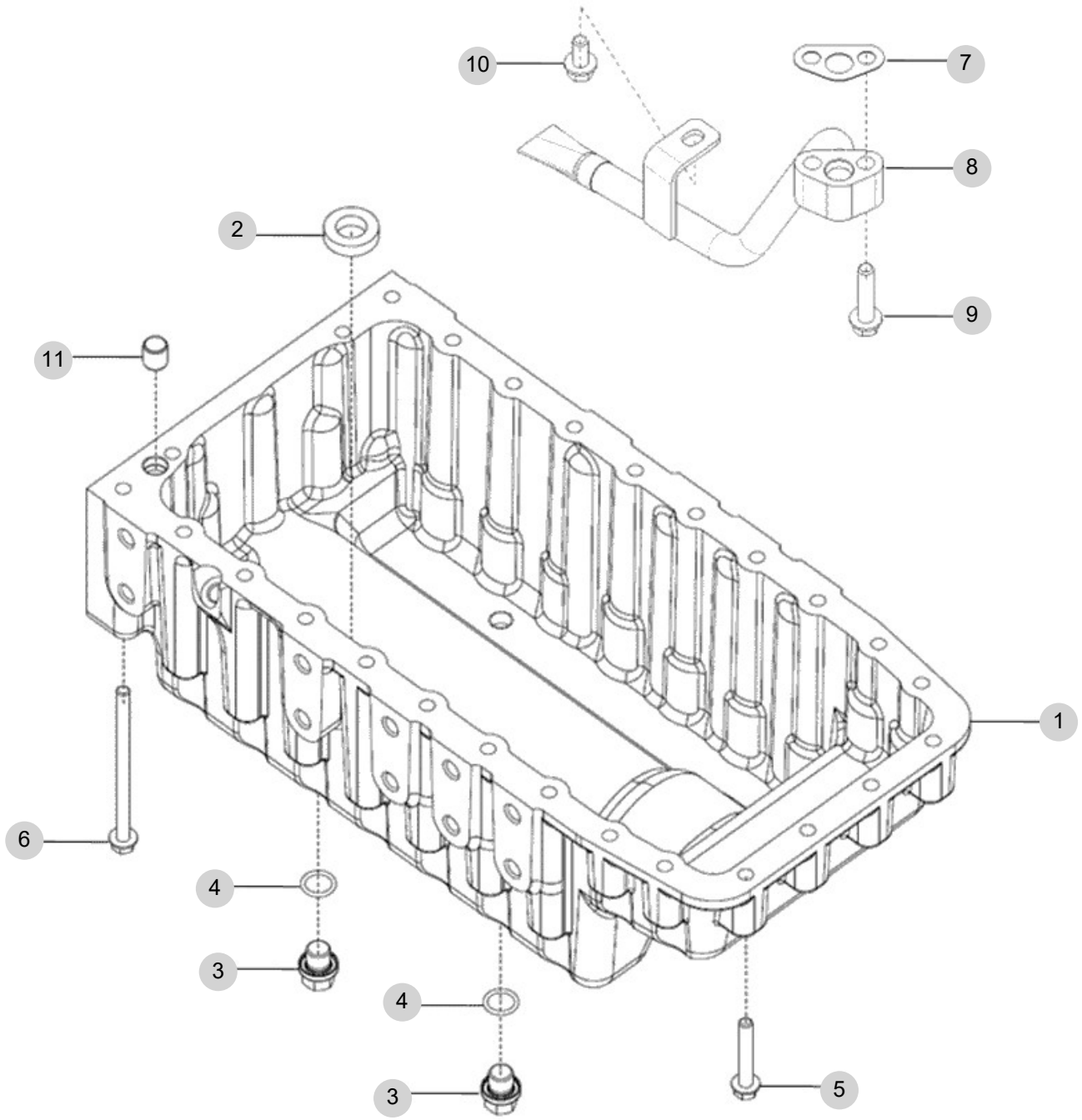
FIG 114

T574NH-B

OIL PAN

년/월
Year/Month

2022-12



NOTE

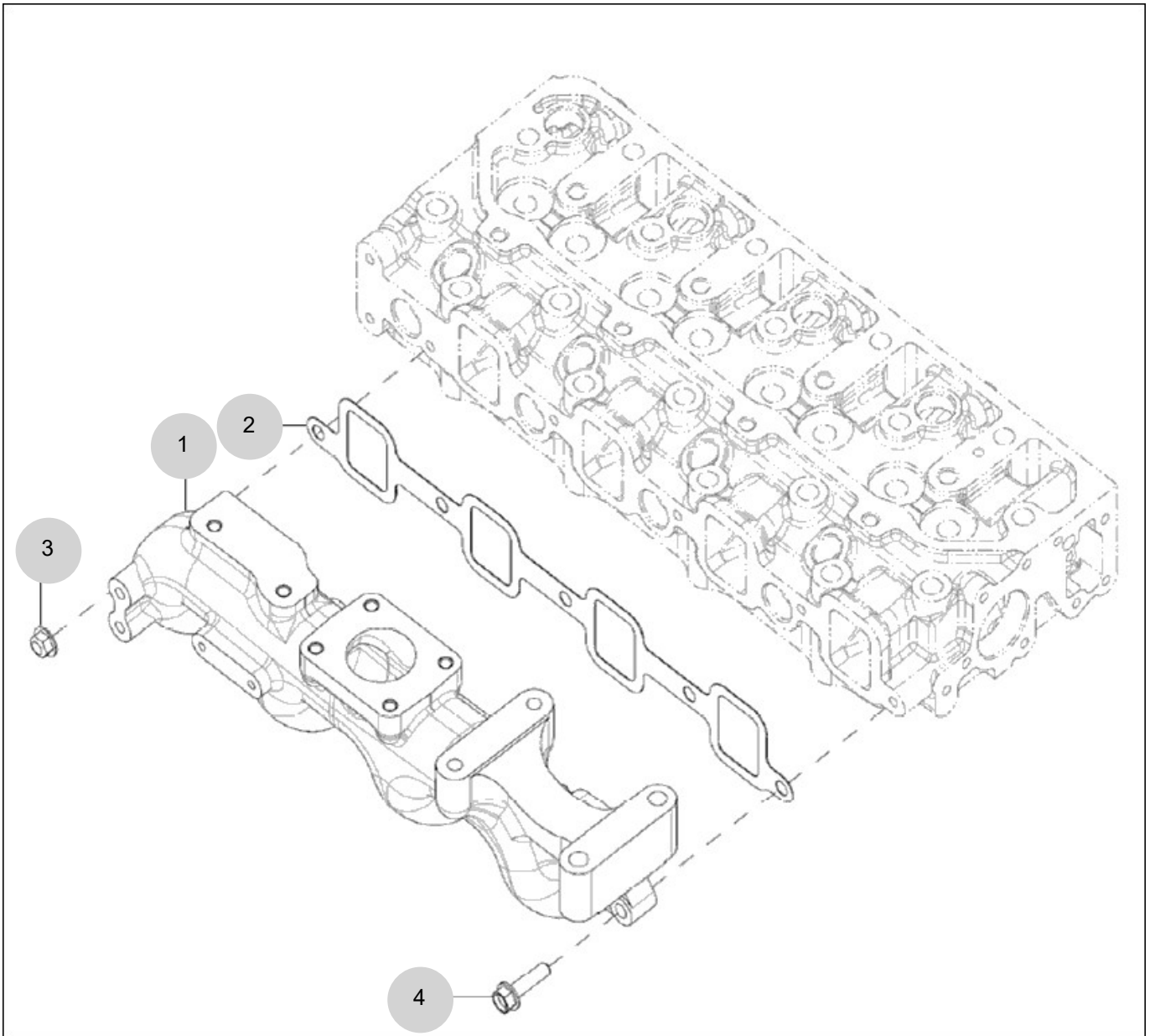
FIG 115A

INTAKE MANIFOLD(T574)

년/월
Year/Month

T574NH-B

2022-12



NOTE

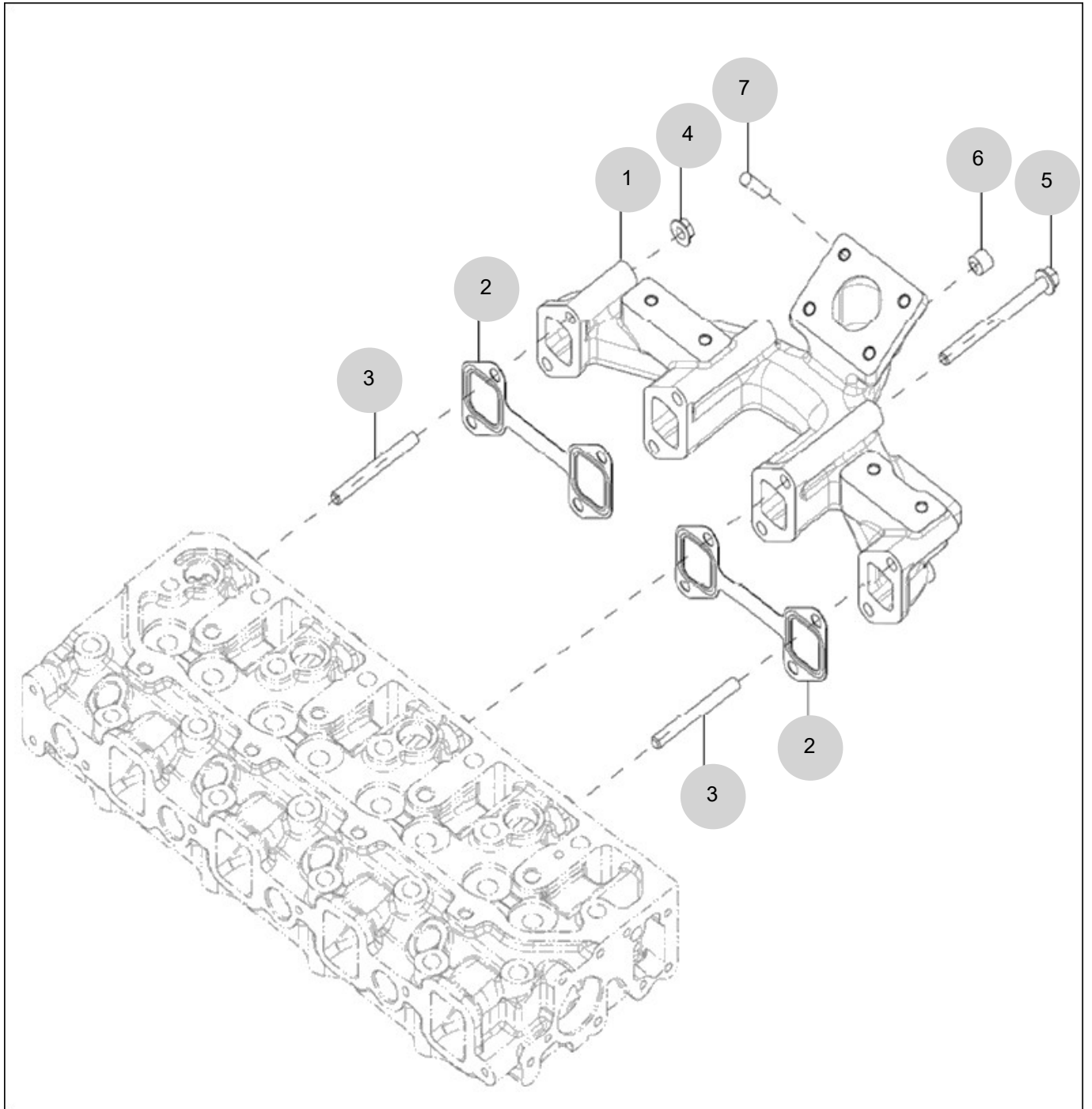
FIG 116A

T574NH-B

EXHAUST MANIFOLD(T574)

년/월
Year/Month

2022-12



NOTE

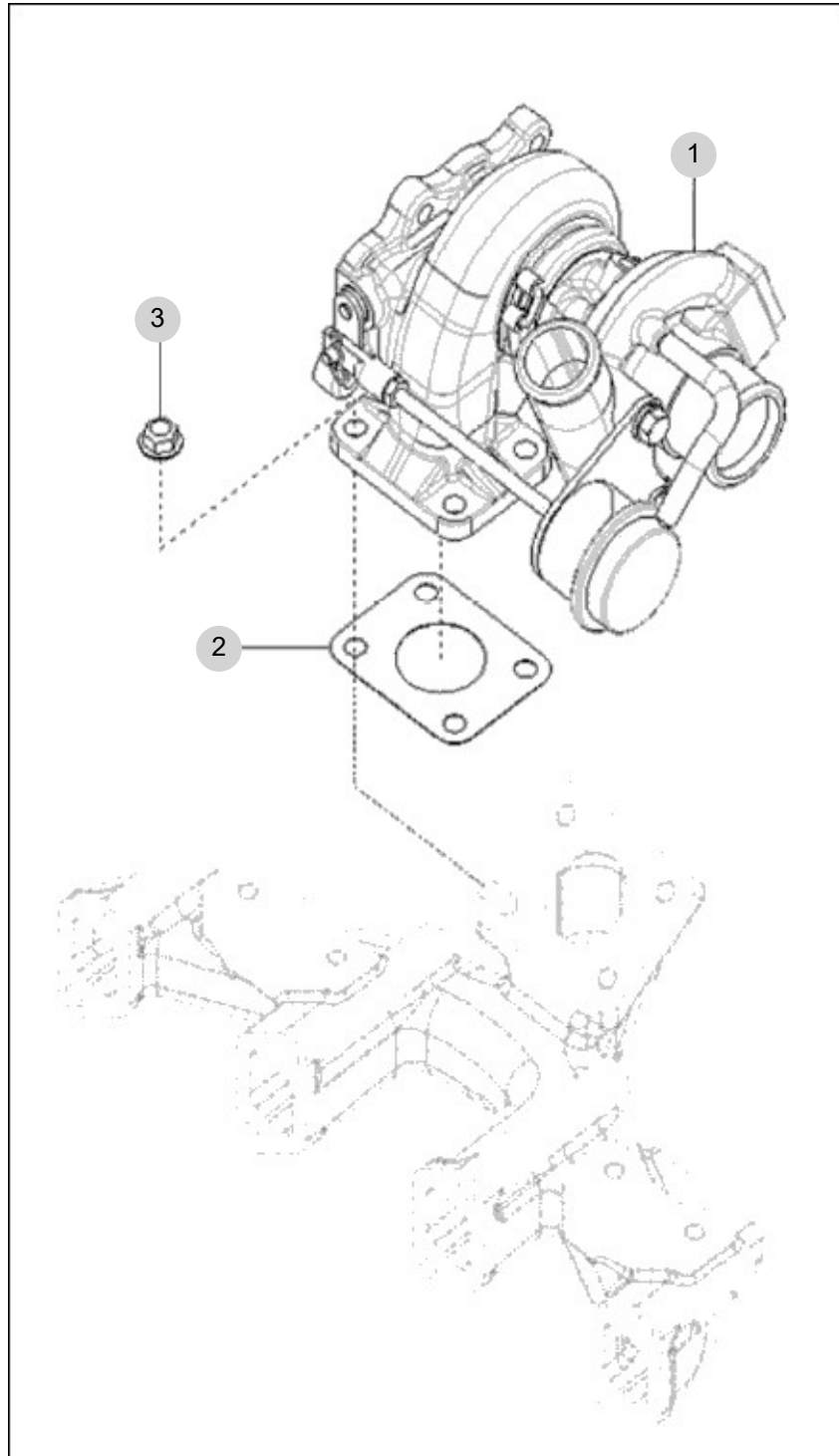
FIG 117A

T574NH-B

TURBOCHARGER ASS'Y(T574)

년/월
Year/Month

2022-12



NOTE

| FIG 117A T574NH-B | | TURBOCHARGER ASS'Y(T574) | | | | | | 년/월 Year/Month |
|----------------------|---|--------------------------|-----------------|------|-----|--------|----------------|-------------------|
| | | | | | | | | 2022-12 |
| KEY NO | | PART NO | DESCRIPTION | SPEC | QTY | REPAIR | EFFECTIVE DATE | REMARKS |
| 117A | 1 | EA00003708A | TURBOCHARGER | | 1 | | | |
| 117A | 2 | HL0706000EB | GASKET, T/C IN | | 1 | | | |
| 117A | 3 | 2636A-080002 | HEX. FLANGE NUT | | 4 | | | |
| 117A | 3 | 26367-080002 | FLANGE BOLT | | 4 | | | |
| | | | | | | | | |
| | | | | | | | | |
| | | | | | | | | |
| | | | | | | | | |
| | | | | | | | | |
| | | | | | | | | |
| | | | | | | | | |
| | | | | | | | | |
| | | | | | | | | |
| | | | | | | | | |
| | | | | | | | | |
| | | | | | | | | |
| | | | | | | | | |
| | | | | | | | | |
| | | | | | | | | |
| | | | | | | | | |
| | | | | | | | | |
| | | | | | | | | |
| | | | | | | | | |
| | | | | | | | | |
| | | | | | | | | |
| | | | | | | | | |
| | | | | | | | | |
| | | | | | | | | |
| | | | | | | | | |
| | | | | | | | | |
| NOTE | | | | | | | | |

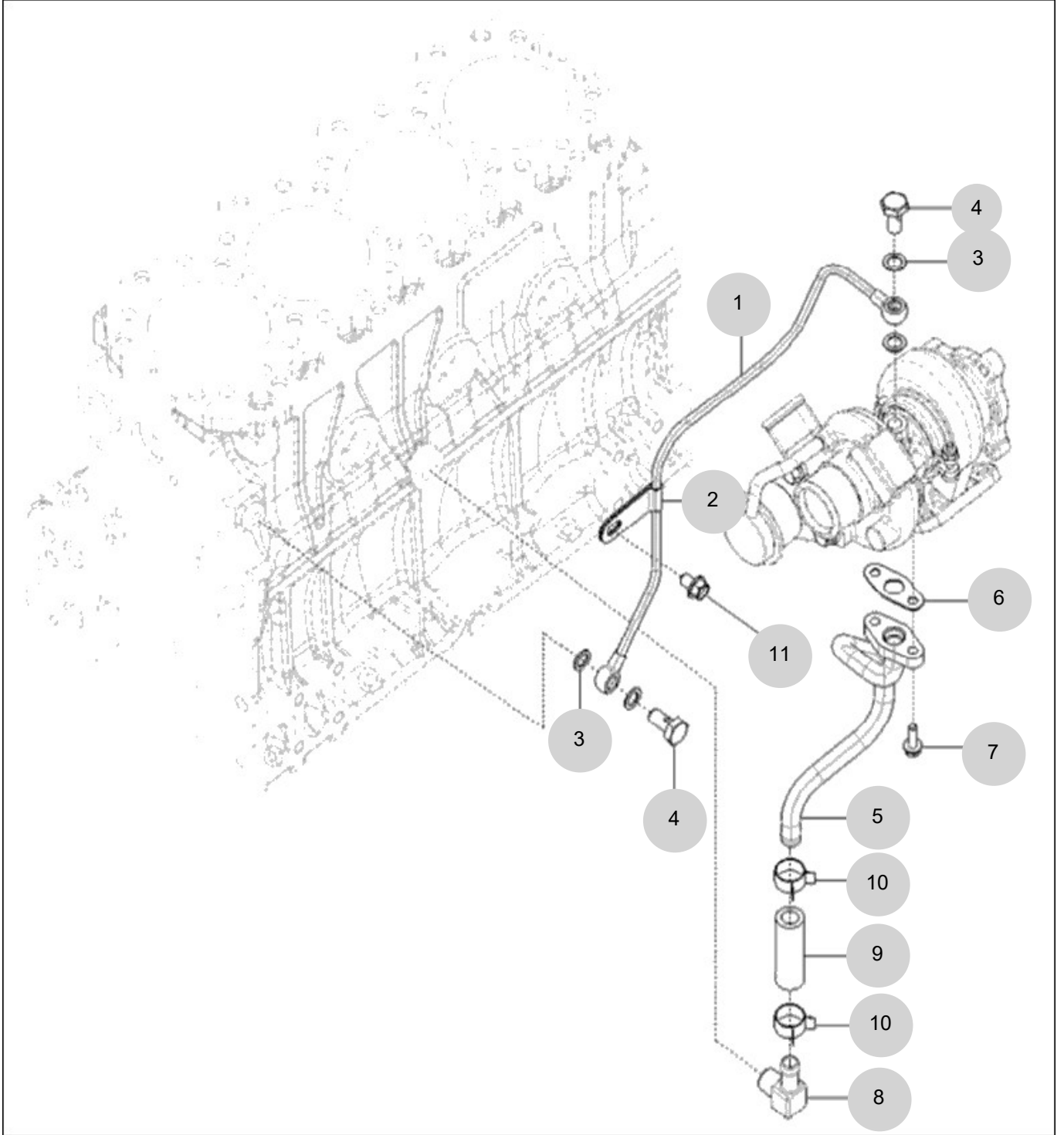
FIG 118A

TURBOCHARGER PLUMBING OPTION(T574)

년/월
Year/Month

T574NH-B

2022-12



NOTE

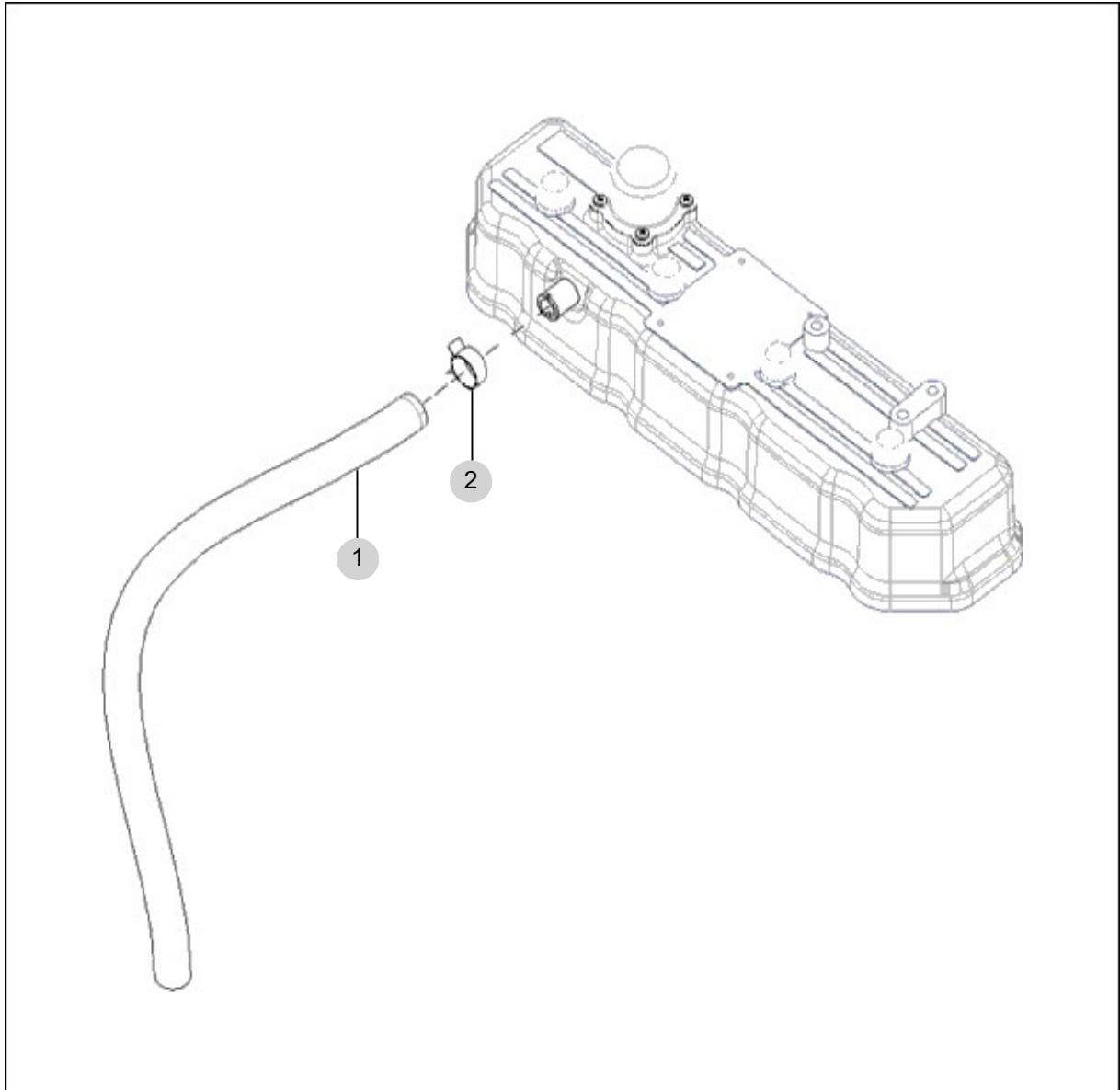
FIG 119A

T574NH-B

BREATHER(T574)

년/월
Year/Month

2022-12



NOTE

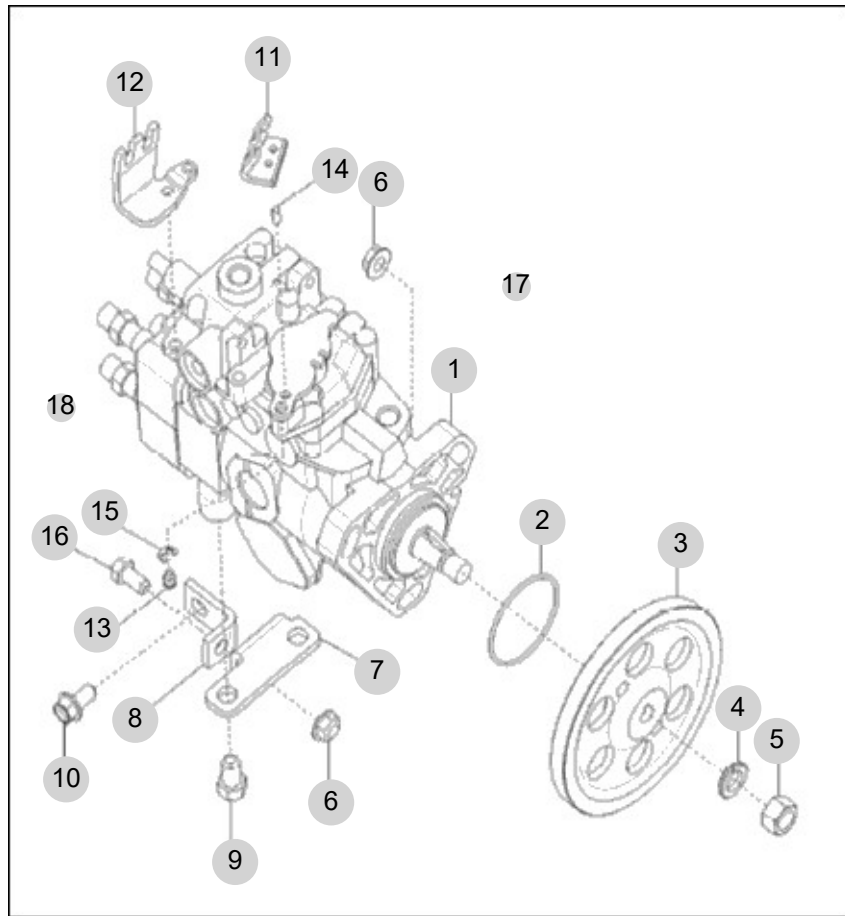
FIG 120

T574NH-B

FUEL INJECTION PUMP

년/월
Year/Month

2022-12



NOTE

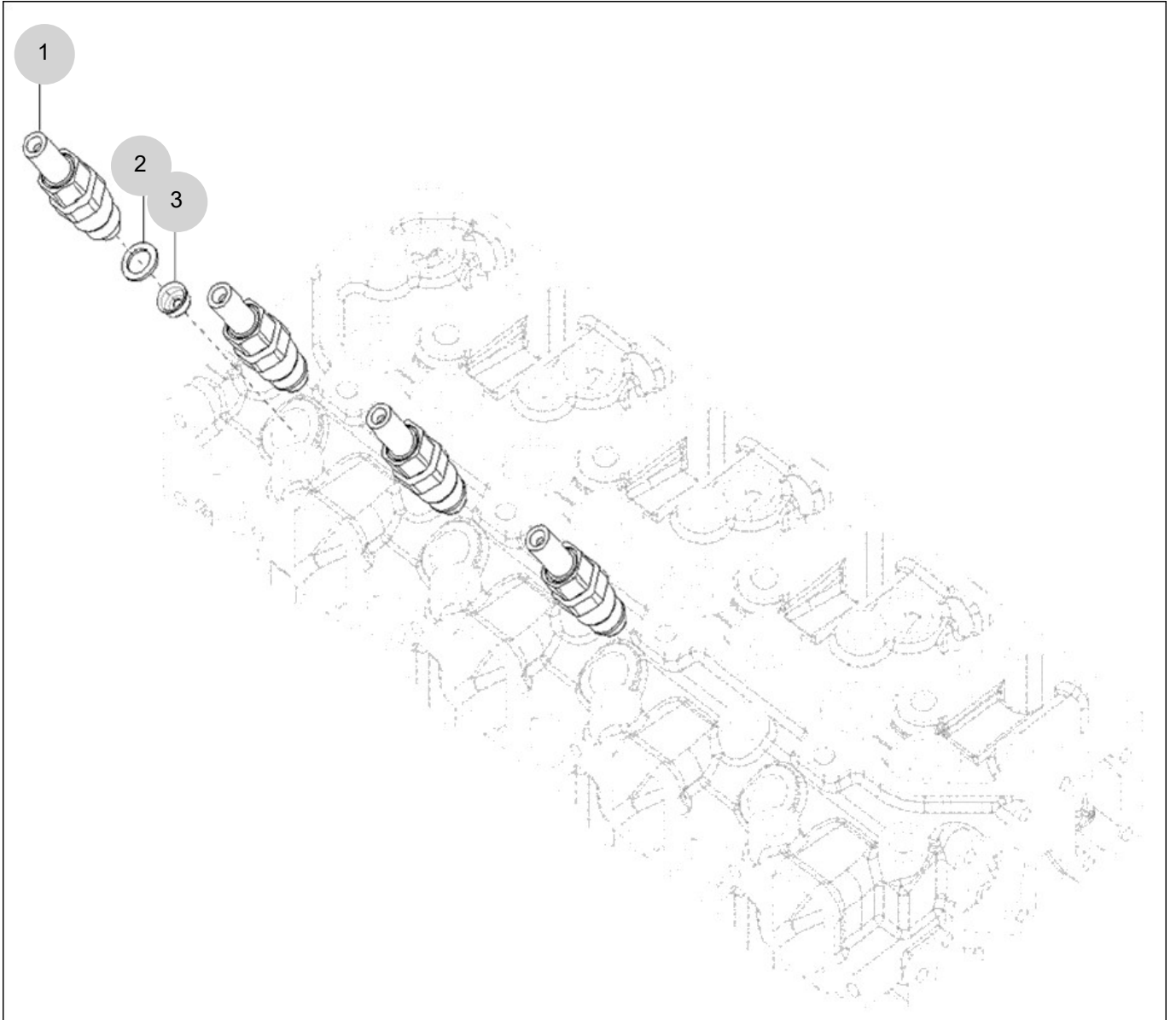
FIG 121

T574NH-B

FUEL INJECTION VALVE

년/월
Year/Month

2022-12



NOTE

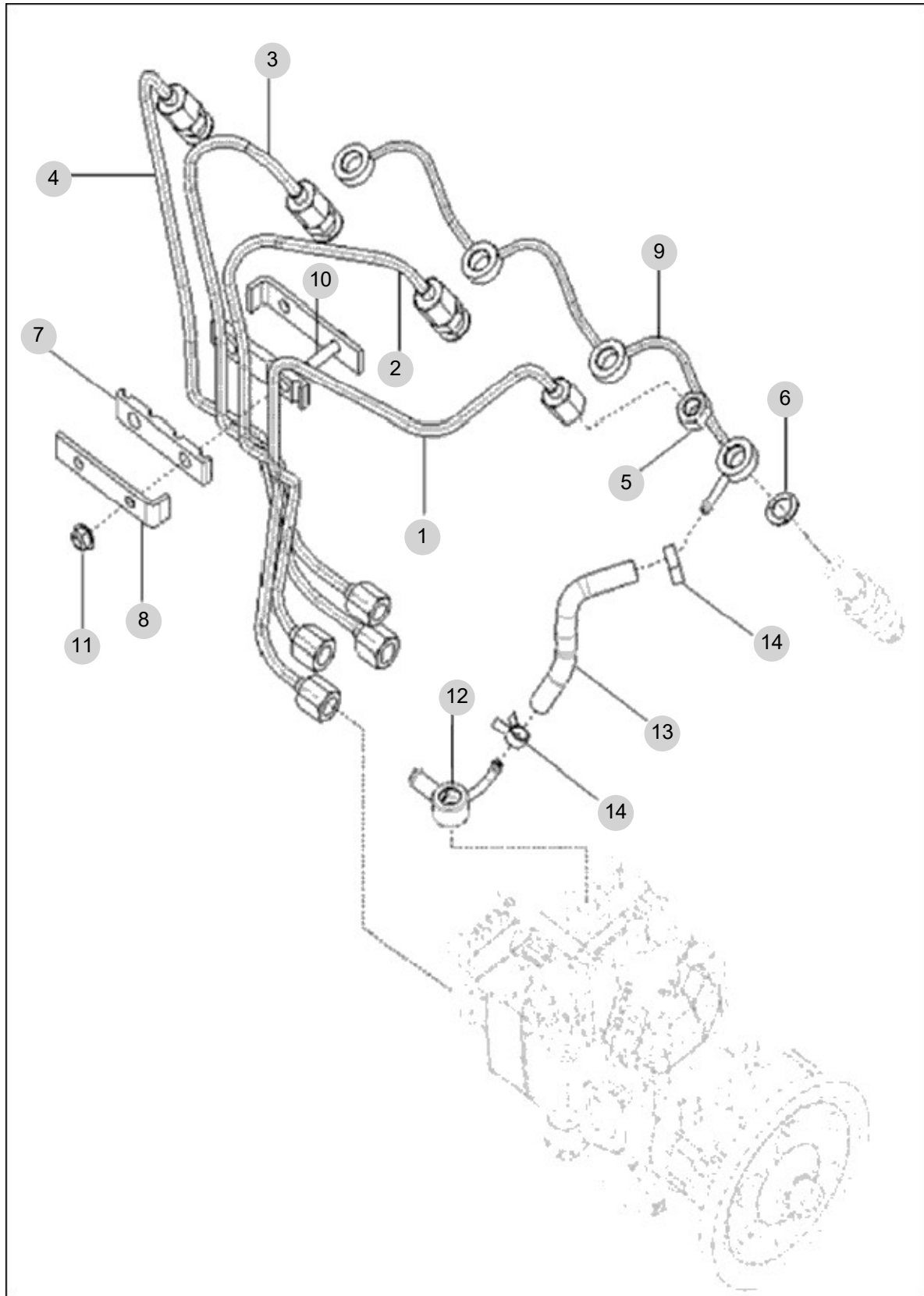
FIG 122

FUEL PIPE ASS'Y

년/월
Year/Month

T574NH-B

2022-12



NOTE

| | | | | | | | |
|---------------------|-----------------|--|--|--|--|--|-------------------|
| FIG 122 T574NH-B | FUEL PIPE ASS'Y | | | | | | 년/월 Year/Month |
| | | | | | | | 2022-12 |

| KEY NO | | PART NO | DESCRIPTION | SPEC | QTY | REPAIR | EFFECTIVE DATE | REMARKS |
|--------|----|--------------|------------------------|------|-----|--------|----------------|---------|
| 122 | 1 | HRA150050DC | FUEL PIPE ASS'Y(A) | | 1 | | | |
| 122 | 1 | HRA150050DB | FUEL PIPE ASS'Y(A) | | 1 | | | |
| 122 | 2 | HRA150060DC | FUEL PIPE ASS'Y(B) | | 1 | | | |
| 122 | 2 | HRA150060DB | FUEL PIPE ASS'Y(B) | | 1 | | | |
| 122 | 3 | HRA150070DC | FUEL PIPE ASS'Y(C) | | 1 | | | |
| 122 | 3 | HRA150070DB | FUEL PIPE ASS'Y(C) | | 1 | | | |
| 122 | 4 | HRA150080DC | FUEL PIPE ASS'Y(D) | | 1 | | | |
| 122 | 4 | HRA150080DB | FUEL PIPE ASS'Y(D) | | 1 | | | |
| 122 | 5 | HK13450000A | NUT, REGULAR HEXAGON | | 4 | | | |
| 122 | 6 | HK13440000A | GASKET, FUEL MANIFOLD | | 4 | | | |
| 122 | 7 | HRA1502700A | RUBBER, BRACKET | | 2 | | | |
| 122 | 8 | HRA1502800A | CLAMP, TUBE | | 2 | | | |
| 122 | 9 | HRA1500900D | FUEL RETURN PIPE ASS'Y | | 1 | | | |
| 122 | 9 | HRA1500900C | FUEL RETURN PIPE ASS'Y | | 1 | | | |
| 122 | 10 | 26161-060252 | STUD, WELD | | 2 | | | |
| 122 | 11 | 26367-060002 | NUT, HEXAGON FLANGE | | 2 | | | |
| 122 | 12 | HRA1502400D | CONNECTOR, BANJO | | 1 | | | |
| 122 | 12 | HRA1502400C | CONNECTOR, BANJO | | 1 | | | |
| 122 | 13 | EA00000700A | TUBE, FUEL DRAIN | | 1 | | | |
| 122 | 14 | 23080-010000 | CLIP, V BAND | | 2 | | | |
| | | | | | | | | |
| | | | | | | | | |
| | | | | | | | | |
| | | | | | | | | |
| | | | | | | | | |
| | | | | | | | | |
| | | | | | | | | |
| | | | | | | | | |
| | | | | | | | | |
| | | | | | | | | |
| | | | | | | | | |
| | | | | | | | | |
| | | | | | | | | |
| | | | | | | | | |
| | | | | | | | | |
| | | | | | | | | |
| | | | | | | | | |
| | | | | | | | | |
| | | | | | | | | |
| | | | | | | | | |
| | | | | | | | | |
| | | | | | | | | |
| | | | | | | | | |
| | | | | | | | | |
| | | | | | | | | |

NOTE

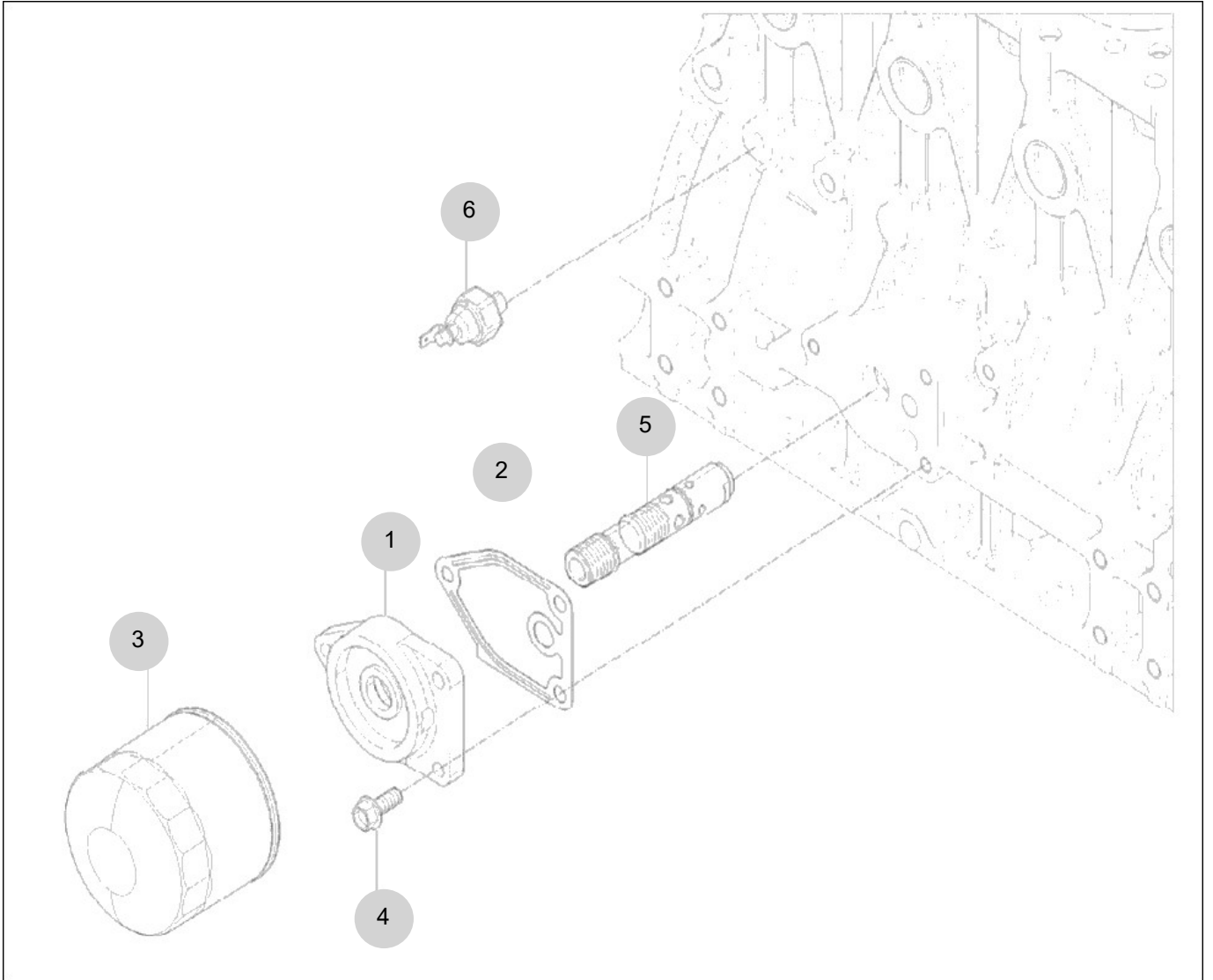
FIG 123

T574NH-B

OIL FILTER

년/월
Year/Month

2022-12



NOTE

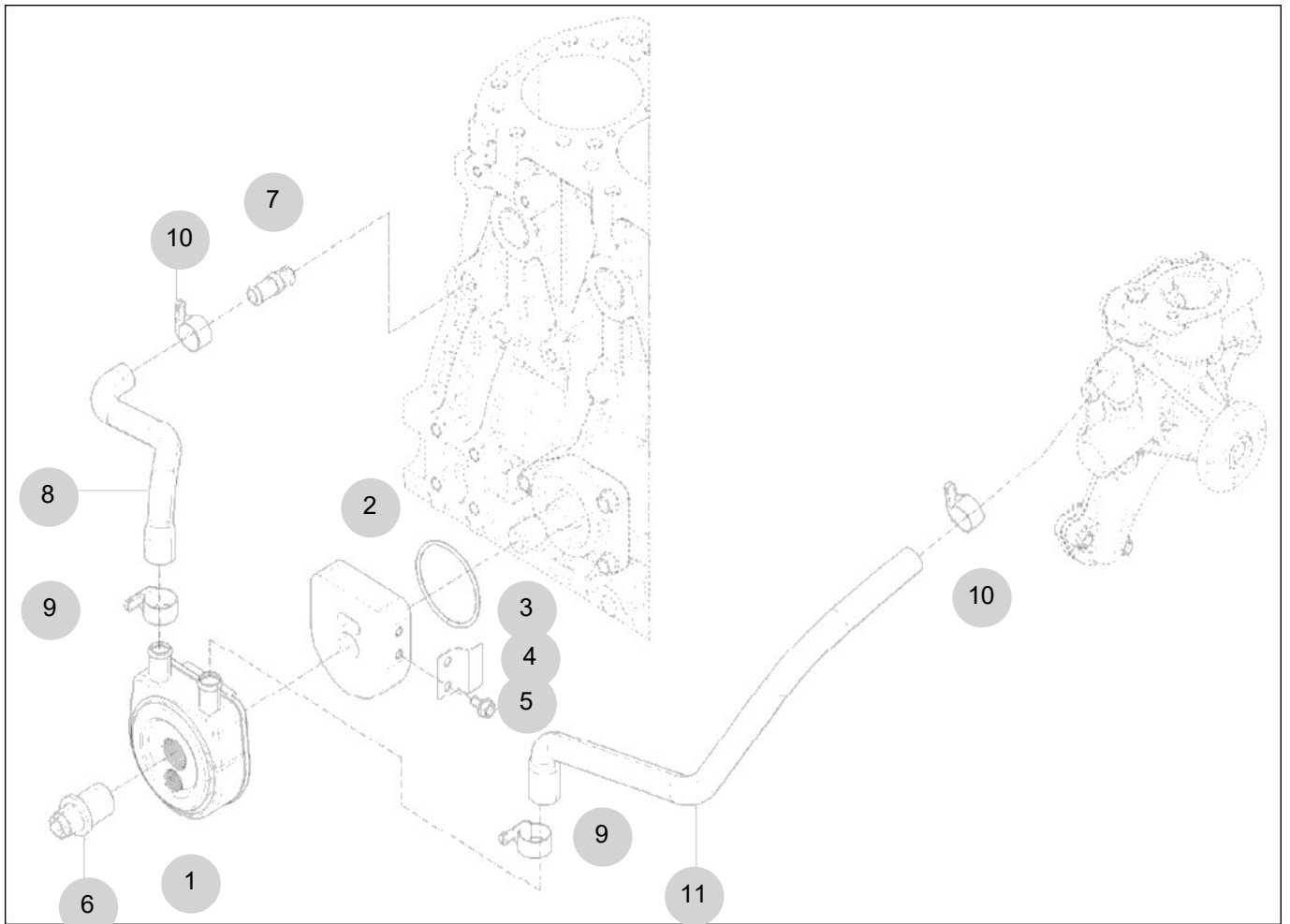
FIG 124

T574NH-B

OIL COOLER

년/월
Year/Month

2022-12



NOTE

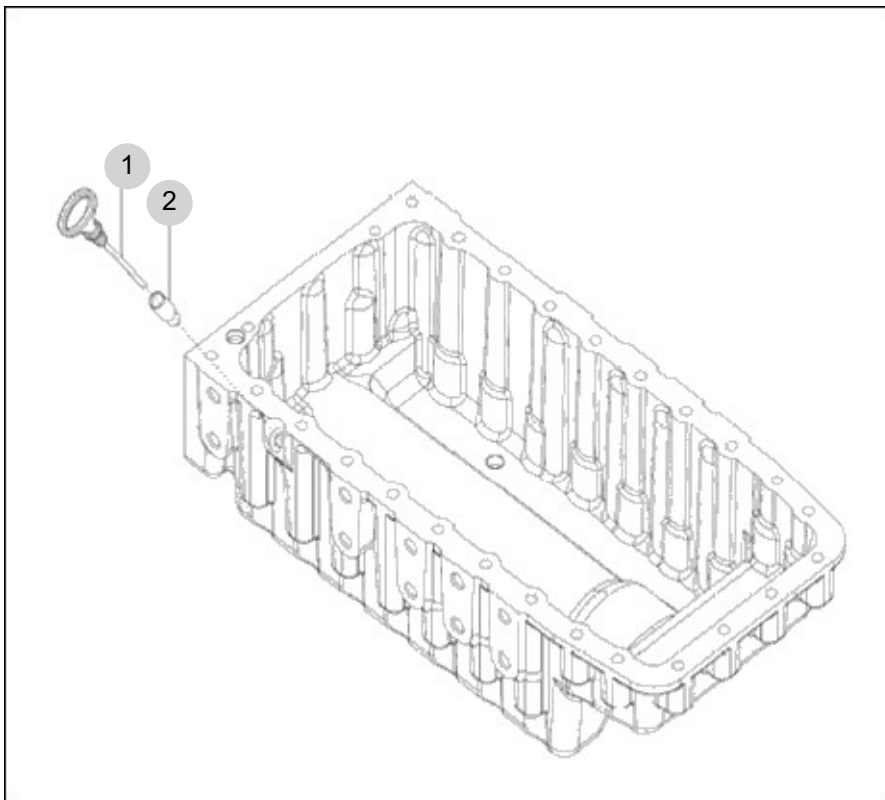
FIG 125

OIL GAUGUE

년/월
Year/Month

T574NH-B

2022-12



NOTE

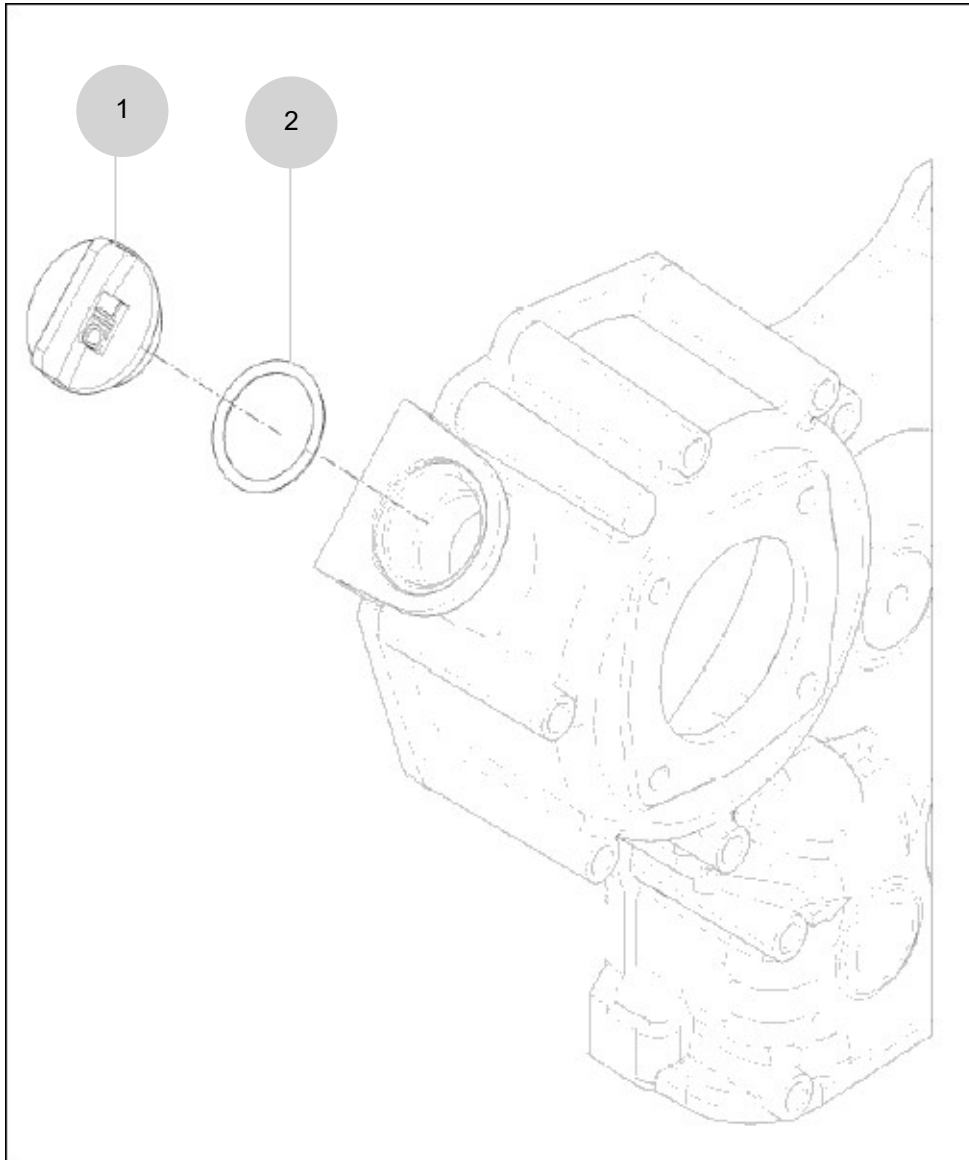
FIG 126

T574NH-B

OIL FILLER CAP

년/월
Year/Month

2022-12



NOTE

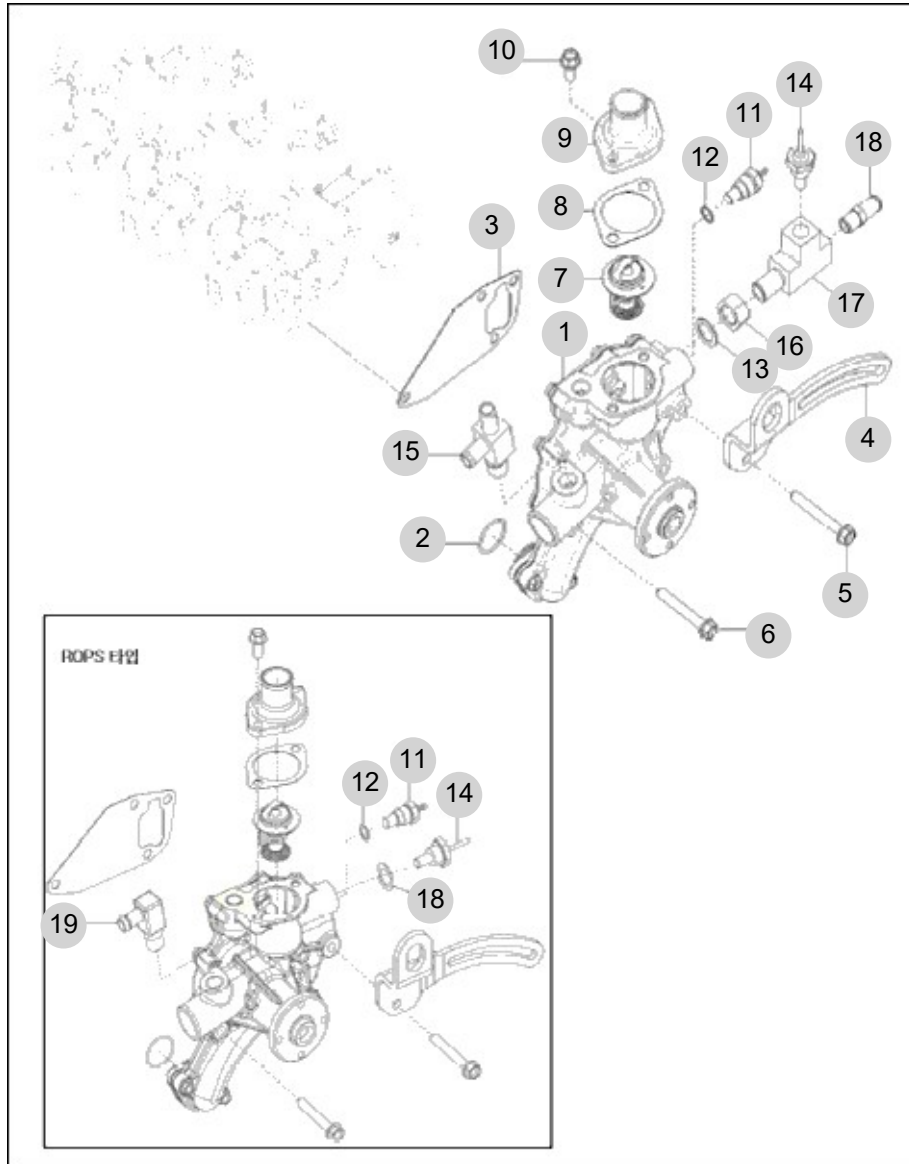
FIG 127

COOLING WATER PUMP

년/월
Year/Month

2022-12

T574NH-B



NOTE

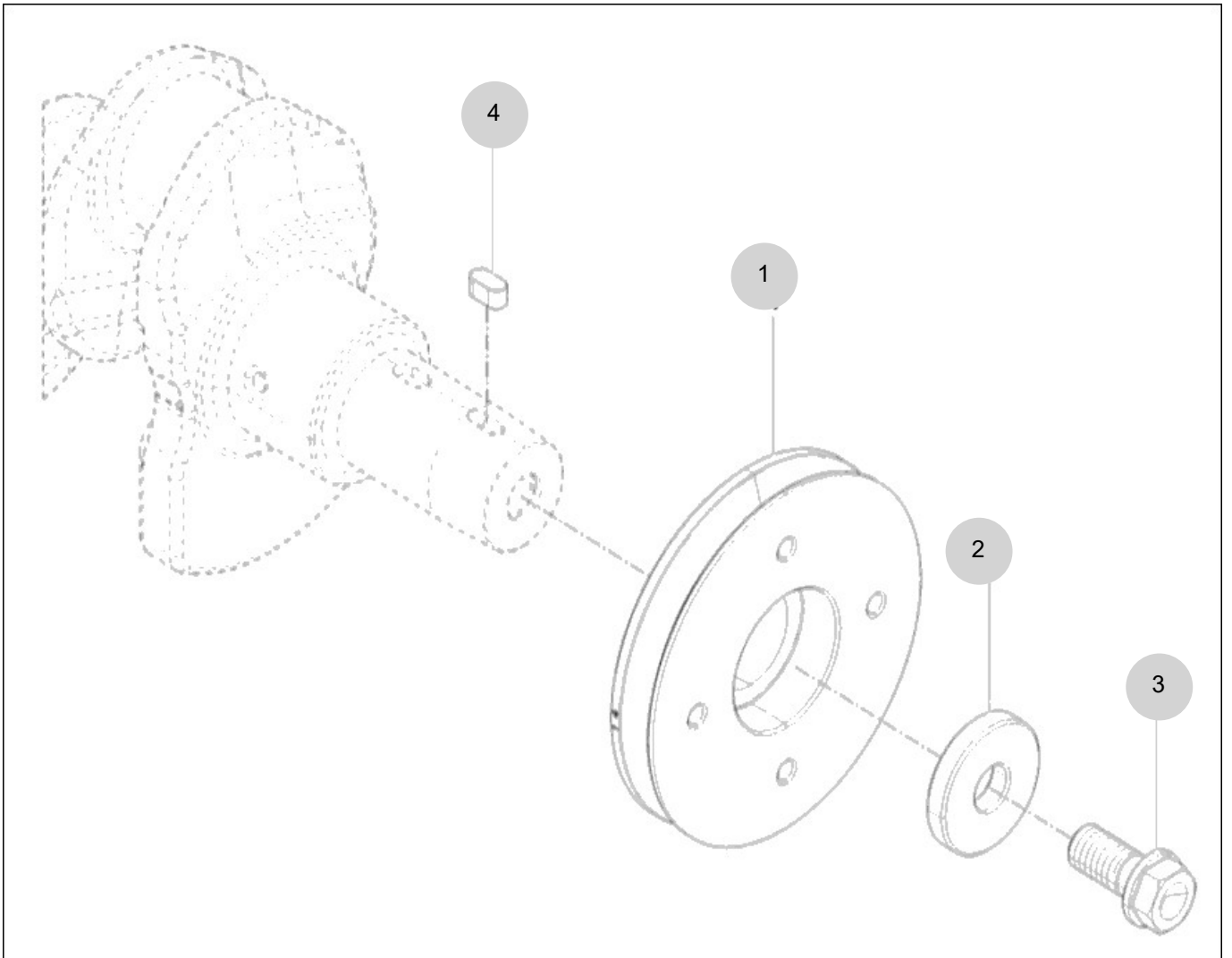
FIG 128

T574NH-B

CRANK SHAFT PULLEY

년/월
Year/Month

2022-12



NOTE

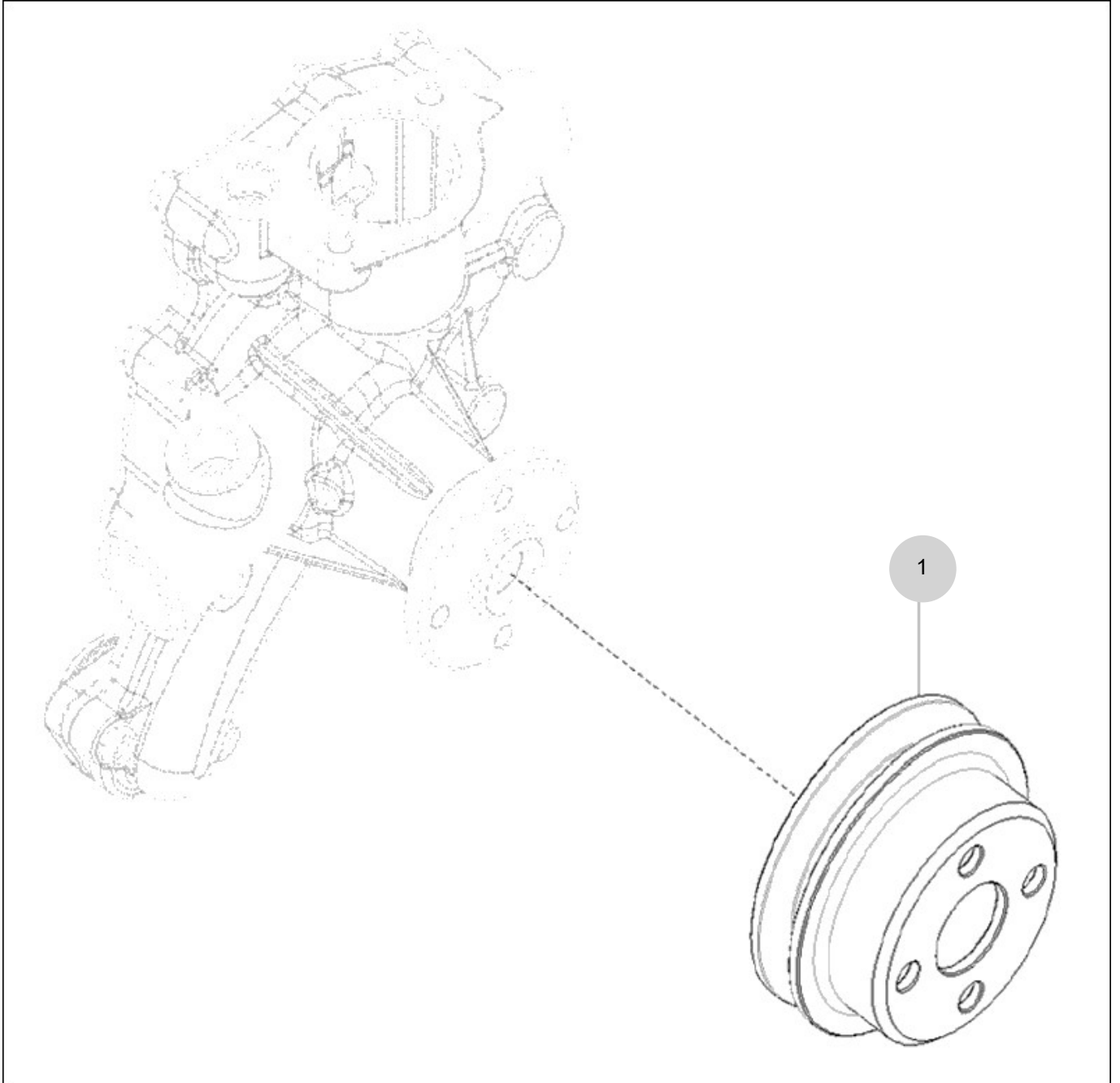
FIG 129

V-PULLEY

년/월
Year/Month

T574NH-B

2022-12



NOTE

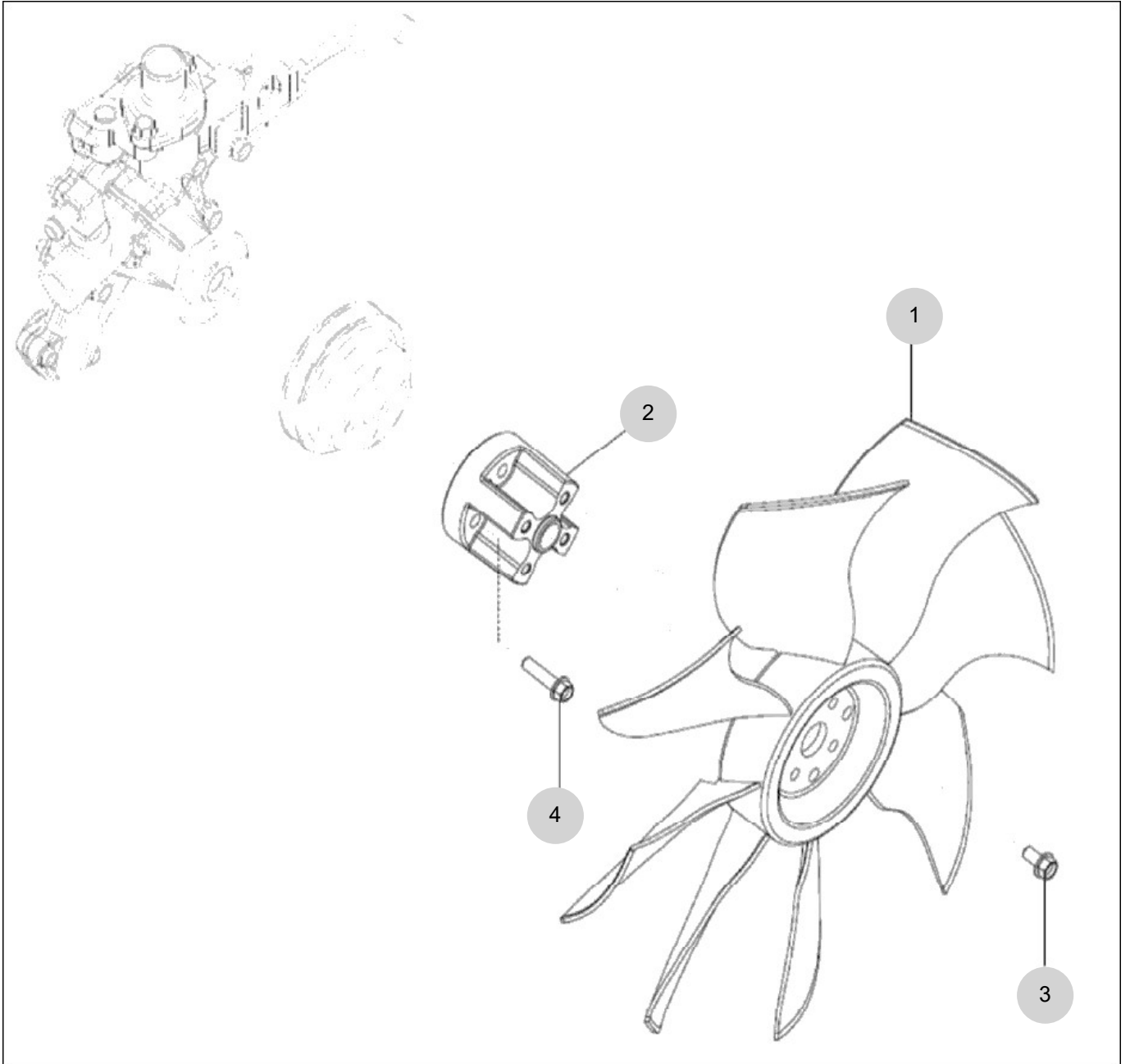
FIG 130

T574NH-B

COOLING FAN

년/월
Year/Month

2022-12



NOTE

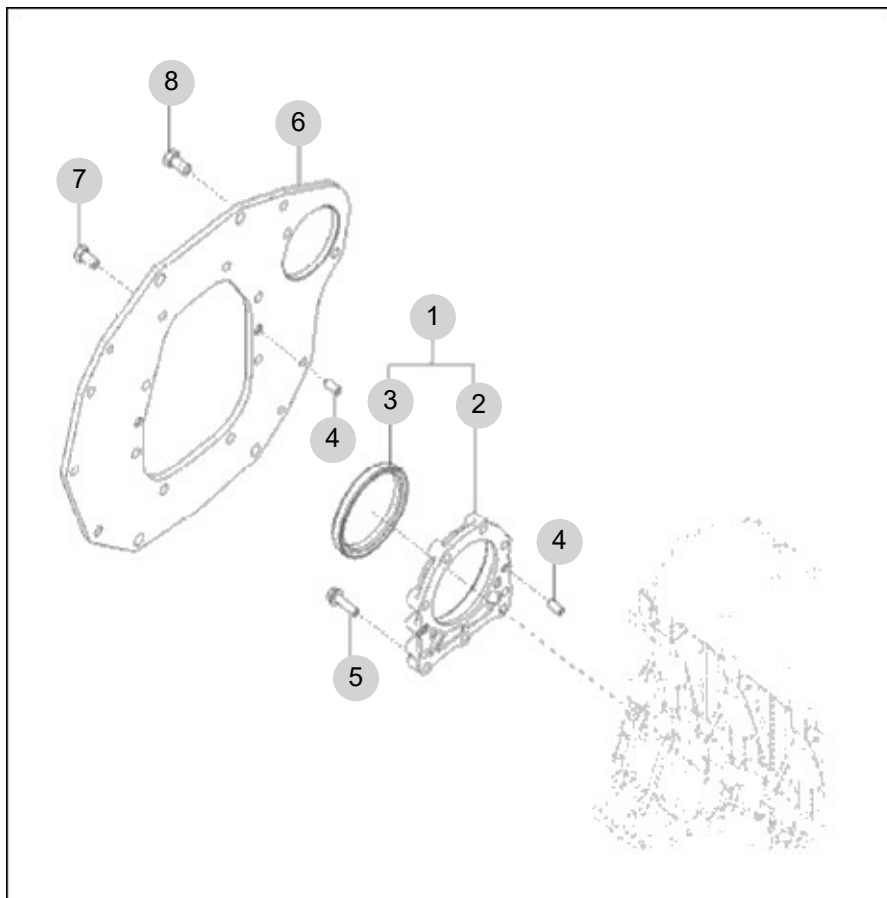
FIG 131

T574NH-B

FLYWHEEL HOUSING

년/월
Year/Month

2022-12



NOTE

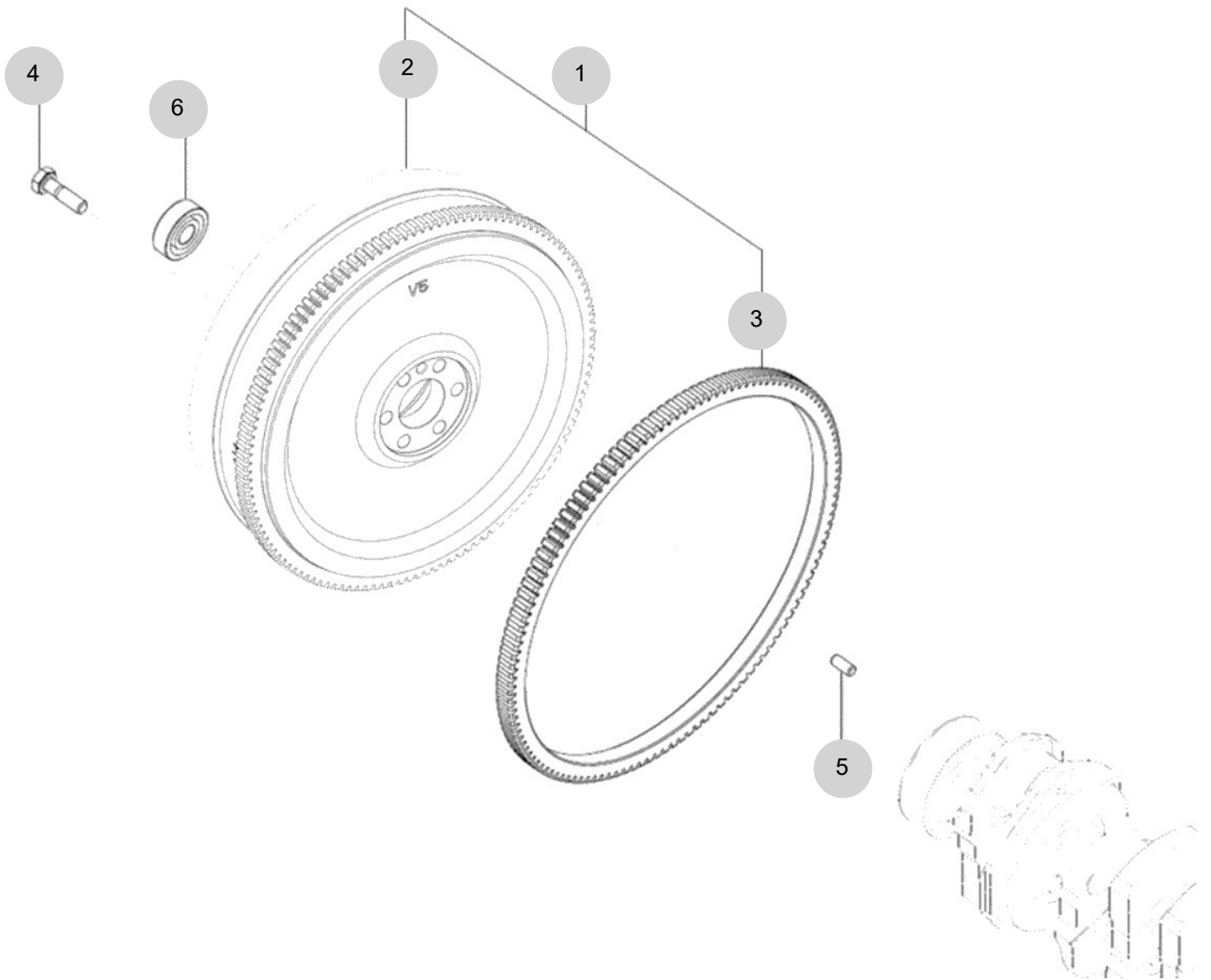
FIG 132

T574NH-B

FLYWHEEL

년/월
Year/Month

2022-12



NOTE

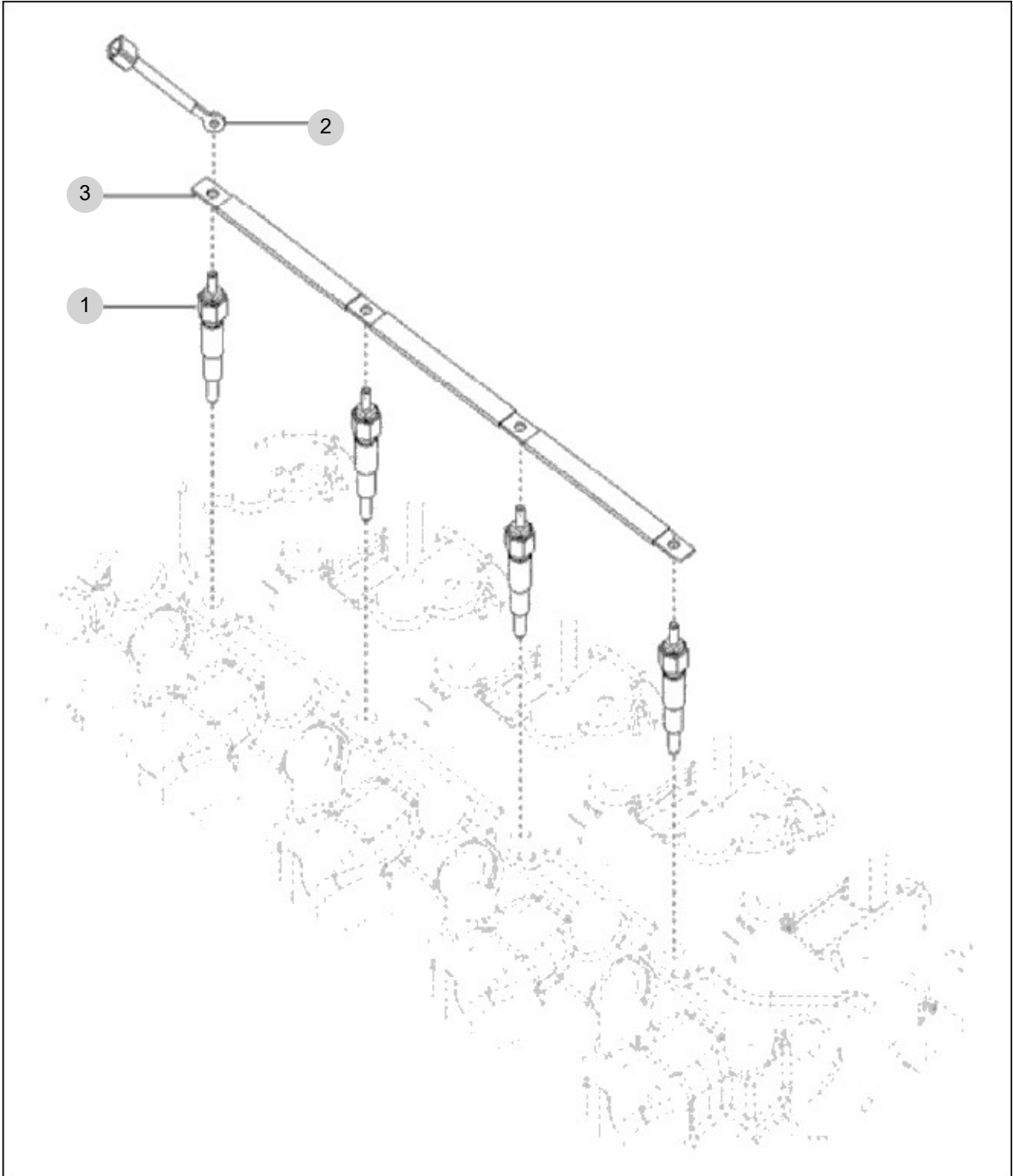
FIG 133

T574NH-B

GLOW PLUG ASS'Y OPTION

년/월
Year/Month

2022-12



NOTE

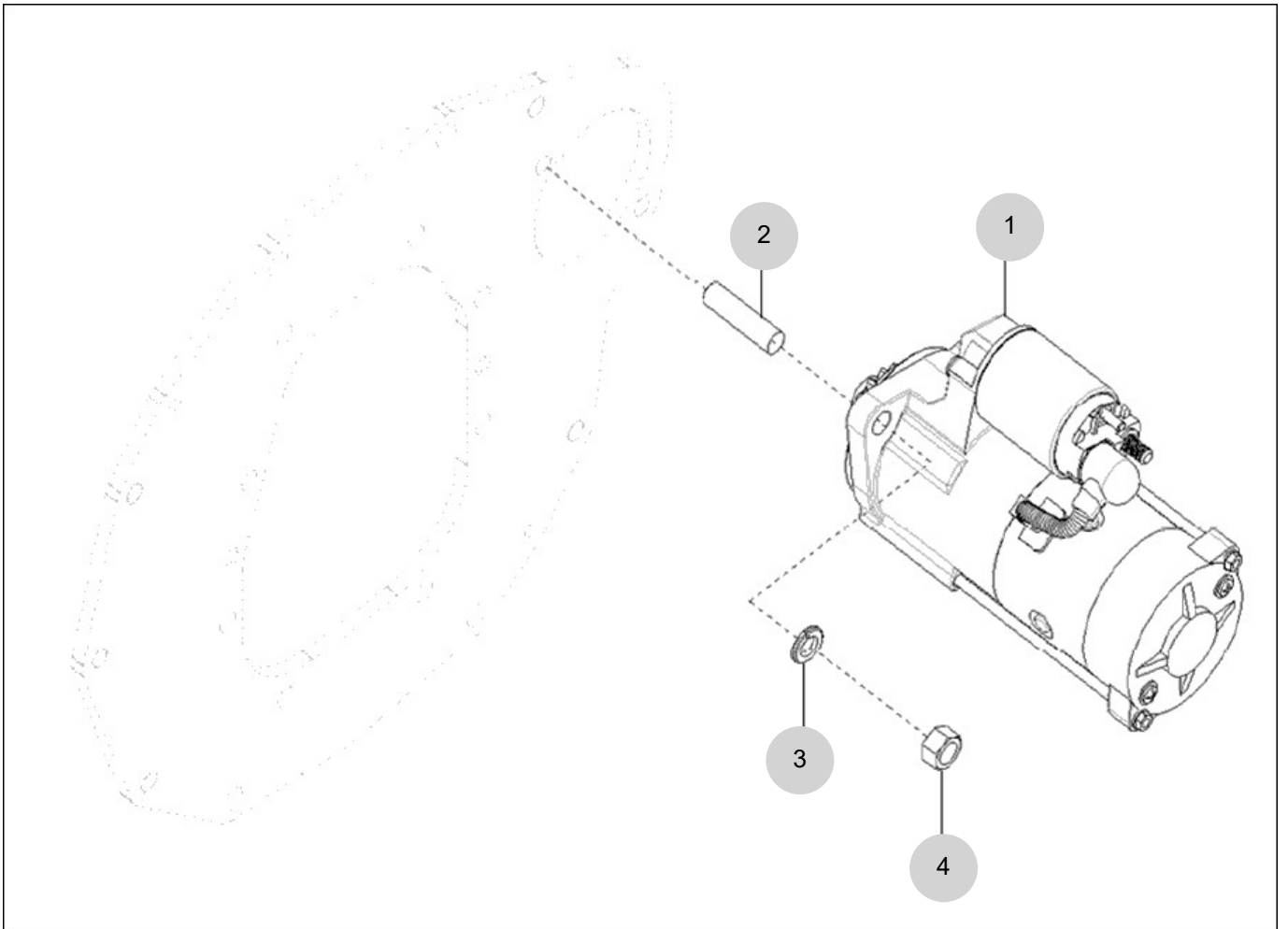
FIG 134

T574NH-B

STARTING MOTOR

년/월
Year/Month

2022-12



NOTE

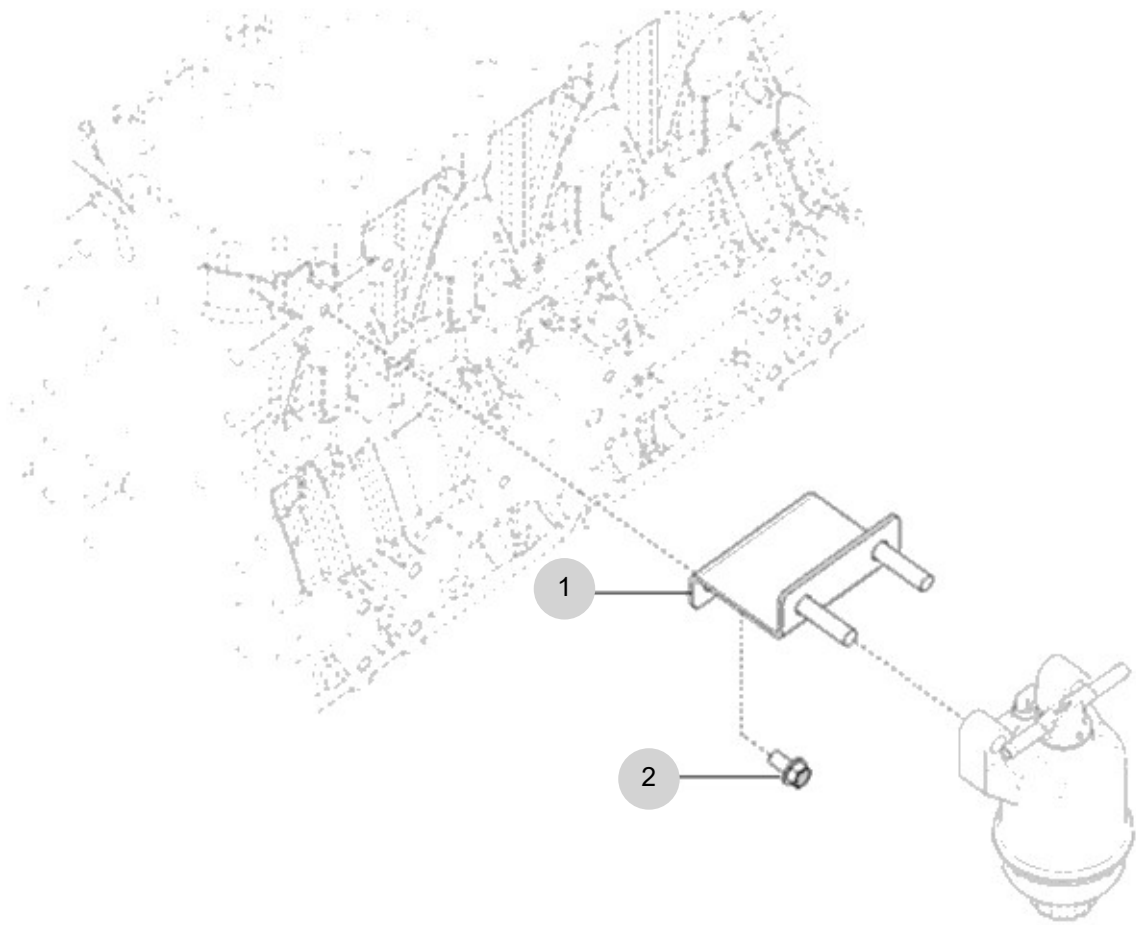
FIG 135

T574NH-B

FUEL FILTER BRACKET ASS'Y

년/월
Year/Month

2022-12



NOTE

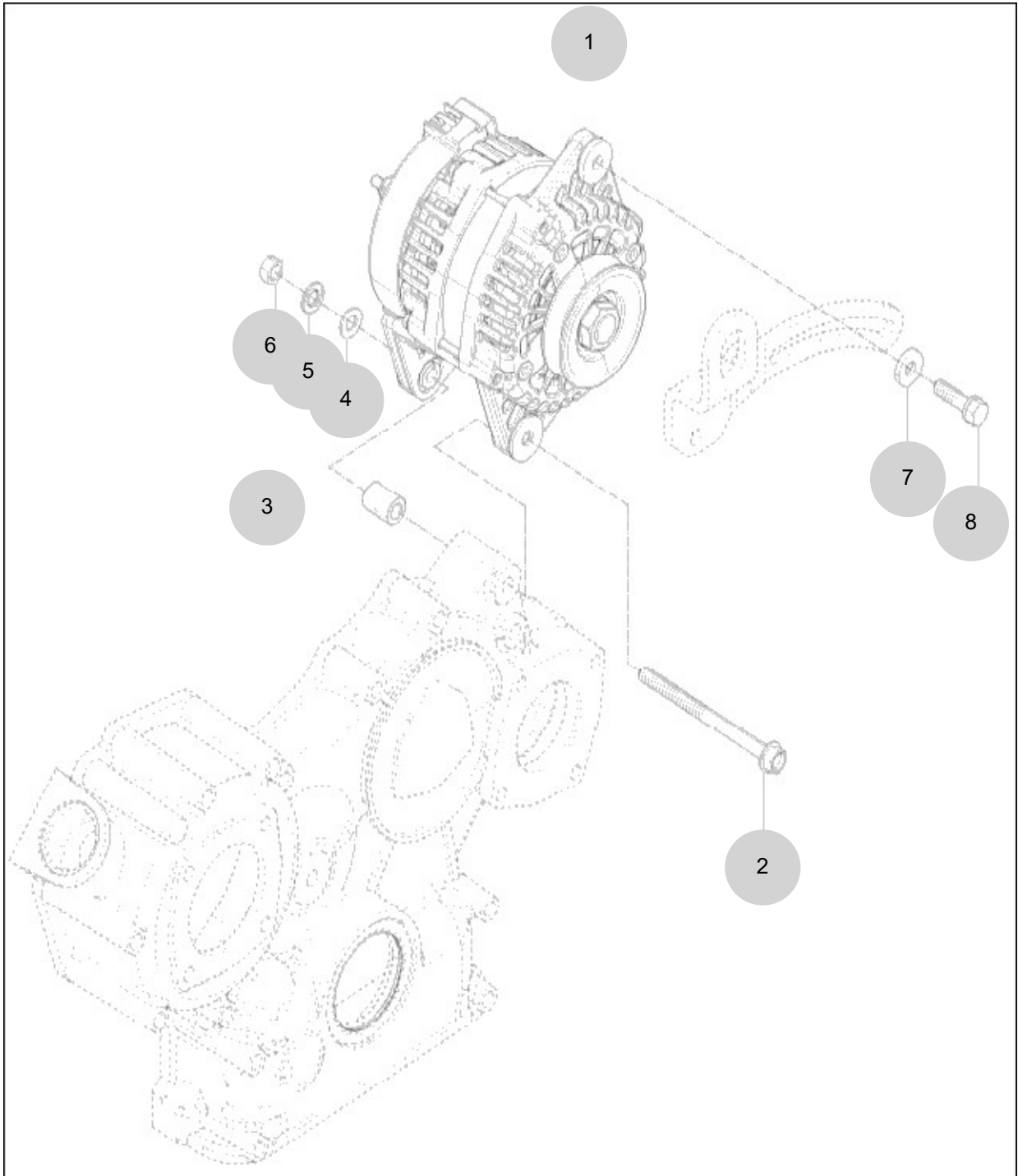
FIG 136

T574NH-B

ALTERNATOR

년/월
Year/Month

2022-12



NOTE

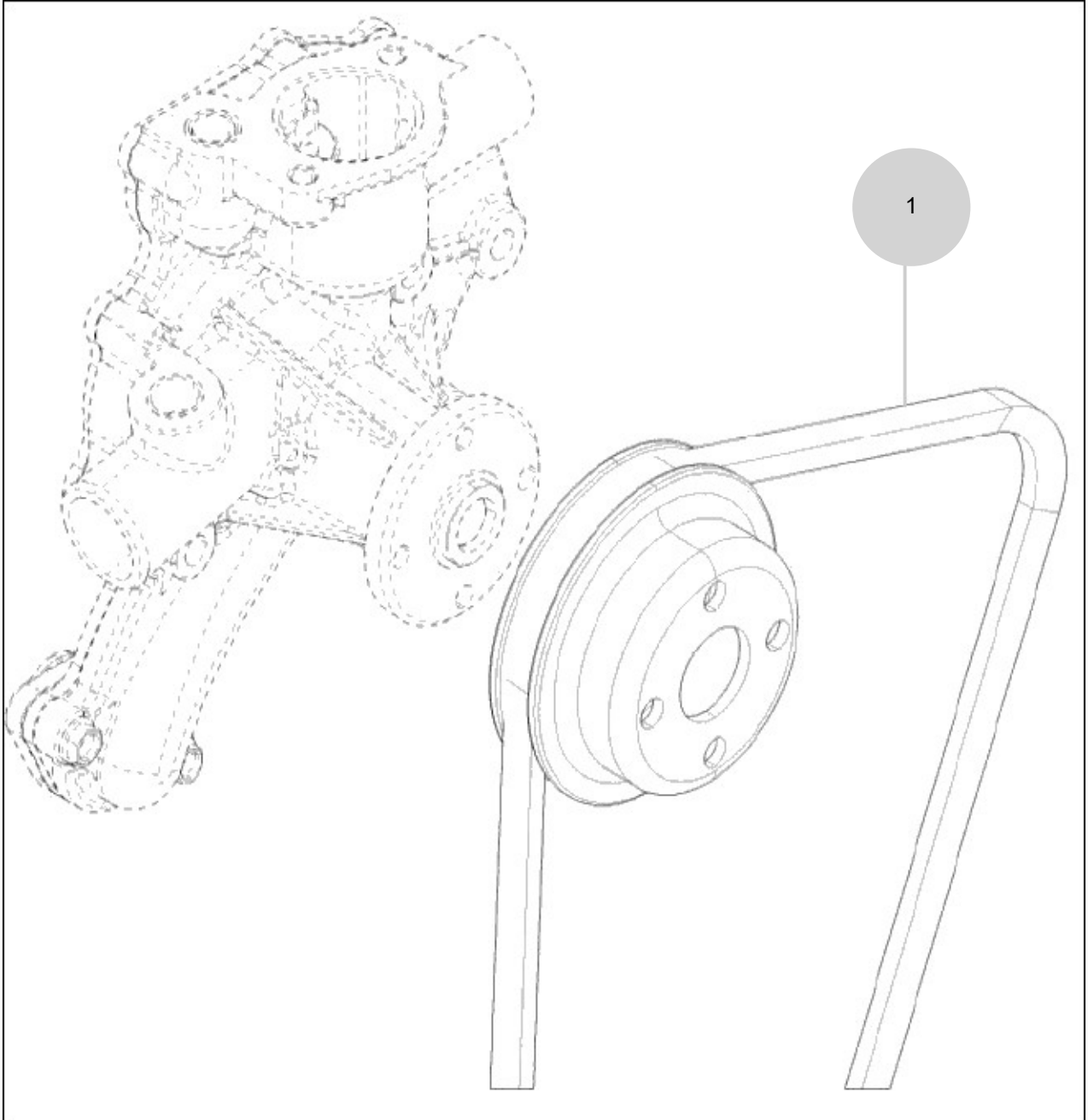
FIG 137

T574NH-B

V-BELT

년/월
Year/Month

2022-12



NOTE

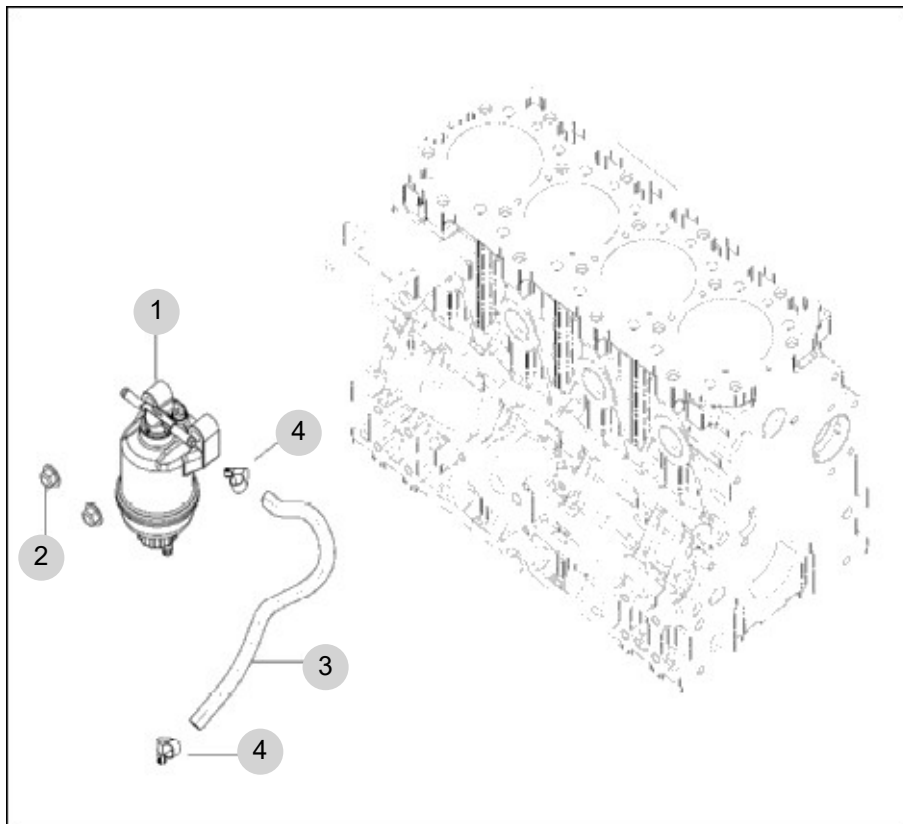
FIG 138

T574NH-B

FUEL FILTER

년/월
Year/Month

2022-12



NOTE

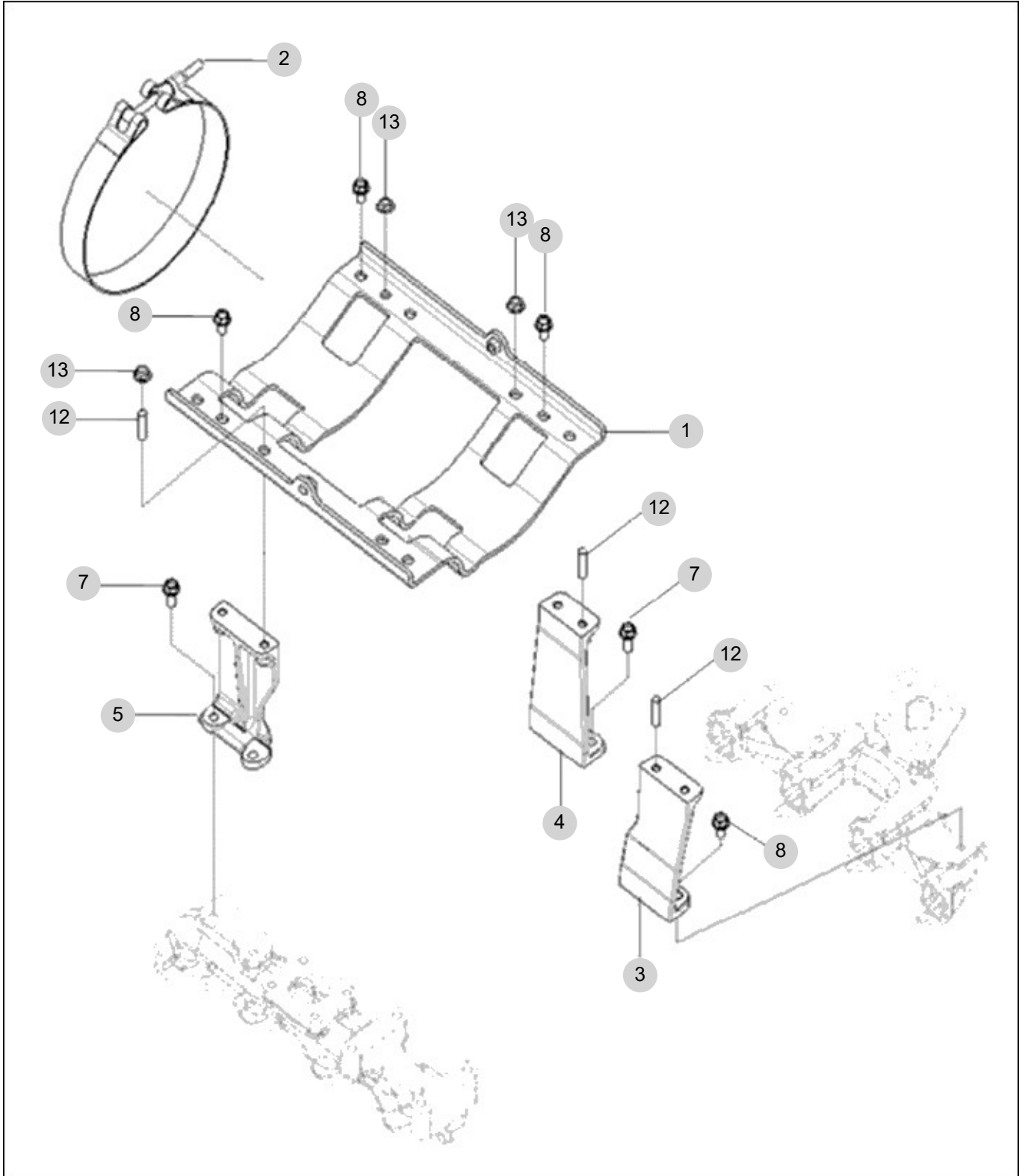
FIG 139A

DPF SUPPORT (T574)

년/월
Year/Month

T574NH-B

2022-12



NOTE

| FIG 139A T574NH-B | | DPF SUPPORT (T574) | | | | | | 년/월 Year/Month | |
|----------------------|---------|--------------------|---------------------|-----|--------|----------------|---------|-------------------|--|
| | | | | | | | | 2022-12 | |
| KEY NO | PART NO | DESCRIPTION | SPEC | QTY | REPAIR | EFFECTIVE DATE | REMARKS | | |
| 139A | 1 | EA00004273A | MAIN BRACKET ASS'Y | | | | | | |
| 139A | 2 | EA00004268A | CLAMP, DPF | | | | | | |
| 139A | 3 | EA00003507B | DPF SUPPORT(A) | | | | | | |
| 139A | 4 | EA00003508A | DPF SUPPORT(B) | | | | | | |
| 139A | 5 | EA00003509A | DPF SUPPORT(C) | | | | | | |
| 139A | 7 | 26106-080222 | HEX. FLANGE BOLT | | | | | | |
| 139A | 8 | 26106-080162 | BOLT, M8X 16 PLATED | | | | | | |
| 139A | 13 | 26367-080002 | FLANGE BOLT | | | | | | |
| | | | | | | | | | |
| | | | | | | | | | |
| | | | | | | | | | |
| | | | | | | | | | |
| | | | | | | | | | |
| | | | | | | | | | |
| | | | | | | | | | |
| | | | | | | | | | |
| | | | | | | | | | |
| | | | | | | | | | |
| | | | | | | | | | |
| | | | | | | | | | |
| | | | | | | | | | |
| | | | | | | | | | |
| | | | | | | | | | |
| | | | | | | | | | |
| | | | | | | | | | |
| | | | | | | | | | |
| | | | | | | | | | |
| | | | | | | | | | |
| | | | | | | | | | |
| | | | | | | | | | |
| | | | | | | | | | |
| | | | | | | | | | |
| | | | | | | | | | |
| | | | | | | | | | |
| | | | | | | | | | |
| | | | | | | | | | |
| | | | | | | | | | |
| | | | | | | | | | |
| | | | | | | | | | |
| | | | | | | | | | |
| | | | | | | | | | |
| | | | | | | | | | |
| | | | | | | | | | |
| NOTE | | | | | | | | | |

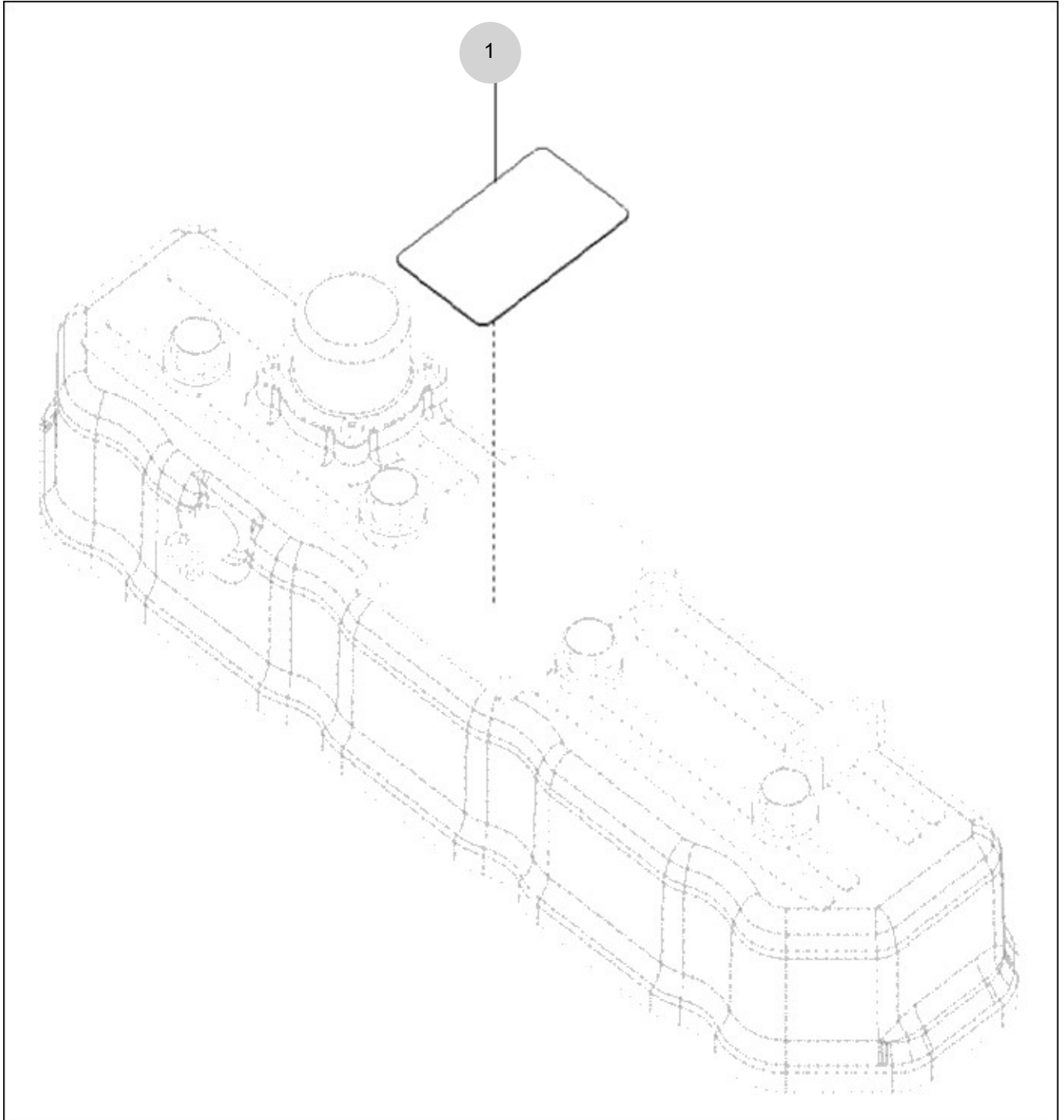
FIG 140

T574NH-B

DATAPLATE

년/월
Year/Month

2022-12



NOTE

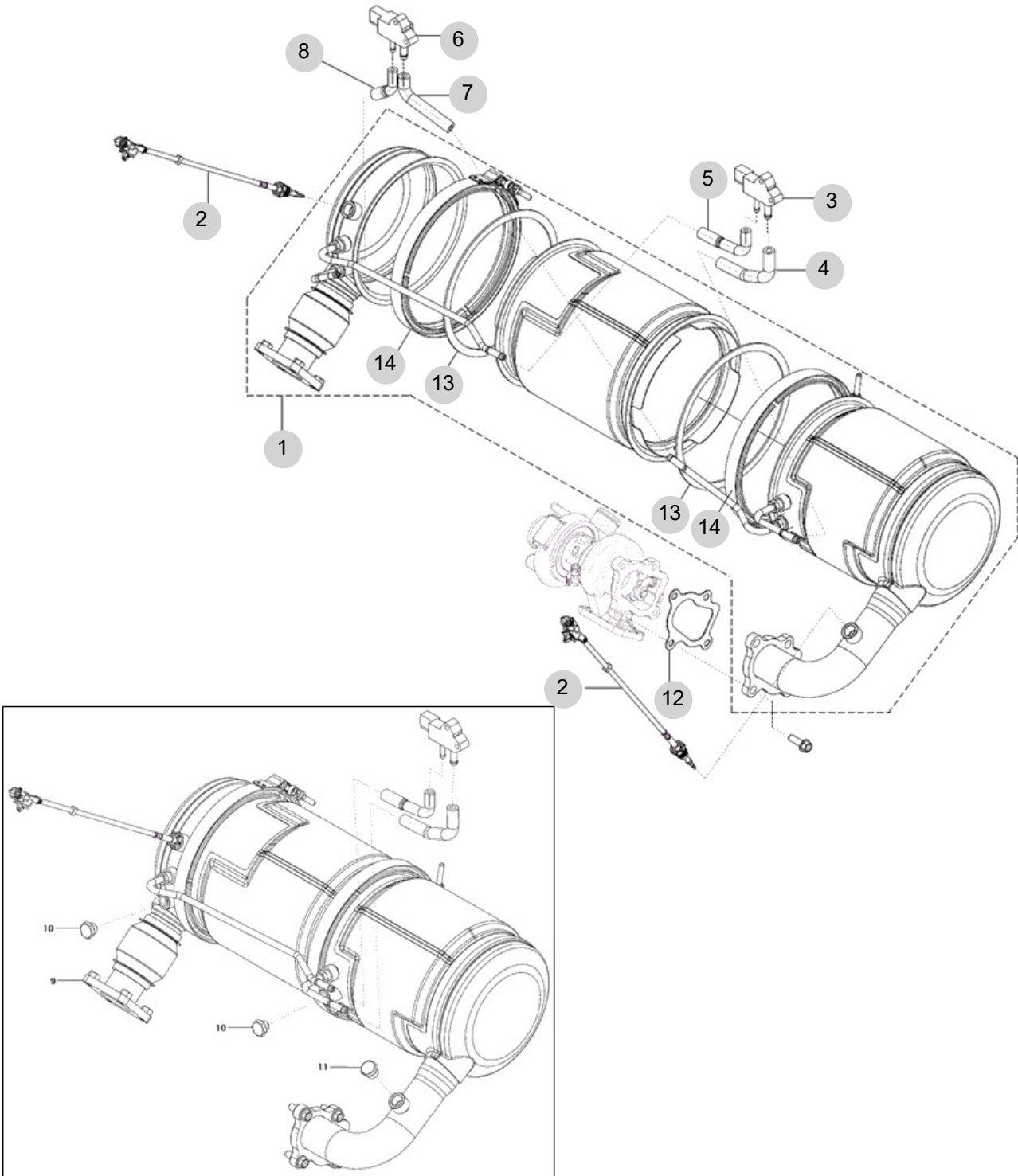
FIG 142A

T574NH-B

DPF ASS'Y (T574)

년/월
Year/Month

2022-12



NOTE

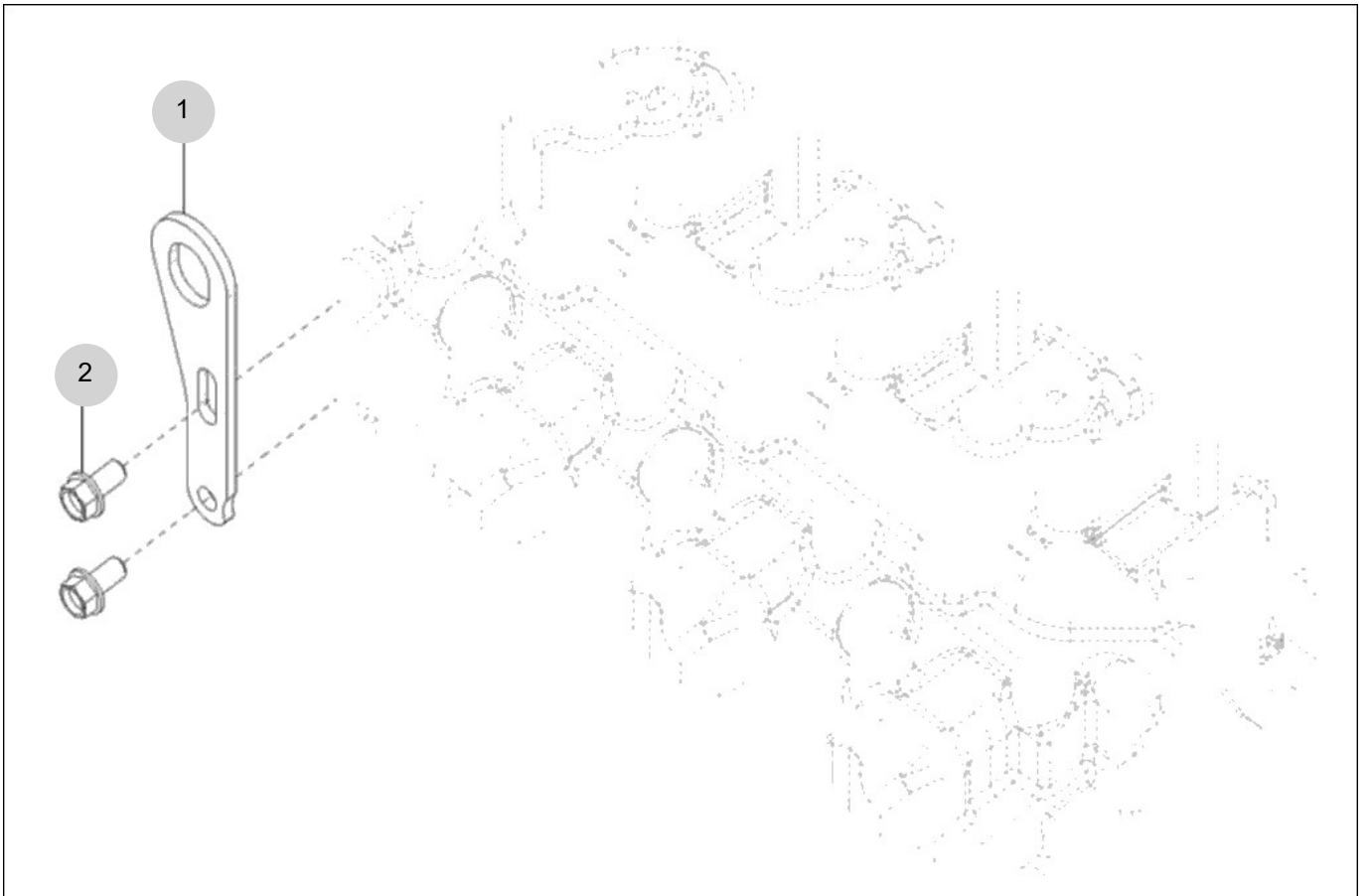
FIG 143

T574NH-B

LIFT ASS'Y

년/월
Year/Month

2022-12



NOTE

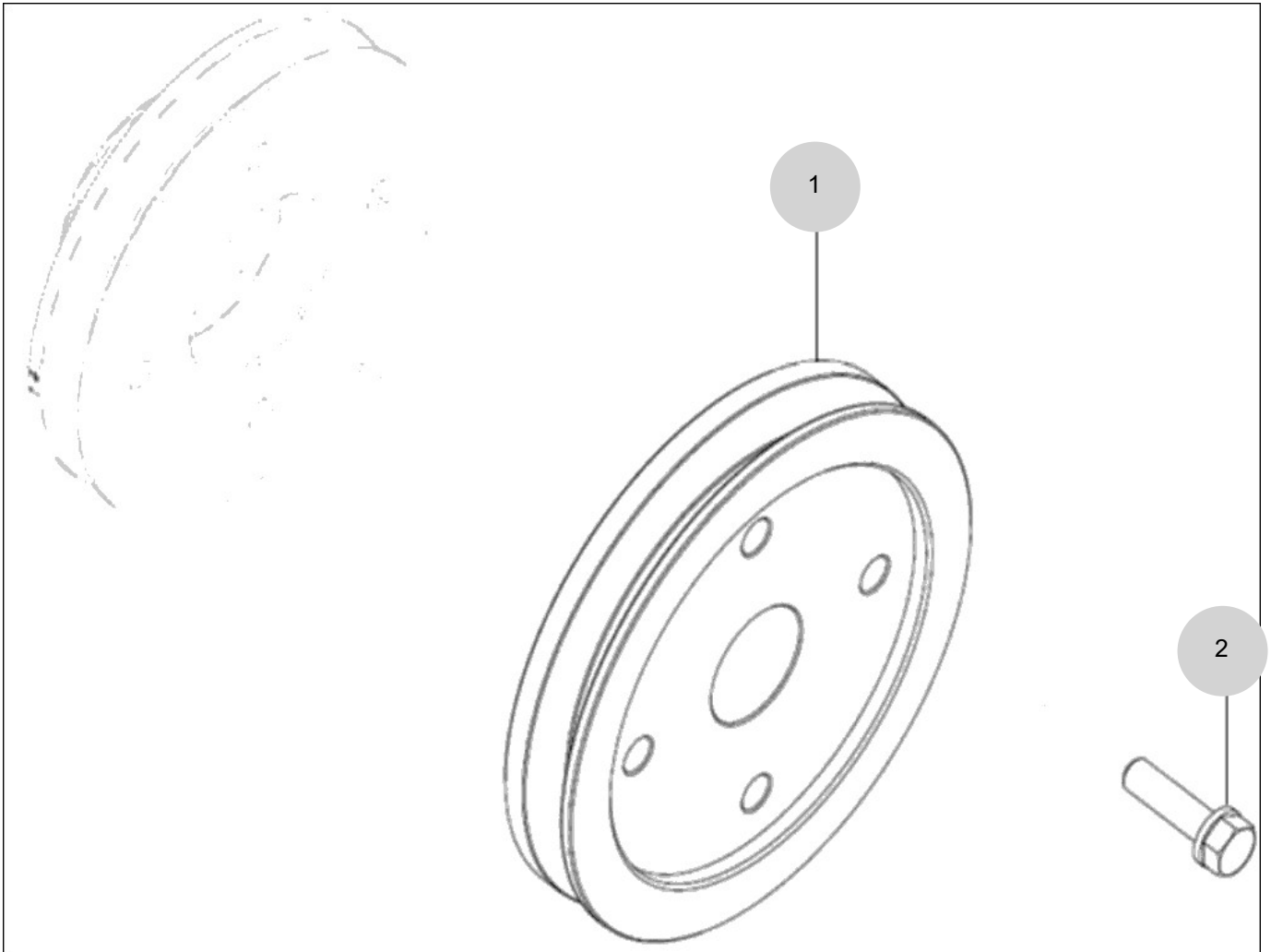
FIG 144

T574NH-B

COMP . DRIVE PULLEY ASS'Y OPTION

년/월
Year/Month

2022-12



NOTE

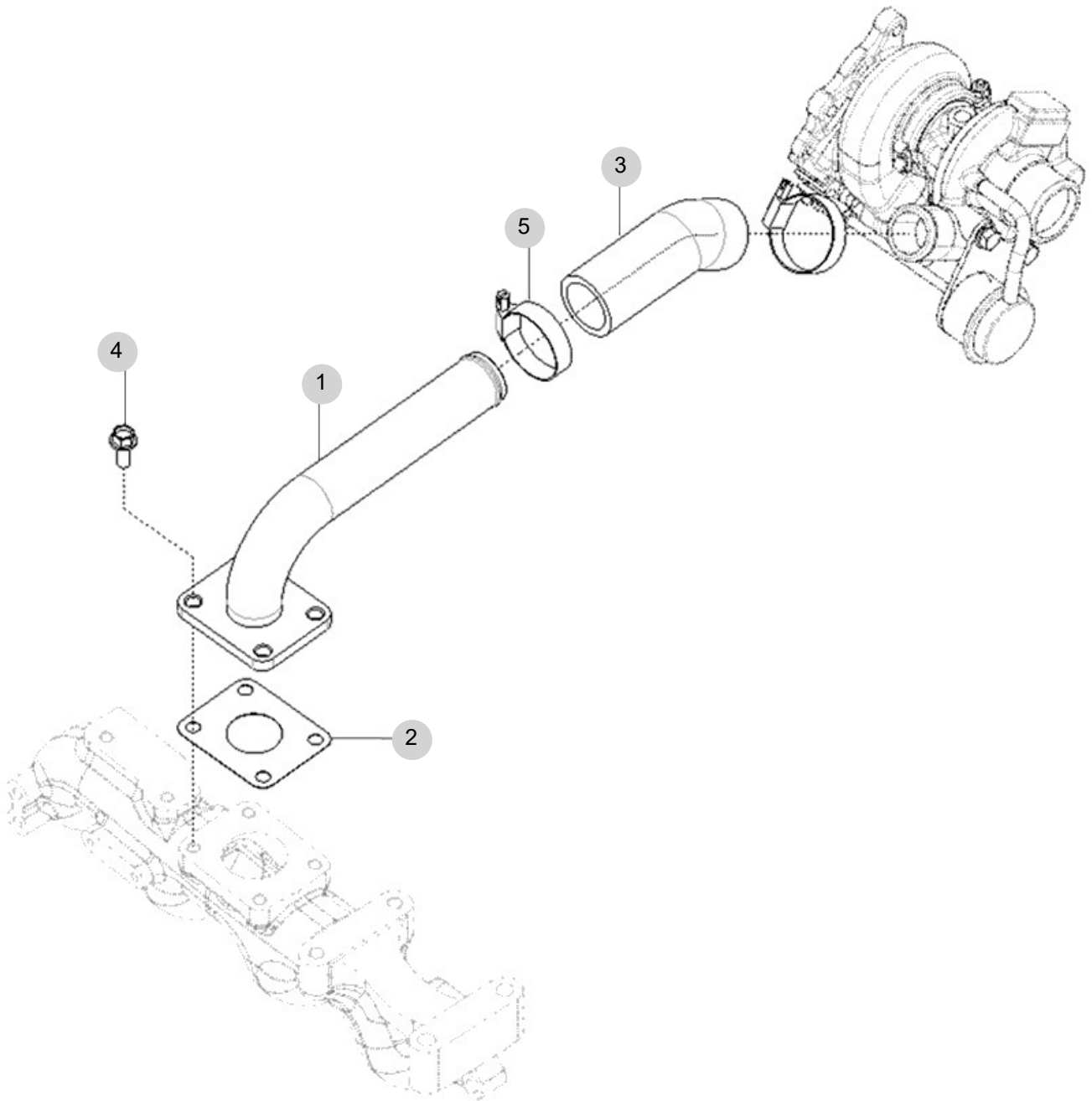
FIG 145

T574NH-B

INTAKE PIPE

년/월
Year/Month

2022-12



NOTE

FIG 146

T574NH-B

CCV ASS'Y

년/월
Year/Month

2022-12



NOTE

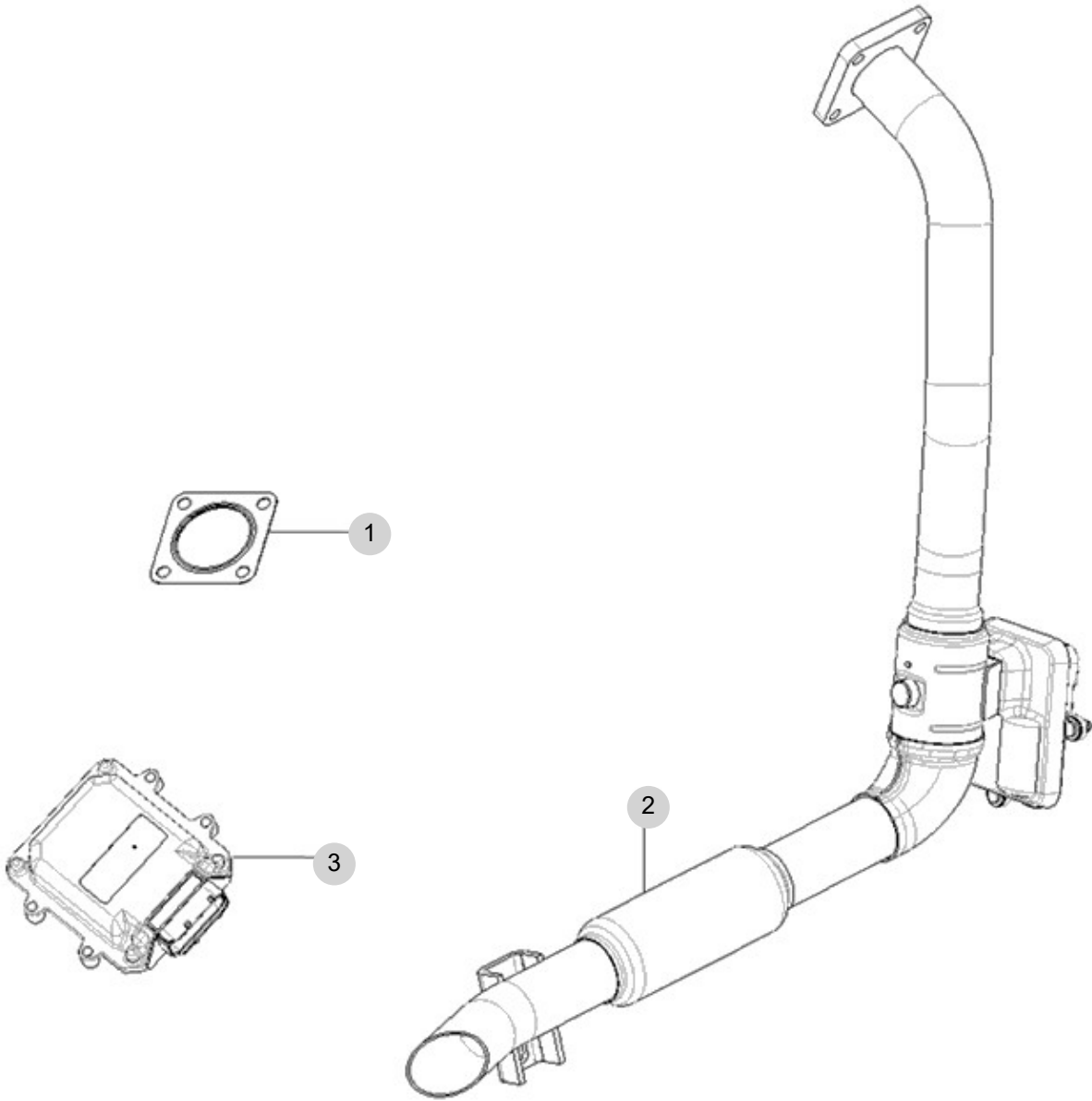
FIG 147

T574NH-B

LOOSED PARTS

년/월
Year/Month

2022-12



NOTE

2. Engine Accessories PART NO. T2

| | |
|-----------------------------|-----|
| FIG 201A AIR CLEANER (T574) | 111 |
| FIG 202 RADIATOR | 113 |
| FIG 203 MUFFLER | 115 |
| FIG 204 FUEL HOSE & FILTER | 117 |
| FIG 205 FUEL TANK | 119 |
| FIG 206 ACCELERATOR | 121 |
| FIG 207 OIL COOLER | 123 |

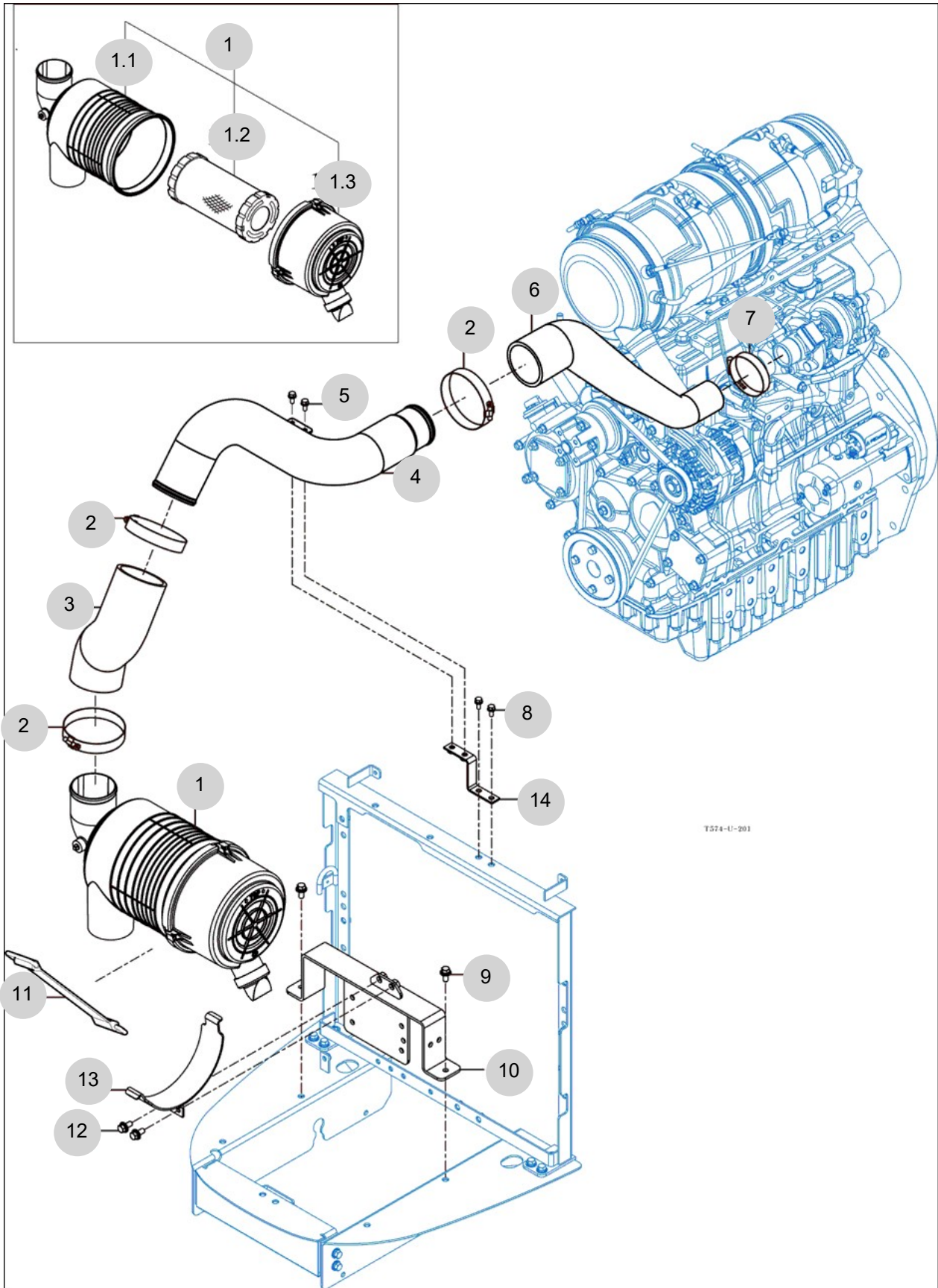
FIG 201A

AIR CLEANER (T574)

년/월
Year/Month

2022-12

T574NH-B



NOTE

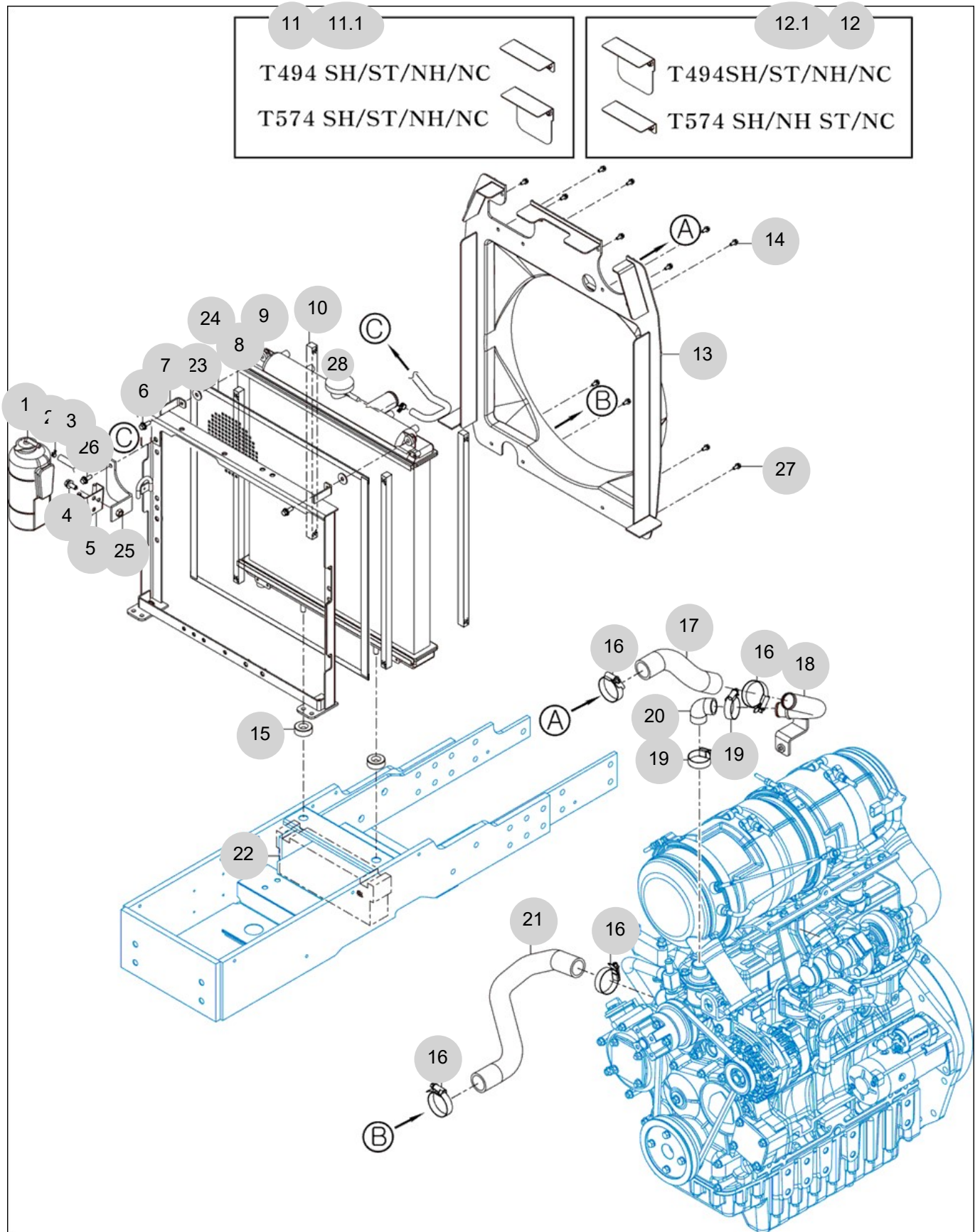
FIG 202

RADIATOR

년/월
Year/Month

2022-12

T574NH-B



NOTE

| FIG 202 T574NH-B | | RADIATOR | | | | | | 년/월 Year/Month | |
|---------------------|------|---------------|-------------------------------|--------|-----|--------|----------------|-------------------|--|
| | | | | | | | | 2022-12 | |
| KEY NO | | PART NO | DESCRIPTION | SPEC | QTY | REPAIR | EFFECTIVE DATE | REMARKS | |
| 202 | 1 | 16003302100 | TANK ASSY , RESERVE | | 1 | | | | |
| 202 | 1 | 16003302101 | TANK ASSY , RESERVE | | 1 | | | | |
| 202 | 2 | 36423600080 | CLIP , HOSE D=12.5 | 21X15 | 2 | | | | |
| 202 | 3 | 17995010150 | HOSE . 500 | 13X500 | 1 | | | | |
| 202 | 4 | V2183608020 | BOLT , HEX/SP | M8X20 | 1 | | | | |
| 202 | 5 | 36753302201GB | HOLDER COMP , TANK/RESERVE | 1X1X1 | 1 | | | | |
| 202 | 6 | V2113606025 | BOLT , HEX /S | M6X25 | 2 | | | | |
| 202 | 7 | 13871031101GB | FRAME COMP , FRONT | | 1 | | | | |
| 202 | 8 | 14661042360 | SPONGE , FRONT 500 | | 2 | | | | |
| 202 | 9 | 17461042100 | RADIATOR ASSY | | 1 | | | | |
| 202 | 10 | 14661042340 | SPONGE , SIDE 500 | | 4 | | | | |
| 202 | 11.1 | 13871052300GB | COVER COMP , SHROUD A | | 1 | | | | |
| 202 | 12 | 13871052700GB | COVER COMP , SHROUD E | | 1 | | | | |
| 202 | 13 | 13871042200 | SHROUD | | 1 | | | | |
| 202 | 14 | V2183606016 | BOLT , HEX/SP | M6X16 | 8 | | | | |
| 202 | 15 | 14526210301 | CUSHION RUBBER , RADIATOR | | 2 | | | | |
| 202 | 16 | 18027090500 | BAND CLAMP 50 EMBO TYPE | | 4 | | | | |
| 202 | 17 | 13871510030 | HOSE , RADIATOR INLET B | | 1 | | | | |
| 202 | 18 | 13831511100GB | PIPE COMP , COOLANT JOINT | | 1 | | | | |
| 202 | 19 | 18027090400 | BAND CLAMP 40 EMBO TYPE | | 2 | | | | |
| 202 | 20 | 13831510010 | HOSE , RADIATOR INLET A | | 1 | | | | |
| 202 | 21 | 13871510020 | HOSE , RADIATOR OUTLET | | 1 | | | | |
| 202 | 22 | 13871040400 | SPONGE , UNDER | | 1 | | | | |
| 202 | 23 | 35605033020 | WASHER , WIRE WITHDRAWAL | T=1.6 | 2 | | | | |
| 202 | 24 | 17461042300GB | NET COMP , RADIATOR | | 1 | | | | |
| 202 | 25 | 13871511100GB | BRACKET COMP , RESERVOIR TANK | | 1 | | | | |
| 202 | 26 | V2183608020 | BOLT , HEX/SP | M8X20 | 1 | | | | |
| 202 | 27 | V2183606016 | BOLT , HEX/SP | M6X16 | 4 | | | | |
| 202 | 28 | 13011042110 | CAP 0.9bar | | 1 | | | | |
| | | | | | | | | | |
| | | | | | | | | | |
| | | | | | | | | | |
| | | | | | | | | | |
| | | | | | | | | | |
| | | | | | | | | | |
| | | | | | | | | | |
| | | | | | | | | | |
| | | | | | | | | | |
| | | | | | | | | | |
| | | | | | | | | | |
| | | | | | | | | | |
| | | | | | | | | | |
| | | | | | | | | | |
| | | | | | | | | | |
| | | | | | | | | | |
| | | | | | | | | | |
| | | | | | | | | | |
| | | | | | | | | | |
| NOTE | | | | | | | | | |

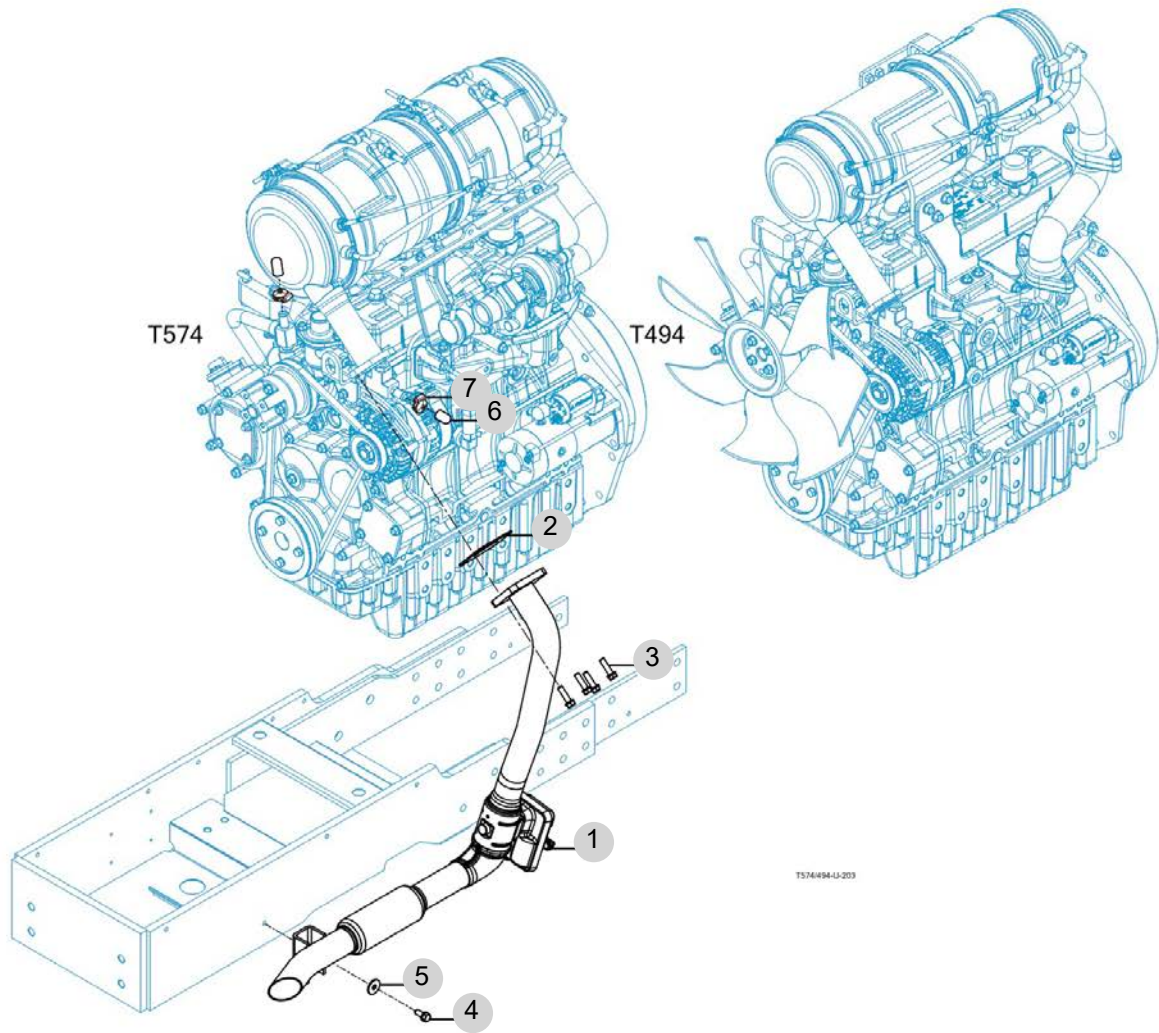
FIG 203

T574NH-B

MUFFLER

년/월
Year/Month

2022-12



NOTE

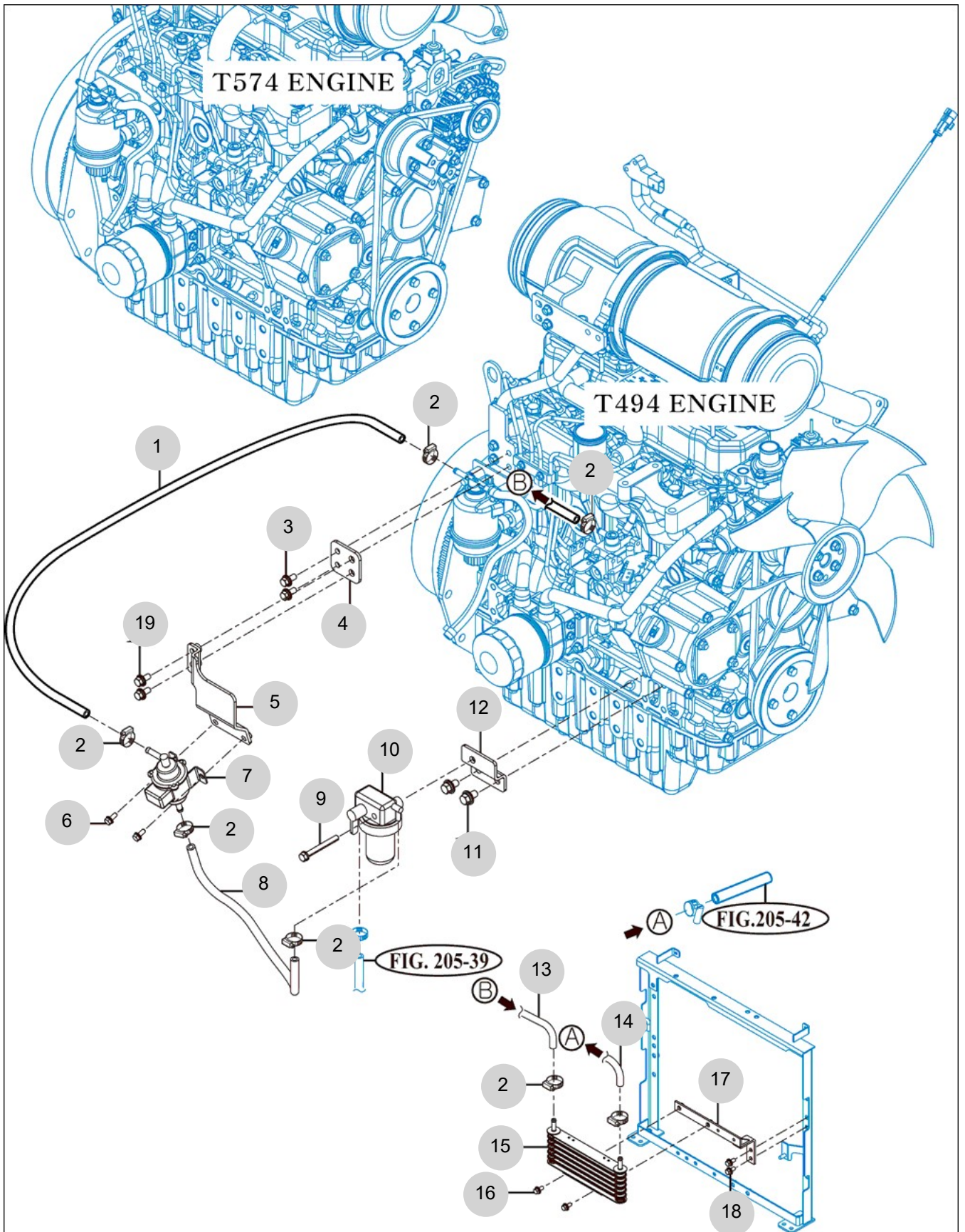
FIG 204

FUEL HOSE & FILTER

년/월
Year/Month

T574NH-B

2022-12



NOTE

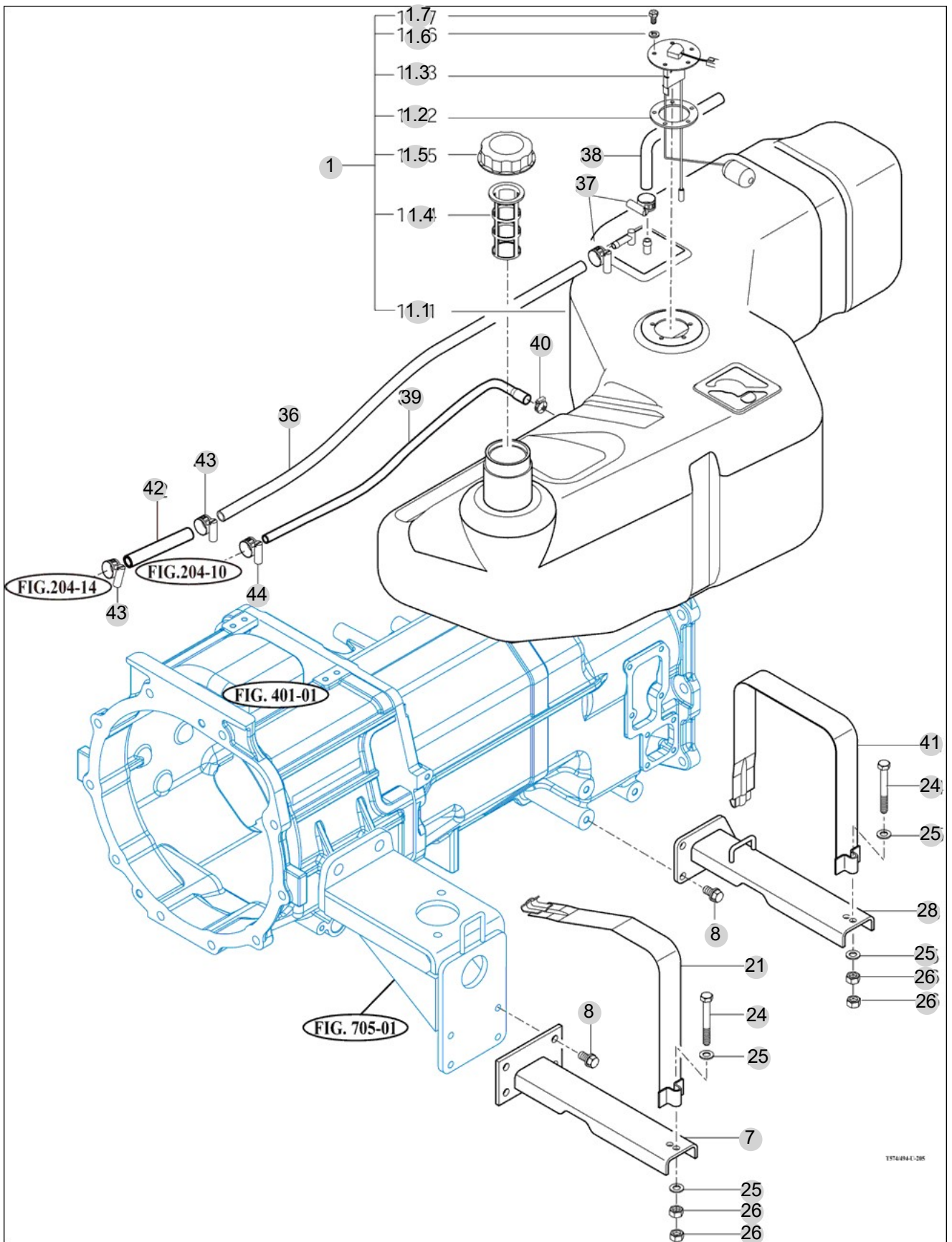
FIG 205

T574NH-B

FUEL TANK

년/월
Year/Month

2022-12



NOTE

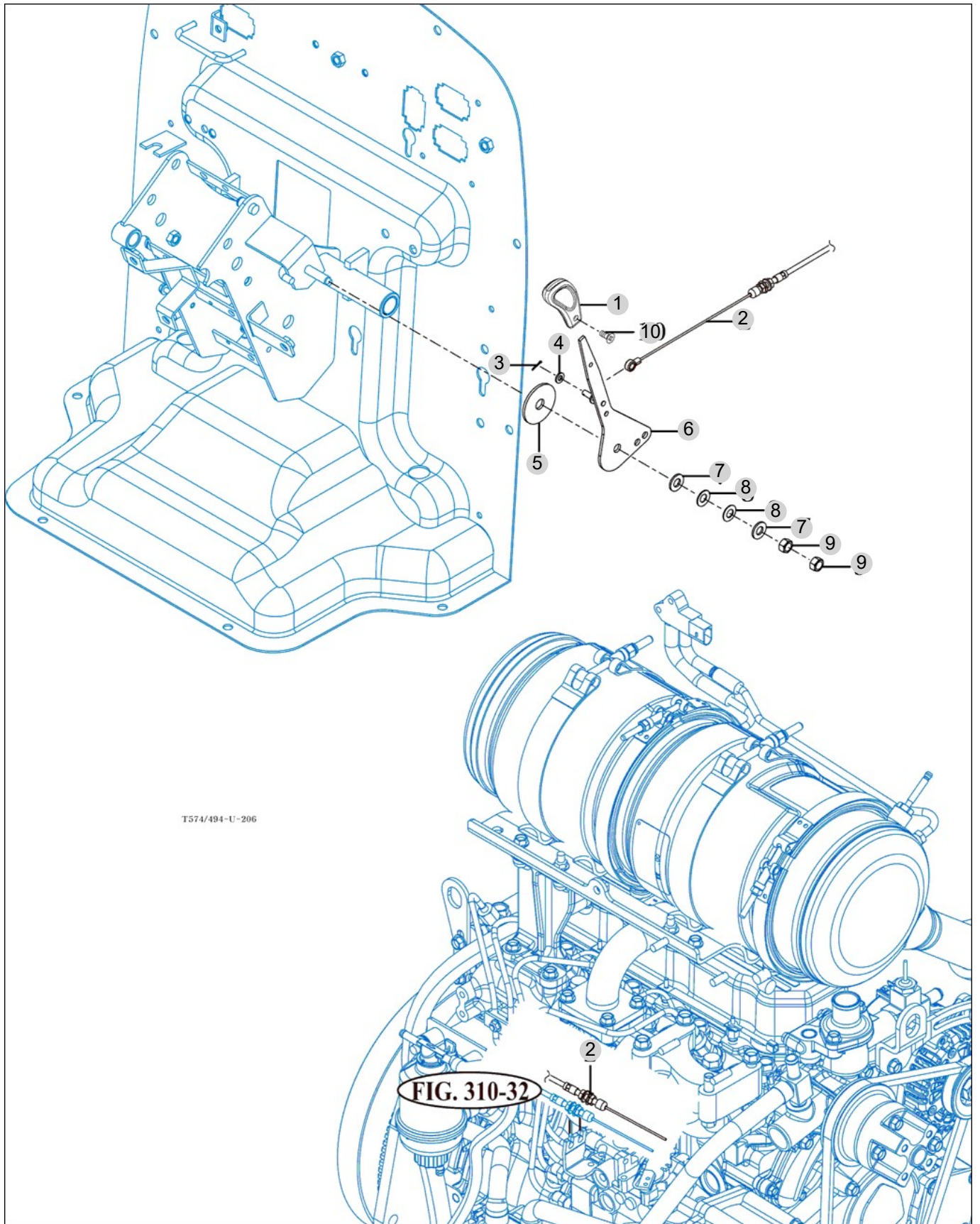
FIG 206

ACCELERATOR

년/월
Year/Month

T574NH-B

2022-12



NOTE

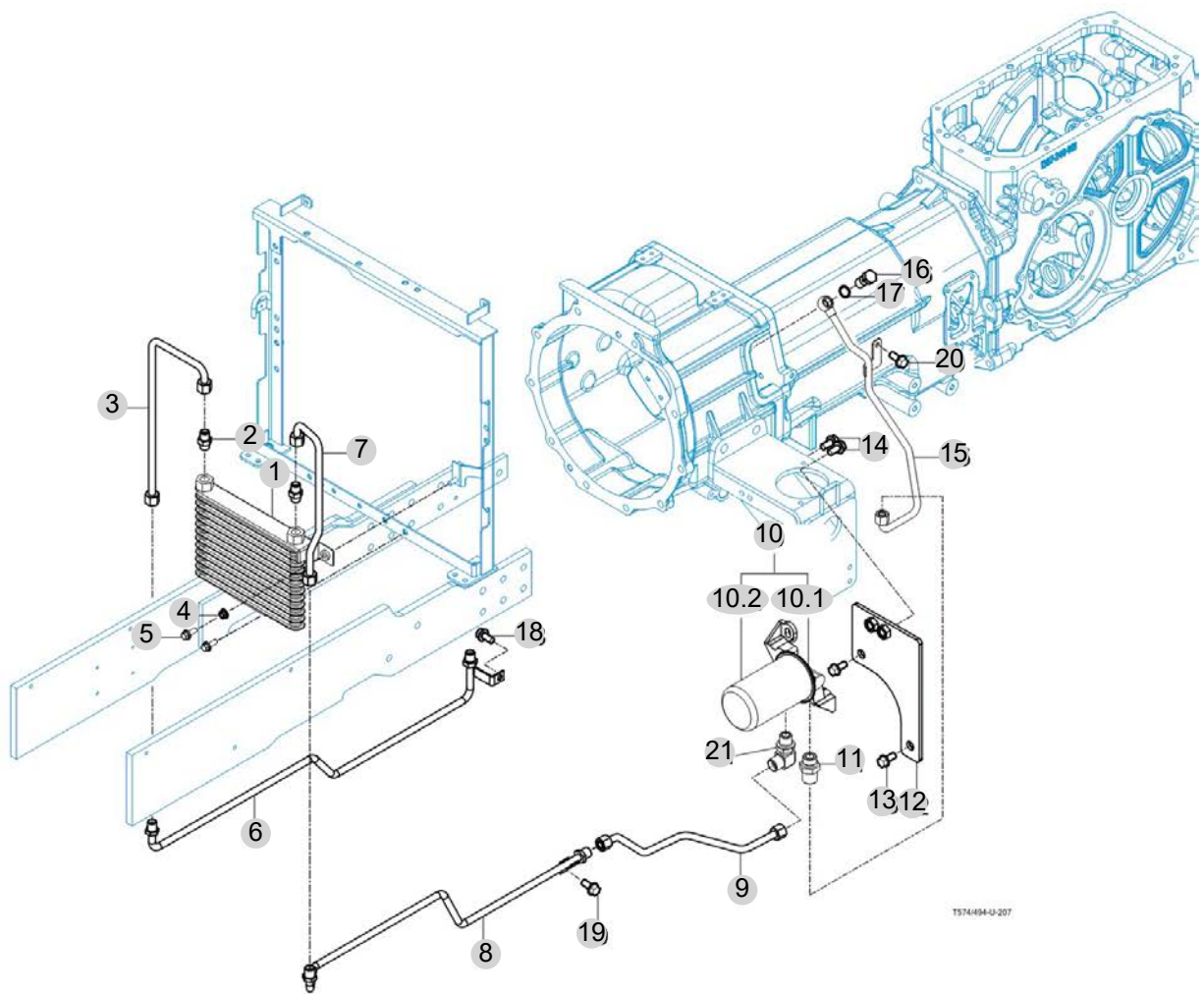
FIG 207

OIL COOLER

년/월
Year/Month

T574NH-B

2022-12



T574494-U-207

NOTE

3. Clutch/Brake/Steering PART NO. T3

| | |
|---------------------------------|-----|
| FIG 301 FLYWHEEL HOUSING | 126 |
| FIG 302 CLUTCH PEDAL | 128 |
| FIG 303 BRAKE | 130 |
| FIG 304 BRAKE PEDAL & LINK | 132 |
| FIG 305 FRONT WHEEL | 134 |
| FIG 306 REAR WHEEL | 136 |
| FIG 307 POWER STEERING WHEEL | 138 |
| FIG 308 POWER STEERING VALVE | 140 |
| FIG 309 POWER STEERING CYLINDER | 142 |
| FIG 310 HST CONTROL LINK | 144 |

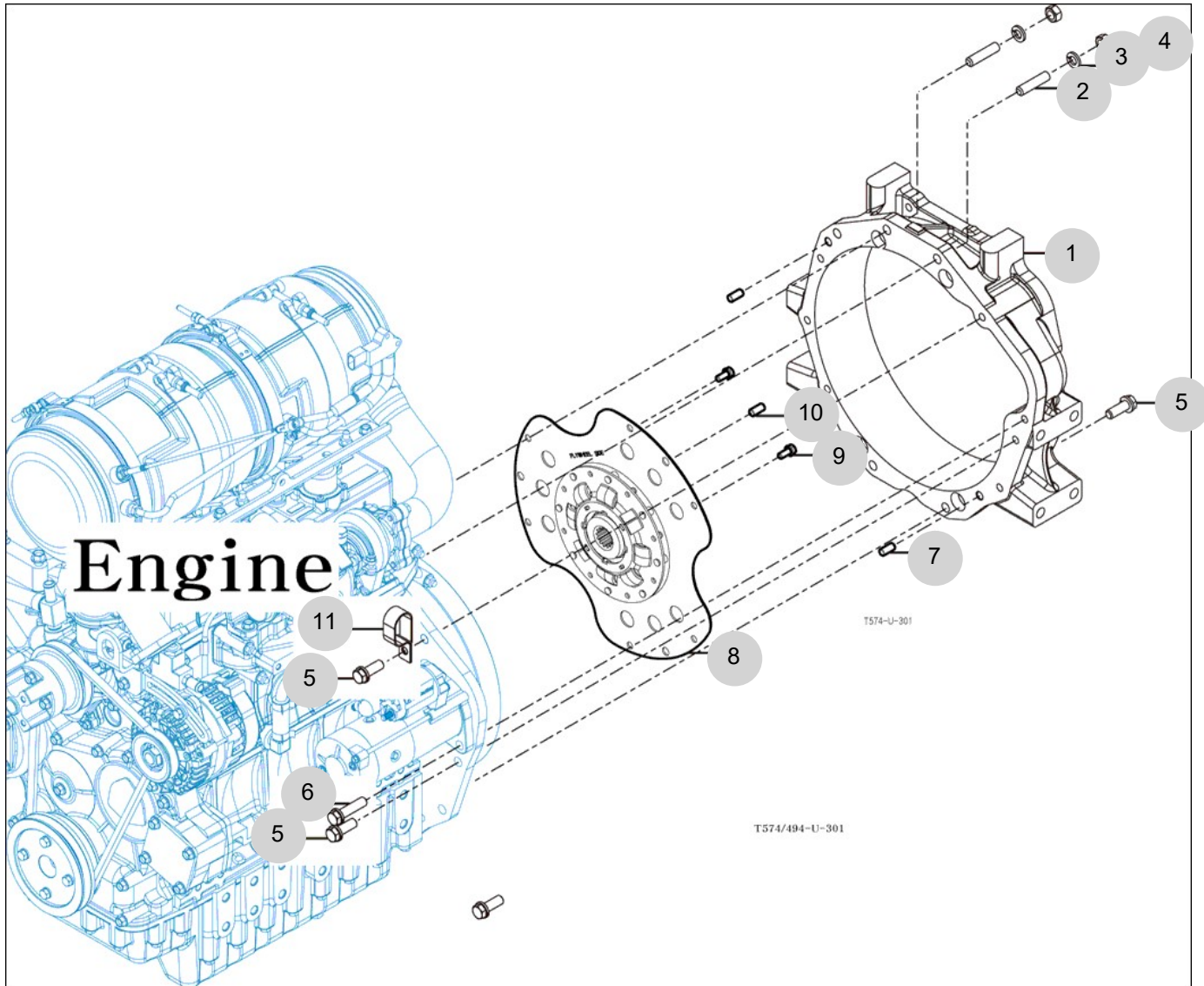
FIG 301

FLYWHEEL HOUSING

년/월
Year/Month

T574NH-B

2022-12



NOTE

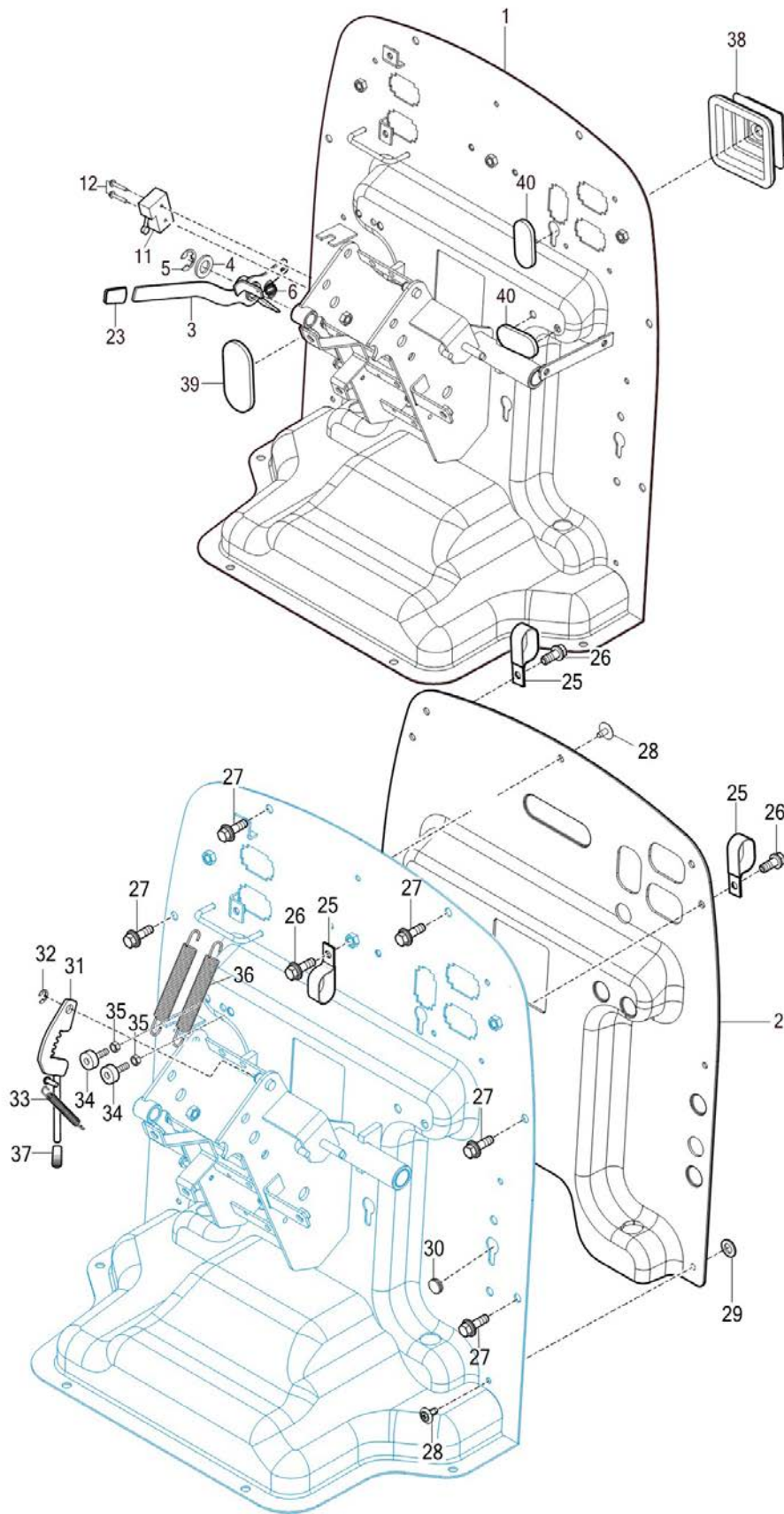
FIG 302

CLUTCH PEDAL

년/월
Year/Month

2022-12

T574NH-B



NOTE

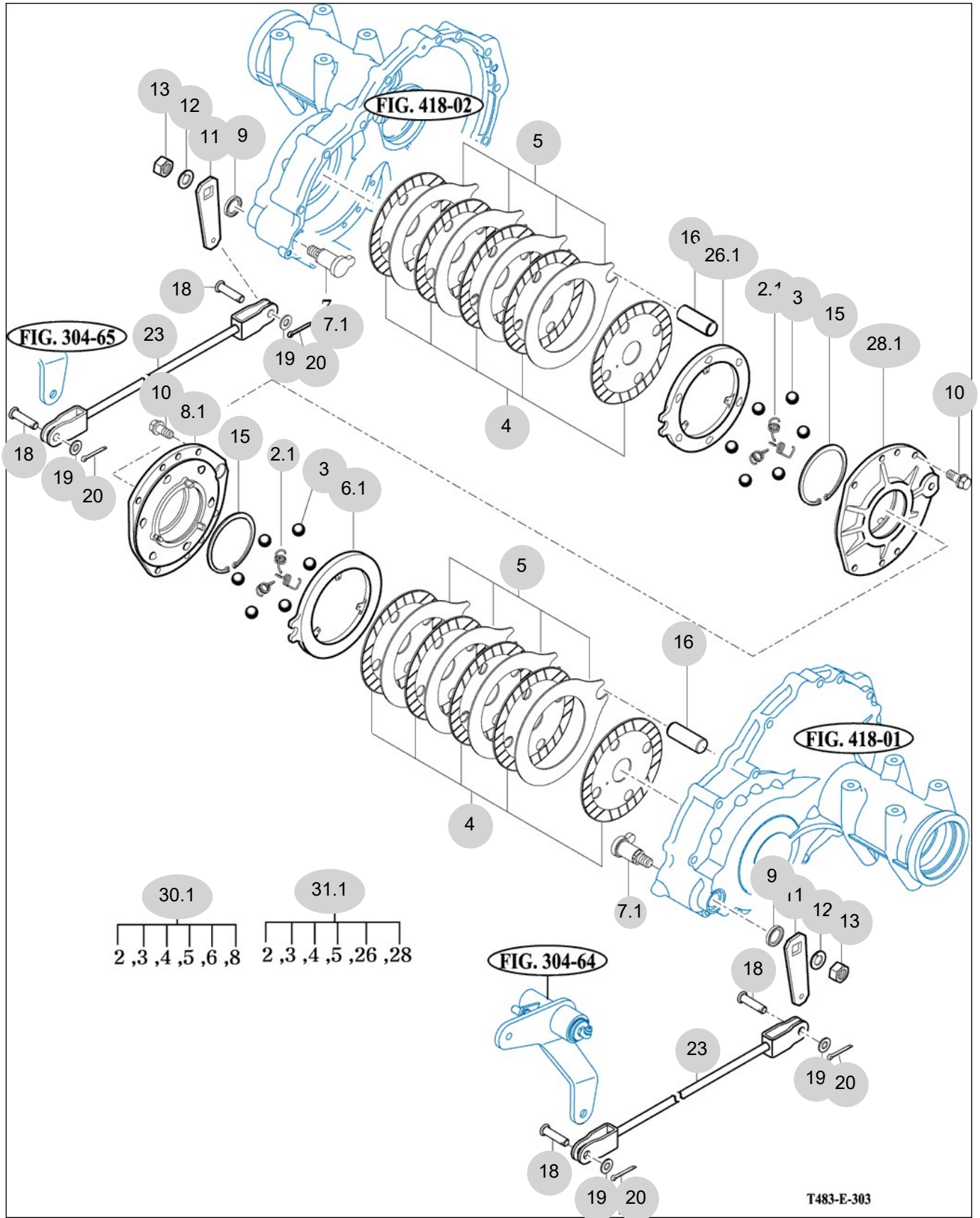
FIG 303

BRAKE

년/월
Year/Month

T574NH-B

2022-12



NOTE

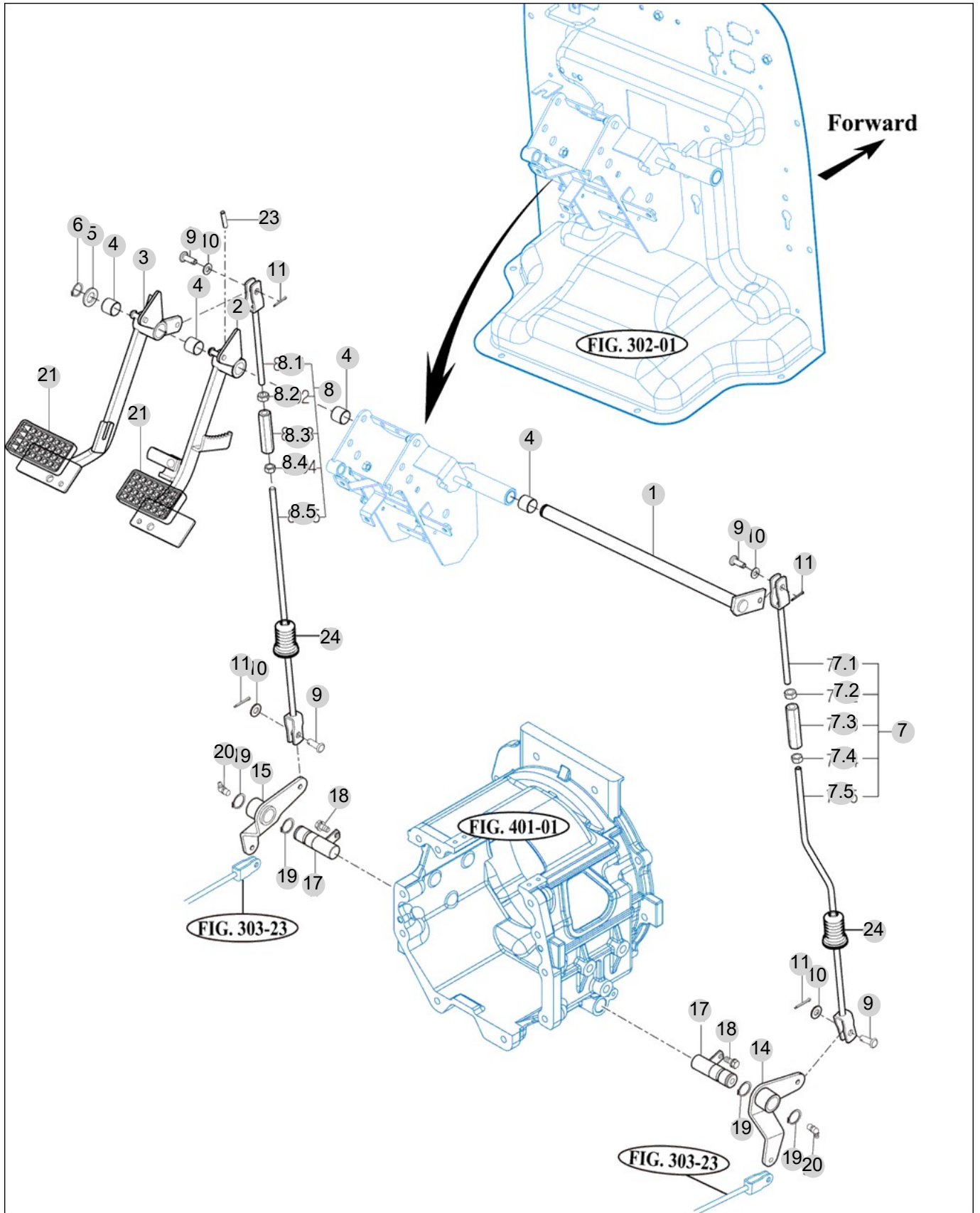
FIG 304

BRAKE PEDAL & LINK

년/월
Year/Month

2022-12

T574NH-B



NOTE

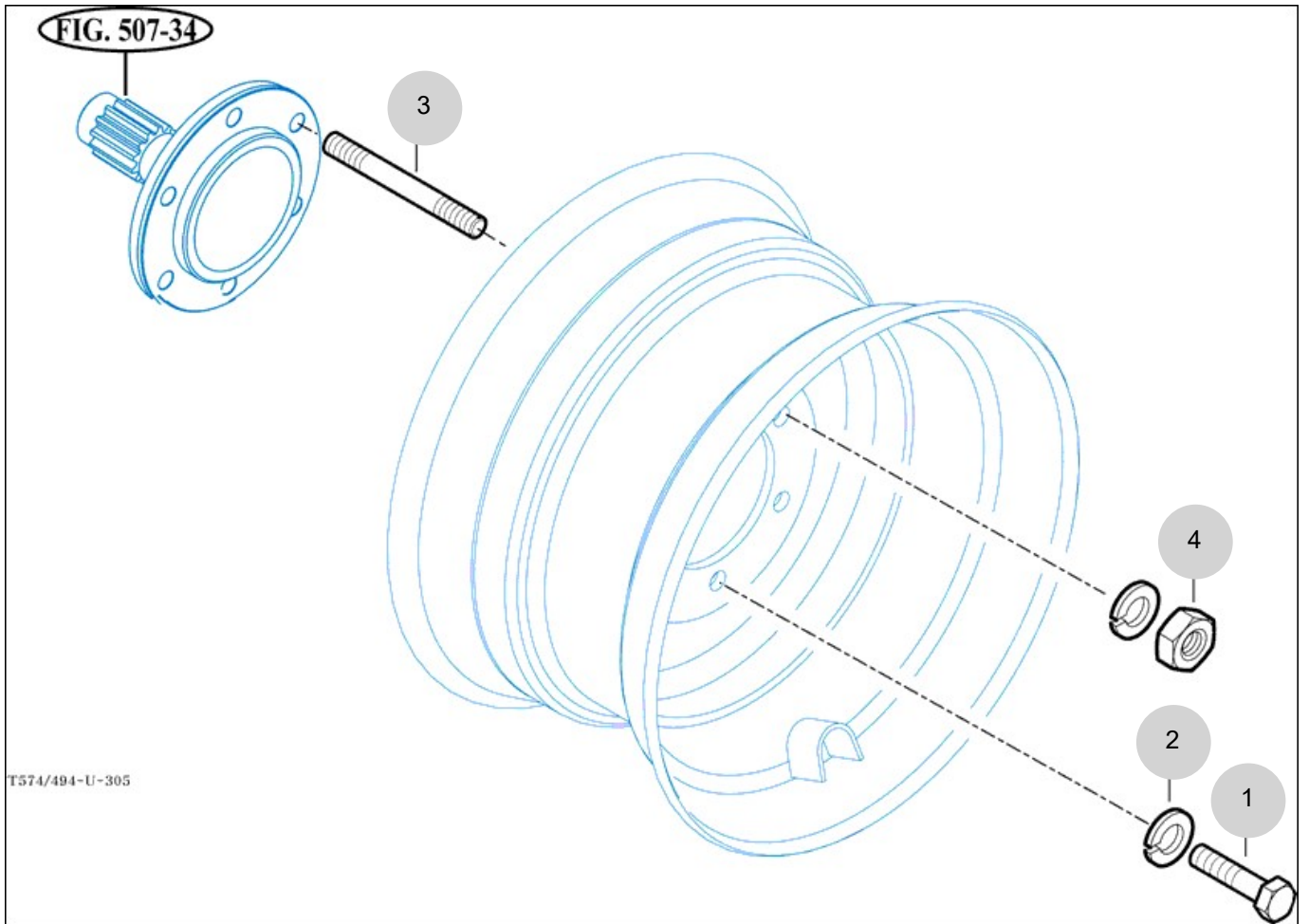
FIG 305

T574NH-B

FRONT WHEEL

년/월
Year/Month

2022-12



T574/494-U-305

NOTE

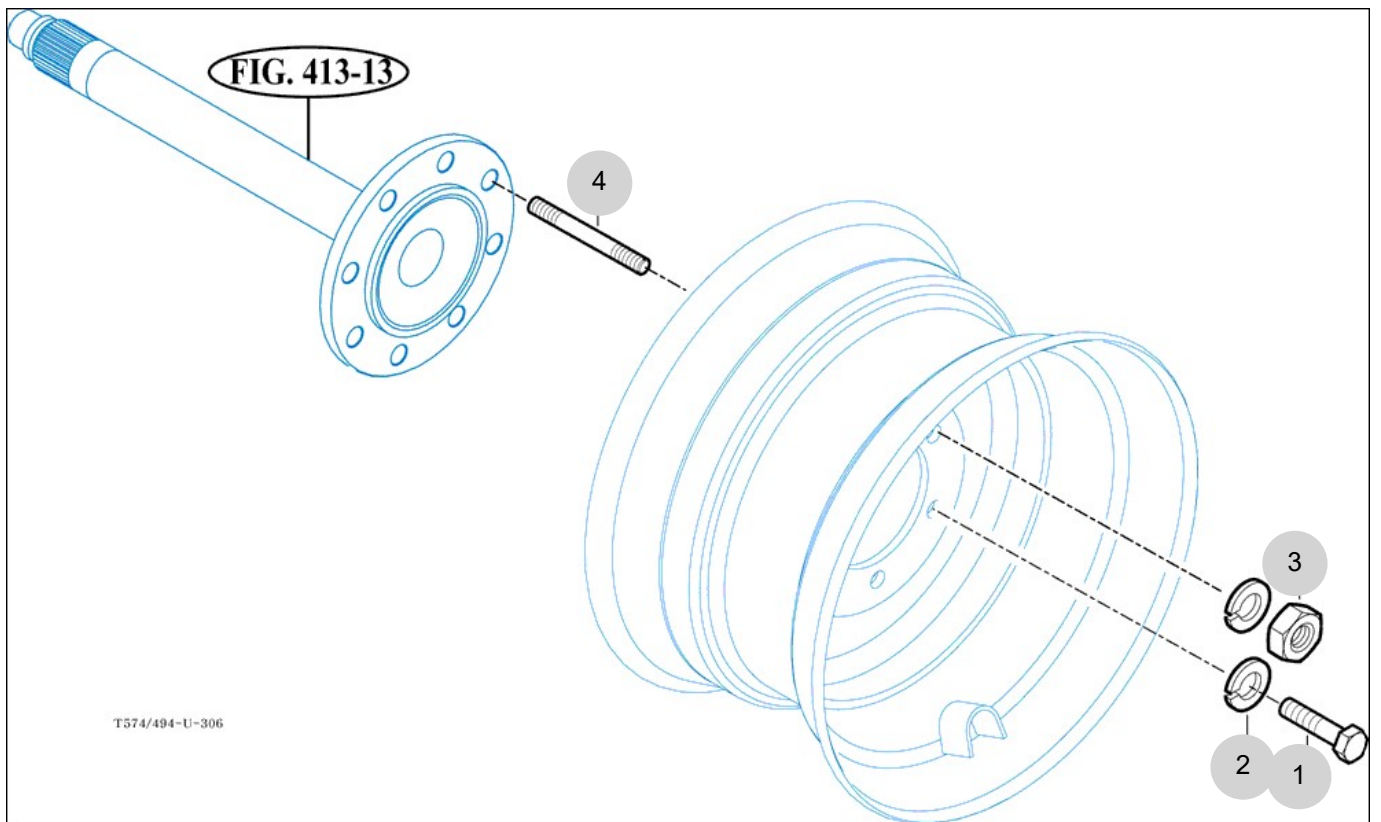
FIG 306

T574NH-B

REAR WHEEL

년/월
Year/Month

2022-12



T574/494-U-306

NOTE

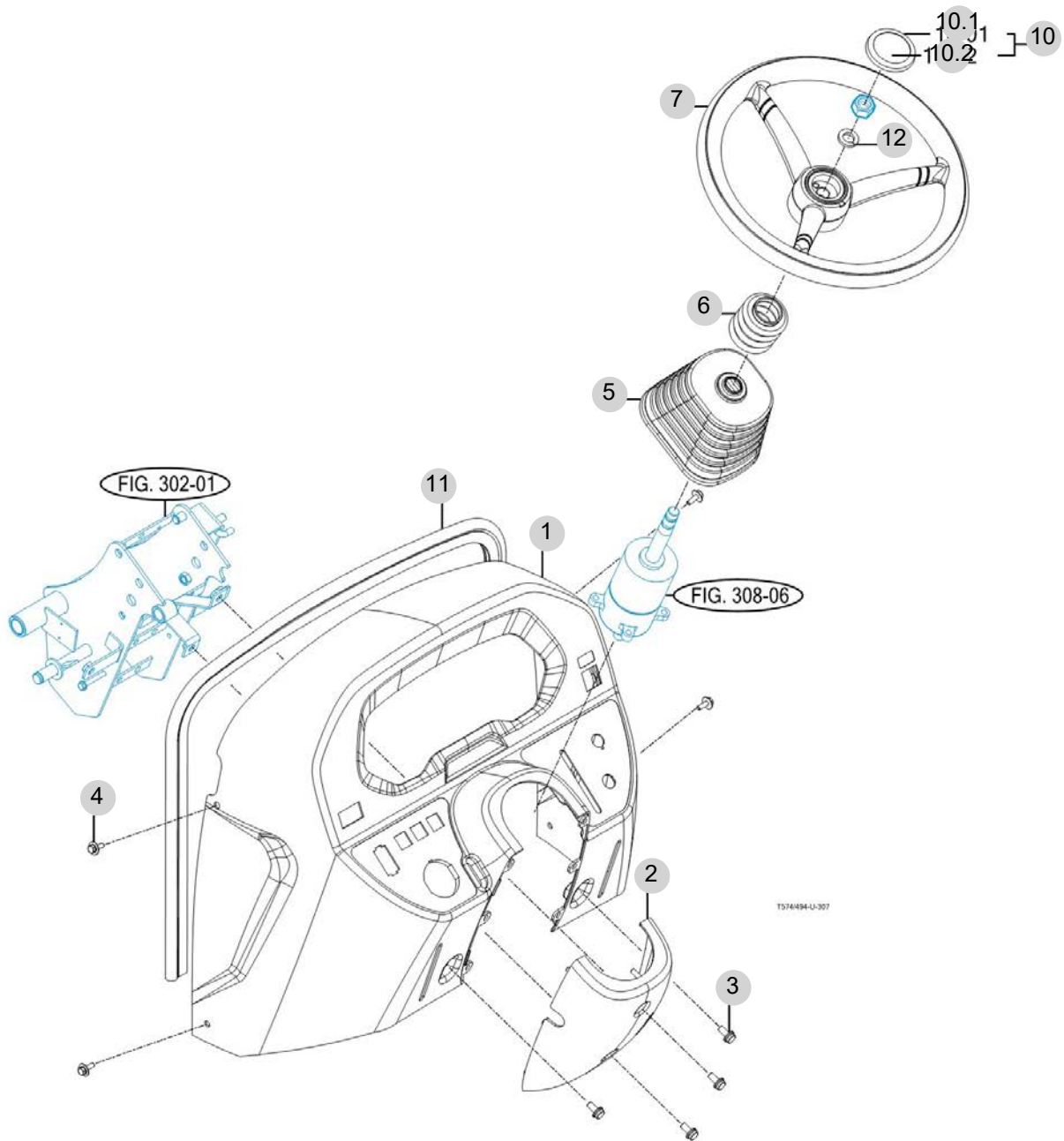
FIG 307

T574NH-B

POWER STEERING WHEEL

년/월
Year/Month

2022-12



NOTE

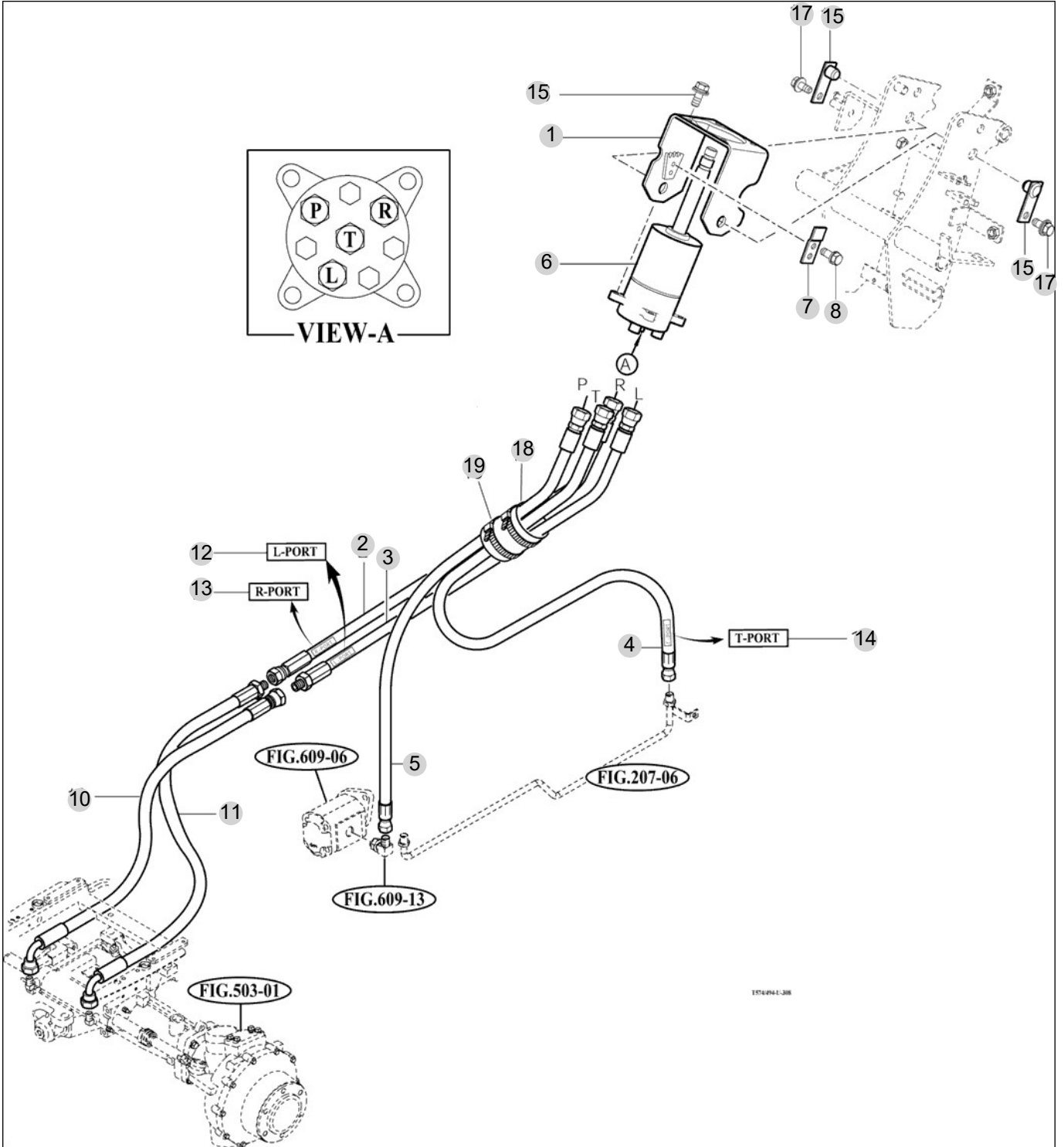
FIG 308

POWER STEERING VALVE

년/월
Year/Month

T574NH-B

2022-12



NOTE

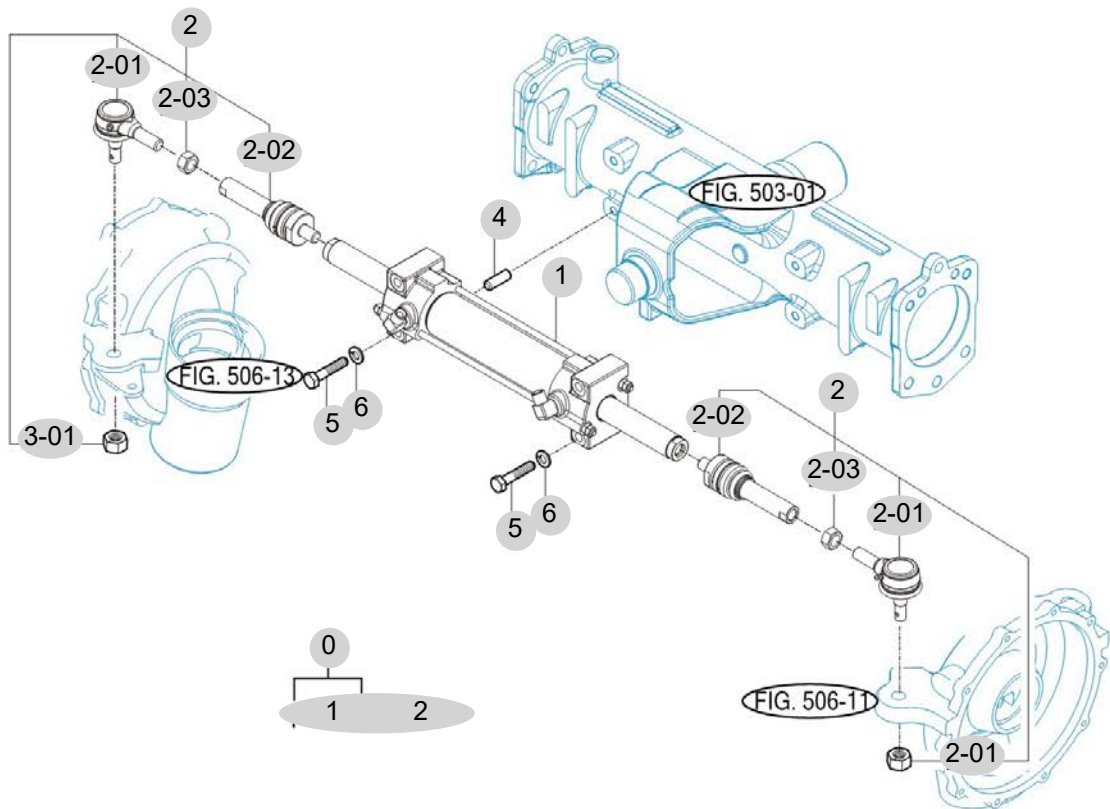
FIG 309

T574NH-B

POWER STEERING CYLINDER

년/월
Year/Month

2022-12



NOTE

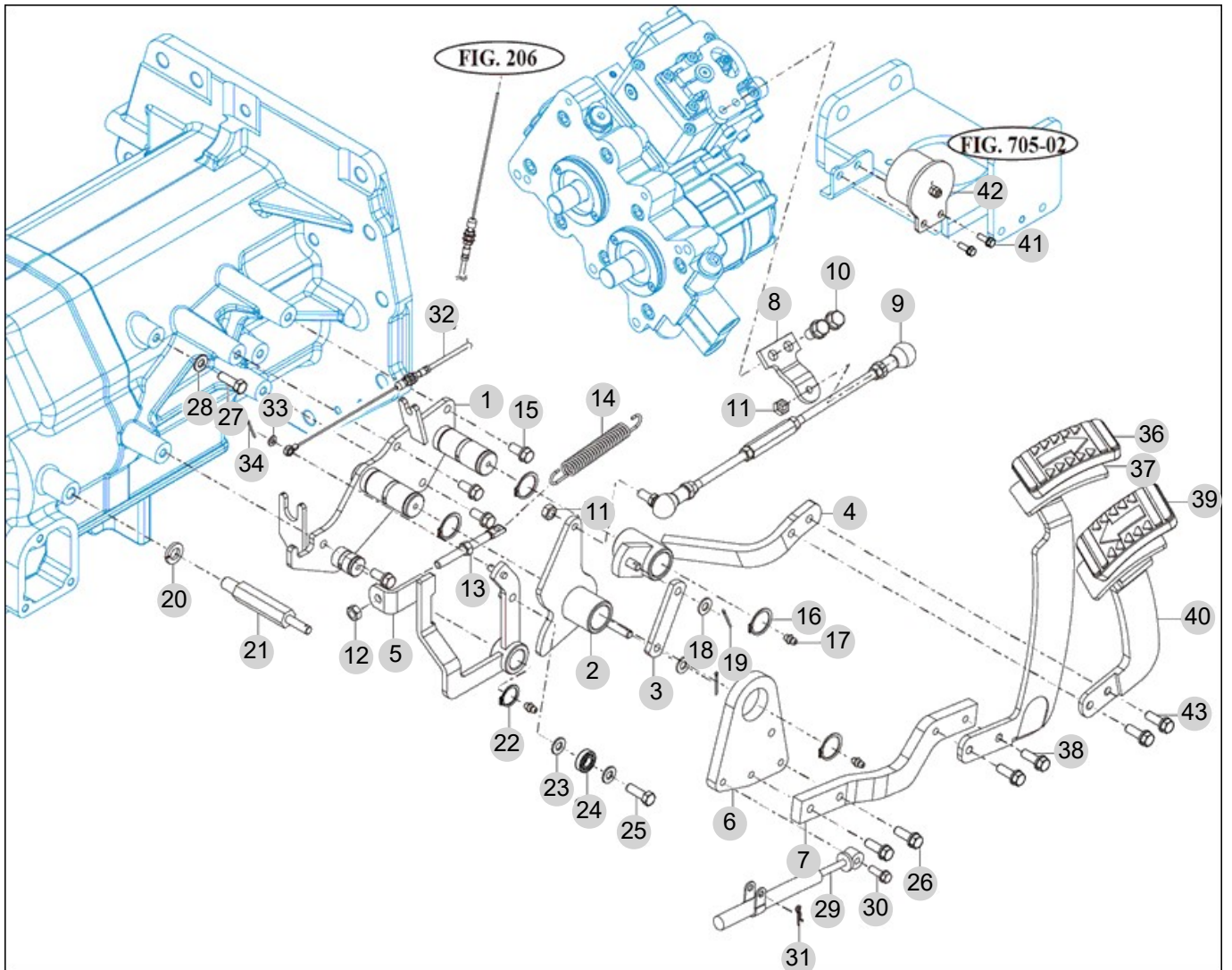
FIG 310

T574NH-B

HST CONTROL LINK

년/월
Year/Month

2022-12



NOTE

| FIG 310 | | HST CONTROL LINK | | | | | 년/월 Year/Month | | |
|----------|----|------------------|---------------------------|-------------|------|-----|-------------------|----------------|---------|
| | | | | | | | 2022-12 | | |
| T574NH-B | | KEY NO | PART NO | DESCRIPTION | SPEC | QTY | REPAIR | EFFECTIVE DATE | REMARKS |
| 310 | 1 | 13872313200 | BRACKET COMP, HST PEDAL | | | 1 | | | |
| 310 | 2 | 13872312300 | ARM COMP, FORWARD | | | 1 | | | |
| 310 | 3 | 14722310023 | PLATE , REVERSE | 19X6 | | 1 | | | |
| 310 | 4 | 13872312600 | ARM COMP, REVERSE | | | 1 | | | |
| 310 | 5 | 13872312501 | ARM COMP, CAM FOLLOWER | | | 1 | | | |
| 310 | 6 | 13872312330 | PLATE, CONTROL | | | 1 | | | |
| 310 | 7 | 13872310050 | PLATE, FORWARD | | | 1 | | | |
| 310 | 8 | 13872312111 | ARM PLATE, HST | | | 1 | | | |
| 310 | 8 | 13872312110 | ARM PLATE, HST | | | 1 | | | |
| 310 | 8 | 13872312112 | ARM PLATE, HST | | | 1 | | | |
| 310 | 9 | 13872325001 | ROD ASSY, HST | | | 1 | | | |
| 310 | 9 | 13872325000 | ROD ASSY, HST | | | 1 | | | |
| 310 | 9 | 13872325002 | ROD ASSY, HST | | | 1 | | | |
| 310 | 10 | V2143610020 | BOLT , HEX FINE /S | M10X20 | | 2 | | | |
| 310 | 11 | V3013600080 | NUT .HEX NORMAL /2 | M8 | | 2 | | | |
| 310 | 12 | V3043600080 | NUT , HEX/2 | M8 | | 1 | | | |
| 310 | 13 | 34522150080 | ROD , CHAIN(TENSION)(82) | D=8 | | 1 | | | |
| 310 | 14 | 14722310033 | SPRING , RETURN | D=2.4 | | 1 | | | |
| 310 | 15 | V2173608020 | BOLT , HEX/S | M8X20 | | 4 | | | |
| 310 | 16 | V7041400250 | C-RING , SHAFT | 25 | | 4 | | | |
| 310 | 17 | V7601500000 | NIPPLE , GREASE/A-M6F | | | 3 | | | |
| 310 | 18 | V4111600080 | WASHER , PLAIN | M8 | | 2 | | | |
| 310 | 19 | V5001920020 | PIN , SPLIT | 2X20 | | 2 | | | |
| 310 | 20 | V4011600120 | WASHER , SPRING | M12 | | 1 | | | |
| 310 | 21 | 14722310041 | PIN , OIL DAMPER | B=17 | | 1 | | | |
| 310 | 22 | V7041400200 | C-RING , SHAFT | 20 | | 1 | | | |
| 310 | 23 | V4111600080 | WASHER , PLAIN | M8 | | 2 | | | |
| 310 | 24 | 14722310060 | BEARING , BALL | | | 1 | | | |
| 310 | 25 | V2013608025 | BOLT , HEX | M8X25 | | 1 | | | |
| 310 | 26 | V2173608025 | BOLT , HEX/S | M8X25 | | 2 | | | |
| 310 | 27 | V2013608045 | BOLT , HEX | M8X45 | | 1 | | | |
| 310 | 28 | V3042600080 | NUT , HEX/2 | M8 | | 1 | | | |
| 310 | 29 | 14722312401 | DAMPER , OIL | 1X1X1 | | 1 | | | |
| 310 | 30 | V2183608030 | BOLT , HEX/SP | M8X30 | | 1 | | | |
| 310 | 31 | V5601600008 | PIN , SNAP | 8 | | 1 | | | |
| 310 | 32 | 13871162700 | CABLE ASSY, AUTO THROTTLE | | | 1 | | | |
| 310 | 33 | V4111600060 | WASHER , PLAIN | M6 | | 1 | | | |
| 310 | 34 | V5001920015 | PIN , SPLIT | 2X15 | | 1 | | | |
| 310 | 36 | 14722312730 | PAD | 1X1X1 | | 1 | | | |
| 310 | 37 | 13872312700GB | PEDAL COMP, FORWARD | | | 1 | | | |
| 310 | 38 | V2173608020 | BOLT , HEX/S | M8X20 | | 2 | | | |
| 310 | 39 | 14722312730 | PAD | 1X1X1 | | 1 | | | |
| 310 | 40 | 13872312800GB | PEDAL COMP, REVERSE | | | 1 | | | |
| 310 | 40 | 13872312801GB | PEDAL COMP, REVERSE | | | 1 | | | |
| 310 | 41 | V2173608020 | BOLT , HEX/S | M8X20 | | 2 | | | |
| NOTE | | | | | | | | | |

| FIG 310 | | HST CONTROL LINK | | | | | | 년/월 | |
|---------|---------|------------------|------------------------|-------|--------|----------------|---------|------------|--|
| | | | | | | | | Year/Month | |
| | | T574NH-B | | | | | | | |
| KEY NO | PART NO | DESCRIPTION | SPEC | QTY | REPAIR | EFFECTIVE DATE | REMARKS | | |
| 310 | 42 | 12382323000 | MAGNETIC ASSY , CRUISE | | | | | | |
| 310 | 43 | V2173608016 | BOLT , HEX/S | M8X16 | 2 | | | | |
| | | | | | | | | | |
| | | | | | | | | | |
| | | | | | | | | | |
| | | | | | | | | | |
| | | | | | | | | | |
| | | | | | | | | | |
| | | | | | | | | | |
| | | | | | | | | | |
| | | | | | | | | | |
| | | | | | | | | | |
| | | | | | | | | | |
| | | | | | | | | | |
| | | | | | | | | | |
| | | | | | | | | | |
| | | | | | | | | | |
| | | | | | | | | | |
| | | | | | | | | | |
| | | | | | | | | | |
| | | | | | | | | | |
| | | | | | | | | | |
| | | | | | | | | | |
| | | | | | | | | | |
| | | | | | | | | | |
| | | | | | | | | | |
| | | | | | | | | | |
| | | | | | | | | | |
| | | | | | | | | | |
| | | | | | | | | | |
| | | | | | | | | | |
| | | | | | | | | | |
| | | | | | | | | | |
| | | | | | | | | | |
| | | | | | | | | | |
| | | | | | | | | | |
| | | | | | | | | | |
| | | | | | | | | | |
| | | | | | | | | | |
| | | | | | | | | | |
| | | | | | | | | | |
| | | | | | | | | | |
| | | | | | | | | | |
| | | | | | | | | | |
| | | | | | | | | | |
| | | | | | | | | | |
| | | | | | | | | | |
| NOTE | | | | | | | | | |

4. Transmission PART NO. T4

| | |
|---------------------------------|-----|
| FIG 401 TRANSMISSION FRONT CASE | 148 |
| FIG 402 HST | 150 |
| FIG 403 MID TRANSMISSION CASE | 152 |
| FIG 404 TRANSTER GEAR SET | 154 |
| FIG 405 TRANSMISSION REAR CASE | 156 |
| FIG 406 SUB CHANGE GEARS | 158 |
| FIG 407 SUB CHANGE SHIFTER | 160 |
| FIG 408 DRIVE GEARS | 162 |
| FIG 409 4WD CHANGE LEVER | 164 |
| FIG 410 P.T.O DRIVE SHAFT | 166 |
| FIG 411 P.T.O CHANGE GEARS | 168 |
| FIG 412 REAR DIFFERENTIAL GEARS | 170 |
| FIG 413 REAR AXLE HOUSING | 173 |

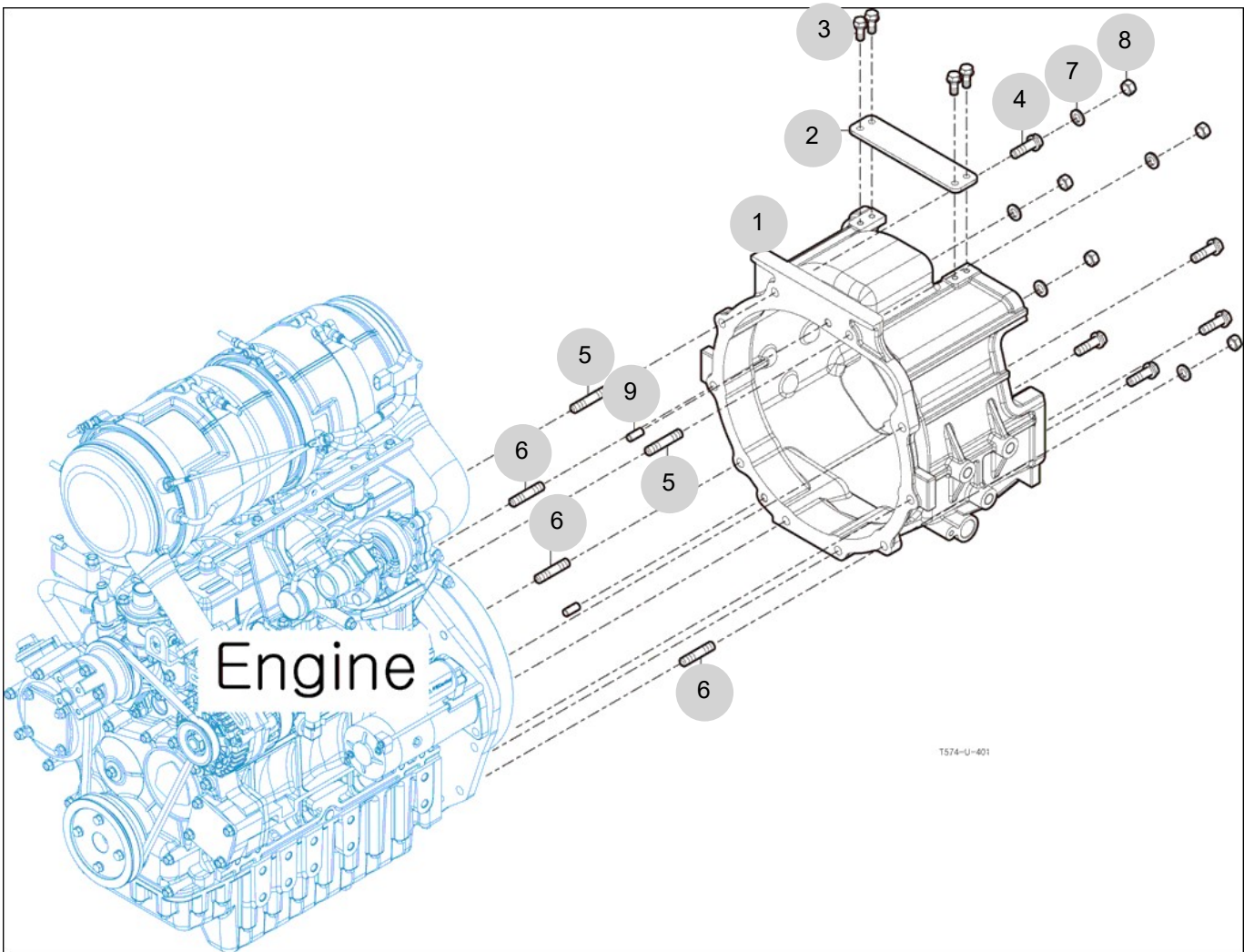
FIG 401

T574NH-B

TRANSMISSION FRONT CASE

년/월
Year/Month

2022-12



NOTE

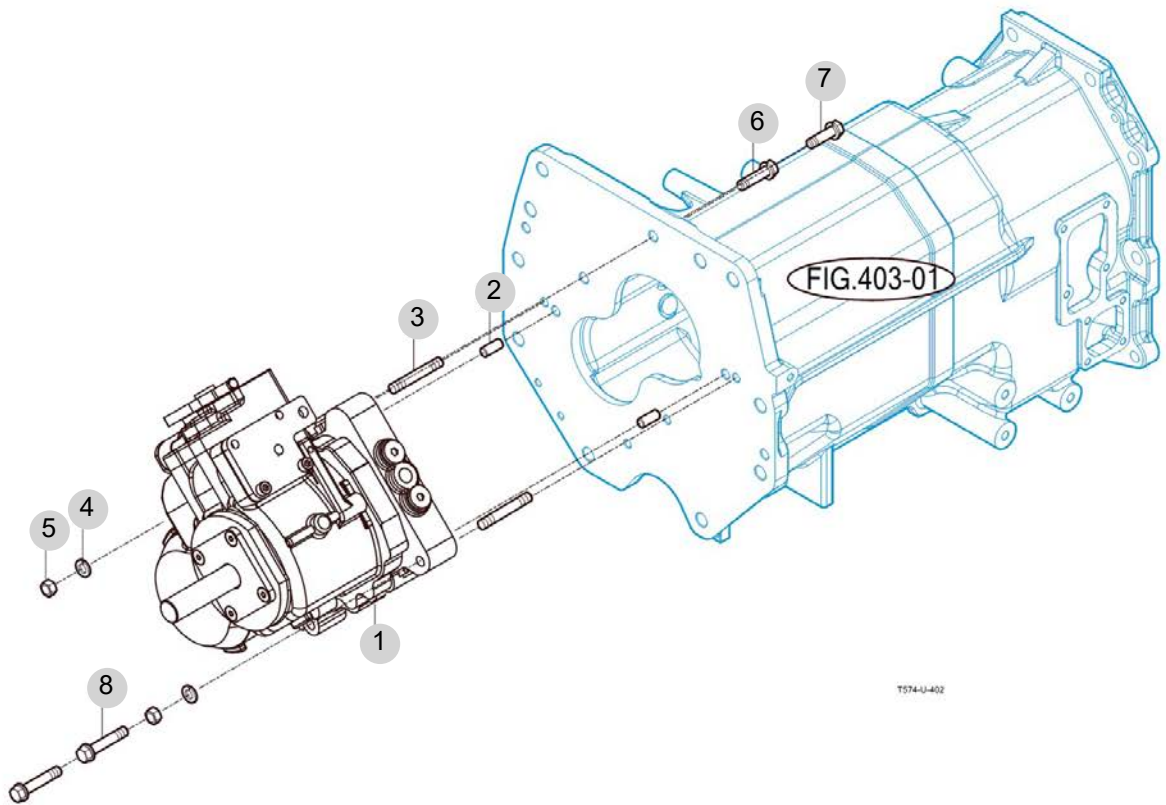
FIG 402

T574NH-B

HST

년/월
Year/Month

2022-12



T574-U-402

NOTE

| FIG 402 | | HST | | | | | | 년/월 Year/Month | |
|----------|---------|-------------|------------------|--|--------|-----|--------|-------------------|---------|
| T574NH-B | | | | | | | | 2022-12 | |
| KEY NO | PART NO | DESCRIPTION | | | SPEC | QTY | REPAIR | EFFECTIVE DATE | REMARKS |
| 402 | 1 | 13872302000 | HST ASSY | | | | 1 | | |
| 402 | 1 | 13872302001 | HST ASSY | | | | 1 | | |
| 402 | 1 | 13872302002 | HST ASSY | | | | 1 | | |
| 402 | 2 | V5201010022 | PIN , PARALLEL/A | | 10X22 | 2 | | | |
| 402 | 3 | V2513410055 | BOLT , STUD/2 | | M10X55 | 2 | | | |
| 402 | 4 | V4011600100 | WASHER , SPRING | | M10 | 2 | | | |
| 402 | 5 | V3043600100 | NUT , HEX/2 | | M10 | 2 | | | |
| 402 | 6 | V2173610040 | BOLT , HEX/S | | M10X40 | 1 | | | |
| 402 | 7 | V2173610035 | BOLT , HEX/S | | M10X35 | 1 | | | |
| 402 | 8 | V2173610055 | BOLT , HEX/S | | M10X55 | 2 | | | |
| | | | | | | | | | |
| | | | | | | | | | |
| | | | | | | | | | |
| | | | | | | | | | |
| | | | | | | | | | |
| | | | | | | | | | |
| | | | | | | | | | |
| | | | | | | | | | |
| | | | | | | | | | |
| | | | | | | | | | |
| | | | | | | | | | |
| | | | | | | | | | |
| | | | | | | | | | |
| | | | | | | | | | |
| | | | | | | | | | |
| | | | | | | | | | |
| | | | | | | | | | |
| | | | | | | | | | |
| | | | | | | | | | |
| | | | | | | | | | |
| | | | | | | | | | |
| | | | | | | | | | |
| | | | | | | | | | |
| | | | | | | | | | |
| | | | | | | | | | |
| | | | | | | | | | |
| | | | | | | | | | |
| | | | | | | | | | |
| | | | | | | | | | |
| | | | | | | | | | |
| | | | | | | | | | |
| | | | | | | | | | |
| | | | | | | | | | |
| | | | | | | | | | |
| NOTE | | | | | | | | | |

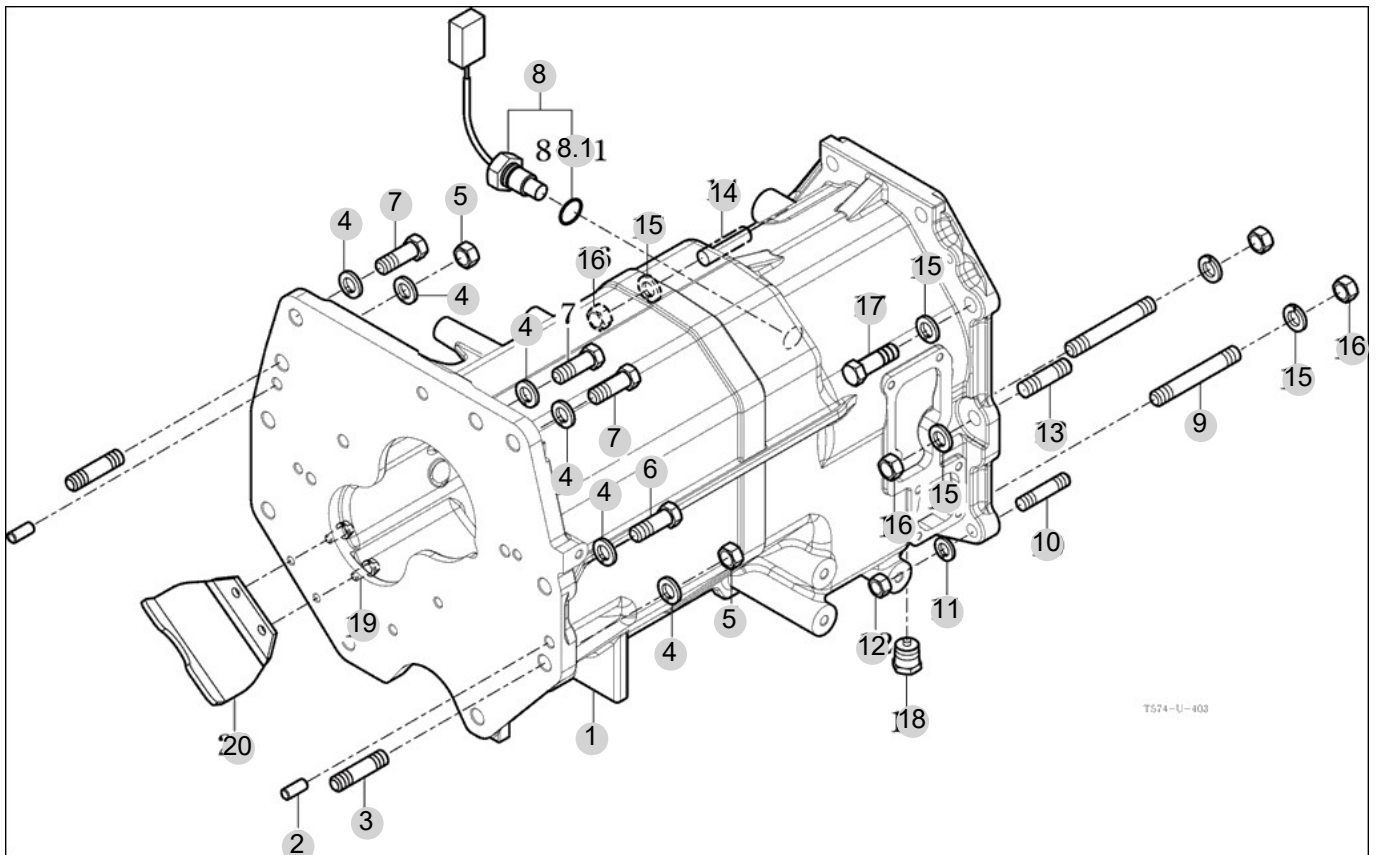
FIG 403

MID TRANSMISSION CASE

년/월
Year/Month

T574NH-B

2022-12



NOTE

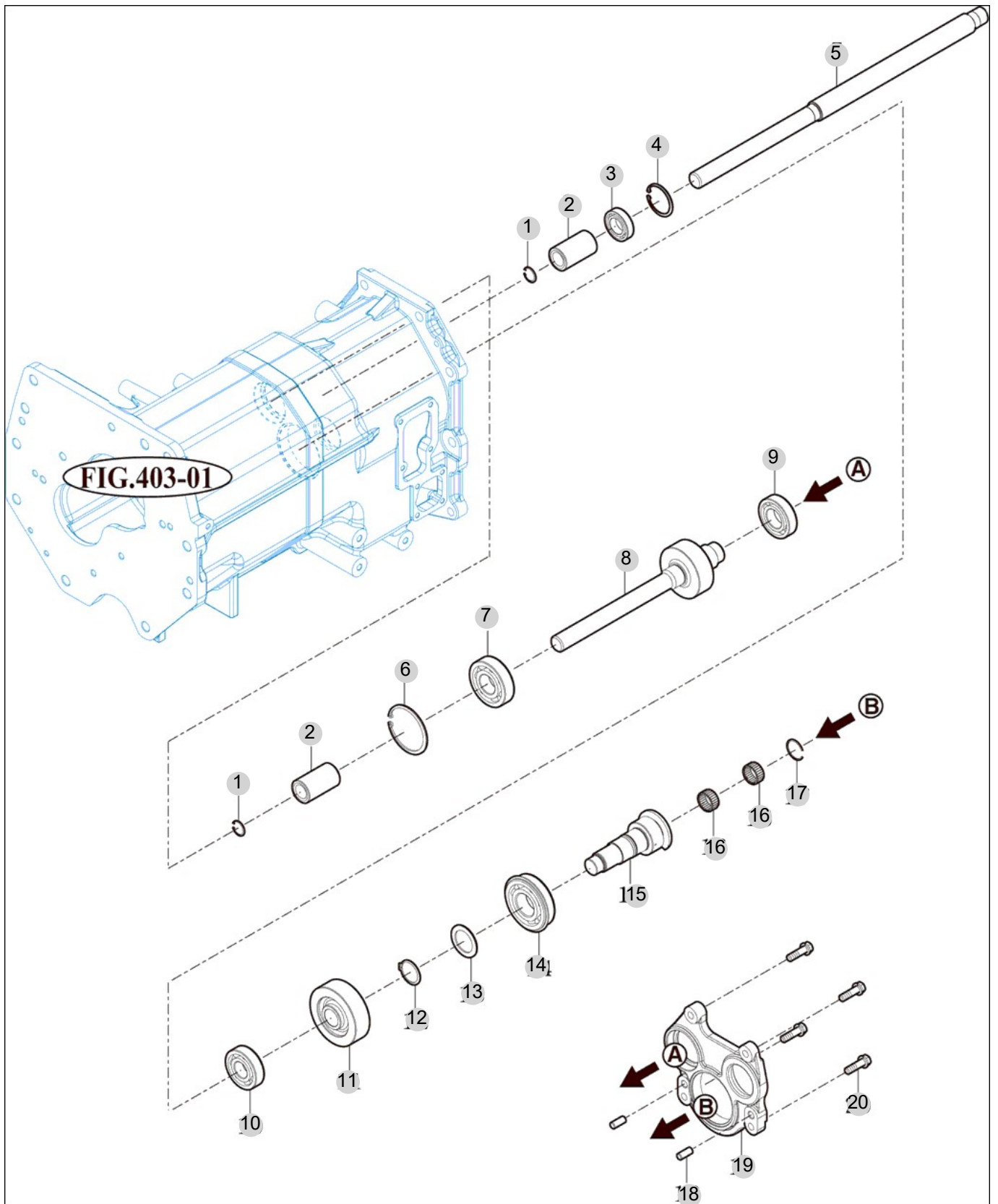
FIG 404

TRANSFER GEAR SET

년/월
Year/Month

T574NH-B

2022-12



NOTE

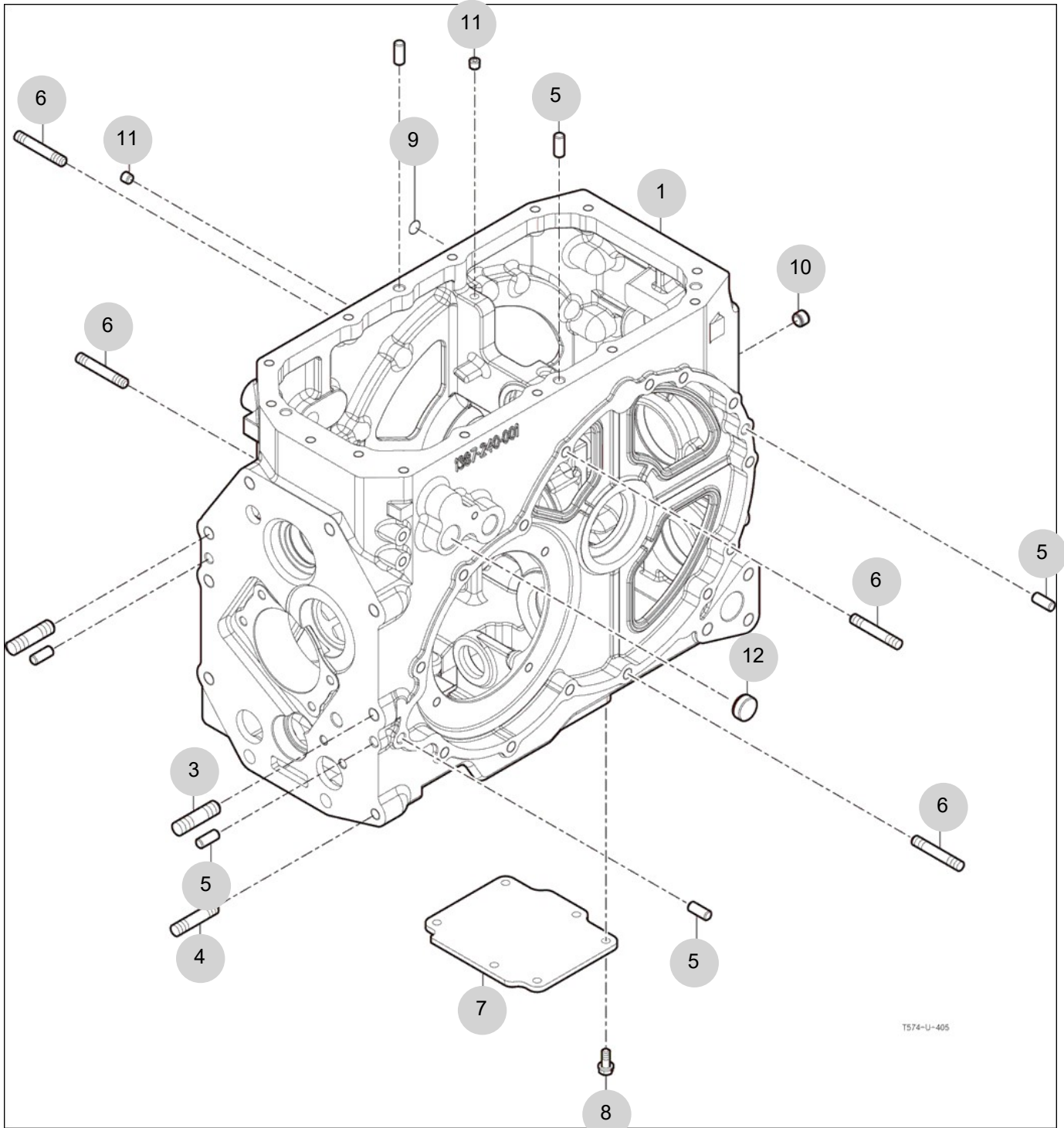
FIG 405

TRANSMISSION REAR CASE

년/월
Year/Month

2022-12

T574NH-B



T574-U-405

NOTE

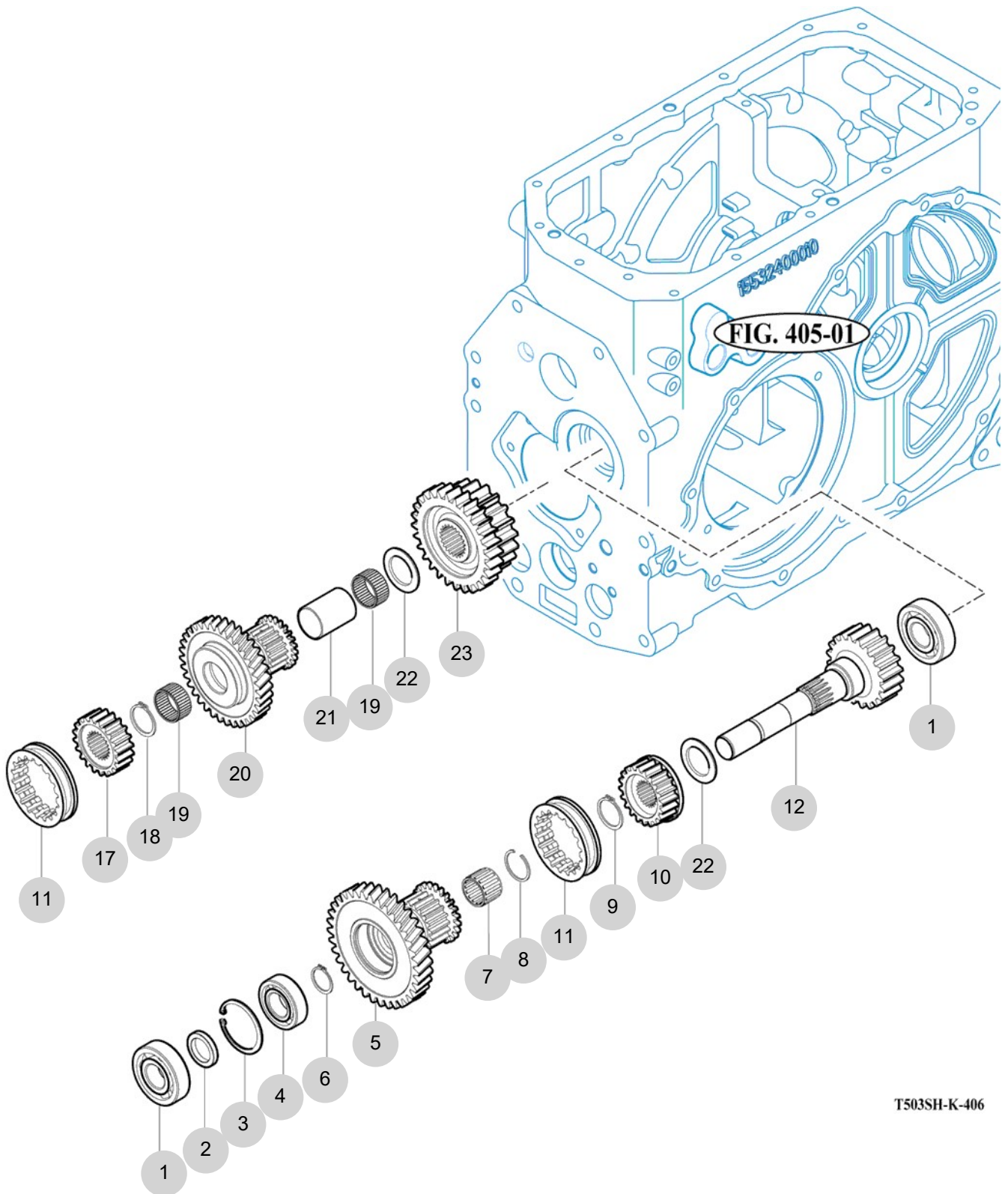
FIG 406

SUB CHANGE GEARS

년/월
Year/Month

T574NH-B

2022-12



T503SH-K-406

NOTE

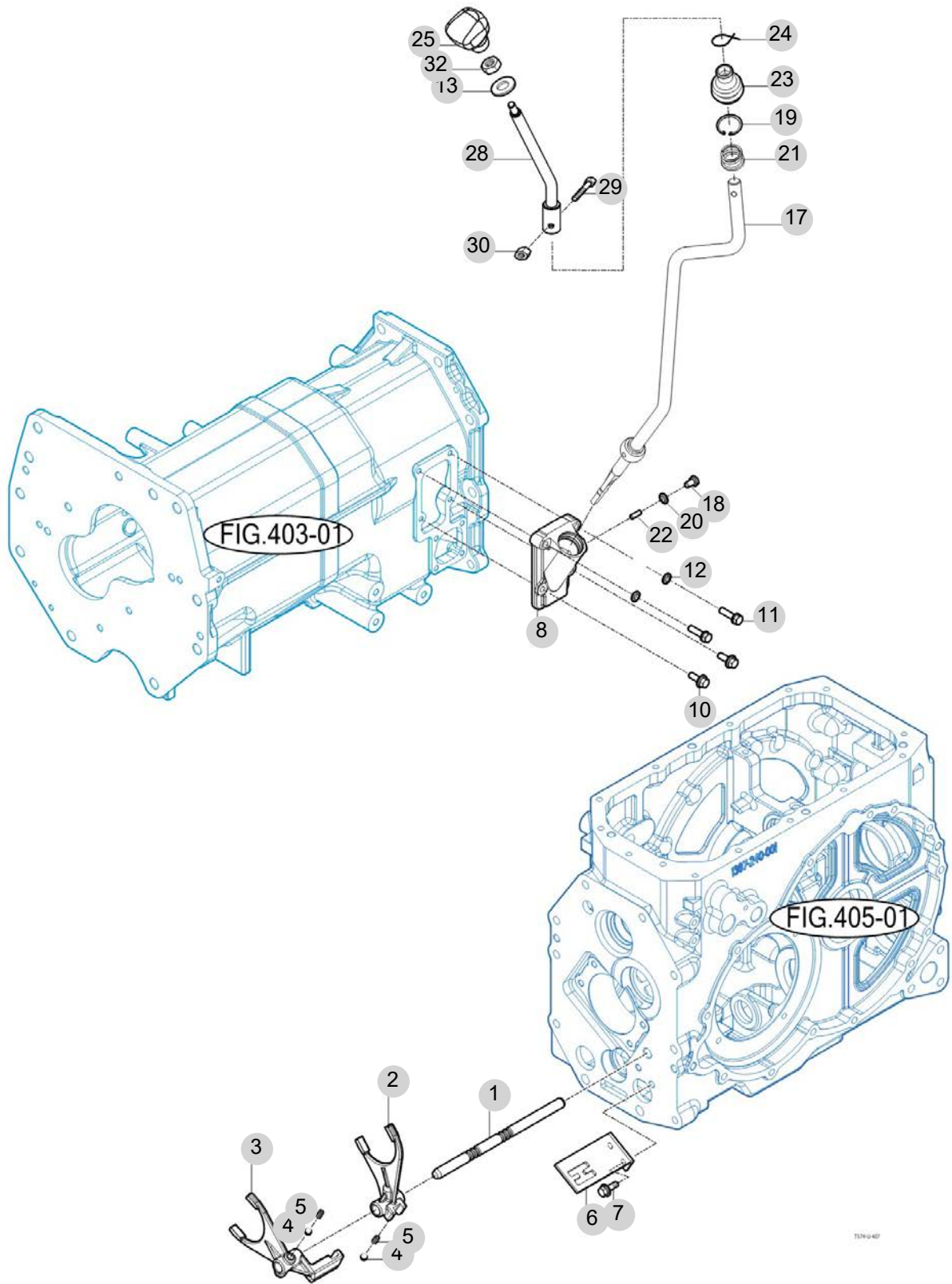
FIG 407

SUB CHANGE SHIFTER

년/월
Year/Month

T574NH-B

2022-12



NOTE

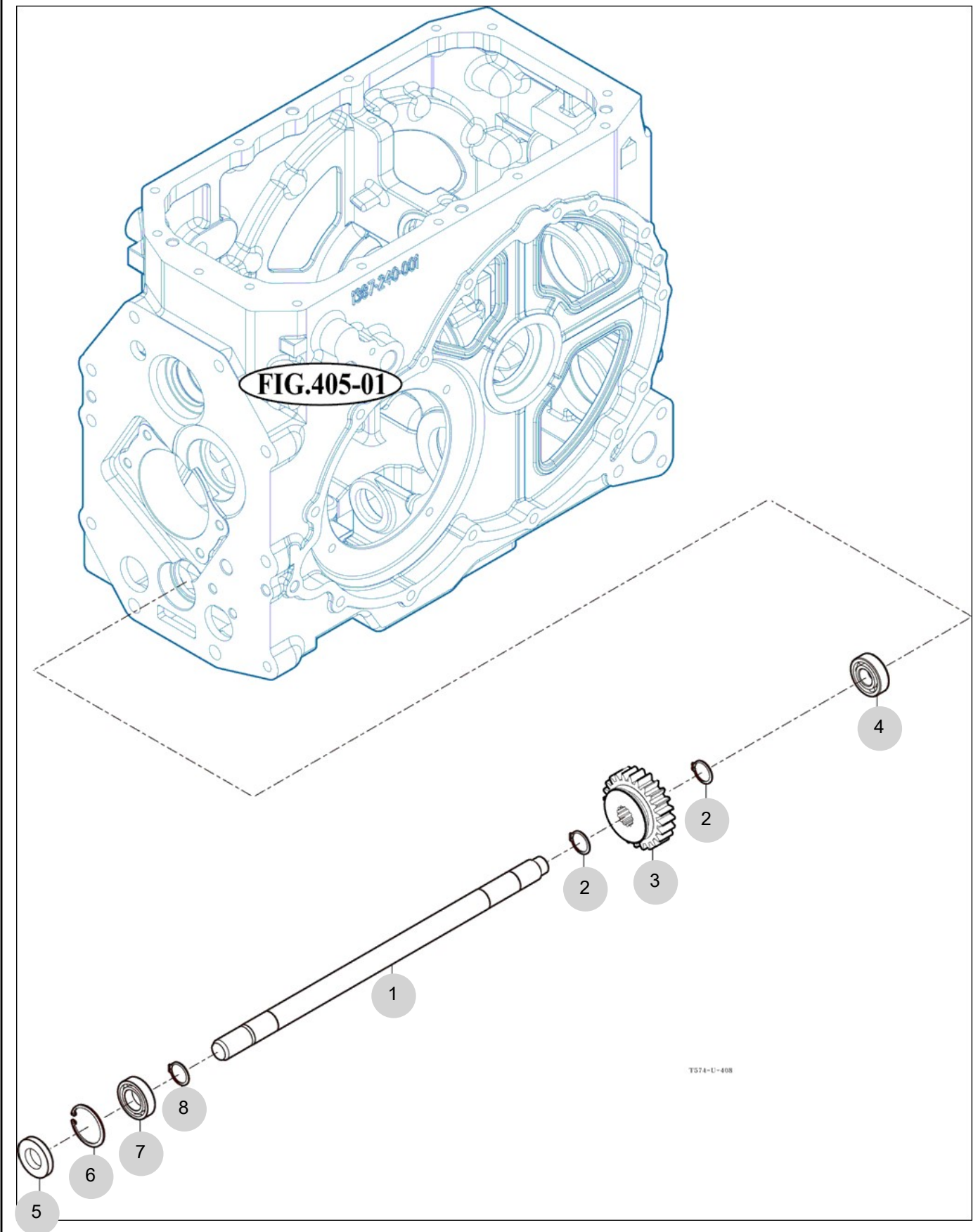
FIG 408

DRIVE GEARS

년/월
Year/Month

T574NH-B

2022-12



NOTE

| FIG 408 | | DRIVE GEARS | | | | | | 년/월 Year/Month | |
|----------|---------|-------------|-------------------|--------|--------|----------------|---------|-------------------|--|
| T574NH-B | | | | | | | | 2022-12 | |
| KEY NO | PART NO | DESCRIPTION | SPEC | QTY | REPAIR | EFFECTIVE DATE | REMARKS | | |
| 408 | 1 | 13872600040 | SHAFT, 4WD | | | | | | |
| 408 | 2 | V7041400250 | C-RING , SHAFT | 25 | | | | | |
| 408 | 3 | 13872620010 | GEAR(S/26), 4WD | | | | | | |
| 408 | 4 | V6031106204 | BEARING , BALL/HL | 6204HL | 1 | | | | |
| 408 | 5 | V7441254708 | SEAL , OIL/D | D25478 | 1 | | | | |
| 408 | 6 | V7051400470 | C-RING , HOLE | 47 | 1 | | | | |
| 408 | 7 | V6001106005 | BEARING , BALL | 6005 | 1 | | | | |
| 408 | 8 | V7041400250 | C-RING , SHAFT | 25 | 1 | | | | |
| | | | | | | | | | |
| | | | | | | | | | |
| | | | | | | | | | |
| | | | | | | | | | |
| | | | | | | | | | |
| | | | | | | | | | |
| | | | | | | | | | |
| | | | | | | | | | |
| | | | | | | | | | |
| | | | | | | | | | |
| | | | | | | | | | |
| | | | | | | | | | |
| | | | | | | | | | |
| | | | | | | | | | |
| | | | | | | | | | |
| | | | | | | | | | |
| | | | | | | | | | |
| | | | | | | | | | |
| | | | | | | | | | |
| | | | | | | | | | |
| | | | | | | | | | |
| | | | | | | | | | |
| | | | | | | | | | |
| | | | | | | | | | |
| | | | | | | | | | |
| | | | | | | | | | |
| | | | | | | | | | |
| | | | | | | | | | |
| | | | | | | | | | |
| | | | | | | | | | |
| | | | | | | | | | |
| | | | | | | | | | |
| | | | | | | | | | |
| | | | | | | | | | |
| | | | | | | | | | |
| | | | | | | | | | |
| NOTE | | | | | | | | | |

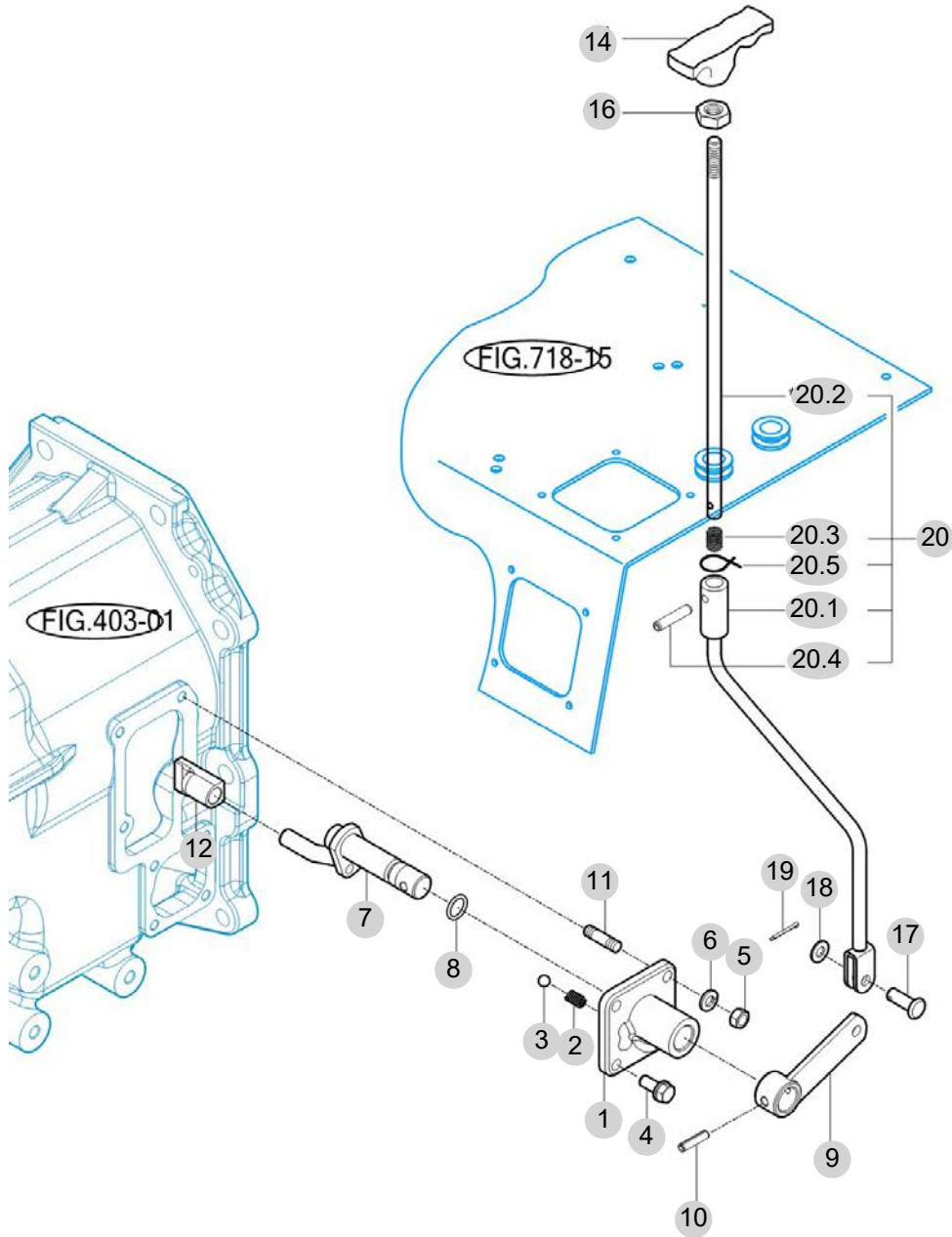
FIG 409

T574NH-B

4WD CHANGE LEVER

년/월
Year/Month

2022-12



*NOT SERVICED SEPARATELY

T574-U-409

NOTE

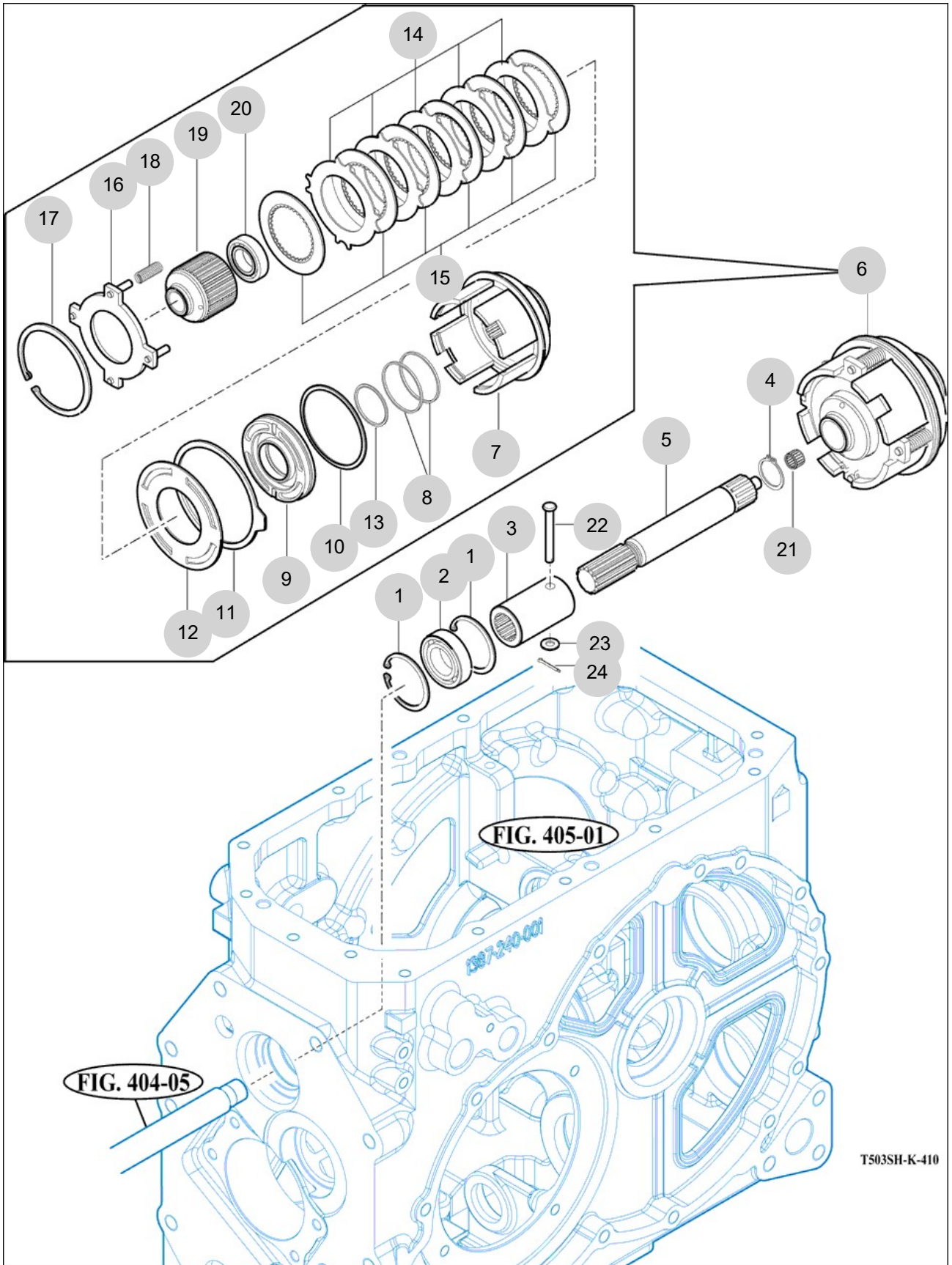
FIG 410

P.T.O DRIVE SHAFT

년/월
Year/Month

T574NH-B

2022-12



NOTE

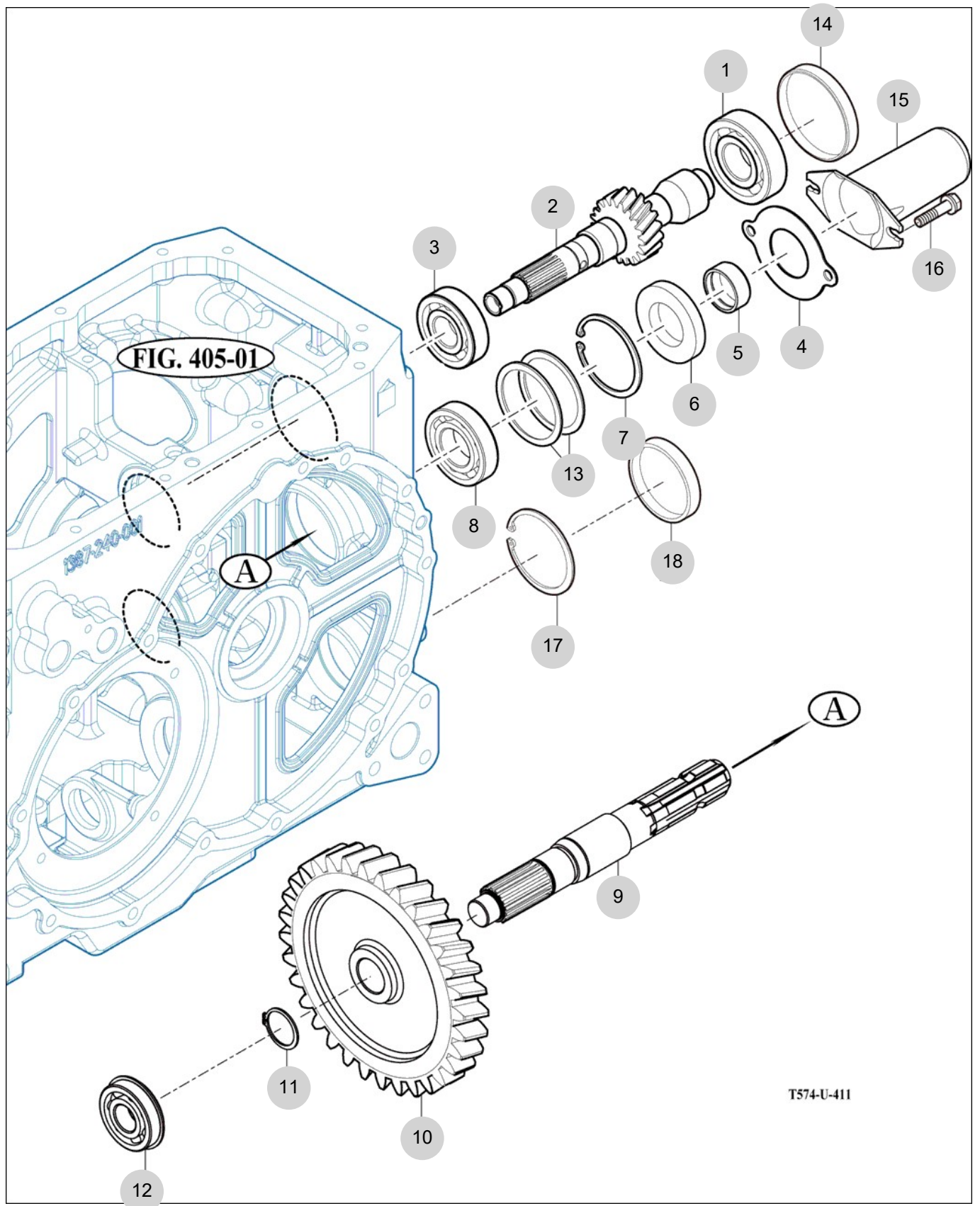
FIG 411

T574NH-B

P.T.O CHANGE GEARS

년/월
Year/Month

2022-12



NOTE

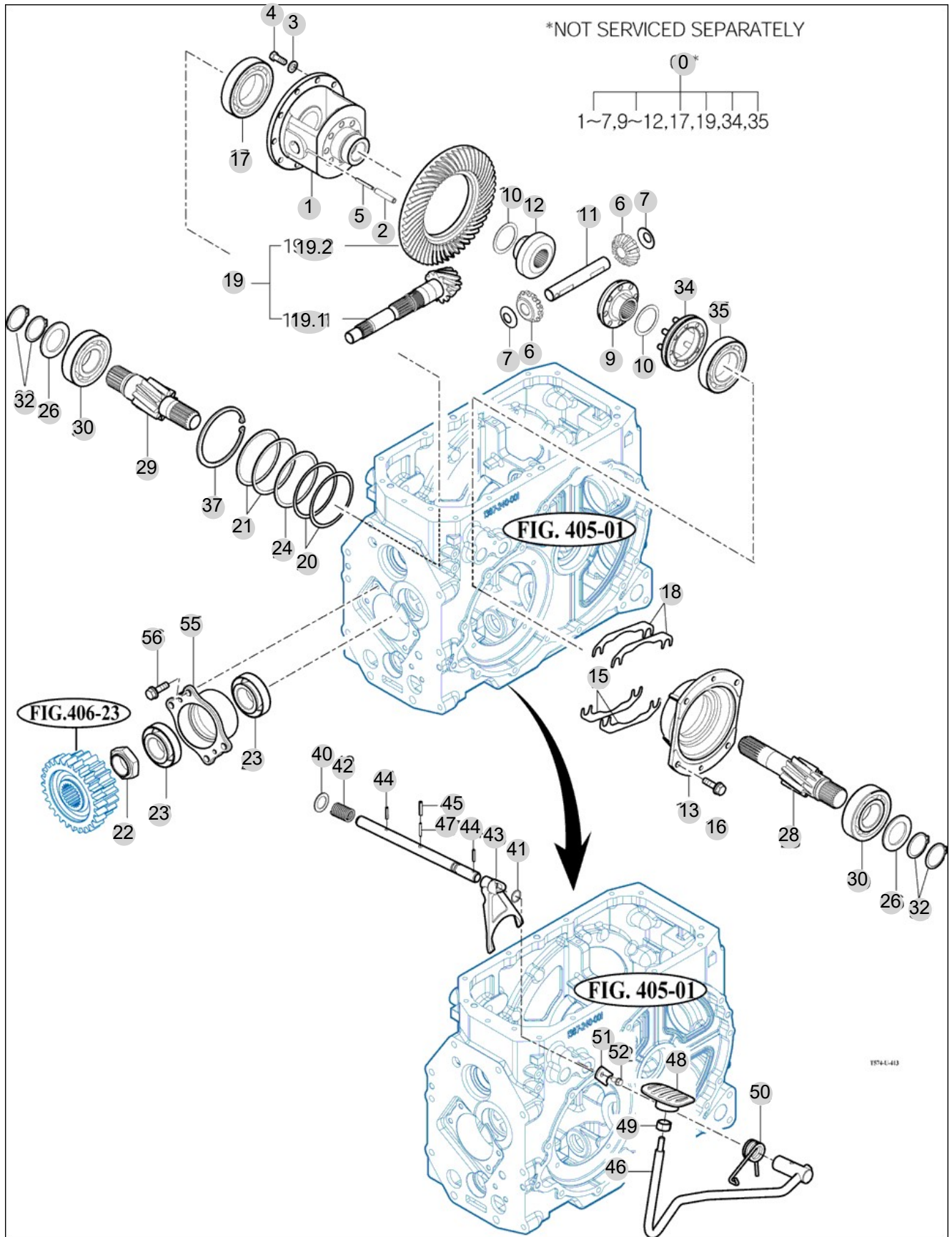
FIG 412

REAR DIFFERENTIAL GEARS

년/월
Year/Month

2022-12

T574NH-B



NOTE

| FIG 412 | | REAR DIFFERENTIAL GEARS | | | | | 년/월 Year/Month | | |
|----------|------|-------------------------|-------------------------|-----------------------|------|-----|-------------------|----------------|---------|
| | | | | | | | 2022-12 | | |
| T574NH-B | | KEY NO | PART NO | DESCRIPTION | SPEC | QTY | REPAIR | EFFECTIVE DATE | REMARKS |
| 412 | 0 | 14523031001 | DIFF ASSY, RR 47PS | | | 1 | | | |
| 412 | 1 | 14523030010M | CASE , DIFF | | | 1 | | | |
| 412 | 2 | V5801408040 | PIN , SPRING | 8X50 | | 1 | | | |
| 412 | 3 | V4011600100 | WASHER , SPRING | M10 | | 10 | | | |
| 412 | 4 | V2024610025 | BOLT , HEX FINE | M10X25 | | 10 | | | |
| 412 | 5 | V5801405036 | PIN , SPRING | 5X36 | | 1 | | | |
| 412 | 6 | 14523180041 | PINION , DIFF | 1X1X1 | | 2 | | | |
| 412 | 7 | 14523030080 | COLLAR , PINION | T=1.0 | | 2 | | | |
| 412 | 9 | 14523180061 | PINION , BEVEL 16T LH | 1X1X1 | | 1 | | | |
| 412 | 10 | 14523030100 | WASHER , THRUST | D=52.5 | | 2 | | | |
| 412 | 11 | 14523030110 | SHAFT , DIFF PINION | D=23 | | 1 | | | |
| 412 | 12 | 14523180031 | PINION , BEVEL 16T RH | 1X1X1 | | 1 | | | |
| 412 | 13 | 14523030131M | METAL , DIFF CASE LH | | | 1 | | | |
| 412 | 15 | 14523010090 | SHIM , B | T=0.2 | | 4 | | | |
| 412 | 16 | V2173610025 | BOLT , HEX/S | M10X25 | | 4 | | | |
| 412 | 17 | V6001106212 | BEARING , BALL | 6212 | | 1 | | | |
| 412 | 18 | 14523010080 | SHIM , A | T=0.1 | | 2 | | | |
| 412 | 19 | 14523022100 | GEAR SET , 10-41T | | | 1 | | | |
| 412 | 19.1 | 14523022111 | PINION , BEVEL | | | 1 | | | |
| 412 | 19.2 | 14523022120 | GEAR , SPIRAL BEVEL | | | 1 | | | |
| 412 | 20 | 14523010050 | SHIM , 0.1 | T=0.1 | | 1 | | | |
| 412 | 22 | 15533030020 | NUT , M40 P1,5 | 육각B=55 | | 1 | | | |
| 412 | 23 | V6321132208 | BEARING , TAPER-ROLLER | 32208CR | | 2 | | | |
| 412 | 24 | 14523010100 | SHIM , 0.2 | T=0.2 | | 2 | | | |
| 412 | 26 | 15133060030 | COLLAR , THRUST 45X68X4 | | | 2 | | | |
| 412 | 28 | 14523060010 | PINION , LH HERICAL11T | | | 1 | | | |
| 412 | 29 | 14523060020 | PINION , RH HERICAL11T | | | 1 | | | |
| 412 | 30 | V6001106309 | BEARING , BALL | 6309 | | 2 | | | |
| 412 | 32 | V7041400450 | C-RING , SHAFT | 45 | | 4 | | | |
| 412 | 34 | 14523033400 | SLEEVE COMP | | | 1 | | | |
| 412 | 35 | V6001106211 | BEARING , BALL | 6211 | | 1 | | | |
| 412 | 37 | V7051401100 | C-RING , HOLE | 110 | | 1 | | | |
| 412 | 39 | 15533193010 | SHAFT , DIFF LOCK | D=20 | | 1 | | | |
| 412 | 40 | V4111600200 | WASHER , PLAIN | M20 | | 1 | | | |
| 412 | 41 | V7201024016 | O-RING , P | P16 | | 1 | | | |
| 412 | 42 | 17973030420 | SPRING | (D=3.6) X22.5X74.5 | | 1 | | | |
| 412 | 43 | 14523190011M | FORK , DIFF LOCK | | | 1 | | | |
| 412 | 44 | V5801406032 | PIN , SPRING | 6X32 | | 2 | | | |
| 412 | 45 | V5801408036 | PIN , SPRING | 8X36 | | 1 | | | |
| 412 | 46 | 15533193100 | PEDAL COMP , DIFF LOCK | | | 1 | | | |
| 412 | 47 | V5801405036 | PIN , SPRING | 5X36 | | 1 | | | |
| 412 | 48 | 14521220120 | PEDAL COMP,ACCEL | 1X1X1 | | 1 | | | |
| 412 | 49 | V3342600100 | NUT , HEX FINE/2 | M10 | | 1 | | | |
| 412 | 50 | 15533190020 | SPRING , DIFF PEDAL | | | 1 | | | |
| 412 | 50 | 15533190021 | SPRING , DIFF PEDAL | D=5.5 | | 1 | | | |
| NOTE | | | | | | | | | |

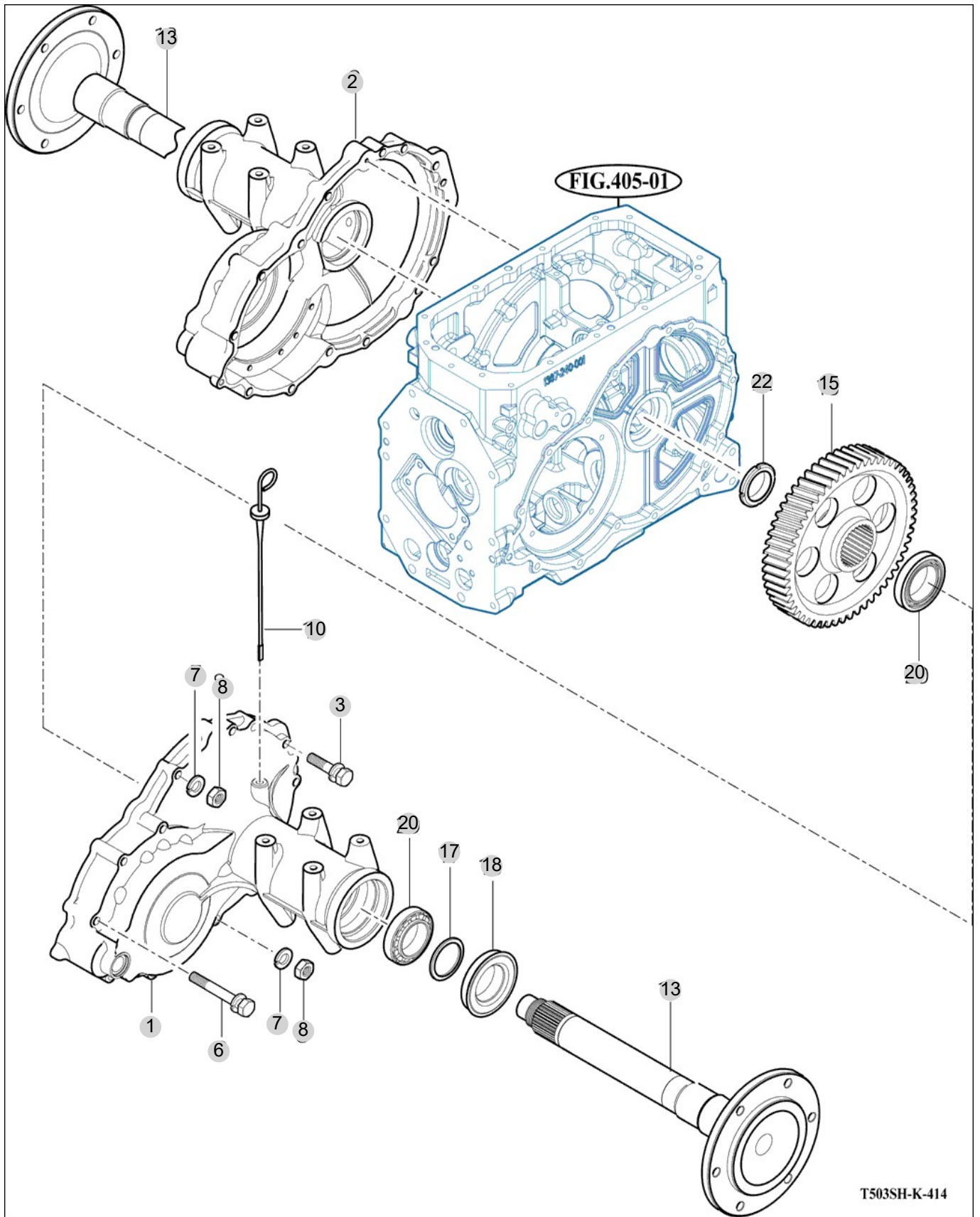
FIG 413

REAR AXLE HOUSING

년/월
Year/Month

T574NH-B

2022-12



T503SH-K-414

NOTE

5. Front Axle PART NO. T5

| | |
|----------------------------------|-----|
| FIG 501 FRONT AXLE SUPPORT | 176 |
| FIG 502 FRONT DRIVE SHAFT | 178 |
| FIG 503 FRONT AXLE HOUSING | 180 |
| FIG 504 FRONT DIFFERENTIAL GEARS | 182 |
| FIG 505 FRONT GEAR CASE (1) | 184 |
| FIG 506 FRONT GEAR CASE (2) | 186 |
| FIG 507 FRONT GEAR CASE (3) | 188 |

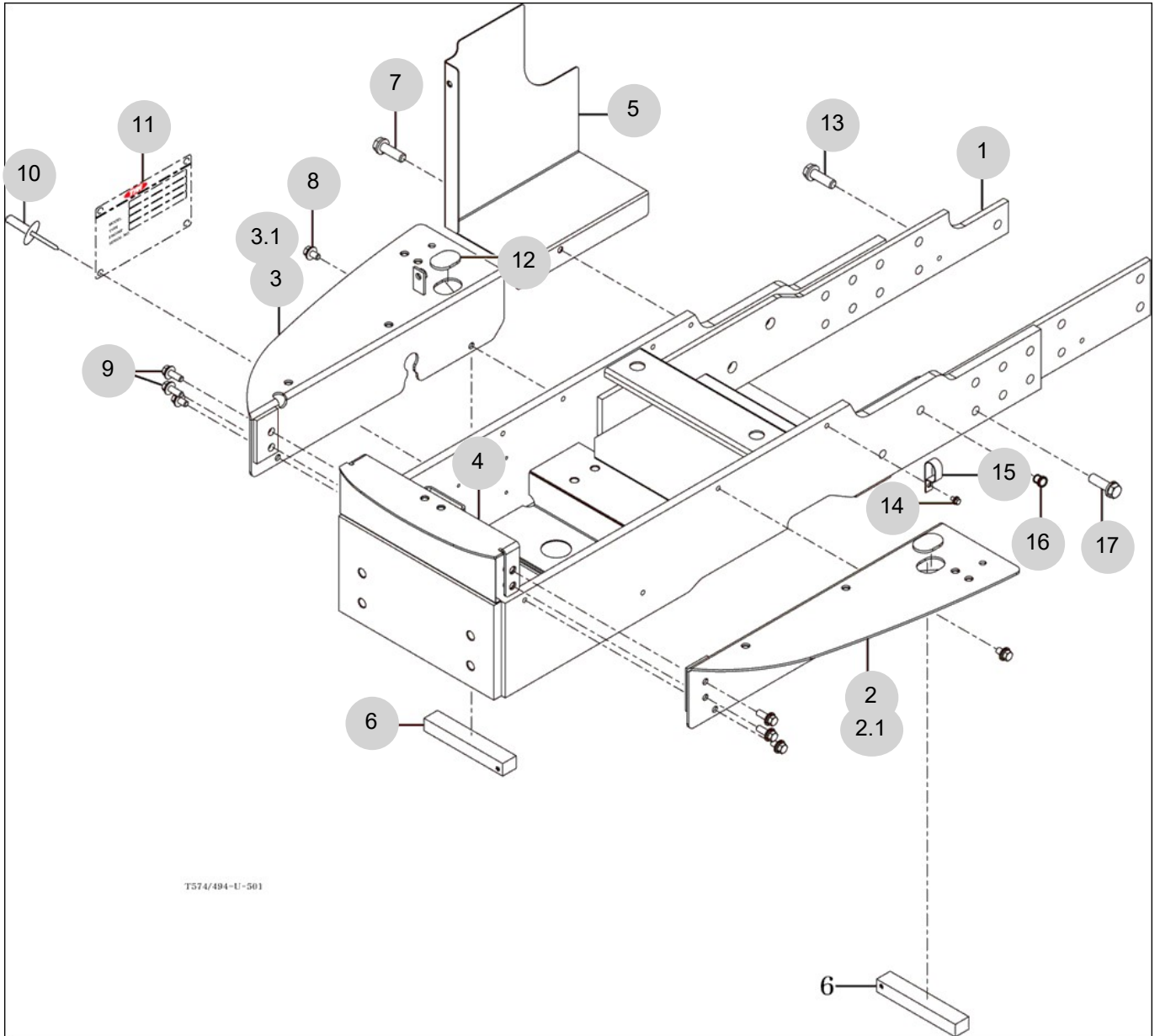
FIG 501

T574NH-B

FRONT AXLE SUPPORT

년/월
Year/Month

2022-12



NOTE

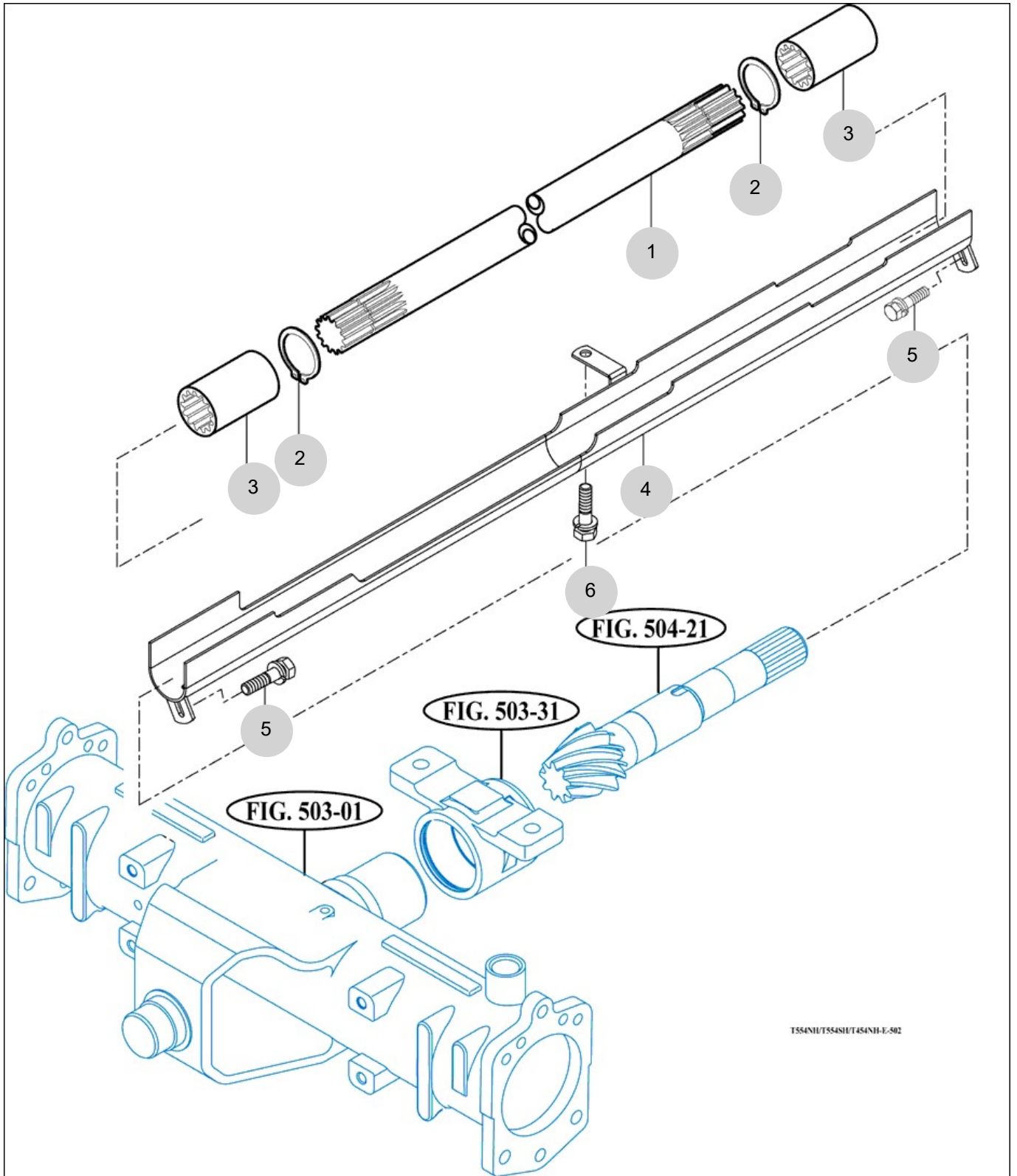
FIG 502

T574NH-B

FRONT DRIVE SHAFT

년/월
Year/Month

2022-12



T554NH/T554SH/T454NH-E-502

NOTE

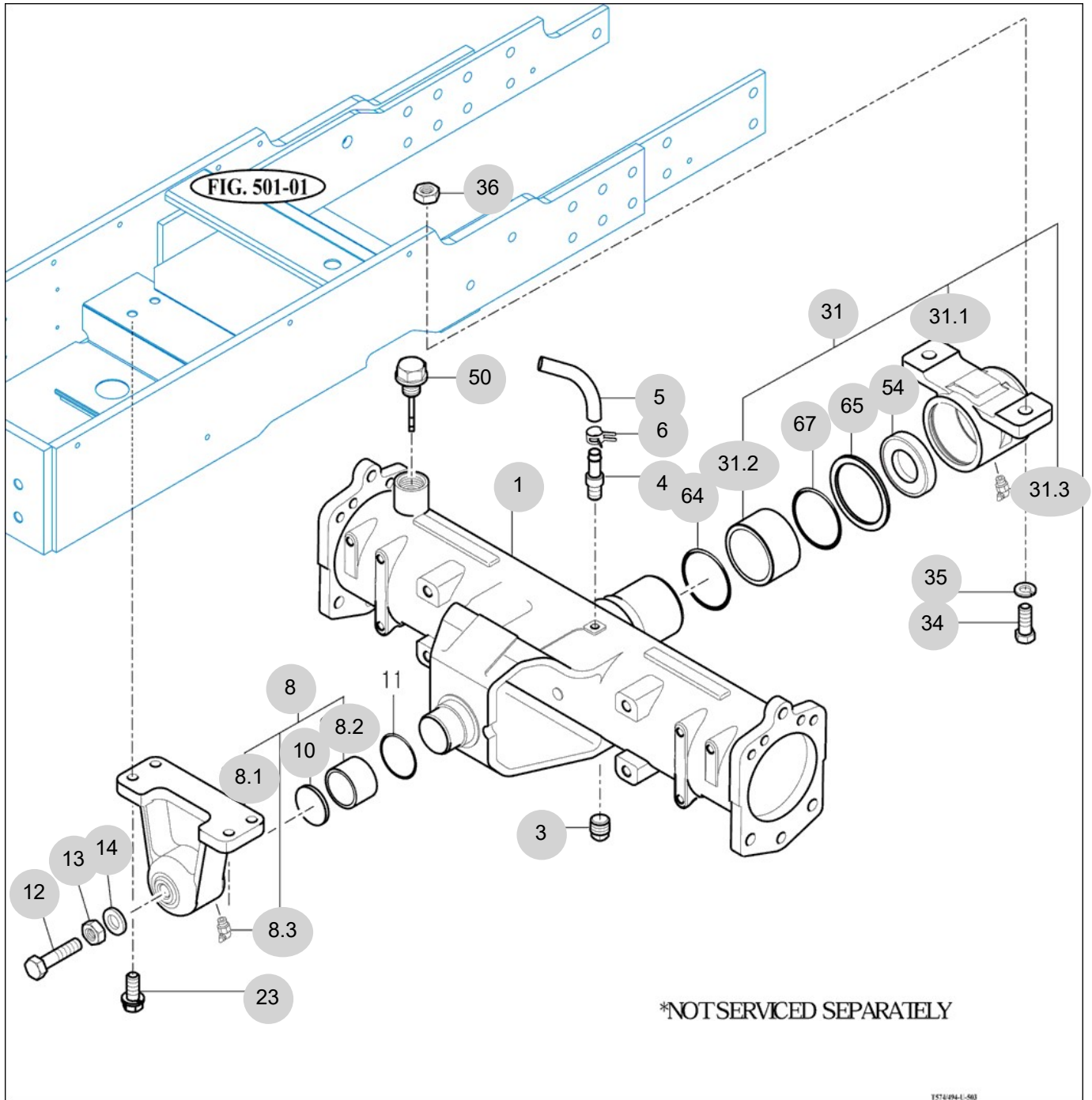
FIG 503

T574NH-B

FRONT AXLE HOUSING

년/월
Year/Month

2022-12



NOTE

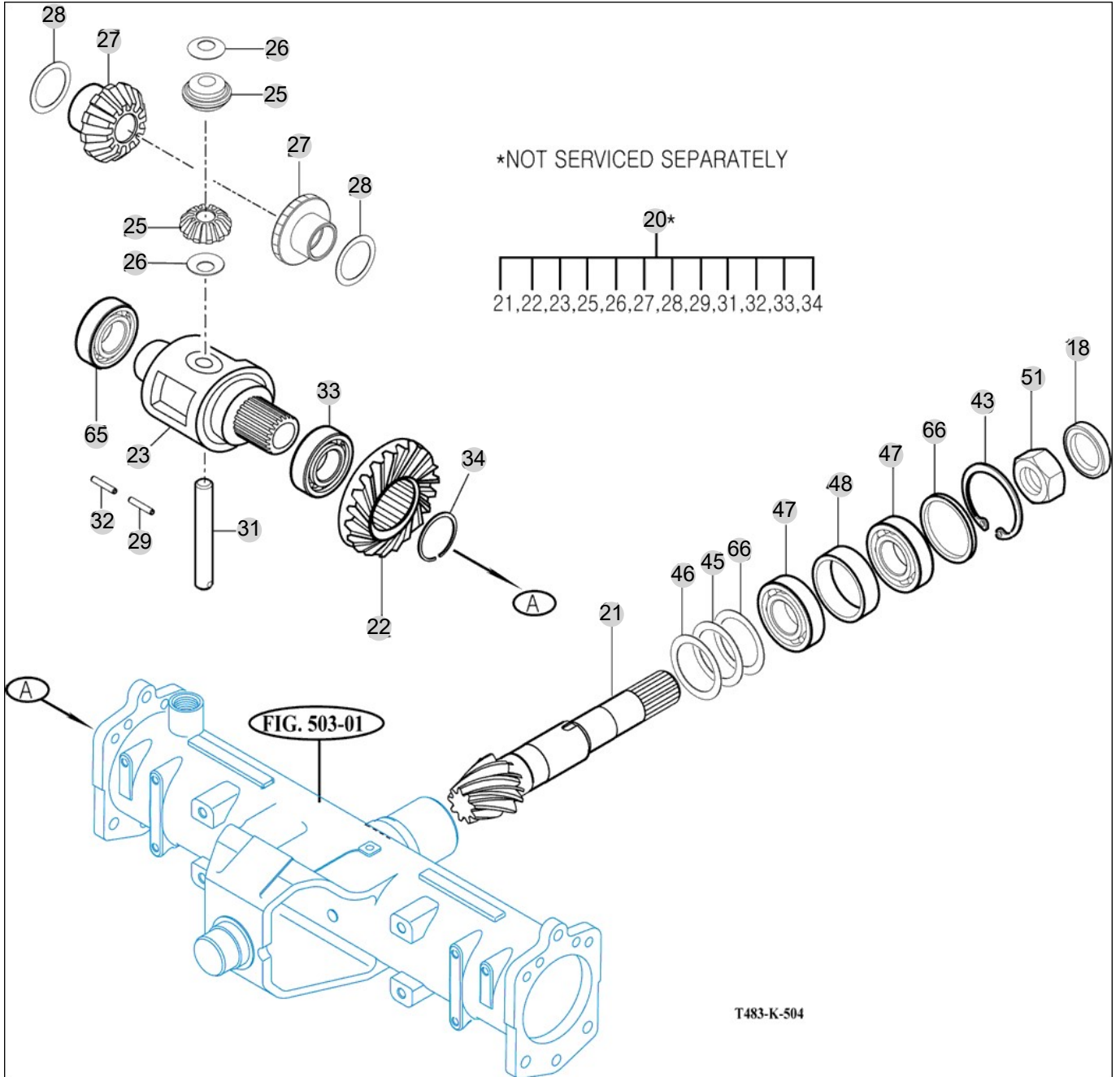
FIG 504

FRONT DIFFERENTIAL GEARS

년/월
Year/Month

2022-12

T574NH-B



NOTE

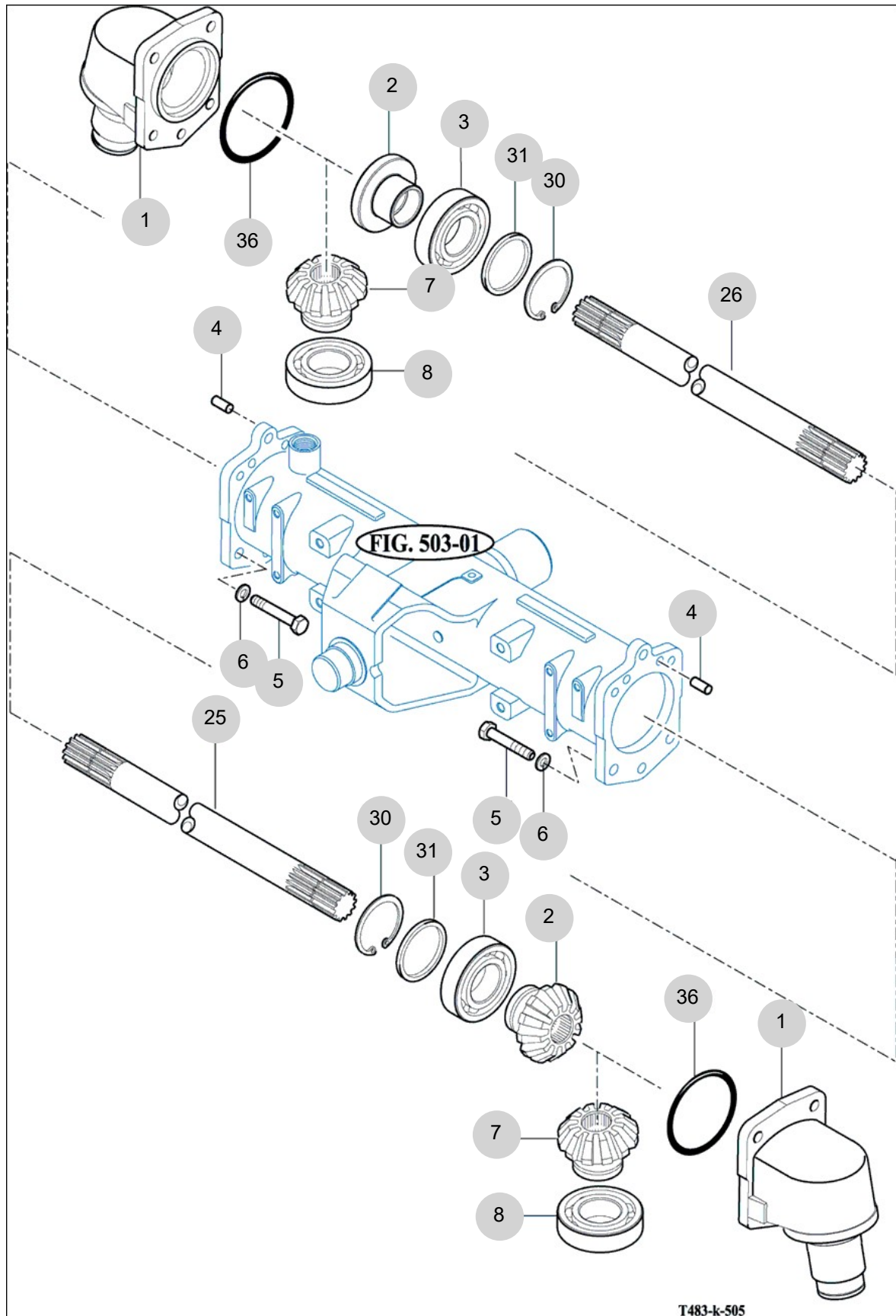
FIG 505

T574NH-B

FRONT GEAR CASE (1)

년/월
Year/Month

2022-12



T483-k-505

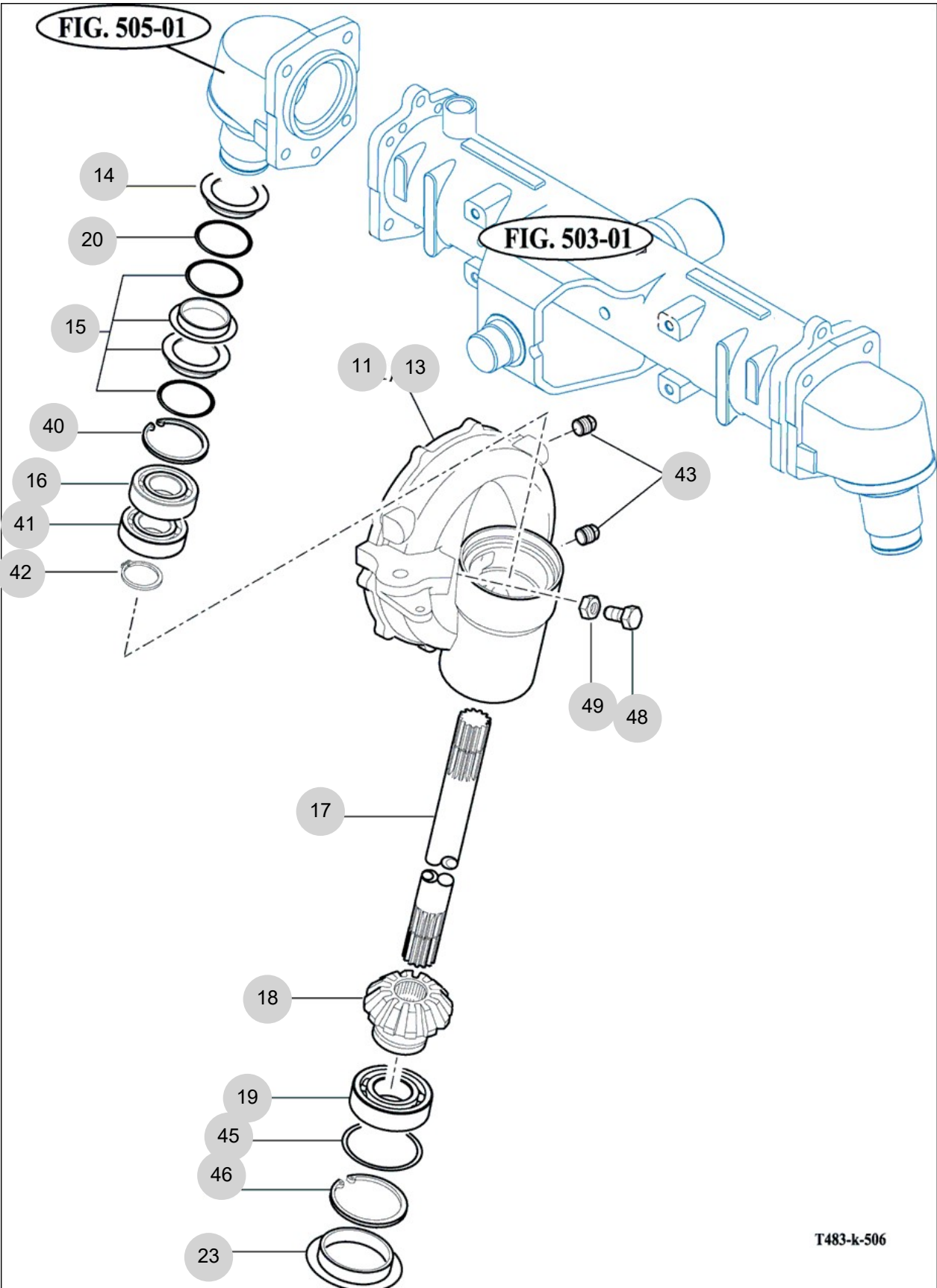
NOTE

FIG 506

FRONT GEAR CASE (2)

년/월
Year/Month

2022-12



T483-k-506

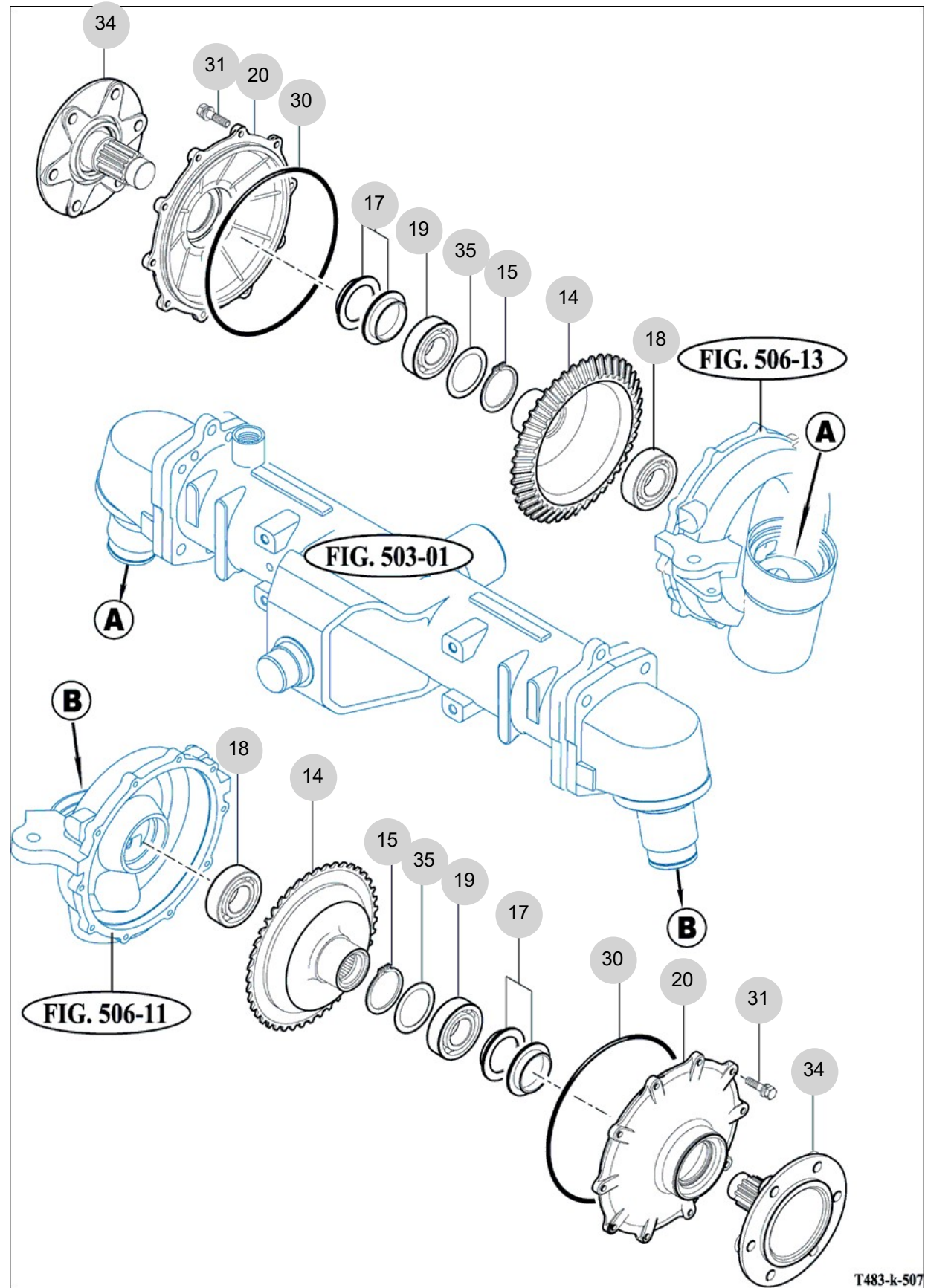
NOTE

FIG 507

FRONT GEAR CASE (3)

년/월
Year/Month

2022-12



NOTE

6. Hydraulic/3P-Link PART NO. T6

| | |
|-------------------------------------|-----|
| FIG 601 CYLINDER CASE | 191 |
| FIG 602 LIFT ARM | 193 |
| FIG 603 CYLINDER | 195 |
| FIG 604 POSITION LINK | 197 |
| FIG 605 CONTROL VALVE | 199 |
| FIG 606 DRAFT LINK | 201 |
| FIG 607 POSITION & DRAFT LEVER | 203 |
| FIG 607-2 POSITION & DRAFT LEVER(2) | 205 |
| FIG 608 EXTERIOR HYD. VALVE | 207 |
| FIG 609 HYDRAULIC PIPE | 209 |
| FIG 610 JOYSTICK | 211 |
| FIG 612 HITCH & 3-POINT LINK | 213 |
| FIG 613 LOWER LINK & LIFT ROD | 216 |

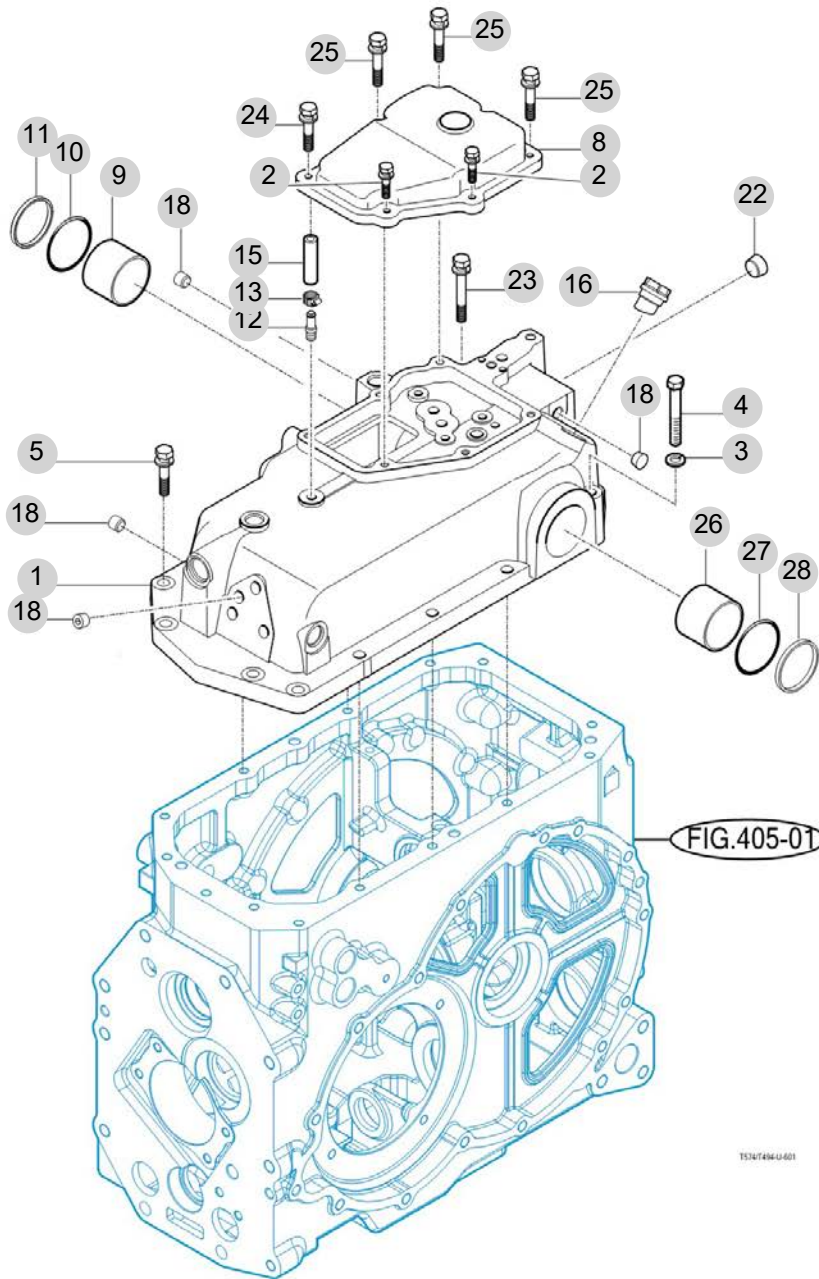
FIG 601

T574NH-B

CYLINDER CASE

년/월
Year/Month

2022-12



T574NH-B-001

NOTE

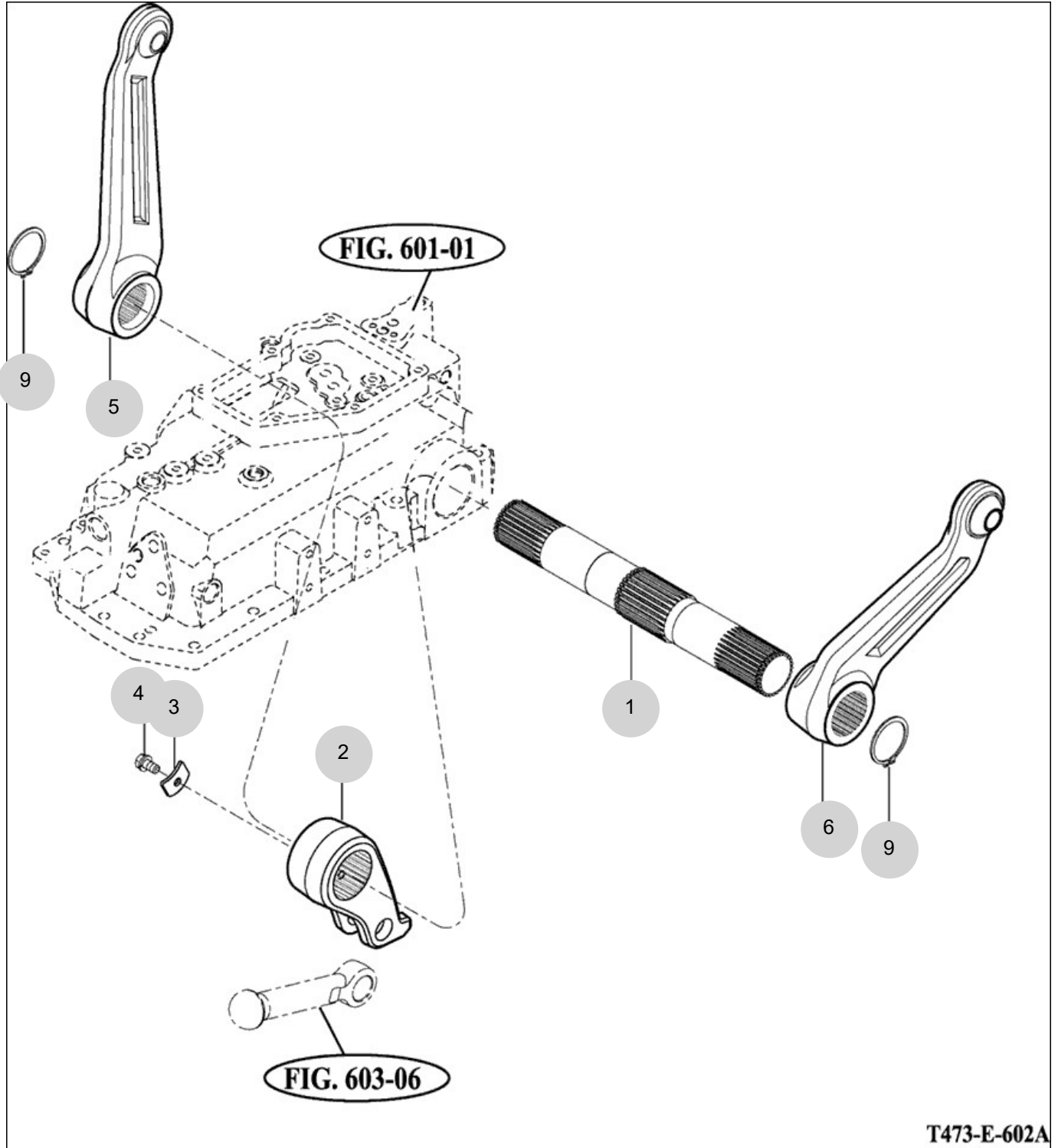
FIG 602

T574NH-B

LIFT ARM

년/월
Year/Month

2022-12



NOTE

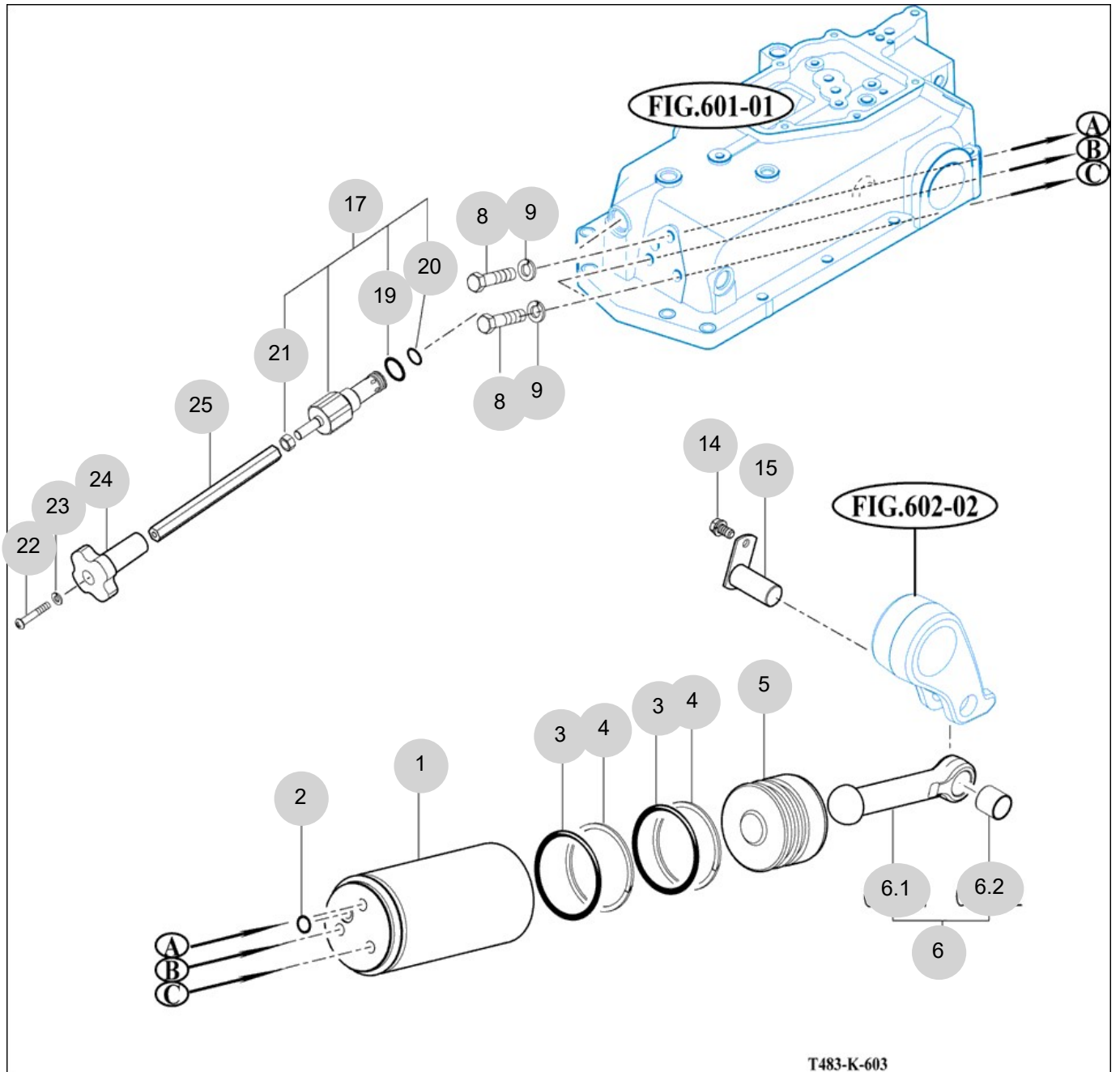
FIG 603

T574NH-B

CYLINDER

년/월
Year/Month

2022-12



NOTE

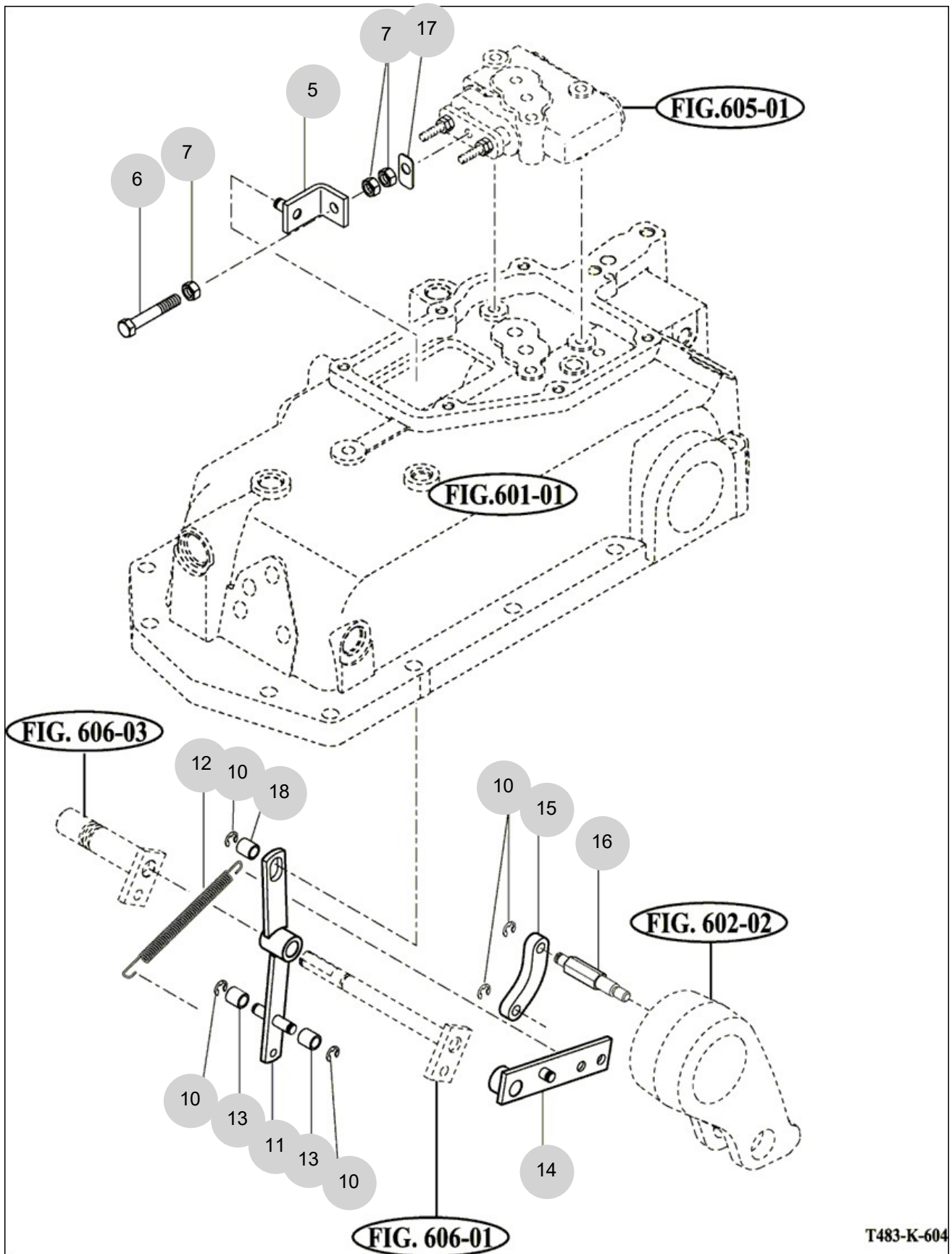
FIG 604

POSITION LINK

년/월
Year/Month

T574NH-B

2022-12



T483-K-604

NOTE

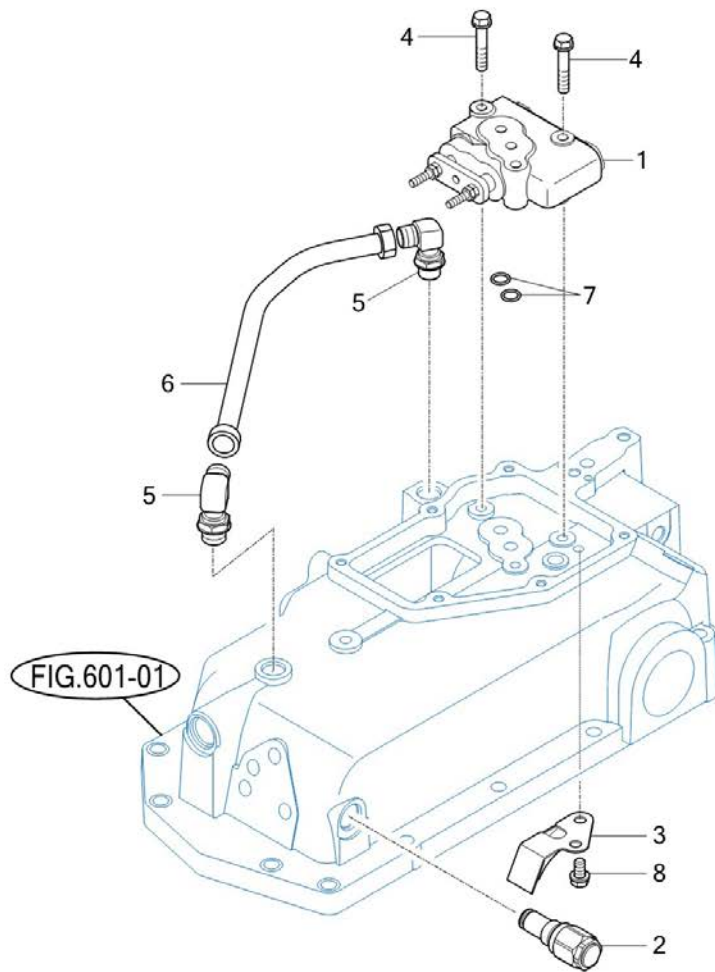
FIG 605

T574NH-B

CONTROL VALVE

년/월
Year/Month

2022-12



T574-U-605

NOTE

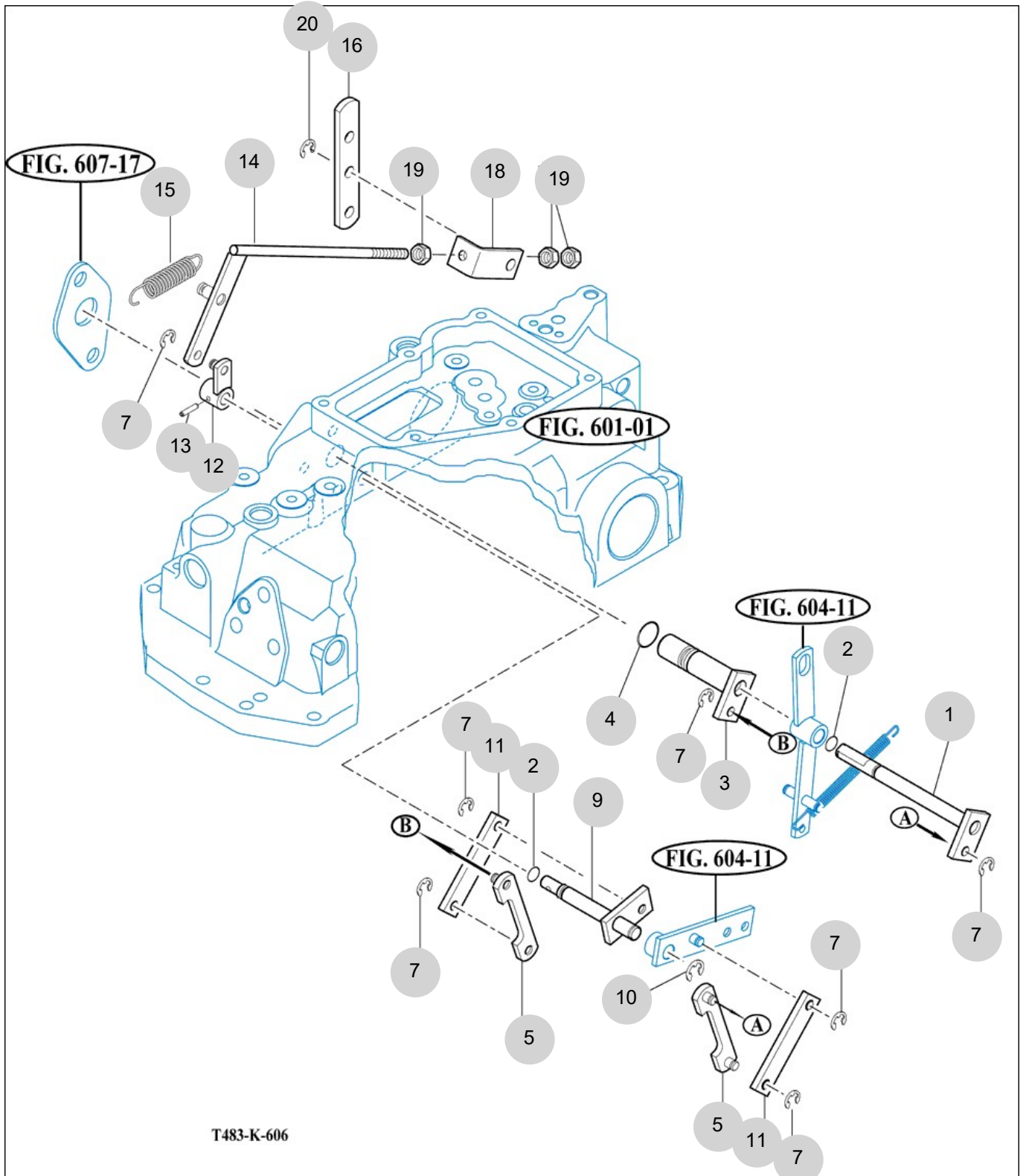
FIG 606

T574NH-B

DRAFT LINK

년/월
Year/Month

2022-12



NOTE

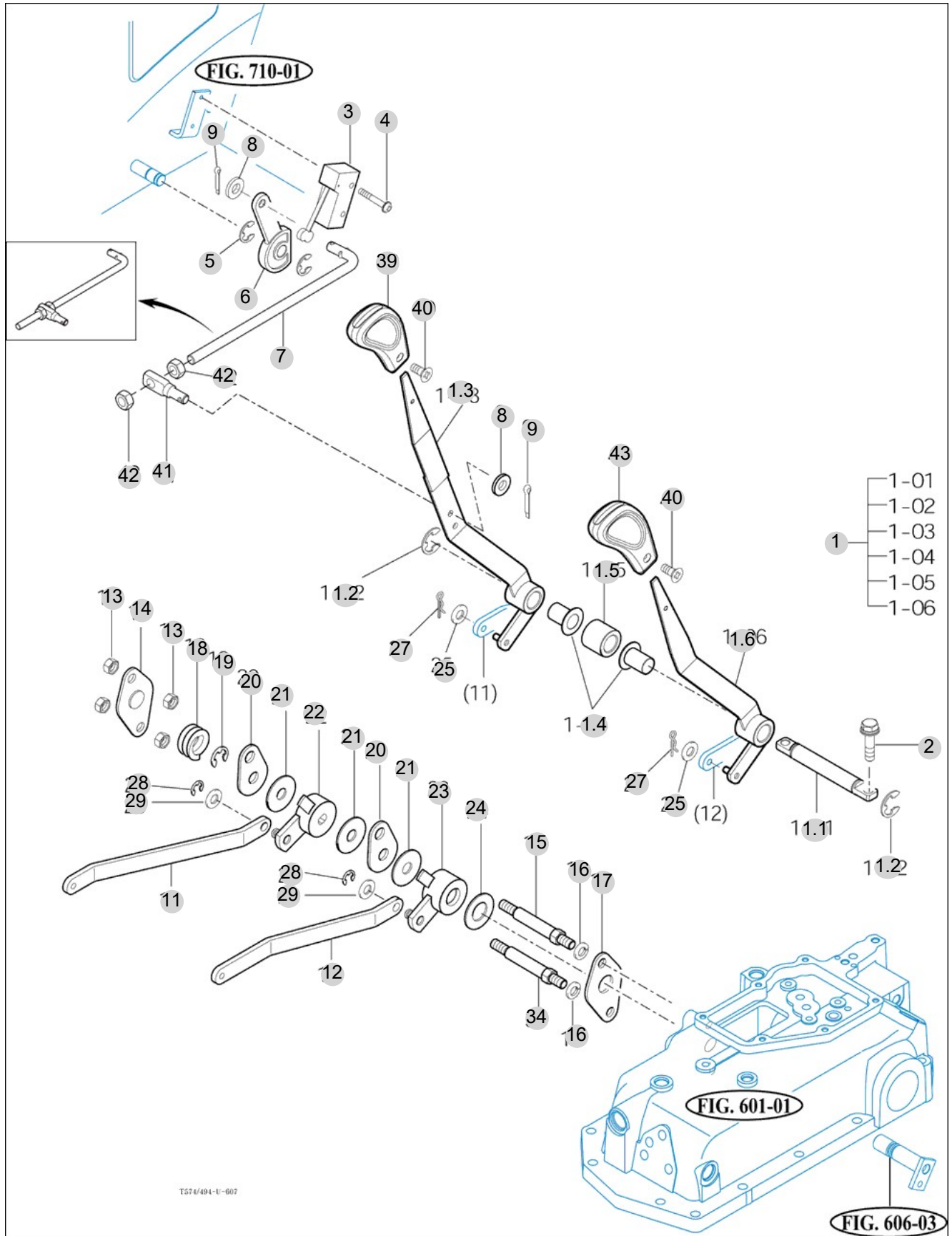
FIG 607

POSITION & DRAFT LEVER

T574NH-B

년/월
Year/Month

2022-12



T574/494-U-607

NOTE

| FIG 607 | | POSITION & DRAFT LEVER | | | | | 년/월 Year/Month | |
|----------|---------|------------------------|---------------------------|------------|--------|----------------|-------------------|--|
| | | | | | | | 2022-12 | |
| T574NH-B | | | | | | | | |
| KEY NO | PART NO | DESCRIPTION | SPEC | QTY | REPAIR | EFFECTIVE DATE | REMARKS | |
| 607 | 1 | 13877092100 | REVER SUB, POSITION/DRAFT | | 1 | | | |
| 607 | 1.1 | 14527092110 | SHAFT | D=16 | 1 | | | |
| 607 | 1.2 | V7081400150 | E-RING | 15 | 2 | | | |
| 607 | 1.3 | 13877092200GB | LEVER COMP, POSITION | | 1 | | | |
| 607 | 1.4 | 14527092120 | BUSH, NYLON/16X18X27 | 1X1X1 | 2 | | | |
| 607 | 1.5 | 14527092251 | COLLER, SPACE | D=30 | 1 | | | |
| 607 | 1.6 | 13877092300GB | LEVER COMP, DRAFT | | 1 | | | |
| 607 | 2 | V2183608020 | BOLT, HEX/SP | M8X20 | 2 | | | |
| 607 | 3 | 16606742301 | SWITCH ASSY. LIMIT | | 1 | | | |
| 607 | 4 | V1222604025 | SCREW, C/R PAN/SP | M4X25 | 2 | | | |
| 607 | 5 | V7081400080 | E-RING | 8 | 2 | | | |
| 607 | 6 | 14527090020 | CAM, SENSER | 1X1X1 | 1 | | | |
| 607 | 7 | 19997090010 | ROD, SWITCH | 6*150*28 | 1 | | | |
| 607 | 8 | V4111600060 | WASHER, PLAIN | M6 | 2 | | | |
| 607 | 9 | V5001920020 | PIN, SPLIT | 2X20 | 2 | | | |
| 607 | 11 | 14525070121 | PLATE, POSITION | 19X6T | 1 | | | |
| 607 | 12 | 14525070141 | PLATE, DRAFTER | 19X6T | 1 | | | |
| 607 | 13 | V3043600100 | NUT, HEX/2 | M10 | 4 | | | |
| 607 | 14 | 17995070140 | PLATE, C | 3.2T | 1 | | | |
| 607 | 15 | 17995070150 | BOLT, SUPPORT | H14X108.9 | 1 | | | |
| 607 | 16 | V4011600100 | WASHER, SPRING | M10 | 2 | | | |
| 607 | 17 | 17995070170 | PLATE, D | 3.2TX90X50 | 1 | | | |
| 607 | 18 | 17995070180 | SPRING | 33X23 | 1 | | | |
| 607 | 19 | V7081400120 | E-RING | 12 | 1 | | | |
| 607 | 20 | 17995070200 | PLATE, A | 3.2TX40X62 | 2 | | | |
| 607 | 21 | 17995070211 | PLATE, FRICTION | 13X40X2T | 3 | | | |
| 607 | 21 | 13835070210 | PLATE, FRICTION | | 3 | | | |
| 607 | 22 | 14525070221 | ARM COMP, POSITION | 1X1X1 | 1 | | | |
| 607 | 23 | 14525070230 | ARM COMP, DRAFT LEVER | | 1 | | | |
| 607 | 24 | 17995070241 | PLATE, FRICTION | 21*40*2T | 1 | | | |
| 607 | 24 | 13835070220 | PLATE, FRICTION | | 1 | | | |
| 607 | 25 | V4111600060 | WASHER, PLAIN | M6 | 2 | | | |
| 607 | 27 | 21306010180 | PIN, SNAP/6 | D=1.2 | 2 | | | |
| 607 | 28 | V7081400080 | E-RING | 8 | 2 | | | |
| 607 | 29 | V4111600100 | WASHER, PLAIN | M10 | 2 | | | |
| 607 | 34 | 17995070340 | BOLT, SUPPORT | | 1 | | | |
| 607 | 39 | 13877553400 | GRIP, POSITION LEVER | | 1 | | | |
| 607 | 40 | V1122605012 | SCREW, C/R FLAT | M5X12 | 2 | | | |
| 607 | 41 | 19997090210 | PIN, POSITION ROD | 10.6*32*8 | 1 | | | |
| 607 | 42 | V3002600060 | NUT, HEX/1 | M6 | 2 | | | |
| 607 | 43 | 13877553500 | GRIP, DRAFT LEVER | | 1 | | | |
| | | | | | | | | |
| | | | | | | | | |
| | | | | | | | | |
| | | | | | | | | |
| NOTE | | | | | | | | |

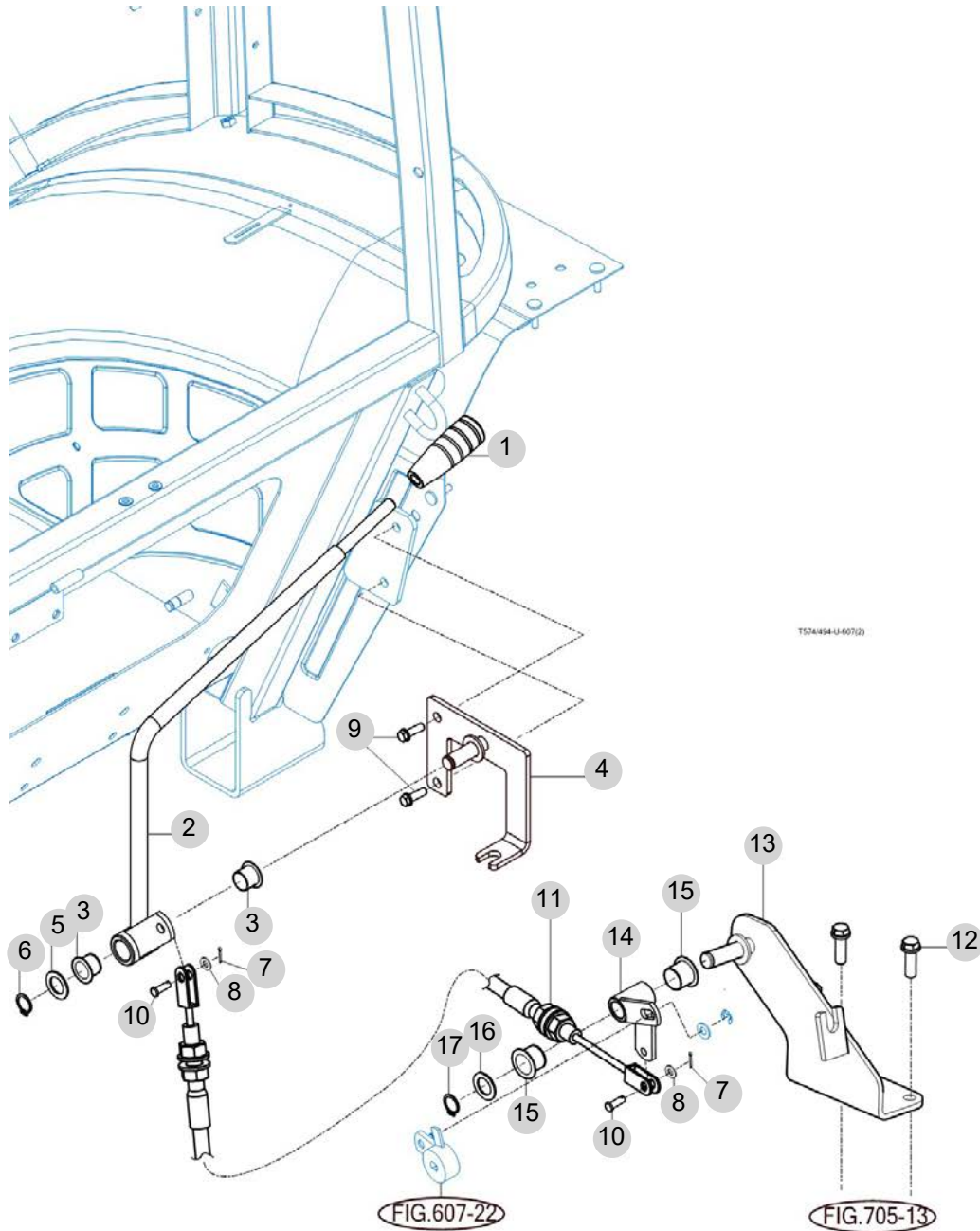
FIG 607-2

POSITION & DRAFT LEVER(2)

년/월
Year/Month

T574NH-B

2022-12



NOTE

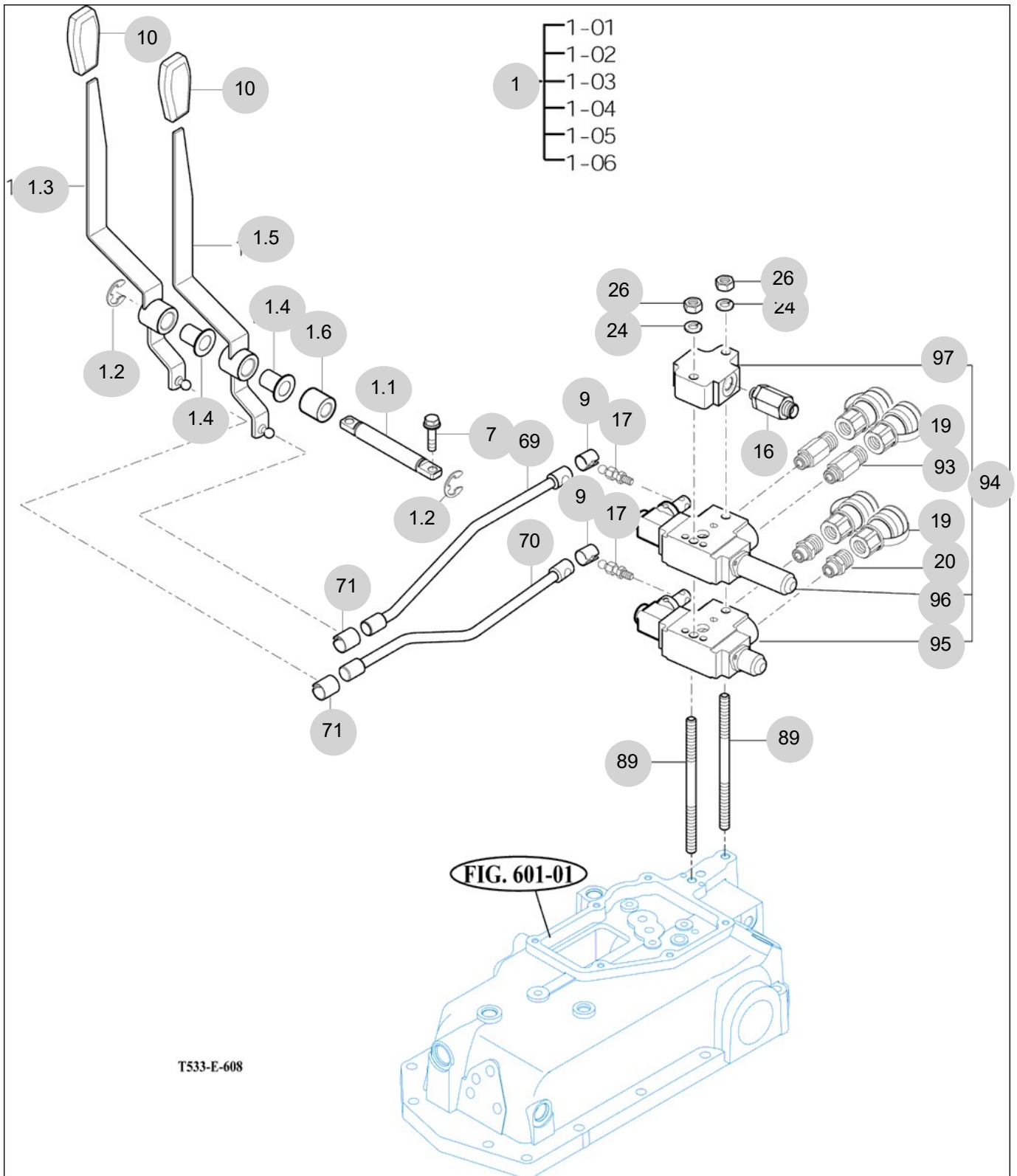
FIG 608

EXTERIOR HYD. VALVE

년/월
Year/Month

2022-12

T574NH-B



NOTE

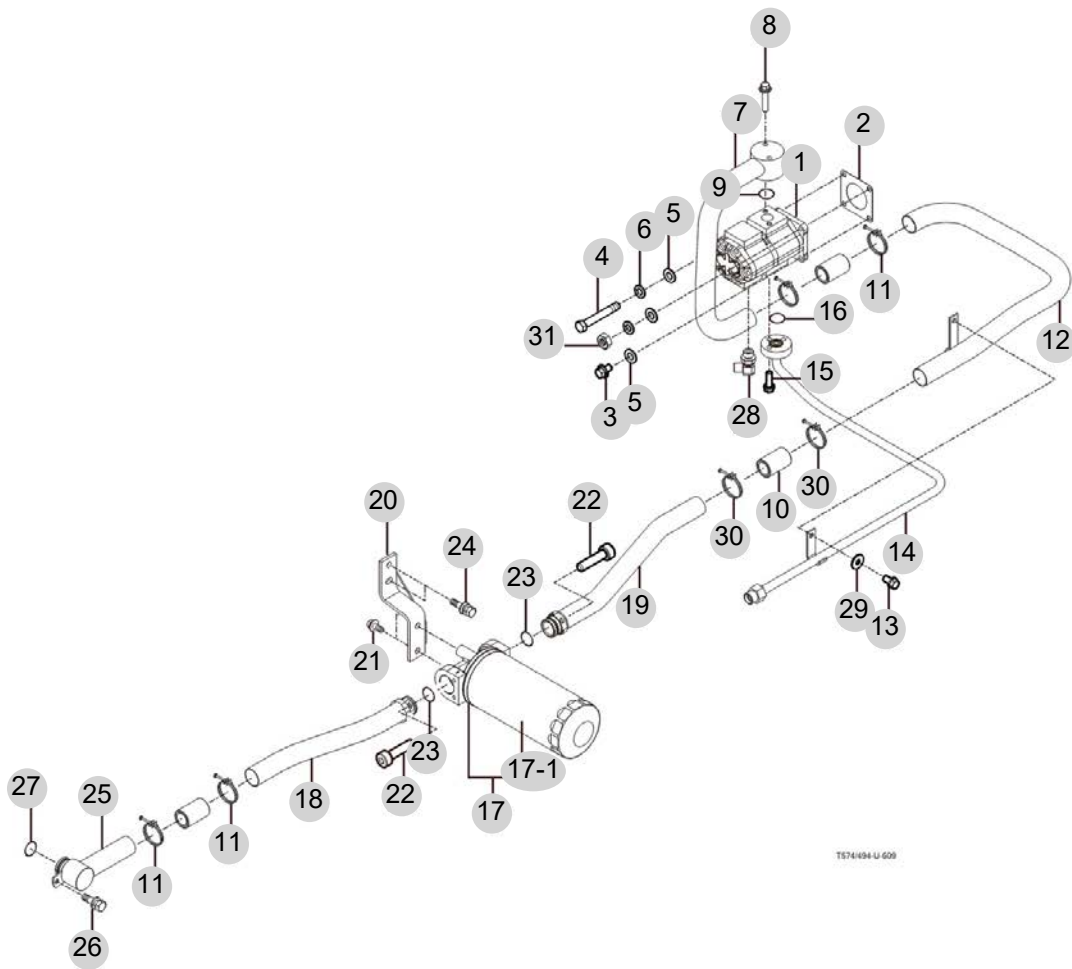
FIG 609

HYDRAULIC PIPE

년/월
Year/Month

2022-12

T574NH-B



NOTE

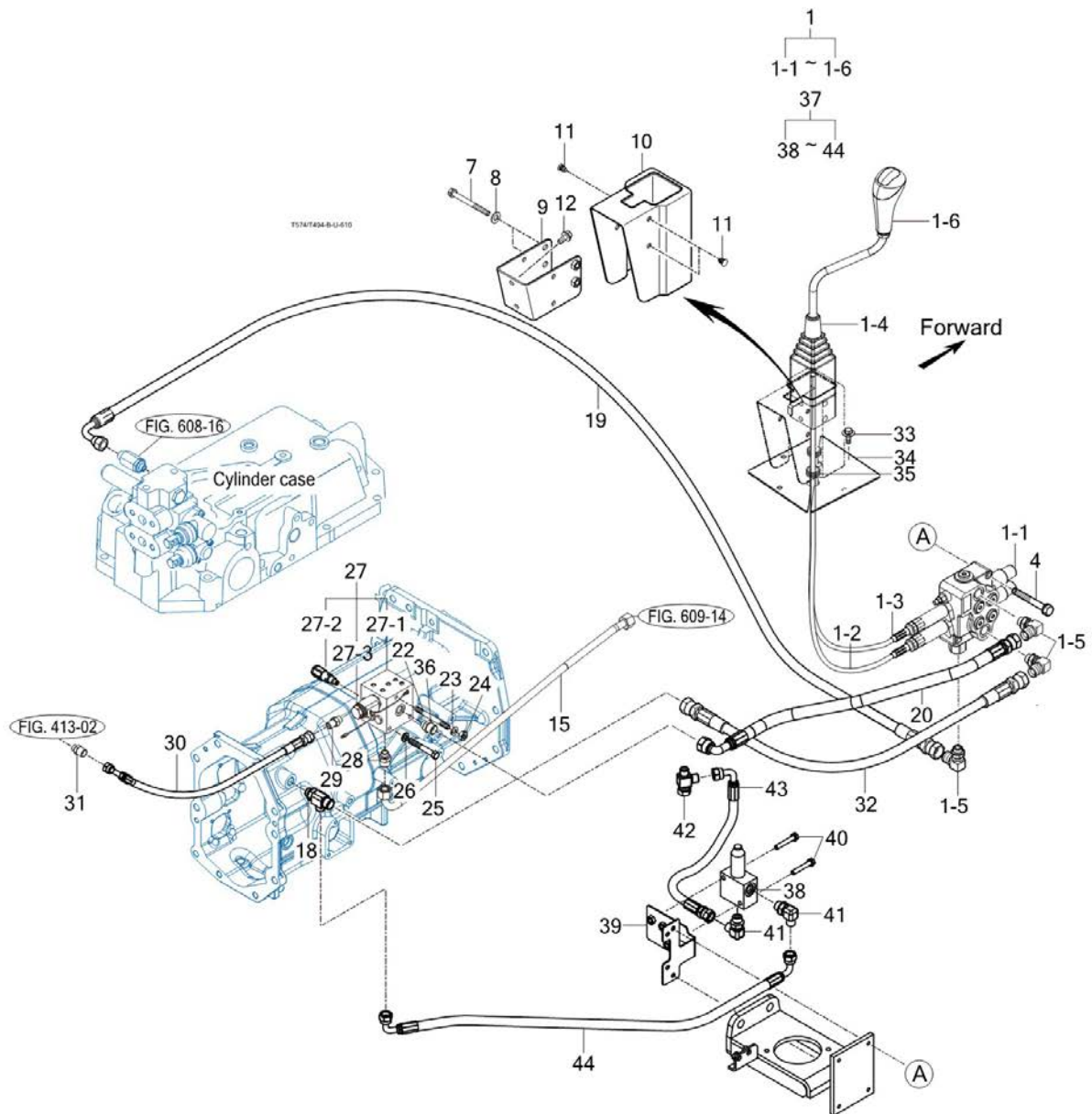
FIG 610

JOYSTICK

년/월
Year/Month

2022-12

T574NH-B



NOTE

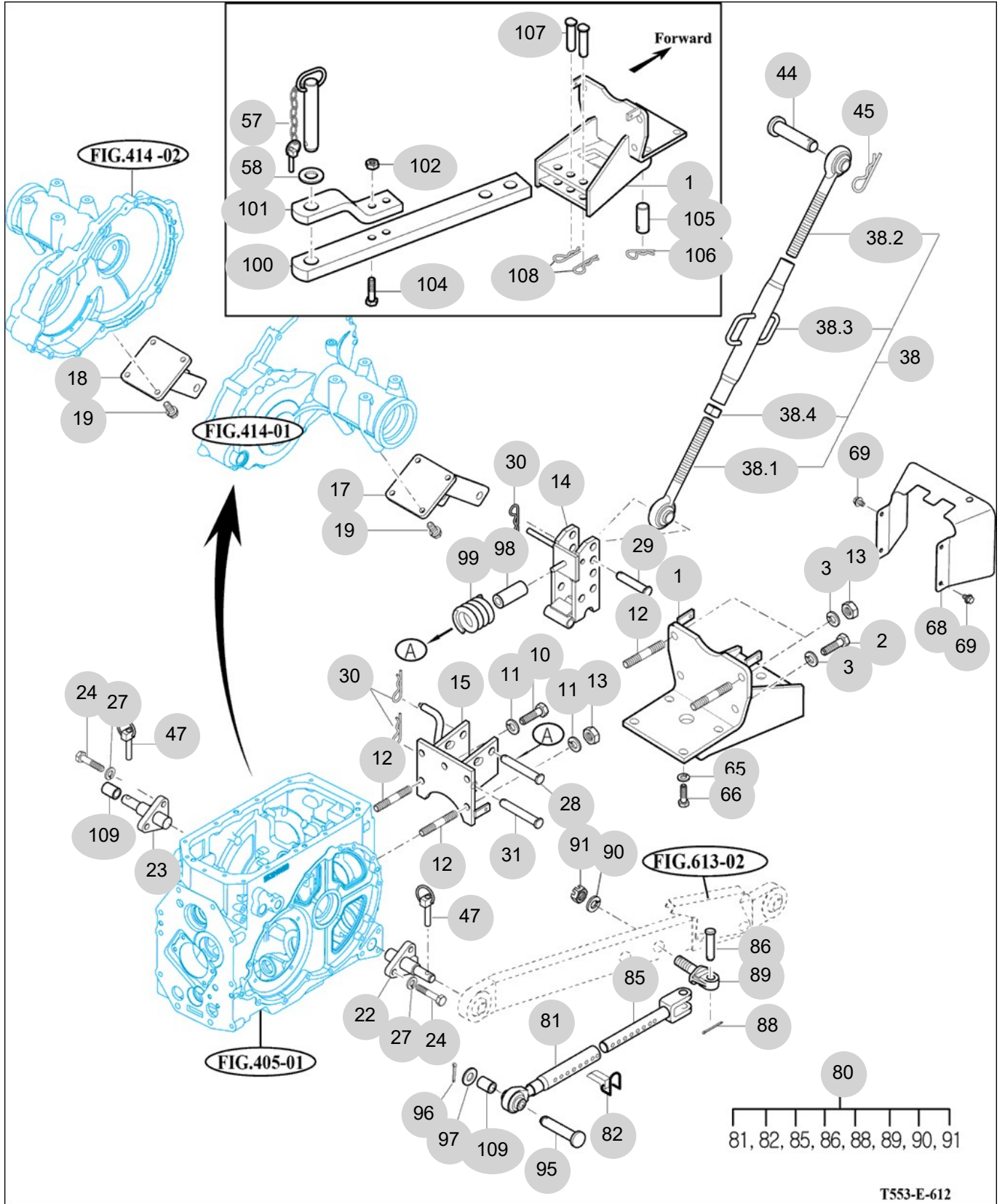
FIG 612

HITCH & 3-POINT LINK

년/월
Year/Month

2022-12

T574NH-B



T553-E-612

NOTE

| FIG 612 | | HITCH & 3-POINT LINK | | | | | | 년/월 Year/Month | |
|----------|----|----------------------|-----------------------------|-------------|------|-----|--------|-------------------|---------|
| | | | | | | | | 2022-12 | |
| T574NH-B | | KEY NO | PART NO | DESCRIPTION | SPEC | QTY | REPAIR | EFFECTIVE DATE | REMARKS |
| 612 | 1 | 15535202001GB | BRACKET COMP, SWING DRAWBAR | | | 1 | | | |
| 612 | 1 | 15535202002GB | BRACKET COMP, SWING DRAWBAR | | | 1 | | | |
| 612 | 1 | 15535202003GB | BRACKET COMP, SWING DRAWBAR | | | 1 | | | |
| 612 | 2 | V2013616035 | BOLT, HEX | M16X35 | | 2 | | | |
| 612 | 3 | V4011600160 | WASHER, SPRING | M16 | | 4 | | | |
| 612 | 10 | V2013616035 | BOLT, HEX | M16X35 | | 3 | | | |
| 612 | 11 | V4011600160 | WASHER, SPRING | M16 | | 5 | | | |
| 612 | 12 | V2513416035 | BOLT, STUD/2 | M16X35 | | 4 | | | |
| 612 | 13 | V3043600160 | NUT, HEX/2 | M16 | | 4 | | | |
| 612 | 14 | 16735222102GB | LINK COMP | 1X1X1 | | 1 | | | |
| 612 | 15 | 15185222000GB | BRACKET COMP | | | 1 | | | |
| 612 | 17 | 14525254100GB | BRACKET COMP, RR | | | 1 | | | |
| 612 | 18 | 14525254100GB | BRACKET COMP, RR | | | 1 | | | |
| 612 | 19 | V2173612030 | BOLT, HEX/S | M12X30 | | 8 | | | |
| 612 | 22 | 15685252204 | PIN COMP, LH | | | 1 | | | |
| 612 | 23 | 15685252801 | PIN COMP, RH | | | 1 | | | |
| 612 | 24 | V2013614040 | BOLT, HEX | M14X40 | | 6 | | | |
| 612 | 27 | V4011600140 | WASHER, SPRING | M14 | | 6 | | | |
| 612 | 28 | 15645250010 | PIN, 19X122 | D=19 | | 1 | | | |
| 612 | 29 | 15645220020 | PIN, 19X95 | D=19 | | 1 | | | |
| 612 | 30 | 14445140051 | PIN, 19 | D=4.5 | | 3 | | | |
| 612 | 31 | 15645250010 | PIN, 19X122 | D=19 | | 1 | | | |
| 612 | 38 | 16505245501GB | LINK ASSY, TOP LINK | | | 1 | | | |
| 612 | 38 | 16505245502GB | TOP LINK ASSY | | | 1 | | | |
| 612 | 44 | 15645220011 | PIN, 19X86 | D=19 | | 1 | | | |
| 612 | 45 | 14445140051 | PIN, 19 | D=4.5 | | 1 | | | |
| 612 | 47 | 14215020020 | PIN, LINK | | | 2 | | | |
| 612 | 57 | S0973063031 | PIN ASSY | 1X1X1 | | 1 | | | |
| 612 | 58 | 15252470010 | RUBBER, CUSHION | | | 1 | | | |
| 612 | 65 | V4011600140 | WASHER, SPRING | M14 | | 4 | | | |
| 612 | 66 | V2013614035 | BOLT, HEX | M14X35 | | 4 | | | |
| 612 | 68 | 13605200012GB | COVER, SHIELD | 1X1X1 | | 1 | | | |
| 612 | 69 | V2183608016 | BOLT, HEX/SP | M8X16 | | 4 | | | |
| 612 | 80 | 15155253000GB | LINK ASSY, ADJUSTER | 570*60*50 | | 2 | | | |
| 612 | 81 | 15155253100 | ROD SUB, FR | 44*320*60 | | 2 | | | |
| 612 | 82 | 17705254200 | PIN | 1X1X1 | | 2 | | | |
| 612 | 85 | 15155253300 | ROD SUB, REAR | 340*50*50 | | 2 | | | |
| 612 | 86 | 15155253400 | PIN, ø20X59 | ø20X59 | | 2 | | | |
| 612 | 88 | V5001940035 | PIN, SPLIT | 4X35 | | 2 | | | |
| 612 | 89 | 15155253500 | EYEBOLT | 66*60*40 | | 2 | | | |
| 612 | 90 | V4111600220 | WASHER, PLAIN | M22 | | 2 | | | |
| 612 | 91 | V3343600220 | NUT, HEX FINE/2 | M22 | | 2 | | | |
| 612 | 95 | 15645220020 | PIN, 19X95 | D=19 | | 2 | | | |
| 612 | 96 | V5001950035 | PIN, SPLIT | 5X35 | | 2 | | | |
| 612 | 96 | 14445140051 | PIN, 19 | | | 2 | | | |
| NOTE | | | | | | | | | |

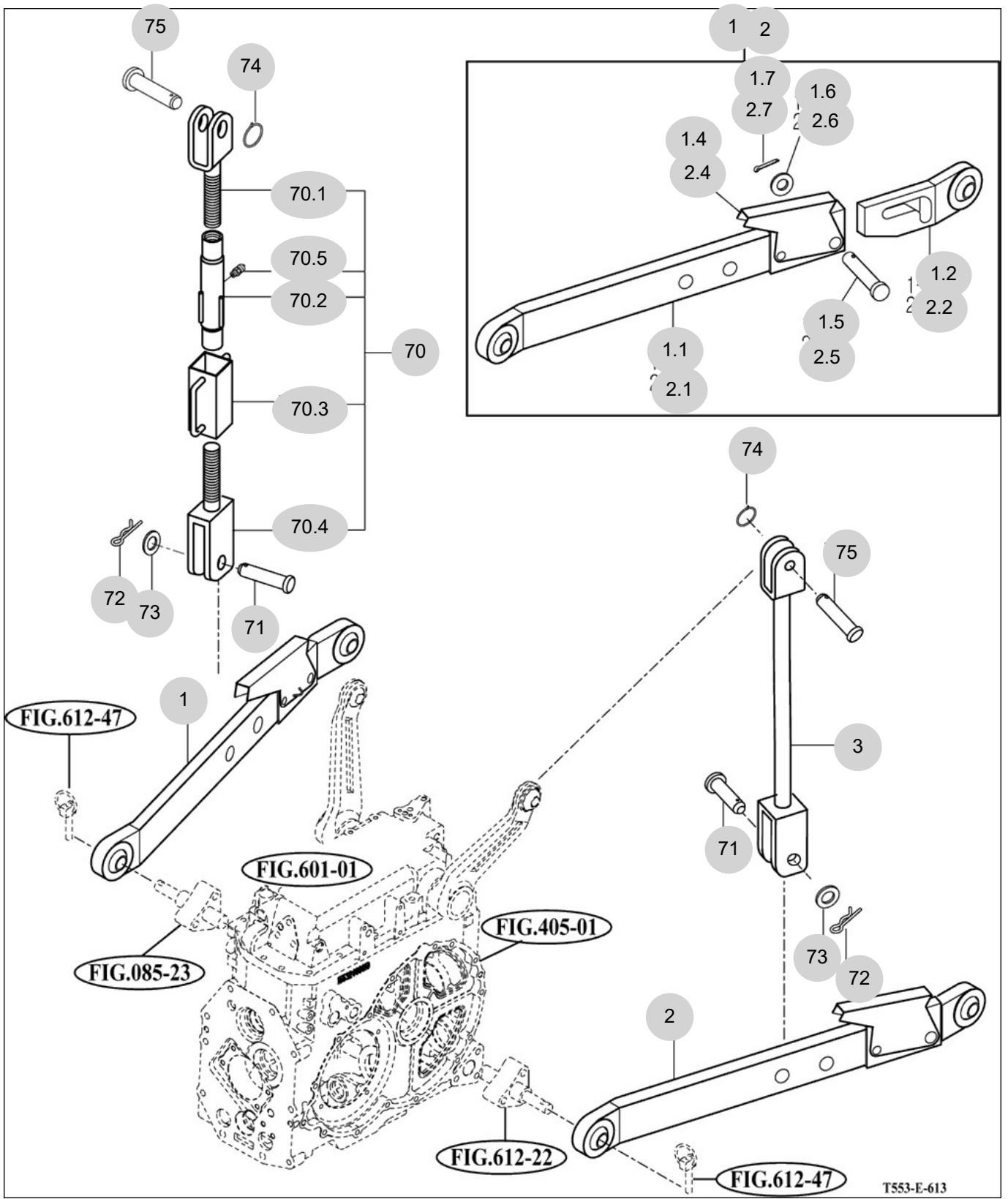
FIG 613

LOWER LINK & LIFT ROD

년/월
Year/Month

2022-12

T574NH-B



NOTE

7. Sheet Metal & Cabin PART NO. T7

| | |
|---------------------------------------|-----|
| FIG 701 BONNET FRAME | 219 |
| FIG 702 BONNET (1) | 221 |
| FIG 702-2 BONNET (2) | 223 |
| FIG 703 EXTENSION COVER | 225 |
| FIG 704-2 LEVER COVER & STEP-NON CAB | 227 |
| FIG 705 FRONT & REAR MOUNTING | 229 |
| FIG 706 SEAT & MAT | 231 |
| FIG 710-2 FRAME & 2POLES-ROPS-NON CAB | 233 |
| FIG 713-2 SUB FENDER & COVER-NON CAB | 235 |
| FIG 714-2 MIRROR&WORKING LAMP-NON CAB | 237 |

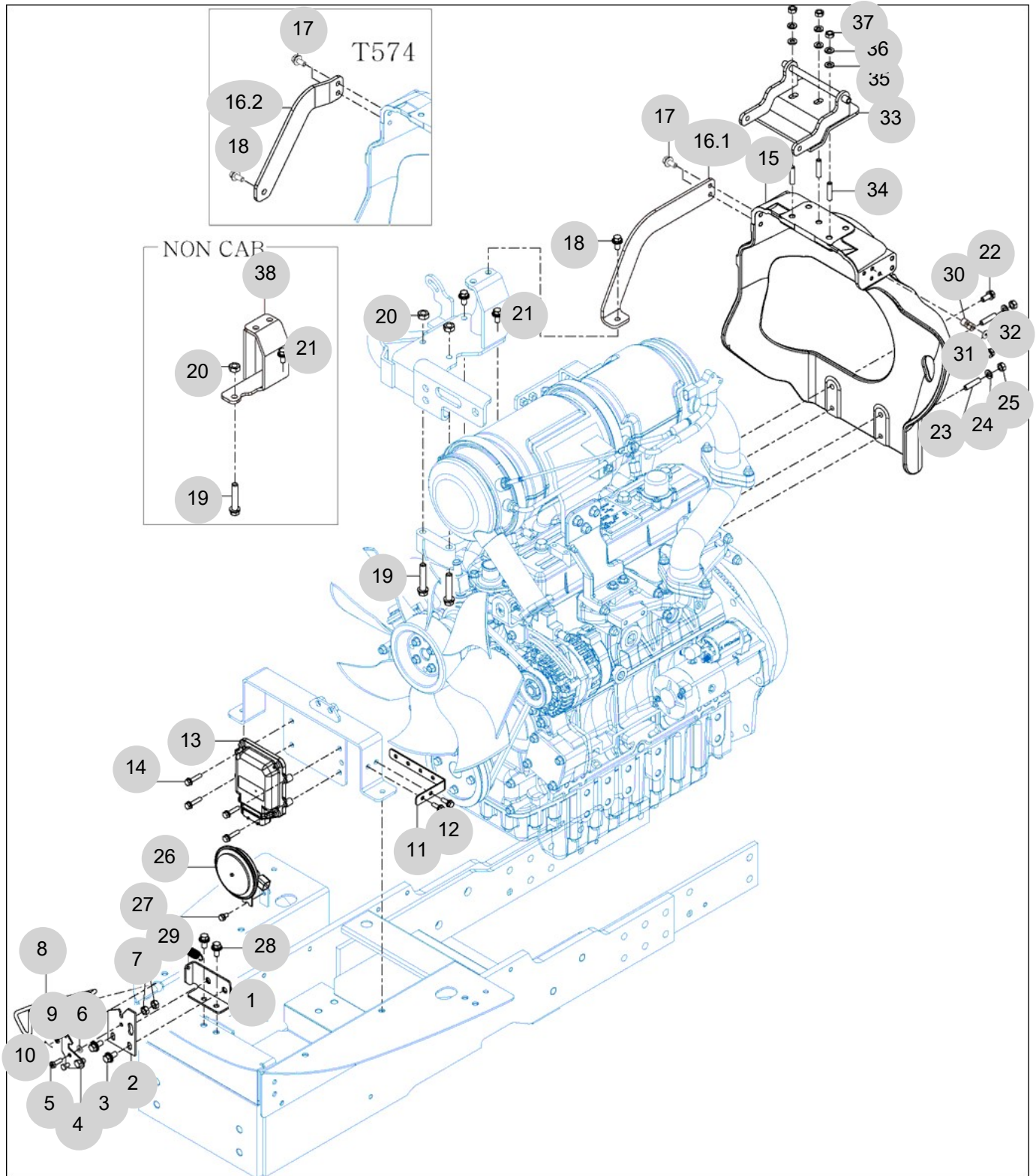
FIG 701

BONNET FRAME

년/월
Year/Month

T574NH-B

2022-12



NOTE

| | | |
|---------------------|--------------|-------------------|
| FIG 701 T574NH-B | BONNET FRAME | 년/월 Year/Month |
| | | 2022-12 |

| KEY NO | PART NO | DESCRIPTION | SPEC | QTY | REPAIR | EFFECTIVE DATE | REMARKS |
|--------|---------|---------------|---------------------------|--------|--------|----------------|---------|
| 701 | 1 | 14136011300GB | HOOD COMP , LOCK G | 1 | | | |
| 701 | 2 | 11106024210 | STAY , HOOD B | 1 | | | |
| 701 | 3 | V2183608020 | BOLT , HEX/SP | M8X20 | 2 | | |
| 701 | 4 | 11106024100 | STAY COMP , HOOD A | 1 | | | |
| 701 | 5 | V2323606020 | BOLT , C/R HEX/SP | M6X20 | 1 | | |
| 701 | 6 | V4111600060 | WASHER , PLAIN | M6 | 1 | | |
| 701 | 7 | V3013600060 | NUT .HEX NORMAL /2 | M6 | 2 | | |
| 701 | 8 | 14136024300 | ROD COMP, OPEN | | 1 | | |
| 701 | 9 | V4111600060 | WASHER , PLAIN | M6 | 1 | | |
| 701 | 10 | V5001925020 | PIN D2.5x20 | 2.5X20 | 1 | | |
| 701 | 11 | 13871613400GB | BRACKET , FUSE | | 1 | | |
| 701 | 12 | V2183606016 | BOLT , HEX/SP | M6X16 | 2 | | |
| 701 | 13 | EA00005847A | DPF REGEN CONTROLLER | | 1 | | |
| 701 | 14 | V2123606030 | BOLT . HEX /SP | M6X30 | 4 | | |
| 701 | 15 | 13831811100GB | E/G REAR SUPPORTER | | 1 | | |
| 701 | 16.2 | 13871811200GB | STRUT BAR | | 1 | | |
| 701 | 17 | V2183608020 | BOLT , HEX/SP | M8X20 | 2 | | |
| 701 | 18 | V2183608025 | BOLT , HEX/SP | M8X25 | 1 | | |
| 701 | 19 | V2173610055 | BOLT , HEX/S | M10X55 | 2 | | |
| 701 | 20 | V3043600100 | NUT , HEX/2 | M10 | 2 | | |
| 701 | 21 | V2183610025 | BOLT , HEX/SP | M10X25 | 2 | | |
| 701 | 22 | V2173608025 | BOLT , HEX/S | M8X25 | 2 | | |
| 701 | 23 | V2513408025 | BOLT , STUD/2 | M8X25 | 2 | | |
| 701 | 24 | V4011600080 | WASHER , SPRING | M8 | 2 | | |
| 701 | 25 | V3042600080 | NUT , HEX/2 | M8 | 2 | | |
| 701 | 26 | 13266212003 | HORN | | 1 | | |
| 701 | 27 | V2113606012 | BOLT , HEX /S | M6X12 | 1 | | |
| 701 | 28 | V2183608020 | BOLT , HEX/SP | M8X20 | 2 | | |
| 701 | 29 | 11106020010 | SPRING , TENSION 40 | | 1 | | |
| 701 | 30 | 13831811300 | SPACER | | 2 | | |
| 701 | 31 | V4111600060 | WASHER , PLAIN | M6 | 2 | | |
| 701 | 32 | V2113606040 | BOLT , HEX /S | M6X40 | 2 | | |
| 701 | 33 | 13876202800GB | PLATE COMP , BONNET HINGE | | 1 | | |
| 701 | 34 | V2513410025 | BOLT , STUD/2 | | 3 | | |
| 701 | 34 | V2514410025 | BOLT , STUD/2 | M10X25 | 3 | | |
| 701 | 35 | V4111600100 | WASHER , PLAIN | M10 | 3 | | |
| 701 | 36 | V4011600100 | WASHER , SPRING | M10 | 3 | | |
| 701 | 37 | V3013600100 | NUT .HEX NORMAL /2 | M10 | 3 | | |
| 701 | 38 | 13801712100GB | STAND COMP | | 1 | | |
| | | | | | | | |
| | | | | | | | |
| | | | | | | | |
| | | | | | | | |
| | | | | | | | |
| | | | | | | | |
| | | | | | | | |

| | |
|------|--|
| NOTE | |
|------|--|

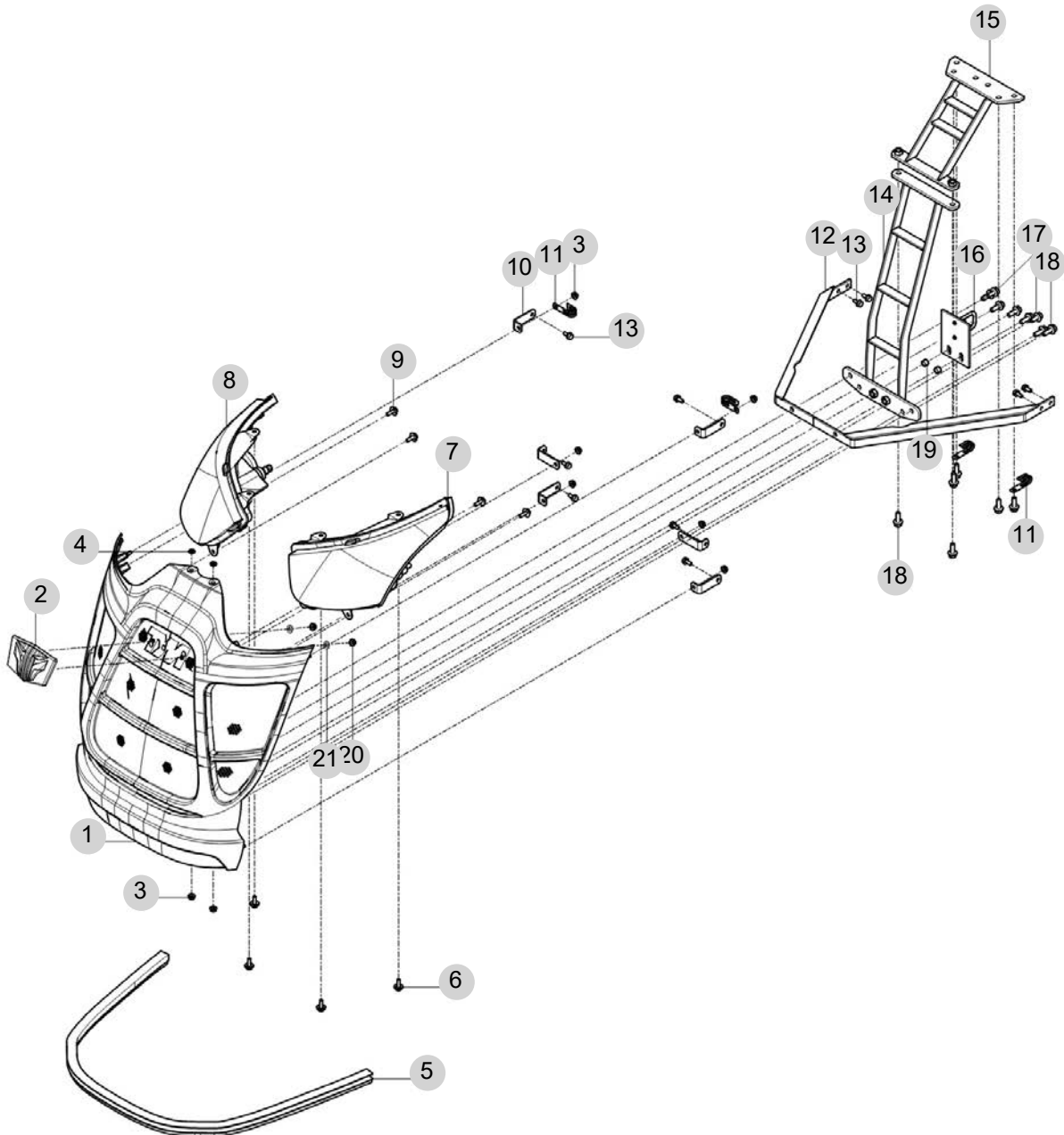
FIG 702

T574NH-B

BONNET (1)

년/월
Year/Month

2022-12



NOTE

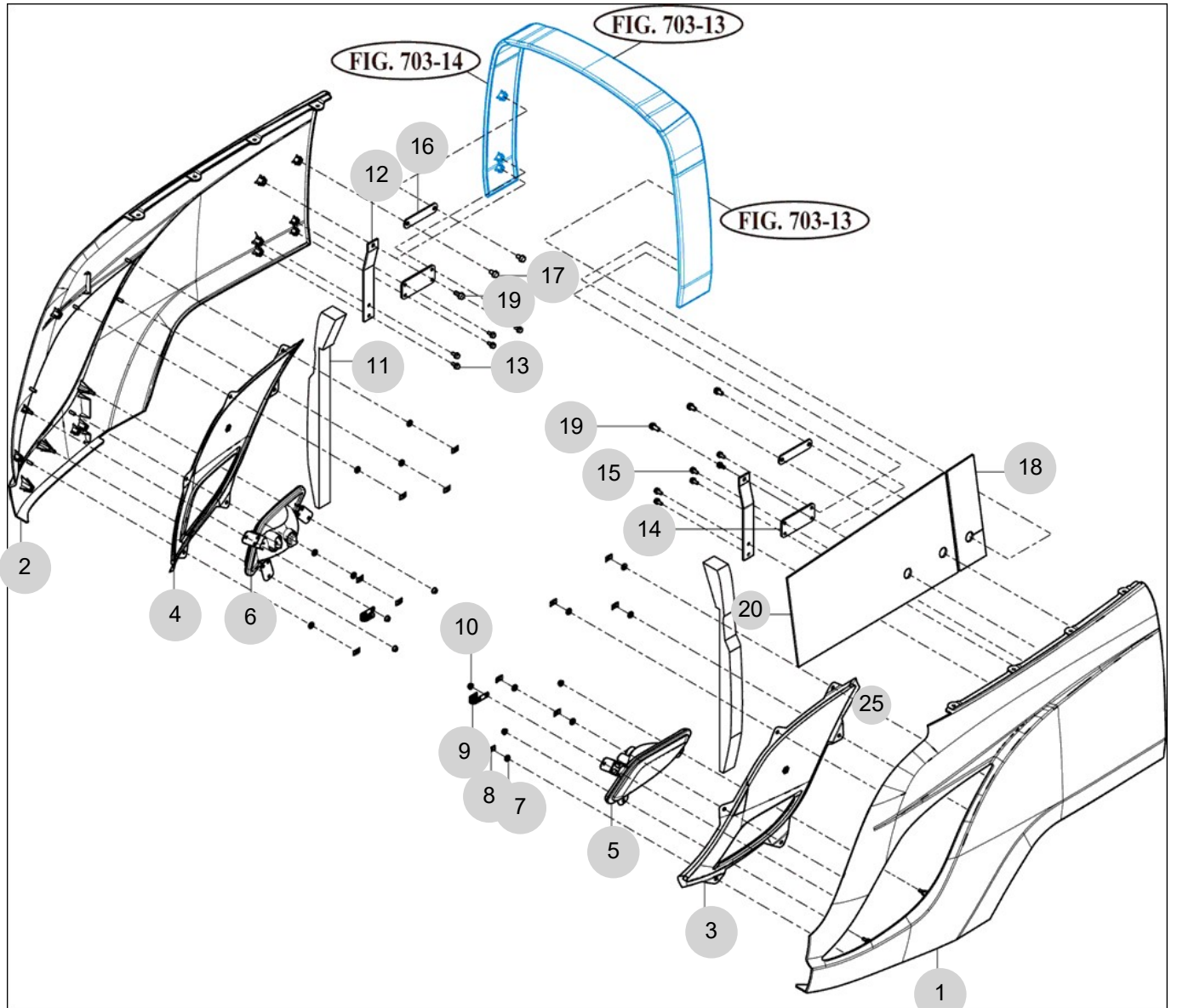
FIG 702-2

T574NH-B

BONNET (2)

년/월
Year/Month

2022-12



NOTE

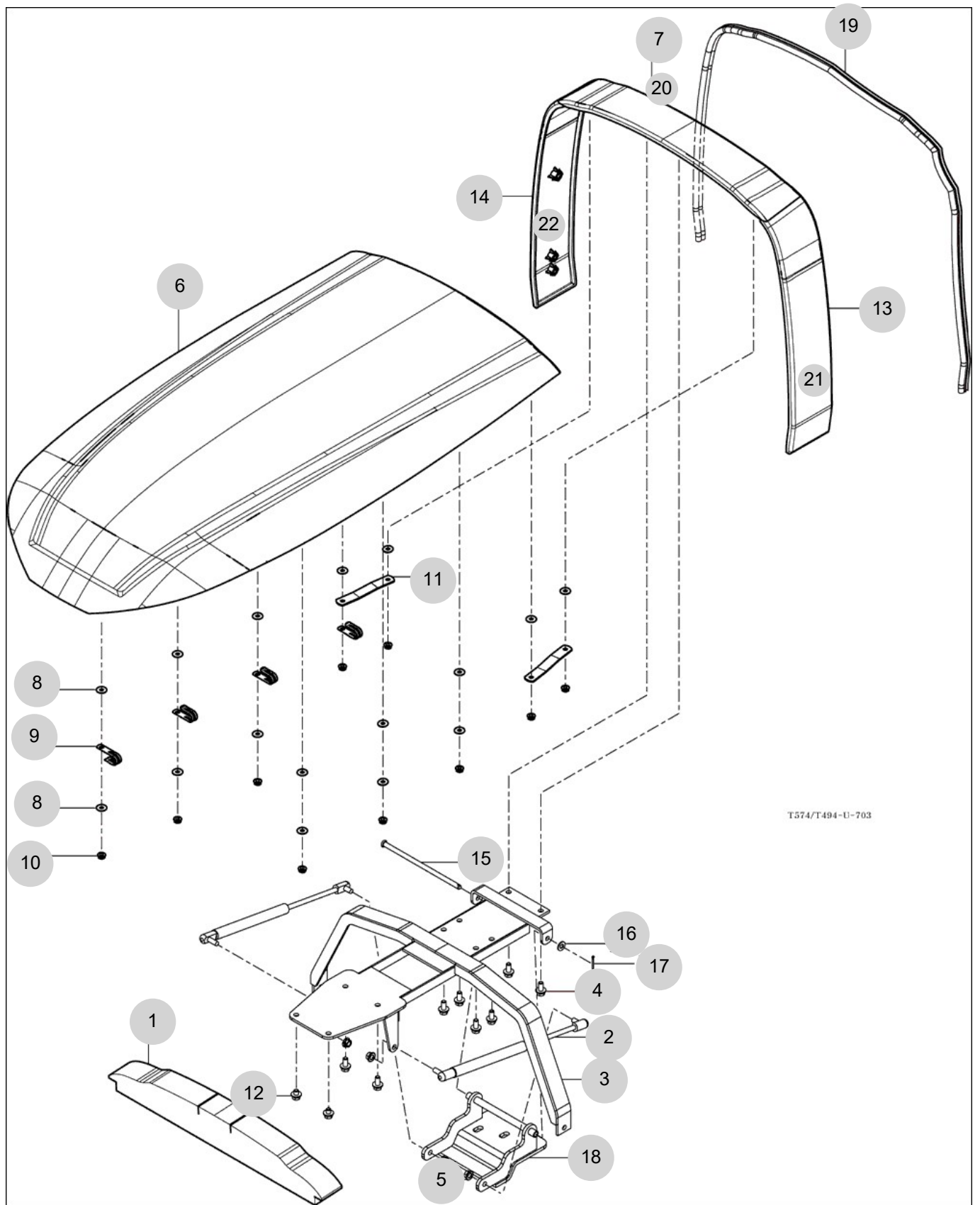
FIG 703

EXTENSION COVER

년/월
Year/Month

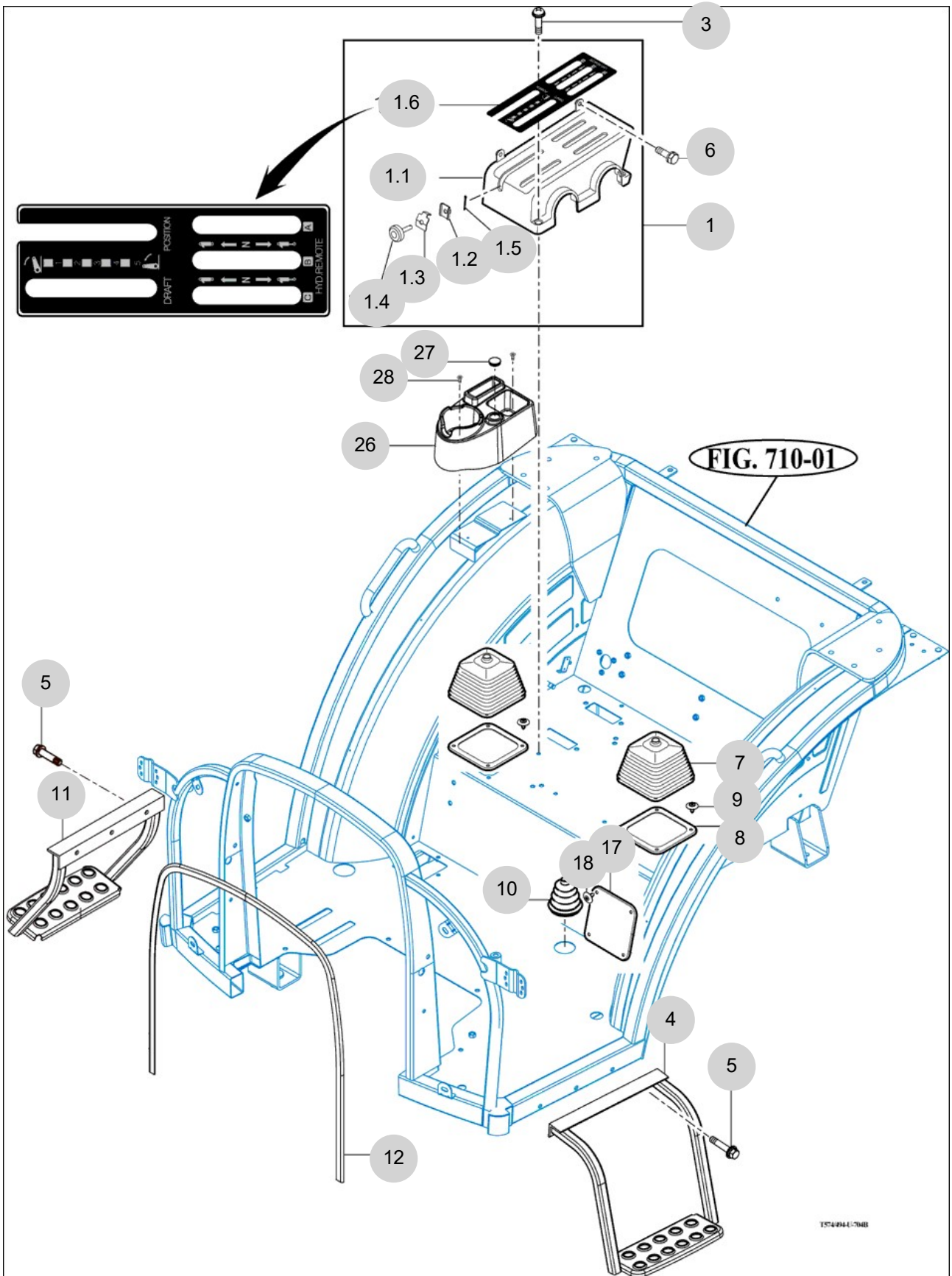
2022-12

T574NH-B



T574/T494-U-703

NOTE



NOTE

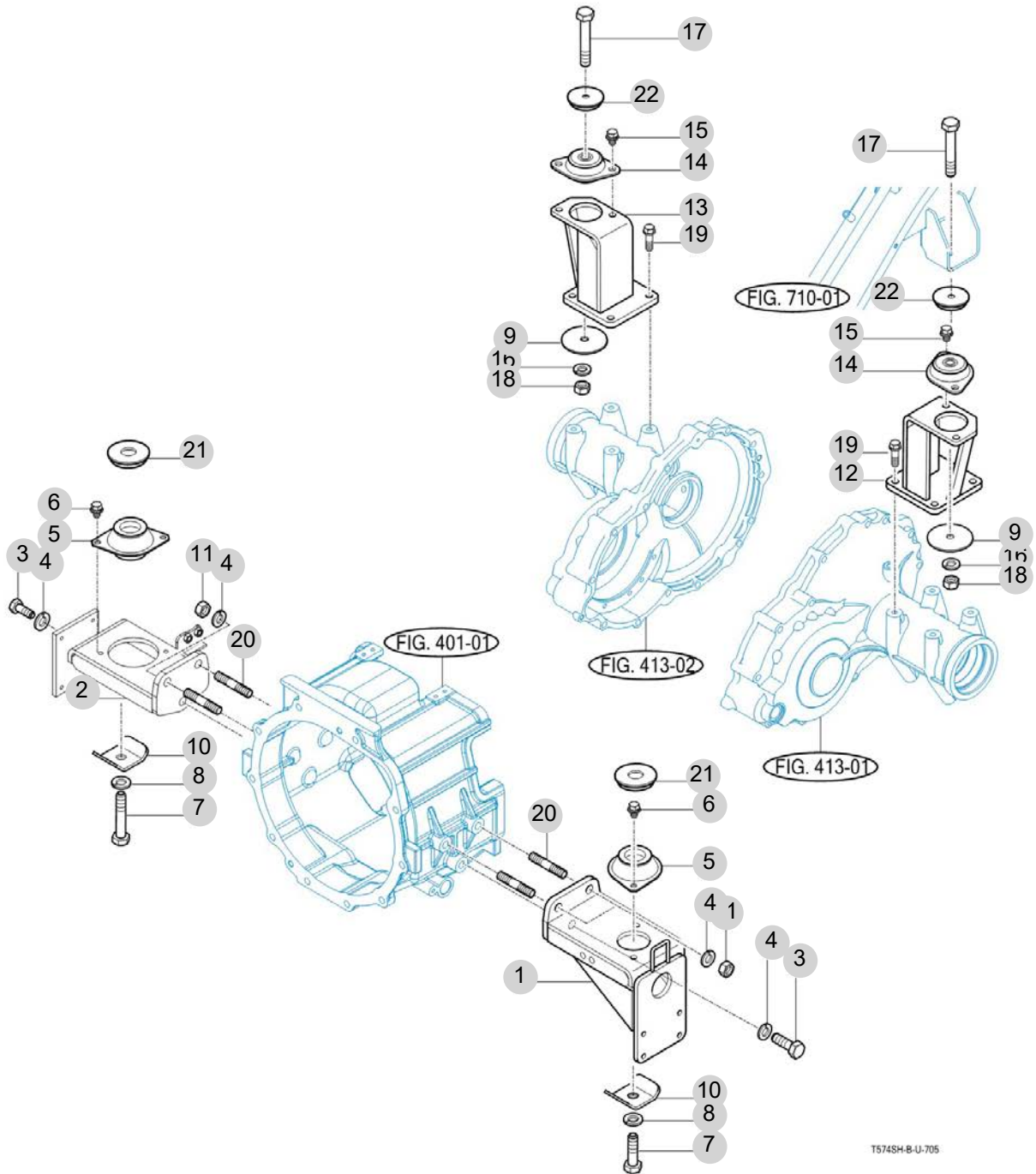
FIG 705

T574NH-B

FRONT & REAR MOUNTING

년/월
Year/Month

2022-12



T574SH-B-U-705

NOTE

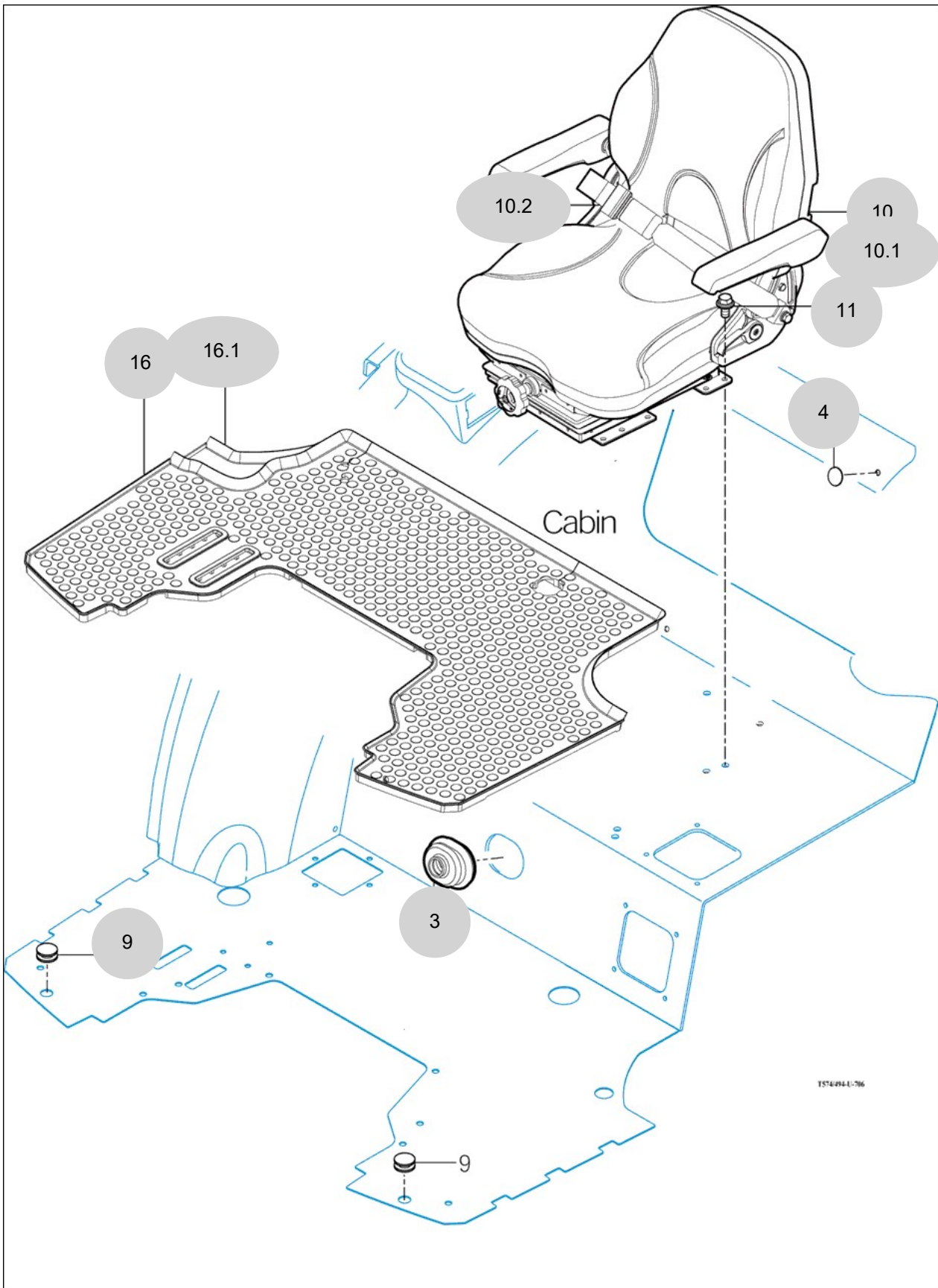
FIG 706

SEAT & MAT

년/월
Year/Month

2022-12

T574NH-B



NOTE

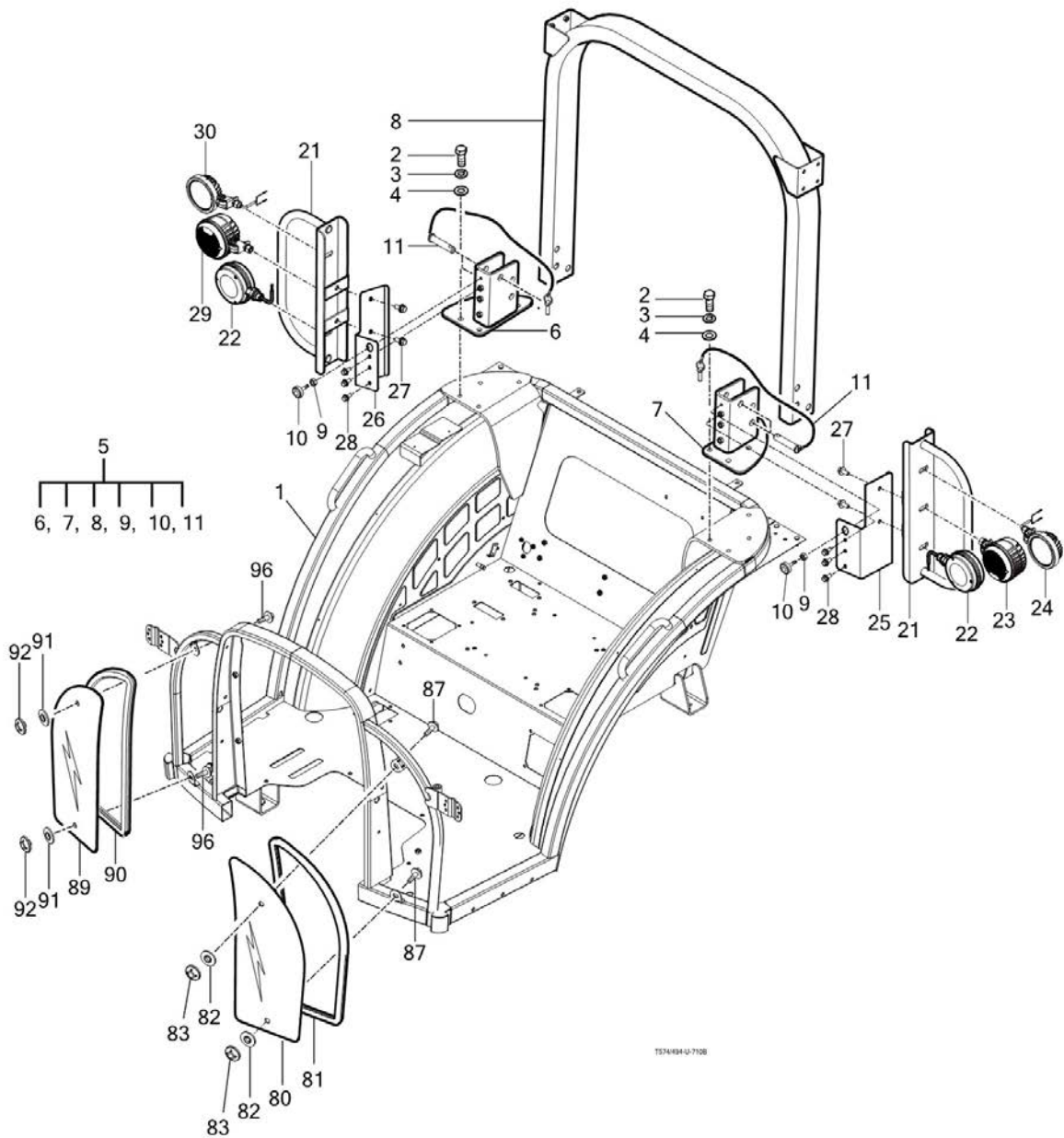
FIG 710-2

FRAME & 2POLES-ROPS-NON CAB

년/월
Year/Month

2022-12

T574NH-B



T574NH-B-7102

NOTE

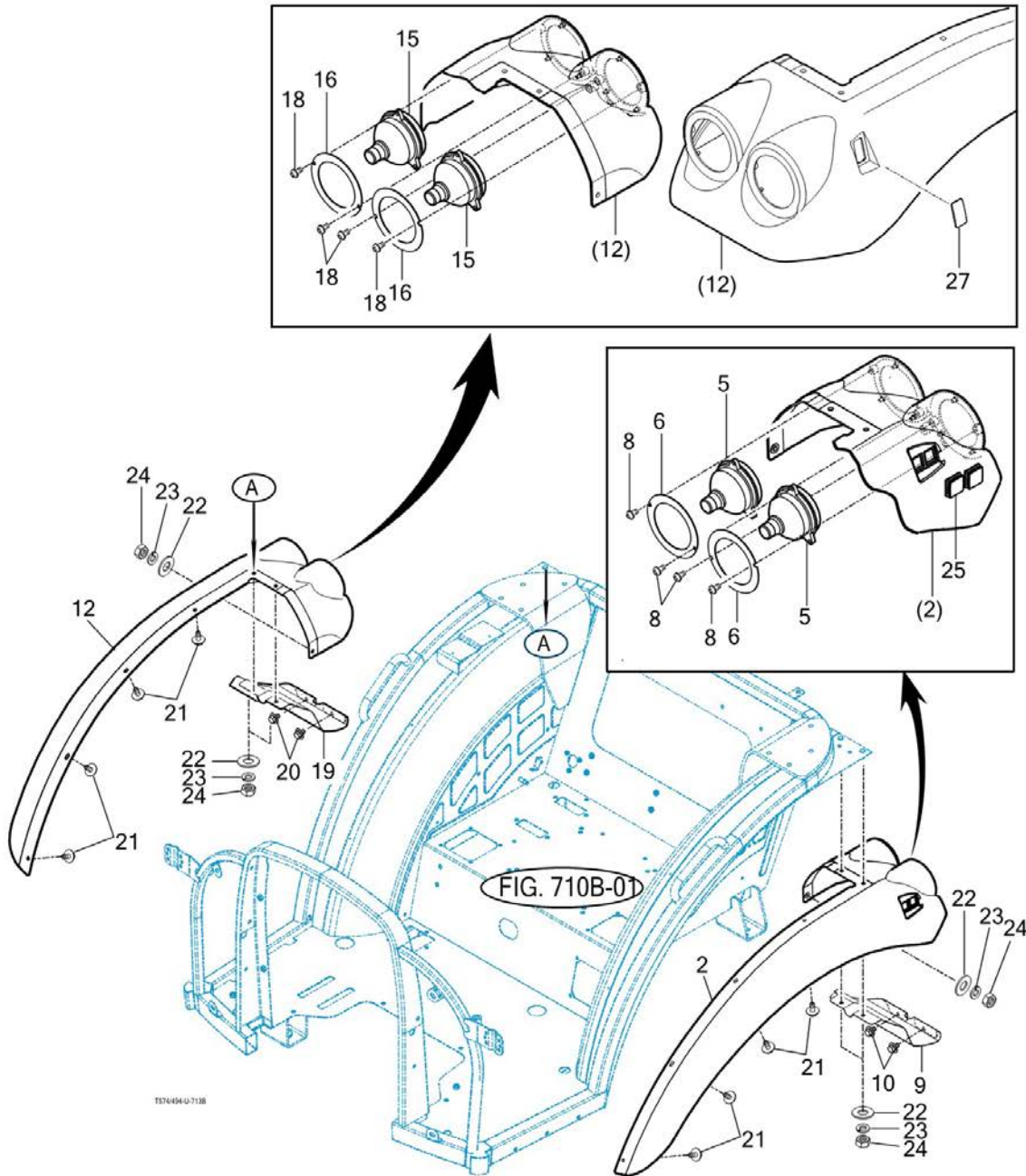
FIG 713-2

SUB FENDER & COVER-NON CAB

년/월
Year/Month

T574NH-B

2022-12



NOTE

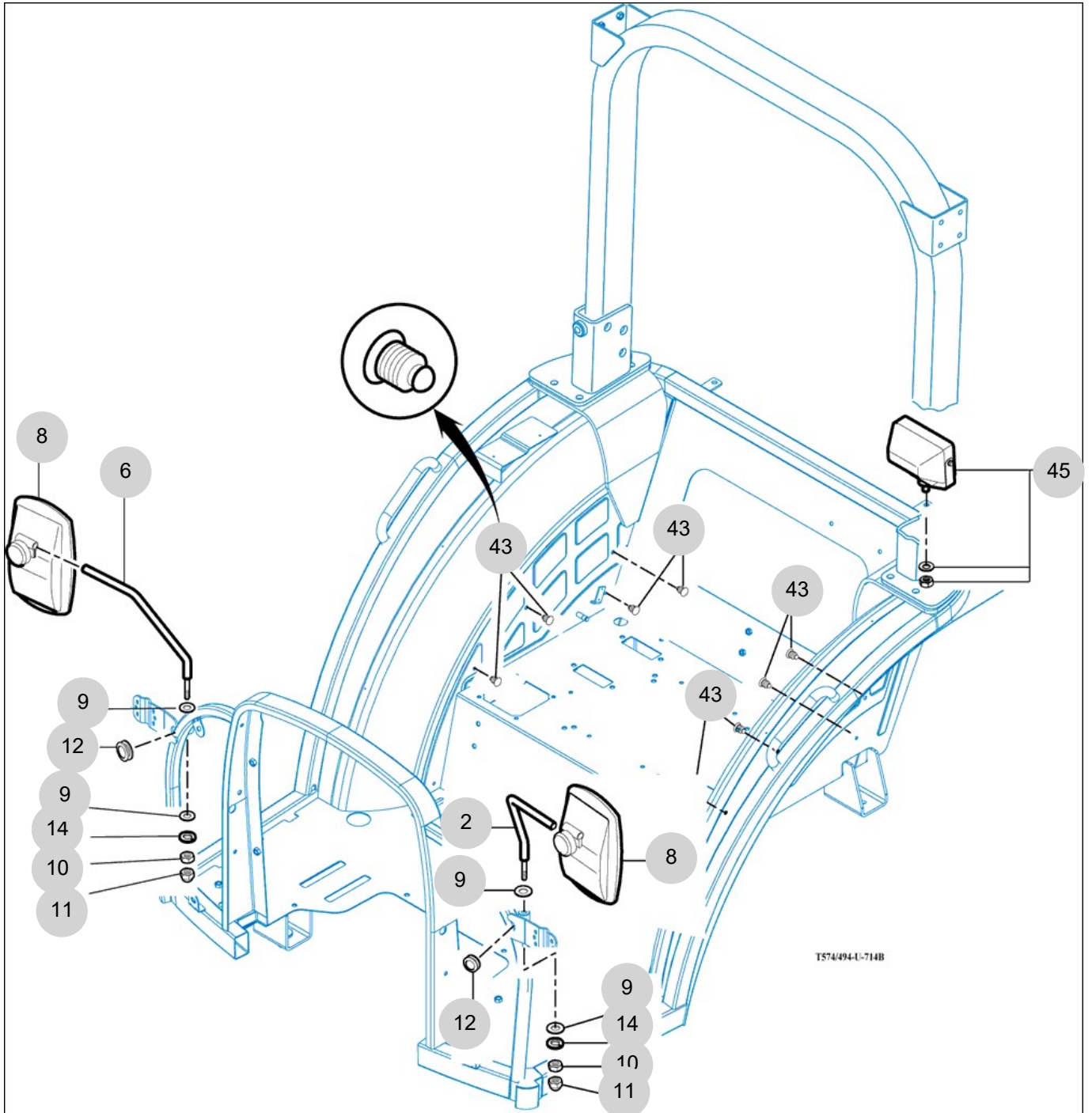
FIG 714-2

MIRROR&WORKING LAMP-NON CAB

년/월
Year/Month

T574NH-B

2022-12



NOTE

8. Electrical System PART NO. T8

| | |
|---------------------------------------|-----|
| FIG 801 BATTERY & MOUNTING | 240 |
| FIG 802 HARNESS LAMP | 242 |
| FIG 803 INSTRUMENT PANEL | 244 |
| FIG 804 ELECTRIC SYSTEM (1) | 246 |
| FIG 805-2 ELECTRIC SYSTEM (2)-NON CAB | 248 |
| FIG 806 ELECTRIC SYSTEM (3) | 250 |

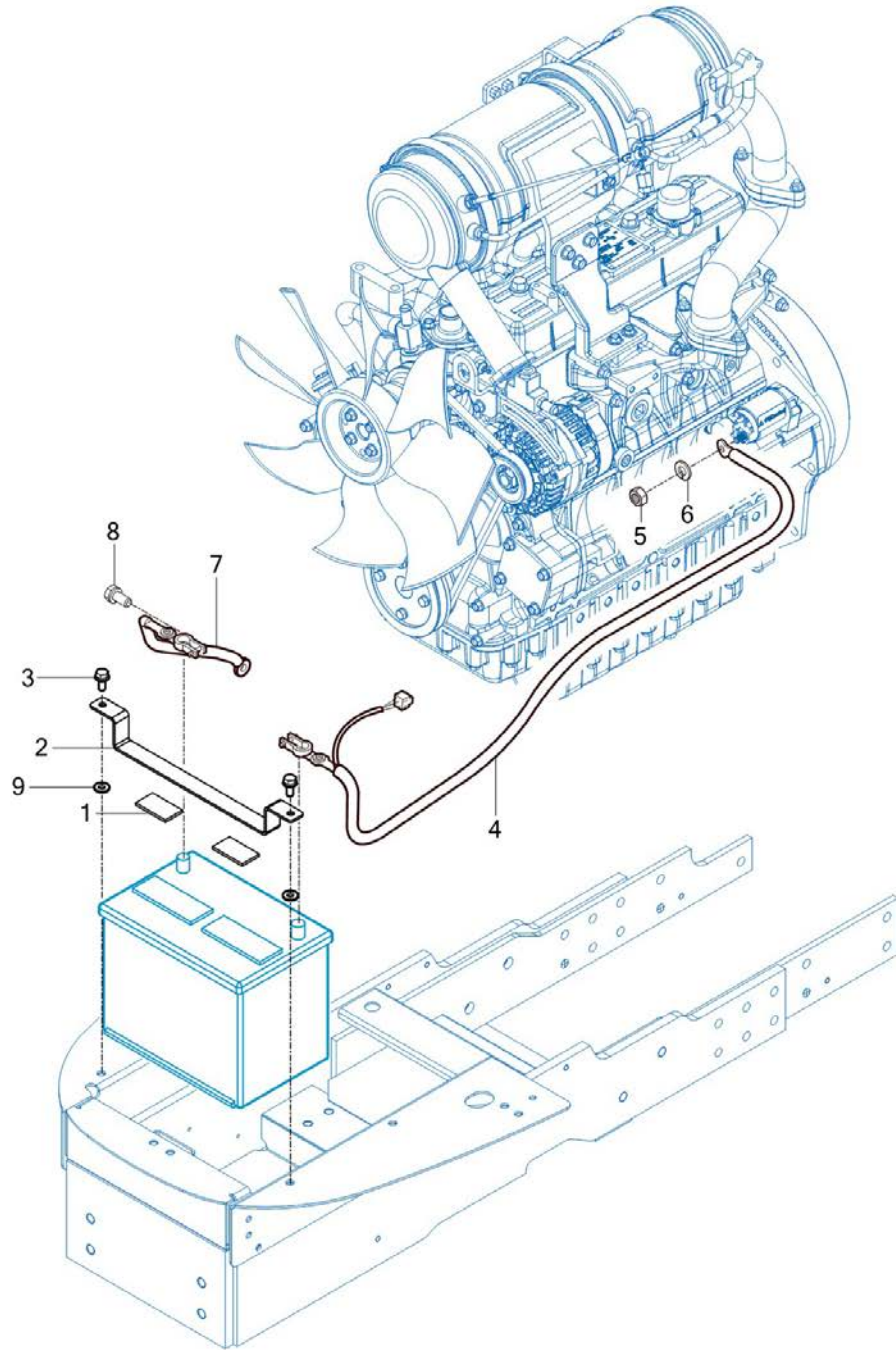
FIG 801

T574NH-B

BATTERY & MOUNTING

년/월
Year/Month

2022-12



NOTE

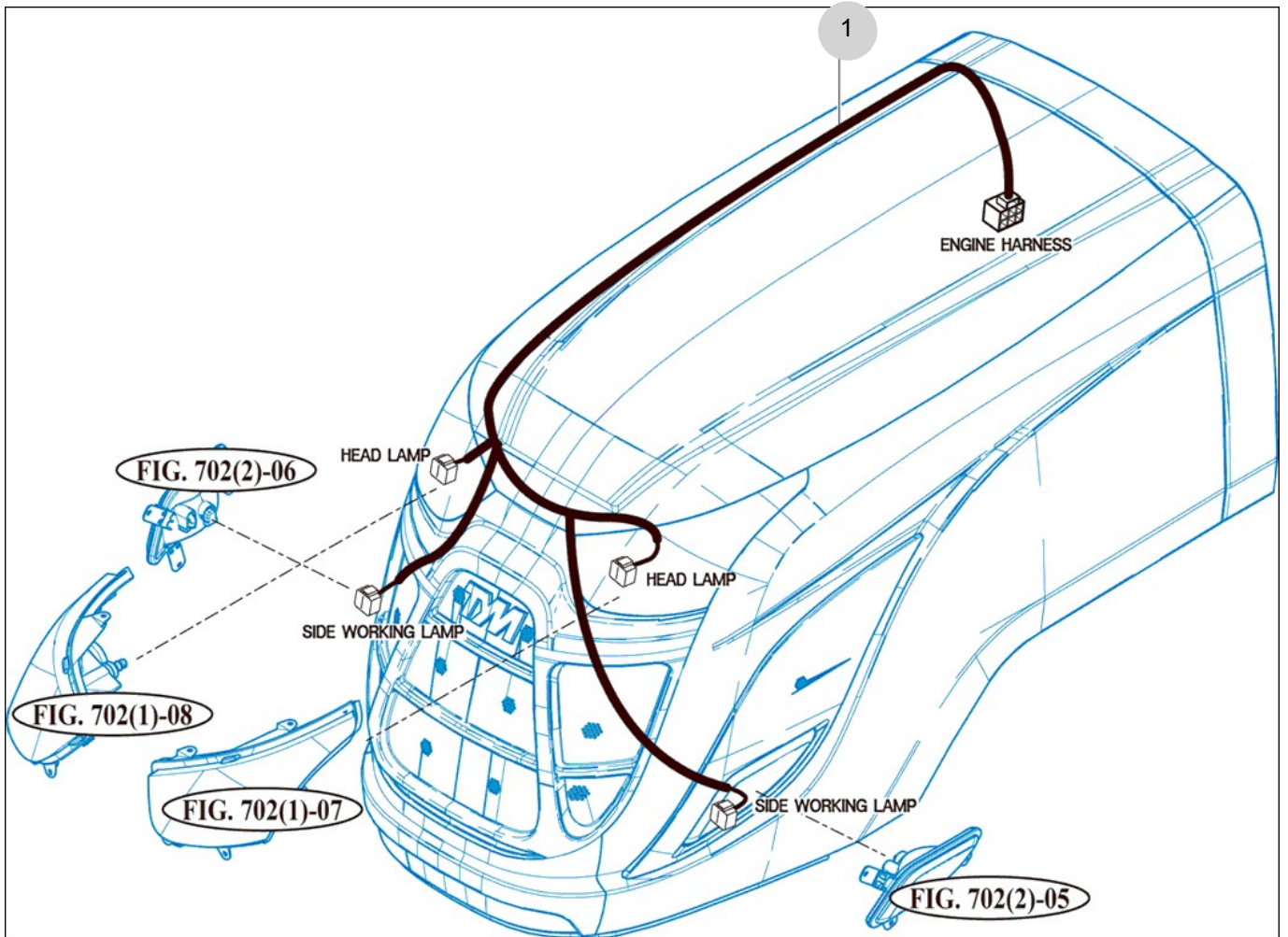
FIG 802

T574NH-B

HARNES LAMP

년/월
Year/Month

2022-12



NOTE

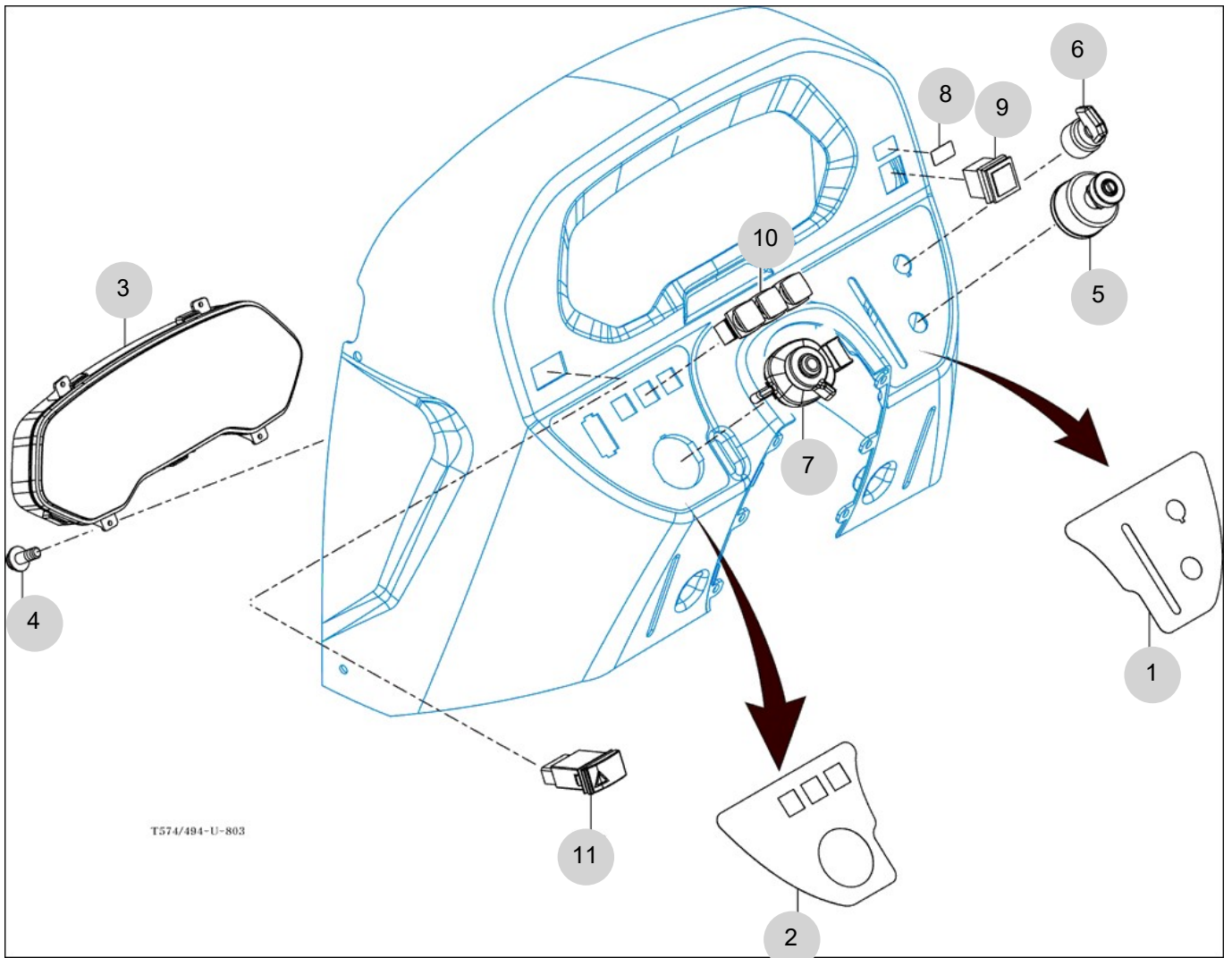
FIG 803

INSTRUMENT PANEL

년/월
Year/Month

T574NH-B

2022-12



NOTE

| FIG 803 | | INSTRUMENT PANEL | | | | | | 년/월 | REMARKS |
|----------|---------|------------------|--------------------------|-------------|--------|----------------|---------|------------|---------|
| | | | | | | | | Year/Month | |
| T574NH-B | | | | | | | 2022-12 | | |
| KEY NO | PART NO | DESCRIPTION | SPEC | QTY | REPAIR | EFFECTIVE DATE | | | |
| 803 | 1 | 13877078530 | LABEL, RH/KEY | | | | | | |
| 803 | 2 | 13877078540 | LABEL , LH/COMBI SWICH | | | | | | |
| 803 | 3 | 13876602100 | PANEL ASSY , METER | | | | | | |
| 803 | 3 | 13876602101 | PANEL ASSY , METER | | | | | | |
| 803 | 3 | 13876602102 | PANEL ASSY , METER | | | | | | |
| 803 | 3 | 13876602103 | PANEL ASSY , METER | | | | | | |
| 803 | 4 | V1222604012 | SCREW , C/R PAN/SP | M4X12 | | | | | |
| 803 | 5 | 14527078701 | SWITCH SET,KEY | 1X1X1 | | | | | |
| 803 | 6 | 15616603100 | SWITCH SET , ROTARY | 3.2X3.9X25 | | | | | |
| 803 | 7 | 13156642202 | SWITCH , COMBI | 6.8X10.1X31 | | | | | |
| 803 | 8 | 14527078550 | LABEL,PTO | T=0.38 | | | | | |
| 803 | 9 | 15616743300 | SWITCH ASSY , ALTERNATOR | | | | | | |
| 803 | 10 | 20085312600 | SWITCH ASSY , MARKER | 1X1X1 | | | | | |
| 803 | 11 | 14537072501 | hazard SWITCH | | | | | | |
| | | | | | | | | | |
| | | | | | | | | | |
| | | | | | | | | | |
| | | | | | | | | | |
| | | | | | | | | | |
| | | | | | | | | | |
| | | | | | | | | | |
| | | | | | | | | | |
| | | | | | | | | | |
| | | | | | | | | | |
| | | | | | | | | | |
| | | | | | | | | | |
| | | | | | | | | | |
| | | | | | | | | | |
| | | | | | | | | | |
| | | | | | | | | | |
| | | | | | | | | | |
| | | | | | | | | | |
| | | | | | | | | | |
| | | | | | | | | | |
| | | | | | | | | | |
| | | | | | | | | | |
| | | | | | | | | | |
| NOTE | | | | | | | | | |

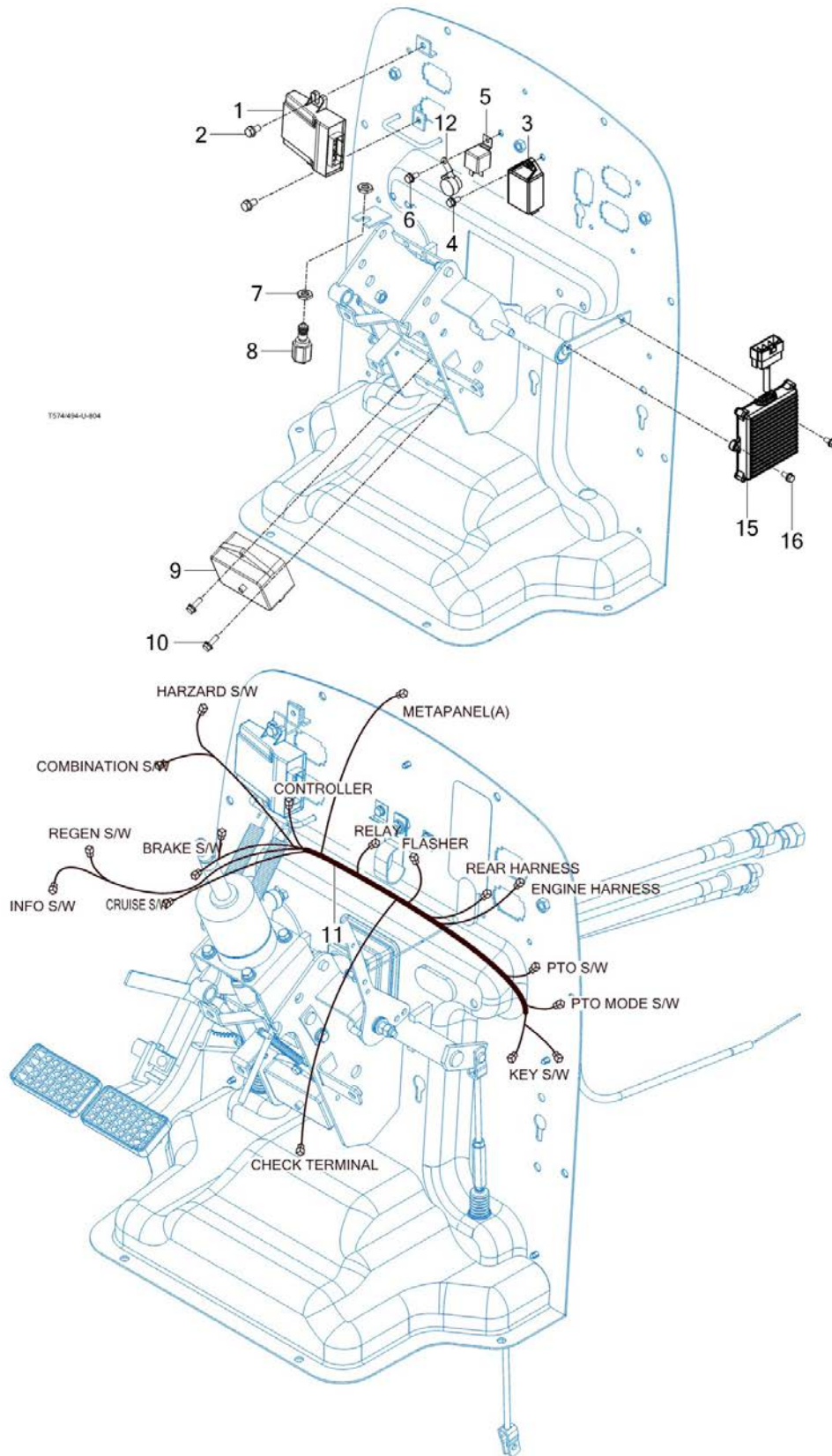
FIG 804

T574NH-B

ELECTRIC SYSTEM (1)

년/월
Year/Month

2022-12



NOTE

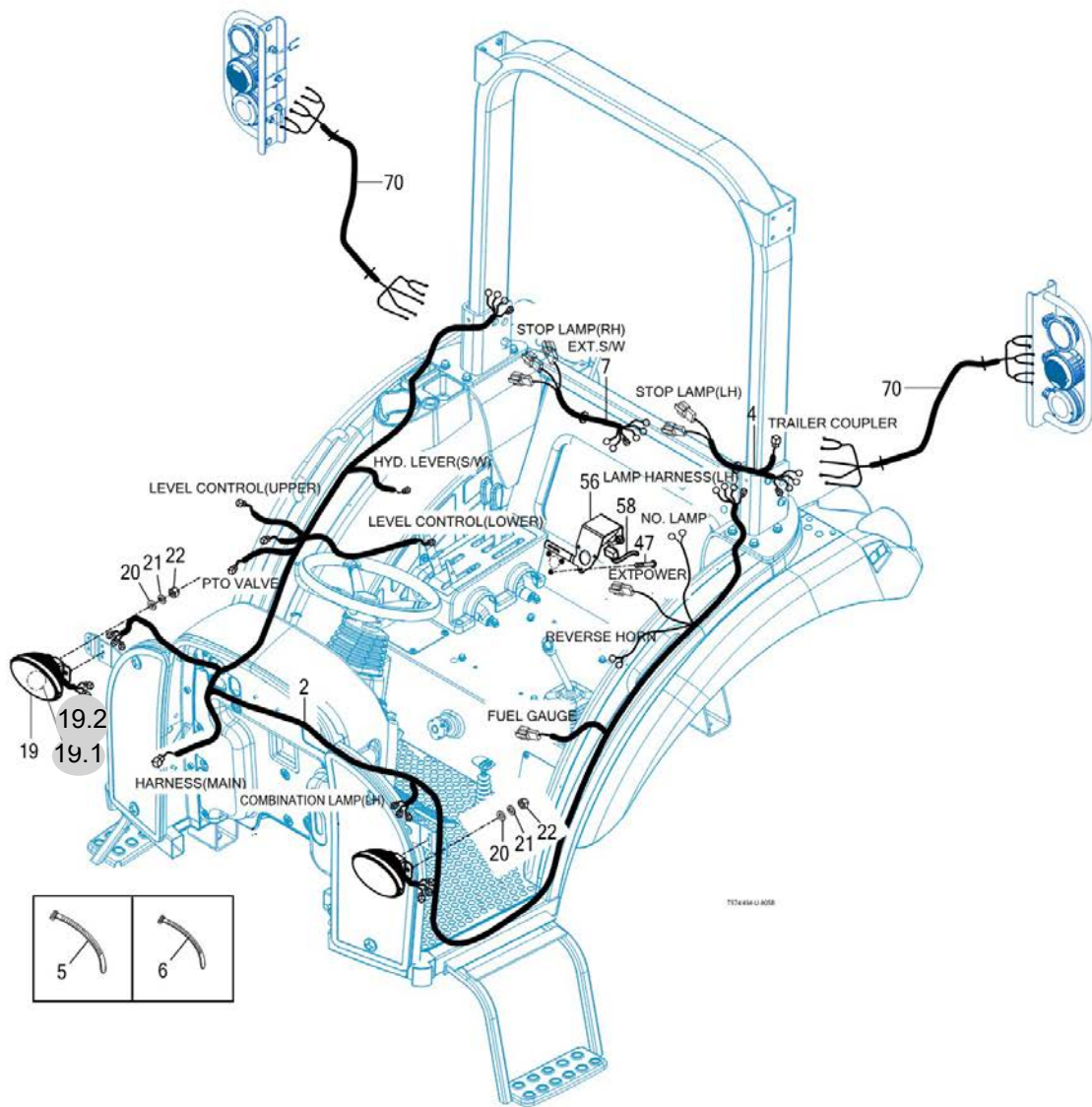
FIG 805-2

ELECTRIC SYSTEM (2)-NON CAB

년/월
Year/Month

T574NH-B

2022-12



NOTE

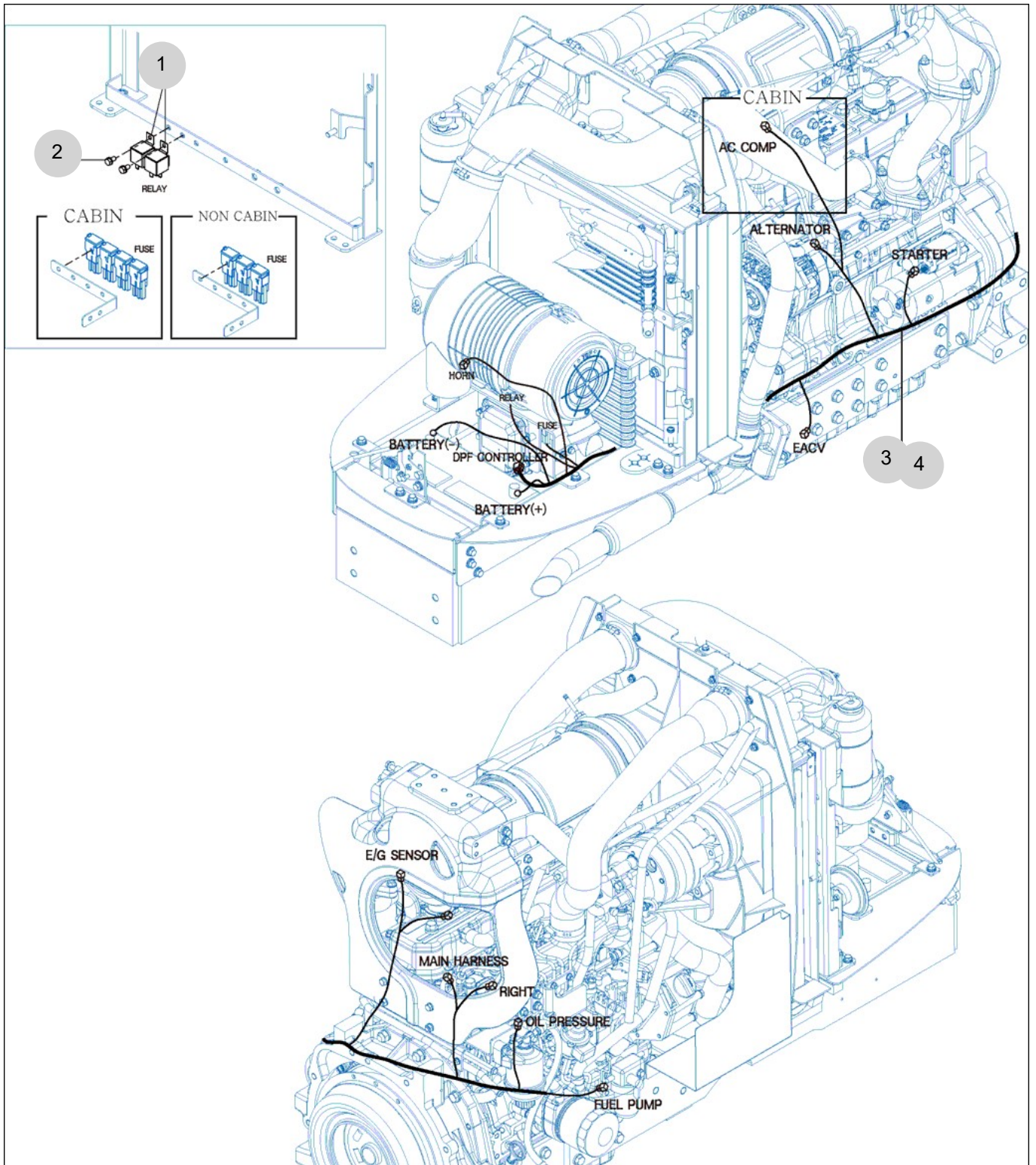
FIG 806

ELECTRIC SYSTEM (3)

년/월
Year/Month

T574NH-B

2022-12



NOTE

9. Label/Option PART NO. T9

| | |
|--------------------------|-----|
| FIG 901 TOOL & ACCESSORY | 253 |
| FIG 902 LABEL | 255 |
| FIG 902-2 LABEL | 257 |
| FIG 903 OPTION | 259 |

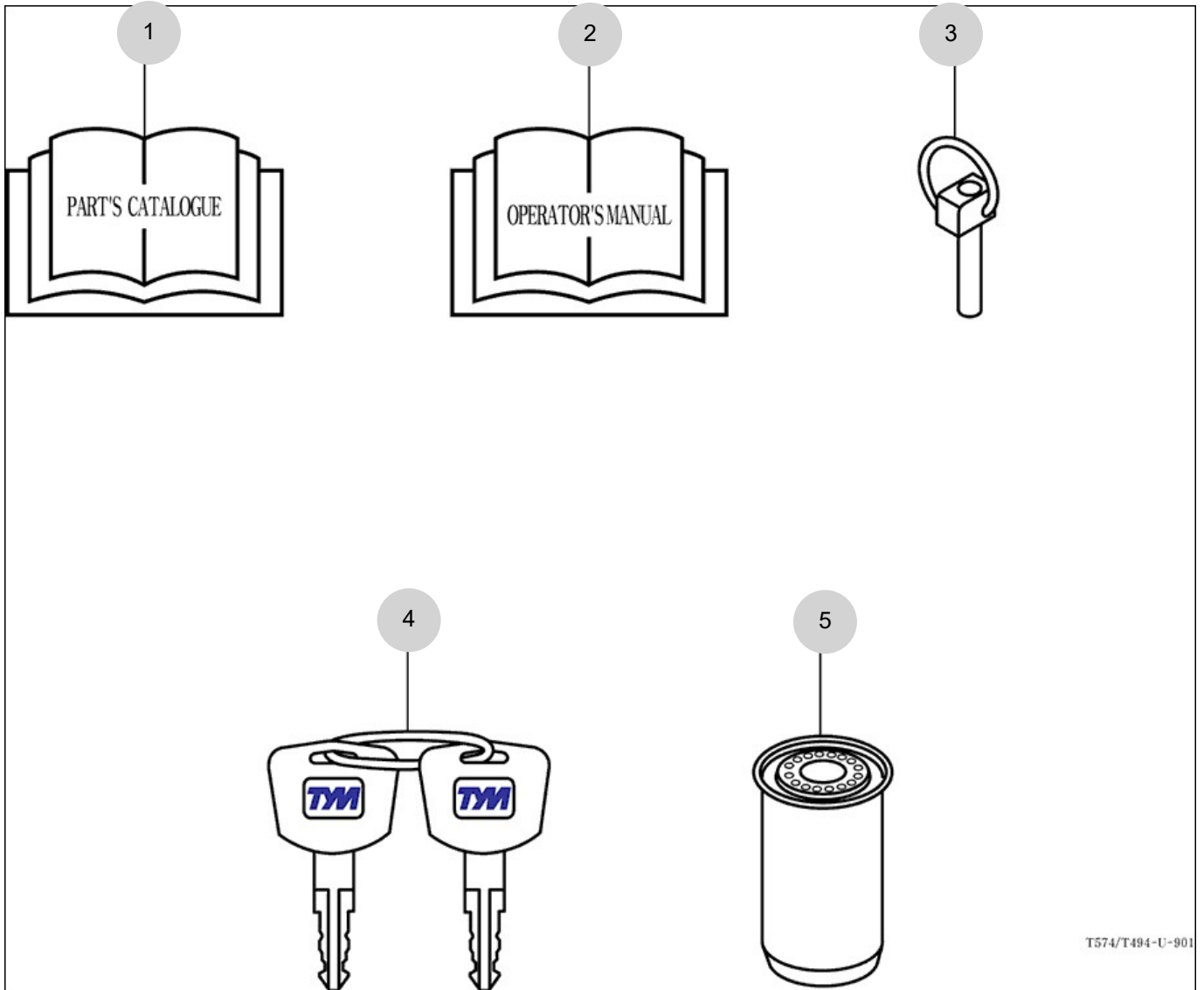
FIG 901

T574NH-B

TOOL & ACCESSORY

년/월
Year/Month

2022-12



NOTE

| FIG 901 | | TOOL & ACCESSORY | | | | | 년/월 Year/Month | |
|----------|---------|------------------|------------------------------------|-----|--------|-------------------|-------------------|--|
| T574NH-B | | 2022-12 | | | | | | |
| KEY NO | PART NO | DESCRIPTION | SPEC | QTY | REPAIR | EFFECTIVE DATE | REMARKS | |
| 901 | 1 | 13879500010 | PARTS CATALOGUE , T494,T574(NH,SH) | 1 | | | | |
| 901 | 2 | 13879400010 | OPERATION MANUAL-T494,T574(SH,NH) | 1 | | | | |
| 901 | 2 | 13879400011 | OPERATION MANUAL-T494,T574(SH,NH) | 1 | | | | |
| 901 | 3 | 14215020020 | PIN , LINK | 2 | | | | |
| 901 | 4 | 14527078721 | KEY SET , TYM | 1 | | | | |
| 901 | 4 | 12147078721 | KEY SET | 1 | | | | |
| 901 | 5 | 17975152101 | ELEMENT , SUCTION FILTER TM | 1 | | | | |
| | | | | | | | | |
| | | | | | | | | |
| | | | | | | | | |
| | | | | | | | | |
| | | | | | | | | |
| | | | | | | | | |
| | | | | | | | | |
| | | | | | | | | |
| | | | | | | | | |
| | | | | | | | | |
| | | | | | | | | |
| | | | | | | | | |
| | | | | | | | | |
| | | | | | | | | |
| | | | | | | | | |
| | | | | | | | | |
| | | | | | | | | |
| | | | | | | | | |
| | | | | | | | | |
| | | | | | | | | |
| | | | | | | | | |
| | | | | | | | | |
| | | | | | | | | |
| | | | | | | | | |
| | | | | | | | | |
| | | | | | | | | |
| | | | | | | | | |
| | | | | | | | | |
| | | | | | | | | |
| | | | | | | | | |
| | | | | | | | | |
| | | | | | | | | |
| | | | | | | | | |
| | | | | | | | | |
| | | | | | | | | |
| | | | | | | | | |
| | | | | | | | | |
| | | | | | | | | |
| NOTE | | | | | | | | |

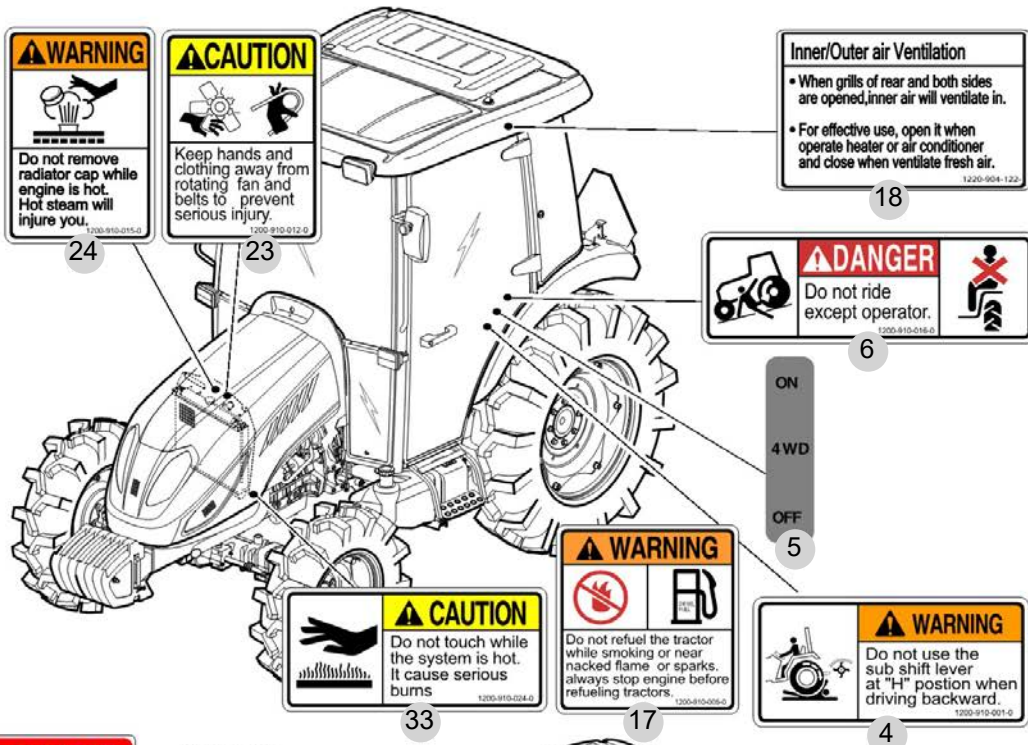
FIG 902

LABEL

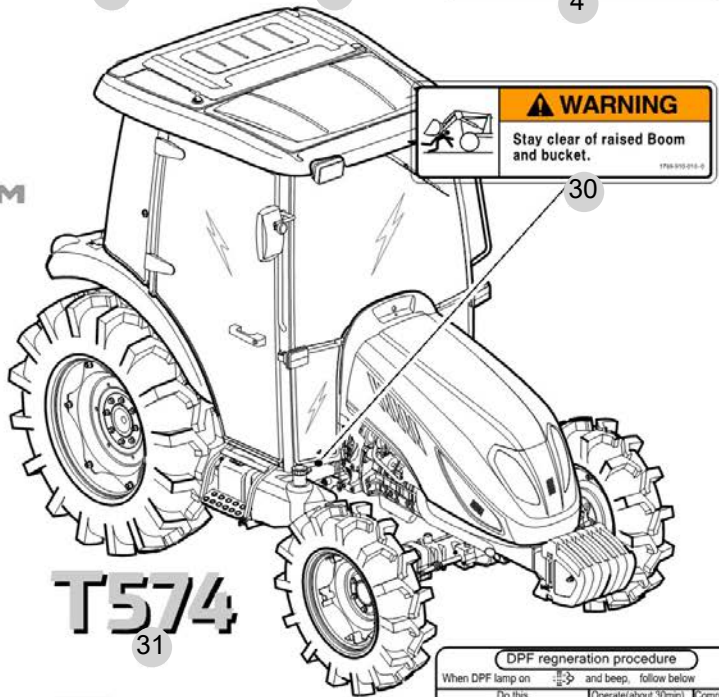
년/월
Year/Month

T574NH-B

2022-12



DANGER
This Tractor may tip over unexpectedly and quicker than an operator is able to jump free.
1. Never operate a tractor without a proper Roll Over Protection Structure (ROPS)
2. Always wear your seat belt when operating this tractor equipped with roll over protection.
3. Never pull from above or from the rear axle.
4. Do not operate the tractor on steep slopes or near drop offs.
5. Avoid sharp high speed turns.
Serious injury or death may result from tractor upsets.
39



WARNING
Additions, alterations, cracking, damage or corrosion to this structure may adversely affect the performance of the ROPS.
40

WARNING
Death or injury may result if this tractor over turns with the ROPS in the folded down position. Operate this tractor with the ROPS folded down only when necessary. Do not wear seat belt if operated with ROPS folded down. 1220-904-102-0
41

DPF regeneration procedure

| When DPF lamp on | Do this | Operate (about 30min) | Complete |
|-----------------------------------|---------------------------|--------------------------|---|
| 1 Park outside safe location | 2 Stop all functions. | 3 Parking brake ON. | DPF+EGT ON + Button blinking Lamp off |
| 4 Press clutch pedal (Mechanical) | 5 Engine speed to Max RPM | 6 Press the regen button | |
| 6 Must remain with the vehicle | | | |
| | | | |
| | | | |

For further details, consult your Owner's Manual. 1200-910-001-0
49

NOTE

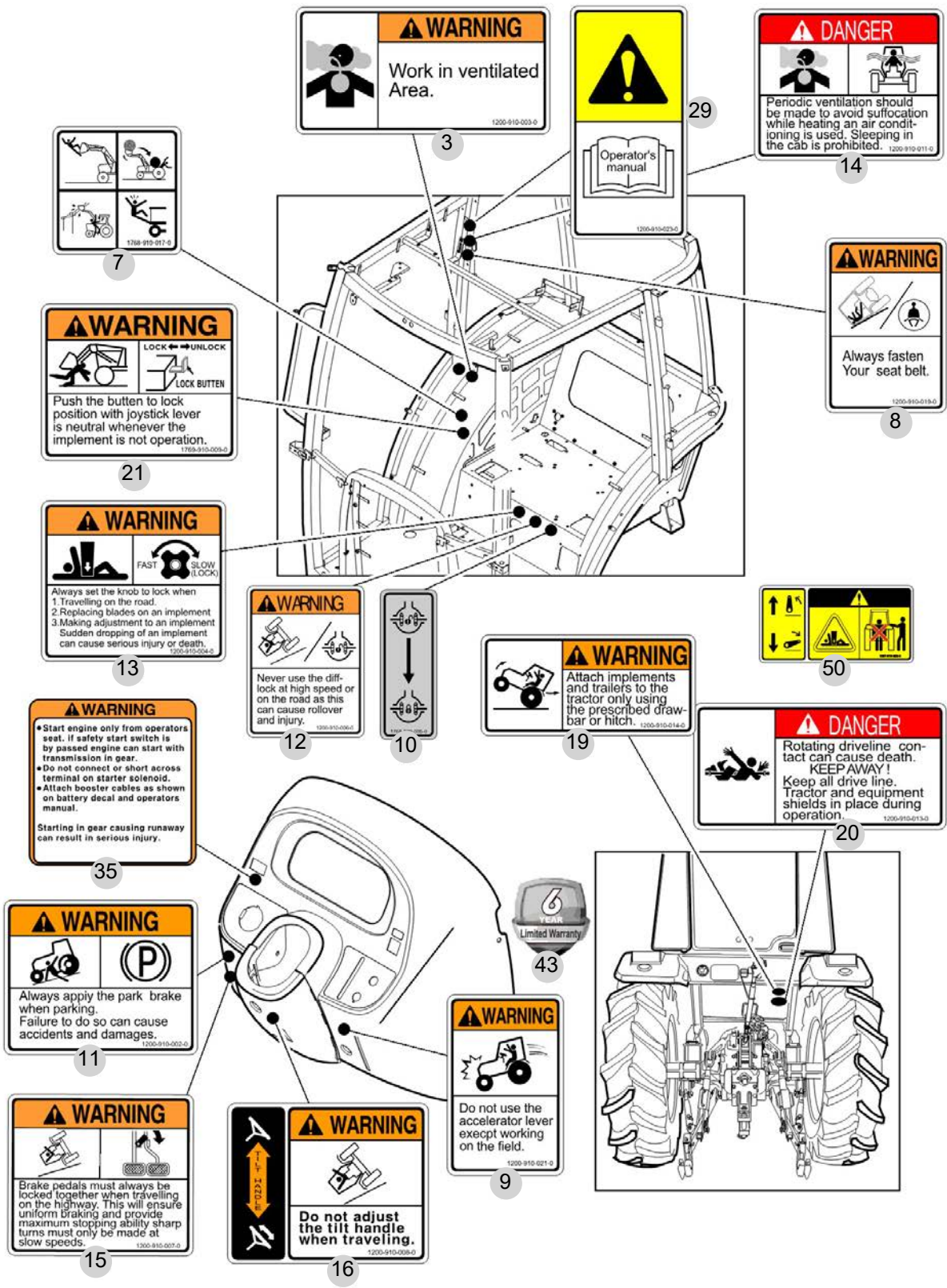
FIG 902-2

LABEL

년/월
Year/Month

T574NH-B

2022-12



NOTE

FIG 903

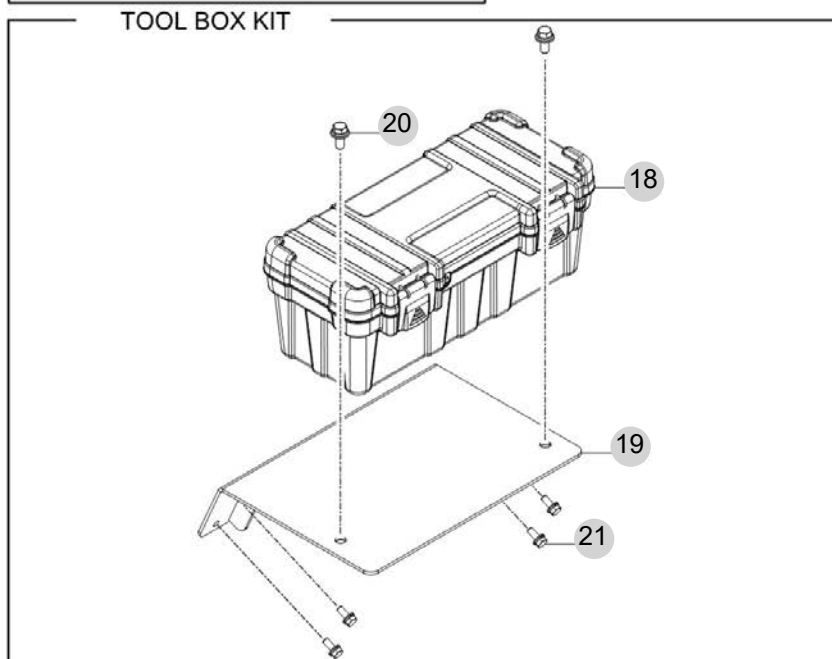
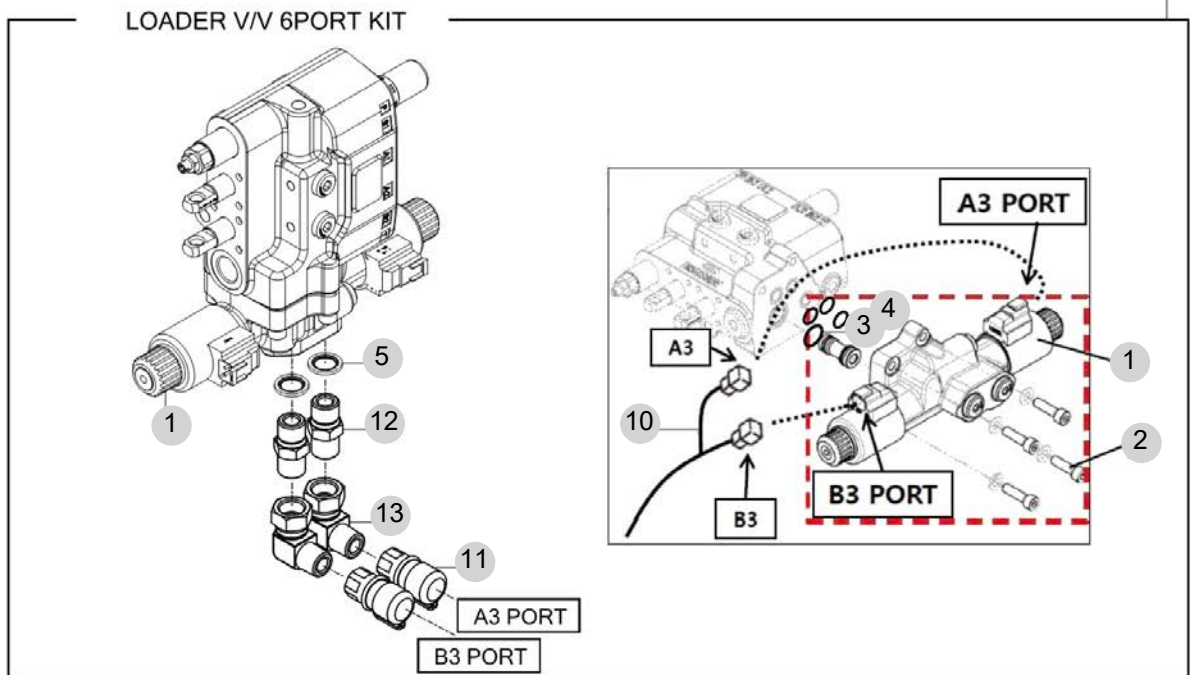
OPTION

년/월
Year/Month

T574NH-B

2022-12

0



NOTE

