

T264NH

## Parts Catalog

# 목 차

---

## 0. TRACTOR KIT PART NO. TK1

FIG 001 ADAPTER KIT	7
FIG 003 REAR WIPER KIT	9

## 1. Engine PART NO. EG

FIG 100 ENGINE	12
FIG 101 CYLINDER BLOCK	14
FIG 102 OIL PAN	16
FIG 103 CYLINDER HEAD	18
FIG 104 GEAR CASE	20
FIG 105 HEAD COVERT	22
FIG 106 OIL FILTER	24
FIG 107 OIL GAUGE	26
FIG 108 MAIN BEARING CASE	28
FIG 109 CAM SHAFT & IDLE SHAFT	30
FIG 110 PISTON & CRANK SHAFT	32
FIG 111 FLYWHEEL	34
FIG 112 FUEL CAM SHAFT&GOVERNOR SHAFT	36
FIG 113 IDLE APPARATUS	38
FIG 114 CONNECTING-ROD	40
FIG 115 GOVERNOR	42
FIG 116 SPEED CONTROL PLATE	44
FIG 117 INJECTOR & GLOW PLUG	46
FIG 118 WATER PUMP FLANGE&THERMOSTAT	48
FIG 119 WATER PUMP	50
FIG 120 ROCKER ARM	52
FIG 121 INTAKE MANIFOLD	54
FIG 122 EXHAUST MANIFOLD	56
FIG 123 STOP SOLENOID	58
FIG 124 ALTERNATOR & PULLY	60
FIG 125 STARTING MOTOR	62

FIG 126 EXHAUST SILENCER	64
FIG 127 COOLING PAN	66
FIG 128 OIL PRESSURE SWITCH	68
FIG 129 DATA PLATE	70
FIG 130 WATER PIPE	72
FIG 131 WATER PIPE	74

## 2. Engine Accessories PART NO. T2

FIG 201 AIR CLEANER	77
FIG 202 RADIATOR	79
FIG 203 MUFFLER	81
FIG 204 FUEL TANK & FUEL LINE	83
FIG 205 ACCELERATOR	85
FIG 206 OIL COOLER	87

## 3. Clutch/Brake/Steering PART NO. T3

FIG 301 FLYWHEEL COVER	90
FIG 302 SPEED CONTROL	92
FIG 303 BRAKE	95
FIG 304 BRAKE PEDAL & LINKAGE	97
FIG 305 STEERING WHEEL & DASH COVER	99
FIG 306 STEERING VALVE	101
FIG 307 STEERING CYLINDER	103
FIG 308 FRONT WHEEL	105
FIG 309 REAR WHEEL	107

## 4. Transmission PART NO. T4

FIG 401 INPUT SHAFT	110
FIG 402 HST	112
FIG 403 4WD DRIVE GEAR	114
FIG 404 RANGE GEARS	116
FIG 405 P.T.O DRIVE SHAFT	118
FIG 406 P.T.O DRIVE SHAFT	120
FIG 408 DIFF LOCK	122
FIG 409 REAR TRANSMISSION CASE	124

FIG 410 REAR AXLE HOUSINGS	126
FIG 411 RANGE SHIFT LEVER	128
FIG 412 P.T.O CHANGE LEVER	130
FIG 413 4WD CHANGE LEVER	132

## 5. Front Axle PART NO. T5

FIG 501 FRAME	135
FIG 502 FRONT DIFFERENTIAL GEARS & SHAFT	137
FIG 503 FRONT AXLE HOUSING	139
FIG 504 FRONT GEAR CASE (1)	141
FIG 505 FRONT GEAR CASE (2)	143

## 6. Hydraulic/3P-Link PART NO. T6

FIG 601 CYLINDER CASE	146
FIG 602 LIFT ARM	148
FIG 603 FLOW CONTROL VALVE	150
FIG 604 CONTROL VALVE LINKAGE	152
FIG 605 MAIN CONTROL VALVE	154
FIG 607 POSITION LEVER LINKAGE	156
FIG 608 GEAR PUMP	158
FIG 609 HYDRAULIC HOSE (1)	160
FIG 610 HYDRAULIC HOSE (2)	162
FIG 611 PTO VALVE	164
FIG 612 HITCH & 3-POINT LINKAGE	166
FIG 613 JOYSTICK LEVER	169
FIG 614 HITCH & COVER	171

## 7. Sheet Metal & Cabin PART NO. T7

FIG 701(1) BONNET	174
FIG 701(2) BONNET	176
FIG 702 DASH PANEL	178
FIG 703 FLOOR	180
FIG 704 SEAT	182
FIG 705 ROPS	184
FIG 706 CAB FRAME & DOOR(OPTION)	186

FIG 707 FRONT GLASS(OPTION)	188
FIG 708 SIDE & REAR GLASS(OPTION)	190
FIG 709 ROOF(OPTION)	192
FIG 710 HEATER(OPTION)	194
FIG 711 INTERIOR PART(OPTION)	196
FIG 712 LAMP & COVER(OPTION)	198
FIG 713 FRONT & REAR MOUNTING(OPTION)	200

## 8. Electrical System PART NO. T8

FIG 801 BATTERY & MOUNTING	203
FIG 802 LIGHTS	205
FIG 803 INSTRUMENT PANEL	207
FIG 804 ELECTRIC SYSTEM	209
FIG 805 HARNESS	211

## 9. Label/Option PART NO. T9

FIG 901 TOOL & ACCESSORY	214
--------------------------	-----

# 0. TRACTOR KIT PART NO. TK1

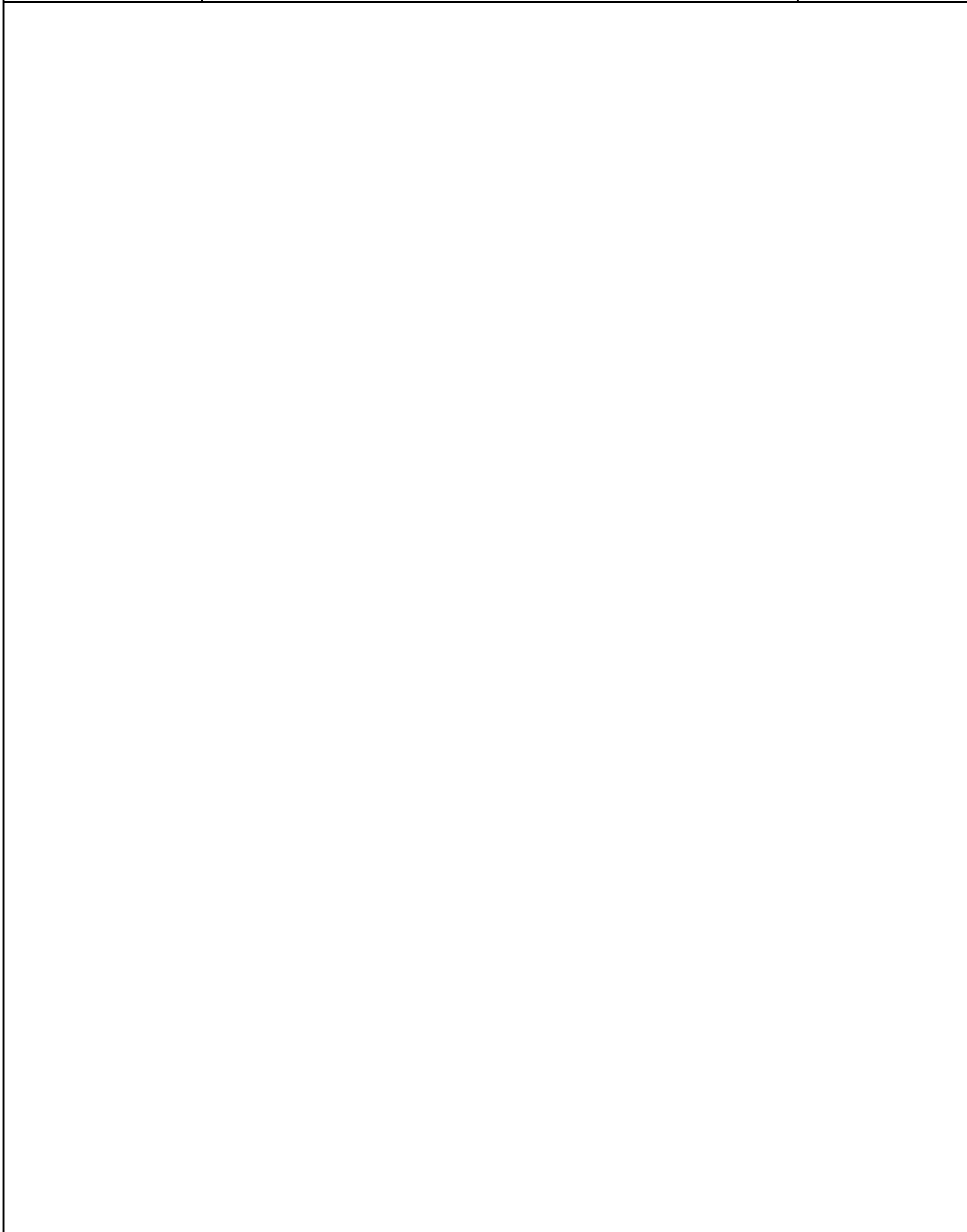
FIG 001 ADAPTER KIT

7

FIG 003 REAR WIPER KIT

9

FIG 001 T264NH	ADAPTER KIT	년/월 Year/Month 2022-12
-------------------	-------------	------------------------------

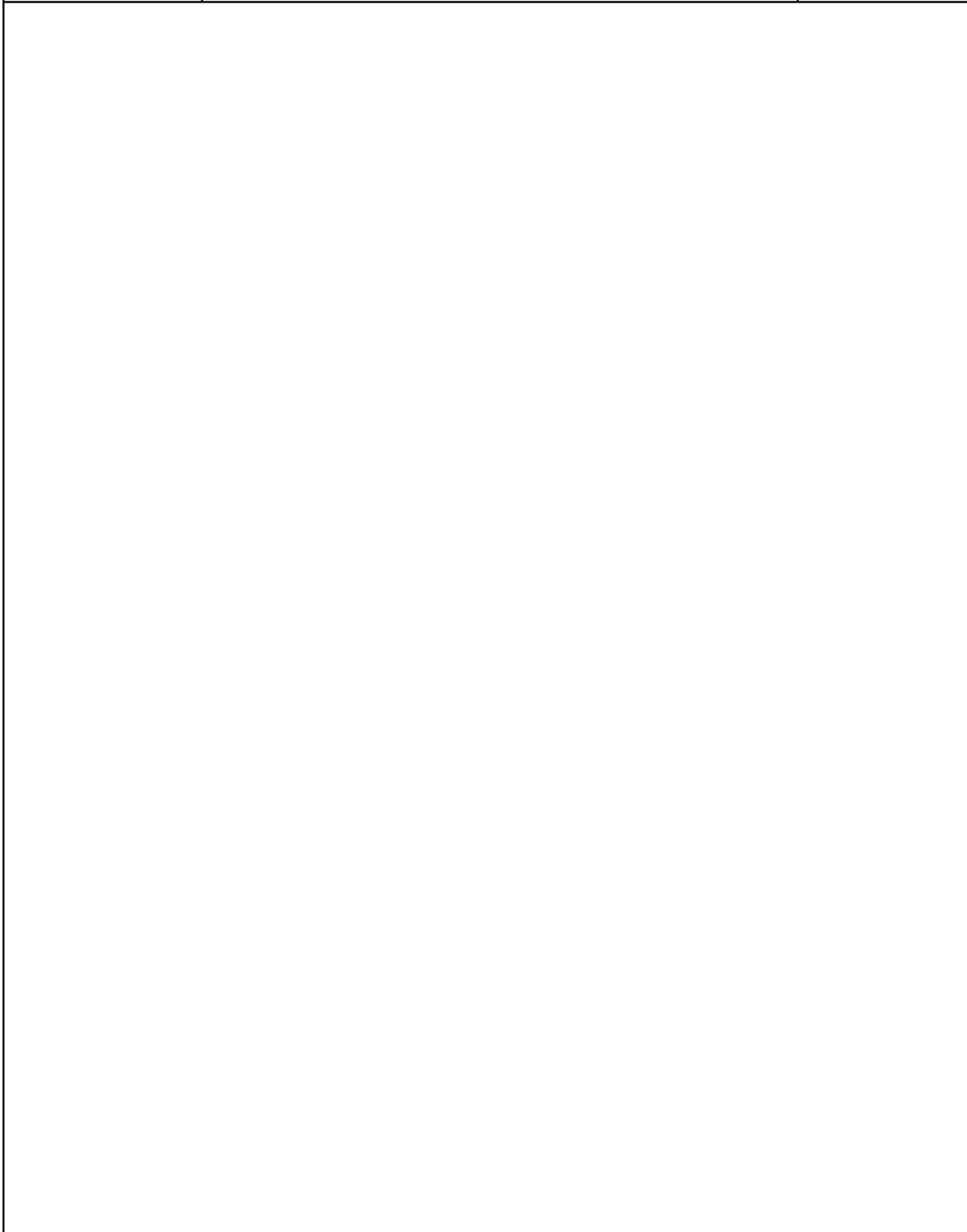


NOTE	
------	--





FIG 003 T264NH	REAR WIPER KIT	년/월 Year/Month 2022-12
-------------------	----------------	------------------------------



NOTE	
------	--



## 1. Engine PART NO. EG

FIG 100 ENGINE	12
FIG 101 CYLINDER BLOCK	14
FIG 102 OIL PAN	16
FIG 103 CYLINDER HEAD	18
FIG 104 GEAR CASE	20
FIG 105 HEAD COVERT	22
FIG 106 OIL FILTER	24
FIG 107 OIL GAUGE	26
FIG 108 MAIN BEARING CASE	28
FIG 109 CAM SHAFT & IDLE SHAFT	30
FIG 110 PISTON & CRANK SHAFT	32
FIG 111 FLYWHEEL	34
FIG 112 FUEL CAM SHAFT&GOVERNOR SHAFT	36
FIG 113 IDLE APPARATUS	38
FIG 114 CONNECTING-ROD	40
FIG 115 GOVERNOR	42
FIG 116 SPEED CONTROL PLATE	44
FIG 117 INJECTOR & GLOW PLUG	46
FIG 118 WATER PUMP FLANGE&THERMOSTAT	48
FIG 119 WATER PUMP	50
FIG 120 ROCKER ARM	52
FIG 121 INTAKE MANIFOLD	54
FIG 122 EXHAUST MANIFOLD	56
FIG 123 STOP SOLENOID	58
FIG 124 ALTERNATOR & PULLY	60
FIG 125 STARTING MOTOR	62
FIG 126 EXHAUST SILENCER	64
FIG 127 COOLING PAN	66
FIG 128 OIL PRESSURE SWITCH	68
FIG 129 DATA PLATE	70
FIG 130 WATER PIPE	72
FIG 131 WATER PIPE	74

FIG 100 T264NH	ENGINE	년/월 Year/Month
		2022-12
NOTE		



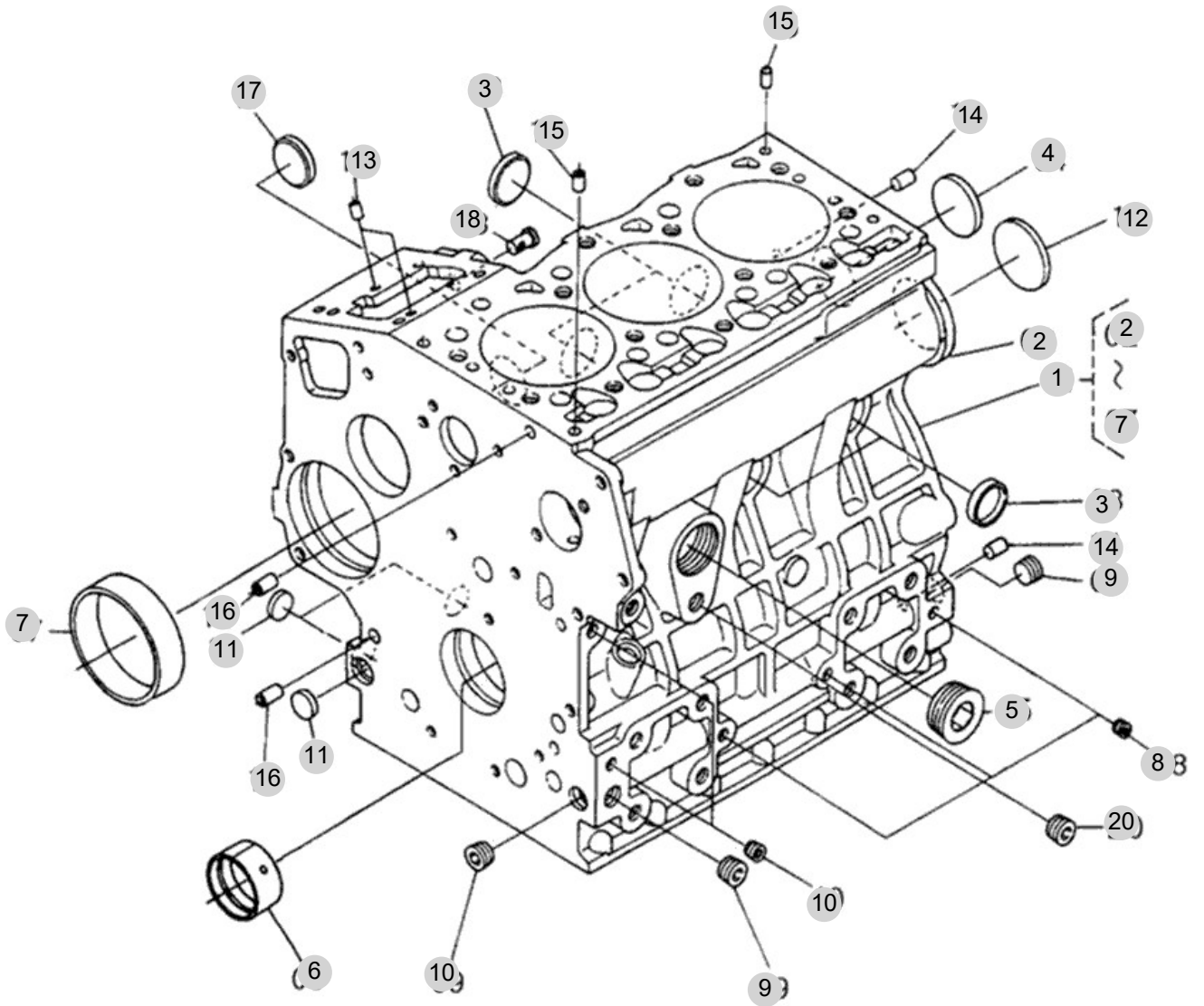
FIG 101

CYLINDER BLOCK

년/월  
Year/Month

2022-12

T264NH



NOTE



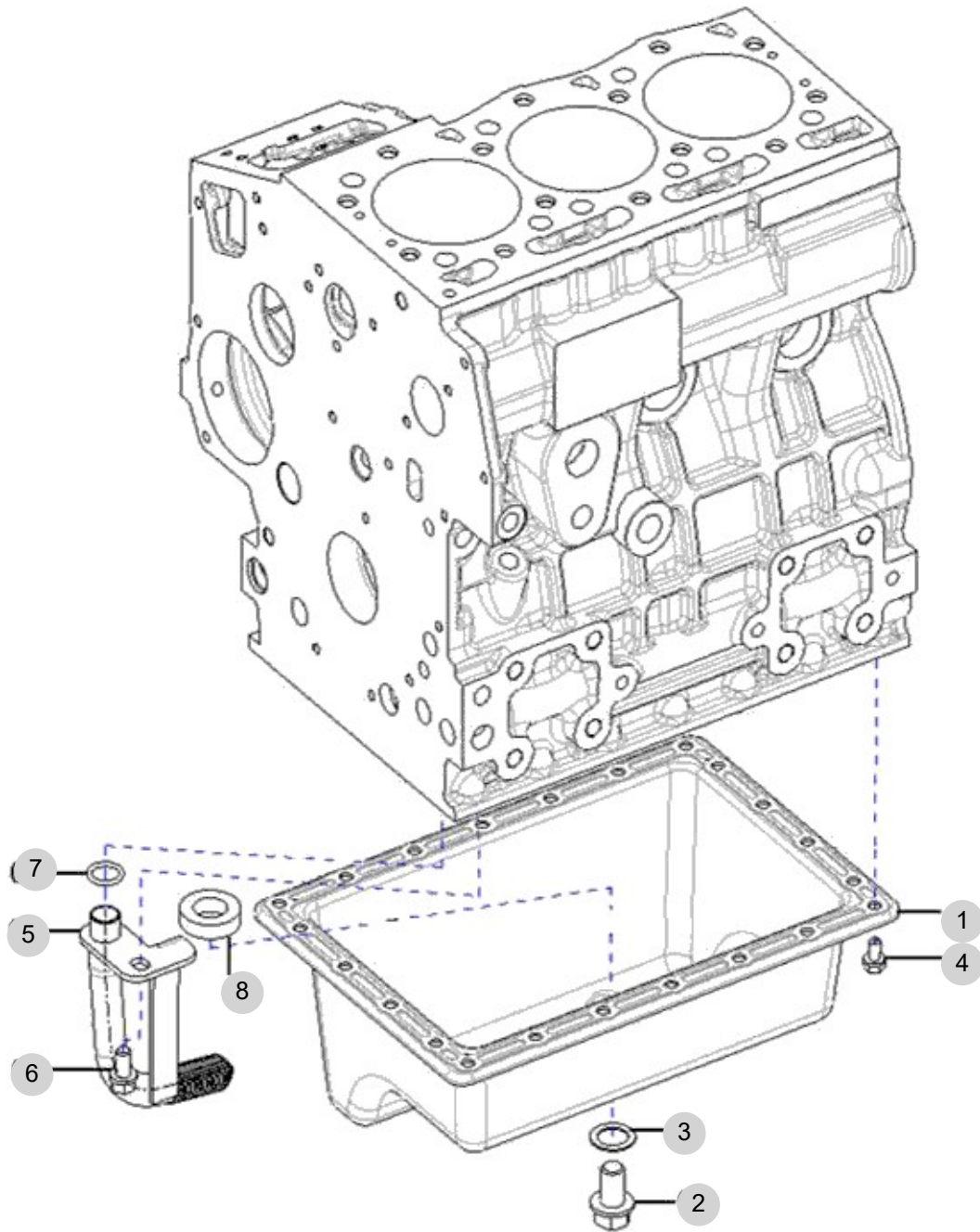
FIG 102

OIL PAN

년/월  
Year/Month

2022-12

T264NH



NOTE



FIG 102 T264NH		OIL PAN						년/월 Year/Month	
								2022-12	
KEY NO		PART NO	DESCRIPTION	SPEC	QTY	REPAIR	EFFECTIVE DATE	REMARKS	
102	1	EA00000865C	ASS'Y PAN, OIL		1				
102	2	EA00001475A	DRAIN PLUG		1				
102	3	24311-000140	O-RING, DYNAMIC (Φ14)		1				
102	4	26013-060122	BOLT	M6X12	22				
102	5	EA00000869A	ASS'Y FILTER, OIL		1				
102	6	26013-080162	BOLT	M8X16	1				
102	7	24311-000160	SEAL, O-RING		1				
102	8	HF01470000A	MAGNET		1				
NOTE									

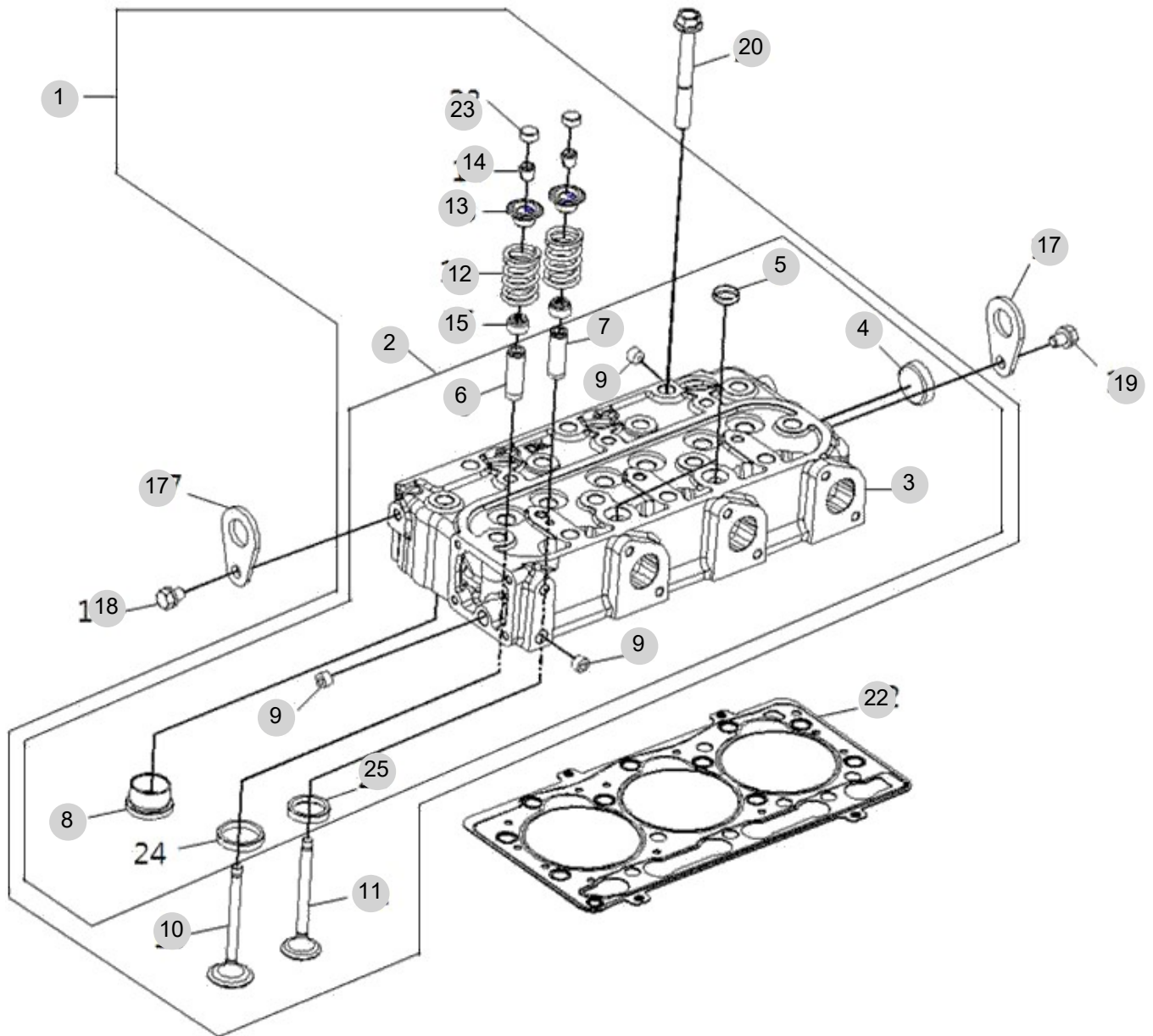
FIG 103

CYLINDER HEAD

년/월  
Year/Month

2022-12

T264NH



NOTE

<b>FIG 103</b>  T264NH	<b>CYLINDER HEAD</b>	년/월 Year/Month  2022-12
------------------------------	----------------------	----------------------------------

KEY NO	PART NO	DESCRIPTION	SPEC	QTY	REPAIR	EFFECTIVE DATE	REMARKS
103	1	EA00005520A	COMP. HEAD, CYLINDER		1		
103	2	EA00005519B	COMP. HEAD, CYLINDER		1		
103	3	HT03010101D0	HEAD, CYLINDER		1		
103	4	27241-300000	PLUG, EXPANSION		1		
103	5	27241-180000	PULG, EXPANSION		2		
103	6	HT03010102A	GUIDE, INLET VALVE		3		
103	7	HT03010103A	GUIDE, EXH VALVE		3		
103	8	EA00004365A	CHAMBER, INJECTION		3		
103	9	23871-010000	PLUG, PIPE	PT 1/8"	3		
103	10	HT03010200A	VALVE, INLET		3		
103	11	HT03010300A	VALVE, EXHAUST		3		
103	12	HT03010400A	SPRING, VALVE		6		
103	13	HT03010500A	RETAINER, VALVE SPRING		6		
103	14	HT03010600A	COLLCET, VALVE SPRING		12		
103	15	HC03090000A	SEAL, VALVE STEM		6		
103	17	HT03020000A	HOOK, ENGINE		2		
103	19	26013-080122	BOLT	M8X12	3		
103	20	HT03030000A	BOLT, CYLINDER HEAD		14		
103	22	HT03040000B	GASKET , CYLINDER HEAD		1		
103	23	EA00000545A	CAP, VALVE		6		
103	25	EA00000962A	SEAT, EXHAUST		3		

NOTE

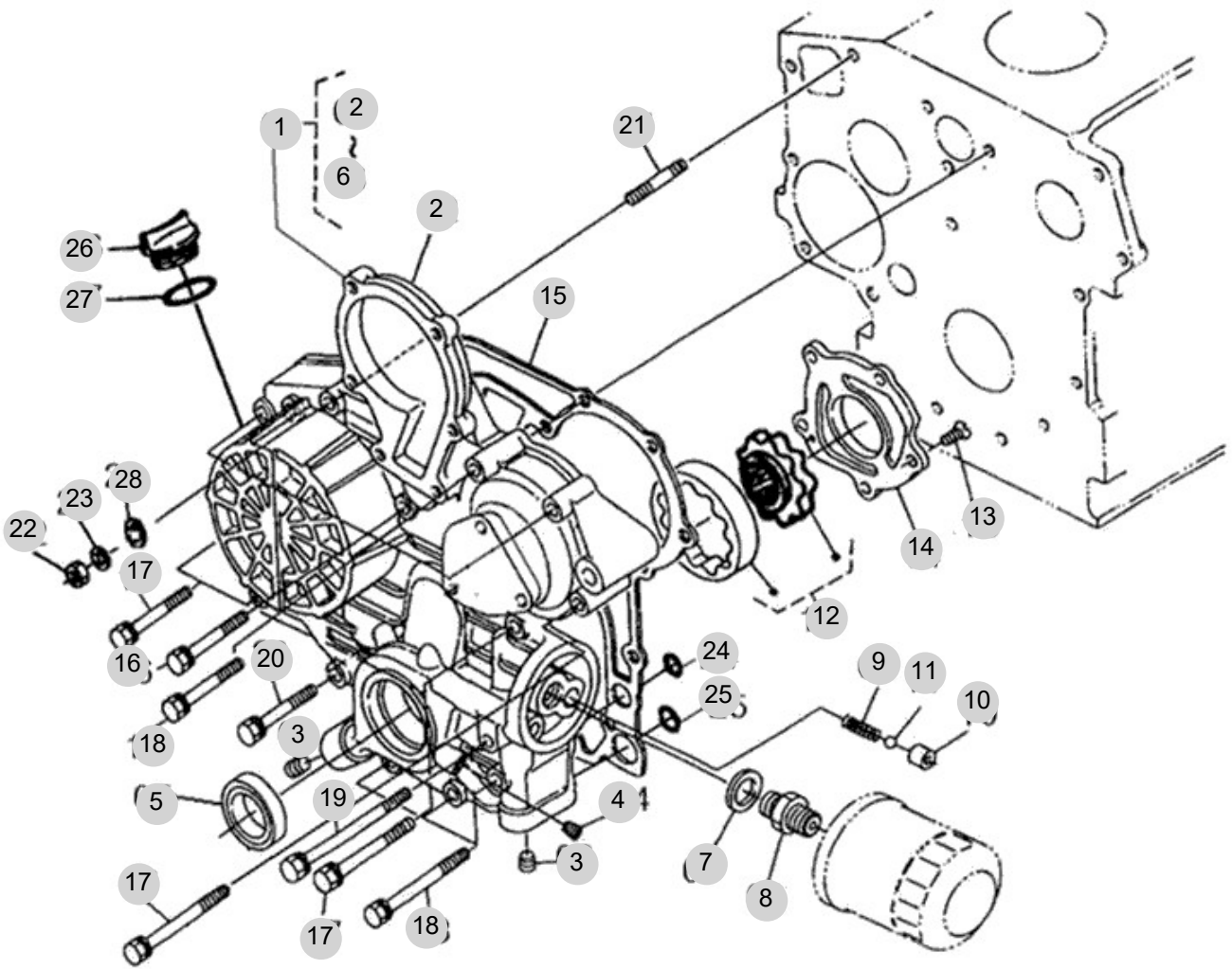
FIG 104

GEAR CASE

년/월  
Year/Month

2022-12

T264NH



NOTE



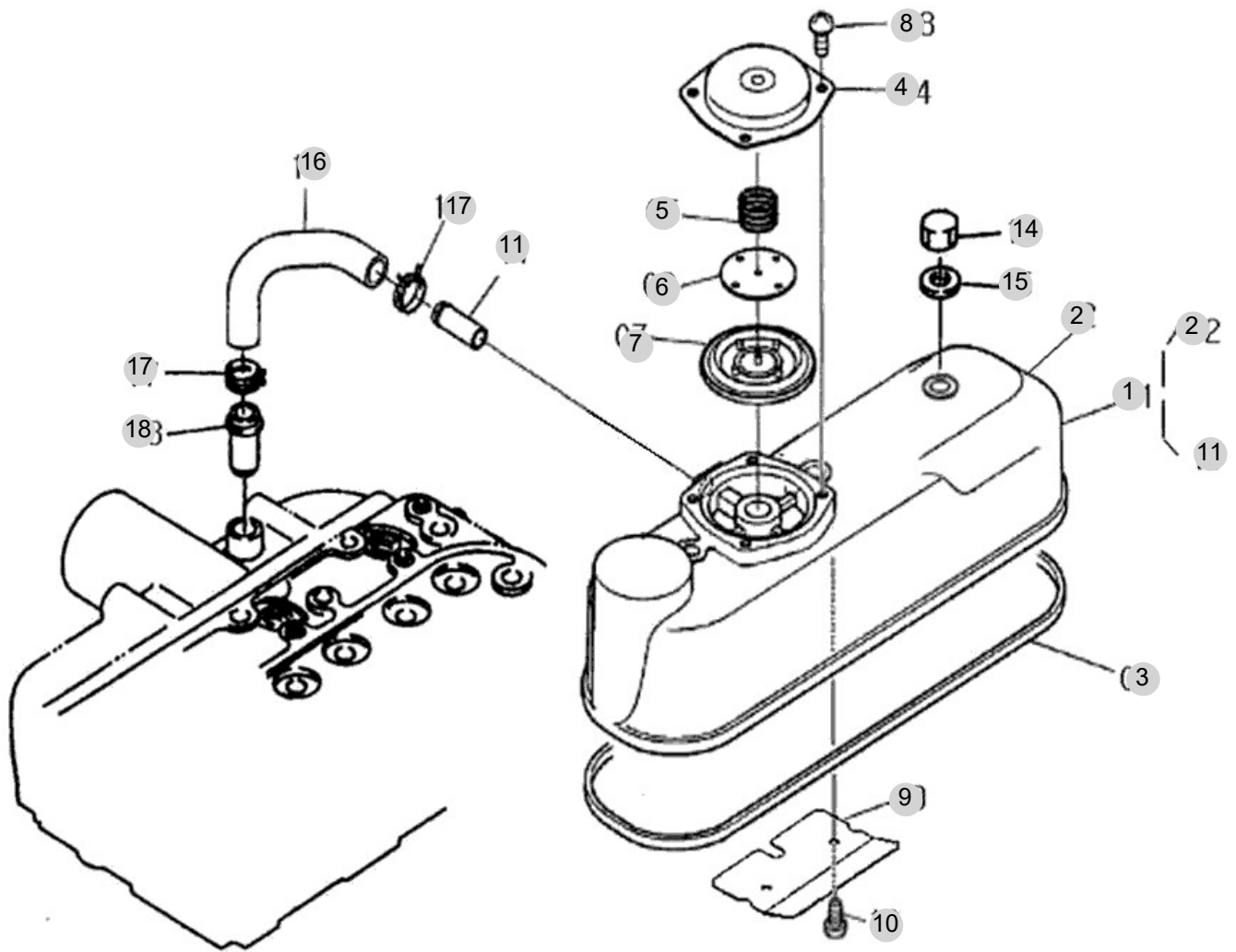
FIG 105

HEAD COVERT

년/월  
Year/Month

2022-12

T264NH



NOTE



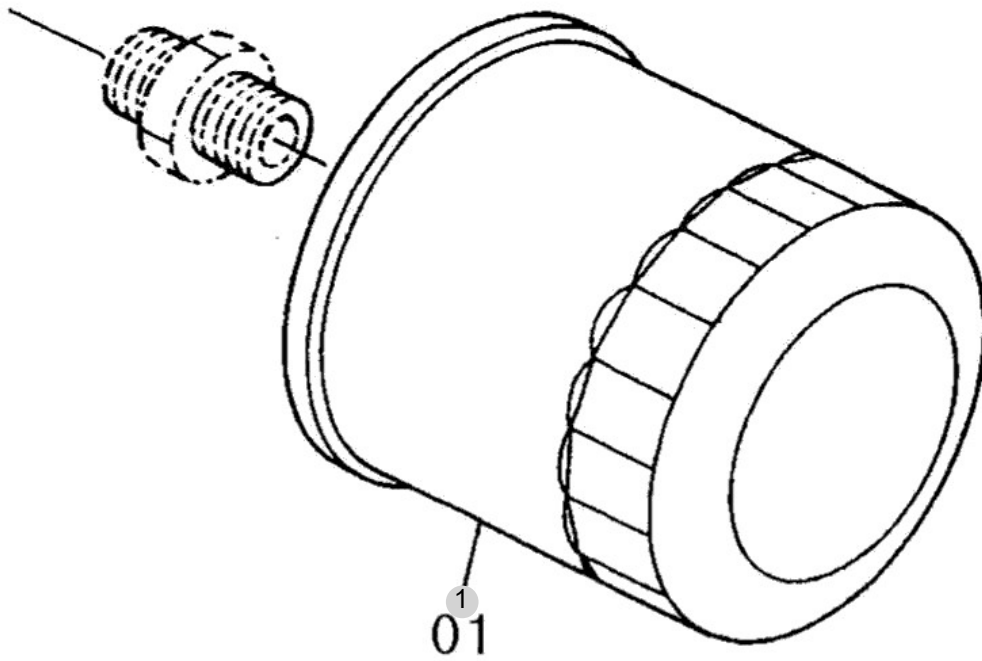
FIG 106

T264NH

OIL FILTER

년/월  
Year/Month

2022-12



NOTE





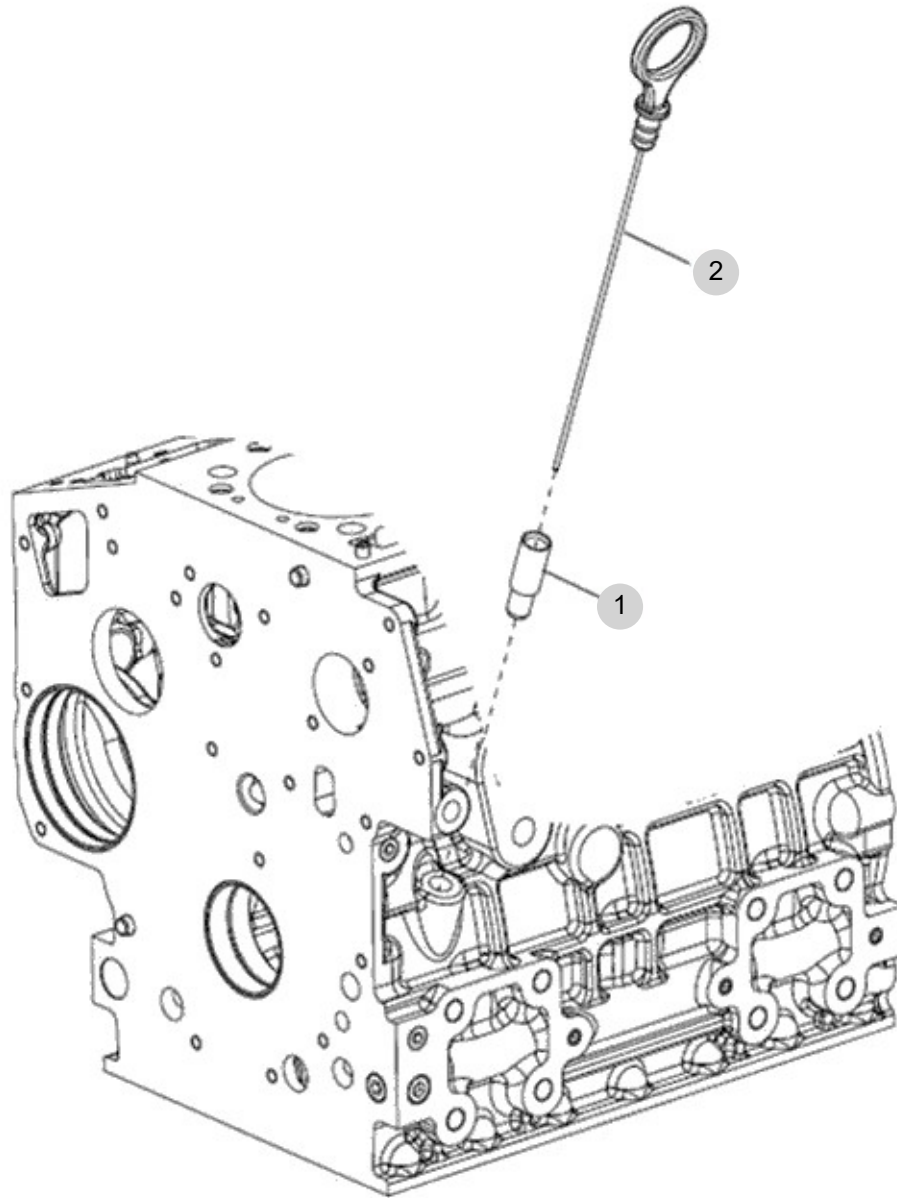
FIG 107

T264NH

OIL GAUGE

년/월  
Year/Month

2022-12



NOTE



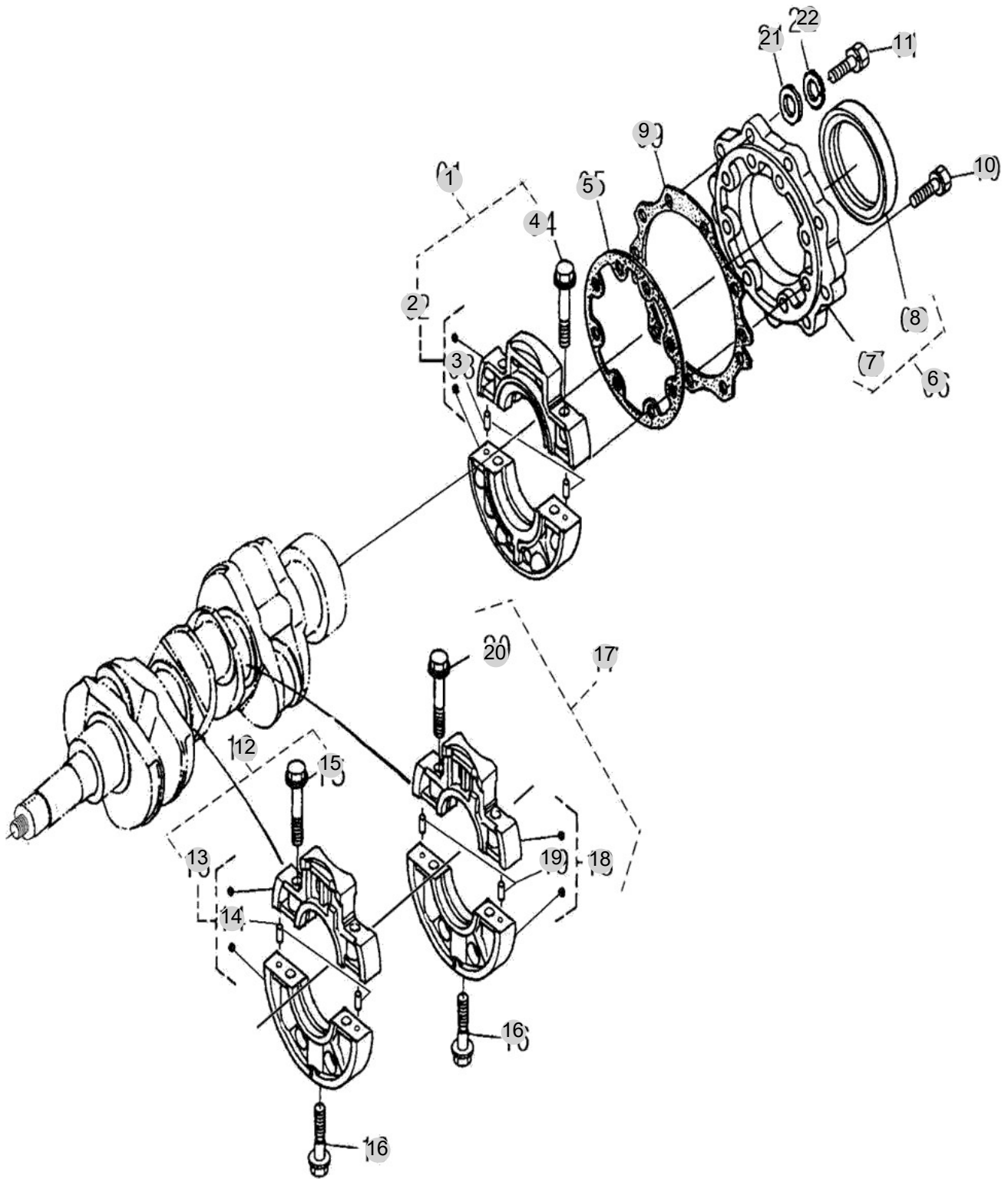
FIG 108

T264NH

MAIN BEARING CASE

년/월  
Year/Month

2022-12



NOTE



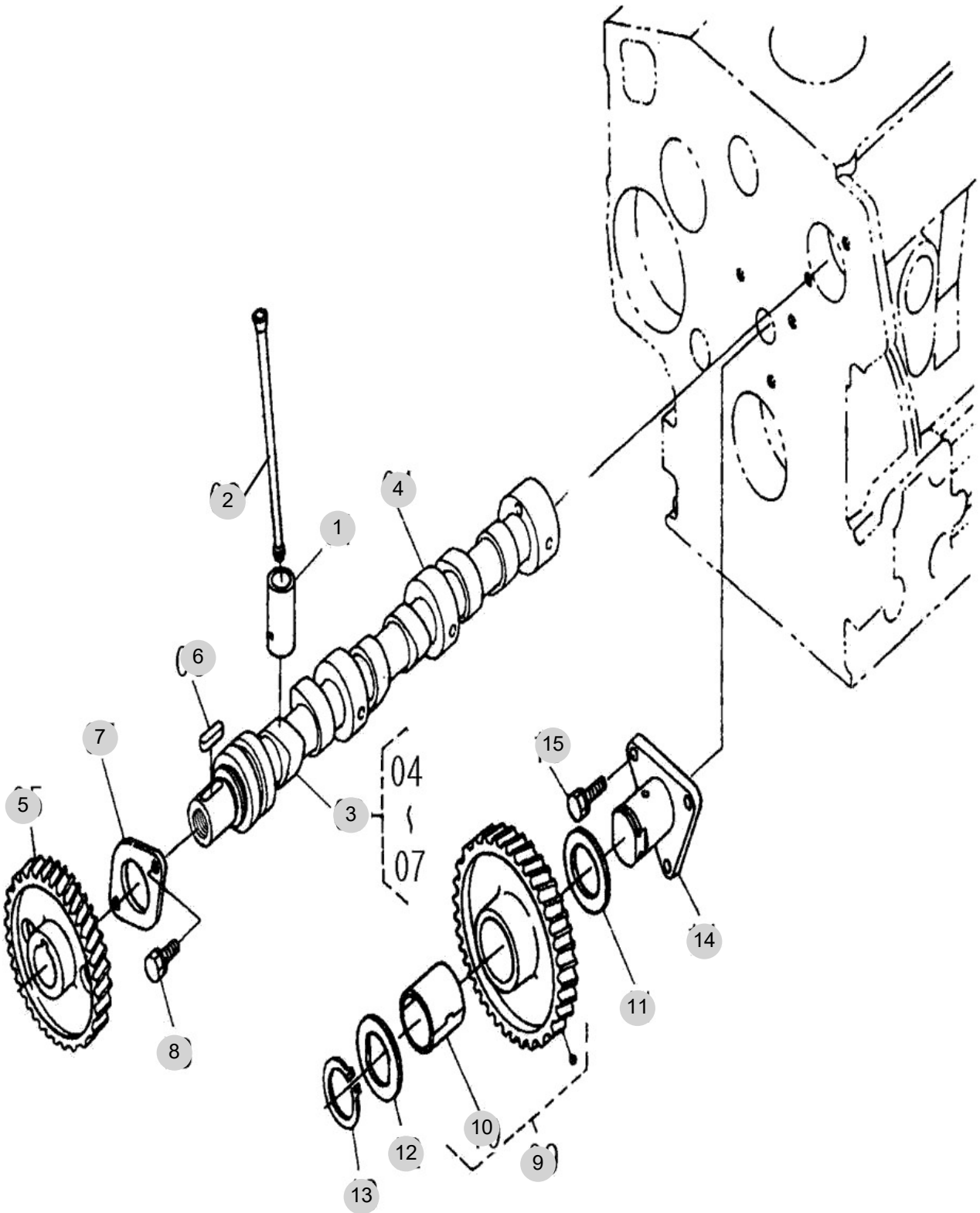
FIG 109

CAM SHAFT & IDLE SHAFT

년/월  
Year/Month

2022-12

T264NH



NOTE



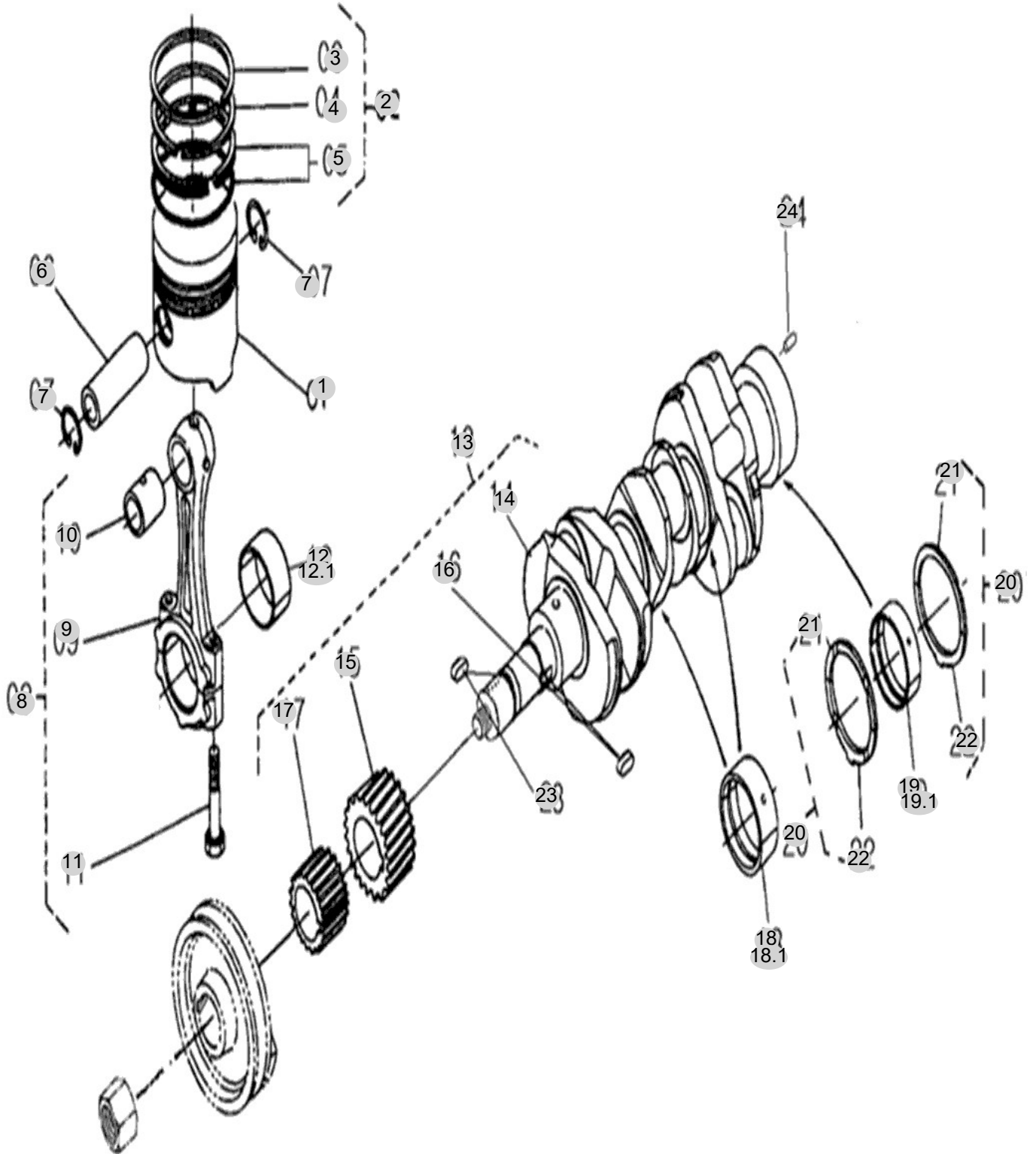
FIG 110

PISTON & CRANK SHAFT

년/월  
Year/Month

2022-12

T264NH



NOTE





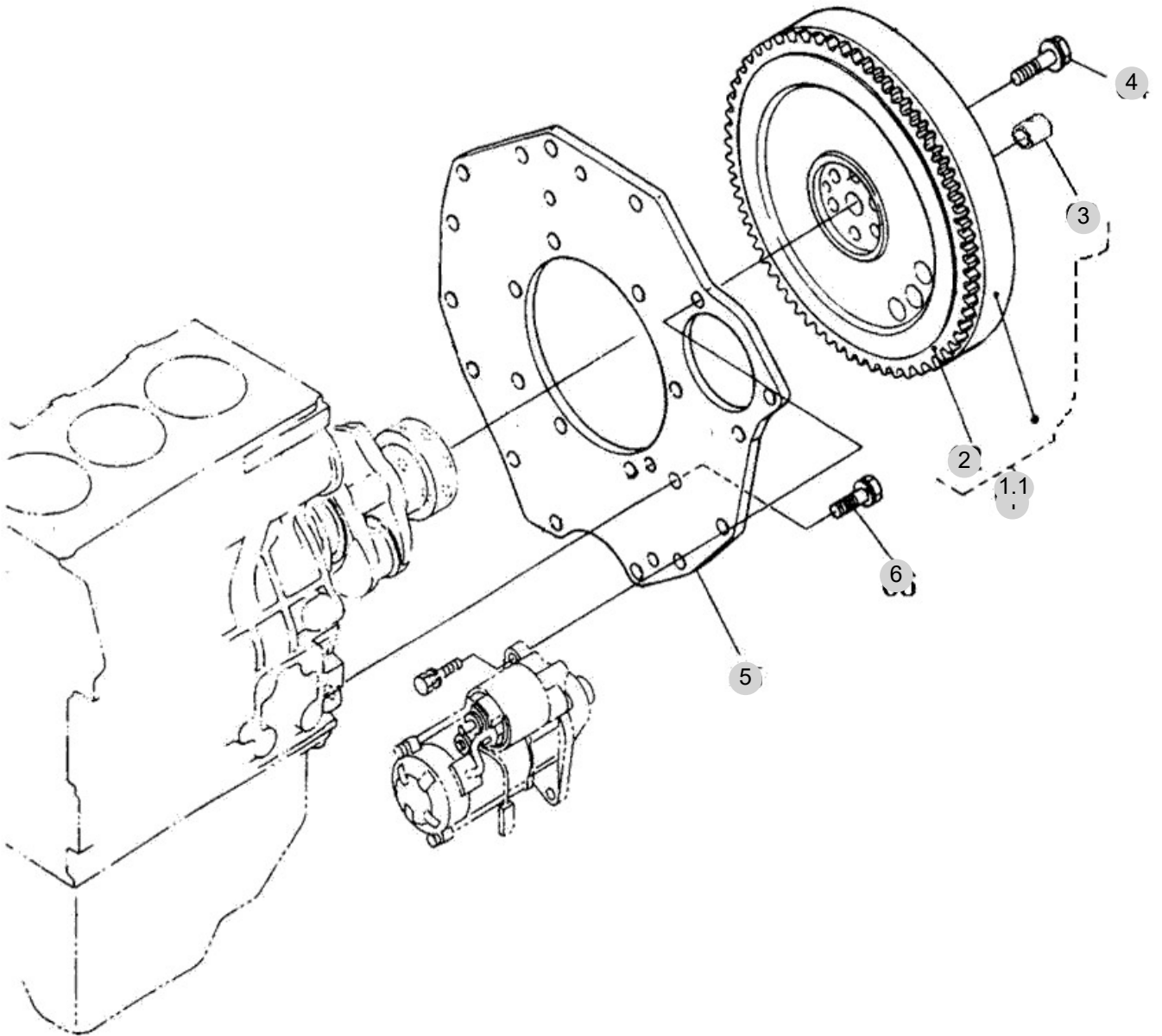
FIG 111

FLYWHEEL

년/월  
Year/Month

2022-12

T264NH



NOTE



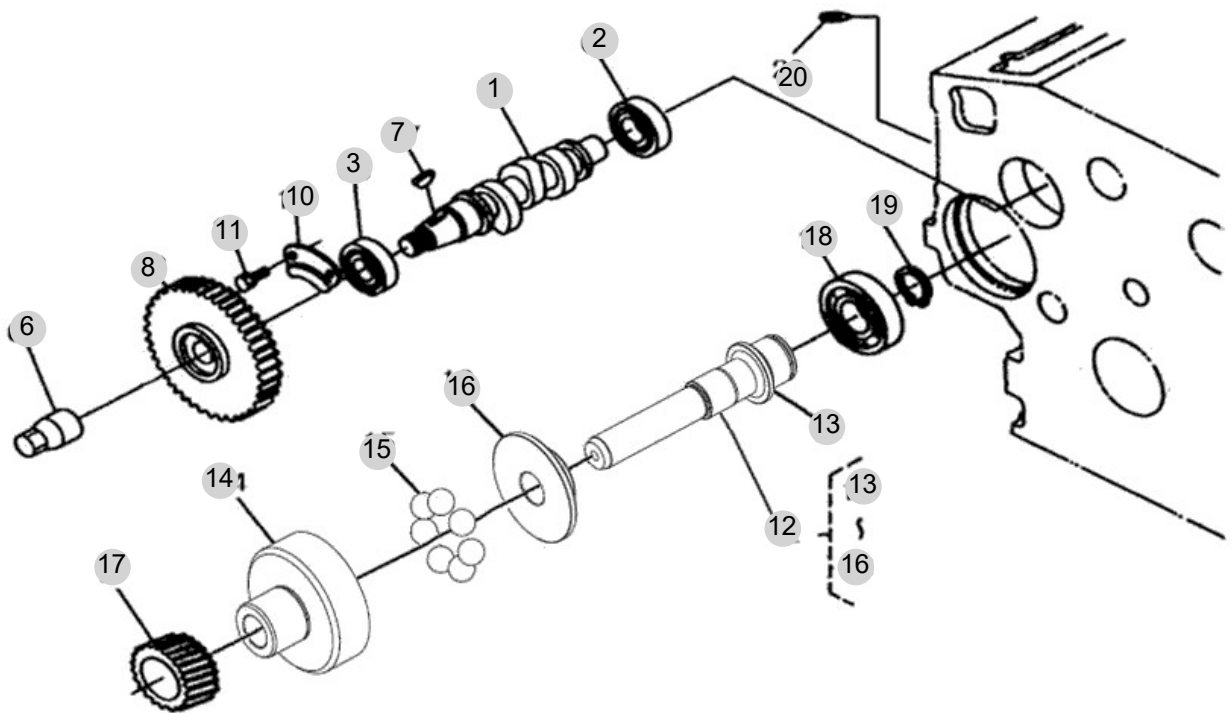
FIG 112

FUEL CAM SHAFT&GOVERNOR SHAFT

년/월  
Year/Month

2022-12

T264NH



NOTE



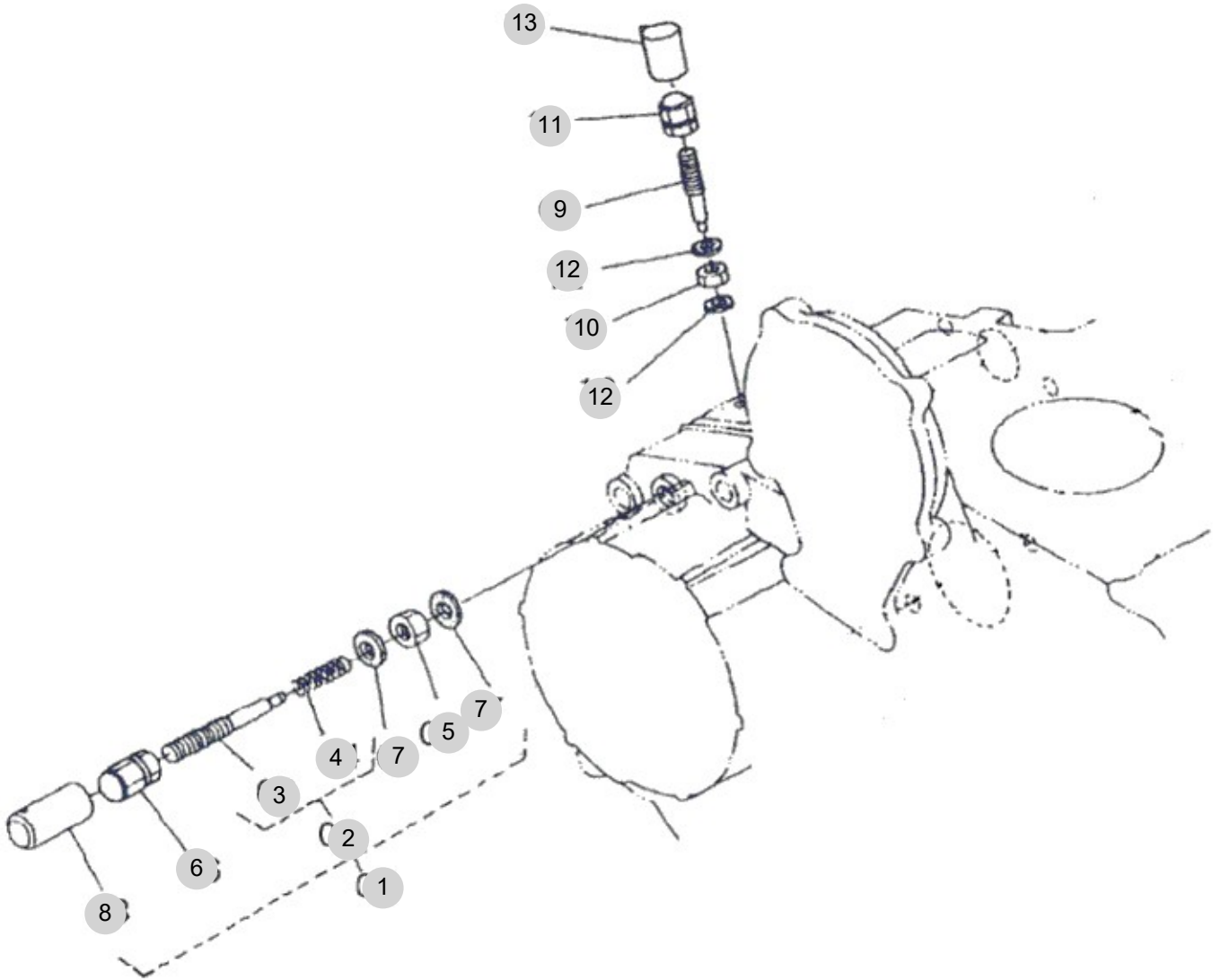
FIG 113

IDLE APPARATUS

년/월  
Year/Month

2022-12

T264NH



NOTE



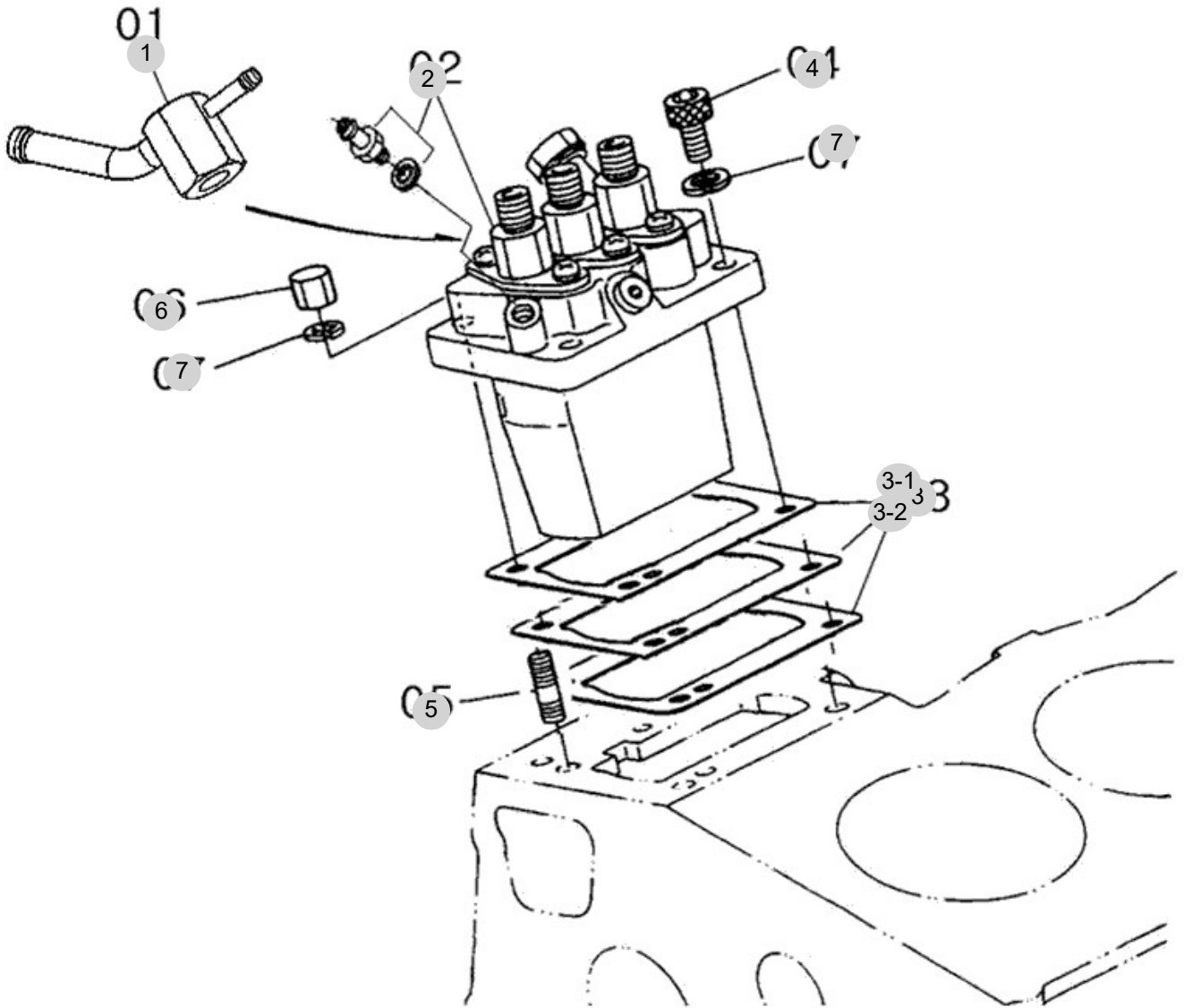
FIG 114

T264NH

CONNECTING-ROD

년/월  
Year/Month

2022-12



NOTE





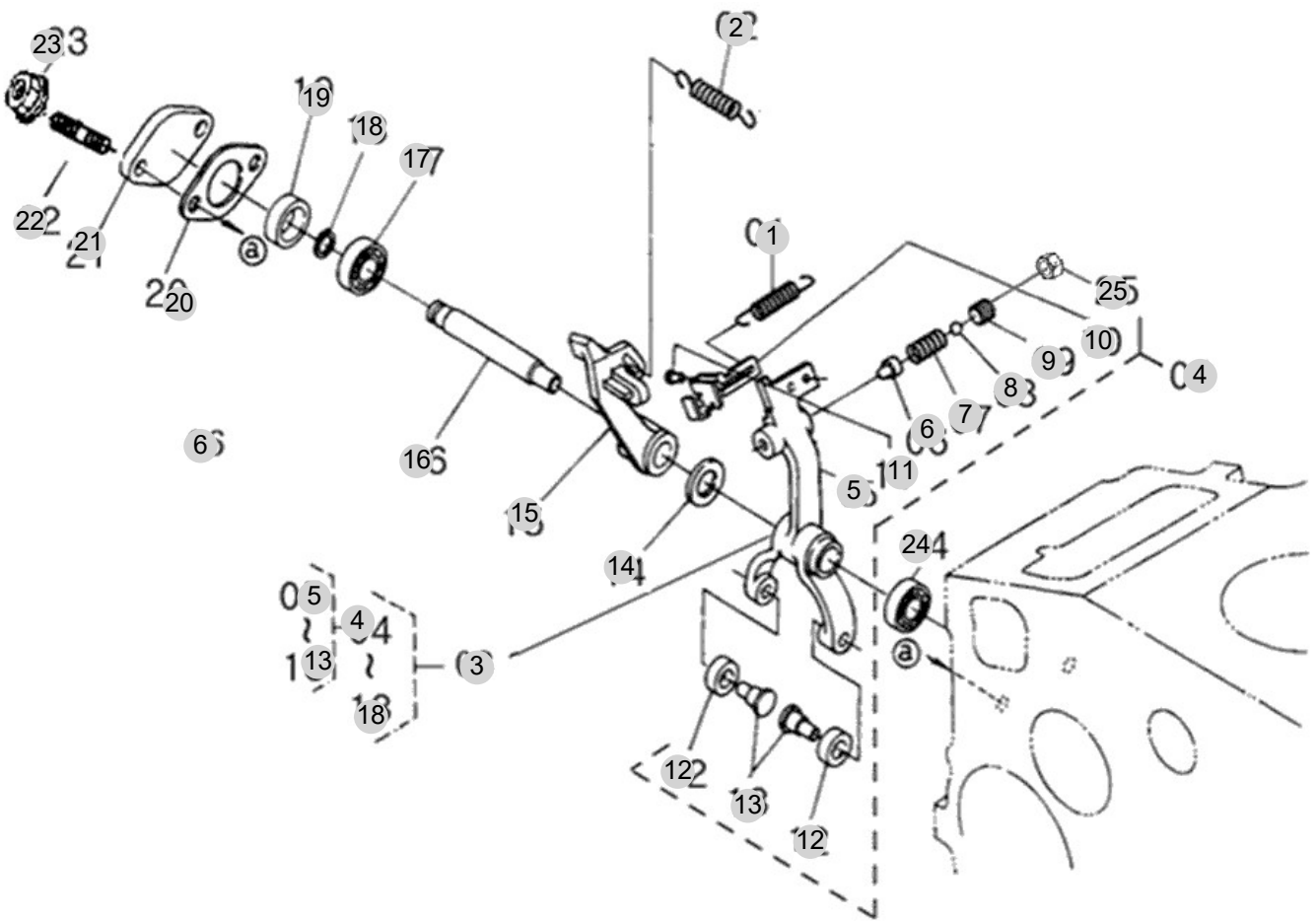
FIG 115

GOVERNOR

년/월  
Year/Month

2022-12

T264NH



NOTE



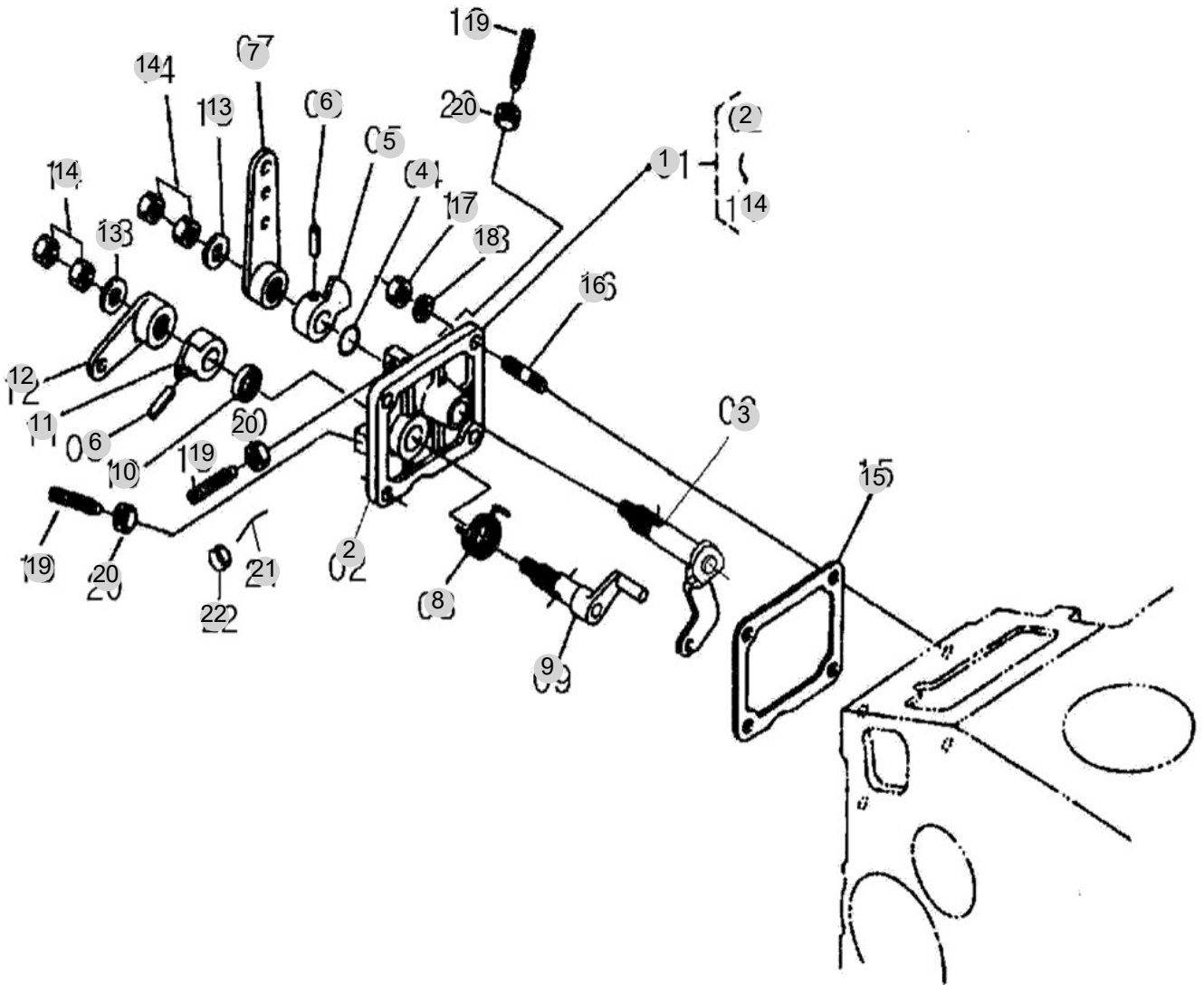
FIG 116

T264NH

SPEED CONTROL PLATE

년/월  
Year/Month

2022-12



NOTE







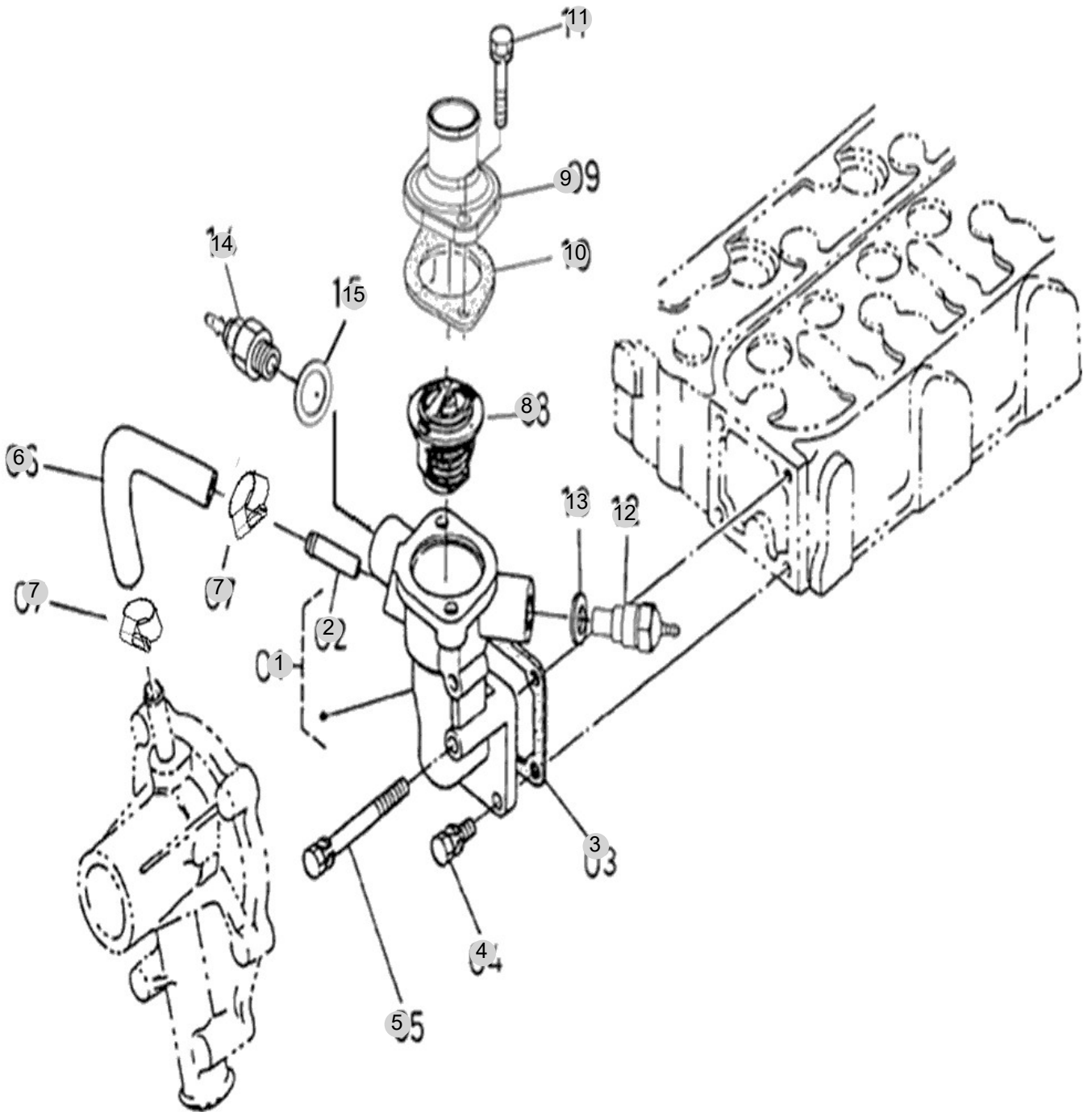
FIG 118

WATER PUMP FLANGE&THERMOSTAT

년/월  
Year/Month

2022-12

T264NH



NOTE





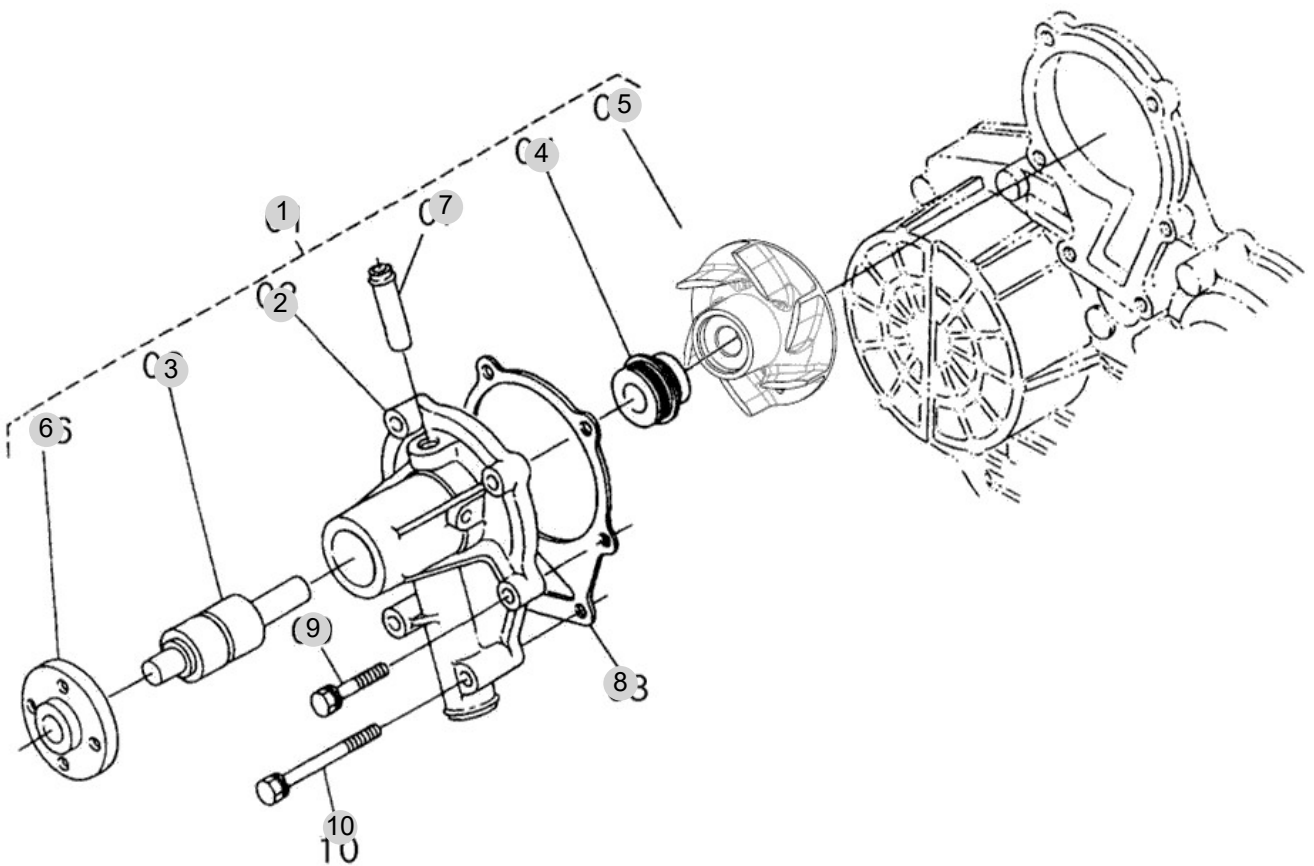
FIG 119

WATER PUMP

년/월  
Year/Month

2022-12

T264NH



NOTE



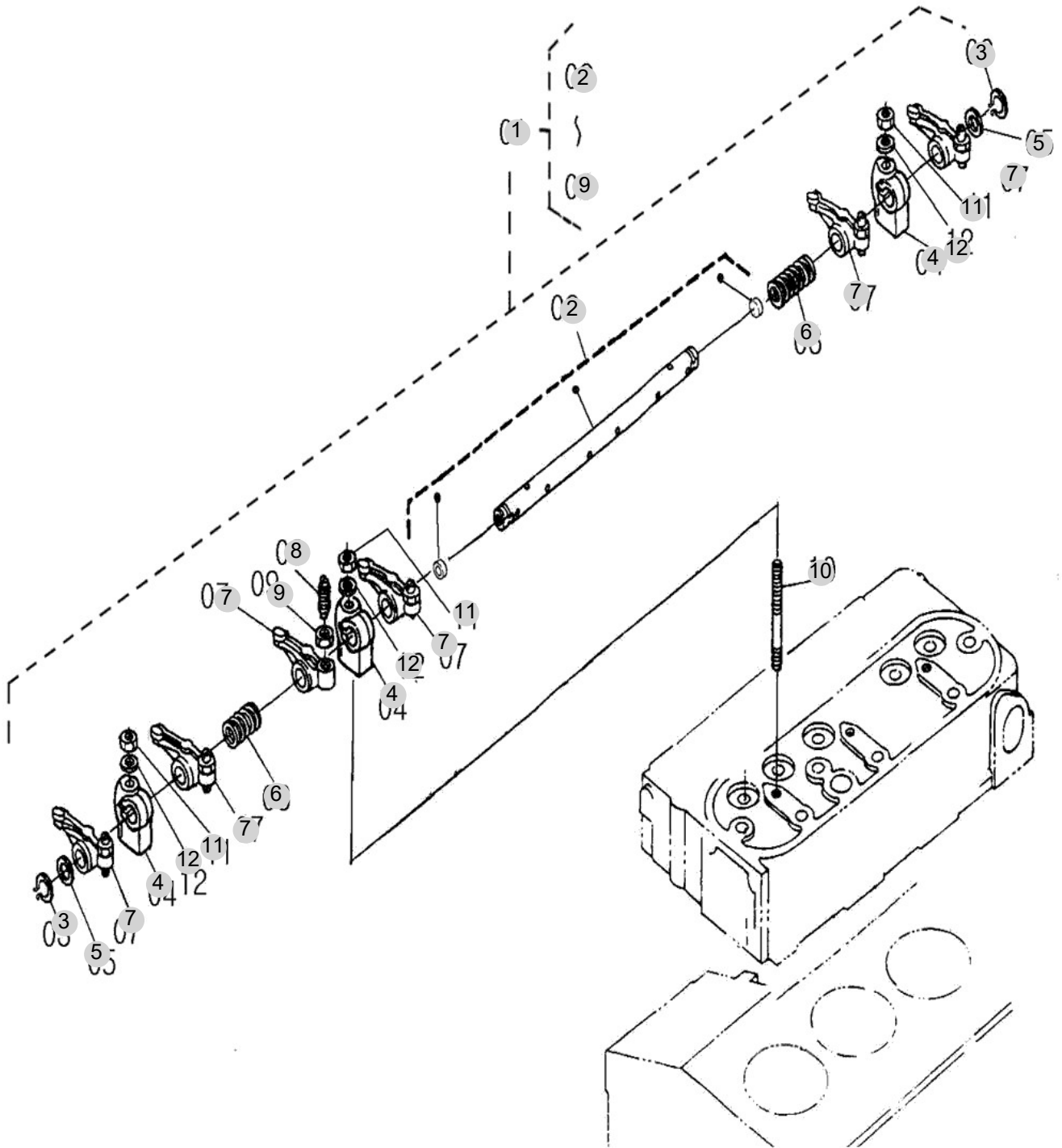
FIG 120

ROCKER ARM

년/월  
Year/Month

2022-12

T264NH



NOTE



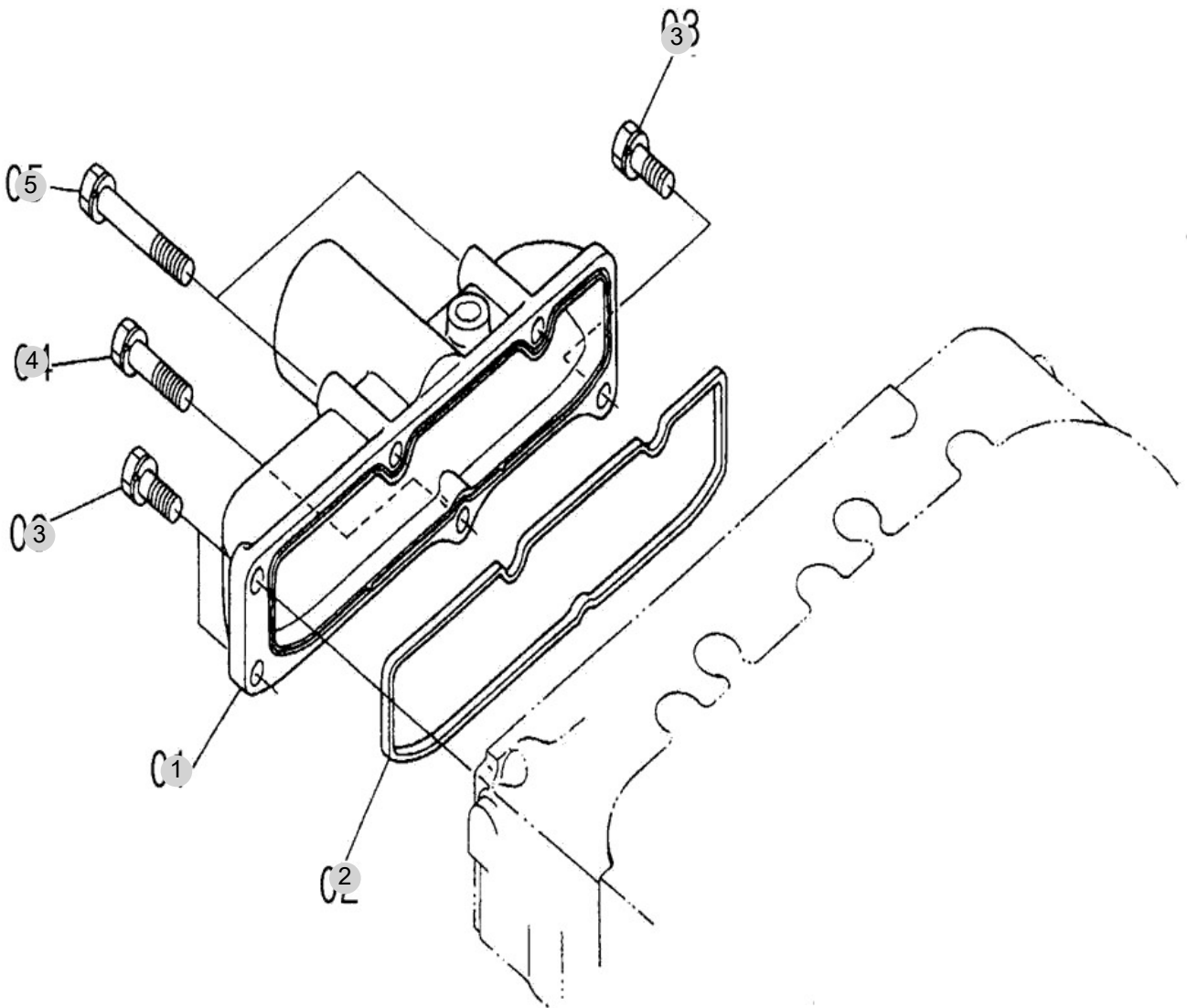
FIG 121

INTAKE MANIFOLD

년/월  
Year/Month

2022-12

T264NH



NOTE



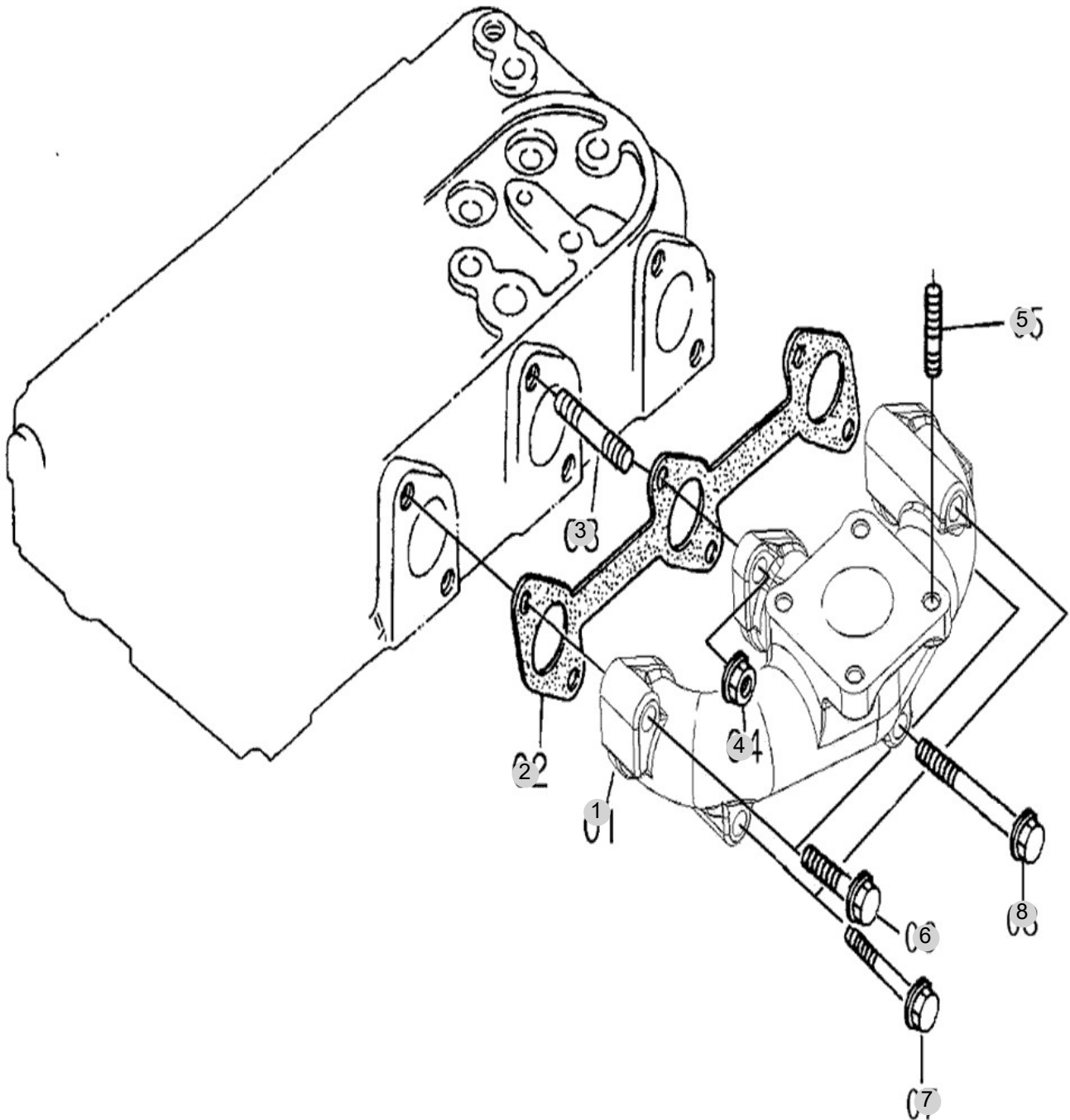
FIG 122

EXHAUST MANIFOLD

년/월  
Year/Month

T264NH

2022-12



NOTE





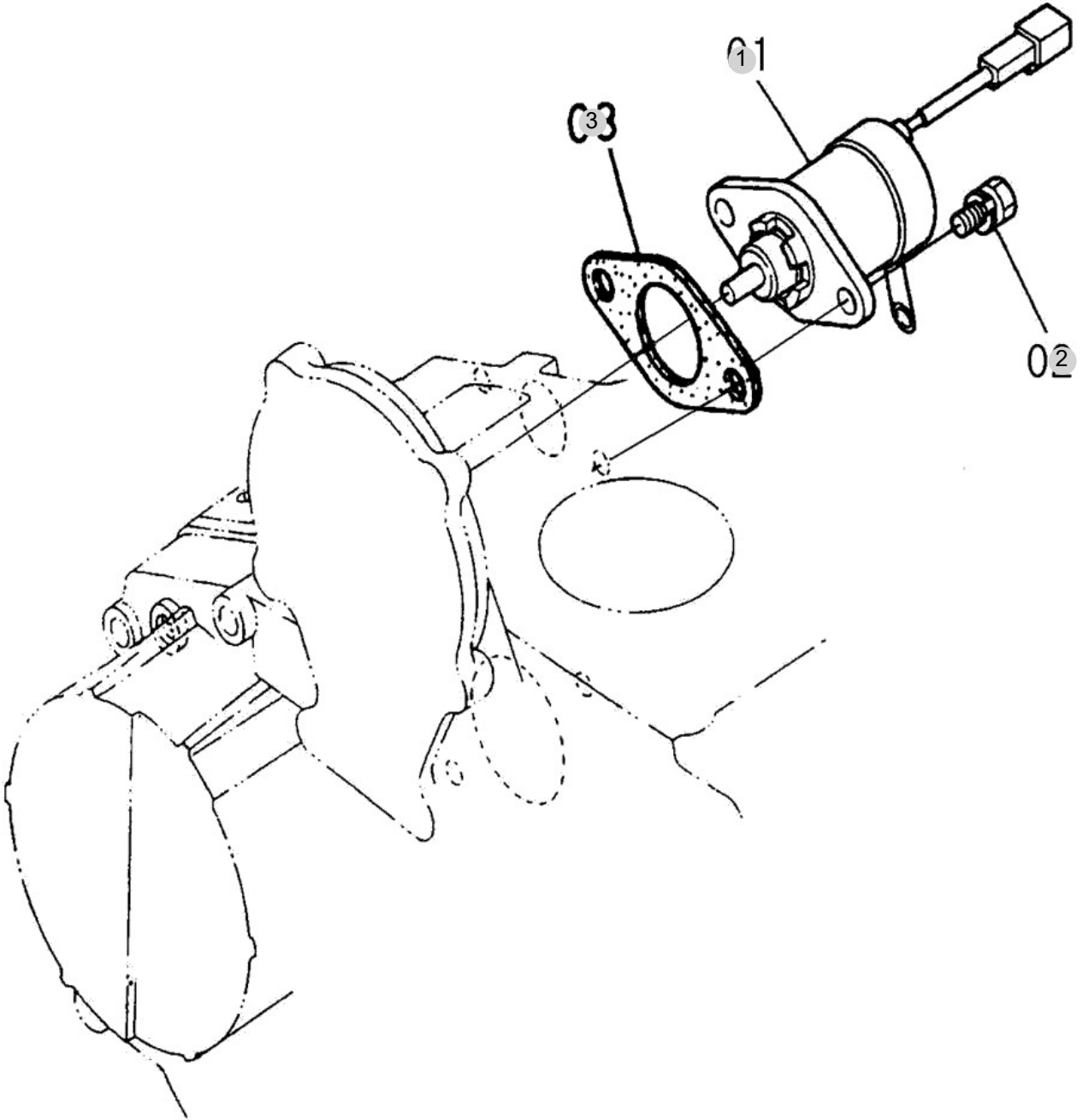
FIG 123

STOP SOLENOID

년/월  
Year/Month

2022-12

T264NH



NOTE



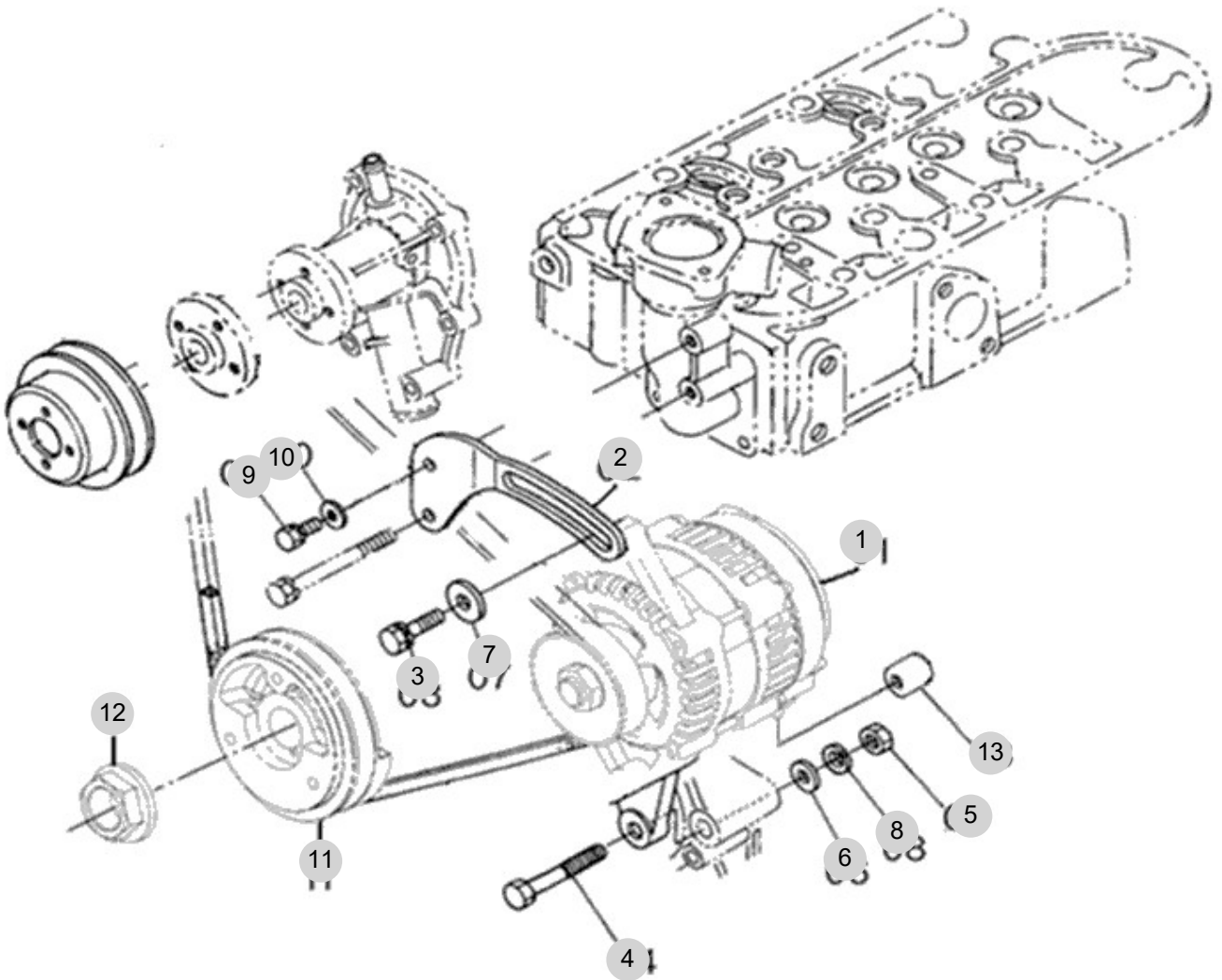
FIG 124

ALTERNATOR & PULLEY

년/월  
Year/Month

2022-12

T264NH



NOTE



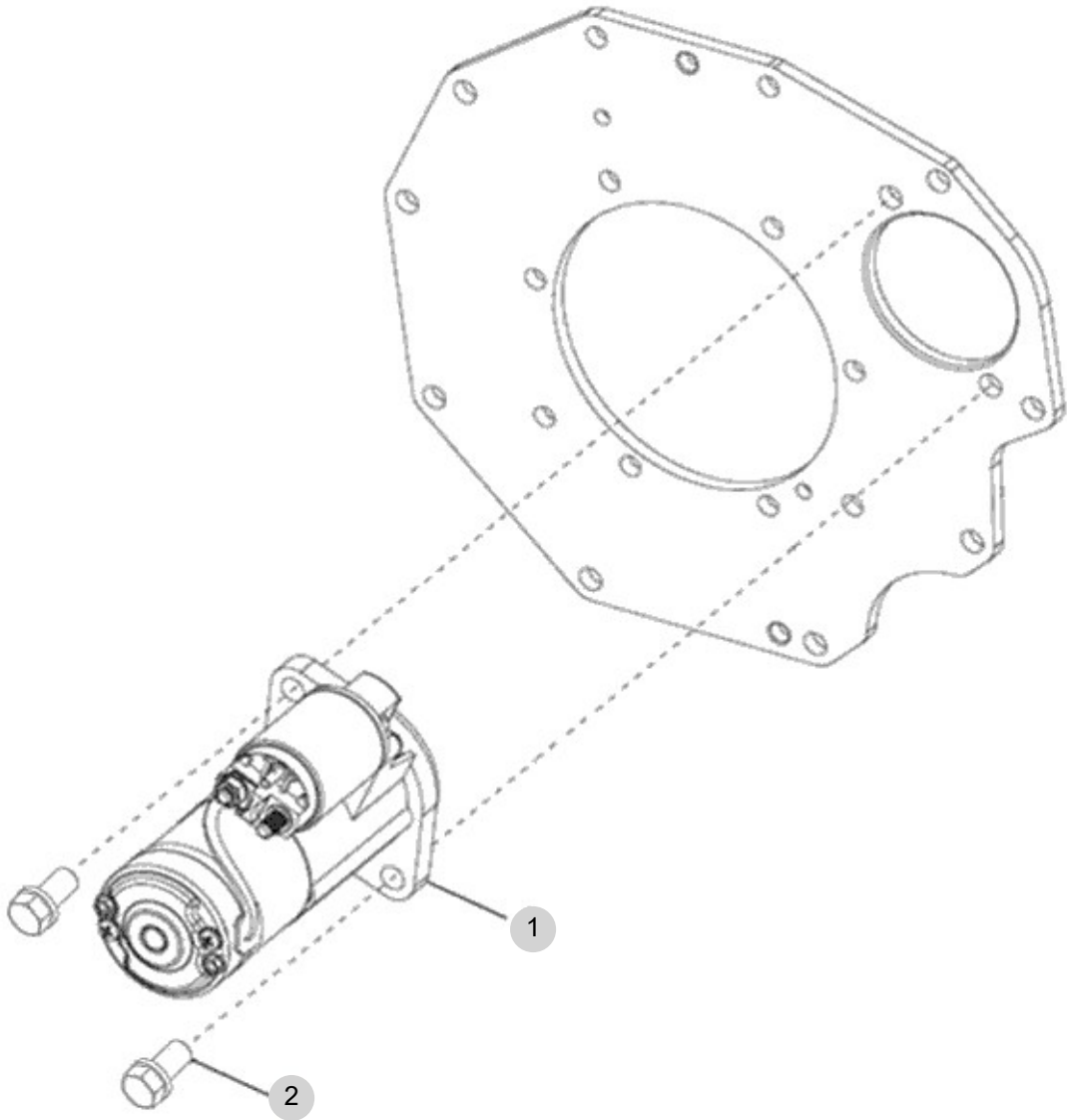
FIG 125

T264NH

STARTING MOTOR

년/월  
Year/Month

2022-12



NOTE



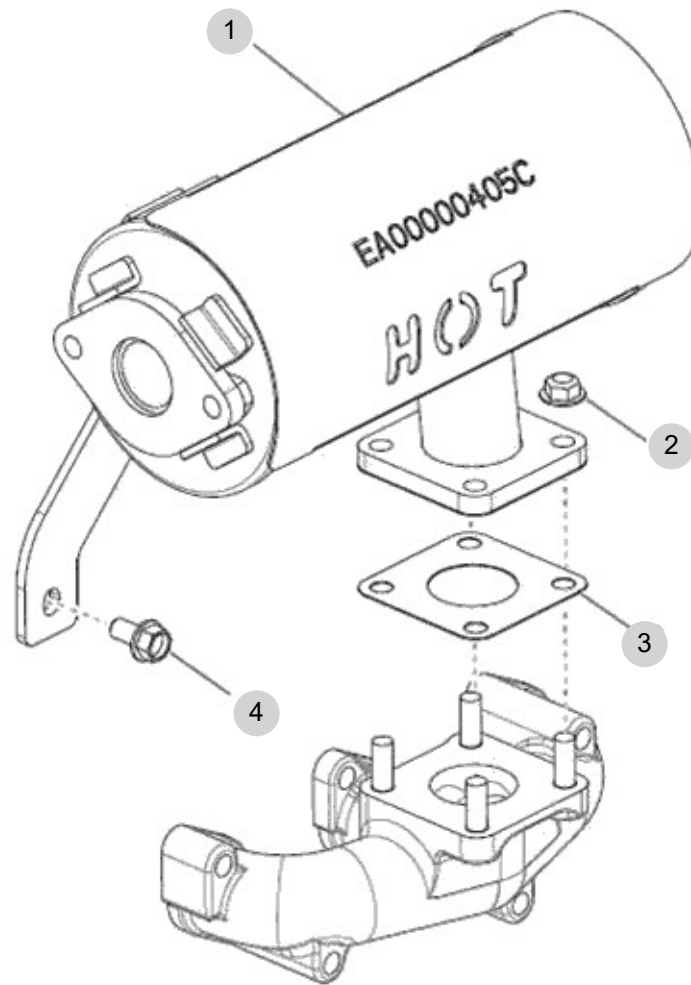
FIG 126

T264NH

EXHAUST SILENCER

년/월  
Year/Month

2022-12



NOTE





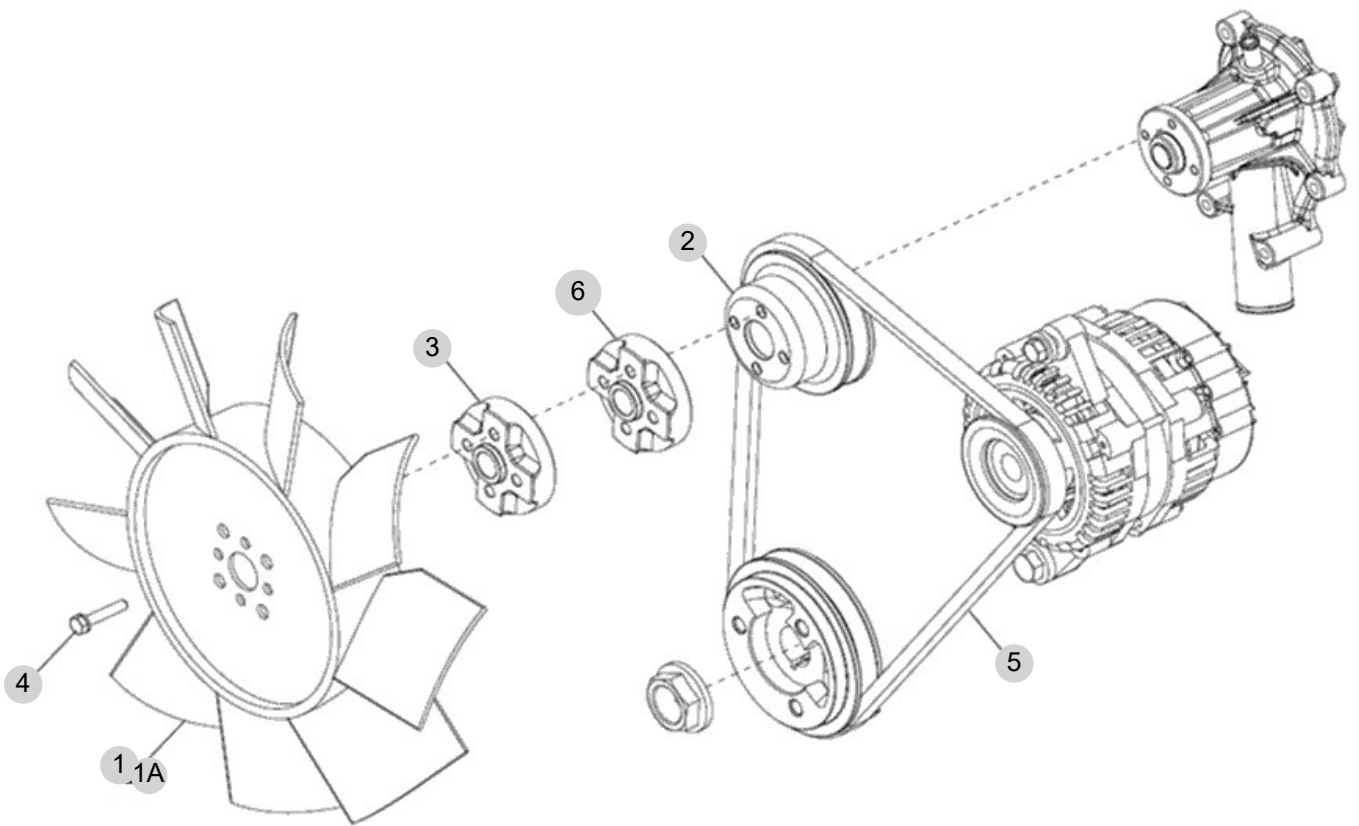
FIG 127

T264NH

COOLING PAN

년/월  
Year/Month

2022-12



NOTE



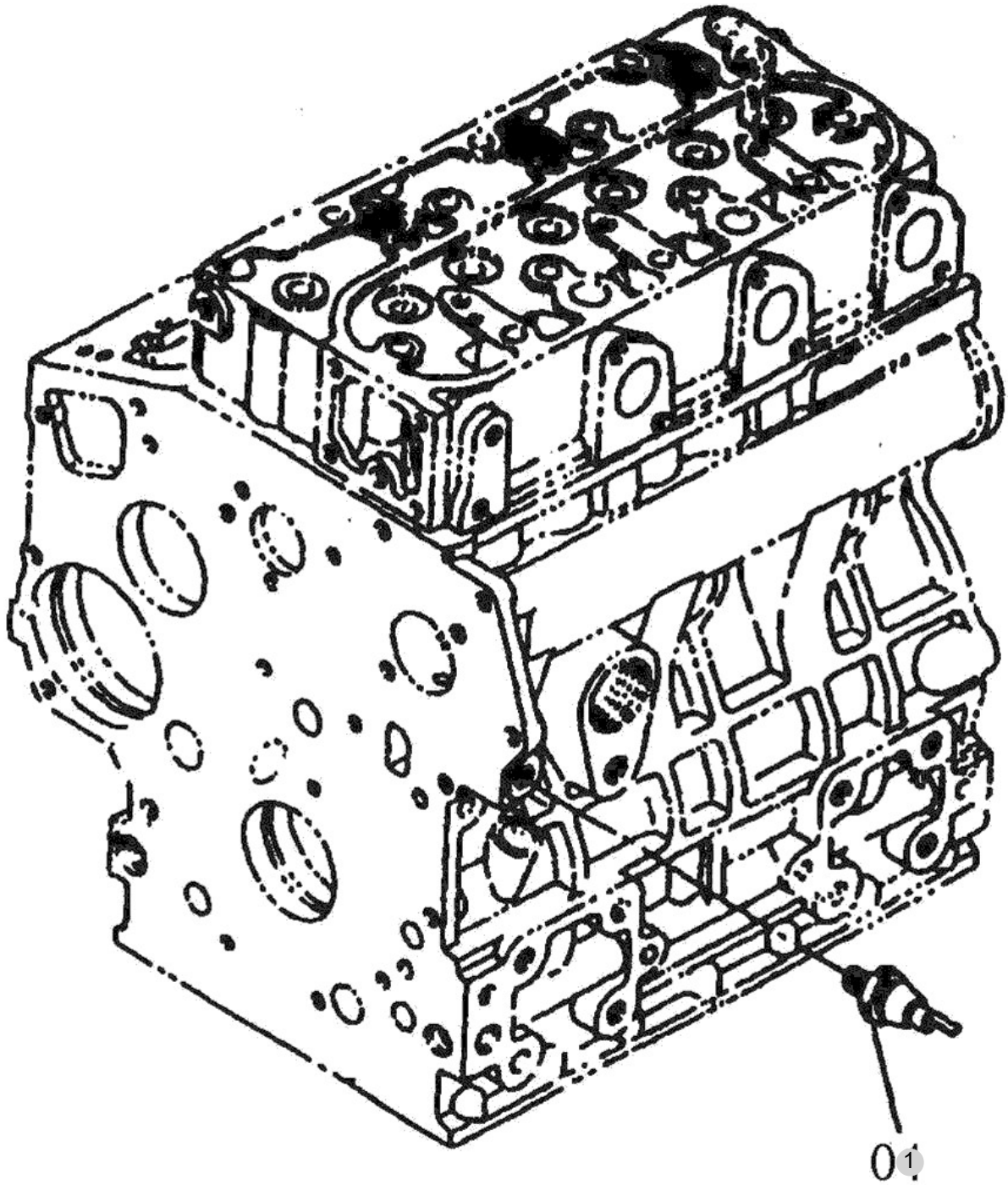
FIG 128

OIL PRESSURE SWITCH

년/월  
Year/Month

2022-12

T264NH



NOTE



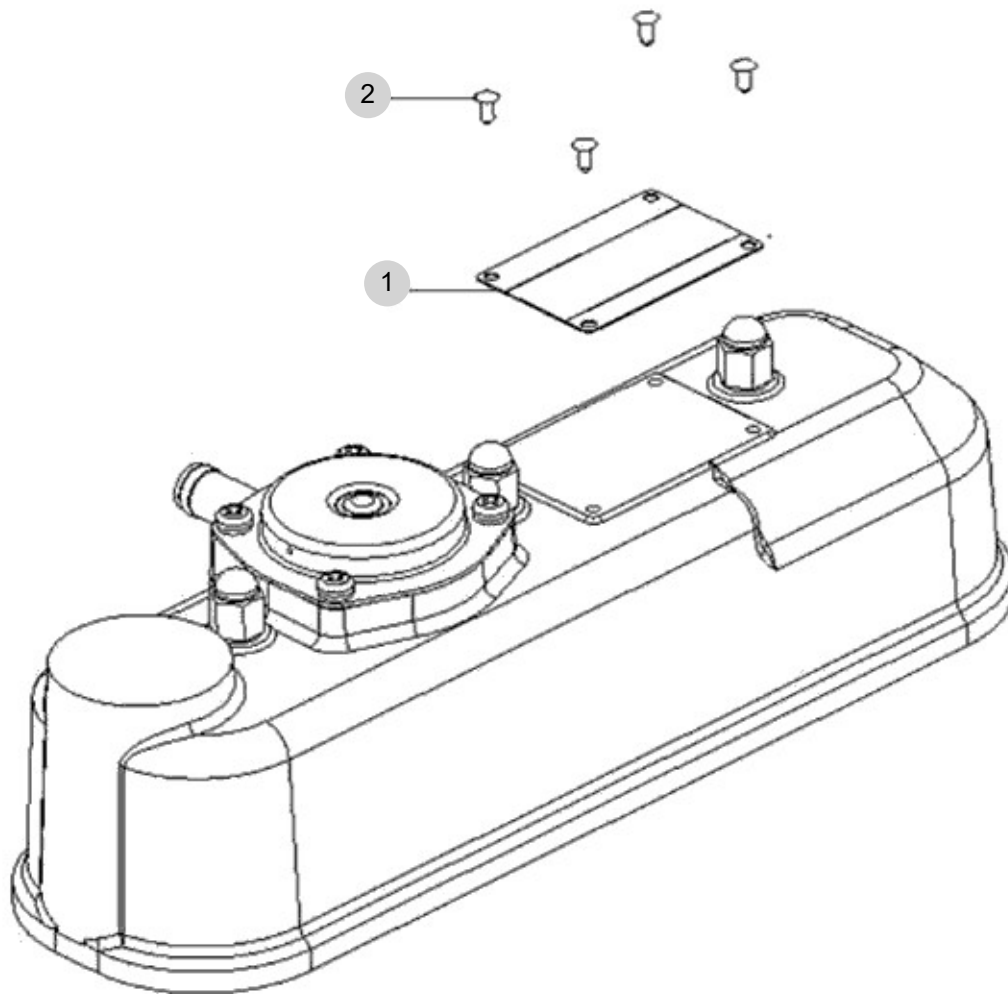
FIG 129

T264NH

DATA PLATE

년/월  
Year/Month

2022-12



NOTE



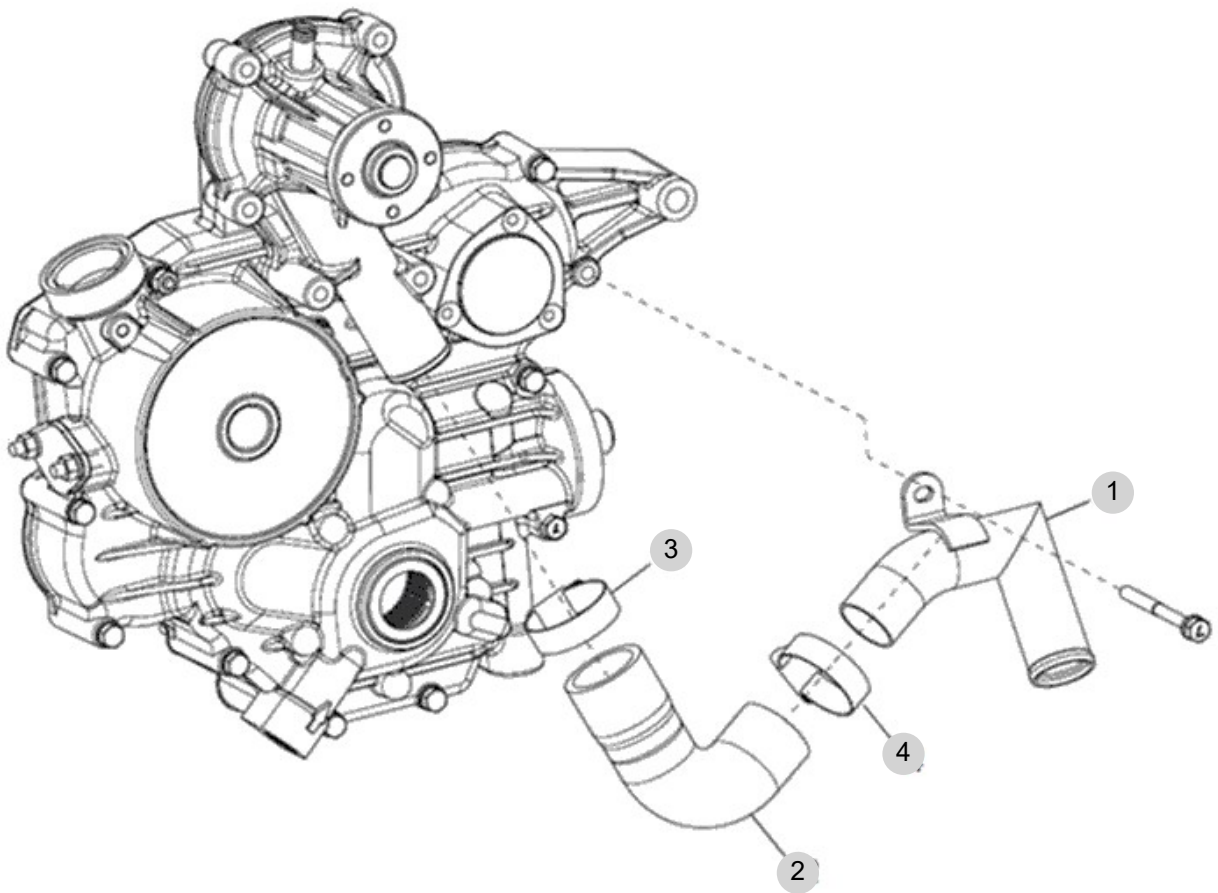
FIG 130

WATER PIPE

년/월  
Year/Month

2022-12

T264NH



NOTE





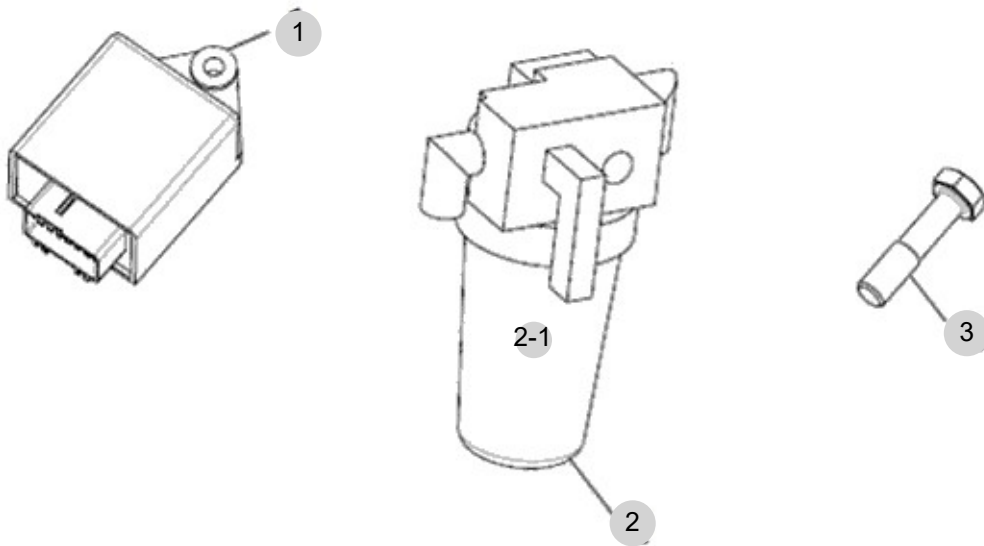
FIG 131

WATER PIPE

년/월  
Year/Month

2022-12

T264NH



NOTE



## 2. Engine Accessories PART NO. T2

FIG 201 AIR CLEANER	77
FIG 202 RADIATOR	79
FIG 203 MUFFLER	81
FIG 204 FUEL TANK & FUEL LINE	83
FIG 205 ACCELERATOR	85
FIG 206 OIL COOLER	87

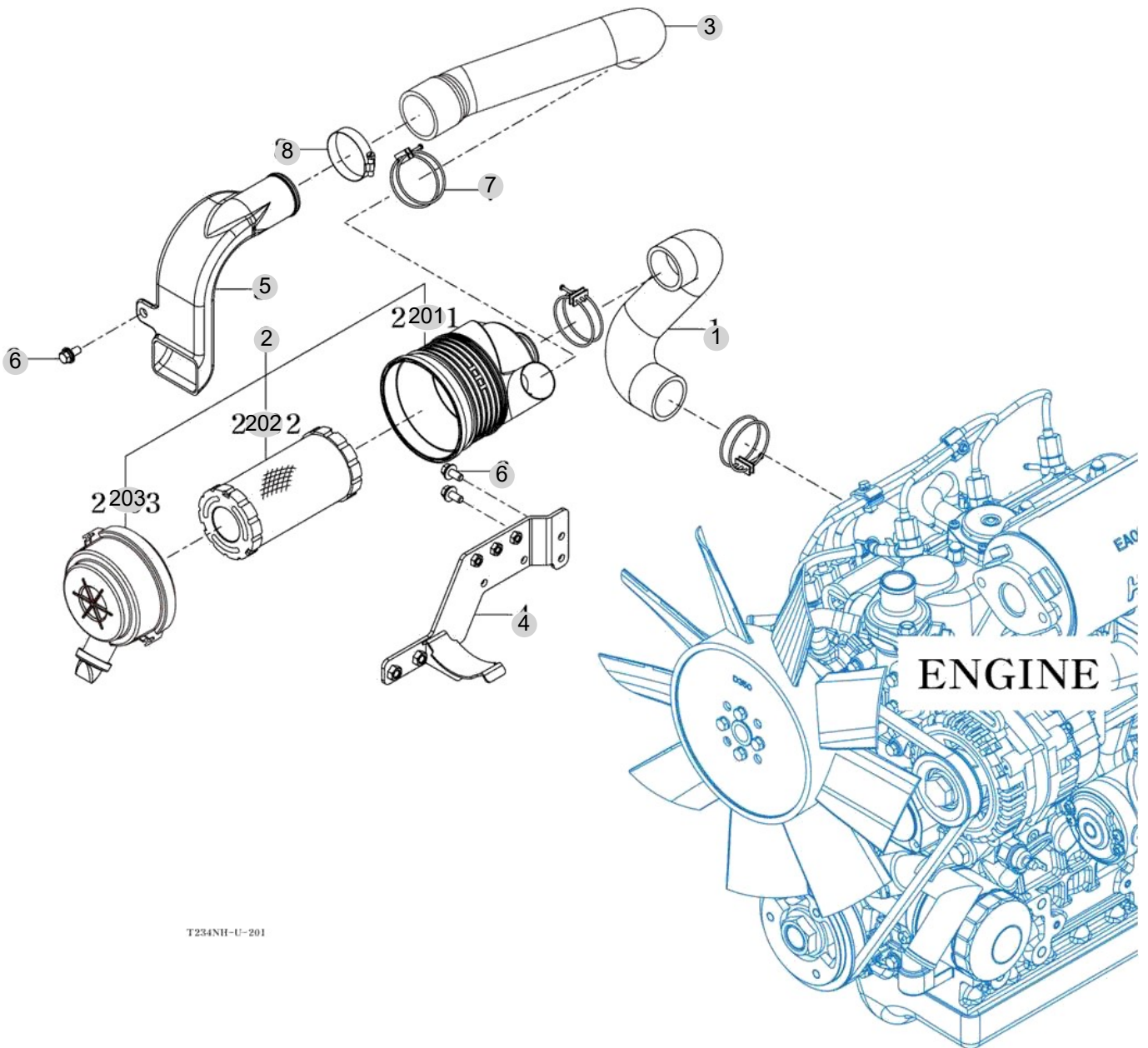
FIG 201

AIR CLEANER

년/월  
Year/Month

2022-12

T264NH



T234NH-U-201

NOTE



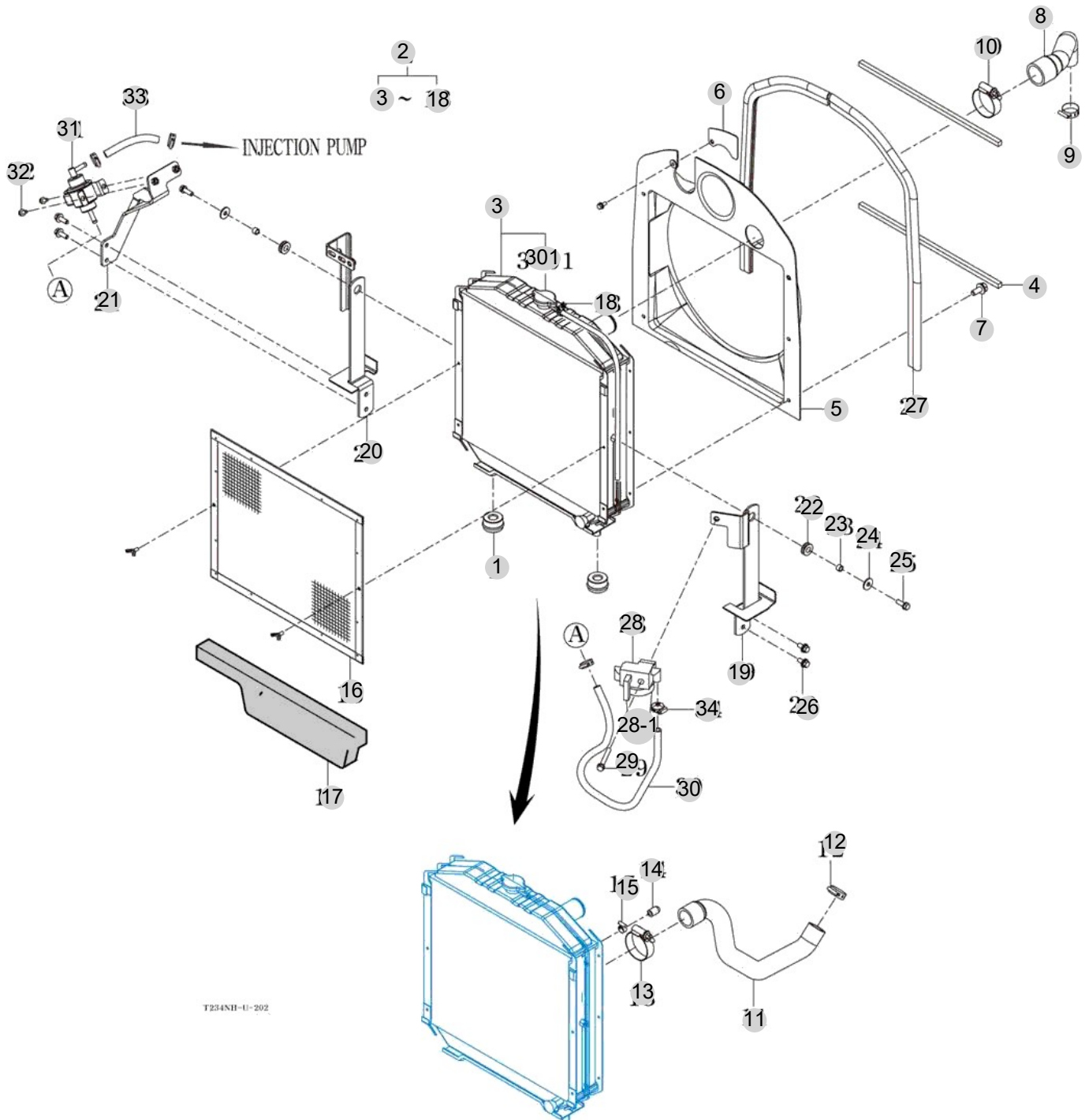
FIG 202

RADIATOR

년/월  
Year/Month

2022-12

T264NH



NOTE





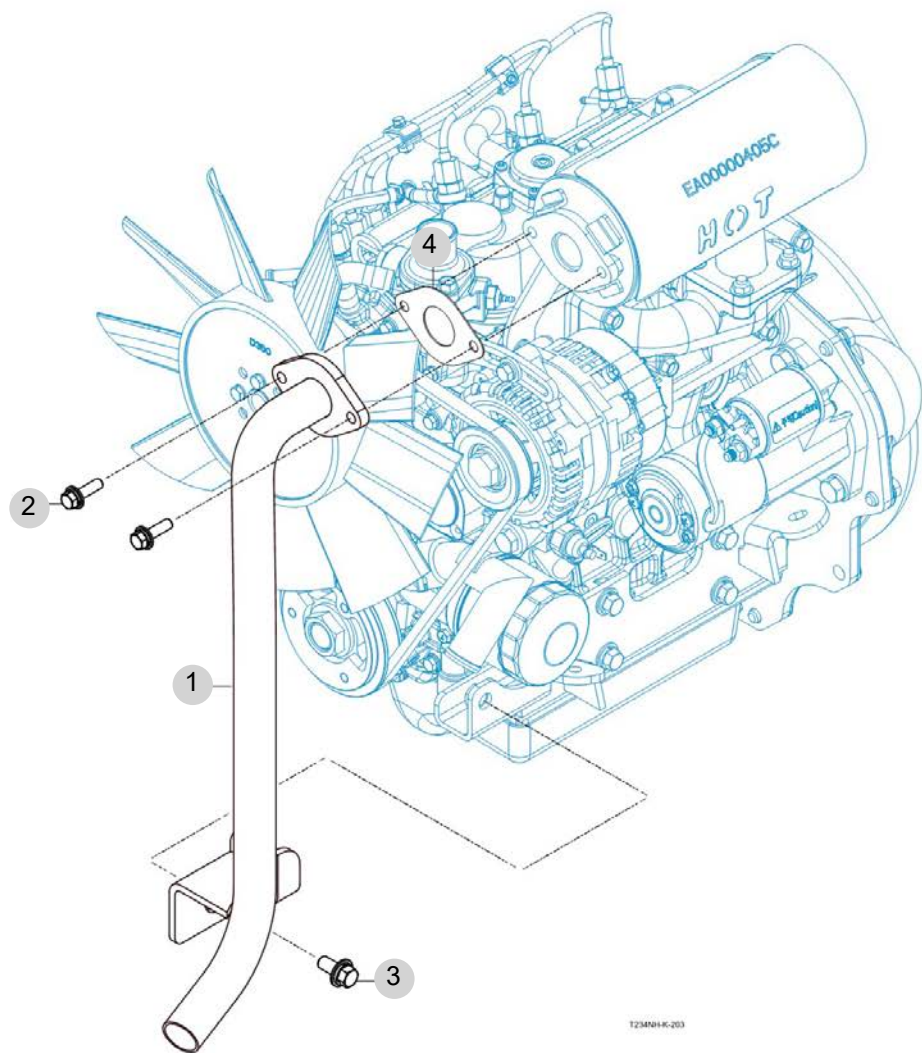
FIG 203

T264NH

MUFFLER

년/월  
Year/Month

2022-12



T2MM1K-203

NOTE



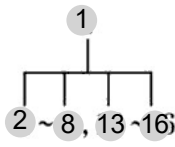
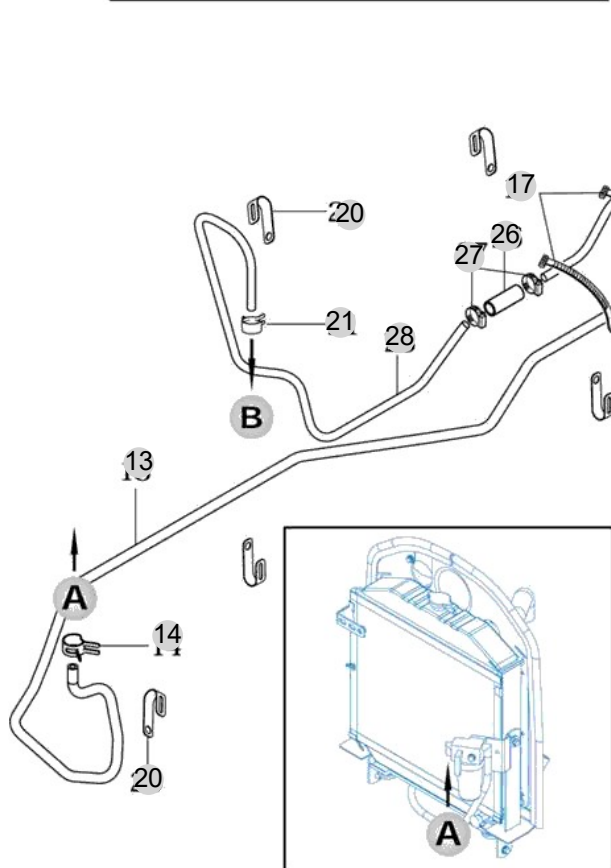
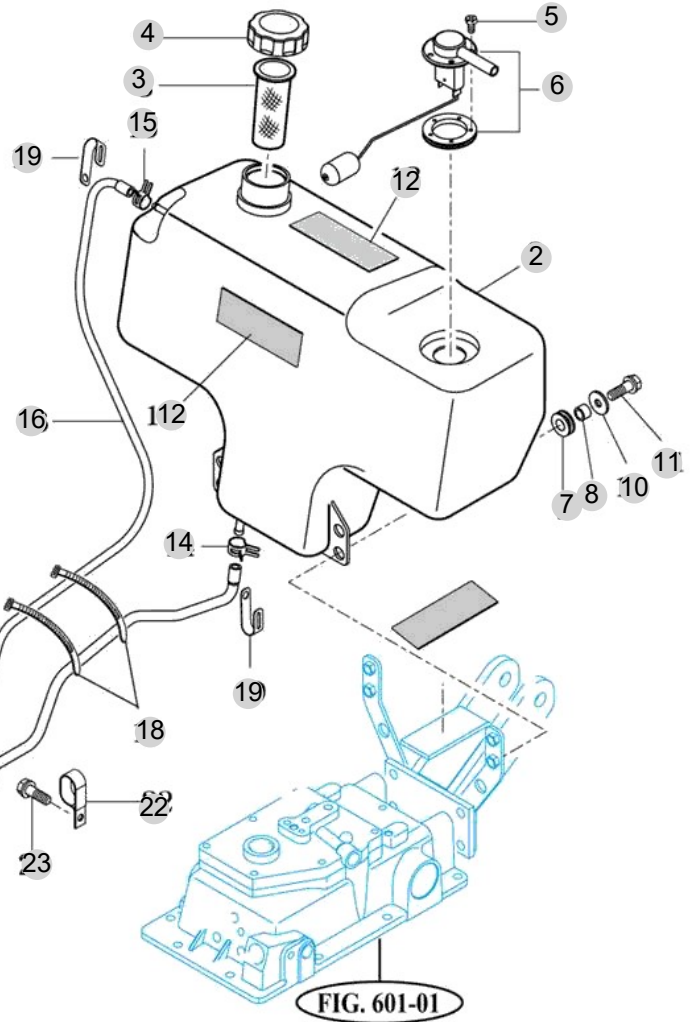
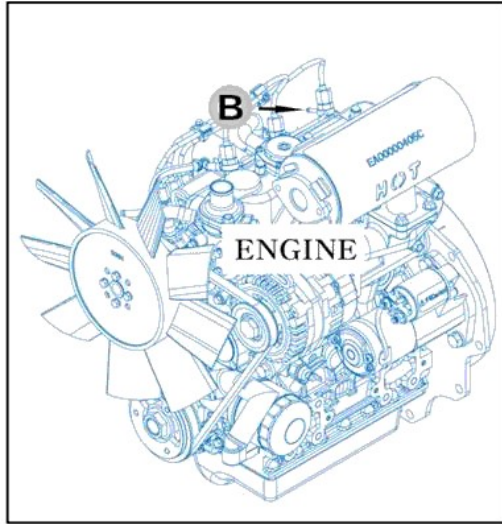
FIG 204

FUEL TANK & FUEL LINE

년/월  
Year/Month

2022-12

T264NH



T234NH-K-204

NOTE



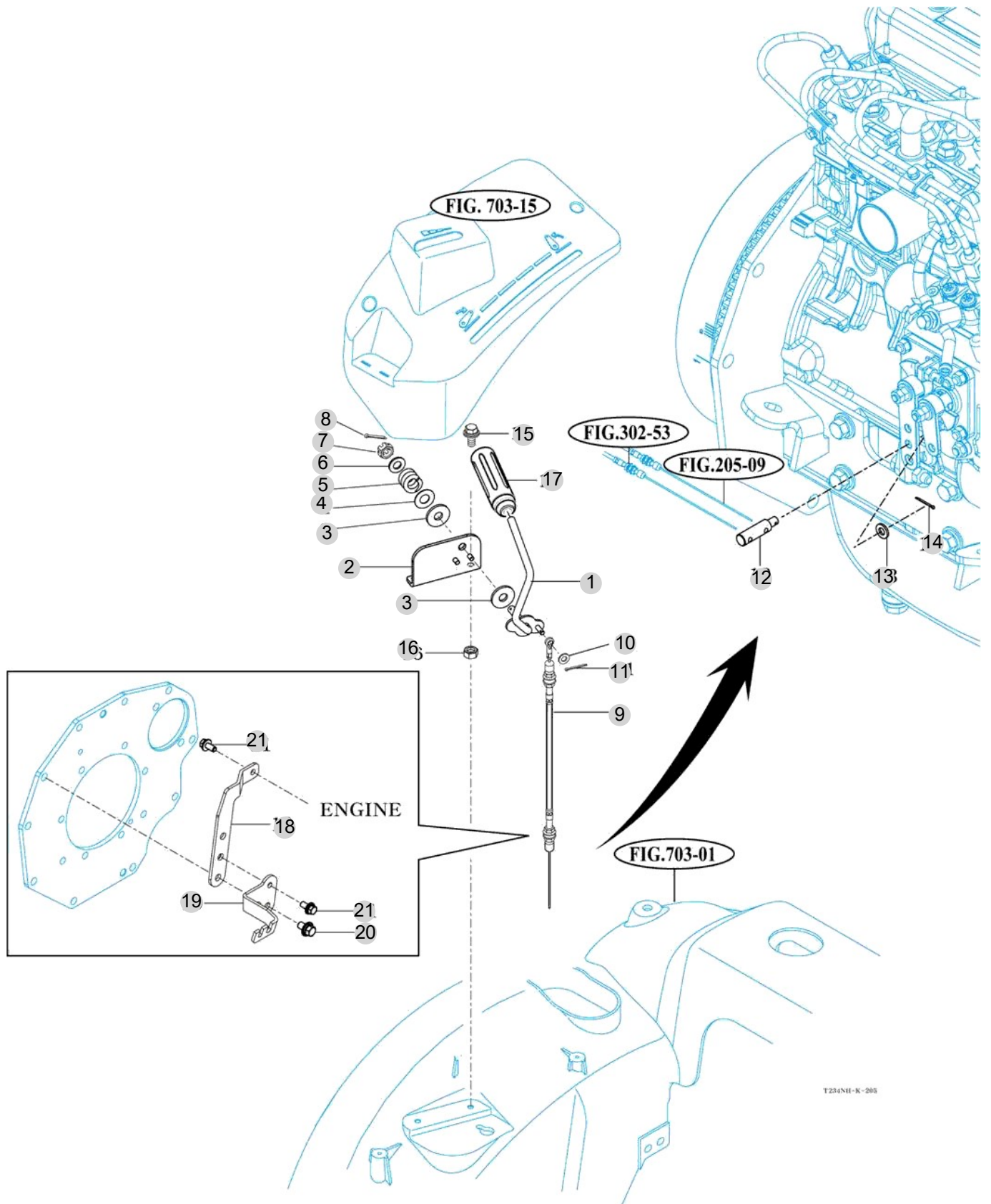
FIG 205

ACCELERATOR

년/월  
Year/Month

2022-12

T264NH



NOTE



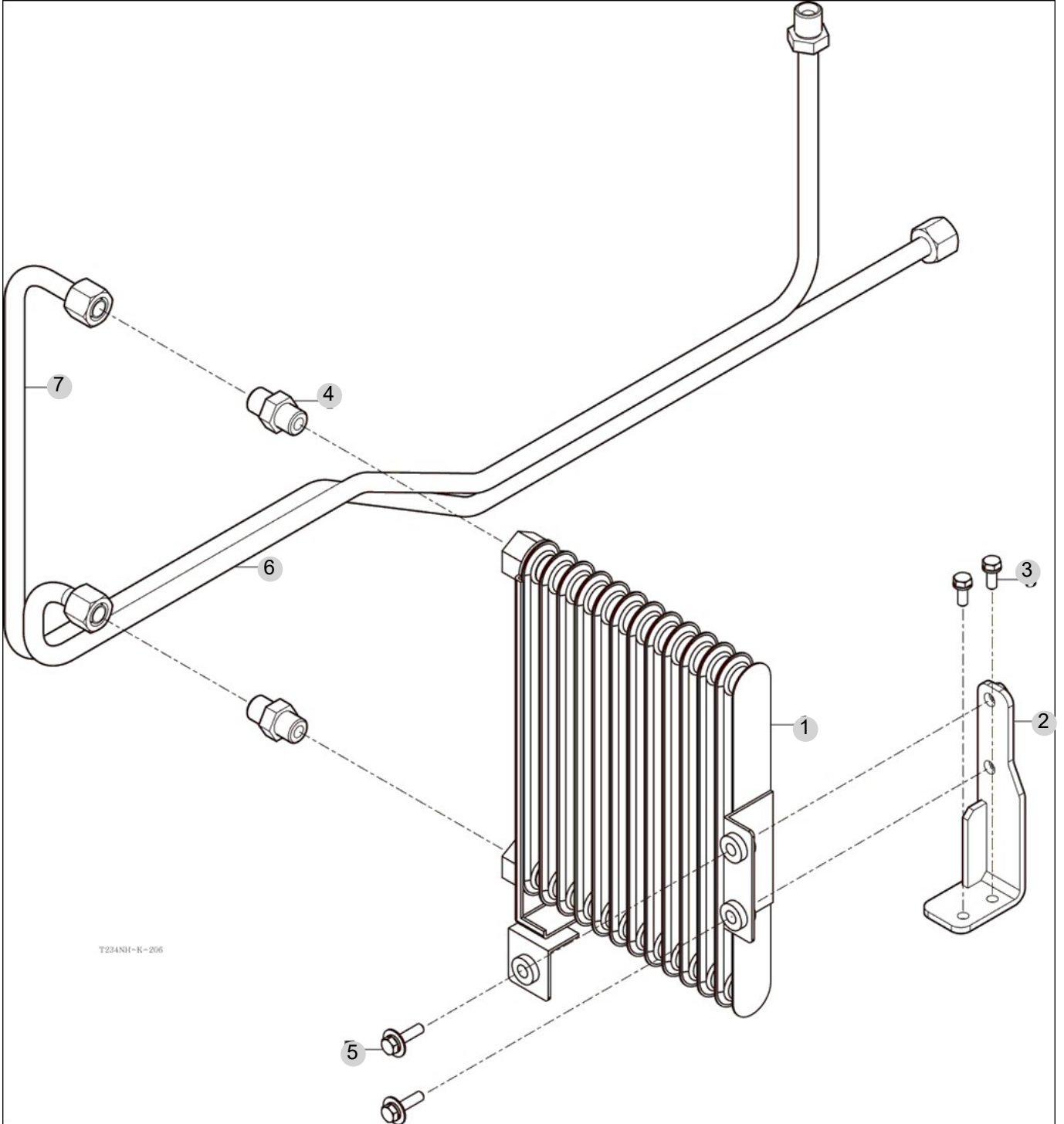
FIG 206

OIL COOLER

년/월  
Year/Month

2022-12

T264NH



T234NH-K-206

NOTE





### 3. Clutch/Brake/Steering PART NO. T3

FIG 301 FLYWHEEL COVER	90
FIG 302 SPEED CONTROL	92
FIG 303 BRAKE	95
FIG 304 BRAKE PEDAL & LINKAGE	97
FIG 305 STEERING WHEEL & DASH COVER	99
FIG 306 STEERING VALVE	101
FIG 307 STEERING CYLINDER	103
FIG 308 FRONT WHEEL	105
FIG 309 REAR WHEEL	107

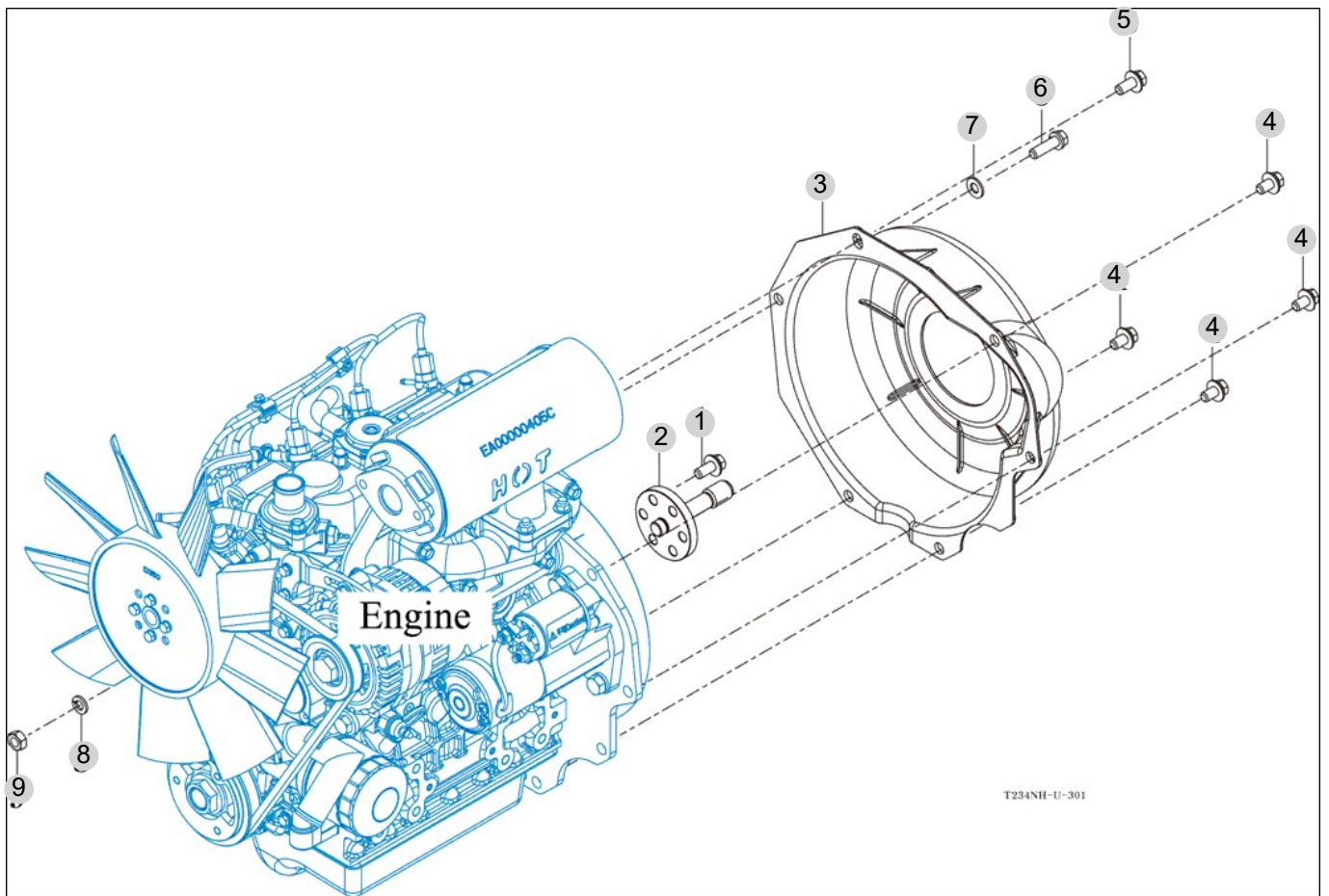
FIG 301

T264NH

FLYWHEEL COVER

년/월  
Year/Month

2022-12



NOTE



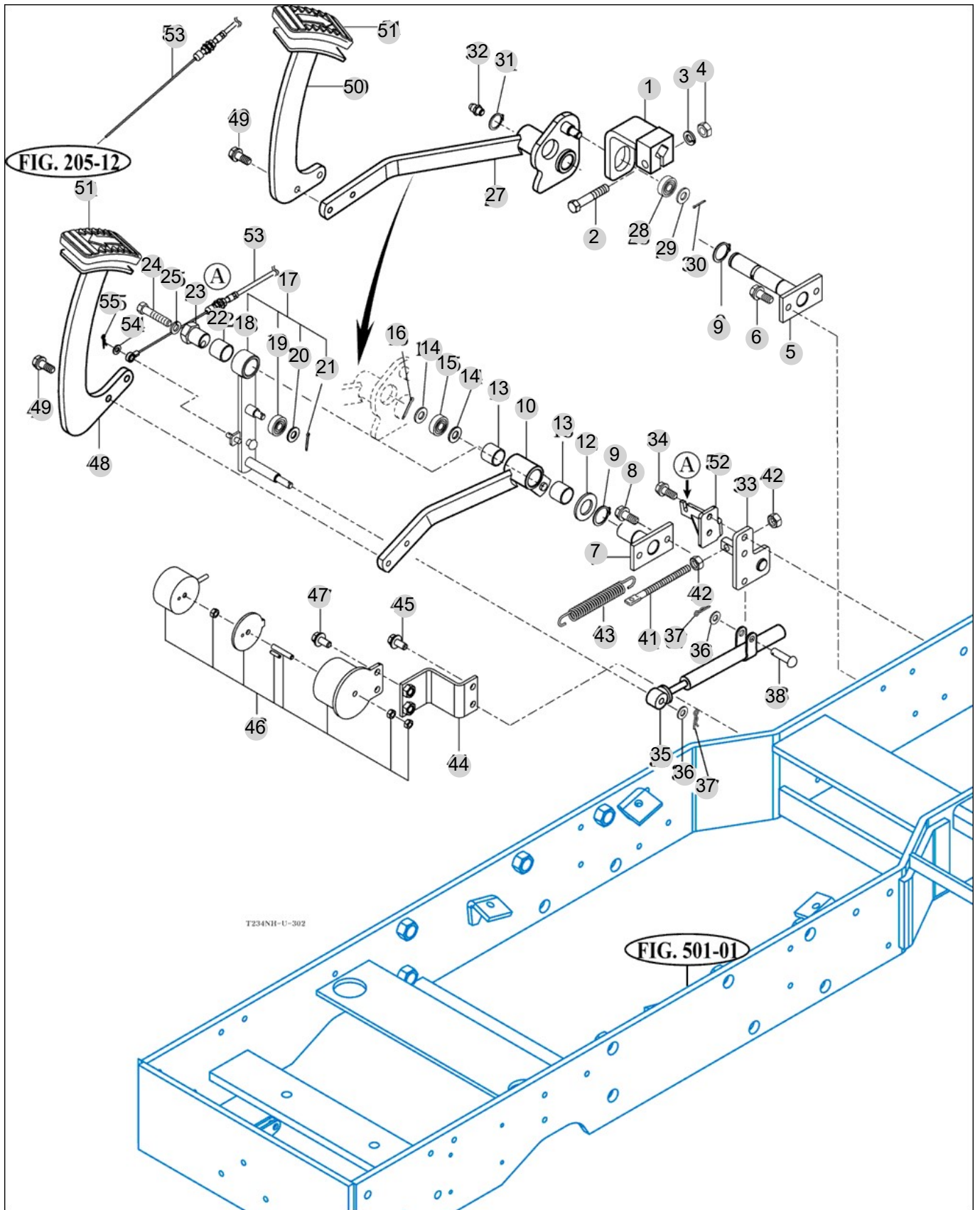
FIG 302

SPEED CONTROL

년/월  
Year/Month

T264NH

2022-12



NOTE

FIG 302		SPEED CONTROL					년/월 Year/Month		
							2022-12		
T264NH		KEY NO	PART NO	DESCRIPTION	SPEC	QTY	REPAIR	EFFECTIVE DATE	REMARKS
302	1	13152322103	HOLDER COMP	1X1X1	1				
302	2	V2013610045	BOLT , HEX	M10X45	1				
302	3	V4011600100	WASHER , SPRING	M10	1				
302	4	V3042600100	NUT , HEX/2	M10	1				
302	5	13152322201	PIN COMP , REVERSE	1X1X1	1				
302	6	V2173608020	BOLT , HEX/S	M8X20	2				
302	7	13152323102	PIN COMP , FORWARD	1X1X1	1				
302	8	V2173608020	BOLT , HEX/S	M8X20	2				
302	9	V7041400200	C-RING , SHAFT	20	2				
302	10	13152323202	ARM COMP , FORWARD	1X1X1	1				
302	12	V4111600200	WASHER , PLAIN	M20	1				
302	13	36707030080	BUSH , 20X23X20	1X1X1	2				
302	14	V4111600100	WASHER , PLAIN	M10	2				
302	15	V6001506000	BEARING , BALL	6000DD	1				
302	16	V5001920015	PIN , SPLIT	2X15	1				
302	17	13632324000	CAM SUB ASSY		1				
302	17	11972324000	CAM SUB ASSY		1				
302	18	13632324100GB	ARM COMP , CAM		1				
302	19	14722310060	BEARING , BALL		1				
302	20	V4111600080	WASHER , PLAIN	M8	1				
302	21	V5001920015	PIN , SPLIT	2X15	1				
302	22	36707030080	BUSH , 20X23X20	1X1X1	1				
302	23	13152320023	PIN , NEUTRAL	"HEX,B=24"	1				
302	23	11972320020	PIN , NEUTRAL		1				
302	24	V2143610050	BOLT .HEX FINE MACHINE/S	M10X50	1				
302	24	V2143610080	BOLT , HEX FINE /S		1				
302	25	V4011600100	WASHER , SPRING	M10	1				
302	27	13152322306GB	ARM COMP, REVERSE		1				
302	28	V6001506000	BEARING , BALL	6000DD	1				
302	29	V4111600100	WASHER , PLAIN	M10	1				
302	30	V5001920015	PIN , SPLIT	2X15	1				
302	31	V7041400200	C-RING , SHAFT	20	1				
302	31	V7041400250	C-RING , SHAFT		1				
302	32	V7601500000	NIPPLE , GREASE/A-M6F		1				
302	33	13152325101	PIN COMP , SPRING	1X1X1	1				
302	34	V2173608025	BOLT , HEX/S	M8X25	2				
302	34	V2173608020	BOLT , HEX/S		2				
302	35	13152312400	DAMPER , OIL	1X1X1	1				
302	36	V4111600080	WASHER , PLAIN	M8	4				
302	37	V5601600008	PIN , SNAP	8	4				
302	38	14043120060	PIN , YOKE	D=8	1				
302	41	34522150080	ROD , CHAIN(TENSION)(82)	D=8	1				
302	42	V3043600080	NUT , HEX/2	M8	2				
302	43	14722310033	SPRING , RETURN	D=2.4	1				
302	44	13152332103DG	BRACKET COMP , CRUISE		1				
NOTE									



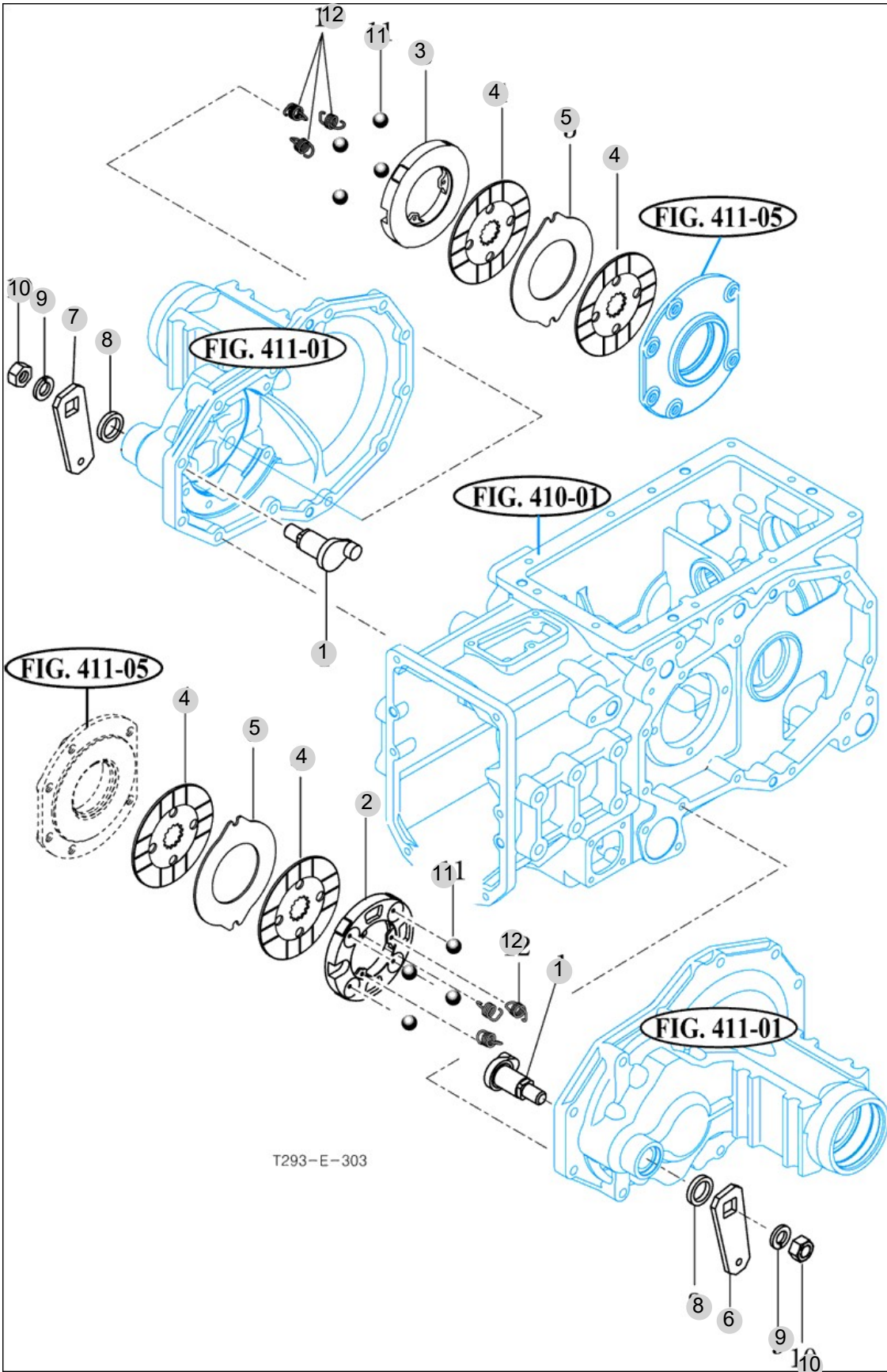
FIG 303

BRAKE

년/월  
Year/Month

T264NH

2022-12



NOTE

FIG 303		BRAKE						년/월	Year/Month
								2022-12	
T264NH		PART NO	DESCRIPTION	SPEC	QTY	REPAIR	EFFECTIVE DATE	REMARKS	
303	1	16703270011	CAM	1X1X1	1				
303	2	13153270021M	METAL ,BRAKE LH	1X1X1	1				
303	3	13153270041M	METAL ,BRAKE RH	126.9	1				
303	4	13153272100	PLATE COMP , DISC	124	4				
303	5	13153270030	PLATE , SEPARATE	145.4	2				
303	6	13153270090	ARM , BRAKE	1X1X1	1				
303	7	13153270090	ARM , BRAKE	1X1X1	1				
303	8	V7441253506	SEAL , OIL/D		2				
303	9	V4011600160	WASHER , SPRING	M16	2				
303	10	V3343600160	NUT , HEX FINE/2	M16	2				
303	11	V6802000019	BALL , STEEL	19/32	8				
303	12	16703272030	SPRING , RETURN	1X1X1	6				
NOTE									



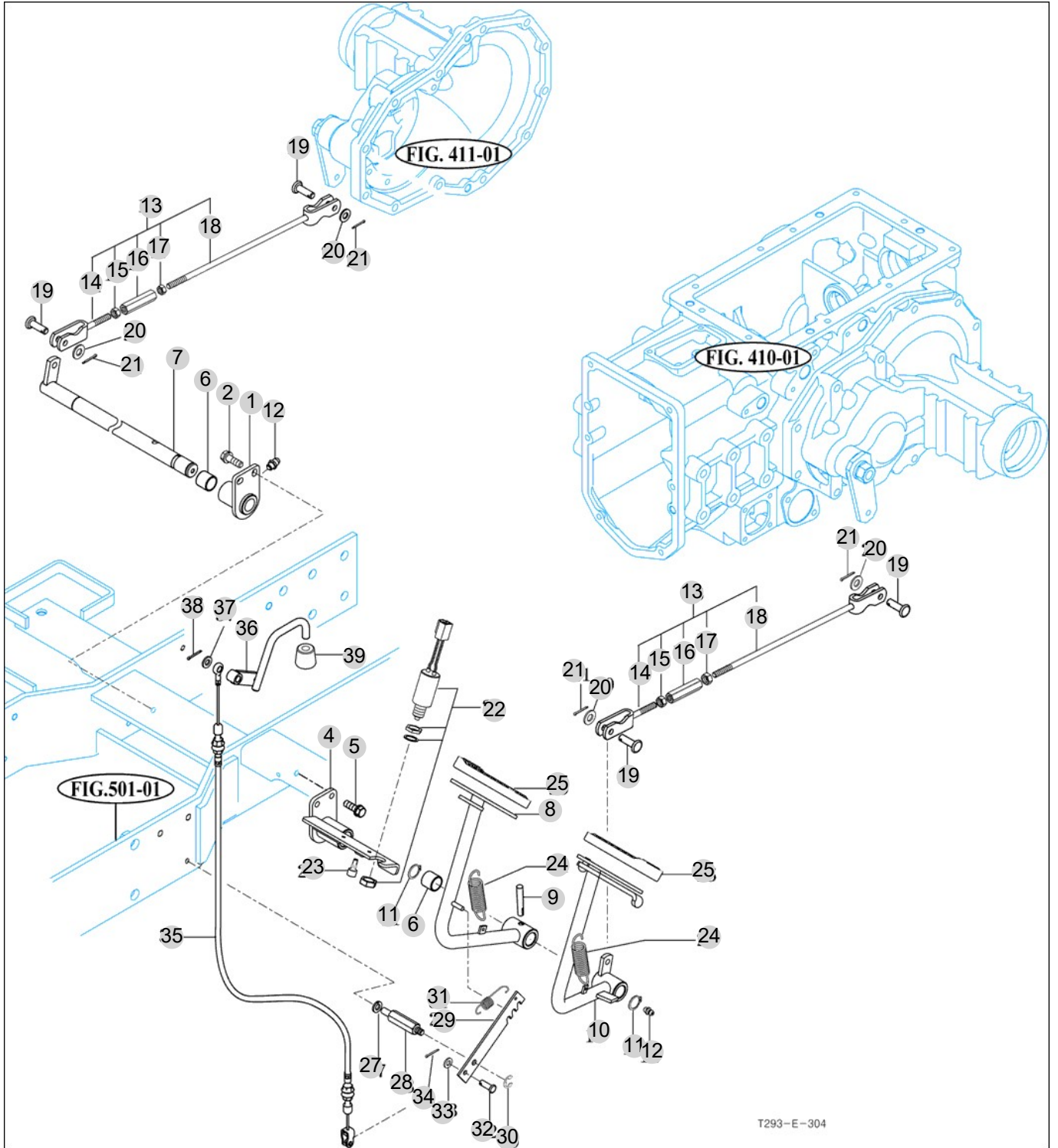
FIG 304

T264NH

BRAKE PEDAL & LINKAGE

년/월  
Year/Month

2022-12



T293-E-304

NOTE



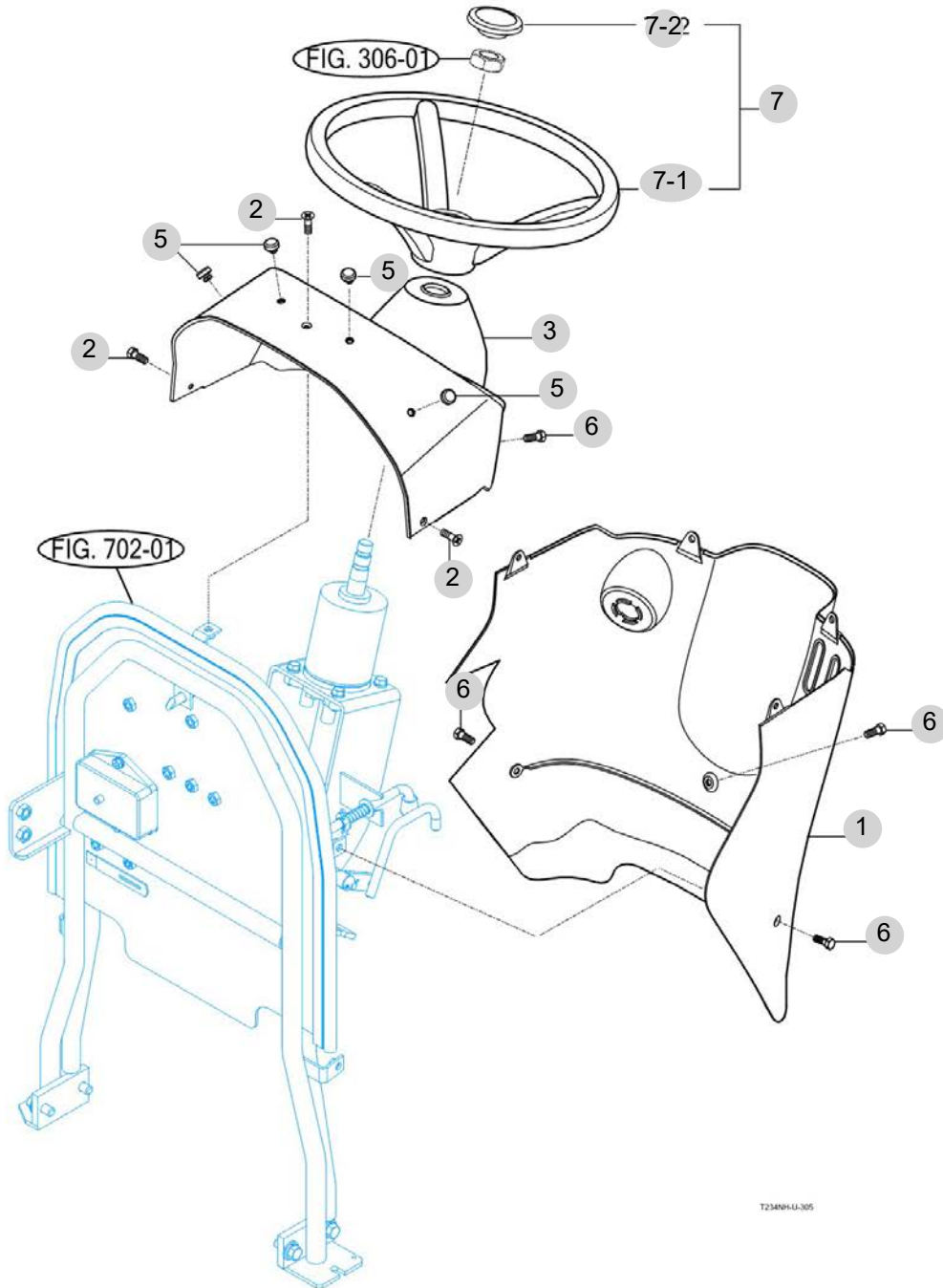
FIG 305

T264NH

STEERING WHEEL & DASH COVER

년/월  
Year/Month

2022-12



T264NH-U-305

NOTE



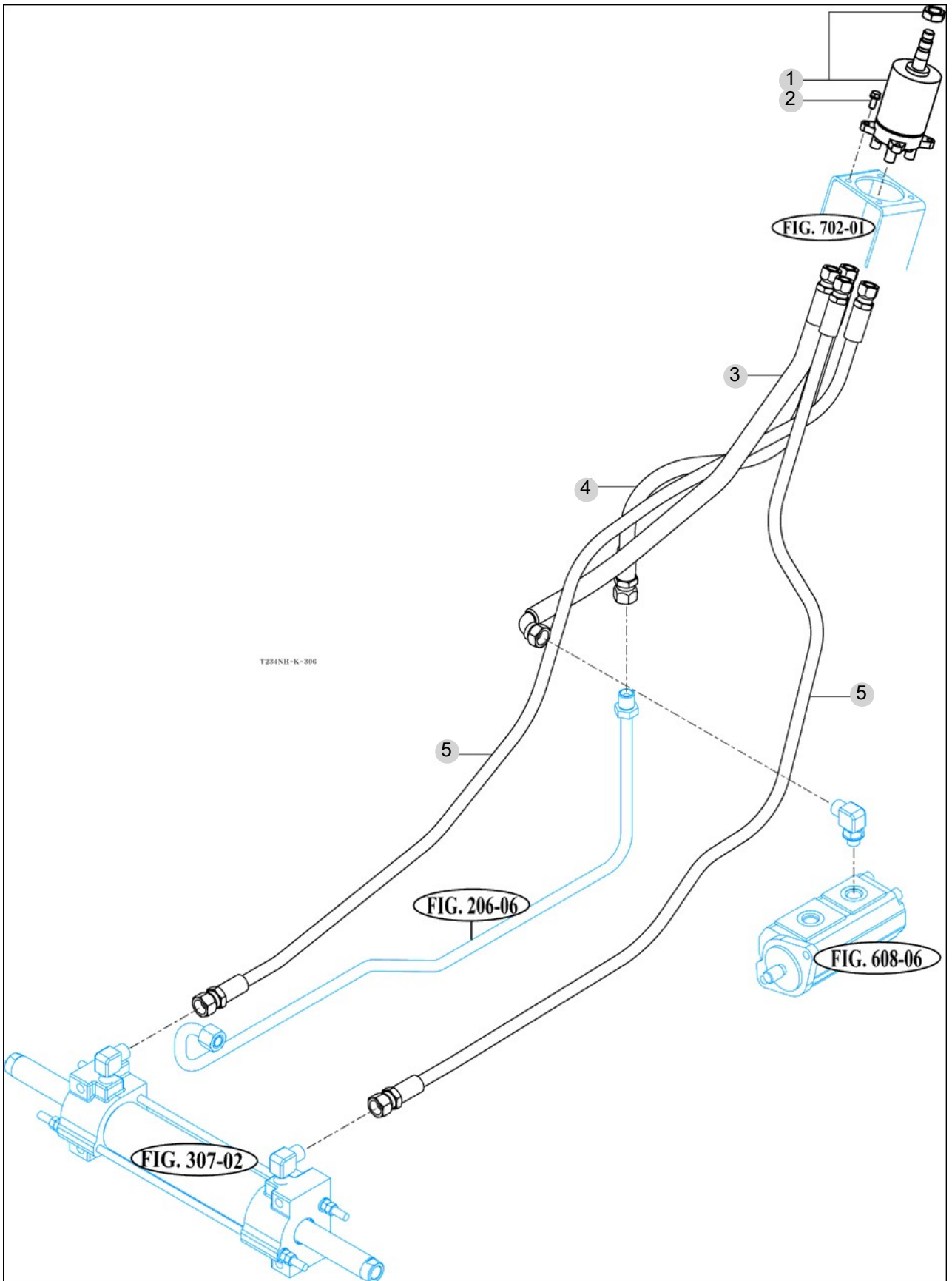
FIG 306

T264NH

STEERING VALVE

년/월  
Year/Month

2022-12



NOTE



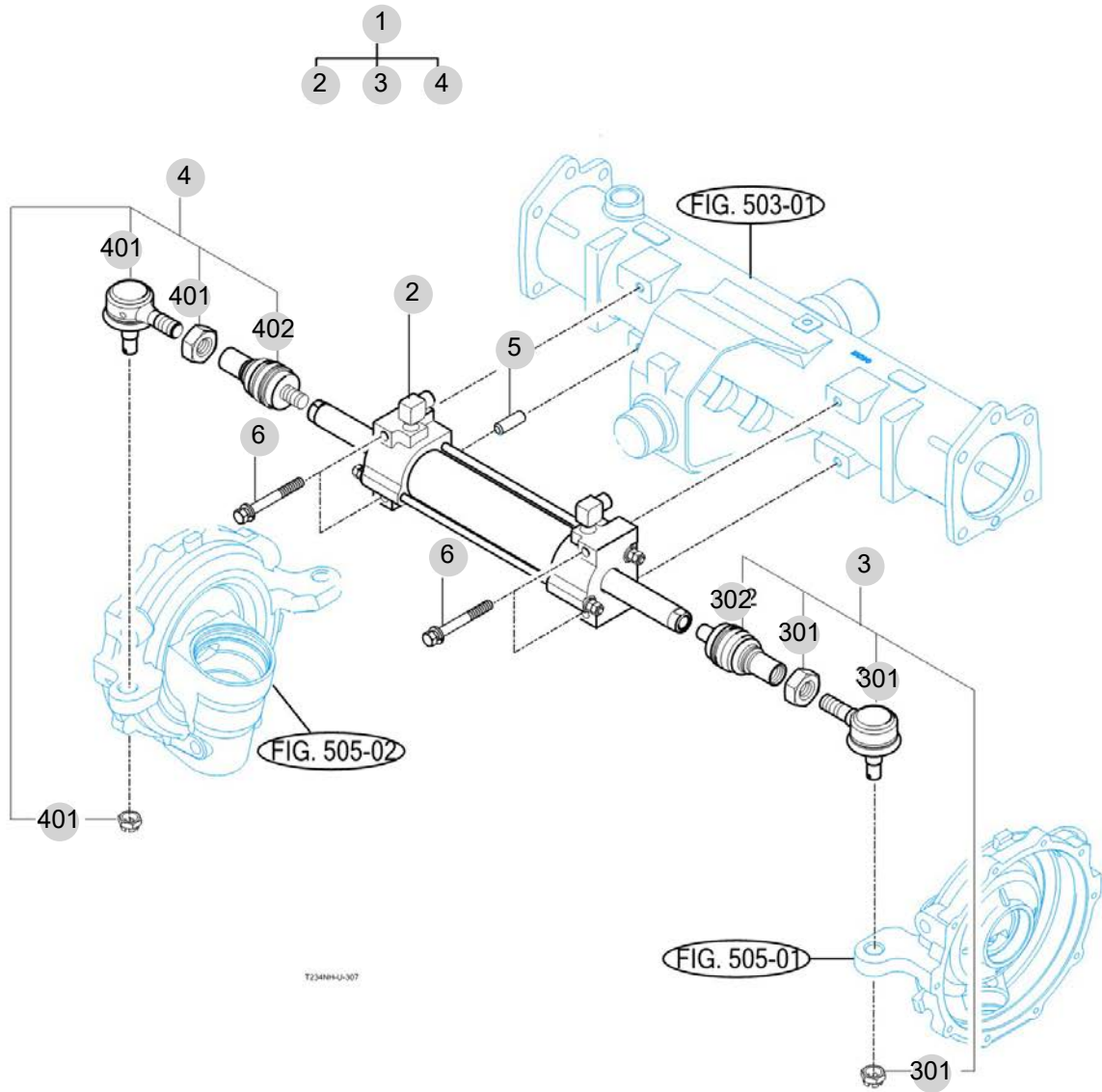
FIG 307

T264NH

STEERING CYLINDER

년/월  
Year/Month

2022-12



NOTE





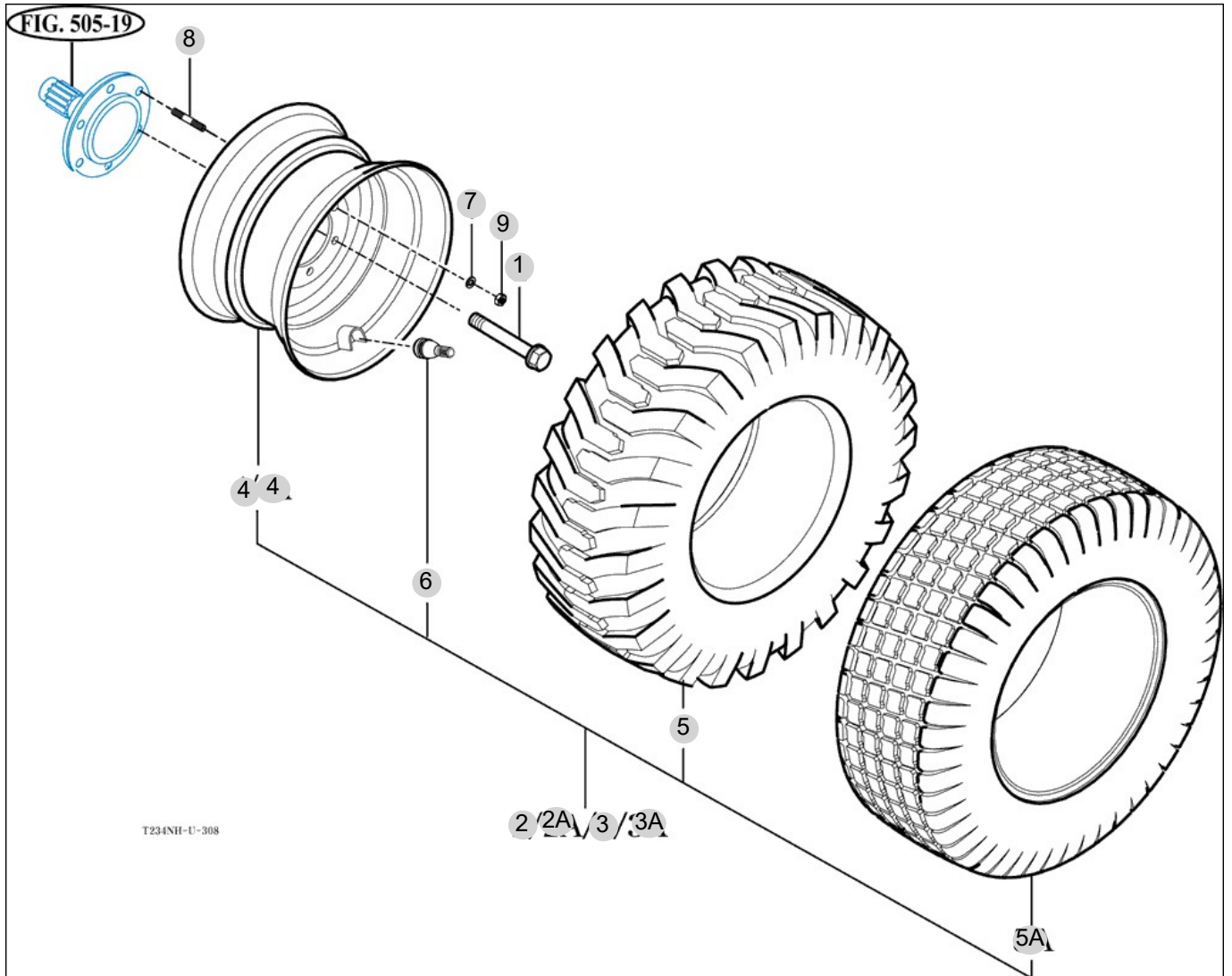
FIG 308

FRONT WHEEL

년/월  
Year/Month

2022-12

T264NH



NOTE



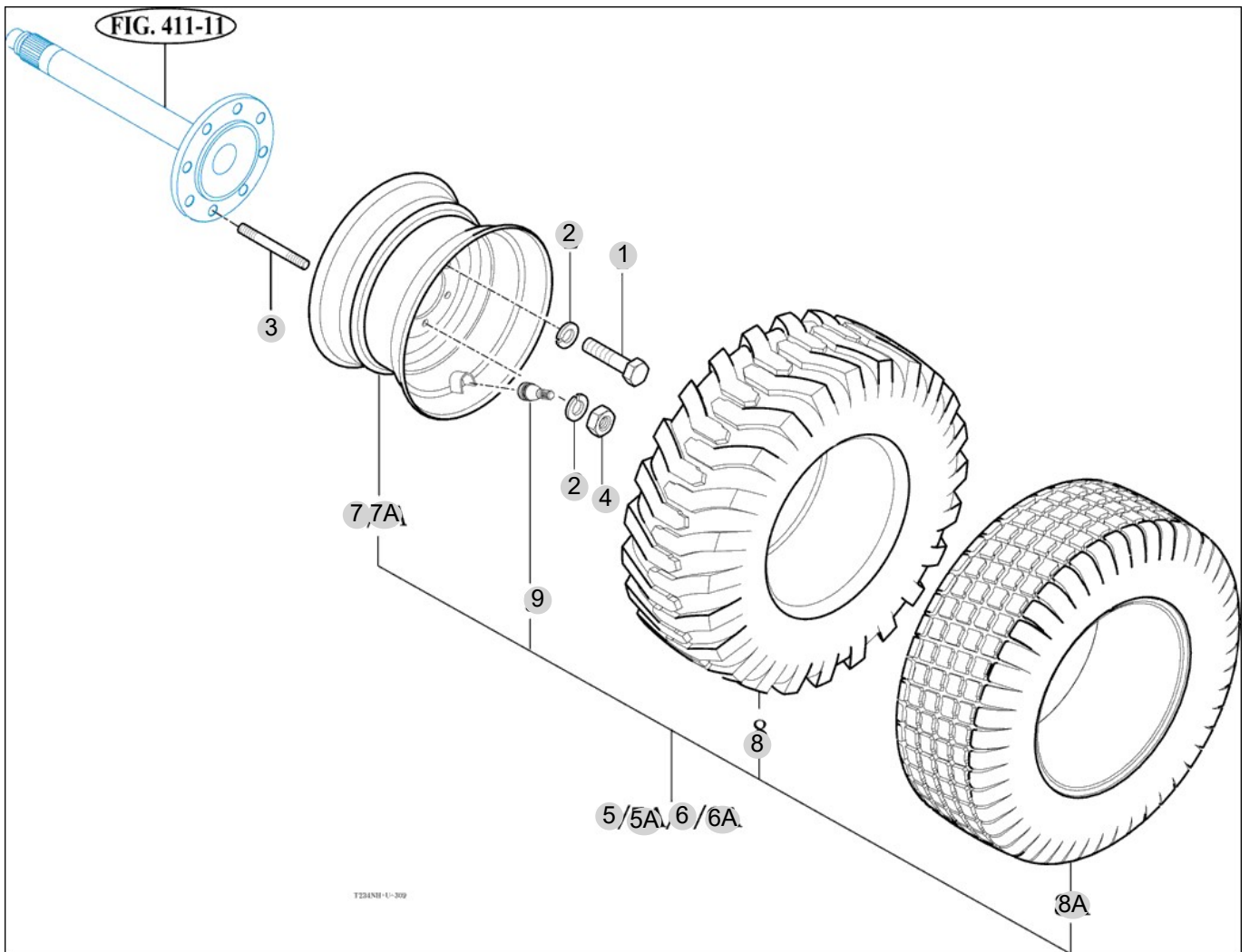
FIG 309

T264NH

REAR WHEEL

년/월  
Year/Month

2022-12



NOTE



## 4. Transmission PART NO. T4

FIG 401 INPUT SHAFT	110
FIG 402 HST	112
FIG 403 4WD DRIVE GEAR	114
FIG 404 RANGE GEARS	116
FIG 405 P.T.O DRIVE SHAFT	118
FIG 406 P.T.O DRIVE SHAFT	120
FIG 408 DIFF LOCK	122
FIG 409 REAR TRANSMISSION CASE	124
FIG 410 REAR AXLE HOUSINGS	126
FIG 411 RANGE SHIFT LEVER	128
FIG 412 P.T.O CHANGE LEVER	130
FIG 413 4WD CHANGE LEVER	132

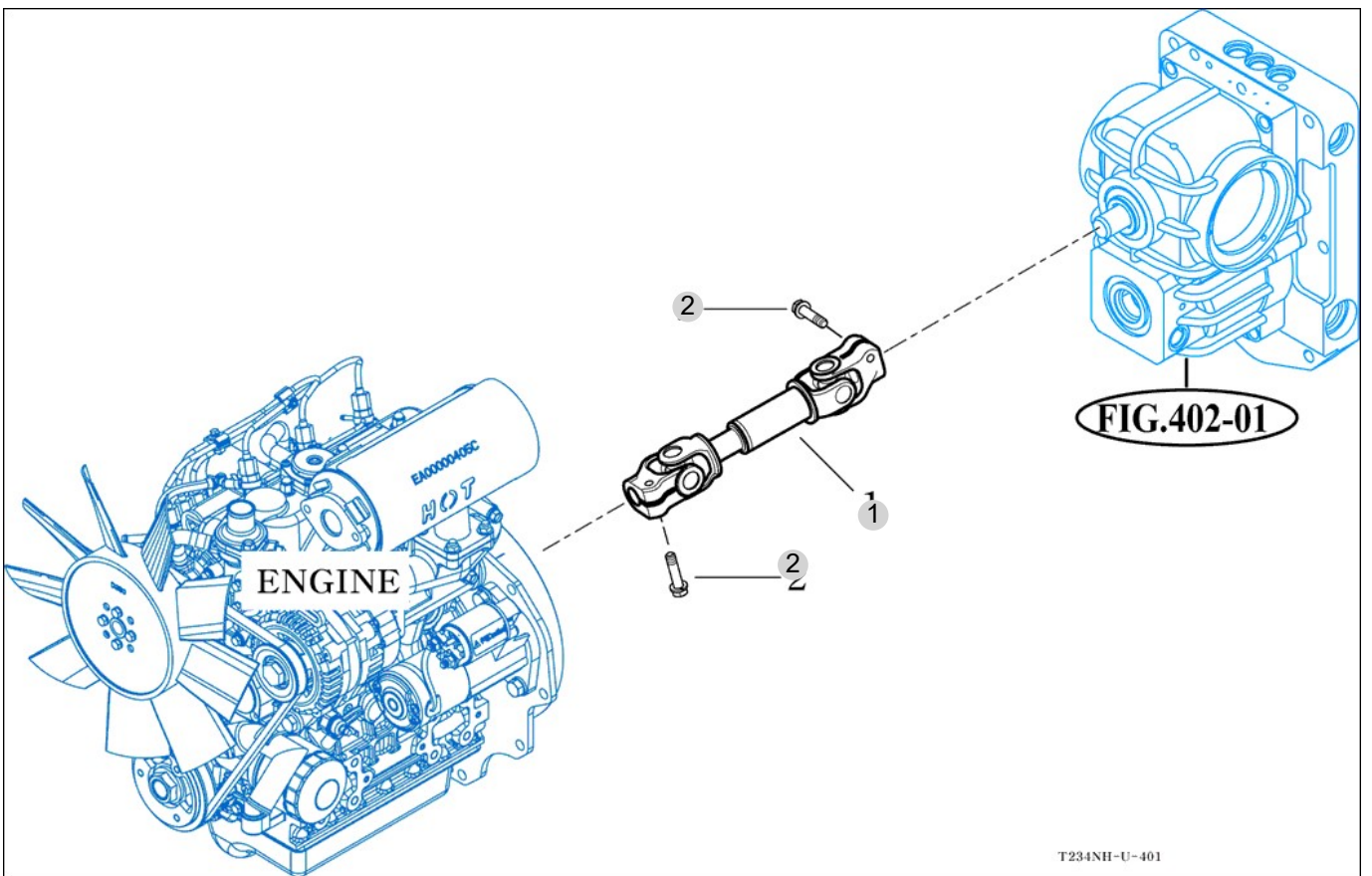
FIG 401

T264NH

INPUT SHAFT

년/월  
Year/Month

2022-12



NOTE



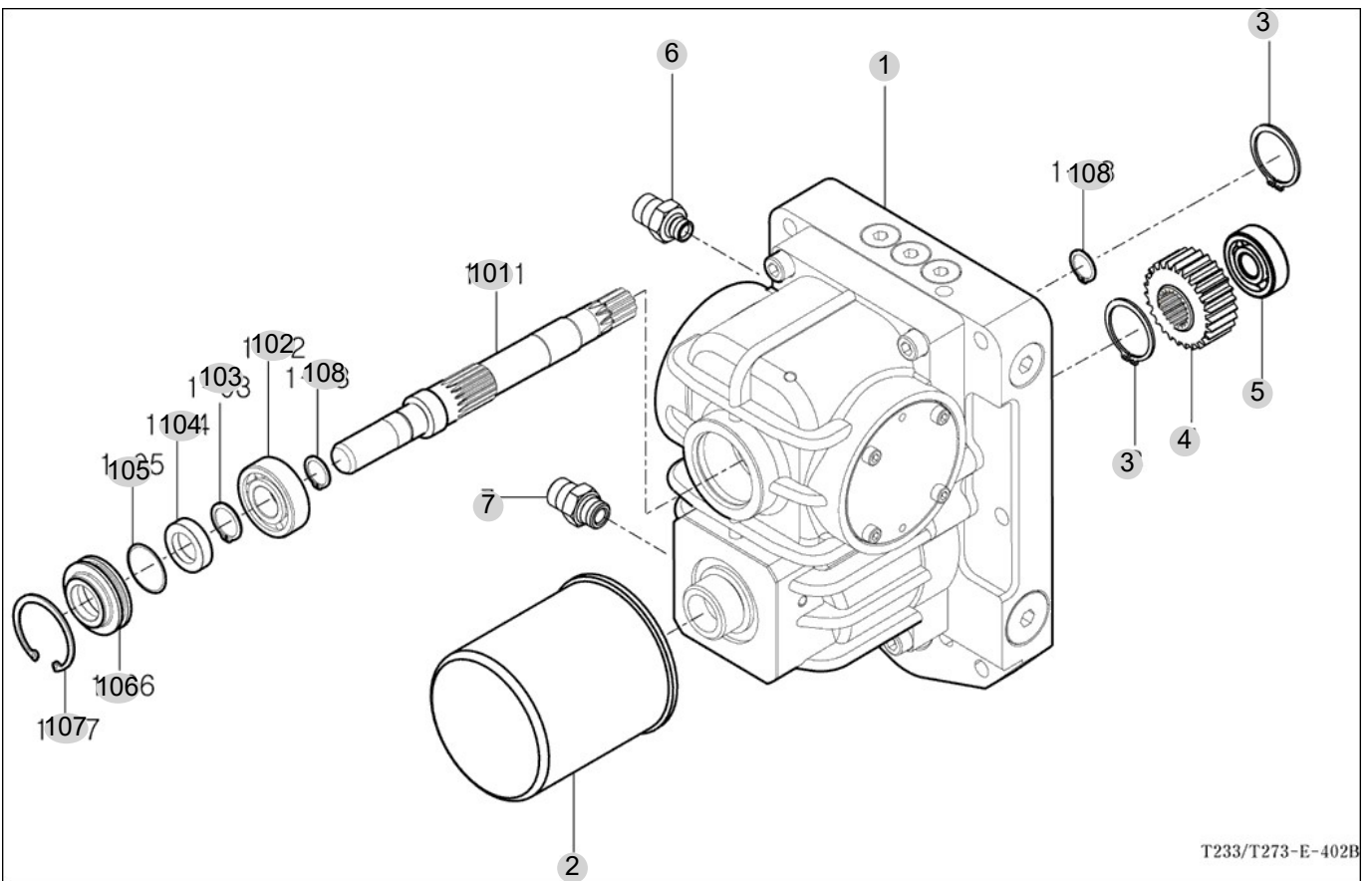
FIG 402

T264NH

HST

년/월  
Year/Month

2022-12



T233/T273-E-402B

NOTE





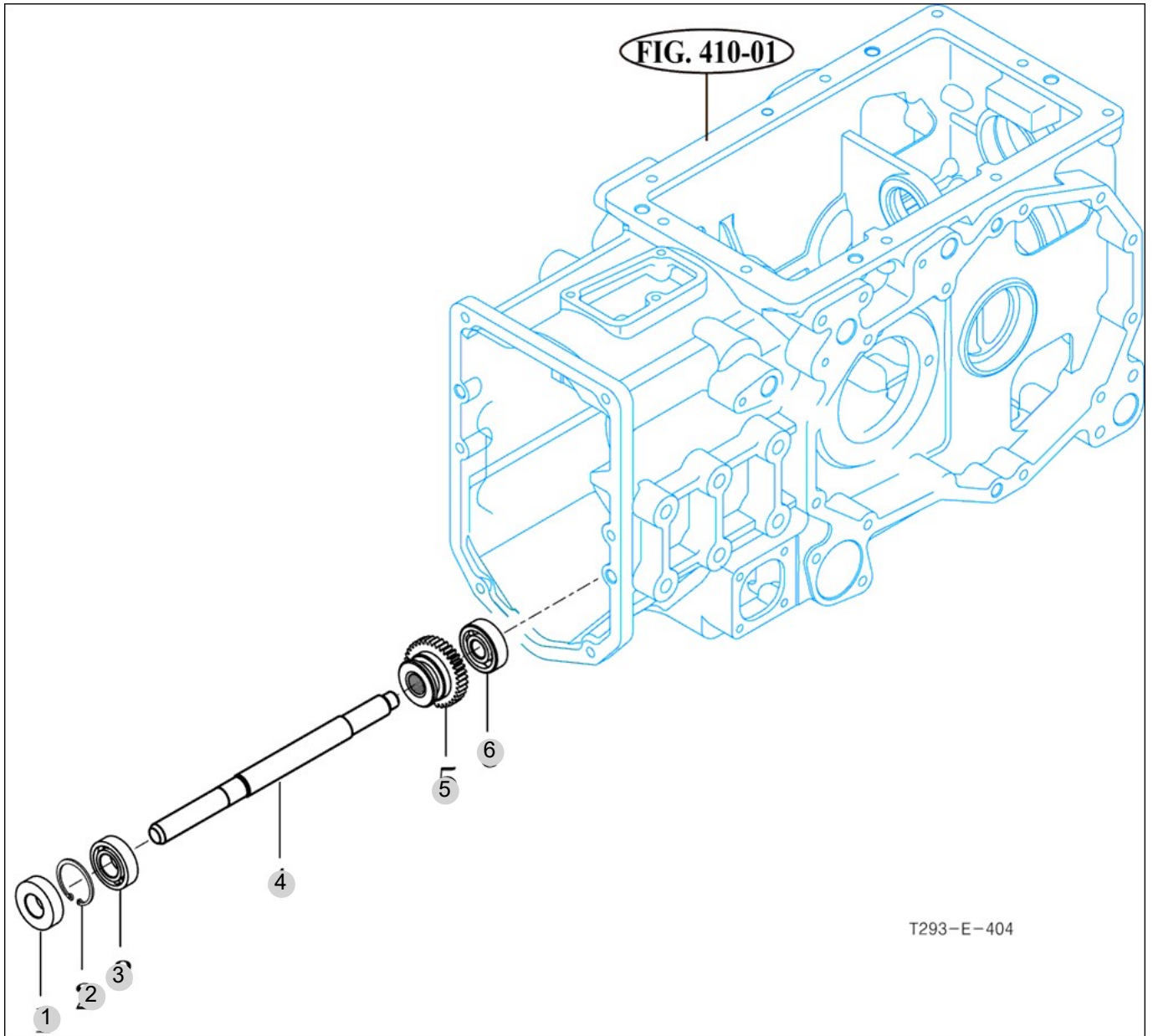
FIG 403

T264NH

4WD DRIVE GEAR

년/월  
Year/Month

2022-12



NOTE



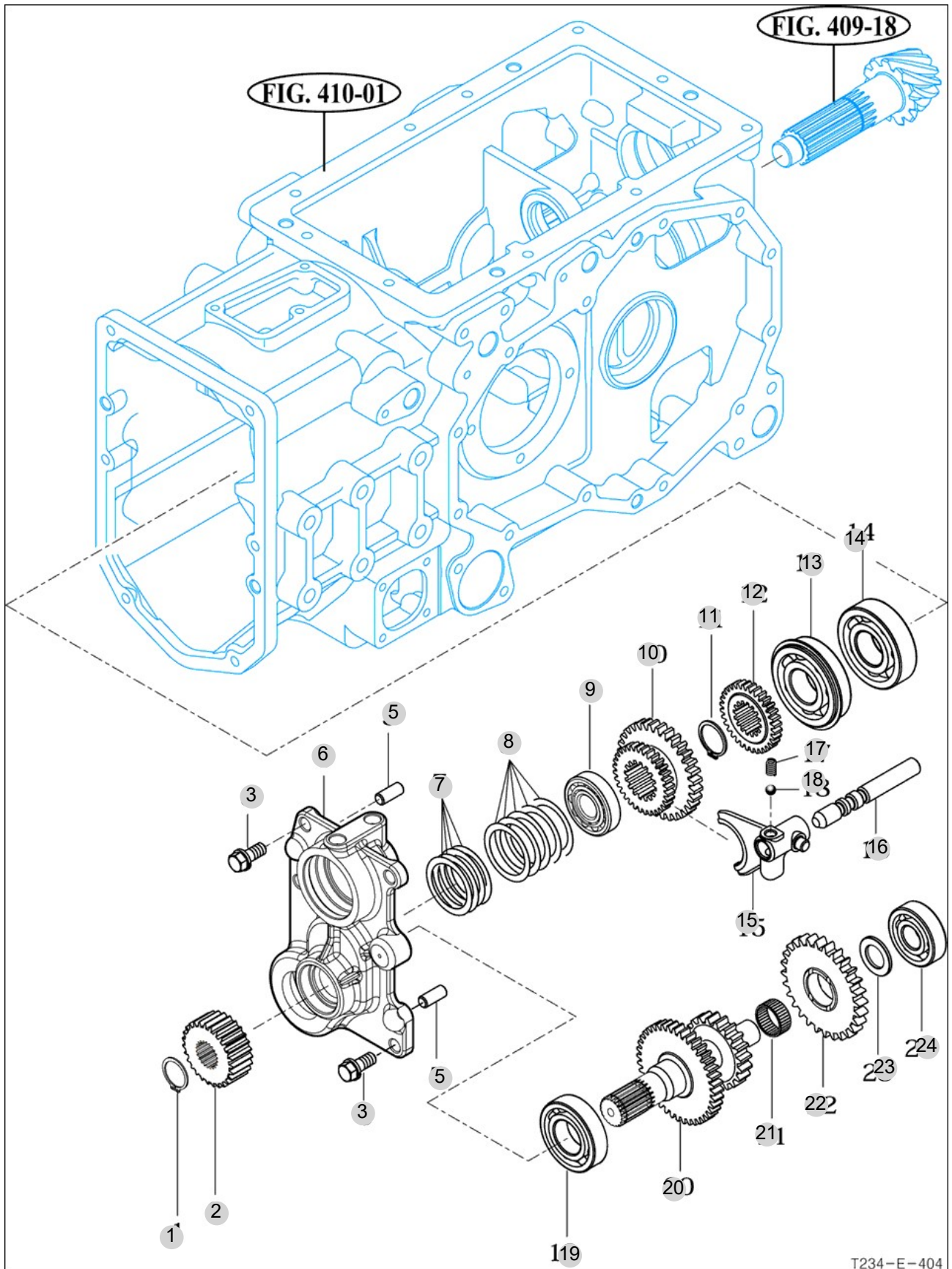
FIG 404

RANGE GEARS

년/월  
Year/Month

2022-12

T264NH



T234-E-404

NOTE



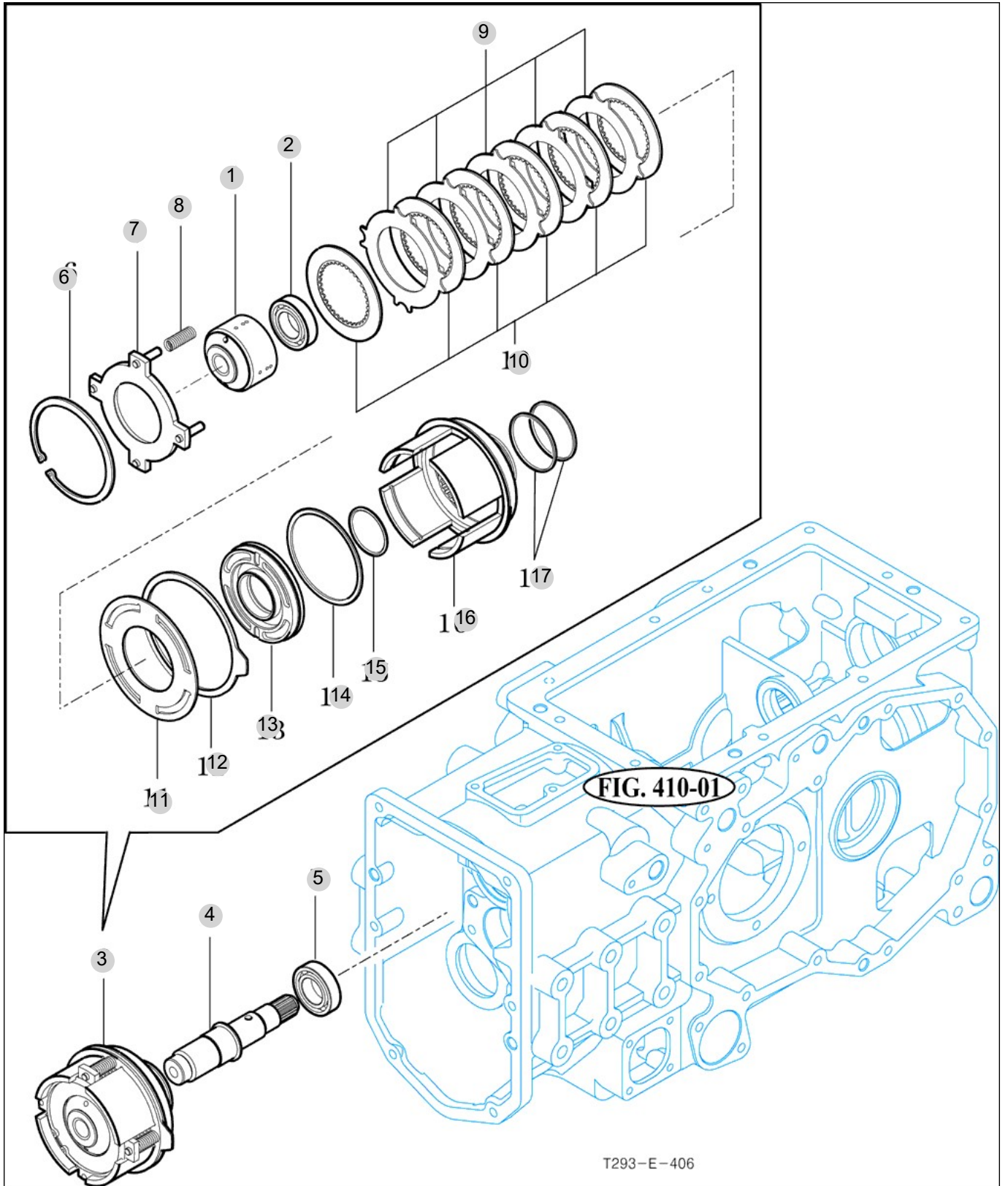
FIG 405

T264NH

P.T.O DRIVE SHAFT

년/월  
Year/Month

2022-12



NOTE



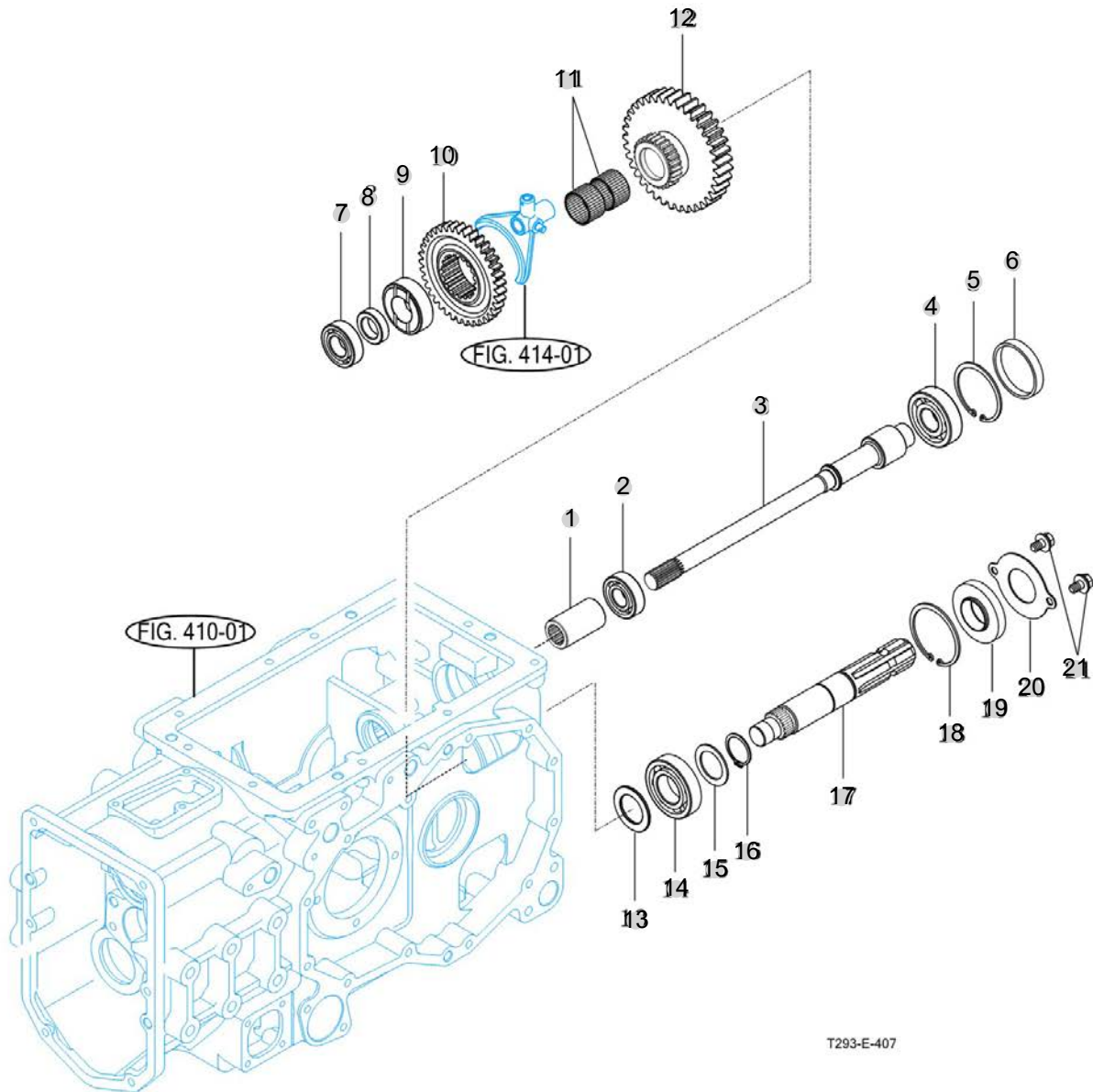
FIG 406

T264NH

P.T.O DRIVE SHAFT

년/월  
Year/Month

2022-12



T293-E-407

NOTE





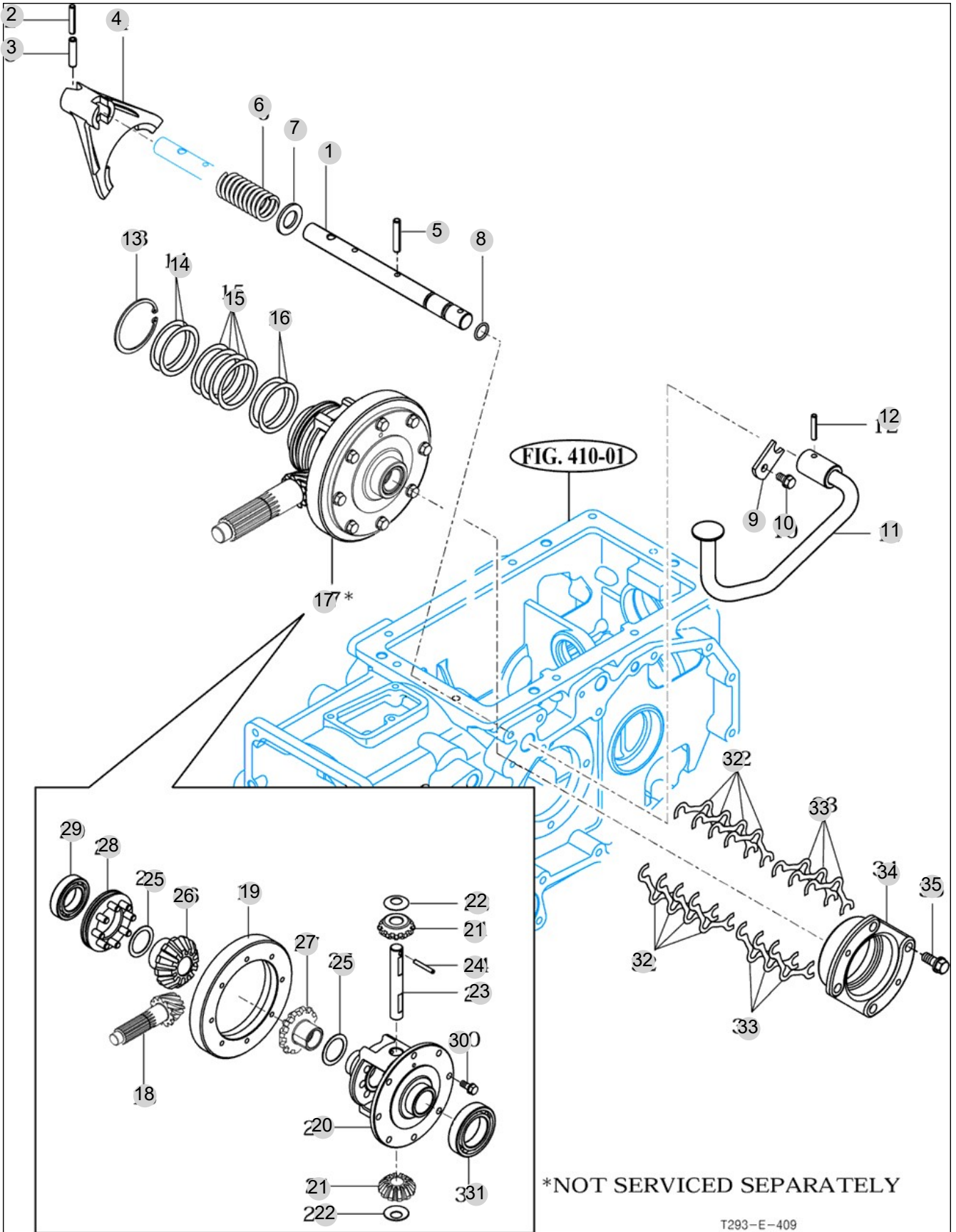
FIG 408

DIFF LOCK

년/월  
Year/Month

2022-12

T264NH



NOTE



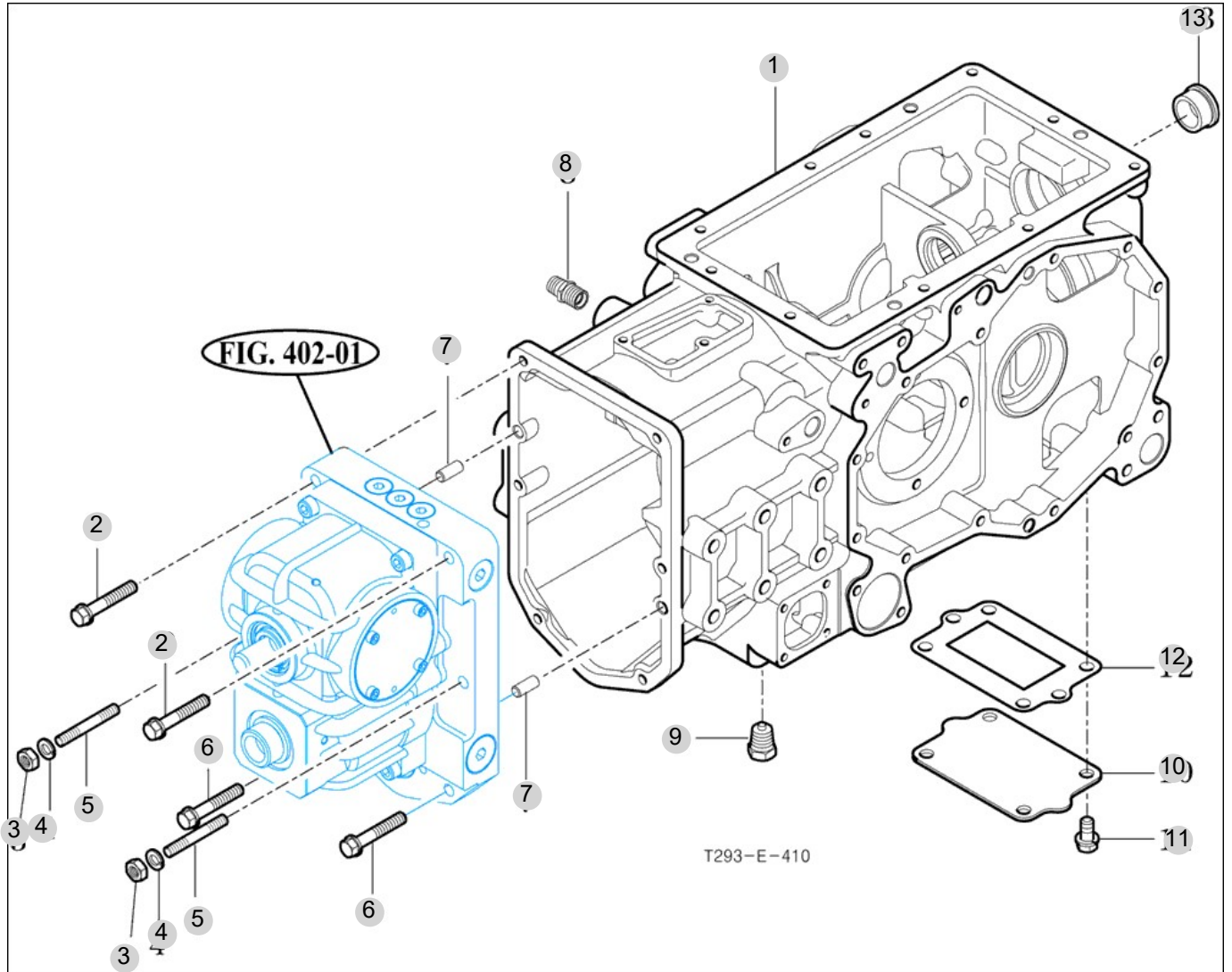
FIG 409

REAR TRANSMISSION CASE

년/월  
Year/Month

2022-12

T264NH



NOTE



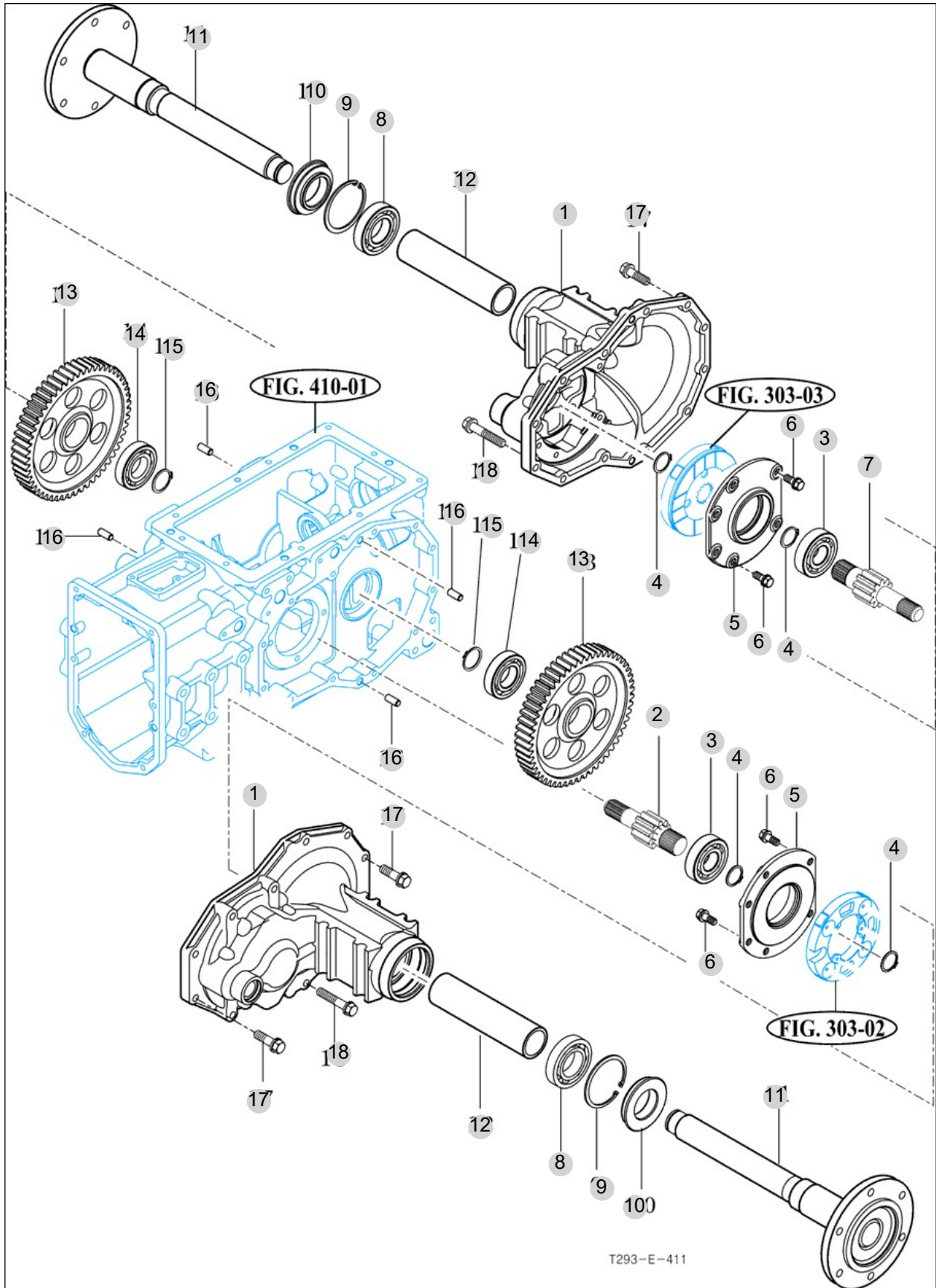
FIG 410

REAR AXLE HOUSINGS

년/월  
Year/Month

T264NH

2022-12



NOTE



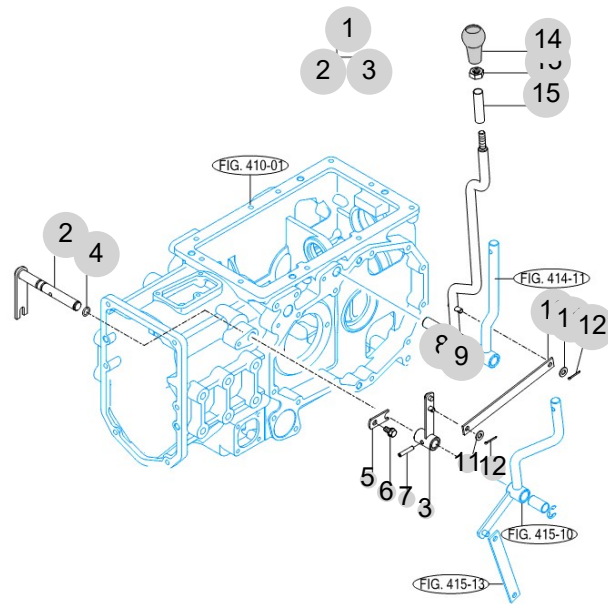
FIG 411

T264NH

RANGE SHIFT LEVER

년/월  
Year/Month

2022-12



T264E-411

NOTE





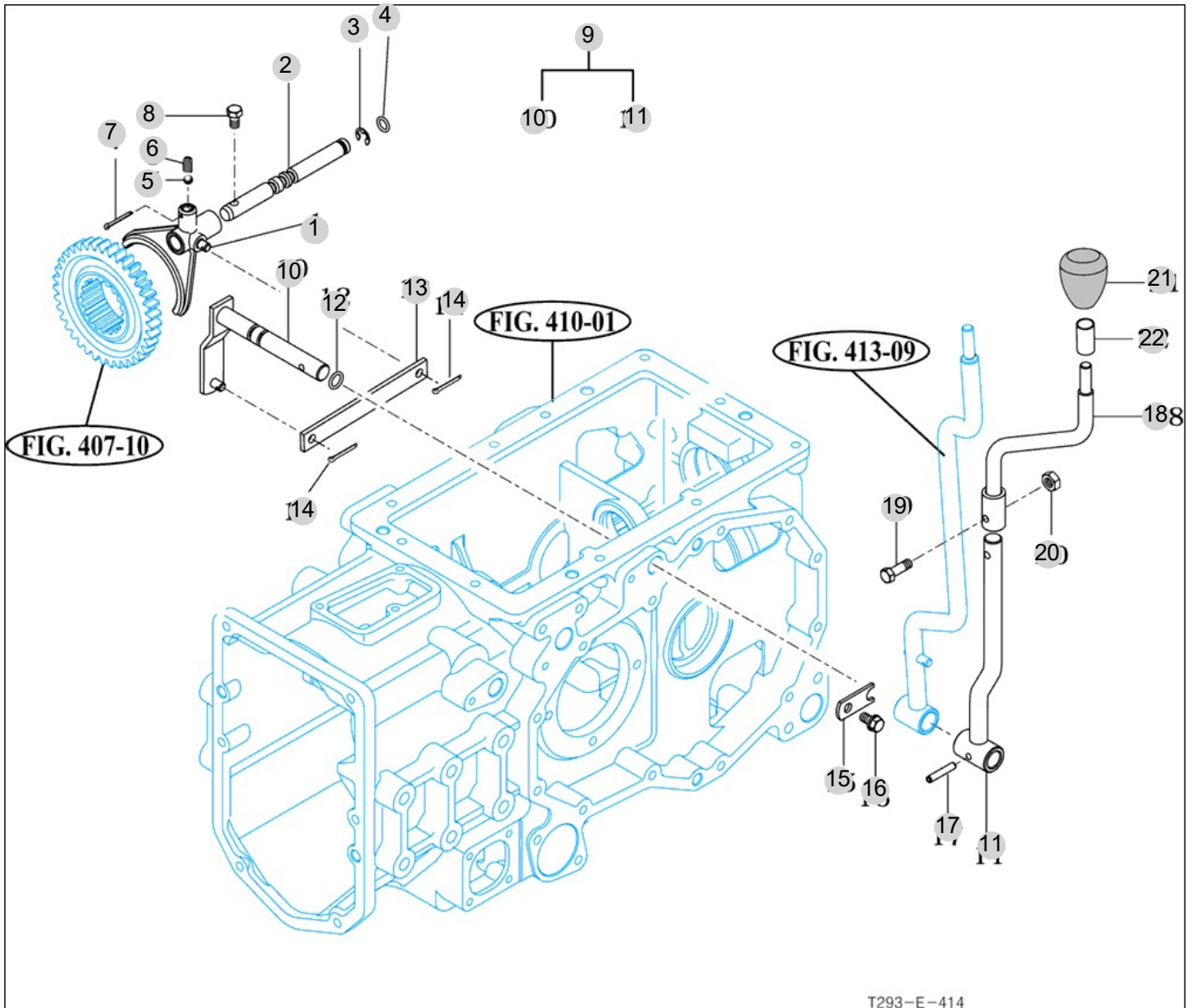
FIG 412

T264NH

P.T.O CHANGE LEVER

년/월  
Year/Month

2022-12



NOTE



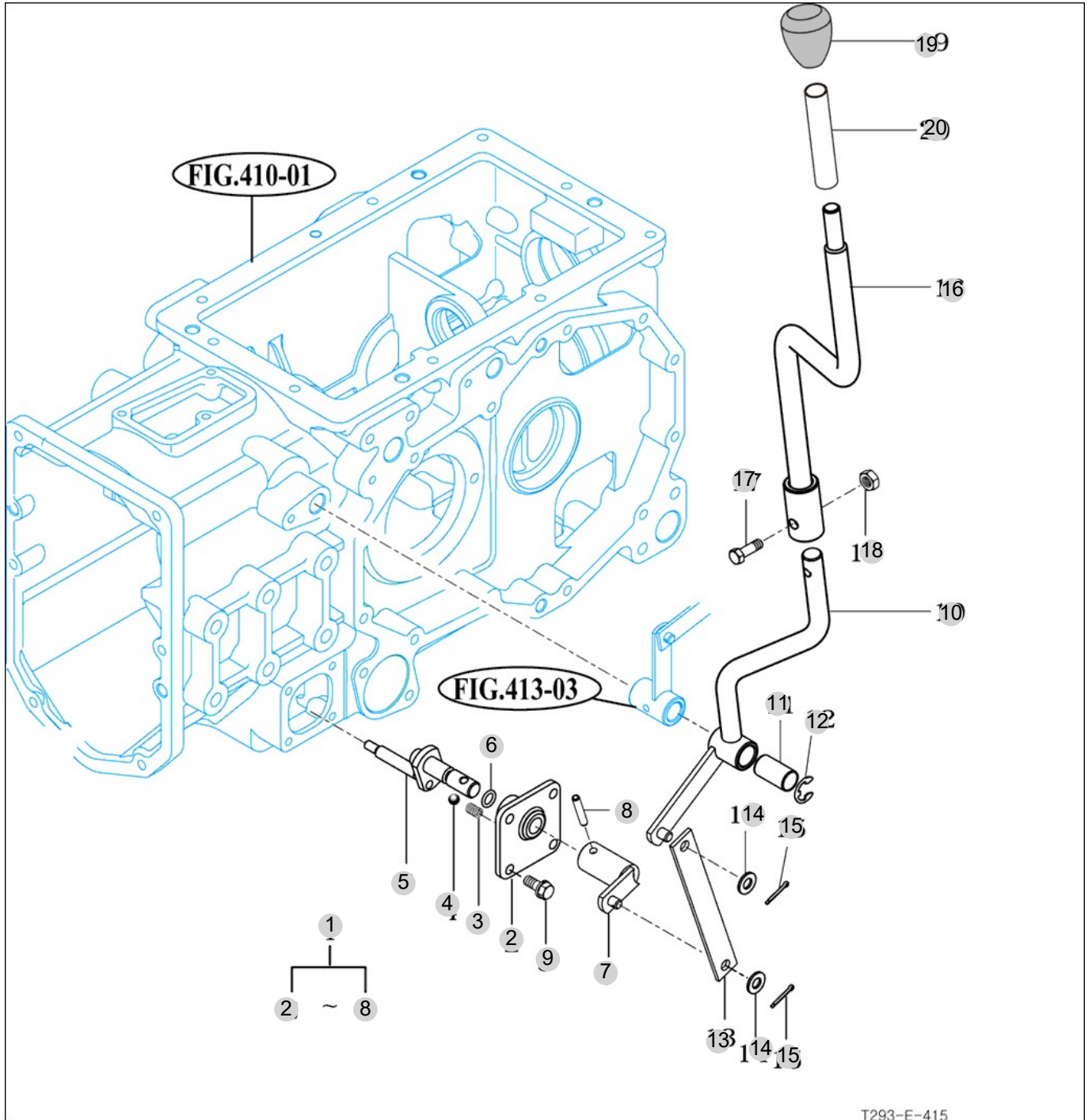
FIG 413

4WD CHANGE LEVER

년/월  
Year/Month

2022-12

T264NH



NOTE



## 5. Front Axle PART NO. T5

FIG 501 FRAME	135
FIG 502 FRONT DIFFERENTIAL GEARS & SHAFT	137
FIG 503 FRONT AXLE HOUSING	139
FIG 504 FRONT GEAR CASE (1)	141
FIG 505 FRONT GEAR CASE (2)	143

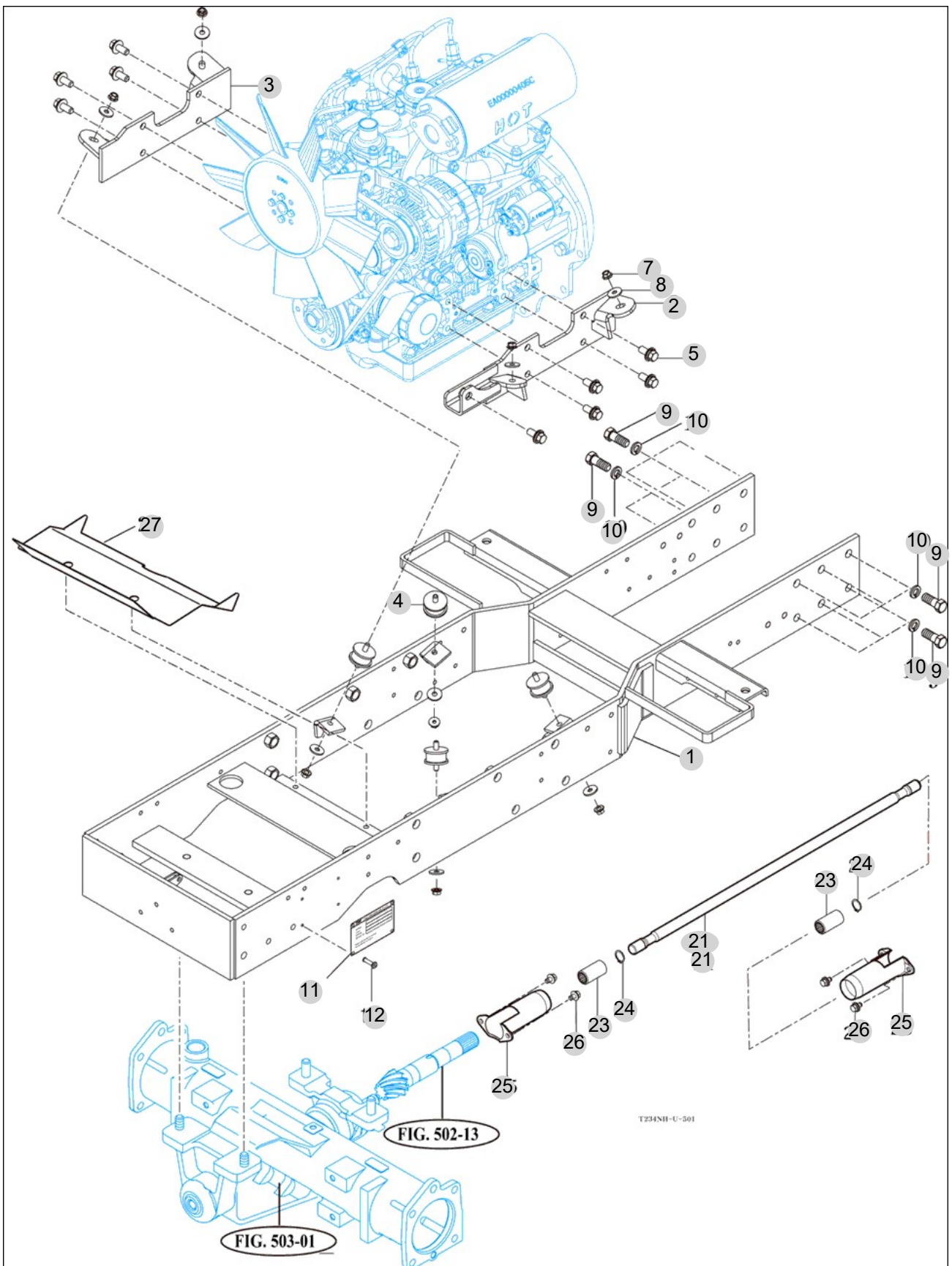
FIG 501

FRAME

년/월  
Year/Month

2022-12

T264NH



NOTE





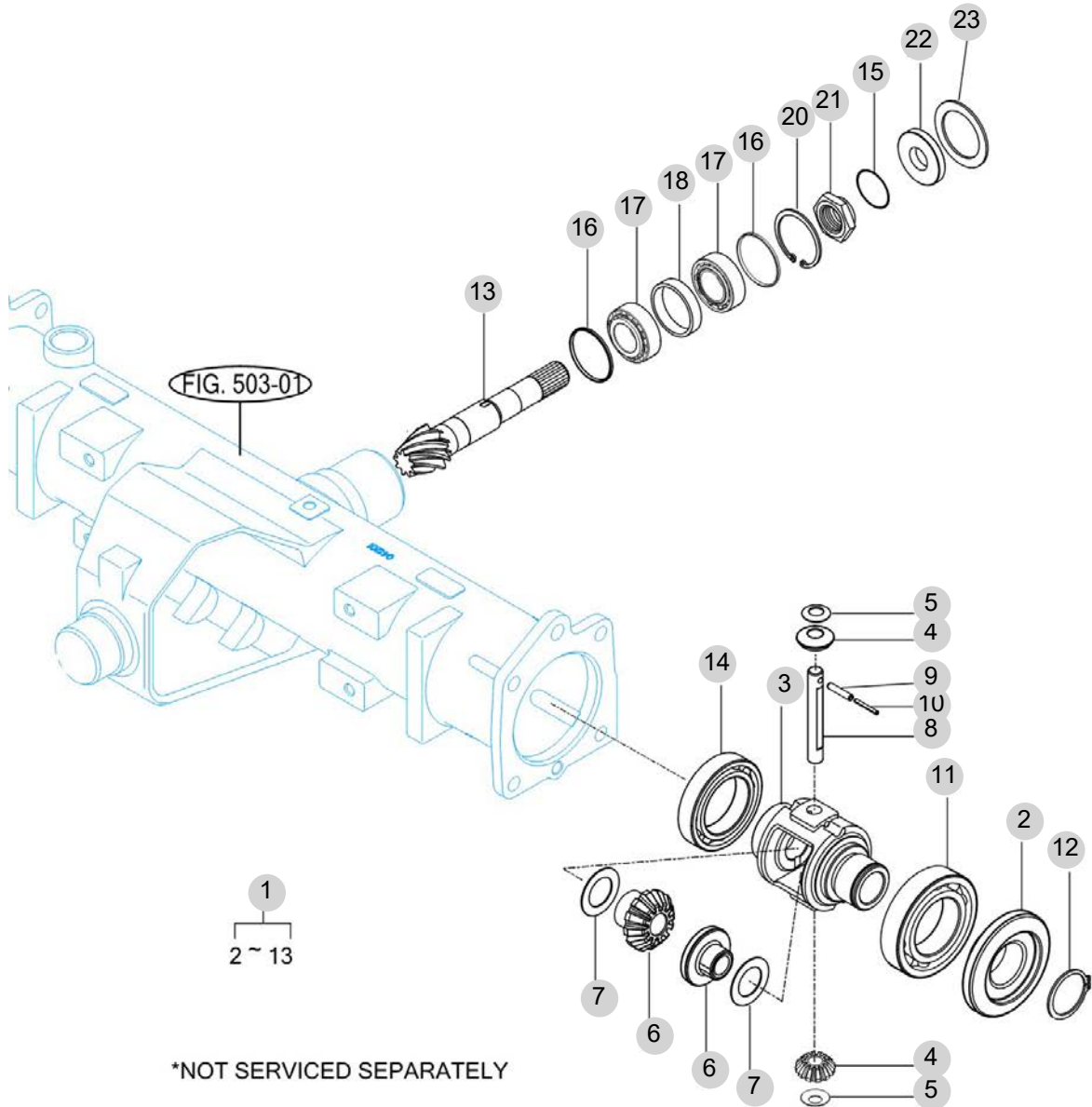
FIG 502

T264NH

FRONT DIFFERENTIAL GEARS & SHAFT

년/월  
Year/Month

2022-12



T293-E-502

NOTE



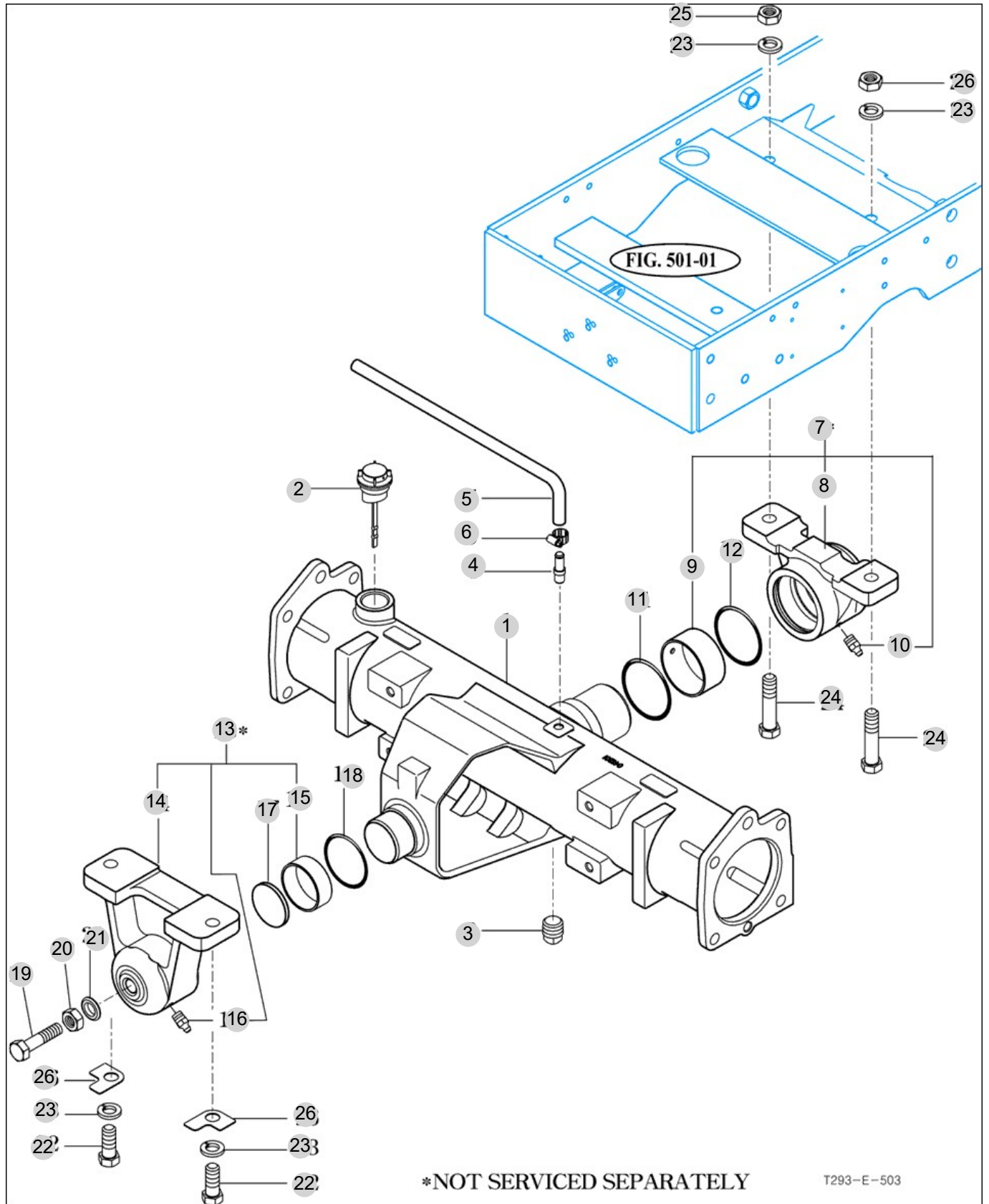
FIG 503

FRONT AXLE HOUSING

년/월  
Year/Month

2022-12

T264NH



NOTE



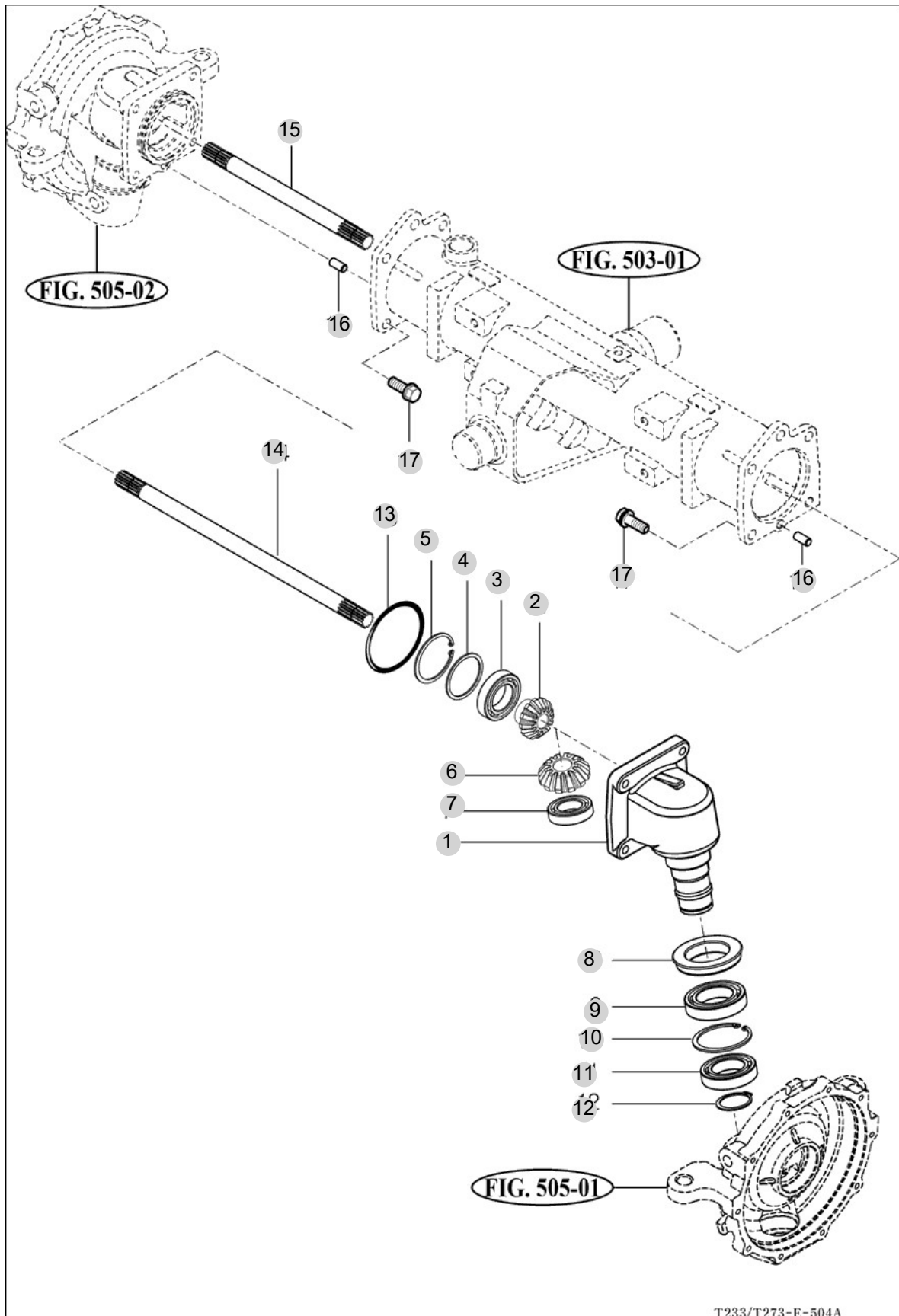
FIG 504

FRONT GEAR CASE (1)

년/월  
Year/Month

2022-12

T264NH



T233/T273-E-504A

NOTE



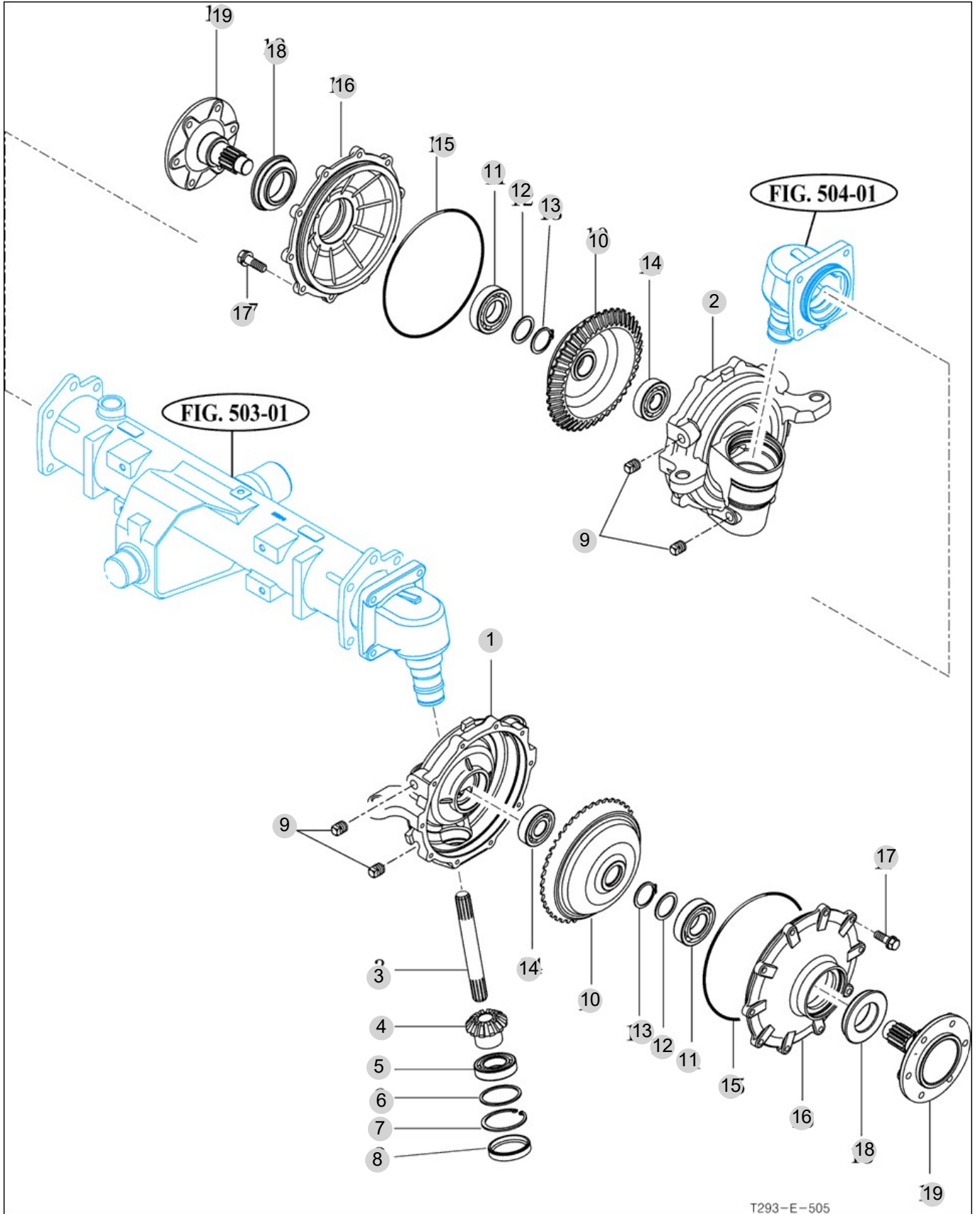
FIG 505

FRONT GEAR CASE (2)

년/월  
Year/Month

T264NH

2022-12



T293-E-505

NOTE





## 6. Hydraulic/3P-Link PART NO. T6

FIG 601 CYLINDER CASE	146
FIG 602 LIFT ARM	148
FIG 603 FLOW CONTROL VALVE	150
FIG 604 CONTROL VALVE LINKAGE	152
FIG 605 MAIN CONTROL VALVE	154
FIG 607 POSITION LEVER LINKAGE	156
FIG 608 GEAR PUMP	158
FIG 609 HYDRAULIC HOSE (1)	160
FIG 610 HYDRAULIC HOSE (2)	162
FIG 611 PTO VALVE	164
FIG 612 HITCH & 3-POINT LINKAGE	166
FIG 613 JOYSTICK LEVER	169
FIG 614 HITCH & COVER	171

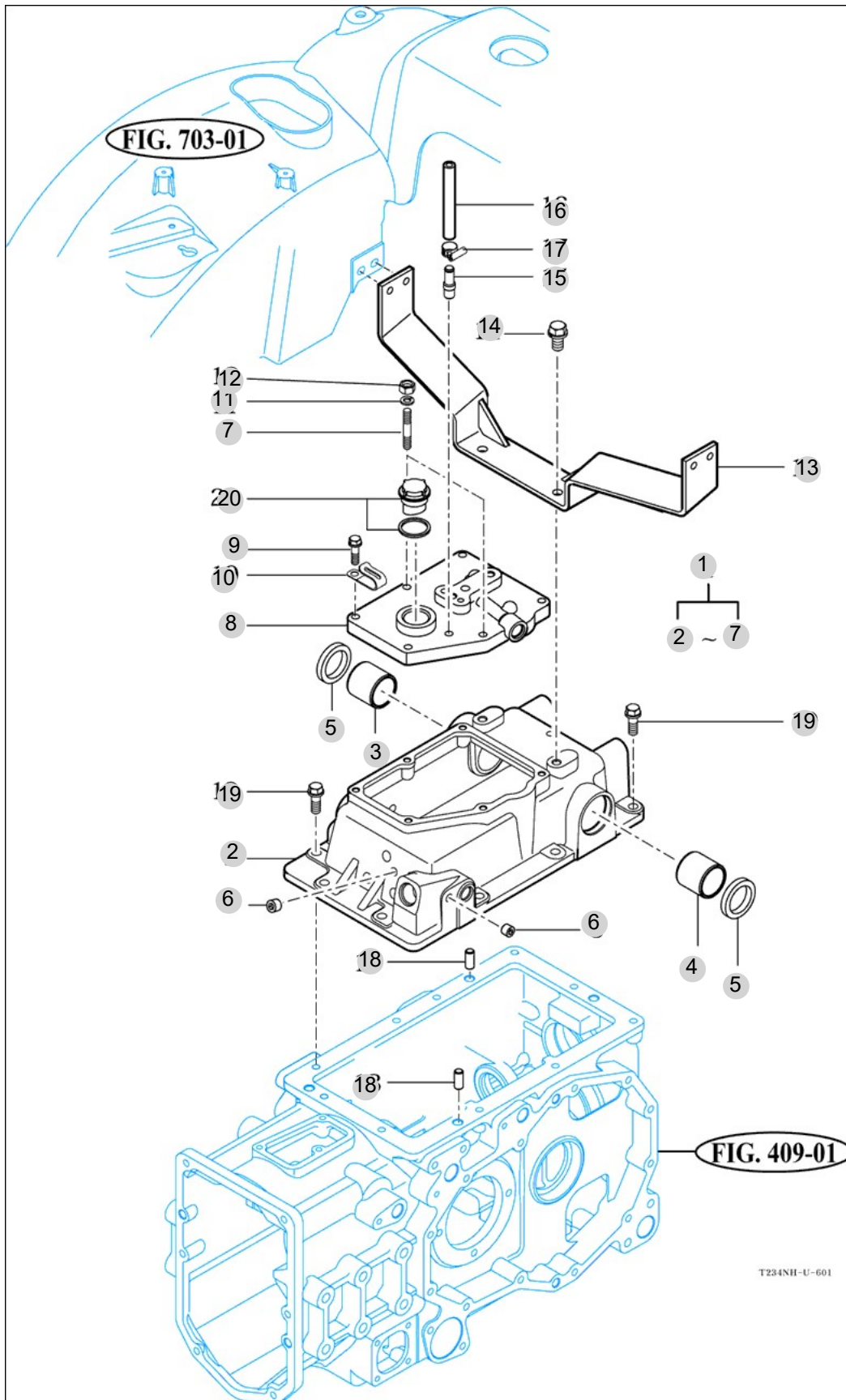
FIG 601

CYLINDER CASE

년/월  
Year/Month

2022-12

T264NH



T234NH-U-601

NOTE



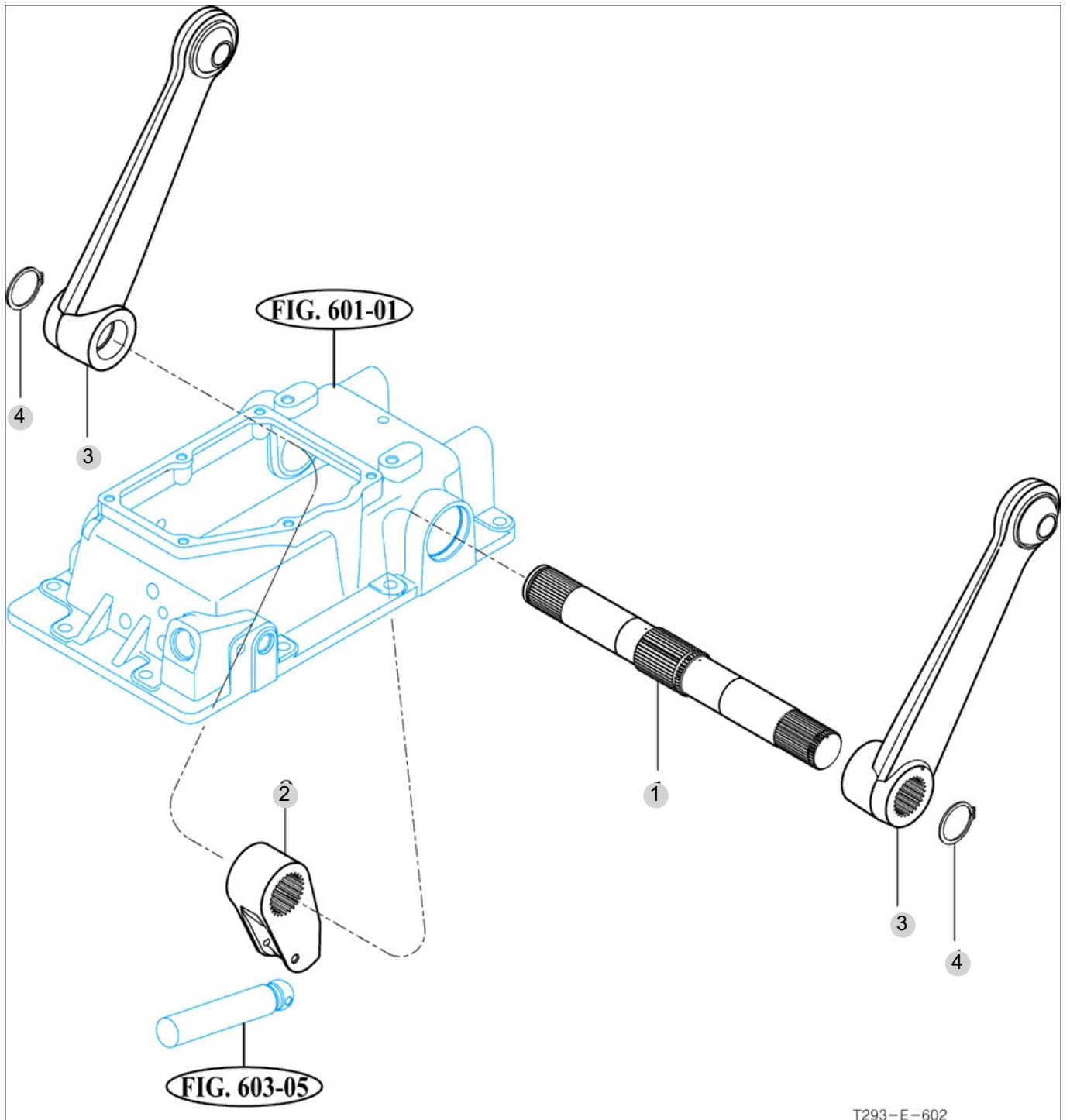
FIG 602

T264NH

LIFT ARM

년/월  
Year/Month

2022-12



T293-E-602

NOTE



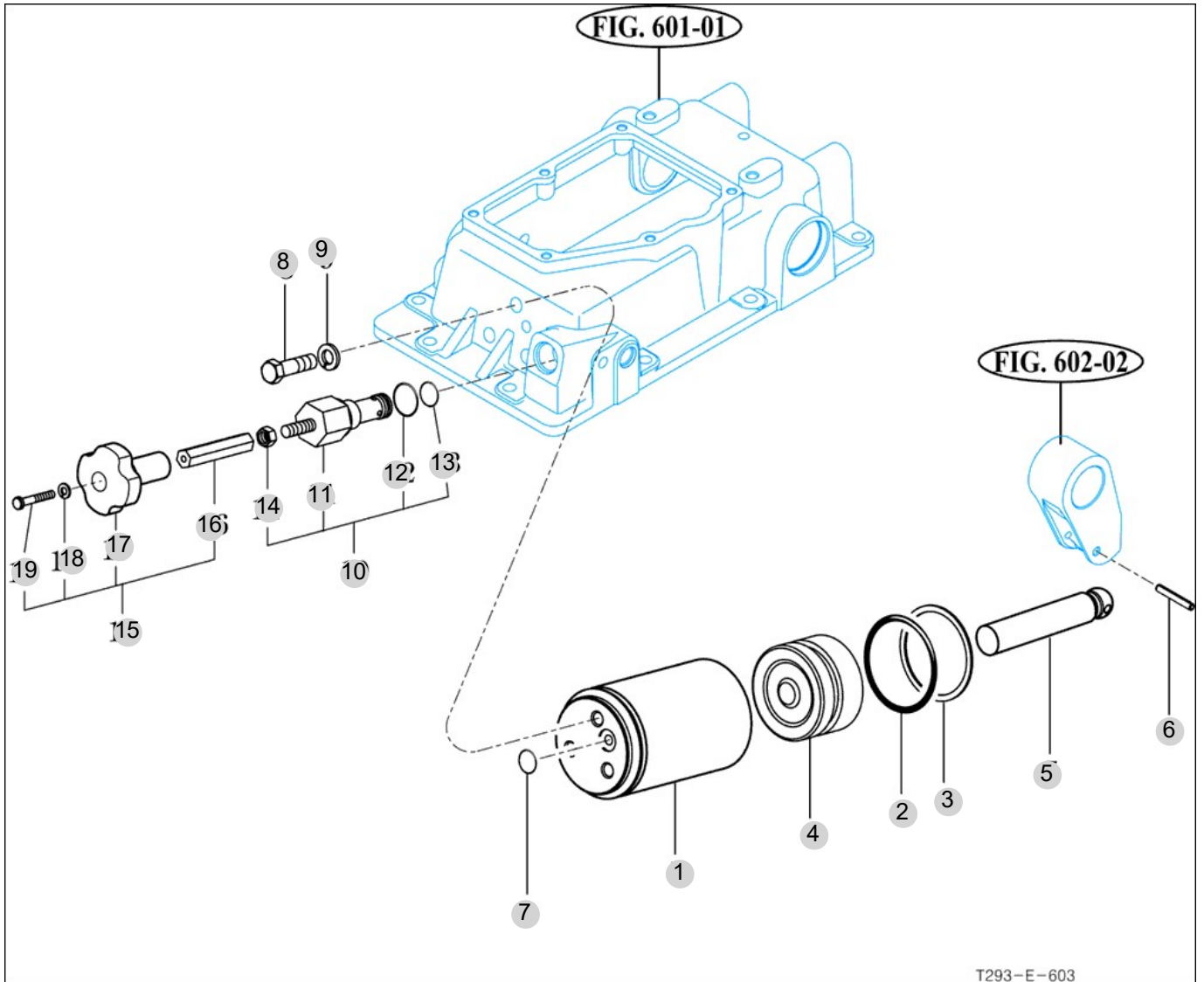
FIG 603

T264NH

FLOW CONTROL VALVE

년/월  
Year/Month

2022-12



T293-E-603

NOTE



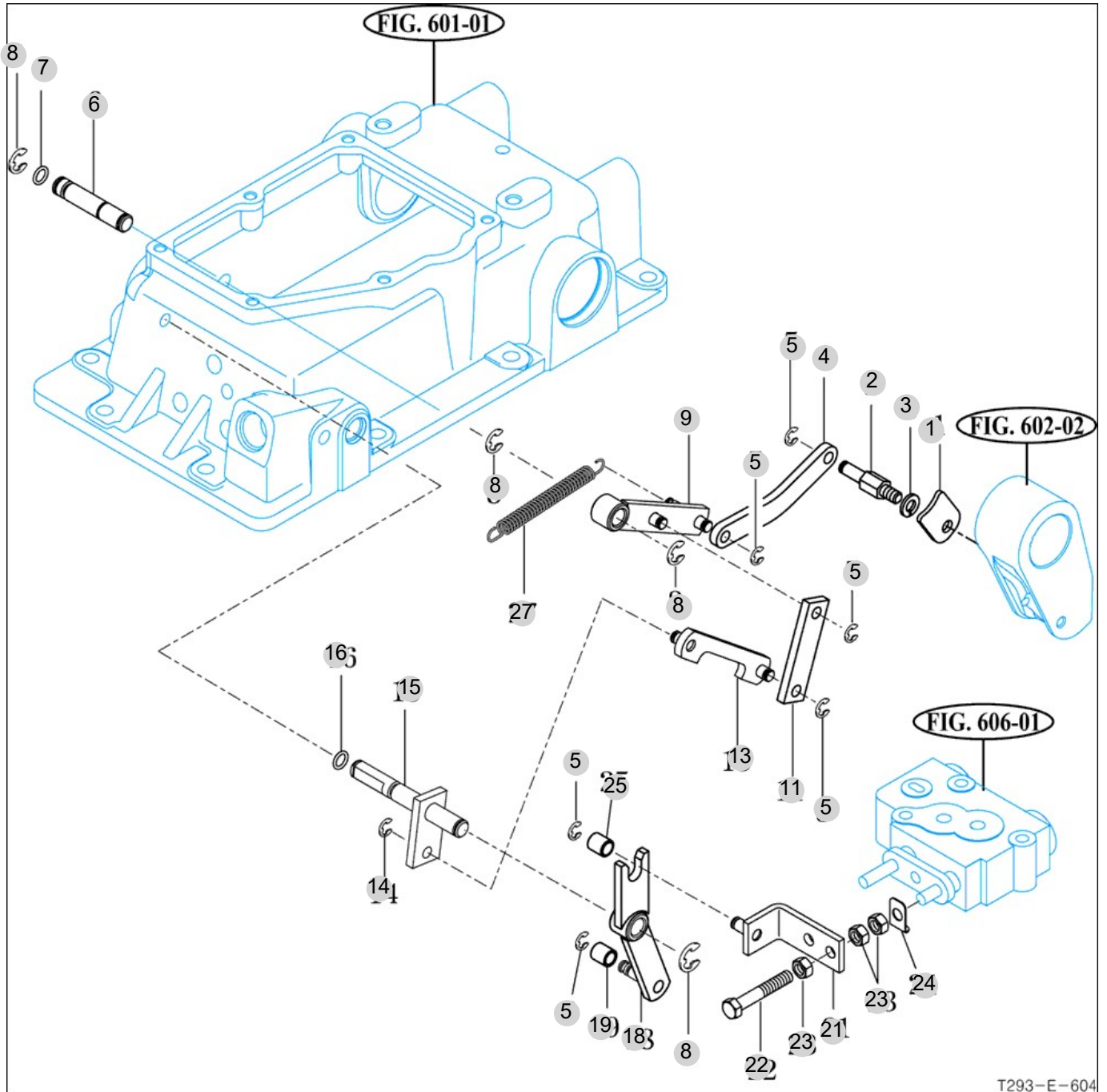
FIG 604

T264NH

CONTROL VALVE LINKAGE

년/월  
Year/Month

2022-12



T293-E-604

NOTE





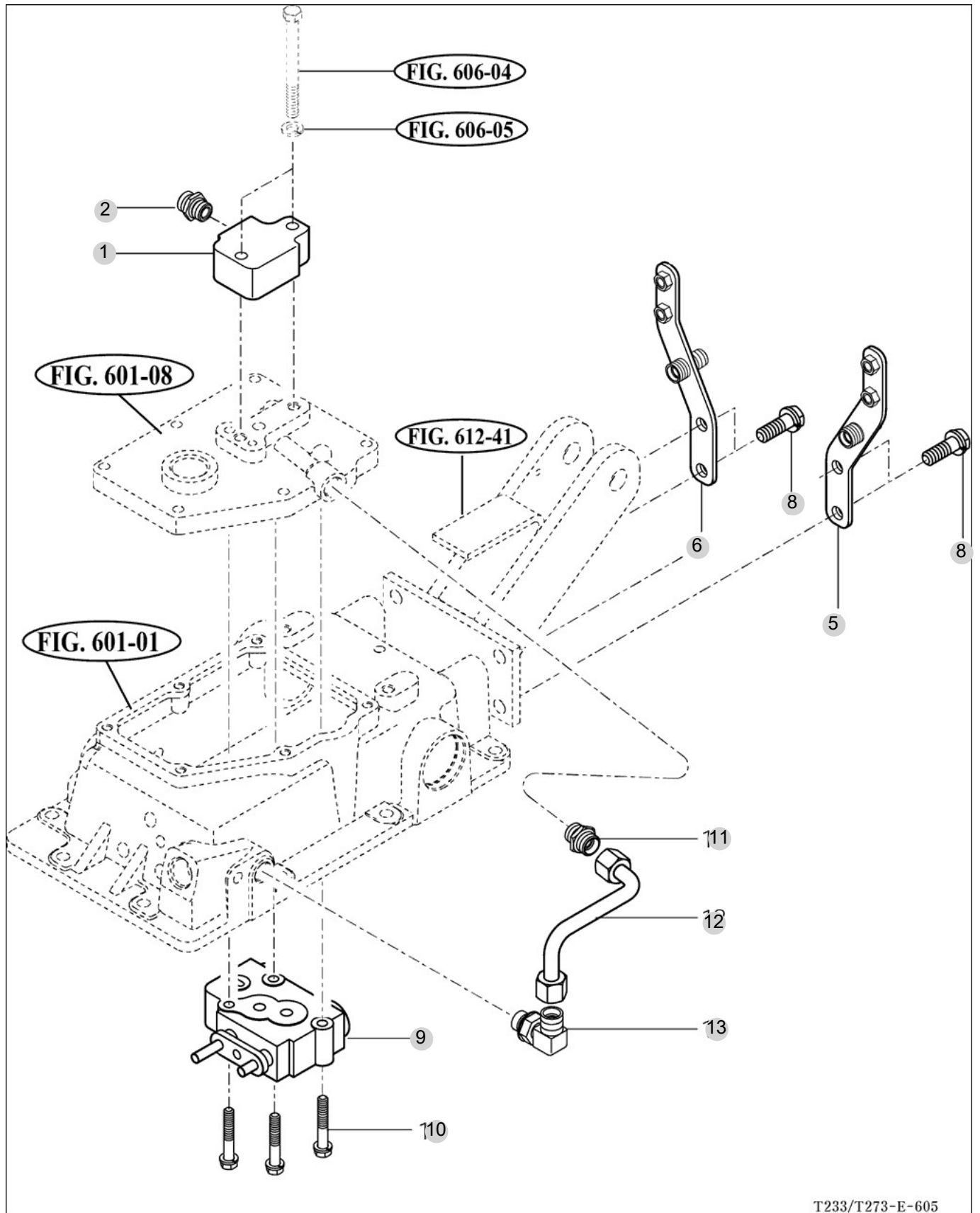
FIG 605

MAIN CONTROL VALVE

년/월  
Year/Month

T264NH

2022-12



T233/T273-E-605

NOTE



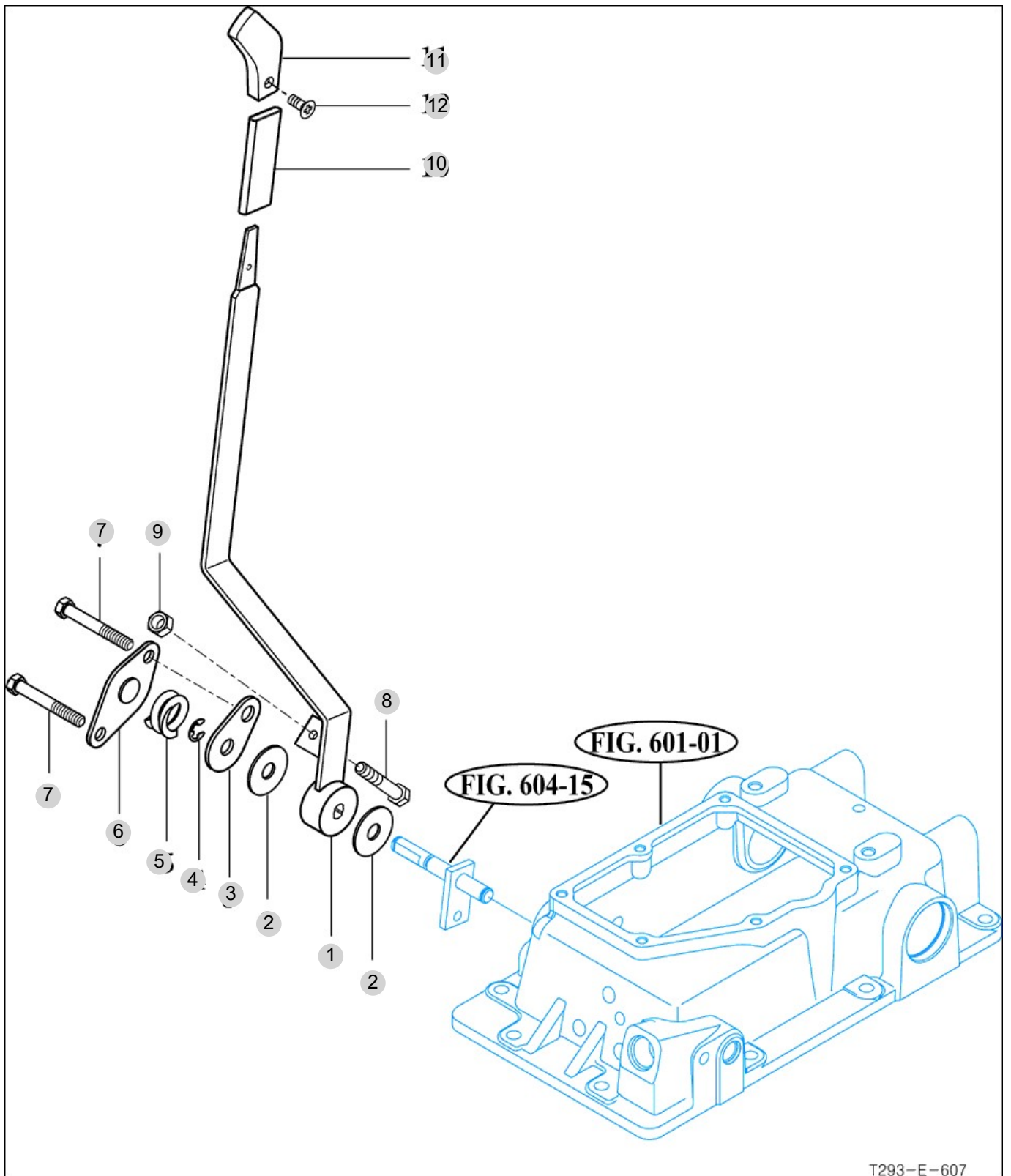
FIG 607

T264NH

POSITION LEVER LINKAGE

년/월  
Year/Month

2022-12



T293-E-607

NOTE



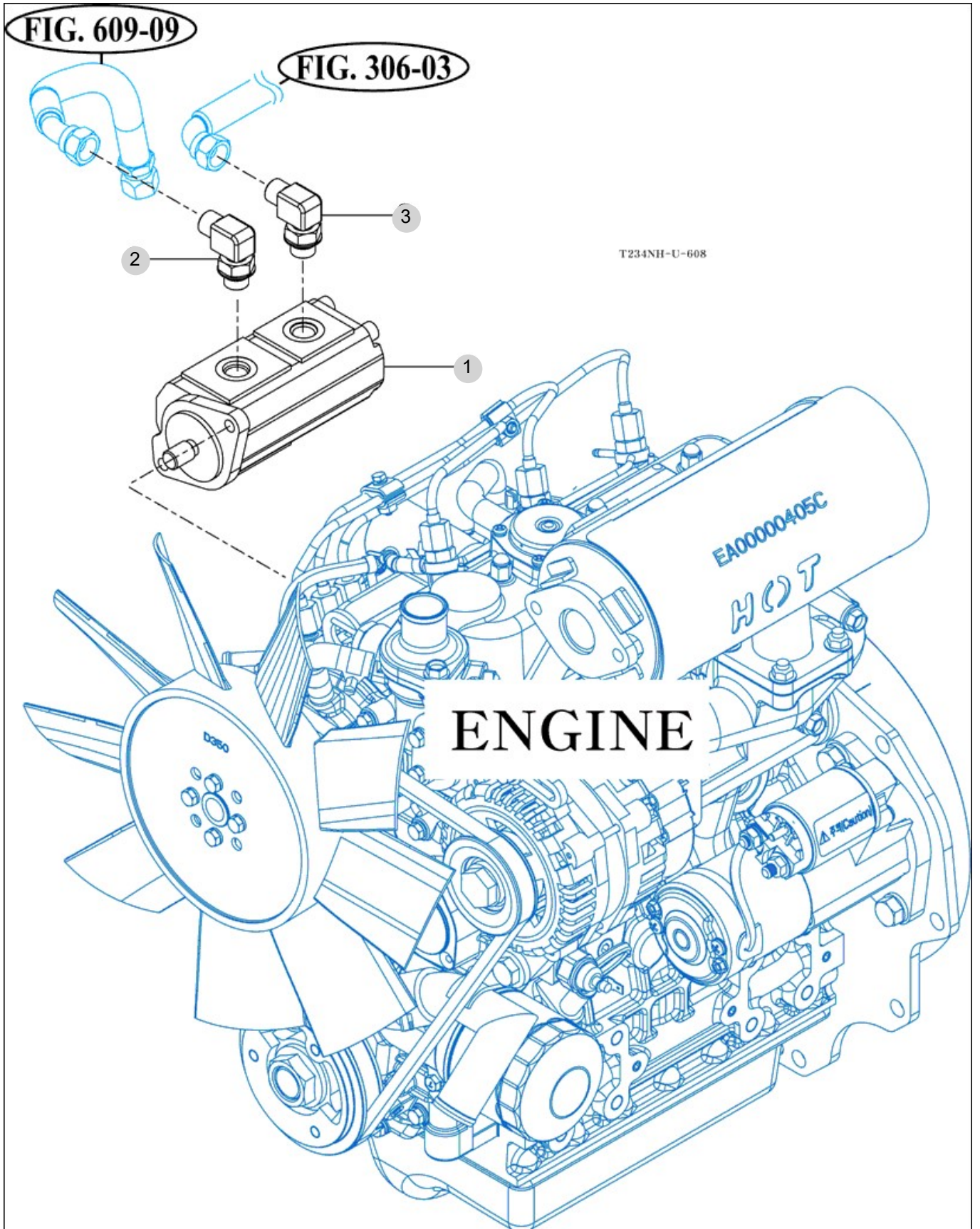
FIG 608

GEAR PUMP

년/월  
Year/Month

T264NH

2022-12



NOTE



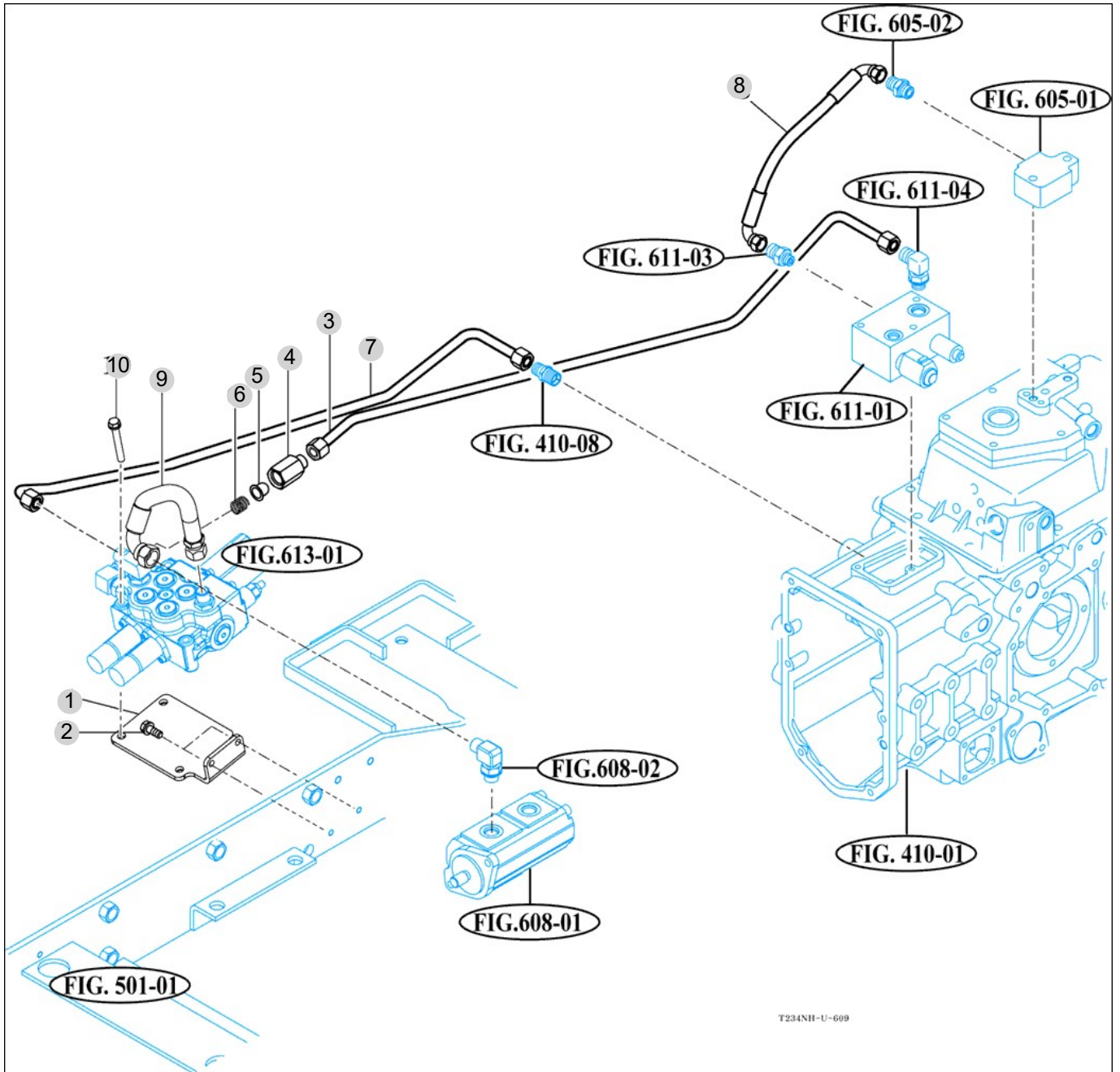
FIG 609

T264NH

HYDRAULIC HOSE (1)

년/월  
Year/Month

2022-12



T234NH-U-609

NOTE





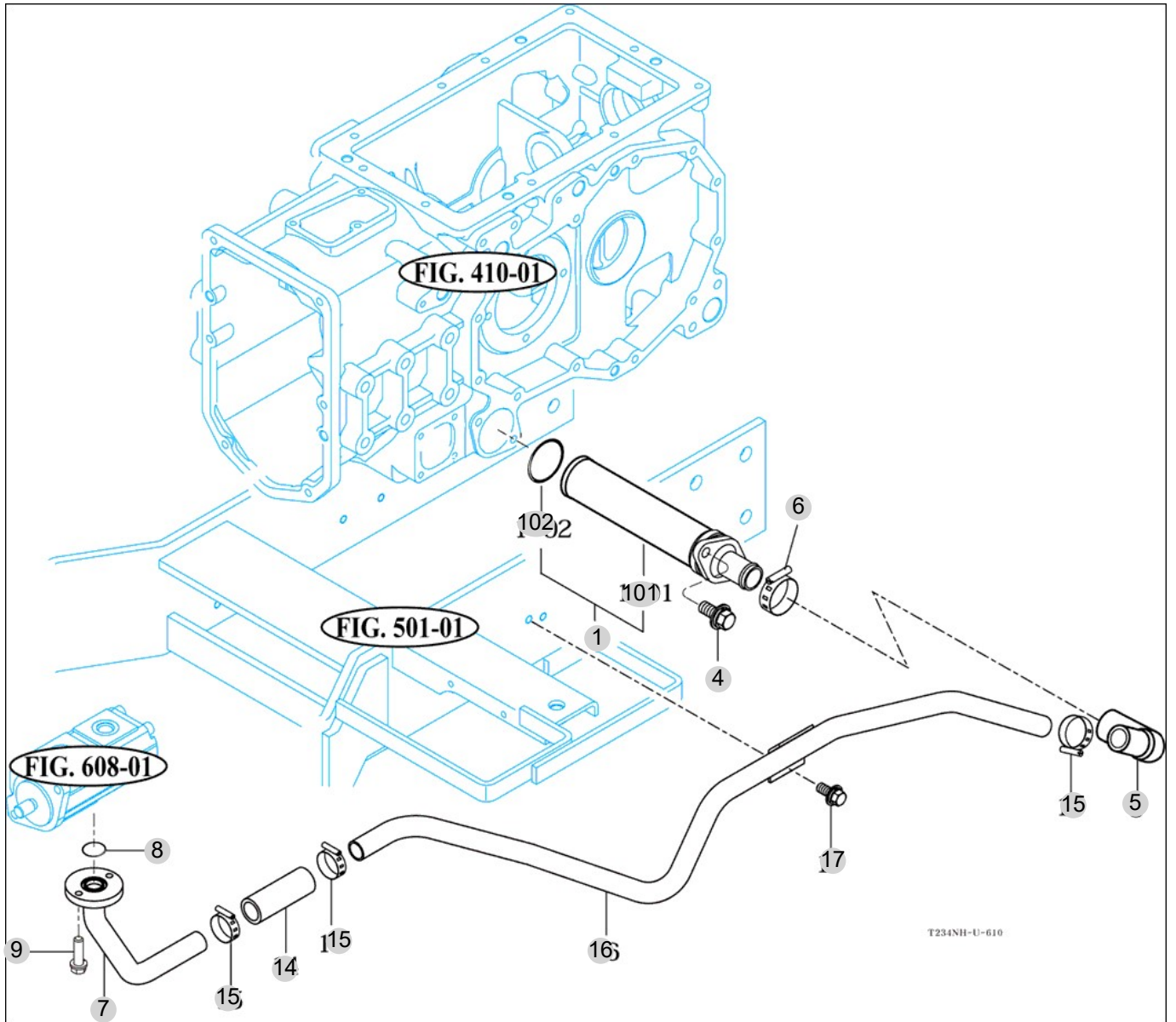
FIG 610

T264NH

HYDRAULIC HOSE (2)

년/월  
Year/Month

2022-12



NOTE



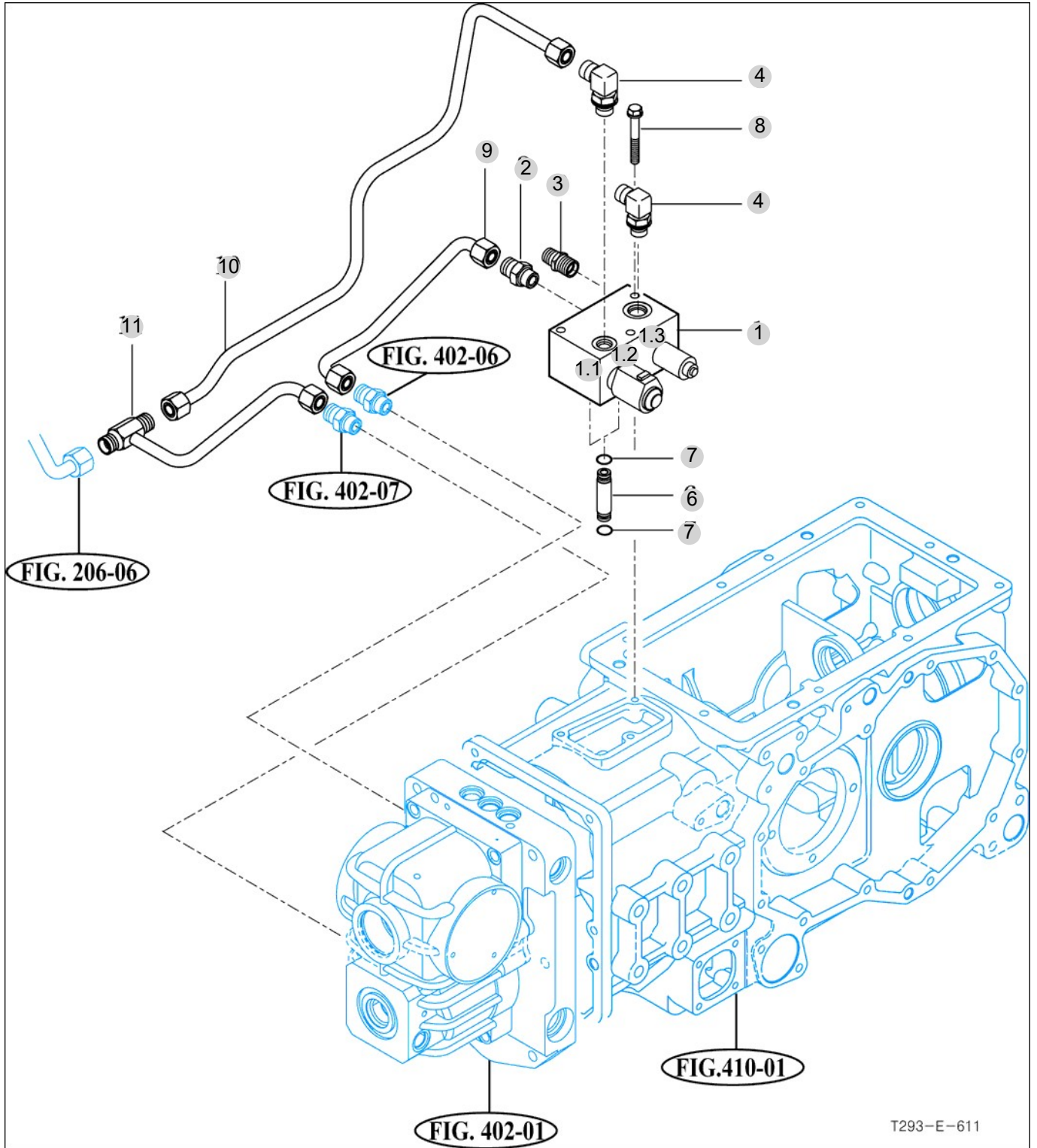
FIG 611

T264NH

PTO VALVE

년/월  
Year/Month

2022-12

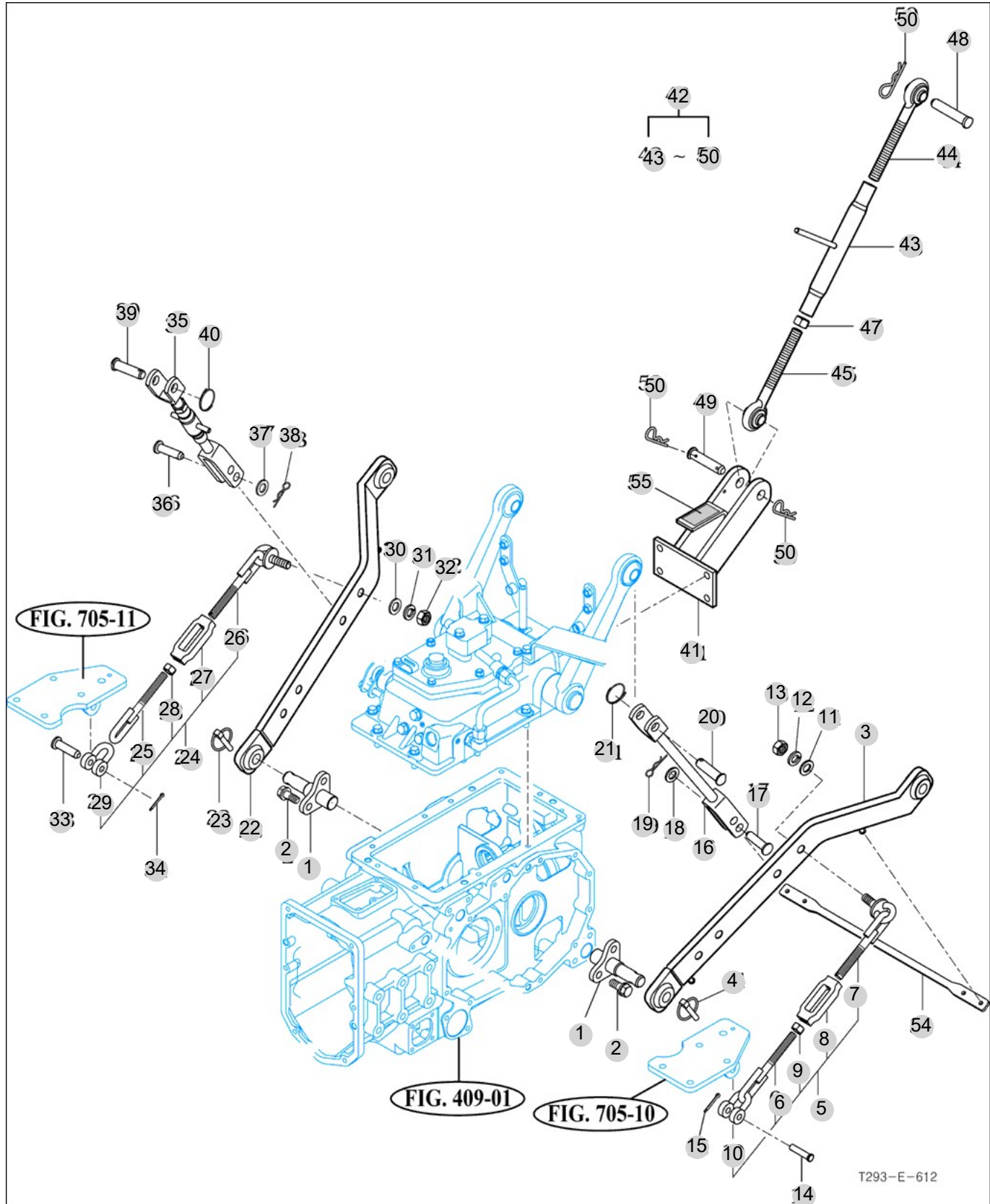


T293-E-611

NOTE



<p>FIG 612</p> <p>T264NH</p>	<p>HITCH &amp; 3-POINT LINKAGE</p>	<p>년/월 Year/Month</p> <p>2022-12</p>
------------------------------	------------------------------------	--



T293-E-612

NOTE

FIG 612		HITCH & 3-POINT LINKAGE					년/월	
							Year/Month	
T264NH		2022-12						
KEY NO	PART NO	DESCRIPTION	SPEC	QTY	REPAIR	EFFECTIVE DATE	REMARKS	
612	1	13155205100	PIN COMP, 115	82X115X50	2			
612	2	V2173612030	BOLT , HEX/S	M12X30	4			
612	3	13155202202	LOWER LINK COMP , LH	95X740X50	1			
612	4	14215020020	PIN , LINK		1			
612	5	13155202501	CHAIN ASSY , CHECK	1X1X1	1			
612	6	14585142600	CHAIN COMP , RH CHECK	10X180X34	1			
612	7	14585142700	CHAIN COMP , LH CHECK	1X1X1	1			
612	8	13155202511	TURNBUCKLE	D20X44X104	1			
612	9	V3012600140	NUT , HEX/2	M14	1			
612	10	14585142520	SHACKLE , CHECK CHAIN	1X1X1	1			
612	11	V4111600160	WASHER , PLAIN	M16	1			
612	12	V4011600160	WASHER , SPRING	M16	1			
612	13	V3313600160	NUT , HEX FINE/2	M16	1			
612	14	79636110030	PIN , 12X48	D=12	1			
612	15	V5001930020	PIN , SPLIT		1			
612	16	13155202401	LIFT ROD COMP , LH	450X60X47	1			
612	17	79636130050	PIN , 16X60	D=16	1			
612	18	V4111600160	WASHER , PLAIN	M16	1			
612	19	13059310030	PIN	D=2.3	1			
612	20	12505243500	PIN		1			
612	21	12505240060	Spring		1			
612	22	13155203102	LOWER LINK COMP , RH	1X1X1	1			
612	23	14215020020	PIN , LINK		1			
612	24	13155202501	CHAIN ASSY , CHECK	1X1X1	1			
612	25	14585142600	CHAIN COMP , RH CHECK	10X180X34	1			
612	26	14585142700	CHAIN COMP , LH CHECK	1X1X1	1			
612	27	13155202511	TURNBUCKLE	D20X44X104	1			
612	28	V3012600140	NUT , HEX/2	M14	1			
612	29	14585142520	SHACKLE , CHECK CHAIN	1X1X1	1			
612	30	V4111600160	WASHER , PLAIN	M16	1			
612	31	V4011600160	WASHER , SPRING	M16	1			
612	32	V3313600160	NUT , HEX FINE/2	M16	1			
612	33	79636110030	PIN , 12X48	D=12	1			
612	34	V5001930020	PIN , SPLIT		1			
612	35	13155203201	LIFT ROD ASSY , RH	1X1X1	1			
612	36	79636130050	PIN , 16X60	D=16	1			
612	37	V4111600160	WASHER , PLAIN	M16	1			
612	38	13059310030	PIN	D=2.3	1			
612	39	12505243500	PIN		1			
612	40	12505240060	Spring		1			
612	41	13155204104	BRACKET COMP, TOP LINK	144X245X150	1			
612	42	13155206002	TOP LINK ASSY		1			
612	42	13155206003	TOP LINK ASSY	1X1X1	1			
612	42	13155206004	TOP LINK ASSY		1			
612	43	13155206111	TURN BUCKLE	31.8X4.5	1			
NOTE								





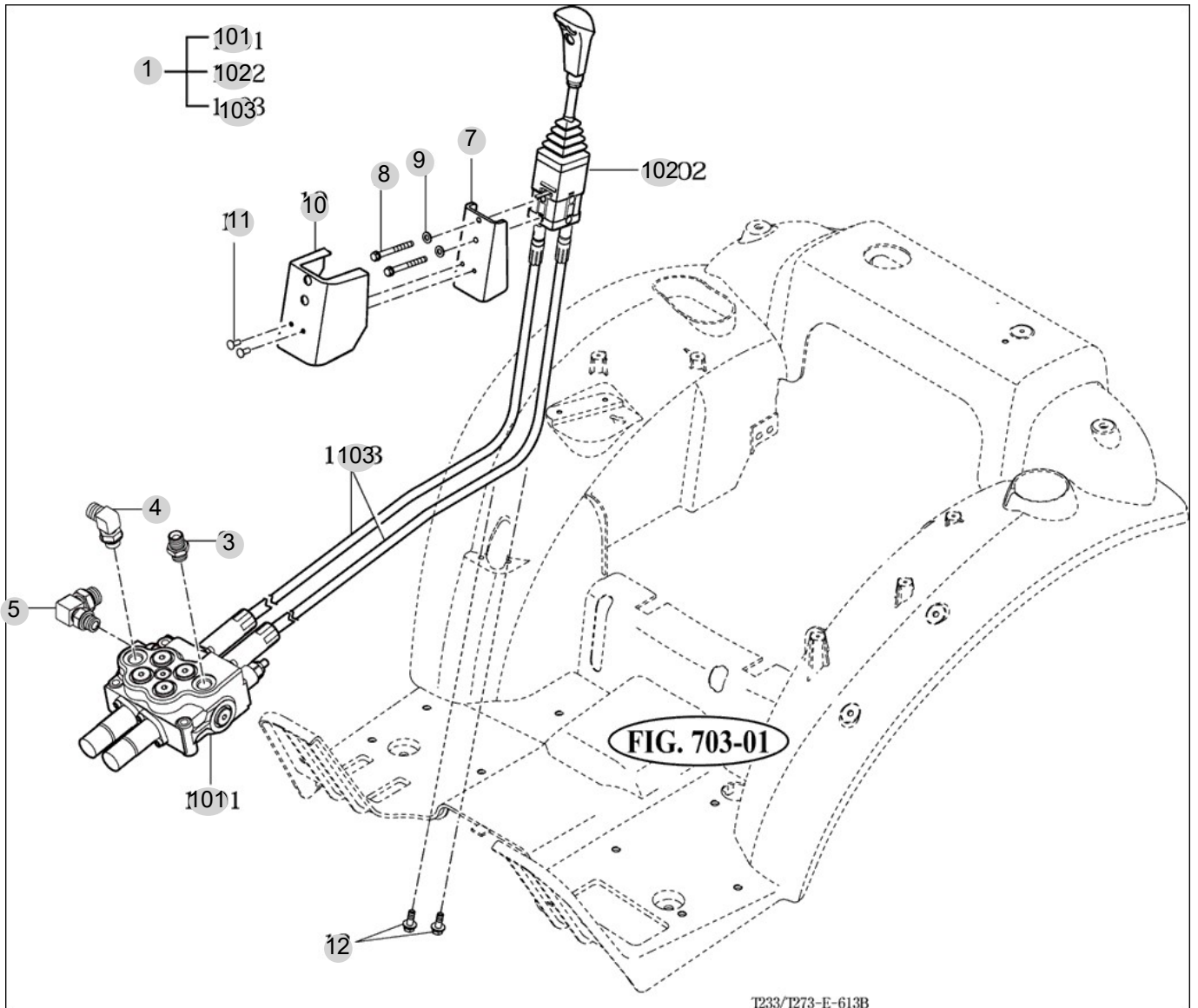
FIG 613

JOYSTICK LEVER

년/월  
Year/Month

2022-12

T264NH



NOTE



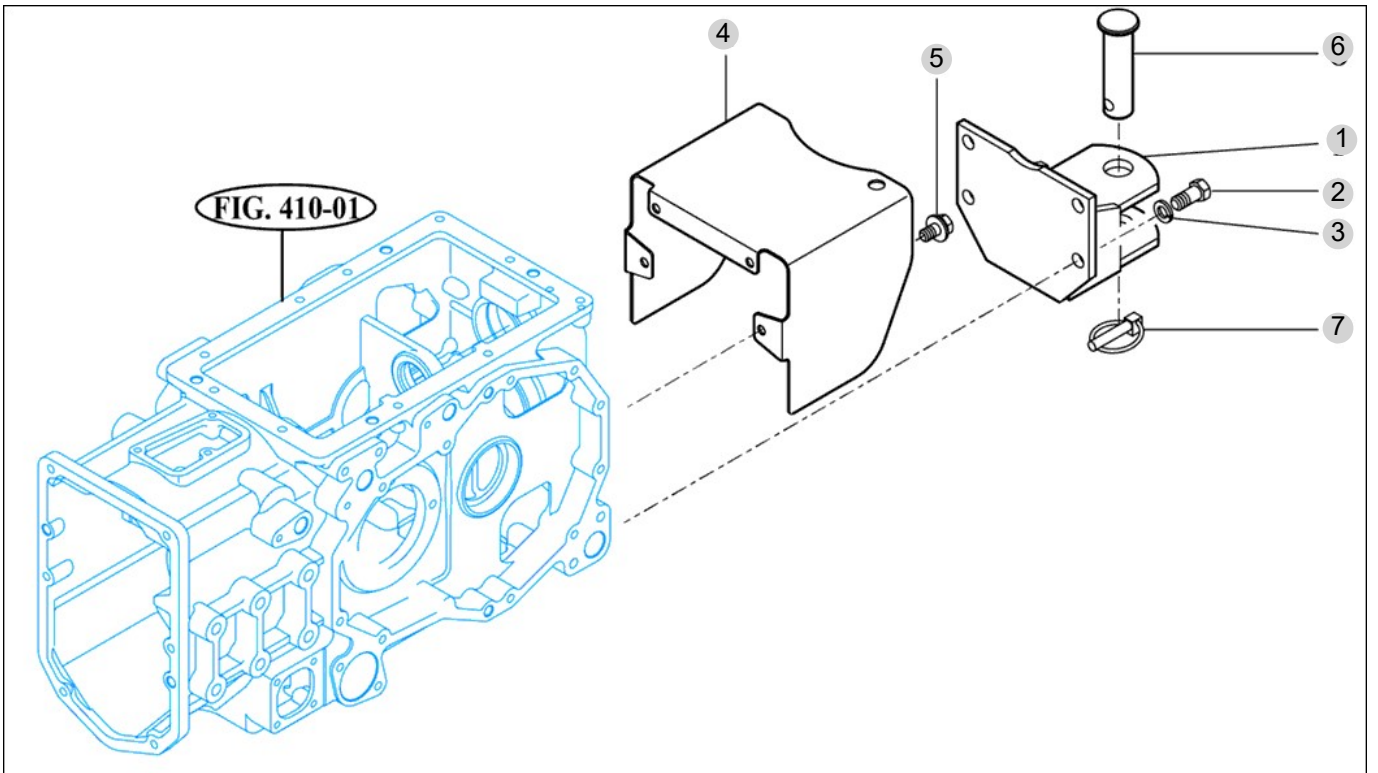
FIG 614

HITCH & COVER

년/월  
Year/Month

T264NH

2022-12



NOTE



## 7. Sheet Metal & Cabin PART NO. T7

FIG 701(1) BONNET	174
FIG 701(2) BONNET	176
FIG 702 DASH PANEL	178
FIG 703 FLOOR	180
FIG 704 SEAT	182
FIG 705 ROPS	184
FIG 706 CAB FRAME & DOOR(OPTION)	186
FIG 707 FRONT GLASS(OPTION)	188
FIG 708 SIDE & REAR GLASS(OPTION)	190
FIG 709 ROOF(OPTION)	192
FIG 710 HEATER(OPTION)	194
FIG 711 INTERIOR PART(OPTION)	196
FIG 712 LAMP & COVER(OPTION)	198
FIG 713 FRONT & REAR MOUNTING(OPTION)	200

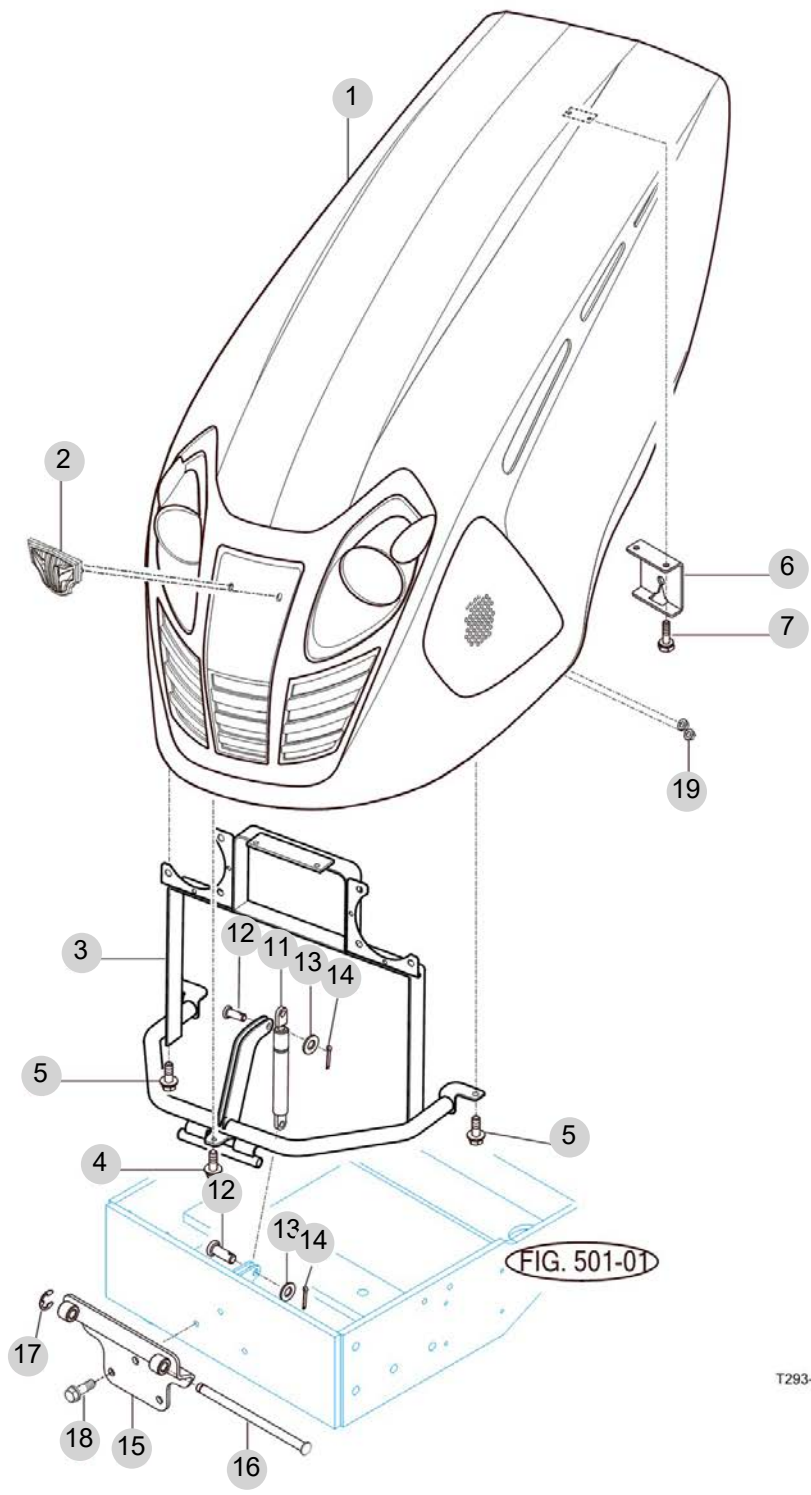
FIG 701(1)

BONNET

년/월  
Year/Month

2022-12

T264NH



T293-E-701

NOTE



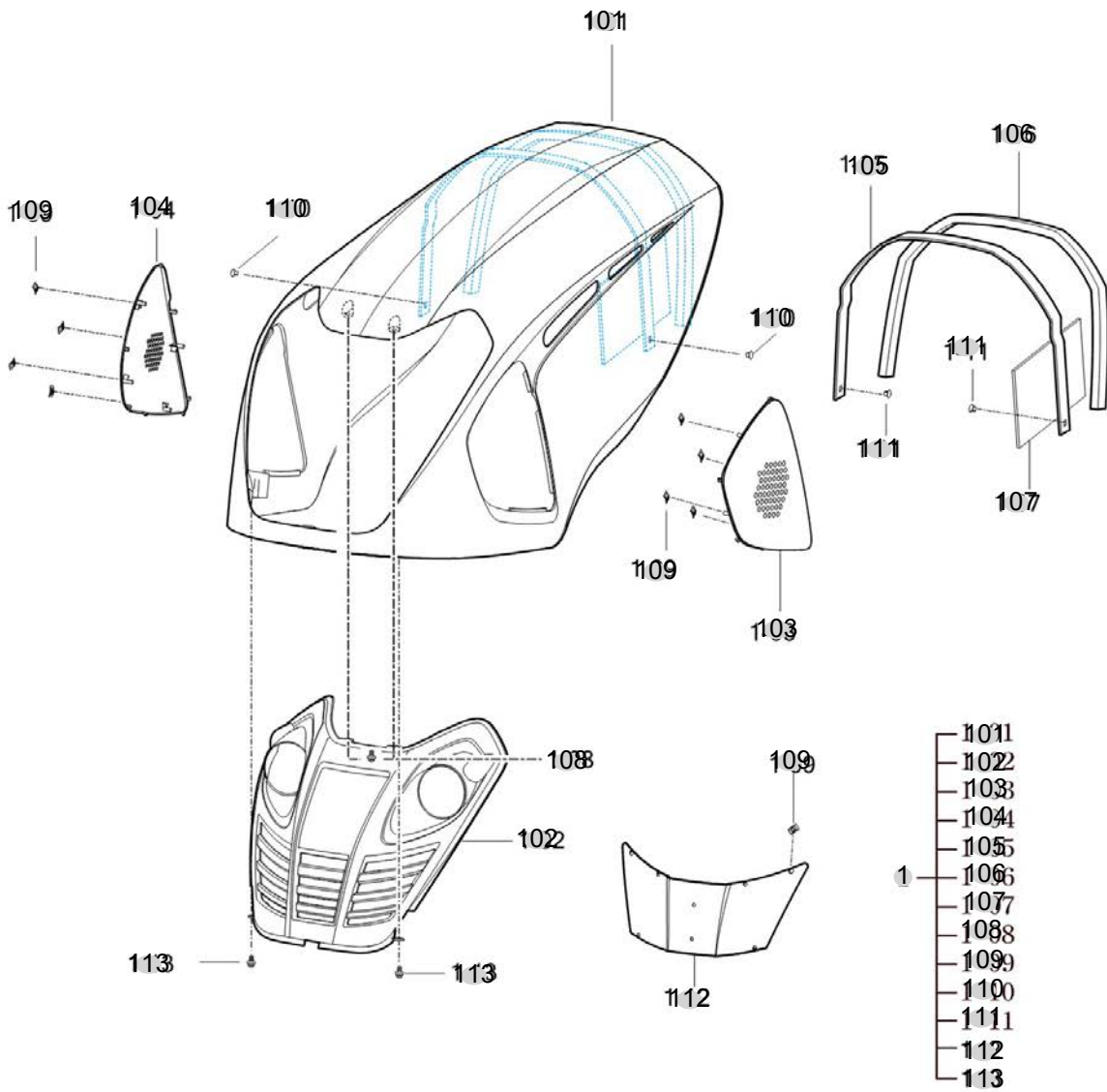
FIG 701(2)

BONNET

년/월  
Year/Month

2022-12

T264NH



T293-E-701B

NOTE





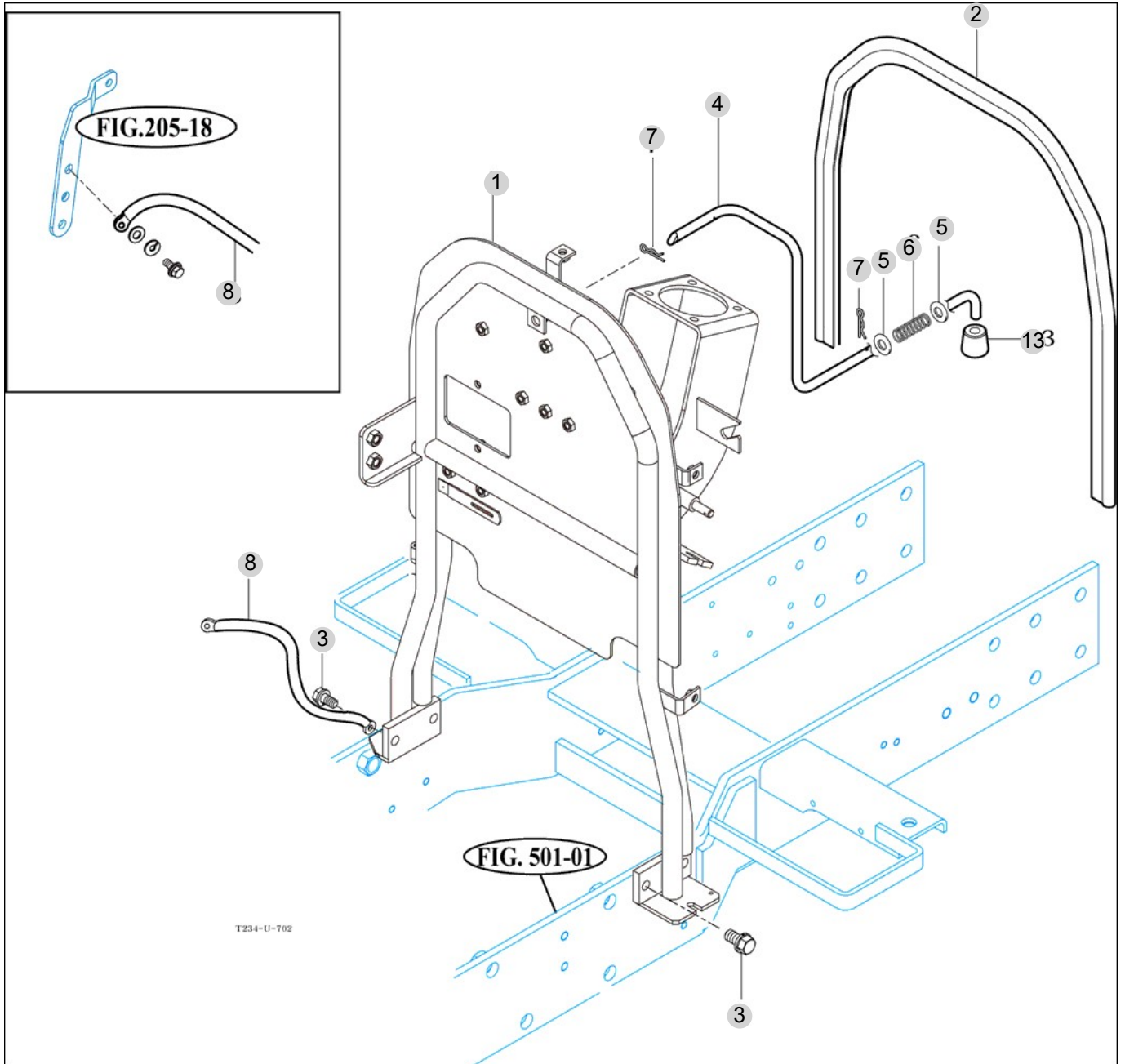
FIG 702

DASH PANEL

년/월  
Year/Month

2022-12

T264NH



T234-U-702

NOTE



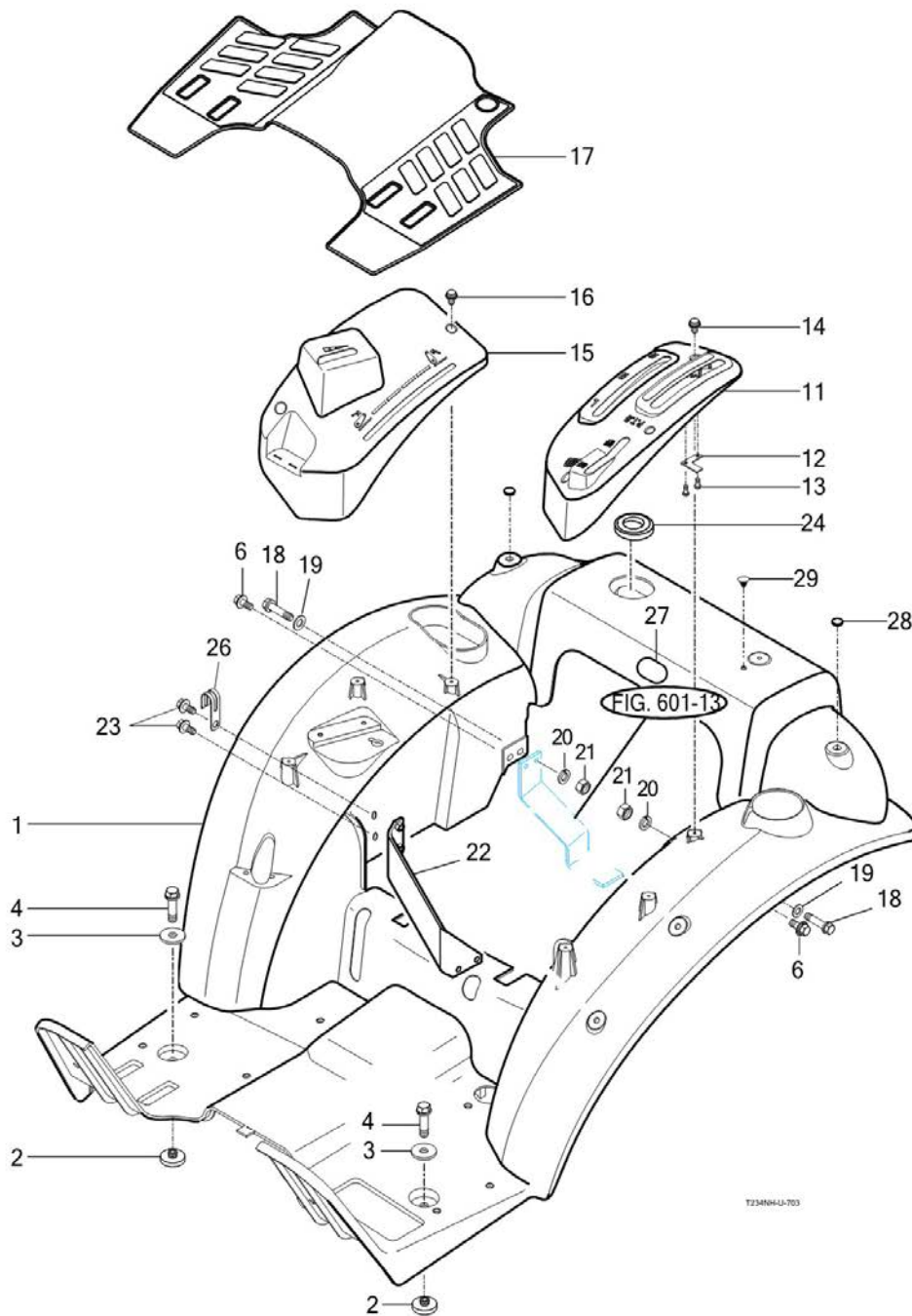
FIG 703

T264NH

FLOOR

년/월  
Year/Month

2022-12



NOTE



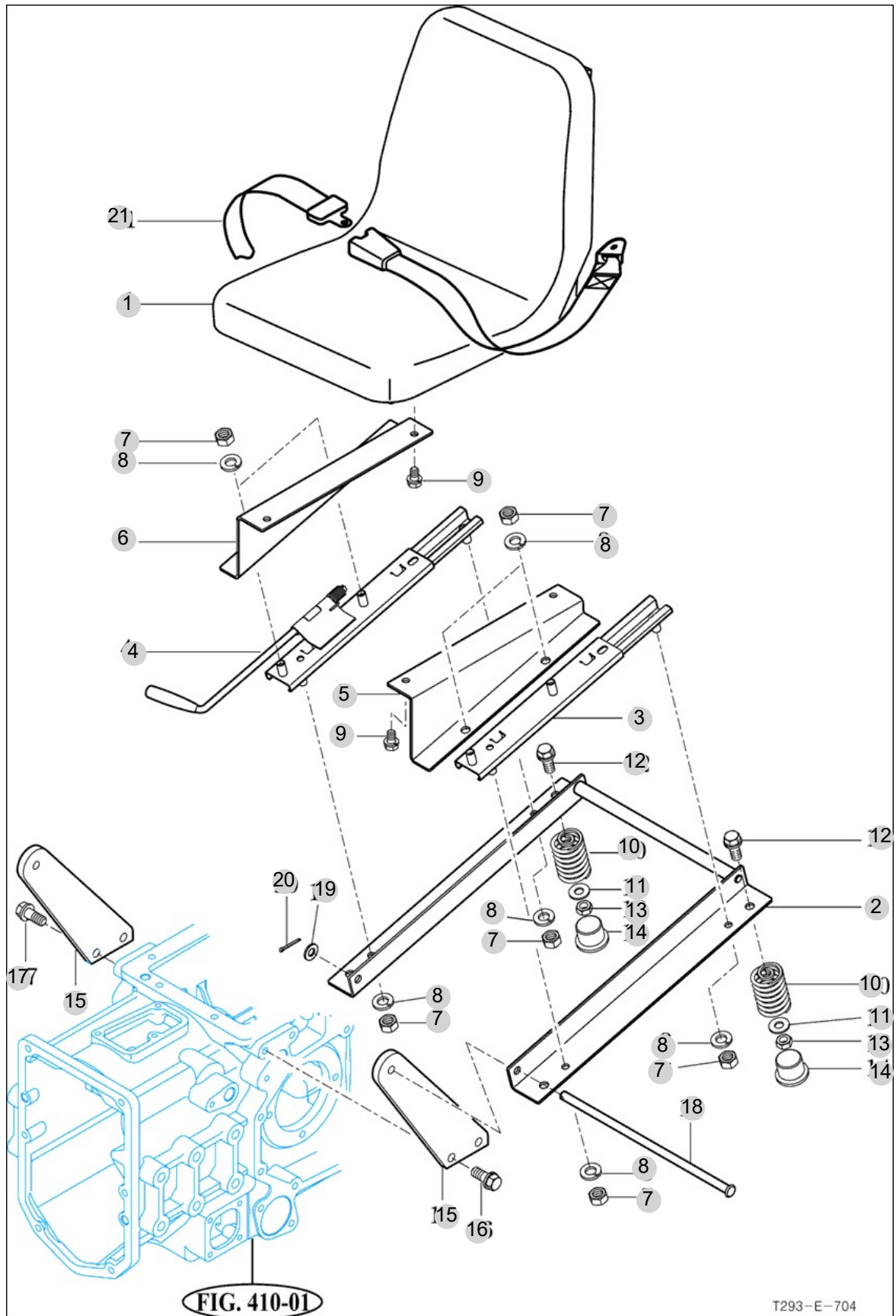
FIG 704

T264NH

SEAT

년/월  
Year/Month

2022-12



NOTE



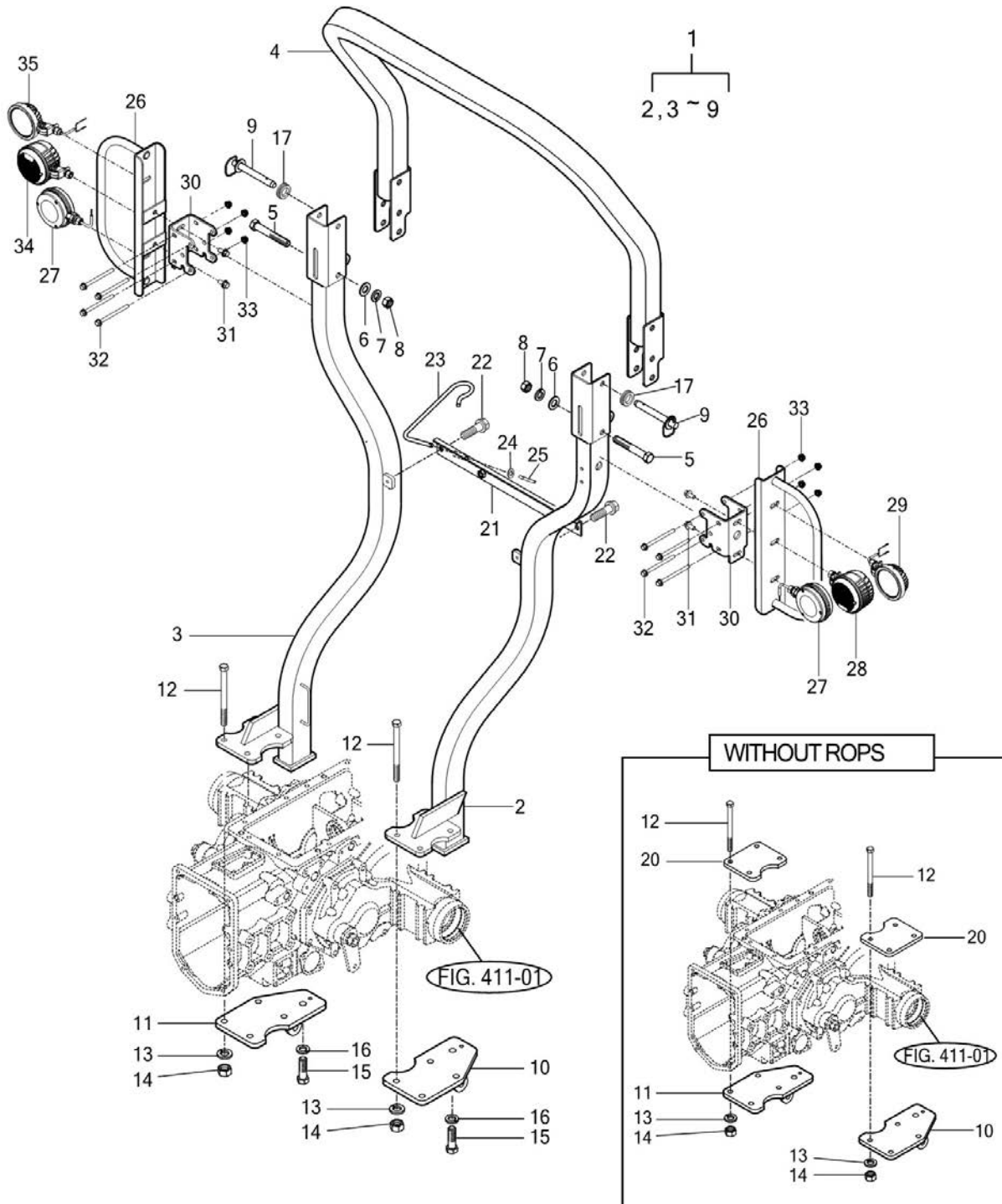
FIG 705

T264NH

ROPS

년/월  
Year/Month

2022-12



NOTE





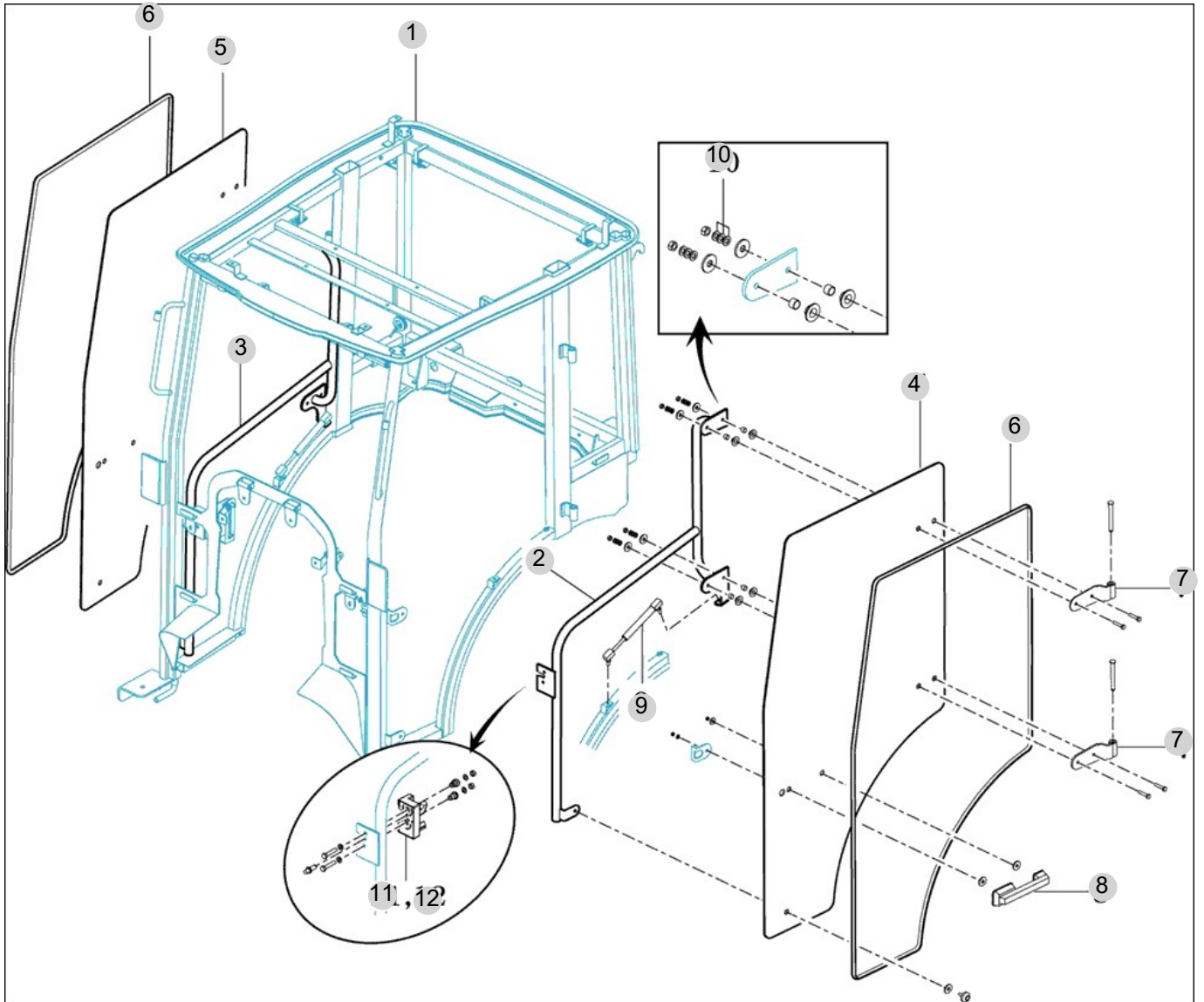
FIG 706

CAB FRAME & DOOR(OPTION)

년/월  
Year/Month

2022-12

T264NH



NOTE



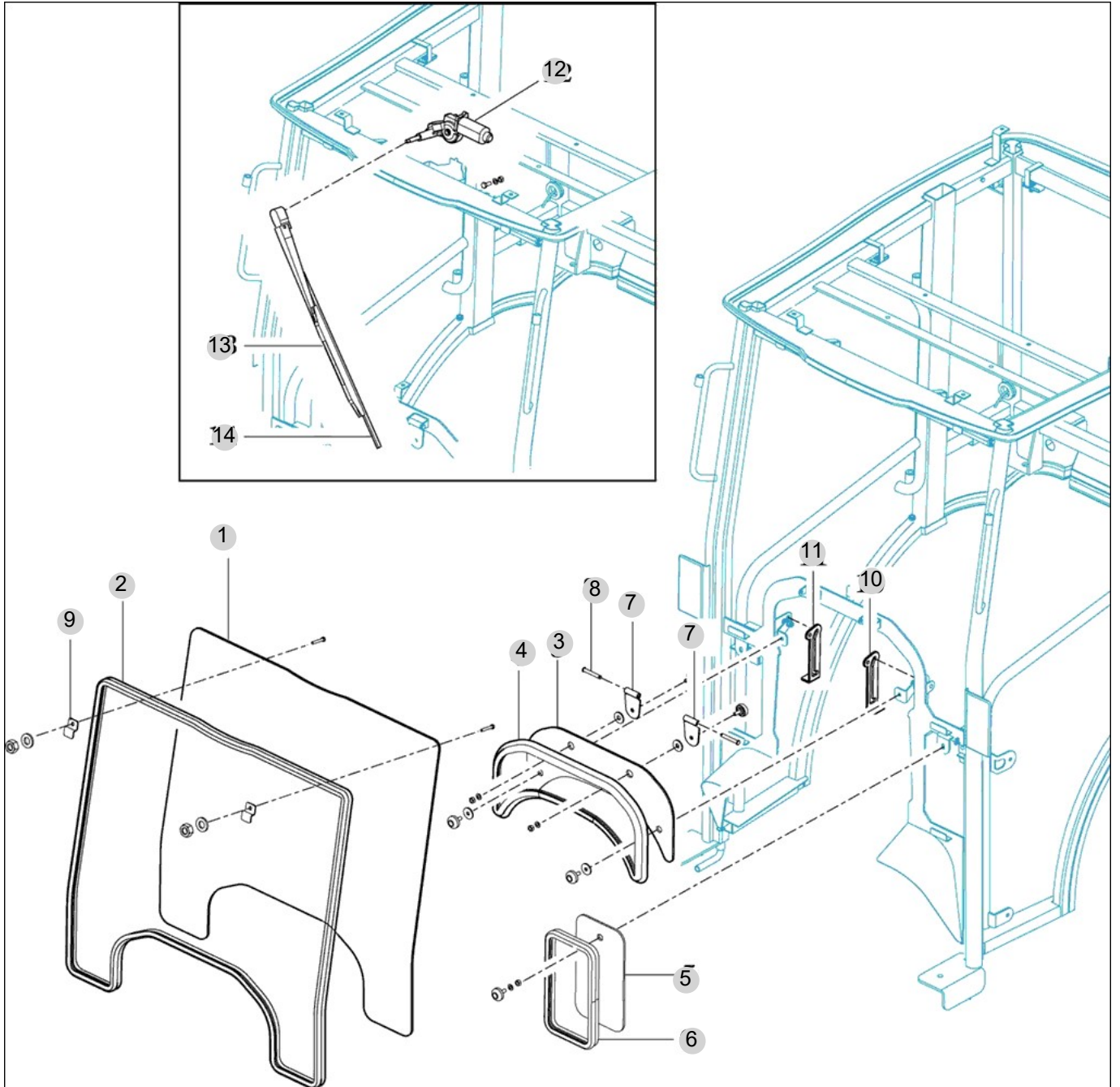
FIG 707

FRONT GLASS(OPTION)

년/월  
Year/Month

T264NH

2022-12



NOTE



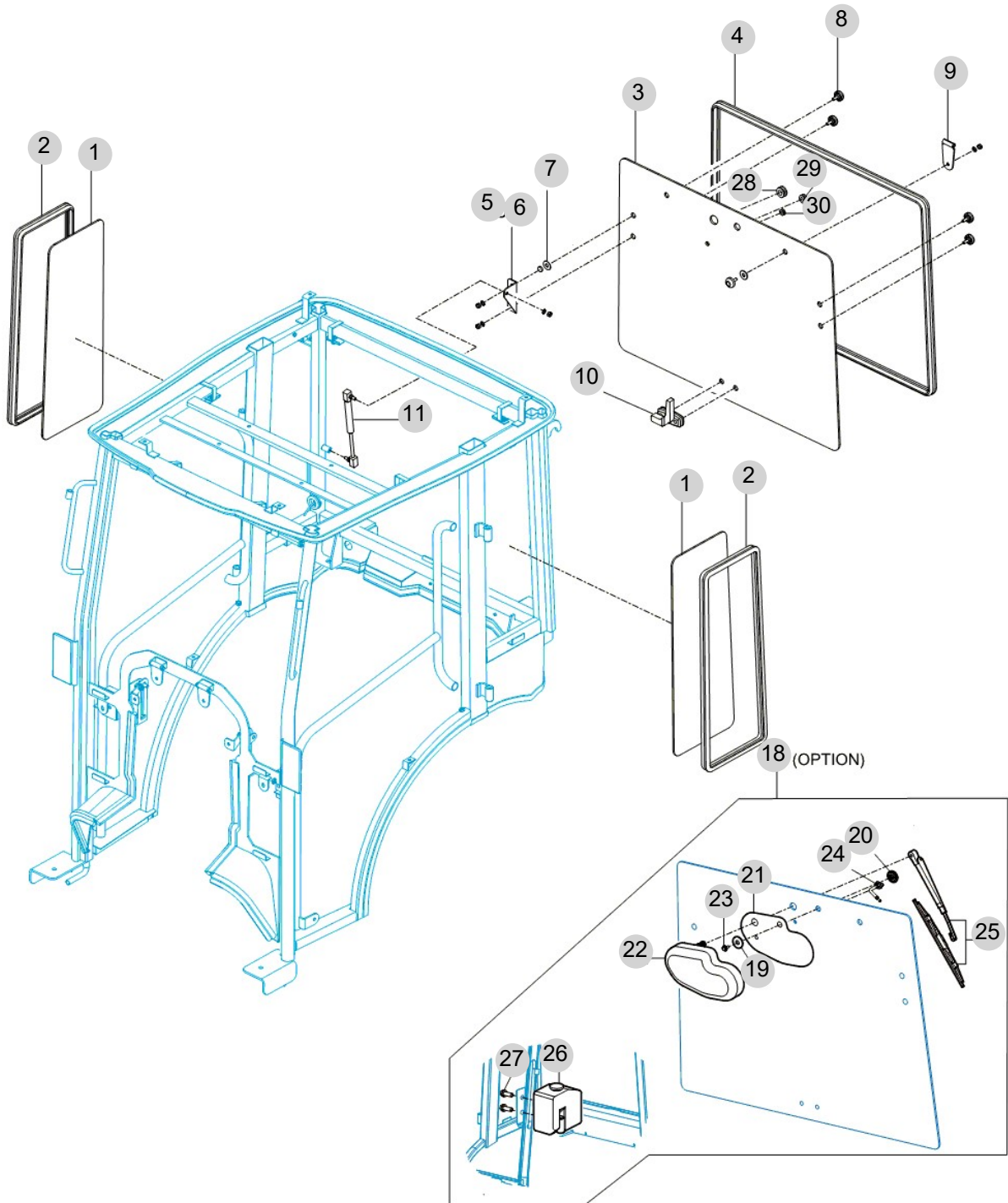
FIG 708

SIDE & REAR GLASS(OPTION)

년/월  
Year/Month

2022-12

T264NH



NOTE



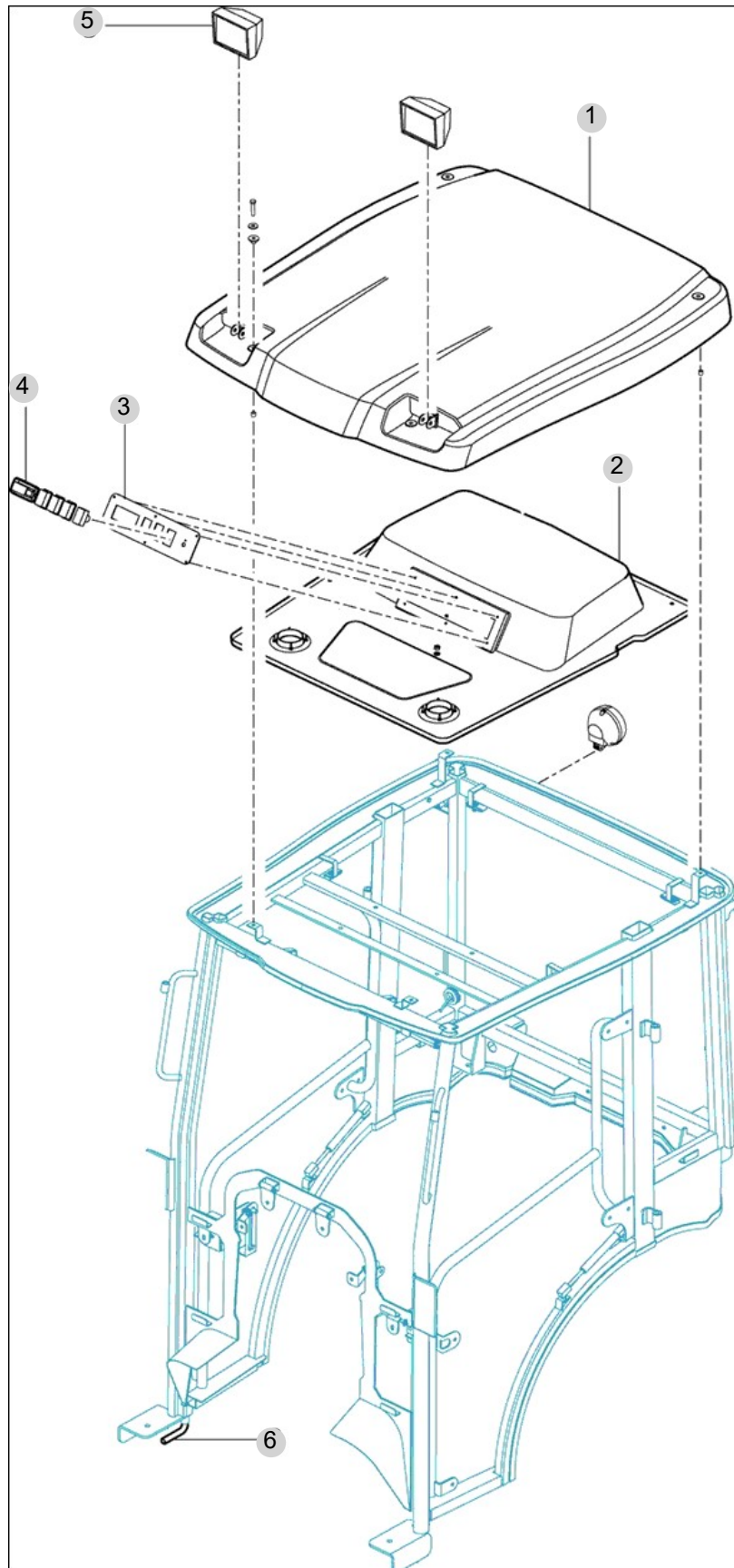
FIG 709

ROOF(OPTION)

년/월  
Year/Month

2022-12

T264NH



NOTE





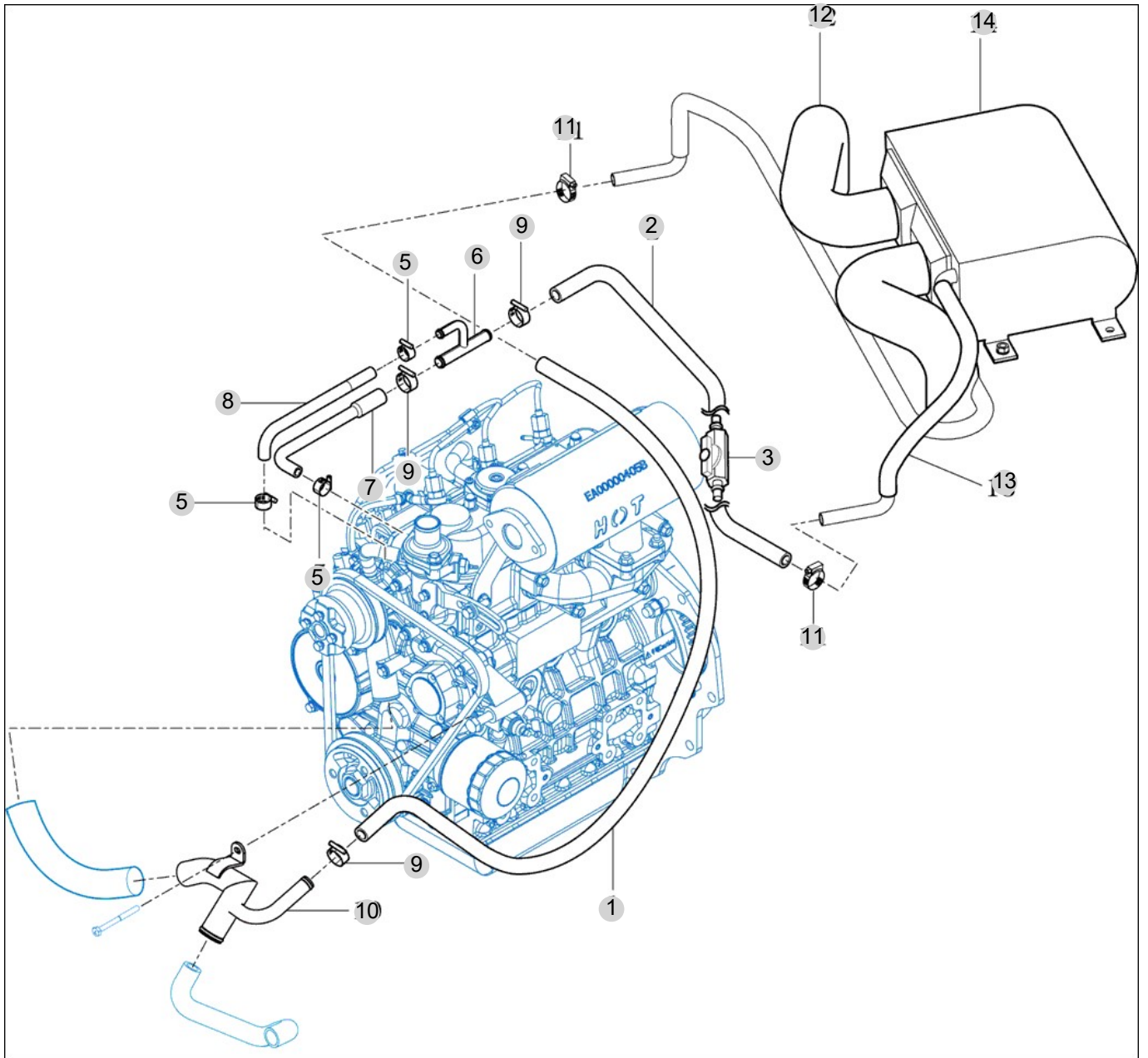
FIG 710

HEATER(OPTION)

년/월  
Year/Month

2022-12

T264NH



NOTE



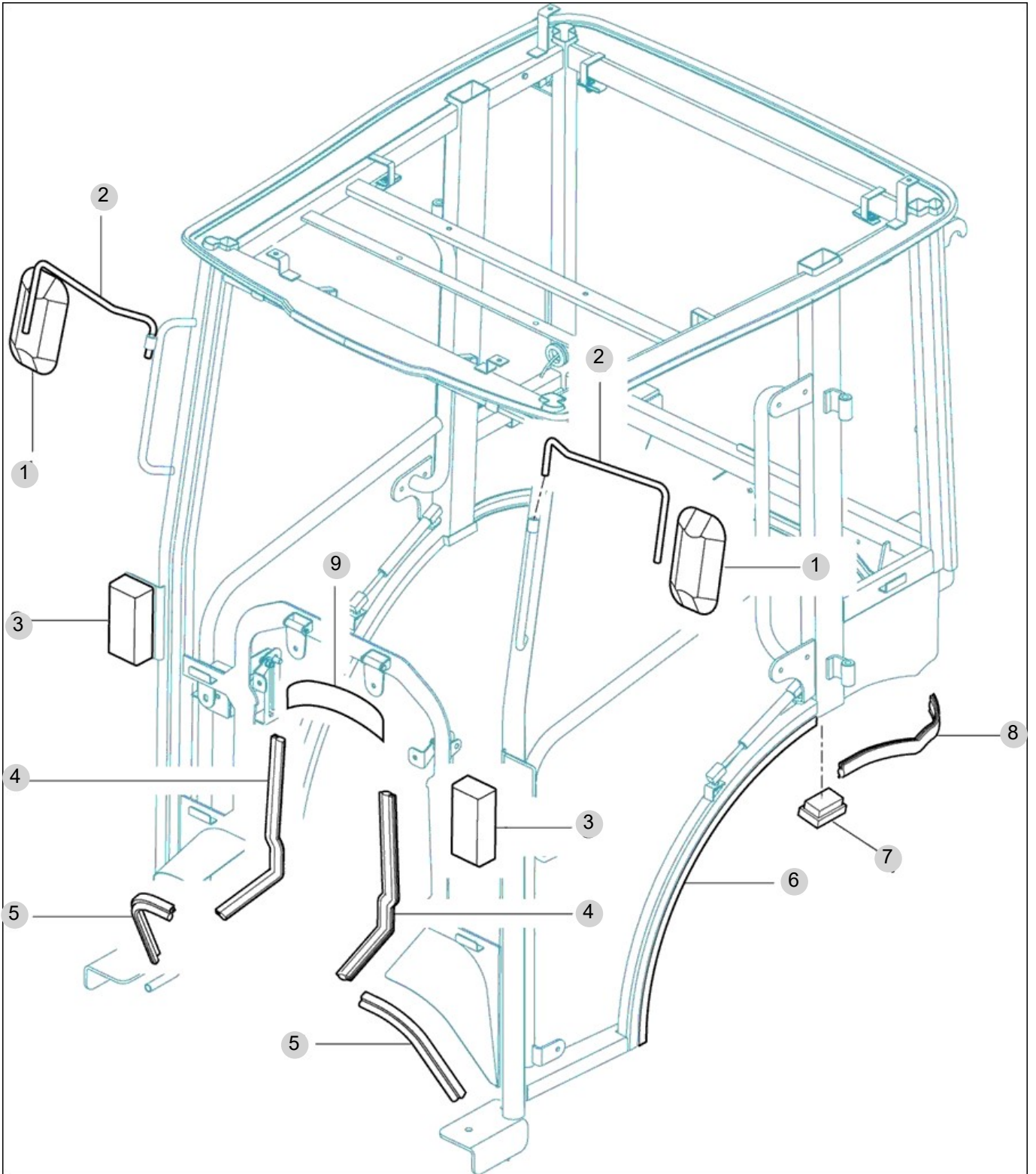
FIG 711

T264NH

INTERIOR PART(OPTION)

년/월  
Year/Month

2022-12



NOTE



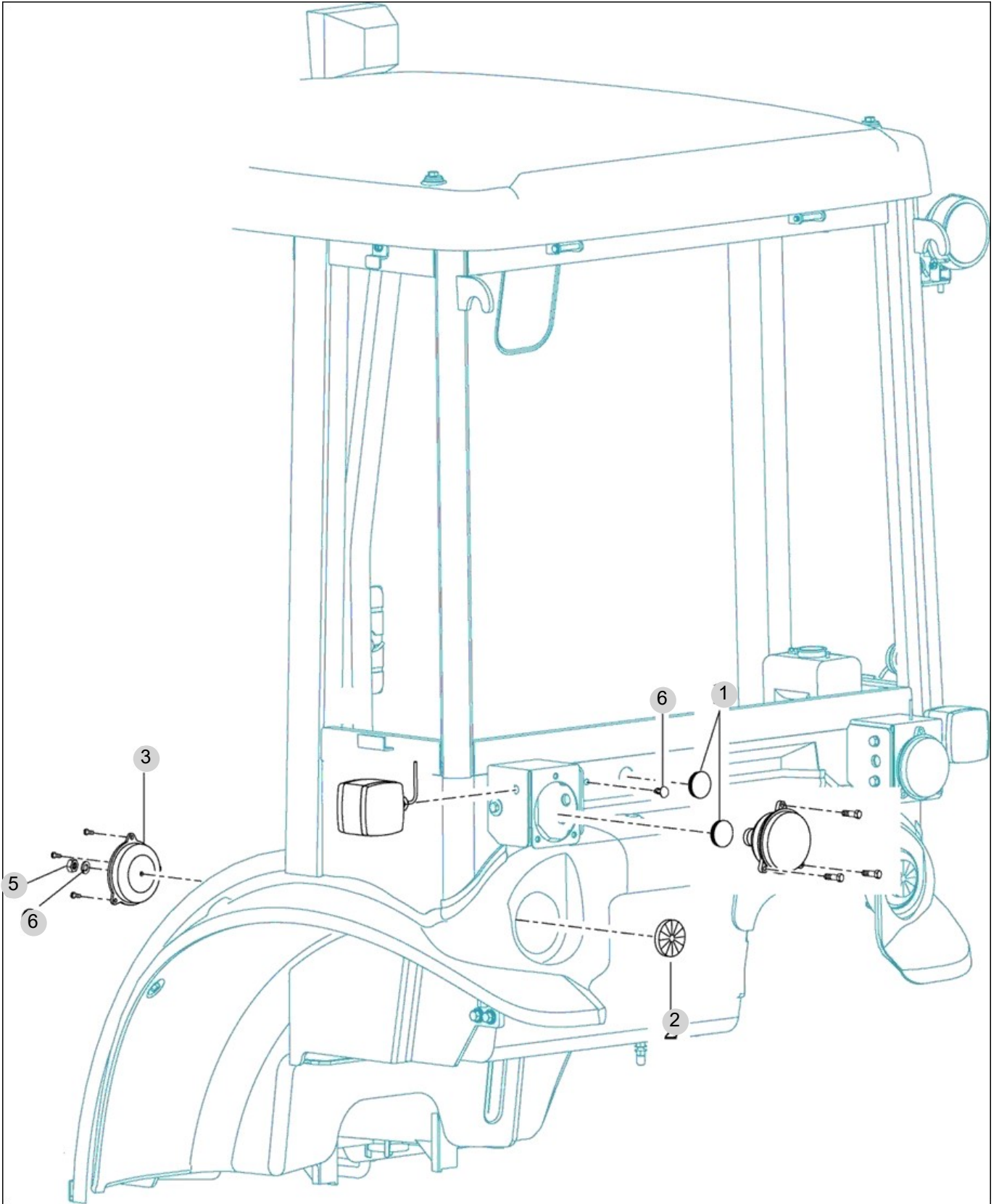
FIG 712

T264NH

LAMP & COVER(OPTION)

년/월  
Year/Month

2022-12



NOTE



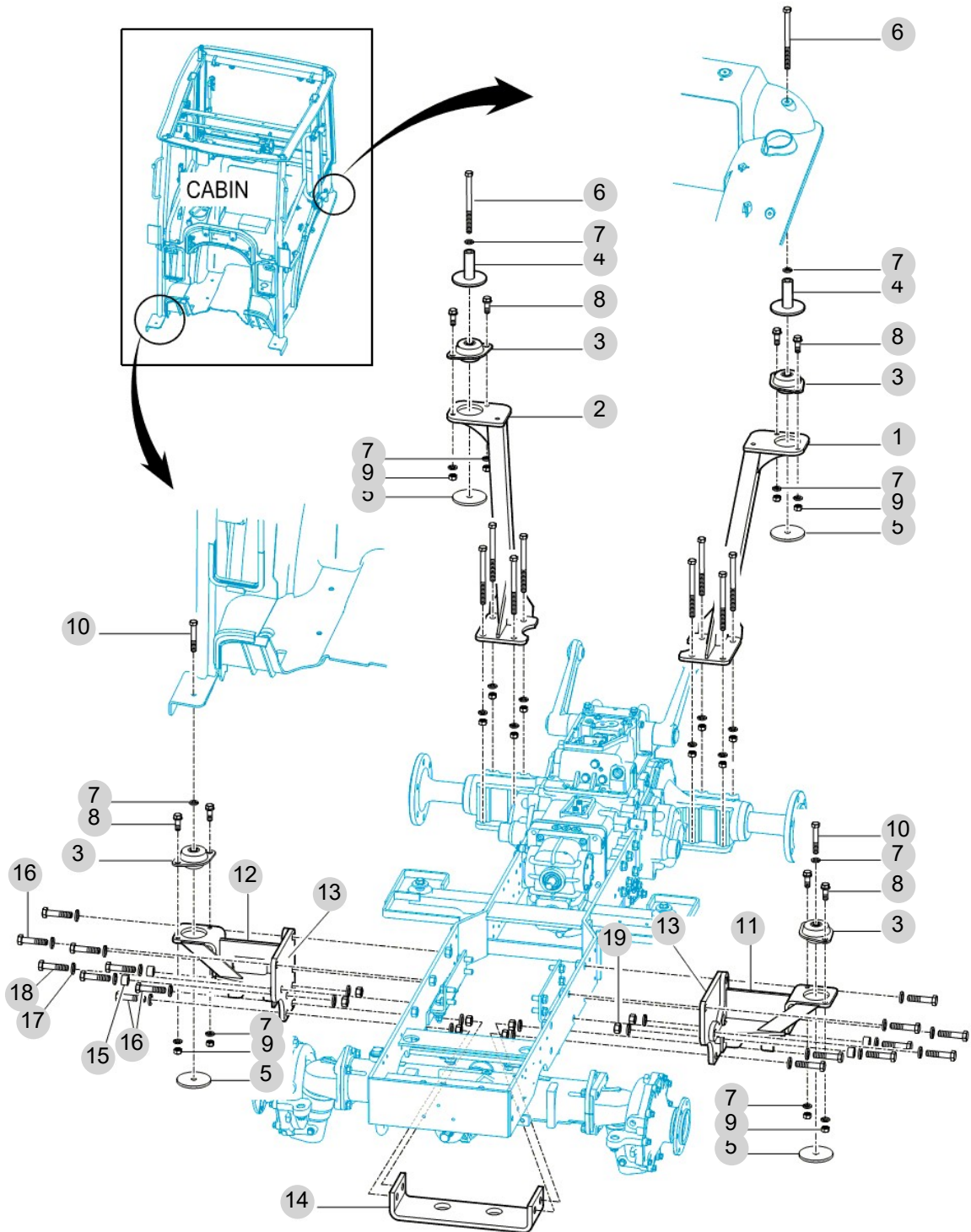
FIG 713

FRONT & REAR MOUNTING(OPTION)

년/월  
Year/Month

2022-12

T264NH



NOTE





## 8. Electrical System PART NO. T8

FIG 801 BATTERY & MOUNTING	203
FIG 802 LIGHTS	205
FIG 803 INSTRUMENT PANEL	207
FIG 804 ELECTRIC SYSTEM	209
FIG 805 HARNESS	211

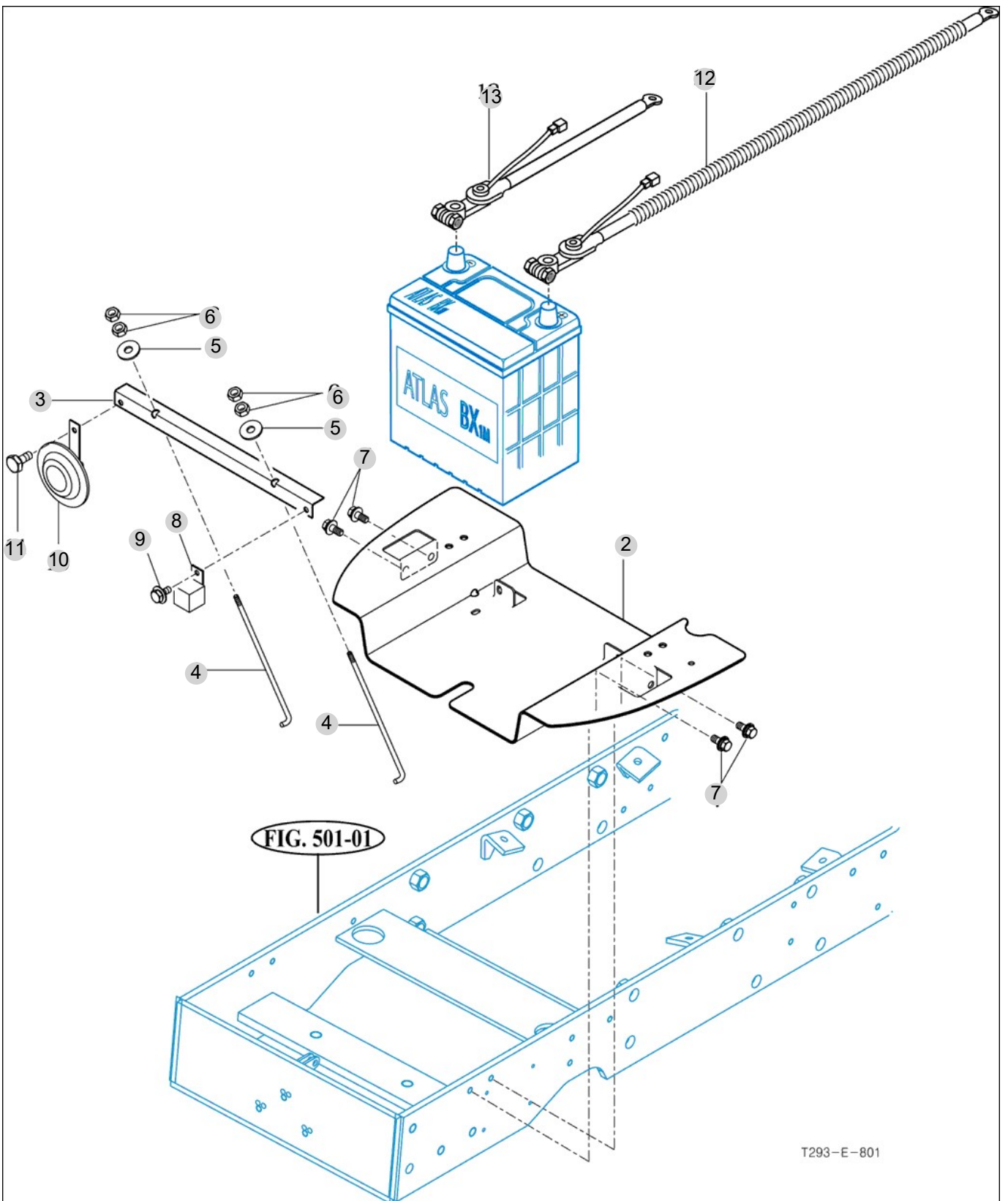
FIG 801

BATTERY & MOUNTING

년/월  
Year/Month

T264NH

2022-12



T293-E-801

NOTE



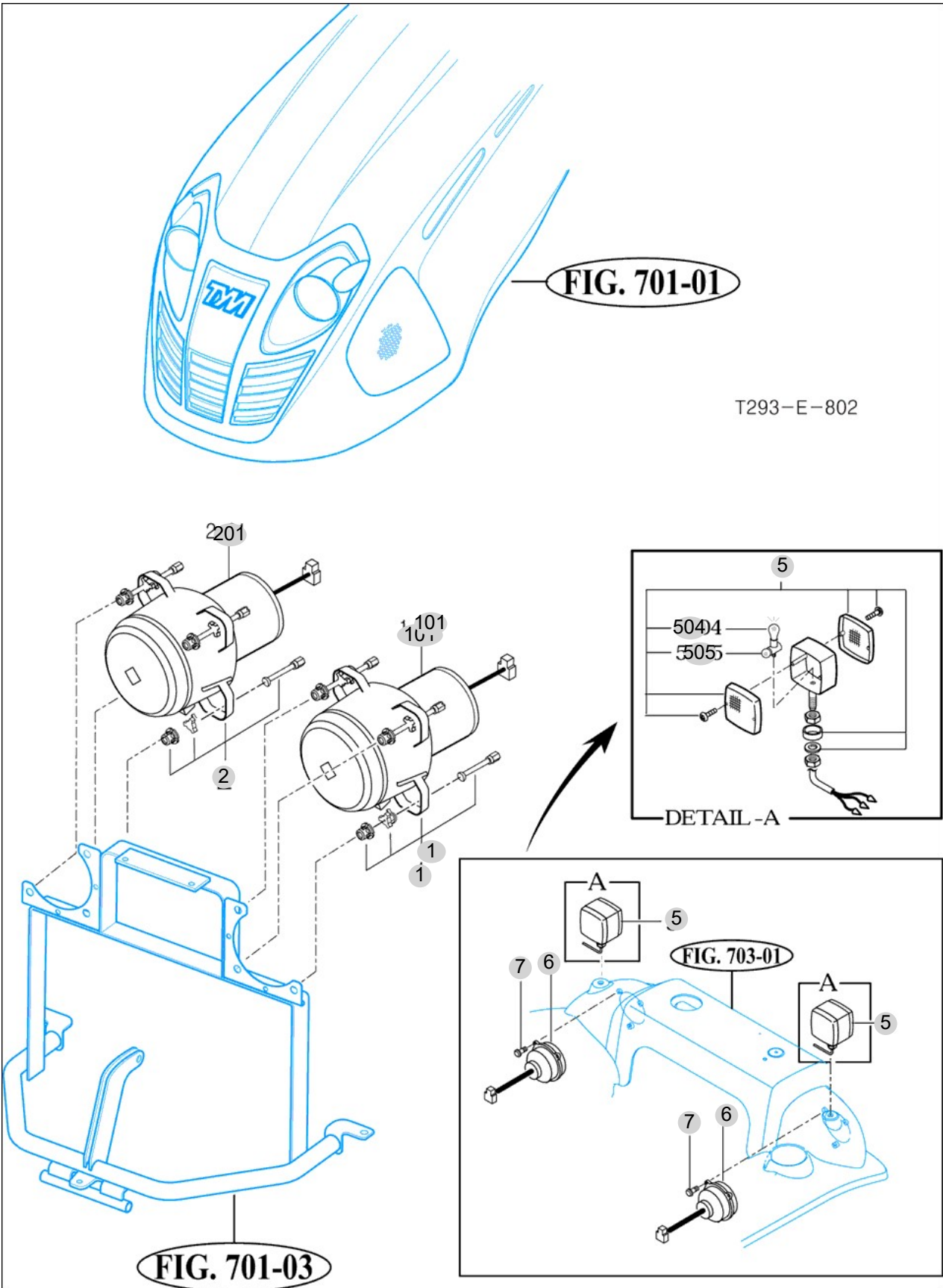
FIG 802

LIGHTS

년/월  
Year/Month

T264NH

2022-12



NOTE



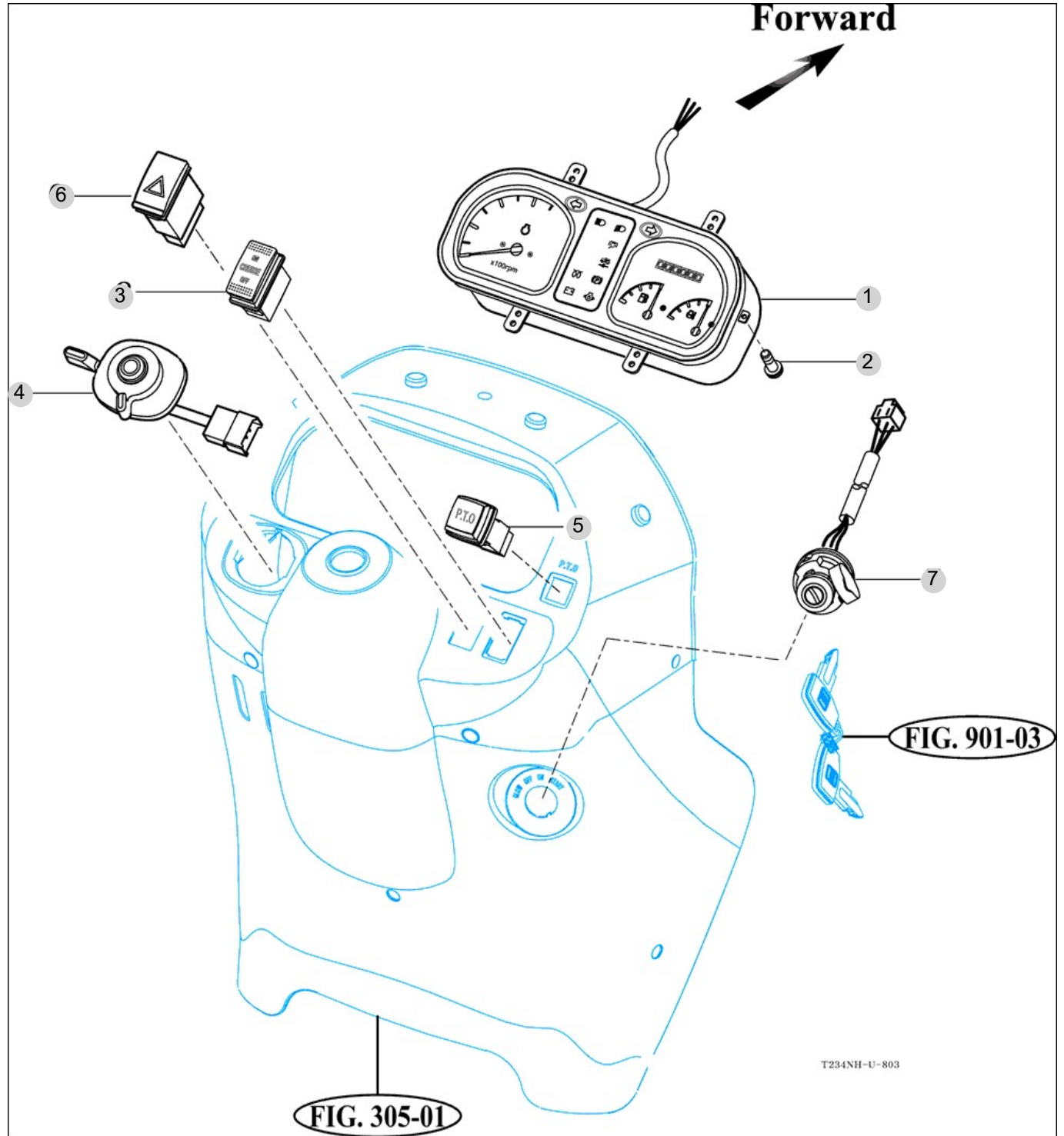
FIG 803

T264NH

INSTRUMENT PANEL

년/월  
Year/Month

2022-12



NOTE





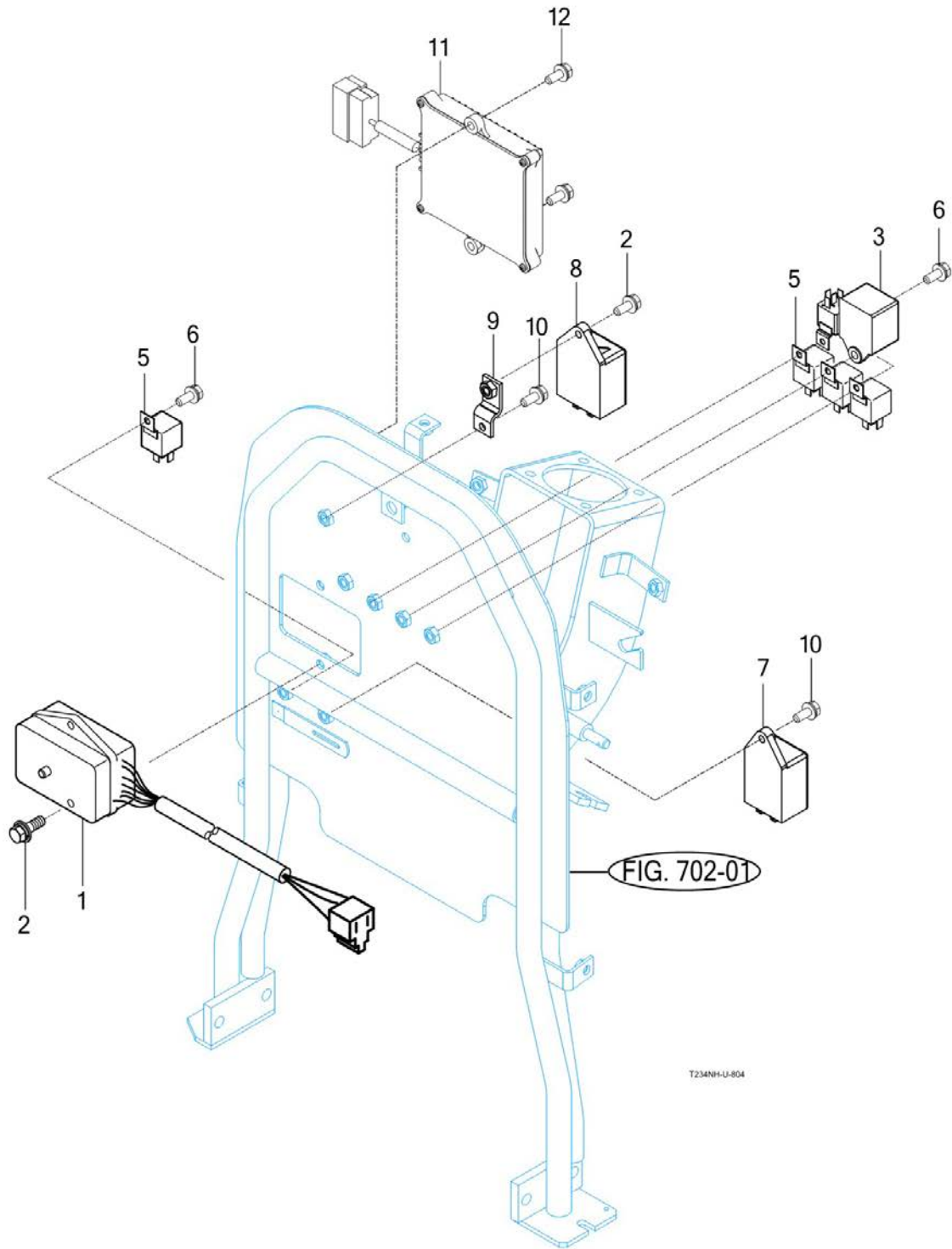
FIG 804

T264NH

ELECTRIC SYSTEM

년/월  
Year/Month

2022-12



NOTE



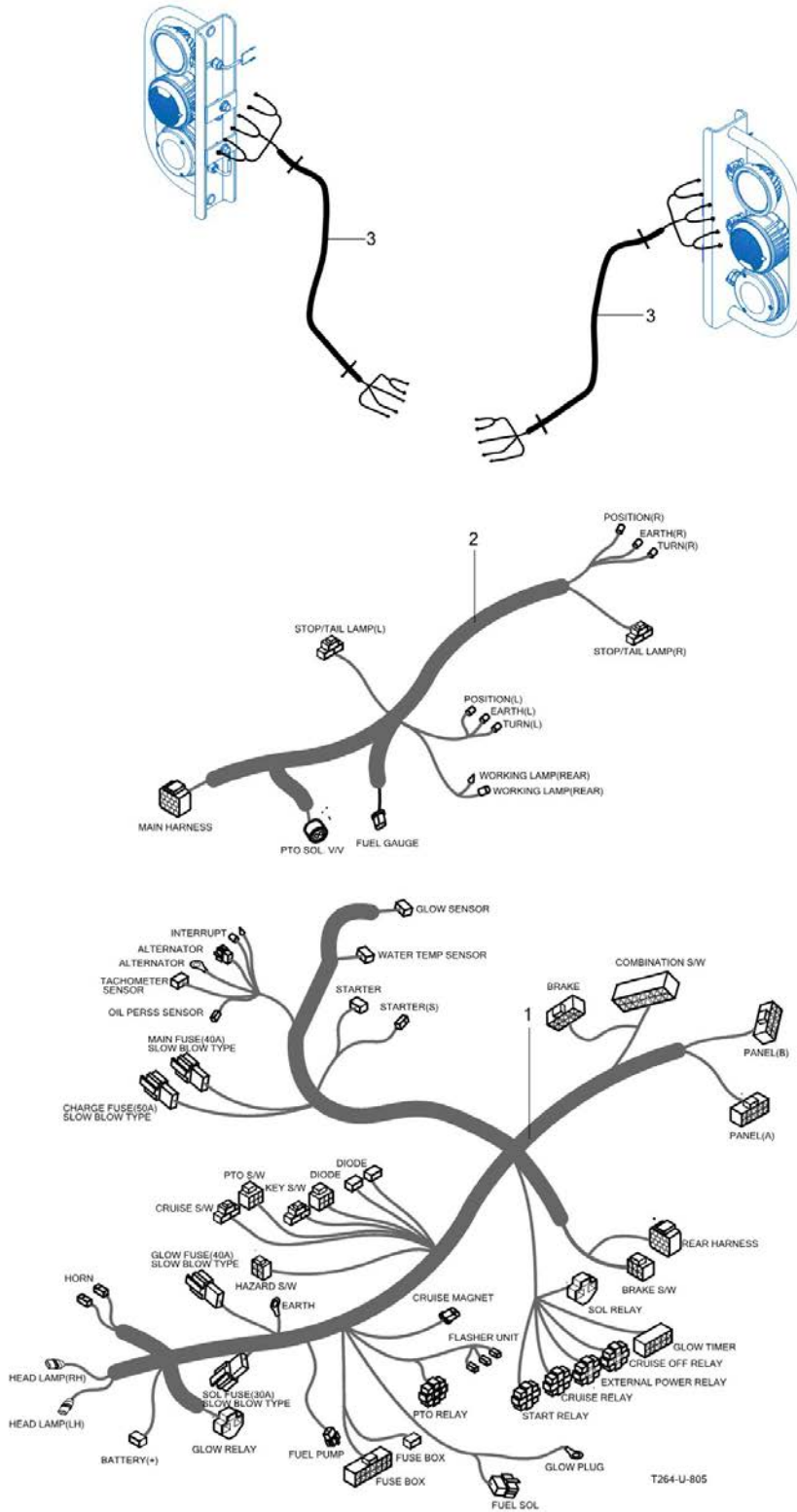
FIG 805

# HARNESS

년/월  
Year/Month

2022-12

T264NH



NOTE



## 9. Label/Option PART NO. T9

FIG 901 TOOL & ACCESSORY

214

FIG 903 LABEL

216

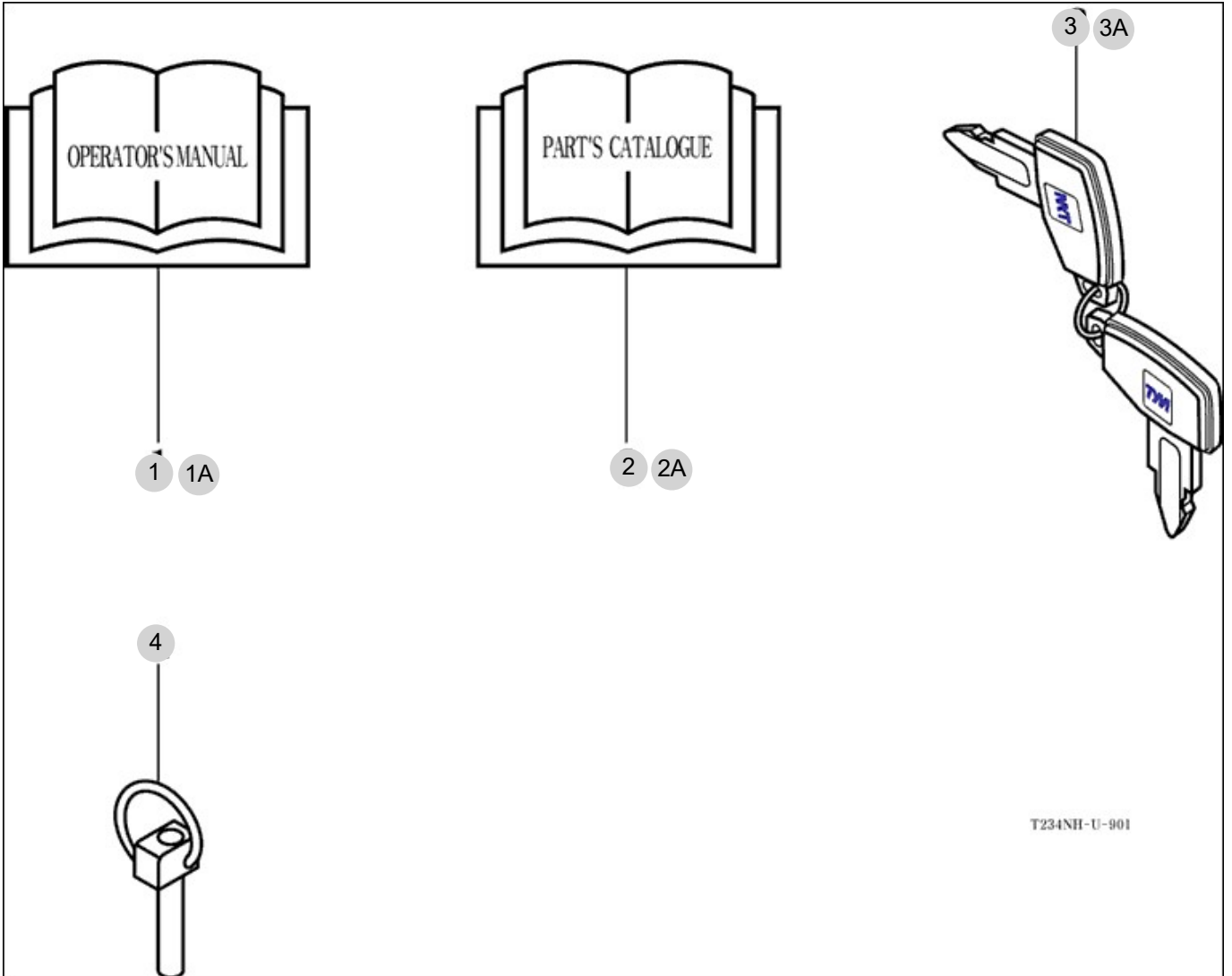
FIG 901

T264NH

TOOL & ACCESSORY

년/월  
Year/Month

2022-12



T234NH-U-901

NOTE



FIG 903

LABEL

년/월  
Year/Month

T264NH

2022-12

**1** **WARNING**  
Always apply the park brake when parking. Failure to do so can cause accidents and damages. 1200-910-002.0

**2** **WARNING**  
Work in ventilated Area. 1200-910-003.0

**3** **WARNING**  
Always set the knob to lock when:  
1. Travelling on the road.  
2. Replacing blades on an implement  
3. Making adjustment to an implement  
Sudden dropping of an implement can cause serious injury or death. 1200-910-004.0

**4** **WARNING**  
Do not refuel the tractor while smoking or near naked flame or sparks. always stop engine before refueling tractors. 1200-910-005.0

**5** **WARNING**  
Never use the diff-lock at high speed or on the road as this can cause rollover and injury. 1200-910-006.0

**6** **WARNING**  
Brake pedals must always be locked together when travelling on the highway. This will ensure uniform braking and provide maximum stopping ability sharp turns must only be made at slow speeds. 1200-910-007.0

**7** **CAUTION**  
Keep hands and clothing away from rotating fan and belts to prevent serious injury. 1200-910-012.0

**8** **DANGER**  
Rotating driveline contact can cause death. **KEEP AWAY!**  
Keep all drive line, Tractor and equipment shields in place during operation. 1200-910-013.0

**9** **WARNING**  
Attach implements and trailers to the tractor only using the prescribed drawbar or hitch. 1200-910-014.0

**10** **WARNING**  
Do not remove radiator cap while engine is hot. Hot steam will injure you. 1200-910-015.0

**11** **DANGER**  
Do not ride except operator. 1200-910-016.0

**12** **WARNING**  
Always fasten Your seat belt. 1200-910-019.0

**14** **CAUTION**  
Do not touch while the system is hot. It cause serious burns. 1200-910-024.0

**13** **WARNING**  
Operator's manual 1200-910-025.0

**15** **WARNING**  
1200-910-026.0

**16** **WARNING**  
1200-910-017.0

**21** **PARKING BRAKE**  
Press down the master brake pedal and lock the parking lever at the same time. 127-906-011.0

**18** **T264**

**40** **TYM**

**23** **WARNING**  
Additions, alterations, cracking, damage or corrosion to this structure may adversely affect the performance of the ROPS. 1200-910-023.0

**31** **WARNING**  
Do not use the accelerator lever except working on the field. 1200-910-027.0

**35** **6 YEARS Limited Warranty**

**22** **P.T.O ON OFF**

**24** **DANGER**  
This Tractor may tip over unexpectedly and quicker than an operator is able to jump free  
1. Never operate a tractor without a proper Roll over Protection Structure.(ROPS)  
2. Always wear your seat belt when operating this tractor equipped with roll over protection  
3. Never pull from above or from the rear axle  
4. Do not operate the tractor on steep slopes or near drop offs  
5. Avoid sharp high speed turns  
Serious injury or death may result from tractor upsets. 1200-904-021.0

**25** **WARNING**  
Death or injury may result if this tractor over turns with the ROPS in the folded down position. Operate this tractor with the ROPS folded down only when necessary. Do not wear seat belt if operated with ROPS folded down. 1200-904-002.0

**26** **EPA REGULATION**  
USE ULTRA LOW SULFUR FUEL ONLY

**36** **TONG YANG MOOL SAN**  
SERIAL NUMBER TYPE  
2022 APPROVAL NO  
Model

**27** **STOP**

**33** **WARNING**  
Stay clear of raised Boom and bucket. 1200-910-010.0

**32** **WARNING**  
Push the button to lock position with joystick lever is neutral whenever the implement is not operation. 1200-910-011.0

T234-E-903

NOTE



