

T474NC-B

Parts Catalog

# 목 차

---

## 0. TRACTOR KIT PART NO. TK1

FIG 000 TRAILER SOCKET KIT 7

## 1. Engine PART NO. EG

FIG 100 ENGINE	11
FIG 101 CYLINDER BLOCK	13
FIG 102 OILJET ASS'Y OPTION	15
FIG 103 CRANK SHAFT	17
FIG 104 PISTON	19
FIG 105 CYLINDER HEAD	21
FIG 106 ROCKER LEVER	23
FIG 107 HEAD COVER	25
FIG 108 GEAR CASE	27
FIG 109 IDLE GEAR	29
FIG 110 CAM SHAFT	31
FIG 111 OIL PUMP	33
FIG 112 HYD. PUMP DRIVE	35
FIG 113 2ND BALANCE	37
FIG 114 OIL PAN	39
FIG 115 INTAKE MANIFOLD	41
FIG 116 EXHAUST MANIFOLD	43
FIG 117 DPF SUPPORT OPTION	45
FIG 118 TURBOCHARGER PLUMBING OPTION	47
FIG 119 BREATHER	49
FIG 120 FUEL INJECTION PUMP	51
FIG 121 FUEL INJECTION VALVE	53
FIG 122 FUEL PIPE ASS'Y	55
FIG 123 OIL FILTER	57
FIG 124 OIL COOLER	59
FIG 125 OIL GAUGUE	61
FIG 126 OIL FILLER CAP	63

FIG 127 COOLING WATER PUMP	65
FIG 128 CRANK SHAFT PULLEY	67
FIG 129 V-PULLEY	69
FIG 130 COOLING FAN	71
FIG 131 FLYWHEEL HOUSING	73
FIG 132 FLYWHEEL	75
FIG 133 GLOW PLUG ASS'Y OPTION	77
FIG 134 STARTING MOTOR	79
FIG 135 FUEL FILTER BRACKET ASS'Y	81
FIG 136 ALTERNATOR	83
FIG 137 V-BELT	85
FIG 138 FUEL FILTER	87
FIG 139 DPF SUPPORT	89
FIG 140 DATAPLATE	91
FIG 142 DPF ASS'Y	93
FIG 143 LIFT ASS'Y	95
FIG 144 COMP. DRIVE PULLEY ASS'Y OPTION	97
FIG 145 LOOSED PARTS	99

## 2. Engine Accessories PART NO. T2

FIG 201 AIR CLEANER	102
FIG 202 RADIATOR	104
FIG 203 MUFFLER	106
FIG 204 FUEL TANK & FILTER	108
FIG 205 ACCELERATOR	110

## 3. Clutch/Brake/Steering PART NO. T3

FIG 301 CLUTCH PEDAL	113
FIG 302 FLYWHEEL & CLUTCH	115
FIG 303 BRAKE PEDAL	117
FIG 304 BRAKE	119
FIG 306 FRONT WHEEL MOUNTING	121
FIG 307 REAR WHEEL MOUNTING	123
FIG 308 STEERING WHEEL	125
FIG 309 STEERING VALVE & PARKING	127
FIG 310 STEERING CYLINDER	129

#### 4. Transmission PART NO. T4

FIG 401 TRANSMISSION FRONT CASE	132
FIG 402 INPUT METAL	134
FIG 403 INPUT GEAR	136
FIG 404 4WD DRIVE GEAR	138
FIG 405 MAIN CHANGE GEARS & REVERSE GEARS	140
FIG 406 SUB CHANGE GEARS	142
FIG 407 PINION GEARS	144
FIG 408 P.T.O DRIVE SHAFT	146
FIG 409 P.T.O CHANGE GEARS	148
FIG 410 DIFF LOCK	150
FIG 411 TRANSMISSION REAR CASE	152
FIG 412 REAR AXLE HOUSINGS (1)	154
FIG 413 REAR AXLE HOUSINGS (2)	156
FIG 414 MAIN CHANGE LEVER	158
FIG 415 SUB CHANGE LEVER	160
FIG 416 REVERSE LINK	162
FIG 417 REVERSE CHANGE LEVER	164
FIG 418 4WD CHANGE LEVER	166

#### 5. Front Axle PART NO. T5

FIG 501 FRONT AXLE BRACKET	169
FIG 502 FRONT DIFF. GEARS & SHAFT	171
FIG 503 FRONT AXLE HOUSING	173
FIG 504 FRONT GEAR CASE (1)	175
FIG 505 FRONT GEAR CASE (2)	177

#### 6. Hydraulic/3P-Link PART NO. T6

FIG 601 GEAR PUMP	180
FIG 602 CYLINDER CASE	182
FIG 603 LIFT ARM	184
FIG 604 CYLINDER	186
FIG 605 POSITION LINK (1)	188
FIG 606 POSITION LINK (2)	190

FIG 607 CONTROL VALVE	192
FIG 608 POSITION LEVER	194
FIG 609 HYDRAULIC PIPE (1)	196
FIG 610 HYDRAULIC PIPE (2)	198
FIG 611 EXTERIOR HYD VALVE	200
FIG 612 3-POINT LINK	202
FIG 613 HITCH & COVER	205
FIG 614 EXTERIOR POSITION LEVER	207

## 7. Sheet Metal & Cabin PART NO. T7

FIG 701 HOOD FRAME	210
FIG 702 HOOD	213
FIG 703 EXTENSION COVER	216
FIG 704 FENDER & REAR FRAME	218
FIG 705 DASH PANEL	221
FIG 706 FLOOR PANEL	223
FIG 707 SEAT	225
FIG 708 FRONT & REAR MOUNTING	227
FIG 709 ROPS	229

## 8. Electrical System PART NO. T8

FIG 801 BATTERY & MOUNTING	232
FIG 802 LAMP	234
FIG 803 INSTRUMENT PANEL	236
FIG 804 ELECTRIC SYSTEM	238
FIG 805 HARNESS	240

## 9. Label/Option PART NO. T9

FIG 901 TOOL & ACCESSORY	243
FIG 902 LABEL	245
FIG 902 LABEL	247

0. TRACTOR KIT PART NO. TK1

FIG 000 TRAILER SOCKET KIT

7

FIG 000 T474NC-B	TRAILER SOCKET KIT	년/월 Year/Month 2022-12
---------------------	--------------------	------------------------------

--	--

NOTE	
------	--





## 1. Engine PART NO. EG

FIG 100 ENGINE	11
FIG 101 CYLINDER BLOCK	13
FIG 102 OILJET ASS'Y OPTION	15
FIG 103 CRANK SHAFT	17
FIG 104 PISTON	19
FIG 105 CYLINDER HEAD	21
FIG 106 ROCKER LEVER	23
FIG 107 HEAD COVER	25
FIG 108 GEAR CASE	27
FIG 109 IDLE GEAR	29
FIG 110 CAM SHAFT	31
FIG 111 OIL PUMP	33
FIG 112 HYD. PUMP DRIVE	35
FIG 113 2ND BALANCE	37
FIG 114 OIL PAN	39
FIG 115 INTAKE MANIFOLD	41
FIG 116 EXHAUST MANIFOLD	43
FIG 117 DPF SUPPORT OPTION	45
FIG 118 TURBOCHARGER PLUMBING OPTION	47
FIG 119 BREATHER	49
FIG 120 FUEL INJECTION PUMP	51
FIG 121 FUEL INJECTION VALVE	53
FIG 122 FUEL PIPE ASS'Y	55
FIG 123 OIL FILTER	57
FIG 124 OIL COOLER	59
FIG 125 OIL GAUGUE	61
FIG 126 OIL FILLER CAP	63
FIG 127 COOLING WATER PUMP	65
FIG 128 CRANK SHAFT PULLEY	67
FIG 129 V-PULLEY	69
FIG 130 COOLING FAN	71
FIG 131 FLYWHEEL HOUSING	73
FIG 132 FLYWHEEL	75
FIG 133 GLOW PLUG ASS'Y OPTION	77
FIG 134 STARTING MOTOR	79
FIG 135 FUEL FILTER BRACKET ASS'Y	81
FIG 136 ALTERNATOR	83
FIG 137 V-BELT	85

FIG 138 FUEL FILTER	87
FIG 139 DPF SUPPORT	89
FIG 140 DATAPLATE	91
FIG 142 DPF ASS'Y	93
FIG 143 LIFT ASS'Y	95
FIG 144 COMP. DRIVE PULLEY ASS'Y OPTION	97
FIG 145 LOOSED PARTS	99

FIG 100 T474NC-B	ENGINE	년/월 Year/Month
		2022-12
NOTE		



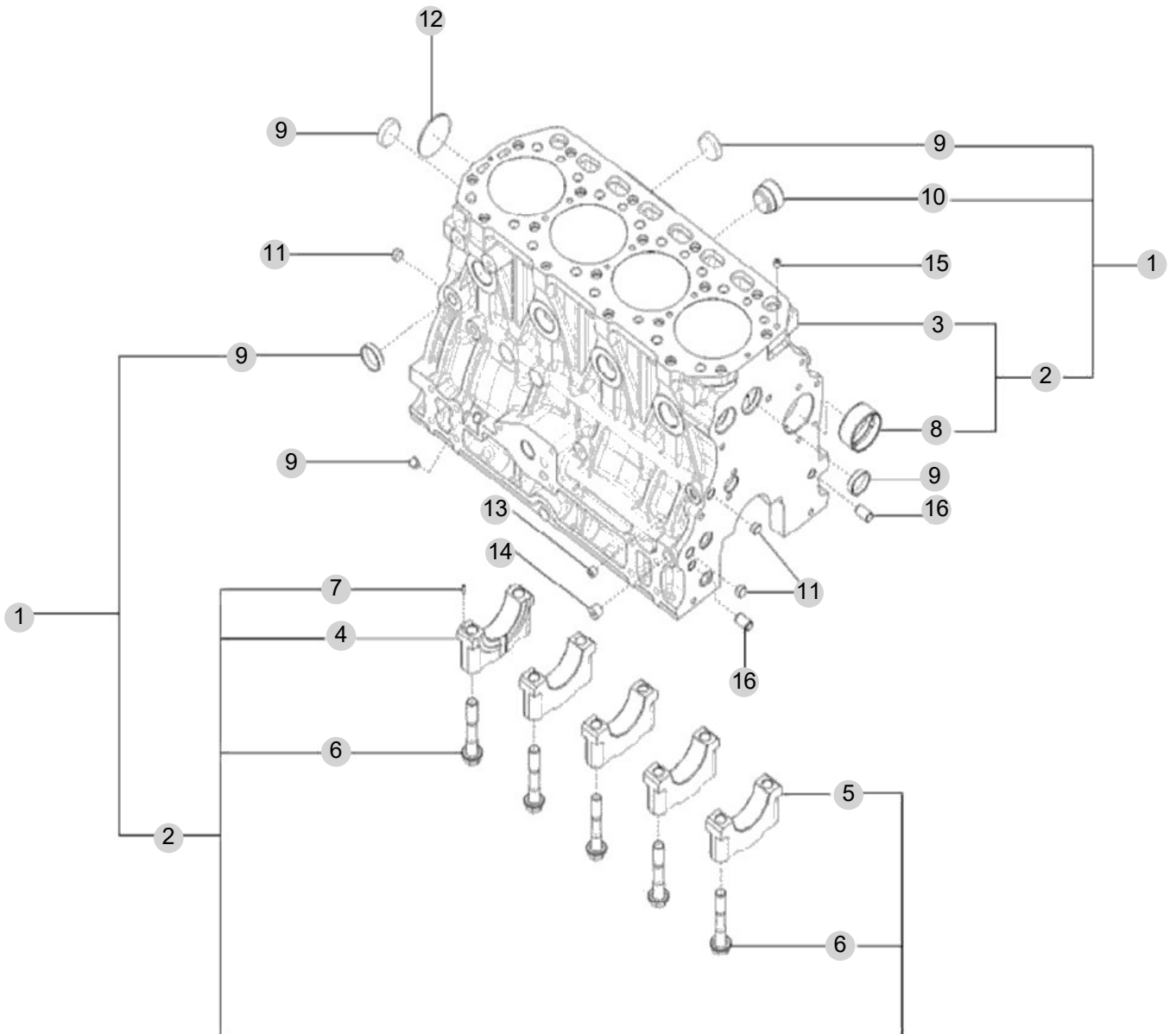
FIG 101

T474NC-B

CYLINDER BLOCK

년/월  
Year/Month

2022-12



NOTE



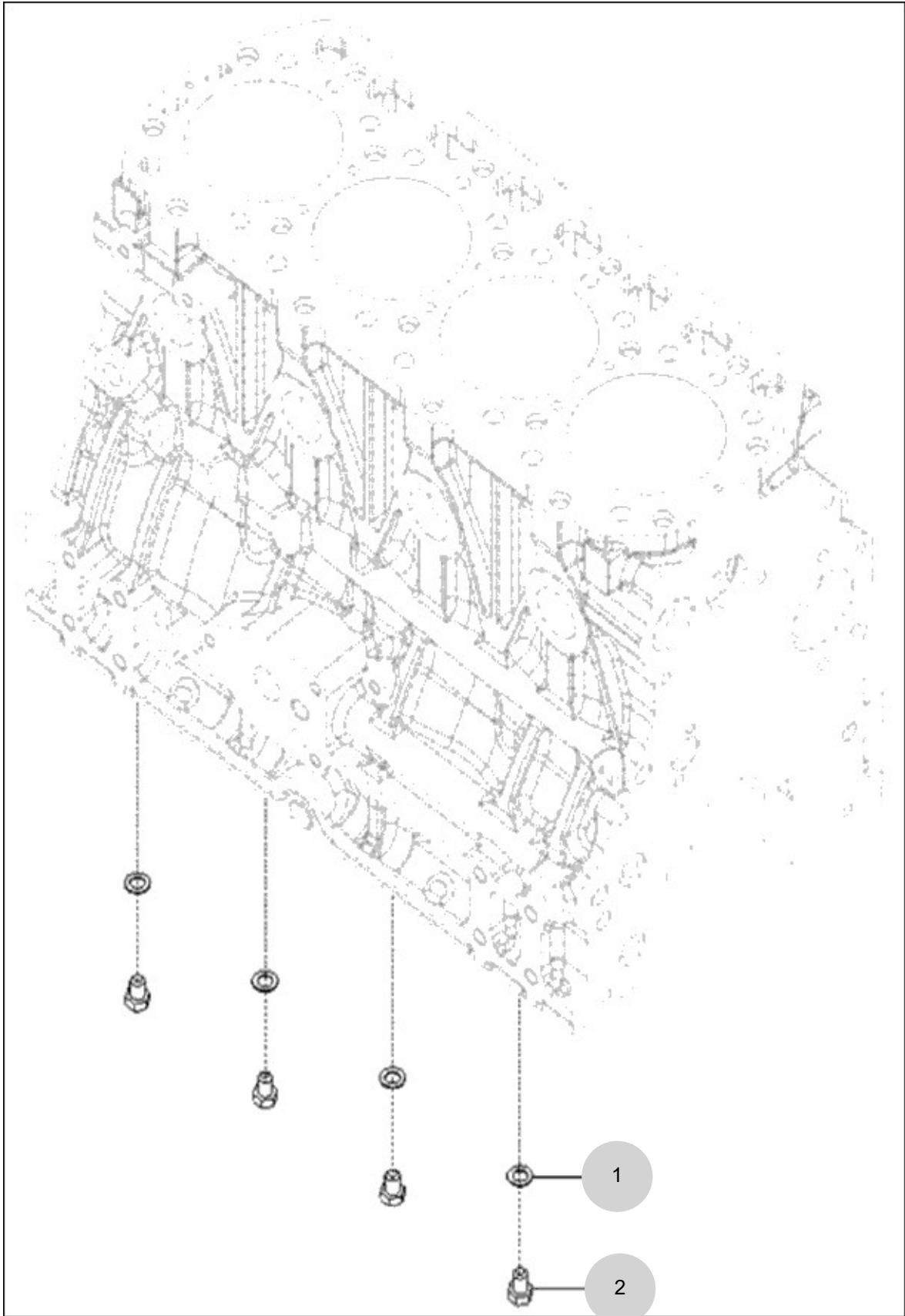
FIG 102

OILJET ASS'Y OPTION

년/월  
Year/Month

T474NC-B

2022-12



NOTE





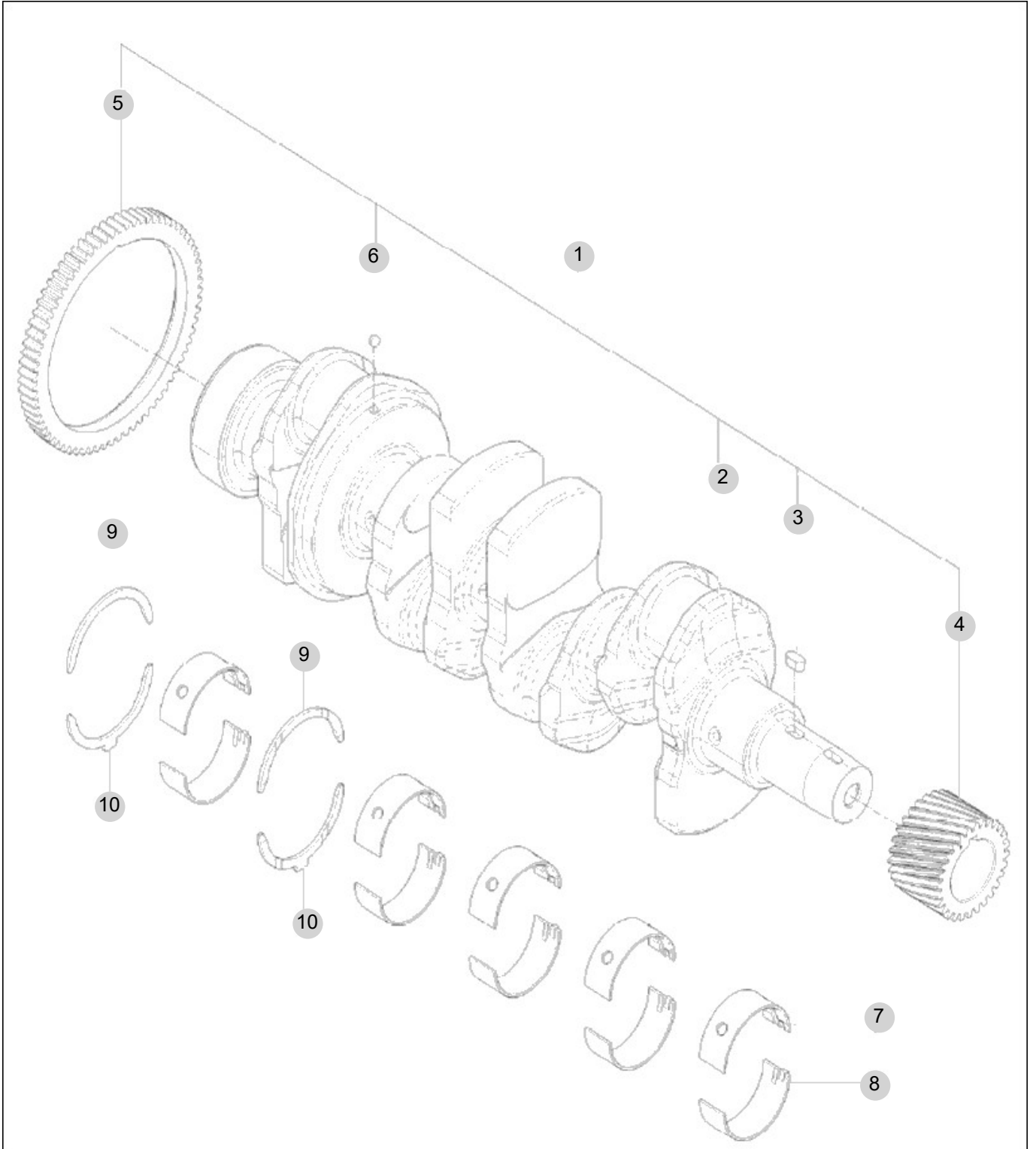
FIG 103

CRANK SHAFT

년/월  
Year/Month

T474NC-B

2022-12



NOTE



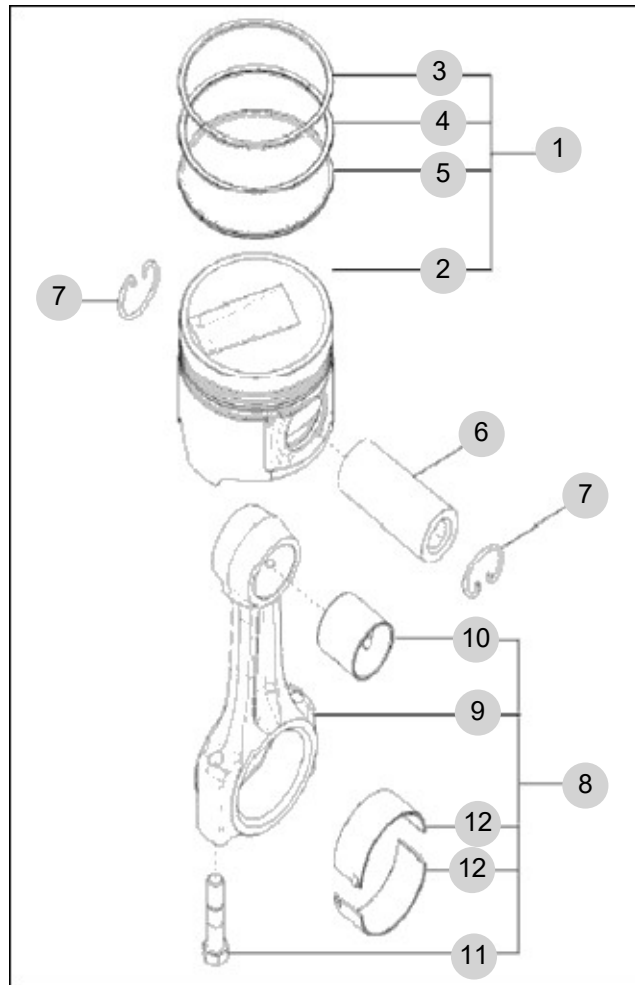
FIG 104

T474NC-B

PISTON

년/월  
Year/Month

2022-12



NOTE



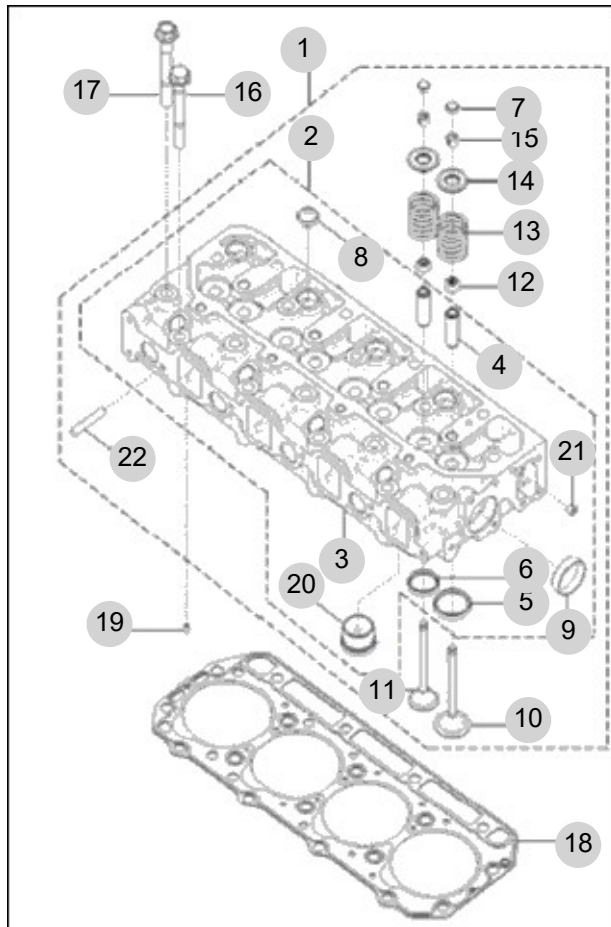
FIG 105

CYLINDER HEAD

년/월  
Year/Month

2022-12

T474NC-B



NOTE



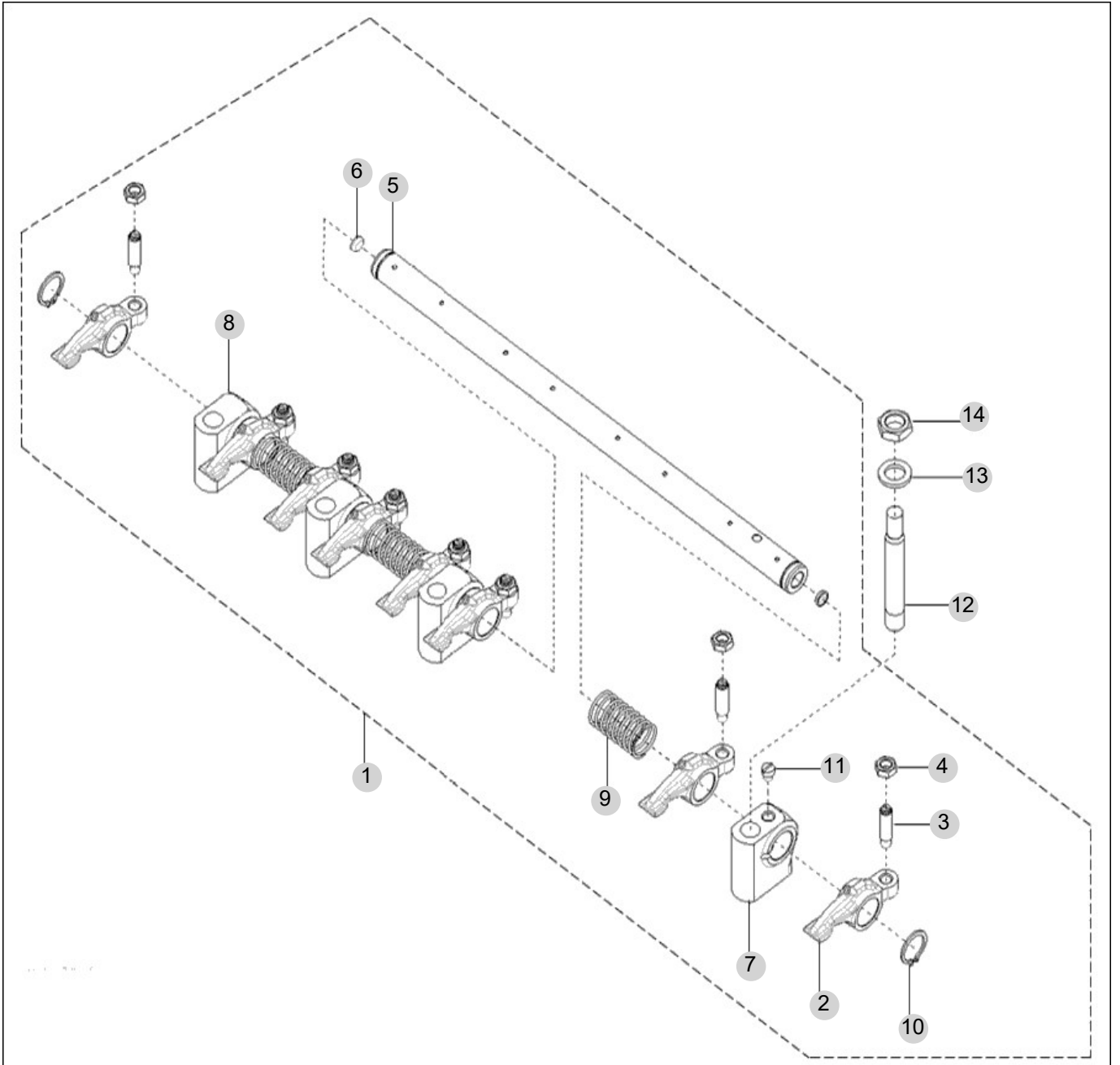
FIG 106

T474NC-B

ROCKER LEVER

년/월  
Year/Month

2022-12



NOTE





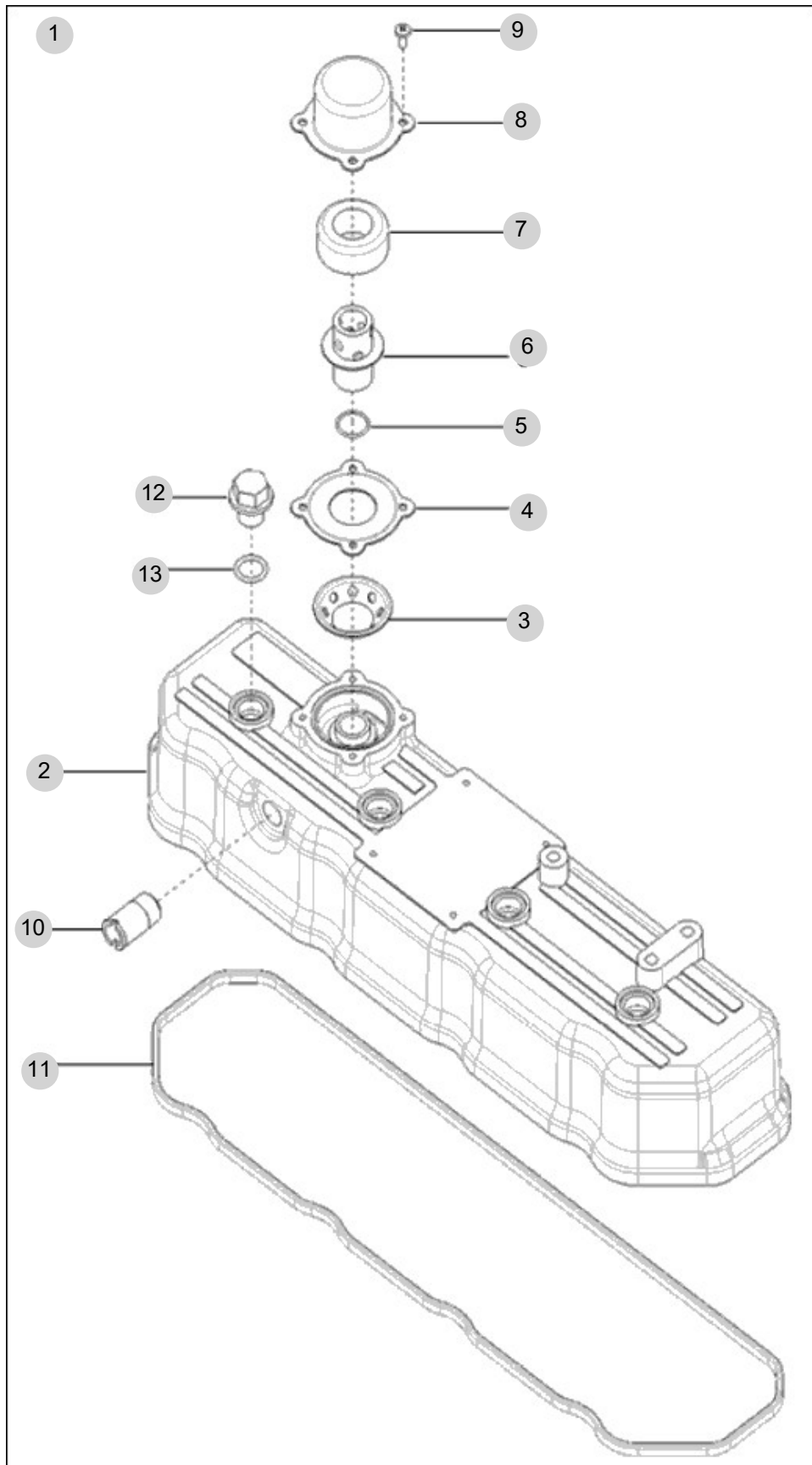
FIG 107

T474NC-B

# HEAD COVER

년/월  
Year/Month

2022-12



NOTE

FIG 107		HEAD COVER					년/월 Year/Month	
T474NC-B							2022-12	
KEY NO	PART NO	DESCRIPTION	SPEC	QTY	REPAIR	EFFECTIVE DATE	REMARKS	
107	1	EA00004727A	HEAD COVER ASSY(HRA0402300F0 단품 으로 주문변경)					
107	2	HRA0402300F	HEAD COVER					
107	2	HRA0402300E	HEAD COVER					
107	3	HRA0403900A	ADJUSTMENT PLATE, BREATHER					
107	4	HRA0403800A	PACKING(BREATHER)					
107	5	24341-000160	O-RING					
107	6	HRA0403700A	GUIDE ASS'Y					
107	7	HC03720000B	BAFFLE					
107	8	HRA0403600A	COVER, BREATHER					
107	9	26587-040102	CROSS-RECESSED HEAD SCREW					
107	10	HRA0404000A	TUBE, BREATHER					
107	11	HRA0402400B	PACKING, HEAD COVER					
107	12	HA03520000B	NUT, HEXAGON CAP M10X1.25					
107	13	24311-000140	O-RING, DYNAMIC (Φ14)					
NOTE								

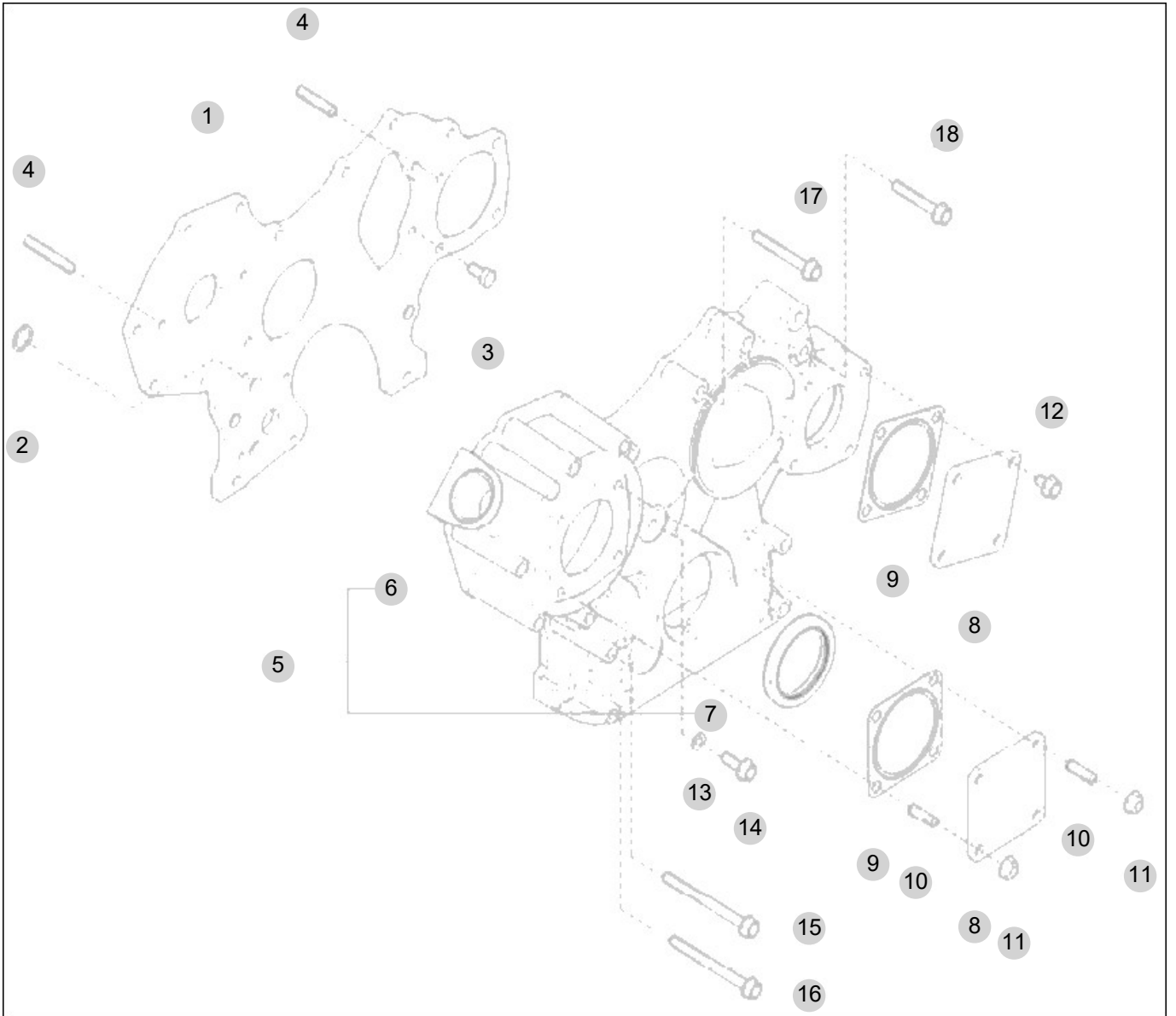
FIG 108

T474NC-B

GEAR CASE

년/월  
Year/Month

2022-12



NOTE



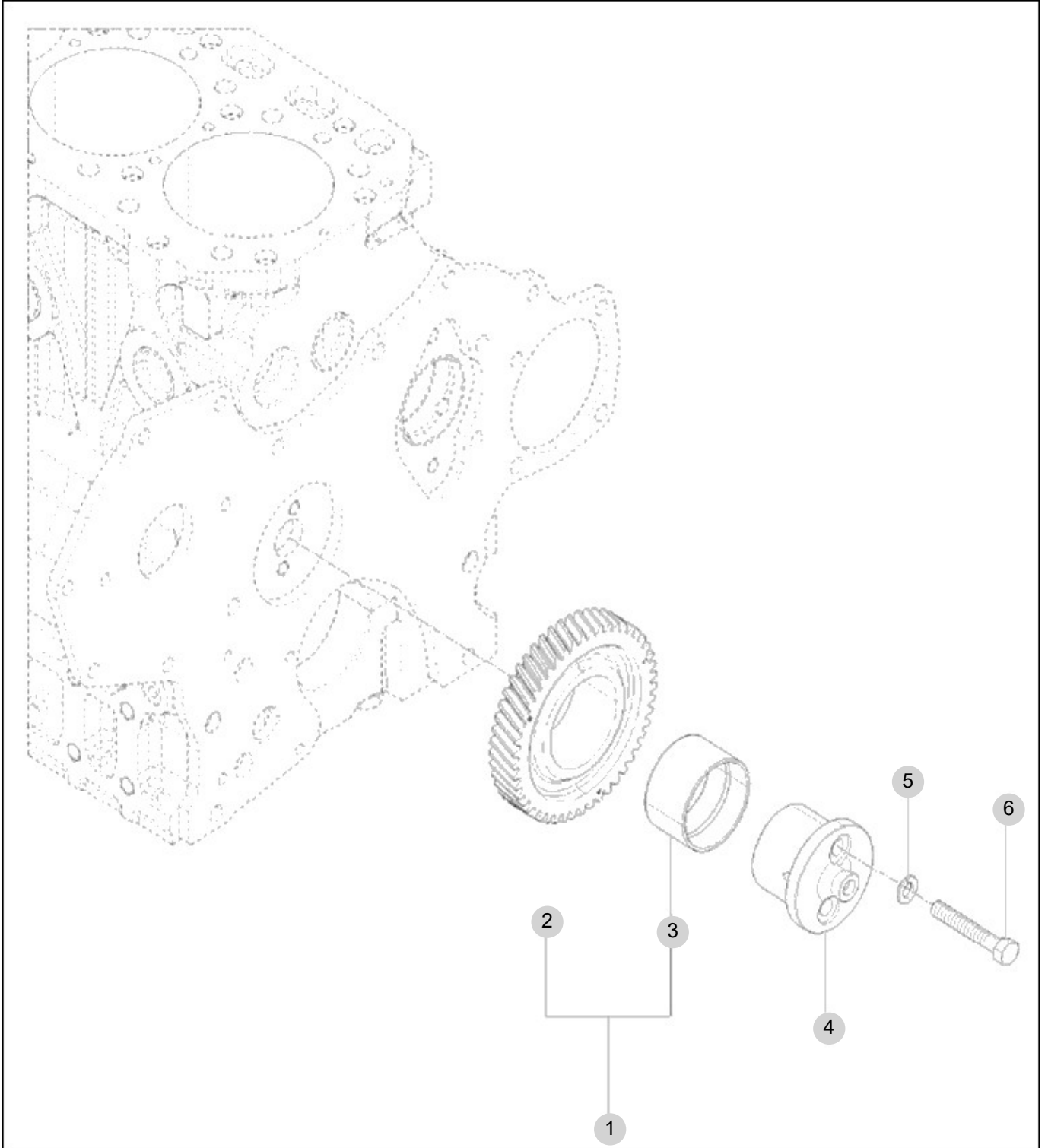
FIG 109

IDLE GEAR

년/월  
Year/Month

T474NC-B

2022-12



NOTE



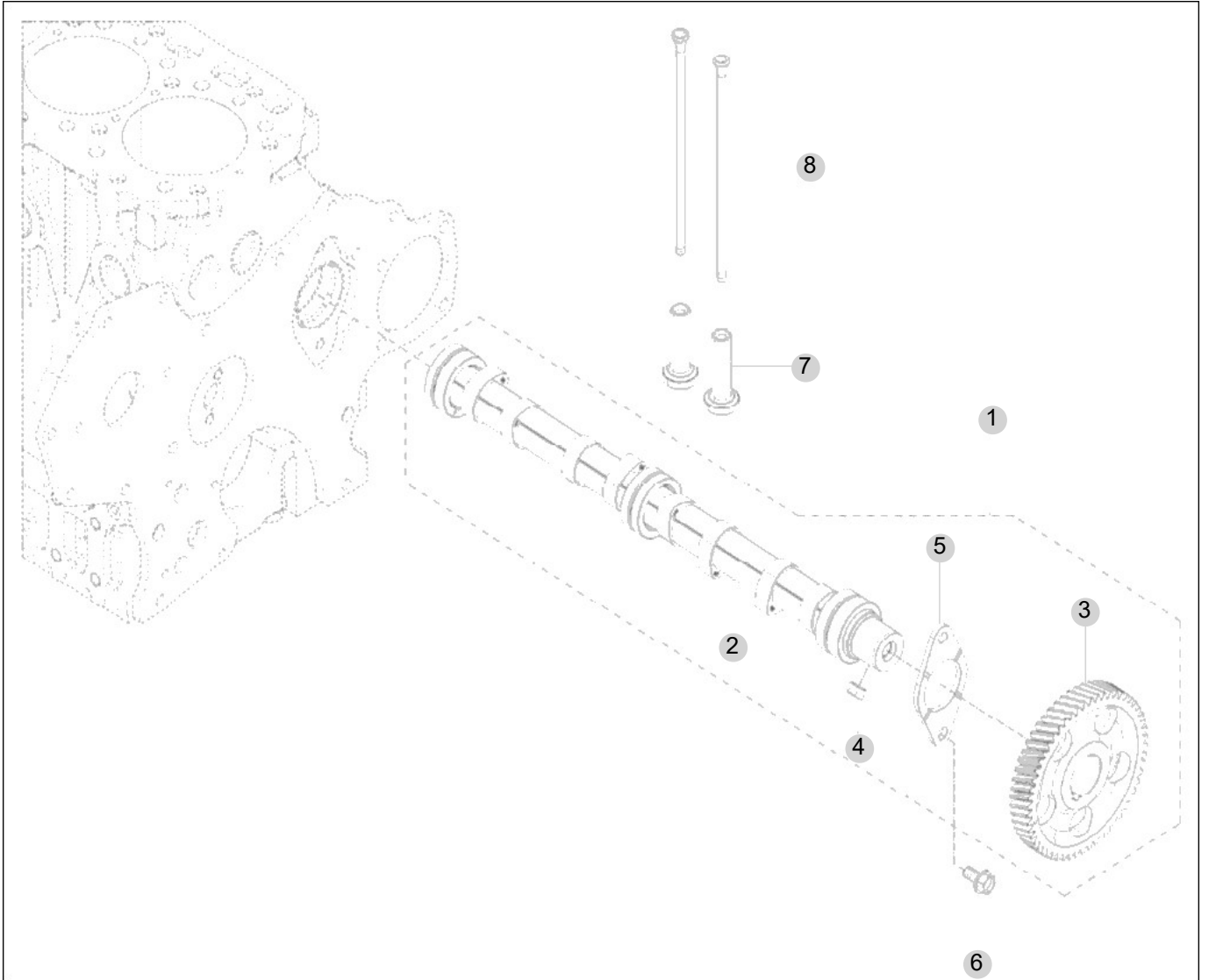
FIG 110

CAM SHAFT

년/월  
Year/Month

T474NC-B

2022-12



NOTE





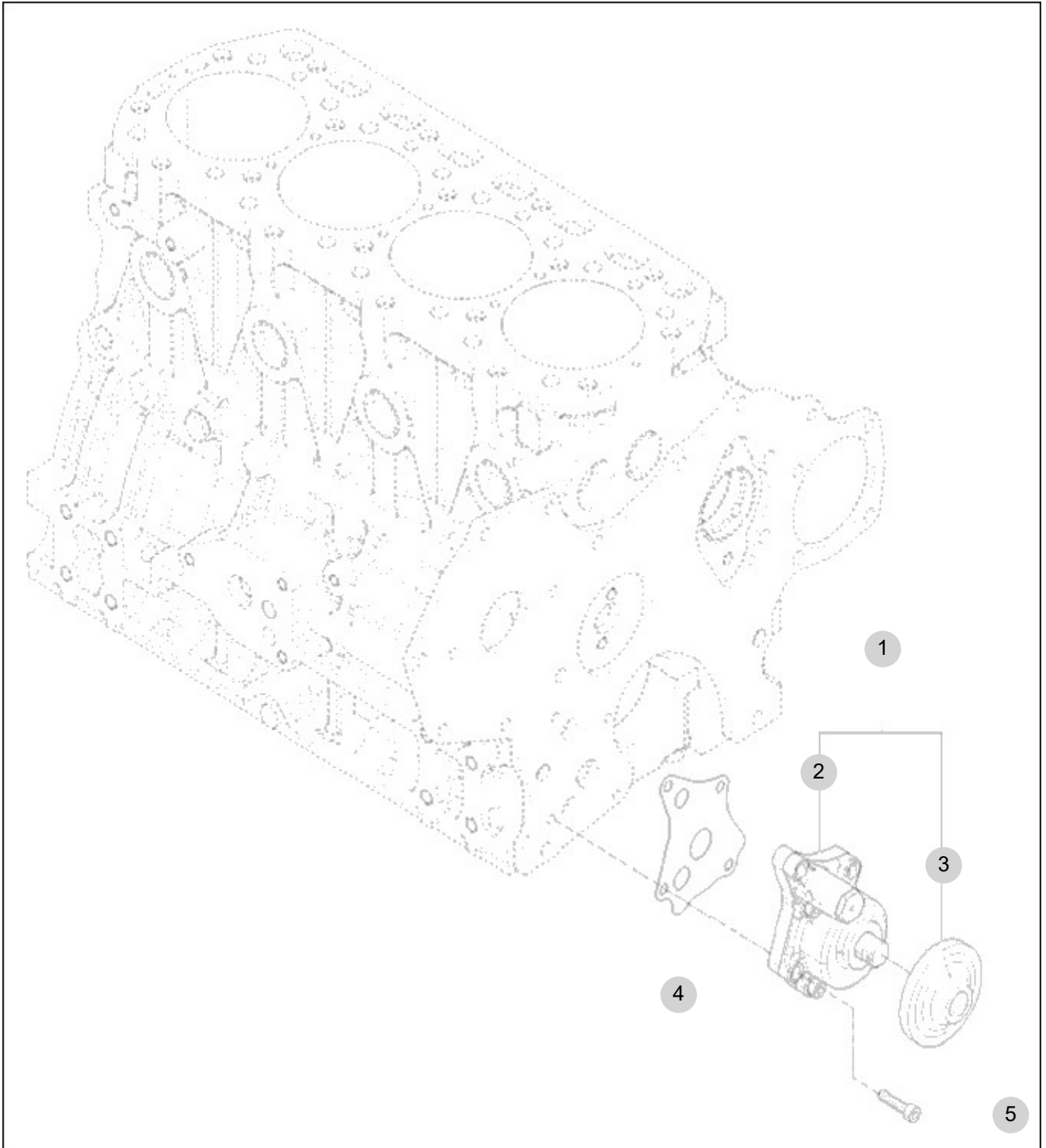
FIG 111

OIL PUMP

년/월  
Year/Month

T474NC-B

2022-12



NOTE



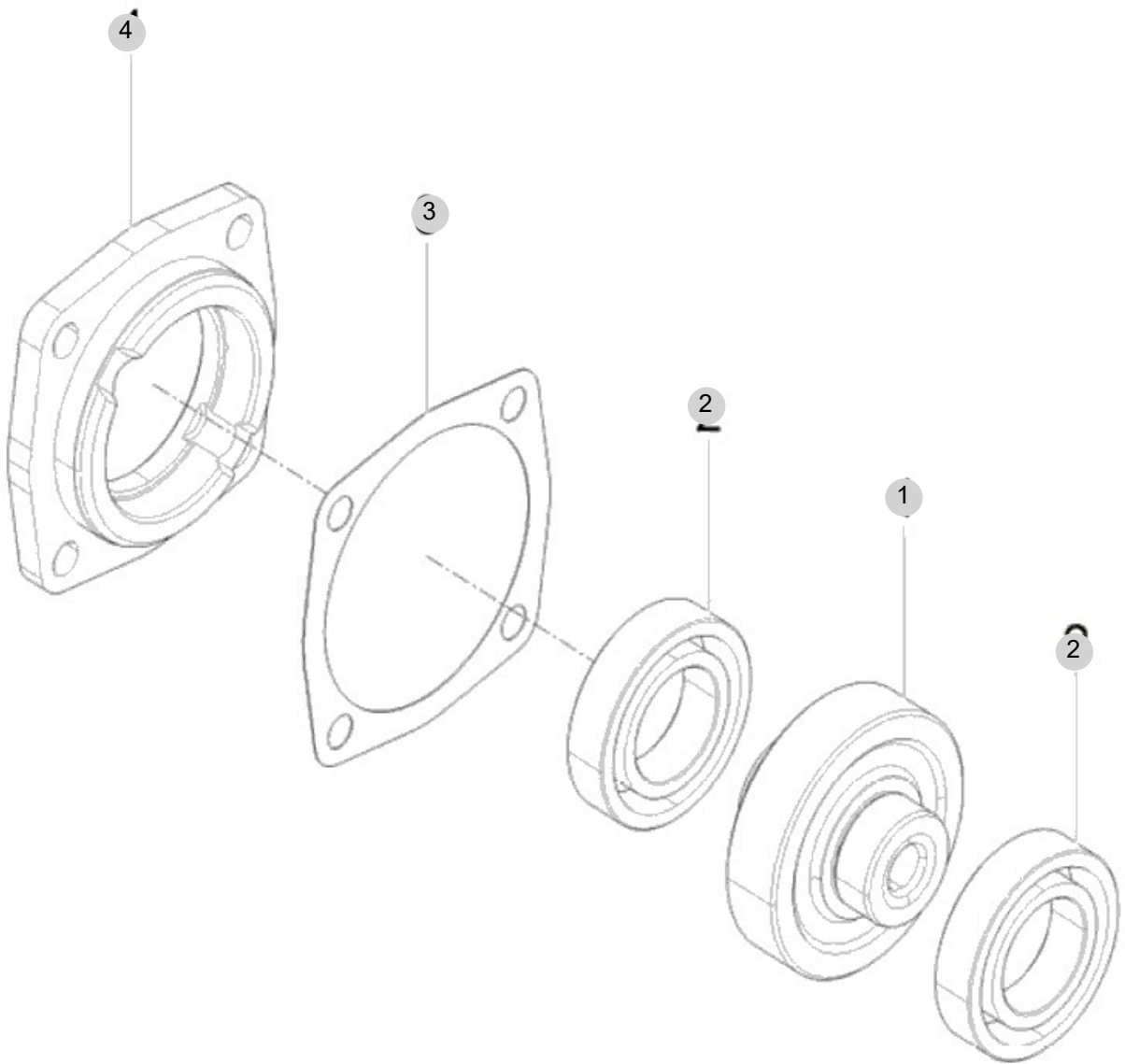
FIG 112

T474NC-B

HYD. PUMP DRIVE

년/월  
Year/Month

2022-12



NOTE



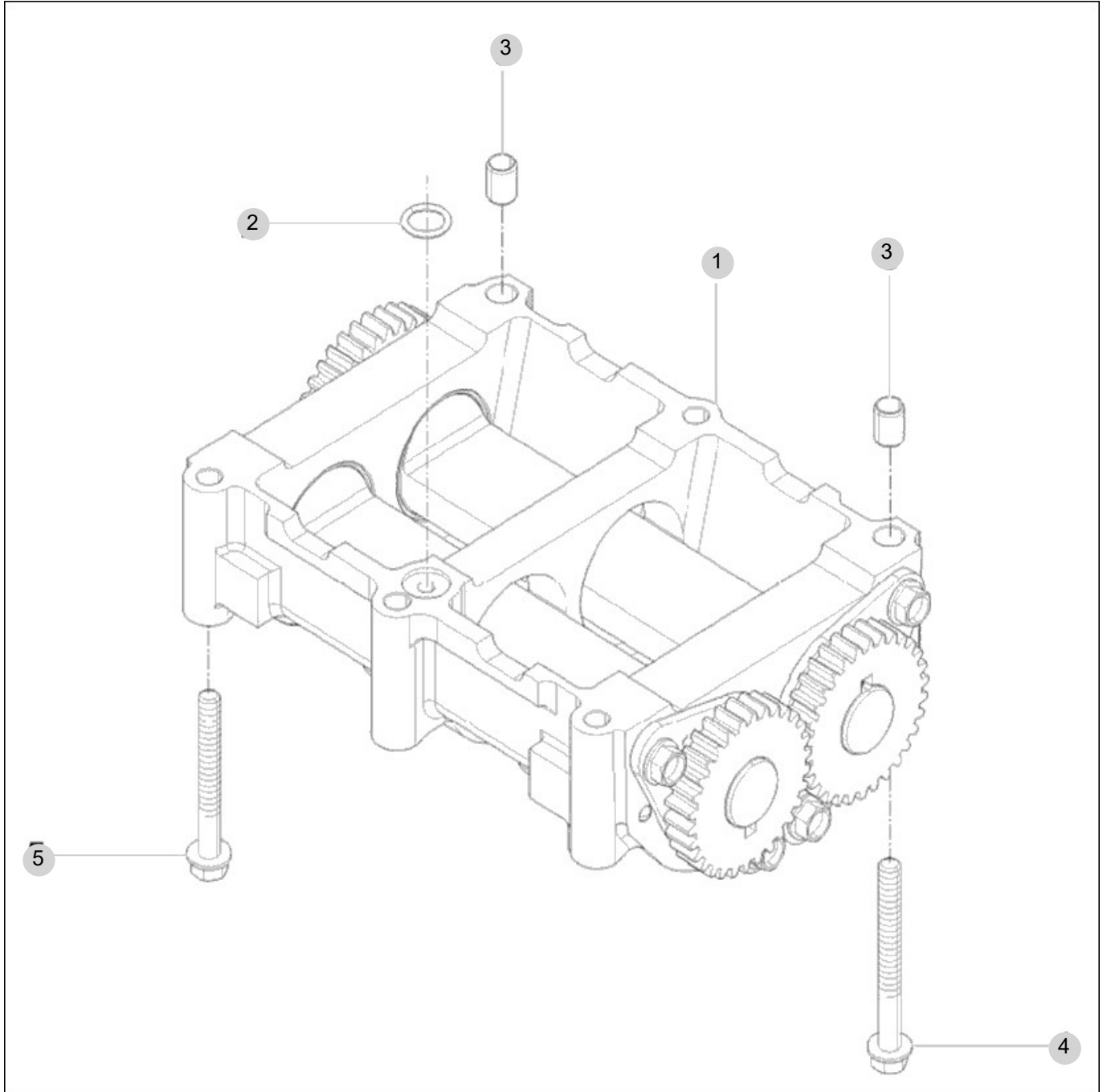
FIG 113

T474NC-B

2ND BALANCE

년/월  
Year/Month

2022-12



NOTE



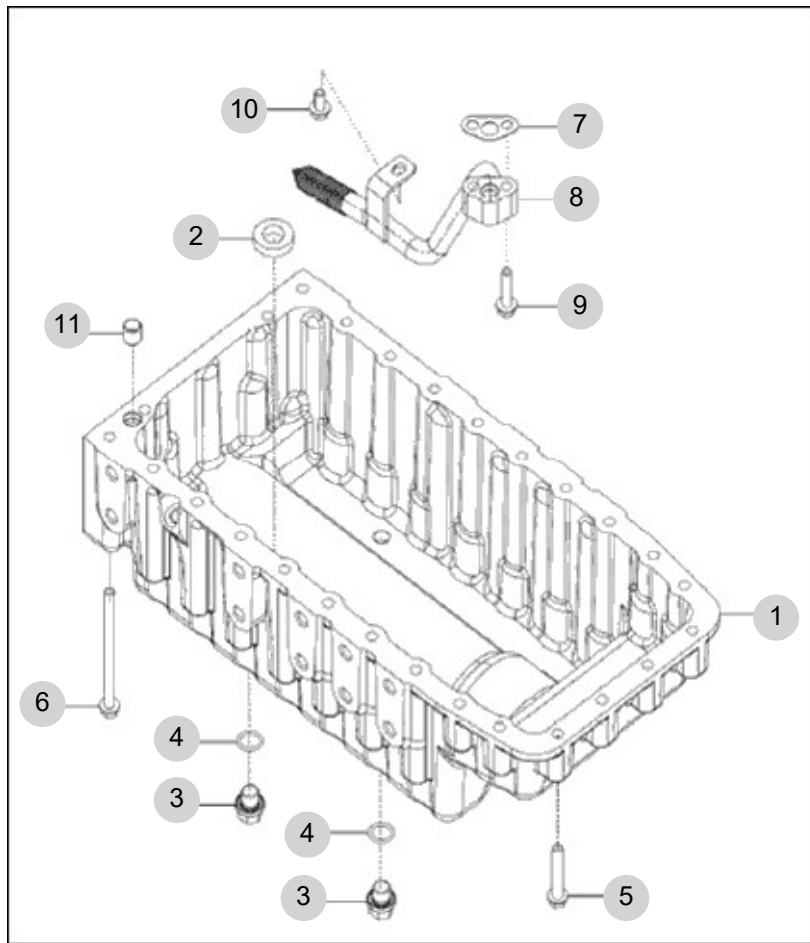
FIG 114

T474NC-B

OIL PAN

년/월  
Year/Month

2022-12



NOTE





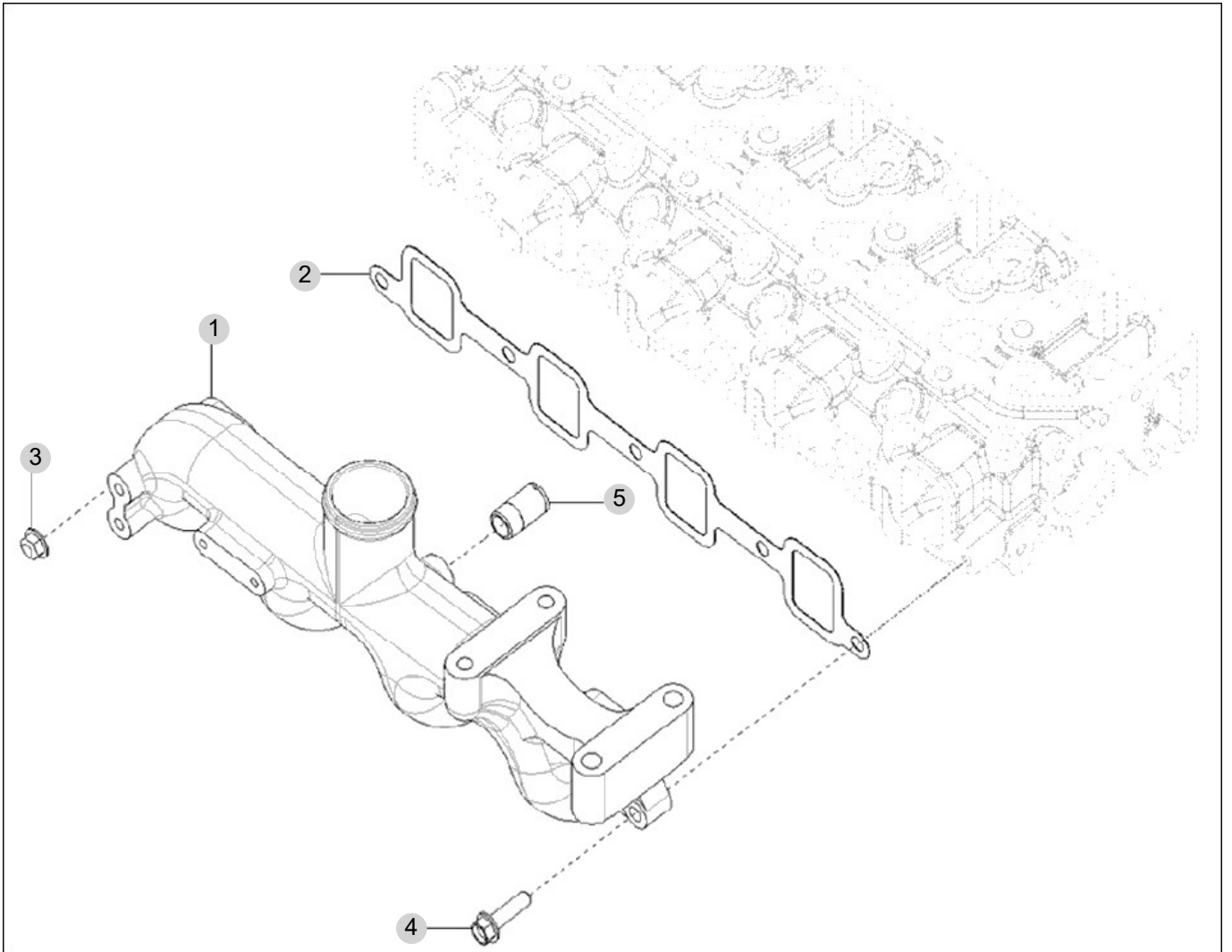
FIG 115

T474NC-B

INTAKE MANIFOLD

년/월  
Year/Month

2022-12



NOTE



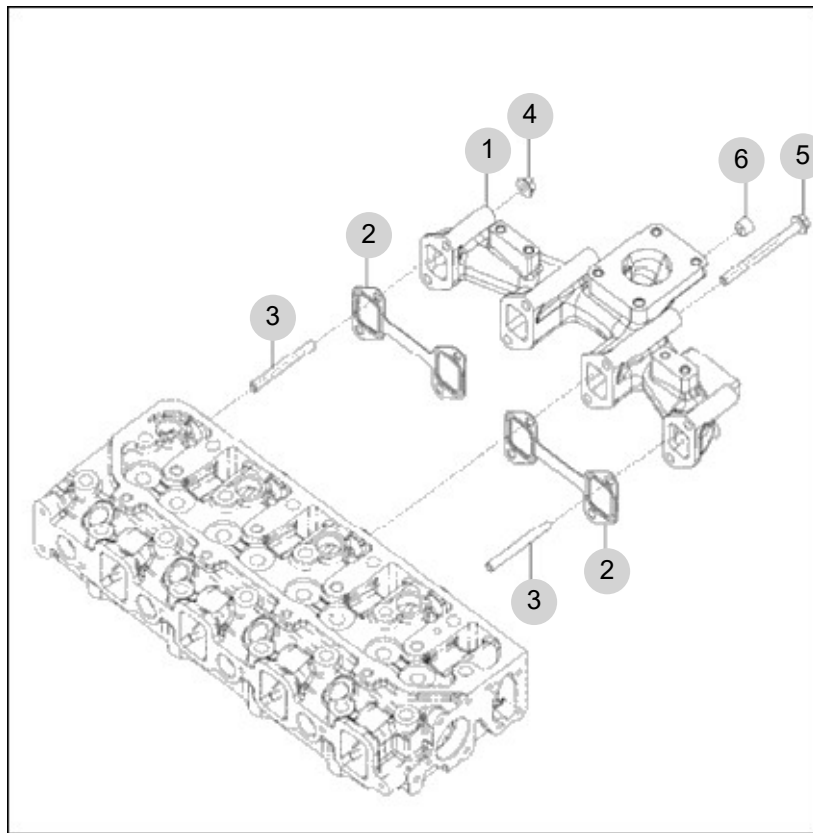
FIG 116

T474NC-B

EXHAUST MANIFOLD

년/월  
Year/Month

2022-12



NOTE



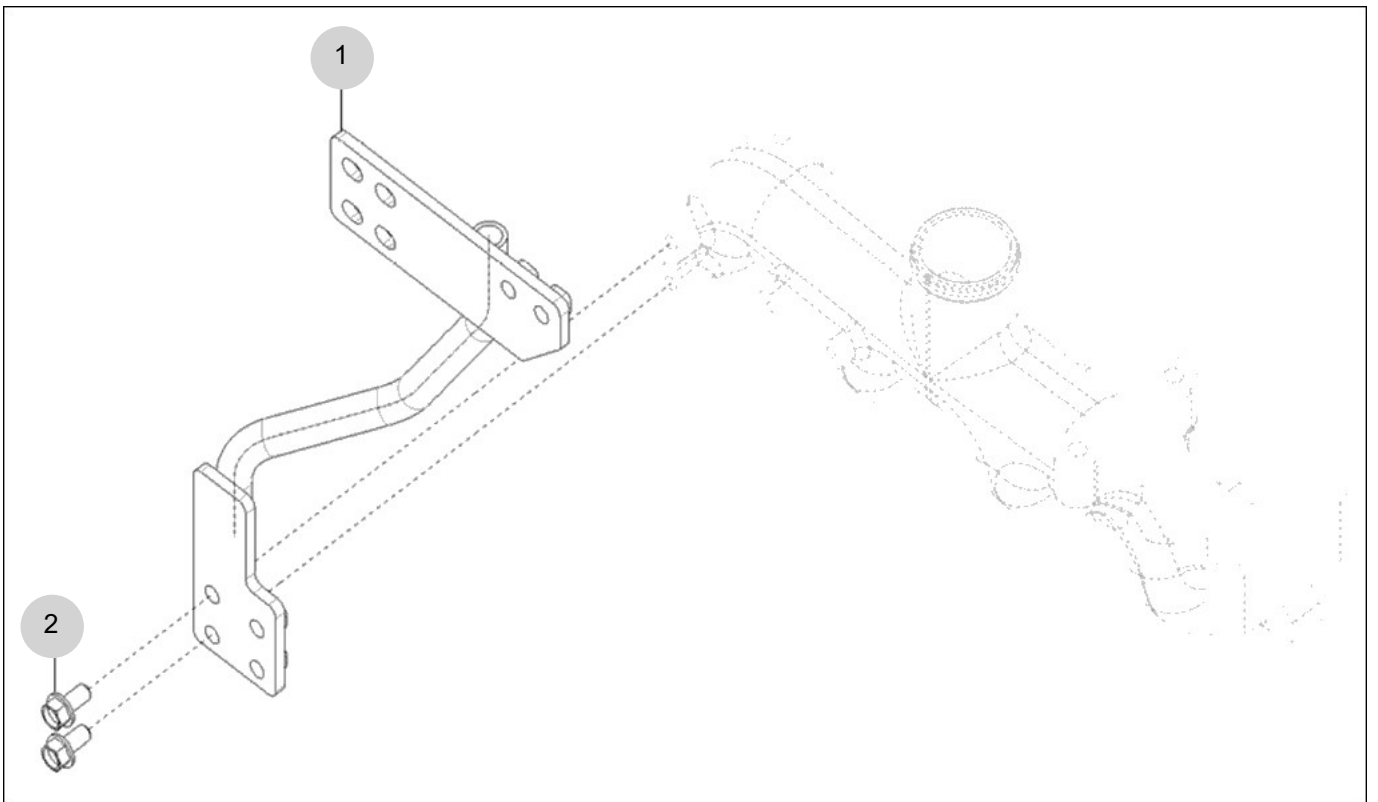
FIG 117

T474NC-B

DPF SUPPORT OPTION

년/월  
Year/Month

2022-12



NOTE



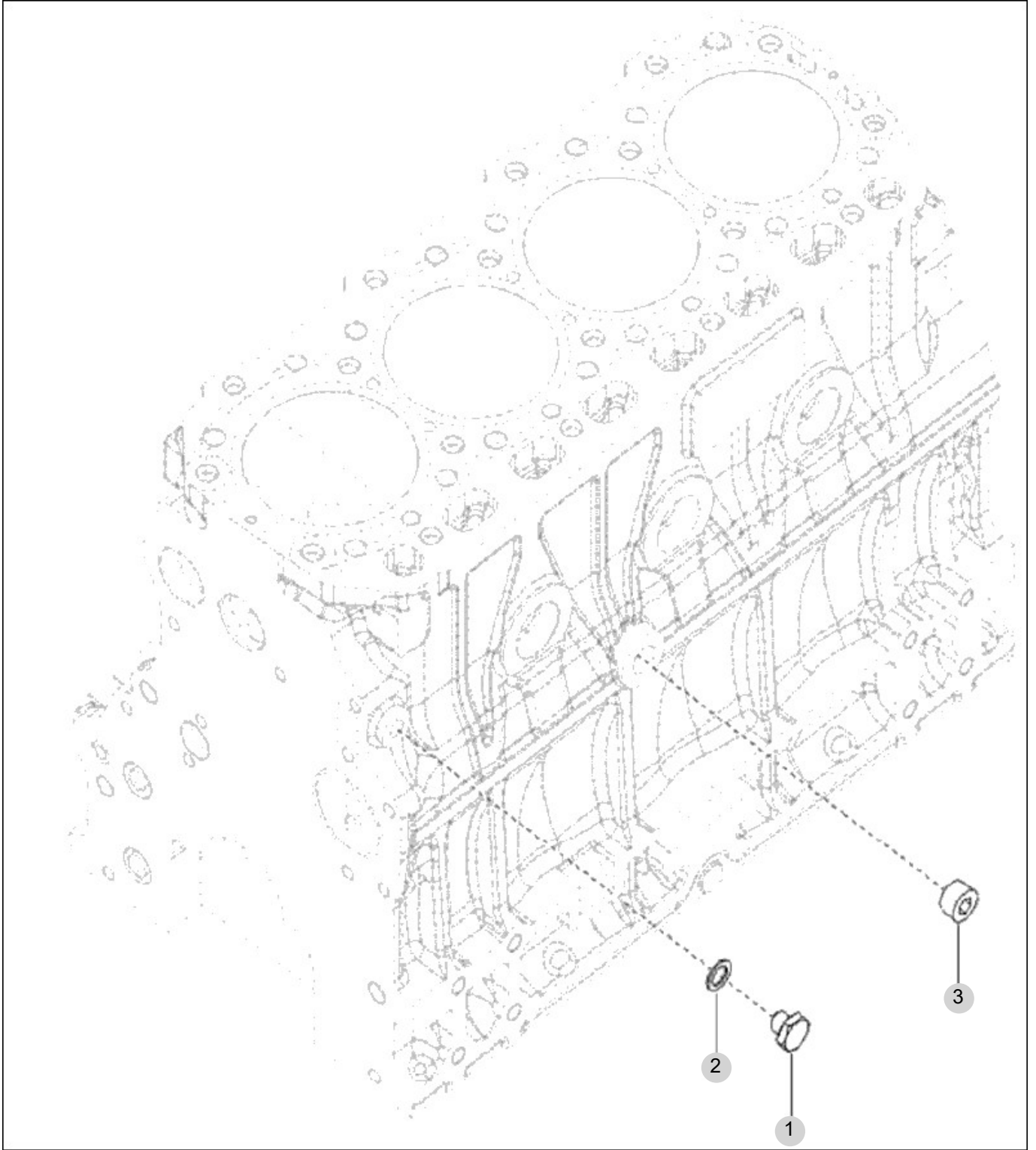
FIG 118

TURBOCHARGER PLUMBING OPTION

년/월  
Year/Month

T474NC-B

2022-12



NOTE





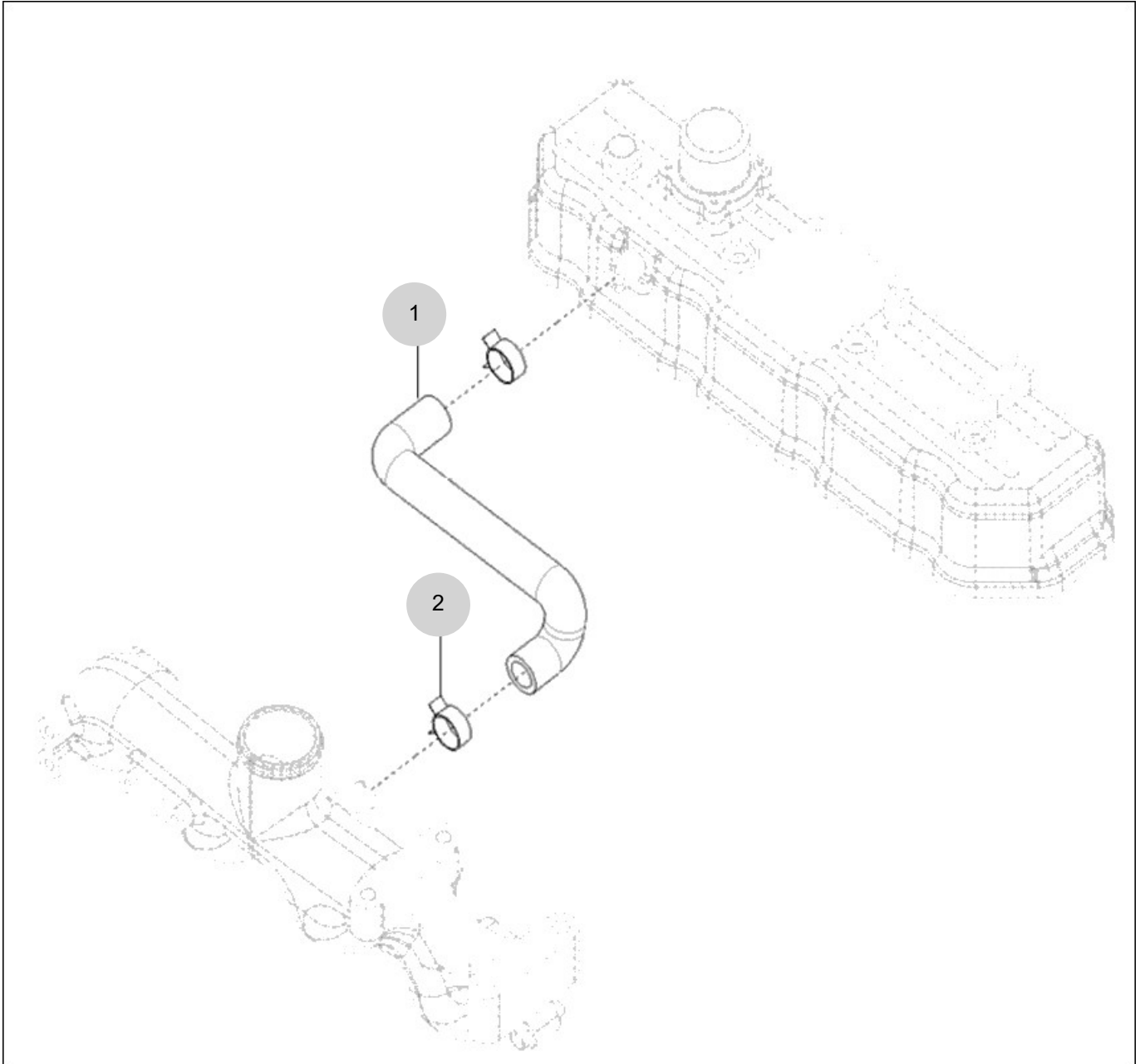
FIG 119

T474NC-B

BREATHER

년/월  
Year/Month

2022-12



NOTE



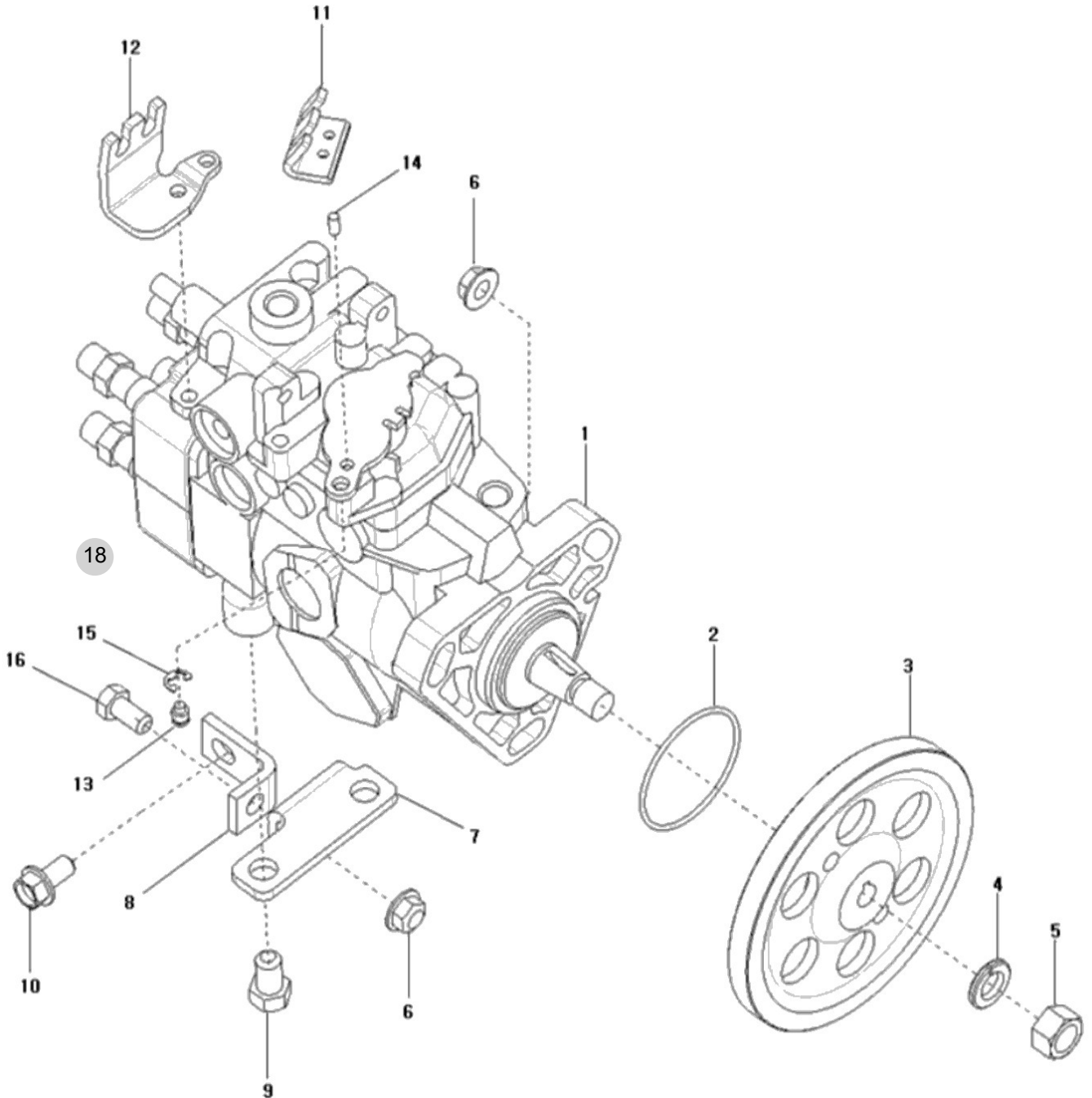
FIG 120

FUEL INJECTION PUMP

년/월  
Year/Month

T474NC-B

2022-12



NOTE



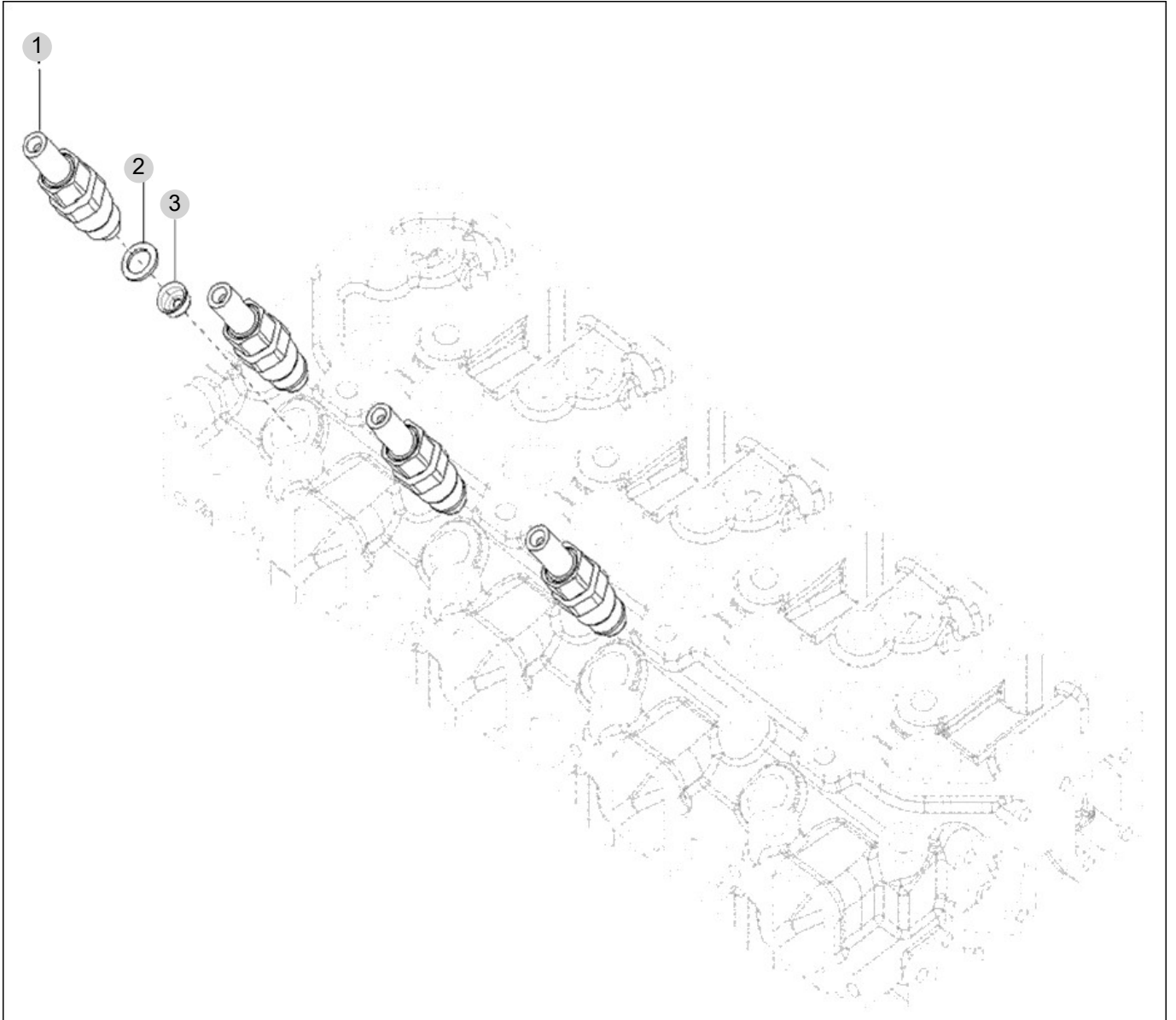
FIG 121

FUEL INJECTION VALVE

년/월  
Year/Month

T474NC-B

2022-12



NOTE



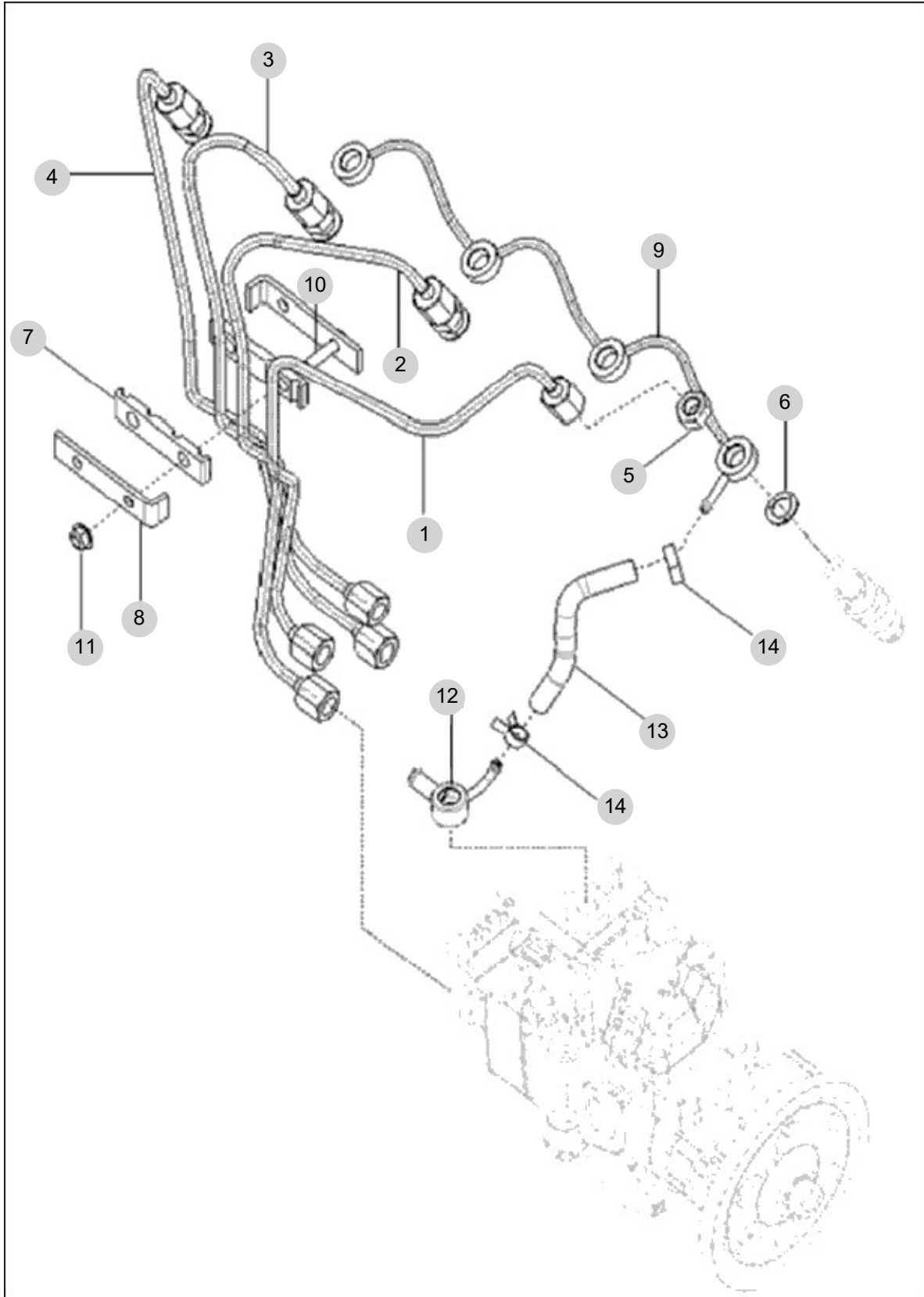
FIG 122

FUEL PIPE ASS'Y

년/월  
Year/Month

T474NC-B

2022-12



NOTE

FIG 122	FUEL PIPE ASS'Y						년/월
T474NC-B							Year/Month
							2022-12

KEY NO		PART NO	DESCRIPTION	SPEC	QTY	REPAIR	EFFECTIVE DATE	REMARKS
122	1	HRA150050DC	FUEL PIPE ASS'Y(A)		1			
122	1	HRA150050DB	FUEL PIPE ASS'Y(A)		1			
122	2	HRA150060DC	FUEL PIPE ASS'Y(B)		1			
122	2	HRA150060DB	FUEL PIPE ASS'Y(B)		1			
122	3	HRA150070DC	FUEL PIPE ASS'Y(C)		1			
122	3	HRA150070DB	FUEL PIPE ASS'Y(C)		1			
122	4	HRA150080DC	FUEL PIPE ASS'Y(D)		1			
122	4	HRA150080DB	FUEL PIPE ASS'Y(D)		1			
122	5	HK13450000A	NUT, REGULAR HEXAGON		4			
122	6	HK13440000A	GASKET, FUEL MANIFOLD		4			
122	7	HRA1502700A	RUBBER, BRACKET		2			
122	8	HRA1502800A	CLAMP, TUBE		2			
122	9	HRA1500900C	FUEL RETURN PIPE ASS'Y		1			
122	10	26161-060252	STUD, WELD		2			
122	11	26367-060002	NUT, HEXAGON FLANGE		2			
122	12	HRA1502400D	CONNECTOR, BANJO		1			
122	12	HRA1502400C	CONNECTOR, BANJO		1			
122	13	EA00000700A	TUBE, FUEL DRAIN		1			
122	14	23080-010000	CLIP, V BAND		2			

NOTE



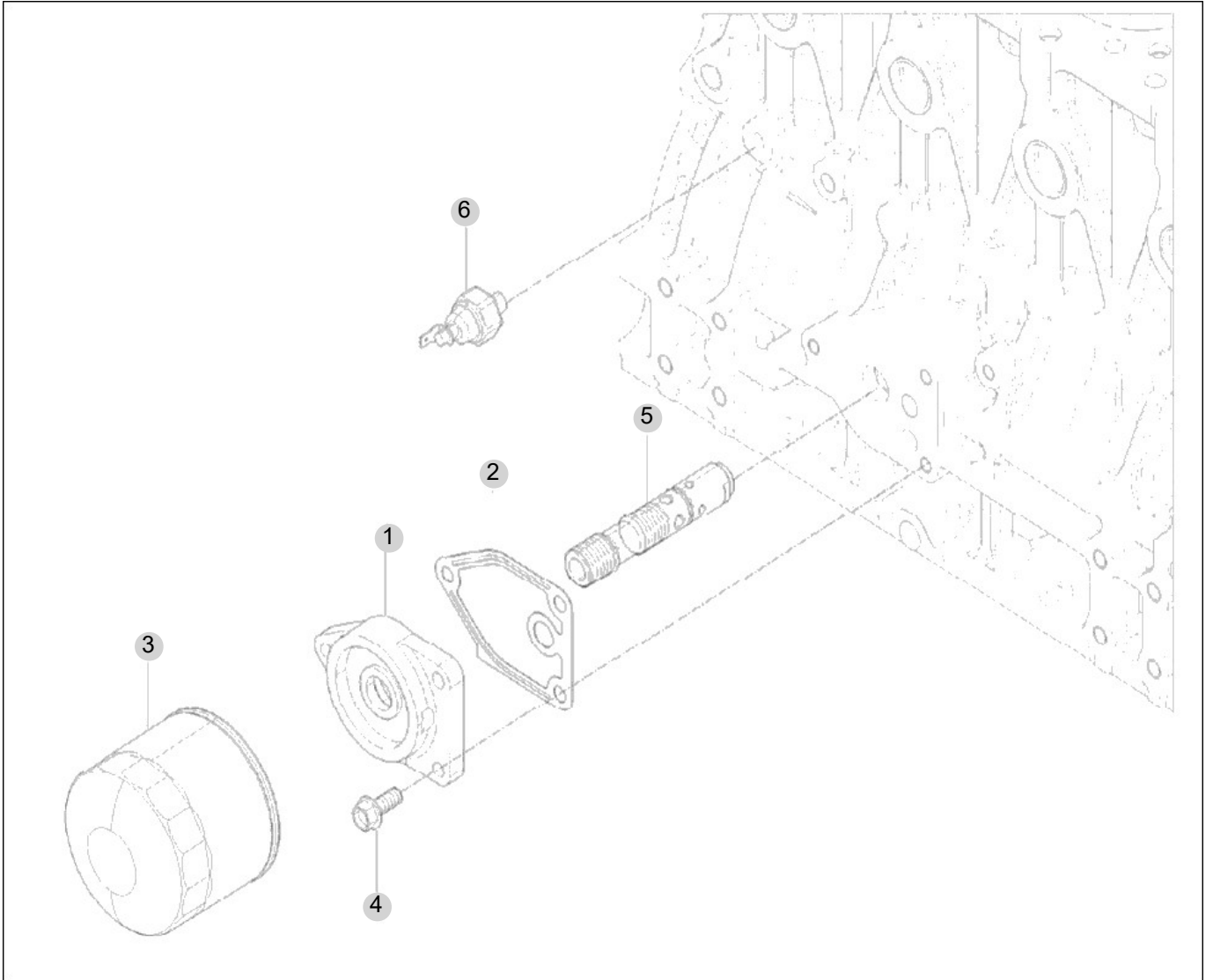
FIG 123

T474NC-B

OIL FILTER

년/월  
Year/Month

2022-12



NOTE



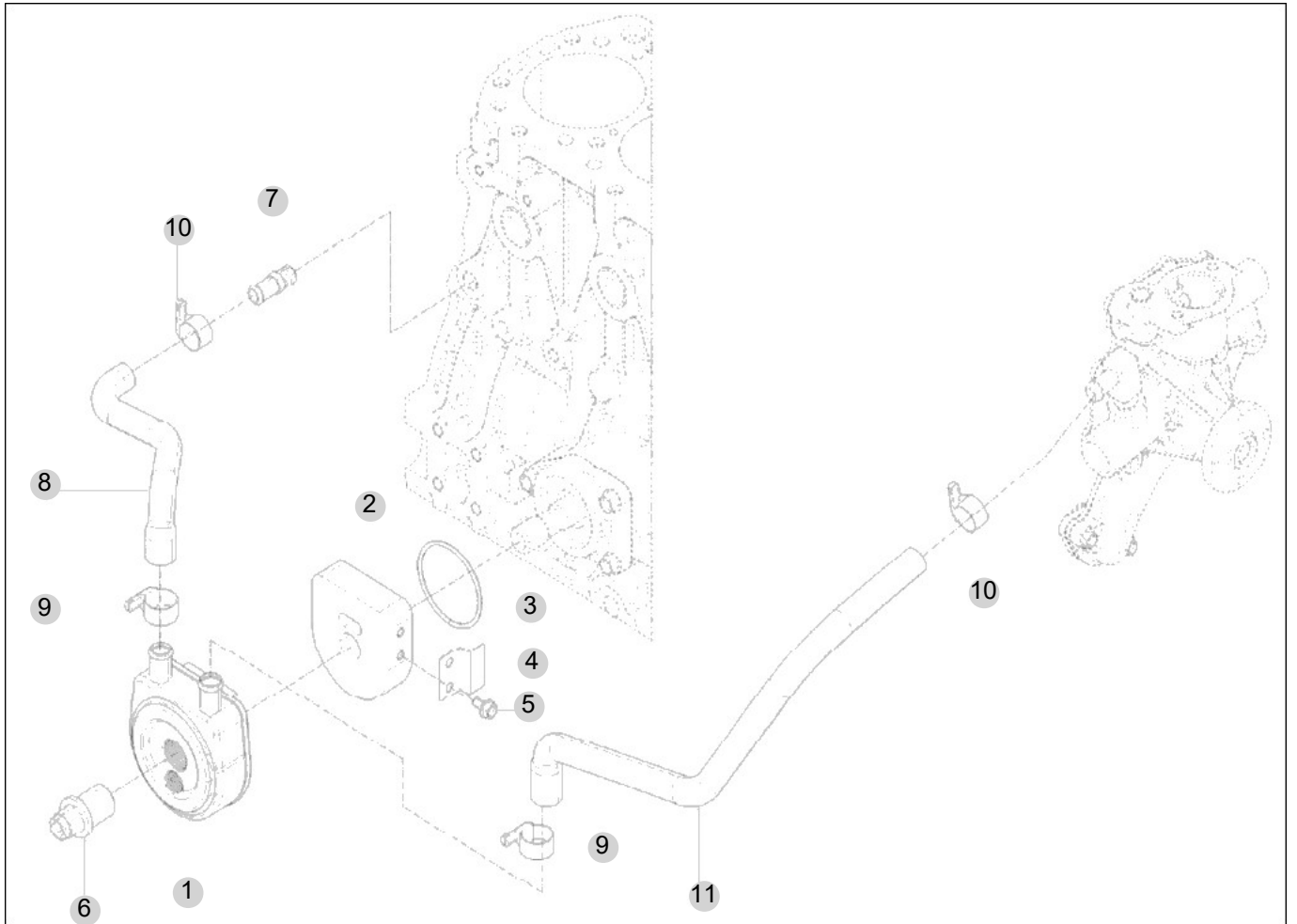
FIG 124

OIL COOLER

년/월  
Year/Month

T474NC-B

2022-12



NOTE



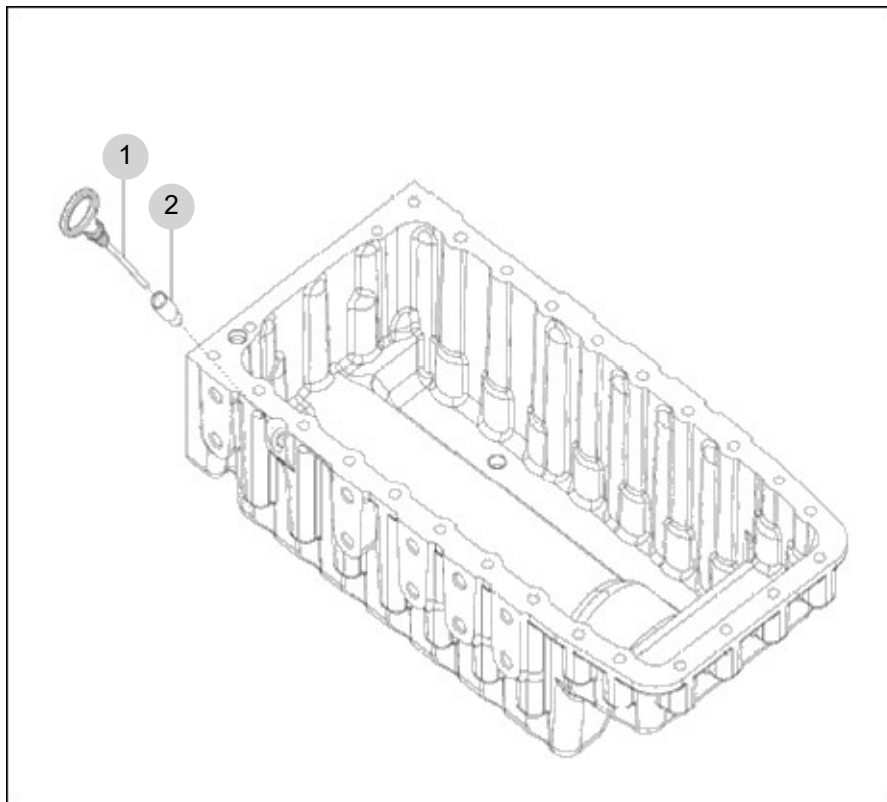
FIG 125

OIL GAUGUE

년/월  
Year/Month

T474NC-B

2022-12



NOTE

FIG 125

T474NC-B

OIL GAUGUE

년/월  
Year/Month

2022-12

KEY NO		PART NO	DESCRIPTION	SPEC	QTY	REPAIR	EFFECTIVE DATE	REMARKS
125	1	EA00005342A	OIL GAUGE		1			
125	2	EA00004584A	GAUIDE, OIL GAUGE		1			
NOTE								

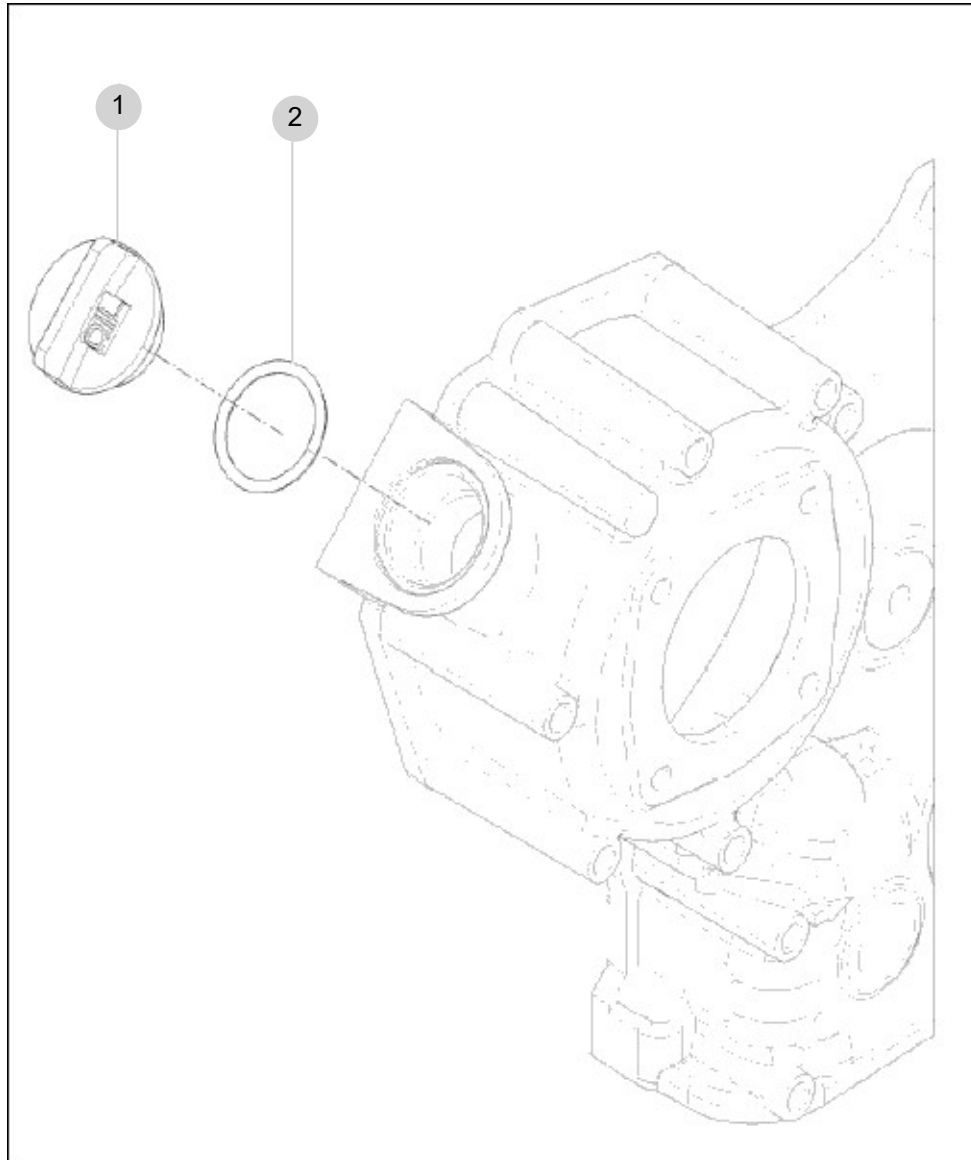
FIG 126

T474NC-B

OIL FILLER CAP

년/월  
Year/Month

2022-12



NOTE





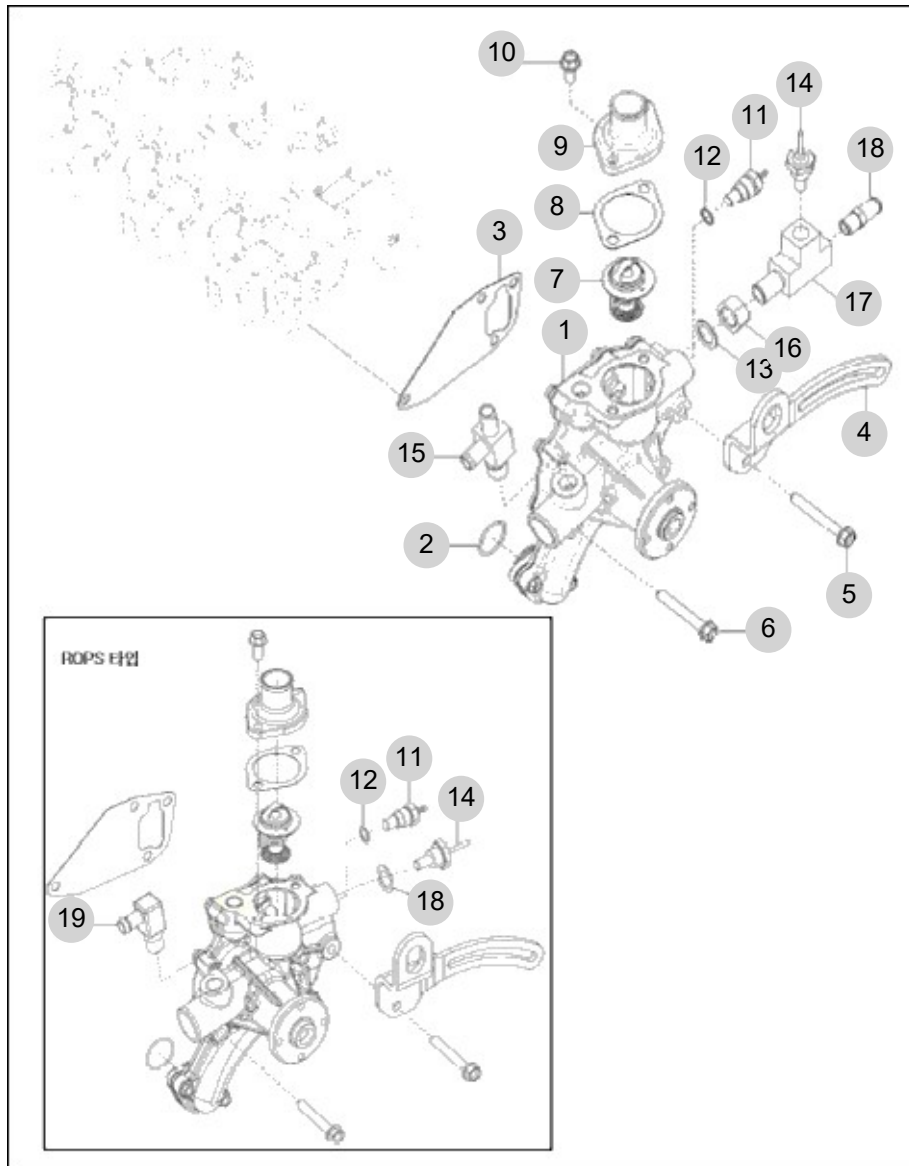
FIG 127

COOLING WATER PUMP

년/월  
Year/Month

2022-12

T474NC-B



NOTE



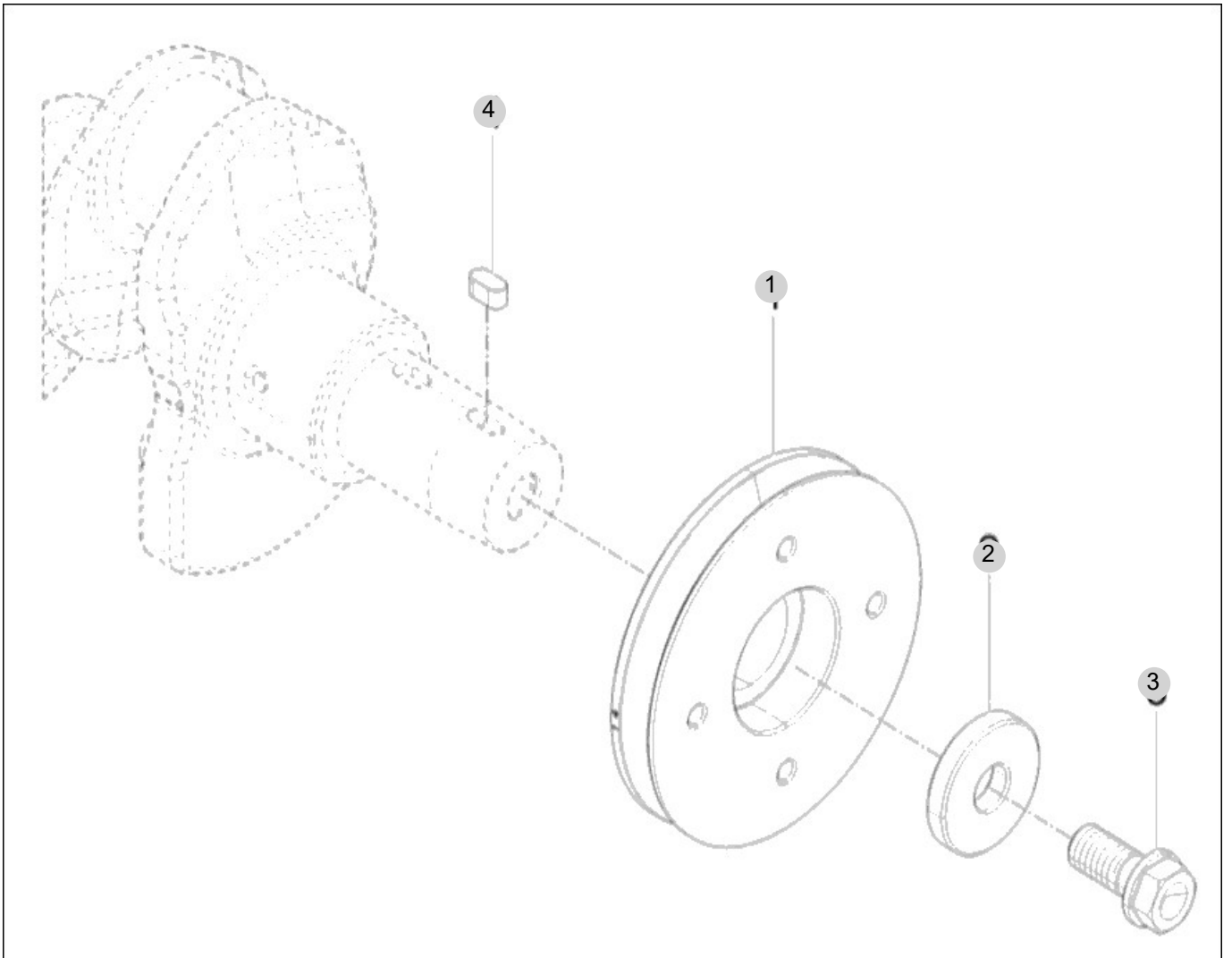
FIG 128

T474NC-B

CRANK SHAFT PULLEY

년/월  
Year/Month

2022-12



NOTE



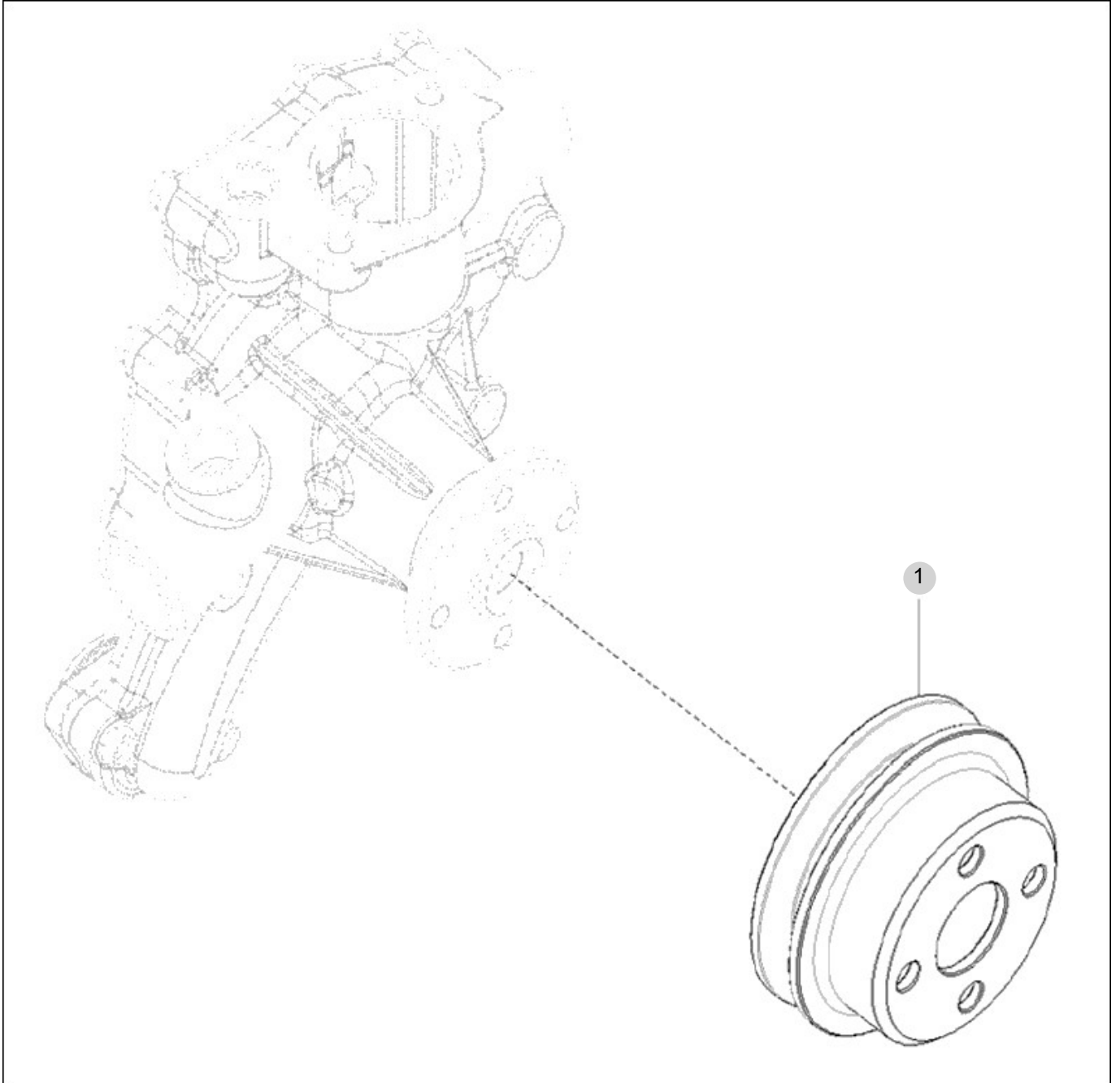
FIG 129

V-PULLEY

년/월  
Year/Month

T474NC-B

2022-12



NOTE



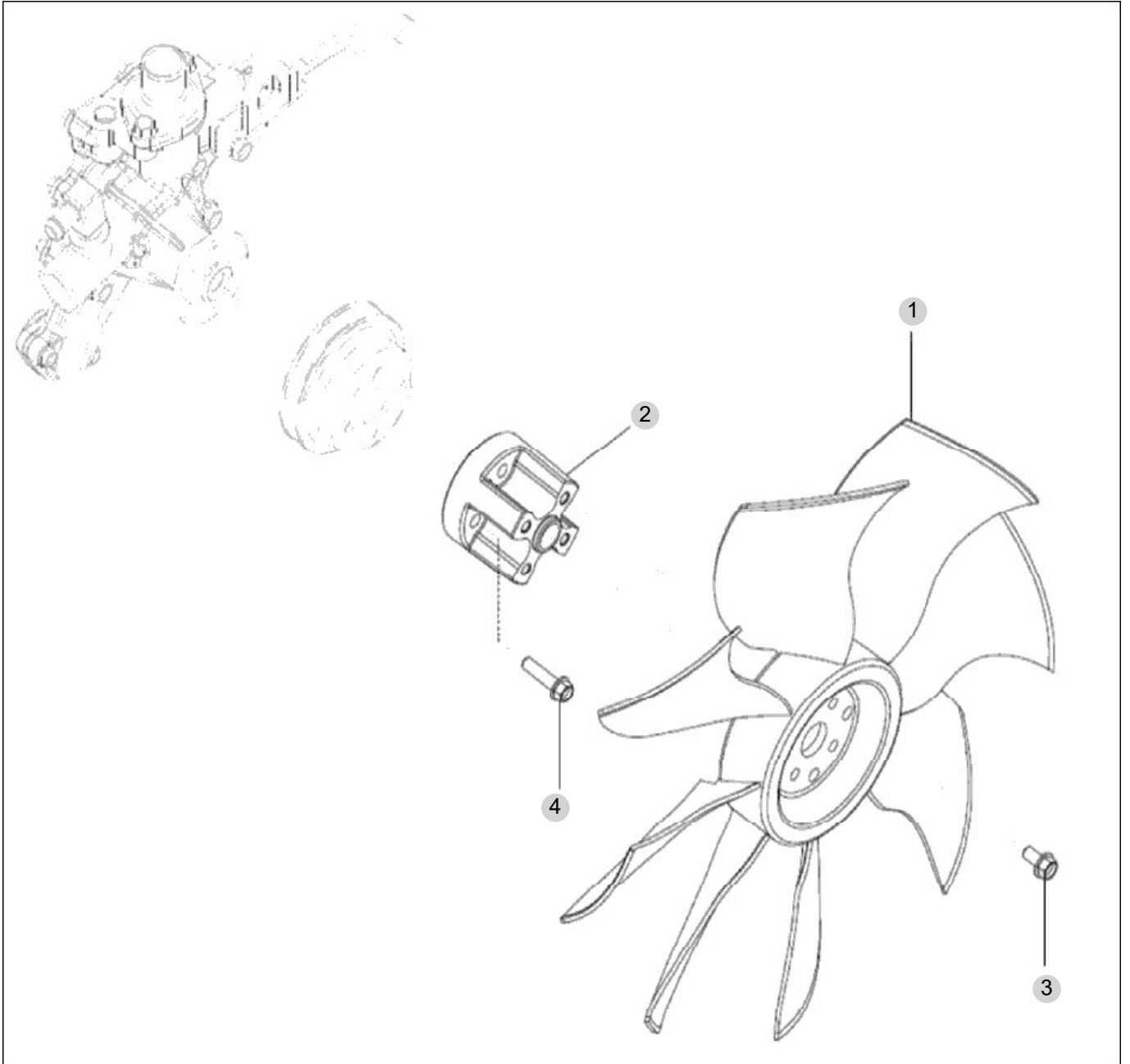
FIG 130

COOLING FAN

년/월  
Year/Month

T474NC-B

2022-12



NOTE





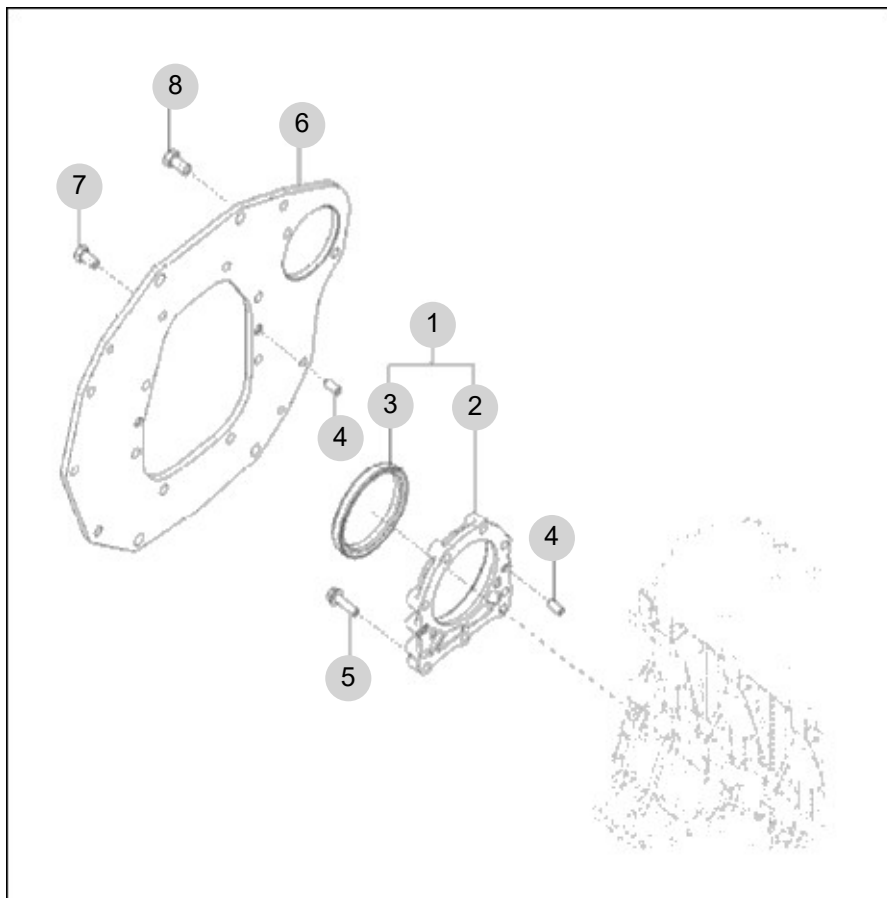
FIG 131

T474NC-B

FLYWHEEL HOUSING

년/월  
Year/Month

2022-12



NOTE



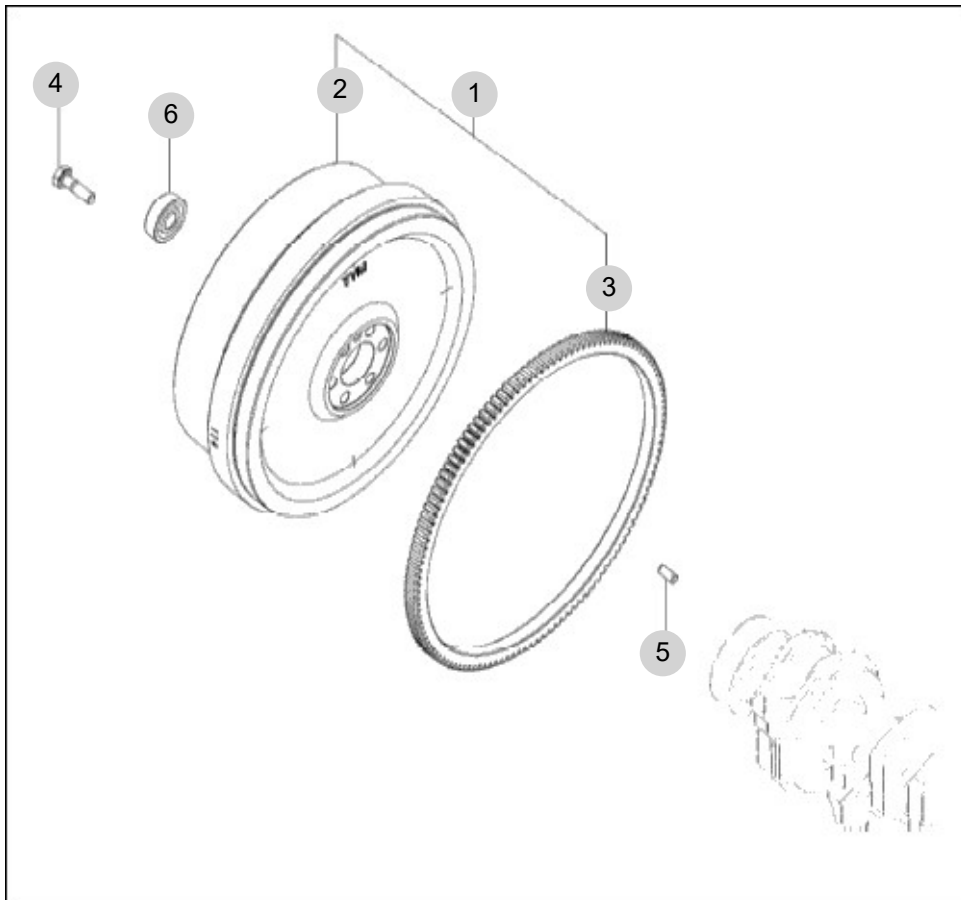
FIG 132

T474NC-B

FLYWHEEL

년/월  
Year/Month

2022-12



NOTE



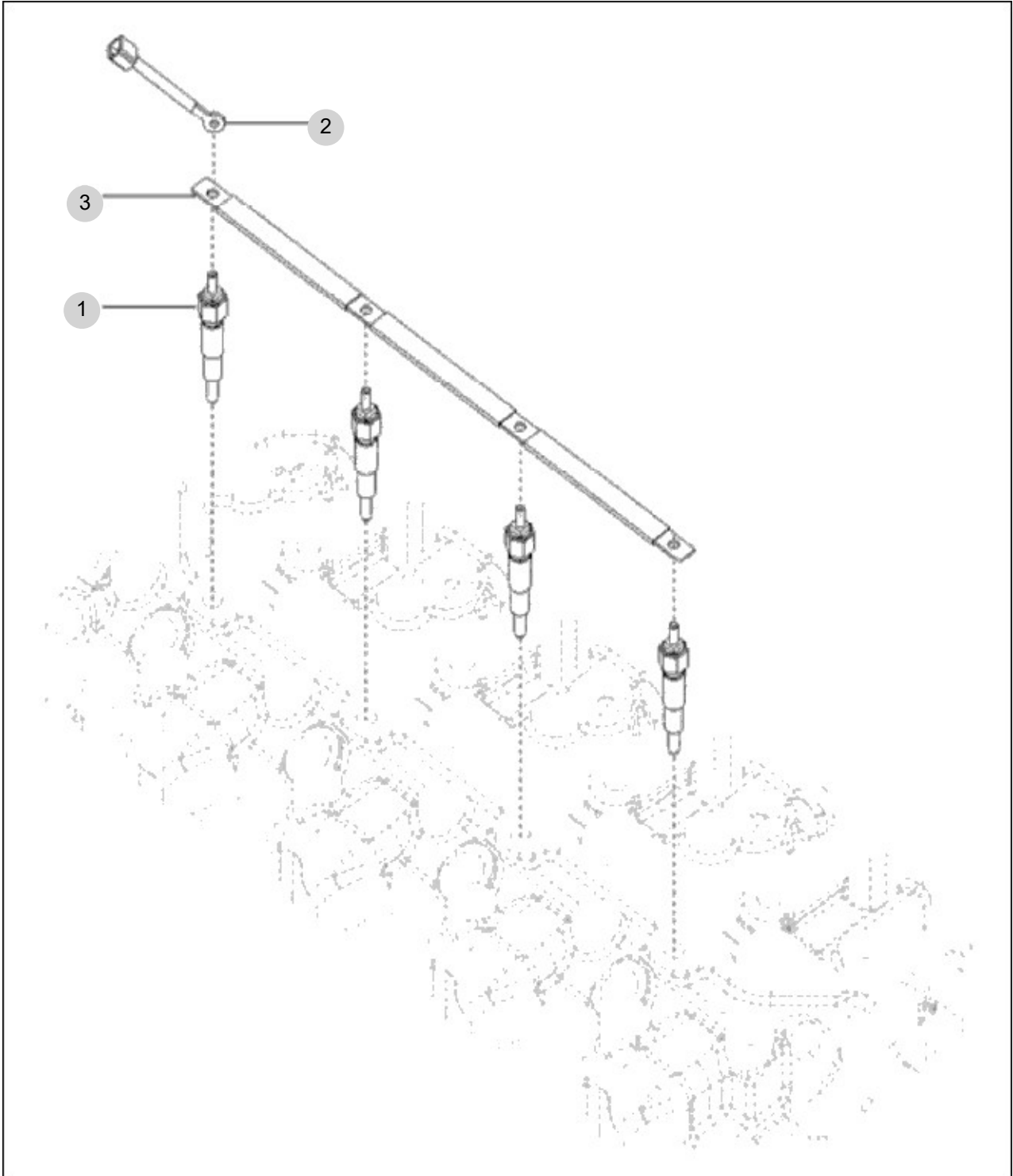
FIG 133

T474NC-B

GLOW PLUG ASS'Y OPTION

년/월  
Year/Month

2022-12



NOTE



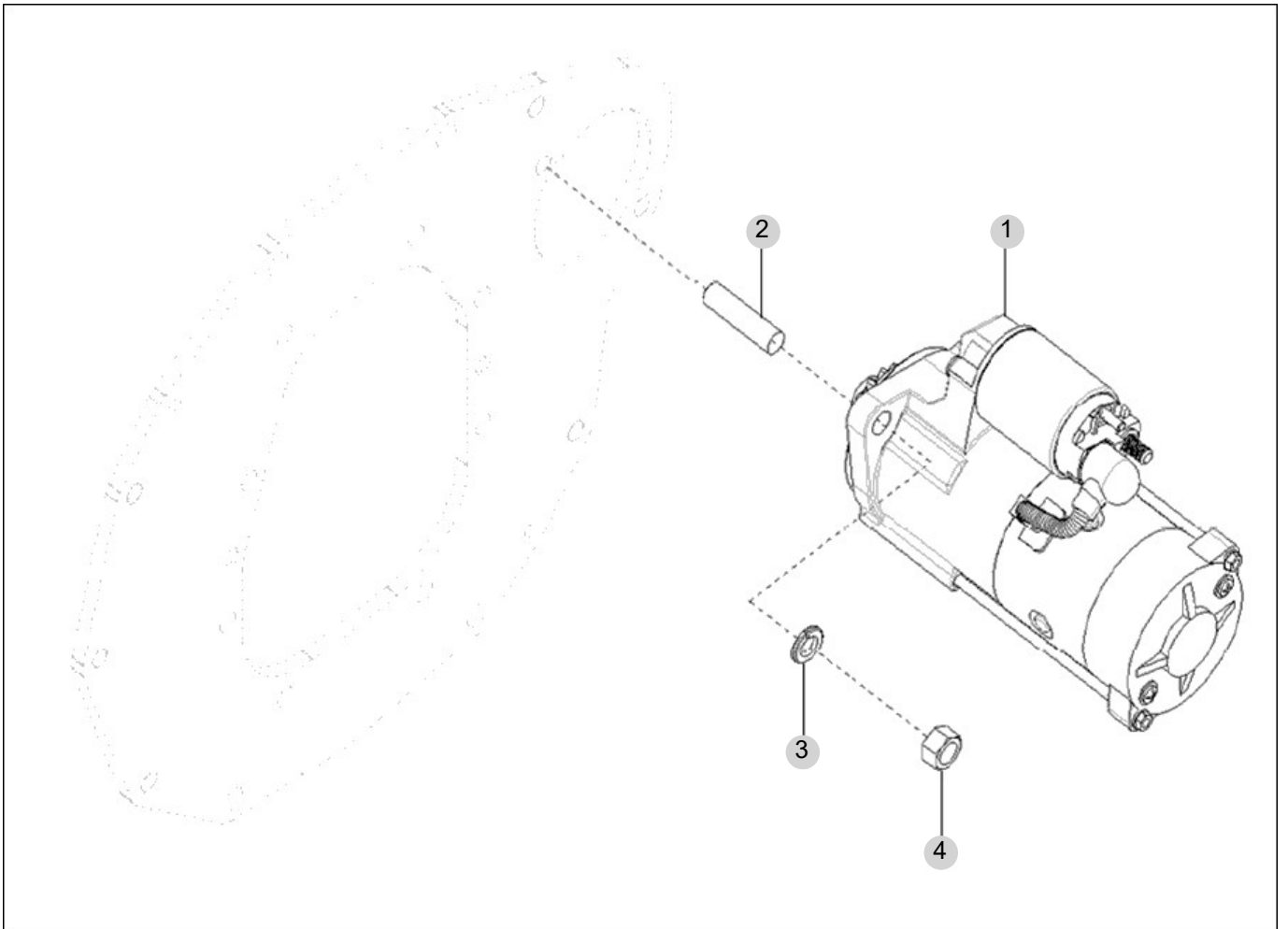
FIG 134

STARTING MOTOR

년/월  
Year/Month

T474NC-B

2022-12



NOTE





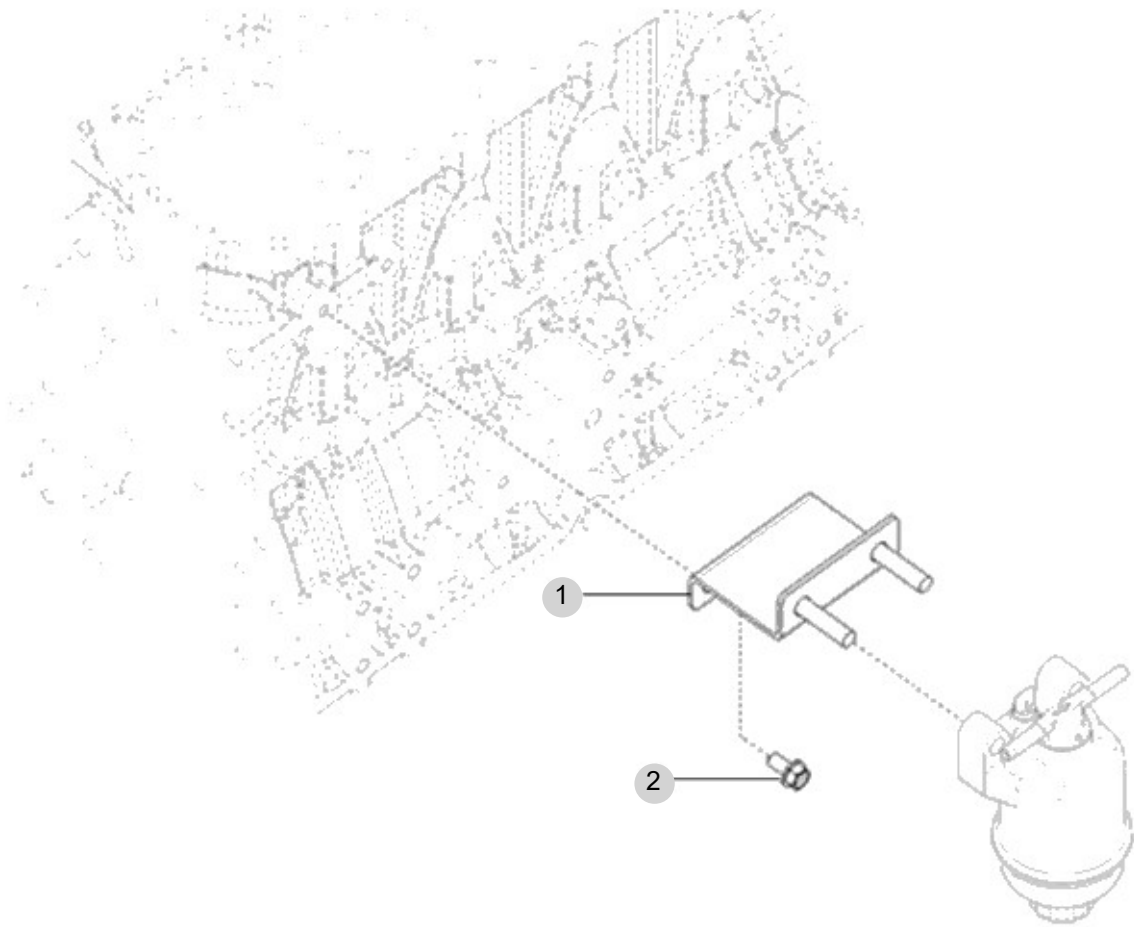
FIG 135

T474NC-B

FUEL FILTER BRACKET ASS'Y

년/월  
Year/Month

2022-12



NOTE



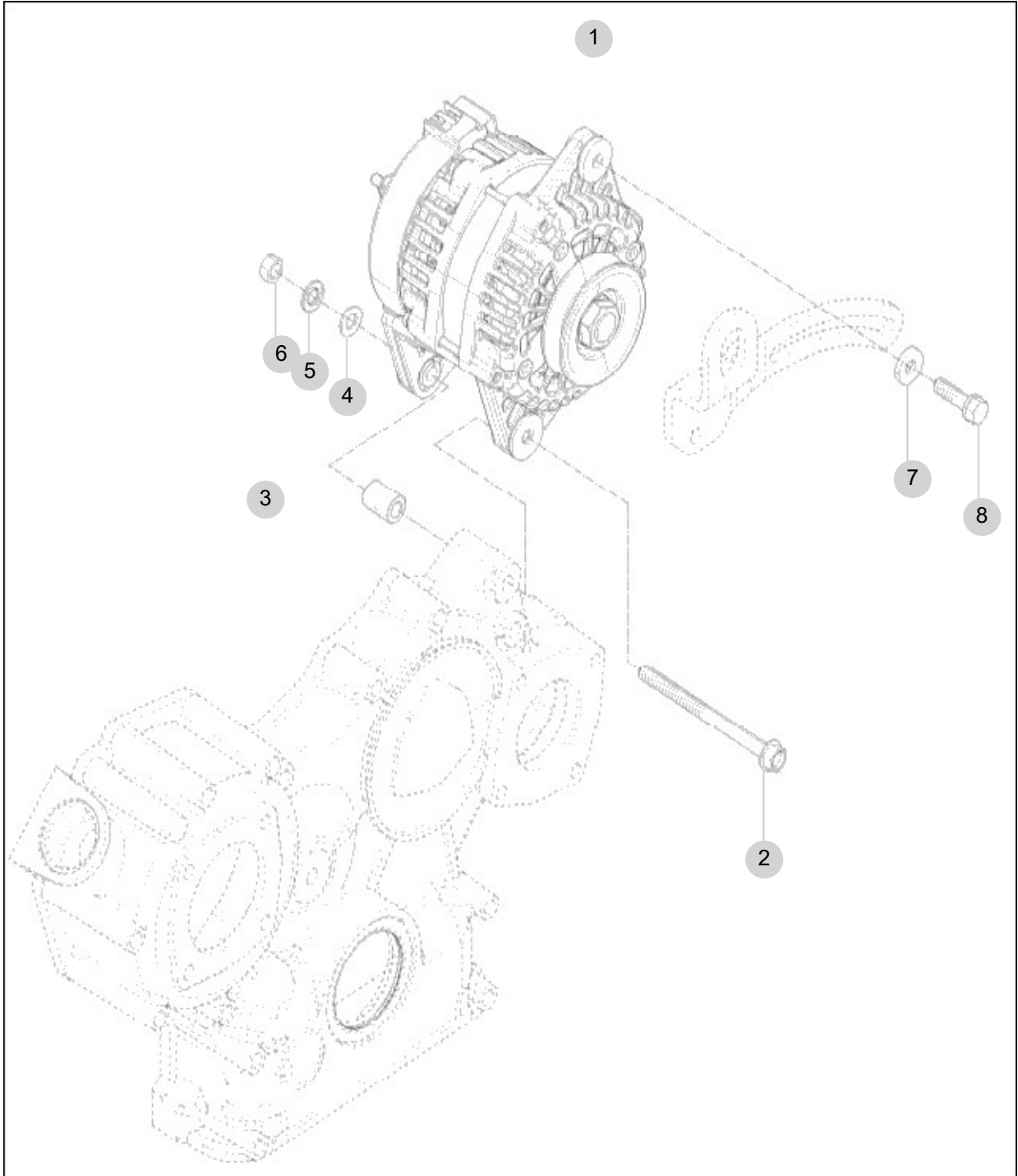
FIG 136

ALTERNATOR

년/월  
Year/Month

T474NC-B

2022-12



NOTE



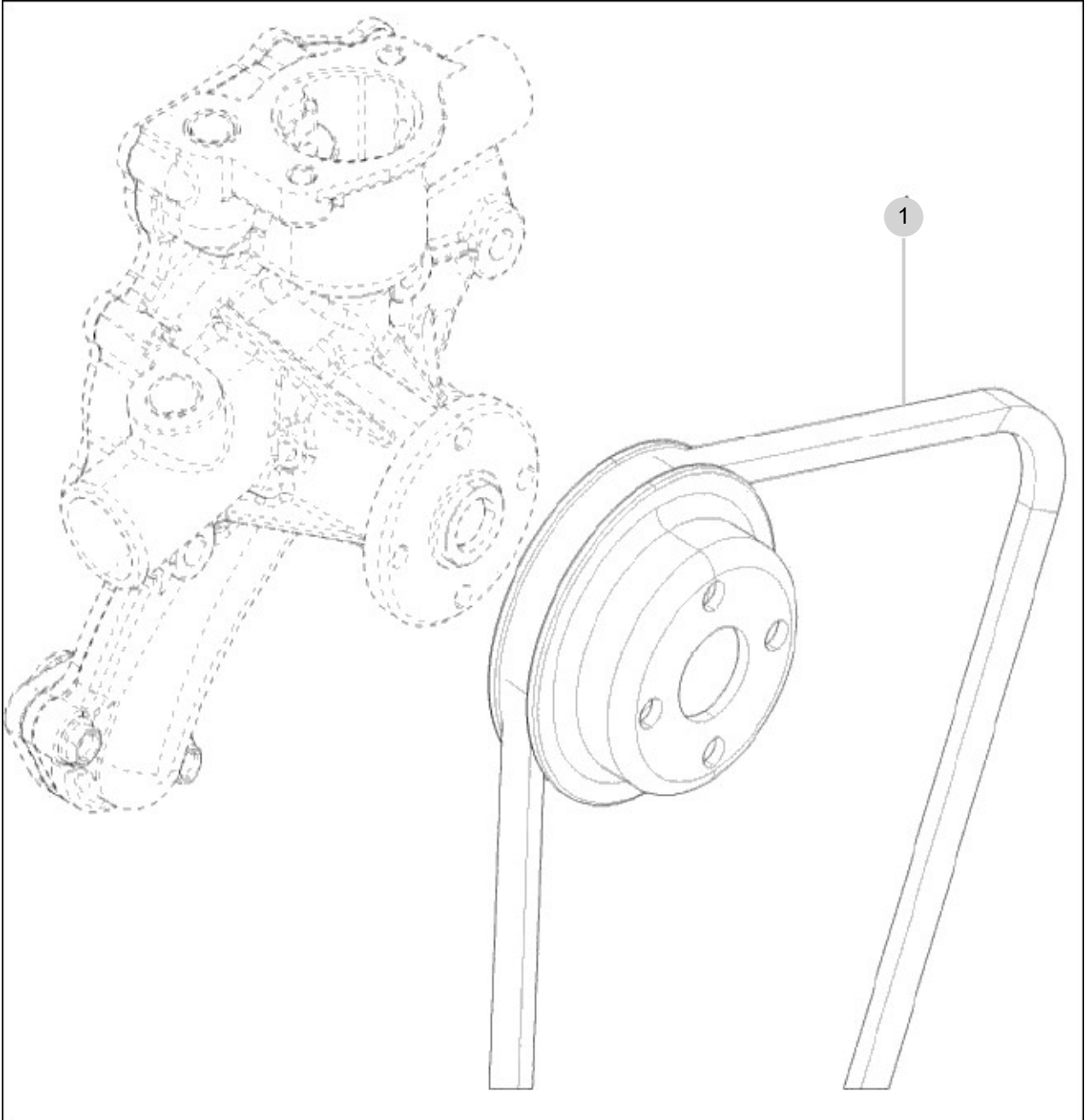
FIG 137

T474NC-B

V-BELT

년/월  
Year/Month

2022-12



NOTE

FIG 137

V-BELT

T474NC-B

년/월  
Year/Month

2022-12

KEY NO		PART NO	DESCRIPTION	SPEC	QTY	REPAIR	EFFECTIVE DATE	REMARKS
137	1	EA00005549A	V-BELT		1			
NOTE								

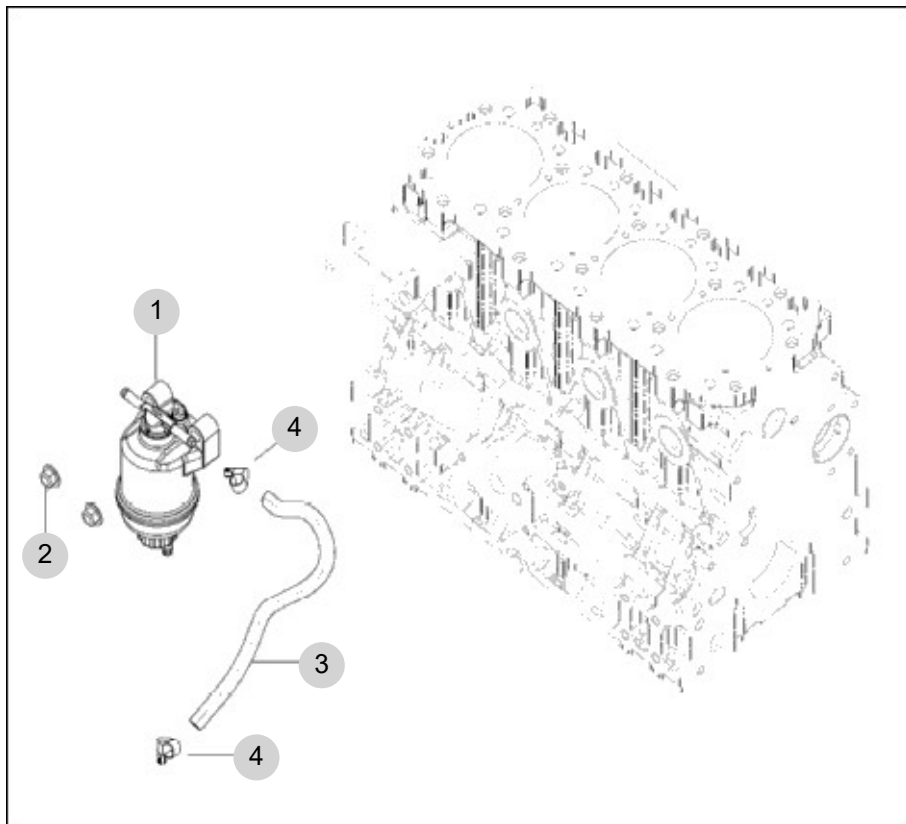
FIG 138

FUEL FILTER

년/월  
Year/Month

T474NC-B

2022-12



NOTE





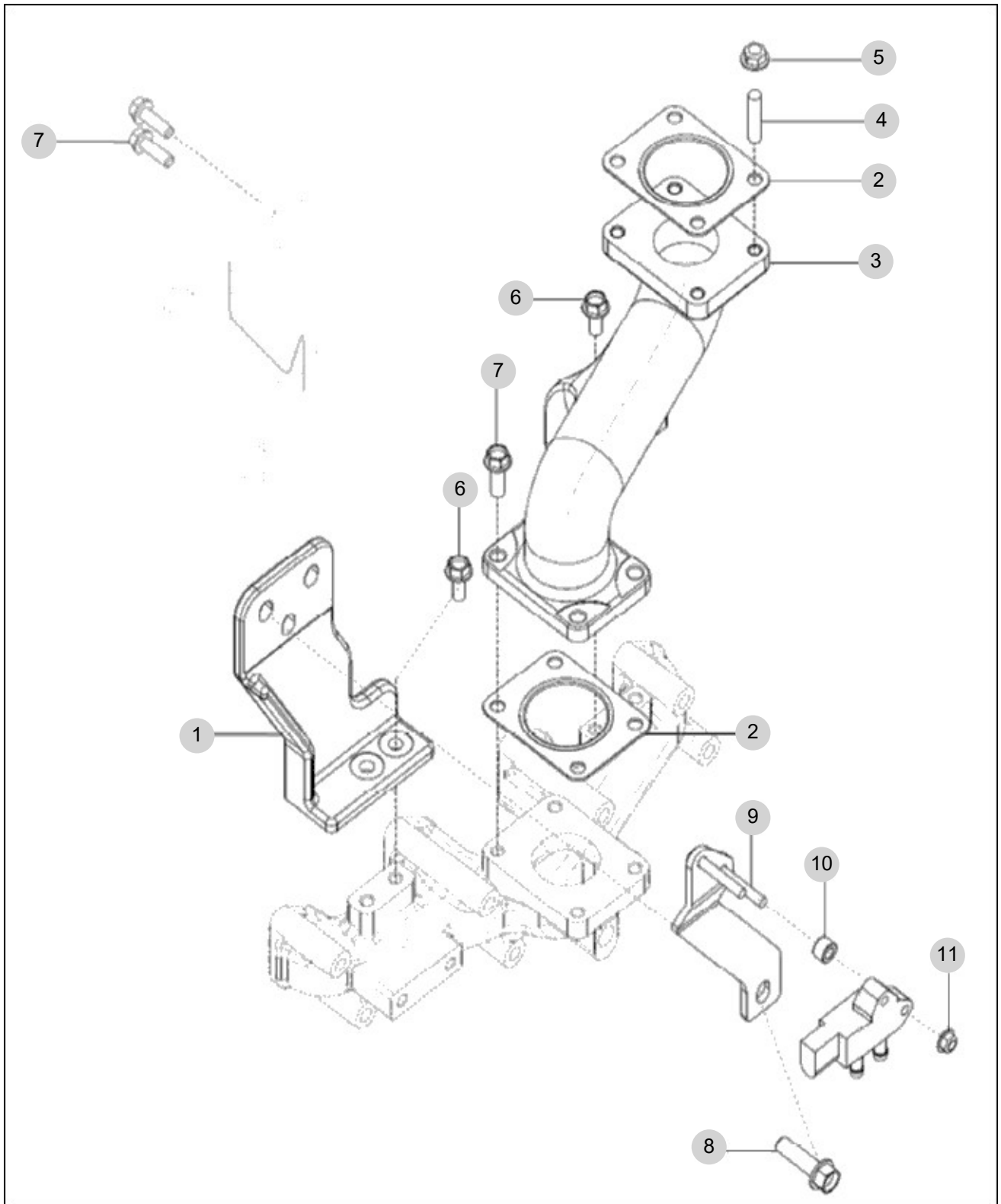
FIG 139

DPF SUPPORT

년/월  
Year/Month

T474NC-B

2022-12



NOTE



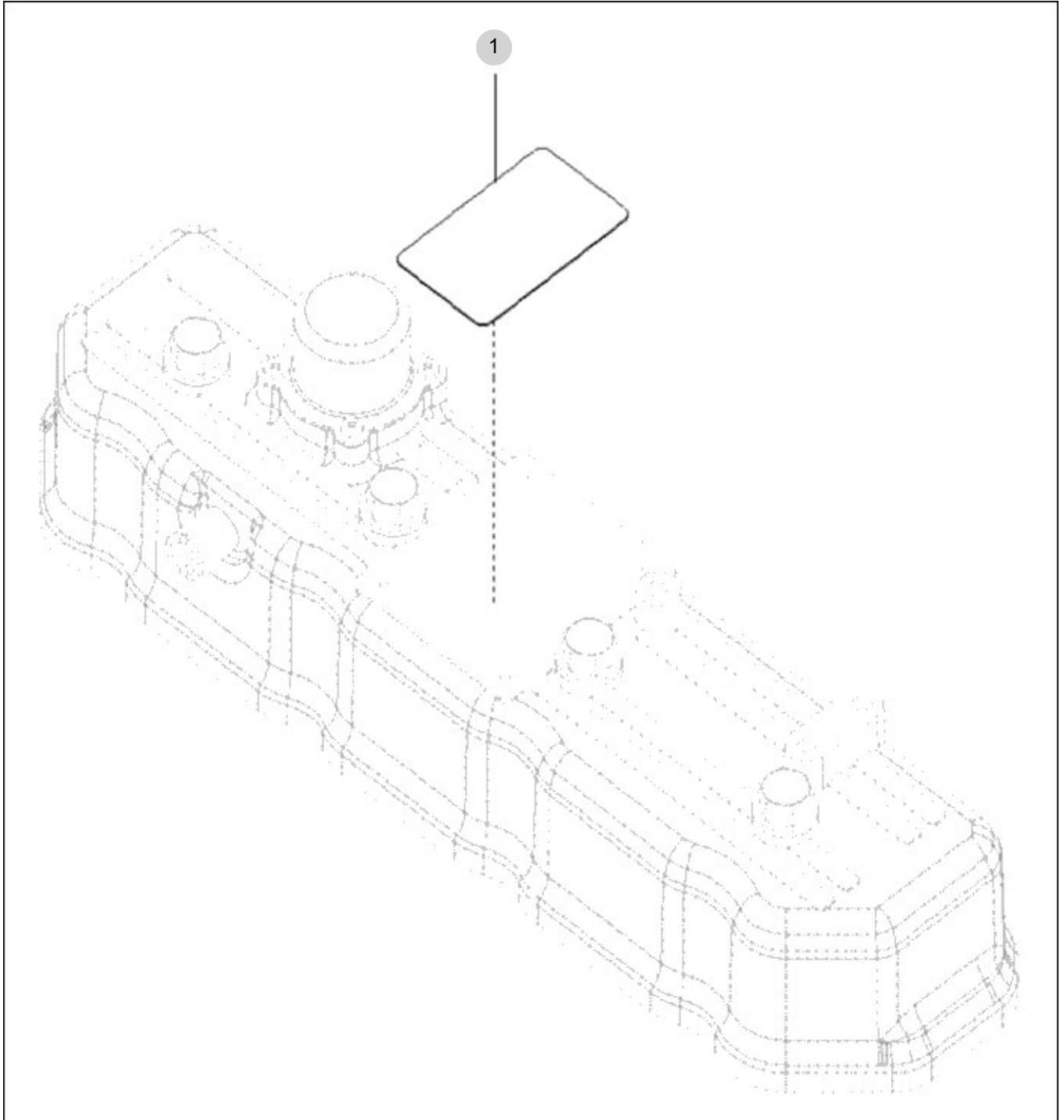
FIG 140

T474NC-B

DATAPLATE

년/월  
Year/Month

2022-12



NOTE



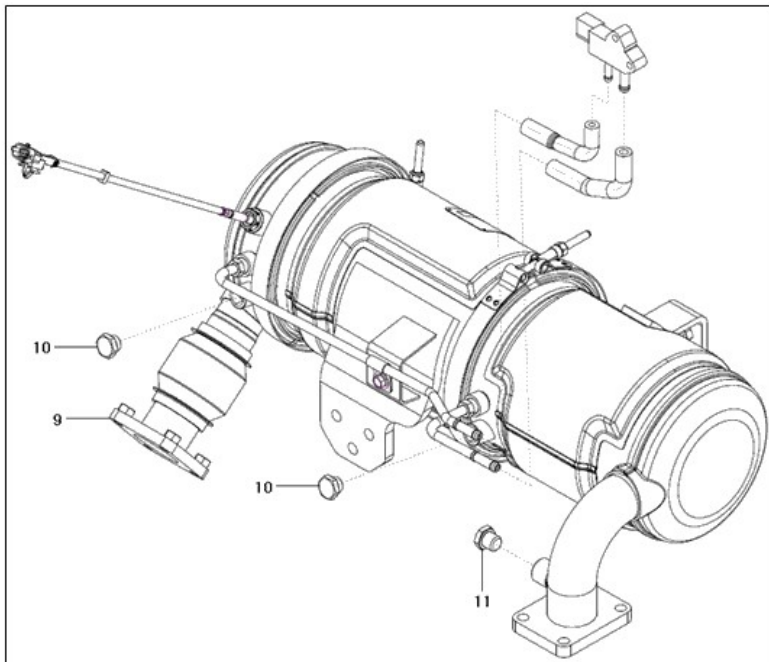
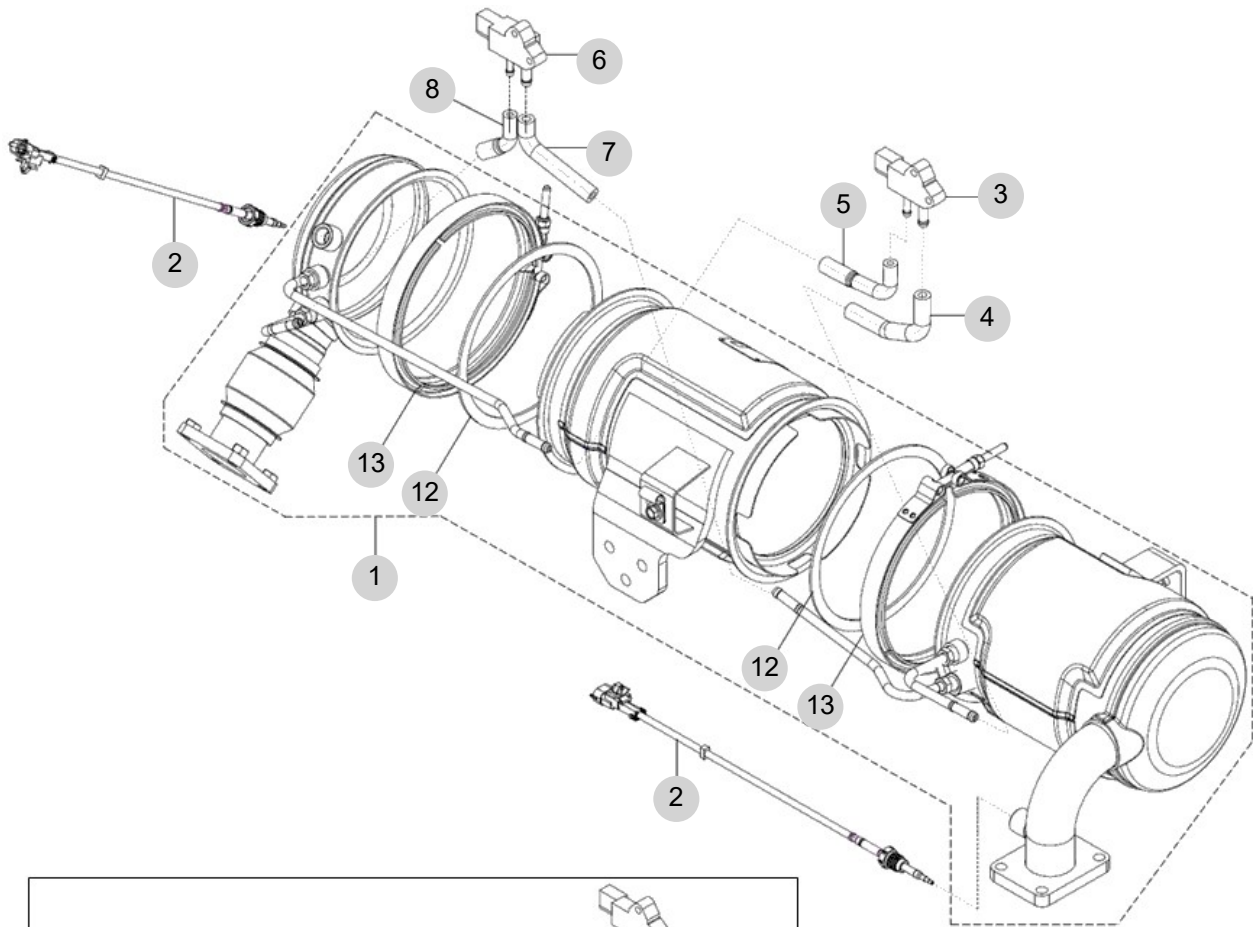
FIG 142

T474NC-B

DPF ASS'Y

년/월  
Year/Month

2022-12



NOTE



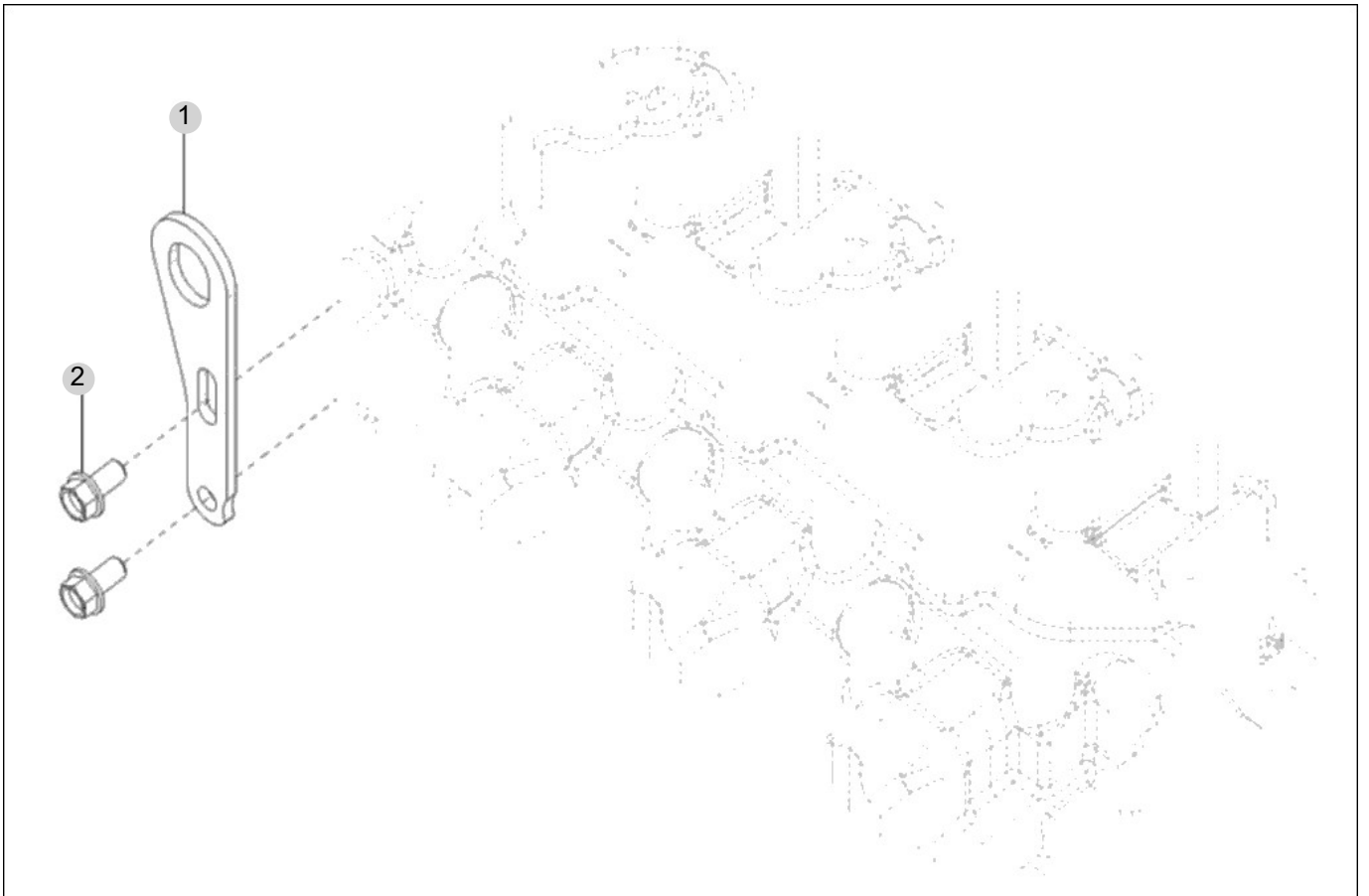
FIG 143

T474NC-B

LIFT ASS'Y

년/월  
Year/Month

2022-12



NOTE

FIG 143		LIFT ASS'Y						년/월 Year/Month
T474NC-B								2022-12
KEY NO	PART NO	DESCRIPTION	SPEC	QTY	REPAIR	EFFECTIVE DATE	REMARKS	
143	1	HK03530000B	BRACKET, LIFTING	1				
143	2	26106-080162	BOLT, M8X 16 PLATED	2				
NOTE								



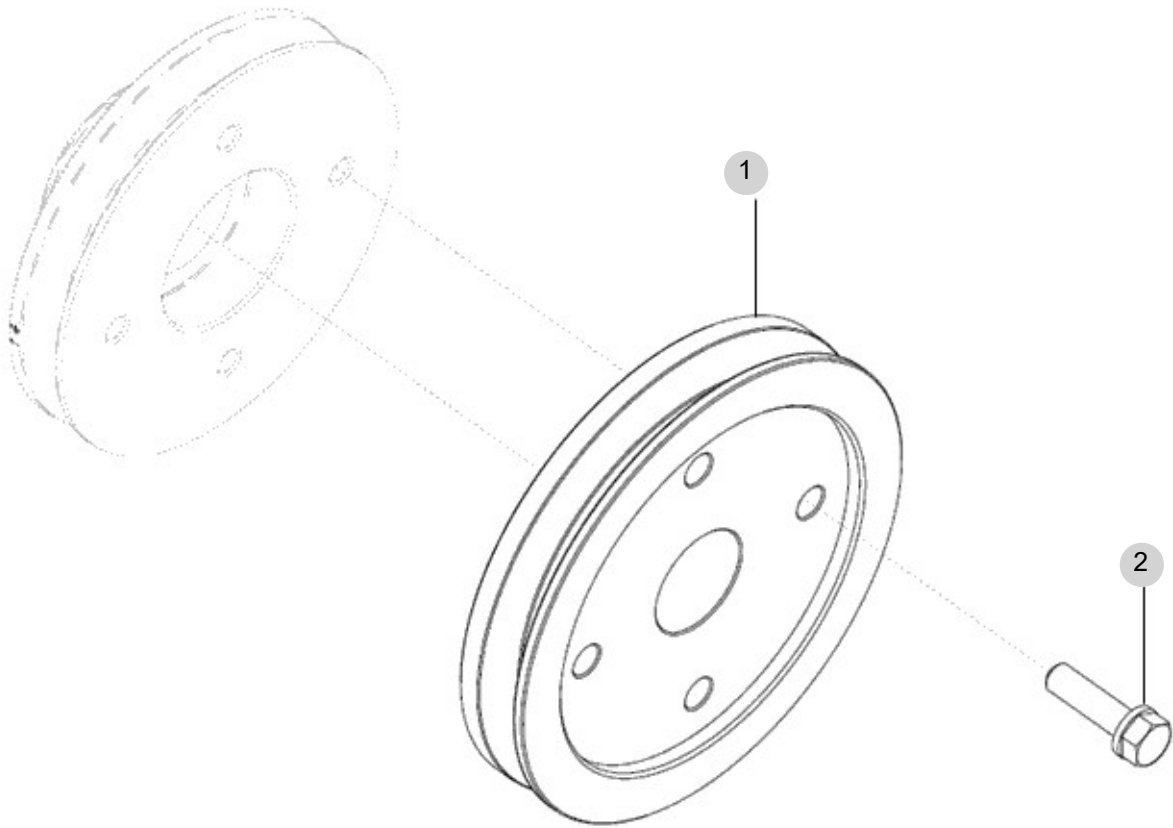
FIG 144

T474NC-B

COMP. DRIVE PULLEY ASS'Y OPTION

년/월  
Year/Month

2022-12



NOTE



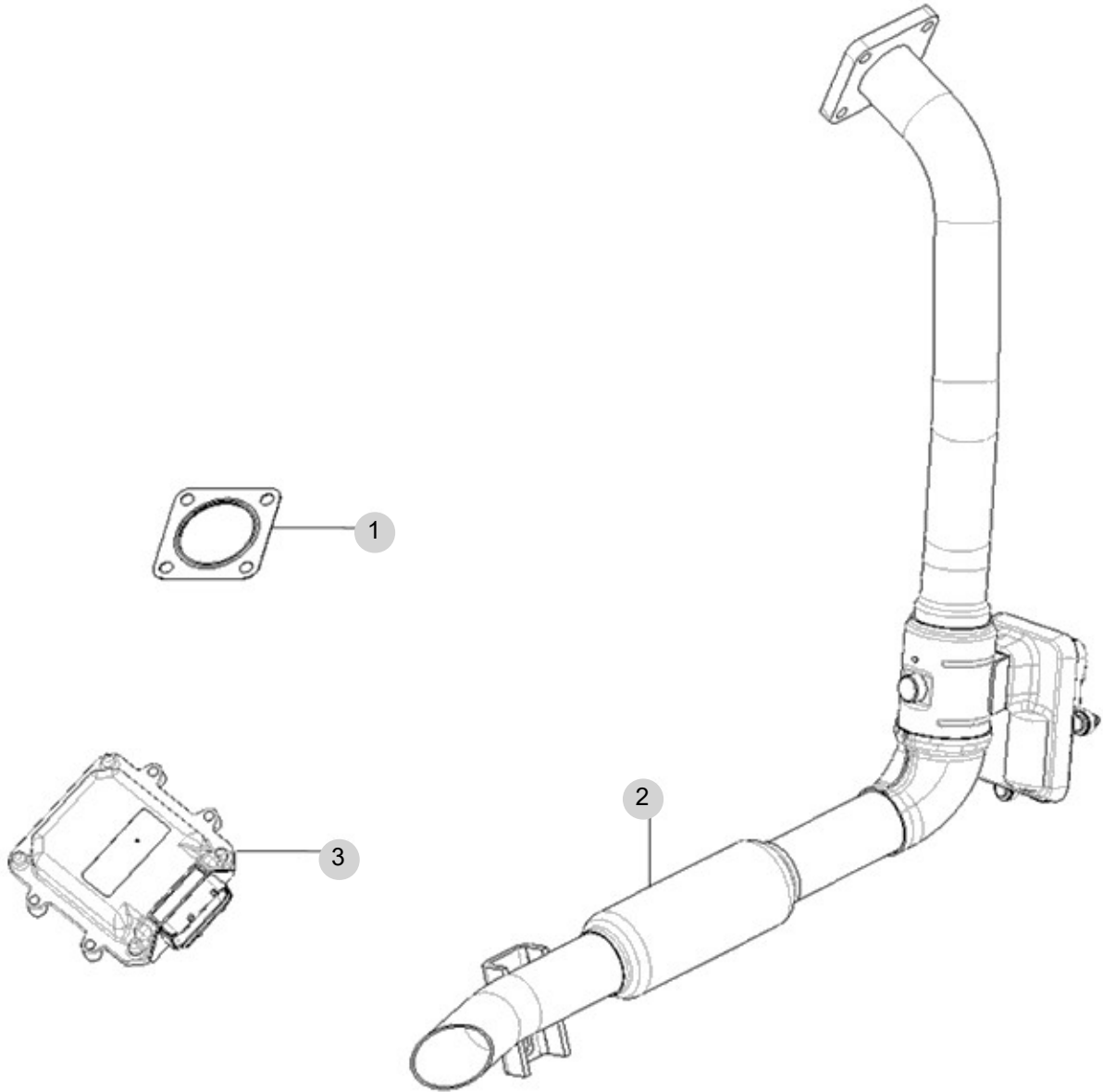
FIG 145

T474NC-B

LOOSED PARTS

년/월  
Year/Month

2022-12



NOTE



## 2. Engine Accessories PART NO. T2

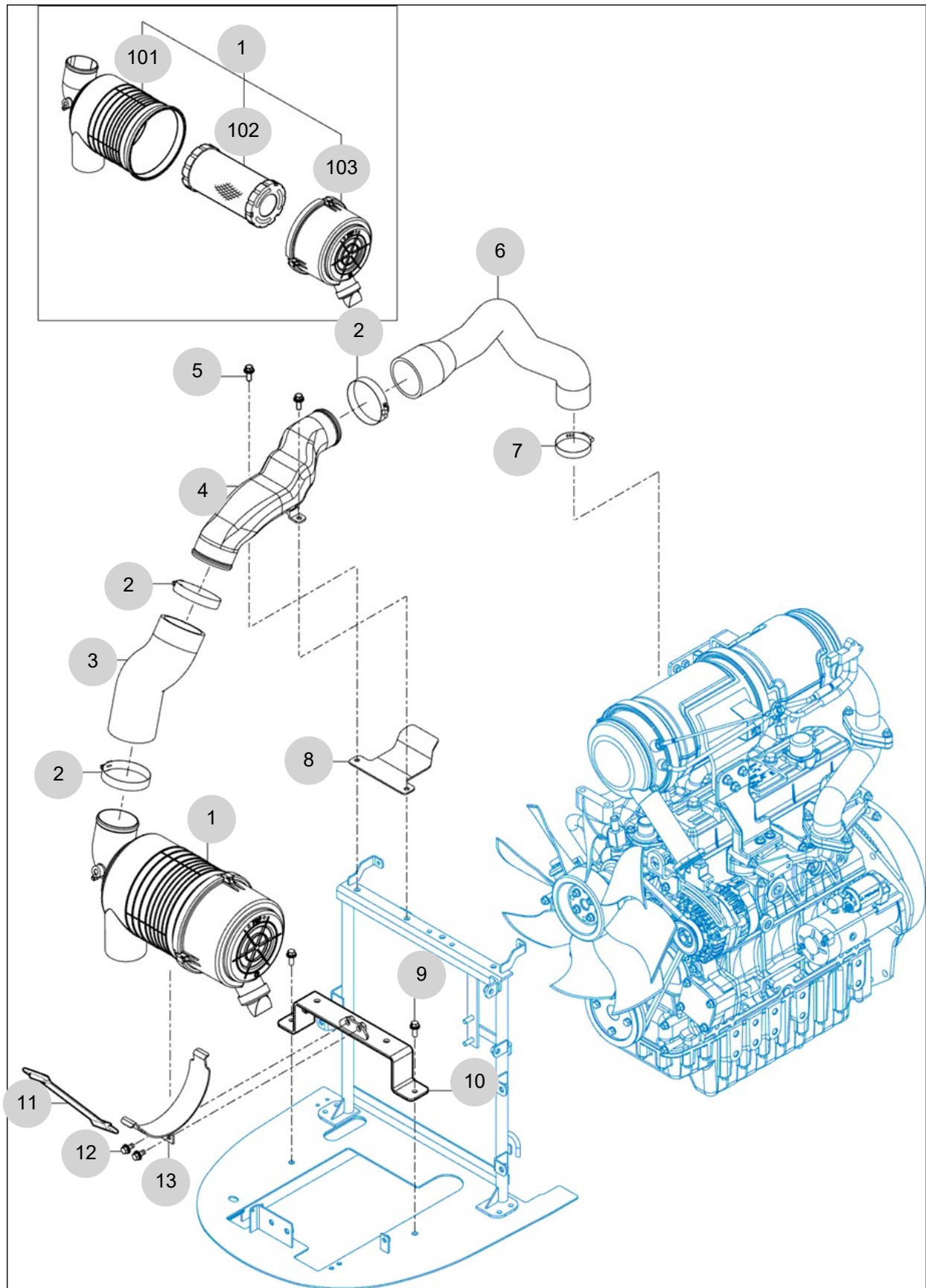
FIG 201 AIR CLEANER	102
FIG 202 RADIATOR	104
FIG 203 MUFFLER	106
FIG 204 FUEL TANK & FILTER	108
FIG 205 ACCELERATOR	110

FIG 201

AIR CLEANER

년/월  
Year/Month

2022-12



NOTE

FIG 201 T474NC-B		AIR CLEANER						년/월 Year/Month
								2022-12
KEY NO	PART NO	DESCRIPTION	SPEC	QTY	REPAIR	EFFECTIVE DATE	REMARKS	
201	1	13831221100	AIR CLEANER ASSY					
201	101	13831221110	BODY					
201	102	13831221120	ELEMENT , AIR CLEANER					
201	103	13831221130	COVER					
201	2	15645100100	BAND CLAMP 92	1X1X1	3			
201	3	13831210010	HOSE , AIR INLET FR		1			
201	4	13831211100	DUCT , AIR INLET		1			
201	5	V2183608025	BOLT , HEX/SP	M8X25	2			
201	6	13831210020	HOSE , AIR INLET RR		1			
201	6	13831210021	HOSE , AIR INLET RR		1			
201	7	34513310040	BAND CLAMP 64		1			
201	8	13831211200	DUCT SEAT		1			
201	9	V2183608025	BOLT , HEX/SP	M8X25	2			
201	10	13831811500GB	BRACKET COMP , BATTERY		1			
201	11	36402602001	RUBBER COMP		1			
201	12	V2183608020	BOLT , HEX/SP	M8X20	2			
201	13	13831211300GB	BRACKET COMP , AIRCLEANER		1			
NOTE								

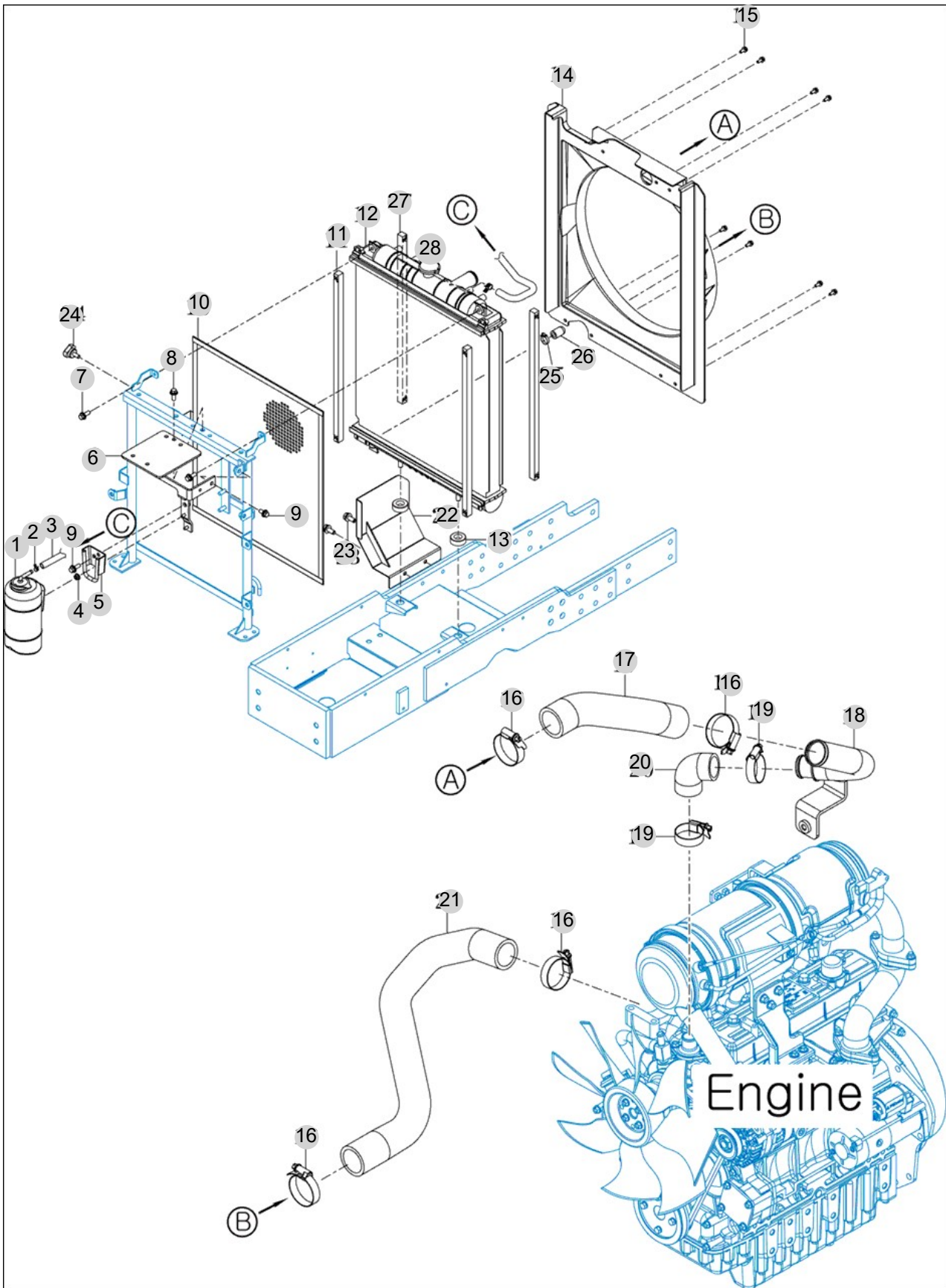
FIG 202

RADIATOR

년/월  
Year/Month

2022-12

T474NC-B



NOTE





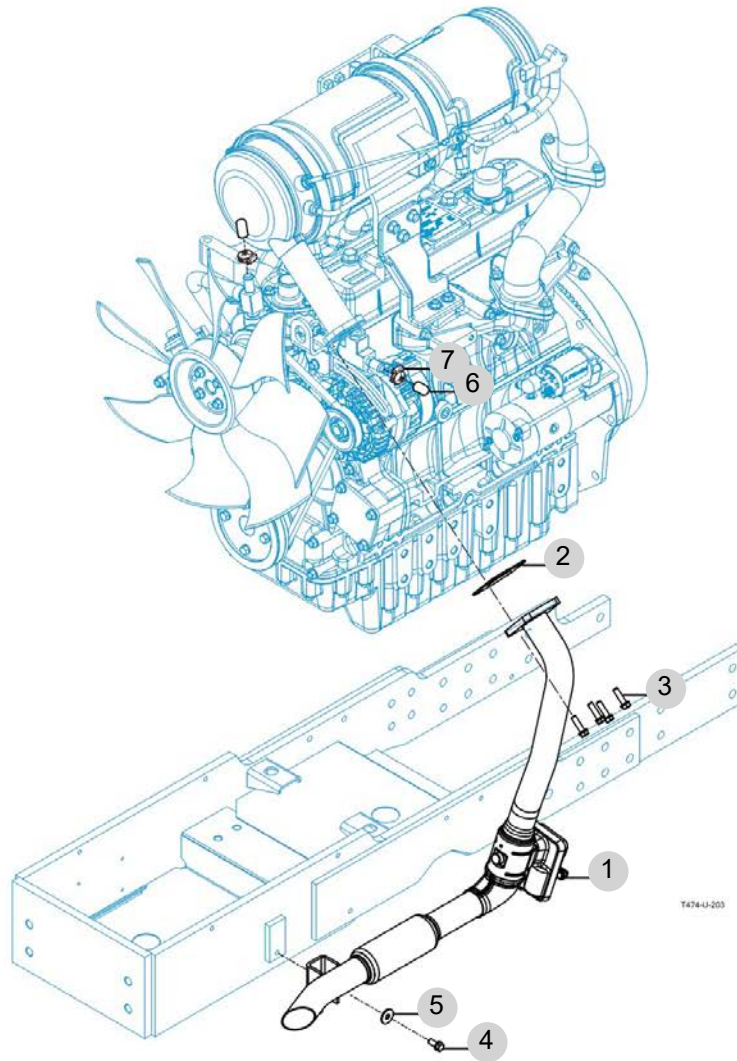
FIG 203

T474NC-B

MUFFLER

년/월  
Year/Month

2022-12



NOTE



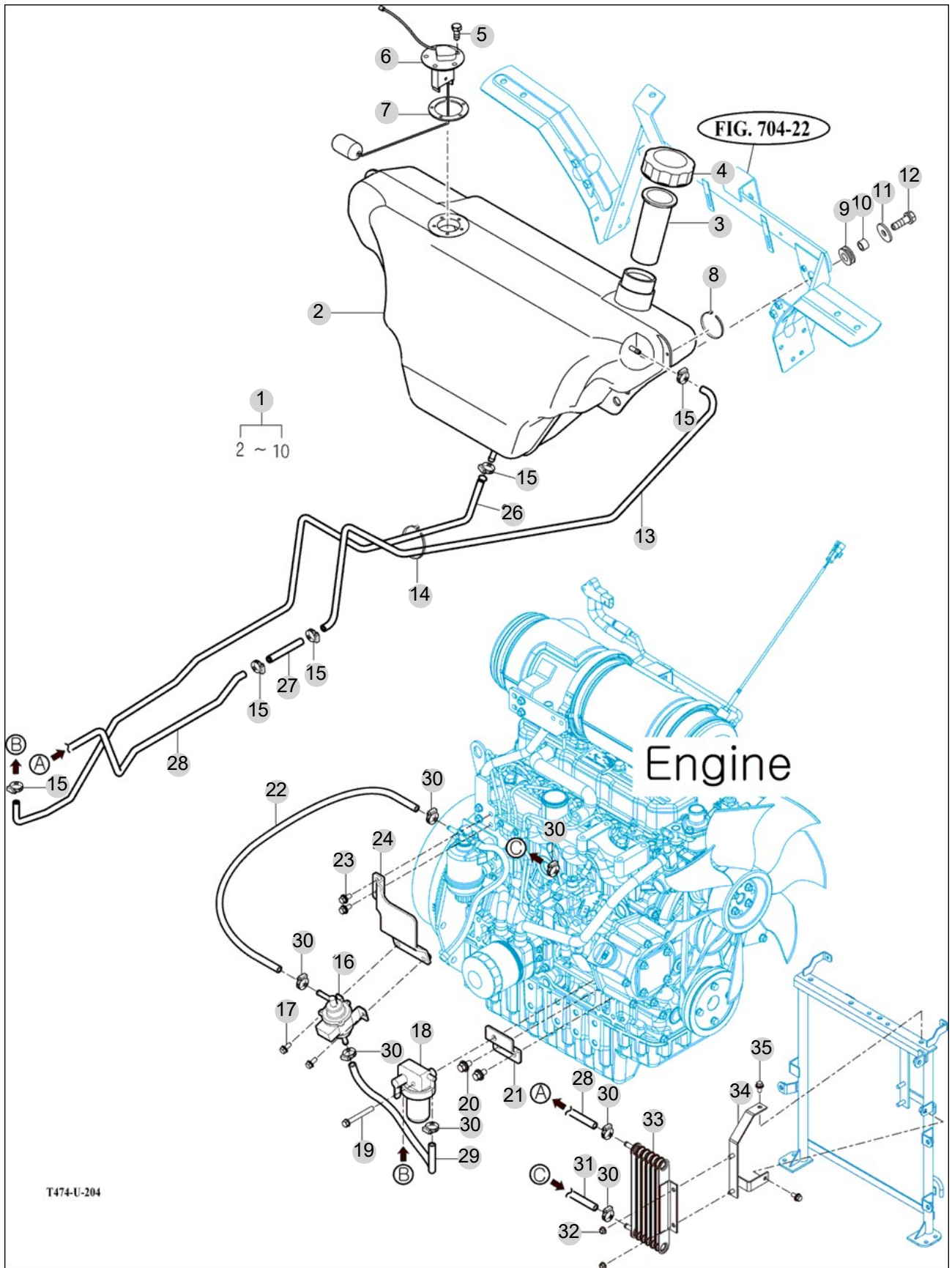
FIG 204

FUEL TANK & FILTER

년/월  
Year/Month

2022-12

T474NC-B



NOTE



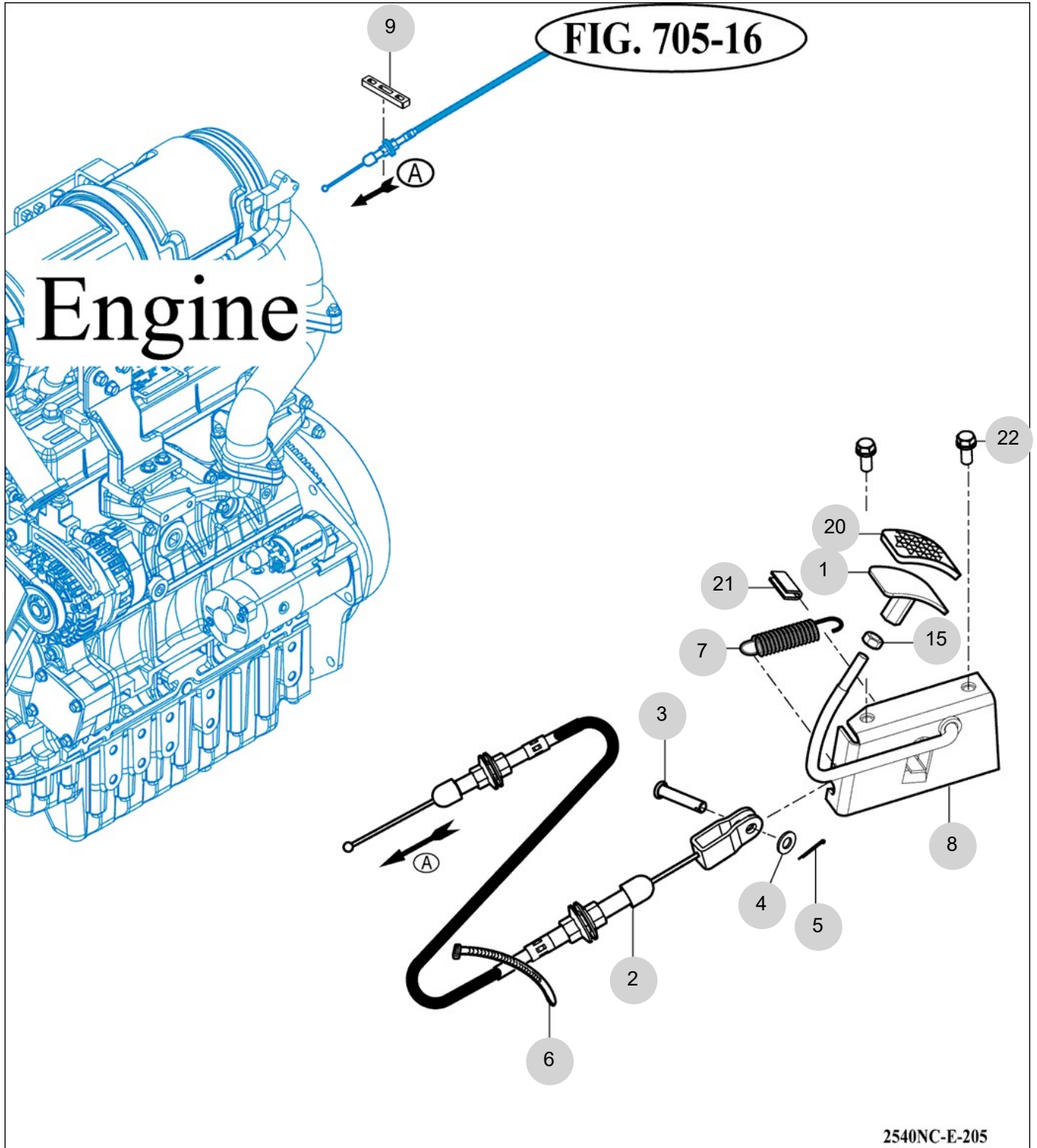
FIG 205

ACCELERATOR

년/월  
Year/Month

T474NC-B

2022-12



NOTE



### 3. Clutch/Brake/Steering PART NO. T3

FIG 301 CLUTCH PEDAL	113
FIG 302 FLYWHEEL & CLUTCH	115
FIG 303 BRAKE PEDAL	117
FIG 304 BRAKE	119
FIG 306 FRONT WHEEL MOUNTING	121
FIG 307 REAR WHEEL MOUNTING	123
FIG 308 STEERING WHEEL	125
FIG 309 STEERING VALVE & PARKING	127
FIG 310 STEERING CYLINDER	129



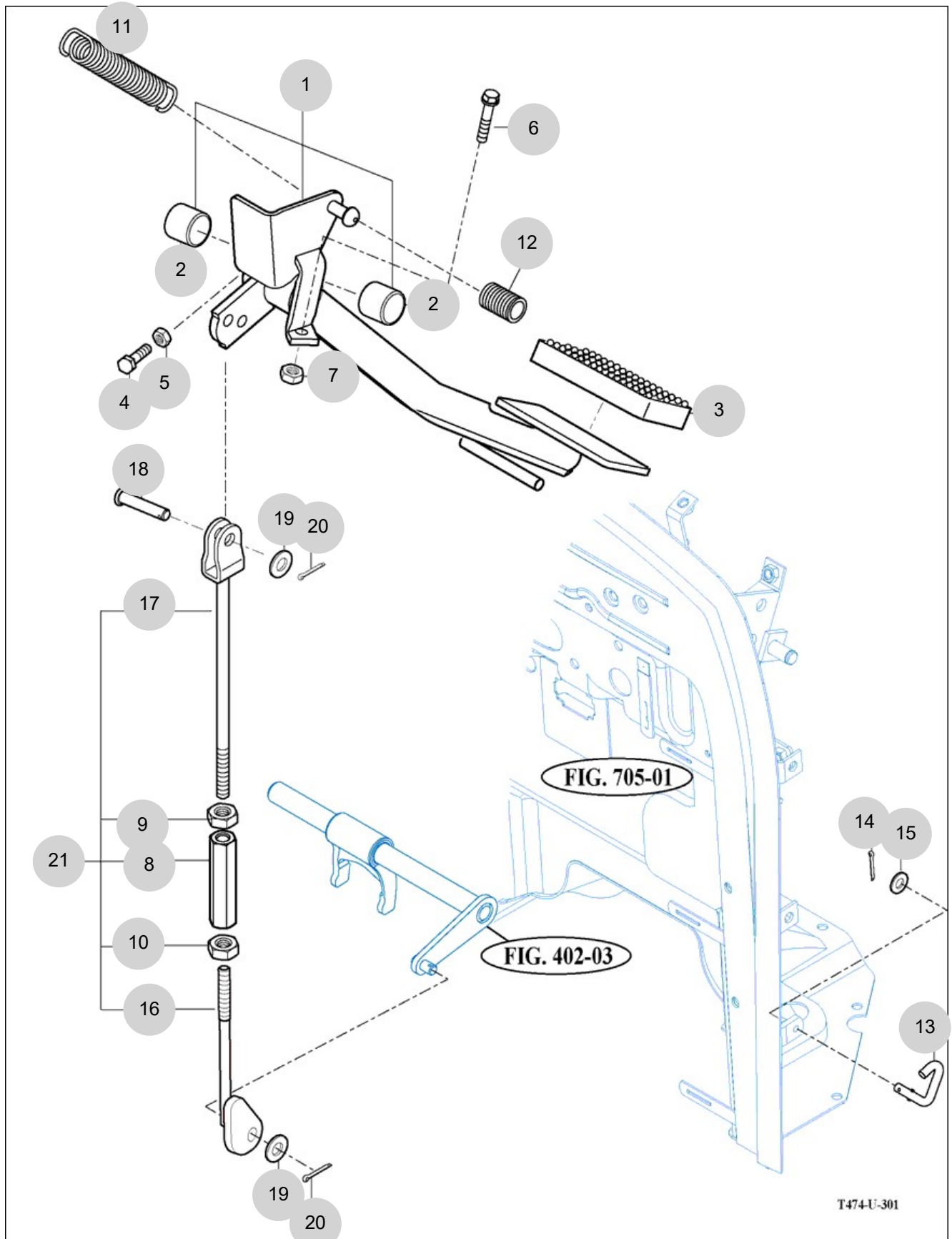
FIG 301

CLUTCH PEDAL

년/월  
Year/Month

2022-12

T474NC-B



NOTE



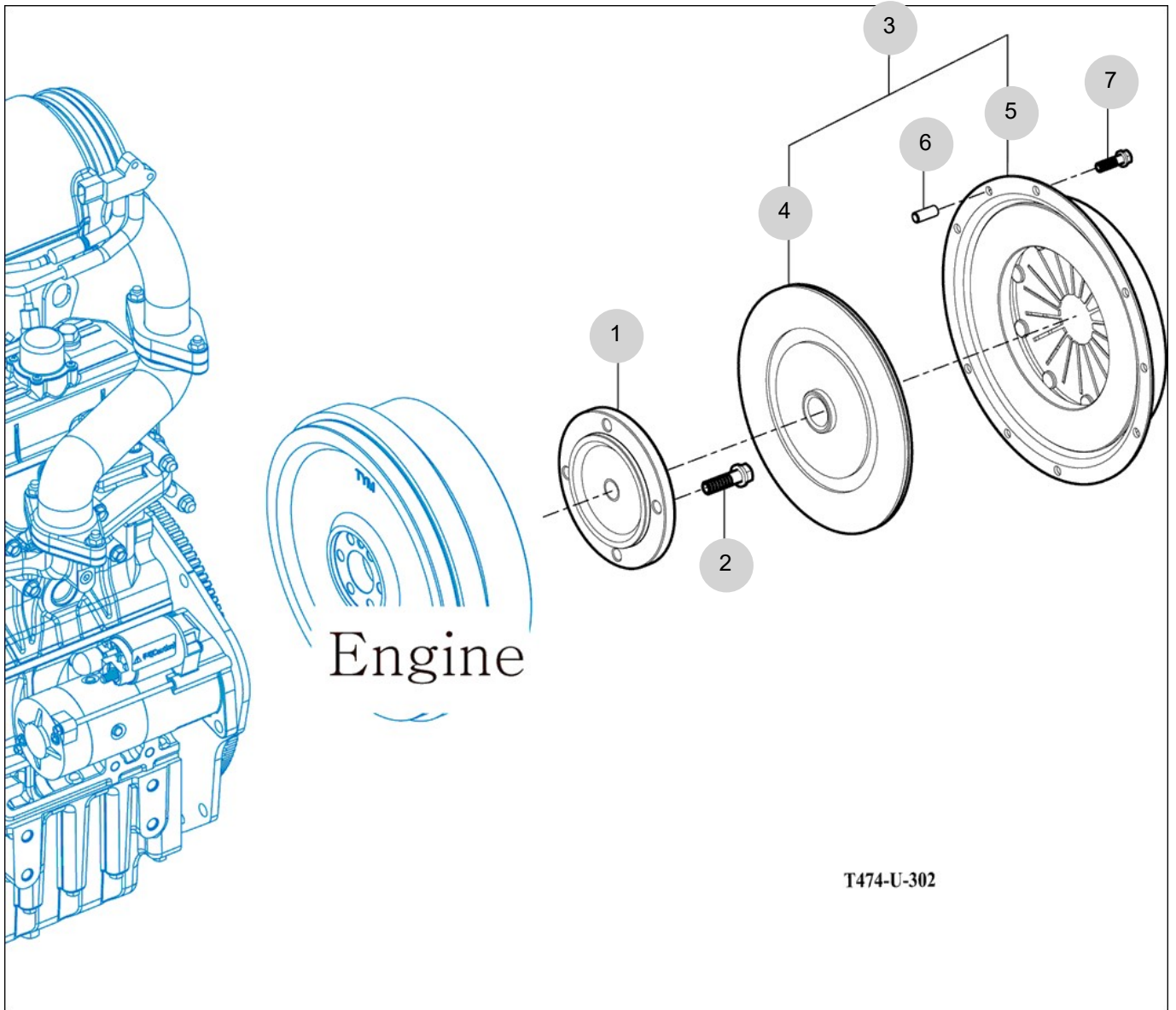
FIG 302

FLYWHEEL & CLUTCH

년/월  
Year/Month

T474NC-B

2022-12



T474-U-302

NOTE



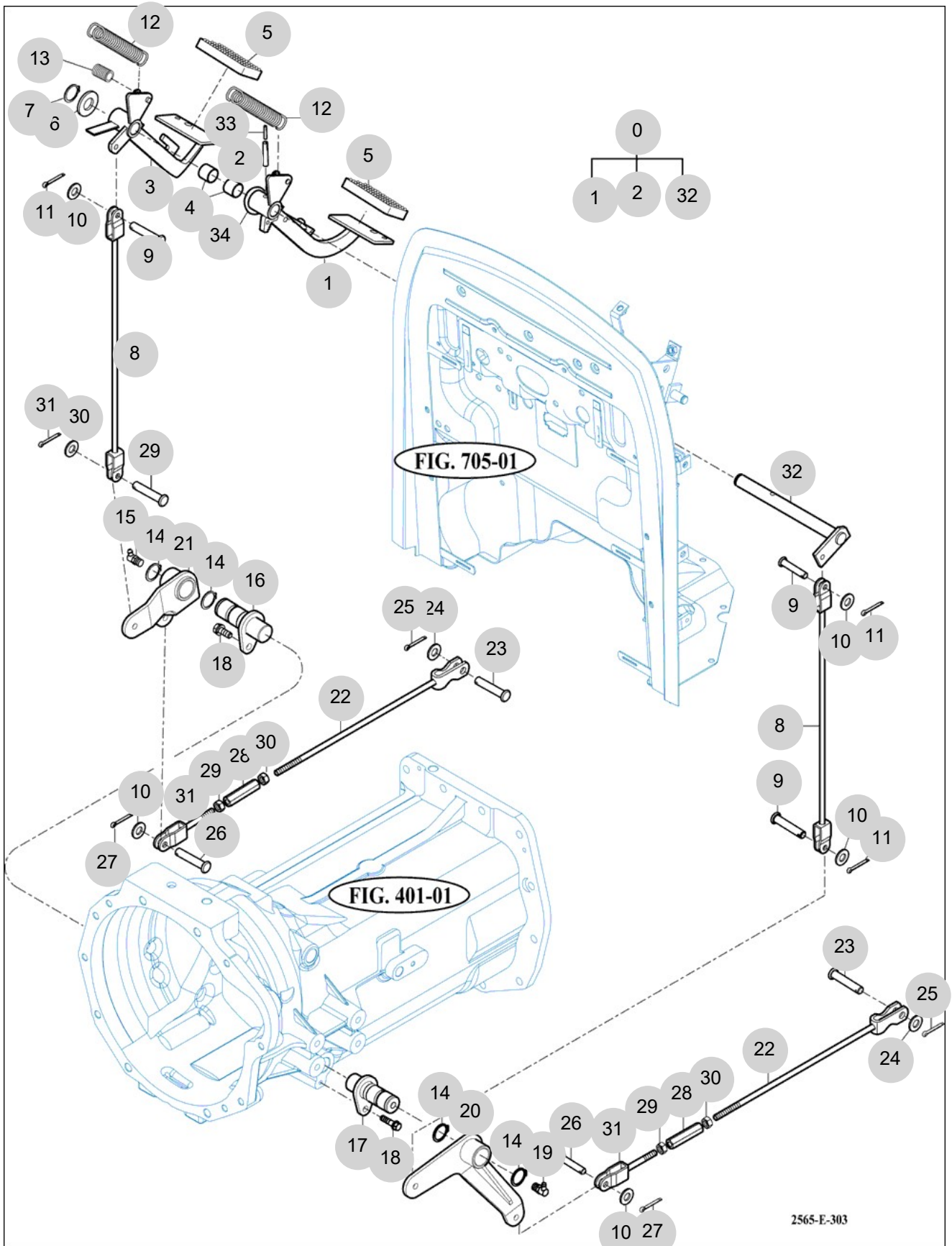
FIG 303

BRAKE PEDAL

년/월  
Year/Month

T474NC-B

2022-12



NOTE



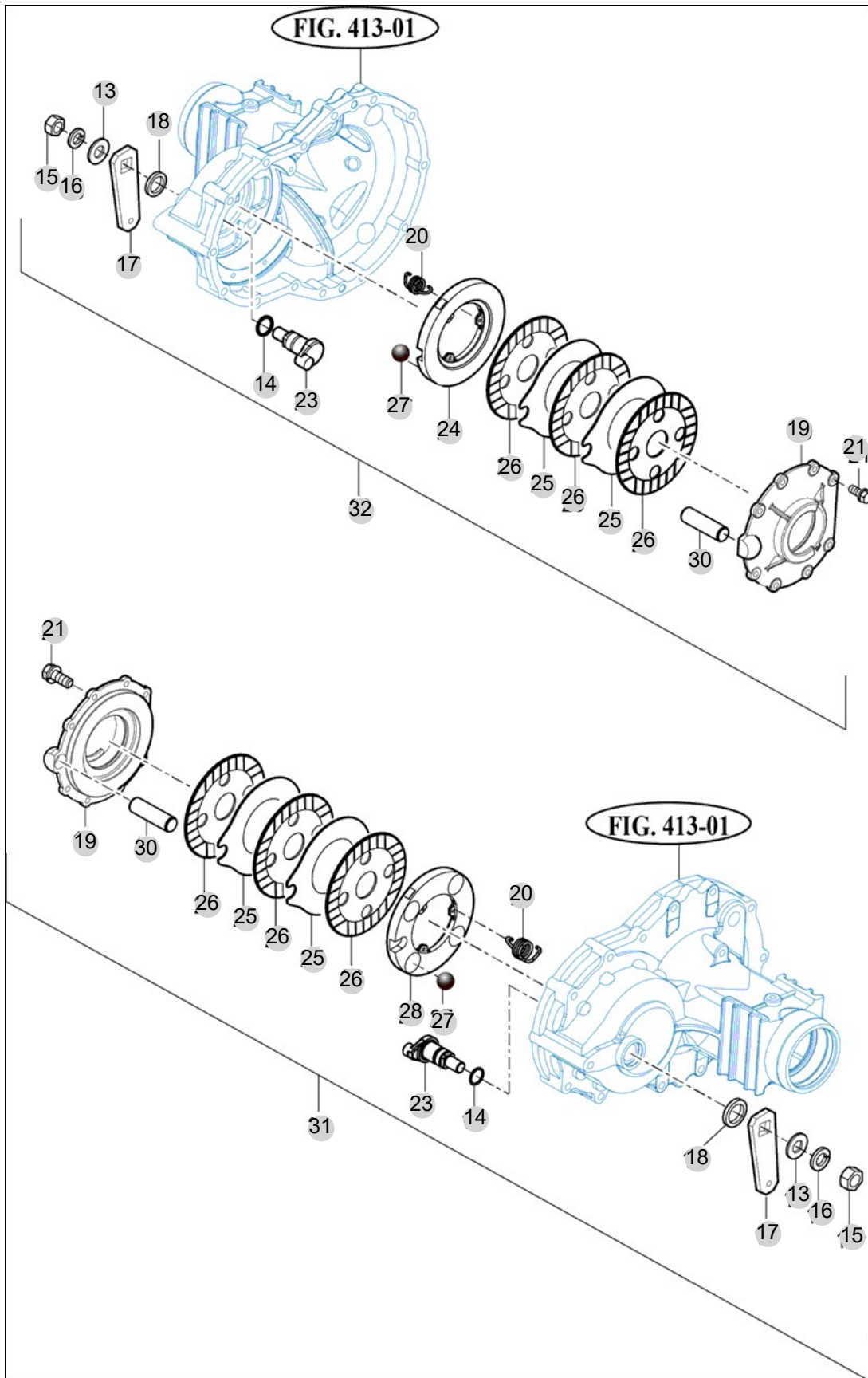
FIG 304

T474NC-B

BRAKE

년/월  
Year/Month

2022-12



NOTE





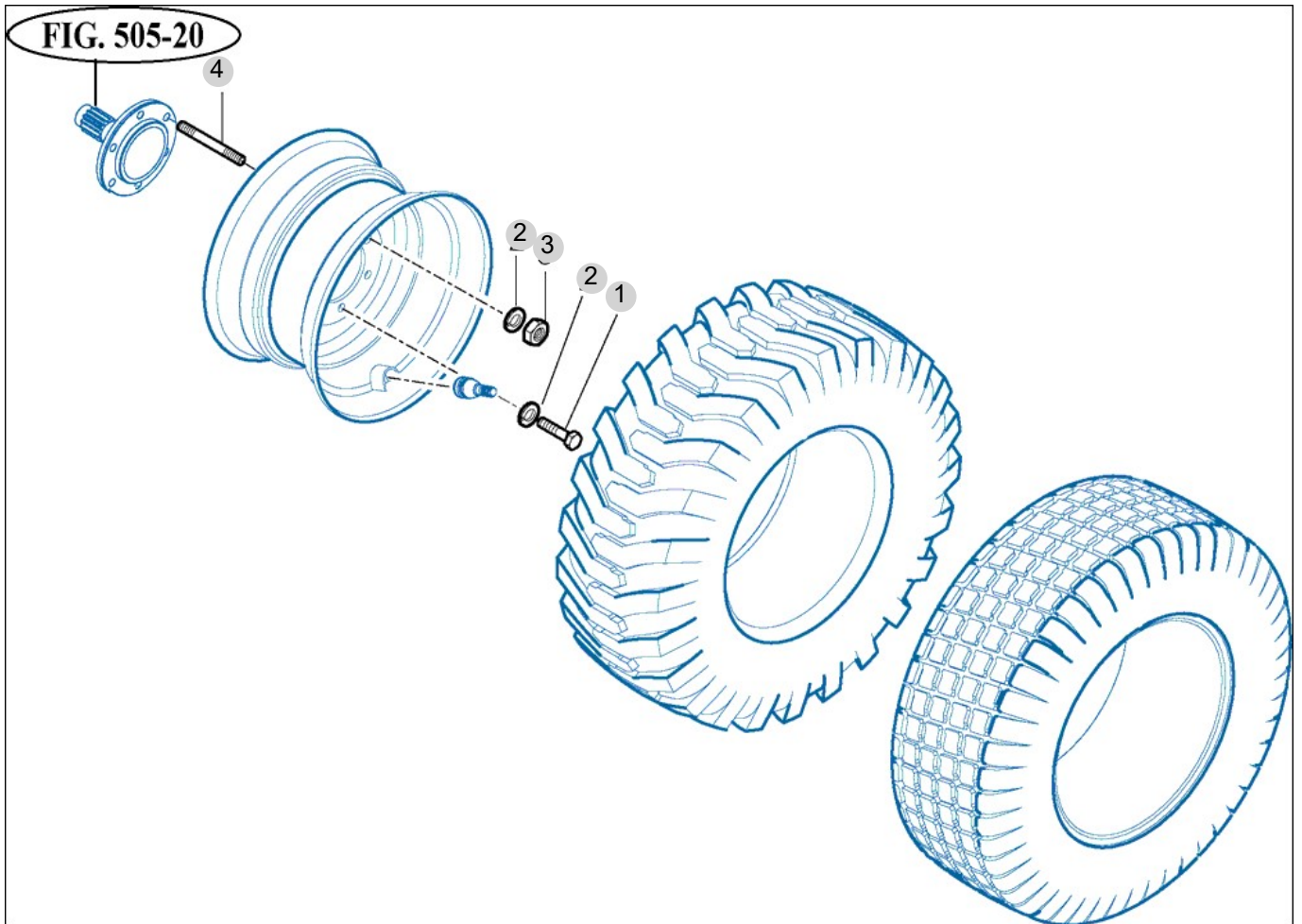
FIG 306

FRONT WHEEL MOUNTING

년/월  
Year/Month

T474NC-B

2022-12



NOTE



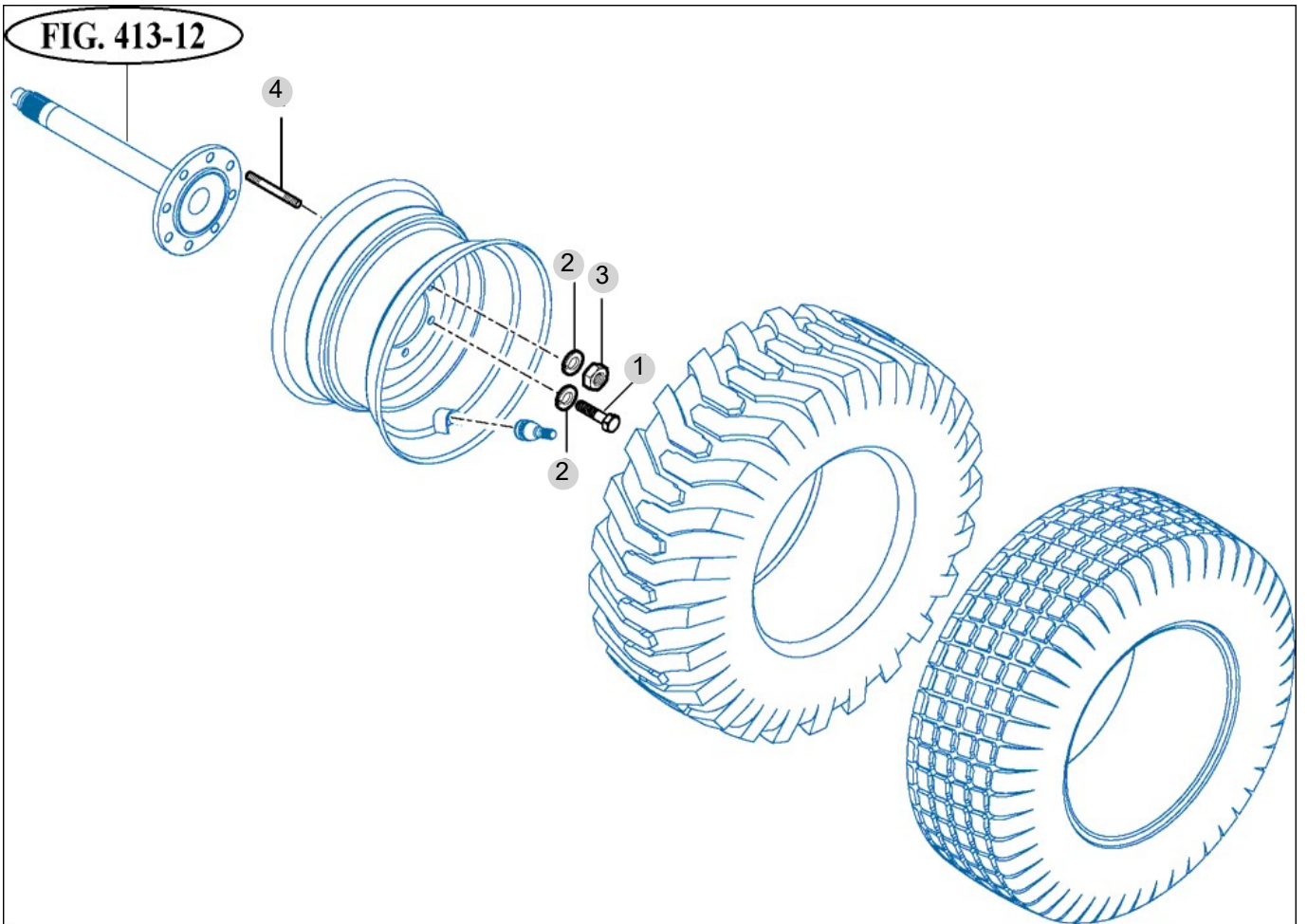
FIG 307

T474NC-B

REAR WHEEL MOUNTING

년/월  
Year/Month

2022-12



NOTE

FIG 307 T474NC-B		REAR WHEEL MOUNTING						년/월 Year/Month	REMARKS
								2022-12	
KEY NO		PART NO	DESCRIPTION	SPEC	QTY	REPAIR	EFFECTIVE DATE		
307	1	V2014616030	BOLT , HEX	M16X30	8				
307	2	V4011600160	WASHER , SPRING	M16	12				
307	3	V3043600160	NUT , HEX/2	M16	4				
307	4	15603200010	BOLT , STUD M16X30	D=16	4				
NOTE									

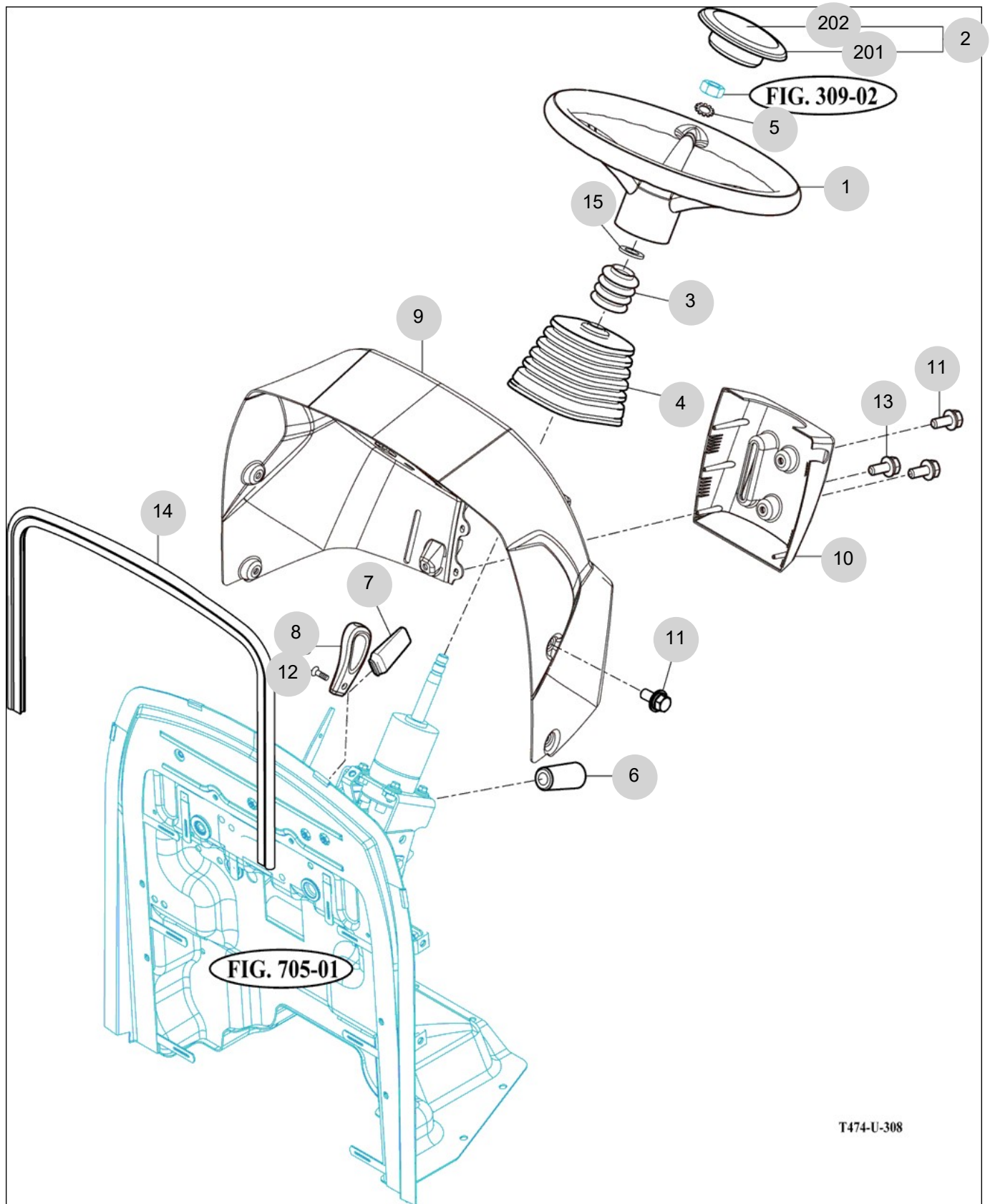
FIG 308

T474NC-B

STEERING WHEEL

년/월  
Year/Month

2022-12



T474-U-308

NOTE



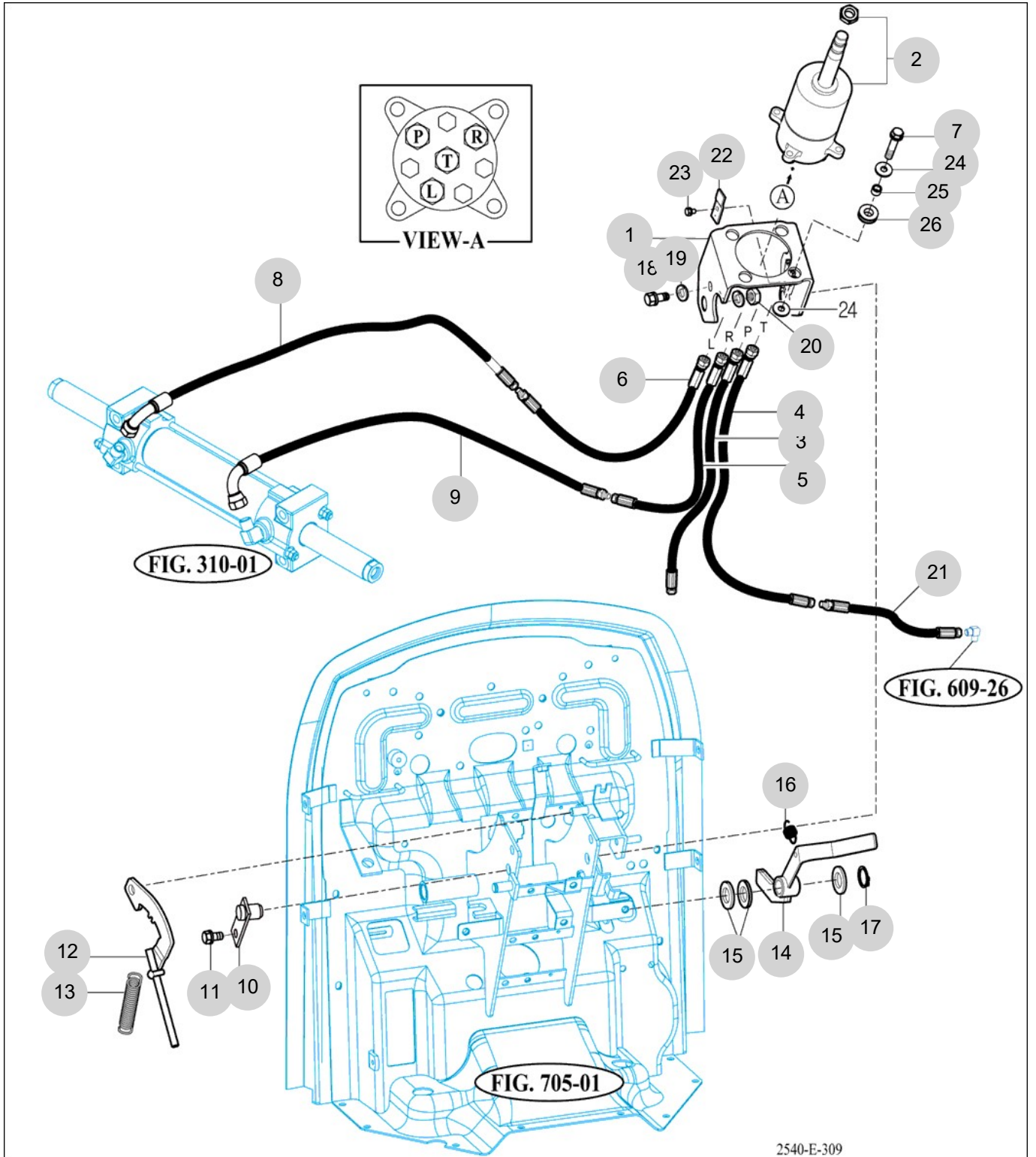
FIG 309

STEERING VALVE & PARKING

년/월  
Year/Month

T474NC-B

2022-12



NOTE





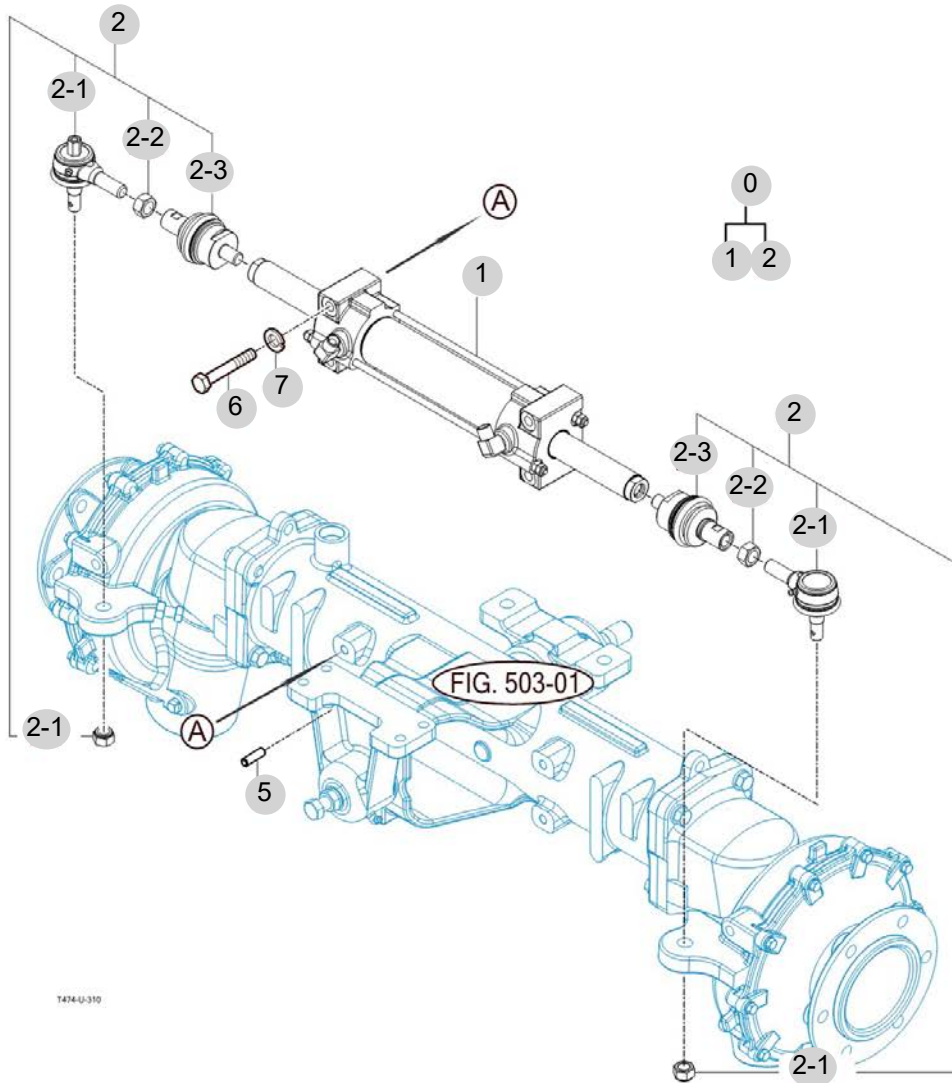
FIG 310

T474NC-B

STEERING CYLINDER

년/월  
Year/Month

2022-12



NOTE



## 4. Transmission PART NO. T4

FIG 401 TRANSMISSION FRONT CASE	132
FIG 402 INPUT METAL	134
FIG 403 INPUT GEAR	136
FIG 404 4WD DRIVE GEAR	138
FIG 405 MAIN CHANGE GEARS & REVERSE GEARS	140
FIG 406 SUB CHANGE GEARS	142
FIG 407 PINION GEARS	144
FIG 408 P.T.O DRIVE SHAFT	146
FIG 409 P.T.O CHANGE GEARS	148
FIG 410 DIFF LOCK	150
FIG 411 TRANSMISSION REAR CASE	152
FIG 412 REAR AXLE HOUSINGS (1)	154
FIG 413 REAR AXLE HOUSINGS (2)	156
FIG 414 MAIN CHANGE LEVER	158
FIG 415 SUB CHANGE LEVER	160
FIG 416 REVERSE LINK	162
FIG 417 REVERSE CHANGE LEVER	164
FIG 418 4WD CHANGE LEVER	166

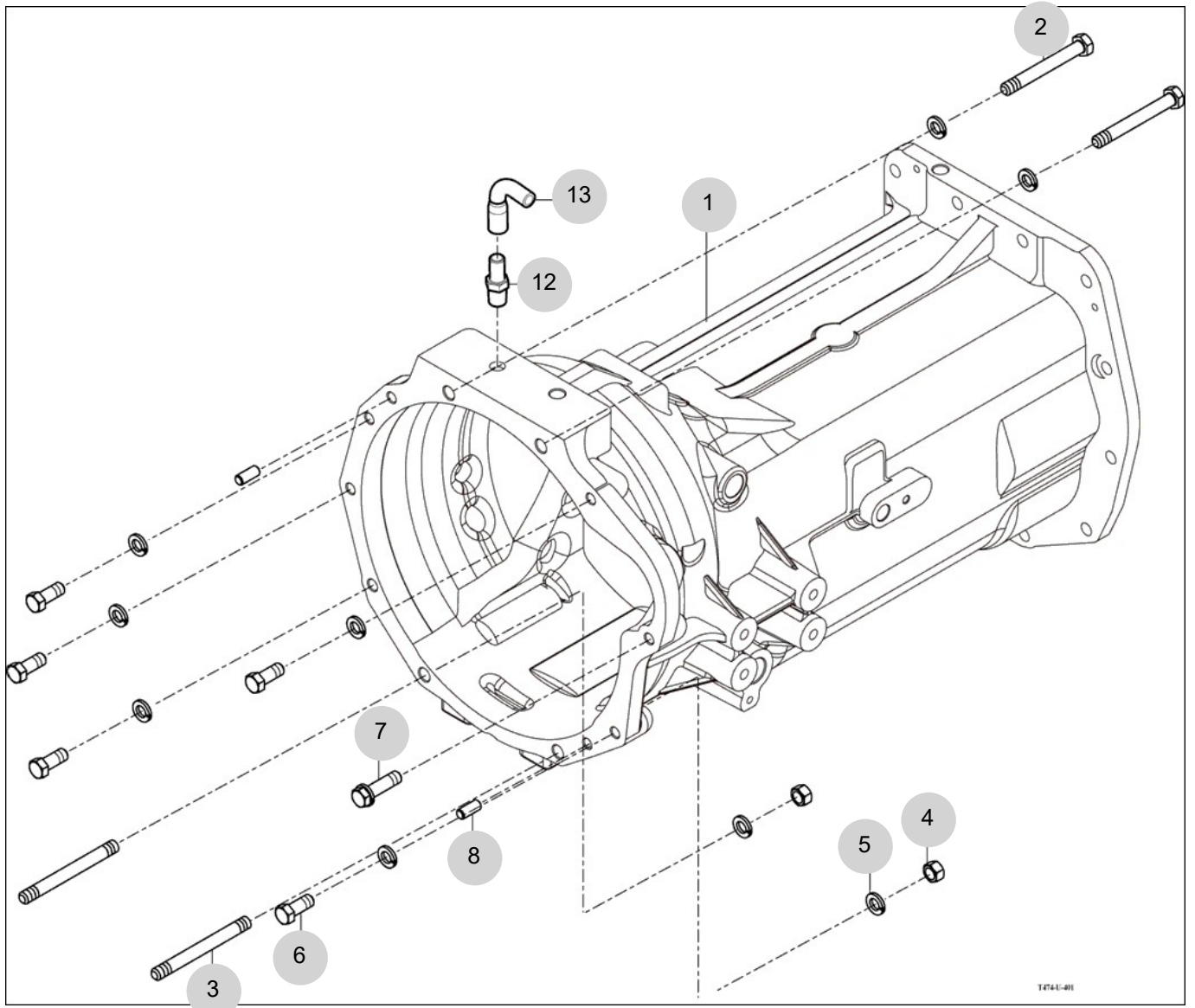
FIG 401

TRANSMISSION FRONT CASE

년/월  
Year/Month

2022-12

T474NC-B



T4741-011

NOTE



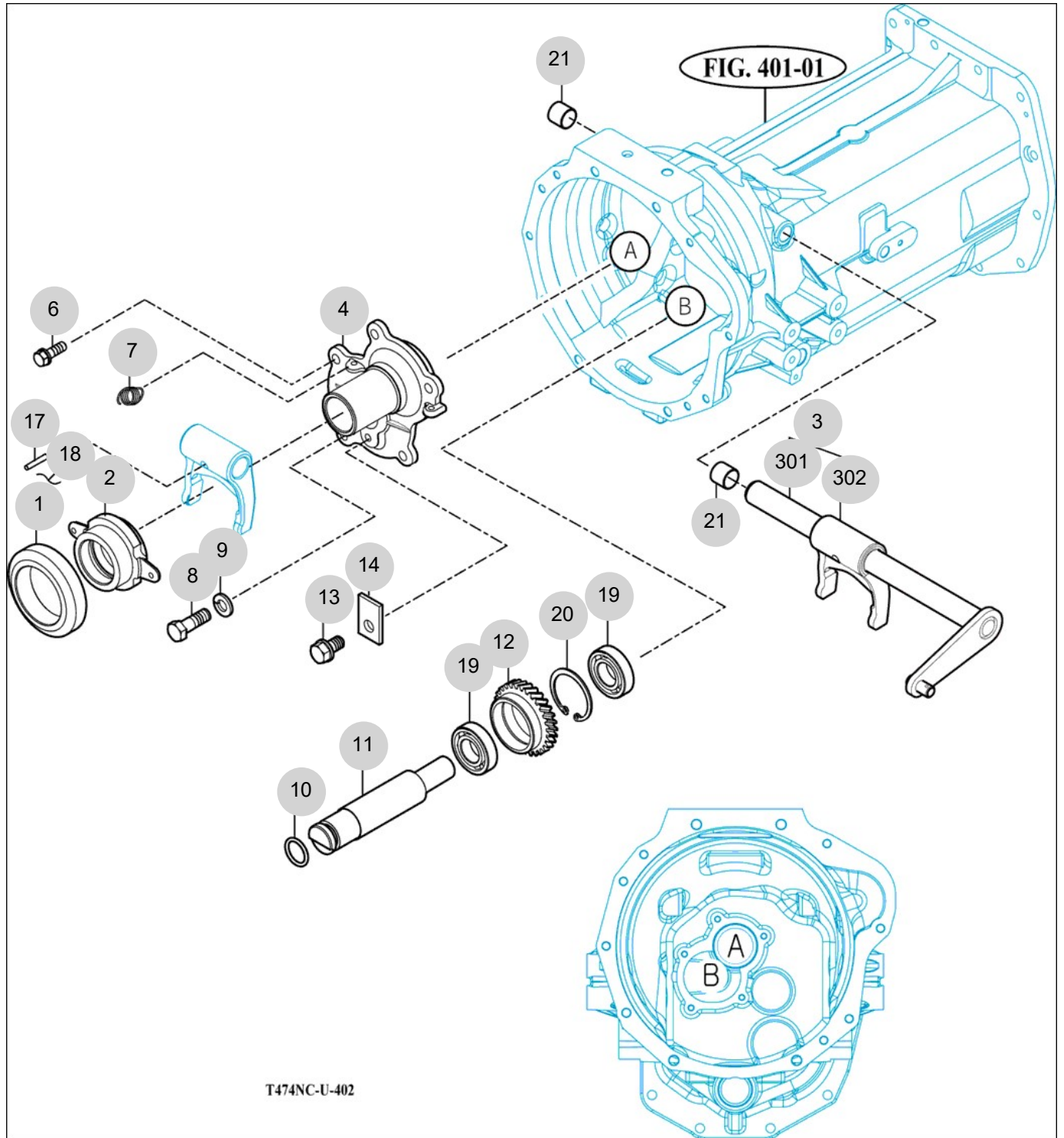
FIG 402

INPUT METAL

년/월  
Year/Month

2022-12

T474NC-B



NOTE



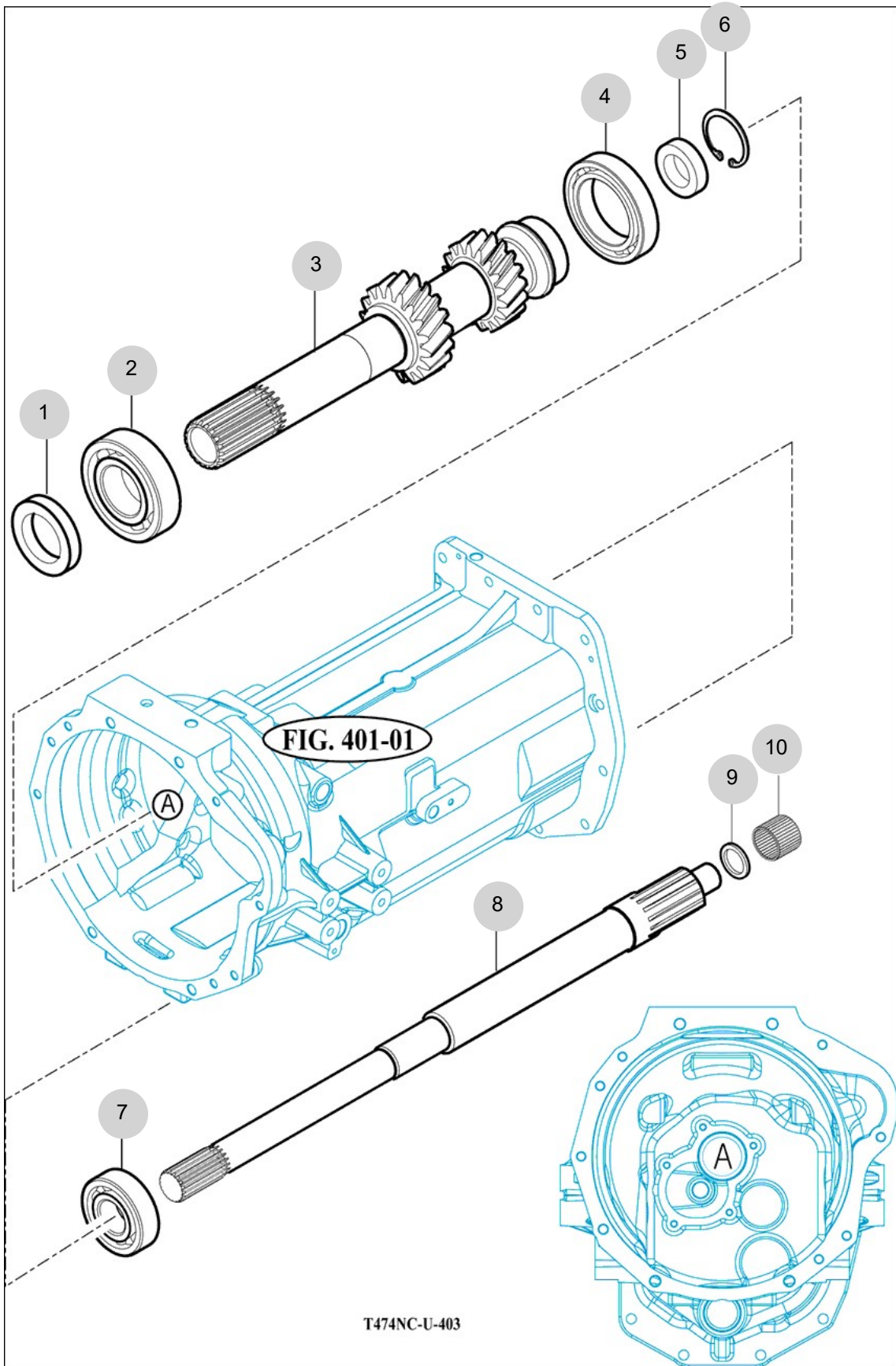
FIG 403

INPUT GEAR

년/월  
Year/Month

T474NC-B

2022-12



NOTE





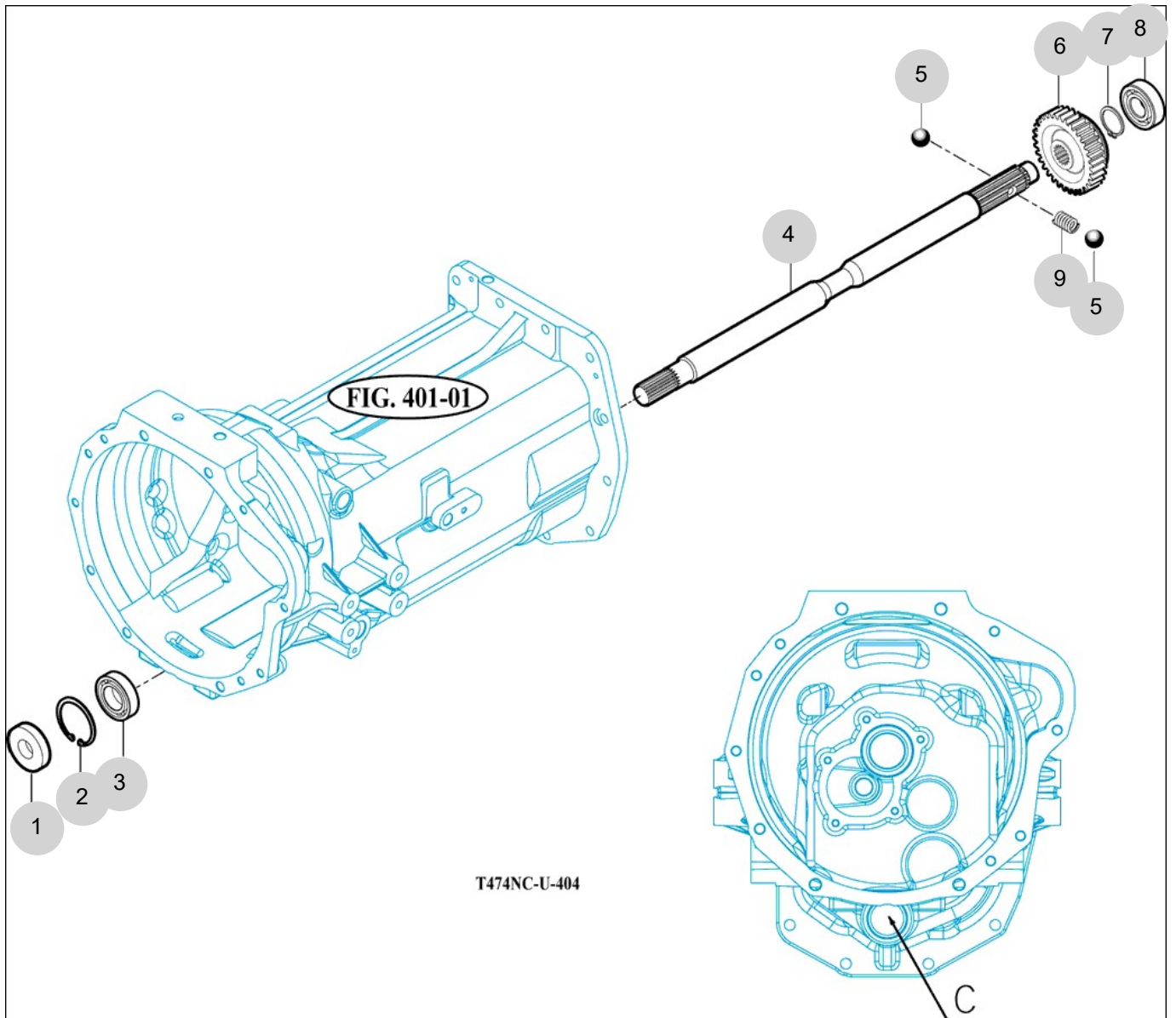
FIG 404

4WD DRIVE GEAR

년/월  
Year/Month

T474NC-B

2022-12



NOTE



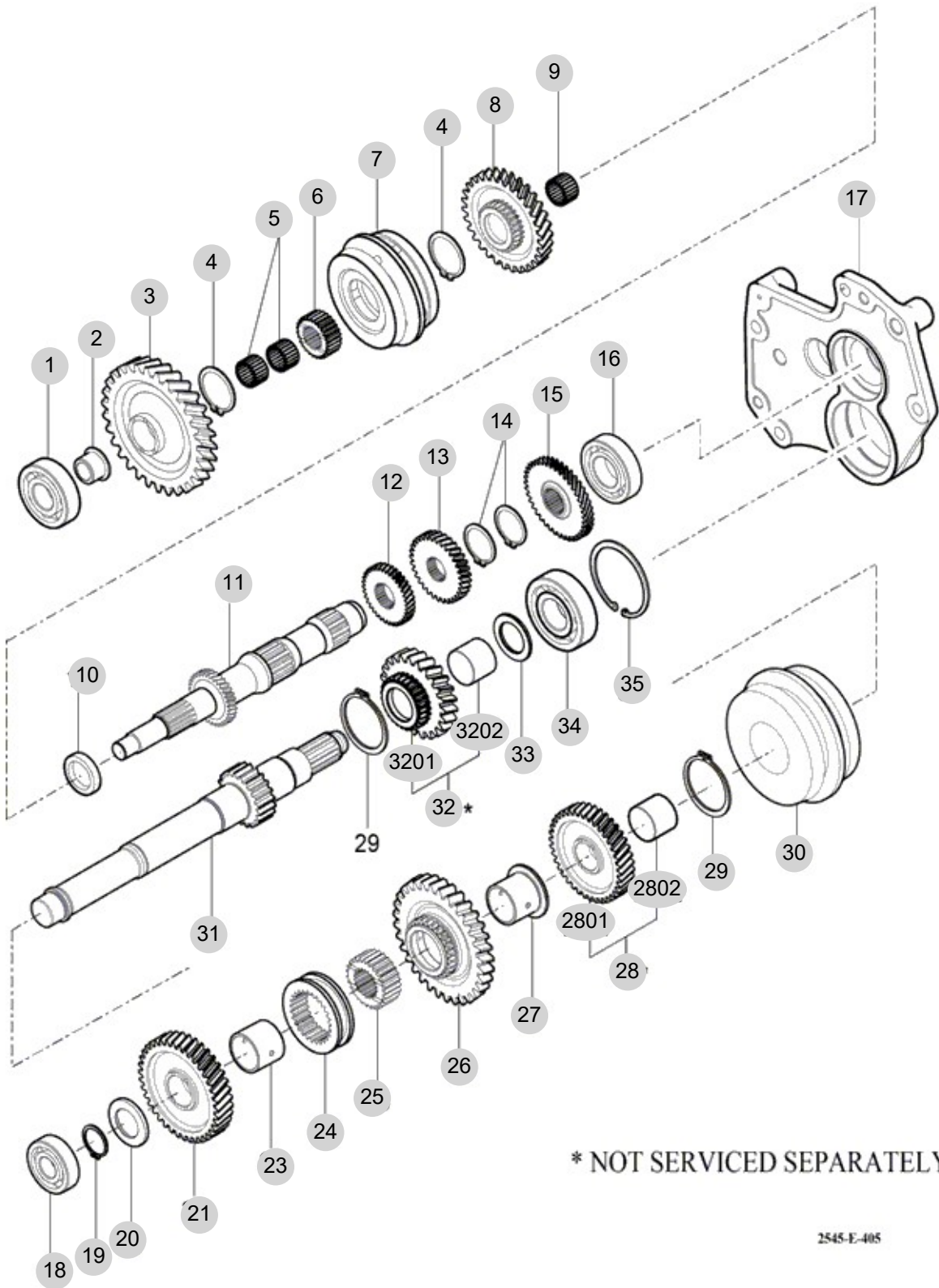
FIG 405

MAIN CHANGE GEARS & REVERSE GEARS

년/월  
Year/Month

T474NC-B

2022-12



NOTE

FIG 405 T474NC-B		MAIN CHANGE GEARS & REVERSE GEARS					년/월 Year/Month	
							2022-12	
KEY NO	PART NO	DESCRIPTION	SPEC	QTY	REPAIR	EFFECTIVE DATE	REMARKS	
405	1	V6041106305	BEARING , BALL/HL1	6305HL1	1			
405	2	16702142010	BUSH , 17X25X19	1X1X1	1			
405	3	16702131021	GEAR , HELICAL 42T	1X1X1	1			
405	4	V7041400400	C-RING , SHAFT	40	2			
405	5	V6544202612	BEARING , NEEDLE CAGED	KT202612	2			
405	6	16702090021	HUB , 25X51X20	1X1X1	1			
405	7	14482092100	SYNCHRONIZER ASSY	1X1X1	1			
405	8	16702131032	GEAR , HELICAL 39T		1			
405	8	16702131033	GEAR , SPUR/41T	1X1X1	1			
405	9	V6544283313	BEARING , NEEDLE.ROLLER	KT283313	1			
405	10	16702130031	WASHER , 27X39X2.8	1X1X1	1			
405	11	16702110012	GEAR , HELICAL 17T		1			
405	11	16702110013	GEAR , HELICAL 17T	1X1X1	1			
405	12	14572220050	GEAR , HELICAL 21T		1			
405	13	14572220060	GEAR , HELICAL 24T		1			
405	14	V7041400350	C-RING , SHAFT	35	2			
405	15	14572220020	GEAR , HELICAL 29T		1			
405	16	V6041106206	BEARING , BALL/HL1	6206HL1	1			
405	17	16702200201M	METAL , BEARING	1X1X1	1			
405	18	V6041106305	BEARING , BALL/HL1	6305HL1	1			
405	19	V7041400300	C-RING , SHAFT	30	1			
405	20	12632210020	WASHER , 30X46X05		1			
405	21	12632211040	GEAR , HELICAL 40T		1			
405	23	14522090340	BUSH , 30X35X28.7	30X35X28	1			
405	24	15602080224	COUPLING , 51X72X18		1			
405	25	12412090020	HUB , 30X51X21	30X51X21	1			
405	26	12632210070	GEAR , HELICAL 36T		1			
405	27	12632090340	BUSH(30X35X31.5)		1			
405	28	16702211500	GEAR ASSY , HELICAL 32T	1X1X1	1			
405	2801	16702210150	GEAR , HELICAL 32T	1X1X1	1			
405	2802	16702211910	BUSH , 32X34X28	1X1X1	1			
405	29	V7041400500	C-RING , SHAFT	50	2			
405	30	16492092001	SYNCHRONIZER ASSY		1			
405	31	12632211010	SHAFT , MAIN SHIFTER		1			
405	32	16702211900	GEAR ASSY , HELICAL 28T	1X1X1	1			
405	3201	16702211020	GEAR , HELICAL 28T	1X1X1	1			
405	3202	16702211910	BUSH , 32X34X28	1X1X1	1			
405	33	15642160041	WASHER , 30X46X3		1			
405	34	V6041106306	BEARING , BALL/HL1	6306HL1	1			
405	35	V7051400720	C-RING , HOLE	72	1			
NOTE								

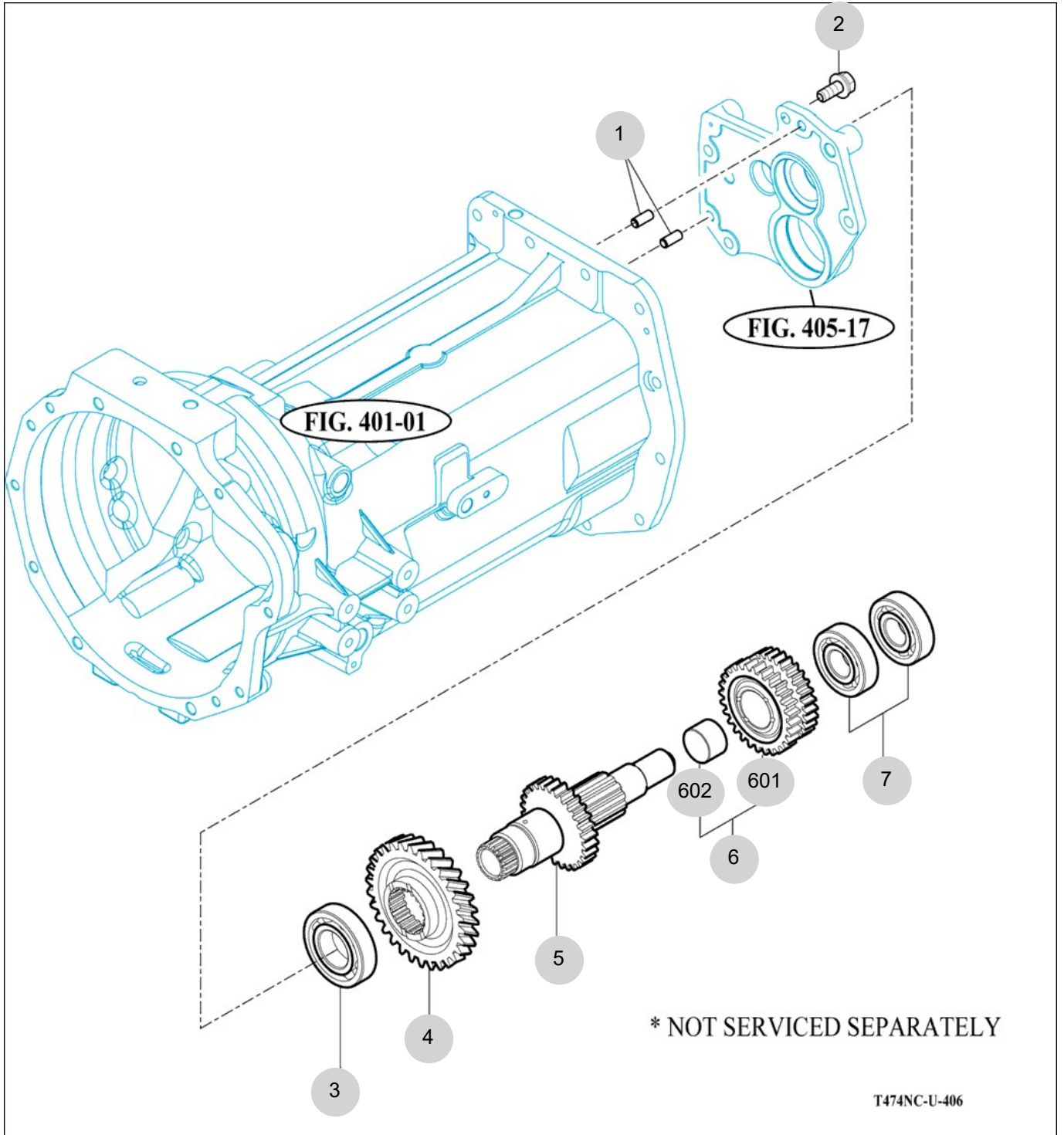
FIG 406

T474NC-B

SUB CHANGE GEARS

년/월  
Year/Month

2022-12



NOTE



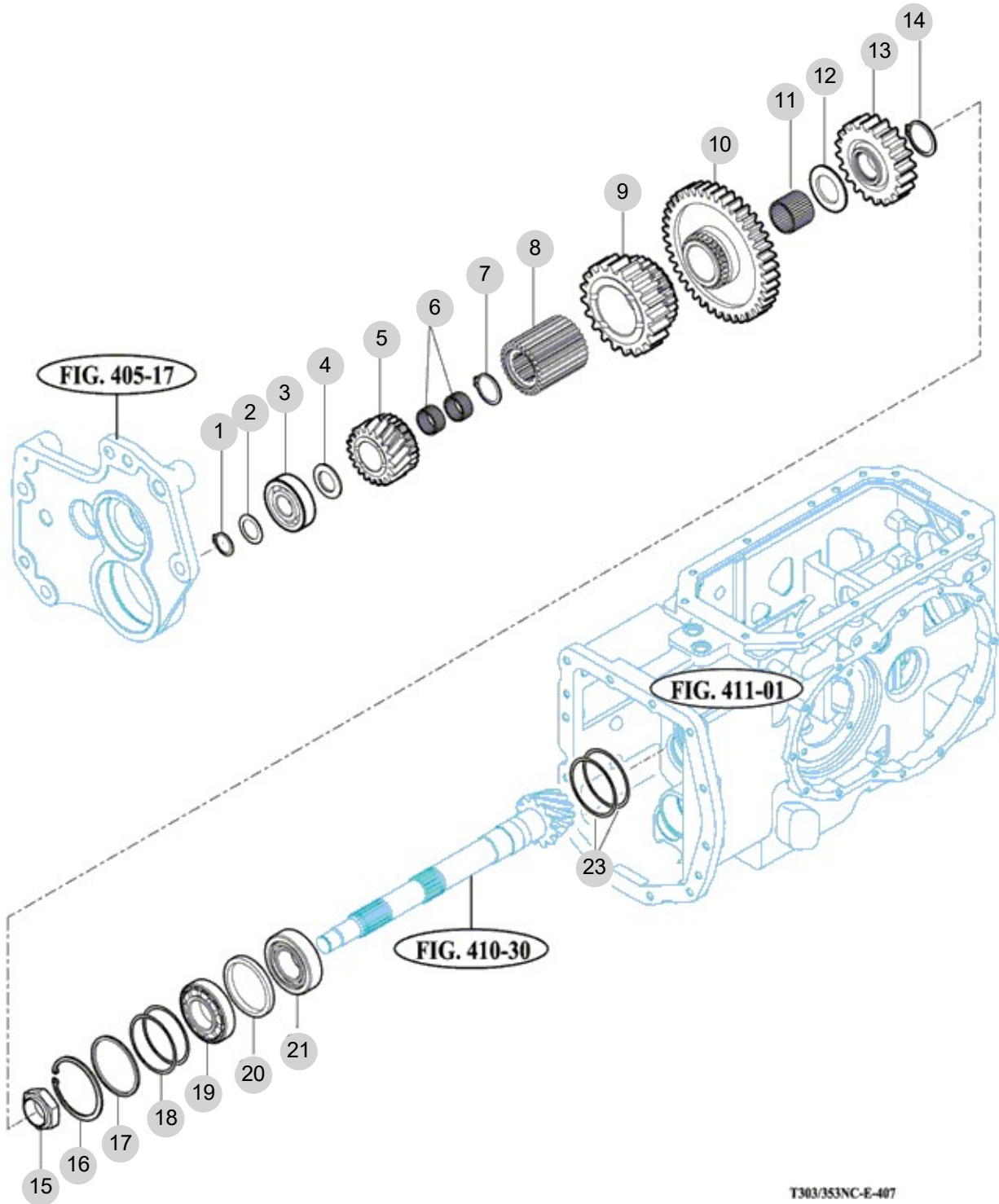
FIG 407

T474NC-B

PINION GEARS

년/월  
Year/Month

2022-12



T303/353NC-E-407

NOTE





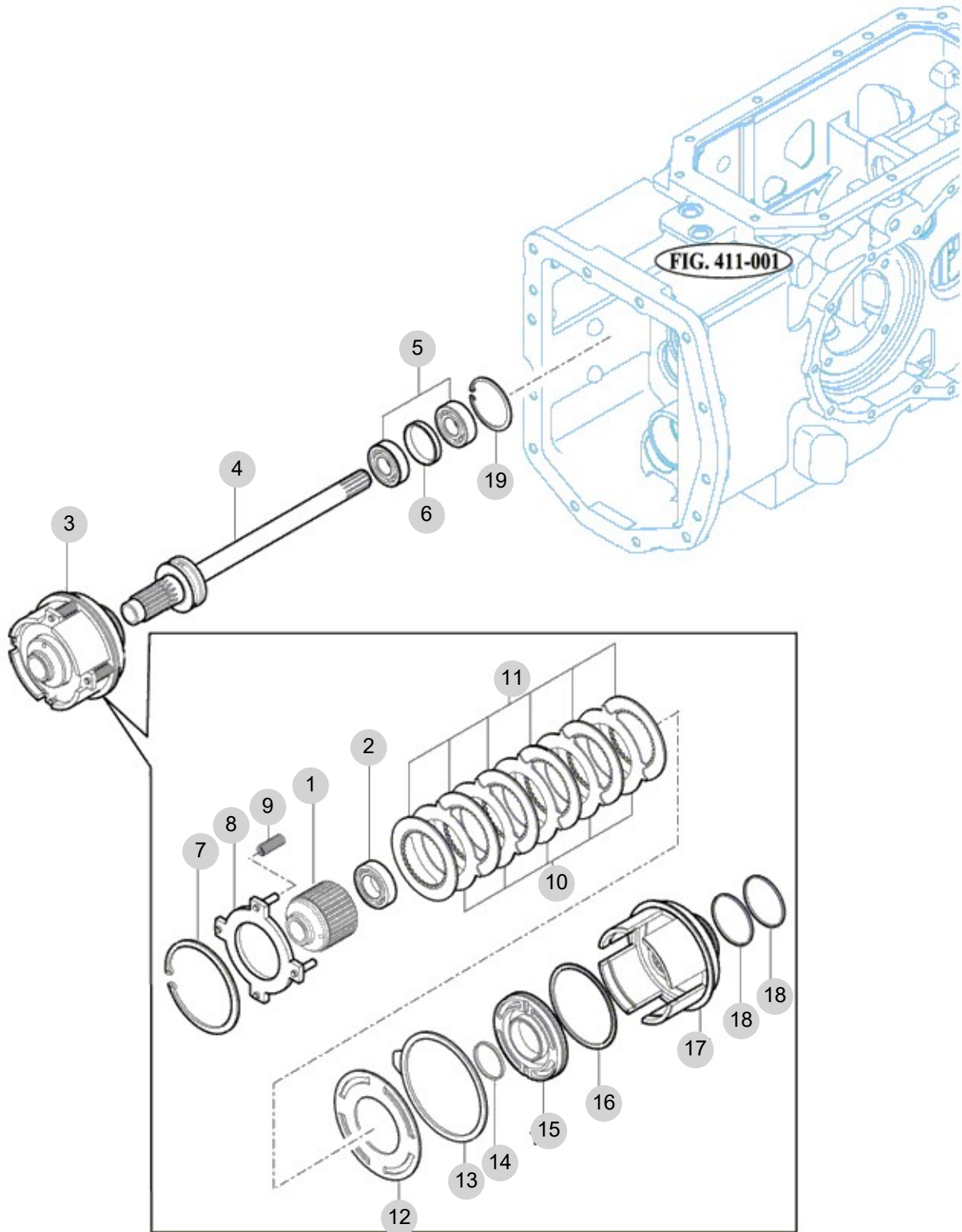
FIG 408

T474NC-B

P.T.O DRIVE SHAFT

년/월  
Year/Month

2022-12



T303353NC-E-408

NOTE



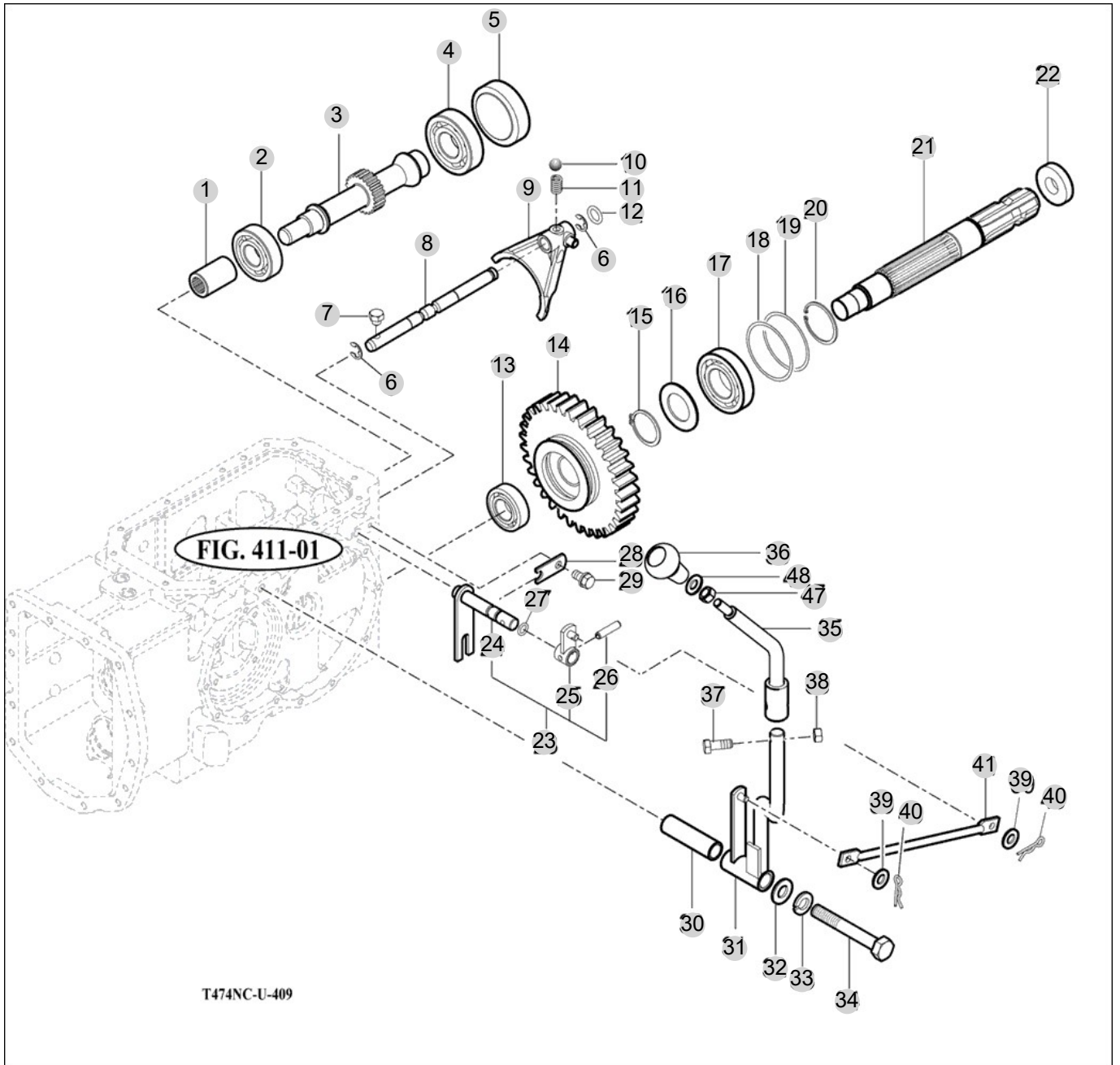
FIG 409

T474NC-B

P.T.O CHANGE GEARS

년/월  
Year/Month

2022-12



NOTE

FIG 409		P.T.O CHANGE GEARS					년/월 Year/Month		
							2022-12		
T474NC-B		KEY NO	PART NO	DESCRIPTION	SPEC	QTY	REPAIR	EFFECTIVE DATE	REMARKS
409	1	14211340190	COUPLING	22X51	1				
409	2	V6041106305	BEARING , BALL/HL1	6305HL1	1				
409	3	13212543530	GEAR , SPUR PTO 11	1X1X1	1				
409	4	V6041106306	BEARING , BALL/HL1	6306HL1	1				
409	5	14254330180	CAP , 72		1				
409	6	V7081400100	E-RING	10	2				
409	7	15602231610	BOLT , SET M8X16	M8X16	1				
409	8	13212540020	STAY , PTO SHIFT	1X1X1	1				
409	9	16702540011M	FORK , PTO	1X1X1	1				
409	10	V6802000010	BALL , STEEL	5/16	1				
409	11	13022250030	SPRING , SHIFTER	D=1.4	1				
409	12	V7201024010	O-RING , P	P10	1				
409	13	V6041106205	BEARING , BALL/HL1	6205HL1	1				
409	14	13212543500	GEAR ,SPUR( PTO 54T)	1X1X1	1				
409	15	V7041400350	C-RING , SHAFT	35	1				
409	16	14443140041	COLLAR , 35X50X2	T=2	1				
409	17	V6001106207	BEARING , BALL	6207	1				
409	18	79642010080	SHIM , B		2				
409	19	16322730030	SHIM , 0.5	T=0.5	1				
409	20	V7051400720	C-RING , HOLE	72	1				
409	21	16703140011	SHAFT , PTO	1X1X1	1				
409	22	16322732000	SEAL ASSY , OIL		1				
409	23	16702555102	HOOK SET , RR PTO	1X1X1	1				
409	24	16702542102	HOOK COMP , RR PTO	1X1X1	1				
409	25	16702432201	ARM COMP , RANGE	1X1X1	1				
409	26	V5801406025	PIN , SPRING	6X25	1				
409	27	V7201024012	O-RING , P	P12	1				
409	28	16702230371	PLATE	T=3	1				
409	29	V2173608016	BOLT , HEX/S	M8X16	1				
409	30	16702440070	HUB(13*17*61)	17.3*2.35	1				
409	31	16702552103	LEVER COMP , PTO/DOWN	1X1X1	1				
409	32	V4111600120	WASHER , PLAIN	M12	1				
409	33	V4011600120	WASHER , SPRING	M12	1				
409	34	V2013612085	BOLT , HEX	M12X85	1				
409	35	13832552200GB	LEVER COMP ,PTO/UPPER		1				
409	36	16992190102	GRIP , PTO		1				
409	36	19682190100	GRIP , PTO		1				
409	37	V2013608035	BOLT , HEX	M8X35	1				
409	38	V3042600080	NUT , HEX/2	M8	1				
409	39	V4111600080	WASHER , PLAIN	M8	2				
409	40	V5601600008	PIN , SNAP	8	2				
409	41	16702553100	ROD , 236	D=9	1				
409	47	19027010010	NUT , HEX FINE/2	M10	1				
409	48	V4111600100	WASHER , PLAIN	M10	1				
NOTE									

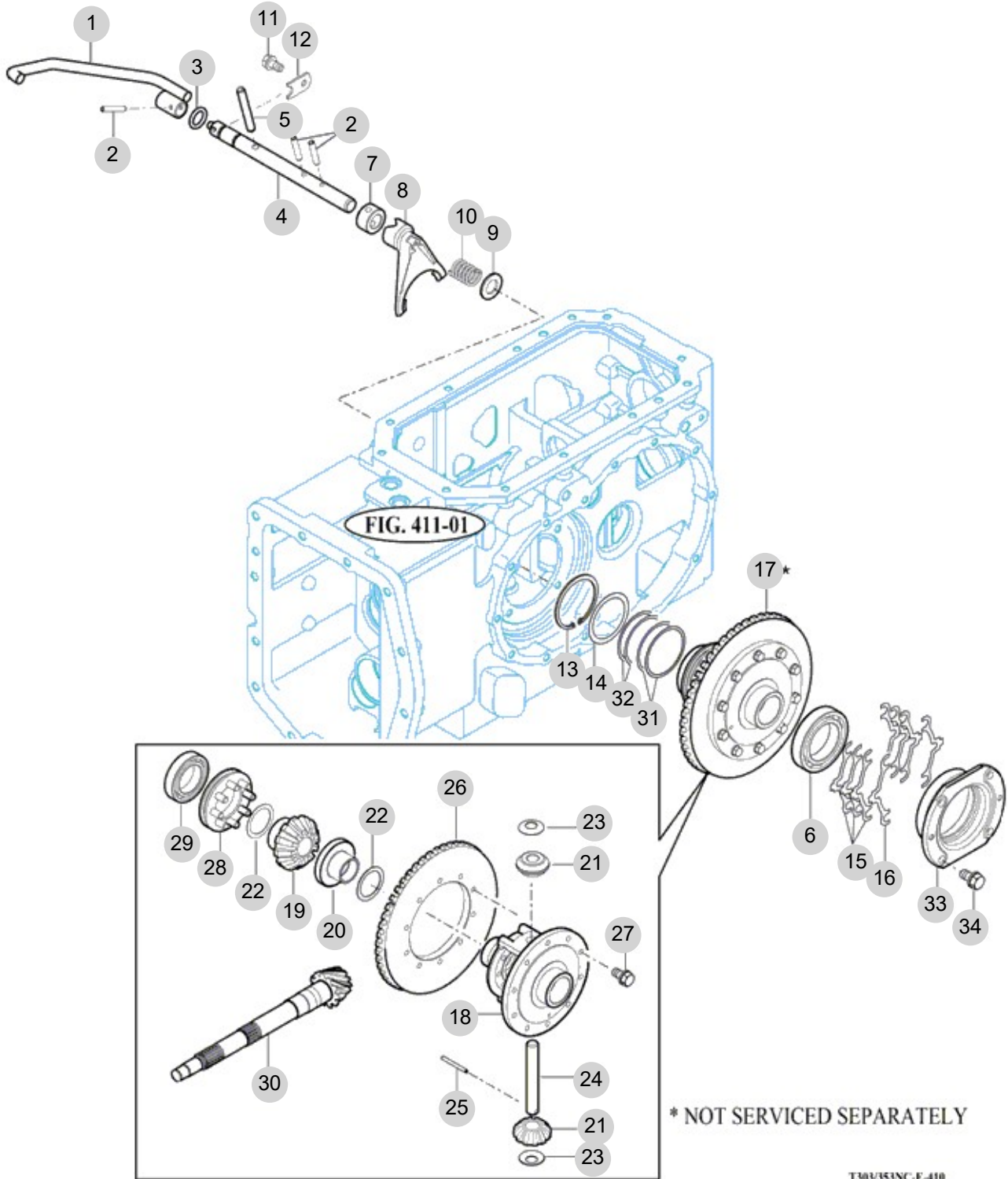
FIG 410

DIFF LOCK

년/월  
Year/Month

T474NC-B

2022-12



NOTE



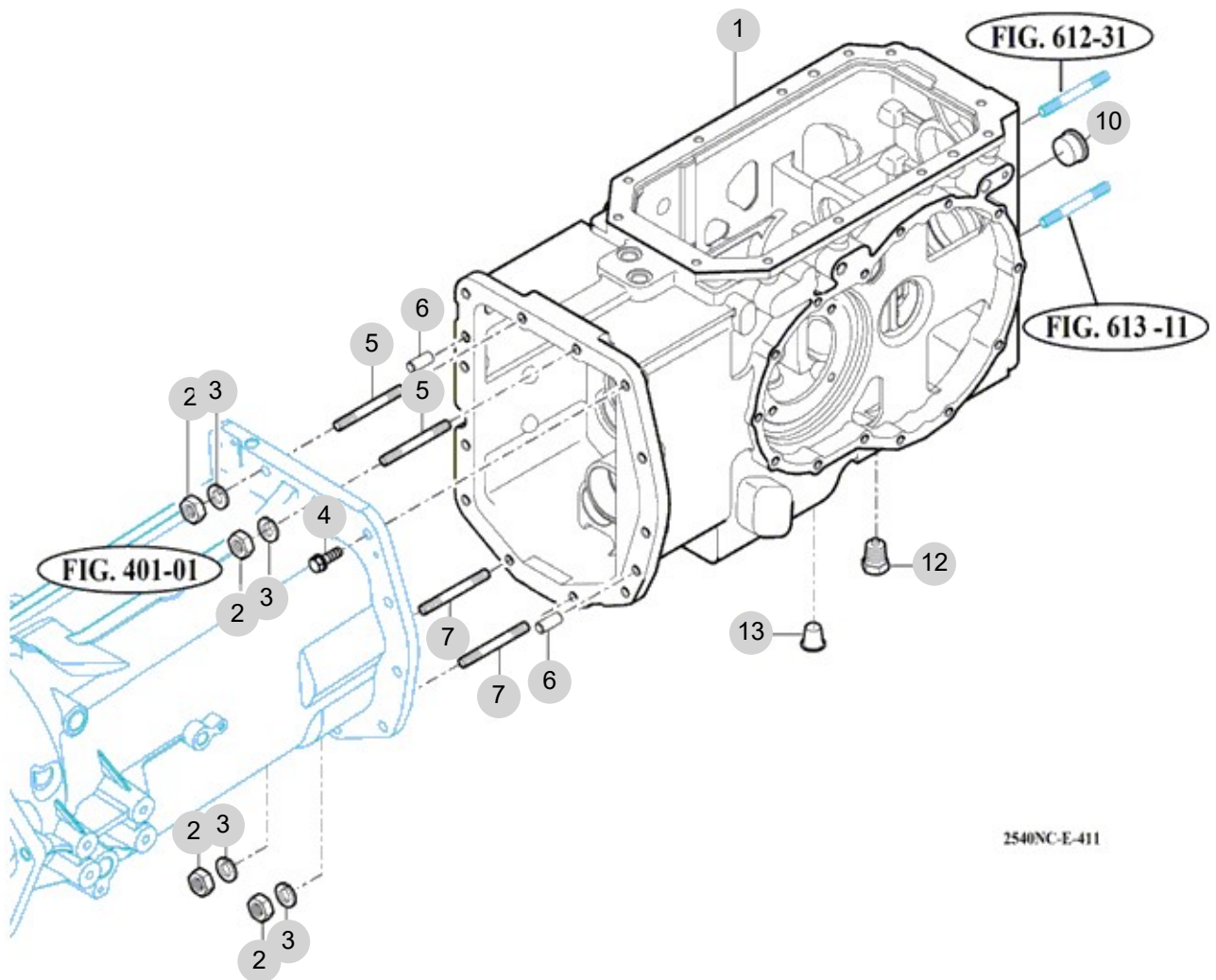
FIG 411

T474NC-B

TRANSMISSION REAR CASE

년/월  
Year/Month

2022-12



2540NC-E-411

NOTE





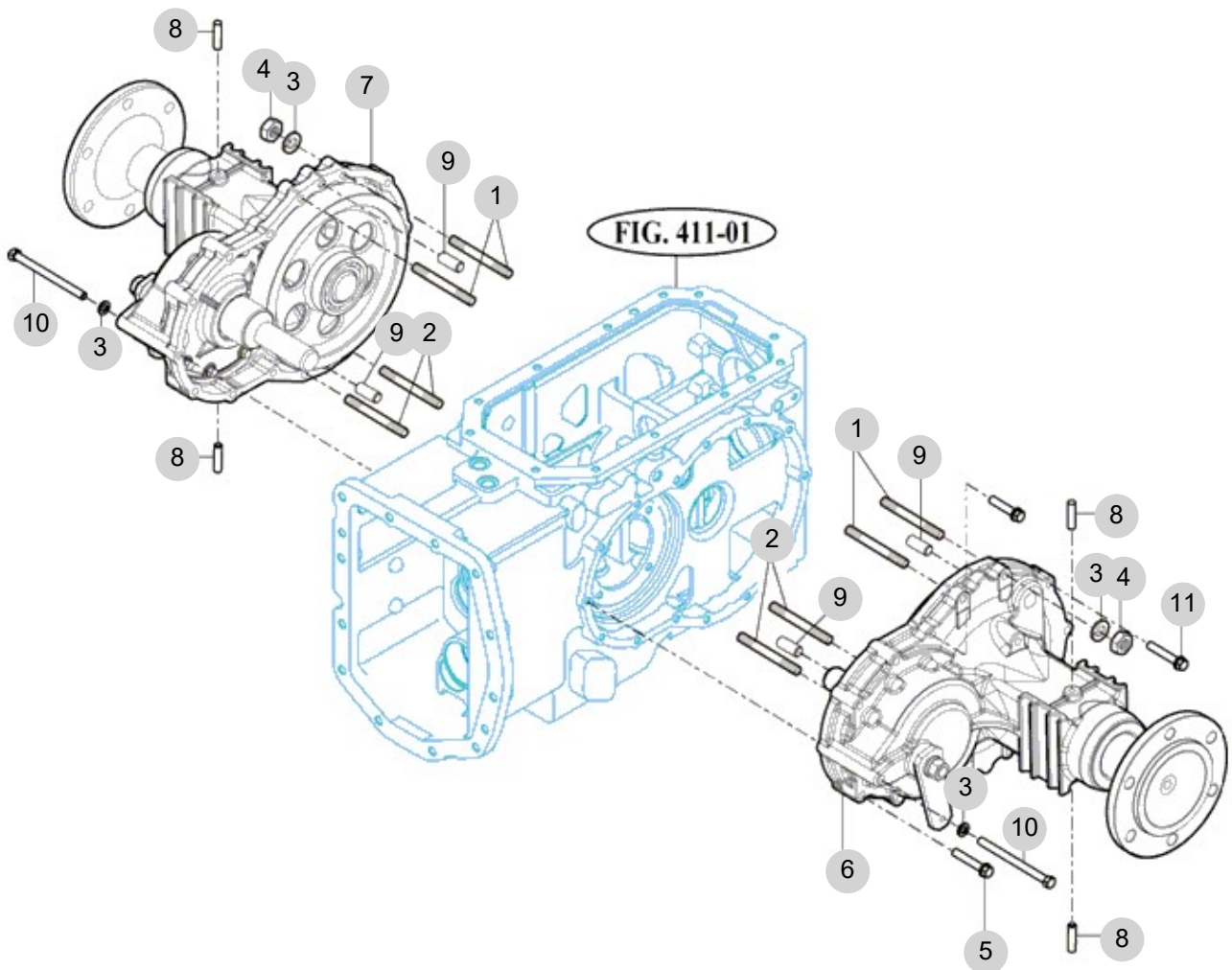
FIG 412

T474NC-B

REAR AXLE HOUSINGS (1)

년/월  
Year/Month

2022-12



NOTE

FIG 412 T474NC-B		REAR AXLE HOUSINGS (1)					년/월 Year/Month	
							2022-12	
KEY NO		PART NO	DESCRIPTION	SPEC	QTY	REPAIR	EFFECTIVE DATE	REMARKS
412	1	V2514410060	BOLT , STUD/2	M10X60	4			
412	2	V2514410050	BOLT , STUD/2	M10X50	4			
412	3	V4011600100	WASHER , SPRING	M10	10			
412	4	V3043600100	NUT , HEX/2	M10	8			
412	5	V2173610060	BOLT , HEX/S	M10X60	8			
412	6	12363201000	HOUSING , LH RR AXLE SUB ASSY		1			
412	7	12363202001	HOUSING , RH RR AXLE SUB ASSY		1			
412	8	V2514410028	BOLT , STUD/2	M10X28	4			
412	9	V5201010022	PIN , PARALLEL/A	10X22	4			
412	10	V2013610130	BOLT , HEX	M10X130	2			
412	11	V2174610050	BOLT , HEX/S	M10X50	10			
NOTE								

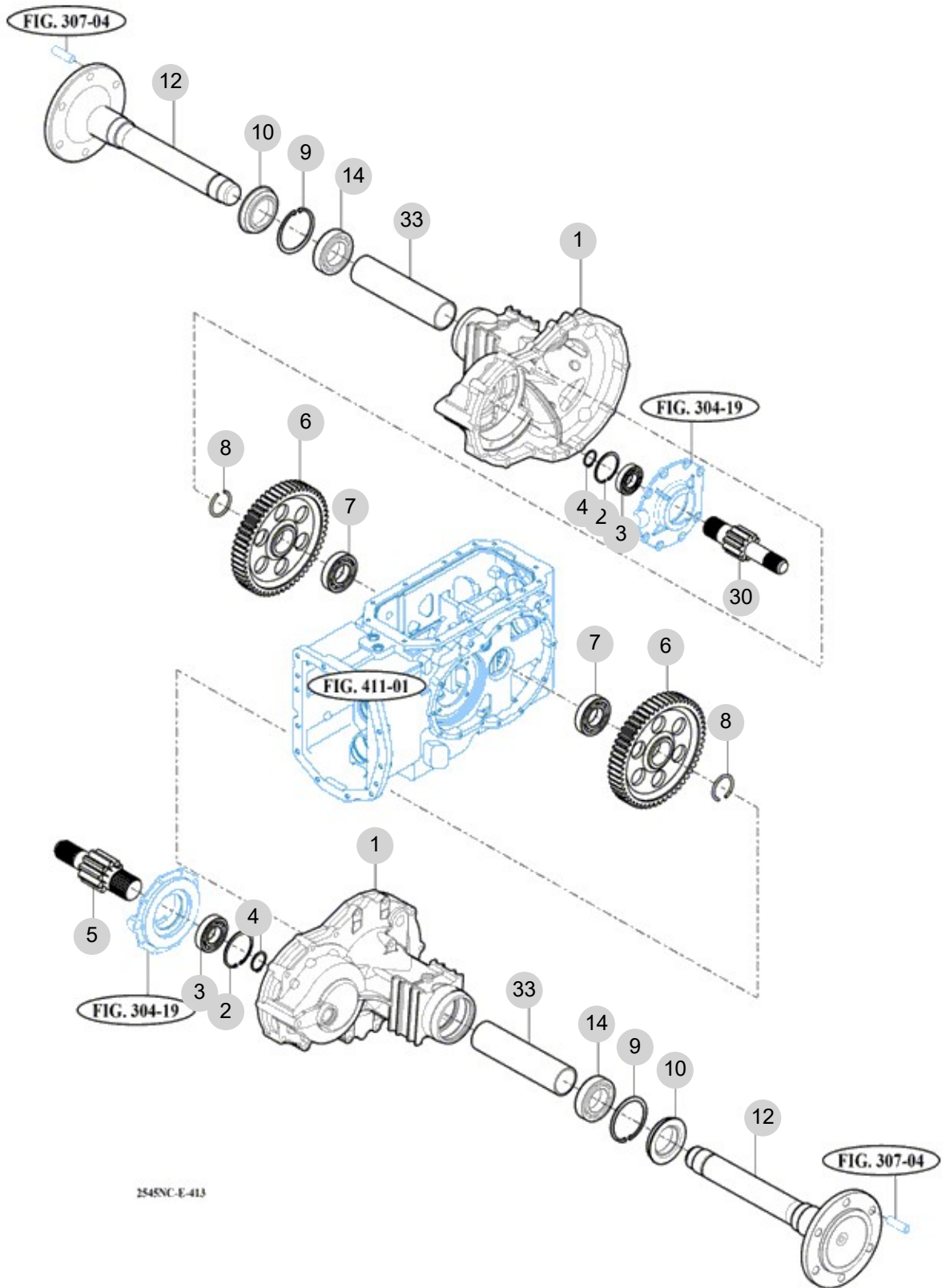
FIG 413

T474NC-B

REAR AXLE HOUSINGS (2)

년/월  
Year/Month

2022-12



NOTE

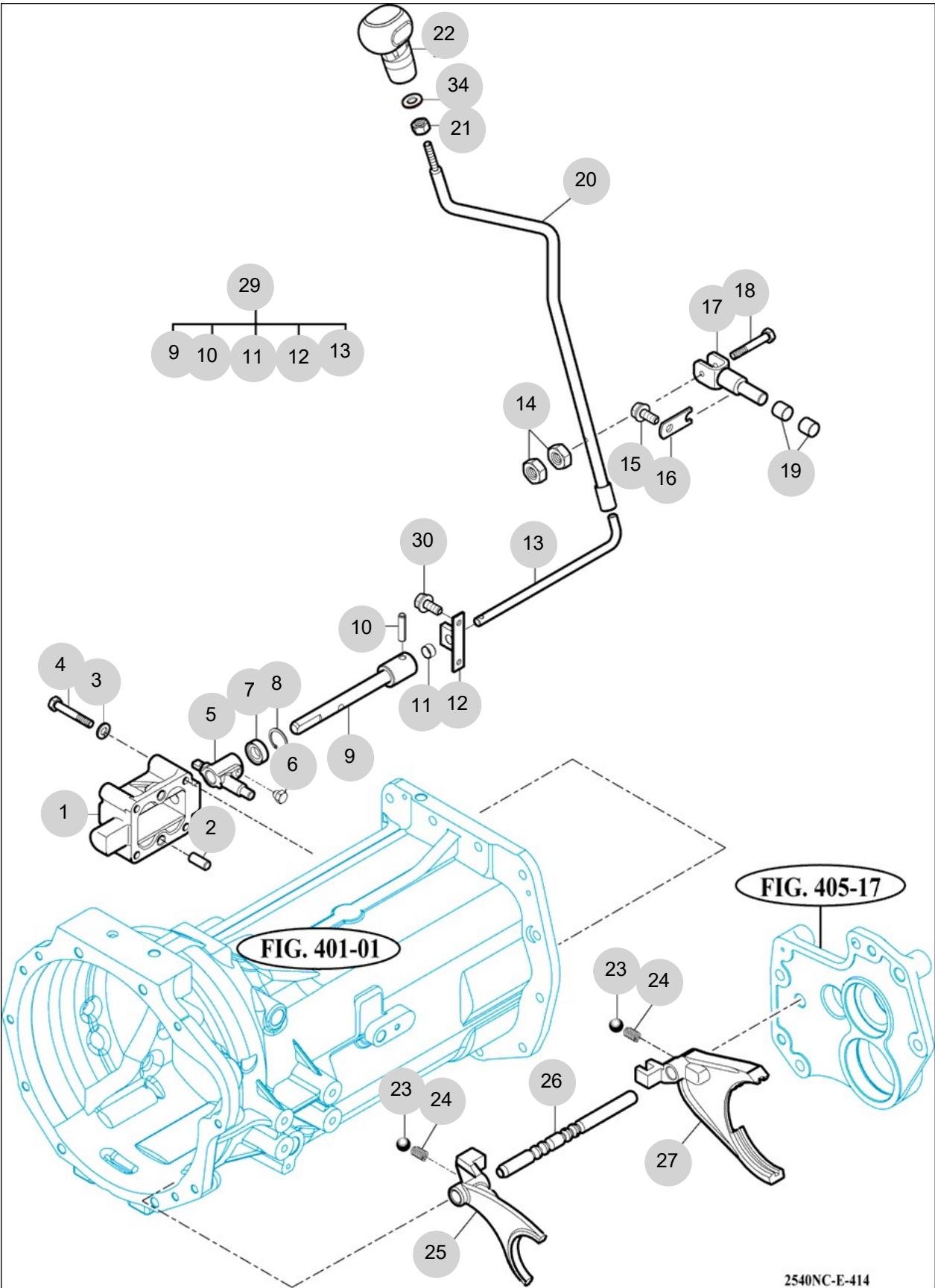


FIG 414

MAIN CHANGE LEVER

년/월  
Year/Month

2022-12



2540NC-E-414

NOTE

FIG 414 T474NC-B	MAIN CHANGE LEVER	년/월 Year/Month
		2022-12

KEY NO	PART NO	DESCRIPTION	SPEC	QTY	REPAIR	EFFECTIVE DATE	REMARKS
414	1	14942230330M	METAL , MAIN	1X1X1	1		
414	2	V5201010022	PIN , PARALLEL/A	10X22	2		
414	3	V4011600080	WASHER , SPRING	M8	4		
414	4	V2013608060	BOLT , HEX	M8X60	4		
414	5	14572230320M	ARM , CHANGE		1		
414	6	15602231600	BOLT , SET SEAL LOCK	M8X16	1		
414	6	15602231610	BOLT , SET M8X16		1		
414	7	V7441142508	SEAL , OIL/D	D14258	1		
414	8	V7051400250	C-RING , HOLE	25	1		
414	9	16702244300	ROD COMP , IN CHANGE	1X1X1	1		
414	10	V5801406025	PIN , SPRING	6X25	1		
414	11	16702240060	BUSH , 12X14X08	1X1X1	1		
414	12	16702234300	BRACKET COMP , MAIN SHIFTER	1X1X1	1		
414	13	16702233500	ROD COMP , OUT CHANGE	D=12 46X281	1		
414	14	V3002600060	NUT , HEX/1	M6	2		
414	15	V2173608016	BOLT , HEX/S	M8X16	1		
414	16	16702230371	PLATE	T=3	1		
414	17	16702244202	PIN COMP , MAIN CHANGE	1X1X1	1		
414	18	16702240051	BOLT , M6X45	M6*7T	1		
414	19	15603142910	BUSH , 16X18X15	LFB-1615	2		
414	20	16702244105	LEVER COMP , MAIN RANGE	1X1X1	1		
414	21	V3342600100	NUT , HEX FINE/2	M10	1		
414	22	13822442400	GRIP , MAIN CHANGE		1		
414	23	V6802000010	BALL , STEEL	5/16	2		
414	24	13022250030	SPRING , SHIFTER	D=1.4	2		
414	25	16702230023M	FORK , 1ST/2ND	1X1X1	1		
414	26	16702230300	STAY , MAIN SHIFT	1X1X1	1		
414	27	16702230043M	FORK , SYNCHRO	1X1X1	1		
414	29	16702232001	ROD SET , MAIN SHIFT	1X1X1	1		
414	30	V2173608025	BOLT , HEX/S	M8X25	2		
414	34	V4111600100	WASHER , PLAIN	M10	1		

NOTE

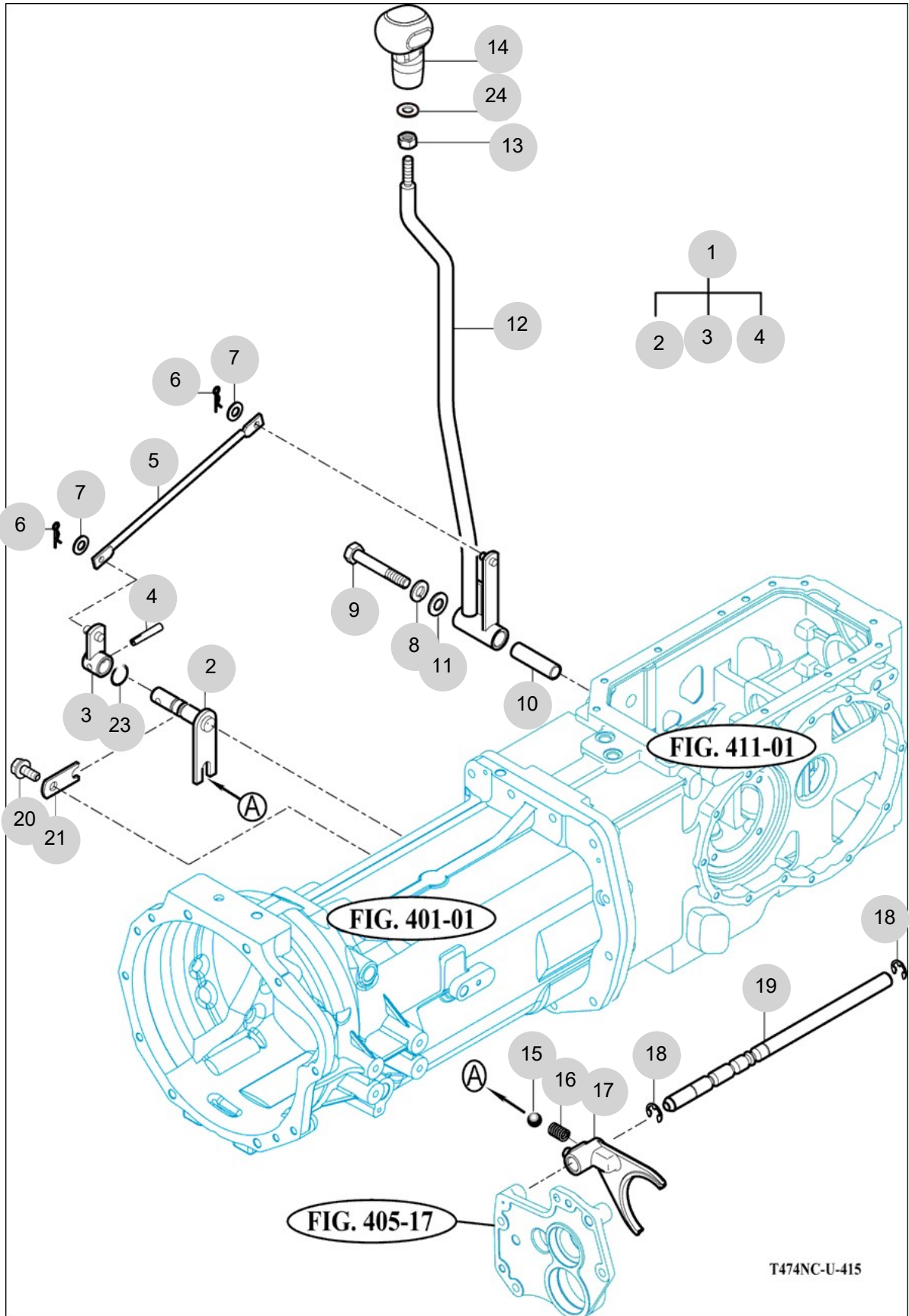
FIG 415

SUB CHANGE LEVER

년/월  
Year/Month

2022-12

T474NC-B



NOTE





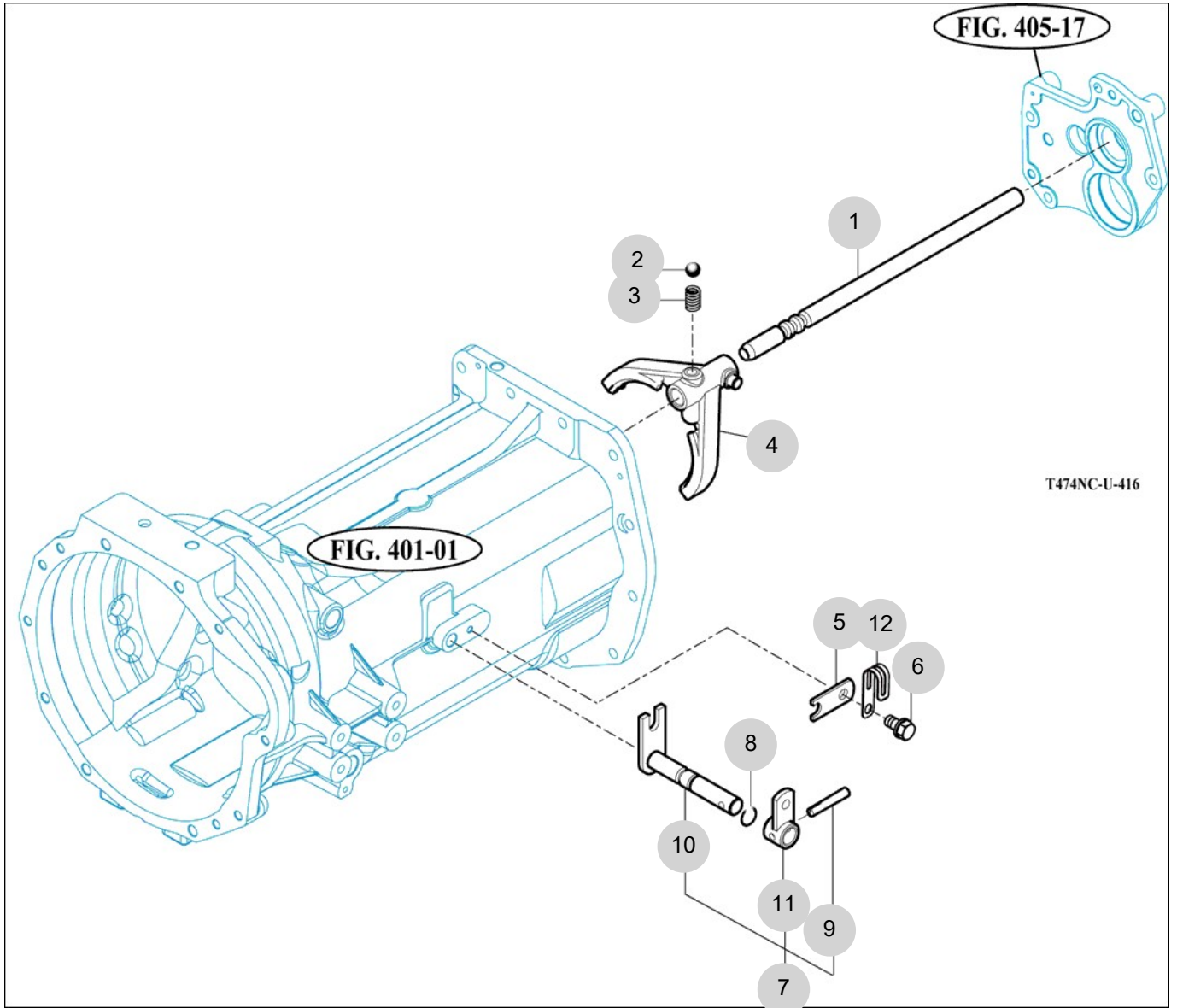
FIG 416

REVERSE LINK

년/월  
Year/Month

T474NC-B

2022-12



NOTE



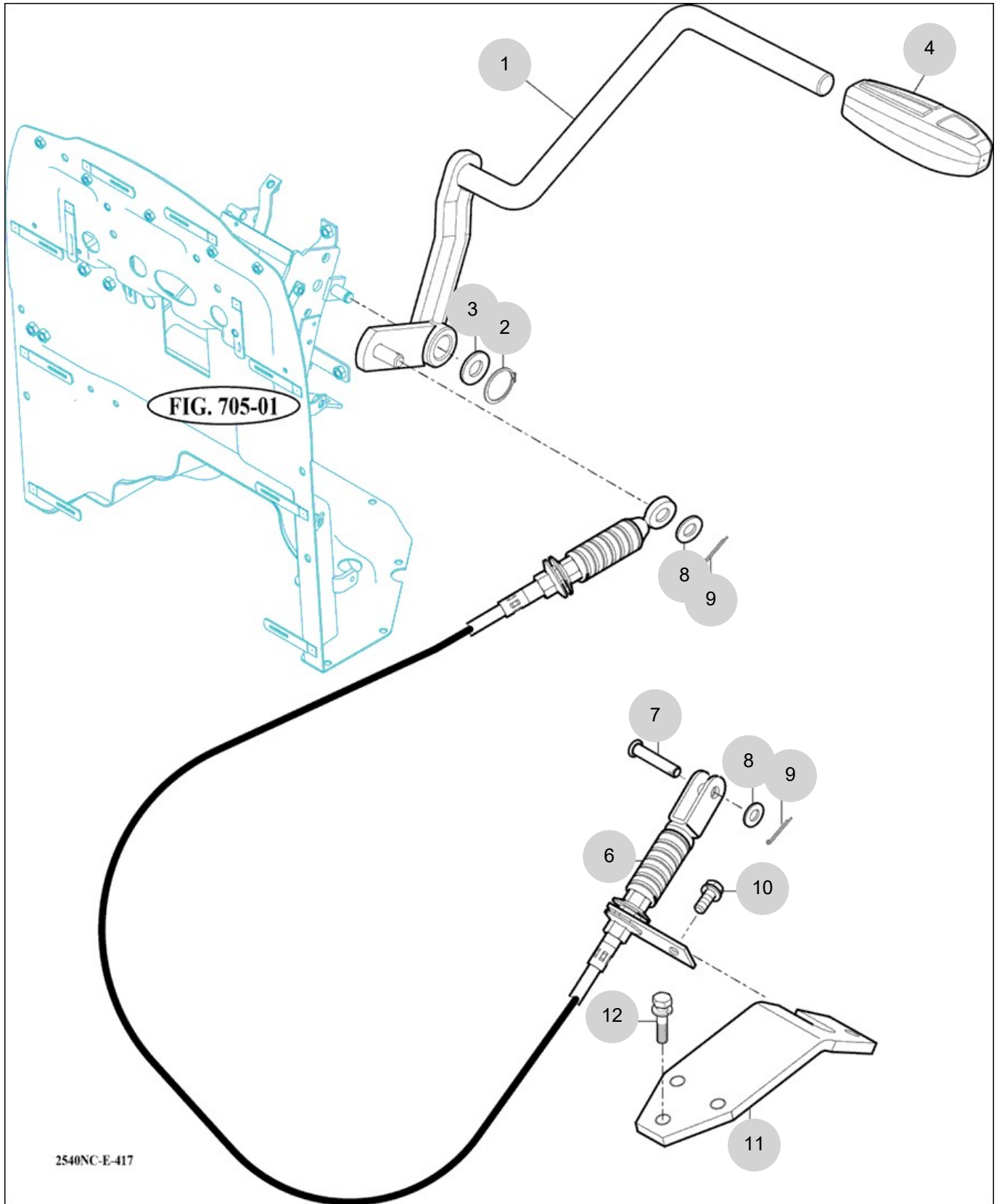
FIG 417

REVERSE CHANGE LEVER

년/월  
Year/Month

T474NC-B

2022-12



2540NC-E-417

NOTE



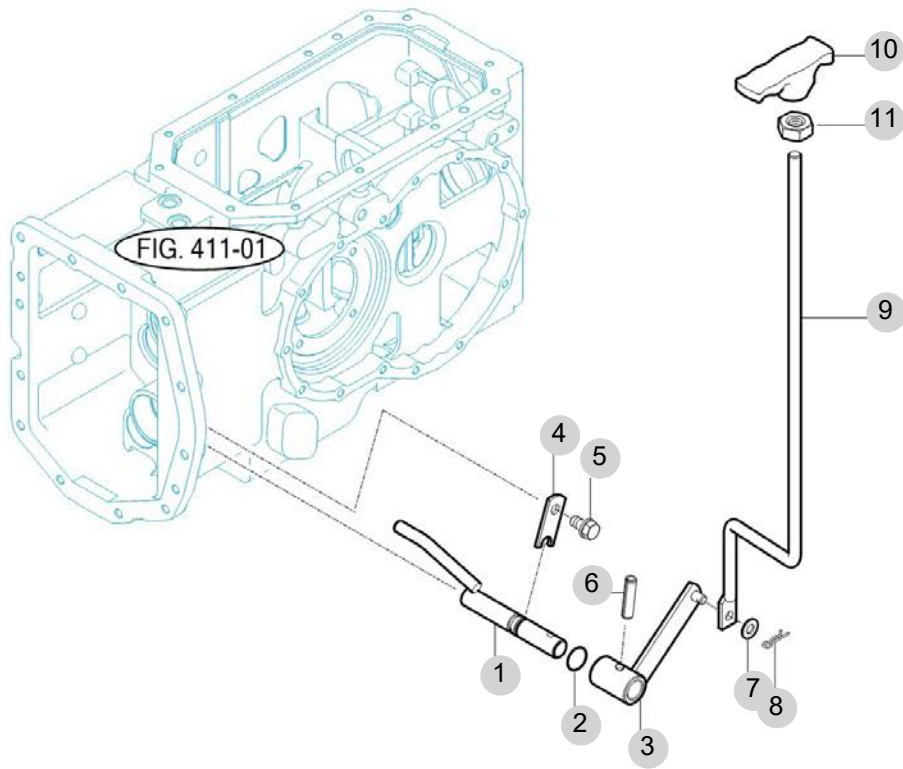
FIG 418

4WD CHANGE LEVER

년/월  
Year/Month

T474NC-B

2022-12



T303/353NC-E-418

NOTE



## 5. Front Axle PART NO. T5

FIG 501 FRONT AXLE BRACKET	169
FIG 502 FRONT DIFF. GEARS & SHAFT	171
FIG 503 FRONT AXLE HOUSING	173
FIG 504 FRONT GEAR CASE (1)	175
FIG 505 FRONT GEAR CASE (2)	177



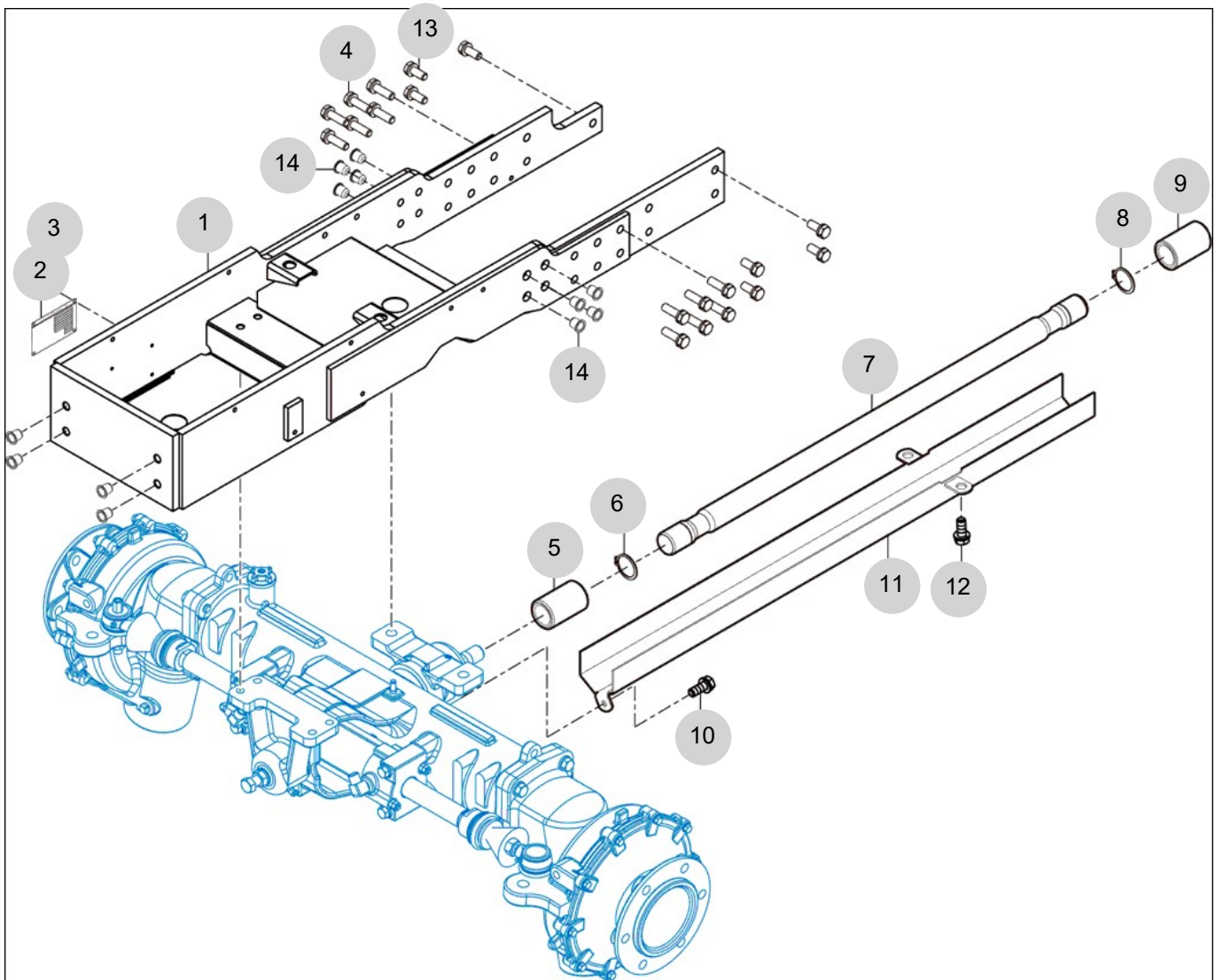
FIG 501

FRONT AXLE BRACKET

년/월  
Year/Month

2022-12

T474NC-B



NOTE



FIG 502

T474NC-B

FRONT DIFF. GEARS & SHAFT

년/월  
Year/Month

2022-12

\* NOT SERVICED SEPARATELY

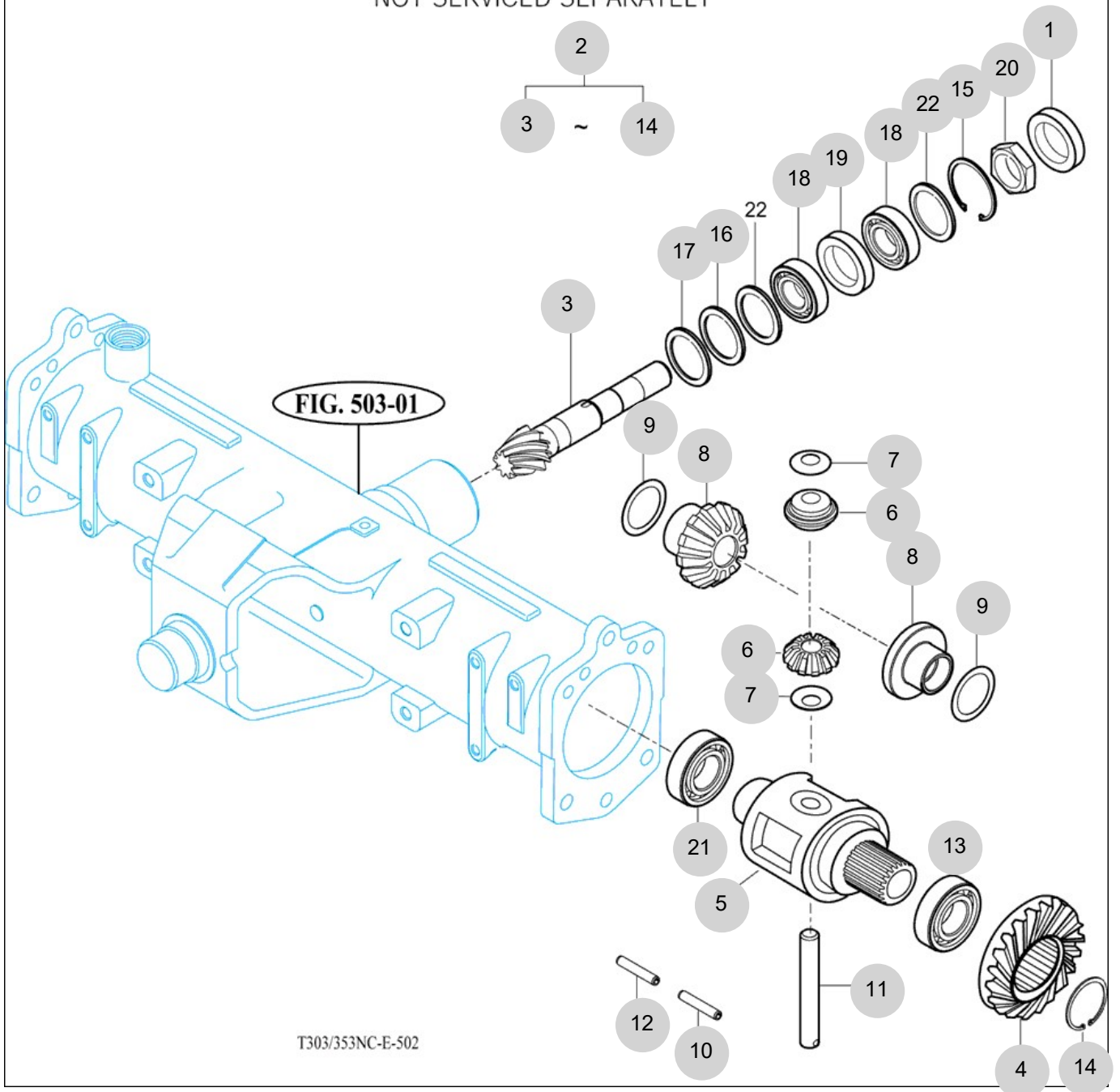


FIG. 503-01

T303/353NC-E-502

NOTE



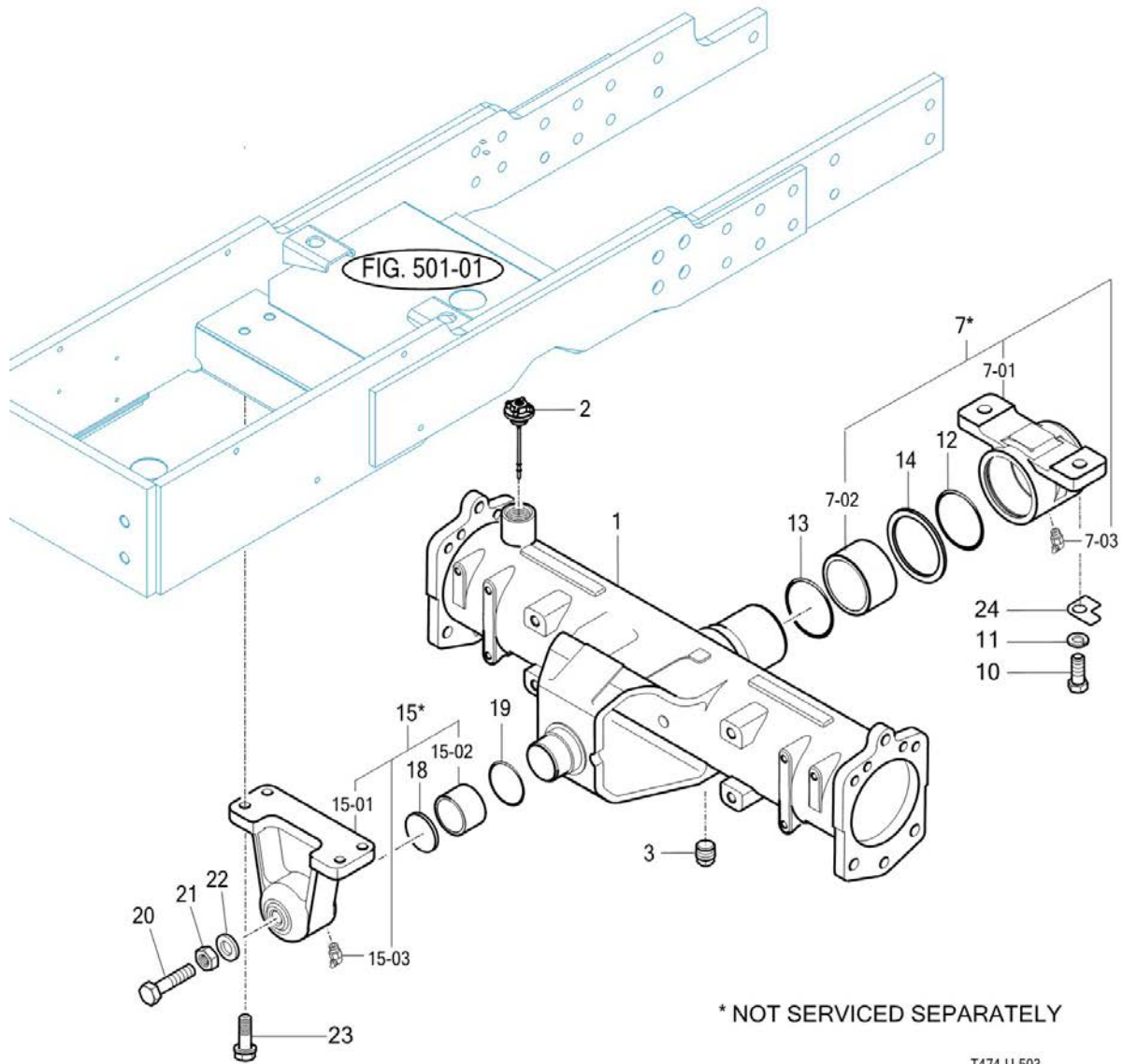
FIG 503

FRONT AXLE HOUSING

년/월  
Year/Month

T474NC-B

2022-12



T474-U-503

NOTE



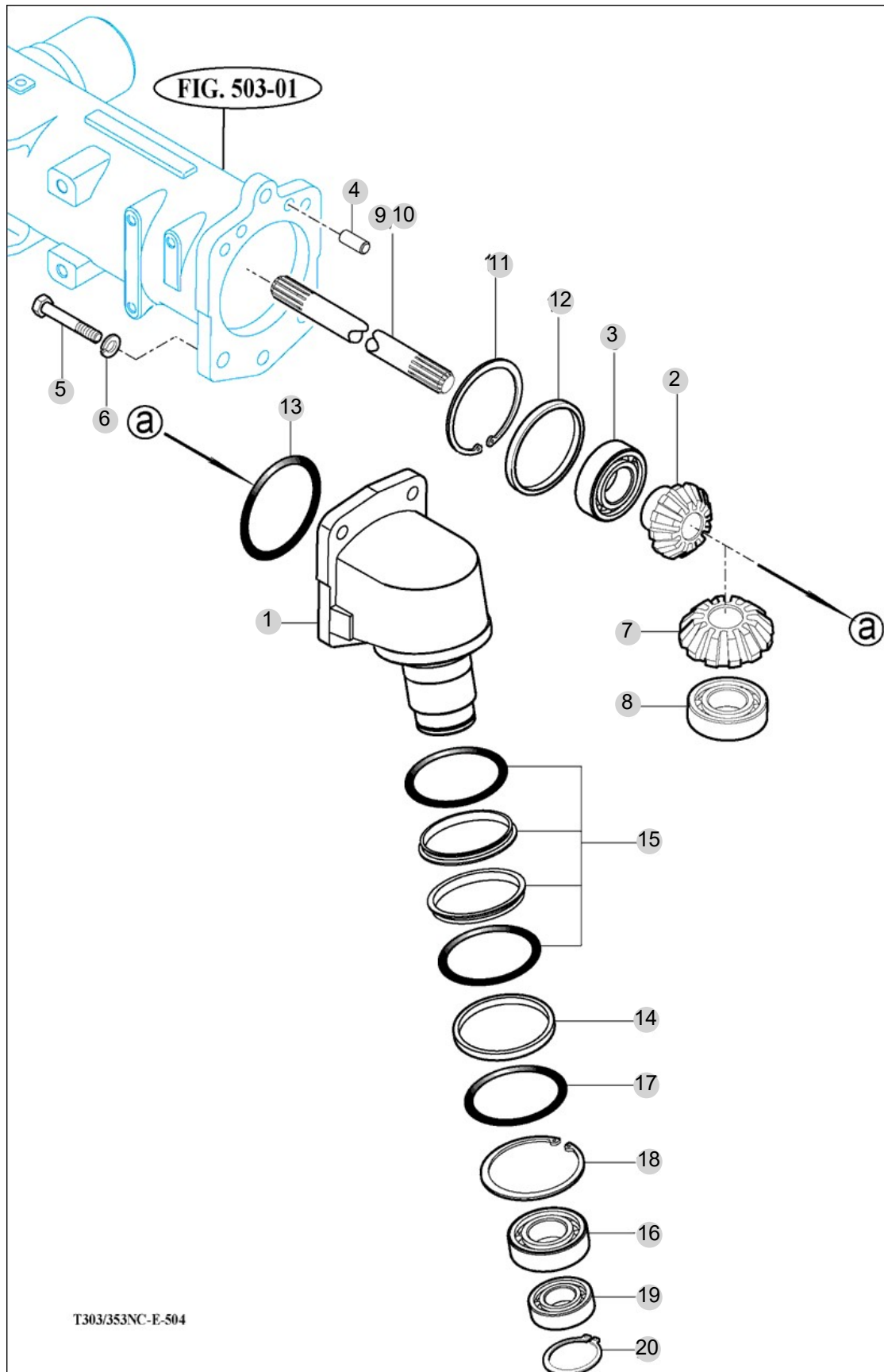
FIG 504

T474NC-B

FRONT GEAR CASE (1)

년/월  
Year/Month

2022-12



NOTE





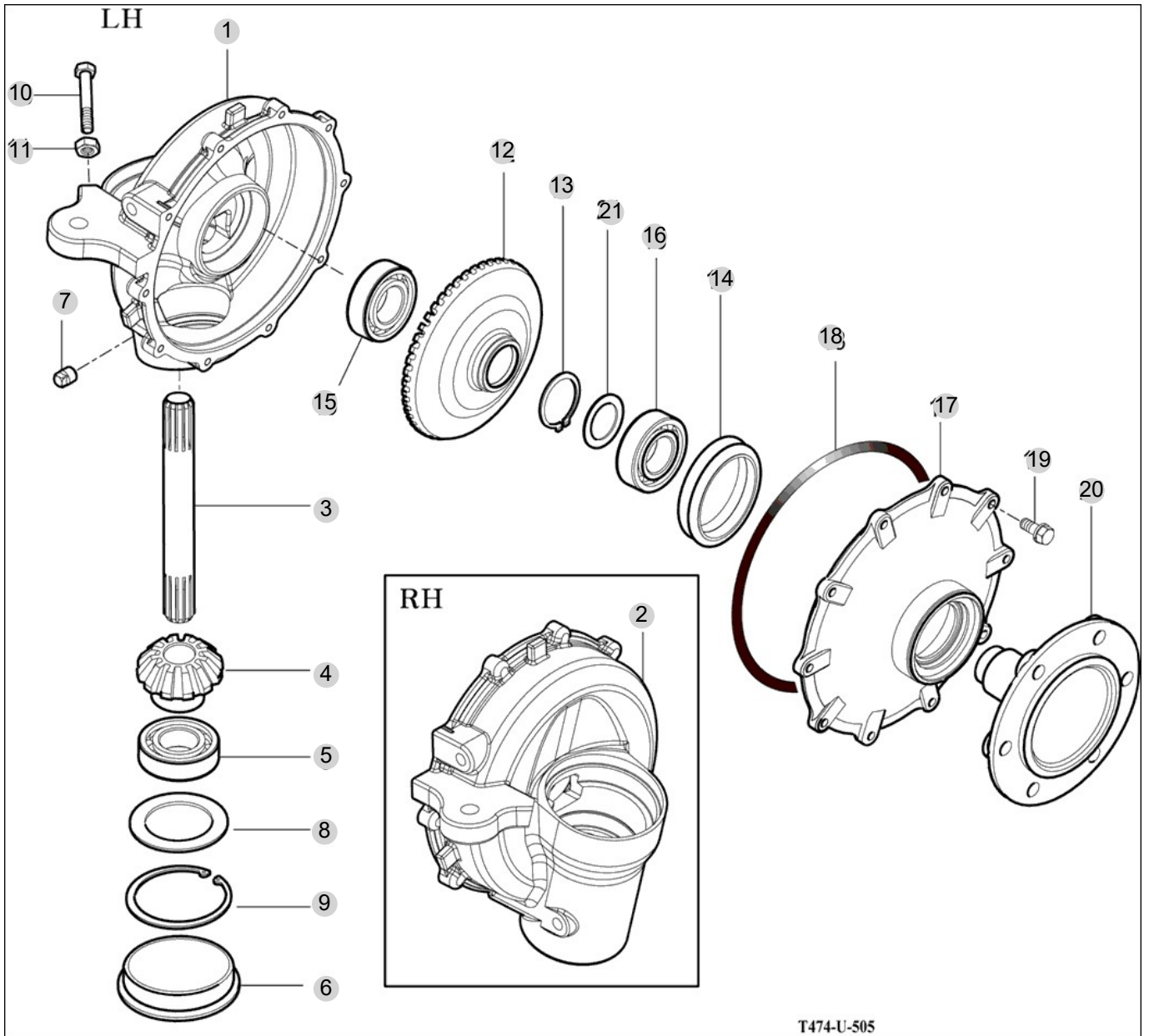
FIG 505

T474NC-B

FRONT GEAR CASE (2)

년/월  
Year/Month

2022-12



NOTE



## 6. Hydraulic/3P-Link PART NO. T6

FIG 601 GEAR PUMP	180
FIG 602 CYLINDER CASE	182
FIG 603 LIFT ARM	184
FIG 604 CYLINDER	186
FIG 605 POSITION LINK (1)	188
FIG 606 POSITION LINK (2)	190
FIG 607 CONTROL VALVE	192
FIG 608 POSITION LEVER	194
FIG 609 HYDRAULIC PIPE (1)	196
FIG 610 HYDRAULIC PIPE (2)	198
FIG 611 EXTERIOR HYD VALVE	200
FIG 612 3-POINT LINK	202
FIG 613 HITCH & COVER	205
FIG 614 EXTERIOR POSITION LEVER	207

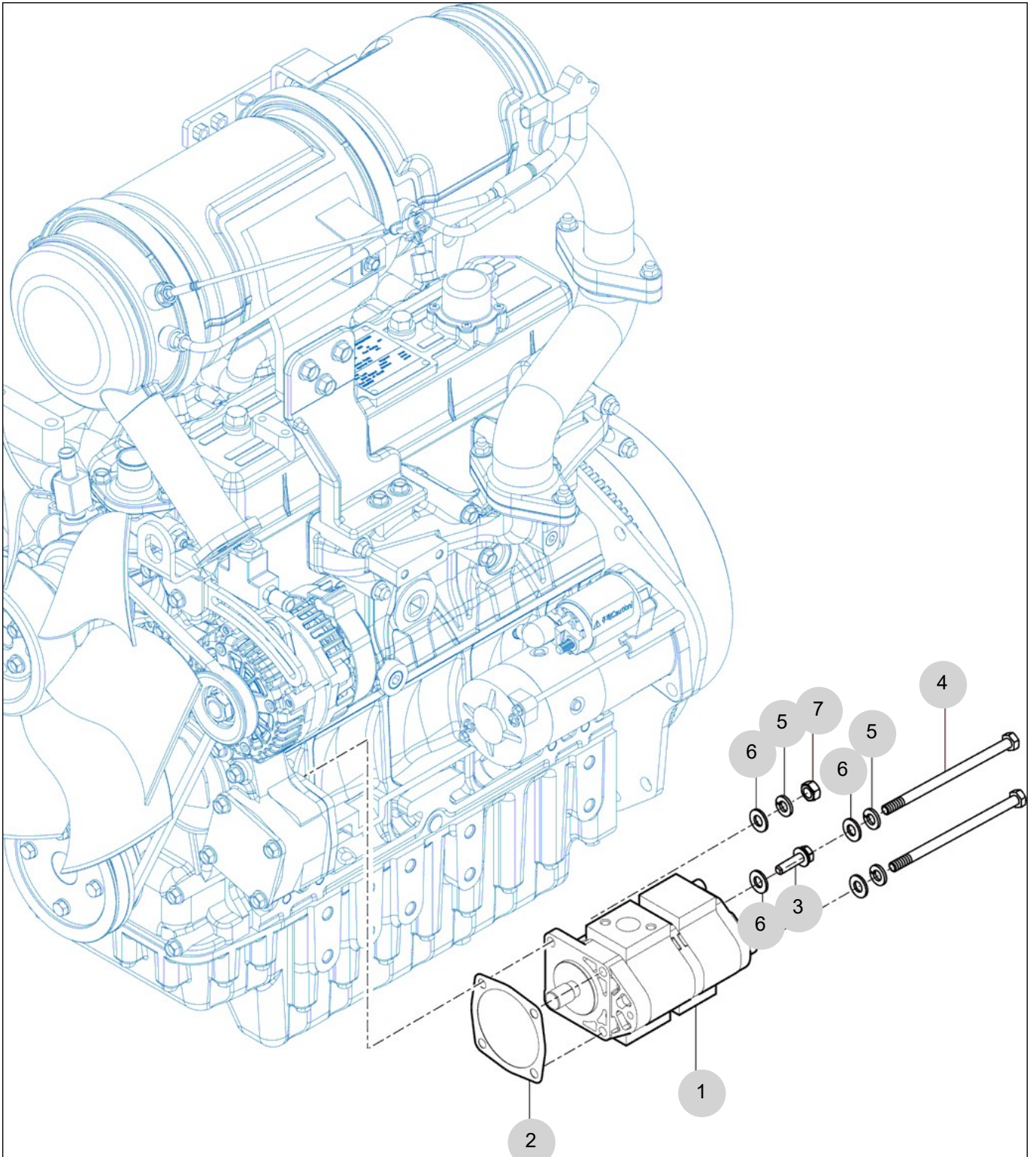
FIG 601

GEAR PUMP

년/월  
Year/Month

T474NC-B

2022-12



NOTE



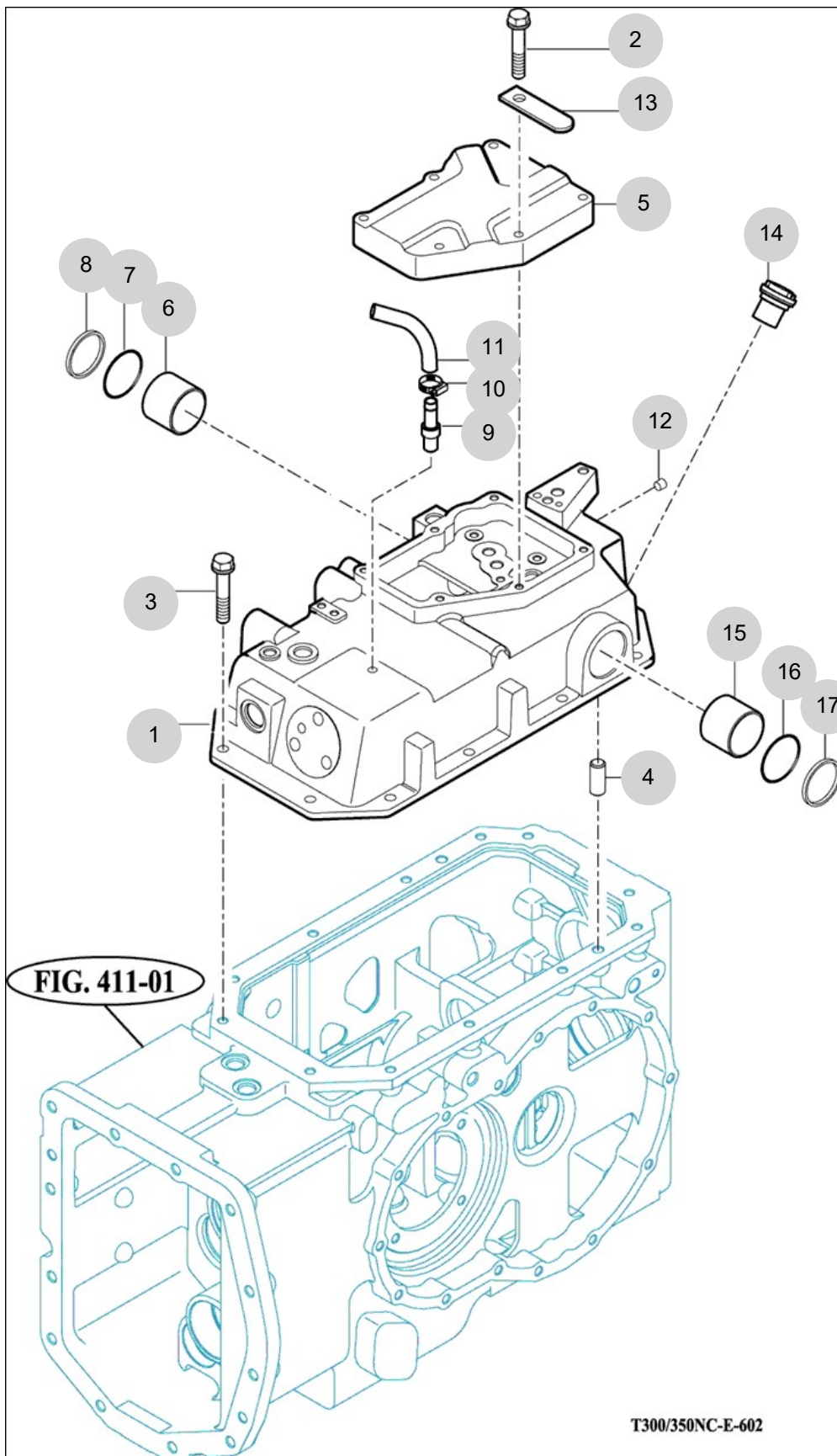
FIG 602

CYLINDER CASE

년/월  
Year/Month

T474NC-B

2022-12



T300/350NC-E-602

NOTE



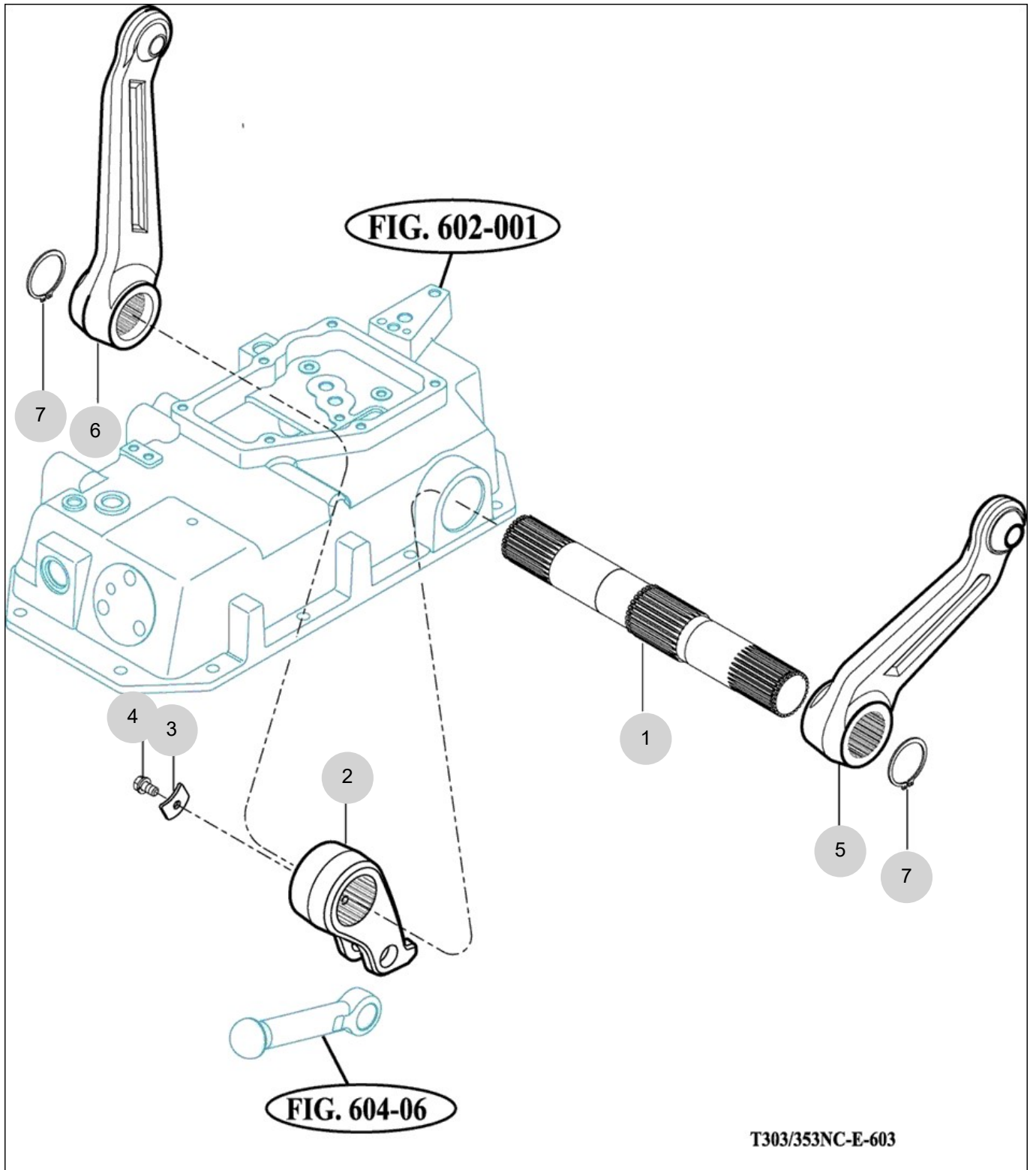
FIG 603

T474NC-B

LIFT ARM

년/월  
Year/Month

2022-12



T303/353NC-E-603

NOTE





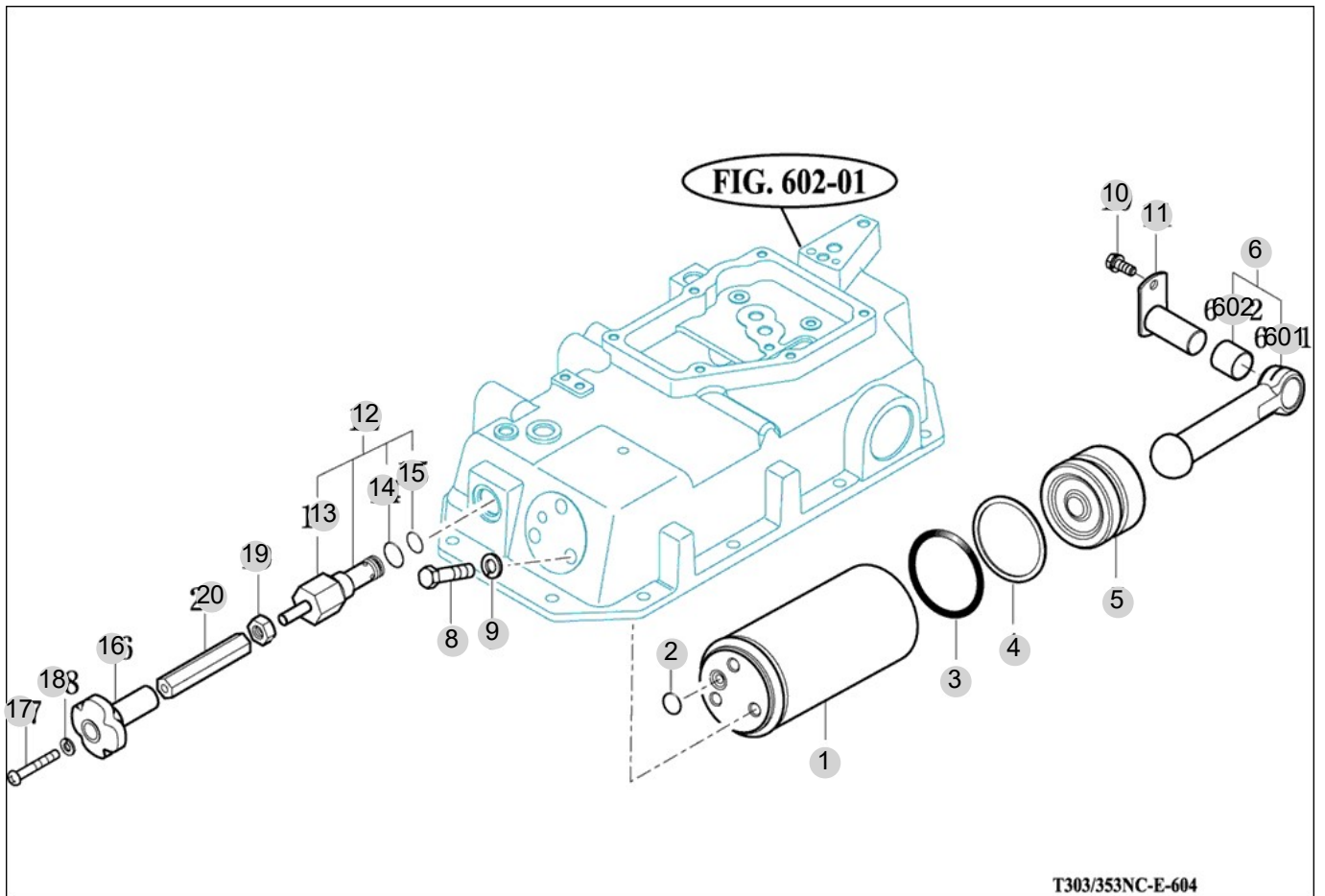
FIG 604

T474NC-B

CYLINDER

년/월  
Year/Month

2022-12



NOTE



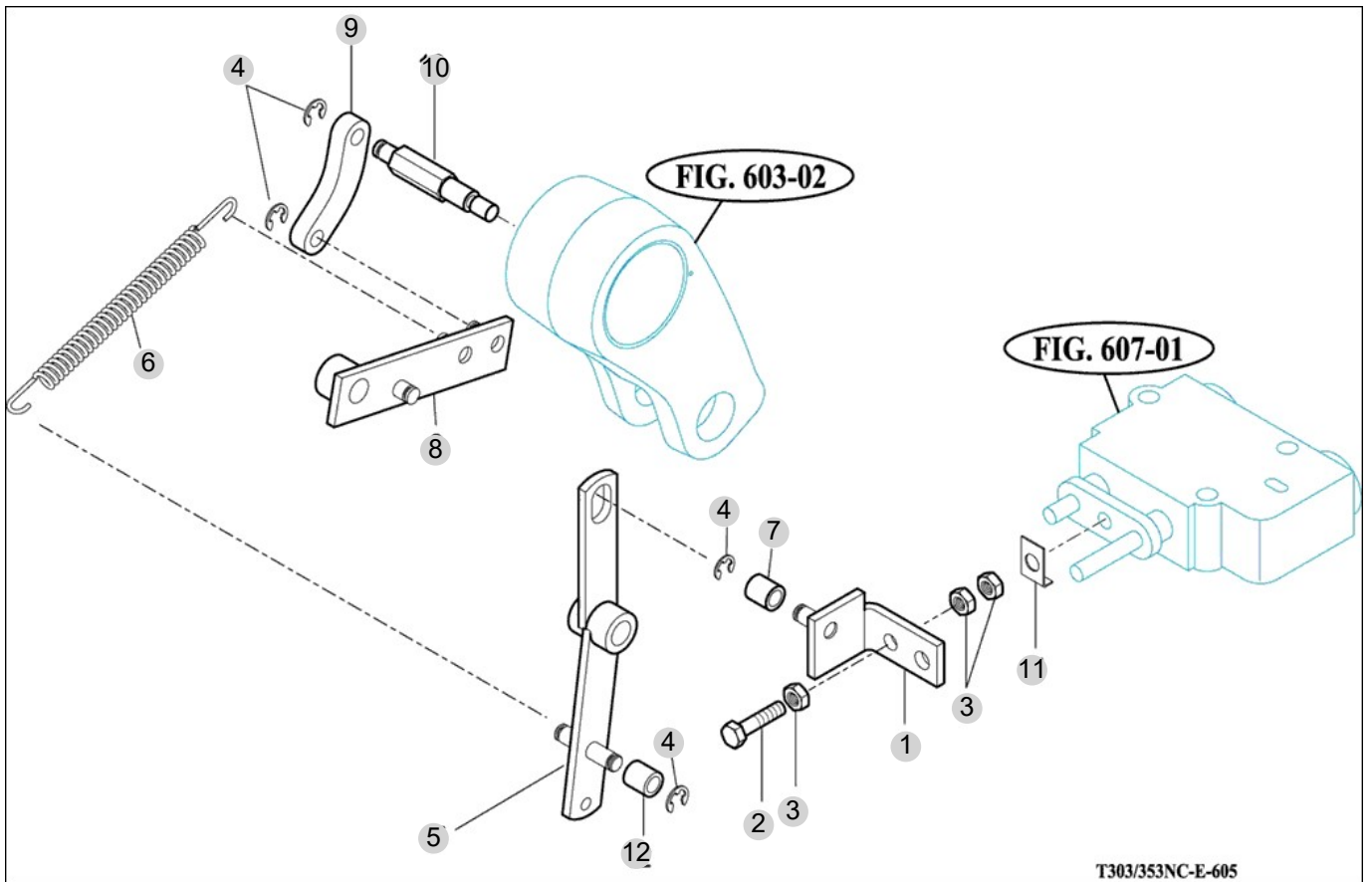
FIG 605

T474NC-B

POSITION LINK (1)

년/월  
Year/Month

2022-12



T303/353NC-E-605

NOTE



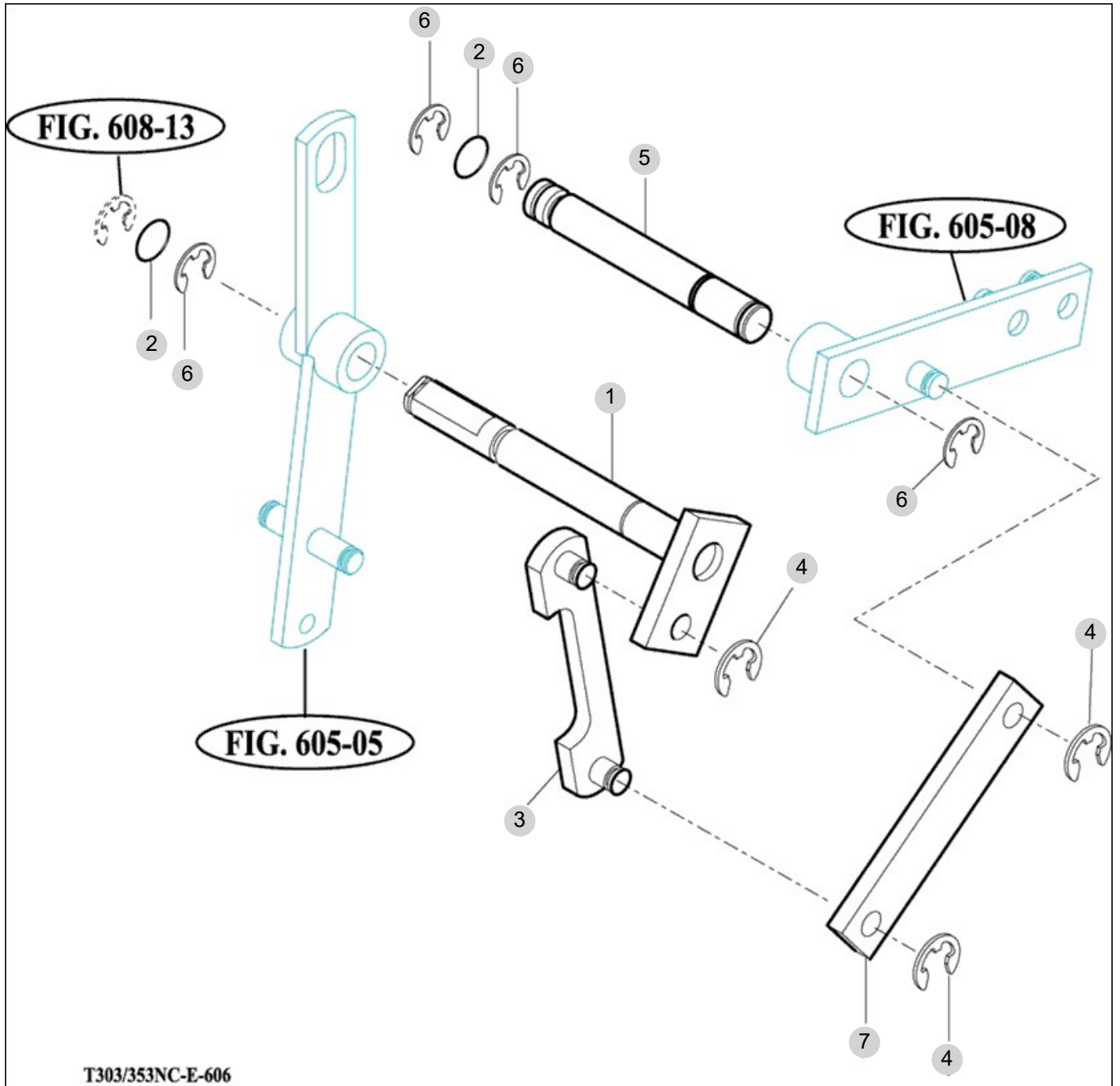
FIG 606

T474NC-B

POSITION LINK (2)

년/월  
Year/Month

2022-12



NOTE



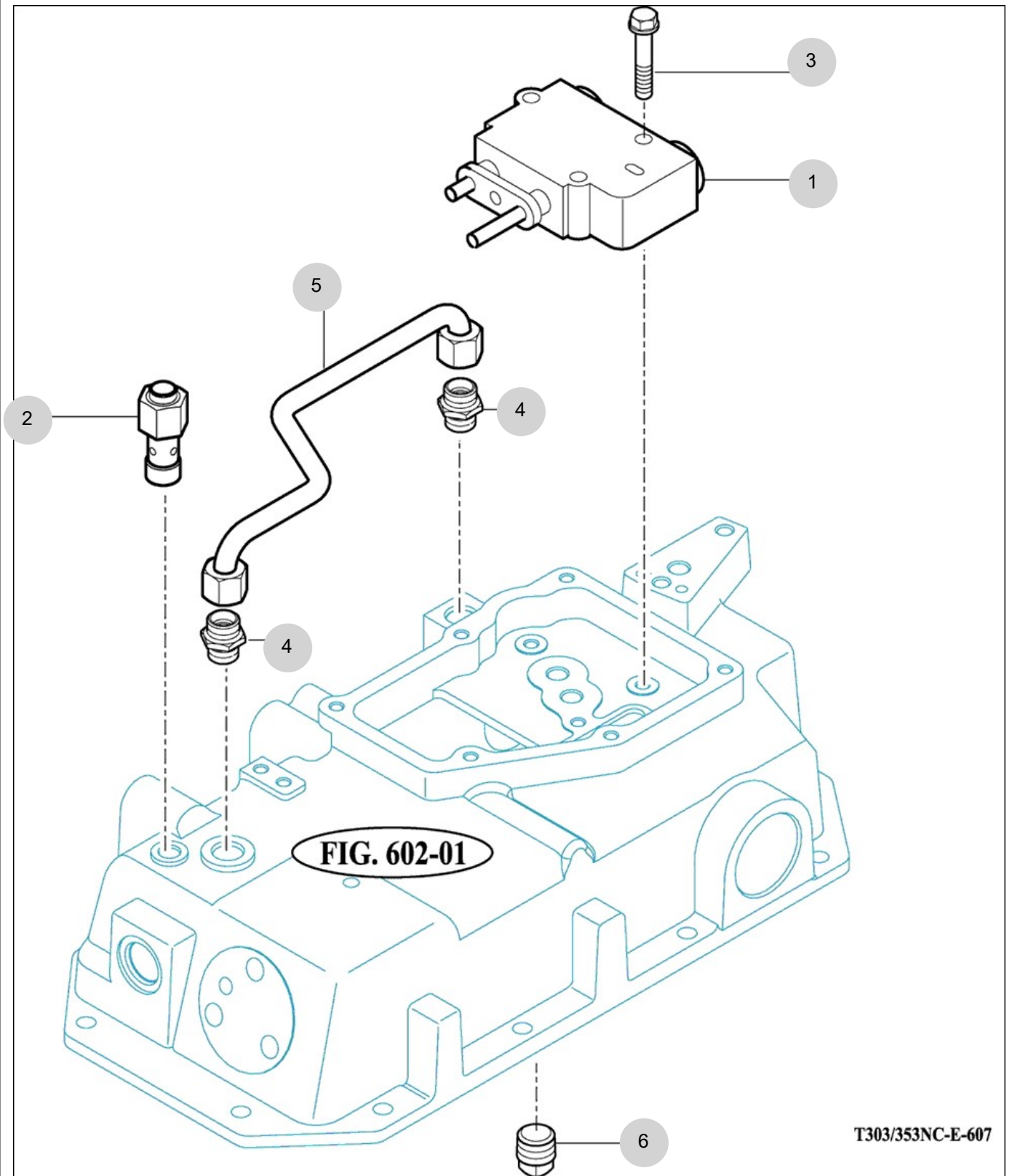
FIG 607

T474NC-B

CONTROL VALVE

년/월  
Year/Month

2022-12



NOTE





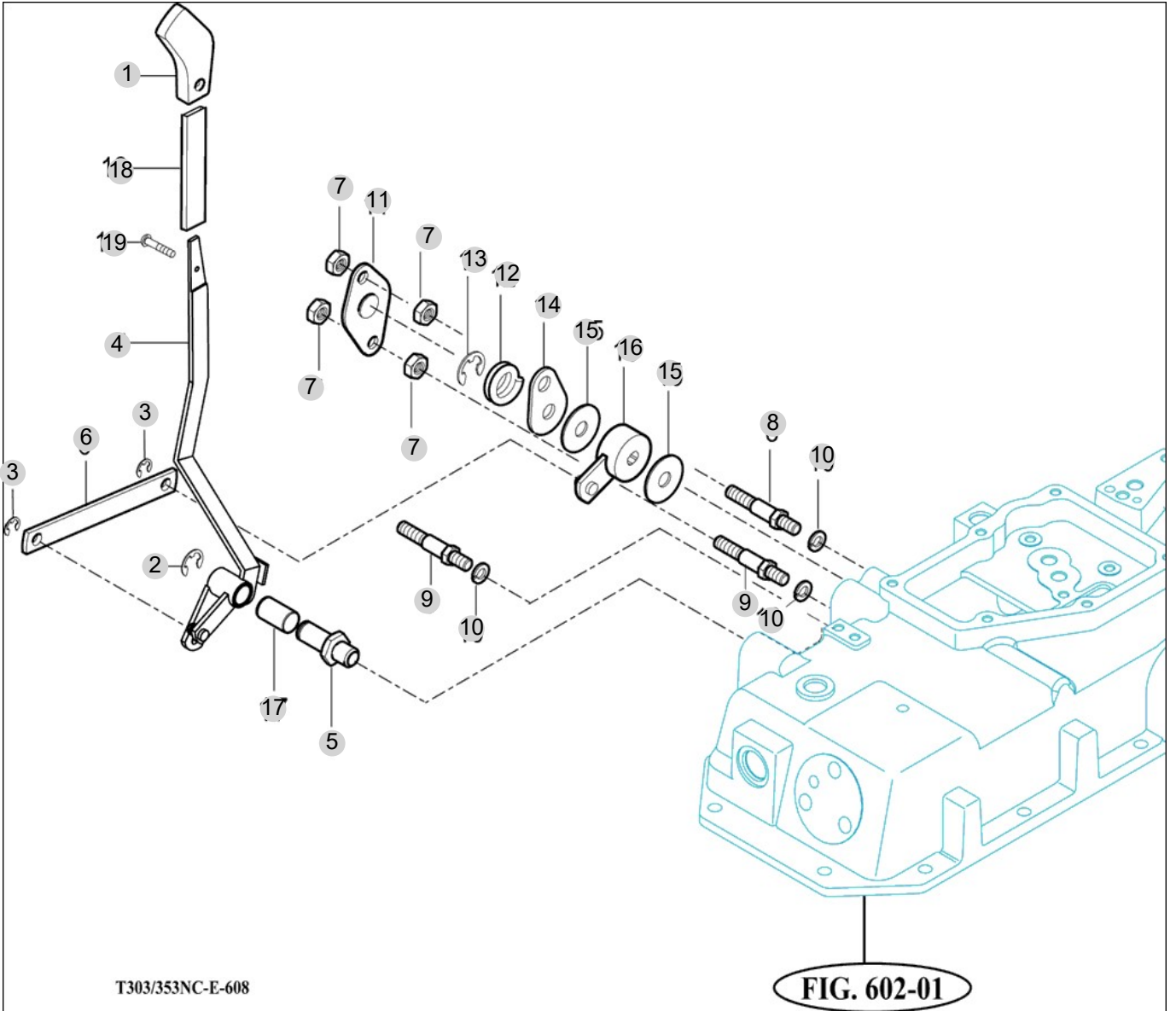
FIG 608

T474NC-B

POSITION LEVER

년/월  
Year/Month

2022-12



NOTE



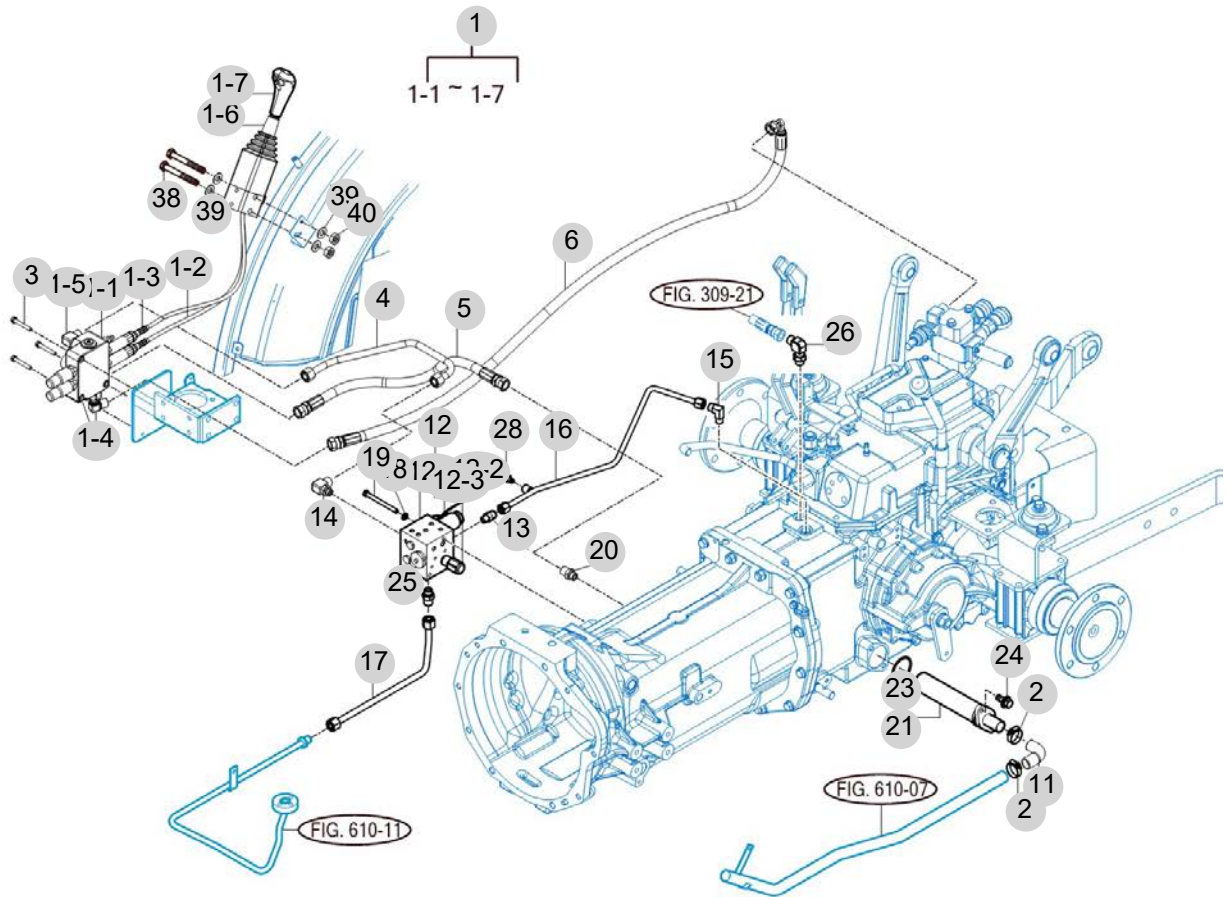
FIG 609

T474NC-B

HYDRAULIC PIPE (1)

년/월  
Year/Month

2022-12



NOTE



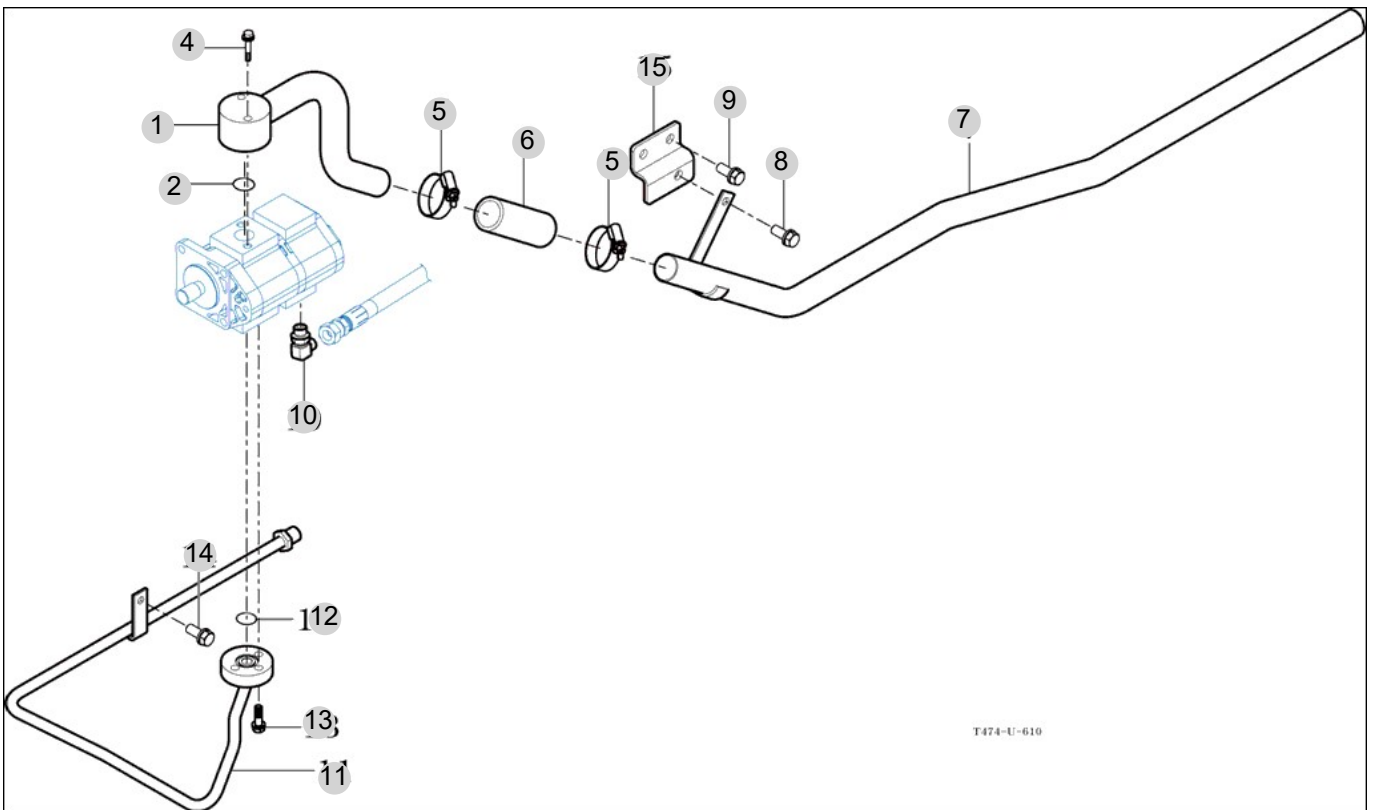
FIG 610

T474NC-B

HYDRAULIC PIPE (2)

년/월  
Year/Month

2022-12



T474-U-610

NOTE



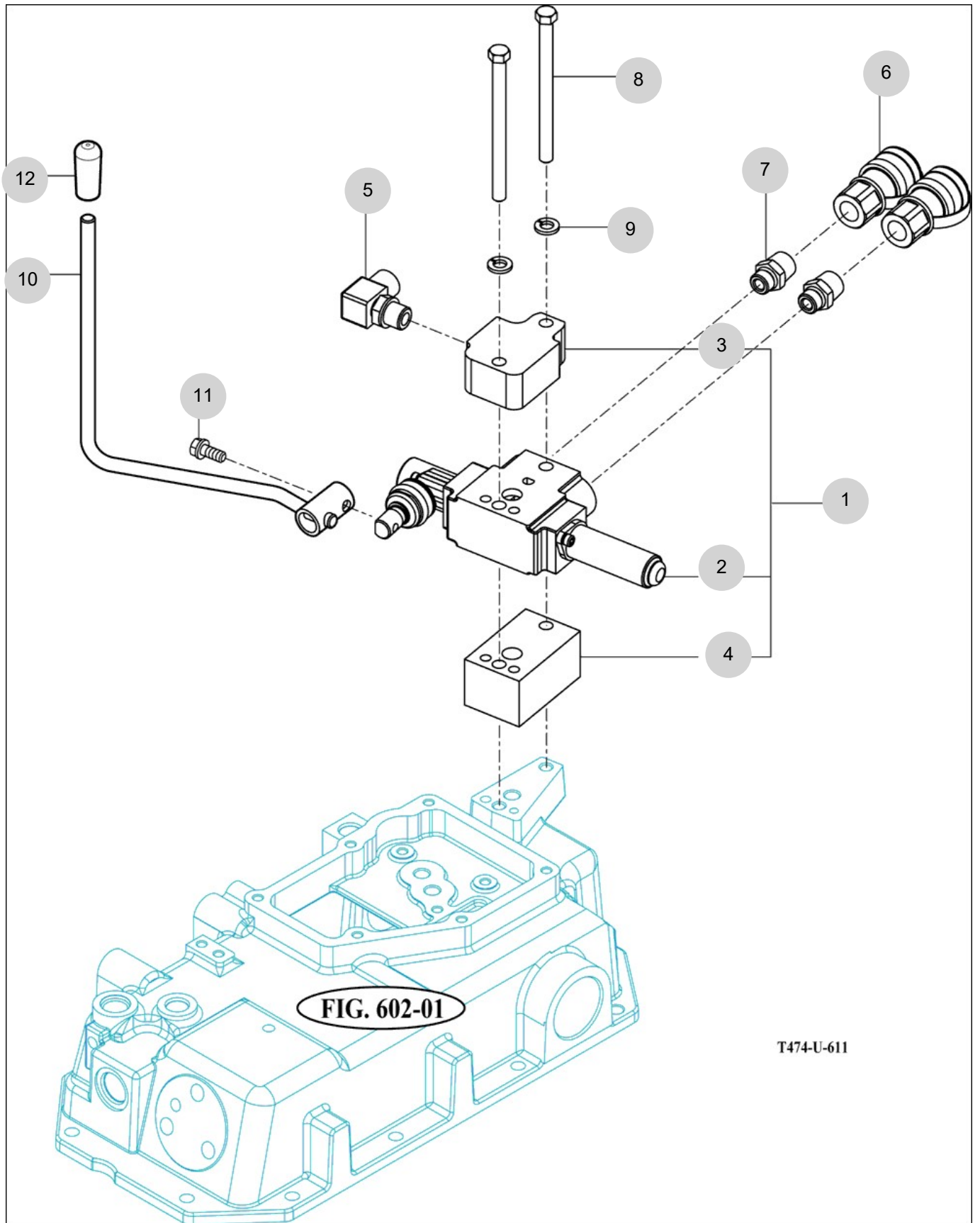
FIG 611

T474NC-B

EXTERIOR HYD VALVE

년/월  
Year/Month

2022-12



NOTE



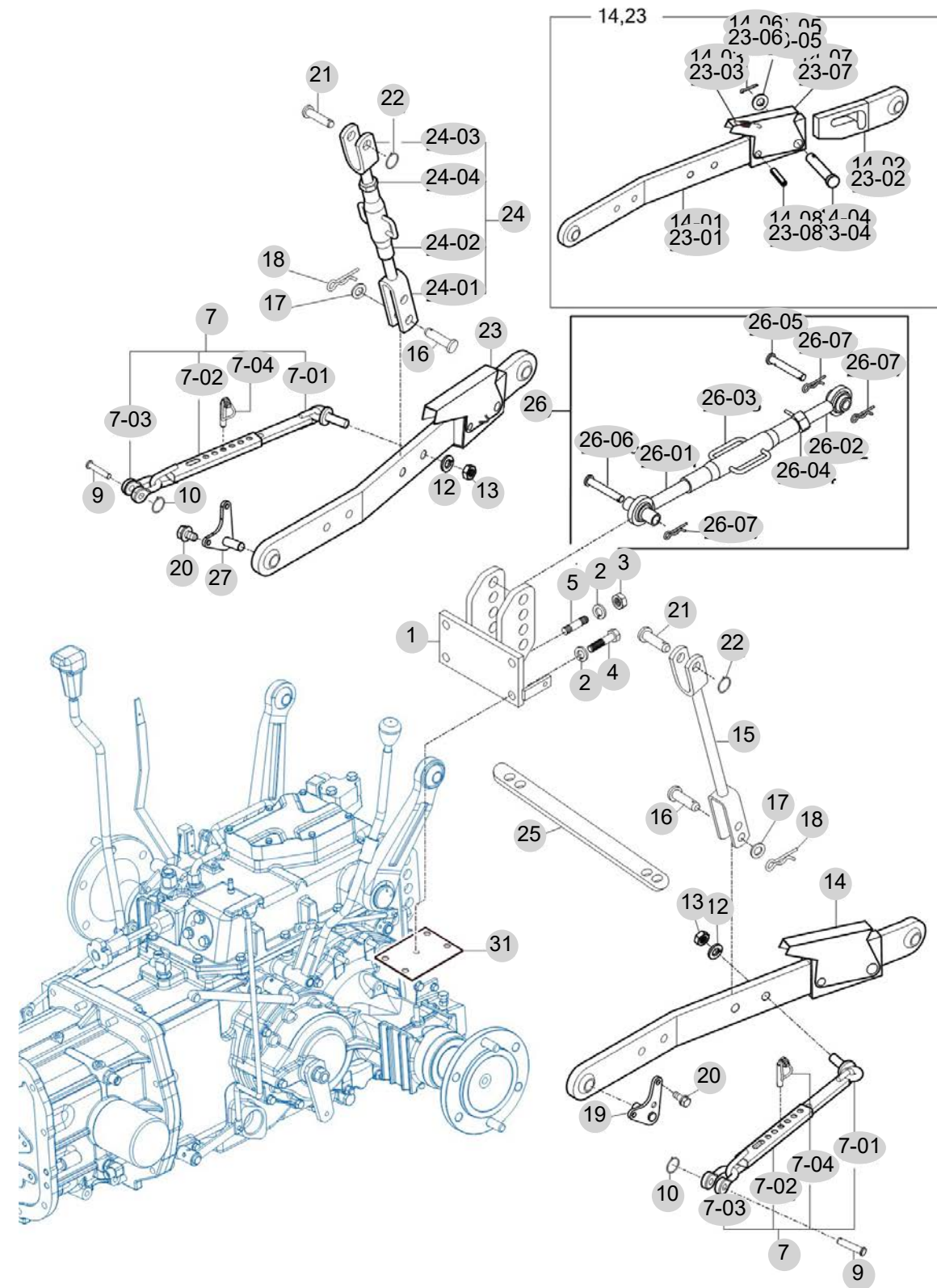


FIG 612

3-POINT LINK

년/월  
Year/Month

2022-12



NOTE

FIG 612		3-POINT LINK					년/월 Year/Month		
							2022-12		
T474NC-B		KEY NO	PART NO	DESCRIPTION	SPEC	QTY	REPAIR	EFFECTIVE DATE	REMARKS
612	1	16703172002GB	BRACKET COMP , TOP LINK			1			
612	2	V4011600140	WASHER , SPRING	M14		4			
612	3	V3043600140	NUT , HEX/2	M14		2			
612	4	V2014614035	BOLT , HEX			2			
612	5	V2514414030	BOLT , STUD/2	M14X30		2			
612	7	10525142500	CHAIN ASSY , CHECK			2			
612	7-01	10525142520	BAR COMP, CHECK			2			
612	7-02	10525142510	SOCKET COMP , CHECK			2			
612	7-03	16705142520	SHACKLE , CHECK CHAIN			2			
612	7-04	17705254200	PIN	M14		2			
612	9	79636110030	PIN , 12X48			2			
612	10	16735240060	Spring			2			
612	12	V4011600160	WASHER , SPRING	M16		2			
612	13	V3013600160	NUT , HEX/2	M16		2			
612	14	10525262300GB	LINK ASSY , LH LOWER			1			
612	14	10525262301GB	LOWER LINK ASSY , LH			1			
612	14-01	10525262310	LINK SUB, LOWER LH/FR			1			
612	14-02	10525262320	LINK SUB , LOWER LH/RR			1			
612	14-03	15155262330	SPRING , EXTENSION			1			
612	14-04	15155262340	PIN , 22X56			1			
612	14-05	V4111600220	WASHER , PLAIN	M22		1			
612	14-06	V5001940035	PIN , SPLIT	4X35		1			
612	14-07	15155262350	GRIP			1			
612	14-08	15155262360	PIN , SPRING			1			
612	15	10525243000GB	ROD ASSY , LIFT			1			
612	16	15605260014	PIN , 16X51			2			
612	17	V4111600160	WASHER , PLAIN	M16		2			
612	18	V5601600160	PIN , SNAP			2			
612	19	12385142200	PIN COMP , LH			2			
612	20	V2173612030	BOLT , HEX/S	M12X30		4			
612	21	16735243500	PIN			2			
612	22	16735240060	Spring			2			
612	23	10525262200GB	LINK ASSY , RH LOWER			1			
612	23	10525262201GB	LOWER LINK ASSY , RH			1			
612	23-01	10525262210	LINK SUB, LOWER RH/FR			1			
612	23-02	10525262220	LINK SUB , LOWER RH/RR			1			
612	23-03	15155262330	SPRING , EXTENSION			1			
612	23-04	15155262340	PIN , 22X56			1			
612	23-05	V4111600220	WASHER , PLAIN	M22		1			
612	23-06	V5001940035	PIN , SPLIT	4X35		1			
612	23-07	15155262350	GRIP			1			
612	23-08	15155262360	PIN , SPRING			1			
612	24	10525244000GB	ROD ASSY , RH LIFT			1			
612	24-01	10525145200	FORK COMP , LOW			1			
612	24-02	16705145100	SLIP COMP			1			
NOTE									



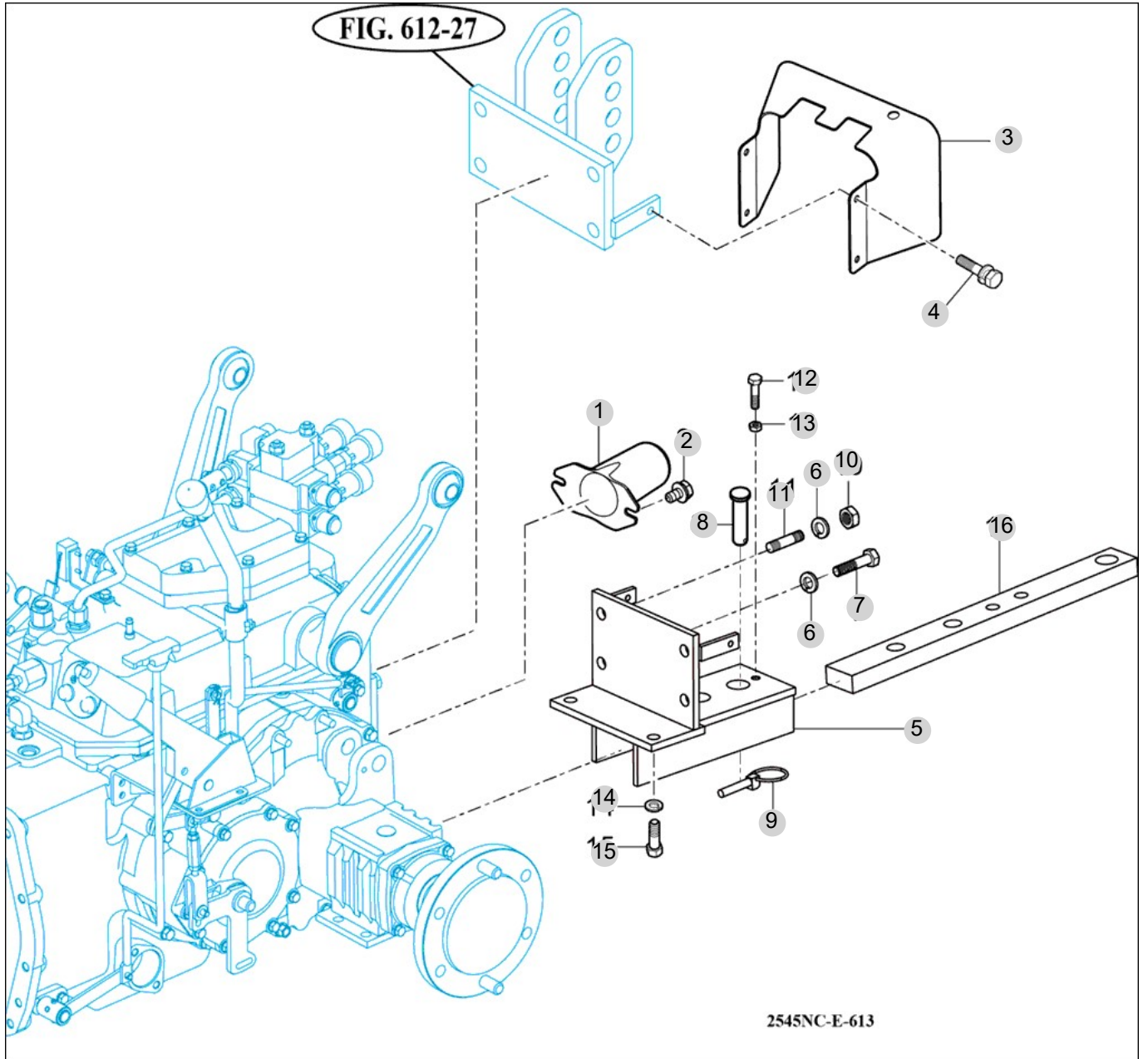
FIG 613

HITCH & COVER

년/월  
Year/Month

T474NC-B

2022-12



NOTE



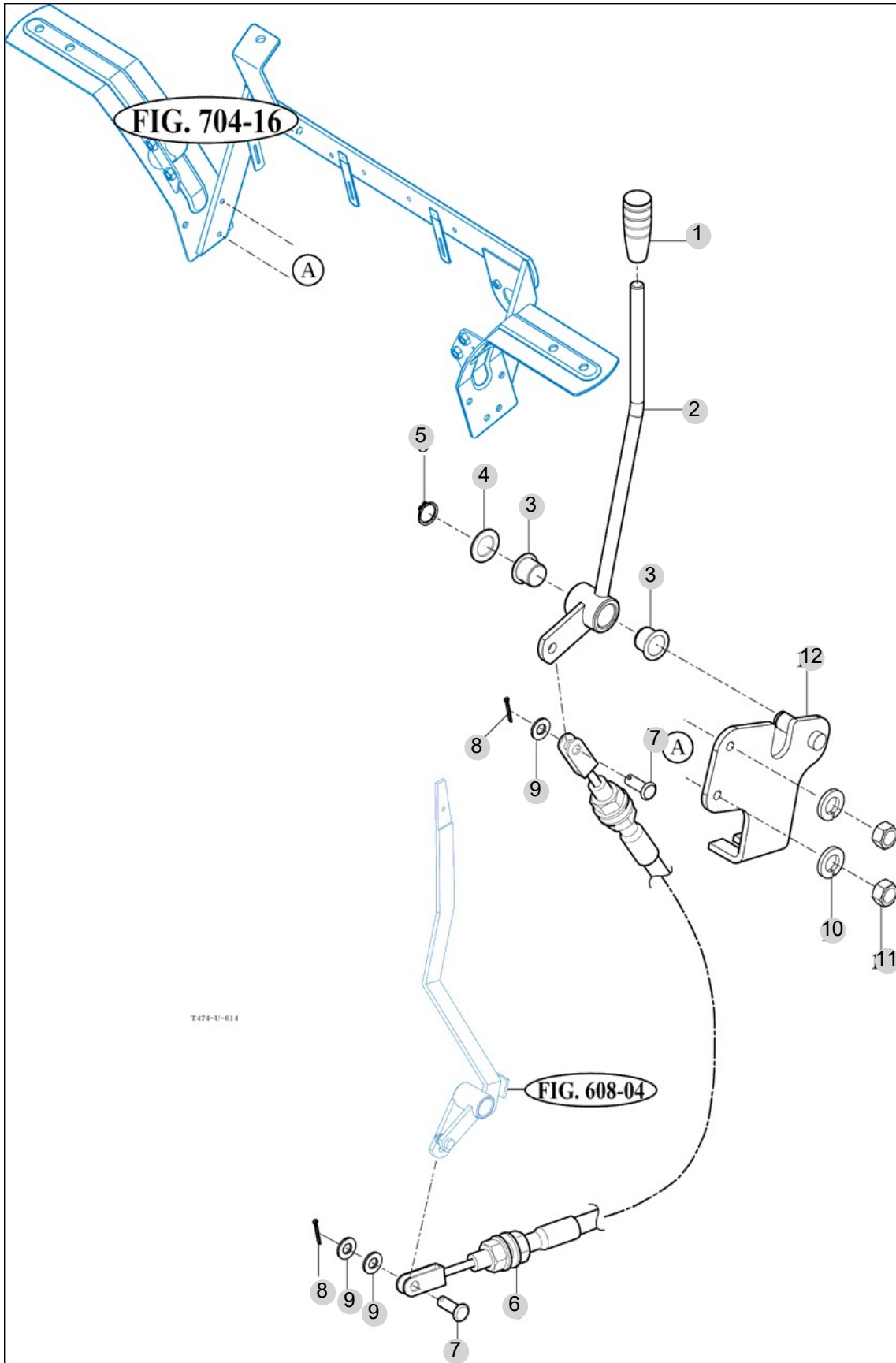
FIG 614

EXTERIOR POSITION LEVER

년/월  
Year/Month

T474NC-B

2022-12



NOTE





## 7. Sheet Metal & Cabin PART NO. T7

FIG 701 HOOD FRAME	210
FIG 702 HOOD	213
FIG 703 EXTENSION COVER	216
FIG 704 FENDER & REAR FRAME	218
FIG 705 DASHPANEL	221
FIG 706 FLOOR PANEL	223
FIG 707 SEAT	225
FIG 708 FRONT & REAR MOUNTING	227
FIG 709 ROPS	229

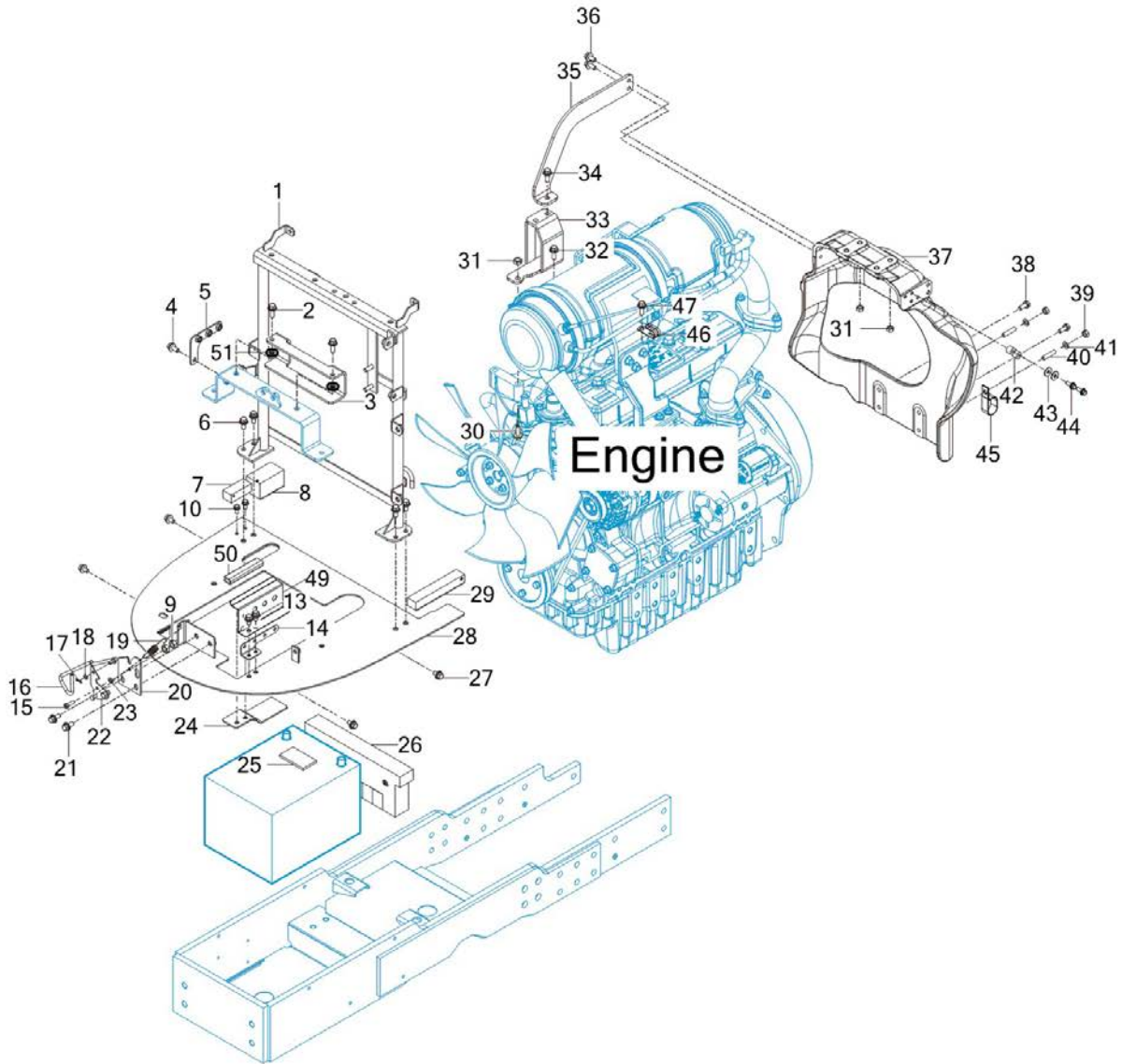
FIG 701

T474NC-B

HOOD FRAME

년/월  
Year/Month

2022-12



NOTE

FIG 701		HOOD FRAME					년/월 Year/Month		
							2022-12		
T474NC-B		KEY NO	PART NO	DESCRIPTION	SPEC	QTY	REPAIR	EFFECTIVE DATE	REMARKS
701	1	13831031100GB	FRAME COMP , FRONT			1			
701	2	V2183608020	BOLT , HEX/SP	M8X20		2			
701	2	V2183608030	BOLT , HEX/SP	M8X30		2			
701	3	13831811400GB	BRACKET , BATTERY FIX			1			
701	4	V2183608020	BOLT , HEX/SP	M8X20		1			
701	5	13831613200GB	BRACKET COMP , RELAY			1			
701	6	V2183608020	BOLT , HEX/SP	M8X20		4			
701	7	13831030700	INSULATOR , B			1			
701	8	13831030800	INSULATOR , C			1			
701	9	V3013600060	NUT .HEX NORMAL /2	M6		2			
701	10	V2123606016	BOLT , HEX /SP	M6X16		2			
701	13	V2183606016	BOLT , HEX/SP	M6X16		2			
701	14	13831613400GB	BRACKET , FUSE			1			
701	15	V2323606020	BOLT , C/R HEX/SP	M6X20		1			
701	16	18366024300	ROD COMP, OPEN			1			
701	17	V5001925020	PIN D2.5x20	2.5X20		1			
701	18	V4111600060	WASHER , PLAIN	M6		1			
701	19	14143120020	SPRING , TENSION 53	D=1.2		1			
701	19	11106020010	SPRING , TENSION 40			1			
701	20	11106024210	STAY , HOOD B			1			
701	21	V2183608020	BOLT , HEX/SP	M8X20		2			
701	22	11106024100	STAY COMP , HOOD A			1			
701	23	V4111600060	WASHER , PLAIN	M6		1			
701	24	13831052200GB	BRACKET COMP , COVER			1			
701	25	13151112011	INSULATOR , 40X70	T=5		1			
701	26	13831030500	INSULATE , GRILL PLATE			1			
701	27	V2183608016	BOLT , HEX/SP	M8X16		4			
701	28	13831052101GB	PLATE COMP , GRILL			1			
701	29	13831030600	INSULATOR , A			1			
701	30	V2173610055	BOLT , HEX/S	M10X55		1			
701	31	V3042600100	NUT , HEX/2	M10		3			
701	32	V2183610025	BOLT , HEX/SP	M10X25		1			
701	33	13801712100GB	STAND COMP			1			
701	34	V2183608025	BOLT , HEX/SP	M8X25		1			
701	35	13831811200GB	STRUT BAR			1			
701	36	V2183608020	BOLT , HEX/SP	M8X20		2			
701	37	13831811100GB	E/G REAR SUPPORTER			1			
701	38	V2173608025	BOLT , HEX/S	M8X25		2			
701	39	V3042600080	NUT , HEX/2	M8		2			
701	40	V2513408025	BOLT , STUD/2	M8X25		2			
701	41	V4011600080	WASHER , SPRING	M8		2			
701	42	13831811300	SPACER			2			
701	43	V4111600060	WASHER , PLAIN	M6		2			
701	44	V2113606040	BOLT , HEX /S	M6X40		2			
701	45	14441010161	CLAMP , RADIATOR HOSE	1X1X1		1			
NOTE									



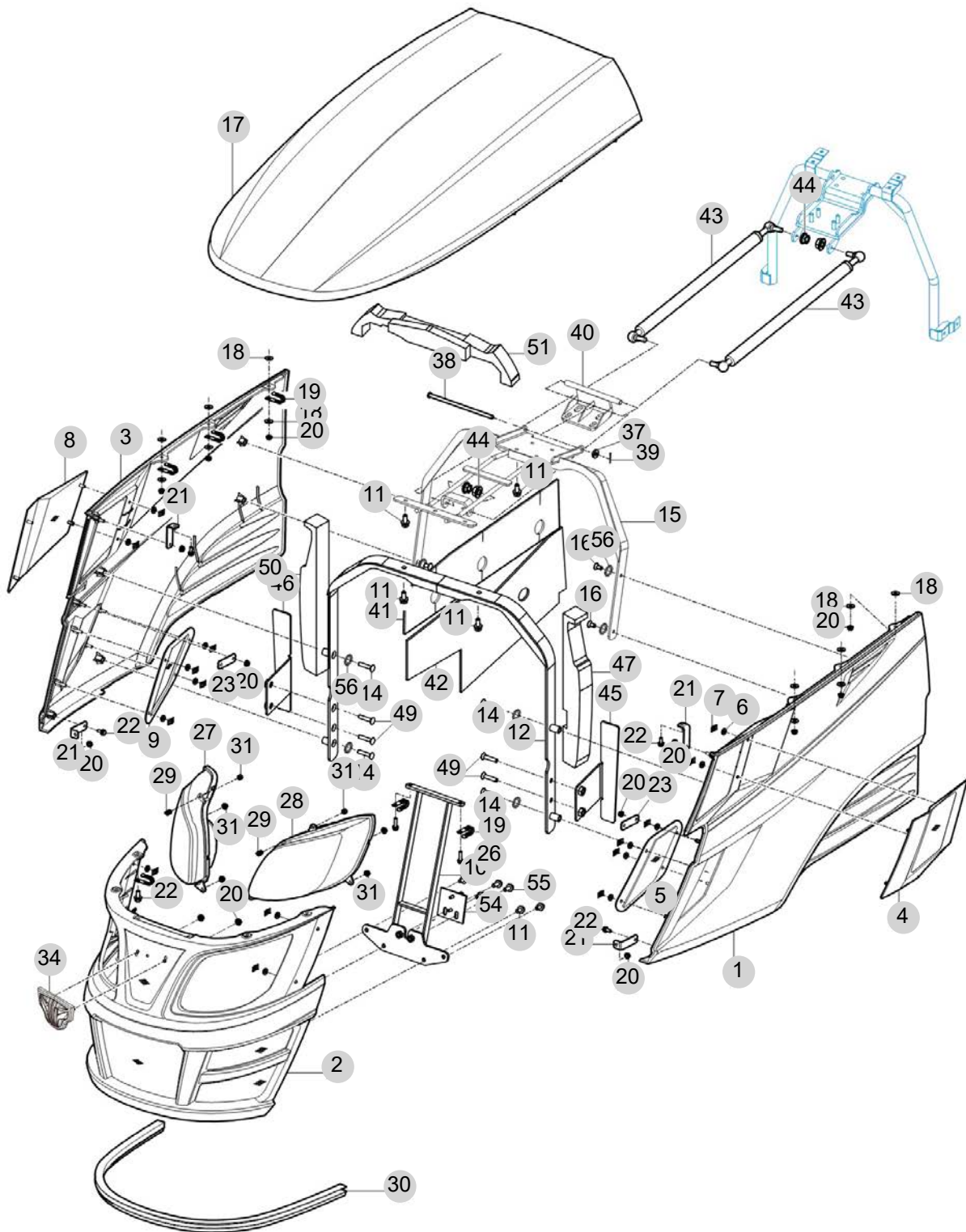
FIG 702

T474NC-B

HOOD

년/월  
Year/Month

2022-12



NOTE

FIG 702		HOOD					년/월 Year/Month		
							2022-12		
T474NC-B		KEY NO	PART NO	DESCRIPTION	SPEC	QTY	REPAIR	EFFECTIVE DATE	REMARKS
702	1	17406203301SR	COVER COMP , SIDE/LH			1			
702	1	17406203302SR	COVER COMP , SIDE/LH			1			
702	1	17406203303SR	COVER COMP , SIDE/LH			1			
702	2	17406203200GB	GRILLE COMP			1			
702	2	17406203201GB	GRILLE COMP			1			
702	3	17406203401SR	COVER COMP , SIDE/RH			1			
702	3	17406203402SR	COVER COMP , SIDE/RH			1			
702	3	17406203403SR	COVER COMP , SIDE/RH			1			
702	4	17406203500GB	NET , UPR/LH			1			
702	5	17406203600GB	NET , LOW/LH			1			
702	6	14446010150	WASHER , NET			22			
702	7	V3501600060	NUT, PUSH-ON SPRING	M6		22			
702	8	17406203700GB	NET , UPR/RH			1			
702	9	17406203800GB	NET , LOW/RH			1			
702	10	18366202500GB	PIN COMP , HOOD LOCK			1			
702	11	V2183608020	BOLT , HEX/SP	M8X20		13			
702	12	13836202300GB	FRAME COMP , FR			1			
702	14	V1122608040	SCREW , C/R FLAT	M8X40		4			
702	15	17406202700GB	FRAME COMP , HOOD/RR			1			
702	15	11866202700GB	FRAME COMP , HOOD/RR			1			
702	15	13836202701GB	FRAME COMP , HOOD/RR			1			
702	16	V1122608016	SCREW , C/R FLAT	M8X16		4			
702	17	17406203101SR	HOOD COMP			1			
702	17	17406203102SR	HOOD COMP			1			
702	17	17406203103SR	HOOD COMP			1			
702	18	35605033020	WASHER , WIRE WITHDRAWAL	T=1.6		12			
702	19	37371720090	CLAMP , W/HARNESS			6			
702	20	V3802600060	NUT , HEX FLANGE	M6		16			
702	21	17406203010GB	PLATE , UPR/SIDE			4			
702	21	17406203011GB	PLATE , UPR/SIDE			4			
702	21	17406203010GB	PLATE , UPR/SIDE			4			
702	22	V2123606016	BOLT , HEX /SP	M6X16		8			
702	23	17406203020GB	PLATE , MID/SIDE			2			
702	26	V2123606025	BOLT , HEX /SP	M6X25		2			
702	27	17406525001	HEAD LAMP ASSY , RH			1			
702	27	17406525002	HEAD LAMP ASSY , RH			1			
702	28	17406524001	HEAD LAMP ASSY , LH			1			
702	28	17406524002	HEAD LAMP ASSY , LH			1			
702	29	36108010080	SPRING , ENTRANCE FOR SEED(HC016)	D=1.6		2			
702	30	17406203900	INSULATOR , HOOD			1			
702	31	19027210060	NUT , NYLON , M6	M6XP1		6			
702	34	19959010010	EMBLEM	1X1X1		1			
702	34	19959010011	EMBLEM			1			
702	34	17406212000	EMBLEM ASSY , V5			1			
702	35	V4111600060	WASHER , PLAIN	M6		2			
NOTE									



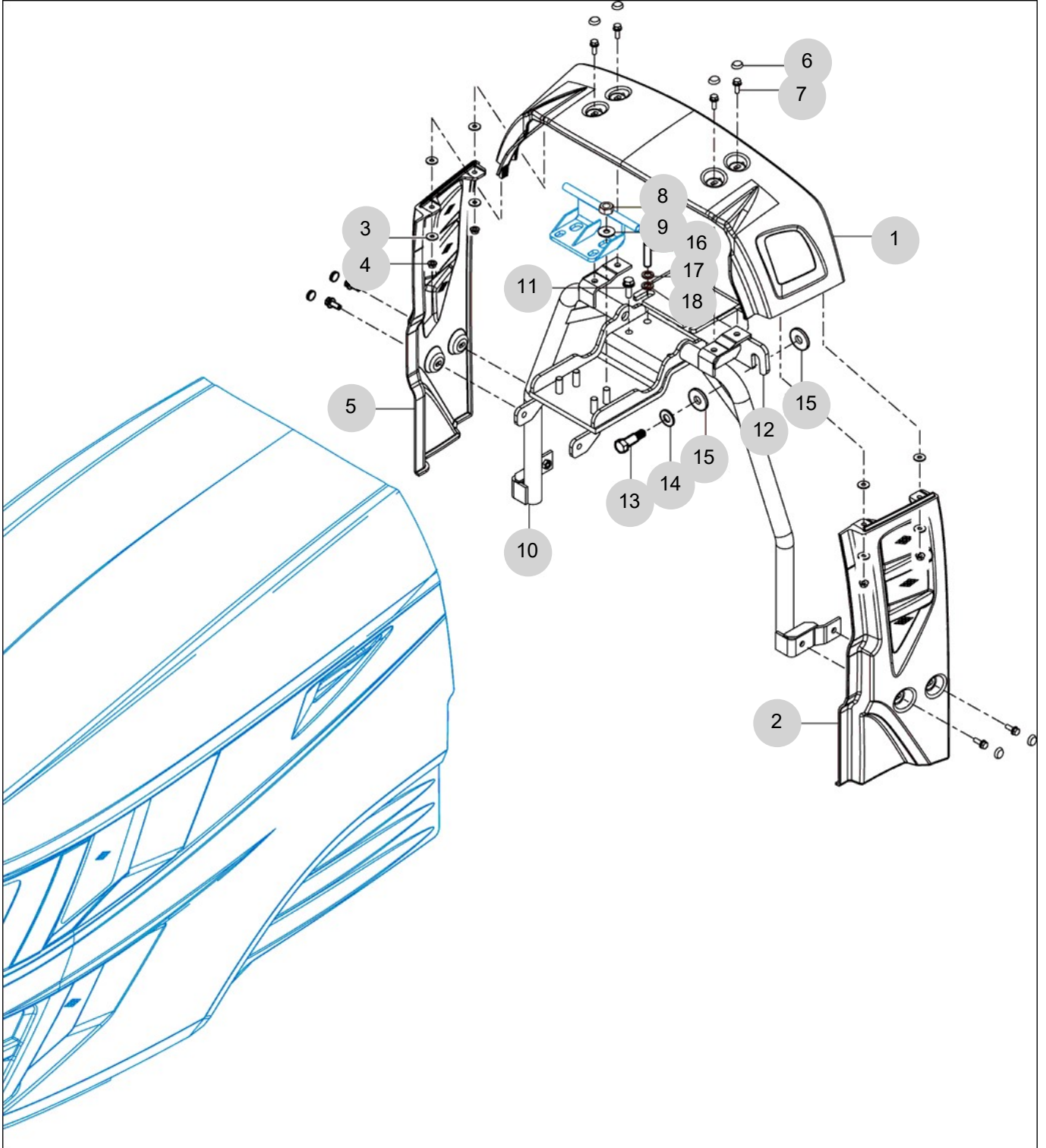
FIG 703

EXTENSION COVER

년/월  
Year/Month

2022-12

T474NC-B



NOTE





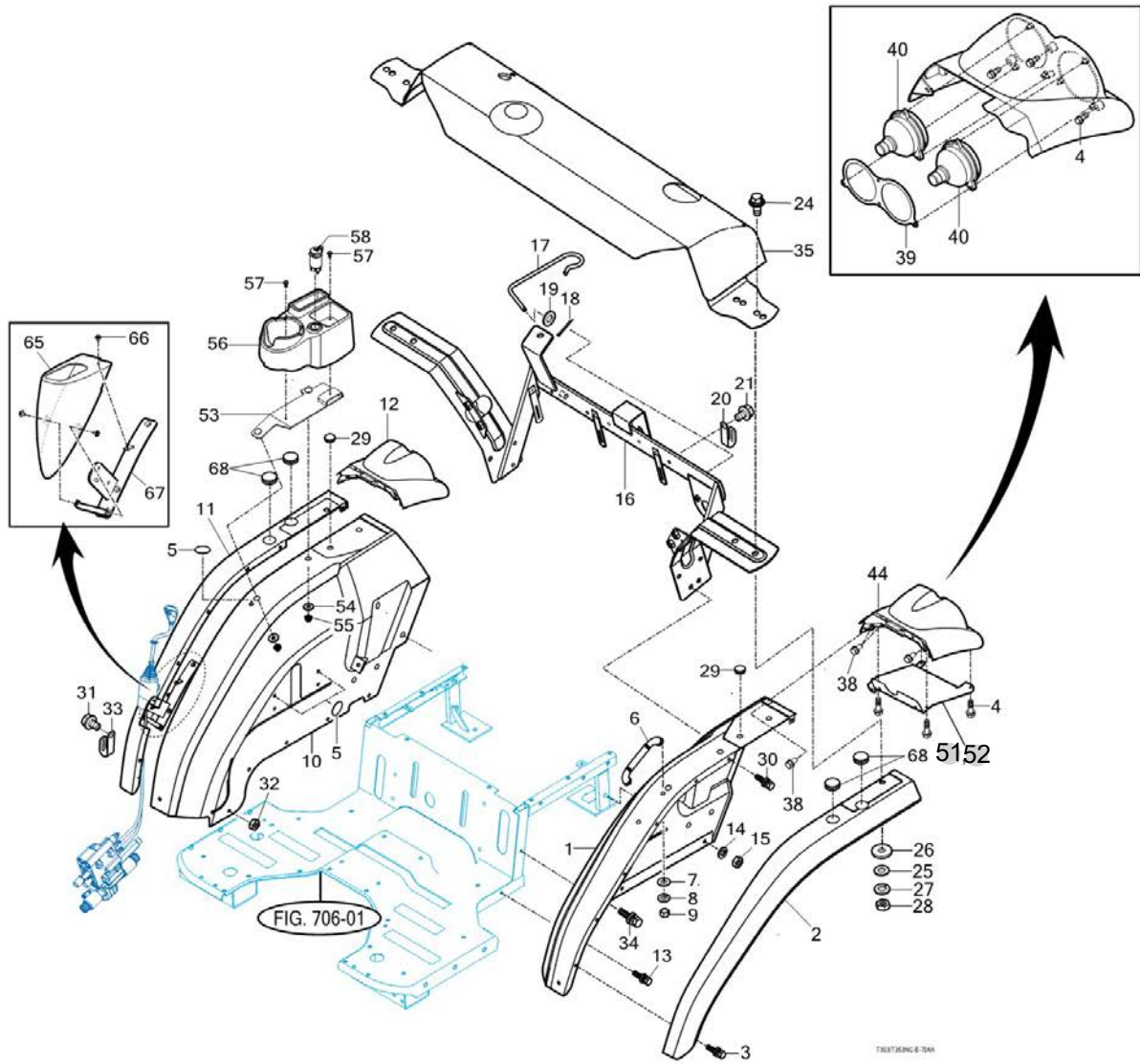
FIG 704

T474NC-B

FENDER & REAR FRAME

년/월  
Year/Month

2022-12



NOTE

FIG 704		FENDER & REAR FRAME					년/월 Year/Month		
							2022-12		
T474NC-B		KEY NO	PART NO	DESCRIPTION	SPEC	QTY	REPAIR	EFFECTIVE DATE	REMARKS
704	1	14726063502SR	FENDER COMP , LH	1X1X1	1				
704	2	12656060040SR	FENDER , LH		1				
704	2	12656060041SR	FENDER , LH		1				
704	3	V2193606016	BOLT , HEX/SPL	M6X16	12				
704	4	V2123606012	BOLT , HEX /SP	M6X12	14				
704	5	16606070031	CAP , 9		10				
704	6	14726071101	GRIP COMP		1				
704	7	35602010150	WASHER , BIND SHAFT	T=2.3	2				
704	8	V4011600080	WASHER , SPRING	M8	2				
704	9	V3042600080	NUT , HEX/2	M8	2				
704	10	14726063602SR	FENDER COMP , RH	1X1X1	1				
704	11	10526060020SR	FENDER , RH MUD GUIDE		1				
704	11	10526060021SR	FENDER , RH MUD GUIDE		1				
704	12	13016060030	COVER , RH RR LAMP	1X1X1	1				
704	13	V2183608020	BOLT , HEX/SP	M8X20	8				
704	14	V4011600080	WASHER , SPRING	M8	4				
704	15	V3042600080	NUT , HEX/2	M8	4				
704	16	14977035400SR	FRAME COMP , RR FUEL TANK	1X1X1	1				
704	17	14885251100	HOOK , TOPLINK	D=5	1				
704	18	V5001920015	PIN , SPLIT	2X15	1				
704	19	V4111600060	WASHER , PLAIN	M6	1				
704	20	14256210040	CLAMP , 9		1				
704	21	V2123606012	BOLT , HEX /SP	M6X12	1				
704	24	V2173612035	BOLT , HEX/S	M12X35	4				
704	25	V4111600120	WASHER , PLAIN	M12	6				
704	26	36217020030	WASHER , PULLEY	T=4.5	4				
704	27	V4011600120	WASHER , SPRING	M12	6				
704	28	V3043600120	NUT , HEX/2	M12	6				
704	29	14326510210	CAP , RUBBER 20	1X1X1	2				
704	30	V2183608020	BOLT , HEX/SP	M8X20	2				
704	31	V2183608020	BOLT , HEX/SP	M8X20	1				
704	32	V3042600080	NUT , HEX/2	M8	1				
704	33	14256210040	CLAMP , 9		1				
704	34	V2183608035	BOLT , HEX/SP	M8X35	2				
704	35	14777036302SR	COVER COMP , TANK		1				
704	35	14777036303SR	COVER COMP , TANK		1				
704	38	V2193606020	BOLT , HEX/SPL	M6X20	12				
704	39	13016061300	FIX PLATE , RR LAMP	T=1.6	2				
704	40	17687023401	LAMP ASSY . STOP		4				
704	40	17687023401	LAMP ASSY . STOP	1X1X1	2				
704	44	13016060020	COVER ,LH RR LAMP	1X1X1	1				
704	51	13016062000GB	PLATE COMP , LH RR LAMPCOVER	T=1.6	1				
704	52	13016063000GB	PLATE COMP , RH RR LAMPCOVER	T=1.6	1				
704	53	11336640100SR	BRACKET COMP , CUP HOLDER		1				
704	53	11336640101SR	BRACKET COMP , CUP HOLDER		1				
NOTE									



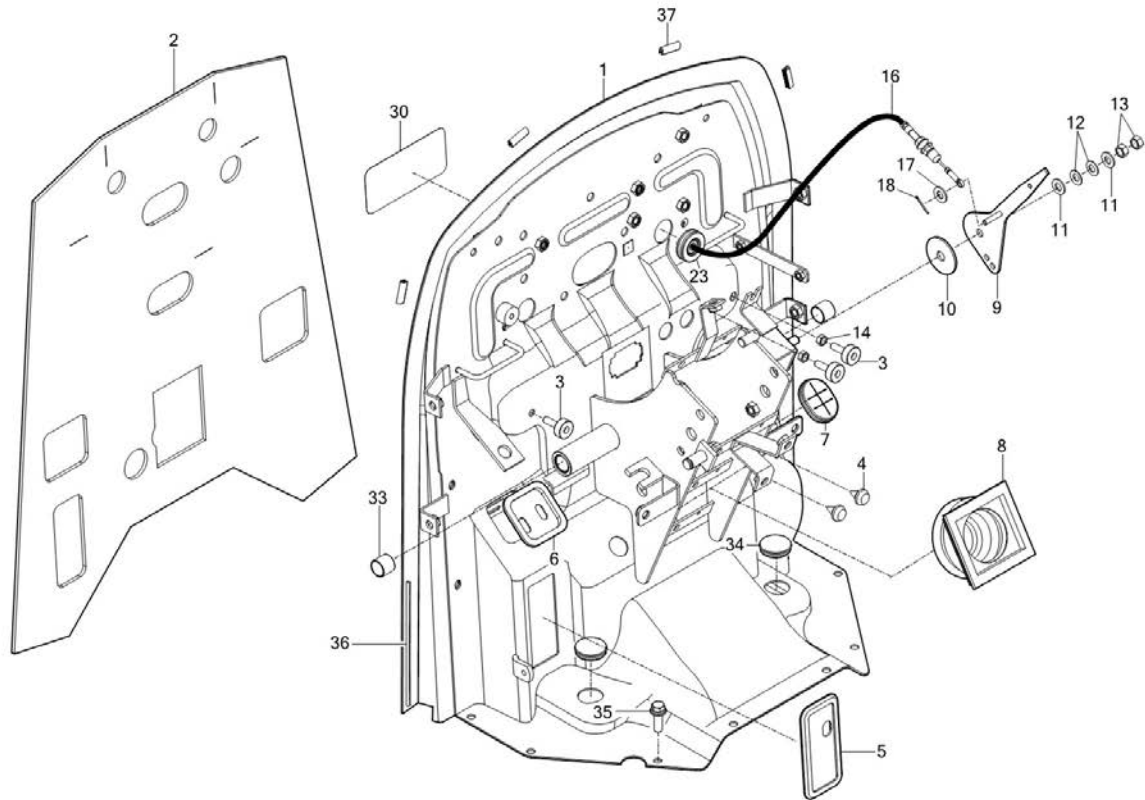
FIG 705

T474NC-B

DASHBOARD

년/월  
Year/Month

2022-12



NOTE



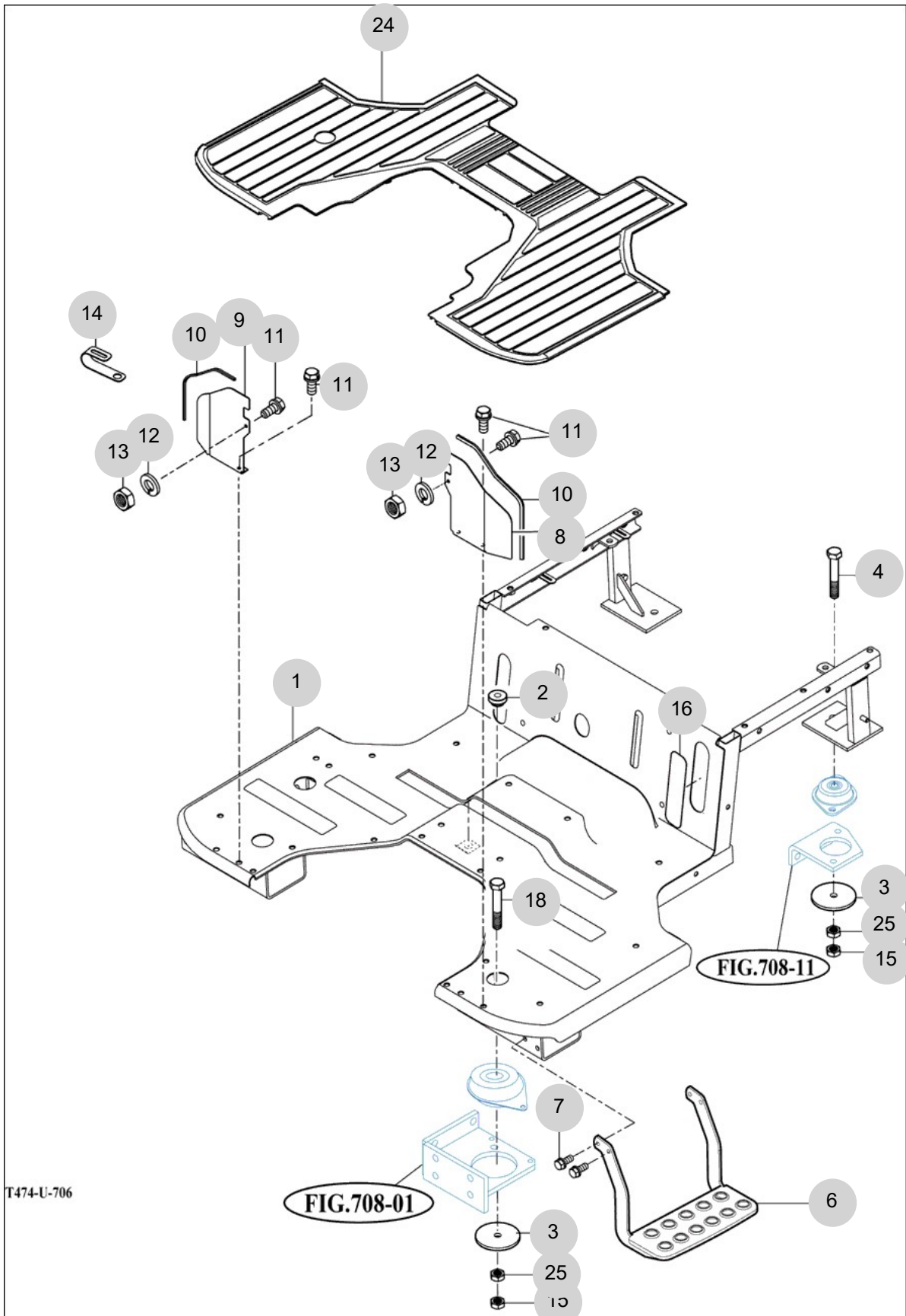
FIG 706

FLOOR PANEL

년/월  
Year/Month

T474NC-B

2022-12



T474-U-706

FIG.708-11

FIG.708-01

NOTE





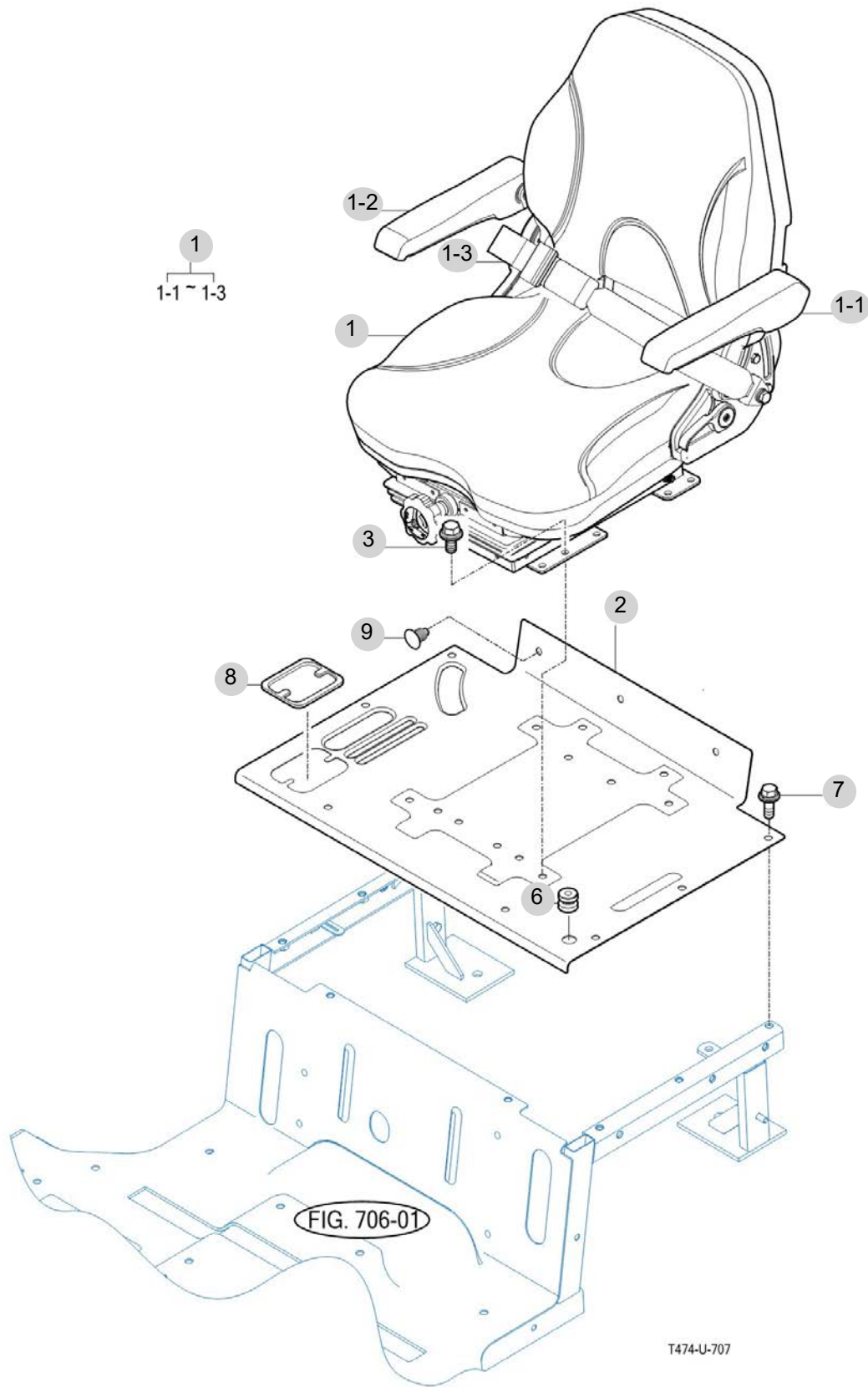
FIG 707

T474NC-B

SEAT

년/월  
Year/Month

2022-12



NOTE



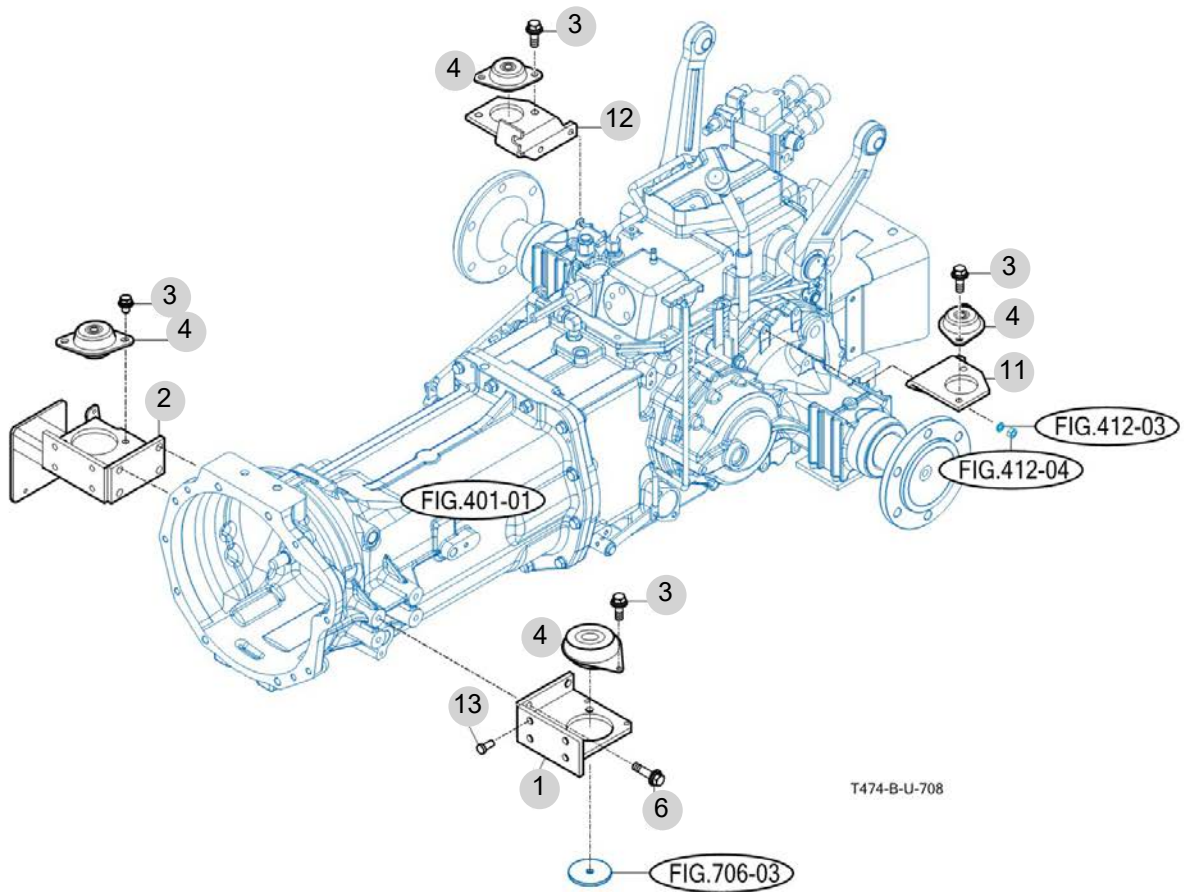
FIG 708

T474NC-B

FRONT & REAR MOUNTING

년/월  
Year/Month

2022-12



NOTE



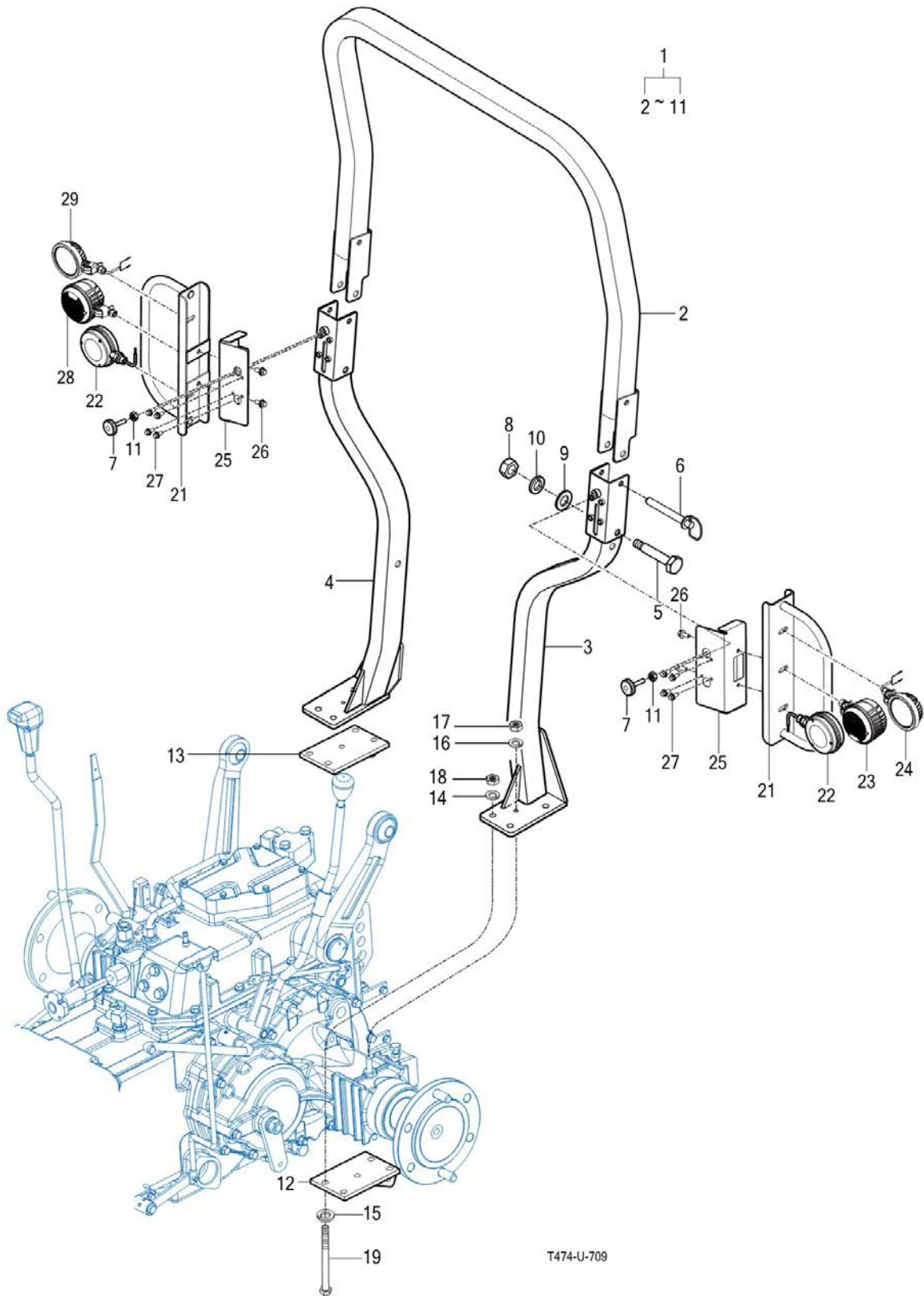
FIG 709

ROPS

년/월  
Year/Month

T474NC-B

2022-12



NOTE



## 8. Electrical System PART NO. T8

FIG 801 BATTERY & MOUNTING	232
FIG 802 LAMP	234
FIG 803 INSTRUMENT PANEL	236
FIG 804 ELECTRIC SYSTEM	238
FIG 805 HARNESS	240

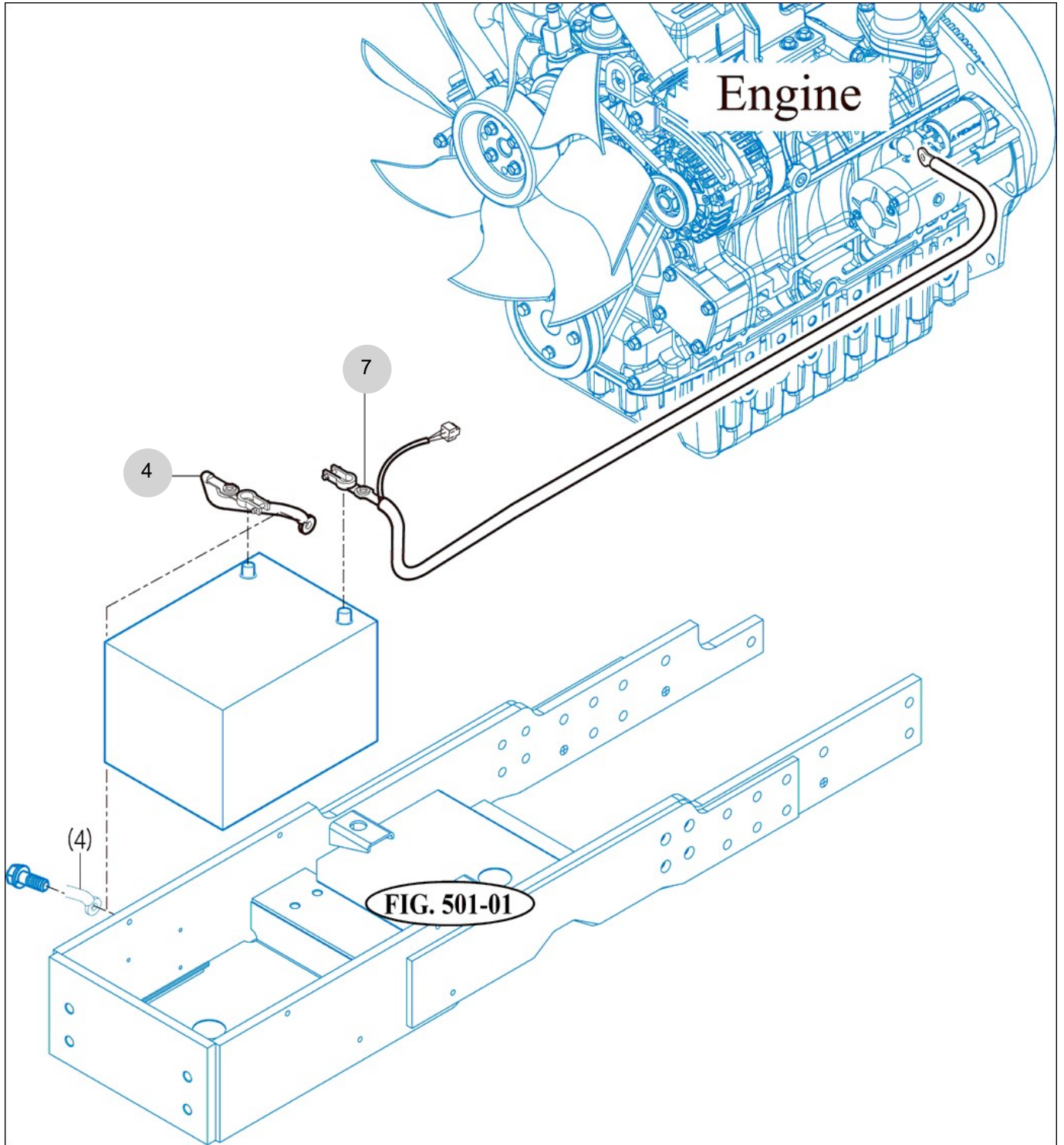
FIG 801

T474NC-B

BATTERY & MOUNTING

년/월  
Year/Month

2022-12



NOTE





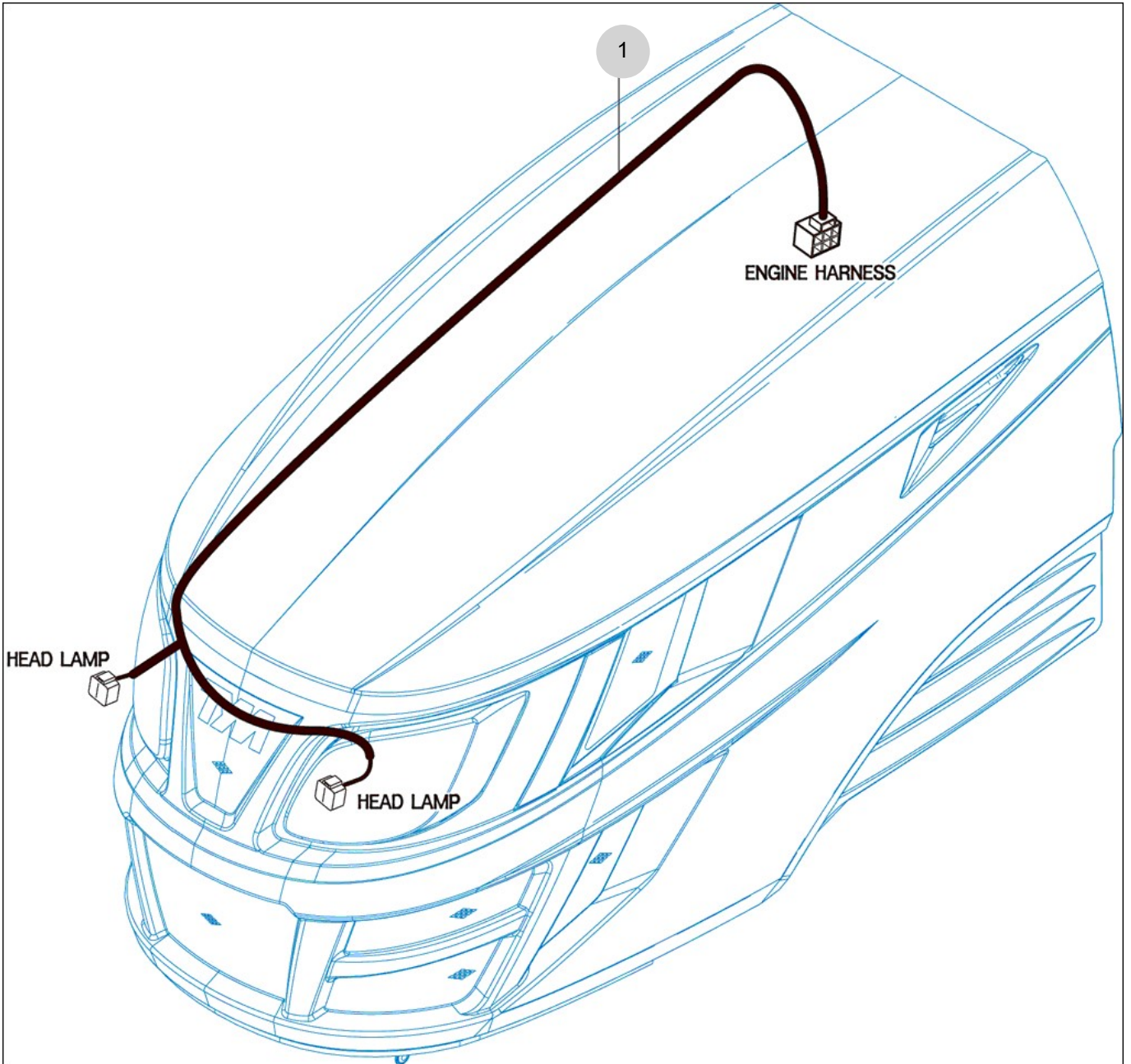
FIG 802

T474NC-B

LAMP

년/월  
Year/Month

2022-12



NOTE



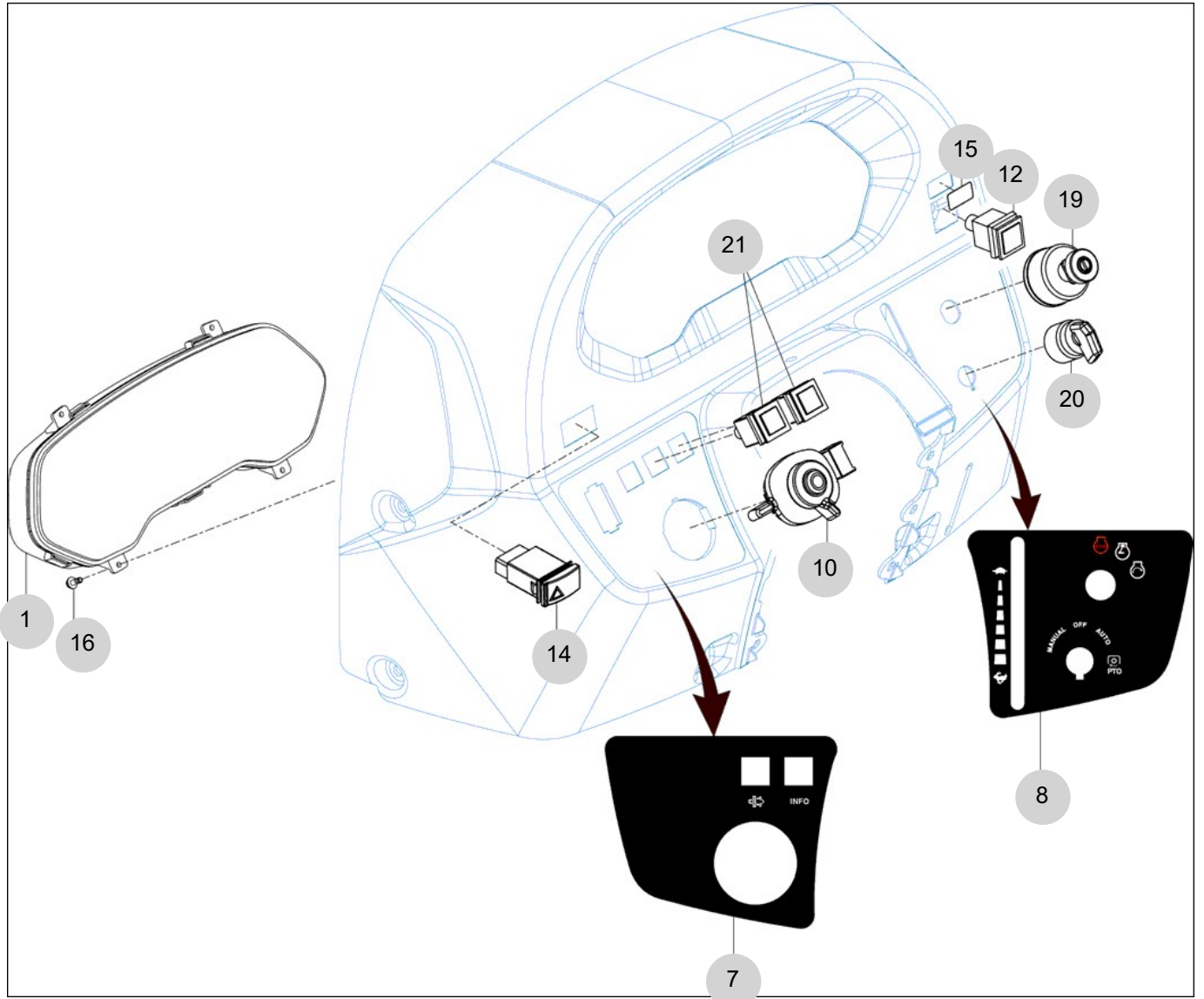
FIG 803

INSTRUMENT PANEL

년/월  
Year/Month

T474NC-B

2022-12



NOTE



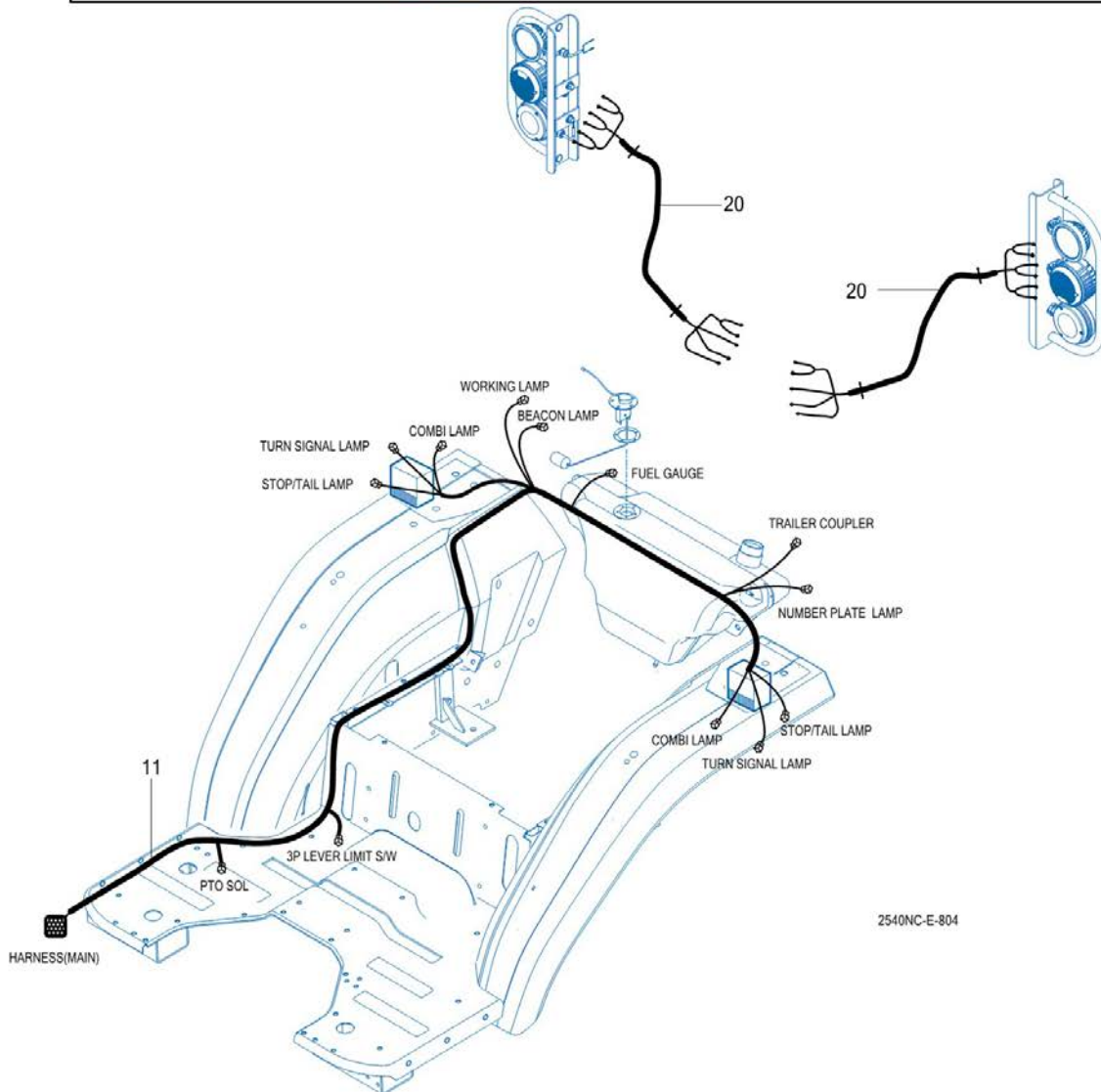
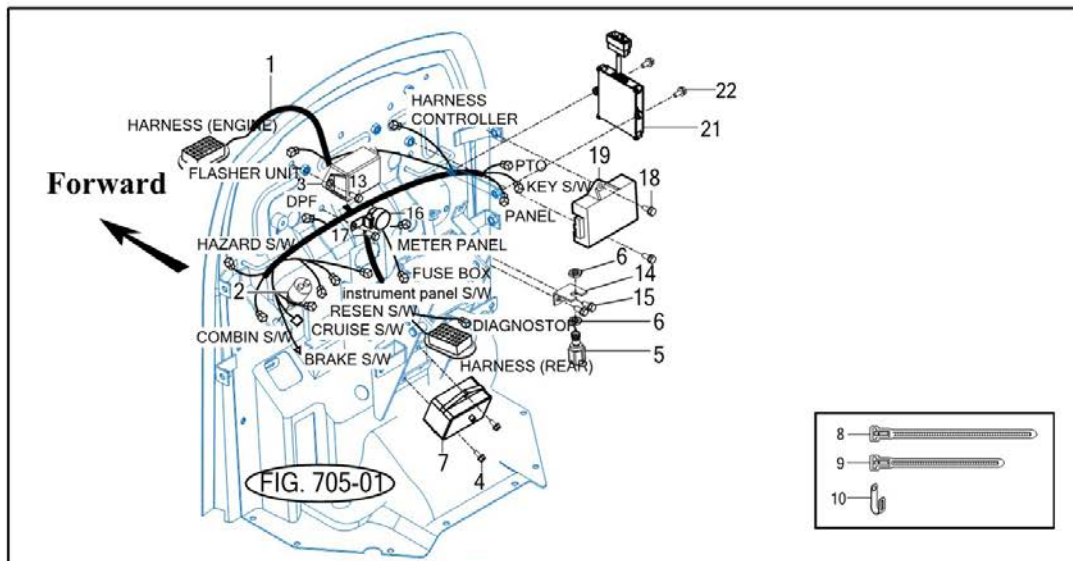
FIG 804

# ELECTRIC SYSTEM

년/월  
Year/Month

2022-12

T474NC-B



NOTE



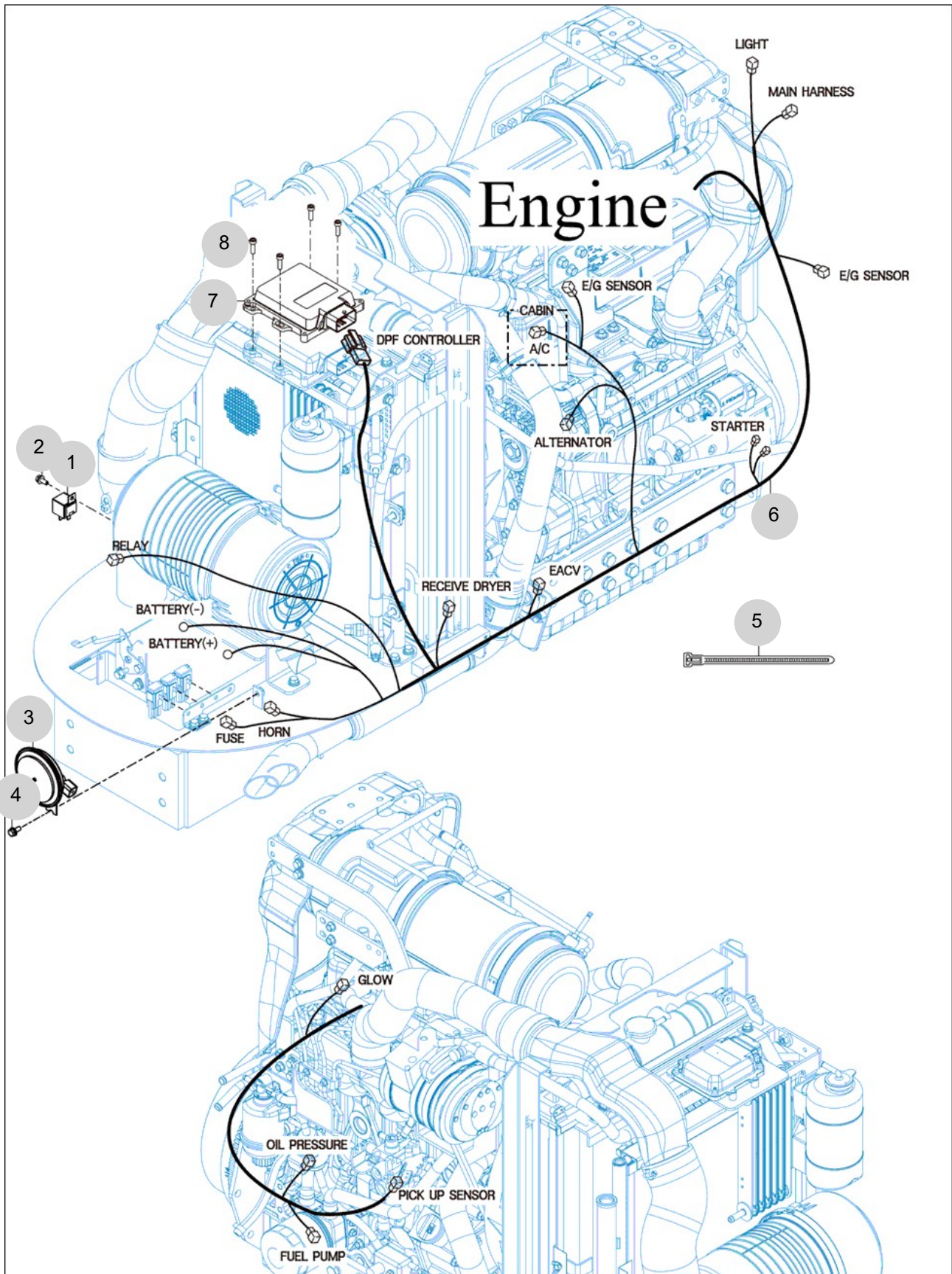
FIG 805

# HARNESS

년/월  
Year/Month

T474NC-B

2022-12



NOTE





## 9. Label/Option PART NO. T9

FIG 901 TOOL & ACCESSORY	243
FIG 902 LABEL	245
FIG 902 LABEL	247
FIG 903 OPTION	249

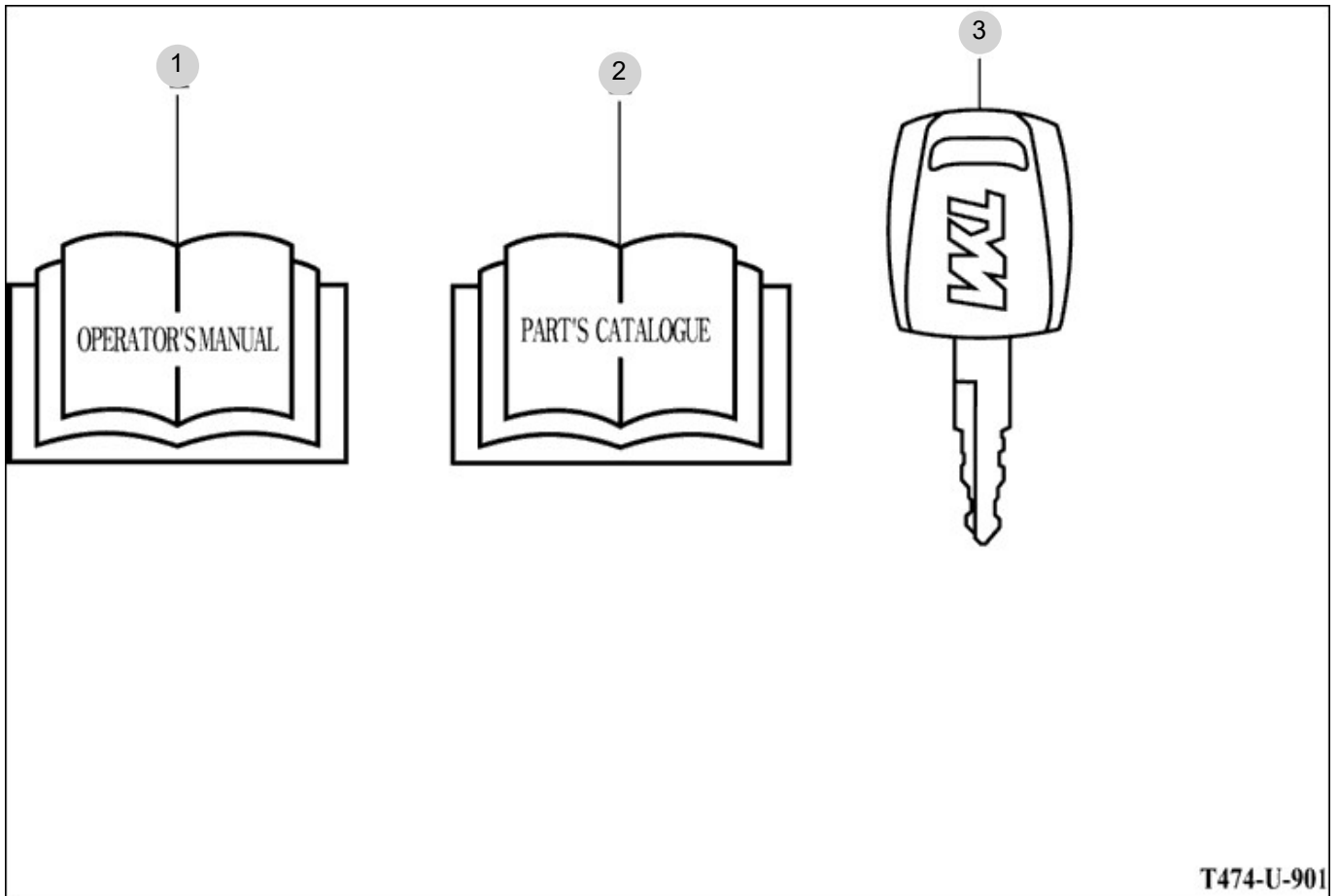
FIG 901

T474NC-B

TOOL & ACCESSORY

년/월  
Year/Month

2022-12



T474-U-901

NOTE



FIG 902

T474NC-B

LABEL

년/월  
Year/Month

2022-12

**⚠ DANGER**

This Tractor may tip over unexpectedly and quicker than an operator is able to jump free

1. Never operate a tractor without a proper Roll over Protection Structure (ROPS)
2. Always wear your seat belt when operating this tractor equipped with roll over protection.
3. Never pull from above or from the rear axle.
4. Do not operate the tractor on steep slopes or near drop offs
5. Avoid sharp high speed turns

Serious injury or death may result from tractor upsets.

1200-904-801-0

27

**⚠ WARNING**

Death or injury may result if this tractor over turns with the ROPS in the folded down position. Operate this tractor with the ROPS folded down only when necessary. Do not wear seat belt if operated with ROPS folded down

1220-904-902-0

26

**⚠ WARNING**

Work in ventilated Area.

1200-910-003-0

11

**⚠ DANGER**

Do not ride except operator.

1200-910-003-0

12

The DPF filter was tested in accordance with ISO 22100 Standard (2008) for use in 150ppm/100h. USA tractor model 2020, 2045 with a reference mass of 1200kg. Manufacturer's 1789-910-009-0

40

**⚠ WARNING**

Additions, alterations, cracking, damage or corrosion to this structure may adversely affect the performance of the ROPS.

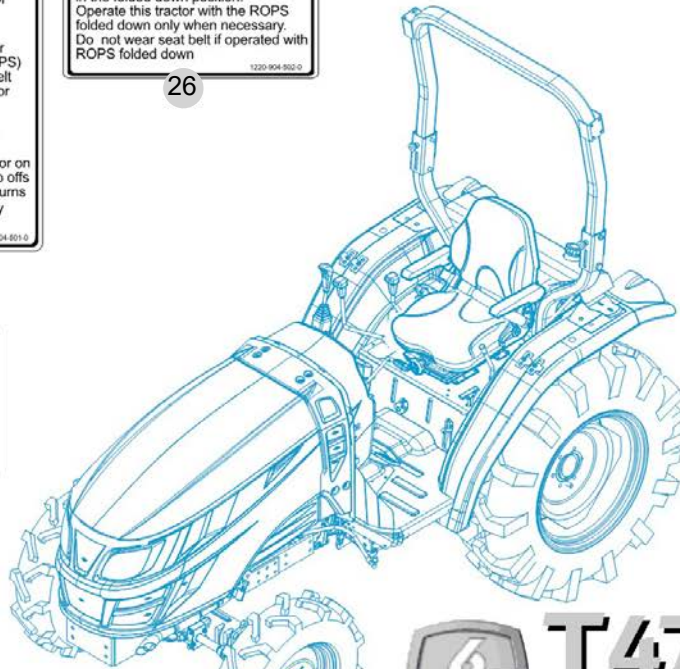
36

**⚠ WARNING**

Do not refuel the tractor while smoking or near naked flame or sparks. always stop engine before refueling tractors.

1200-910-007-0

15



**6 YEAR**  
Limited Warranty

54

T474

34

**⚠ WARNING**

Do not use the sub shift lever at "H" position when driving backward.

1200-910-011-0

10

TYM

51



2

PTO  
OFF  
ON

RANGE SHIFT  
L  
M  
H

20

21

**⚠ WARNING**

Never use the diff-lock at high speed or on the road as this can cause rollover and injury.

1200-910-006-0

16

**⚠ WARNING**

Do not remove radiator cap while engine is hot. Hot steam will injure you.

1200-910-015-0

7

**⚠ WARNING**

Always fasten Your seat belt.

1200-910-014-0

13

**⚠ CAUTION**

Keep hands and clothing away from rotating fan and belts to prevent serious injury.

1200-910-012-0

6

**⚠ CAUTION**

Do not touch while the system is hot. It cause serious burns

1200-910-024-0

5

1789-021-005-0

19

**⚠ WARNING**

LOCK → UNLOCK  
LOCK BUTTEN

Push the butten to lock position with joystick lever is neutral whenever the implement is not operation.

1789-910-009-0

25

1789-910-010-0

e13

47

**DPF regeneration procedure**

When DPF lamp on and beep, follow below

Do this	Operate (about 30min)	Complete
1. Park outside safe location		
2. Stop all functions		
3. Parking brake ON		
4. Engine speed to Max RPM		
5. Press the regen button		
6. Must remain with the vehicle		

DPF+EGT ON  
+ Button blinking  
Lamp off

For further details, consult your Owner's Manual

49

NOTE



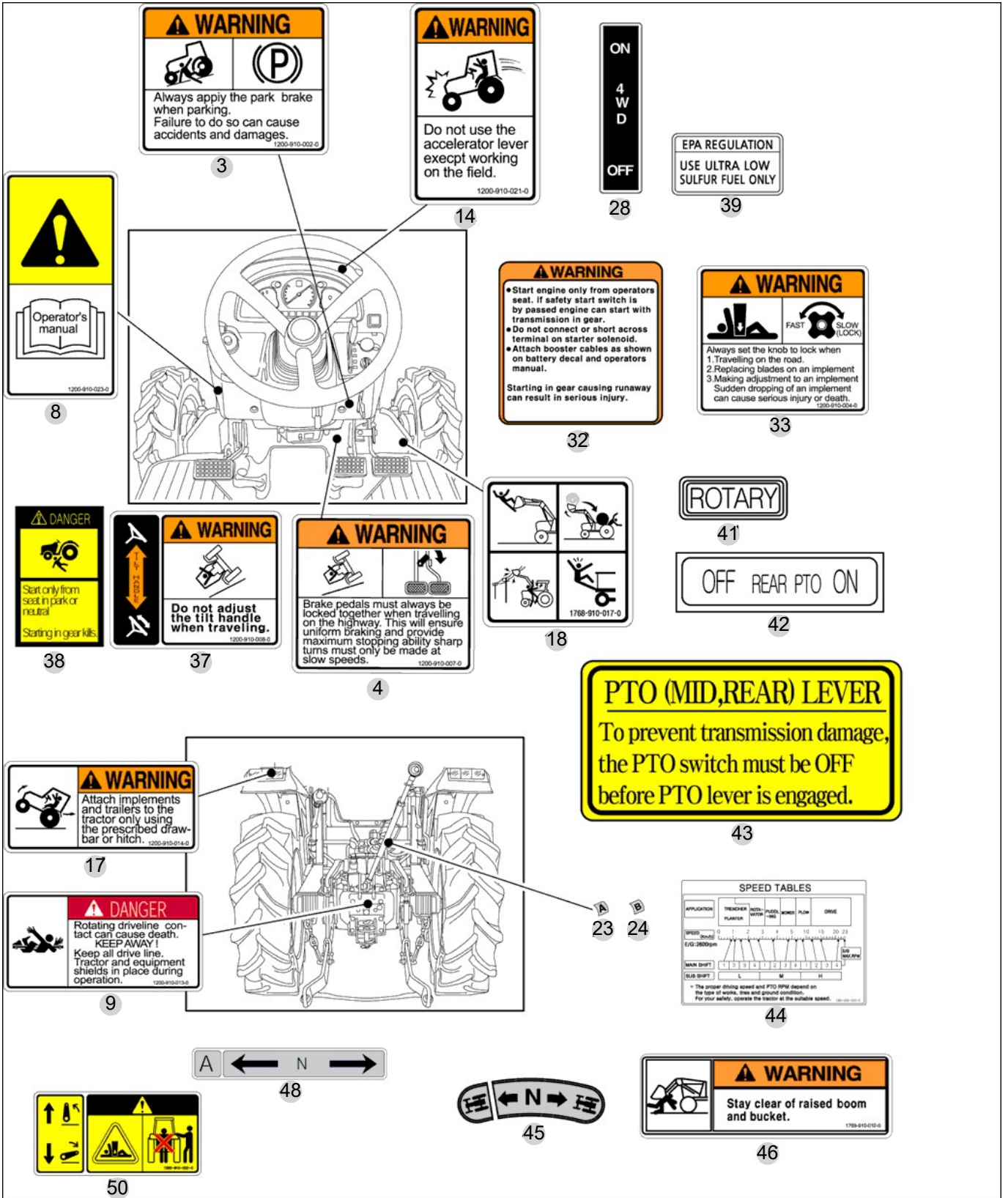
FIG 902

LABEL

년/월  
Year/Month

T474NC-B

2022-12



NOTE





FIG 903

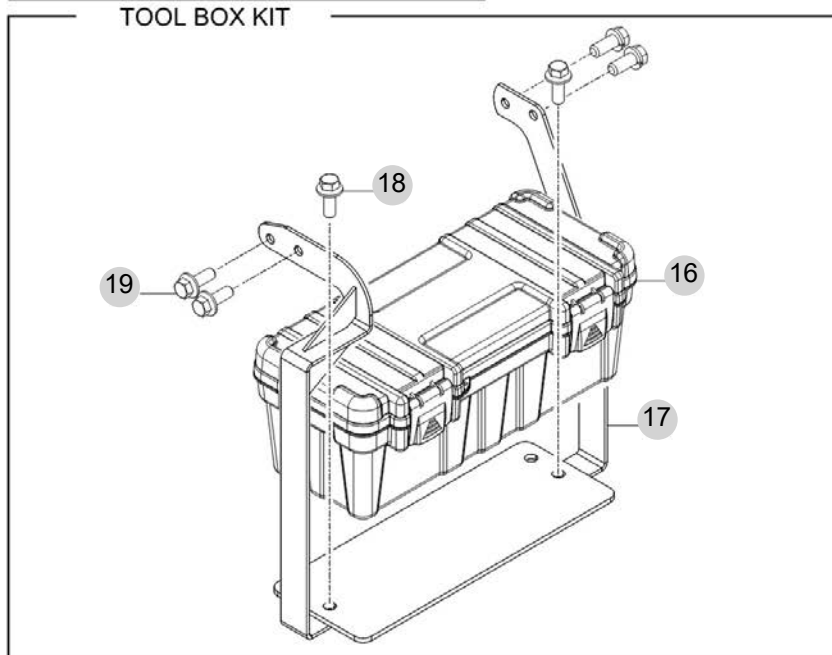
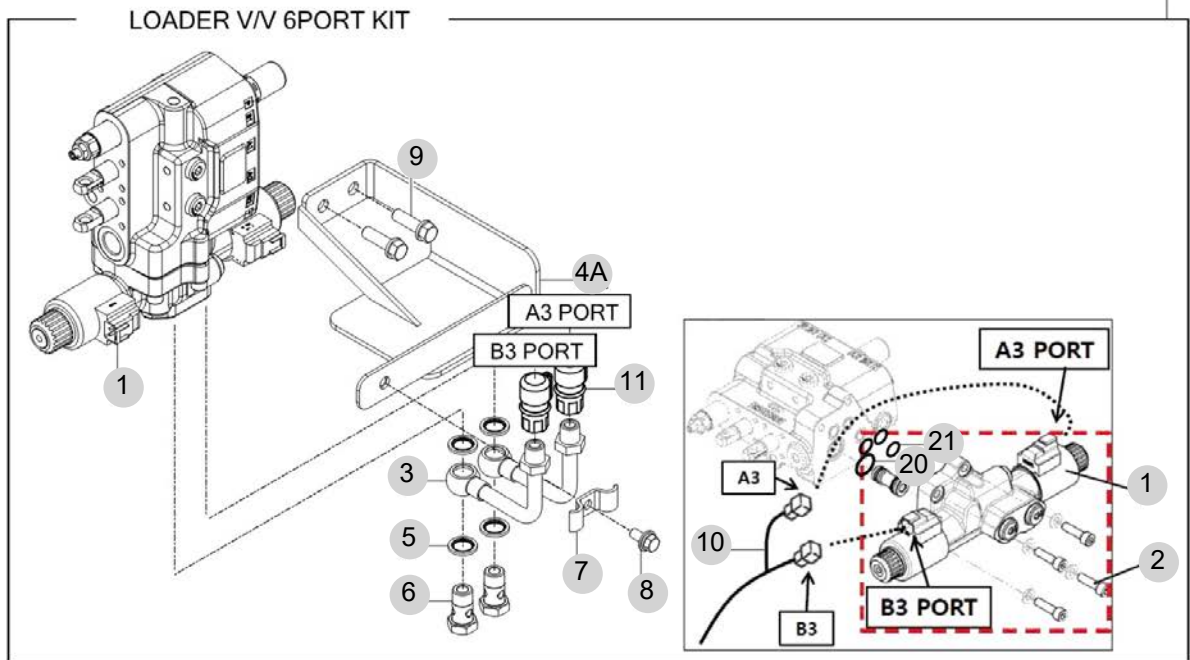
OPTION

년/월  
Year/Month

T474NC-B

2022-12

A



NOTE

