

4820H(AC02106) TRACTOR

Parts Catalogue



CONTENTS

GROUP NO	GROUP NAME	PAGE
G. ENGINE		
A01_007	CYLINDER BLOCK	4
A02_005	DRIVE PULLY	6
A03_004	CRANK SHAFT PULLEY	8
A04_005	GLOW PLUG ASS'Y OPTION	10
A05_005	CRANK SHAFT ASS'Y OPTION	12
A06_004	BREATHER OPTION	14
A07_005	CAMSHAFT	16
A08_003	ALTERNATOR	18
A09_003	COOLING WATER PUMP	20
A10_008	COOLING FAN SPACER	22
A11_007	INJECTOR	24
A12_014	FUEL INJECTON	26
A13_005	PLUMBING, FUEL	28
A14_003	FUEL FILTER BRACKET	31
A16_018	FUEL FILTER ASS'Y OPTION	33
A17_014	INTAKE MANIFOLD ASS'Y OPTION	35
A18_011	FLYWHEEL	37
A19_009	FLYWHEEL HOUSING	39
A20_010	HEAD, CYLINDER	41
A21_004	HEAD COVER	43
A23_009	TURBOCHARGER SUPPORT ASS'Y OPTION	45
A25_002	OIL JET ASS'Y OPTION	47
A26_005	COOLER, ENGINE OIL	49
A27_010	OIL PAN ASS'Y OPTION	51
A28_001	PUMP, LUBRICATING OIL	53
A29_005	FILTER, LUBRICATING OIL	55
A30_003	FRONT GEAR ACCESSORY DRIVE	57
A31_007	PISTON	59
A32_003	LEVER, LOCKER	61
A33_013	EXHAUST MANIFOLD	63
A35_002	IDLE GEAR	65
A36_004	COVER, FRONT GEAR	67
A37_001	BALANCE ASS'Y	69
A38_007	GAUGE, OIL LEVEL	71

CONTENTS

GROUP NO	GROUP NAME	PAGE
G. ENGINE		
A39_001	OIL FILLER CAP	73
A40_003	LIFT ASS'Y OPTION	75
A42_003	MOTER, STARTIONS	77
A43_001	DPF SUPPORT OPTION	79
A44_006	DPF MOUNTING OPTION	81
A45_012	DPF	83
A48_006	V-BELT	85
F. TRANSMISSION		
F01011	FLY WHEEL HOUSING	87
F01030	HOUSING, REAR AXLE	89
F01040	REAR AXLE CASE	91
F01050	HST HOUSING	93
F01060	PTO COVER	95
F03030	HST GEAR	97
F03040	RANGE SHIFT DRIVE SHAFT	99
F03050	RANGE SHIFT DRIVEN SHAFT	101
F04010	FRONT WHEEL DRIVE SHAFT	103
F04030	FRONT WHEEL DRIVE IDLE SHAFT	105
F05020	REAR DIFFERNTIAL	107
F06030	BRAKE	110
F06031	SUPPORT, BRAKE	112
F06033	BRAKE LINK	114
F07030	PTO DRIVE SHAFT	116
F07050	PTO VALVE	118
F07070	PTO SHAFT	120
F08022	RANGE SHIFT FORK	122
F10010	CASE, HYD CYLINDER	124
F10020	LIFT ARM	126
F10030	SAFETY VALVE	128
F10040	STOP VALVE	130
F10064	POSITION CONTROL LEVER	132
F10070	SHAFT, CONTROL LEVER	134
F10100	TOP LINK	136
F10120	REAR SCV	138

CONTENTS

GROUP NO	GROUP NAME	PAGE
F. TRANSMISSION		
F11020	RANGE SHIFT LEVER	141
F11030	LEVER ASS'Y, PTO SPEED CHANGE	143
F11080	4WD LEVER	145

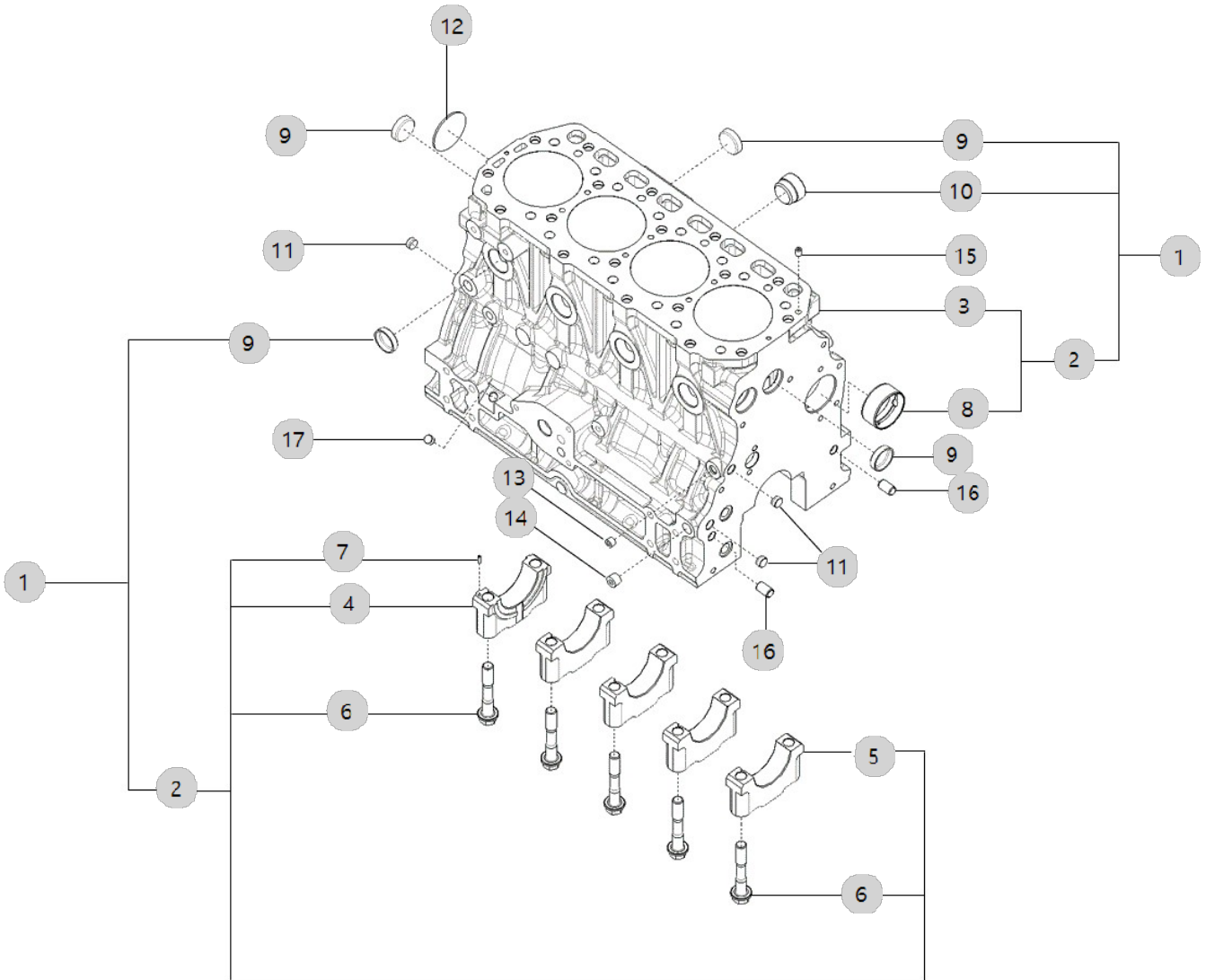
A01_007

A2300N2-UTR_4
(AB00133)

CYLINDER BLOCK

Year/Month

2022-12-15



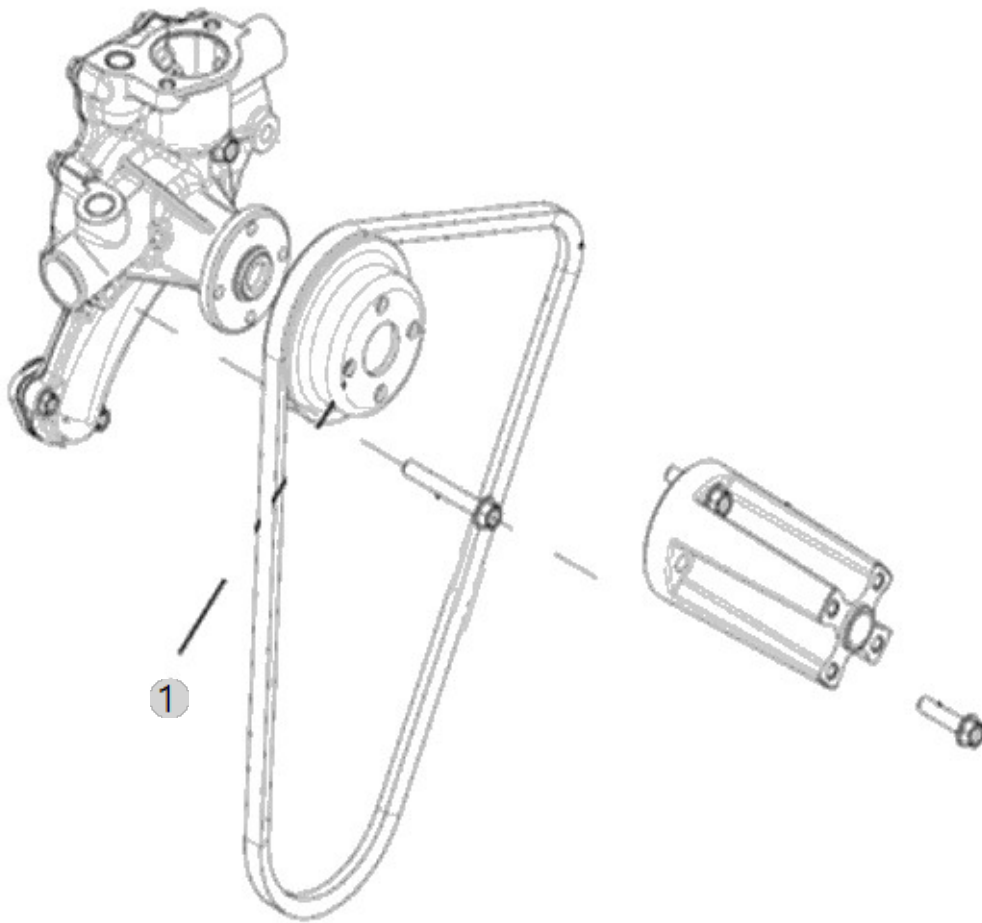
A02_005

A2300N2-UTR_4
(AB00133)

DRIVE PULLY

Year/Month

2022-12-15



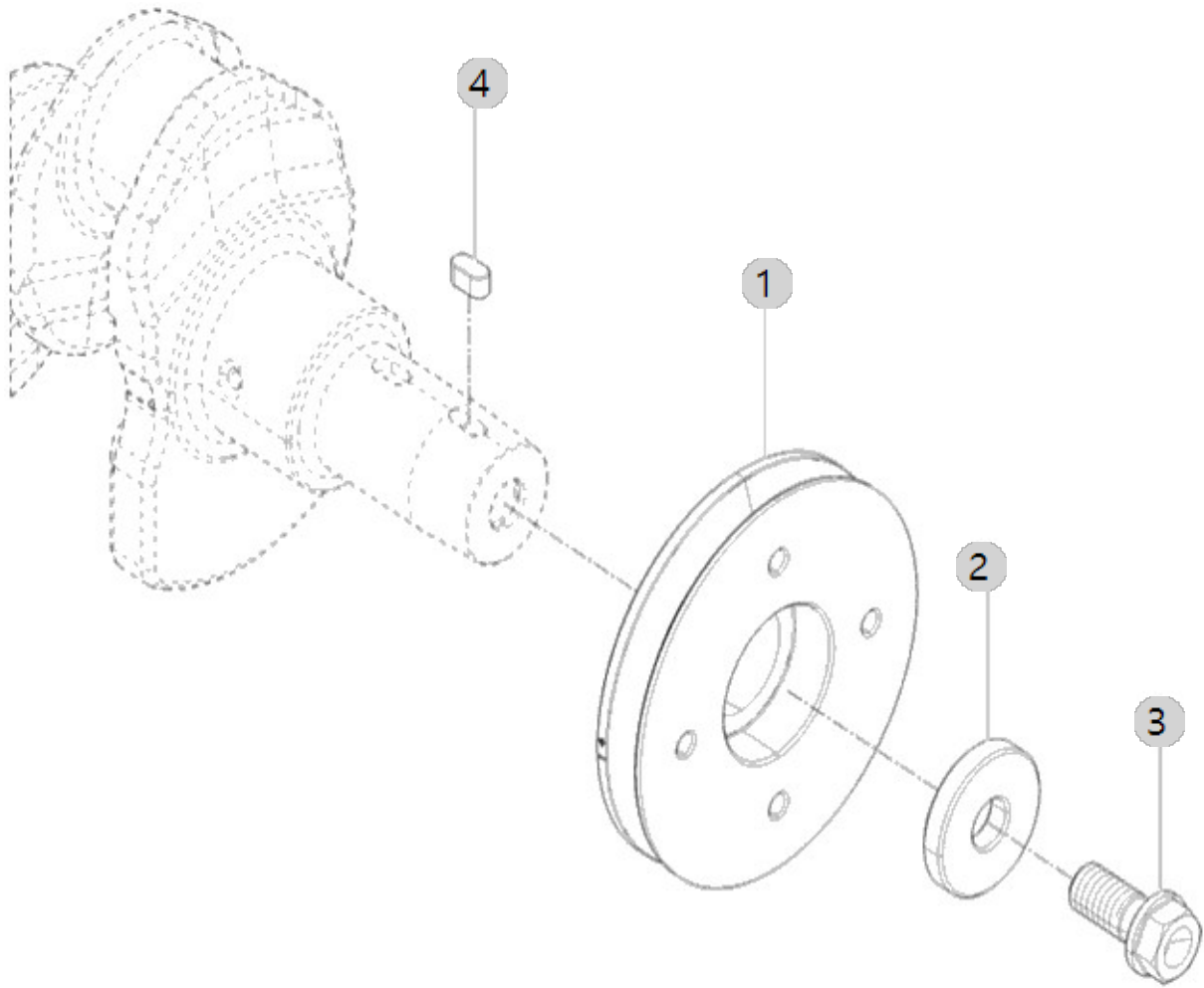
A03_004

A2300N2-UTR_4
(AB00133)

CRANK SHAFT PULLEY

Year/Month

2022-12-15



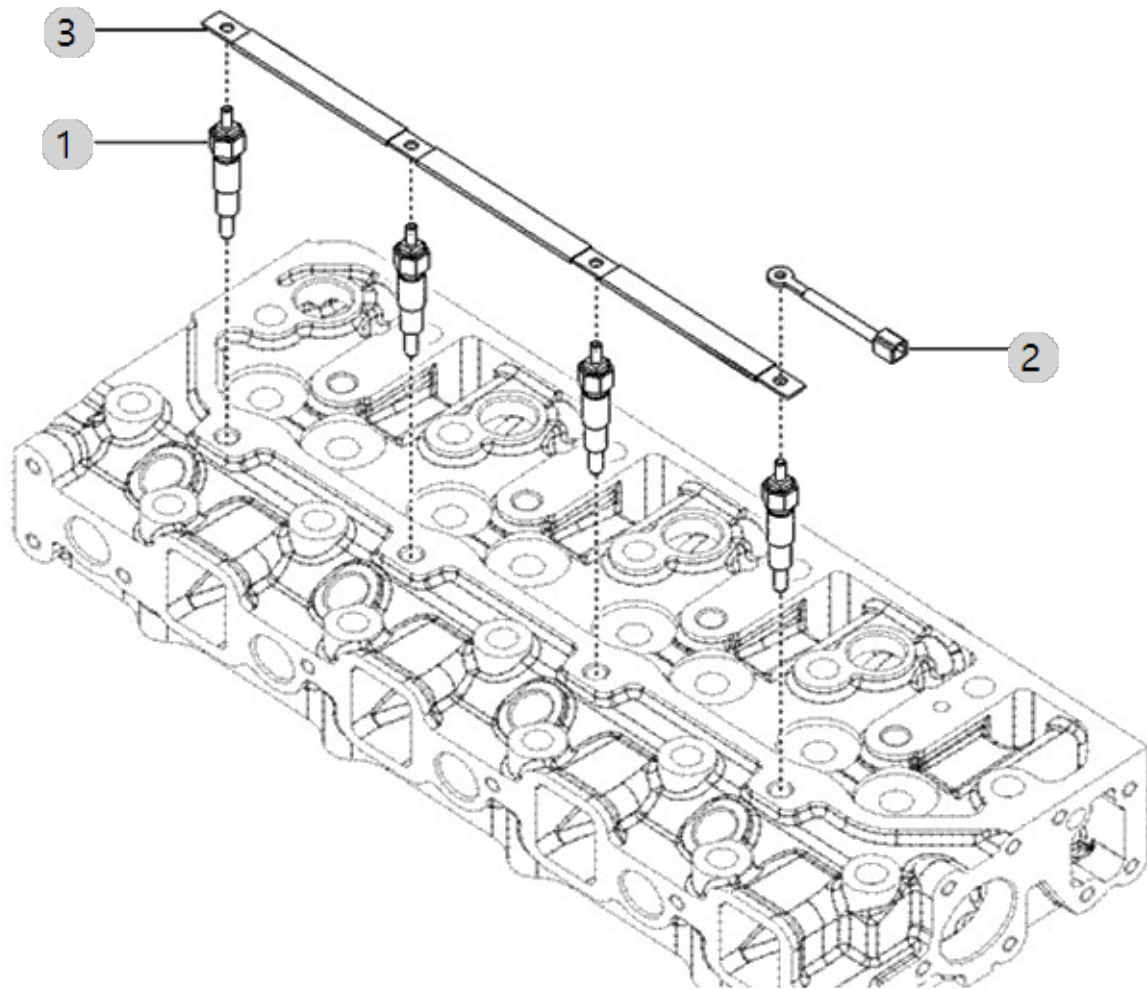
A04_005

A2300N2-UTR_4
(AB00133)

GLOW PLUG ASS'Y OPTION

Year/Month

2022-12-15



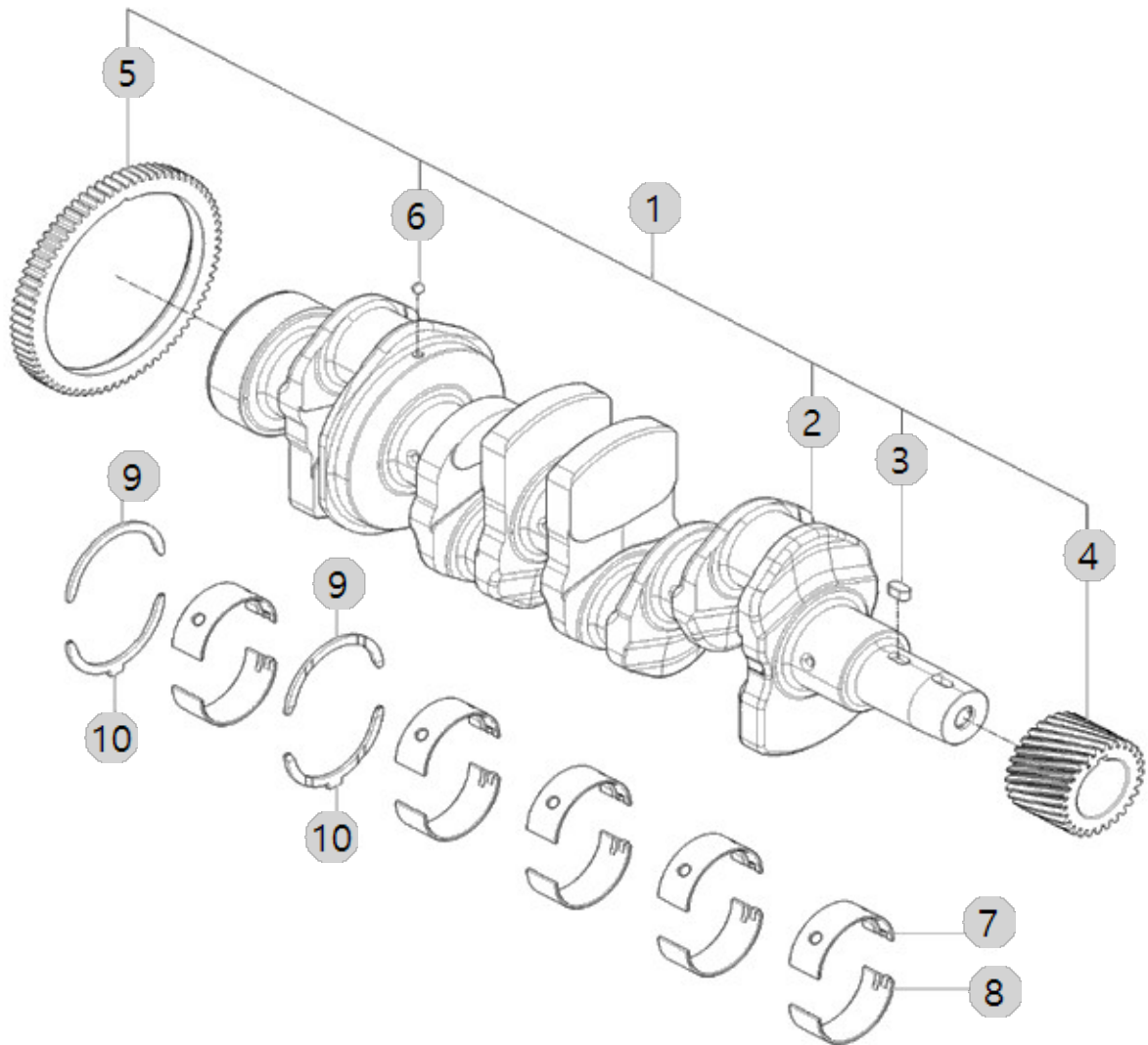
A05_005

A2300N2-UTR_4
(AB00133)

CRANK SHAFT ASS'Y OPTION

Year/Month

2022-12-15



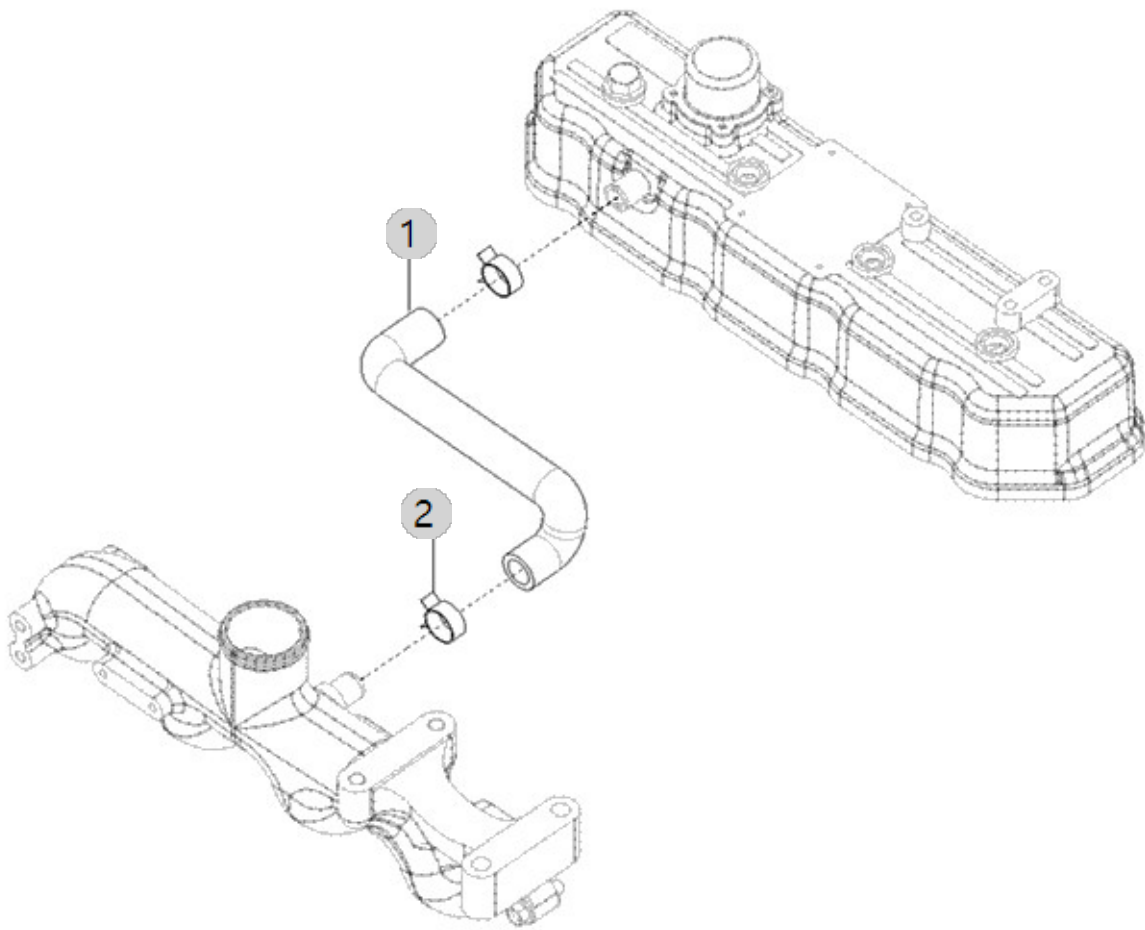
A06_004

A2300N2-UTR_4
(AB00133)

BREATHER OPTION

Year/Month

2022-12-15



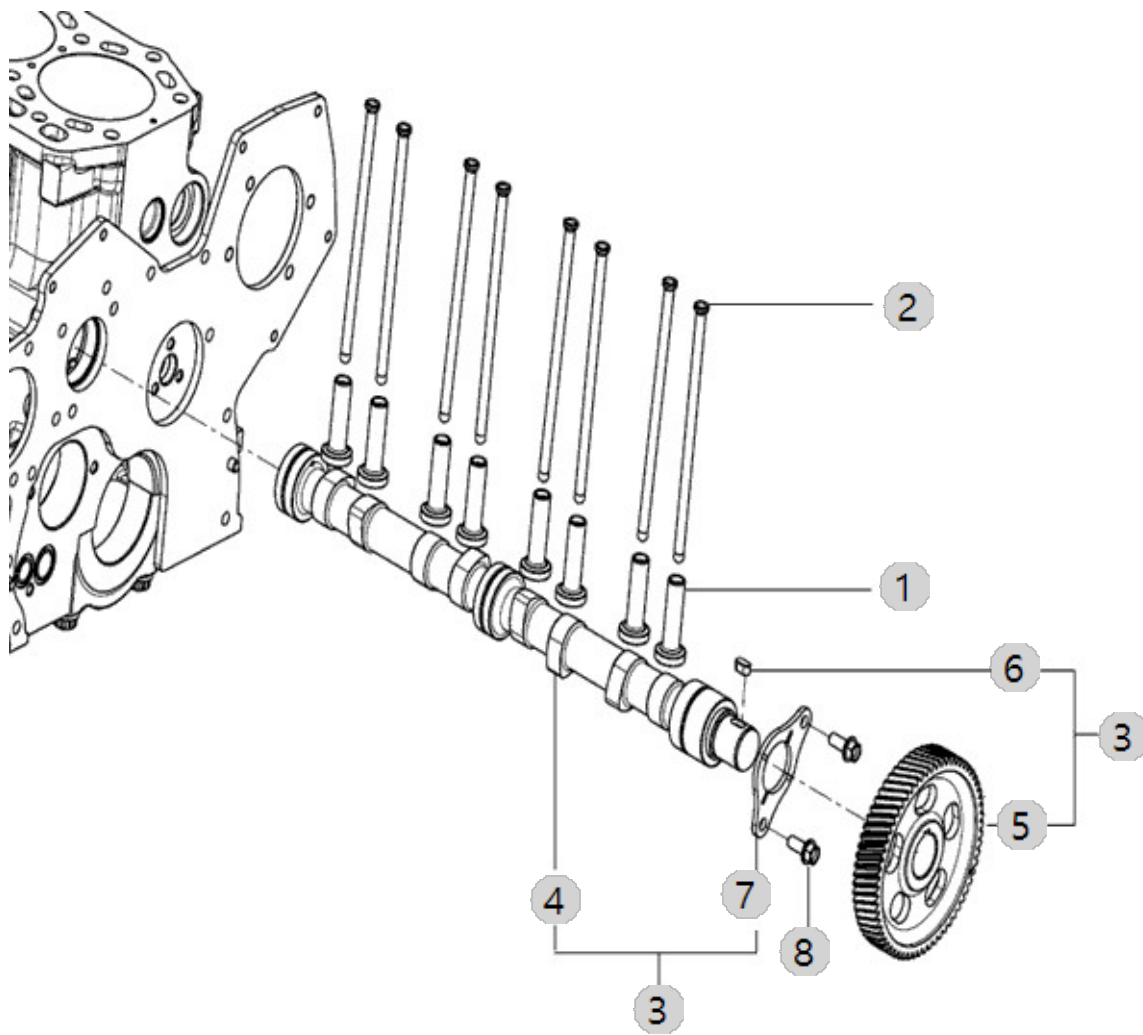
A07_005

A2300N2-UTR_4
(AB00133)

CAMSHAFT

Year/Month

2022-12-15



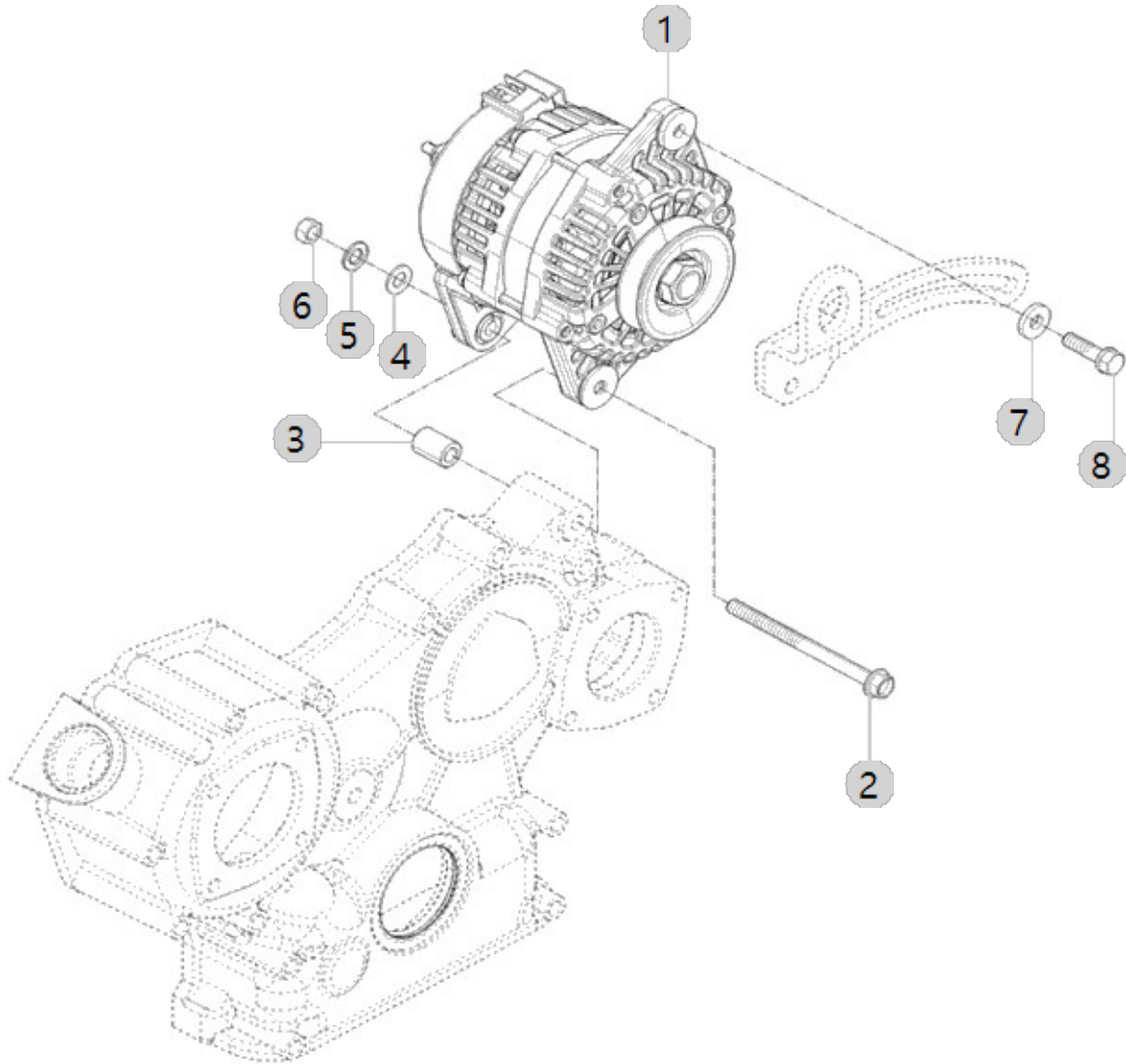
A08_003

A2300N2-UTR_4
(AB00133)

ALTERNATOR

Year/Month

2022-12-15



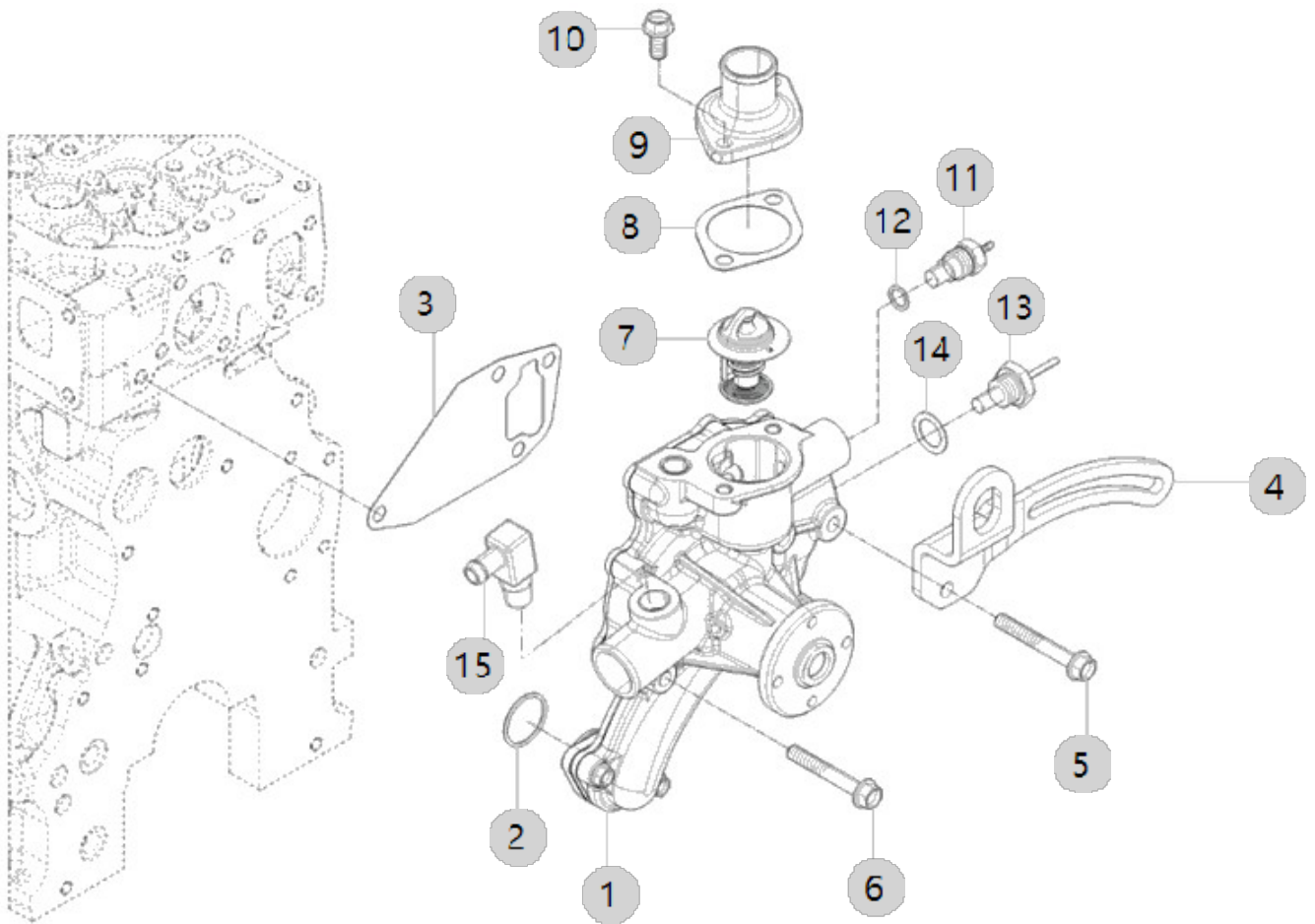
A09_003

A2300N2-UTR_4
(AB00133)

COOLING WATER PUMP

Year/Month

2022-12-15



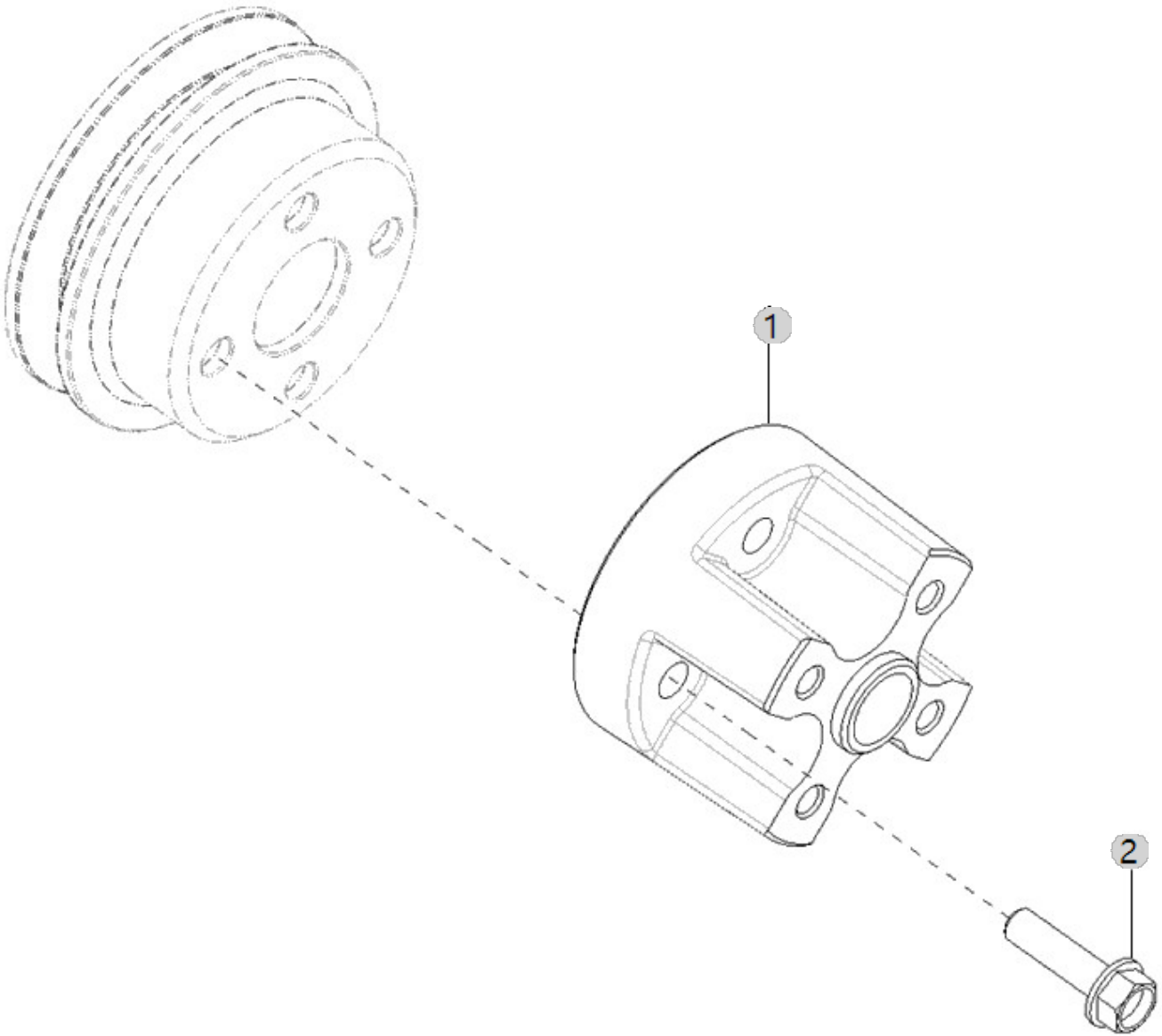
A10_008

A2300N2-UTR_4
(AB00133)

COOLING FAN SPACER

Year/Month

2022-12-15



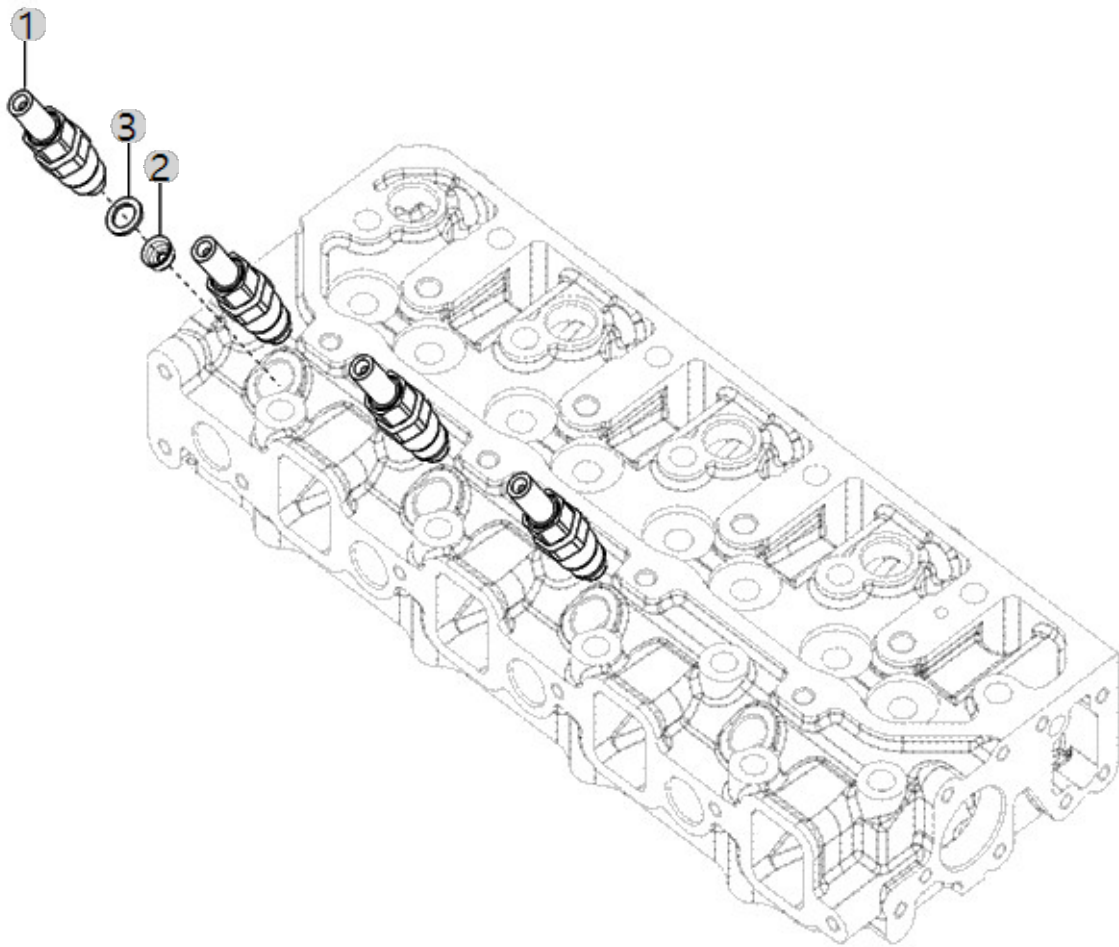
A11_007

A2300N2-UTR_4
(AB00133)

INJECTOR

Year/Month

2022-12-15



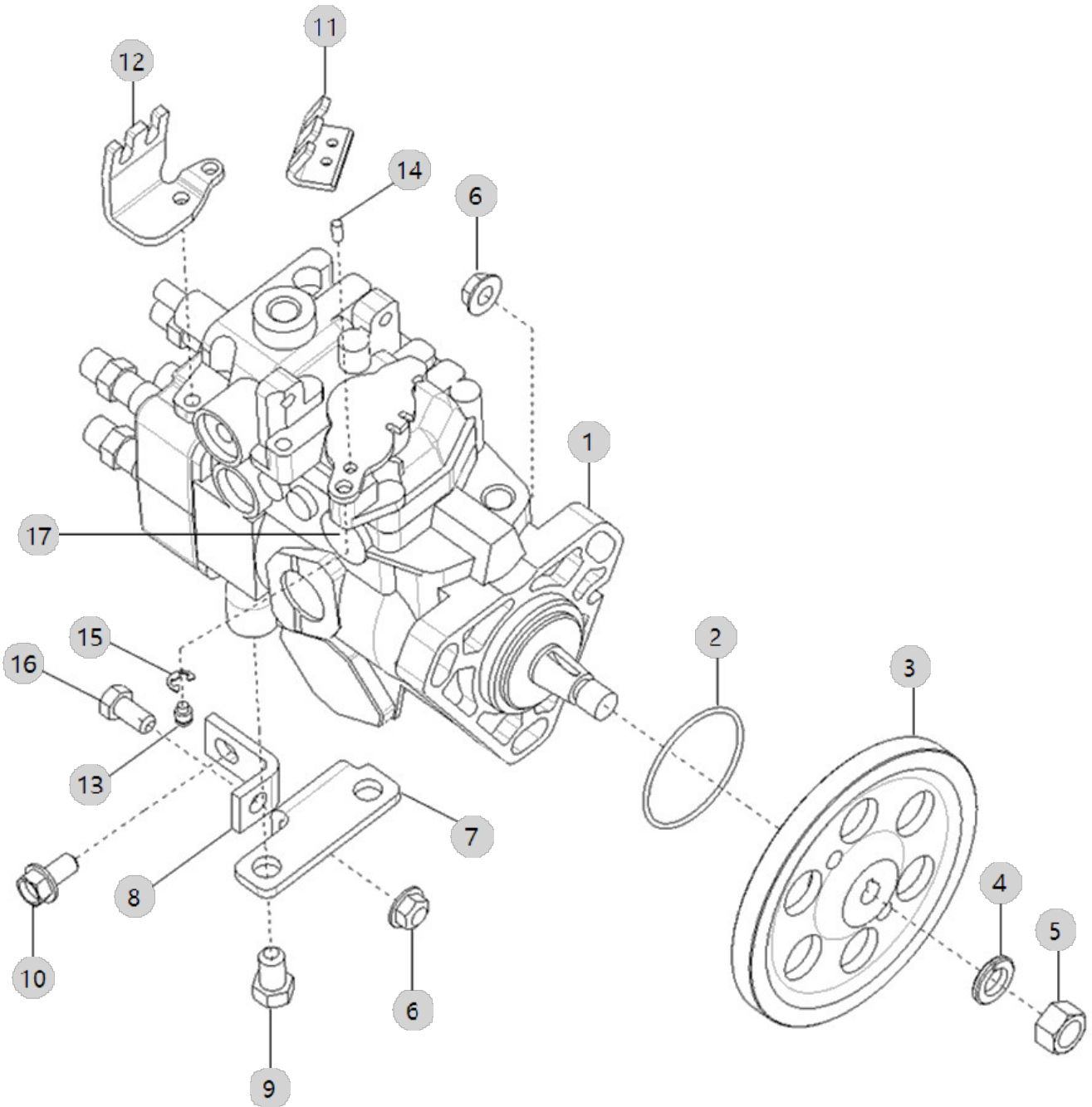
A12_014

A2300N2-UTR_4
(AB00133)

FUEL INJECTOR

Year/Month

2022-12-15



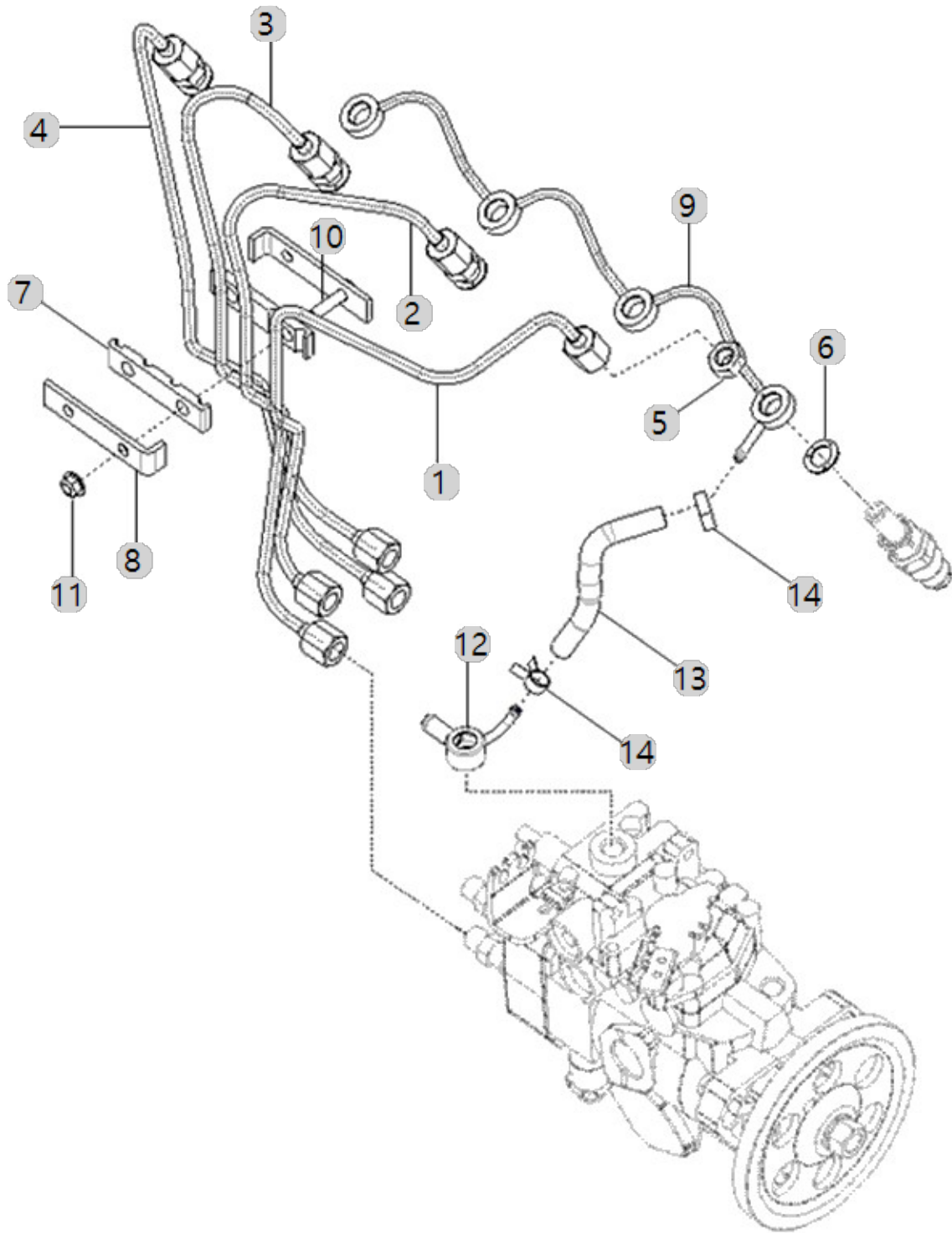
A13_005

A2300N2-UTR_4
(AB00133)

PLUMBING, FUEL

Year/Month

2022-12-15



A13_005 A2300N2-UTR_4 (AB00133)		PLUMBING, FUEL				Year/Month 2022-12-15
순번 (NO)	부품번호 (PART NO)	품명 (PART NAME)	품명 (PART NAME)	수량 (QTY)	규격 (SPEC)	비고 (REMARK)
1	HRA150050DC0	연료파이프조합(A)	TUBE,INJECTOR FUEL SUPPLY	1		
1	HRA150050DB0	299,A202322,연료파이프조합(A)	PIPE ASSY, FUEL SUPPLY A	1		
1	HRA150050DB0	299,A202322,연료파이프조합(A)	PIPE ASSY, FUEL SUPPLY A	1		
1	HRA150050DB0	299,A202322,연료파이프조합(A)	PIPE ASSY, FUEL SUPPLY A	1		
2	HRA150060DB0	300,A202322,연료파이프조합(B)	PIPE ASSY, FUEL SUPPLY (B)	1		
2	HRA150060DB0	300,A202322,연료파이프조합(B)	PIPE ASSY, FUEL SUPPLY (B)	1		
2	HRA150060DC0	연료파이프조합(B)	TUBE,INJECTOR FUEL SUPPLY	1		
2	HRA150060DB0	300,A202322,연료파이프조합(B)	PIPE ASSY, FUEL SUPPLY (B)	1		
3	HRA150070DC0	연료파이프조합(C)	TUBE,INJECTOR FUEL SUPPLY	1		
3	HRA150070DB0	301,A202322,연료파이프조합(C)	PIPE ASSY, FUEL SUUPPLY C	1		
3	HRA150070DB0	301,A202322,연료파이프조합(C)	PIPE ASSY, FUEL SUUPPLY C	1		
3	HRA150070DB0	301,A202322,연료파이프조합(C)	PIPE ASSY, FUEL SUUPPLY C	1		
4	HRA150080DB0	302,A202322,연료파이프조합(D)	PIPE ASSY, FUEL SUPPLY D	1		
4	HRA150080DC0	연료파이프조합(D)	TUBE,INJECTOR FUEL SUPPLY	1		
4	HRA150080DB0	302,A202322,연료파이프조합(D)	PIPE ASSY, FUEL SUPPLY D	1		
4	HRA150080DB0	302,A202322,연료파이프조합(D)	PIPE ASSY, FUEL SUPPLY D	1		
5	HK13450000A4	육각고정너트	NUT,REGULARHEXAGON	4	M12X1.5	
5	HK13450000A4	육각고정너트	NUT,REGULARHEXAGON	4	M12X1.5	
5	HK13450000A4	육각고정너트	NUT,REGULARHEXAGON	4	M12X1.5	
5	HK13450000A4	육각고정너트	NUT,REGULARHEXAGON	4	M12X1.5	
6	HK13440000A4	306,ALL,패킹(조인트)(와류실)	GASKET,FUELMANIFOLD	4		
6	HK13440000A4	306,ALL,패킹(조인트)(와류실)	GASKET,FUELMANIFOLD	4		
6	HK13440000A4	306,ALL,패킹(조인트)(와류실)	GASKET,FUELMANIFOLD	4		
6	HK13440000A4	306,ALL,패킹(조인트)(와류실)	GASKET,FUELMANIFOLD	4		
7	HRA1502700A4	462,ALL,브래킷고무	RUBBER,BRACKET	2		
7	HRA1502700A4	462,ALL,브래킷고무	RUBBER,BRACKET	2		
7	HRA1502700A4	462,ALL,브래킷고무	RUBBER,BRACKET	2		
7	HRA1502700A4	462,ALL,브래킷고무	RUBBER,BRACKET	2		
8	HRA1502800A4	브래킷판	CLAMP,TUBE	1	T 3.2	
8	HRA1502800A4	브래킷판	CLAMP,TUBE	1	T 3.2	
8	HRA1502800A4	브래킷판	CLAMP,TUBE	2	T 3.2	
8	HRA1502800A4	브래킷판	CLAMP,TUBE	1	T 3.2	
8	HRA1502800B4	브래킷판	CLAMP,TUBE	2	T 3.2	
9	HRA1500900C3	퇴유파이프조합	PIPE ASSY, FUEL RETURN	1		
9	HRA1500900C3	퇴유파이프조합	PIPE ASSY, FUEL RETURN	1		
9	HRA1500900C3	퇴유파이프조합	PIPE ASSY, FUEL RETURN	1		
9	HRA1500900D3	퇴유파이프조합	PIPE ASSY, FUEL	1		
10	HRA1502600B4	브래킷(연료파이프)	BRACKET,PIPE	1		
10	HRA1502600B4	브래킷(연료파이프)	BRACKET,PIPE	1		
10	HRA1502600B4	브래킷(연료파이프)	BRACKET,PIPE	1		
10	HRA1502600B4	브래킷(연료파이프)	BRACKET,PIPE	1		
11	26367-060002	플랜지너트	Nut, Hexa (Φ6)	2	M6XP1.0	
11	26367-060002	플랜지너트	Nut, Hexa (Φ6)	2	M6XP1.0	
11	26367-060002	플랜지너트	Nut, Hexa (Φ6)	2	M6XP1.0	
11	26367-060002	플랜지너트	Nut, Hexa (Φ6)	2	M6XP1.0	

A13_005 A2300N2-UTR_4 (AB00133)	PLUMBING, FUEL					Year/Month
						2022-12-15

순번 (NO)	부품번호 (PART NO)	품 명 (PART NAME)	품 명 (PART NAME)	수량 (QTY)	규격 (SPEC)	비고 (REMARK)
12	HRA1502400C4	조인트	CONNECTOR, BANJO	1		
12	HRA1502400D4	조인트	CONNECTOR, BANJO	1		
12	HRA1502400B4	310,ALL,조인트	CONNECTOR,BANJO	1		
12	HRA1502400C4	조인트	CONNECTOR, BANJO	1		
13	EA00000700A	퇴유호스	TUBE, FUEL DRAIN	1	NONE	
13	EA00000700A	퇴유호스	TUBE, FUEL DRAIN	1	NONE	
13	EA00000700A	퇴유호스	TUBE, FUEL DRAIN	1	NONE	
13	EA00000700A	퇴유호스	TUBE, FUEL DRAIN	1	NONE	
14	EA00006187A	Cobra클램프(Ø11)	COBRA CLAMP	2		

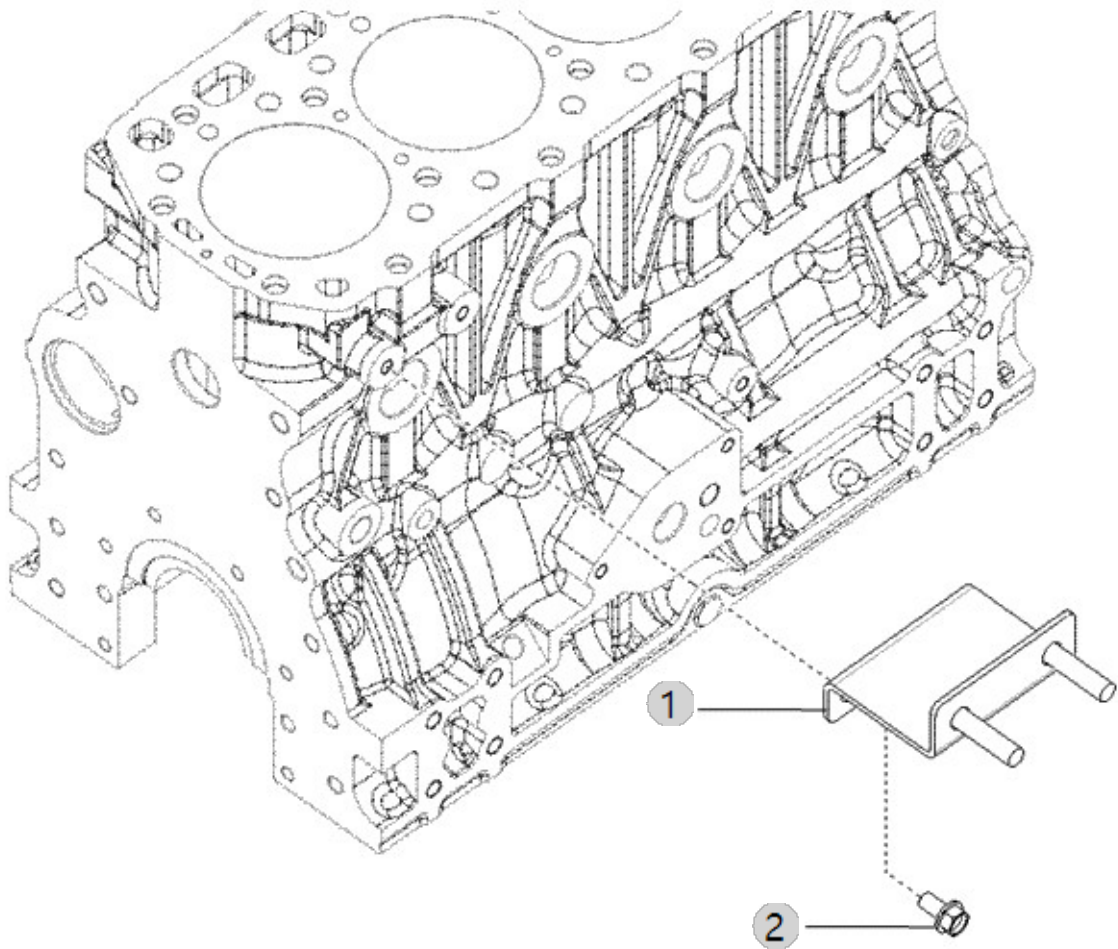
A14_003

A2300N2-UTR_4
(AB00133)

FUEL FILTER BRACKET

Year/Month

2022-12-15



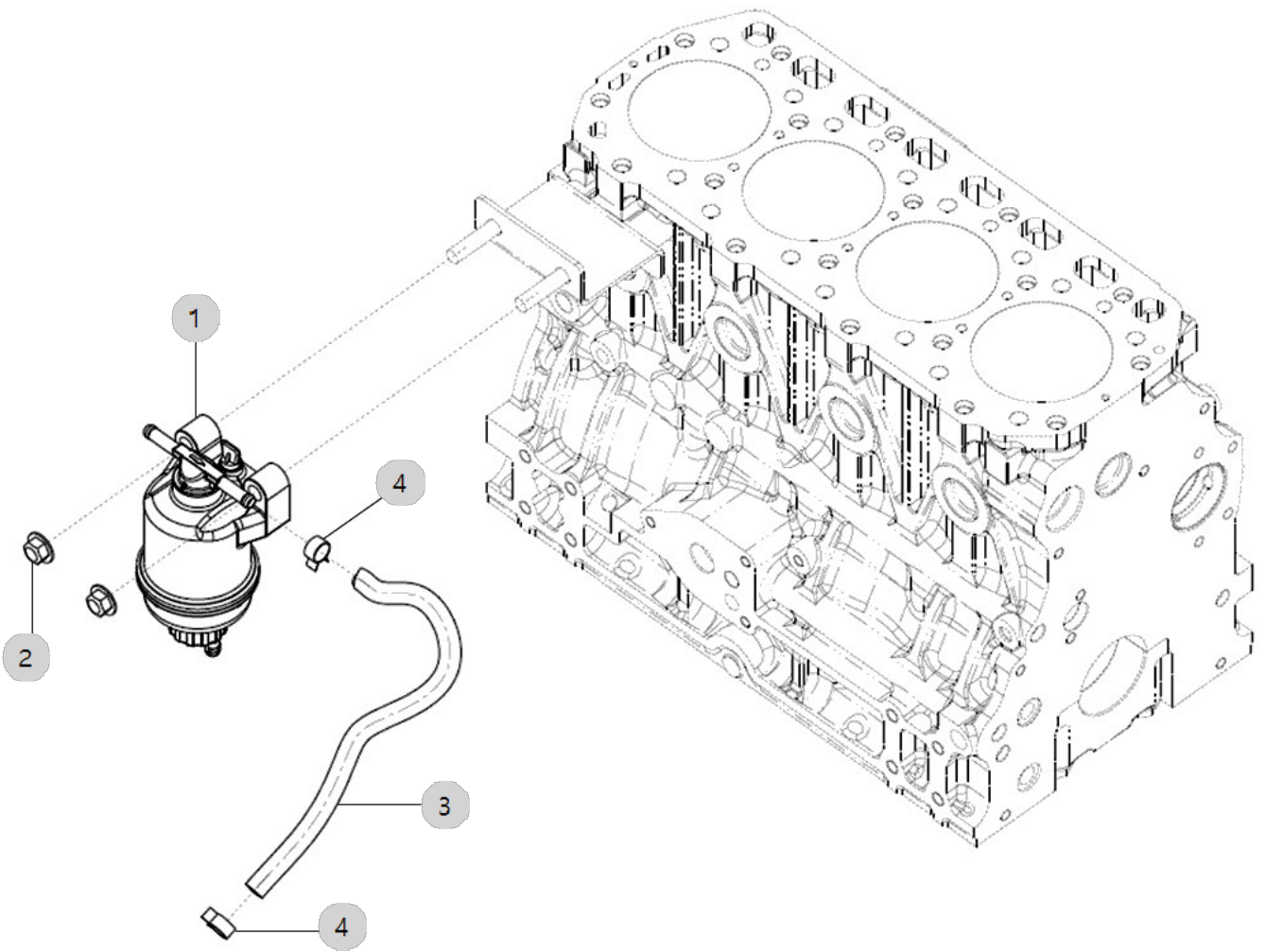
A16_018

A2300N2-UTR_4
(AB00133)

FUEL FILTER ASS'Y OPTION

Year/Month

2022-12-15



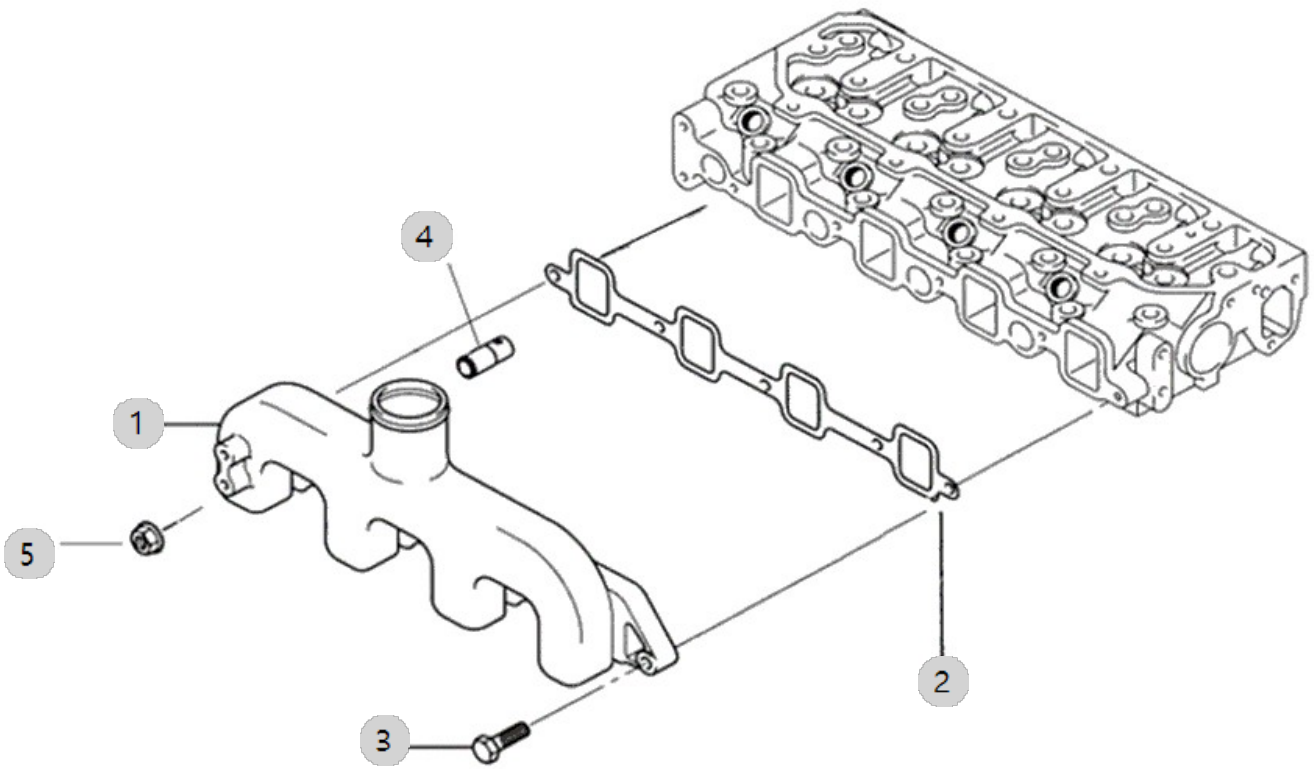
A17_014

A2300N2-UTR_4
(AB00133)

INTAKE MANIFOLD ASS'Y OPTION

Year/Month

2022-12-15



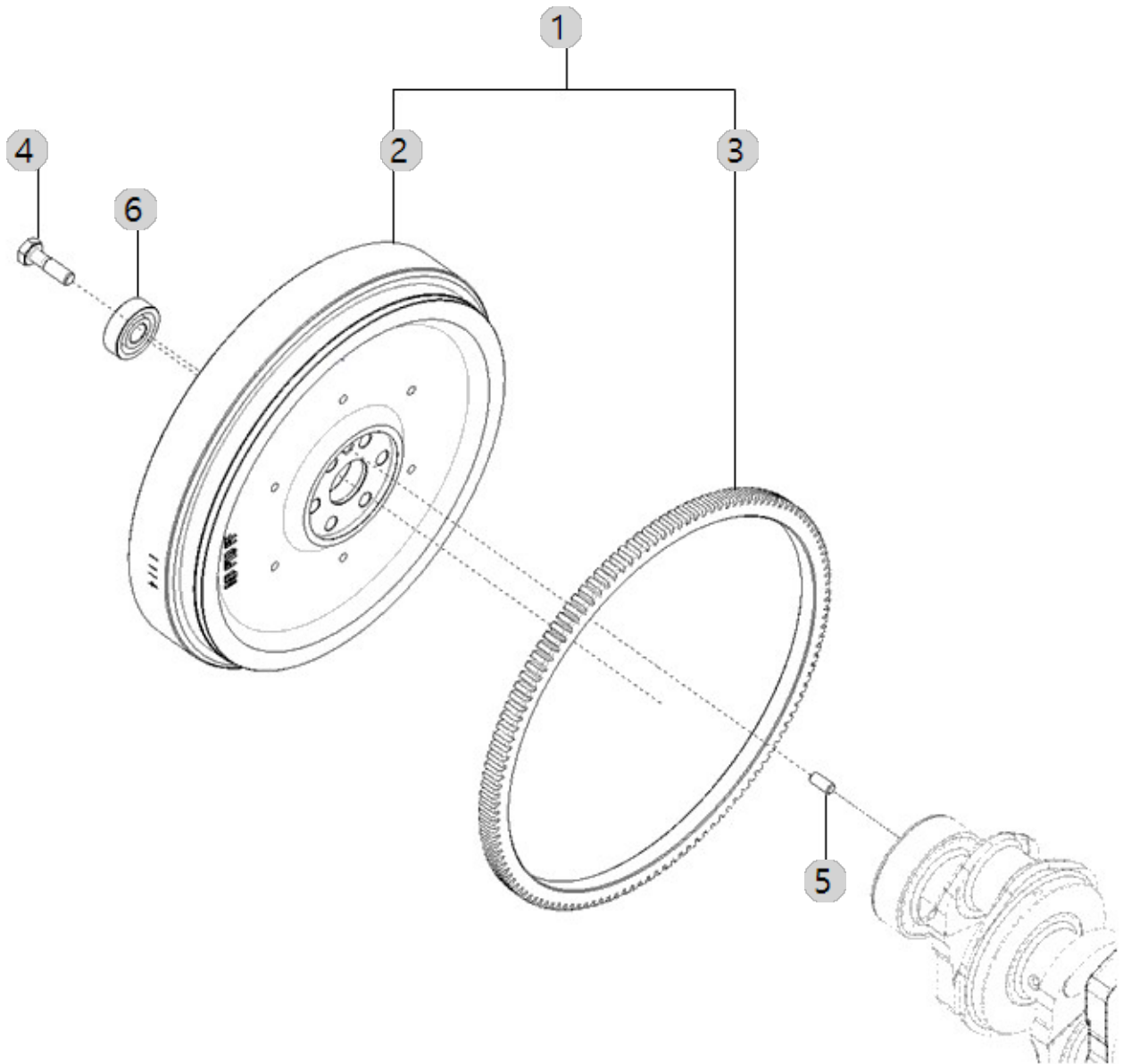
A18_011

A2300N2-UTR_4
(AB00133)

FLYWHEEL

Year/Month

2022-12-15



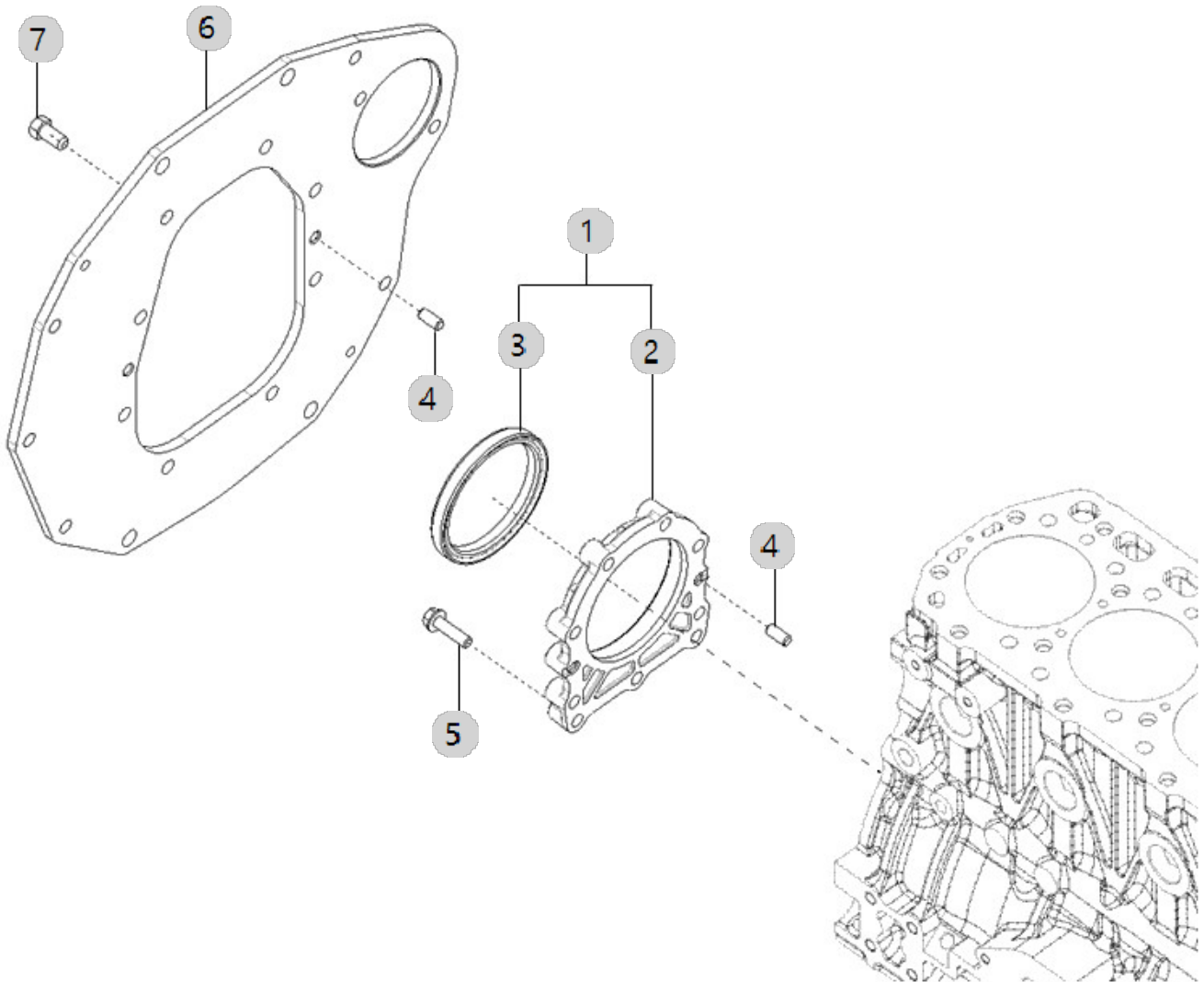
A19_009

A2300N2-UTR_4
(AB00133)

FLYWHEEL HOUSING

Year/Month

2022-12-15



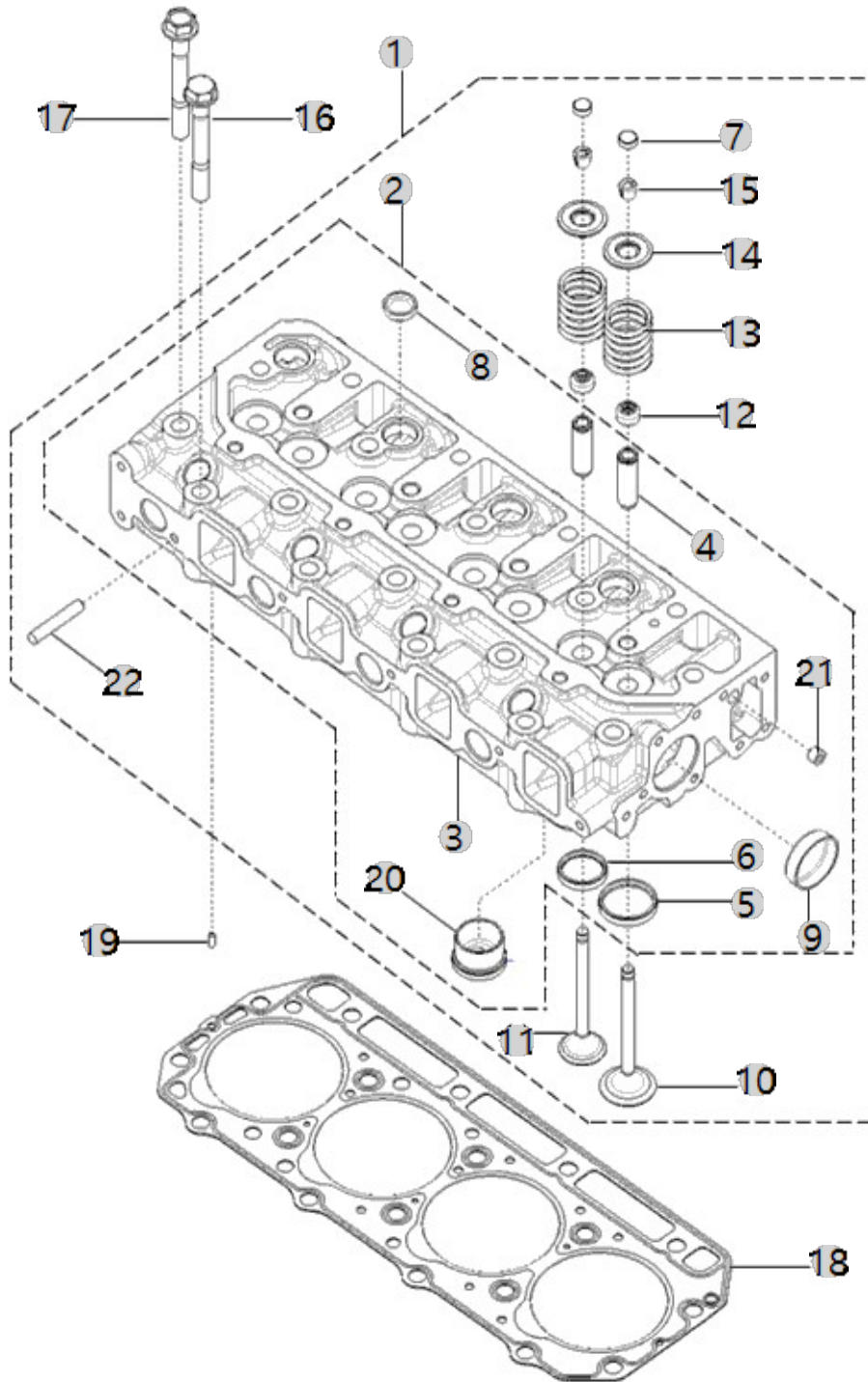
A20_010

A2300N2-UTR_4
(AB00133)

HEAD, CYLINDER

Year/Month

2022-12-15



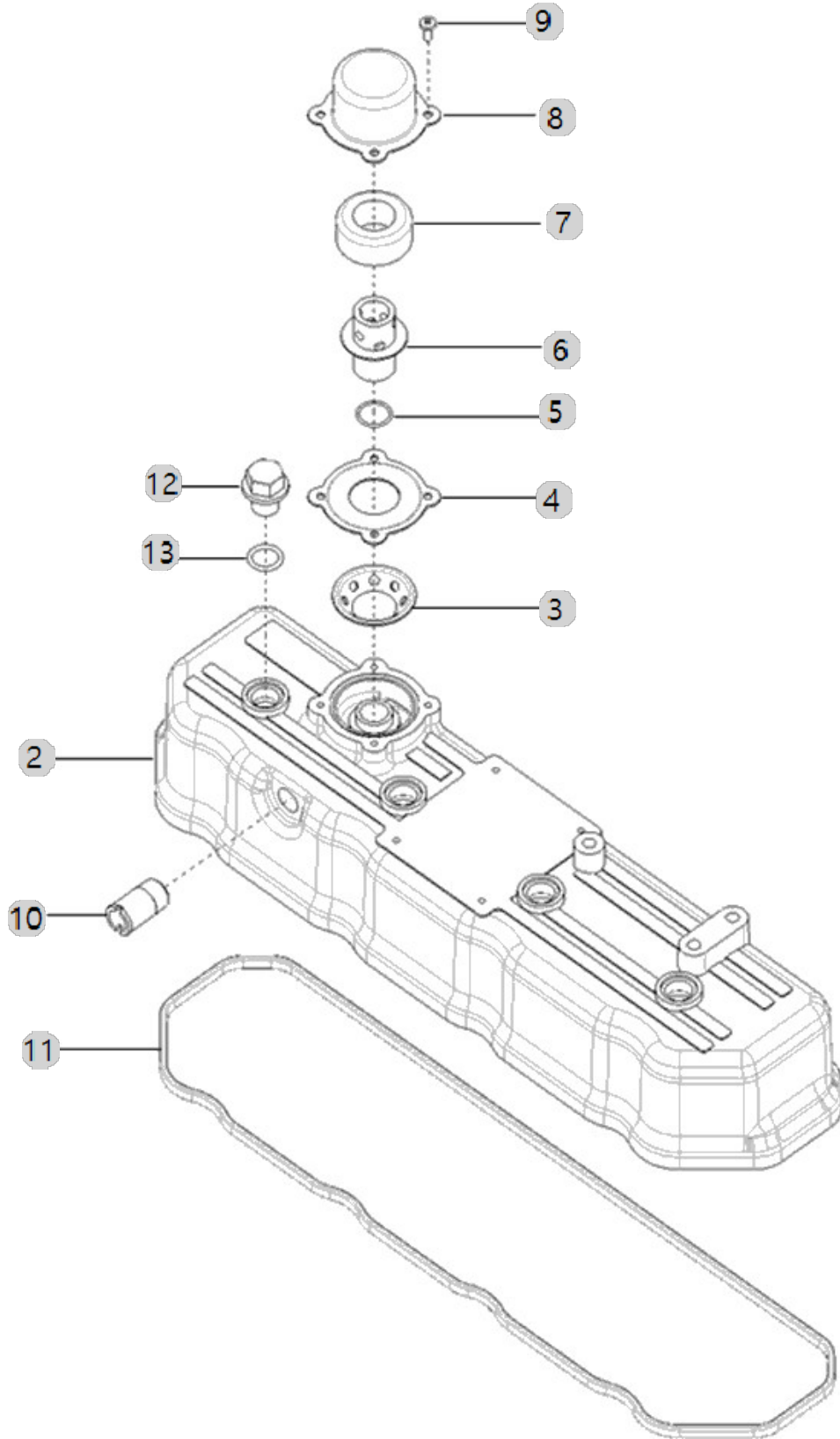
A21_004

A2300N2-UTR_4
(AB00133)

HEAD COVER

Year/Month

2022-12-15



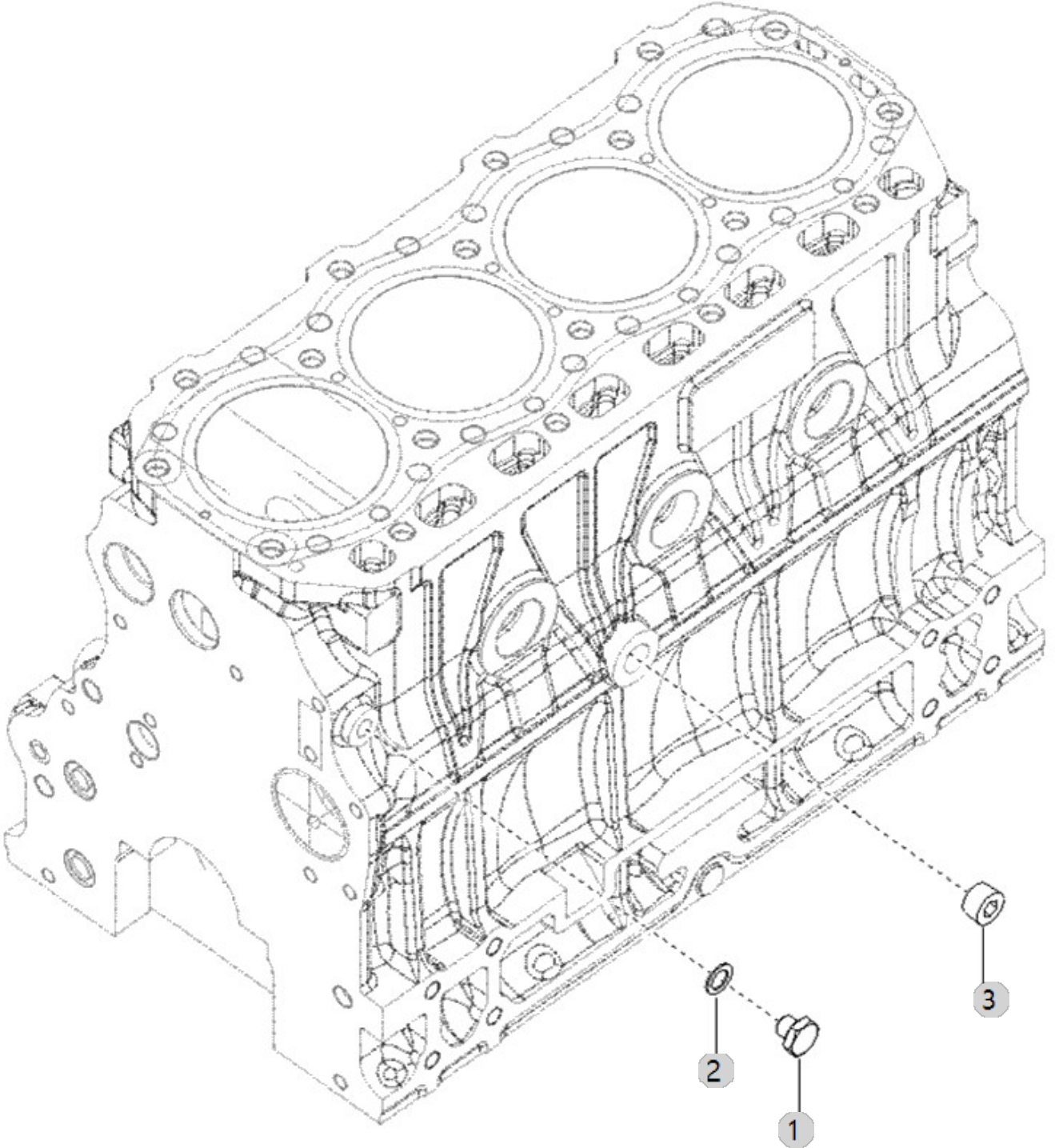
A23_009

A2300N2-UTR_4
(AB00133)

TURBOCHARGER SUPPORT ASS'Y OPTION

Year/Month

2022-12-15



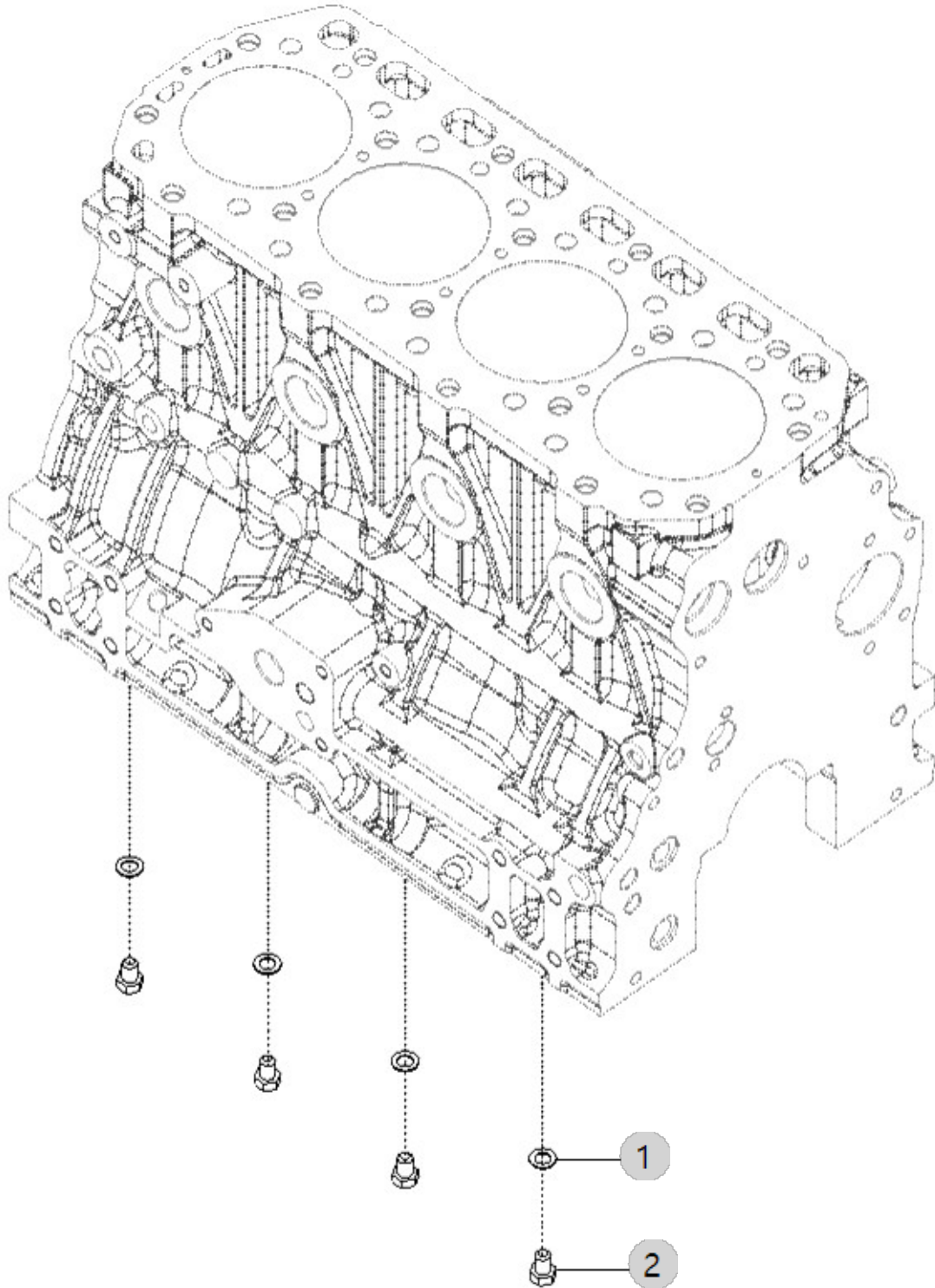
A25_002

A2300N2-UTR_4
(AB00133)

OIL JET ASS'Y OPTION

Year/Month

2022-12-15



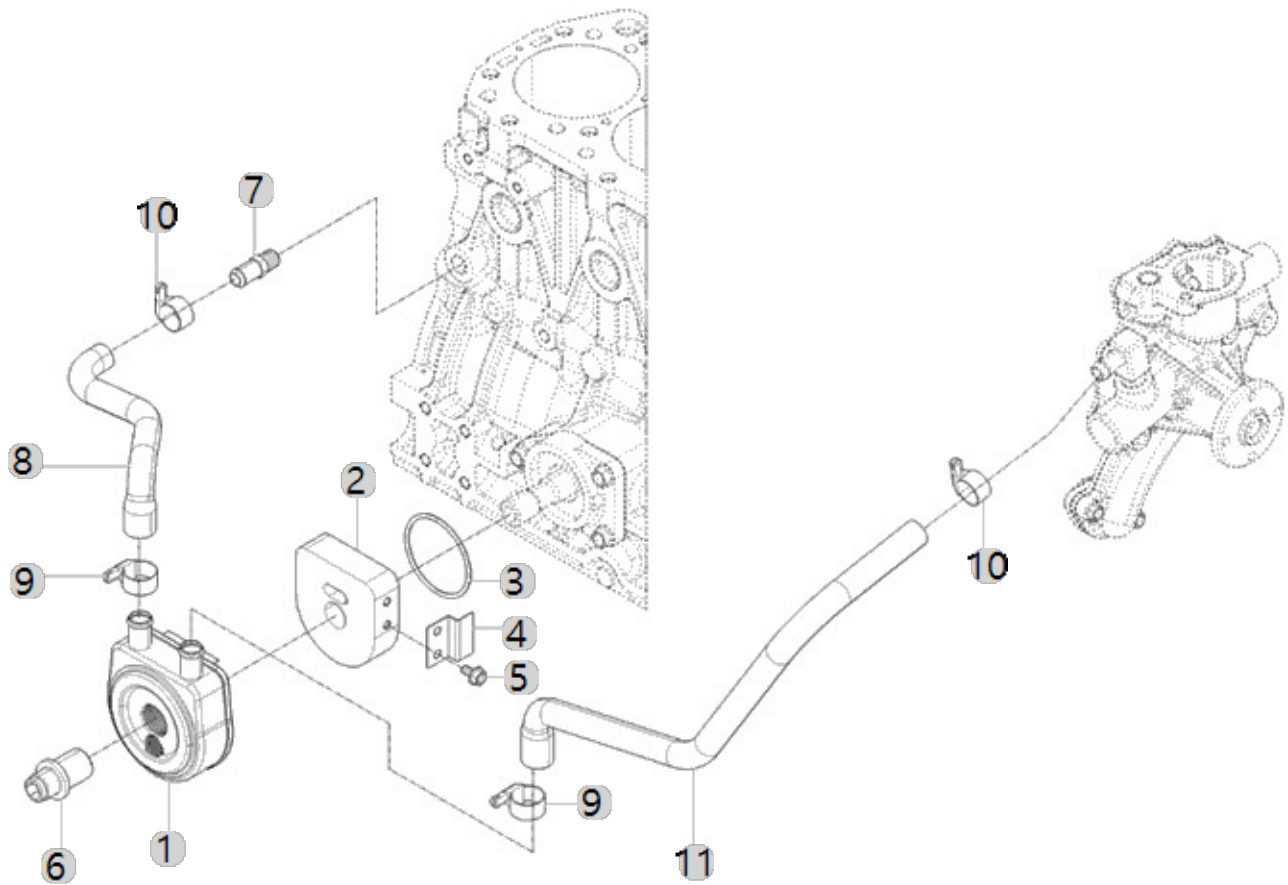
A26_005

A2300N2-UTR_4
(AB00133)

COOLER, ENGINE OIL

Year/Month

2022-12-15



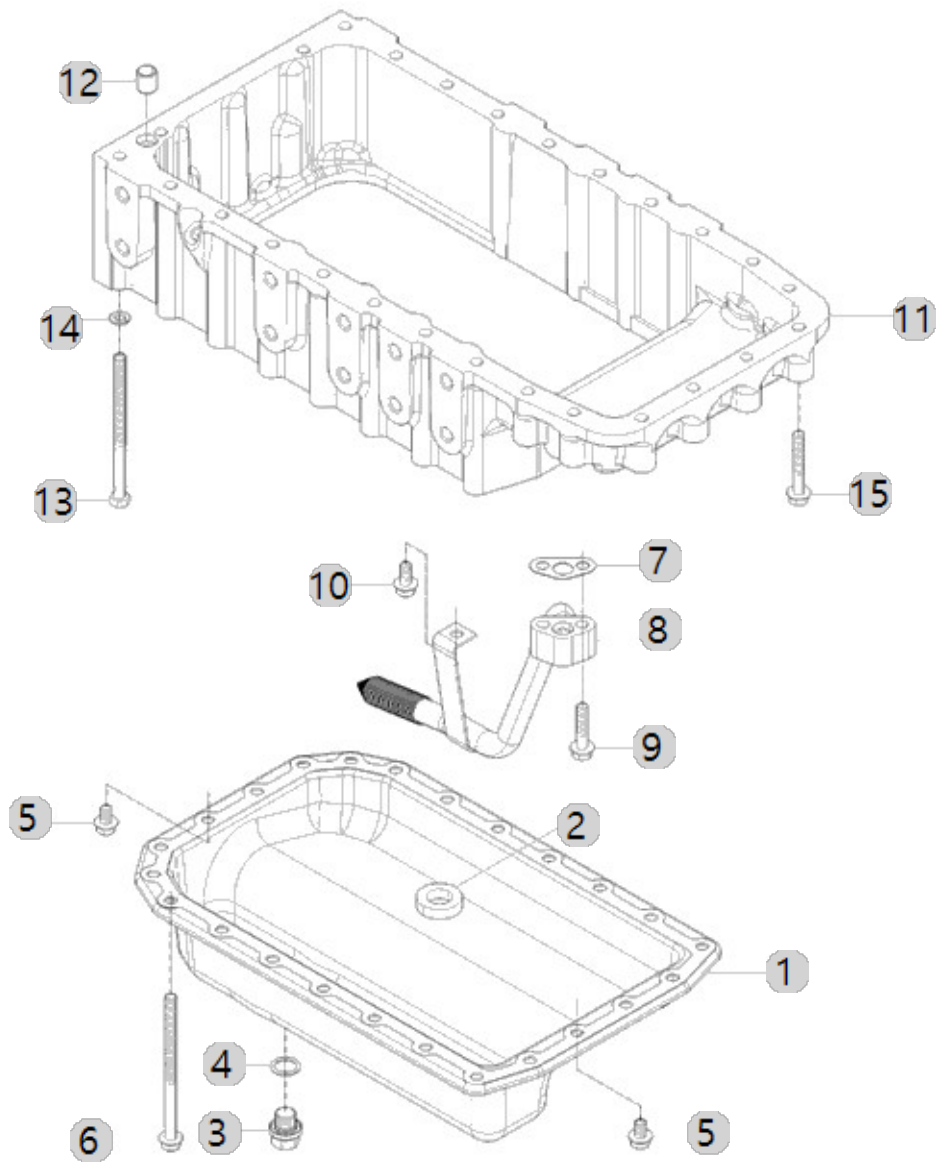
A27_010

A2300N2-UTR_4
(AB00133)

OIL PAN ASS'Y OPTION

Year/Month

2022-12-15



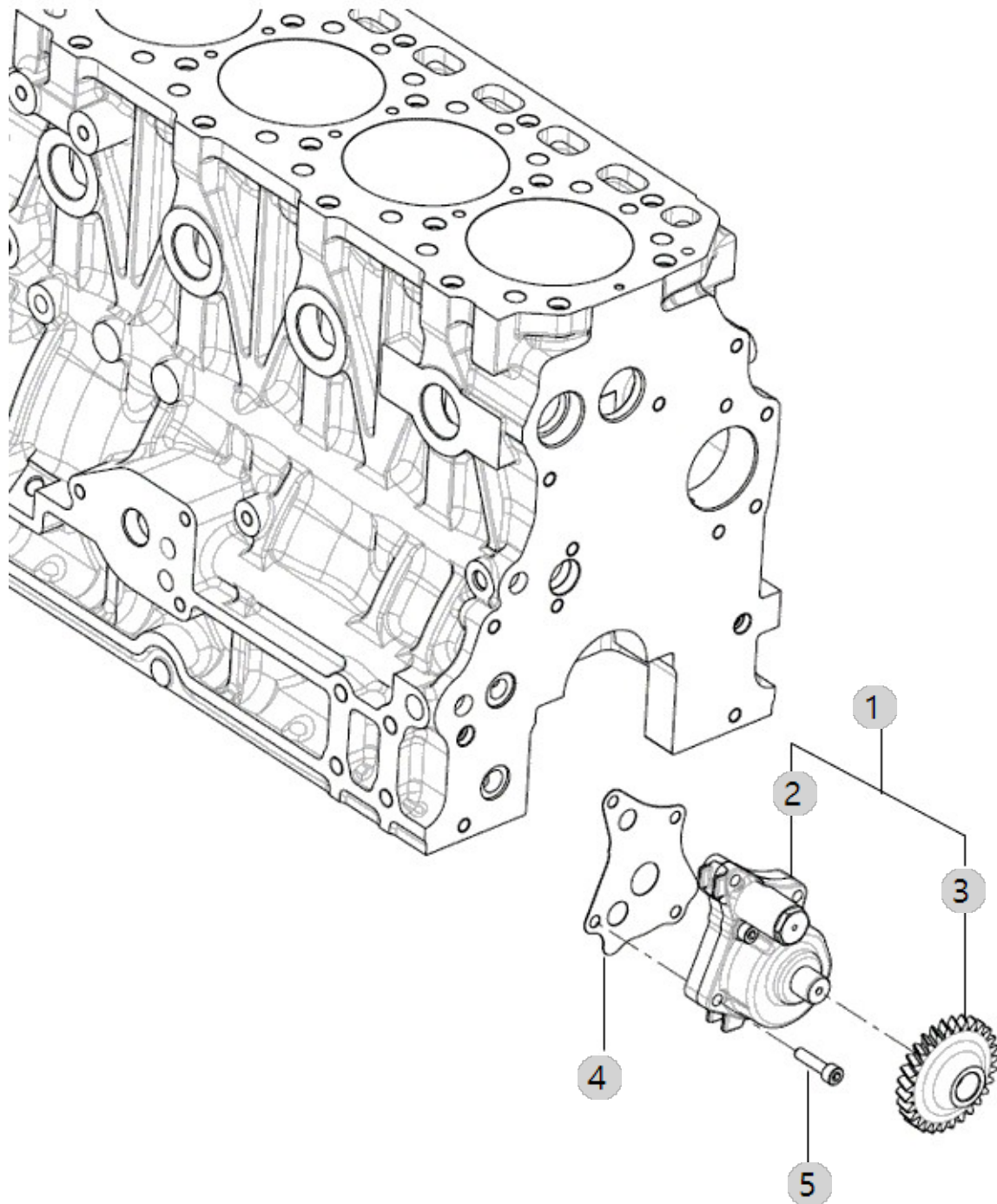
A28_001

A2300N2-UTR_4
(AB00133)

PUMP, LUBRICATING OIL

Year/Month

2022-12-15



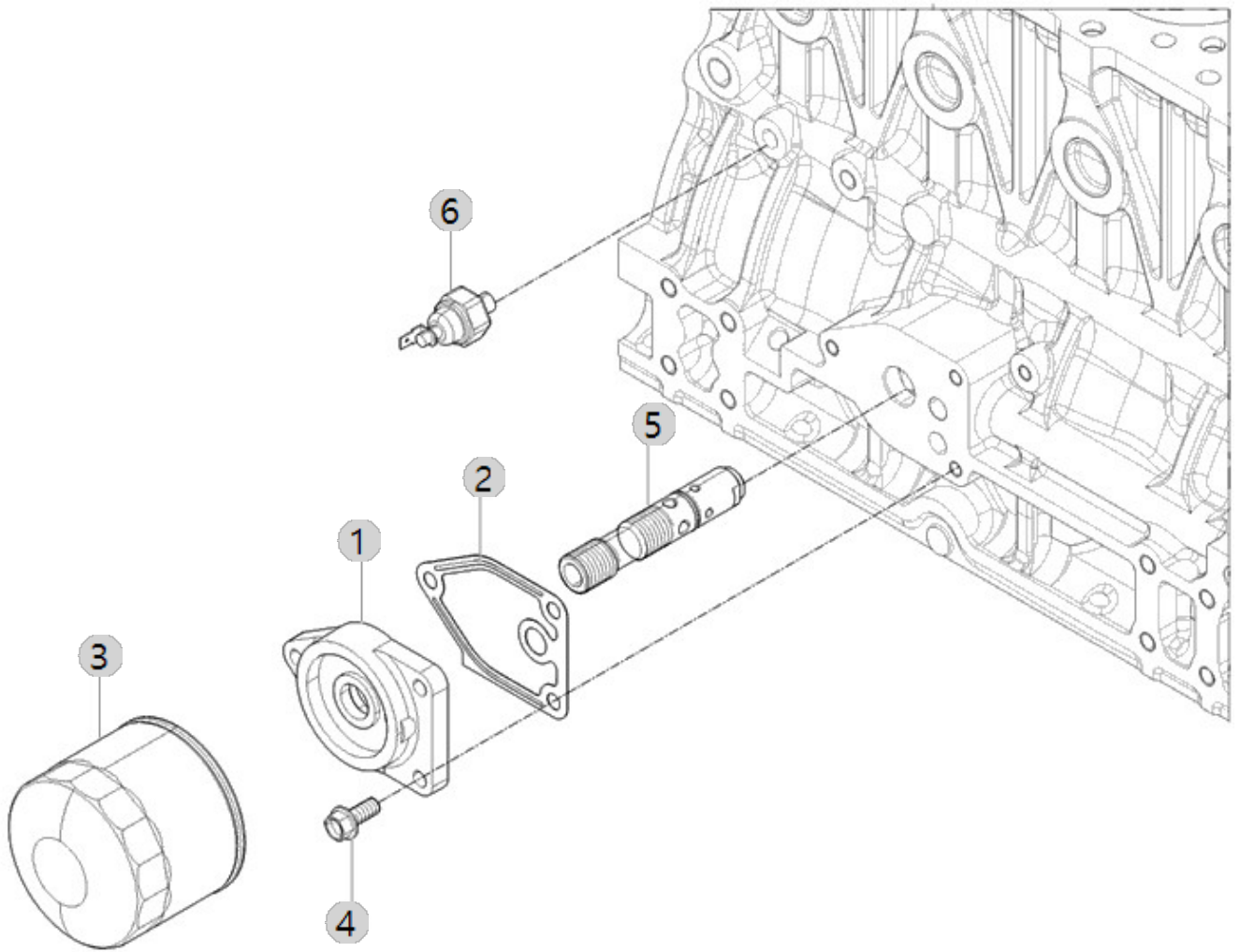
A29_005

A2300N2-UTR_4
(AB00133)

FILTER, LUBRICATING OIL

Year/Month

2022-12-15



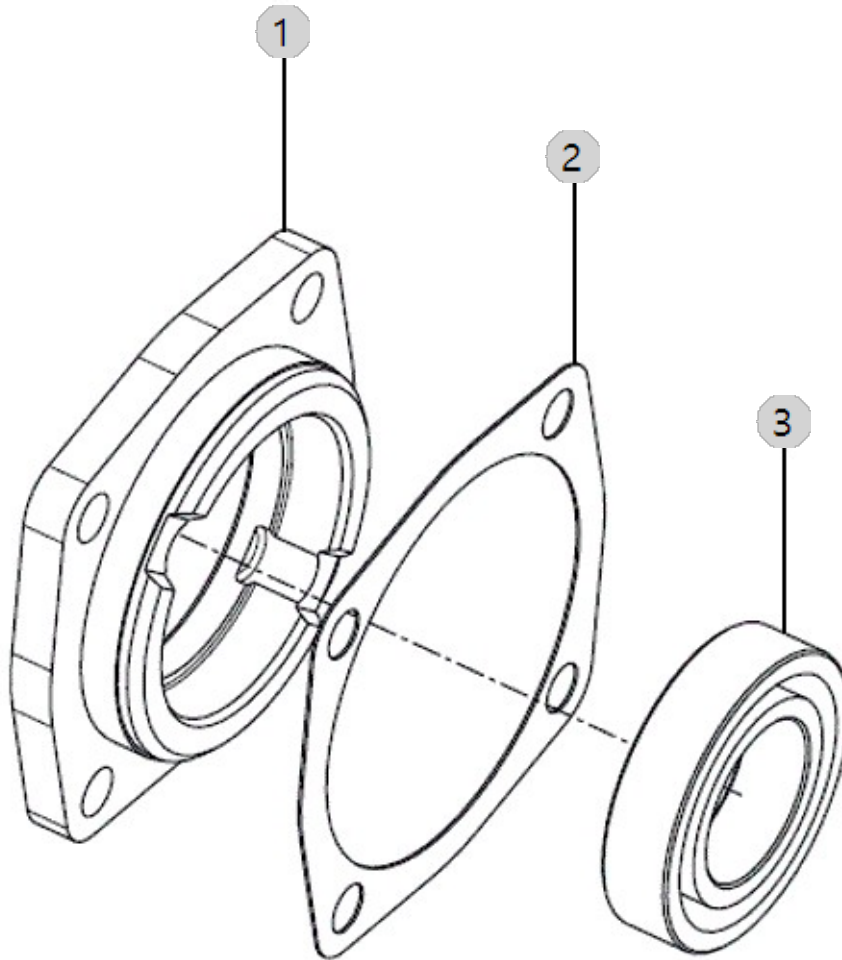
A30_003

A2300N2-UTR_4
(AB00133)

FRONT GEAR ACCESSORY DRIVE

Year/Month

2022-12-15



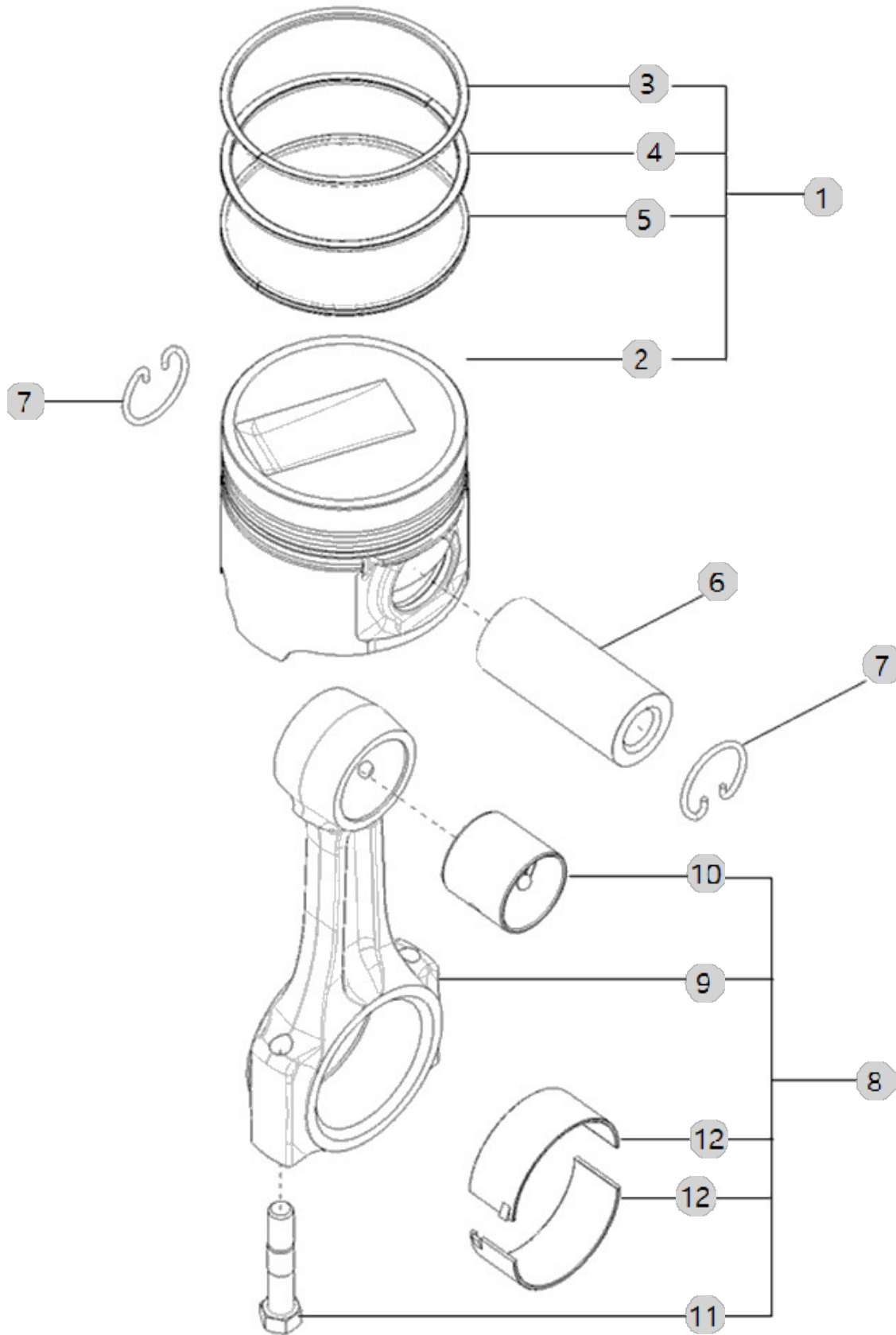
A31_007

A2300N2-UTR_4
(AB00133)

PISTON

Year/Month

2022-12-15



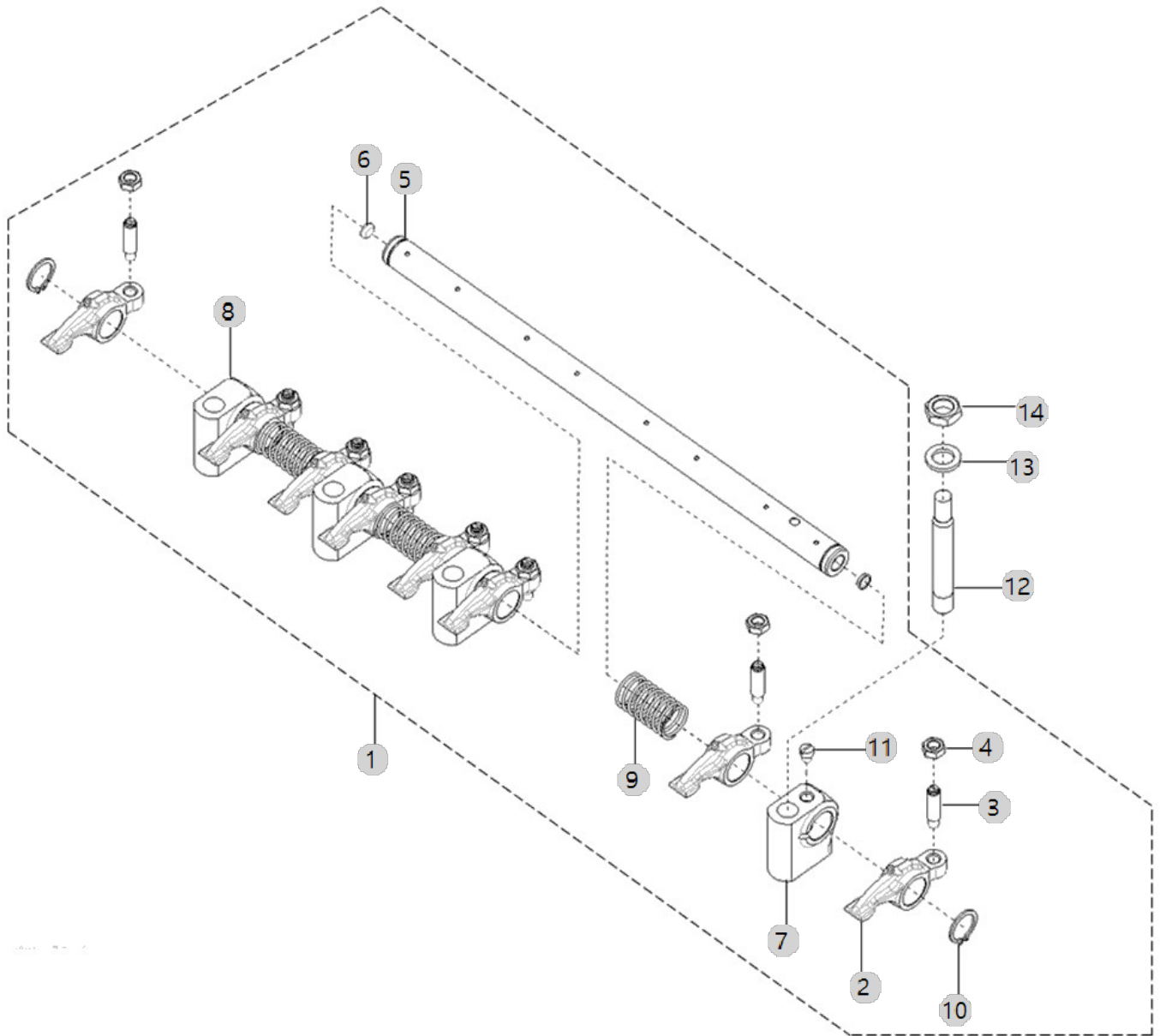
A32_003

A2300N2-UTR_4
(AB00133)

LEVER, LOCKER

Year/Month

2022-12-15



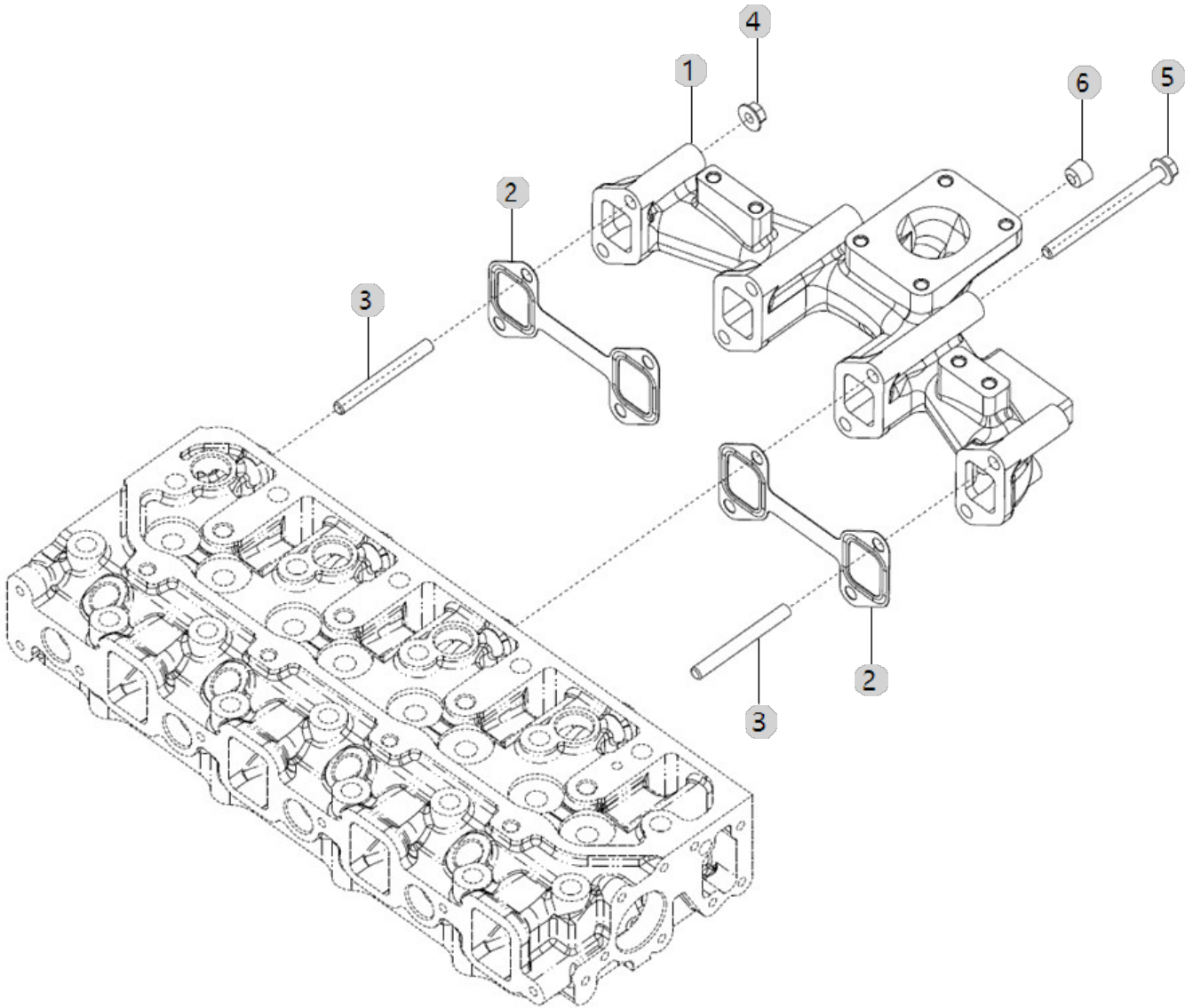
A33_013

A2300N2-UTR_4
(AB00133)

EXHAUST MANIFOLD

Year/Month

2022-12-15



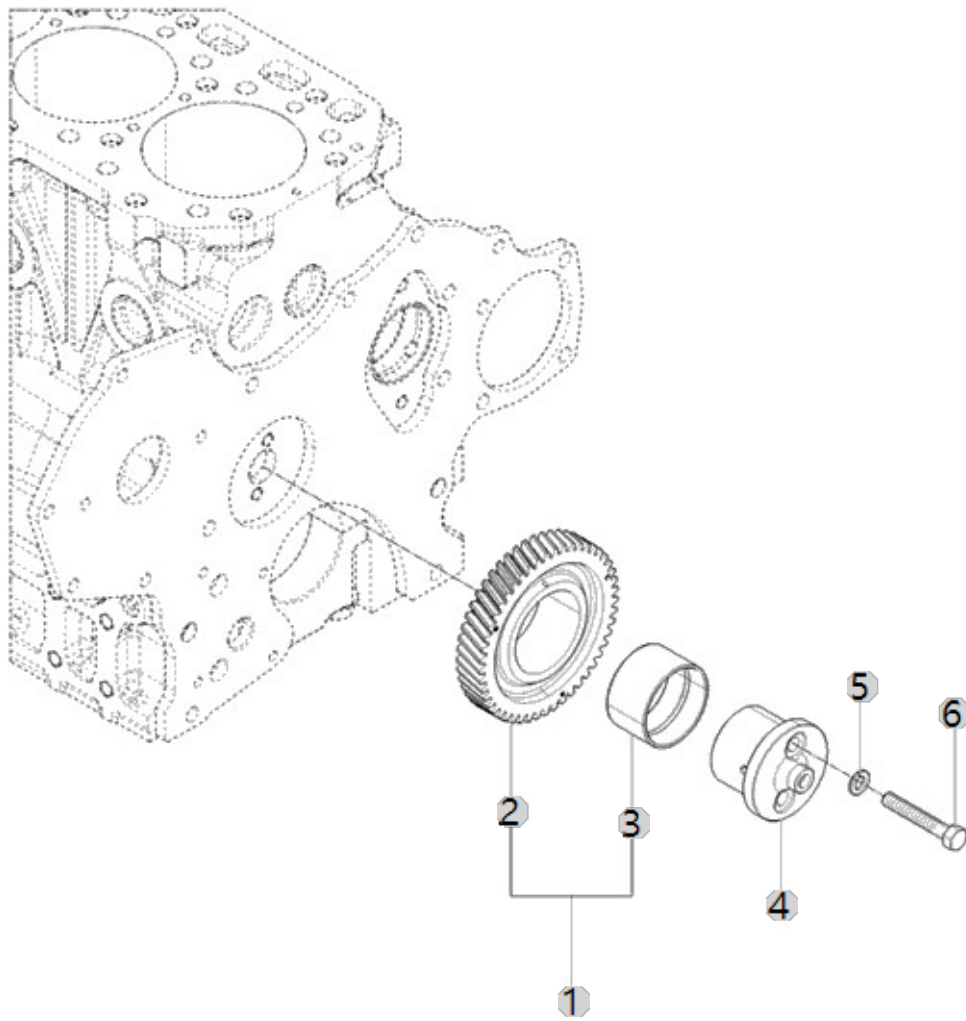
A35_002

A2300N2-UTR_4
(AB00133)

IDLE GEAR

Year/Month

2022-12-15



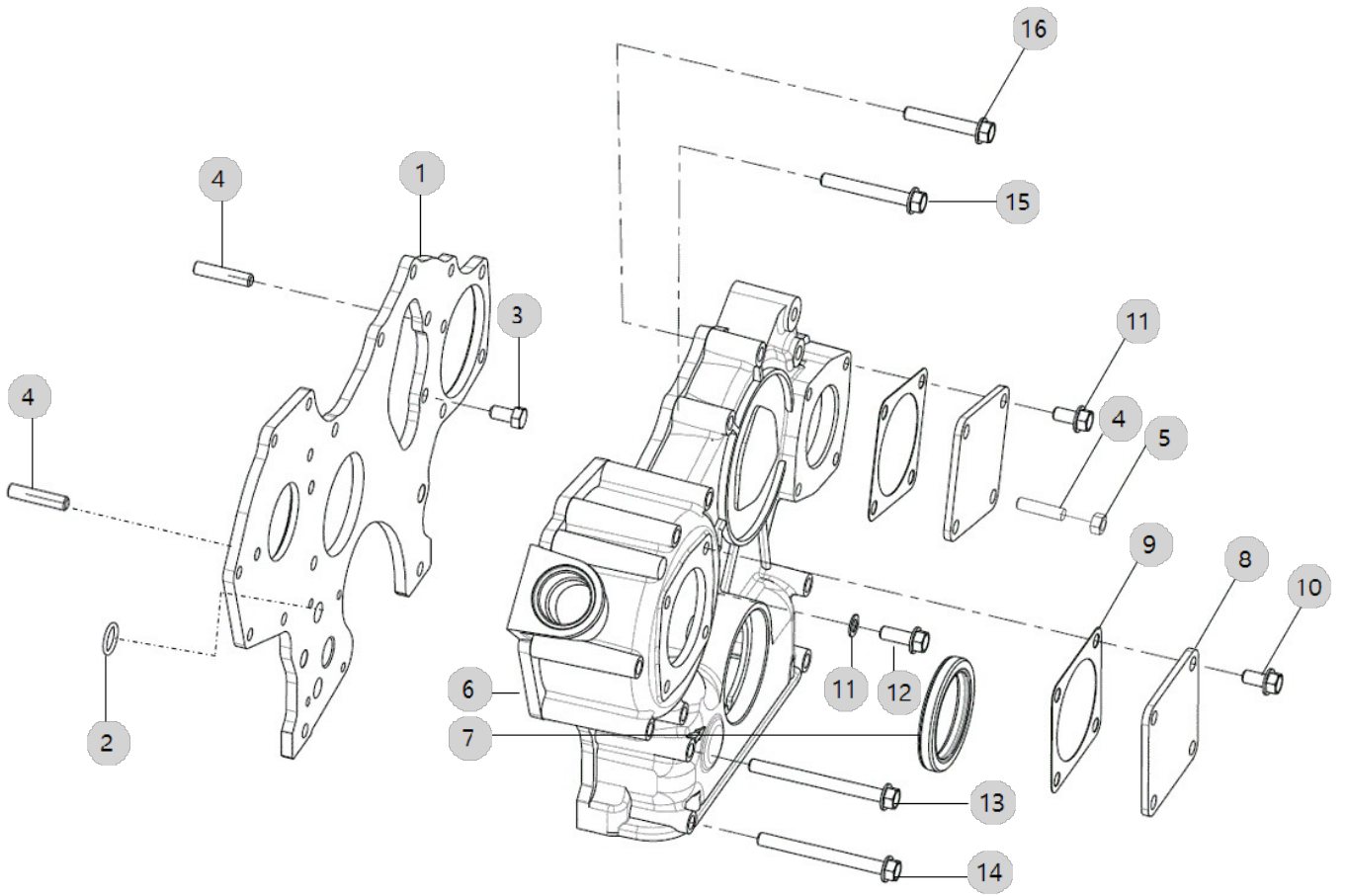
A36_004

A2300N2-UTR_4
(AB00133)

COVER, FRONT GEAR

Year/Month

2022-12-15



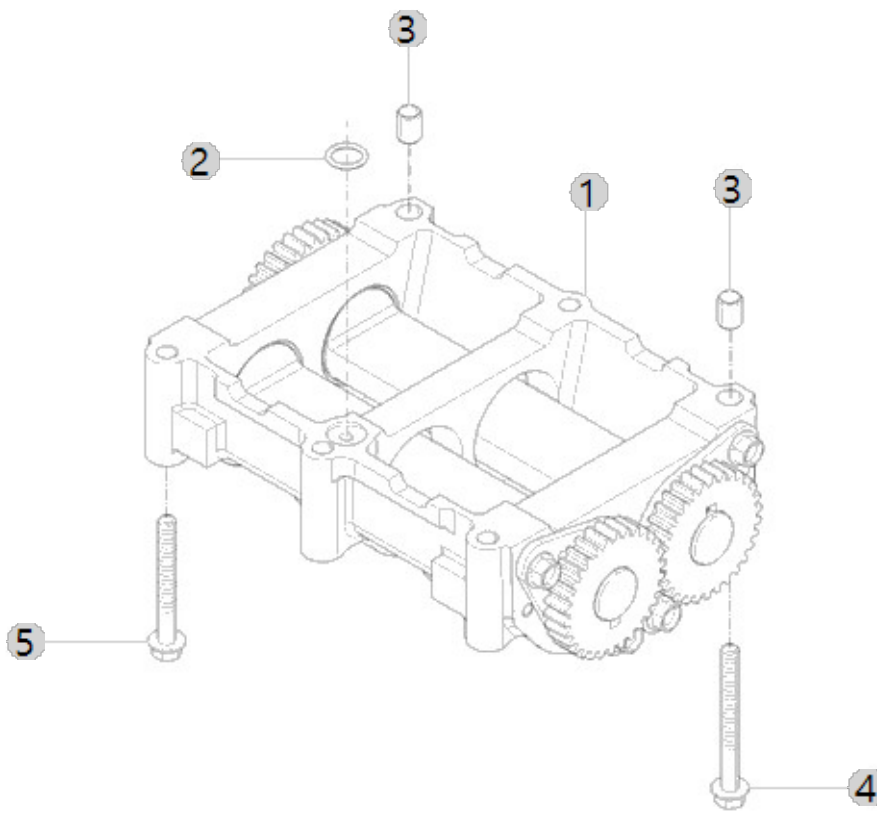
A37_001

A2300N2-UTR_4
(AB00133)

BALANCE ASS'Y

Year/Month

2022-12-15



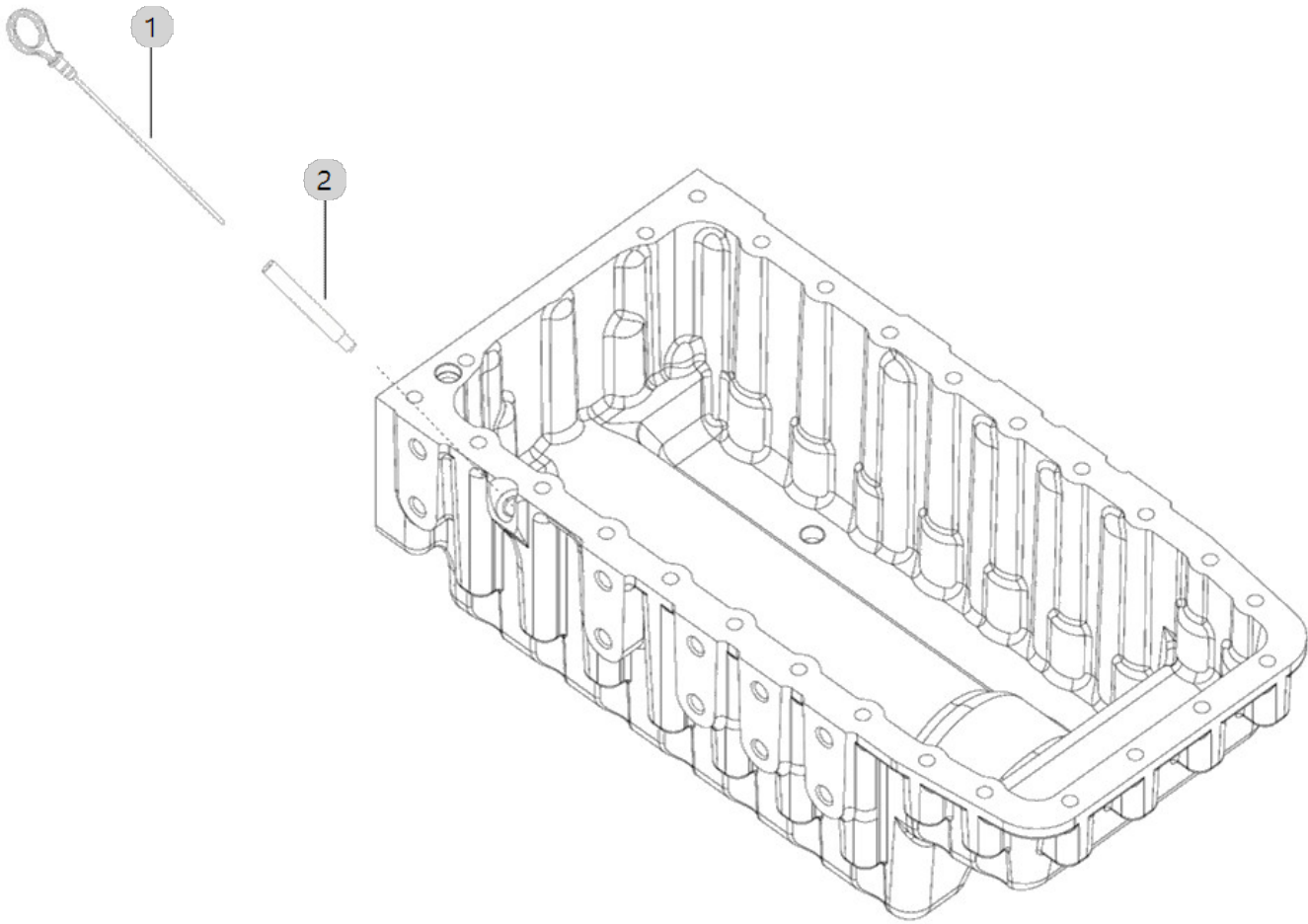
A38_007

A2300N2-UTR_4
(AB00133)

GAUGE, OIL LEVEL

Year/Month

2022-12-15



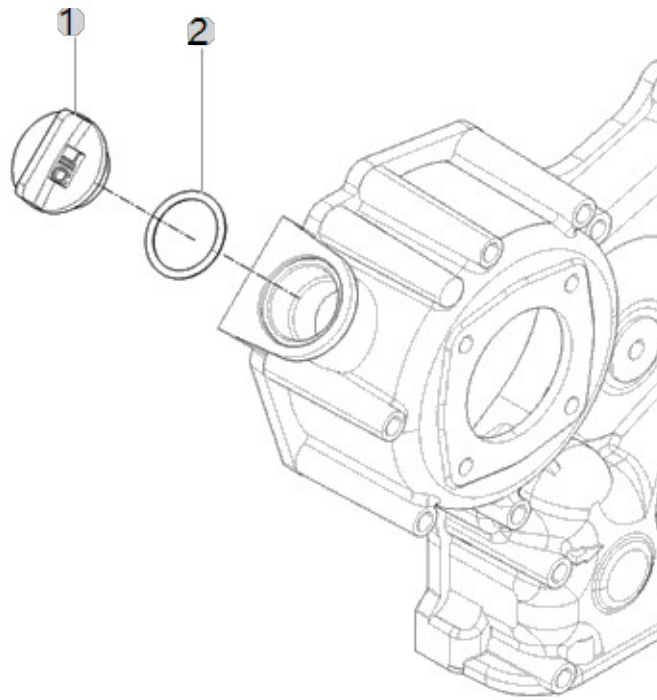
A39_001

A2300N2-UTR_4
(AB00133)

OIL FILLER CAP

Year/Month

2022-12-15



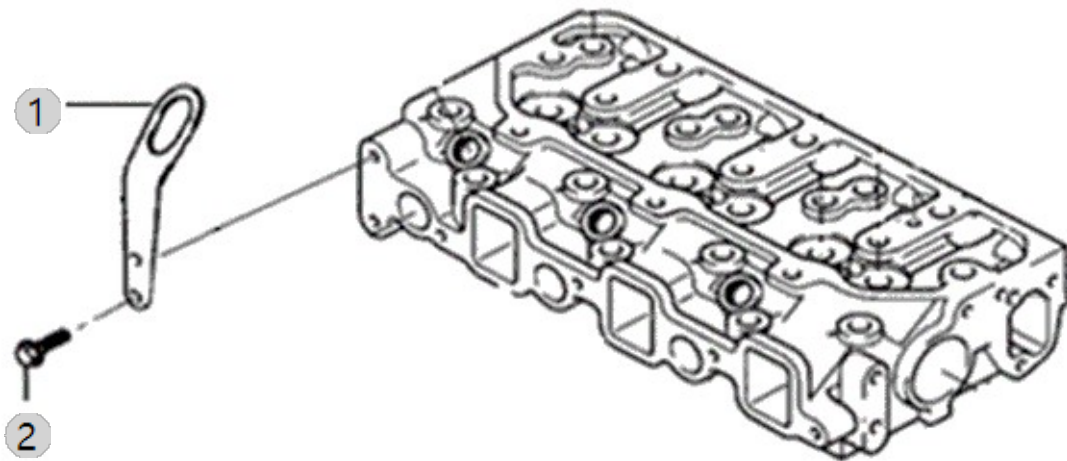
A40_003

A2300N2-UTR_4
(AB00133)

LIFT ASS'Y OPTION

Year/Month

2022-12-15



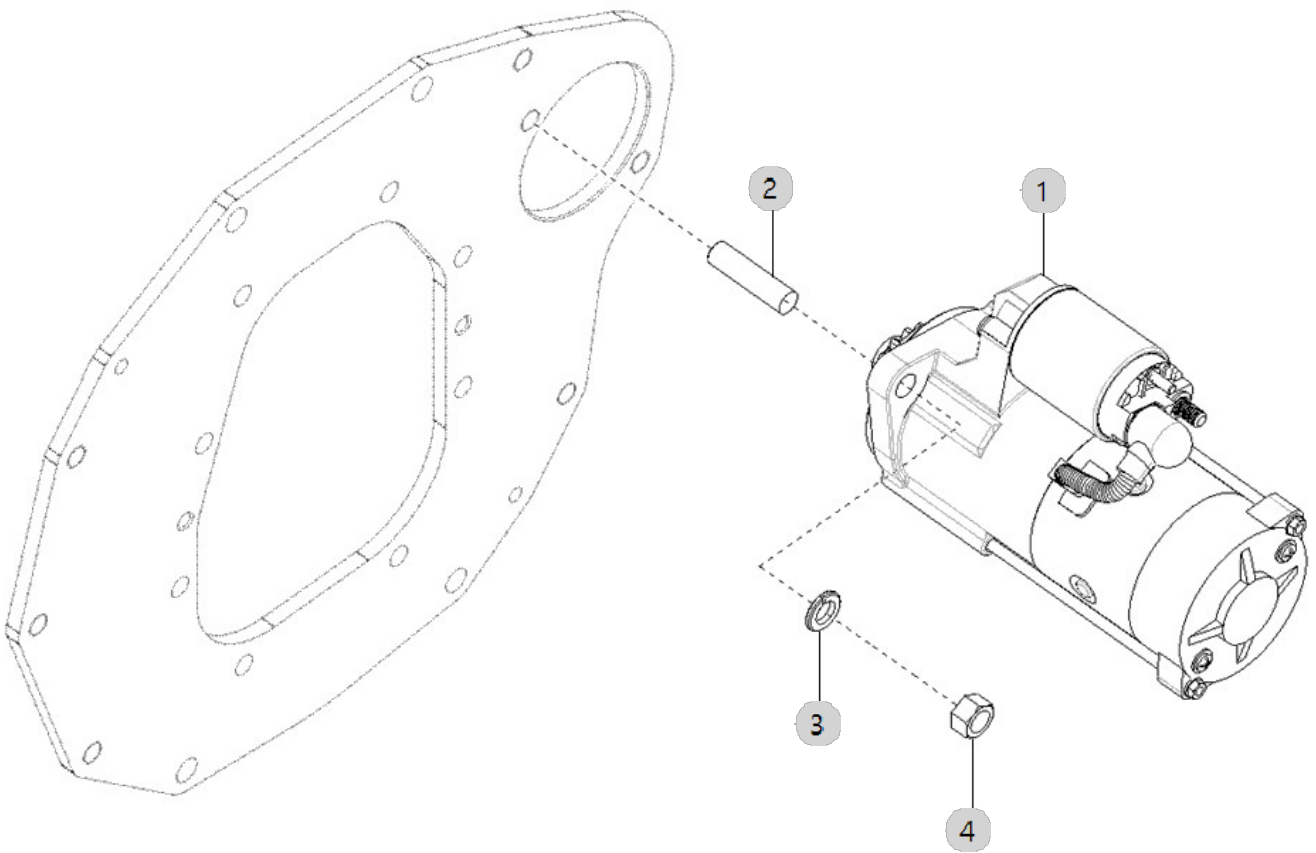
A42_003

A2300N2-UTR_4
(AB00133)

MOTER, STARTIONS

Year/Month

2022-12-15



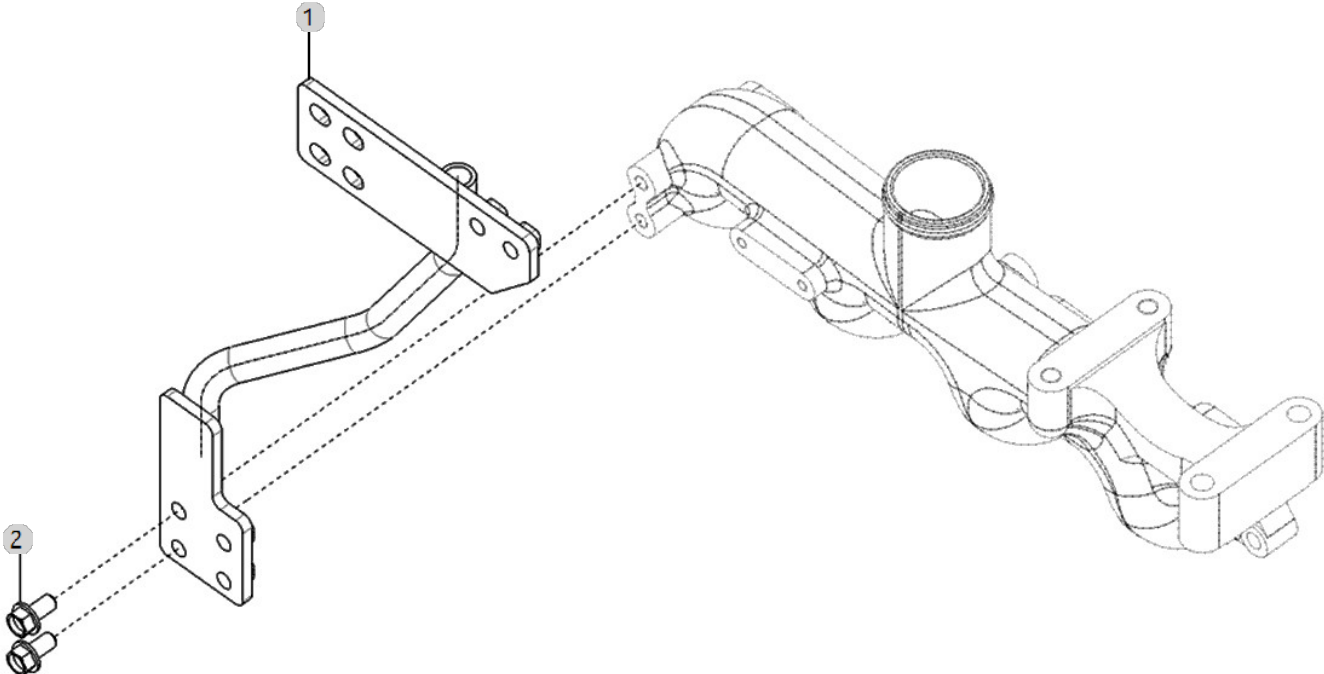
A43_001

A2300N2-UTR_4
(AB00133)

DPF SUPPORT OPTION

Year/Month

2022-12-15



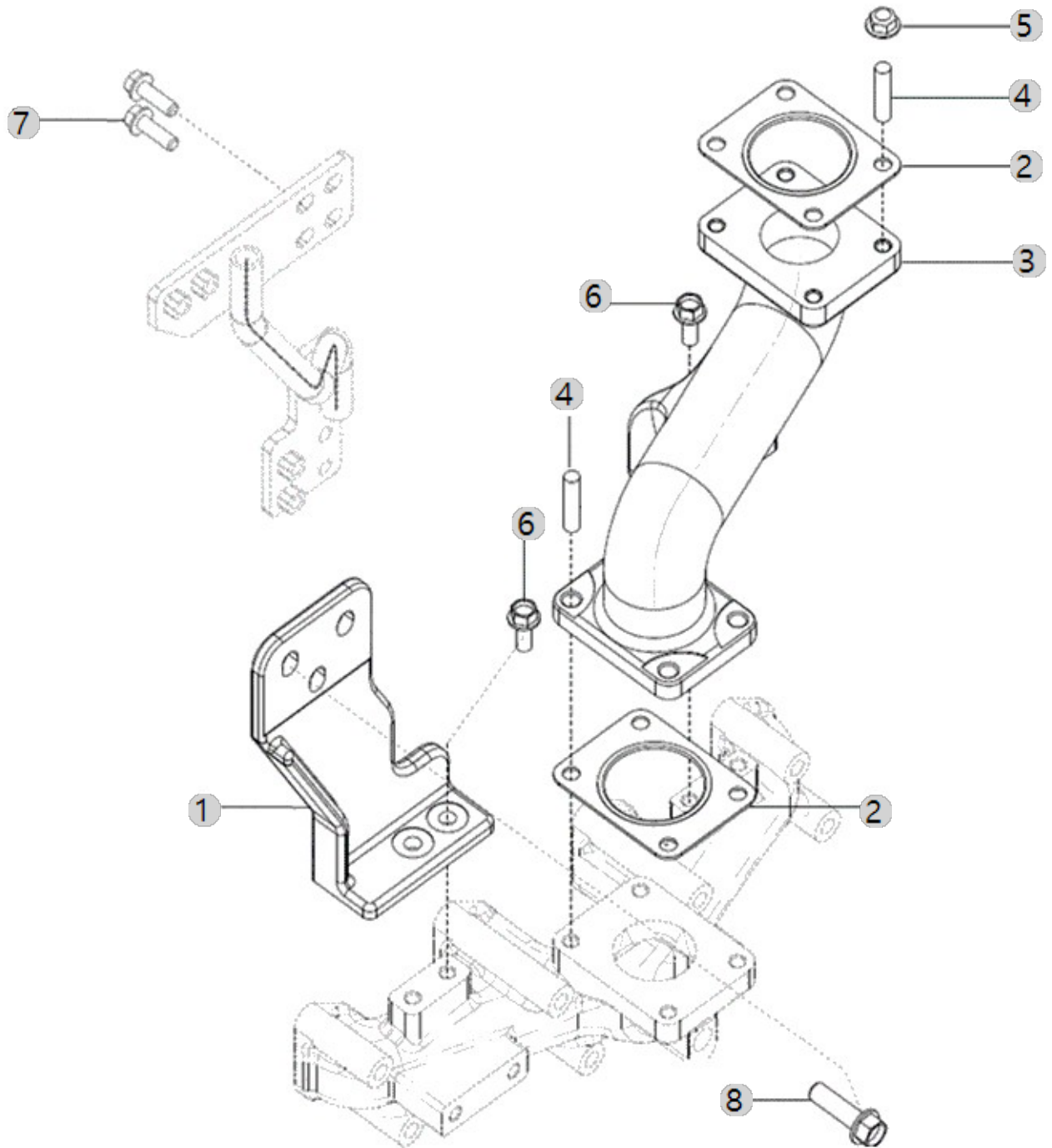
A44_006

A2300N2-UTR_4
(AB00133)

DPF MOUNTING OPTION

Year/Month

2022-12-15



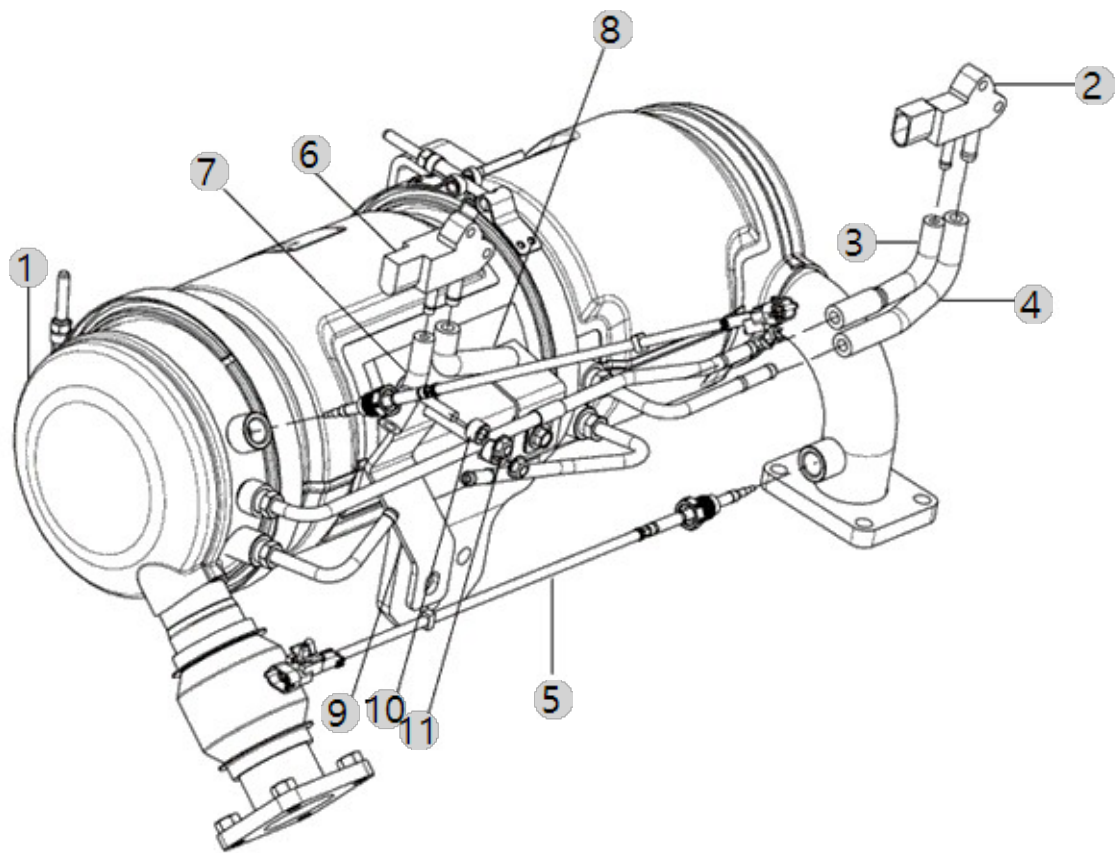
A45_012

A2300N2-UTR_4
(AB00133)

DPF

Year/Month

2022-12-15



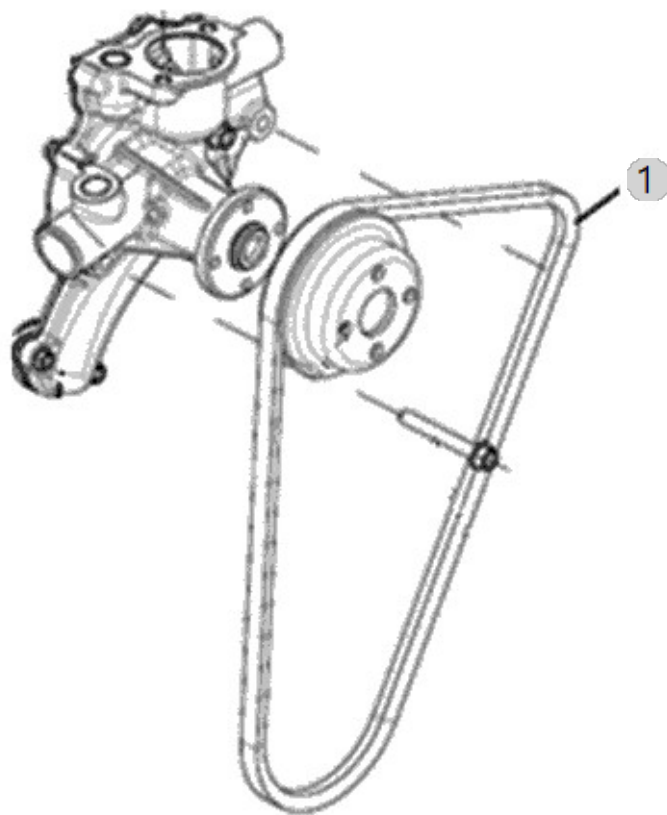
A48_006

A2300N2-UTR_4
(AB00133)

V-BELT

Year/Month

2022-12-15



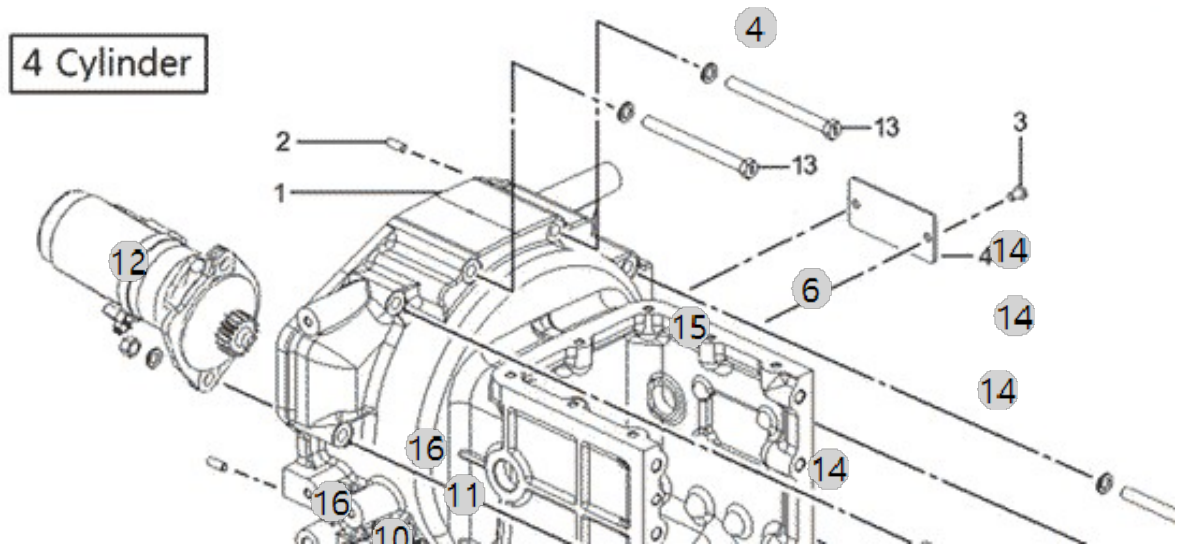
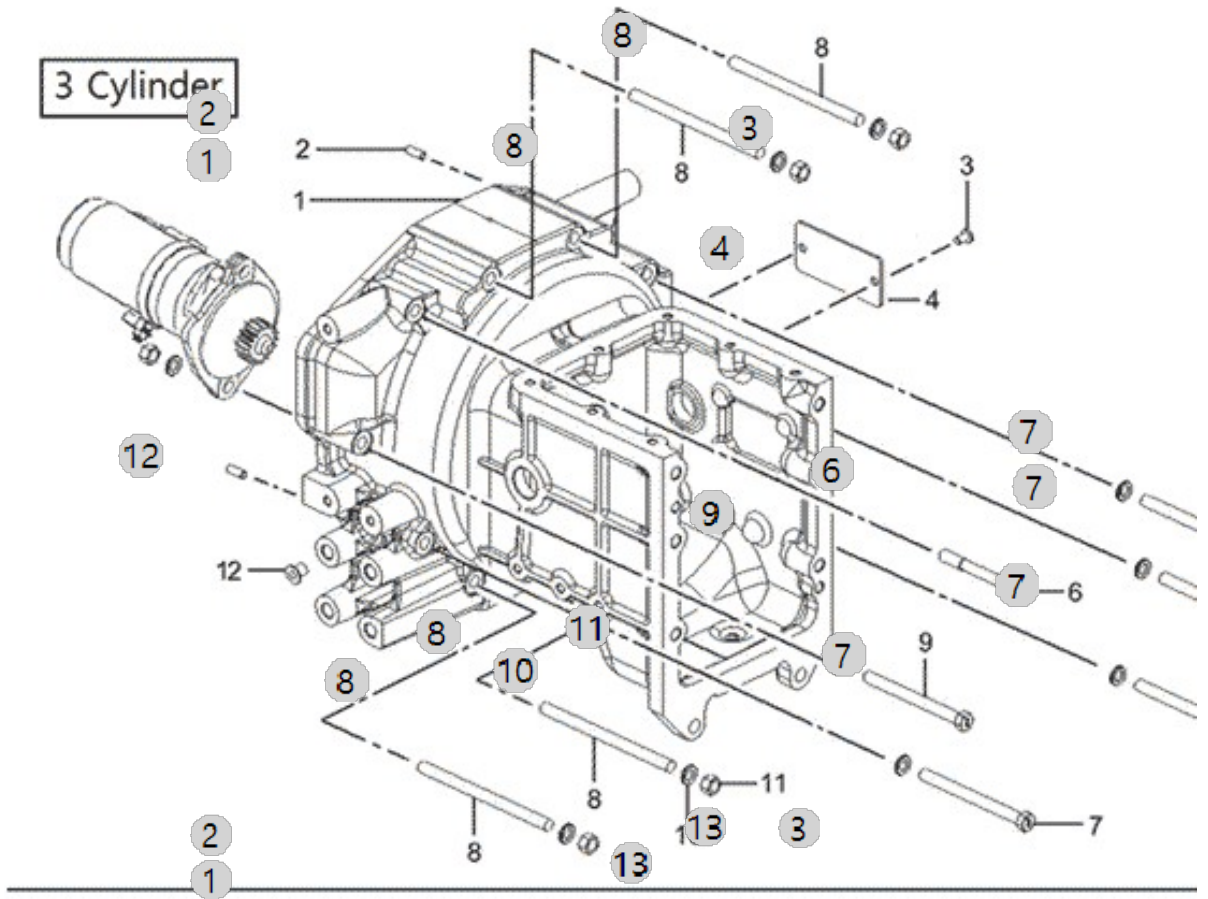
F01011

20H TM(US)_RANGE4
(AC01720)

FLY WHEEL HOUSING

Year/Month

2022-12-15



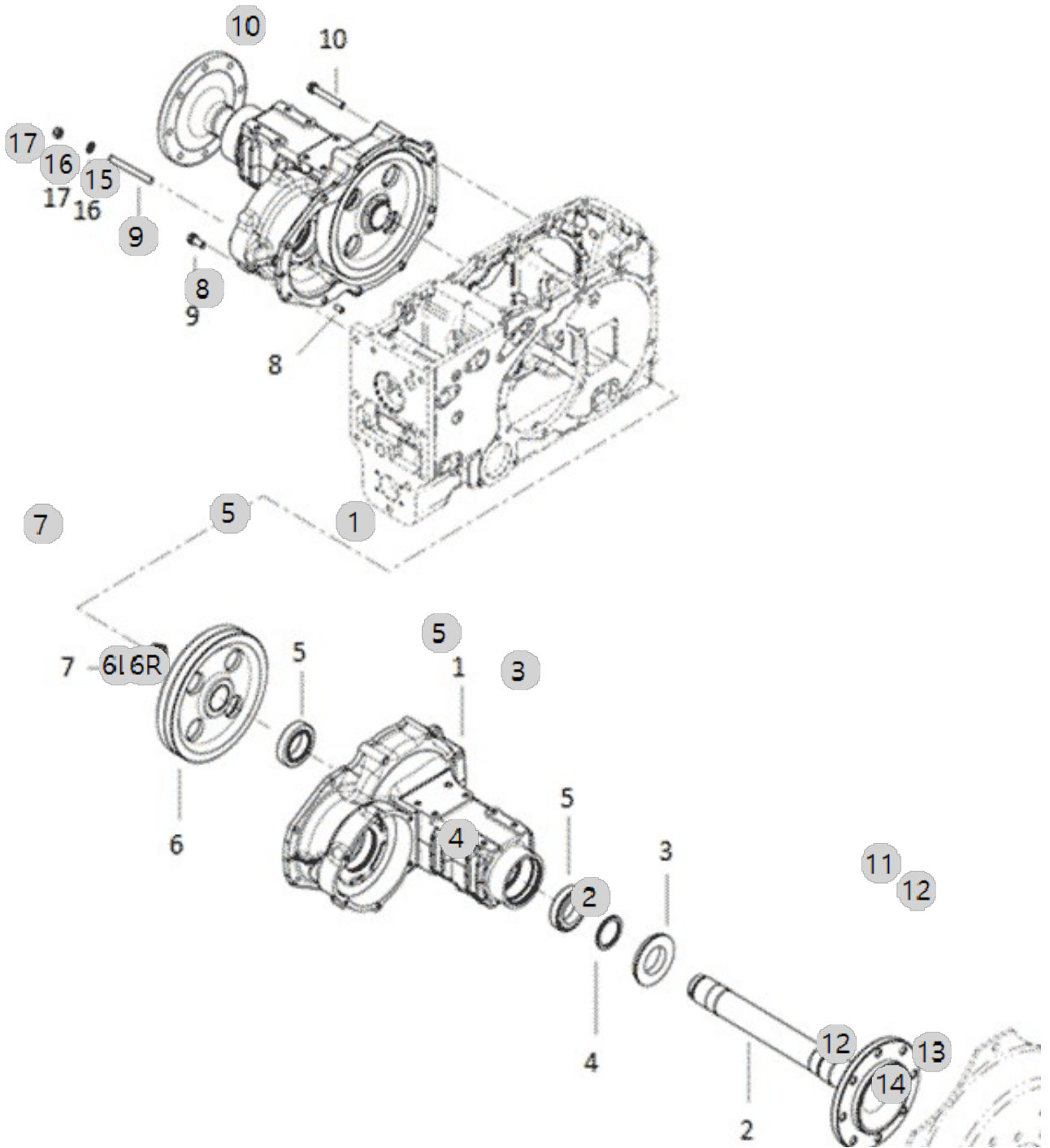
F01030

20H TM(US)_RANGE4
(AC01720)

HOUSING, REAR AXLE

Year/Month

2022-12-15



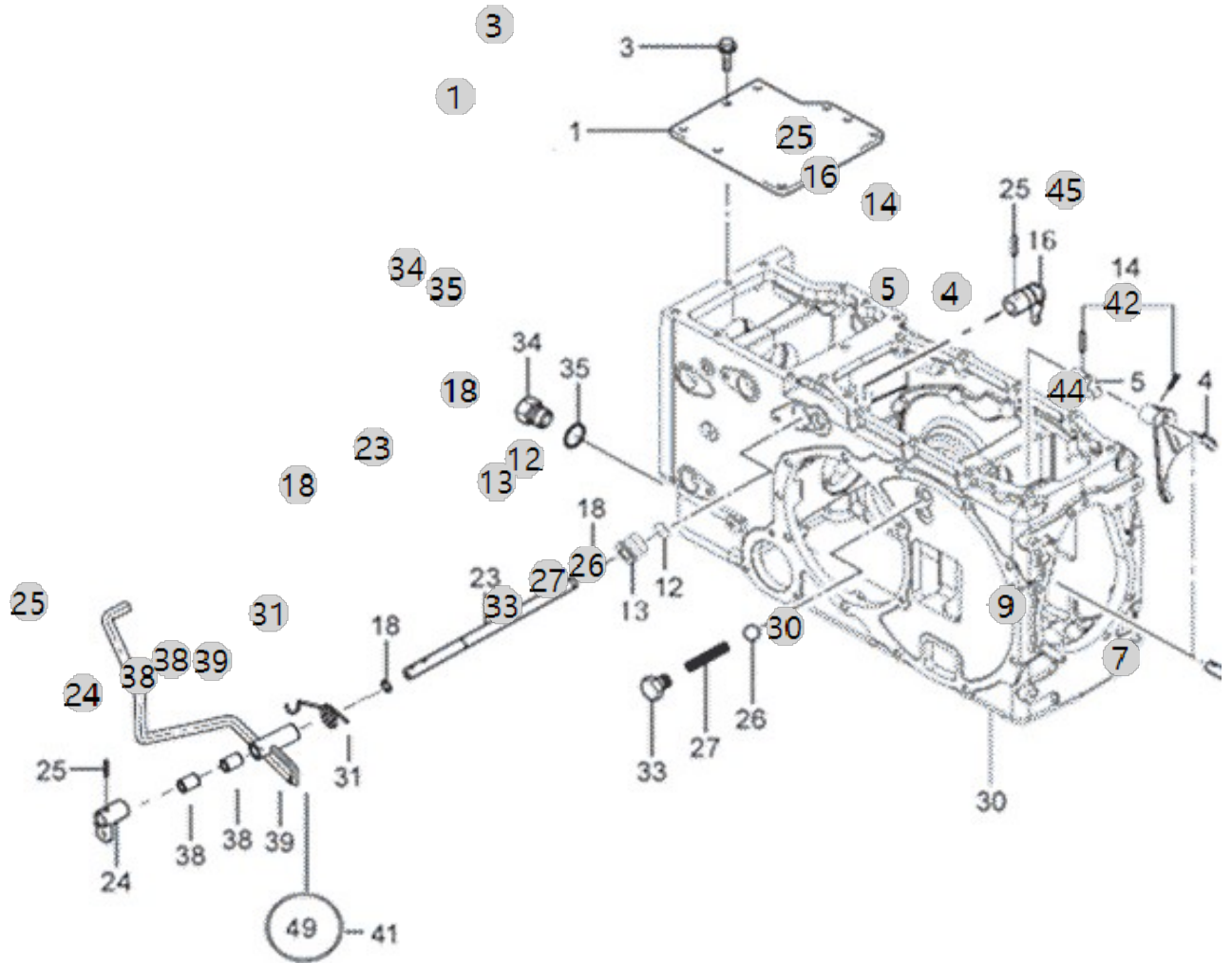
F01040

20H TM(US)_RANGE4
(AC01720)

REAR AXLE CASE

Year/Month

2022-12-15



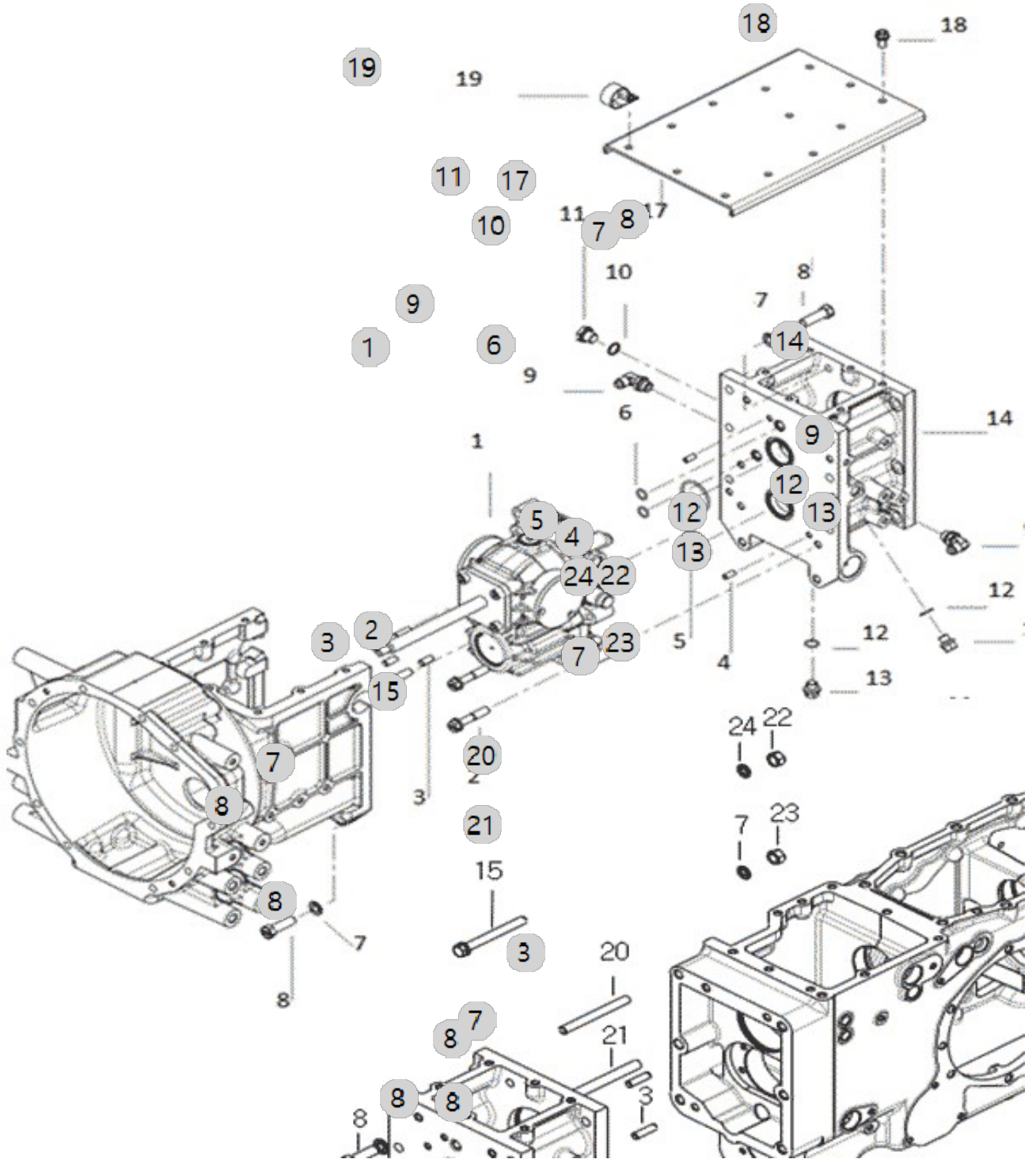
F01050

20H TM(US)_RANGE4
(AC01720)

HST HOUSING

Year/Month

2022-12-15



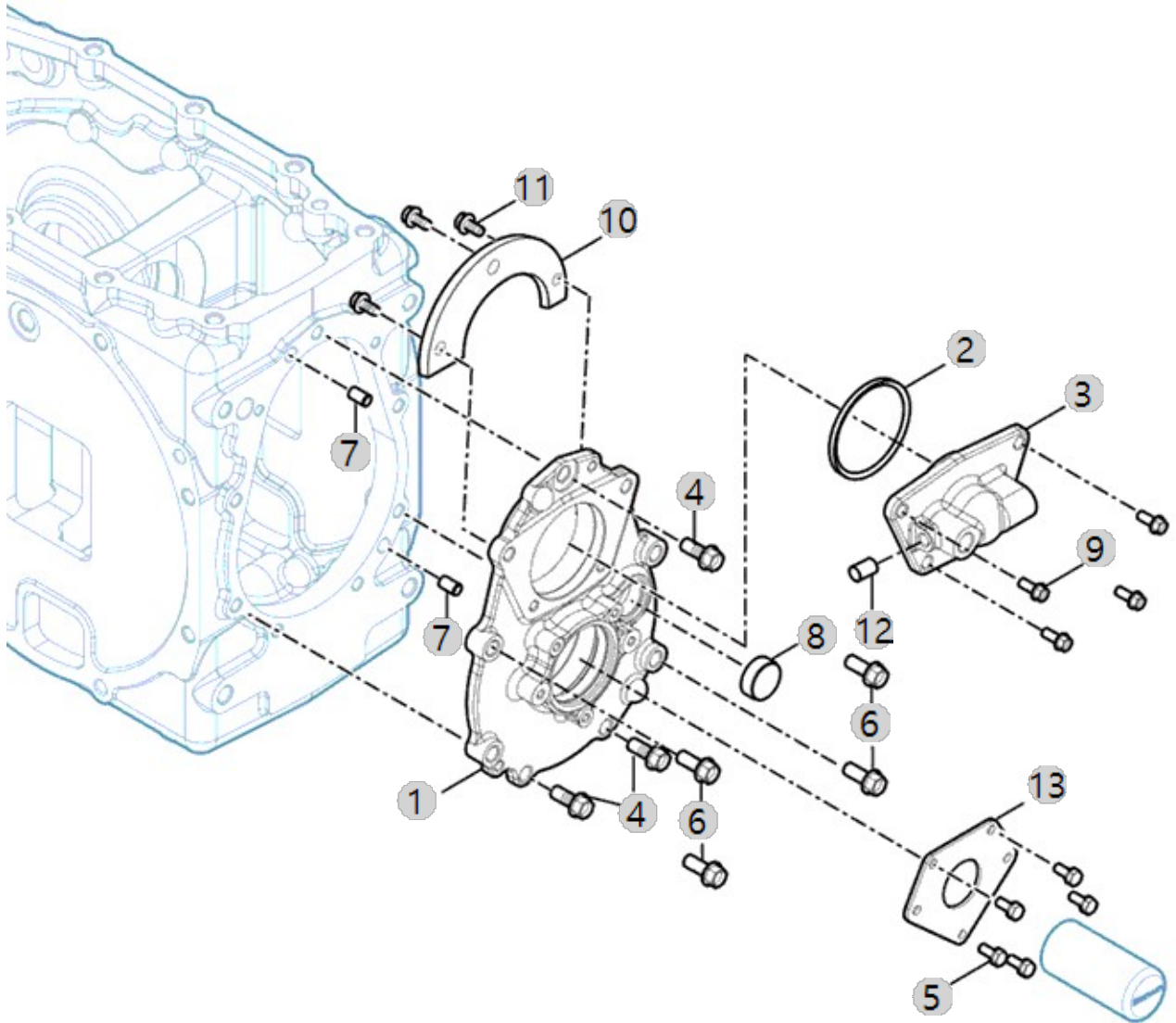
F01060

20H TM(US)_RANGE4
(AC01720)

PTO COVER

Year/Month

2022-12-15



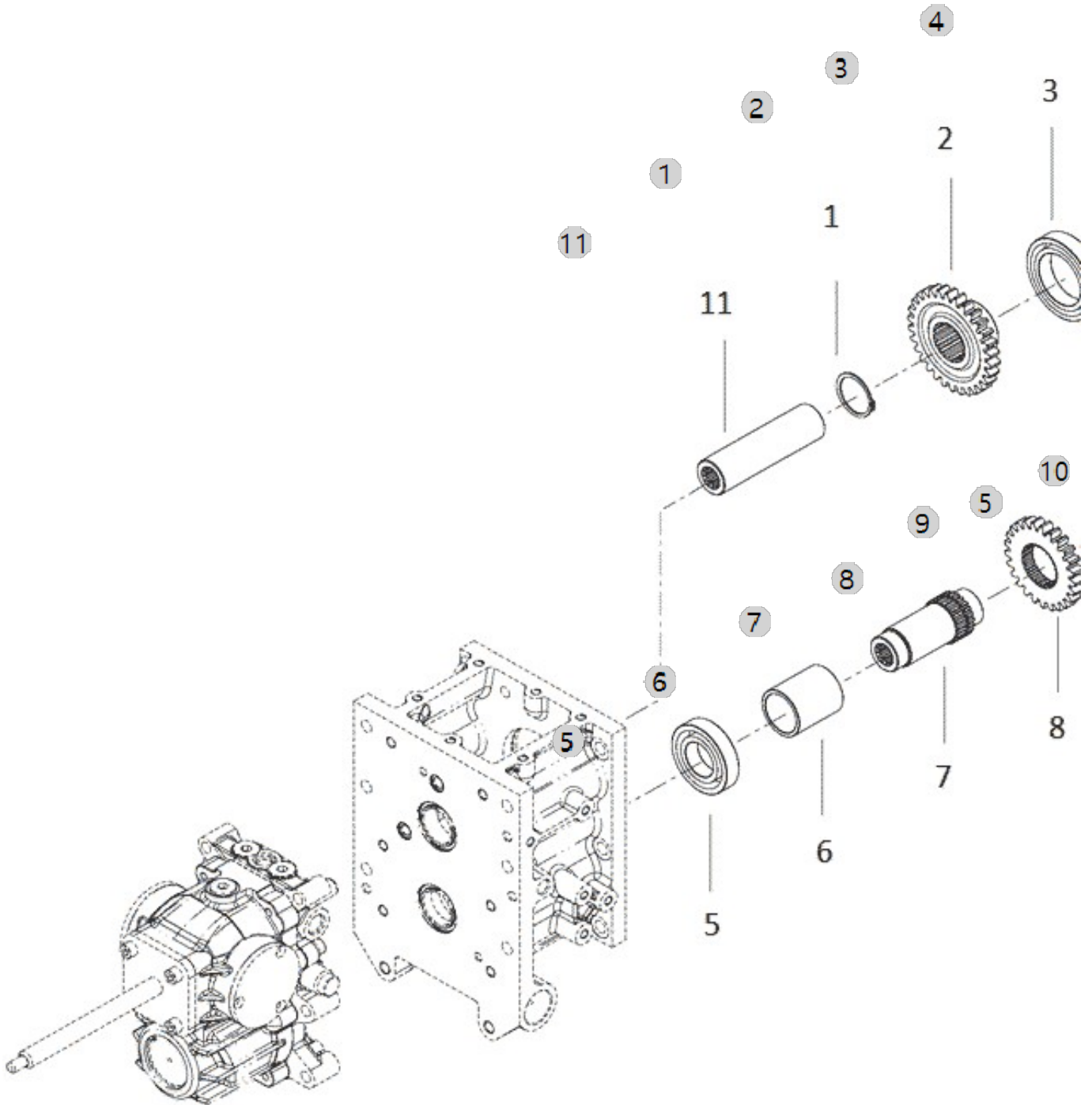
F03030

20H TM(US)_RANGE4
(AC01720)

HST GEAR

Year/Month

2022-12-15



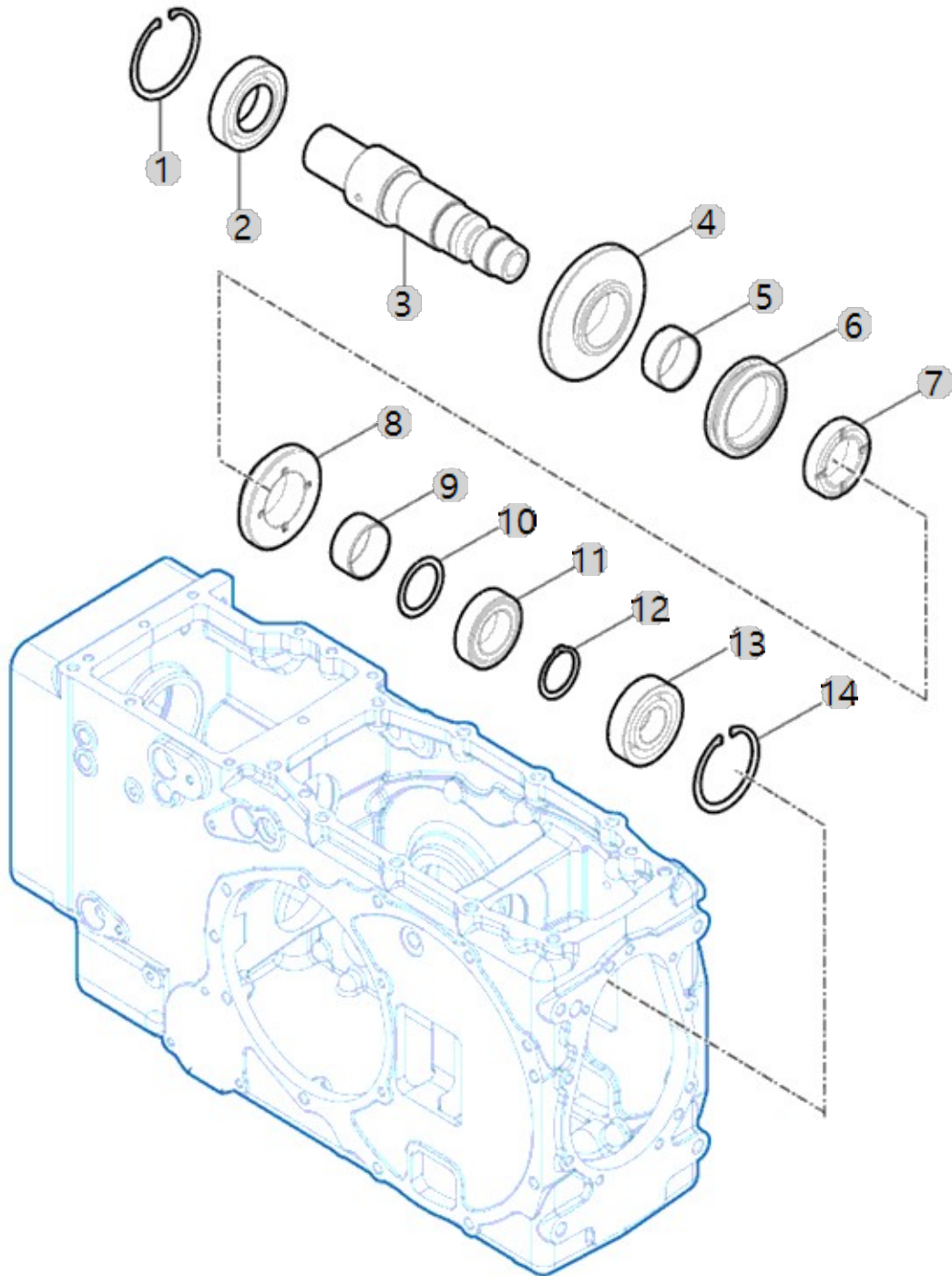
F03040

20H TM(US)_RANGE4
(AC01720)

RANGE SHIFT DRIVE SHAFT

Year/Month

2022-12-15



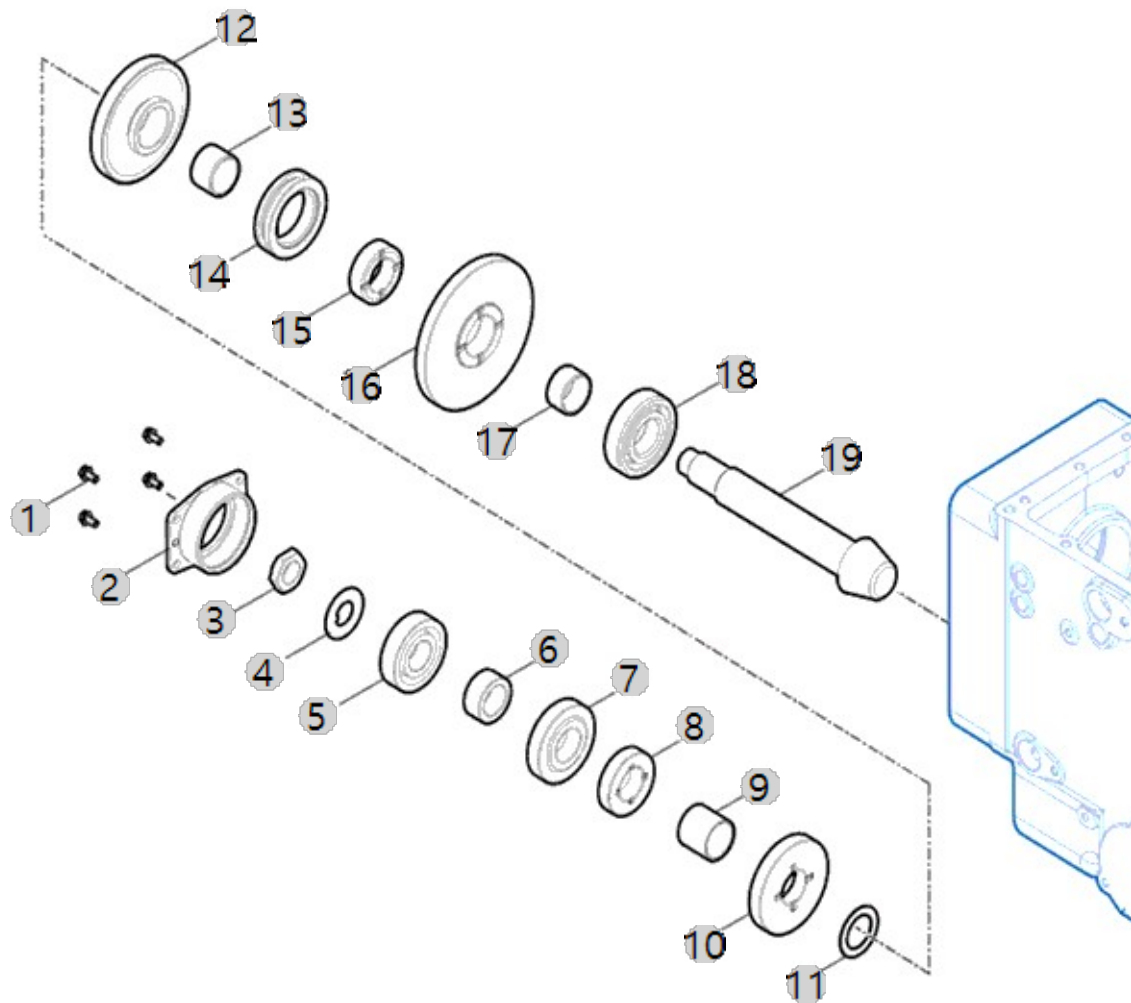
F03050

20H TM(US)_RANGE4
(AC01720)

RANGE SHIFT DRIVEN SHAFT

Year/Month

2022-12-15



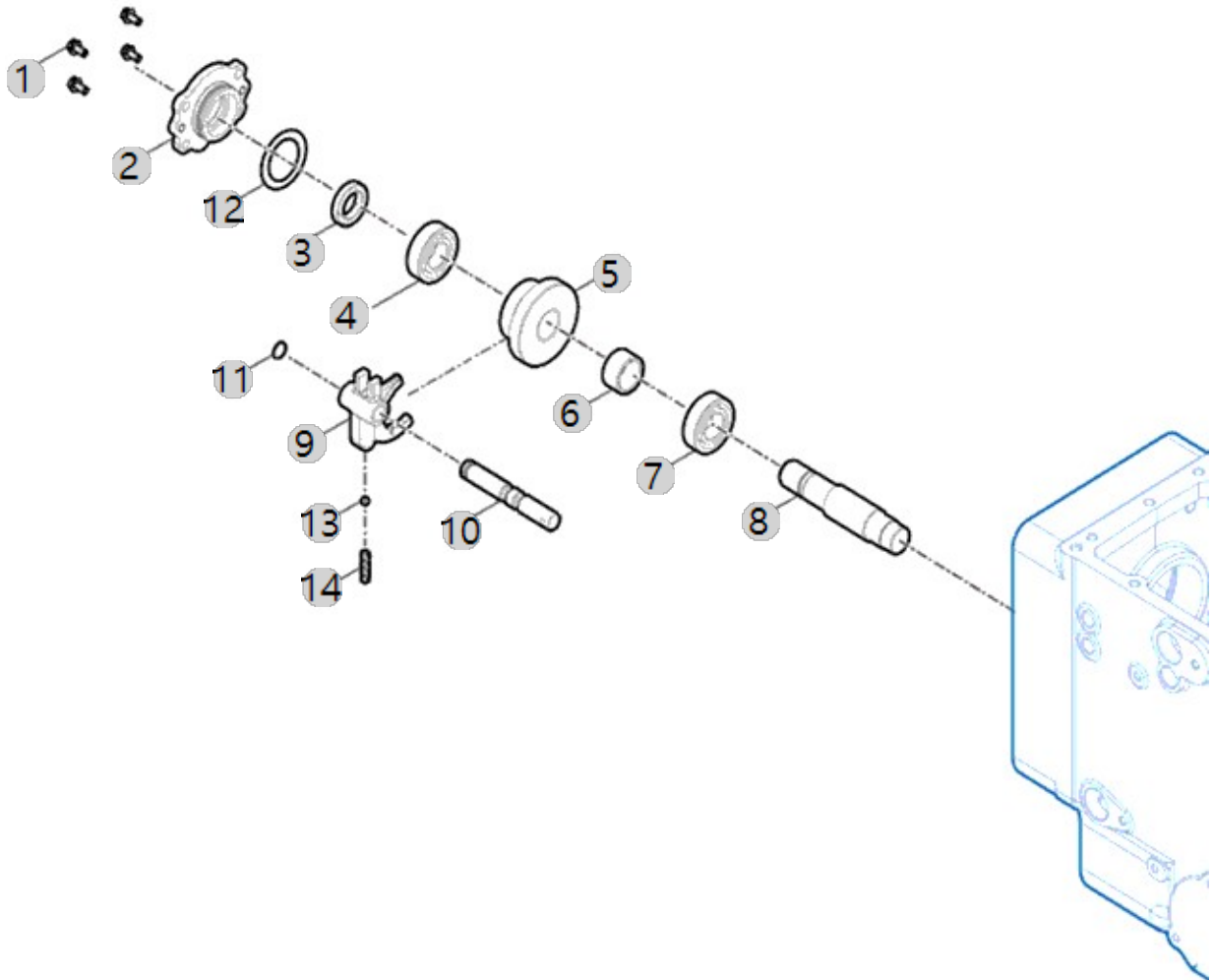
F04010

20H TM(US)_RANGE4
(AC01720)

FRONT WHEEL DRIVE SHAFT

Year/Month

2022-12-15



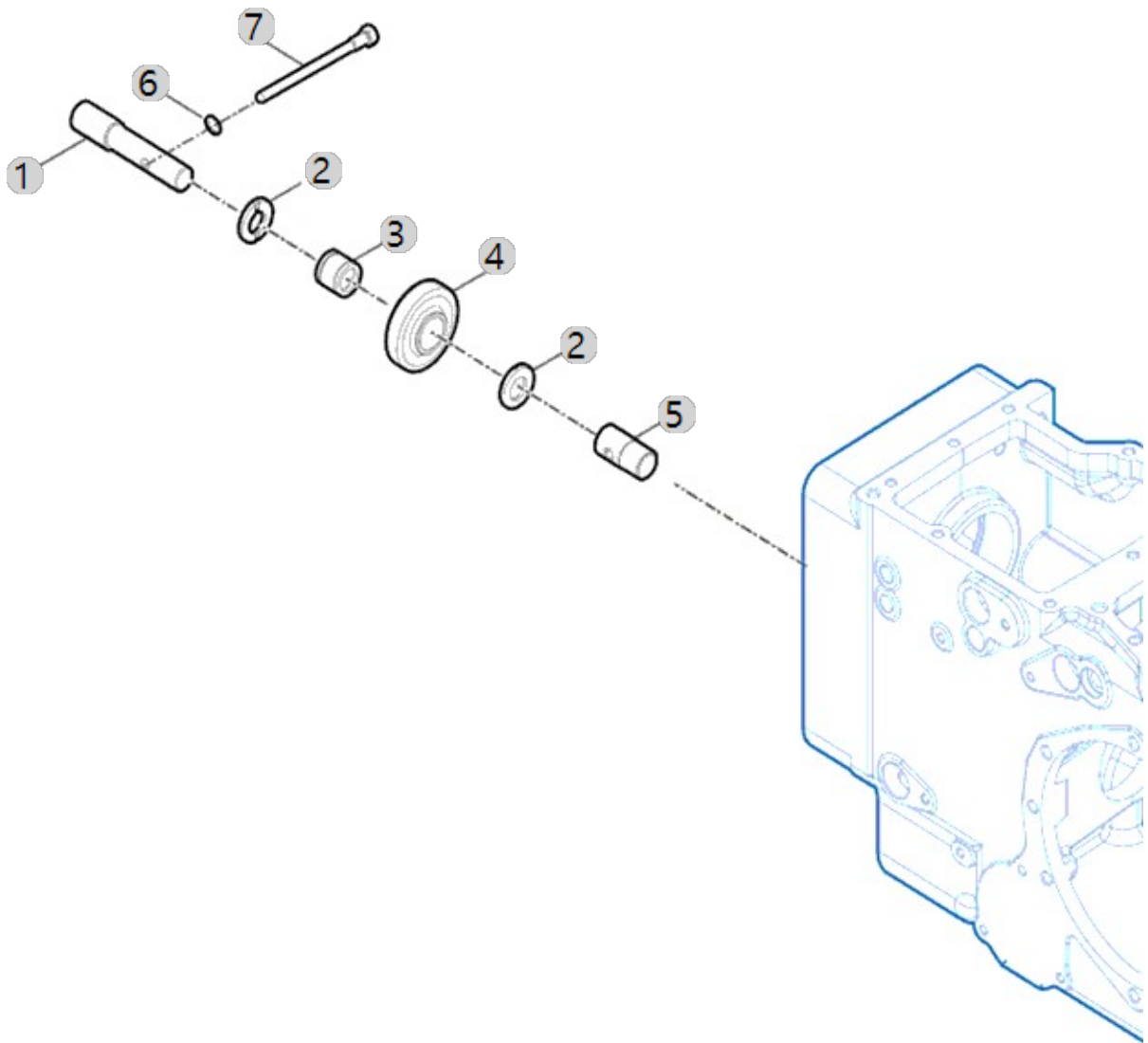
F04030

20H TM(US)_RANGE4
(AC01720)

FRONT WHEEL DRIVE IDLE SHAFT

Year/Month

2022-12-15



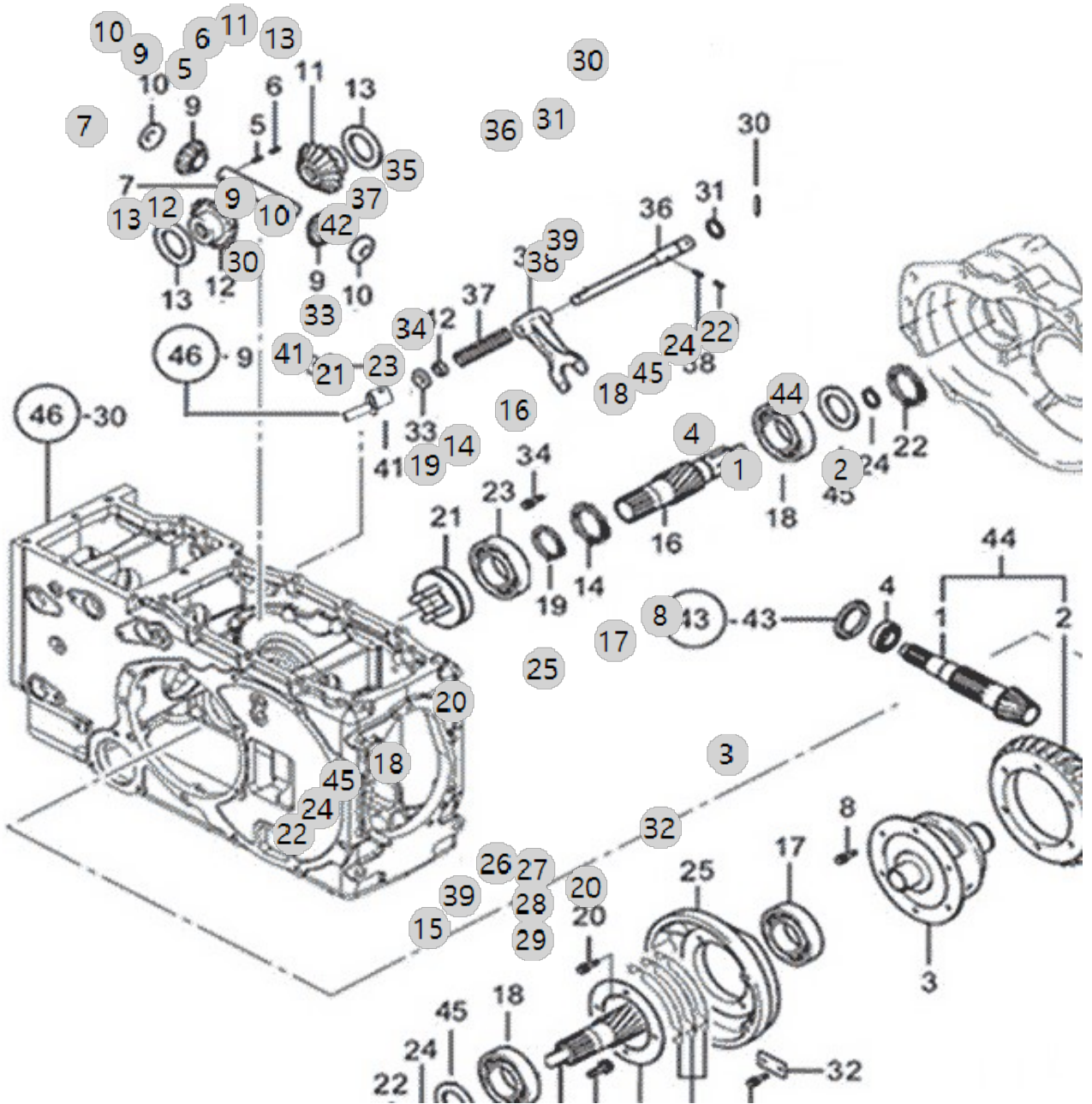
F05020

20H TM(US)_RANGE4
(AC01720)

REAR DIFFERENTIAL

Year/Month

2022-12-15



F05020 20H TM(US)_RANGE4 (AC01720)		REAR DIFFERENTIAL				Year/Month 2022-12-15
순번 (NO)	부품번호 (PART NO)	품명 (PART NAME)	품명 (PART NAME)	수량 (QTY)	규격 (SPEC)	비고 (REMARK)
1	TA00054487B	카운터축	COUNTER SHAFT	1		
1	TA00054487C	카운터축	COUNTER SHAFT	1		
2	TN49520000D2	링기어	RINGGEAR	1		
3	TN49030000E2	차동케이스	CASE,DIFFERENTIAL	1		
4	TT78020000A3	베어링NJ307R	BEARINGNJ307R	1	NJ307R	DEL.20220323
5	22312-060360	평행핀	PIN, DOWEL (6-36)	1	D6X36	
6	22351-060032	스프링핀	PIN, SPRING (6-32)	1	D6X32	
7	TF64080000A4	피니언축	PINIONSHAFT	1		
8	TF64090000B4	볼트	BOLT	6		
9	TF64100000B3	차동피니언	PINION	2		
10	TF64110000A4	피니언라이너	PINIONLINER	2	T1.0	
11	TF64120000A3	차동사이드기어(A)	DIFF.SIDEGEAR(A)	1		
12	TF64130000A3	차동사이드기어(B)	DIFF.SIDEGEAR(B)	1		
13	TF64140000B4	사이드기어라이너	SIDEGEARLINER	2		
14	22252-000800	구멍용스냅링80	RING, CIRCLIP (Φ 80)	1	D80	
15	TA00032603D	파이널 기어(좌)	FINAL PINION(L)	1		
15	TA00032603C	파이널 기어(좌)	FINAL PINION(L)	1		
15	TA00032603B	파이널 기어(좌)	FINAL PINION(L)	1		
15	TA00032603E	파이널 피니언(좌)	FINAL PINION(L)	1		
16	TA00032596B	파이널 피니언(우)	FINAL PINION(R)	1		
16	TA00032596D	파이널 피니언(우)	FINAL PINION(R)	1		
16	TA00032596C	파이널 피니언(우)	FINAL PINION(R)	1		
16	TA00032596E	파이널 피니언(우)	FINAL PINION(R)	1		
17	24101-062114	볼베어링6211	Bearing, Ball (#6211)	1	#6211	
18	TF64190000A4	베어링6308HL1	BALL BEARING (#6308HL1) -> TF64190000A3	2	NJ307R	DEL.20220323
19	22242-000500	축용스냅링50	SNAP RING, SHAFT (Φ50)	1	D50	
20	26013-080202	와셔조립육각볼트(+SW)	Bolt, Hexa (8-20)	4	M8XP1.25X20	
21	TF64250000B3	데프록스러스트	THRUST, DIFF-LOCK ASSY	1		
22	22252-000900	구멍용스냅링90	RING, CIRCLIP (Φ 90)	2	D90	
23	24101-060104	볼베어링6010	Bearing, Ball (#6010)	1	#6010	
24	22242-000400	축용스냅링40	SNAP RING, SHAFT (Φ 40)	2	D40	
25	TN49550000B2	캐리어	CARRIOR	1		
26	TN49590000A4	리테이너	RETAINER	1		
27	TZ49560000A4	심A(0.5)	SHIMA	3		
28	TZ49570000A4	심B(0.3)	SHIMB	3		
29	TZ49580000A4	심C(0.1)	SHIMC	2		
30	22351-080032	스프링핀	PIN, SPRING (8-32)	2	D8X32	
31	24311-000160	O-링 P 16	O-RING, DYNAMIC (Φ16)	1	P16	
32	TB32360000A4	리테이너	RETAINER	2	T4.5X25X50	
33	TN49380000A4	와셔	WASHER	1	T4.2X30X30	
34	26013-080202	와셔조립육각볼트(+SW)	Bolt, Hexa (8-20)	9	M8XP1.25X20	
35	TN49400000B2	차동포크	FORKDIFFERENTIALLOCK	1		
36	TA00027271B	포크축	SHAFT	1		
36	TA00027271C	포크축	SHAFT	1		
37	TN49430000A4	스프링	SPRING	1	D4.0	

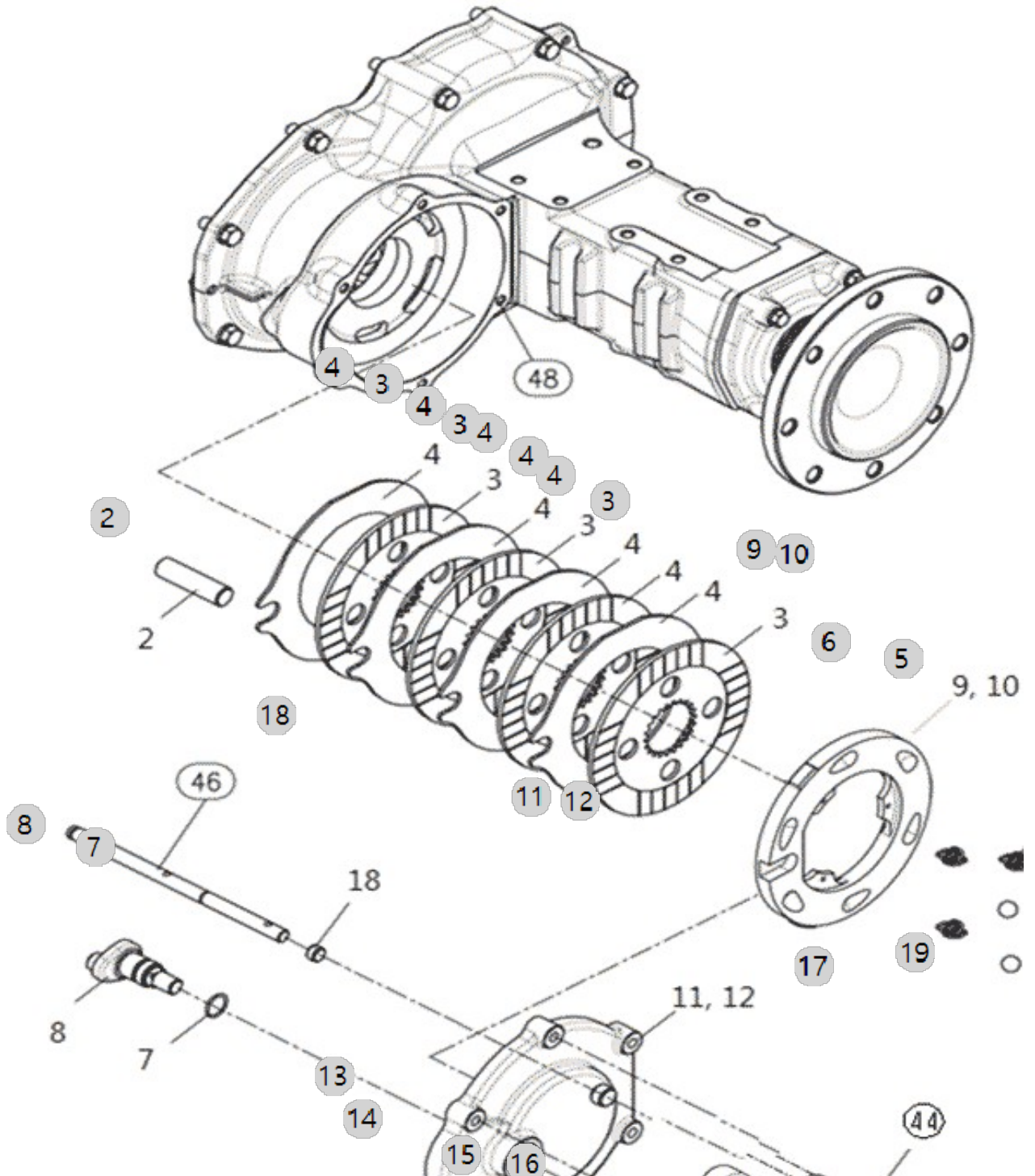
F06030

20H TM(US)_RANGE4
(AC01720)

BRAKE

Year/Month

2022-12-15



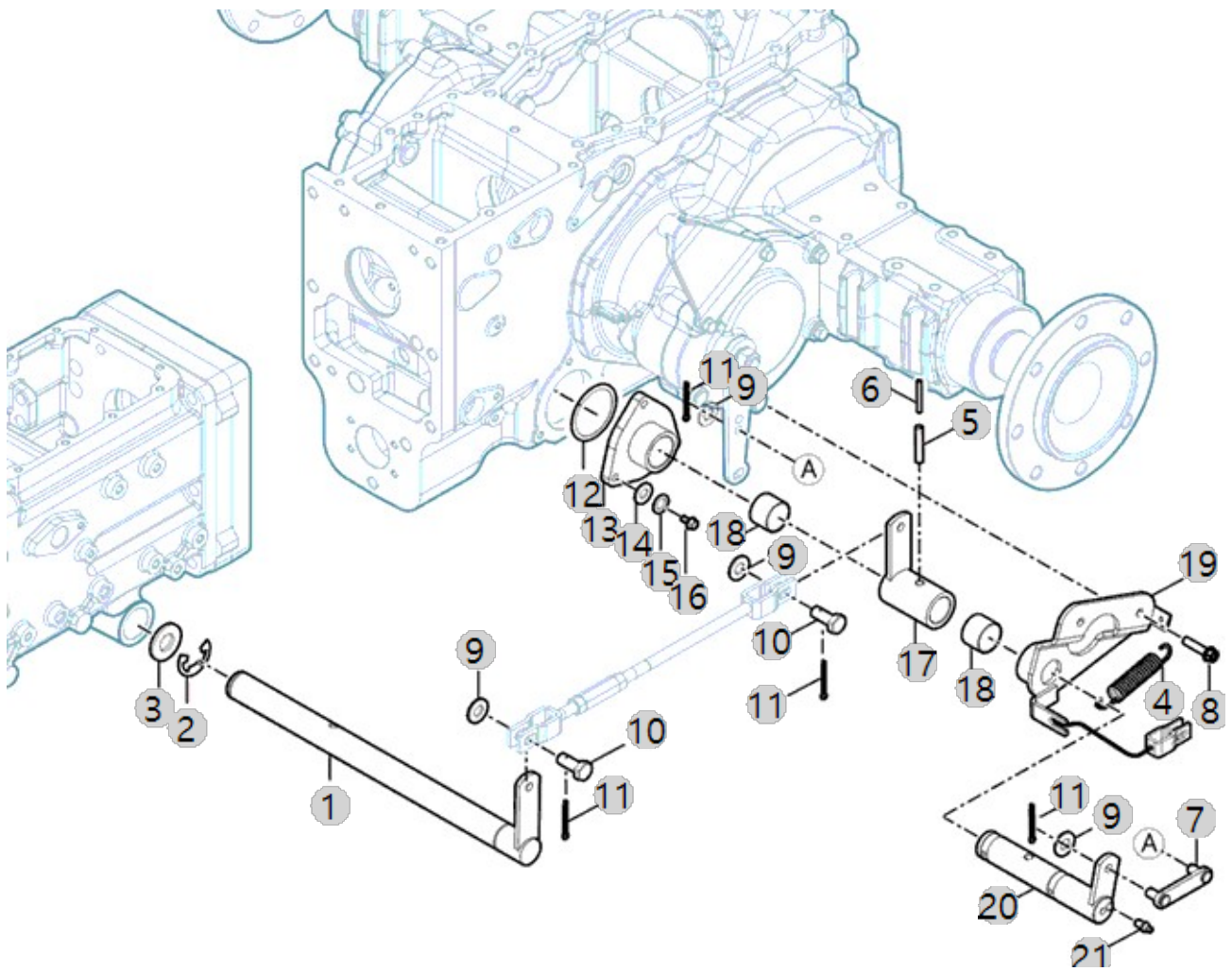
F06031

20H TM(US)_RANGE4
(AC01720)

SUPPORT, BRAKE

Year/Month

2022-12-15



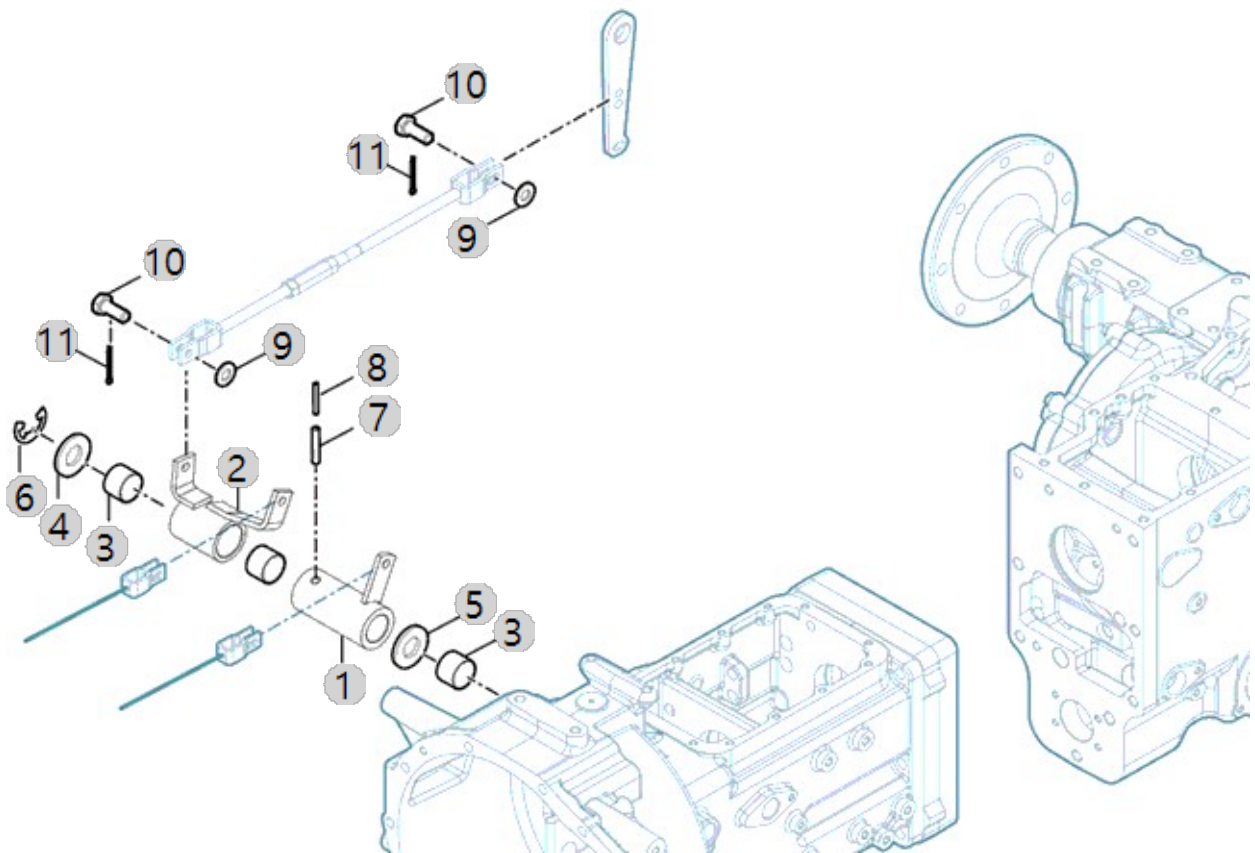
F06033

20H TM(US)_RANGE4
(AC01720)

BRAKE LINK

Year/Month

2022-12-15



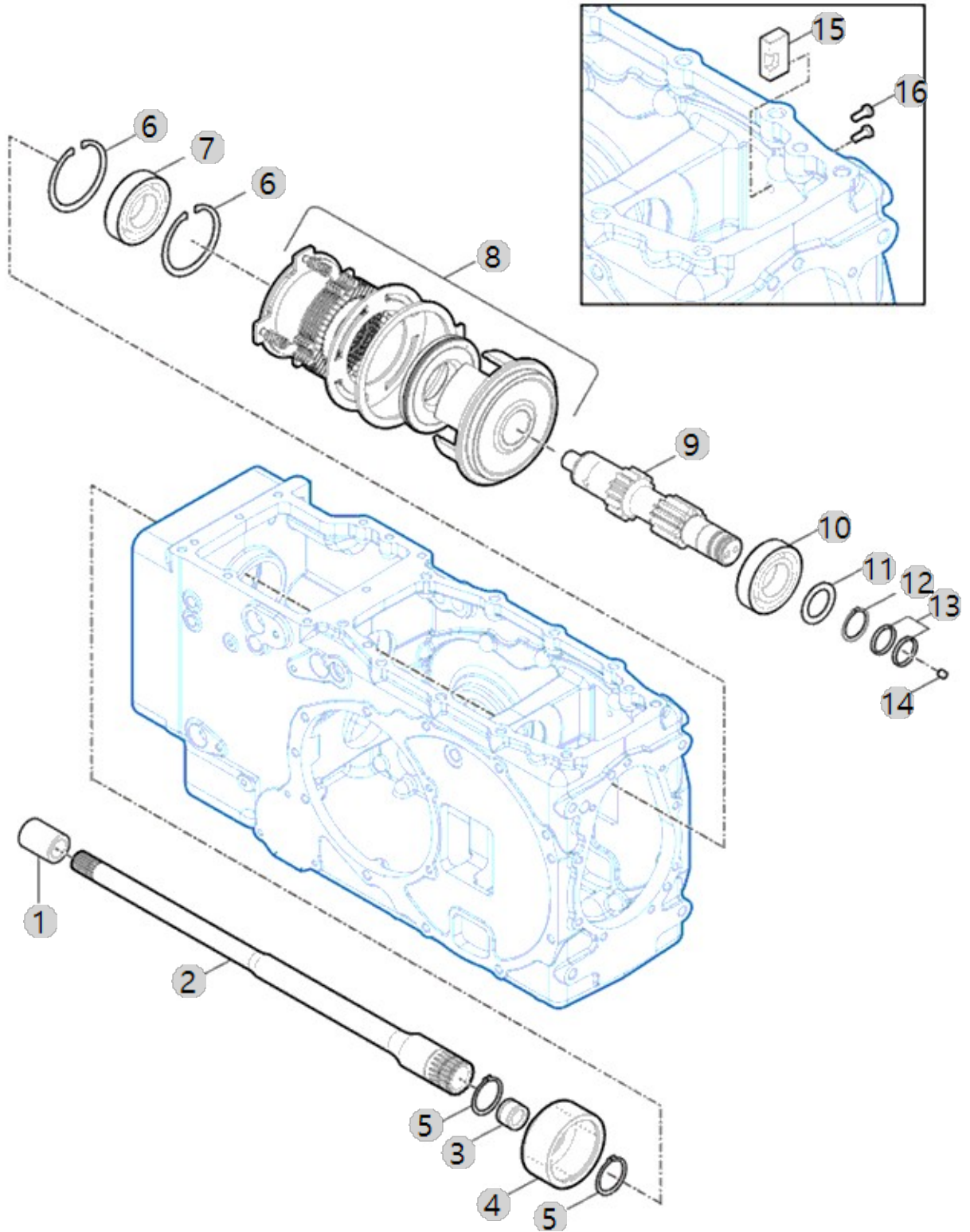
F07030

20H TM(US)_RANGE4
(AC01720)

PTO DRIVE SHAFT

Year/Month

2022-12-15



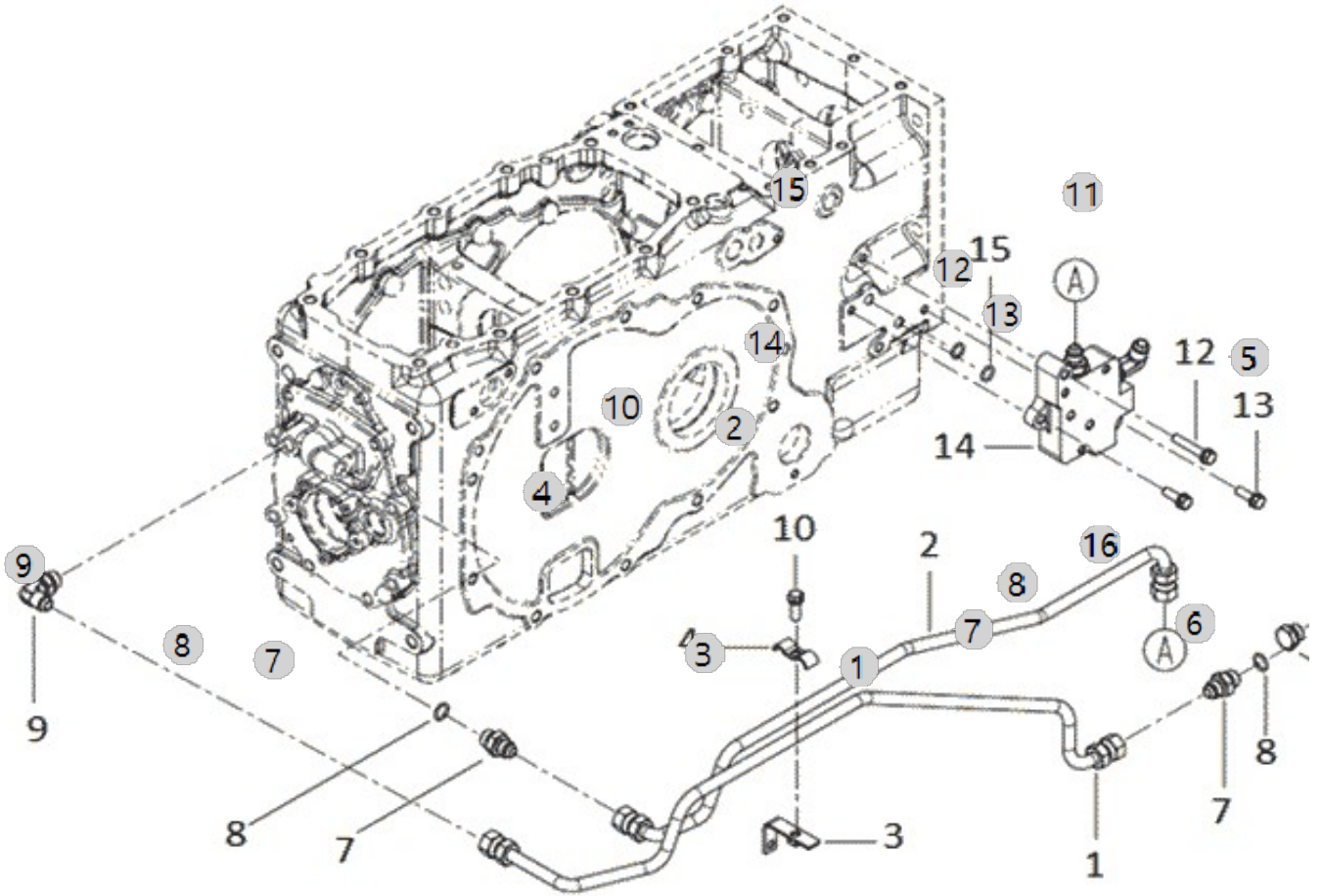
F07050

20H TM(US)_RANGE4
(AC01720)

PTO VALVE

Year/Month

2022-12-15



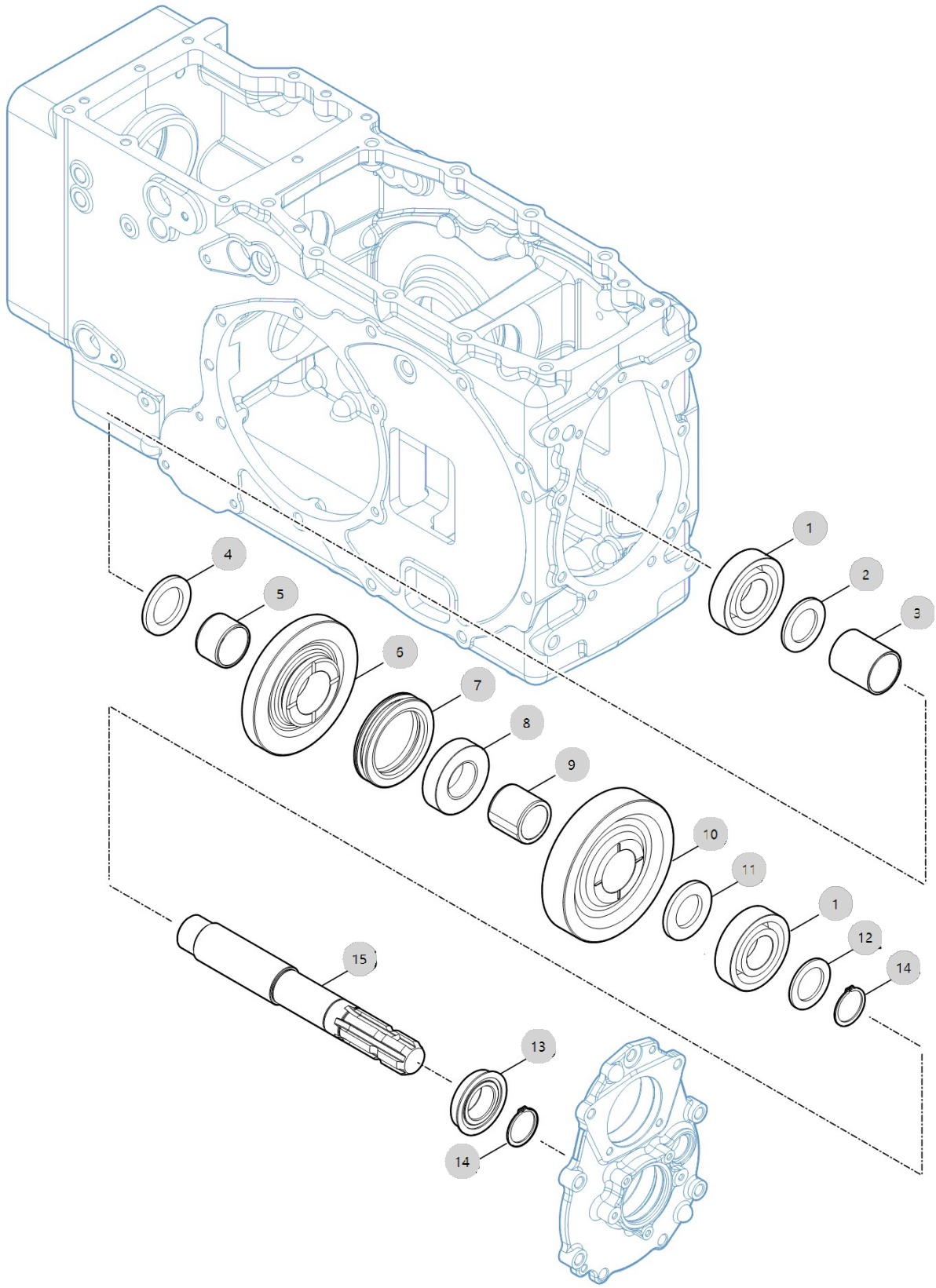
F07070

20H TM(US)_RANGE4
(AC01720)

PTO SHAFT

Year/Month

2022-12-15



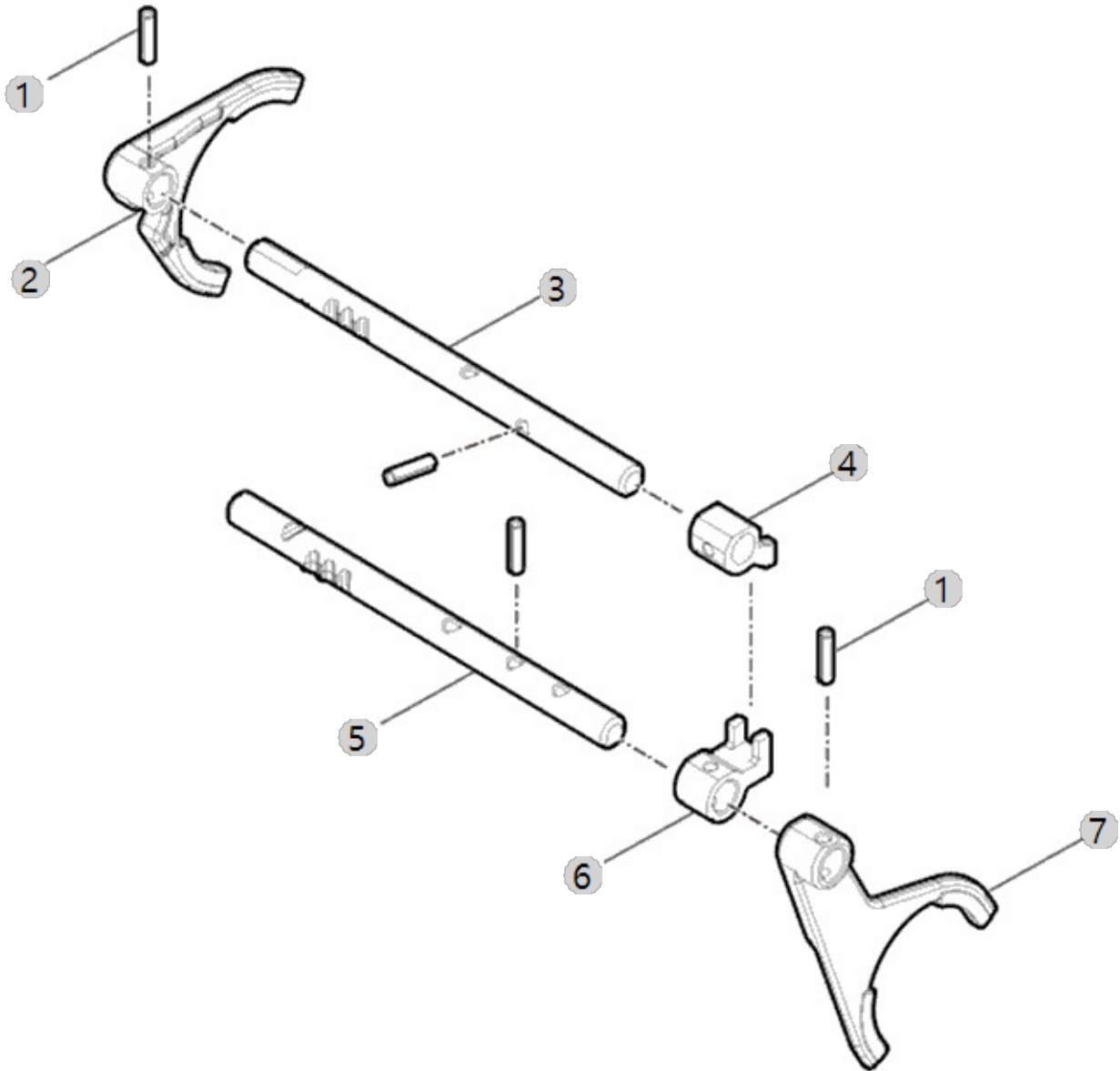
F08022

20H TM(US)_RANGE4
(AC01720)

RANGE SHIFT FORK

Year/Month

2022-12-15



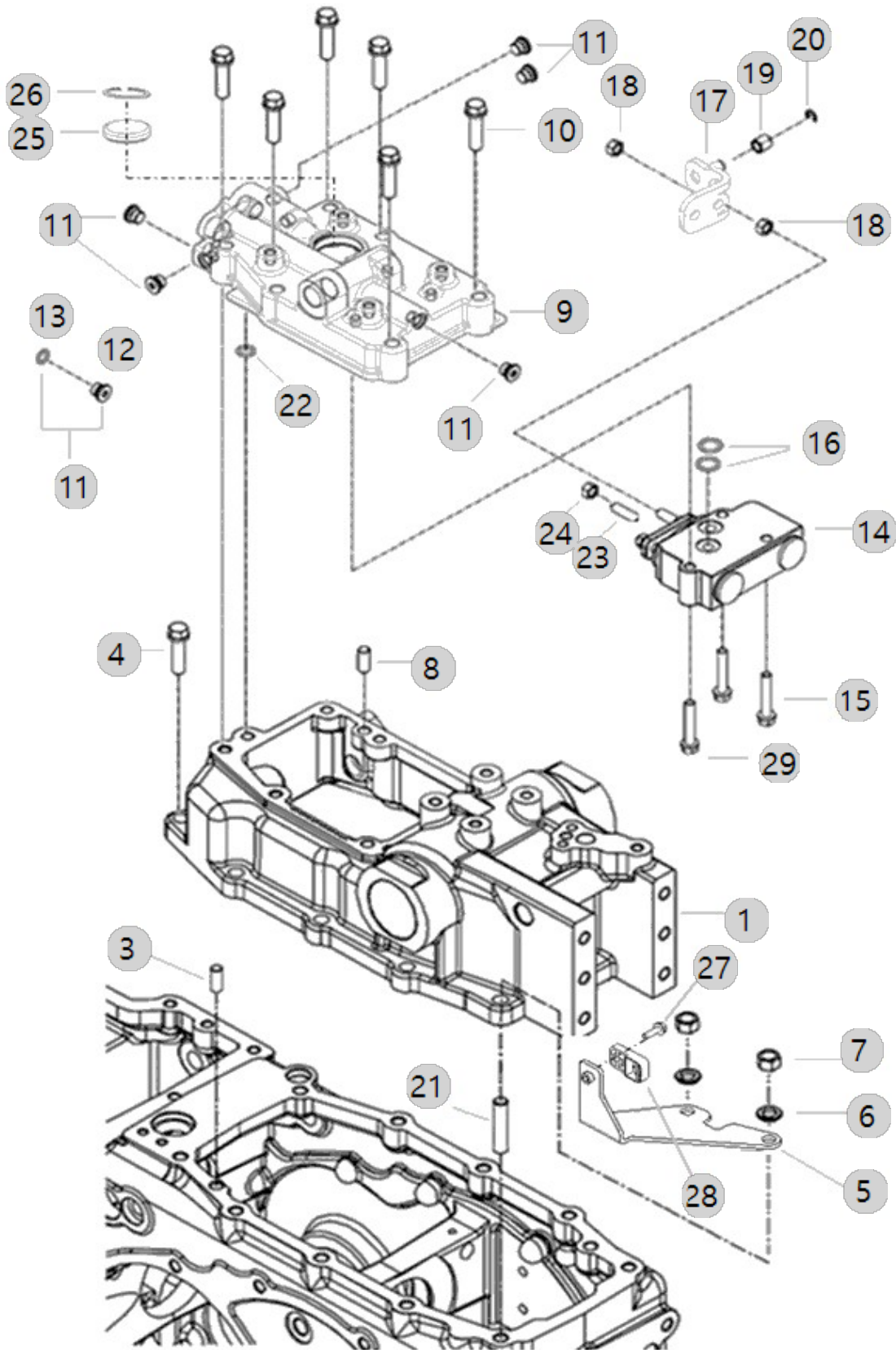
F10010

20H TM(US)_RANGE4
(AC01720)

CASE, HYD CYLINDER

Year/Month

2022-12-15



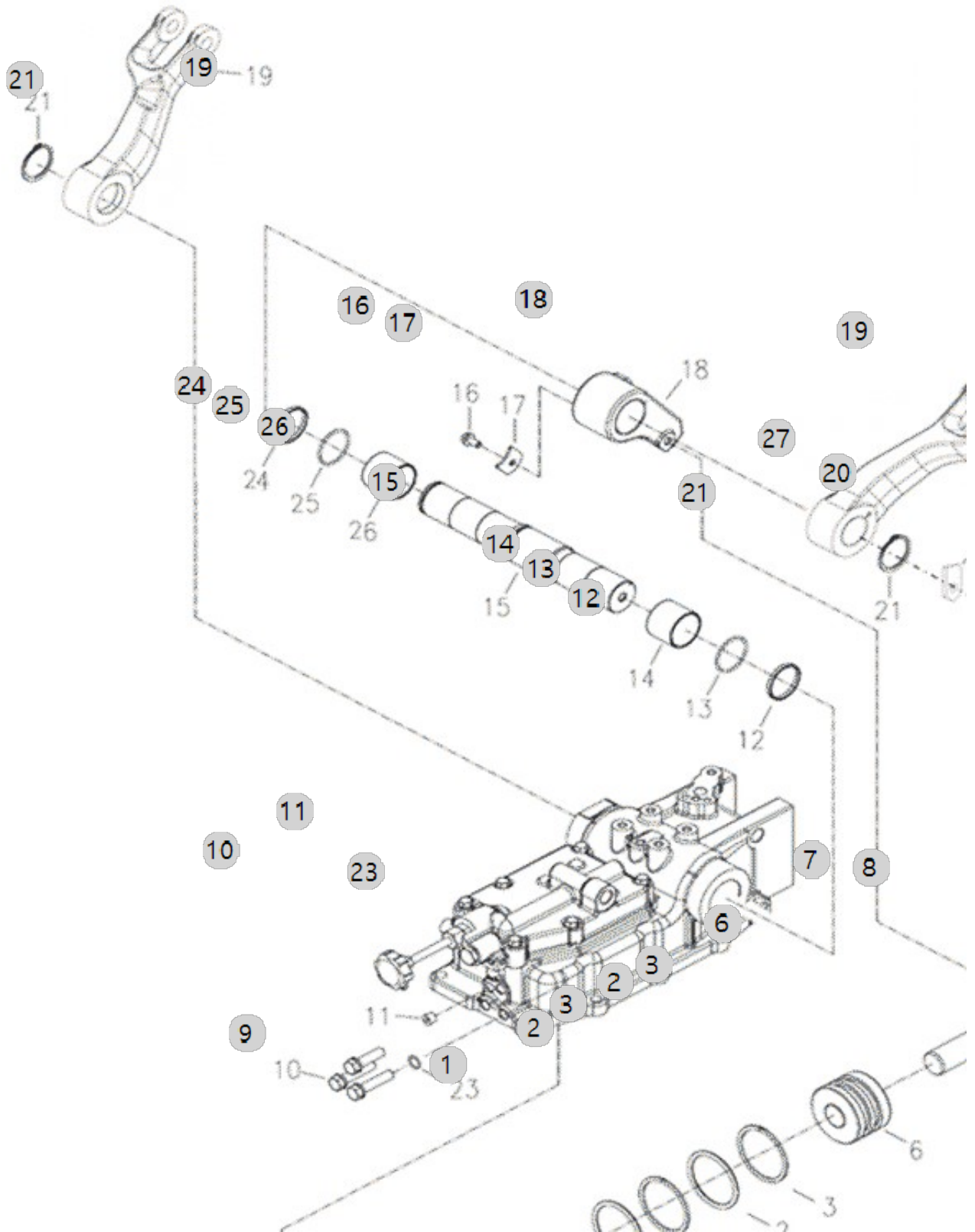
F10020

20H TM(US)_RANGE4
(AC01720)

LIFT ARM

Year/Month

2022-12-15



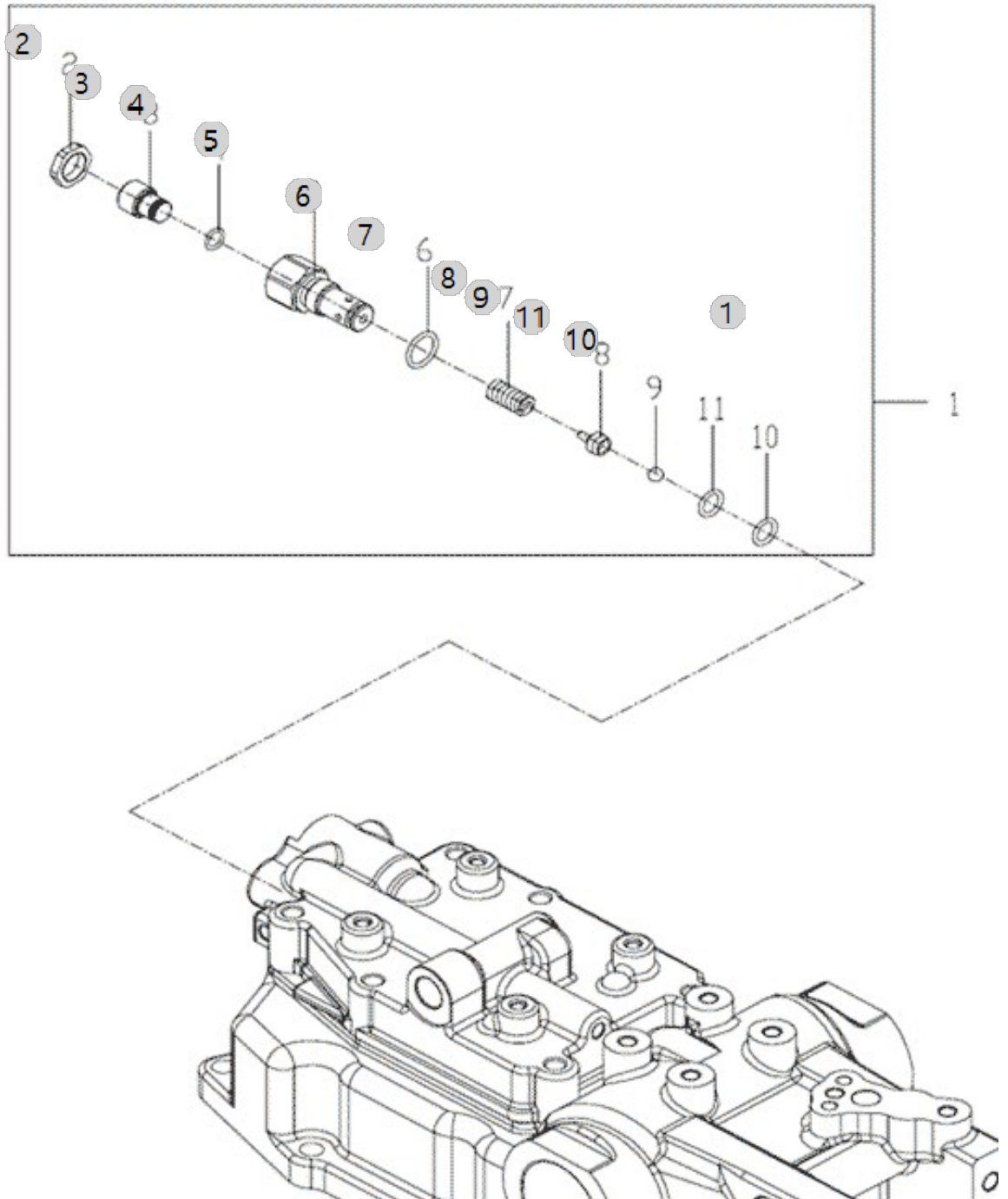
F10030

20H TM(US)_RANGE4
(AC01720)

SAFETY VALVE

Year/Month

2022-12-15



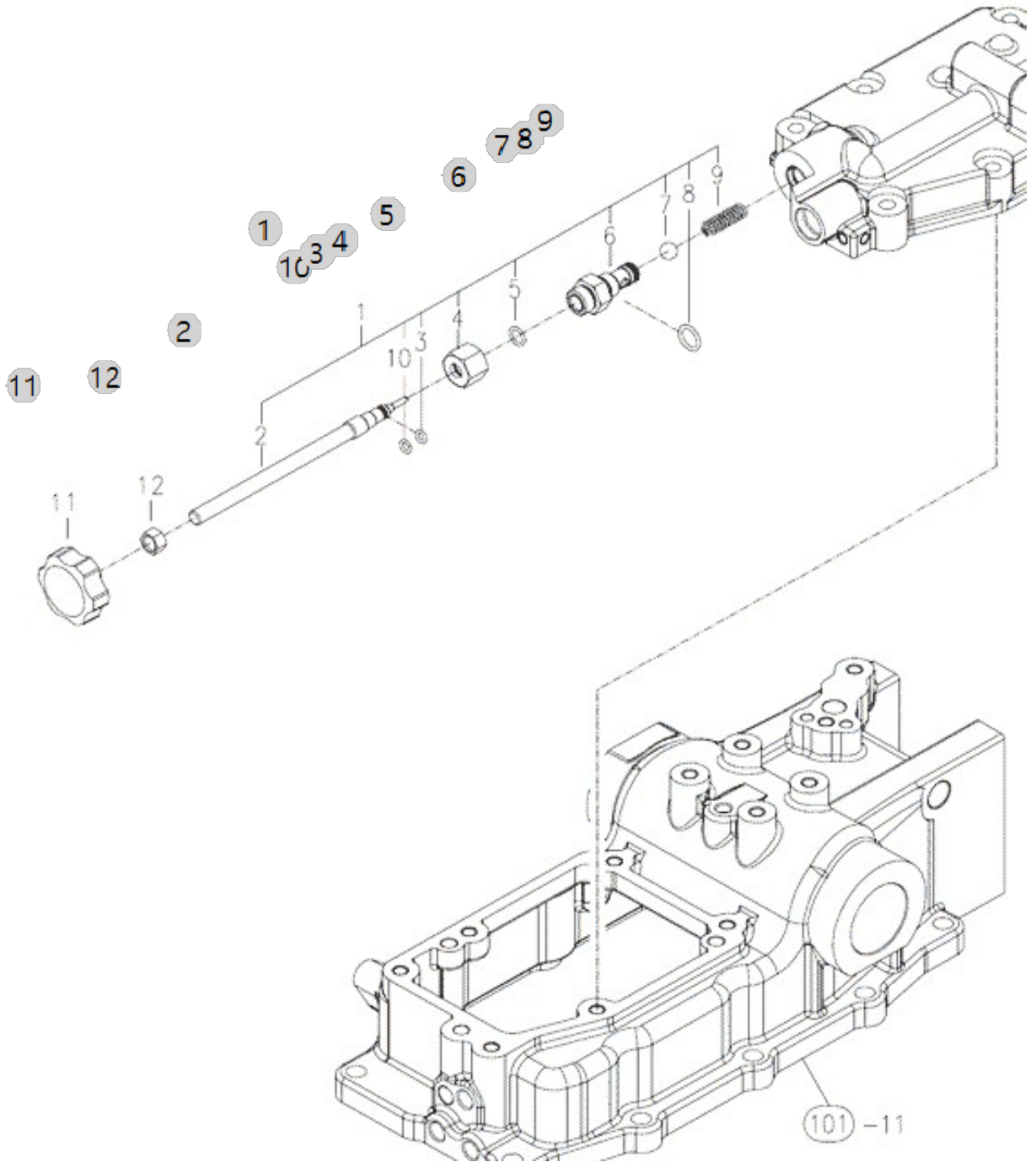
F10040

20H TM(US)_RANGE4
(AC01720)

STOP VALVE

Year/Month

2022-12-15



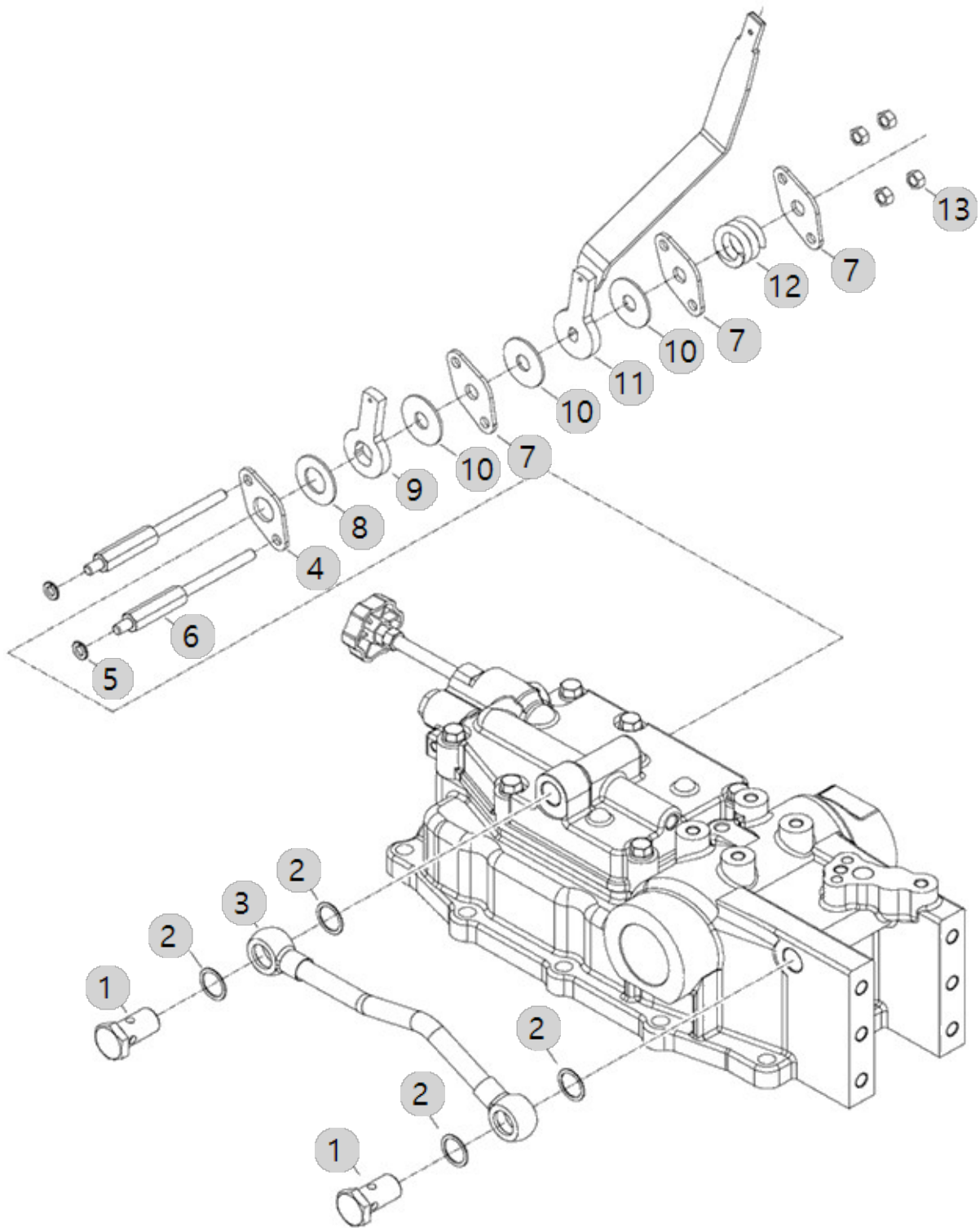
F10064

20H TM(US)_RANGE4
(AC01720)

POSITION CONTROL LEVER

Year/Month

2022-12-15



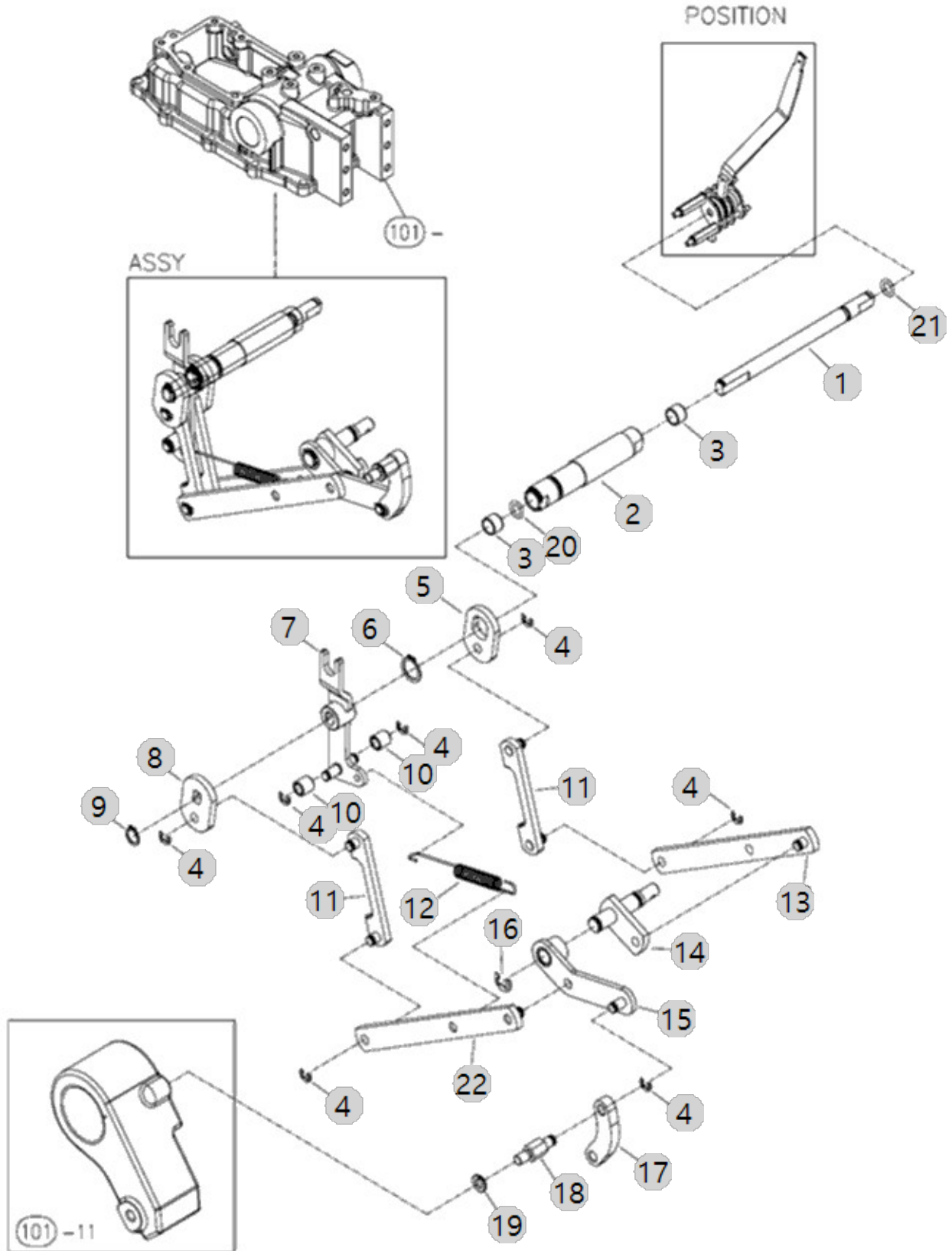
F10070

20H TM(US)_RANGE4
(AC01720)

SHAFT, CONTROL LEVER

Year/Month

2022-12-15



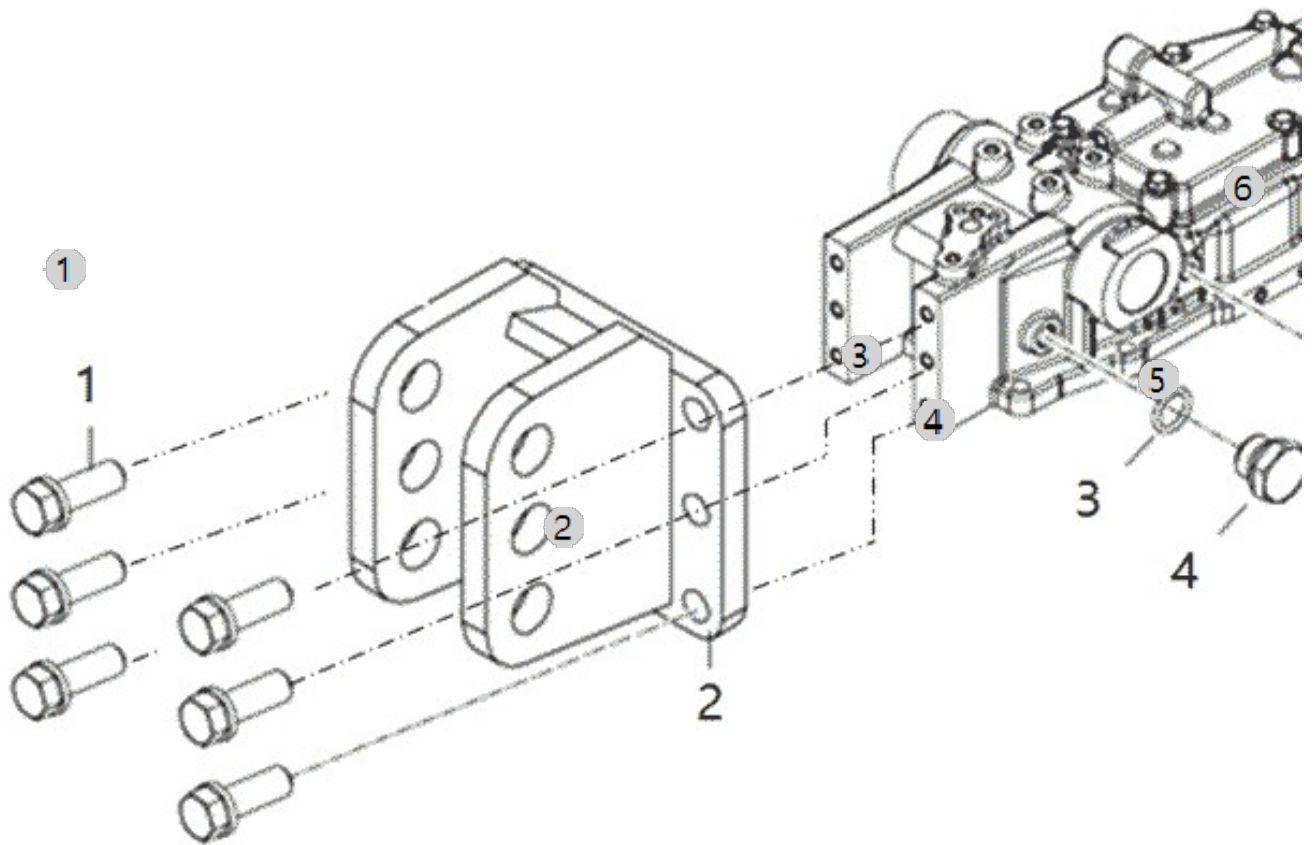
F10100

20H TM(US)_RANGE4
(AC01720)

TOP LINK

Year/Month

2022-12-15



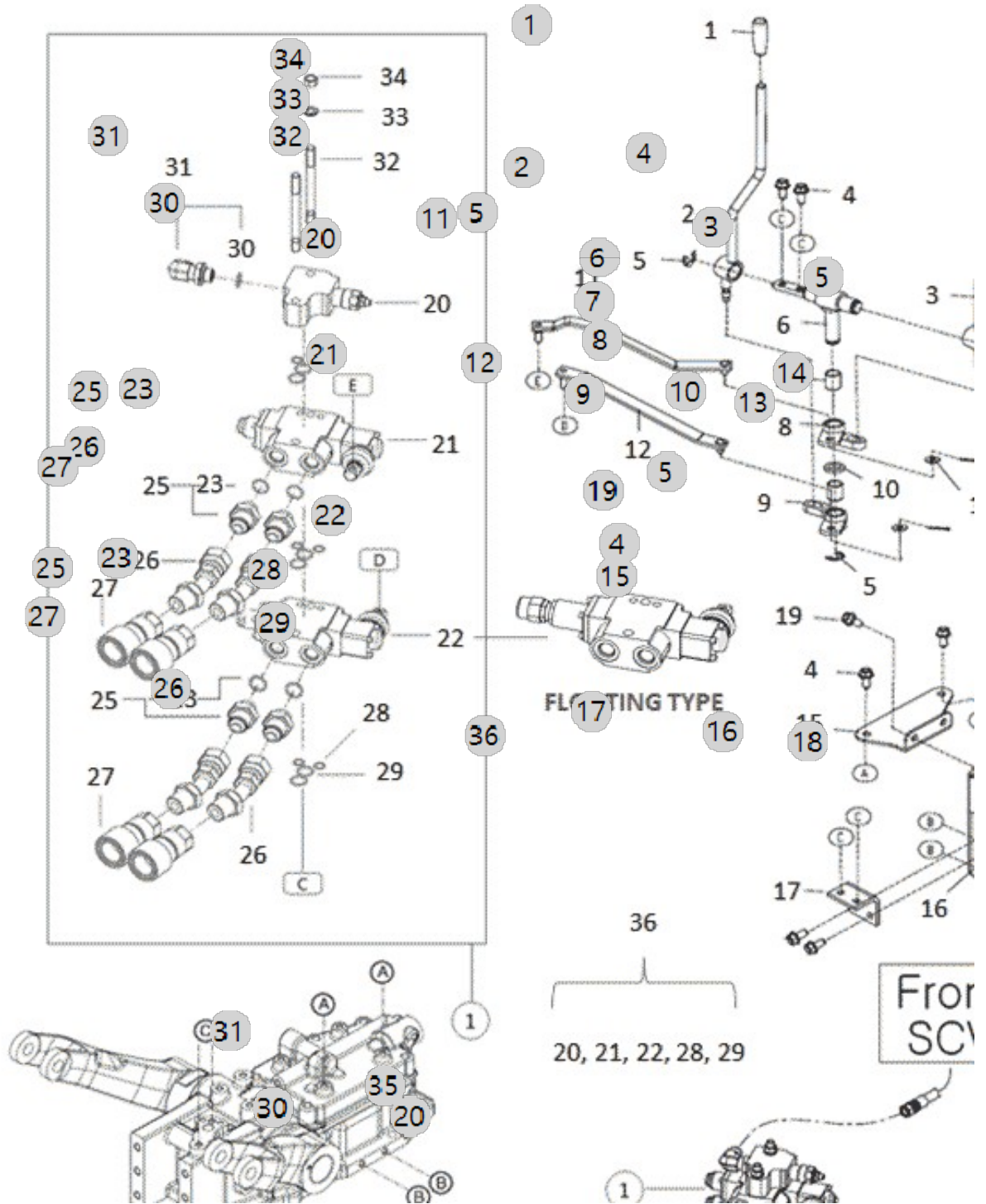
F10120

20H TM(US)_RANGE4
(AC01720)

REAR SCV

Year/Month

2022-12-15



F10120 20H TM(US)_RANGE4 (AC01720)		REAR SCV				Year/Month 2022-12-15
순번 (NO)	부품번호 (PART NO)	품명 (PART NAME)	품명 (PART NAME)	수량 (QTY)	규격 (SPEC)	비고 (REMARK)
1	VD05460000A4	손잡이(흑)	LEVER(BLACK)	2		
2	TA00034047B	레버 A 조합	LEVER A ASS'Y	1		
2	TA00034047C	레버 A 조합	LEVER A ASS'Y	1		
3	TA00034049C	레버 B 조합	LEVER B ASS'Y	1		
3	TA00034049B	레버 B 조합	LEVER B ASS'Y	1		
4	26106-080162	플랜지볼트8X16	SCREW,HEXFLANGEHEADCAP	6	M8XP1.25X16	
5	22272-000120	E형스냅링12	RING, CIRCLIP (Φ 12)	3	D12	
6	TA00034042B	축 조합	SHAFT ASS'Y	1		
6	TA00034042D	축 조합	SHAFT ASS'Y	1		
6	TA00034042C	축 조합	SHAFT ASS'Y	1		
7	24550-016200	드라이부시16X20	DRY BUSH 16X20	4		
8	TA00036430B	보스 A 조합 PTO 3단	BOSS B ASS'Y PTO 3SD	1		
9	TA00036429B	보스 B 조합 PTO 3단	BOSS B ASS'Y PTO 3SD	1		
10	TA00034062A	플레이트	PLATE	1		
11	TA00036297B	링크 2 조합	LINK ASSY 2	1		
11	TA00036297C	링크 2 조합	LINK ASSY 2	1		
12	TA00034019B	링크1조합	LINK 1 ASS'Y	1		
13	22137-080000	와셔8	WASHER, PLAIN (Φ 08)	4	M8	
14	22417-200200	할핀	PIN , COTTER (2-20)	4	D1.8	
15	TA00036443C	브래킷	BRACKET	1		
16	TA00036941B	SCV 고정 레버 브래킷 조합	HOLDING BRACKET, SCV LEVER	1		
17	TA00036949B	고정브라켓	BRACKET	1		
18	26106-100162	플랜지볼트M10X16	SCREW,HEXFLANGEHEADCAP	2	M10XP1.5X16	
19	26106-080182	444,ALL,플랜지볼트	SCREW,HEXFLANGEHEADCAP	4		
20	TA00033977B	컨트롤 릴리프	COVER RELIEF	1		
20	TA00033977C	컨트롤 릴리프	COVER RELIEF	1		
21	TA00037393A	SCV2(D)	SCV2(D)	1		
22	TA00028226A	SCV 1	REAR SCV 1	1		
22	TA00028226C	SCV 1	SCV 1	1		
22	TA00028226B	SCV 1	SCV	1		
22	TA00048561C	SCV(FLOATING)	SCV(FLOATING)	1		
22	TA00048561B	SCV(FLOATING)	SCV(FLOATING)	1		
22	TA00048561A	SCV(FLOATING)	SCV(FLOATING)	1		
23	24311-000160	O-링 P 16	O-RING, DYNAMIC (Φ16)	4	P16	
25	TA00042245B	아댑터(PF1/2)	ADAPTER	2		
25	TA00042245C	아댑터(PF1/2)	ADAPTER	2		
26	TA00042242C	SCV연결파이프(K3)	PIPE, SCV	2		
26	TA00042242B	SCV연결파이프(K3)	PIPE, SCV	2		
26	TA00042242D	SCV연결파이프(K3)	SCV EXTENSION PIPE(K3)	2		
27	FBA3150000A4	조인트(1/2")	ARM, JOINT(1/2") -> FBA3150000A3	2		
27	FBA3150000B3	조인트암(1/2")	"ARM, JOINT(1/2")"	2		
28	24311-000100	O-링1AP10.0	O-RING, DYNAMIC (Φ10)	4	P10	
29	24311-000160	O-링 P 16	O-RING, DYNAMIC (Φ16)	4	P16	
30	24311-000140	441,ALL,O-RINGP-14	O-RING, DYNAMIC (Φ14)	1	P14	
31	TA00035078B	90도 엘보 (PF3/8-1/2)	ELBOW	1		

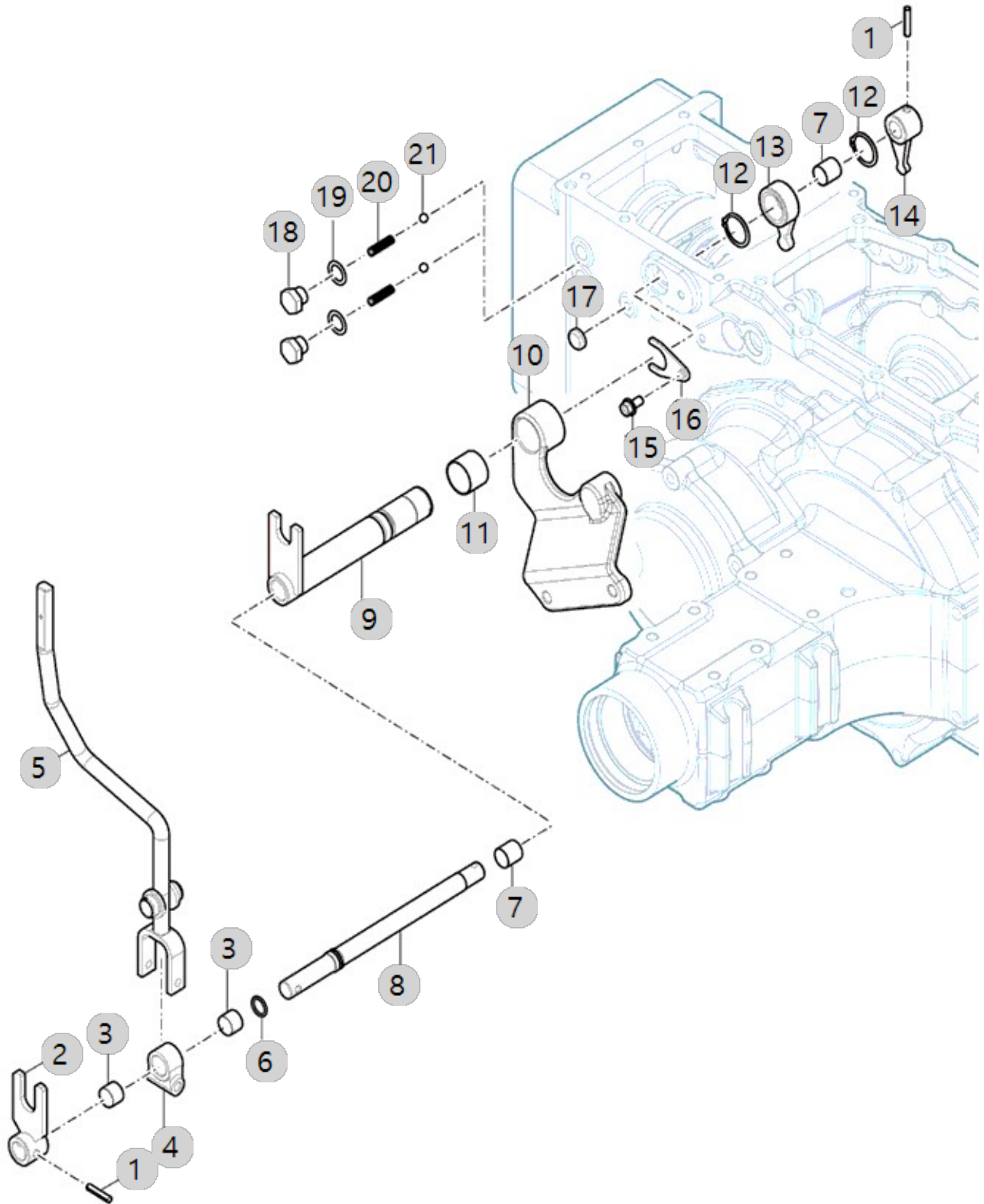
F11020

20H TM(US)_RANGE4
(AC01720)

RANGE SHIFT LEVER

Year/Month

2022-12-15



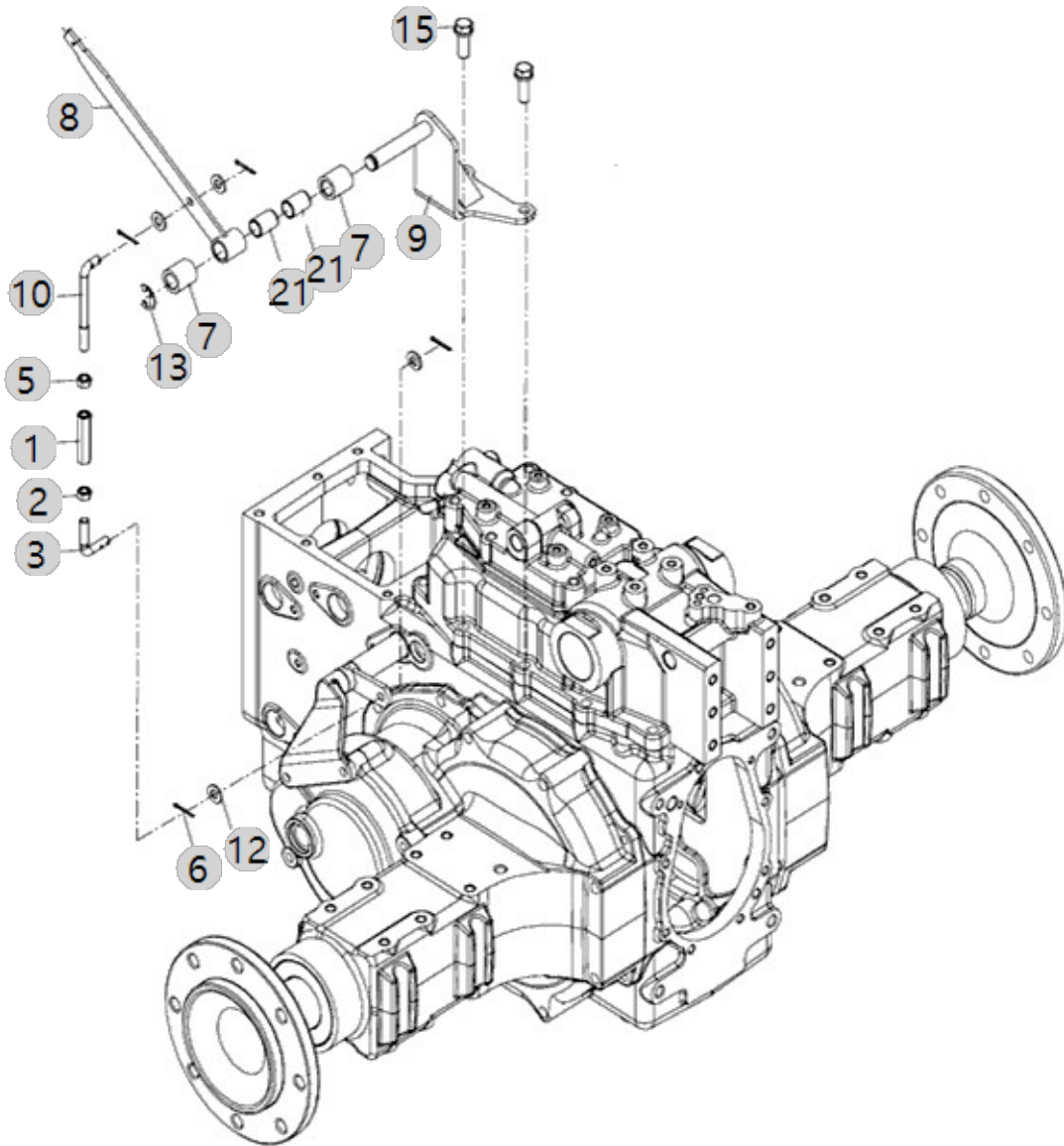
F11030

20H TM(US)_RANGE4
(AC01720)

LEVER ASS'Y, PTO SPEED CHANGE

Year/Month

2022-12-15



F11080

20H TM(US)_RANGE4
(AC01720)

4WD LEVER

Year/Month

2022-12-15

