

T395STEU

Parts Catalog

목 차

1. 엔진 PART NO. EG

FIG 100 ENGINE	7
FIG 101 CYLINDER BLOCK	9
FIG 102 GEAR HOUSING	11
FIG 103 FLYWHEEL HOUSING & OIL SUMP	13
FIG 104 CYLINDER HEAD & BONNET	15
FIG 105 SUCTION MANIFOLD	18
FIG 106 EXHAUST MANIFOLD	20
FIG 107 DIESEL PARTICULATE FILTER(DPF)	22
FIG 108 CAMSHAFT & DRIVING GEAR	24
FIG 109 CRANKSHAFT & PISTON	26
FIG 110 LUB OIL SYSTEM	28
FIG 111 COOLING WATER SYSTEM	30
FIG 112 FUEL SUPPLY PUMP	32
FIG 113 FUEL INJECTION VALVE	34
FIG 114 FUEL PIPE	36
FIG 115 STARTER MOTOR	38
FIG 117 ELECTRONIC CONTROL UNIT(ECU)	40
FIG 118 ELECTRIC PARTS	42

2. 엔진보기품 PART NO. T2

FIG 201 AIR CLEANER	45
FIG 202 RADIATOR	47
FIG 203 MUFFLER	49
FIG 204 FUEL TANK & HOSE	51
FIG 204A KIT No. : 12397090000	53
FIG 205 ACCELERATOR	55

3. 클러치/브레이크/스티어링 PART NO. T3

FIG 301 CLUTCH PEDAL	58
----------------------	----

FIG 302 FLYWHEEL & CLUTCH	60
FIG 303 BRAKE PEDAL	62
FIG 304 BRAKE	64
FIG 305 FRONT WHEEL MOUNTING	66
FIG 306 REAR WHEEL MOUNTING	68
FIG 307 STEERING WHEEL & DASH COVER	70
FIG 308 STEERING VALVE & PARKING	72
FIG 309 STEERING CYLINDER	74
FIG 310 HAND BRAKE LINKAGE	76

4. 트랜스미션 PART NO. T4

FIG 401 TRANSMISSION FRONT CASE	79
FIG 402 INPUT METAL	81
FIG 403 INPUT GEAR	83
FIG 404 4WD DRIVE GEAR	85
FIG 405 MAIN CHANGE GEARS & REVERSE GEARS	87
FIG 406 SUB CHANGE GEARS	89
FIG 407 PINION GEARS	91
FIG 408 PTO DRIVE SHAFT	93
FIG 409 PTO CHANGE GEARS	95
FIG 410 DIFF LOCK	97
FIG 411 TRANSMISSION REAR CASE	99
FIG 412 REAR AXLE HOUSINGS (1)	101
FIG 413 REAR AXLE HOUSINGS (2)	103
FIG 414 MAIN CHANGE LEVER	105
FIG 415 SUB CHANGE LEVER	107
FIG 416 REVERSE LINK	109
FIG 417 REVERSE CHANGE LEVER	111
FIG 418 4WD CHANGE LEVER	113

5. 프론트 액슬 PART NO. T5

FIG 501 FRONT AXLE BRACKET	116
FIG 502 FRONT DIFFERENTIAL GEARS	118
FIG 503 FRONT AXLE HOUSING	120
FIG 504 FRONT GEAR CASE (1)	122
FIG 505 FRONT GEAR CASE (2)	124

6. 유압/3점링크 PART NO. T6

FIG 601 GEAR PUMP	127
FIG 602 CYLINDER CASE	129
FIG 603 LIFT ARM	131
FIG 604 CYLINDER	133
FIG 605 POSITION LINK (1)	135
FIG 606 POSITION LINK (2)	137
FIG 607 CONTROL VALVE	139
FIG 608 POSITION LEVER	141
FIG 609 HYDRAULIC PIPE (1)	143
FIG 610 HYDRAULIC PIPE (2)	145
FIG 611 EXTERIOR HYD. VALVE	147
FIG 612 3-POINT LINK	149
FIG 613 HITCH & COVER	151

7. 시트메탈/캐빈 PART NO. T7

FIG 701 HOOD	154
FIG 702 BONNET	157
FIG 704 FRONT & REAR MOUNTING	160
FIG 705 DASHPANEL	162
FIG 706 SEAT & MAT	164
FIG 707 DOOR	166
FIG 708 FRONT GLASS	169
FIG 709 REAR GLASS	171
FIG 710 SUB FENDER & COVER	173
FIG 711 MIRROR	175
FIG 712-1 HEATER & AIR-CON	177
FIG 712-2 HEATER & AIR-CON	179
FIG 713 FENDER COVER	181
FIG 714 ROOF	183
FIG 715 CABIN INTERIOR	185

8. 전장 PART NO. T8

FIG 801 BATTERY & MOUNTING	188
----------------------------	-----

FIG 802 LIGHTS	190
FIG 803 INSTRUMENT PANEL	192
FIG 804 ELECTRIC SYSTEM	194
FIG 805 HARNESS (1)	196
FIG 806 HARNESS (2)	198

9. 라벨/옵션 PART NO. T9

FIG 901 WEIGHT	201
FIG 902 TOOL & ACCESSORY	203
FIG 903-1 LABEL (1)	205

1. 엔진 PART NO. EG

FIG 100 ENGINE	7
FIG 101 CYLINDER BLOCK	9
FIG 102 GEAR HOUSING	11
FIG 103 FLYWHEEL HOUSING & OIL SUMP	13
FIG 104 CYLINDER HEAD & BONNET	15
FIG 105 SUCTION MANIFOLD	18
FIG 106 EXHAUST MANIFOLD	20
FIG 107 DIESEL PARTICULATE FILTER(DPF)	22
FIG 108 CAMSHAFT & DRIVING GEAR	24
FIG 109 CRANKSHAFT & PISTON	26
FIG 110 LUB OIL SYSTEM	28
FIG 111 COOLING WATER SYSTEM	30
FIG 112 FUEL SUPPLY PUMP	32
FIG 113 FUEL INJECTION VALVE	34
FIG 114 FUEL PIPE	36
FIG 115 STARTER MOTOR	38
FIG 117 ELECTRONIC CONTROL UNIT(ECU)	40
FIG 118 ELECTRIC PARTS	42

FIG 100 T395STEU	ENGINE	년/월 Year/Month 2022-12
---------------------	--------	------------------------------

--	--

NOTE	
------	--

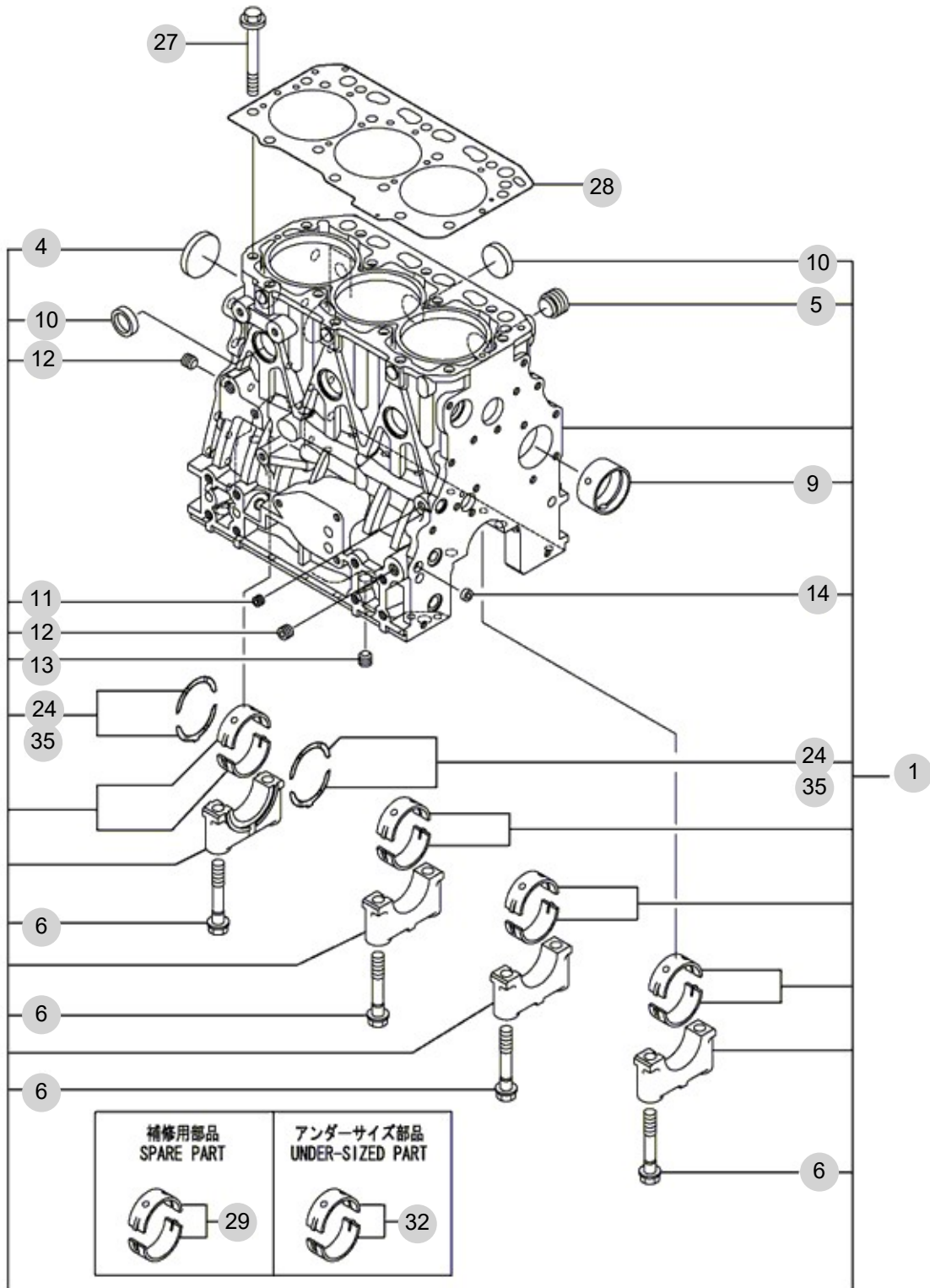
FIG 101

CYLINDER BLOCK

년/월
Year/Month

T395STEU

2022-12



NOTE

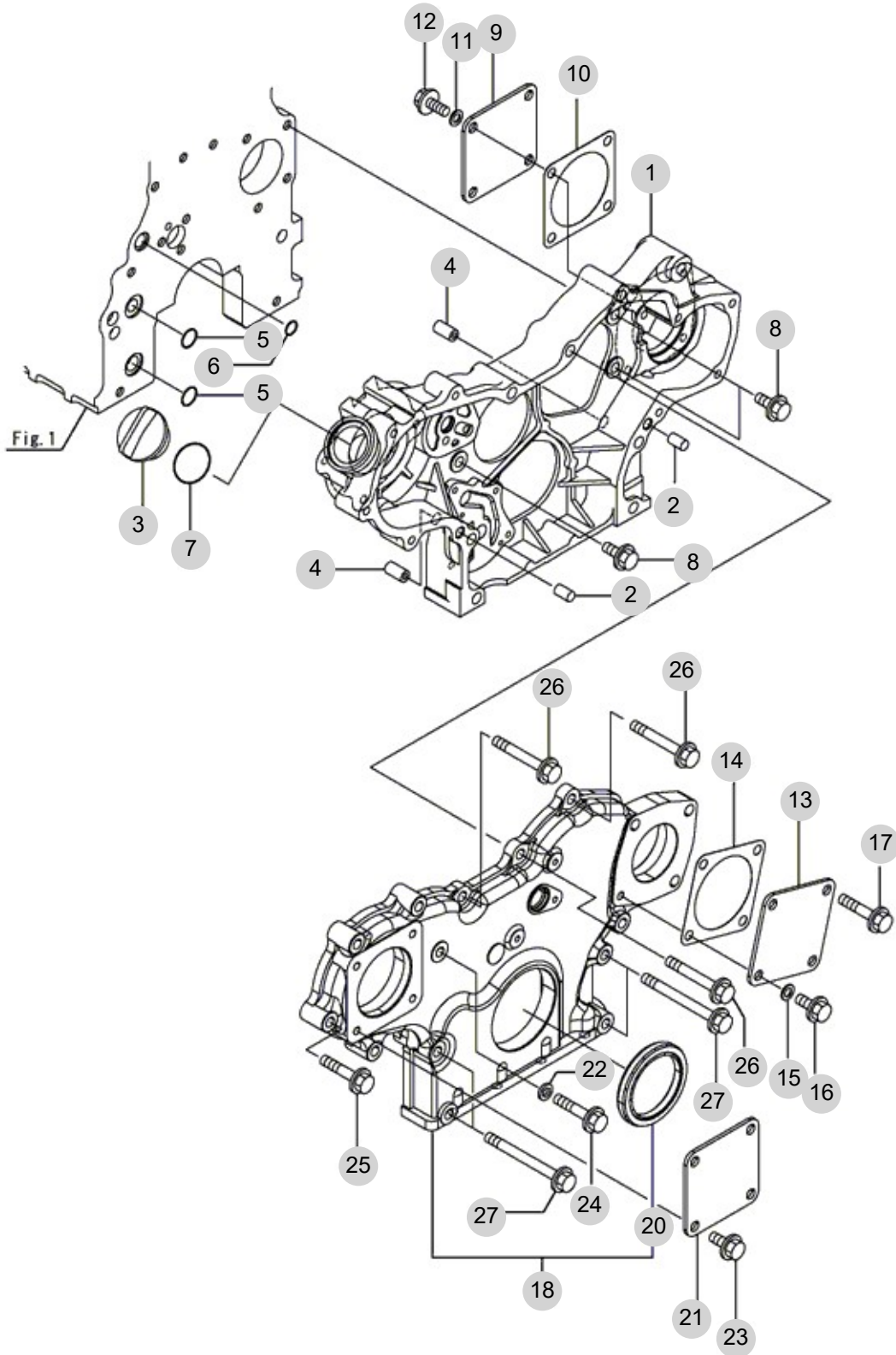
FIG 102

GEAR HOUSING

년/월
Year/Month

2022-12

T395STEU



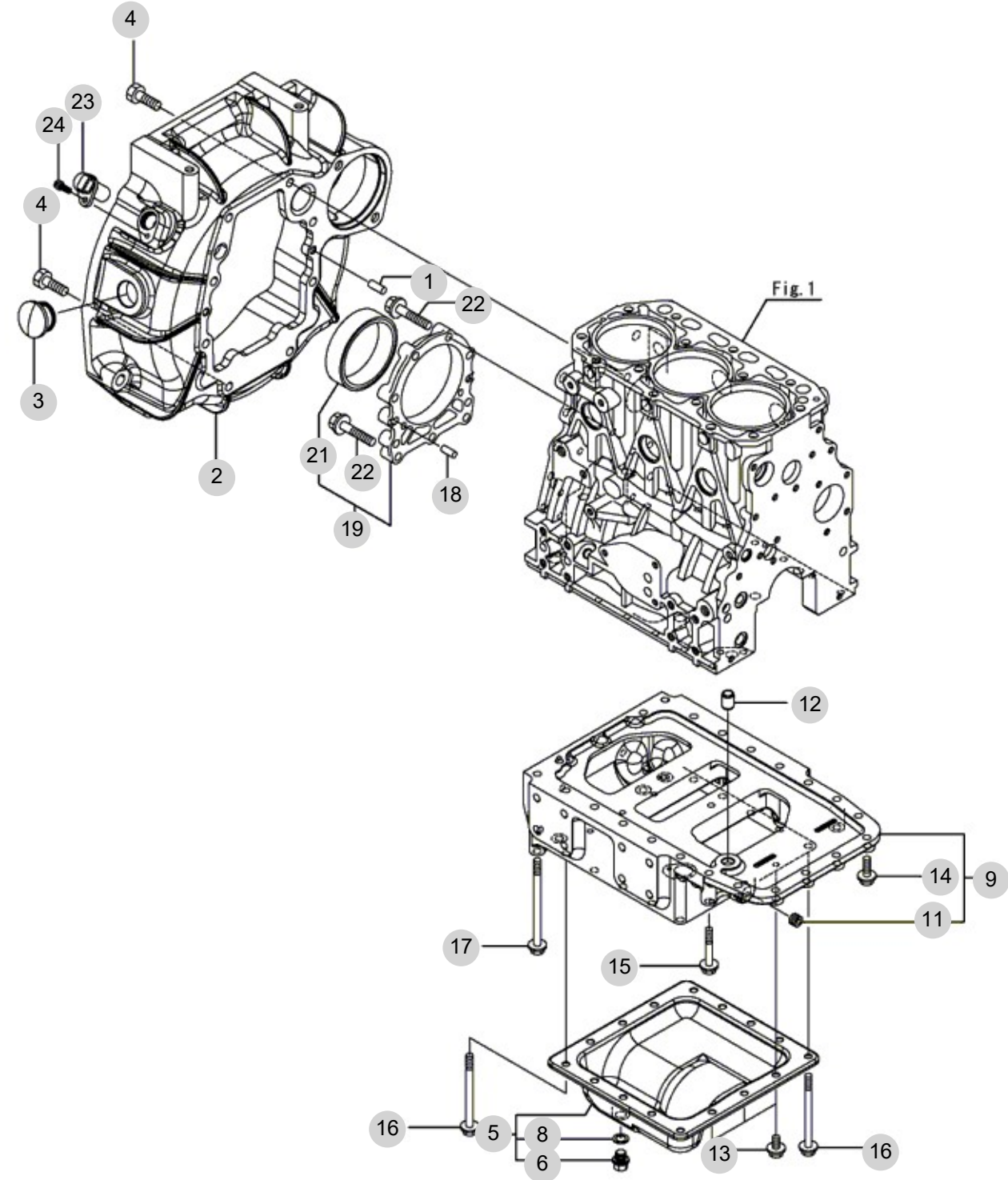
NOTE

FIG 103

FLYWHEEL HOUSING & OIL SUMP

년/월
Year/Month

2022-12



NOTE

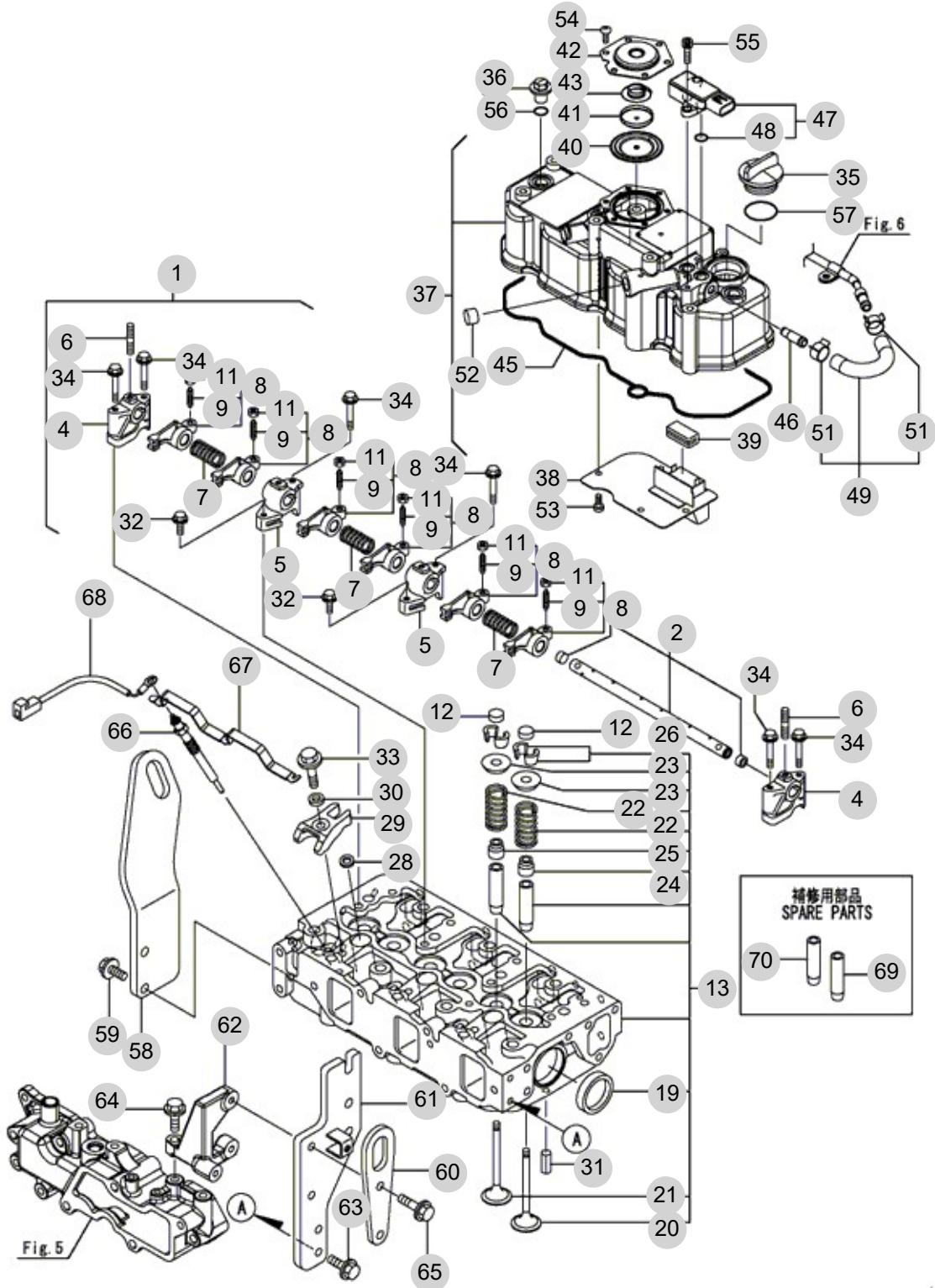
FIG 104

CYLINDER HEAD & BONNET

년/월
Year/Month

2022-12

T395STEU



NOTE

FIG 104		CYLINDER HEAD & BONNET					년/월 Year/Month		
							2022-12		
T395STEU		KEY NO	PART NO	DESCRIPTION	SPEC	QTY	REPAIR	EFFECTIVE DATE	REMARKS
104	1	129004-11241	SHAFT ASSY, ROCKER			1			
104	2	129004-11251	SHAFT, ROCKER ARM			1			
104	4	119802-11260	SUPPORT, ROCKER ARM			2			
104	5	119802-11270	SUPPORT, ROCKER ARM			2			
104	6	119802-11280	BOLT, STUD			3			
104	7	129150-11280	SPRING, ROCKER			3			
104	8	129004-11650	ARM ASSY, ROCKER			6			
104	9	129150-11230	SCREW, VALVE ADJUST			6			
104	11	129150-11750	NUT, M8			6			
104	12	129150-11370	CAP, VALVE			6			
104	13	129A00-11710	HEAD ASSY, CYLINDER			1			
104	19	27241-400000	PLUG, 40			2			
104	20	129005-11100	VALVE, SUCTION			3			
104	21	129100-11112	VALVE, EXHAUST			3			
104	22	129795-11120	SPRING, VALVE			6			
104	23	129795-11180	RETAINER, SPRING			6			
104	24	124460-11340	SEAL, VALVE STEM			3			
104	25	129A00-11340	SEAL, VALVE STEM			3			
104	26	27310-080001	COTTER, 8			6			
104	28	129978-11871	GASKET,INJECTOR			3			
104	29	129A00-11900	RETAINER, INJECTOR			3			
104	30	120270-54410	WASHER, INJECTOR			3			
104	31	22351-060012	스프링핀			2			
104	32	26106-080252	육각플랜지볼트			2			
104	33	26106-080352	육각플랜지볼트			3			
104	34	26106-080502	BOLT, M8X 50 PLATED			6			
104	35	124160-01751	CAP, FILLER			1			
104	36	124160-11360	KNOB			3			
104	37	129A00-11360	BONNET ASSY			1			
104	38	129004-03010	PLATE, BAFFLE			1			
104	39	129150-03070	BAFFLE, BREATHER			1			
104	40	123907-03100	DIAPHRAGM			1			
104	41	123907-03110	PLATE			1			
104	42	123907-03120	PLATE, BREATHER			1			
104	43	123907-03140	SPRING, DIAPHRAGM			1			
104	45	129A00-11310	GASKET, BONNET			1			
104	46	129A00-11330	JOINT			1			
104	47	129978-12700	SENSOR,PRESSURE			1			
104	48	129A00-12780	O-RING,PRES SENSOR			2			
104	49	129A00-13360	HOSE ASSY, PRES EXH			1			
104	51	129A00-13380	CLIP, HOSE 14			2			
104	52	119640-61400	PLUG			1			
104	53	22857-500100	SCREW, 5X10			4			
104	54	22857-500100	SCREW, 5X10			6			
104	55	26450-060162	BOLT, M6X 16			2			
NOTE									

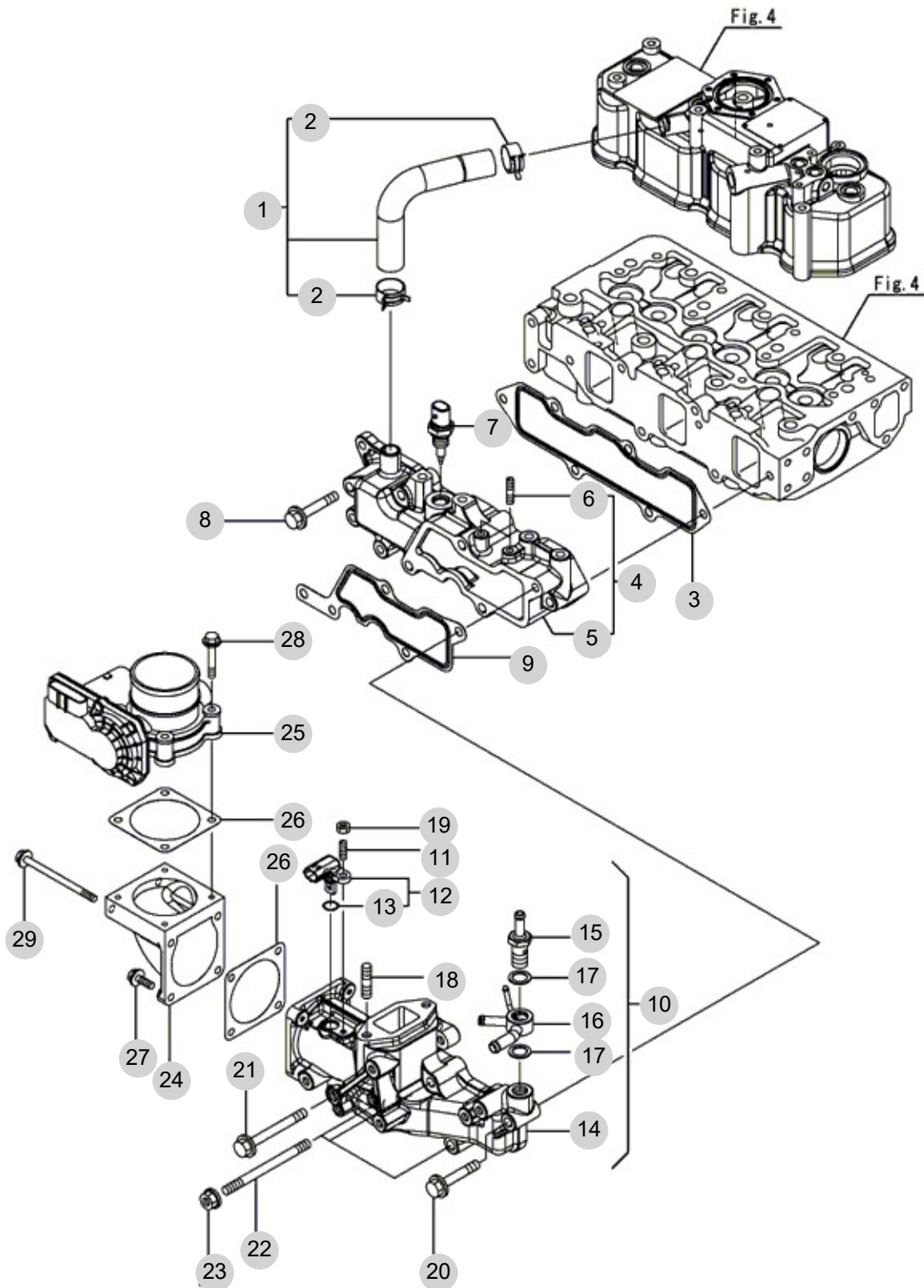
FIG 105

SUCTION MANIFOLD

년/월
Year/Month

2022-12

T395STEU



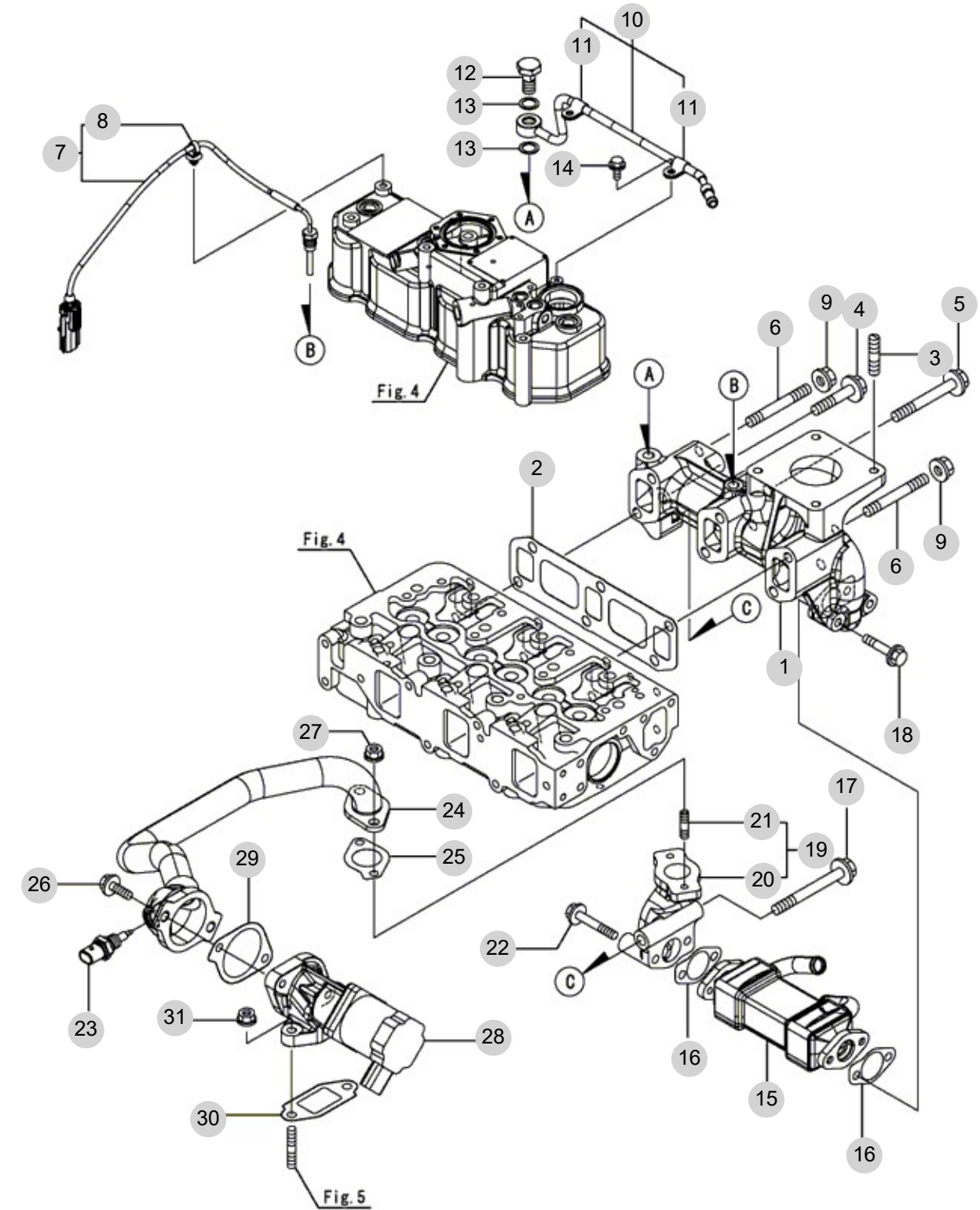
NOTE

FIG 106

EXHAUST MANIFOLD

년/월
Year/Month

2022-12



NOTE

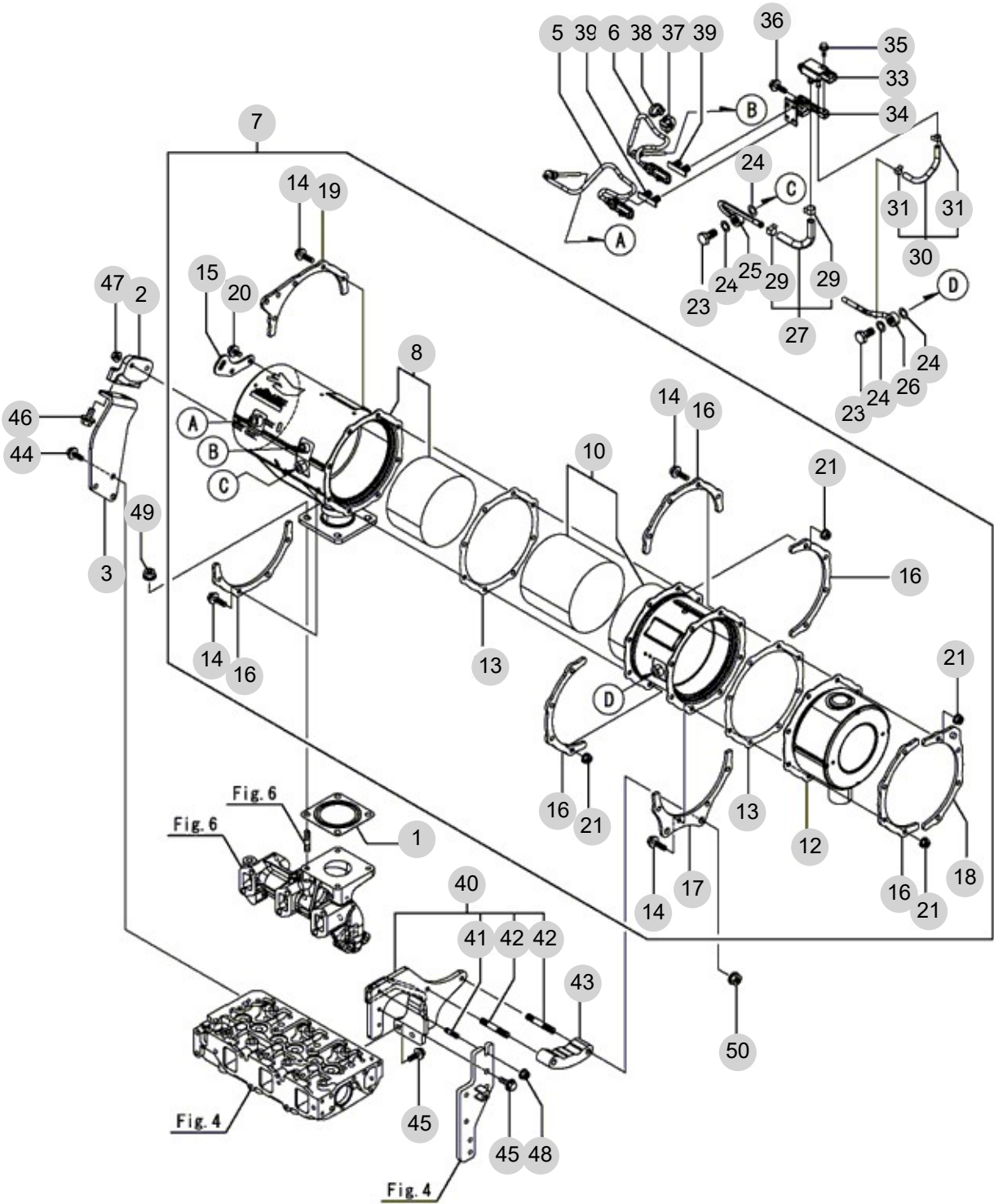
FIG 107

DIESEL PARTICULATE FILTER(DPF)

년/월
Year/Month

T395STEU

2022-12



NOTE

FIG 107		DIESEL PARTICULATE FILTER(DPF)					년/월 Year/Month		
							2022-12		
T395STEU		KEY NO	PART NO	DESCRIPTION	SPEC	QTY	REPAIR	EFFECTIVE DATE	REMARKS
107	1	128300-13230	GASKET, SILENCER			1			
107	2	129A00-16820	STAY,DPF			1			
107	3	129A00-16830	STAY,DPF			1			
107	5	129C00-13940	SENSOR, EXH.TEMP			1			
107	6	129C00-13950	SENSOR, EXH.TEMP			1			
107	7	129A26-16000	DPF ASSY			1			
107	8	129A00-16210	CASE, DOC			1			
107	10	129A00-16410	CASE, SOOT FILTER			1			
107	12	129A00-16500	SILENCER, DPF			1			
107	13	129A00-16600	GASKET, DPF			2			
107	14	129A00-16610	BOLT, M8X28 10.9T			16			
107	15	129C01-16690	LIFTER, DPF			1			
107	16	129A00-16700	STIFFENER, DPF A			5			
107	17	129A00-16720	STIFFENER, DPF B			1			
107	18	129A00-16740	STIFFENER, DPF C			1			
107	19	129A00-16750	STIFFENER, DPF C			1			
107	20	26106-080142	BOLT, M8X 14 PLATED			2			
107	21	26306-080002	NUT, M8			16			
107	23	129A00-13350	BOLT, PIPE JOINT			2			
107	24	129A00-17311	GASKET,SENSOR			4			
107	25	129A00-17330	PIPE ASSY, SENSOR			1			
107	26	129A00-17360	PIPE ASSY, SENSOR			1			
107	27	129A00-17610	HOSE ASSY,PRES EXH			1			
107	29	129A00-17520	CLIP, HOSE			2			
107	30	129A00-17670	HOSE ASSY,PRES EXH			1			
107	31	129A00-17570	CLIP, HOSE			2			
107	33	129978-17700	SENSOR,PRESSURE			1			
107	34	129A00-17780	BRACKET, SENSOR			1			
107	35	26106-060162	BOLT, M6X 16 PLATED			2			
107	36	26106-080202	BOLT, M8X 20 PLATED	8X20		2			
107	37	129A00-91200	BAND CLIP			1			
107	38	129C00-91200	BAND			1			
107	39	129A00-91430	CLIP, CONNECTOR			2			
107	40	129A26-17360	STAY ASSY, DPF			1			
107	41	26216-080202	STUD, M8X 20			1			
107	42	26216-100552	STUD, M10X 55			2			
107	43	129A23-17370	SPACER, DPF			1			
107	44	26106-080162	육각플랜지볼트			3			
107	45	26106-080202	BOLT, M8X 20 PLATED	8X20		4			
107	46	26106-100202	육각플랜지볼트			2			
107	47	26306-080002	NUT, M8			2			
107	48	26306-080002	NUT, M8			1			
107	49	26306-100002	NUT, M10			4			
107	50	26306-100002	NUT, M10			2			
NOTE									

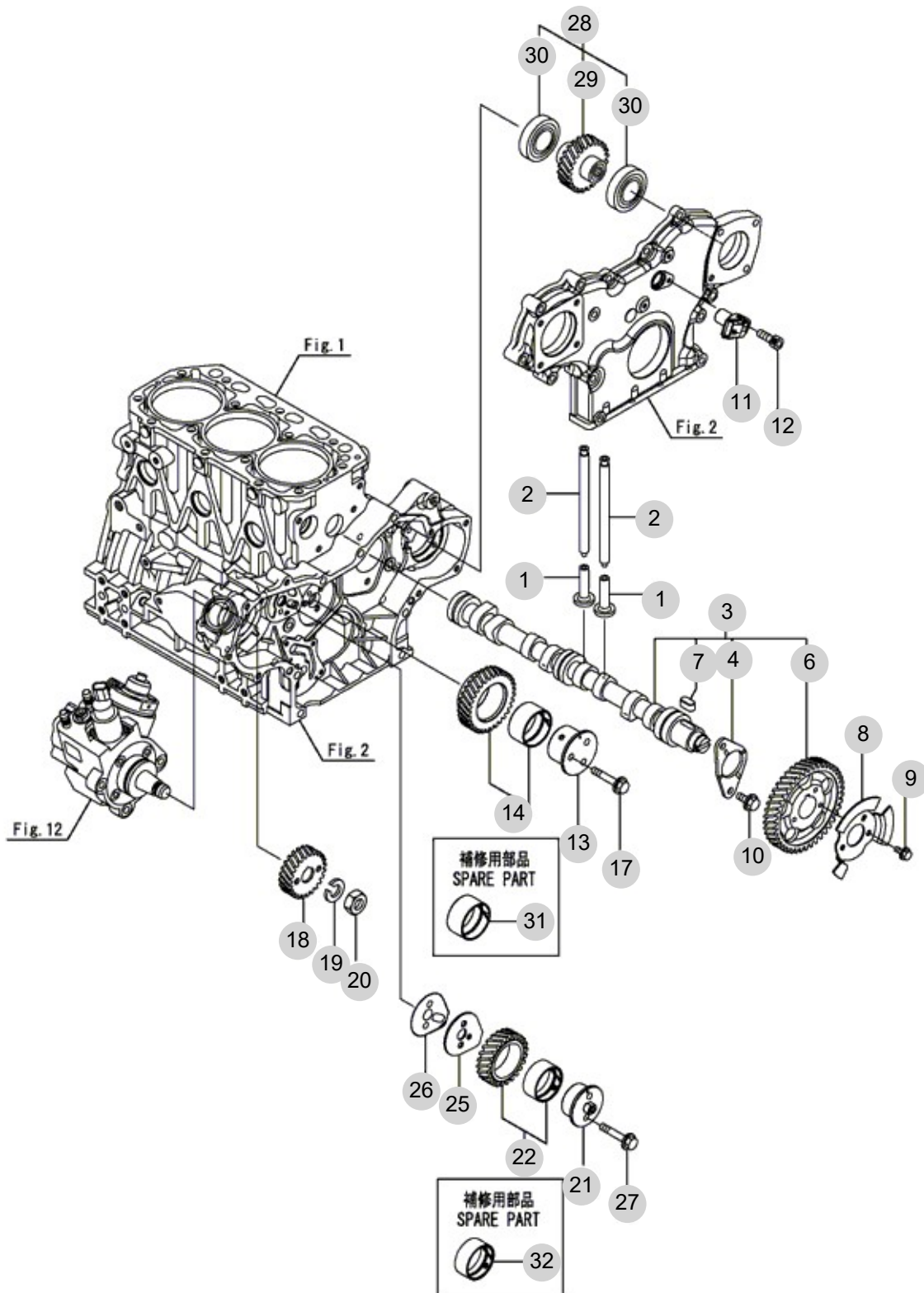
FIG 108

CAMSHAFT & DRIVING GEAR

년/월
Year/Month

2022-12

T395STEU



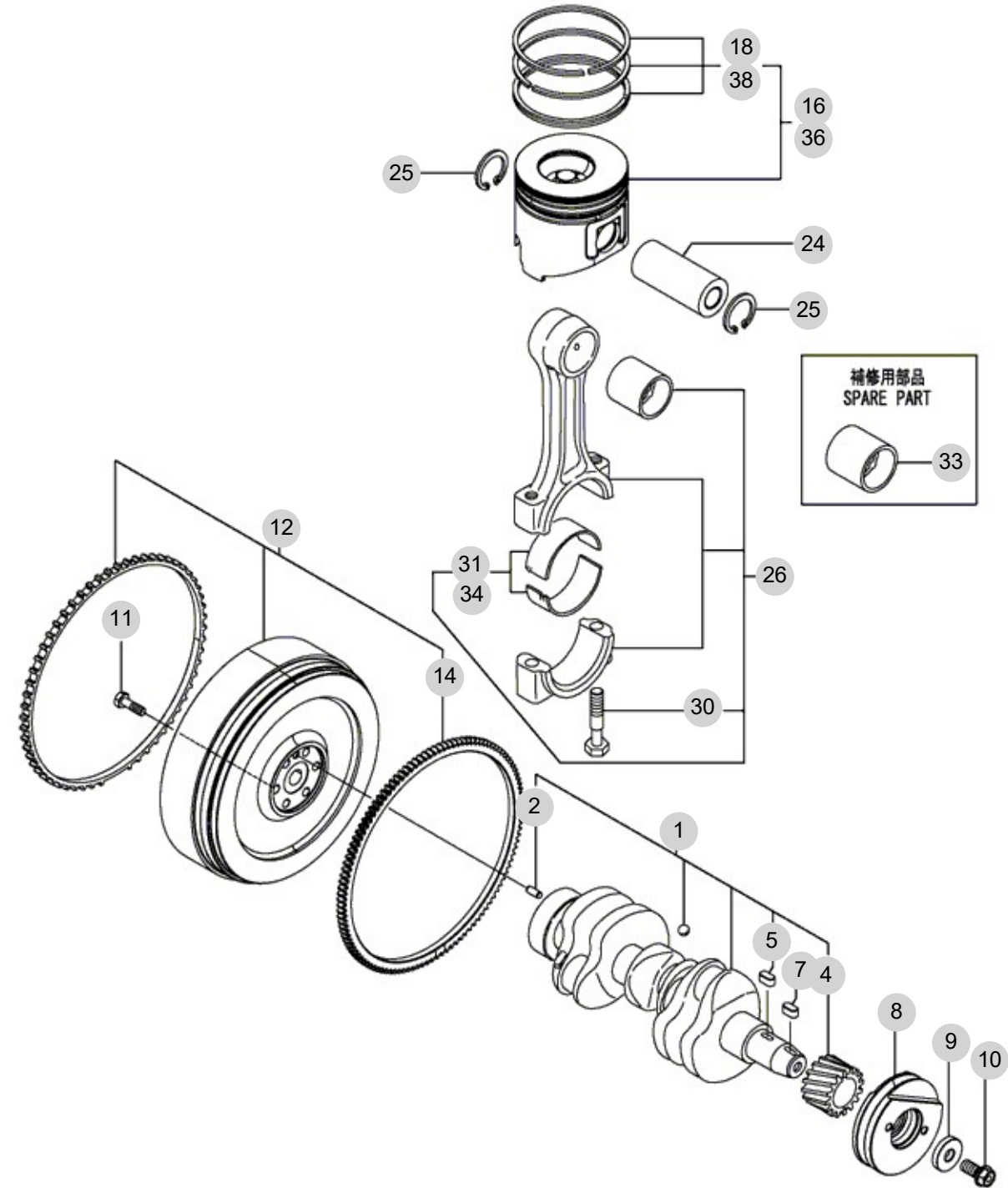
NOTE

FIG 109

CRANKSHAFT & PISTON

년/월
Year/Month

2022-12



NOTE

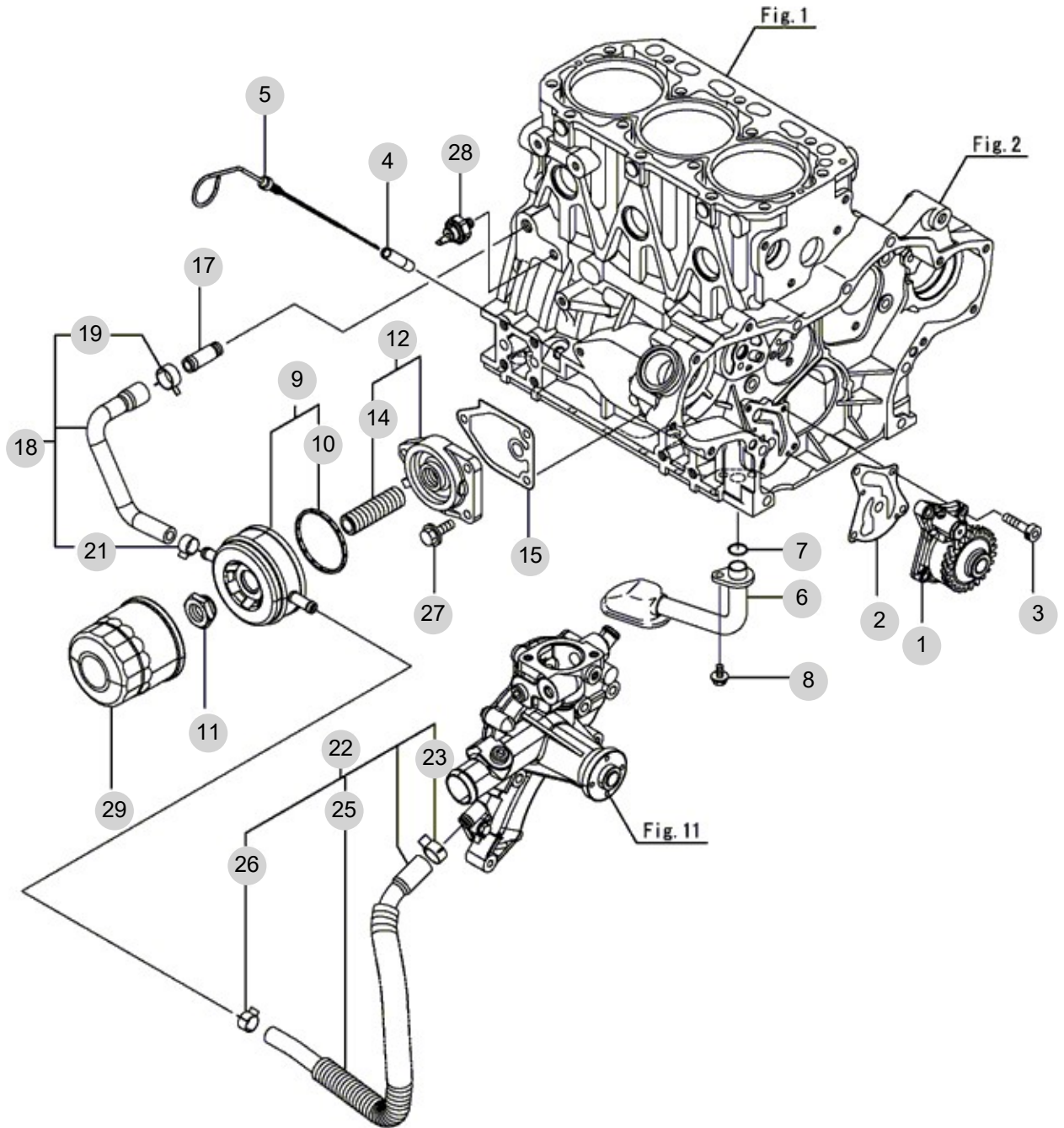
FIG 110

T395STEU

LUB OIL SYSTEM

년/월
Year/Month

2022-12



NOTE

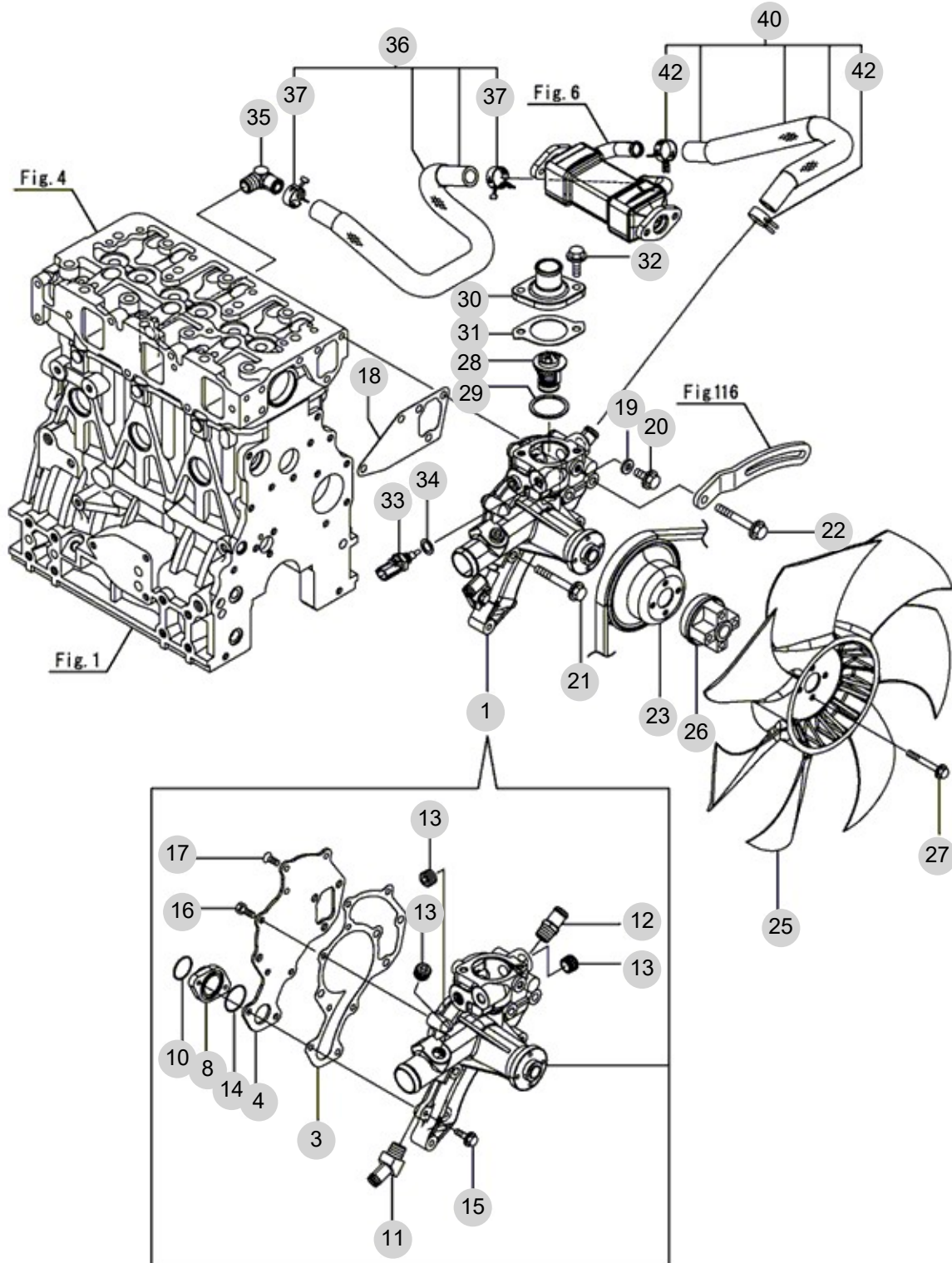
FIG 111

COOLING WATER SYSTEM

년/월
Year/Month

2022-12

T395STEU



NOTE

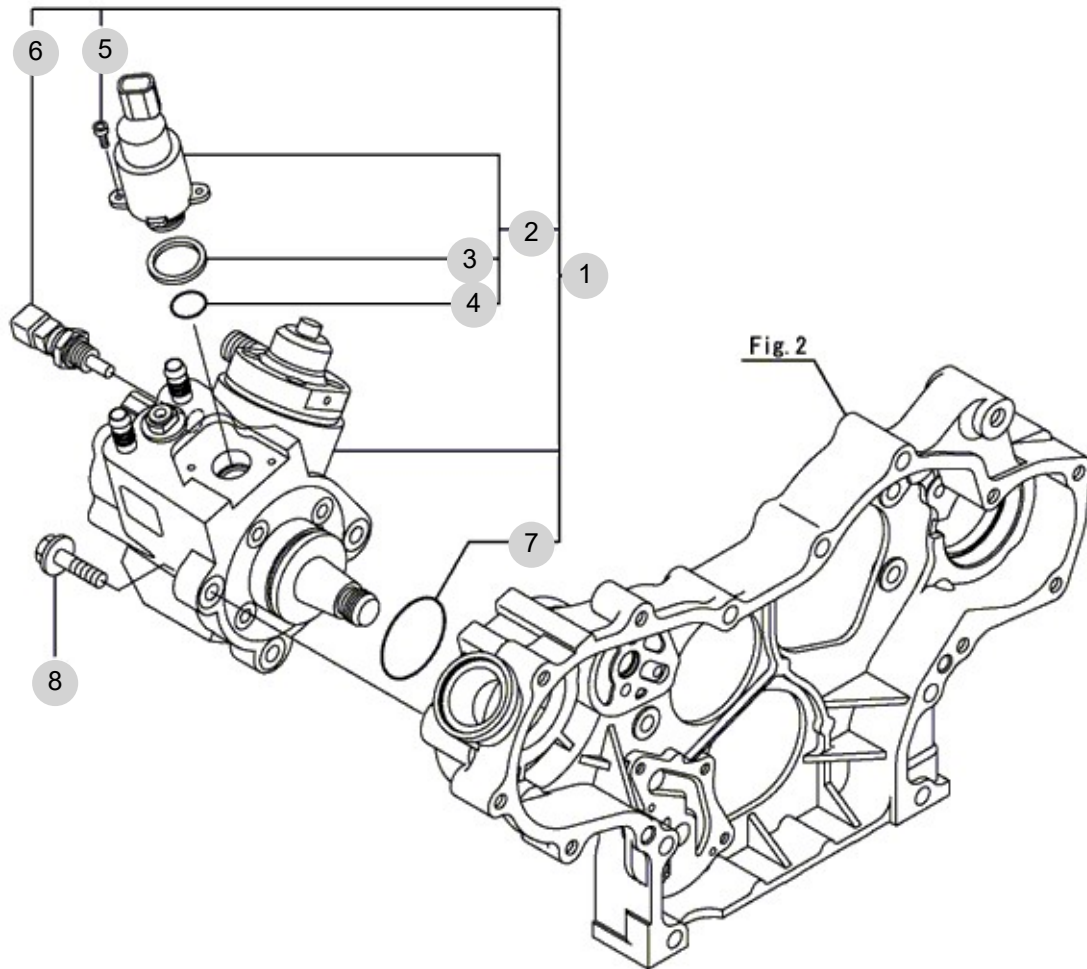
FIG 112

T395STEU

FUEL SUPPLY PUMP

년/월
Year/Month

2022-12



NOTE

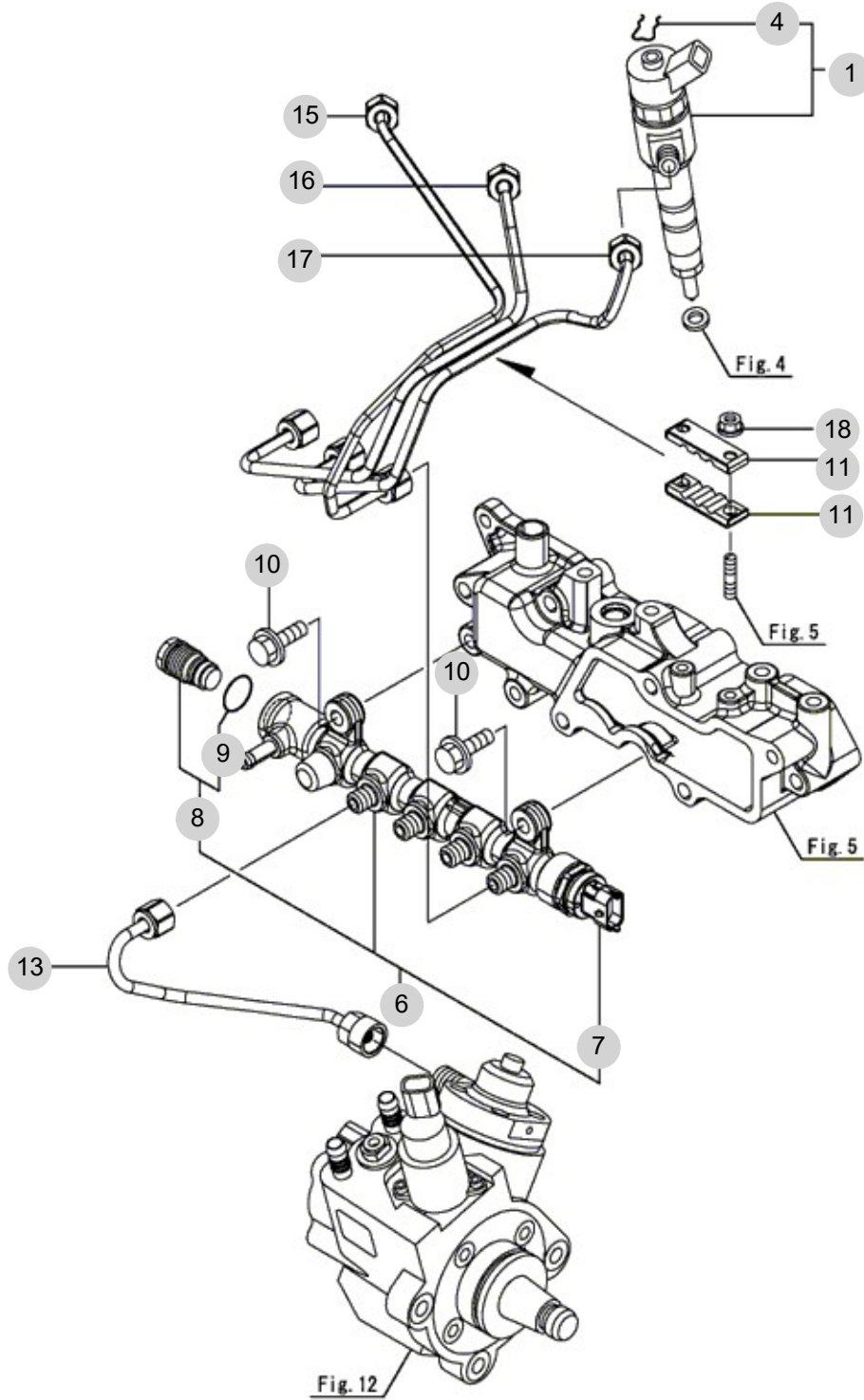
FIG 113

T395STEU

FUEL INJECTION VALVE

년/월
Year/Month

2022-12



NOTE

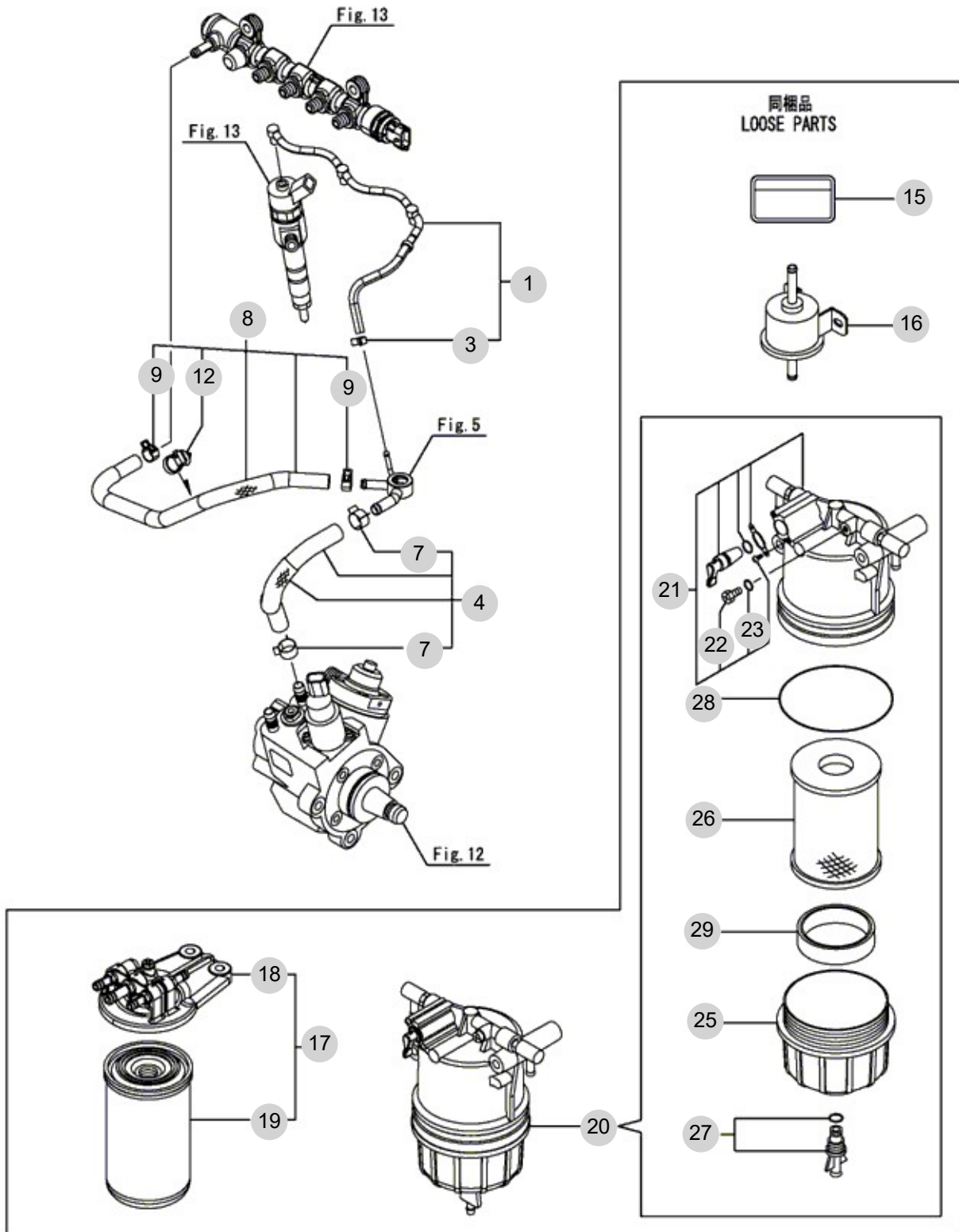
FIG 114

T395STEU

FUEL PIPE

년/월
Year/Month

2022-12



NOTE

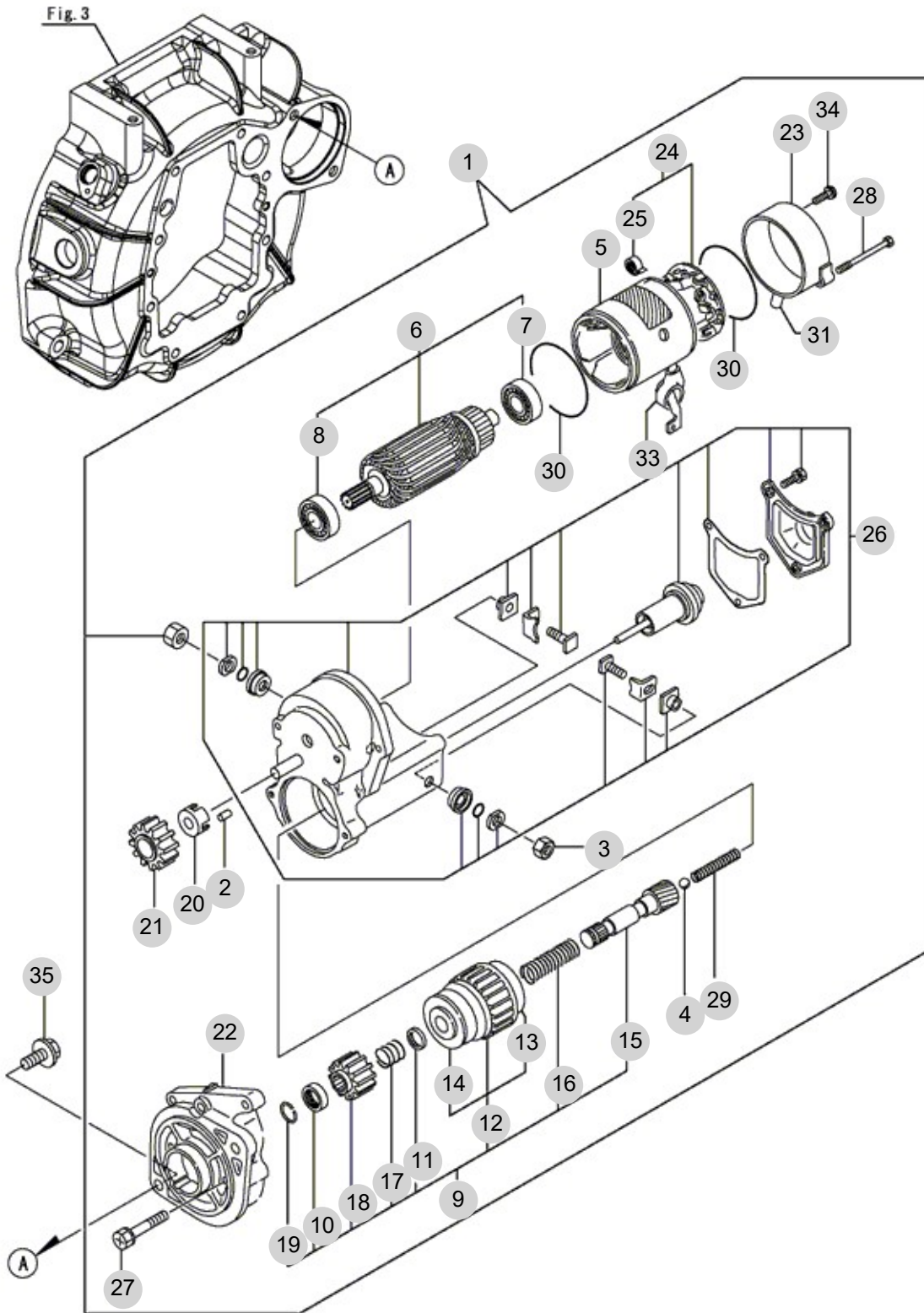
FIG 115

STARTER MOTOR

년/월
Year/Month

2022-12

T395STEU



NOTE

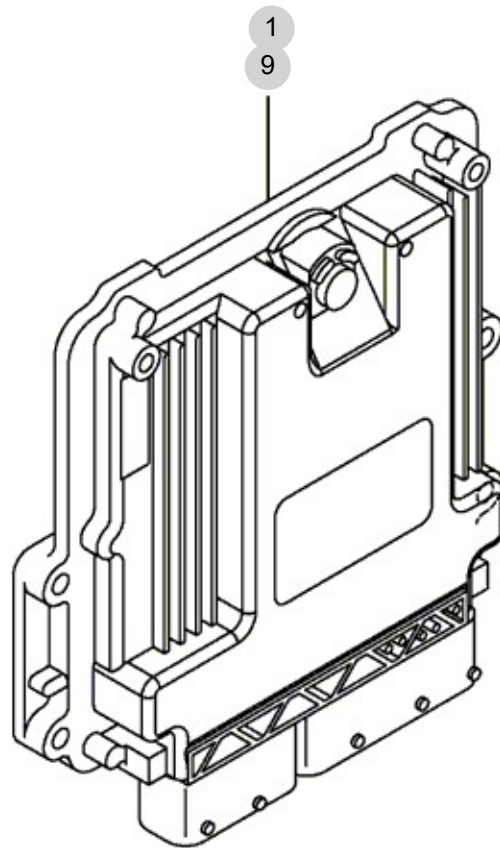
FIG 117

T395STEU

ELECTRONIC CONTROL UNIT(ECU)

년/월
Year/Month

2022-12



NOTE

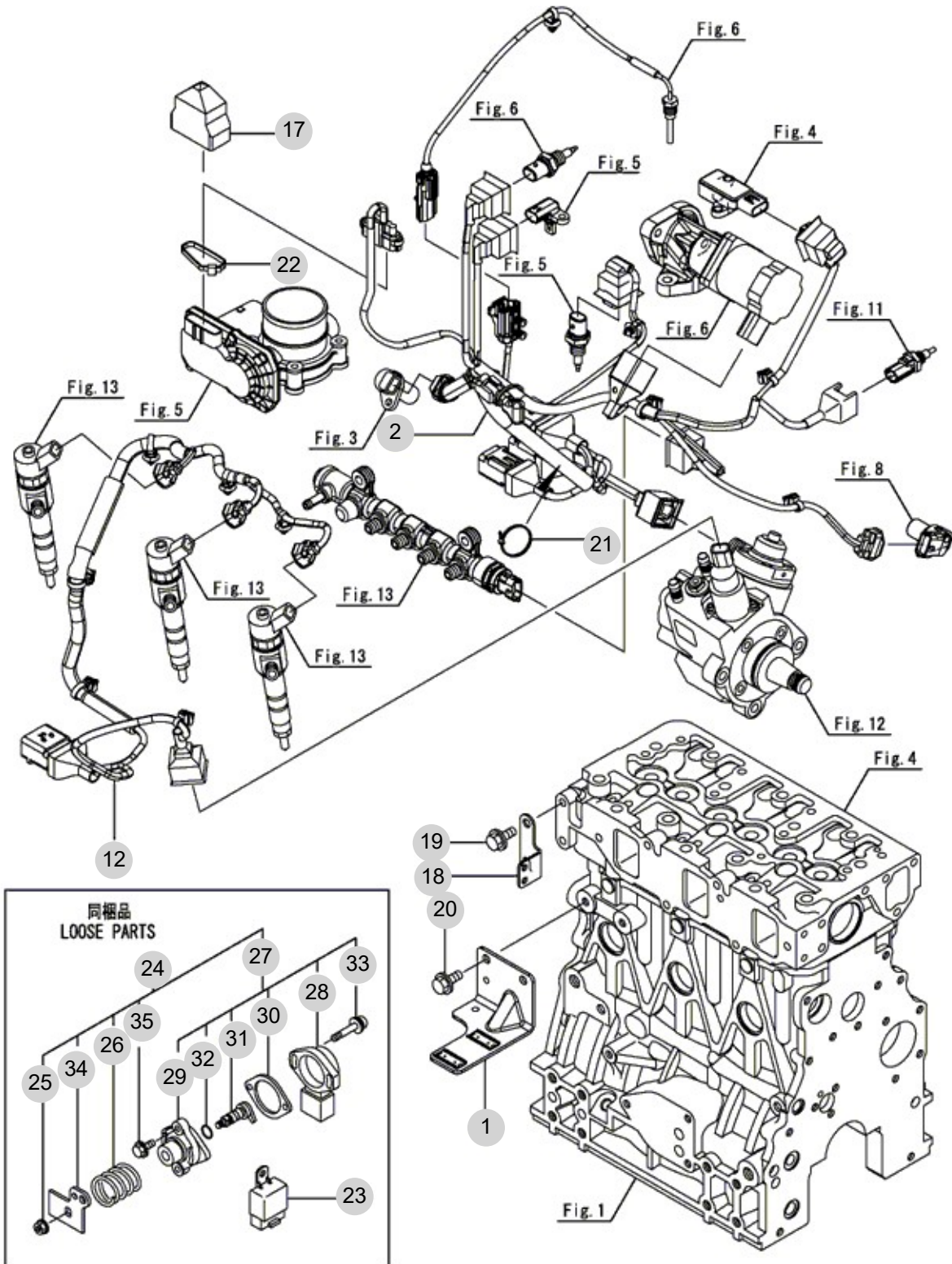
FIG 118

ELECTRIC PARTS

년/월
Year/Month

T395STEU

2022-12



NOTE

2. 엔진보기품 PART NO. T2

FIG 201 AIR CLEANER	45
FIG 202 RADIATOR	47
FIG 203 MUFFLER	49
FIG 204 FUEL TANK & HOSE	51
FIG 204A KIT No. : 12397090000	53
FIG 205 ACCELERATOR	55

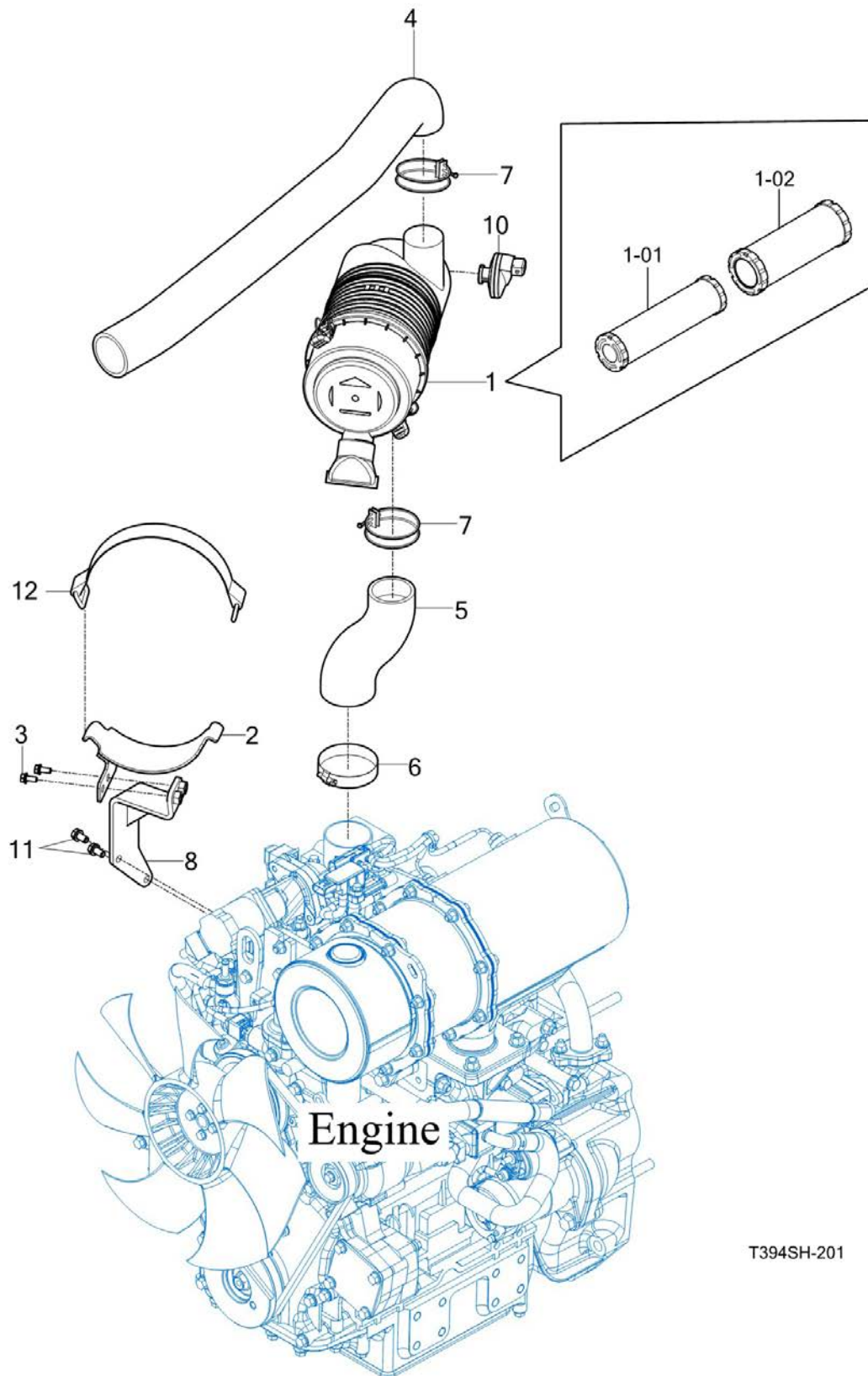
FIG 201

AIR CLEANER

년/월
Year/Month

2022-12

T395STEU



NOTE

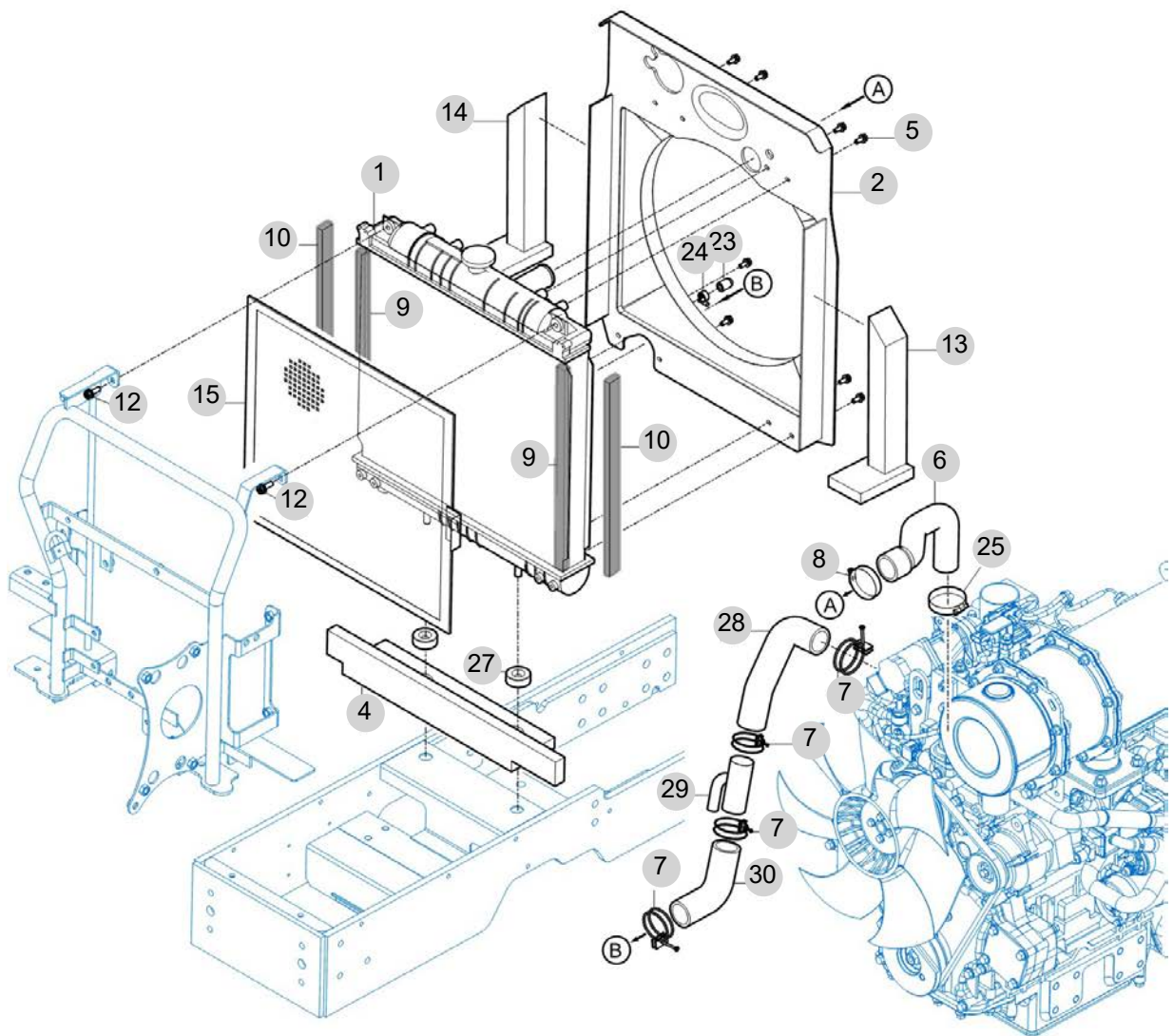
FIG 202

T395STEU

RADIATOR

년/월
Year/Month

2022-12



NOTE

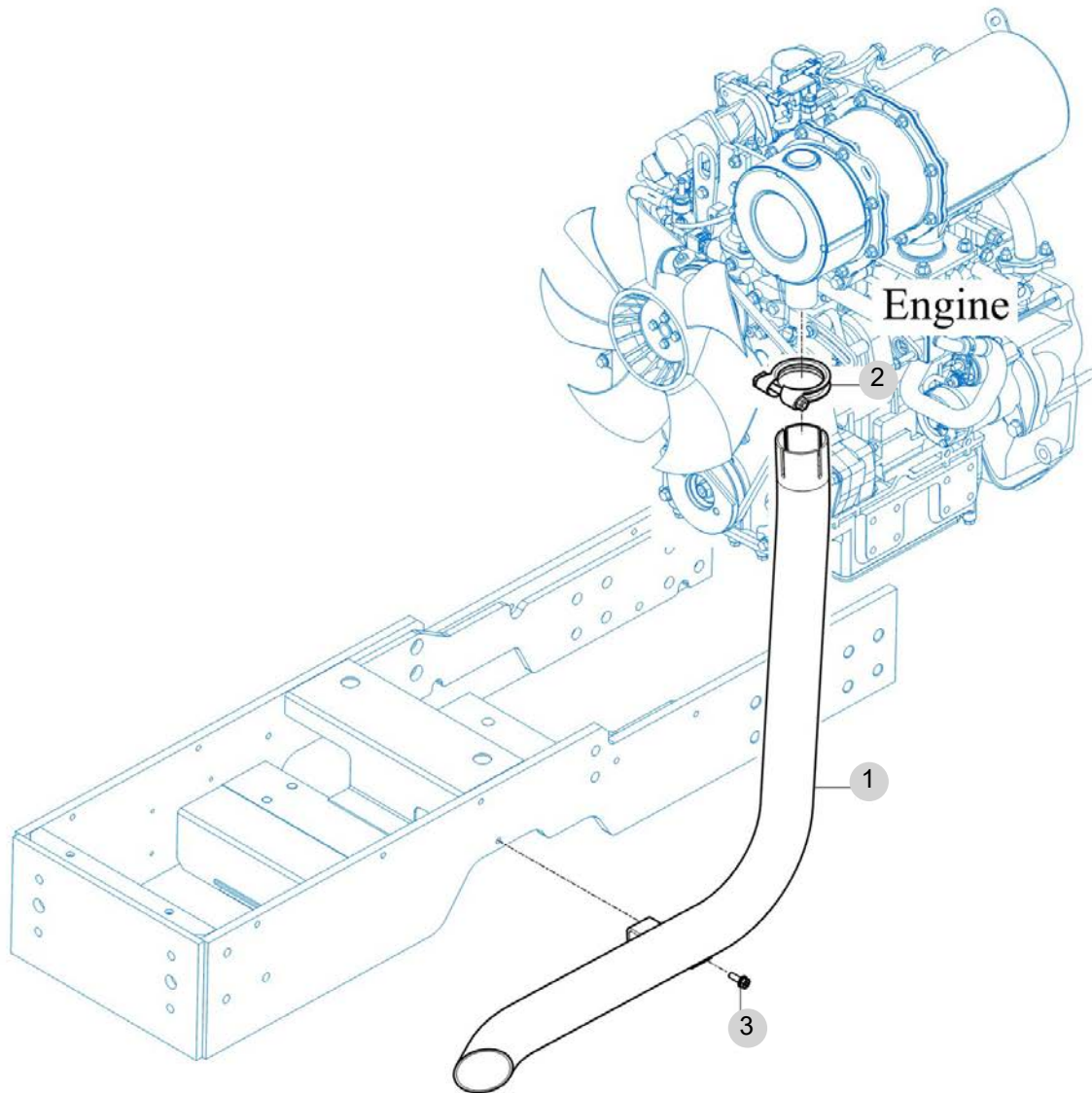
FIG 203

T395STEU

MUFFLER

년/월
Year/Month

2022-12



NOTE

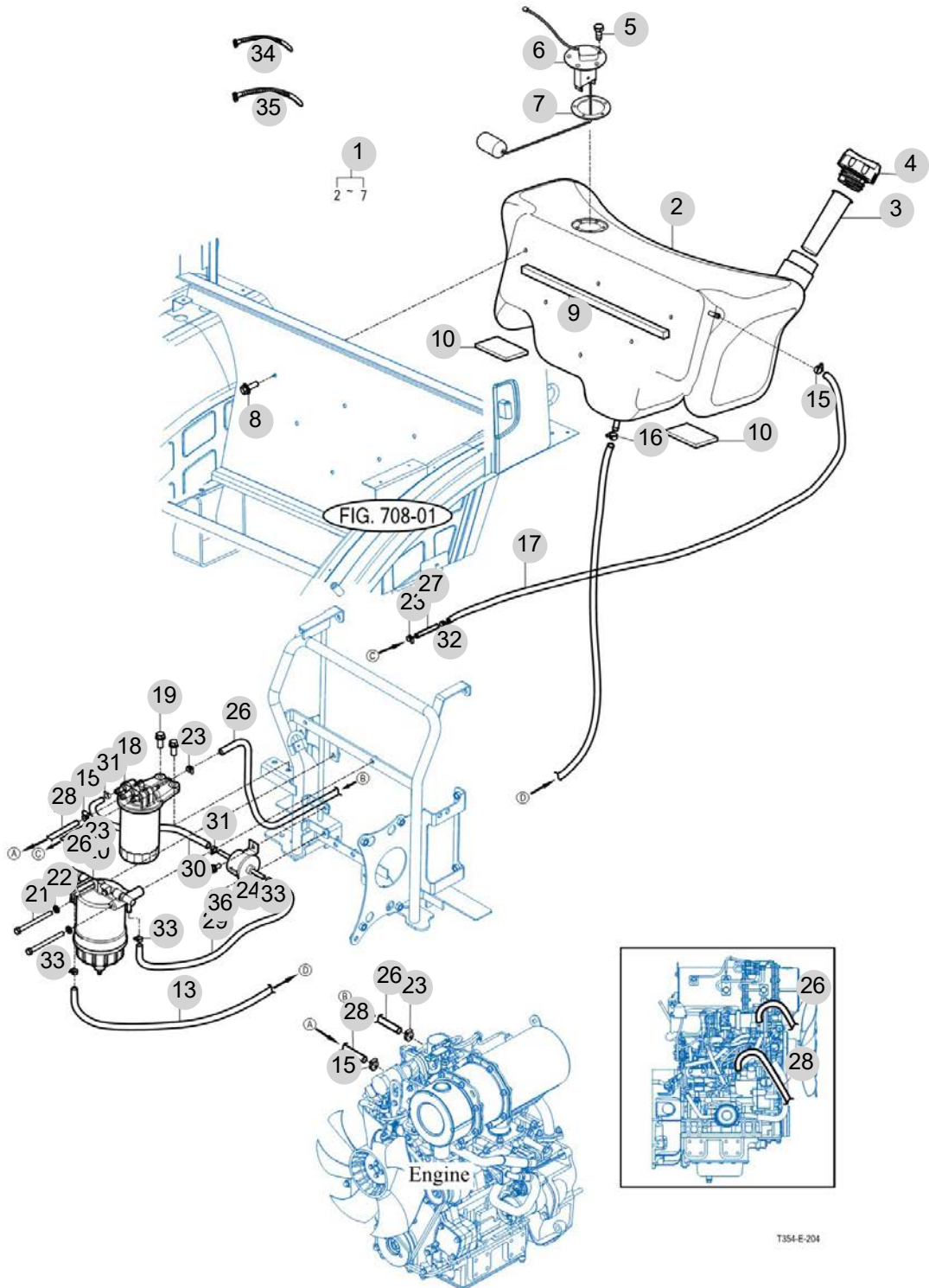
FIG 204

FUEL TANK & HOSE

년/월
Year/Month

2022-12

T395STEU



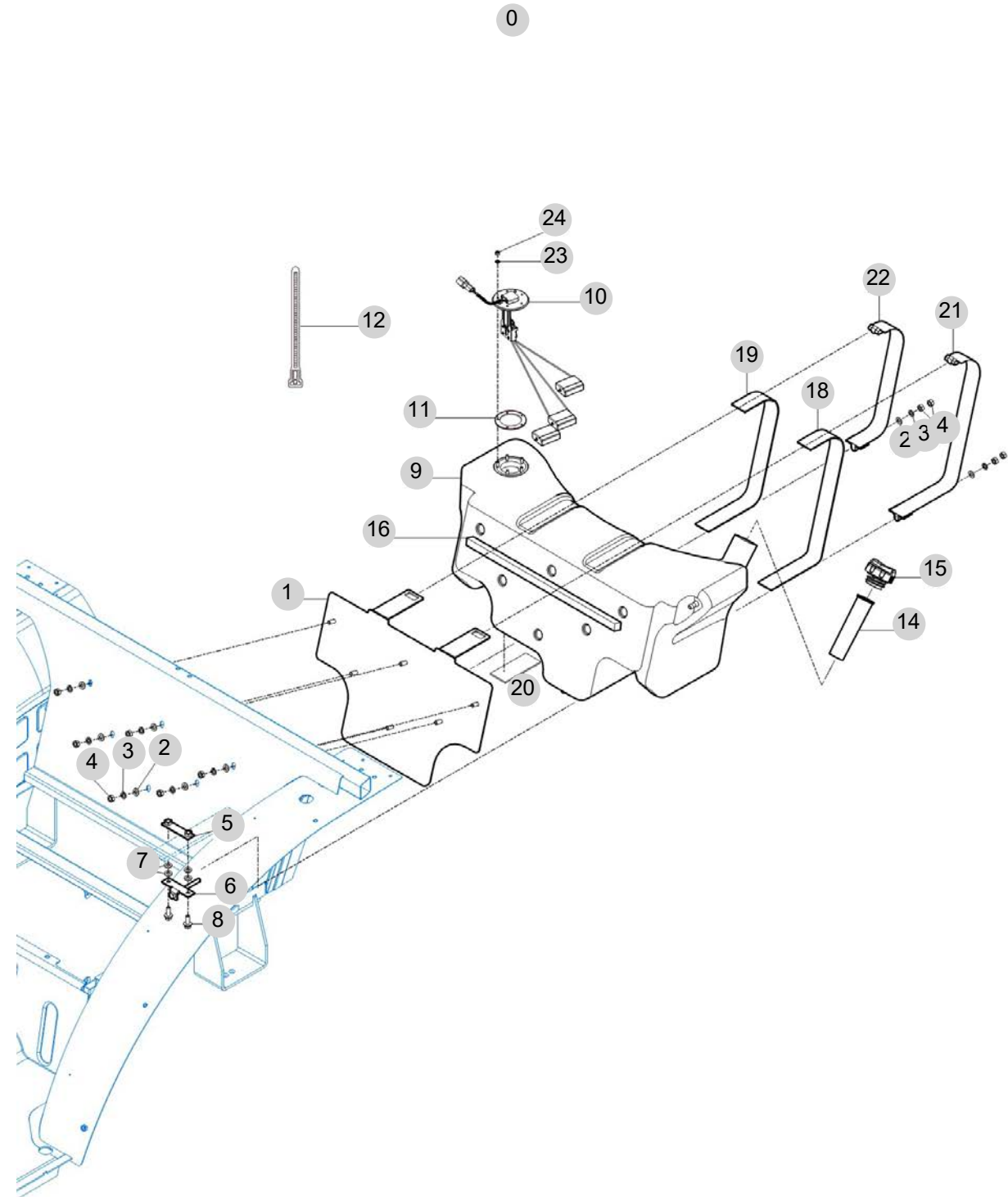
NOTE

FIG 204A

KIT No. : 12397090000

년/월
Year/Month

2022-12



NOTE

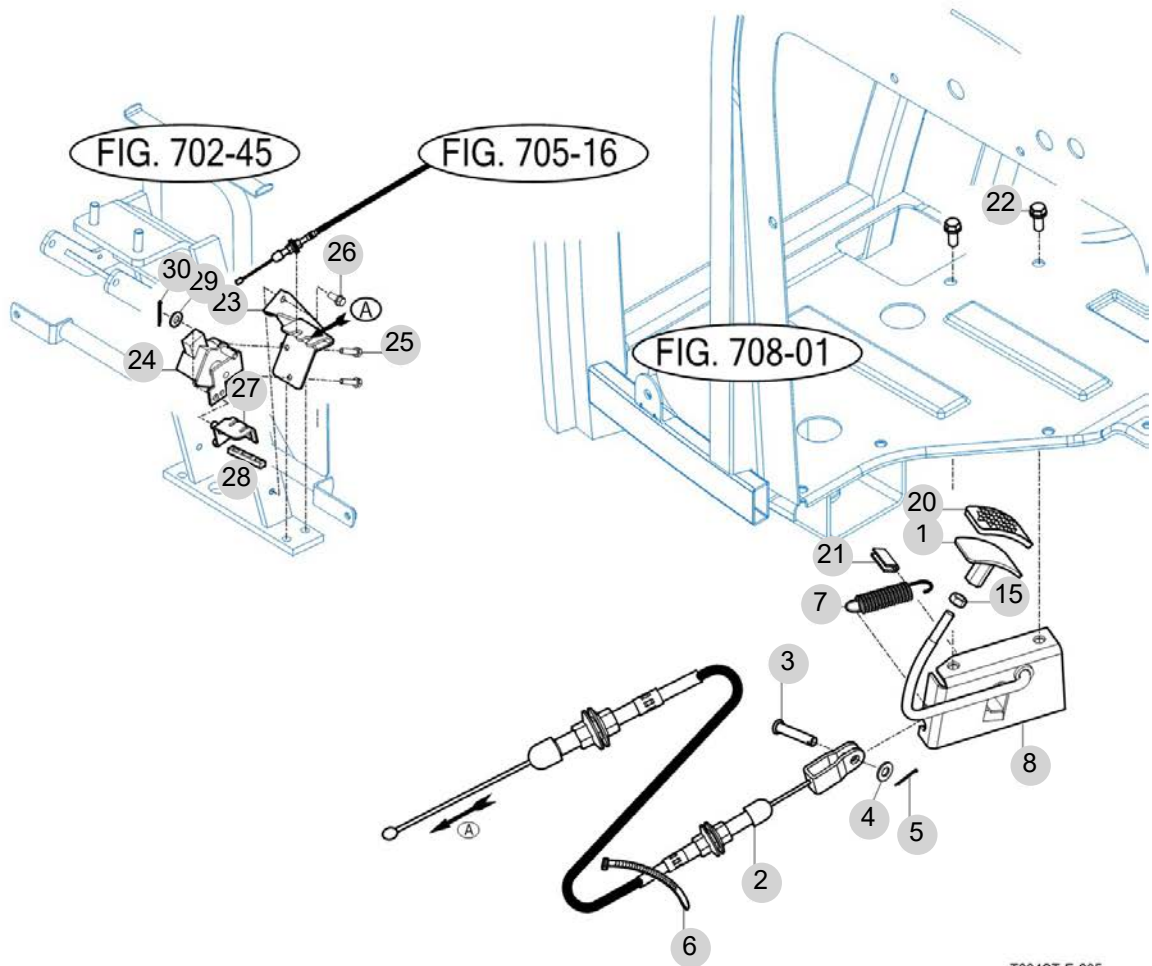
FIG 205

T395STEU

ACCELERATOR

년/월
Year/Month

2022-12



T394ST-E-205

NOTE

3. 클러치/브레이크/스티어링 PART NO. T3

FIG 301 CLUTCH PEDAL	58
FIG 302 FLYWHEEL & CLUTCH	60
FIG 303 BRAKE PEDAL	62
FIG 304 BRAKE	64
FIG 305 FRONT WHEEL MOUNTING	66
FIG 306 REAR WHEEL MOUNTING	68
FIG 307 STEERING WHEEL & DASH COVER	70
FIG 308 STEERING VALVE & PARKING	72
FIG 309 STEERING CYLINDER	74
FIG 310 HAND BRAKE LINKAGE	76

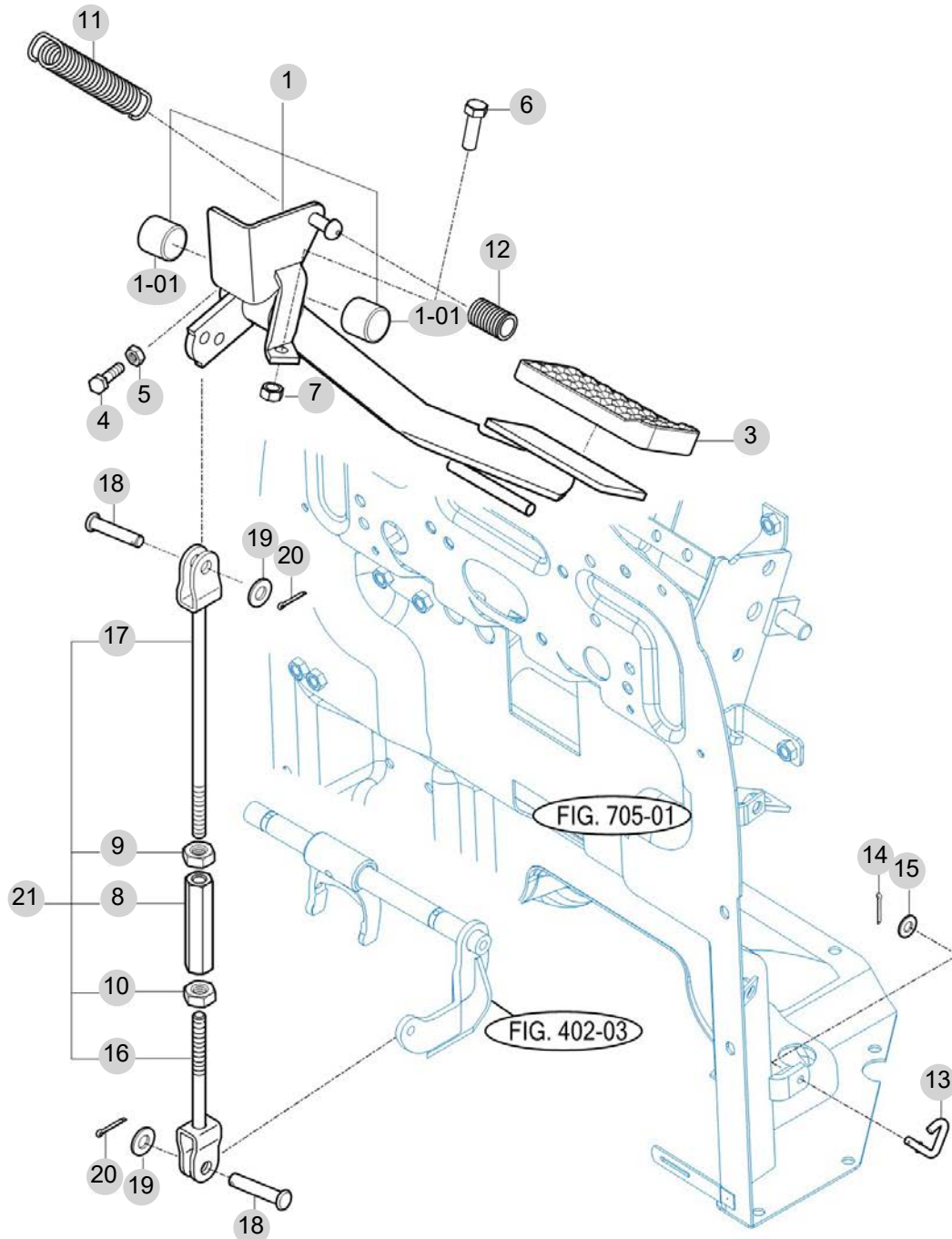
FIG 301

T395STEU

CLUTCH PEDAL

년/월
Year/Month

2022-12



T394ST-E-301

NOTE

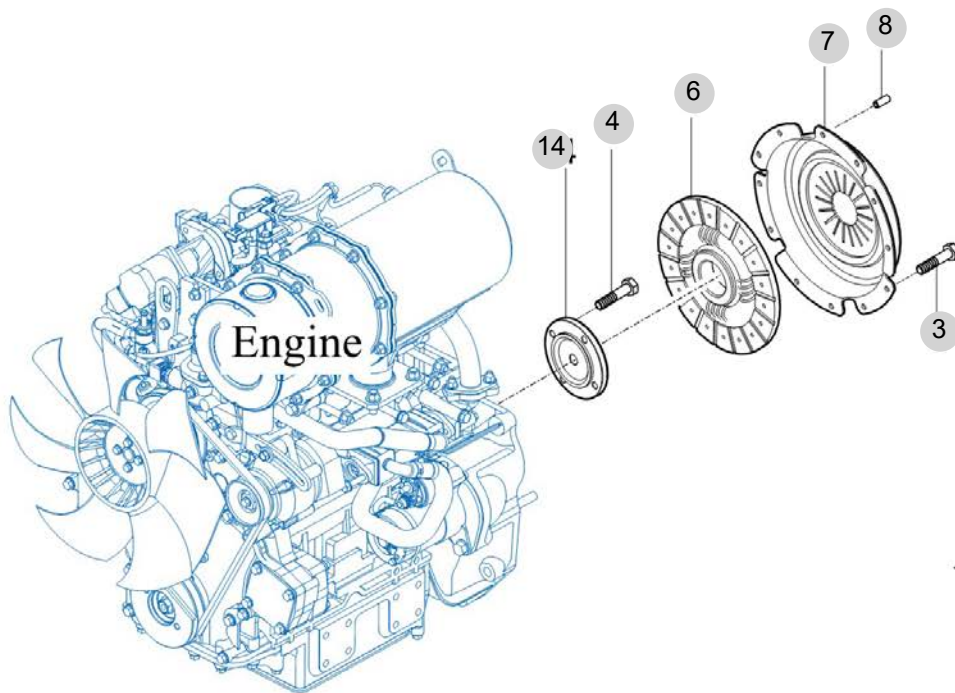
FIG 302

T395STEU

FLYWHEEL & CLUTCH

년/월
Year/Month

2022-12



T393-E-302

NOTE

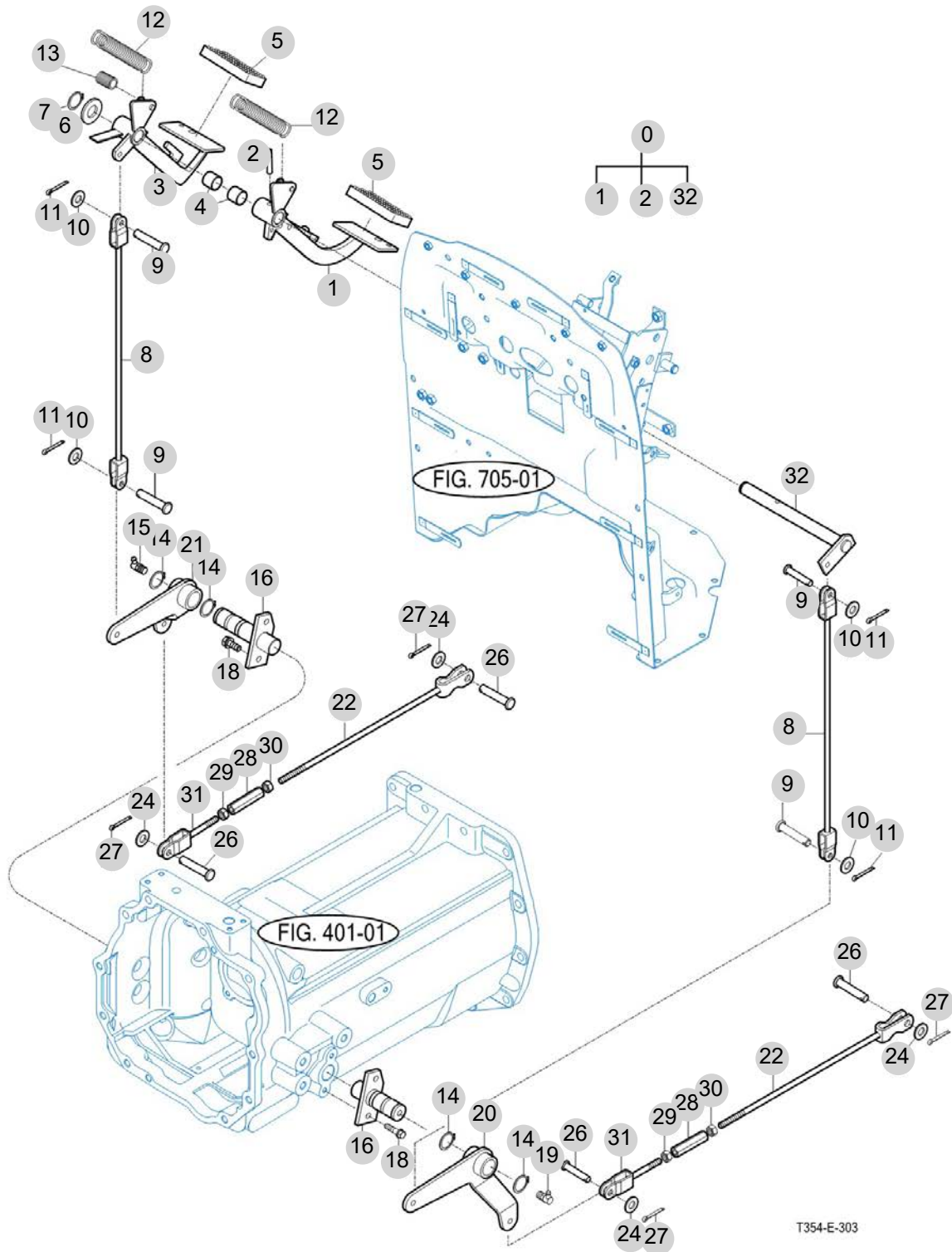
FIG 303

BRAKE PEDAL

년/월
Year/Month

T395STEU

2022-12



NOTE

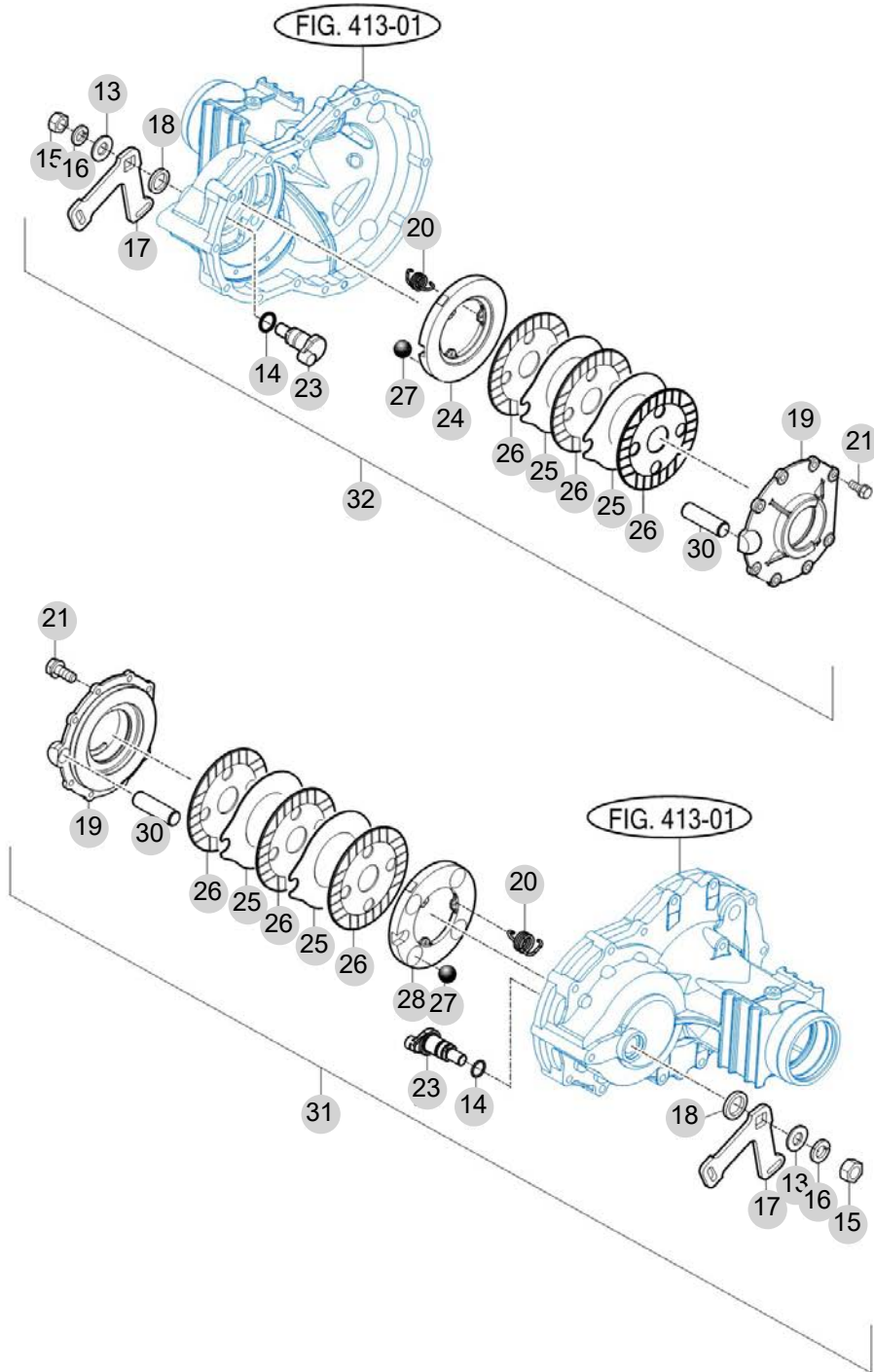
FIG 304

T395STEU

BRAKE

년/월
Year/Month

2022-12



NOTE

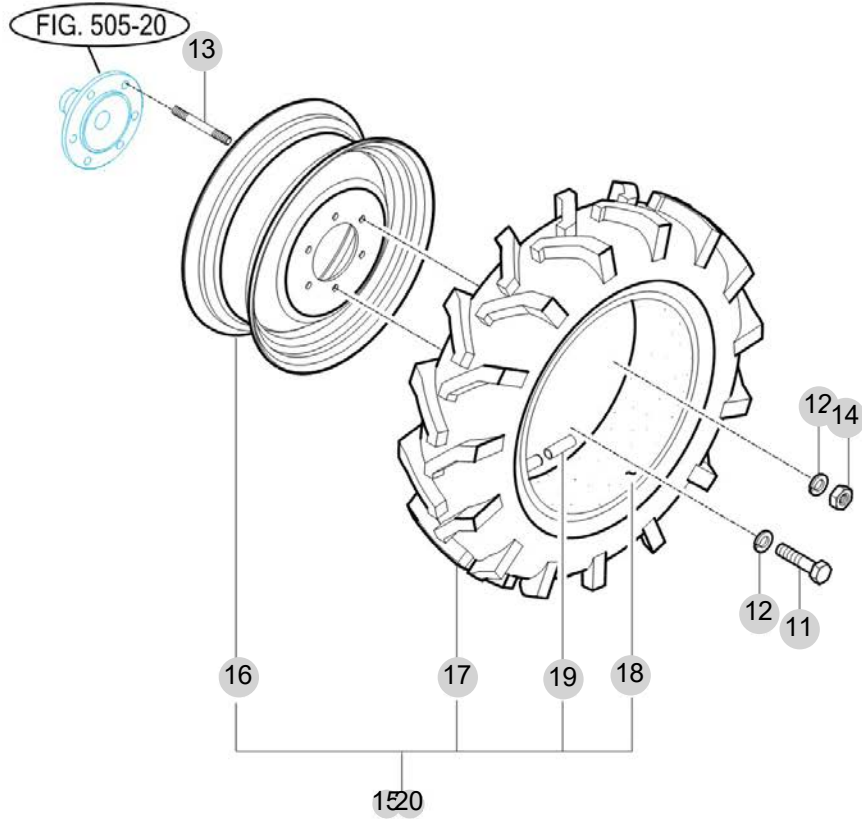
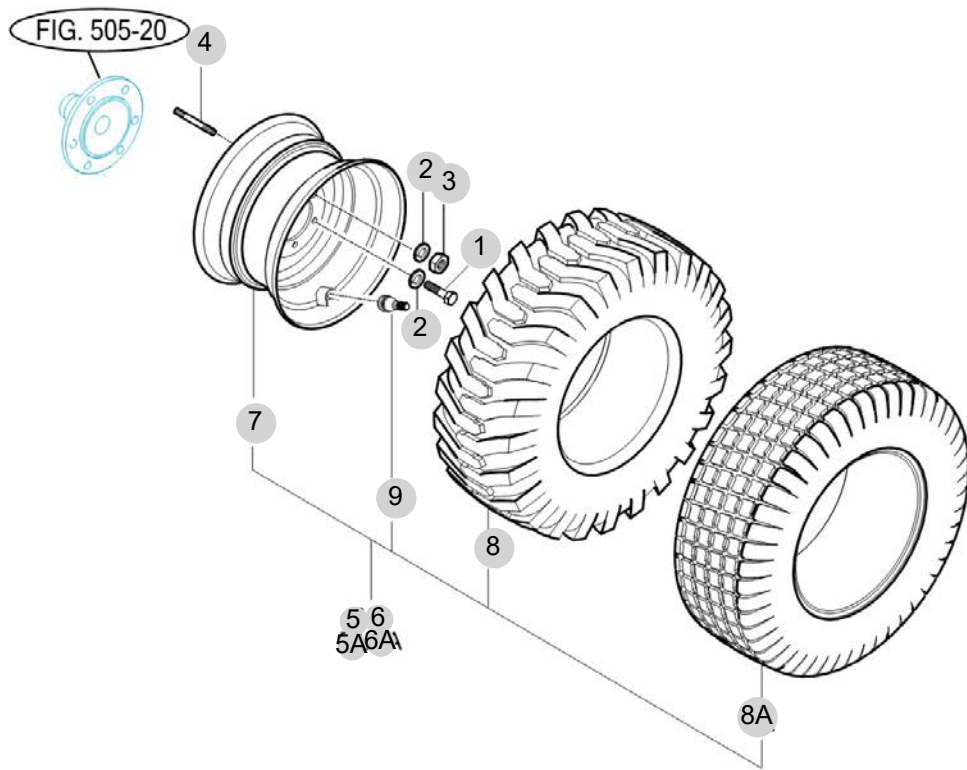
FIG 305

T395STEU

FRONT WHEEL MOUNTING

년/월
Year/Month

2022-12



T394-E-306

NOTE

FIG 305 T395STEU		FRONT WHEEL MOUNTING					년/월 Year/Month	
							2022-12	
KEY NO	PART NO	DESCRIPTION	SPEC	QTY	REPAIR	EFFECTIVE DATE	REMARKS	
305	1	V2014616030	소형육각볼트(보통)	M16X30	8			
305	2	V4011600160	스프링와셔	M16	12			
305	3	V3043600160	소형육각너트보통2종	M16	4			
305	4	15603200010	보울트(스타드,M16X30)	M16X30	4			
305	7	14583172200SR	휠림(15X8J) ASSY/R3,R4		2			
305	7	14583172200MS	휠림(15X8J) ASSY/R3,R4		2	B	R3, R4	
305	8	14585172113	타이어(27X10.5-15,8PR,R4)		2	B	R4	
305	8A	13033172111	타이어(27X10.5-15,4PR,R3)		2	B	R3	
305	9	13154179000	타이어 밸브 SUB(413)		2		R3, R4	
305	11	V2014616030	소형육각볼트(보통)	M16X30	8			
305	12	V4011600160	스프링와셔	M16	12			
305	13	15603200010	보울트(스타드,M16X30)	M16X30	4			
305	14	V3043600160	소형육각너트보통2종	M16	4			
305	16	14614172200MS	휠림(W6-16)COMP		2			
305	16	14614172200SR	휠림(W6-16)COMP		1			
305	17	15004172101	타이어(8-16,4PR,R1)		2			
305	18	15004170010	튜브(8-16)		2			
305	19	V9993000010	타이어밸브캡	A Type	2			
NOTE								

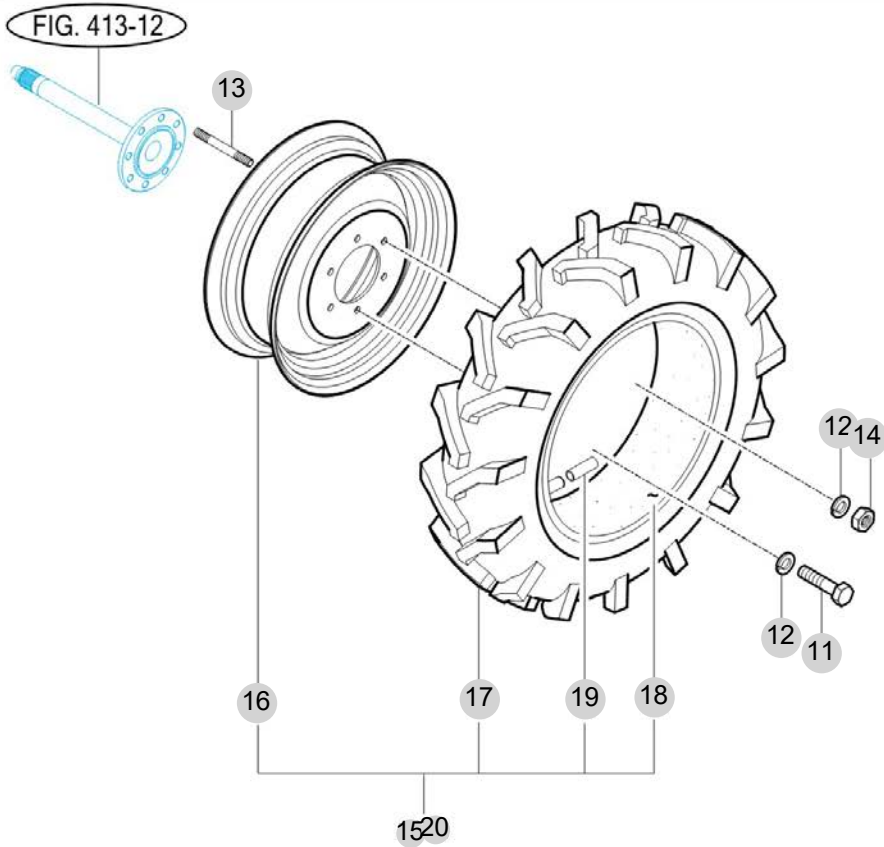
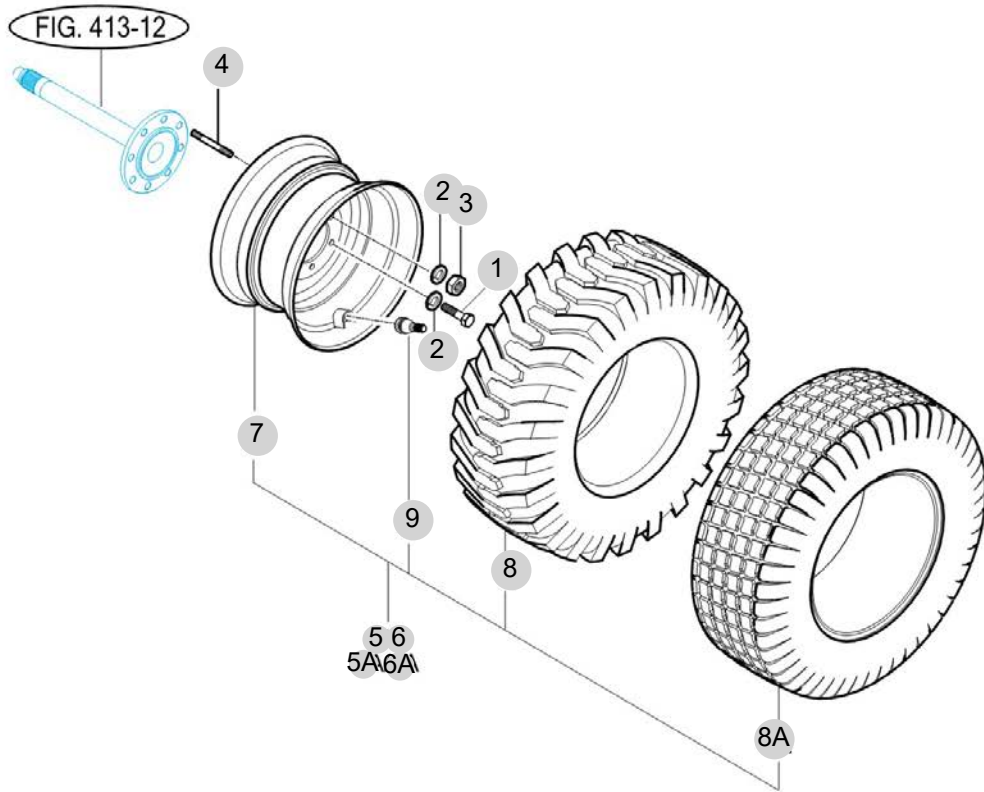
FIG 306

T395STEU

REAR WHEEL MOUNTING

년/월
Year/Month

2022-12



T394-E-307

NOTE

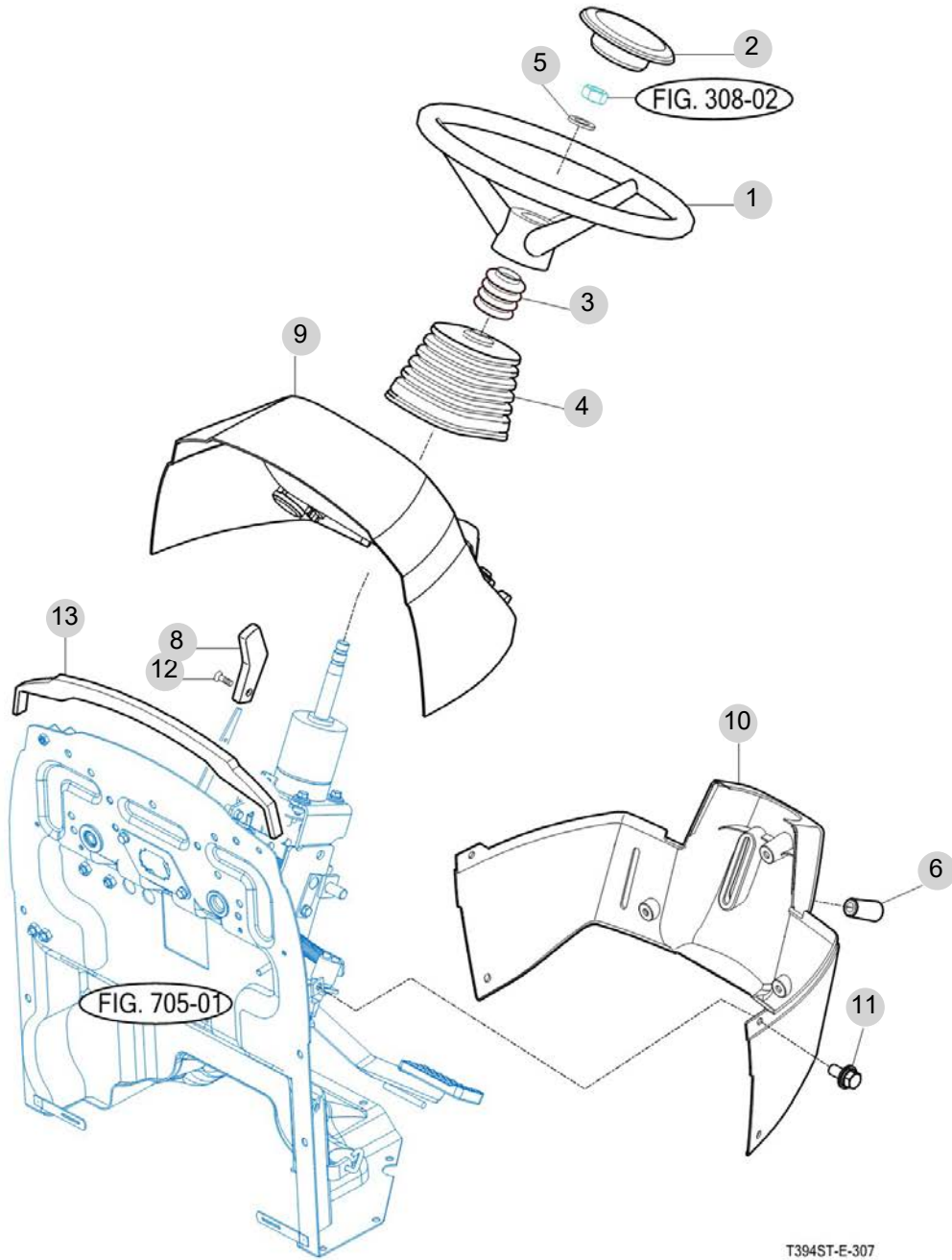
FIG 307

T395STEU

STEERING WHEEL & DASH COVER

년/월
Year/Month

2022-12



NOTE

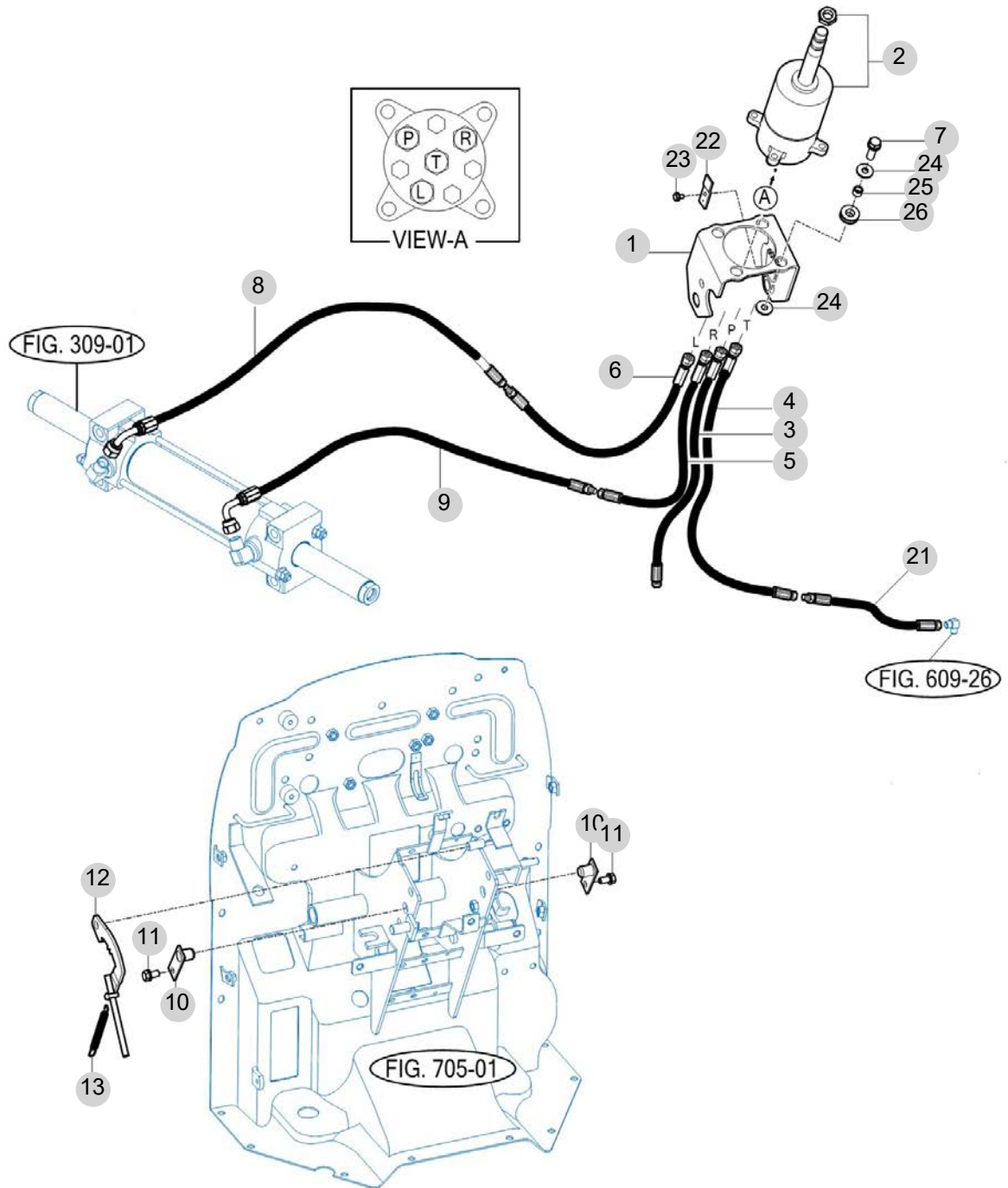
FIG 308

STEERING VALVE & PARKING

년/월
Year/Month

T395STEU

2022-12



T394ST-E-308

NOTE

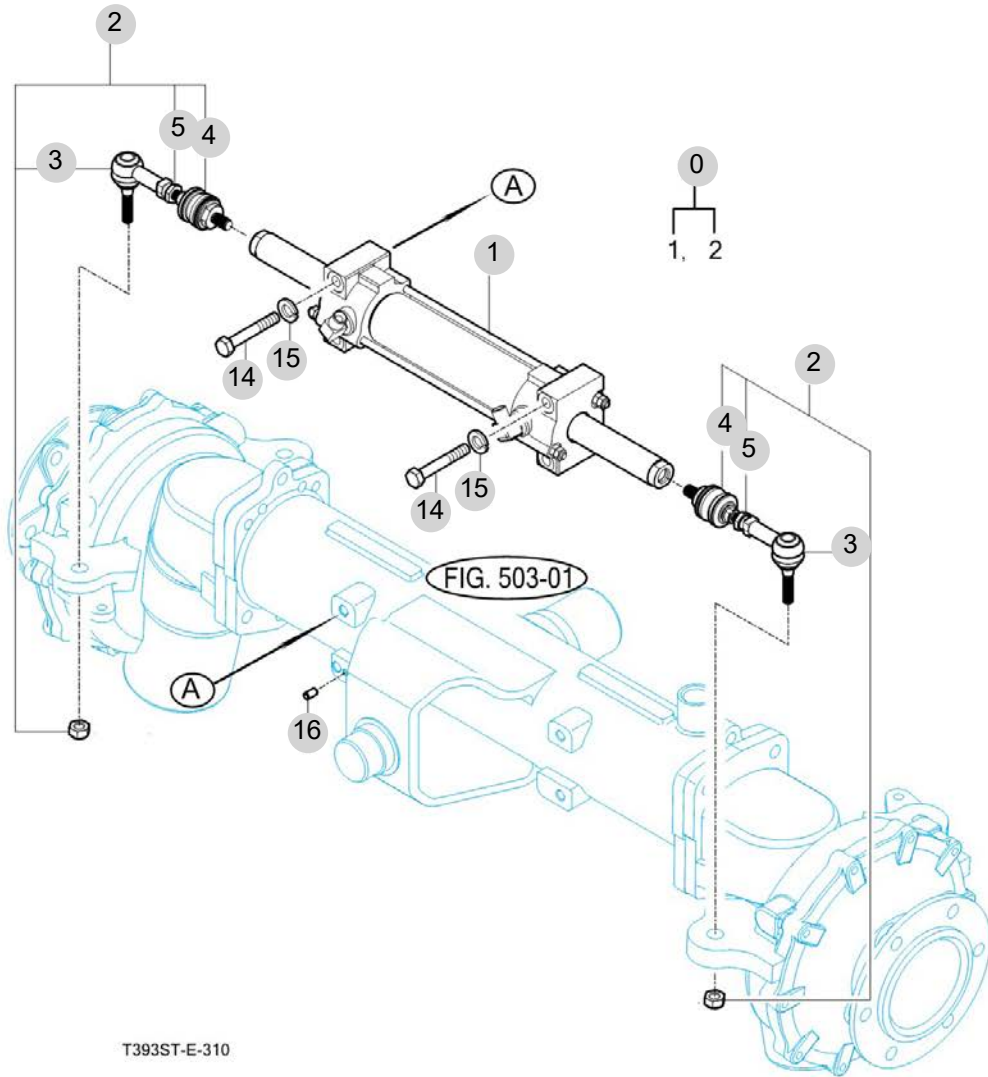
FIG 309

STEERING CYLINDER

년/월
Year/Month

2022-12

T395STEU



T393ST-E-310

NOTE

FIG 309		STEERING CYLINDER						년/월	
								Year/Month	
T395STEU		2022-12							
KEY NO	PART NO	DESCRIPTION	SPEC	QTY	REPAIR	EFFECTIVE DATE	REMARKS		
309	0	13864075000	실린더 ASSY				1		
309	1	14524070081	실린더 COMP				1		
309	2	16704074104	볼조인트 SET				2		
309	3	16704363202	볼조인트 ASSY				2		
309	4	13154063201	볼소켓 ASSY				2		
309	5	V3343600160	소형육각너트가는2종	M16			2		
309	14	V2024612085	소형육각볼트(가는)	M12X85			4		
309	15	V4011600120	스프링와셔	M12			4		
309	16	V5201010020	평행핀(A)				1		
NOTE									

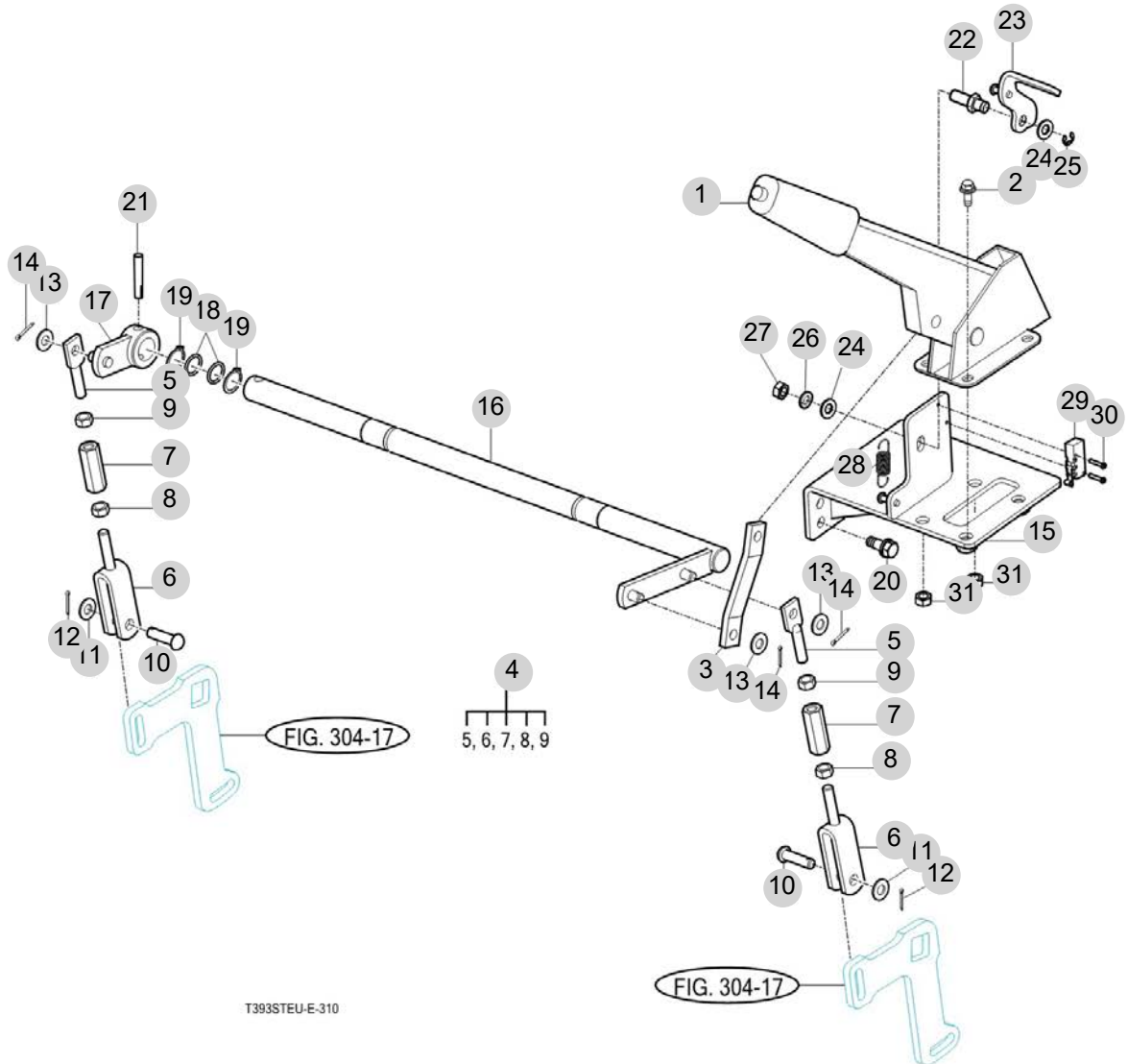
FIG 310

T395STEU

HAND BRAKE LINKAGE

년/월
Year/Month

2022-12



NOTE

4. 트랜스미션 PART NO. T4

FIG 401 TRANSMISSION FRONT CASE	79
FIG 402 INPUT METAL	81
FIG 403 INPUT GEAR	83
FIG 404 4WD DRIVE GEAR	85
FIG 405 MAIN CHANGE GEARS & REVERSE GEARS	87
FIG 406 SUB CHANGE GEARS	89
FIG 407 PINION GEARS	91
FIG 408 PTO DRIVE SHAFT	93
FIG 409 PTO CHANGE GEARS	95
FIG 410 DIFF LOCK	97
FIG 411 TRANSMISSION REAR CASE	99
FIG 412 REAR AXLE HOUSINGS (1)	101
FIG 413 REAR AXLE HOUSINGS (2)	103
FIG 414 MAIN CHANGE LEVER	105
FIG 415 SUB CHANGE LEVER	107
FIG 416 REVERSE LINK	109
FIG 417 REVERSE CHANGE LEVER	111
FIG 418 4WD CHANGE LEVER	113

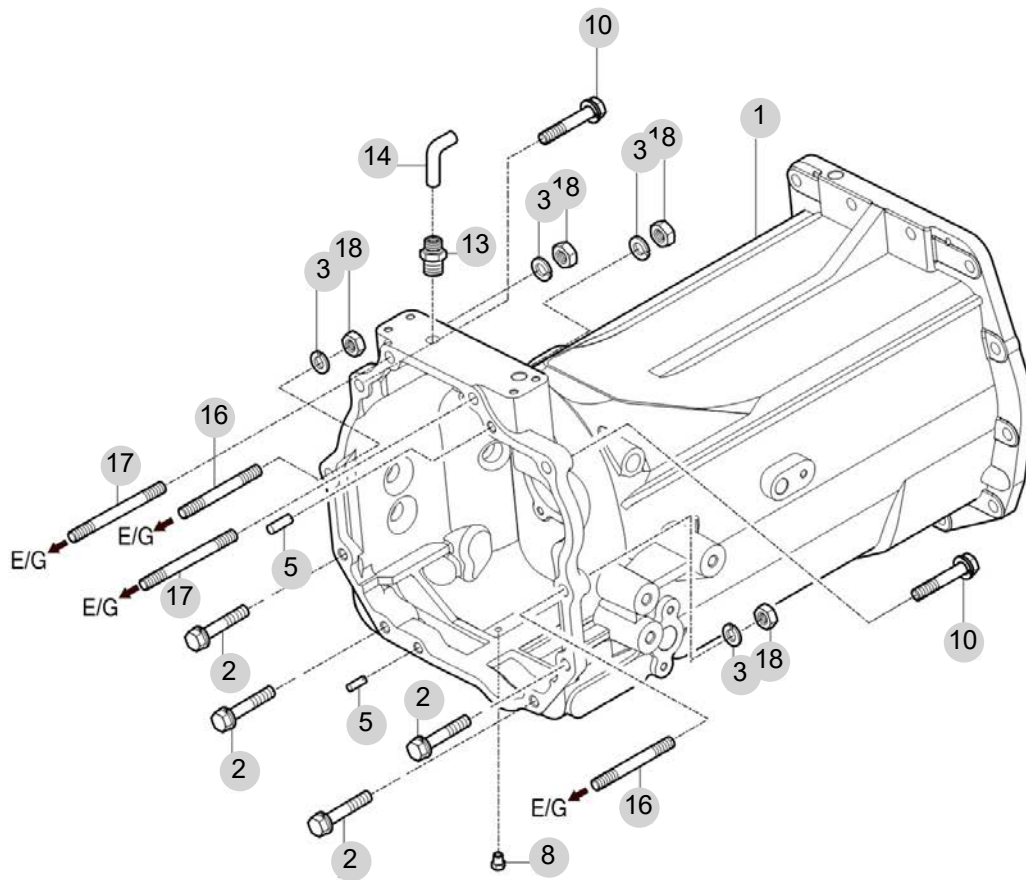
FIG 401

T395STEU

TRANSMISSION FRONT CASE

년/월
Year/Month

2022-12



T345-E-401

NOTE

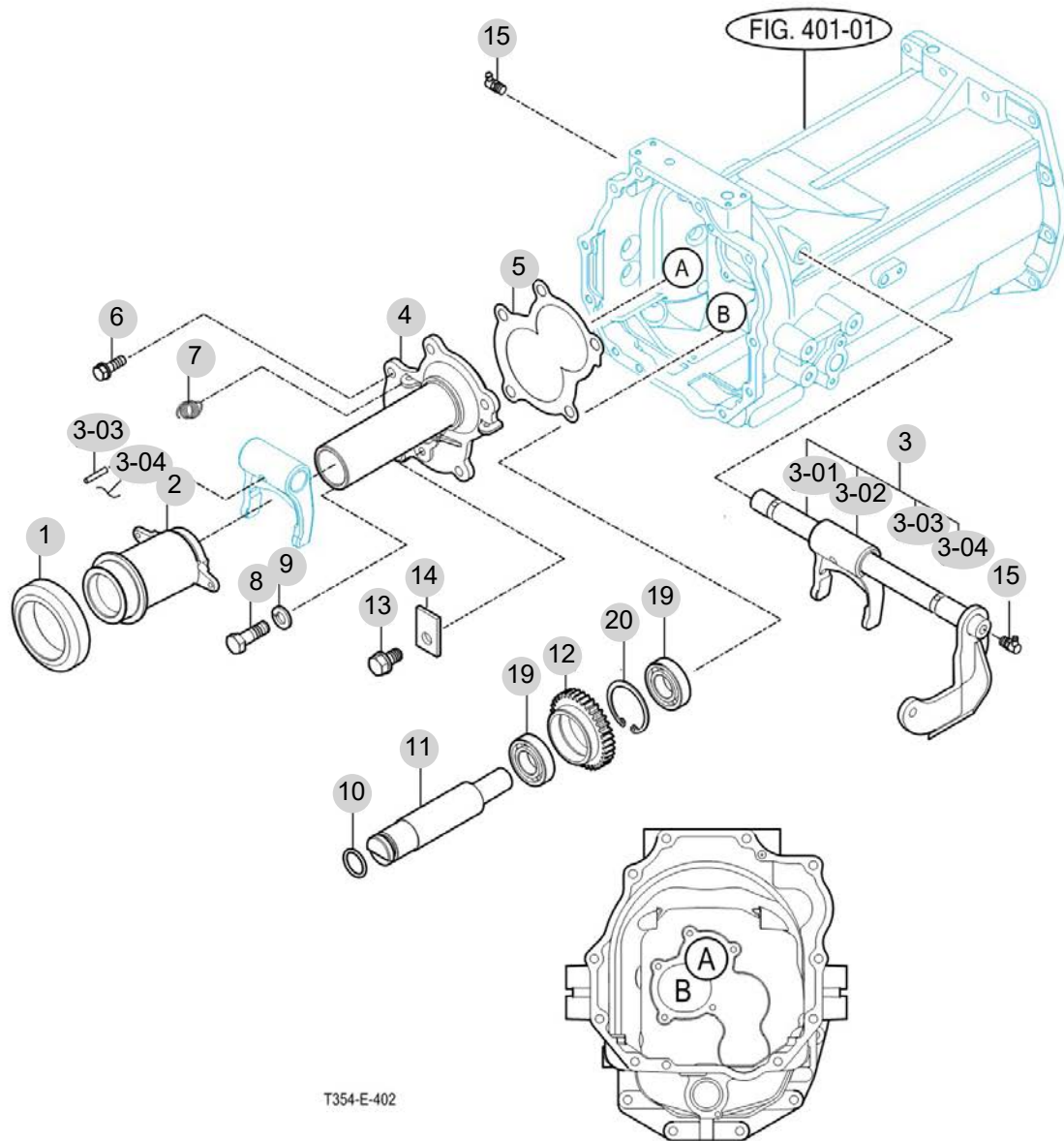
FIG 402

T395STEU

INPUT METAL

년/월
Year/Month

2022-12



NOTE

FIG 402 T395STEU		INPUT METAL						년/월 Year/Month	REMARKS
								2022-12	
		KEY NO	PART NO	DESCRIPTION	SPEC	QTY	REPAIR	EFFECTIVE DATE	
402	1	14601210050	클러치릴리스볼베어링(RCT5582RU)		1				
402	2	17401210020M	슬리브		1				
402	3	17401302000	바 SET		1				
402	3-01	17401302100	바 COMP		1				
402	3-02	14571302010	포크(릴리스)		1				
402	3-03	16701300010	핀(테이퍼,08X36)		1				
402	3-04	V5901012150	철선	1.2X150	1				
402	4	17401210010M	인풋 메탈		1				
402	5	16701031060	패킹, 인풋메탈		1				
402	6	14572100030	실볼트(M8X20)		4				
402	6	V2173608020	소형육각볼트보통(S)		4				
402	7	14321200040	텐션스프링(31)		2				
402	8	14151210090	리이머볼트		1				
402	9	V4011600080	스프링와셔	M8	1				
402	10	V7201035022	O링(P)	P22A	1				
402	11	16702121012	후진아이들축		1				
402	12	16702121023	기어(스퍼/24)		1				
402	13	V2173608012	소형육각볼트보통(S)	M8X12	1				
402	14	16702160090	플레이트		1				
402	15	V7631500000	그리스니플(B-PT)	B-PT1/8	2				
402	19	V6041106004	볼베어링(HL1)	6004HL1	2				
402	20	V7051400420	C형멈춤링(구멍용)	42	1				
NOTE									

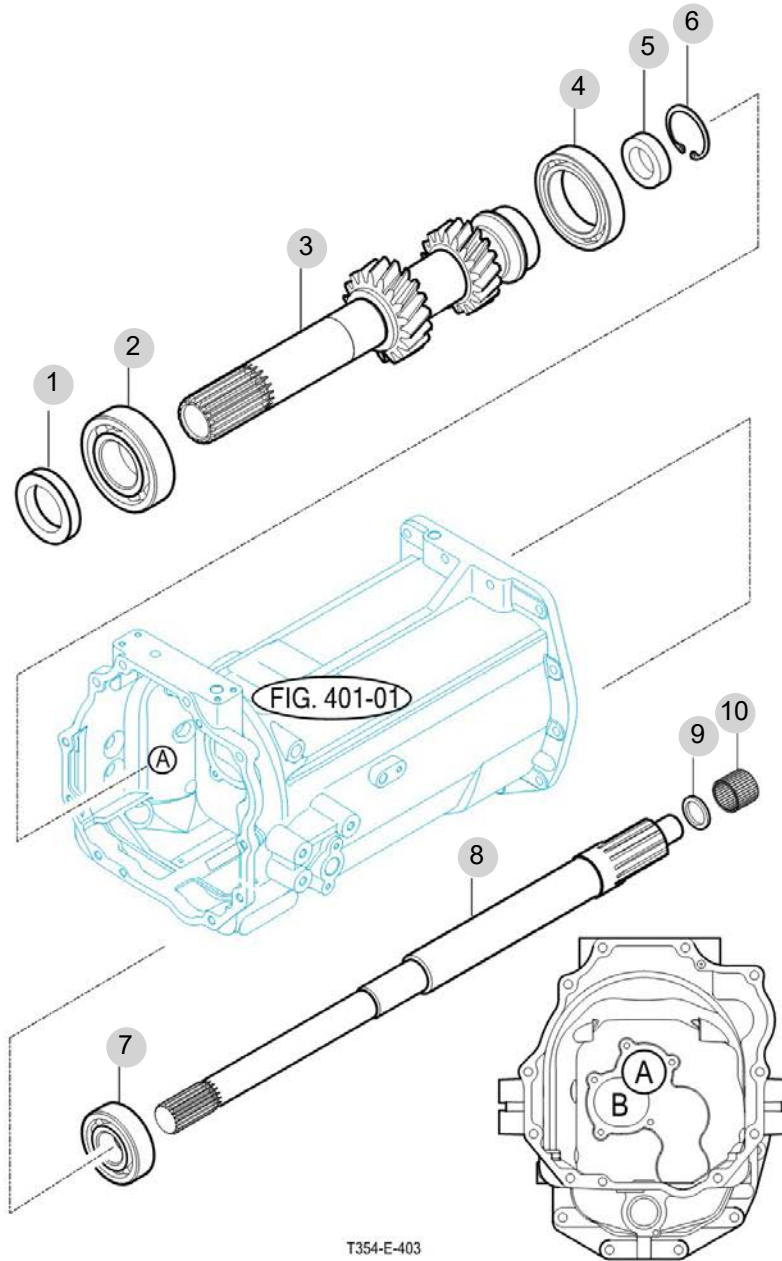
FIG 403

T395STEU

INPUT GEAR

년/월
Year/Month

2022-12



T354-E-403

NOTE

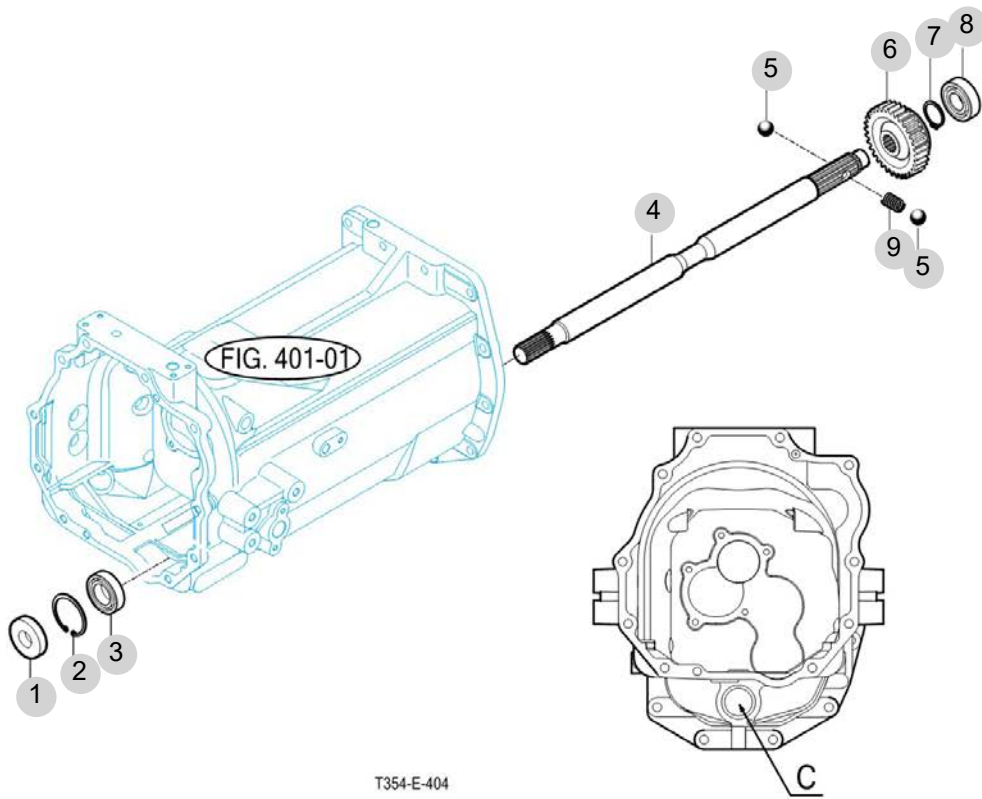
FIG 404

T395STEU

4WD DRIVE GEAR

년/월
Year/Month

2022-12



NOTE

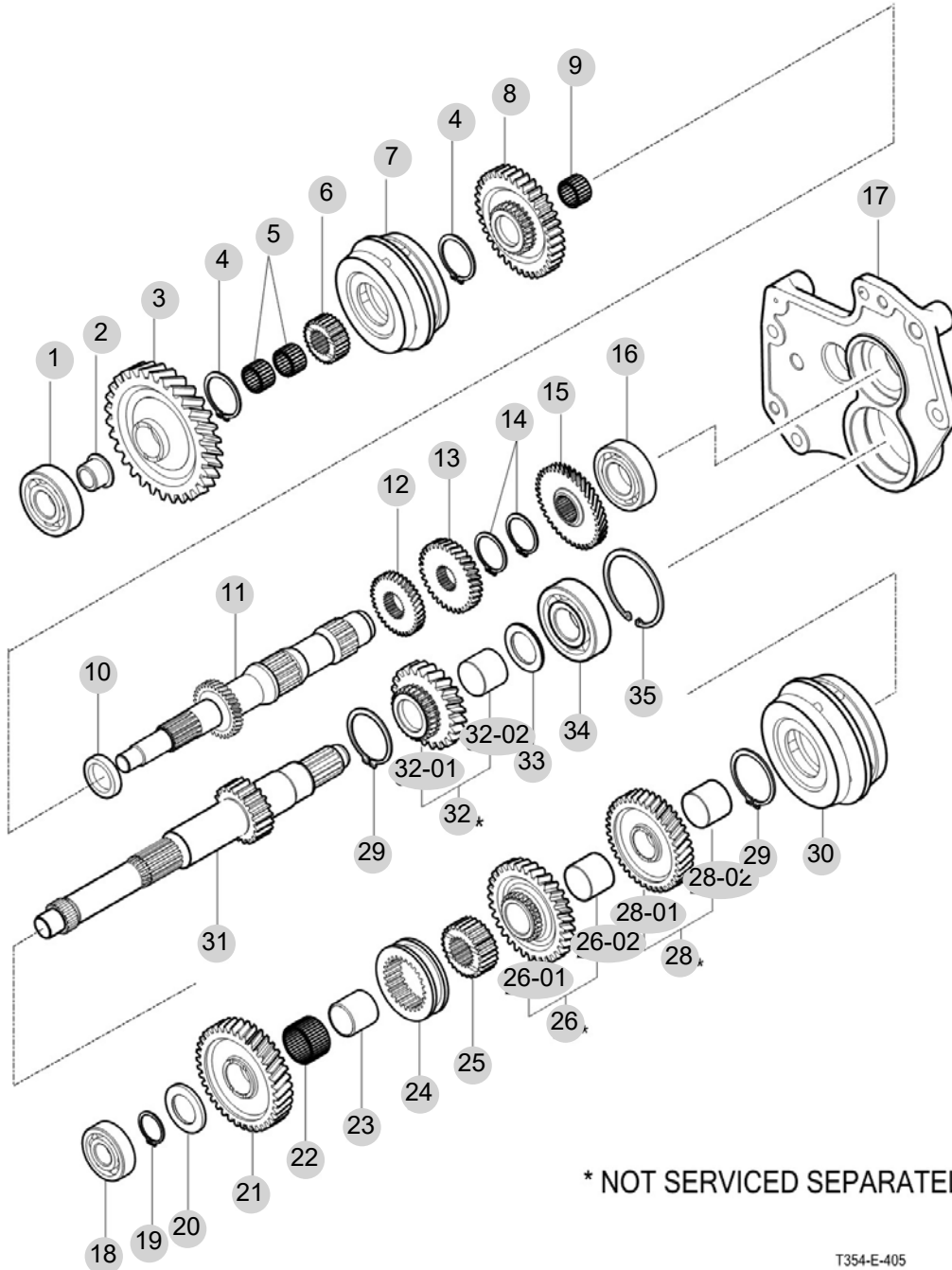
FIG 405

MAIN CHANGE GEARS & REVERSE GEARS

년/월
Year/Month

2022-12

T395STEU



* NOT SERVICED SEPARATELY

T354-E-405

NOTE

FIG 405		MAIN CHANGE GEARS & REVERSE GEARS					년/월 Year/Month		
							2022-12		
T395STEU		KEY NO	PART NO	DESCRIPTION	SPEC	QTY	REPAIR	EFFECTIVE DATE	REMARKS
405	1	V6041106305	볼베어링(HL1)	6305HL1	1				
405	2	16702142010	부시(17X25X19)		1				
405	3	16702131021	기어(헬리컬/42)		1				
405	4	V7041400400	C형멈춤링(축용)	40	2				
405	5	V6544202612	니들베어링(케이지)	KT202612	2				
405	6	16702090021	허브(25X51X20)		1				
405	7	14482092100	싱크로나이저ASSY		1				
405	8	16702131032	기어(헬리컬/39)		1				
405	8	16702131033	기어(스퍼/41)		1				
405	9	V6544283313	니들베어링(케이지)	KT283313	1				
405	10	16702130031	와셔(27X39X08)		1				
405	11	16702110012	기어(헬리컬/17)		1				
405	11	16702110013	기어(헬리컬/17)		1				
405	12	14572220050	기어(헬리컬/21)		1				
405	13	14572220060	기어(헬리컬/24)		1				
405	14	V7041400350	C형멈춤링(축용)	35	2				
405	15	14572220020	기어(헬리컬/29)		1				
405	16	V6041106206	볼베어링(HL1)	6206HL1	1				
405	17	16702200201M	베어링 메탈		1				
405	18	V6041106304	볼베어링(HL1)		1				
405	19	V7041400280	C형멈춤링(축용)	28	1				
405	20	16702210021	와셔(28X46X05)		1				
405	21	16702211042	기어(헬리컬/40)		1				
405	22	V6544323723	니들베어링(케이지)	KT323723	1				
405	23	15602080093	부시(28X32X31)		1				
405	24	15602080224	커플링(51X72X18)		1				
405	25	15682090020	허브(28X51X21)		1				
405	26	16702211200	기어조합(헬리컬/36)		1				
405	26-01	16702210070	기어(헬리컬/36)		1				
405	26-02	16702211910	부시(32X34X28)		1				
405	28	16702211500	기어조합(헬리컬/32)		1				
405	28-01	16702210150	기어(헬리컬/32)		1				
405	28-02	16702211910	부시(32X34X28)		1				
405	29	V7041400500	C형멈춤링(축용)	50	2				
405	30	16492092001	싱크로나이저ASSY		1				
405	31	16702211012	주변속축		1				
405	31	16702211013	주변속축		1				
405	31	16702211014	주변속축		1				
405	32	16702211900	기어조합(헬리컬/28)		1				
405	32-01	16702211020	기어(헬리컬/28)		1				
405	32-02	16702211910	부시(32X34X28)		1				
405	33	15642160041	와셔(30X46X03)		1				
405	34	V6001106306	볼베어링	6306	1				
405	35	V7051400720	C형멈춤링(구멍용)	72	1				
NOTE									

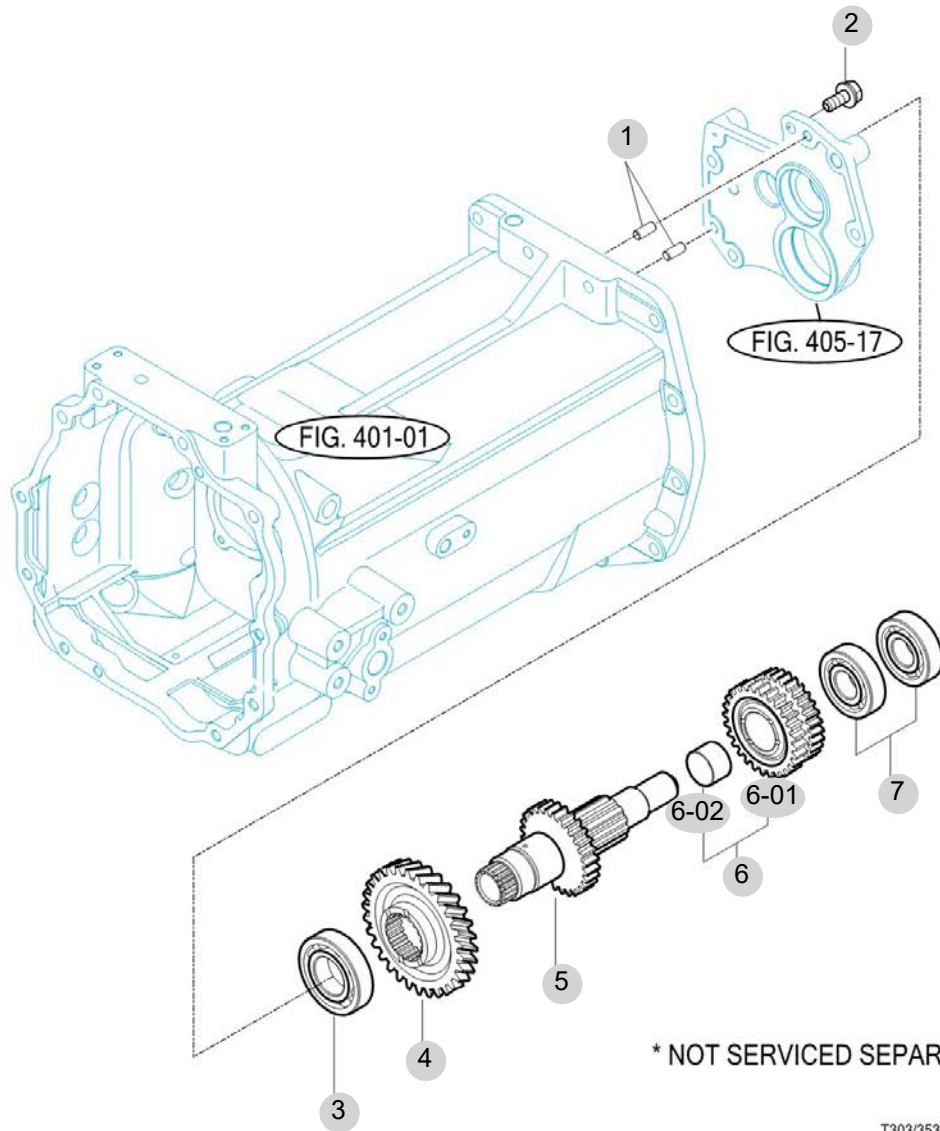
FIG 406

T395STEU

SUB CHANGE GEARS

년/월
Year/Month

2022-12



T303/353NC-E-406

NOTE

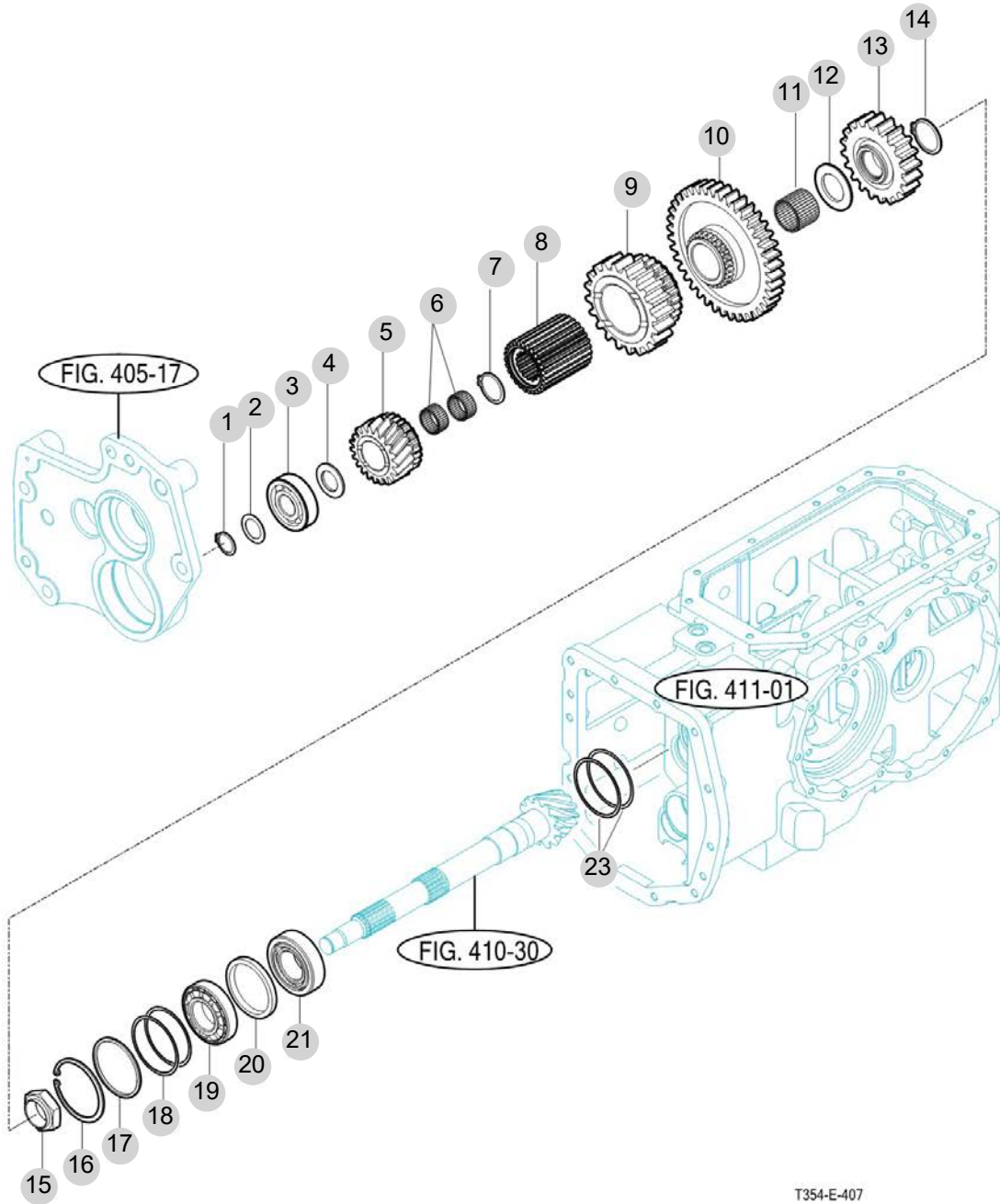
FIG 407

T395STEU

PINION GEARS

년/월
Year/Month

2022-12



T354-E-407

NOTE

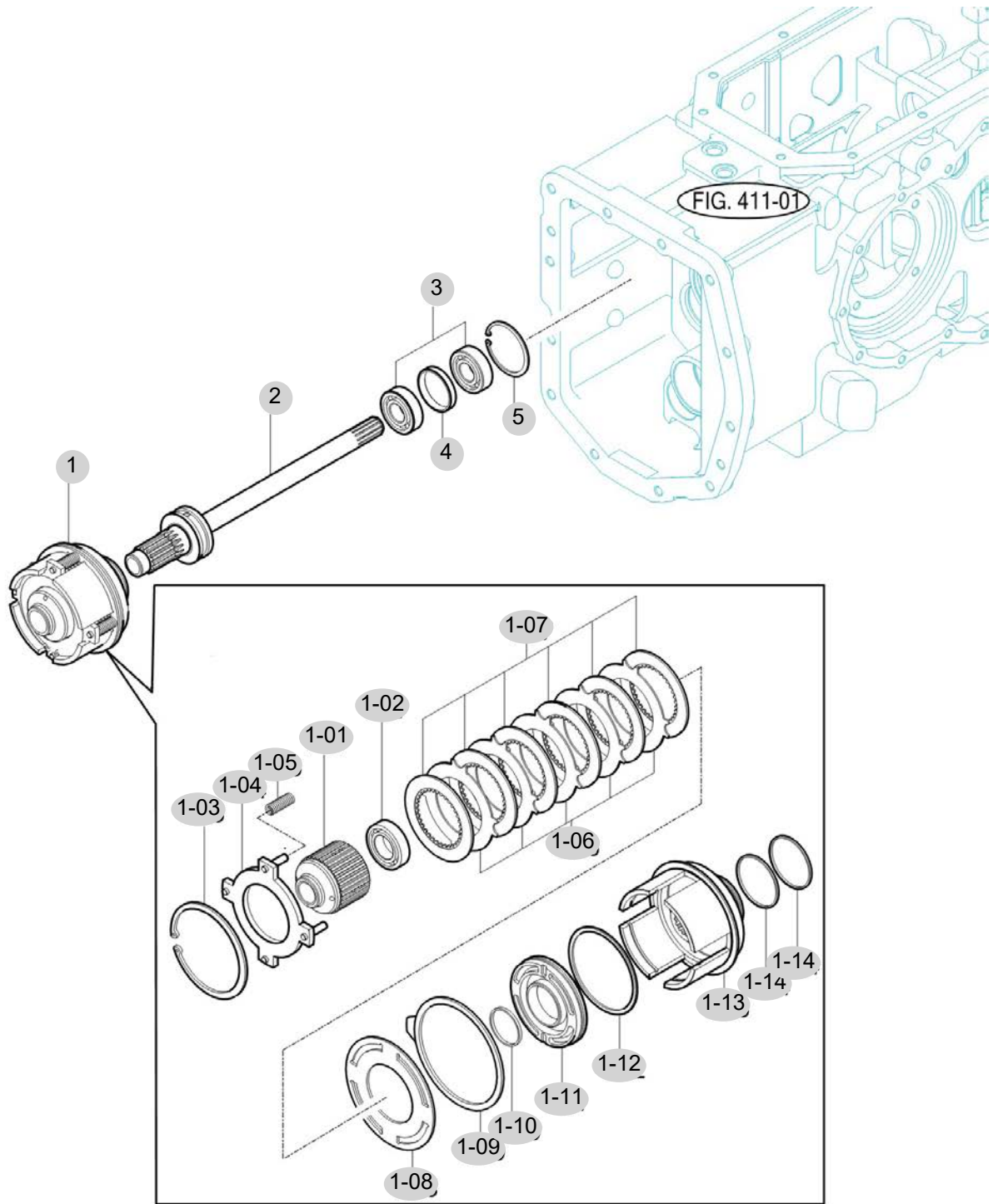
FIG 408

T395STEU

PTO DRIVE SHAFT

년/월
Year/Month

2022-12



T354-E-408

NOTE

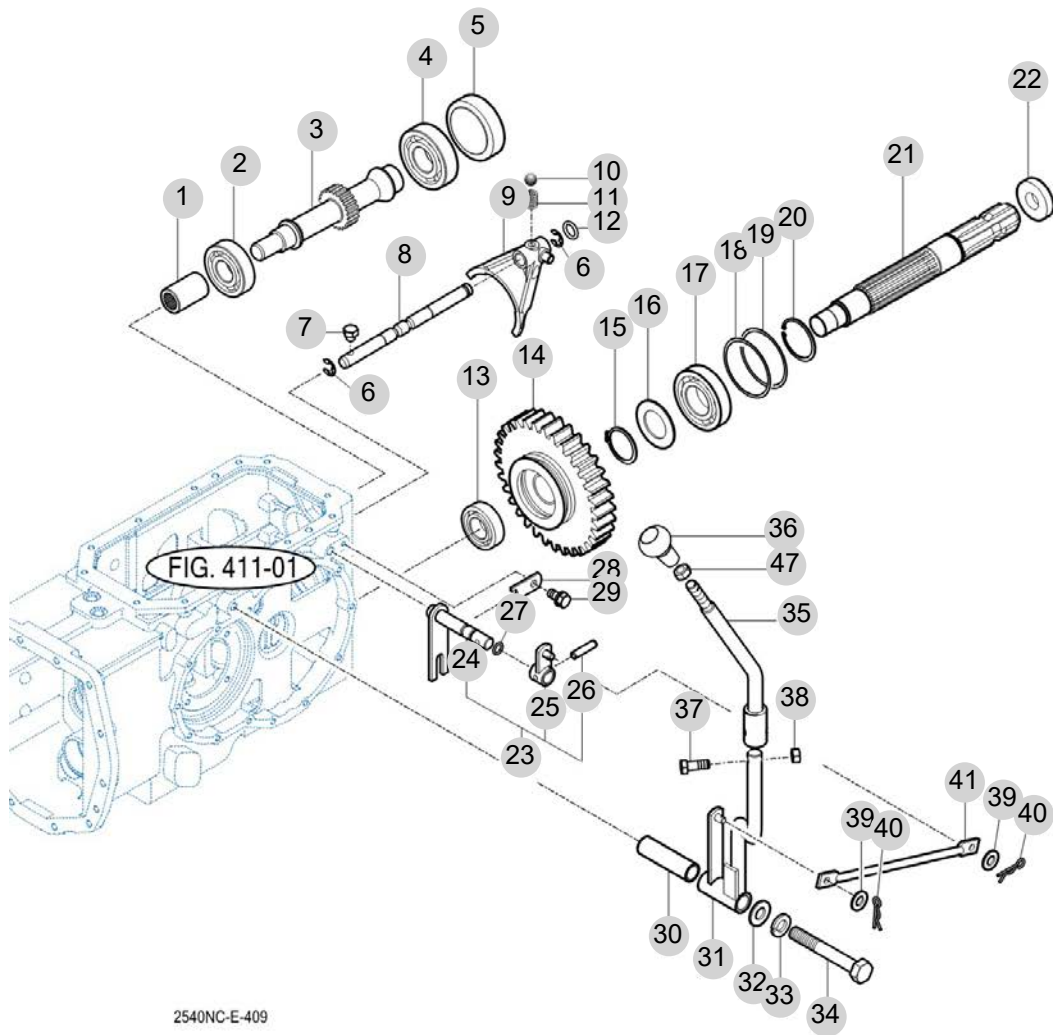
FIG 409

T395STEU

PTO CHANGE GEARS

년/월
Year/Month

2022-12



2540NC-E-409

NOTE

FIG 409		PTO CHANGE GEARS						년/월 Year/Month	
								2022-12	
T395STEU		KEY NO	PART NO	DESCRIPTION	SPEC	QTY	REPAIR	EFFECTIVE DATE	REMARKS
409	1	14211340190	커플링			1			
409	2	V6001106305	볼베어링	6305		1			
409	3	13212543530	기어 , 스퍼 PTO 11			1			
409	4	V6001106306	볼베어링	6306		1			
409	5	14254330180	캠(72)			1			
409	6	V7081400100	E형멈춤링	Ø10		2			
409	7	15602231610	볼트(셋트/M8X16)			1			
409	8	13212540020	PTO 시프트스테이			1			
409	9	16702540011M	포크(PTO)			1			
409	10	V6802000010	강구	5/16		1			
409	11	13022250030	시프터스프링			1			
409	12	V7201024010	O링(P)	P10		1			
409	13	V6001106205	볼베어링	6205		1			
409	14	13212543500	기어(스퍼/PTO 54)			1			
409	15	V7041400350	C형멈춤링(축용)	Ø35		1			
409	16	14443140041	칼라(35X50X2)			1			
409	17	V6001106207	볼베어링	6207		1			
409	18	79642010080	심(B)			2			
409	19	16322730030	심(0.5)			1			
409	20	V7051400720	C형멈춤링(구멍용)	Ø72		1			
409	21	16703140011	PTO축			1			
409	22	16322732000	씰(오일) ASSY			1			
409	23	16702555102	리어 PTO 후크 SET			1			
409	24	16702542102	리어 PTO 후크 COMP			1			
409	25	16702432201	암(부변속) COMP			1			
409	26	V5801406025	스프링핀	6X25		1			
409	27	V7201024012	O링(P)	P12		1			
409	28	16702230371	플레이트			1			
409	29	V2173608016	소형육각볼트보통(S)	M8X16		1			
409	30	16702440070	허브(13X17X61)			1			
409	31	16702552103	PTO 레버 ,하 COMP			1			
409	32	V4111600120	평와셔	M12		1			
409	33	V4011600120	스프링와셔	M12		1			
409	34	V2013612085	소형육각볼트(보통)	M12X85		1			
409	35	16702552202GB	PTO레버(상)COMP			1			
409	36	16992190102	그립(PTO)			1			
409	36	19682190100	그립(PTO)			1			
409	37	V2013608035	소형육각볼트(보통)			1			
409	38	V3042600080	소형육각너트보통2종	M8		1			
409	39	V4111600080	평와셔	M8		2			
409	40	V5601600008	스냅핀	8		2			
409	41	16702553100	로드(236)			1			
409	47	V3342600100	소형육각너트가는2종			1			
NOTE									

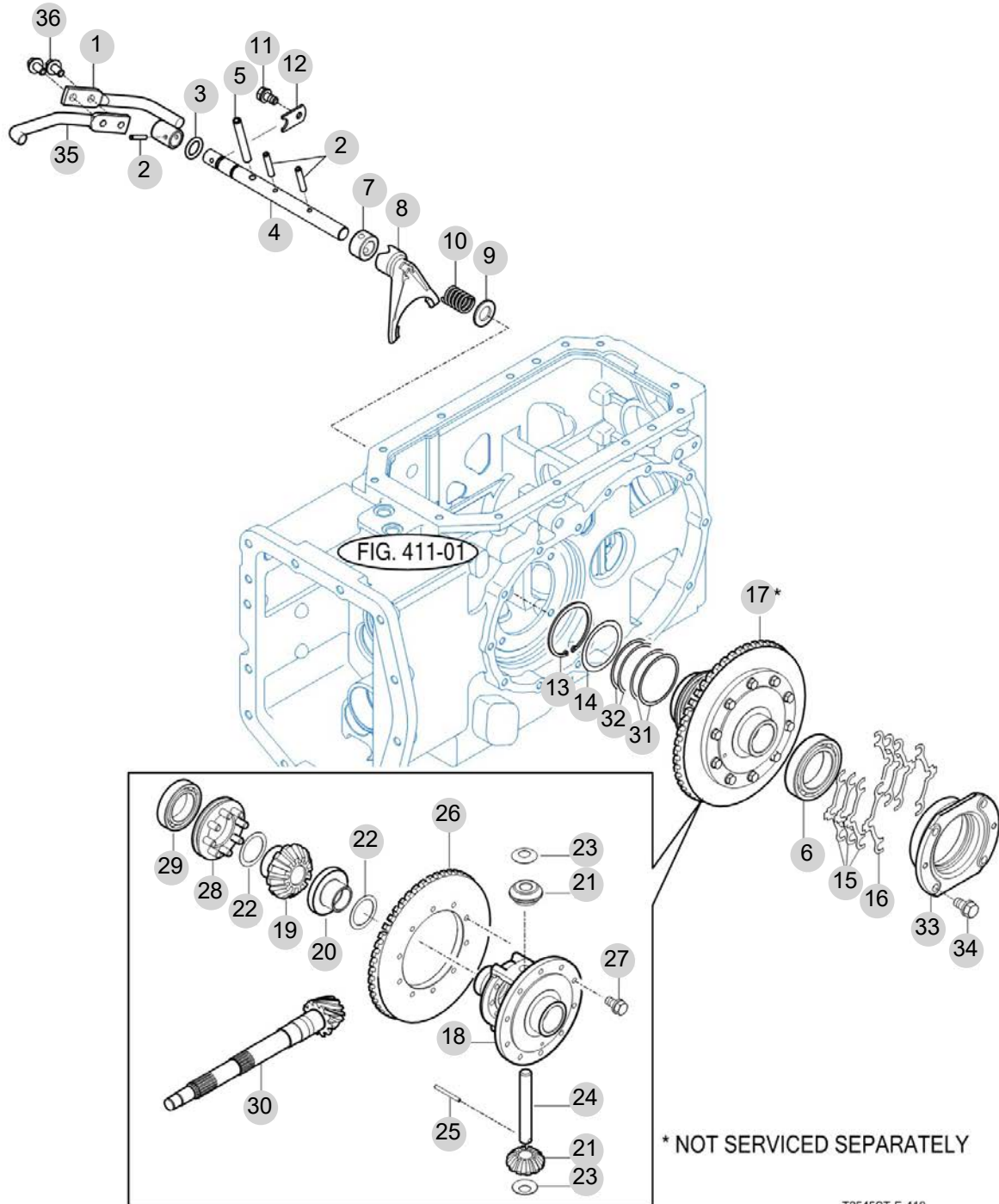
FIG 410

DIFF LOCK

년/월
Year/Month

2022-12

T395STEU



NOTE

FIG 410		DIFF LOCK					년/월 Year/Month	
T395STEU							2022-12	
KEY NO	PART NO	DESCRIPTION	SPEC	QTY	REPAIR	EFFECTIVE DATE	REMARKS	
410	1	12643192200	디프록페달 COMP		1			
410	2	V5801406032	스프링핀	6X32	3			
410	3	V7201024016	O링(P)	P16	1			
410	4	13003180153	디프록축		1			
410	5	V5801408060	스프링핀	8X60	1			
410	6	V6041106011	볼베어링(HL)	6011HL1	1			
410	7	16703180161	허브 디프록		1			
410	8	16703180022M	포크(디프록)		1			
410	9	V4111600200	평와셔	M20	1			
410	10	17973030420	스프링		1			
410	11	V2173608016	소형육각볼트보통(S)	M8X16	1			
410	12	16703180191	플레이트		1			
410	13	V7051400750	C형멈춤링(구멍용)	Ø75	1			
410	14	16703180511	심(O/0.5)		1			
410	15	16703180080	심(LH/0.2)		6			
410	16	16703180090	심(LH/0.1)		2			
410	17	12633000001	리어 차동 장치 ASSY		1			
410	17	12633000002	리어 차동 장치 ASSY		1			
410	18	13003180013M	디프케이스		1			
410	19	13003180060	베벨기어(18)(RH)		1			
410	20	13003180031	베벨기어(18)(LH)		1			
410	21	13003180040	디프피니언(10)		2			
410	22	16703180521	스라스트와셔		2			
410	23	13003180200	피니언스라스트와셔		2			
410	24	13003180070	디프피니언축		1			
410	25	V5801405036	스프링핀	5X36	1			
410	26	16703002020	기어베벨(52T)		1			
410	27	V2173608025	소형육각볼트보통(S)	M8X25	10			
410	28	13003181202	디프록 클러치 COMP		1			
410	29	V6041106009	볼베어링(HL1)	6009HL1	1			
410	30	16703002012	드라이브피니언(9T)		1			
410	31	16703180181	심(RH/0.1)		2			
410	32	16703180171	심(RH/0.2)		2			
410	33	16703180052M	디프케이스메탈(R)		1			
410	34	V2173610025	소형육각볼트보통(S)	M10X25	4			
410	35	12643162000GB	페달 , 디프록		1			
410	36	V2183610025	소형육각볼트보통(SP)	M10X25	2			
NOTE								

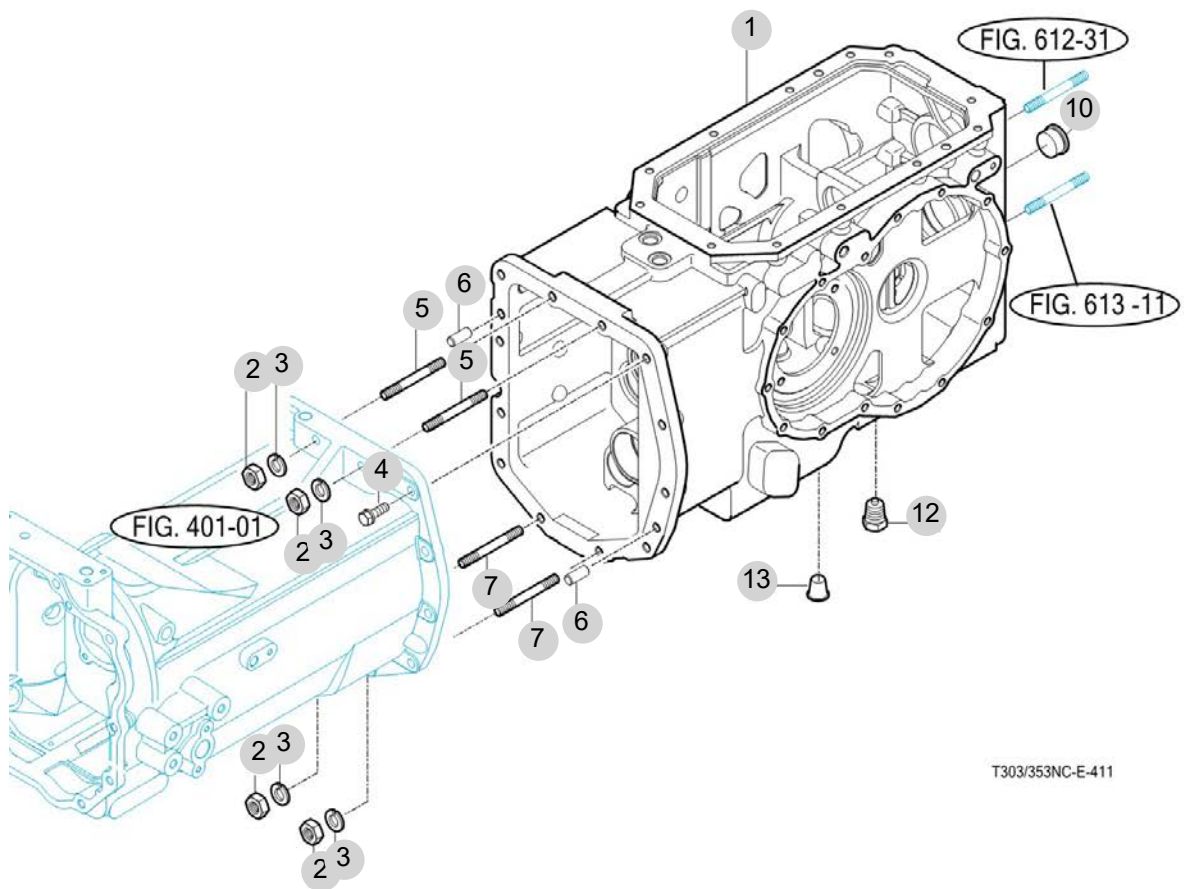
FIG 411

T395STEU

TRANSMISSION REAR CASE

년/월
Year/Month

2022-12



T303/353NC-E-411

NOTE

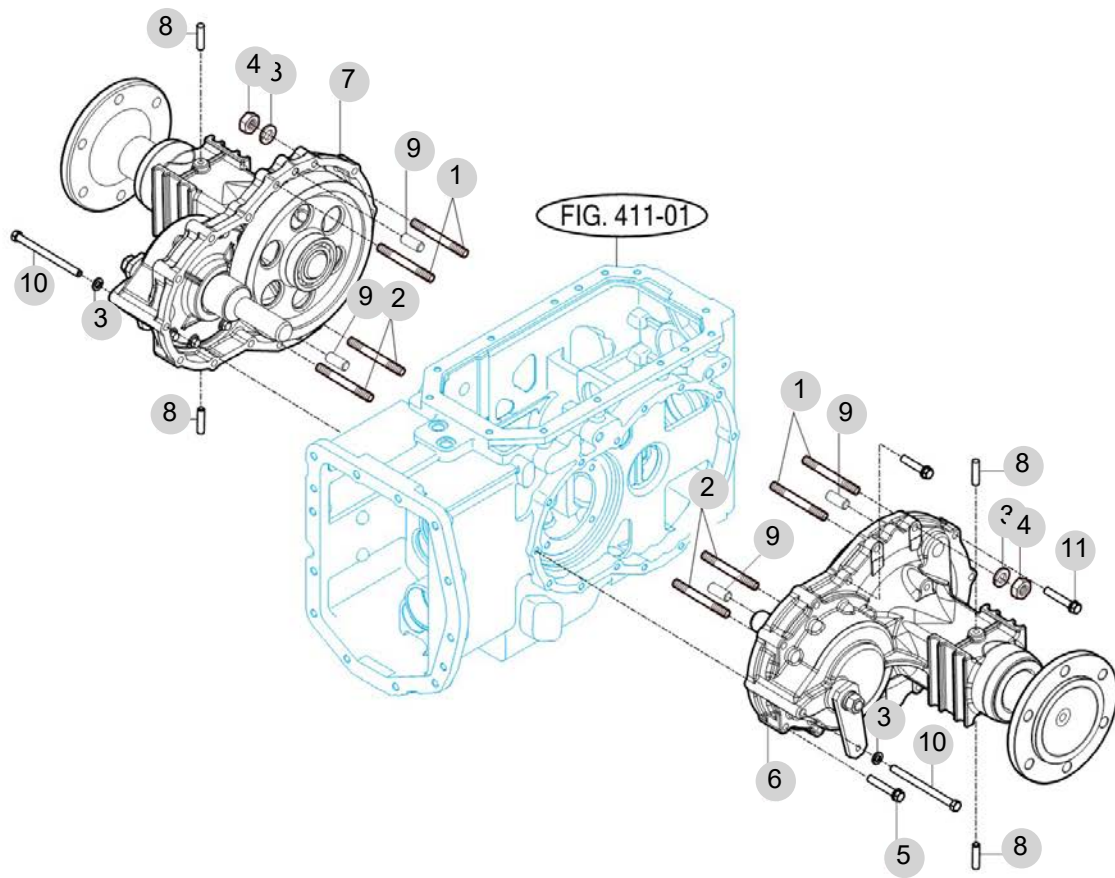
FIG 412

T395STEU

REAR AXLE HOUSINGS (1)

년/월
Year/Month

2022-12



2545ST-E-412

NOTE

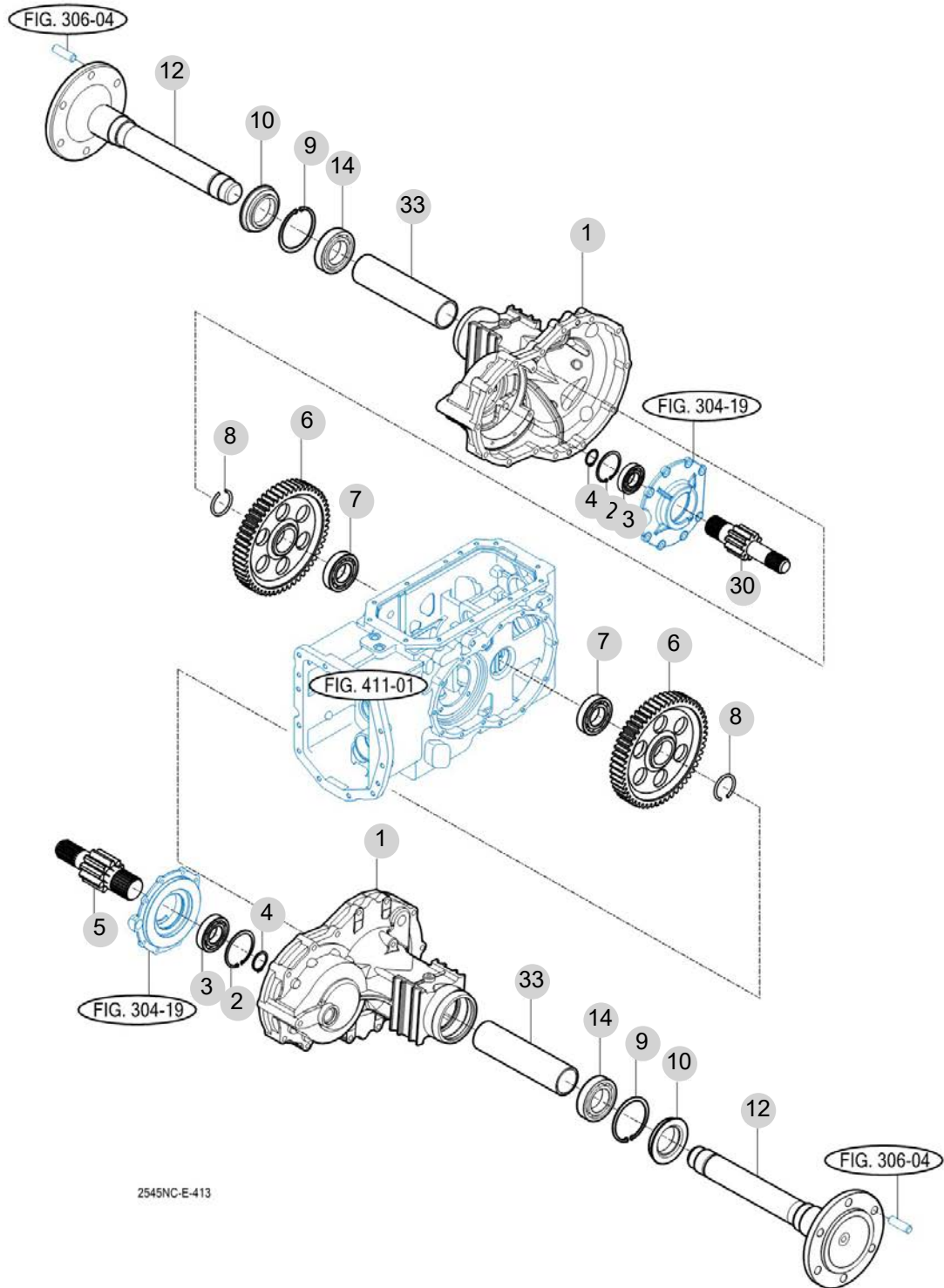
FIG 413

T395STEU

REAR AXLE HOUSINGS (2)

년/월
Year/Month

2022-12



2545NC-E-413

NOTE

FIG 413 T395STEU	REAR AXLE HOUSINGS (2)						년/월 Year/Month
							2022-12

KEY NO		PART NO	DESCRIPTION	SPEC	QTY	REPAIR	EFFECTIVE DATE	REMARKS
413	1	12383200011M	리어 액슬 하우징		2			
413	2	V7051400800	C형멈춤링(구멍용)	Ø80	2			
413	3	V6041106208	볼베어링(HL1)	6208HL1	2			
413	4	V7041400400	C형멈춤링(축용)	Ø40	2			
413	5	16703230012	휠 피니언(10/LH)		1			
413	6	12383240020	휠 기어, 54T		2			
413	7	V6041106209	볼베어링(HL1)	6209HL1	2			
413	8	12383240050	스톱링		2			
413	9	V7051400900	C형멈춤링(구멍용)		2			
413	10	12383240040	오일실(차축)		2			
413	12	12383240010	리어 휠 샤프트		2			
413	14	V6001106210	볼베어링	6210	2			
413	30	16703230024	휠 피니언10/(RH)		1			
413	33	12383240030	칼라(50X60X238)		2			
NOTE								

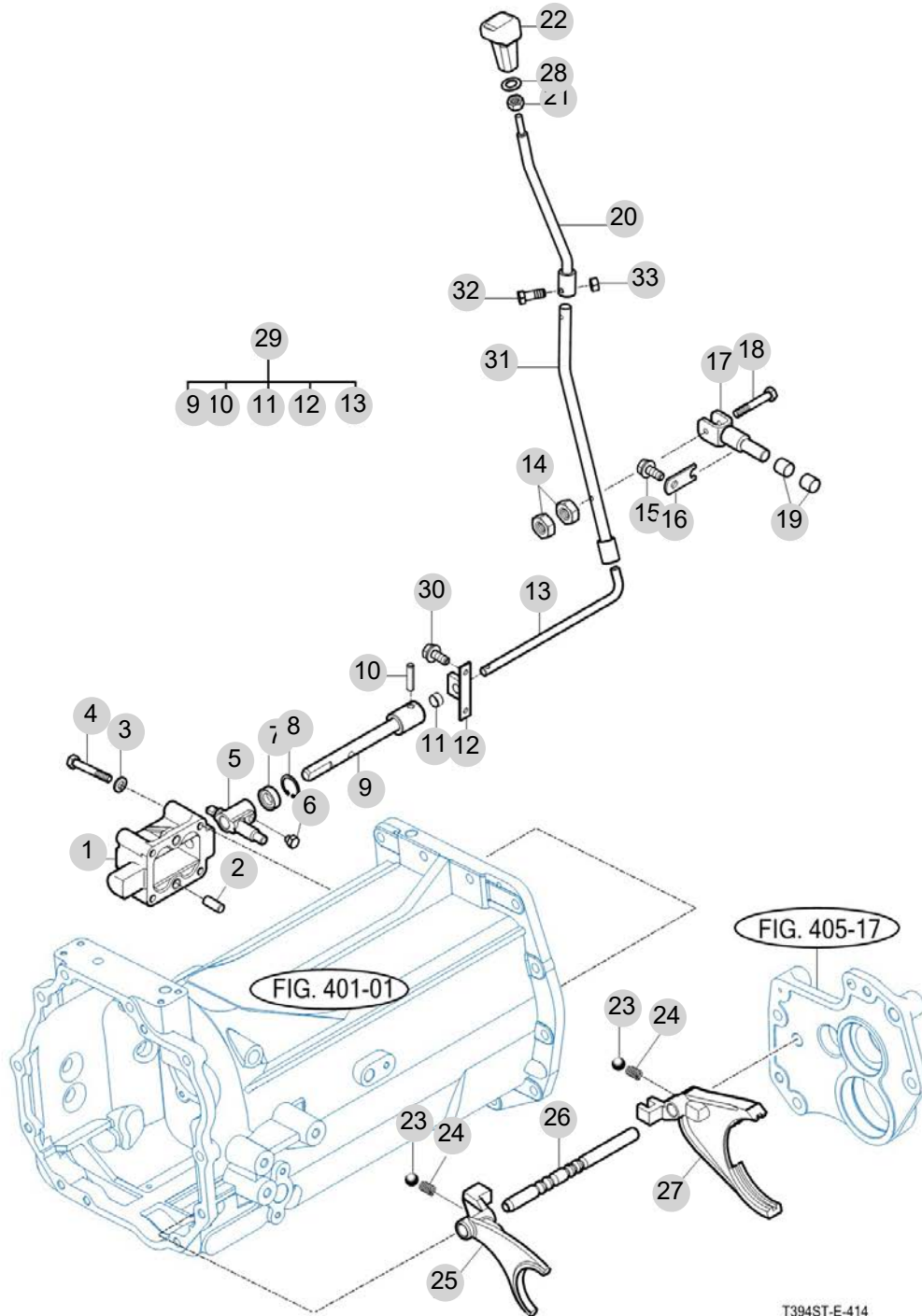
FIG 414

T395STEU

MAIN CHANGE LEVER

년/월
Year/Month

2022-12



T394ST-E-414

NOTE

FIG 414 T395STEU	MAIN CHANGE LEVER	년/월 Year/Month
		2022-12

KEY NO	PART NO	DESCRIPTION	SPEC	QTY	REPAIR	EFFECTIVE DATE	REMARKS
414	1	14942230330M	메탈(주변속)		1		
414	2	V5201010022	평행핀(A)	10X22	2		
414	3	V4011600080	스프링와셔	M8	4		
414	4	V2013608060	소형육각볼트(보통)		4		
414	5	14572230320M	변속암		1		
414	6	15602231600	볼트(셋트/씰록M8X16)		1		
414	6	15602231610	볼트(셋트/M8X16)		1		
414	7	V7441142508	오일샬(D)	D14258	1		
414	8	V7051400250	C형멈춤링(구멍용)	Ø25	1		
414	9	16702244300	변속로드(내) COMP		1		
414	10	V5801406025	스프링핀	6X25	1		
414	11	16702240060	부시(12X14X08)		1		
414	12	16702234300	주변속 브래킷 COMP		1		
414	13	16702233500	변속로드(외) COMP		1		
414	14	V3002600060	육각너트보통1종	M6	2		
414	15	V2173608016	소형육각볼트보통(S)	M8X16	1		
414	16	16702230371	플레이트		1		
414	17	16702244202	핀(주변속) COMP		1		
414	18	16702240051	볼트(M6X45)		1		
414	19	15603142910	부시(16X18X15)		2		
414	20	12642552201GB	주변속레버(상)COMP		1		
414	21	V3342600100	소형육각너트가는2종	M10	1		
414	22	14502810075	주변속그립COMP		1		
414	23	V6802000010	강구	5/16	2		
414	24	13022250030	시프터스프링		2		
414	25	16702230023M	포크(1-2단)		1		
414	26	16702230300	시프트 스테이(메인)		1		
414	27	16702230043M	포크(주변속/싱크로)		1		
414	28	V4111600100	평와셔	M10	1		
414	29	16702232001	로드 주변속 SET		1		
414	30	V2173608025	소형육각볼트보통(S)	M8X25	2		
414	31	12642244100	레버(주변속)COMP		1		
414	32	V2013608035	소형육각볼트(보통)	M8X35	1		
414	33	V3042600080	소형육각너트보통2종	M8	1		

NOTE	
------	--

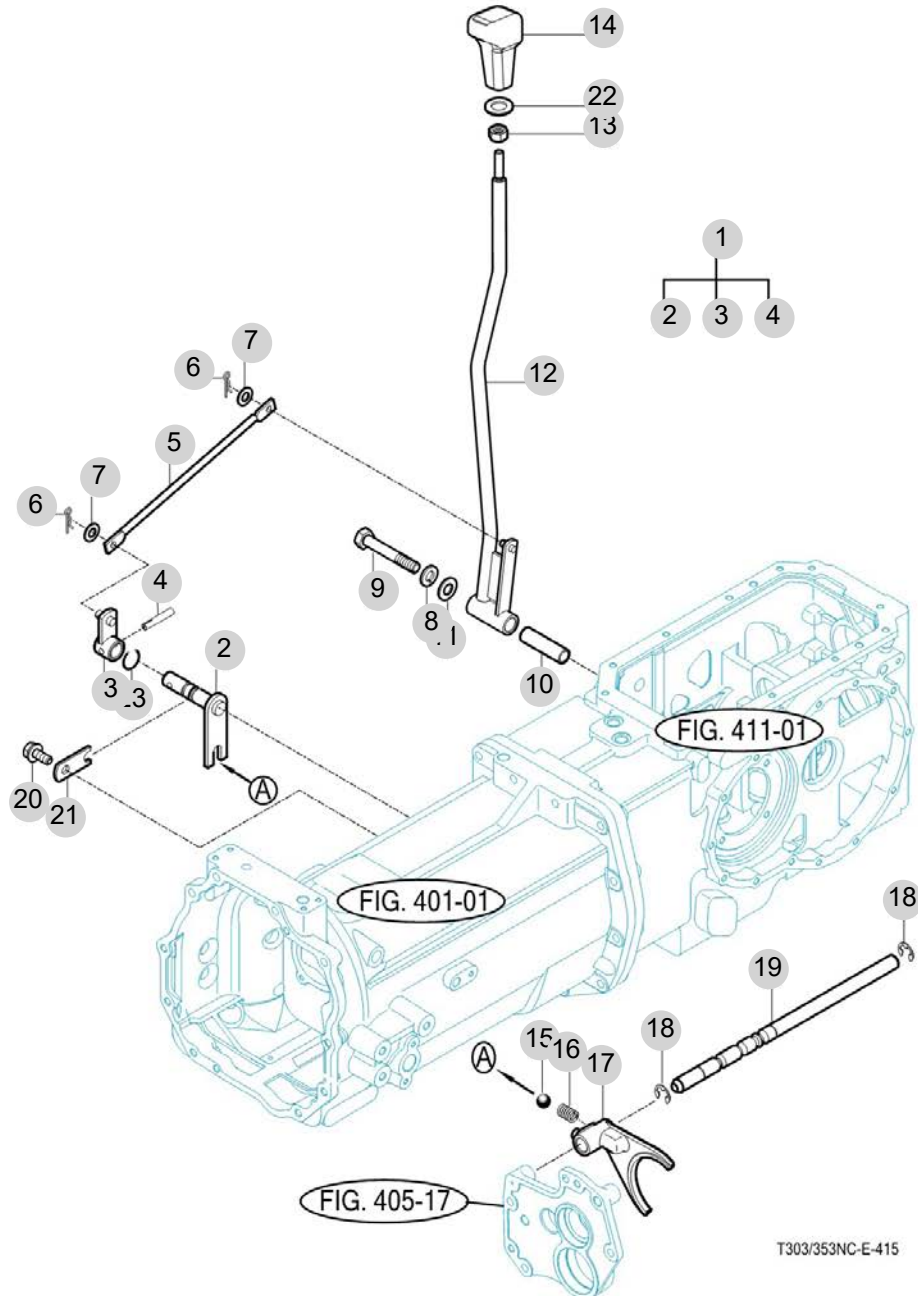
FIG 415

T395STEU

SUB CHANGE LEVER

년/월
Year/Month

2022-12



T303/353NC-E-415

NOTE

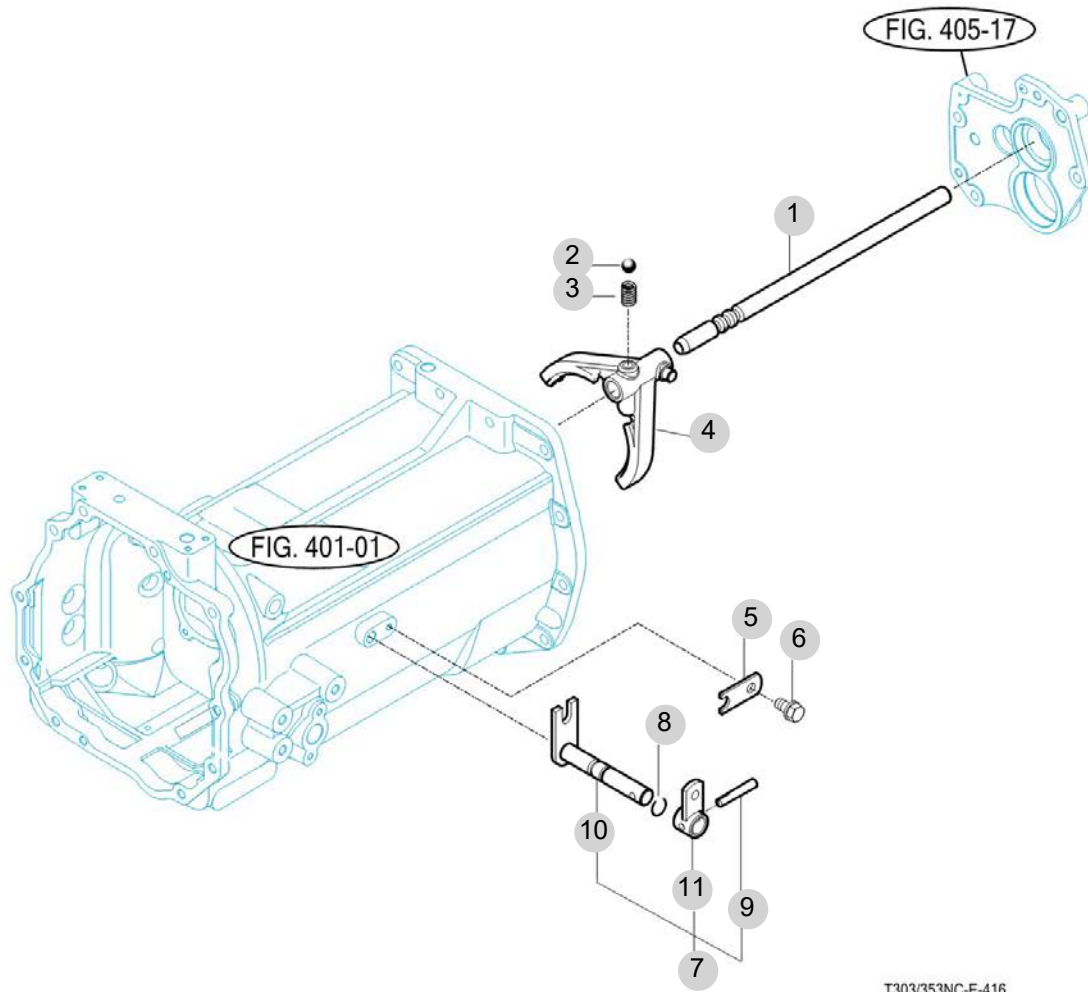
FIG 416

T395STEU

REVERSE LINK

년/월
Year/Month

2022-12



T303/353NC-E-416

NOTE

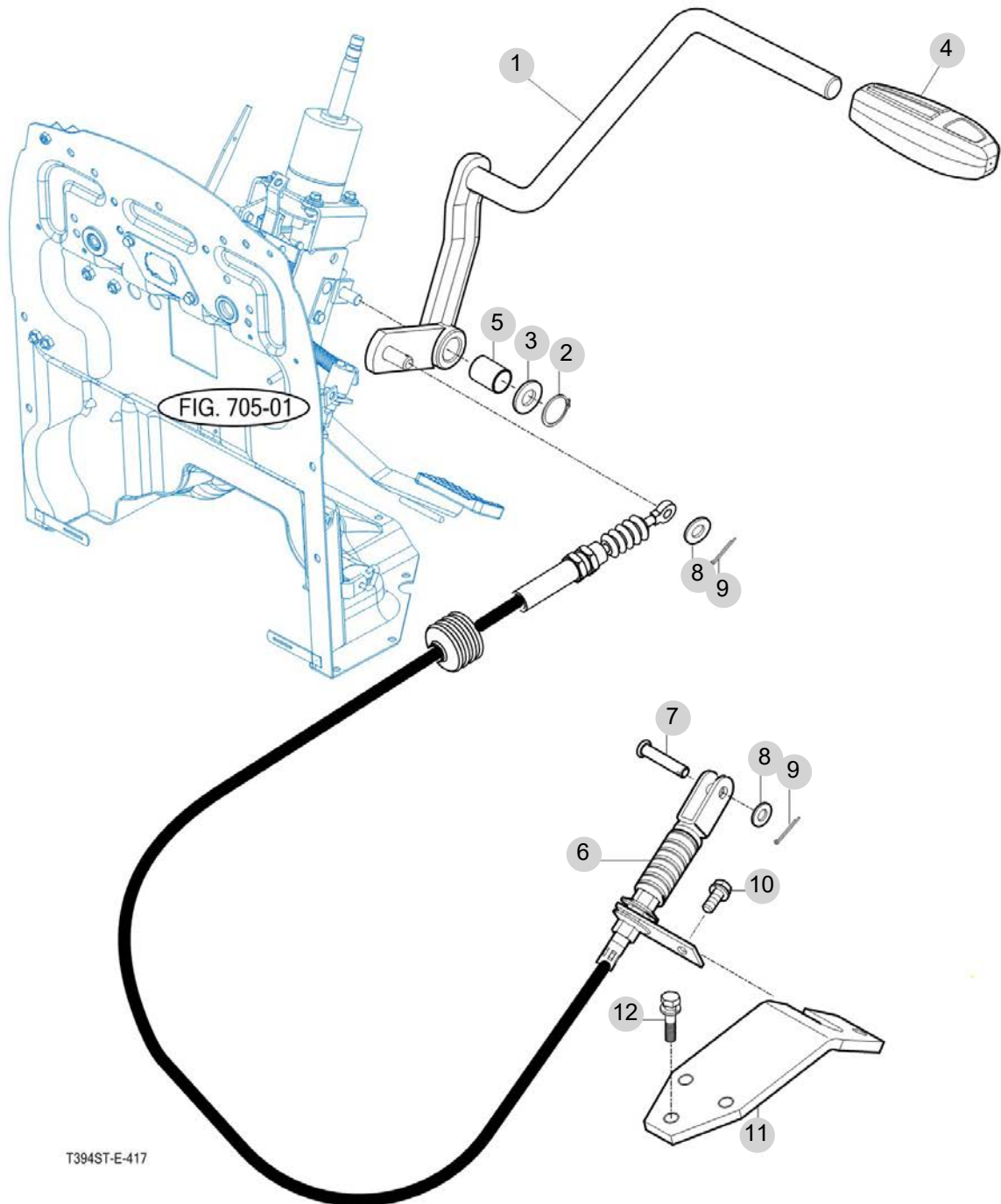
FIG 417

T395STEU

REVERSE CHANGE LEVER

년/월
Year/Month

2022-12



T394ST-E-417

NOTE

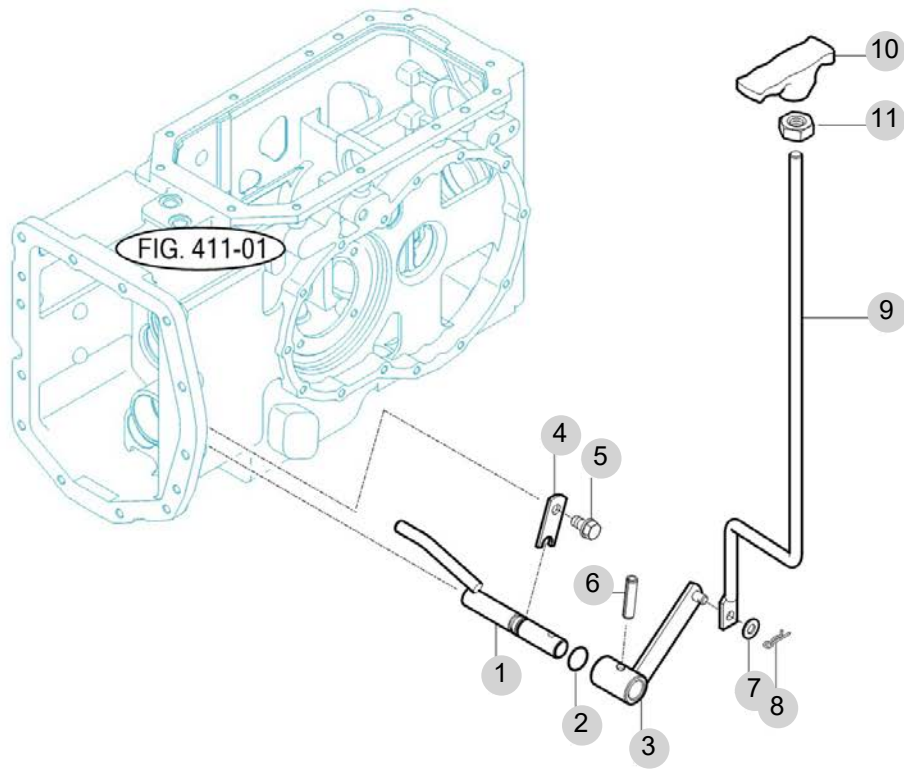
FIG 418

T395STEU

4WD CHANGE LEVER

년/월
Year/Month

2022-12



T303/353NC-E-418

NOTE

FIG 418 T395STEU	4WD CHANGE LEVER	년/월 Year/Month
		2022-12

KEY NO	PART NO	DESCRIPTION	SPEC	QTY	REPAIR	EFFECTIVE DATE	REMARKS
418	1	16703122102	시프터암(4WD)COMP	1			
418	1	16703122103	시프터암(4WD)COMP	1			
418	2	V7201024012	O링(P)	1		P12	
418	3	16702622102	암COMP(4WD)	1			
418	3	16702622103	암COMP(4WD)	1			
418	4	16702230371	플레이트	1			
418	5	V2173608016	소형육각볼트보통(S)	1		M8X16	
418	6	V5801406025	스프링핀	1		6X25	
418	7	V4111600080	평와셔	1		M8	
418	8	V5601600008	스냅핀	1		8	
418	9	14942632110GB	4WD 레버	1			
418	10	16702190060	그립(4WD)	1			
418	11	V3342600100	소형육각너트가는2종	1		M10	

NOTE

5. 프런트 액슬 PART NO. T5

FIG 501 FRONT AXLE BRACKET	116
FIG 502 FRONT DIFFERENTIAL GEARS	118
FIG 503 FRONT AXLE HOUSING	120
FIG 504 FRONT GEAR CASE (1)	122
FIG 505 FRONT GEAR CASE (2)	124

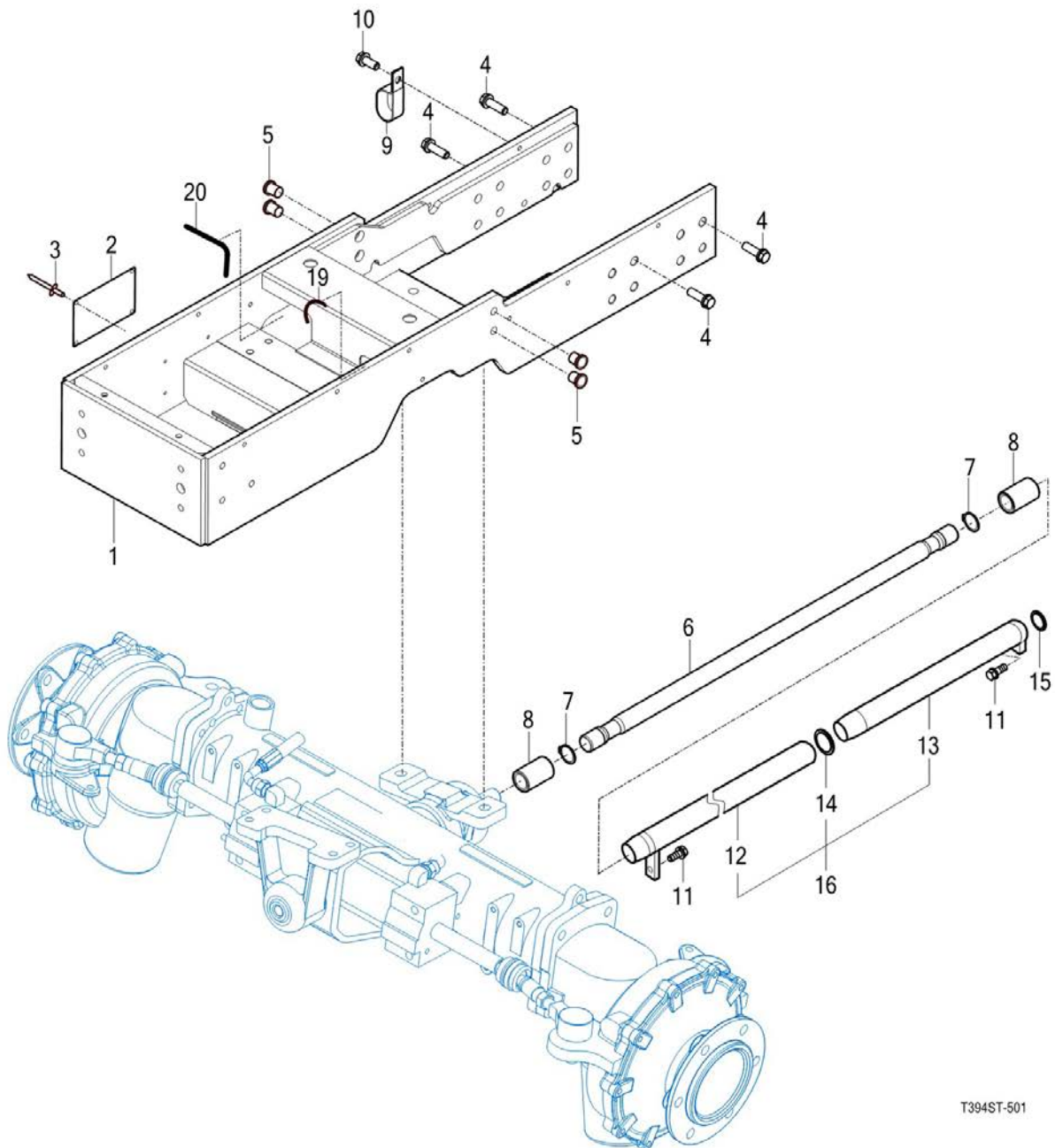
FIG 501

FRONT AXLE BRACKET

년/월
Year/Month

2022-12

T395STEU



T394ST-501

NOTE

FIG 502

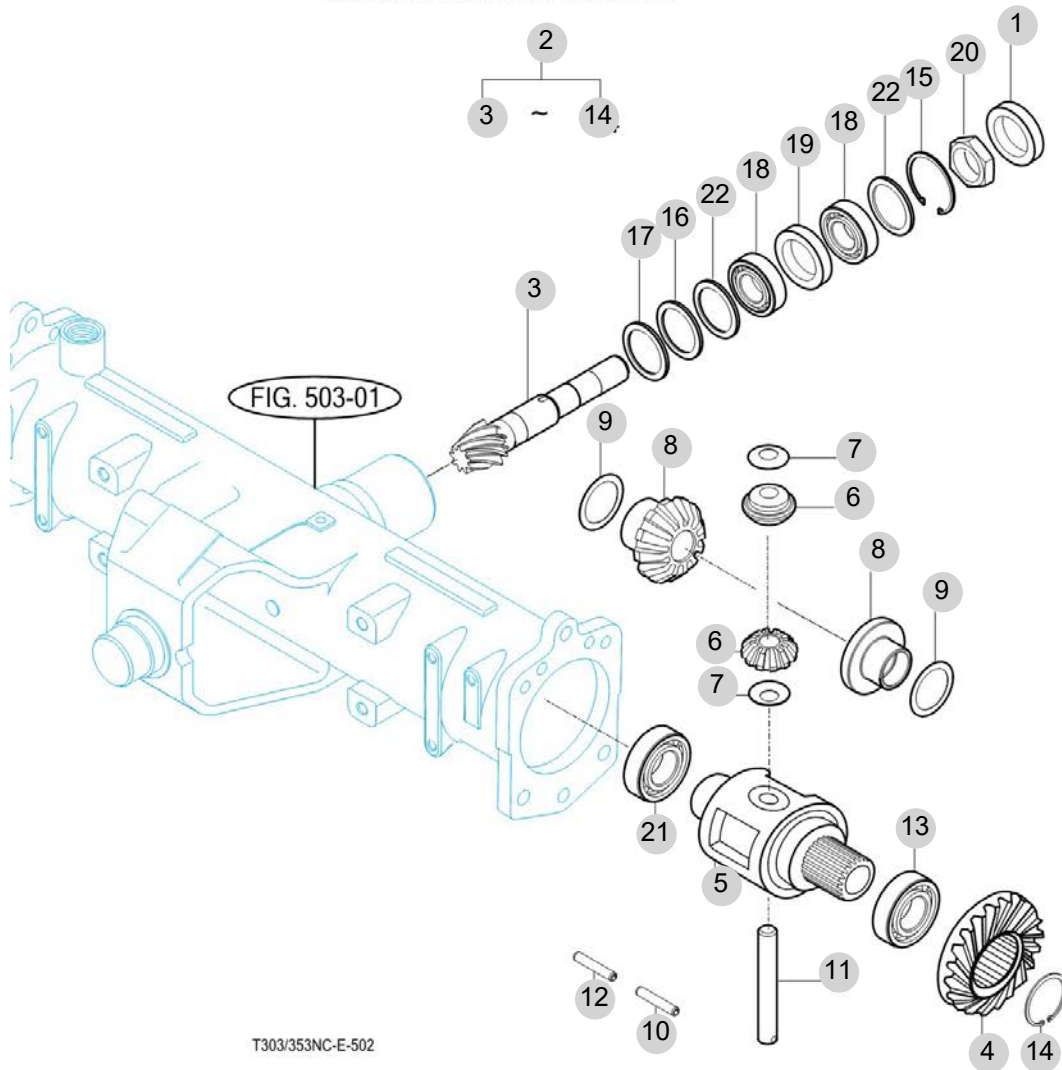
T395STEU

FRONT DIFFERENTIAL GEARS

년/월
Year/Month

2022-12

* NOT SERVICED SEPARATELY



NOTE

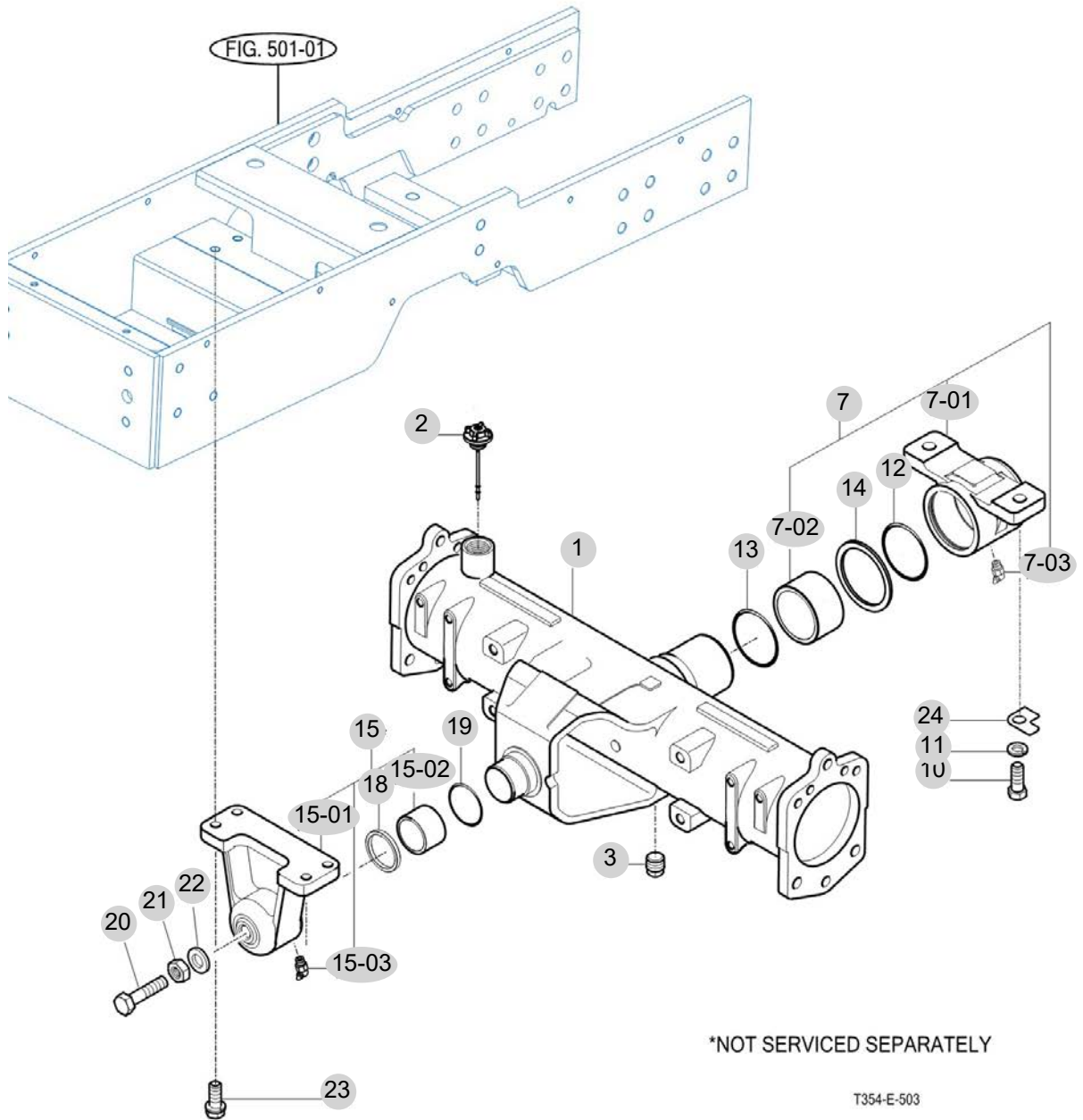
FIG 503

T395STEU

FRONT AXLE HOUSING

년/월
Year/Month

2022-12



NOTE

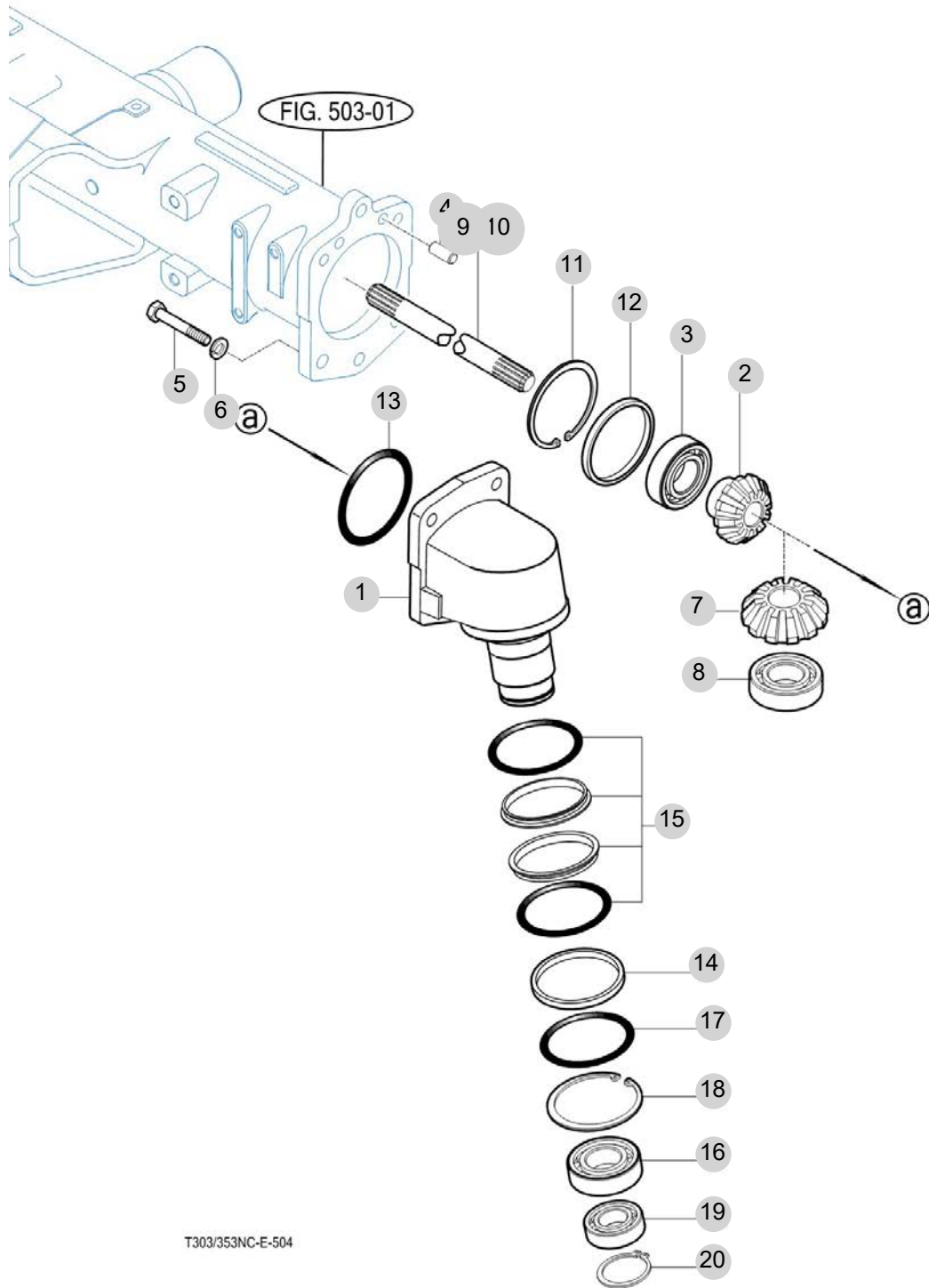
FIG 504

T395STEU

FRONT GEAR CASE (1)

년/월
Year/Month

2022-12



T303/353NC-E-504

NOTE

KEY NO		PART NO	DESCRIPTION	SPEC	QTY	REPAIR	EFFECTIVE DATE	REMARKS
504		1	16704340010M	최종구동케이스(A)		2		
504		2	16704340021	기어(베벨,9)		2		
504		2	16704340020	기어(베벨,9)		2		
504		3	V6041106208	볼베어링(HL1)	6208HL1	2		
504		4	V5201012020	평행핀(A)	12X20	4		
504		5	V2024614040	소형육각볼트(가는)	M14X40	10		
504		6	V4011600140	스프링와셔	M14	10		
504		7	16704340031	기어(베벨,16)		2		
504		7	16704340030	기어(베벨,16)		2		
504		8	V6001106207	볼베어링	6207	2		
504		9	16704130010	샤프트(480)		1		
504		10	16704130020	샤프트(296)		1		
504		11	V7051400800	C형멈춤링(구멍용)	80	2		
504		12	16704320030	칼라(68X80X2)		2		
504		13	V7231020110	O링(S)	S110	2		
504		14	16704130080	메커니컬씰하우징		2		
504		15	16704340040	메커니컬씰ASSY		2		
504		16	V6001106014	볼베어링		2		
504		17	V7231020115	O링	S115	2		
504		18	V7051400950	C형멈춤링(구멍용)	95	2		
504		19	V6001106012	볼베어링	6012	2		
504		20	V7041400600	C형멈춤링(축용)	60	2		
NOTE								

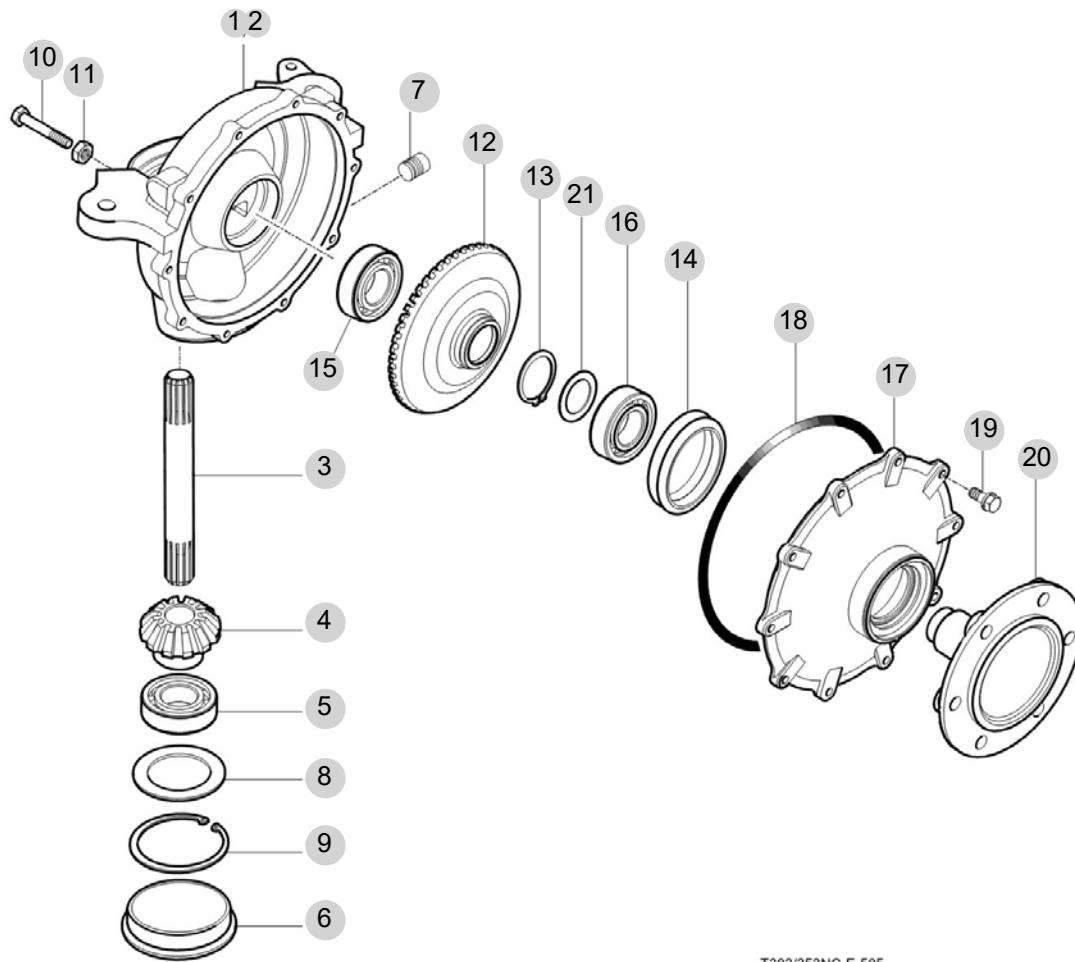
FIG 505

T395STEU

FRONT GEAR CASE (2)

년/월
Year/Month

2022-12



T303/353NC-E-505

NOTE

6. 유압/3점링크 PART NO. T6

FIG 601 GEAR PUMP	127
FIG 602 CYLINDER CASE	129
FIG 603 LIFT ARM	131
FIG 604 CYLINDER	133
FIG 605 POSITION LINK (1)	135
FIG 606 POSITION LINK (2)	137
FIG 607 CONTROL VALVE	139
FIG 608 POSITION LEVER	141
FIG 609 HYDRAULIC PIPE (1)	143
FIG 610 HYDRAULIC PIPE (2)	145
FIG 611 EXTERIOR HYD. VALVE	147
FIG 612 3-POINT LINK	149
FIG 613 HITCH & COVER	151

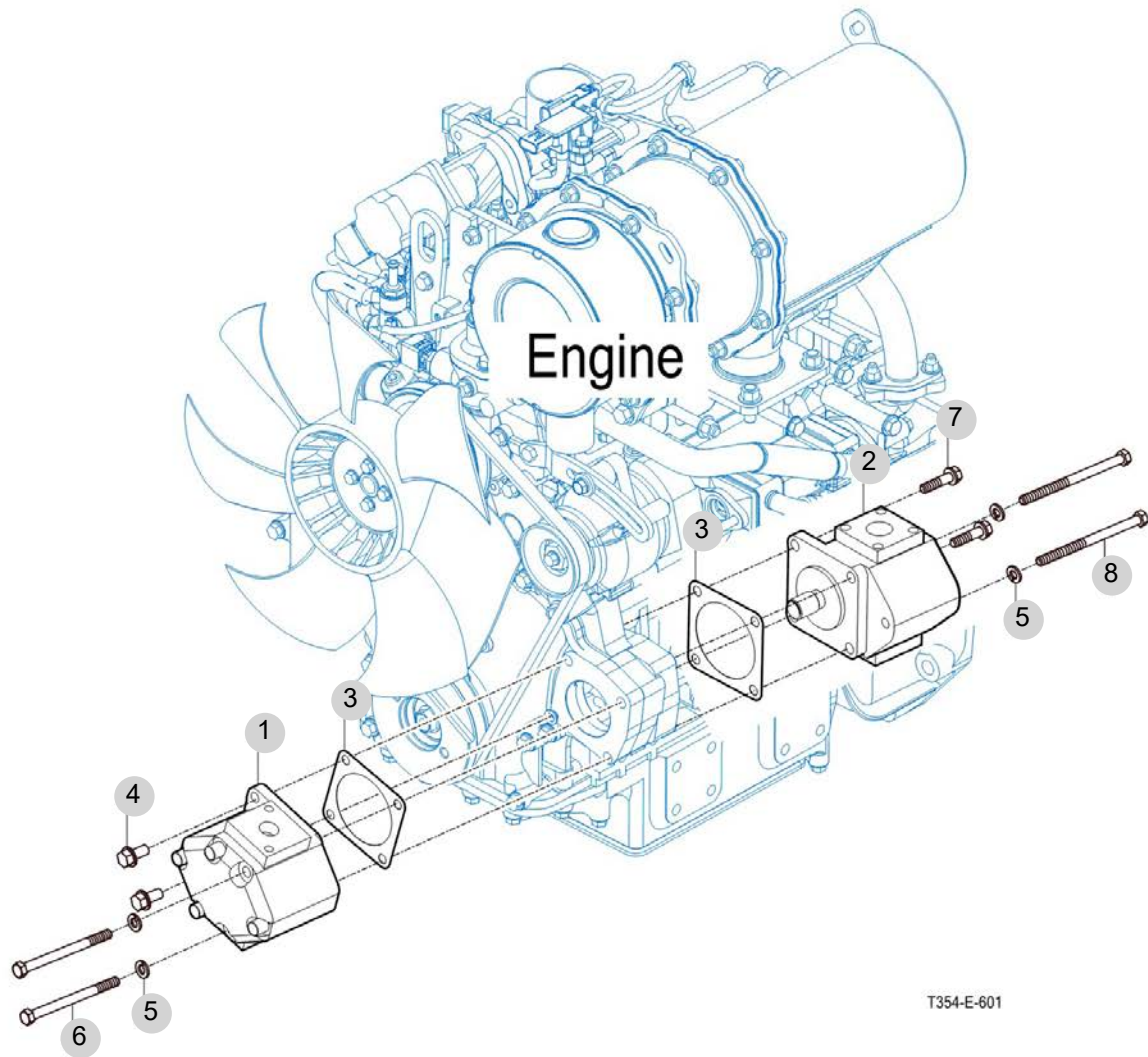
FIG 601

T395STEU

GEAR PUMP

년/월
Year/Month

2022-12



T354-E-601

NOTE

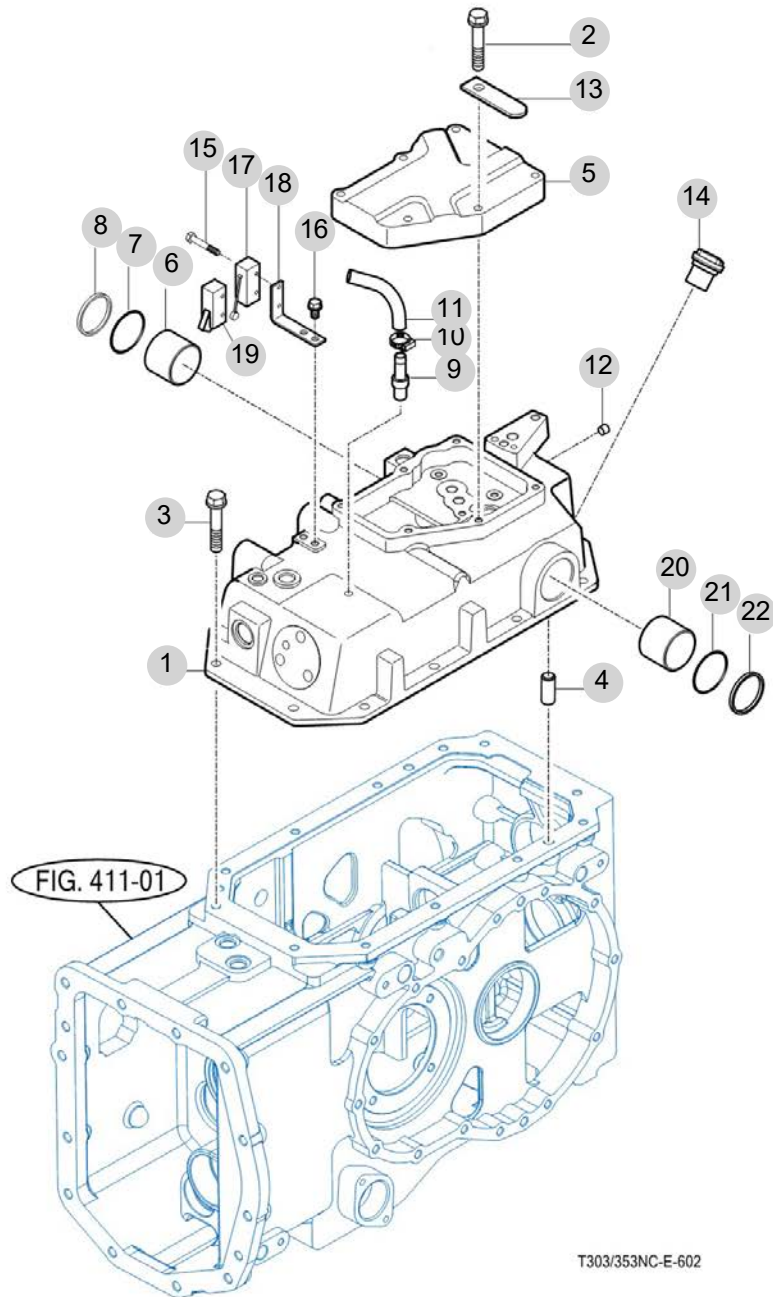
FIG 602

T395STEU

CYLINDER CASE

년/월
Year/Month

2022-12



NOTE

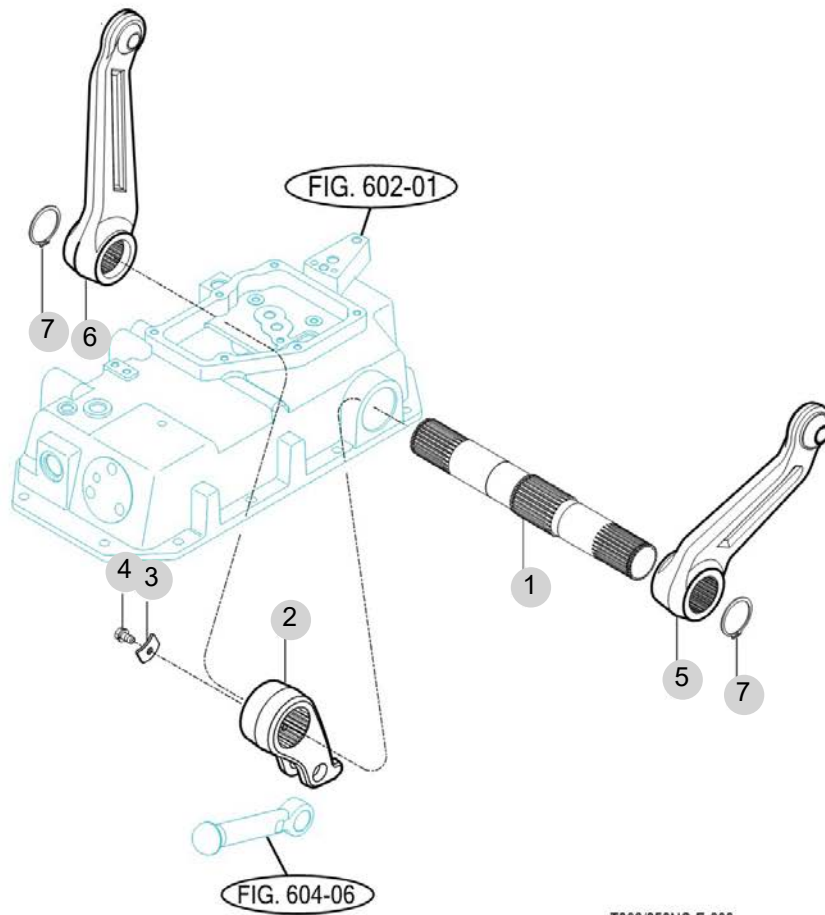
FIG 603

T395STEU

LIFT ARM

년/월
Year/Month

2022-12



T303/353NC-E-603

NOTE

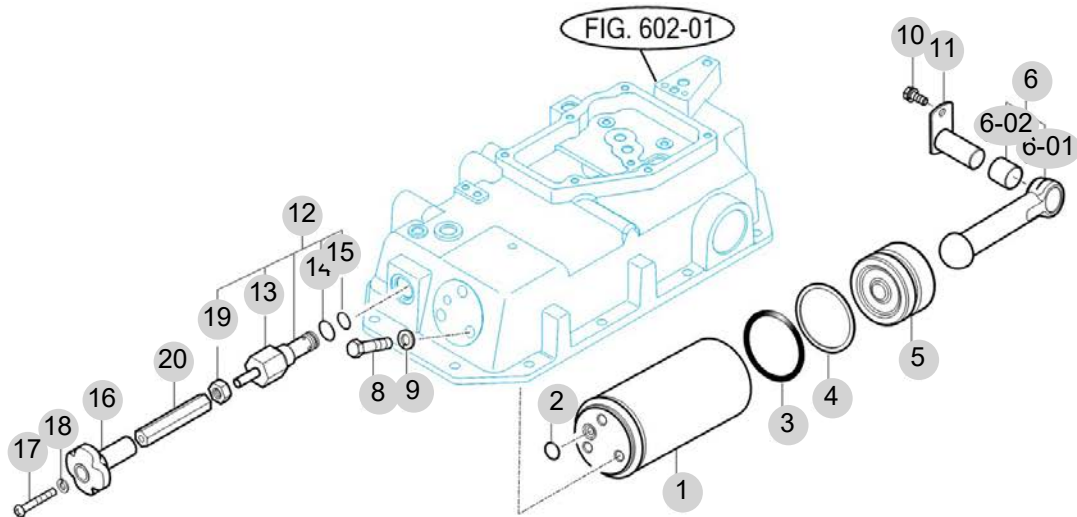
FIG 604

T395STEU

CYLINDER

년/월
Year/Month

2022-12



T303/353NC-E-604

NOTE

FIG 604 T395STEU		CYLINDER					년/월 Year/Month	
							2022-12	
KEY NO	PART NO	DESCRIPTION	SPEC	QTY	REPAIR	EFFECTIVE DATE	REMARKS	
604	1	16705022300	실린더 COMP					
604	2	V7201024014	O링(P)	P14				
604	3	V7201057070	O링(P)	P70				
604	4	16705050060	백업링					
604	5	16705030050M	유압피스톤					
604	6	17995031000	피스톤 로드 ASSY					
604	6	17995030061M	피스톤 로드					
604	6-01	17995030061M	피스톤 로드					
604	6-02	17995030070	부시					
604	8	V2024612050	소형육각볼트(가는)	M12X50				
604	9	V4011600120	스프링와셔	M12				
604	10	V2173608016	소형육각볼트보통(S)	M8X16				
604	11	17995031500	유압핀 COMP					
604	12	15640040001	플로콘밸브 ASSY					
604	13	K2310040070	더스트씰	DKI11217				
604	14	V7201124022	O링(P)	P22				
604	15	V7201124016	O링(P)	P16				
604	16	15605070070	노브(슬로/리턴)					
604	17	V1112606040	심자흡냄비작은나사	M6X40				
604	18	V4011600060	스프링와셔	M6				
604	19	V3042600100	소형육각너트보통2종	M10				
604	20	16705030030	샤프트(슬로리턴/76)					
NOTE								

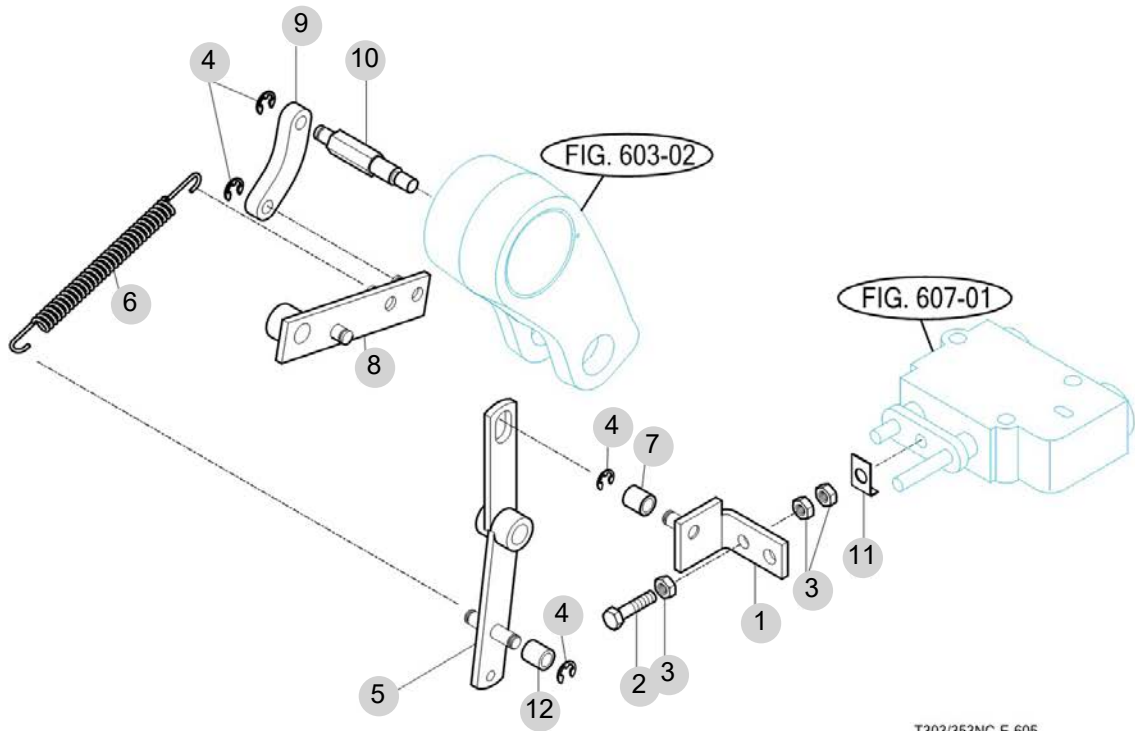
FIG 605

T395STEU

POSITION LINK (1)

년/월
Year/Month

2022-12



T303/353NC-E-605

NOTE

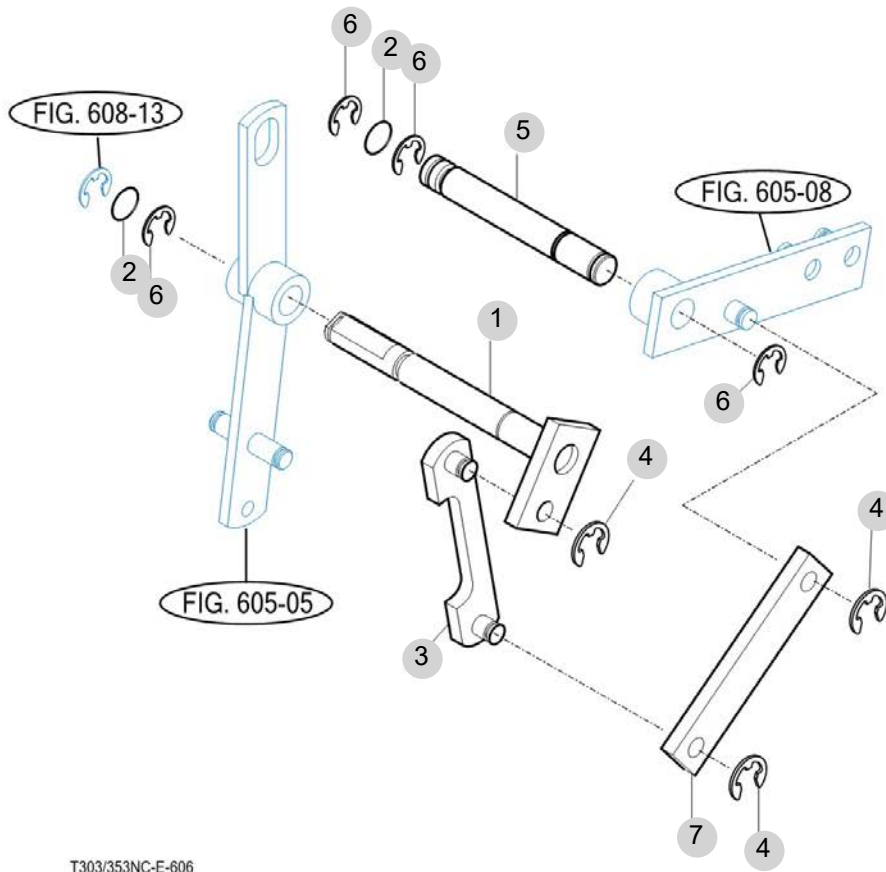
FIG 606

T395STEU

POSITION LINK (2)

년/월
Year/Month

2022-12



T303/353NC-E-606

NOTE

FIG 606		POSITION LINK (2)					년/월 Year/Month	2022-12
T395STEU								
KEY NO	PART NO	DESCRIPTION	SPEC	QTY	REPAIR	EFFECTIVE DATE	REMARKS	
606	1	16705011201	샤프트(포지션)COMP					
606	2	V7201019009	O링(P)	P9				
606	3	17995060050	링크(B)COMP					
606	4	V7081400060	E형멈춤링	6				
606	5	16705010030	샤프트(드래프트)					
606	6	V7081400090	E형멈춤링	8				
606	7	17995060061	링크					
NOTE								

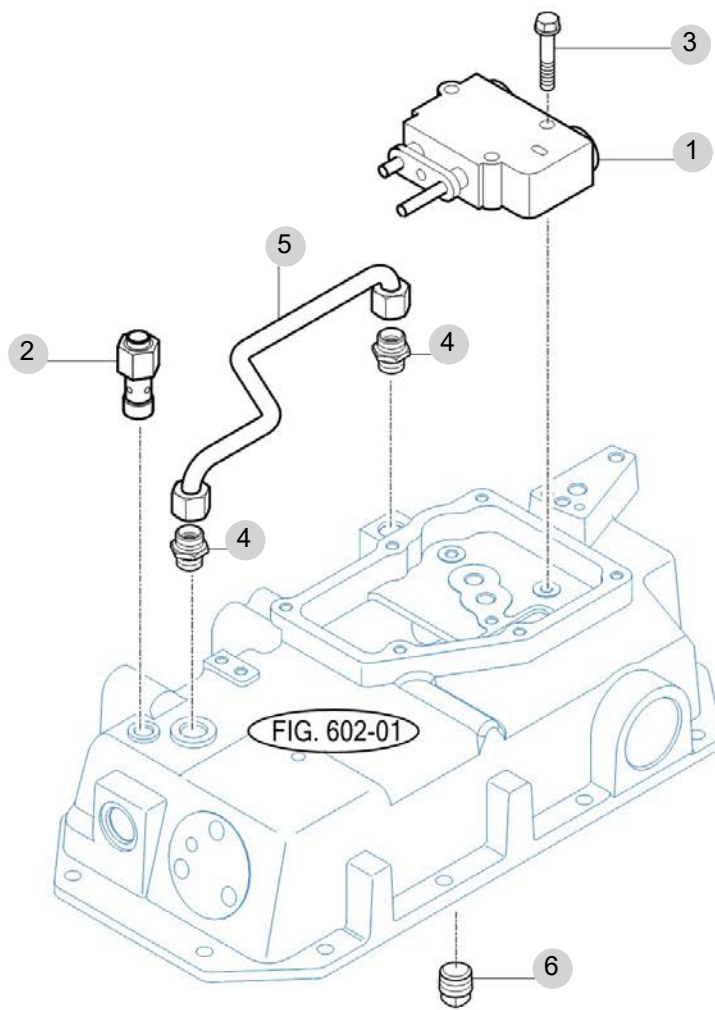
FIG 607

T395STEU

CONTROL VALVE

년/월
Year/Month

2022-12



NOTE

FIG 607 T395STEU		CONTROL VALVE					년/월 Year/Month	
							2022-12	
KEY NO	PART NO	DESCRIPTION	SPEC	QTY	REPAIR	EFFECTIVE DATE	REMARKS	
607	1	17995050100		1				
607	1	17995050101		1				
607	2	16700070000		1				
607	3	V2173608045	M8X45	3				
607	4	16705060060		2				
607	5	16705062400		1				
607	6	V7811600006	R3/8	1				
NOTE								

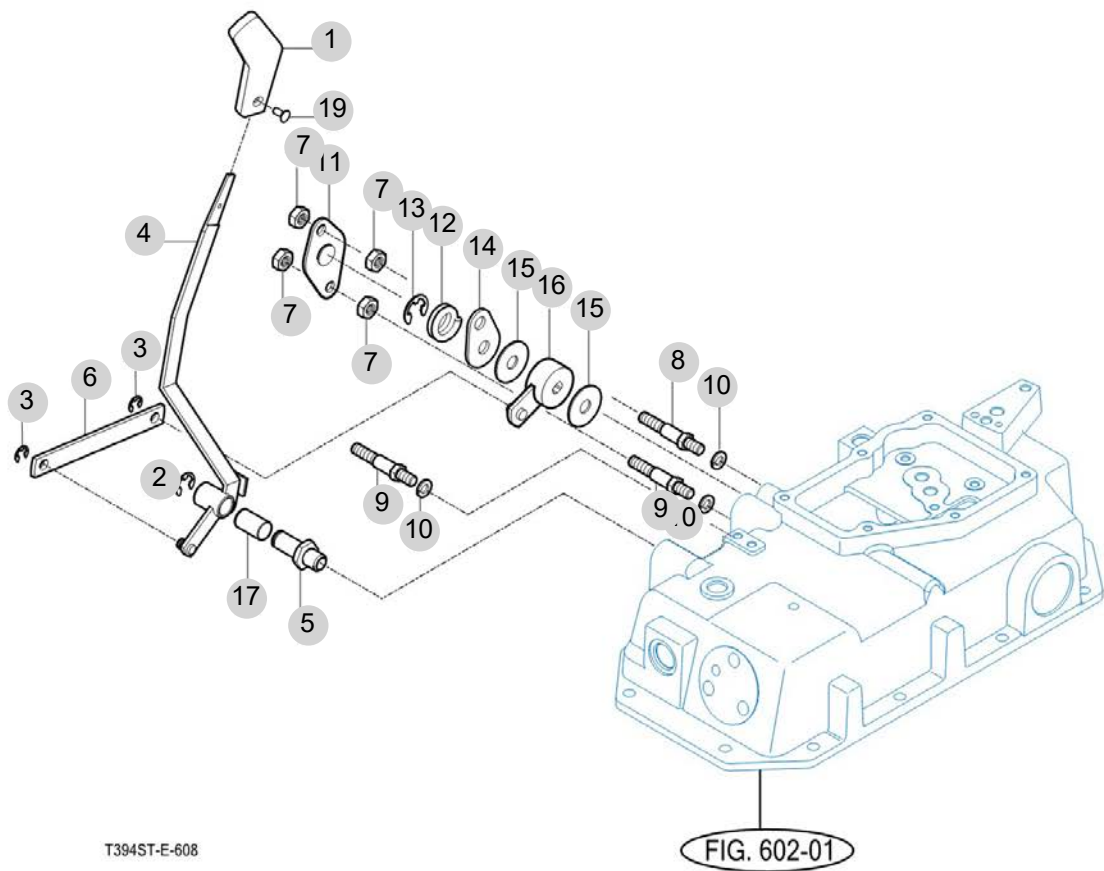
FIG 608

T395STEU

POSITION LEVER

년/월
Year/Month

2022-12



T394ST-E-608

FIG. 602-01

NOTE

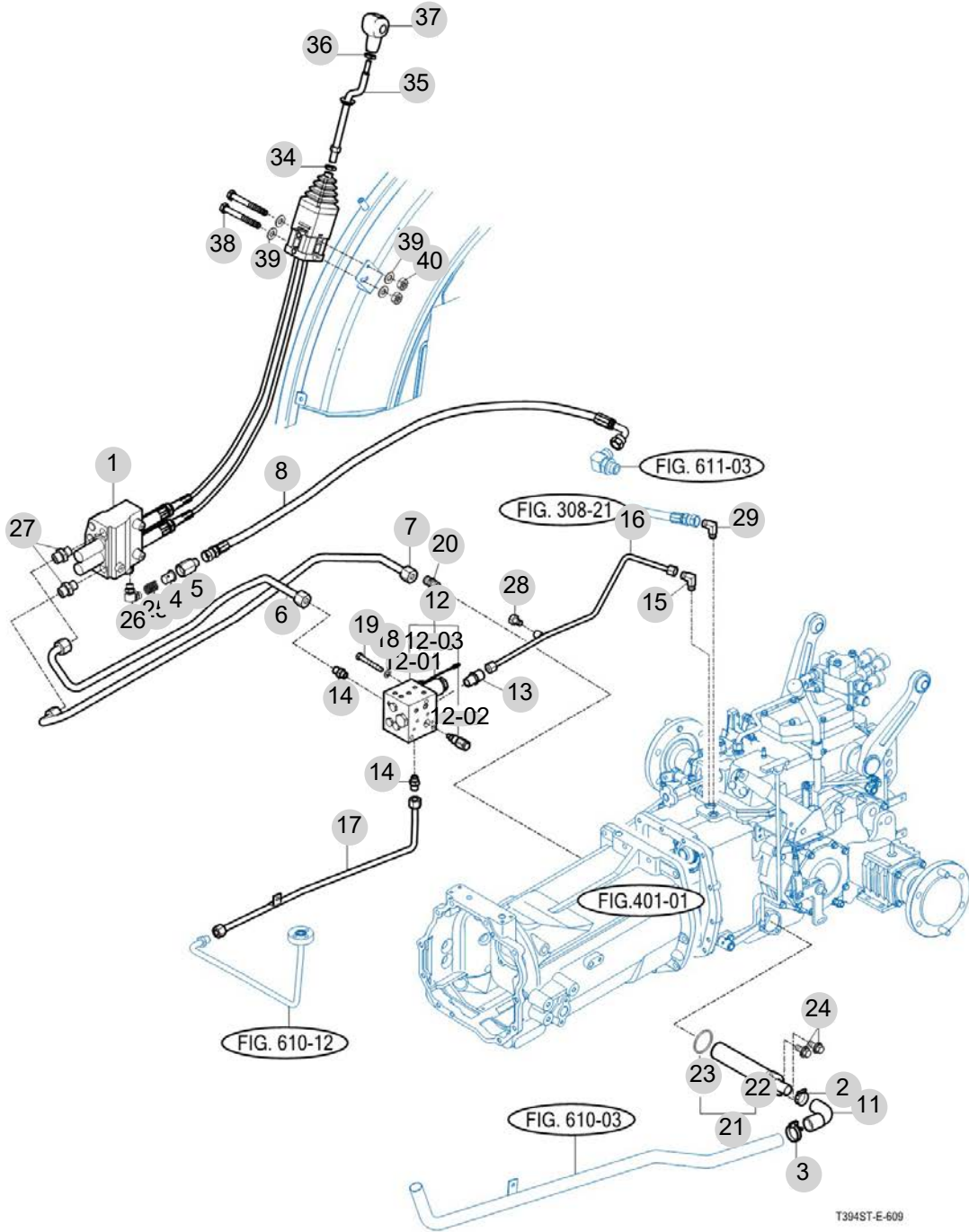
FIG 609

HYDRAULIC PIPE (1)

년/월
Year/Month

2022-12

T395STEU



T394ST-E-609

NOTE

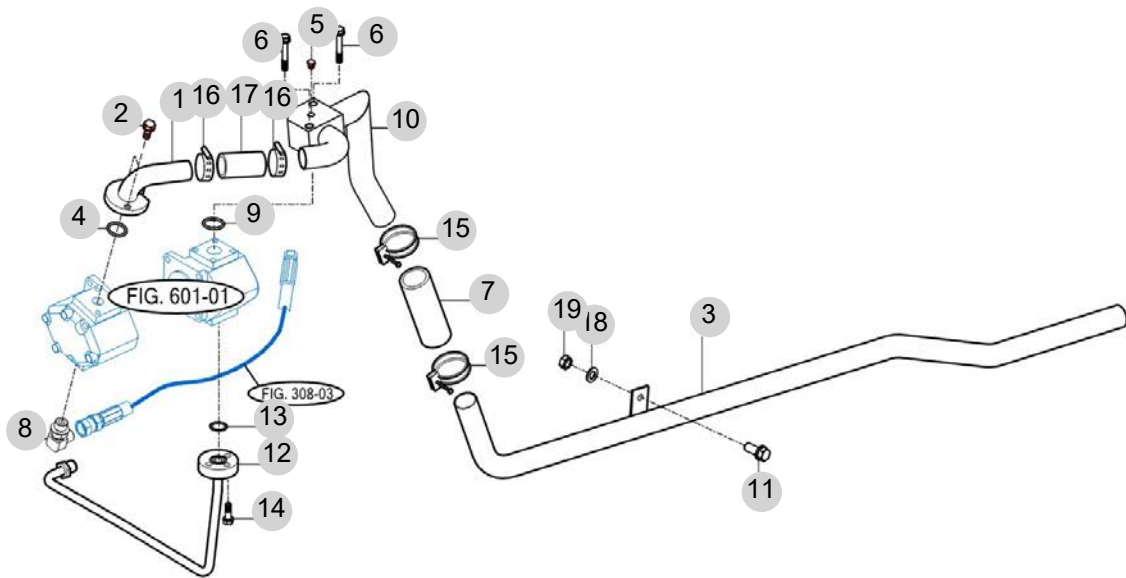
FIG 610

T395STEU

HYDRAULIC PIPE (2)

년/월
Year/Month

2022-12



T394-E-606

NOTE

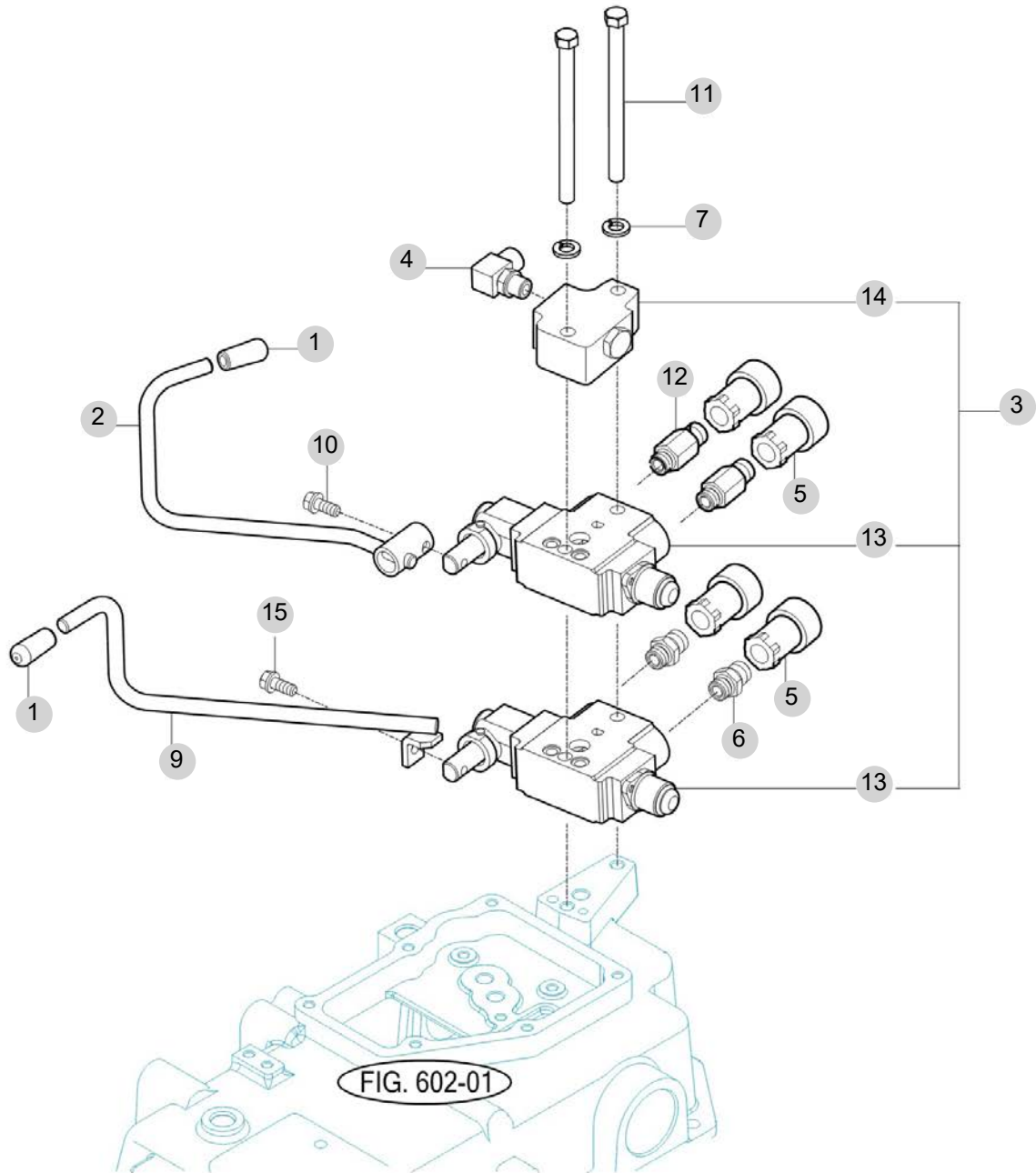
FIG 611

T395STEU

EXTERIOR HYD. VALVE

년/월
Year/Month

2022-12



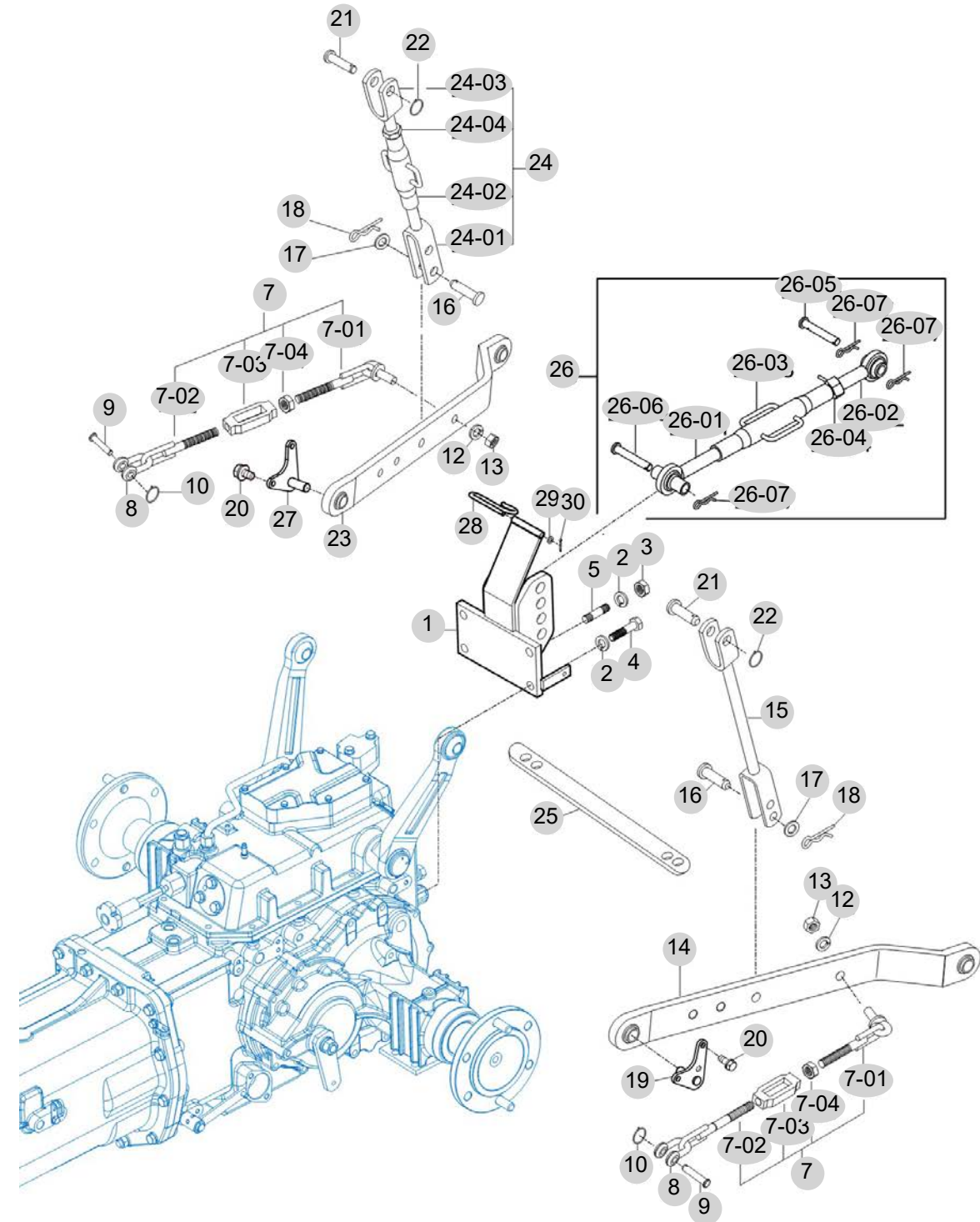
NOTE

FIG 612

3-POINT LINK

년/월
Year/Month

2022-12



2545ST-K-612

NOTE

FIG 612		3-POINT LINK					년/월 Year/Month	
T395STEU							2022-12	
KEY NO	PART NO	DESCRIPTION	SPEC	QTY	REPAIR	EFFECTIVE DATE	REMARKS	
612	1	12393172000GB	톱링크 브래킷 COMP		1			
612	2	V4011600140	스프링와셔	M14	4			
612	3	V3043600140	소형육각너트보통2종	M14	2			
612	4	V2014614035	소형육각볼트(보통)		2			
612	5	V2514414030	스터드볼트2종	M14X30	2			
612	7	16705142501	체인(체크) 조합		2			
612	7-01	16705244100	체인(체크,LH)COMP		2			
612	7-02	16705142800	체인(체크,RH)COMP		2			
612	7-03	16705142510M	더언버클		2			
612	7-04	V3043600160	소형육각너트보통2종	M16	2			
612	8	16705142520	체크체인 샤클		2			
612	9	79636110030	핀(12X48)		2			
612	10	16735240060	스프링(45)		2			
612	12	V4011600160	스프링와셔	M16	2			
612	13	V3013600160	육각너트보통2종	M16	2			
612	14	16705142001GB	로어링크(LH)COMP		1			
612	15	16705142400GB	리프트로드(LH) COMP		1			
612	16	79636130050	핀(16X60)		2			
612	17	V4111600160	평와셔	M16	2			
612	18	13059310030	헤어핀(D=2.3)		2			
612	19	12385142200	핀(LH) COMP		2			
612	20	V2173612030	소형육각볼트보통(S)	M12X30	4			
612	21	16705020050	핀(19X69)		2			
612	22	16735240060	스프링(45)		2			
612	23	16705142101GB	로어링크(RH)COMP		1			
612	24	16705145000GB	리프트로드(RH)ASSY		1			
612	24-01	16705145200	포크(하)COMP		1			
612	24-02	16705145100	슬리브 COMP		1			
612	24-03	16705145300	포크(상)COMP		1			
612	24-04	V3023600220	육각너트보통3종		1			
612	25	15605250030	밴드(470)		1			
612	26	16505245501GB	톱링크ASSY		1			
612	26	16505245502GB	톱링크 ASSY		1			
612	26-01	16505245510	톱링크COMP(RH)		1			
612	26-02	16505245520	톱링크COMP(LH)		1			
612	26-03	14555140251	턴버클 조합(톱링크)		1			
612	26-04	16505245530	육각너트		1			
612	26-05	15645220020	핀(19X95)		1			
612	26-06	15645220011	핀(19X86)		1			
612	26-07	14445140051	헤어핀(19)		3			
612	27	12385142300	핀(RH) COMP		1			
612	28	12396251100	톱링크 후크		1			
612	29	V4111600060	평와셔		1			
612	30	V5001920020	분할핀		1			
NOTE								

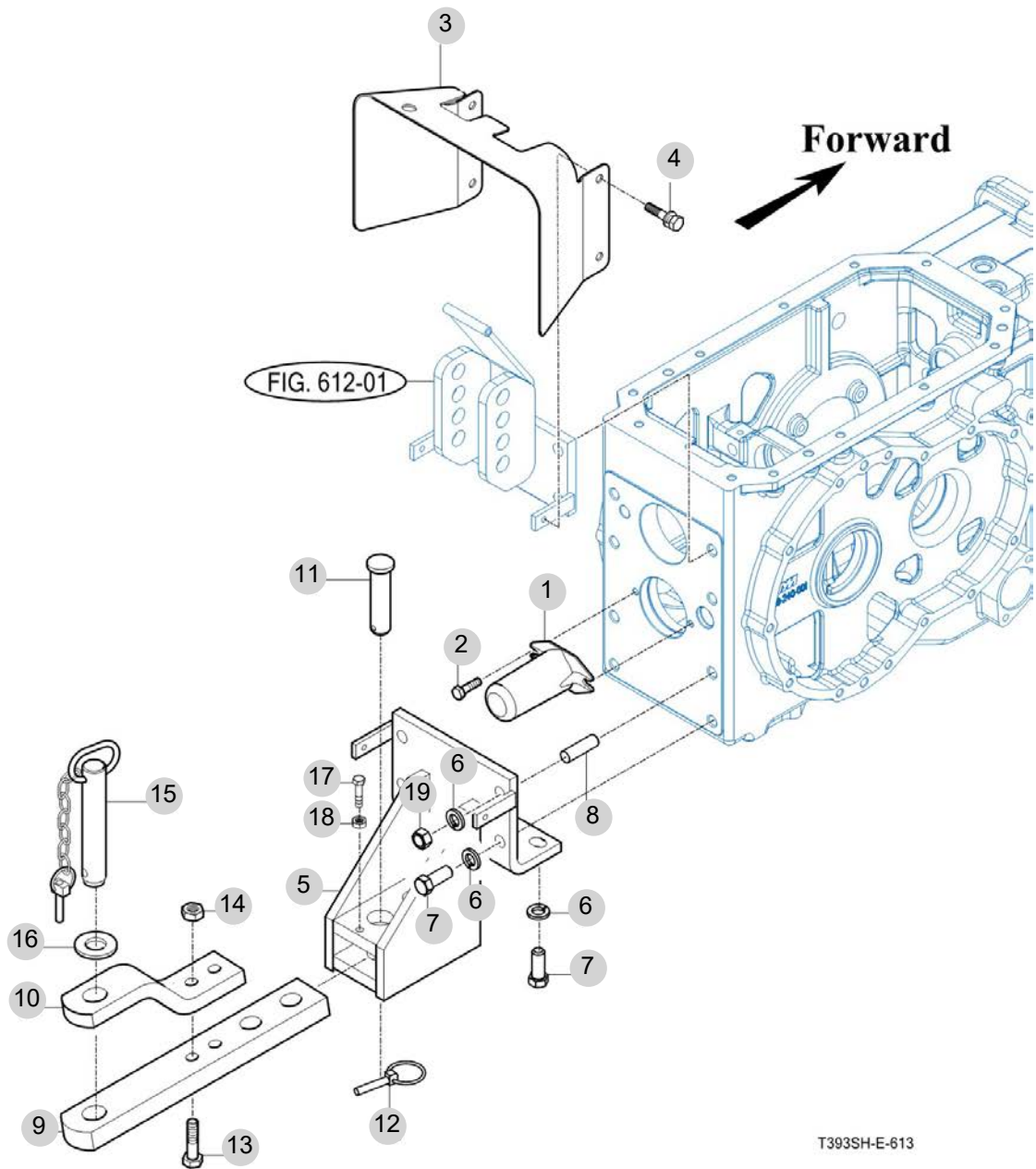
FIG 613

T395STEU

HITCH & COVER

년/월
Year/Month

2022-12



NOTE

7. 시트메탈/캐빈 PART NO. T7

FIG 701 HOOD	154
FIG 702 BONNET	157
FIG 704 FRONT & REAR MOUNTING	160
FIG 705 DASHPANEL	162
FIG 706 SEAT & MAT	164
FIG 707 DOOR	166
FIG 708 FRONT GLASS	169
FIG 709 REAR GLASS	171
FIG 710 SUB FENDER & COVER	173
FIG 711 MIRROR	175
FIG 712-1 HEATER & AIR-CON	177
FIG 712-2 HEATER & AIR-CON	179
FIG 713 FENDER COVER	181
FIG 714 ROOF	183
FIG 715 CABIN INTERIOR	185

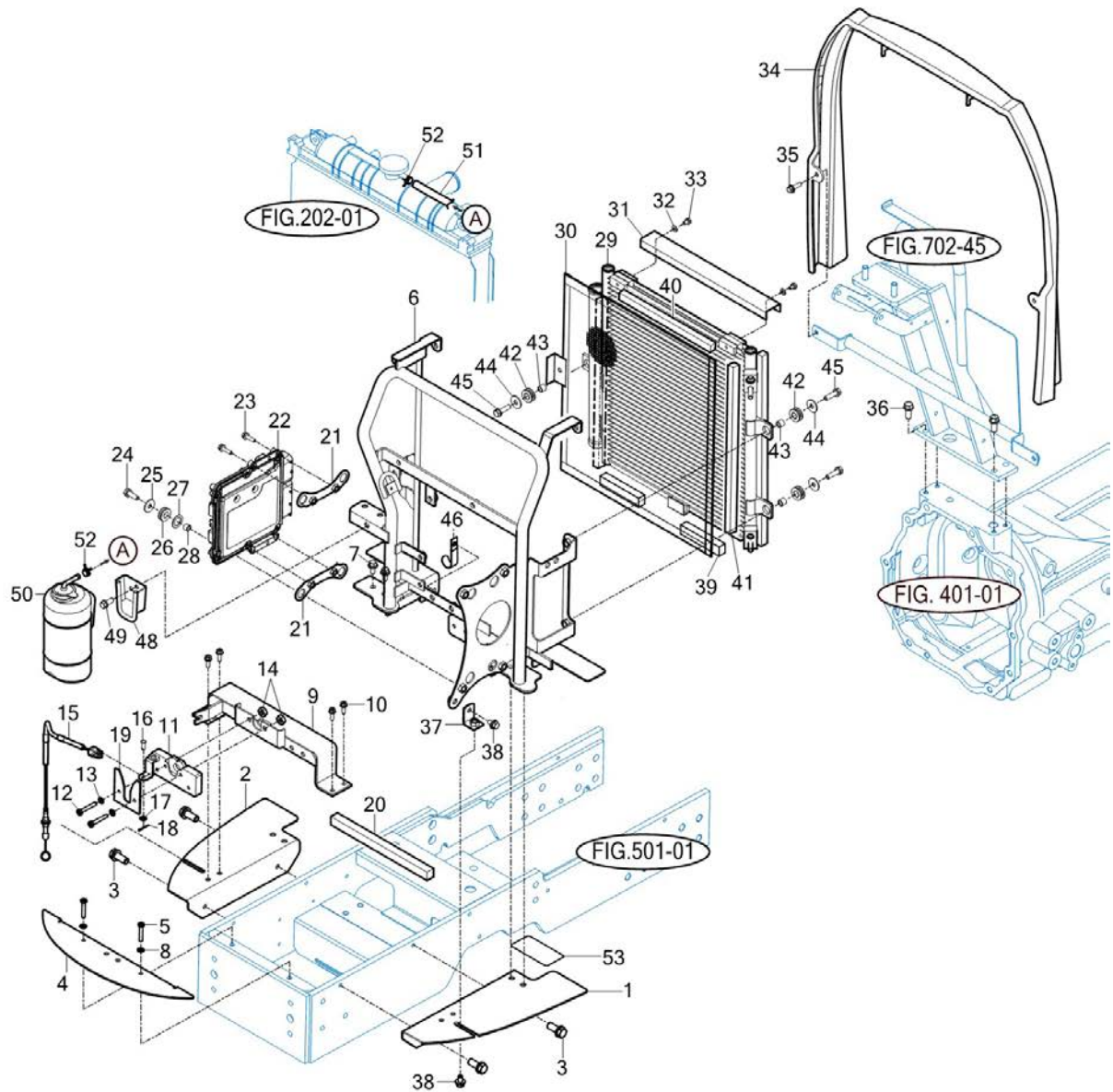
FIG 701

T395STEU

HOOD

년/월
Year/Month

2022-12



NOTE

FIG 701		HOOD					년/월 Year/Month		
							2022-12		
T395STEU		KEY NO	PART NO	DESCRIPTION	SPEC	QTY	REPAIR	EFFECTIVE DATE	REMARKS
701	1	17404072301GB	플레이트COMP, LH			1			
701	2	17404072401GB	플레이트COMP, RH			1			
701	3	V2183608016	소형육각볼트보통(SP)	M8X16		4			
701	4	17404072501GB	플레이트 COMP, C			1			
701	5	V2053606035	십자홈육각볼트	M6X35		2			
701	6	12341122000GB	프런트 프레임 COMP			1			
701	7	V2183608020	소형육각볼트보통(SP)	M8X20		4			
701	8	V4011600060	스프링와셔	M6		2			
701	9	17406014202GB	후드 스테이 COMP			1			
701	10	V2323606020	십자홈육각볼트(SP)	M6X20		4			
701	11	17686020600	잠금장치(후드)COMP			1			
701	12	V2053606035	십자홈육각볼트	M6X40		2			
701	13	V4011600060	스프링와셔	M6		2			
701	14	V3802600060	플랜지불이육각너트	M6		2			
701	15	12136020650	후드 케이블ASSY			1			
701	16	15601160083	핀 (06X16)			1			
701	17	V4111600060	평와셔	M6		1			
701	18	V5001920020	분할핀			1			
701	19	17406014300	후드핀 가이드			1			
701	20	12331041530	인슐레이터 , 하니스			1			
701	21	12341222000GB	ECU 플레이트 COMP			2			
701	22	129A26-75040	129A2675040-로 주문변경			1			
701	23	V2123606025	육각볼트(SP)	M6X25		4			
701	24	V2173608025	소형육각볼트보통(S)	M8X25		4			
701	25	35602010150	결속축와셔			4			
701	26	14046210300	그로맷			4			
701	27	35652030040	팩커축칼라			4			
701	28	15991040050	칼라(08X12X08)			4			
701	29	13778303700	콘덴서 ASSY			1			
701	29	12398303700	콘덴서 ASSY			1			
701	30	12391042300GB	콘덴서 네트 COMP			1			
701	31	13831054010GB	콘덴서 브라켓 , 상			1			
701	31	12391054010GB	콘덴서 브라켓 , 상			1			
701	32	V4111600060	평와셔			2			
701	33	V2113606010	육각볼트(S)	M6X10		2			
701	34	12347071131	연장커버			1			
701	35	V2183606020	소형육각볼트보통(SP)	M6X20		2			
701	36	V2183610025	소형육각볼트보통(SP)	M10X25		4			
701	37	12341223000GB	ECU 고정 브라켓 COMP			1			
701	38	V2183608016	소형육각볼트보통(SP)	M8X16		2			
701	39	18501042360	스폰지(170)			2			
701	40	12391042350	스폰지(245)			1			
701	41	18501042370	스폰지(430)			2			
701	42	19026210300	그로맷(12X17X10)			3			
701	43	19026010020	칼라(10X12X08)			3			
NOTE									

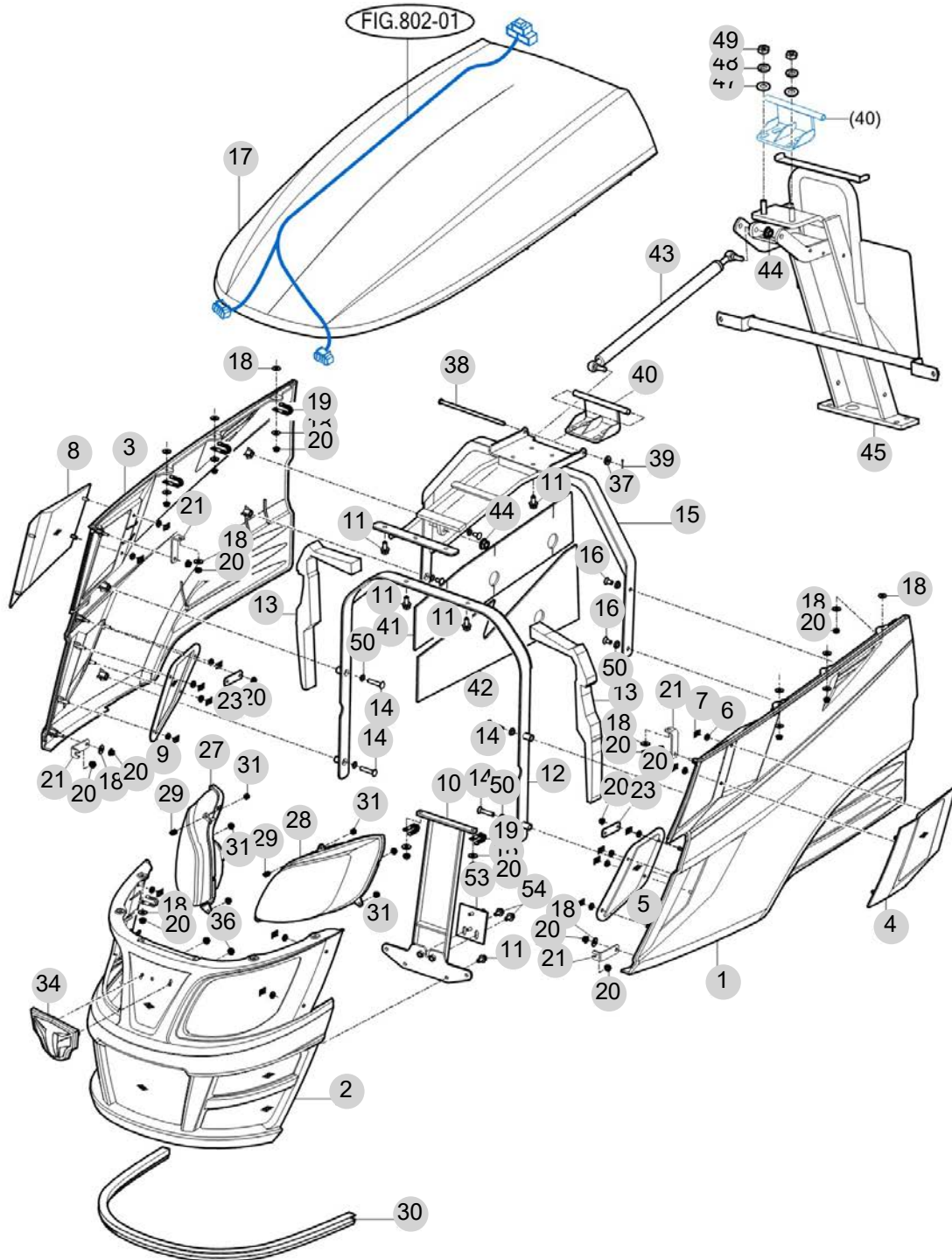
FIG 702

T395STEU

BONNET

년/월
Year/Month

2022-12



NOTE

FIG 702		BONNET					년/월 Year/Month	
T395STEU		2022-12						
KEY NO	PART NO	DESCRIPTION	SPEC	QTY	REPAIR	EFFECTIVE DATE	REMARKS	
702	1	17406203301SR	사이드 커버 COMP , 좌		1			
702	2	17406203200GB	그릴 COMP		1			
702	3	17406203401SR	사이드 커버 COMP , 우		1			
702	4	17406203500GB	네트 , 상/좌		1			
702	5	17406203600GB	네트 , 하/좌		1			
702	6	14446010150	네트와샤(6X14X3)		16			
702	7	V3501600060	스프링 너트		16			
702	8	17406203700GB	네트 , 상/우		1			
702	9	17406203800GB	네트 , 하/우		1			
702	10	18366202500GB	핀 COMP , 후드락		1			
702	11	V2183608020	소형육각볼트보통(SP)		13			
702	12	17406202300GB	후드 프레임 COMP , 전		1			
702	13	12346202431	후드 인슐레이터		2			
702	14	V1122608040	십자홈접시작은나사		4			
702	15	10536202700GB	후드 프레임 COMP , 후		1			
702	16	V1122608016	십자홈접시작은나사		4			
702	17	17406203101SR	후드 COMP		1			
702	18	35605033020	와이어인출용와셔		22			
702	19	37371720090	메인하니스 클램프(하)		6			
702	20	V3802600060	플랜지불이육각너트		24			
702	21	17406203011GB	플레이트 , 상/사이드		4			
702	21	17406203010GB	플레이트 , 상/사이드		4			
702	23	17406203020GB	플레이트 , 중/사이드		2			
702	27	17406525001	헤드램프 ASSY , 우		1			
702	28	17406524001	헤드램프 ASSY , 좌		1			
702	29	36108010080	중자출구스프링(HC016)		2			
702	30	17406203900	인슐레이터 , 후드		1			
702	31	19027210060	나일론너트(M6)		6			
702	34	19959010011	엠블럼		1			
702	34	17406212000	엠블럼 ASSY , V5		1			
702	36	V3802600060	플랜지불이육각너트		2			
702	37	V4111600080	평와셔		1			
702	38	13016202060	후드 핀		1			
702	39	V5001925020	핀		1			
702	40	13016202804GB	후드 힌지 플레이트 COMP		1			
702	40	13016202805GB	플레이트 COMP , 보닛 힌지		1			
702	40	13016202806GB	플레이트 COMP , 보닛 힌지		1			
702	41	17406202420	인슐레이터 , 사이드 후/좌		1			
702	42	17406202411	인슐레이터 , 후드		1			
702	43	17406202901	후드 가스스프링		2			
702	43	12366202900	후드 가스스프링		1			
702	44	V3802600080	플랜지불이육각너트		2			
702	45	12346022101GB	후드 프레임 COMP		1			
702	47	V4111600100	평와셔		2			
702	48	V4011600100	스프링와셔		2			
NOTE								

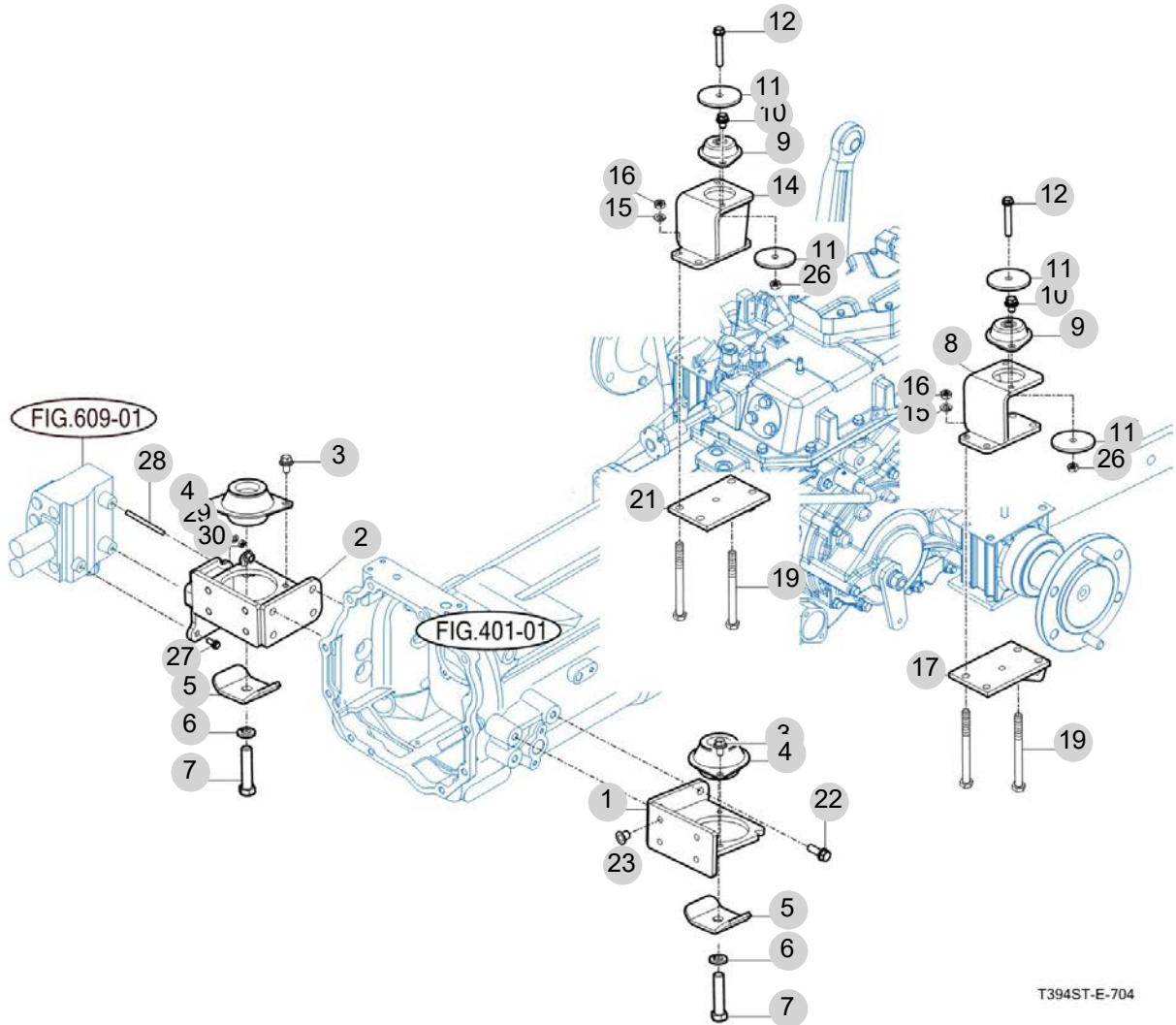
FIG 704

T395STEU

FRONT & REAR MOUNTING

년/월
Year/Month

2022-12



T394ST-E-704

NOTE

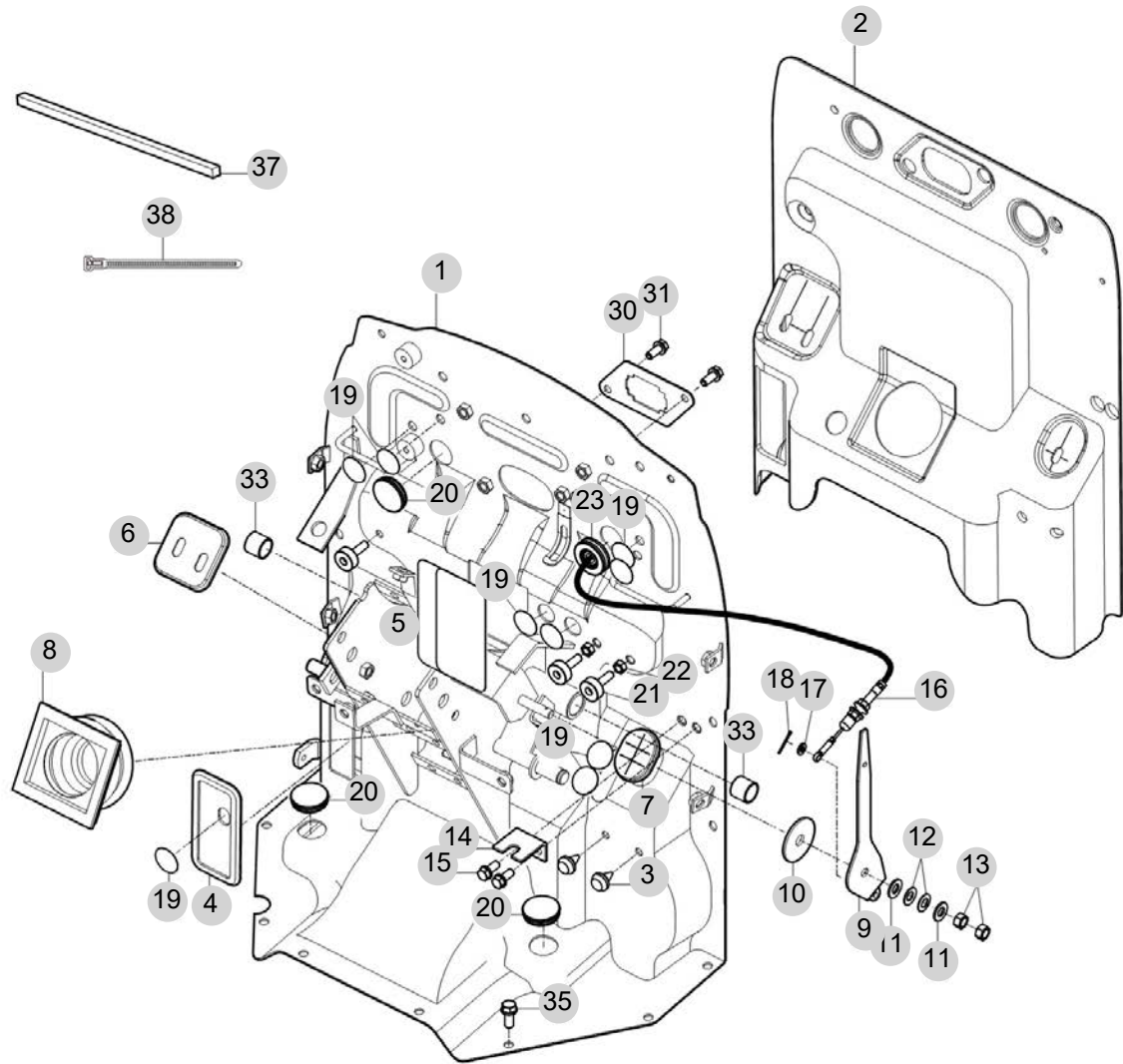
FIG 705

T395STEU

DASHBOARD

년/월
Year/Month

2022-12



NOTE

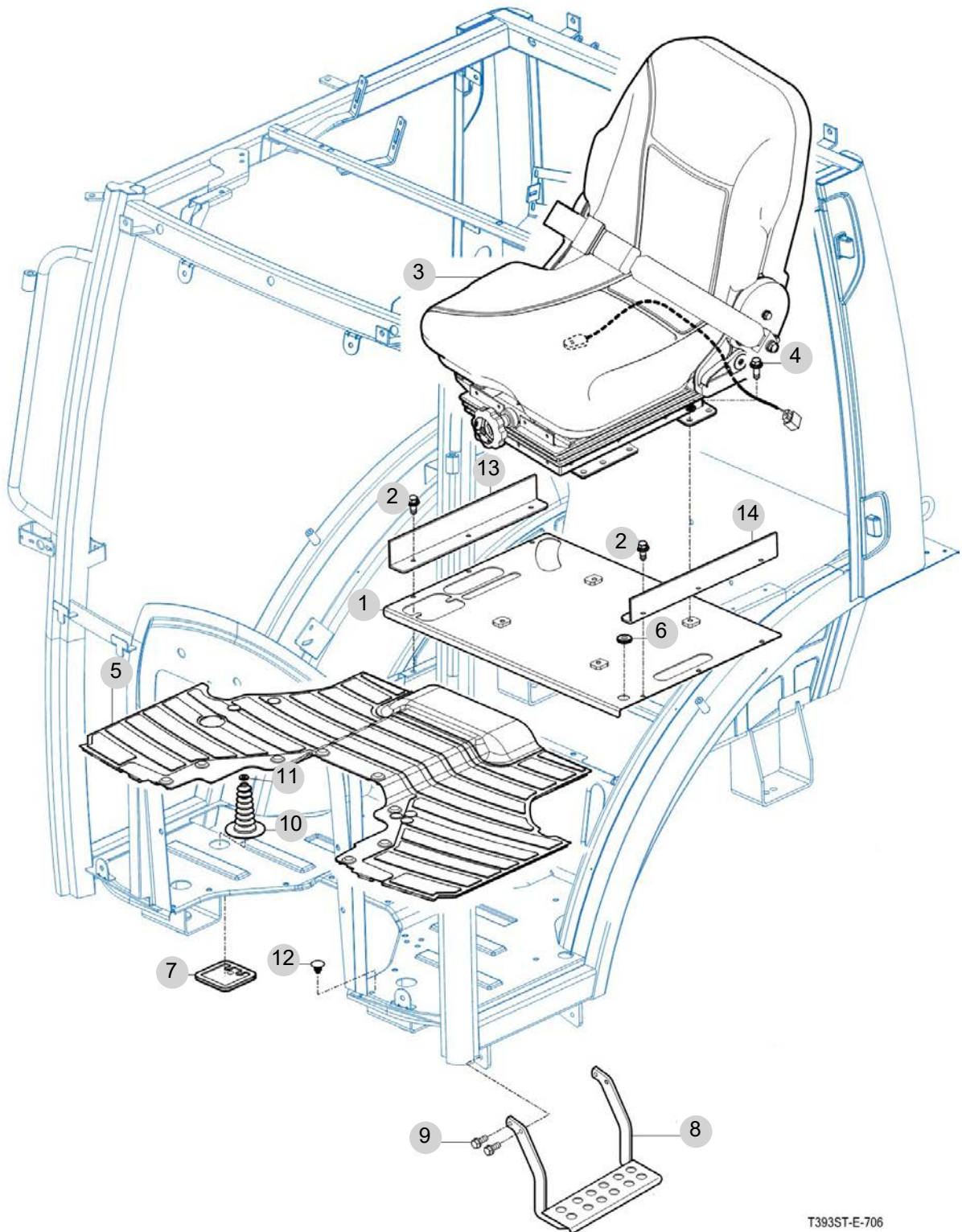
FIG 706

SEAT & MAT

년/월
Year/Month

2022-12

T395STEU



NOTE

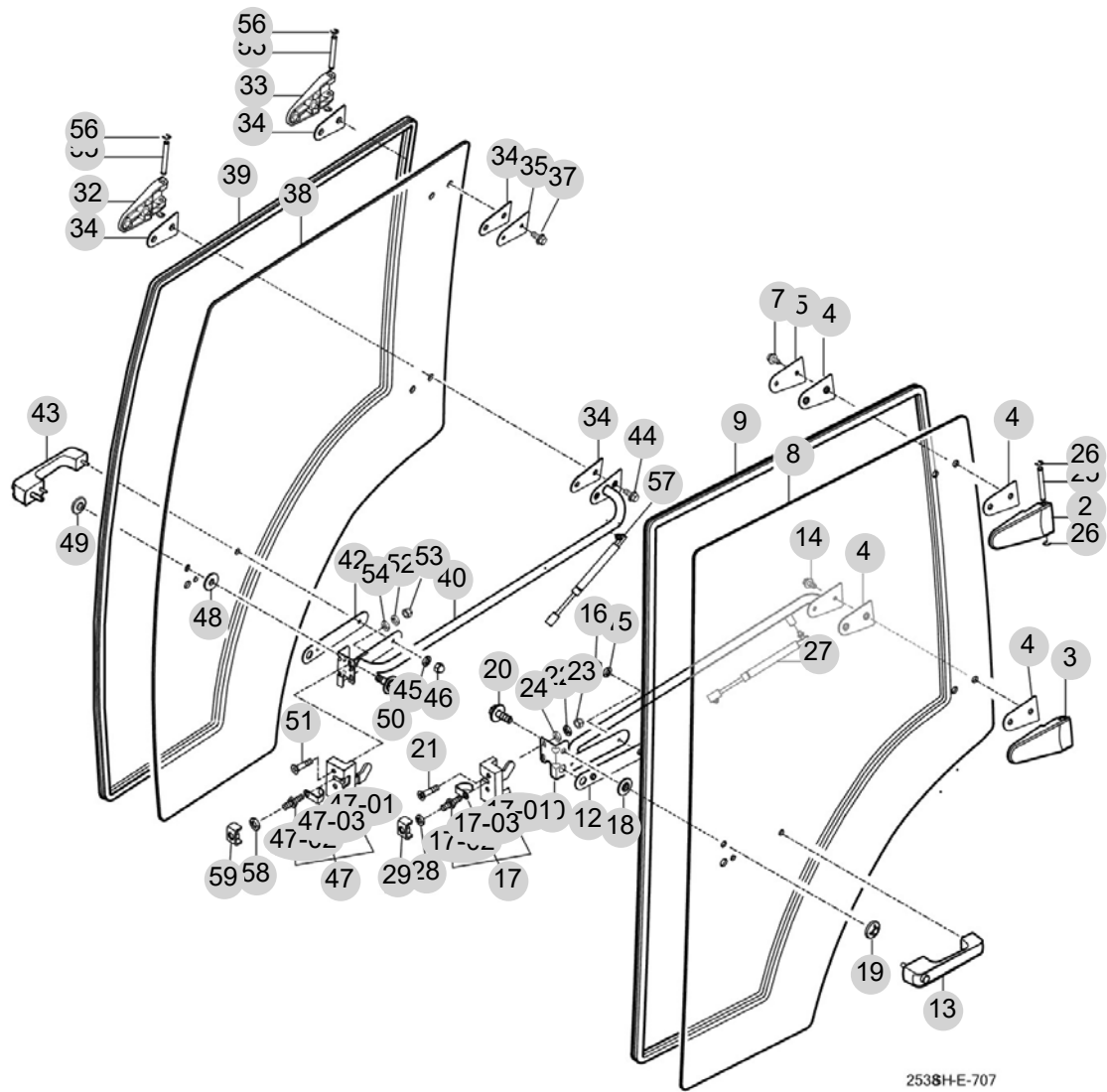
FIG 707

T395STEU

DOOR

년/월
Year/Month

2022-12



2538H-E-707

NOTE

FIG 707		DOOR					년/월 Year/Month		
							2022-12		
T395STEU		KEY NO	PART NO	DESCRIPTION	SPEC	QTY	REPAIR	EFFECTIVE DATE	REMARKS
707	2	14527052300	도어힌지조합, 상/LH			1			
707	3	14527052400	도어힌지조합, 상/RH			1			
707	4	14527052110	개스킷, 도어힌지			4			
707	5	14527052120GB	플레이터,도어힌지			1			
707	7	V2183608020	소형육각볼트보통(SP)	M8X20		2			
707	8	12397052211	그라스, 도어/LH	6t		1			
707	9	12397042200	인슐레이터, 도어			1			
707	10	12397022500GB	가이드 조합, LH/도어			1			
707	12	14527052150	개스킷, 도어손잡이			1			
707	13	14527052600	잠금장치 손잡이ASSY			1			
707	14	V2183608020	소형육각볼트보통(SP)	M8X20		2			
707	15	V4011600060	스프링와셔	M6		2			
707	16	V3402700060	육각캡너트	M6		2			
707	17	14527052700	록크SET,LH/도어			1			
707	17-01	14527052710	록ASSY,LH/도어			1			
707	17-02	14527052720	스트라이크			1			
707	17-03	14527052730	가이드			1			
707	18	15817401130	크로메트(13X17X02)			1			
707	19	14527042500	그라스너트조합			1			
707	20	V2193606012	육각볼트(SPL)	M6X12		1			
707	21	V1122608040	심자흡점시작은나사	M8X40		2			
707	22	V4011600080	스프링와셔	M8		2			
707	23	V3412700080	소형육각캡너트	M8		2			
707	24	V4111600080	평와셔			2			
707	25	14527041110	핀, 도어힌지	D=8		2			
707	26	V7082400070	E형멈춤링(sus)	7		4			
707	27	14527301080	댐퍼(도어)ASSY_20kg	20KG		1			
707	28	V4011600100	스프링와셔	M10		1			
707	29	14527062500GB	브래킷 조합,도어록			1			
707	32	14527052300	도어힌지조합, 상/LH			1			
707	33	14527052400	도어힌지조합, 상/RH			1			
707	34	14527052110	개스킷, 도어힌지			4			
707	35	14527052120GB	플레이터,도어힌지			1			
707	37	V2183608020	소형육각볼트보통(SP)	M8X20		2			
707	38	12397052111	그라스, 도어/RH	6t		1			
707	39	12397042200	인슐레이터, 도어			1			
707	40	12397024000GB	가이드 조합, RH/도어			1			
707	42	14527052150	개스킷, 도어손잡이			1			
707	43	14527052600	잠금장치 손잡이ASSY			1			
707	44	V2183608020	소형육각볼트보통(SP)	M8X20		2			
707	45	V4011600060	스프링와셔	M6		2			
707	46	V3402700060	육각캡너트	M6		2			
707	47	14527053700	록크SET,RH/도어			1			
707	47-01	14527053710	록크ASSY,RH/도어			1			
707	47-02	14527052720	스트라이크			1			
NOTE									

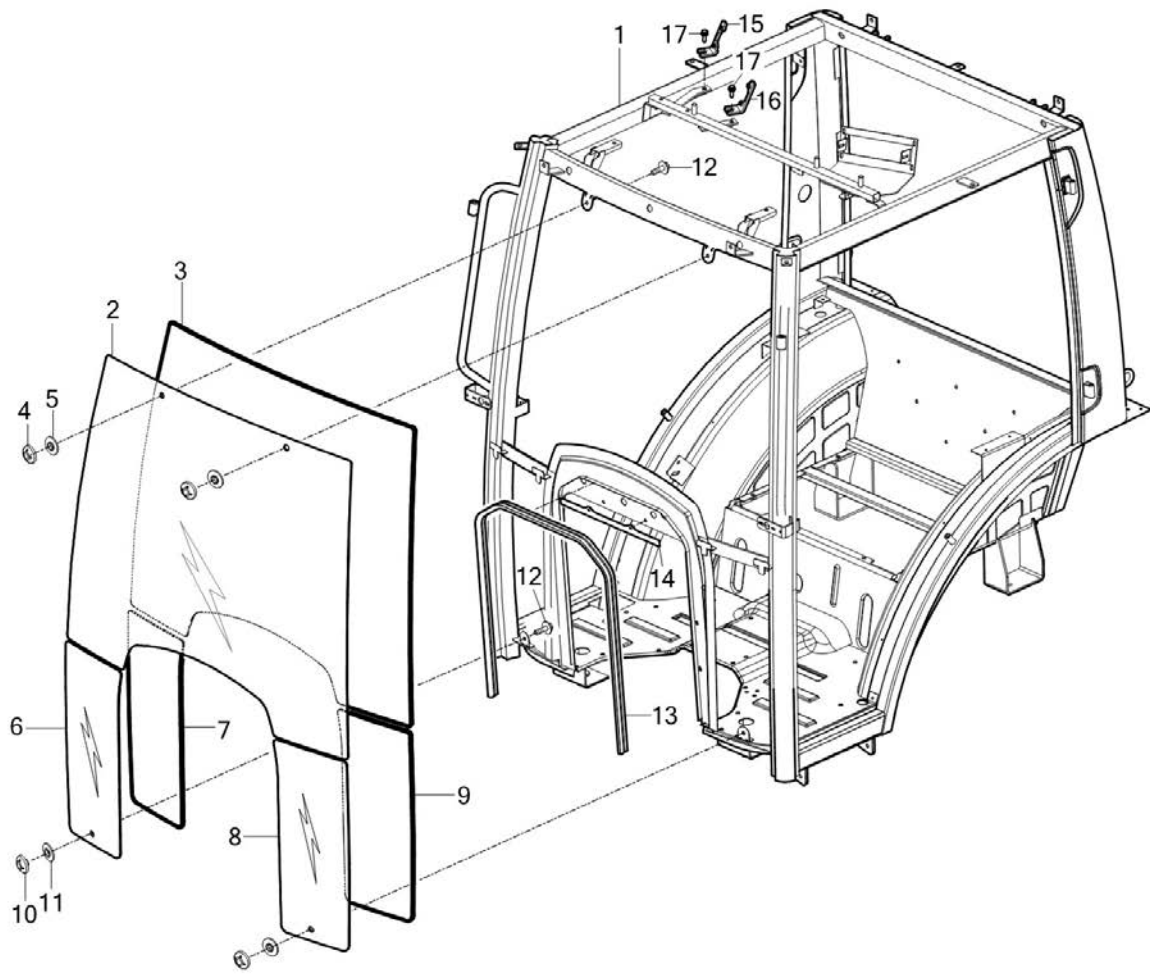
FIG 708

T395STEU

FRONT GLASS

년/월
Year/Month

2022-12



NOTE

FIG 708 T395STEU		FRONT GLASS					년/월 Year/Month	
							2022-12	
KEY NO	PART NO	DESCRIPTION	SPEC	QTY	REPAIR	EFFECTIVE DATE	REMARKS	
708	1	12527012100GB	프레임COMP, T393ST		1			
708	1	12527012101GB	프레임COMP, T393ST		1			
708	1	12527012102GB	프레임COMP, T393ST		1			
708	1	12527012102GB	프레임COMP, T393ST		1			
708	2	12397052410	그라스, 프런트/상		1			
708	3	12397052420	인슐레이터, 그라스/상		1			
708	4	14527042500	그라스너트조합		2			
708	5	15817401130	크로메트(13X17X02)		2			
708	6	12397052610	그라스, 프런트/하/RH		1			
708	7	12397052520	인슐레이터, 프런트/하		1			
708	8	12397052510	그라스, 프런트/하/LH		1			
708	9	12397052520	인슐레이터, 프런트/하		1			
708	10	14527042500	그라스너트조합		2			
708	11	15817401130	크로메트(13X17X02)		2			
708	12	V2193606012	육각볼트(SPL)		4			
708	13	12391120060	인슐레이터, 대시프레임		1			
708	14	12647012360GB	플레이트, 인슐레이터 고정		1			
708	15	11347022700GB	브래킷 COMP, 컨트롤러/RH/상		1			
708	15	13827022700GB	브래킷 COMP, 컨트롤러/RH/상		1			
708	15	13827022700GB	브래킷 COMP, 컨트롤러/RH/상		1			
708	16	11347014500GB	브래킷 COMP, 컨트롤러/LH/상		1			
708	16	13827014500GB	브래킷 COMP, 컨트롤러/LH/상		1			
708	16	13827014500GB	브래킷 COMP, 컨트롤러/LH/상		1			
708	17	V2183608020	소형육각볼트보통(SP)	M8X20	2			
NOTE								

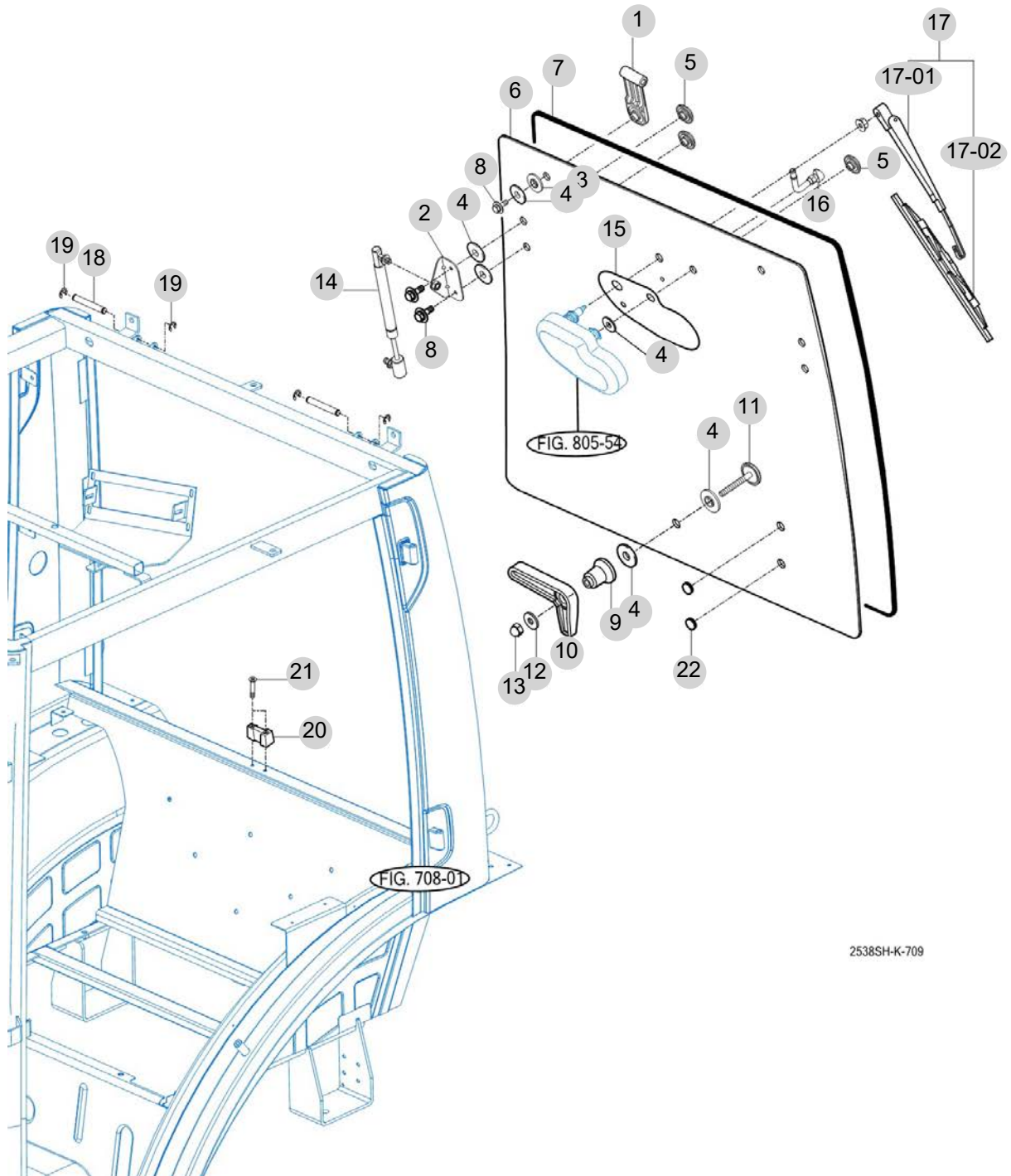
FIG 709

T395STEU

REAR GLASS

년/월
Year/Month

2022-12



2538SH-K-709

NOTE

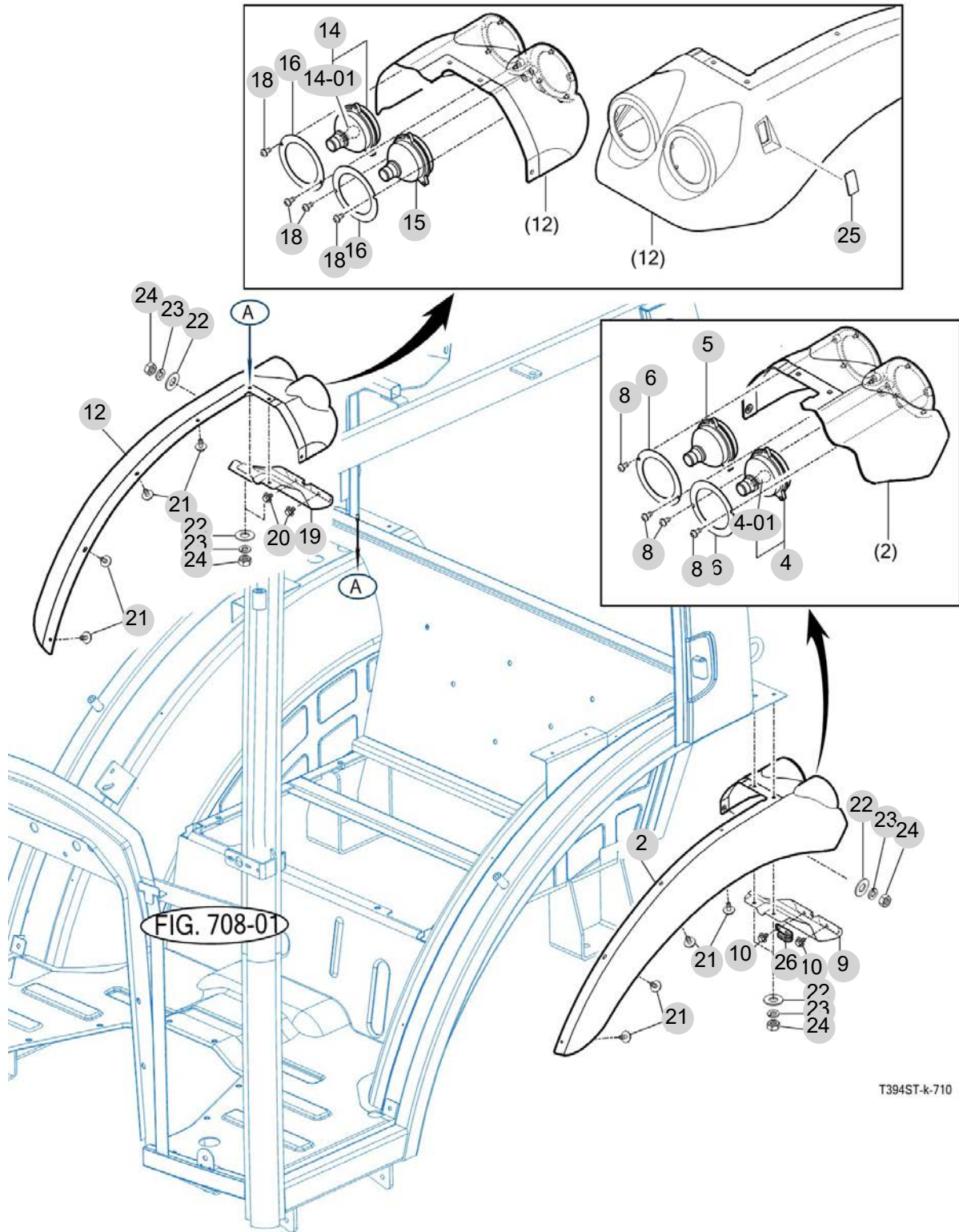
FIG 710

T395STEU

SUB FENDER & COVER

년/월
Year/Month

2022-12



T394ST-k-710

NOTE

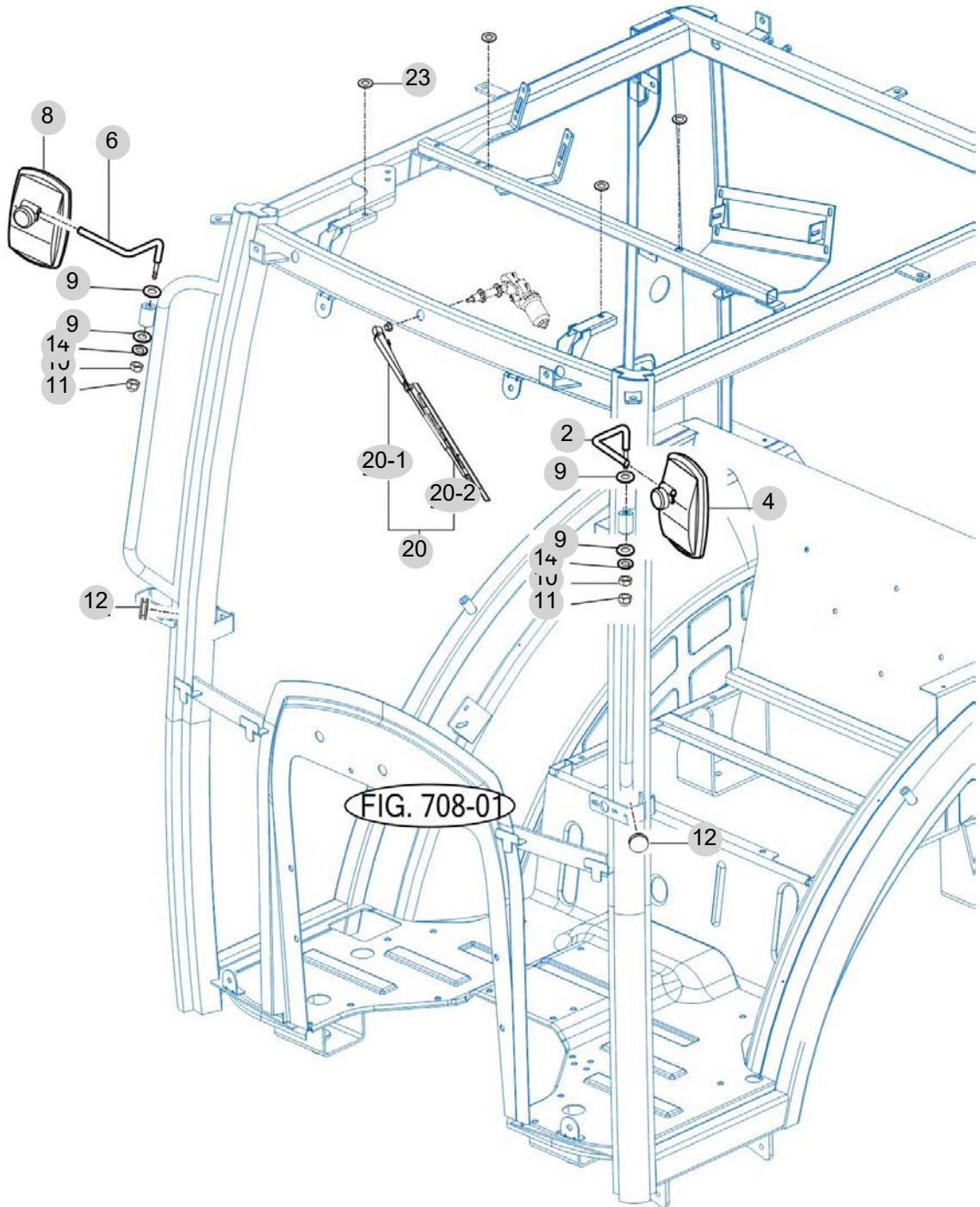
FIG 711

T395STEU

MIRROR

년/월
Year/Month

2022-12



NOTE

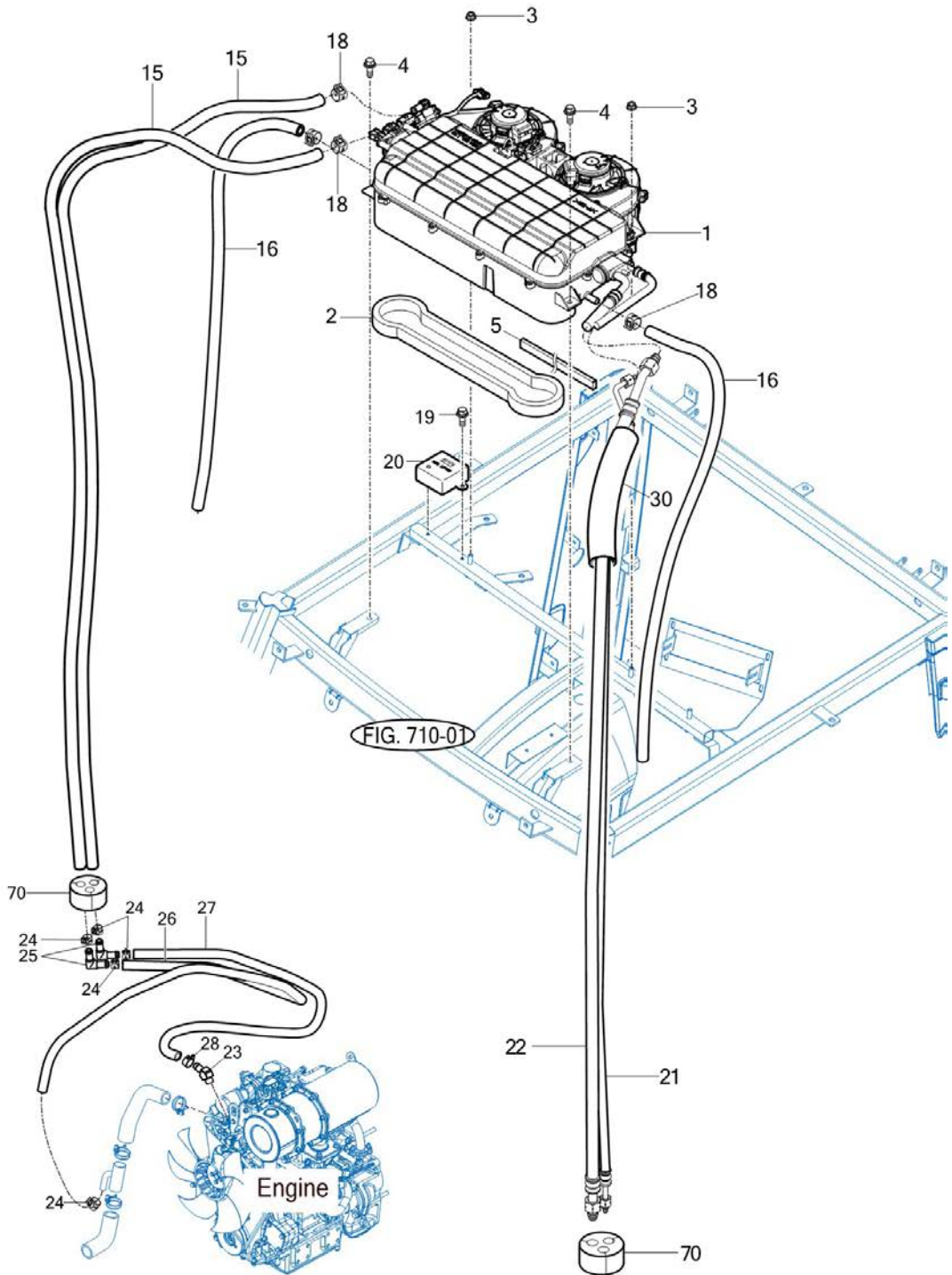
FIG 712-1

HEATER & AIR-CON

년/월
Year/Month

2022-12

T395STEU



T393ST-K-712

NOTE

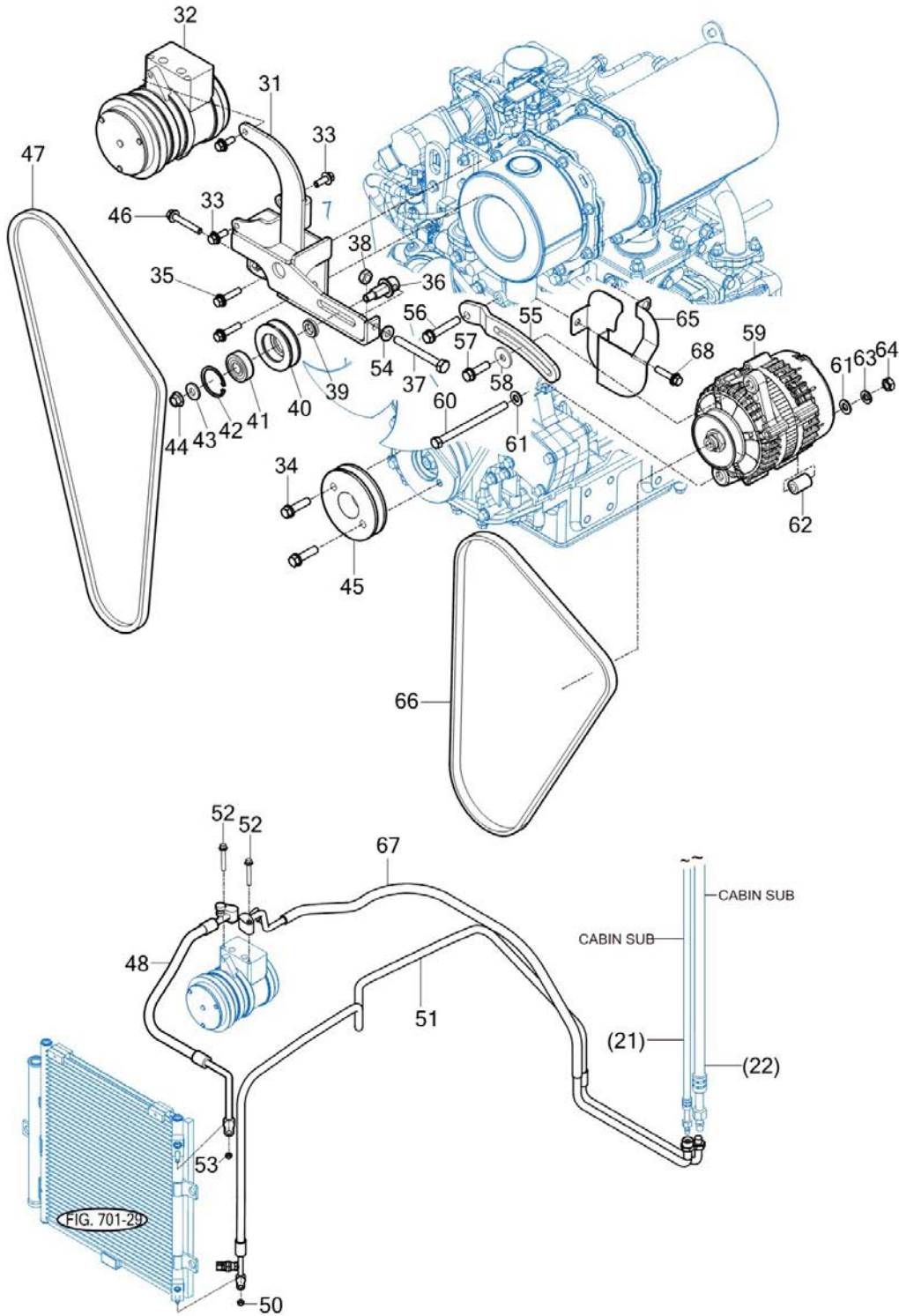
FIG 712-2

HEATER & AIR-CON

년/월
Year/Month

2022-12

T395STEU



T393ST-K-712

NOTE

FIG 712-2		HEATER & AIR-CON					년/월 Year/Month		
							2022-12		
T395STEU		KEY NO	PART NO	DESCRIPTION	SPEC	QTY	REPAIR	EFFECTIVE DATE	REMARKS
712-2	31	12345807201GB	컴프레서 브라켓 COMP			1			
712-2	32	14628303200	컴프레서ASSY			1			
712-2	32	13828303200	컴프레서 ASSY			1			
712-2	32	13828303200	컴프레서 ASSY			1			
712-2	33	V2183608025	소형육각볼트보통(SP)	M8X25		7			
712-2	34	V2173610040	소형육각볼트보통(S)	M10X40		2			
712-2	35	V2183608040	소형육각볼트보통(SP)	M8X40		2			
712-2	36	14627300531	중간폴리축			1			
712-2	37	W2004610090	육각볼트(보통)			1			
712-2	38	V3042600100	소형육각너트보통2종			1			
712-2	39	14622100541	간격통			1			
712-2	40	14622100531GB	중간폴리			1			
712-2	41	V6001506302	볼베어링			1			
712-2	42	V7051400420	C형멈춤링(구멍용)			1			
712-2	43	13377210020	와셔(11X24X3)			1			
712-2	44	14622600100	플랜지너트(M10/세목/4T)			1			
712-2	45	12341210011GB	컴프레서 폴리			1			
712-2	46	V2183608055	소형육각볼트보통(SP)	M8X55		1			
712-2	47	18998300010	V-벨트(A57)			1			
712-2	48	12398302200	디스차지 호스 ASSY			1			
712-2	50	V3802600060	플랜지볼이육각너트			1			
712-2	51	12518302801	석션호스 ASSY			1			
712-2	51	13828302800	호스 ASSY,석션/컴프레서			1			
712-2	51	13828302800	호스 ASSY,석션/컴프레서			1			
712-2	52	V2183608055	소형육각볼트보통(SP)			2			
712-2	53	V3802600080	플랜지볼이육각너트			1			
712-2	54	V4111600100	평와셔	M10		1			
712-2	55	17461032200GB	알터네이터 플레이트			1			
712-2	56	V2183608065	소형육각볼트보통(SP)	M8X65		1			
712-2	57	V2173608030	소형육각볼트보통(S)	M8X30		1			
712-2	58	35602010150	결속축와셔			1			
712-2	59	17111032100	알터네이터조합			1			
712-2	60	V2013608110	소형육각볼트(보통)	M8X110		1			
712-2	61	V4111600080	평와셔			2			
712-2	62	17461032300	스페이서			1			
712-2	63	V4011600080	스프링와셔			1			
712-2	64	V3043600080	소형육각너트보통2종	M8		1			
712-2	65	12341044110DD	방열판			1			
712-2	66	17461036301	벨트(A40.5)			1			
712-2	67	12517081231	리퀴드호스,NO3			1			
712-2	67	13828302700	호스 ASSY,리퀴드/콘덴서			1			
712-2	67	13828302700	호스 ASSY,리퀴드/콘덴서			1			
712-2	68	V2183608016	소형육각볼트보통(SP)	M8X16		1			
NOTE									

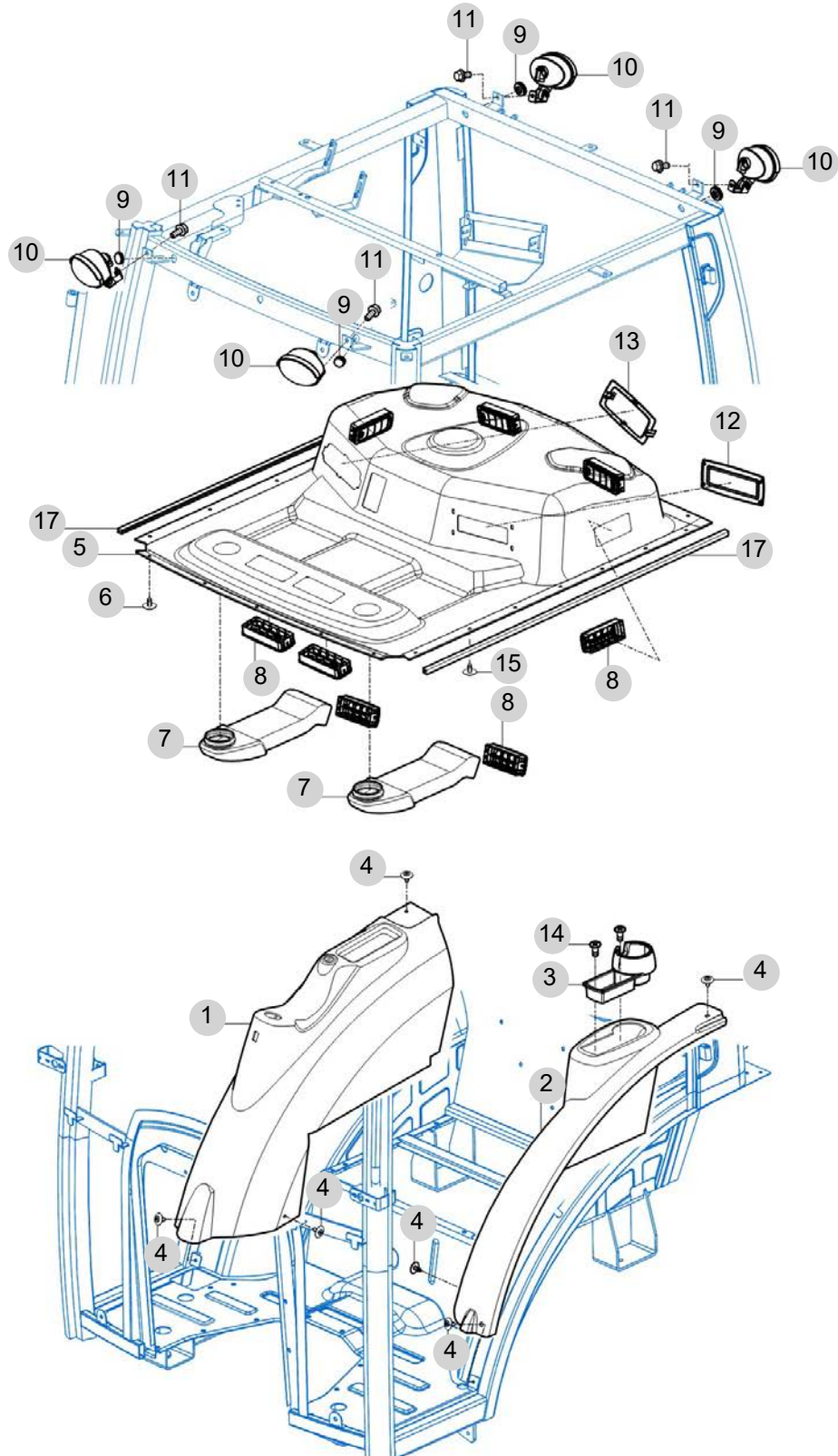
FIG 713

T395STEU

FENDER COVER

년/월
Year/Month

2022-12



NOTE

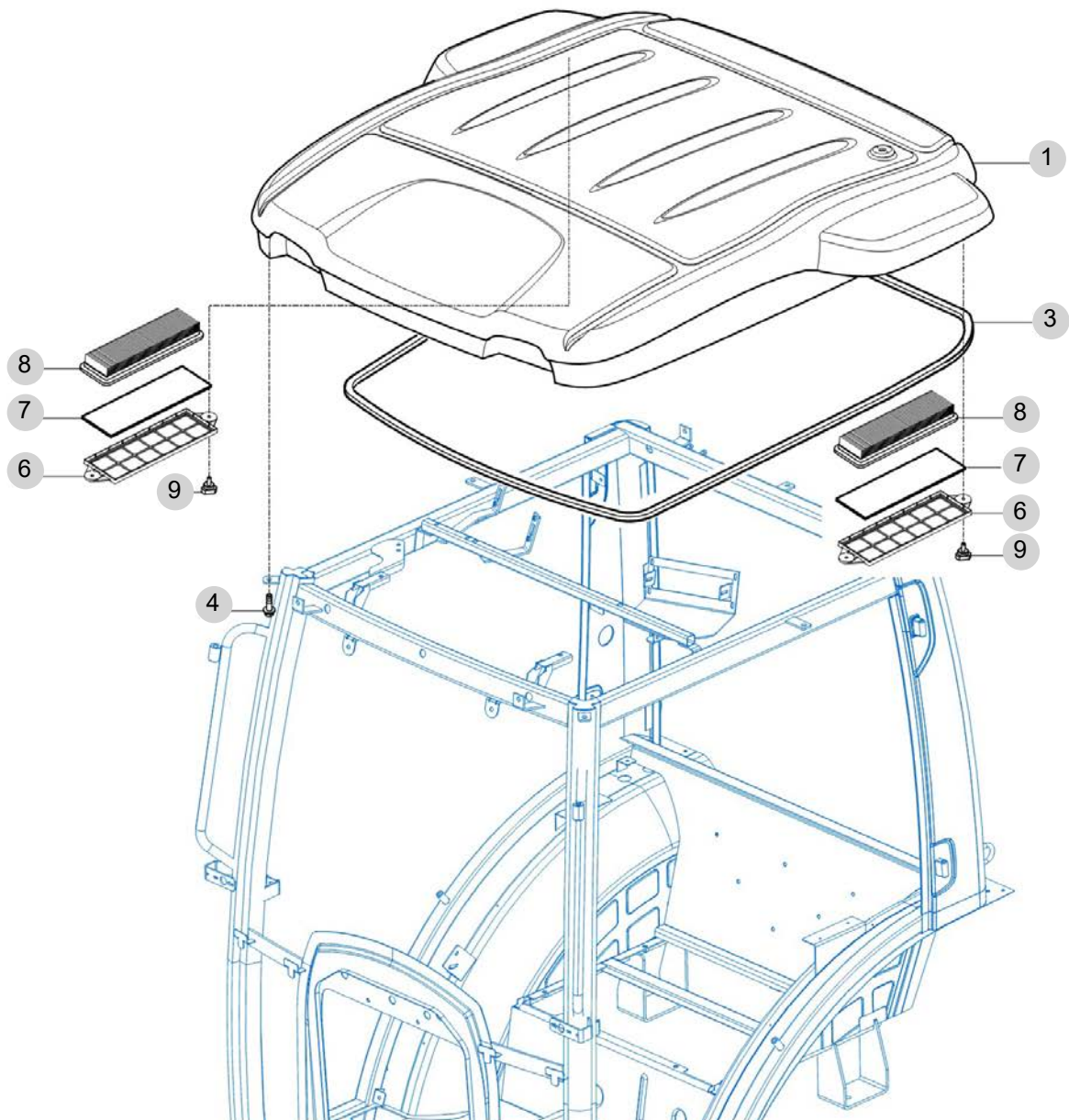
FIG 714

T395STEU

ROOF

년/월
Year/Month

2022-12



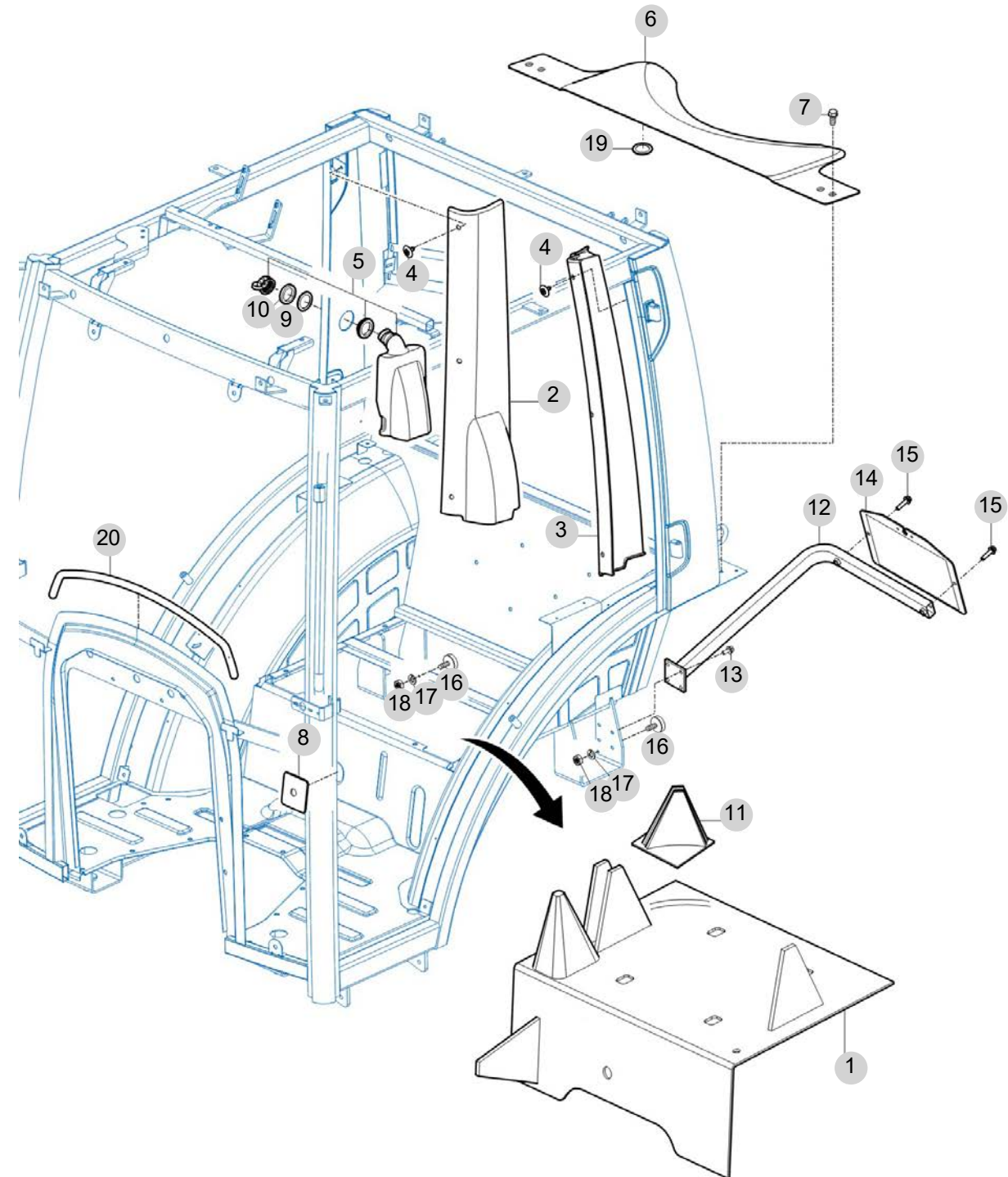
NOTE

FIG 715

CABIN INTERIOR

년/월
Year/Month

2022-12



NOTE

8. 전장 PART NO. T8

FIG 801 BATTERY & MOUNTING	188
FIG 802 LIGHTS	190
FIG 803 INSTRUMENT PANEL	192
FIG 804 ELECTRIC SYSTEM	194
FIG 805 HARNESS (1)	196
FIG 806 HARNESS (2)	198

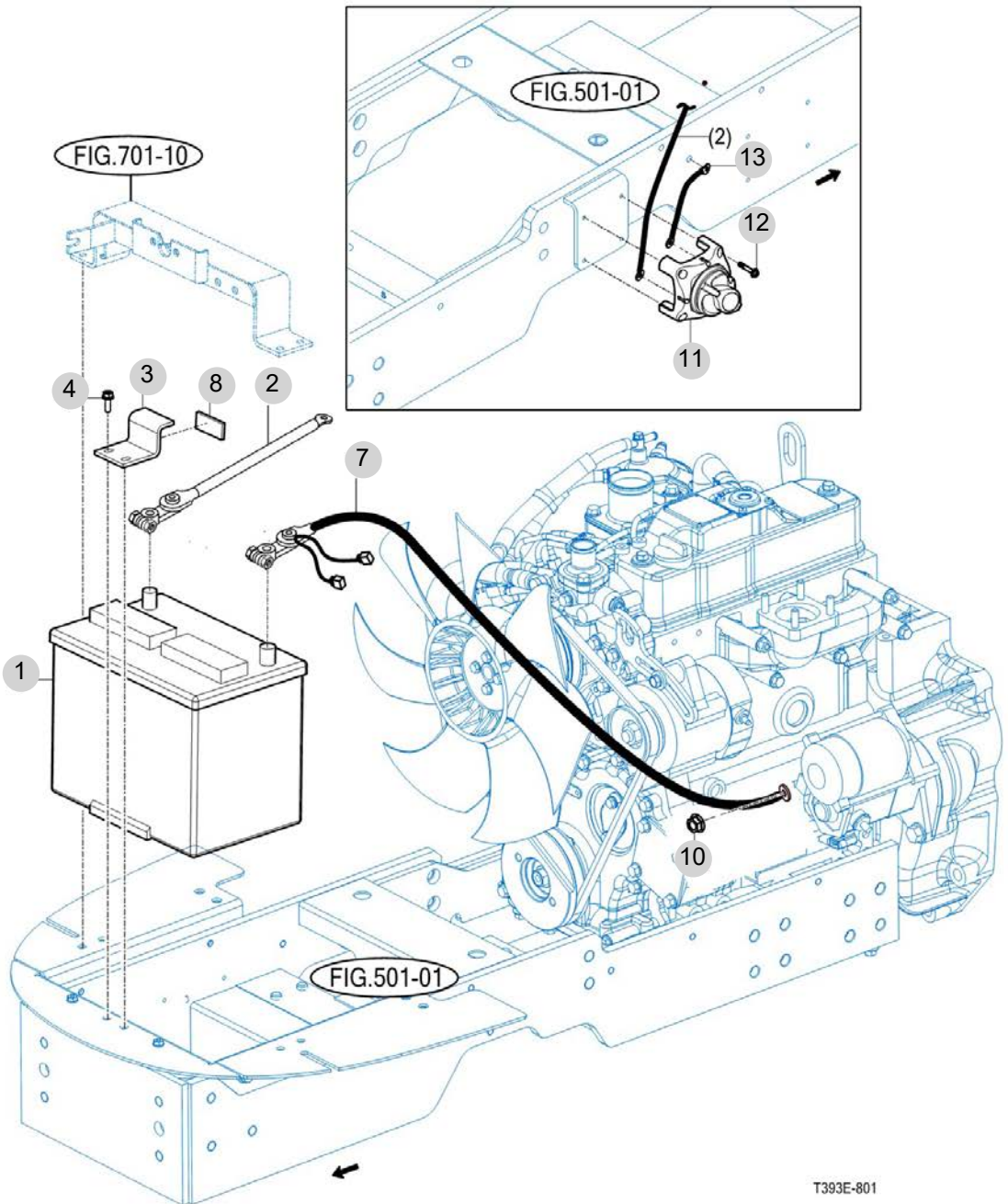
FIG 801

T395STEU

BATTERY & MOUNTING

년/월
Year/Month

2022-12



NOTE

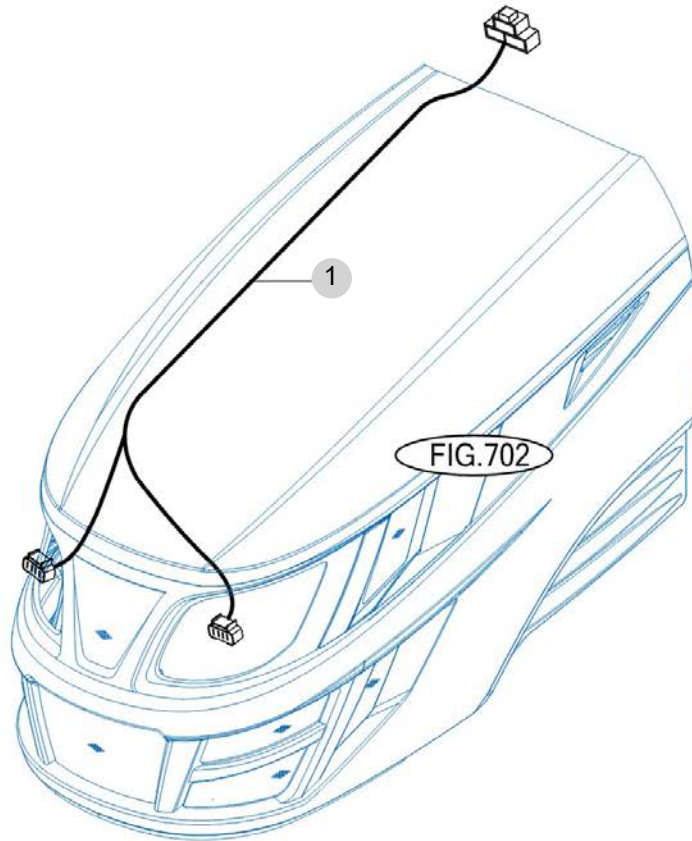
FIG 802

T395STEU

LIGHTS

년/월
Year/Month

2022-12



NOTE

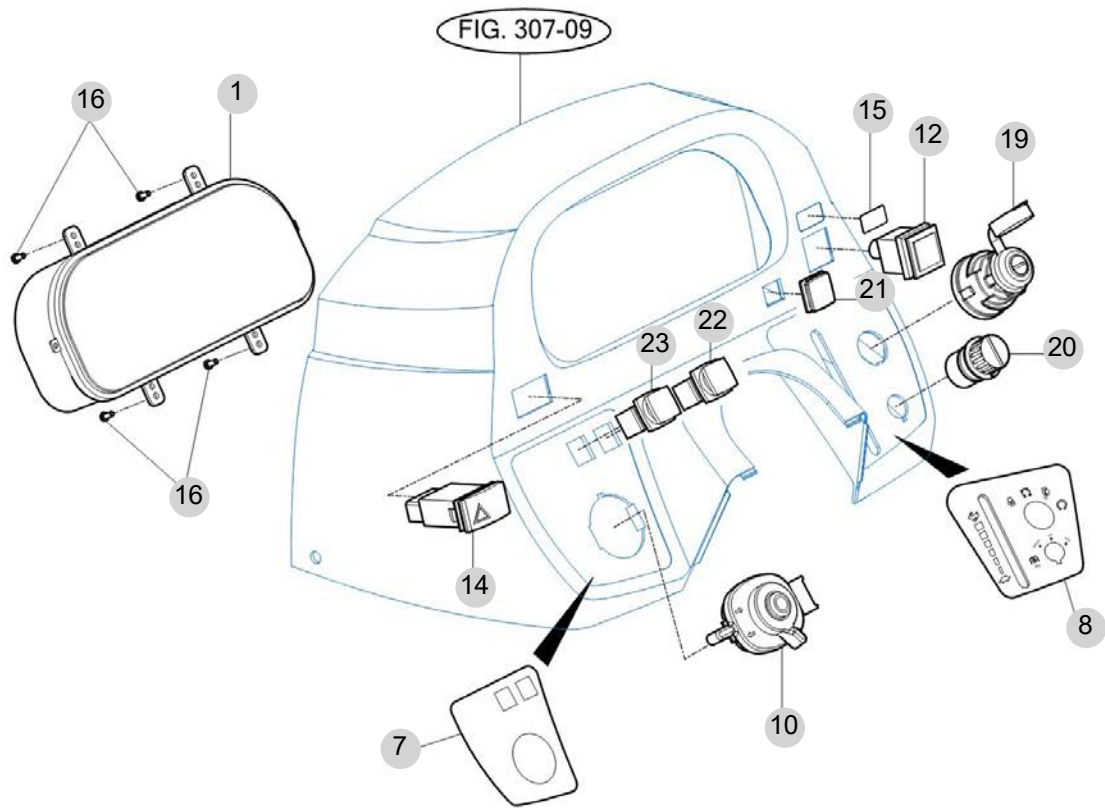
FIG 803

T395STEU

INSTRUMENT PANEL

년/월
Year/Month

2022-12



T393ST-E-803

NOTE

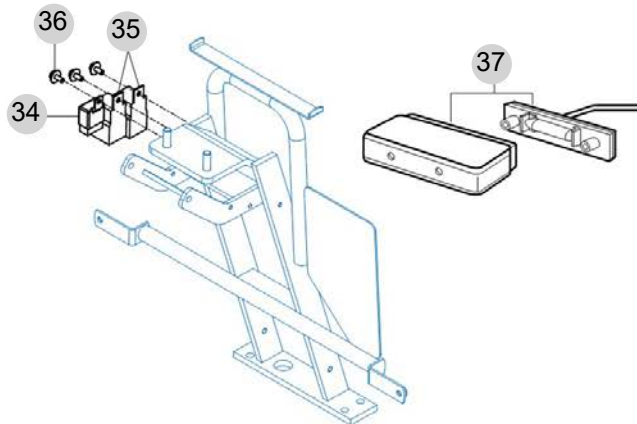
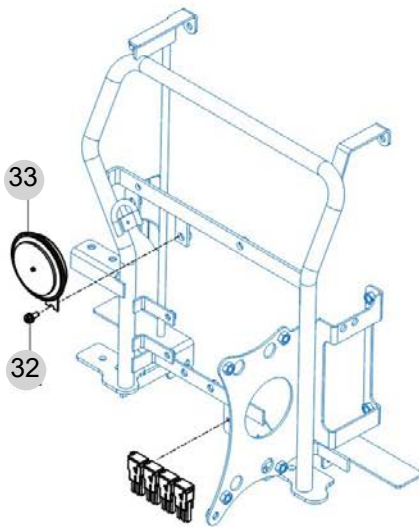
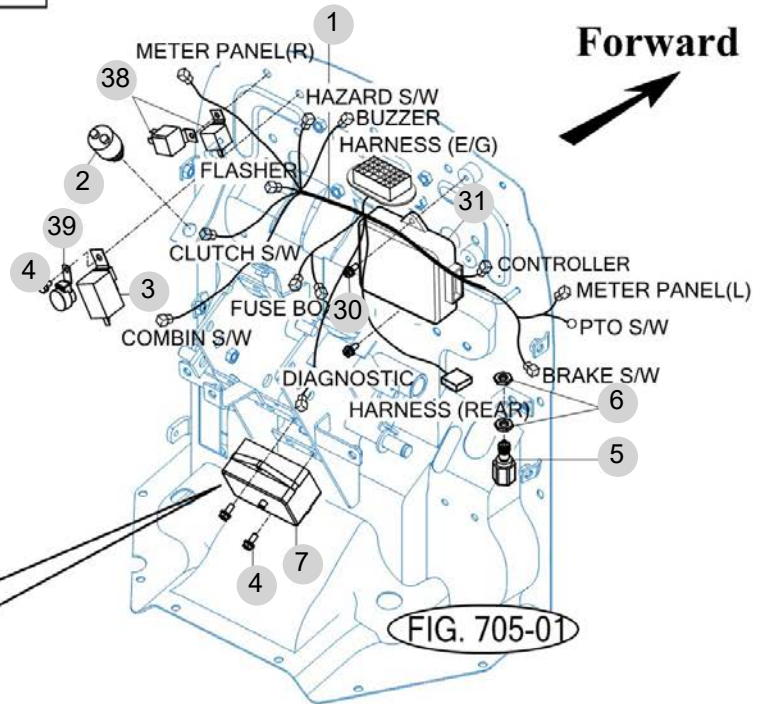
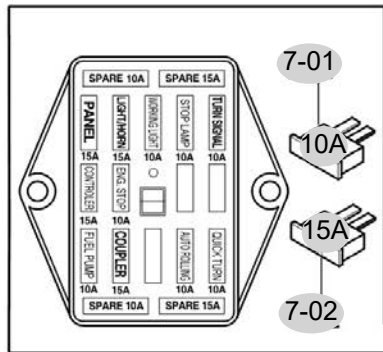
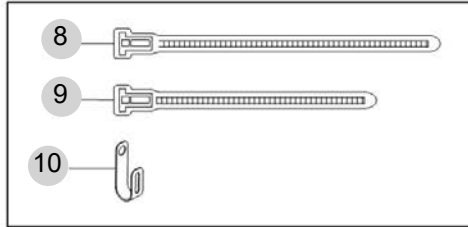
FIG 804

ELECTRIC SYSTEM

년/월
Year/Month

T395STEU

2022-12



T393ST-E-804

NOTE

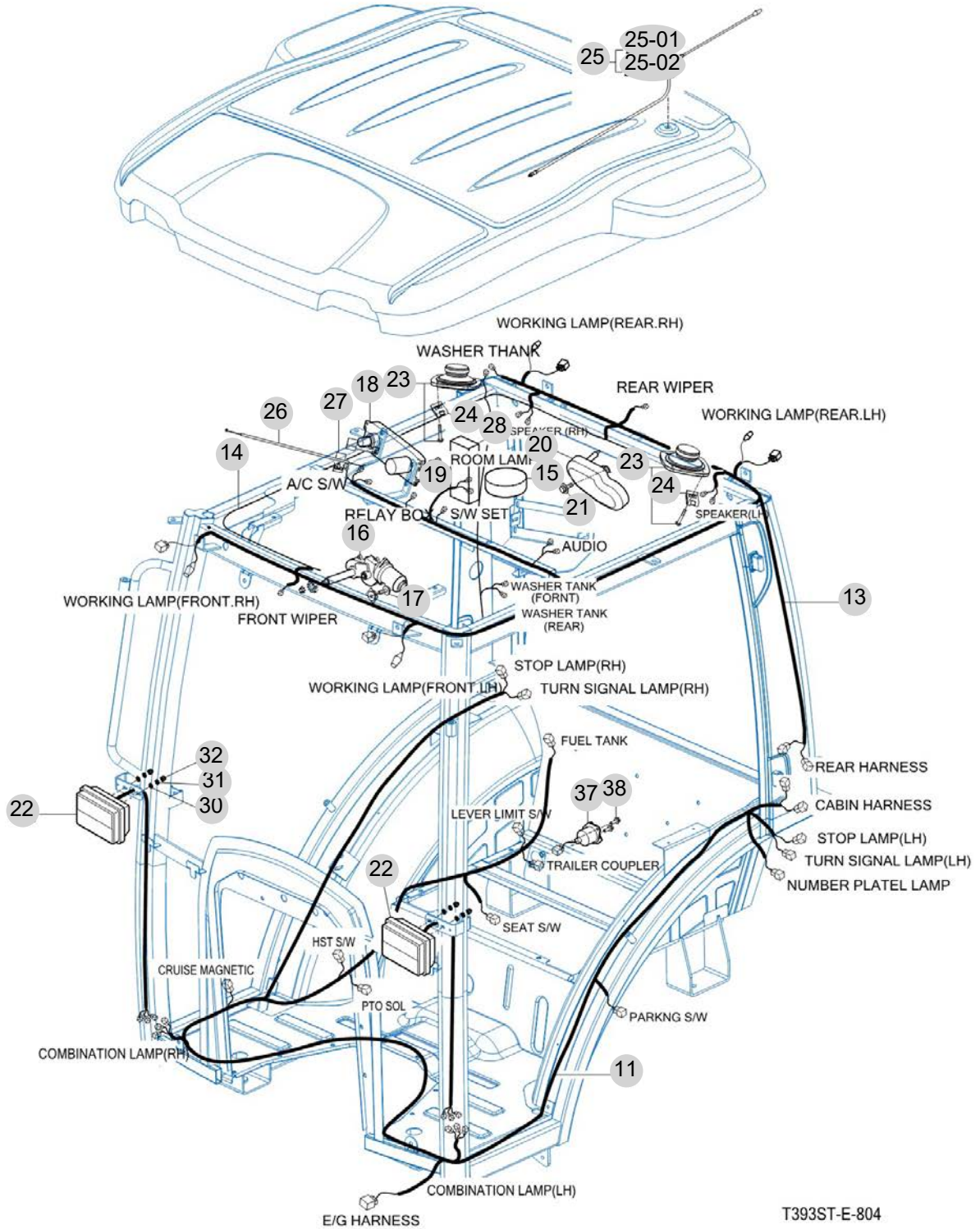
FIG 805

HARNESS (1)

년/월
Year/Month

2022-12

T395STEU



NOTE

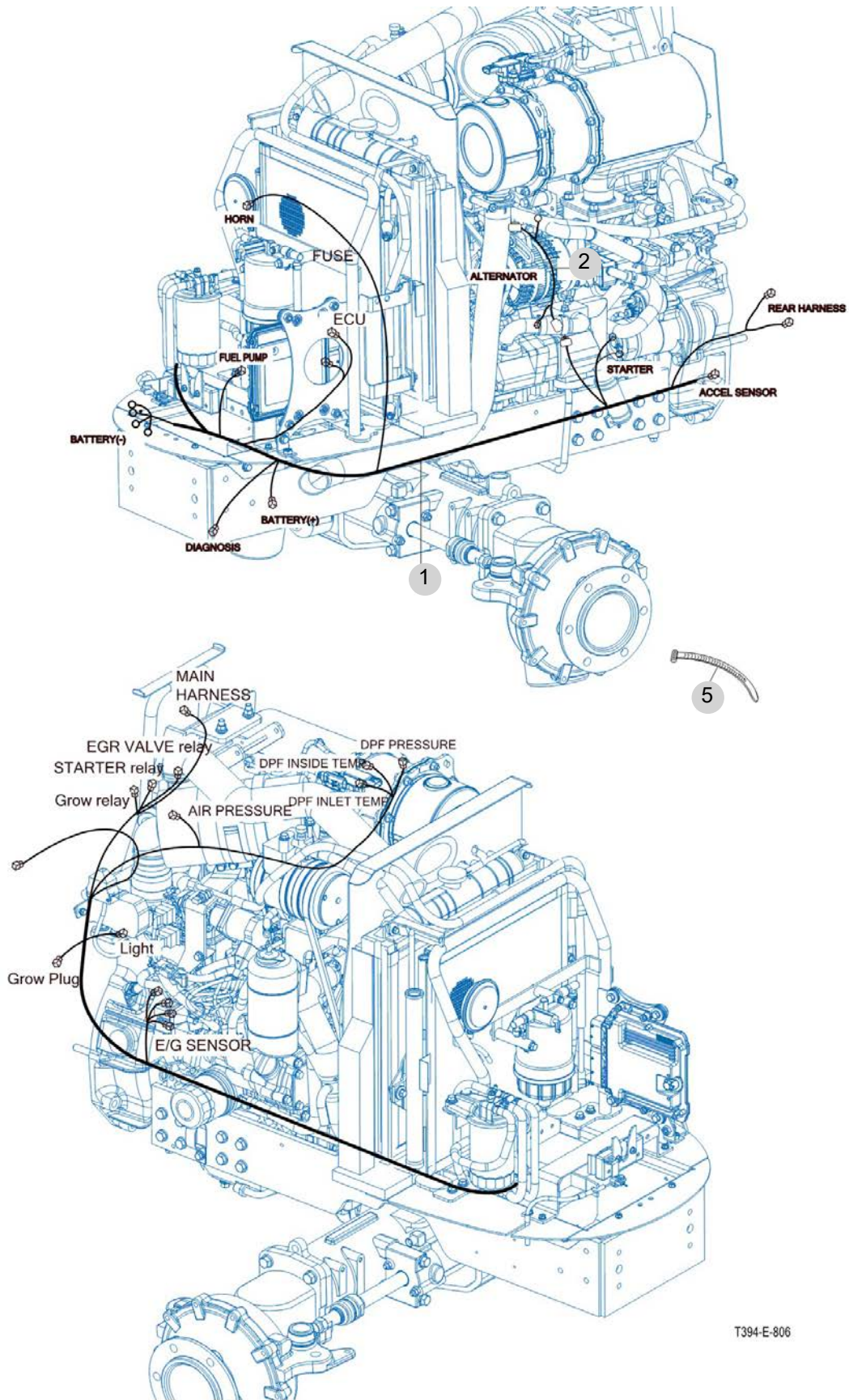
FIG 806

HARNESS (2)

년/월
Year/Month

T395STEU

2022-12



T394-E-806

NOTE

9. 라벨/옵션 PART NO. T9

FIG 901 WEIGHT	201
FIG 902 TOOL & ACCESSORY	203
FIG 903-1 LABEL (1)	205
FIG 903-2 LABEL (2)	208

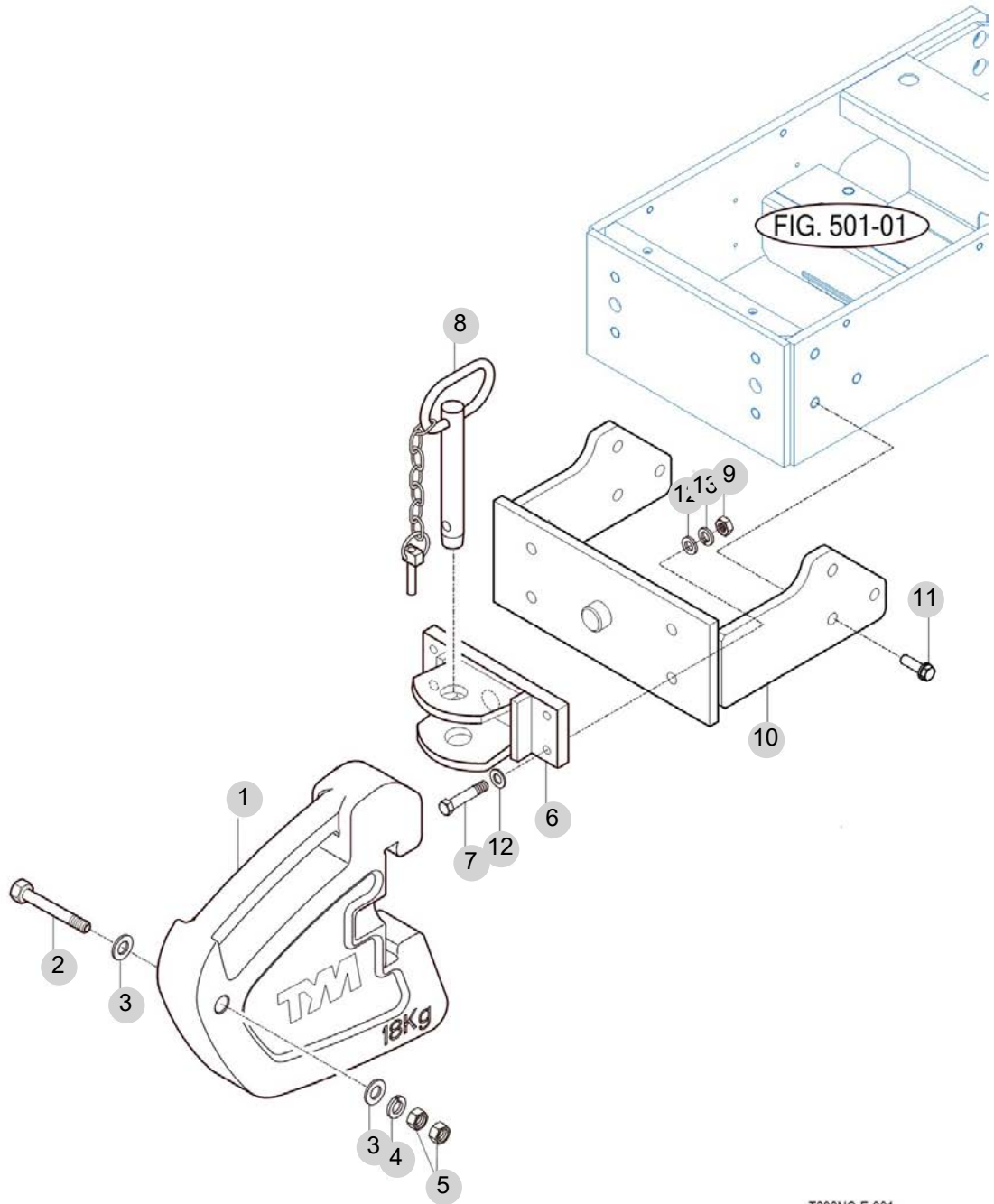
FIG 901

T395STEU

WEIGHT

년/월
Year/Month

2022-12



T393NC-E-901

NOTE

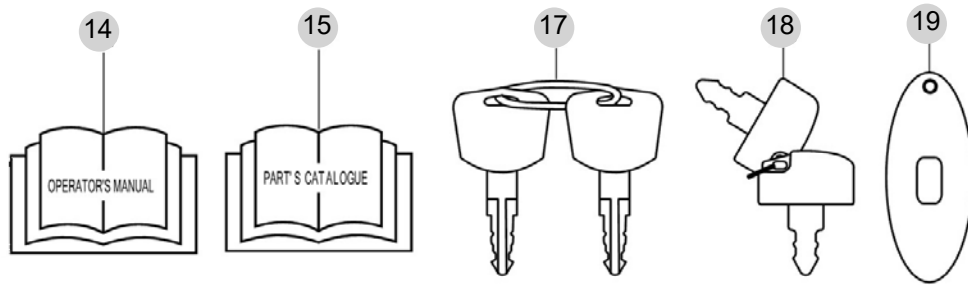
FIG 902

T395STEU

TOOL & ACCESSORY

년/월
Year/Month

2022-12



T393-E-901

NOTE

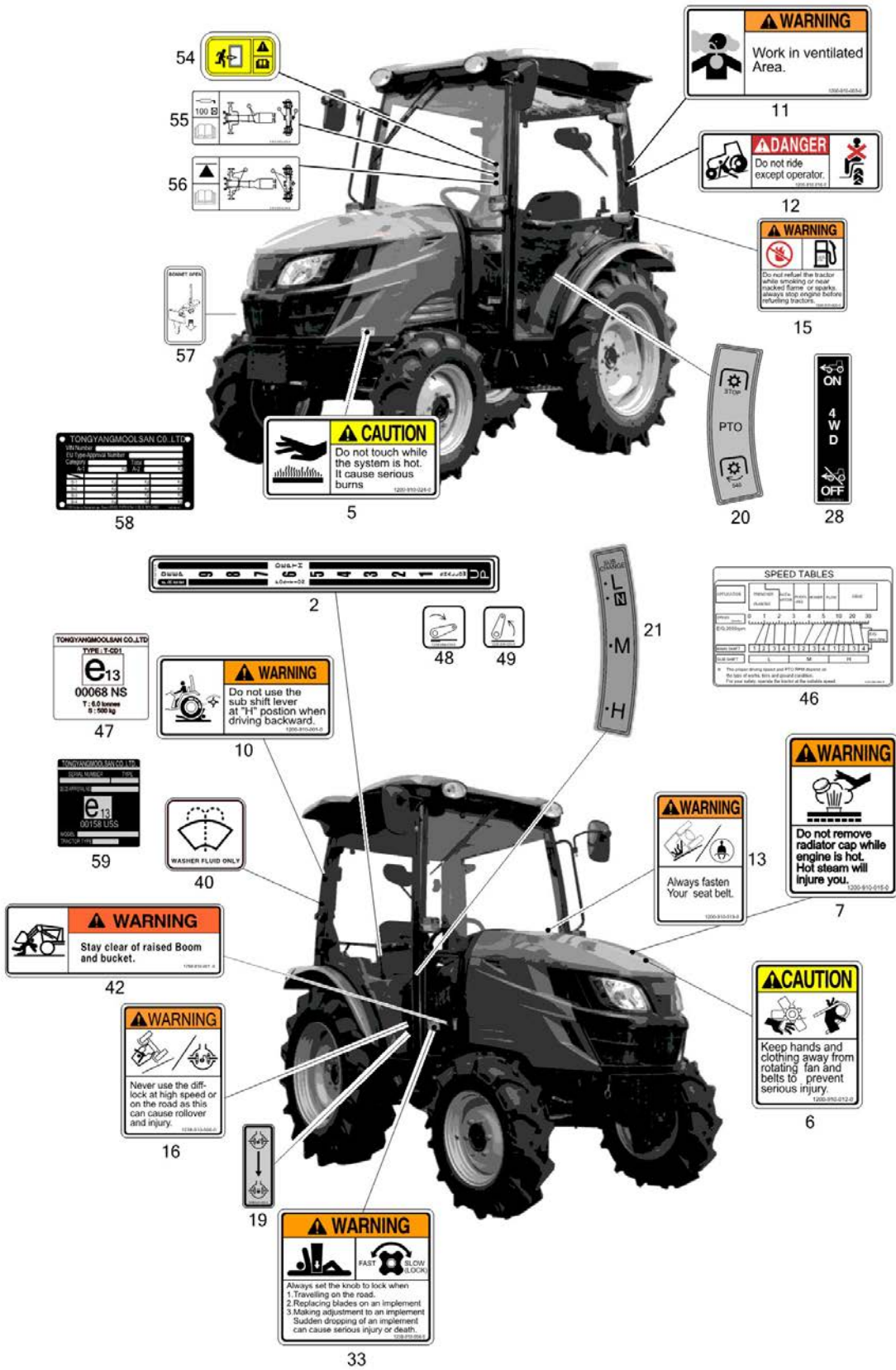
FIG 903-1

LABEL (1)

년/월
Year/Month

T395STEU

2022-12



NOTE

FIG 903-1		LABEL (1)					년/월 Year/Month	
T395STEU							2022-12	
KEY NO	PART NO	DESCRIPTION	SPEC	QTY	REPAIR	EFFECTIVE DATE	REMARKS	
903-1	2	12389040040	유압컨트롤마크		1			
903-1	3	12009100020	라벨, 경고/파킹		1			
903-1	4	12009100070	라벨, 경고/브레이크		1			
903-1	5	12009100240	라벨, 주의/소음기		1			
903-1	6	12009100120	라벨, 주의/팬		2			
903-1	7	12009100150	라벨, 경고/라디에이터캡		1			
903-1	8	12009100230	라벨, 주의/취급		1			
903-1	9	12009100130	라벨, 위험/PTO		1			
903-1	10	12009100010	라벨, 경고/부변속		1			
903-1	11	12009100030	라벨, 경고/배기가스		1			
903-1	12	12009100160	라벨, 위험/동승금지		1			
903-1	13	12009100190	라벨, 경고/안전벨트		1			
903-1	14	12009100210	라벨, 경고/스로틀		1			
903-1	15	12009100050	라벨, 경고/화기염금		1			
903-1	16	12389100060	라벨, 경고/차동고정		1			
903-1	17	12009100140	라벨, 경고/견인		1			
903-1	18	17689100170	라벨, 주의/안전		1			
903-1	19	12389200050	라벨, 취급/차동고정		1			
903-1	20	12519020060	라벨(PTO)		1			
903-1	21	14979010070	라벨(부변속)		1			
903-1	23	13749010042	마크, /T395		2			
903-1	23	13749010041	마크, T395		2			
903-1	28	12389430040	4WD마크		1			
903-1	32	12609040620	경고(스타트)		1			
903-1	33	12389100040	라벨, 경고/스톱밸브		1			
903-1	37	12009100080	라벨, 경고/틸트		1			
903-1	39	18711201100	라벨, 초저유황경유		1			
903-1	40	12399042110	라벨, 워셔액		1			
903-1	42	17699100100	라벨, 경고/조이스틱밸브		1			
903-1	43	12009100111	라벨, 위험/에어콘		1			
903-1	44	12209041222	내.외기순환명판		1			
903-1	45	17699100090	라벨, 경고/조이스틱		1			
903-1	46	12339040020	라벨, 취급/차속표		1			
903-1	47	12519040230	드로바명판		1			
903-1	48	12389040190	명판(승강장치/하강) CONTROL ID		1			
903-1	49	12389040200	명판(승강장치/상승) CONTROL ID		1			
903-1	50	12389040920	라벨(보조유압/A)		1			
903-1	51	12389040930	라벨(보조유압/B)		1			
903-1	52	15189030060	포트마크(A)		1			
903-1	53	15189030070	포트마크(B)		1			
903-1	54	12149020110	라벨, 비상탈출		1			
903-1	55	12519100130	라벨, 그리스		1			
903-1	56	12519100140	라벨, 잭포인트		1			
903-1	57	12137025120	라벨, 본넷 오픈		1			
903-1	58	15829040220	제조사 식별명판(EU)		1			
NOTE								

FIG 903-2

LABEL (2)

년/월
Year/Month

T395STEU

2022-12

3 **WARNING**
Always apply the park brake when parking. Failure to do so can cause accidents and damages. 1200-910-002-0

8 Operator's manual 1200-910-023-0

14 **WARNING**
Do not use the accelerator lever except working on the field. 1200-910-021-0

32 **WARNING**
• Start engine only from operators seat. If safety start switch is bypassed engine can start with transmission in gear.
• Do not connect or short across terminal on starter solenoid.
• Attach booster cables as shown on battery decal and operators manual.
Starting in gear causing runaway can result in serious injury.

37 **WARNING**
Do not adjust the tilt handle when traveling. 1200-910-008-0

4 **WARNING**
Brake pedals must always be locked together when travelling on the highway. This will ensure uniform braking and provide maximum stopping ability sharp turns must only be made at slow speeds. 1200-910-007-0

18 1768-910-017-0

39 EPA REGULATION
USE ULTRA LOW SULFUR FUEL ONLY

43 **DANGER**
Periodic ventilation should be made to avoid suffocation while heating and air conditioning is used. Sleeping in the cab is prohibited. 1200-910-011-0

44 **Inner/Outer air Ventilation**
• When grills of rear and both sides are opened, inner air will ventilate in.
• For effective use, open it when operate heater or air conditioner and close when ventilate fresh air. 1200-910-022-0

45 **WARNING**
Push the button to lock position with joystick lever is neutral whenever the implement is not operation. 1768-910-009-0

50 A ← N →

51 B ← N →

52 A

53 B

60 TYM

9 **DANGER**
Rotating driveline contact can cause death. KEEP AWAY!
Keep all drive line, Tractor and equipment shields in place during operation. 1200-910-010-0

17 **WARNING**
Attach implements and trailers to the tractor only using the prescribed draw-bar or hitch. 1200-910-004-0

NOTE

FIG 903-2		LABEL (2)					년/월 Year/Month		
							2022-12		
T395STEU		KEY NO	PART NO	DESCRIPTION	SPEC	QTY	REPAIR	EFFECTIVE DATE	REMARKS
903-2	2	12389040040	유압컨트롤마크			1			
903-2	3	12009100020	라벨, 경고/파킹			1			
903-2	4	12009100070	라벨, 경고/브레이크			1			
903-2	5	12009100240	라벨, 주의/소음기			1			
903-2	6	12009100120	라벨, 주의/팬			2			
903-2	7	12009100150	라벨, 경고/라디에이터캡			1			
903-2	8	12009100230	라벨, 주의/취급			1			
903-2	9	12009100130	라벨, 위험/PTO			1			
903-2	10	12009100010	라벨, 경고/부변속			1			
903-2	11	12009100030	라벨, 경고/배기가스			1			
903-2	12	12009100160	라벨, 위험/동승금지			1			
903-2	13	12009100190	라벨, 경고/안전벨트			1			
903-2	14	12009100210	라벨, 경고/스로틀			1			
903-2	15	12009100050	라벨, 경고/화기염금			1			
903-2	16	12389100060	라벨, 경고/차동고정			1			
903-2	17	12009100140	라벨, 경고/견인			1			
903-2	18	17689100170	라벨, 주의/안전			1			
903-2	19	12389200050	라벨, 취급/차동고정			1			
903-2	20	12519020060	라벨(PTO)			1			
903-2	21	14979010070	라벨(부변속)			1			
903-2	23	13749010042	마크, T395			2			
903-2	23	13749010041	마크, T395			2			
903-2	28	12389430040	4WD마크			1			
903-2	32	12609040620	경고(스타트)			1			
903-2	33	12389100040	라벨, 경고/스톱밸브			1			
903-2	37	12009100080	라벨, 경고/틸트			1			
903-2	39	18711201100	라벨, 초저유황경유			1			
903-2	40	12399042110	라벨, 워셔액			1			
903-2	42	17699100100	라벨, 경고/조이스틱밸브			1			
903-2	43	12009100111	라벨, 위험/에어콘			1			
903-2	44	12209041222	내.외기순환명판			1			
903-2	45	17699100090	라벨, 경고/조이스틱			1			
903-2	46	12339040020	라벨, 취급/차속표			1			
903-2	47	12519040230	드로바명판			1			
903-2	48	12389040190	명판(승강장치/하강) CONTROL ID			1			
903-2	49	12389040200	명판(승강장치/상승) CONTROL ID			1			
903-2	50	12389040920	라벨(보조유압/A)			1			
903-2	51	12389040930	라벨(보조유압/B)			1			
903-2	52	15189030060	포트마크(A)			1			
903-2	53	15189030070	포트마크(B)			1			
903-2	54	12149020110	라벨, 비상탈출			1			
903-2	55	12519100130	라벨, 그리스			1			
903-2	56	12519100140	라벨, 잭포인트			1			
903-2	57	12137025120	라벨, 본넷 오픈			1			
903-2	58	15829040220	제조사 식별명판(EU)			1			
NOTE									

