

TE58C

## Parts Catalog

# 목 차

---

## 1. 엔진 PART NO. EG

FIG CYLINDER BLOCK	9
FIG OILJET ASS'Y OPTION	11
FIG OIL PUMP	13
FIG HYD. PUMP DRIVE	15
FIG 2ND BALANCE	17
FIG OIL PAN	19
FIG INTAKE MANIFOLD	21
FIG TURBOCHARGER ASS'Y	23
FIG BREATHER	25
FIG FUEL INJECTION PUMP	27
FIG CRANK SHAFT	29
FIG FUEL INJECTION VALVE	31
FIG FUEL PIPE ASS'Y	33
FIG OIL FILTER	35
FIG OIL COOLER	37
FIG OIL GAUGUE	39
FIG OIL FILLER CAP	41
FIG COOLING WATER PUMP	43
FIG CRANK SHAFT PULLEY	45
FIG V-PULLEY	47
FIG COOLING FAN	49
FIG PISTON	51
FIG FLYWHEEL HOUSING	53
FIG FLYWHEEL	55
FIG GLOW PLUG ASS'Y OPTION	57
FIG STARTING MOTOR	59
FIG FUEL FILTER BRACKET ASS'Y	61
FIG ALTERNATOR	63
FIG V-BELT	65
FIG FUEL FILTER	67
FIG DPF SUPPORT	69

FIG DATAPLATE	71
FIG CYLINDER HEAD	73
FIG NAME PLATE, STARTING MOTOR	75
FIG DPF ASS'Y	77
FIG COMP . DRIVE PULLEY ASS'Y OPTION	79
FIG EXHAUST MANIFOLD	81
FIG TURBOCHARGER PLUMBING OPTION	83
FIG ROCKER LEVER	85
FIG LIFT ASS'Y	87
FIG HEAD COVER	89
FIG GEAR CASE	91
FIG IDLE GEAR	93
FIG CAM SHAFT	95

## 2. 엔진보기품 PART NO. T2

FIG AIR CLEANER	98
FIG RADIATOR	100
FIG MUFFLER	102
FIG FUEL HOSE & FILTER	104
FIG FUEL TANK	106
FIG ACCELERATOR	108

## 3. 클러치/브레이크/스티어링 PART NO. T3

FIG CLUTCH	111
FIG BRAKE	113
FIG BRAKE PEDAL & LINK	115
FIG FRONT WHEEL	117
FIG REAR WHEEL	119
FIG POWER STEERING WHEEL	121
FIG POWER STEERING VALVE	123
FIG POWER STEERING CYLINDER	125
FIG CLUTCH PEDAL	127

## 4. 트랜스미션 PART NO. T4

FIG TRANSMISSION FRONT CASE	131
-----------------------------	-----

FIG FORWARD & BACKWARD GEARS	133
FIG IDLE & COUNTER GEARS	135
FIG MAIN SHIFT GEARS	137
FIG P.T.O DRIVE SHAFT	139
FIG MAIN CHANGE LEVER	141
FIG REVERSE CHANGE LEVER	143
FIG TRANSMISSION MID CASE	145
FIG TRANSMISSION REAR CASE	147
FIG SUB CHANGE GEARS	149
FIG SUB CHANGE SHIFTER	151
FIG DRIVE GEARS	153
FIG 4WD CHANGE LEVER	155
FIG P.T.O CHANGE GEARS	157
FIG P.T.O CHANGE SHIFTER	159
FIG REAR AXLE HOUSING	161
FIG REAR DIFFERENTIAL GEARS	163

## 5. 프런트 액슬 PART NO. T5

FIG FRONT GEAR CASE (3)	167
FIG FRONT AXLE SUPPORT	169
FIG FRONT DRIVE SHAFT	171
FIG FRONT AXLE HOUSING	173
FIG FRONT DIFFERENTIAL GEARS	175
FIG FRONT GEAR CASE (1)	177
FIG FRONT GEAR CASE (2)	179

## 6. 유압/3점링크 PART NO. T6

FIG CYLINDER CASE	182
FIG LIFT ARM	184
FIG CYLINDER	186
FIG POSITION LINK	188
FIG CONTROL VALVE	190
FIG DRAFT LINK	192
FIG POSITION & DRAFT LEVER (1)	194
FIG EXTERIOR HYD. VALVE	196
FIG HYDRAULIC PIPE	198

FIG JOYSTICK	200
FIG HITCH & 3-POINT LINK	202
FIG LOWER LINK & LIFT ROD	205
FIG POSITION & DRAFT LEVER (2)	207

## 7. 시트메탈/캐빈 PART NO. T7

FIG EXTENSION COVER	210
FIG LEVER COVER & STEP	212
FIG LEVER COVER & STEP-NON CAB	214
FIG FRONT & REAR MOUNTING	216
FIG SEAT & MAT	218
FIG DOOR	220
FIG FRONT GLASS	223
FIG FRAME & 2POLES-ROPS-NON CAB	225
FIG SIDE GLASS	227
FIG REAR GLASS	229
FIG SUB FENDER & COVER	231
FIG SUB FENDER & COVER-NON CAB	233
FIG MIRROR	235
FIG MIRROR&WORKING LAMP-NON CAB	237
FIG HEATER & AIR-CON	239
FIG HEATER & AIR-CON	241
FIG FENDER COVER	243
FIG ROOF	245
FIG CABIN INTERIOR	247
FIG BONNET (2)	249
FIG BONNET FRAME	251
FIG BONNET (1)	253

## 8. 전장 PART NO. T8

FIG BATTERY & MOUNTING	256
FIG HARNESS LAMP	258
FIG INSTRUMENT PANEL	260
FIG ELECTRIC SYSTEM (1)	262
FIG ELECTRIC SYSTEM (2)	264
FIG ELECTRIC SYSTEM (2)-NON CAB	266

FIG ELECTRIC SYSTEM (3)

268

## 9. 라벨/옵션 PART NO. T9

FIG TOOL & ACCESSORY

271

FIG WEIGHT

273

FIG LABEL

275

FIG LABEL

277

## 1. 엔진 PART NO. EG

FIG CYLINDER BLOCK	9
FIG OILJET ASS'Y OPTION	11
FIG OIL PUMP	13
FIG HYD. PUMP DRIVE	15
FIG 2ND BALANCE	17
FIG OIL PAN	19
FIG INTAKE MANIFOLD	21
FIG TURBOCHARGER ASS'Y	23
FIG BREATHER	25
FIG FUEL INJECTION PUMP	27
FIG CRANK SHAFT	29
FIG FUEL INJECTION VALVE	31
FIG FUEL PIPE ASS'Y	33
FIG OIL FILTER	35
FIG OIL COOLER	37
FIG OIL GAUGUE	39
FIG OIL FILLER CAP	41
FIG COOLING WATER PUMP	43
FIG CRANK SHAFT PULLEY	45
FIG V-PULLEY	47
FIG COOLING FAN	49
FIG PISTON	51
FIG FLYWHEEL HOUSING	53
FIG FLYWHEEL	55
FIG GLOW PLUG ASS'Y OPTION	57
FIG STARTING MOTOR	59
FIG FUEL FILTER BRACKET ASS'Y	61
FIG ALTERNATOR	63
FIG V-BELT	65
FIG FUEL FILTER	67
FIG DPF SUPPORT	69
FIG DATAPLATE	71
FIG CYLINDER HEAD	73
FIG NAME PLATE, STARTING MOTOR	75
FIG DPF ASS'Y	77
FIG COMP. DRIVE PULLEY ASS'Y OPTION	79
FIG EXHAUST MANIFOLD	81
FIG TURBOCHARGER PLUMBING OPTION	83

FIG ROCKER LEVER	85
FIG LIFT ASS'Y	87
FIG HEAD COVER	89
FIG GEAR CASE	91
FIG IDLE GEAR	93
FIG CAM SHAFT	95



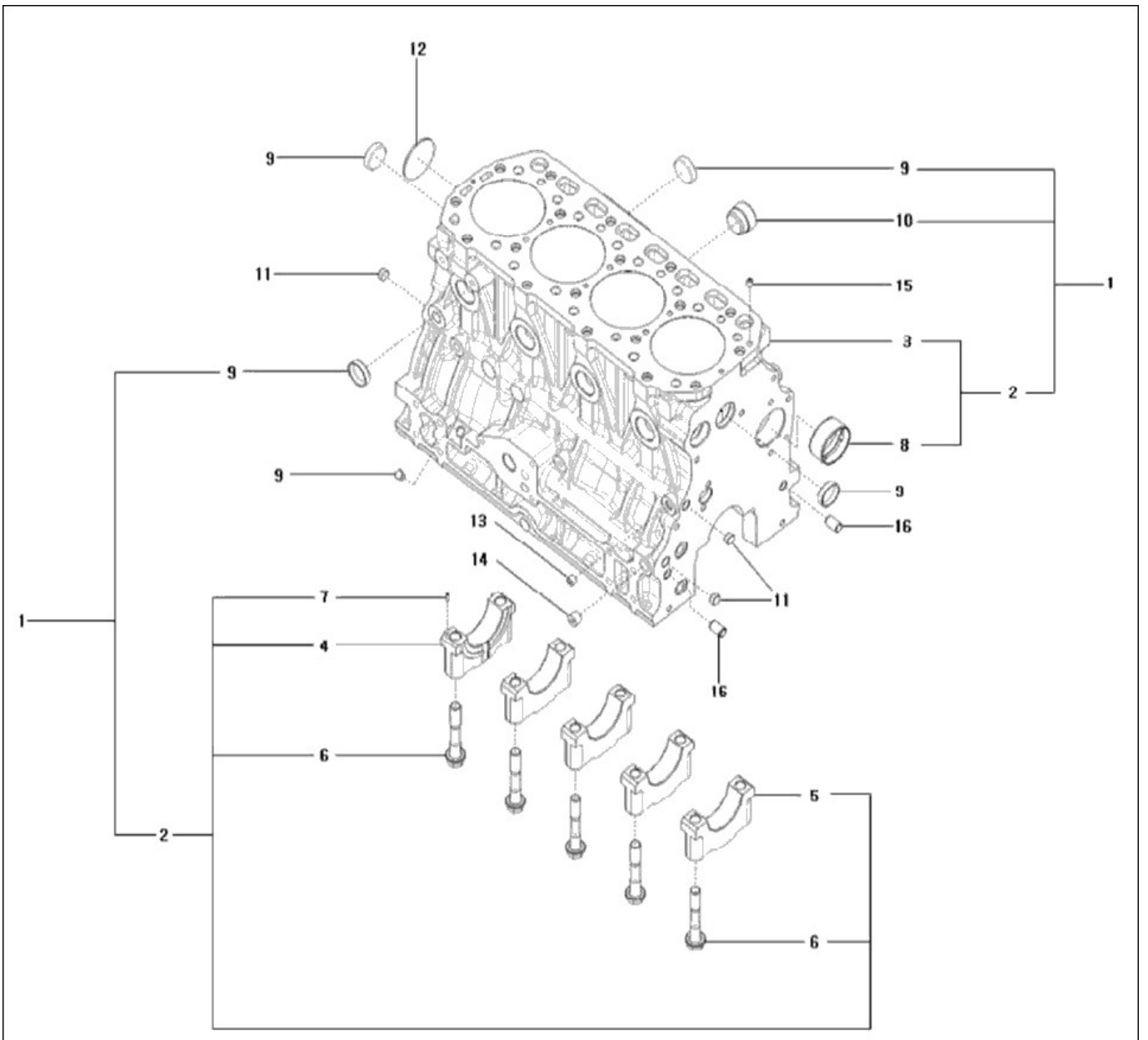
FIG

TE58C

CYLINDER BLOCK

년/월  
Year/Month

2021-05



NOTE

<b>FIG</b>  TE58C	<b>CYLINDER BLOCK</b>						년/월 Year/Month
	2021-05						

KEY NO	PART NO	DESCRIPTION	SPEC	QTY	REPAIR	EFFECTIVE DATE	REMARKS
1	EA00004707A	BLOCK ASS'Y, CYLINDER		1			
2	HRA0103100A	BLOCK ASS'Y, CYLINDER		1			
3	HRA0103101A	BLOCK, CYLINDER		1			
4	HRA0100102B	BEARING CAP(1)		1			
5	HRA0100103B	BEARING CAP(2)		4			
6	HRA0100104A	BOLT, BEARING CAP		10			
7	22351-030010	SPRING PIN		5			
8	HRU0100105A	BUSH(CAM SHAFT)		1			
9	27241-300000	캠형플러그		8			
10	HM23030000A	PLUG(BLOCK HEATER)		1			
11	HRA0100108A	PLUG 12		3			
12	27231-500000	PLUG 50		1			
13	23871-010000	테이퍼나사플러그		1			
14	23871-020000	테이퍼나사플러그		1			
15	HRA0100800A	PIN(OIL)		1			
16	HRA0201100A	PIN, GUIDE		2			
17	HRT0300500A	PLUG, EXPANSION		1			

NOTE							
------	--	--	--	--	--	--	--

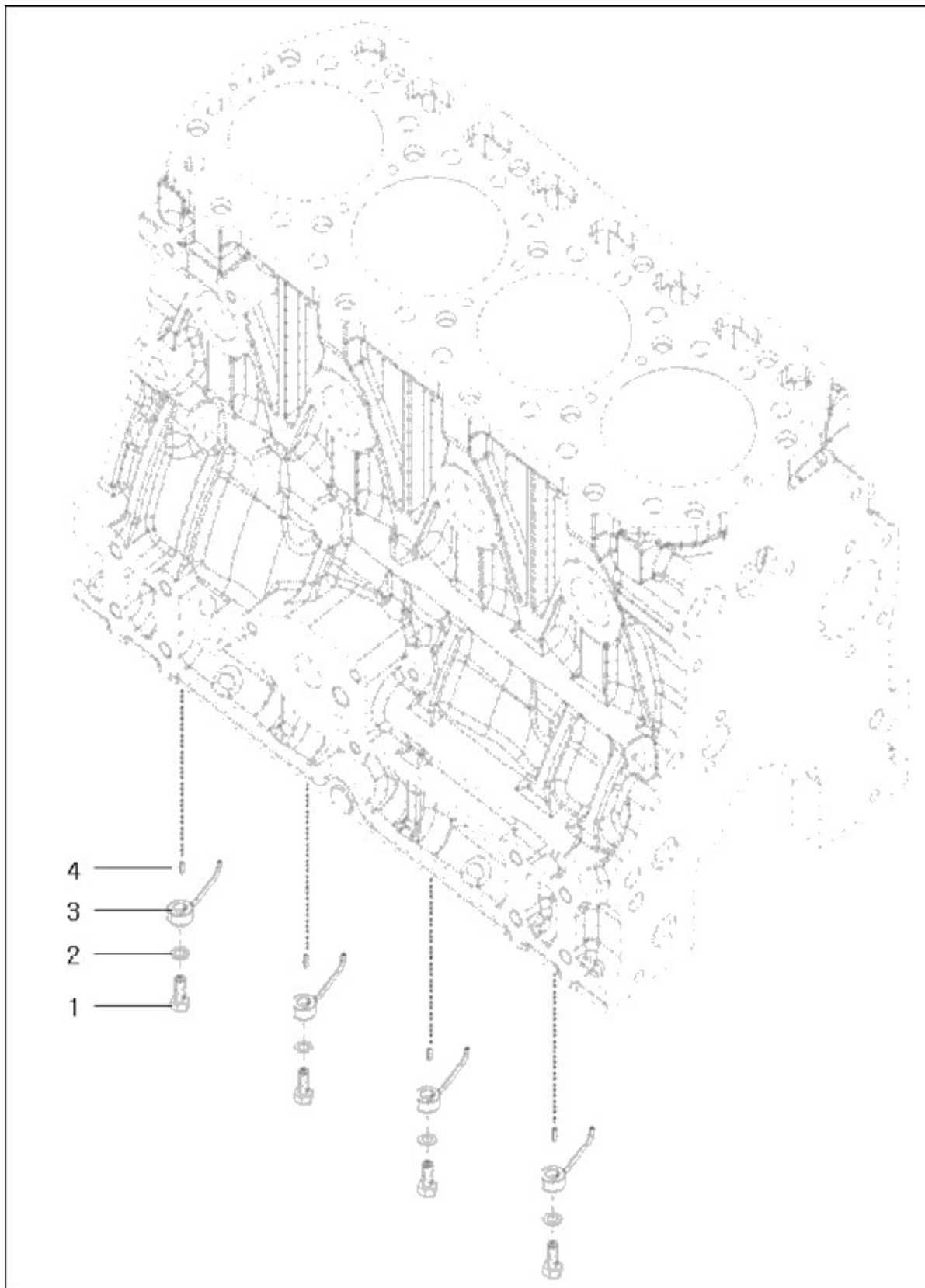
FIG

OILJET ASS'Y OPTION

년/월  
Year/Month

TE58C

2021-05



NOTE



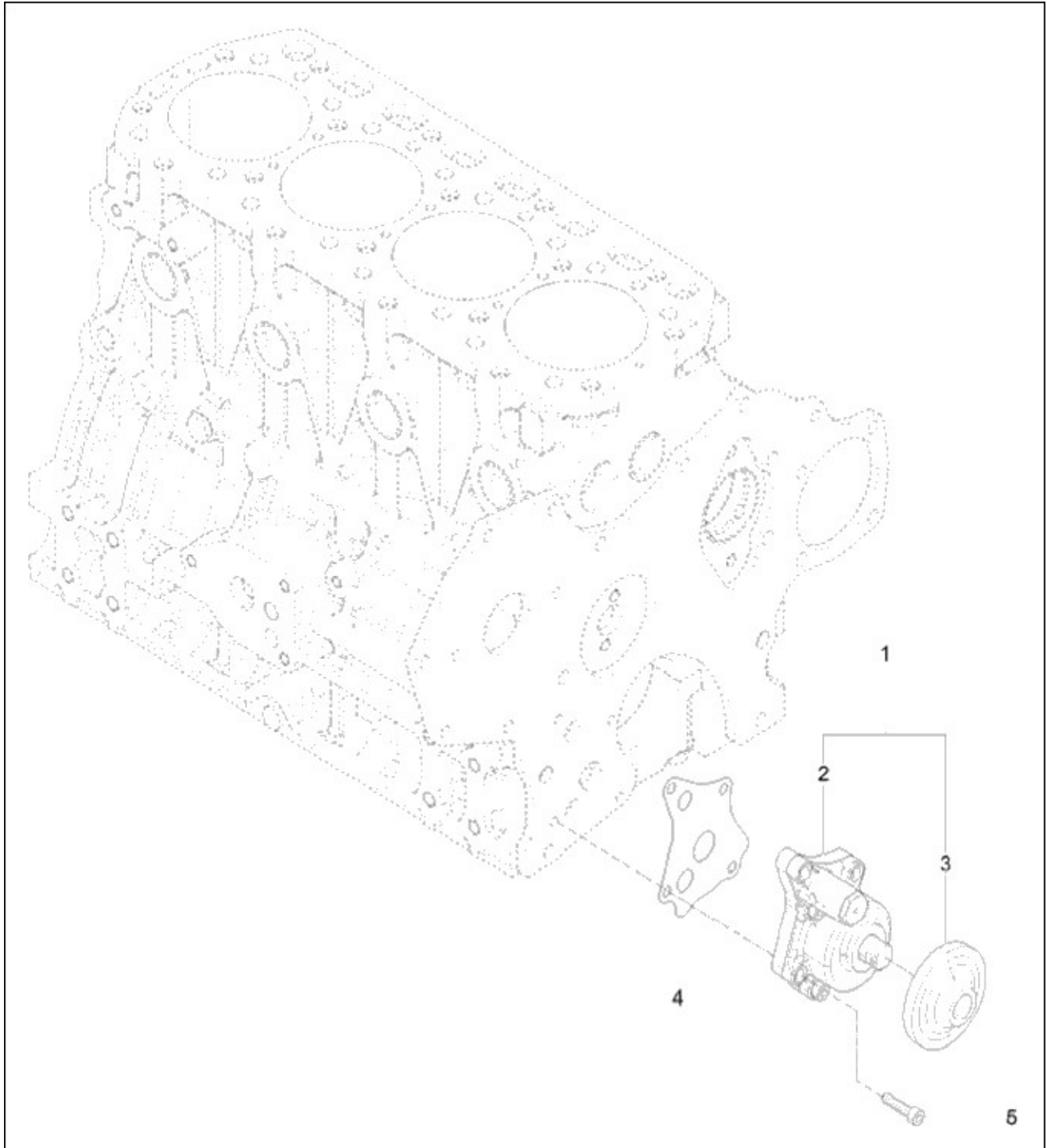
FIG

TE58C

OIL PUMP

년/월  
Year/Month

2021-05



NOTE



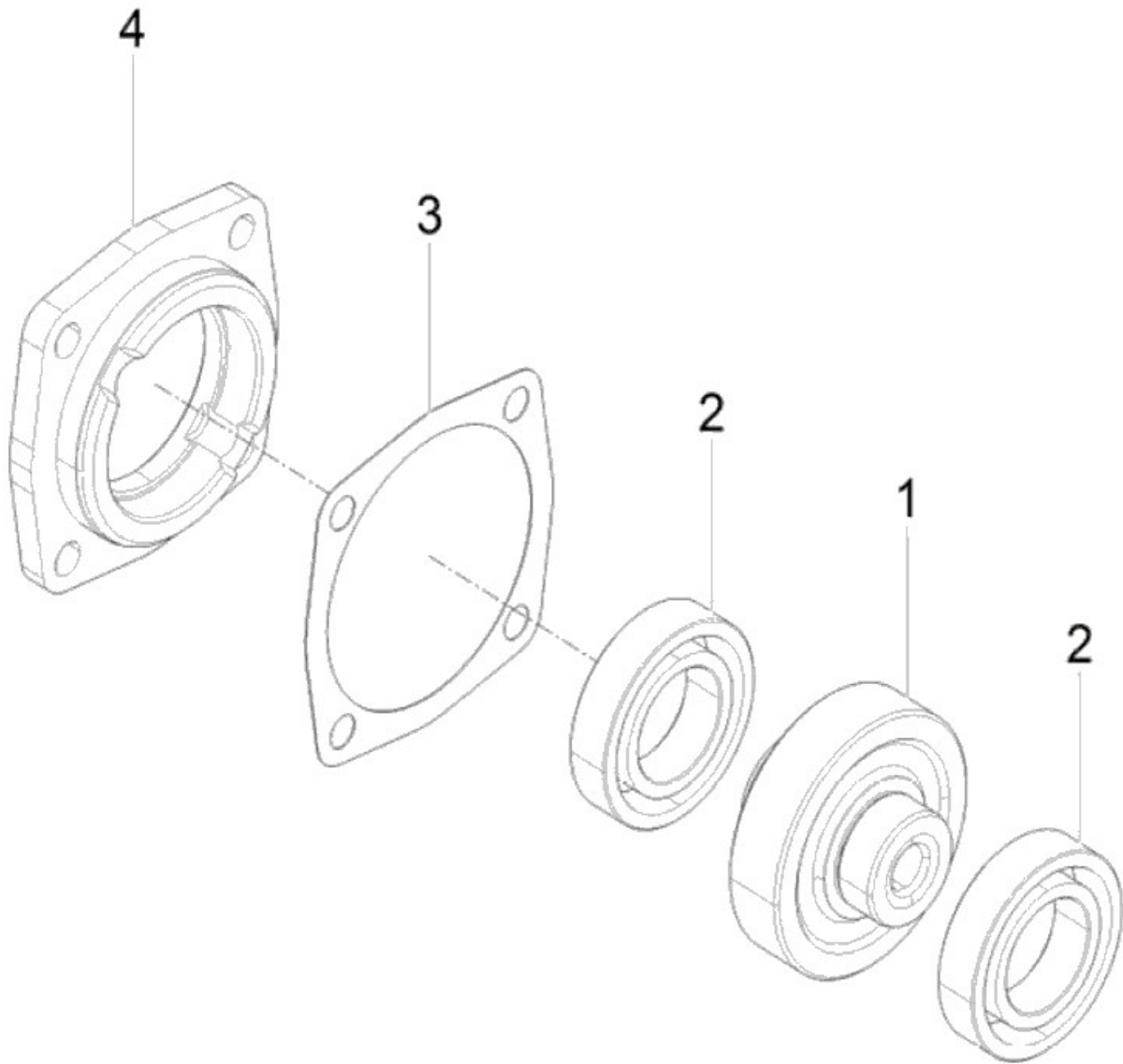
FIG

TE58C

HYD. PUMP DRIVE

년/월  
Year/Month

2021-05



NOTE

FIG TE58C		HYD. PUMP DRIVE					년/월 Year/Month
							2021-05
KEY NO	PART NO	DESCRIPTION	SPEC	QTY	REPAIR	EFFECTIVE DATE	REMARKS
	1	HRA4000300A	HYD. PUMP DRIVE GEAR	1			
	2	24101-060064	BEARING, BALL	2			
	3	HK02350000A	PACKING	1			
	4	HK02340000B	COVER, HYD. PUMP GEAR	1			
NOTE							



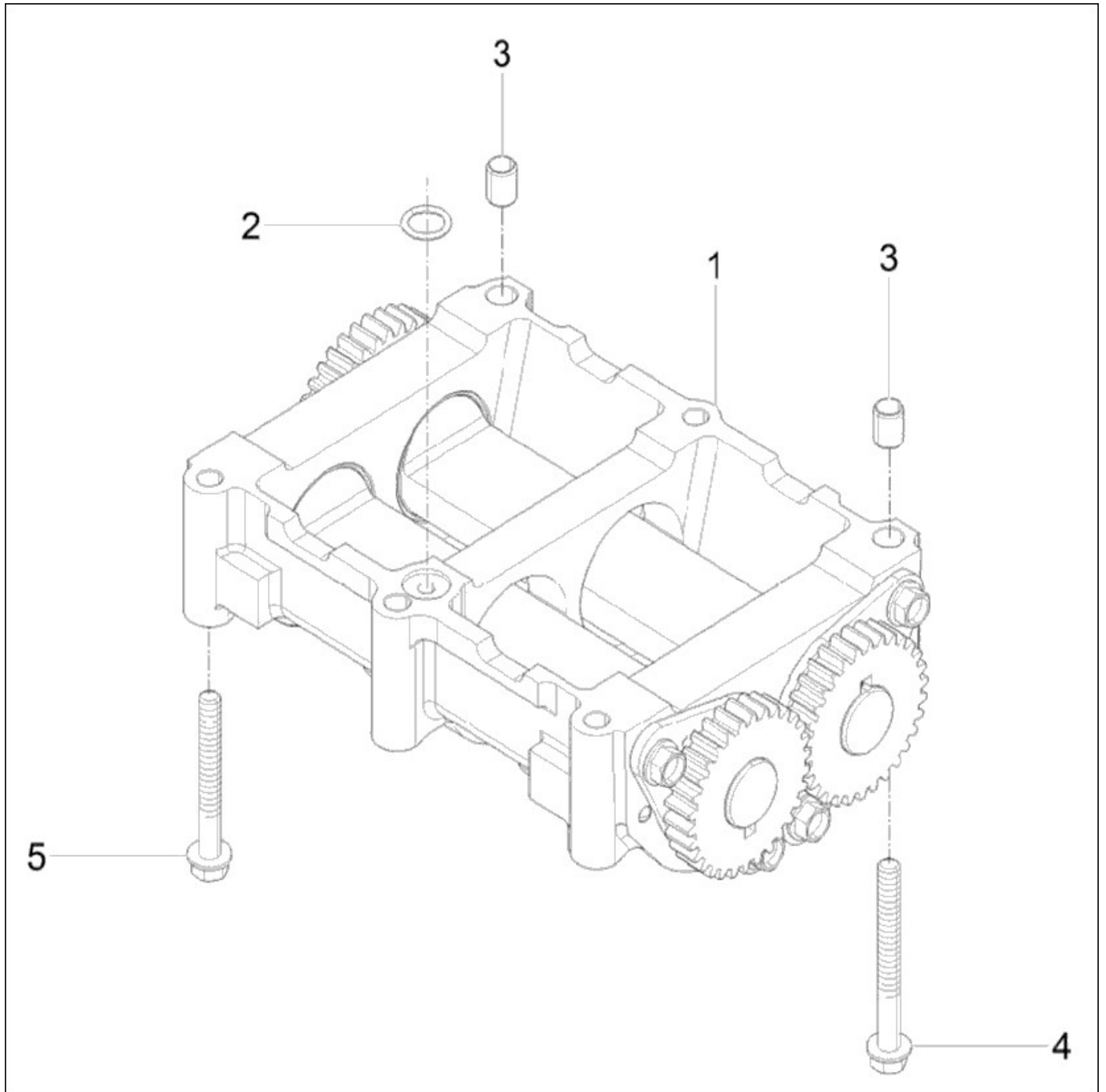
FIG

TE58C

2ND BALANCE

년/월  
Year/Month

2021-05



NOTE



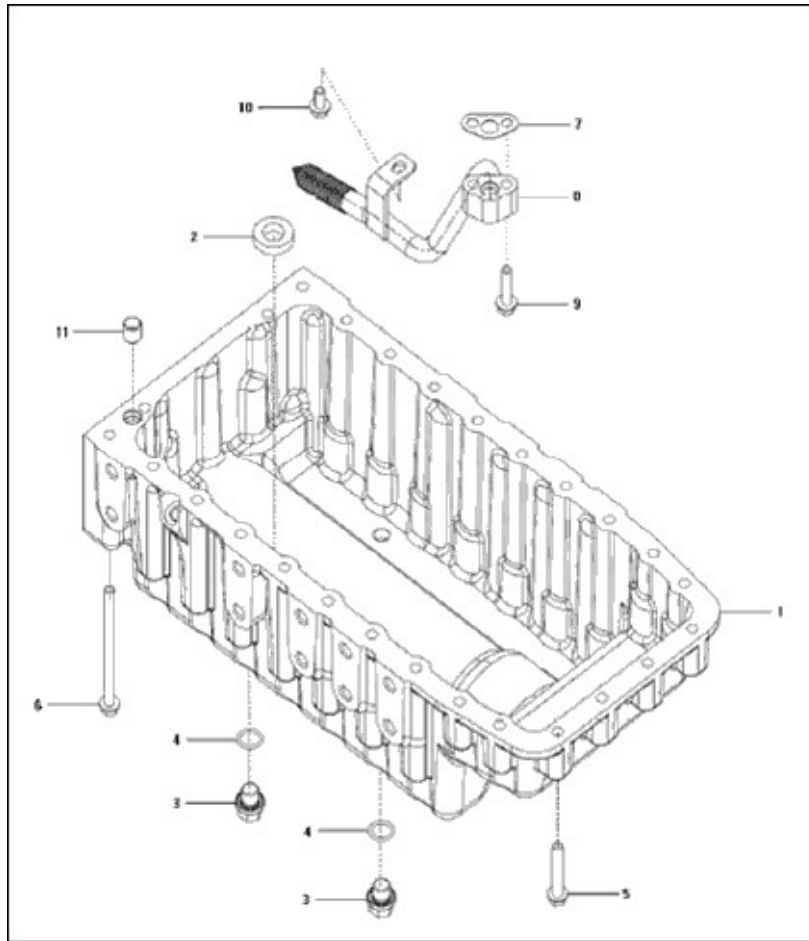
FIG

TE58C

OIL PAN

년/월  
Year/Month

2021-05



NOTE



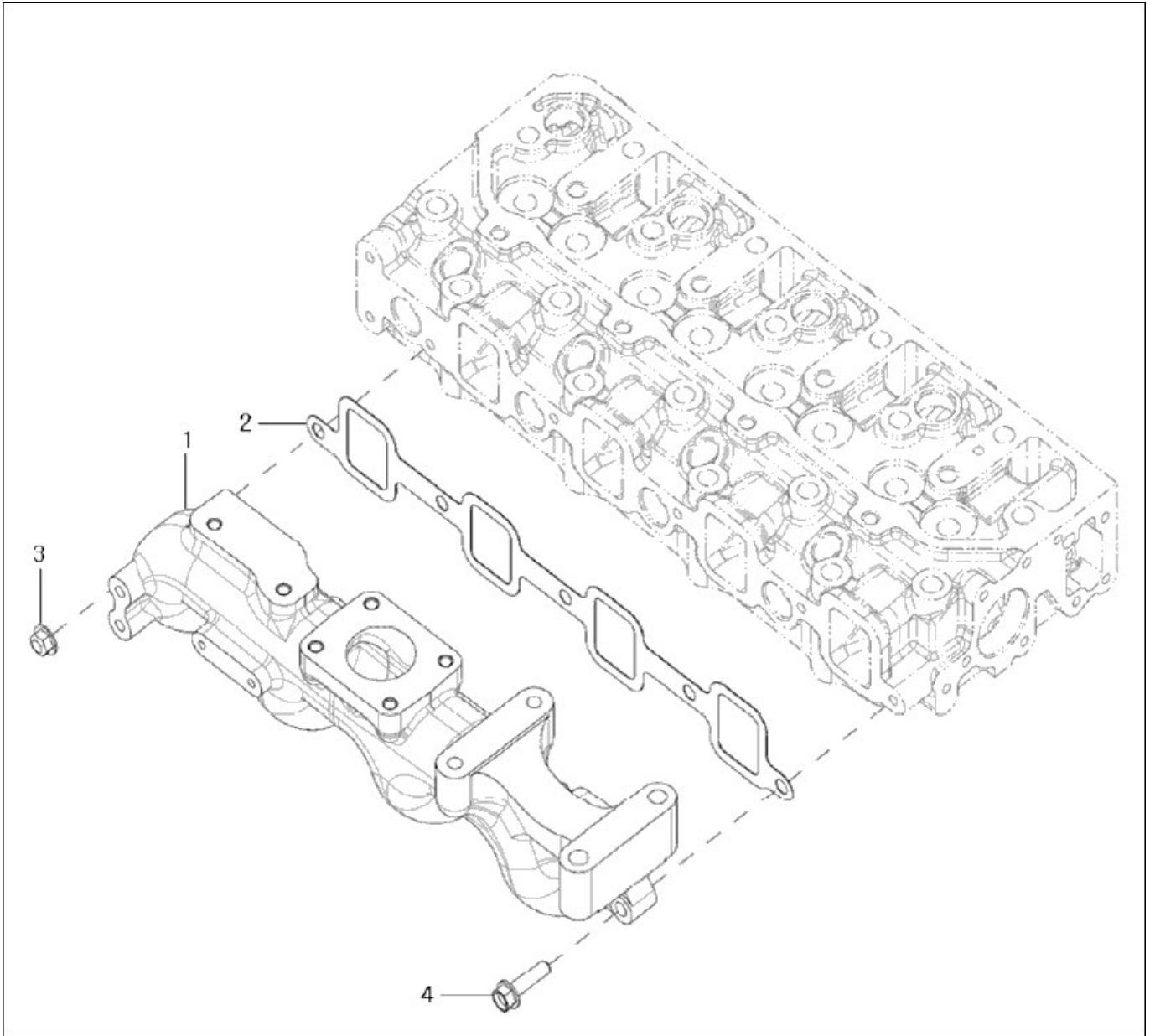
FIG

TE58C

INTAKE MANIFOLD

년/월  
Year/Month

2021-05



NOTE



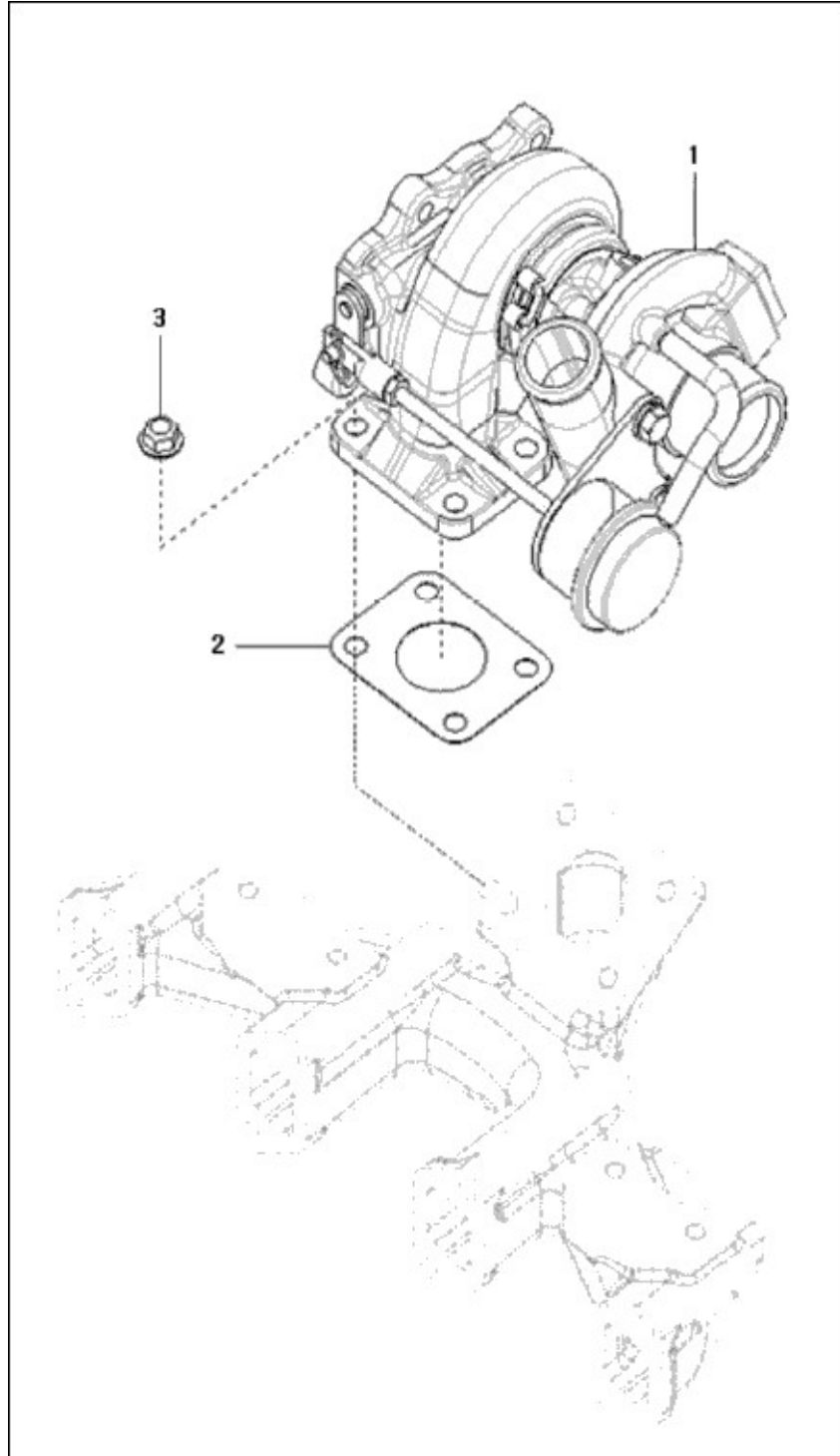
FIG

TE58C

TURBOCHARGER ASS'Y

년/월  
Year/Month

2021-05



NOTE





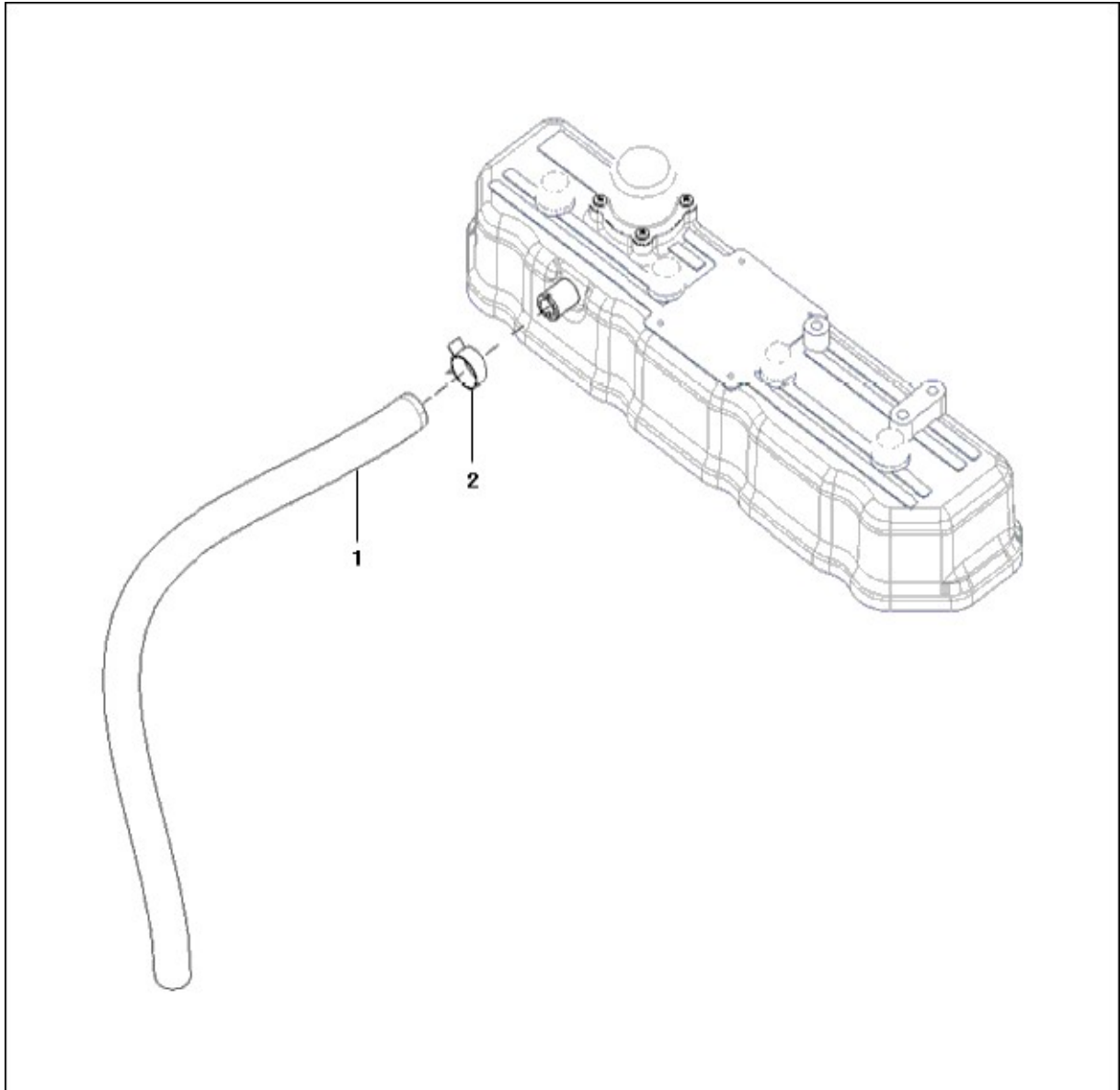
FIG

TE58C

BREATHER

년/월  
Year/Month

2021-05



NOTE



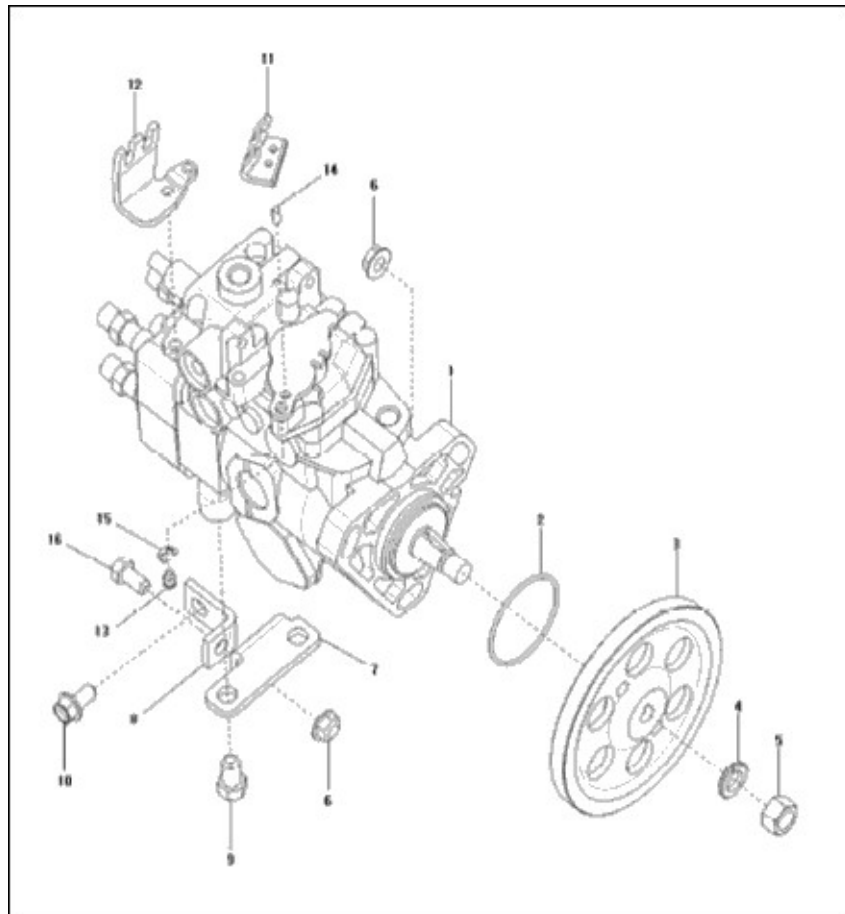
FIG

TE58C

# FUEL INJECTION PUMP

년/월  
Year/Month

2021-05



NOTE



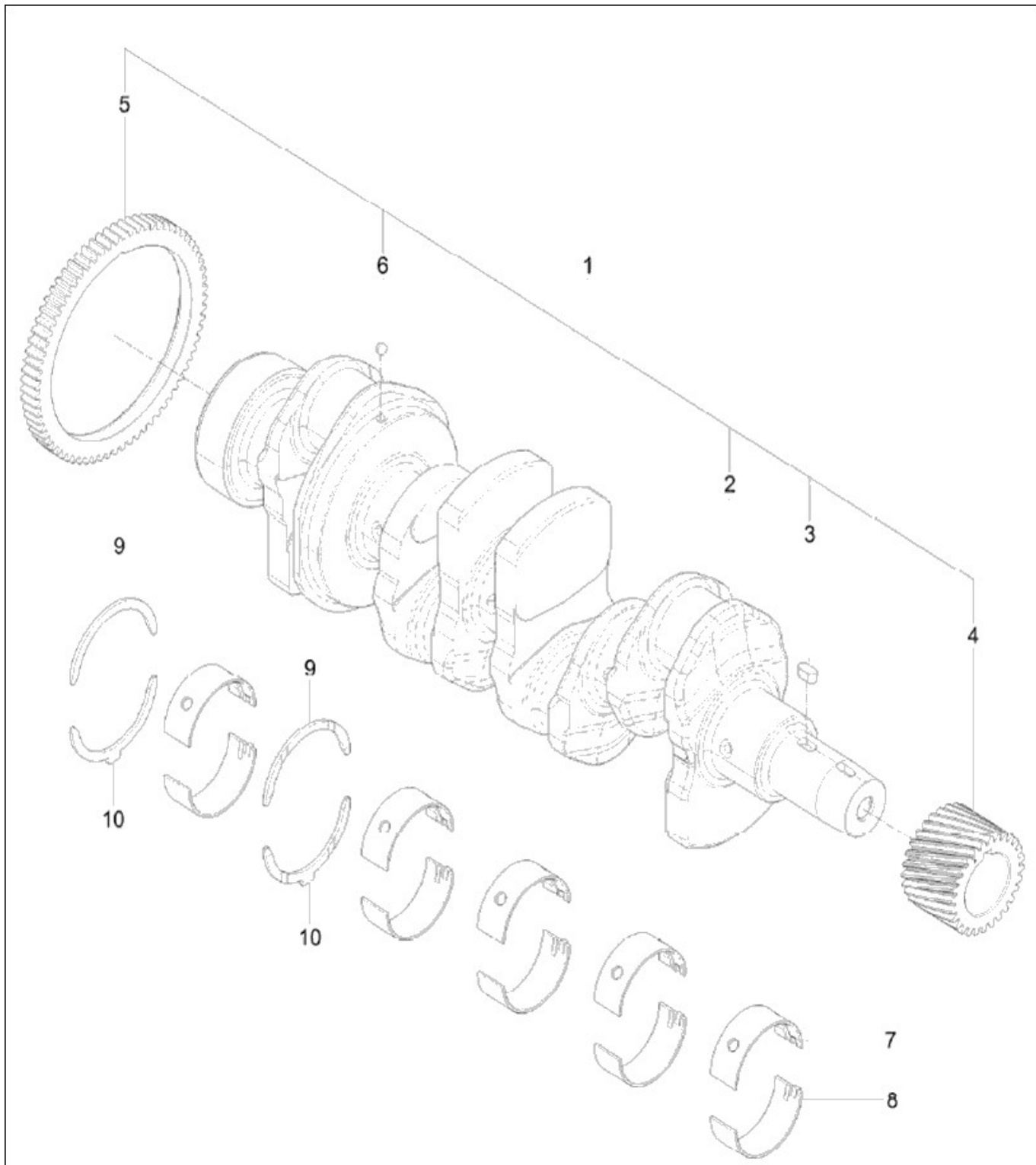
FIG

TE58C

# CRANK SHAFT

년/월  
Year/Month

2021-05



NOTE



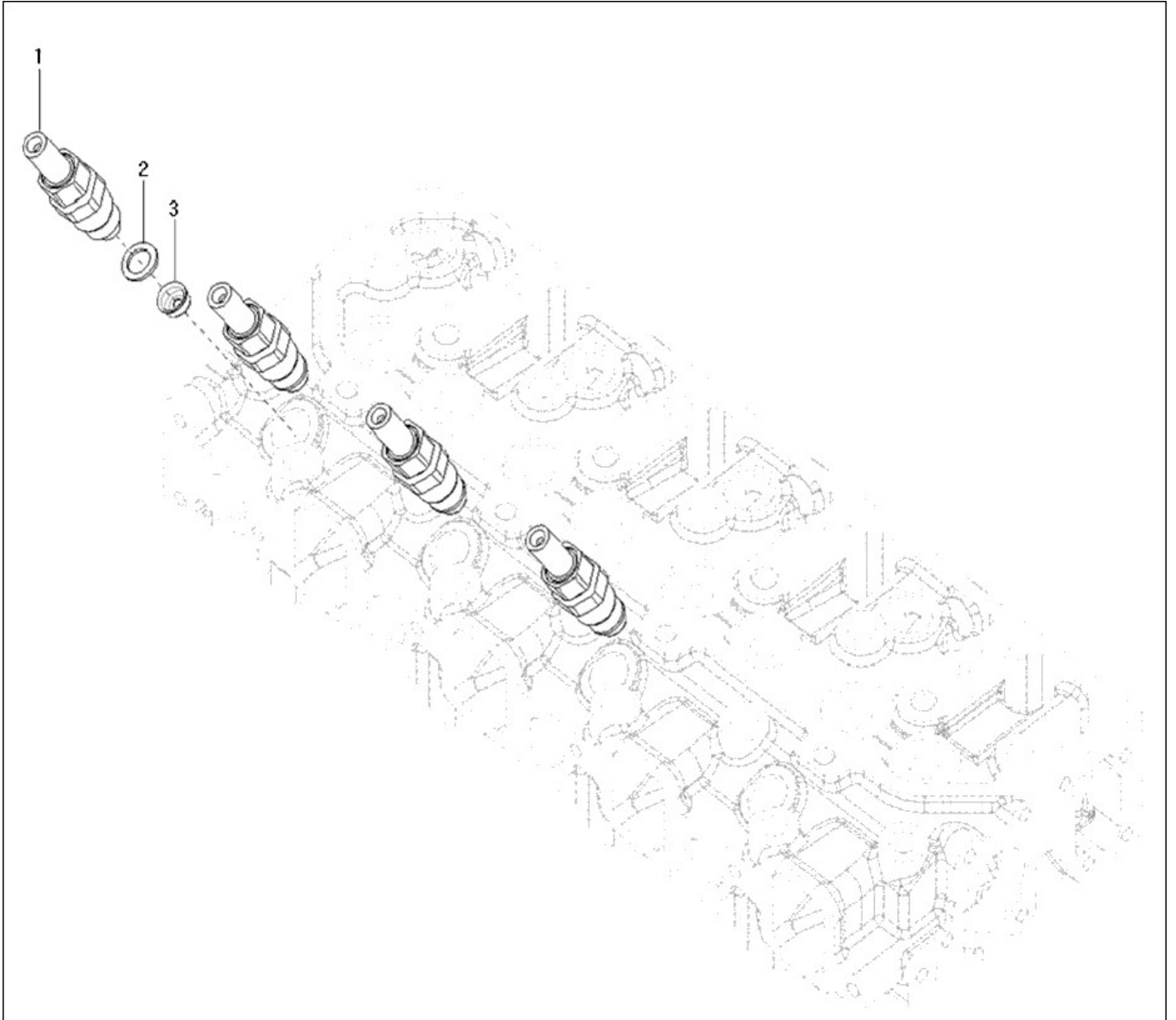
FIG

TE58C

FUEL INJECTION VALVE

년/월  
Year/Month

2021-05



NOTE





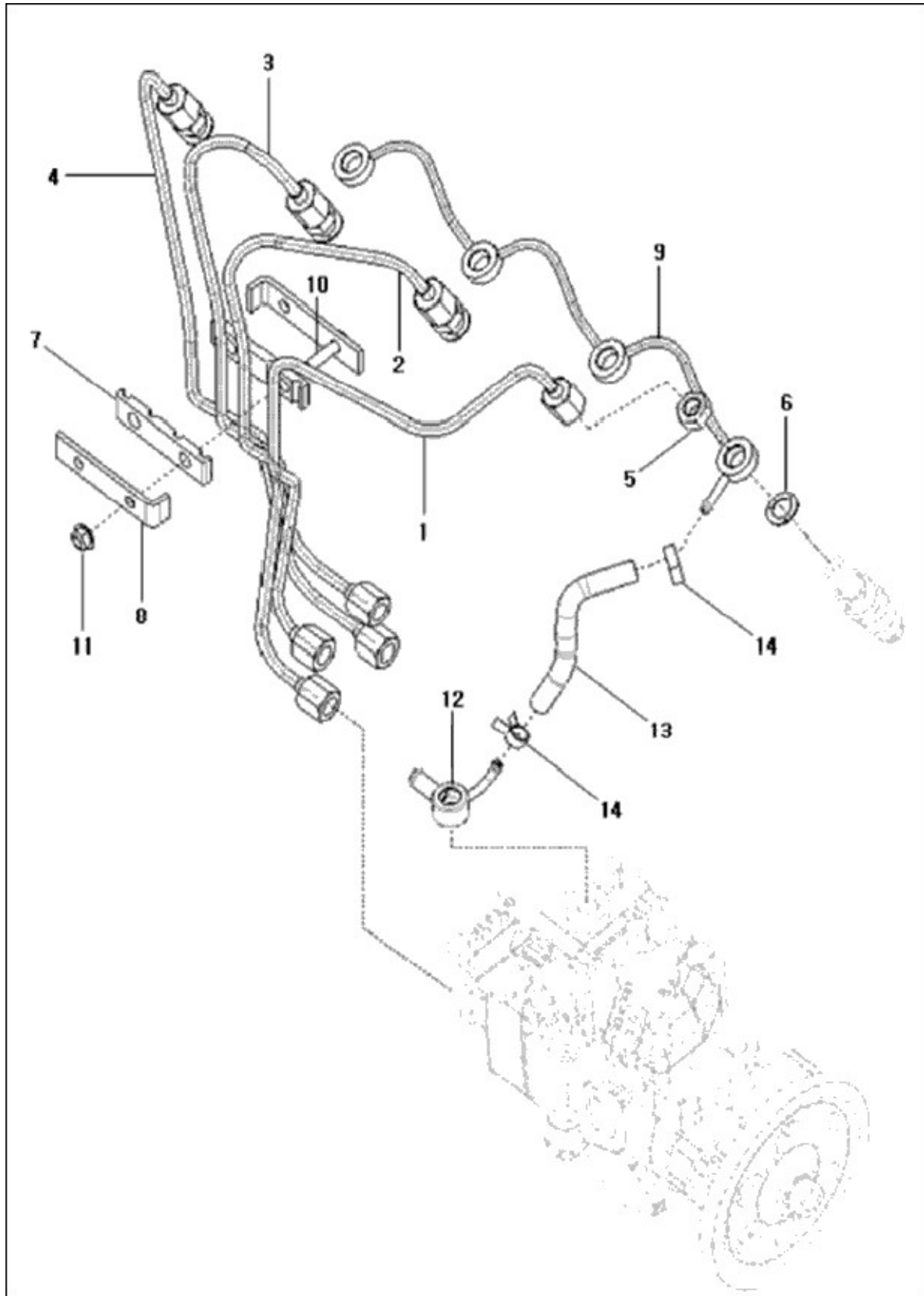
FIG

FUEL PIPE ASS'Y

년/월  
Year/Month

TE58C

2021-05



NOTE



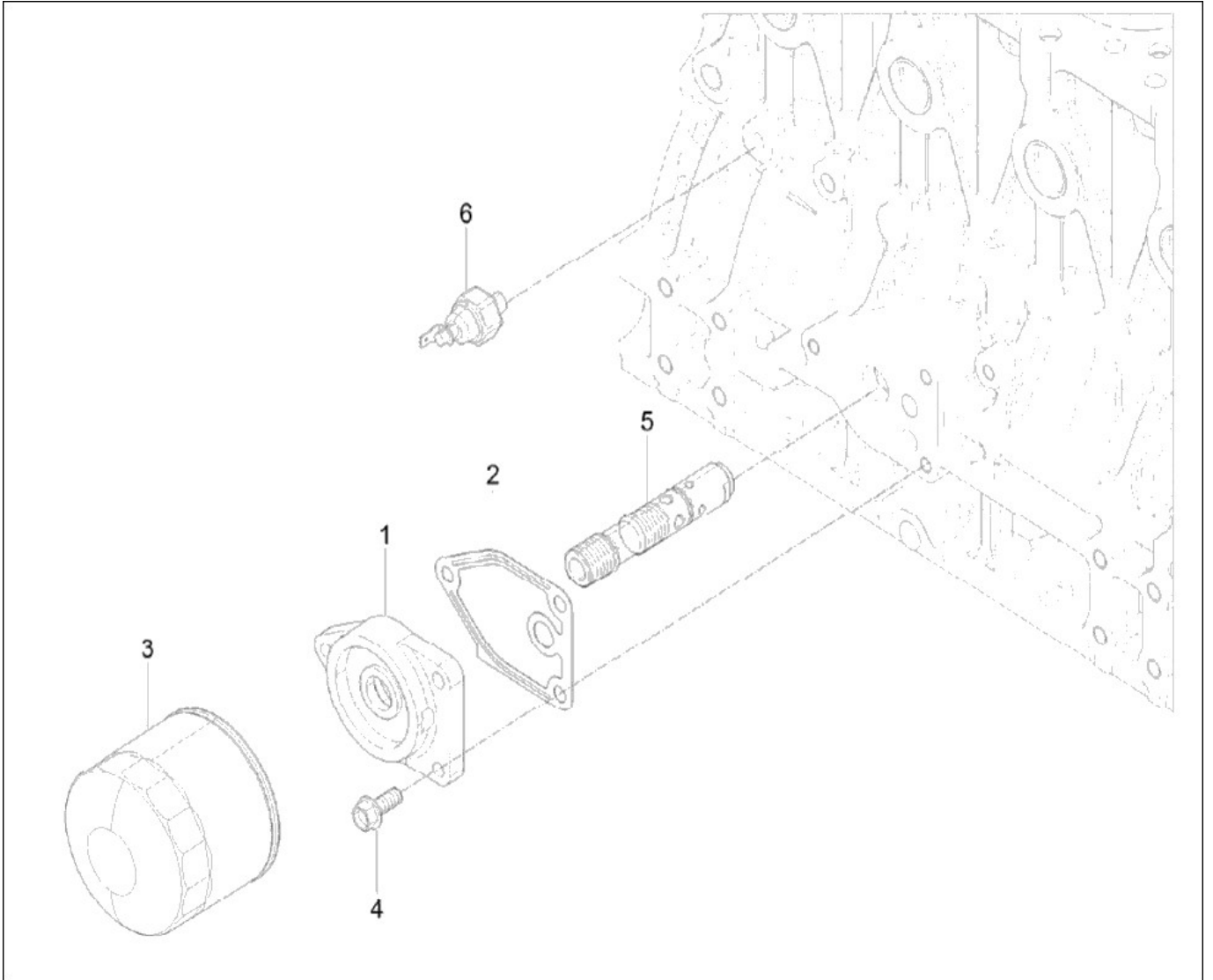
FIG

TE58C

OIL FILTER

년/월  
Year/Month

2021-05



NOTE



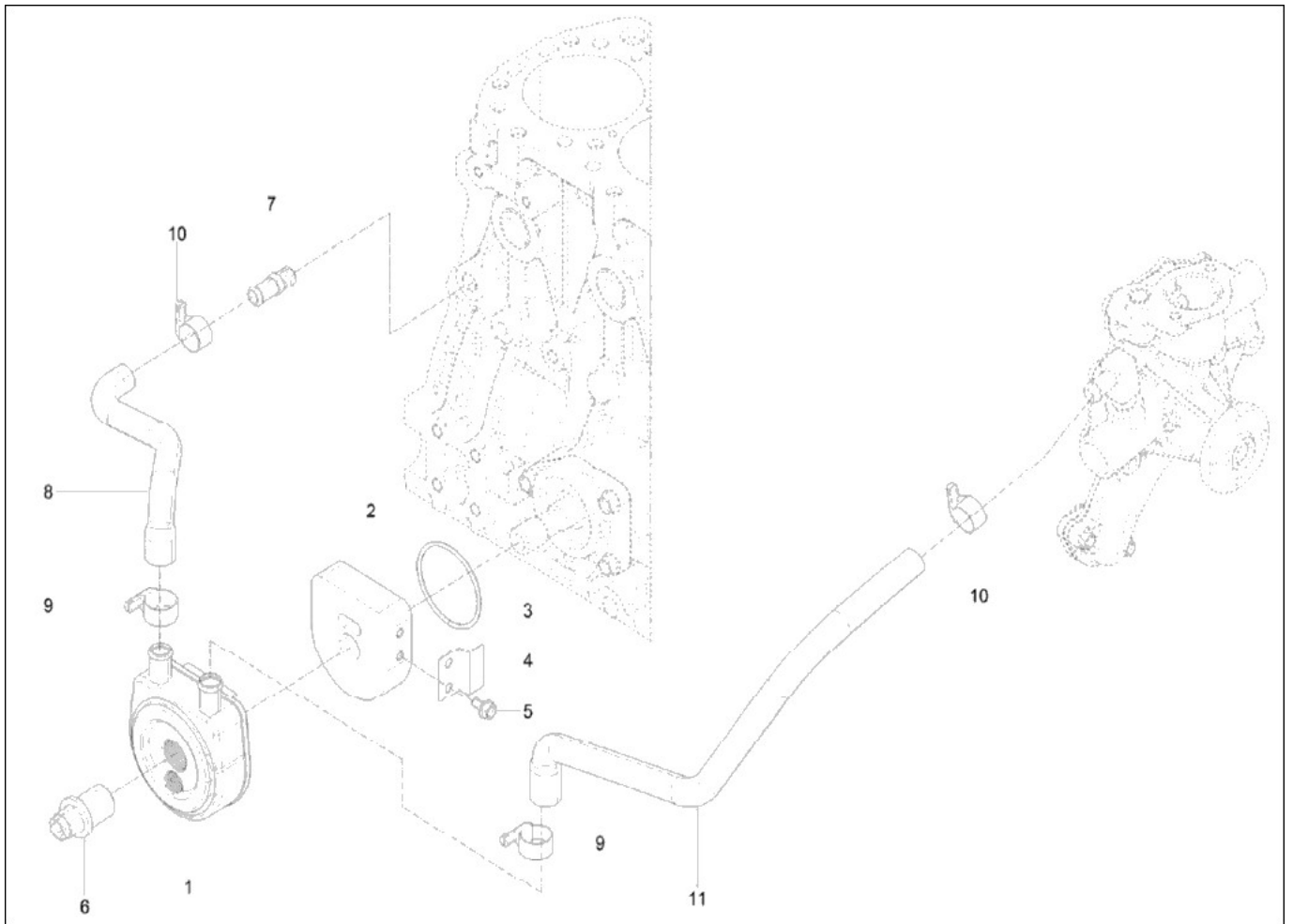
FIG

OIL COOLER

년/월  
Year/Month

TE58C

2021-05



NOTE



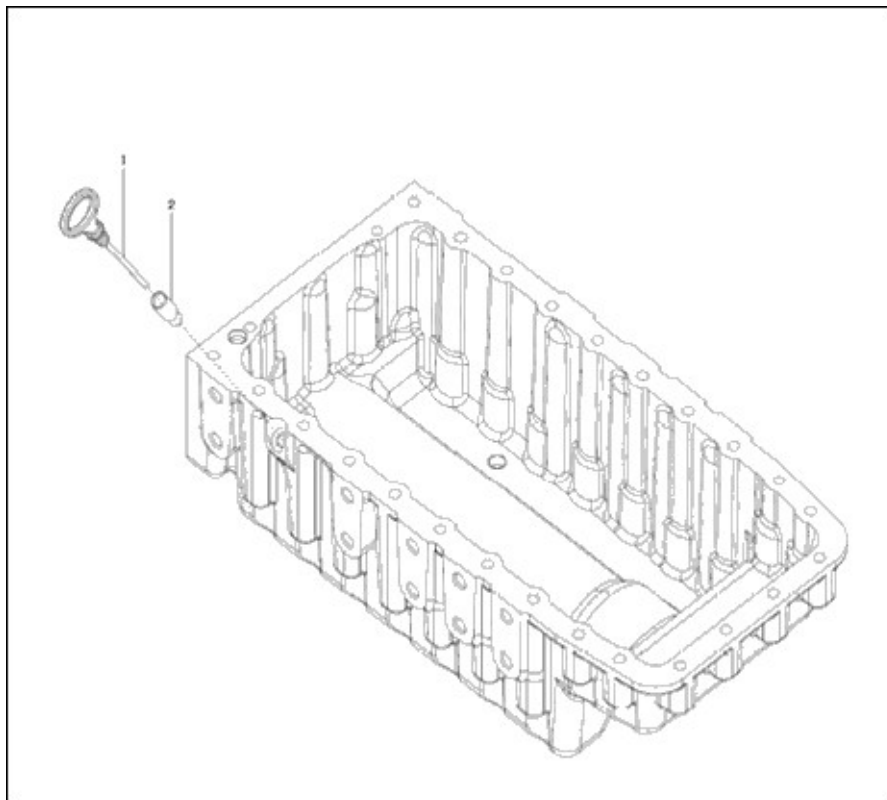
FIG

TE58C

OIL GAUGUE

년/월  
Year/Month

2021-05



NOTE





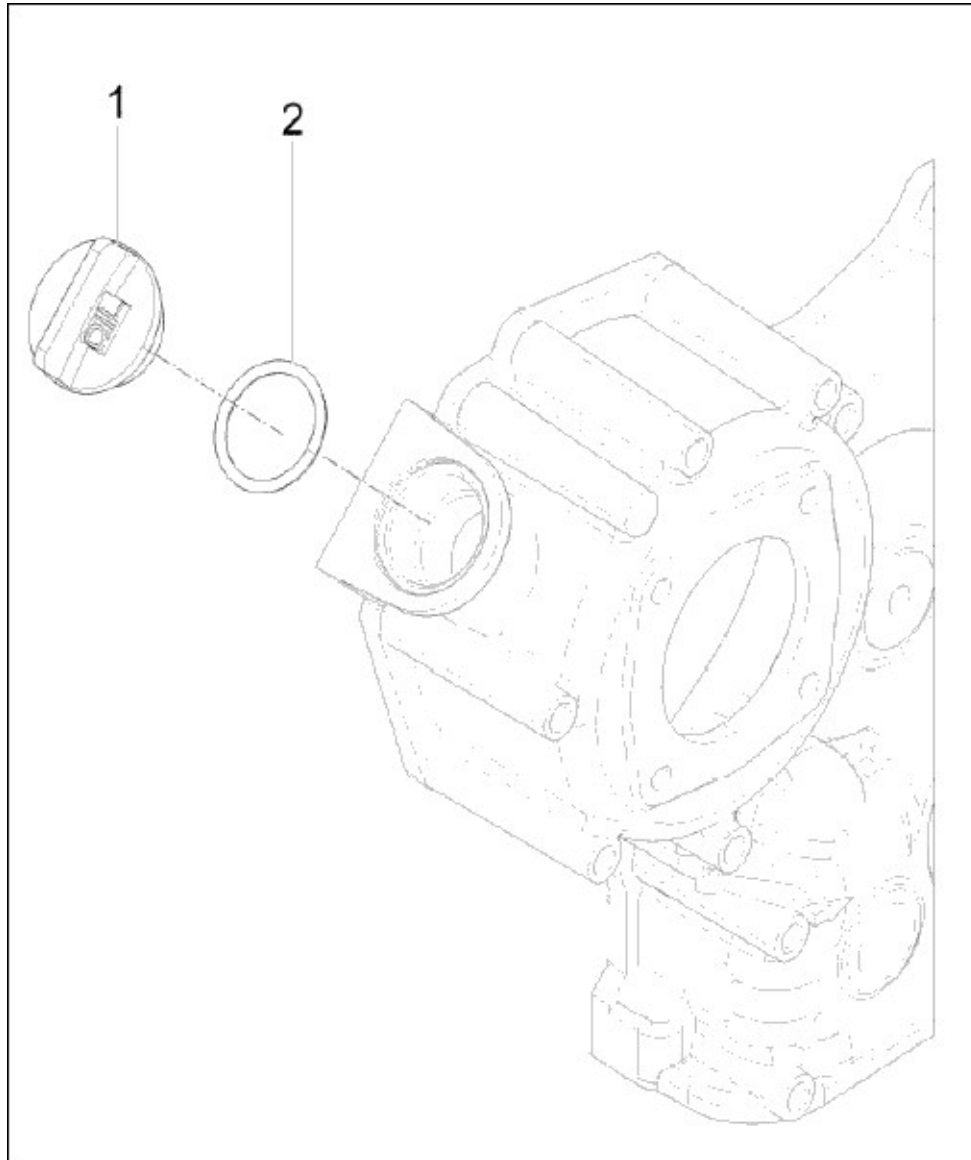
FIG

TE58C

OIL FILLER CAP

년/월  
Year/Month

2021-05



NOTE



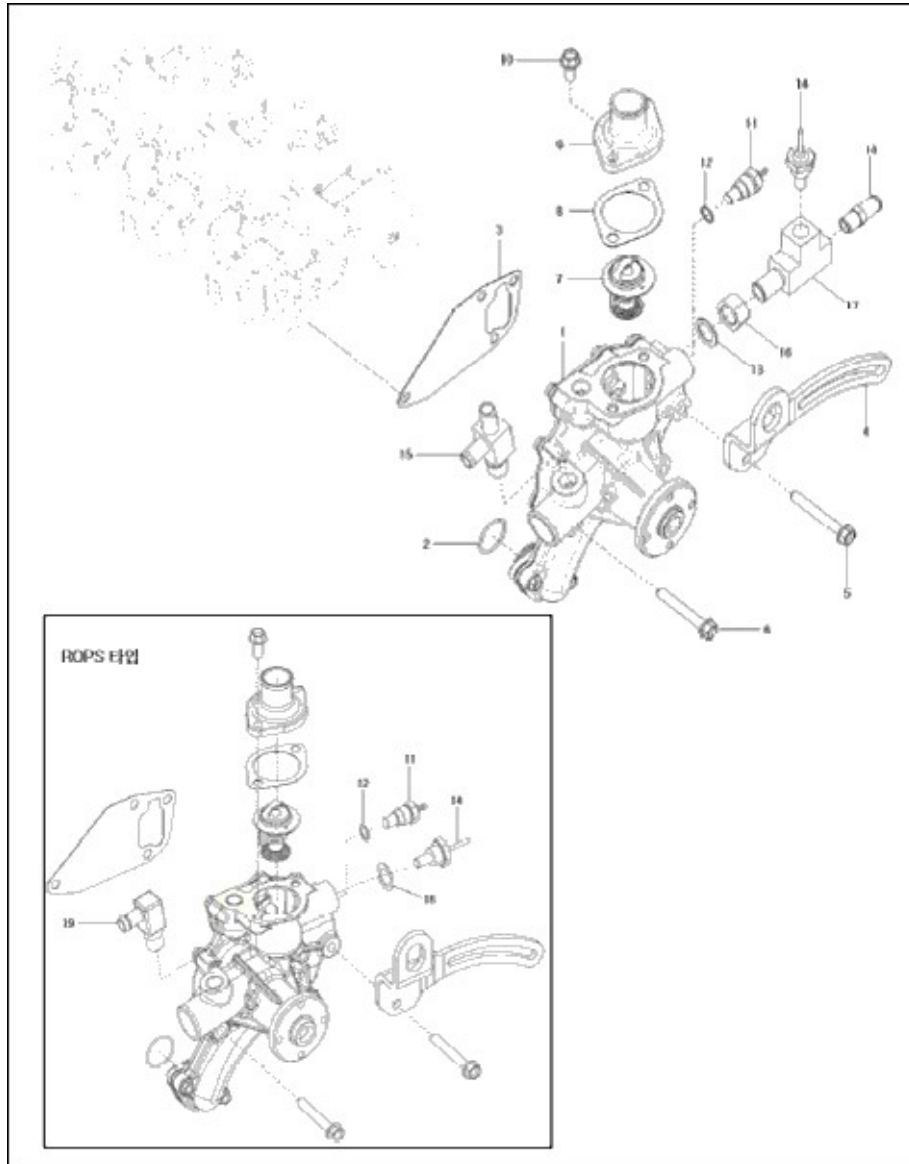
FIG

COOLING WATER PUMP

년/월  
Year/Month

TE58C

2021-05



NOTE



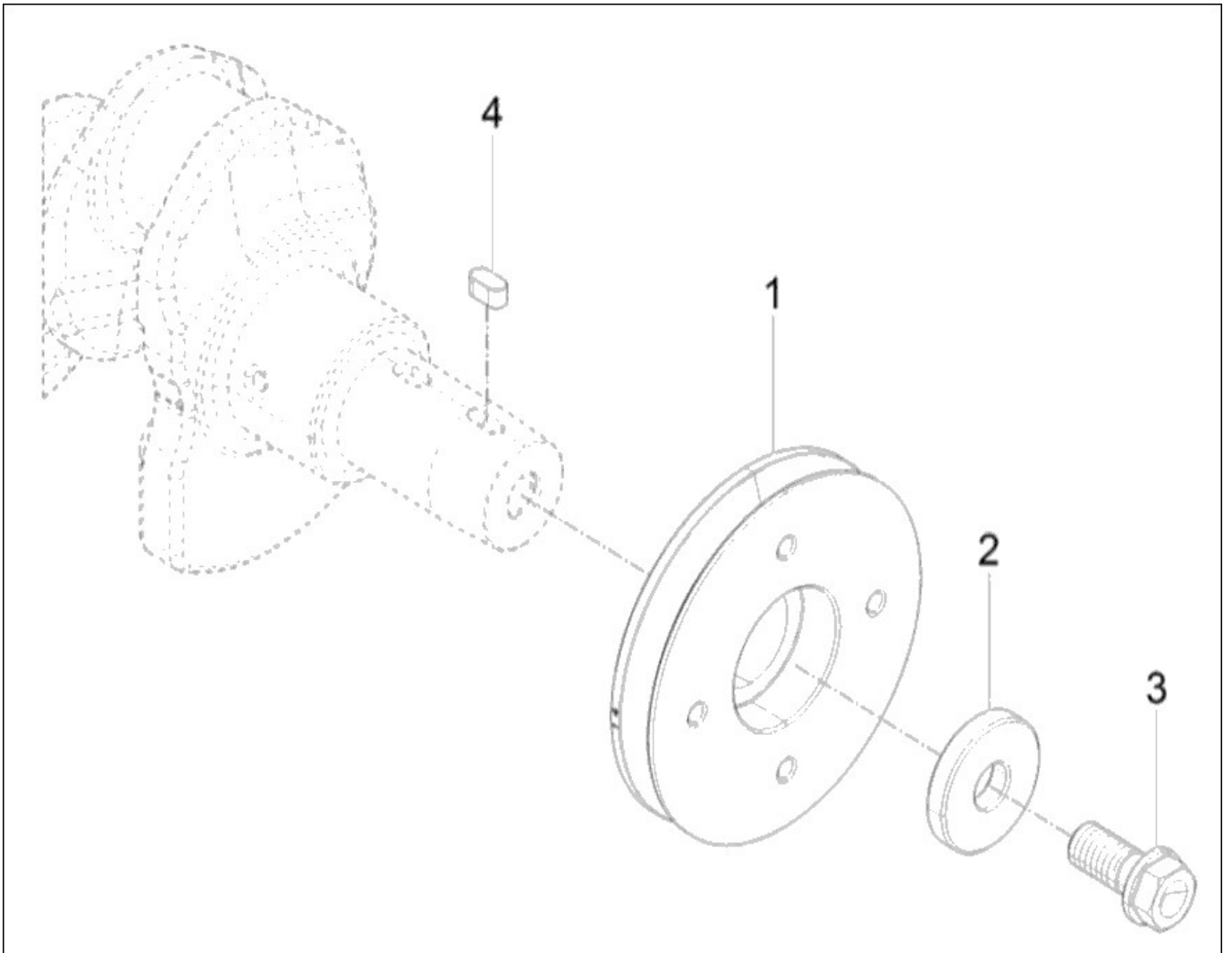
FIG

TE58C

CRANK SHAFT PULLEY

년/월  
Year/Month

2021-05



NOTE



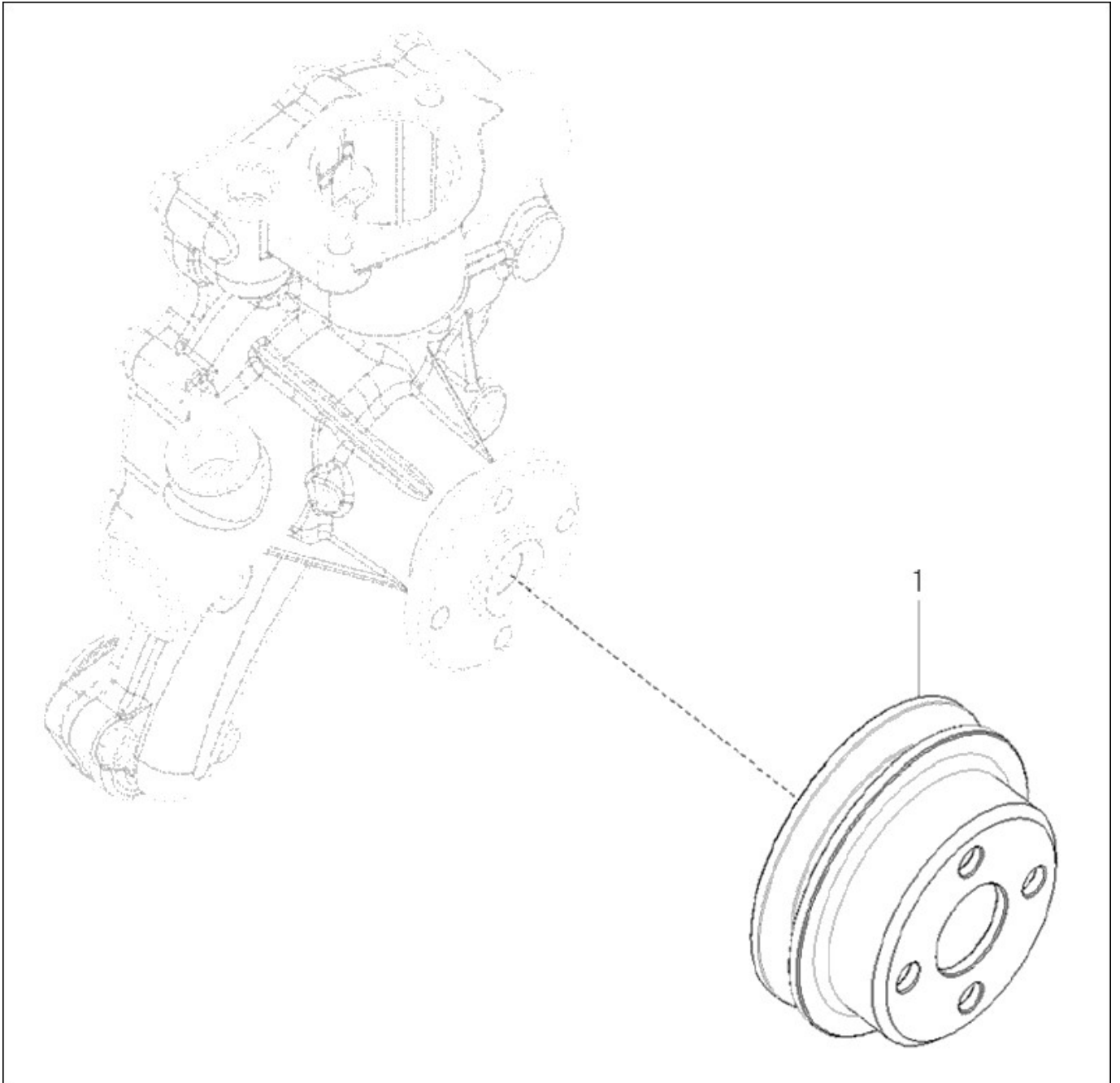
FIG

TE58C

V-PULLEY

년/월  
Year/Month

2021-05



NOTE





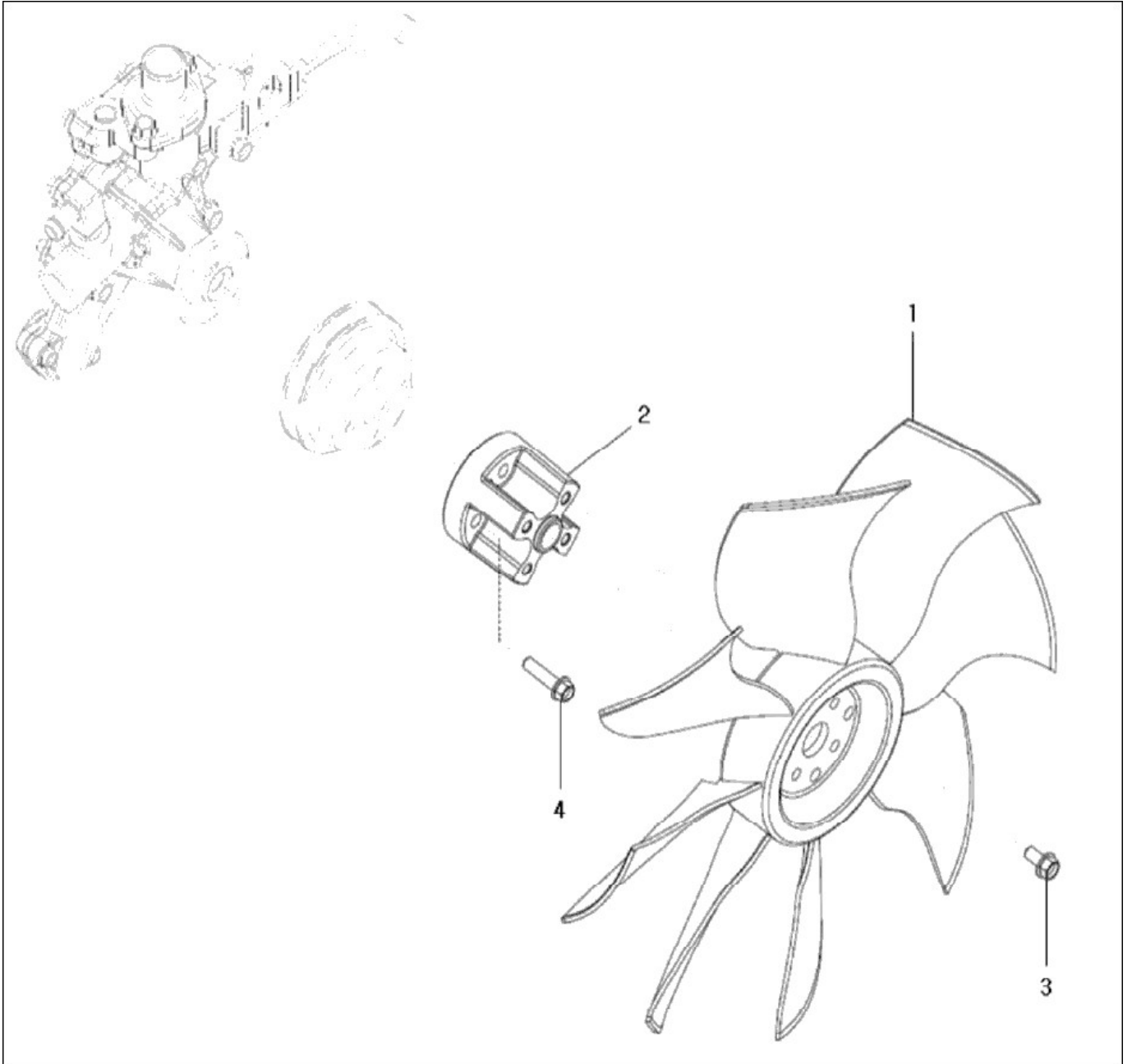
FIG

TE58C

COOLING FAN

년/월  
Year/Month

2021-05



NOTE



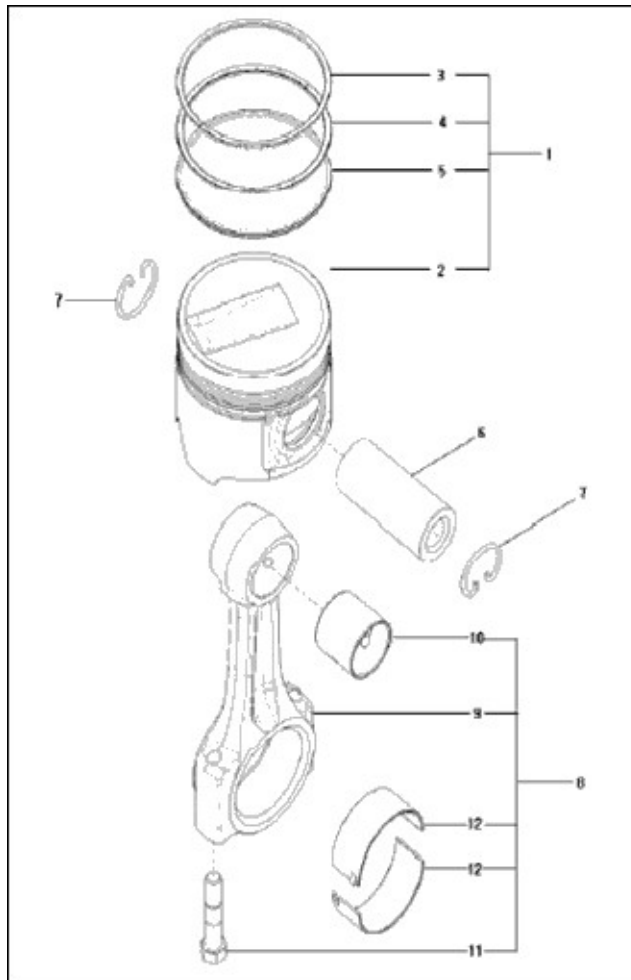
FIG

TE58C

PISTON

년/월  
Year/Month

2021-05



NOTE



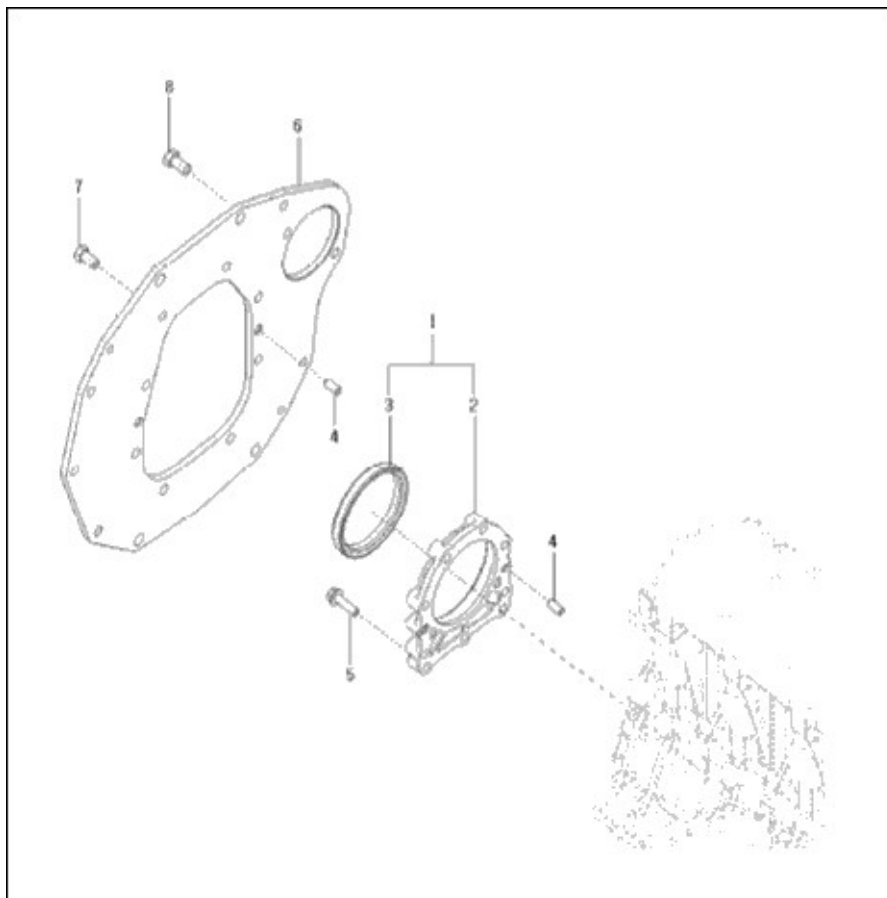
FIG

TE58C

FLYWHEEL HOUSING

년/월  
Year/Month

2021-05



NOTE



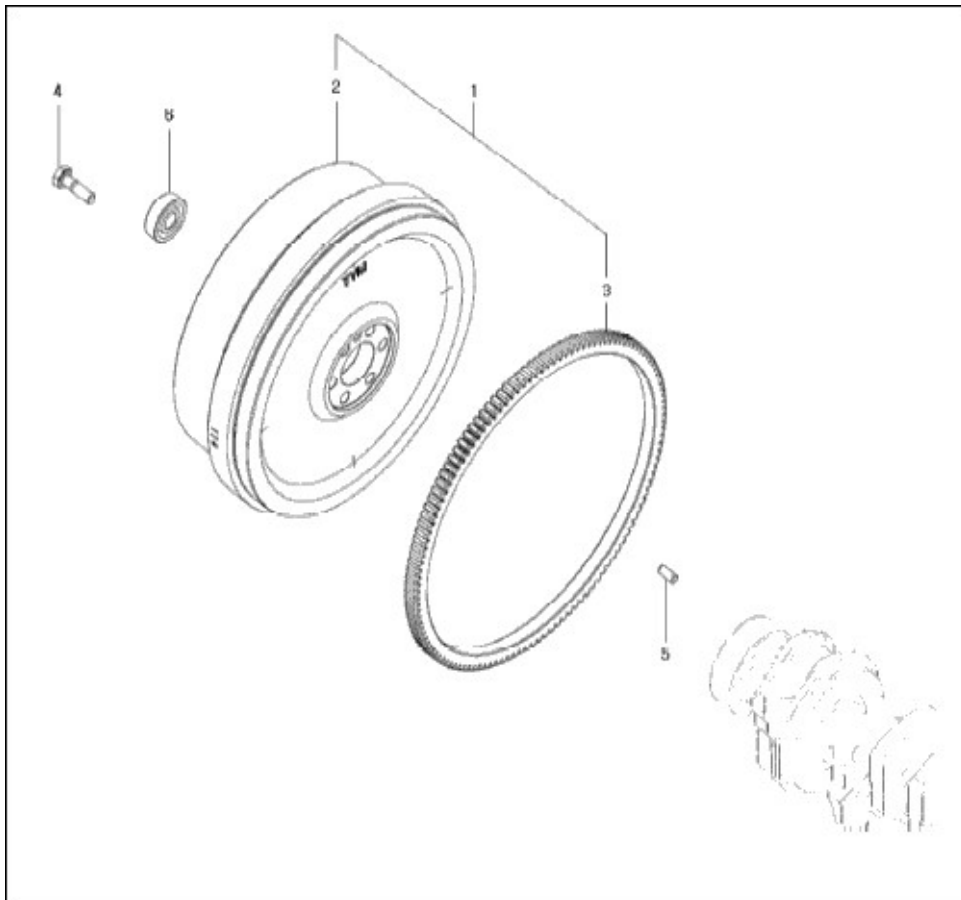
FIG

TE58C

FLYWHEEL

년/월  
Year/Month

2021-05



NOTE





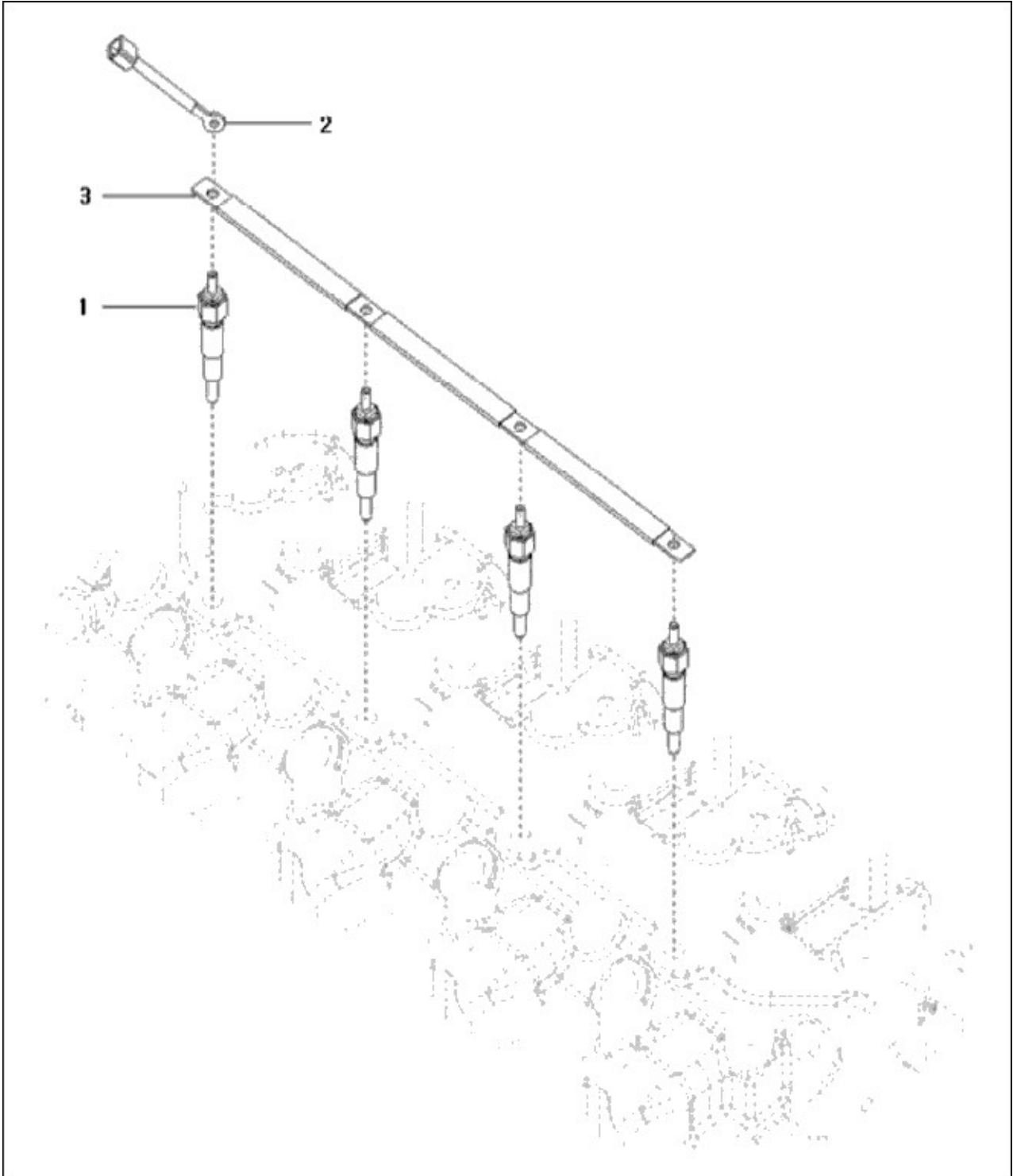
FIG

TE58C

GLOW PLUG ASS'Y OPTION

년/월  
Year/Month

2021-05



NOTE



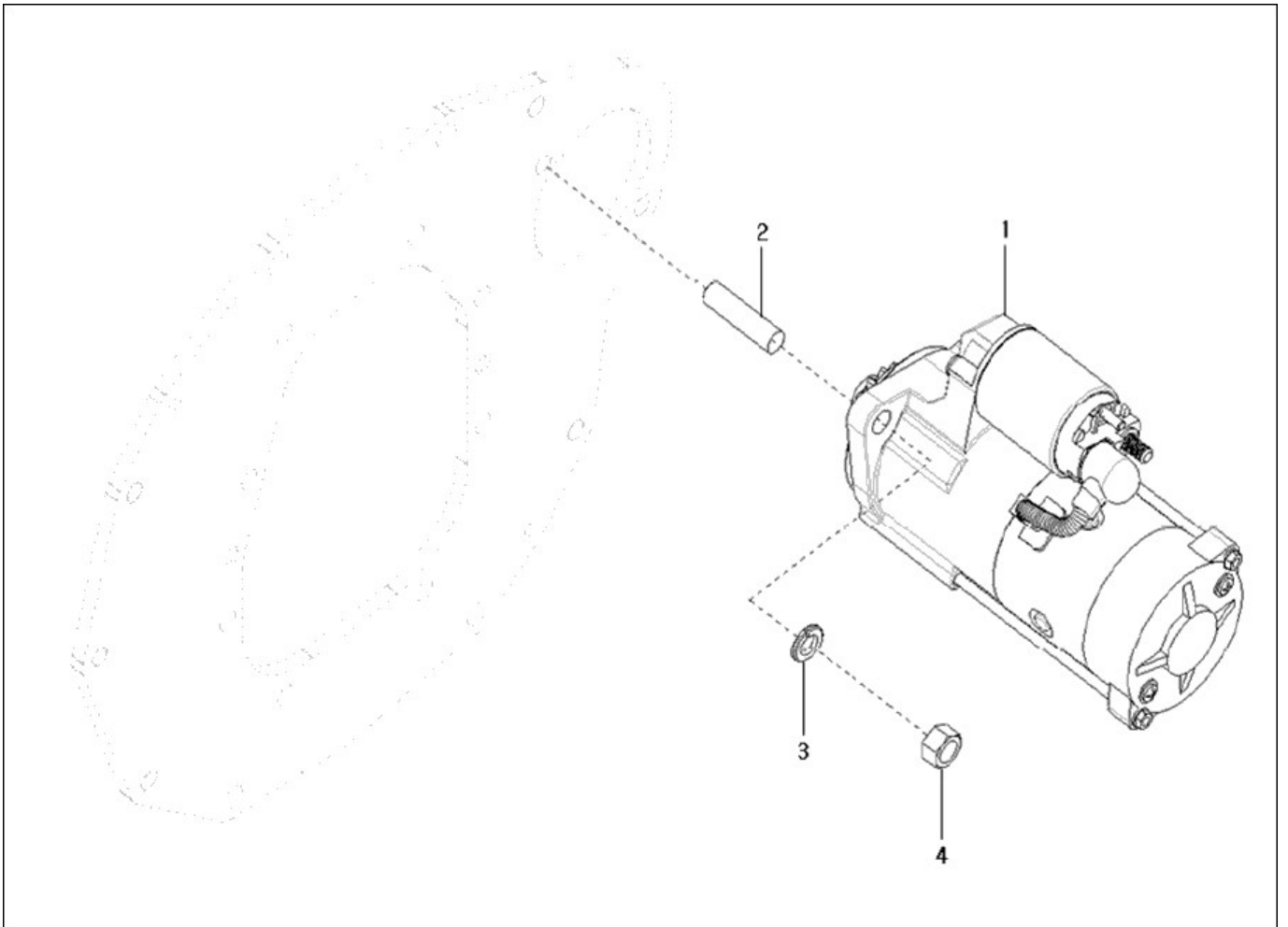
FIG

TE58C

# STARTING MOTOR

년/월  
Year/Month

2021-05



NOTE



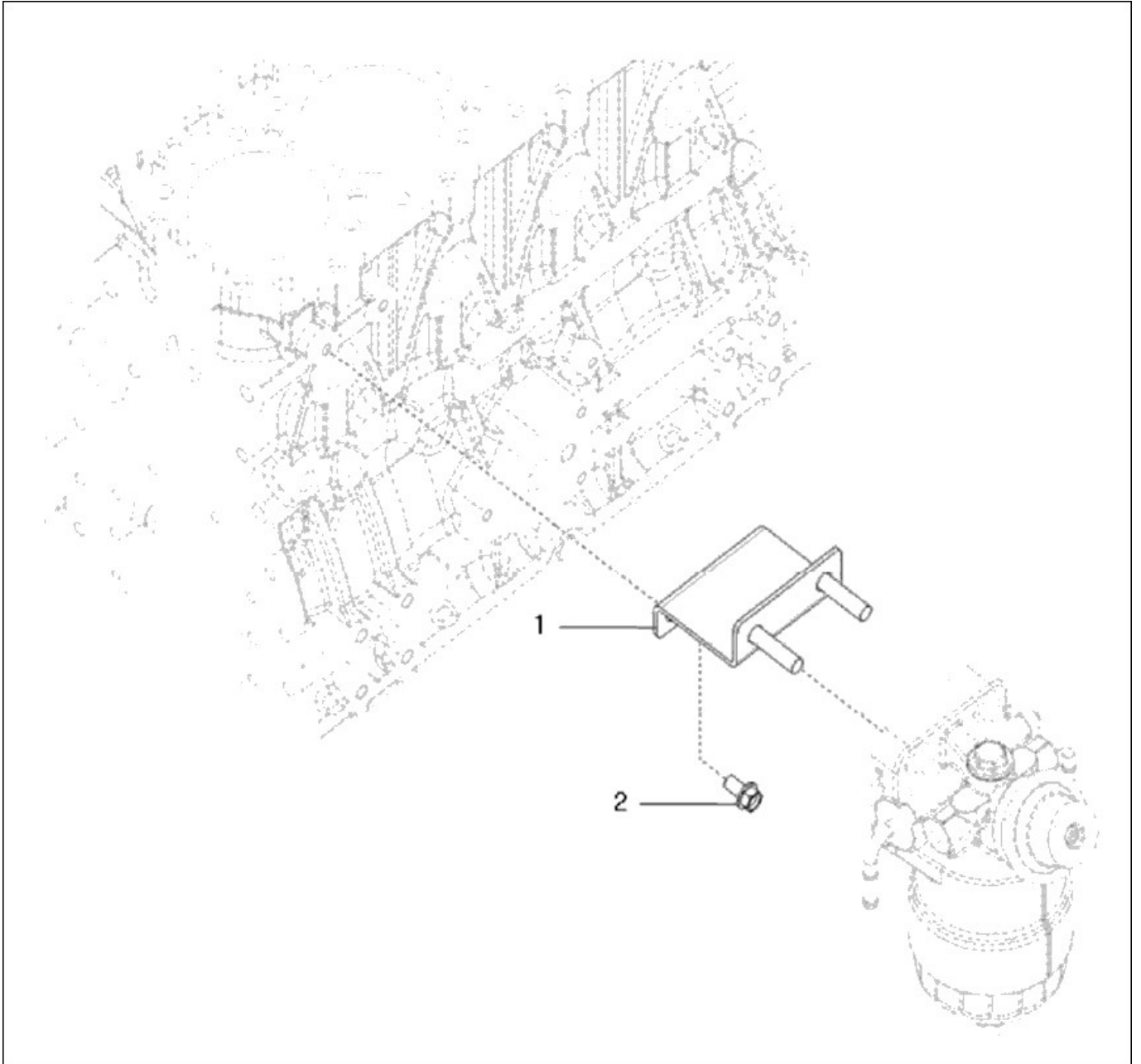
FIG

TE58C

FUEL FILTER BRACKET ASS'Y

년/월  
Year/Month

2021-05



NOTE



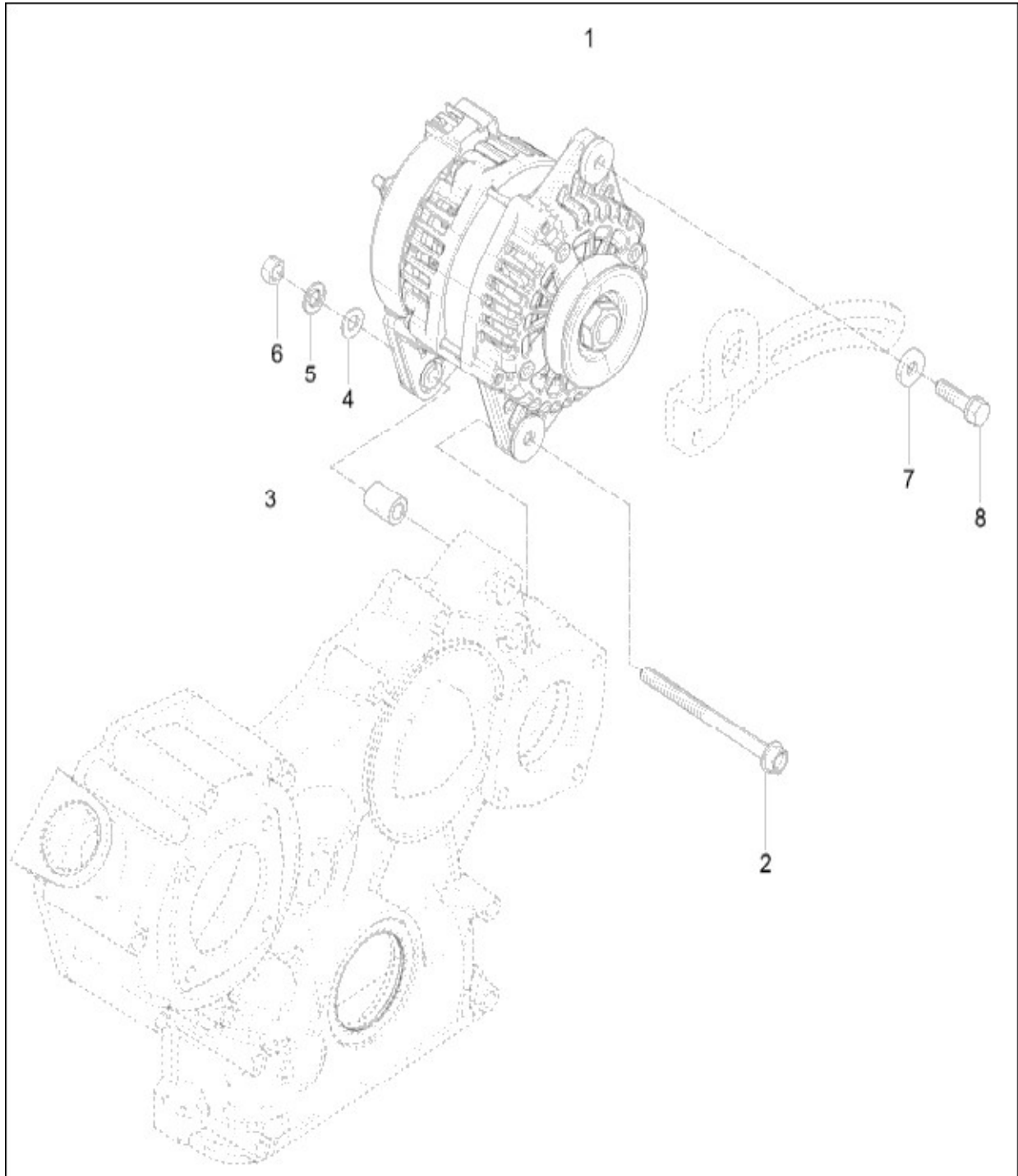
FIG

TE58C

ALTERNATOR

년/월  
Year/Month

2021-05



NOTE





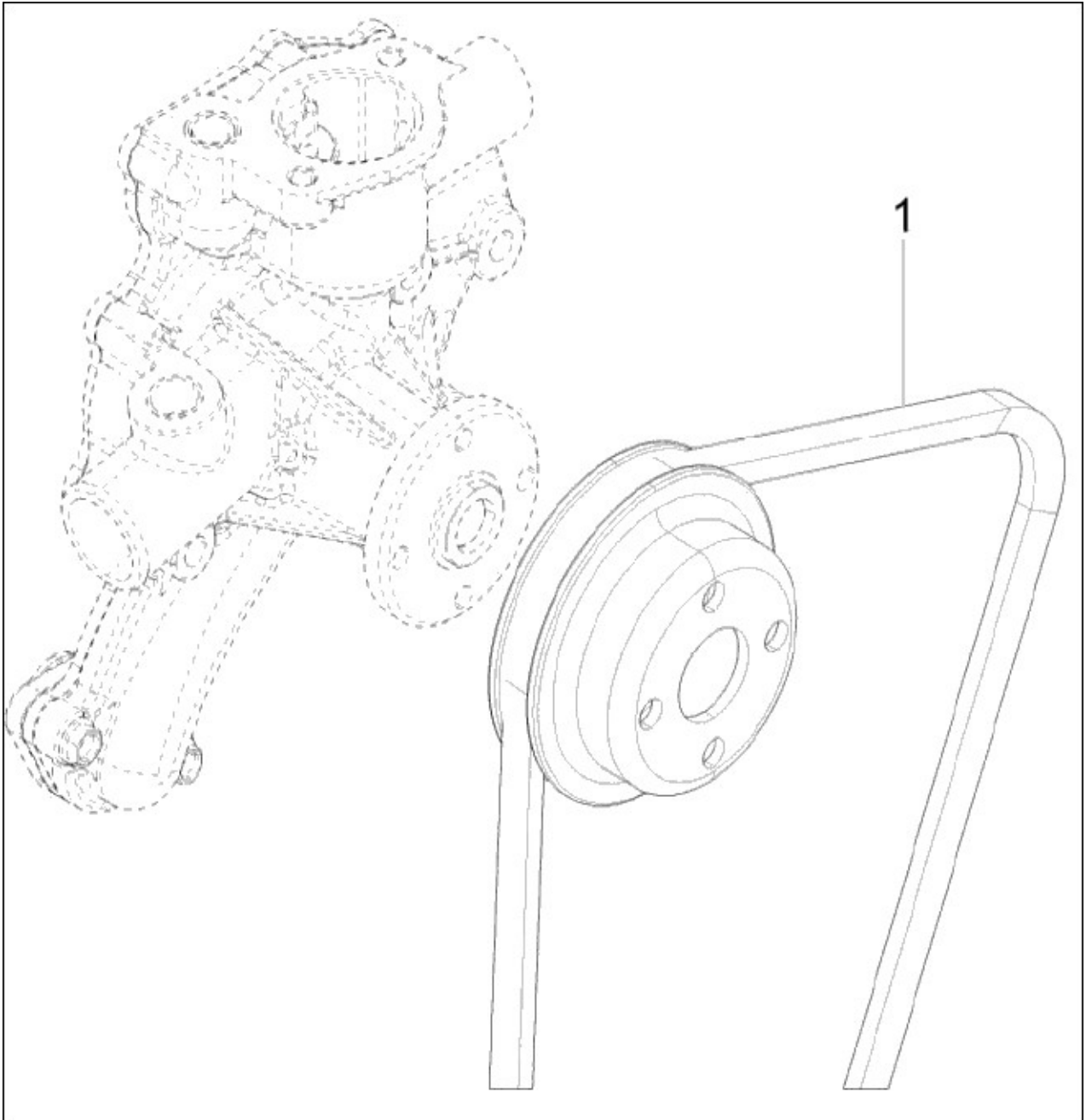
FIG

TE58C

V-BELT

년/월  
Year/Month

2021-05



NOTE



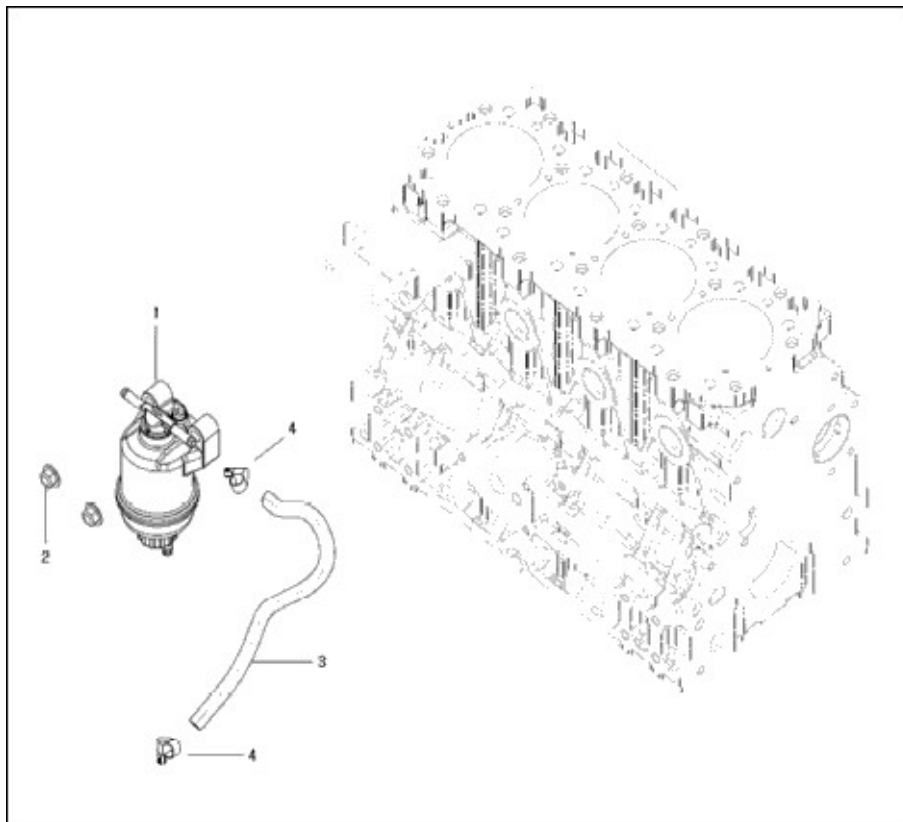
FIG

TE58C

FUEL FILTER

년/월  
Year/Month

2021-05



NOTE



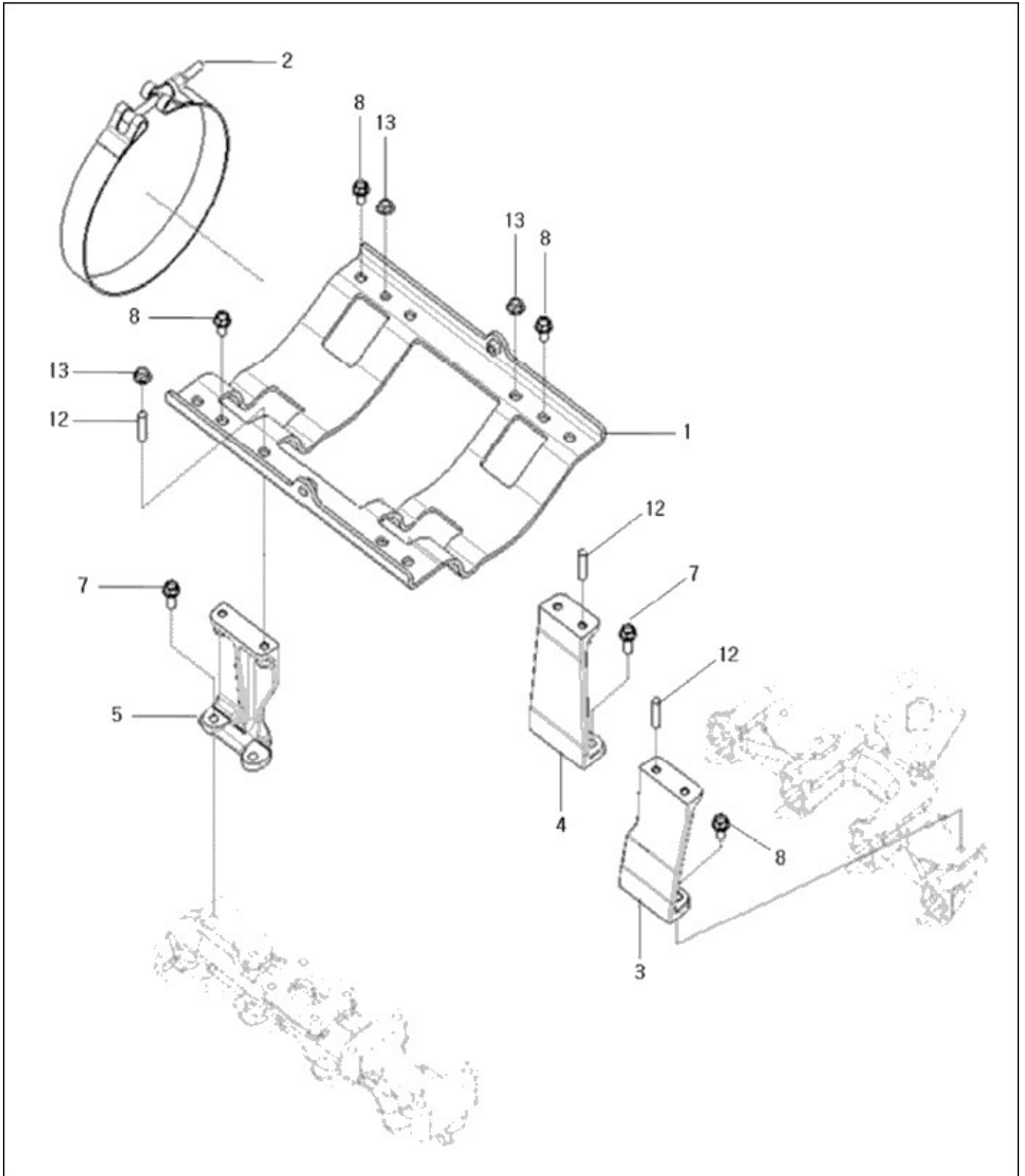
FIG

TE58C

DPF SUPPORT

년/월  
Year/Month

2021-05



NOTE

FIG TE58C	DPF SUPPORT							년/월 Year/Month
								2021-05
	KEY NO	PART NO	DESCRIPTION	SPEC	QTY	REPAIR	EFFECTIVE DATE	REMARKS
1	EA00004273A	MAIN BRACKET ASS'Y		1				
2	EA00004268A	CLAMP, DPF		2				
3	EA00003507B	DPF SUPPORT(A)		1				
4	EA00003508A	DPF SUPPORT(B)		1				
5	EA00003509A	DPF SUPPORT(C)		1				
7	26106-080222	HEX. FLANGE BOLT		4				
8	26106-080162	육각플랜지볼트		6				
13	26367-080002	육각플랜지너트		3				
NOTE								

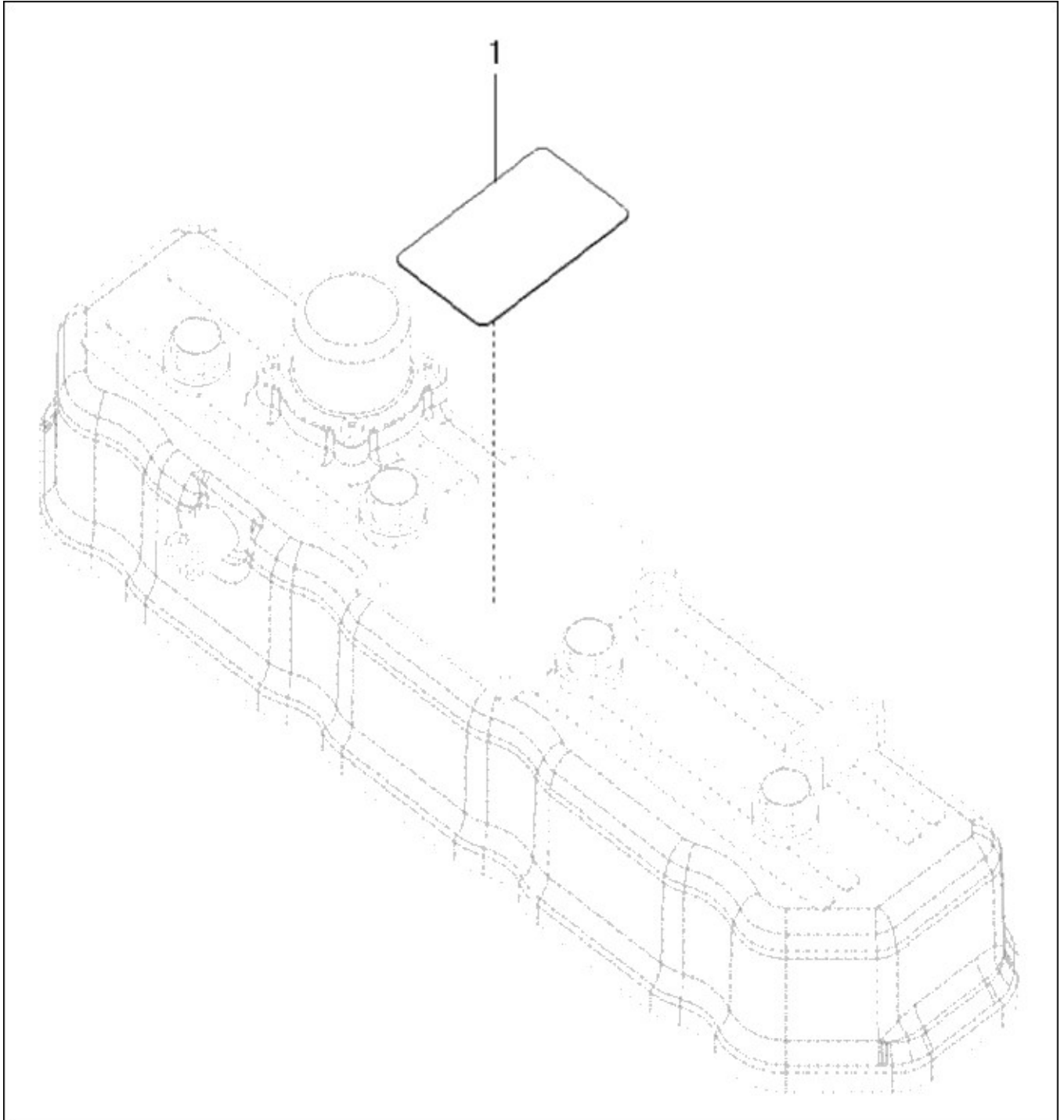
FIG

TE58C

DATAPLATE

년/월  
Year/Month

2021-05



NOTE





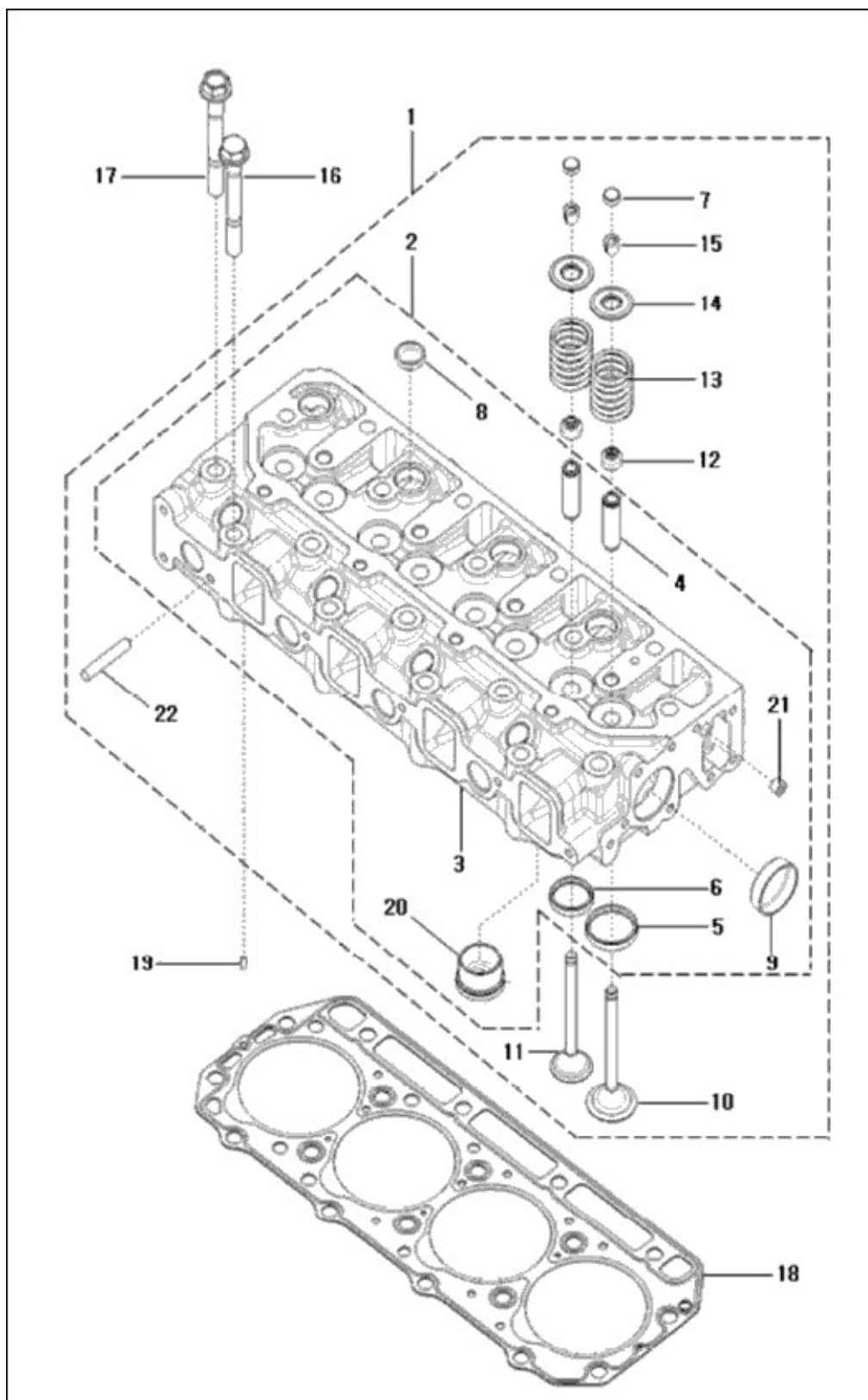
FIG

CYLINDER HEAD

년/월  
Year/Month

TE58C

2021-05



NOTE



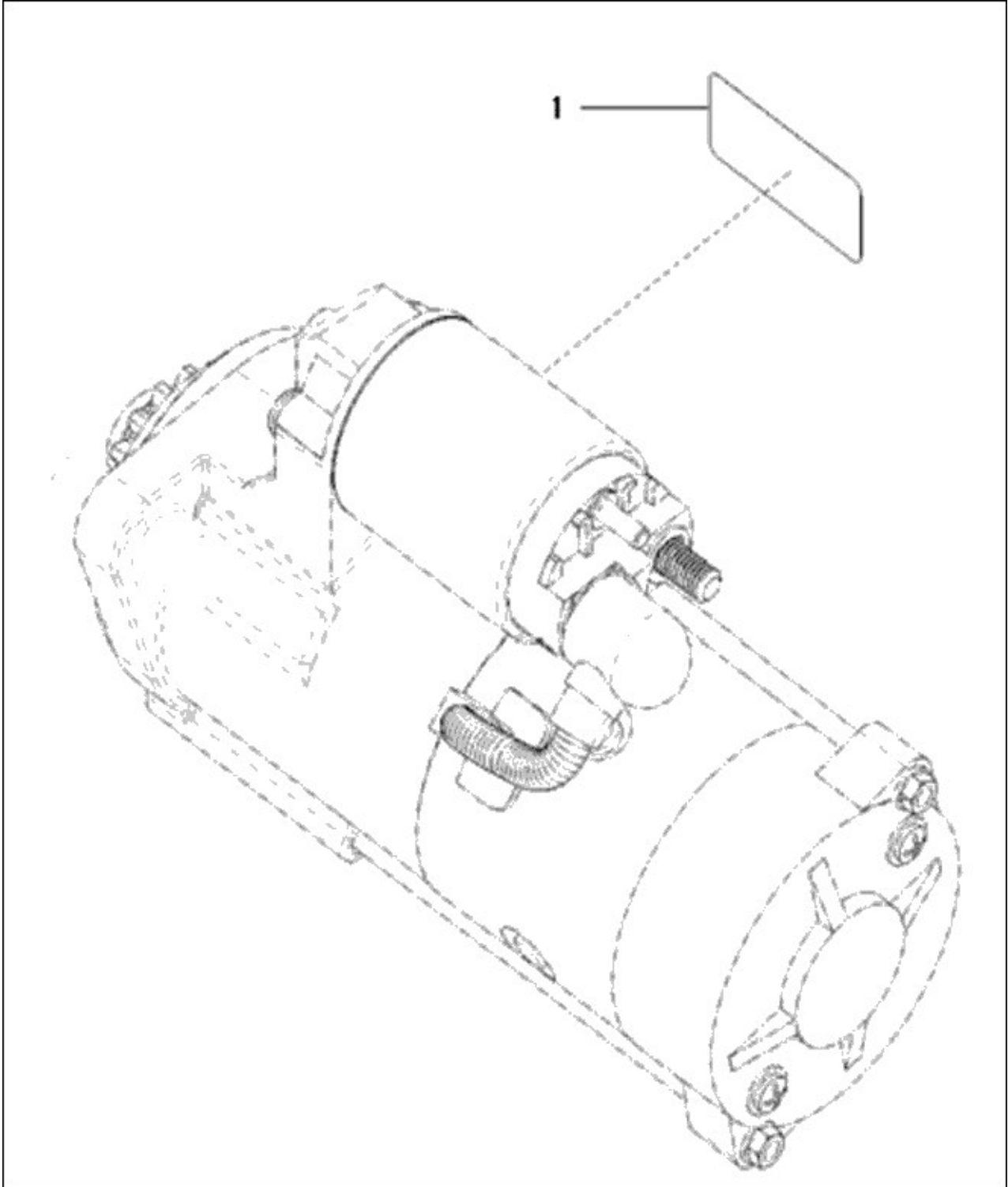
FIG

TE58C

NAME PLATE, STARTING MOTOR

년/월  
Year/Month

2021-05



NOTE



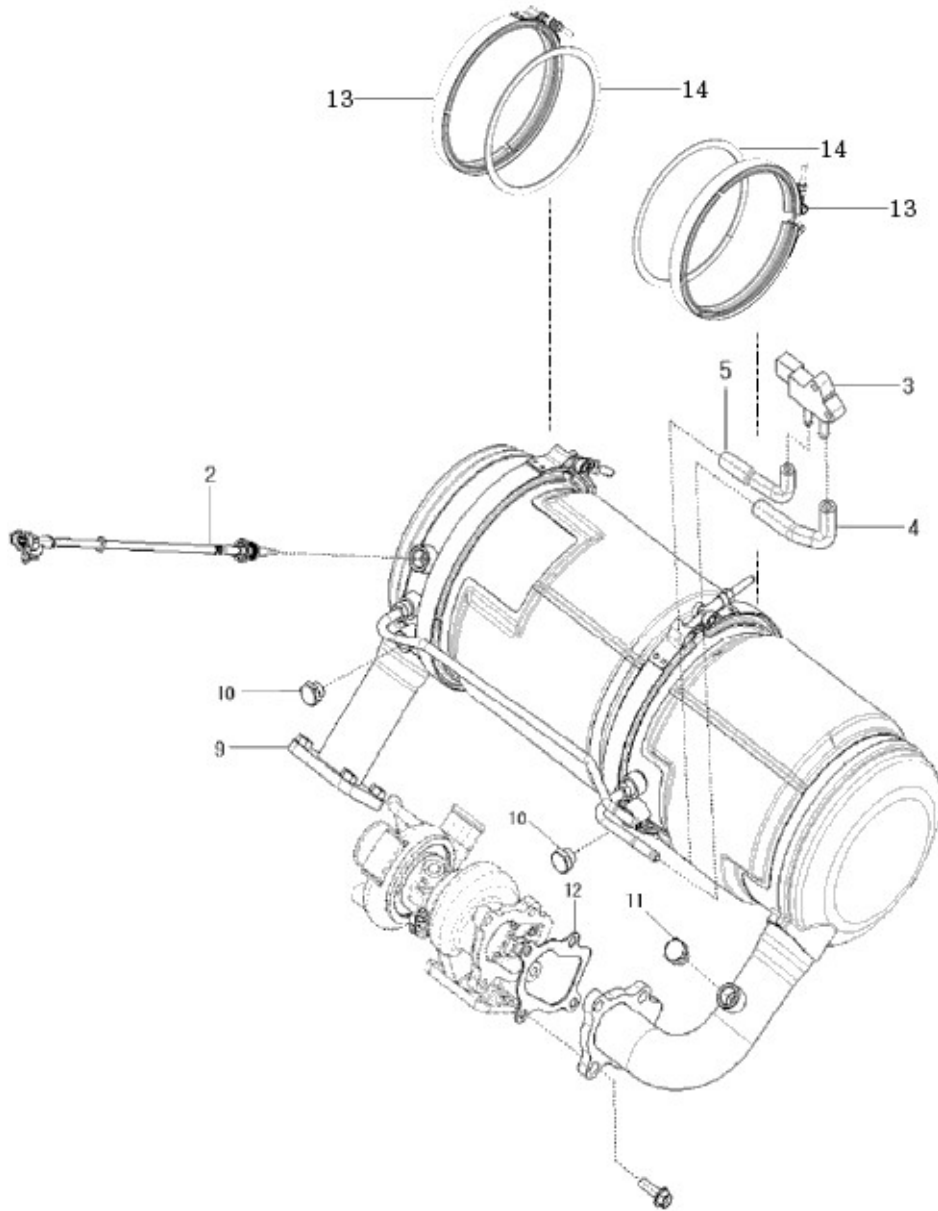
FIG

TE58C

DPF ASS'Y

년/월  
Year/Month

2021-05



NOTE



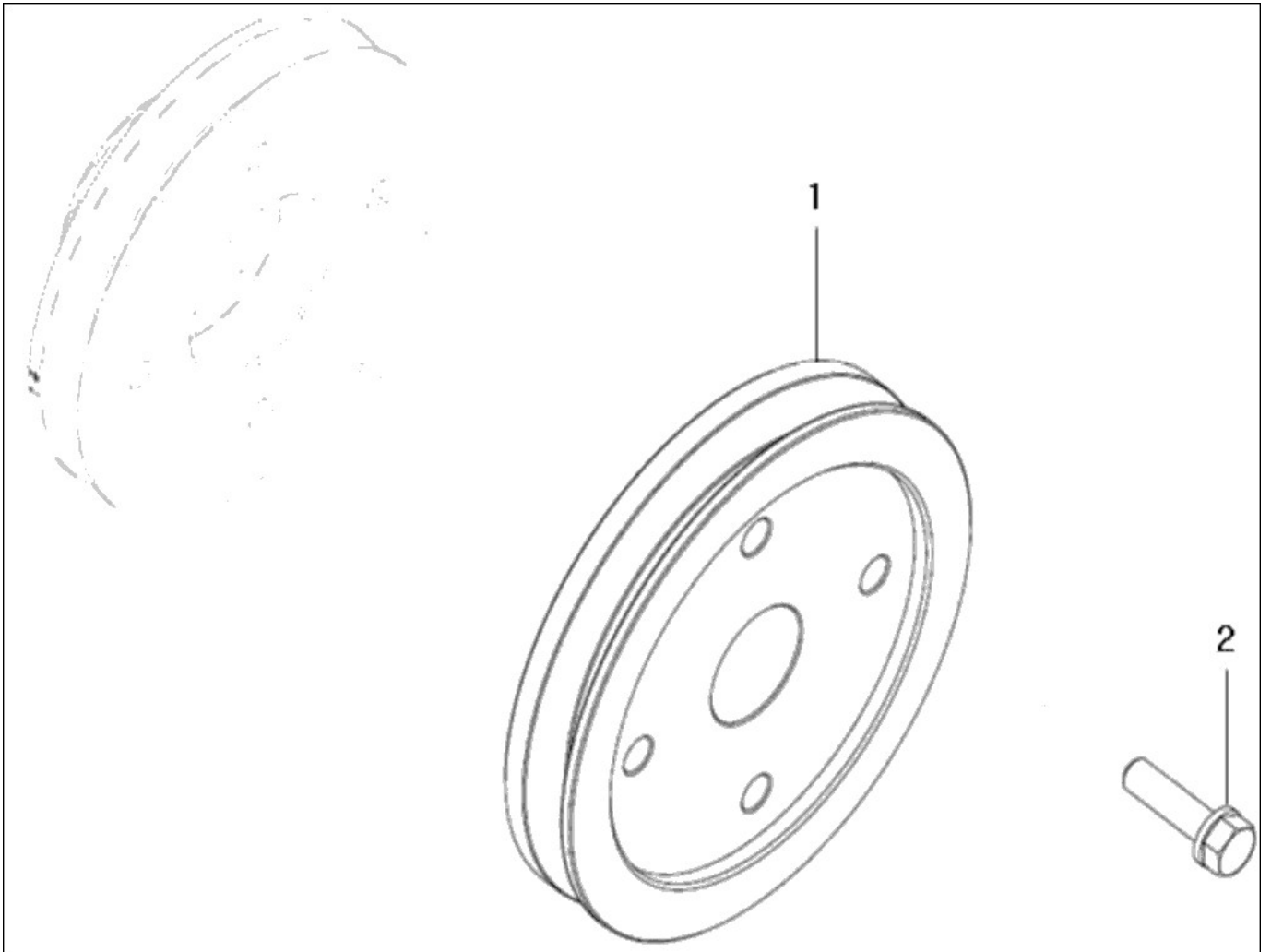
FIG

TE58C

COMP . DRIVE PULLEY ASS'Y OPTION

년/월  
Year/Month

2021-05



NOTE





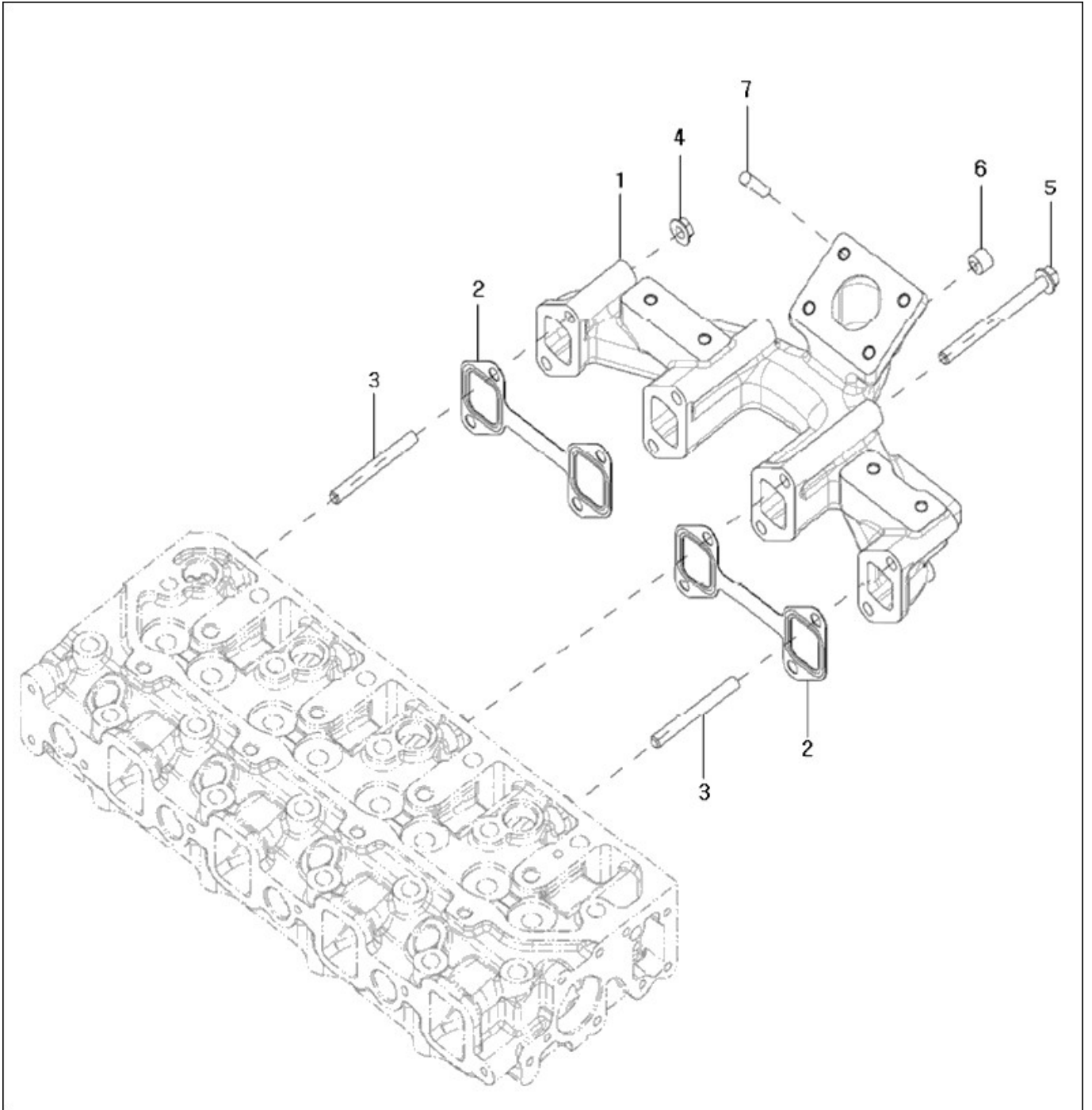
FIG

TE58C

EXHAUST MANIFOLD

년/월  
Year/Month

2021-05



NOTE

FIG TE58C		EXHAUST MANIFOLD					년/월 Year/Month	REMARKS
							2021-05	
		KEY NO	PART NO	DESCRIPTION	SPEC	QTY	REPAIR	
1	EA00003510B	EXHAUST MANIFOLD		1				
2	HRA0600200A	GASKET(EXHAUST MANIFOLD)		2				
3	26216-080652	STUD BOLT		4				
4	EA00000645A	HEX. FLANGE NUT		4				
5	26106-080952	HEX. FLANGE BOLT		4				
6	23871-020000	테이퍼나사플러그		1				
7	26213-080222	STUD BOLT		4				
NOTE								

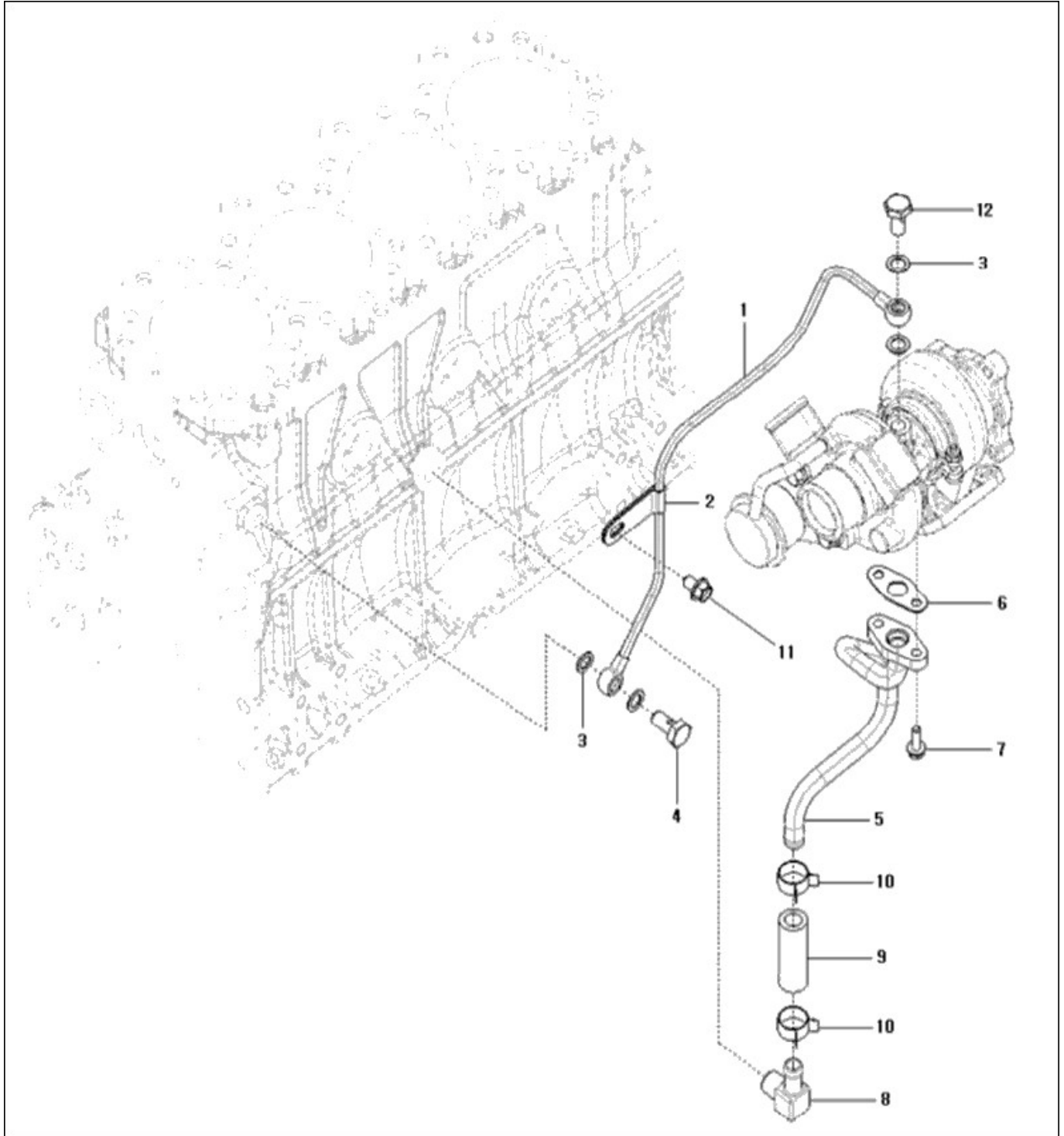
FIG

TURBOCHARGER PLUMBING OPTION

년/월  
Year/Month

TE58C

2021-05



NOTE



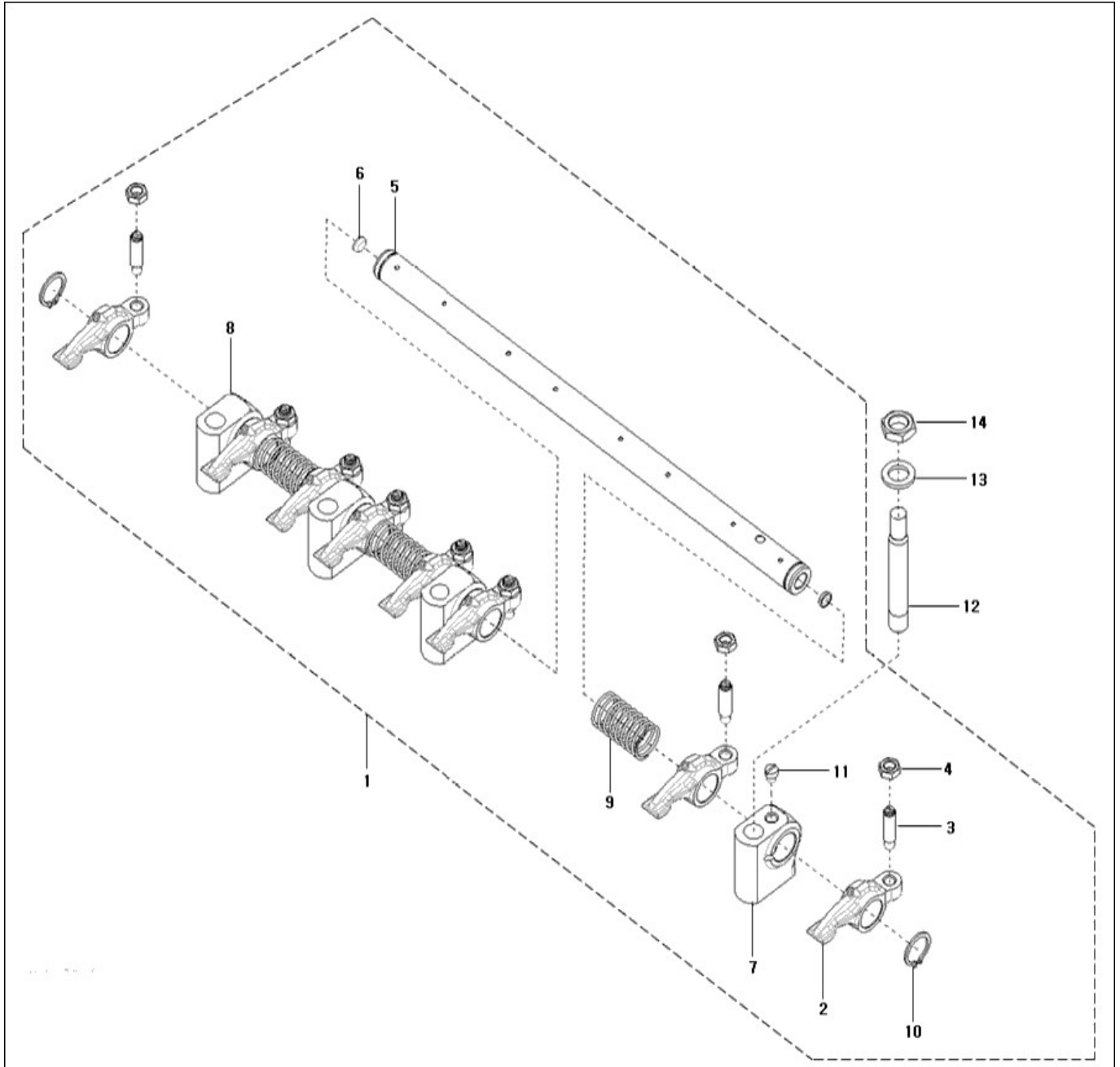
FIG

TE58C

ROCKER LEVER

년/월  
Year/Month

2021-05



NOTE

FIG TE58C		ROCKER LEVER					년/월 Year/Month	
							2021-05	
KEY NO	PART NO	DESCRIPTION	SPEC	QTY	REPAIR	EFFECTIVE DATE	REMARKS	
1	HRA0401100B	ROCKER LEVER SHAFT ASS'Y		1				
2	HRA0401600A	ROCKER LEVER		8				
3	AF02110000E	ADJUSTMENT SCREW, VALVE		8				
4	HH05280000A	HEX. NUT		8				
5	HRA0401501A	SHAFT, ROCKER LEVER		1				
6	27241-100000	PLUG, CAP		2				
7	HRA0401200A	SUPPORT(A)		1				
8	HRA0401300A	SUPPORT(B)		3				
9	HRA0401400A	SPRING, ROCKER ARM		3				
10	22242-000190	CIRCLIP		2				
11	26921-080102	SCREW, STOP 8X10		1				
12	HRA0401800A	STUD BOLT		4				
13	22117-120000	WASHER 12		4				
14	HA03180000B	NUT M12		4				
NOTE								

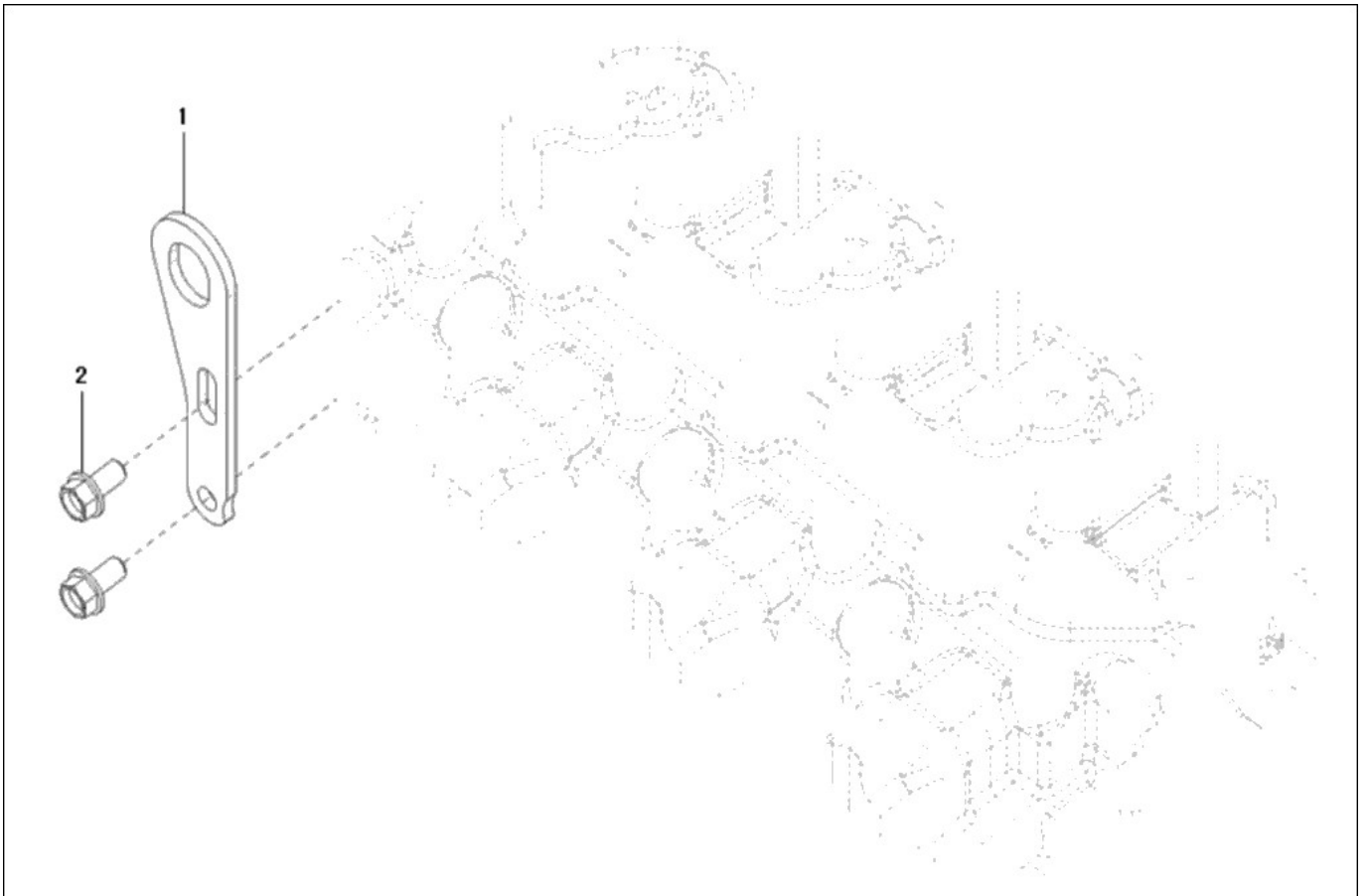
FIG

TE58C

LIFT ASS'Y

년/월  
Year/Month

2021-05



NOTE





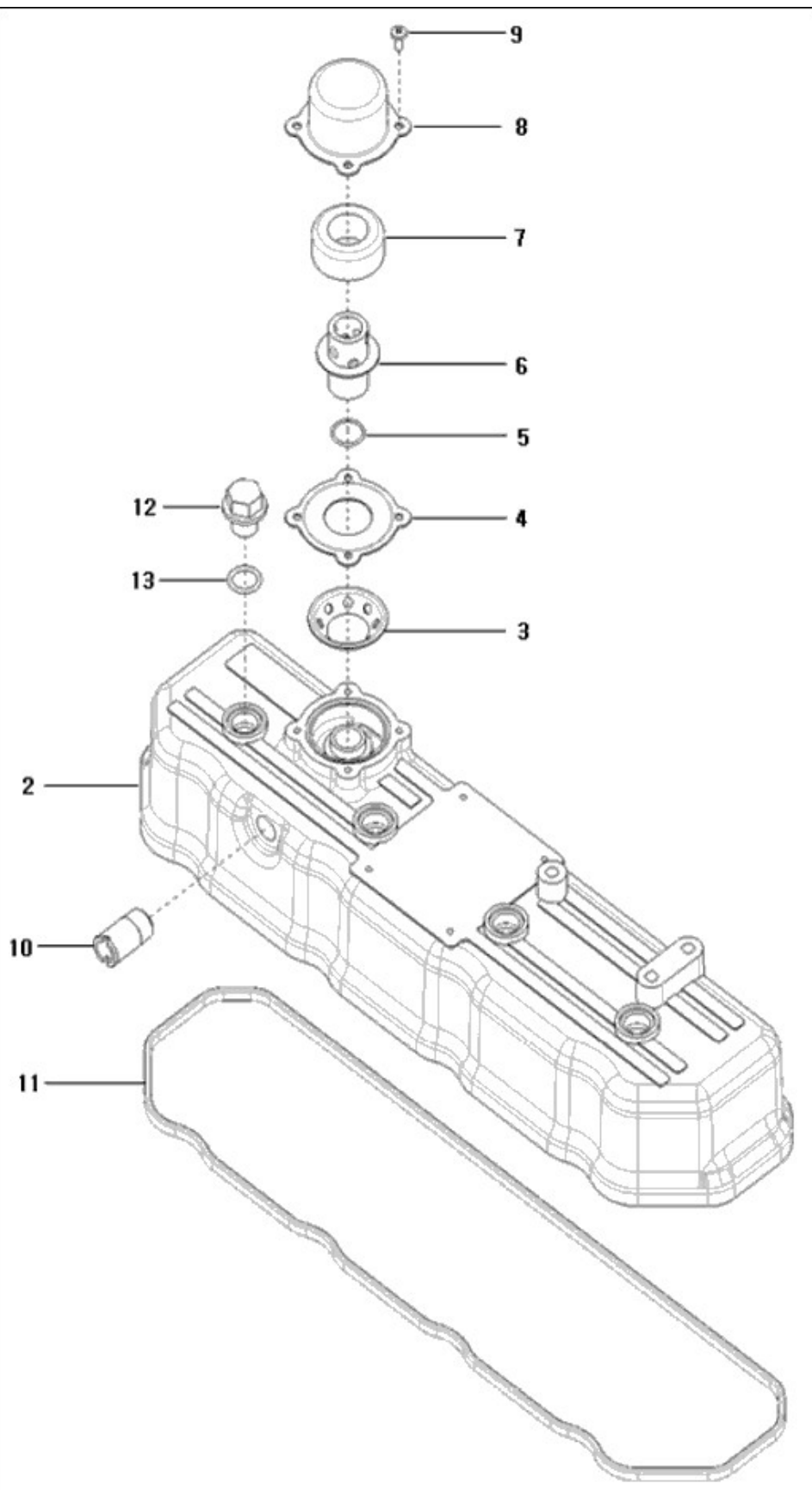
FIG

TE58C

# HEAD COVER

년/월  
Year/Month

2021-05



NOTE



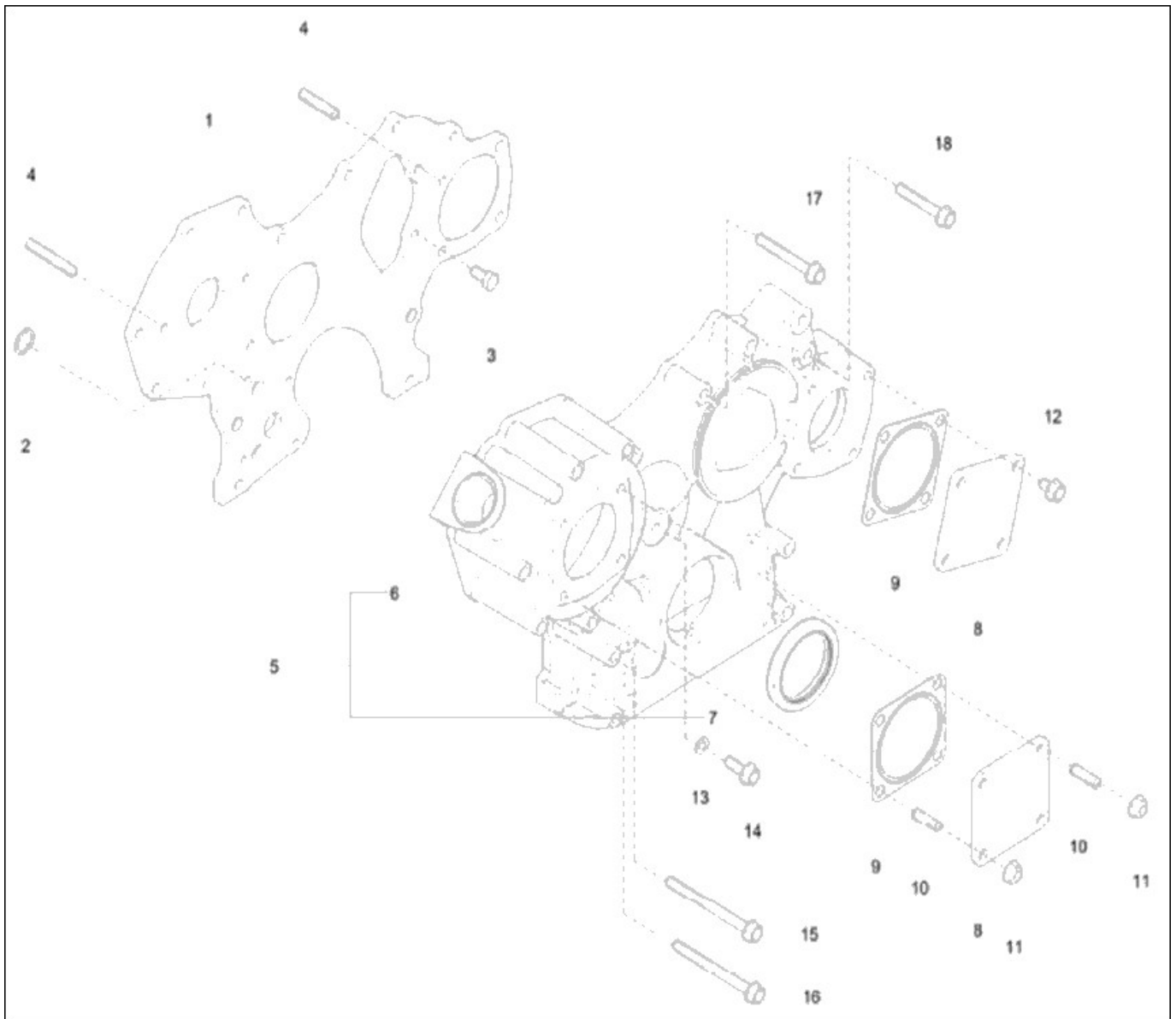
FIG

TE58C

GEAR CASE

년/월  
Year/Month

2021-05



NOTE



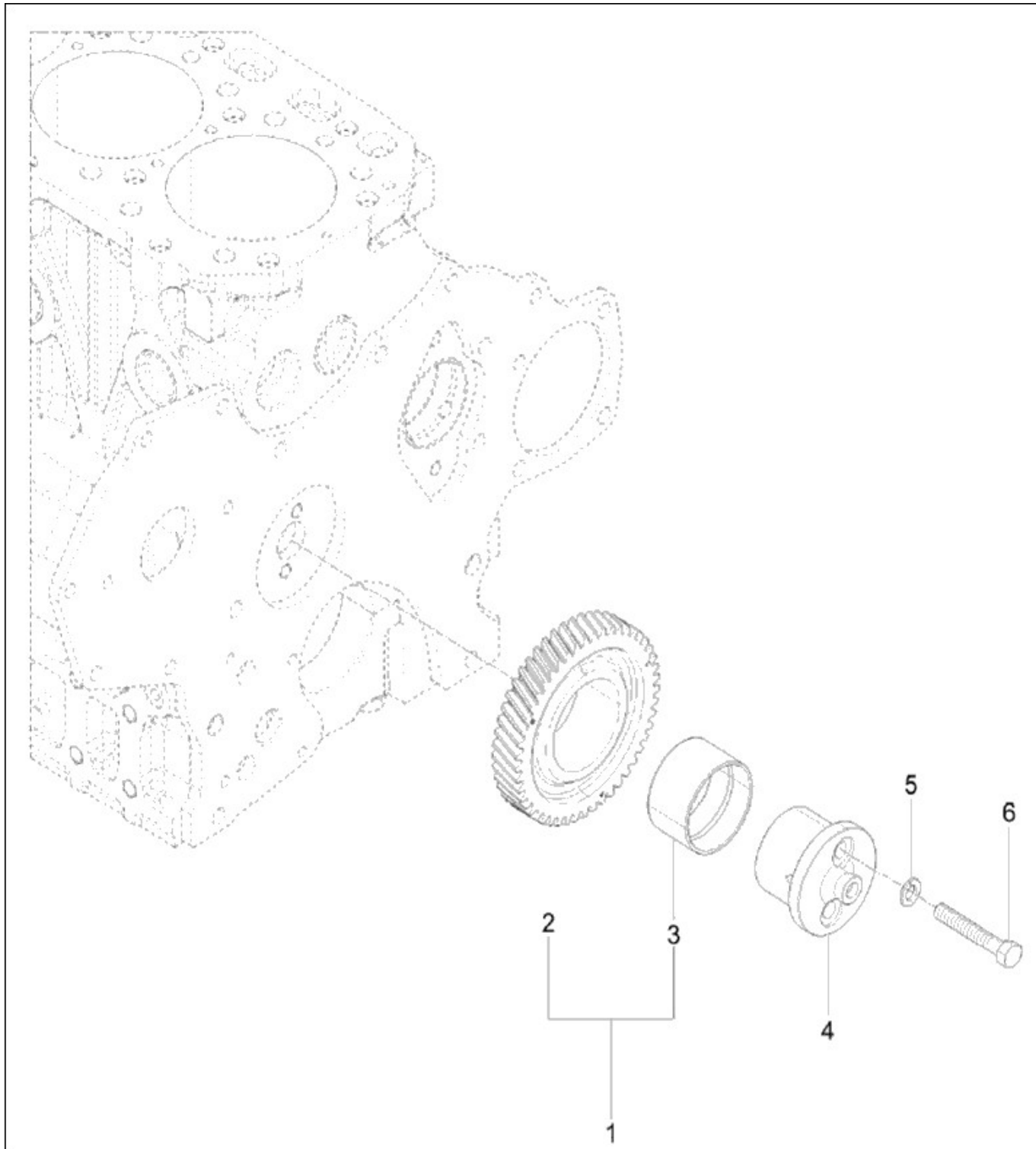
FIG

IDLE GEAR

년/월  
Year/Month

TE58C

2021-05



NOTE



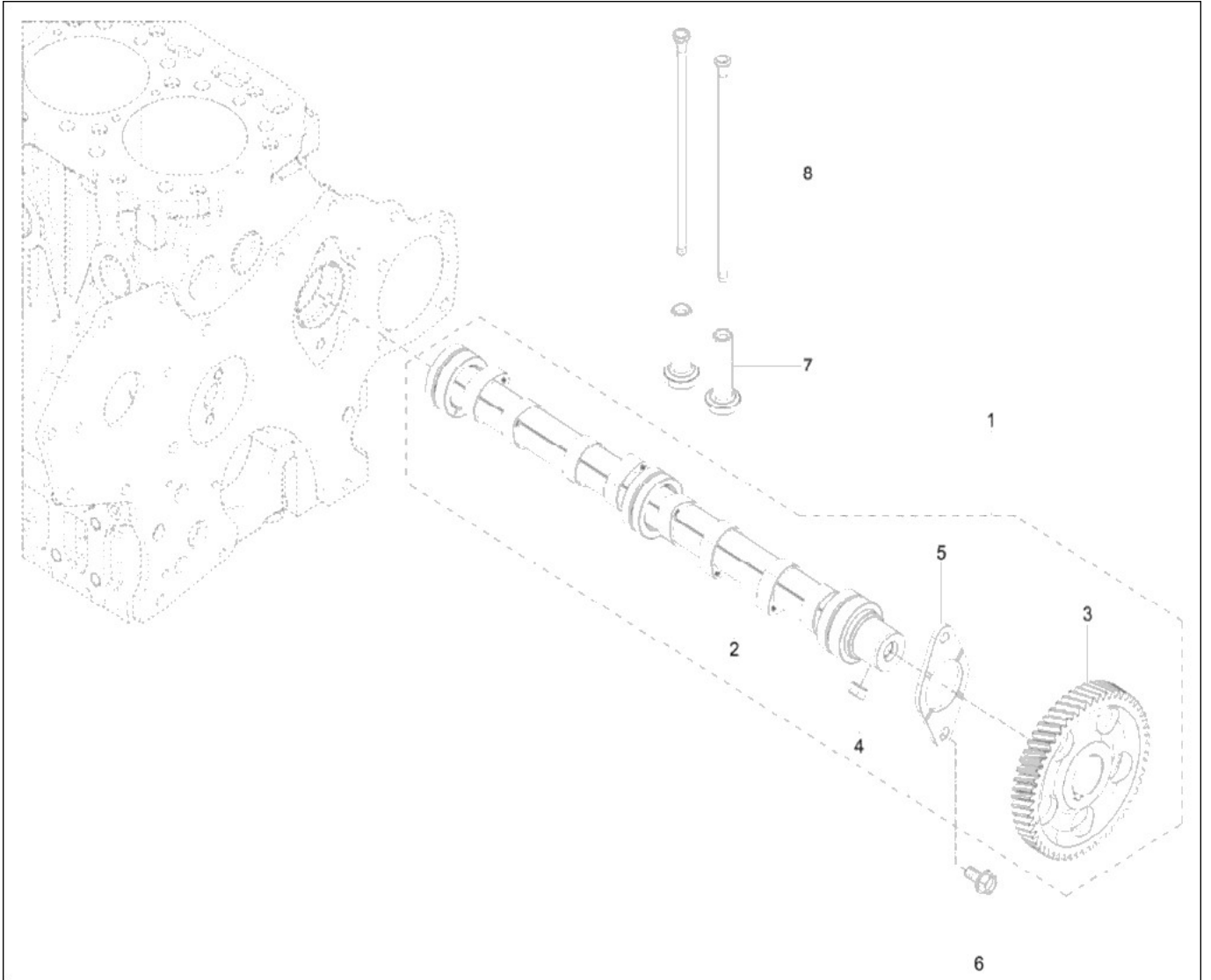
FIG

TE58C

CAM SHAFT

년/월  
Year/Month

2021-05



NOTE





## 2. 엔진보기품 PART NO. T2

FIG AIR CLEANER	98
FIG RADIATOR	100
FIG MUFFLER	102
FIG FUEL HOSE & FILTER	104
FIG FUEL TANK	106
FIG ACCELERATOR	108

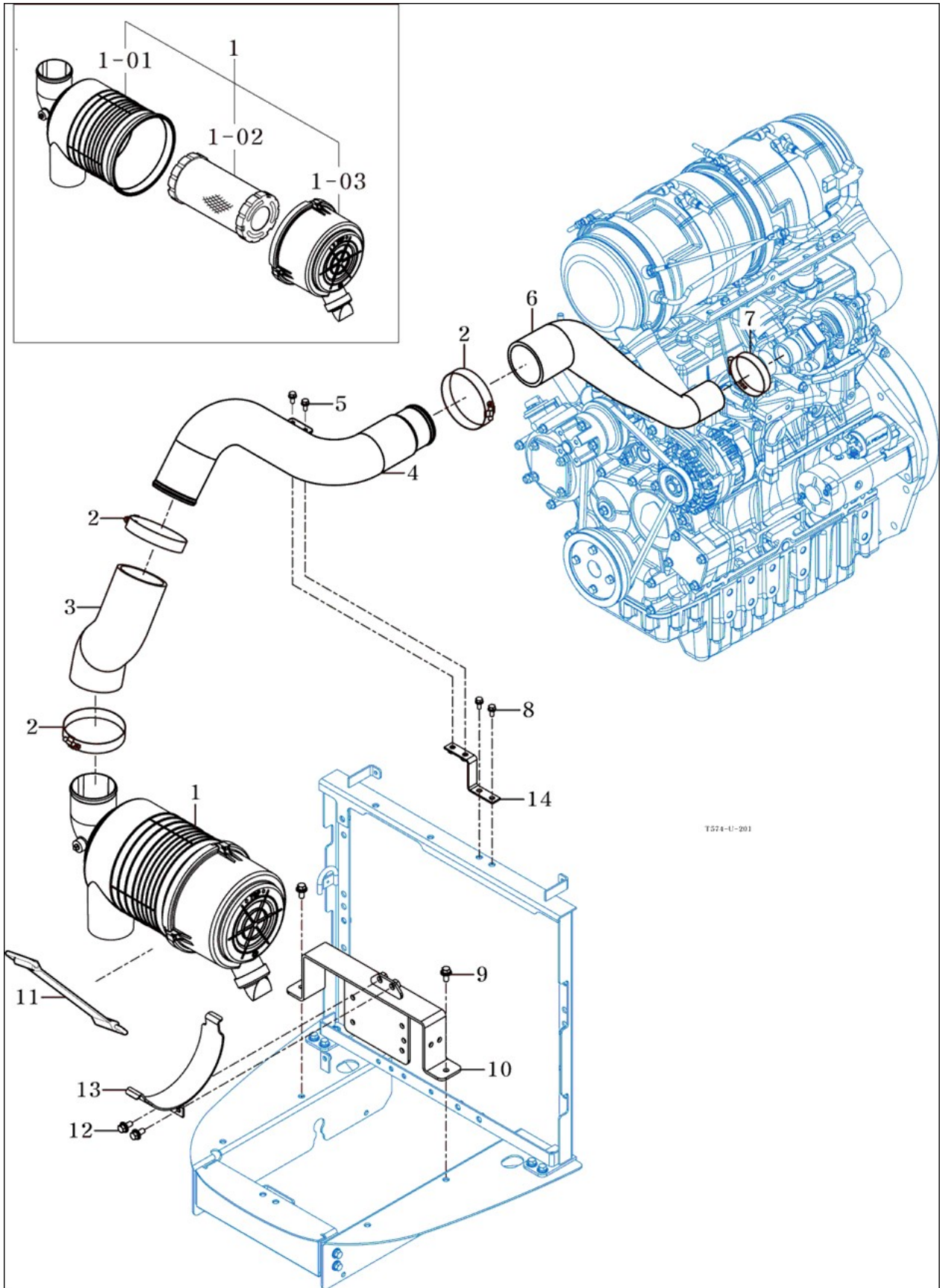
FIG

AIR CLEANER

년/월  
Year/Month

TE58C

2021-05



NOTE



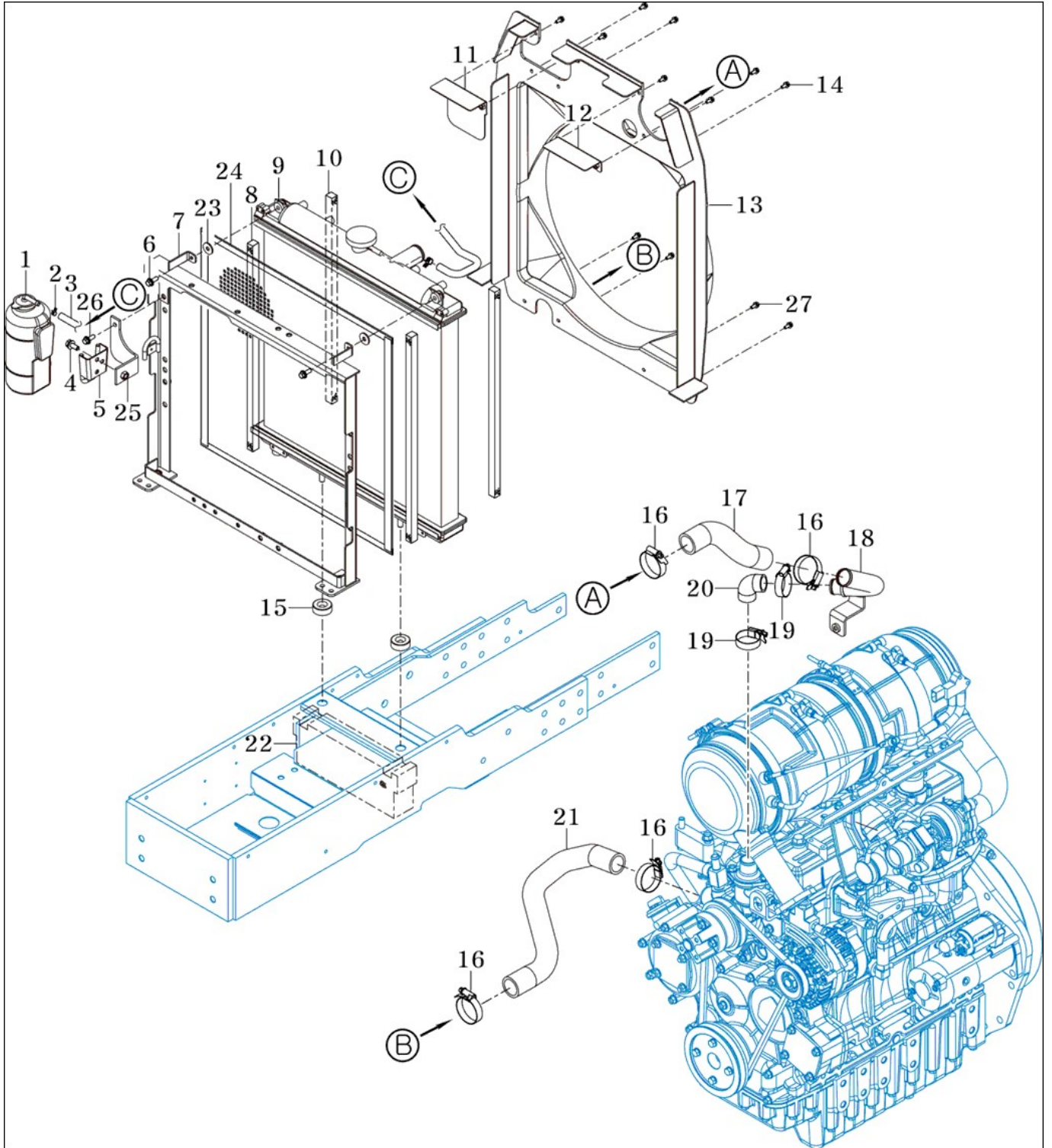
FIG

RADIATOR

년/월  
Year/Month

TE58C

2021-05



NOTE



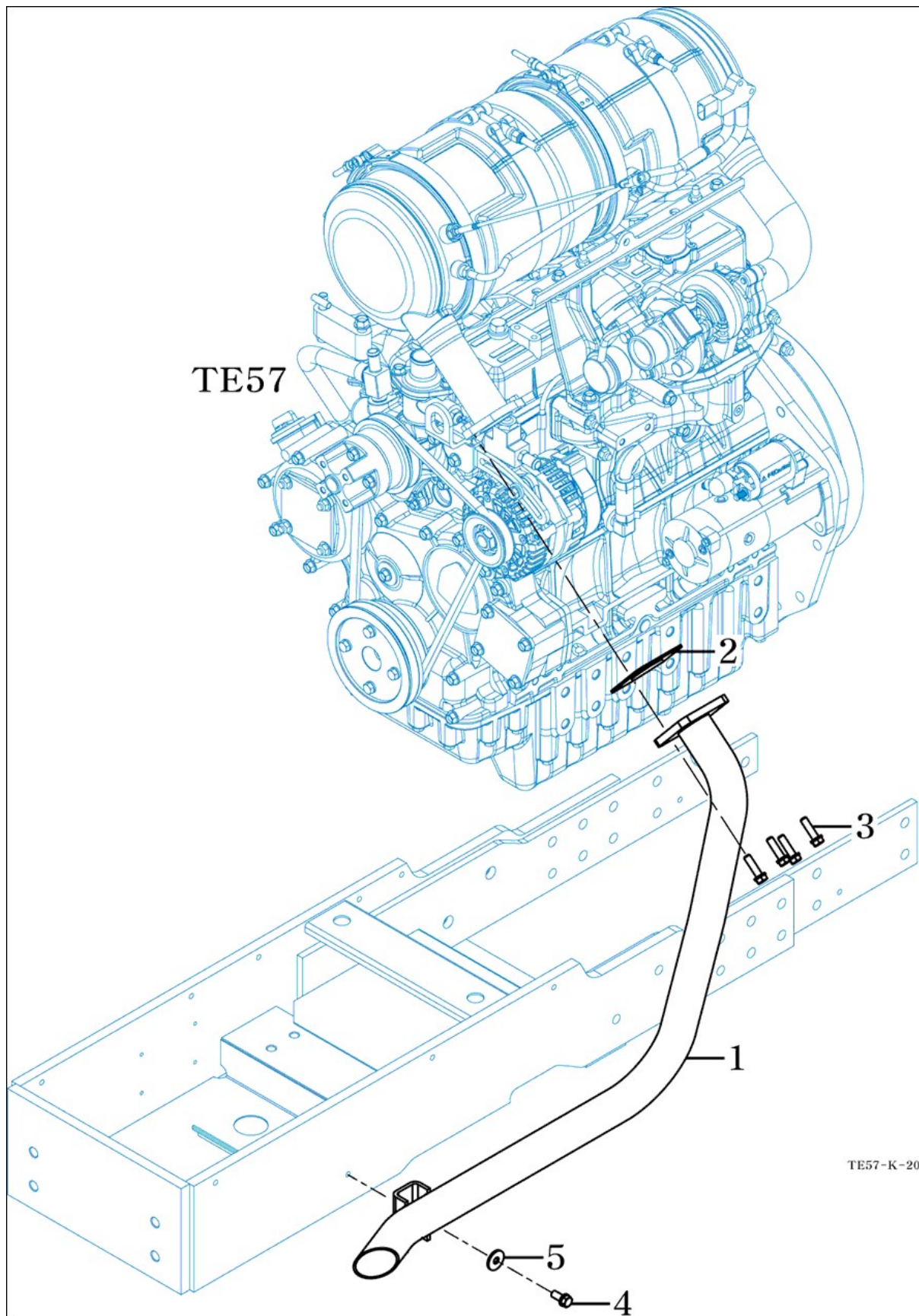
FIG

MUFFLER

년/월  
Year/Month

TE58C

2021-05



NOTE



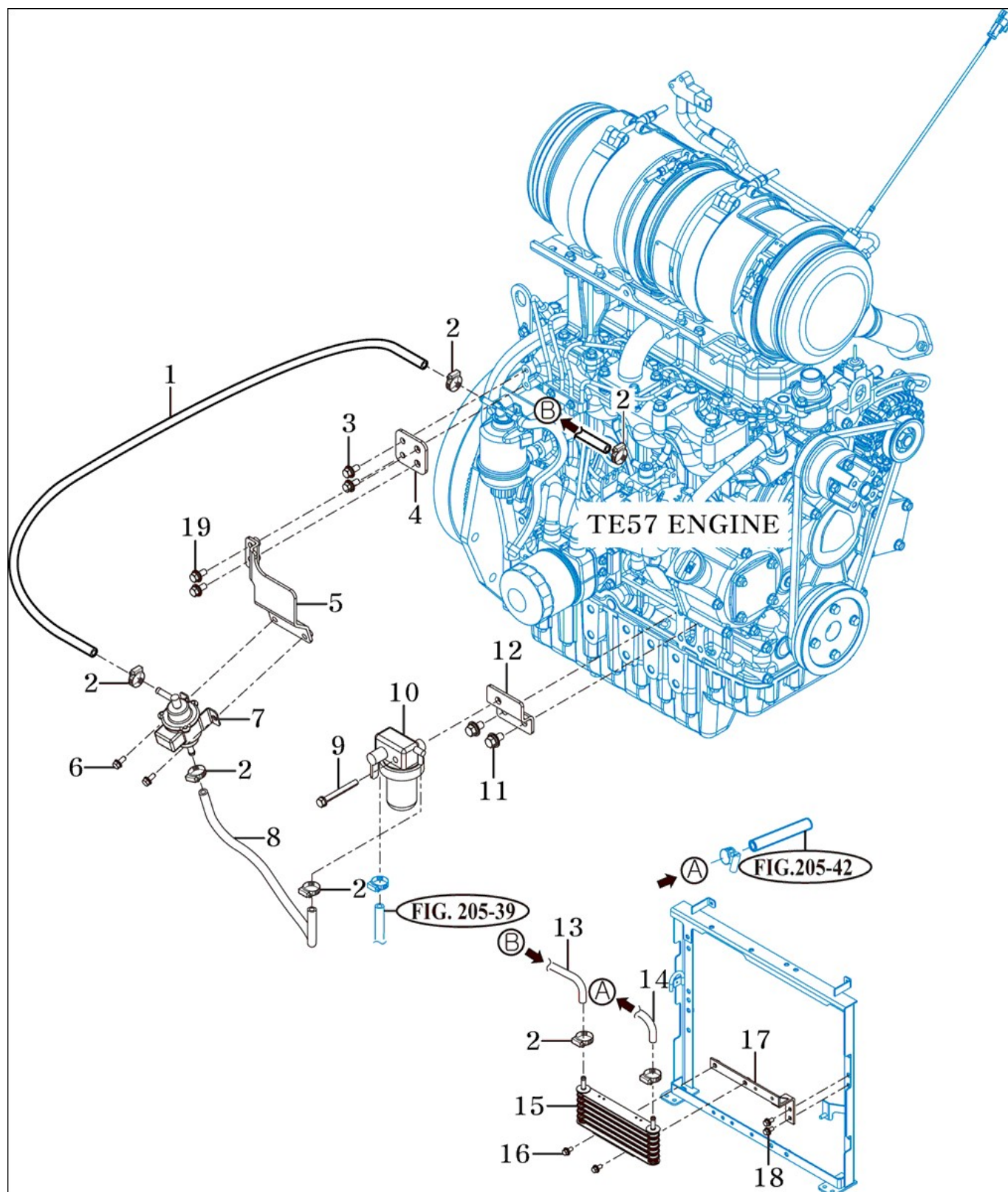
FIG

TE58C

# FUEL HOSE & FILTER

년/월  
Year/Month

2021-05



NOTE





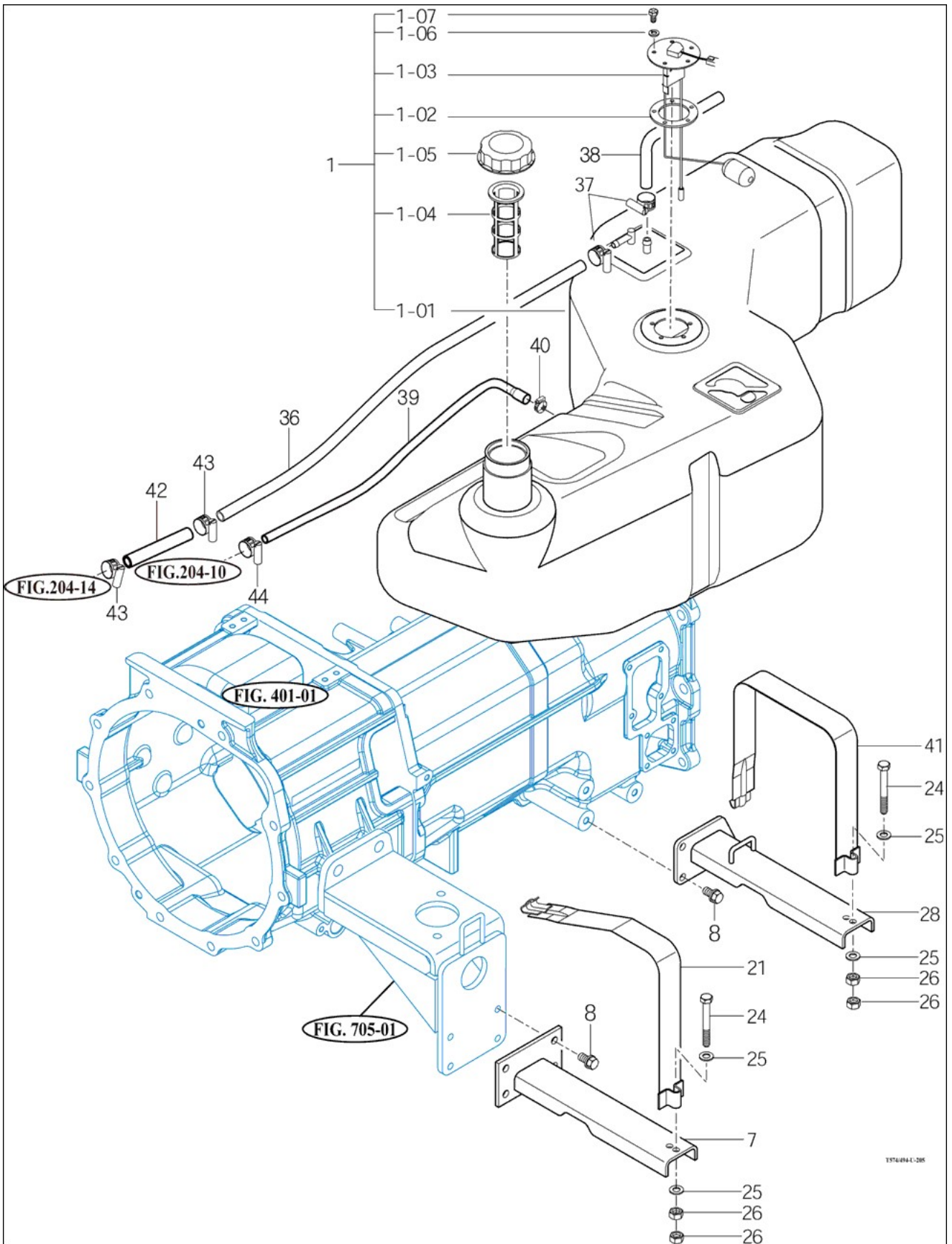
FIG

TE58C

FUEL TANK

년/월  
Year/Month

2021-05



1374/044-L-205

NOTE



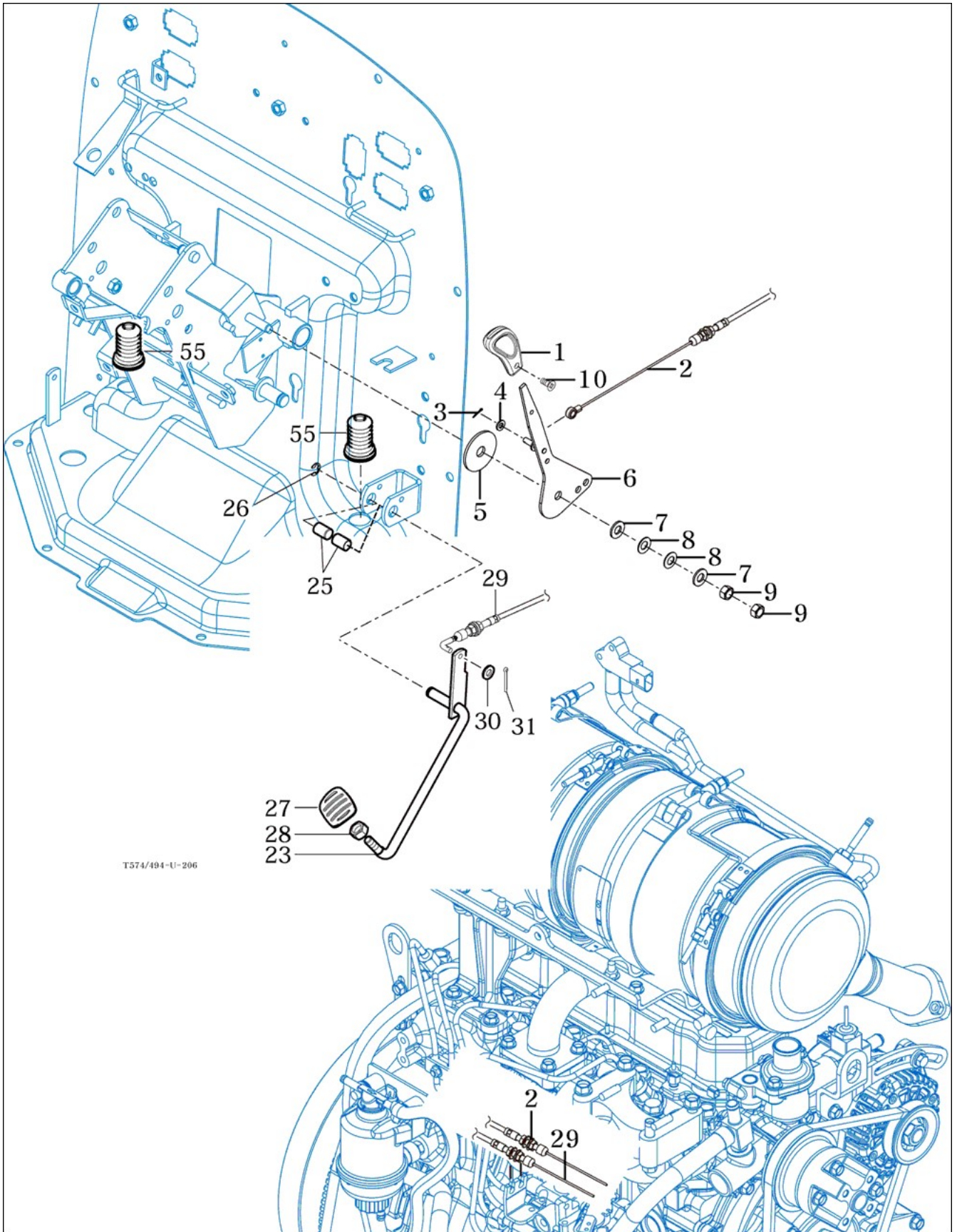
FIG

ACCELERATOR

년/월  
Year/Month

TE58C

2021-05



NOTE

FIG TE58C	ACCELERATOR	년/월 Year/Month
		2021-05

KEY NO	PART NO	DESCRIPTION	SPEC	QTY	REPAIR	EFFECTIVE DATE	REMARKS
1	13837553300	그립, 스톱틀		1			
2	13871162200	케이블 ASSY, 핸드(H)		1			
3	V5001916010	분할핀		1			
4	V4111600060	평와셔	M6	1			
5	14141170050	라이닝 (13X50X3)		1			
6	13871162100	레버 COMP, 스톱틀		1			
7	V4111600100	평와셔	M10	2			
8	14527060010	접시 스프링 와셔/M10		2			
9	V3342600100	소형육각너트가는2종	M10	2			
10	V1122605012	심자흡접시작은나사		1			
23	13861162000GB	페달COMP, 악셀		1			
25	36504400140	부시(12X14X20)		2			
26	V7081400090	E형머츨링		1			
27	14521220120	페달COMP, 악셀		1			
28	V3342600100	소형육각너트가는2종	M10	1			
29	13861162300	케이블 ASSY, 페달(F)		1			
30	V4111600060	평와셔	M6	1			
31	V5001920020	분할핀	2X20	1			
55	14521160090	부츠, 브레이크로드		2			
NOTE							

### 3. 클러치/브레이크/스티어링 PART NO. T3

FIG CLUTCH	111
FIG BRAKE	113
FIG BRAKE PEDAL & LINK	115
FIG FRONT WHEEL	117
FIG REAR WHEEL	119
FIG POWER STEERING WHEEL	121
FIG POWER STEERING VALVE	123
FIG POWER STEERING CYLINDER	125
FIG CLUTCH PEDAL	127

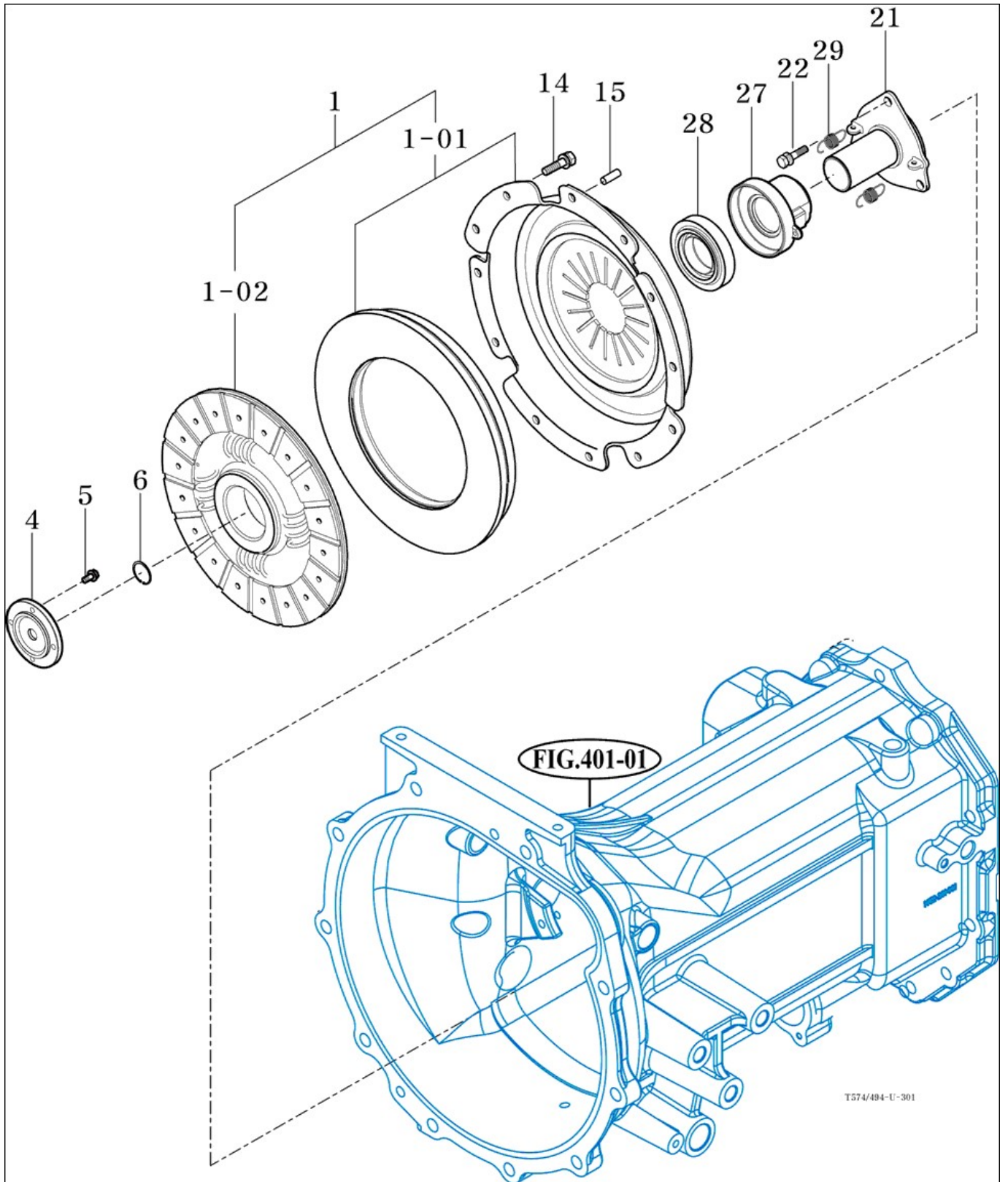
FIG

TE58C

CLUTCH

년/월  
Year/Month

2021-05



T574/494-U-301

NOTE





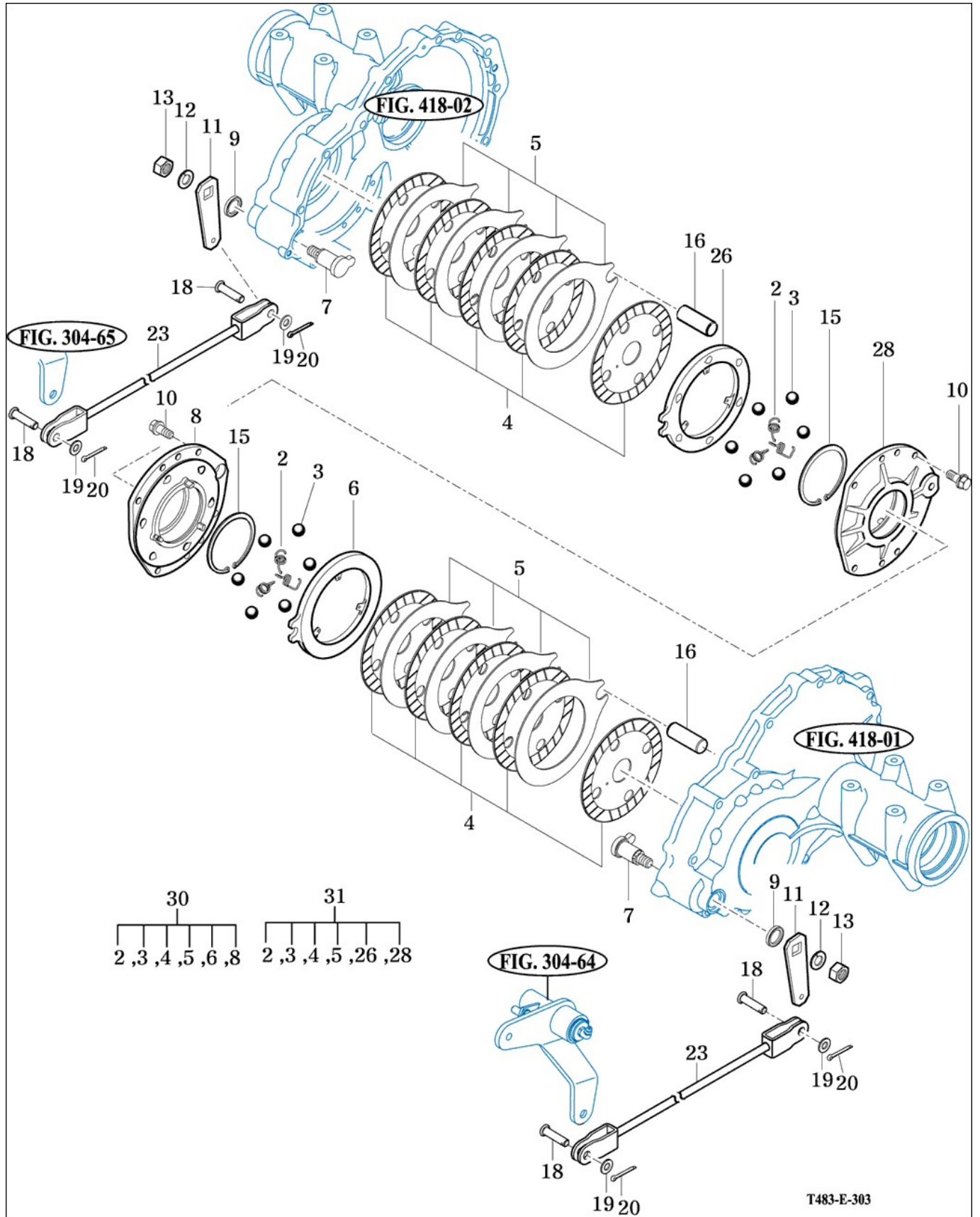
FIG

TE58C

BRAKE

년/월  
Year/Month

2021-05



NOTE



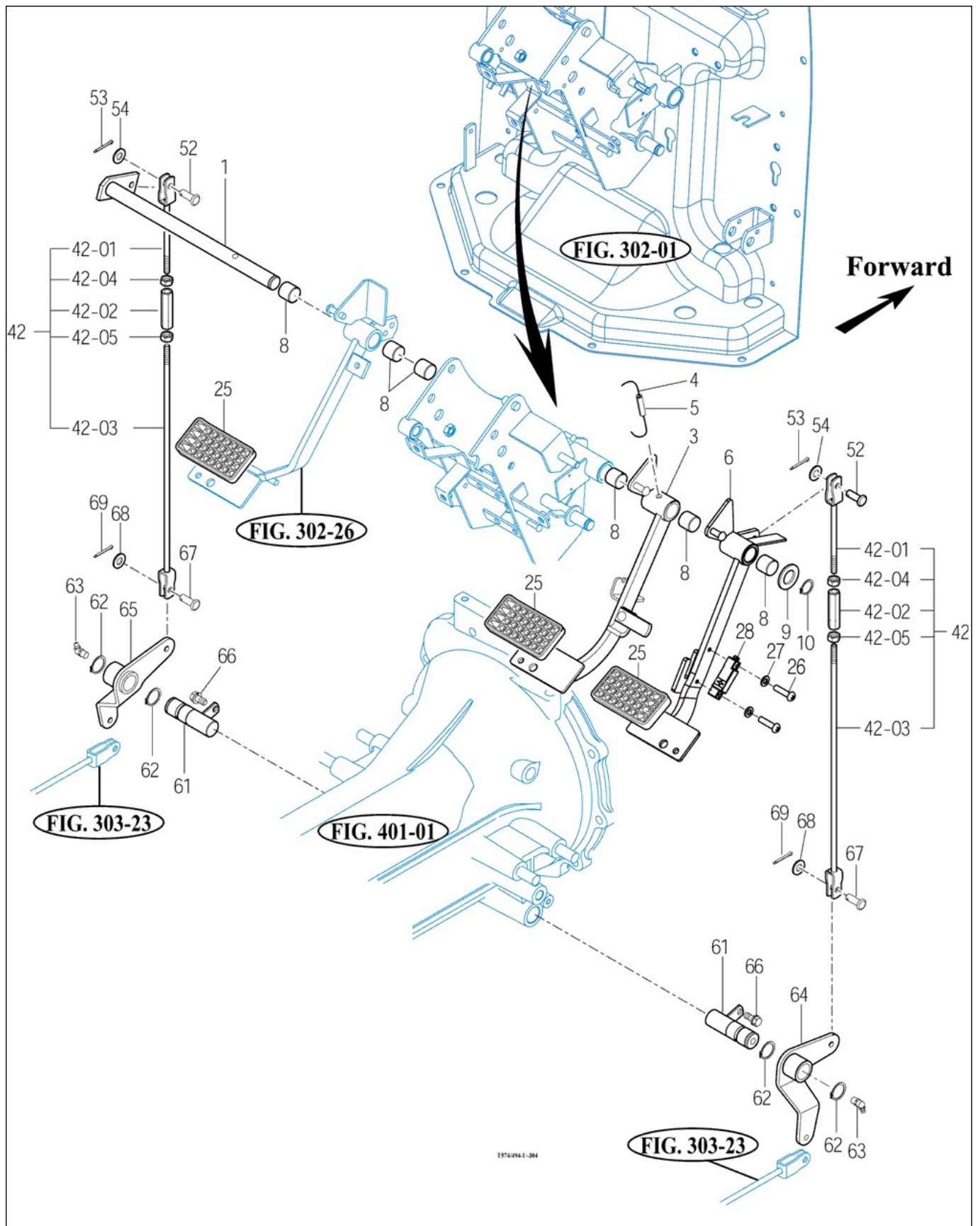
FIG

TE58C

BRAKE PEDAL & LINK

년/월  
Year/Month

2021-05



1574961-304

NOTE



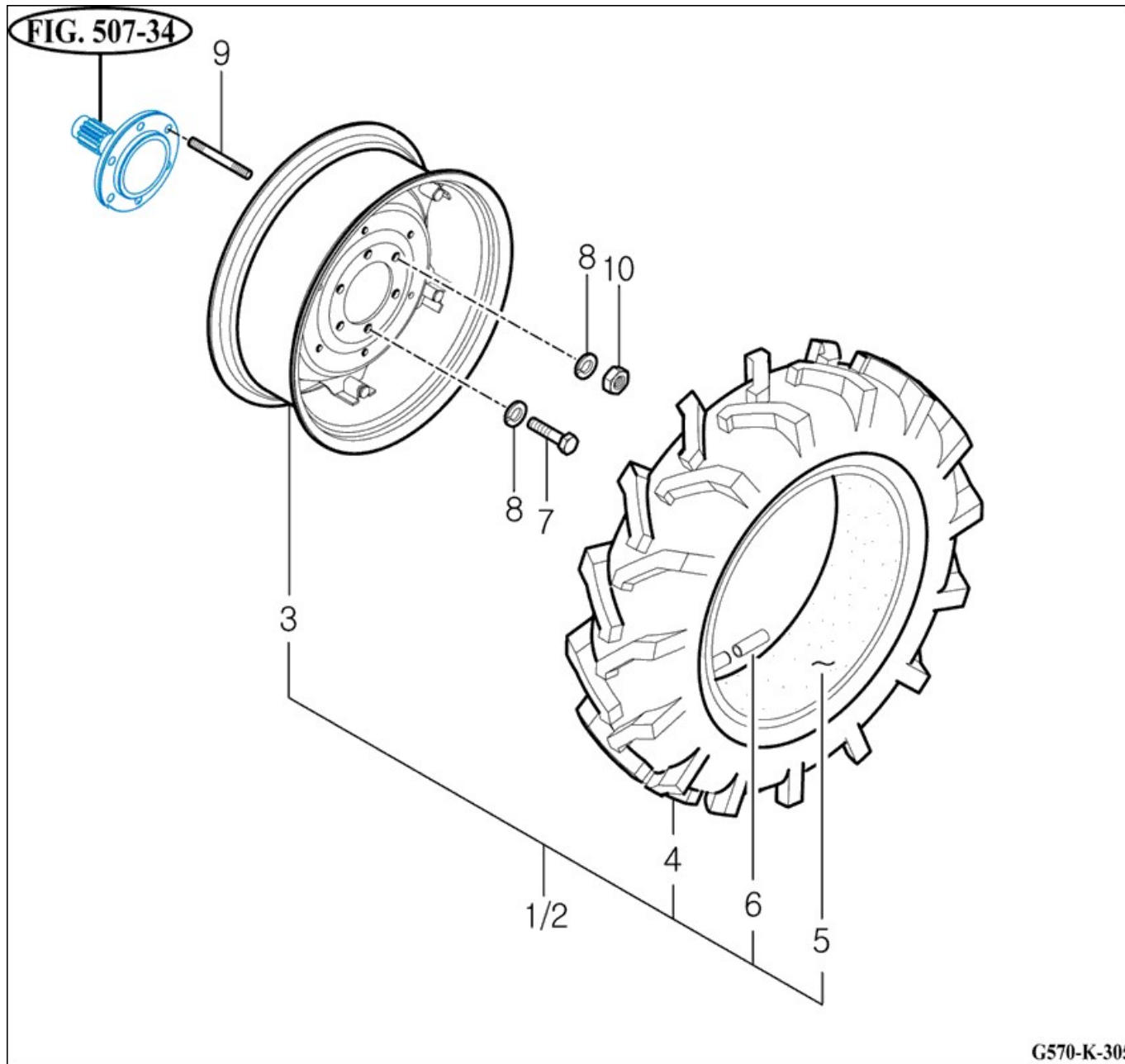
FIG

TE58C

FRONT WHEEL

년/월  
Year/Month

2021-05



G570-K-305

NOTE



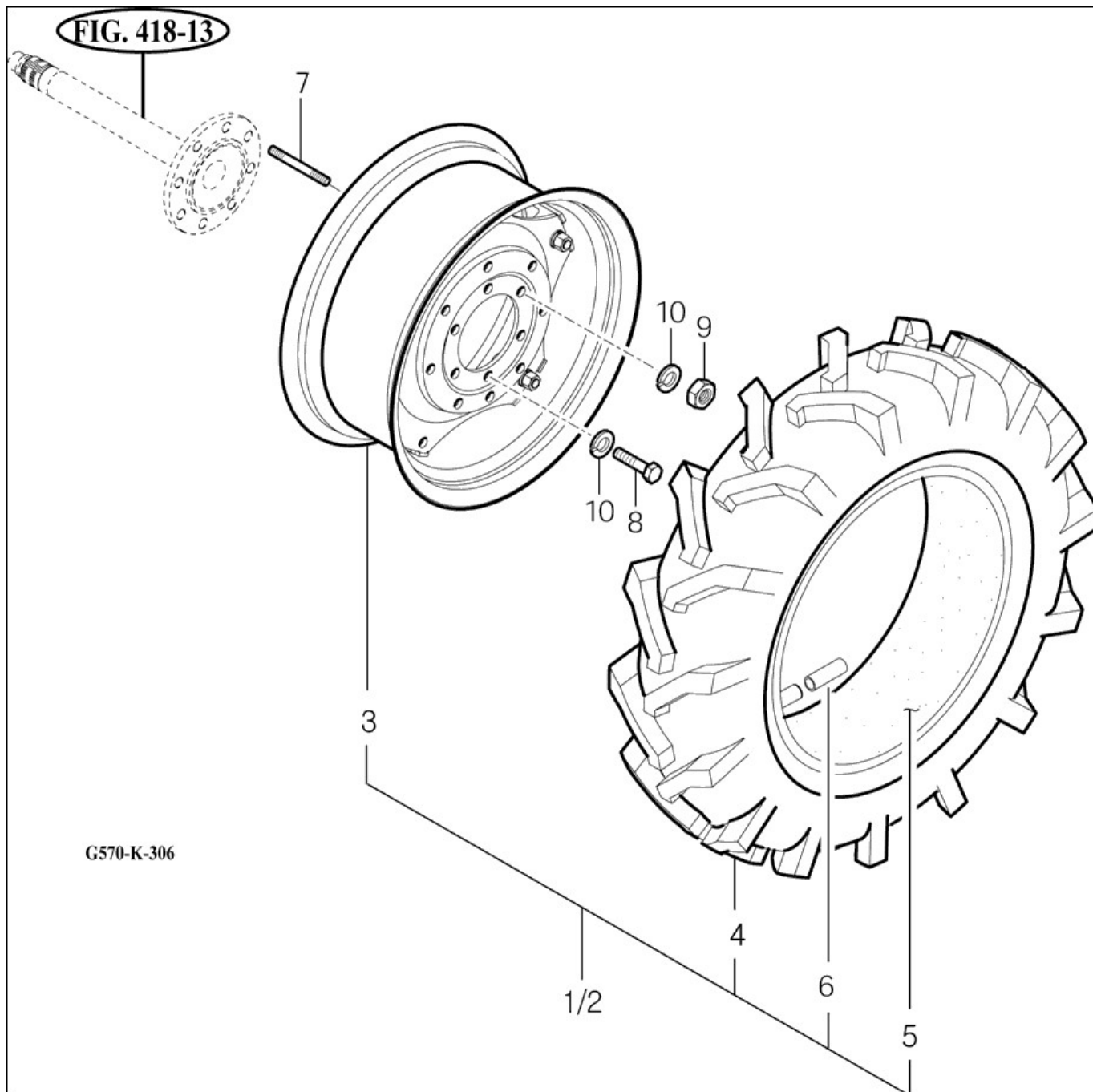
FIG

TE58C

REAR WHEEL

년/월  
Year/Month

2021-05



NOTE





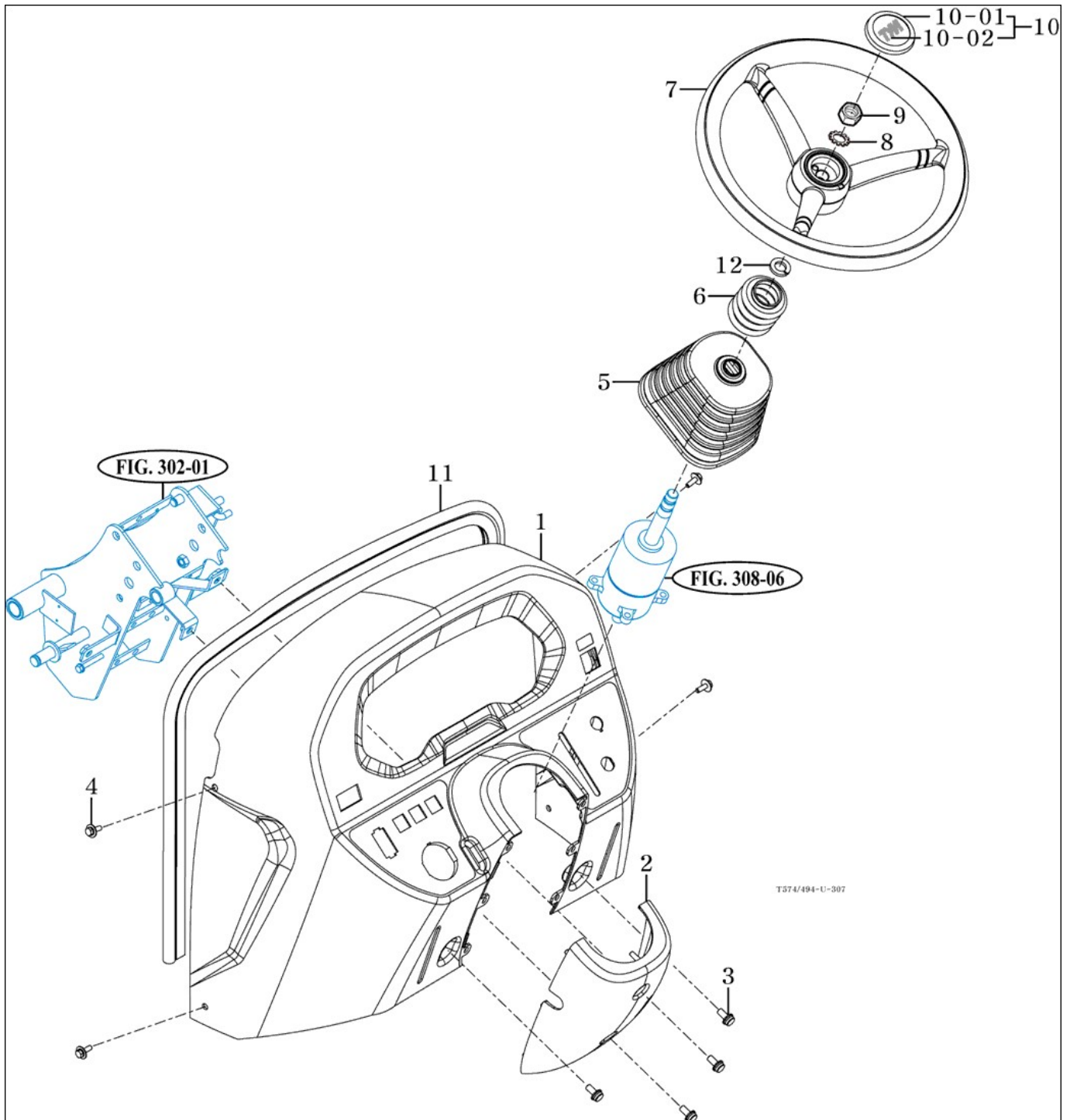
FIG

TE58C

# POWER STEERING WHEEL

년/월  
Year/Month

2021-05



NOTE



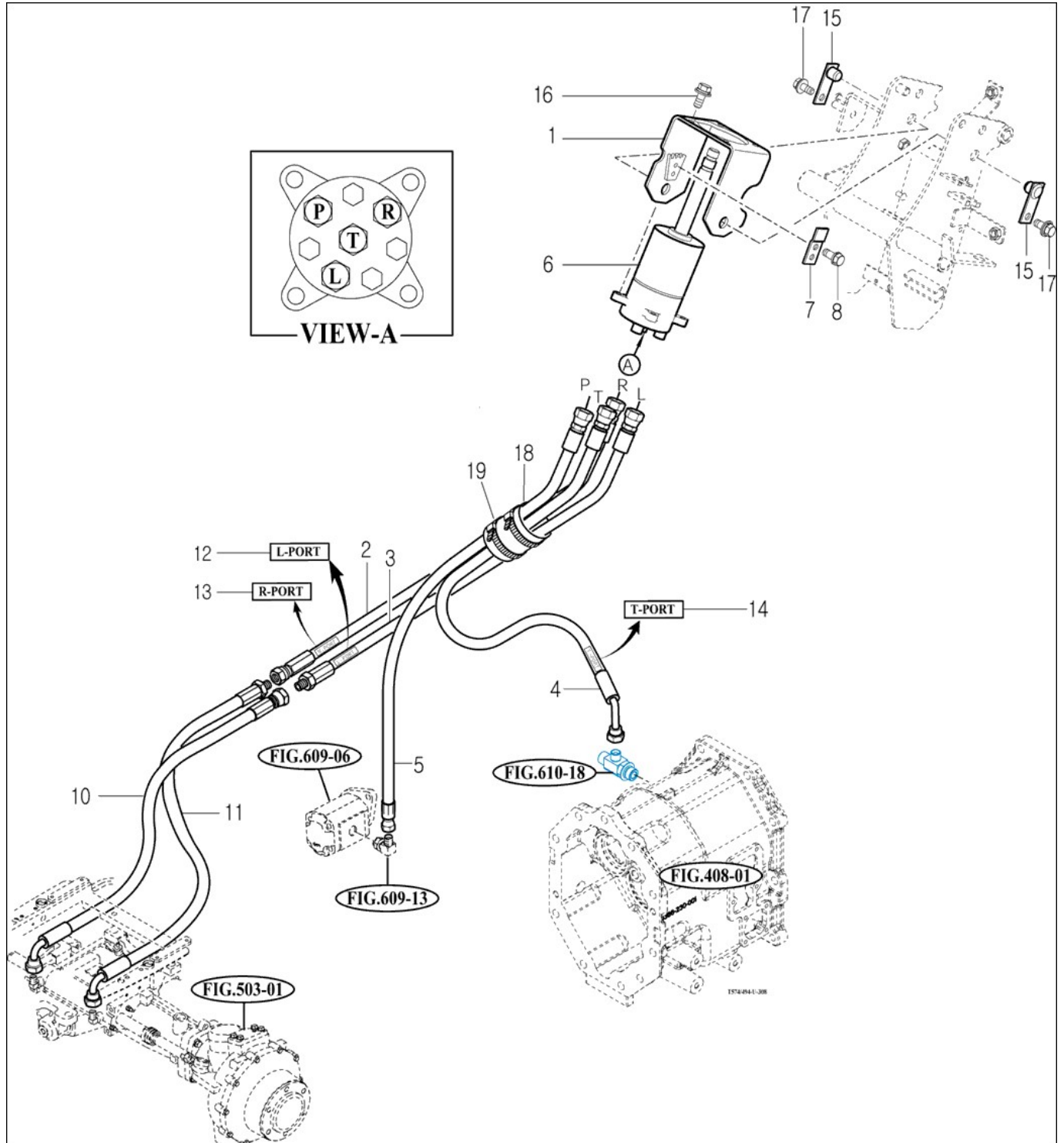
FIG

TE58C

POWER STEERING VALVE

년/월  
Year/Month

2021-05



NOTE



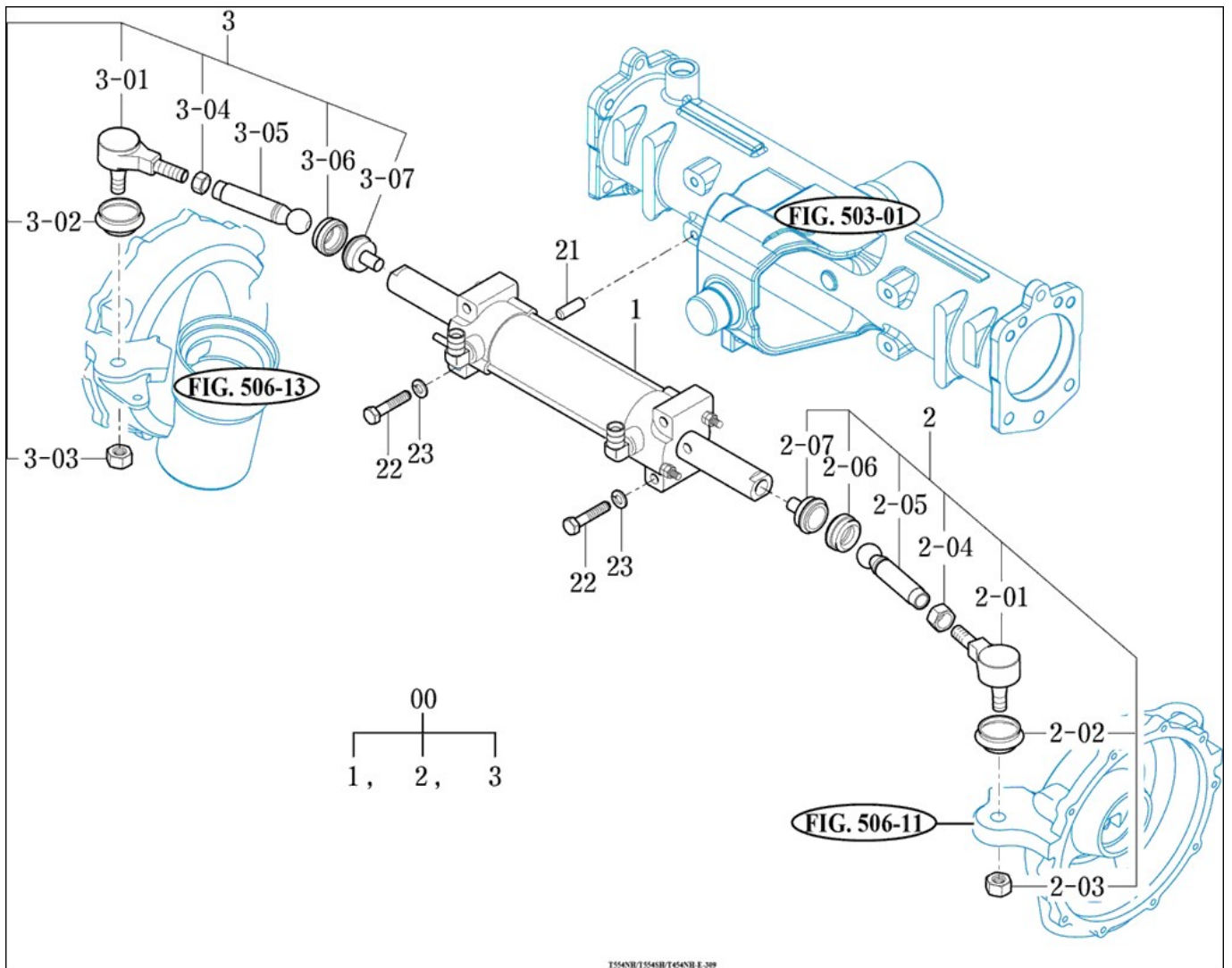
FIG

POWER STEERING CYLINDER

년/월  
Year/Month

TE58C

2021-05



NOTE

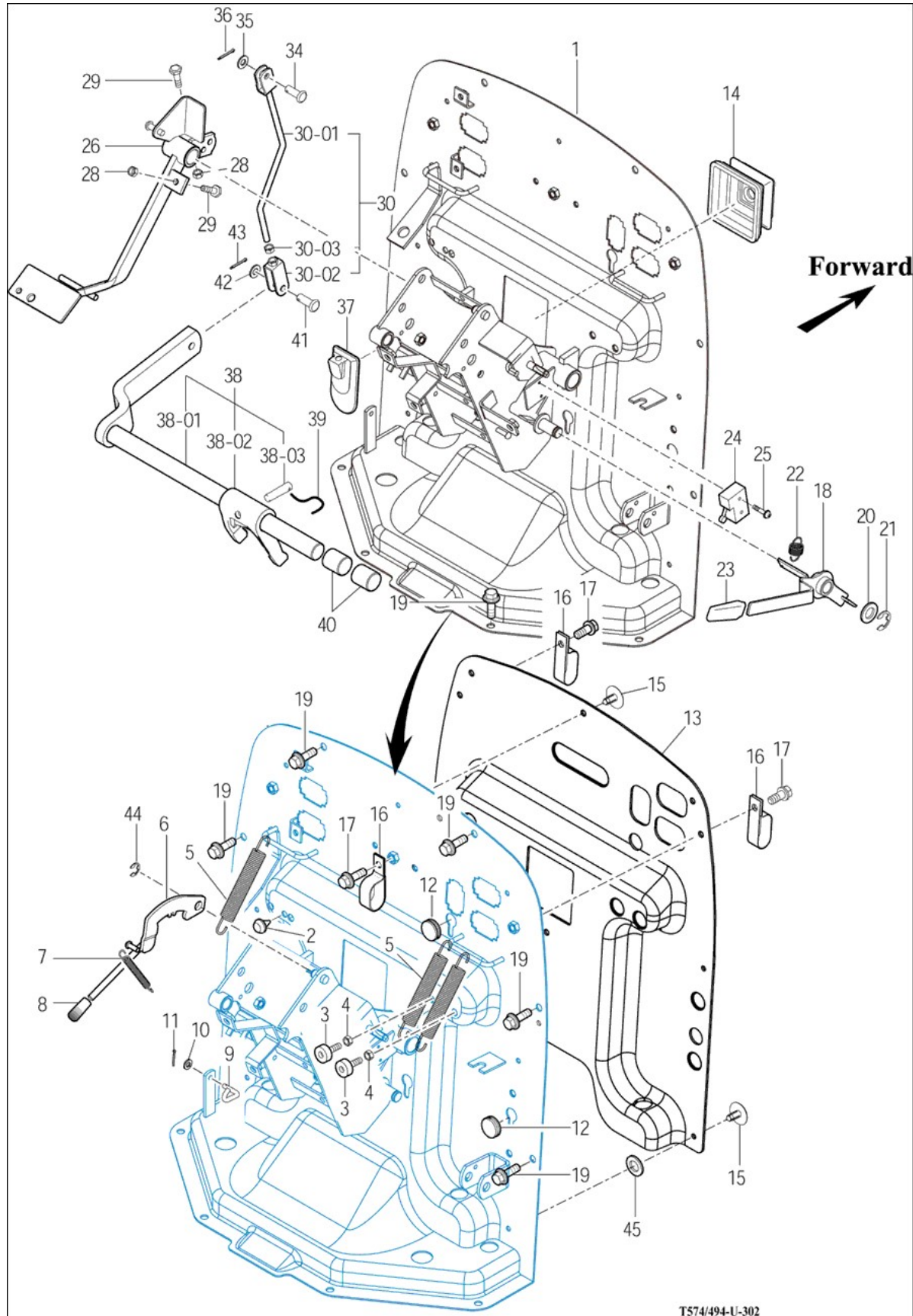


FIG

CLUTCH PEDAL

년/월  
Year/Month

2021-05



T574/494-U-302

NOTE

FIG TE58C		CLUTCH PEDAL					년/월 Year/Month	
							2021-05	
KEY NO	PART NO	DESCRIPTION	SPEC	QTY	REPAIR	EFFECTIVE DATE	REMARKS	
1	13866303200GB	대쉬 판넬 COMP		1				
2	14326160020	콧션고무		1				
3	14216020051	콧션고무(B)		2				
4	V3043600080	소형육각너트보통2종	M8	2				
5	14041200080	클러치리턴스프링	D=2.3	3				
6	14724042401GB	틸트레바 COMP		1				
7	16001200080	브레이크리턴스프링	D=1.6	1				
8	21615250020	레버손잡이(적색)		1				
9	15441230050	컷오프로드		1				
10	V4111600060	평와셔	M6	1				
11	V5001920020	분할핀	2X20	1				
12	14326510210	고무캡(20)		2				
13	17467071991	인슐레이터, 데쉬	T=10	1				
14	14526300011	부츠,스티어링호스	T=1.5	1				
15	17686040020	리벳 SET(흑색)	SV302	9				
16	14441010161	라디에터호스클램프		3				
17	V2183608020	소형육각볼트보통(SP)	M8X20	3				
18	14523293301GB	레버조합,파킹		1				
19	V2183608016	소형육각볼트보통(SP)	M8X16	10				
20	V4111600160	평와셔	M16	1				
21	V7081400150	E형멈춤링	15	1				
22	14321200040	텐션스프링(31)	D=1.2	1				
23	34523030020	손잡이(스로틀레바)		1				
24	16756214701	안전스위치ASSY		1				
25	V1222604025	십자홈냄비작은나사(SP)	M4X25	2				
26	14571332100GB	페달(클러치)COMP		1				
28	V3043600080	소형육각너트보통2종	M8	2				
29	V2013608030	소형육각볼트(보통)	M8X30	2				
30	14521330002	로드서브, 클러치		1				
30.1	14521333103	로드조합, 클러치		1				
30.2	14521333200	흑 조합		1				
30.3	V3042600080	소형육각너트보통2종		1				
34	14322420010	핀	D=8	1				
35	V4111600080	평와셔	M8	1				
36	V5001925020	핀	2.5X20	1				
37	14526300210	부츠,클러치 페달		1				
38	14521302000	바 SET		1				
38.1	14521302101	바 COMP		1				
38.2	14521300011	포크(릴리스)		1				
38.3	15601300010	핀(테이퍼,08X40)		1				
39	V5901012150	철선		1				
40	14521302150	부시(바COMP)		2				
41	14043120060	요오크핀 (A)	D=8	1				
42	V4111600080	평와셔	M8	1				
43	V5001920020	분할핀	2X20	1				
NOTE								





#### 4. 트랜스미션 PART NO. T4

FIG TRANSMISSION FRONT CASE	131
FIG FORWARD & BACKWARD GEARS	133
FIG IDLE & COUNTER GEARS	135
FIG MAIN SHIFT GEARS	137
FIG P.T.O DRIVE SHAFT	139
FIG MAIN CHANGE LEVER	141
FIG REVERSE CHANGE LEVER	143
FIG TRANSMISSION MID CASE	145
FIG TRANSMISSION REAR CASE	147
FIG SUB CHANGE GEARS	149
FIG SUB CHANGE SHIFTER	151
FIG DRIVE GEARS	153
FIG 4WD CHANGE LEVER	155
FIG P.T.O CHANGE GEARS	157
FIG P.T.O CHANGE SHIFTER	159
FIG REAR AXLE HOUSING	161
FIG REAR DIFFERENTIAL GEARS	163

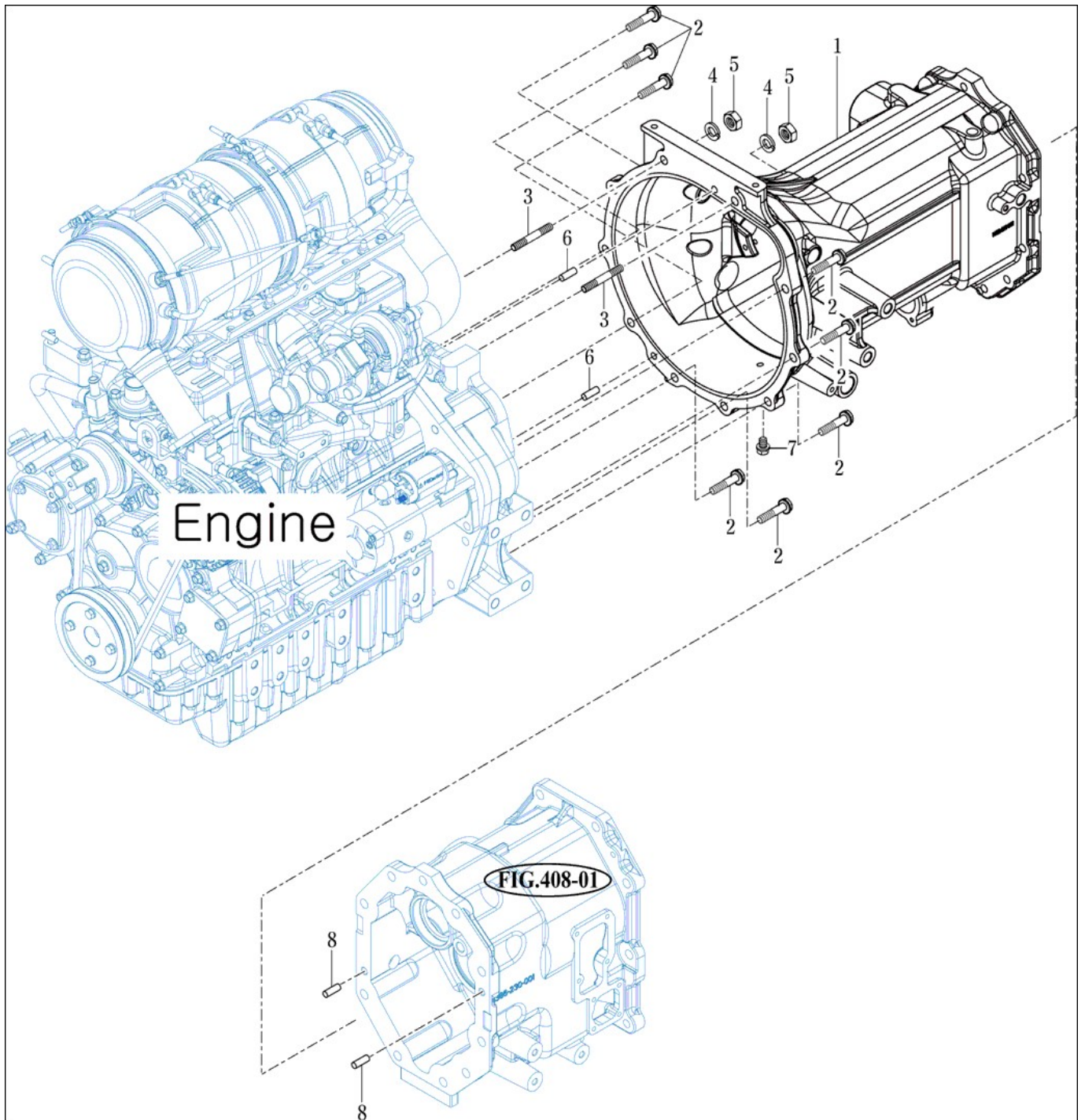
FIG

TE58C

TRANSMISSION FRONT CASE

년/월  
Year/Month

2021-05



NOTE



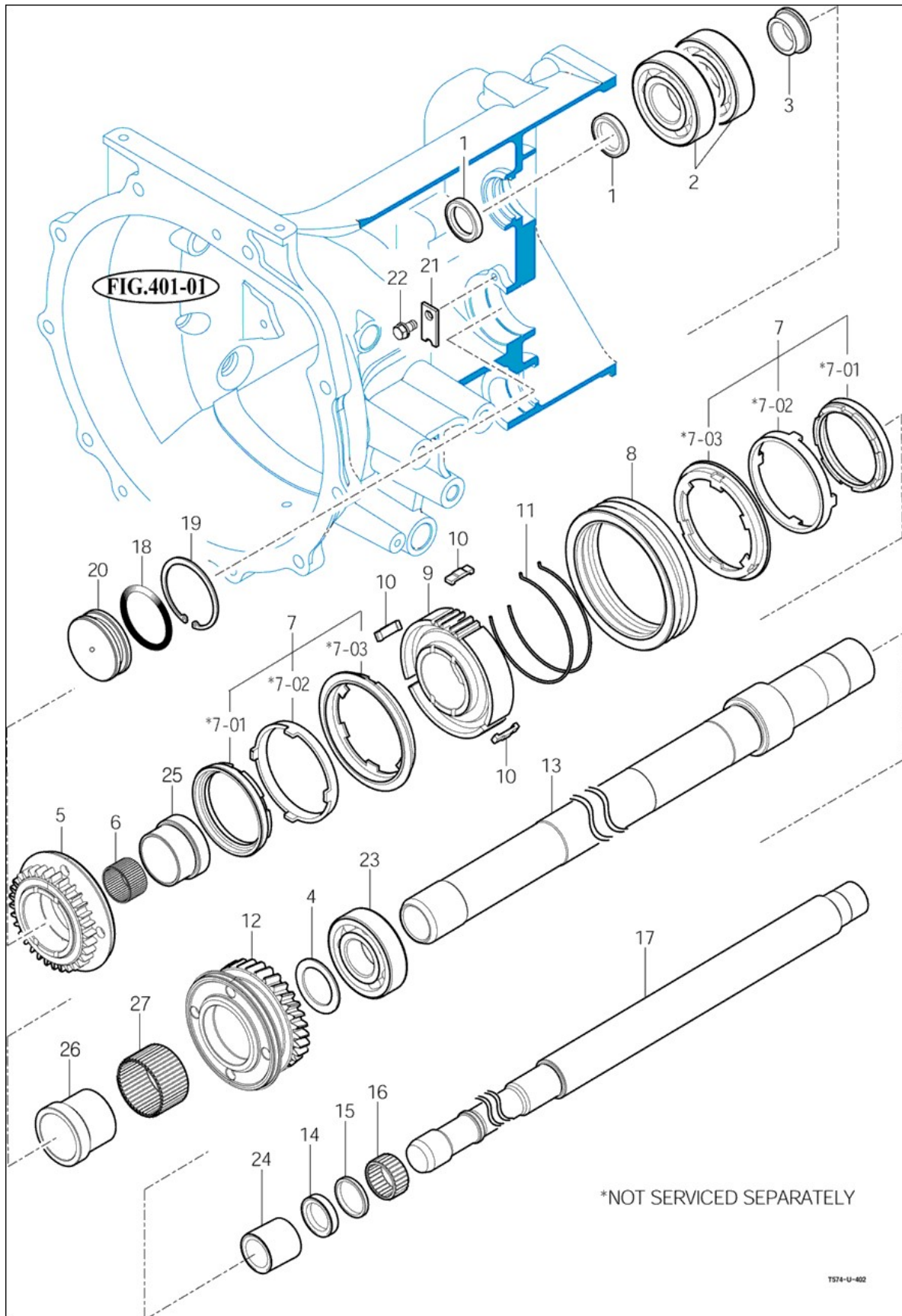
FIG

FORWARD & BACKWARD GEARS

년/월  
Year/Month

TE58C

2021-05



NOTE



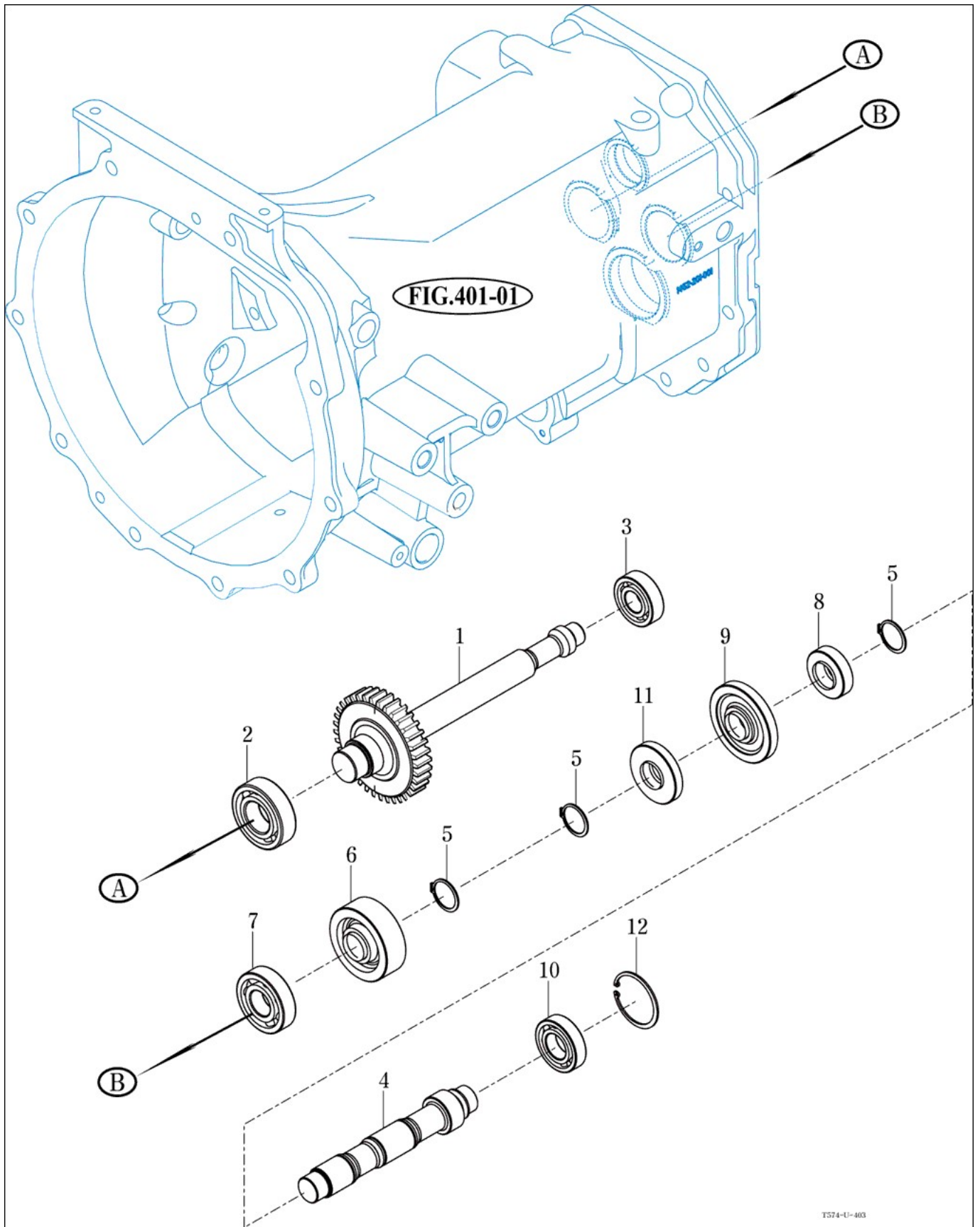
FIG

TE58C

IDLE & COUNTER GEARS

년/월  
Year/Month

2021-05



T574-U-403

NOTE





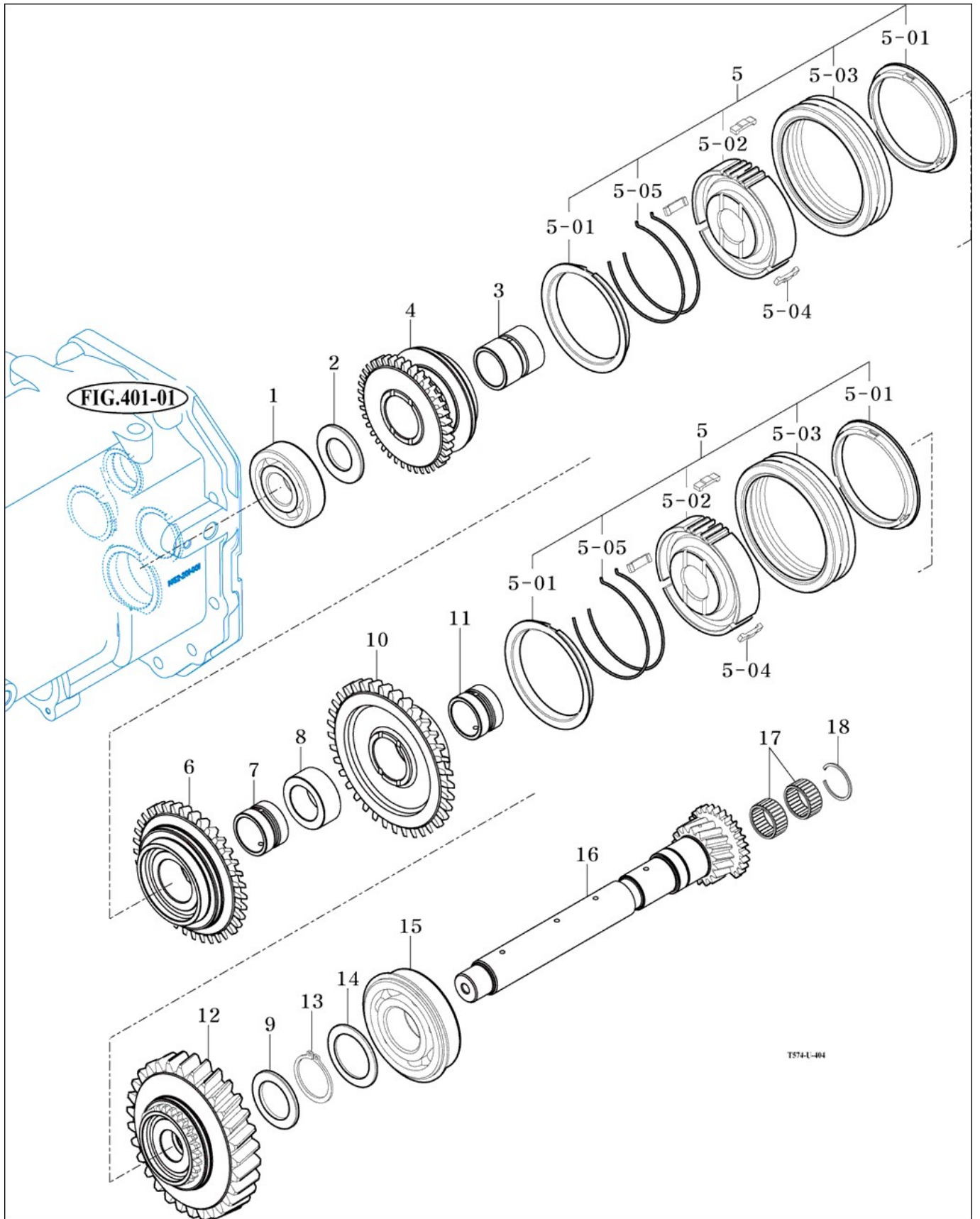
FIG

TE58C

MAIN SHIFT GEARS

년/월  
Year/Month

2021-05



NOTE

<b>FIG</b>  TE58C	<b>MAIN SHIFT GEARS</b>					년/월 Year/Month
						2021-05

KEY NO	PART NO	DESCRIPTION	SPEC	QTY	REPAIR	EFFECTIVE DATE	REMARKS
1	V6001106305	볼베어링	6305	1			
2	15602160083	와셔(25X46X03)		1			
3	13862090330	부시(30X37X43)	30X37X43	1			
4	13862090040	기어(스퍼, 32)		1			
5	14522092000	싱크로 주변속 SUB ASSY		2			
5.1	14522092020	싱크로링(싱글링)		4			
5.2	14522092012	허브(싱크로,메인)		2			
5.3	14522092141	커플링(싱크로/S)		2			
5.4	14522092162	키(싱크로)	21X4.3X6	6			
5.5	14522092170	스프링(싱크로)	D=1.5	4			
6	13862090030	기어(헬리컬, 38)		1			
7	13862090340	부시(30X37X25)	30X37X25	1			
8	13862160040	칼라(30X46X19)	30X46X19	1			
9	19992160040	와셔(30X46X3.3)	30X46X3.3	1			
10	13862090010	기어(헬리컬, 43T)		1			
11	13862090340	부시(30X37X25)	30X37X25	1			
12	13862080060	기어(헬리컬, 48)		1			
13	V7041400350	C형 멍춤링(축용)	35	1			
14	14443140041	칼라(35X50X2)	T=2	1			
15	V6001606307	볼베어링(NR)	6307N	1			
16	13862080010	기어(헬리컬, 16)		1			
17	14523020010	니들베어링(케이지)-K243013.8		2			
18	14522080080	C형 동심멍춤링(구멍용)		1			

<b>NOTE</b>	
-------------	--

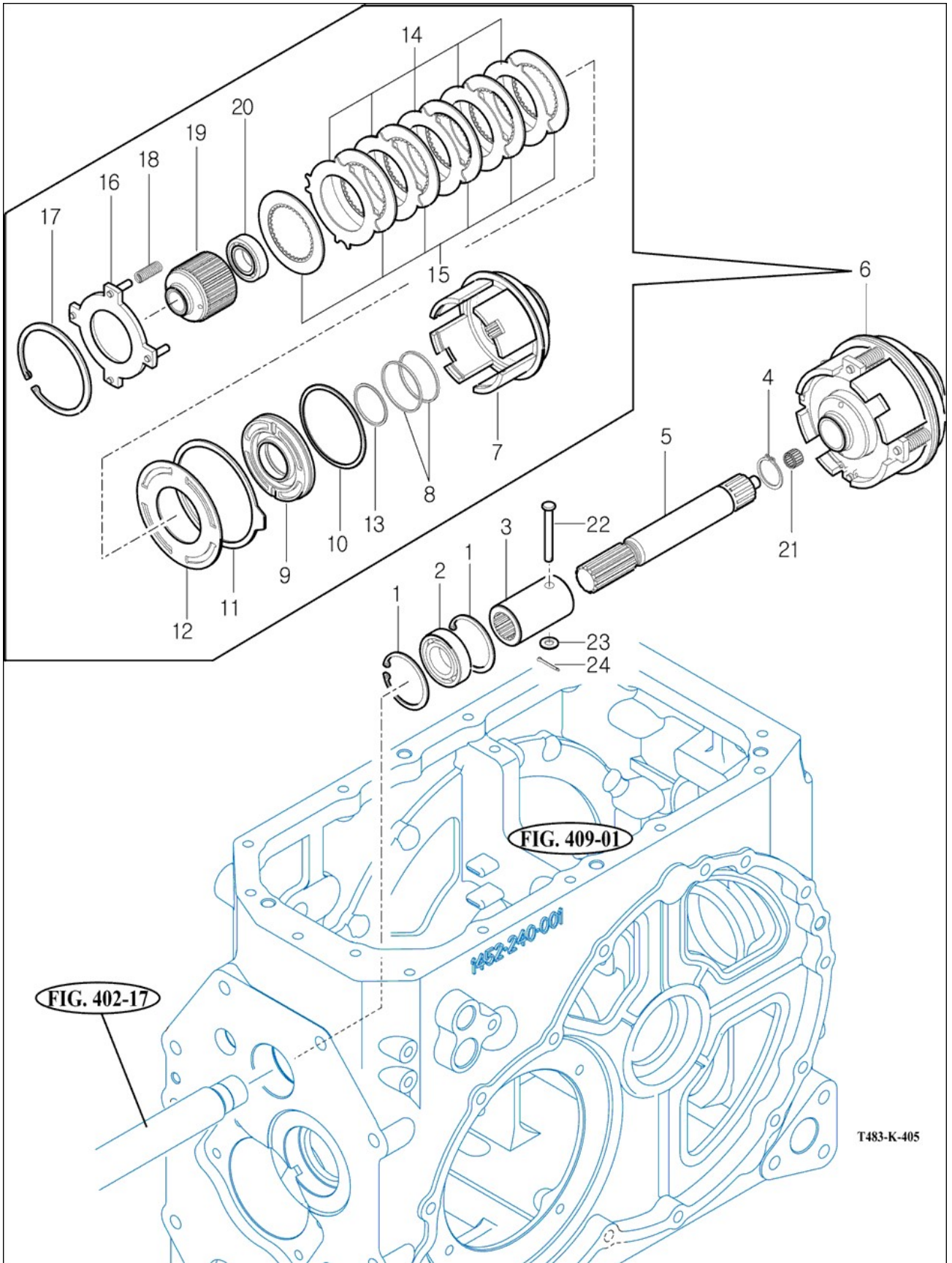
FIG

TE58C

P.T.O DRIVE SHAFT

년/월  
Year/Month

2021-05



NOTE



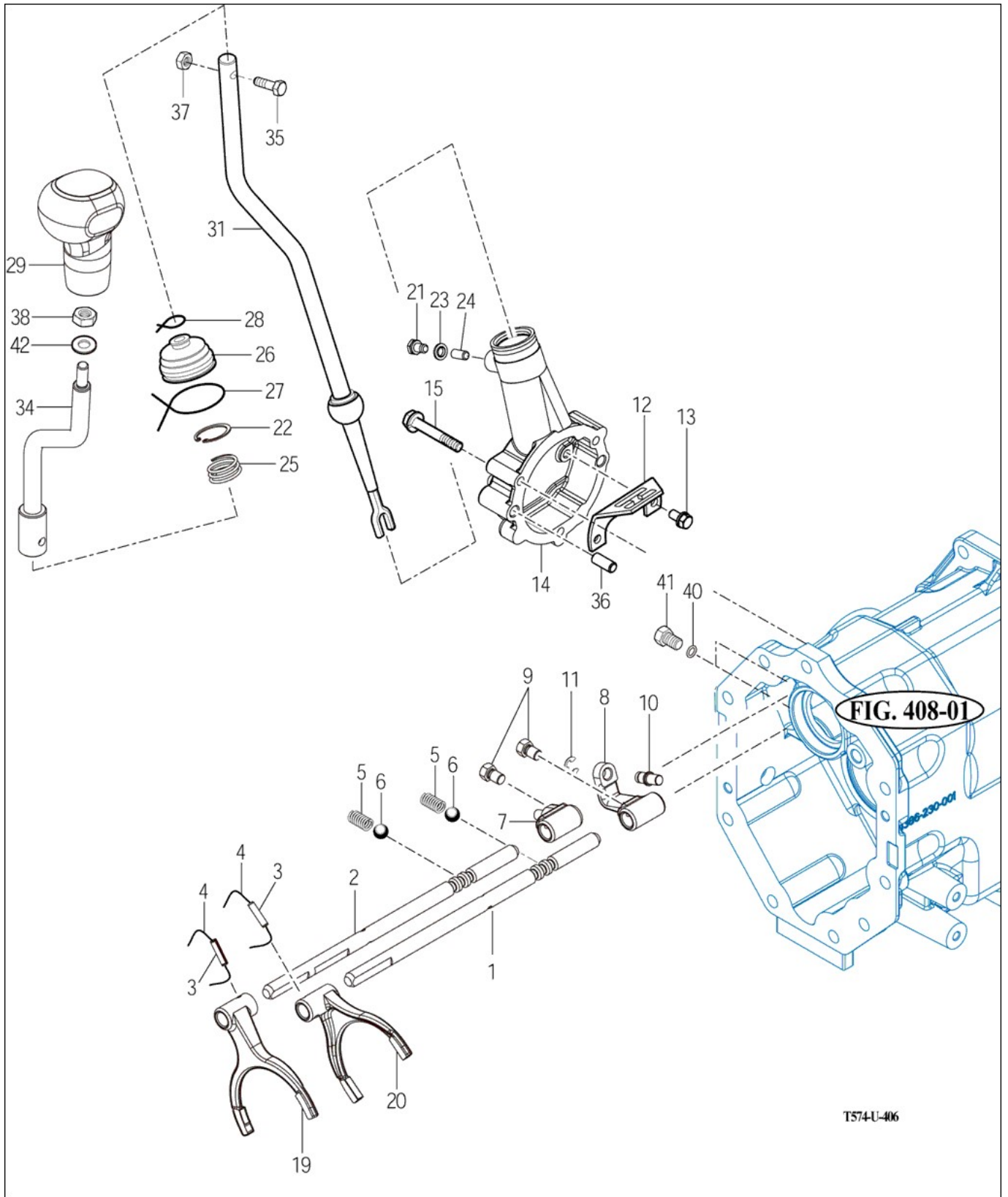
FIG

TE58C

MAIN CHANGE LEVER

년/월  
Year/Month

2021-05



NOTE



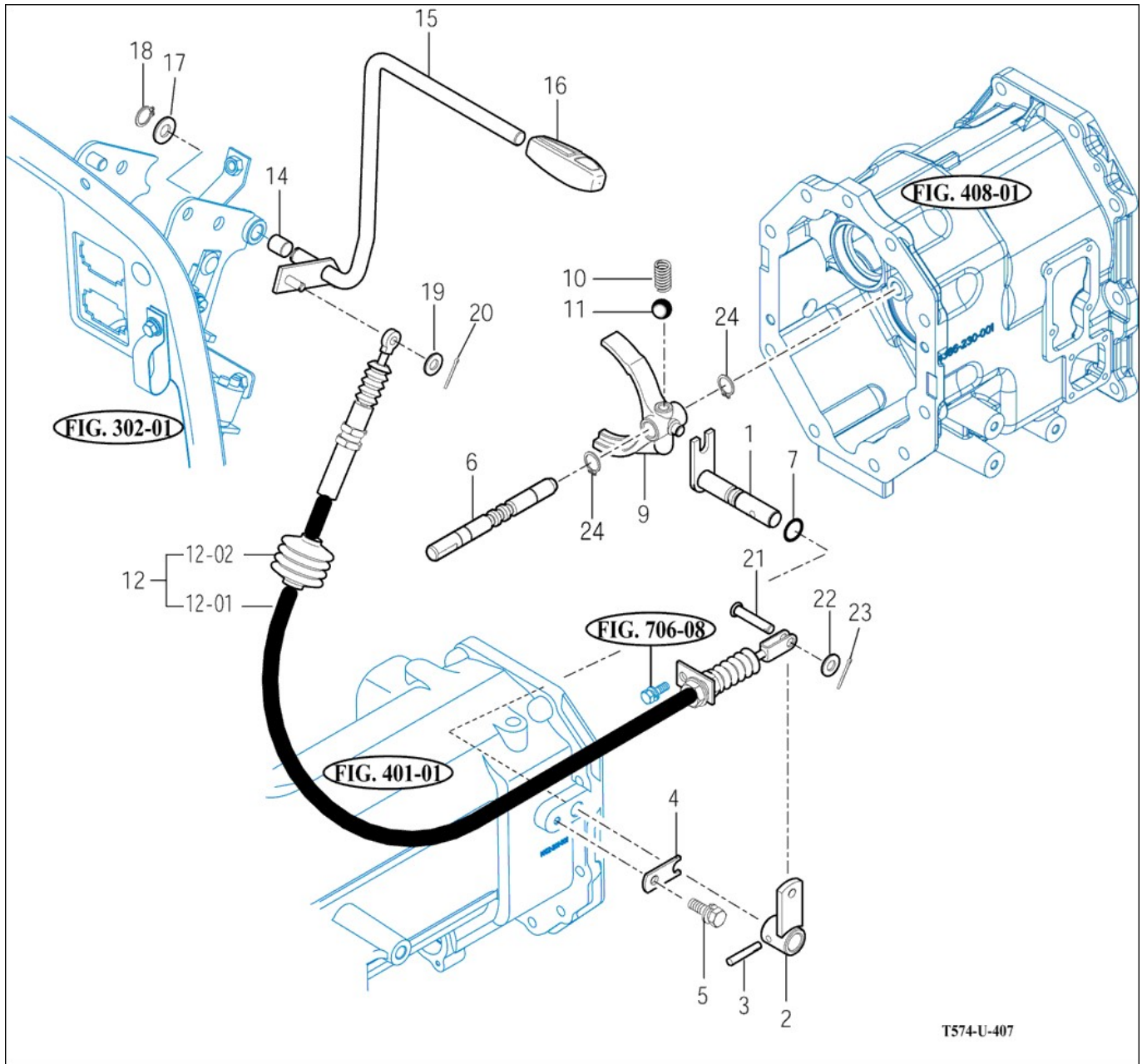
FIG

TE58C

REVERSE CHANGE LEVER

년/월  
Year/Month

2021-05



T574-U-407

NOTE





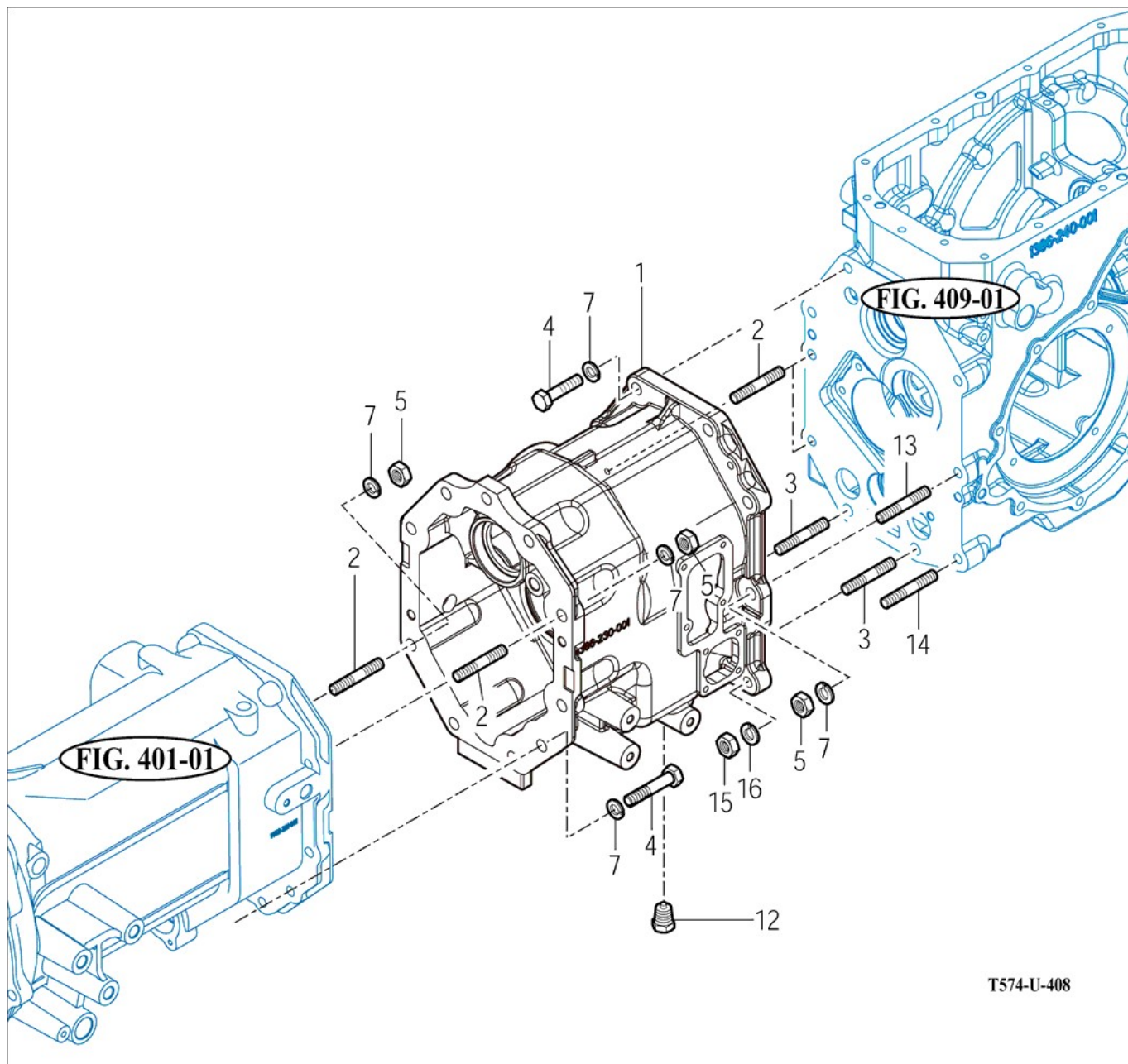
FIG

TE58C

TRANSMISSION MID CASE

년/월  
Year/Month

2021-05



T574-U-408

NOTE

<b>FIG</b> TE58C	<b>TRANSMISSION MID CASE</b>	년/월 Year/Month
		2021-05

KEY NO	PART NO	DESCRIPTION	SPEC	QTY	REPAIR	EFFECTIVE DATE	REMARKS
1	13862300010M	미드 미션 케이스		1			
2	V2513414040	스터드볼트2중	M14X40	4			
3	V2513414080	스터드볼트2중	M14X80	2			
4	V2013614045	소형육각볼트(보통)	M14X45	12			
5	V3043600140	소형육각너트보통2중	M14	5			
7	V4011600140	스프링와셔	M14	17			
12	16701015001	마그넷플러그ASSY		1			
13	V2513414035	스터드볼트2중		1			
14	V2514412040	스터드볼트2중		1			
15	V3043600120	소형육각너트보통2중	M12	1			
16	V4011600120	스프링와셔	M12	1			

NOTE

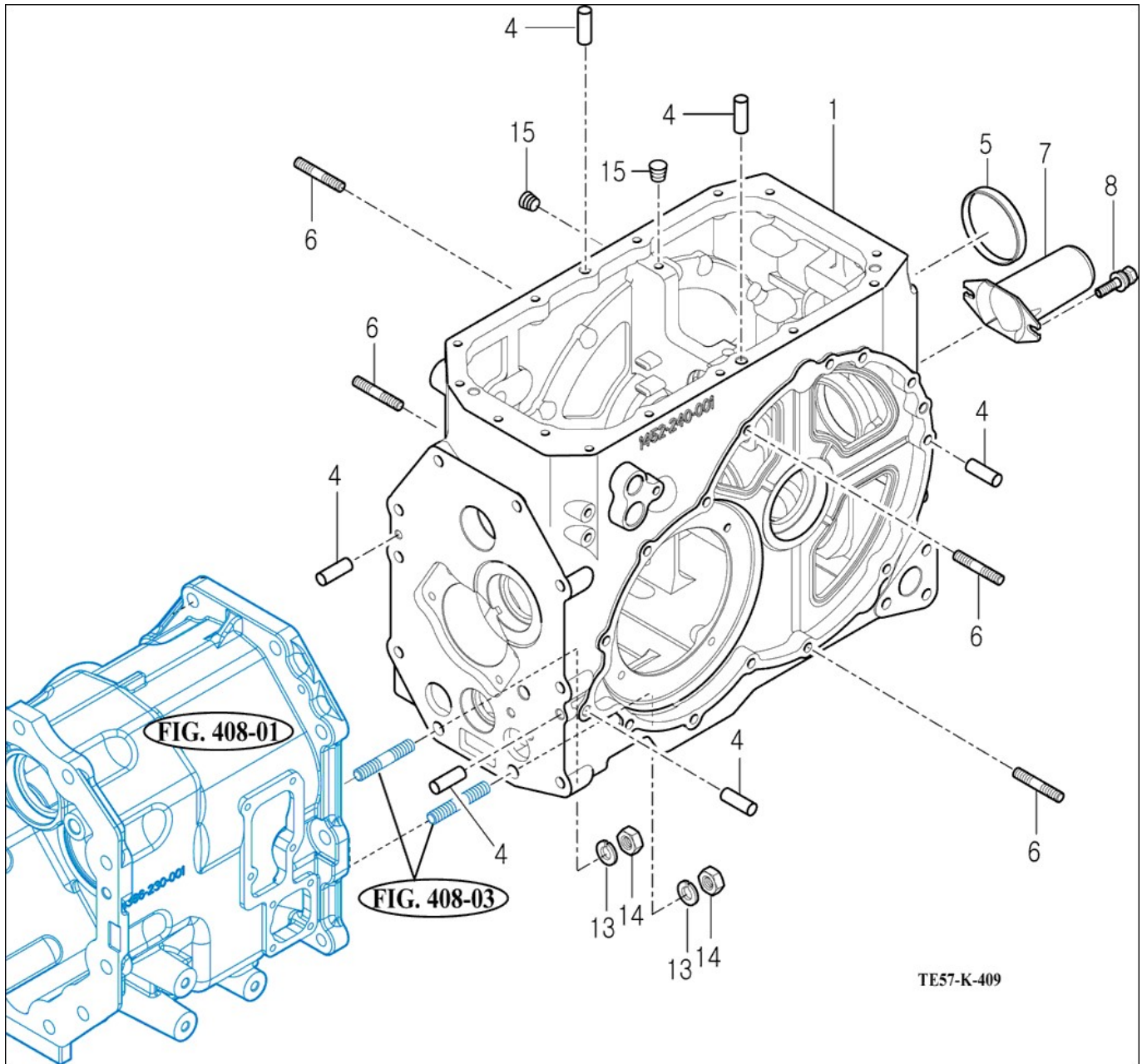
FIG

TE58C

TRANSMISSION REAR CASE

년/월  
Year/Month

2021-05



NOTE

<b>FIG</b> TE58C	<b>TRANSMISSION REAR CASE</b>	년/월 Year/Month
		2021-05

KEY NO	PART NO	DESCRIPTION	SPEC	QTY	REPAIR	EFFECTIVE DATE	REMARKS
1	14522400013M	리어 미션 케이스		1			
4	V5201010022	평행핀(A)	10X22	8			
5	14254330180	캡(72)		1			
6	V2514410050	스터드볼트2종	M10X50	4			
7	14443140091	PTO축 캡		1			
8	V2183608016	소형육각볼트보통(SP)	M8X16	2			
13	V4011600140	스프링와셔	M14	2			
14	V3043600140	소형육각너트보통2종	M14	2			
15	V7801000002	플러그(육각구멍테이퍼)	PT1/8	2			

<b>NOTE</b>	
-------------	--

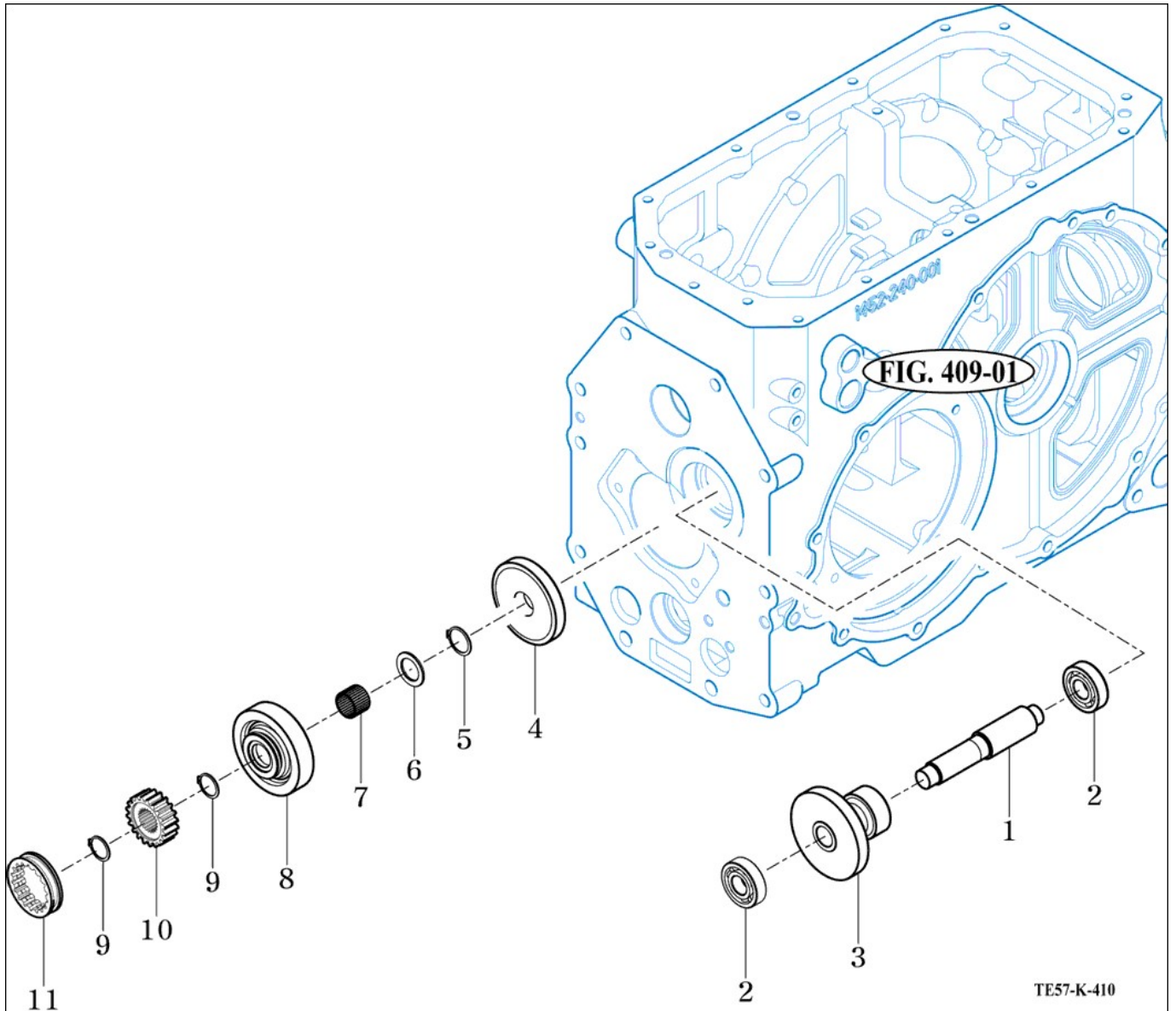
FIG

TE58C

SUB CHANGE GEARS

년/월  
Year/Month

2021-05



NOTE



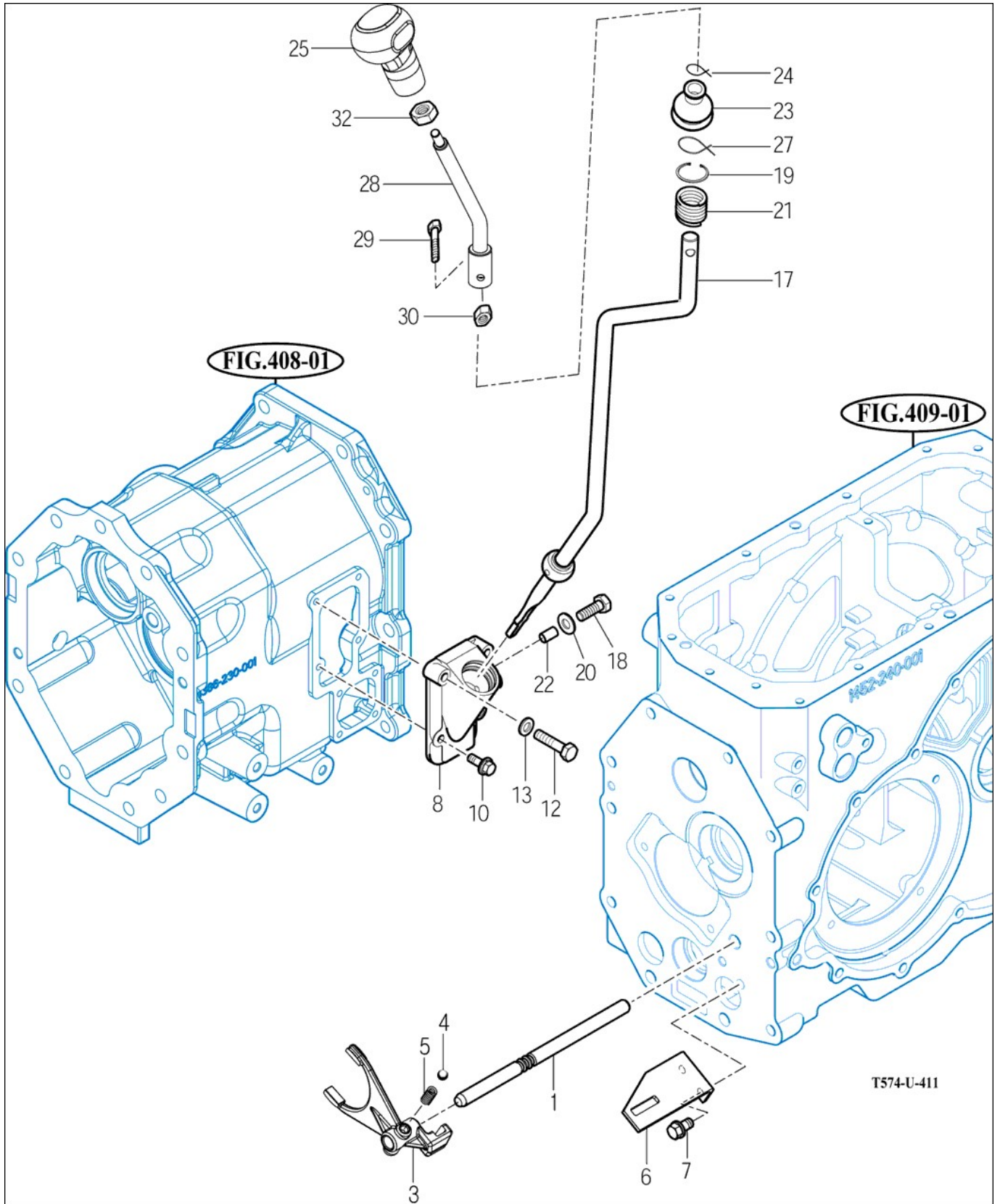
FIG

TE58C

SUB CHANGE SHIFTER

년/월  
Year/Month

2021-05



NOTE





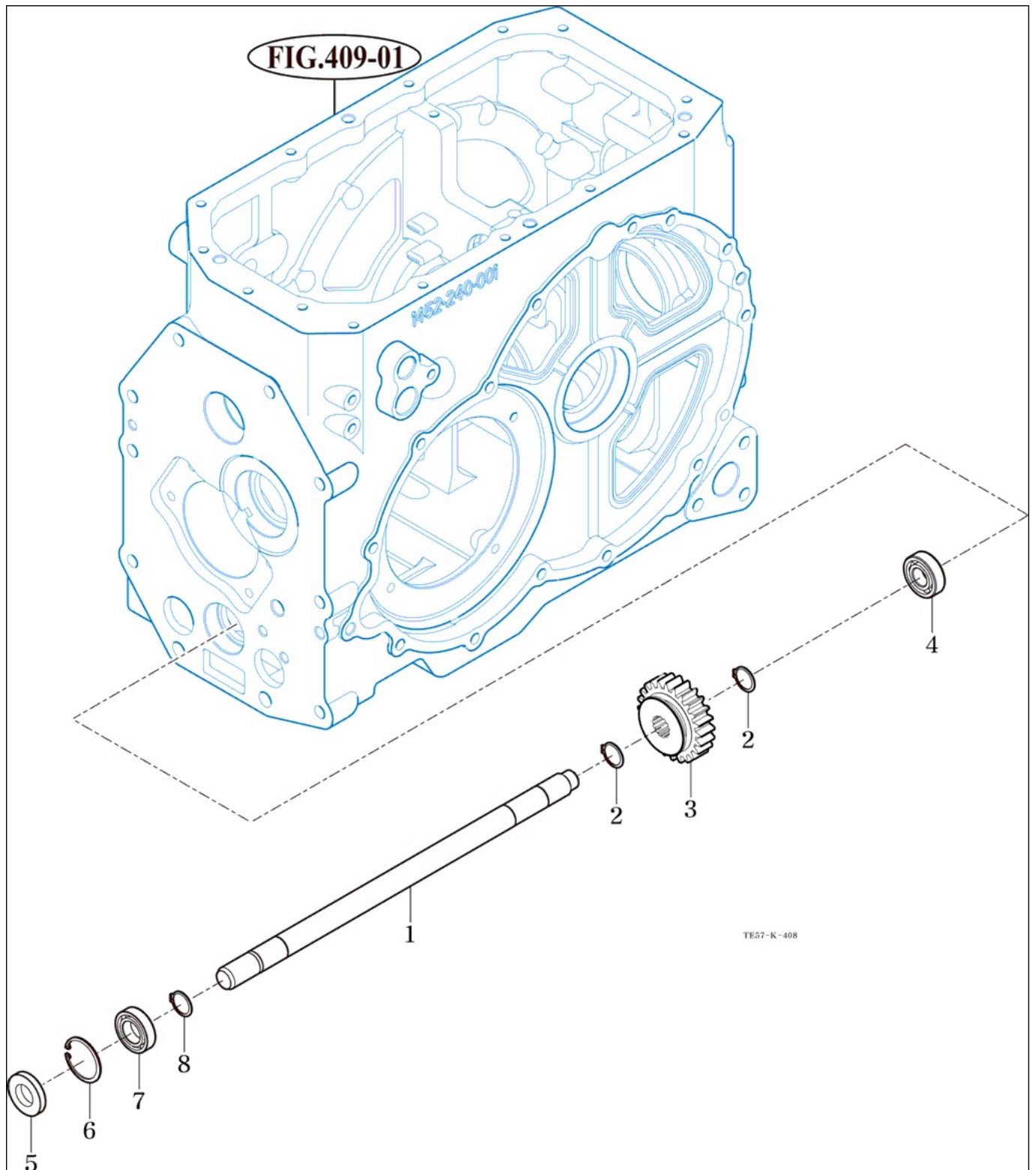
FIG

DRIVE GEARS

년/월  
Year/Month

TE58C

2021-05



NOTE



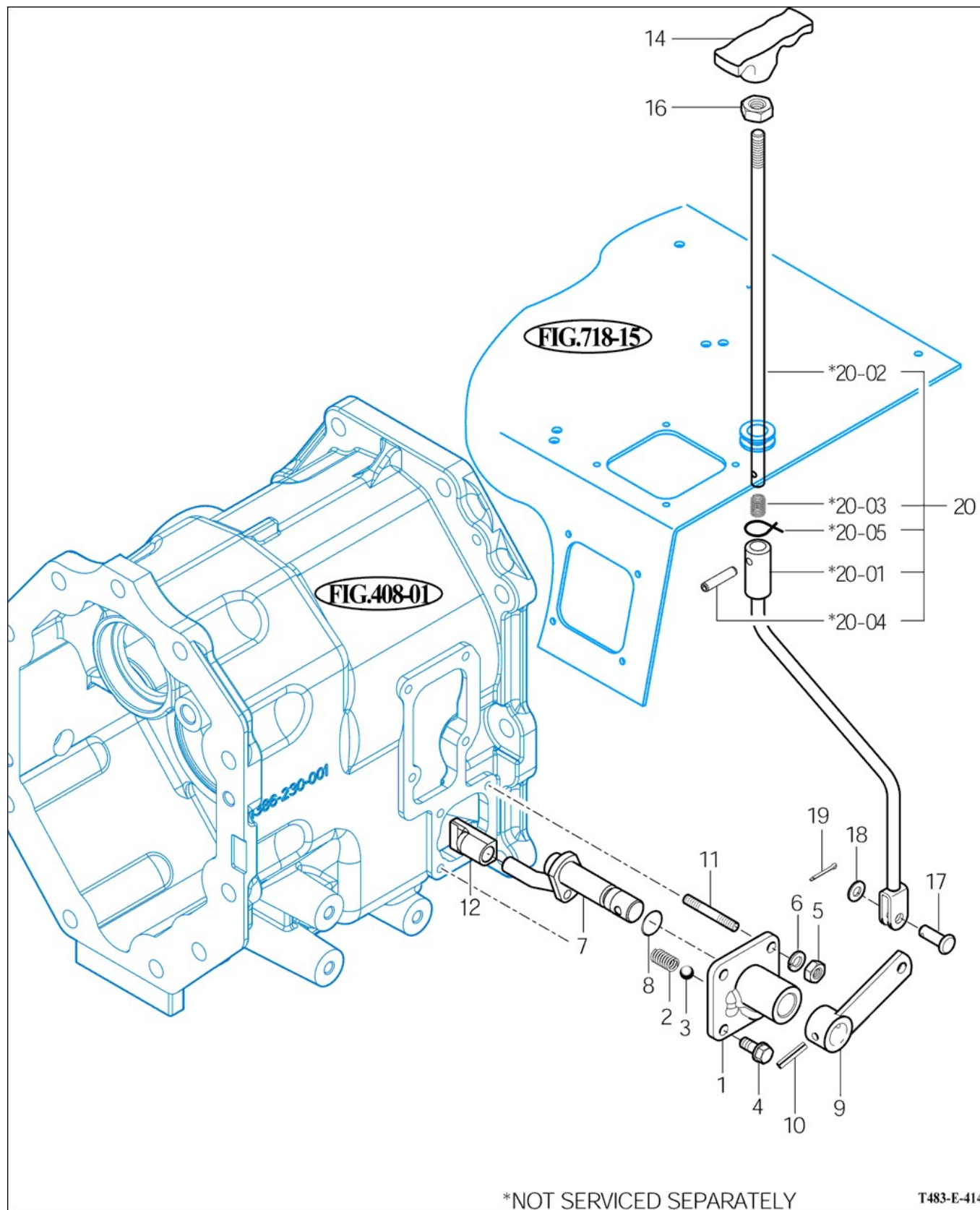
FIG

4WD CHANGE LEVER

년/월  
Year/Month

TE58C

2021-05



NOTE



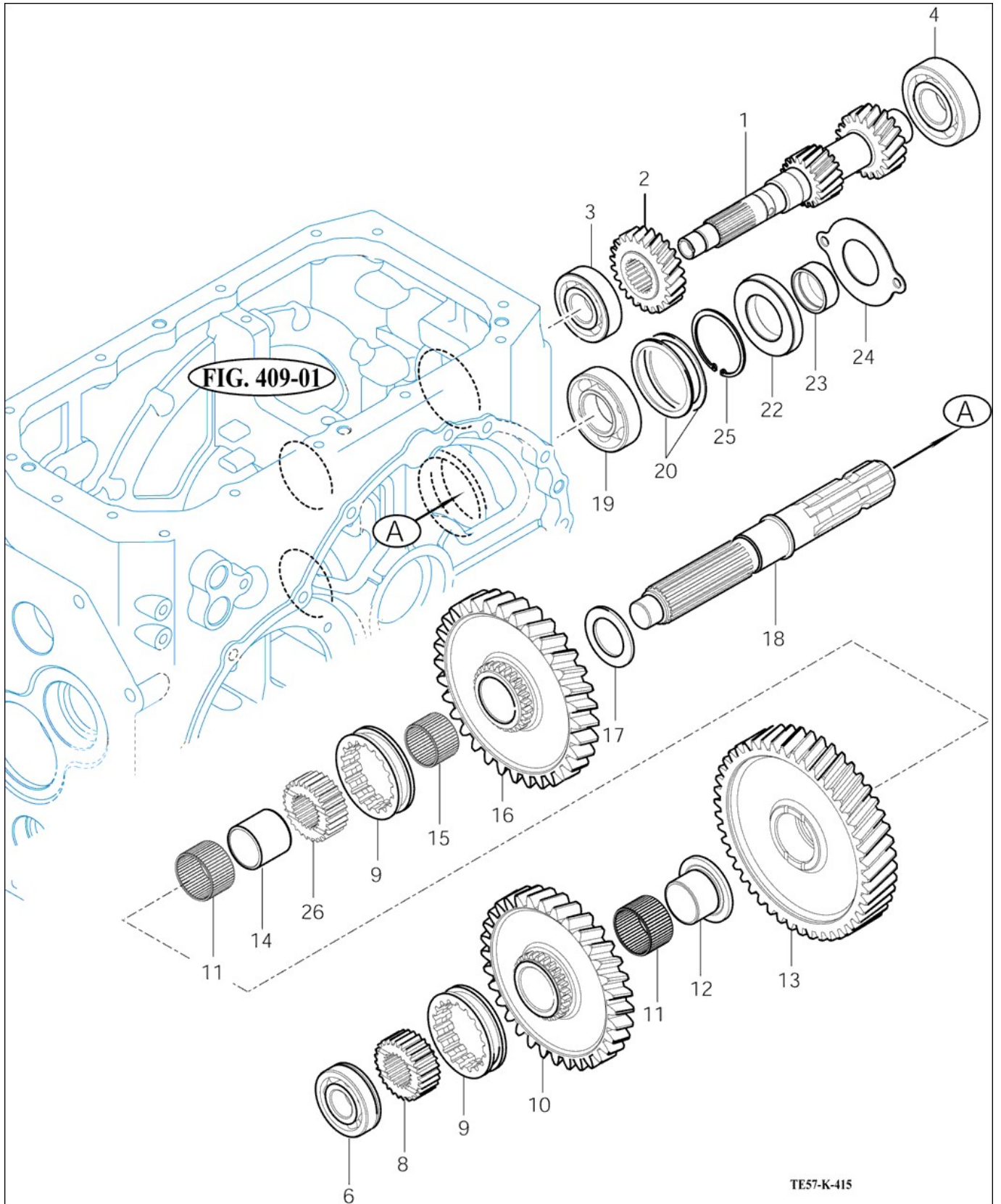
FIG

TE58C

P.T.O CHANGE GEARS

년/월  
Year/Month

2021-05



NOTE



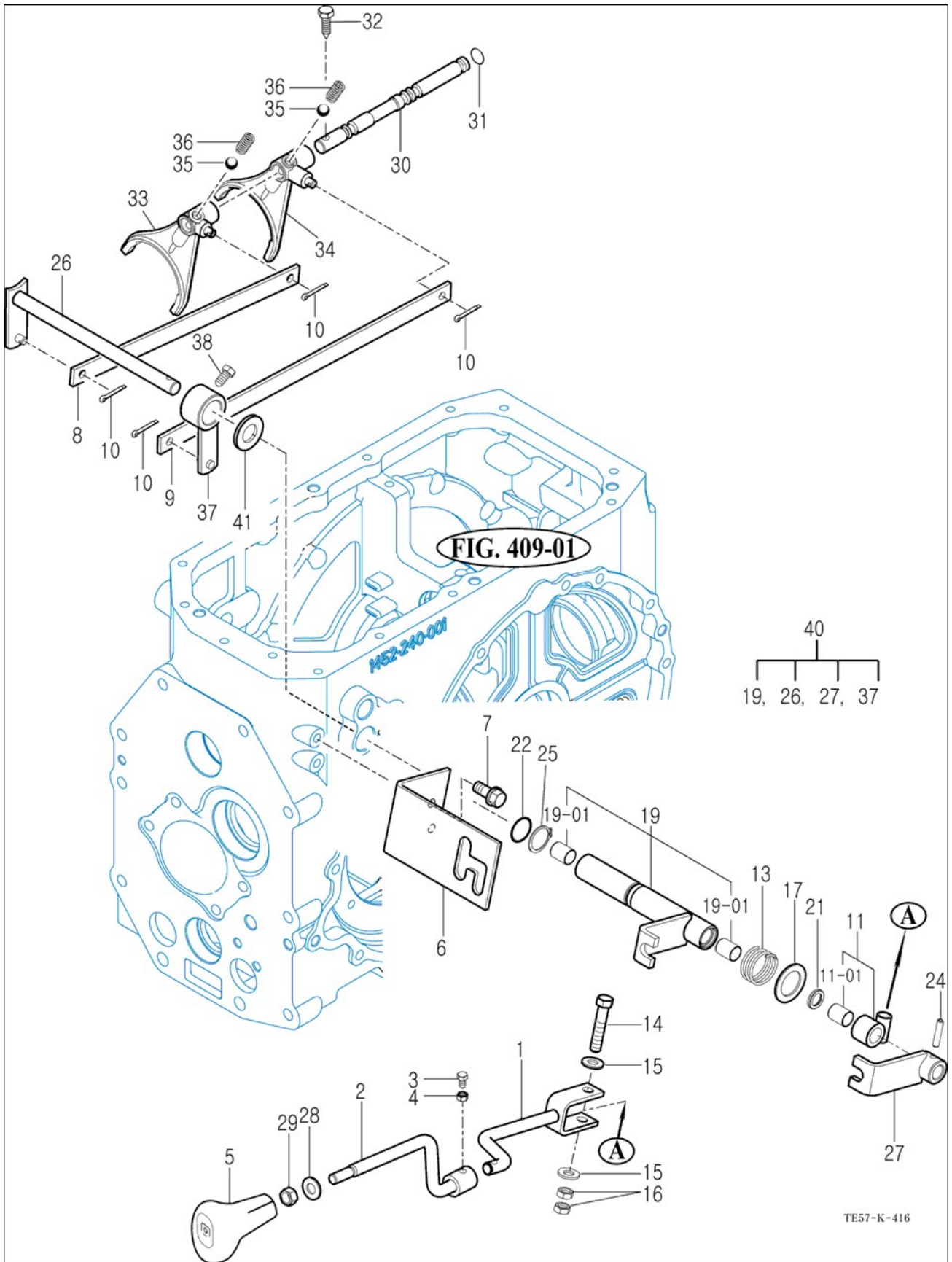
FIG

TE58C

P.T.O CHANGE SHIFTER

년/월  
Year/Month

2021-05



TE57-K-416

NOTE





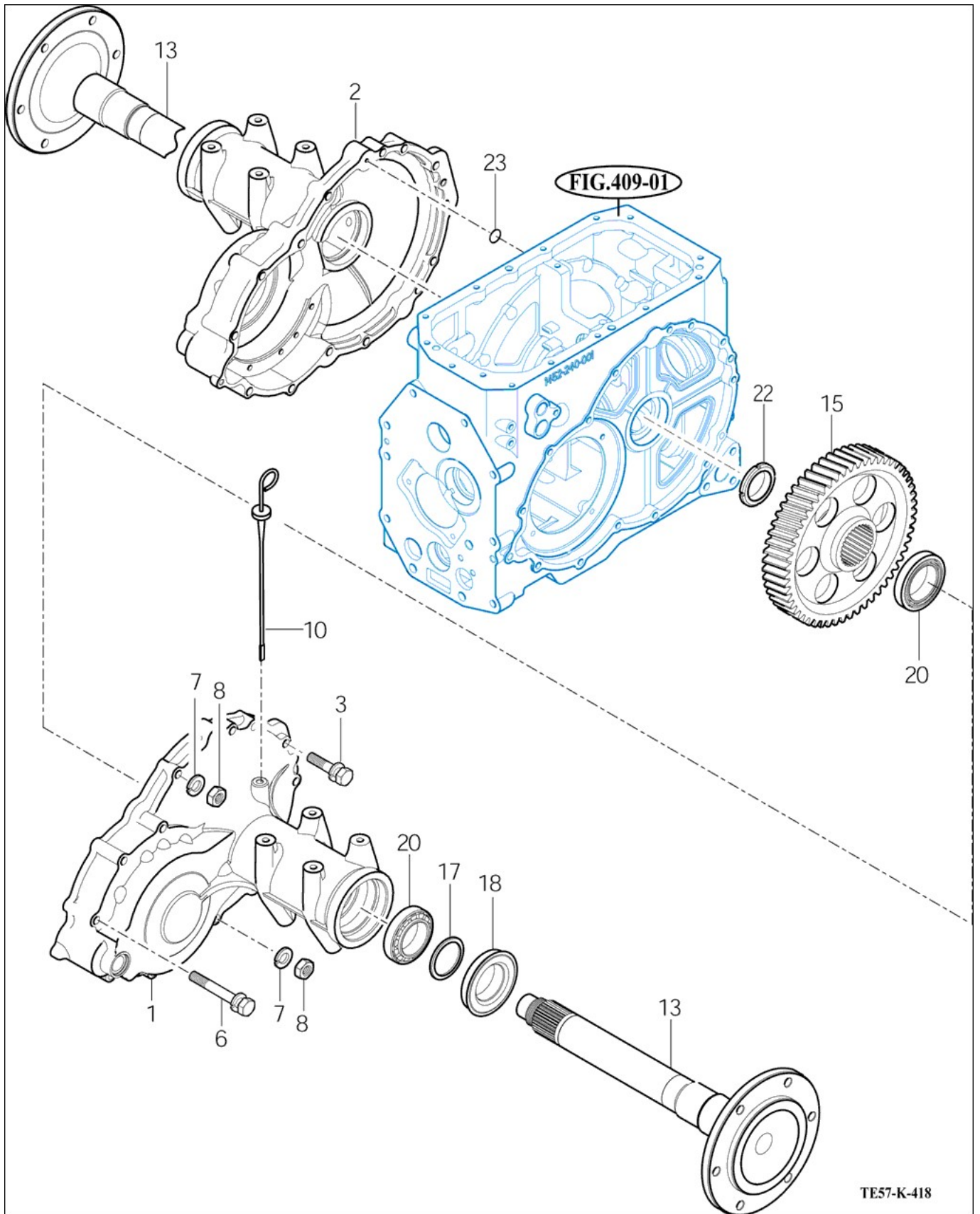
FIG

TE58C

REAR AXLE HOUSING

년/월  
Year/Month

2021-05



NOTE



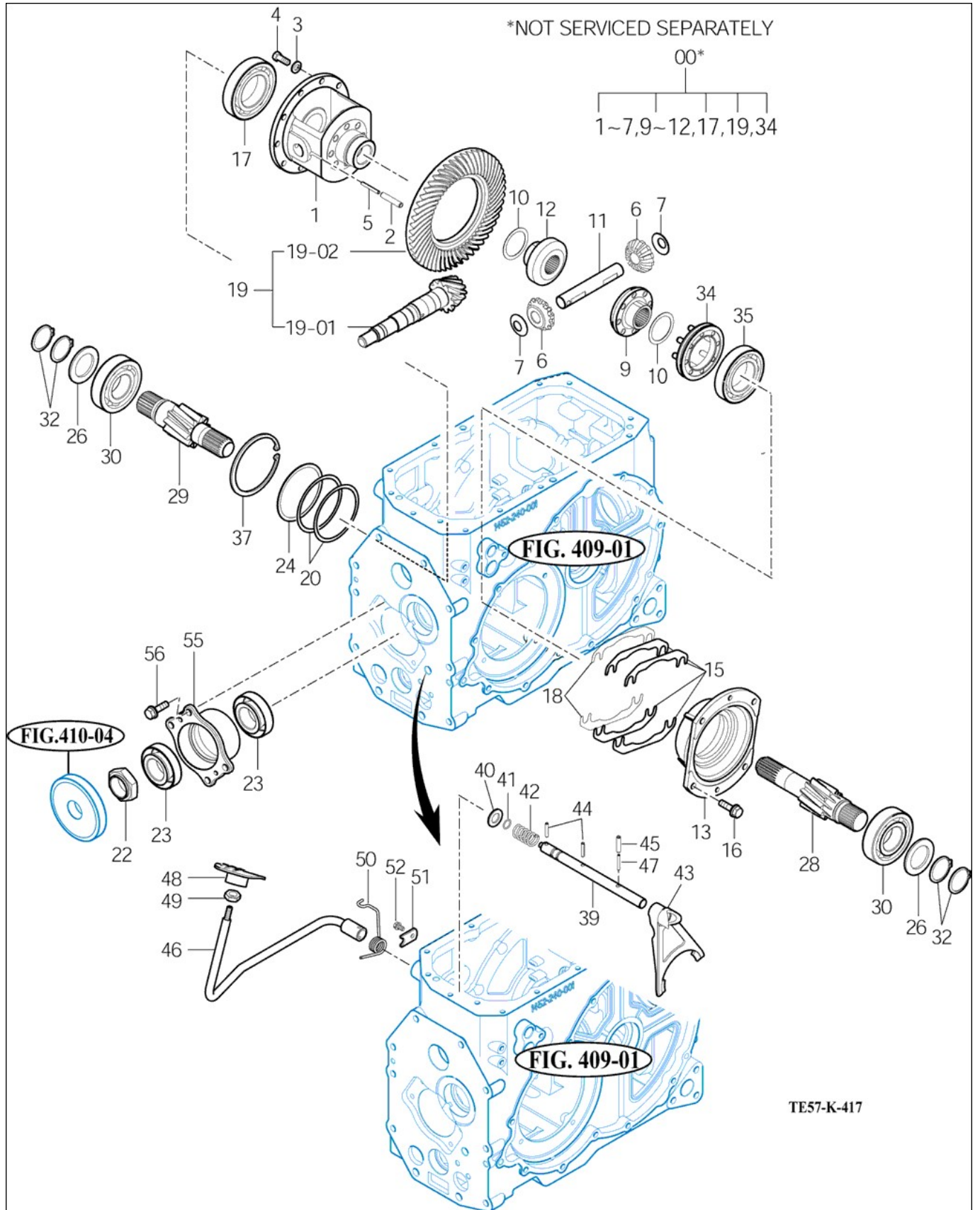
FIG

REAR DIFFERENTIAL GEARS

년/월  
Year/Month

TE58C

2021-05



NOTE

FIG		REAR DIFFERENTIAL GEARS					년/월	
							Year/Month	
TE58C		2021-05						
KEY NO	PART NO	DESCRIPTION	SPEC	QTY	REPAIR	EFFECTIVE DATE	REMARKS	
0	13863031000	리어 차동장치 ASSY		1				
1	14523030010M	케이스(디프)		1				
2	V5801408040	스프링핀	8X50	1				
3	V4011600100	스프링와셔	M10	10				
4	V2024610025	소형육각볼트(가는)	M10X25	10				
5	V5801405036	스프링핀	5X36	1				
6	14523180041	피니언(차동)	1X1X1	2				
7	14523030080	칼라(피니온)	T=1.0	2				
9	14523180061	피니언(베벨/16 LH)	1X1X1	1				
10	14523030100	와셔(스러스트)	D=52.5	2				
11	14523030110	디프피니언샤프트	D=23	1				
12	14523180031	피니언(베벨/16 RH)	1X1X1	1				
13	14523030131M	메탈(LH/디프케이스)		1				
15	14523010090	심(B)	T=0.2	4				
16	V2173610025	소형육각볼트보통(S)	M10X25	4				
17	V6001106212	볼베어링	6212	1				
18	14523010080	심(A)	T=0.1	2				
19	13863022100	기어(10X41)SET		1				
19.1	13863022110	베벨 피니언		1				
19.2	14523022120	스파이럴베벨기어		1				
20	14523010050	심(0.1)	T=0.1	2				
22	15533030020	너트(M40XP1.5)	육각B=55	1				
23	V6321132208	테이퍼롤러베어링(보통)	32208CR	2				
24	14523010100	심(0.2)	T=0.2	1				
26	15133060030	스러스트칼라(45X68X4)		2				
28	14523060010	피니언(헬리컬/11/LH)		1				
29	14523060020	피니언(헬리컬/11/RH)		1				
30	V6001106309	볼베어링	6309	2				
32	V7041400450	C형멈춤링(축용)	45	4				
34	14523033400	슬리브COMP		1				
35	V6001106211	볼베어링	6211	1				
37	V7051401100	C형멈춤링(구멍용)	110	1				
39	14523032002	샤프트(디프록)	D=20	1				
40	V4111600200	평와셔	M20	1				
41	V7201024016	O링(P)	P16	1				
42	17973030420	스프링	(D=3.6) X22.5X74.5	1				
43	14523190011M	포크(디프로크)		1				
44	V5801406032	스프링핀	6X32	2				
45	V5801408036	스프링핀	8X36	1				
46	14543162101	디프록페달COMP		1				
47	V5801405036	스프링핀	5X36	1				
48	14521220120	페달COMP,악셀	1X1X1	1				
49	V3342600100	소형육각너트가는2종	M10	1				
50	14523160020	스프링(디프 페달)	D=5.5	1				
51	16703180191	플레이트	25X4.5T	1				
NOTE								



## 5. 프런트 액슬 PART NO. T5

FIG FRONT GEAR CASE (3)	167
FIG FRONT AXLE SUPPORT	169
FIG FRONT DRIVE SHAFT	171
FIG FRONT AXLE HOUSING	173
FIG FRONT DIFFERENTIAL GEARS	175
FIG FRONT GEAR CASE (1)	177
FIG FRONT GEAR CASE (2)	179

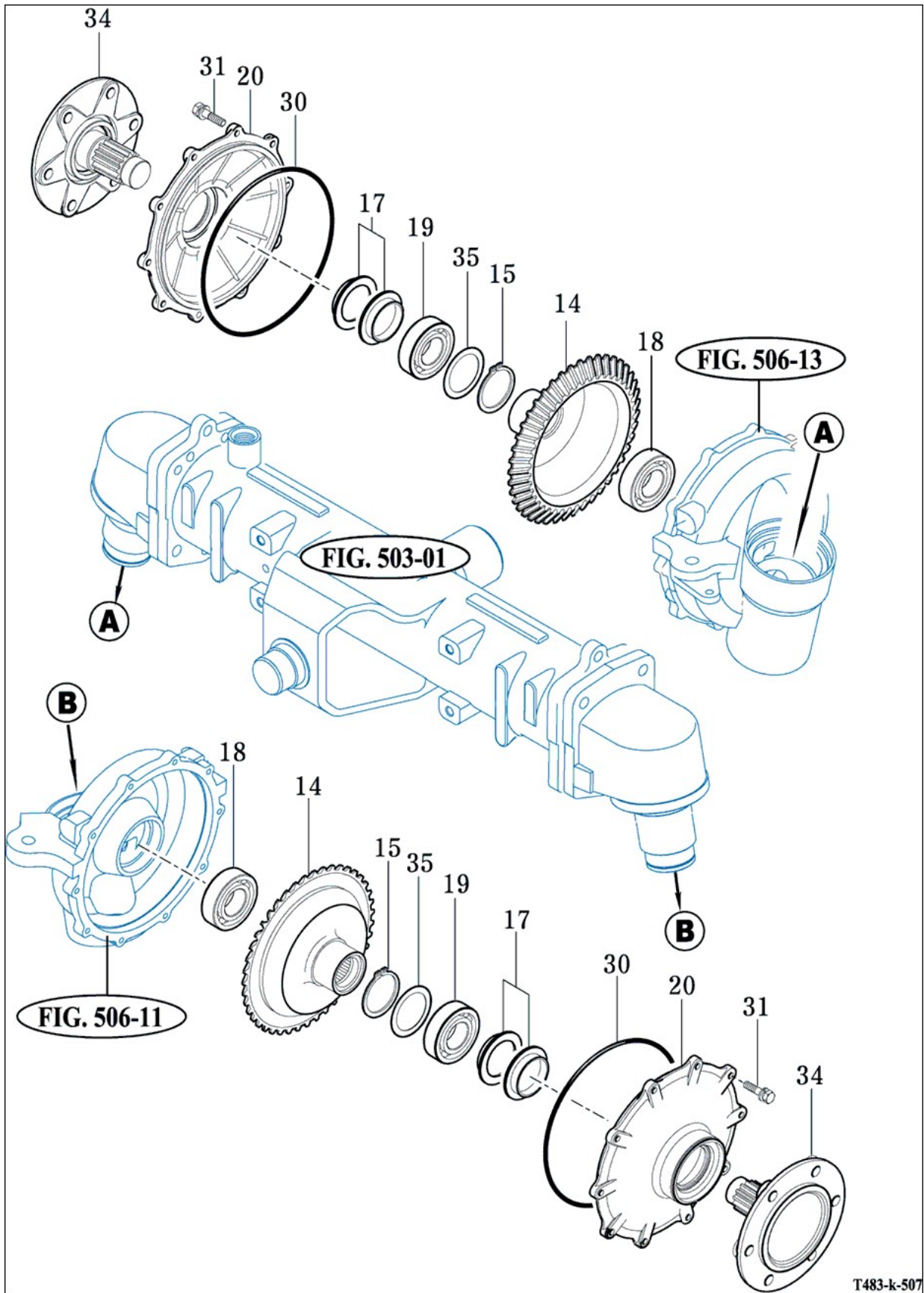
FIG

TE58C

FRONT GEAR CASE (3)

년/월  
Year/Month

2021-05



T483-k-507

NOTE





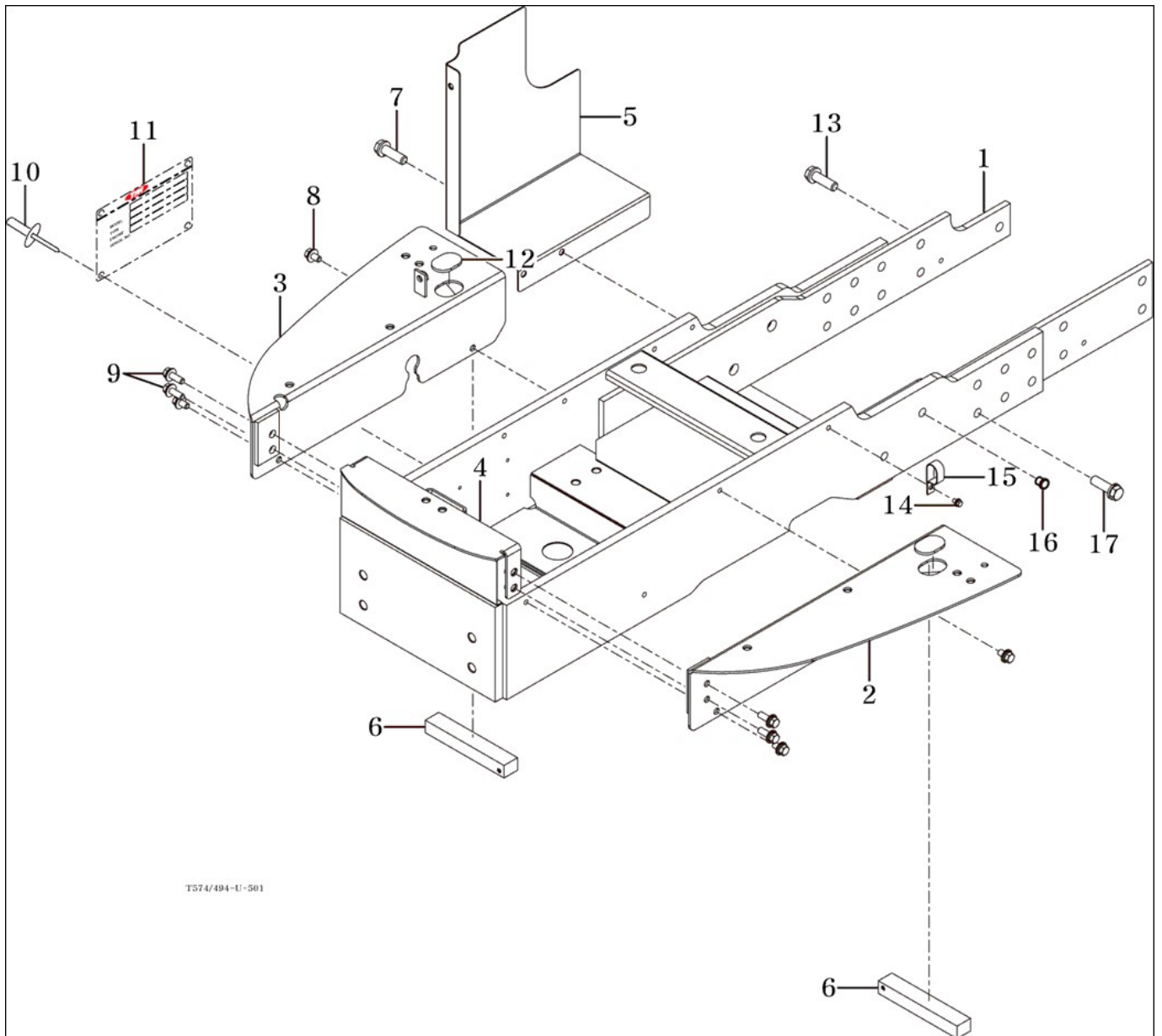
FIG

TE58C

FRONT AXLE SUPPORT

년/월  
Year/Month

2021-05



NOTE



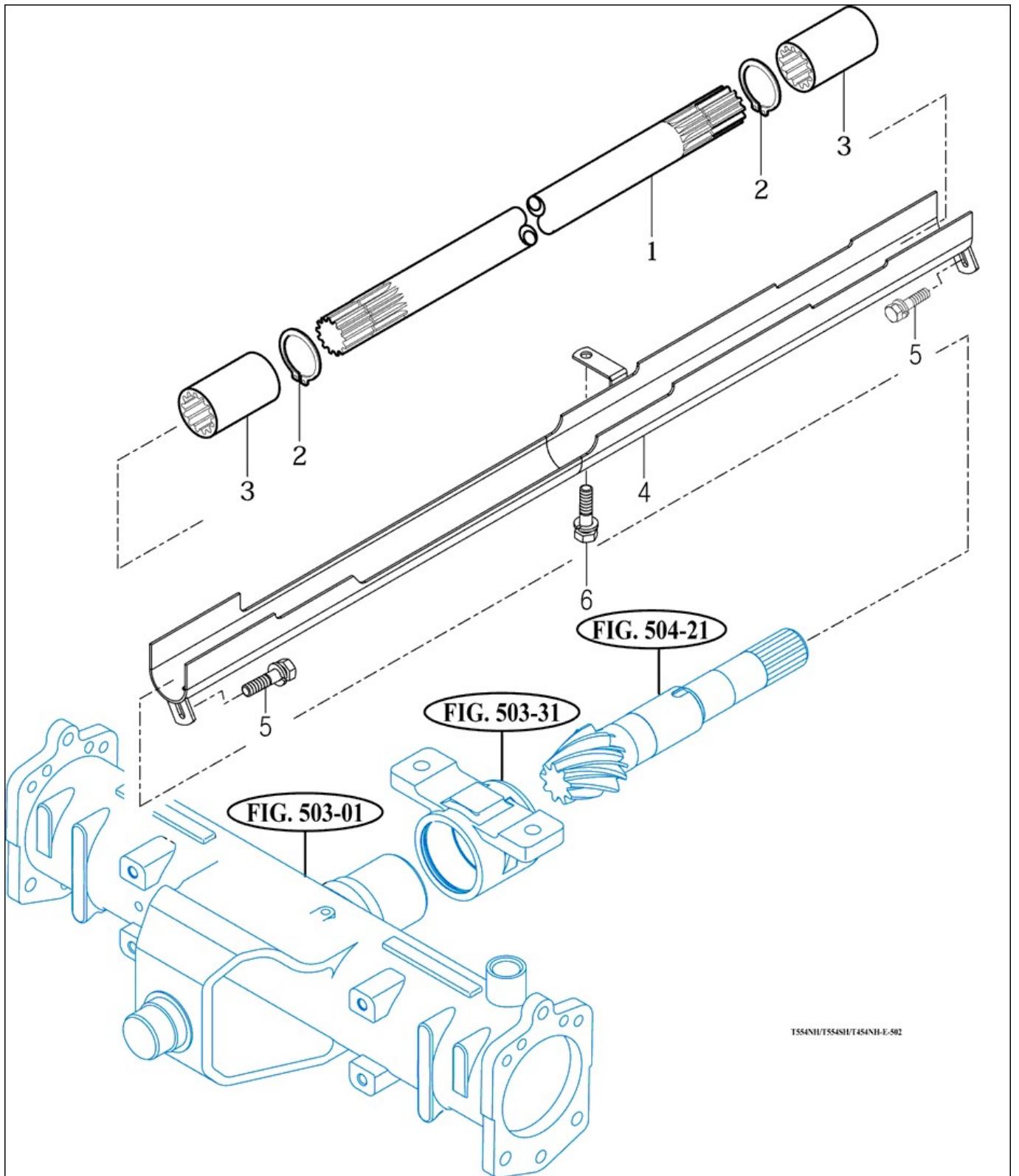
FIG

TE58C

FRONT DRIVE SHAFT

년/월  
Year/Month

2021-05



T554NH/T554SH/T454NH-E-502

NOTE



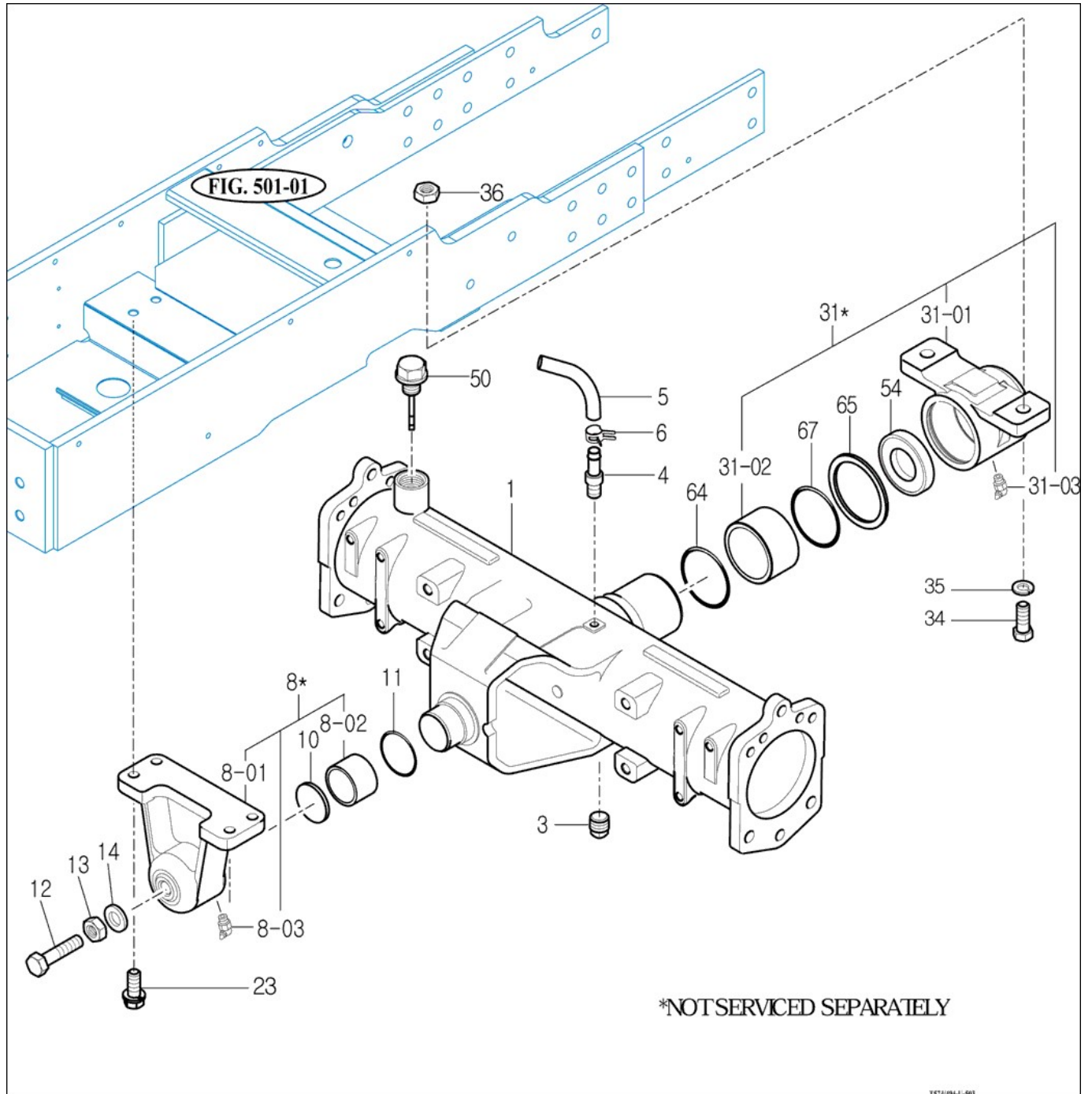
FIG

TE58C

FRONT AXLE HOUSING

년/월  
Year/Month

2021-05



NOTE



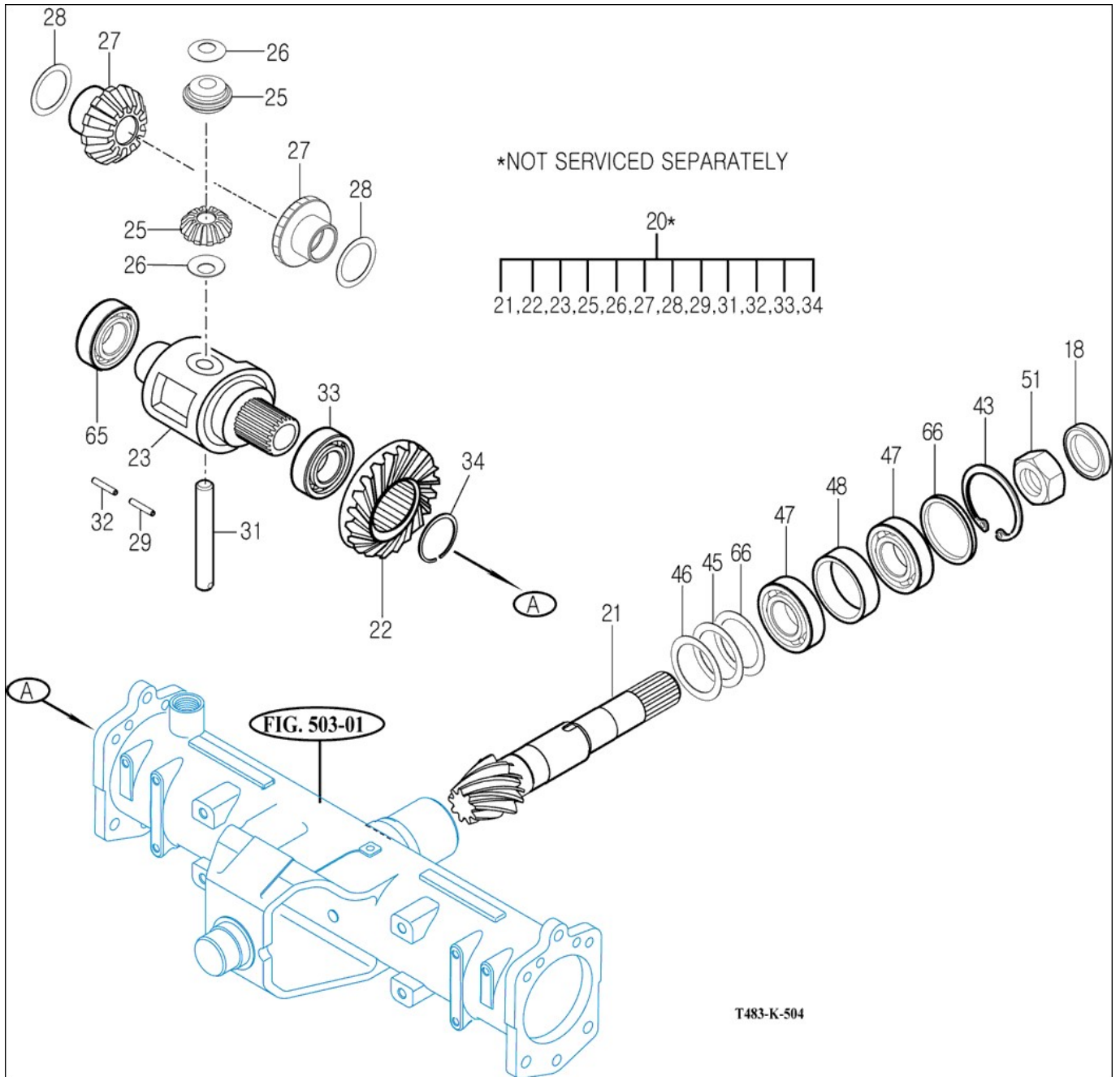
FIG

TE58C

FRONT DIFFERENTIAL GEARS

년/월  
Year/Month

2021-05



NOTE





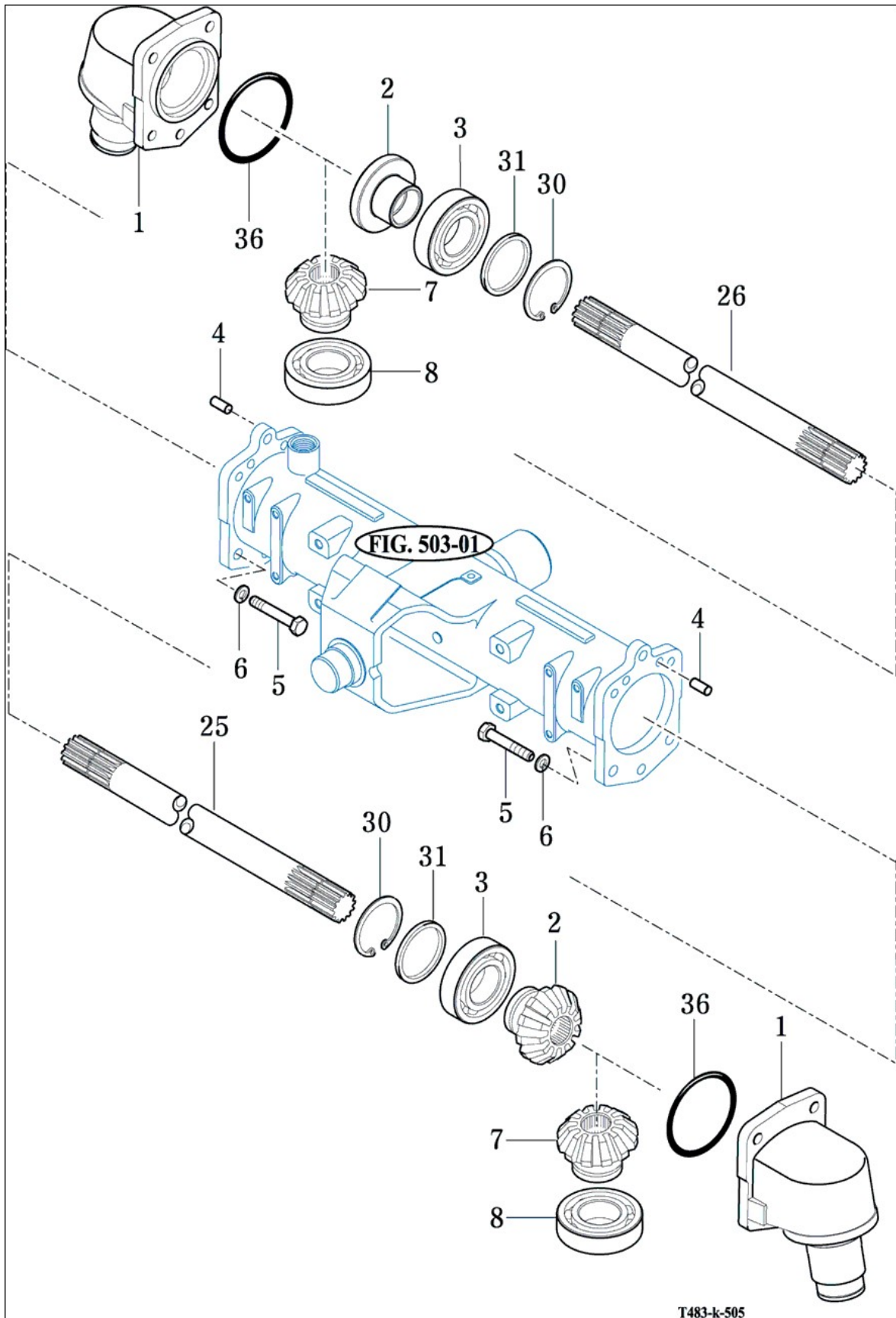
FIG

TE58C

FRONT GEAR CASE (1)

년/월  
Year/Month

2021-05



T483-k-505

NOTE



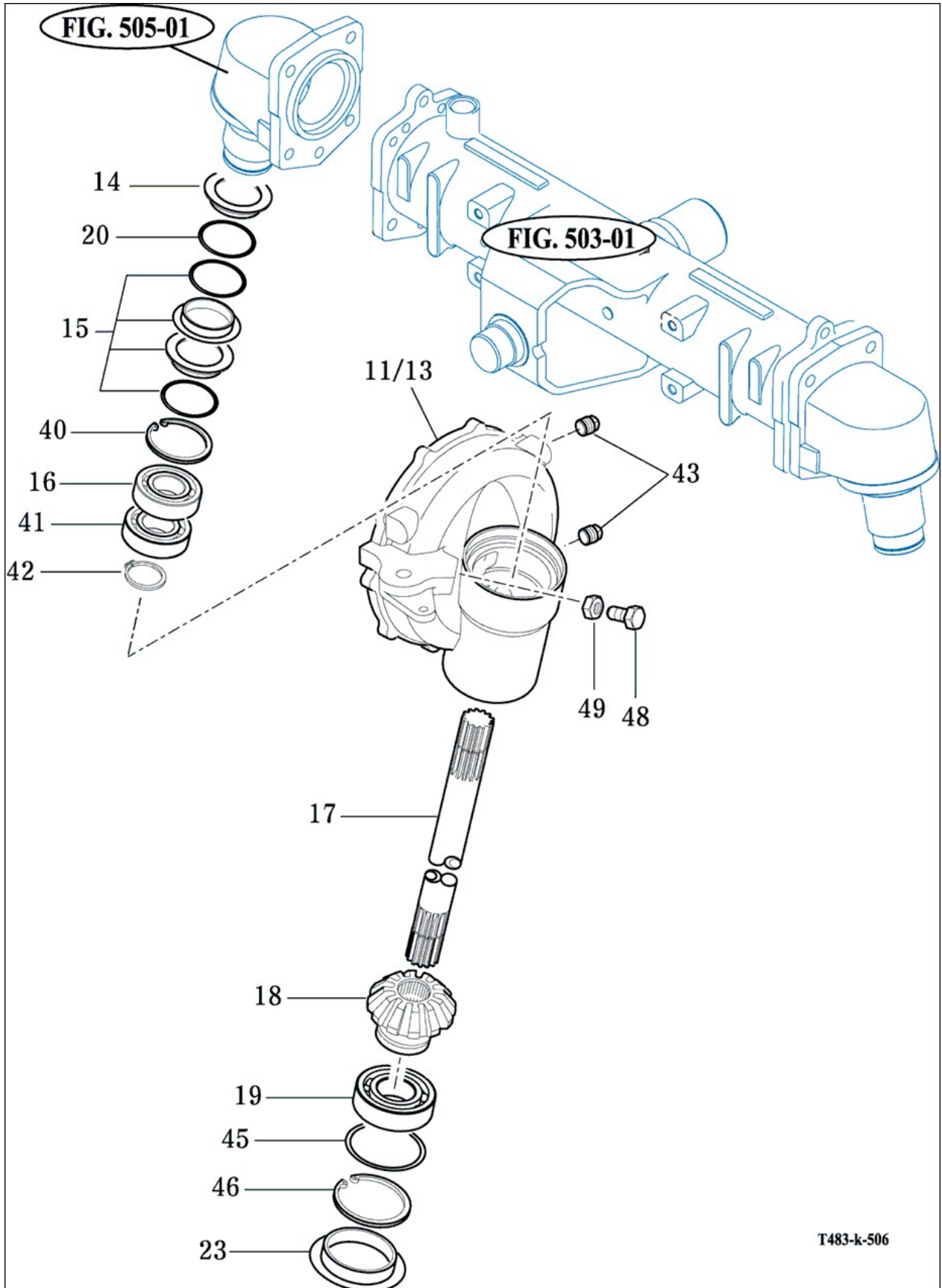
FIG

FRONT GEAR CASE (2)

년/월  
Year/Month

TE58C

2021-05



T483-k-506

NOTE



## 6. 유압/3점링크 PART NO. T6

FIG CYLINDER CASE	182
FIG LIFT ARM	184
FIG CYLINDER	186
FIG POSITION LINK	188
FIG CONTROL VALVE	190
FIG DRAFT LINK	192
FIG POSITION & DRAFT LEVER (1)	194
FIG EXTERIOR HYD. VALVE	196
FIG HYDRAULIC PIPE	198
FIG JOYSTICK	200
FIG HITCH & 3-POINT LINK	202
FIG LOWER LINK & LIFT ROD	205
FIG POSITION & DRAFT LEVER (2)	207

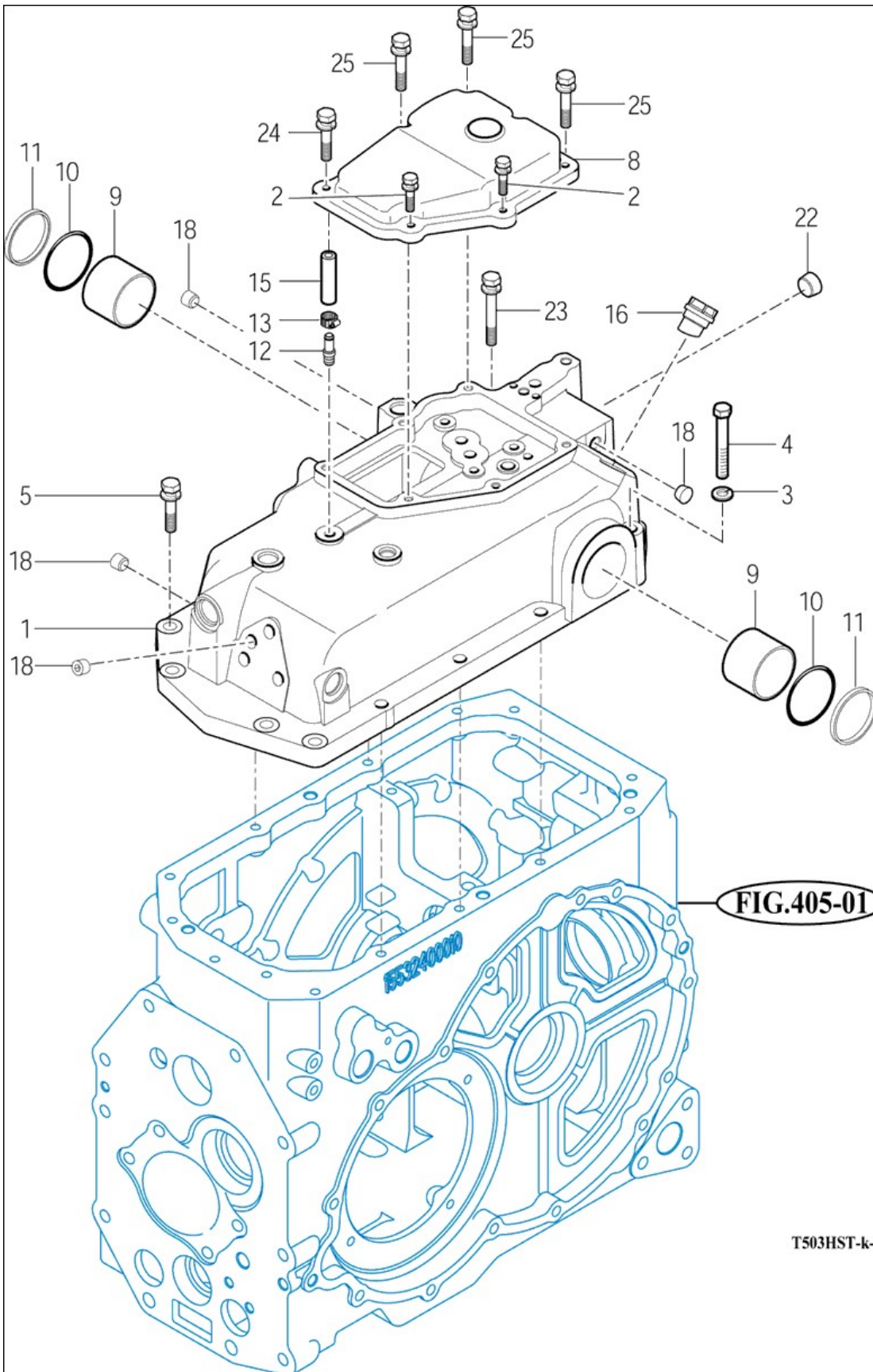
FIG

CYLINDER CASE

년/월  
Year/Month

TE58C

2021-05



NOTE



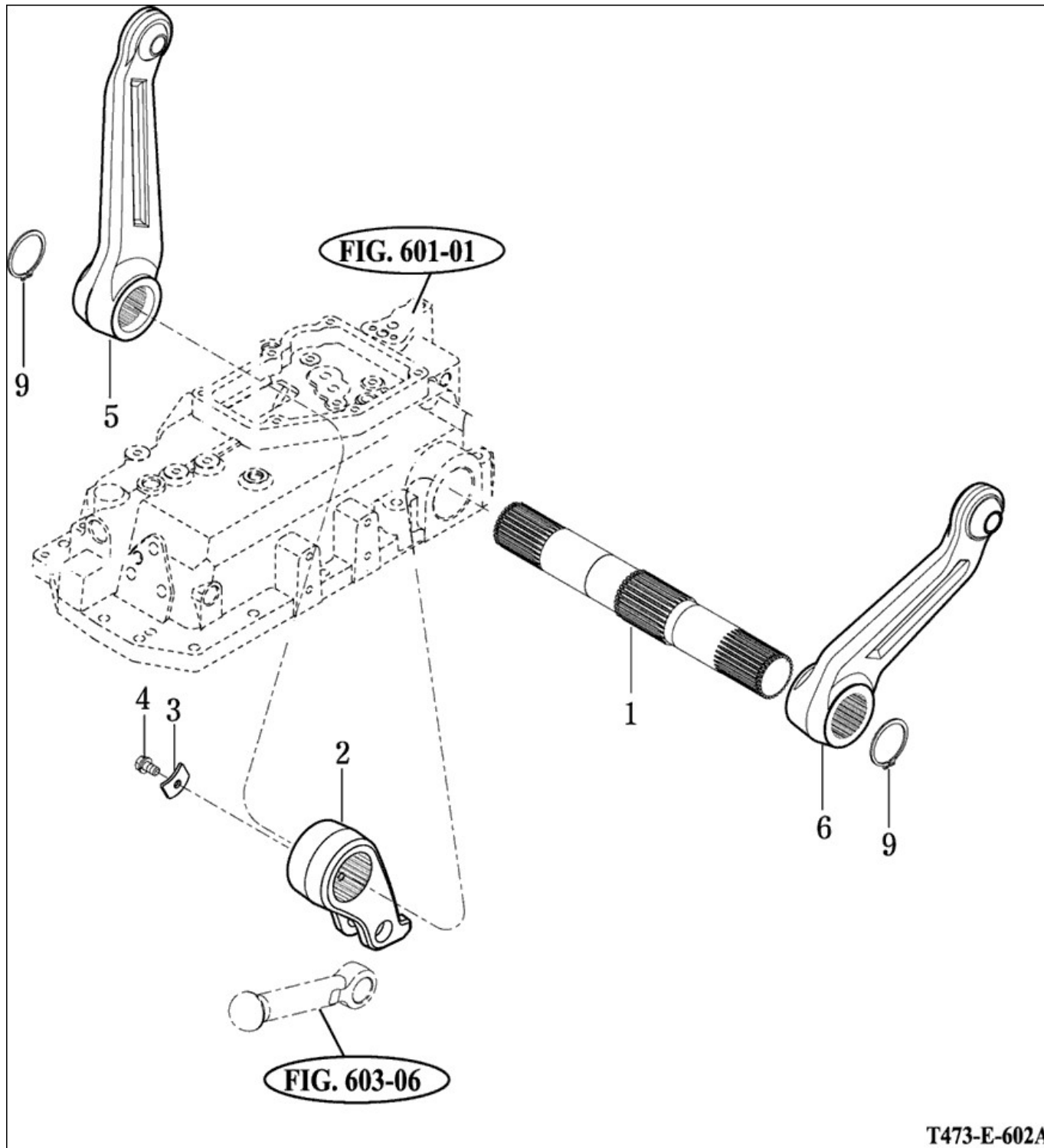
FIG

TE58C

LIFT ARM

년/월  
Year/Month

2021-05



T473-E-602A

NOTE





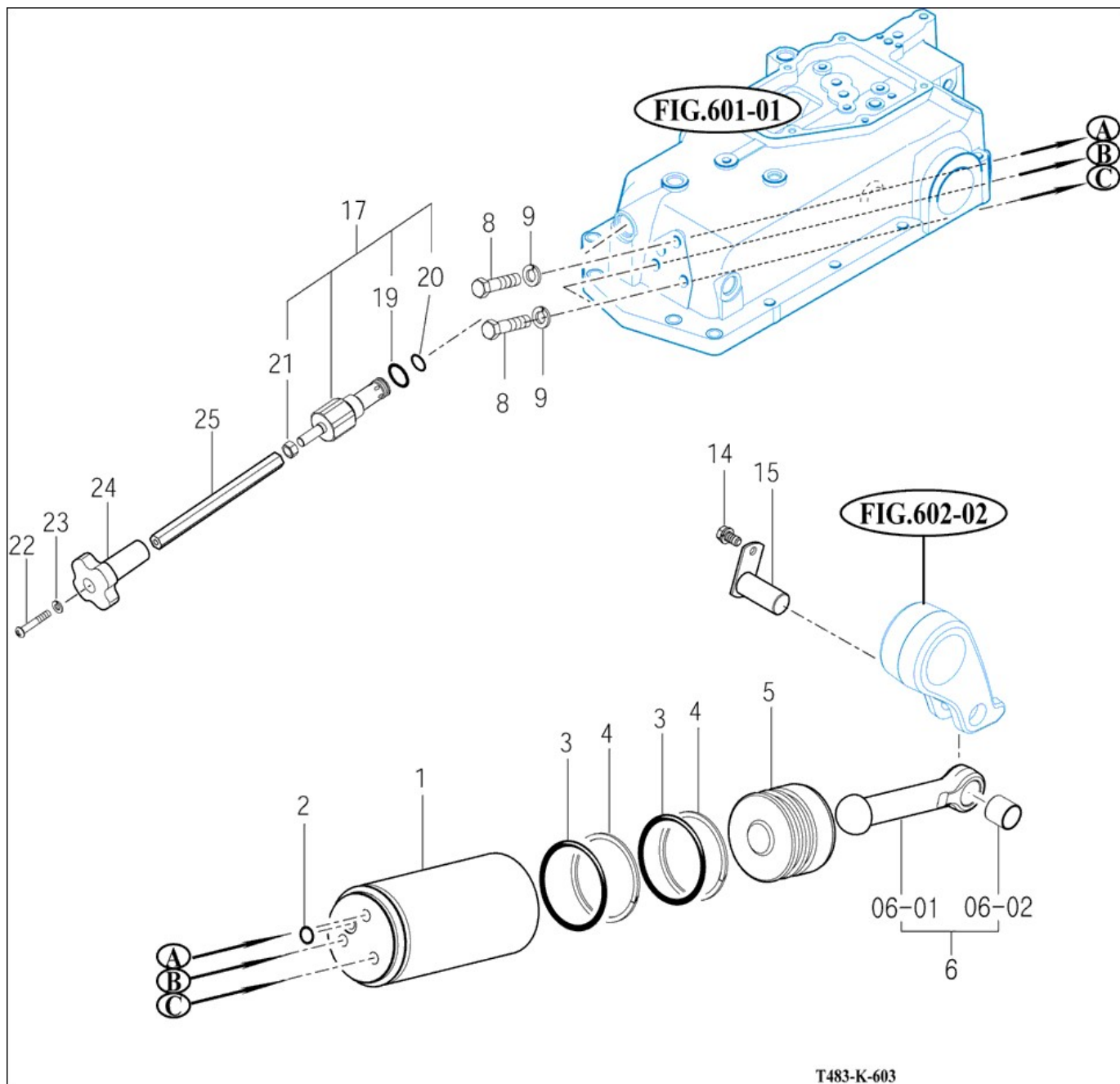
FIG

TE58C

CYLINDER

년/월  
Year/Month

2021-05



T483-K-603

NOTE



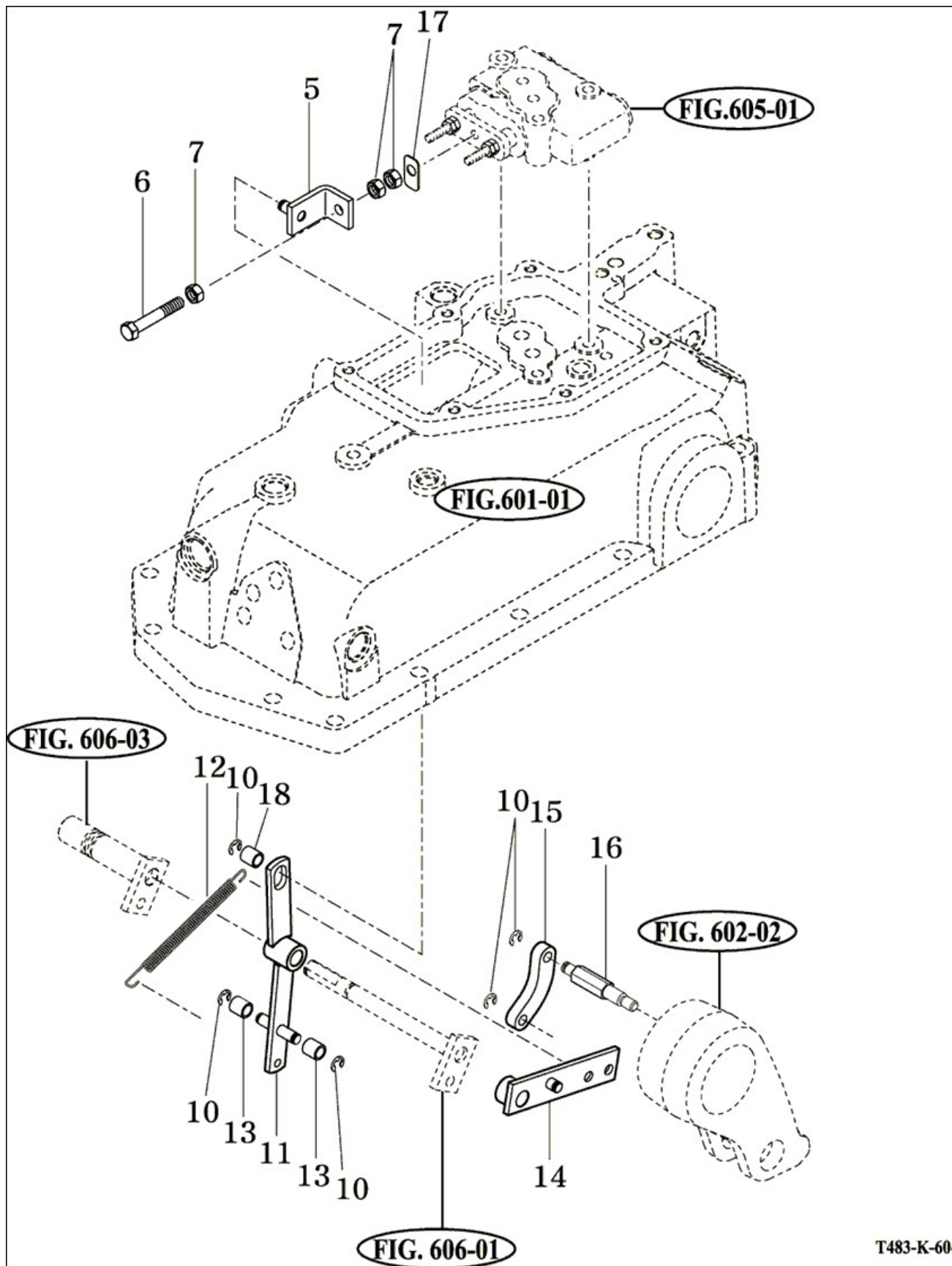
FIG

TE58C

POSITION LINK

년/월  
Year/Month

2021-05



T483-K-604

NOTE



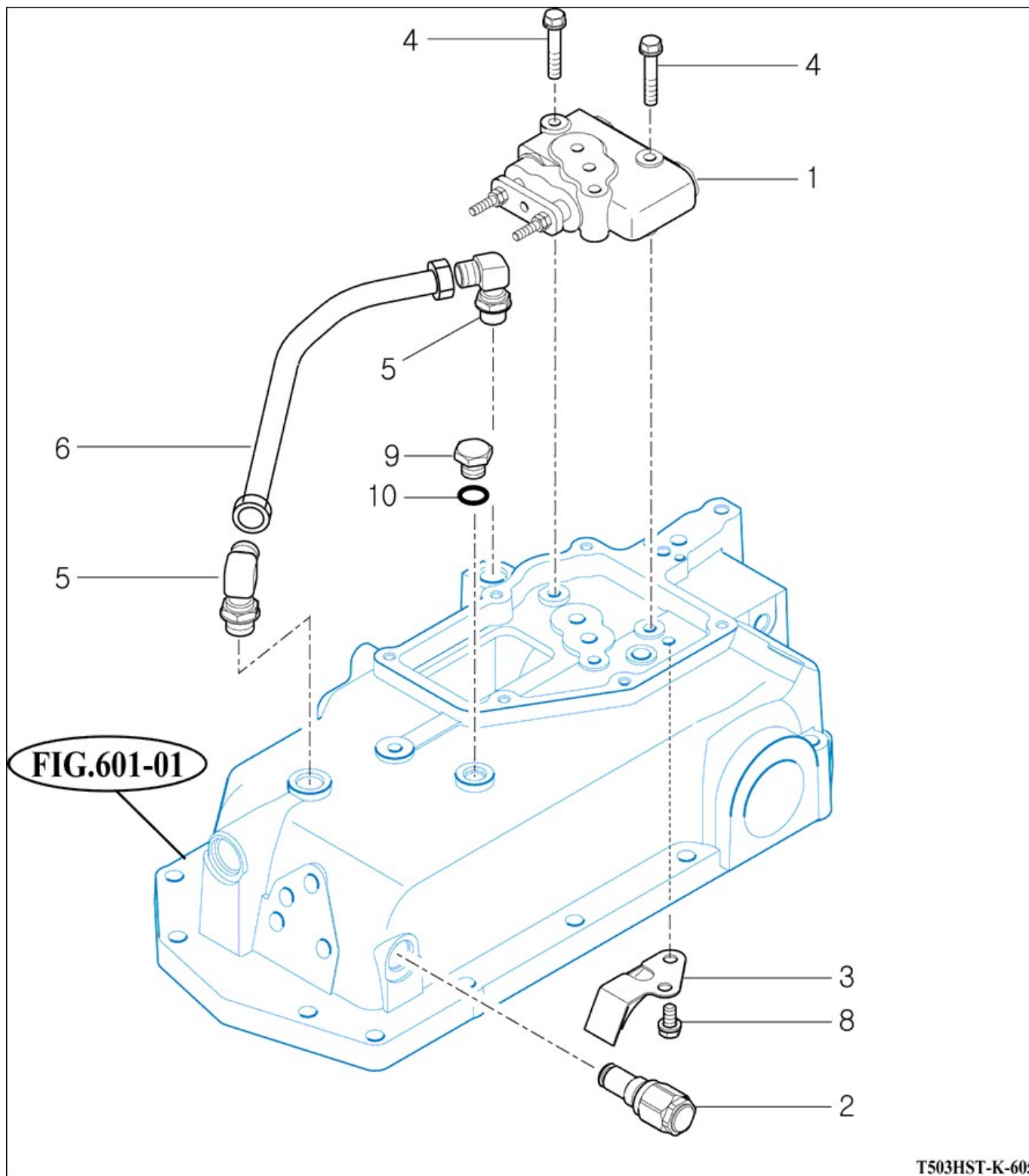
FIG

TE58C

# CONTROL VALVE

년/월  
Year/Month

2021-05



T503HST-K-605

NOTE



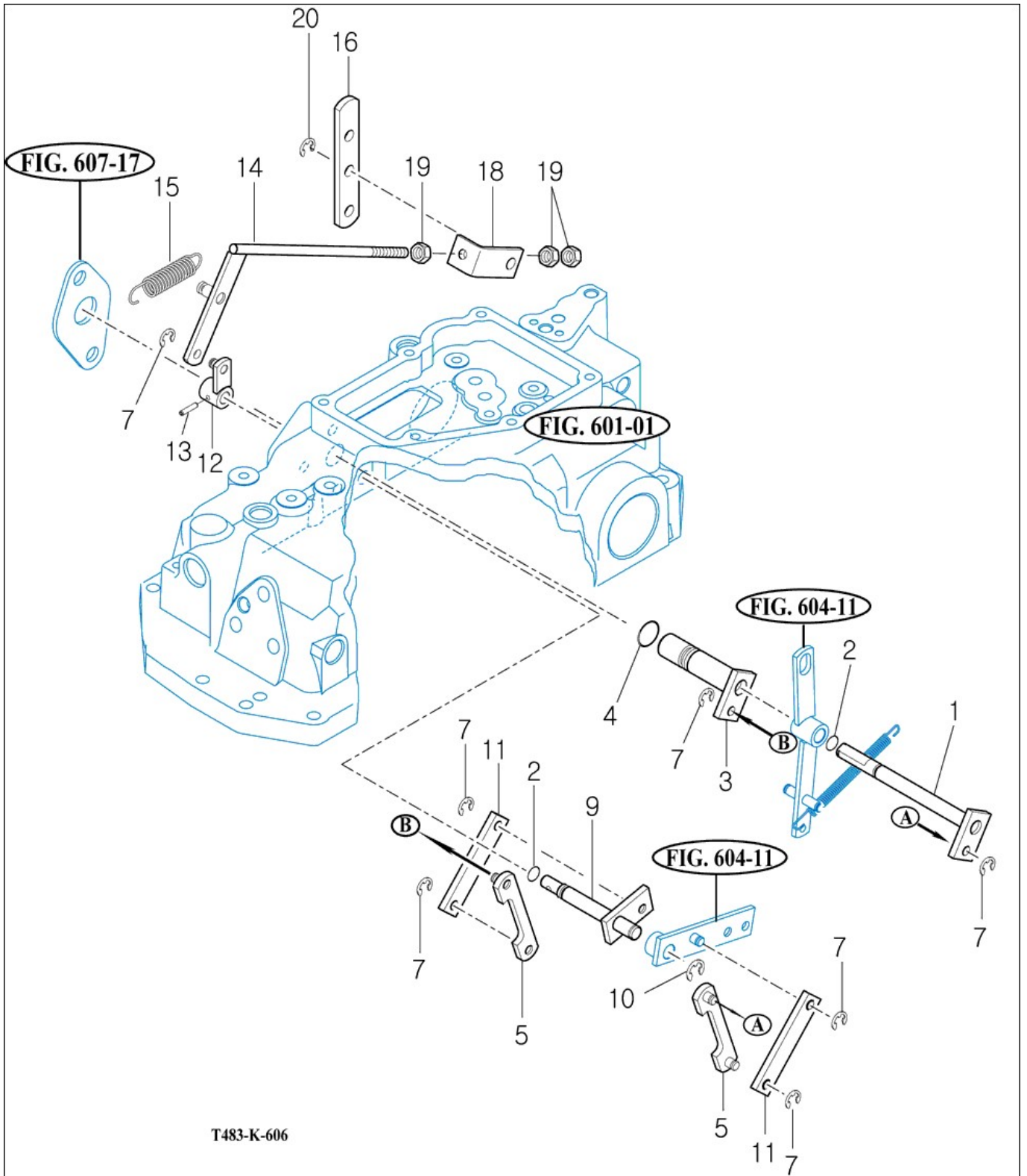
FIG

TE58C

DRAFT LINK

년/월  
Year/Month

2021-05



NOTE





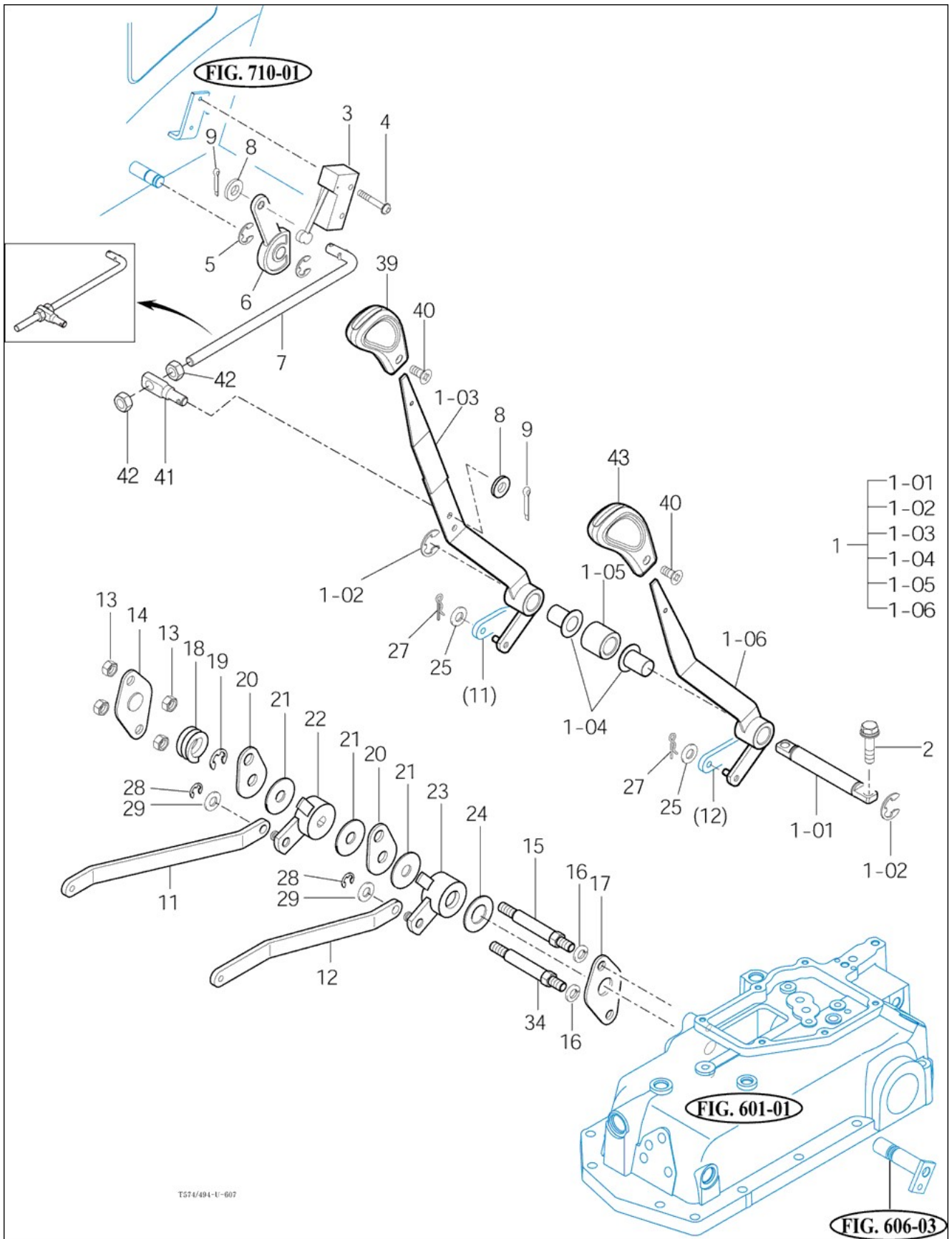
FIG

TE58C

POSITION & DRAFT LEVER (1)

년/월  
Year/Month

2021-05



NOTE



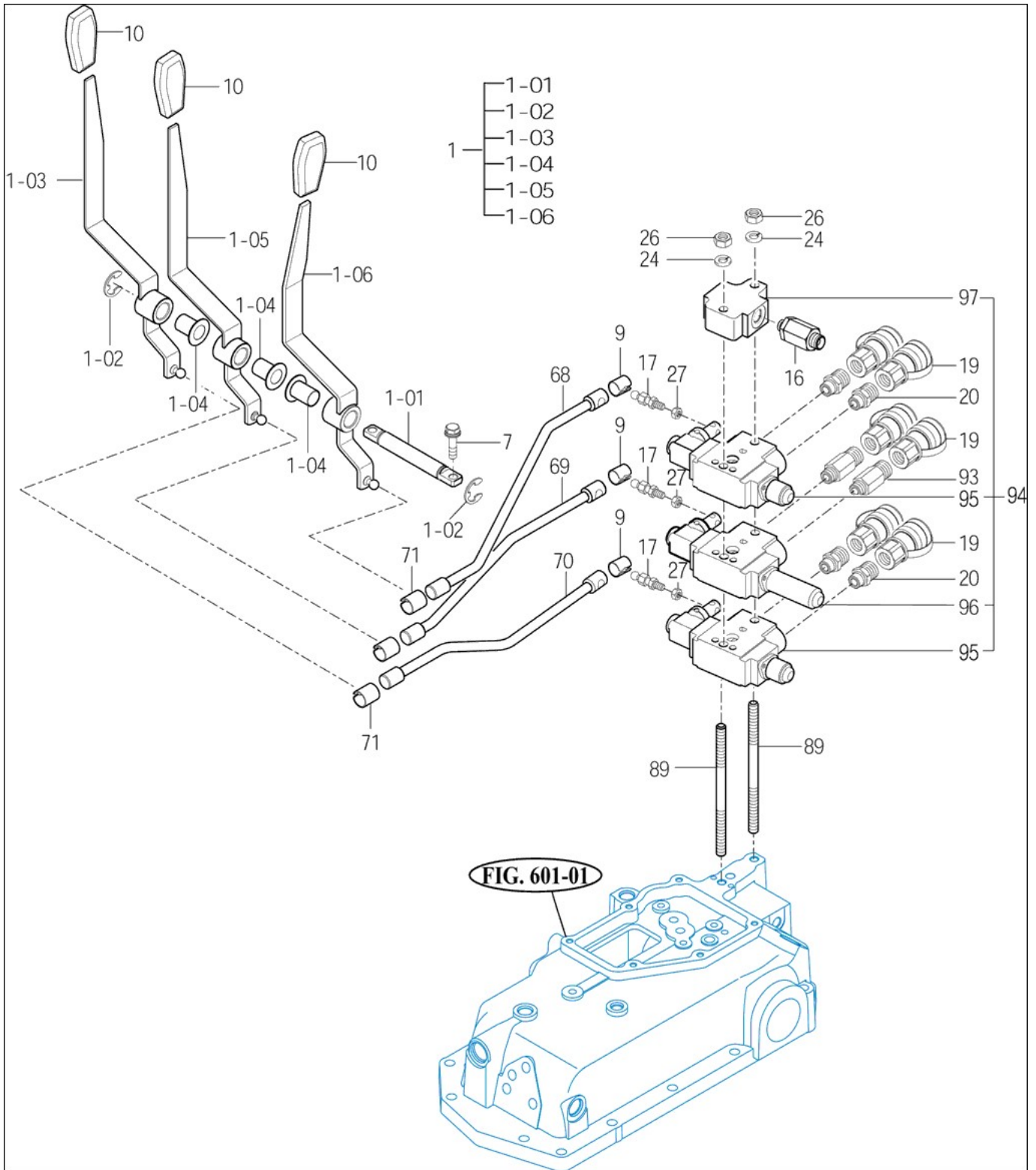
FIG

TE58C

EXTERIOR HYD. VALVE

년/월  
Year/Month

2021-05



NOTE



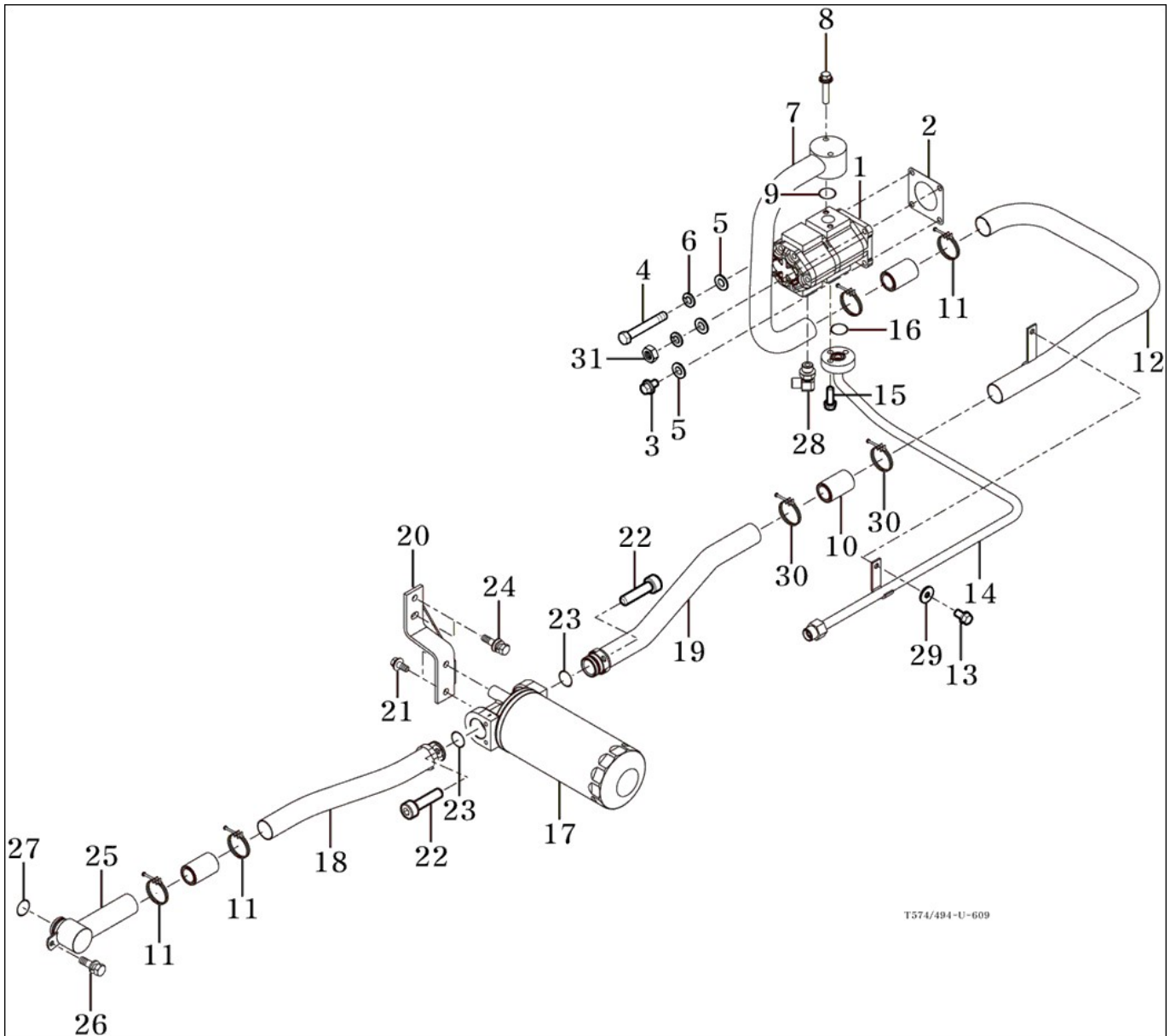
FIG

TE58C

HYDRAULIC PIPE

년/월  
Year/Month

2021-05



NOTE



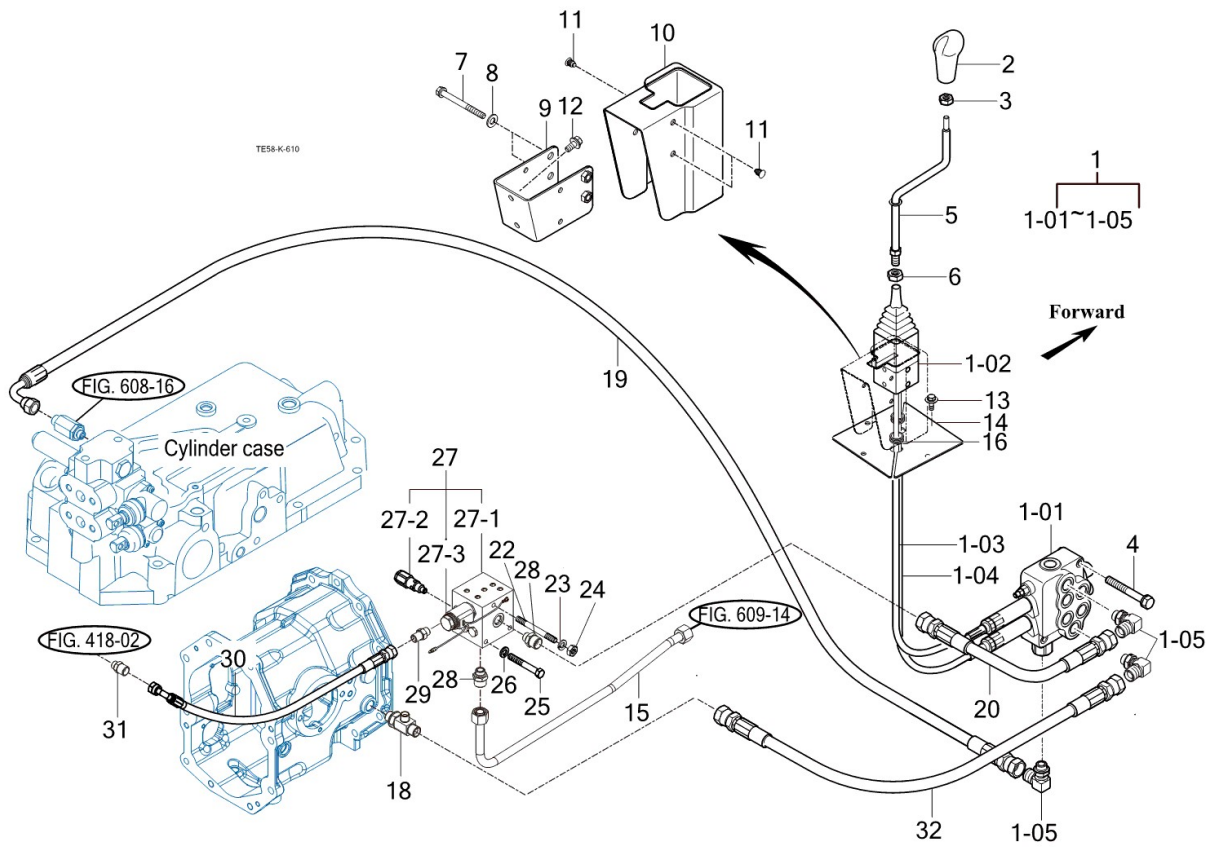
FIG

TE58C

# JOYSTICK

년/월  
Year/Month

2021-05



NOTE





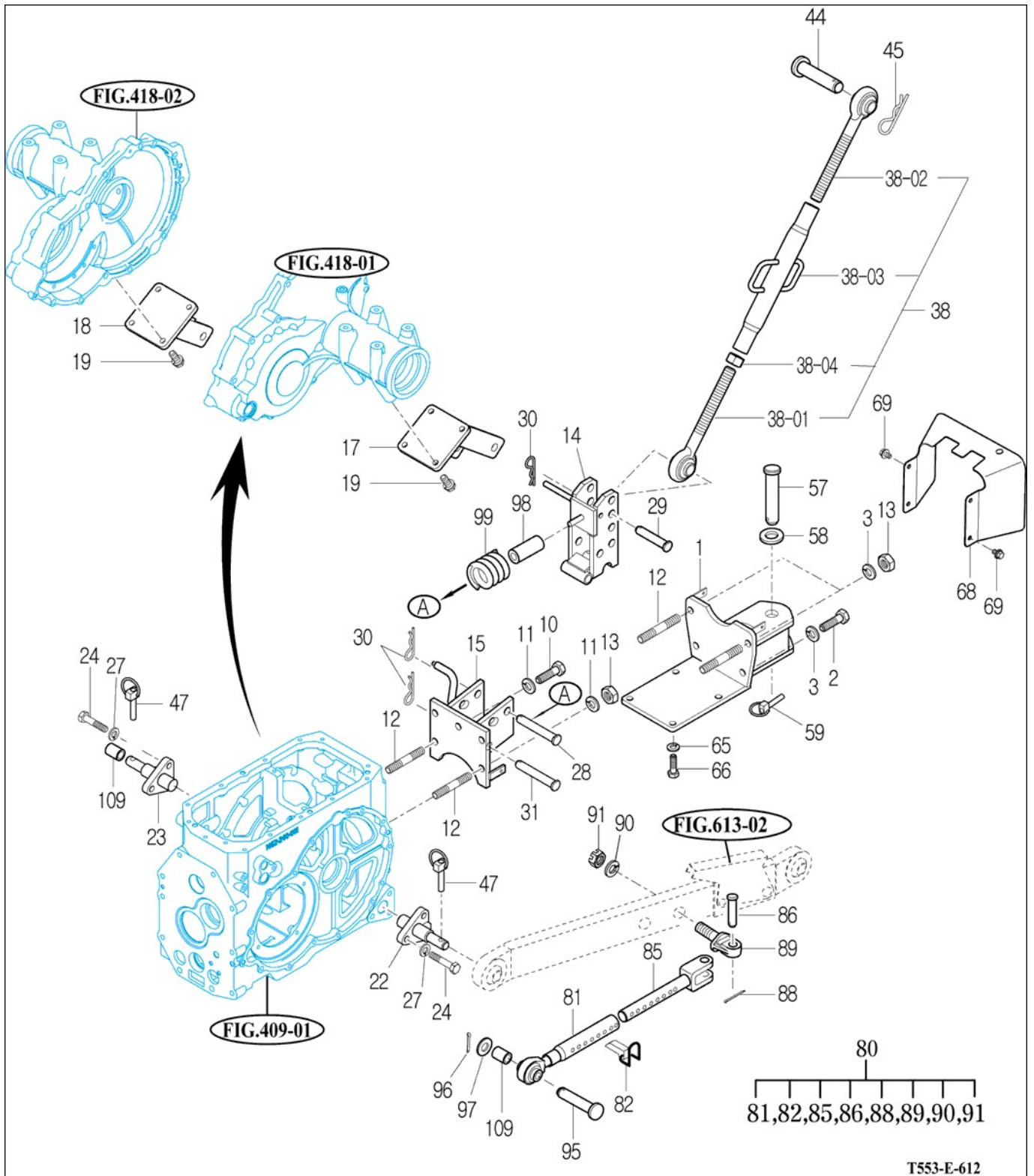
FIG

TE58C

HITCH & 3-POINT LINK

년/월  
Year/Month

2021-05



T553-E-612

NOTE

FIG TE58C		HITCH & 3-POINT LINK					년/월 Year/Month	
							2021-05	
KEY NO	PART NO	DESCRIPTION	SPEC	QTY	REPAIR	EFFECTIVE DATE	REMARKS	
1	14525202001GB	브라켓트COMP	1X1X1	1				
2	V2013616035	소형육각볼트(보통)	M16X35	2				
3	V4011600160	스프링와셔	M16	4				
10	V2013616035	소형육각볼트(보통)	M16X35	3				
11	V4011600160	스프링와셔	M16	5				
12	V2513416035	스터드볼트2종	M16X35	4				
13	V3043600160	소형육각너트보통2종	M16	4				
14	16735222102GB	링크 COMP	1X1X1	1				
15	15185222000GB	브라켓트 COMP		1				
17	14525254100GB	브라켓트(후)COMP		1				
18	14525254100GB	브라켓트(후)COMP		1				
19	V2173612030	소형육각볼트보통(S)	M12X30	8				
22	15685252204	핀(L) COMP		1				
23	15685252801	핀(R) COMP		1				
24	V2013614040	소형육각볼트(보통)	M14X40	6				
27	V4011600140	스프링와셔	M14	6				
28	15645250010	핀(19X122)	D=19	1				
29	15645220020	핀(19X95)	D=19	1				
30	14445140051	헤어핀(19)	D=4.5	3				
31	15645250010	핀(19X122)	D=19	1				
38	14525245501GB	톱링크ASSY		1				
38.1	16505245510	톱링크COMP(RH)	1X1X1	1				
38.2	16505245520	톱링크COMP(LH)	1X1X1	1				
38.3	14555140251	턴버클 조합(톱링크)		1				
38.4	16505245530	육각너트	1X1X1	1				
44	15645220020	핀(19X95)	D=19	1				
45	14445140051	헤어핀(19)	D=4.5	1				
47	14215020020	링크핀		2				
57	15062470042	트레일러핀	D=28	1				
58	15252470010	쿠션고무		1				
59	14215020020	링크핀		1				
65	V4011600140	스프링와셔	M14	4				
66	V2013614035	소형육각볼트(보통)	M14X35	4				
68	13605200012GB	카바(셀드)	1X1X1	1				
69	V2183608016	소형육각볼트보통(SP)	M8X16	4				
79	14135254000GB	체크링크ASSY(LH)		1				
80	14135255000GB	체크체인ASSY(RH)		1				
81	14135254100	로드(앞)		2				
82	17705254200	린치핀	1X1X1	2				
83	17705254300	슬리브조합		2				
85	14135254500	체크링크핀		2				
86	17705254600	핀		2				
87	V4111600180	평와셔	M18	2				
88	17705254700	분할핀		2				
89	17705254400	로드(뒤)		2				
NOTE								



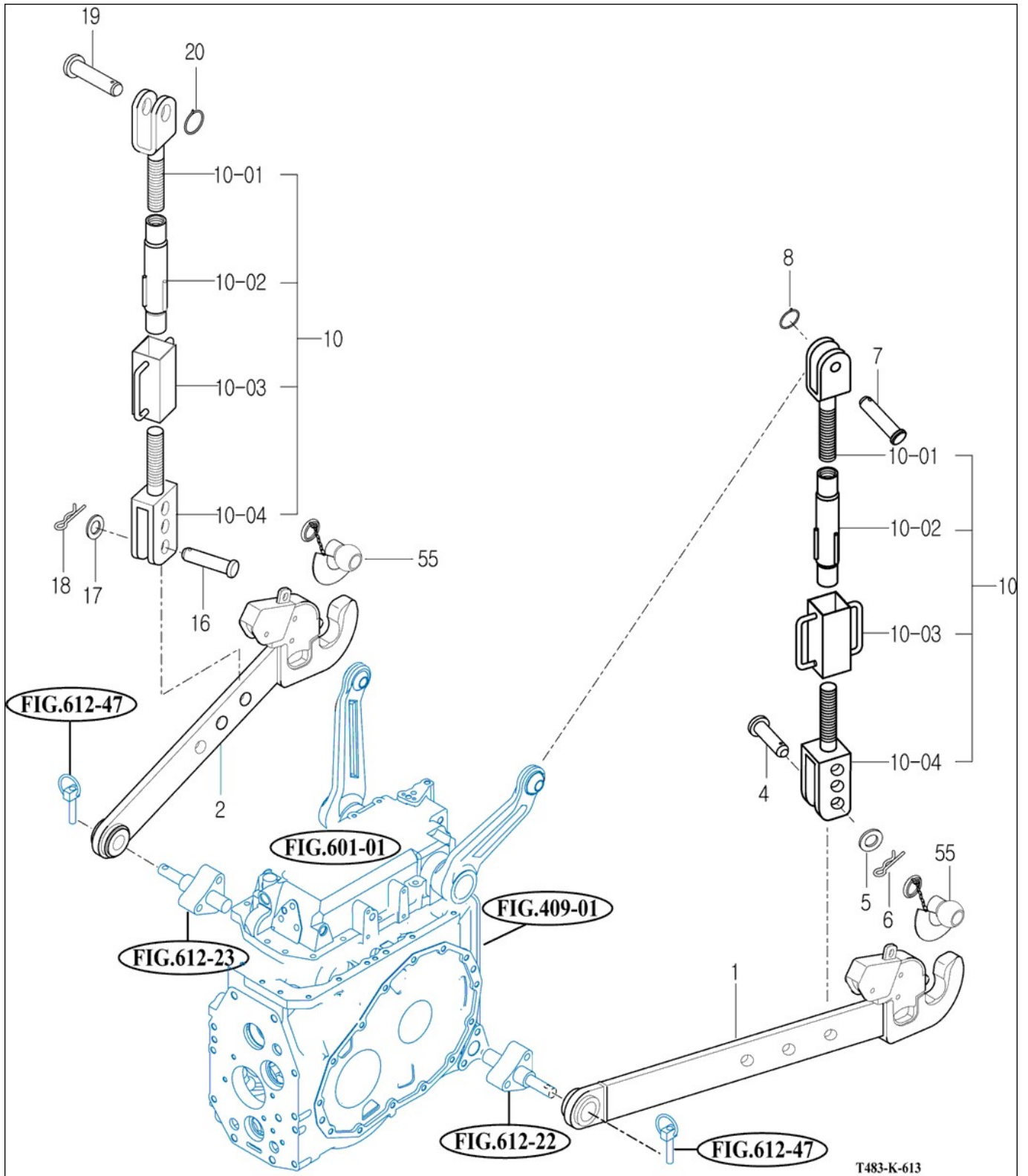
FIG

TE58C

LOWER LINK & LIFT ROD

년/월  
Year/Month

2021-05



NOTE



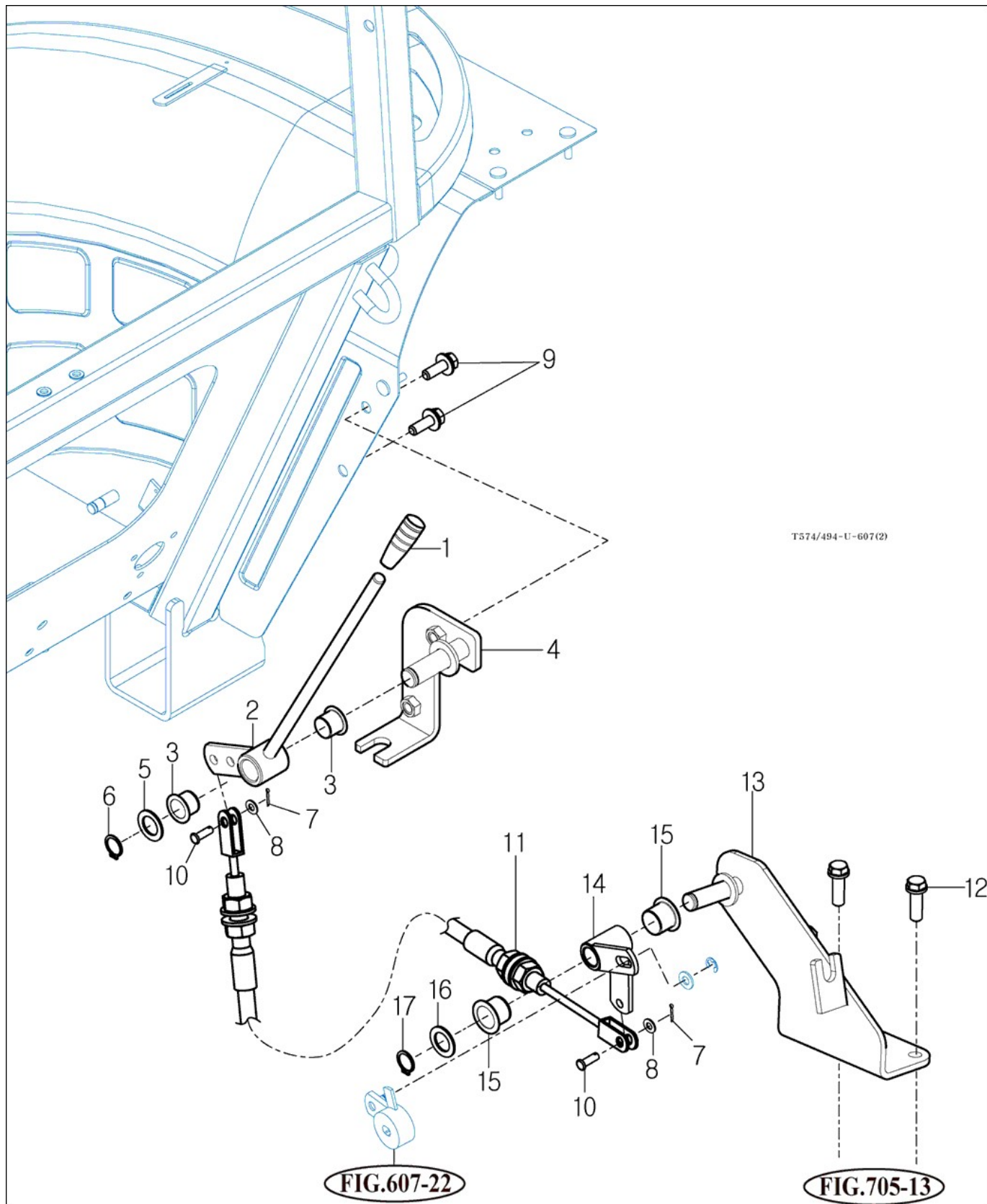
FIG

TE58C

POSITION & DRAFT LEVER (2)

년/월  
Year/Month

2021-05



NOTE





## 7. 시트메탈/캐빈 PART NO. T7

FIG EXTENSION COVER	210
FIG LEVER COVER & STEP	212
FIG LEVER COVER & STEP-NON CAB	214
FIG FRONT & REAR MOUNTING	216
FIG SEAT & MAT	218
FIG DOOR	220
FIG FRONT GLASS	223
FIG FRAME & 2POLES-ROPS-NON CAB	225
FIG SIDE GLASS	227
FIG REAR GLASS	229
FIG SUB FENDER & COVER	231
FIG SUB FENDER & COVER-NON CAB	233
FIG MIRROR	235
FIG MIRROR&WORKING LAMP-NON CAB	237
FIG HEATER & AIR-CON	239
FIG HEATER & AIR-CON	241
FIG FENDER COVER	243
FIG ROOF	245
FIG CABIN INTERIOR	247
FIG BONNET (2)	249
FIG BONNET FRAME	251
FIG BONNET (1)	253

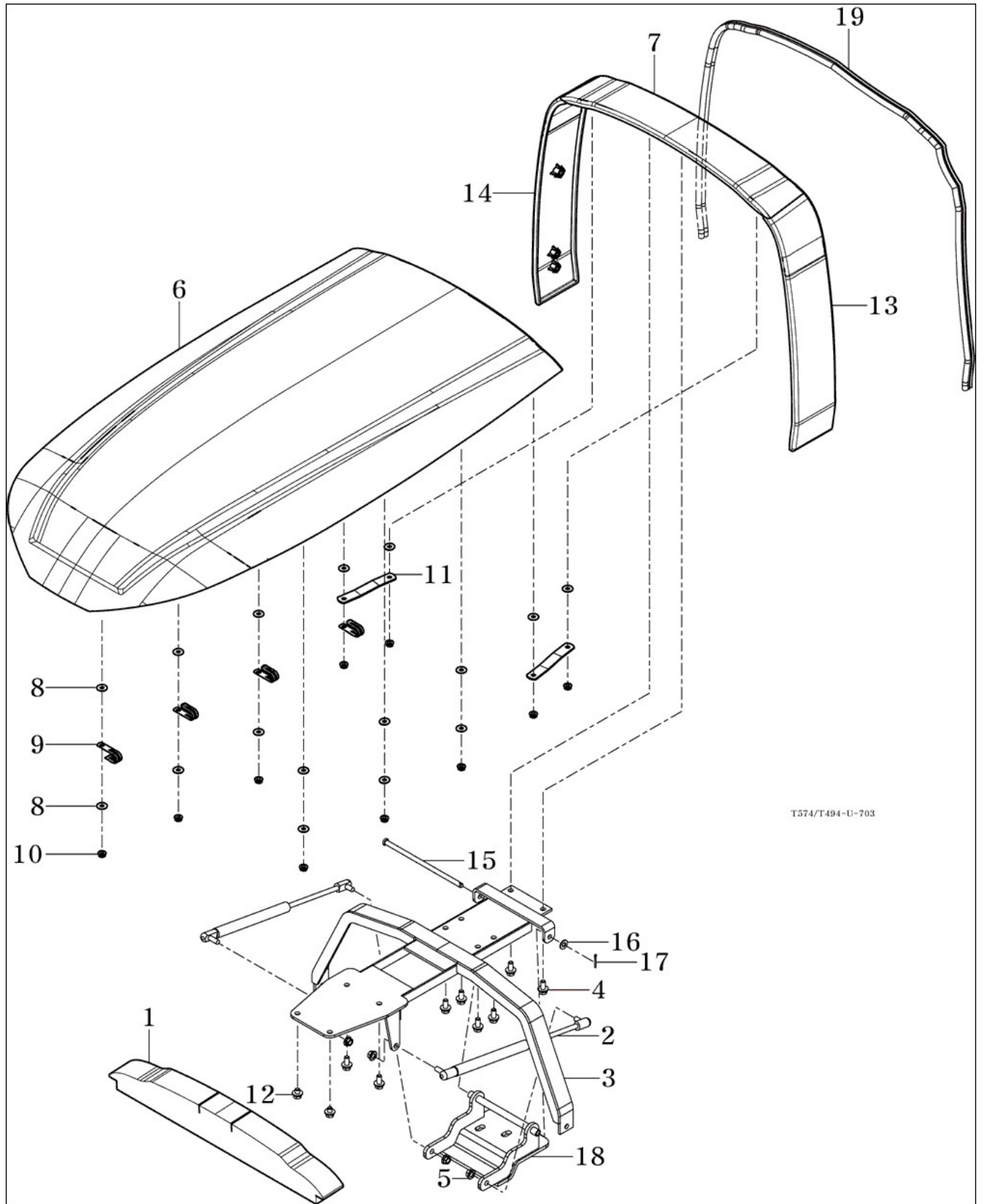
FIG

TE58C

EXTENSION COVER

년/월  
Year/Month

2021-05



T574/T494-U-703

NOTE



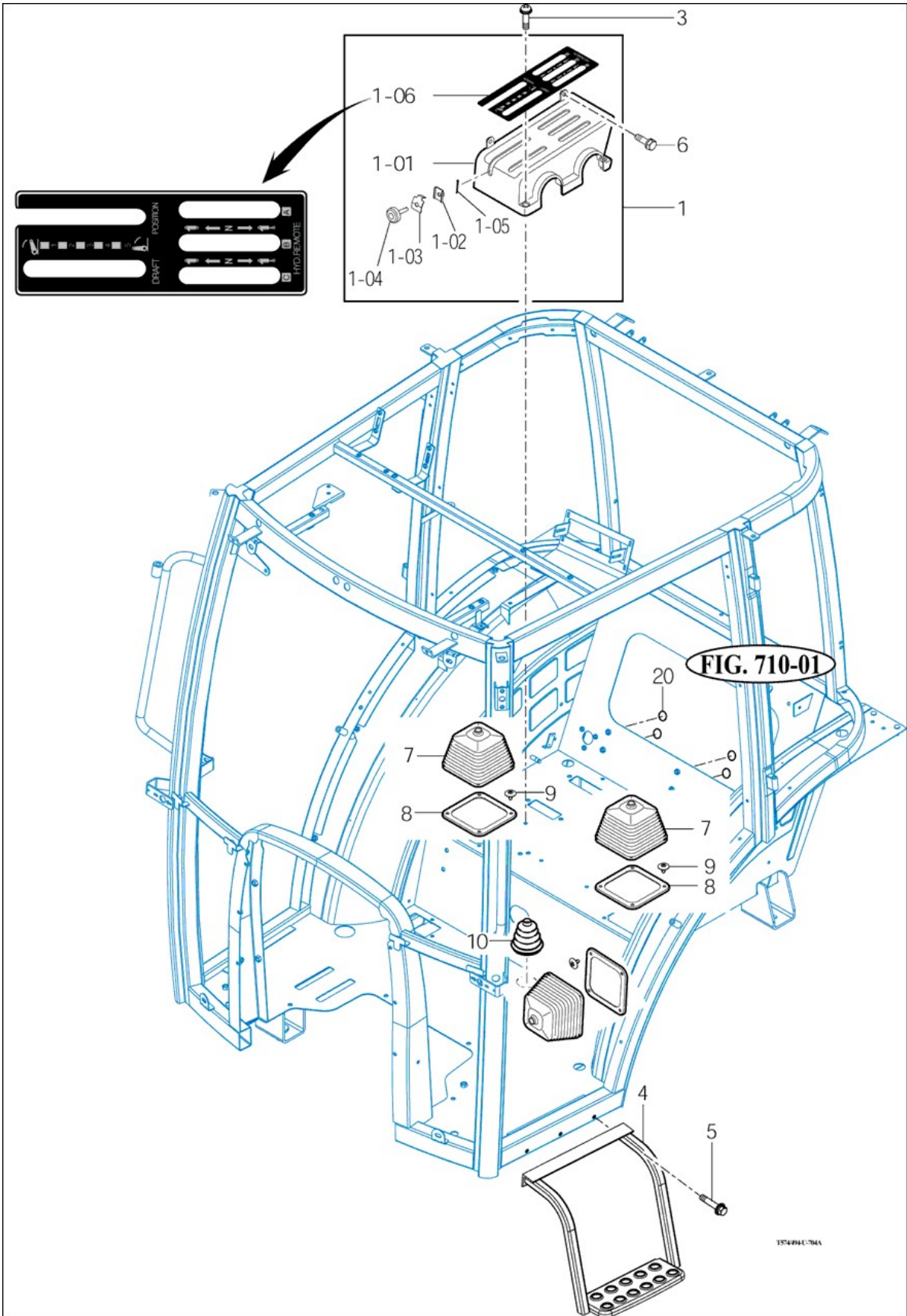
FIG

TE58C

LEVER COVER & STEP

년/월  
Year/Month

2021-05



NOTE



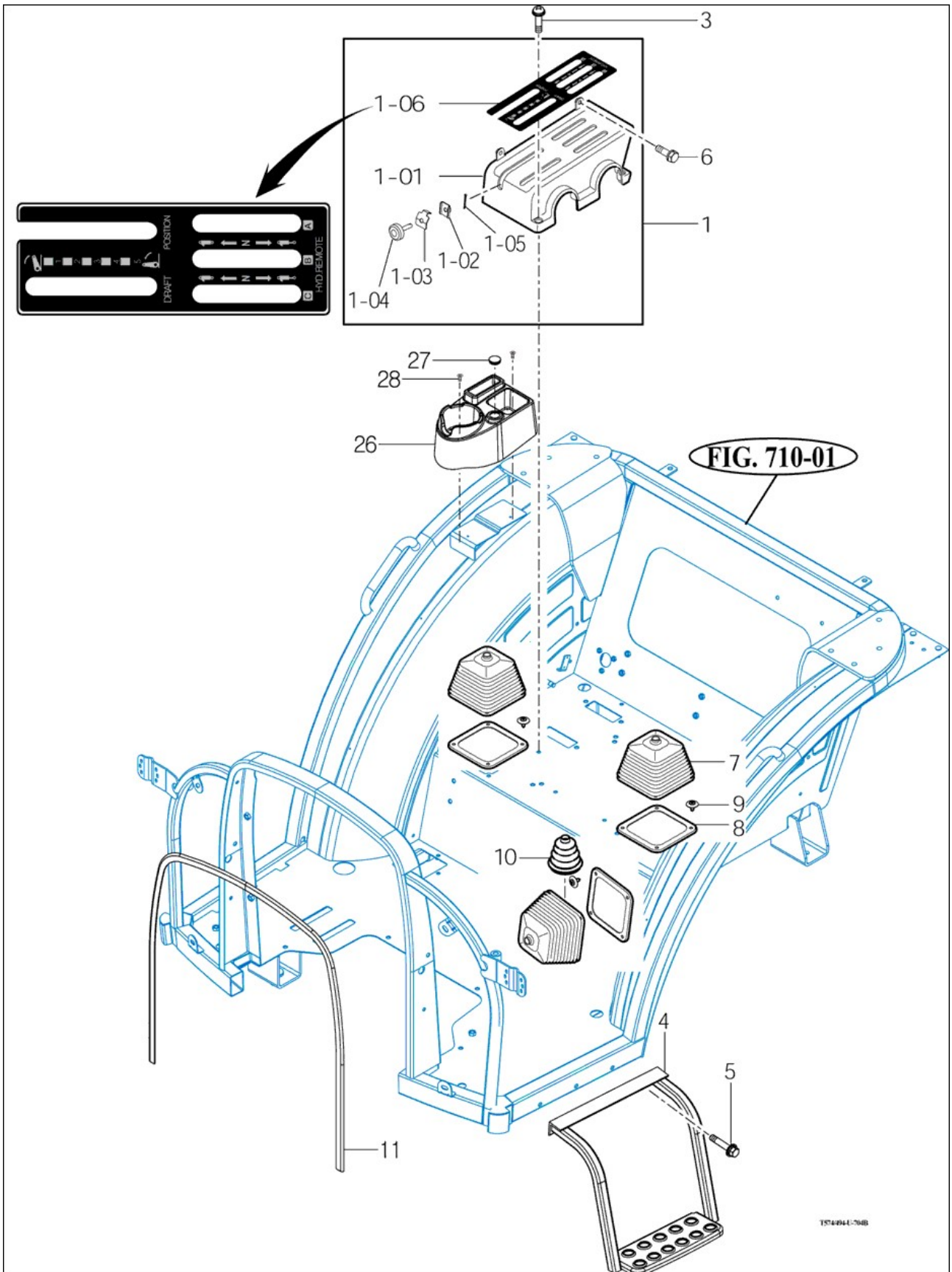
FIG

LEVER COVER & STEP-NON CAB

년/월  
Year/Month

TE58C

2021-05



NOTE



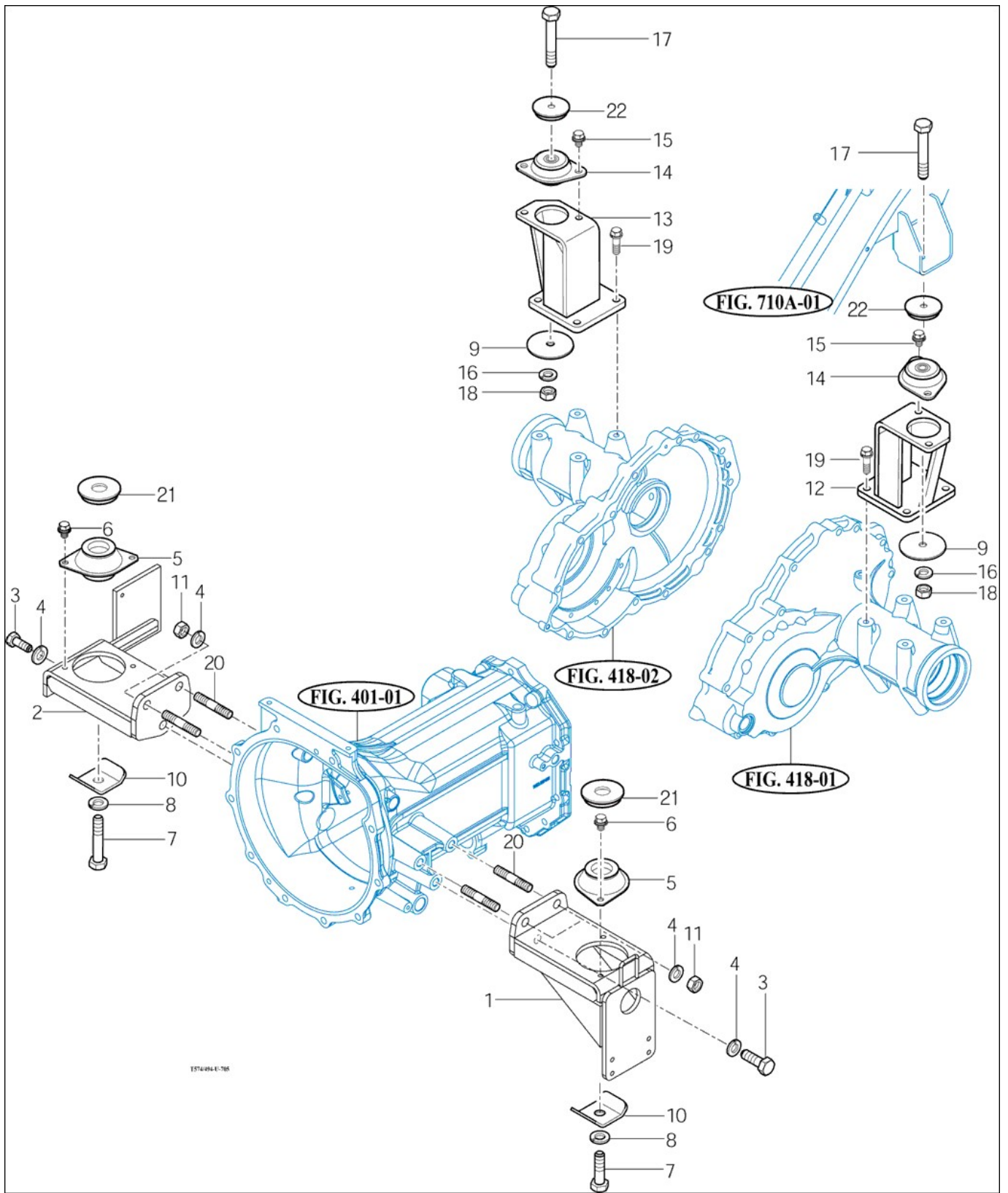
FIG

TE58C

FRONT & REAR MOUNTING

년/월  
Year/Month

2021-05



NOTE





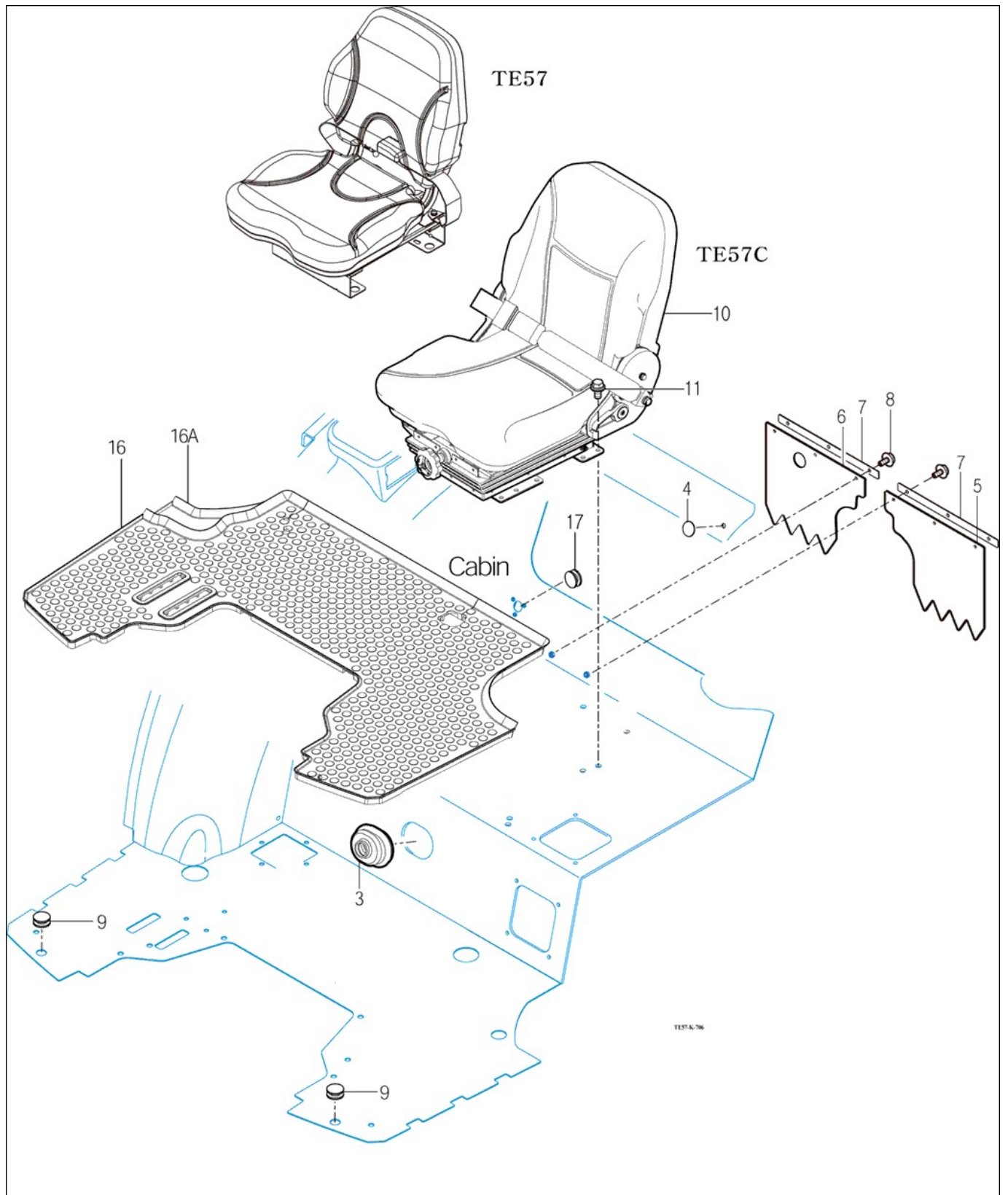
FIG

TE58C

SEAT & MAT

년/월  
Year/Month

2021-05



NOTE



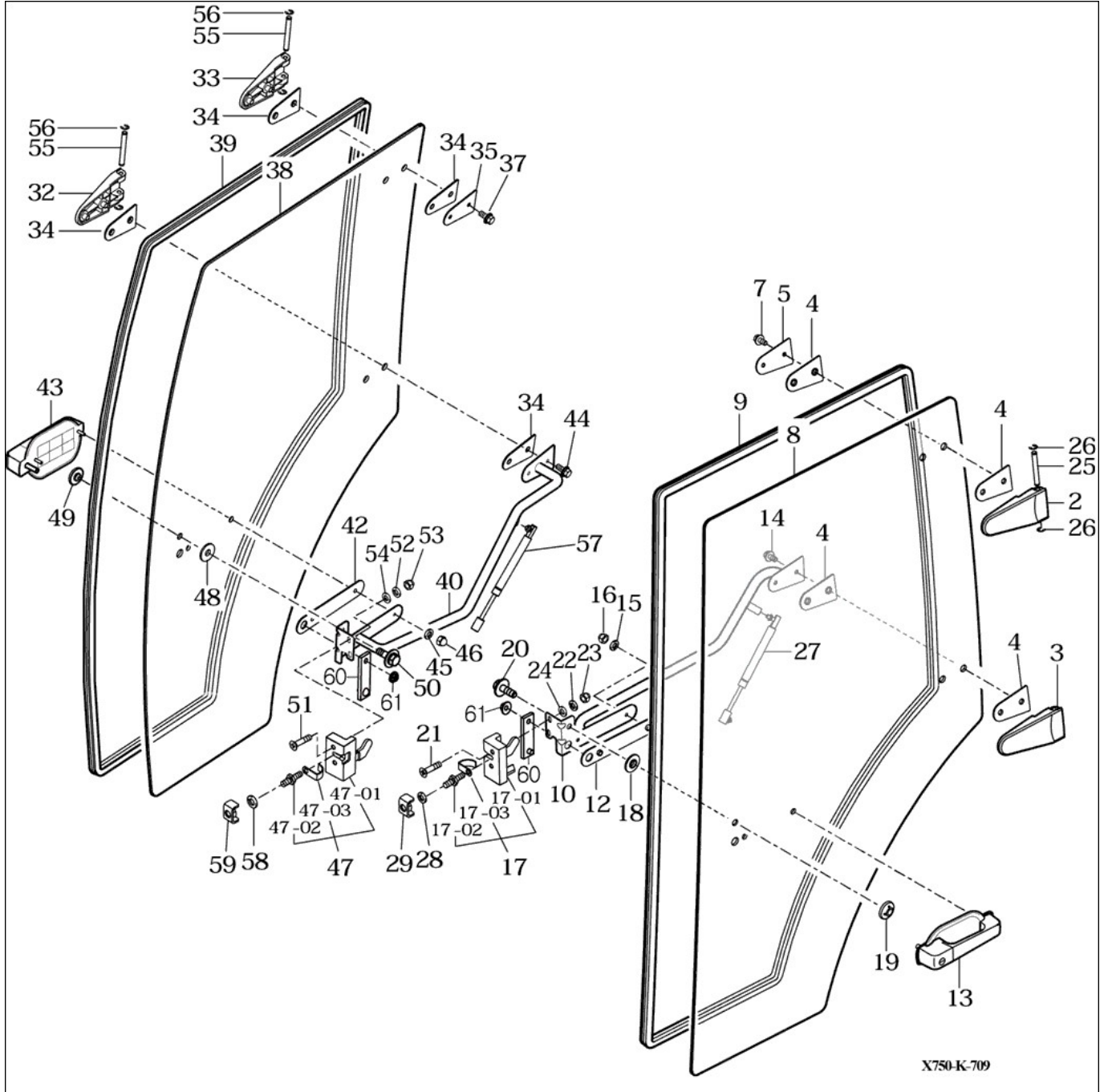
FIG

TE58C

DOOR

년/월  
Year/Month

2021-05



NOTE

FIG		DOOR					년/월	
							Year/Month	
TE58C		2021-05						
KEY NO	PART NO	DESCRIPTION	SPEC	QTY	REPAIR	EFFECTIVE DATE	REMARKS	
2	14527052300	도어힌지조합, 상/LH		1				
3	14527052400	도어힌지조합, 상/RH		1				
4	14527052110	개스킷, 도어힌지		4				
5	14527052120GB	플레이터,도어힌지		1				
7	V2183608020	소형육각볼트보통(SP)	M8X20	2				
8	14527052131	그라스, 도어/LH	6t	1				
9	14527052140	인슐레이터 / 도어		1				
10	14527052500GB	가이드 조합/ LH/도어		1				
12	14527052150	개스킷, 도어손잡이		1				
13	17827052600	손잡이 ASSY, 잠금장치		1				
14	V2183608020	소형육각볼트보통(SP)	M8X20	2				
15	V4011600060	스프링와셔	M6	2				
16	V3402700060	육각캡너트	M6	2				
17	17827052700	라쳇 ASSY, 좌/도어		1				
17.1	17827052710	로크 ASSY, 좌/도어		1				
17.2	14527052720	스트라이크		1				
17.3	14527052730	가이드		1				
18	15817401130	크로메트(13X17X02)		1				
19	14527042500	그라스너트조합		1				
20	V2193606012	육각볼트(SPL)	M6X12	1				
21	V1122608040	십자흡접시작은나사	M8X40	2				
22	V4011600080	스프링와셔	M8	2				
23	V3412700080	소형육각캡너트	M8	2				
24	V4111600080	평와셔		2				
25	14527041110	핀, 도어힌지	D=8	2				
26	V7082400070	E형멈춤링(sus)	7	4				
27	14527301080	멤퍼(도어)ASSY_20kg	20KG	1				
28	V4011600100	스프링와셔	M10	1				
29	14527062500GB	브래킷 조합,도어로크		1				
32	14527052300	도어힌지조합, 상/LH		1				
33	14527052400	도어힌지조합, 상/RH		1				
34	14527052110	개스킷, 도어힌지		4				
35	14527052120GB	플레이터,도어힌지		1				
37	V2183608020	소형육각볼트보통(SP)	M8X20	2				
38	14527053131	그라스, 도어/RH	6t	1				
39	14527052140	인슐레이터 / 도어		1				
40	17827053500GB	가이드 COMP, 우/도어		1				
42	14527052150	개스킷, 도어손잡이		1				
43	17827052600	손잡이 ASSY, 잠금장치		1				
44	V2183608020	소형육각볼트보통(SP)	M8X20	2				
45	V4011600060	스프링와셔	M6	2				
46	V3402700060	육각캡너트	M6	2				
47	17827053700	라쳇 ASSY, 우/도어		1				
47.1	17827053710	로크 ASSY, 우/도어		1				
47.2	14527052720	스트라이크		1				
NOTE								



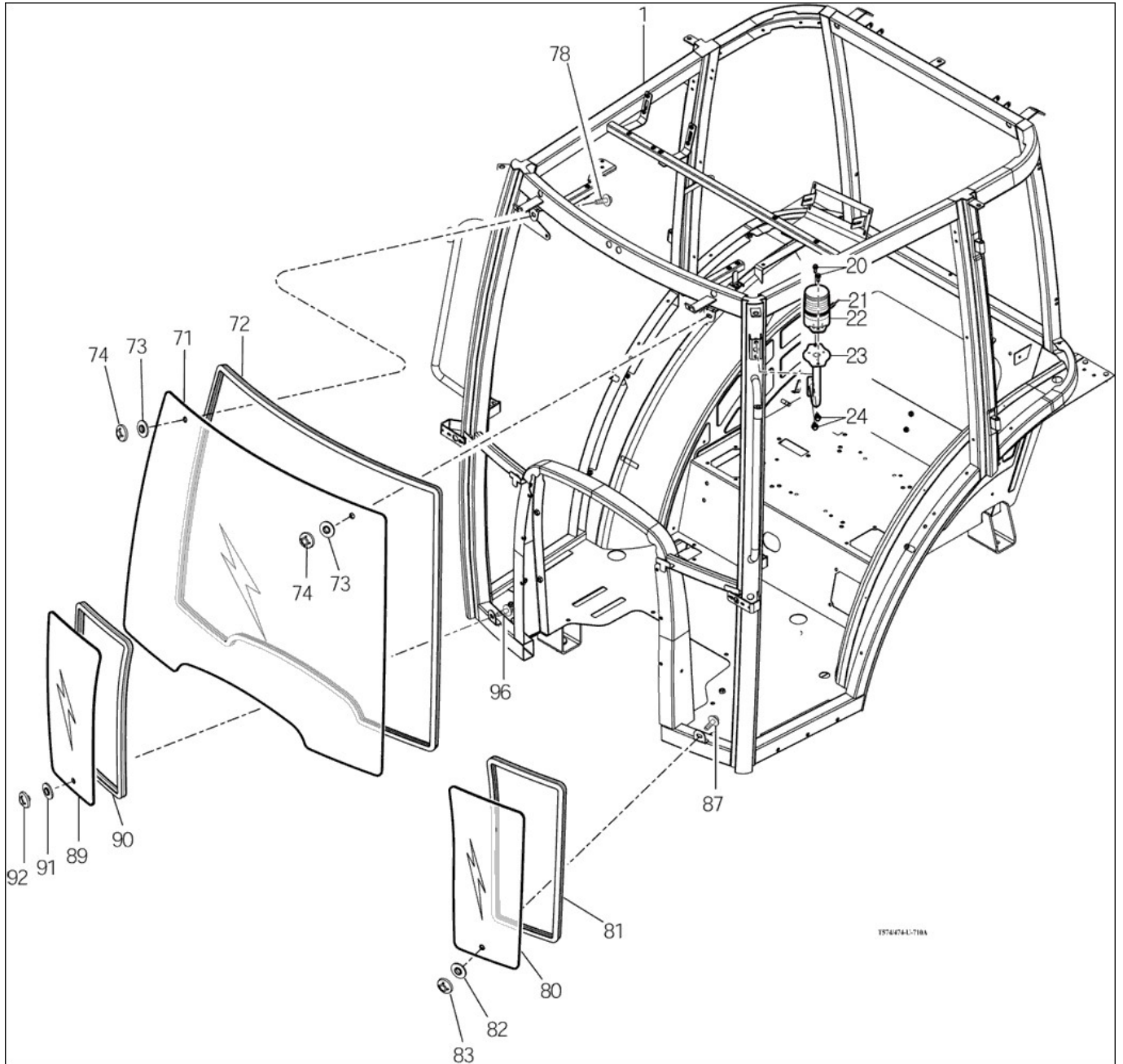
FIG

TE58C

FRONT GLASS

년/월  
Year/Month

2021-05



NOTE





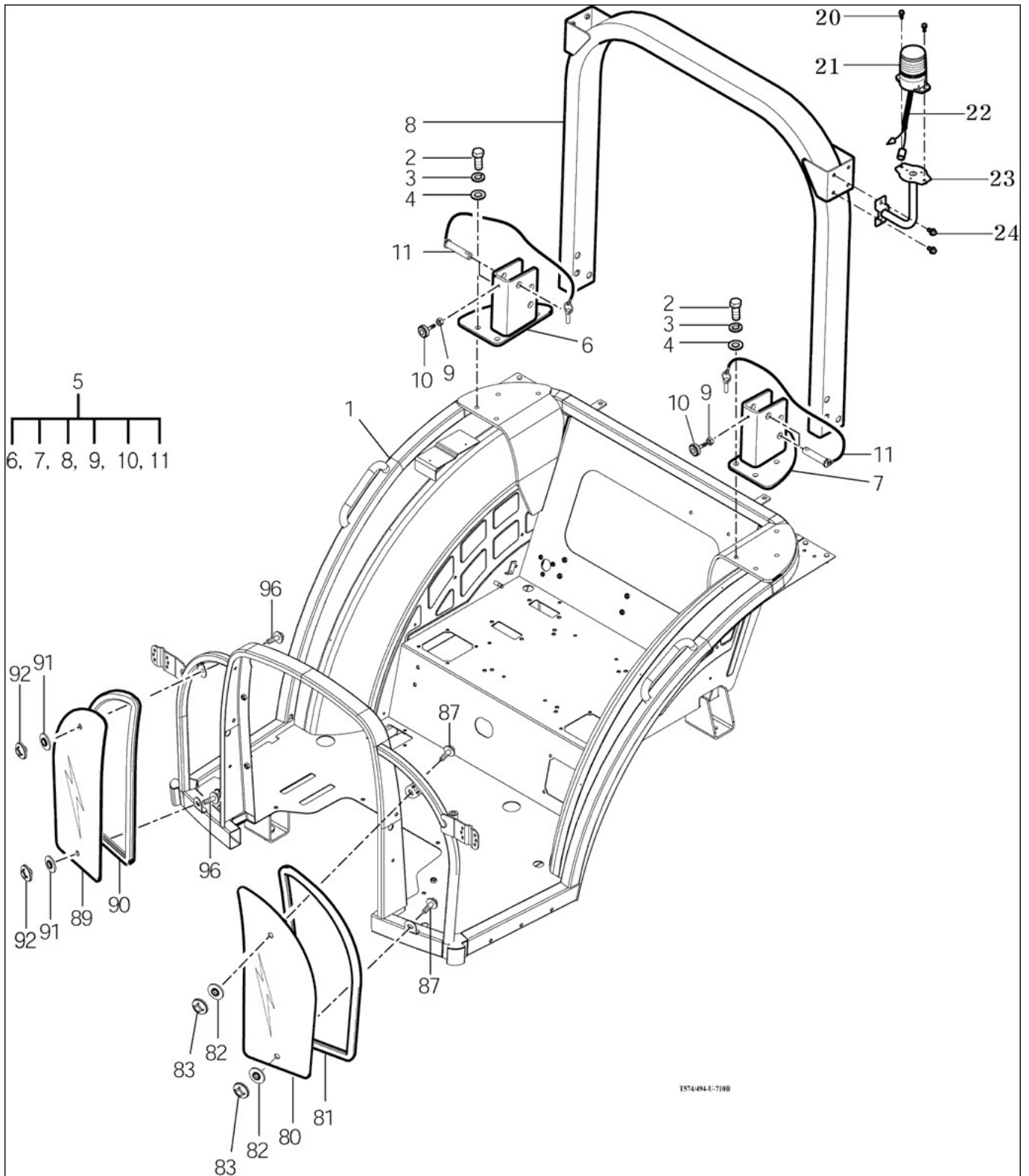
FIG

TE58C

FRAME & 2POLES-ROPS-NON CAB

년/월  
Year/Month

2021-05



NOTE



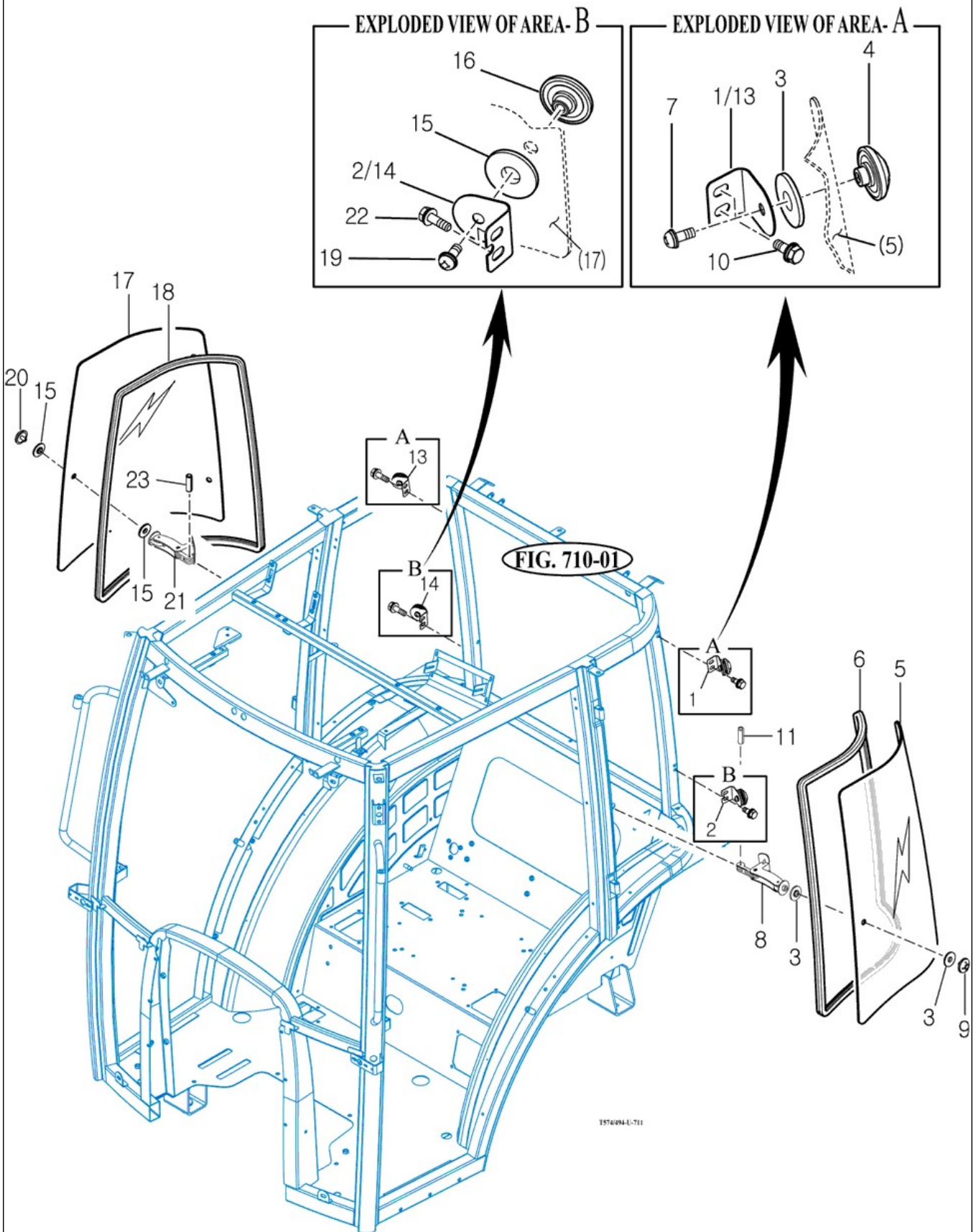
FIG

TE58C

SIDE GLASS

년/월  
Year/Month

2021-05



NOTE



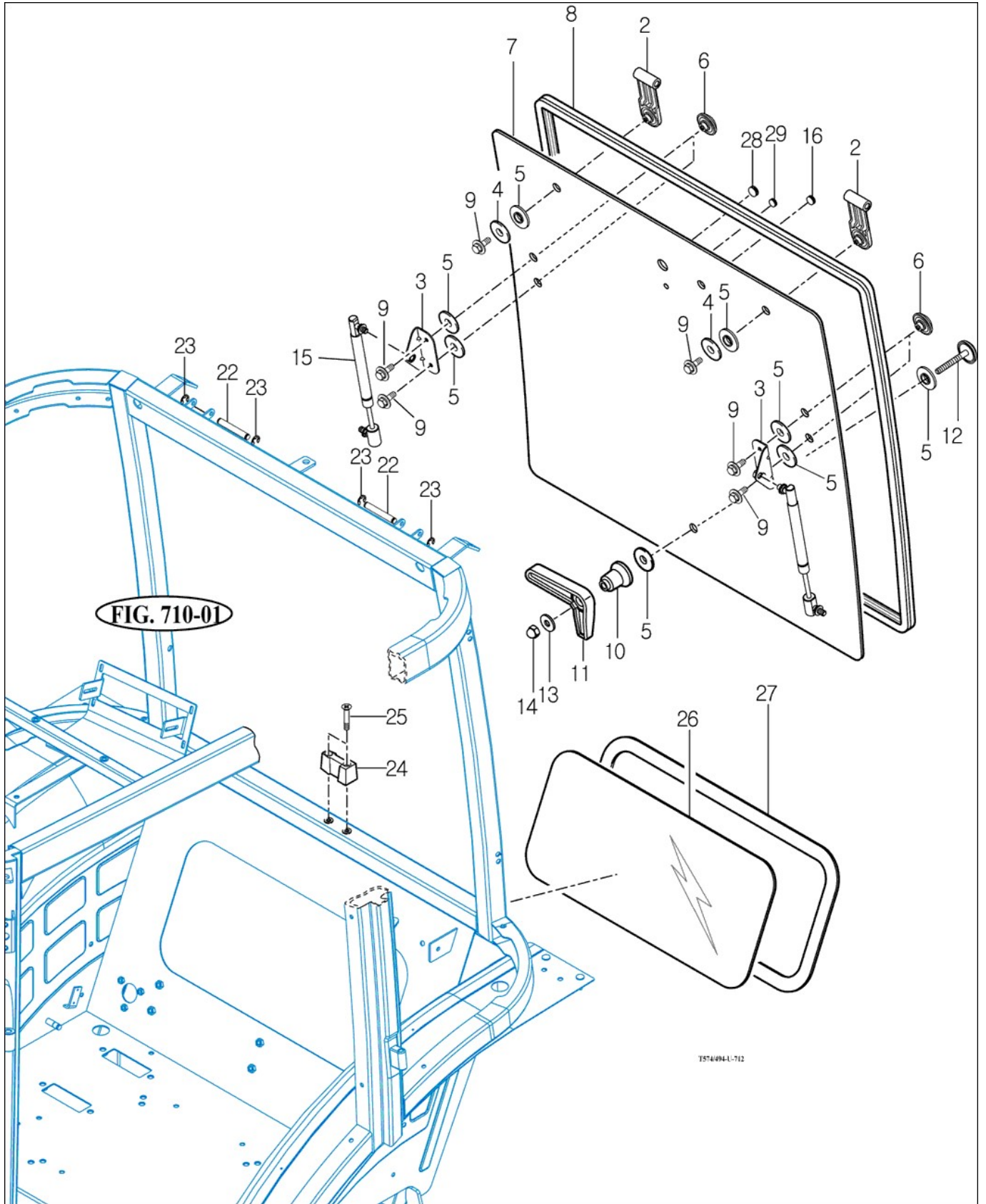
FIG

TE58C

REAR GLASS

년/월  
Year/Month

2021-05



NOTE



FIG

TE58C

SUB FENDER & COVER

년/월  
Year/Month

2021-05

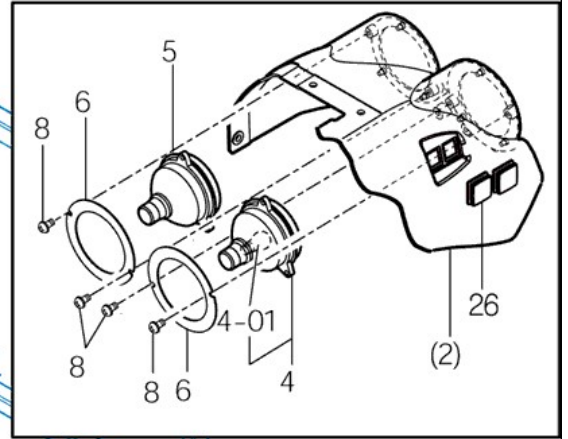
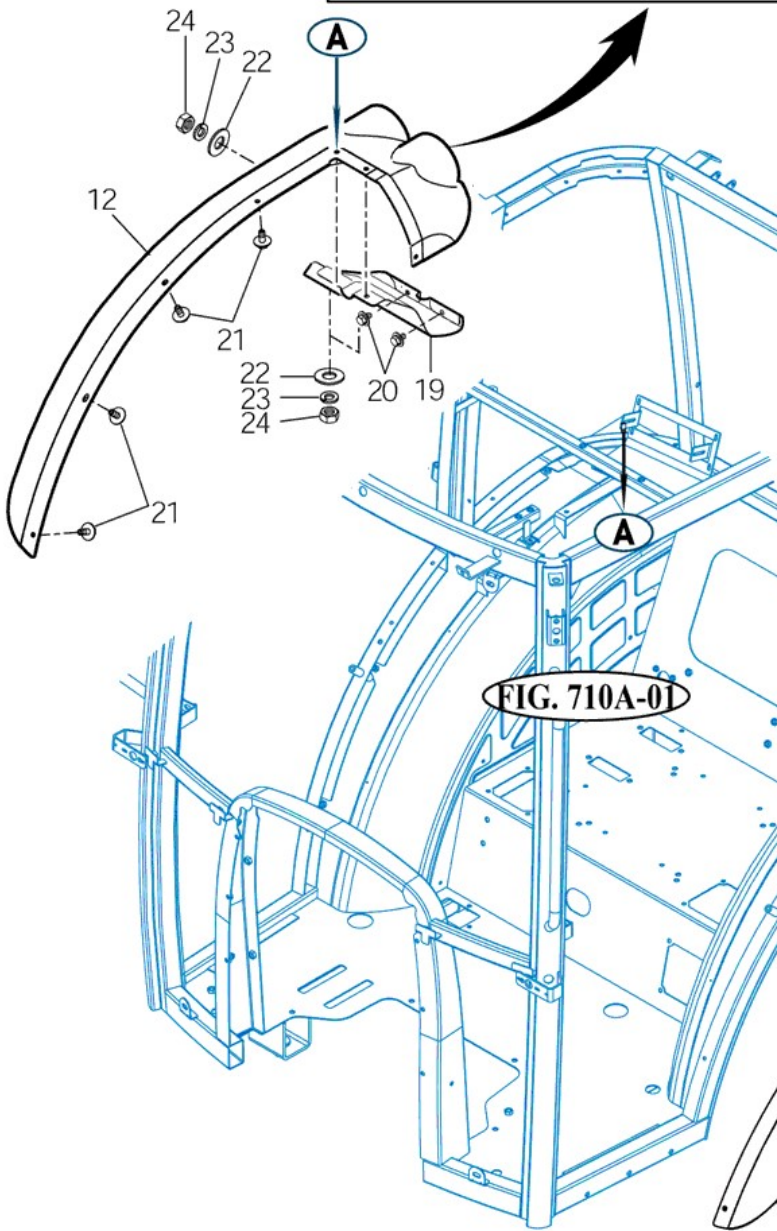
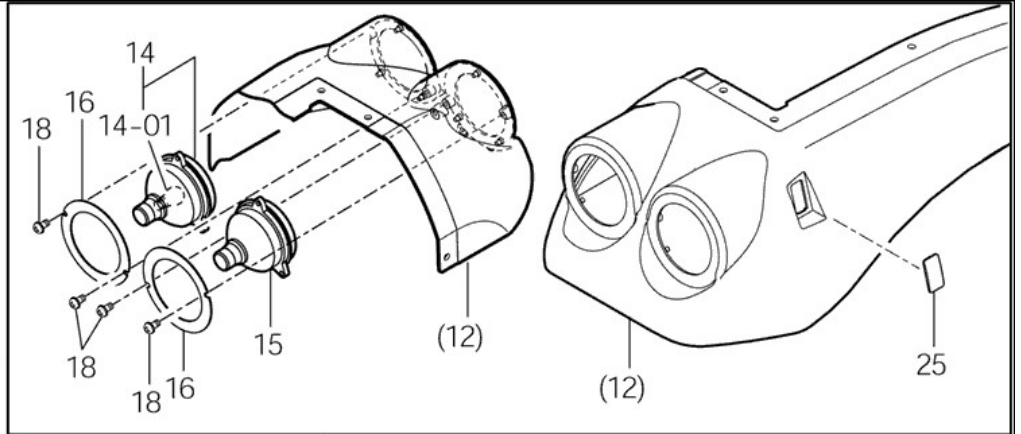
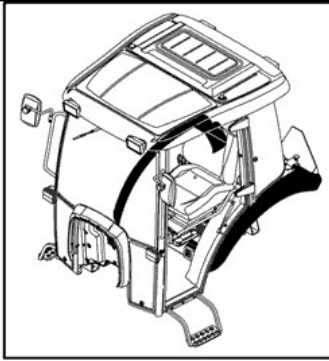
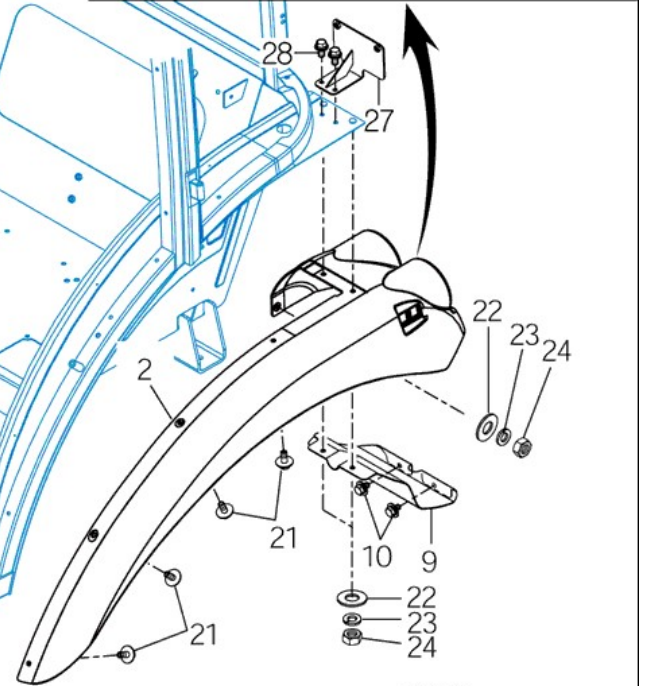


FIG. 710A-01



TST40944-713A

NOTE





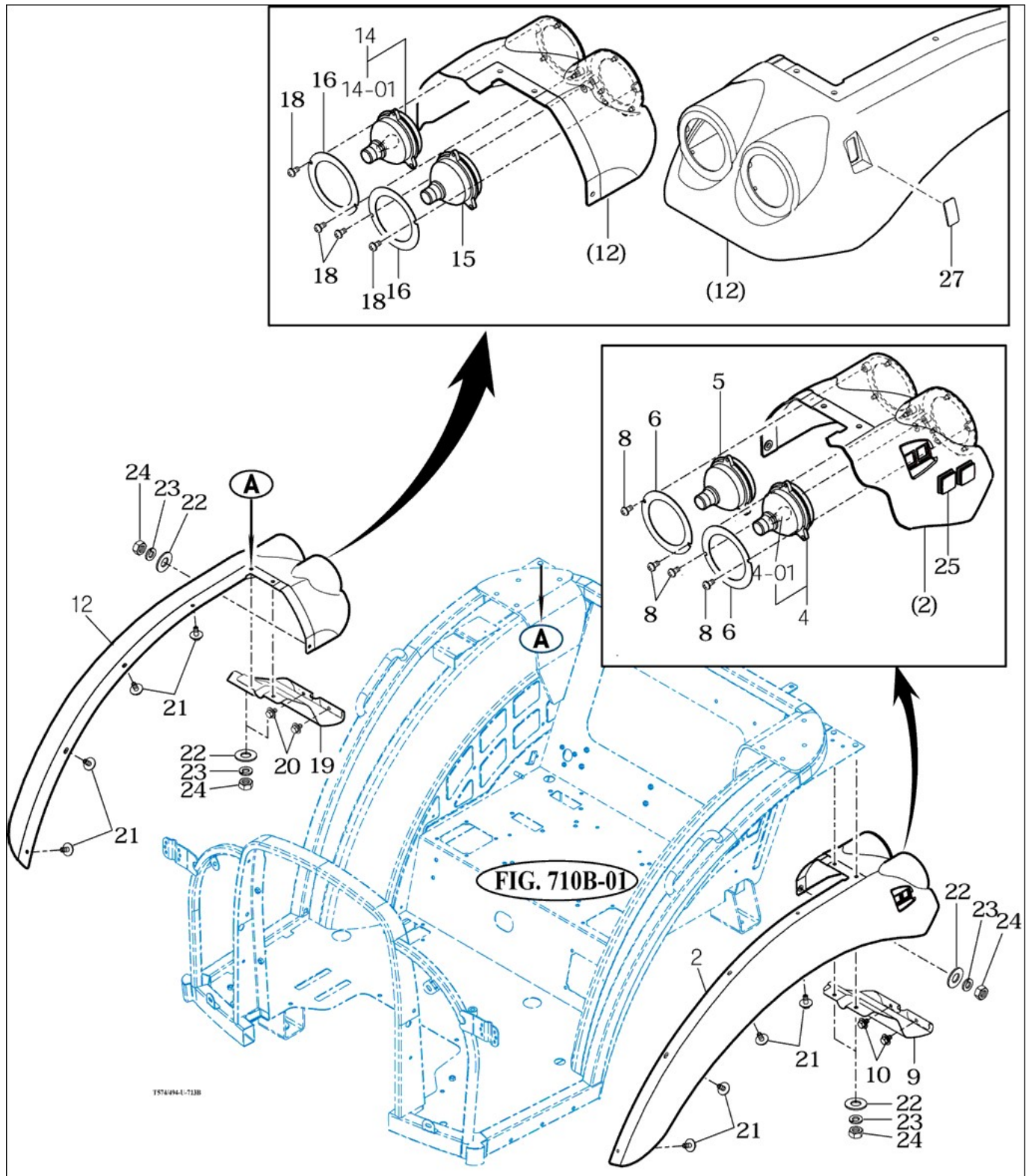
FIG

TE58C

SUB FENDER & COVER-NON CAB

년/월  
Year/Month

2021-05



NOTE



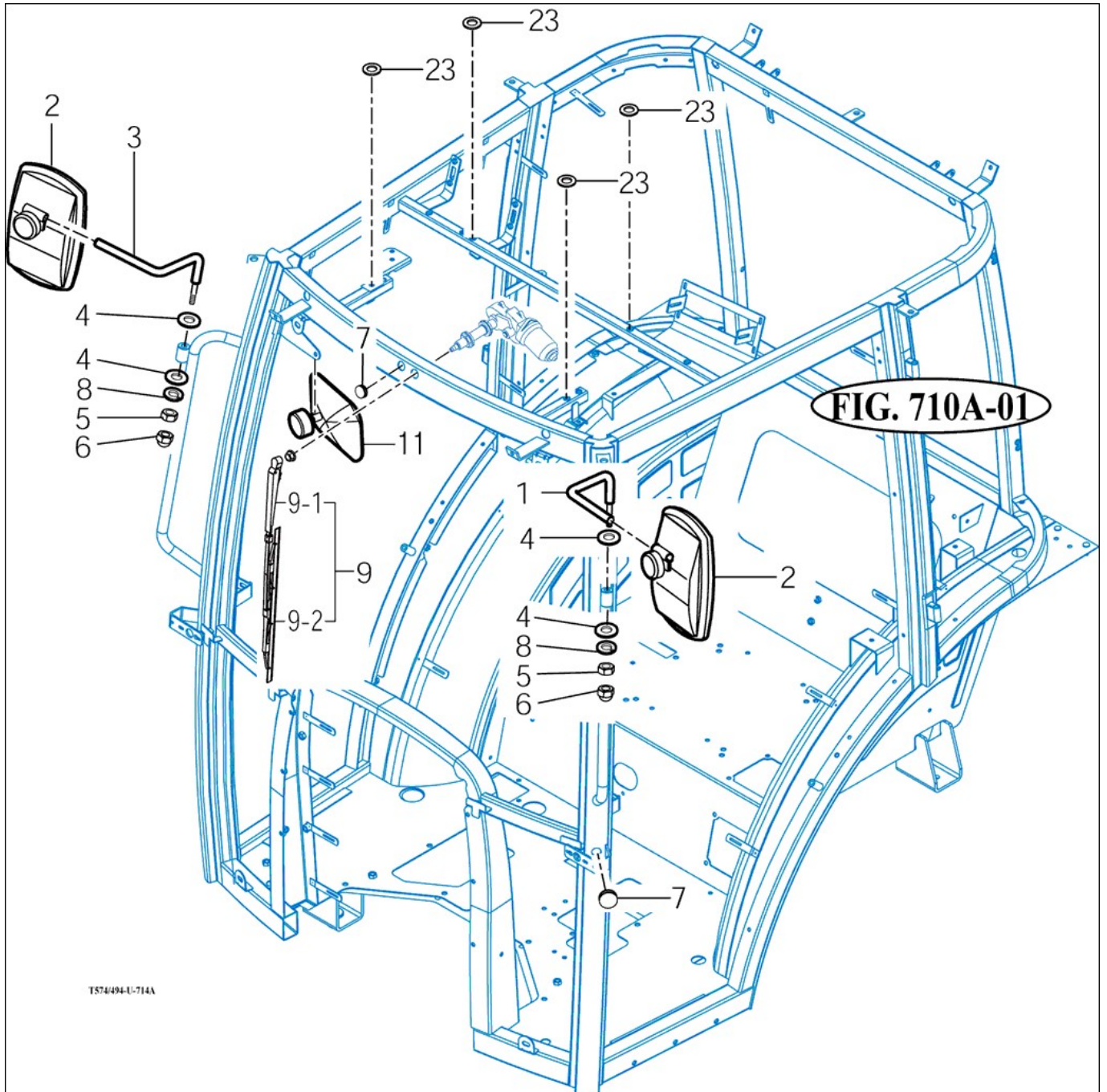
FIG

TE58C

MIRROR

년/월  
Year/Month

2021-05



NOTE



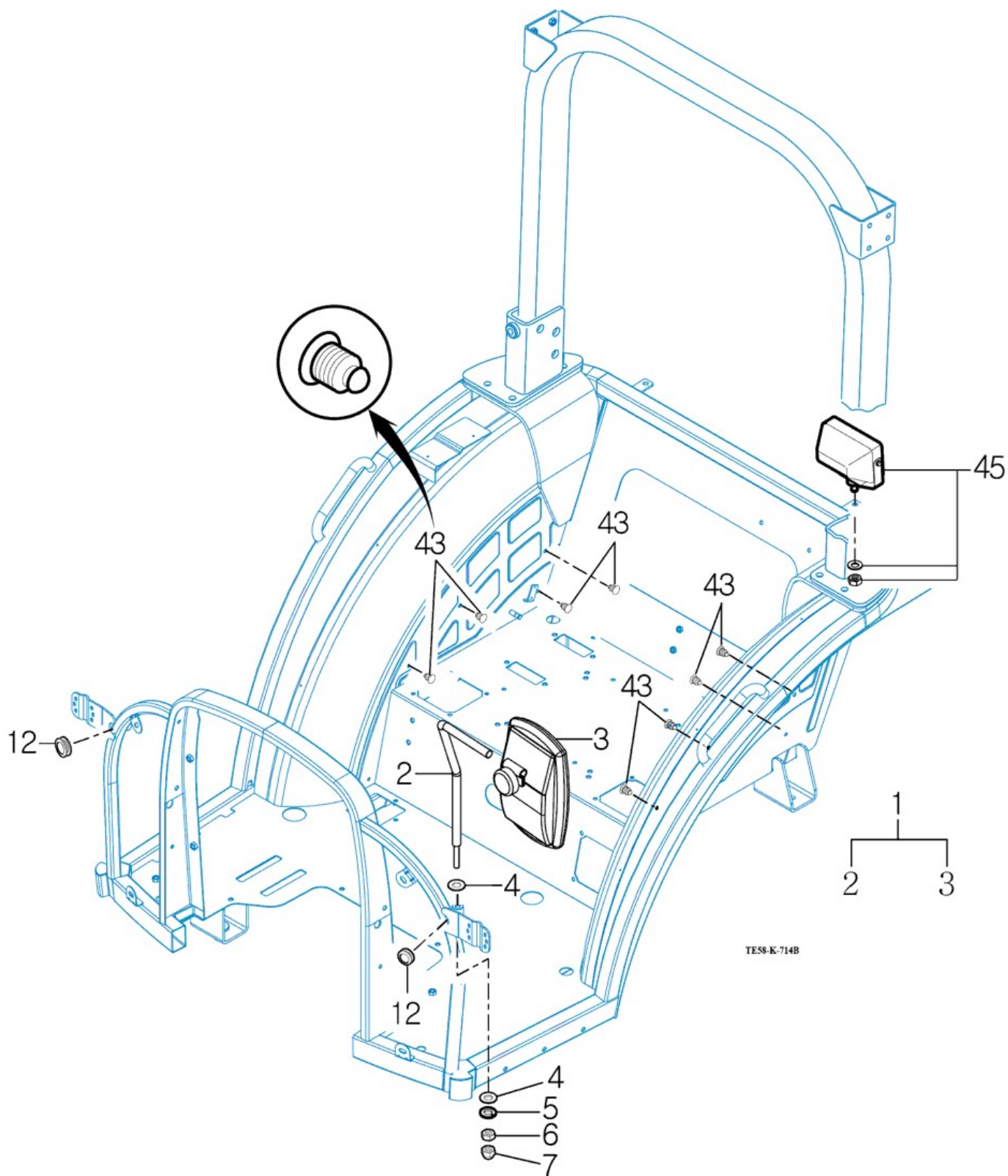
FIG

TE58C

MIRROR&WORKING LAMP-NON CAB

년/월  
Year/Month

2021-05



NOTE



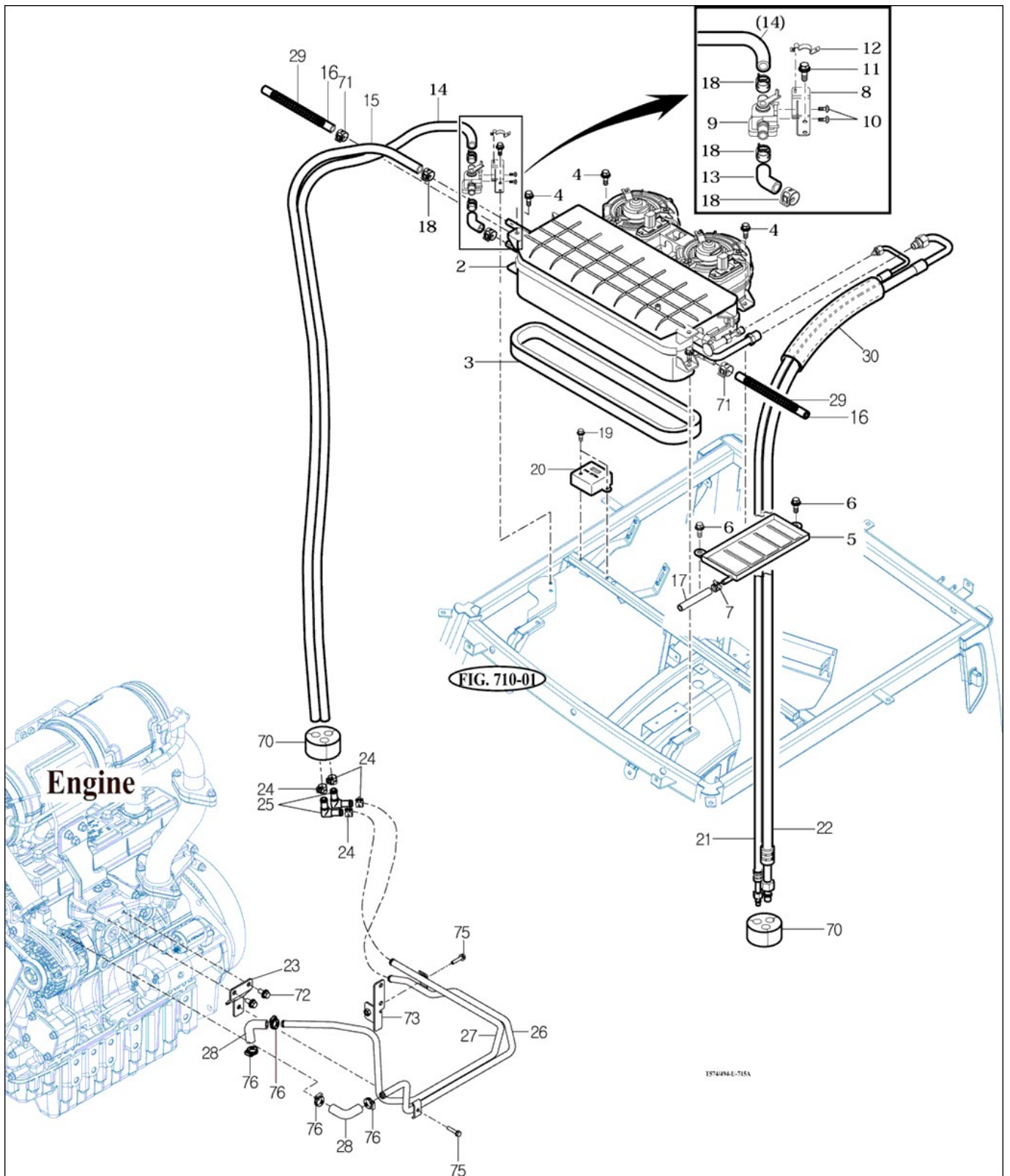
FIG

TE58C

HEATER & AIR-CON

년/월  
Year/Month

2021-05



NOTE





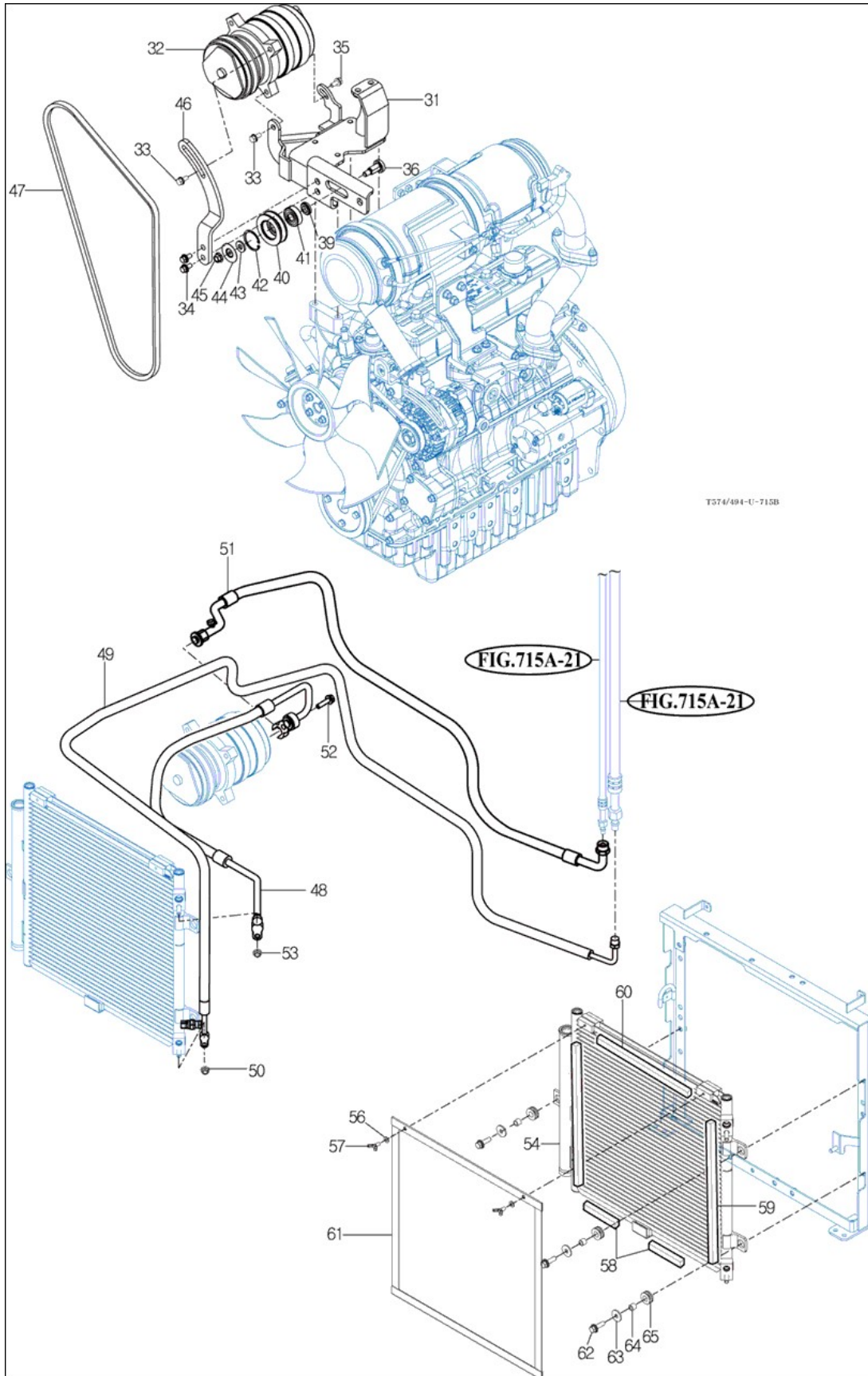
FIG

TE58C

HEATER & AIR-CON

년/월  
Year/Month

2021-05



NOTE



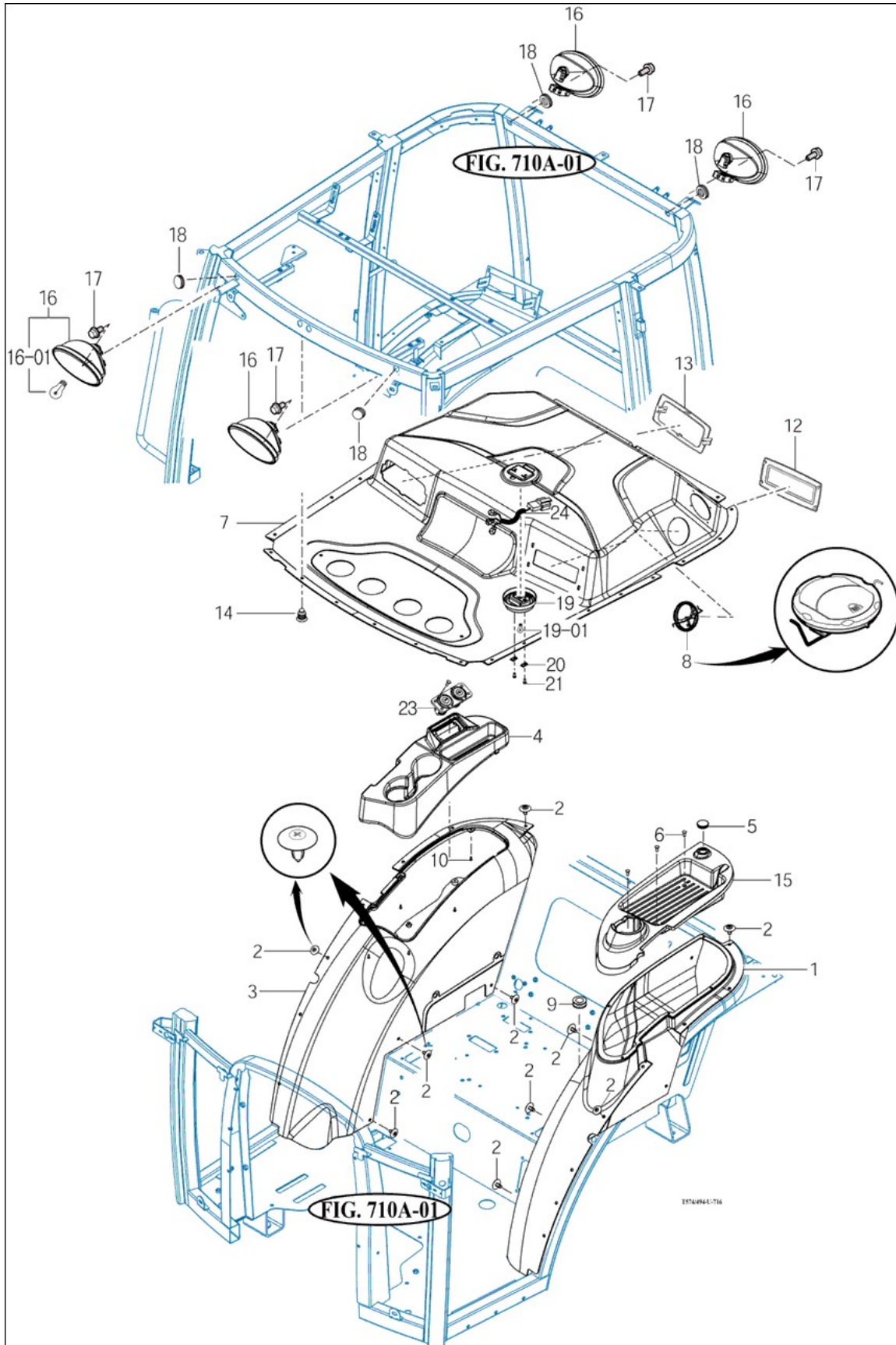
FIG

FENDER COVER

년/월  
Year/Month

TE58C

2021-05



NOTE



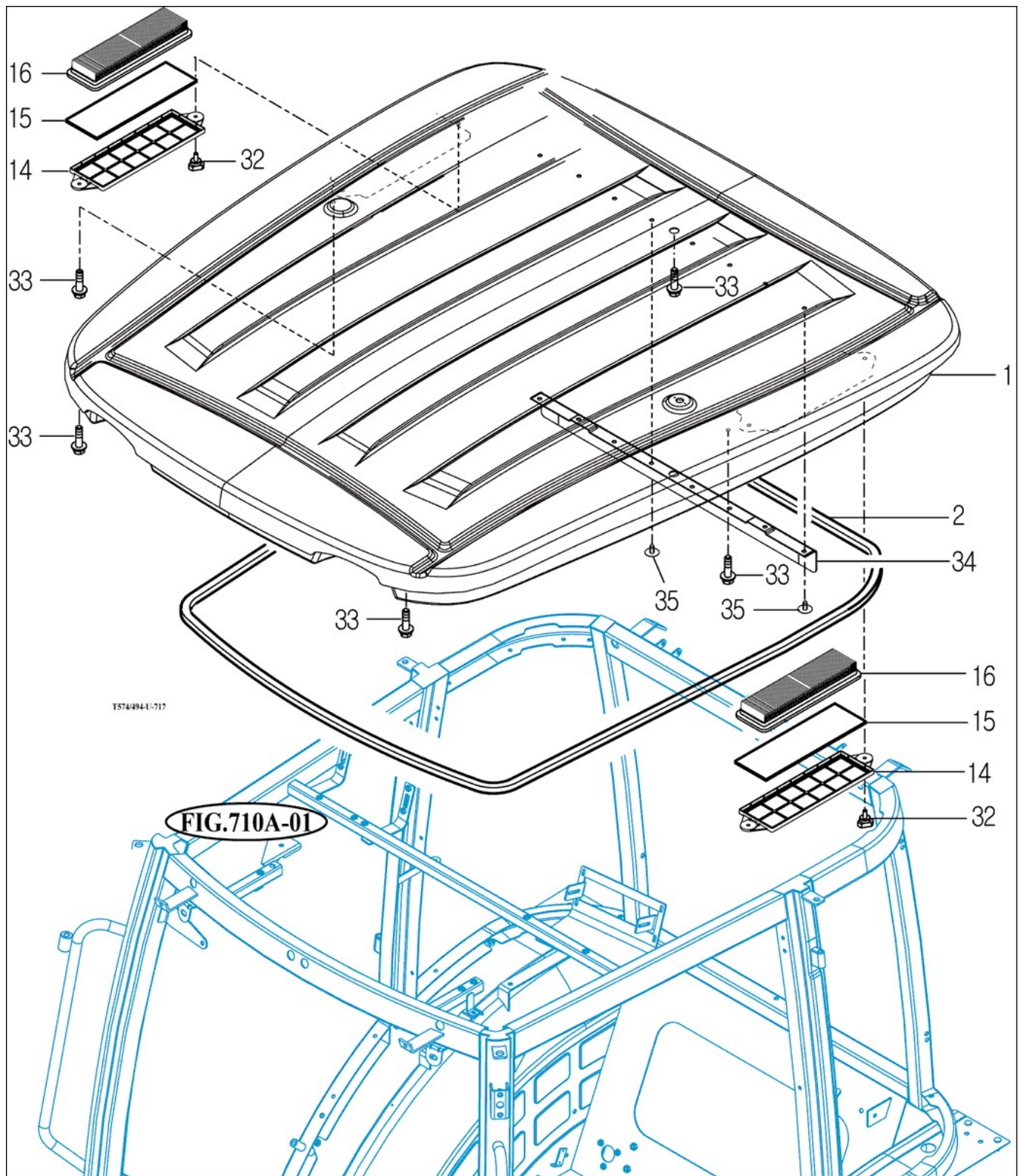
FIG

TE58C

ROOF

년/월  
Year/Month

2021-05



NOTE



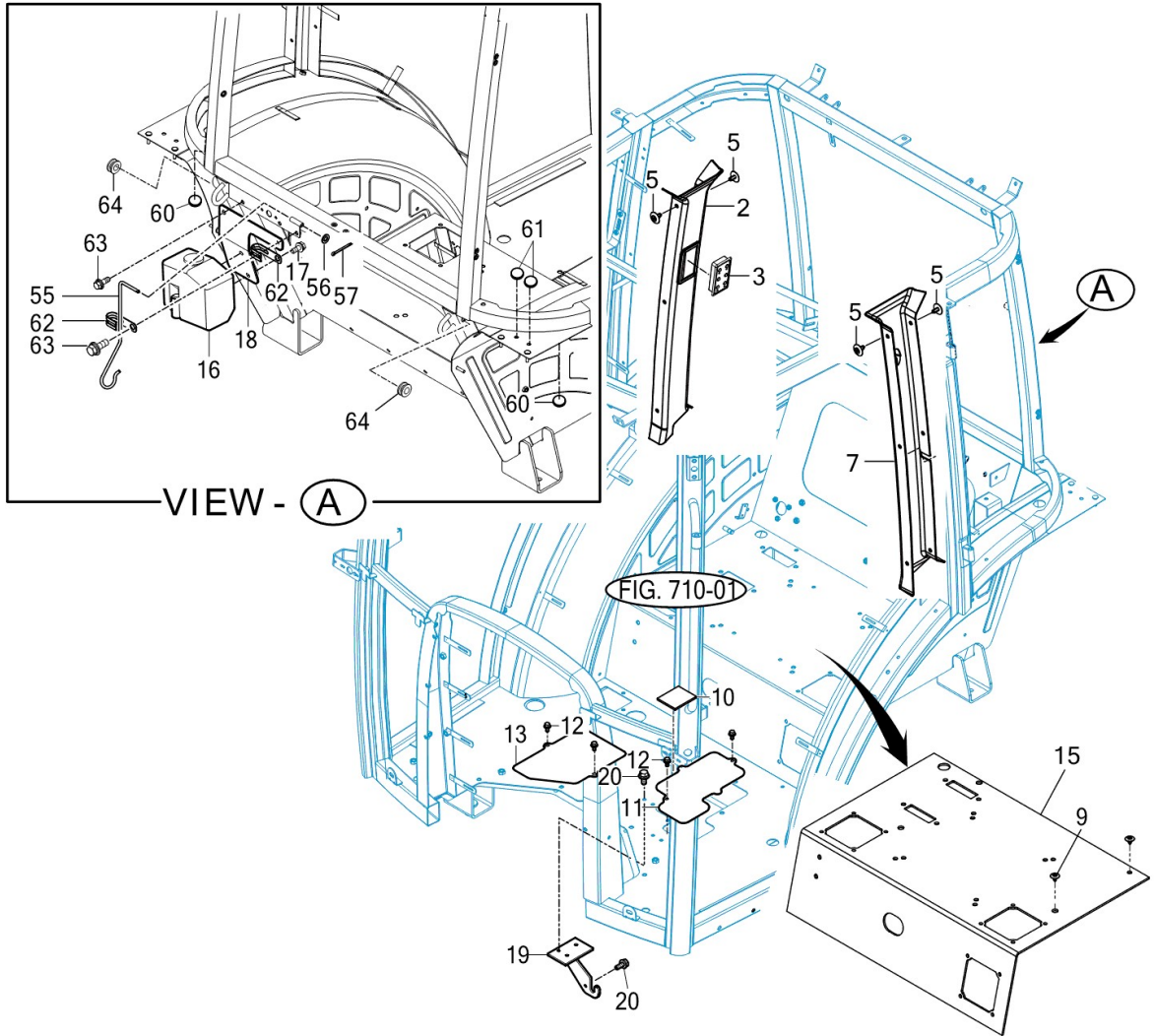
FIG

CABIN INTERIOR

년/월  
Year/Month

TE58C

2021-05



NOTE





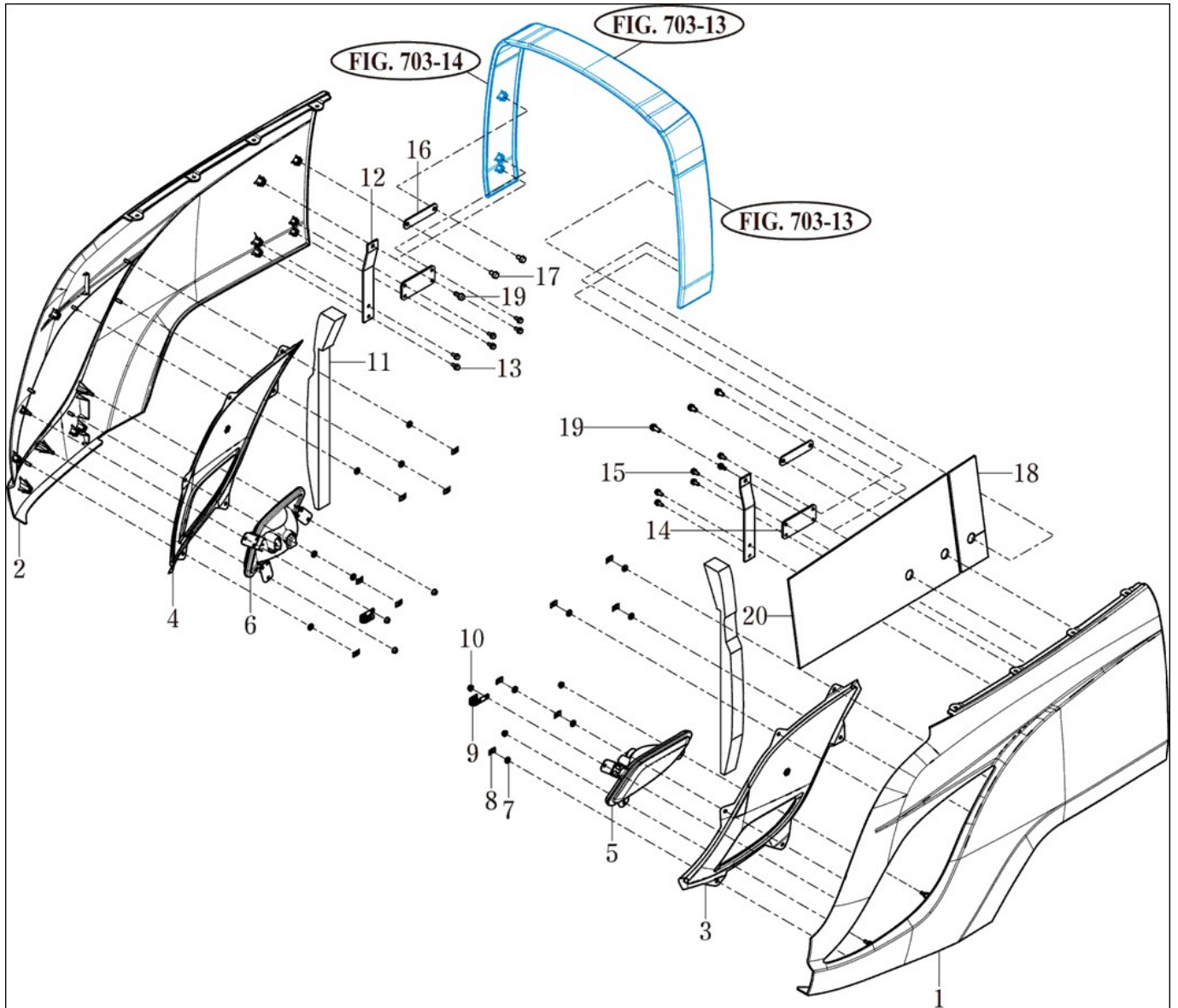
FIG

TE58C

BONNET (2)

년/월  
Year/Month

2021-05



NOTE



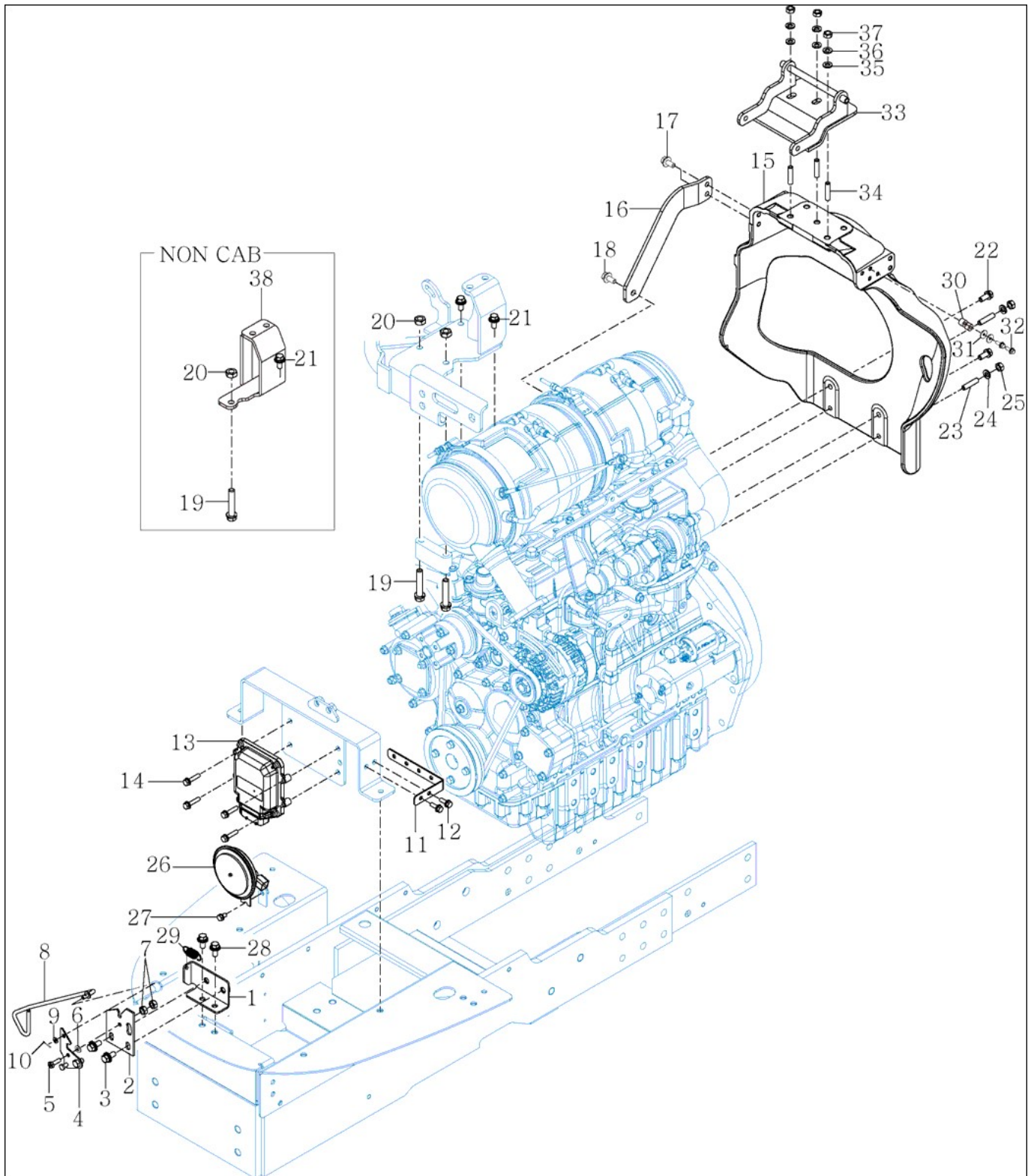
FIG

BONNET FRAME

년/월  
Year/Month

TE58C

2021-05



NOTE



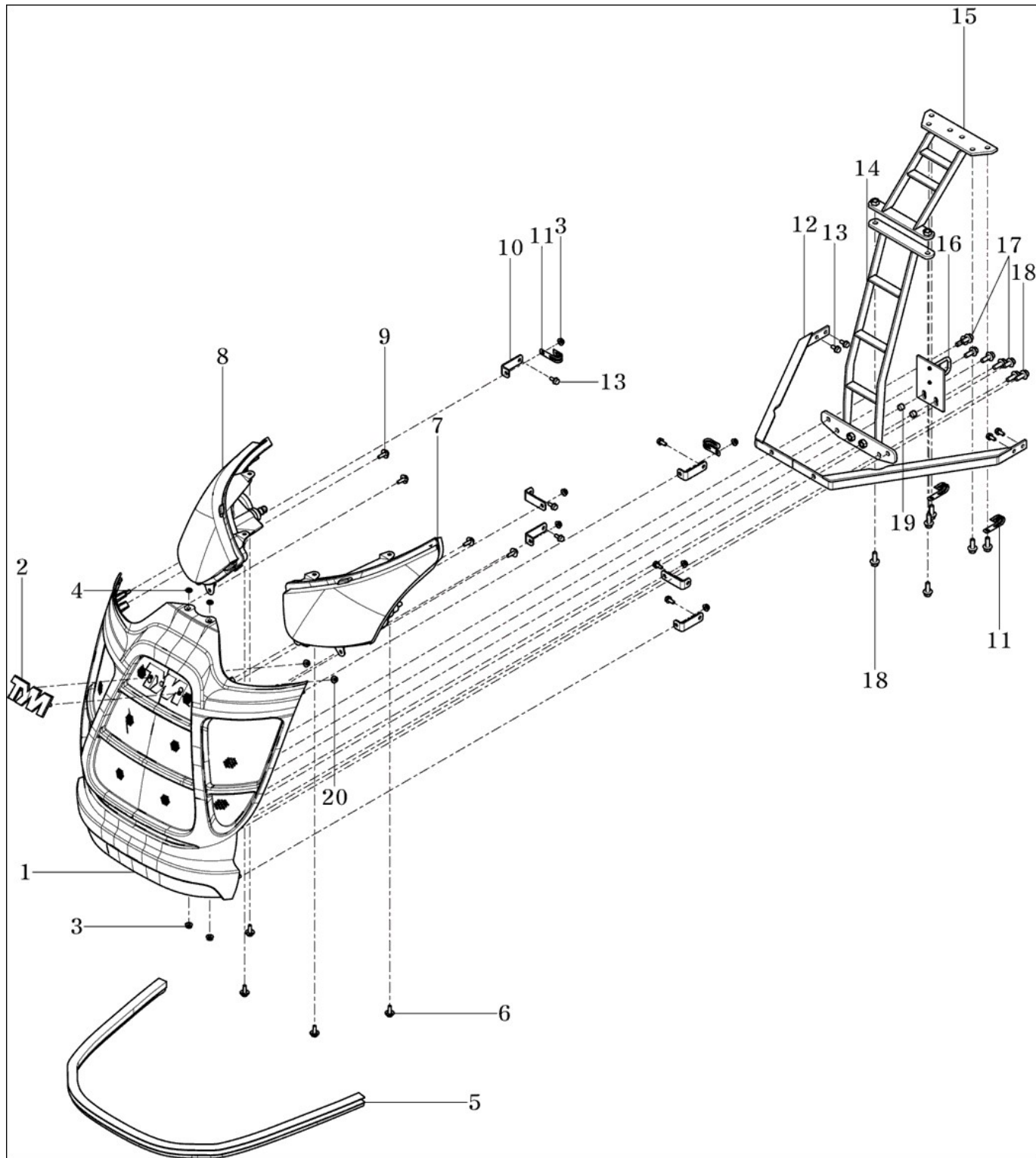
FIG

TE58C

BONNET (1)

년/월  
Year/Month

2021-05



NOTE



## 8. 전장 PART NO. T8

FIG BATTERY & MOUNTING	256
FIG HARNESS LAMP	258
FIG INSTRUMENT PANEL	260
FIG ELECTRIC SYSTEM (1)	262
FIG ELECTRIC SYSTEM (2)	264
FIG ELECTRIC SYSTEM (2)-NON CAB	266
FIG ELECTRIC SYSTEM (3)	268

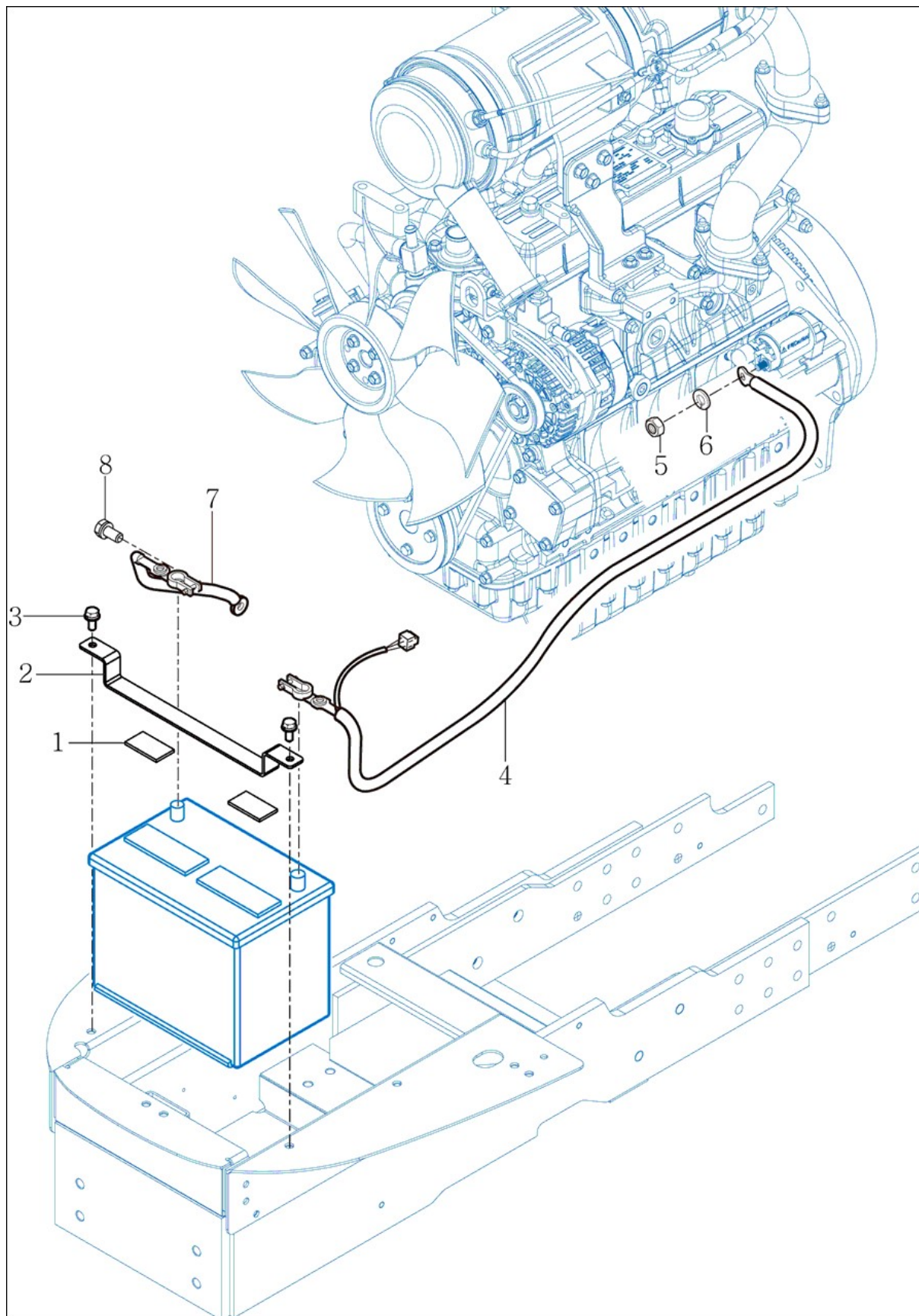
FIG

BATTERY & MOUNTING

년/월  
Year/Month

TE58C

2021-05



NOTE





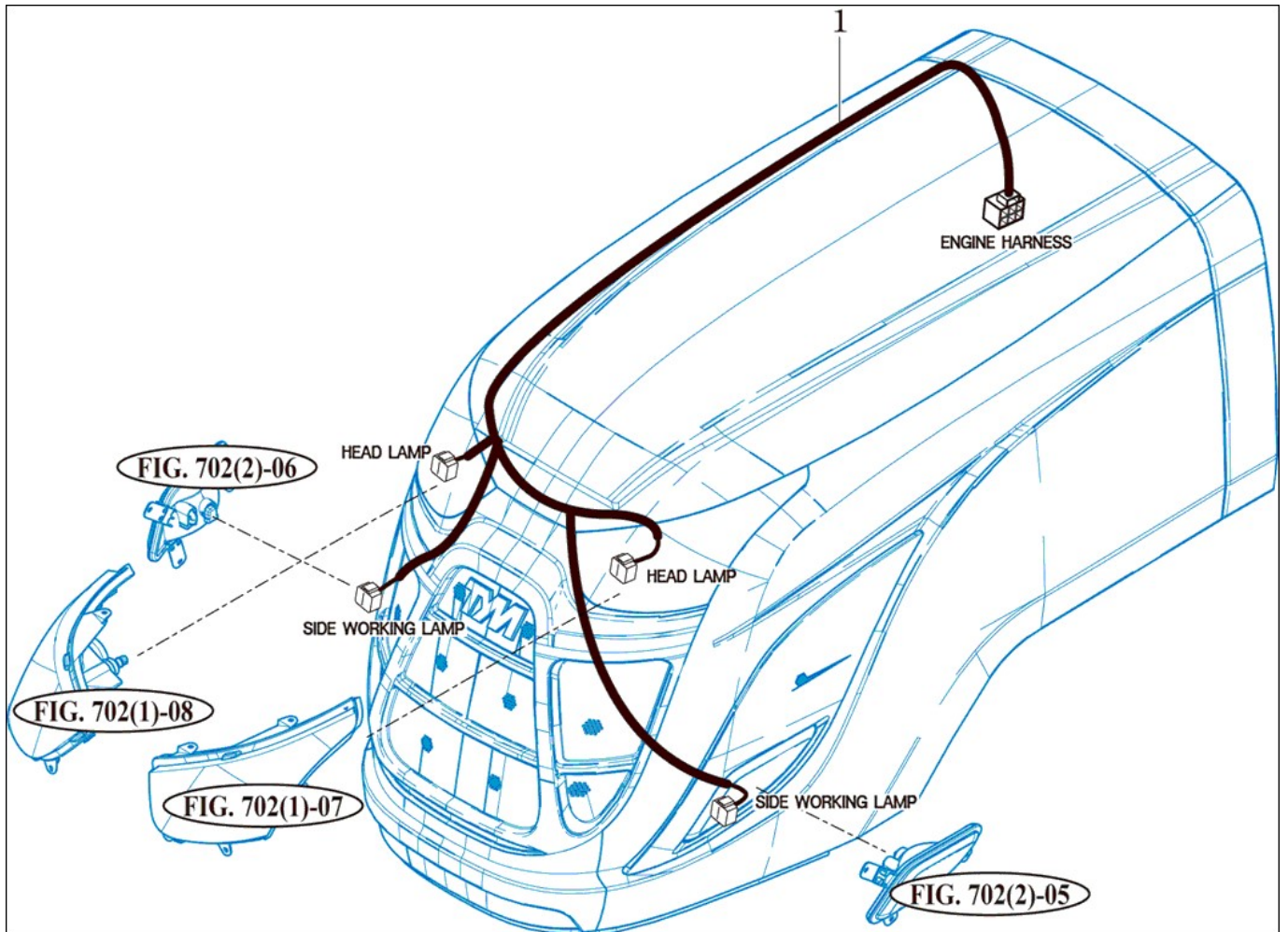
FIG

TE58C

HARNES LAMP

년/월  
Year/Month

2021-05



NOTE



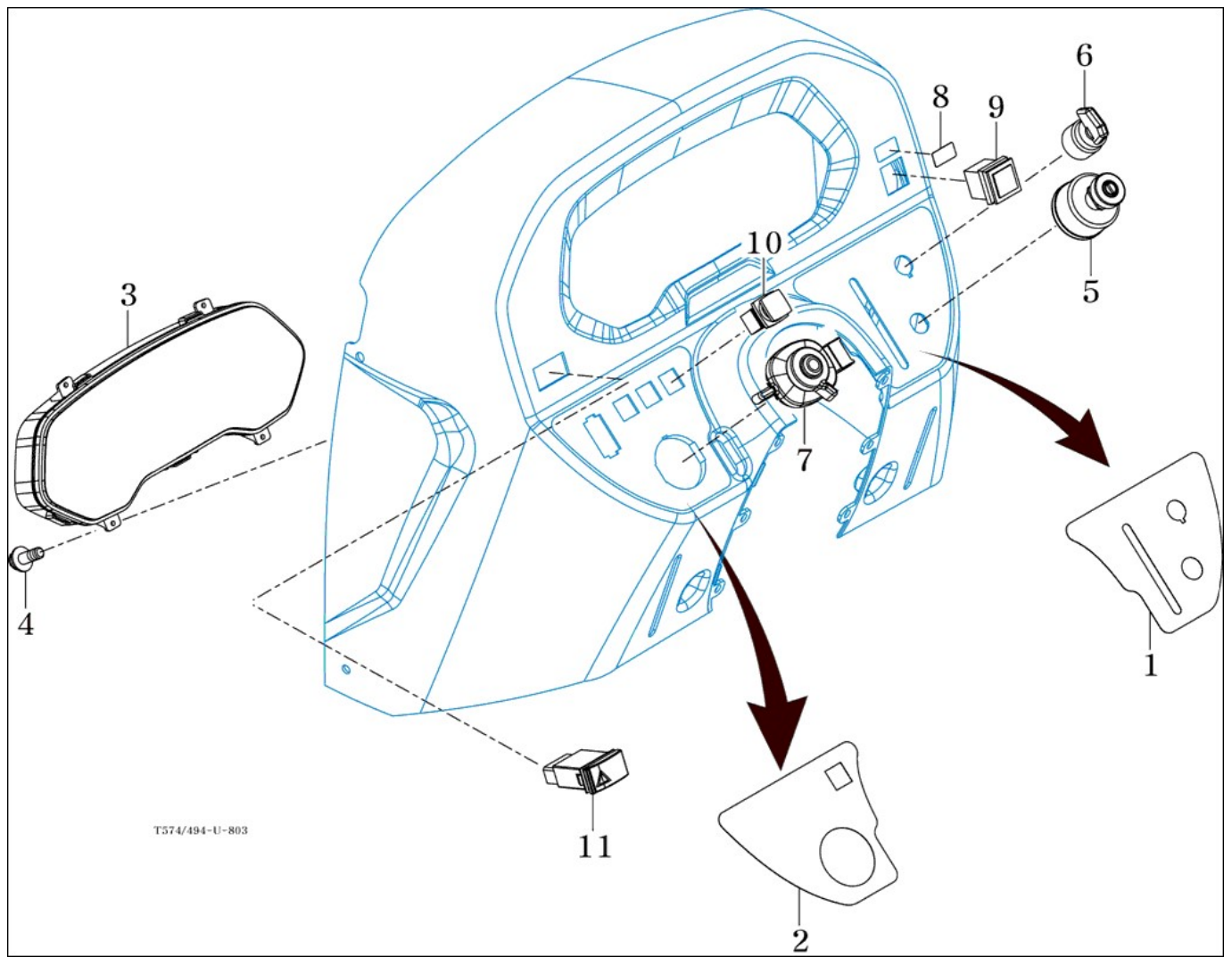
FIG

TE58C

INSTRUMENT PANEL

년/월  
Year/Month

2021-05



NOTE



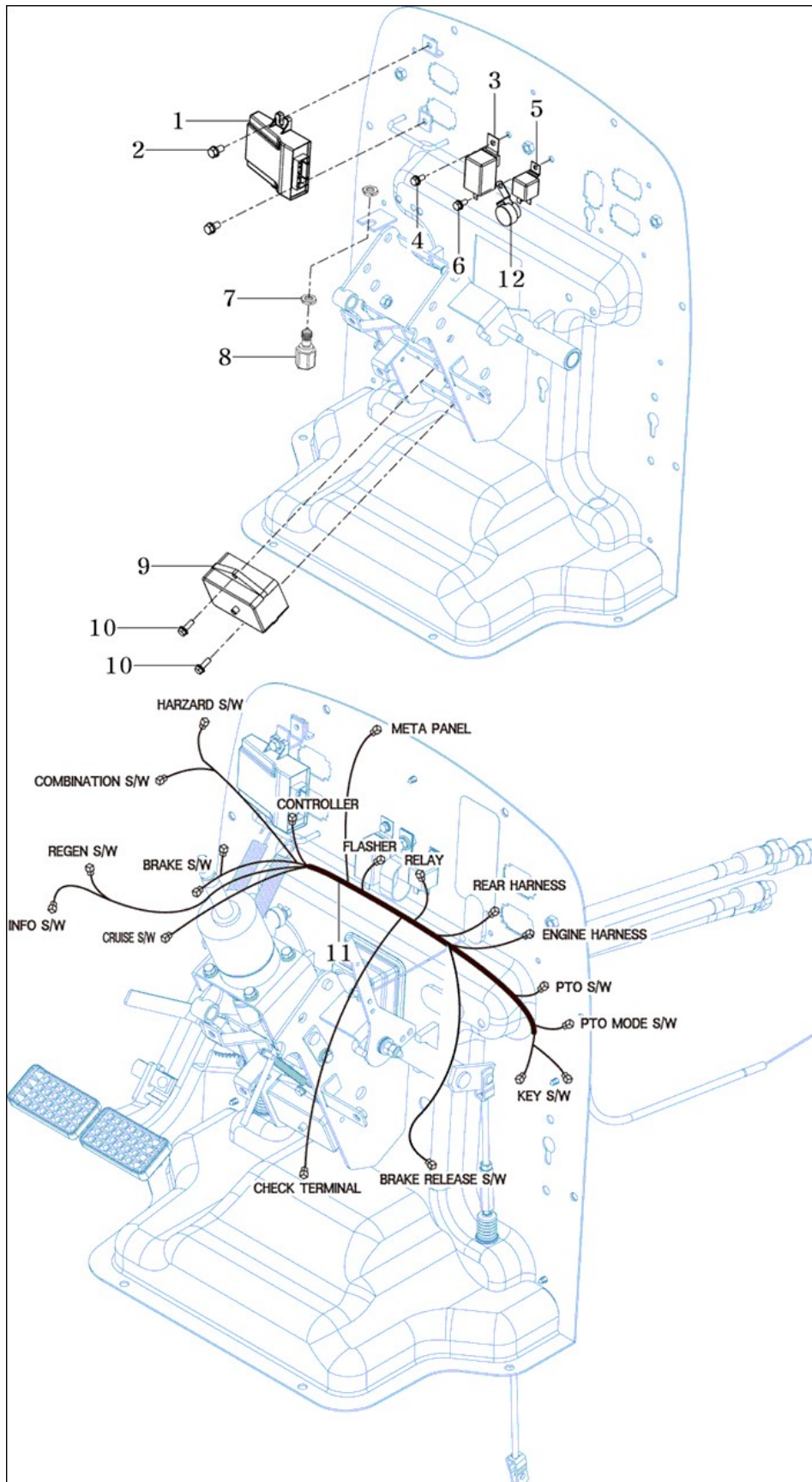
FIG

TE58C

# ELECTRIC SYSTEM (1)

년/월  
Year/Month

2021-05



NOTE



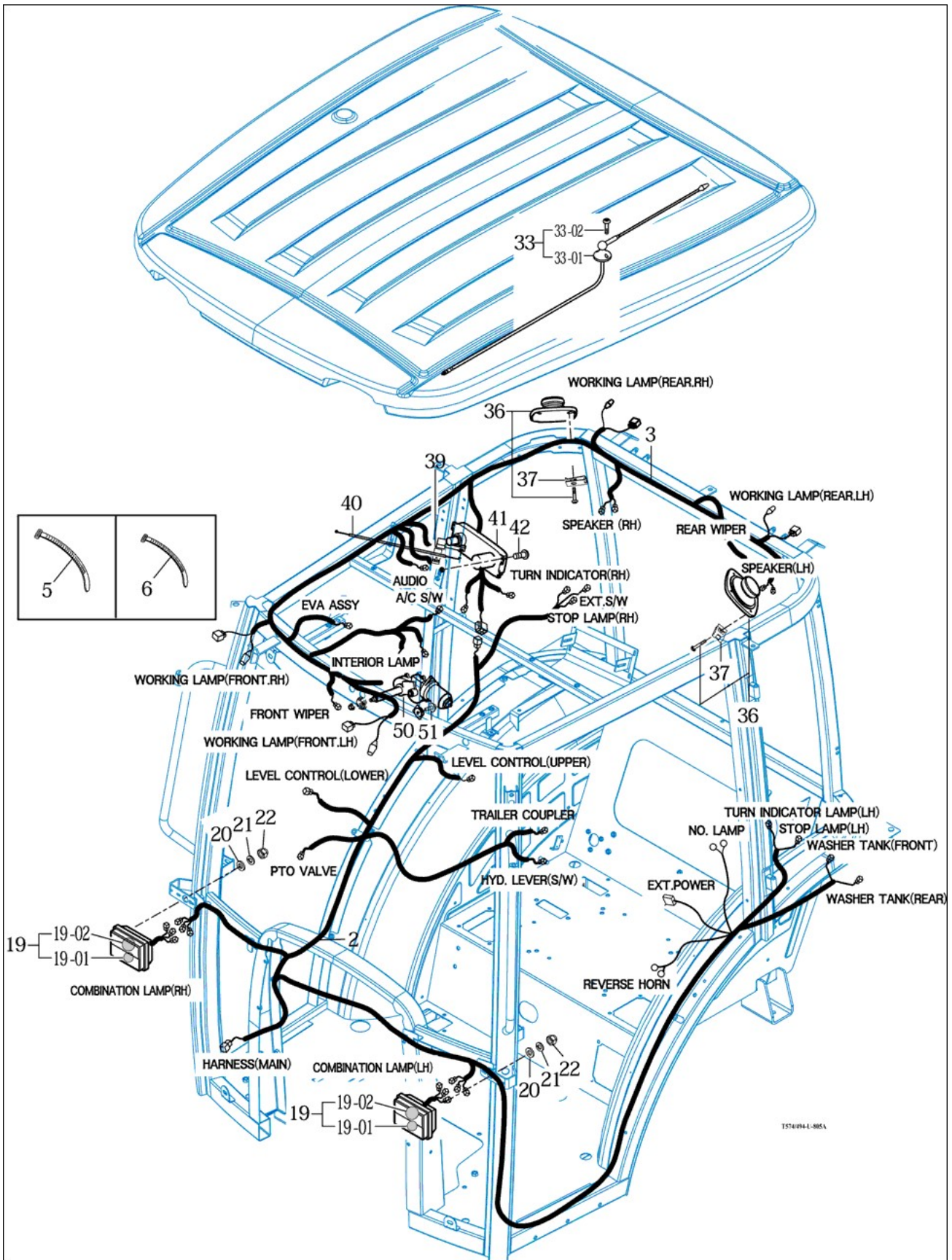
FIG

ELECTRIC SYSTEM (2)

년/월  
Year/Month

TE58C

2021-05



TST6094-L-985A

NOTE





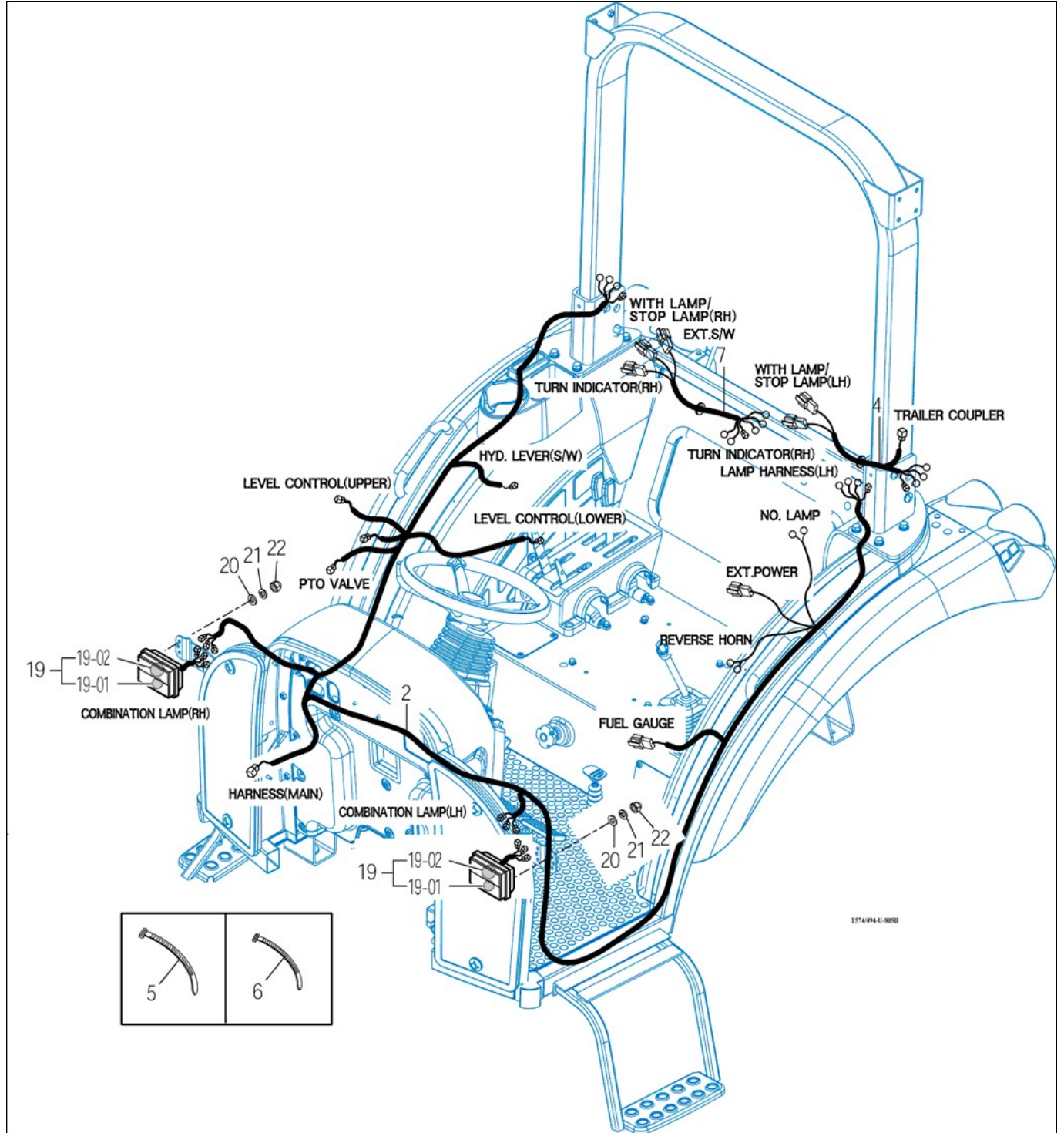
FIG

ELECTRIC SYSTEM (2)-NON CAB

년/월  
Year/Month

TE58C

2021-05



NOTE



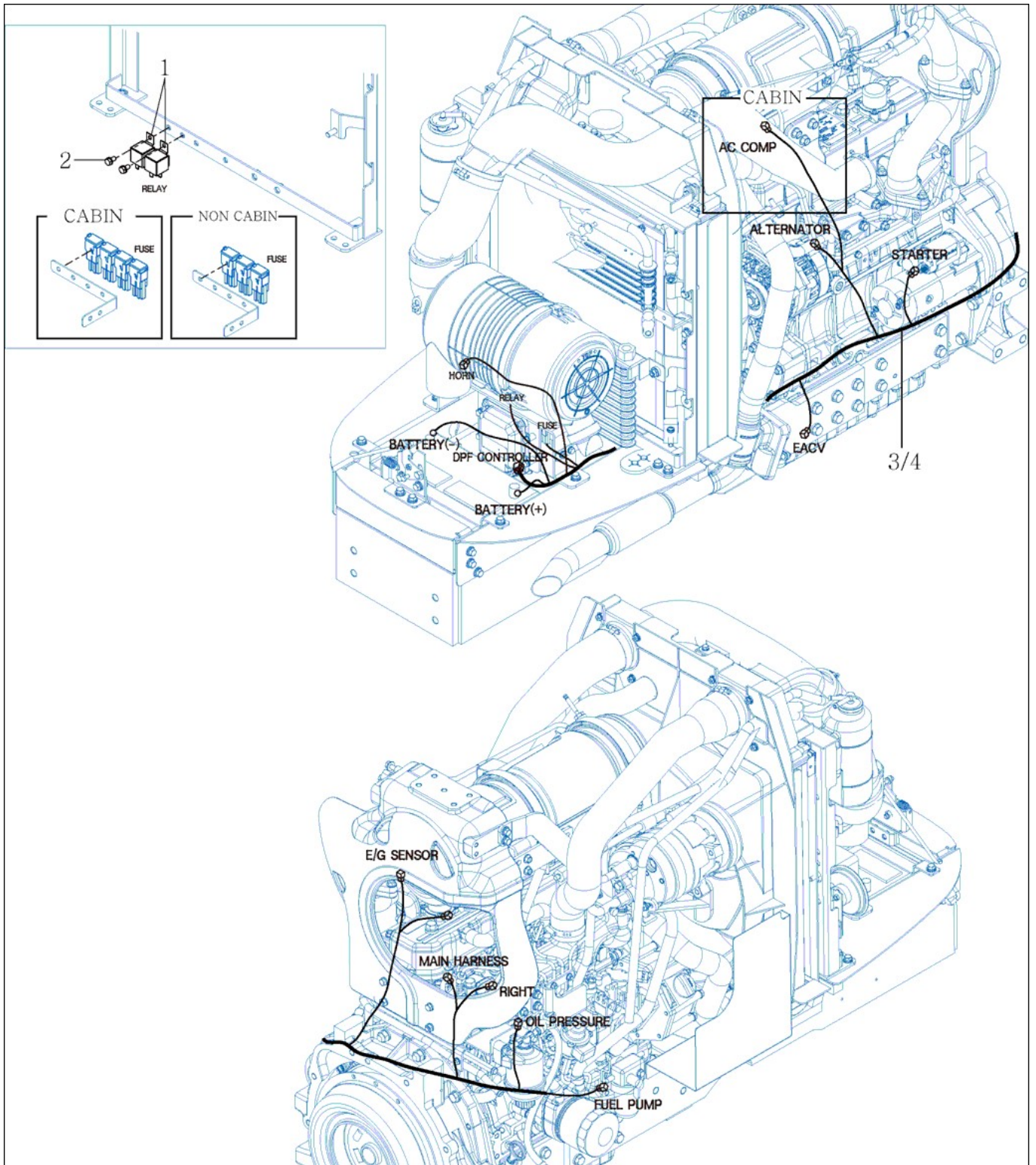
FIG

TE58C

ELECTRIC SYSTEM (3)

년/월  
Year/Month

2021-05



NOTE



## 9. 라벨/옵션 PART NO. T9

FIG TOOL & ACCESSORY	271
FIG WEIGHT	273
FIG LABEL	275
FIG LABEL	277

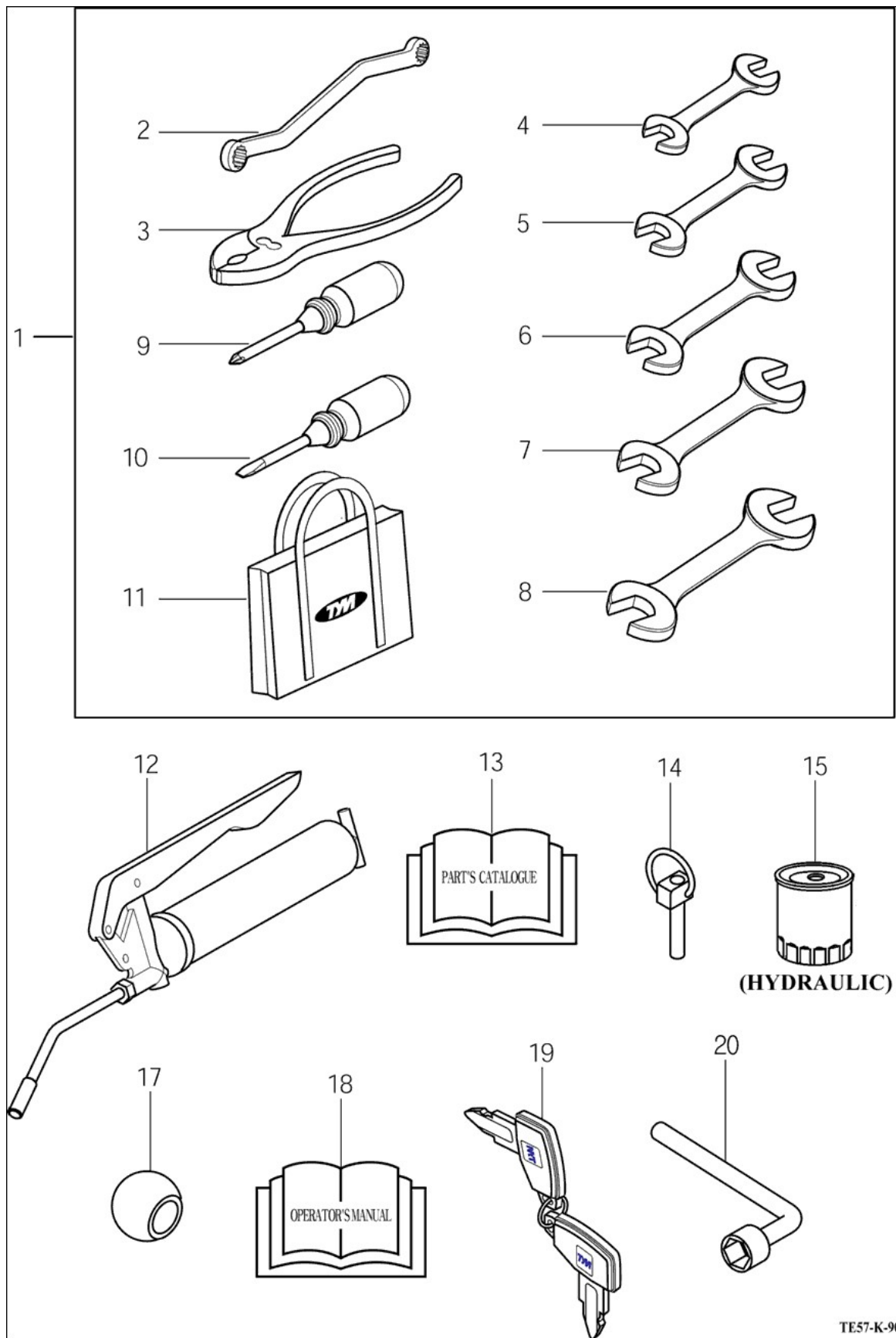
FIG

TE58C

TOOL & ACCESSORY

년/월  
Year/Month

2021-05



NOTE





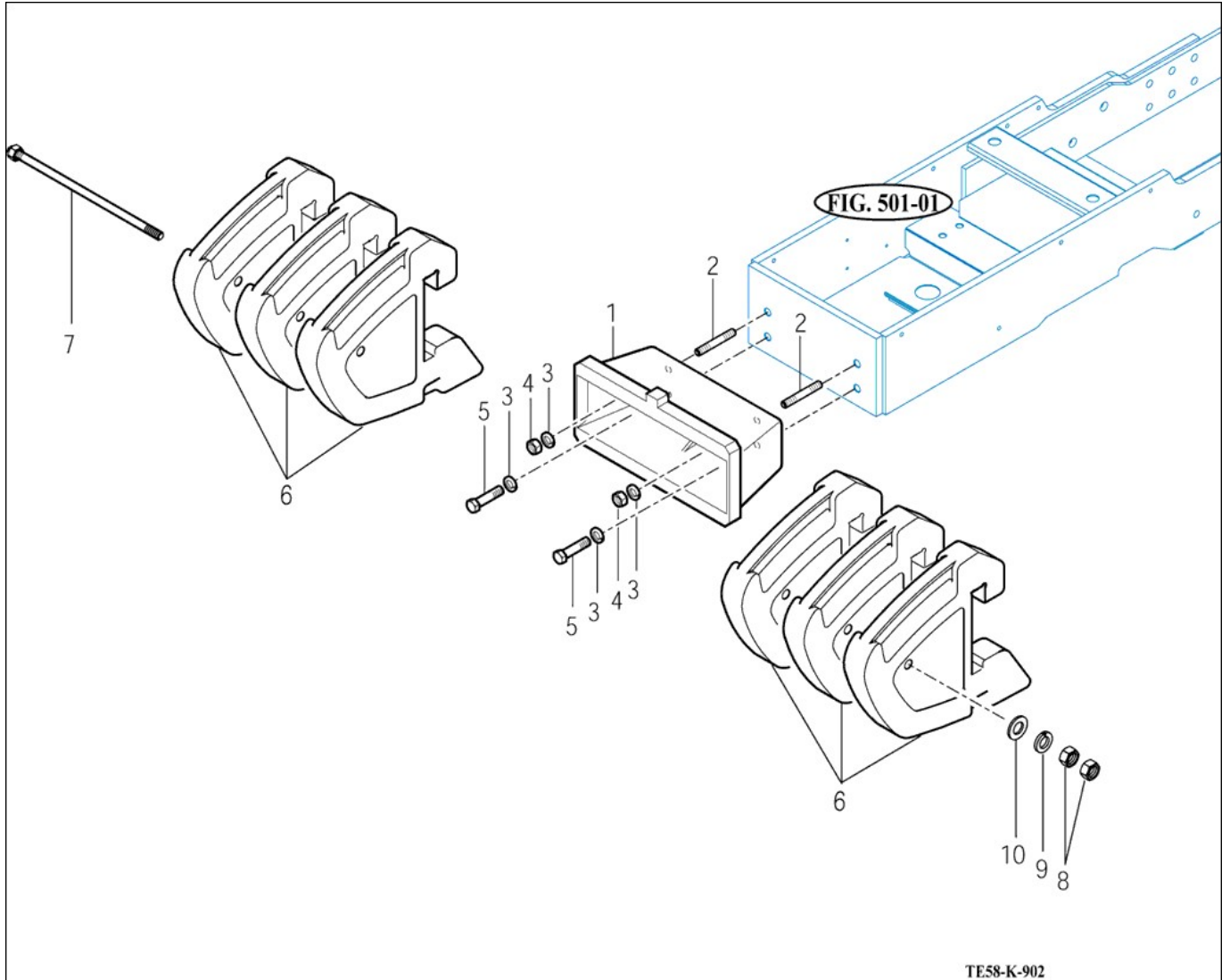
FIG

TE58C

WEIGHT

년/월  
Year/Month

2021-05



TE58-K-902

NOTE



FIG

TE58C

LABEL

년/월  
Year/Month

2021-05

ON  
4WD  
OFF  
20



21



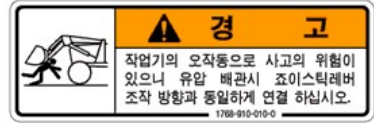
22

연료는 초저유량  
경우만 사용하십시오

23



24



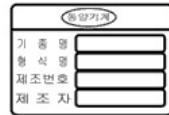
25



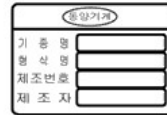
12



19



26



40



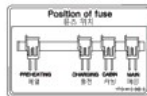
3



11



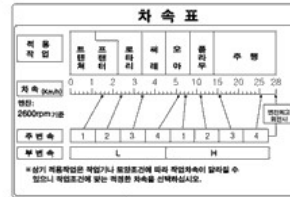
6



38

내부공기순환,외부공기순환  
●그릴을 열면 내부 공기가 순환되고 닫으면 외부 공기가 순환됩니다.  
●효과적인 사용을 위하여 히터, 에어컨을 사용할때는 열어주시고, 산산상 공기로 순환과자 할때는 닫아주십시오.

16



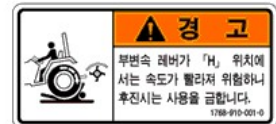
2



35



36



4



5

TE 58

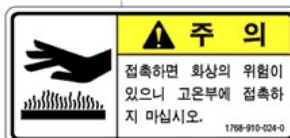
27



37



39



31



15



1



7

NOTE



FIG

TE58C

LABEL

년/월  
Year/Month

2021-05



14



10



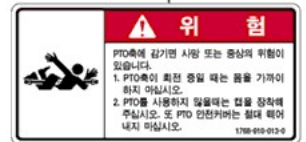
13



8



17



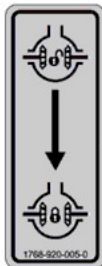
18



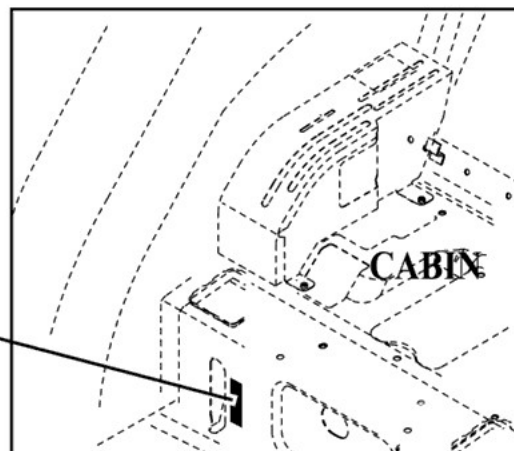
50



11



9



NOTE

