

5520H(AC02110) TRACTOR

Parts Catalogue



# CONTENTS

GROUP NO	GROUP NAME	PAGE
G. ENGINE		
A01_007	CYLINDER BLOCK	5
A02_005	DRIVE PULLY	7
A03_004	CRANK SHAFT PULLEY	9
A04_005	GLOW PLUG ASS'Y OPTION	11
A05_005	CRANK SHAFT ASS'Y OPTION	13
A06_006	BREATHER OPTION	15
A07_005	CAMSHAFT	17
A08_003	ALTERNATOR	19
A09_003	COOLING WATER PUMP	21
A10_008	COOLING FAN SPACER	23
A11_007	INJECTOR	25
A12_016	FUEL INJECTON	27
A13_005	PLUMBING, FUEL	29
A14_003	FUEL FILTER BRACKET	32
A16_018	FUEL FILTER ASS'Y OPTION	34
A17_008	INTAKE MANIFOLD ASS'Y OPTION	36
A18_011	FLYWHEEL	38
A19_009	FLYWHEEL HOUSING	40
A20_011	HEAD, CYLINDER	42
A21_004	HEAD COVER	44
A23_008	TURBOCHARGER SUPPORT ASS'Y OPTION	46
A24_003	TURBOCHARGER	48
A25_003	OIL JET ASS'Y OPTION	50
A26_005	COOLER, ENGINE OIL	52
A27_010	OIL PAN ASS'Y OPTION	54
A28_001	PUMP, LUBRICATING OIL	56
A29_005	FILTER, LUBRICATING OIL	58
A30_003	FRONT GEAR ACCESSORY DRIVE	60
A31_007	PISTON	62
A32_003	LEVER, LOCKER	64
A33_011	EXHAUST MANIFOLD	66
A35_002	IDLE GEAR	68
A36_004	COVER, FRONT GEAR	70
A37_001	BALANCE ASS'Y	72

# CONTENTS

GROUP NO	GROUP NAME	PAGE
<b>G. ENGINE</b>		
A38_007	GAUGE, OIL LEVEL	74
A39_001	OIL FILLER CAP	76
A40_003	LIFT ASS'Y OPTION	78
A42_003	MOTER, STARTIONS	80
A44_008	DPF MOUNTING OPTION	82
A45_003	DPF	84
A48_006	V-BELT	86
A51_006	INTAKE HOSE ASSY OPTION	88
<b>F. TRANSMISSION</b>		
F01011	FLY WHEEL HOUSING	90
F01030	HOUSING, REAR AXLE	92
F01040	REAR AXLE CASE	94
F01050	HST HOUSING	96
F01060	PTO COVER	98
F03030	HST GEAR	100
F03040	RANGE SHIFT DRIVE SHAFT	102
F03050	RANGE SHIFT DRIVEN SHAFT	104
F04010	FRONT WHEEL DRIVE SHAFT	106
F04030	FRONT WHEEL DRIVE IDLE SHAFT	108
F05020	REAR DIFFERENTIAL	110
F06030	BRAKE	113
F06031	SUPPORT, BRAKE	115
F06033	BRAKE LINK	117
F07030	PTO DRIVE SHAFT	119
F07050	PTO VALVE	121
F07070	PTO SHAFT	123
F08022	RANGE SHIFT FORK	125
F10010	CASE, HYD CYLINDER	127
F10020	LIFT ARM	129
F10030	SAFETY VALVE	131
F10040	STOP VALVE	133
F10064	POSITION CONTROL LEVER	135
F10070	SHAFT, CONTROL LEVER	137
F10100	TOP LINK	139

# CONTENTS

GROUP NO	GROUP NAME	PAGE
F. TRANSMISSION		
F10120	REAR SCV	141
F11020	RANGE SHIFT LEVER	144
F11030	LEVER ASS'Y, PTO SPEED CHANGE	146
F11080	4WD LEVER	148

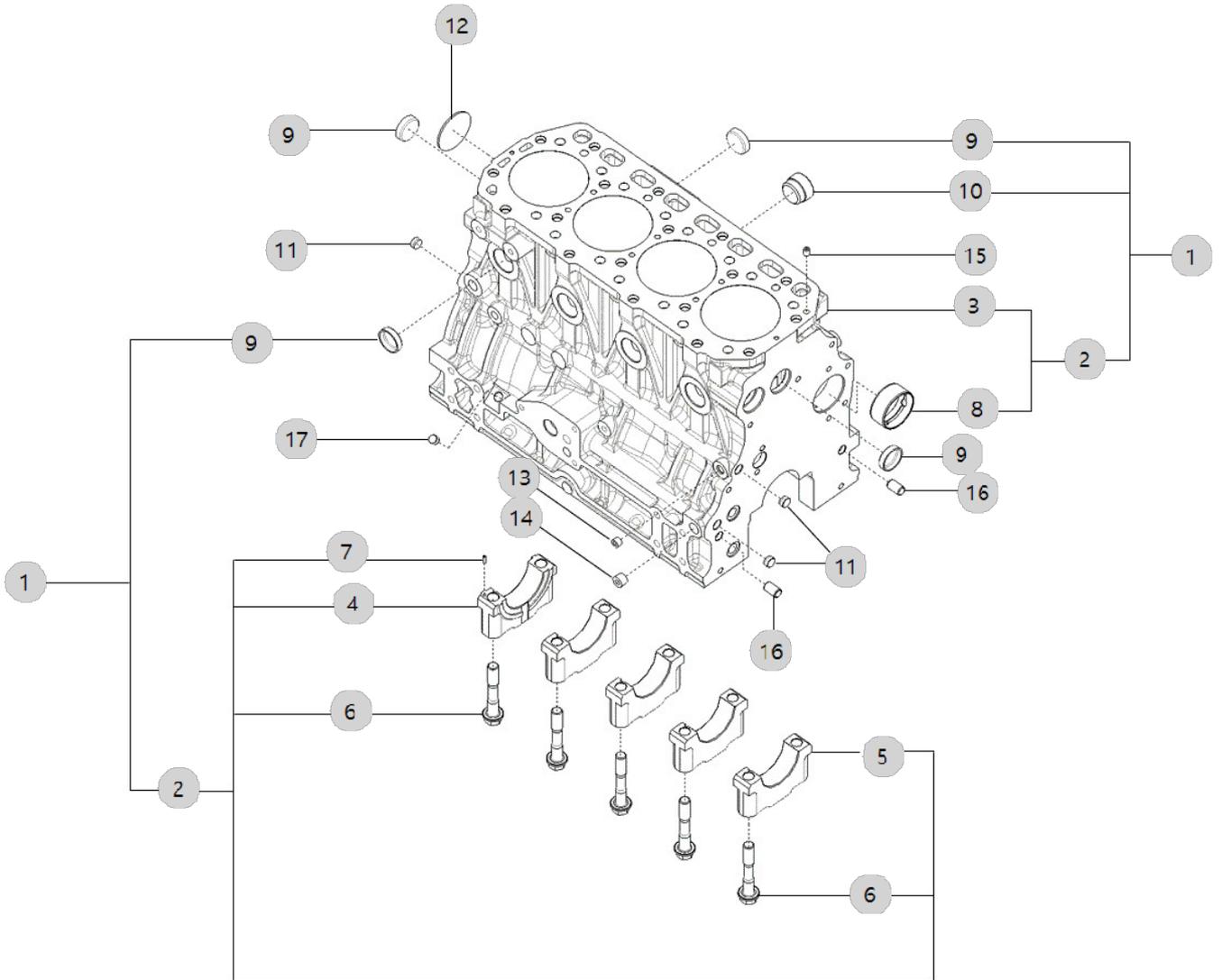
A01\_007

A2300T3-UTR\_4  
(AB00160)

# CYLINDER BLOCK

Year/Month

2022-12-15





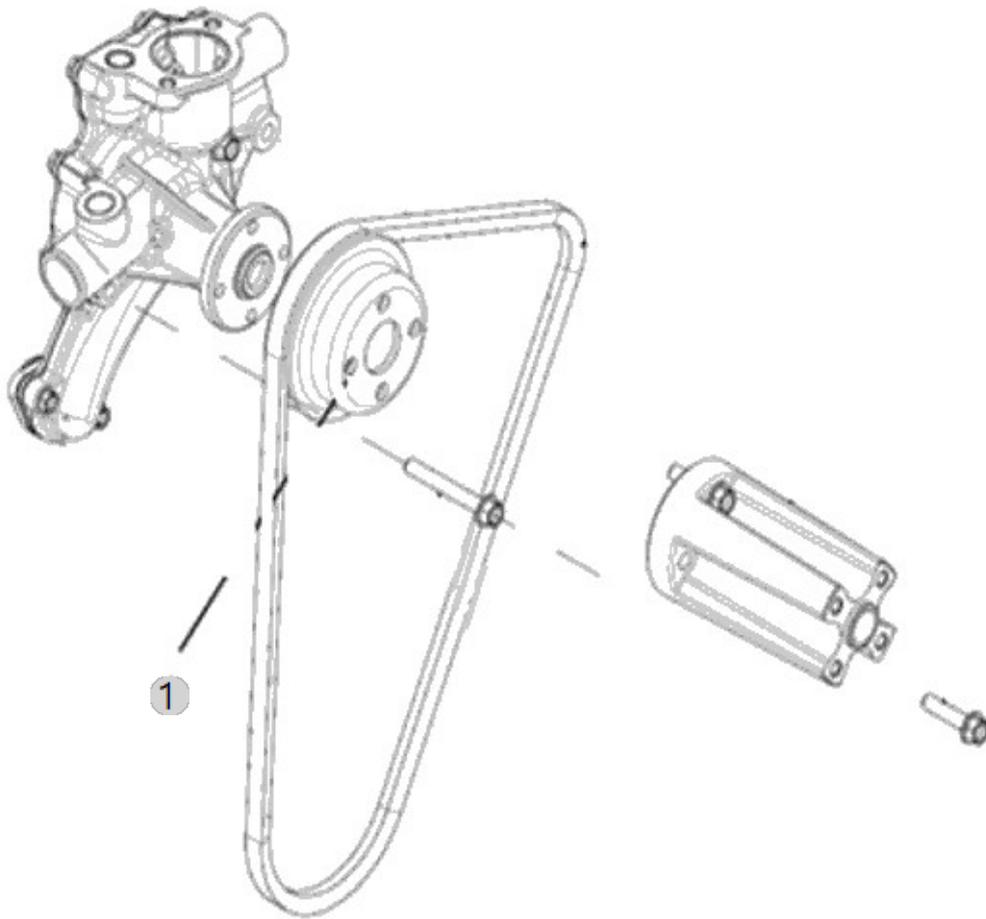
A02\_005

A2300T3-UTR\_4  
(AB00160)

# DRIVE PULLY

Year/Month

2022-12-15







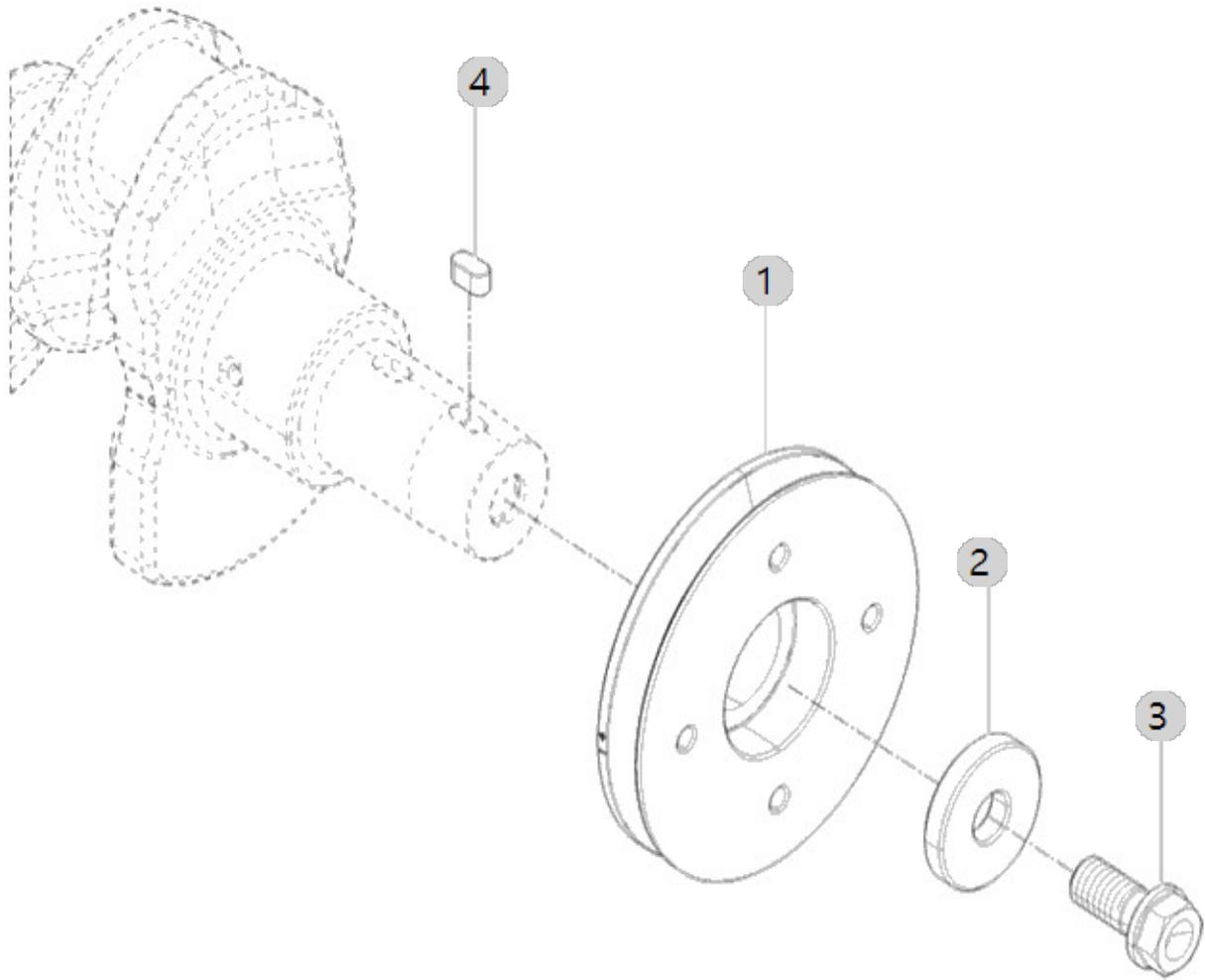
A03\_004

A2300T3-UTR\_4  
(AB00160)

# CRANK SHAFT PULLEY

Year/Month

2022-12-15





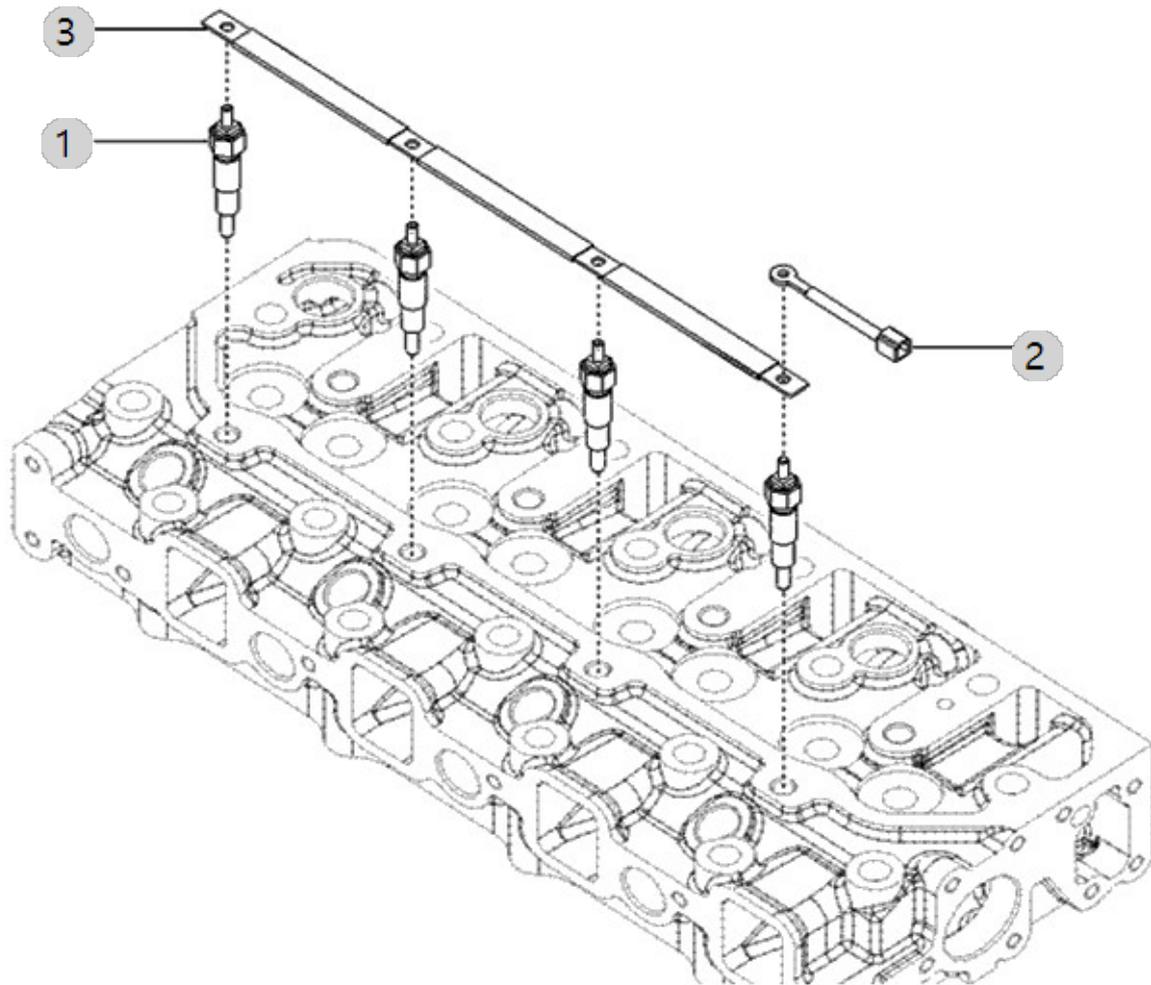
A04\_005

A2300T3-UTR\_4  
(AB00160)

### GLOW PLUG ASS'Y OPTION

Year/Month

2022-12-15





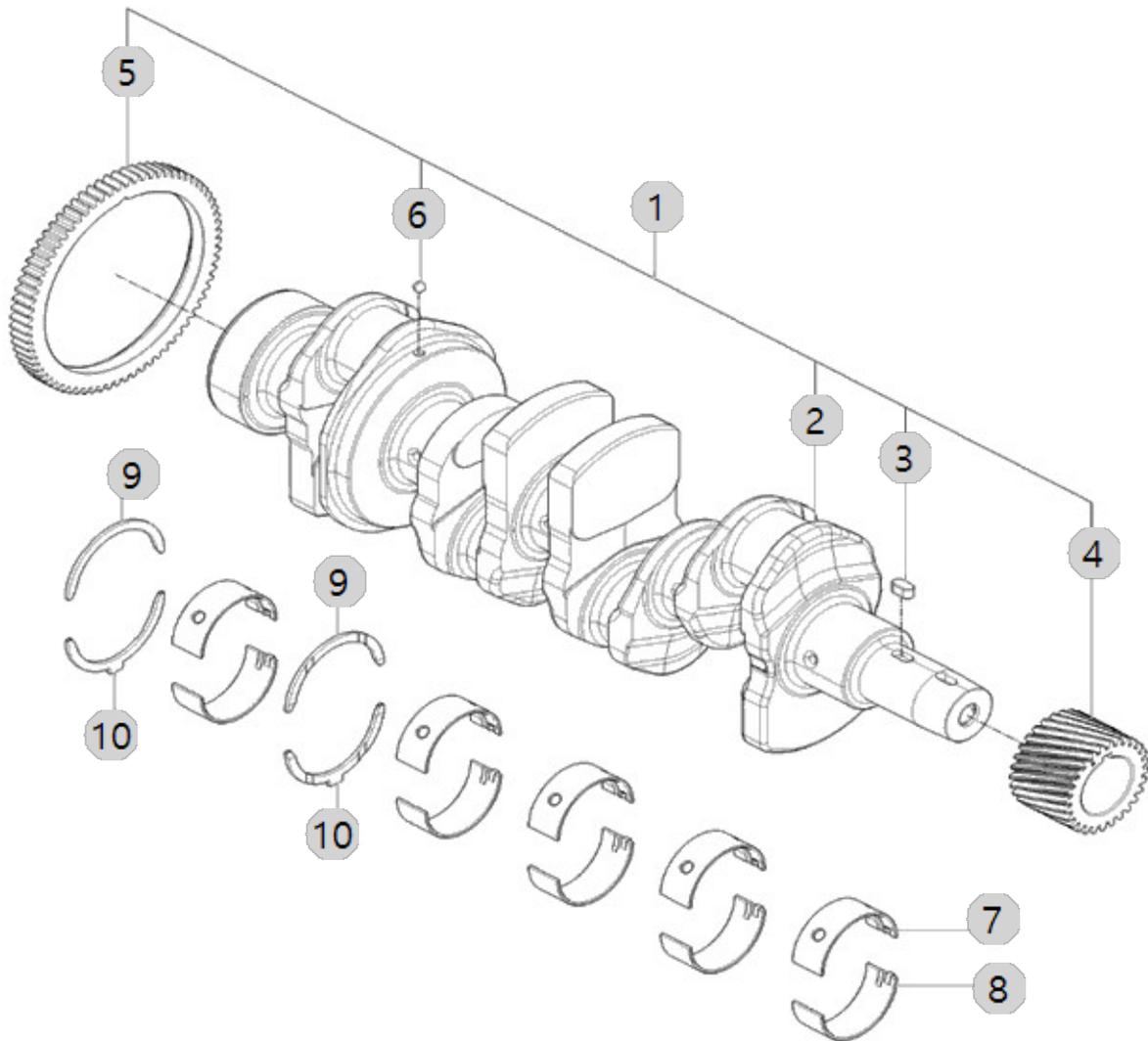
A05\_005

A2300T3-UTR\_4  
(AB00160)

### CRANK SHAFT ASS'Y OPTION

Year/Month

2022-12-15





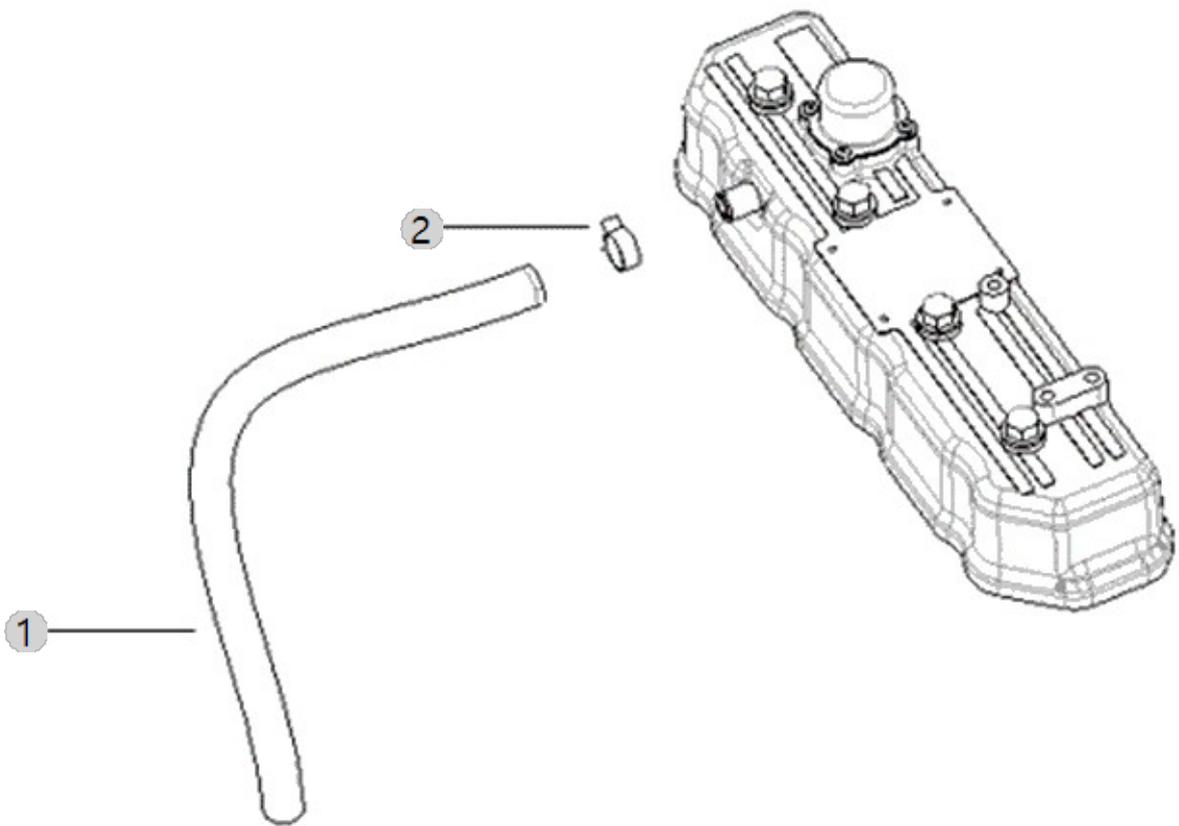
A06\_006

A2300T3-UTR\_4  
(AB00160)

BREATHER OPTION

Year/Month

2022-12-15







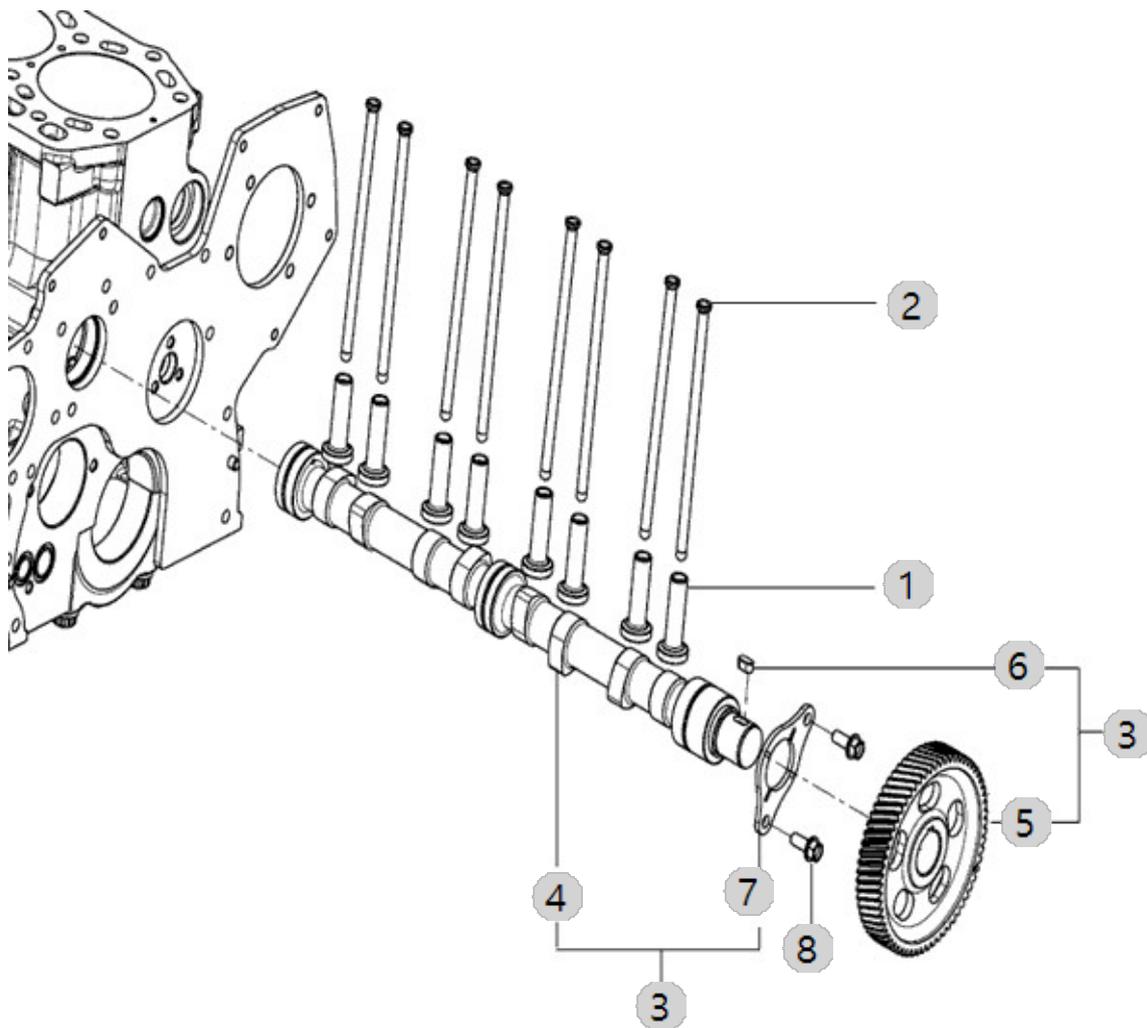
A07\_005

A2300T3-UTR\_4  
(AB00160)

# CAMSHAFT

Year/Month

2022-12-15





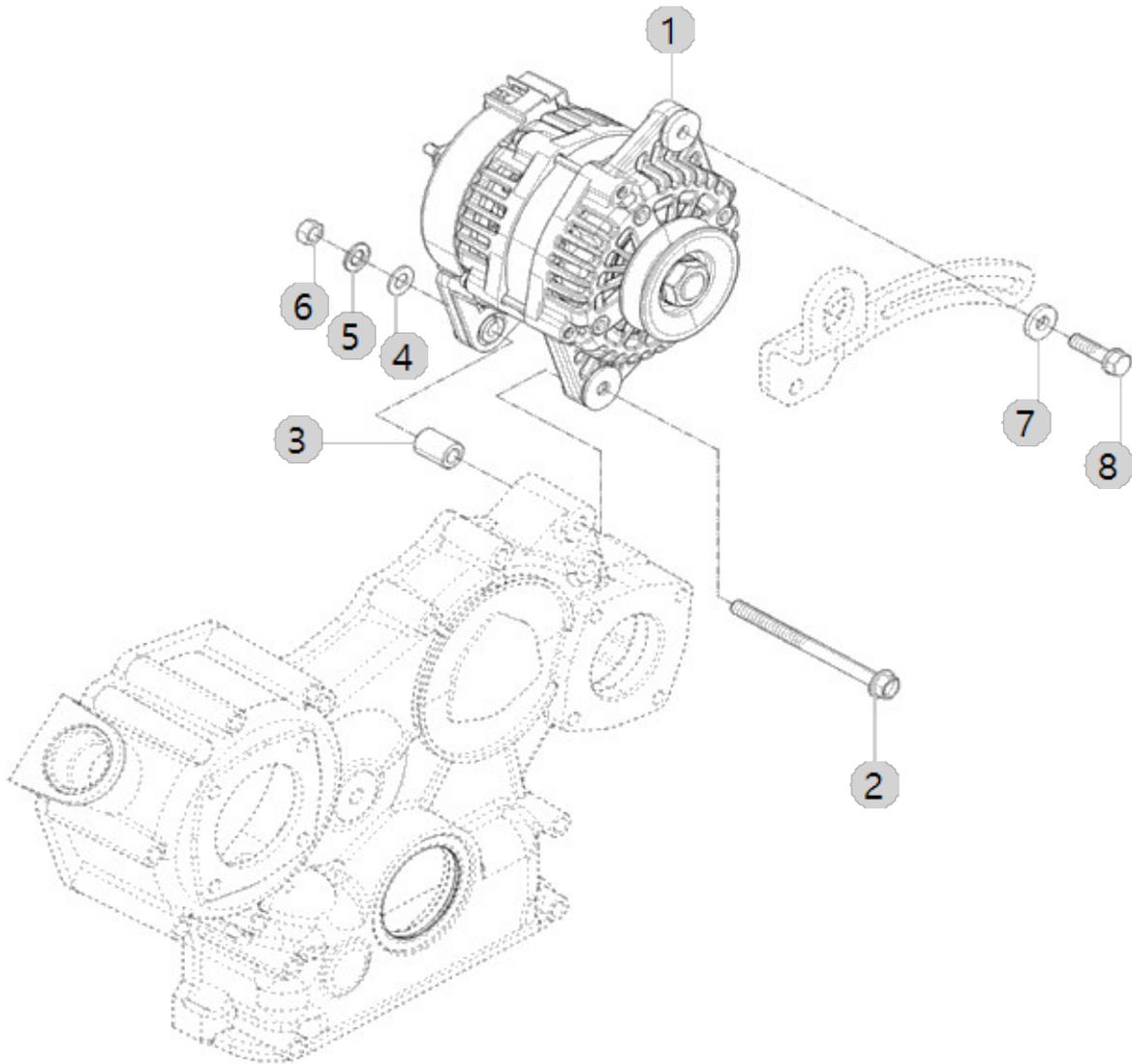
A08\_003

A2300T3-UTR\_4  
(AB00160)

# ALTERNATOR

Year/Month

2022-12-15





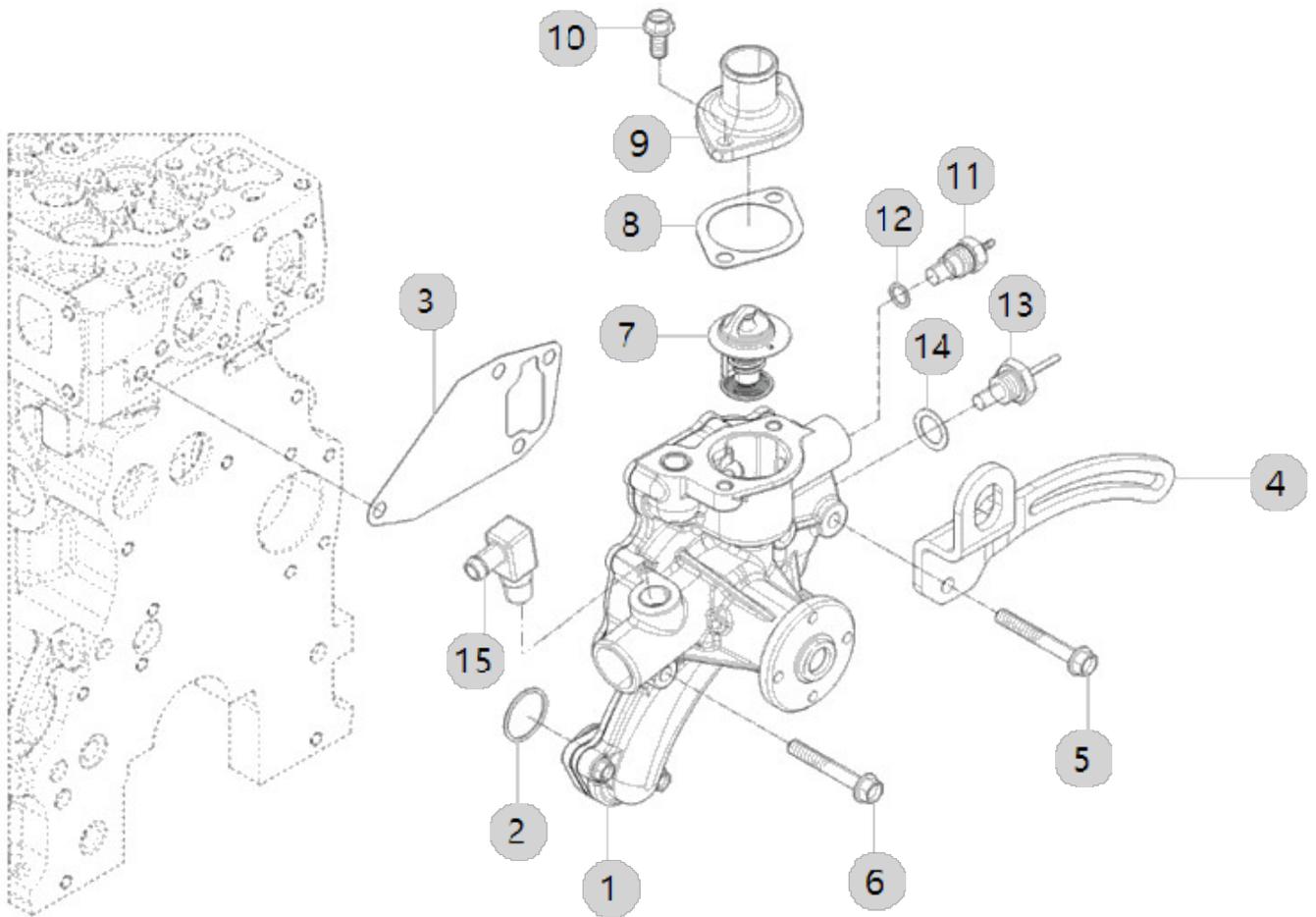
A09\_003

A2300T3-UTR\_4  
(AB00160)

### COOLING WATER PUMP

Year/Month

2022-12-15





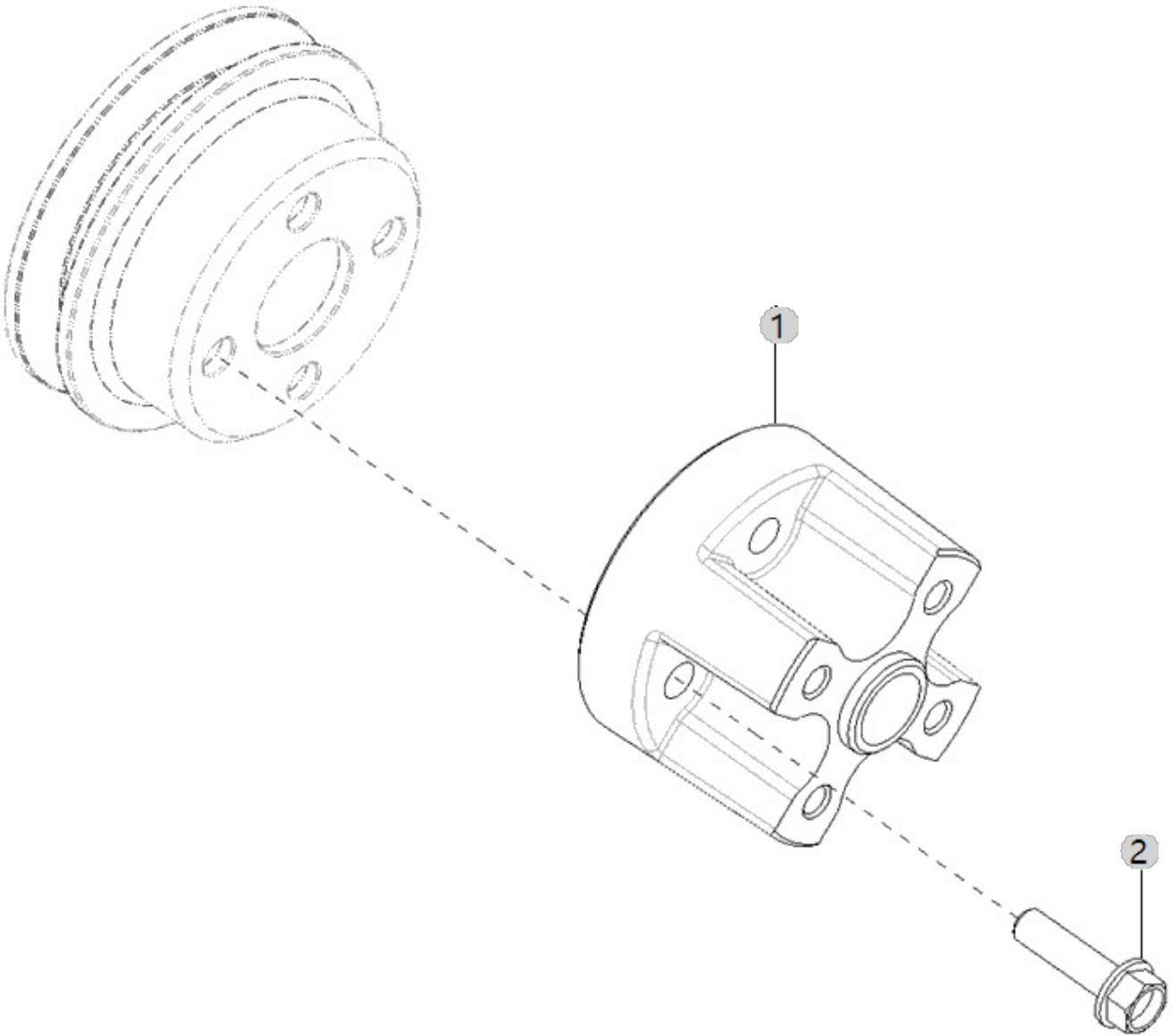
A10\_008

A2300T3-UTR\_4  
(AB00160)

COOLING FAN SPACER

Year/Month

2022-12-15







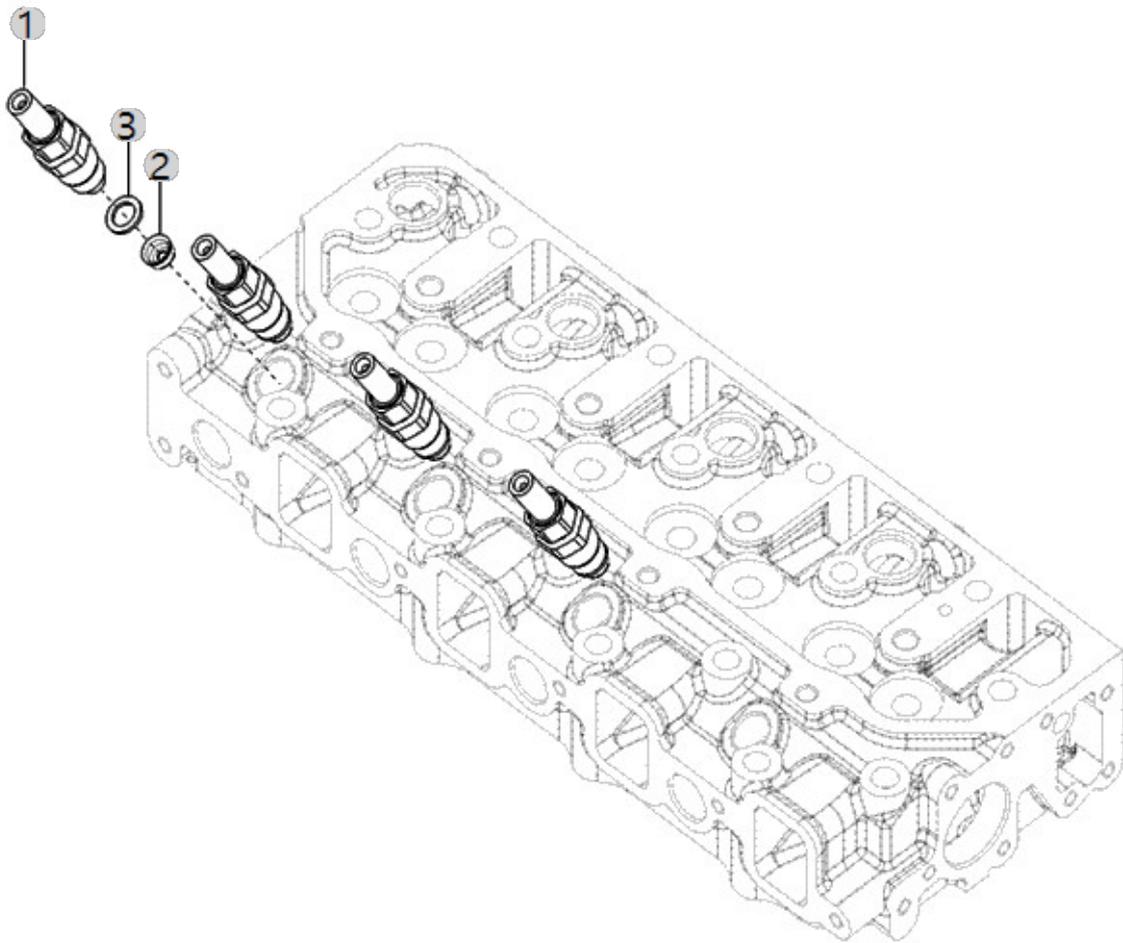
A11\_007

A2300T3-UTR\_4  
(AB00160)

# INJECTOR

Year/Month

2022-12-15





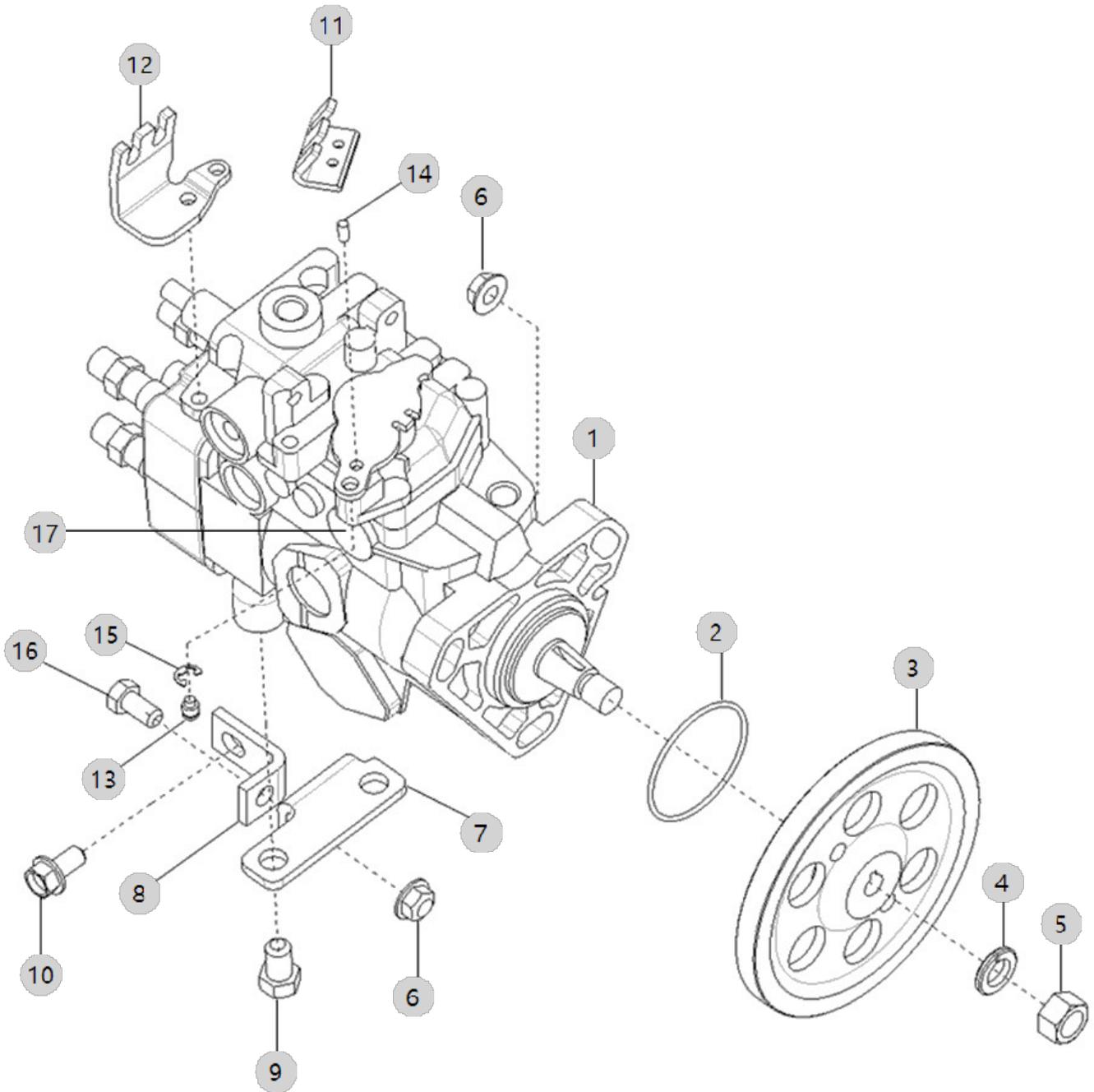
A12\_016

A2300T3-UTR\_4  
(AB00160)

# FUEL INJECTOR

Year/Month

2022-12-15





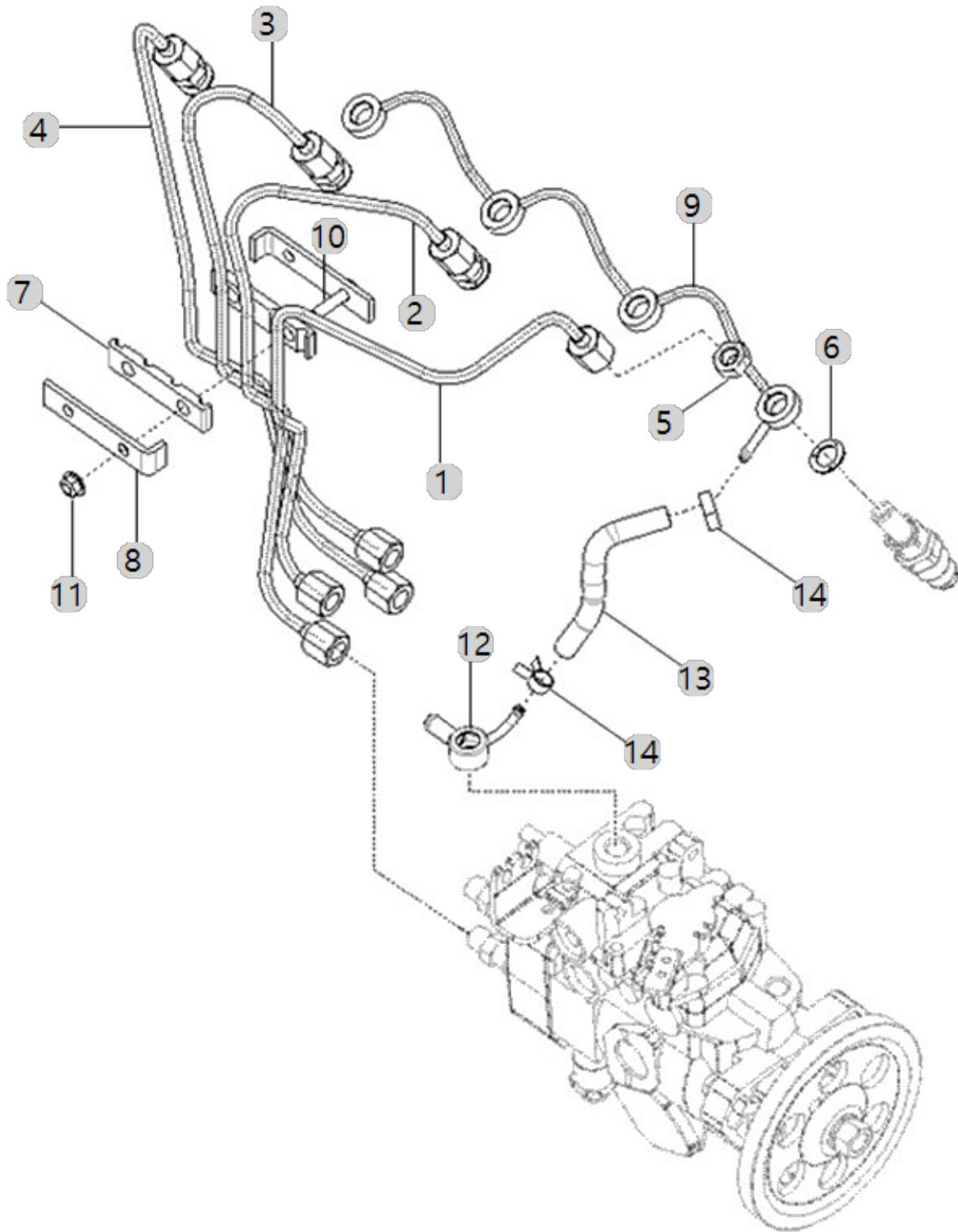
A13\_005

A2300T3-UTR\_4  
(AB00160)

PLUMBING, FUEL

Year/Month

2022-12-15



A13_005 A2300T3-UTR_4 (AB00160)		PLUMBING, FUEL				Year/Month 2022-12-15
순번 (NO)	부품번호 (PART NO)	품명 (PART NAME)	품명 (PART NAME)	수량 (QTY)	규격 (SPEC)	비고 (REMARK)
1	HRA150050DB0	299,A202322,연료파이프조합(A)	PIPE ASSY, FUEL SUPPLY A	1		
1	HRA150050DB0	299,A202322,연료파이프조합(A)	PIPE ASSY, FUEL SUPPLY A	1		
1	HRA150050DC0	연료파이프조합(A)	TUBE,INJECTOR FUEL SUPPLY	1		
1	HRA150050DB0	299,A202322,연료파이프조합(A)	PIPE ASSY, FUEL SUPPLY A	1		
2	HRA150060DB0	300,A202322,연료파이프조합(B)	PIPE ASSY, FUEL SUPPLY (B)	1		
2	HRA150060DC0	연료파이프조합(B)	TUBE,INJECTOR FUEL SUPPLY	1		
2	HRA150060DB0	300,A202322,연료파이프조합(B)	PIPE ASSY, FUEL SUPPLY (B)	1		
2	HRA150060DB0	300,A202322,연료파이프조합(B)	PIPE ASSY, FUEL SUPPLY (B)	1		
3	HRA150070DB0	301,A202322,연료파이프조합(C)	PIPE ASSY, FUEL SUUPLY C	1		
3	HRA150070DC0	연료파이프조합(C)	TUBE,INJECTOR FUEL SUPPLY	1		
3	HRA150070DB0	301,A202322,연료파이프조합(C)	PIPE ASSY, FUEL SUUPLY C	1		
3	HRA150070DB0	301,A202322,연료파이프조합(C)	PIPE ASSY, FUEL SUUPLY C	1		
4	HRA150080DB0	302,A202322,연료파이프조합(D)	PIPE ASSY, FUEL SUPPLY D	1		
4	HRA150080DB0	302,A202322,연료파이프조합(D)	PIPE ASSY, FUEL SUPPLY D	1		
4	HRA150080DC0	연료파이프조합(D)	TUBE,INJECTOR FUEL SUPPLY	1		
5	HK13450000A4	육각고정너트	NUT,REGULARHEXAGON	4	M12X1.5	
5	HK13450000A4	육각고정너트	NUT,REGULARHEXAGON	4	M12X1.5	
5	HK13450000A4	육각고정너트	NUT,REGULARHEXAGON	4	M12X1.5	
5	HK13450000A4	육각고정너트	NUT,REGULARHEXAGON	4	M12X1.5	
6	HK13440000A4	306,ALL,패킹(조인트)(와류실)	GASKET,FUELMANIFOLD	4		
6	HK13440000A4	306,ALL,패킹(조인트)(와류실)	GASKET,FUELMANIFOLD	4		
6	HK13440000A4	306,ALL,패킹(조인트)(와류실)	GASKET,FUELMANIFOLD	4		
6	HK13440000A4	306,ALL,패킹(조인트)(와류실)	GASKET,FUELMANIFOLD	4		
7	HRA1502700A4	462,ALL,브래킷고무	RUBBER,BRACKET	2		
7	HRA1502700A4	462,ALL,브래킷고무	RUBBER,BRACKET	2		
7	HRA1502700A4	462,ALL,브래킷고무	RUBBER,BRACKET	2		
7	HRA1502700A4	462,ALL,브래킷고무	RUBBER,BRACKET	2		
8	HRA1502800A4	브래킷판	CLAMP,TUBE	2	T 3.2	
8	HRA1502800A4	브래킷판	CLAMP,TUBE	1	T 3.2	
8	HRA1502800A4	브래킷판	CLAMP,TUBE	1	T 3.2	
8	HRA1502800A4	브래킷판	CLAMP,TUBE	1	T 3.2	
8	HRA1502800B4	브래킷판	CLAMP,TUBE	2	T 3.2	
9	HRA1500900C3	퇴유파이프조합	PIPE ASSY, FUEL RETURN	1		
9	HRA1500900D3	퇴유파이프조합	PIPE ASSY, FUEL	1		
9	HRA1500900C3	퇴유파이프조합	PIPE ASSY, FUEL RETURN	1		
9	HRA1500900C3	퇴유파이프조합	PIPE ASSY, FUEL RETURN	1		
10	HRA1502600B4	브래킷(연료파이프)	BRACKET,PIPE	1		
10	HRA1502600B4	브래킷(연료파이프)	BRACKET,PIPE	1		
10	HRA1502600B4	브래킷(연료파이프)	BRACKET,PIPE	1		
10	HRA1502600B4	브래킷(연료파이프)	BRACKET,PIPE	1		
11	26367-060002	플랜지너트	Nut, Hexa (Φ6)	2	M6XP1.0	
11	26367-060002	플랜지너트	Nut, Hexa (Φ6)	2	M6XP1.0	
11	26367-060002	플랜지너트	Nut, Hexa (Φ6)	2	M6XP1.0	
11	26367-060002	플랜지너트	Nut, Hexa (Φ6)	2	M6XP1.0	



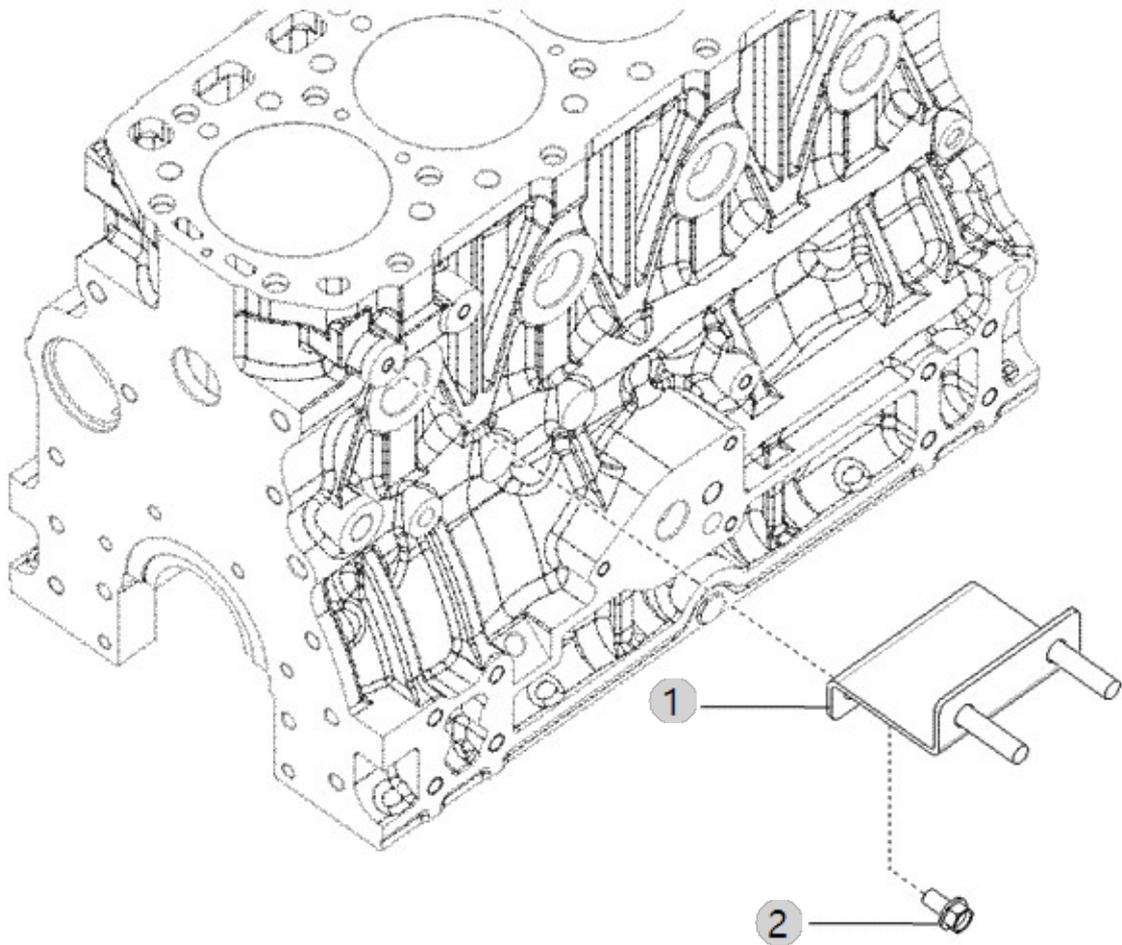
A14\_003

A2300T3-UTR\_4  
(AB00160)

### FUEL FILTER BRACKET

Year/Month

2022-12-15







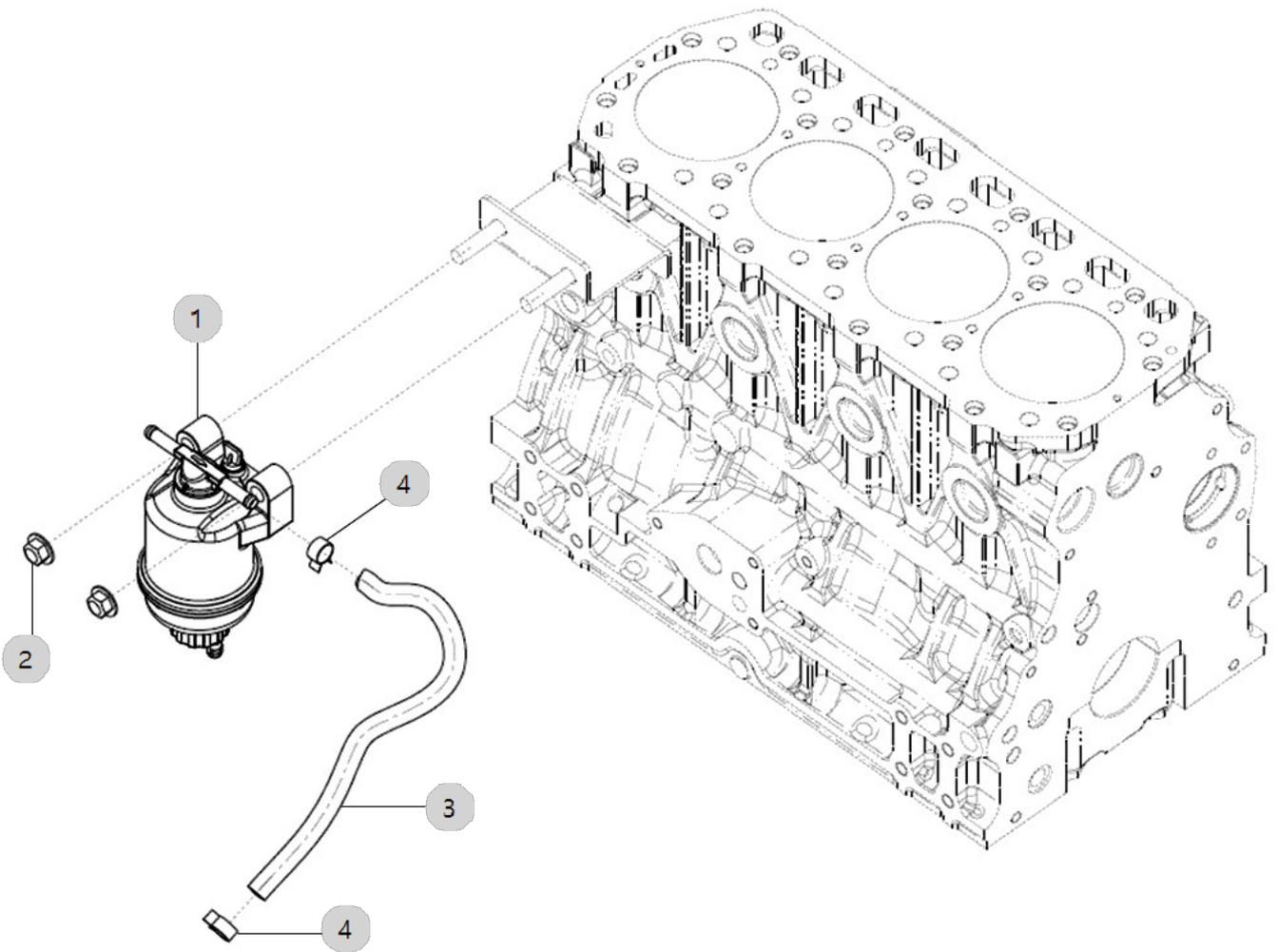
A16\_018

A2300T3-UTR\_4  
(AB00160)

FUEL FILTER ASS'Y OPTION

Year/Month

2022-12-15





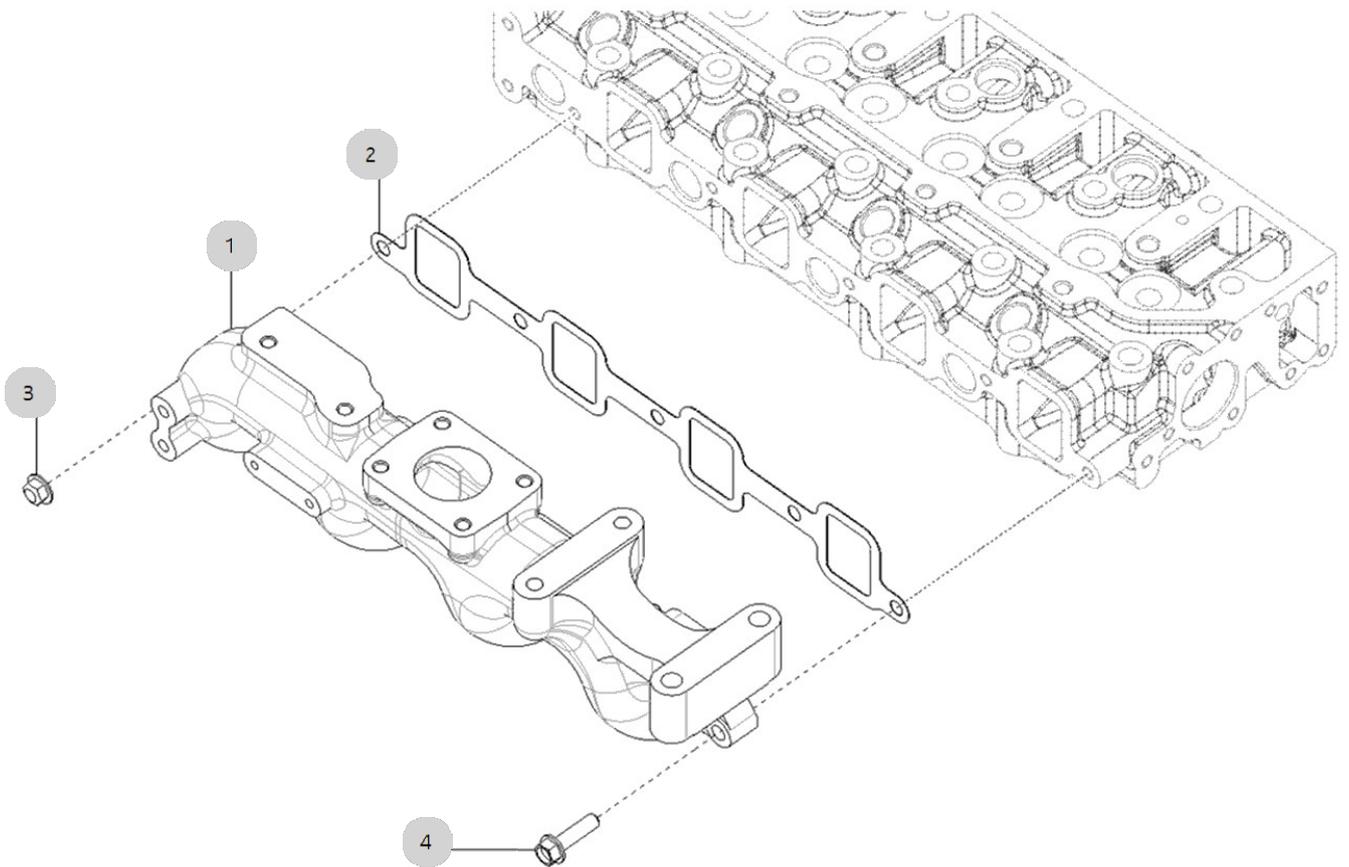
A17\_008

A2300T3-UTR\_4  
(AB00160)

### INTAKE MANIFOLD ASS'Y OPTION

Year/Month

2022-12-15





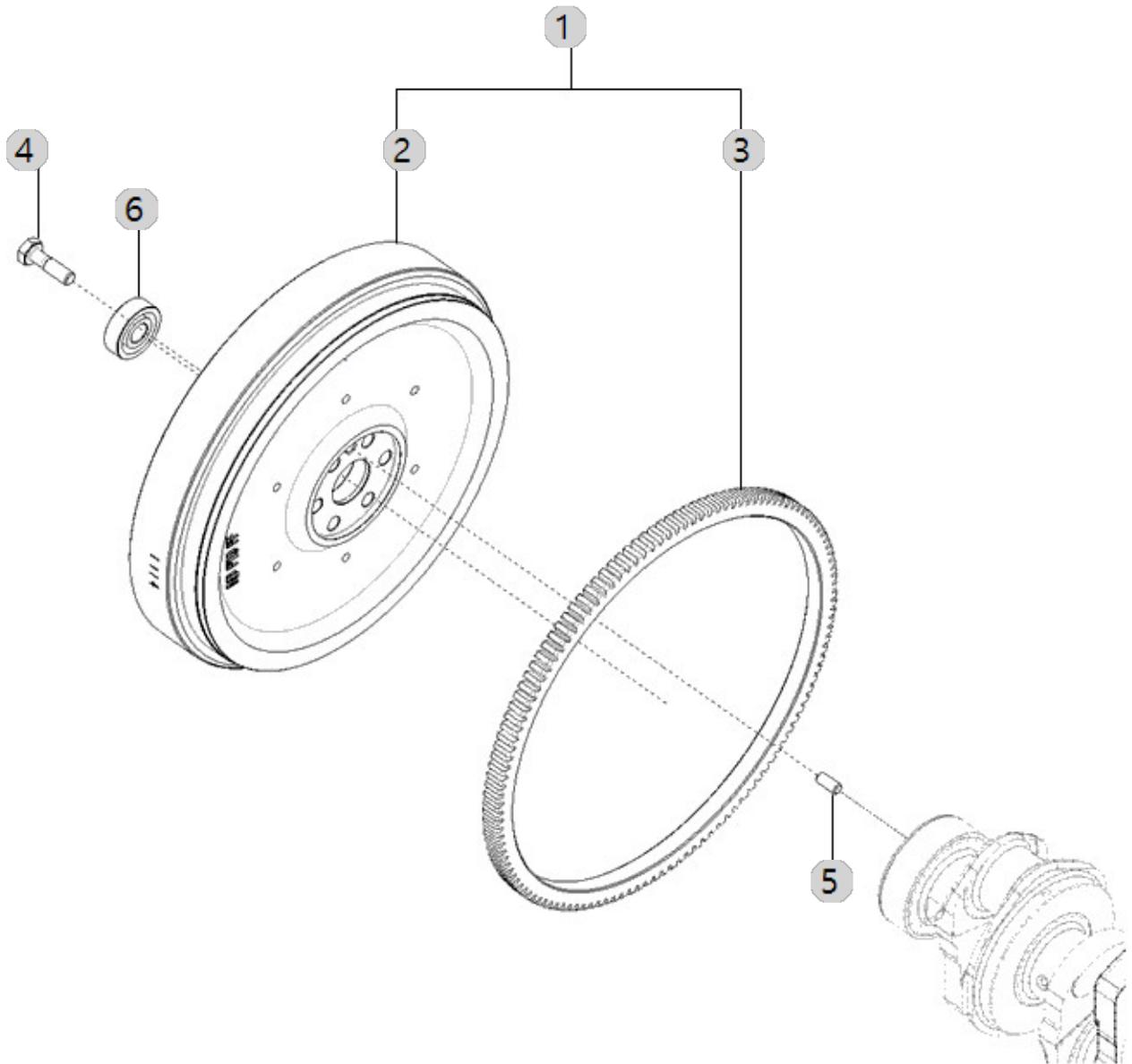
A18\_011

A2300T3-UTR\_4  
(AB00160)

# FLYWHEEL

Year/Month

2022-12-15





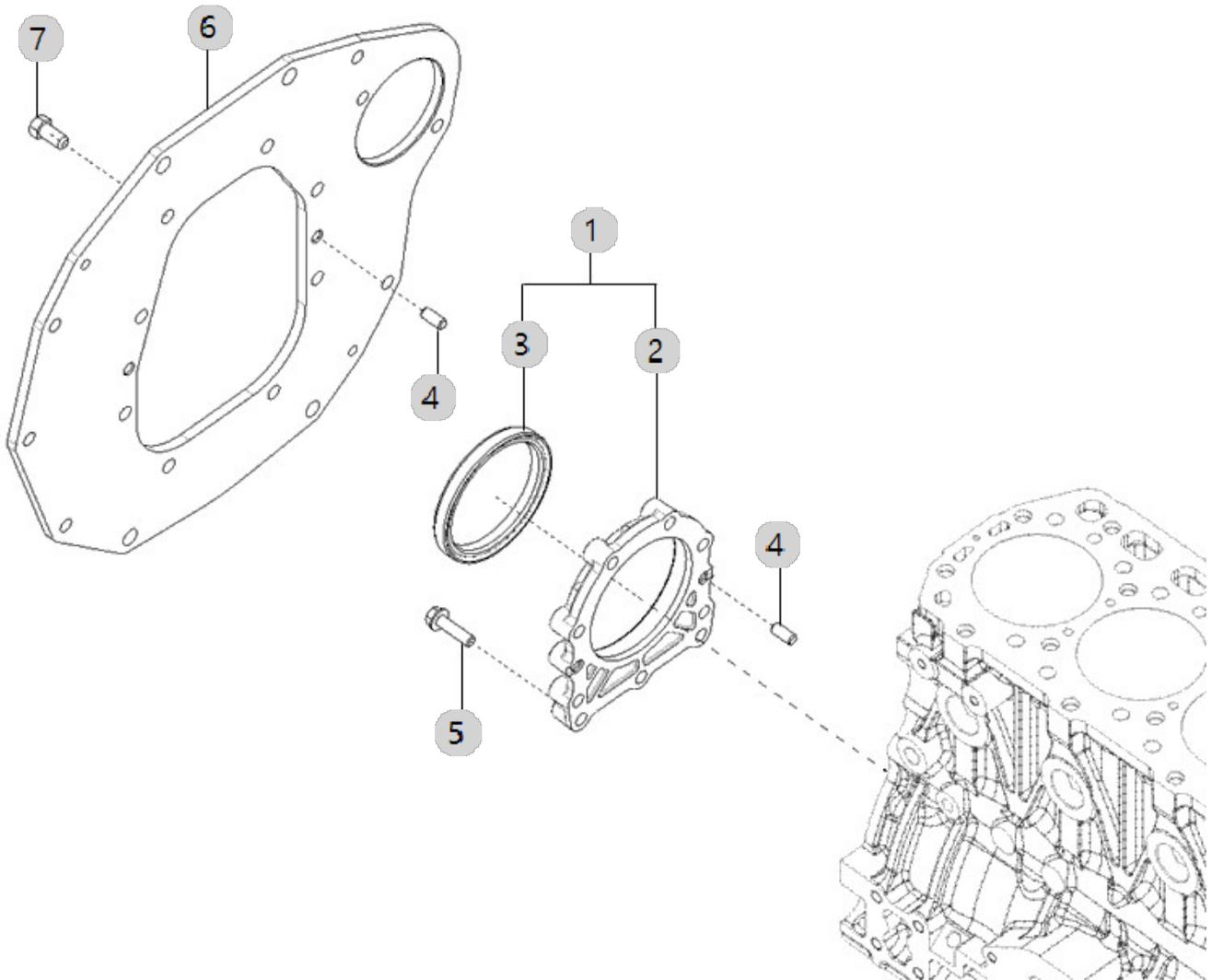
A19\_009

A2300T3-UTR\_4  
(AB00160)

# FLYWHEEL HOUSING

Year/Month

2022-12-15







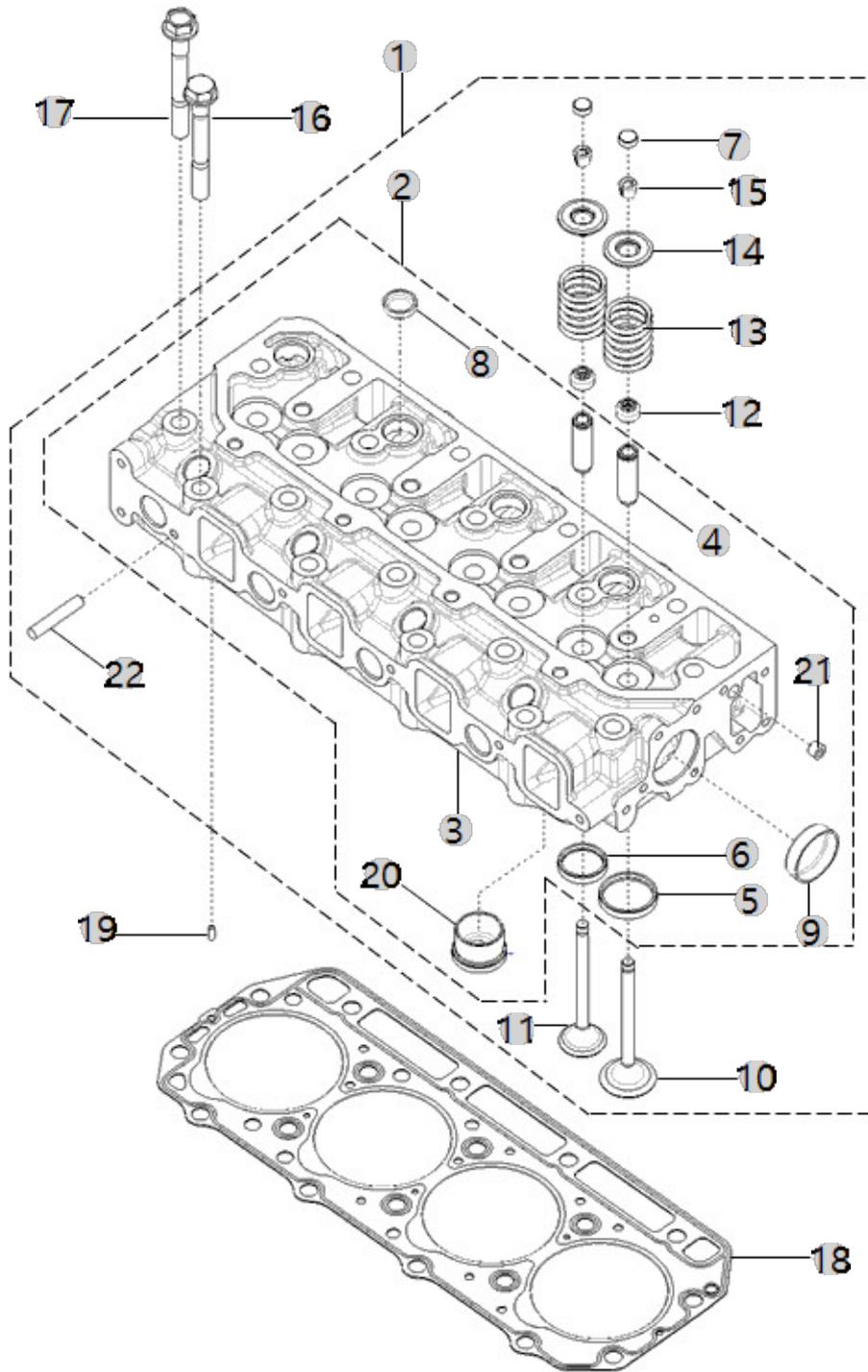
A20\_011

A2300T3-UTR\_4  
(AB00160)

HEAD, CYLINDER

Year/Month

2022-12-15





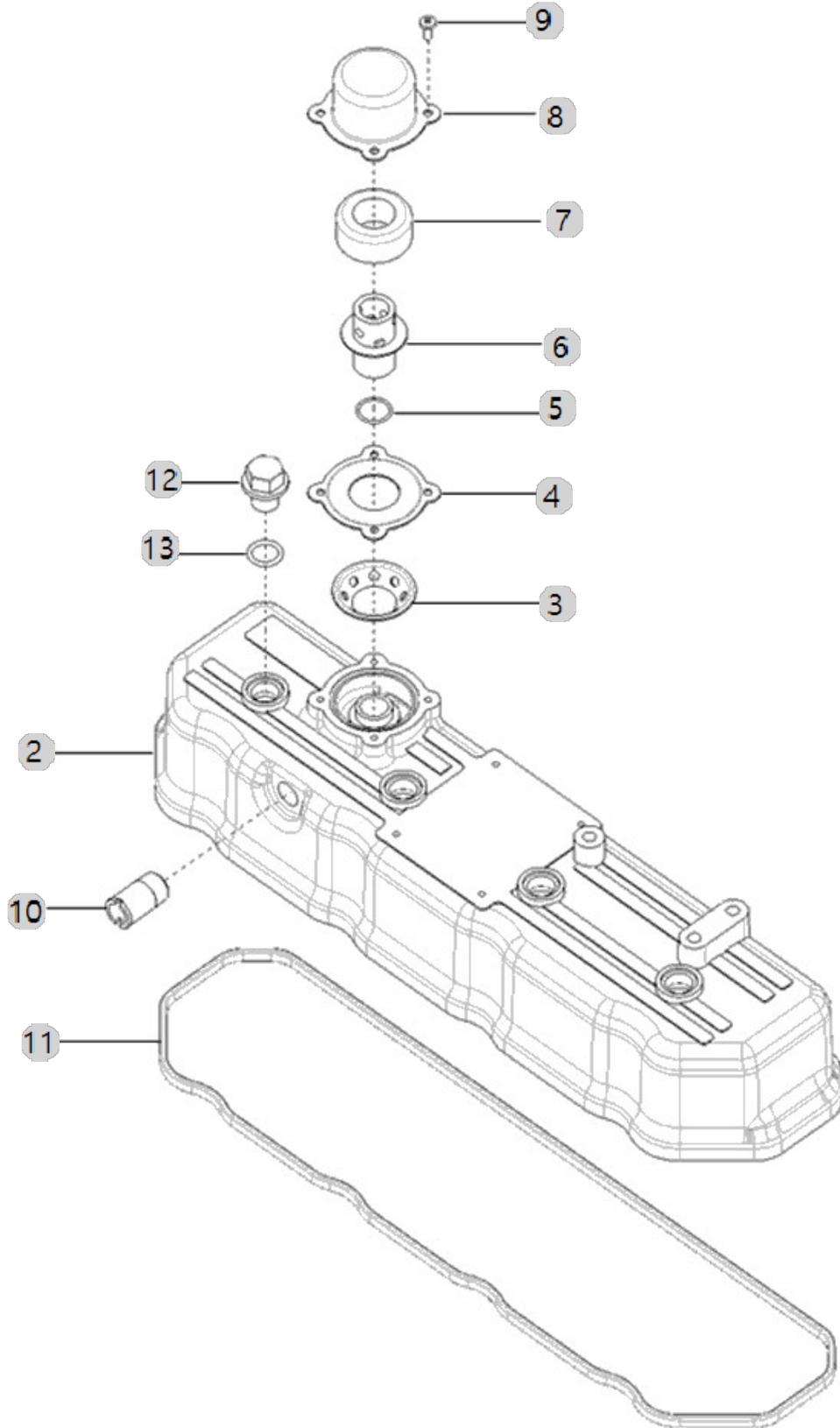
A21\_004

A2300T3-UTR\_4  
(AB00160)

# HEAD COVER

Year/Month

2022-12-15





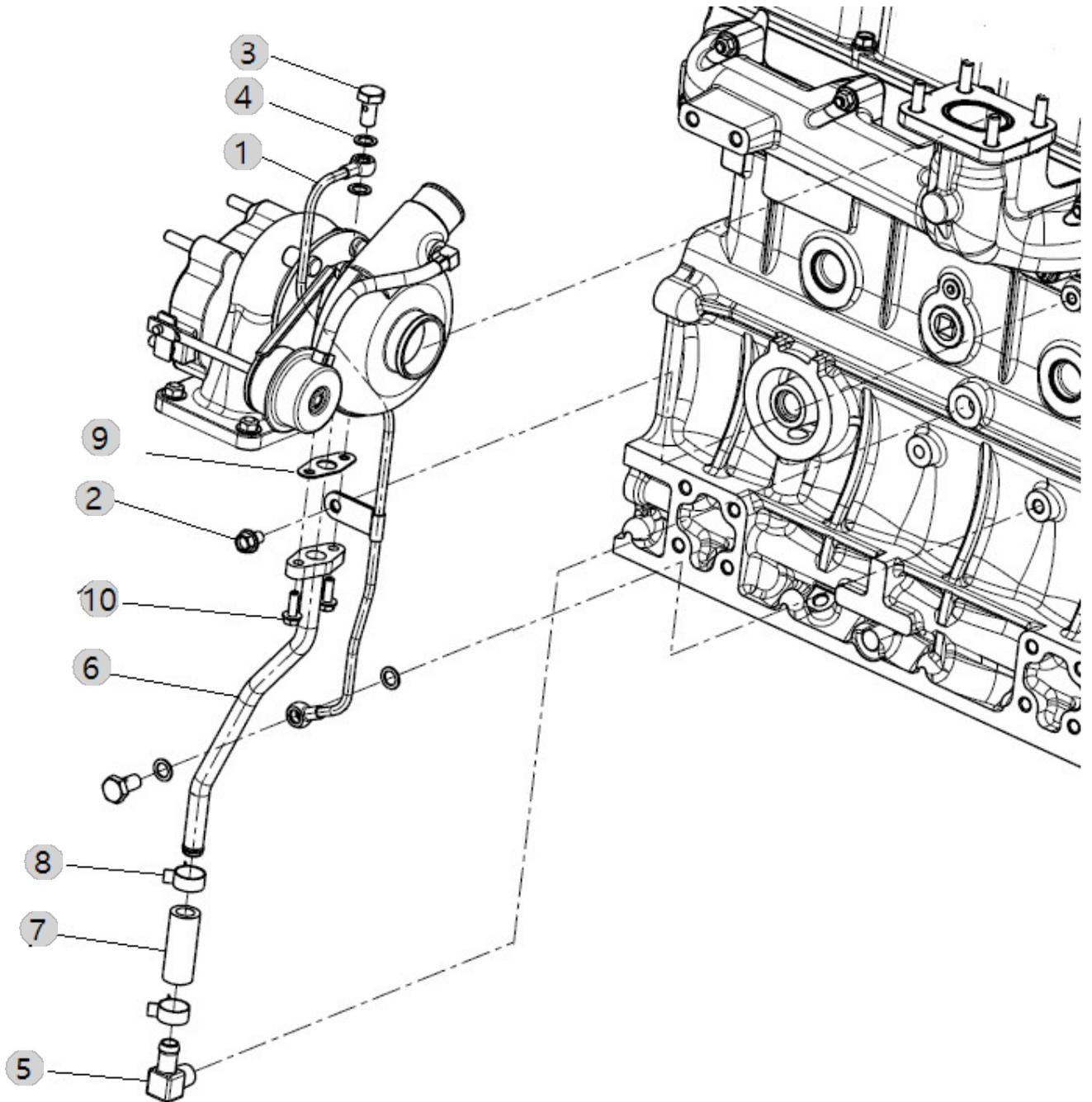
A23\_008

A2300T3-UTR\_4  
(AB00160)

TURBOCHARGER SUPPORT ASS'Y OPTION

Year/Month

2022-12-15





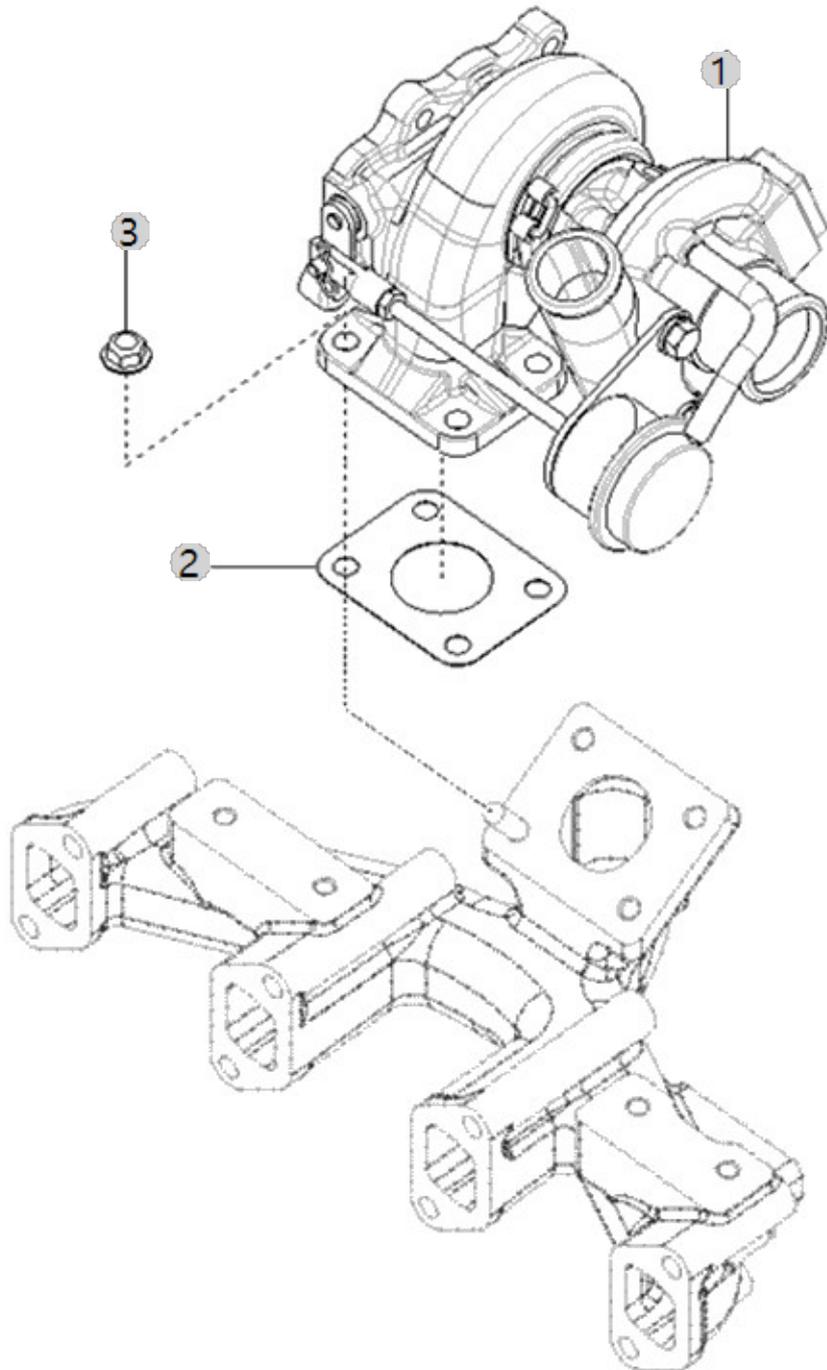
A24\_003

A2300T3-UTR\_4  
(AB00160)

TURBOCHARGER

Year/Month

2022-12-15







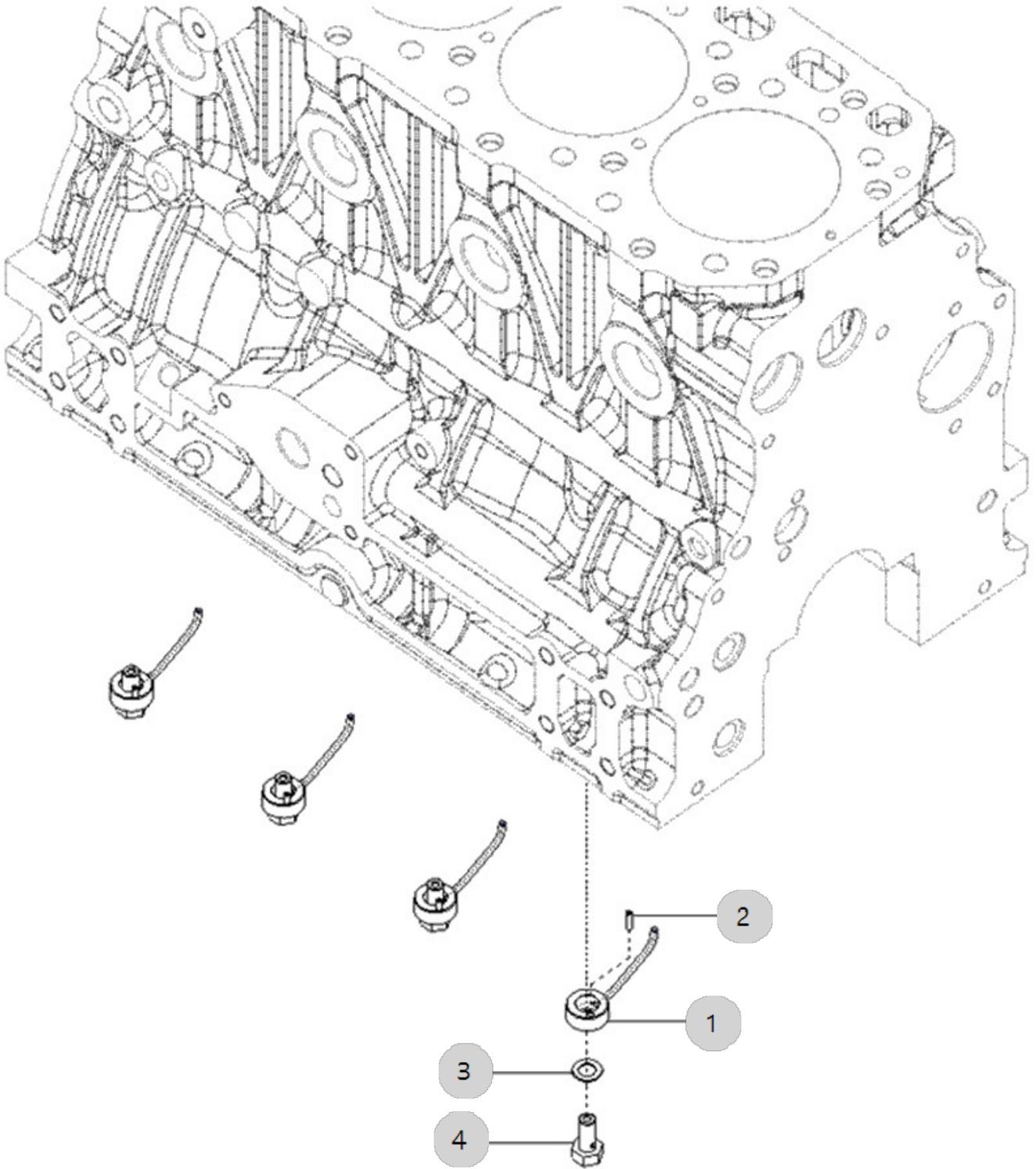
A25\_003

A2300T3-UTR\_4  
(AB00160)

### OIL JET ASS'Y OPTION

Year/Month

2022-12-15





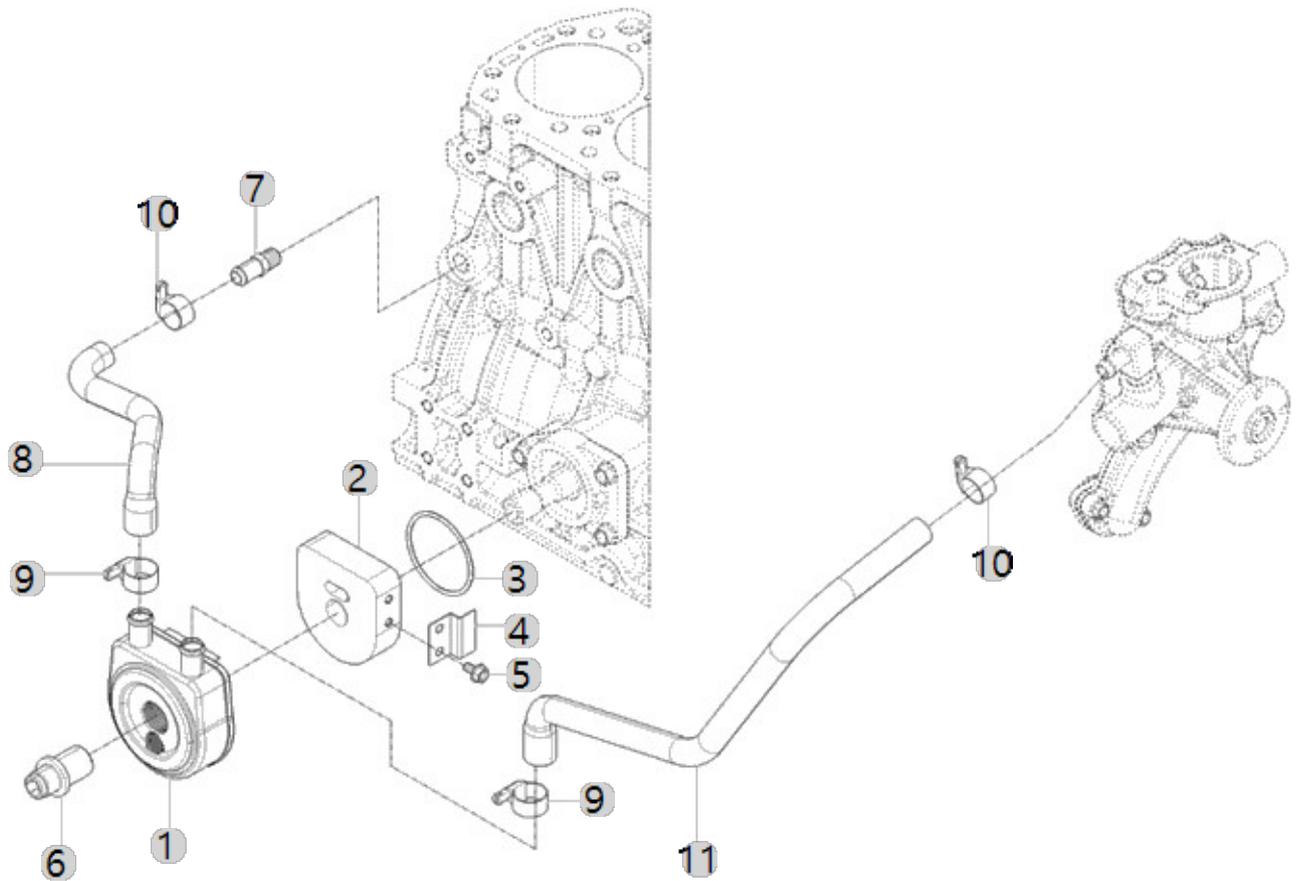
A26\_005

A2300T3-UTR\_4  
(AB00160)

COOLER, ENGINE OIL

Year/Month

2022-12-15





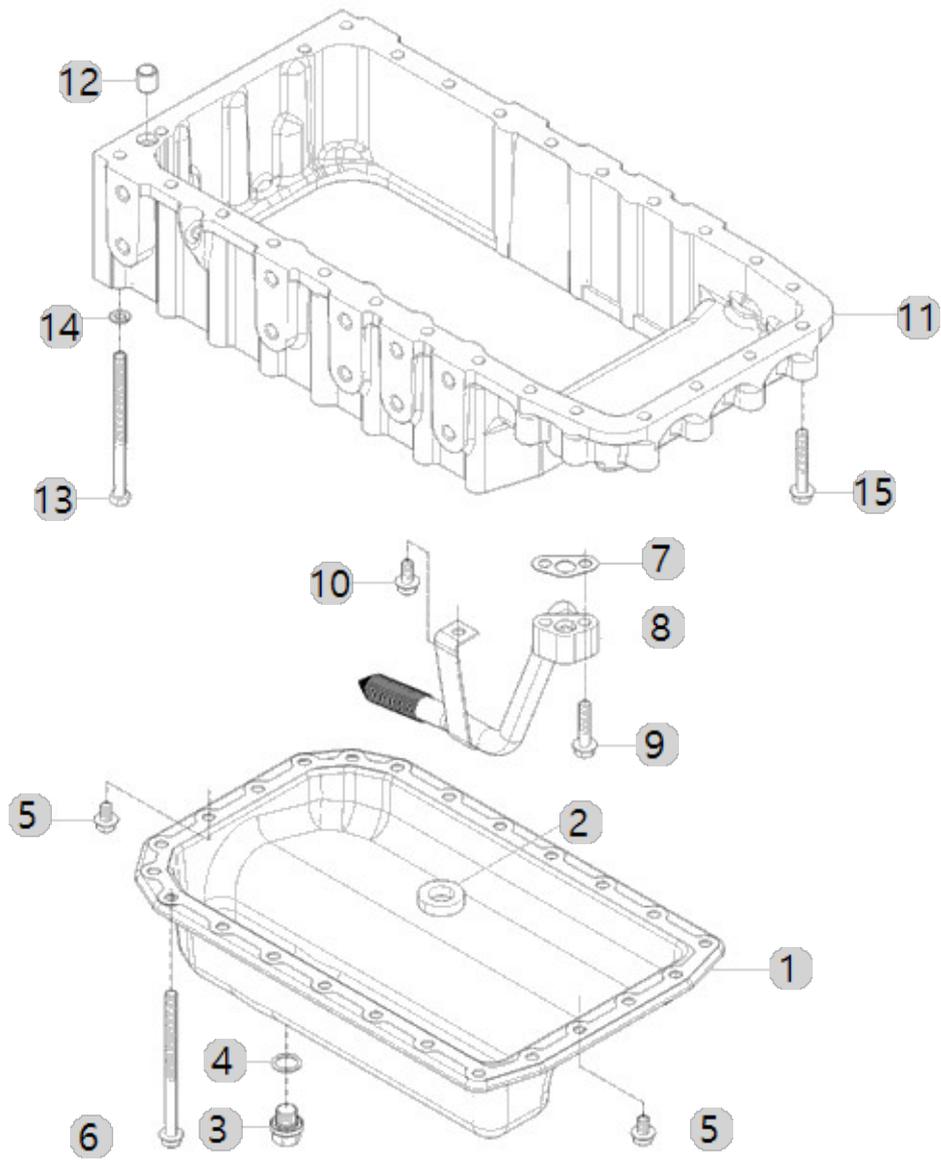
A27\_010

A2300T3-UTR\_4  
(AB00160)

OIL PAN ASS'Y OPTION

Year/Month

2022-12-15





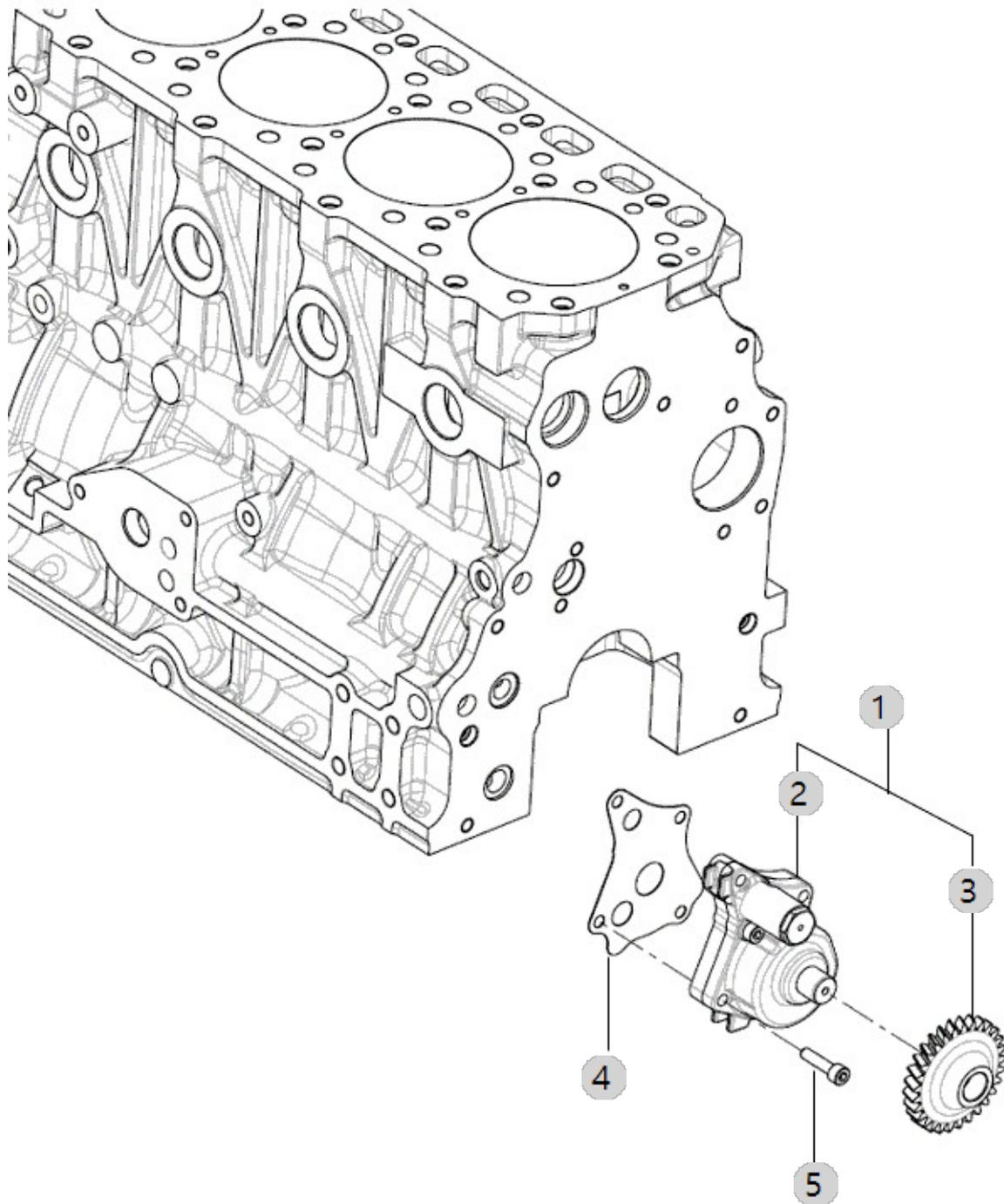
A28\_001

A2300T3-UTR\_4  
(AB00160)

PUMP, LUBRICATING OIL

Year/Month

2022-12-15







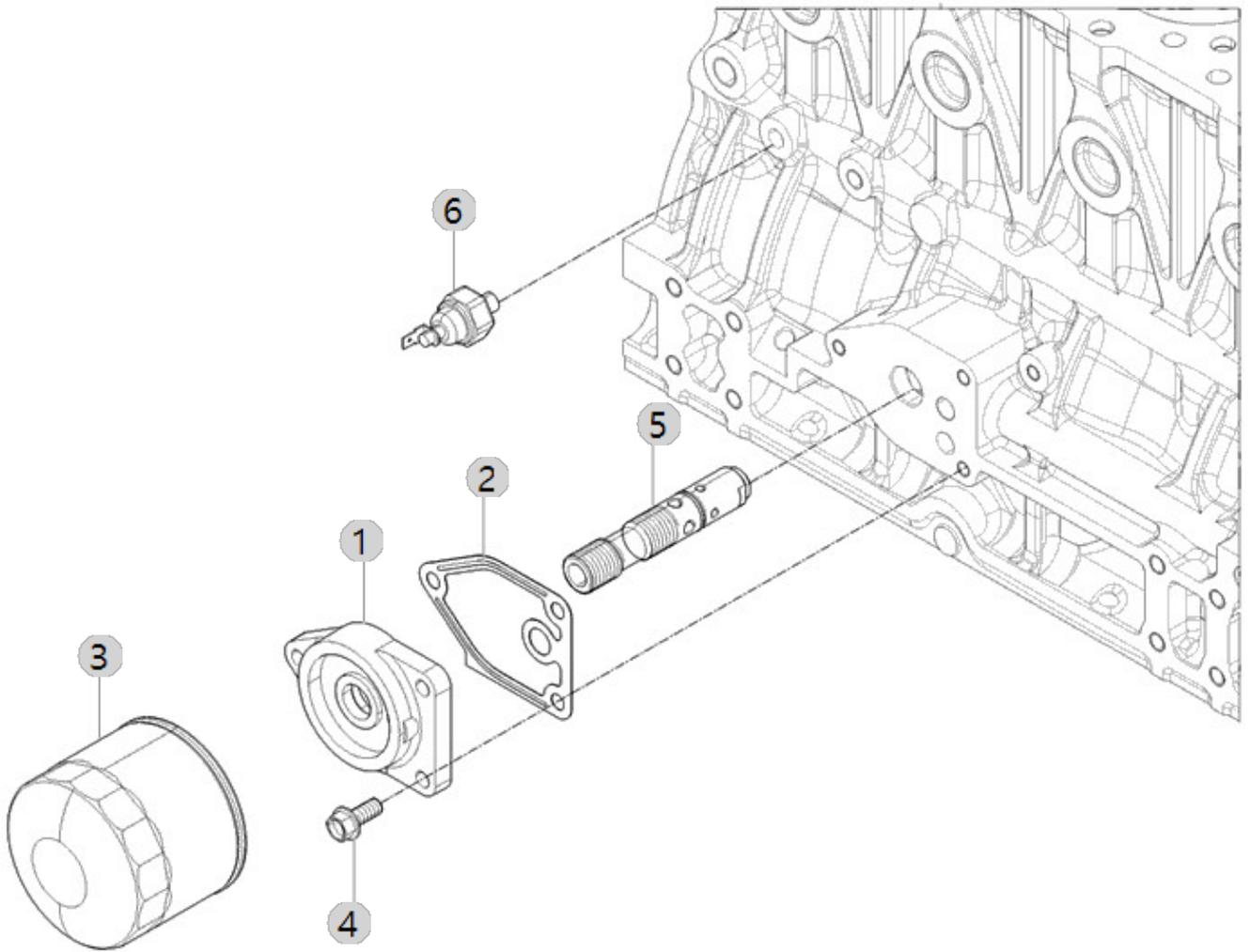
A29\_005

A2300T3-UTR\_4  
(AB00160)

FILTER, LUBRICATING OIL

Year/Month

2022-12-15





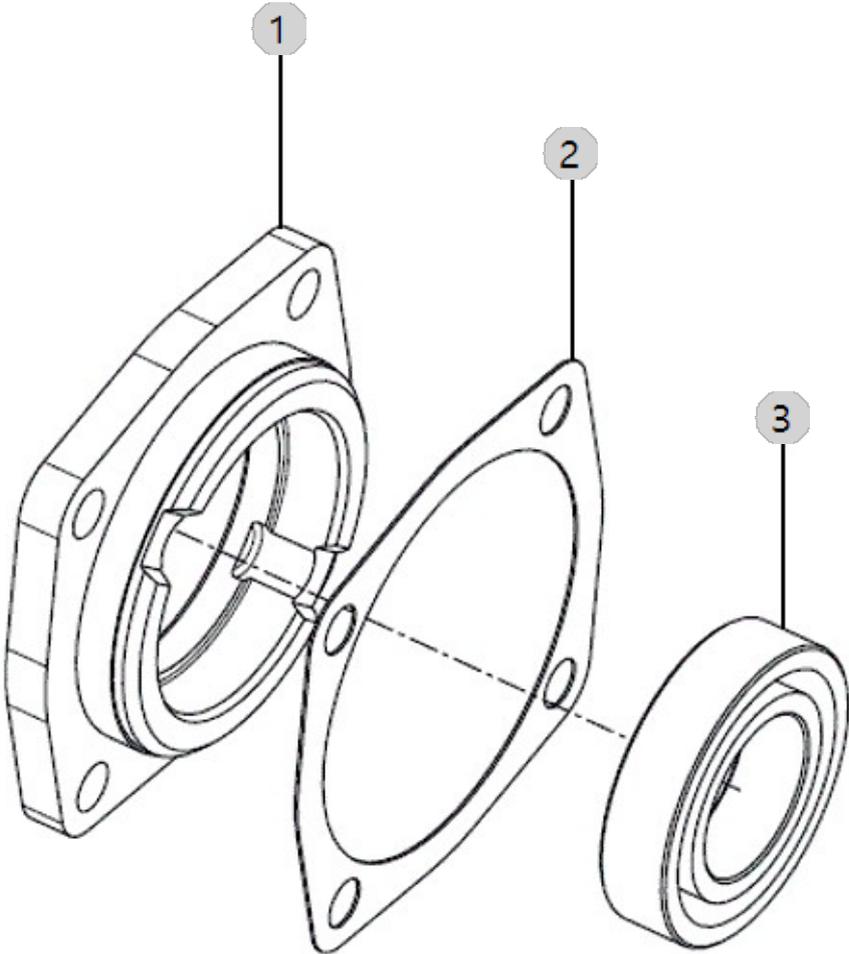
A30\_003

A2300T3-UTR\_4  
(AB00160)

FRONT GEAR ACCESSORY DRIVE

Year/Month

2022-12-15





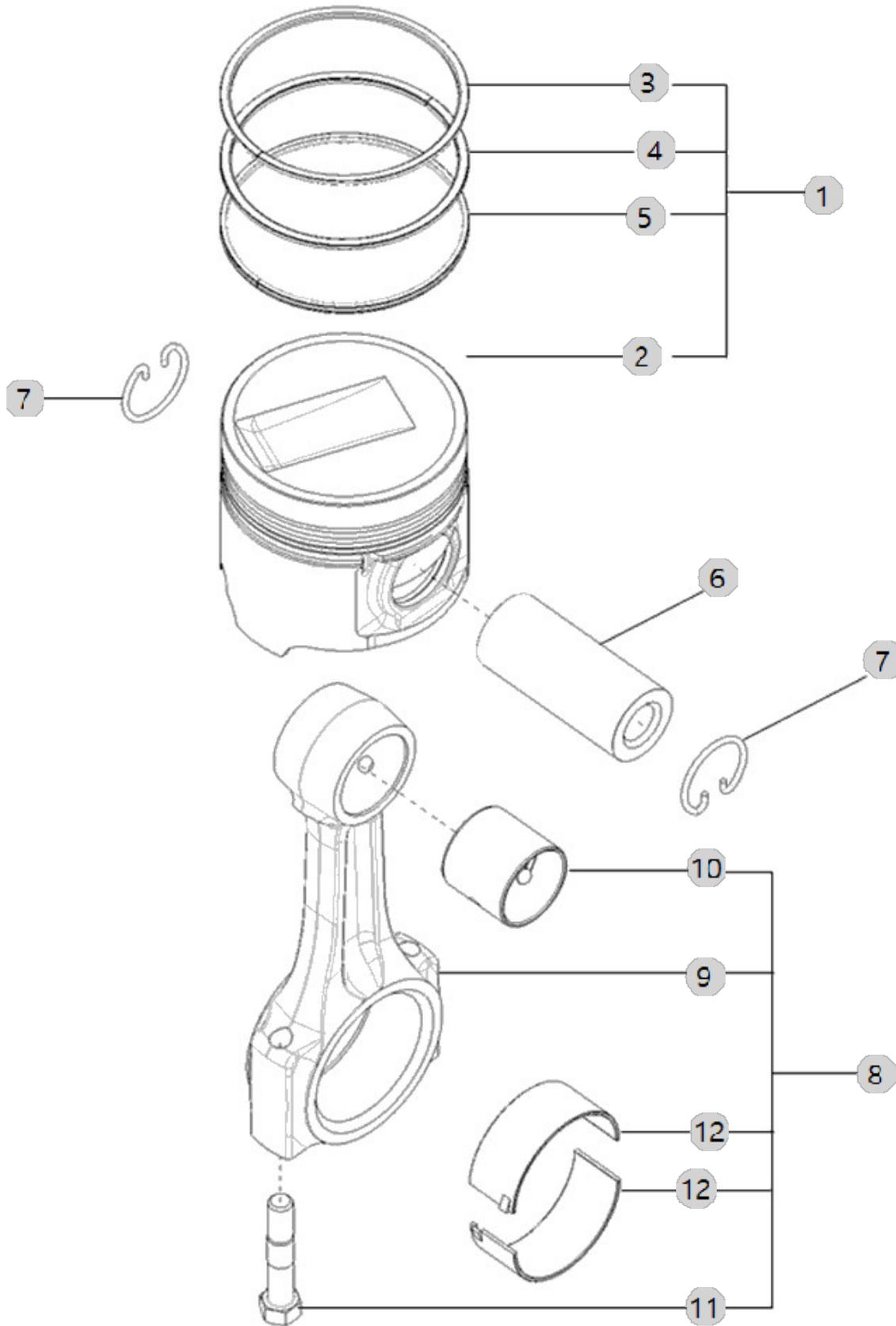
A31\_007

A2300T3-UTR\_4  
(AB00160)

# PISTON

Year/Month

2022-12-15





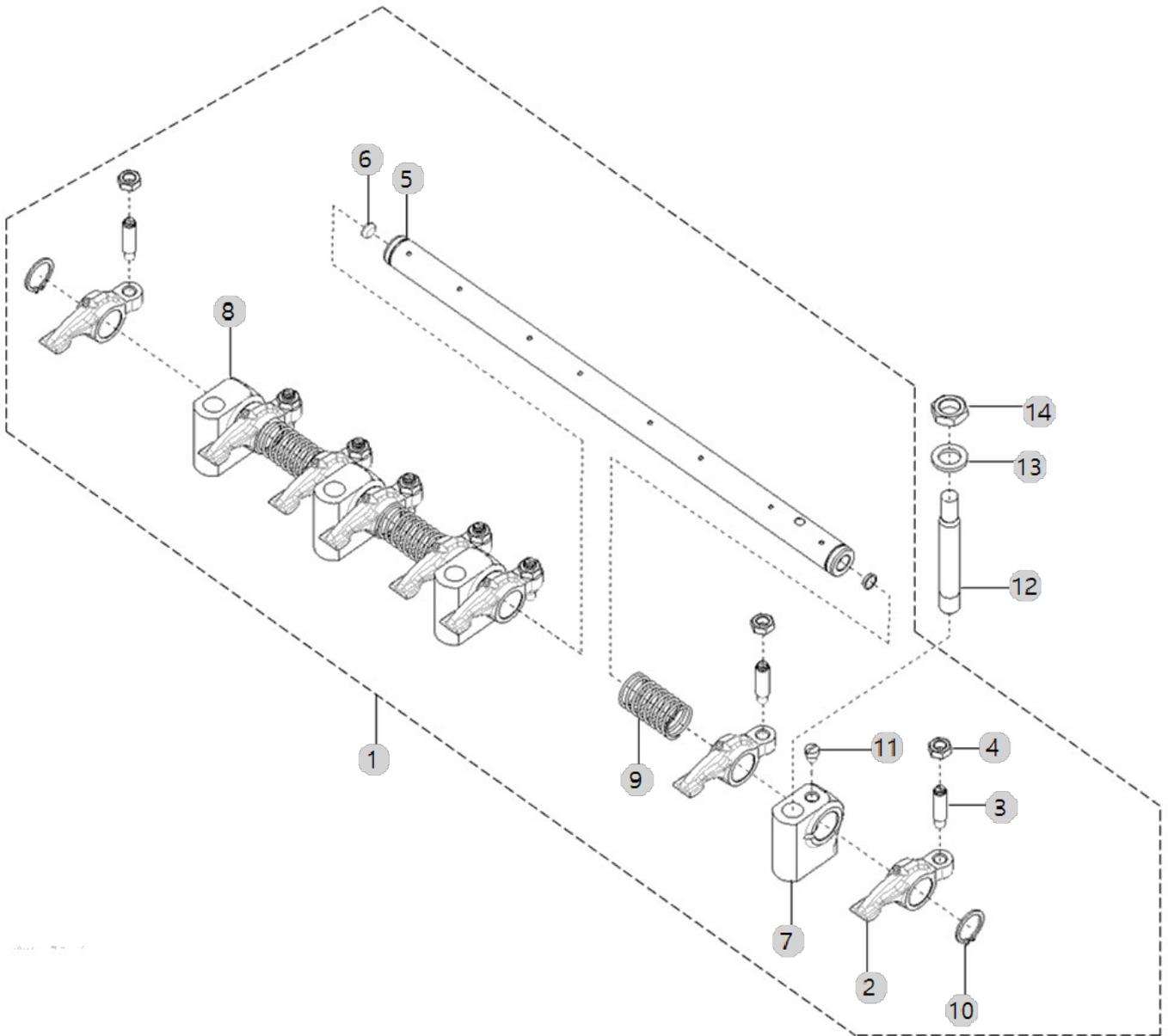
A32\_003

A2300T3-UTR\_4  
(AB00160)

LEVER, LOCKER

Year/Month

2022-12-15







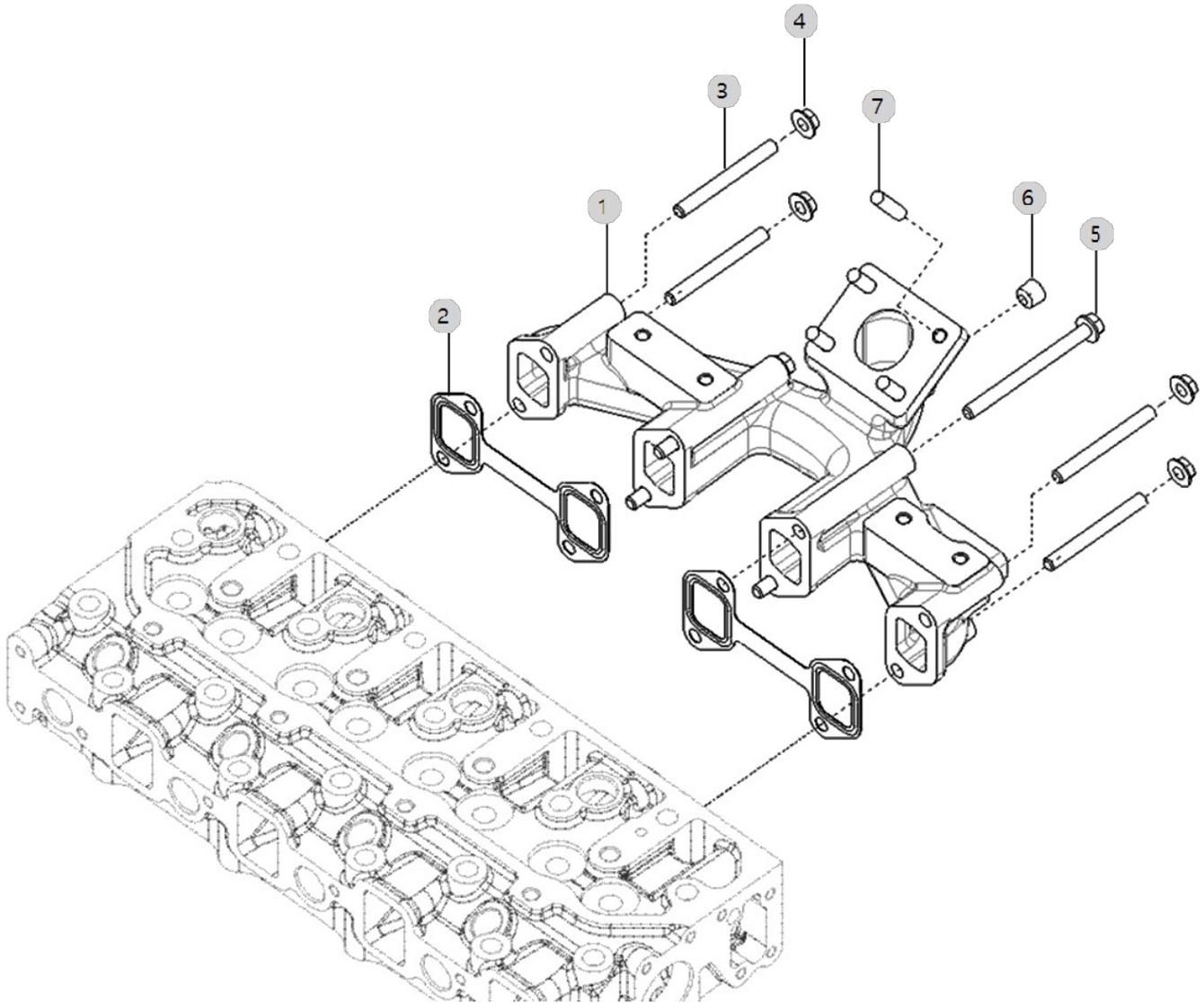
A33\_011

A2300T3-UTR\_4  
(AB00160)

# EXHAUST MANIFOLD

Year/Month

2022-12-15





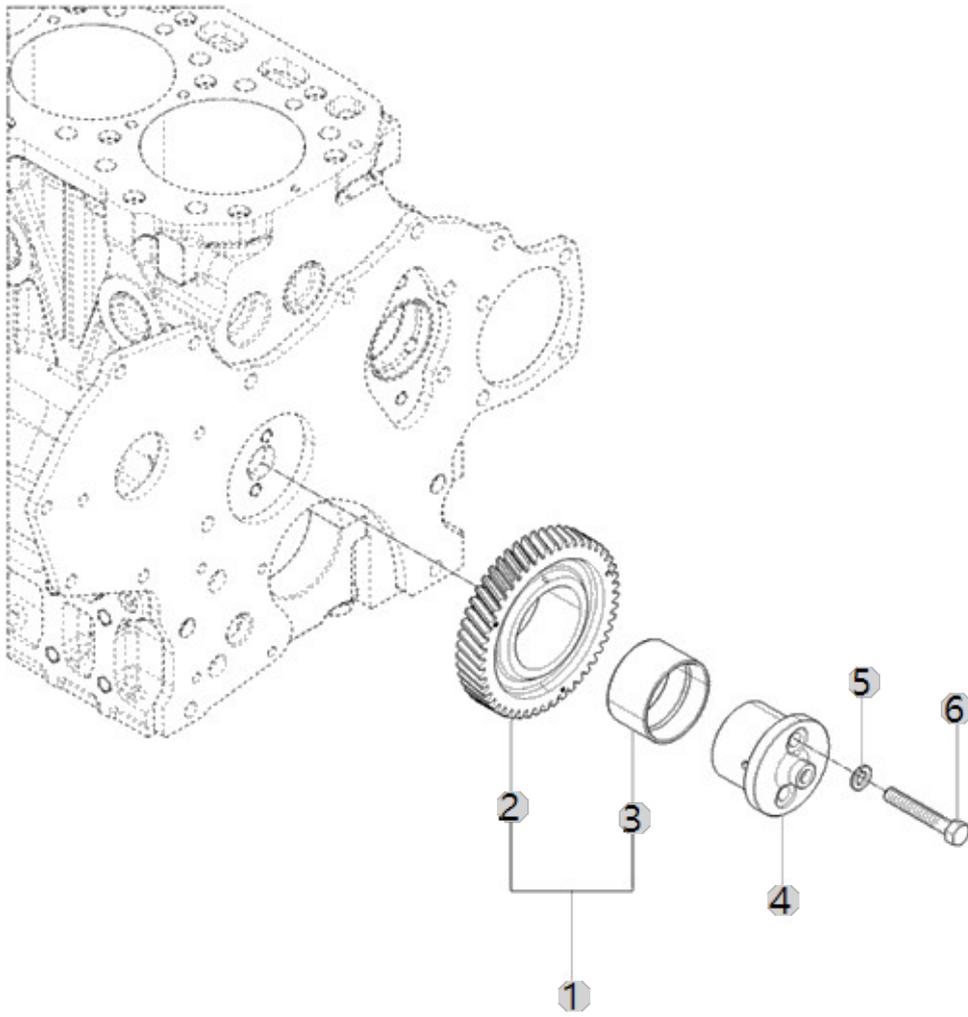
A35\_002

A2300T3-UTR\_4  
(AB00160)

# IDLE GEAR

Year/Month

2022-12-15









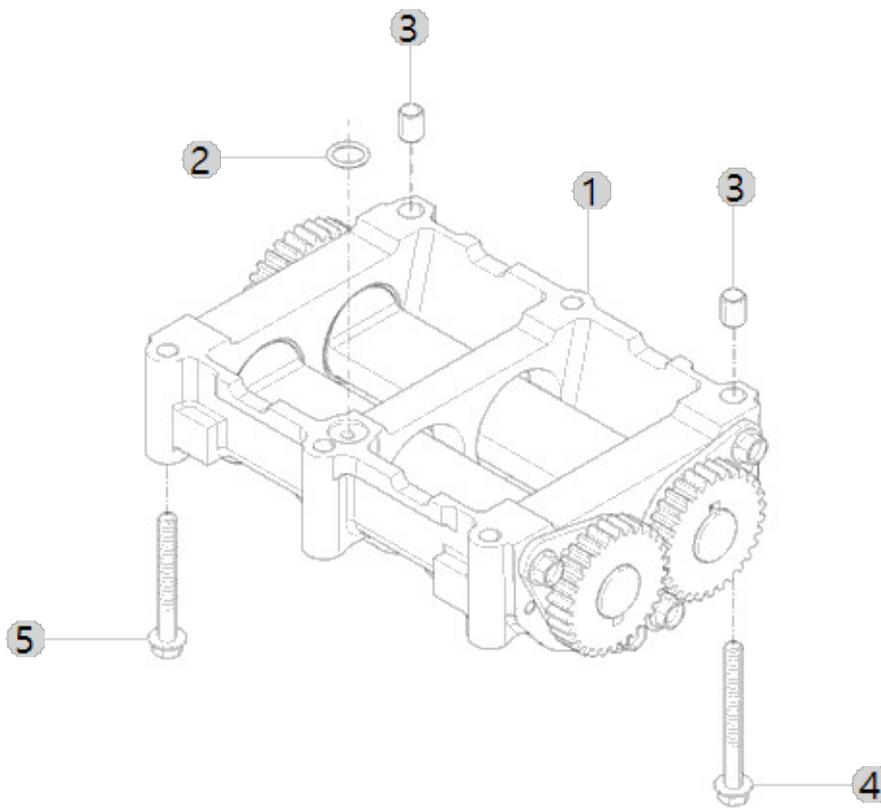
A37\_001

A2300T3-UTR\_4  
(AB00160)

BALANCE ASS'Y

Year/Month

2022-12-15







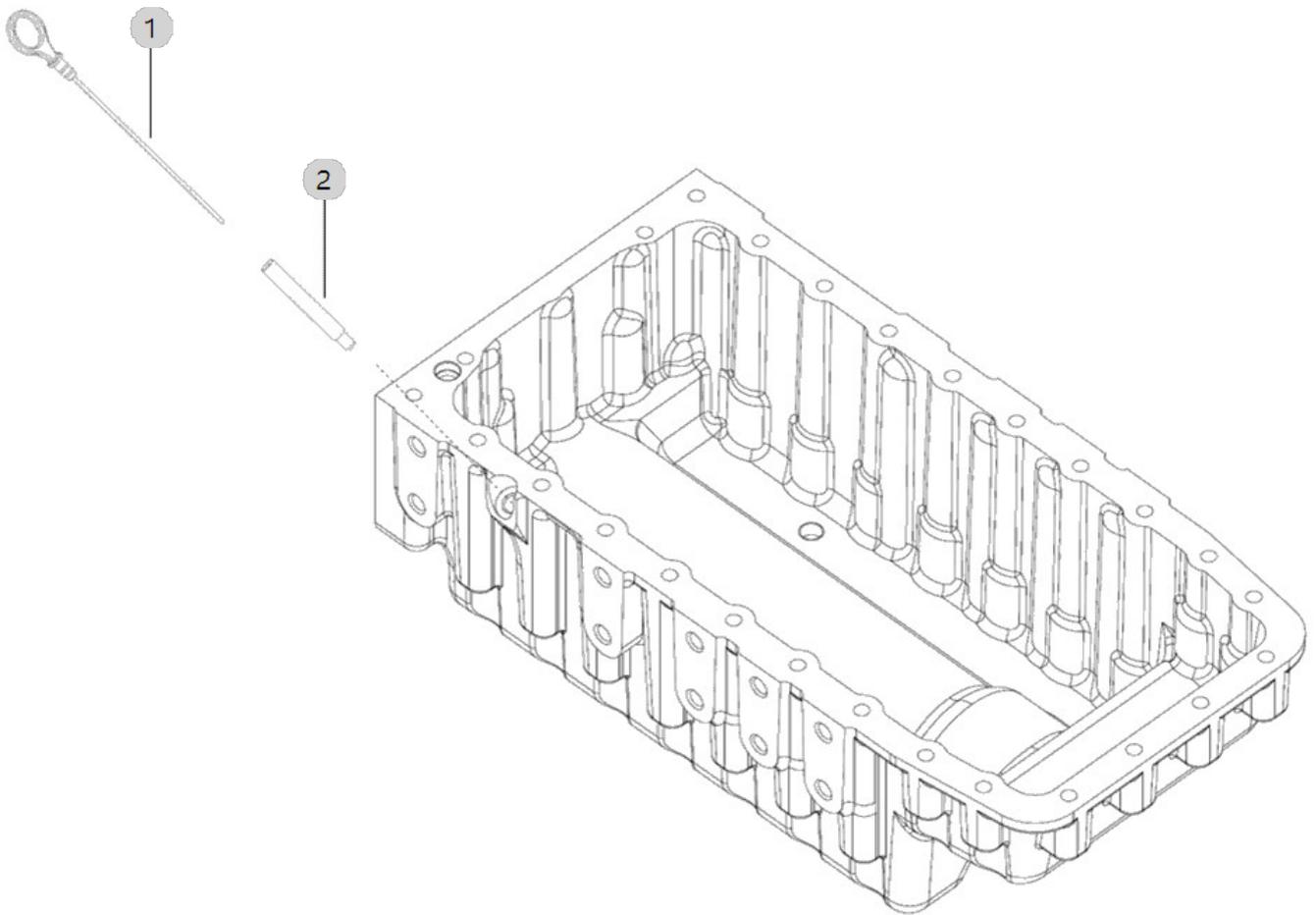
A38\_007

A2300T3-UTR\_4  
(AB00160)

GAUGE, OIL LEVEL

Year/Month

2022-12-15





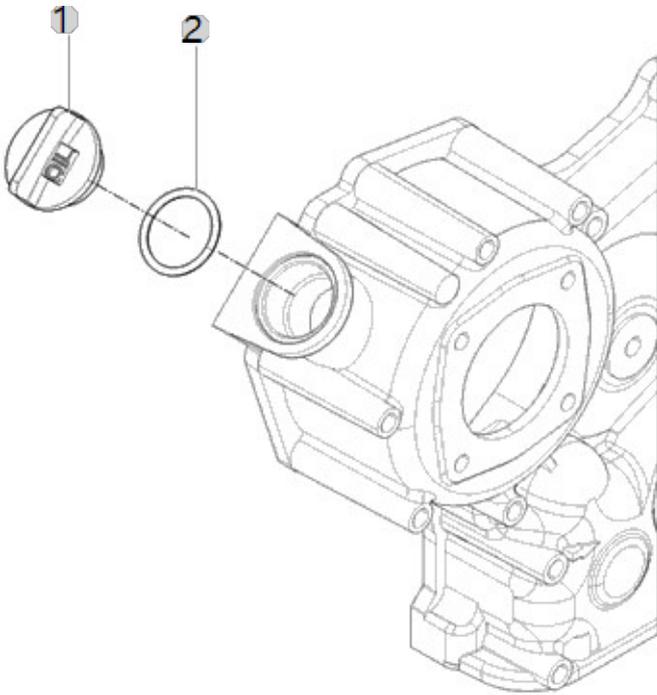
A39\_001

A2300T3-UTR\_4  
(AB00160)

OIL FILLER CAP

Year/Month

2022-12-15





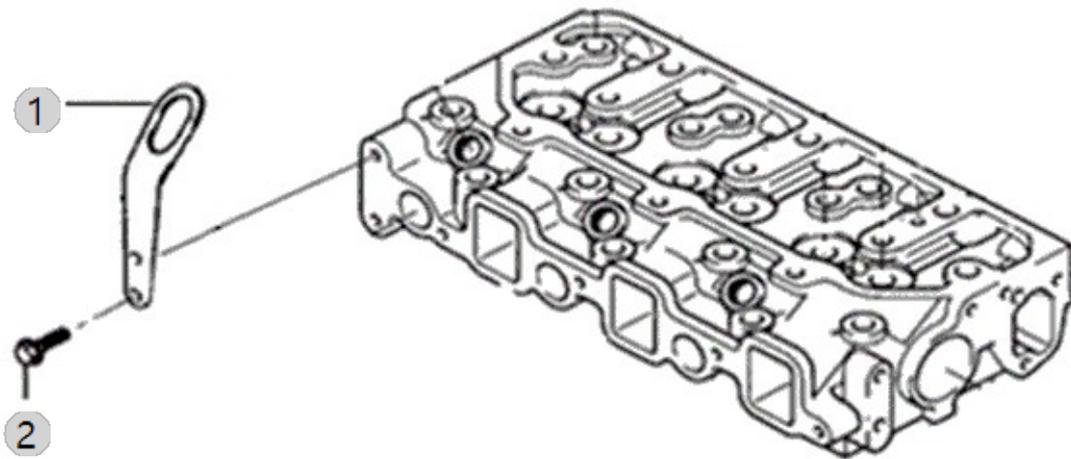
A40\_003

A2300T3-UTR\_4  
(AB00160)

LIFT ASS'Y OPTION

Year/Month

2022-12-15





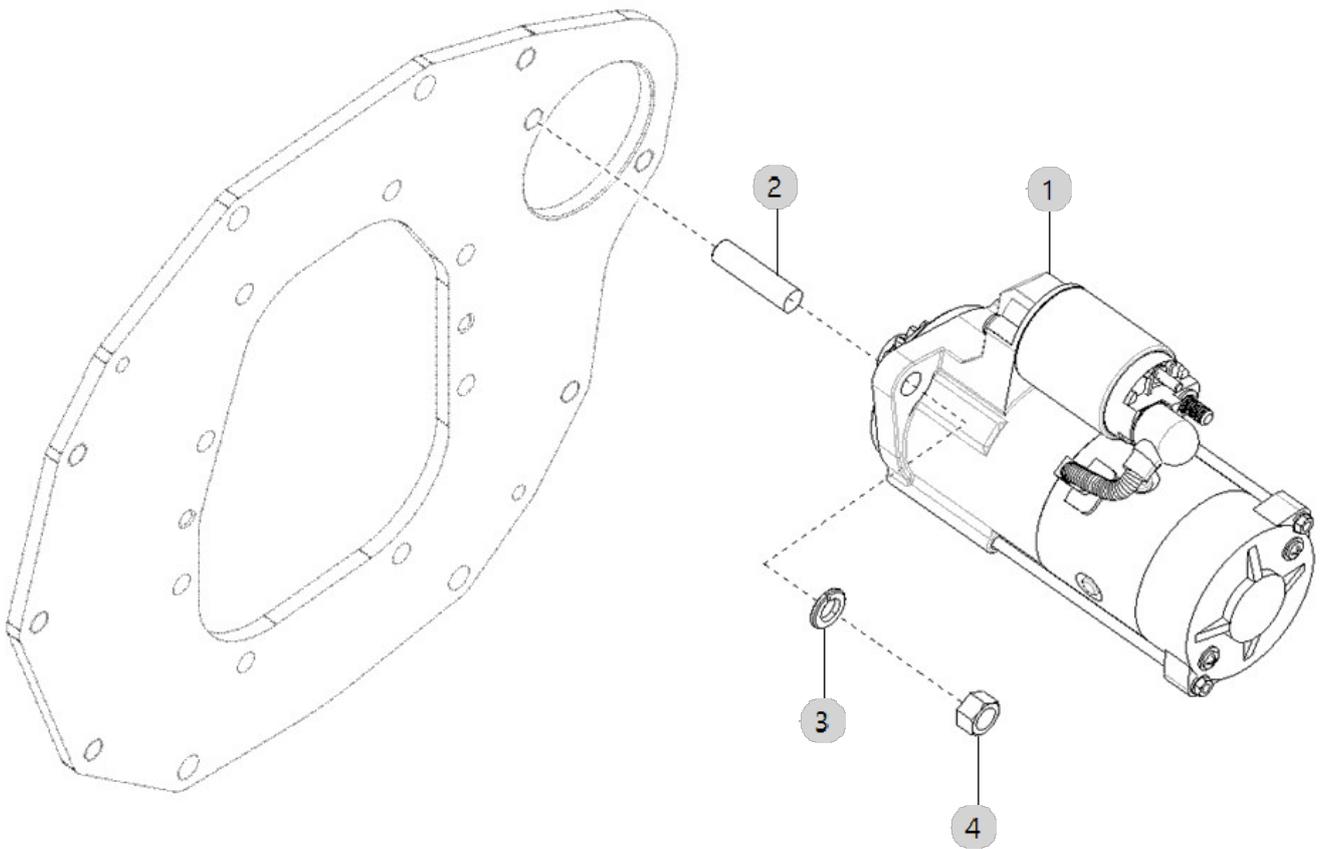
A42\_003

A2300T3-UTR\_4  
(AB00160)

MOTER, STARTIONS

Year/Month

2022-12-15







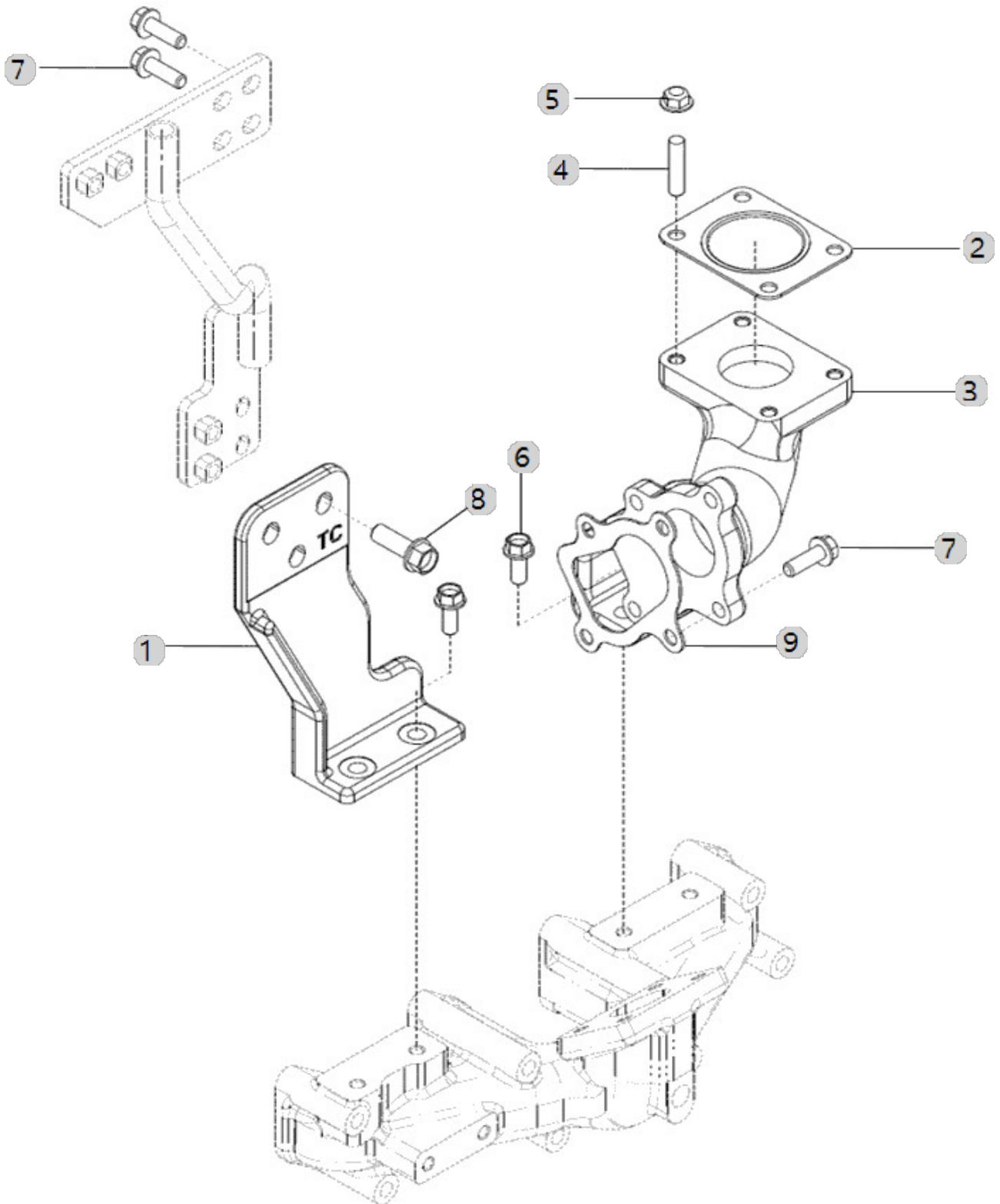
A44\_008

A2300T3-UTR\_4  
(AB00160)

### DPF MOUNTING OPTION

Year/Month

2022-12-15





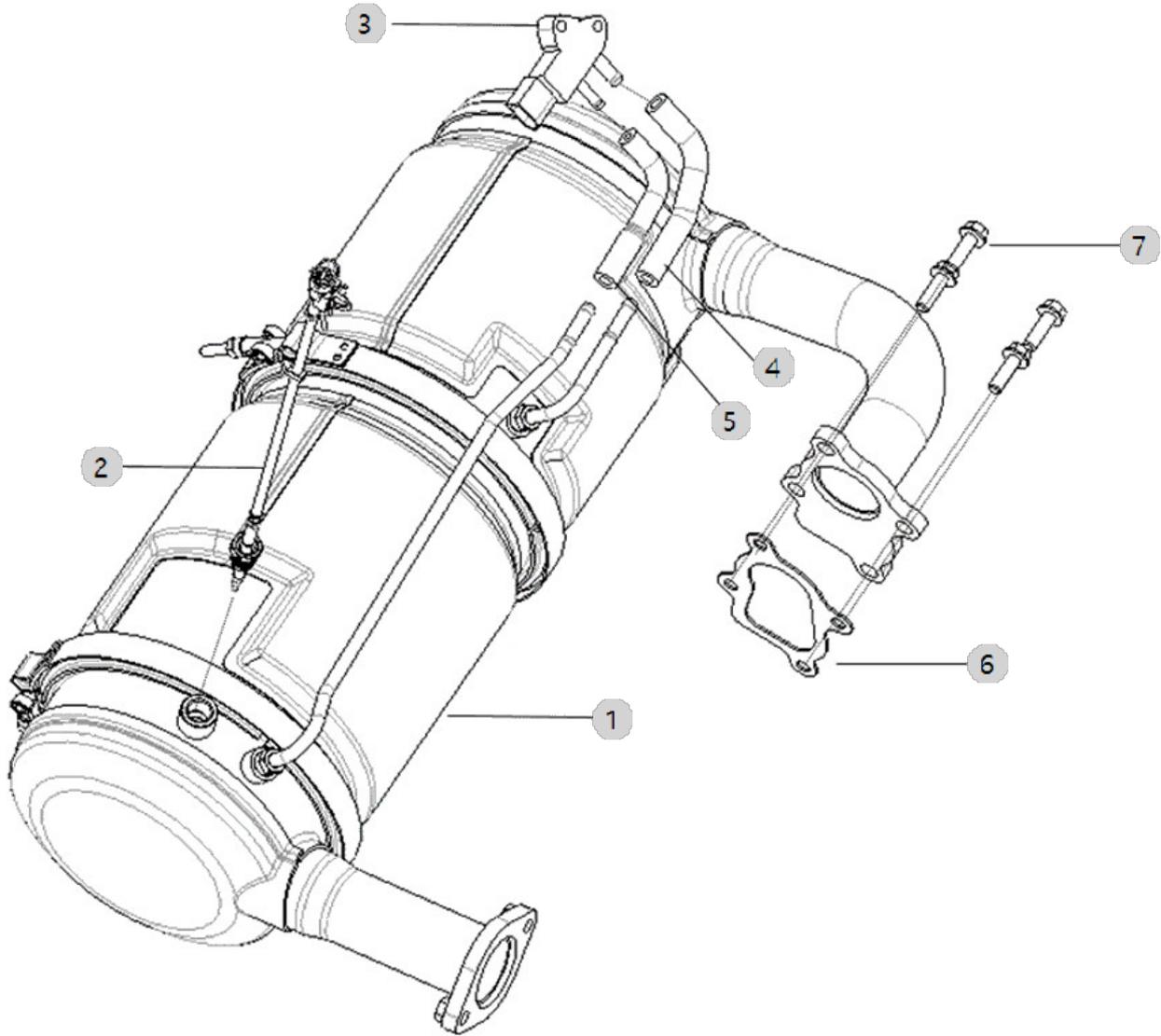
A45\_003

A2300T3-UTR\_4  
(AB00160)

DPF

Year/Month

2022-12-15





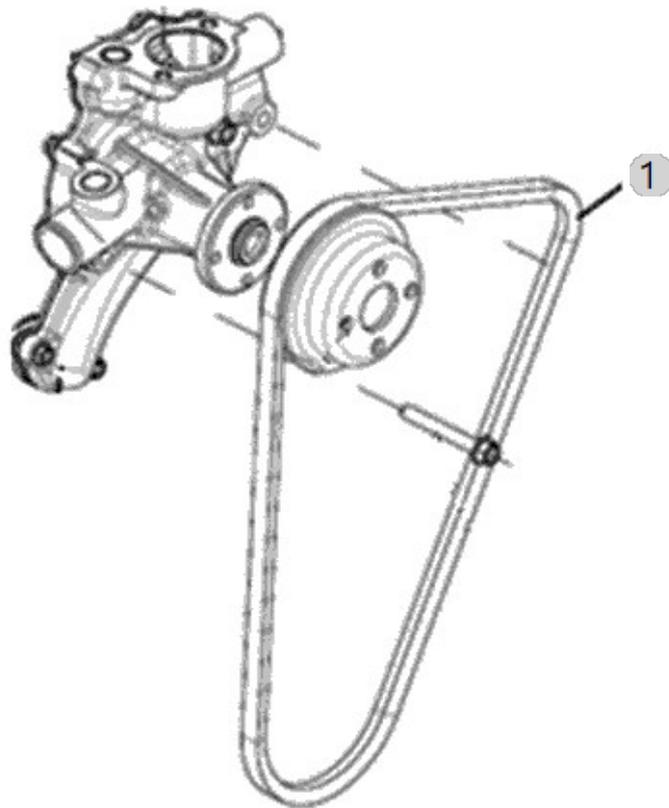
A48\_006

A2300T3-UTR\_4  
(AB00160)

V-BELT

Year/Month

2022-12-15





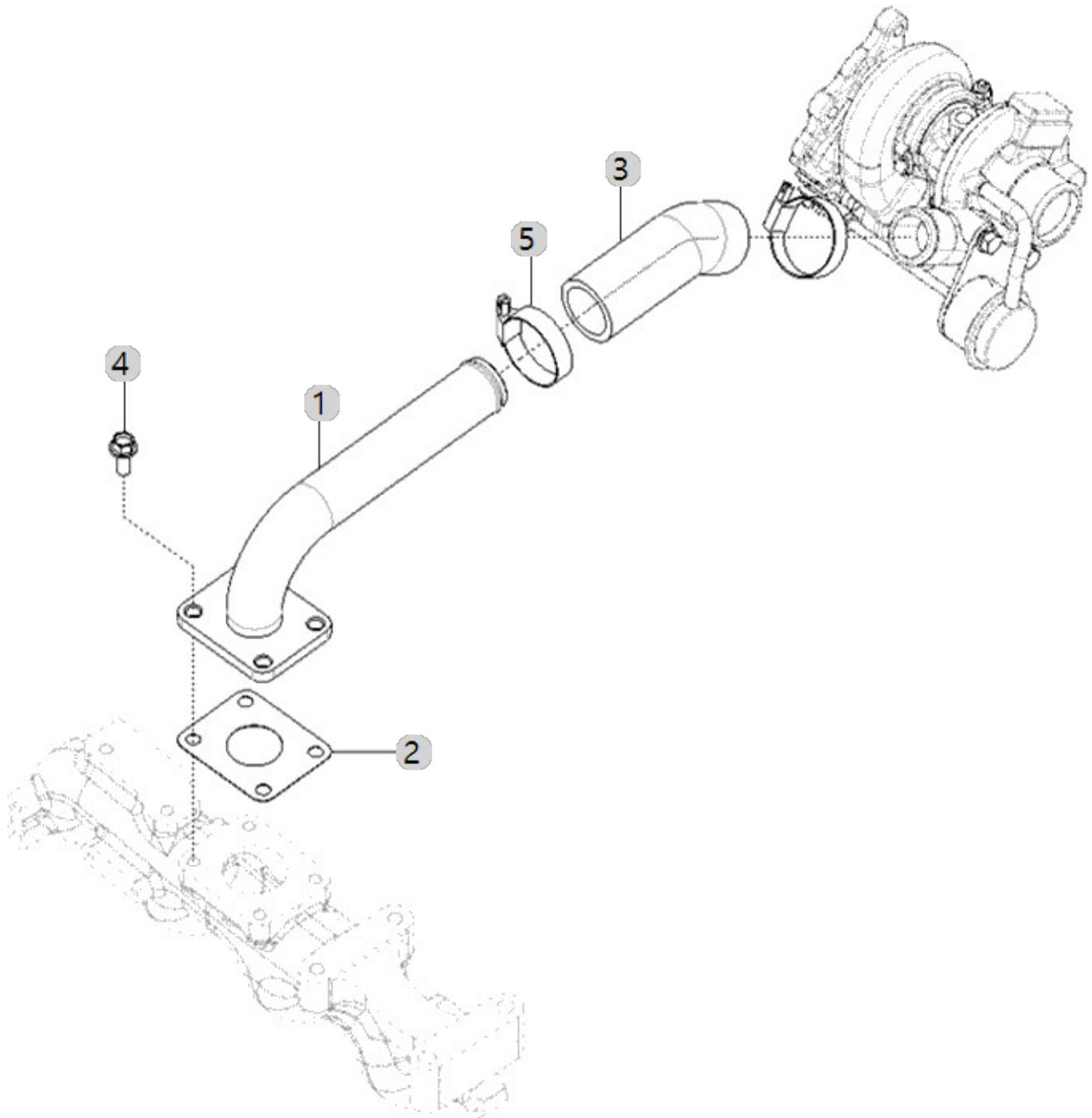
A51\_006

A2300T3-UTR\_4  
(AB00160)

INTAKE HOSE ASSY OPTION

Year/Month

2022-12-15







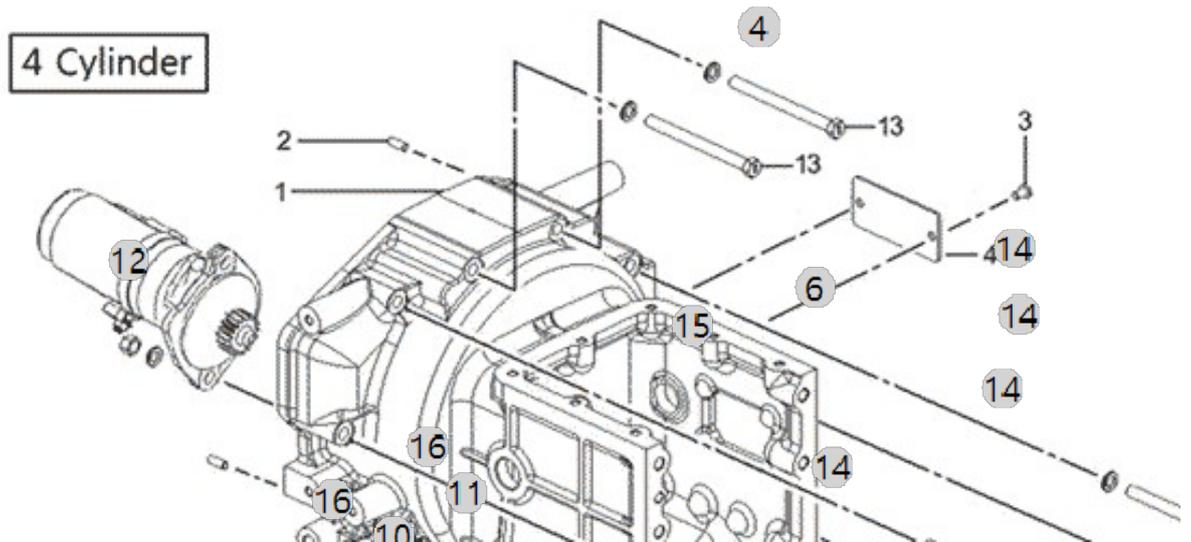
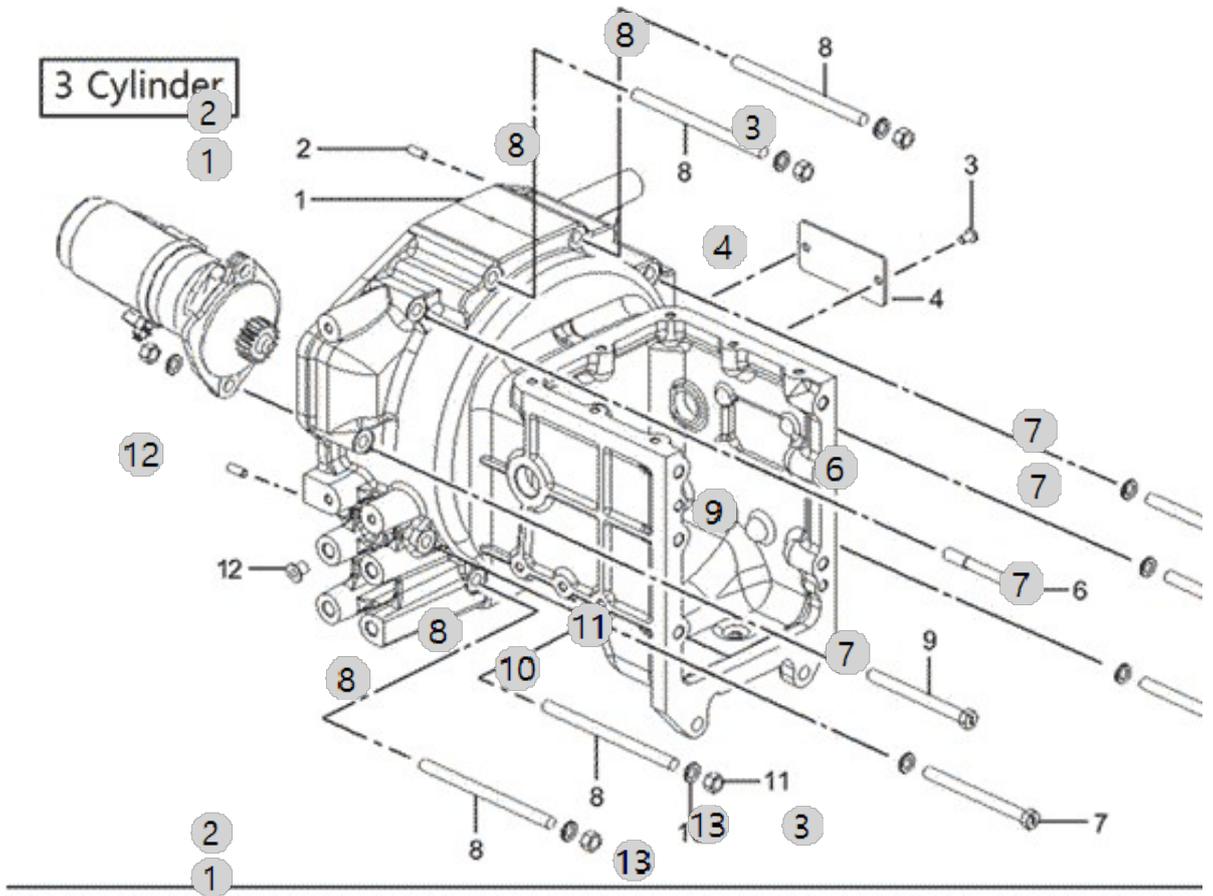
F01011

20H TM(US)\_RANGE4  
(AC01720)

# FLY WHEEL HOUSING

Year/Month

2022-12-15





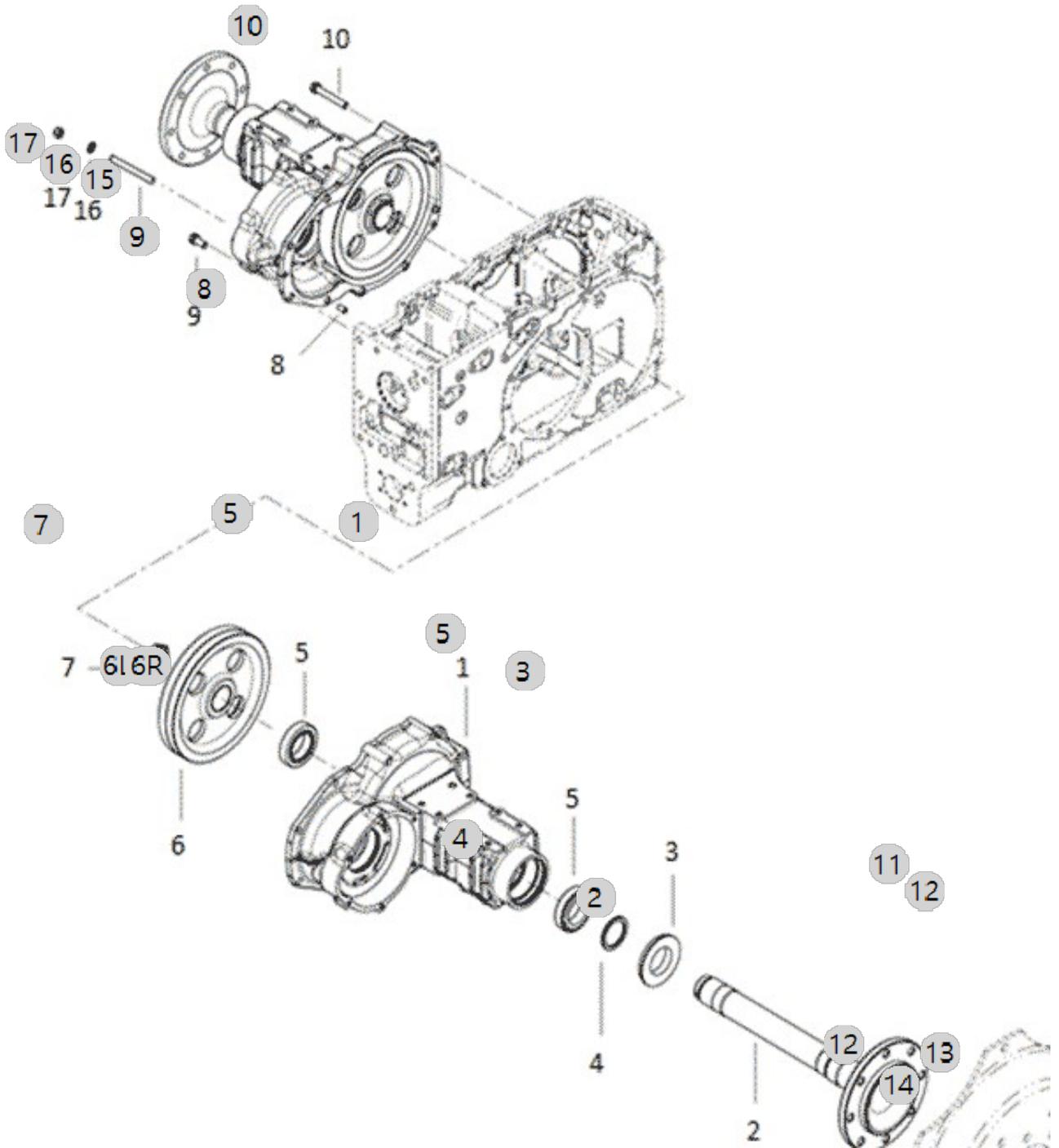
F01030

20H TM(US)\_RANGE4  
(AC01720)

### HOUSING, REAR AXLE

Year/Month

2022-12-15





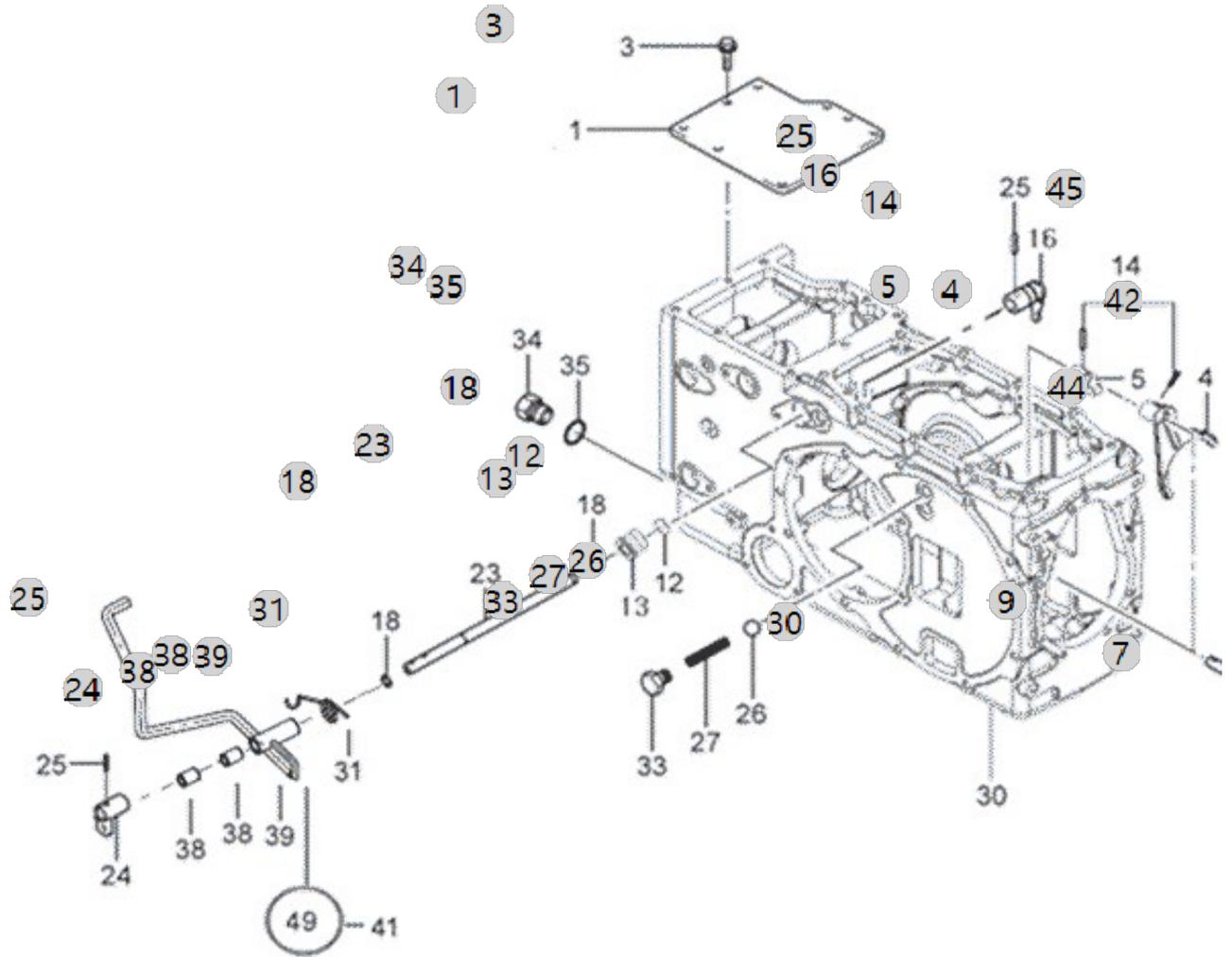
F01040

20H TM(US)\_RANGE4  
(AC01720)

# REAR AXLE CASE

Year/Month

2022-12-15





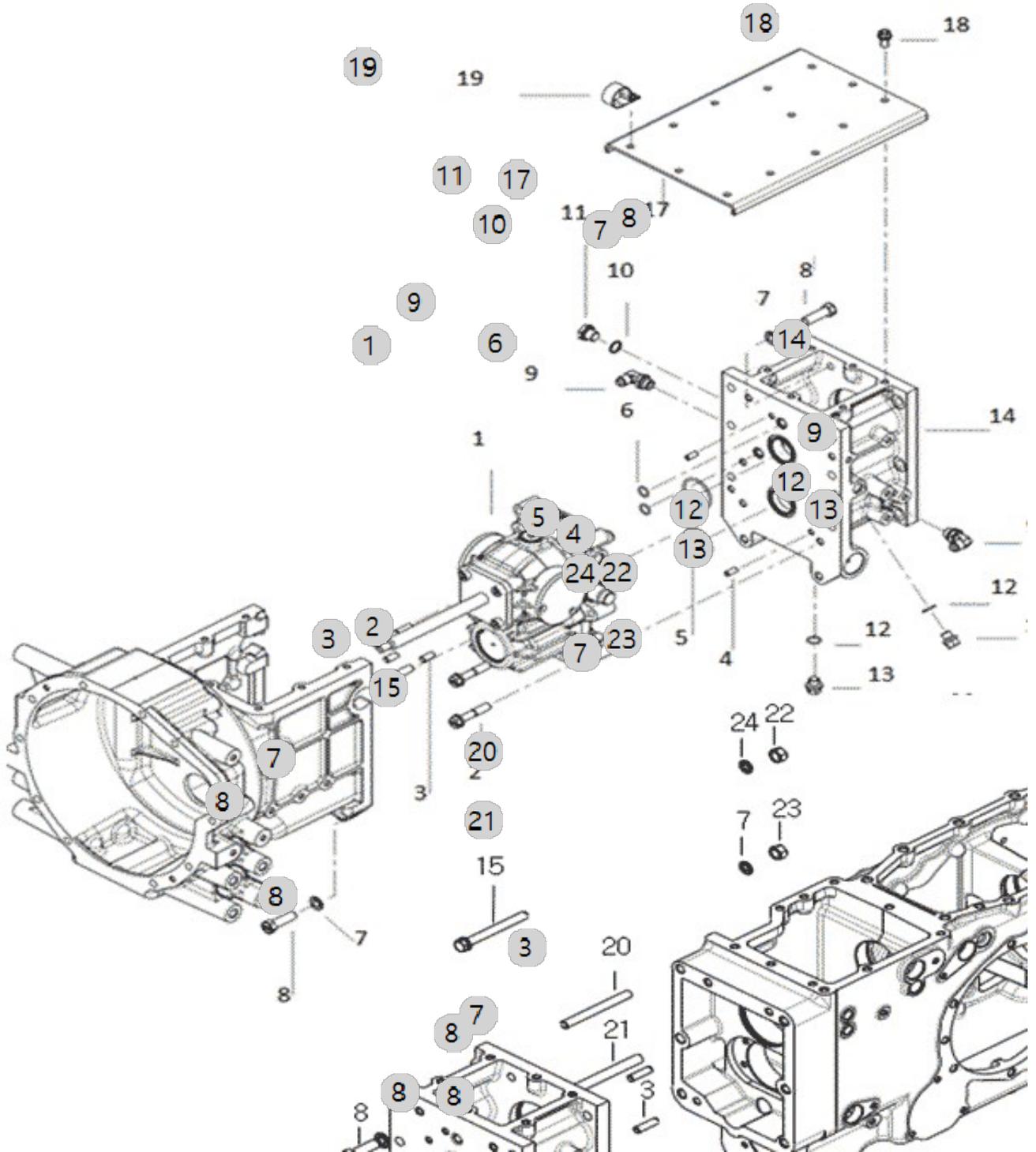
F01050

20H TM(US)\_RANGE4  
(AC01720)

# HST HOUSING

Year/Month

2022-12-15







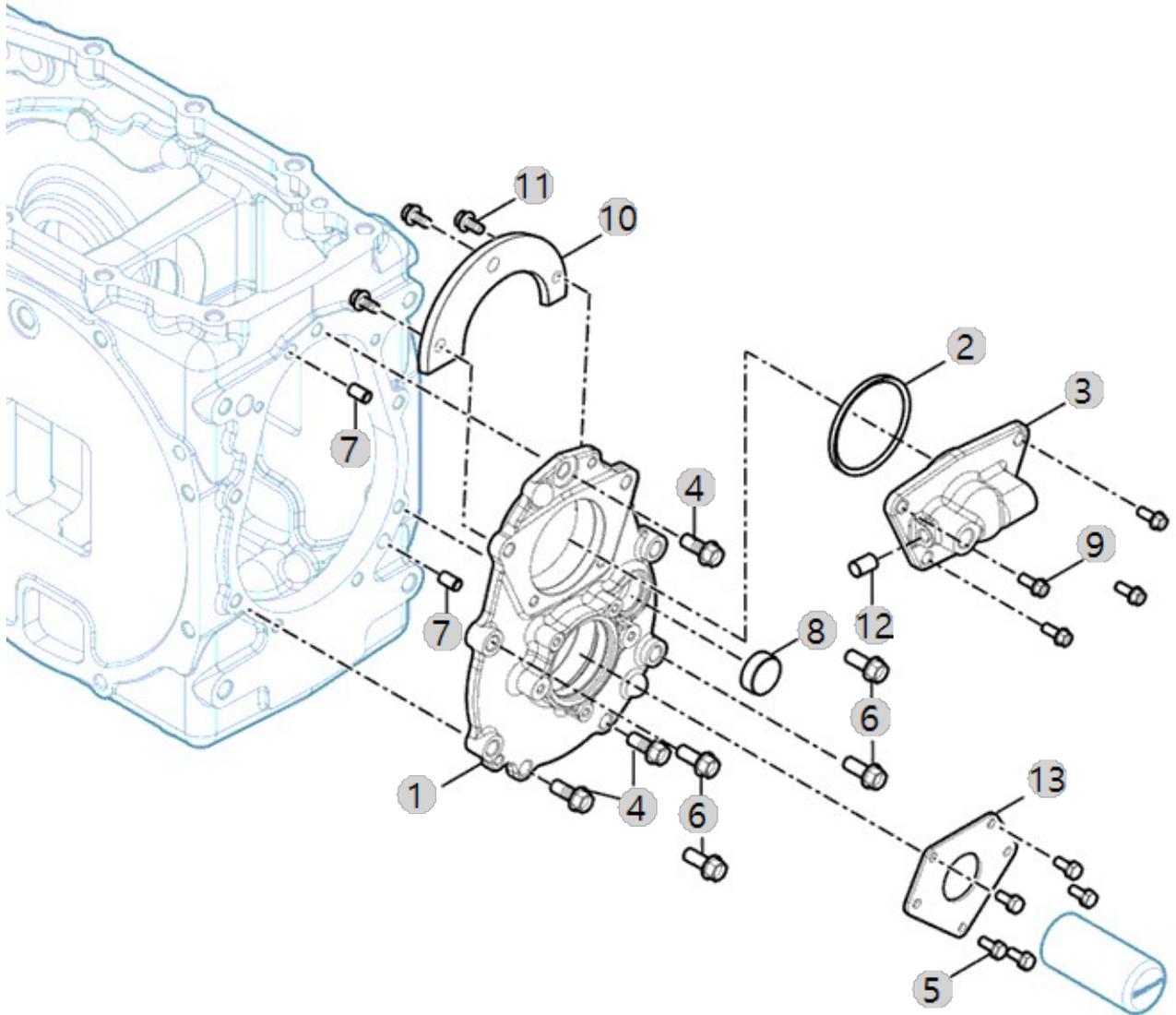
F01060

20H TM(US)\_RANGE4  
(AC01720)

# PTO COVER

Year/Month

2022-12-15





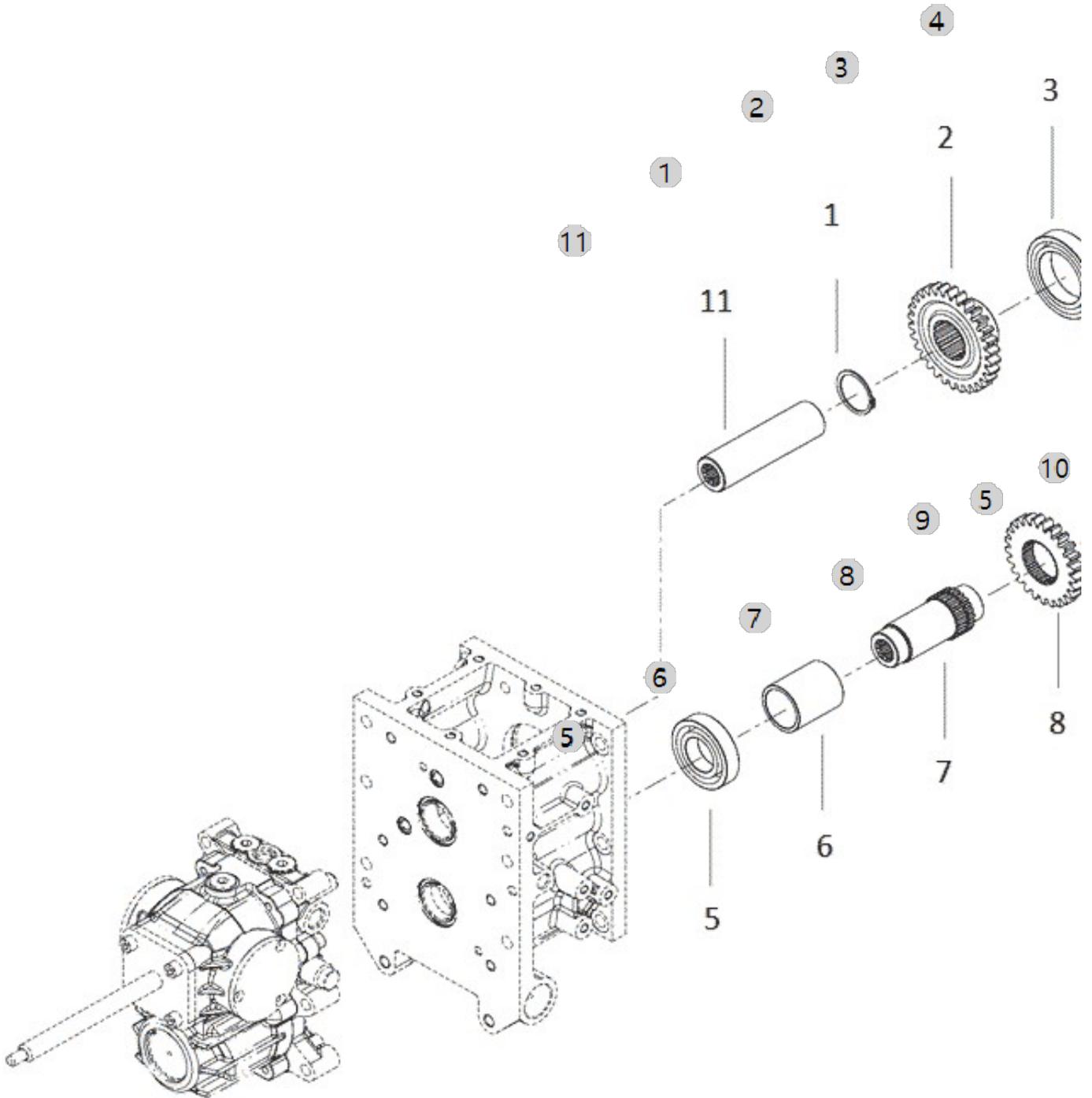
F03030

20H TM(US)\_RANGE4  
(AC01720)

### HST GEAR

Year/Month

2022-12-15





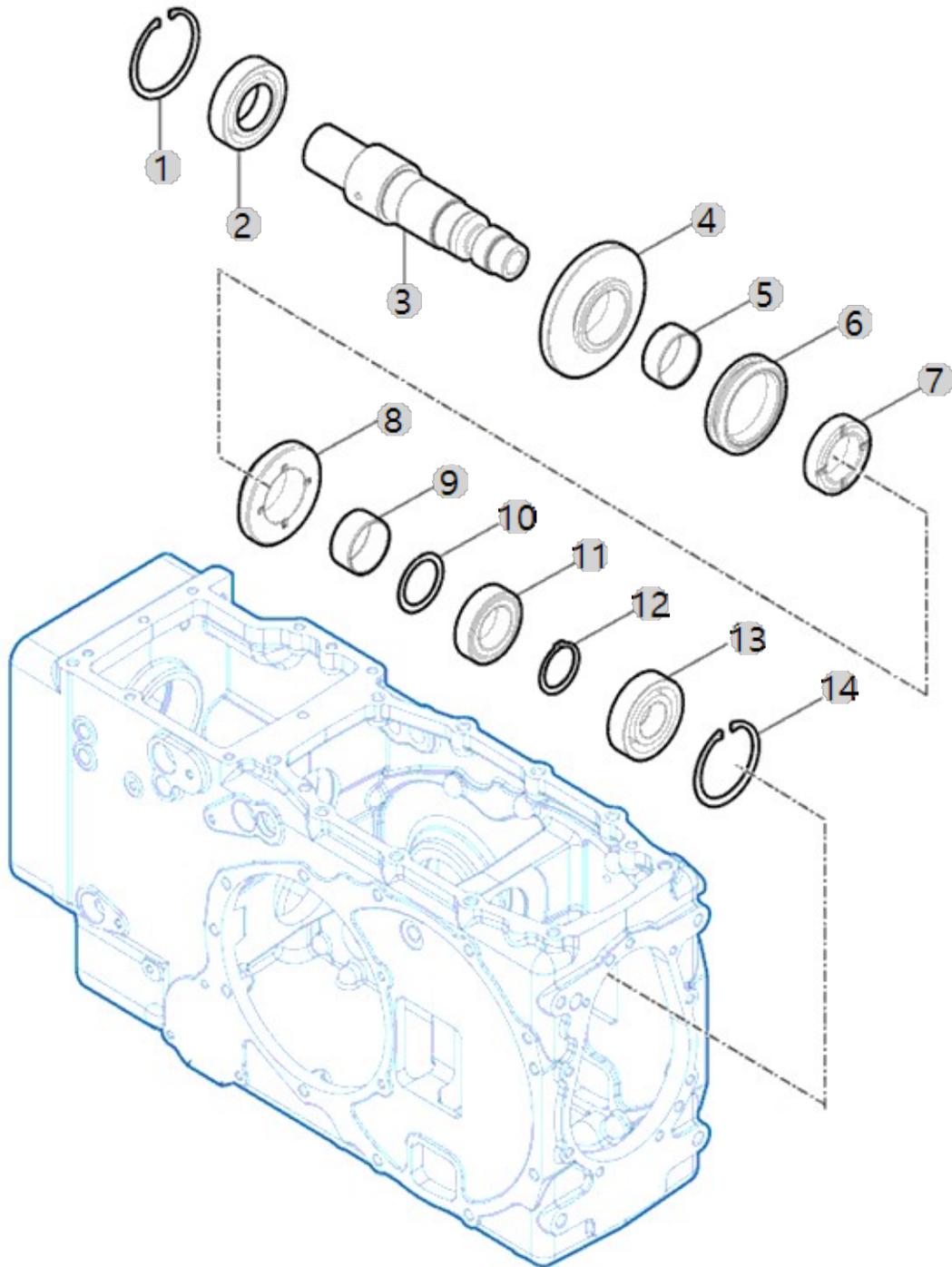
F03040

20H TM(US)\_RANGE4  
(AC01720)

### RANGE SHIFT DRIVE SHAFT

Year/Month

2022-12-15





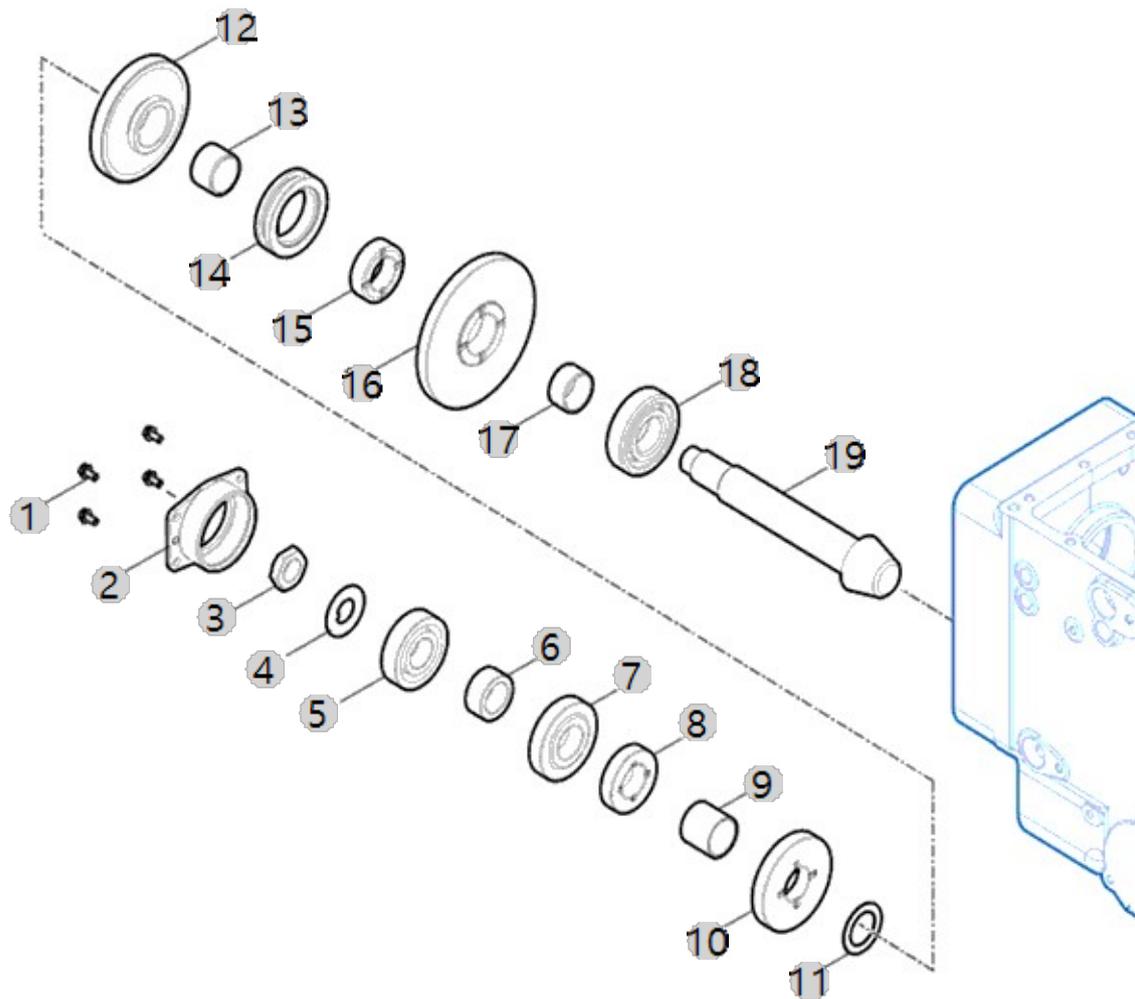
F03050

20H TM(US)\_RANGE4  
(AC01720)

### RANGE SHIFT DRIVEN SHAFT

Year/Month

2022-12-15







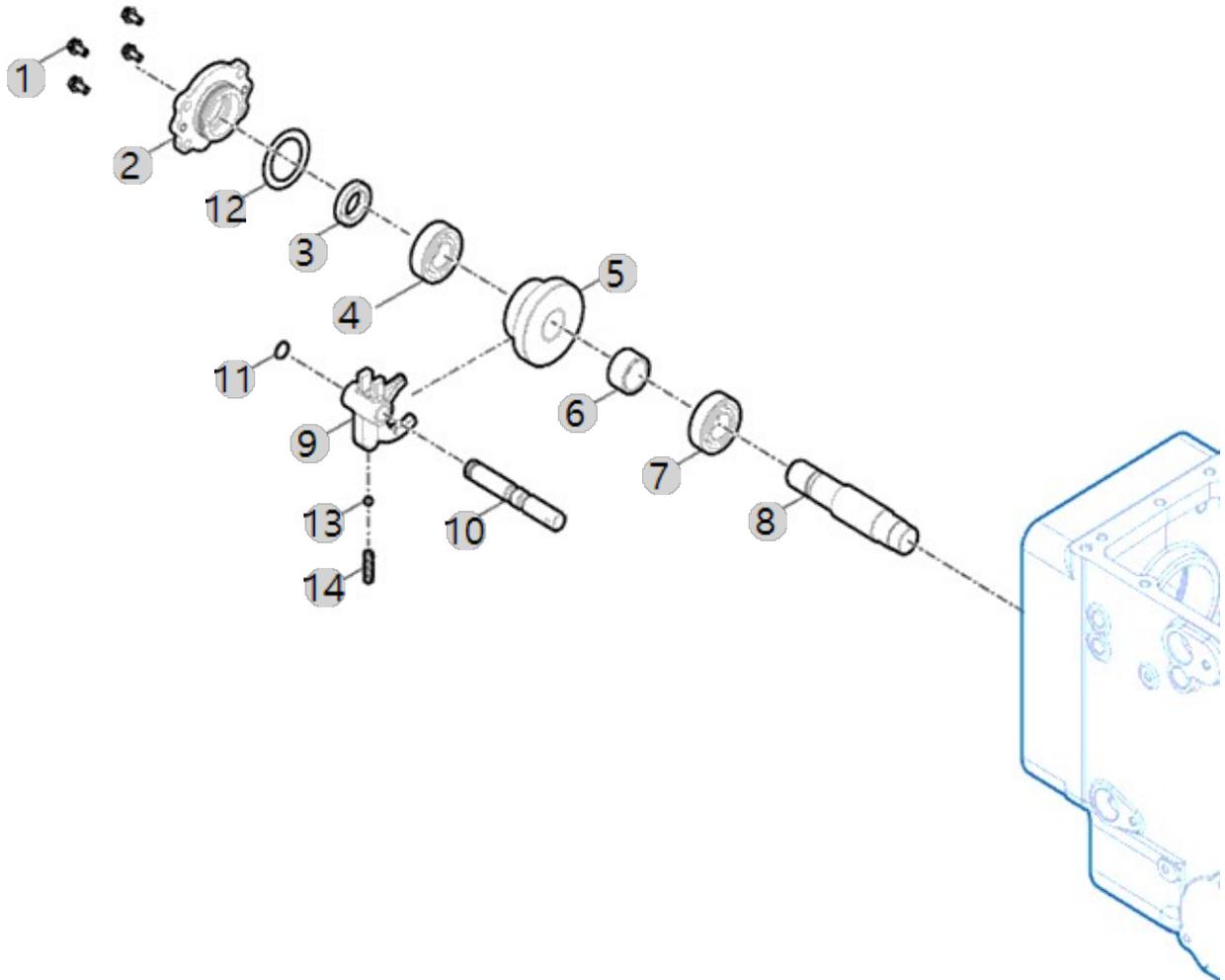
F04010

20H TM(US)\_RANGE4  
(AC01720)

FRONT WHEEL DRIVE SHAFT

Year/Month

2022-12-15





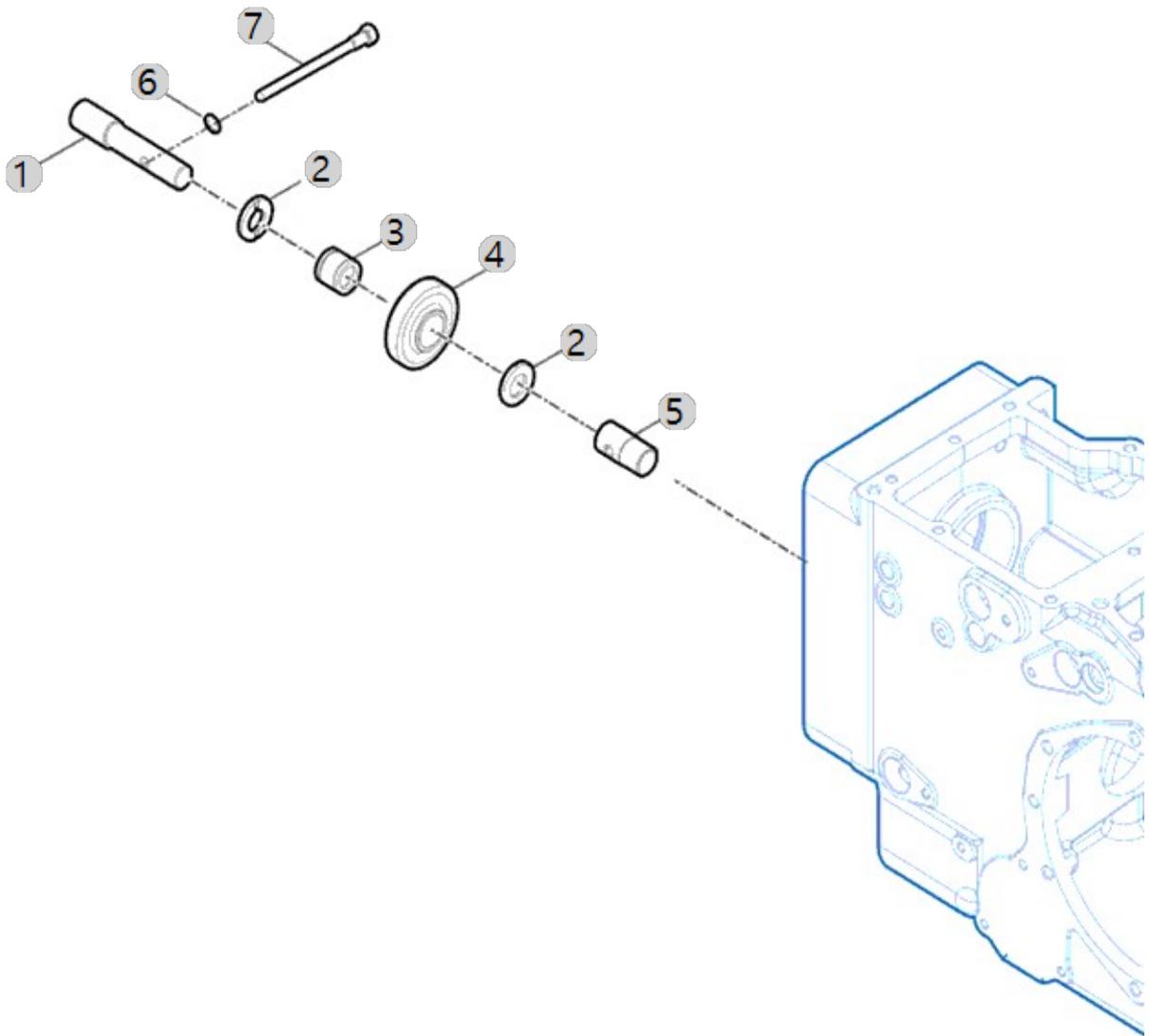
F04030

20H TM(US)\_RANGE4  
(AC01720)

### FRONT WHEEL DRIVE IDLE SHAFT

Year/Month

2022-12-15





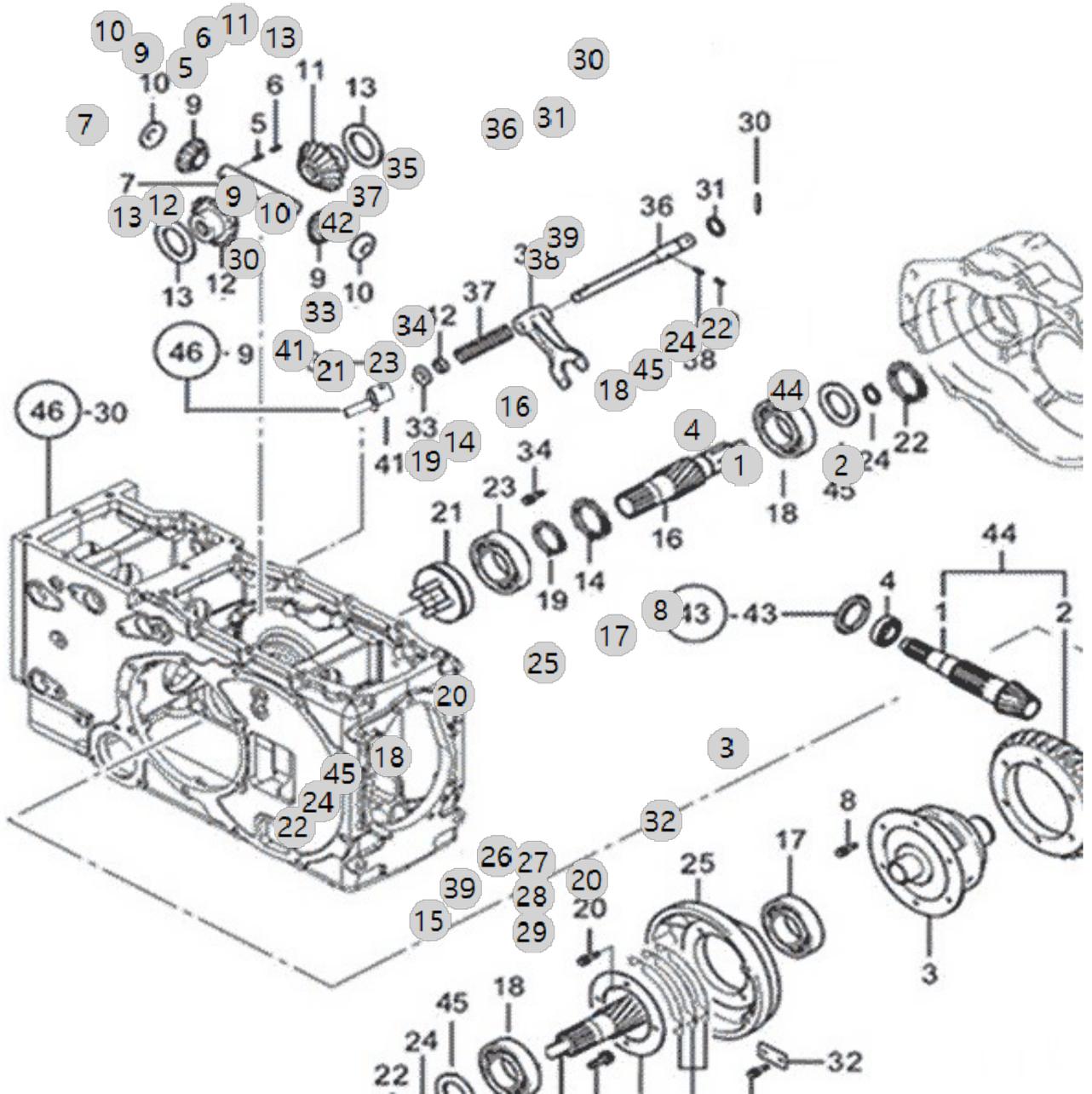
F05020

20H TM(US)\_RANGE4  
(AC01720)

REAR DIFFERENTIAL

Year/Month

2022-12-15



F05020 20H TM(US)_RANGE4 (AC01720)		REAR DIFFERENTIAL				Year/Month 2022-12-15
순번 (NO)	부품번호 (PART NO)	품명 (PART NAME)	품명 (PART NAME)	수량 (QTY)	규격 (SPEC)	비고 (REMARK)
1	TA00054487B	카운터축	COUNTER SHAFT	1		
1	TA00054487C	카운터축	COUNTER SHAFT	1		
2	TN49520000D2	링기어	RINGGEAR	1		
3	TN49030000E2	차동케이스	CASE,DIFFERENTIAL	1		
4	TT78020000A3	베어링NJ307R	BEARINGNJ307R	1	NJ307R	DEL.20220323
5	22312-060360	평행핀	PIN, DOWEL (6-36)	1	D6X36	
6	22351-060032	스프링핀	PIN, SPRING (6-32)	1	D6X32	
7	TF64080000A4	피니언축	PINIONSHAFT	1		
8	TF64090000B4	볼트	BOLT	6		
9	TF64100000B3	차동피니언	PINION	2		
10	TF64110000A4	피니언라이너	PINIONLINER	2	T1.0	
11	TF64120000A3	차동사이드기어(A)	DIFF.SIDEGEAR(A)	1		
12	TF64130000A3	차동사이드기어(B)	DIFF.SIDEGEAR(B)	1		
13	TF64140000B4	사이드기어라이너	SIDEGEARLINER	2		
14	22252-000800	구멍용스냅링80	RING, CIRCLIP (Φ 80)	1	D80	
15	TA00032603C	파이널 기어(좌)	FINAL PINION(L)	1		
15	TA00032603B	파이널 기어(좌)	FINAL PINION(L)	1		
15	TA00032603D	파이널 기어(좌)	FINAL PINION(L)	1		
15	TA00032603E	파이널 피니언(좌)	FINAL PINION(L)	1		
16	TA00032596D	파이널 피니언(우)	FINAL PINION(R)	1		
16	TA00032596C	파이널 피니언(우)	FINAL PINION(R)	1		
16	TA00032596B	파이널 피니언(우)	FINAL PINION(R)	1		
16	TA00032596E	파이널 피니언(우)	FINAL PINION(R)	1		
17	24101-062114	볼베어링6211	Bearing, Ball (#6211)	1	#6211	
18	TF64190000A4	베어링6308HL1	BALL BEARING (#6308HL1) -> TF64190000A3	2	NJ307R	DEL.20220323
19	22242-000500	축용스냅링50	SNAP RING, SHAFT (Φ50)	1	D50	
20	26013-080202	와셔조립육각볼트(+SW)	Bolt, Hexa (8-20)	4	M8XP1.25X20	
21	TF64250000B3	데프록스러스트	THRUST, DIFF-LOCK ASSY	1		
22	22252-000900	구멍용스냅링90	RING, CIRCLIP (Φ 90)	2	D90	
23	24101-060104	볼베어링6010	Bearing, Ball (#6010)	1	#6010	
24	22242-000400	축용스냅링40	SNAP RING, SHAFT (Φ 40)	2	D40	
25	TN49550000B2	캐리어	CARRIOR	1		
26	TN49590000A4	리테이너	RETAINER	1		
27	TZ49560000A4	심A(0.5)	SHIMA	3		
28	TZ49570000A4	심B(0.3)	SHIMB	3		
29	TZ49580000A4	심C(0.1)	SHIMC	2		
30	22351-080032	스프링핀	PIN, SPRING (8-32)	2	D8X32	
31	24311-000160	O-링 P 16	O-RING, DYNAMIC (Φ16)	1	P16	
32	TB32360000A4	리테이너	RETAINER	2	T4.5X25X50	
33	TN49380000A4	와셔	WASHER	1	T4.2X30X30	
34	26013-080202	와셔조립육각볼트(+SW)	Bolt, Hexa (8-20)	9	M8XP1.25X20	
35	TN49400000B2	차동포크	FORKDIFFERENTIALLOCK	1		
36	TA00027271B	포크축	SHAFT	1		
36	TA00027271C	포크축	SHAFT	1		
37	TN49430000A4	스프링	SPRING	1	D4.0	





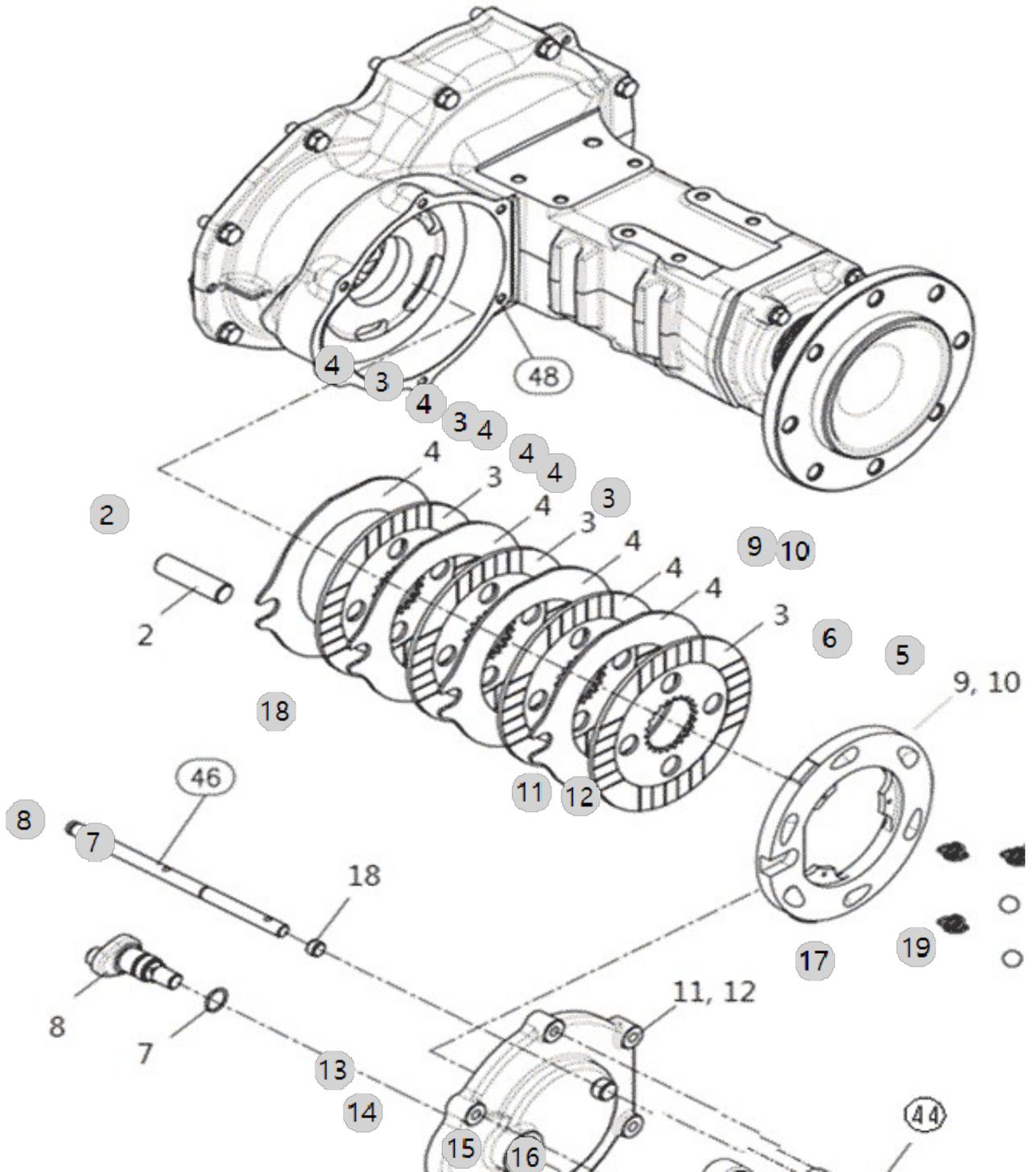
F06030

20H TM(US)\_RANGE4  
(AC01720)

BRAKE

Year/Month

2022-12-15





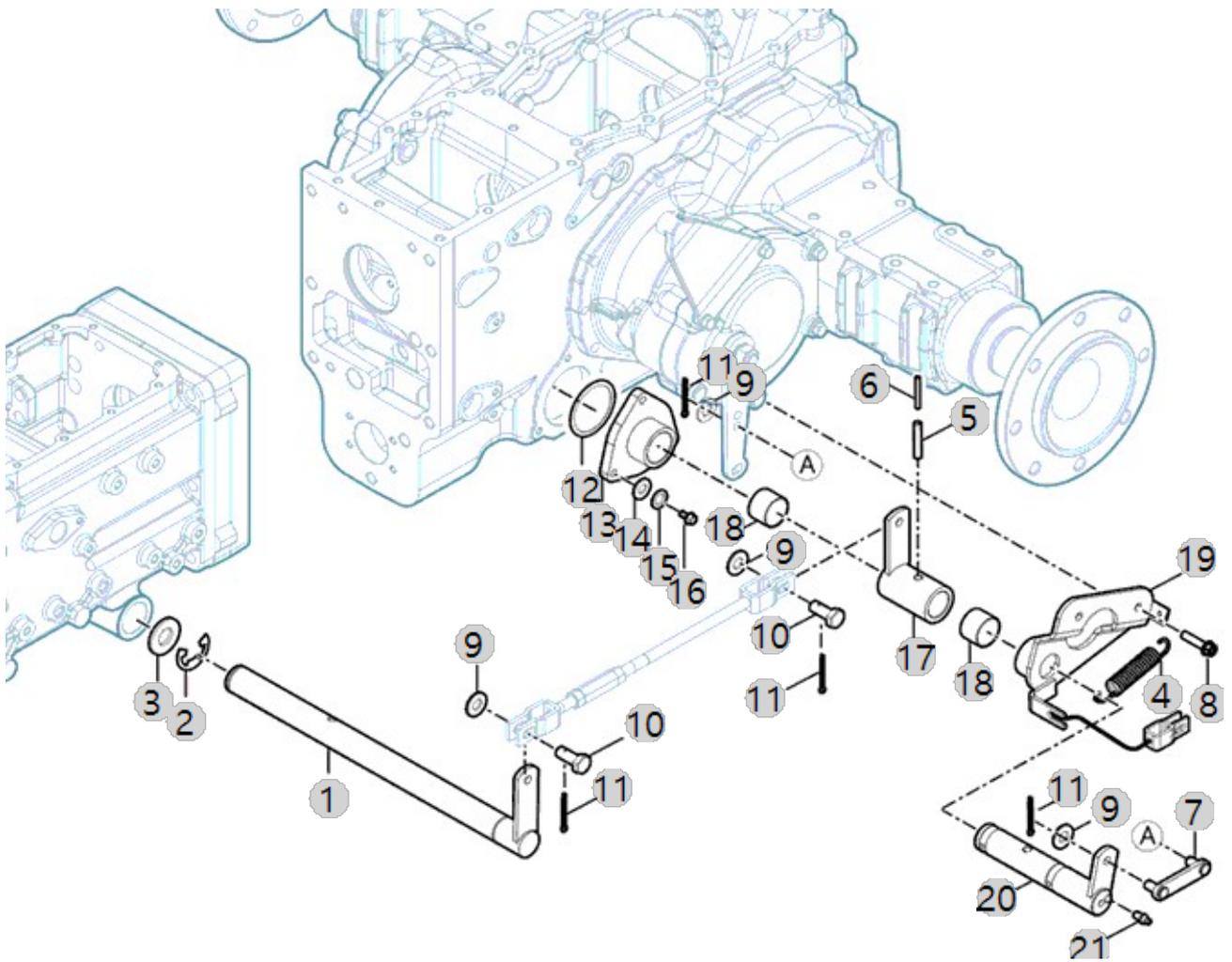
F06031

20H TM(US)\_RANGE4  
(AC01720)

SUPPORT, BRAKE

Year/Month

2022-12-15





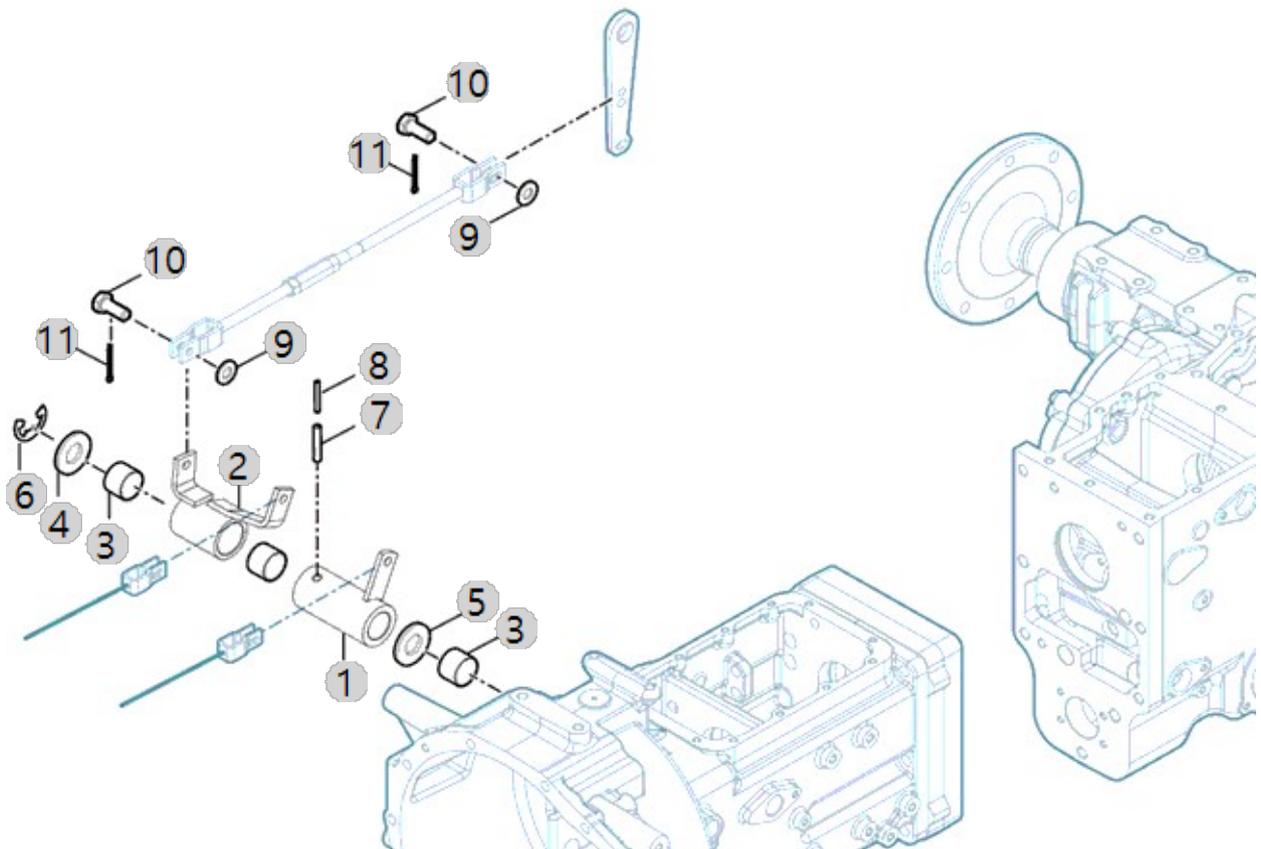
F06033

20H TM(US)\_RANGE4  
(AC01720)

### BRAKE LINK

Year/Month

2022-12-15





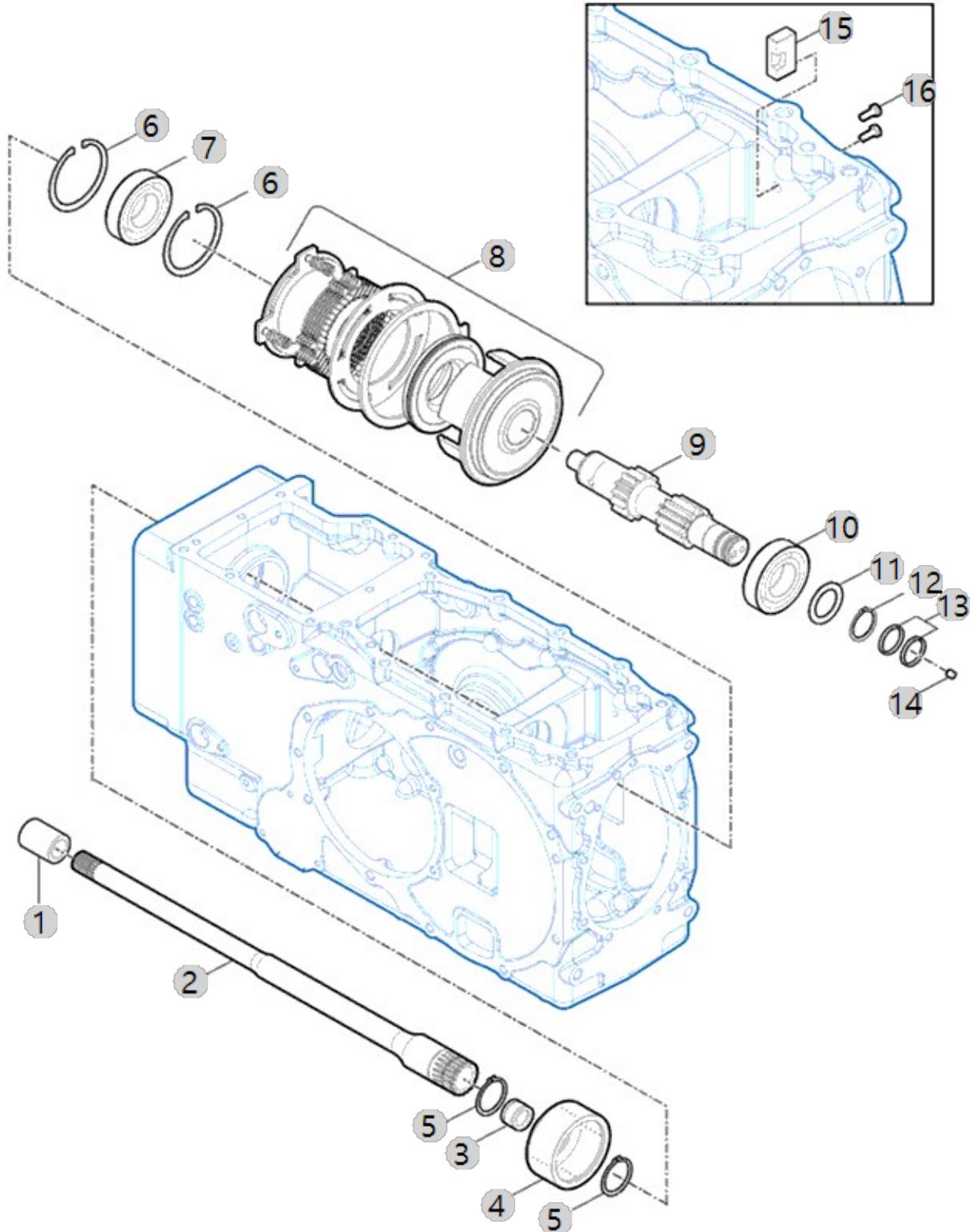
F07030

20H TM(US)\_RANGE4  
(AC01720)

PTO DRIVE SHAFT

Year/Month

2022-12-15







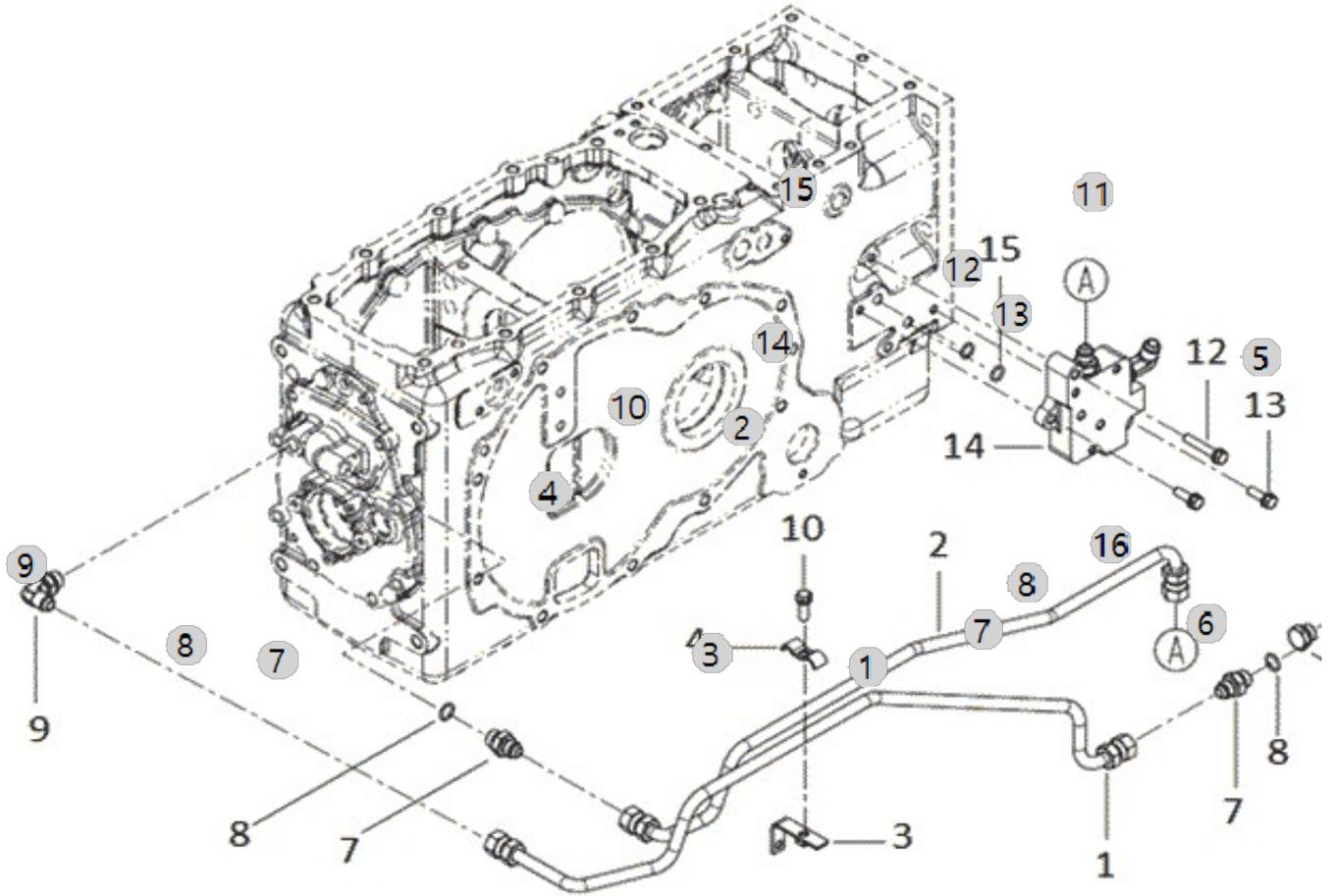
F07050

20H TM(US)\_RANGE4  
(AC01720)

### PTO VALVE

Year/Month

2022-12-15





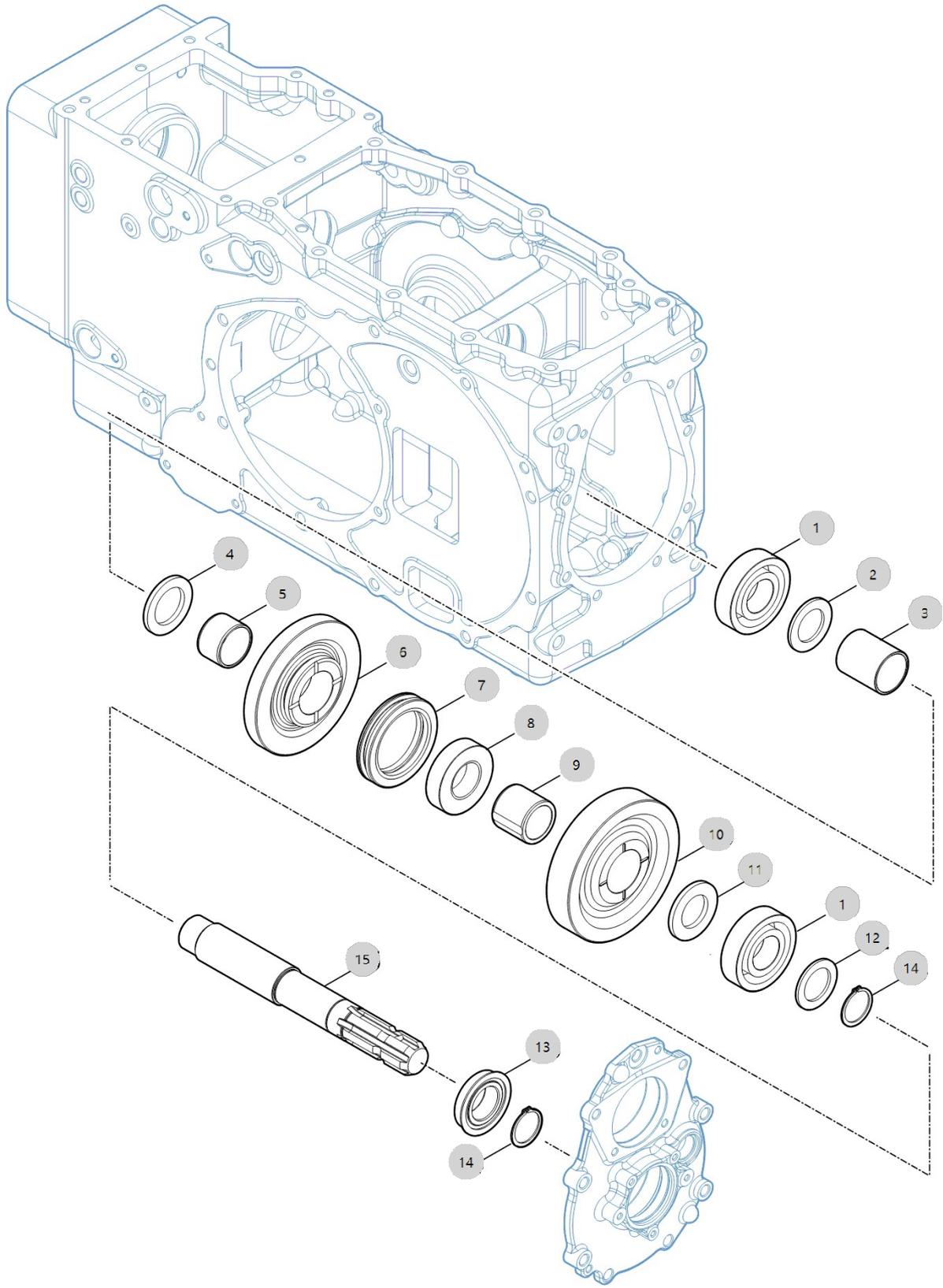
F07070

20H TM(US)\_RANGE4  
(AC01720)

PTO SHAFT

Year/Month

2022-12-15





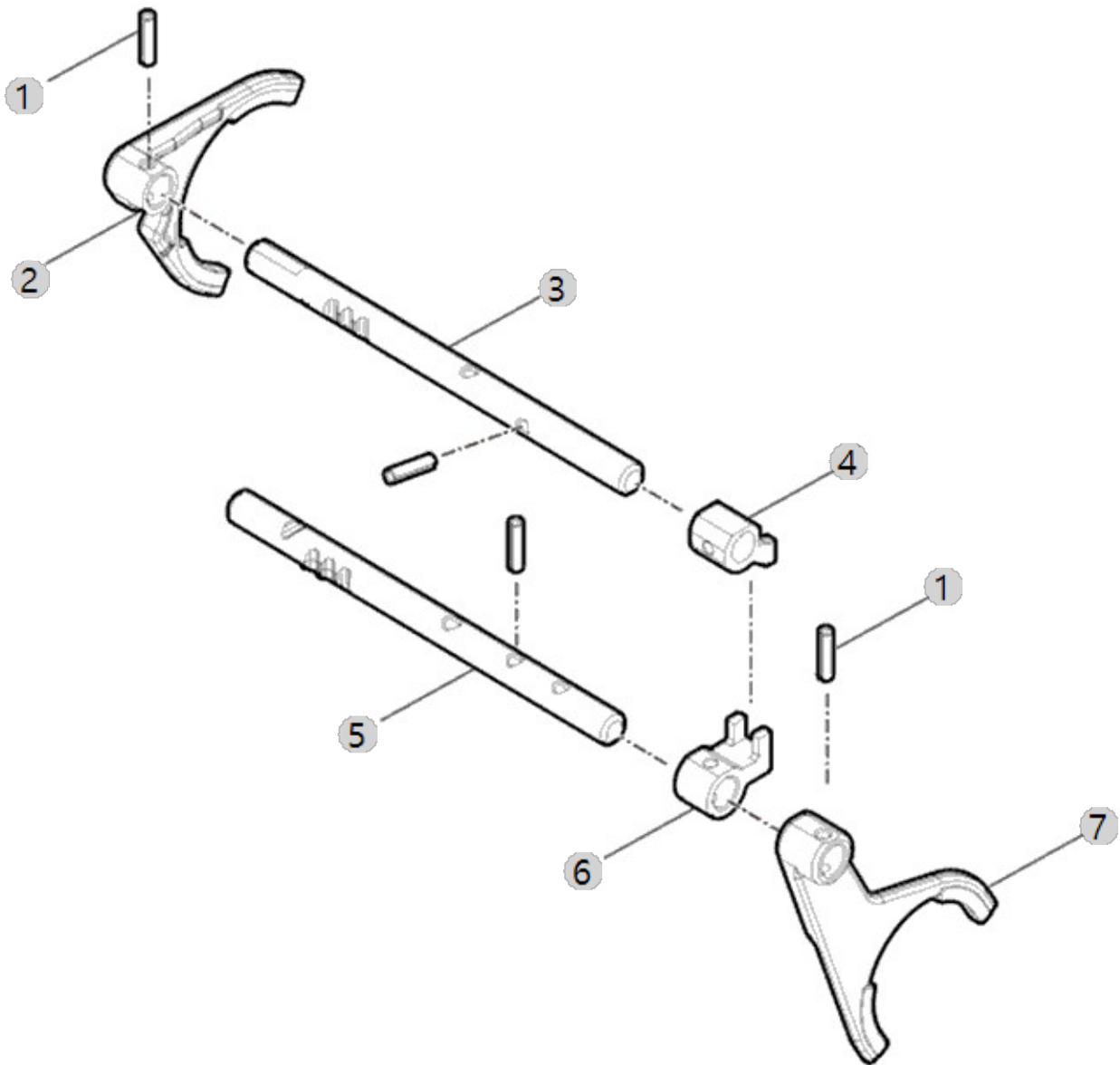
F08022

20H TM(US)\_RANGE4  
(AC01720)

RANGE SHIFT FORK

Year/Month

2022-12-15





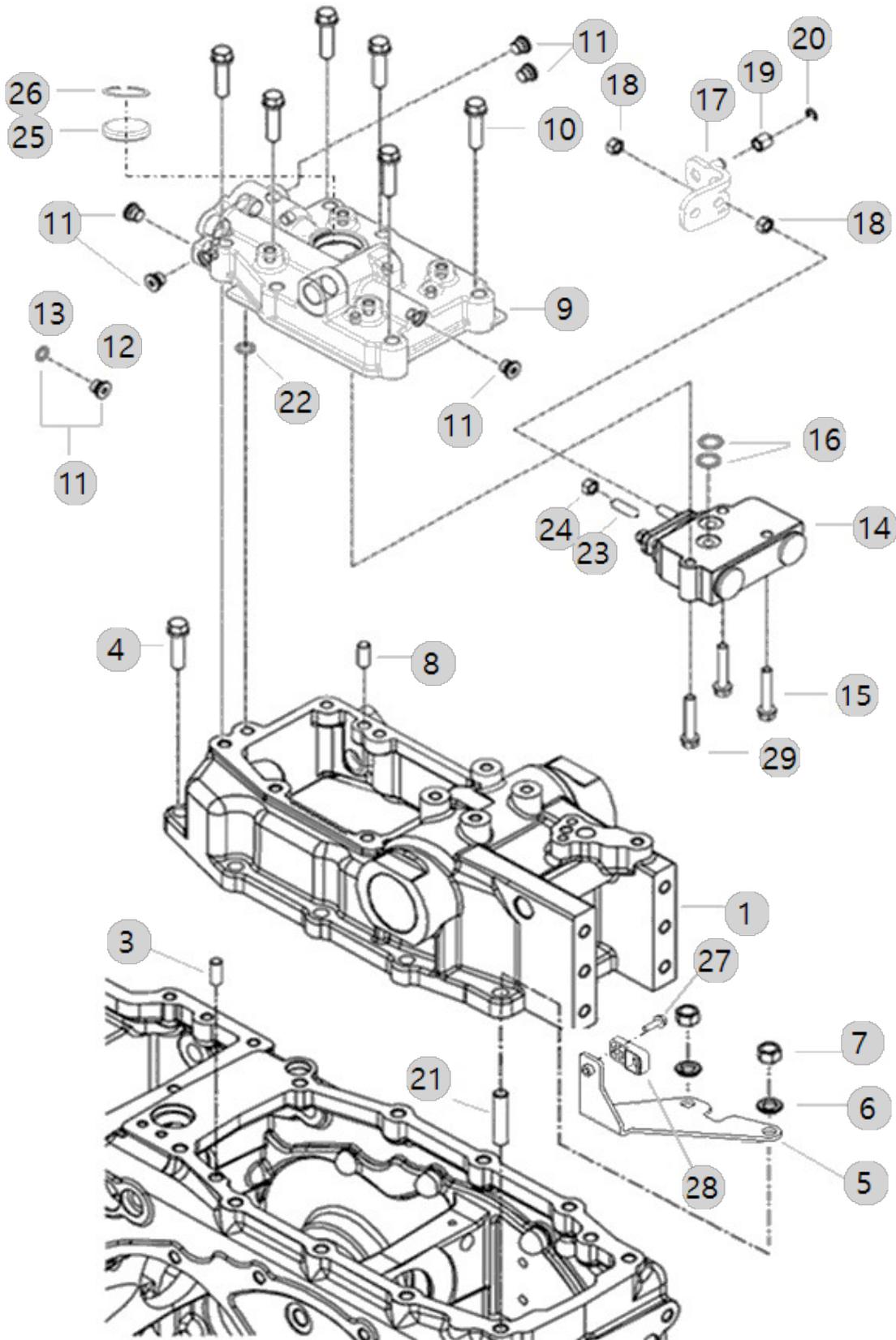
F10010

20H TM(US)\_RANGE4  
(AC01720)

CASE, HYD CYLINDER

Year/Month

2022-12-15







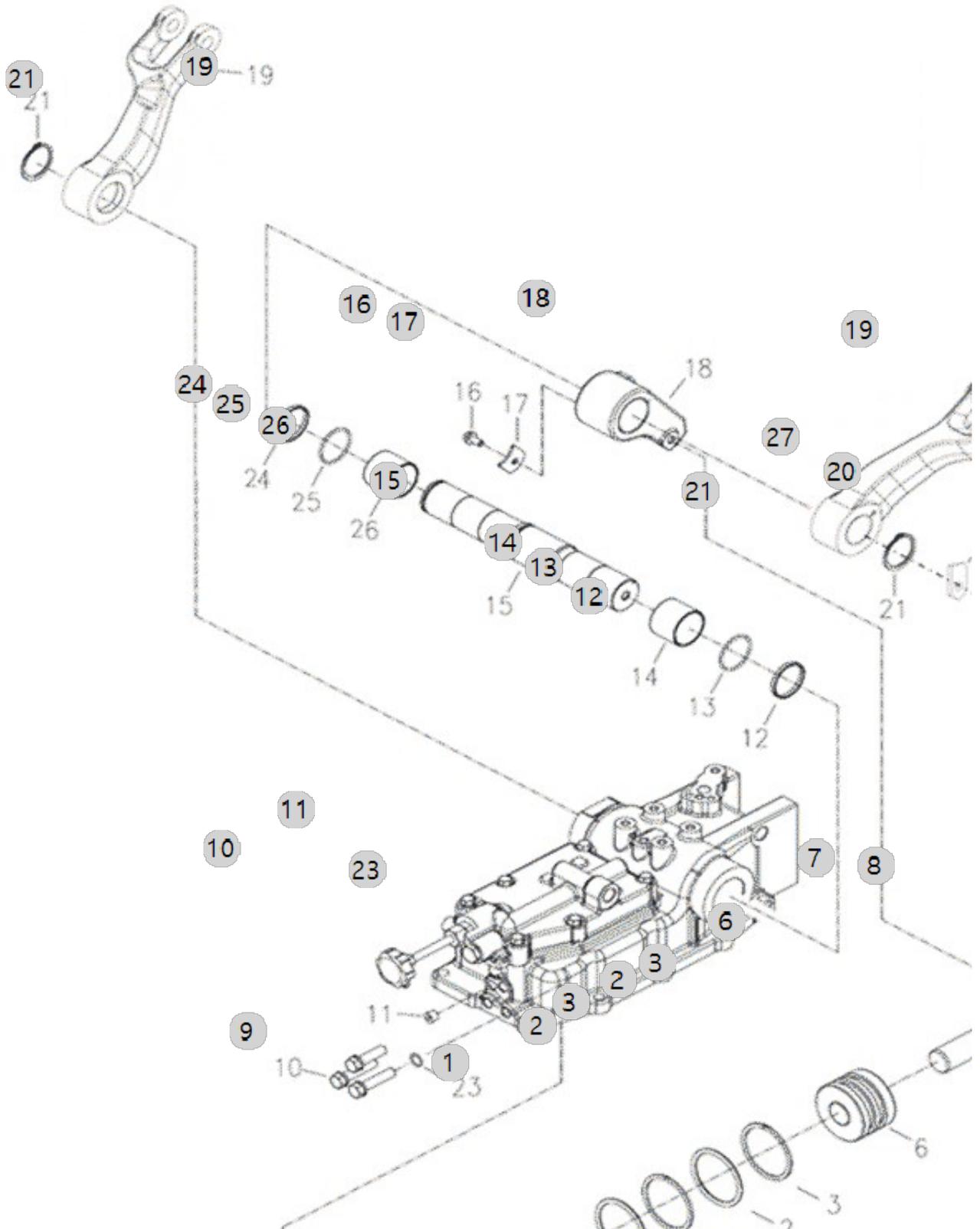
F10020

20H TM(US)\_RANGE4  
(AC01720)

LIFT ARM

Year/Month

2022-12-15





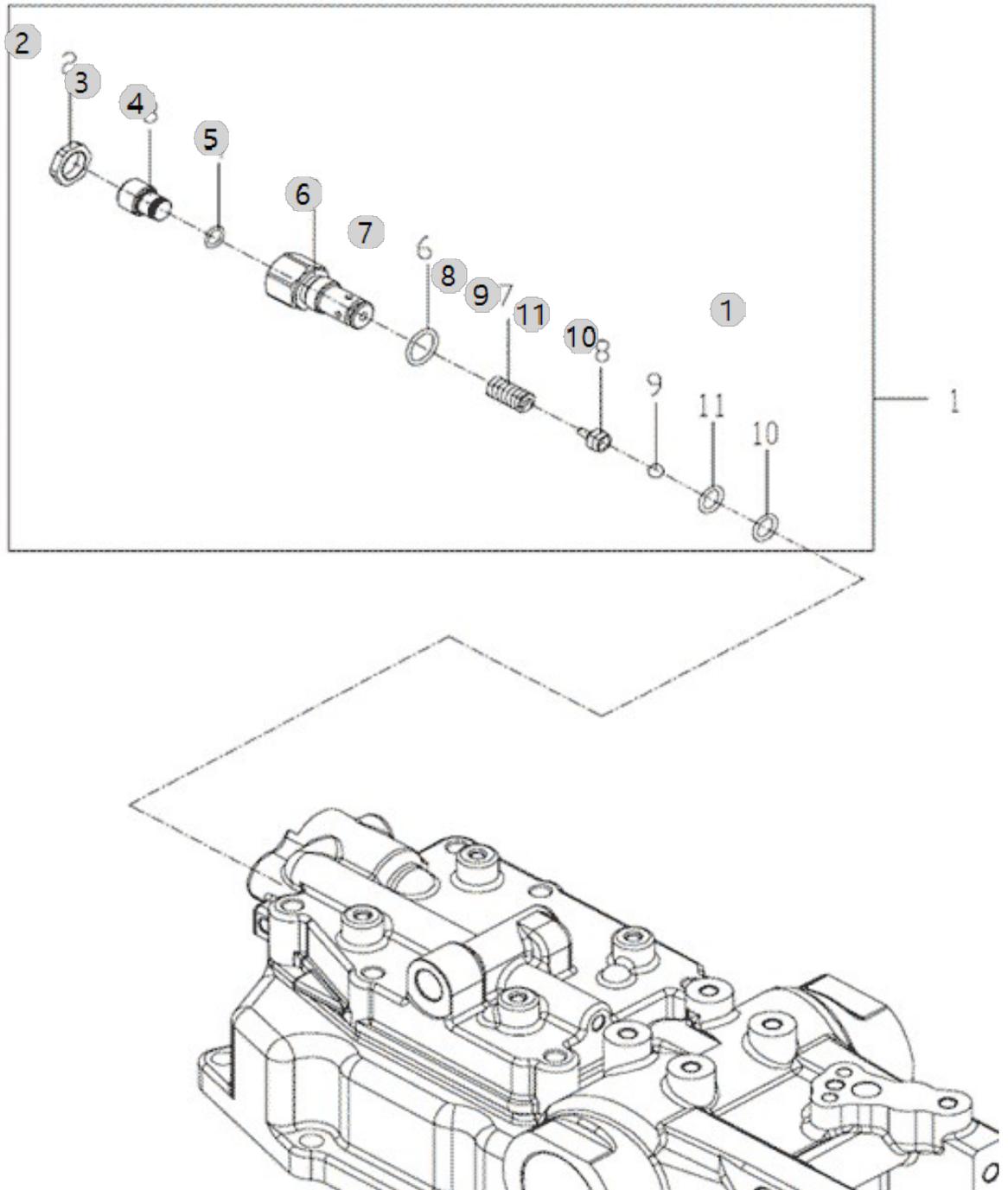
F10030

20H TM(US)\_RANGE4  
(AC01720)

### SAFETY VALVE

Year/Month

2022-12-15





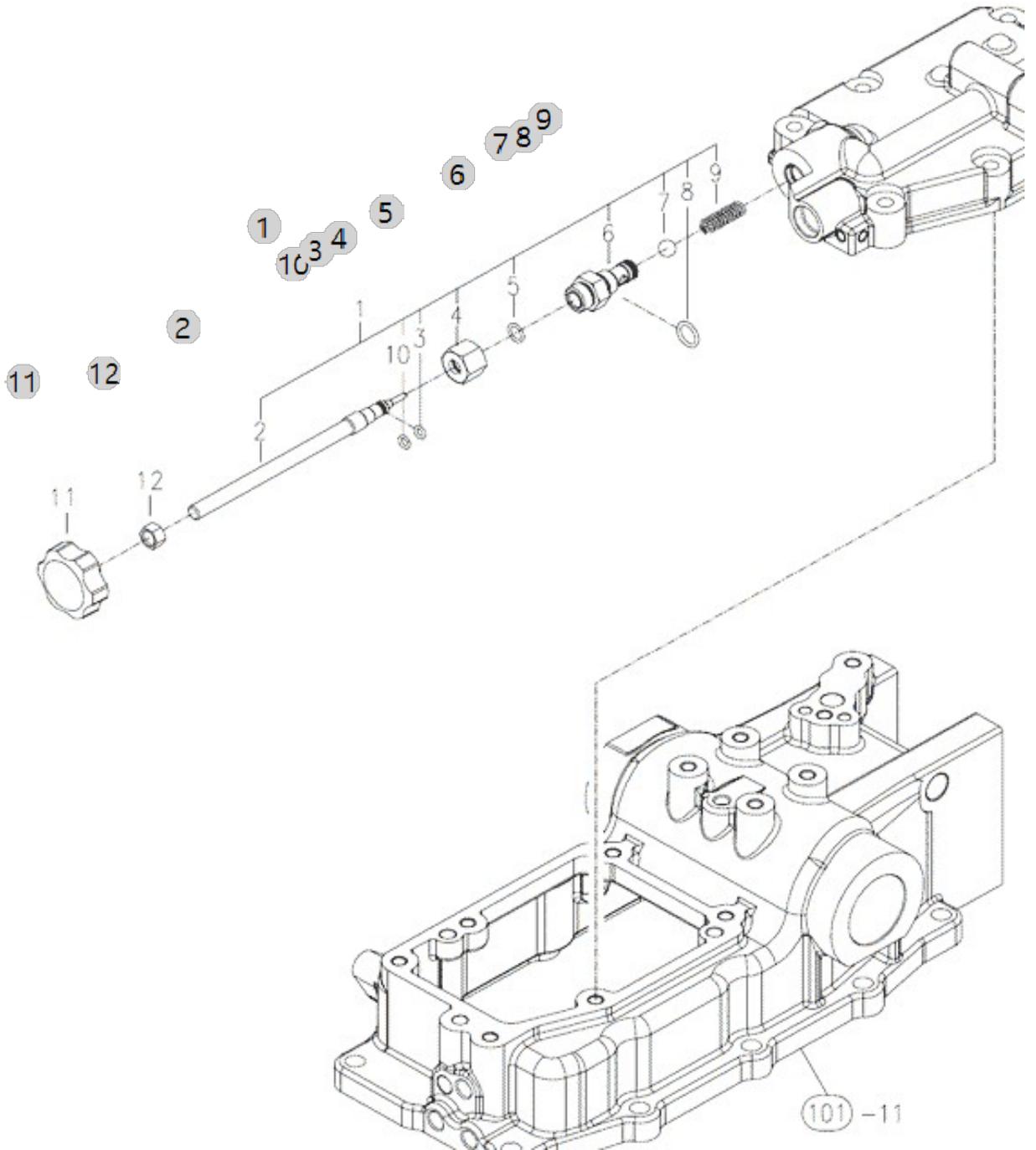
F10040

20H TM(US)\_RANGE4  
(AC01720)

### STOP VALVE

Year/Month

2022-12-15





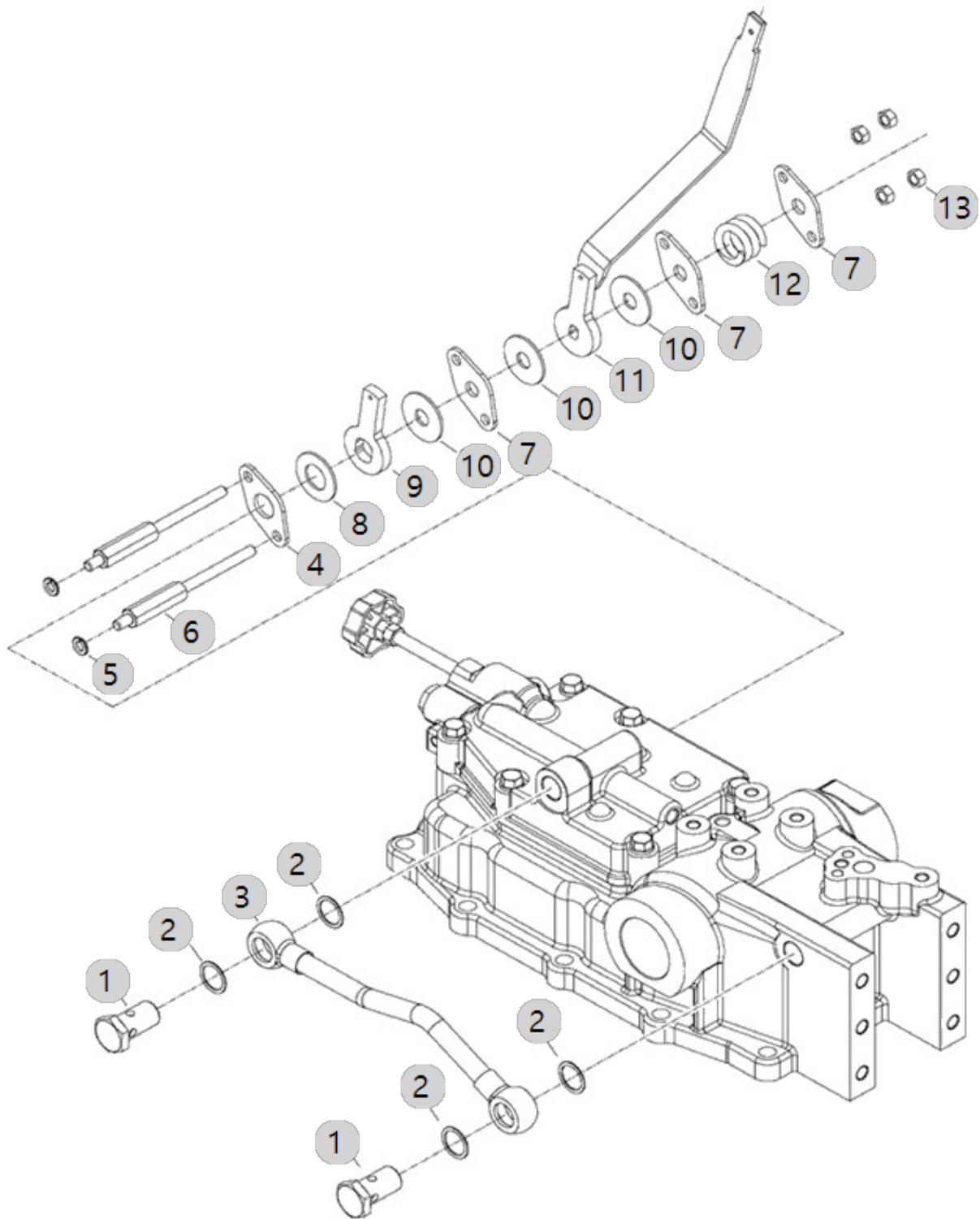
F10064

20H TM(US)\_RANGE4  
(AC01720)

POSITION CONTROL LEVER

Year/Month

2022-12-15







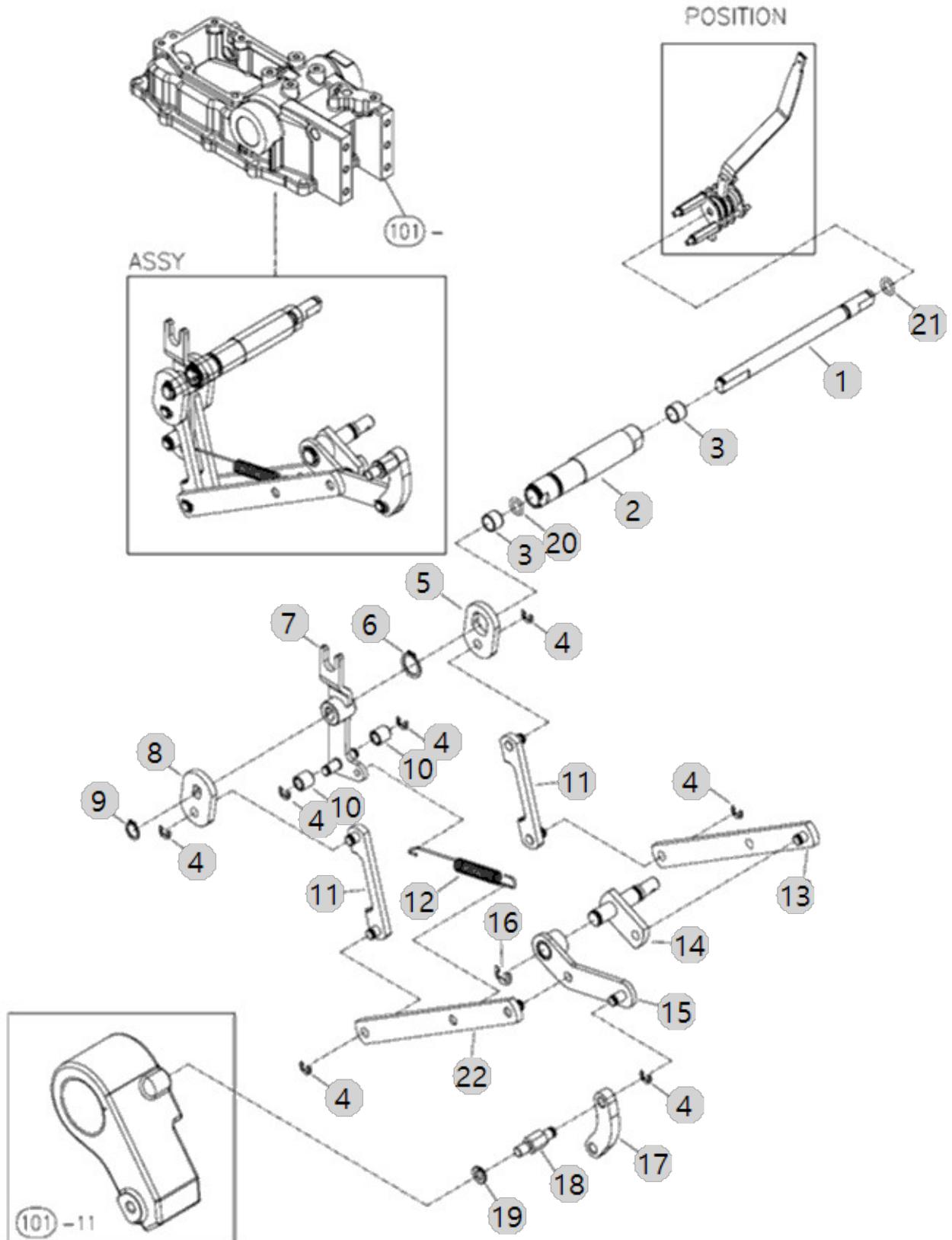
F10070

20H TM(US)\_RANGE4  
(AC01720)

SHAFT, CONTROL LEVER

Year/Month

2022-12-15





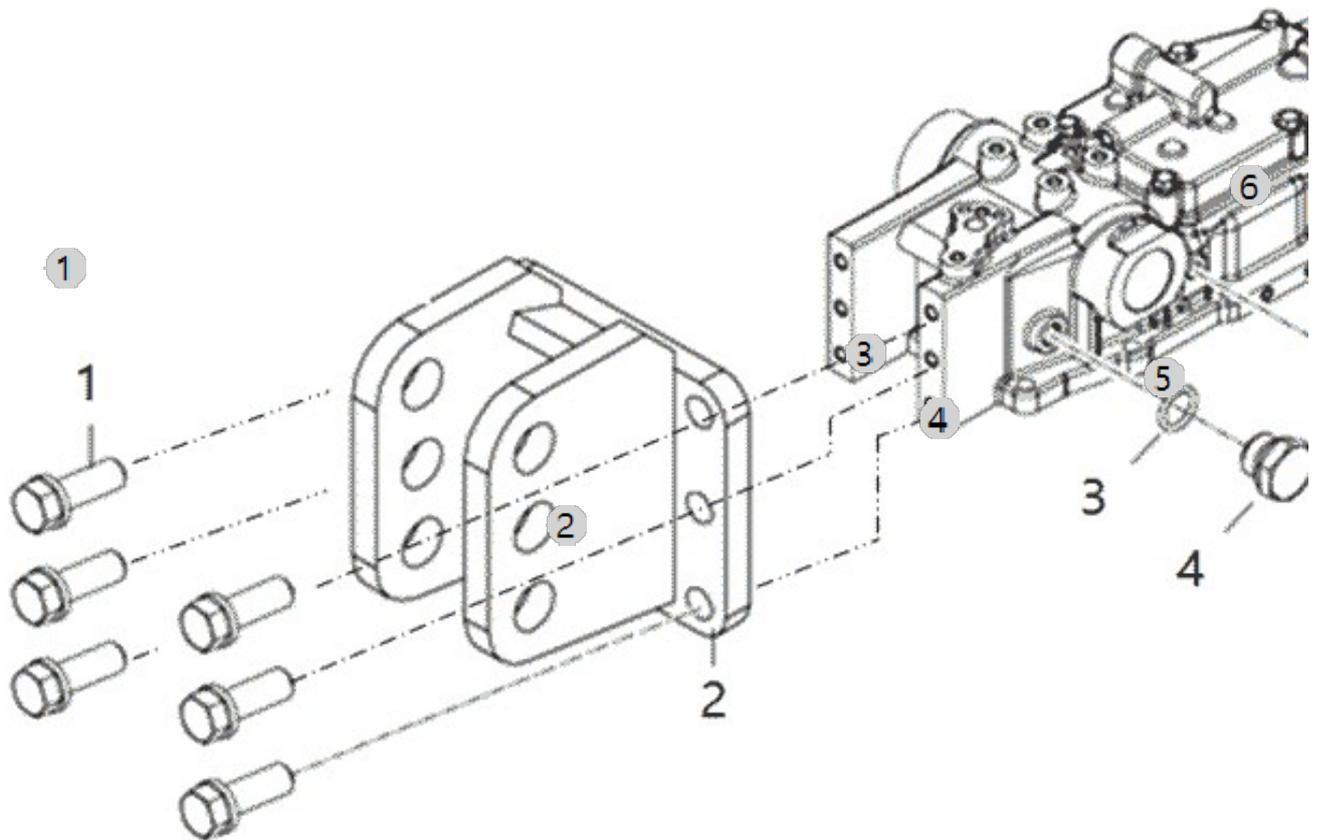
F10100

20H TM(US)\_RANGE4  
(AC01720)

TOP LINK

Year/Month

2022-12-15





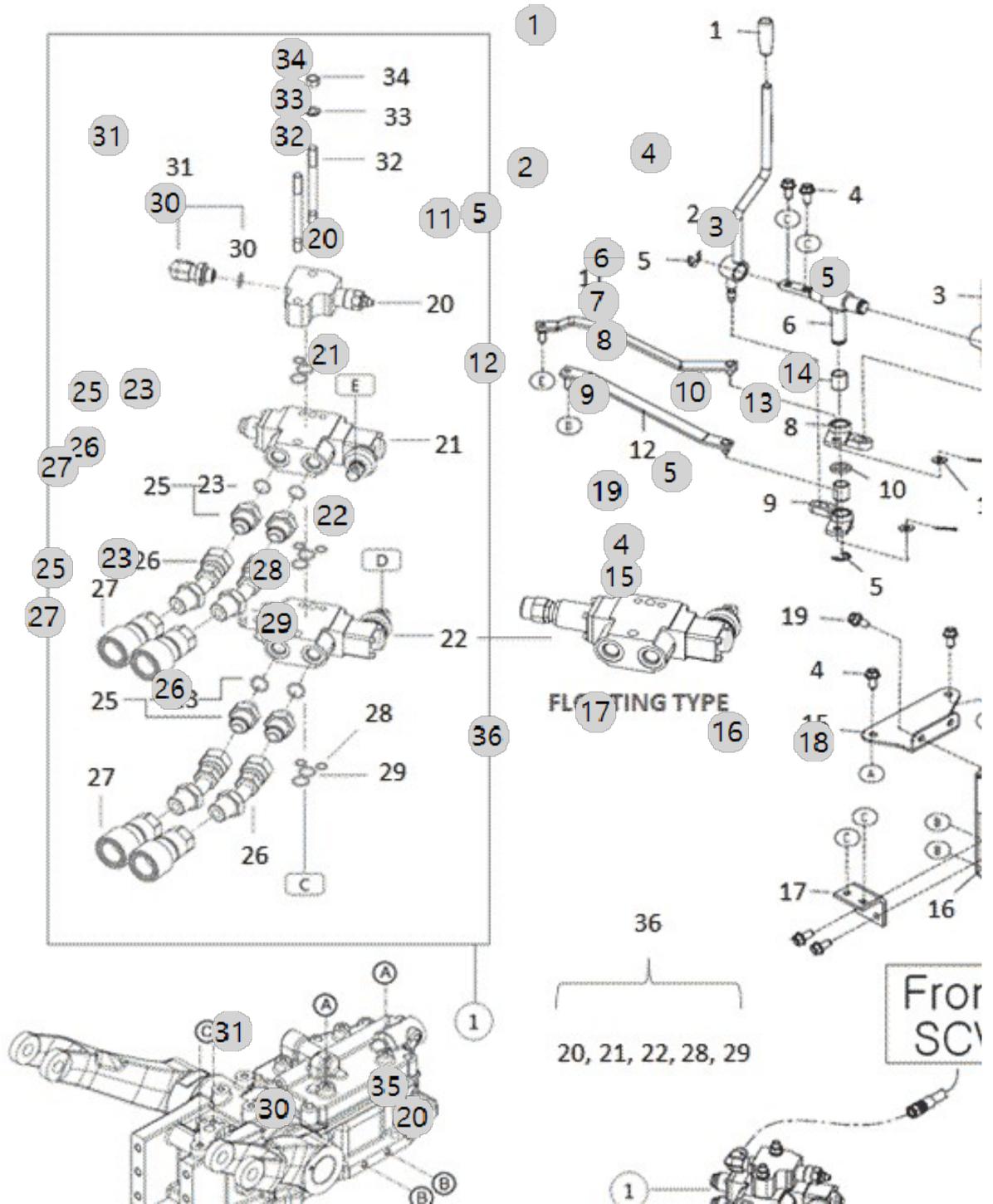
F10120

20H TM(US)\_RANGE4  
(AC01720)

REAR SCV

Year/Month

2022-12-15



F10120 20H TM(US)_RANGE4 (AC01720)		REAR SCV				Year/Month 2022-12-15
순번 (NO)	부품번호 (PART NO)	품명 (PART NAME)	품명 (PART NAME)	수량 (QTY)	규격 (SPEC)	비고 (REMARK)
1	VD05460000A4	손잡이(흑)	LEVER(BLACK)	2		
2	TA00034047C	레버 A 조합	LEVER A ASS'Y	1		
2	TA00034047B	레버 A 조합	LEVER A ASS'Y	1		
3	TA00034049C	레버 B 조합	LEVER B ASS'Y	1		
3	TA00034049B	레버 B 조합	LEVER B ASS'Y	1		
4	26106-080162	플랜지볼트8X16	SCREW,HEXFLANGEHEADCAP	6	M8XP1.25X16	
5	22272-000120	E형스냅링12	RING, CIRCLIP (Φ 12)	3	D12	
6	TA00034042C	축 조합	SHAFT ASS'Y	1		
6	TA00034042B	축 조합	SHAFT ASS'Y	1		
6	TA00034042D	축 조합	SHAFT ASS'Y	1		
7	24550-016200	드라이부시16X20	DRY BUSH 16X20	4		
8	TA00036430B	보스 A 조합 PTO 3단	BOSS B ASS'Y PTO 3SD	1		
9	TA00036429B	보스 B 조합 PTO 3단	BOSS B ASS'Y PTO 3SD	1		
10	TA00034062A	플레이트	PLATE	1		
11	TA00036297C	링크 2 조합	LINK ASSY 2	1		
11	TA00036297B	링크 2 조합	LINK ASSY 2	1		
12	TA00034019B	링크1조합	LINK 1 ASS'Y	1		
13	22137-080000	와셔8	WASHER, PLAIN (Φ 08)	4	M8	
14	22417-200200	할핀	PIN , COTTER (2-20)	4	D1.8	
15	TA00036443C	브래킷	BRACKET	1		
16	TA00036941B	SCV 고정 레버 브래킷 조합	HOLDING BRACKET, SCV LEVER	1		
17	TA00036949B	고정브라켓	BRACKET	1		
18	26106-100162	플랜지볼트M10X16	SCREW,HEXFLANGEHEADCAP	2	M10XP1.5X16	
19	26106-080182	444,ALL,플랜지볼트	SCREW,HEXFLANGEHEADCAP	4		
20	TA00033977B	컨트롤 릴리프	COVER RELIEF	1		
20	TA00033977C	컨트롤 릴리프	COVER RELIEF	1		
21	TA00037393A	SCV2(D)	SCV2(D)	1		
22	TA00028226B	SCV 1	SCV	1		
22	TA00028226A	SCV 1	REAR SCV 1	1		
22	TA00028226C	SCV 1	SCV 1	1		
22	TA00048561A	SCV(FLOATING)	SCV(FLOATING)	1		
22	TA00048561C	SCV(FLOATING)	SCV(FLOATING)	1		
22	TA00048561B	SCV(FLOATING)	SCV(FLOATING)	1		
23	24311-000160	O-링 P 16	O-RING, DYNAMIC (Φ16)	4	P16	
25	TA00042245C	아댑터(PF1/2)	ADAPTER	2		
25	TA00042245B	아댑터(PF1/2)	ADAPTER	2		
26	TA00042242C	SCV연결파이프(K3)	PIPE, SCV	2		
26	TA00042242B	SCV연결파이프(K3)	PIPE, SCV	2		
26	TA00042242D	SCV연결파이프(K3)	SCV EXTENSION PIPE(K3)	2		
27	FBA3150000B3	조인트암(1/2")	"ARM, JOINT(1/2")"	2		
27	FBA3150000A4	조인트(1/2")	ARM, JOINT(1/2") -> FBA3150000A3	2		
28	24311-000100	O-링1AP10.0	O-RING, DYNAMIC (Φ10)	4	P10	
29	24311-000160	O-링 P 16	O-RING, DYNAMIC (Φ16)	4	P16	
30	24311-000140	441,ALL,O-RINGP-14	O-RING, DYNAMIC (Φ14)	1	P14	
31	TA00035078B	90도 엘보 (PF3/8-1/2)	ELBOW	1		



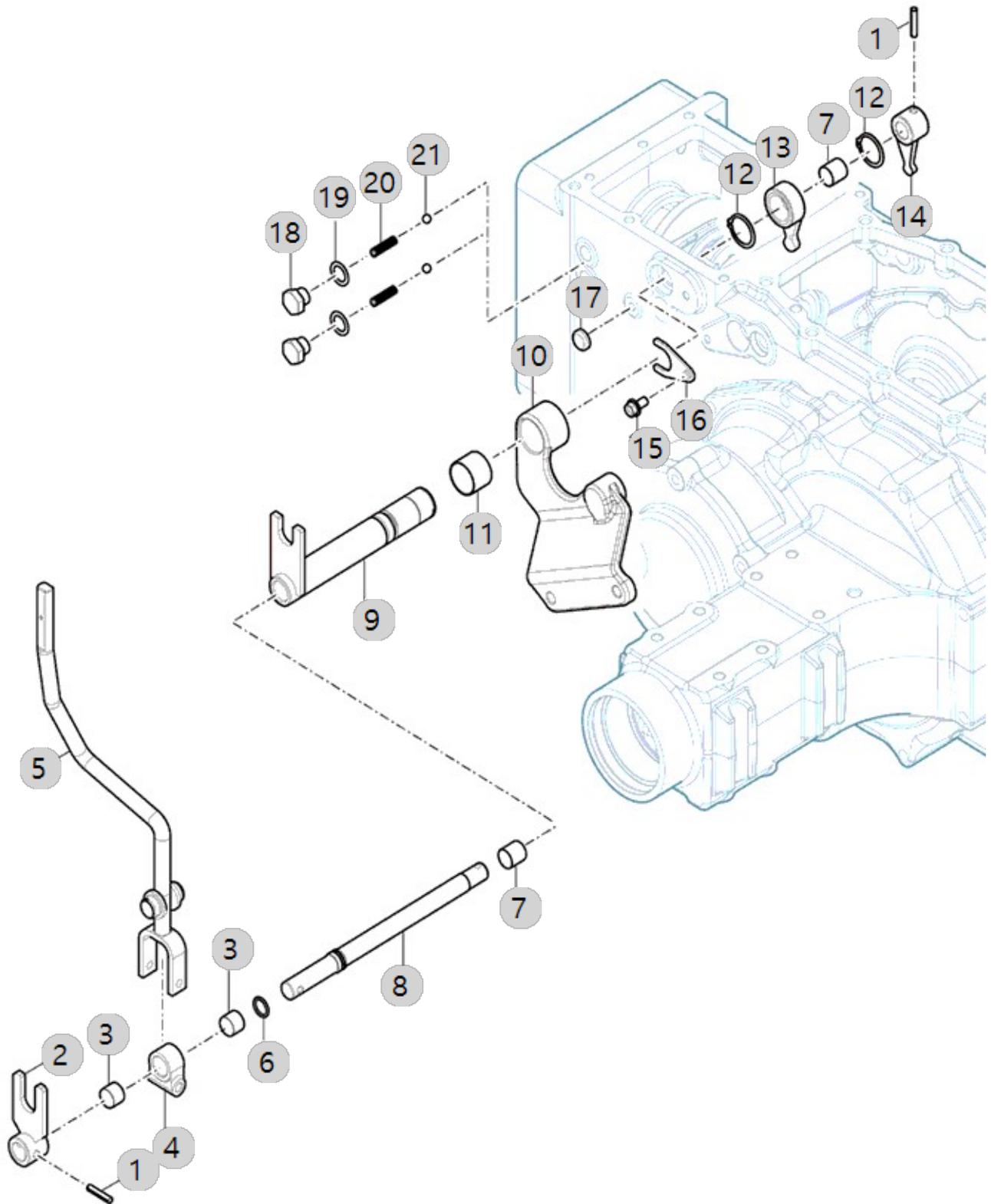
F11020

20H TM(US)\_RANGE4  
(AC01720)

RANGE SHIFT LEVER

Year/Month

2022-12-15







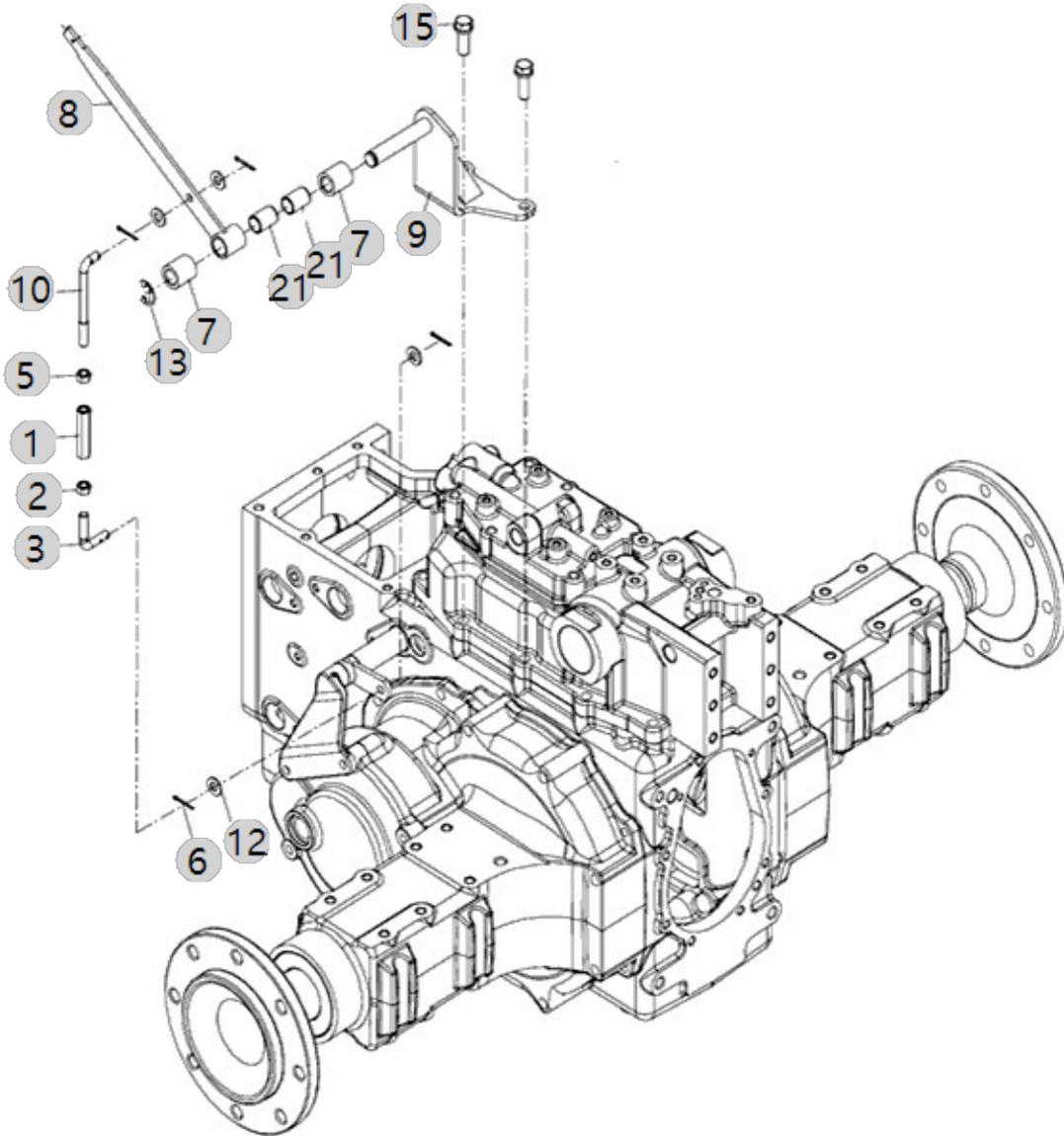
F11030

20H TM(US)\_RANGE4  
(AC01720)

LEVER ASS'Y, PTO SPEED CHANGE

Year/Month

2022-12-15





F11080

20H TM(US)\_RANGE4  
(AC01720)

### 4WD LEVER

Year/Month

2022-12-15

