

T394NH

Parts Catalog

목 차

0. TRACTOR KIT PART NO. TK1

FIG 001 ADAPTER KIT	7
FIG 001 EXTERNAL POSITION LEVER KIT	9
FIG 001 MID PTO KIT	11
FIG 003 REAR WIPER KIT	13

1. Engine PART NO. EG

FIG 100 ENGINE	16
FIG 101 CYLINDER BLOCK	18
FIG 102 GEAR HOUSING	20
FIG 103 FLYWHEEL HOUSING & OIL SUMP	22
FIG 104 CYLINDER HEAD & BONNET	24
FIG 105 SUCTION MANIFOLD	27
FIG 106 EXHAUST MANIFOLD	29
FIG 107 DIESEL PARTICULATE FILTER(DPF)	31
FIG 108 CAMSHAFT & DRIVING GEAR	33
FIG 109 CRANKSHAFT & PISTON	35
FIG 110 LUB.OIL SYSTEM	37
FIG 111 COOLING WATER SYSTEM	39
FIG 112 FUEL SUPPLY PUMP	41
FIG 113 FUEL INJECTION VALVE	43
FIG 114 FUEL PIPE	45
FIG 115 STARTER MOTOR	47
FIG 116 ALTERNATOR	49
FIG 117 ELECTRONIC CONTROL UNIT(ECU)	51
FIG 118 ELECTRIC PARTS	53

2. Engine Accessories PART NO. T2

FIG 201 AIR CLEANER	56
FIG 202 RADIATOR	58

FIG 203 MUFFLER	60
FIG 204 FUEL TANK & HOSE	62
FIG 205 OIL COOLER	64

3. Clutch/Brake/Steering PART NO. T3

FIG 301 FLYWHEEL & CLUTCH	67
FIG 302 BRAKE PEDAL	69
FIG 303 BRAKE	71
FIG 304 FRONT WHEEL MOUNTING	73
FIG 305 REAR WHEEL MOUNTING	75
FIG 306 STEERING WHEEL & DASH COVER	77
FIG 307 STEERING VALVE & TILT	79
FIG 308 STEERING CYLINDER	81

4. Transmission PART NO. T4

FIG 401 TRANSMISSION FRONT CASE	84
FIG 402 HST	86
FIG 403 MID CASE	88
FIG 404 4WD DRIVE GEAR	90
FIG 405 INPUT GEAR	92
FIG 406 SUB CHANGE GEARS	94
FIG 407 PINION GEARS	96
FIG 408 P.T.O DRIVE SHAFT	98
FIG 409 P.T.O CHANGE GEARS	100
FIG 410 DIFF LOCK	103
FIG 411 TRANSMISSION REAR CASE	105
FIG 412 REAR AXLE HOUSINGS(1)	107
FIG 413 REAR AXLE HOUSINGS(2)	109
FIG 414 MID P.T.O GEARS	111
FIG 415 SUB CHANGE LEVER	113
FIG 416 FORWARD & REVERSE CONTROL LINKAGE	115
FIG 417 CRUISE CONTROL KIT(OPTION)	117
FIG 418 4WD CHANGE LEVER	119

5. Front Axle PART NO. T5

FIG 501 FRONT AXLE BRACKET	122
----------------------------	-----

FIG 502 FRONT DIFFERENTIAL GEARS	124
FIG 503 FRONT AXLE HOUSING	126
FIG 504 FRONT GEAR CASE (1)	128
FIG 505 FRONT GEAR CASE (2)	130

6. Hydraulic/3P-Link PART NO. T6

FIG 601 GEAR PUMP	133
FIG 602 CYLINDER CASE	135
FIG 603 LIFT ARM	137
FIG 604 CYLINDER	139
FIG 605 POSITION LINK(1)	141
FIG 606 POSITION LINK(2)	143
FIG 607 CONTROL VALVE	145
FIG 608 POSITION LEVER	147
FIG 609 HYDRAULIC PIPE(1)	149
FIG 610 HYDRAULIC PIPE(2)	151
FIG 611 EXTERIOR HYD.VALVE	153
FIG 611-1 VALVE KIT	155
FIG 612 3-POINT LINK	157
FIG 613 HITCH & COVER	159
FIG 614 EXTERIOR POSITION LEVER	161

7. Sheet Metal & Cabin PART NO. T7

FIG 701 BONNET (1)	164
FIG 702 BONNET(2)	166
FIG 704 FENDER, REAR FRAME & MUDGUARD	169
FIG 705 ROPS	172
FIG 706 DASHPANEL	174
FIG 707 FLOOR	176
FIG 708 SEAT	178
FIG 709 FLOOR MOUNTING	180

8. Electrical System PART NO. T8

FIG 801 BATTERY & MOUNTING	183
FIG 802 LIGHTS	185

FIG 803 INSTRUMENT PANEL	187
FIG 804 ELECTRIC SYSTEM	189
FIG 805 HARNESS (1)	191
FIG 806 HARNESS (2)	193

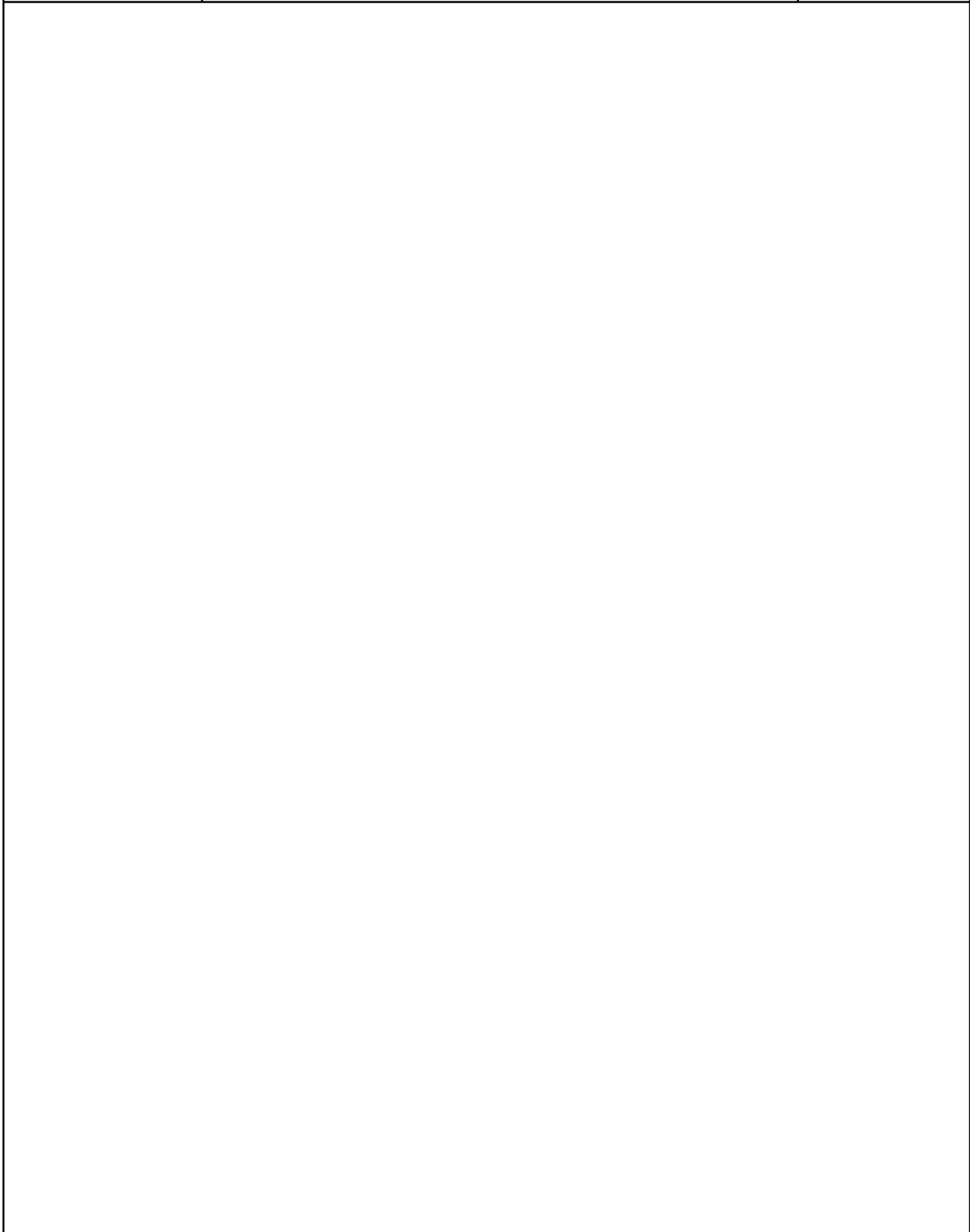
9. Label/Option PART NO. T9

FIG 901 TOOL & ACCESSORY	196
FIG 902 LABEL	198
FIG 902-2 LABEL	200

0. TRACTOR KIT PART NO. TK1

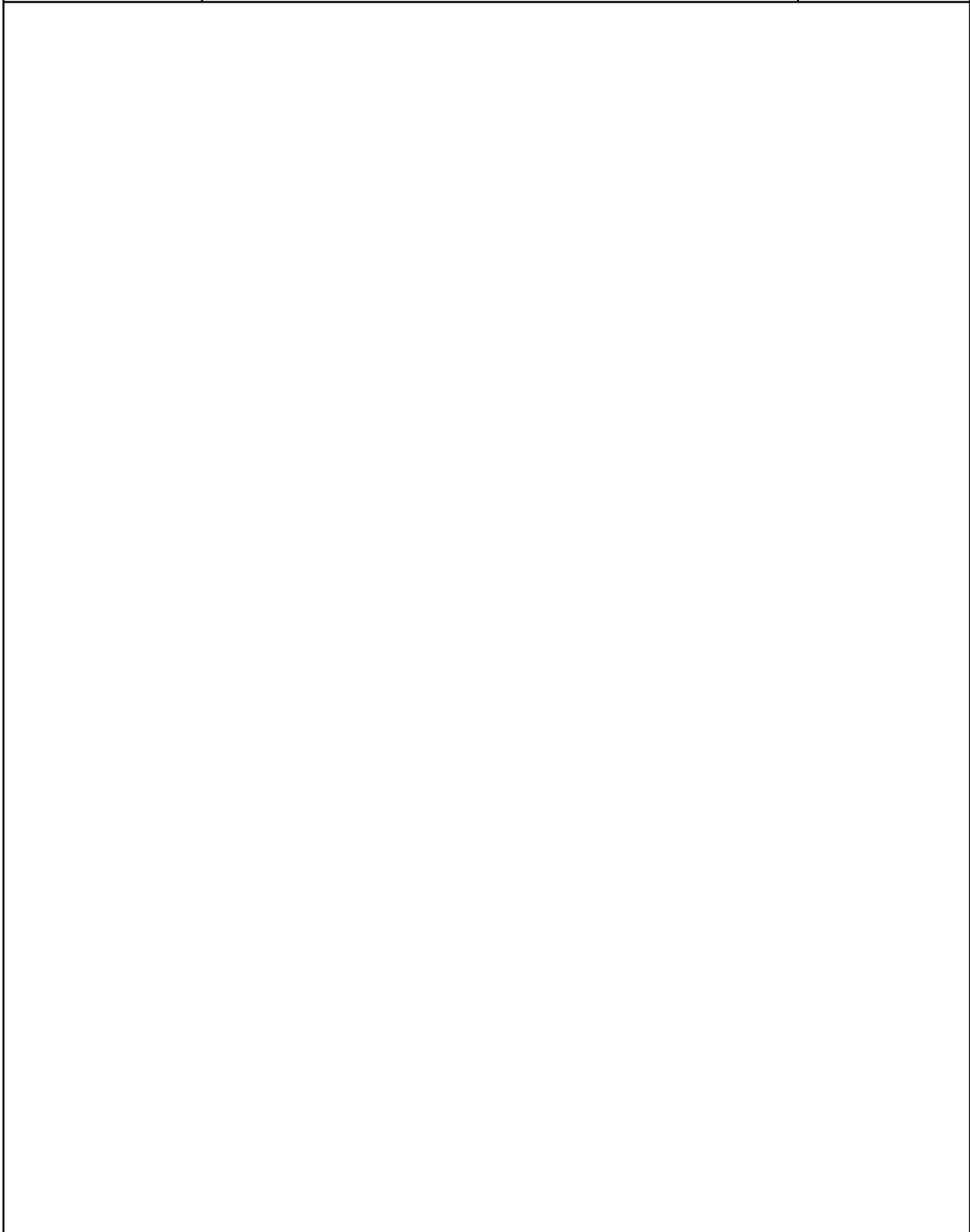
FIG 001 ADAPTER KIT	7
FIG 001 EXTERNAL POSITION LEVER KIT	9
FIG 001 MID PTO KIT	11
FIG 003 REAR WIPER KIT	13

FIG 001 T394NH	ADAPTER KIT	년/월 Year/Month 2022-12
-------------------	-------------	------------------------------



NOTE	
------	--

FIG 001 T394NH	EXTERNAL POSITION LEVER KIT	년/월 Year/Month 2022-12
-------------------	-----------------------------	------------------------------



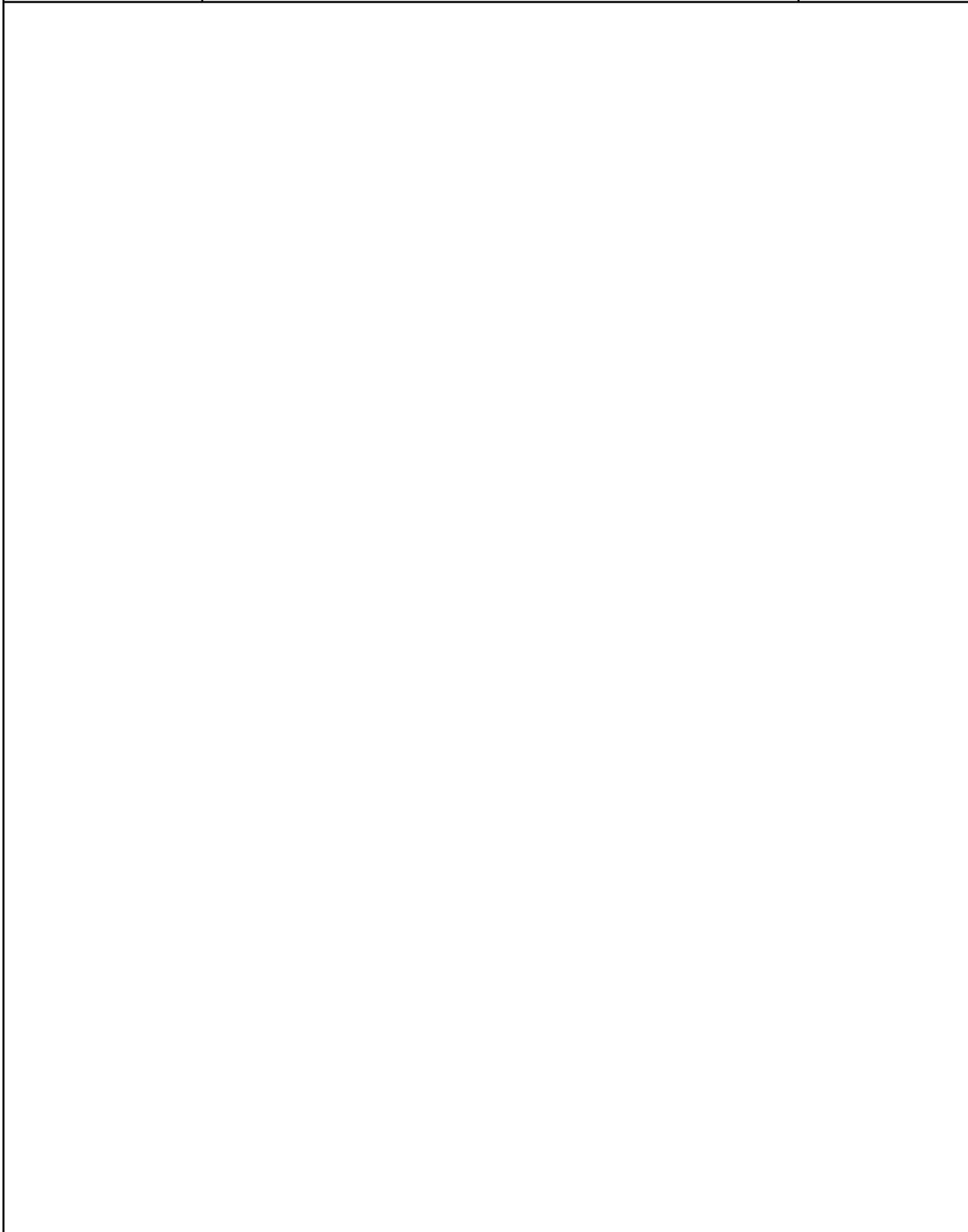
NOTE	
------	--

FIG 001 T394NH	MID PTO KIT	년/월 Year/Month 2022-12
-------------------	-------------	------------------------------

--	--

NOTE	
------	--

FIG 003 T394NH	REAR WIPER KIT	년/월 Year/Month 2022-12
-------------------	----------------	------------------------------

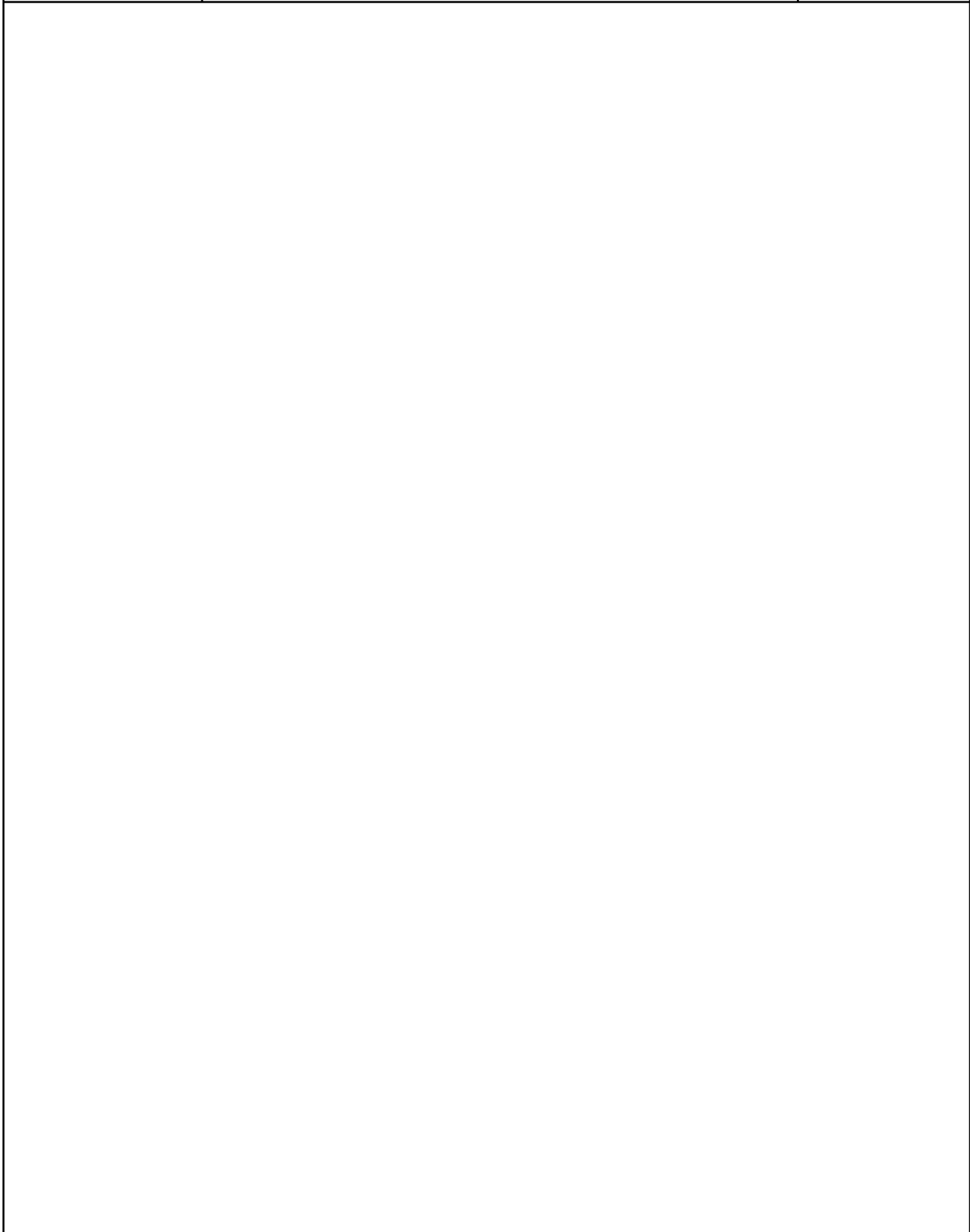


NOTE	
------	--

1. Engine PART NO. EG

FIG 100 ENGINE	16
FIG 101 CYLINDER BLOCK	18
FIG 102 GEAR HOUSING	20
FIG 103 FLYWHEEL HOUSING & OIL SUMP	22
FIG 104 CYLINDER HEAD & BONNET	24
FIG 105 SUCTION MANIFOLD	27
FIG 106 EXHAUST MANIFOLD	29
FIG 107 DIESEL PARTICULATE FILTER(DPF)	31
FIG 108 CAMSHAFT & DRIVING GEAR	33
FIG 109 CRANKSHAFT & PISTON	35
FIG 110 LUB.OIL SYSTEM	37
FIG 111 COOLING WATER SYSTEM	39
FIG 112 FUEL SUPPLY PUMP	41
FIG 113 FUEL INJECTION VALVE	43
FIG 114 FUEL PIPE	45
FIG 115 STARTER MOTOR	47
FIG 116 ALTERNATOR	49
FIG 117 ELECTRONIC CONTROL UNIT(ECU)	51
FIG 118 ELECTRIC PARTS	53

FIG 100 T394NH	ENGINE	년/월 Year/Month
		2022-12



NOTE	
------	--

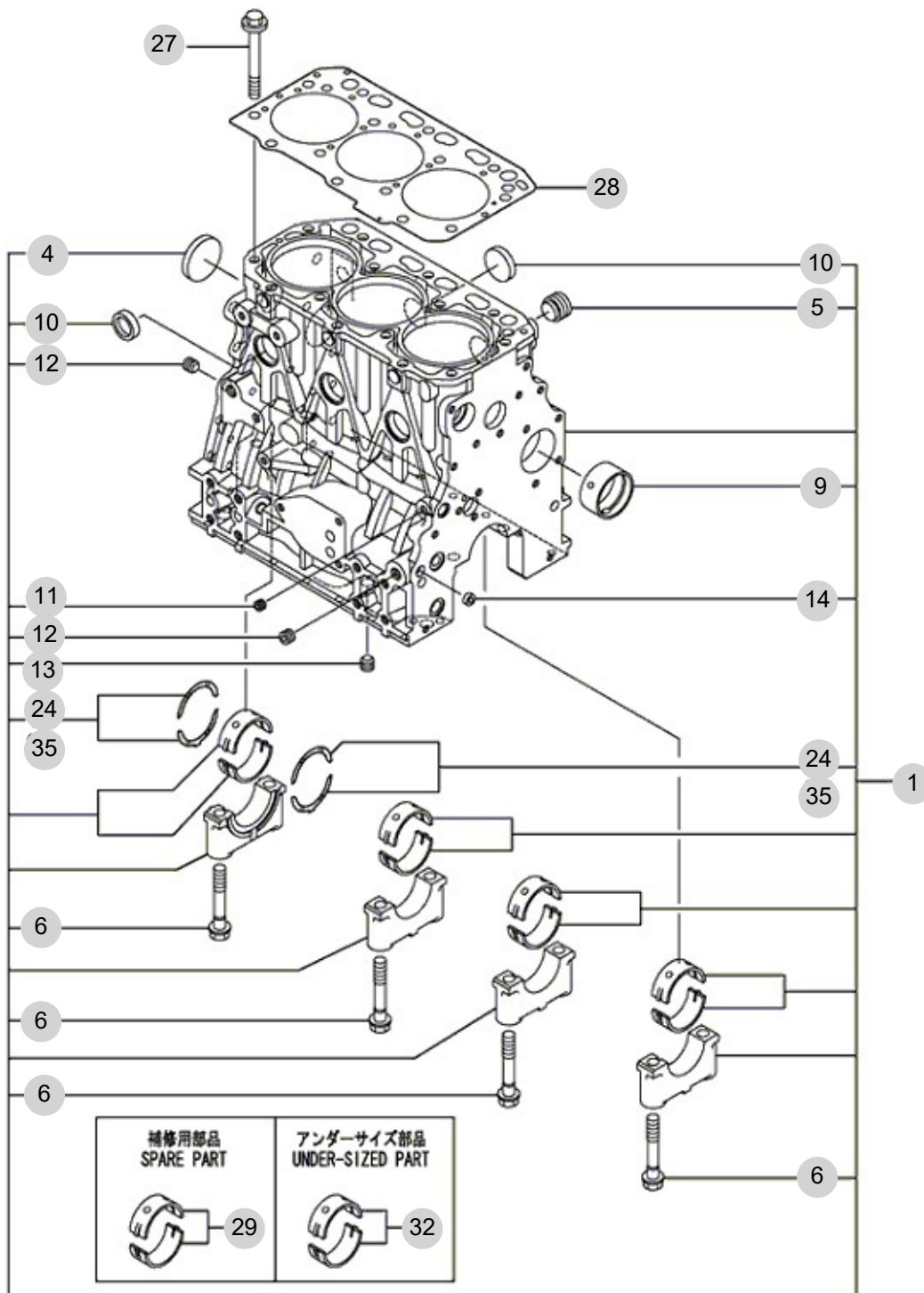
FIG 101

CYLINDER BLOCK

년/월
Year/Month

2022-12

T394NH



NOTE

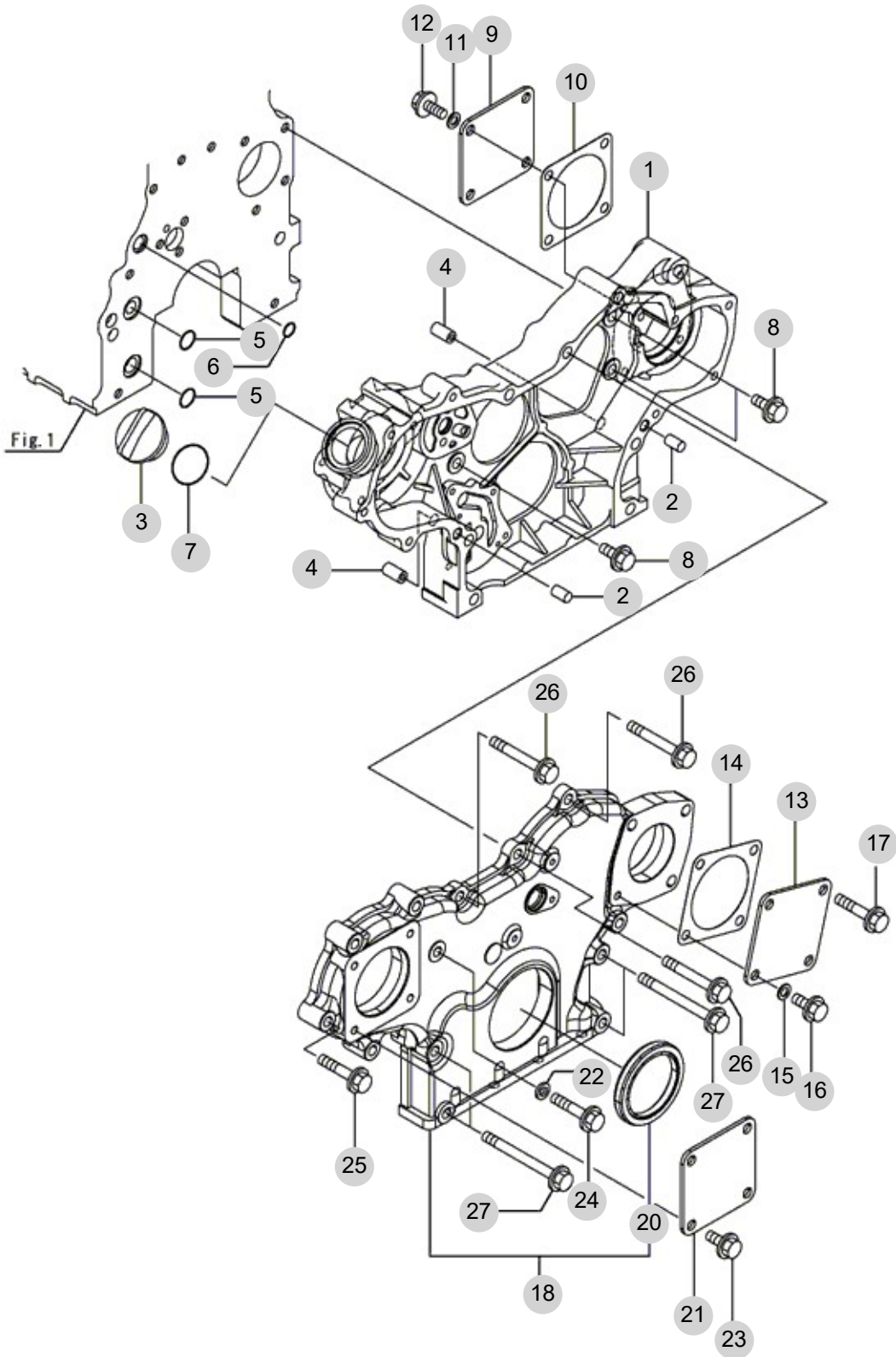
FIG 102

GEAR HOUSING

년/월
Year/Month

2022-12

T394NH



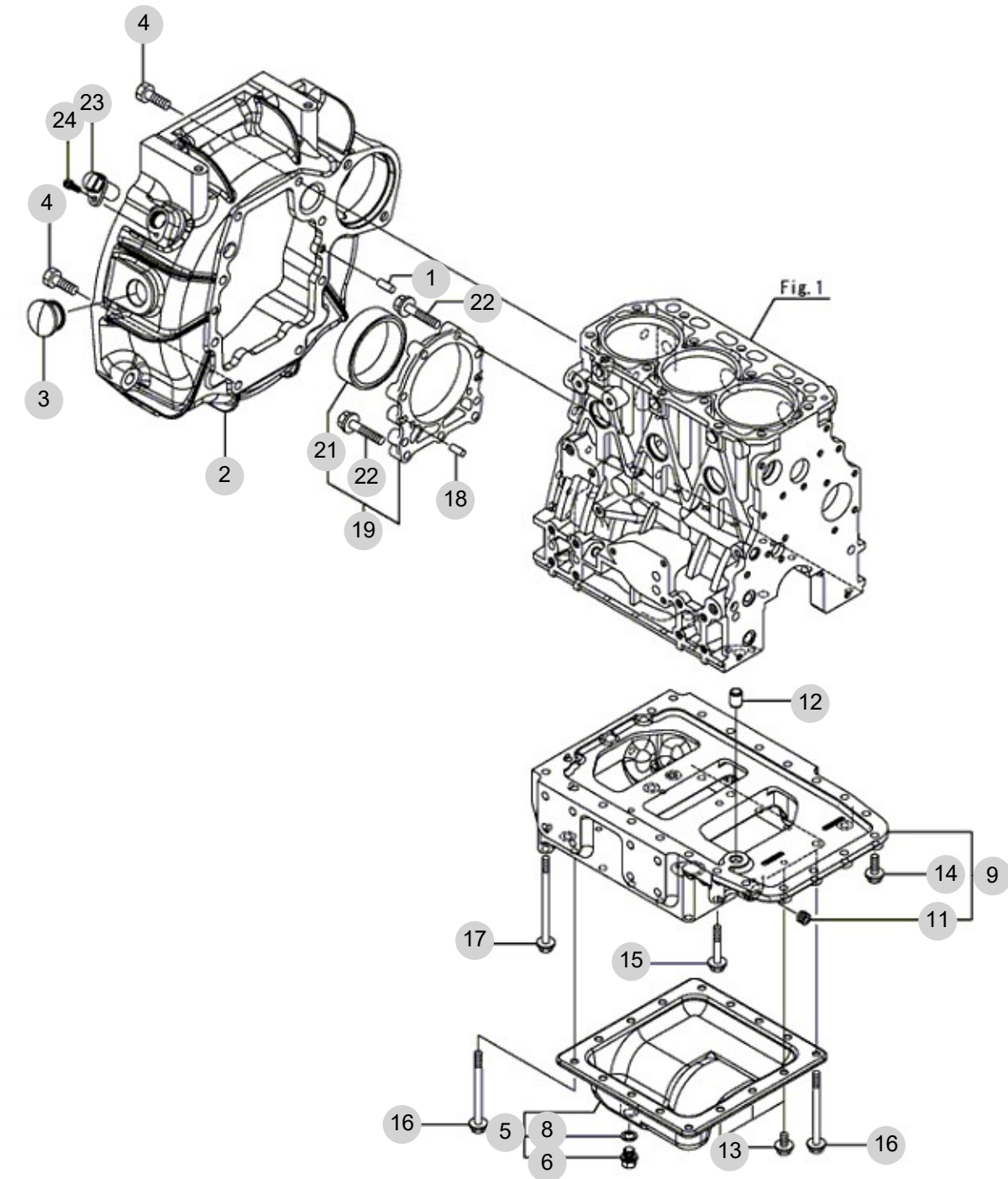
NOTE

FIG 103

FLYWHEEL HOUSING & OIL SUMP

년/월
Year/Month

2022-12



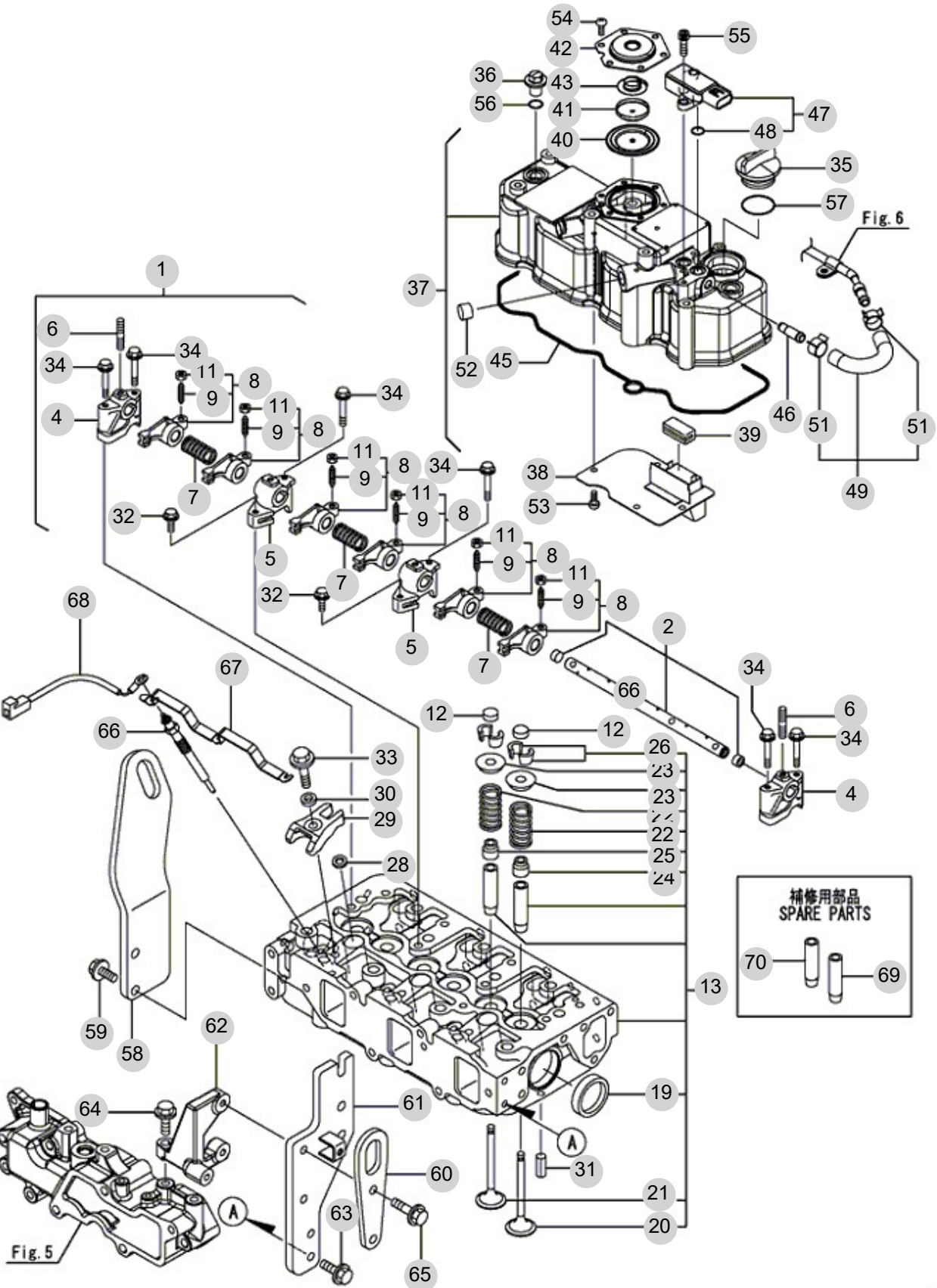
NOTE

FIG 104

CYLINDER HEAD & BONNET

년/월
Year/Month

2022-12



NOTE

FIG 104		CYLINDER HEAD & BONNET					년/월 Year/Month		
							2022-12		
T394NH		KEY NO	PART NO	DESCRIPTION	SPEC	QTY	REPAIR	EFFECTIVE DATE	REMARKS
104	1	129004-11241	SHAFT ASSY, ROCKER			1			
104	2	129004-11251	SHAFT, ROCKER ARM			1			
104	4	119802-11260	SUPPORT, ROCKER ARM			2			
104	5	119802-11270	SUPPORT, ROCKER ARM			2			
104	6	119802-11280	BOLT, STUD			3			
104	7	129150-11280	SPRING, ROCKER			3			
104	8	129004-11650	ARM ASSY, ROCKER			6			
104	9	129150-11230	SCREW, VALVE ADJUST			6			
104	11	129150-11750	NUT, M8			6			
104	12	129150-11370	CAP, VALVE			6			
104	13	129A00-11710	HEAD ASSY, CYLINDER			1			
104	19	27241-400000	PLUG, 40			2			
104	20	129005-11100	VALVE, SUCTION			3			
104	21	129100-11112	VALVE, EXHAUST			3			
104	22	129795-11120	SPRING, VALVE			6			
104	23	129795-11180	RETAINER, SPRING			6			
104	24	124460-11340	SEAL, VALVE STEM			3			
104	25	129A00-11340	SEAL, VALVE STEM			3			
104	26	27310-080001	COTTER, 8			6			
104	28	129978-11871	GASKET,INJECTOR			3			
104	29	129A00-11900	RETAINER, INJECTOR			3			
104	30	120270-54410	WASHER, INJECTOR			3			
104	31	22351-060012	PIN, SPRING 6.0X12			2			
104	32	26106-080252	SCREW , HEX FLANGE HEAD CAP			2			
104	33	26106-080352	BOLT			3			
104	34	26106-080502	BOLT, M8X 50 PLATED			6			
104	35	124160-01751	CAP, FILLER			1			
104	36	124160-11360	KNOB			3			
104	37	129A00-11360	BONNET ASSY			1			
104	38	129004-03010	PLATE, BAFFLE			1			
104	39	129150-03070	BAFFLE, BREATHER			1			
104	40	123907-03100	DIAPHRAGM			1			
104	41	123907-03110	PLATE			1			
104	42	123907-03120	PLATE, BREATHER			1			
104	43	123907-03140	SPRING, DIAPHRAGM			1			
104	45	129A00-11310	GASKET, BONNET			1			
104	46	129A00-11330	JOINT			1			
104	47	129978-12700	SENSOR,PRESSURE			1			
104	48	129A00-12780	O-RING,PRES SENSOR			2			
104	49	129A00-13360	HOSE ASSY, PRES EXH			1			
104	51	129A00-13380	CLIP, HOSE 14			2			
104	52	119640-61400	PLUG			1			
104	53	22857-500100	SCREW, 5X10			4			
104	54	22857-500100	SCREW, 5X10			6			
104	55	26450-060162	BOLT, M6X 16			2			
NOTE									

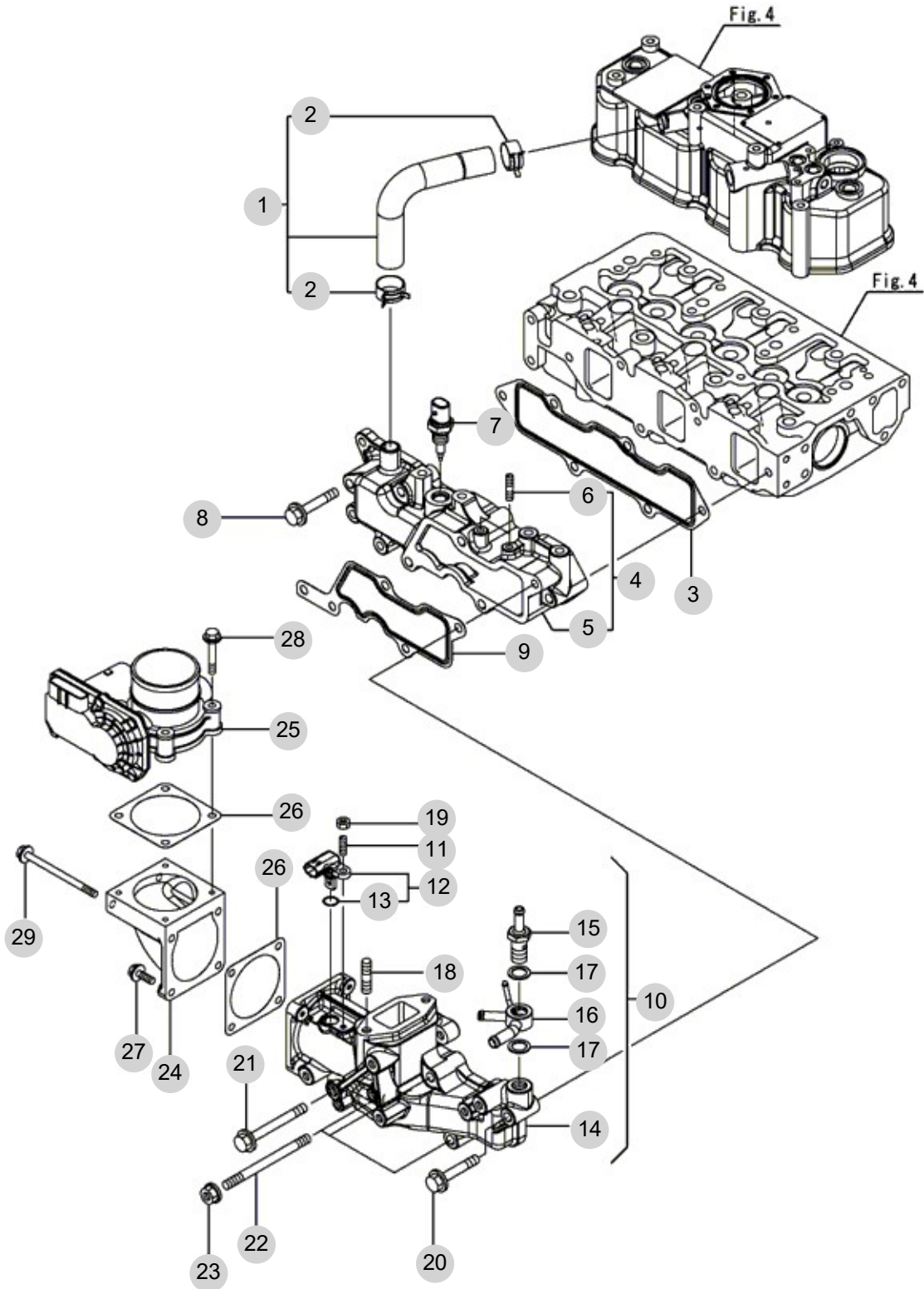
FIG 105

SUCTION MANIFOLD

년/월
Year/Month

2022-12

T394NH



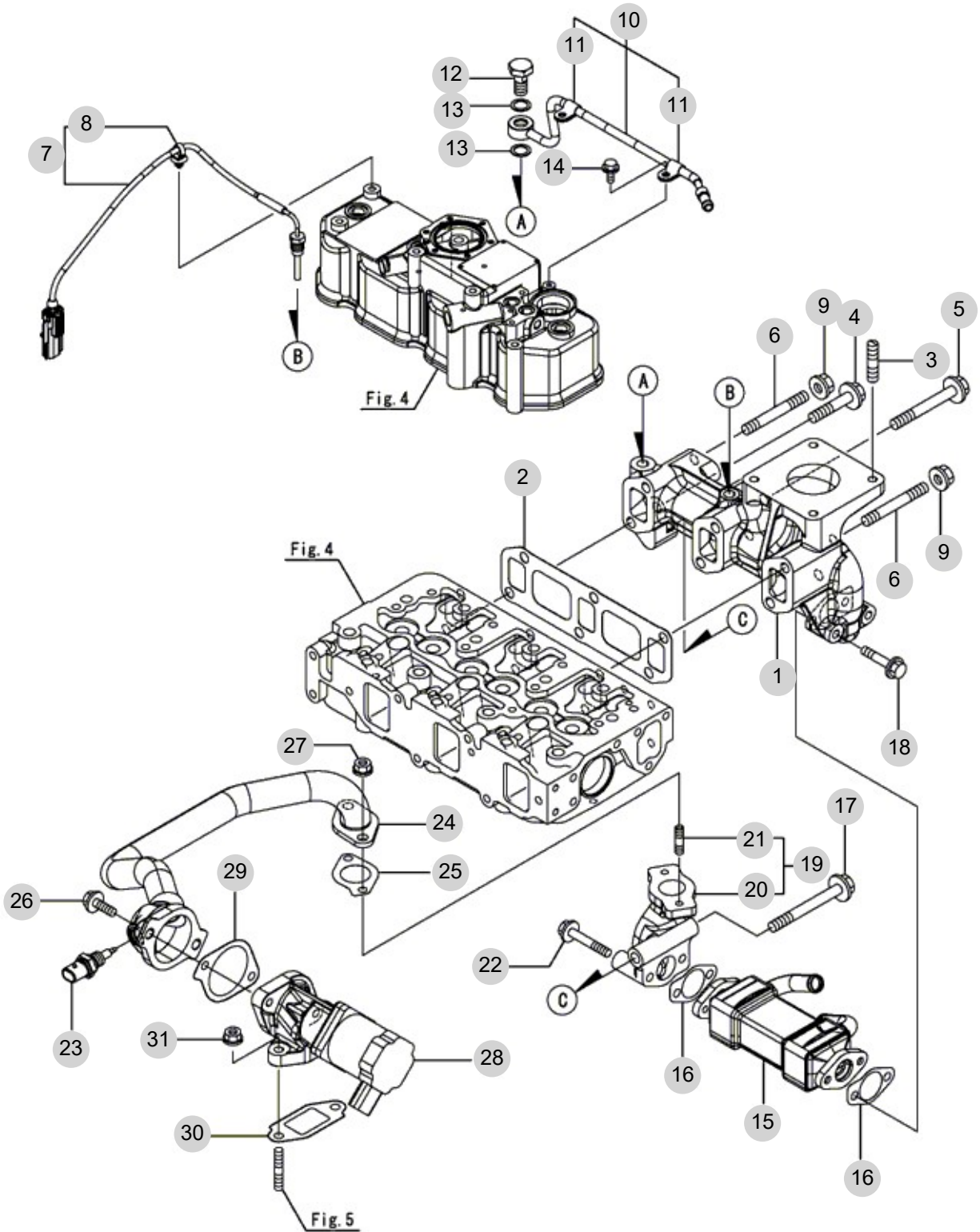
NOTE

FIG 106

EXHAUST MANIFOLD

년/월
Year/Month

2022-12



NOTE

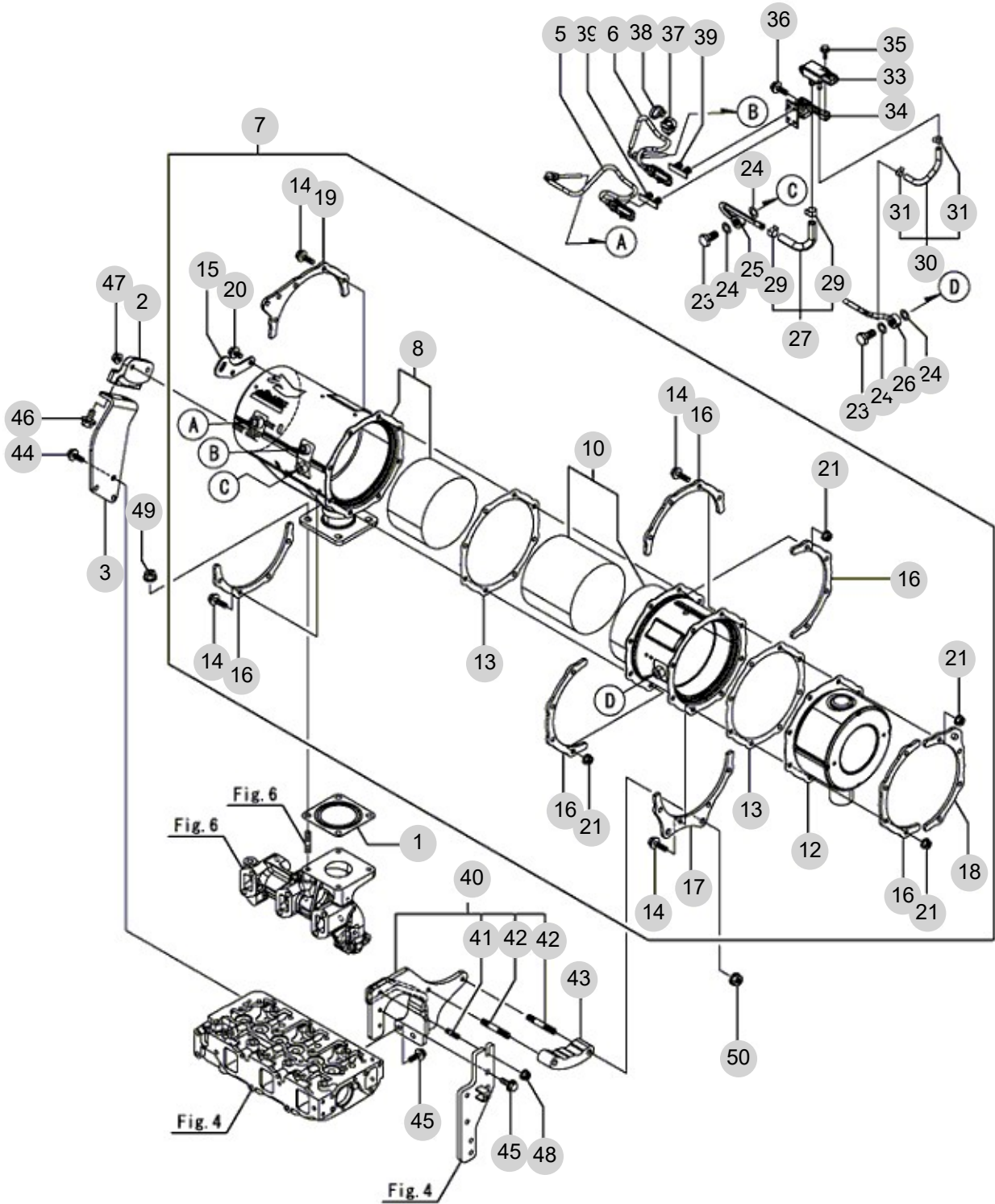
FIG 107

DIESEL PARTICULATE FILTER(DPF)

년/월
Year/Month

T394NH

2022-12



NOTE

FIG 107		DIESEL PARTICULATE FILTER(DPF)					년/월 Year/Month		
							2022-12		
T394NH		KEY NO	PART NO	DESCRIPTION	SPEC	QTY	REPAIR	EFFECTIVE DATE	REMARKS
107	1	128300-13230	GASKET, SILENCER			1			
107	2	129A00-16820	STAY,DPF			1			
107	3	129A00-16830	STAY,DPF			1			
107	5	129C00-13940	SENSOR, EXH.TEMP			1			
107	6	129C00-13950	SENSOR, EXH.TEMP			1			
107	7	129A26-16000	DPF ASSY			1			
107	8	129A00-16210	CASE, DOC			1			
107	10	129A00-16410	CASE, SOOT FILTER			1			
107	12	129A00-16500	SILENCER, DPF			1			
107	13	129A00-16600	GASKET, DPF			2			
107	14	129A00-16610	BOLT, M8X28 10.9T			16			
107	15	129C01-16690	LIFTER, DPF			1			
107	16	129A00-16700	STIFFENER, DPF A			5			
107	17	129A00-16720	STIFFENER, DPF B			1			
107	18	129A00-16740	STIFFENER, DPF C			1			
107	19	129A00-16750	STIFFENER, DPF C			1			
107	20	26106-080142	BOLT, M8X 14 PLATED			2			
107	21	26306-080002	NUT, M8			16			
107	23	129A00-13350	BOLT, PIPE JOINT			2			
107	24	129A00-17311	GASKET,SENSOR			4			
107	25	129A00-17330	PIPE ASSY, SENSOR			1			
107	26	129A00-17360	PIPE ASSY, SENSOR			1			
107	27	129A00-17610	HOSE ASSY,PRES EXH			1			
107	29	129A00-17520	CLIP, HOSE			2			
107	30	129A00-17670	HOSE ASSY,PRES EXH			1			
107	31	129A00-17570	CLIP, HOSE			2			
107	33	129978-17700	SENSOR,PRESSURE			1			
107	34	129A00-17780	BRACKET, SENSOR			1			
107	35	26106-060162	BOLT, M6X 16 PLATED			2			
107	36	26106-080202	BOLT, M8X 20 PLATED	8X20		2			
107	37	129A00-91200	BAND CLIP			1			
107	38	129C00-91200	BAND			1			
107	39	129A00-91430	CLIP, CONNECTOR			2			
107	40	129A26-17360	STAY ASSY, DPF			1			
107	41	26216-080202	STUD, M8X 20			1			
107	42	26216-100552	STUD, M10X 55			2			
107	43	129A23-17370	SPACER, DPF			1			
107	44	26106-080162	BOLT, M8X 16 PLATED			3			
107	45	26106-080202	BOLT, M8X 20 PLATED	8X20		4			
107	46	26106-100202	FLANGE BOLT			2			
107	47	26306-080002	NUT, M8			2			
107	48	26306-080002	NUT, M8			1			
107	49	26306-100002	NUT, M10			4			
107	50	26306-100002	NUT, M10			2			
NOTE									

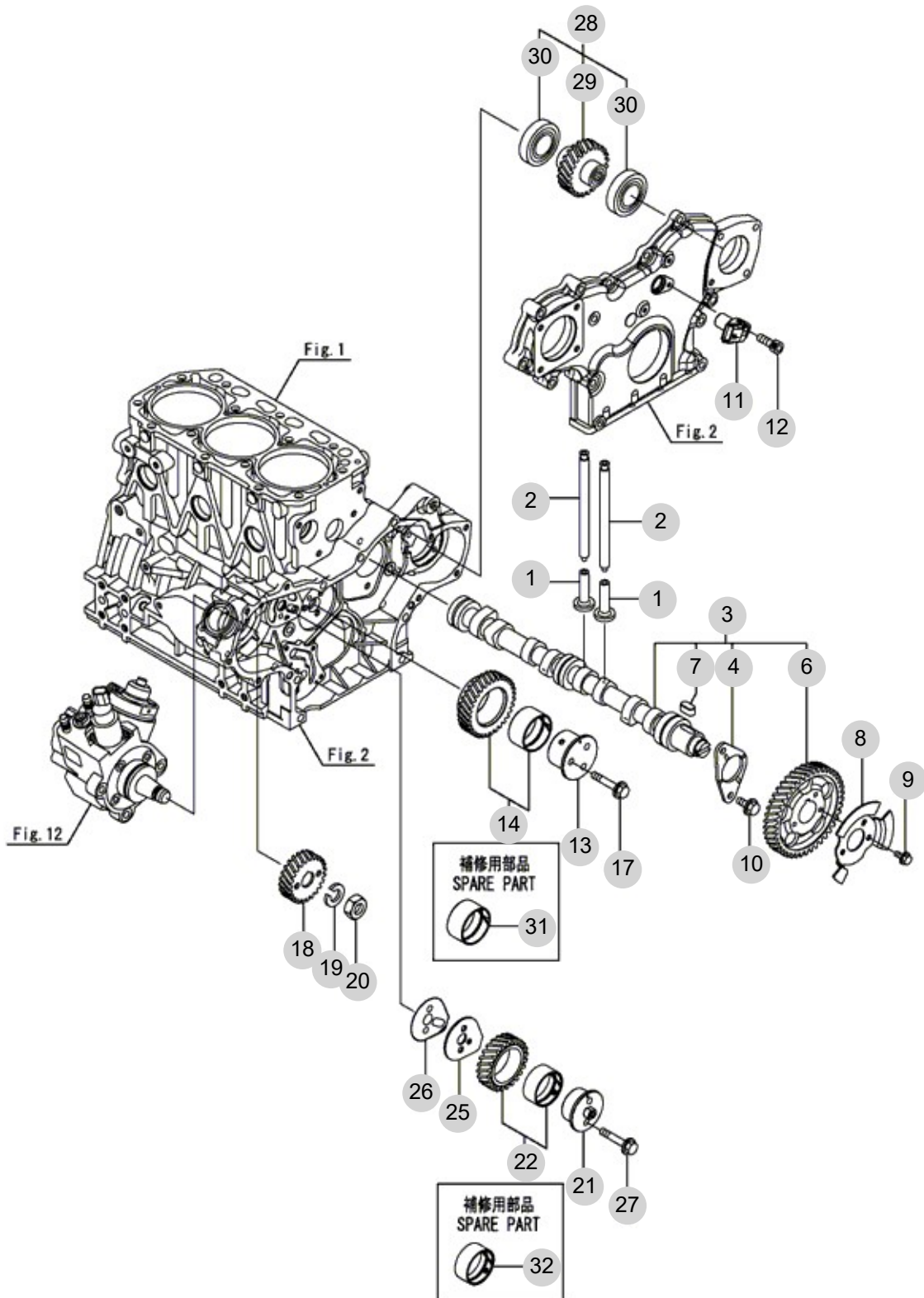
FIG 108

CAMSHAFT & DRIVING GEAR

년/월
Year/Month

2022-12

T394NH



NOTE

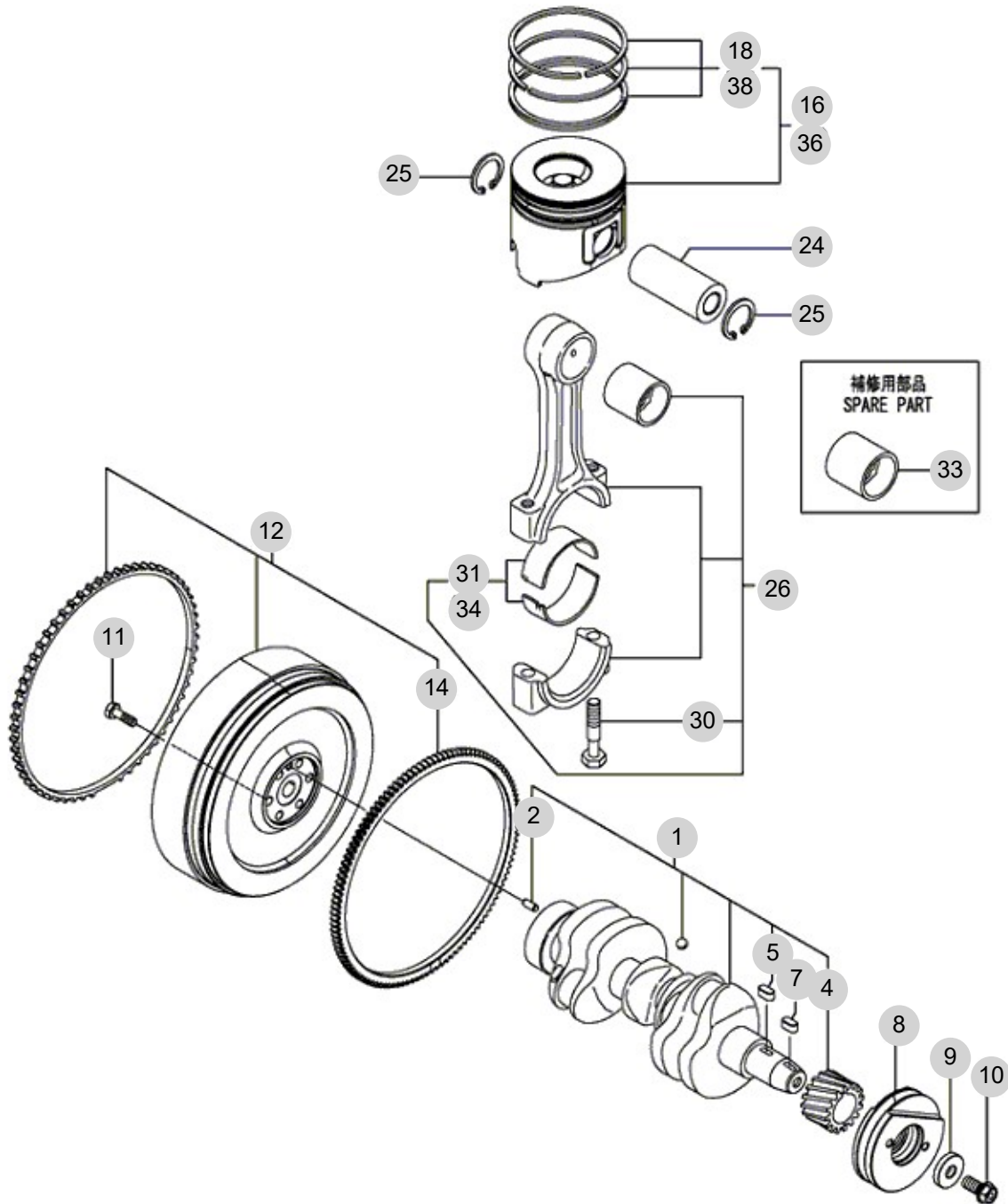
FIG 109

T394NH

CRANKSHAFT & PISTON

년/월
Year/Month

2022-12



NOTE

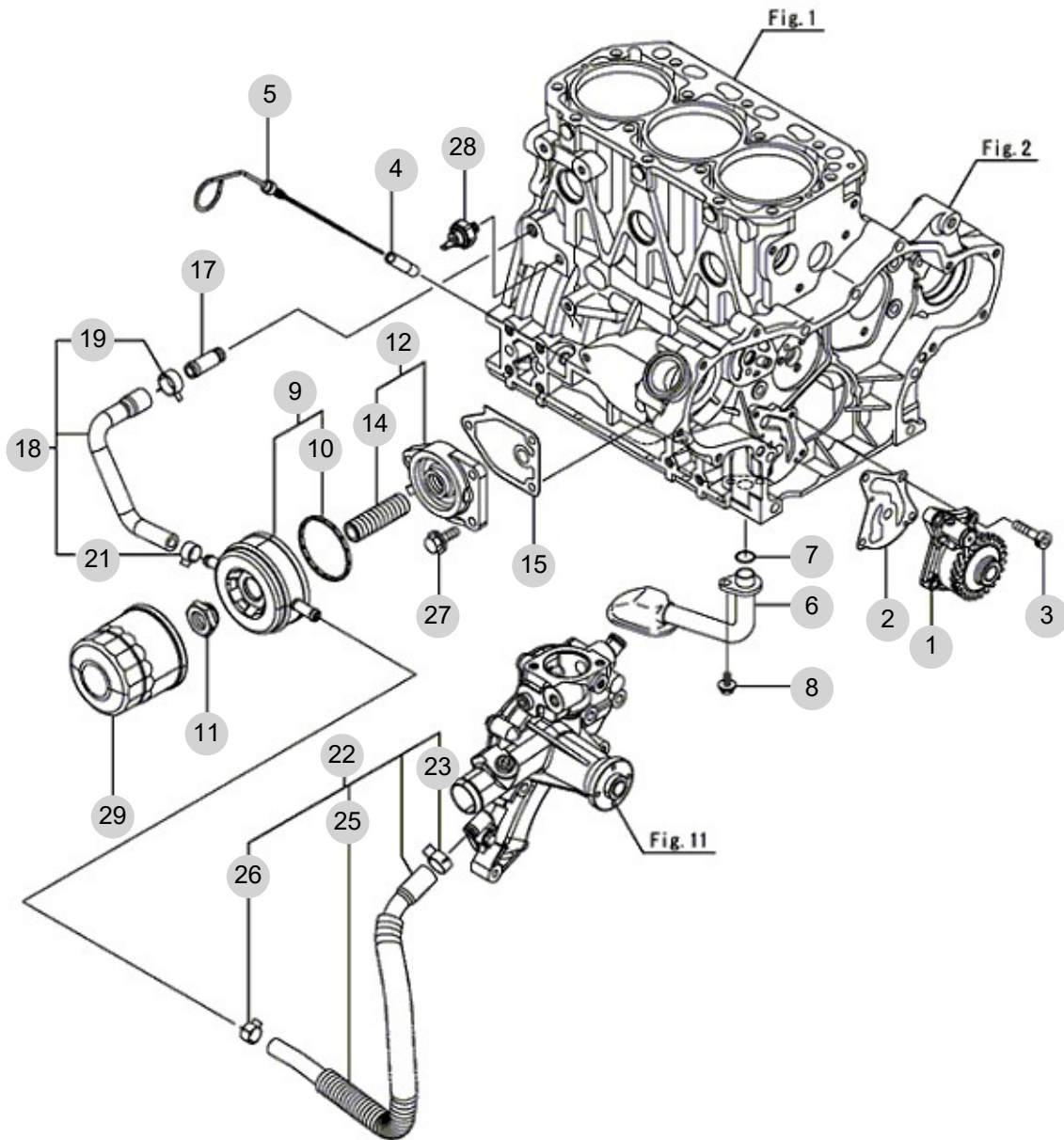
FIG 110

T394NH

LUB.OIL SYSTEM

년/월
Year/Month

2022-12



NOTE

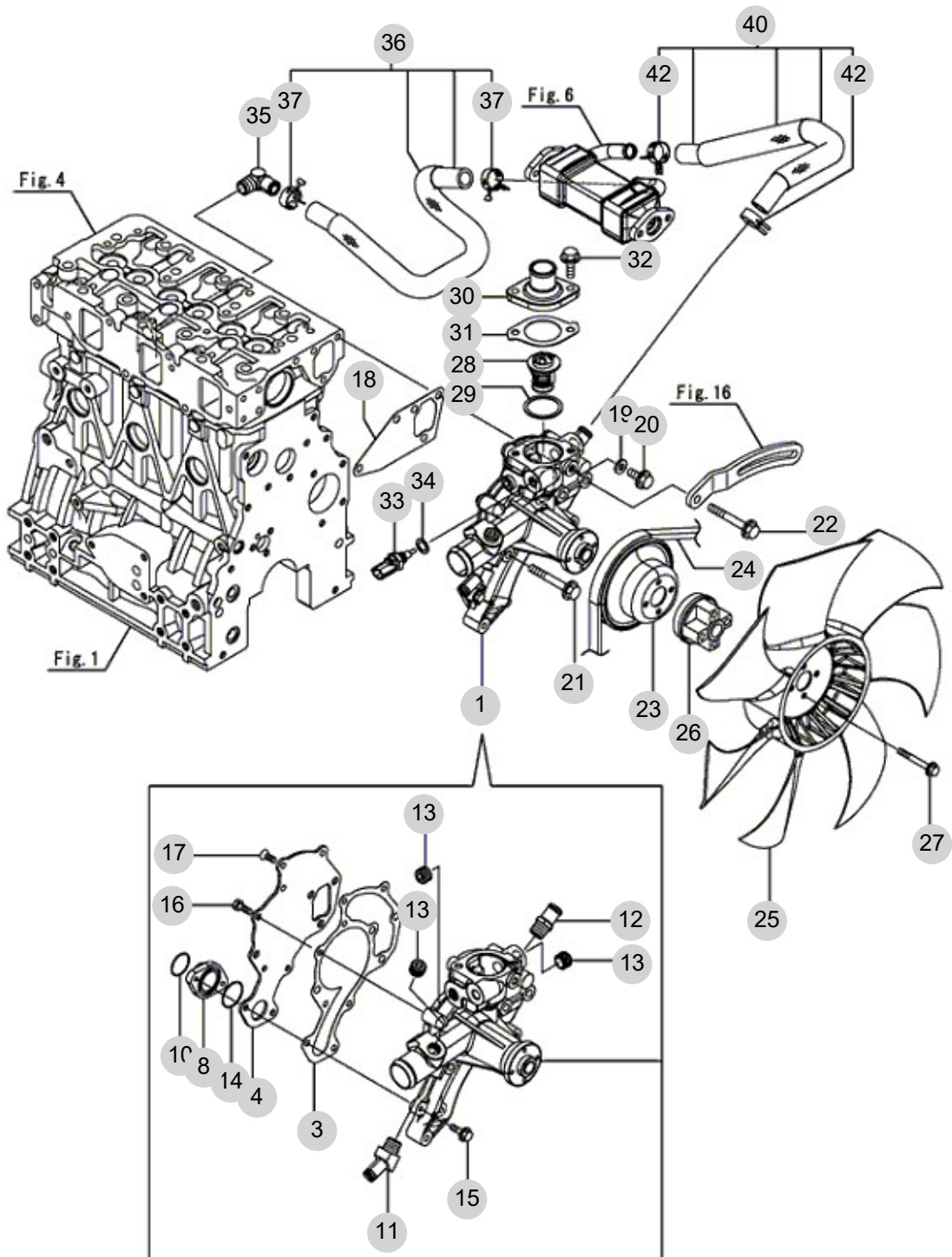
FIG 111

COOLING WATER SYSTEM

년/월
Year/Month

2022-12

T394NH



NOTE

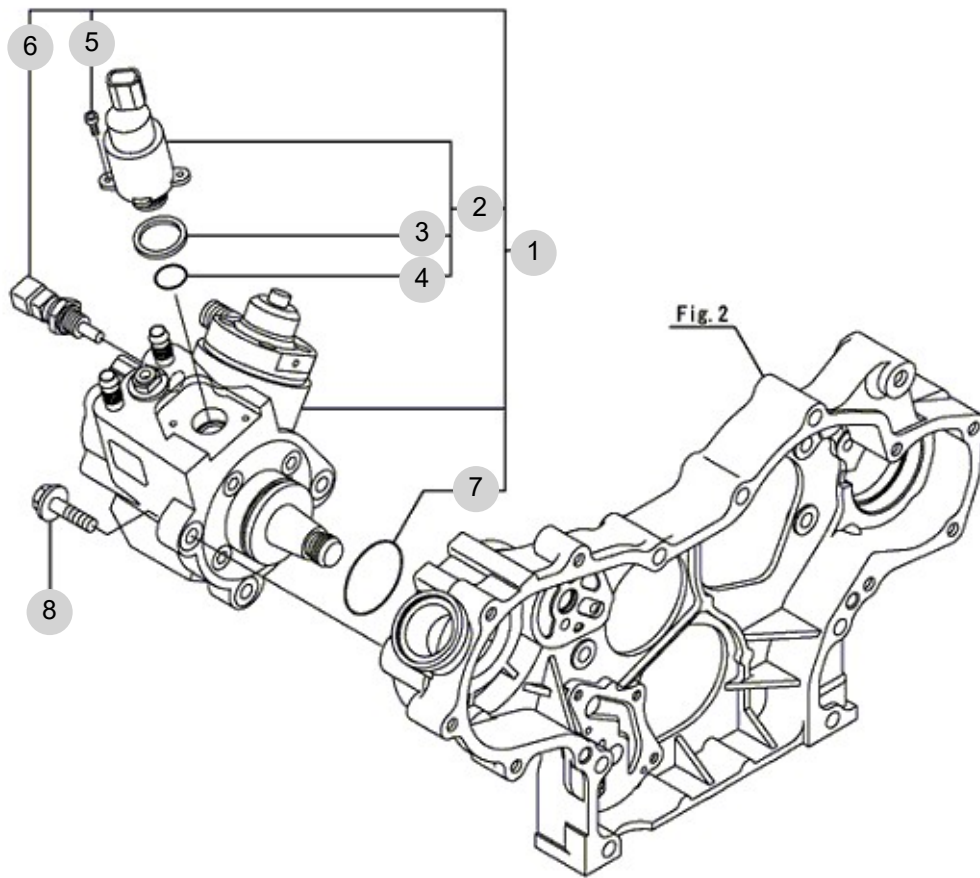
FIG 112

T394NH

FUEL SUPPLY PUMP

년/월
Year/Month

2022-12



NOTE

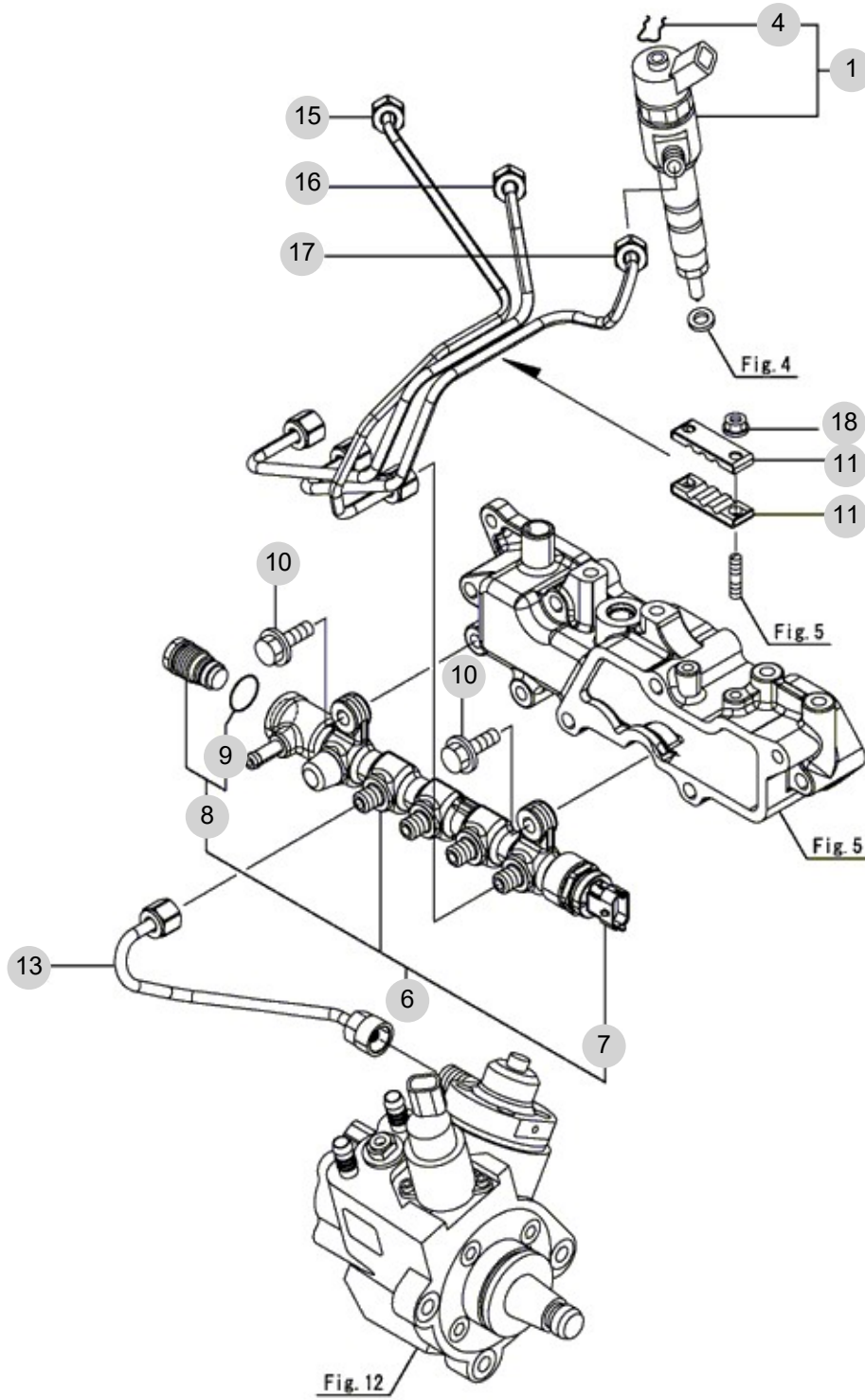
FIG 113

T394NH

FUEL INJECTION VALVE

년/월
Year/Month

2022-12



NOTE

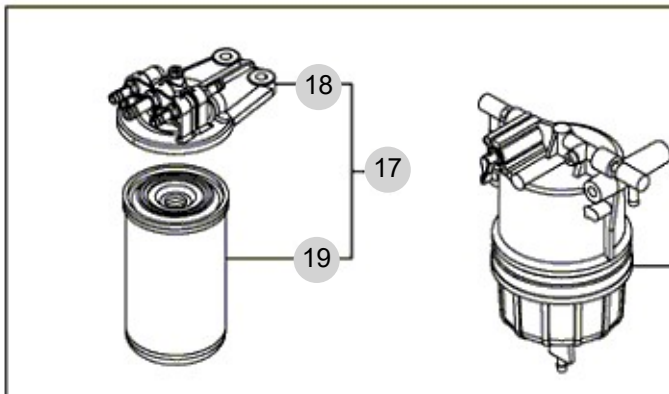
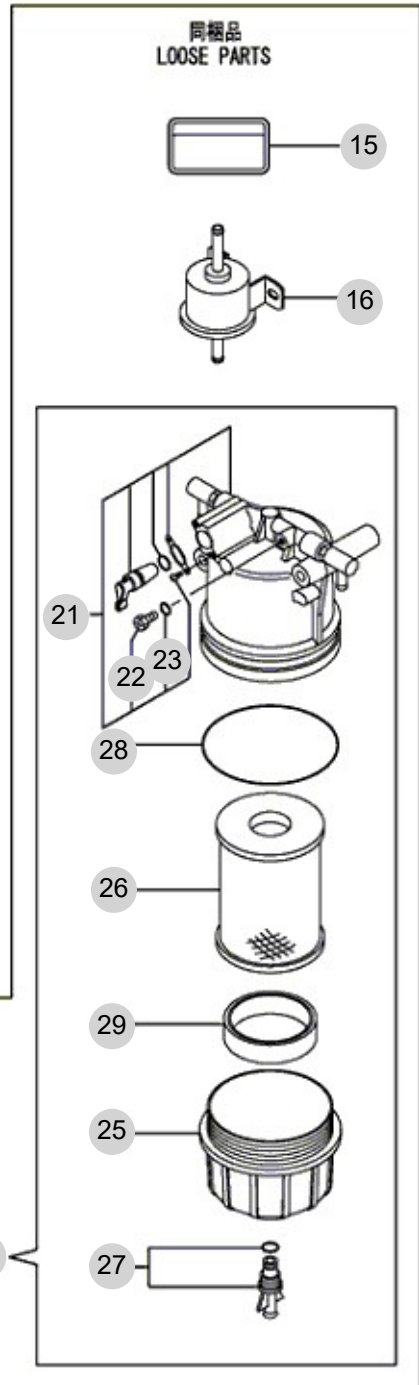
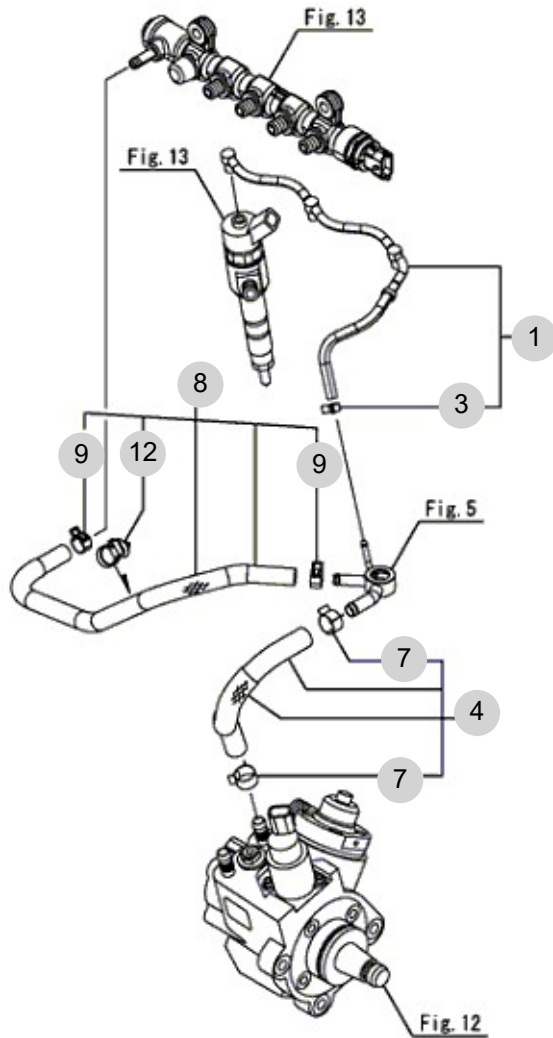
FIG 114

T394NH

FUEL PIPE

년/월
Year/Month

2022-12



NOTE

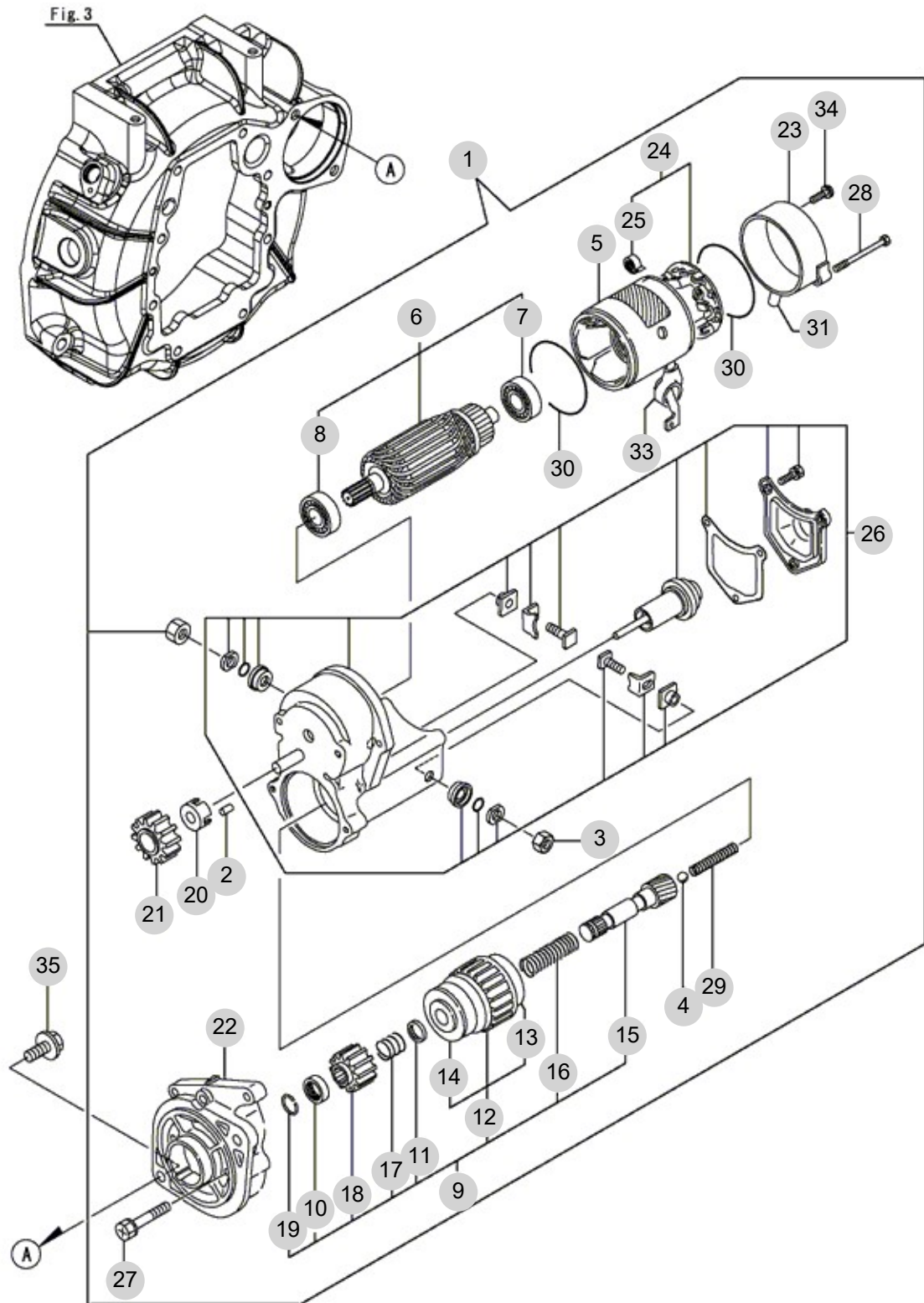
FIG 115

STARTER MOTOR

년/월
Year/Month

2022-12

T394NH



NOTE

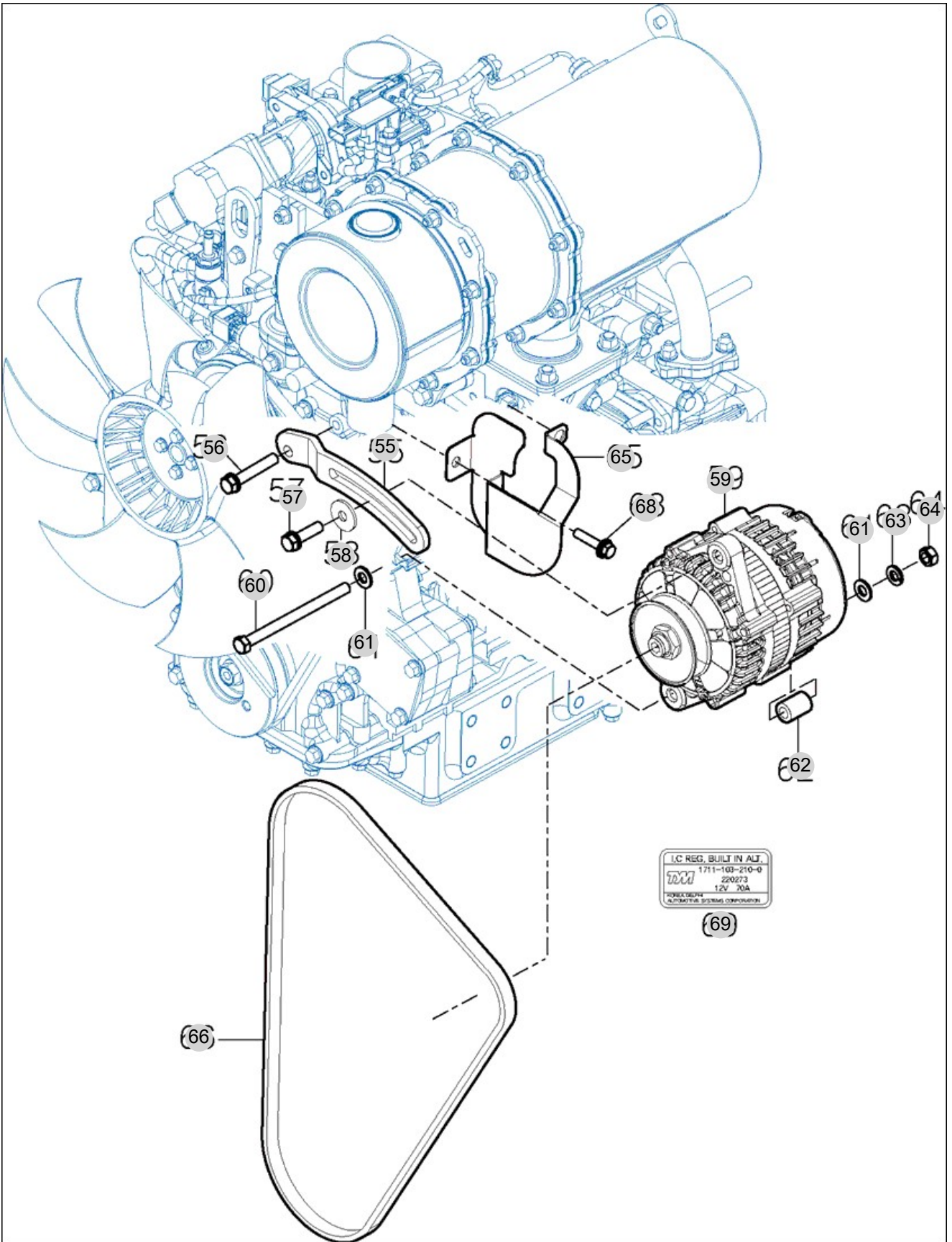
FIG 116

ALTERNATOR

년/월
Year/Month

2022-12

T394NH



NOTE

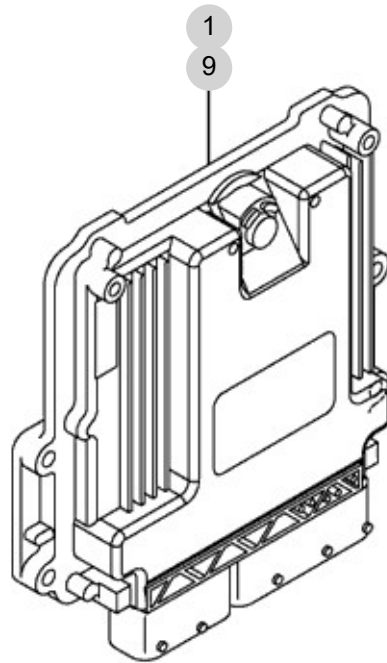
FIG 117

T394NH

ELECTRONIC CONTROL UNIT(ECU)

년/월
Year/Month

2022-12



NOTE

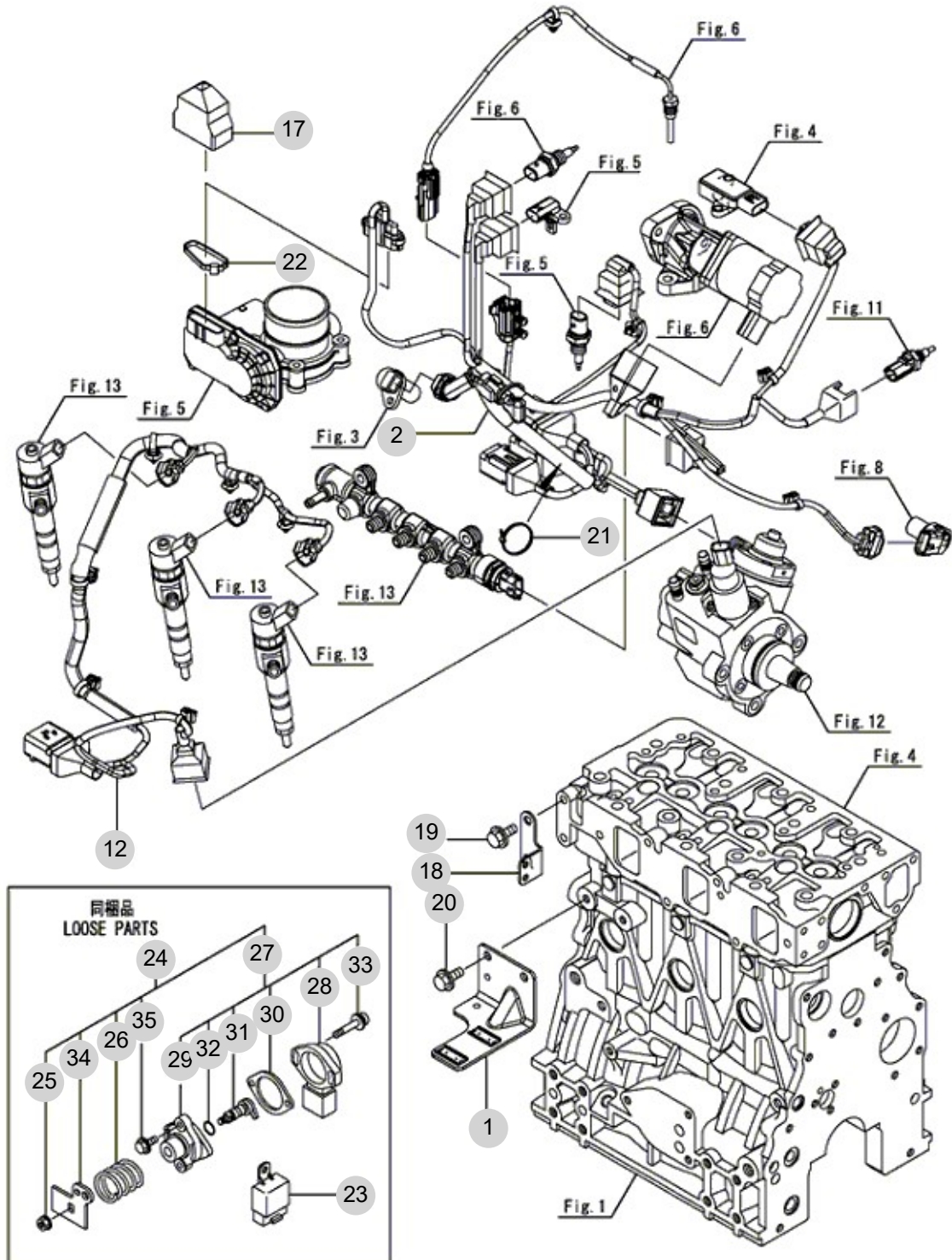
FIG 118

ELECTRIC PARTS

년/월
Year/Month

2022-12

T394NH



NOTE

2. Engine Accessories PART NO. T2

FIG 201 AIR CLEANER	56
FIG 202 RADIATOR	58
FIG 203 MUFFLER	60
FIG 204 FUEL TANK & HOSE	62
FIG 205 OIL COOLER	64

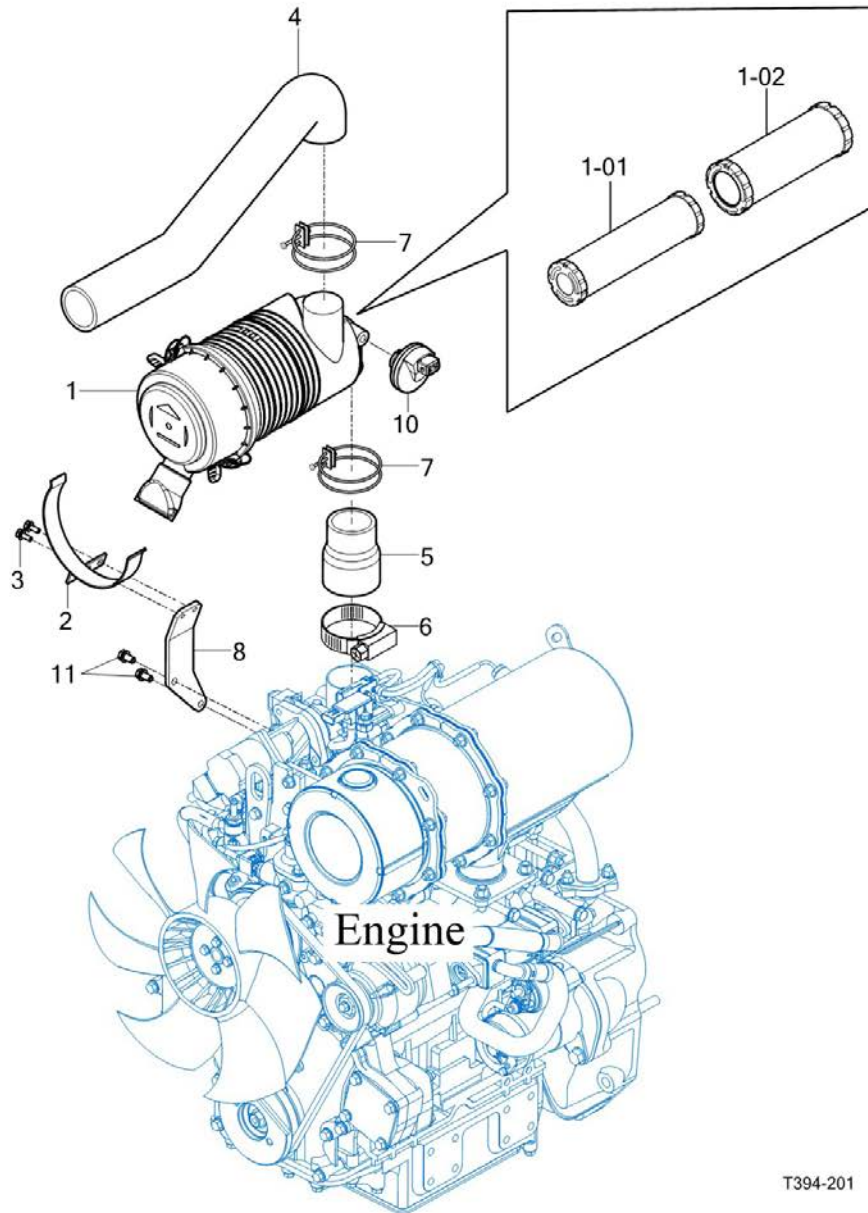
FIG 201

AIR CLEANER

년/월
Year/Month

2022-12

T394NH



T394-201

NOTE

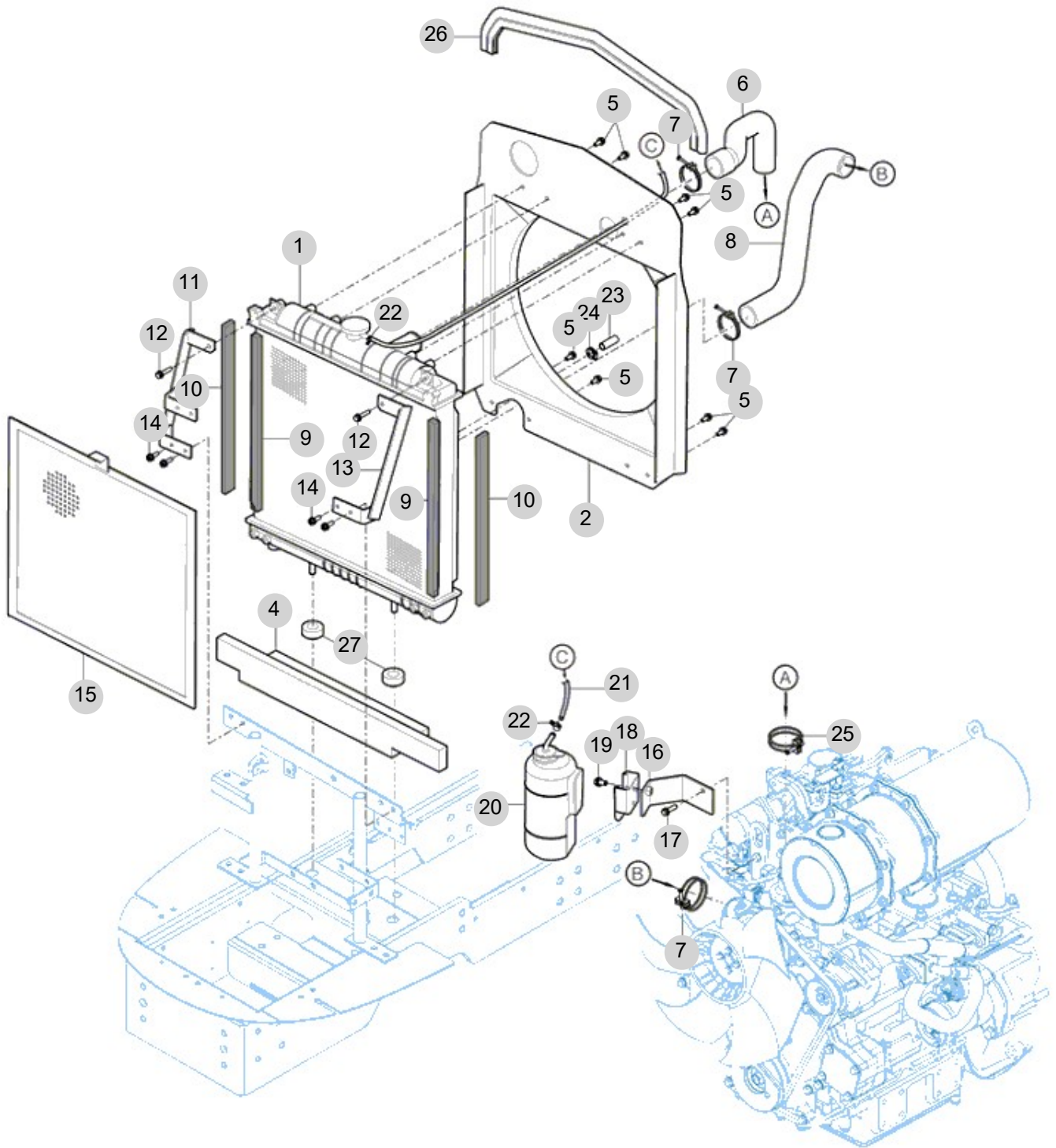
FIG 202

RADIATOR

년/월
Year/Month

2022-12

T394NH



NOTE

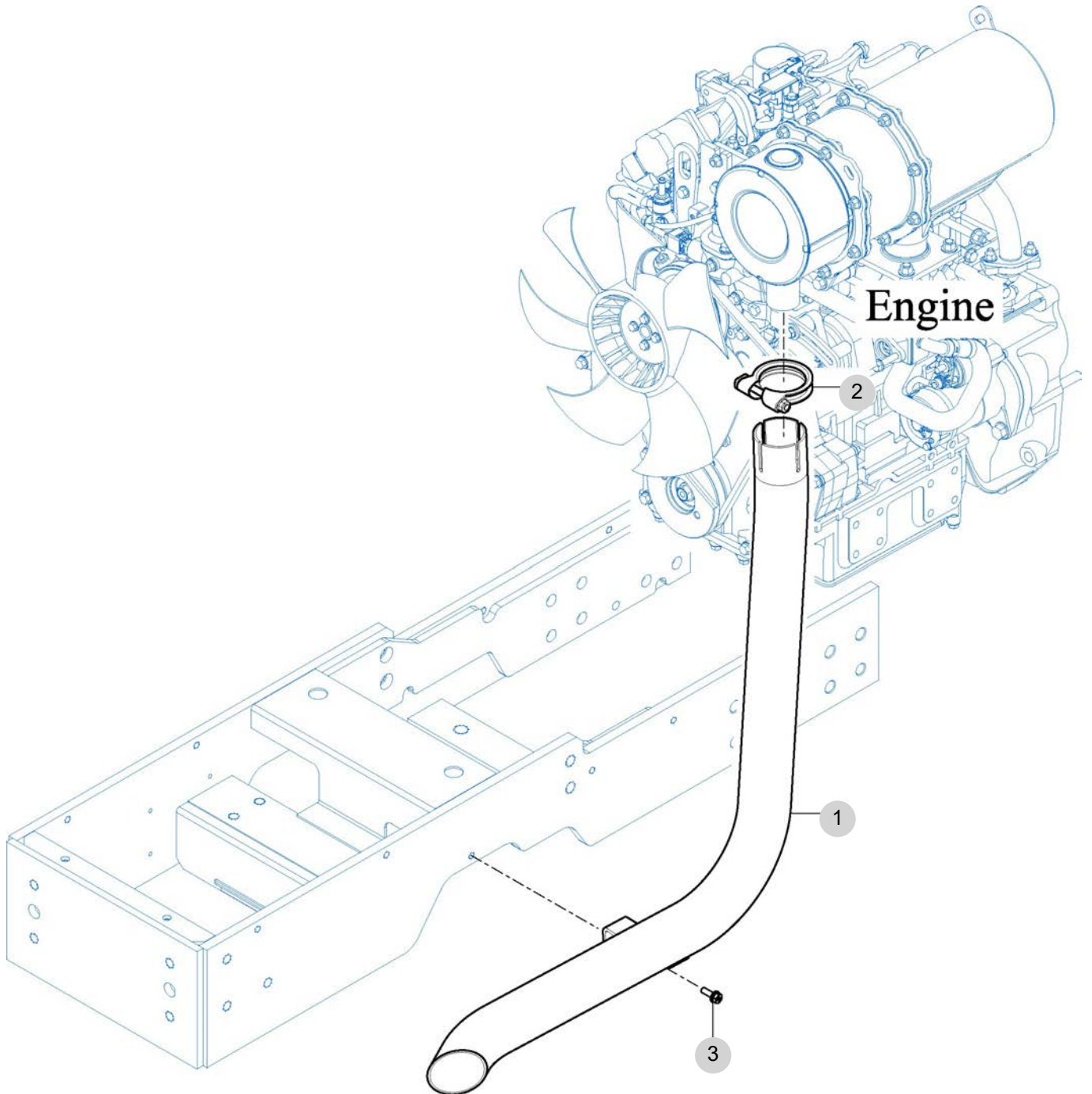
FIG 203

MUFFLER

년/월
Year/Month

T394NH

2022-12



NOTE

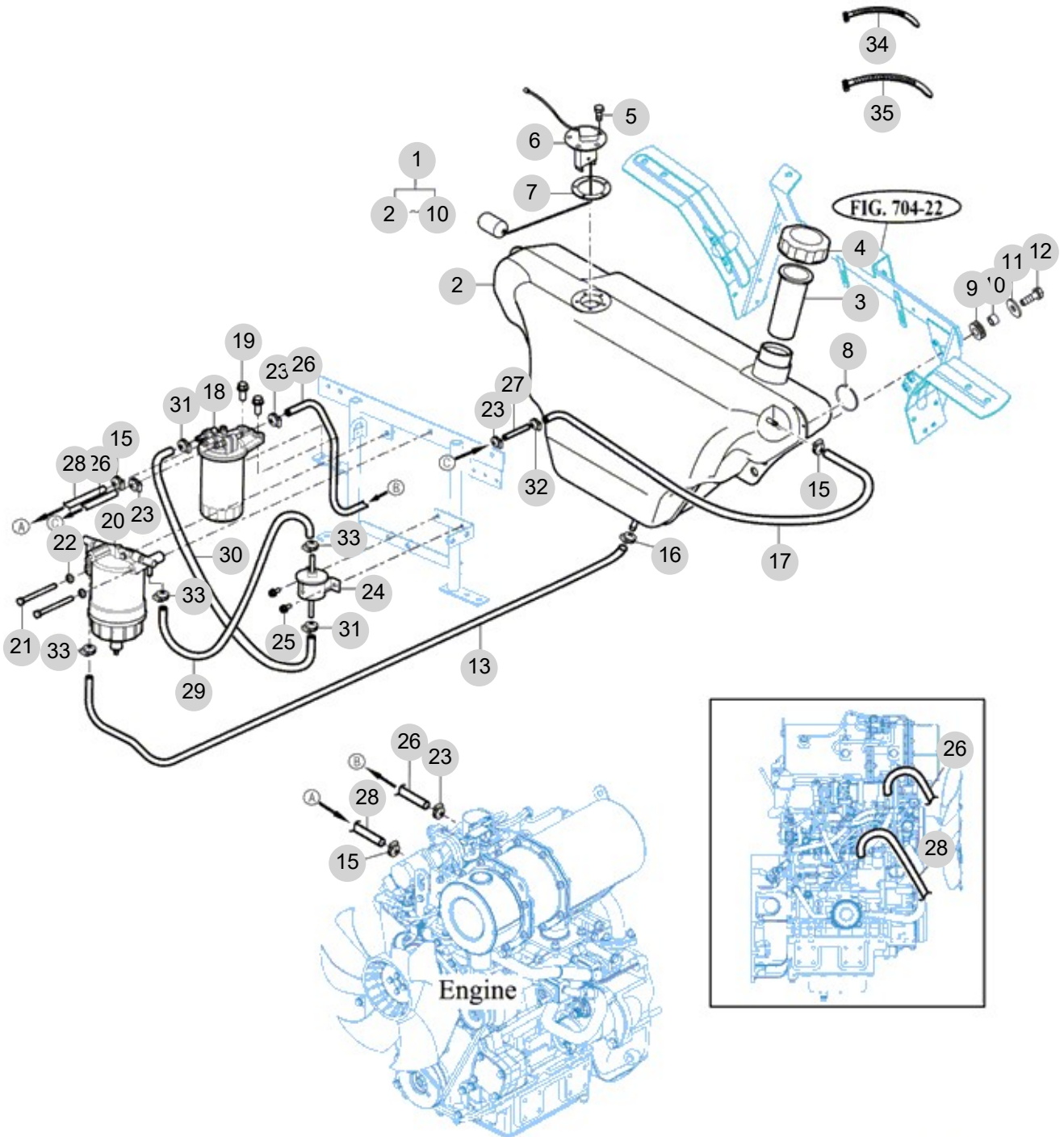
FIG 204

FUEL TANK & HOSE

년/월
Year/Month

2022-12

T394NH



NOTE

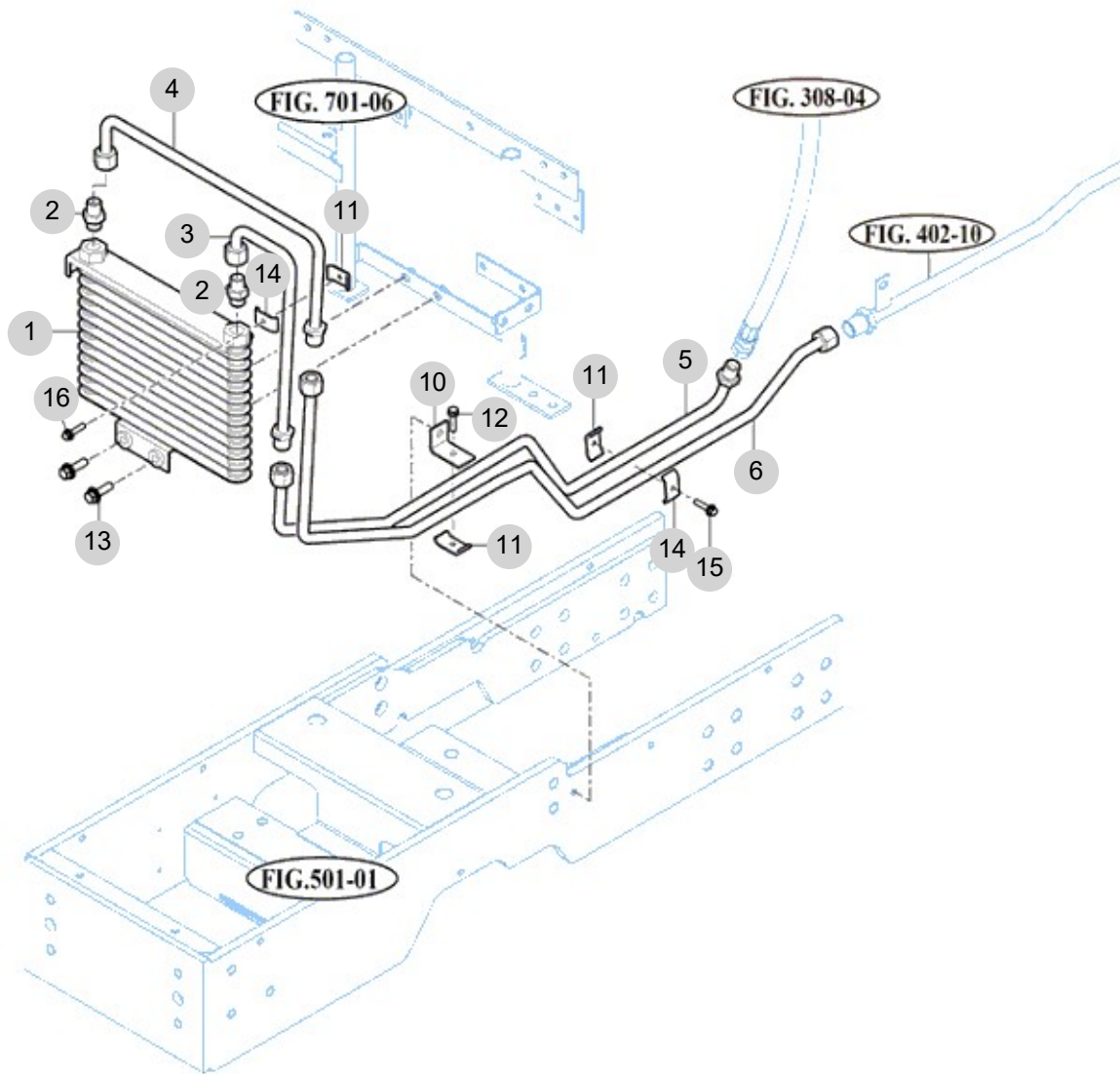
FIG 205

OIL COOLER

년/월
Year/Month

2022-12

T394NH



NOTE

3. Clutch/Brake/Steering PART NO. T3

FIG 301 FLYWHEEL & CLUTCH	67
FIG 302 BRAKE PEDAL	69
FIG 303 BRAKE	71
FIG 304 FRONT WHEEL MOUNTING	73
FIG 305 REAR WHEEL MOUNTING	75
FIG 306 STEERING WHEEL & DASH COVER	77
FIG 307 STEERING VALVE & TILT	79
FIG 308 STEERING CYLINDER	81

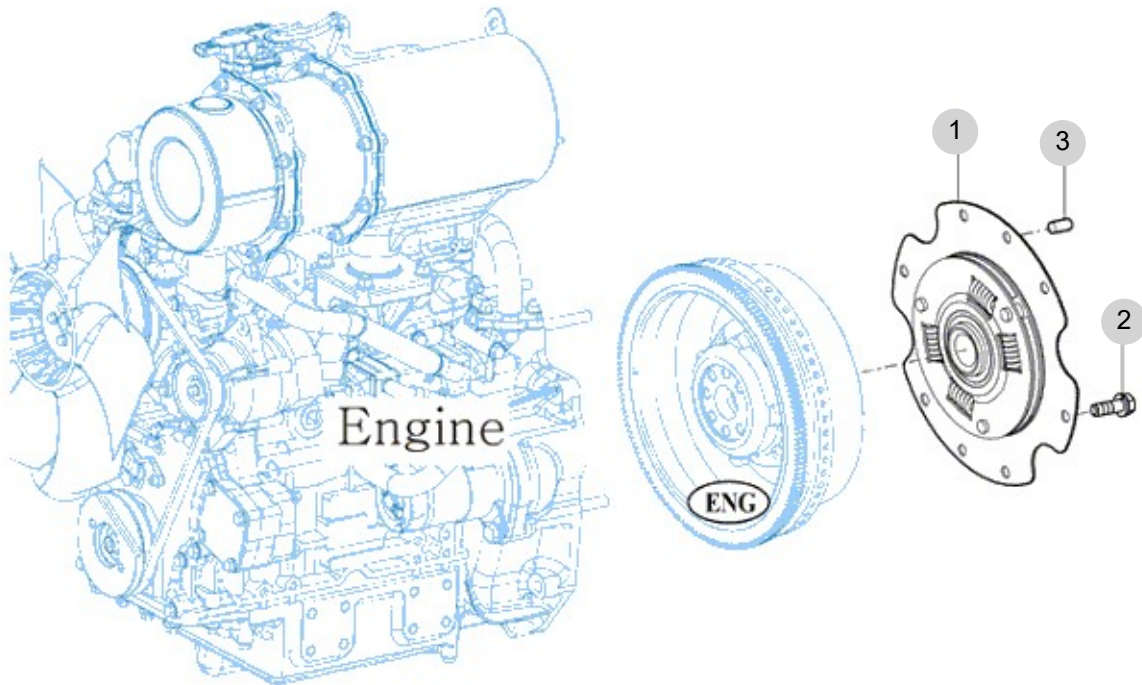
FIG 301

T394NH

FLYWHEEL & CLUTCH

년/월
Year/Month

2022-12



T384NH-E-301

NOTE

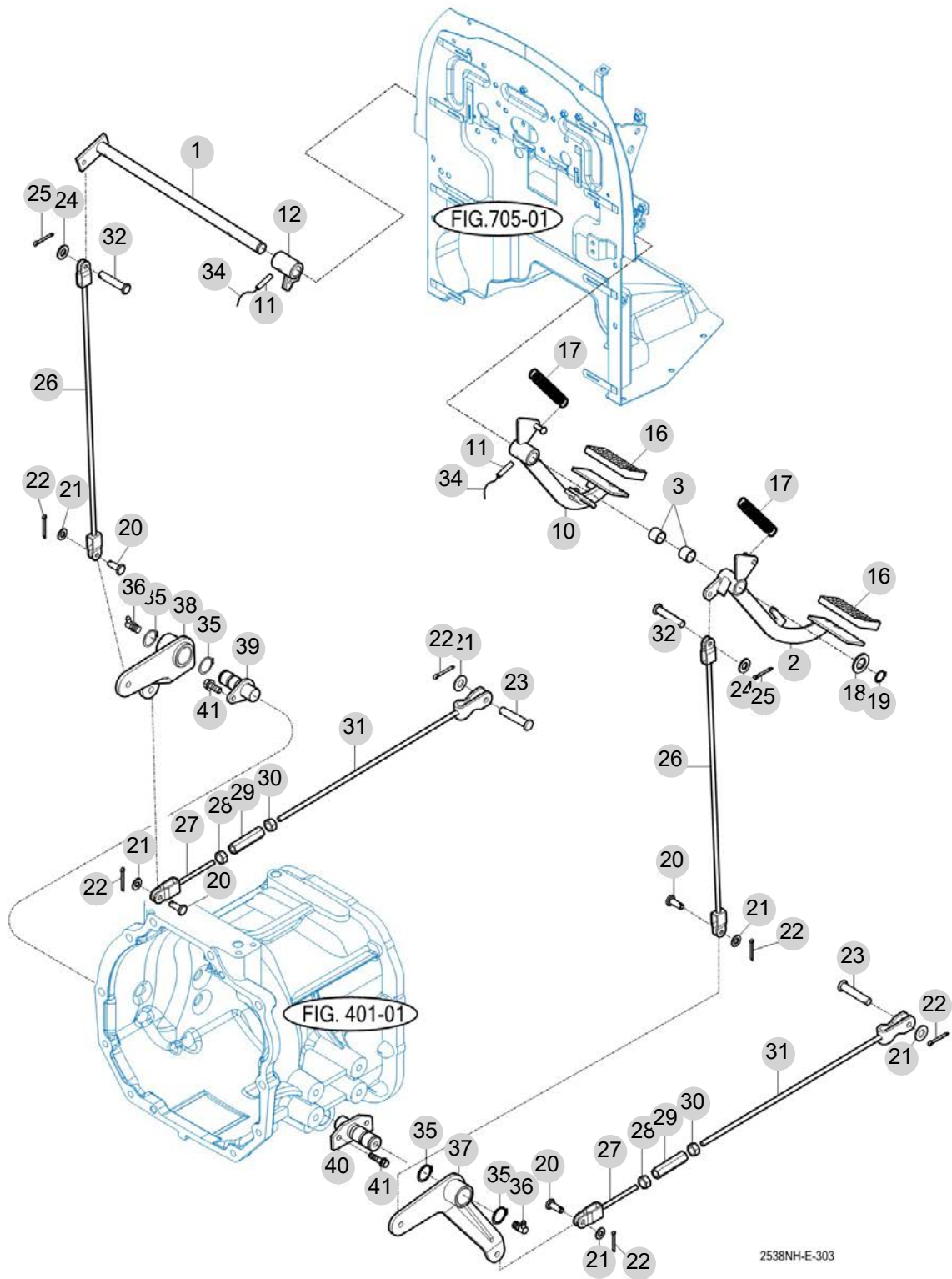
FIG 302

BRAKE PEDAL

년/월
Year/Month

2022-12

T394NH



2538NH-E-303

NOTE

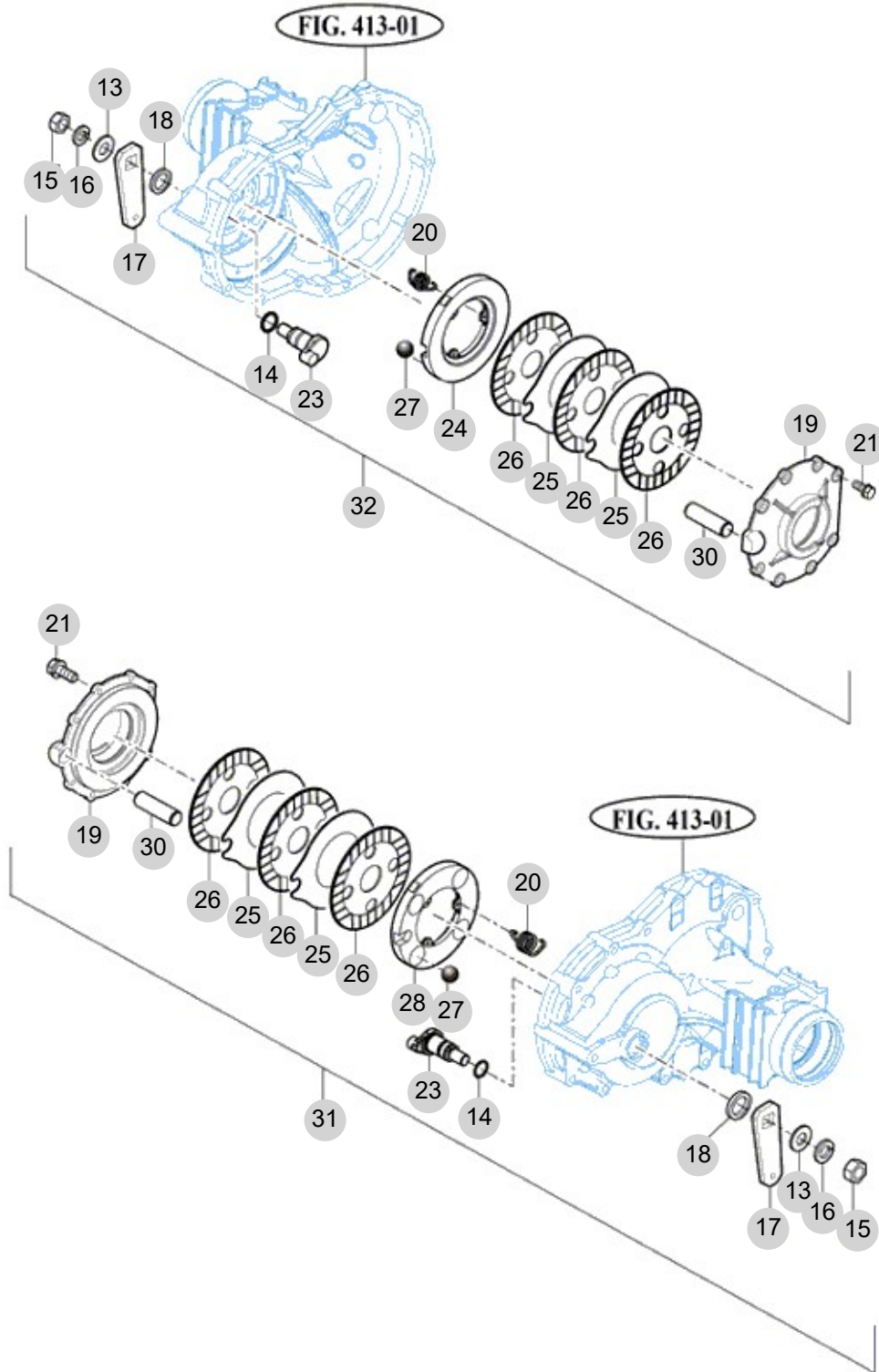
FIG 303

BRAKE

년/월
Year/Month

2022-12

T394NH



NOTE

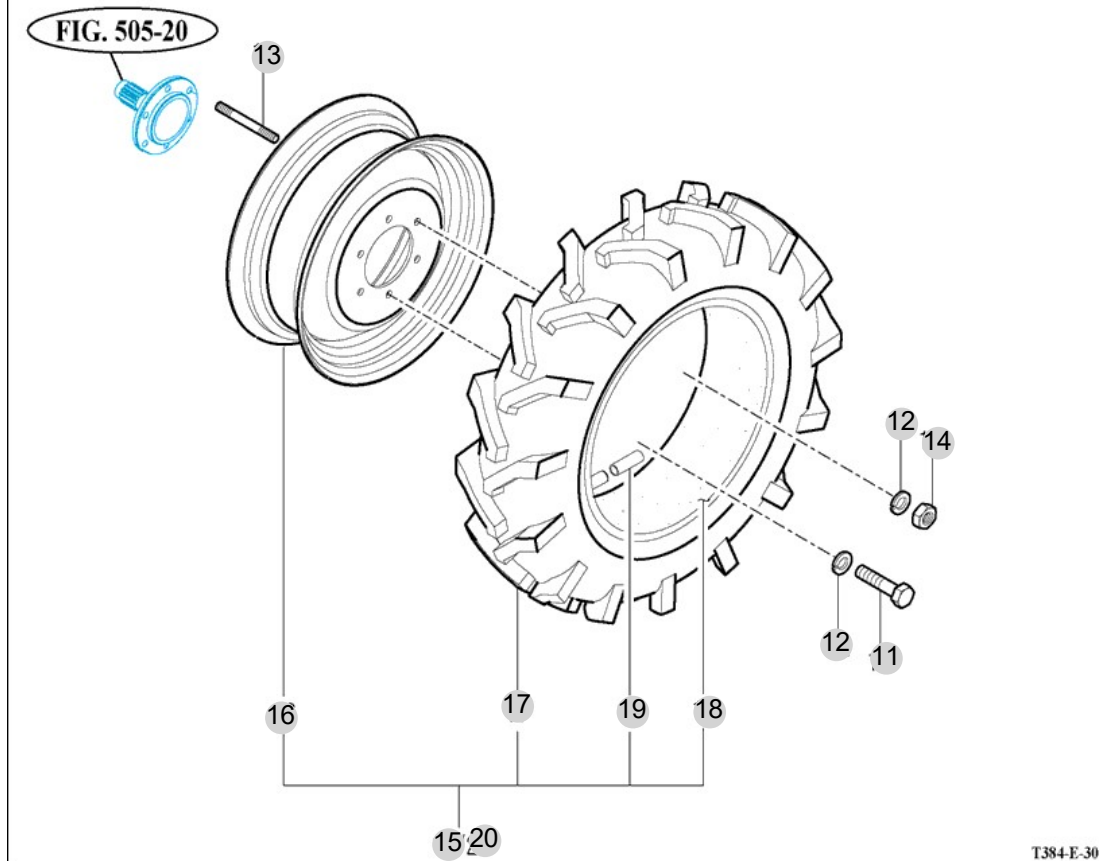
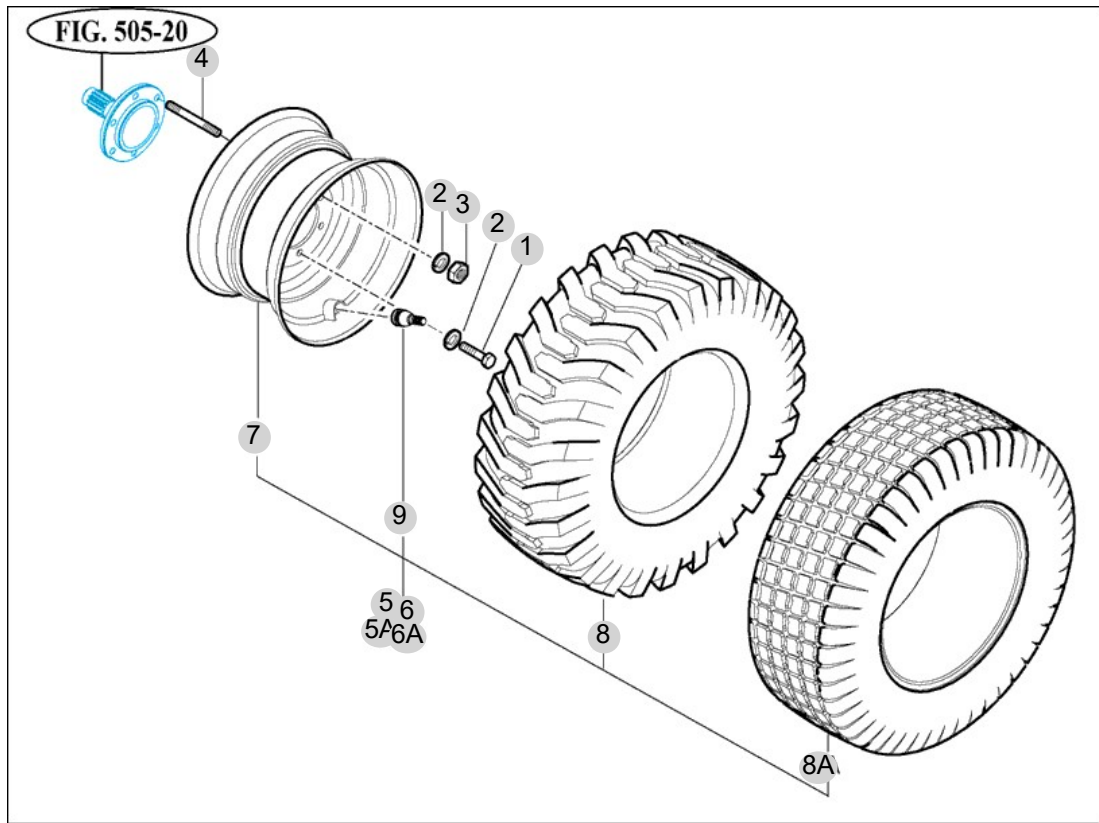
FIG 304

FRONT WHEEL MOUNTING

년/월
Year/Month

2022-12

T394NH



T384-E-304

NOTE

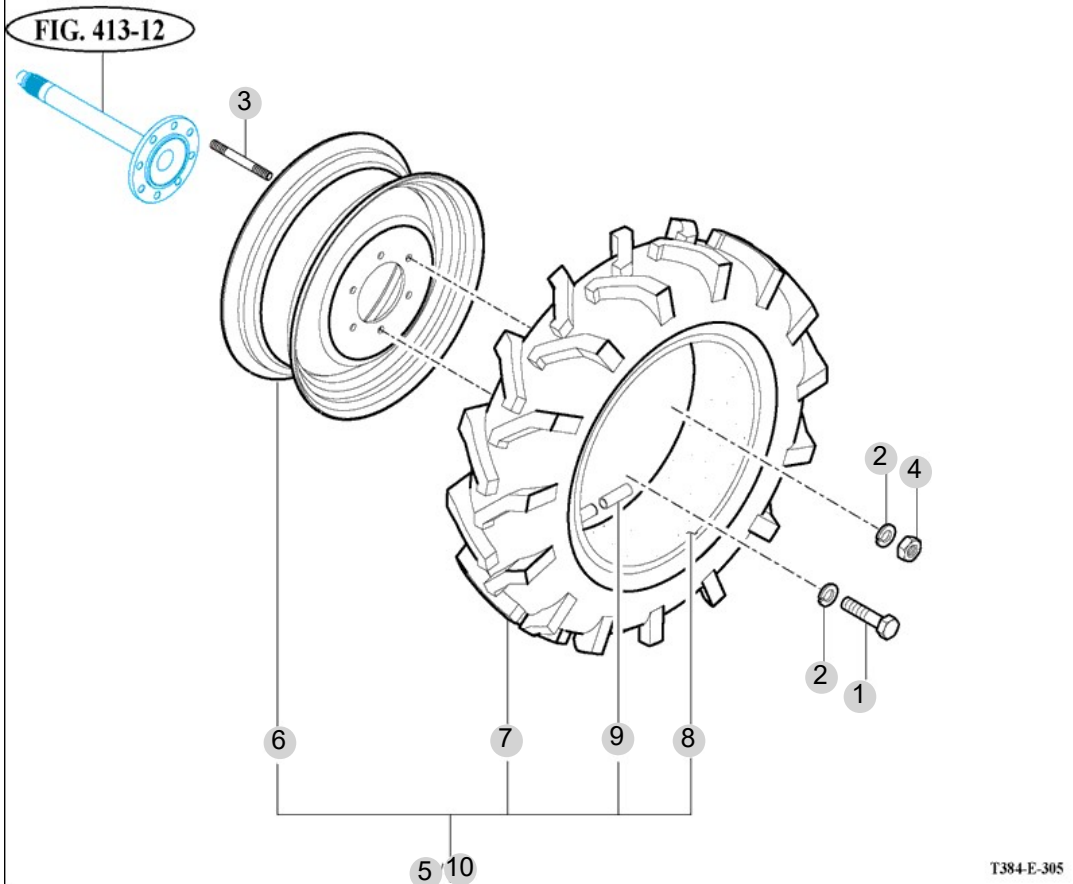
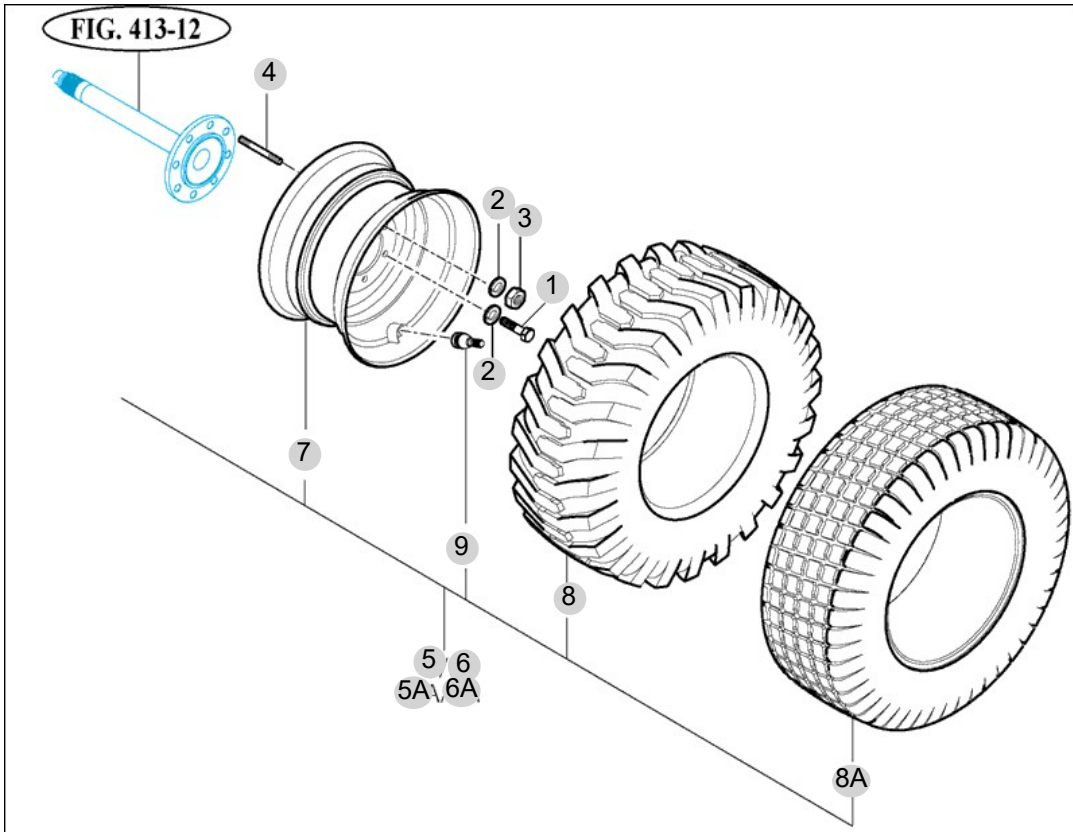
FIG 305

REAR WHEEL MOUNTING

년/월
Year/Month

2022-12

T394NH



T384-E-305

NOTE

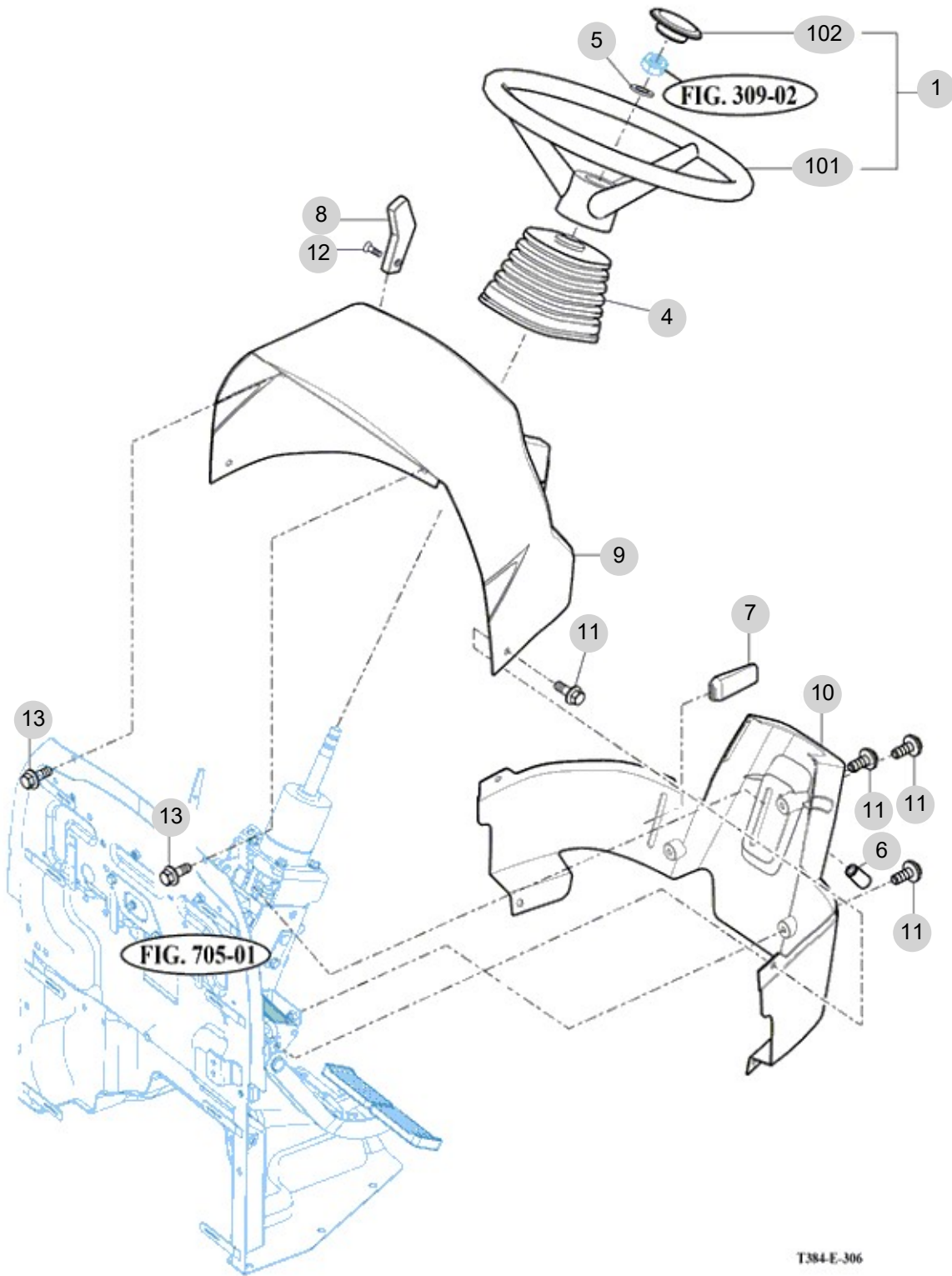
FIG 306

T394NH

STEERING WHEEL & DASH COVER

년/월
Year/Month

2022-12



T384-E-306

NOTE

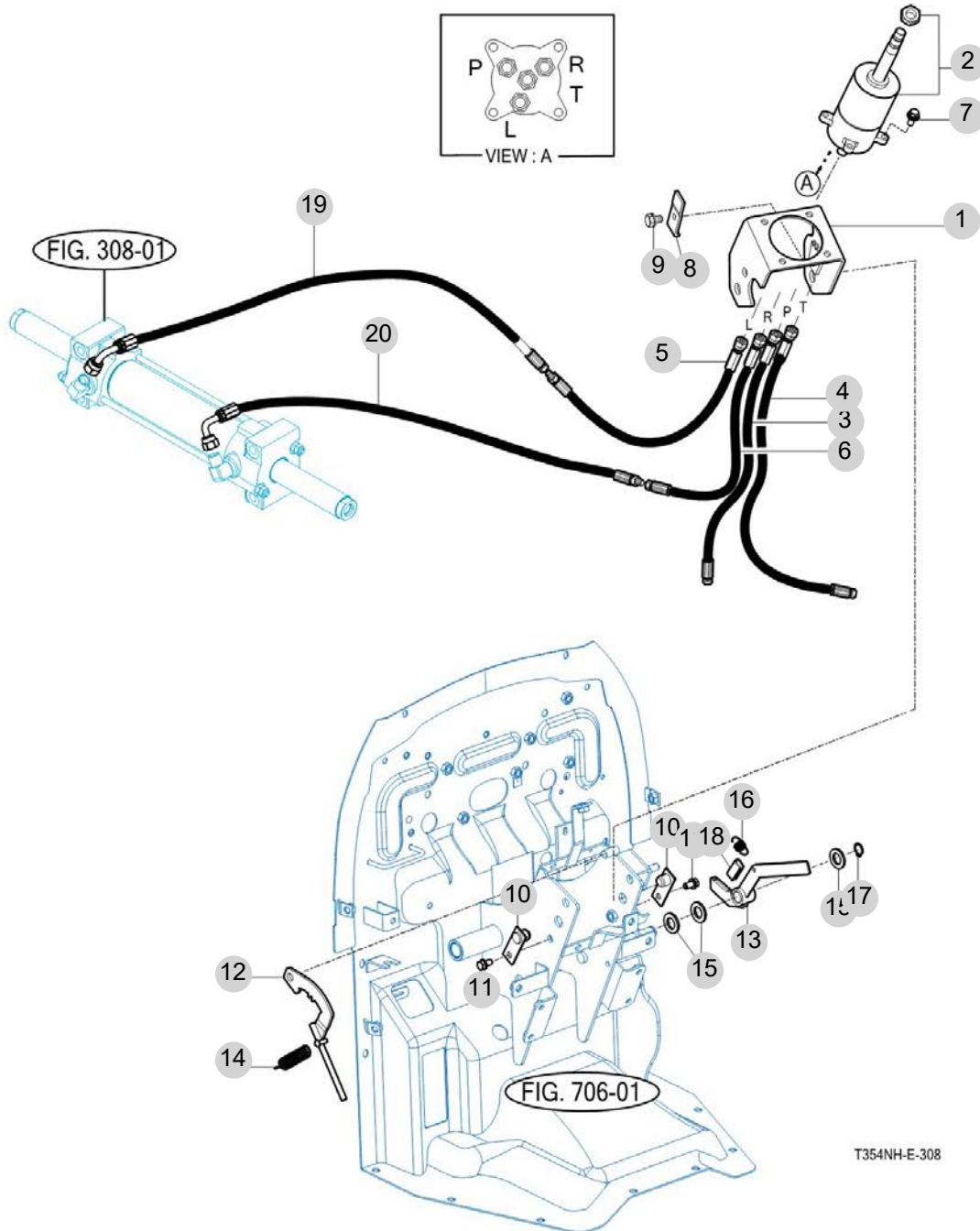
FIG 307

T394NH

STEERING VALVE & TILT

년/월
Year/Month

2022-12



NOTE

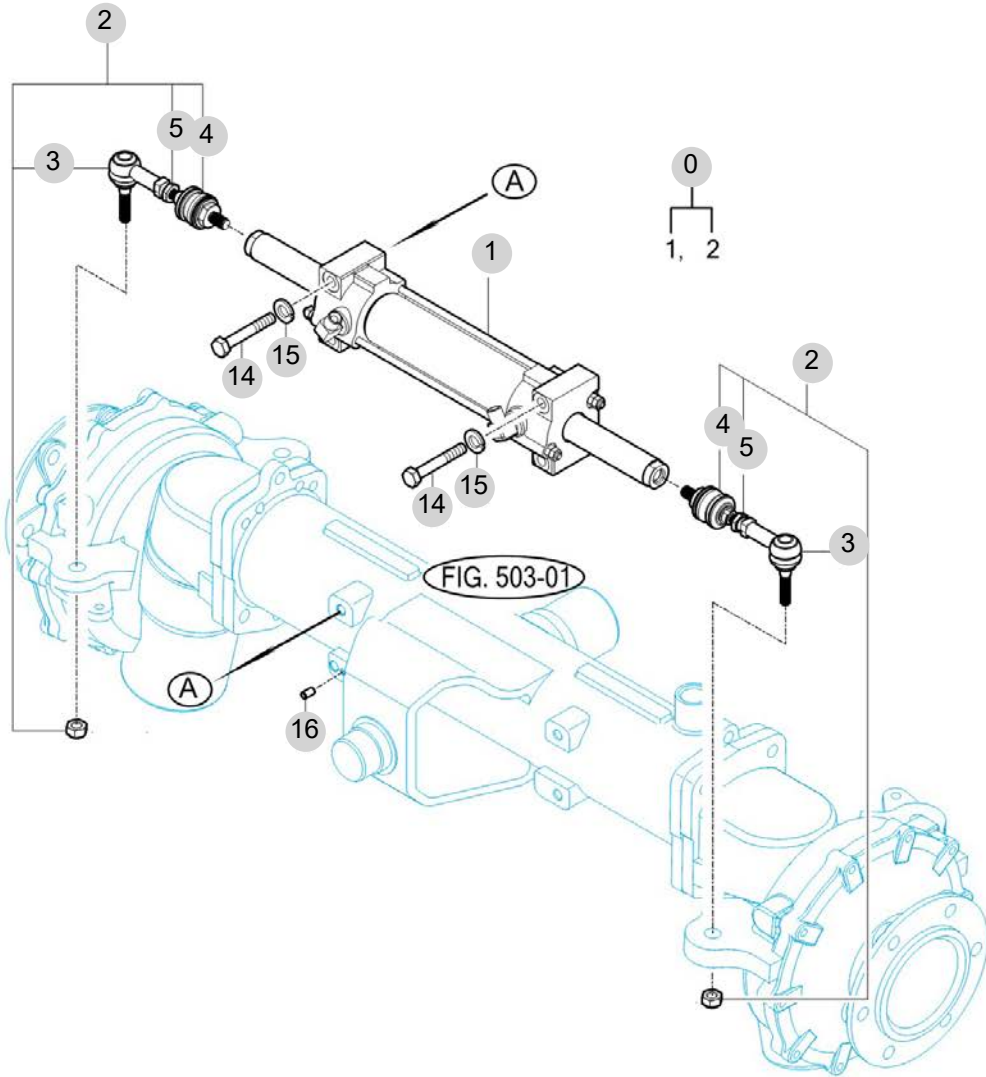
FIG 308

T394NH

STEERING CYLINDER

년/월
Year/Month

2022-12



T393ST-E-310

NOTE

4. Transmission PART NO. T4

FIG 401 TRANSMISSION FRONT CASE	84
FIG 402 HST	86
FIG 403 MID CASE	88
FIG 404 4WD DRIVE GEAR	90
FIG 405 INPUT GEAR	92
FIG 406 SUB CHANGE GEARS	94
FIG 407 PINION GEARS	96
FIG 408 P.T.O DRIVE SHAFT	98
FIG 409 P.T.O CHANGE GEARS	100
FIG 410 DIFF LOCK	103
FIG 411 TRANSMISSION REAR CASE	105
FIG 412 REAR AXLE HOUSINGS(1)	107
FIG 413 REAR AXLE HOUSINGS(2)	109
FIG 414 MID P.T.O GEARS	111
FIG 415 SUB CHANGE LEVER	113
FIG 416 FORWARD & REVERSE CONTROL LINKAGE	115
FIG 417 CRUISE CONTROL KIT(OPTION)	117
FIG 418 4WD CHANGE LEVER	119

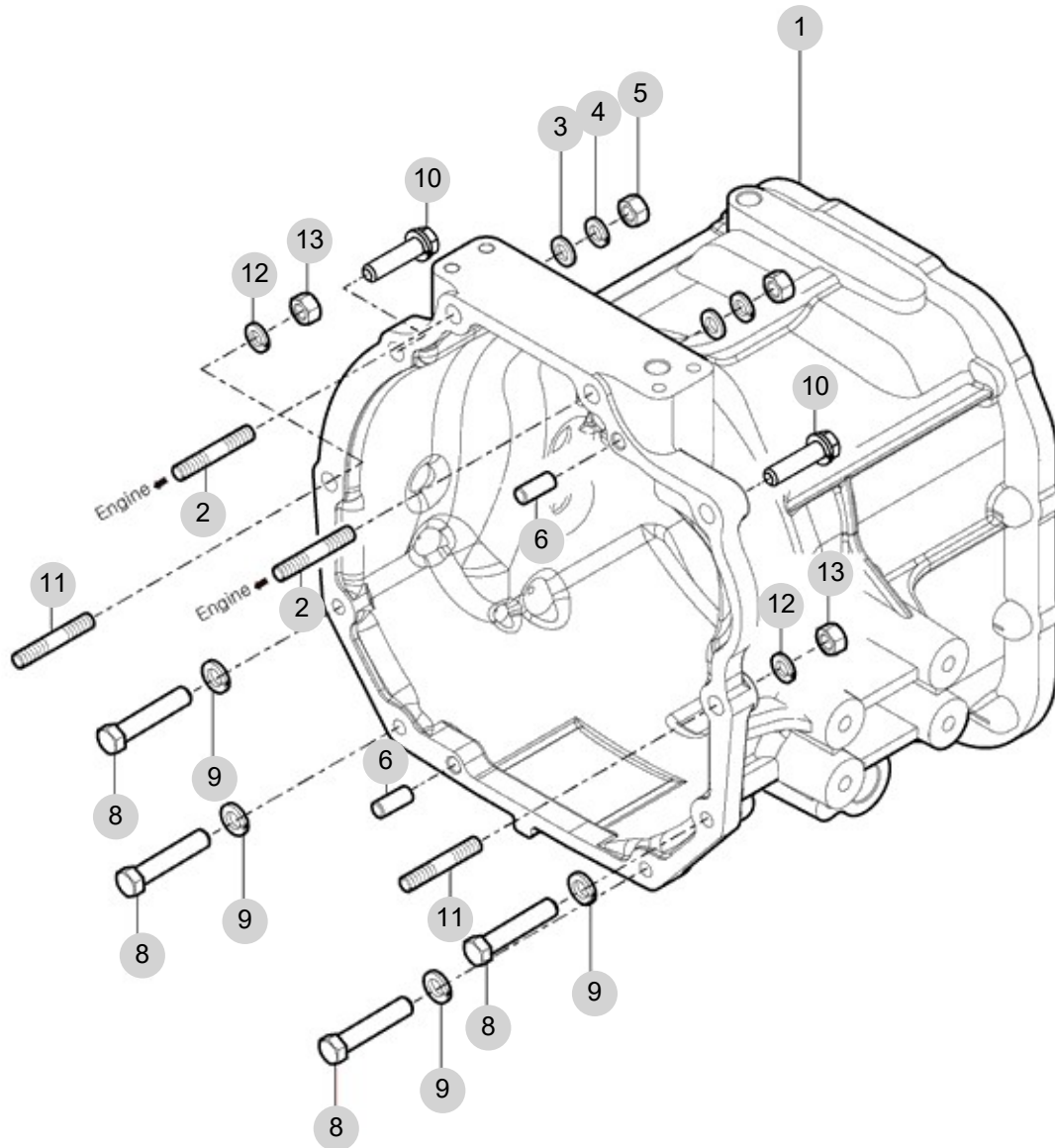
FIG 401

T394NH

TRANSMISSION FRONT CASE

년/월
Year/Month

2022-12



T384NH-E-401

NOTE

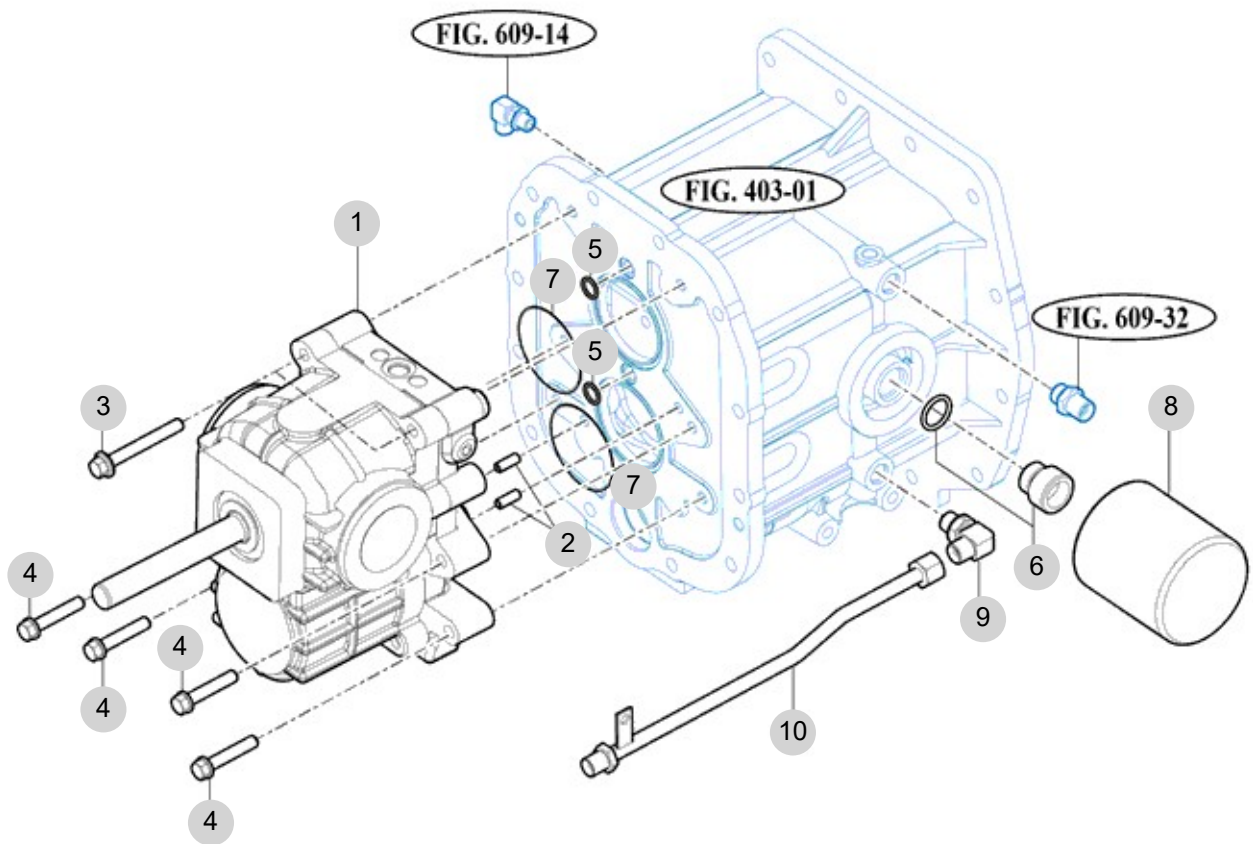
FIG 402

T394NH

HST

년/월
Year/Month

2022-12



NOTE

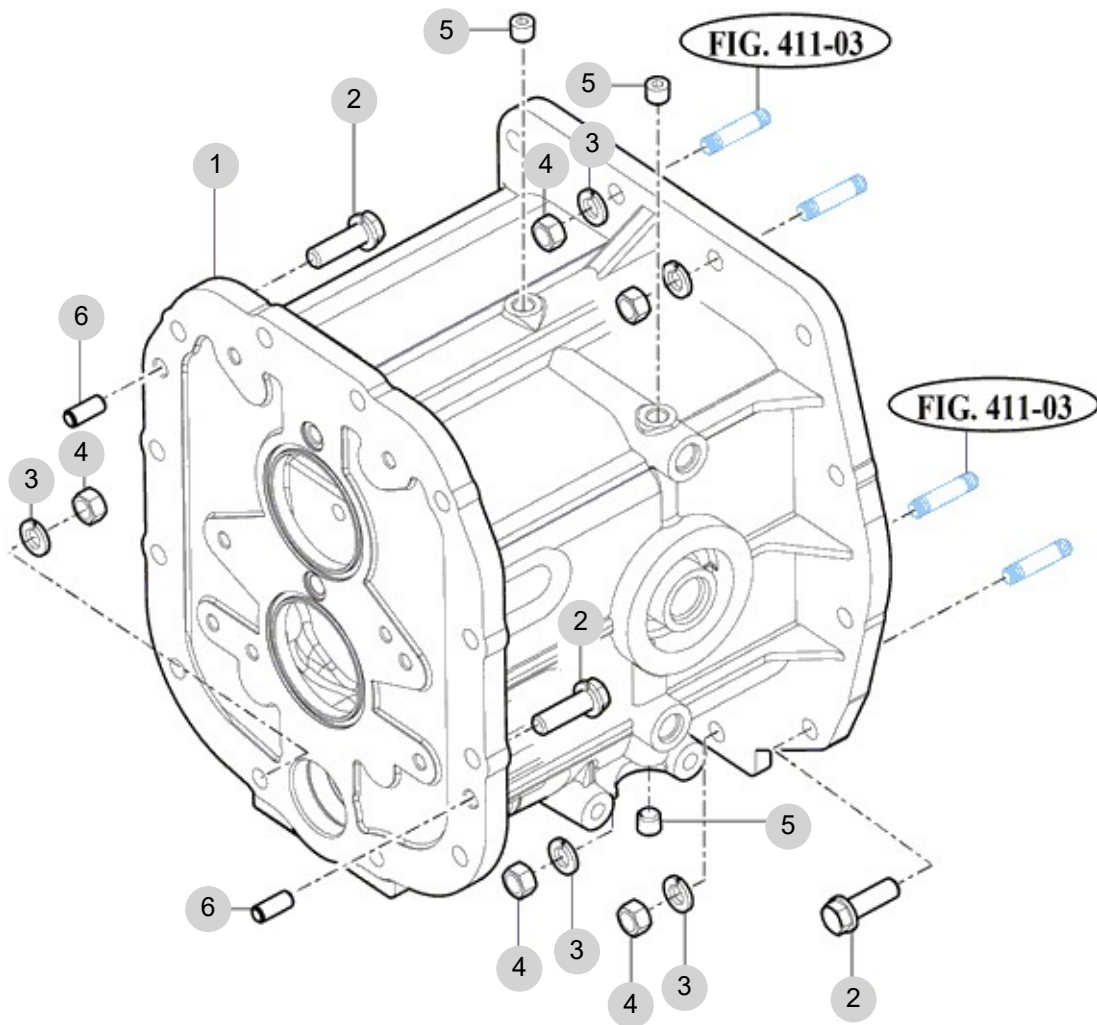
FIG 403

T394NH

MID CASE

년/월
Year/Month

2022-12



NOTE

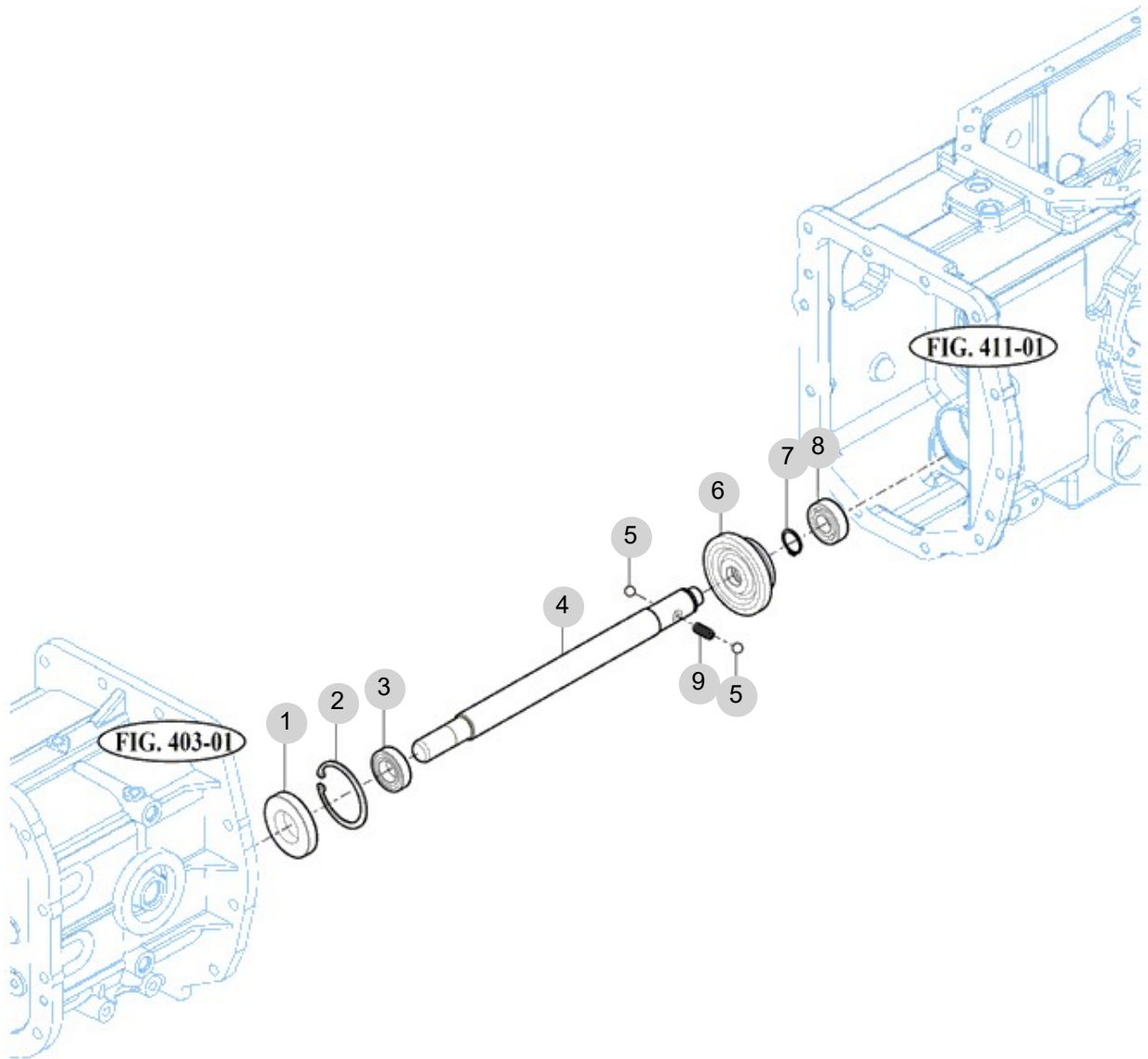
FIG 404

T394NH

4WD DRIVE GEAR

년/월
Year/Month

2022-12



NOTE

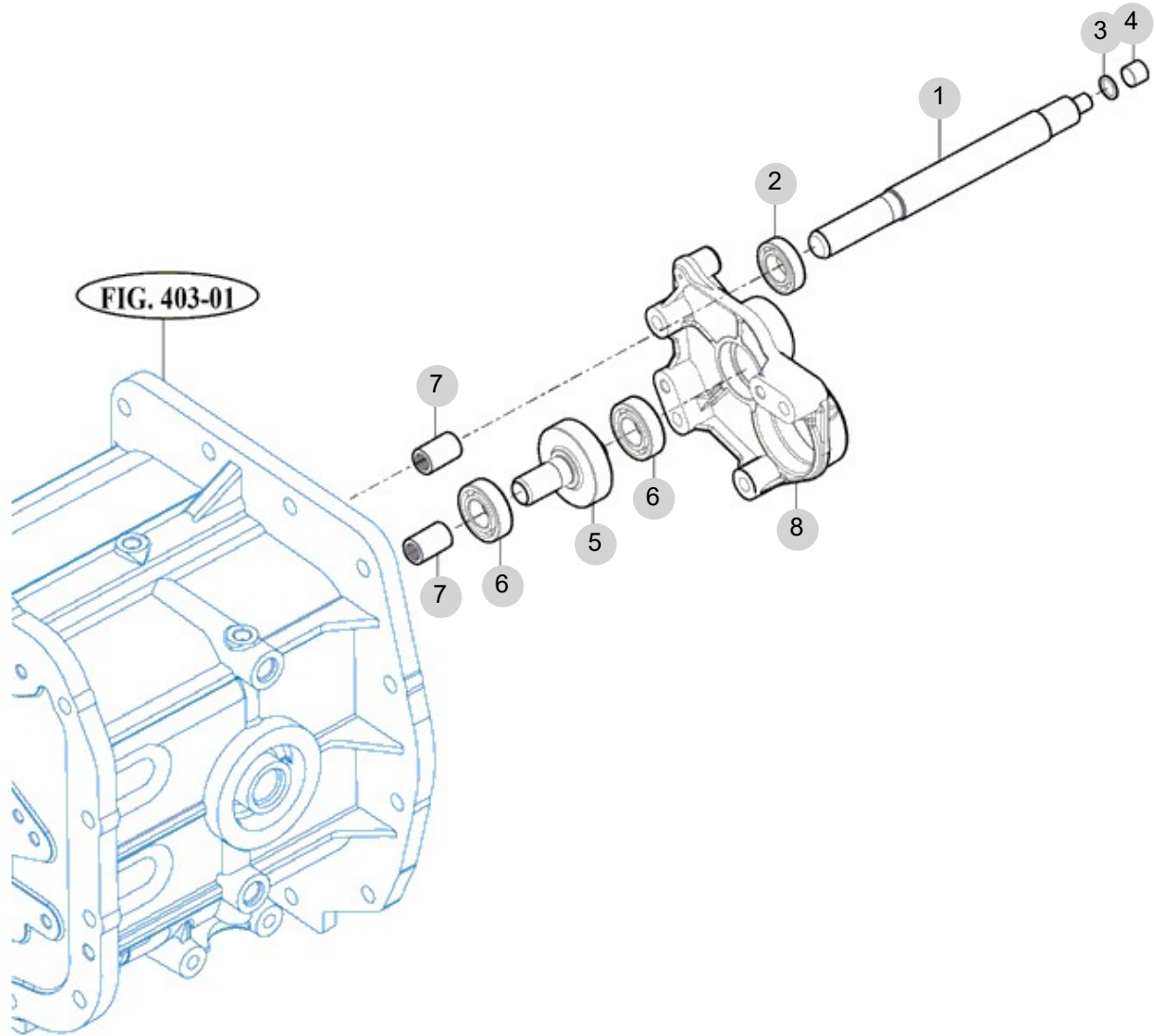
FIG 405

T394NH

INPUT GEAR

년/월
Year/Month

2022-12



NOTE

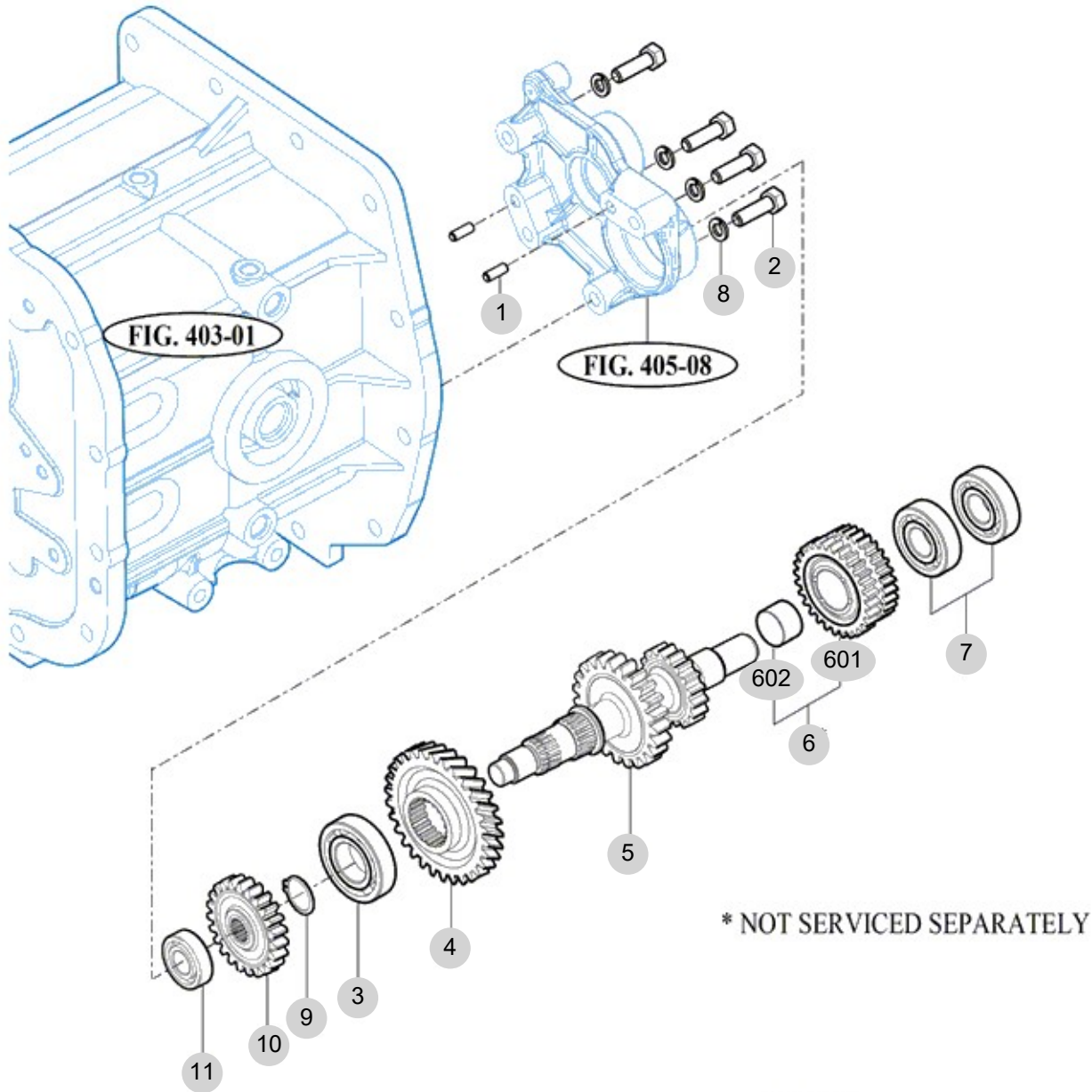
FIG 406

T394NH

SUB CHANGE GEARS

년/월
Year/Month

2022-12



2538NH-E-406

NOTE

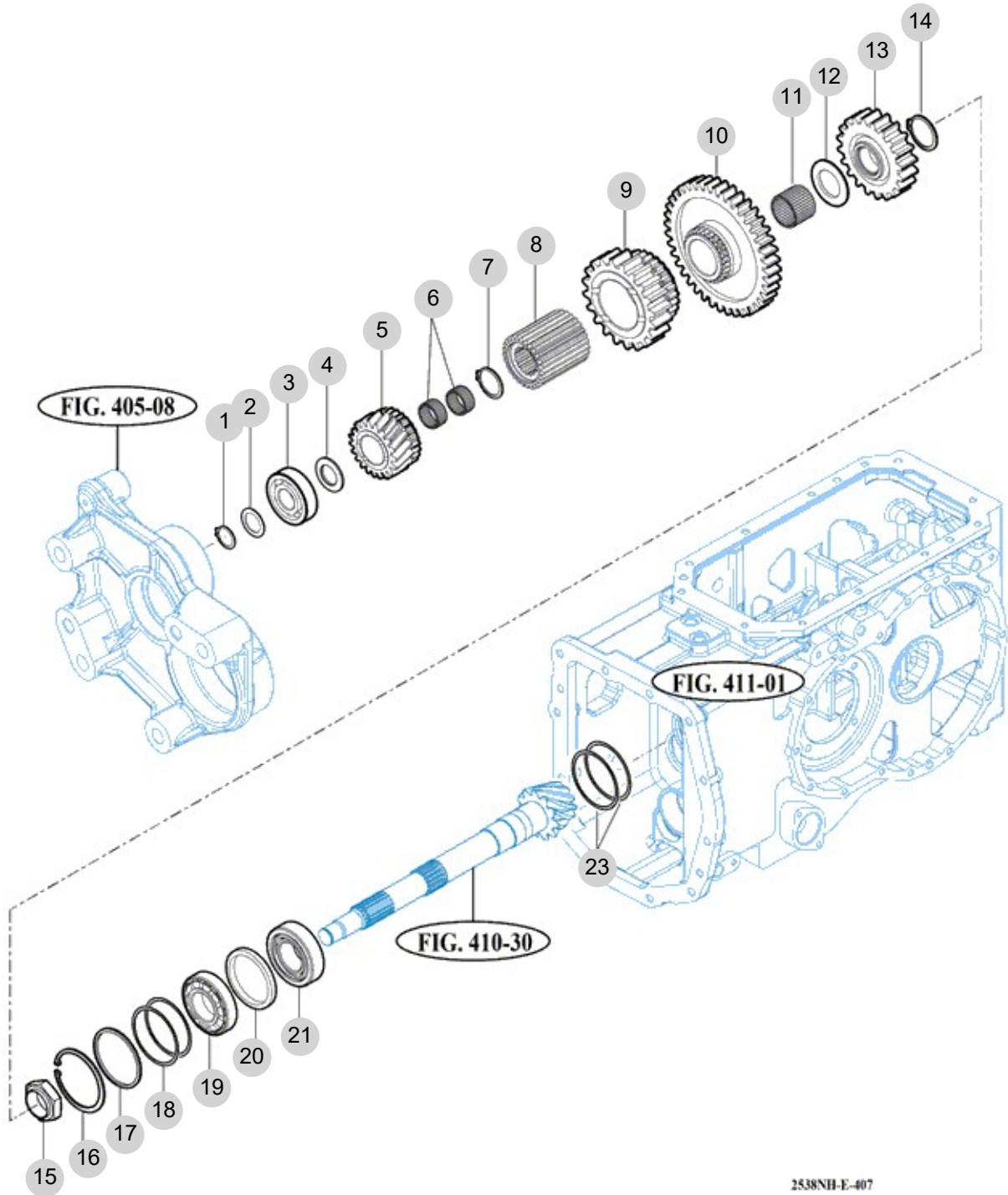
FIG 407

T394NH

PINION GEARS

년/월
Year/Month

2022-12



2538NH-E-407

NOTE

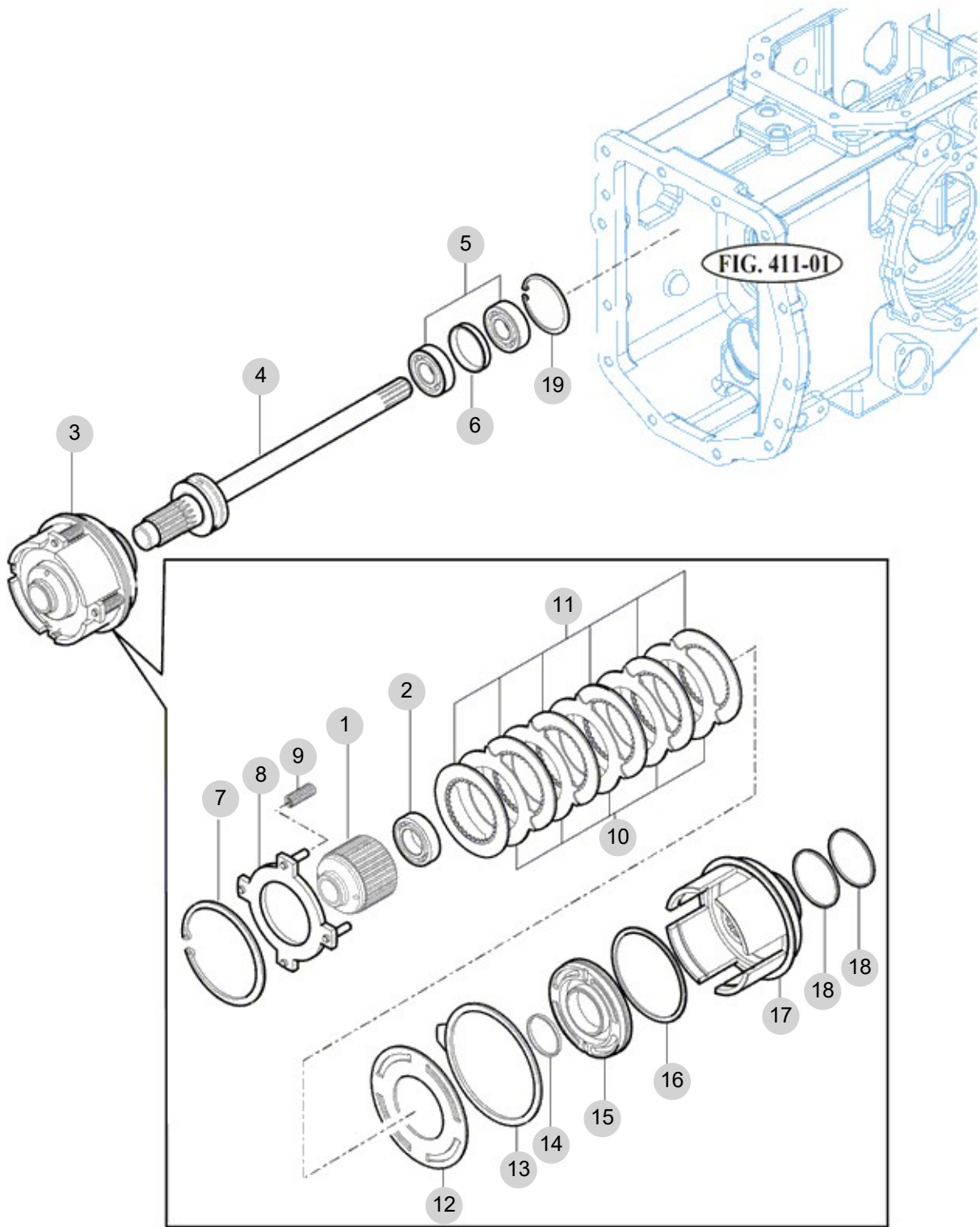
FIG 408

T394NH

P.T.O DRIVE SHAFT

년/월
Year/Month

2022-12



T303/353NC-E-408

NOTE

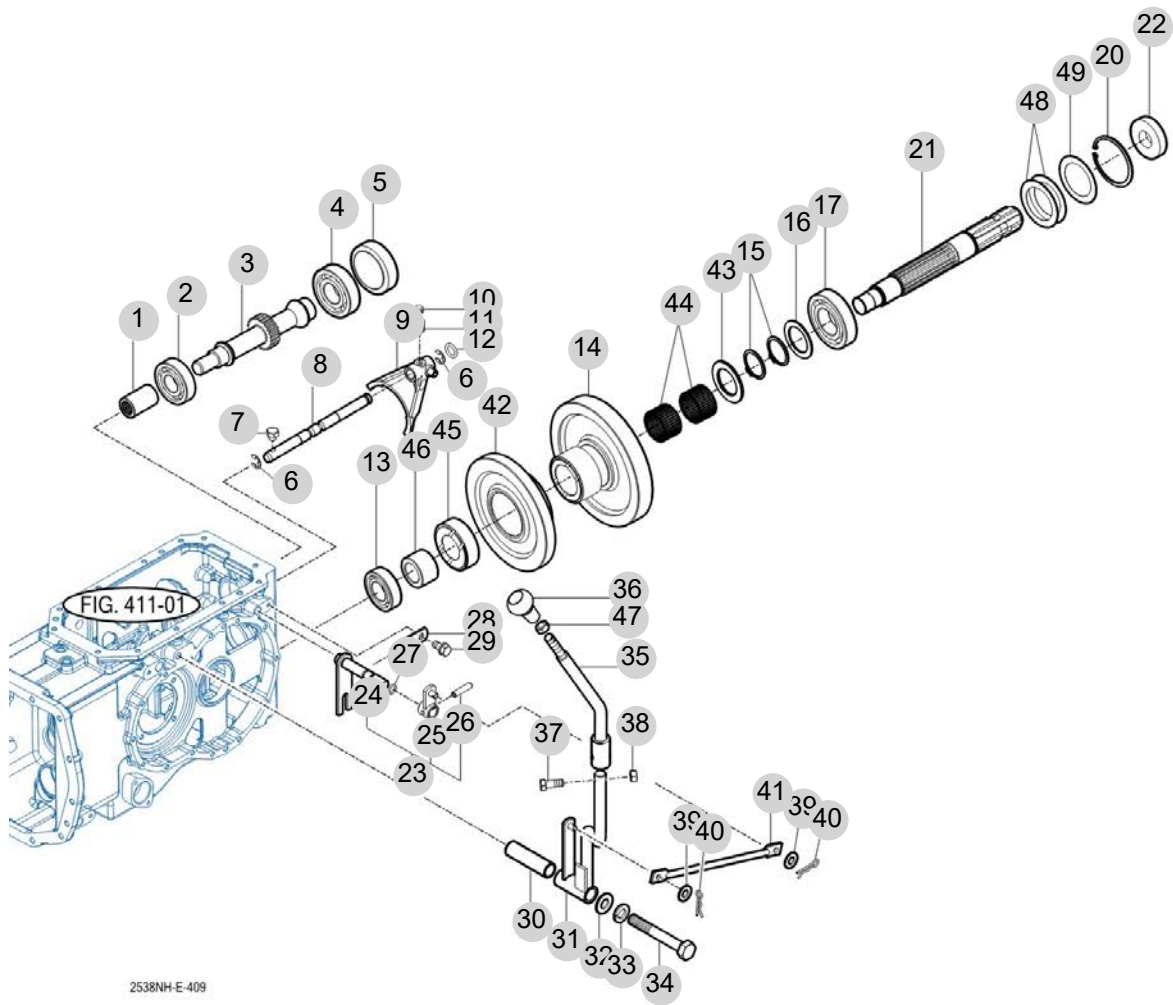
FIG 409

T394NH

P.T.O CHANGE GEARS

년/월
Year/Month

2022-12



NOTE

FIG 409		P.T.O CHANGE GEARS					년/월 Year/Month		
							2022-12		
T394NH		KEY NO	PART NO	DESCRIPTION	SPEC	QTY	REPAIR	EFFECTIVE DATE	REMARKS
409	1	14211340190	COUPLING			1			
409	2	V6001106305	BEARING , BALL	6305		1			
409	3	12352543530	SHAFT , PTO COUNT			1			
409	4	V6001106306	BEARING , BALL	6306		1			
409	5	14254330180	CAP , 72			1			
409	6	V7081400100	E-RING	Ø10		2			
409	7	15602231610	BOLT , SET M8X16			1			
409	8	12382540020	STAY , PTO			1			
409	9	16702540011M	FORK , PTO			1			
409	10	V6802000010	BALL , STEEL	5/16		1			
409	11	13022250030	SPRING , SHIFTER			1			
409	12	V7201024010	O-RING , P	P10		1			
409	13	V6001106205	BEARING , BALL	6205		1			
409	14	12352530020	GEAR , PTO 54T			1			
409	15	V7041400350	C-RING , SHAFT	Ø35		2			
409	16	14443140041	COLLAR , 35X50X2			1			
409	17	V6001106207	BEARING , BALL	6207		1			
409	20	V7051400720	C-RING , HOLE	Ø72		1			
409	21	12382530010	SHAFT , PTO			1			
409	22	16322732000	SEAL ASSY , OIL			1			
409	23	16702555102	HOOK SET , RR PTO			1			
409	24	16702542102	HOOK COMP , RR PTO			1			
409	25	16702432201	ARM COMP , RANGE			1			
409	26	V5801406025	PIN , SPRING	6X25		1			
409	27	V7201024012	O-RING , P	P12		1			
409	28	16702230371	PLATE			1			
409	29	V2173608016	BOLT , HEX/S	M8X16		1			
409	30	16702440070	HUB(13*17*61)			1			
409	31	16702552103	LEVER COMP , PTO/DOWN			1			
409	32	V4111600120	WASHER , PLAIN	M12		1			
409	33	V4011600120	WASHER , SPRING	M12		1			
409	34	V2013612085	BOLT , HEX	M12X85		1			
409	35	16702552202GB	LEVER COMP ,PTO(UP)			1			
409	36	16992190102	GRIP , PTO			1			
409	36	19682190100	GRIP , PTO			1			
409	37	V2013608035	BOLT , HEX	M8X35		1			
409	38	V3042600080	NUT , HEX/2	M8		1			
409	39	V4111600080	WASHER , PLAIN	M8		2			
409	40	V5601600008	PIN , SNAP	8		2			
409	41	16702553100	ROD , 236			1			
409	42	12382530030	GEAR , SPUR 41T			1			
409	43	15642730082	WASHER , 35X55X3	D=55		1			
409	44	V6544354026	BEARING , NEEDLE CAGED			2			
409	45	15642730052	HUB , 35X62X20			1			
409	46	12382530040	WASHER , 25X40X26	D=40		1			
NOTE									

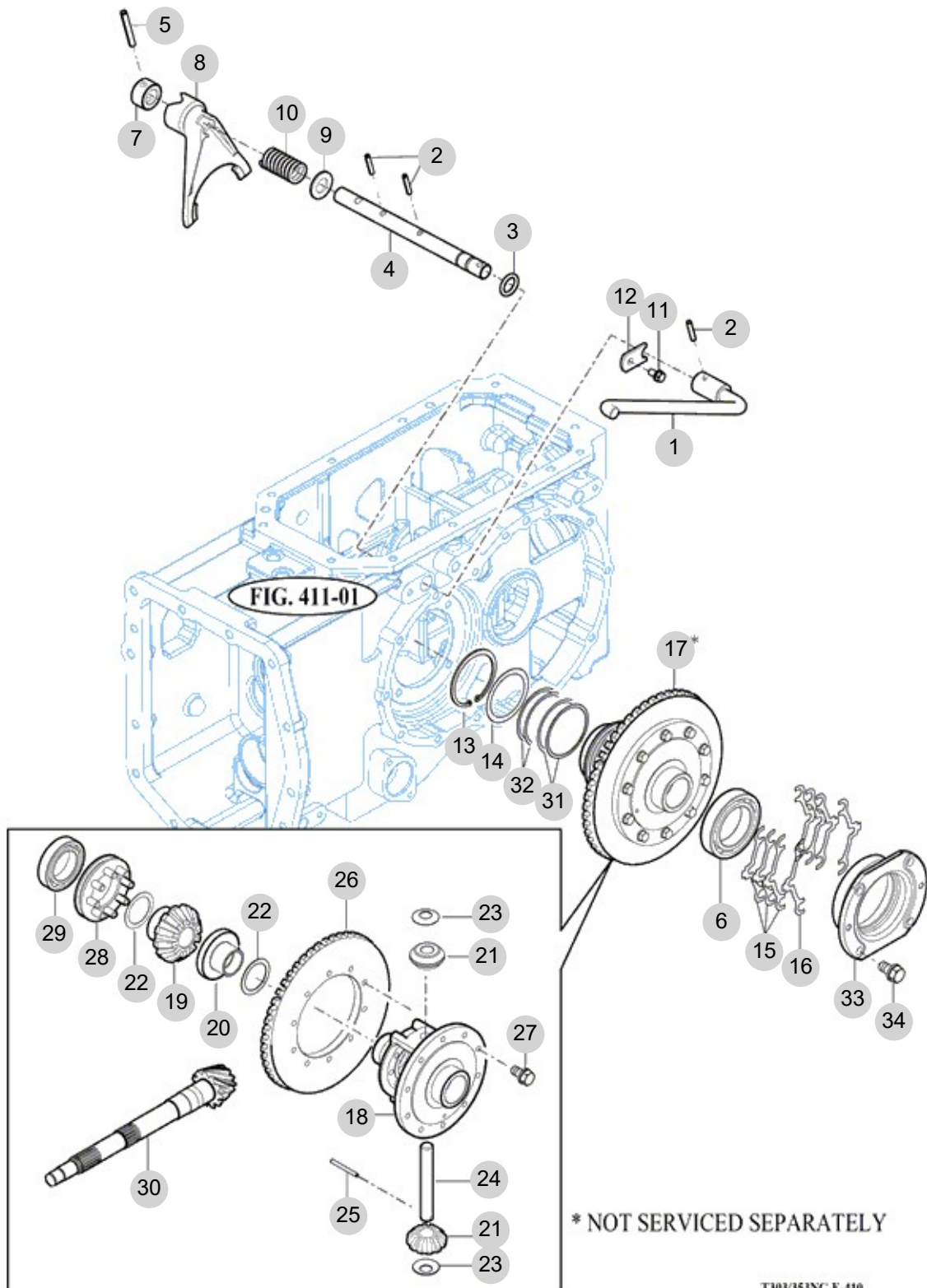
FIG 410

DIFF LOCK

년/월
Year/Month

2022-12

T394NH



* NOT SERVICED SEPARATELY

T303/353NC-E-410

NOTE

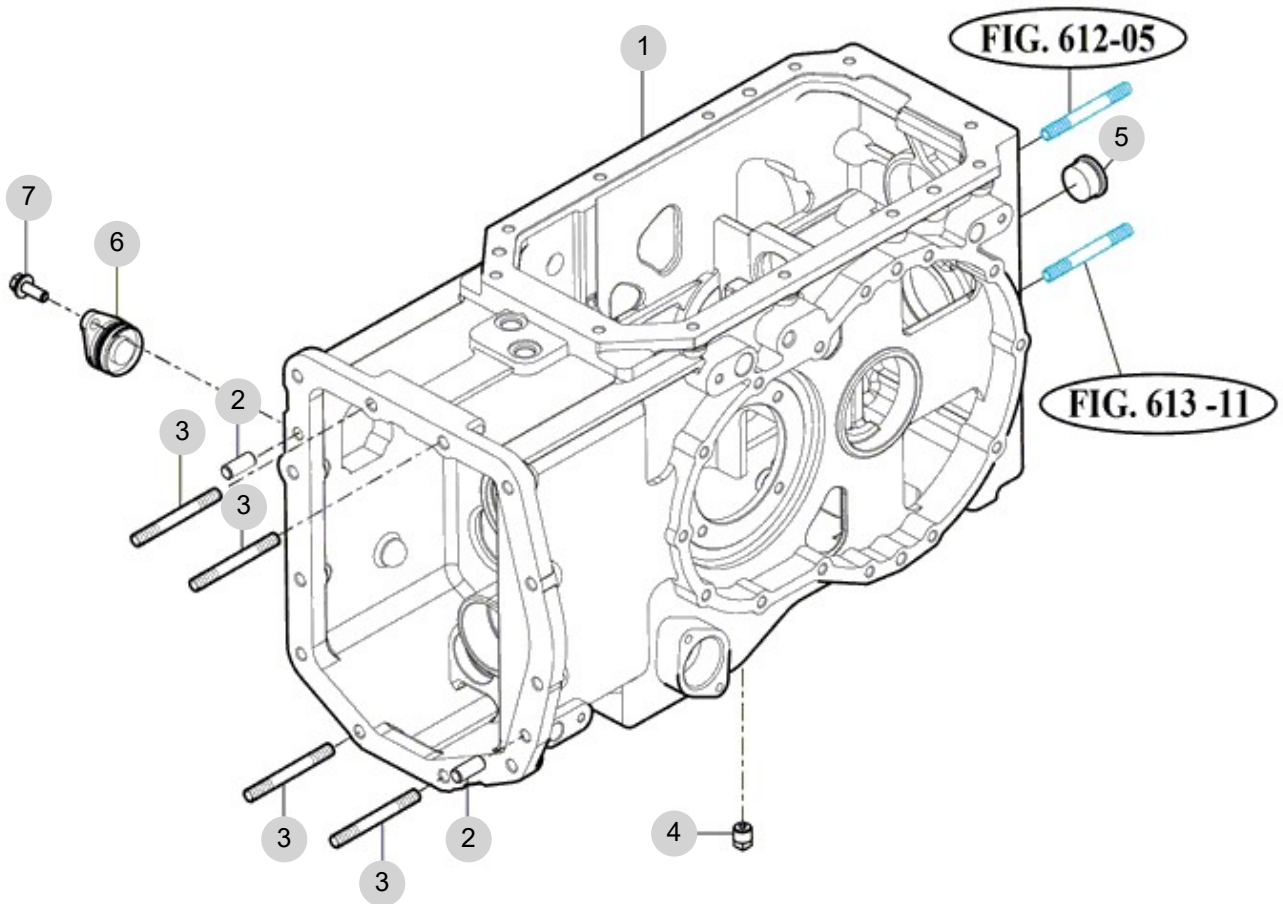
FIG 411

T394NH

TRANSMISSION REAR CASE

년/월
Year/Month

2022-12



T394NH-E-411

NOTE

FIG 412

T394NH

REAR AXLE HOUSINGS(1)

년/월
Year/Month

2022-12

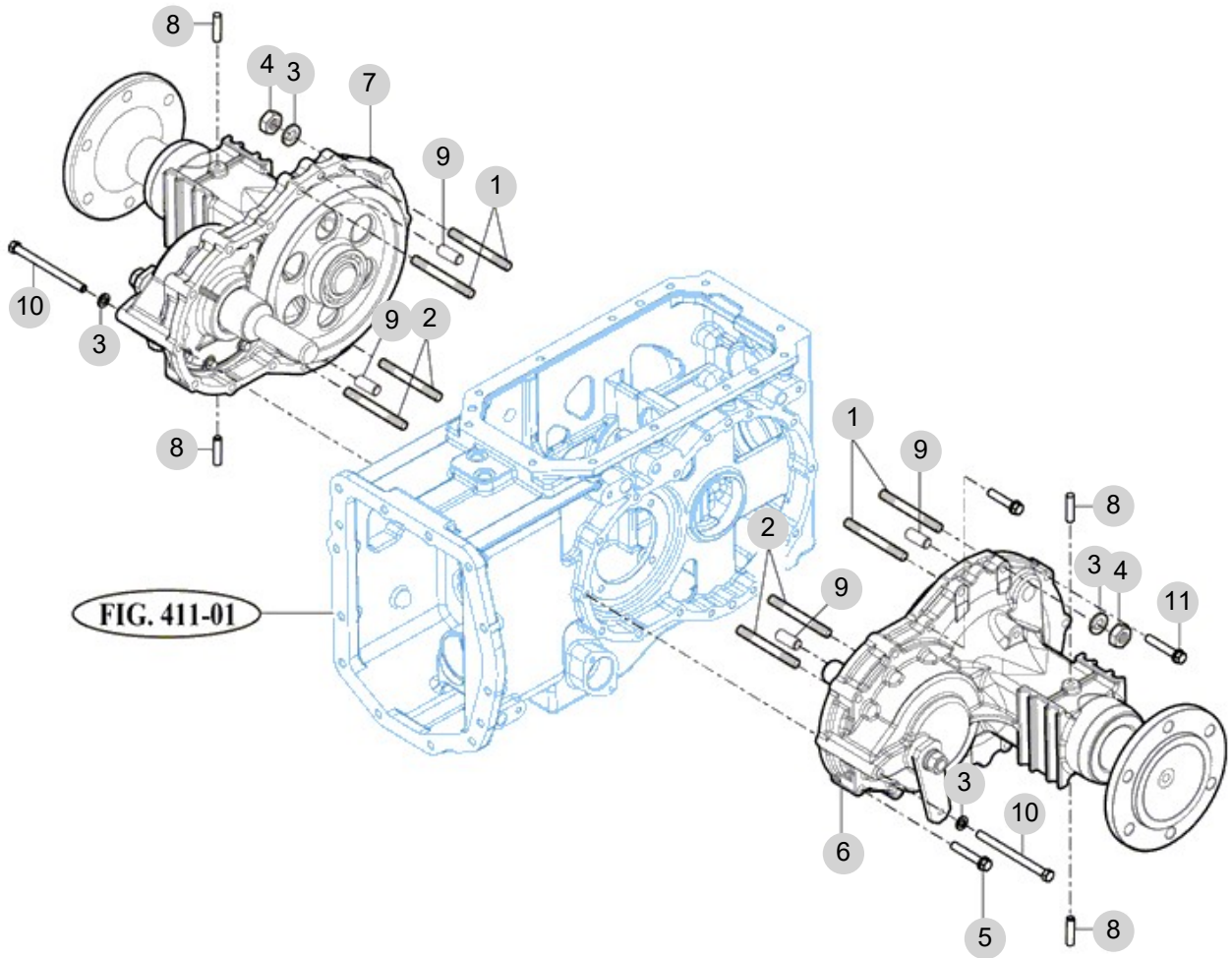


FIG. 411-01

2538NH-E-412

NOTE

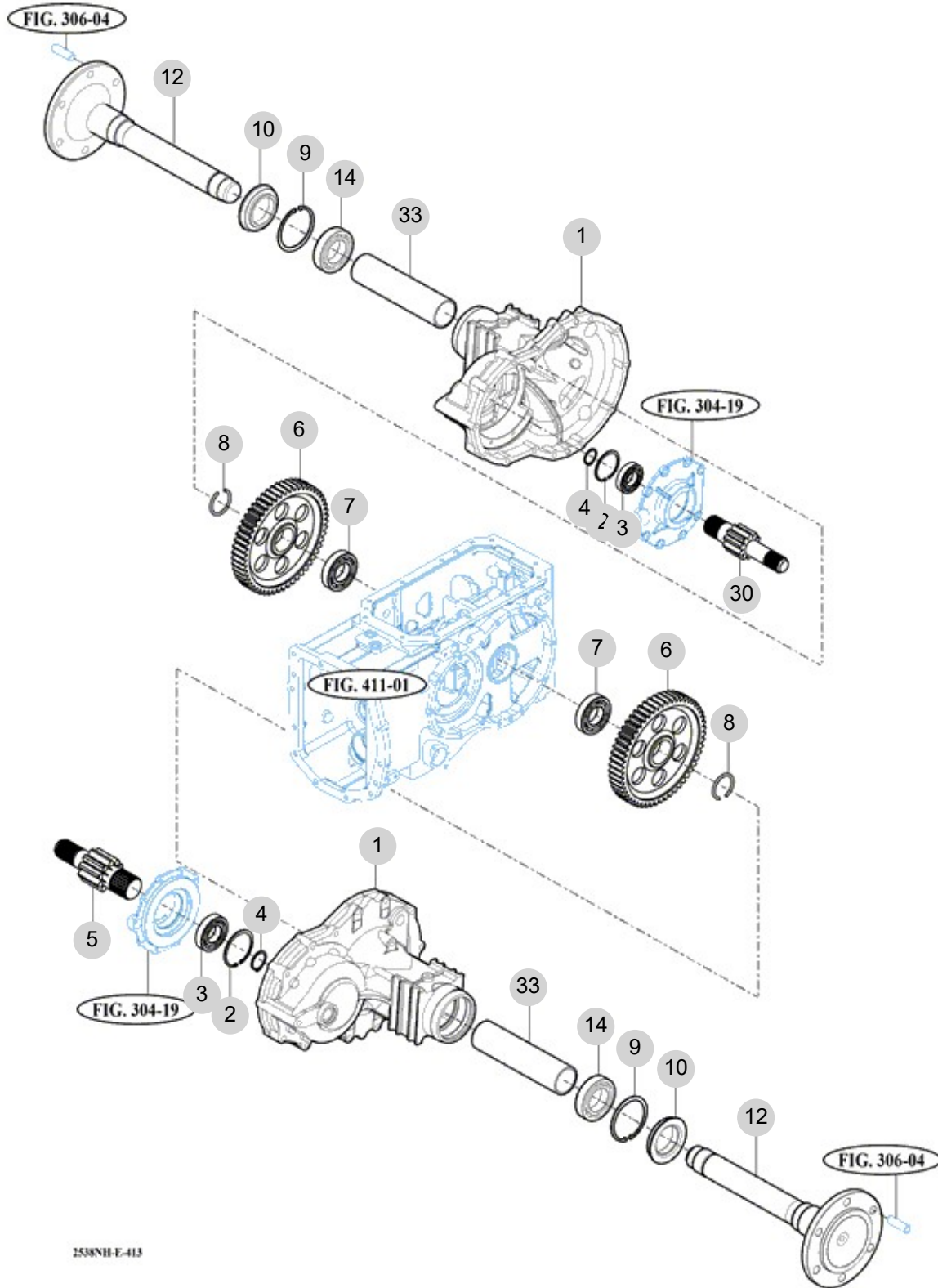
FIG 413

T394NH

REAR AXLE HOUSINGS(2)

년/월
Year/Month

2022-12



2538NH-E-413

NOTE

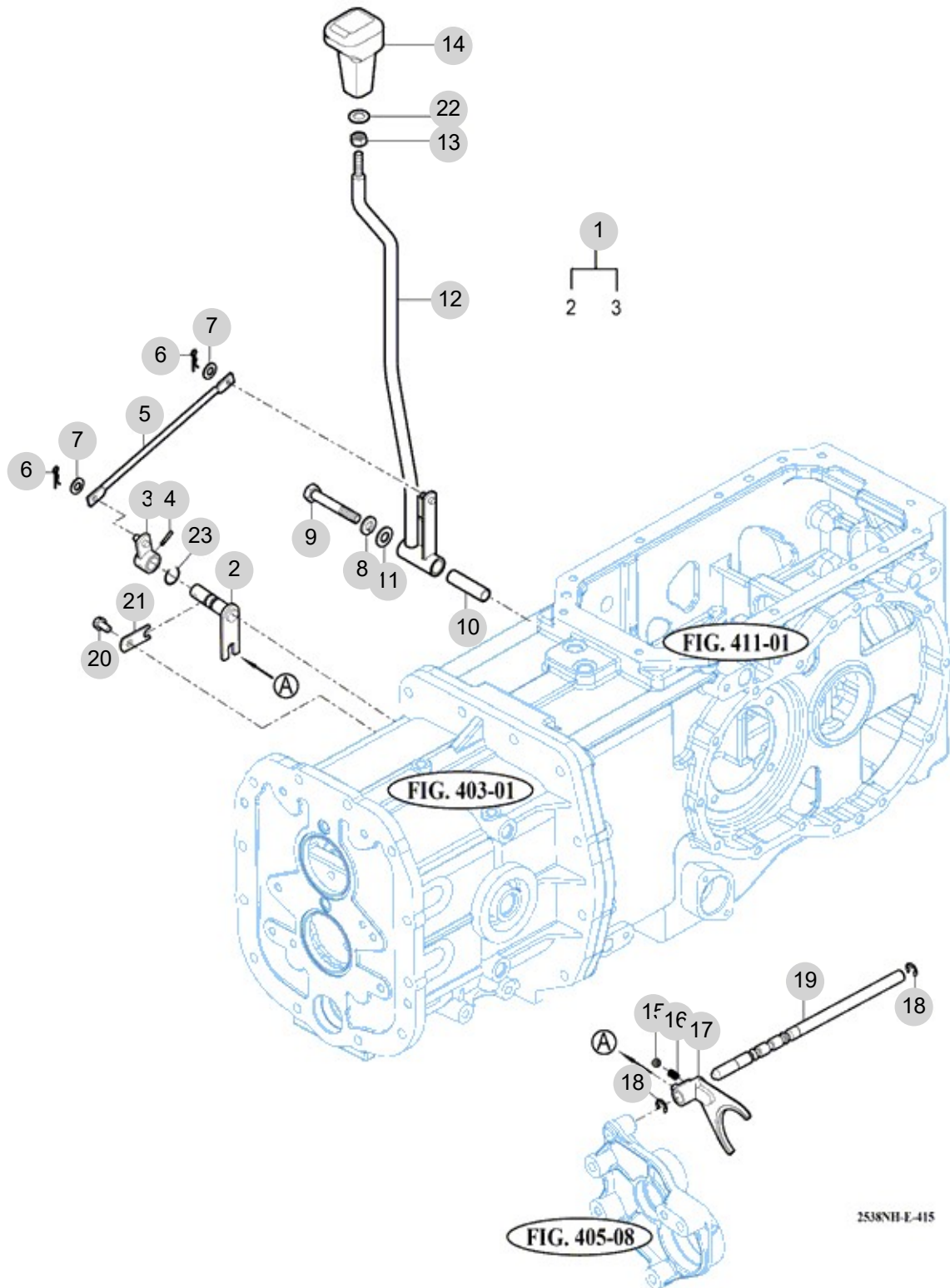
FIG 415

T394NH

SUB CHANGE LEVER

년/월
Year/Month

2022-12



NOTE

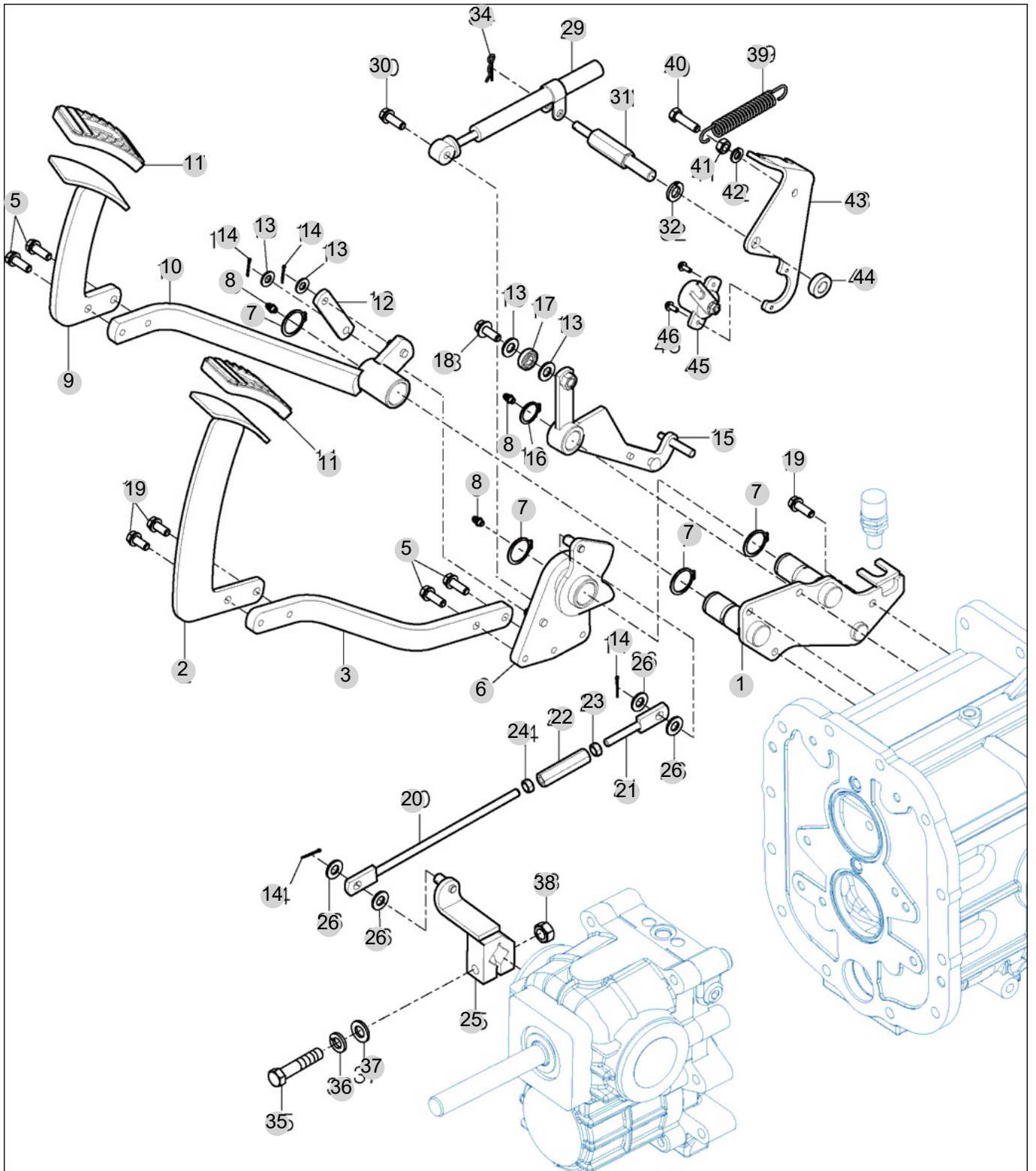
FIG 416

FORWARD & REVERSE CONTROL LINKAGE

년/월
Year/Month

2022-12

T394NH



NOTE

FIG 416		FORWARD & REVERSE CONTROL LINKAGE					년/월 Year/Month	
							2022-12	
T394NH								
KEY NO	PART NO	DESCRIPTION	SPEC	QTY	REPAIR	EFFECTIVE DATE	REMARKS	
416	1	12382313201	BRACKET COMP, HST PEDAL		1			
416	2	14722312703GB	PEDAL COMP , FORWARD		1			
416	3	14722310052	PLATE , FORWARD		1			
416	5	V2173608025	BOLT , HEX/S	M8X25	4			
416	6	12382312300	ARM COMP , FORWARD		1			
416	7	V7041400250	C-RING , SHAFT	25	4			
416	8	V7601500000	NIPPLE , GREASE/A-M6F		3			
416	9	14722312802GB	PEDAL COMP , REVERSE		1			
416	10	14722312603	ARM COMP		1			
416	11	14722312730	PAD		2			
416	12	14722310023	PLATE , REVERSE		1			
416	13	V4111600080	WASHER , PLAIN	M8	4			
416	14	V5001920020	PIN , SPLIT	2X20	4			
416	15	10532312600			1			
416	15	10532312601	ARM COMP , CAM FOLLOWER		1			
416	16	V7041400200	C-RING , SHAFT		1			
416	17	14722310060	BEARING , BALL		1			
416	18	V2013608025	BOLT , HEX	M8X25	1			
416	19	V2173608025	BOLT , HEX/S	M8X25	6			
416	20	12382325100	ROD COMP , LH		1			
416	21	11102325200	ROD COMP , RH		1			
416	22	16601220020	TURNBUCKLE , M8 L60		1			
416	23	V3042600080	NUT , HEX/2	M8	1			
416	24	15601320073	NUT , HEX LH		1			
416	25	12382312101	BRACKET COMP , HOLDER		1			
416	26	V4111600100	WASHER , PLAIN	M10	4			
416	29	14722312401	DAMPER , OIL		1			
416	30	V2183608035	BOLT , HEX/SP	M8X35	1			
416	31	10532310090	PIN , OIL DAMPER		1			
416	32	V4011600120	WASHER , SPRING	M12	1			
416	34	V5601600008	PIN , SNAP		1			
416	35	V2173610055	BOLT , HEX/S	M10X55	1			
416	36	V4011600100	WASHER , SPRING	M10	1			
416	37	V4111600100	WASHER , PLAIN	M10	1			
416	38	V3043600100	NUT , HEX/2	M10	1			
416	39	14722310033	SPRING , RETURN		1			
416	40	V2013608035	BOLT , HEX	M8X35	1			
416	41	V3042600080	NUT , HEX/2	M8	1			
416	42	V4011600080	WASHER , SPRING		1			
416	43	10531163810	BRACKET , P		1			
416	44	10532310080	COLLAR , 12X24X8		1			
416	45	14545300020	POTENTIOMETER ASSY		1			
416	46	V1222604012	SCREW , C/R PAN/SP	M4X12	2			
NOTE								

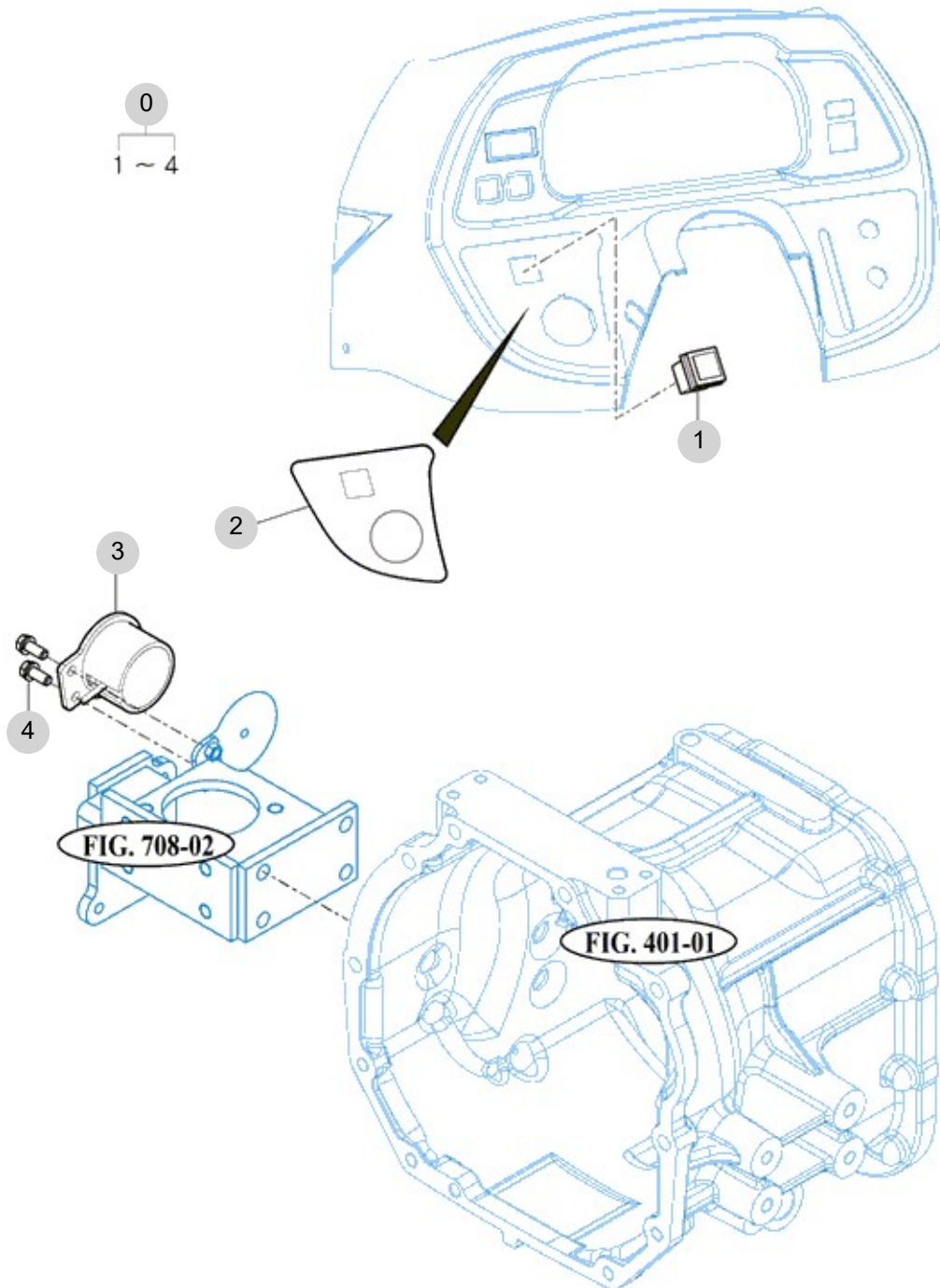
FIG 417

T394NH

CRUISE CONTROL KIT(OPTION)

년/월
Year/Month

2022-12



NOTE

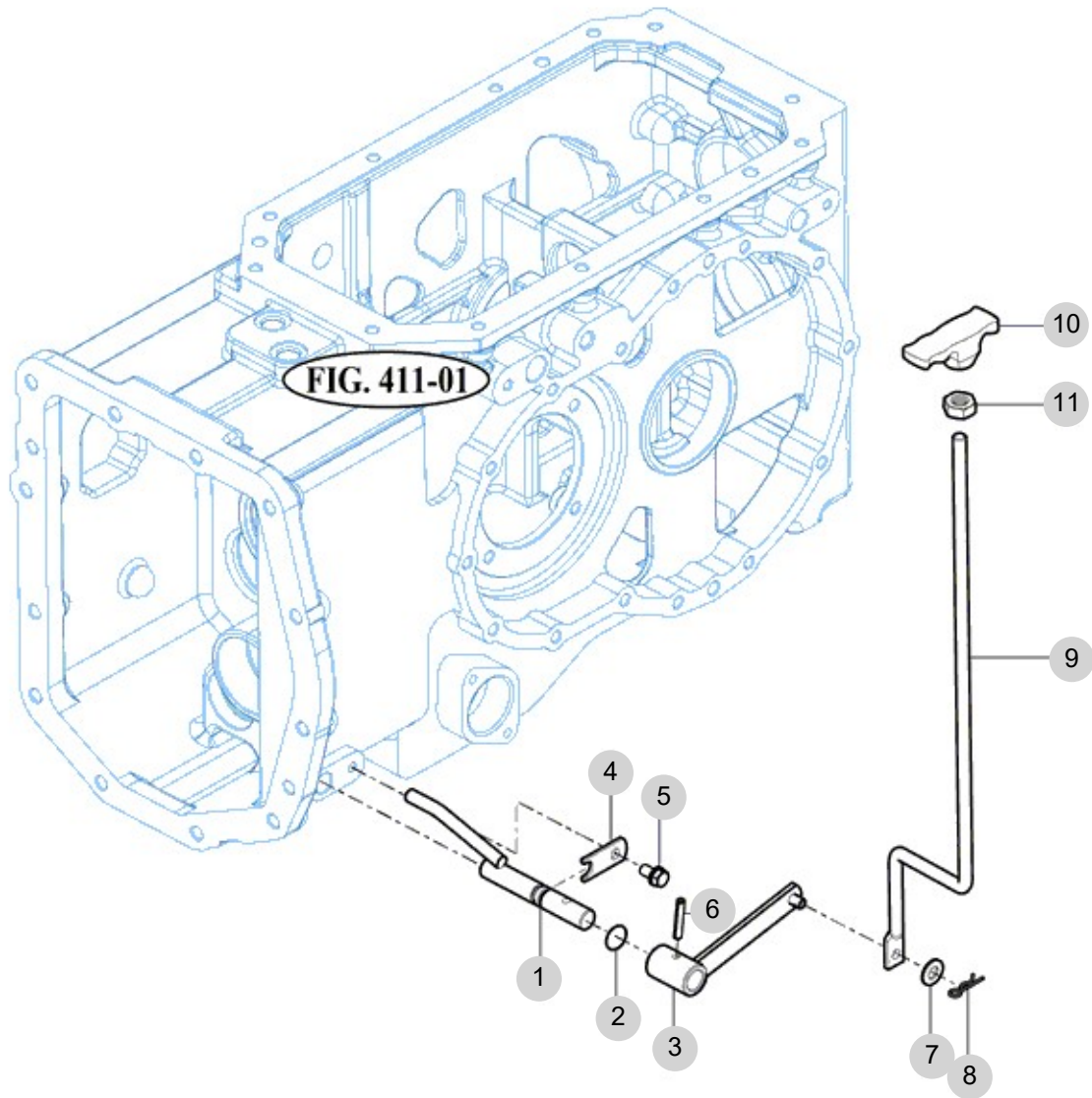
FIG 418

4WD CHANGE LEVER

년/월
Year/Month

2022-12

T394NH



2538NH-K-418

NOTE

5. Front Axle PART NO. T5

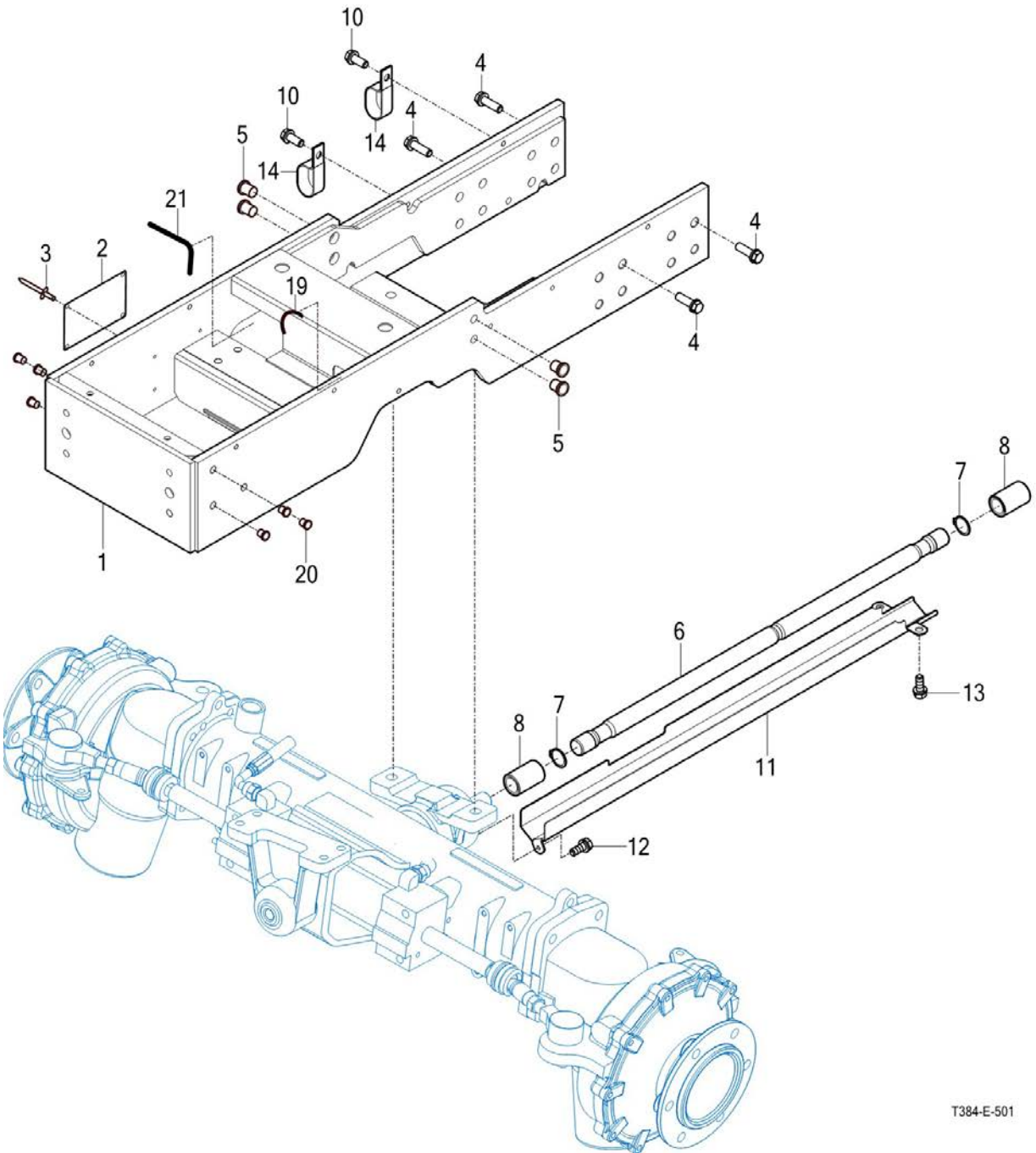
FIG 501 FRONT AXLE BRACKET	122
FIG 502 FRONT DIFFERENTIAL GEARS	124
FIG 503 FRONT AXLE HOUSING	126
FIG 504 FRONT GEAR CASE (1)	128
FIG 505 FRONT GEAR CASE (2)	130

FIG 501

FRONT AXLE BRACKET

년/월
Year/Month

2022-12



T384-E-501

NOTE

FIG 502

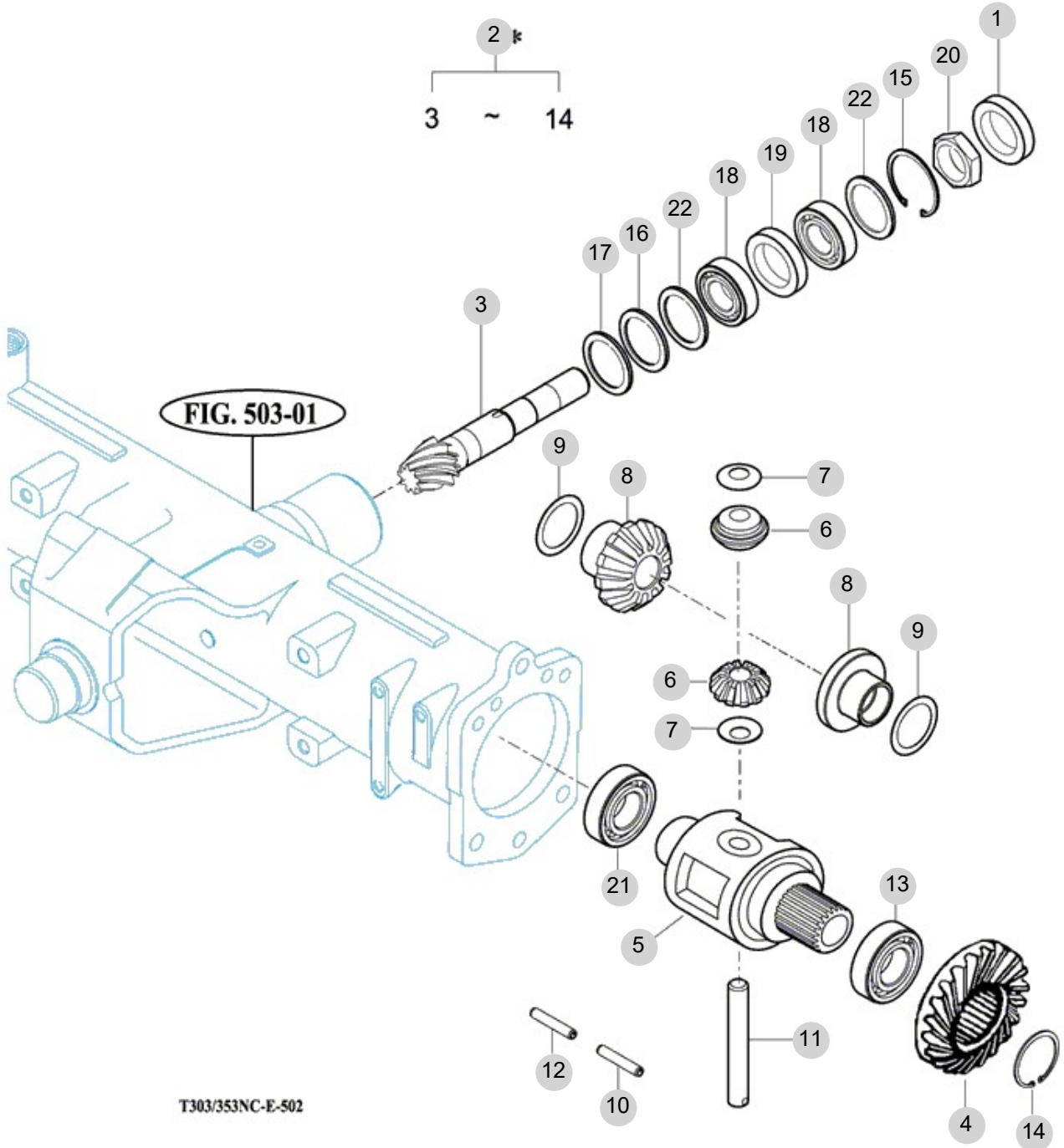
FRONT DIFFERENTIAL GEARS

년/월
Year/Month

2022-12

T394NH

* NOT SERVICED SEPARATELY



NOTE

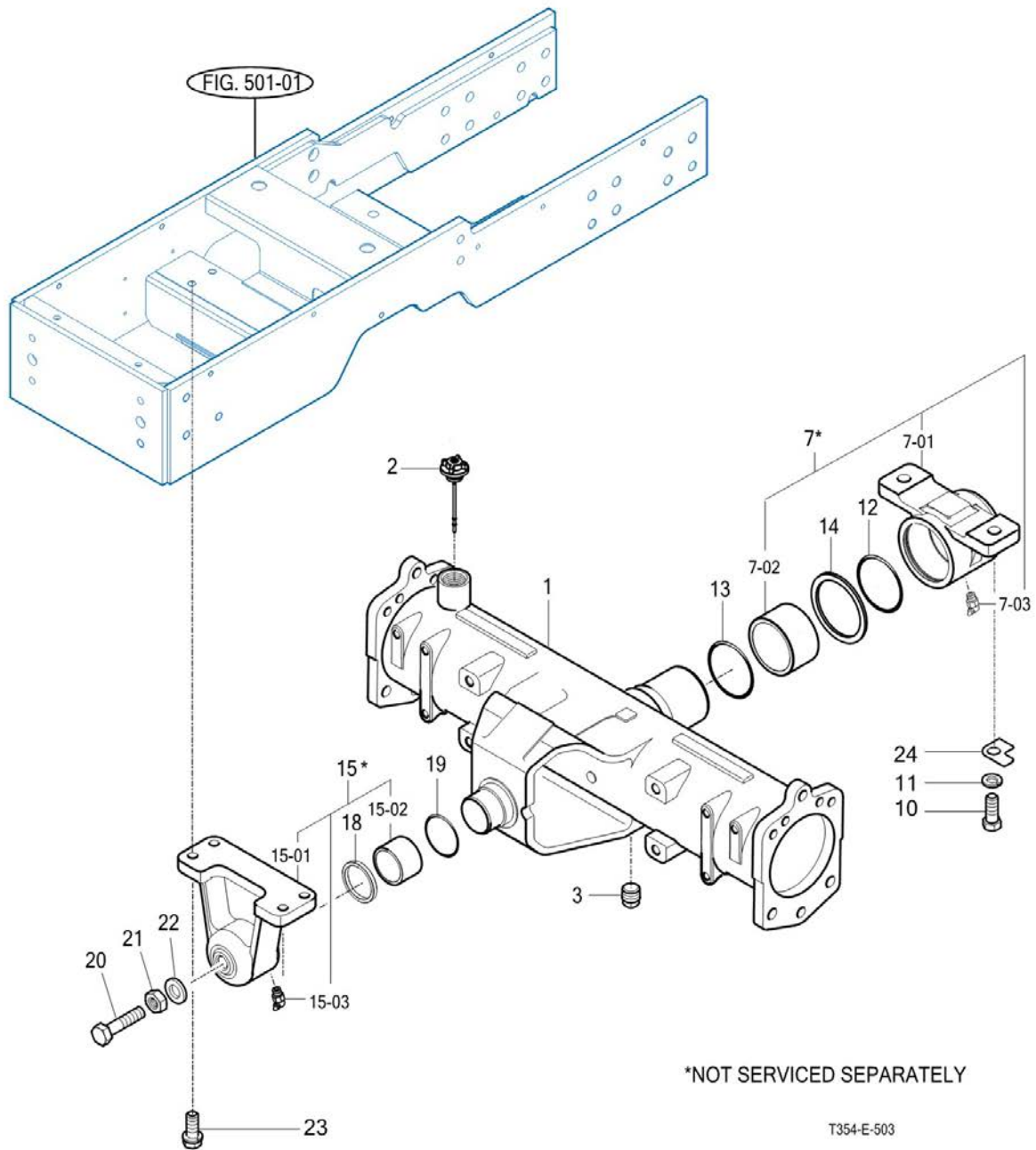
FIG 503

T394NH

FRONT AXLE HOUSING

년/월
Year/Month

2022-12



NOTE

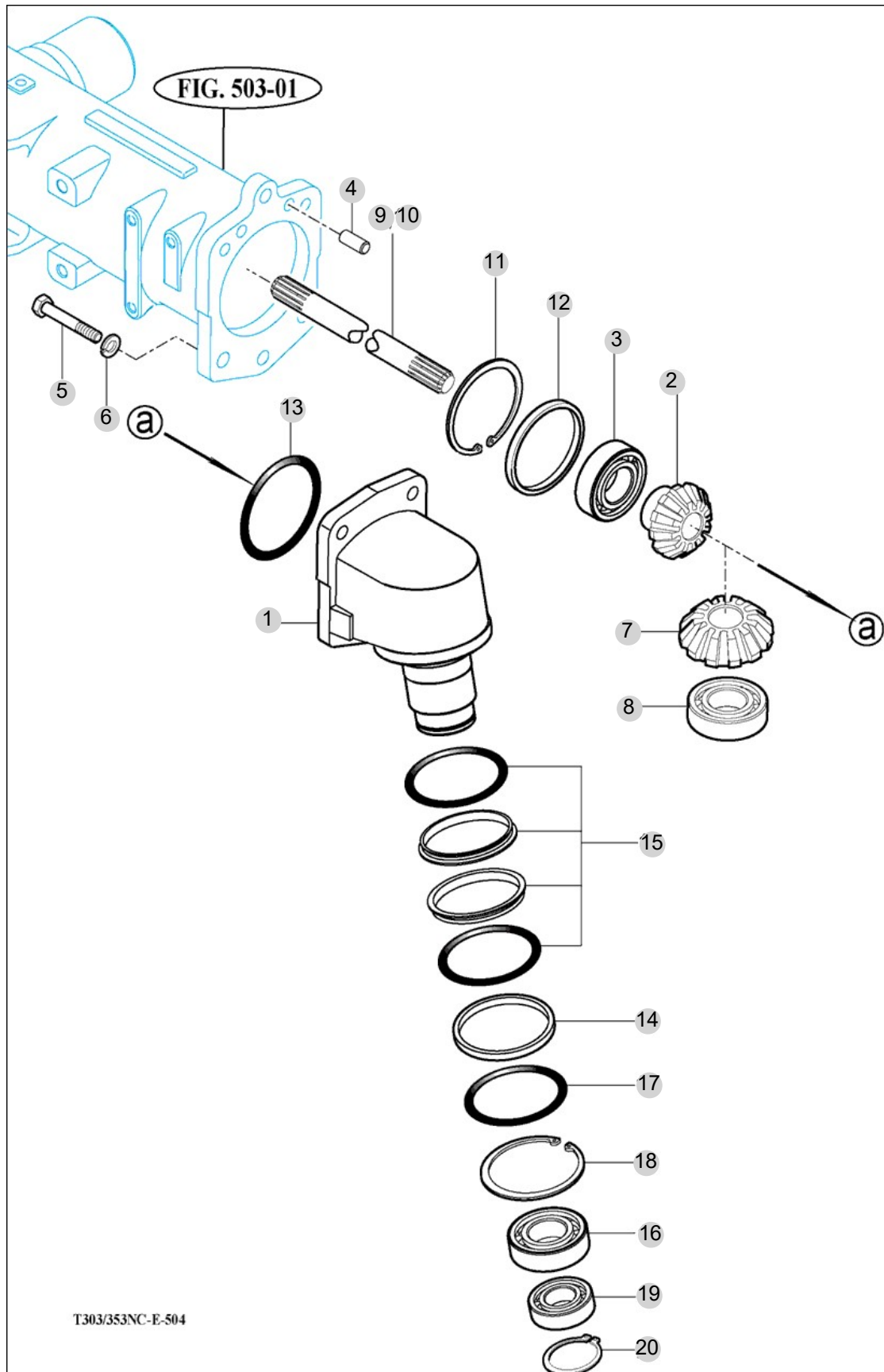
FIG 504

T394NH

FRONT GEAR CASE (1)

년/월
Year/Month

2022-12



NOTE

FIG 504		FRONT GEAR CASE (1)					년/월 Year/Month	
T394NH							2022-12	
KEY NO	PART NO	DESCRIPTION	SPEC	QTY	REPAIR	EFFECTIVE DATE	REMARKS	
504	1	16704340010M	CASE , FINAL DRIVE(A)			2		
504	2	16704340020	GEAR , BEVEL 9			2		
504	2	16704340021	GEAR , BEVEL 9			1		
504	3	V6041106208	BEARING , BALL/HL1	6208HL1		2		
504	4	V5201012020	PIN , PARALLEL/A	12X20		4		
504	5	V2024614040	BOLT , HEX FINE	M14X40		10		
504	6	V4011600140	WASHER , SPRING	M14		10		
504	7	16704340030	GEAR , BEVEL 16			2		
504	7	16704340031	GEAR , BEVEL 16			1		
504	8	V6001106207	BEARING , BALL	6207		2		
504	9	16704130010	SHAFT , 480			1		
504	10	16704130020	SHAFT , 296			1		
504	11	V7051400800	C-RING , HOLE	80		2		
504	12	16704320030	COLLAR , 68X80X2			2		
504	13	V7231020110	O-RING , S	S110		2		
504	14	16704130080	HOUSING , SEAL			2		
504	15	16704340040	SEAL ASSY			2		
504	16	V6001106014	BEARING , BALL			2		
504	17	V7231020115	O-RING	S115		2		
504	18	V7051400950	C-RING , HOLE	95		2		
504	19	V6001106012	BEARING , BALL	6012		2		
504	20	V7041400600	C-RING , SHAFT	60		2		
NOTE								

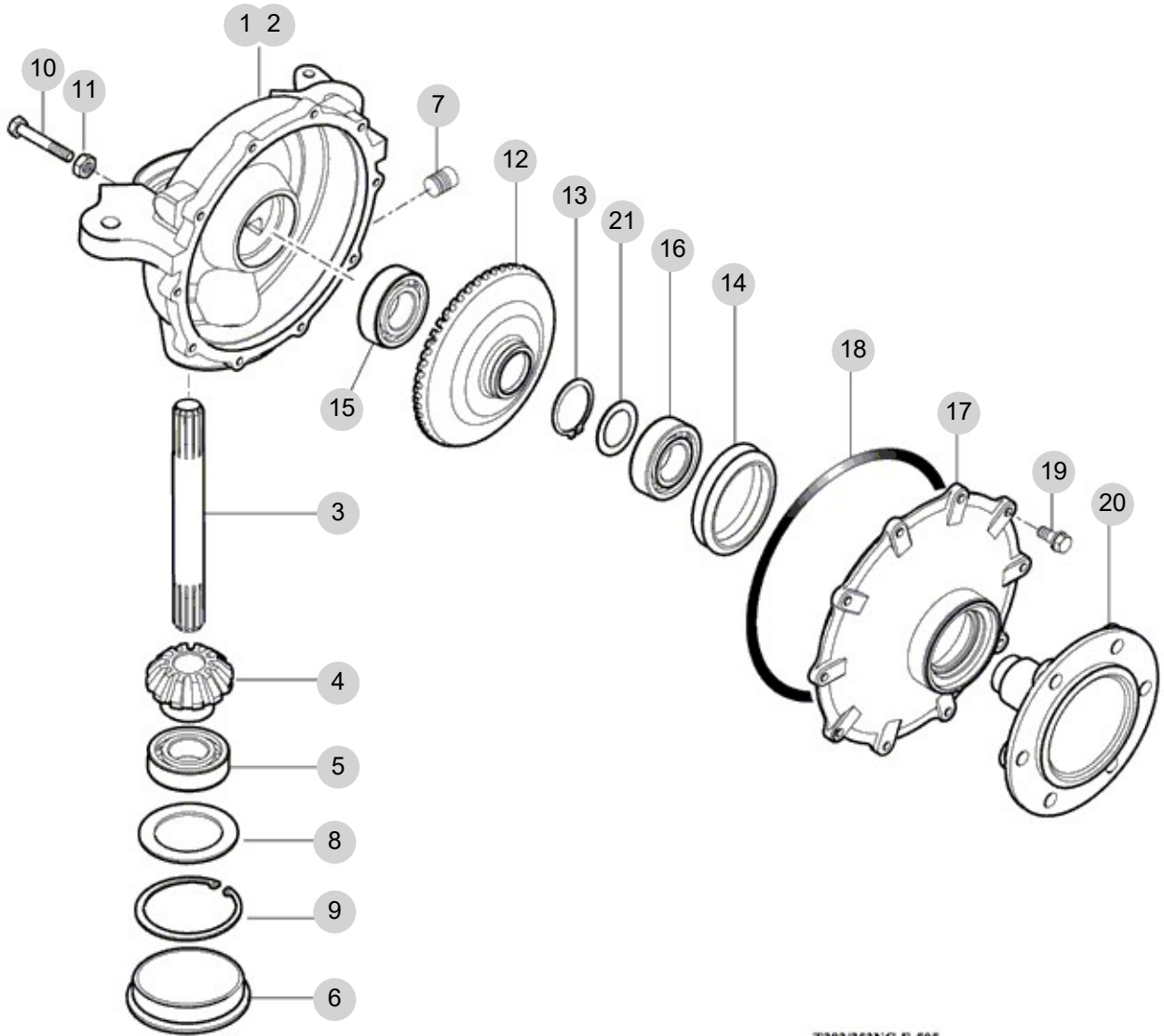
FIG 505

T394NH

FRONT GEAR CASE (2)

년/월
Year/Month

2022-12



T303/353NC-E-505

NOTE

FIG 505 T394NH	FRONT GEAR CASE (2)	년/월 Year/Month
		2022-12

KEY NO	PART NO	DESCRIPTION	SPEC	QTY	REPAIR	EFFECTIVE DATE	REMARKS
505	1	14514342001M	CASE , LH FINAL DRIVE(B)		1		
505	2	14514342101M	CASE , RH FINAL DRIVE(B)		1		
505	3	16704130050	SHAFT		2		
505	4	16704130100	GEAR , BEVEL 11		2		
505	5	V6001106308	BEARING , BALL	6308	2		
505	6	16704330180	CAP , 90		2		
505	7	V7811600006	PLUG , SQUARE	R3/8	4		
505	8	16704130060	SHIM , 75X90X2		2		
505	9	V7051400900	C-RING , HOLE	90	2		
505	10	V2014612030	BOLT , HEX	M12X30	2		
505	11	V3042600120	NUT , HEX/2	M12	2		
505	12	16704340080	GEAR , BEVEL 41		2		
505	12	16704340081	GEAR , BEVEL 41		2		
505	13	V7041400500	C-RING , SHAFT	50	2		
505	13	17994420060	SNAP RING , C TYPE		2		
505	14	16004340040	SEAL		2		
505	15	V6041106208	BEARING , BALL/HL1	6208HL1	2		
505	16	V6001106210	BEARING , BALL	6210	2		
505	17	16704340130M	COVER , WHEEL SHAFT		2		
505	18	16704340150	O RING		2		
505	19	V2173608025	BOLT , HEX/S	M8X25	20		
505	20	16704340070	SHAFT , WHEEL		2		
505	21	16709510081	WASHER , 50X67X2		2		

NOTE

6. Hydraulic/3P-Link PART NO. T6

FIG 601 GEAR PUMP	133
FIG 602 CYLINDER CASE	135
FIG 603 LIFT ARM	137
FIG 604 CYLINDER	139
FIG 605 POSITION LINK(1)	141
FIG 606 POSITION LINK(2)	143
FIG 607 CONTROL VALVE	145
FIG 608 POSITION LEVER	147
FIG 609 HYDRAULIC PIPE(1)	149
FIG 610 HYDRAULIC PIPE(2)	151
FIG 611 EXTERIOR HYD.VALVE	153
FIG 611-1 VALVE KIT	155
FIG 612 3-POINT LINK	157
FIG 613 HITCH & COVER	159
FIG 614 EXTERIOR POSITION LEVER	161

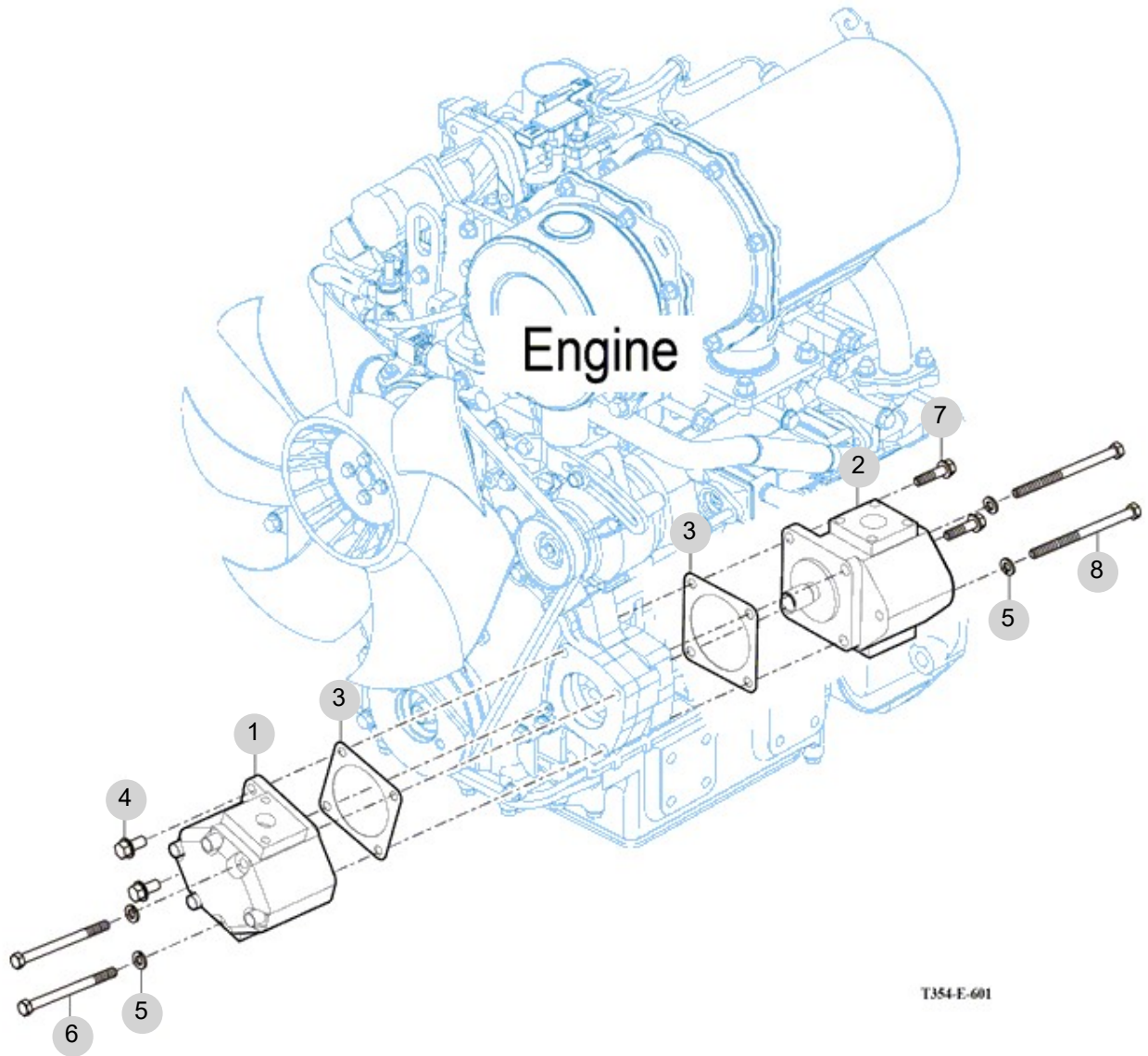
FIG 601

GEAR PUMP

년/월
Year/Month

2022-12

T394NH



NOTE

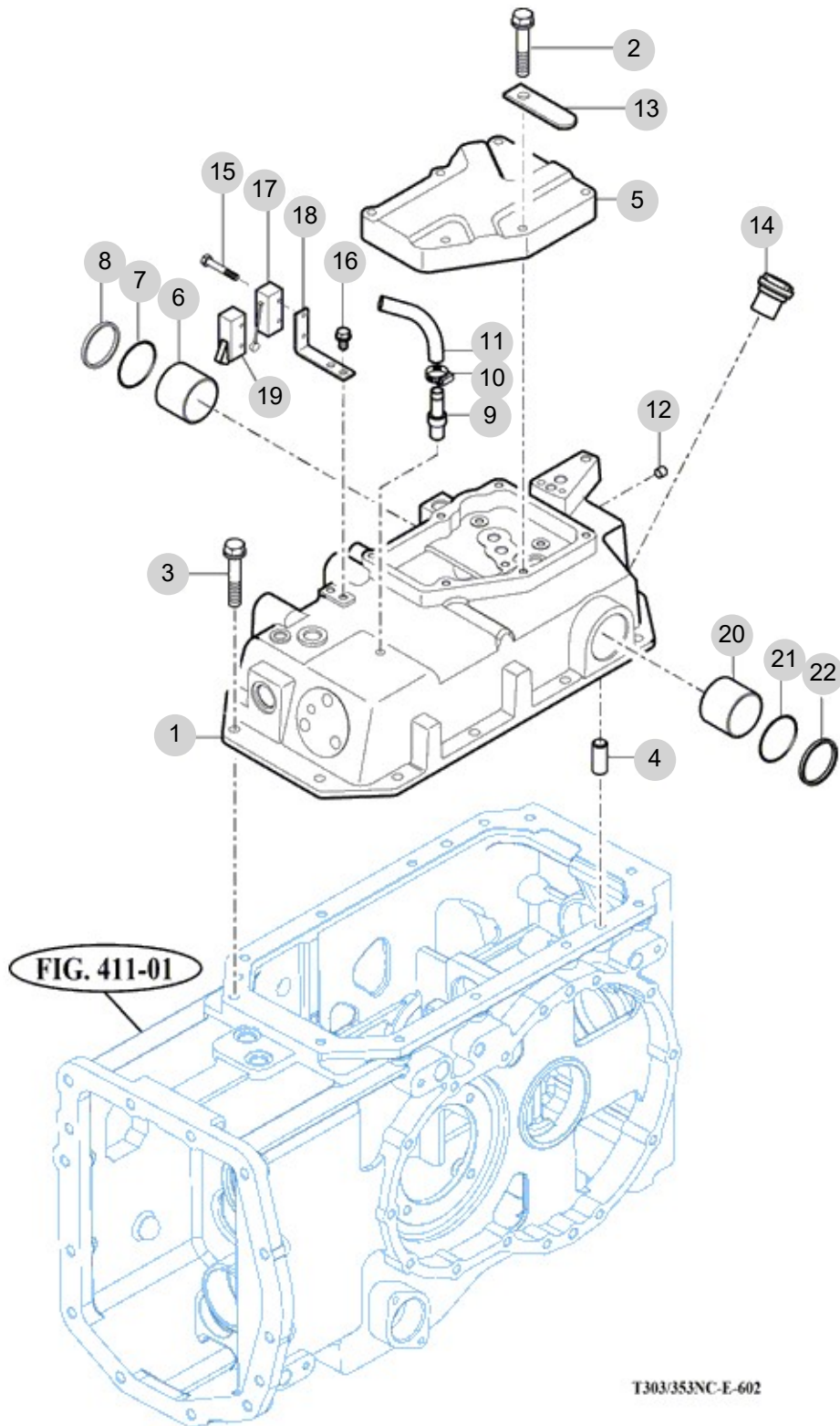
FIG 602

CYLINDER CASE

년/월
Year/Month

2022-12

T394NH



NOTE

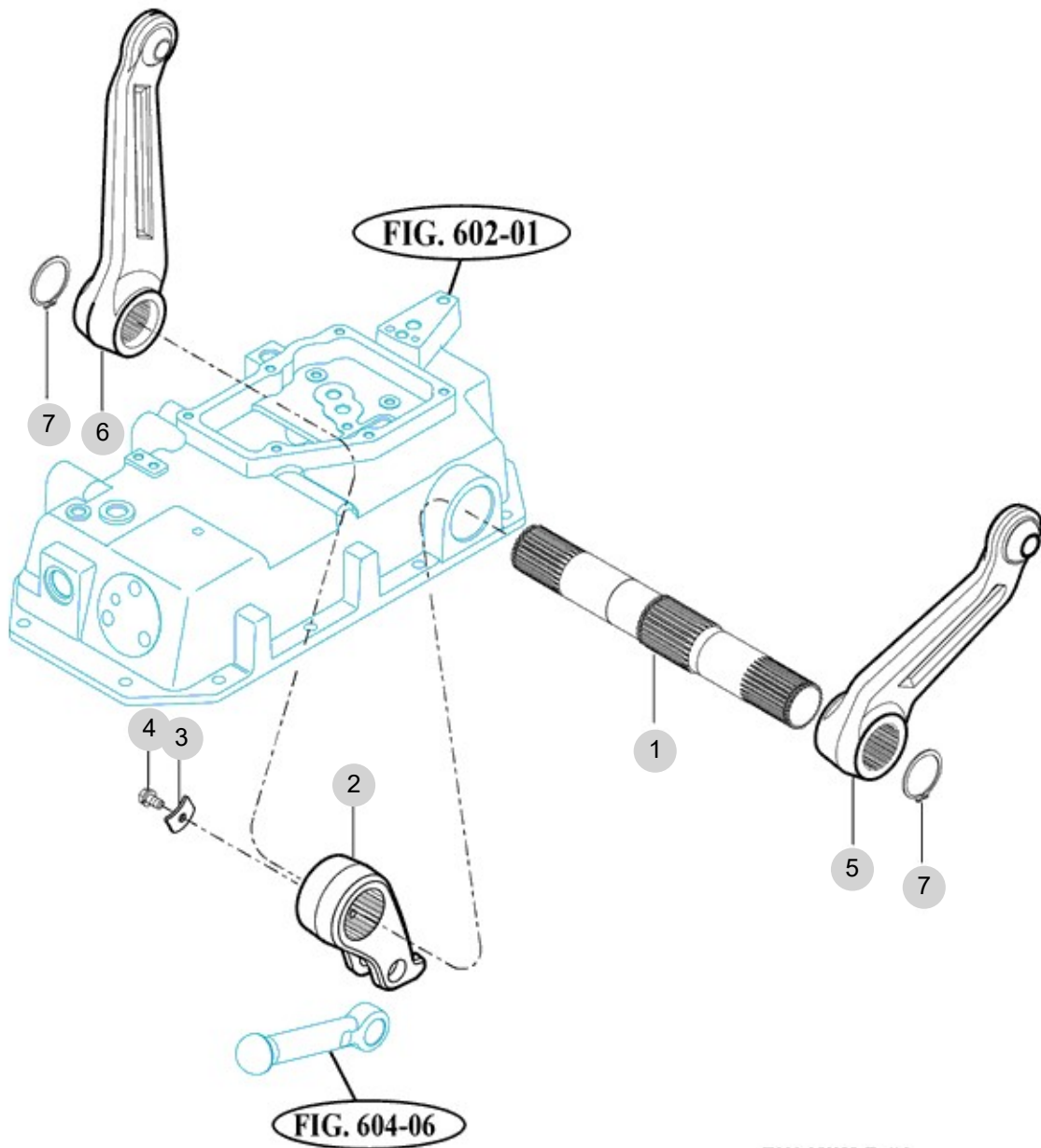
FIG 603

T394NH

LIFT ARM

년/월
Year/Month

2022-12



T303/353NC-E-603

NOTE

FIG 603 T394NH		LIFT ARM					년/월 Year/Month	REMARKS
							2022-12	
KEY NO	PART NO	DESCRIPTION	SPEC	QTY	REPAIR	EFFECTIVE DATE		
603	1	16705020012M	LIFT SHAFT					
603	2	16705020020M	LIFT , CRANK					
603	3	17995020030	PLATE					
603	4	V2173608016	BOLT , HEX/S	M8X16				
603	5	16705022100M	ARM ASSY , LIFT					
603	6	16705022100M	ARM ASSY , LIFT					
603	7	V7041400450	C-RING , SHAFT	45				
NOTE								

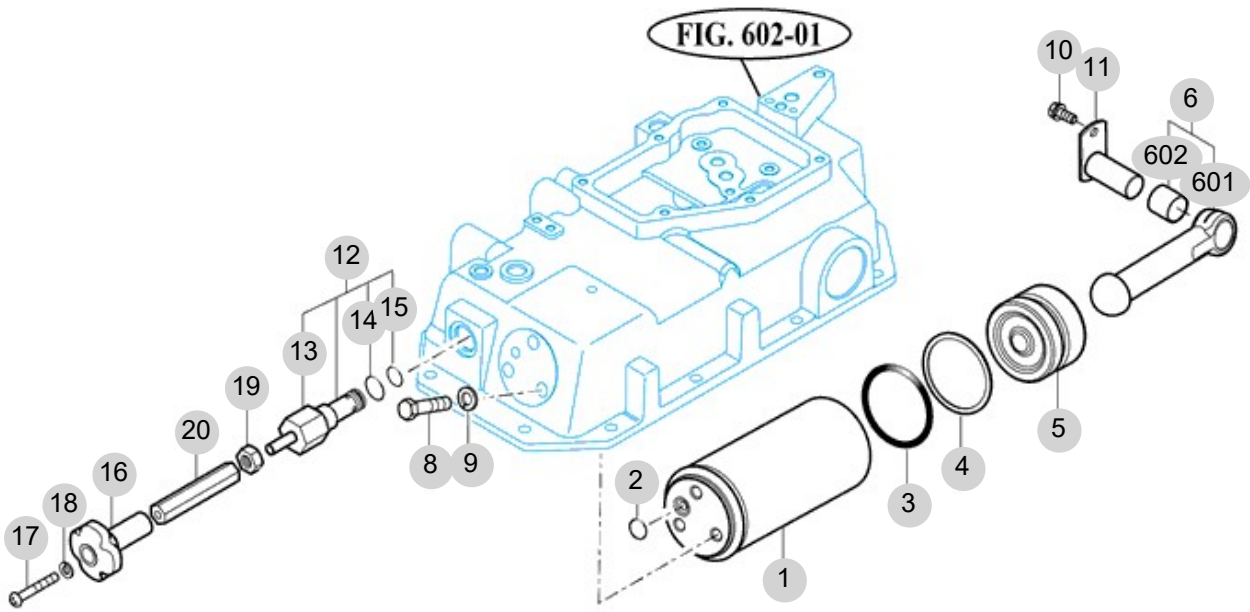
FIG 604

T394NH

CYLINDER

년/월
Year/Month

2022-12



T303/353NC-E-604

NOTE

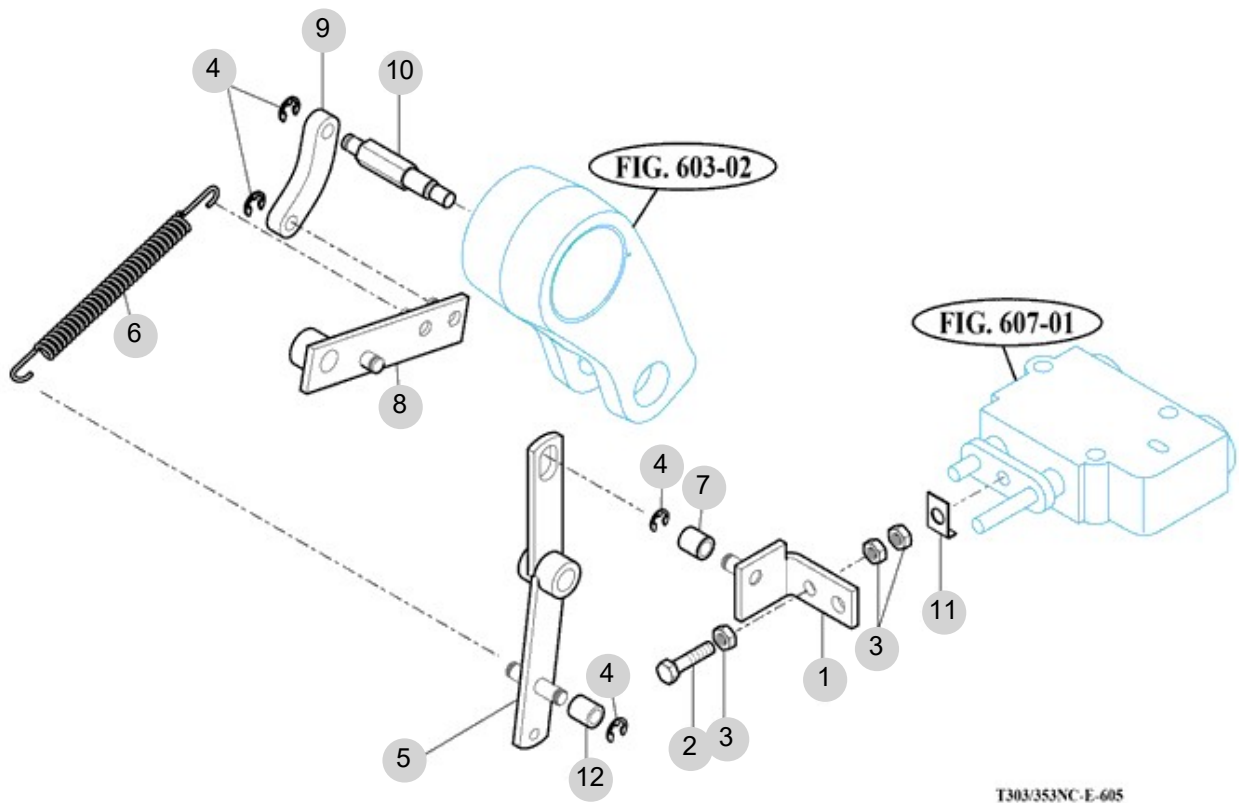
FIG 605

T394NH

POSITION LINK(1)

년/월
Year/Month

2022-12



T303353NC-E-605

NOTE

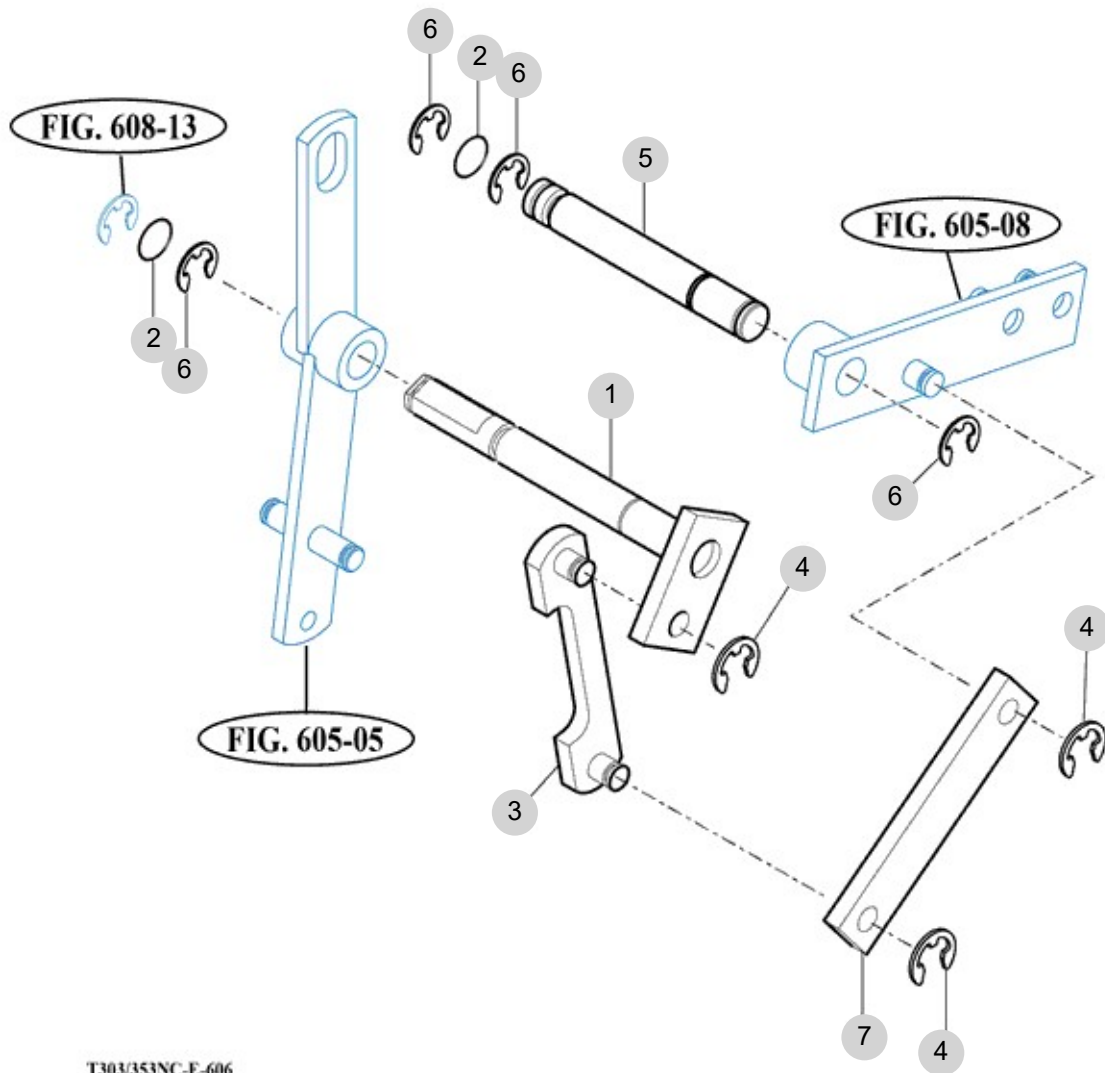
FIG 606

T394NH

POSITION LINK(2)

년/월
Year/Month

2022-12



T303/353NC-E-606

NOTE

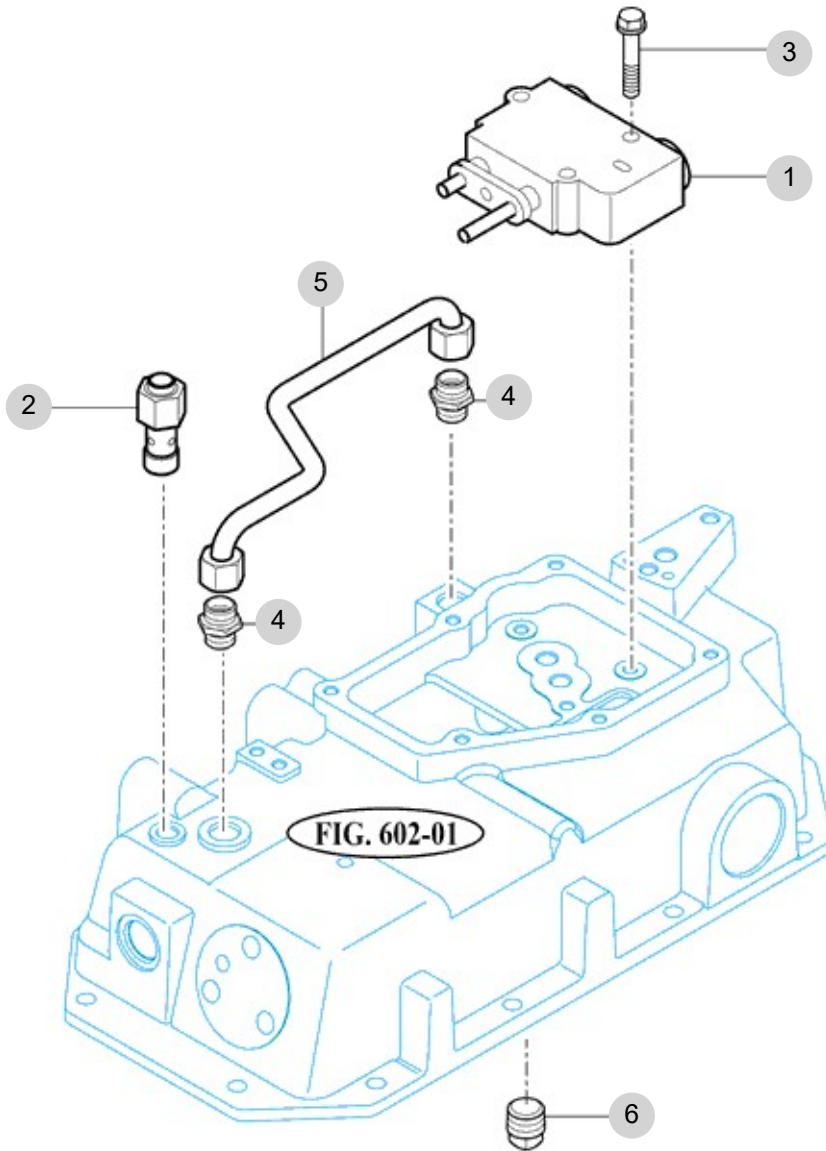
FIG 607

T394NH

CONTROL VALVE

년/월
Year/Month

2022-12



T303/353NC-E-607

NOTE

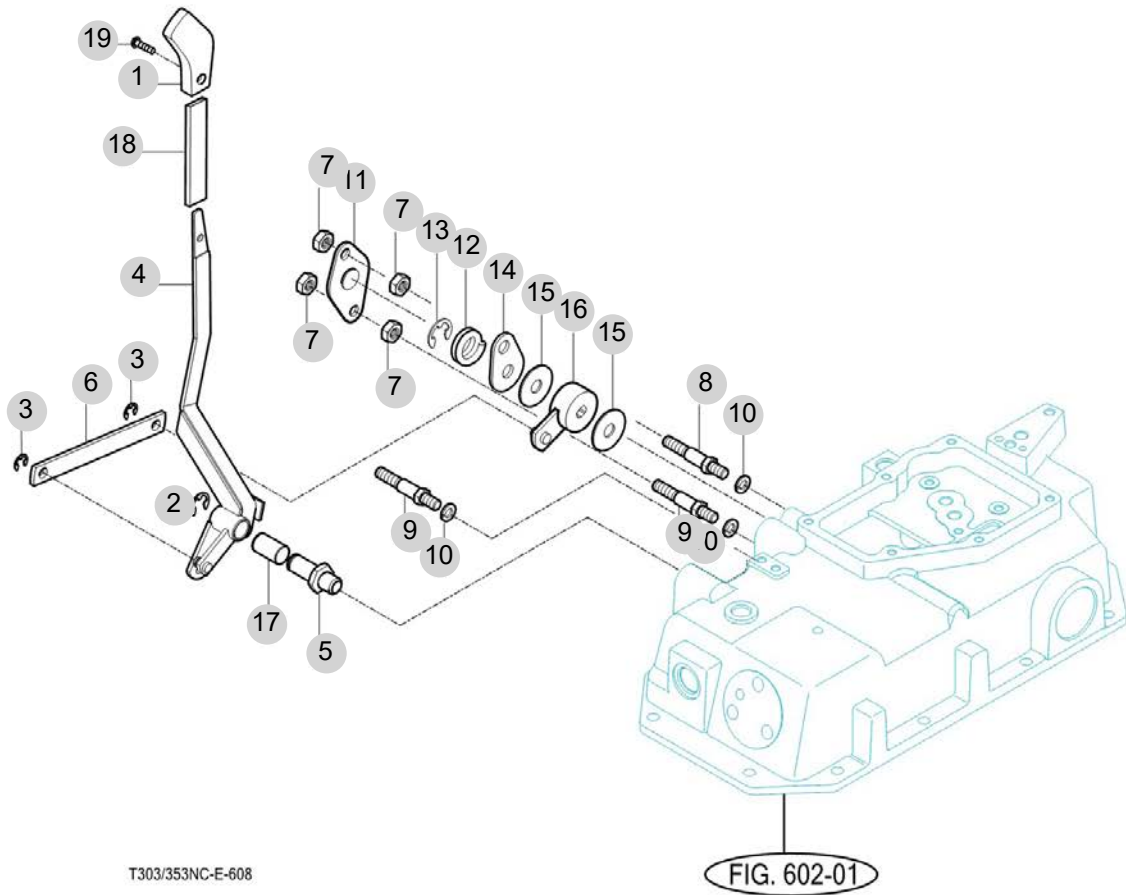
FIG 608

T394NH

POSITION LEVER

년/월
Year/Month

2022-12



NOTE

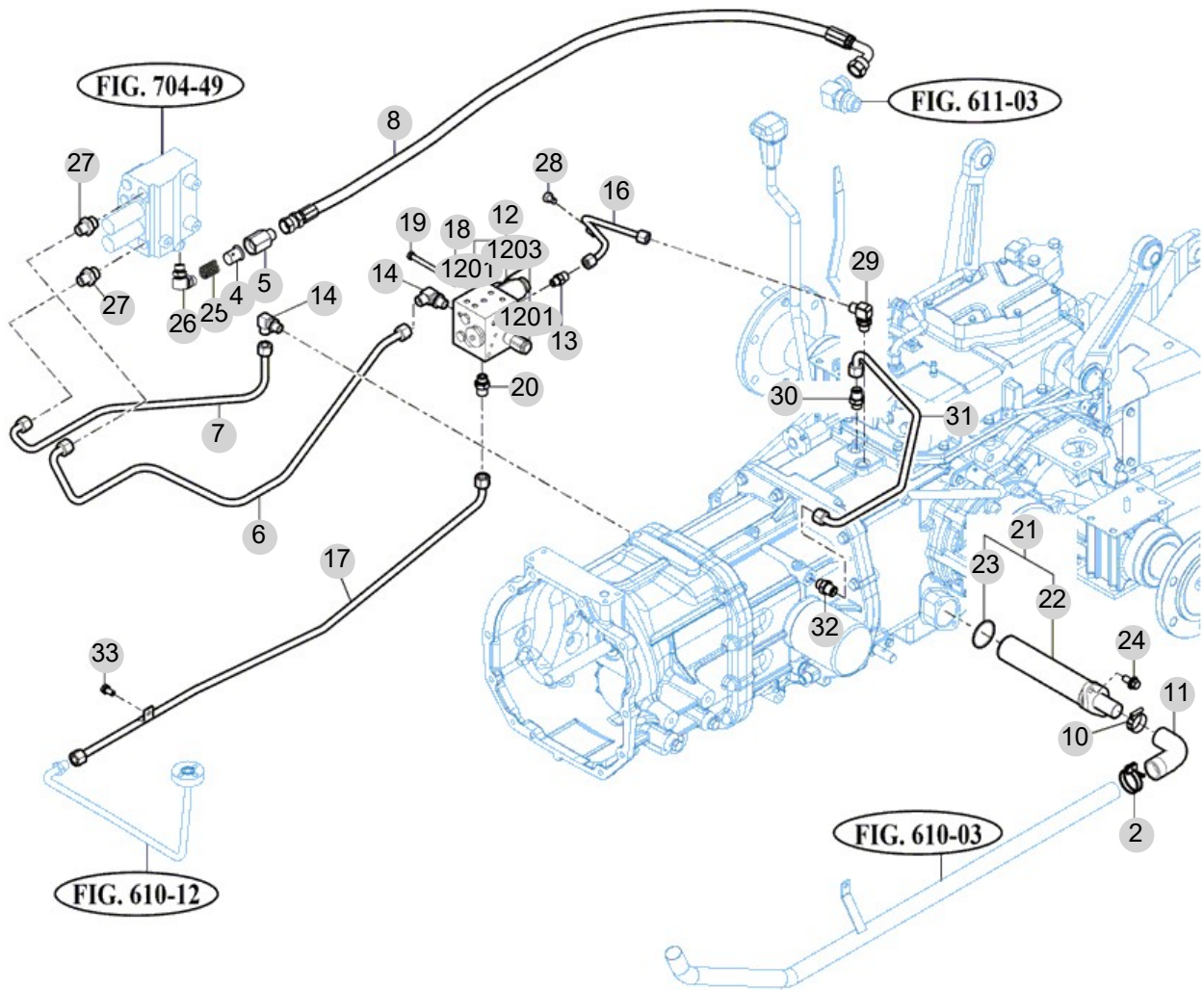
FIG 609

T394NH

HYDRAULIC PIPE(1)

년/월
Year/Month

2022-12



T384NH-E-605

NOTE

FIG 609 T394NH	HYDRAULIC PIPE(1)	년/월 Year/Month 2022-12
--------------------------	--------------------------	------------------------------

KEY NO	PART NO	DESCRIPTION	SPEC	QTY	REPAIR	EFFECTIVE DATE	REMARKS
609	2	18027090400	BAND CLAMP 40 EMBO TYPE	1			
609	4	12305180020	FILTER , 80 MESH	1			
609	5	16705100030	ADAPTER , PF1/2 PF1/2	1			
609	6	12355134401GB	PIPE COMP , PUMP	1			
609	7	12355134501GB	PIPE COMP , TANK	1			
609	7	12355134502GB	PIPE COMP , TANK	1			
609	8	16705152330	HOSE , 1400 ASSY	1			
609	10	18027090400	BAND CLAMP 40 EMBO TYPE	1			
609	11	17405100011	HOSE	1			
609	12	14835182001	VALVE ASSY , PTO	1			
609	1201	14725182101	VALVE , PTO	1			
609	1202	15640090001	VALVE ASSY , RELIEF	1			
609	1203	14725182210	SOLENOID COIL	1			
609	13	14444080062	CONNECTOR	1			
609	14	14725100100	ELBOW , PF3/8 M18	2			
609	16	12385204200	PIPE COMP , PTO	1			
609	17	12355104702GB	PIPE COMP , RR MAIN	1			
609	18	V4011600080	WASHER , SPRING	M8	3		
609	19	V2013608090	BOLT , HEX	M8X90	3		
609	20	16995304000	UNION , O-RING		1		
609	21	16705105000	FILTER ASSY , SUCTION		1		
609	22	16705104900	FILTER COMP , SUCTION		1		
609	23	V7211031045	O-RING , G	G45	1		
609	24	V2183610025	BOLT , HEX/SP	M10X25	2		
609	25	17995010210	SPRING		1		
609	26	13025100060	ELBOW PF1/2		1		
609	27	13025100020	UNION , M18,PF1/2		2		
609	28	13267060022	PLUG , DRAIN		1		
609	29	16705100100	ELBOW UNIT , PF 3/8XM16		1		
609	30	16995304000	UNION , O-RING		1		
609	31	12385204300	PIPE COMP , PTO CLUTCH		1		
609	32	12385304000	UNION(M18 , PF3/8, 0.6 orifice)		1		
609	33	V2173608025	BOLT , HEX/S	M8X25	1		

NOTE

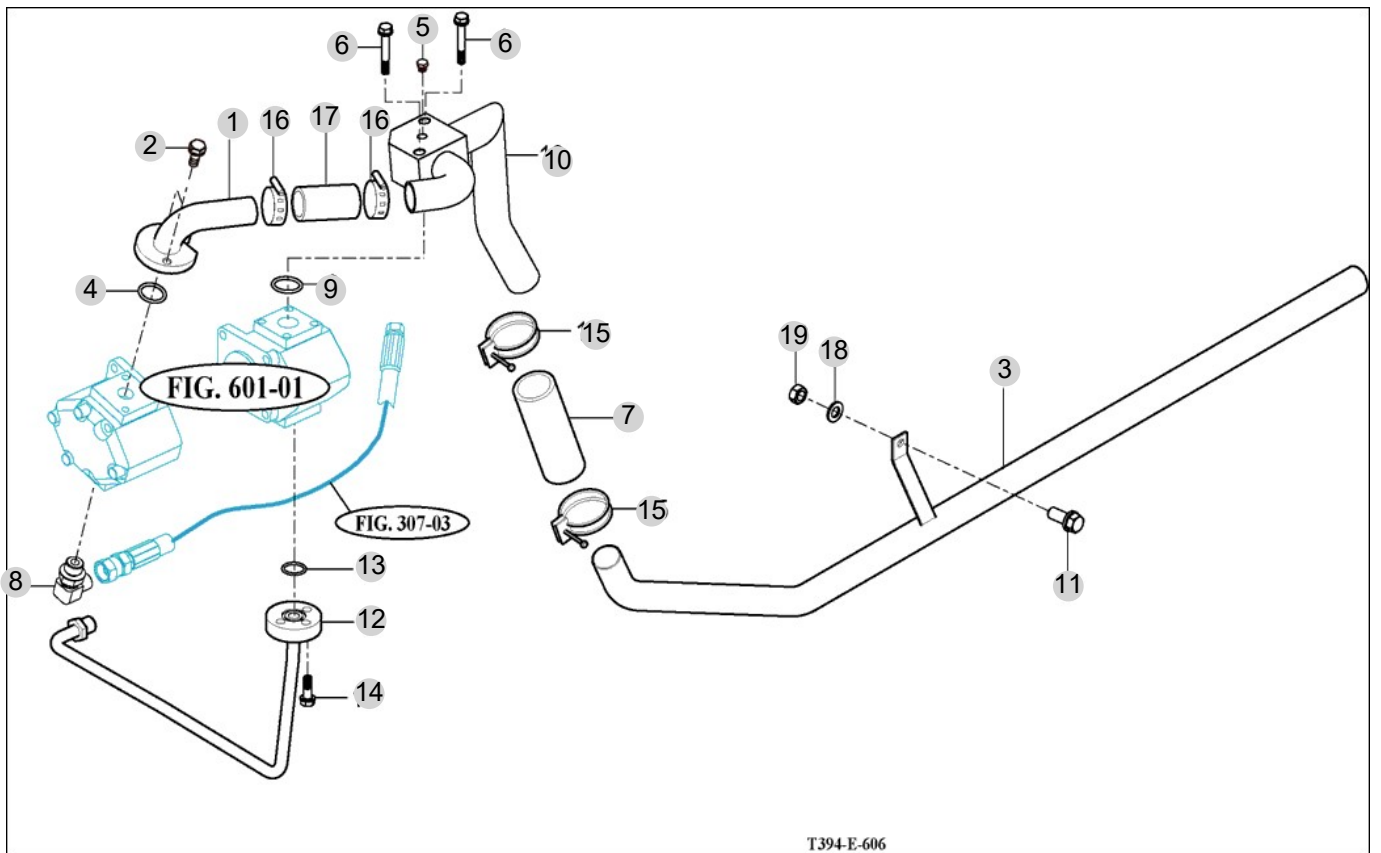
FIG 610

T394NH

HYDRAULIC PIPE(2)

년/월
Year/Month

2022-12



T394-E-606

NOTE

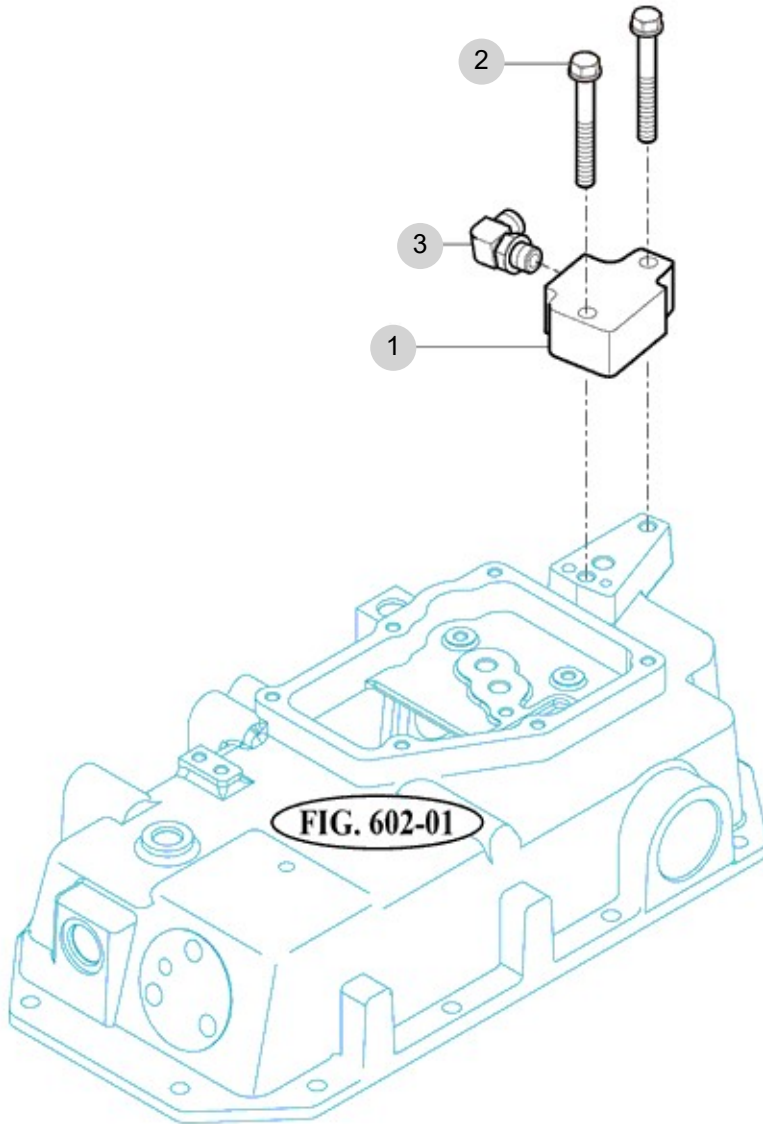
FIG 611

T394NH

EXTERIOR HYD.VALVE

년/월
Year/Month

2022-12



T303/353NC-E-611

NOTE

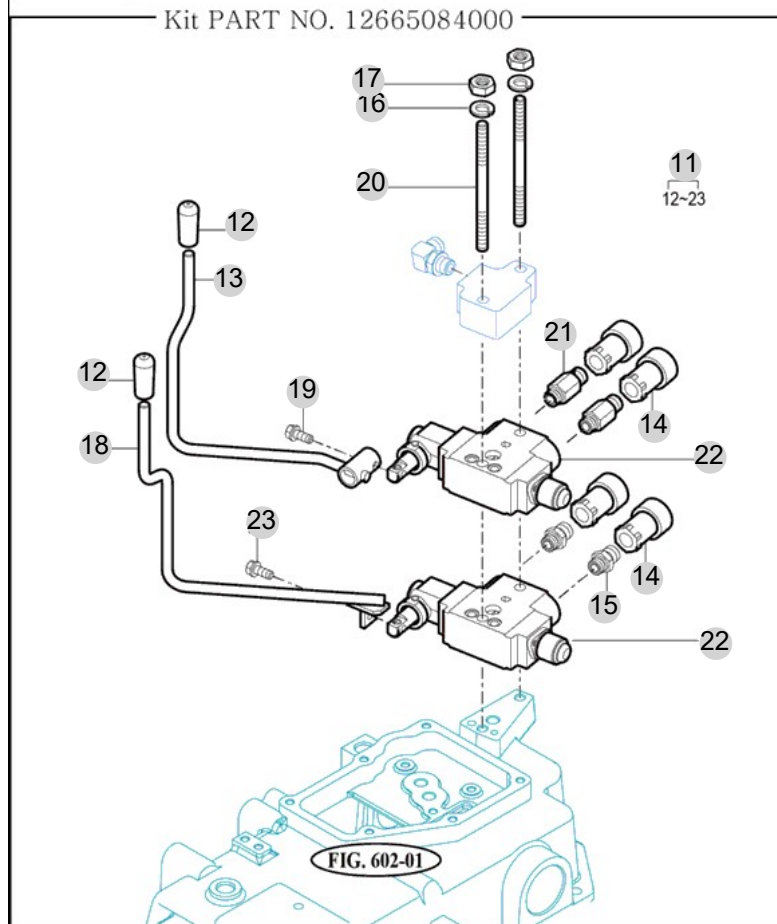
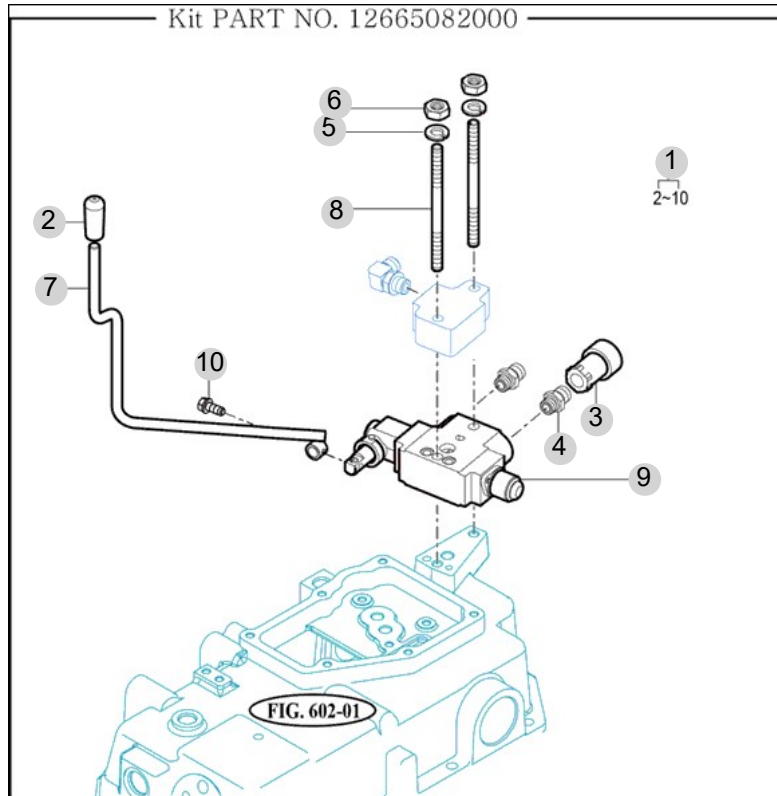
FIG 611-1

T394NH

VALVE KIT

년/월
Year/Month

2022-12



NOTE

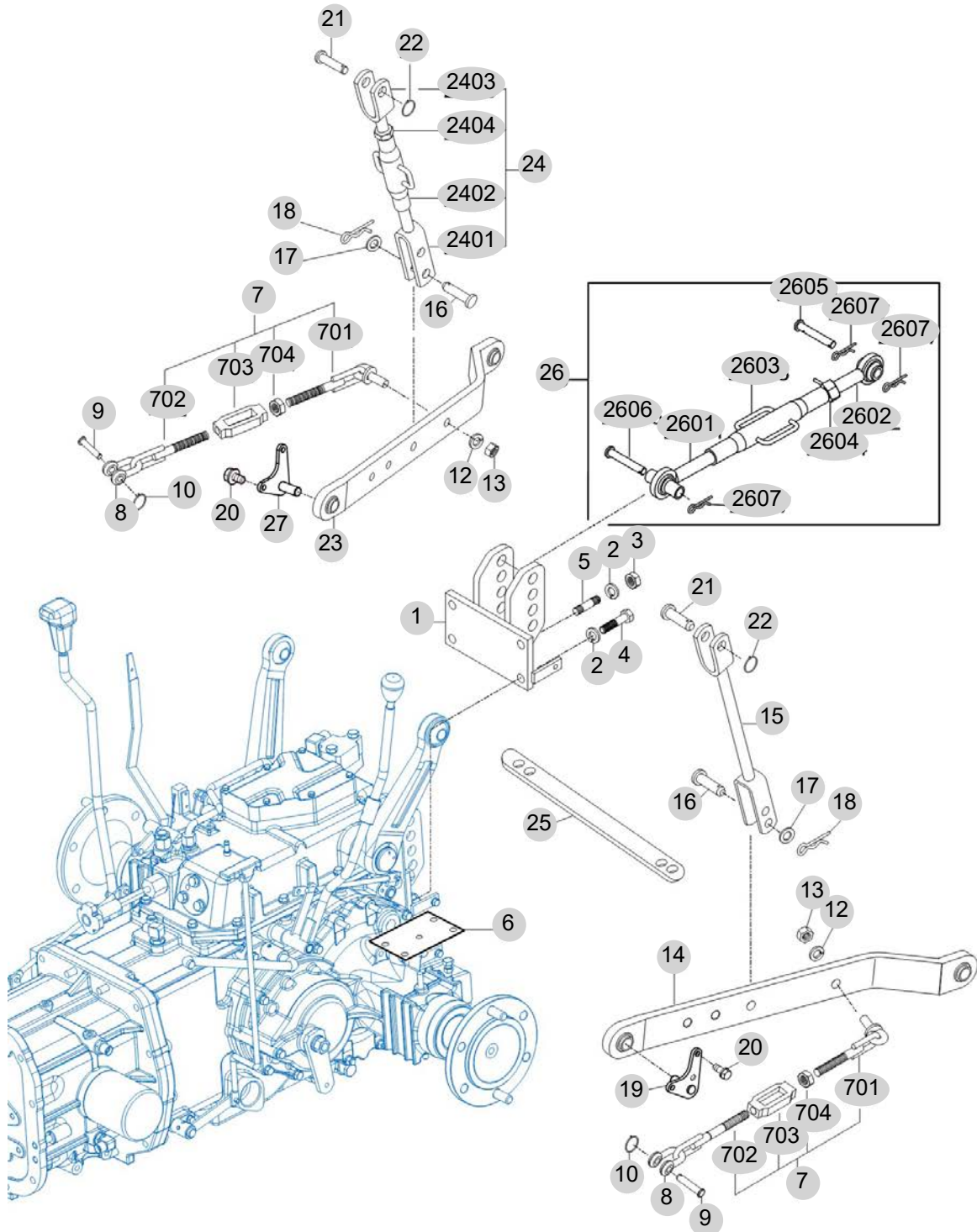
FIG 612

3-POINT LINK

년/월
Year/Month

2022-12

T394NH



2538NH-K-612

NOTE

FIG 612		3-POINT LINK						년/월 Year/Month	
								2022-12	
T394NH		KEY NO	PART NO	DESCRIPTION	SPEC	QTY	REPAIR	EFFECTIVE DATE	REMARKS
612	1	16703172002GB	BRACKET COMP , TOP LINK			1			
612	2	V4011600140	WASHER , SPRING	M14		4			
612	3	V3043600140	NUT , HEX/2	M14		2			
612	4	V2014614035	BOLT , HEX			2			
612	5	V2514414030	BOLT , STUD/2	M14X30		2			
612	6	13017020040GB	PLATE , W/O ROPS			2			
612	7	16705142501	CHAIN ASSY , CHECK			2			
612	701	16705244100	CHAIN COMP , LH CHECK			2			
612	702	16705142800	CHAIN COMP , RH CHECK			2			
612	703	16705142510M	TURNBUCKLE			2			
612	704	V3043600140	NUT , HEX/2	M14		2			
612	8	16705142520	SHACKLE , CHECK CHAIN			2			
612	9	79636110030	PIN , 12X48			2			
612	10	16735240060	Spring	3X20		4			
612	12	V4011600160	WASHER , SPRING	M16		2			
612	13	V3013600160	NUT , HEX/2	M16		2			
612	14	12385142000GB	LINK COMP , LH LOW			1			
612	15	16705142400GB	ROD COMP , LH LIFT			1			
612	16	79636130050	PIN , 16X60			2			
612	17	V4111600160	WASHER , PLAIN	M16		2			
612	18	13059310030	PIN			2			
612	19	12385142200	PIN COMP , LH			2			
612	20	V2173612030	BOLT , HEX/S			1			
612	20	V2173612030	BOLT , HEX/S	M12X30		4			
612	21	16705020050	PIN , 19X69			2			
612	22	16735240060	Spring			2			
612	23	12385142100GB	LINK COMP , RH LOW			1			
612	24	16705145000GB	ROD ASSY , RH LIFT			1			
612	2401	16705145200	FORK COMP , LOW			1			
612	2402	16705145100	SLIP COMP			1			
612	2403	16705145300	FORK COMP , UPR			1			
612	2404	V3023600220	NUT , HEX/3			1			
612	25	15605250030	BAND , 470			1			
612	26	16505245501GB	LINK ASSY , TOP LINK			1			
612	26	16505245502GB	TOP LINK ASSY			1			
612	2601	16505245510	LINK COMP , RH TOP LINK			1			
612	2602	16505245520	LINK COMP , LH TOP LINK			1			
612	2603	14555140251	TURNBUCKLE COMP			1			
612	2604	16505245530	NUT , HEX			1			
612	2605	15645220020	PIN , 19X95			1			
612	2606	15645220011	PIN , 19X86			1			
612	2607	14445140051	PIN , 19			3			
612	27	12385142300	PIN COMP , RH			1			
NOTE									

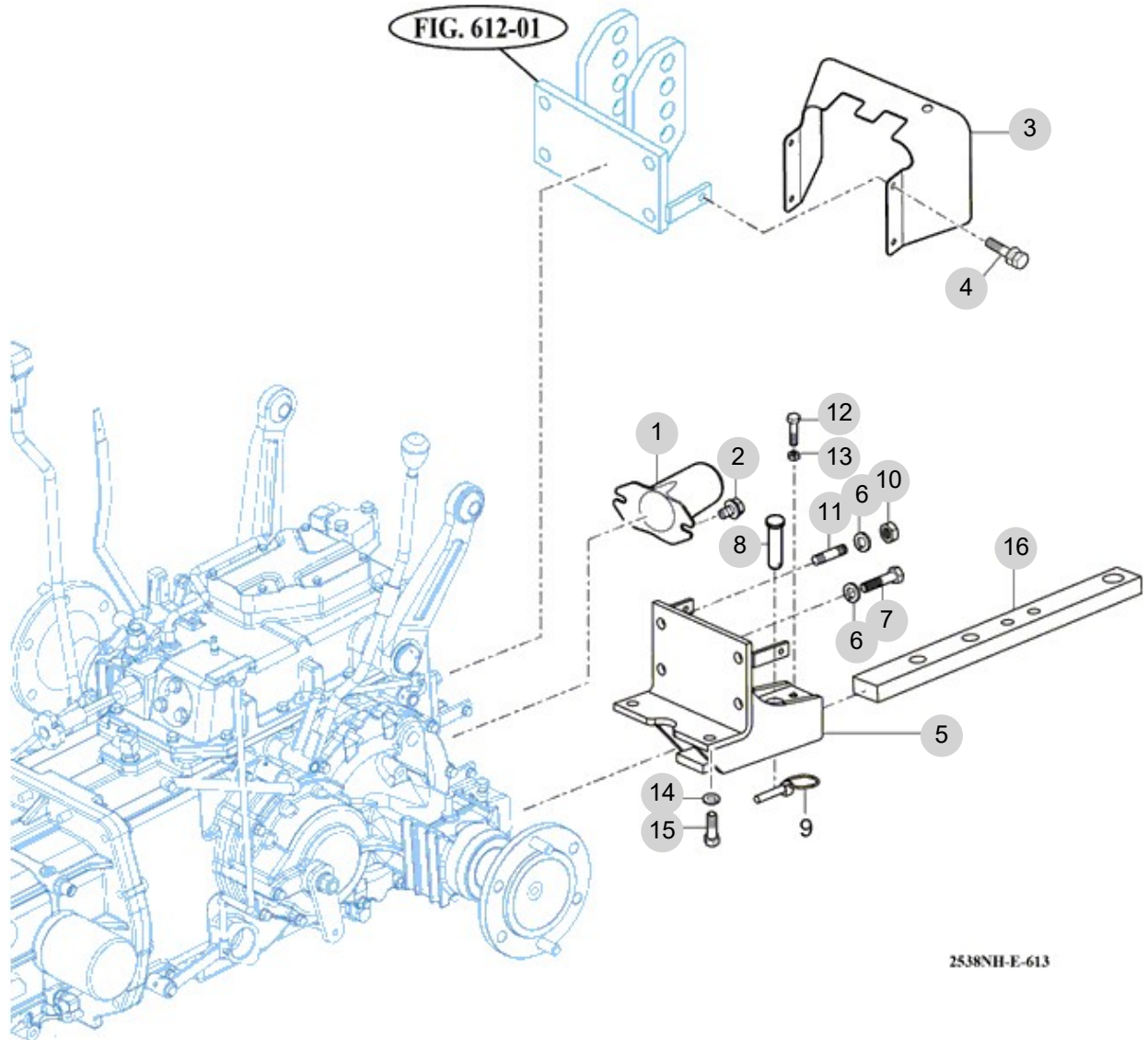
FIG 613

HITCH & COVER

년/월
Year/Month

2022-12

T394NH



NOTE

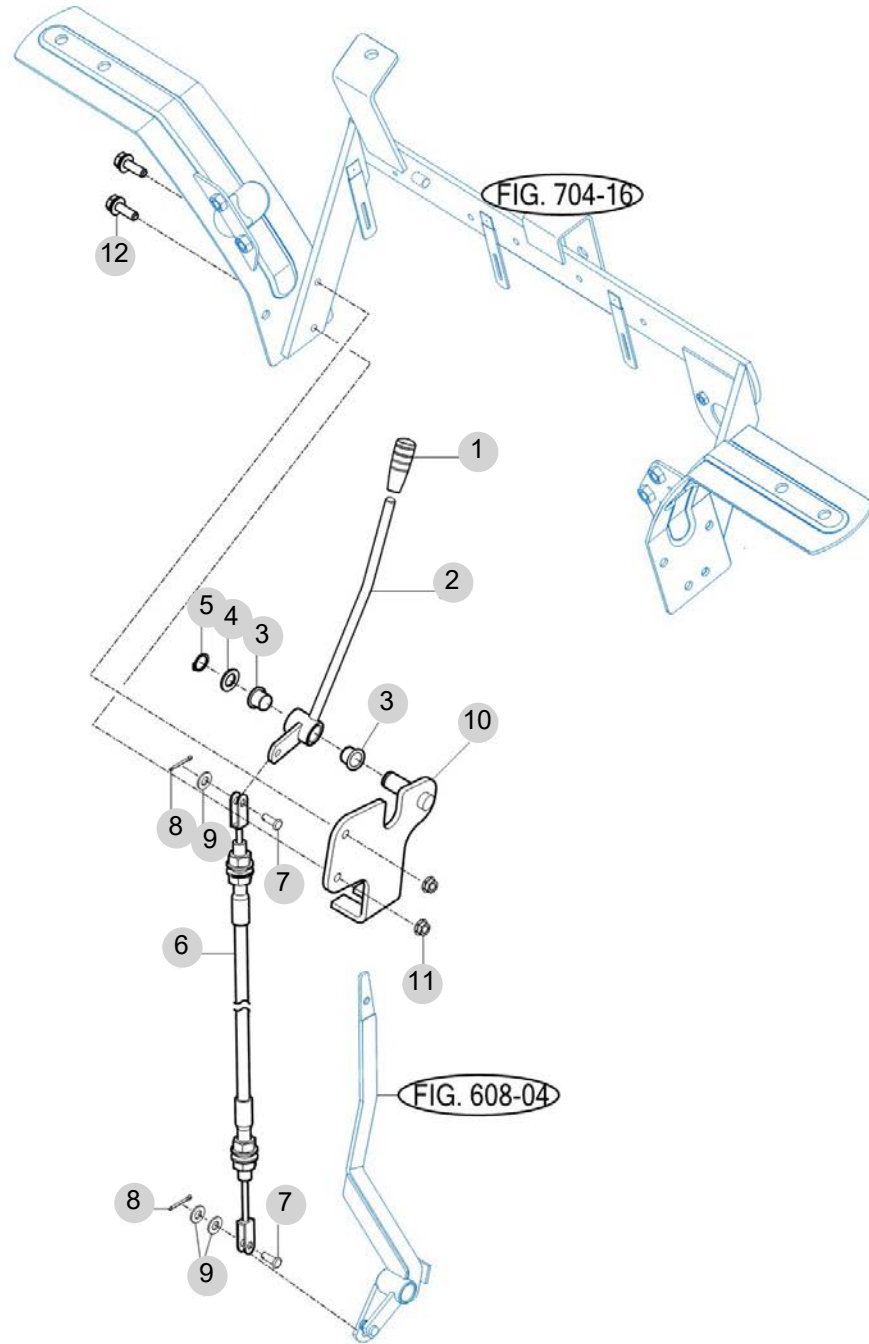
FIG 614

T394NH

EXTERIOR POSITION LEVER

년/월
Year/Month

2022-12



NOTE

7. Sheet Metal & Cabin PART NO. T7

FIG 701 BONNET (1)	164
FIG 702 BONNET(2)	166
FIG 704 FENDER, REAR FRAME & MUDGUARD	169
FIG 705 ROPS	172
FIG 706 DASHPANEL	174
FIG 707 FLOOR	176
FIG 708 SEAT	178
FIG 709 FLOOR MOUNTING	180

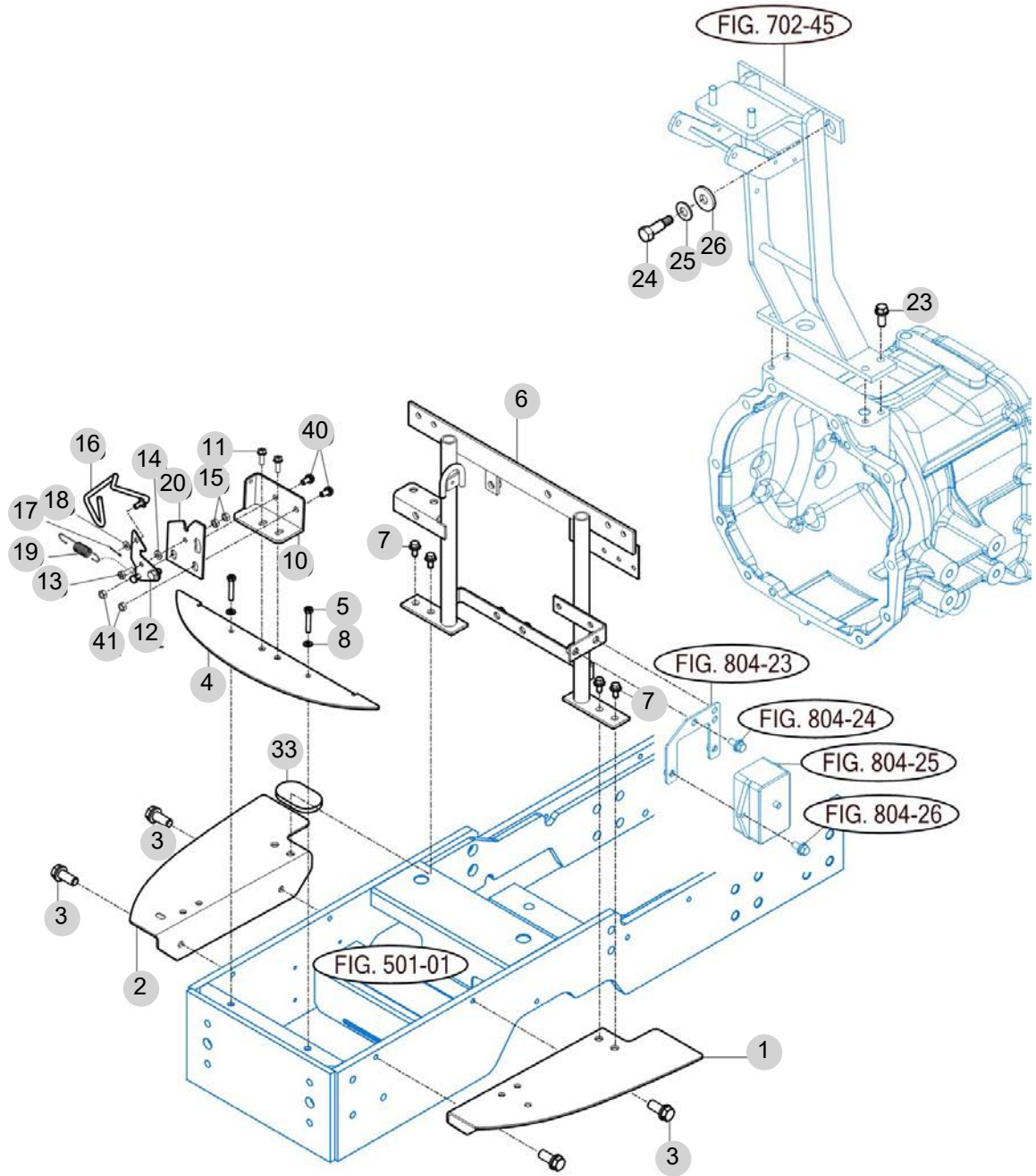
FIG 701

T394NH

BONNET (1)

년/월
Year/Month

2022-12



NOTE

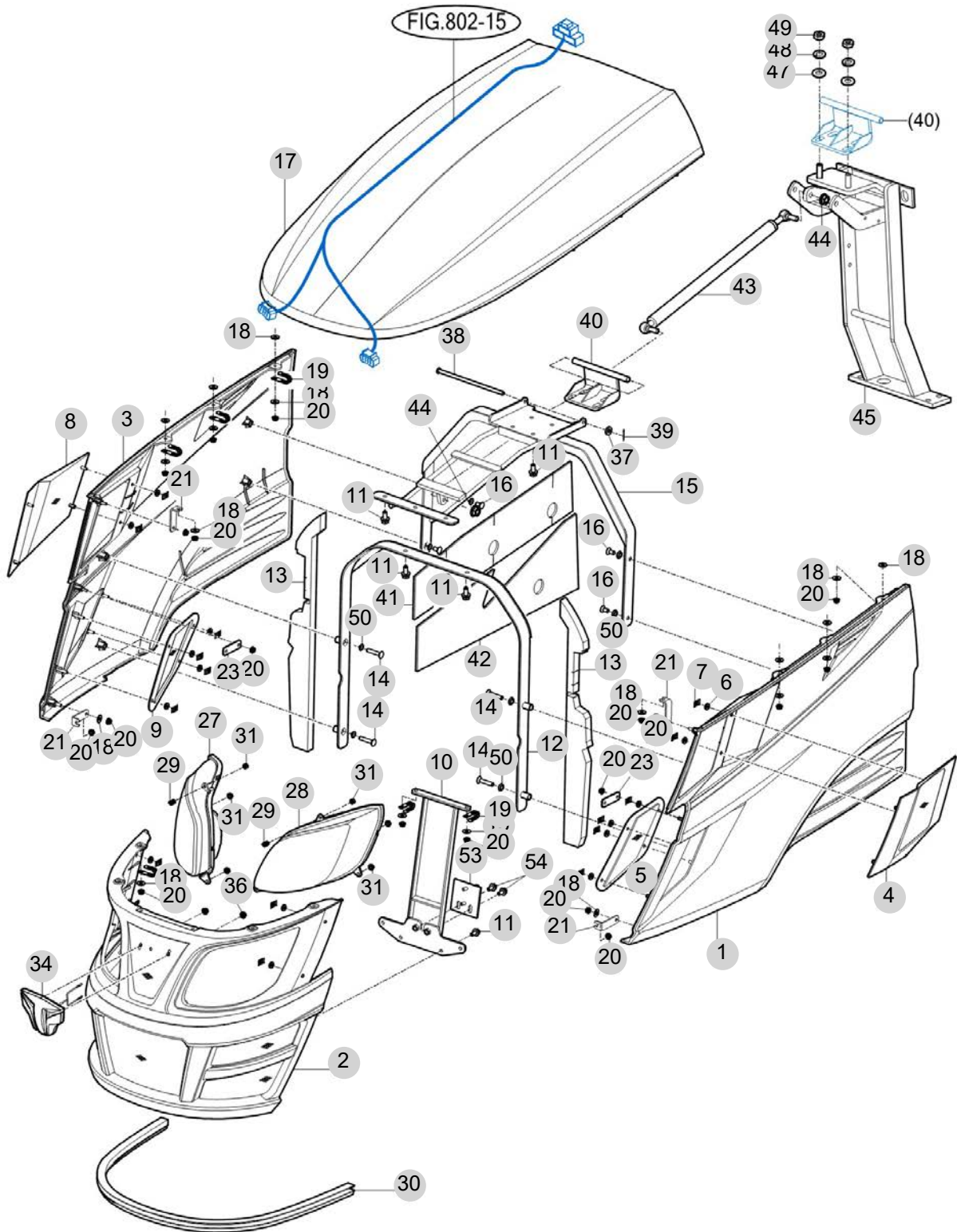
FIG 702

BONNET(2)

년/월
Year/Month

2022-12

T394NH



NOTE

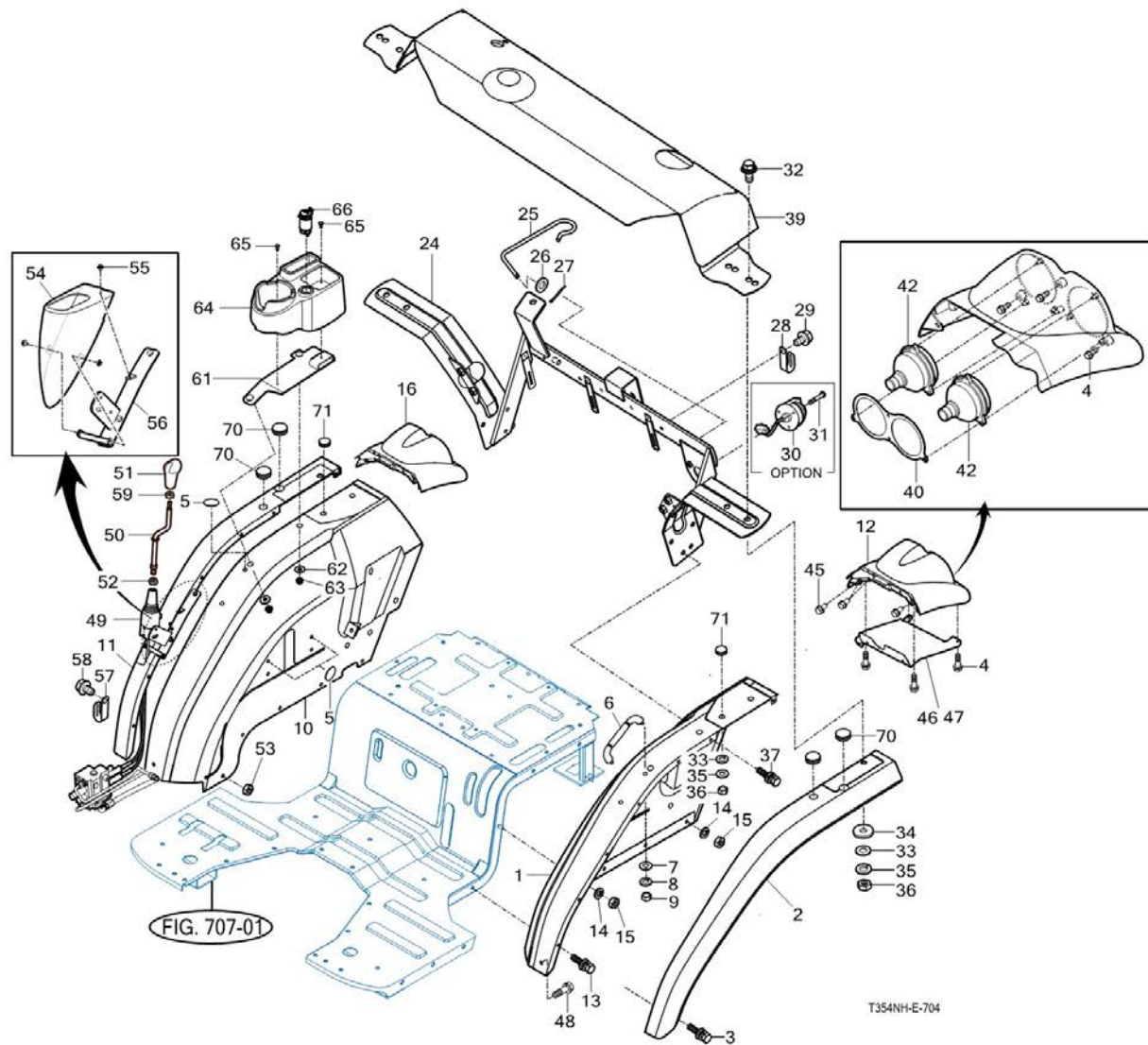
FIG 702		BONNET(2)					년/월 Year/Month		
							2022-12		
T394NH		KEY NO	PART NO	DESCRIPTION	SPEC	QTY	REPAIR	EFFECTIVE DATE	REMARKS
702	1	17406203301SR	COVER COMP , SIDE/LH			1			
702	2	17406203201GB	GRILLE COMP			1			
702	3	17406203401SR	COVER COMP , SIDE/RH			1			
702	4	17406203500GB	NET , UPR/LH			1			
702	5	17406203600GB	NET , LOW/LH			1			
702	6	14446010150	WASHER , NET			16			
702	7	V3501600060	NUT, PUSH-ON SPRING			16			
702	8	17406203700GB	NET , UPR/RH			1			
702	9	17406203800GB	NET , LOW/RH			1			
702	10	17406202500GB	Pin COMP , HOODLOCK			1			
702	10	18366202500GB	PIN COMP , HOOD LOCK			1			
702	11	V2183608020	BOLT , HEX/SP			13			
702	12	17406202300GB	FRAME COMP , HOOD/FR			1			
702	13	17406202430	INSULATOR , SIDE FR			2			
702	14	V1122608040	SCREW , C/R FLAT			4			
702	15	10536202700GB	FRAME COMP , HOOD/RR			1			
702	15	17406202700GB	FRAME COMP , HOOD/RR			1			
702	16	V1122608016	SCREW , C/R FLAT			4			
702	17	17406203101SR	HOOD COMP			1			
702	18	35605033020	WASHER , WIRE WITHDRAWAL			12			
702	19	37371720090	CLAMP , W/HARNESS			6			
702	20	V3802600060	NUT , HEX FLANGE			14			
702	21	17406203010GB	PLATE , UPR/SIDE			4			
702	23	17406203020GB	PLATE , MID/SIDE			2			
702	27	1740652500	HEAD LAMP ASSY , RH			1			
702	28	17406524000	HEAD LAMP ASSY , LH			1			
702	29	36108010080	SPRING , ENTRANCE FOR SEED(HC016)			2			
702	30	17406203900	INSULATOR , HOOD			1			
702	31	19027210060	NUT , NYLON , M6			6			
702	34	17406212000	EMBLEM ASSY , V5			1			
702	36	V3802600060	NUT , HEX FLANGE	M6		2			
702	37	V4111600080	WASHER , PLAIN			1			
702	38	13016203900	HOOD PIN			1			
702	39	V5001925020	PIN D2.5x20			1			
702	40	13016202804GB	PLATE COMP , HOOD HINGE			1			
702	41	17406202420	INSULATOR , SIDE RR/LH			1			
702	42	17406202411	INSULATOR , HOOD			1			
702	43	17406202901	GAS SPRING , HOOD			2			
702	43	12366202900	GAS SPRING , HOOD			1			
702	44	V3802600080	NUT , HEX FLANGE			2			
702	44	V3802600080	NUT , HEX FLANGE			4			
702	45	17406022100GB	FRAME COMP , HOOD			1			
702	45	17406022101GB	FRAME COMP , HOOD			1			
702	47	V4111600100	WASHER , PLAIN			2			
702	48	V4011600100	WASHER , SPRING			2			
NOTE									

FIG 704

FENDER, REAR FRAME & MUDGUARD

년/월
Year/Month

2022-12



NOTE

FIG 704		FENDER, REAR FRAME & MUDGUARD					년/월 Year/Month		
							2022-12		
T394NH		KEY NO	PART NO	DESCRIPTION	SPEC	QTY	REPAIR	EFFECTIVE DATE	REMARKS
704	1	14726063502SR	FENDER COMP , LH			1			
704	2	12656060041SR	FENDER , LH			1			
704	3	V2193606016	BOLT , HEX/SPL	M6X16		12			
704	4	V2123606012	BOLT , HEX /SP	M6X12		14			
704	5	16606070031	CAP , 9			6			
704	6	14726071101	GRIP COMP			1			
704	7	35602010150	WASHER , BIND SHAFT			2			
704	8	V4011600080	WASHER , SPRING	M8		2			
704	9	V3042600080	NUT , HEX/2	M8		2			
704	10	14726063602SR	FENDER COMP , RH			1			
704	11	10526060020SR	FENDER , RH MUD GUIDE			1			
704	11	10526060021SR	FENDER , RH MUD GUIDE			1			
704	12	13016060020	COVER ,LH RR LAMP			1			
704	13	V2183608020	BOLT , HEX/SP	M8X20		8			
704	14	V4011600080	WASHER , SPRING	M8		4			
704	15	V3042600080	NUT , HEX/2	M8		4			
704	16	13016060030	COVER , RH RR LAMP			1			
704	24	14977035400SR	FRAME COMP , RR FUEL TANK			1			
704	25	14885251100	HOOK , TOPLINK			1			
704	26	V4111600060	WASHER , PLAIN	M6		1			
704	27	V5001920015	PIN , SPLIT	2X15		1			
704	28	14256210040	CLAMP , 9			1			
704	29	V2123606012	BOLT , HEX /SP	M6X12		1			
704	30	13267028202	SOCKET ASSY , TRAILER			1			
704	31	V1112605030	SCREW , C/R PAN	M5X30		3			
704	32	V2173612035	BOLT , HEX/S	M12X40		4			
704	33	V4111600120	WASHER , PLAIN	M12		5			
704	34	36217020030	WASHER , PULLEY			4			
704	35	V4011600120	WASHER , SPRING	M12		5			
704	36	V3043600120	NUT , HEX/2	M12		5			
704	37	V2183608020	BOLT , HEX/SP	M8X20		4			
704	39	14777036302SR	COVER COMP , TANK			1			
704	39	14777036302SR	COVER COMP , TANK			1			
704	39	14777036303SR	COVER COMP , TANK			1			
704	40	13016061300	FIX PLATE , RR LAMP			1			
704	42	17687023401	LAMP ASSY . STOP			4			
704	42	17687023401	LAMP ASSY . STOP			1			
704	45	V2193606016	BOLT , HEX/SPL			2			
704	46	13016062000GB	PLATE COMP , LH RR LAMPCOVER			1			
704	47	13016063000GB	PLATE COMP , RH RR LAMPCOVER			1			
704	48	V2183608035	BOLT , HEX/SP	M8X35		2			
704	49	13015504005	JOYSTICK ASSY , LOADER VV			1			
704	50	12396013900GB	LEVER COMP . JOYSTICK			1			
704	51	19027750021	GRIP COMP , JOYSTICK			1			
704	52	V3302600140	NUT , HEX FINE/2	M14		1			
NOTE									

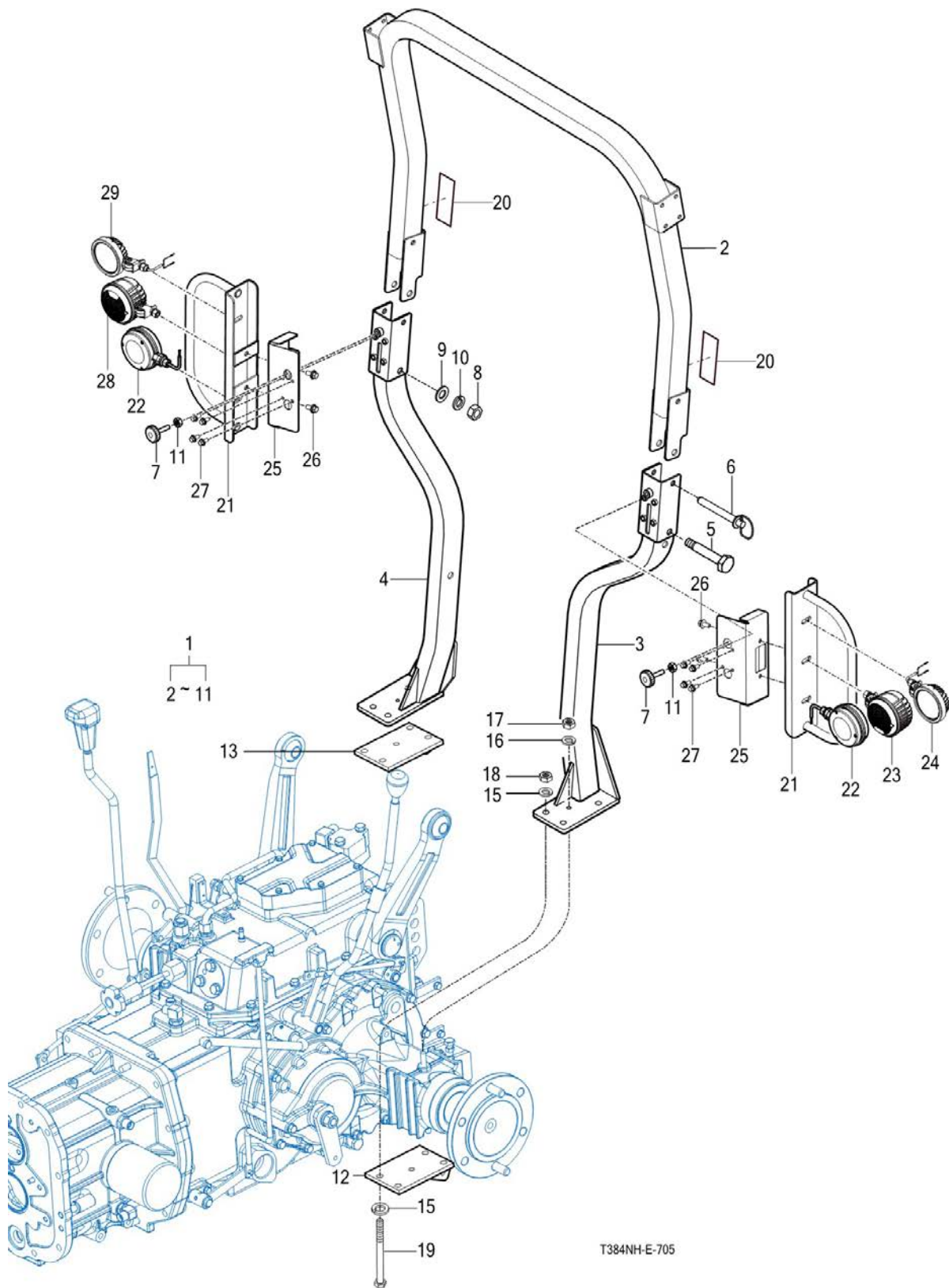
FIG 705

ROPS

년/월
Year/Month

T394NH

2022-12



NOTE

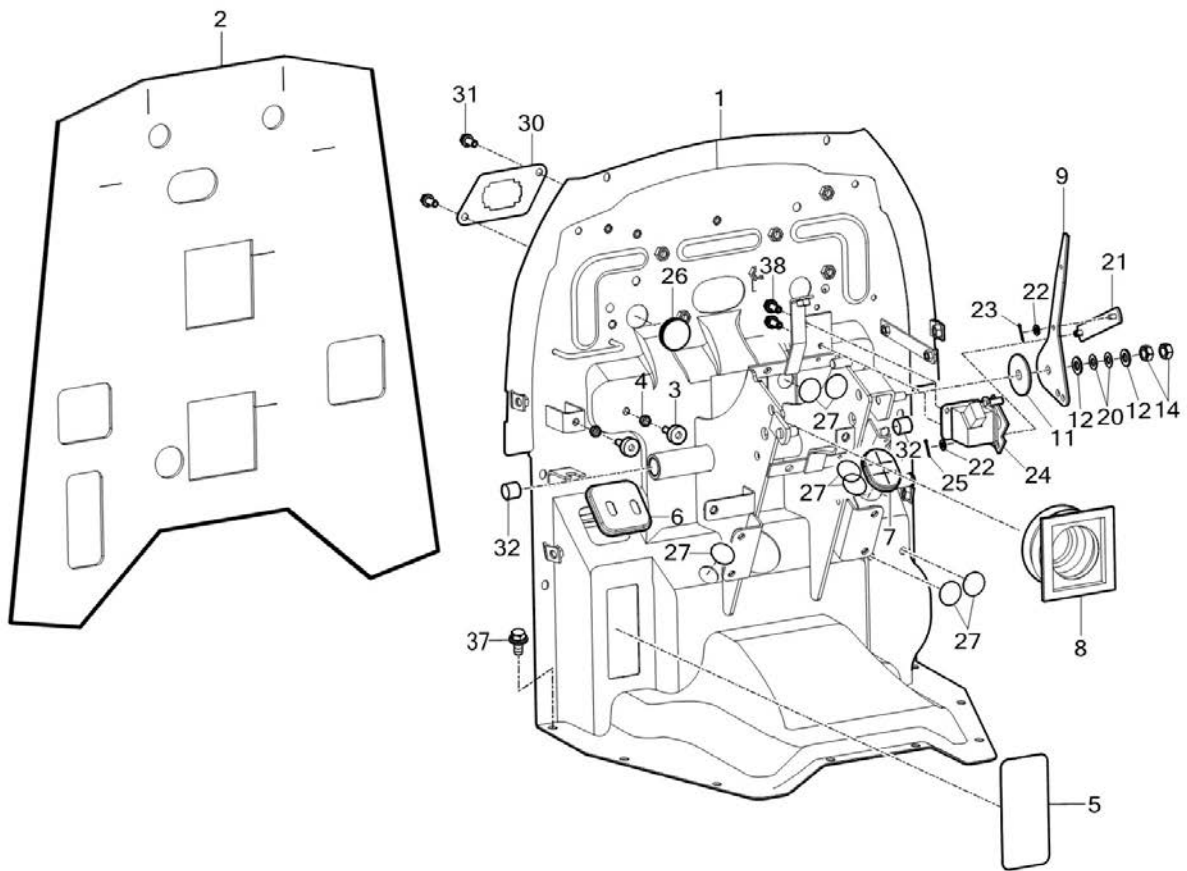
FIG 706

T394NH

DASHBOARD

년/월
Year/Month

2022-12



T384NH-E-706

NOTE

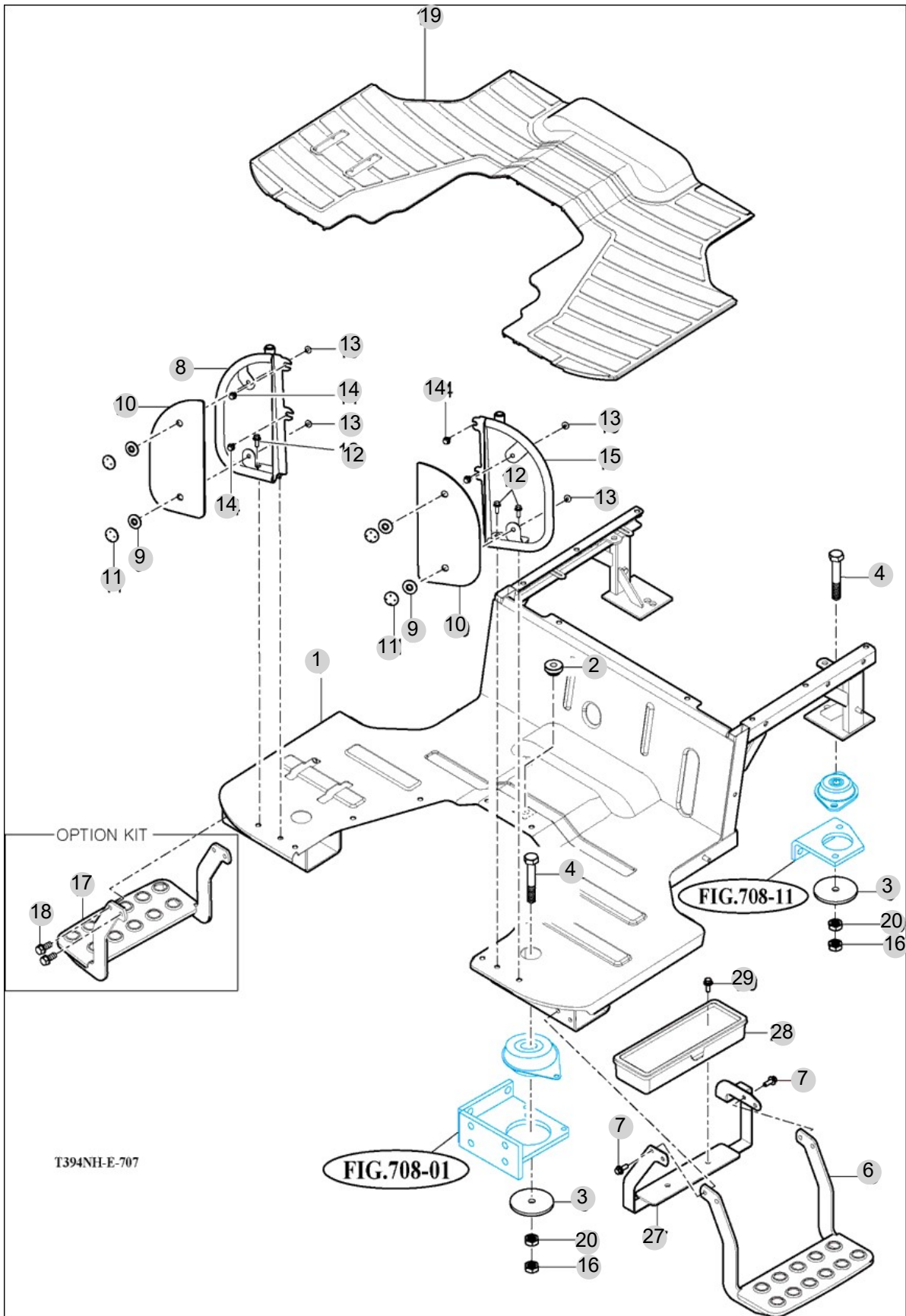
FIG 707

FLOOR

년/월
Year/Month

T394NH

2022-12



NOTE

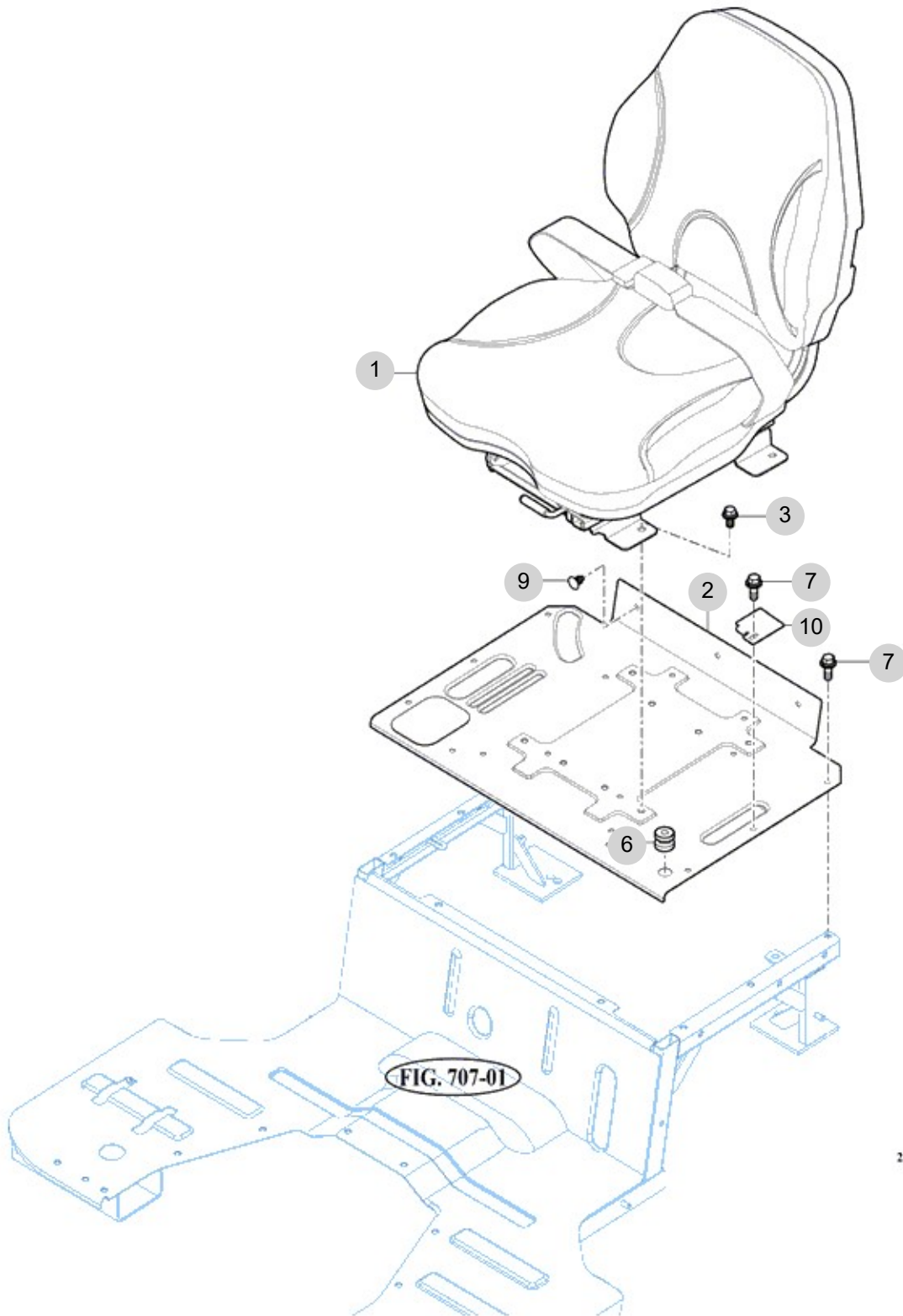
FIG 708

T394NH

SEAT

년/월
Year/Month

2022-12



2538-E-708

NOTE

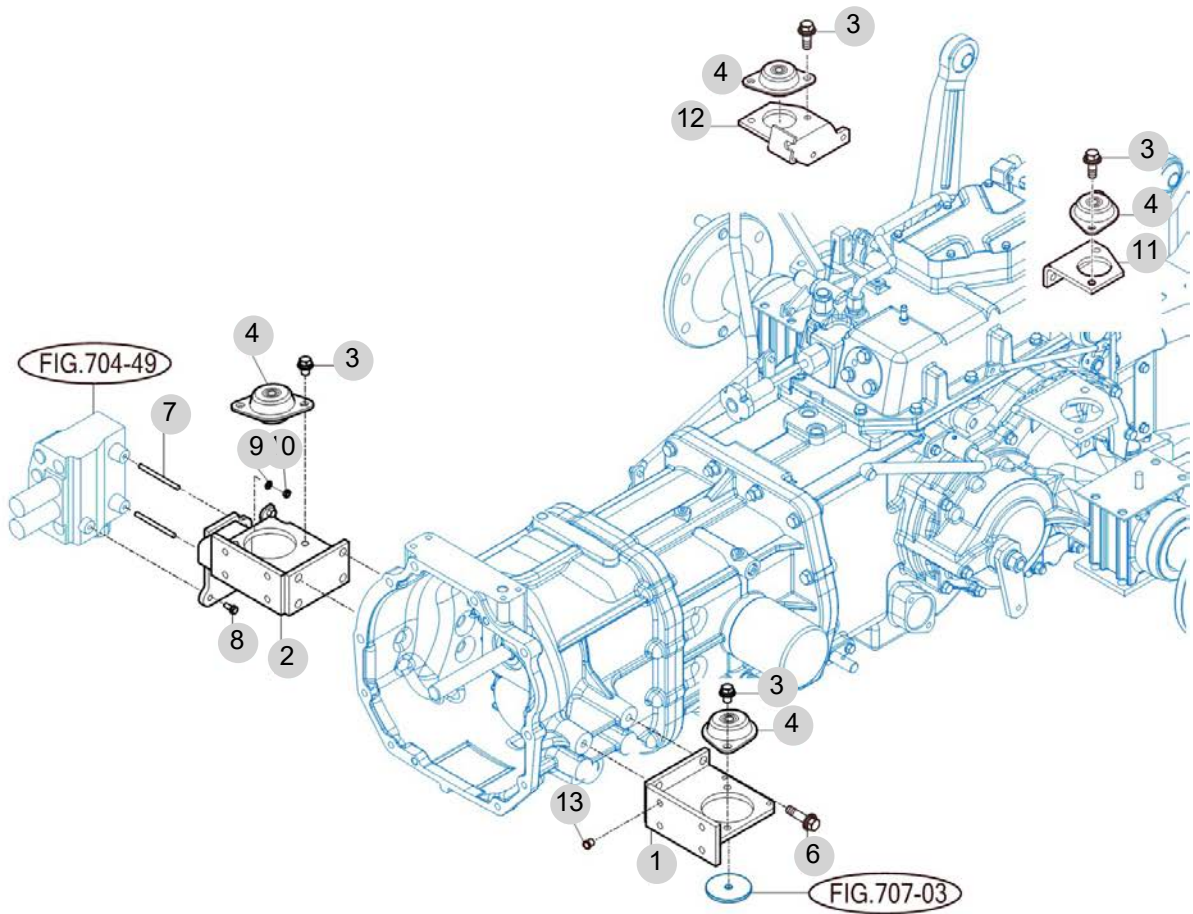
FIG 709

T394NH

FLOOR MOUNTING

년/월
Year/Month

2022-12



NOTE

8. Electrical System PART NO. T8

FIG 801 BATTERY & MOUNTING	183
FIG 802 LIGHTS	185
FIG 803 INSTRUMENT PANEL	187
FIG 804 ELECTRIC SYSTEM	189
FIG 805 HARNESS (1)	191
FIG 806 HARNESS (2)	193

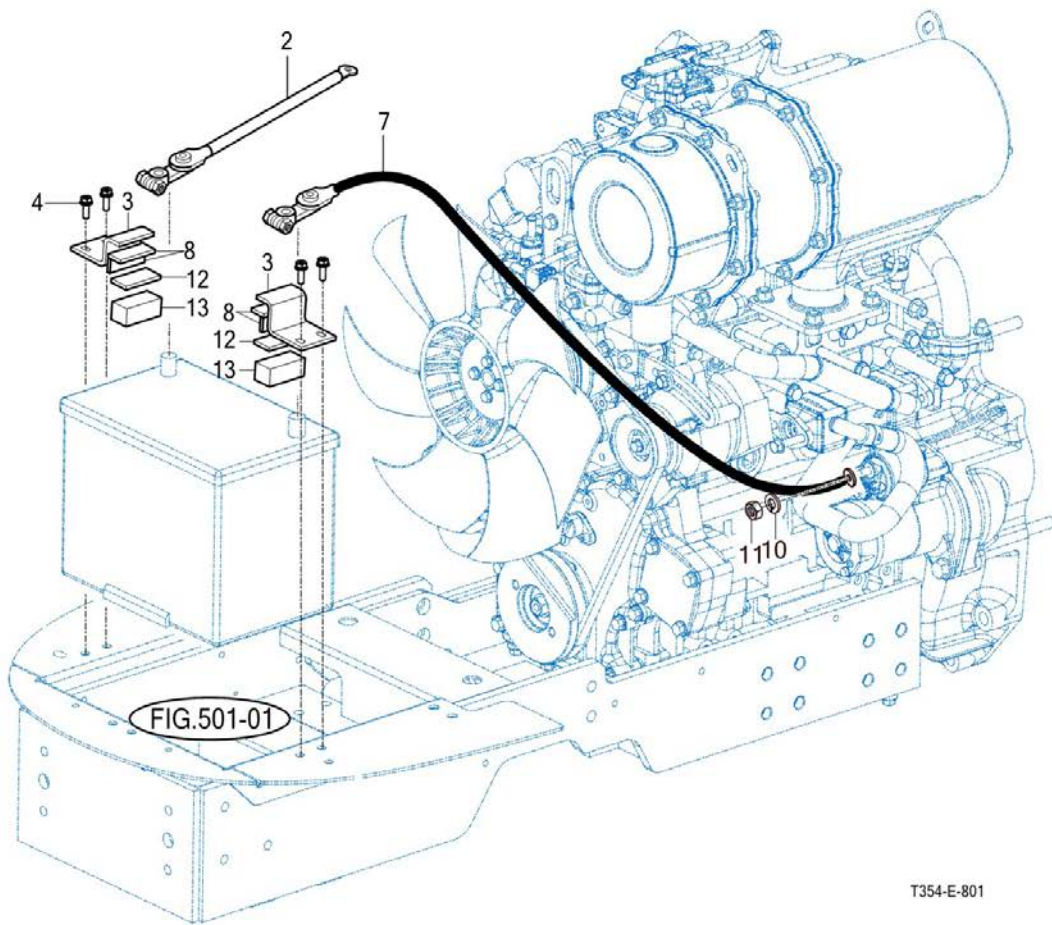
FIG 801

T394NH

BATTERY & MOUNTING

년/월
Year/Month

2022-12



NOTE

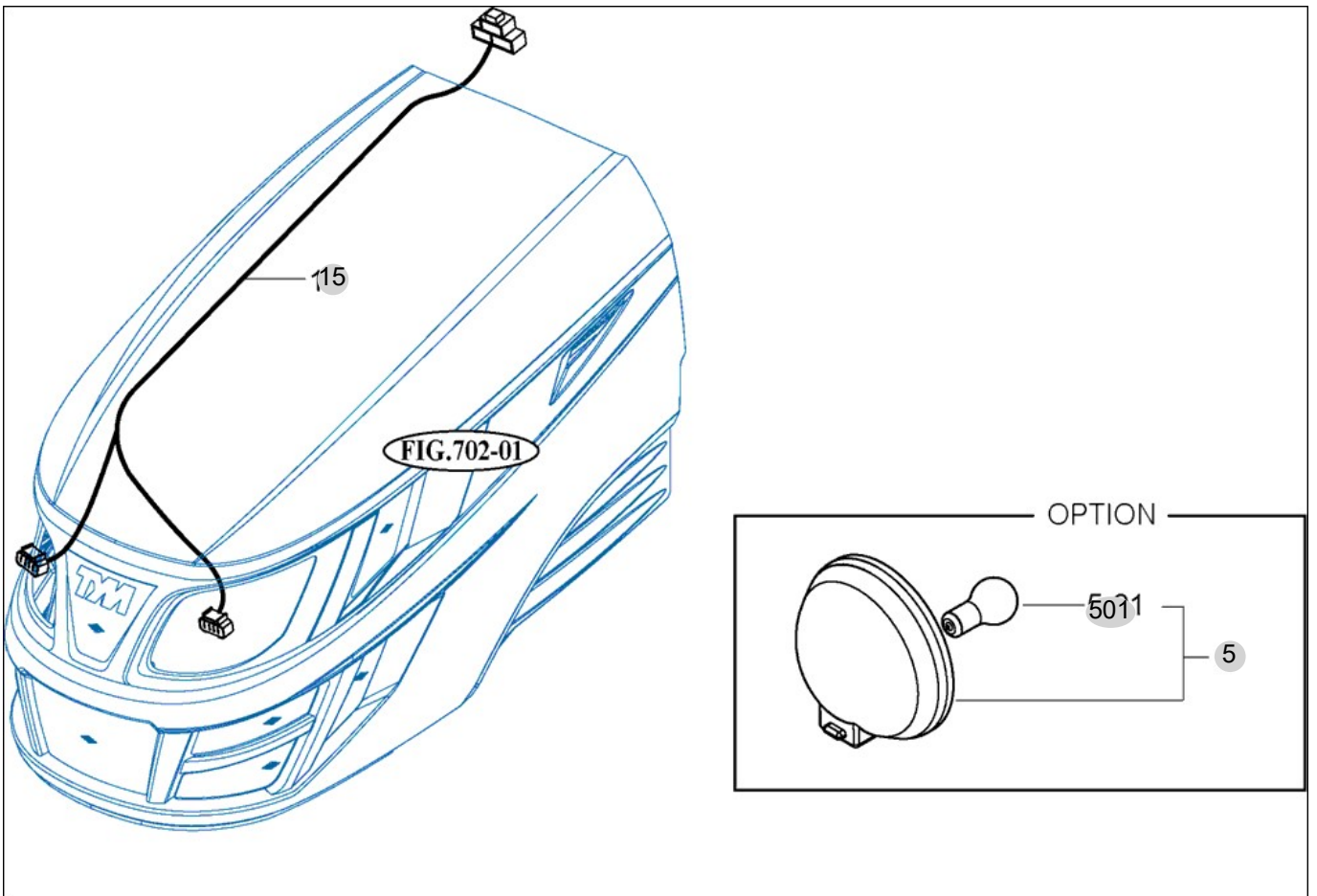
FIG 802

T394NH

LIGHTS

년/월
Year/Month

2022-12



NOTE

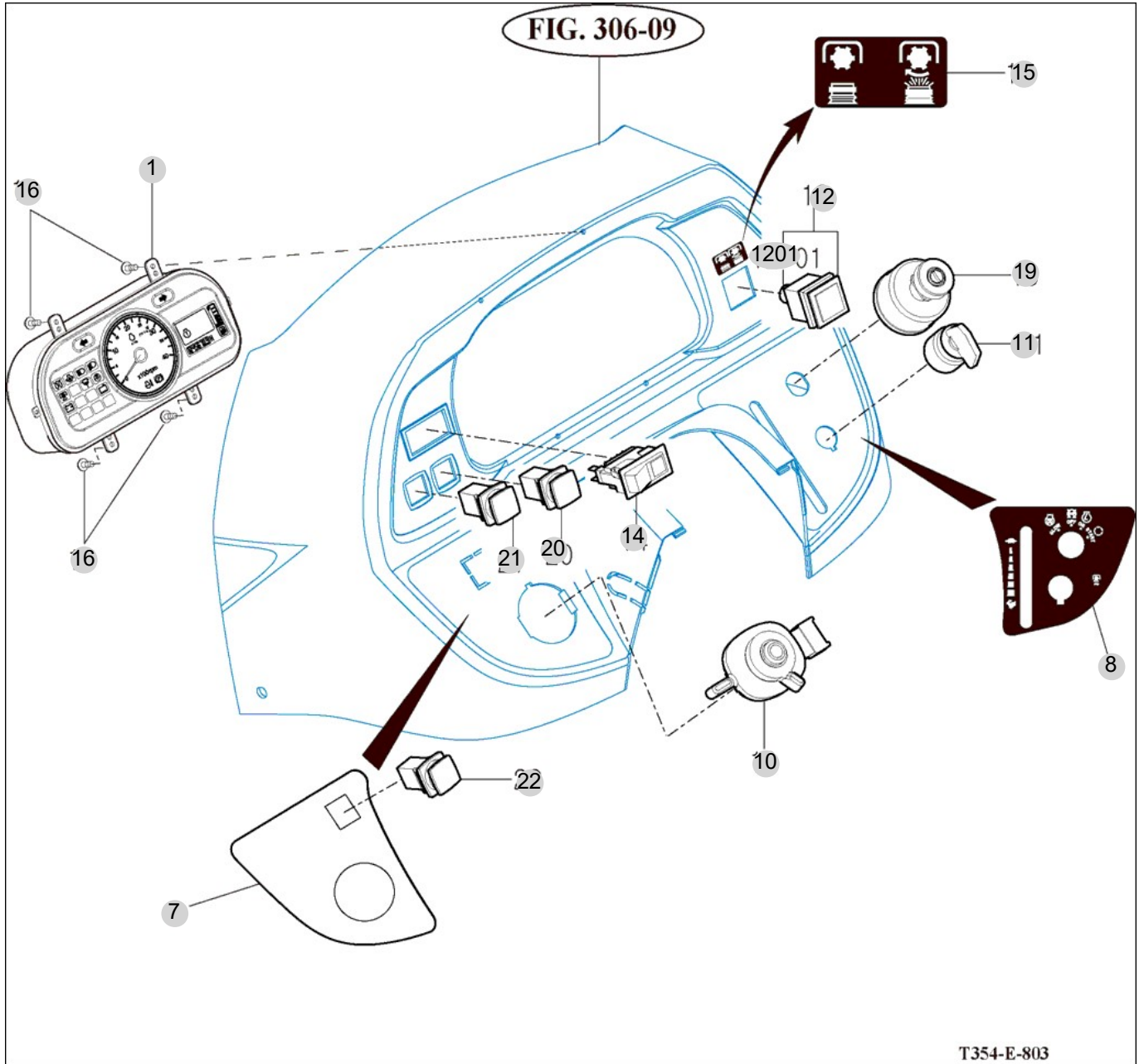
FIG 803

INSTRUMENT PANEL

년/월
Year/Month

2022-12

T394NH



NOTE

FIG 804

T394NH

ELECTRIC SYSTEM

년/월
Year/Month

2022-12

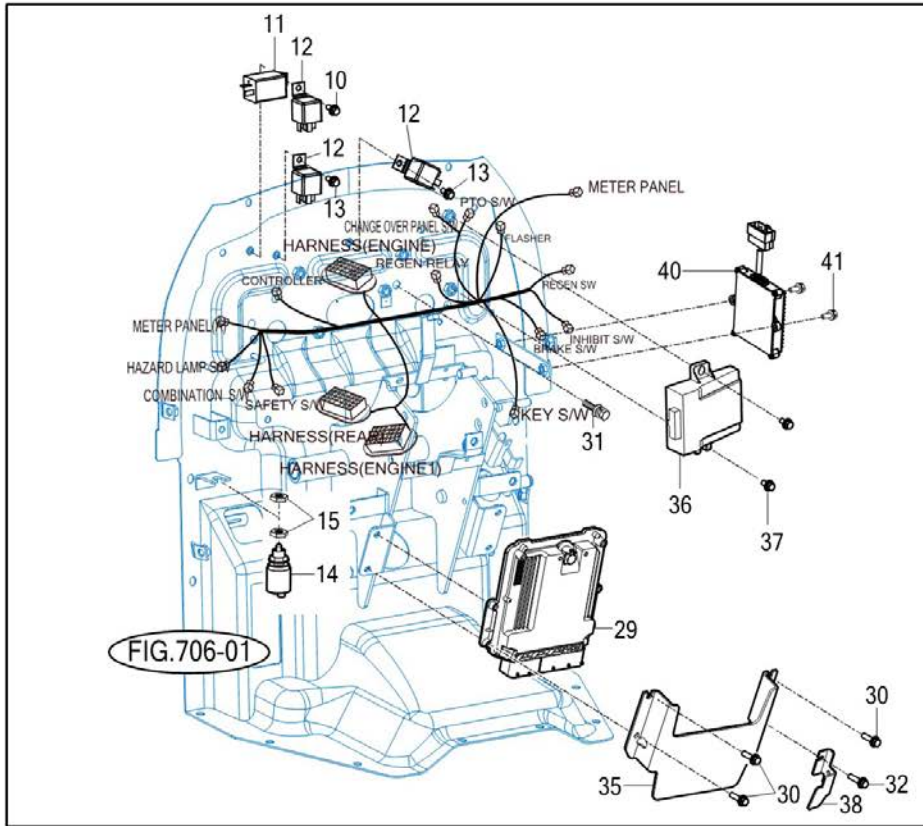
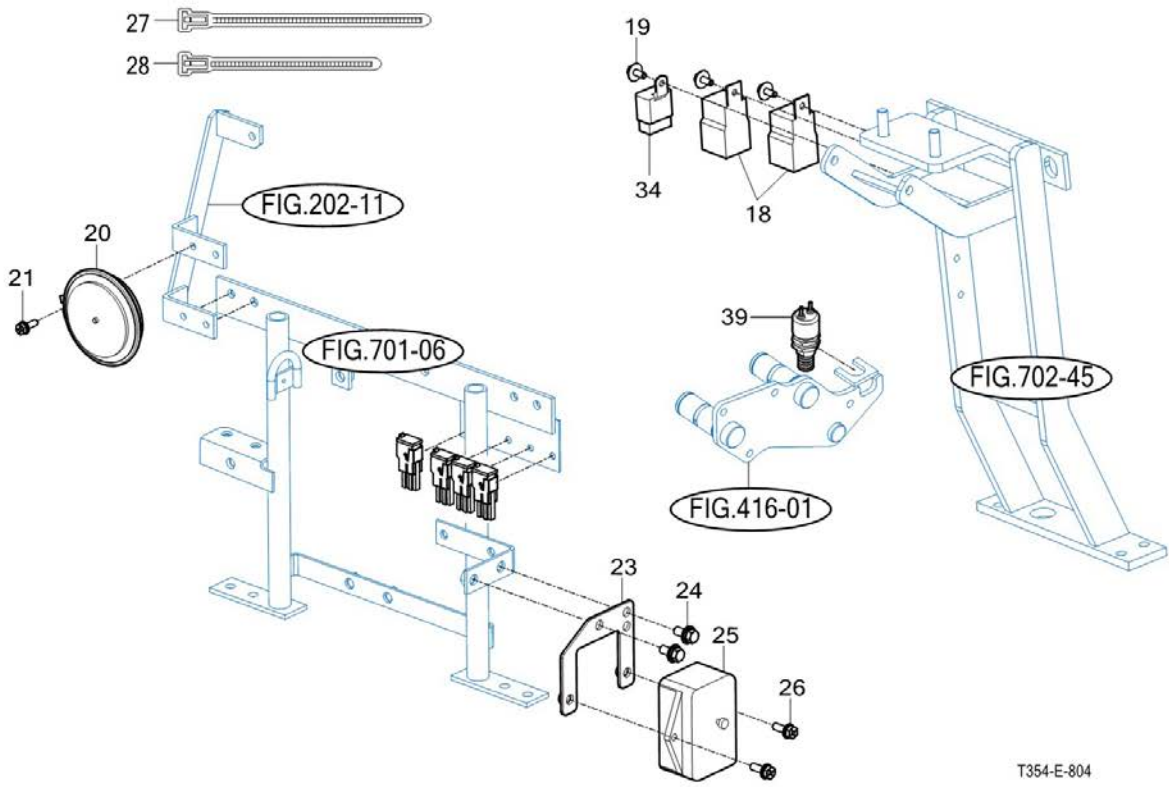


FIG.706-01



T354-E-804

NOTE

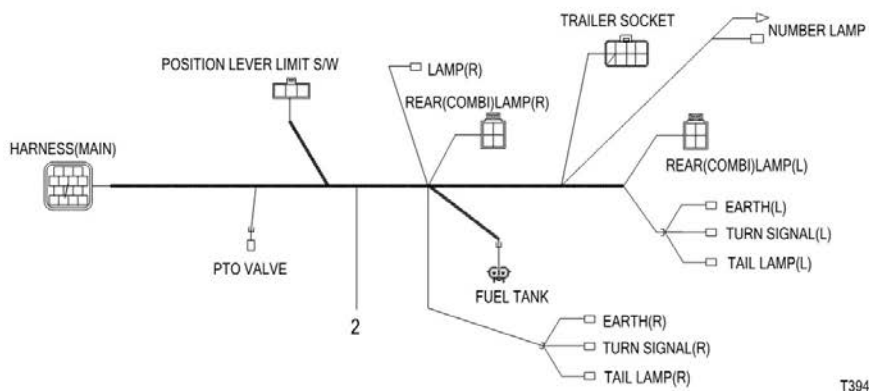
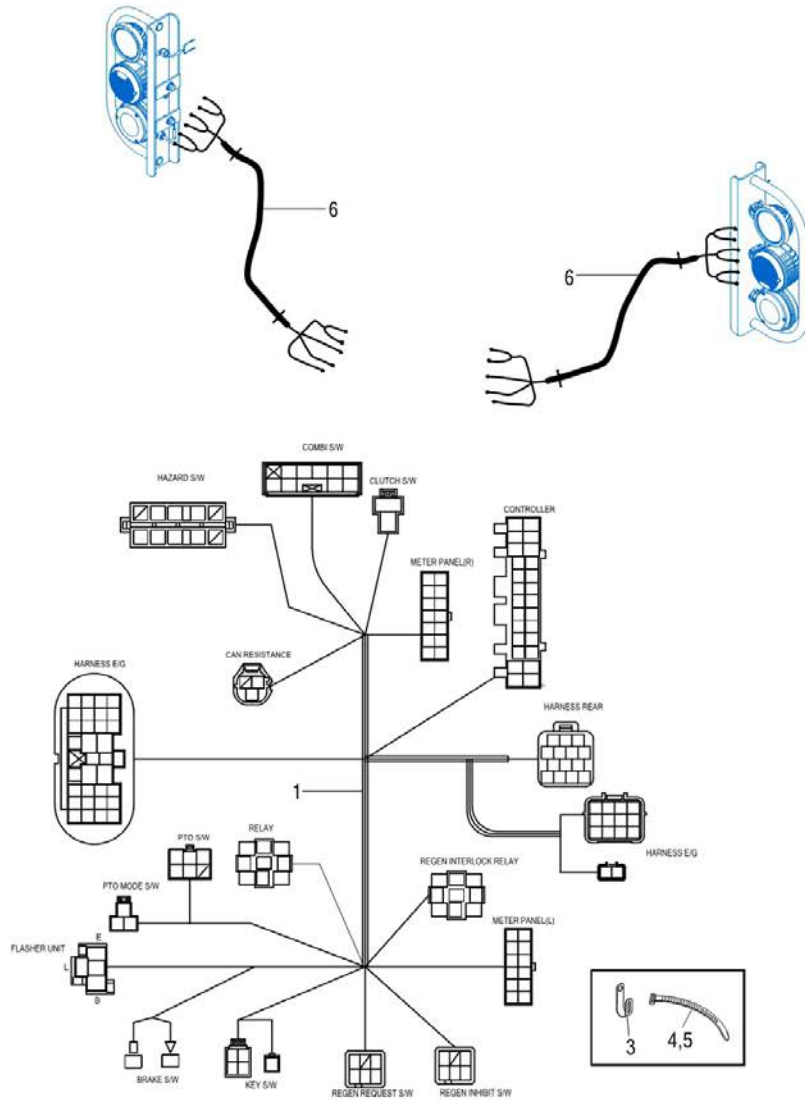
FIG 805

T394NH

HARNES (1)

년/월
Year/Month

2022-12



T394NC-E-805

NOTE

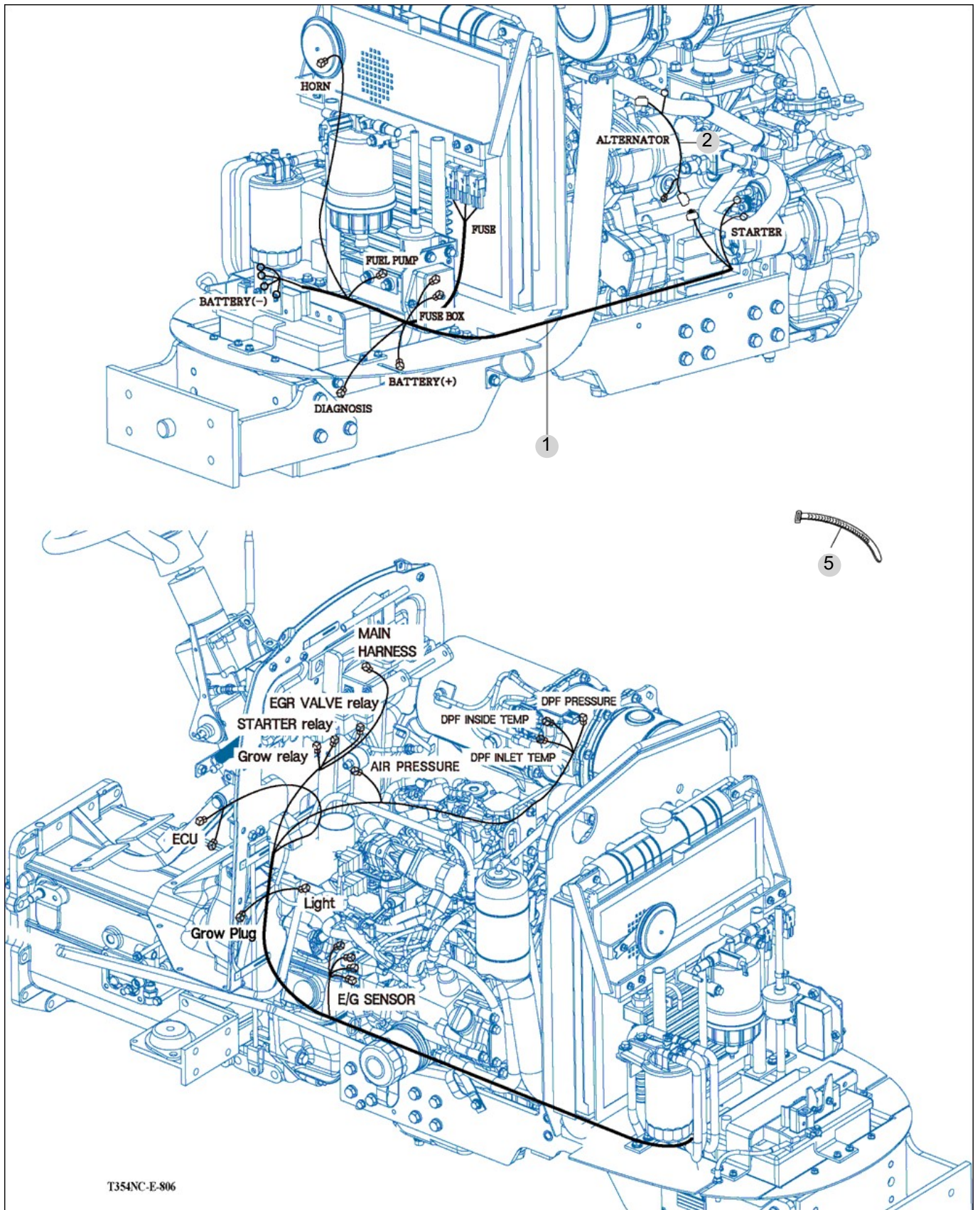
FIG 806

HARNESS (2)

년/월
Year/Month

T394NH

2022-12



T354NC-E-806

NOTE

9. Label/Option PART NO. T9

FIG 901 TOOL & ACCESSORY	196
FIG 902 LABEL	198
FIG 902-2 LABEL	200
FIG 903 WEIGHT	203

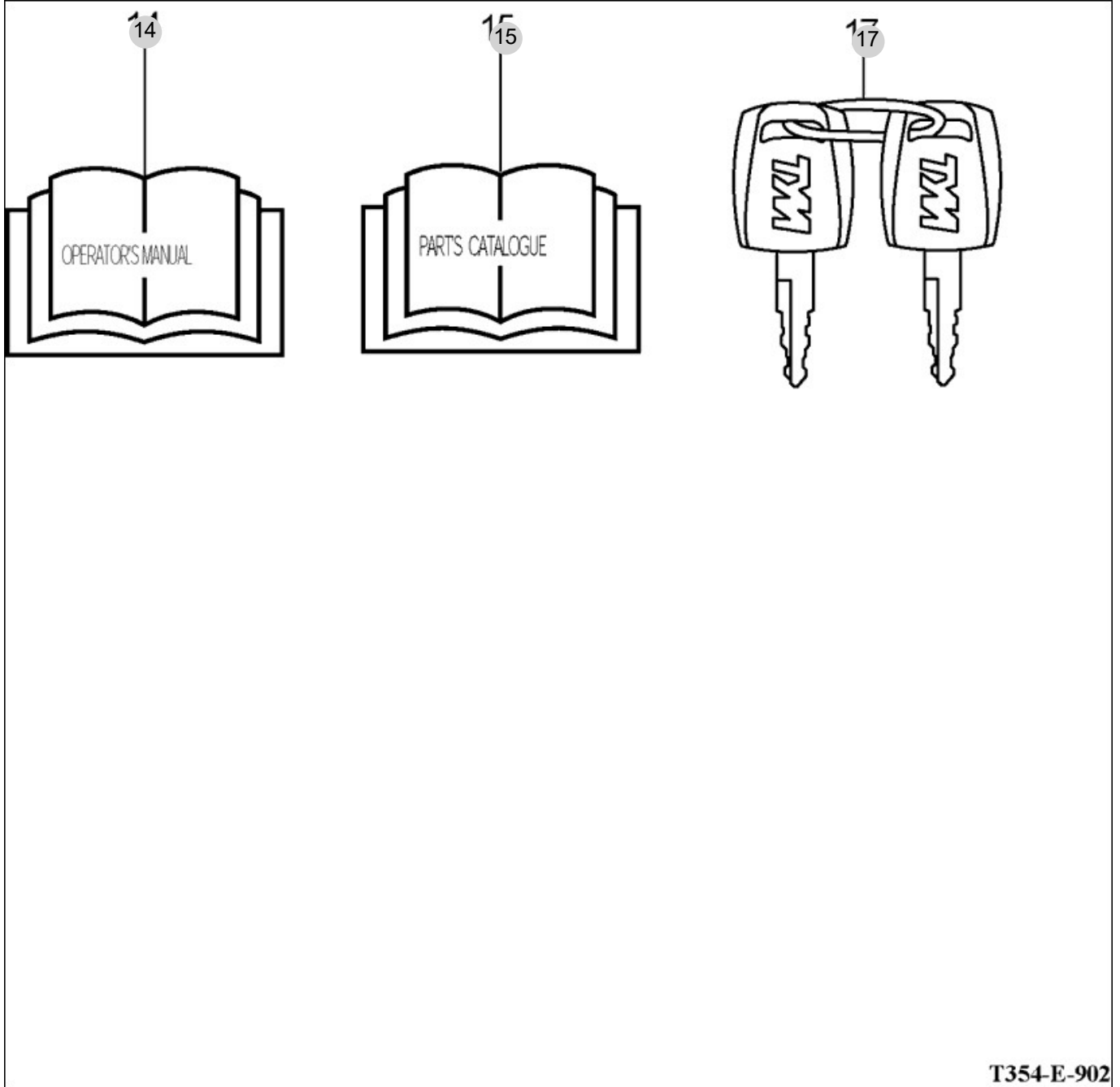
FIG 901

T394NH

TOOL & ACCESSORY

년/월
Year/Month

2022-12



T354-E-902

NOTE

FIG 902

LABEL

년/월
Year/Month

T394NH

2022-12

WARNING
 Death or injury may result if this tractor over turns with the ROPS in the folded down position. Operate this tractor with the ROPS folded down only when necessary. Do not wear seat belt if operated with ROPS folded down
 1220-904-702-0

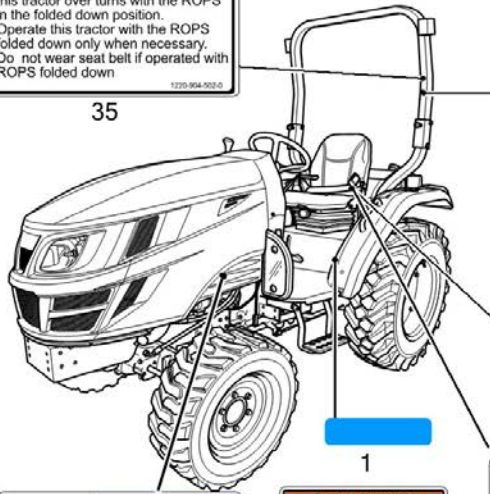
35

DANGER
 This Tractor may tip over unexpectedly and quicker than an operator is able to jump free
 1.Never operate a tractor without a proper Roll over Protection Structure.(ROPS)
 2.Always wear your seat belt when operating this tractor equipped with roll over protection.
 3.Never pull from above or from the rear axle.
 4.Do not operate the tractor on steep slopes or near drop offs
 5.Avoid sharp high speed turns
 Serious injury or death may result from tractor upsets.
 1225-904-501-0

36

WARNING
 • Start engine only from operators seat. if safety start switch is by passed engine can start with transmission in gear.
 • Do not connect or short across terminal on starter solenoid.
 • Attach booster cables as shown on battery decal and operators manual.
 Starting in gear causing runaway can result in serious injury.

48

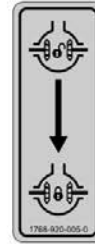


WARNING
 Do not use the sub shift lever at "H" position when driving backward.
 1009-910-010-0

11

DANGER
 Do not ride except operator.
 1009-910-010-0

13



18



45

CAUTION
 Do not touch while the system is hot. It cause serious burns
 1200-910-024-0

11

WARNING
 Operating diesel engines without proper gas in electrically heated air intake systems can be hazardous to the State of California to cause cancer and birth defects or other reproductive harm. Always use and maintain the engine in a well-ventilated area. Do not modify or tamper with the exhaust system. Do not fill the engine compartment. For more information go to www.P65warnings.ca.gov/label
 1004-910-010-0

57

ROTARY 47

WARNING
 Cancer and Reproductive Harm
 www.P65Warnings.ca.gov
 1004-910-010-0

58



41



54

PTO (MID,REAR) LEVER
 To prevent transmission damage, the PTO switch must be OFF before PTO lever is engaged.

50

T394 TYM 60

29

WARNING
 Always fasten Your seat belt.
 1000-910-010-0

15

WARNING
 Never use the diff-lock at high speed or on the road as this can cause rollover and injury.
 1200-910-010-0

19

WARNING
 Do not remove radiator cap while engine is hot. Hot steam will injure you.
 1200-910-010-0

8

DANGER
 Start only from seat in park or neutral
 Starting in gear kills.

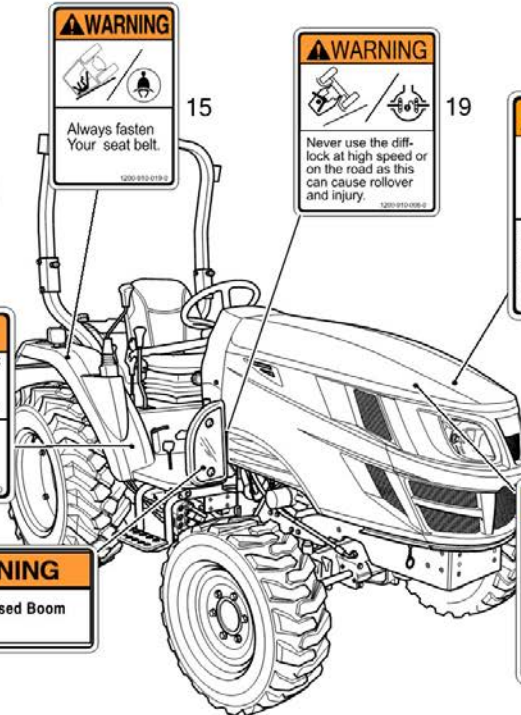
46

WARNING
 LOCK → UNLOCK
 LOCK BUTTEN
 Push the button to lock position with joystick lever is neutral whenever the implement is not operation.
 1200-910-020-0

37

WARNING
 Stay clear of raised Boom and bucket.

38



CAUTION
 Keep hands and clothing away from rotating fan and belts to prevent serious injury.
 1200-910-010-0

7

NOTE

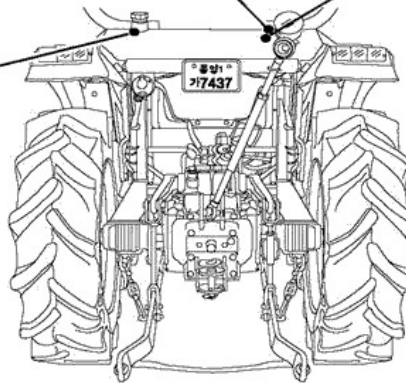
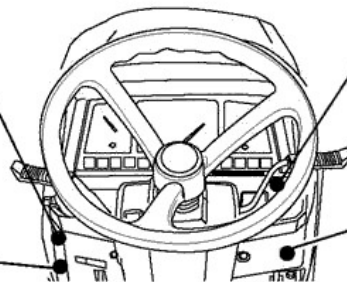
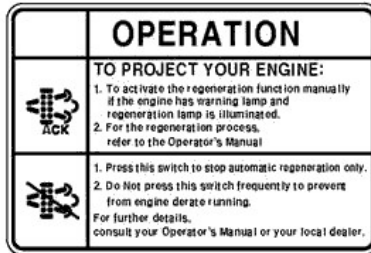
FIG 902-2

LABEL

년/월
Year/Month

2022-12

T394NH



NOTE

FIG 902-2		LABEL					년/월 Year/Month	
T394NH							2022-12	
KEY NO	PART NO	DESCRIPTION	SPEC	QTY	REPAIR	EFFECTIVE DATE	REMARKS	
902-2	1	14726400010	SEAL , HANDBRAKE		1			
902-2	4	12009100080	LABEL , WARNING TILTING		1			
902-2	5	12009100240	LABEL , CAUTION MUFFLER		1			
902-2	7	12009100120	LABEL , CAUTION FAN		1			
902-2	8	12009100150	LABEL , WARNING RADIATOR		1			
902-2	9	12009100230	LABEL , CAUTION OPERATION		2			
902-2	10	12009100130	LABEL , DANGER PTO		1			
902-2	11	12009100010	LABEL , WARNING SUB SHIFTER		1			
902-2	13	12009100160	LABEL , DANGER RIDING		1			
902-2	14	17689100170	LABEL , CAUTION SAFETY		1			
902-2	15	12009100190	LABEL , WARNING BELT		1			
902-2	16	12009100210	LABEL , WARNING THROTTLE		1			
902-2	17	12009100050	LABEL , WARNING FIRE		1			
902-2	18	17689200050	LABEL , DIFF		1			
902-2	19	12009100060	LABEL , WARNING DIFF		1			
902-2	20	12009100140	LABEL , WARNING DRAW		1			
902-2	26	12009100070	LABEL , WARNING BRAKE		1			
902-2	29	12359040041	MARK ONAMENT , T394		2			
902-2	29	12359040042	MARK , T394		2			
902-2	29	12359040043	MARK , /T394		2			
902-2	35	12209045020	LABEL , ROPS WARNING		1			
902-2	36	12209045010	LABEL , ROPS DANGER		1			
902-2	37	17699100090	LABEL , WARNING JOYSTICK		1			
902-2	38	17699100100	LABEL , WARNING JOYSTICK		1			
902-2	39	12009430041	LABEL . 4WD		1			
902-2	40	12009100040	LABEL , WARNING STOP VALVE		1			
902-2	41	T0019010021	LABEL , MODEL/EXPORT		1			
902-2	41	T0019110050	NAMEPLATE , USA		1			
902-2	42	13019041130	LABEL, TYM(35)		2			
902-2	44	14729020011	LABEL , HST		2			
902-2	44	14729020012	LABEL , HST		2			
902-2	45	14979010070	LABEL , SHIFT		1			
902-2	46	14729020110	LABEL , DANGER		1			
902-2	47	12209040030	LABEL , ROTARY		2			
902-2	48	12609040620	LABEL , STARTING WARNING		1			
902-2	50	14729040200	LABEL , PTO LEVER		1			
902-2	52	12209045051	LABEL , ROPS WARNING/REMODELING		1			
902-2	53	13019040695	LABEL , ROPS		1			
902-2	53	12549040690	LABEL , ROPS		1			
902-2	53	12549040691	LABEL , ROPS		1			
902-2	54	13379100150	6YEAR WARRANTY LABEL		1			
902-2	55	17409209010	LABEL , OPERATION/DPF REGEN SWITCH		1			
902-2	56	12009040041	LABEL , HYDRAULIC CONTROL		1			
902-2	57	11449100020	LABEL , WARNING/CA P65 A		1			
902-2	58	11449100030	LABEL , WARNING/CA P65 B		1			
NOTE								

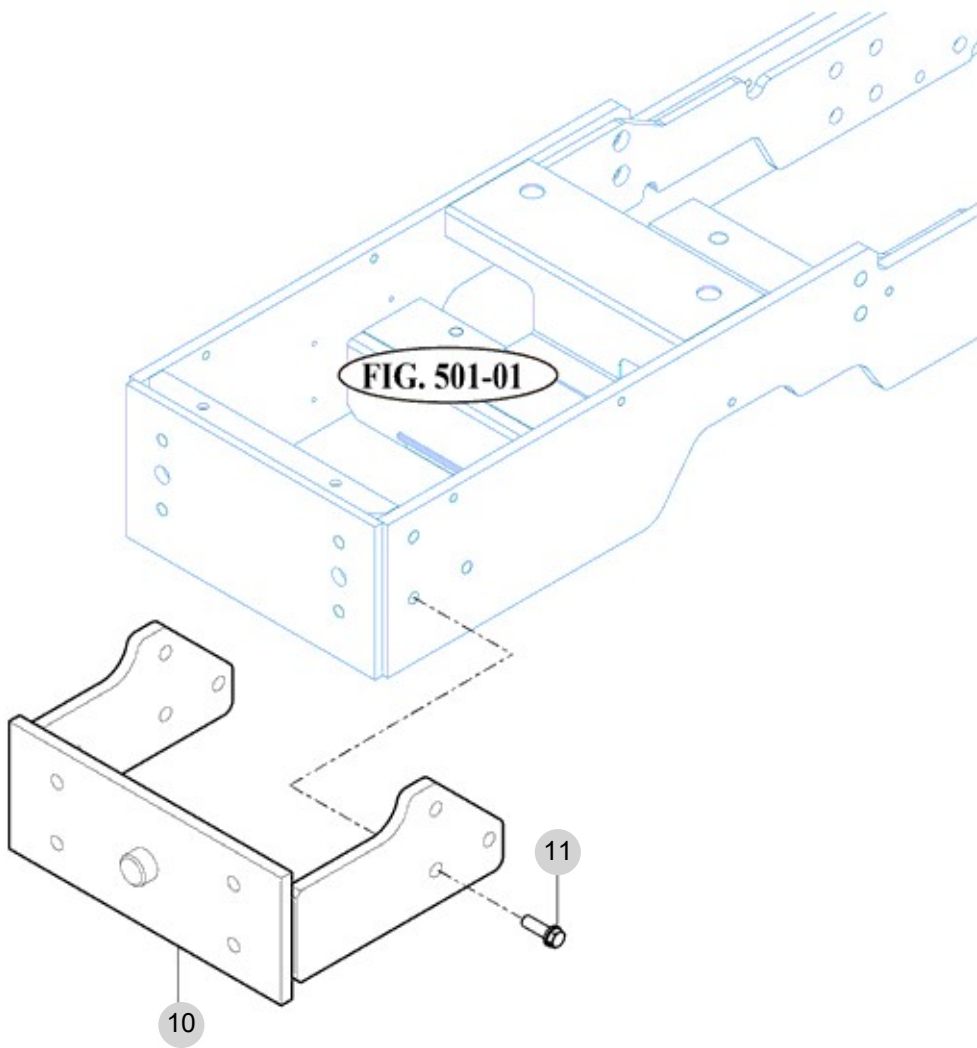
FIG 903

T394NH

WEIGHT

년/월
Year/Month

2022-12



NOTE

