

T265NHRU

Parts Catalog

목 차

1. 엔진 PART NO. EG

FIG 101 CYLINDER BLOCK	7
FIG 102 OIL PAN	9
FIG 103 CYLINDER HEAD	11
FIG 104 GEAR CASE	13
FIG 105 HEAD COVERT	15
FIG 106 OIL FILTER	17
FIG 107 OIL GAUGE	19
FIG 108 MAIN BEARING CASE	21
FIG 109 CAM SHAFT & IDLE SHAFT	23
FIG 110 PISTON & CRANK SHAFT	25
FIG 111 FLYWHEEL	27
FIG 112 FUEL CAM SHAFT&GOVERNOR SHAFT	29
FIG 113 IDLE APPARATUS	31
FIG 114 CONNECTING-ROD	33
FIG 115 GOVERNOR	35
FIG 116 SPEED CONTROL PLATE	37
FIG 117 INJECTOR & GLOW PLUG	39
FIG 118 WATER PUMP FLANGE&THERMOSTAT	41
FIG 119 WATER PUMP	43
FIG 120 ROCKER ARM	45
FIG 121 INTAKE MANIFOLD	47
FIG 122 EXHAUST MANIFOLD	49
FIG 123 STOP SOLENOID	51
FIG 124 ALTERNATOR & PULLY	53
FIG 125 STARTING MOTOR	55
FIG 126 EXHAUST SILENCER	57
FIG 127 COOLING PAN	59
FIG 128 OIL PRESSURE SWITCH	61
FIG 129 DATA PLATE	63
FIG 130 WATER PIPE	65
FIG 131 WATER PIPE	67

2. 엔진보기품 PART NO. T2

FIG 201 AIR CLEANER	70
FIG 202 RADIATOR	72
FIG 203 MUFFLER	74
FIG 204 FUEL TANK & FUEL LINE	76
FIG 205 ACCELERATOR	78
FIG 206 OIL COOLER	80

3. 클러치/브레이크/스티어링 PART NO. T3

FIG 301 FLYWHEEL COVER	83
FIG 302 SPEED CONTROL	85
FIG 303 BRAKE	88
FIG 304 BRAKE PEDAL & LINKAGE	90
FIG 305 STEERING WHEEL & DASH COVER	92
FIG 306 STEERING VALVE	94
FIG 307 STEERING CYLINDER	96
FIG 308 FRONT WHEEL	98
FIG 309 REAR WHEEL	100

4. 트랜스미션 PART NO. T4

FIG 401 INPUT SHAFT	103
FIG 402 HST	105
FIG 404 4WD DRIVE GEAR	107
FIG 405 RANGE GEARS	109
FIG 406 P.T.O DRIVE SHAFT	111
FIG 407 P.T.O SHAFT	113
FIG 408 MID P.T.O GEARS	115
FIG 409 DIFF LOCK	117
FIG 410 REAR TRANSMISSION CASE	119
FIG 411 REAR AXLE HOUSINGS	121
FIG 413 RANGE SHIFT LEVER	123
FIG 414 P.T.O CHANGE LEVER	125
FIG 415 4WD CHANGE LEVER	127

5. 프런트 액슬 PART NO. T5

FIG 501 FRAME	130
---------------	-----

FIG 502 FRONT DIFFERENTIAL GEARS & SHAFT	132
FIG 503 FRONT AXLE HOUSING	134
FIG 504 FRONT GEAR CASE (1)	136
FIG 505 FRONT GEAR CASE (2)	138

6. 유압/3점 링크 PART NO. T6

FIG 601 CYLINDER CASE	141
FIG 602 LIFT ARM	143
FIG 603 FLOW CONTROL VALVE	145
FIG 604 CONTROL VALVE LINKAGE	147
FIG 605 MAIN CONTROL VALVE	149
FIG 606 REMOTE CONTROL VALVE	151
FIG 607 POSITION LEVER LINKAGE	153
FIG 608 GEAR PUMP	155
FIG 609 HYDRAULIC HOSE (1)	157
FIG 610 HYDRAULIC HOSE (2)	159
FIG 611 PTO VALVE	161
FIG 612 3-POINT LINKAGE	163
FIG 613 JOYSTICK LEVER	166
FIG 614 HITCH & COVER	168

7. 시트메탈/캐빈 PART NO. T7

FIG 701 BONNET	171
FIG 702 BONNET	173
FIG 703 DASH PANEL	175
FIG 704 FLOOR	177
FIG 705 SEAT	179
FIG 706 ROPS	181

8. 전장 PART NO. T8

FIG 801 BATTERY & MOUNTING	184
FIG 802 LIGHTS	186
FIG 803 INSTRUMENT PANEL	188
FIG 804 ELECTRIC SYSTEM	190
FIG 805 HARNESS	192

9. 라벨/옵션 PART NO. T9

FIG 901 TOOL & ACCESSORY

195

1. 엔진 PART NO. EG

FIG 101 CYLINDER BLOCK	7
FIG 102 OIL PAN	9
FIG 103 CYLINDER HEAD	11
FIG 104 GEAR CASE	13
FIG 105 HEAD COVERT	15
FIG 106 OIL FILTER	17
FIG 107 OIL GAUGE	19
FIG 108 MAIN BEARING CASE	21
FIG 109 CAM SHAFT & IDLE SHAFT	23
FIG 110 PISTON & CRANK SHAFT	25
FIG 111 FLYWHEEL	27
FIG 112 FUEL CAM SHAFT&GOVERNOR SHAFT	29
FIG 113 IDLE APPARATUS	31
FIG 114 CONNECTING-ROD	33
FIG 115 GOVERNOR	35
FIG 116 SPEED CONTROL PLATE	37
FIG 117 INJECTOR & GLOW PLUG	39
FIG 118 WATER PUMP FLANGE&THERMOSTAT	41
FIG 119 WATER PUMP	43
FIG 120 ROCKER ARM	45
FIG 121 INTAKE MANIFOLD	47
FIG 122 EXHAUST MANIFOLD	49
FIG 123 STOP SOLENOID	51
FIG 124 ALTERNATOR & PULLY	53
FIG 125 STARTING MOTOR	55
FIG 126 EXHAUST SILENCER	57
FIG 127 COOLING PAN	59
FIG 128 OIL PRESSURE SWITCH	61
FIG 129 DATA PLATE	63
FIG 130 WATER PIPE	65
FIG 131 WATER PIPE	67

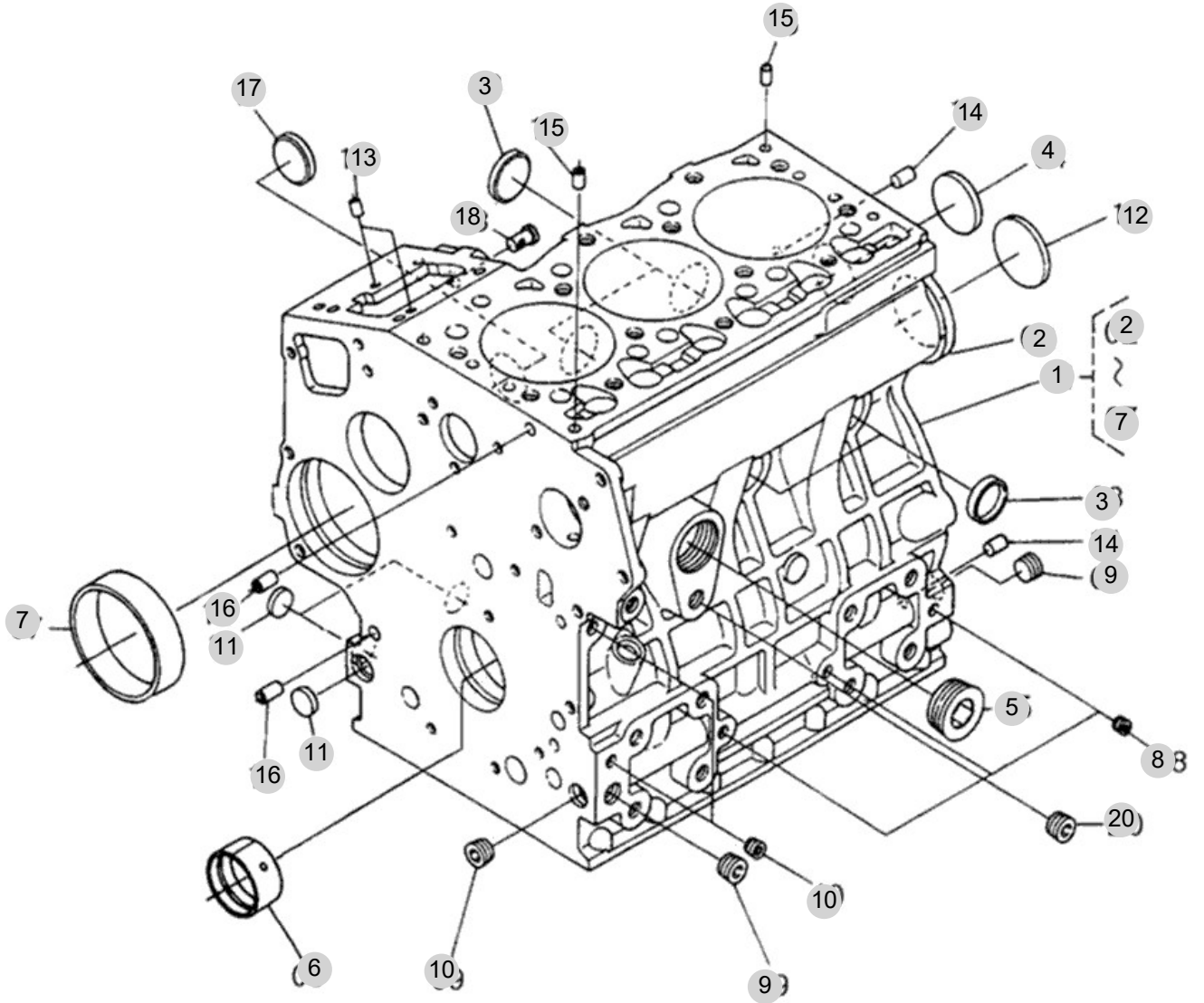
FIG 101

T265NHRU

CYLINDER BLOCK

년/월
Year/Month

2022-12



NOTE

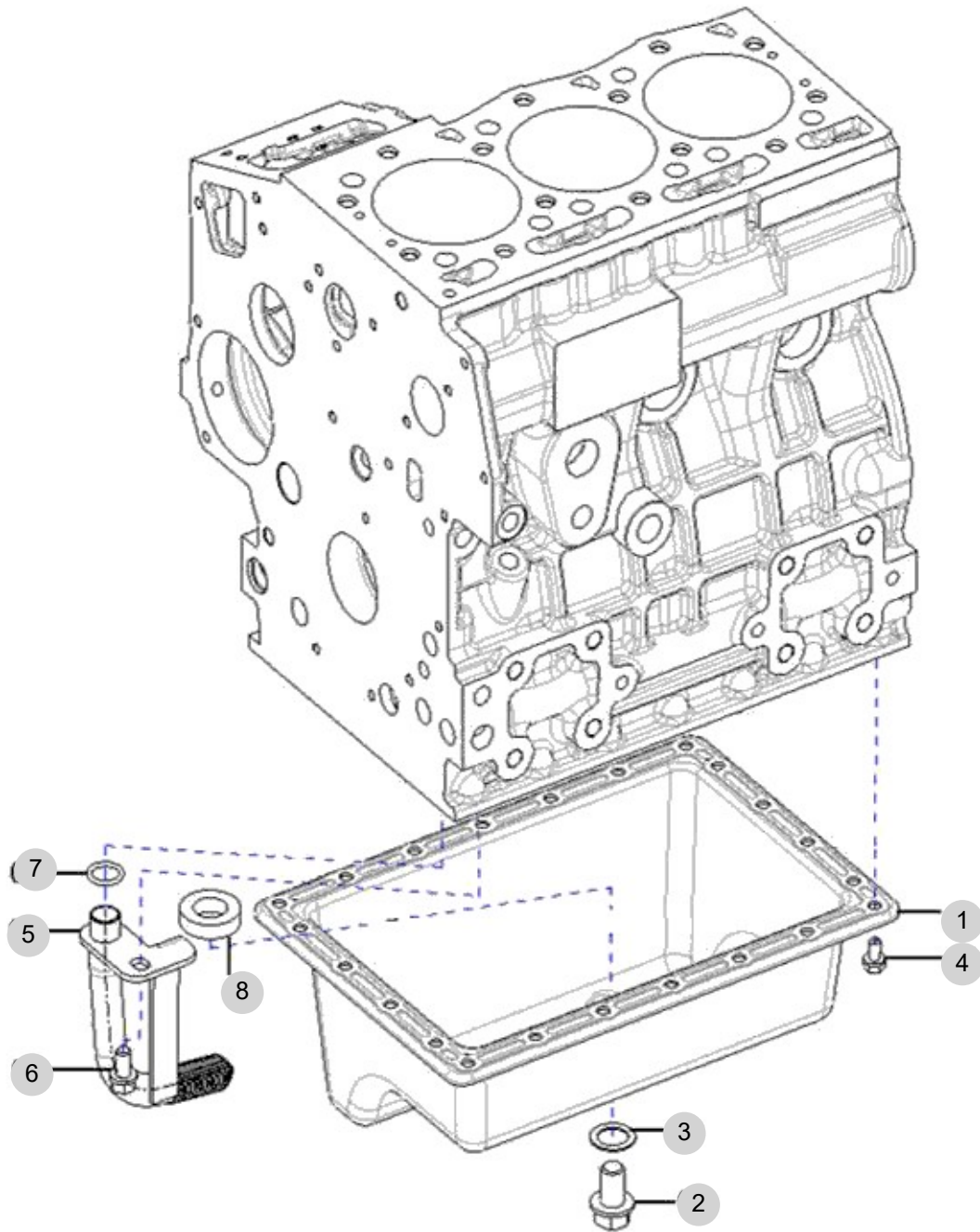
FIG 102

T265NHRU

OIL PAN

년/월
Year/Month

2022-12



NOTE

FIG 102		OIL PAN						년/월 Year/Month
T265NHRU								2022-12
KEY NO	PART NO	DESCRIPTION	SPEC	QTY	REPAIR	EFFECTIVE DATE	REMARKS	
102	1	EA00000865C	오일팬 조합					
102	2	EA00001475A	드레인 플러그					
102	3	24311-000140	441,ALL,O-RINGP-14					
102	4	26013-060122	와셔조립육각볼트	M6X12				
102	5	EA00000869A	오일 흡입관 조합					
102	6	26013-080162	와셔조립육각볼트	M8X16				
102	7	24311-000160	운동용O링					
102	8	HF01470000A	자석					
NOTE								

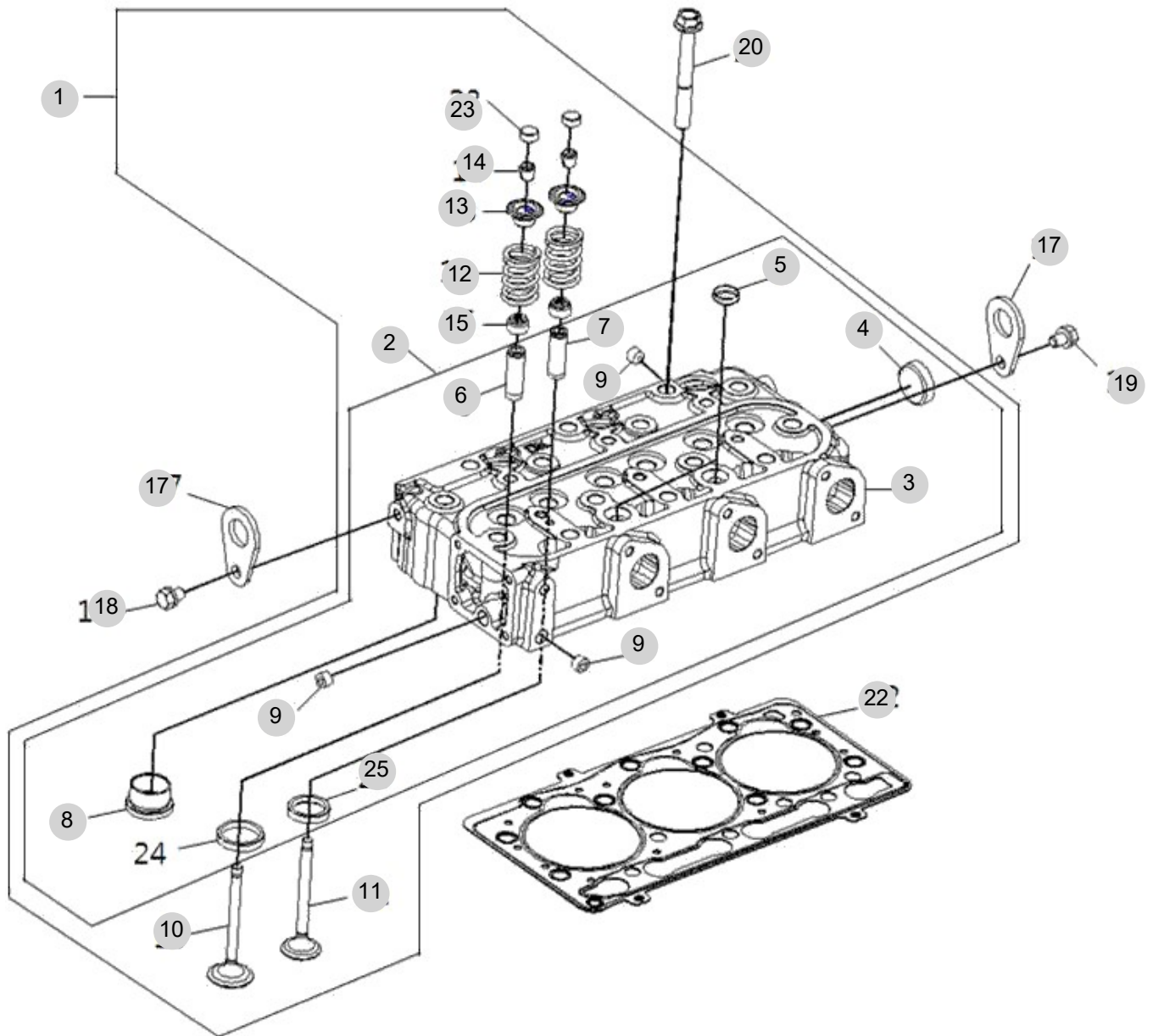
FIG 103

CYLINDER HEAD

년/월
Year/Month

2022-12

T265NHRU



NOTE

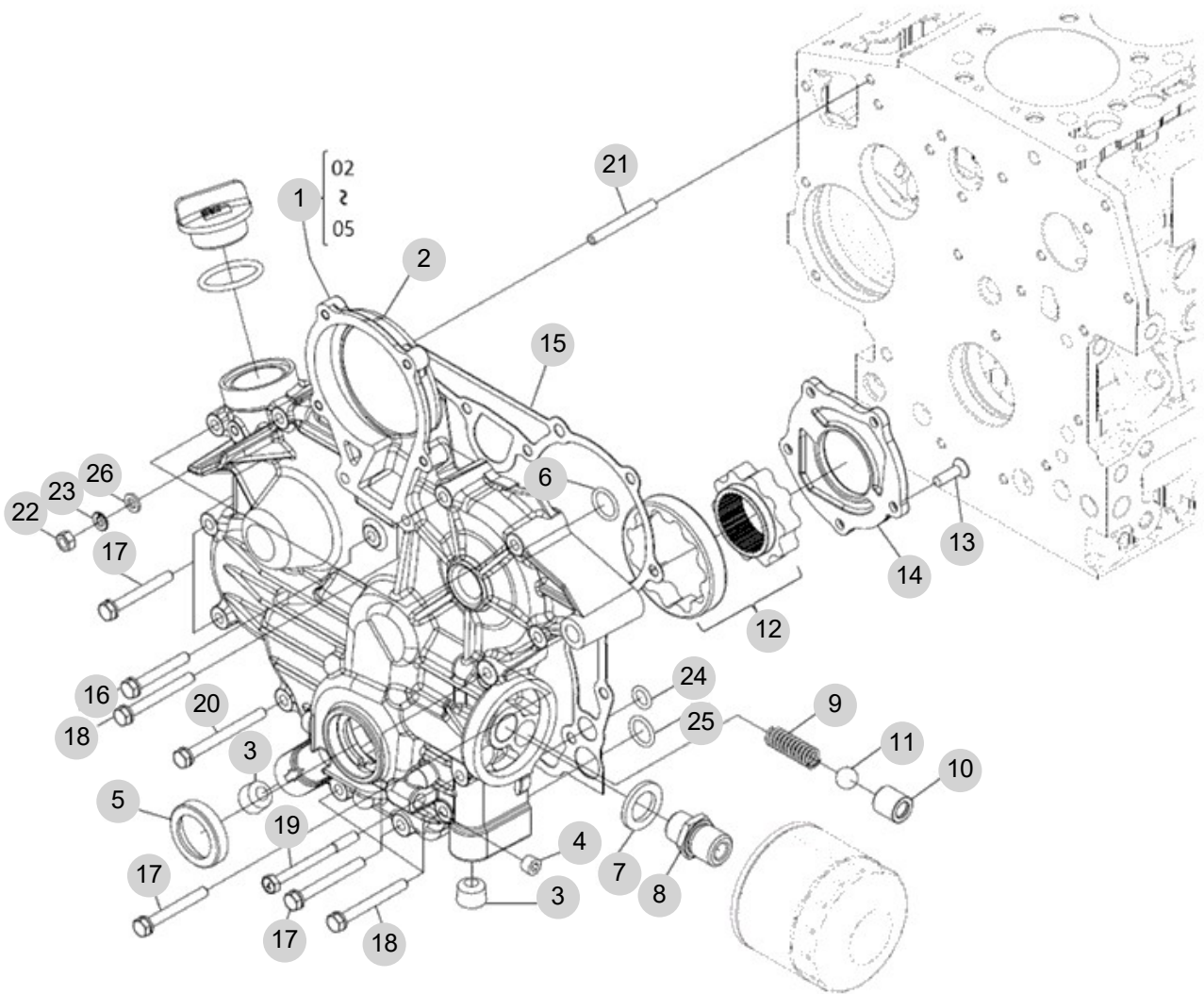
FIG 104

GEAR CASE

년/월
Year/Month

2022-12

T265NHRU



NOTE

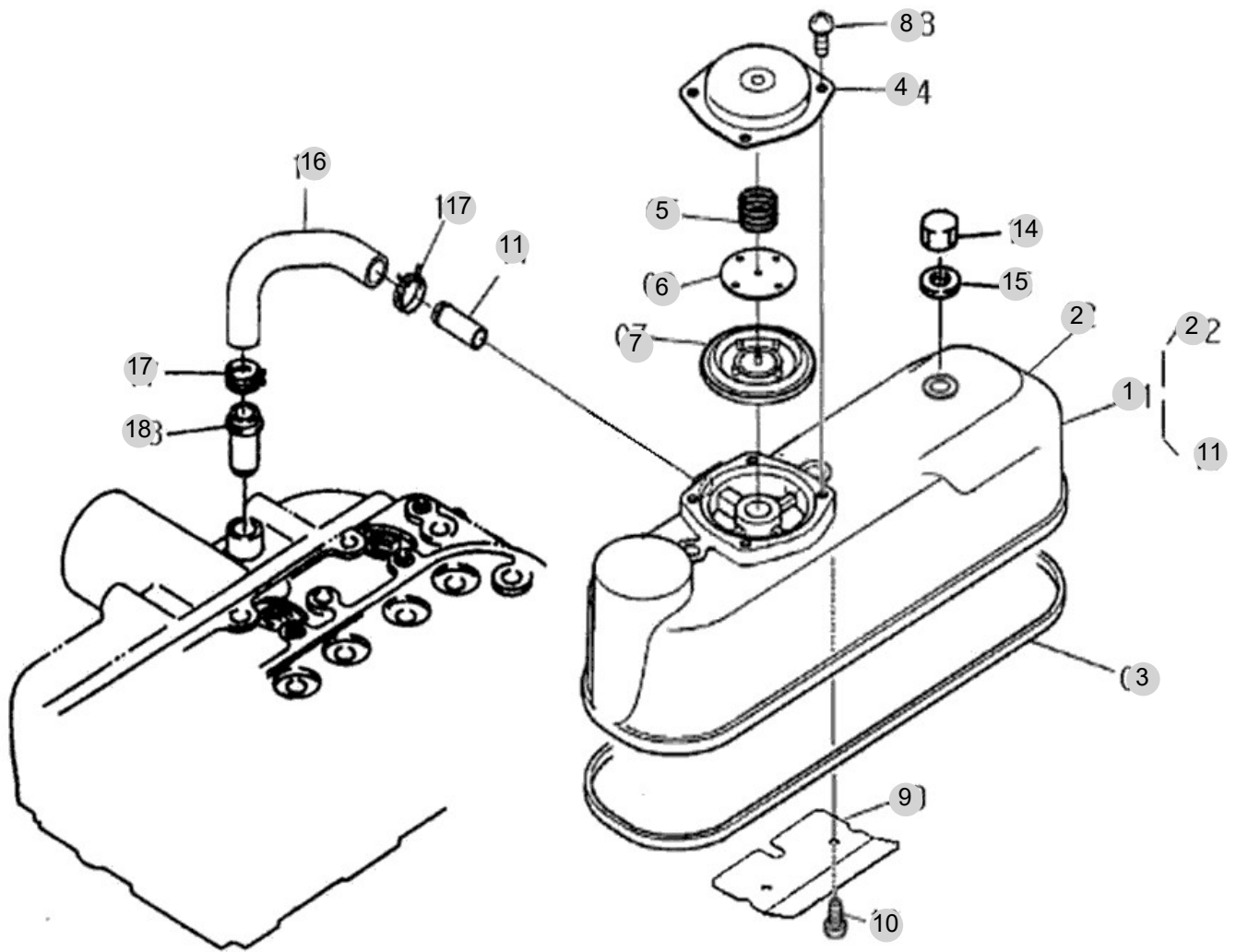
FIG 105

HEAD COVERT

년/월
Year/Month

2022-12

T265NHRU



NOTE

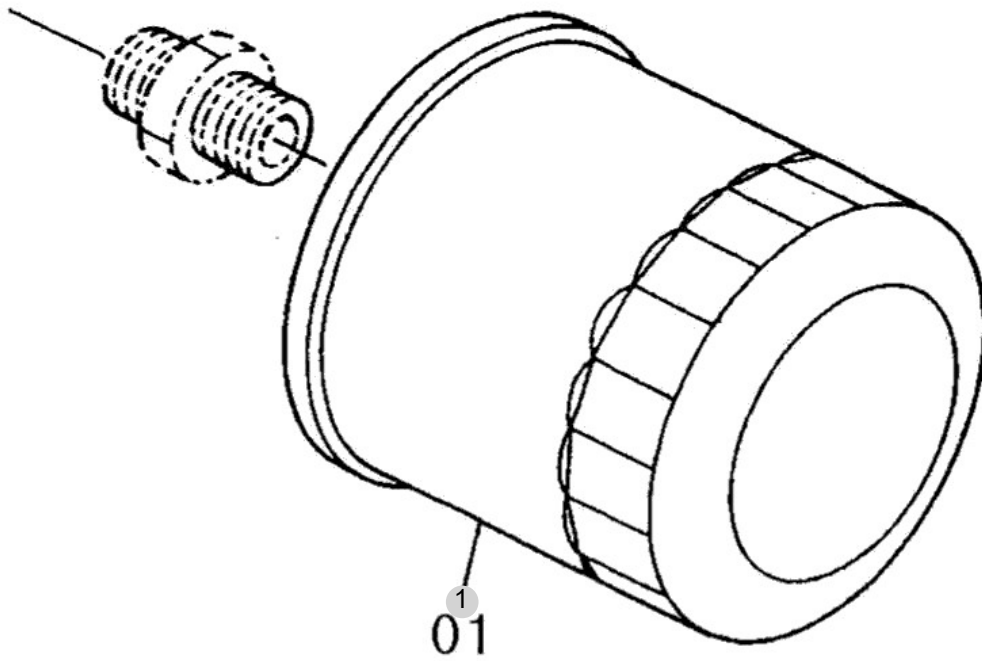
FIG 106

T265NHRU

OIL FILTER

년/월
Year/Month

2022-12



NOTE

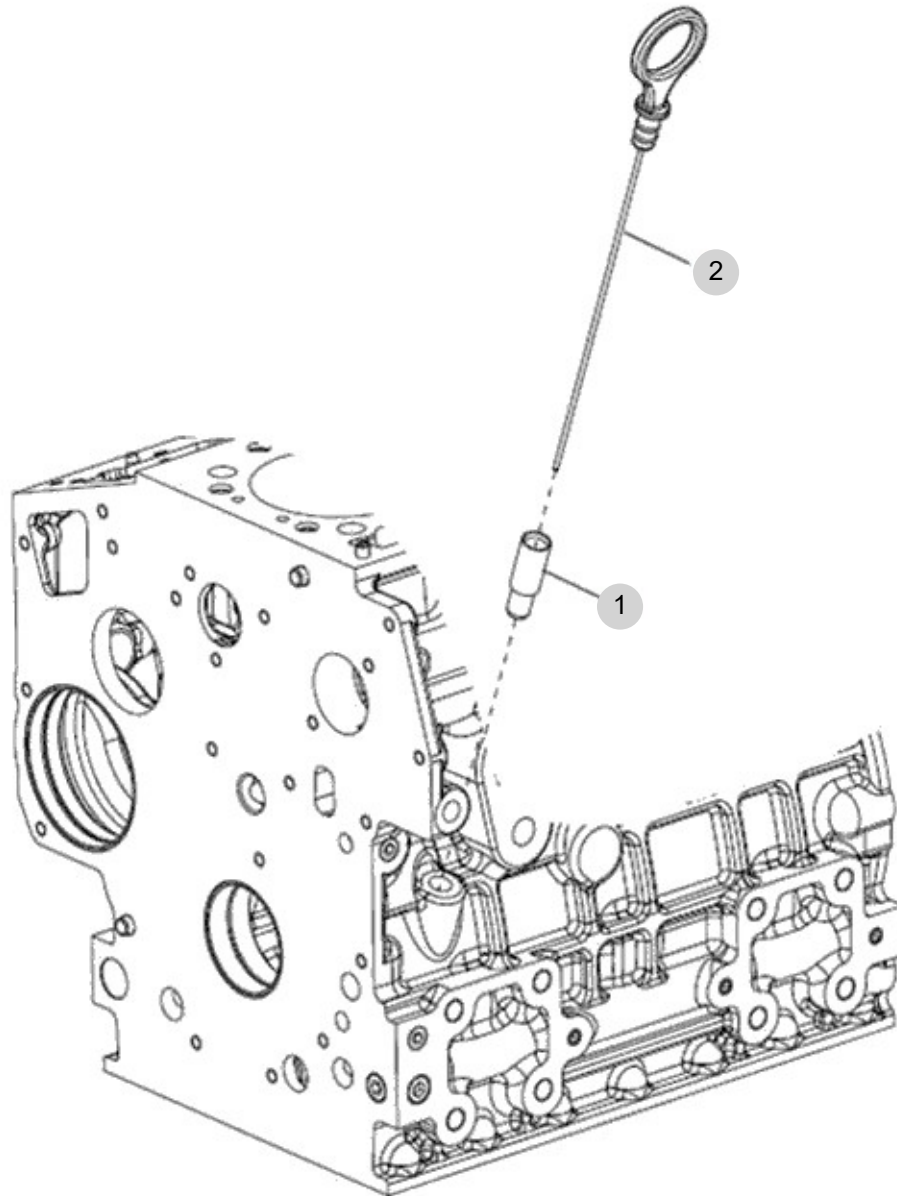
FIG 107

T265NHRU

OIL GAUGE

년/월
Year/Month

2022-12



NOTE

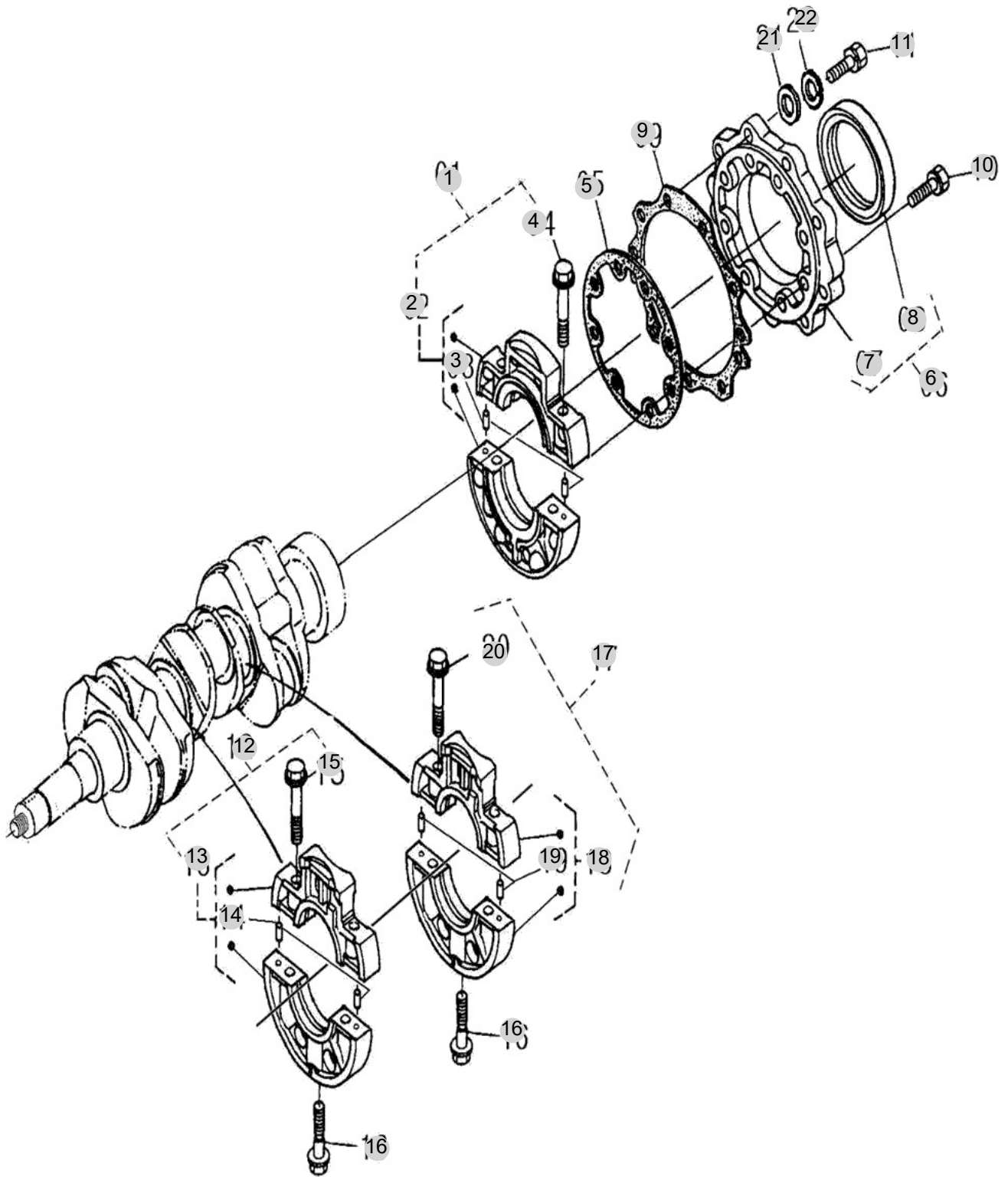
FIG 108

MAIN BEARING CASE

년/월
Year/Month

2022-12

T265NHRU



NOTE

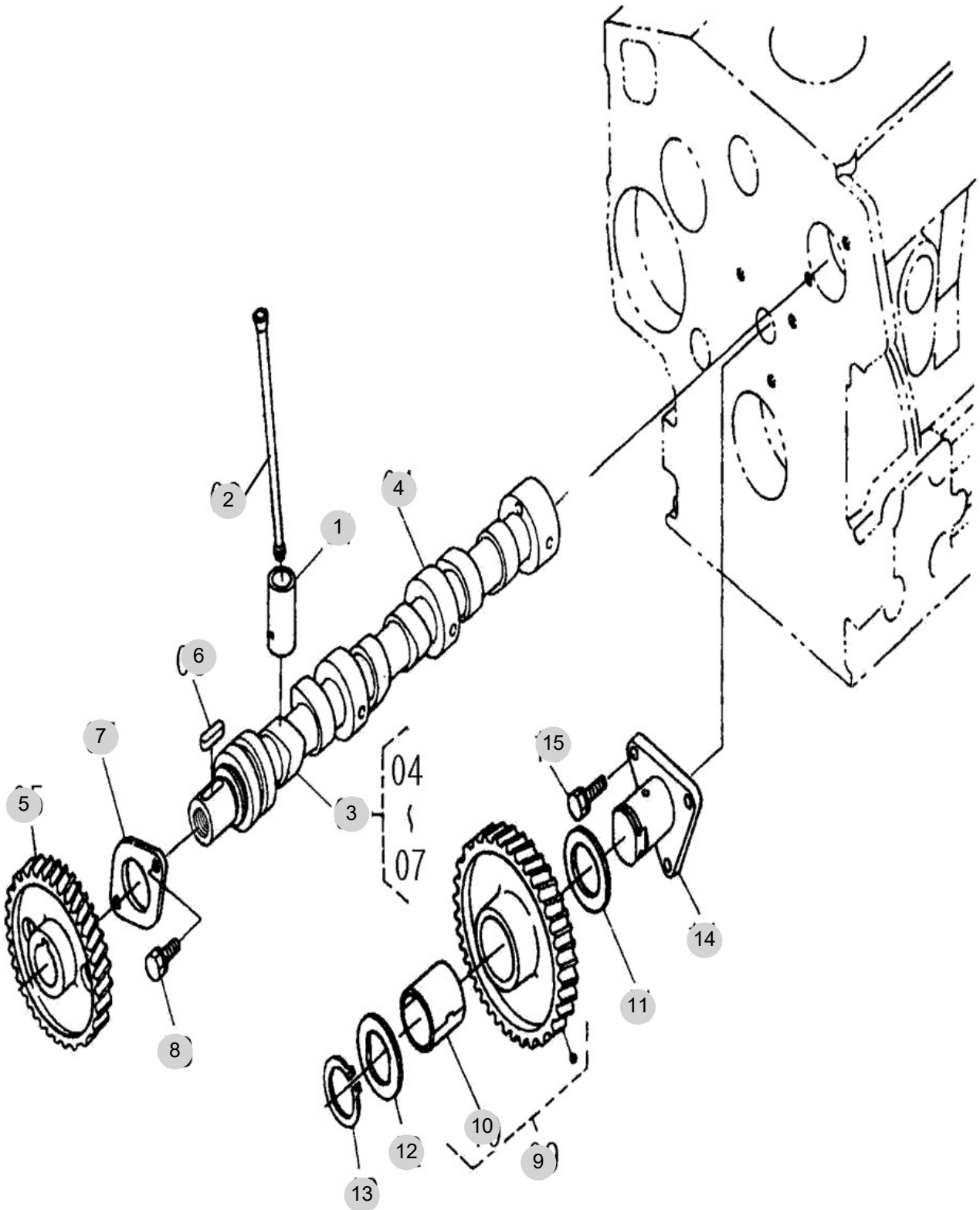
FIG 109

T265NHRU

CAM SHAFT & IDLE SHAFT

년/월
Year/Month

2022-12



NOTE

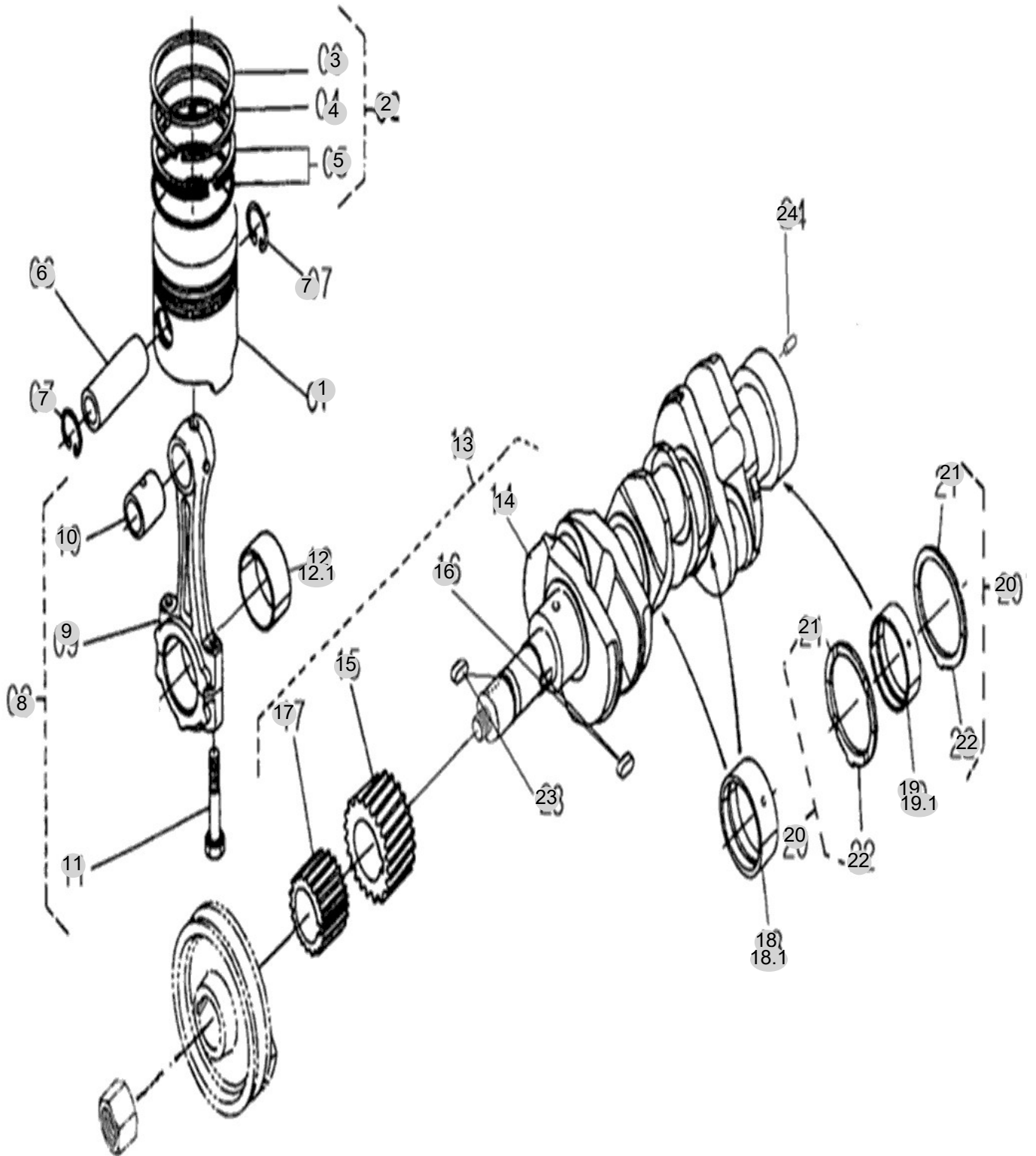
FIG 110

PISTON & CRANK SHAFT

년/월
Year/Month

2022-12

T265NHRU



NOTE

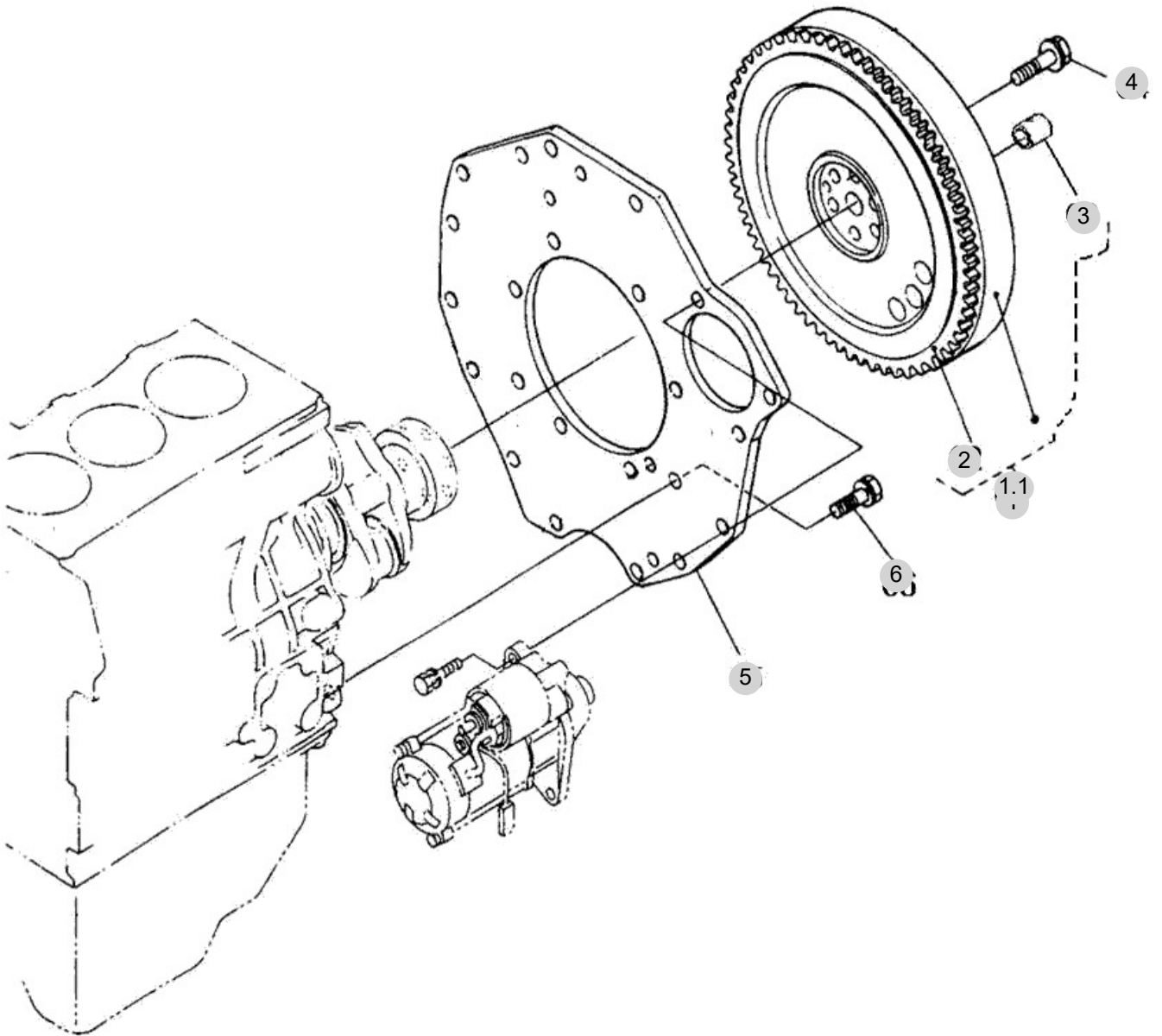
FIG 111

T265NHRU

FLYWHEEL

년/월
Year/Month

2022-12



NOTE

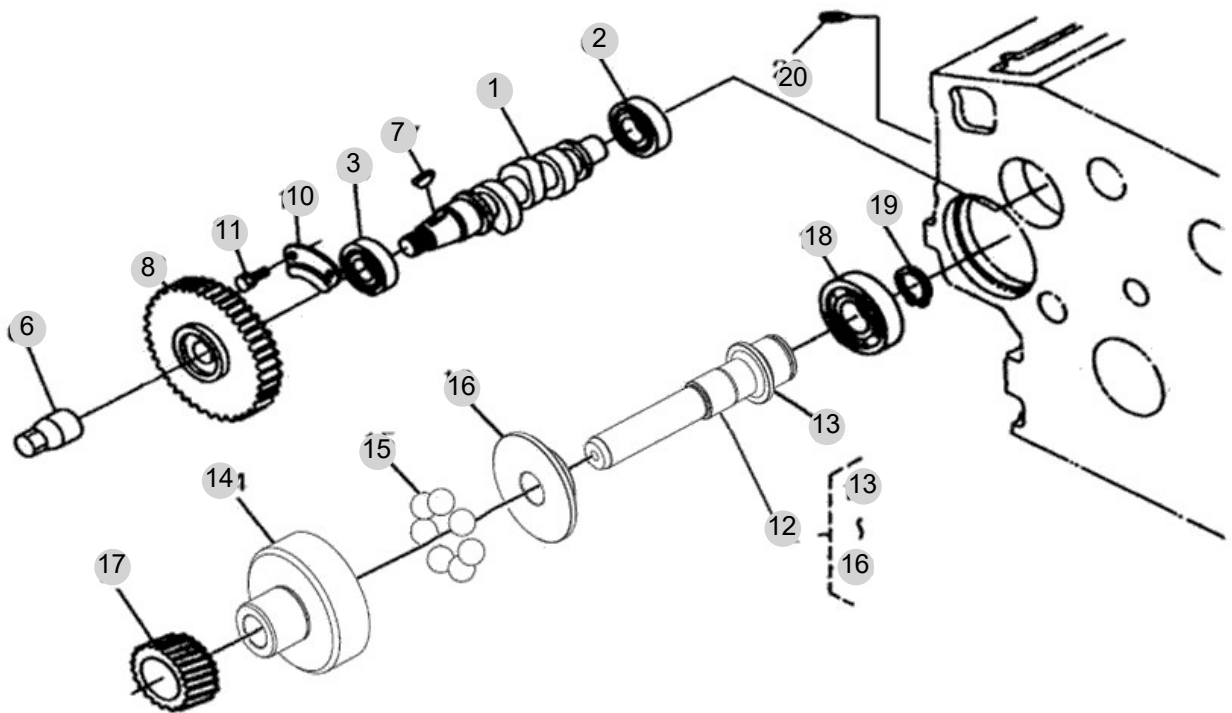
FIG 112

FUEL CAM SHAFT&GOVERNOR SHAFT

년/월
Year/Month

2022-12

T265NHRU



NOTE

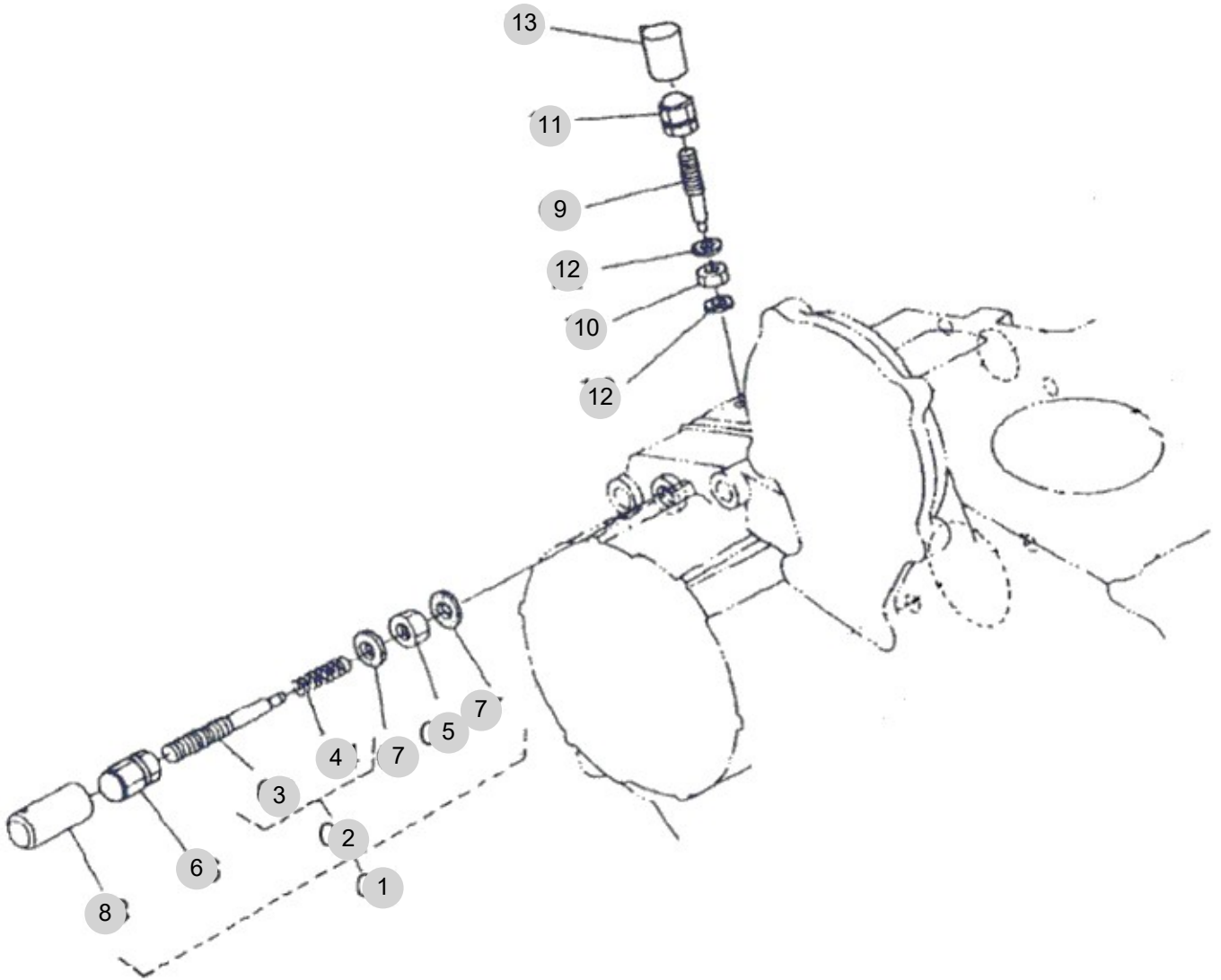
FIG 113

T265NHRU

IDLE APPARATUS

년/월
Year/Month

2022-12



NOTE

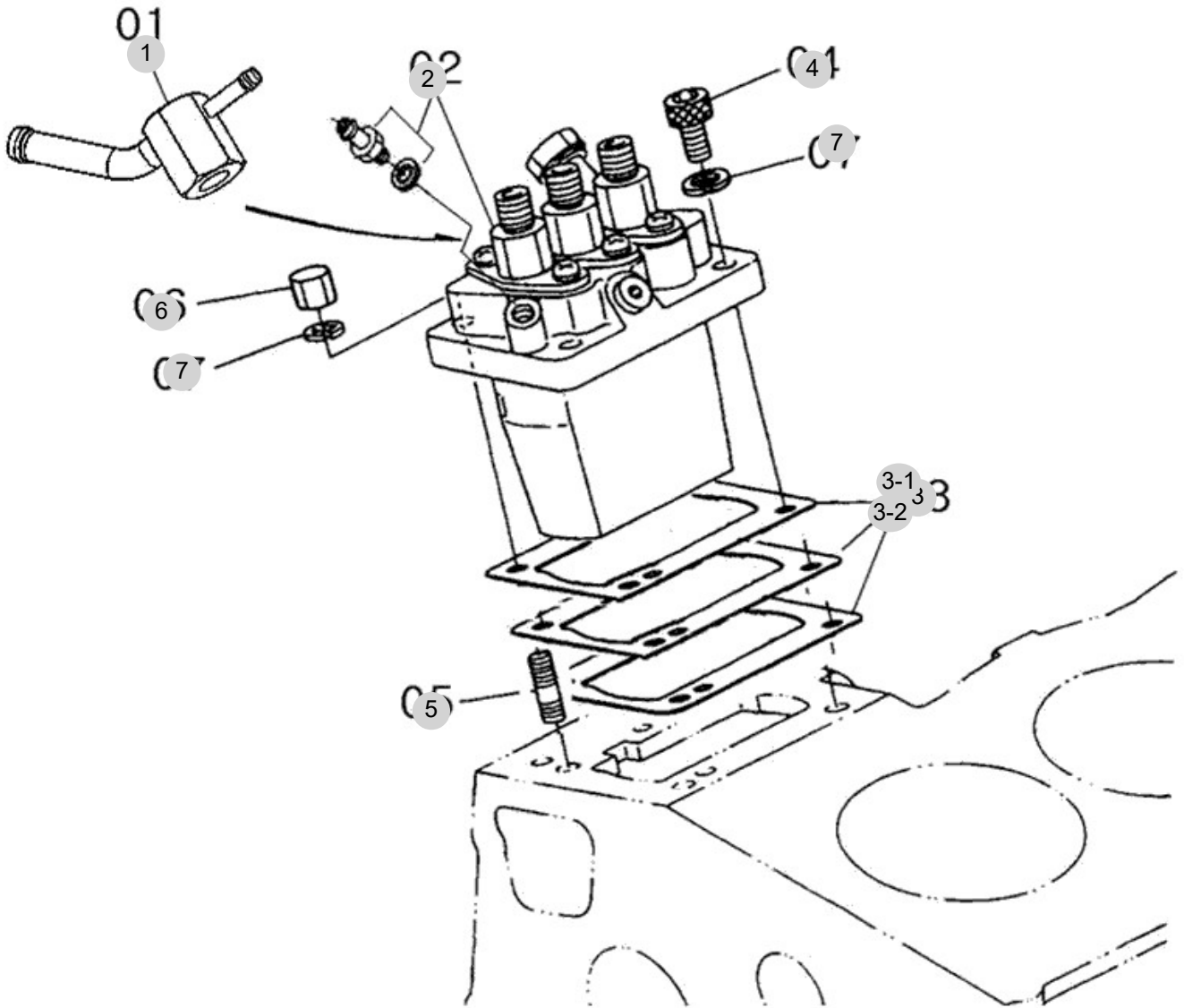
FIG 114

T265NHRU

CONNECTING-ROD

년/월
Year/Month

2022-12



NOTE

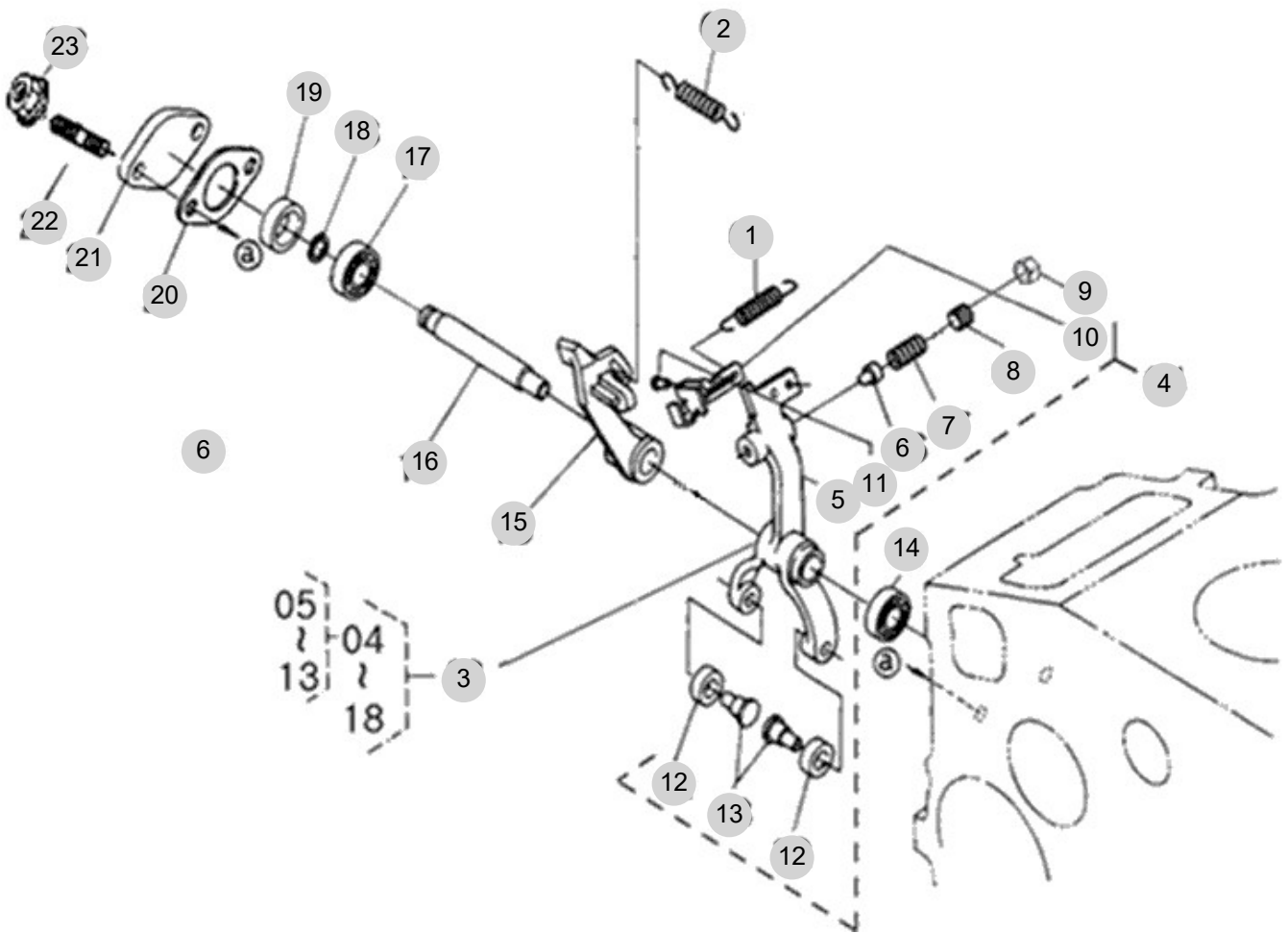
FIG 115

GOVERNOR

년/월
Year/Month

2022-12

T265NHRU



NOTE

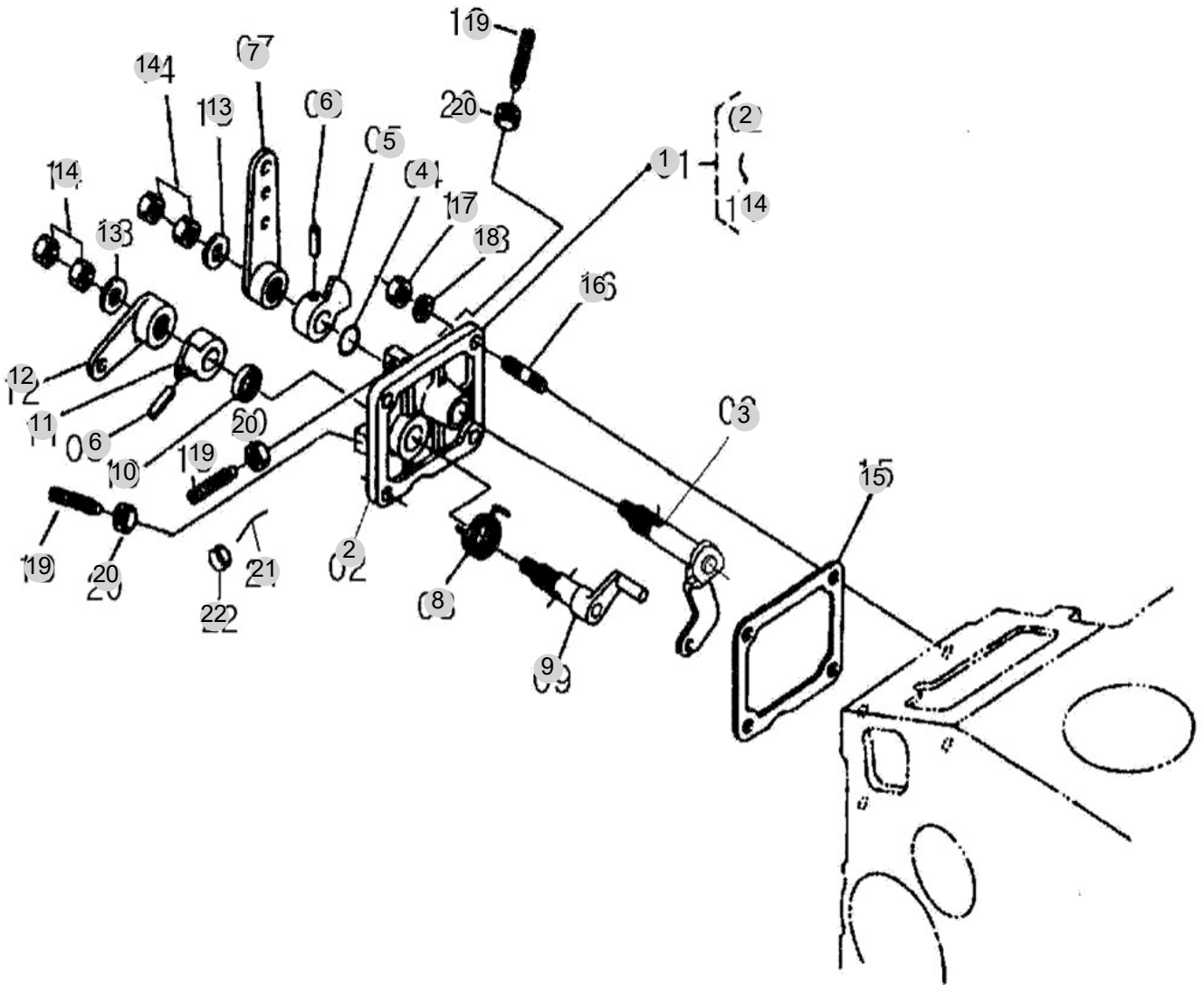
FIG 116

SPEED CONTROL PLATE

년/월
Year/Month

2022-12

T265NHRU



NOTE

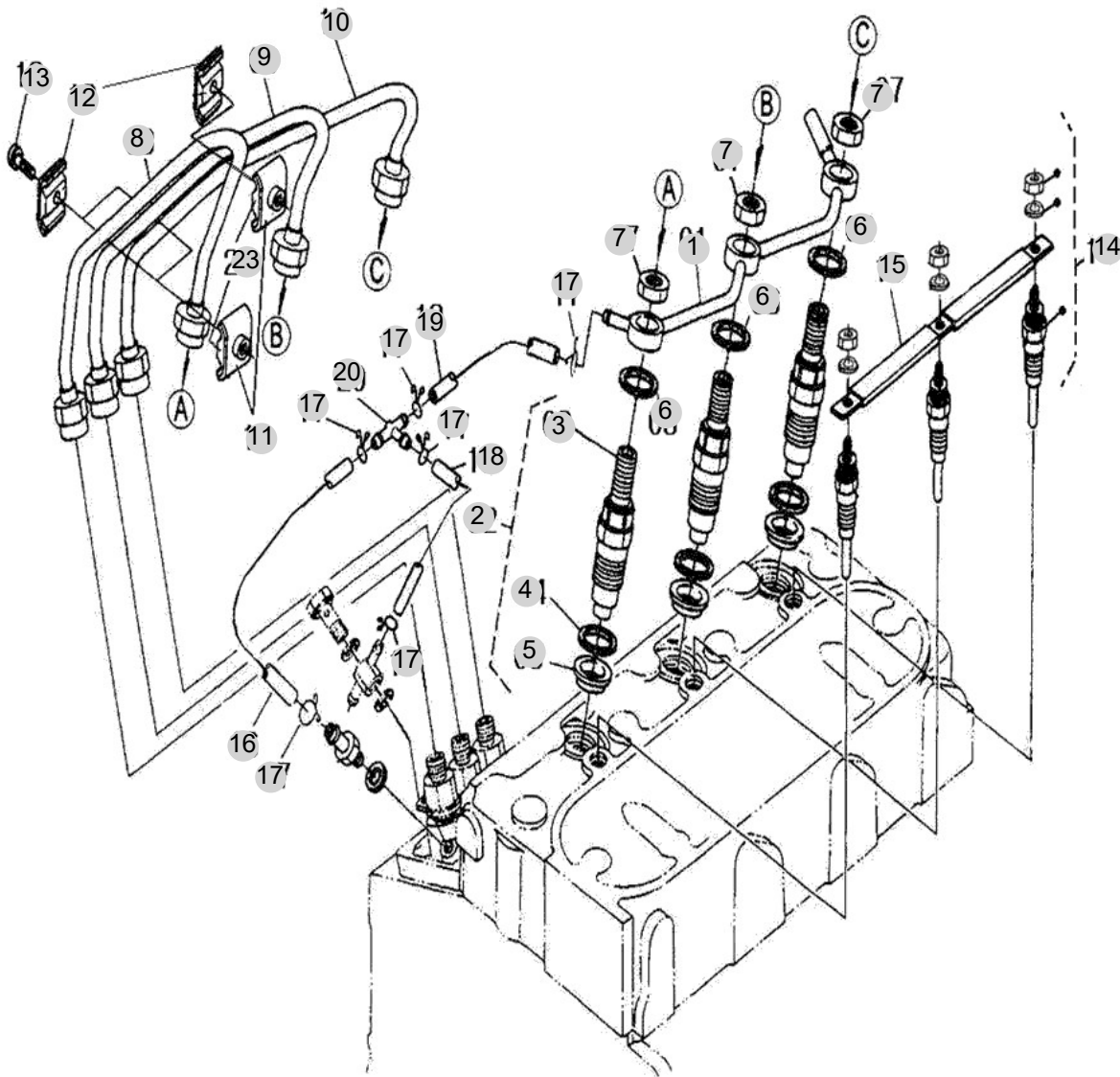
FIG 117

INJECTOR & GLOW PLUG

년/월
Year/Month

2022-12

T265NHRU



NOTE

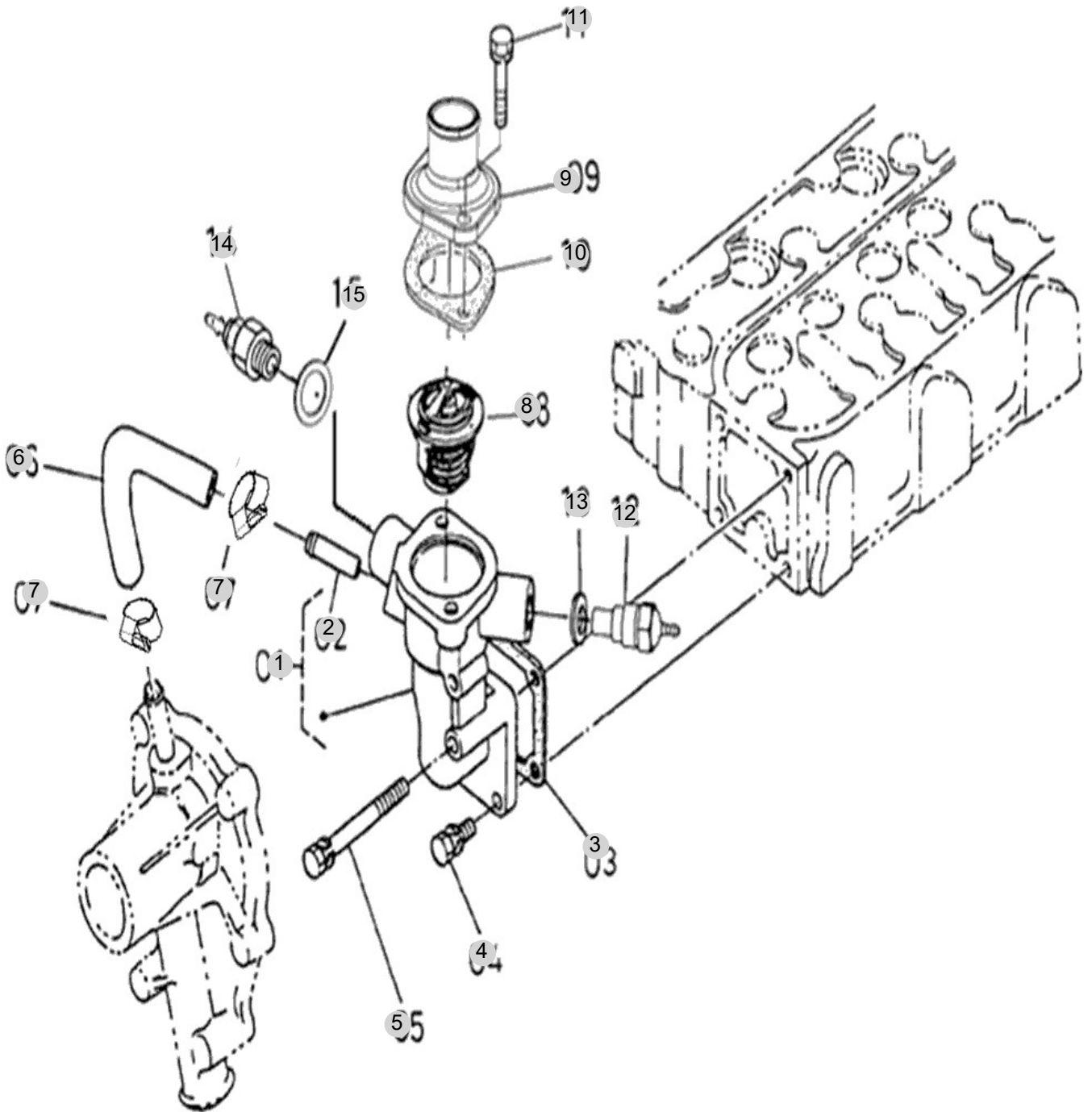
FIG 118

WATER PUMP FLANGE&THERMOSTAT

년/월
Year/Month

2022-12

T265NHRU



NOTE

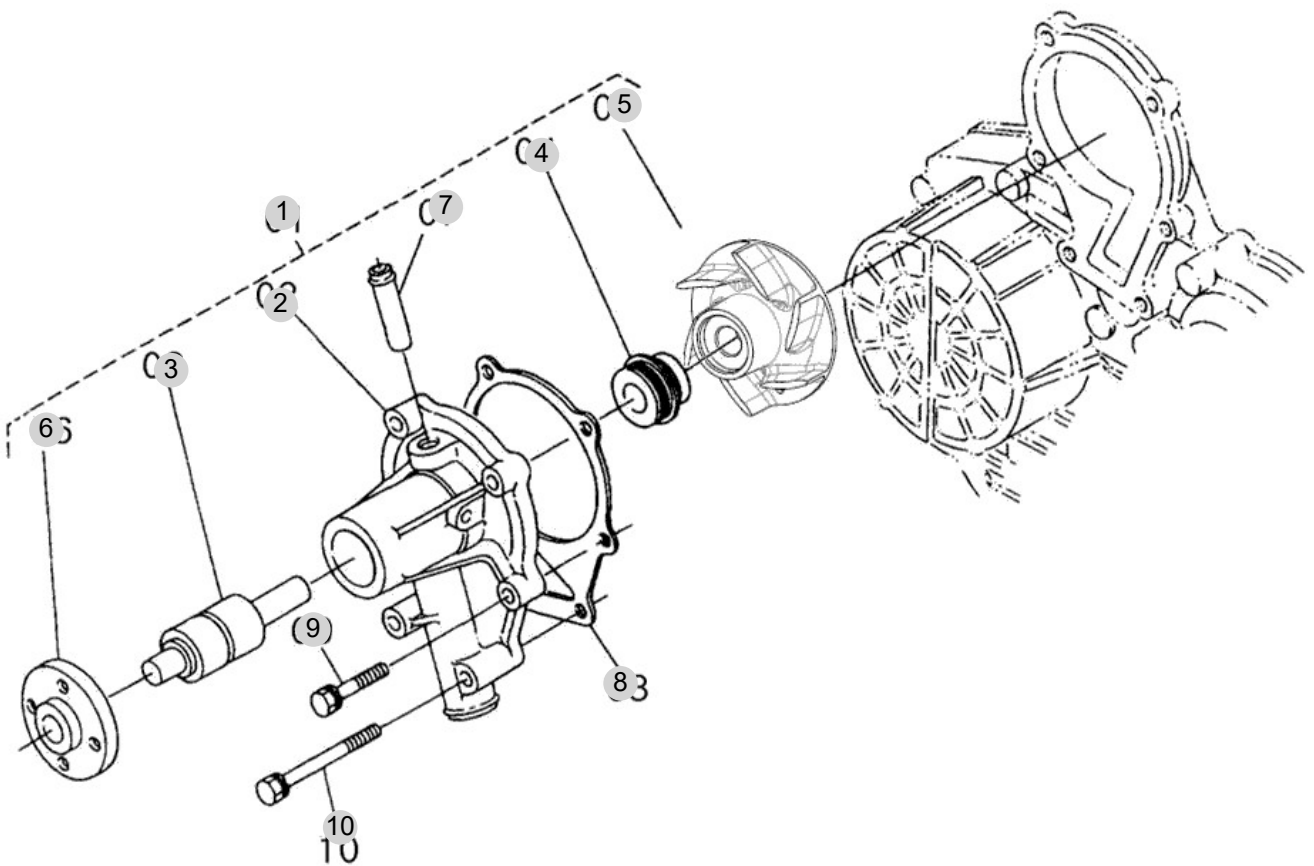
FIG 119

T265NHRU

WATER PUMP

년/월
Year/Month

2022-12



NOTE

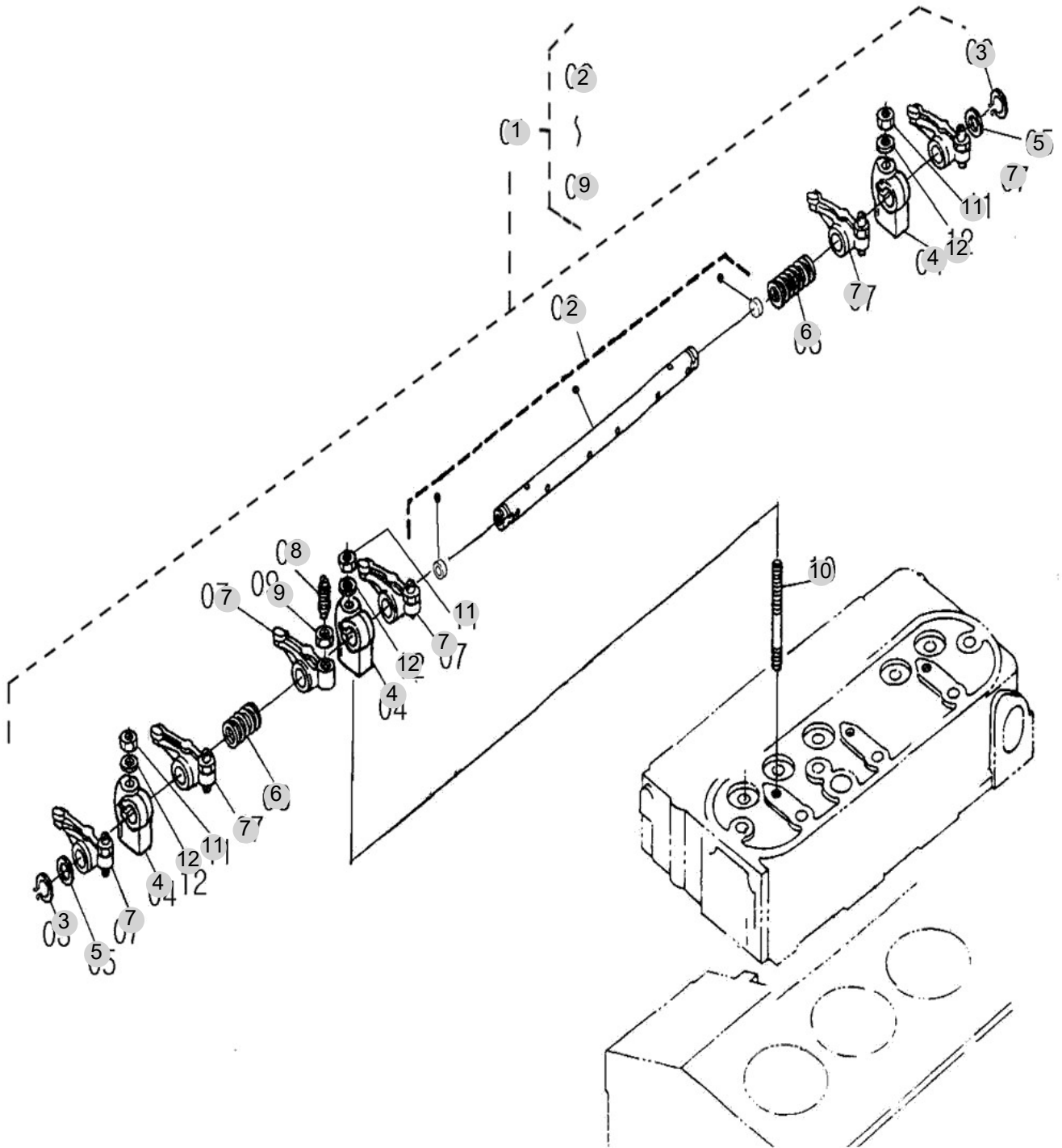
FIG 120

ROCKER ARM

년/월
Year/Month

2022-12

T265NHRU



NOTE

FIG 120		ROCKER ARM						년/월	REMARKS
								Year/Month	
T265NHRU								2022-12	
KEY NO	PART NO	DESCRIPTION	SPEC	QTY	REPAIR	EFFECTIVE DATE	REMARKS		
120	1	HT21010000C	로커암 조합						
120	2	HT21010100A	로커암 축 조합						
120	3	22242-000130	축형C형스냅링A종						
120	4	HT21010200A	로커암 써포트						
120	5	HT21010300A	로커암 축 와셔 (A)						
120	6	HT21010400A	로커암 스프링						
120	7	HT21010500C	로커암						
120	8	HT21010600A	조정 나사						
120	9	HT21010700A	너트						
120	10	HT21020000A	심음 볼트 (로커암)						
120	11	26717-080002	육각너트	M8					
120	12	22117-080000	평와셔(소형)						
NOTE									

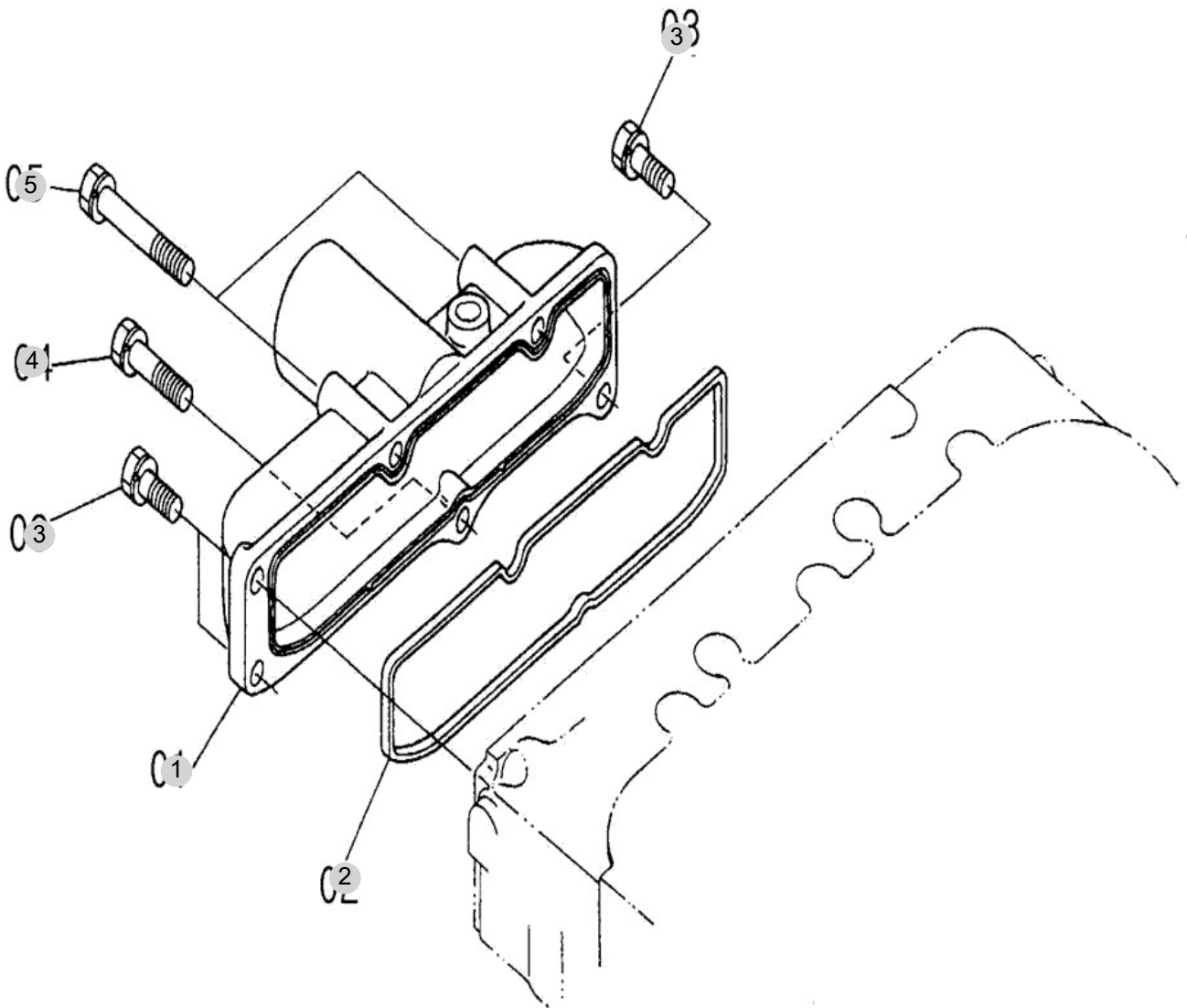
FIG 121

INTAKE MANIFOLD

년/월
Year/Month

2022-12

T265NHRU



NOTE

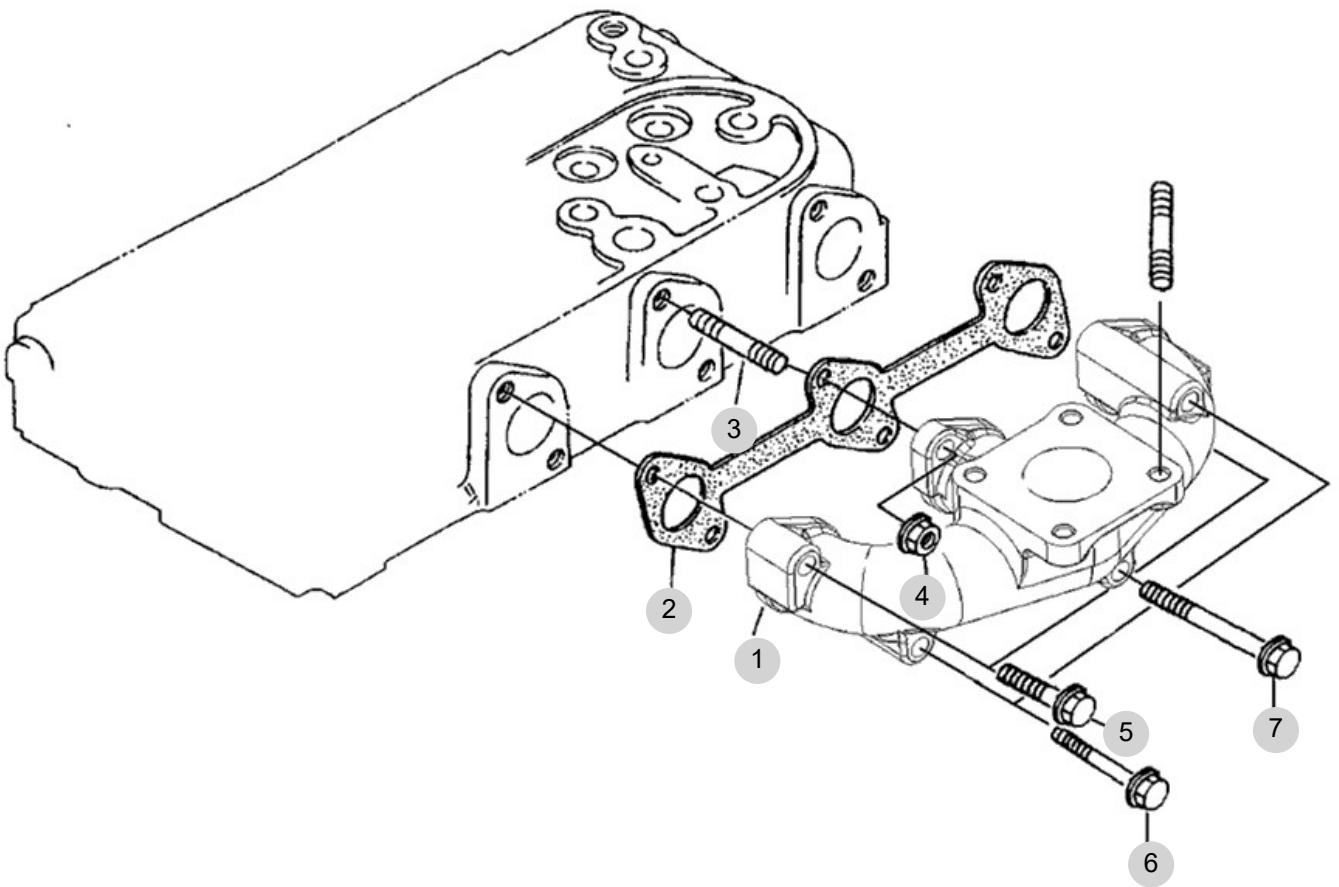
FIG 122

EXHAUST MANIFOLD

년/월
Year/Month

T265NHRU

2022-12



NOTE

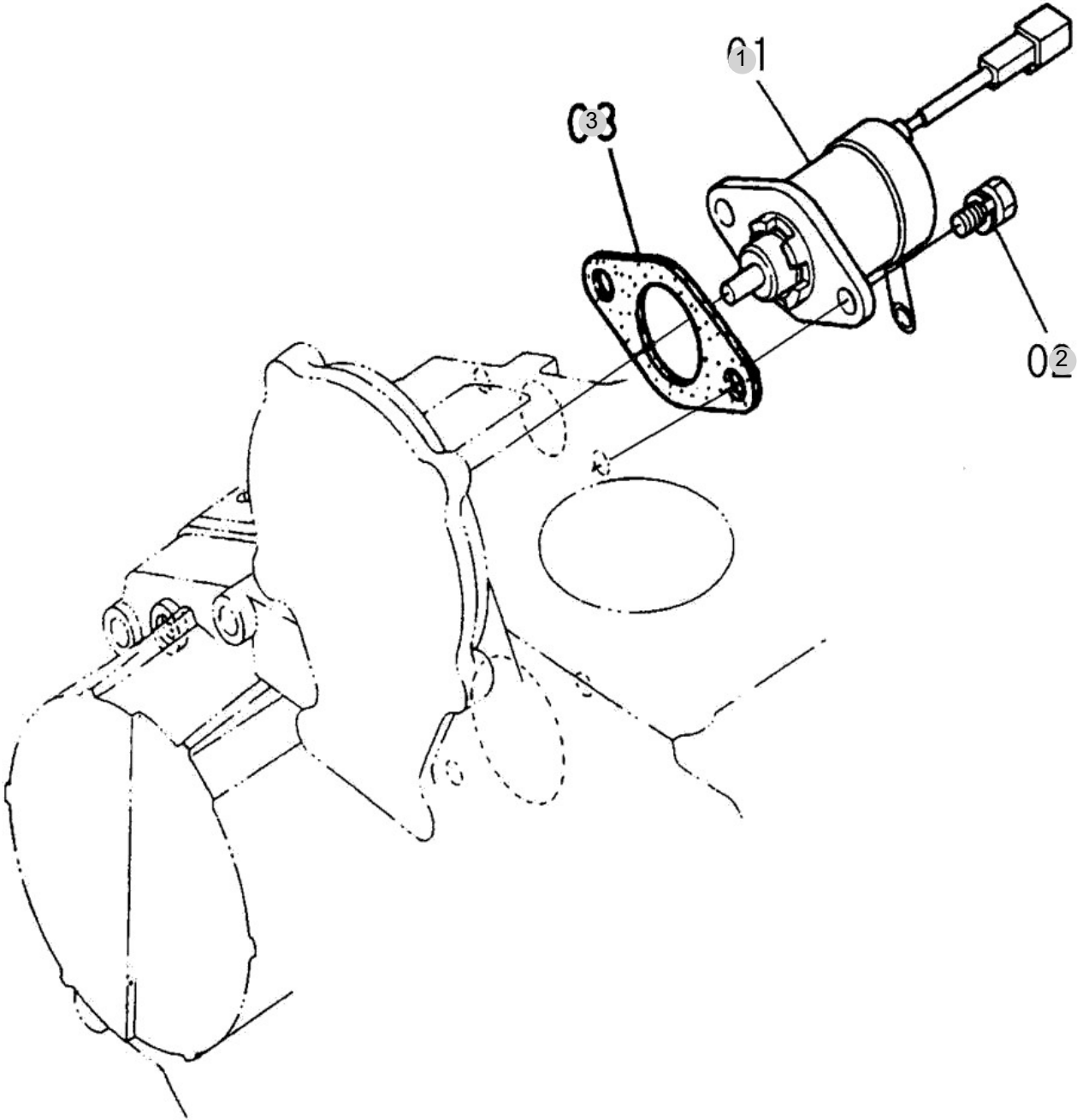
FIG 123

STOP SOLENOID

년/월
Year/Month

2022-12

T265NHRU



NOTE

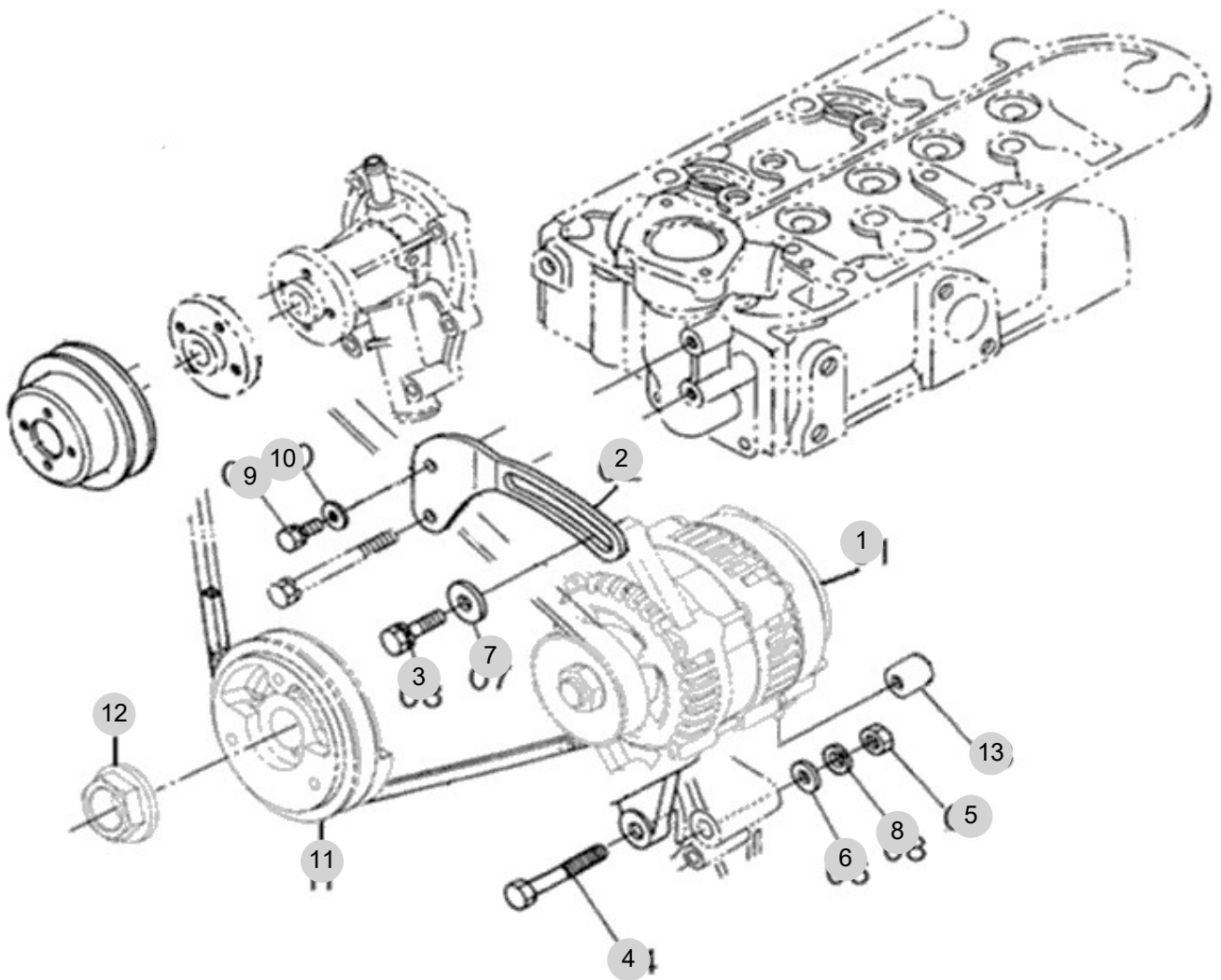
FIG 124

T265NHRU

ALTERNATOR & PULLEY

년/월
Year/Month

2022-12



NOTE

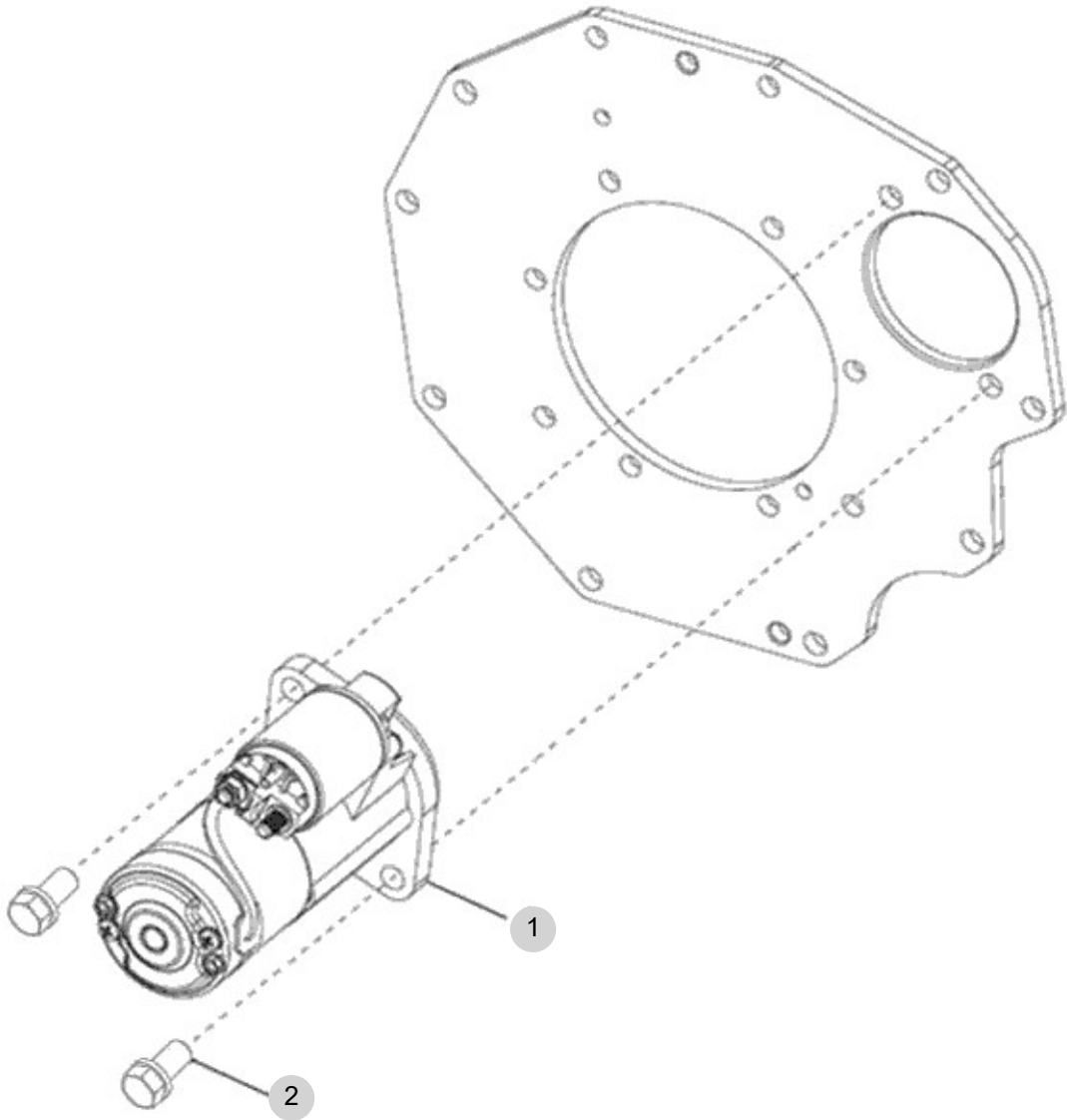
FIG 125

T265NHRU

STARTING MOTOR

년/월
Year/Month

2022-12



NOTE

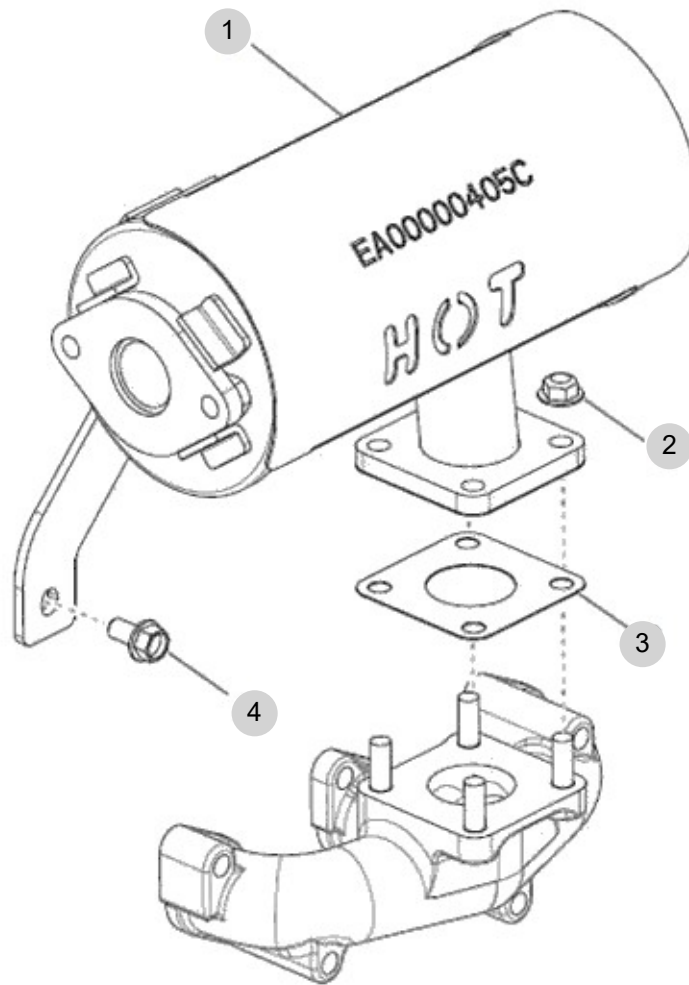
FIG 126

T265NHRU

EXHAUST SILENCER

년/월
Year/Month

2022-12



NOTE

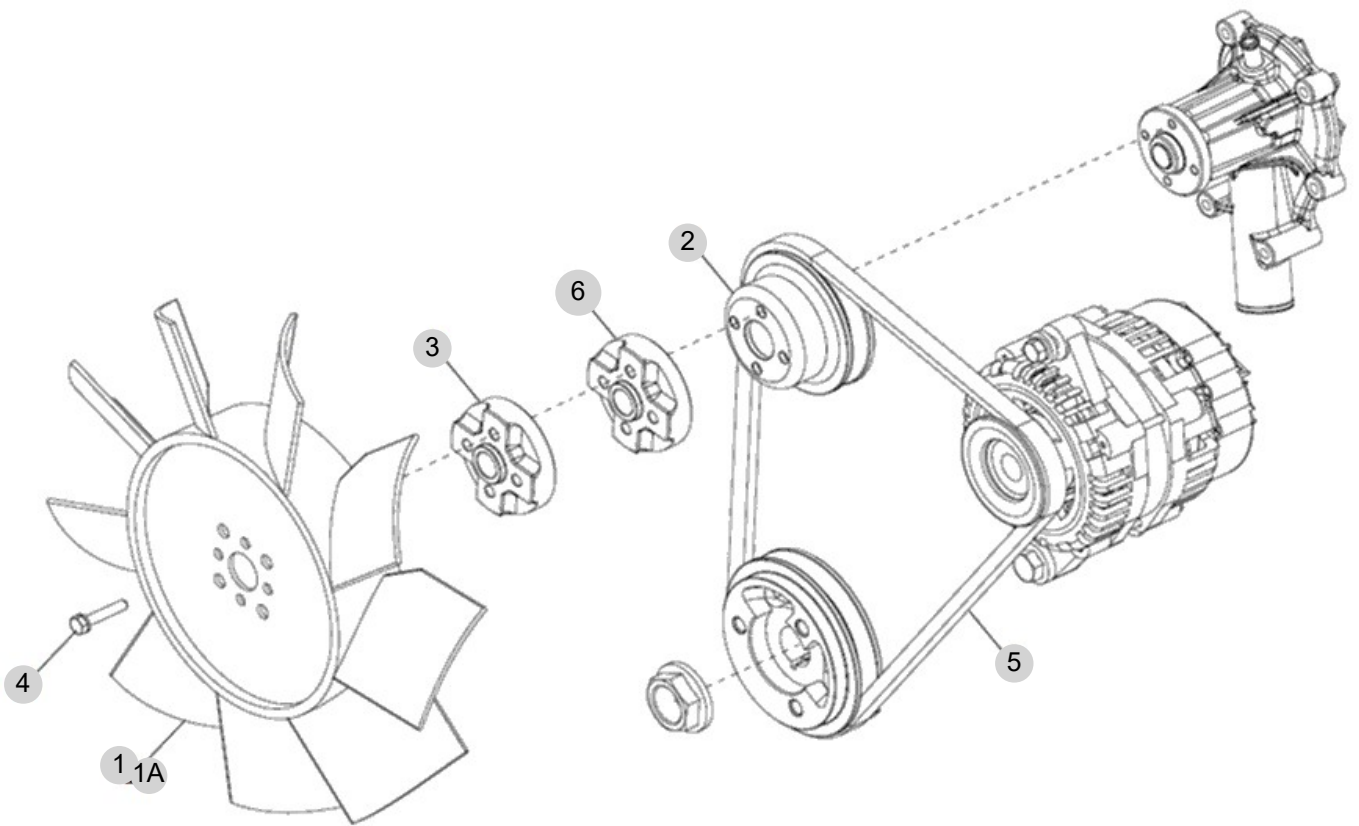
FIG 127

T265NHRU

COOLING PAN

년/월
Year/Month

2022-12



NOTE

FIG 127 T265NHRU		COOLING PAN						년/월 Year/Month	REMARKS
								2022-12	
KEY NO	PART NO	DESCRIPTION	SPEC	QTY	REPAIR	EFFECTIVE DATE	REMARKS		
127	1	EA00005385A	냉각팬(330)	Ø330		1			
127	1A	EA00002191B	냉각팬(310)			1			
127	2	EA00003006A	팬 플리			1			
127	3	EA00002199B	스페이서	20mm		1			
127	4	26013-060452	와셔조립육각볼트	M6X45		1			
127	5	EA00002552A	V-벨트(37.5")			1			
127	6	EA00005906A	스페이서	10mm		1			
NOTE									

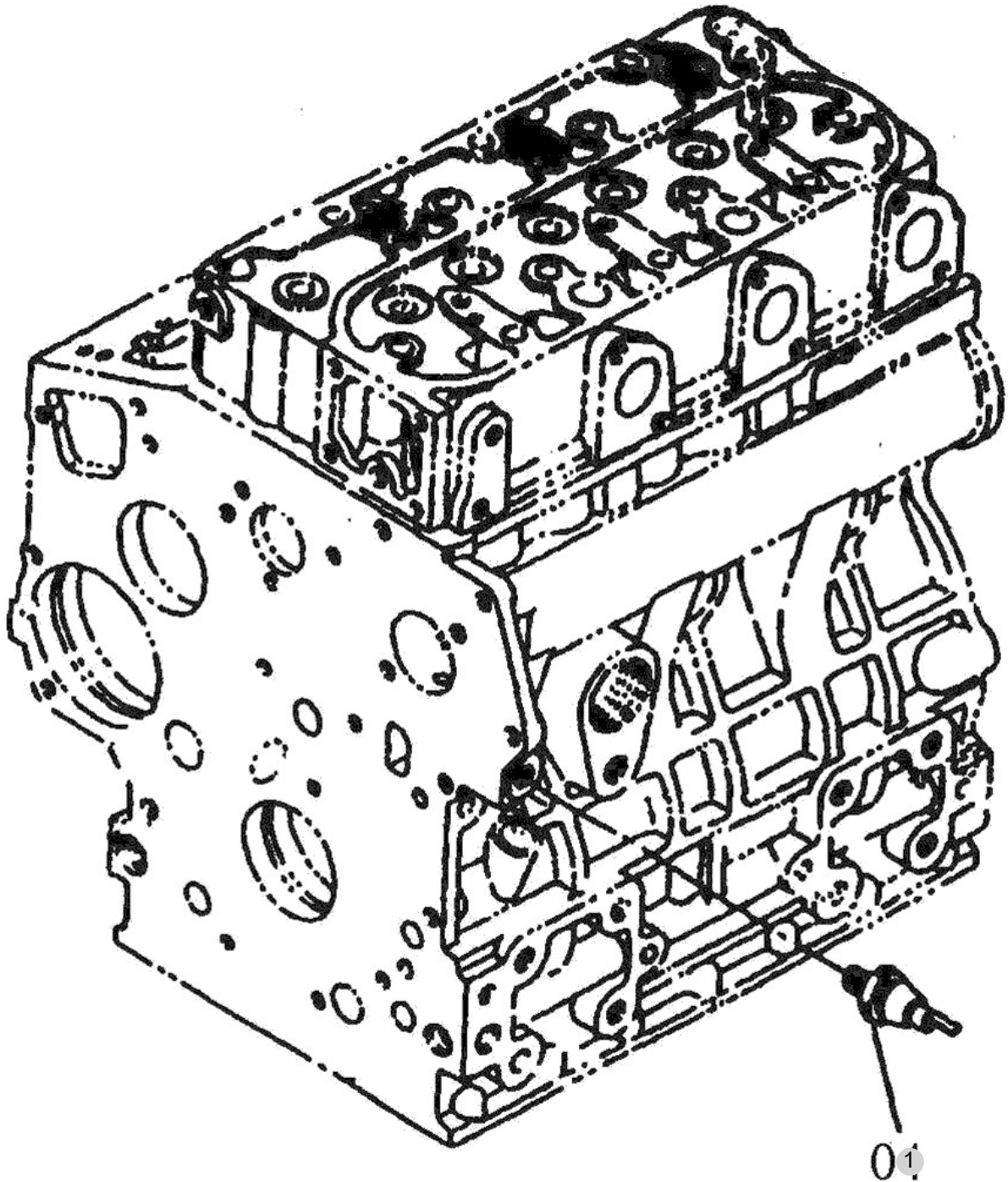
FIG 128

OIL PRESSURE SWITCH

년/월
Year/Month

2022-12

T265NHRU



NOTE

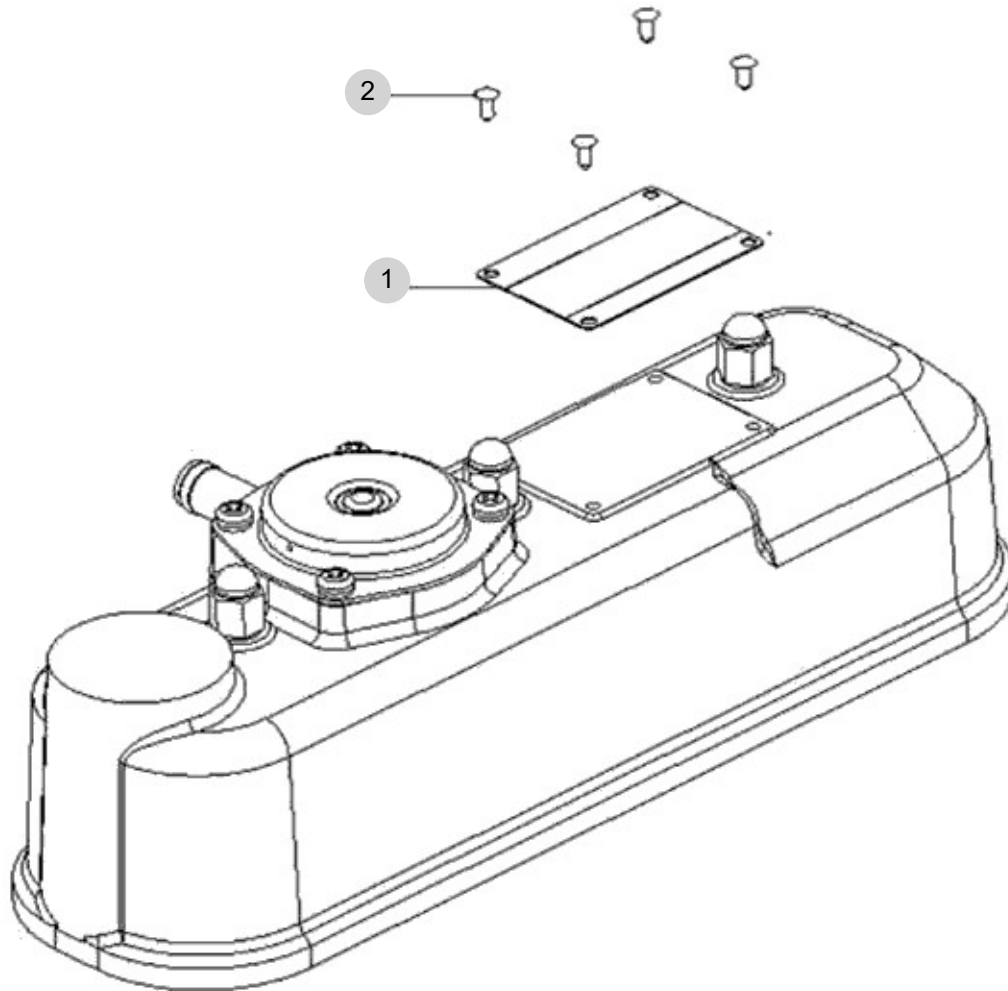
FIG 129

T265NHRU

DATA PLATE

년/월
Year/Month

2022-12



NOTE

FIG 129 T265NHRU	DATA PLATE	년/월 Year/Month 2022-12
--------------------------------	-------------------	----------------------------------

KEY NO		PART NO	DESCRIPTION	SPEC	QTY	REPAIR	EFFECTIVE DATE	REMARKS
129	1	EA00006205B	엔진명판		1			
129	2	22685-320601	블라인드리벳		4			
NOTE								

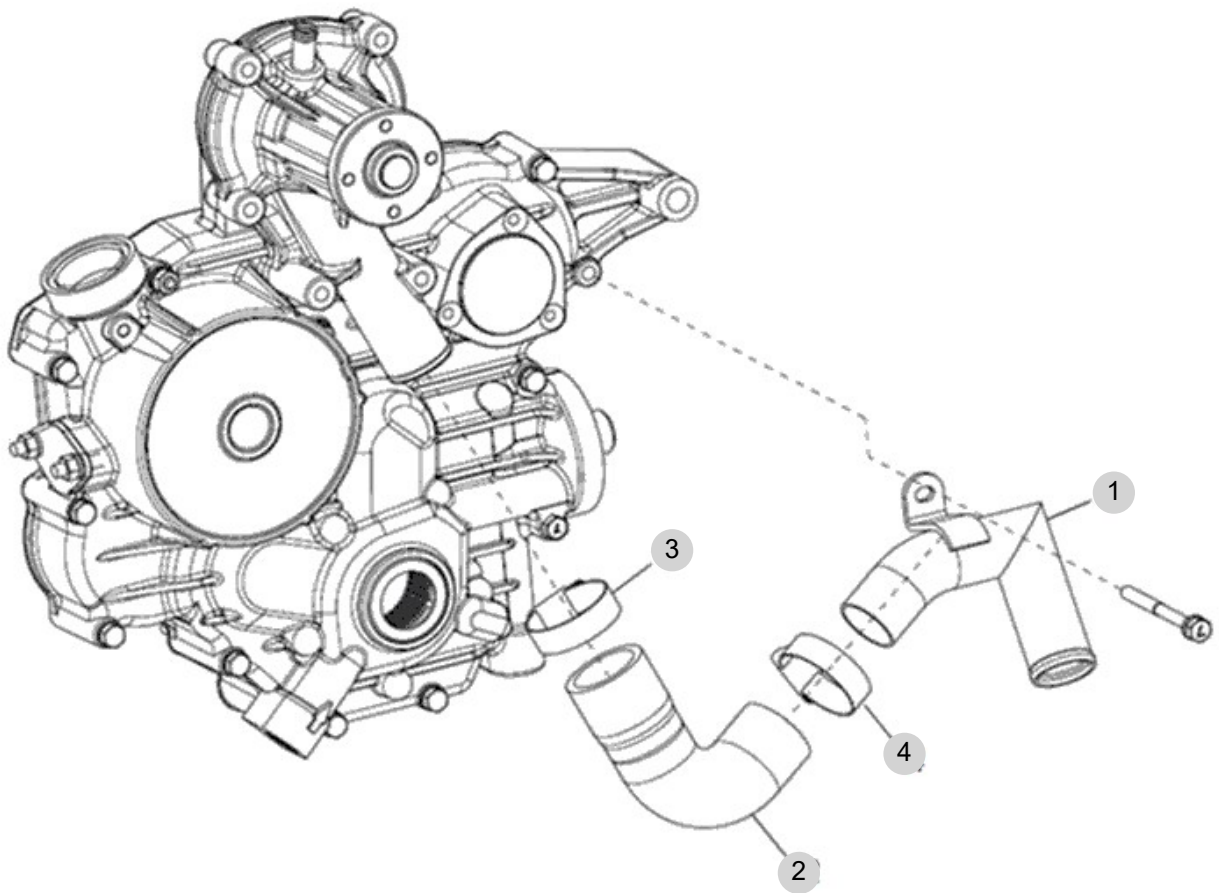
FIG 130

T265NHRU

WATER PIPE

년/월
Year/Month

2022-12



NOTE

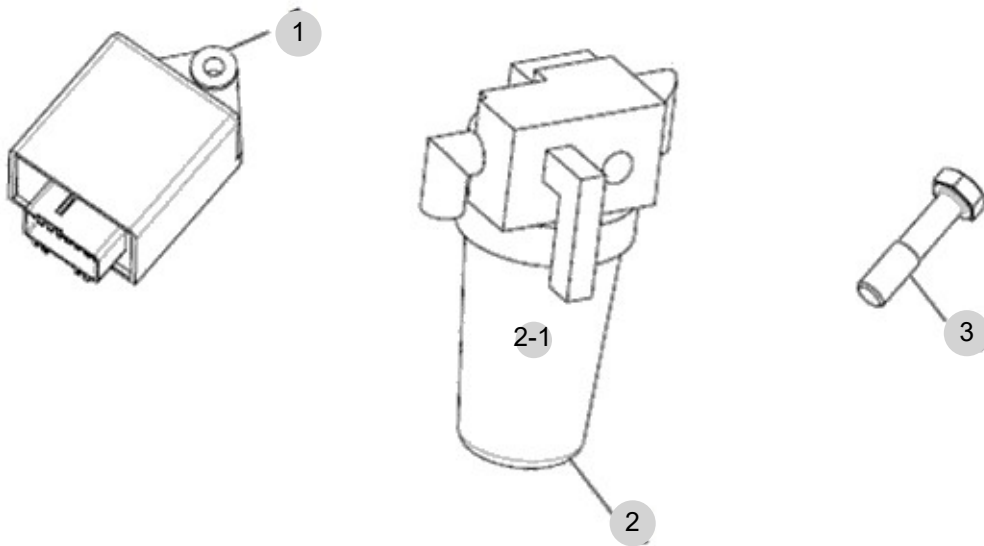
FIG 131

T265NHRU

WATER PIPE

년/월
Year/Month

2022-12



NOTE

2. 엔진보기품 PART NO. T2

FIG 201 AIR CLEANER	70
FIG 202 RADIATOR	72
FIG 203 MUFFLER	74
FIG 204 FUEL TANK & FUEL LINE	76
FIG 205 ACCELERATOR	78
FIG 206 OIL COOLER	80

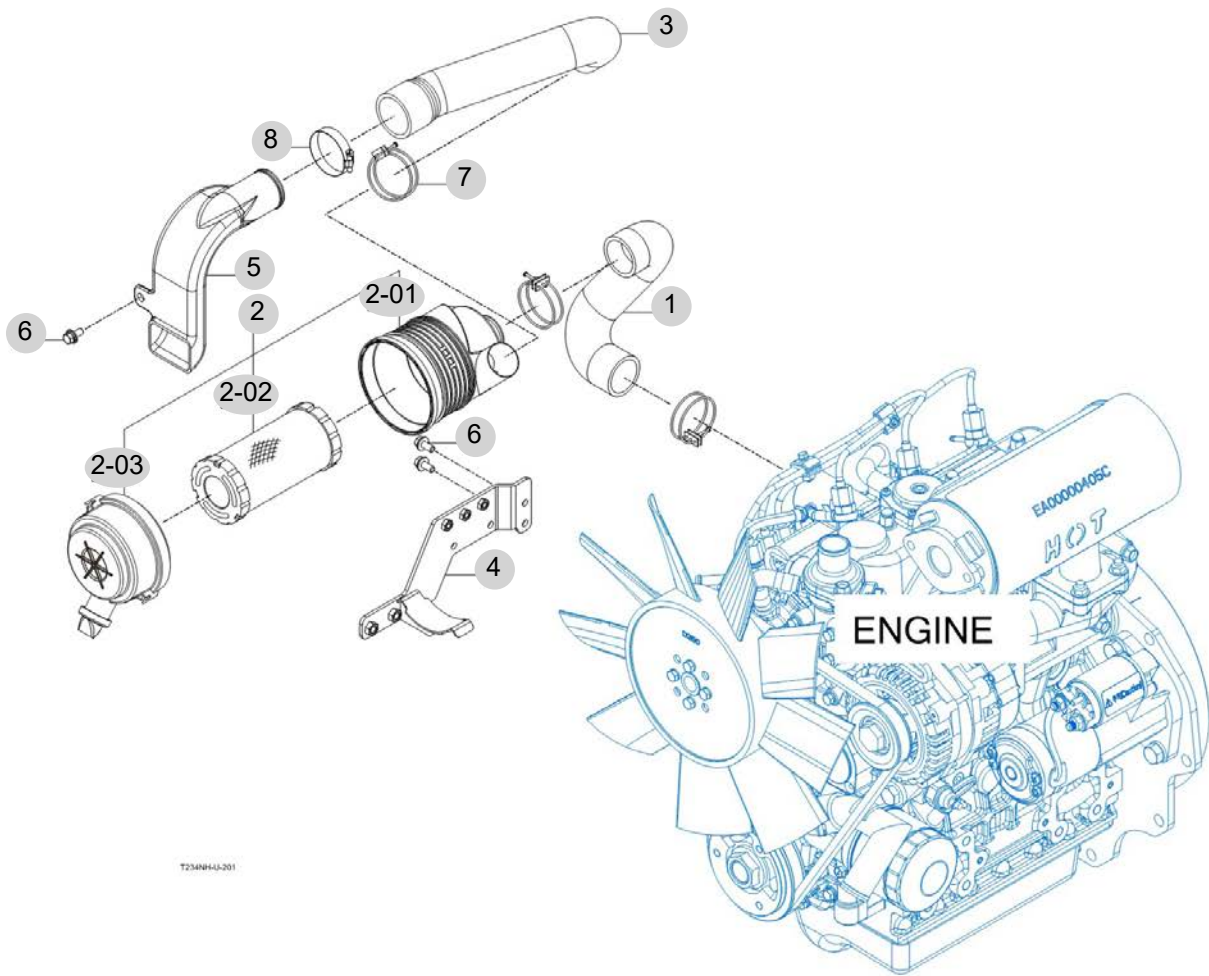
FIG 201

T265NHRU

AIR CLEANER

년/월
Year/Month

2022-12



NOTE

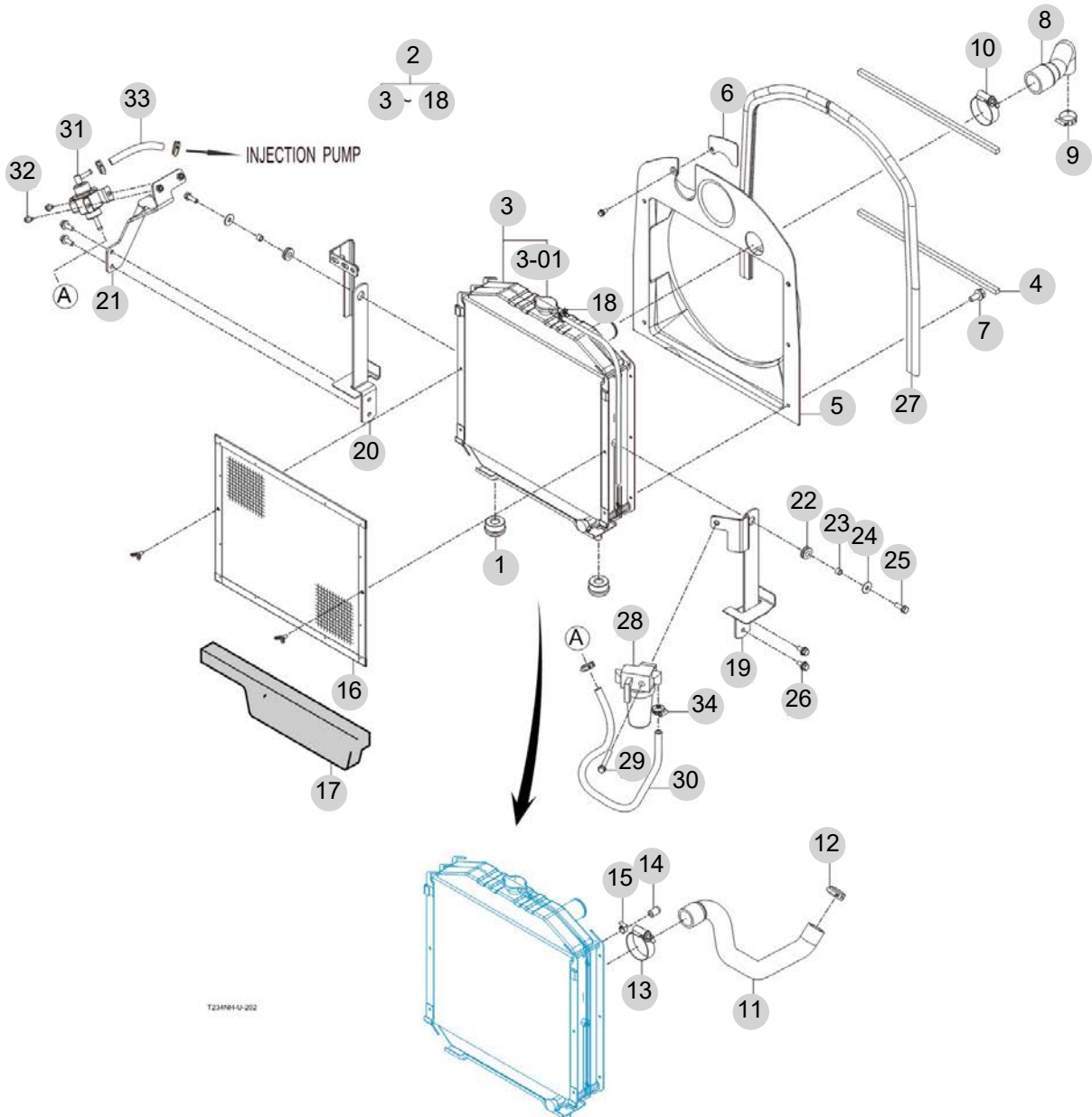
FIG 202

RADIATOR

년/월
Year/Month

2022-12

T265NHRU



T265NHRU-0202

NOTE

FIG 202 T265NHRU		RADIATOR					년/월 Year/Month	
							2022-12	
KEY NO	PART NO	DESCRIPTION	SPEC	QTY	REPAIR	EFFECTIVE DATE	REMARKS	
202	1	13151040040	라디에이터 쿠션			2		
202	2	13631049100	라디에이터 SUB			1		
202	3	13151043000	라디에이터 COMP			1		
202	3-01	13151043110	라디에이터 CAP			1		
202	4	13151040110	인슐레이터			2		
202	5	13631512100	슈라우드			1		
202	6	13631512200GB	실 플레이트			1		
202	7	V2193606016	육각볼트(SPL)	M6X16		6		
202	8	13631511100	호스 , 라디에이터 인렛			1		
202	9	18027090400	밴드 클램프 40 흡식			1		
202	10	18027090500	밴드 클램프 50 흡식			1		
202	11	13631511200	호스 , 라디에이터 아웃렛			1		
202	12	18027090400	밴드 클램프 40 흡식			1		
202	13	18027090500	밴드 클램프 50 흡식			1		
202	14	12651040300	캡 , 라디에이터			1		
202	15	18027090160	밴드 클램프 16 흡식			1		
202	16	13151042301GB	네트 COMP			1		
202	16	13151042302GB	라디에이터 네트 COMP			1		
202	17	13151120012	인슐레이터			1		
202	18	36423600080	호스클립(D=12.5)			1		
202	19	13631511301GB	고정판 LH COMP , 라디에이터			1		
202	20	13631511401GB	고정판 RH COMP , 라디에이터			1		
202	21	13631411100GB	피드펌프 브래킷 COMP			1		
202	22	14046210300	그로맷			2		
202	23	15991040050	칼라(08X12X08)			2		
202	24	35602010150	결속축와셔			2		
202	25	V2173608025	소형육각볼트보통(S)	M8X25		2		
202	26	V2173608020	소형육각볼트보통(S)	M8X20		4		
202	27	13631512300	인슐레이터			2		
202	28	HK13010000C	연료필터(HK13010000C2로 주문변경)			1		
202	29	V2183608065	소형육각볼트보통(SP)	M8X65		1		
202	30	11611411200	연료호스 720			1		
202	31	16999052300	연료펌프ASSY			1		
202	32	V2123606016	육각볼트(SP)	M6X16		2		
202	33	11511412201	연료호스 175			1		
202	34	18027090160	밴드 클램프 16 흡식			4		
NOTE								

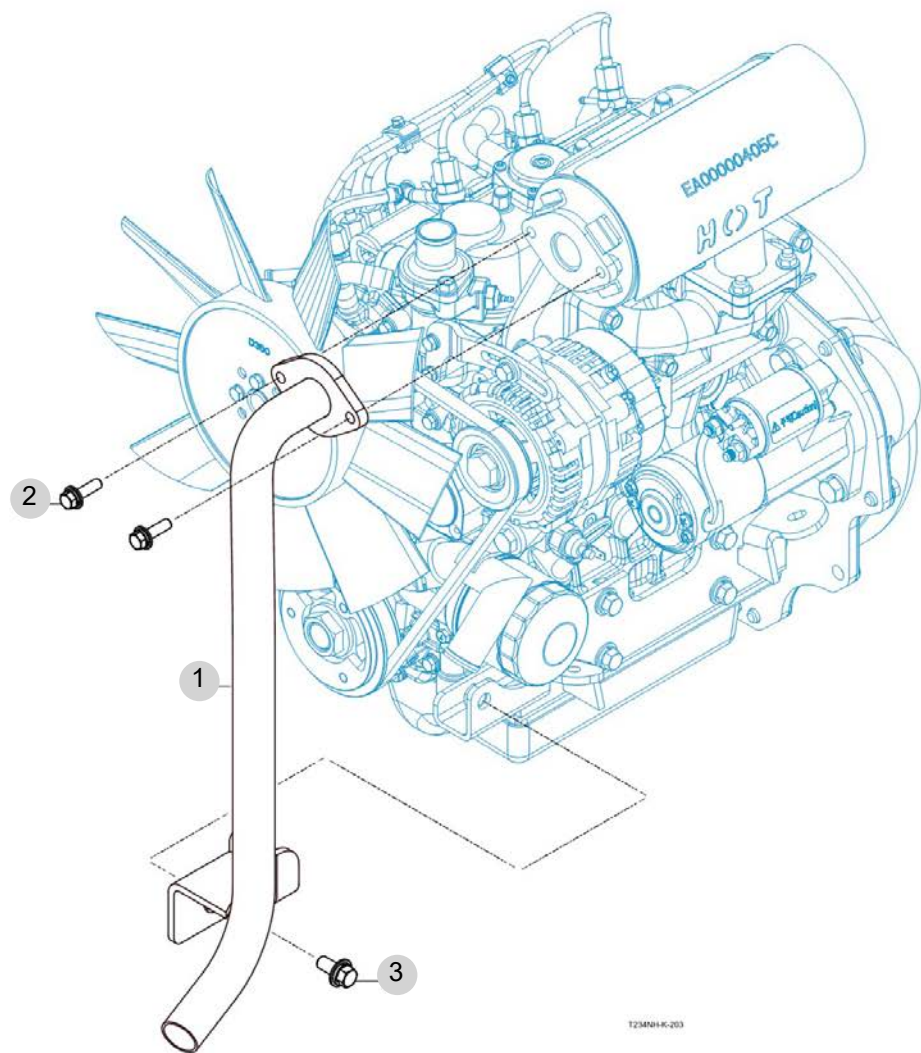
FIG 203

T265NHRU

MUFFLER

년/월
Year/Month

2022-12



NOTE

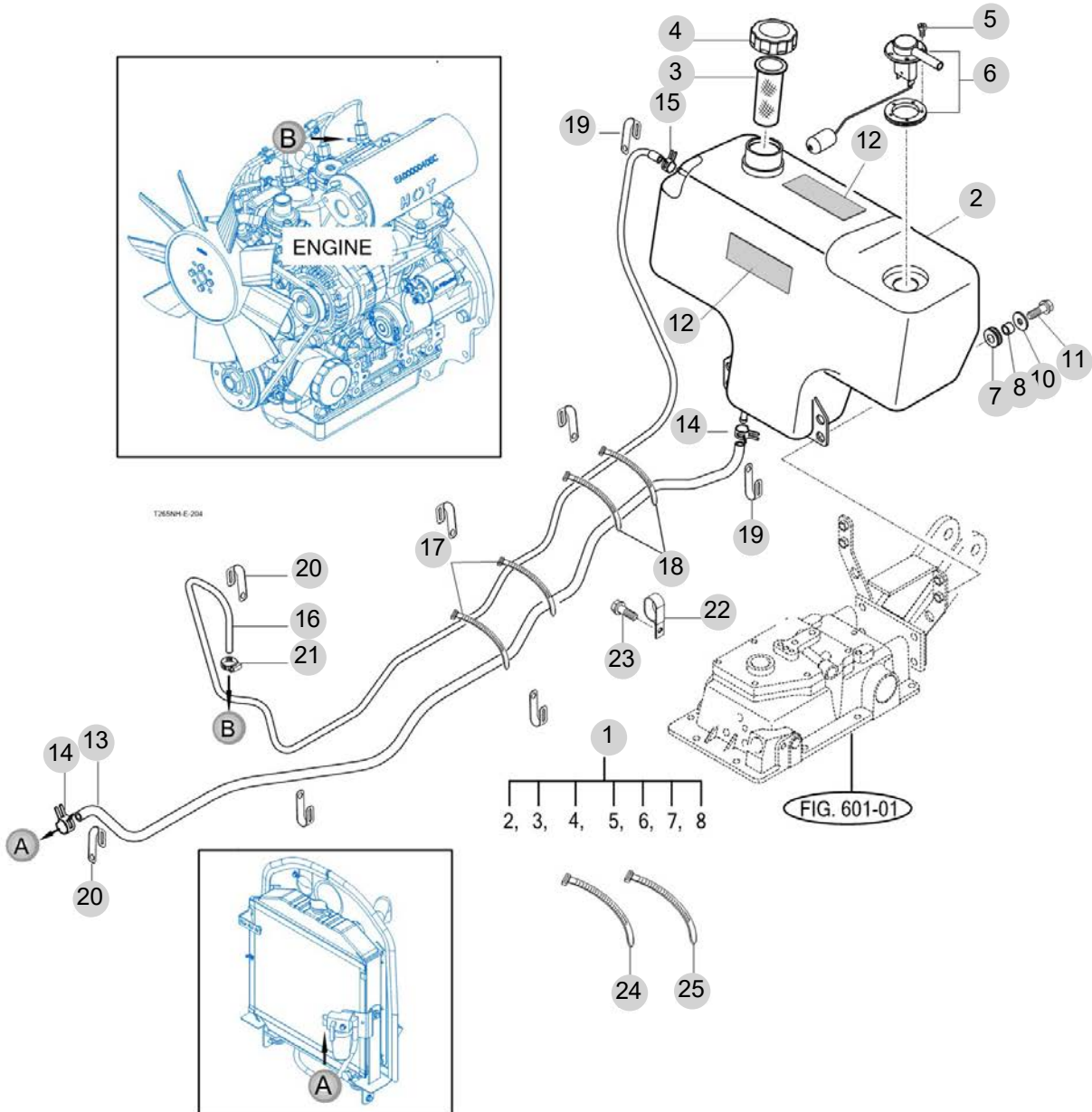
FIG 204

T265NHRU

FUEL TANK & FUEL LINE

년/월
Year/Month

2022-12



NOTE

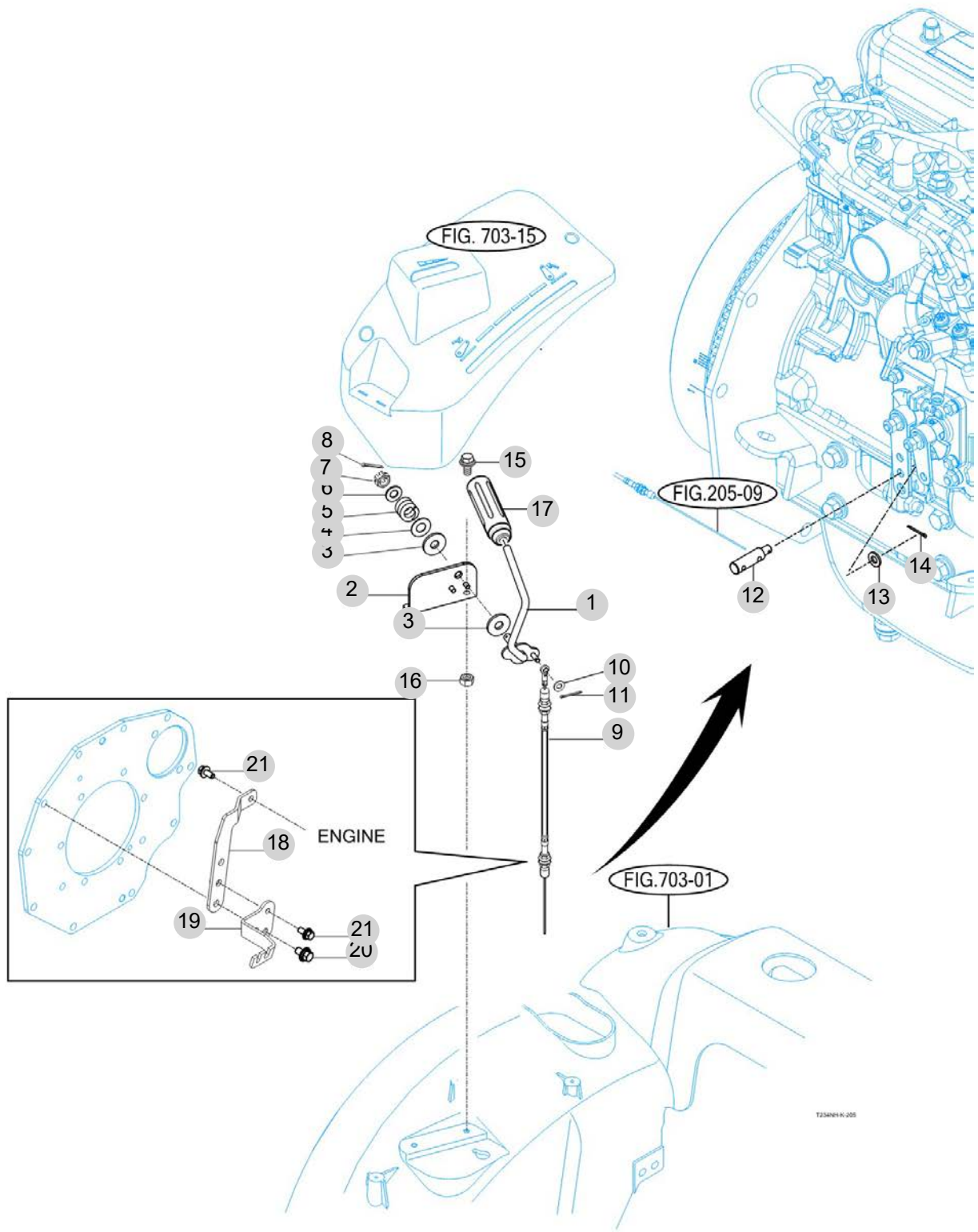
FIG 205

ACCELERATOR

년/월
Year/Month

2022-12

T265NHRU



NOTE

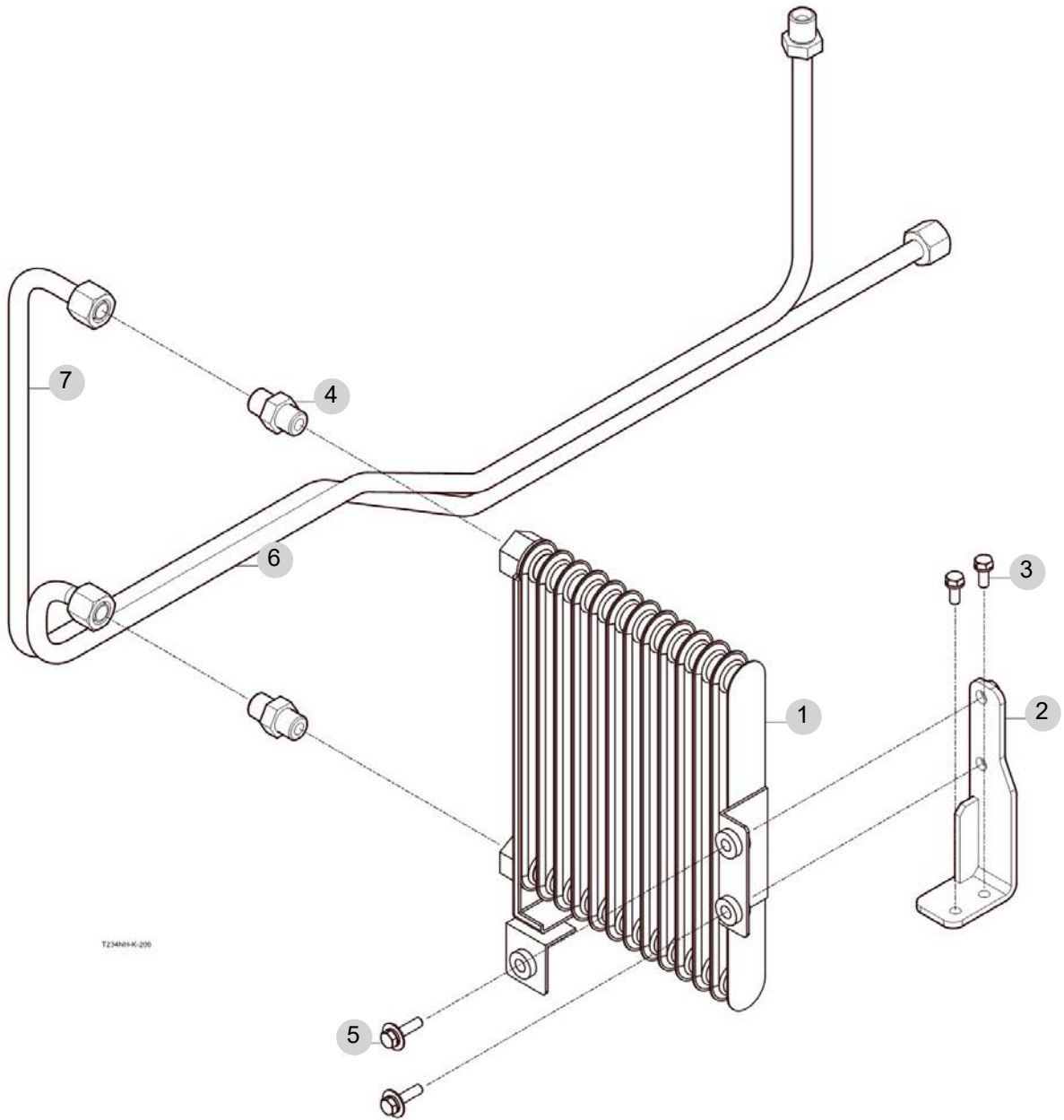
FIG 206

T265NHRU

OIL COOLER

년/월
Year/Month

2022-12



T265NHRU-206

NOTE

3. 클러치/브레이크/스티어링 PART NO. T3

FIG 301 FLYWHEEL COVER	83
FIG 302 SPEED CONTROL	85
FIG 303 BRAKE	88
FIG 304 BRAKE PEDAL & LINKAGE	90
FIG 305 STEERING WHEEL & DASH COVER	92
FIG 306 STEERING VALVE	94
FIG 307 STEERING CYLINDER	96
FIG 308 FRONT WHEEL	98
FIG 309 REAR WHEEL	100

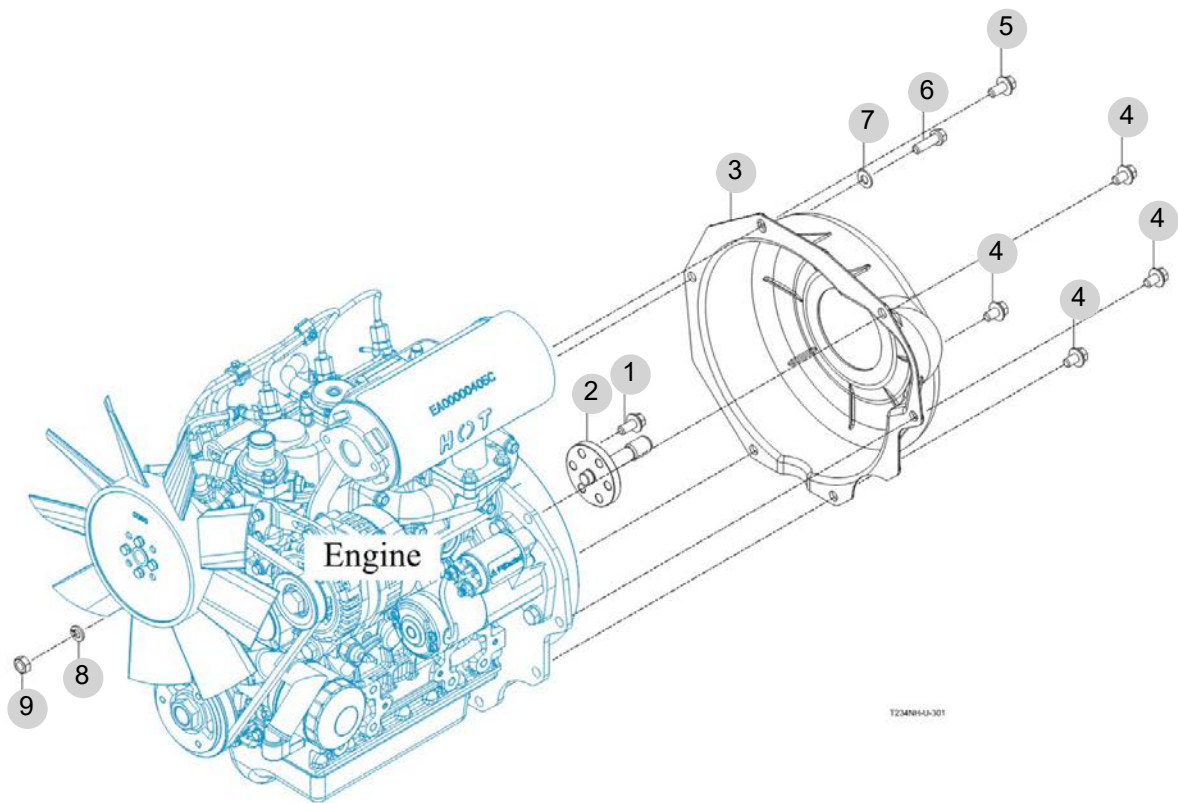
FIG 301

T265NHRU

FLYWHEEL COVER

년/월
Year/Month

2022-12



NOTE

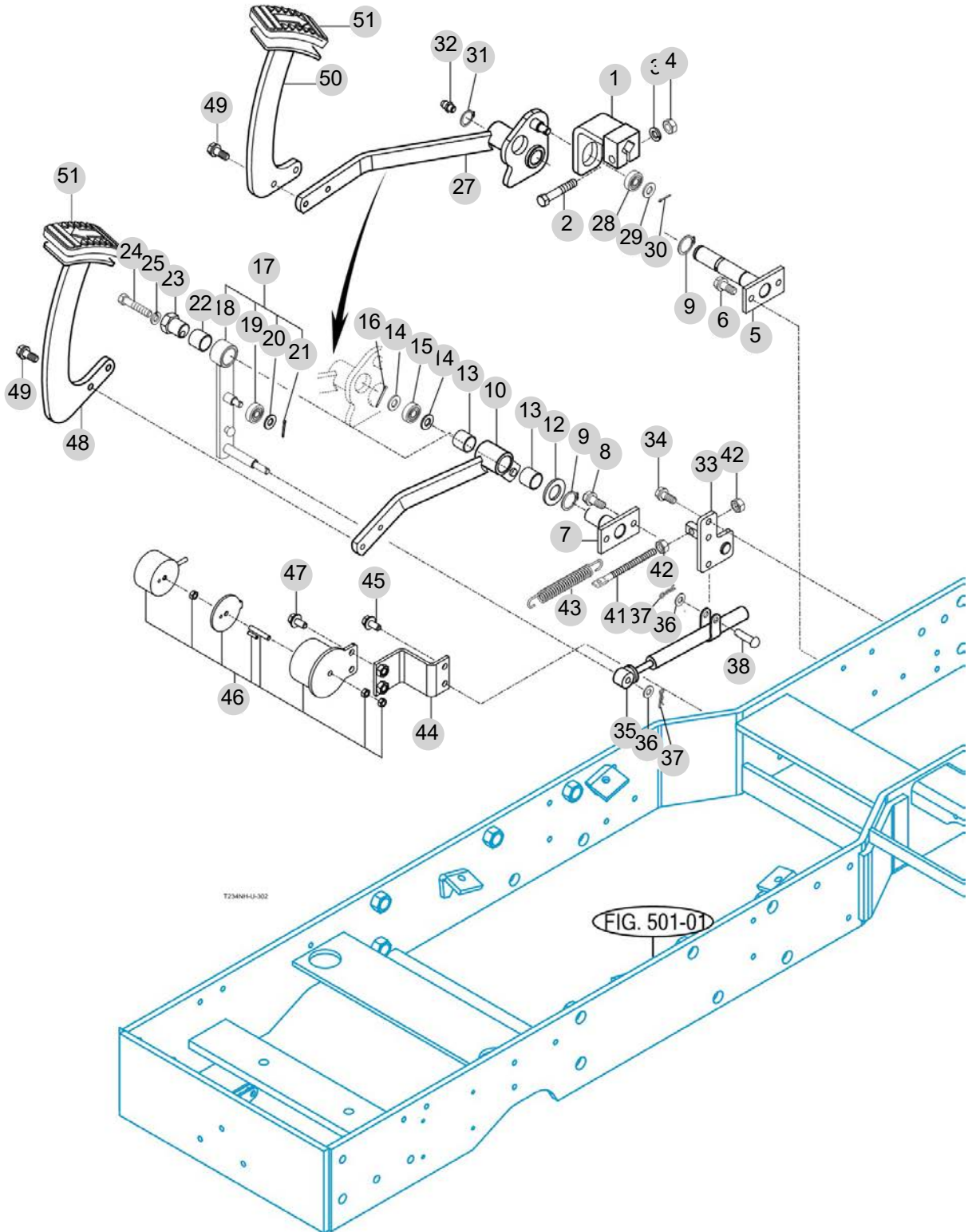
FIG 302

SPEED CONTROL

년/월
Year/Month

2022-12

T265NHRU



NOTE

FIG 302		SPEED CONTROL					년/월 Year/Month		
							2022-12		
T265NHRU		KEY NO	PART NO	DESCRIPTION	SPEC	QTY	REPAIR	EFFECTIVE DATE	REMARKS
302	1	13152322103	홀더 COMP			1			
302	2	V2013610045	소형육각볼트(보통)	M10X45		1			
302	3	V4011600100	스프링와셔	M10		1			
302	4	V3042600100	소형육각너트보통2종	M10		1			
302	5	13152322201	핀(후진) COMP			1			
302	6	V2173608020	소형육각볼트보통(S)	M8X20		2			
302	7	13152323102	핀(전진) COMP			1			
302	8	V2173608020	소형육각볼트보통(S)	M8X20		2			
302	9	V7041400200	C형멈춤링(축용)	20		2			
302	10	13152323202	암(전진) COMP			1			
302	12	V4111600200	평와셔	M20		1			
302	13	36707030080	부시(20X23X20)			2			
302	14	V4111600100	평와셔	M10		2			
302	15	V6001506000	볼베어링	6000DD		1			
302	16	V5001920015	분할핀	2X15		1			
302	17	13152324003	캠 SUB ASSY			1			
302	17	11972324000	캠 SUB ASSY			1			
302	18	13152324102GB	암(캠) COMP			1			
302	19	14722310060	볼베어링(608DD)			1			
302	20	V4111600080	평와셔	M8		1			
302	21	V5001920015	분할핀	2x15		1			
302	22	36707030080	부시(20X23X20)			1			
302	23	13152320023	핀(중립)			1			
302	23	11972320020	핀(중립)			1			
302	24	V2143610050	소형육각볼트가는(S)	M10X50		1			
302	24	V2143610080	소형육각볼트가는(S)			1			
302	25	V4011600100	스프링와셔	M10		1			
302	27	13152322306GB	암 COMP(후진)			1			
302	28	V6001506000	볼베어링	6000DD		1			
302	29	V4111600100	평와셔	M10		1			
302	30	V5001920015	분할핀	2X15		1			
302	31	V7041400200	C형멈춤링(축용)	20		1			
302	32	V7601500000	그리스니플(A-M6F)			1			
302	33	13152325101	핀(스프링) COMP			1			
302	34	V2173608025	소형육각볼트보통(S)	M8X25		2			
302	35	13152312400	오일 댐퍼			1			
302	36	V4111600080	평와셔	M8		4			
302	37	V5601600008	스냅핀	8		4			
302	38	14043120060	요오크핀 (A)			1			
302	41	34522150080	체인 텐션 로드(82)			1			
302	42	V3043600080	소형육각너트보통2종	M8		2			
302	43	14722310033	스프링(리턴)			1			
302	44	13152332103DG	브래킷(크루즈) COMP			1			
302	44	13152332103GB	브래킷(크루즈) COMP			1			
302	45	V2173608020	소형육각볼트보통(S)	M8X20		2			
NOTE									

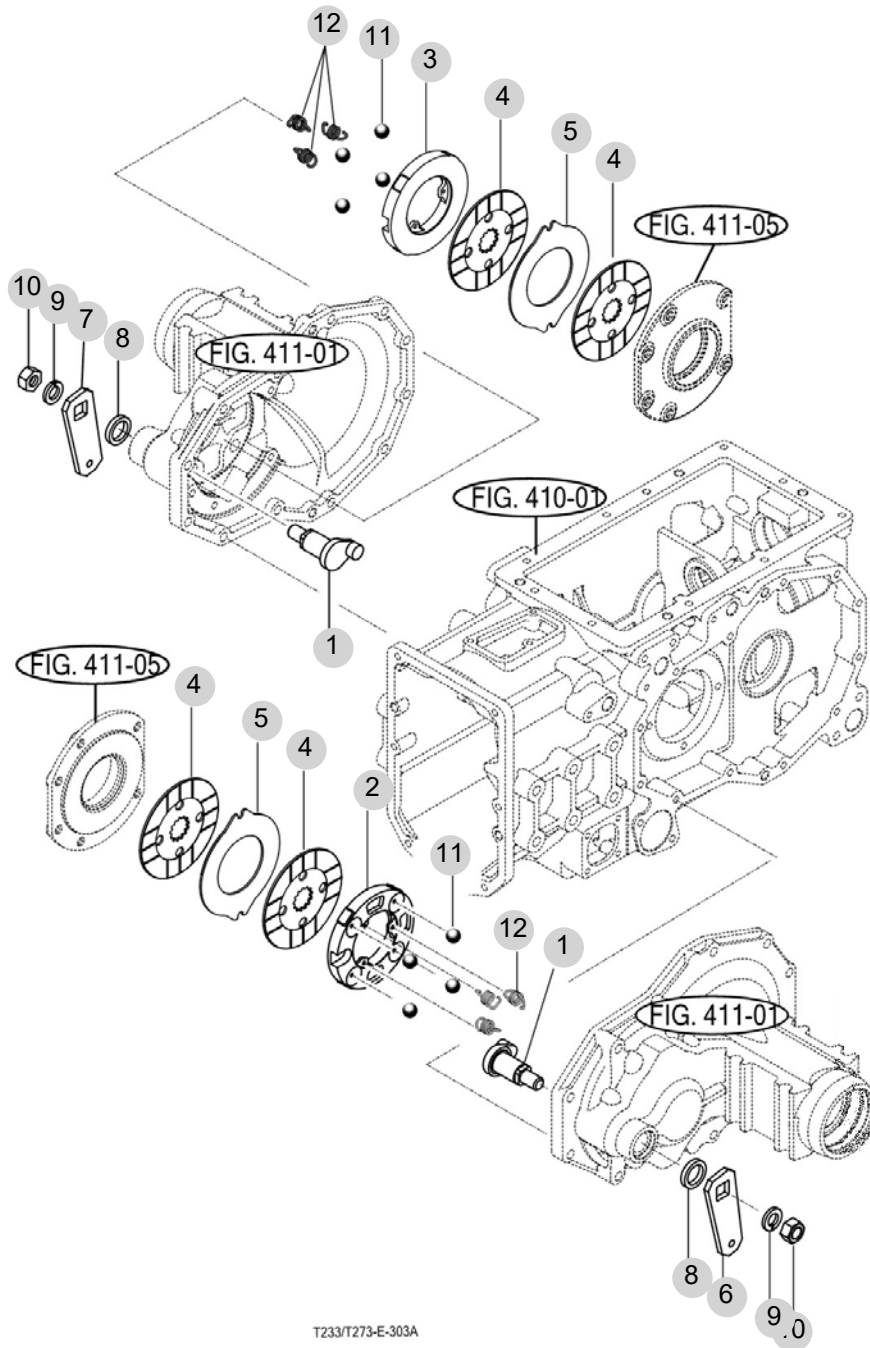
FIG 303

T265NHRU

BRAKE

년/월
Year/Month

2022-12



T233/T273-E-303A

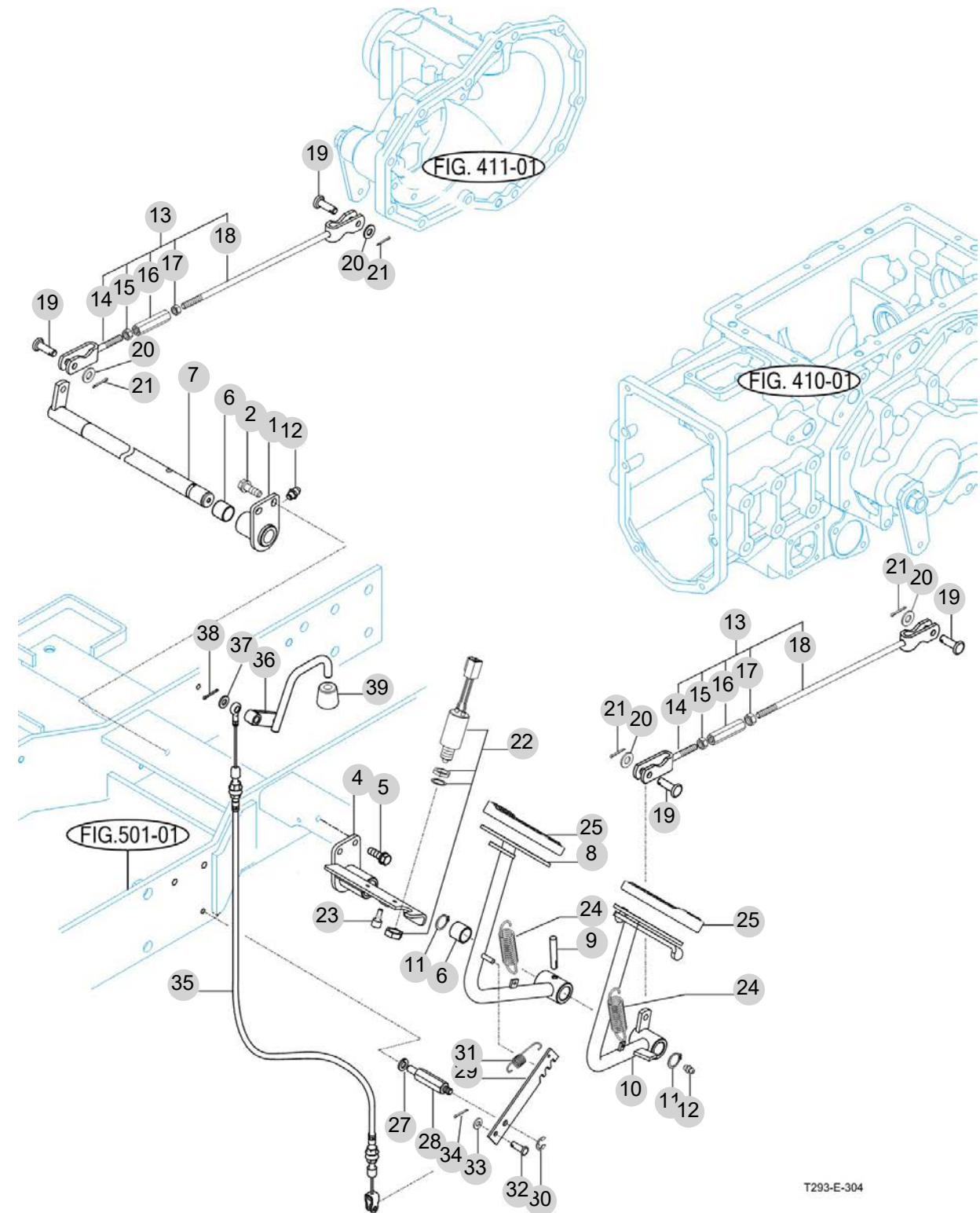
NOTE

FIG 304

BRAKE PEDAL & LINKAGE

년/월
Year/Month

2022-12



T293-E-304

NOTE

FIG 304		BRAKE PEDAL & LINKAGE					년/월 Year/Month		
							2022-12		
T265NHRU		KEY NO	PART NO	DESCRIPTION	SPEC	QTY	REPAIR	EFFECTIVE DATE	REMARKS
304	1	13153282104	브레이크 허브 COMP(우)			1			
304	2	V2173608020	소형육각볼트보통(S)	M8X20		2			
304	4	13153282204	브레이크 허브 COMP(좌)			1			
304	5	V2173608020	소형육각볼트보통(S)	M8X20		2			
304	6	36707030080	부시(20X23X20)			2			
304	7	13153282303GB	브레이크 암 COMP(우)			1			
304	7	13153282303	브레이크 암 COMP(우)			1			
304	8	13153283103	브레이크 페달 COMP(우)			1			
304	9	V5801406032	스프링핀	6X32		1			
304	10	13153283203	브레이크 페달 COMP(좌)			1			
304	11	V7041400200	C형멈춤링(축용)	20		2			
304	12	V7601500000	그리스니플(A-M6F)			2			
304	13	13153284002	브레이크 로드 ASSY			2			
304	14	14573282200	로드(후크,100) COMP			2			
304	15	V3043600080	소형육각너트보통2종	M8		2			
304	16	16601220020	터언버클(M8,60)			2			
304	17	15601320073	육각너트(SM,LH,M8)			2			
304	18	13153284101	후크 로드 COMP			2			
304	19	21443370020	핀 (08X25)			4			
304	20	V4111600080	평와서	M8		4			
304	21	V5001920015	분할핀	2X15		4			
304	22	13153285001	브레이크 스위치 ASSY			1			
304	23	21004100070	묘이송암스톱퍼			2			
304	24	13153280061	스프링(브레이크)			2			
304	25	13153280050	패드			2			
304	27	V4011600080	스프링와셔	M8		1			
304	28	13153280023	주차브레이크 핀			1			
304	29	13153280032	주차브레이크 스톱퍼			1			
304	30	V7081400060	E형멈춤링	6		1			
304	31	13153280040	파킹 스프링			1			
304	32	16177020090	핀 (6X15)	6X15		1			
304	33	V4111600060	평와서	M6		1			
304	34	V5001920015	분할핀	2X15		1			
304	35	13153286301	주차브레이크 케이블 ASSY			1			
304	36	13156301001	레버 조합			1			
304	37	V4111600060	평와서	M6		1			
304	38	V5001925020	핀	2.5X20		1			
304	39	14721120090	손잡이			1			
NOTE									

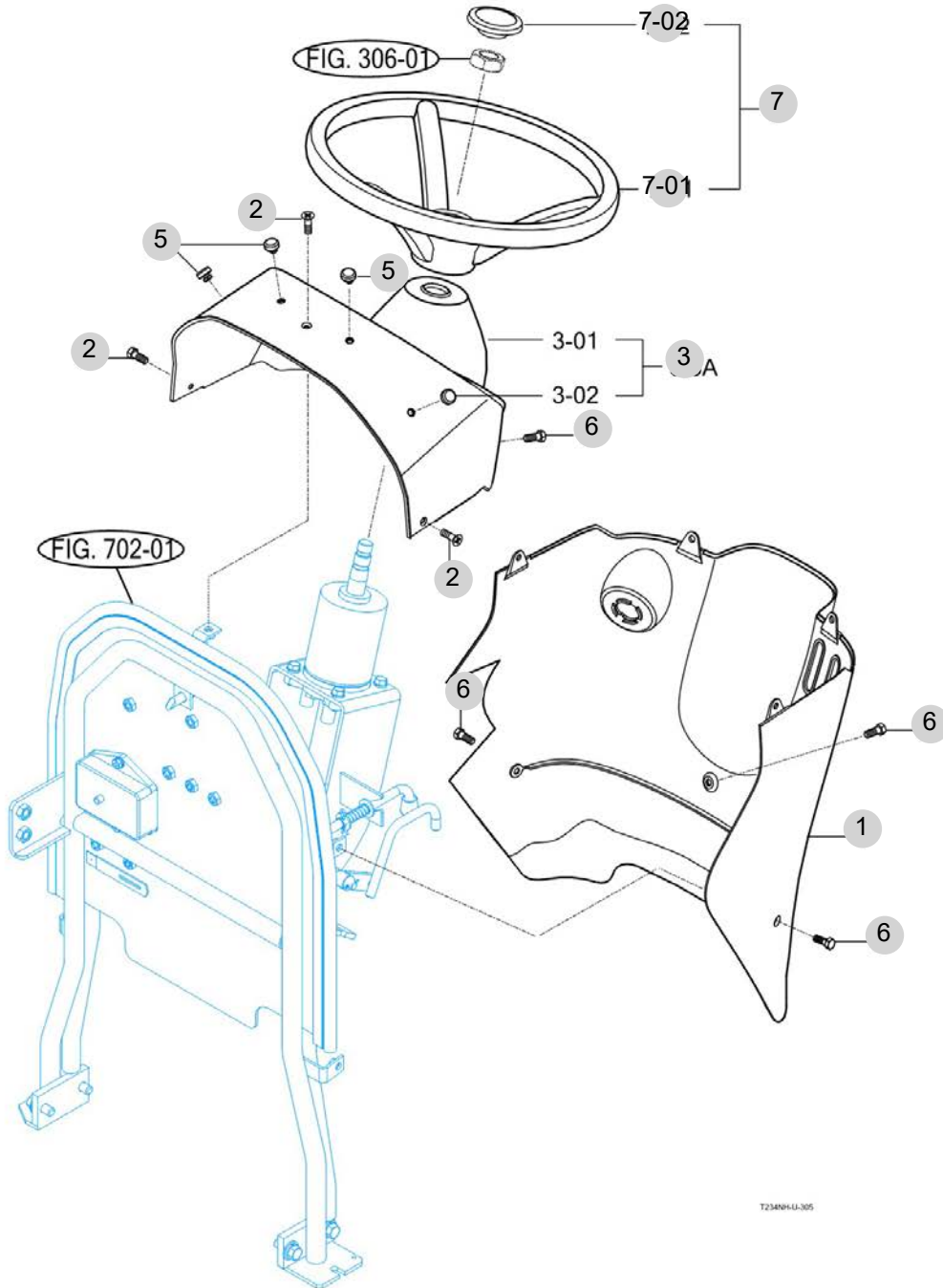
FIG 305

T265NHRU

STEERING WHEEL & DASH COVER

년/월
Year/Month

2022-12



NOTE

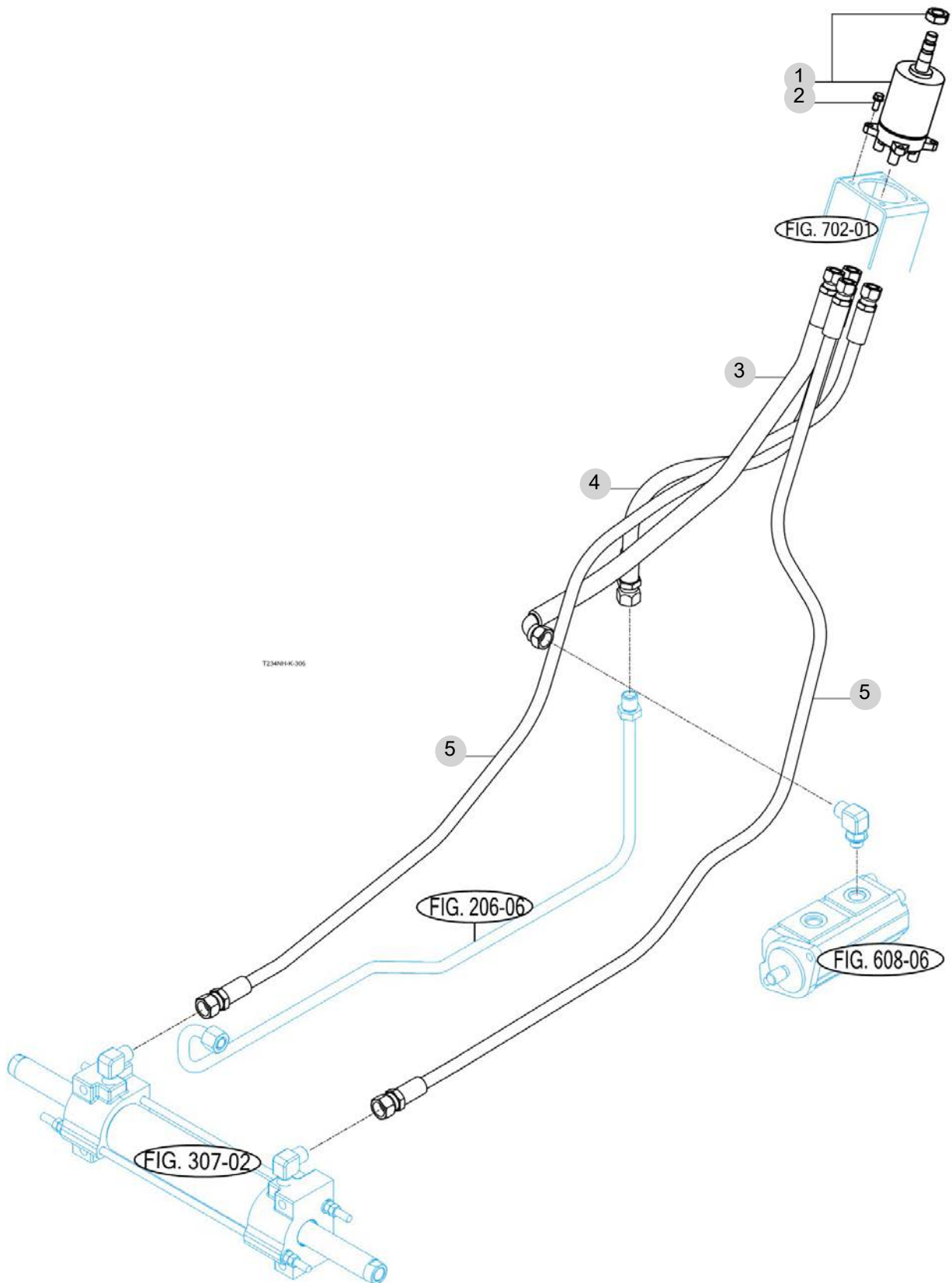
FIG 306

T265NHRU

STEERING VALVE

년/월
Year/Month

2022-12



NOTE

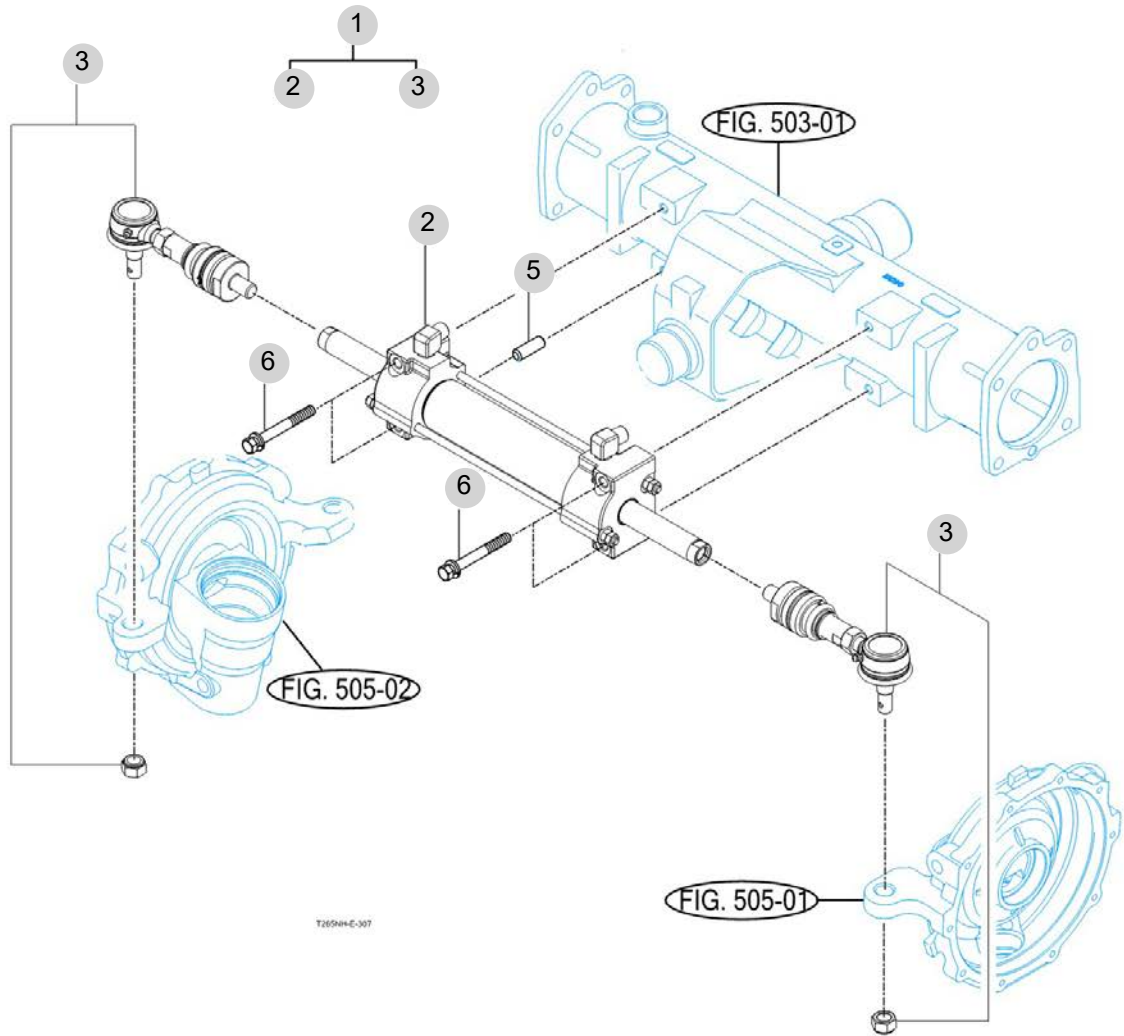
FIG 307

T265NHRU

STEERING CYLINDER

년/월
Year/Month

2022-12



T265NH-E-307

NOTE

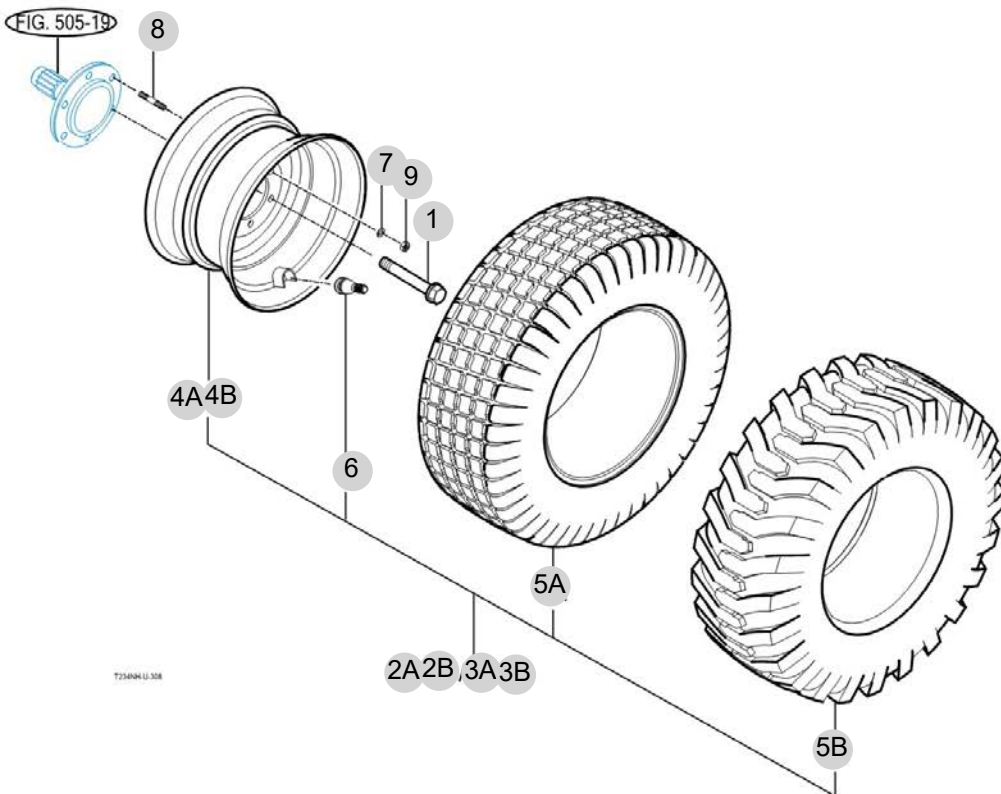
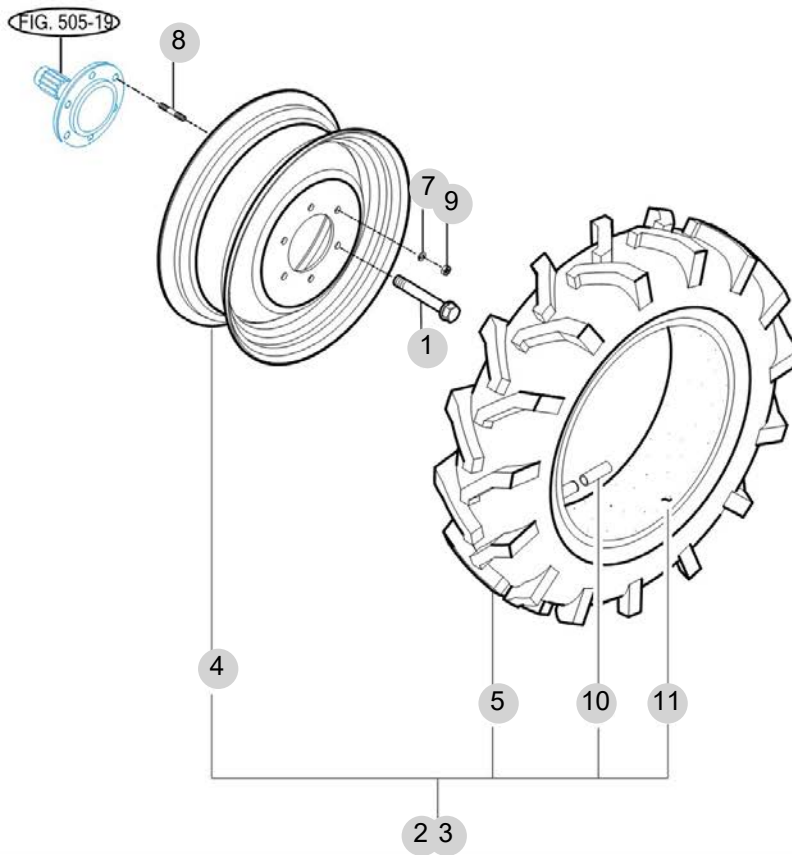
FIG 308

T265NHRU

FRONT WHEEL

년/월
Year/Month

2022-12



NOTE

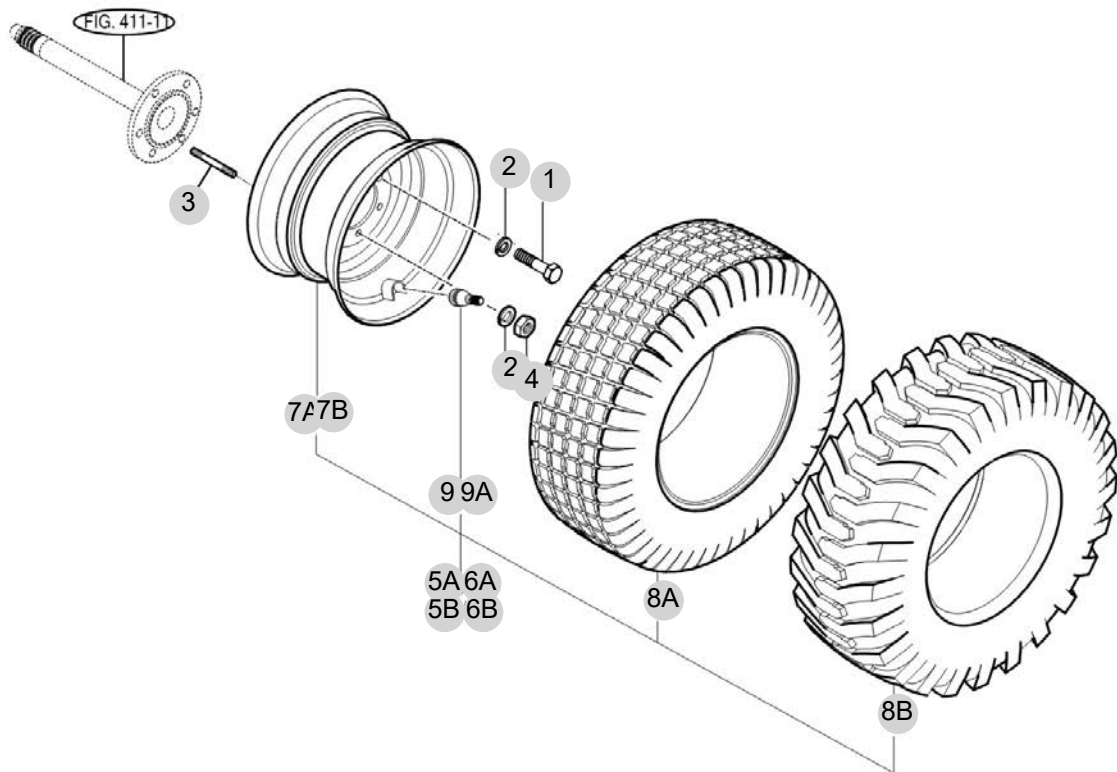
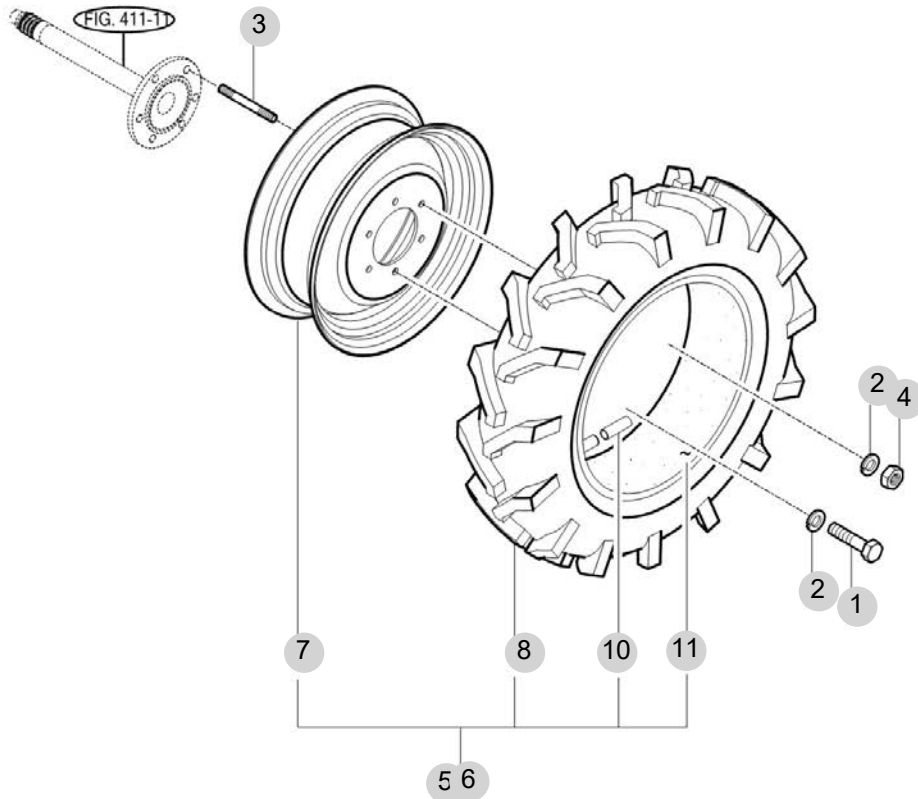
FIG 309

T265NHRU

REAR WHEEL

년/월
Year/Month

2022-12



NOTE

4. 트랜스미션 PART NO. T4

FIG 401 INPUT SHAFT	103
FIG 402 HST	105
FIG 404 4WD DRIVE GEAR	107
FIG 405 RANGE GEARS	109
FIG 406 P.T.O DRIVE SHAFT	111
FIG 407 P.T.O SHAFT	113
FIG 408 MID P.T.O GEARS	115
FIG 409 DIFF LOCK	117
FIG 410 REAR TRANSMISSION CASE	119
FIG 411 REAR AXLE HOUSINGS	121
FIG 413 RANGE SHIFT LEVER	123
FIG 414 P.T.O CHANGE LEVER	125
FIG 415 4WD CHANGE LEVER	127

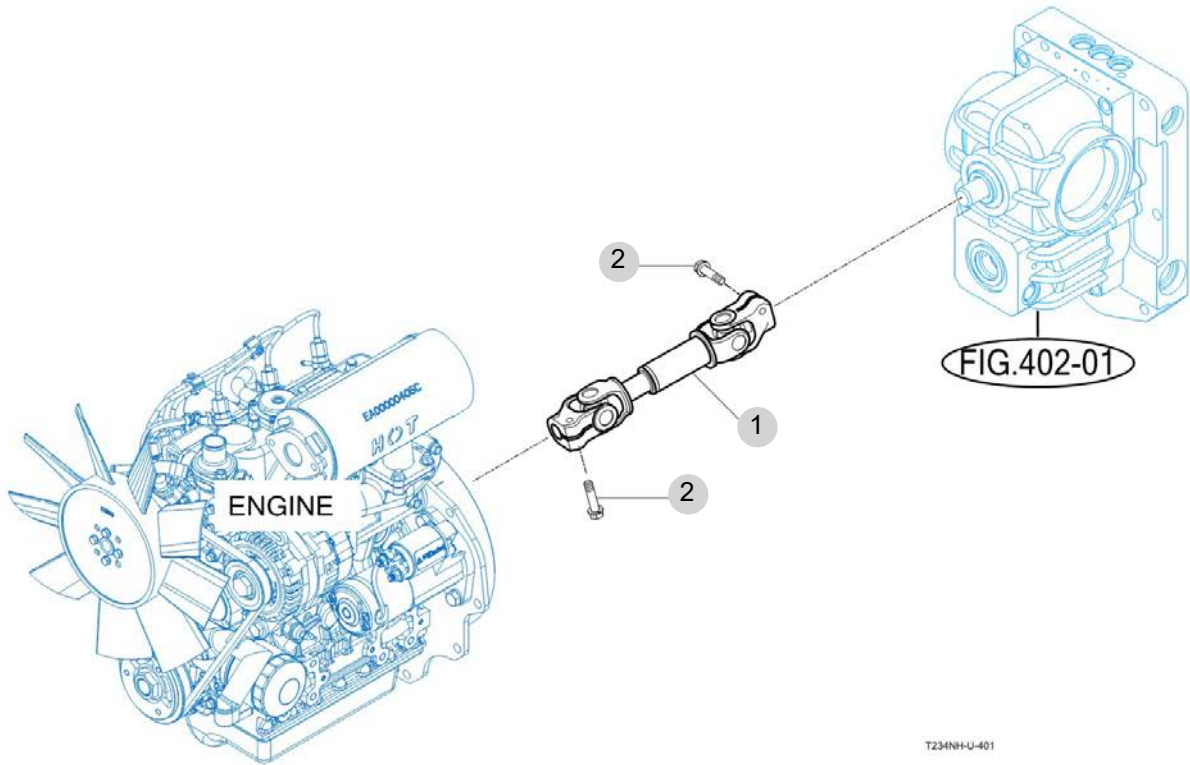
FIG 401

T265NHRU

INPUT SHAFT

년/월
Year/Month

2022-12



NOTE

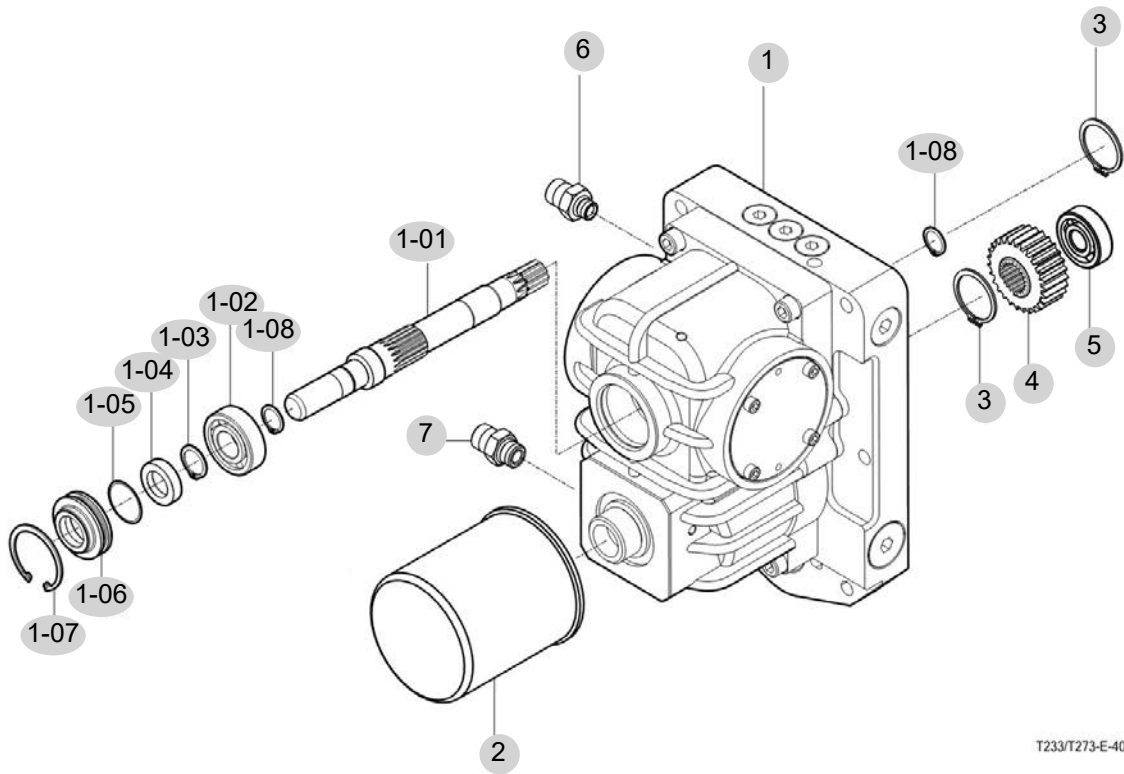
FIG 402

T265NHRU

HST

년/월
Year/Month

2022-12



T233/T273-E-402B

NOTE

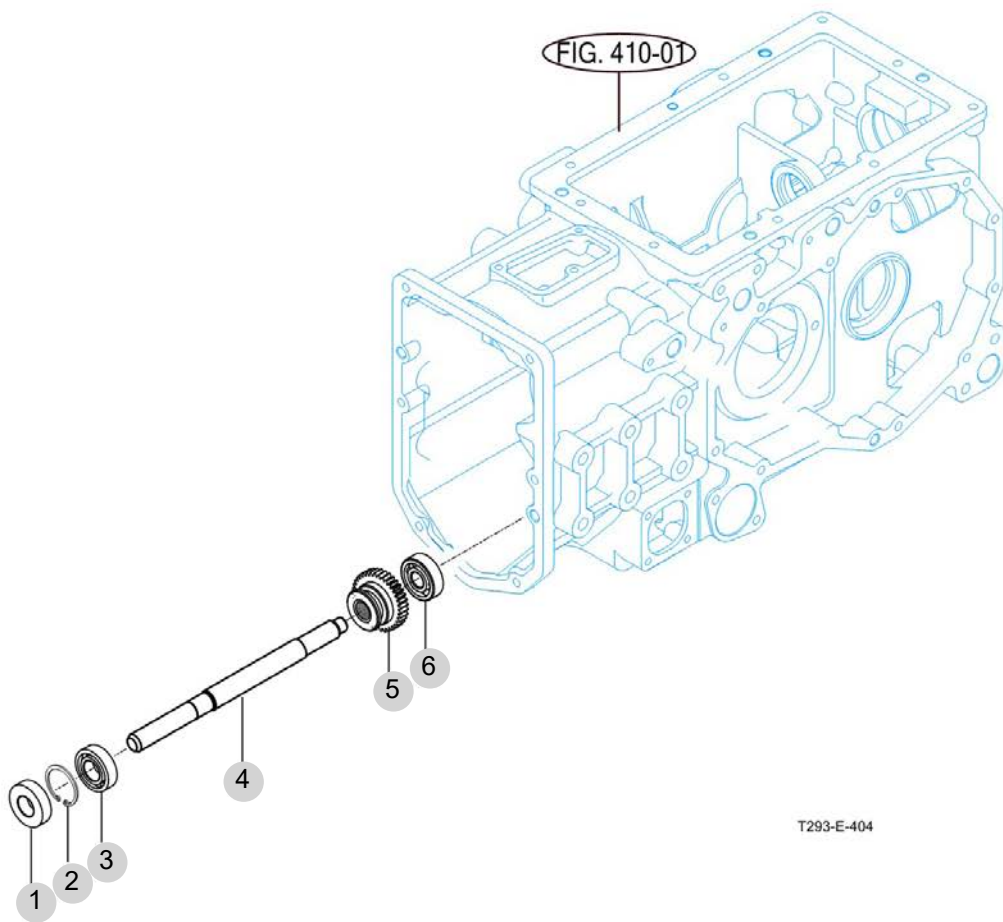
FIG 404

T265NHRU

4WD DRIVE GEAR

년/월
Year/Month

2022-12



T293-E-404

NOTE

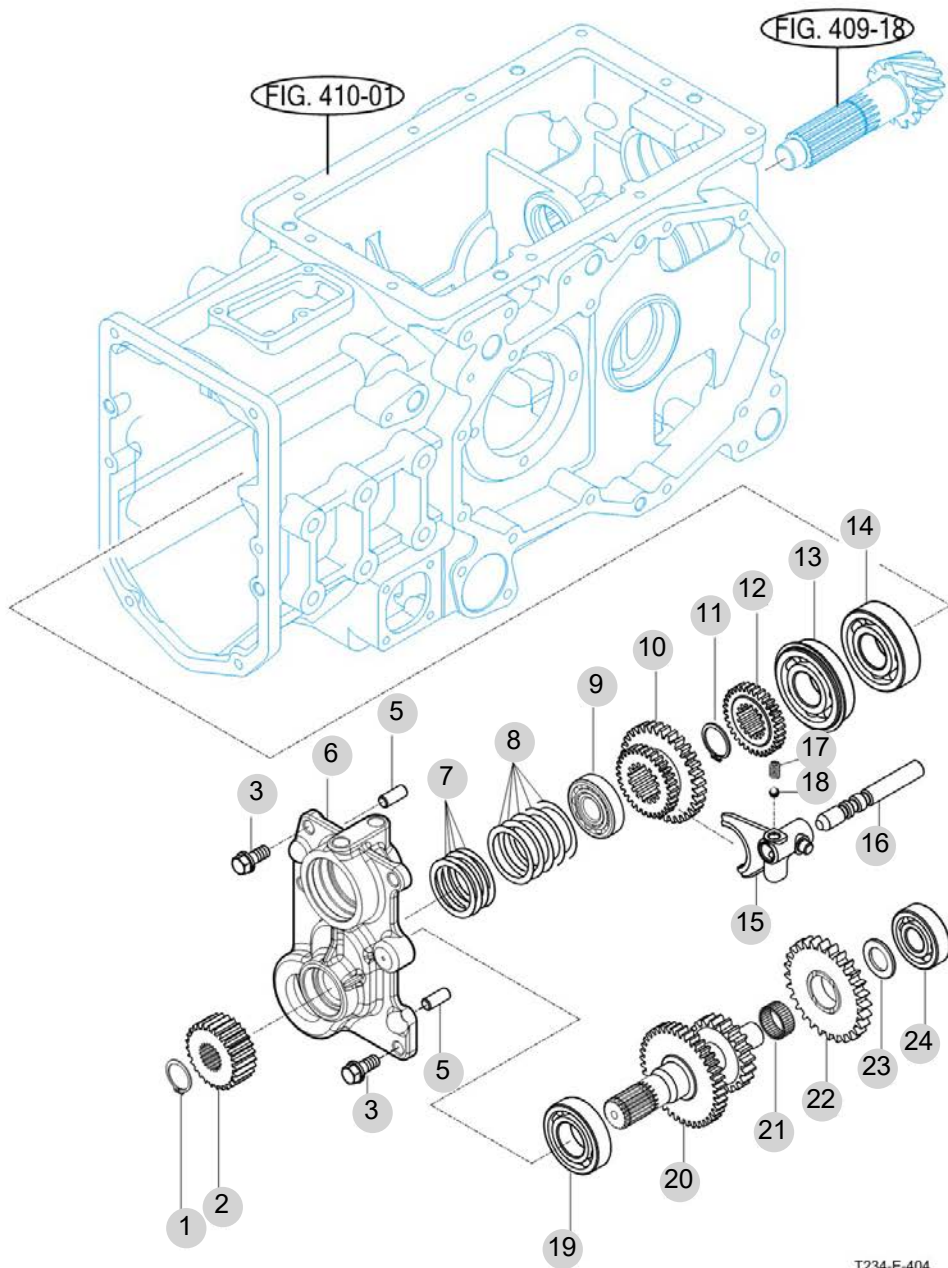
FIG 405

T265NHRU

RANGE GEARS

년/월
Year/Month

2022-12



T234-E-404

NOTE

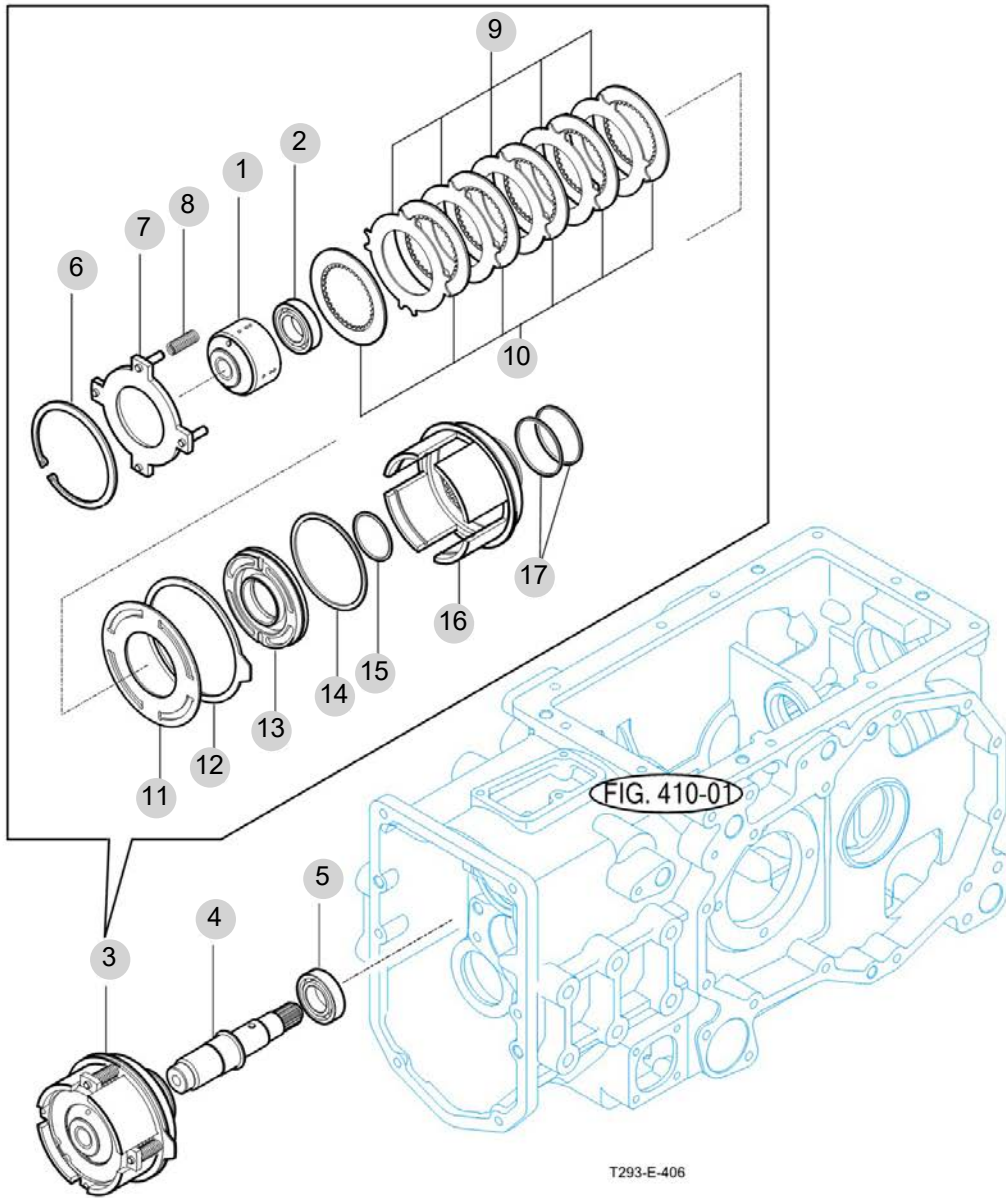
FIG 406

T265NHRU

P.T.O DRIVE SHAFT

년/월
Year/Month

2022-12



T293-E-406

NOTE

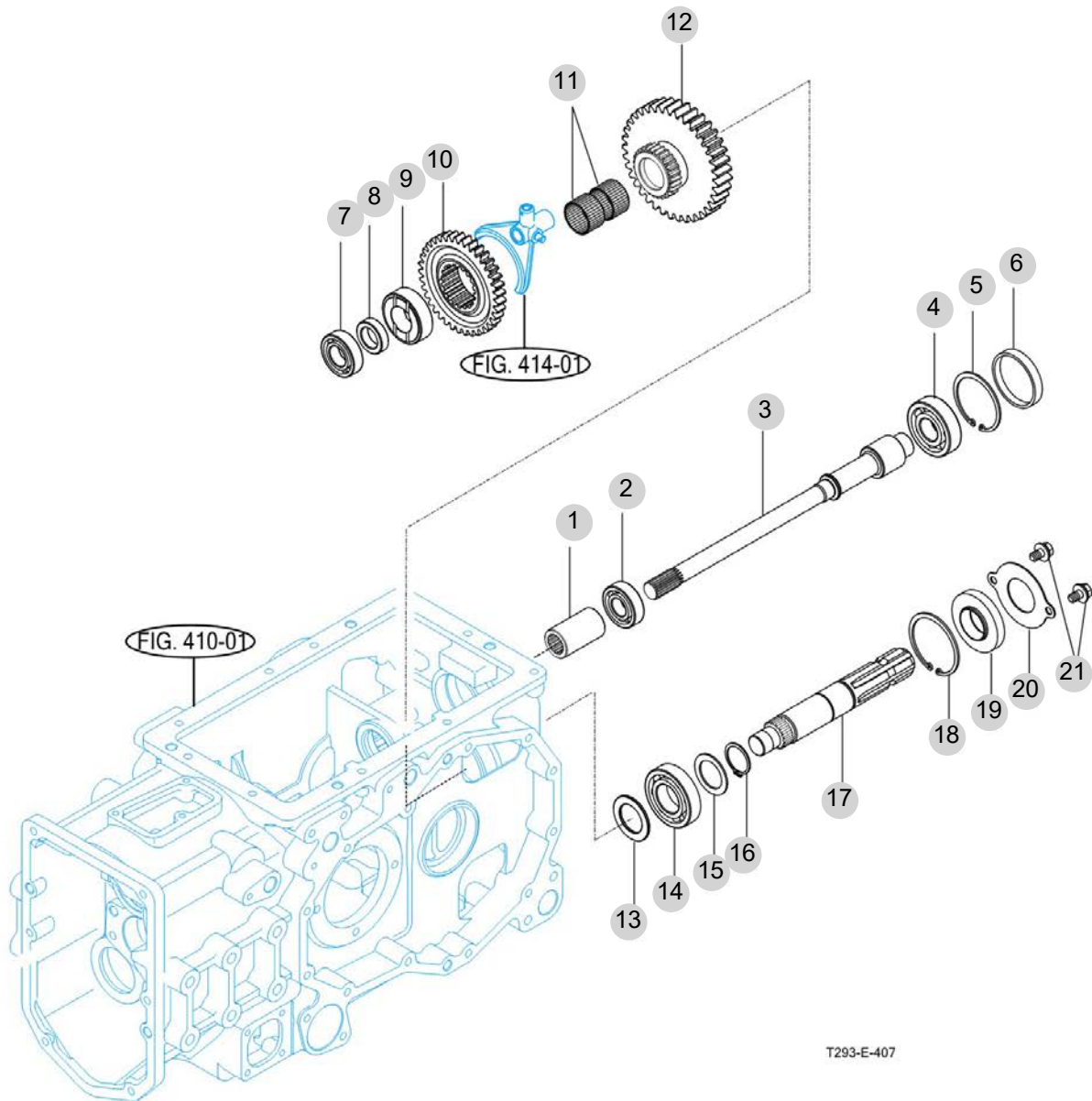
FIG 407

T265NHRU

P.T.O SHAFT

년/월
Year/Month

2022-12



NOTE

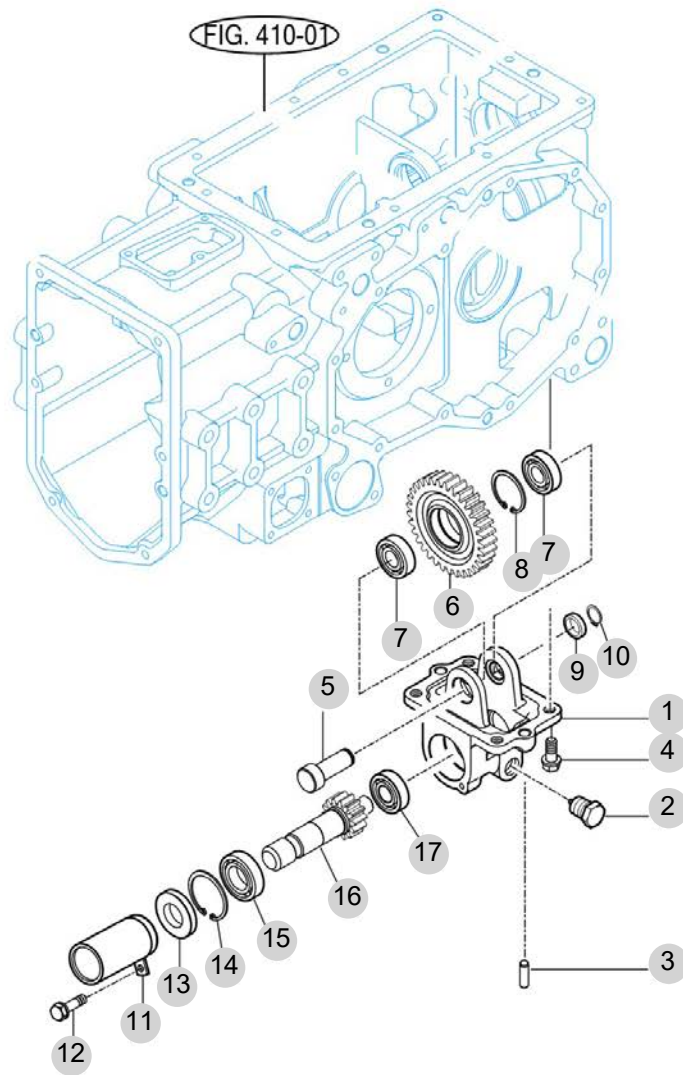
FIG 408

T265NHRU

MID P.T.O GEARS

년/월
Year/Month

2022-12



T293-E-408

NOTE

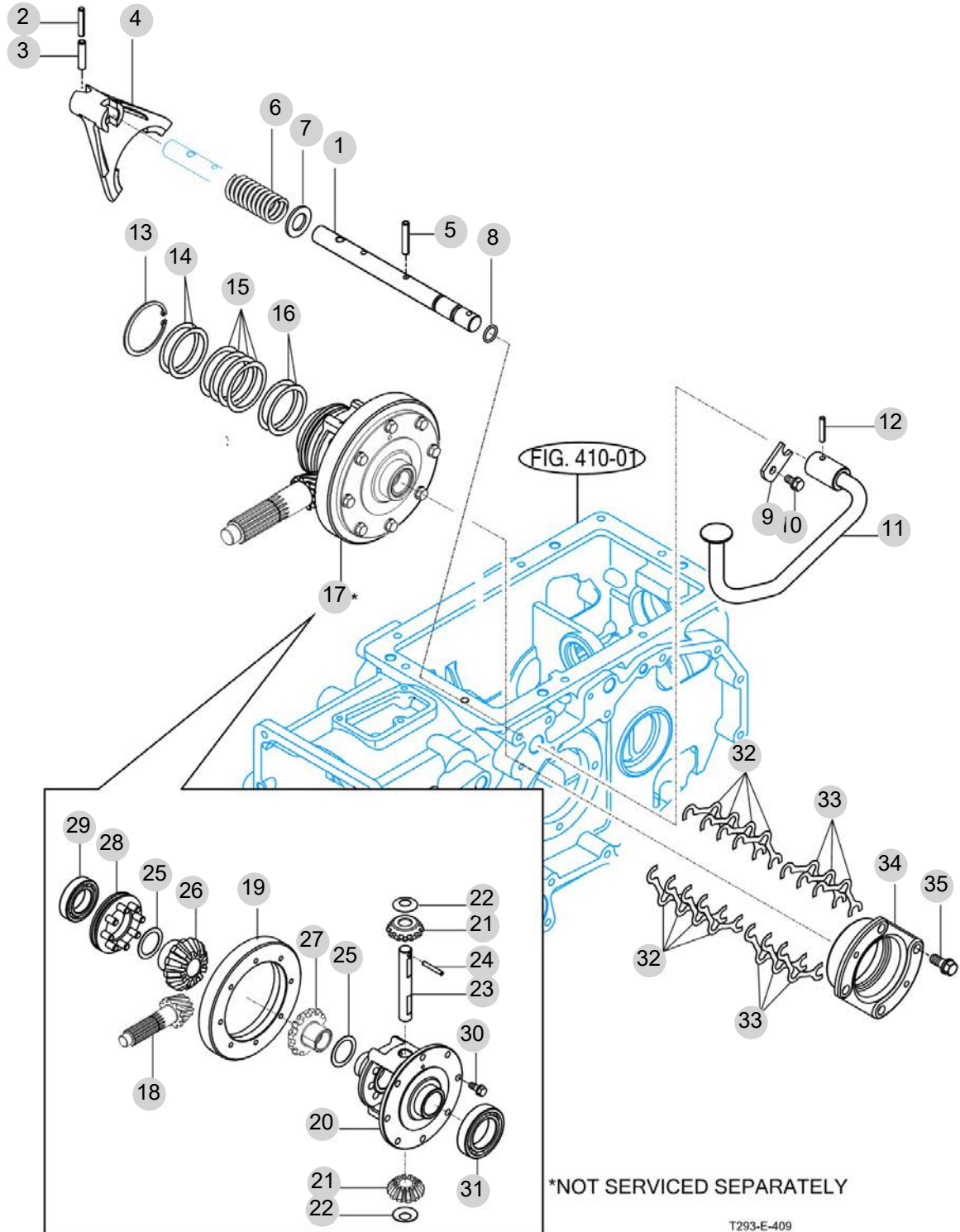
FIG 409

T265NHRU

DIFF LOCK

년/월
Year/Month

2022-12



NOTE

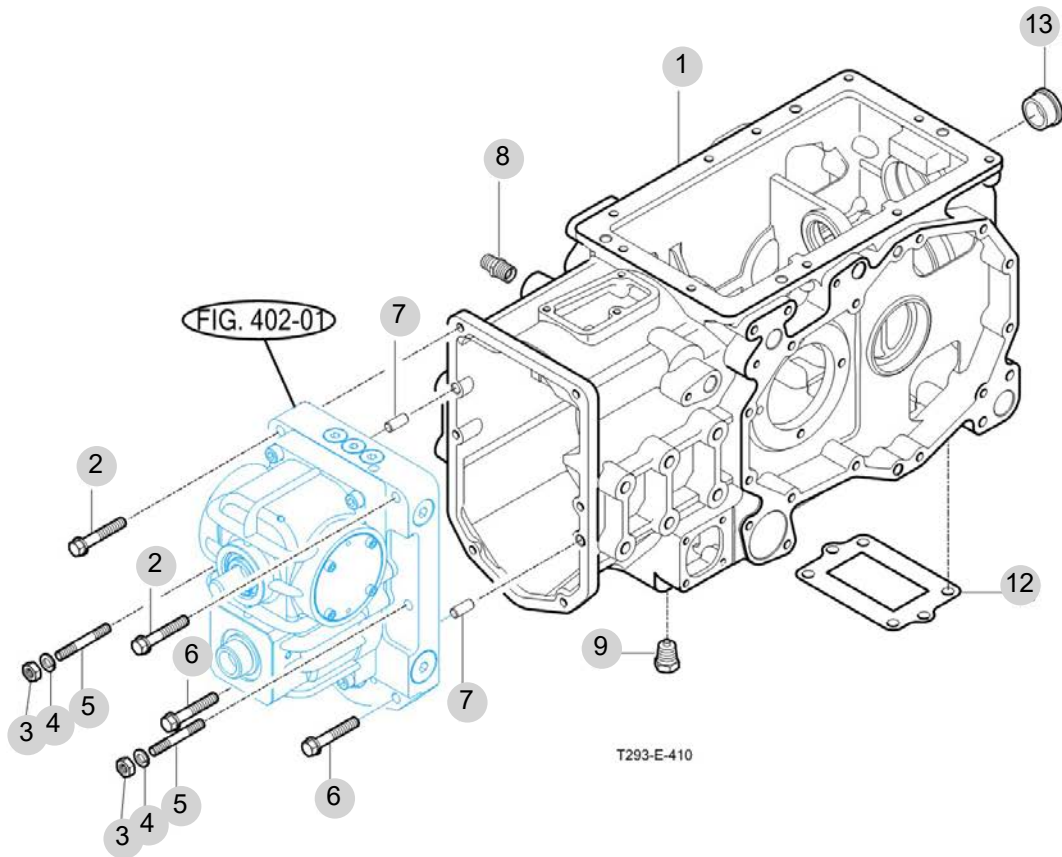
FIG 410

T265NHRU

REAR TRANSMISSION CASE

년/월
Year/Month

2022-12



T293-E-410

NOTE

FIG 410 T265NHRU		REAR TRANSMISSION CASE					년/월 Year/Month	
							2022-12	
KEY NO		PART NO	DESCRIPTION	SPEC	QTY	REPAIR		
410	1	13152400017M	리어 트랜스미션 케이스		1			
410	2	V2173610060	소형육각볼트보통(S)	M10X60	2			
410	3	V3043600100	소형육각너트보통2종	M10	2			
410	4	V4011600100	스프링와셔	M10	2			
410	5	V2513410045	스터드볼트2종	M10X45	2			
410	6	V2013610050	소형육각볼트(보통)		2			
410	6	V2174610050	소형육각볼트보통(S)	M10X50	2			
410	7	V5201010022	평행핀(A)	10X22	2			
410	8	16994080061	유니온(PT3/8,M18)		1			
410	9	16701015001	마그넷플러그ASSY		1			
410	12	13152401021	가스켓(MID PTO)		1			
410	13	11103062000	오일 점검게이지ASSY		1			
NOTE								

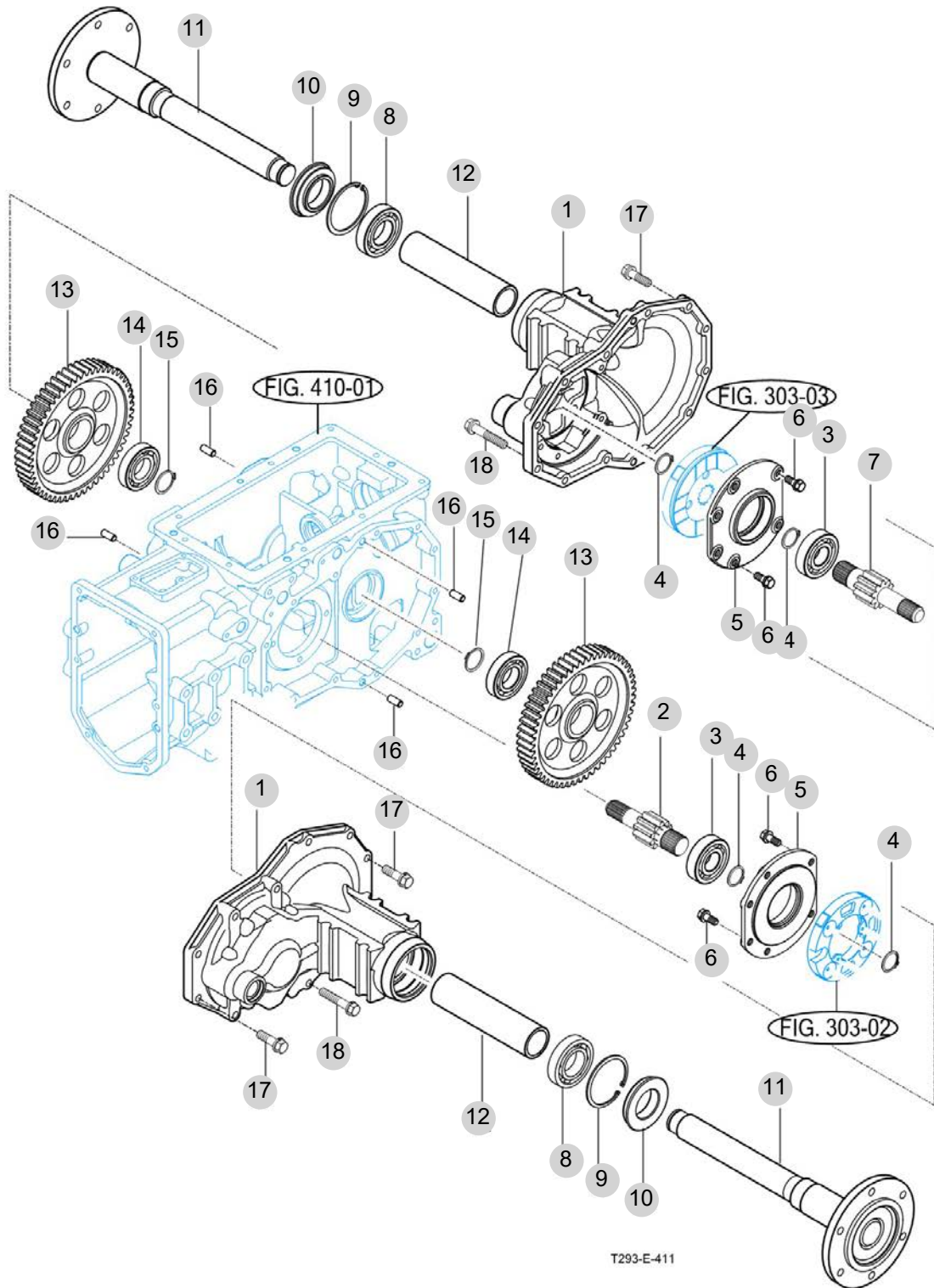
FIG 411

REAR AXLE HOUSINGS

년/월
Year/Month

2022-12

T265NHRU



NOTE

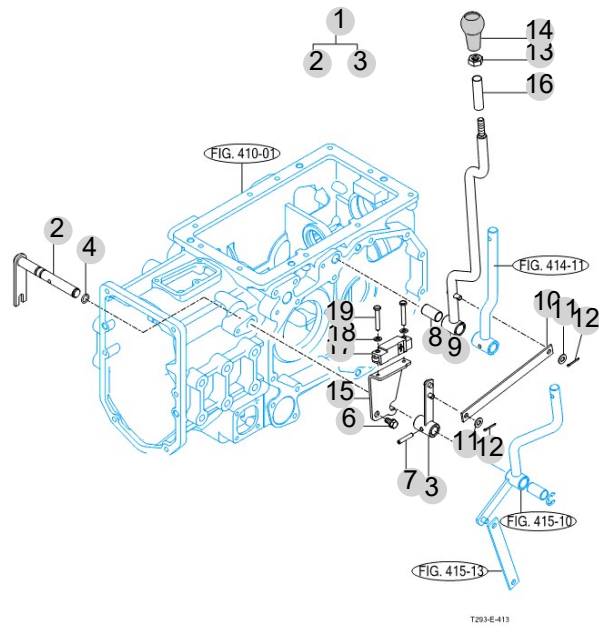
FIG 413

T265NHRU

RANGE SHIFT LEVER

년/월
Year/Month

2022-12



NOTE

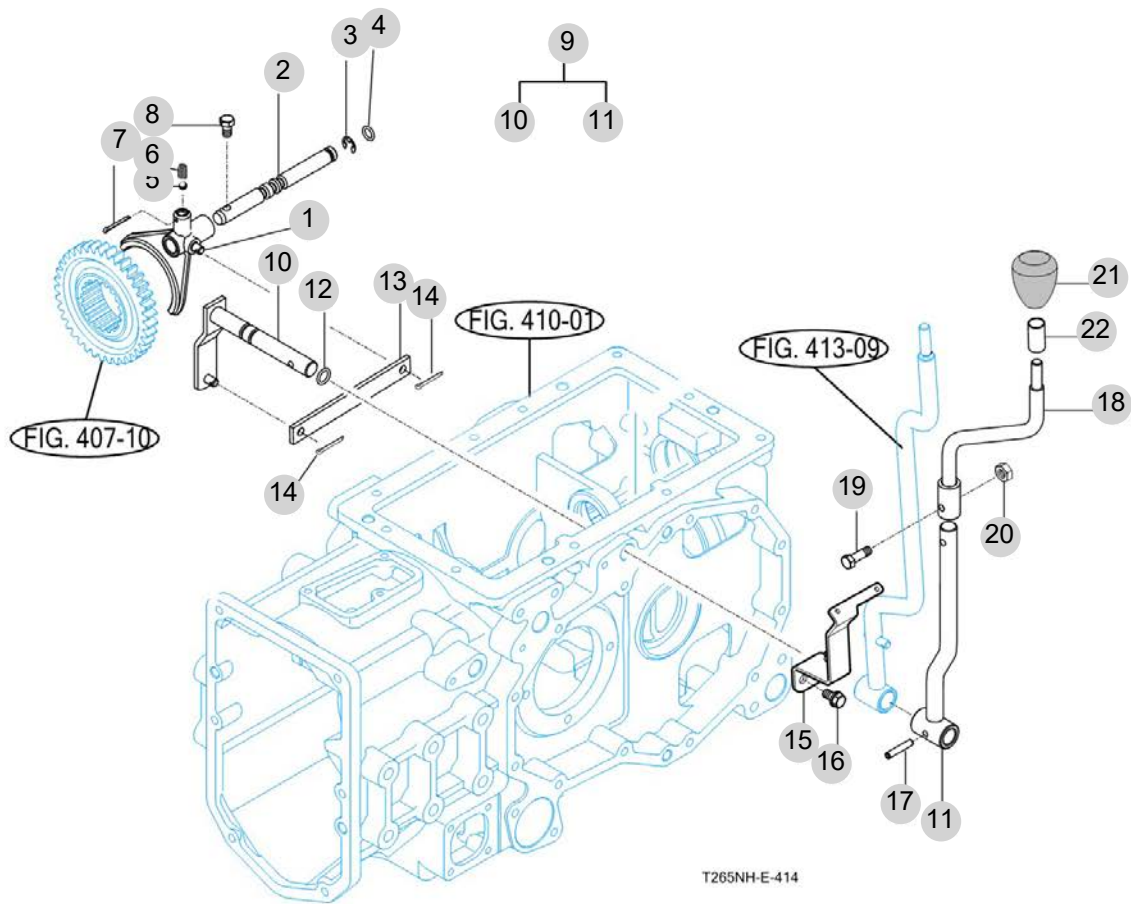
FIG 414

T265NHRU

P.T.O CHANGE LEVER

년/월
Year/Month

2022-12



NOTE

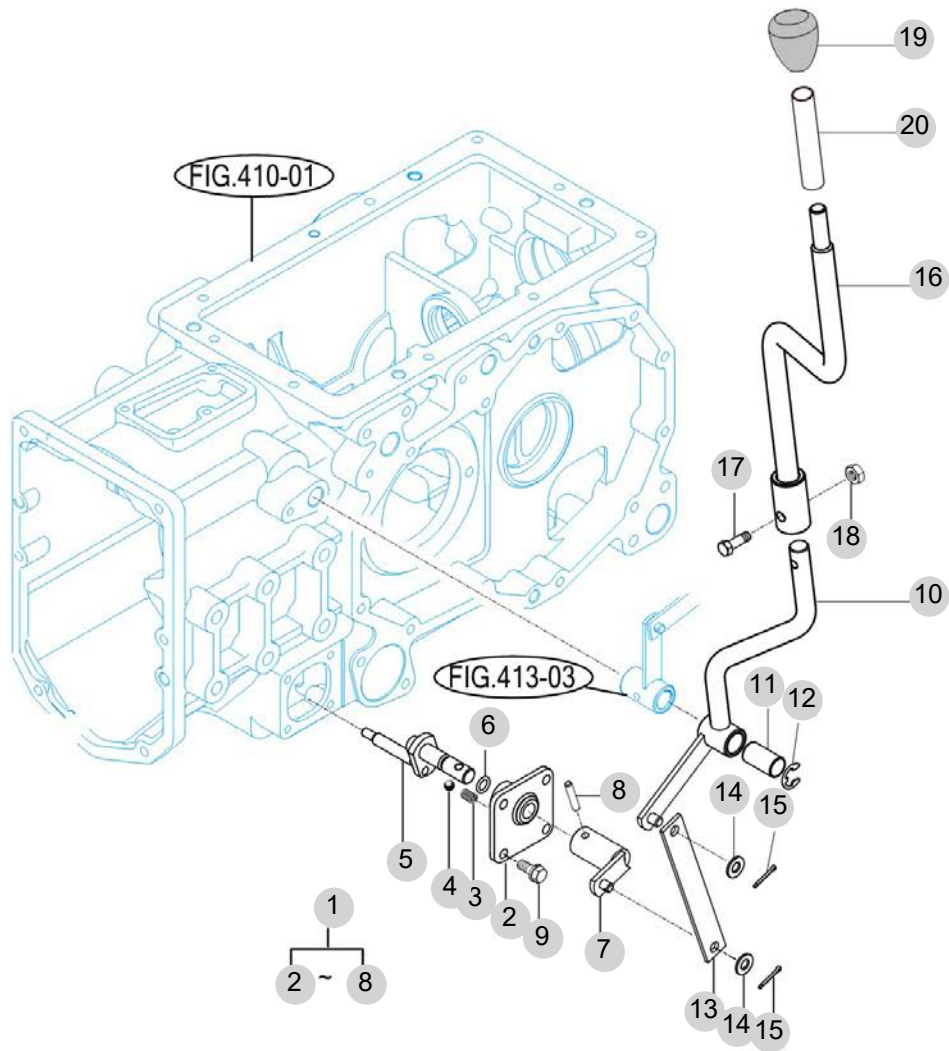
FIG 415

4WD CHANGE LEVER

년/월
Year/Month

T265NHRU

2022-12



T293-E-415

NOTE

FIG 415 T265NHRU		4WD CHANGE LEVER						년/월 Year/Month	
								2022-12	
KEY NO	PART NO	DESCRIPTION	SPEC	QTY	REPAIR	EFFECTIVE DATE	REMARKS		
415	1	13402632001	4WD 암 SUB						
415	2	14443120010M	보스						
415	3	13022250030	시프터스프링						
415	4	V6802000010	강구	5/16					
415	5	14572622101	암COMP(4WD)						
415	6	V7201024010	O링(P)	P10A					
415	7	13152632201	암 COMP						
415	8	V5801406032	스프링핀	6X32					
415	9	V2173608020	소형육각볼트보통(S)	M8X20					
415	10	13152632102	레버(4WD/하) COMP						
415	10	13152632103	레버(4WD/하) COMP						
415	11	17995070270	부시(16X18X33)						
415	12	V7081400120	E형멤츨링	12					
415	13	13152630011	4WD 링크						
415	14	V4111600080	평와셔	M8					
415	15	V5001925020	핀	2.5X20					
415	16	13152632302	4WD 레버(상) COMP						
415	17	V2013608030	소형육각볼트(보통)	M8X30					
415	18	V3042600080	소형육각너트보통2종	M8					
415	19	15442190050	레버손잡이(12)						
415	20	13632444630	4WD레버호스 , 110						
NOTE									

5. 프런트 액슬 PART NO. T5

FIG 501 FRAME	130
FIG 502 FRONT DIFFERENTIAL GEARS & SHAFT	132
FIG 503 FRONT AXLE HOUSING	134
FIG 504 FRONT GEAR CASE (1)	136
FIG 505 FRONT GEAR CASE (2)	138

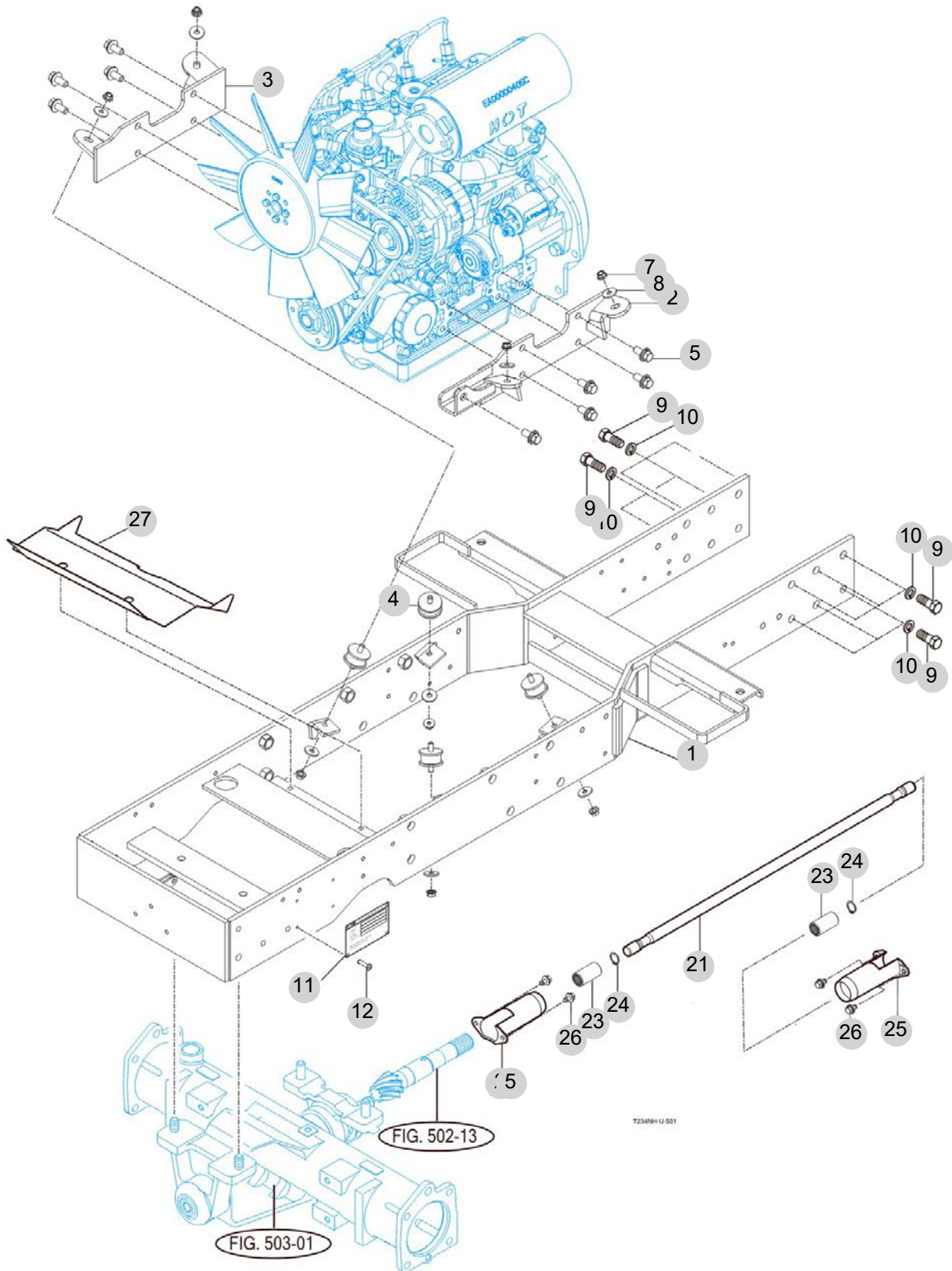
FIG 501

T265NHRU

FRAME

년/월
Year/Month

2022-12



NOTE

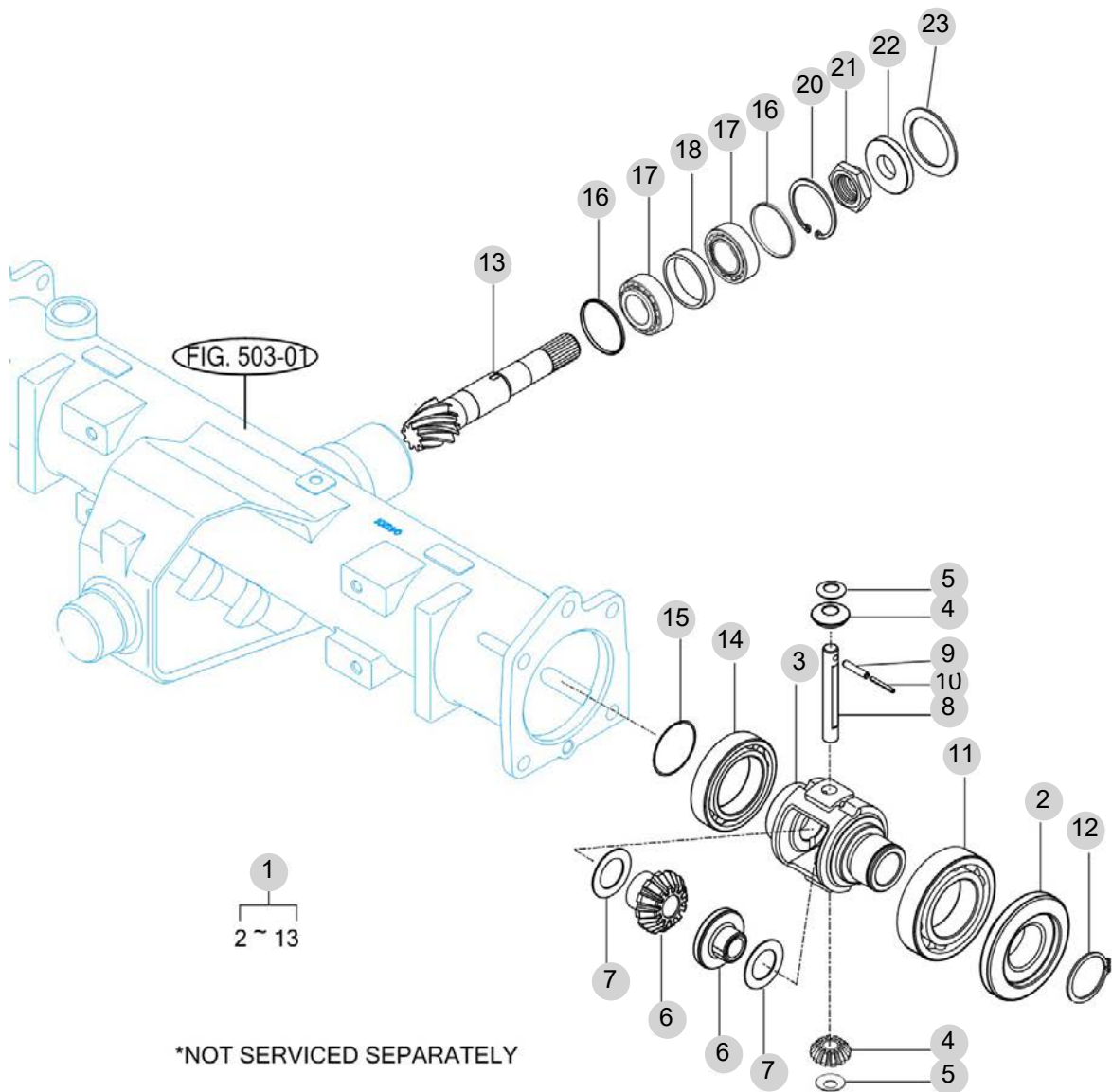
FIG 502

T265NHRU

FRONT DIFFERENTIAL GEARS & SHAFT

년/월
Year/Month

2022-12



T293-E-502

NOTE

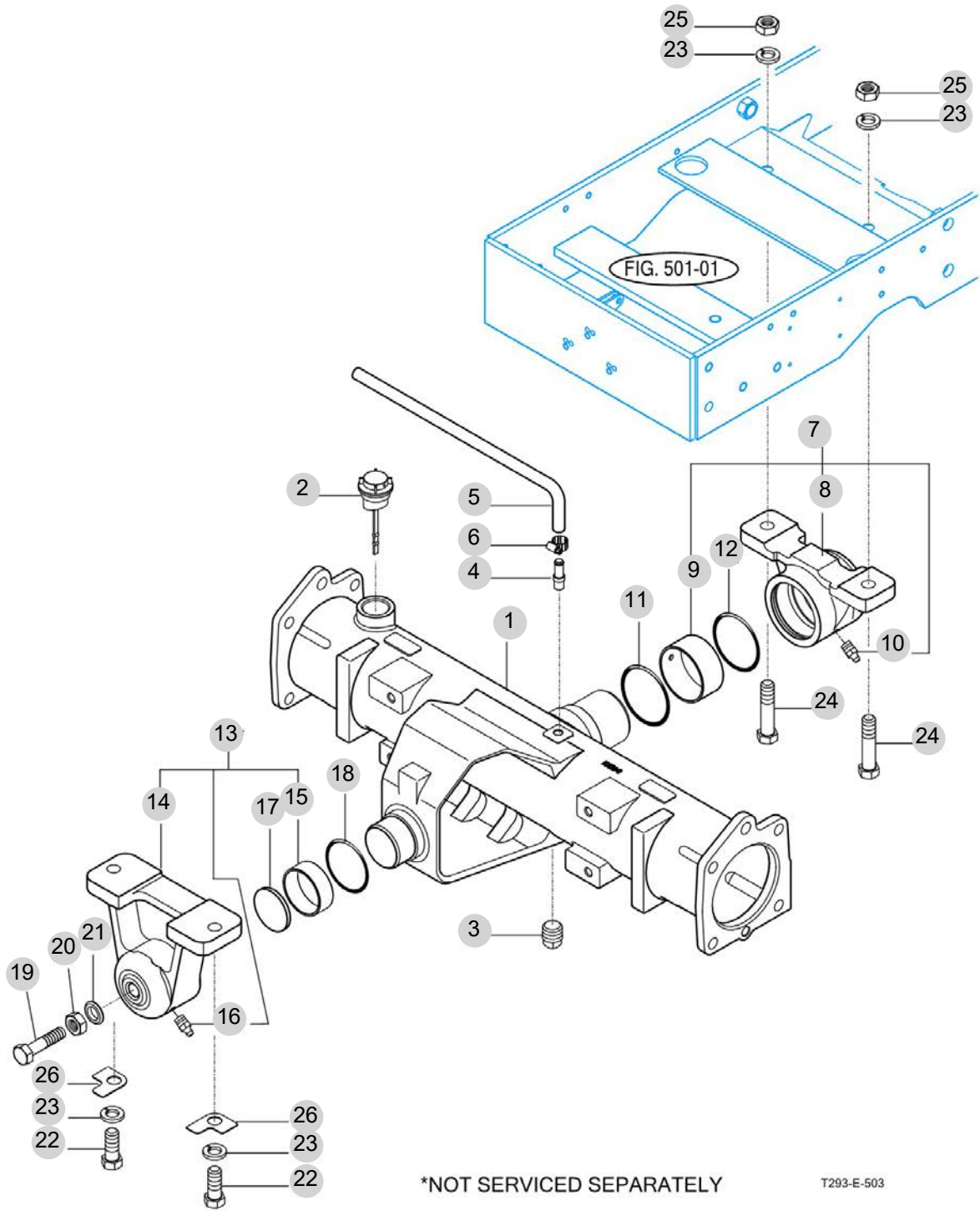
FIG 503

T265NHRU

FRONT AXLE HOUSING

년/월
Year/Month

2022-12



NOTE

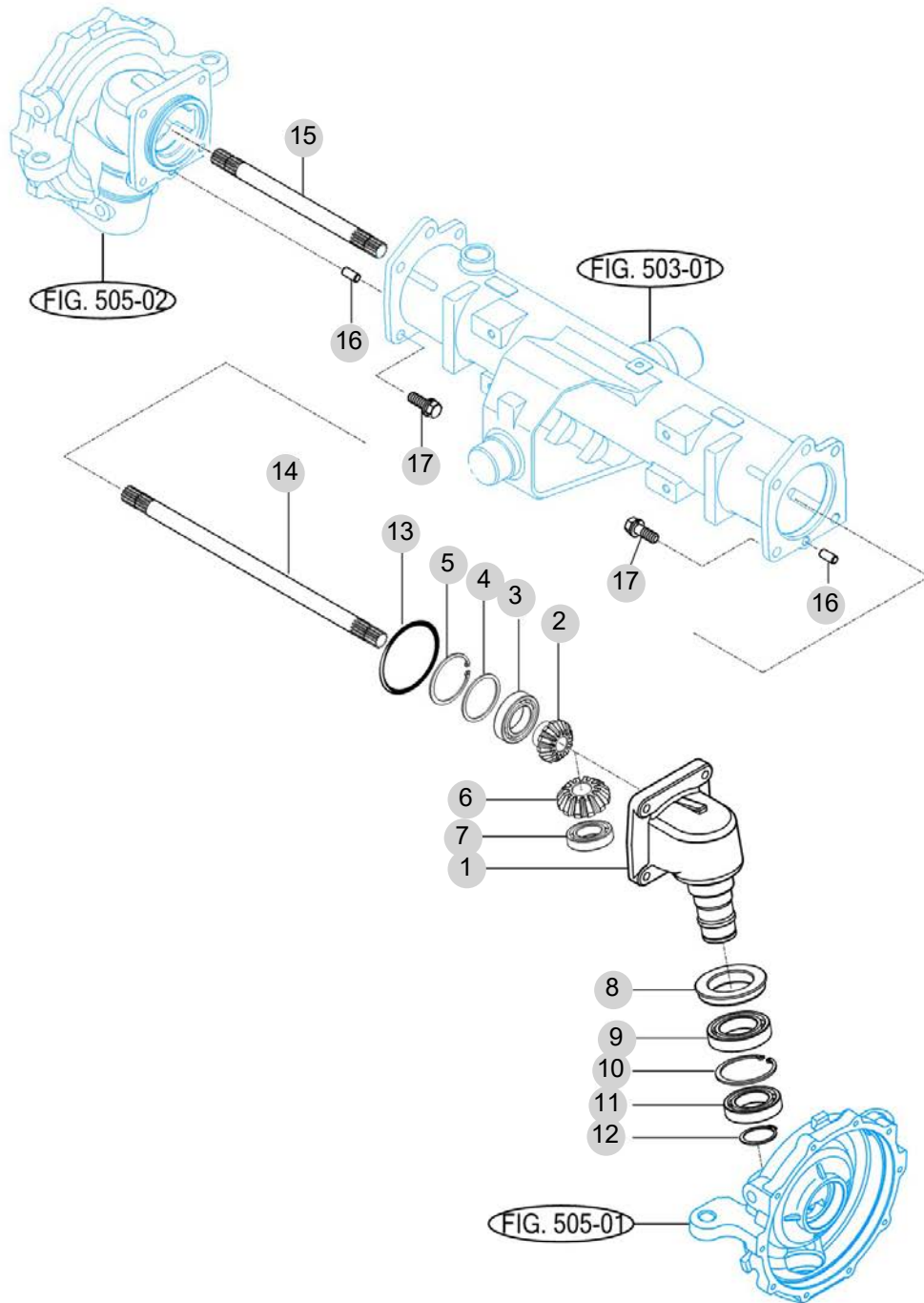
FIG 504

T265NHRU

FRONT GEAR CASE (1)

년/월
Year/Month

2022-12



T293-E-504

NOTE

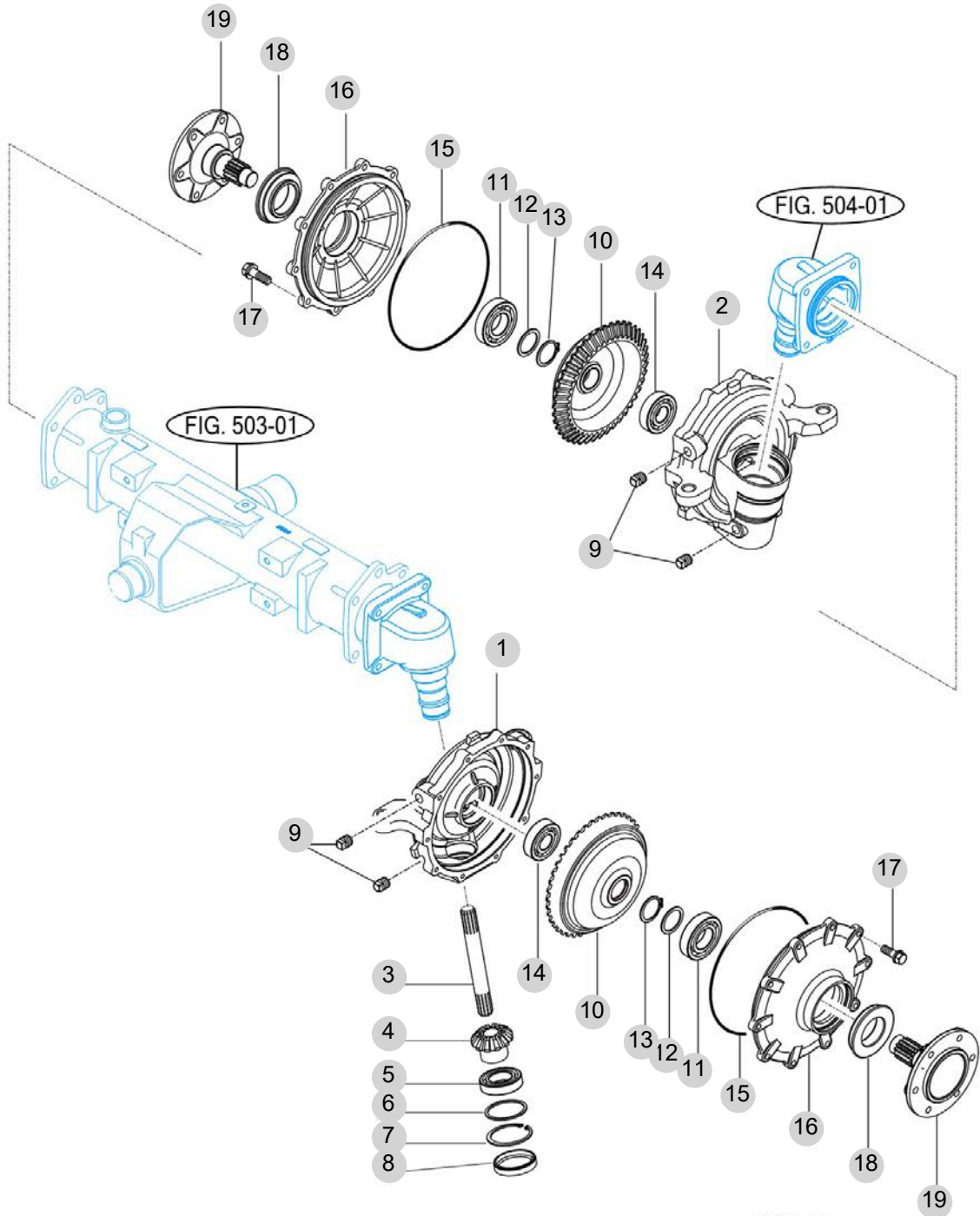
FIG 505

T265NHRU

FRONT GEAR CASE (2)

년/월
Year/Month

2022-12



T293-E-505

NOTE

6. 유압/3점링크 PART NO. T6

FIG 601 CYLINDER CASE	141
FIG 602 LIFT ARM	143
FIG 603 FLOW CONTROL VALVE	145
FIG 604 CONTROL VALVE LINKAGE	147
FIG 605 MAIN CONTROL VALVE	149
FIG 606 REMOTE CONTROL VALVE	151
FIG 607 POSITION LEVER LINKAGE	153
FIG 608 GEAR PUMP	155
FIG 609 HYDRAULIC HOSE (1)	157
FIG 610 HYDRAULIC HOSE (2)	159
FIG 611 PTO VALVE	161
FIG 612 3-POINT LINKAGE	163
FIG 613 JOYSTICK LEVER	166
FIG 614 HITCH & COVER	168

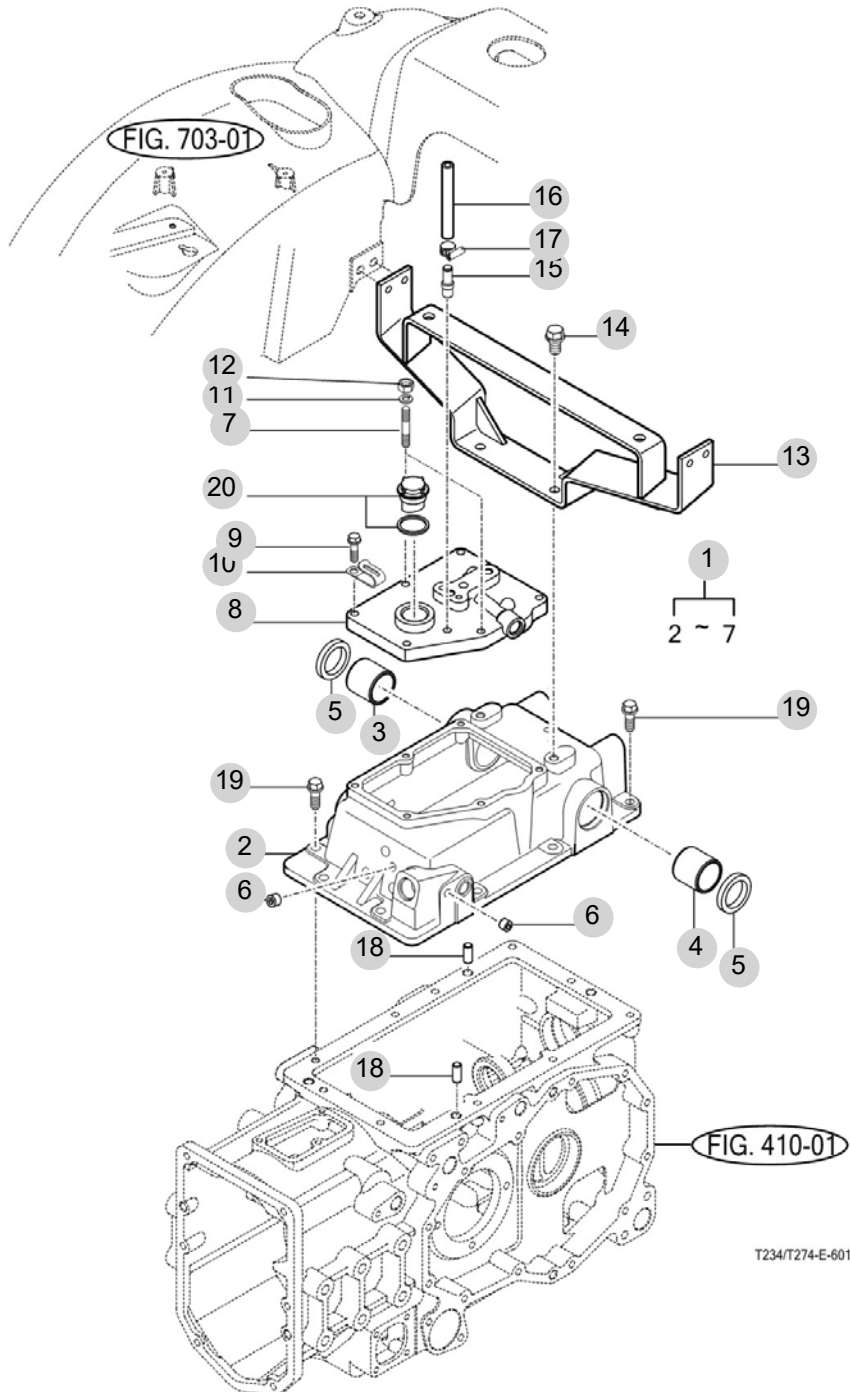
FIG 601

T265NHRU

CYLINDER CASE

년/월
Year/Month

2022-12



T234/T274-E-601

NOTE

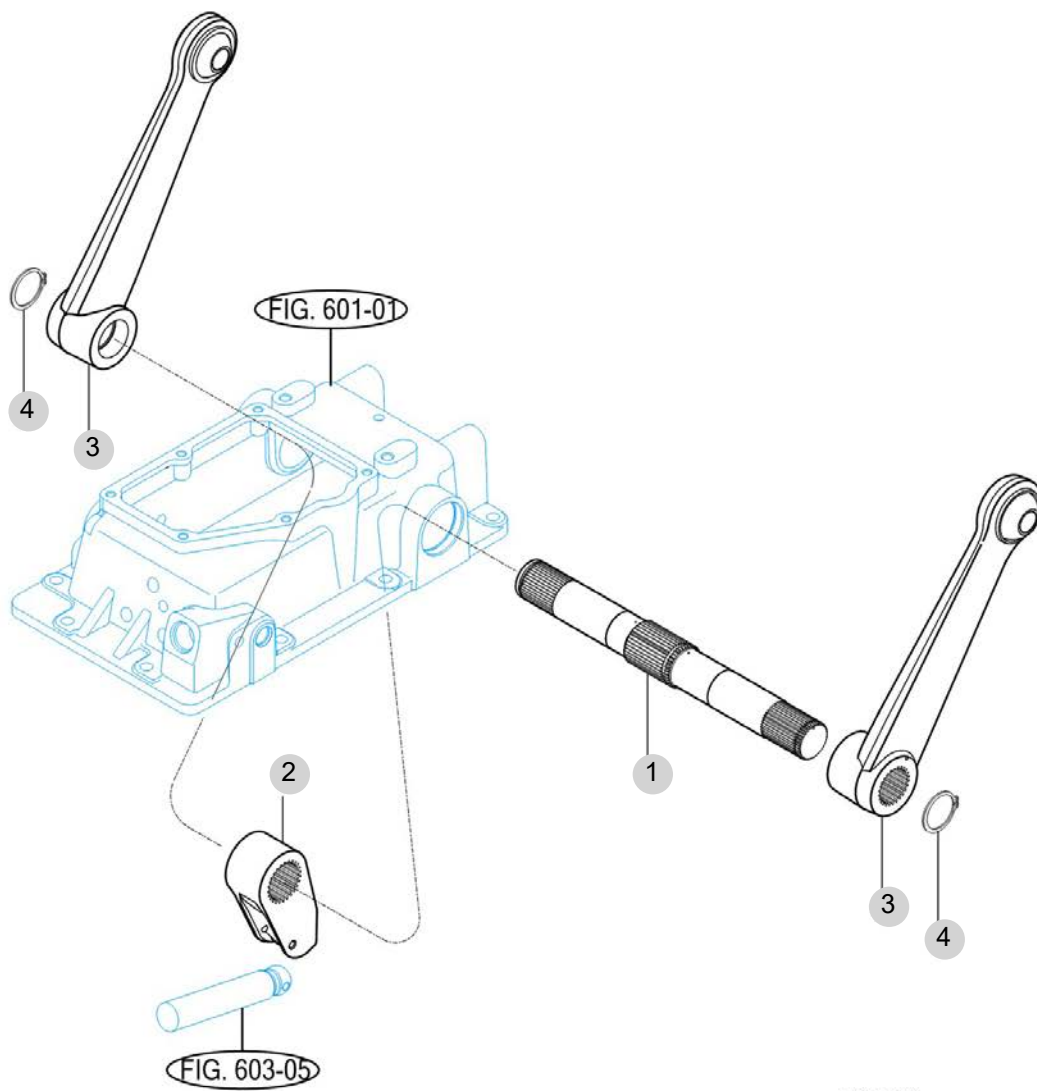
FIG 602

T265NHRU

LIFT ARM

년/월
Year/Month

2022-12



NOTE

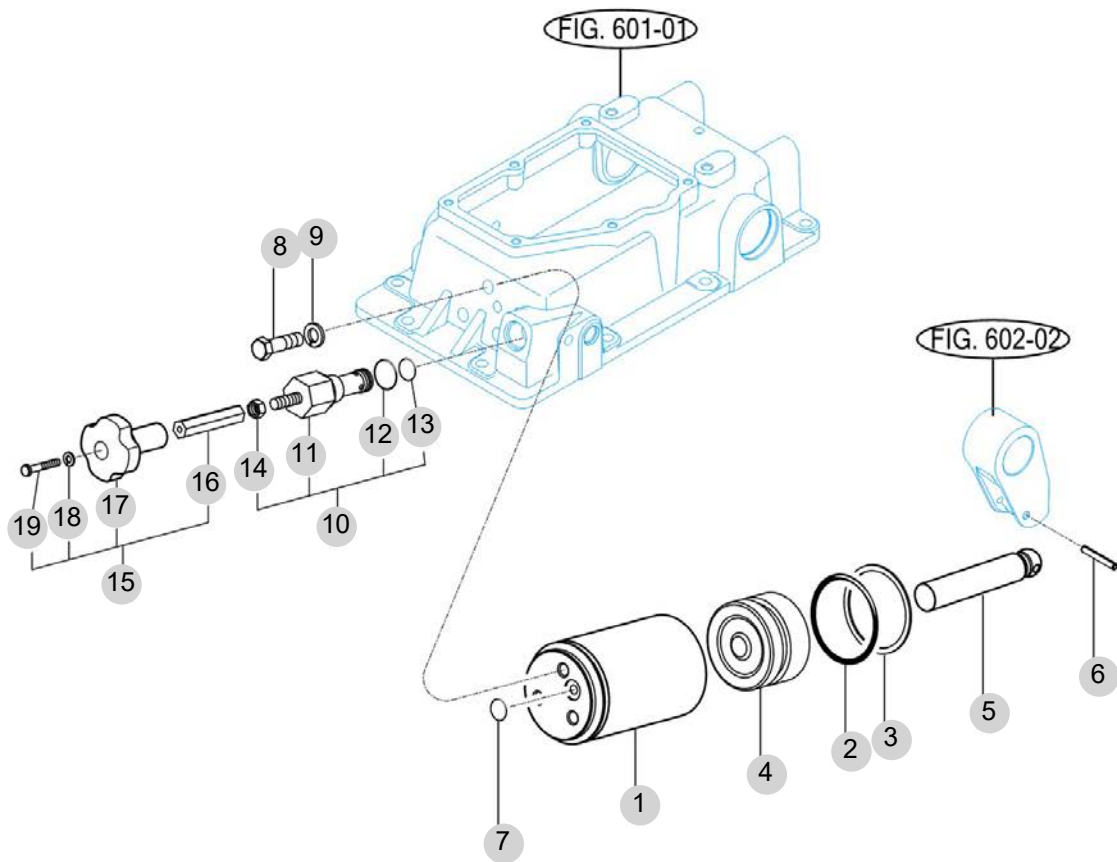
FIG 603

T265NHRU

FLOW CONTROL VALVE

년/월
Year/Month

2022-12



T293-E-603

NOTE

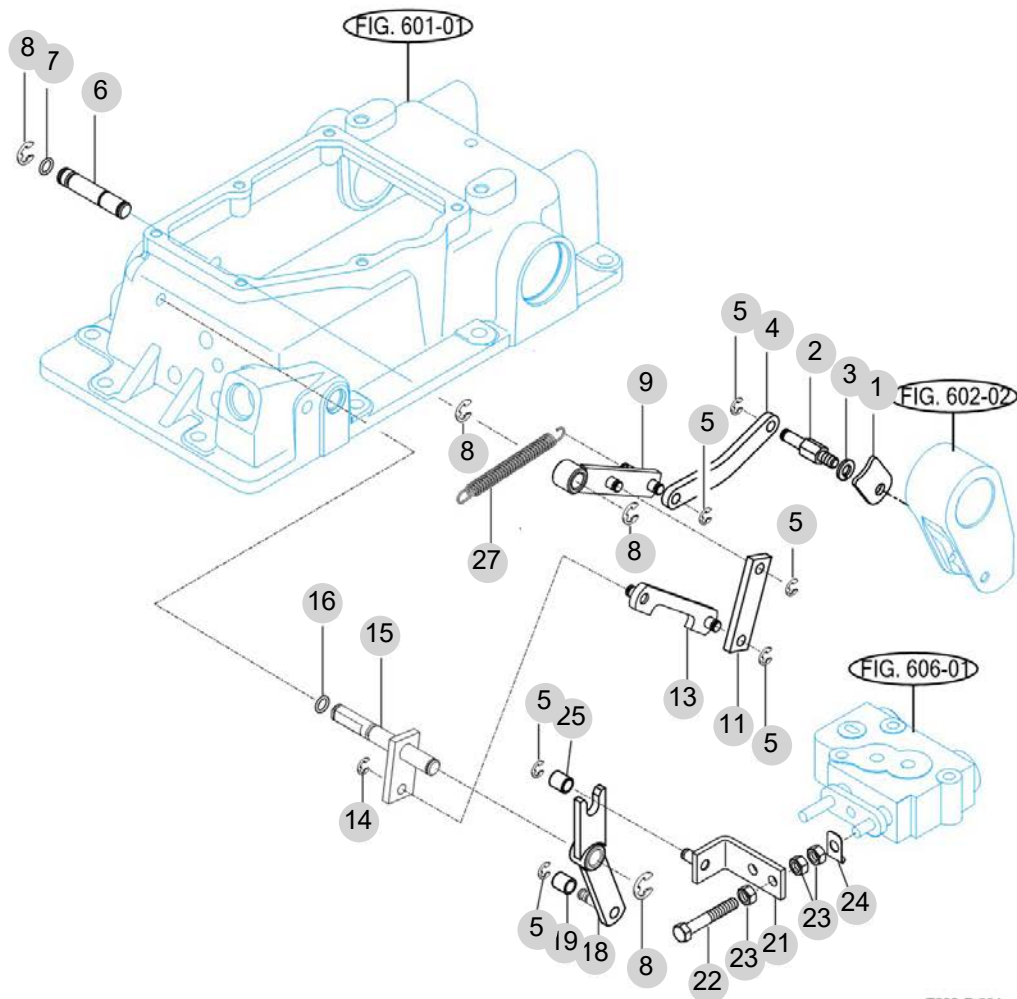
FIG 604

CONTROL VALVE LINKAGE

년/월
Year/Month

2022-12

T265NHRU



T293-E-604

NOTE

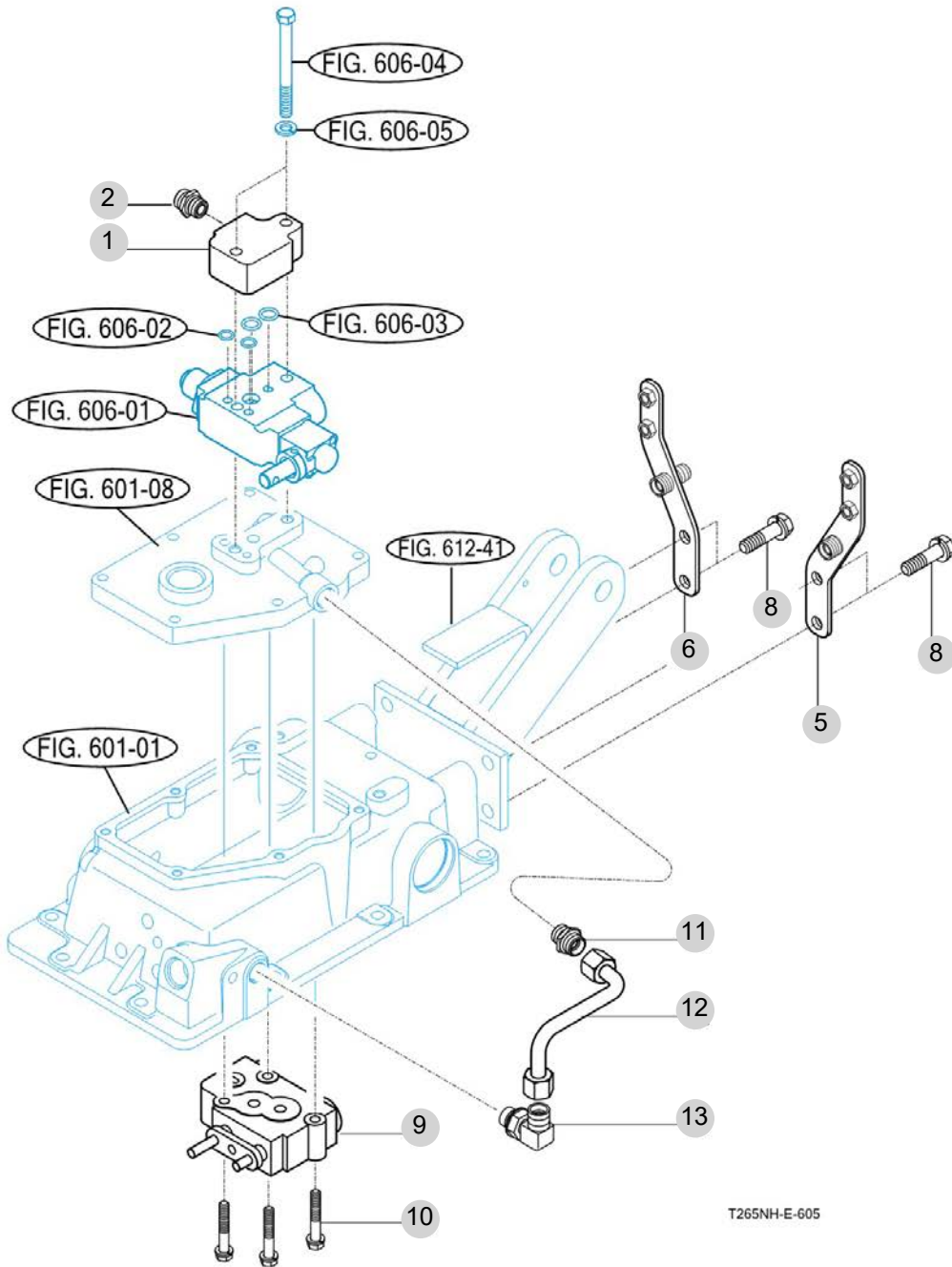
FIG 605

T265NHRU

MAIN CONTROL VALVE

년/월
Year/Month

2022-12



NOTE

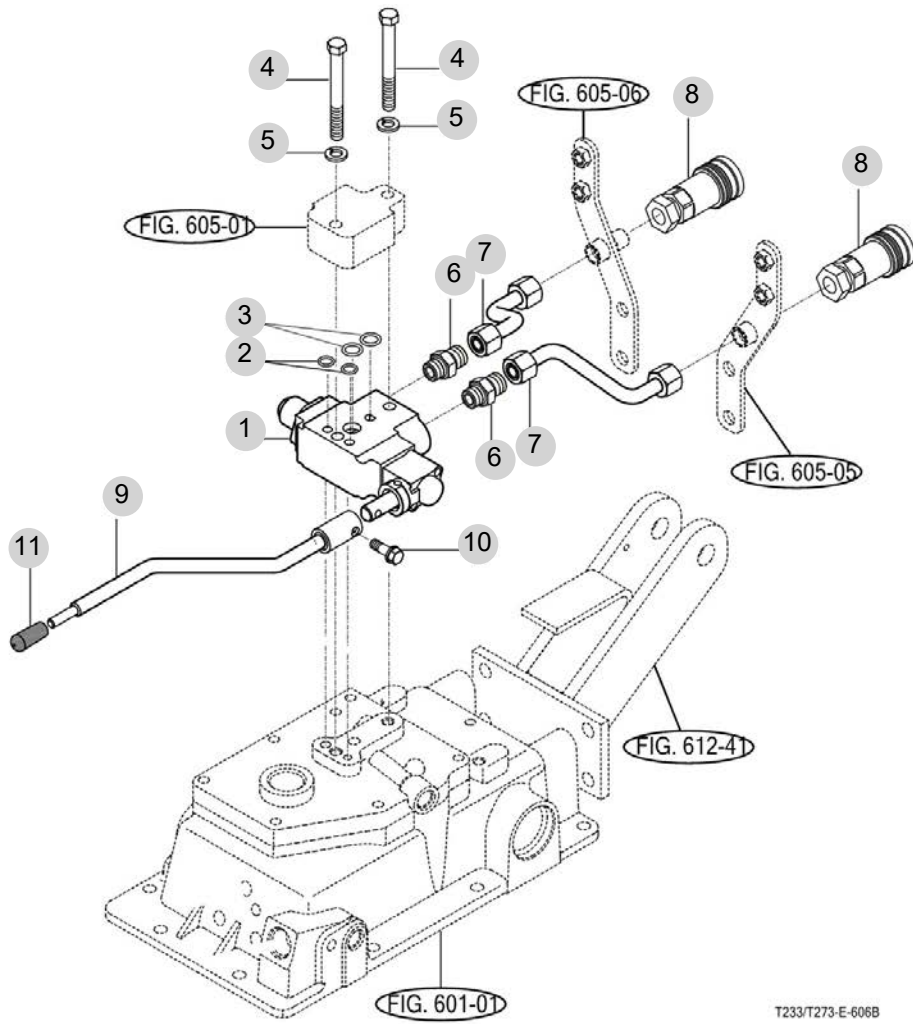
FIG 606

T265NHRU

REMOTE CONTROL VALVE

년/월
Year/Month

2022-12



T233/T273-E-606B

NOTE

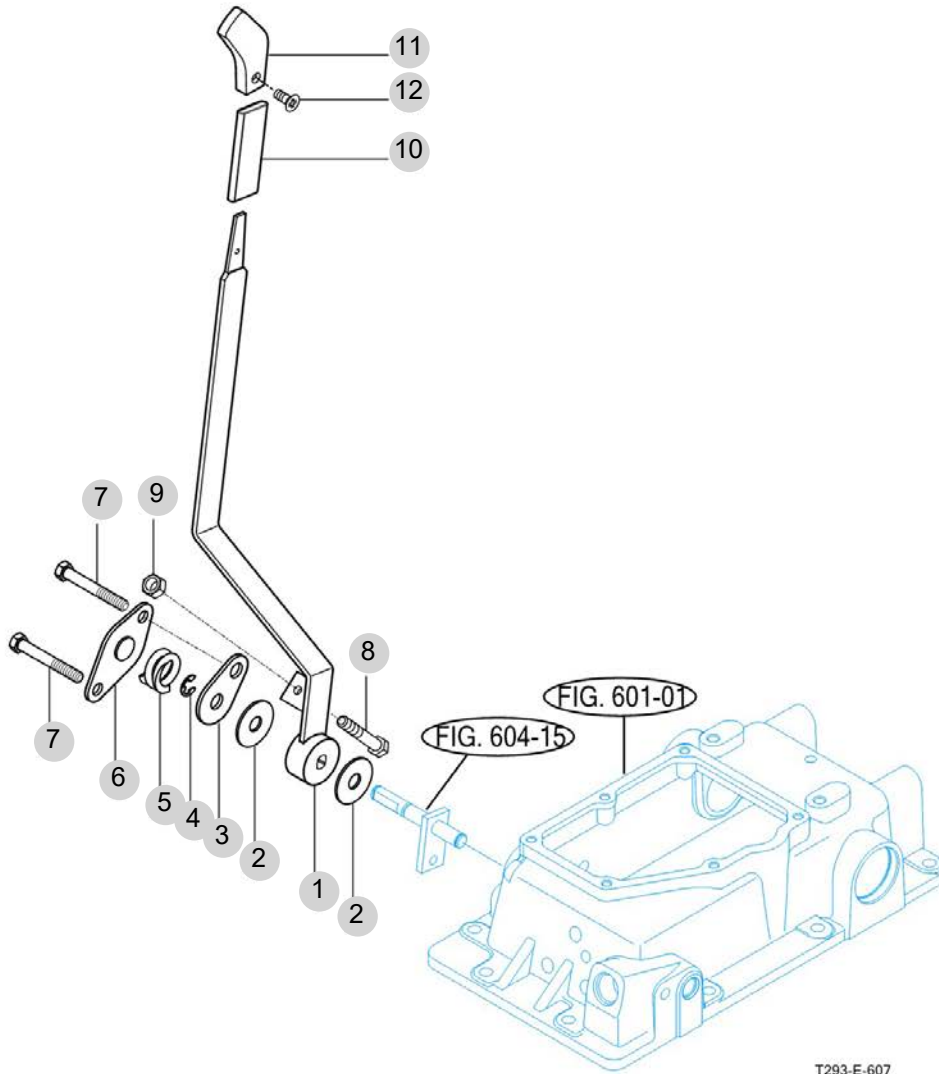
FIG 607

T265NHRU

POSITION LEVER LINKAGE

년/월
Year/Month

2022-12



NOTE

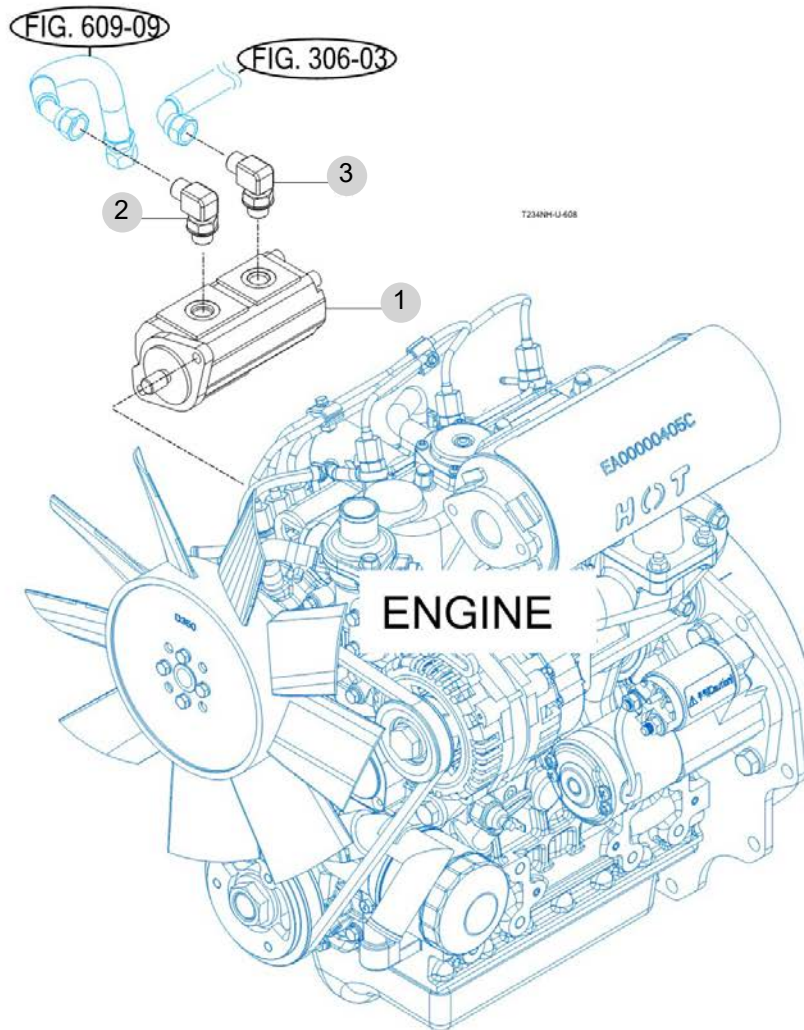
FIG 608

T265NHRU

GEAR PUMP

년/월
Year/Month

2022-12

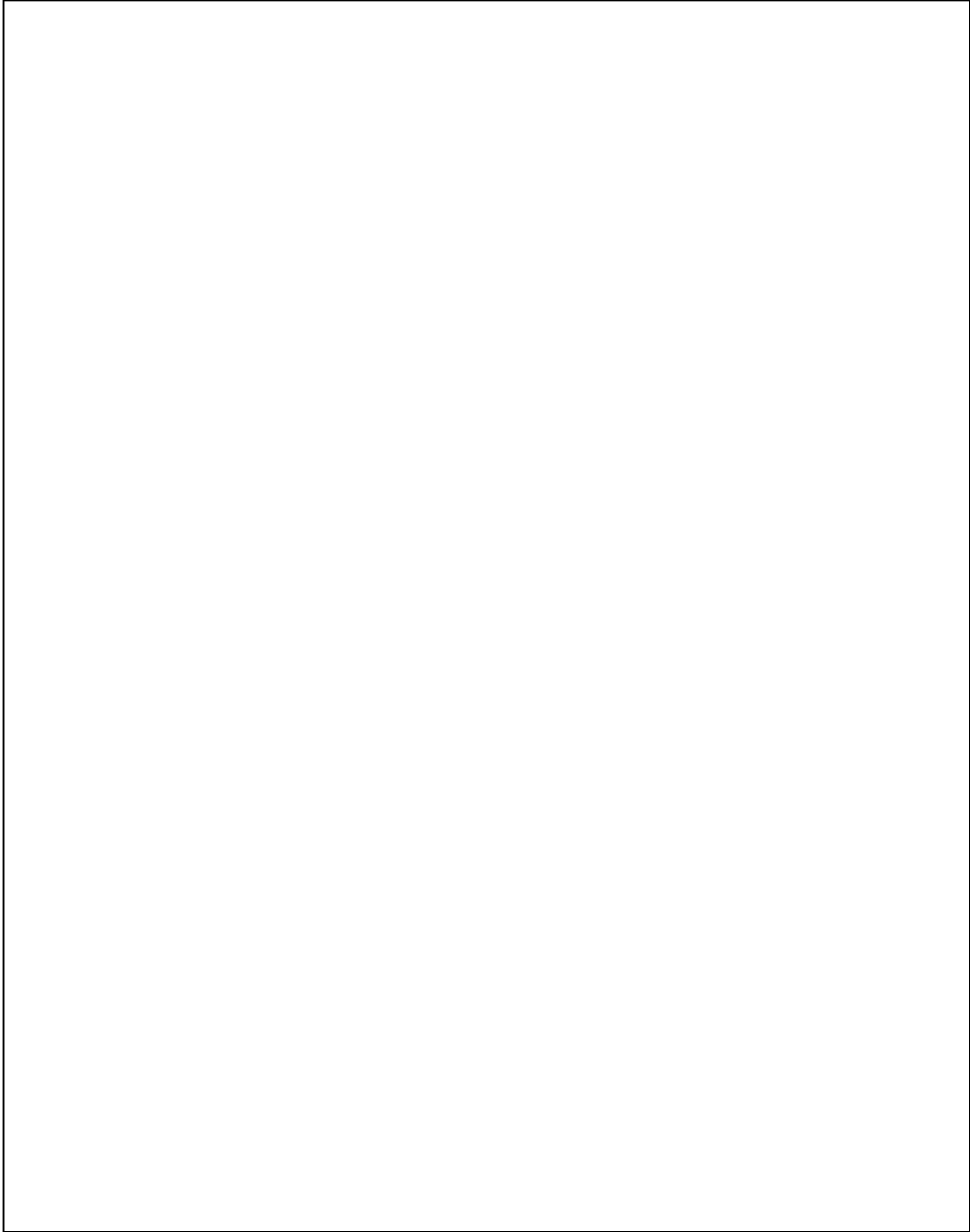


NOTE

FIG 608 T265NHRU	GEAR PUMP						년/월 Year/Month
							2022-12

KEY NO	PART NO	DESCRIPTION	SPEC	QTY	REPAIR	EFFECTIVE DATE	REMARKS
608	1	11515182200	기어펌프 ASSY(8X5cc)	1			
608	2	36313530021	어댑터(고압)	1			
608	3	13634080060	엘보 , PF1/4 PF3/8	1			
NOTE							

FIG 609 T265NHRU	HYDRAULIC HOSE (1)	년/월 Year/Month 2022-12
---------------------	--------------------	------------------------------



NOTE	
------	--

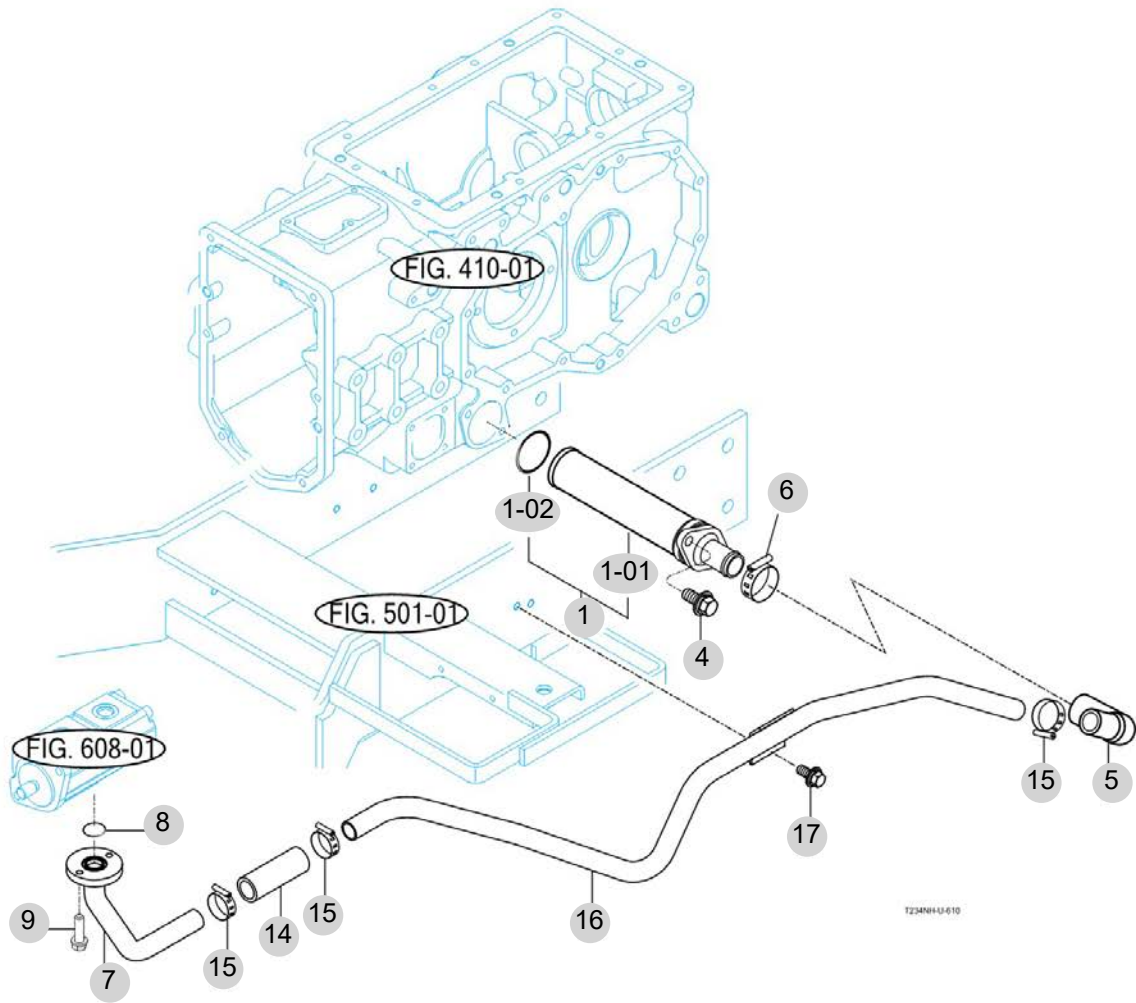
FIG 610

T265NHRU

HYDRAULIC HOSE (2)

년/월
Year/Month

2022-12



T265NHRU-610

NOTE

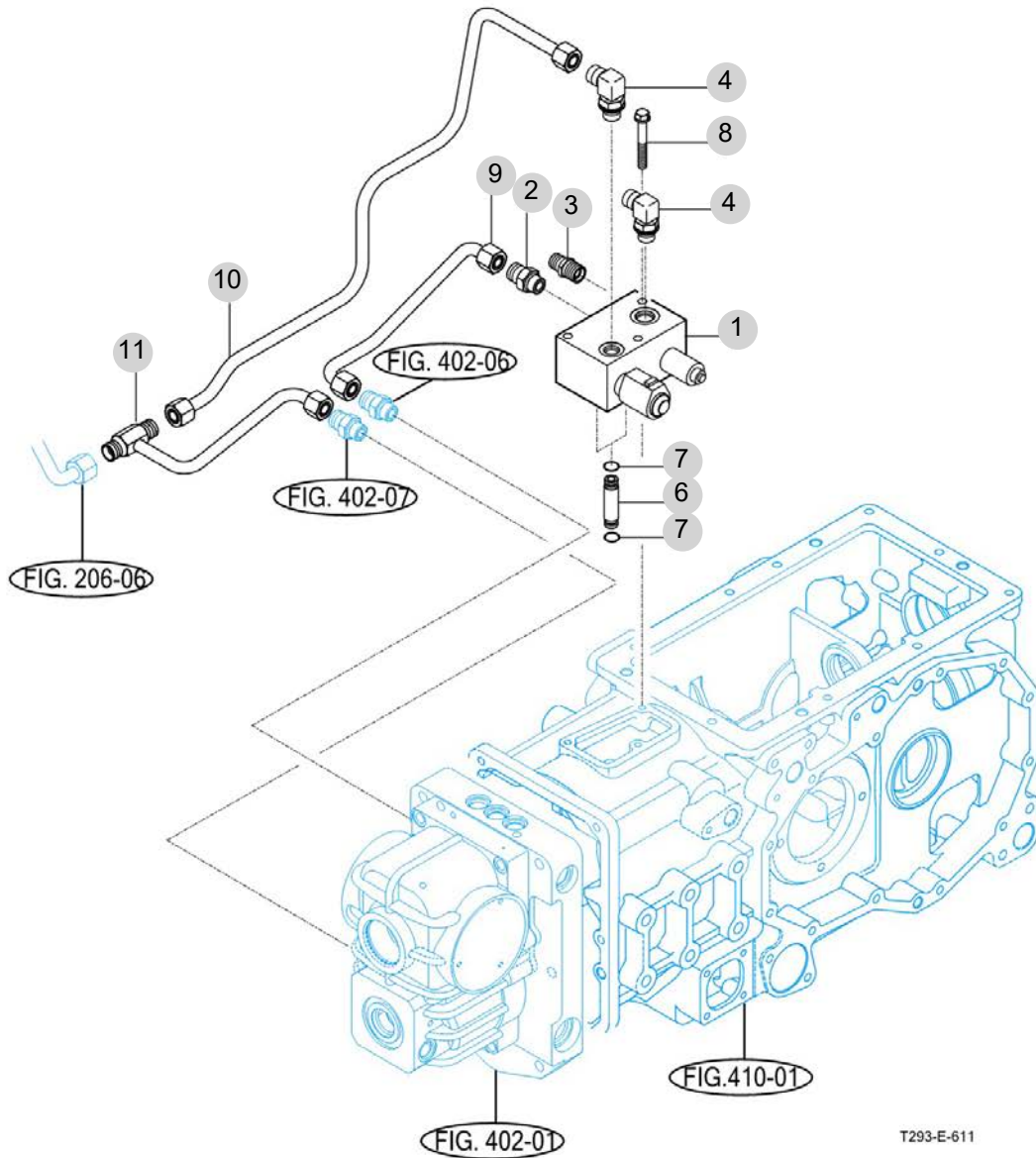
FIG 611

T265NHRU

PTO VALVE

년/월
Year/Month

2022-12



T293-E-611

NOTE

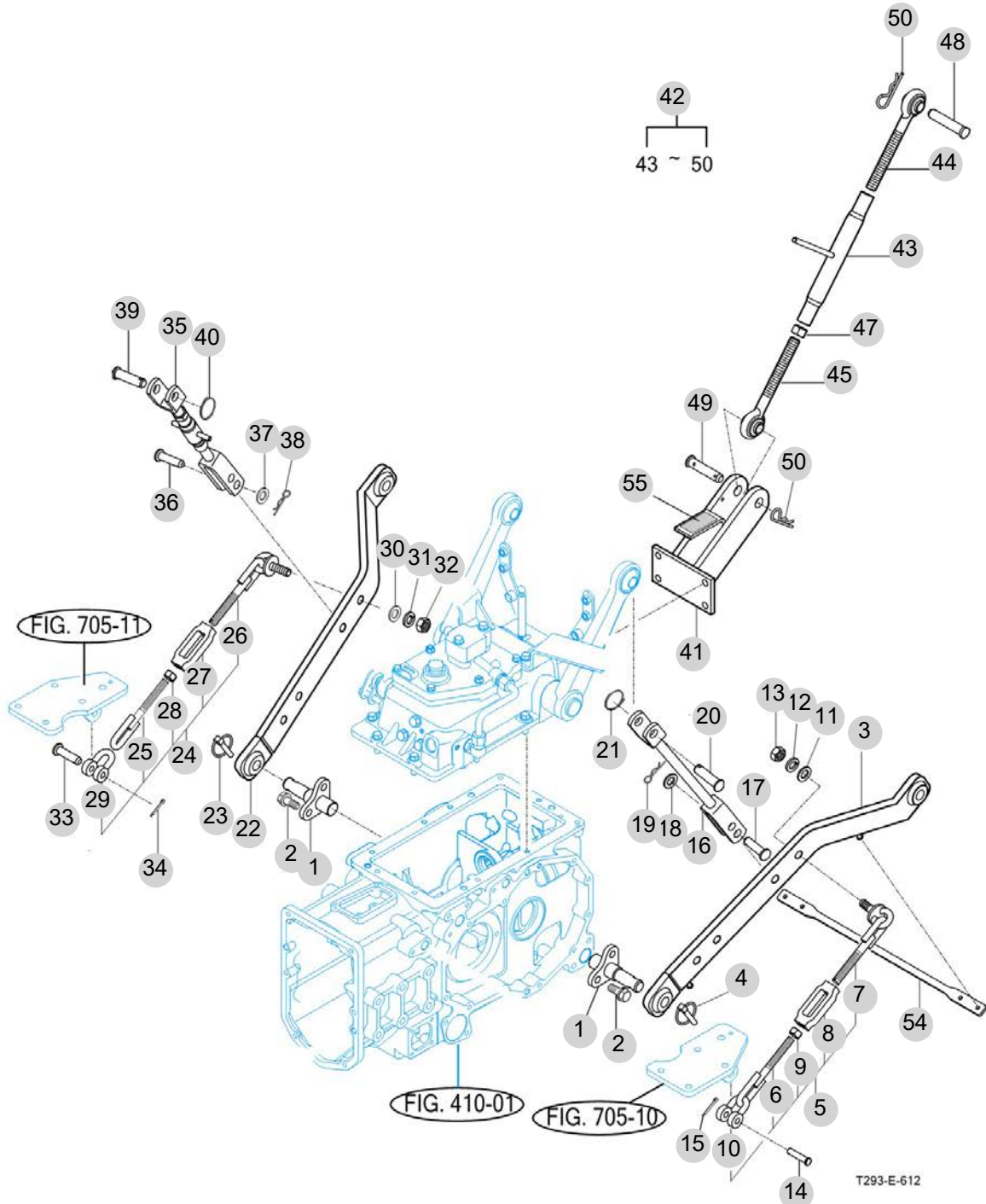
FIG 612

3-POINT LINKAGE

년/월
Year/Month

2022-12

T265NHRU



NOTE

FIG 612		3-POINT LINKAGE					년/월 Year/Month		
							2022-12		
T265NHRU		KEY NO	PART NO	DESCRIPTION	SPEC	QTY	REPAIR	EFFECTIVE DATE	REMARKS
612	1	13155205100	핀(115) COMP			2			
612	2	V2173612030	소형육각볼트보통(S)	M12X30		4			
612	3	13155202202	로어링크(좌) COMP			1			
612	4	14215020020	링크핀			1			
612	5	13155202501	체인(체크) 조합			1	C		
612	6	14585142600	체인(체크,RH)COMP			1			
612	7	14585142700	체인(체크,LH)COMP			1			
612	8	13155202511	터언버클			1			
612	9	V3012600140	육각너트보통2종	M14		1			
612	10	14585142520	체크체인 샤클			1			
612	11	V4111600160	평와셔	M16		1			
612	12	V4011600160	스프링와셔	M16		1			
612	13	V3313600160	육각너트가는2종	M16		1			
612	14	79636110030	핀(12X48)			1			
612	15	V5001930020	분할핀	3X20		1			
612	16	13155202401	리프트로드(좌) COMP			1			
612	17	79636130050	핀(16X60)			1			
612	18	V4111600160	평와셔	M16		1			
612	19	13059310030	헤어핀(D=2.3)			1			
612	20	12505243500	핀			1			
612	21	12505240060	스프링			1			
612	22	13155203102	로어링크(우) COMP			1			
612	23	14215020020	링크핀			1			
612	24	13155202501	체인(체크) 조합			1			
612	25	14585142600	체인(체크,RH)COMP			1			
612	26	14585142700	체인(체크,LH)COMP			1			
612	27	13155202511	터언버클			1			
612	28	V3012600140	육각너트보통2종	M14		1			
612	29	14585142520	체크체인 샤클			1			
612	30	V4111600160	평와셔	M16		1			
612	31	V4011600160	스프링와셔	M16		1			
612	32	V3313600160	육각너트가는2종	M16		1			
612	33	79636110030	핀(12X48)			1			
612	34	V5001930020	분할핀	3X20		1			
612	35	13155203201	리프트로드(우) COMP			1			
612	36	79636130050	핀(16X60)			1			
612	37	V4111600160	평와셔	M16		1			
612	38	13059310030	헤어핀(D=2.3)			1			
612	39	12505243500	핀			1			
612	40	12505240060	스프링			1			
612	41	13155204104	톱링크 브래킷 COMP			1			
612	42	13155206002	톱링크 ASSY			1			
612	42	13155206003	톱링크 ASSY			1			
612	42	13155206004	톱링크 ASSY			1			
612	43	13155206111	터언버클			1			
NOTE									

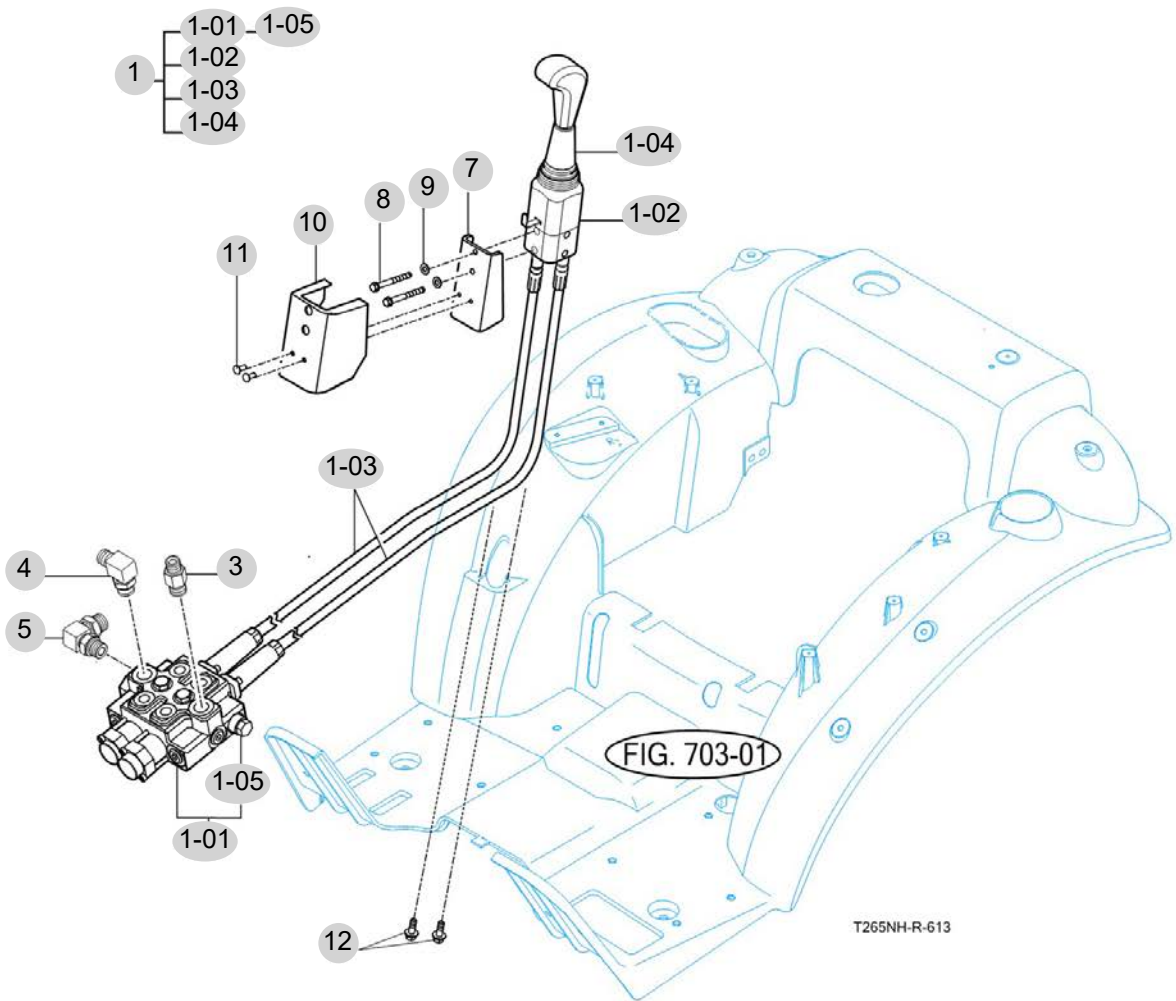
FIG 613

JOYSTICK LEVER

년/월
Year/Month

2022-12

T265NHRU



NOTE

FIG 613 T265NHRU	JOYSTICK LEVER					년/월 Year/Month
						2022-12

KEY NO	PART NO	DESCRIPTION	SPEC	QTY	REPAIR	EFFECTIVE DATE	REMARKS
613	1	13185106110	로더밸브 조이스틱 SET(특인)	1			
613	1-01	13185162510		1			
613	1-01	19955162513	로더밸브 ASSY(특인)	1			
613	1-02	13185106120	조이스틱 ASSY	1			
613	1-03	13185106400	케이블 ASSY (770)	2			
613	1-03	13185106401	케이블 ASSY (770)	2			
613	1-04	14527103610	부츠, 로더밸브조이스틱	1			
613	1-05	13185162520	릴리프밸브ASSY(175K)	1			
613	3	16994080072	유니온(SHORT)	1			
613	4	14725100100	엘보 PF 3/8xM18	1			
613	5	13185110010	엘보 ,(PF3/8 , PF1/2)	1			
613	7	13156252205	조이스틱 플레이트 COMP	1			
613	8	V2173608075	소형육각볼트보통(S)	M8X75	2		
613	9	V4111600080	평와셔	M8	2		
613	10	13156082133	조이스틱 커버	1			
613	11	V1122806016	십자홈접시작은나사	M6X16	2		
613	12	V2183608025	소형육각볼트보통(SP)	M8X25	2		
NOTE							

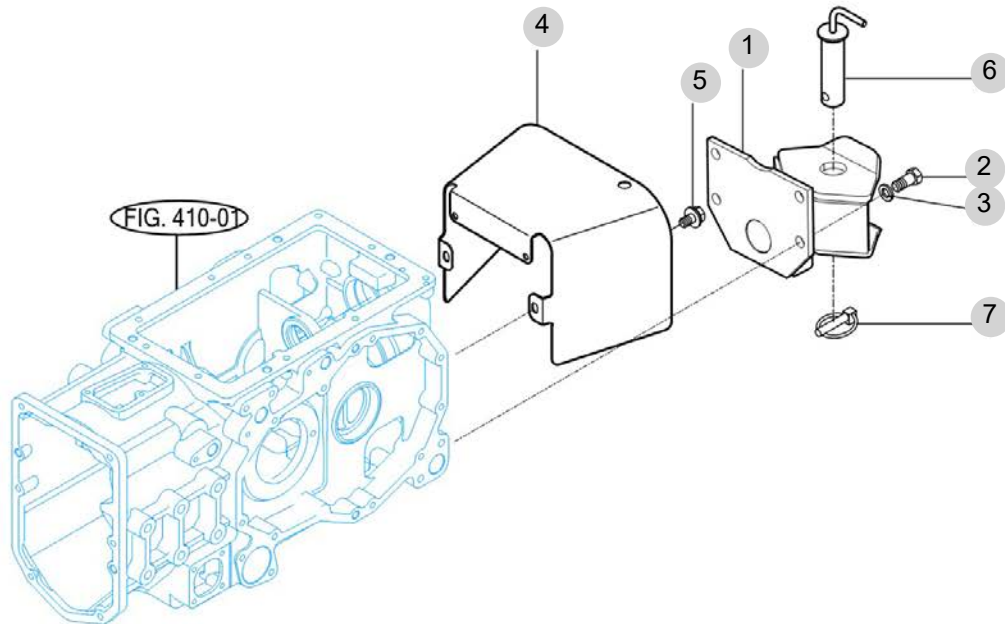
FIG 614

T265NHRU

HITCH & COVER

년/월
Year/Month

2022-12



T293-E-614

NOTE

7. 시트메탈/캐빈 PART NO. T7

FIG 701 BONNET	171
FIG 702 BONNET	173
FIG 703 DASH PANEL	175
FIG 704 FLOOR	177
FIG 705 SEAT	179
FIG 706 ROPS	181

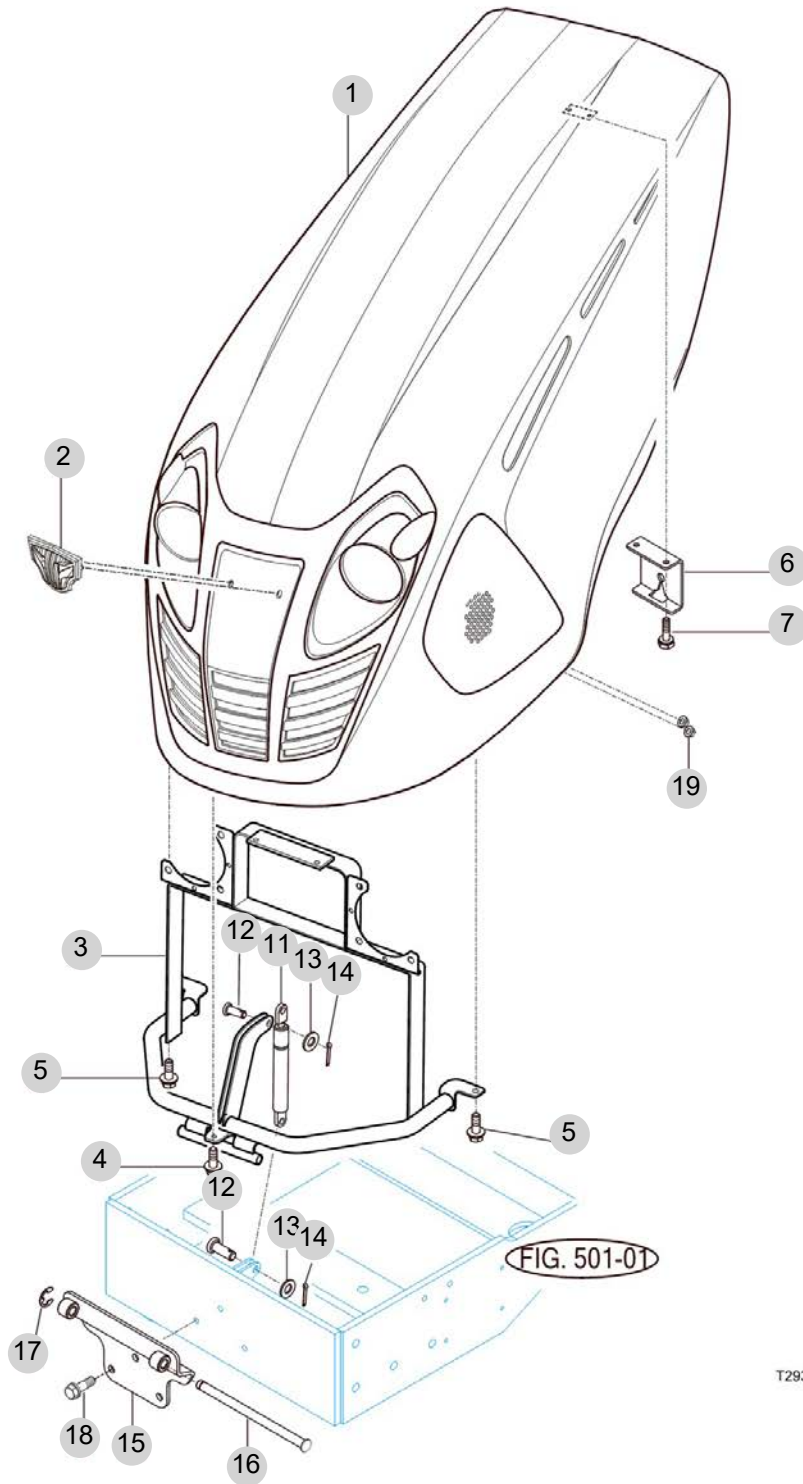
FIG 701

T265NHRU

BONNET

년/월
Year/Month

2022-12



NOTE

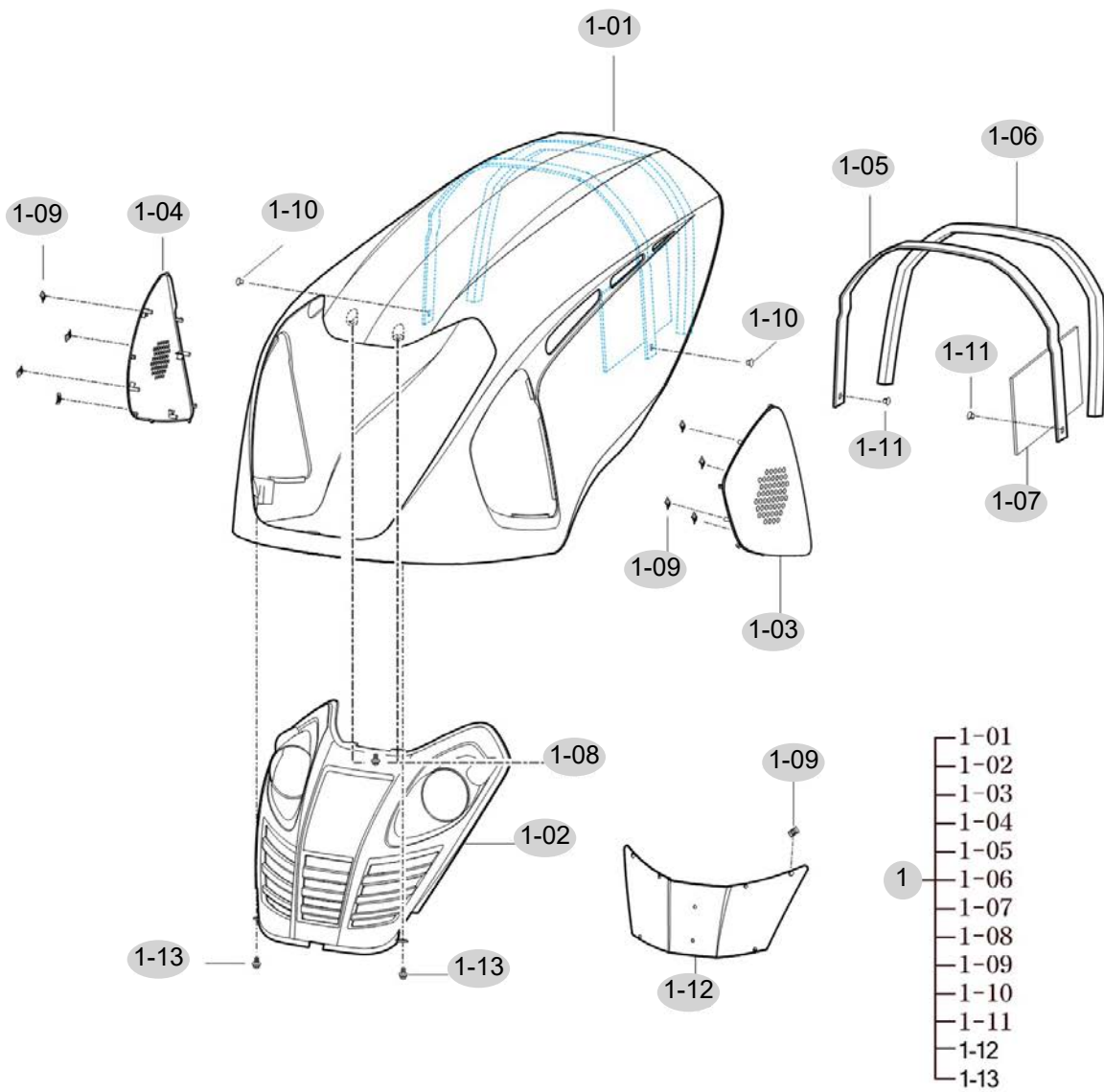
FIG 702

T265NHRU

BONNET

년/월
Year/Month

2022-12



T293-E-701B

NOTE

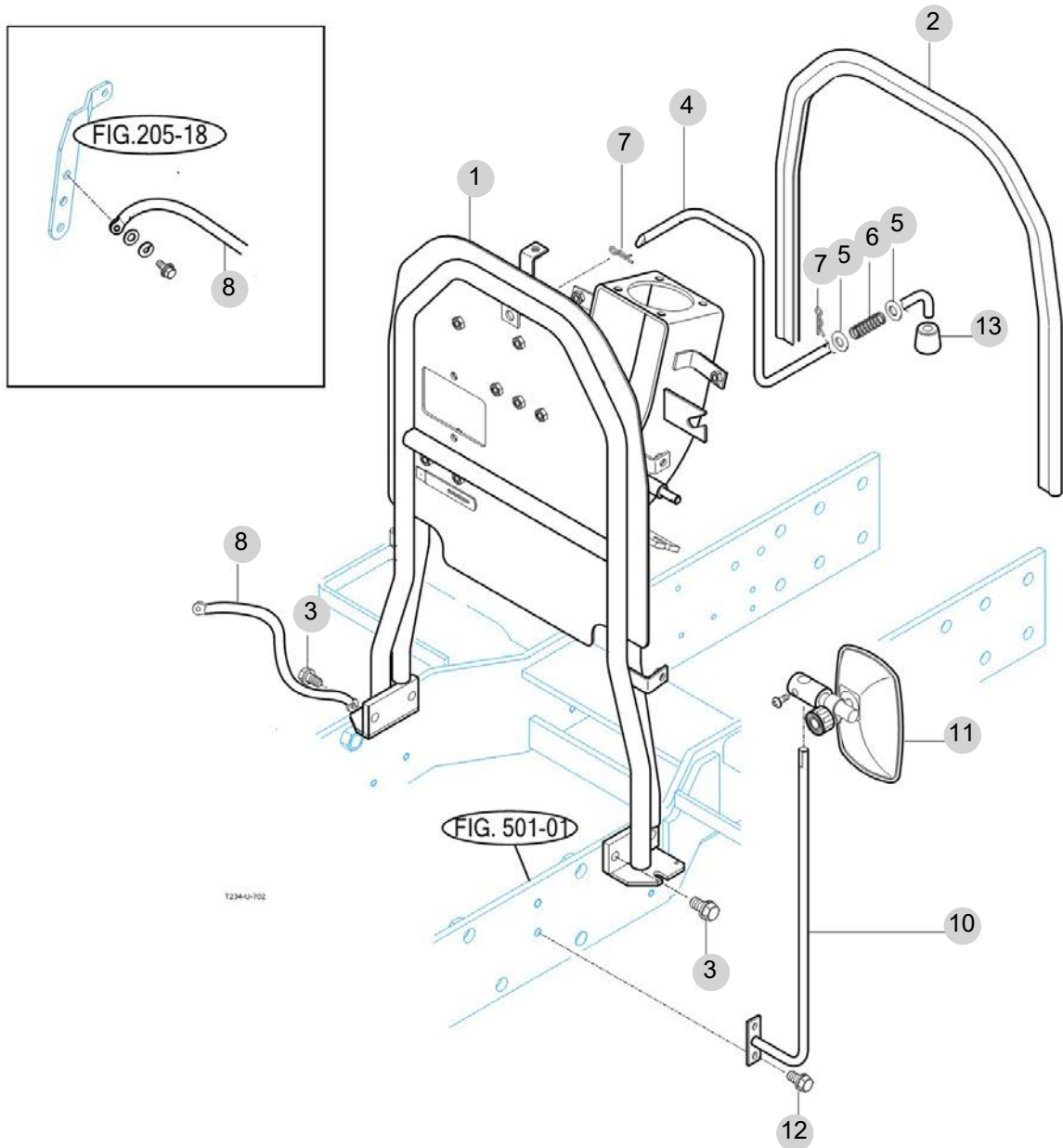
FIG 703

T265NHRU

DASH PANEL

년/월
Year/Month

2022-12



NOTE

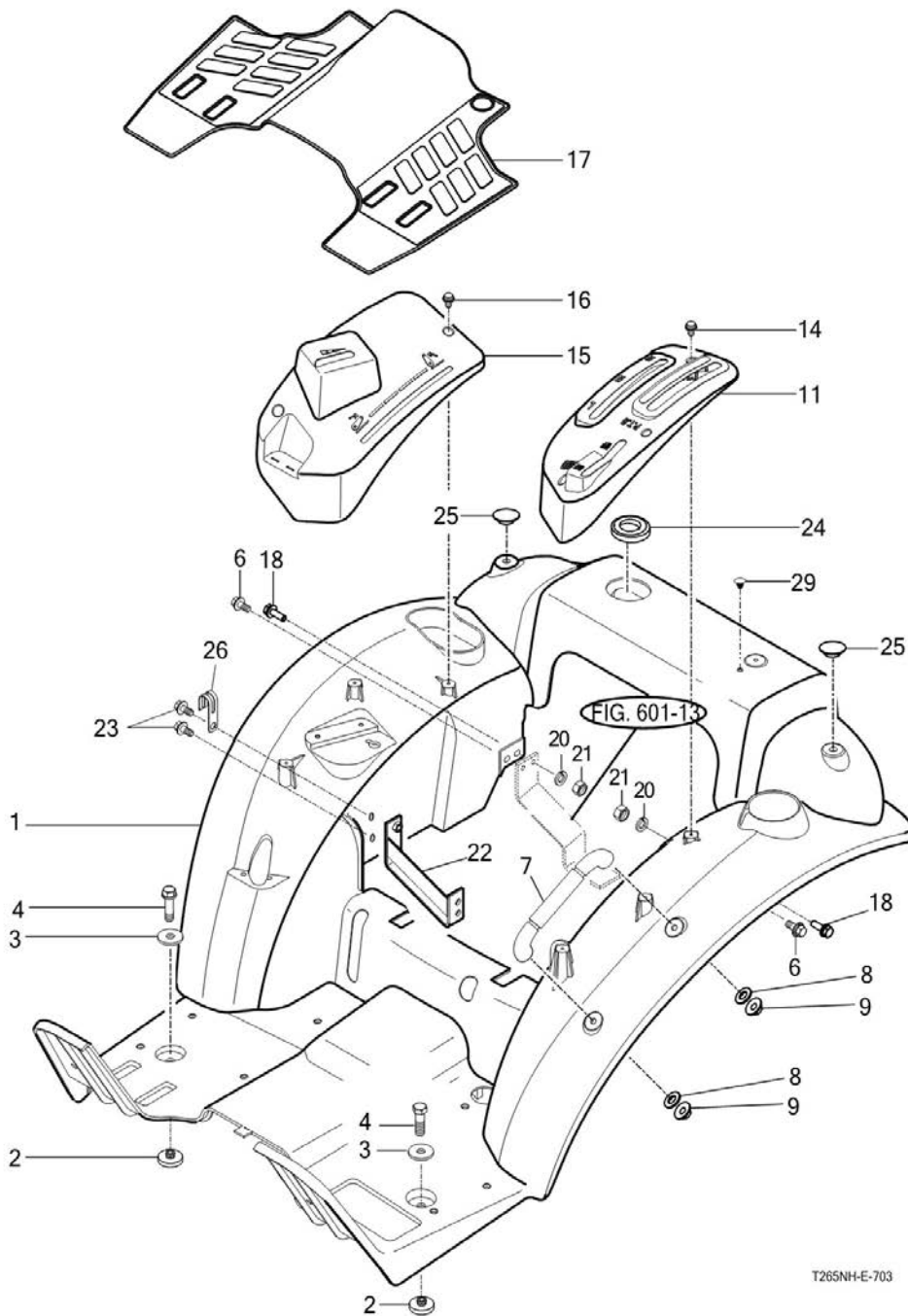
FIG 704

T265NHRU

FLOOR

년/월
Year/Month

2022-12



T265NH-E-703

NOTE

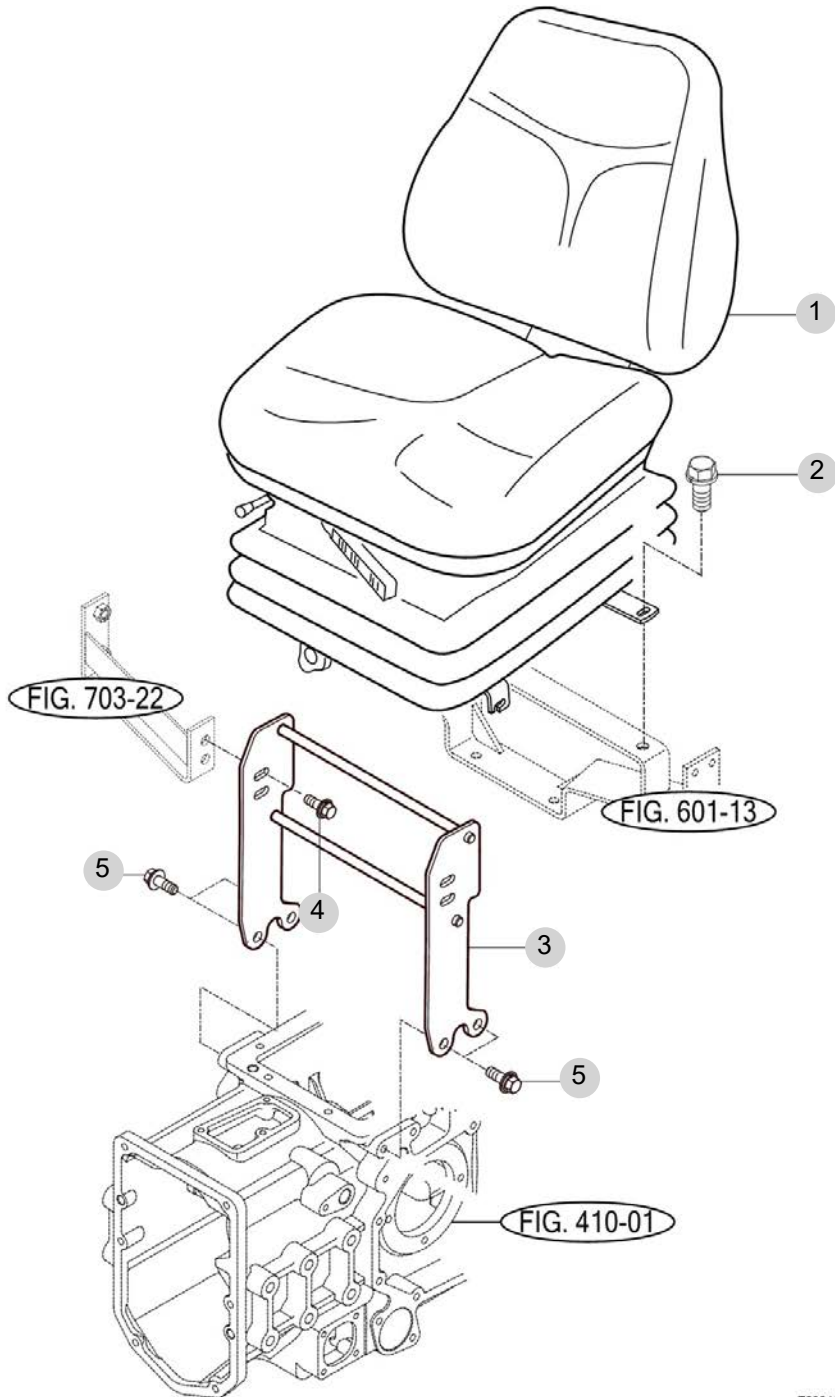
FIG 705

T265NHRU

SEAT

년/월
Year/Month

2022-12



T2334/T2734-E-704

NOTE

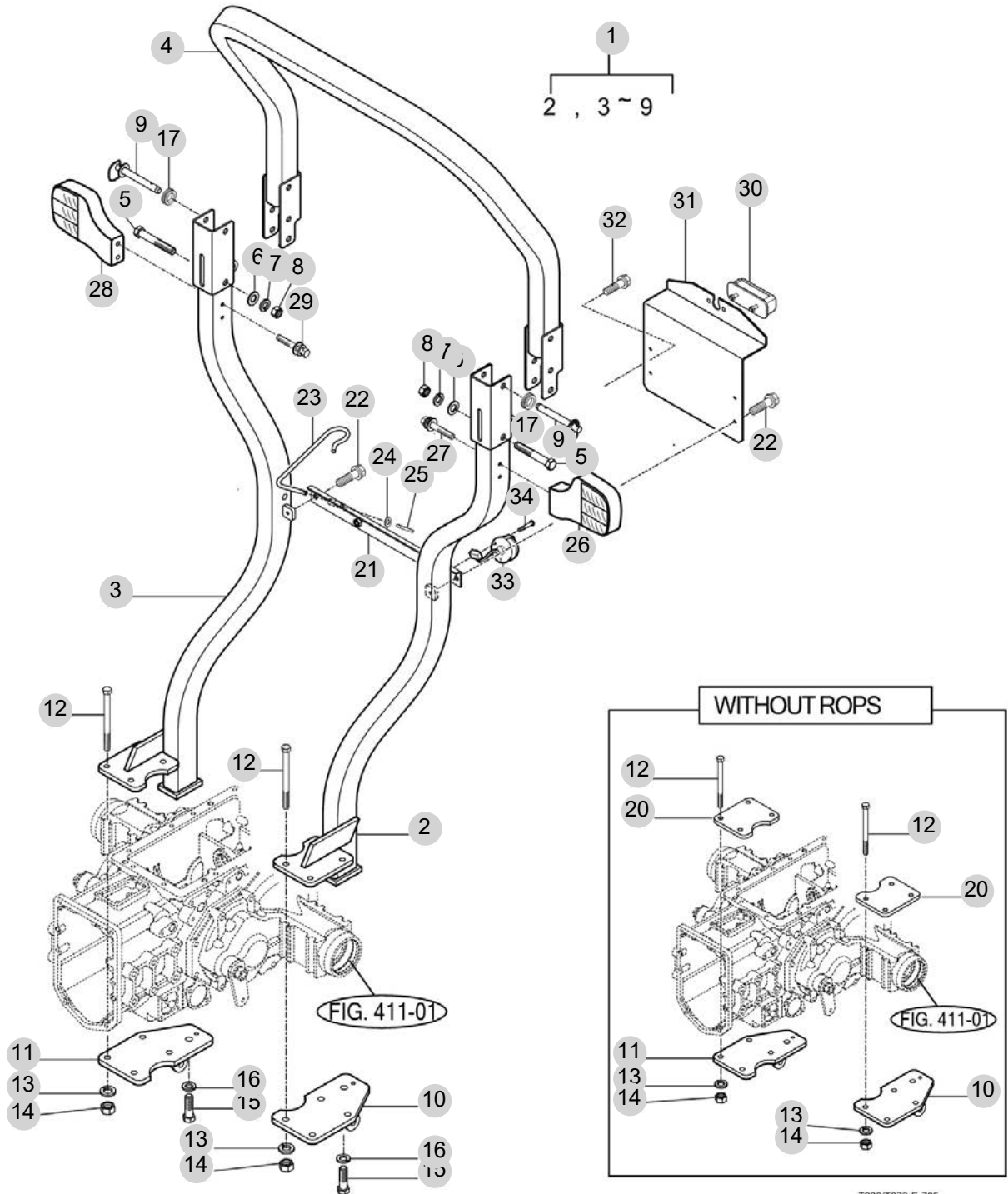
FIG 706

T265NHRU

ROPS

년/월
Year/Month

2022-12



NOTE

FIG 706		ROPS					년/월 Year/Month	
T265NHURU							2022-12	
KEY NO	PART NO	DESCRIPTION	SPEC	QTY	REPAIR	EFFECTIVE DATE	REMARKS	
706	1	13197022000	ROPS ASSY					
706	2	13197022100GB	프레임(좌) COMP					
706	3	13197023100GB	프레임(우) COMP					
706	4	13197024100DG	프레임(상) COMP					
706	4	13197024100GB	프레임(상) COMP					
706	5	V2004614090	육각볼트(보통)	M14X90	2			
706	6	V4111600140	평와셔	M14	2			
706	7	V4011600140	스프링와셔	M14	2			
706	8	V3043600140	소형육각너트보통2종	M14	2			
706	9	16507027500	고정핀 조합		2			
706	10	13157022202GB	브래킷(좌) COMP		1			
706	10	13157022203GB	브래킷(좌) COMP		1			
706	11	13157023202GB	브래킷(우) COMP		1			
706	11	13157023203GB	브래킷(우) COMP		1			
706	12	V2004612150	육각볼트(보통)	M12X150	8			
706	13	V4011600120	스프링와셔	M12	8			
706	14	V3043600120	소형육각너트보통2종	M12	8			
706	15	V2013614045	소형육각볼트(보통)	M14X45	2			
706	16	V4011600140	스프링와셔	M14	2			
706	17	14046210300	그로맷		2			
706	20	13157020040	플레이트(ROPS미부착)		2			
706	21	13197035400GB	브래킷 COMP		1			
706	21	13197035401GB	브래킷 COMP		1			
706	21	13277035401GB	브래킷 COMP		1			
706	22	V2183608016	소형육각볼트보통(SP)		2			
706	23	16705251100	후크(톱링크)		1			
706	23	14527071350	후크(톱링크)		1			
706	23	14527071350	후크(톱링크)		1			
706	24	V4111600050	평와셔		1			
706	25	V5001920015	분할핀		1			
706	26	13196562200	램프(ком비네이션) ASSY(LH)		1			
706	27	V2183608060	소형육각볼트보통(SP)	M8X60	2			
706	28	13196562300	램프(ком비네이션) ASSY(RH)		1			
706	29	V2183608060	소형육각볼트보통(SP)	M8X60	2			
706	30	14887024000	번호판램프ASSY		1			
706	31	13607010011	넘버 플레이트		1			
706	31	13607010012	넘버 플레이트		1			
706	31	13607010012GB	넘버 플레이트		1			
706	32	V2183608025	소형육각볼트보통(SP)	M8X25	1			
706	33	13267028202	트레일러연결소켓 ASSY		1			
706	34	V1112605030	십자흄냄비작은나사		3			
NOTE								

8. 전장 PART NO. T8

FIG 801 BATTERY & MOUNTING	184
FIG 802 LIGHTS	186
FIG 803 INSTRUMENT PANEL	188
FIG 804 ELECTRIC SYSTEM	190
FIG 805 HARNESS	192

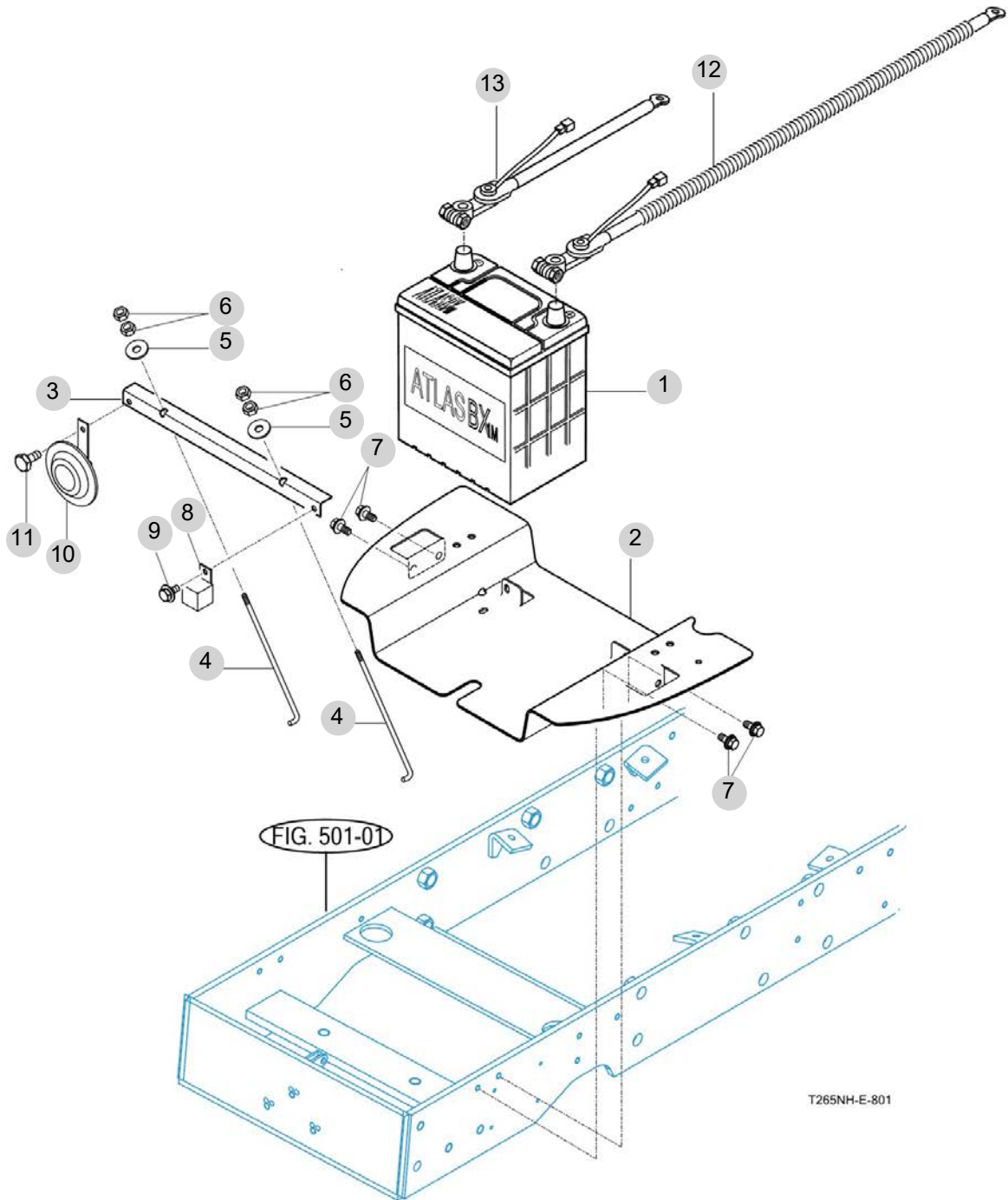
FIG 801

T265NHRU

BATTERY & MOUNTING

년/월
Year/Month

2022-12



T265NH-E-801

NOTE

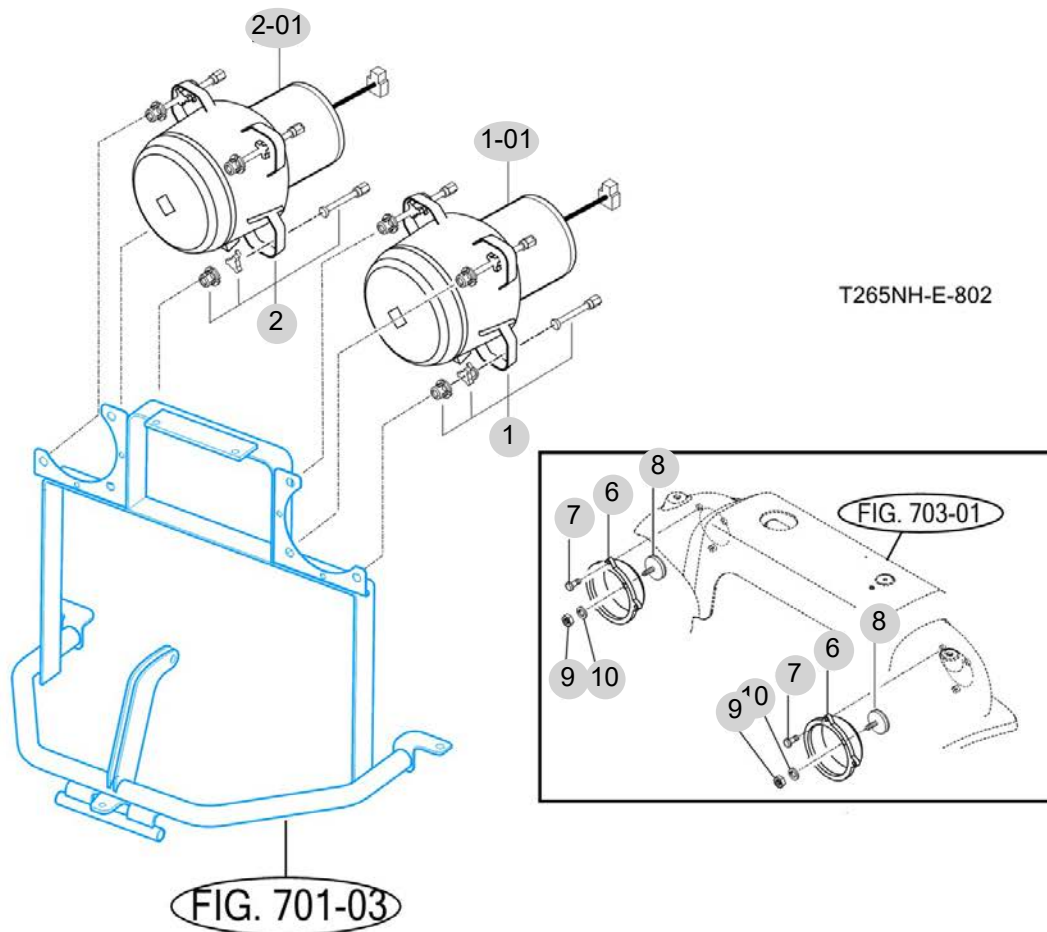
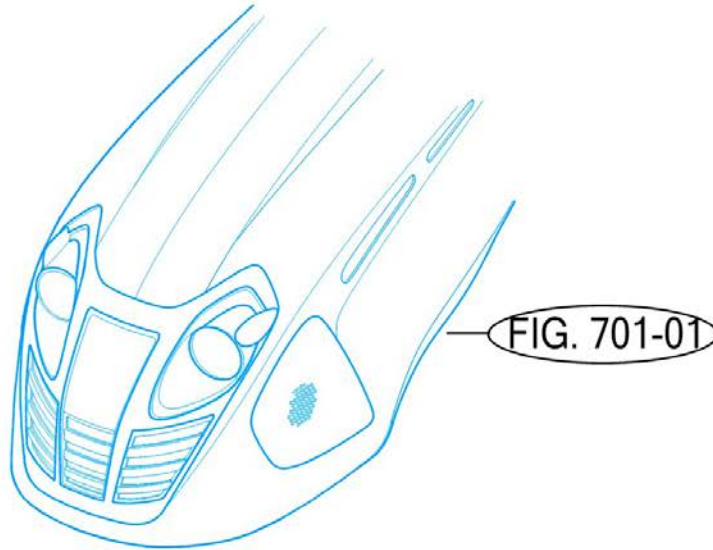
FIG 802

T265NHRU

LIGHTS

년/월
Year/Month

2022-12



NOTE

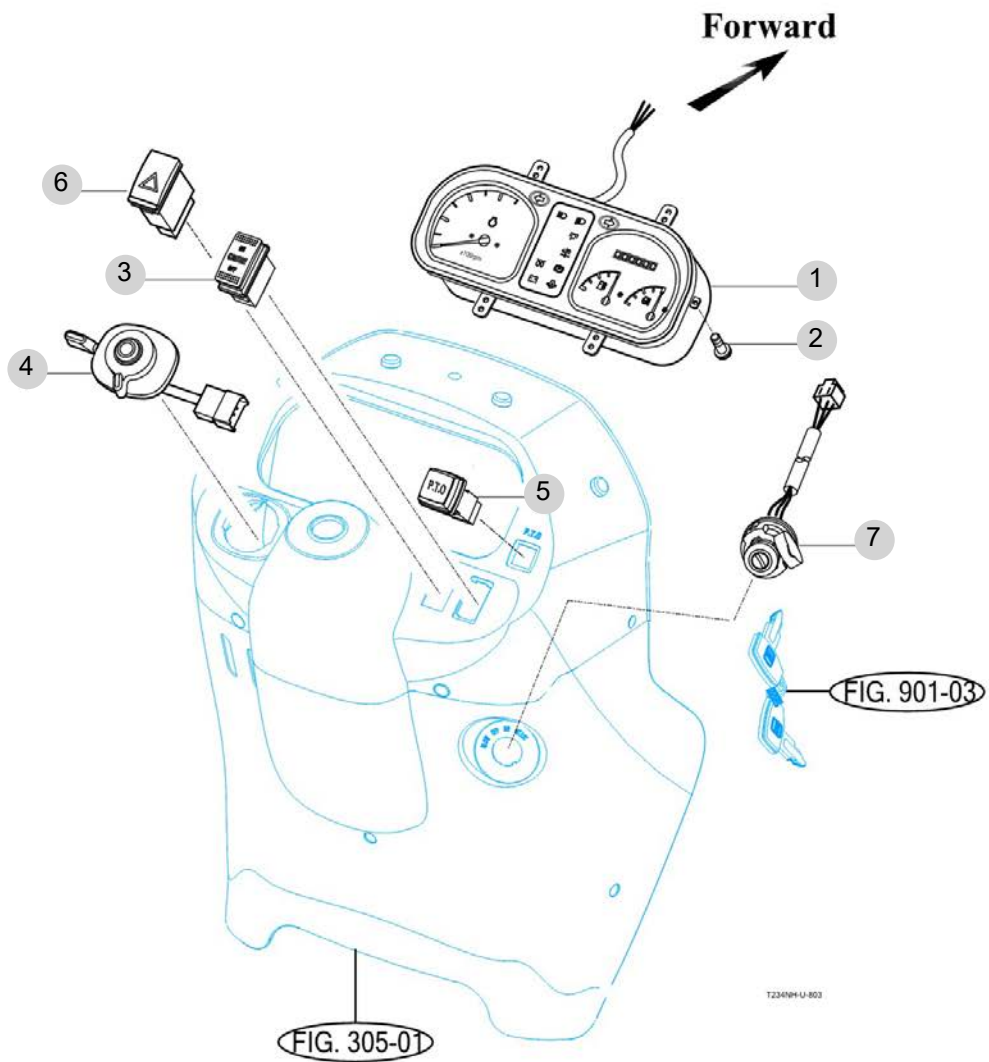
FIG 803

T265NHRU

INSTRUMENT PANEL

년/월
Year/Month

2022-12



NOTE

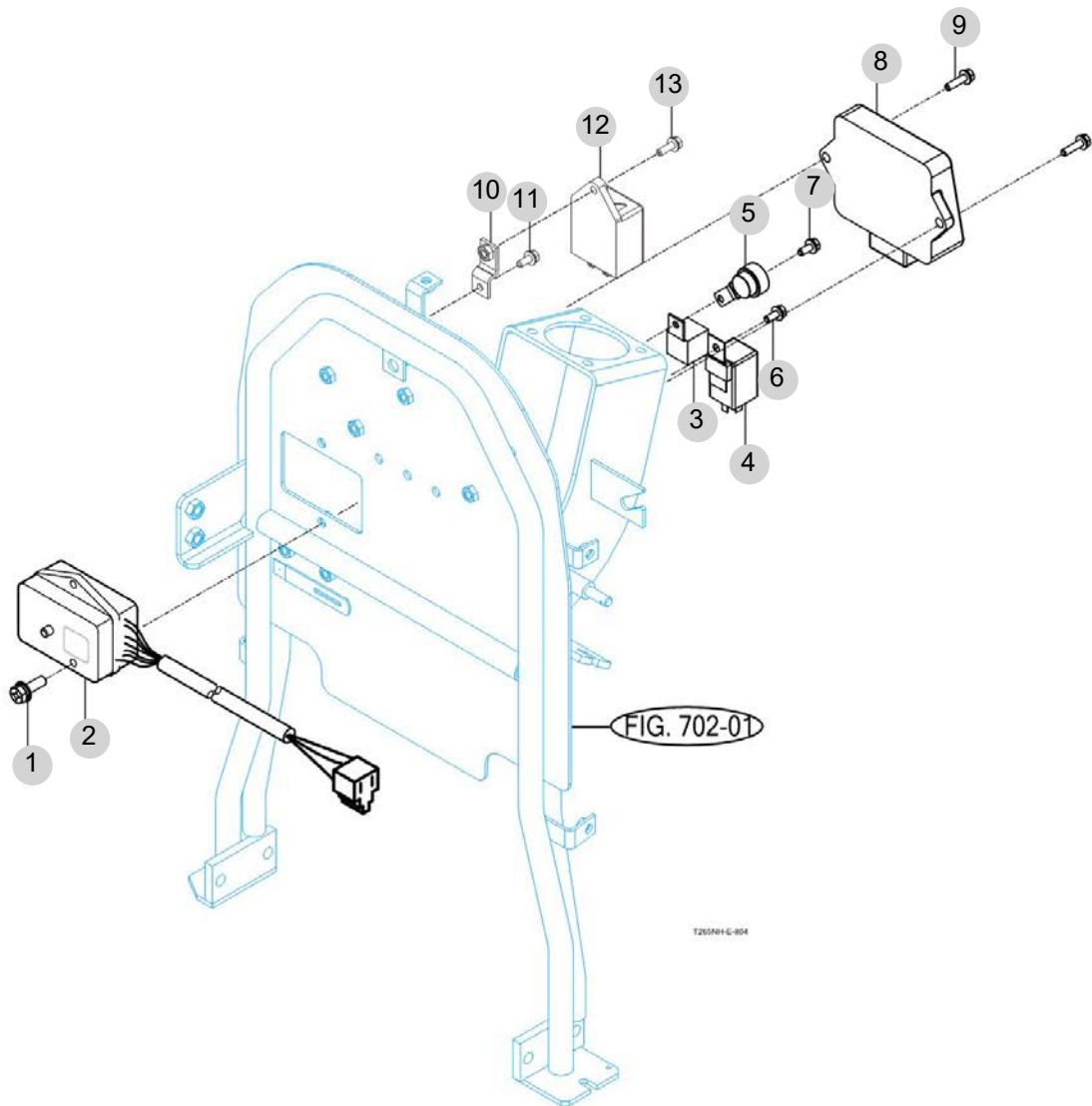
FIG 804

T265NHRU

ELECTRIC SYSTEM

년/월
Year/Month

2022-12



NOTE

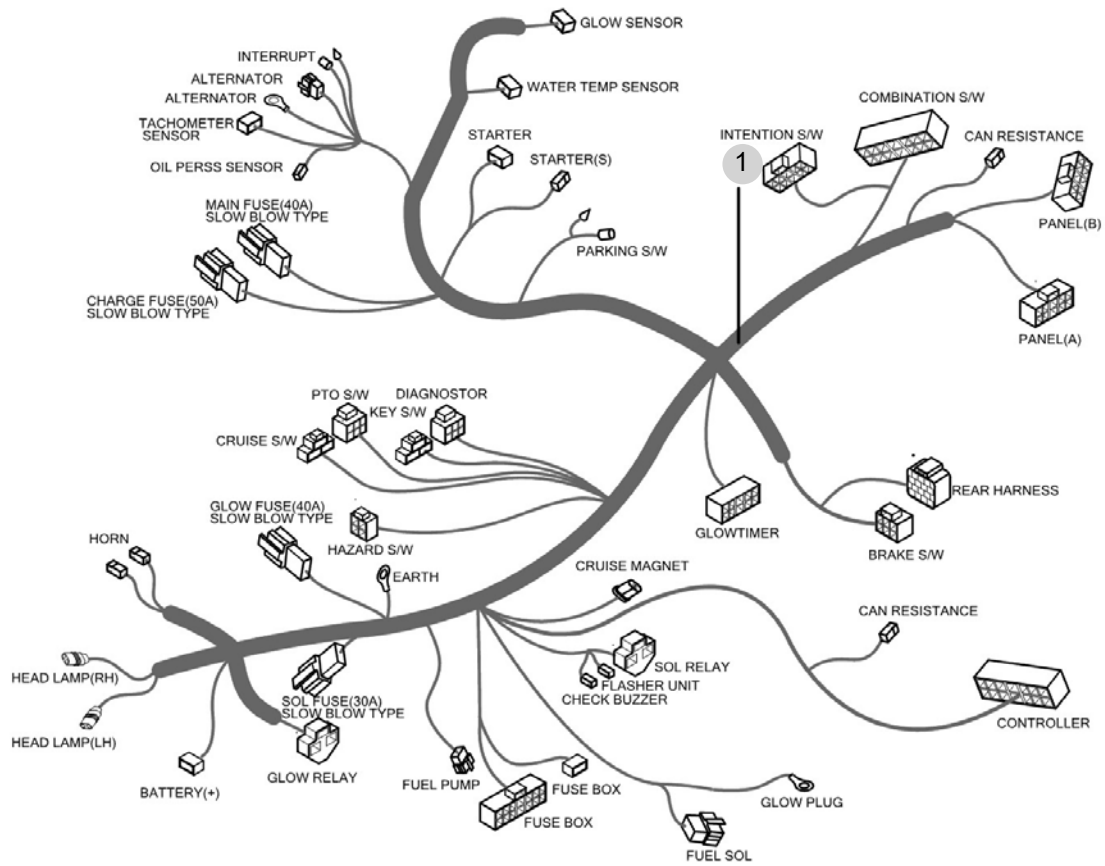
FIG 805

HARNESS

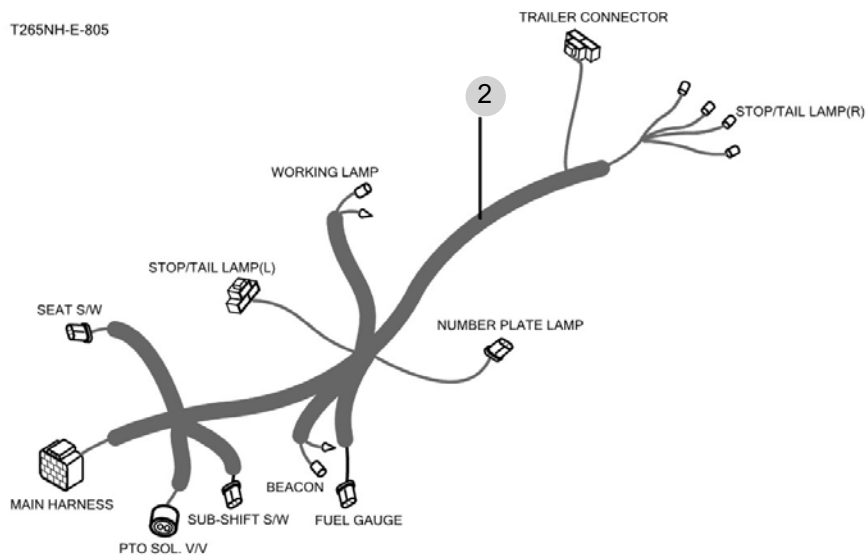
년/월
Year/Month

2022-12

T265NHRU



T265NH-E-805



NOTE

9. 라벨/옵션 PART NO. T9

FIG 901 TOOL & ACCESSORY

195

FIG 902 LABEL

197

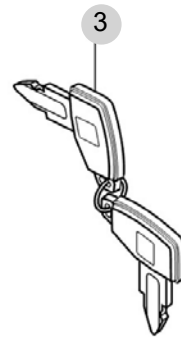
FIG 901

T265NHRU

TOOL & ACCESSORY

년/월
Year/Month

2022-12



T265NHR-901

NOTE

FIG 902

T265NHRU

LABEL

년/월
Year/Month

2022-12

1 **WARNING**
Always apply the park brake when parking. Failure to do so can cause accidents and damages.

2 **WARNING**
Work in ventilated Area.

3 **WARNING**
Always set the knob to lock when:
1. Travelling on the road.
2. Replacing blades on an implement.
3. Making adjustment to an implement.
Sudden dropping of an implement can cause serious injury or death.

4 **WARNING**
Do not refuel the tractor while smoking or near naked flame or sparks. Always stop engine before refueling tractors.

5 **WARNING**
Never use the diff-lock at high speed or on the road as this can cause rollover and injury.

6 **WARNING**
Brake pedals must always be locked together when traveling on the highway. This will ensure uniform braking and provide maximum stopping ability sharp turns must only be made at slow speeds.

7 **CAUTION**
Keep hands and clothing away from rotating fan and belts to prevent serious injury.

8 **DANGER**
Rotating driveline contact can cause death. KEEP AWAY! Keep all drive line, Tractor and equipment shields in place during operation.

10 **WARNING**
Do not remove radiator cap while engine is hot. Hot steam will injure you.

11 **DANGER**
Do not ride except operator.

12 **WARNING**
Always fasten Your seat belt.

14 **CAUTION**
Do not touch while the system is hot. It cause serious burns.

13 **WARNING**
Operator's manual

15 **16** **17** **18** **19** **20** **21** **22** **23** **24** **25** **26** **27** **28** **29** **30** **31** **32** **33** **34** **35** **36** **37** **38** **39** **40** **41**

PARKING BRAKE
Press down the master brake pedal and lock the parking lever at the same time.

WARNING
Additions, alterations, cracking, damage or corrosion to this structure may adversely affect the performance of the ROPS.

WARNING
Do not use the accelerator lever except working on the field.

DANGER
This Tractor may tip over unexpectedly and quicker than an operator is able to jump free.
1. Never operate a tractor without a proper Roll over Protection Structure (ROPS)
2. Always wear your seat belt when operating this tractor equipped with roll over protection.
3. Never pull from above or from the rear axle.
4. Do not operate the tractor on steep slopes or near drop offs
5. Avoid sharp high speed turns
Serious injury or death may result from tractor upsets.

WARNING
Death or injury may result if this tractor over turns with the ROPS in the folded down position. Operate this tractor with the ROPS folded down only when necessary. Do not wear seat belt if operated with ROPS folded down.

EMISION CONTROL INFORMATION
TONG YANG MOOL SAN CO. LTD / SE20
2012 () , 2013 () , 2014 () , 2015 ()
82-2-3014-2800 / www.tym.co.kr
THIS TRACTOR HAS AN ENGINE THAT MEETS U.S. EPA EMISSION STANDARDS UNDER 40 CFR 1039.625 AND CALIFORNIA EMISSION STANDARDS UNDER 13 CCR 242305. 1913.901.100-0

WARNING
Stay clear of raised Boom and bucket.

WARNING
Push the button to lock position with joystick lever is neutral whenever the implement is not operation.

TONG YANG MOOL SAN
SERIAL NUMBER TYPE
SC# (P/ROPS) M
Model

TONGYANGMOOLSAN CO.,LTD
TYPE: T-501
e13
00073 NS
T: 9.0 tonnes
8: 300 kg

EAC

T265

TYM

T234-E-903

T265 18 TYM 41

NOTE

