

# Parts Catalog

# 목 차

---

---

## 1. 엔진 PART NO. EG

FIG 101 CYLINDER BLOCK	6
FIG 102 GEAR HOUSING	8
FIG 103 OIL SUMP	10
FIG 104 CYLINDER HEAD & BONNET	12
FIG 105 EXHAUST MANIFOLD	15
FIG 106 CAMSHAFT & DRIVING GEAR	17
FIG 107 CRANKSHAFT & PISTON	19
FIG 108 LUB.OIL SYSTEM	21
FIG 109 COOLING WATER SYSTEM	23
FIG 110 FUEL INJECTION PUMP	25
FIG 111 GOVERNOR	27
FIG 112 FUEL INJECTION VALVE	29
FIG 113 FUEL FILTER	31
FIG 114 STARTING MOTOR	33
FIG 115 GENERATOR	35
FIG 116 GASKET SET	37

## 2. 엔진보기품 PART NO. T2

FIG 201 AIR CLEANER	40
FIG 202 RADIATOR	42
FIG 203 MUFFLER	44
FIG 204 FUEL TANK & FUEL LINE	46
FIG 205 ACCELERATOR	48
FIG 206 FUEL FILTER	50
FIG 207 ENGINE MOUNTING	52

## 3. 클러치/브레이크/스티어링 PART NO. T3

FIG 301 FLYWHEEL COVER	55
FIG 302 BRAKE	57

FIG 303 CLUTCH,BRAKE PEDAL&LINKAGE	59
FIG 304 ACCELERATORPEDAL & CABLE	62
FIG 305 DASH COVER	64
FIG 306 STEERING VALVE	66
FIG 307 STEERING CYLINDER	68
FIG 308 STEERING WHEEL	70
FIG 309 TIRE	72

#### 4. 트랜스미션 PART NO. T4

FIG 401 INPUT SHAFT	75
FIG 402 INPUT GEAR	77
FIG 403 MAIN SHIFT GEAR	79
FIG 404 RANGE GEAR	81
FIG 405 4WD DRIVE GEAR	83
FIG 406 P.T.O DRIVE SHAFT	85
FIG 407 P.T.O SHAFT	87
FIG 408 MID P.T.O GEAR	89
FIG 409 DIFF LOCK	91
FIG 410 MID TRANSMISSION CASE	93
FIG 411 REAR TRANSMISSION CASE	95
FIG 412 REAR AXLEHOUSING	97
FIG 413 MAIN SHIFT LEVER	99
FIG 414 RANGE SHIFT LEVER	101
FIG 415 P.T.O CHANGE LEVER	103
FIG 416 4WD CHANGE LEVER	105
FIG 417 TRANSMISSION MOUNTING	107

#### 5. 프론트 액슬 PART NO. T5

FIG 501 FRONT DRIVE SHAFT	110
FIG 502 FRONT DIFFERENTIAL GEAR	112
FIG 503 FRONT AXLE HOUSING	114
FIG 504 FRONT GEAR CASE (1)	116
FIG 505 FRONT GEAR CASE (2)	118

#### 6. 유압/3점링크 PART NO. T6

FIG 601 CYLINDER CASE	121
-----------------------	-----

FIG 602 LIFT ARM	123
FIG 603 FLOW CONTROL VALVE	125
FIG 604 MAIN CONTROL VALVE	127
FIG 605 HYDRAULIC SUB	129
FIG 606 HITCH & 3-POINT LINKAGE	131
FIG 607 HITCH & COVER	133

## 7. 시트메탈/캐빈 PART NO. T7

FIG 701 BONNET	136
FIG 701-2 BONNET	138
FIG 702 FLOOR	140
FIG 703 SEAT	142
FIG 704 ROPS	144
FIG 705 LEVER COVER & FENDER	146

## 8. 전장 PART NO. T8

FIG 801 BATTERY MOUNTING	149
FIG 802 INSTRUMENT PANEL	151
FIG 803 HARNESS	153
FIG 804 HARNESS	155
FIG 805 HARNESS	157

## 9. 라벨/옵션 PART NO. T9

FIG 901 TOOL & ACCESSORY	160
FIG 902 LABEL	162
FIG 903 LABEL	164
FIG 904 WEIGHT	166
FIG 905 AUXILIARY VALVE KIT	168

## 1. 엔진 PART NO. EG

FIG 101 CYLINDER BLOCK	6
FIG 102 GEAR HOUSING	8
FIG 103 OIL SUMP	10
FIG 104 CYLINDER HEAD & BONNET	12
FIG 105 EXHAUST MANIFOLD	15
FIG 106 CAMSHAFT & DRIVING GEAR	17
FIG 107 CRANKSHAFT & PISTON	19
FIG 108 LUB.OIL SYSTEM	21
FIG 109 COOLING WATER SYSTEM	23
FIG 110 FUEL INJECTION PUMP	25
FIG 111 GOVERNOR	27
FIG 112 FUEL INJECTION VALVE	29
FIG 113 FUEL FILTER	31
FIG 114 STARTING MOTOR	33
FIG 115 GENERATOR	35
FIG 116 GASKET SET	37

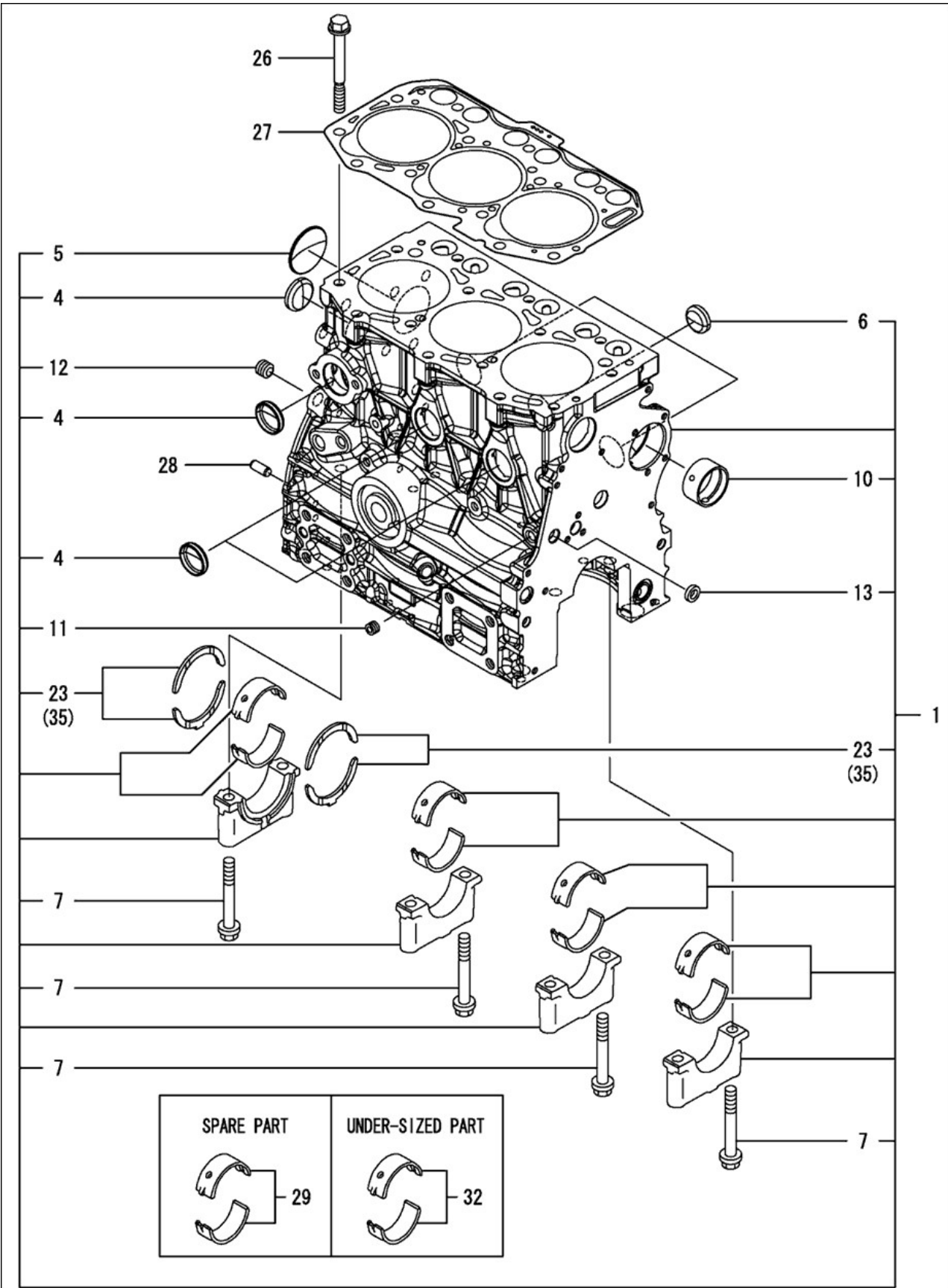
FIG 101

CYLINDER BLOCK

년/월  
Year/Month

2021-05

TC25NM



NOTE



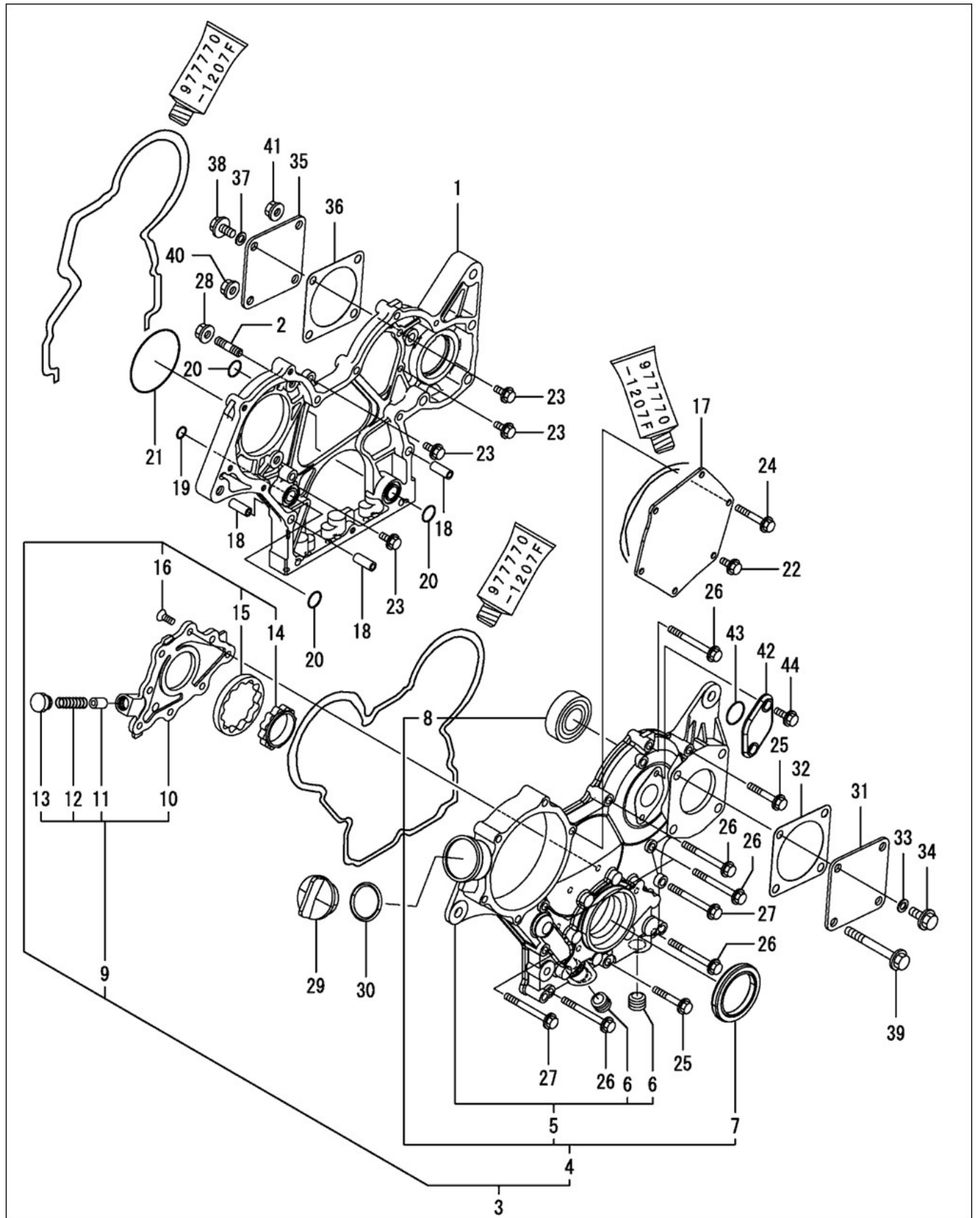
FIG 102

GEAR HOUSING

년/월  
Year/Month

TC25NM

2021-05



NOTE



FIG 102		GEAR HOUSING					년/월	
							Year/Month	
TC25NM		2021-05						
KEY NO	PART NO	DESCRIPTION	SPEC	QTY	REPAIR	EFFECTIVE DATE	REMARKS	
102	1	119740-01501	기어 케이스	CASE, GEAR	0	1		
102	2	119717-01570	스터드	STUD	0	3		
102	3	119751-01590	기어 케이스 커버 ASSY	COVER ASSY, GEAR CA	0	1		
102	4	719751-01500	기어 케이스 커버 ASSY	COVER ASSY, GEAR CA	0	1		
102	5	119751-01521	기어 케이스 커버	COVER, GEAR CASE	0	1		
102	6	23876-030000	플러그, R03	PLUG, R03	0	2		
102	7	119717-01800	오일 실	SEAL, OIL	0	1		
102	8	24101-062024	깊은홈 볼베어링	BEARING, BALL 6202	0	1		
102	9	119717-32100	커버 ASSY	COVER ASSY	0	1		
102	10	119717-32080	커버	COVER	0	1		
102	11	129900-32130	릴리프 밸브	VALVE, RELIEF	0	1		
102	12	129001-32320	스프링	SPRING	0	1		
102	13	129001-32330	플러그	PLUG	0	1		
102	14	119717-32110	로터 내부	ROTOR, INNER	0	1		
102	15	119717-32120	로터 외부	ROTOR, OUTER	0	1		
102	16	119802-32130	나사, M6X16	SCREW, M6X16	0	8		
102	17	119717-01750	커버	COVER	0	1		
102	18	119660-01911	노크 파이프	PIPE, KNOCK	0	4		
102	19	119624-32040	O링, P12.0	O-RING, P12.0	0	1		
102	20	119717-32050	O링, P17.0	O-RING, P17.0	0	3		
102	21	121850-51960	O링	O-RING	0	1		
102	22	26106-060122	도금 볼트, M6X12	BOLT, M6X12 PLATED	0	1		
102	23	26106-060162	도금 볼트, M6X16	BOLT, M6X16 PLATED	0	4		
102	24	26106-060402	도금 볼트, M6X40	BOLT, M6X40 PLATED	0	4		
102	25	26106-060402	도금 볼트, M6X40	BOLT, M6X40 PLATED	0	2		
102	26	26106-060602	도금 볼트, M6X60	BOLT, M6X60 PLATED	0	7		
102	27	26106-060652	도금 볼트, M6X65	BOLT, M6X65 PLATED	0	2		
102	28	26306-080002	너트, M8	NUT, M8	0	3		
102	29	124160-01751	필러 커버	COVER, FILLER	0	1		
102	30	24311-000320	운동용O링	O-RING, 1AP32.0	0	1		
102	31	124240-01871	커버	COVER	0	1		
102	32	129C26-01890	HO-P 가스켓	GASKET, HO-P	0	1		
102	33	22190-080002	실 와셔, 8	WASHER, SEAL 8	0	1		
102	34	26106-080122	도금볼트, M8X12	BOLT, M8X12 PLATED	0	1		
102	35	124240-01871	커버	COVER	0	1		
102	36	129C26-01890	HO-P 가스켓	GASKET, HO-P	0	1		
102	37	22190-080002	실 와셔, 8	WASHER, SEAL 8	0	1		
102	38	26106-080142	도금 볼트, M8X14	BOLT, M8X14 PLATED	0	1		
102	39	26106-080702	도금 볼트, M8X70	BOLT, M8X70 PLATED	0	3		
102	40	26306-080002	너트, M8	NUT, M8	0	1		
102	41	26306-080002	너트, M8	NUT, M8	0	2		
102	42	121023-01551	커버	COVER	0	1		
102	43	24341-000240	O링, 1AS24.0	O-RING, 1AS24.0	0	1		
102	44	26106-060162	도금 볼트, M6X16	BOLT, M6X16 PLATED	0	2		
NOTE								

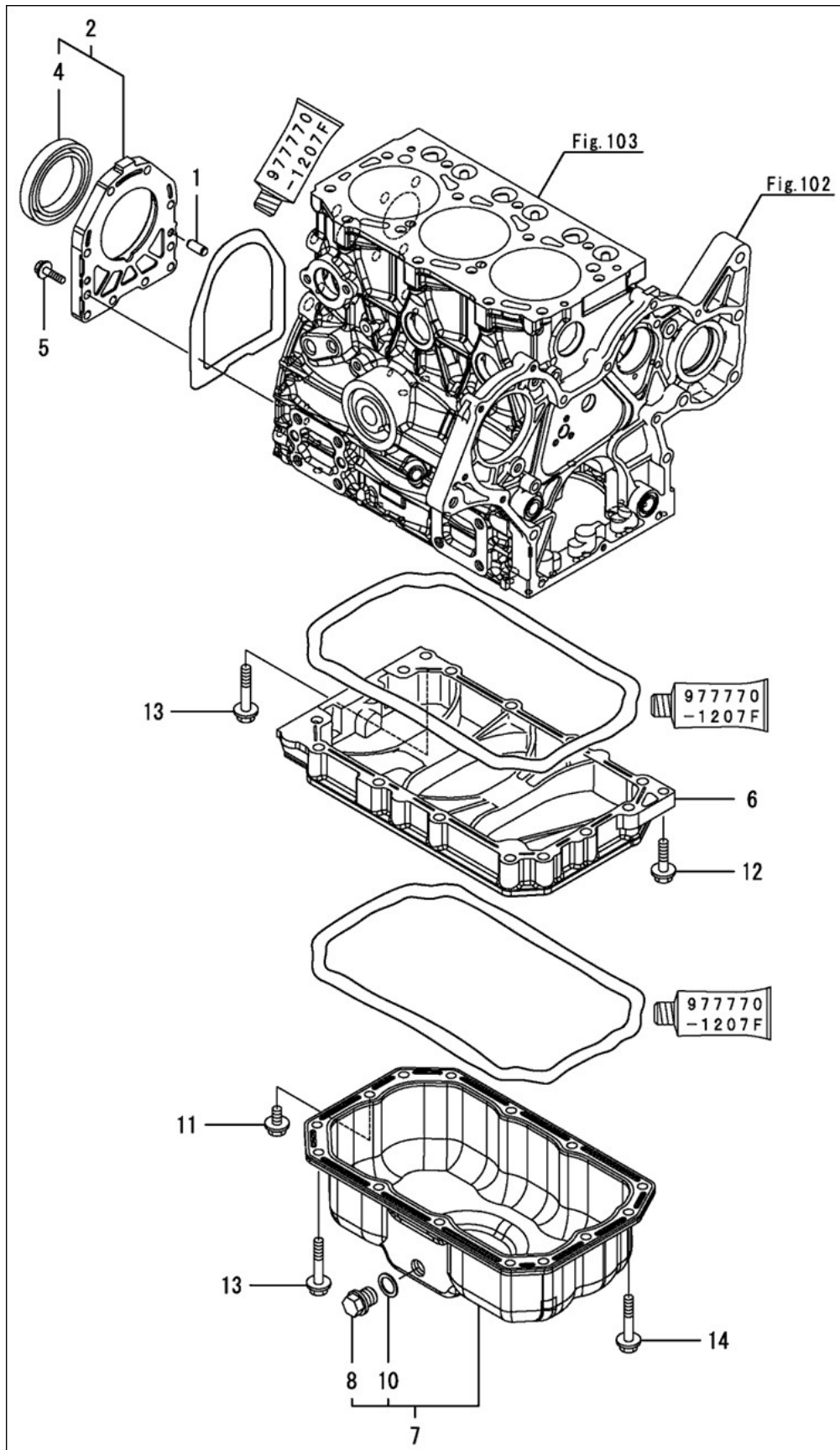
FIG 103

TC25NM

OIL SUMP

년/월  
Year/Month

2021-05



NOTE



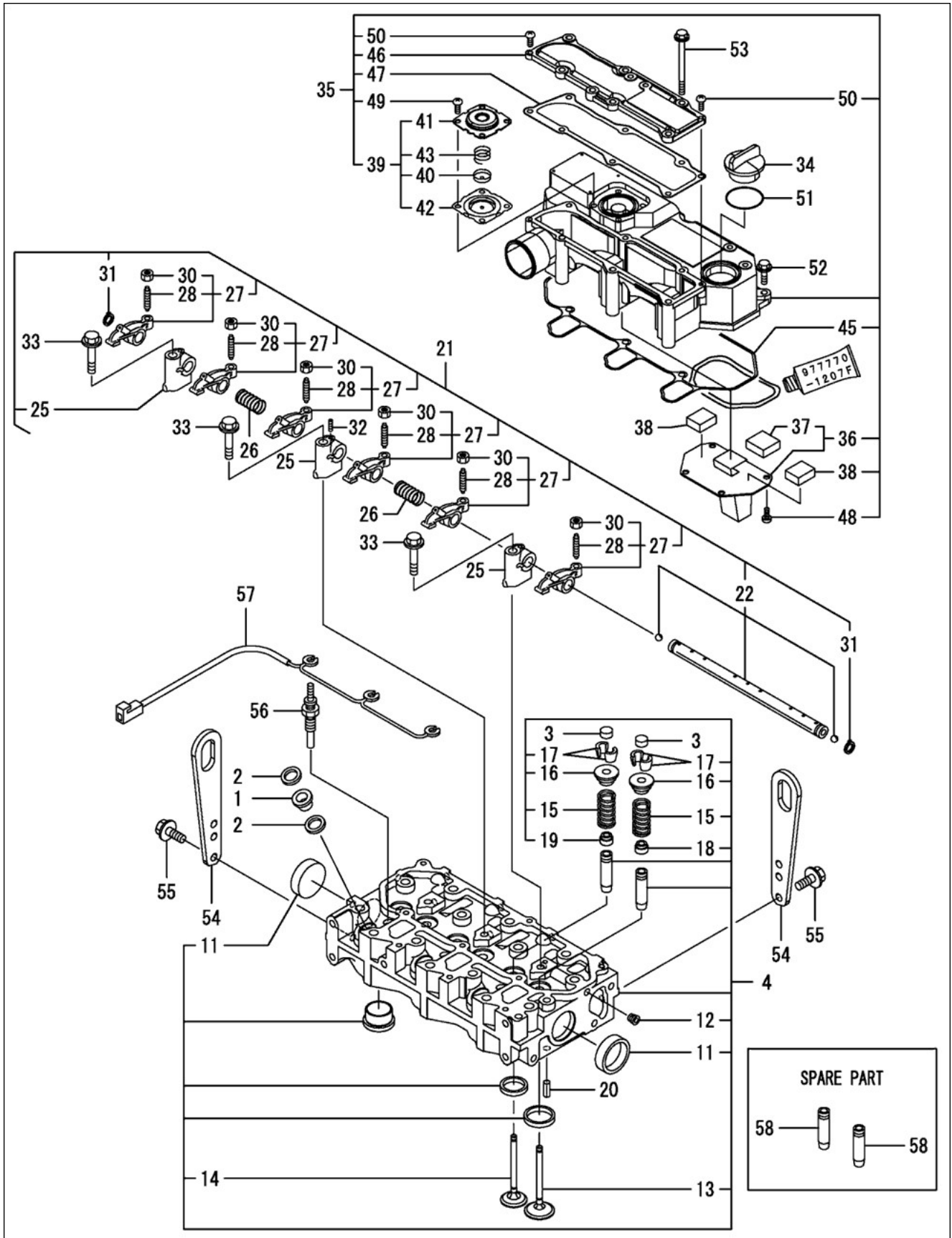
FIG 104

CYLINDER HEAD & BONNET

년/월  
Year/Month

2021-05

TC25NM



NOTE

FIG 104		CYLINDER HEAD & BONNET					년/월	
							Year/Month	
TC25NM		2021-05						
KEY NO	PART NO	DESCRIPTION	SPEC	QTY	REPAIR	EFFECTIVE DATE	REMARKS	
104	1	129901-11450	노즐 프로텍터	PROTECTOR, NOZZLE	0	3		
104	2	119600-11460	노즐 가스켓	GASKET, NOZZLE	0	6		
104	3	105010-11490	밸브 캡	CAP, VALVE	0	6		
104	4	119E10-11750	실린더 헤드 ASSY	HEAD ASSY, CYLINDER	0	1		
104	11	119285-11990	플러그, 36	PLUG, 35	0	2		
104	12	23876-005000	플러그, R005	PLUG, R005	0	1		
104	13	119E10-11100	석션 밸브	VALVE, SUCTION	0	3		
104	14	119E10-11110	배기 밸브	VALVE, EXHAUST	0	3		
104	15	119717-11131	밸브 스프링	SPRING, VALVE	0	6		
104	16	129508-11180	스프링 리테이너	RETAINER, SPRING	0	6		
104	17	119717-11190	코터	COTTER	0	12		
104	18	119717-11340	밸브 스템 실	SEAL, VALVE STEM	0	3		
104	19	119717-11350	밸브 스템 실	SEAL, VALVE STEM	0	3		
104	20	22351-060012	스프링핀	PIN, SPRING 6.0X12	0	2		
104	21	119717-11200	암 서포트 ASSY	SUPPORT ASSY, ARM	0	1		
104	22	119717-11240	로커 샤프트 ASSY	SHAFT ASSY, ROCKER	0	1		
104	25	119717-11260	로커 암 서포트	SUPPORT, ROCKER ARM	0	3		
104	26	119620-11280	스프링	SPRING	0	2		
104	27	119717-11650	로커 암	ARM, ROCKER	0	6		
104	28	129150-11230	밸브 어저스트 나사	SCREW, VALVE ADJUST	0	6		
104	30	129150-11750	너트, M8	NUT, M8	0	6		
104	31	22242-000120	링, 12	RING, 12	0	2		
104	32	26979-050162	나사, M5X16	SCREW, M5X16	0	1		
104	33	26106-080402	도금 볼트, M8X40	BOLT, M8X 40 PLATED	0	3		
104	34	124160-01751	필러 커버	COVER, FILLER	0	1		
104	35	119717-11381	헤드 본넷 ASSY	BONNET ASSY, HEAD	0	1		
104	36	119717-03031	플레이트	PLATE	0	1		
104	37	119717-03070	브리더 배플	BAFFLE, BREATHER	0	1		
104	38	119717-03070	브리더 배플	BAFFLE, BREATHER	0	2		
104	39	119802-03100	다이어프램 ASSY	DIAPHRAGM ASSY	0	1		
104	40	119802-03110	플레이트	PLATE	0	1		
104	41	119802-03121	다이어프램 커버	COVER, DIAPHRAGM	0	1		
104	42	119802-03131	다이어프램	DIAPHRAGM	0	1		
104	43	119802-03141	다이어프램 스프링	SPRING, DIAPHRAGM	0	1		
104	45	119718-11310	본넷 가스켓	GASKET, BONNET	0	1		
104	46	119717-11320	본넷 커버	COVER, BONNET	0	1		
104	47	119717-11331	가스켓	GASKET	0	1		
104	48	22857-500100	나사, 5X10	SCREW, 5X10	0	4		
104	49	22857-500100	나사, 5X10	SCREW, 5X10	0	4		
104	50	22857-500160	나사, 5X16	SCREW, 5X16	0	2		
104	51	24311-000320	운동용 O링	O-RING, 1AP32.0	0	1		
104	52	26106-060202	도금 볼트, M6X20	BOLT, M6X20 PLATED	0	3		
104	53	26106-060752	도금 볼트, M6X75	BOLT, M6X75 PLATED	0	6		
104	54	129900-07900	리프터	LIFTER	0	2		
104	55	26106-080162	육각플랜지볼트	BOLT, M8X16 PLATED	0	4		
NOTE								



FIG 105

EXHAUST MANIFOLD

년/월  
Year/Month

TC25NM

2021-05

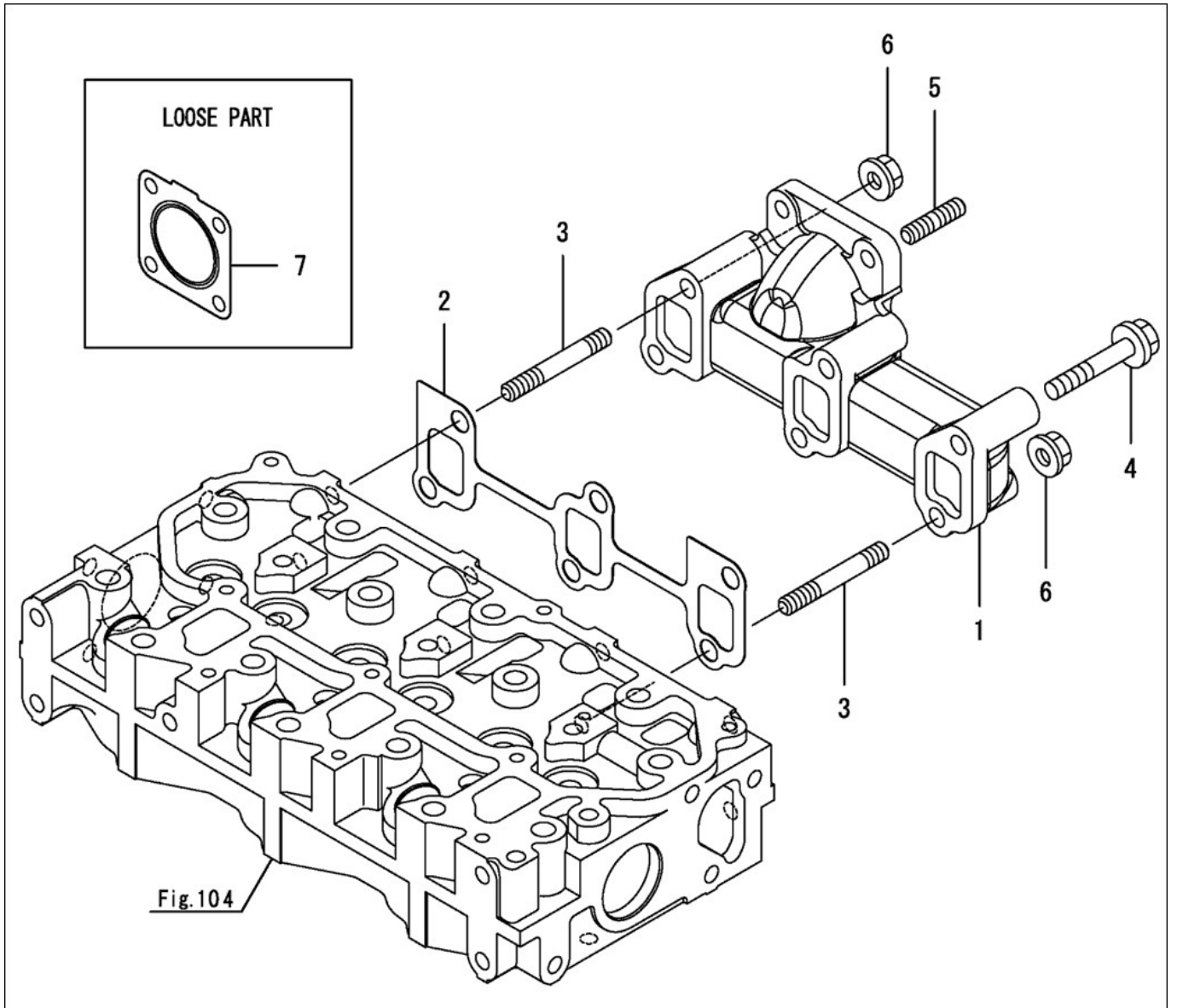


Fig.104

NOTE





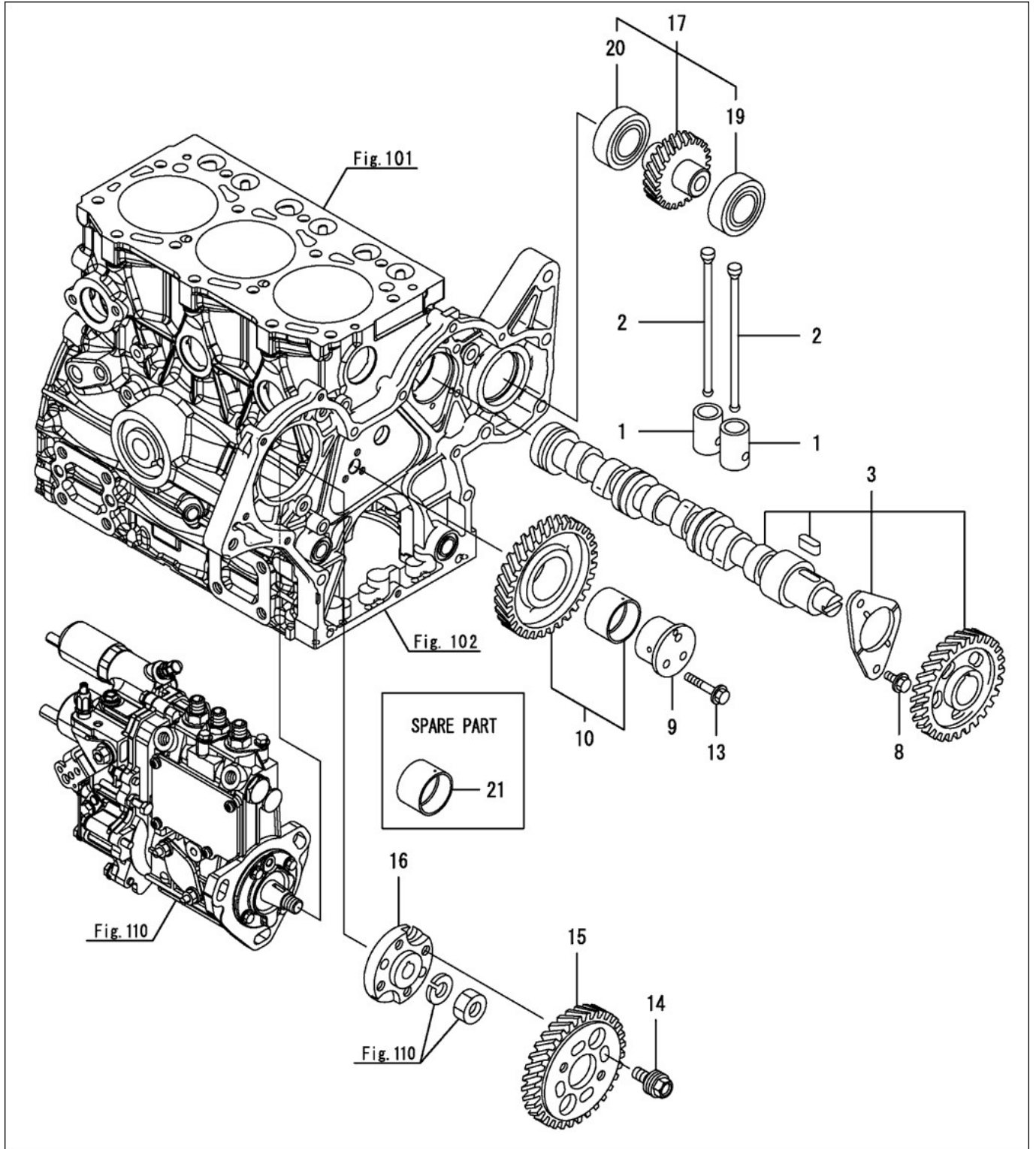
FIG 106

CAMSHAFT & DRIVING GEAR

년/월  
Year/Month

2021-05

TC25NM



NOTE

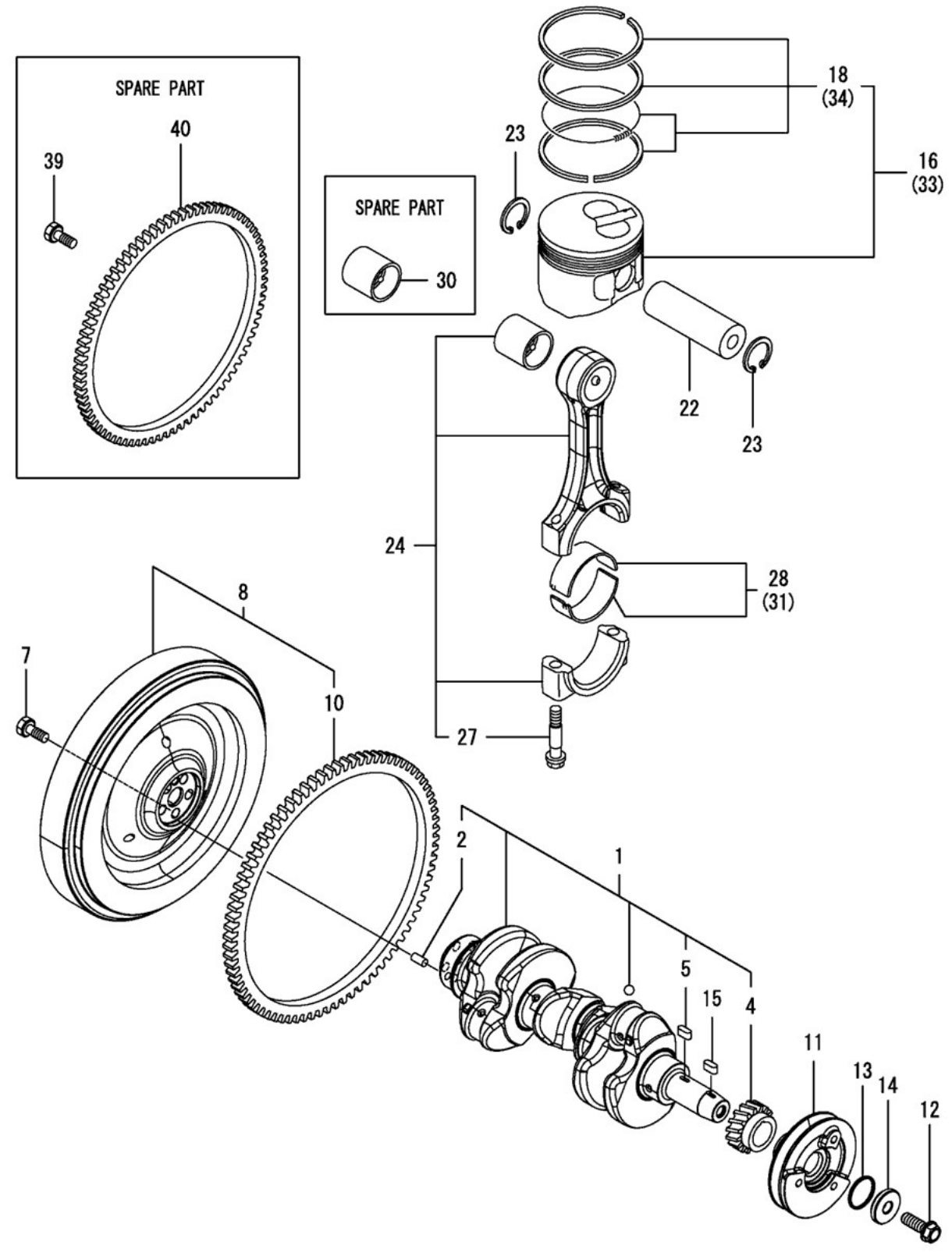


FIG 107

CRANKSHAFT & PISTON

년/월  
Year/Month

2021-05



NOTE



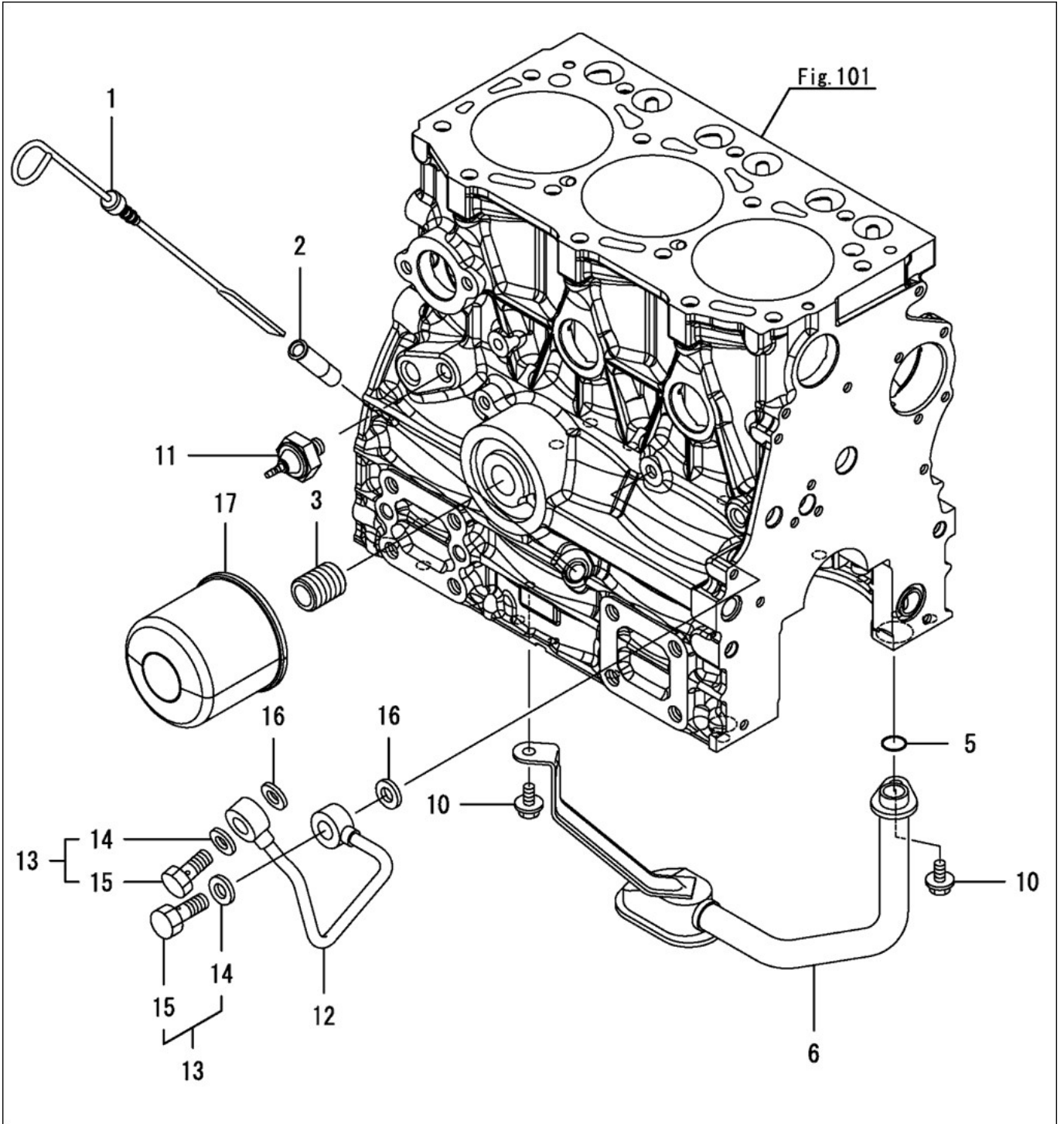
FIG 108

LUB.OIL SYSTEM

년/월  
Year/Month

TC25NM

2021-05



NOTE



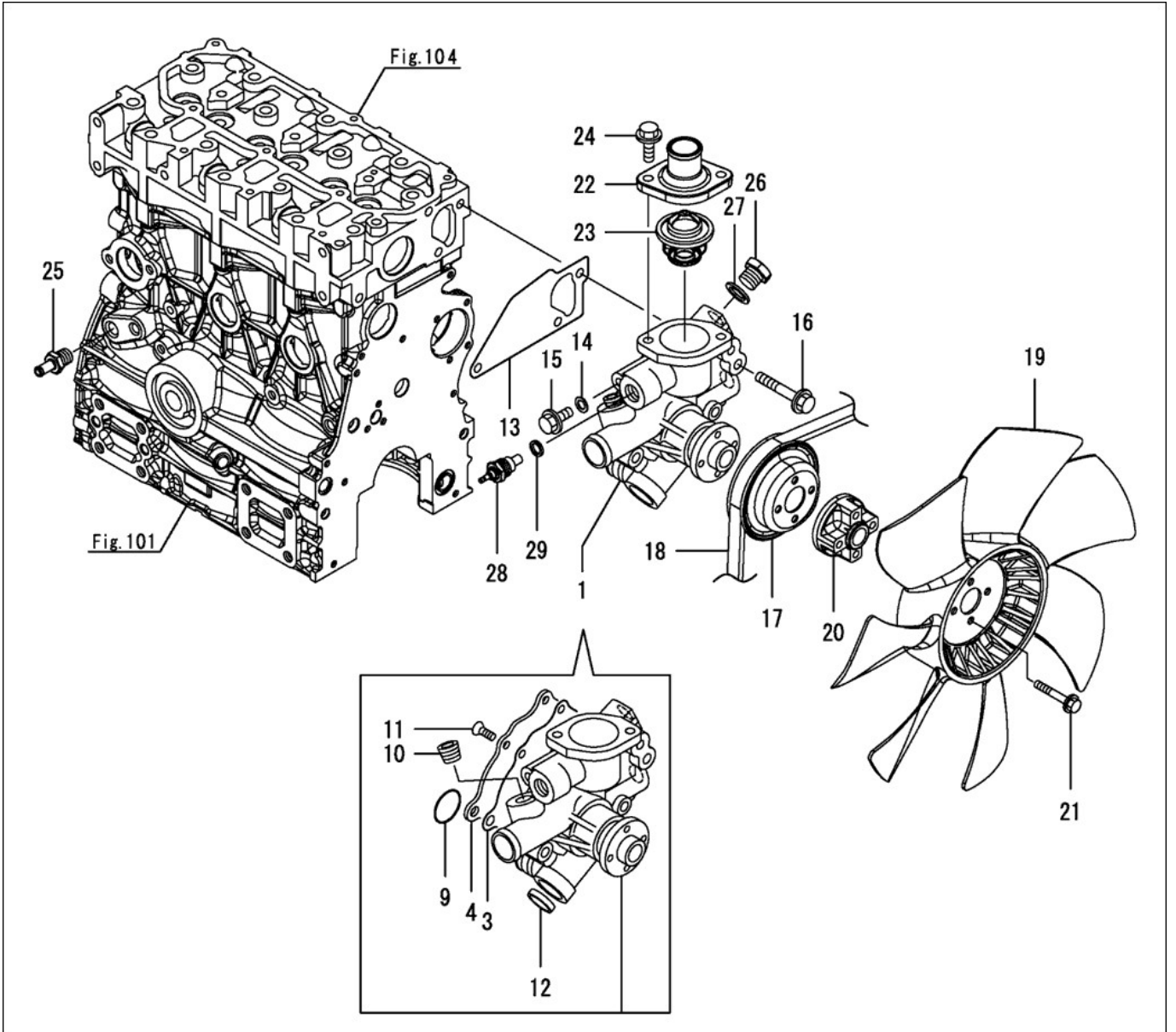
FIG 109

COOLING WATER SYSTEM

년/월  
Year/Month

2021-05

TC25NM



NOTE





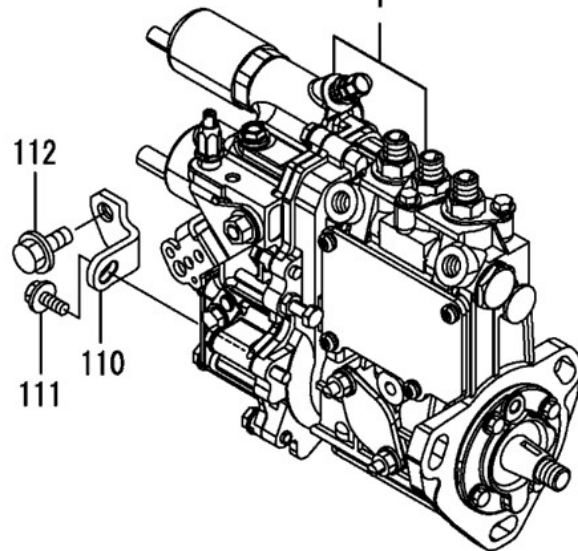
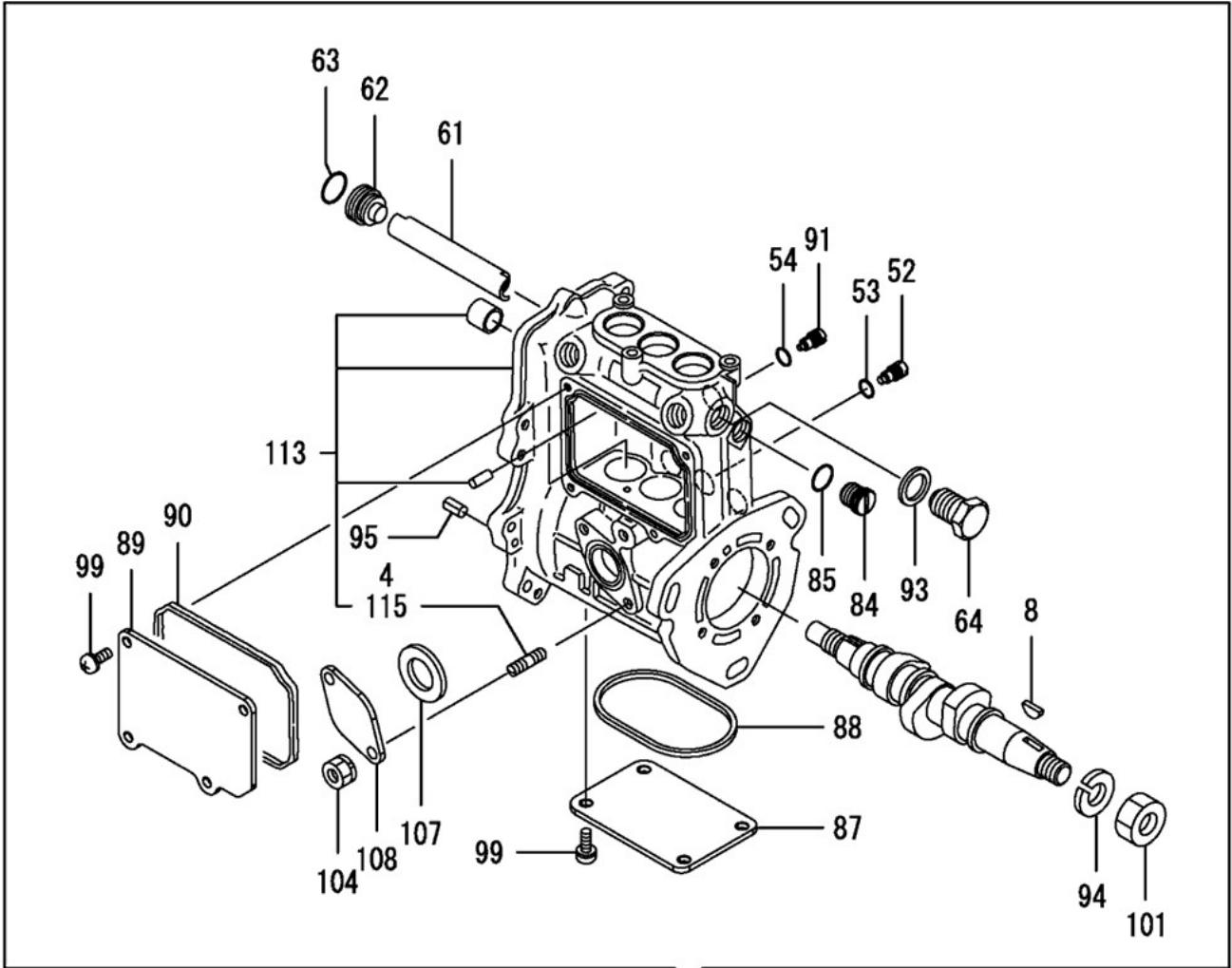
FIG 110

FUEL INJECTION PUMP

년/월  
Year/Month

2021-05

TC25NM



NOTE



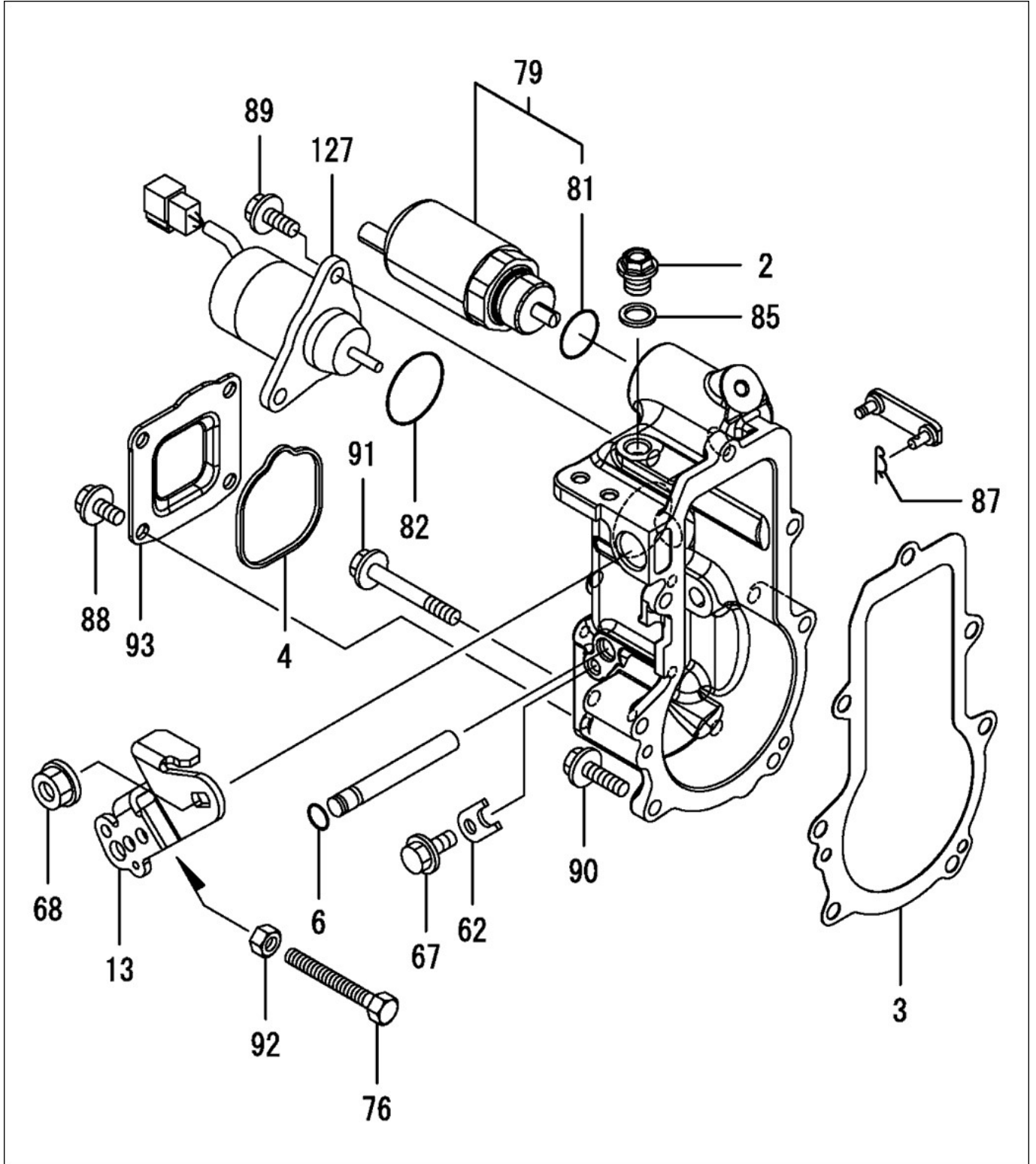
FIG 111

GOVERNOR

년/월  
Year/Month

2021-05

TC25NM



NOTE



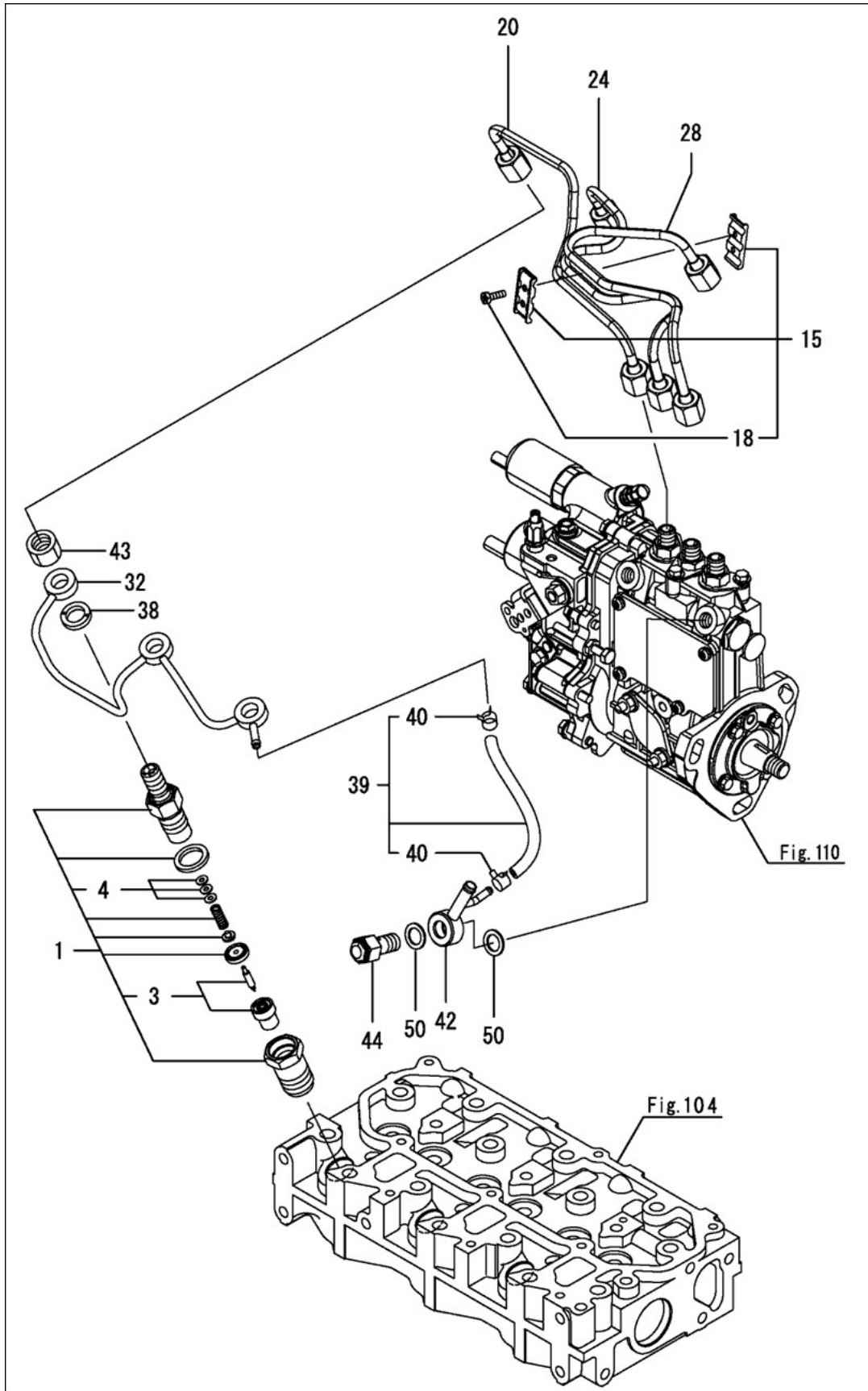
FIG 112

TC25NM

FUEL INJECTION VALVE

년/월  
Year/Month

2021-05



NOTE



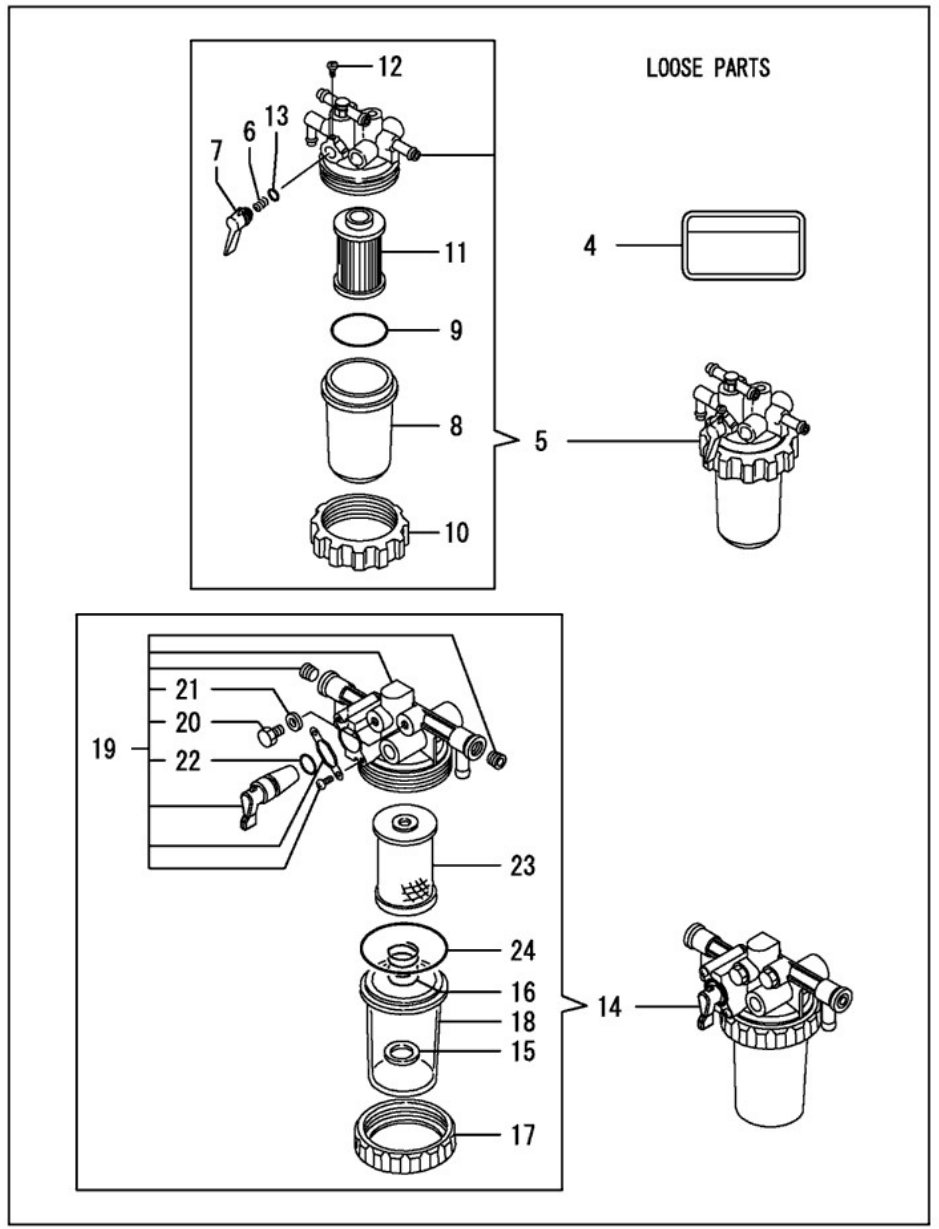
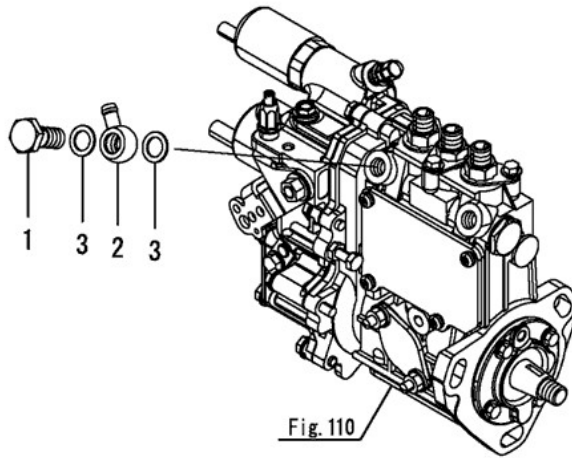
FIG 113

FUEL FILTER

년/월  
Year/Month

TC25NM

2021-05



NOTE





FIG 114

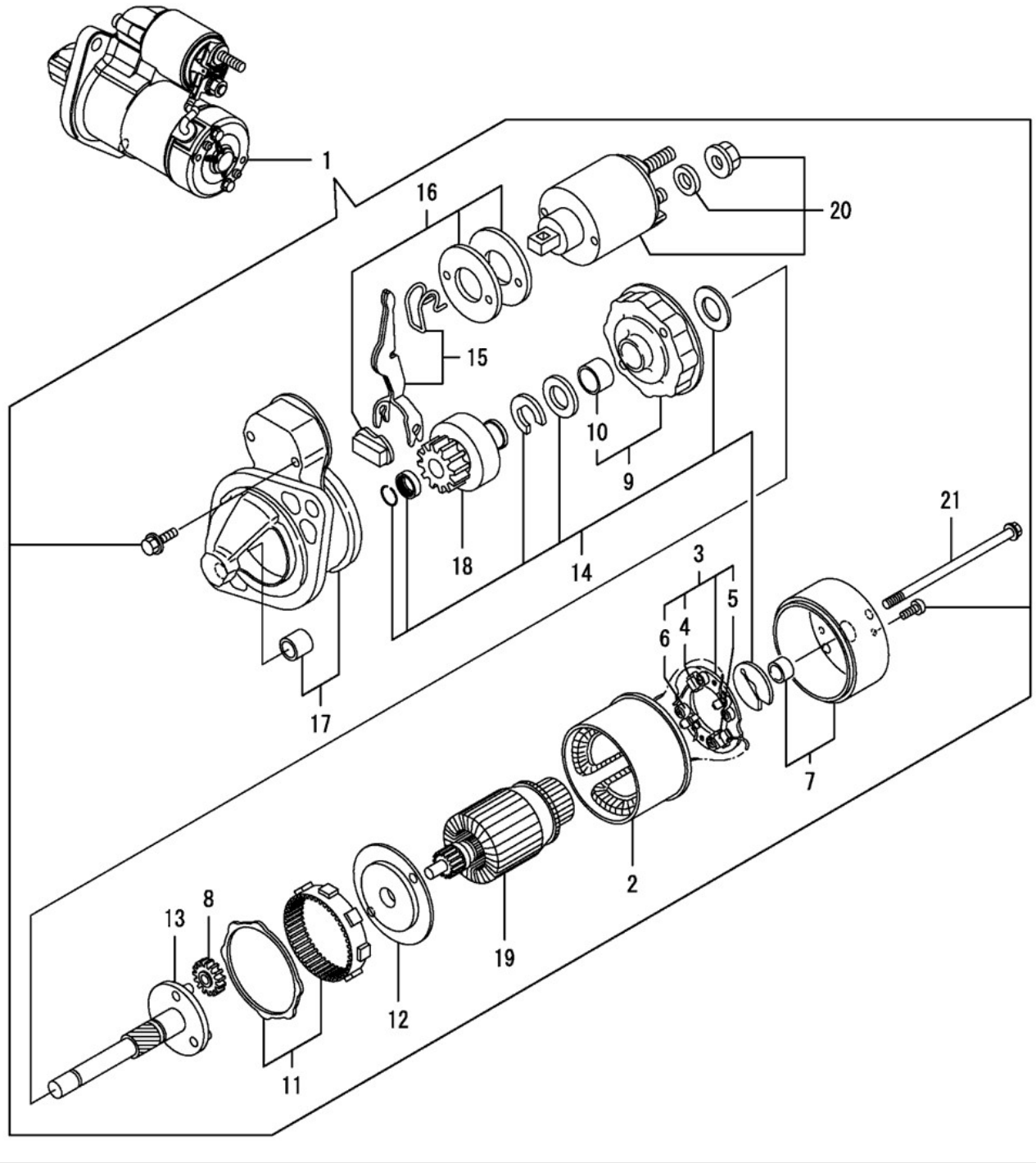
STARTING MOTOR

년/월  
Year/Month

TC25NM

2021-05

LOOSE PARTS



NOTE

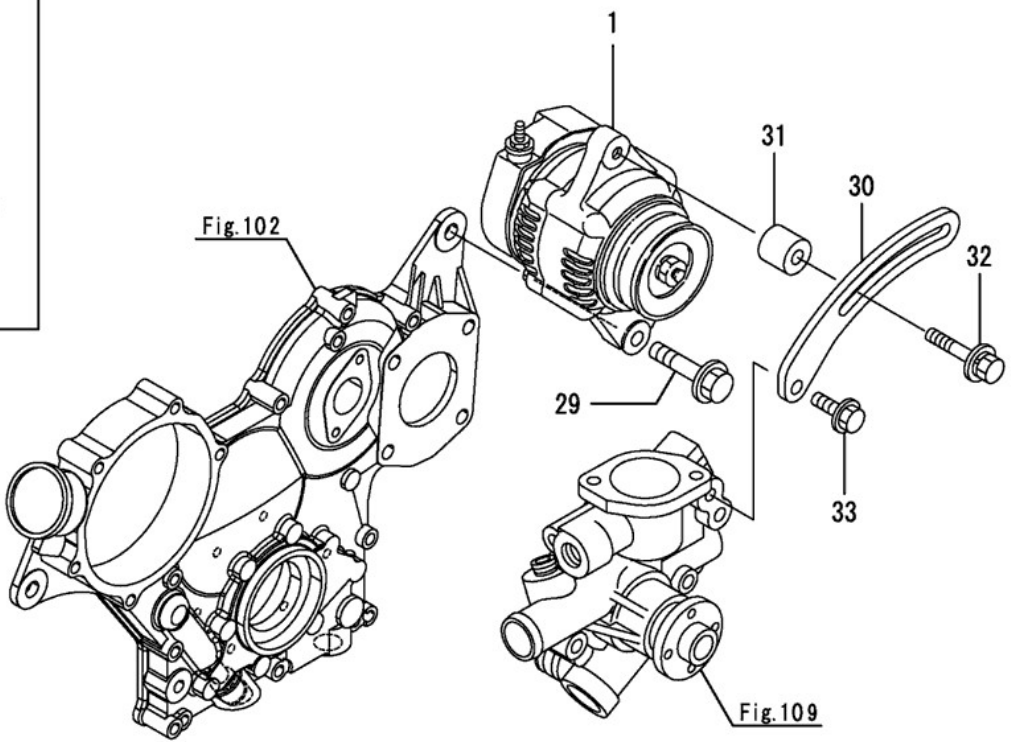
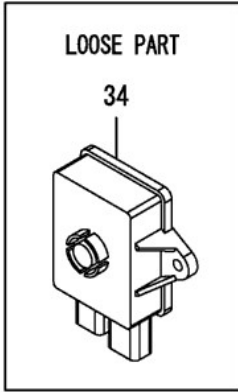
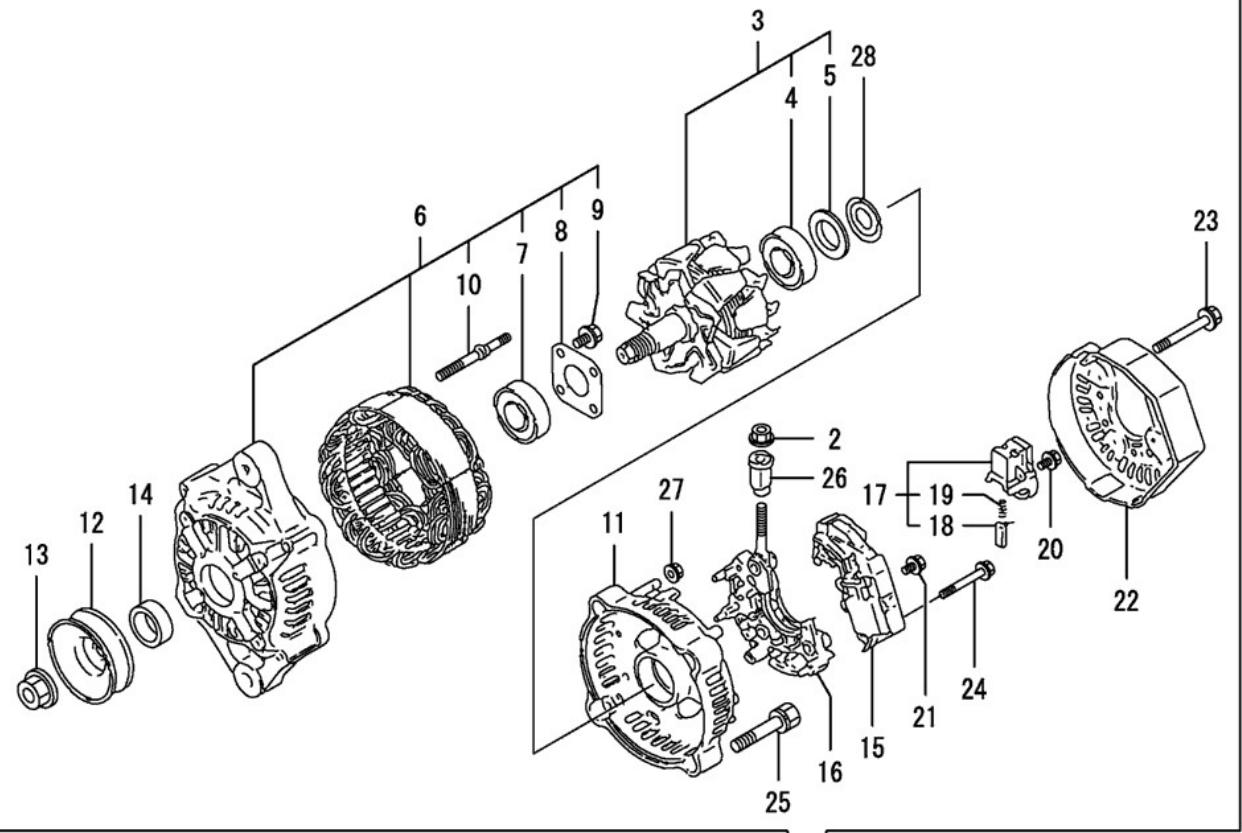


FIG 115

GENERATOR

년/월  
Year/Month

2021-05



NOTE



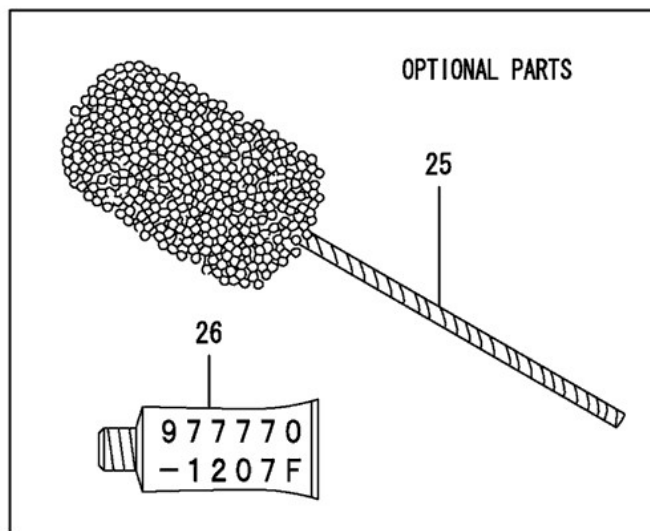
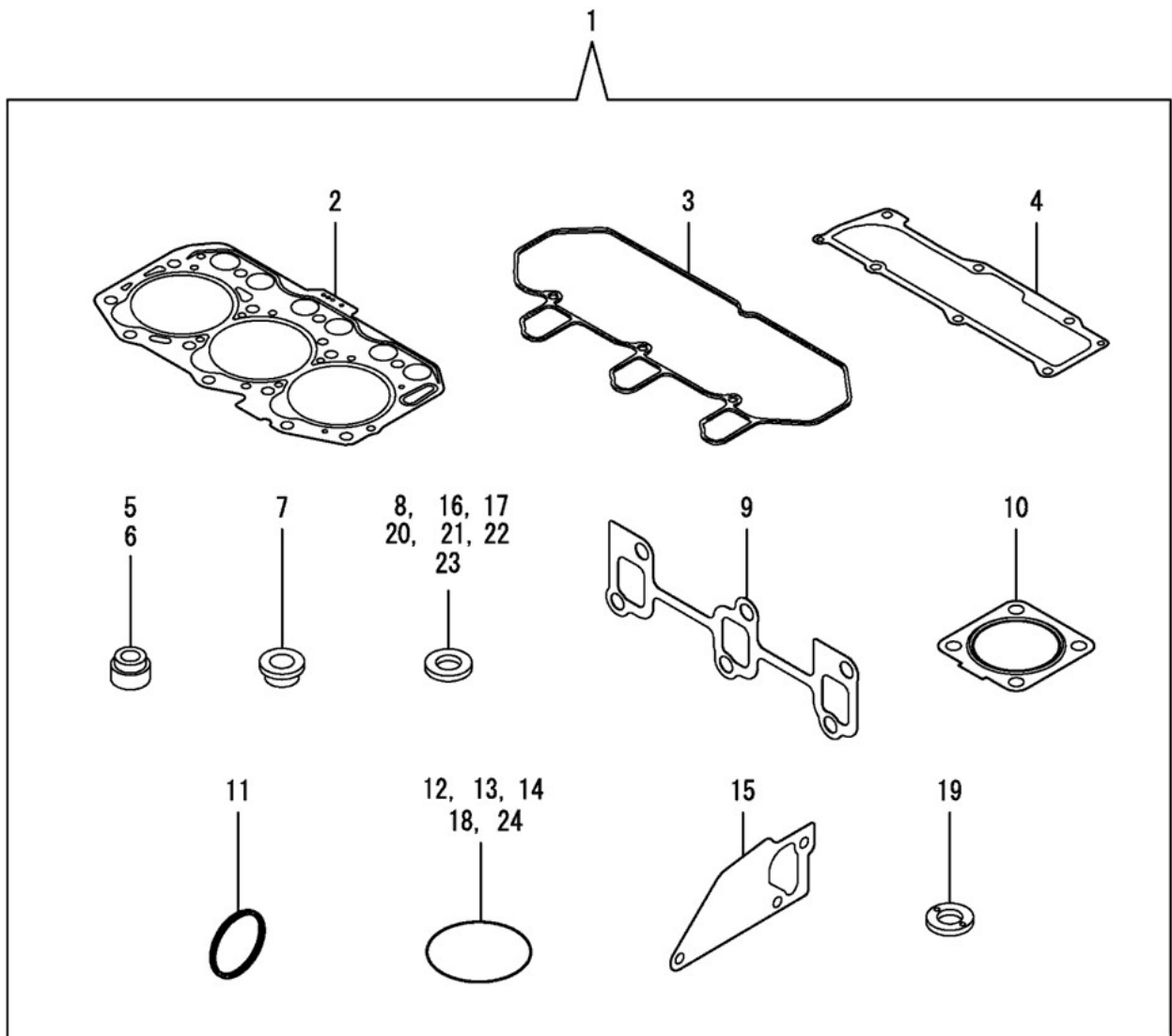
FIG 116

GASKET SET

년/월  
Year/Month

TC25NM

2021-05



NOTE



## 2. 엔진보기품 PART NO. T2

FIG 201 AIR CLEANER	40
FIG 202 RADIATOR	42
FIG 203 MUFFLER	44
FIG 204 FUEL TANK & FUEL LINE	46
FIG 205 ACCELERATOR	48
FIG 206 FUEL FILTER	50
FIG 207 ENGINE MOUNTING	52

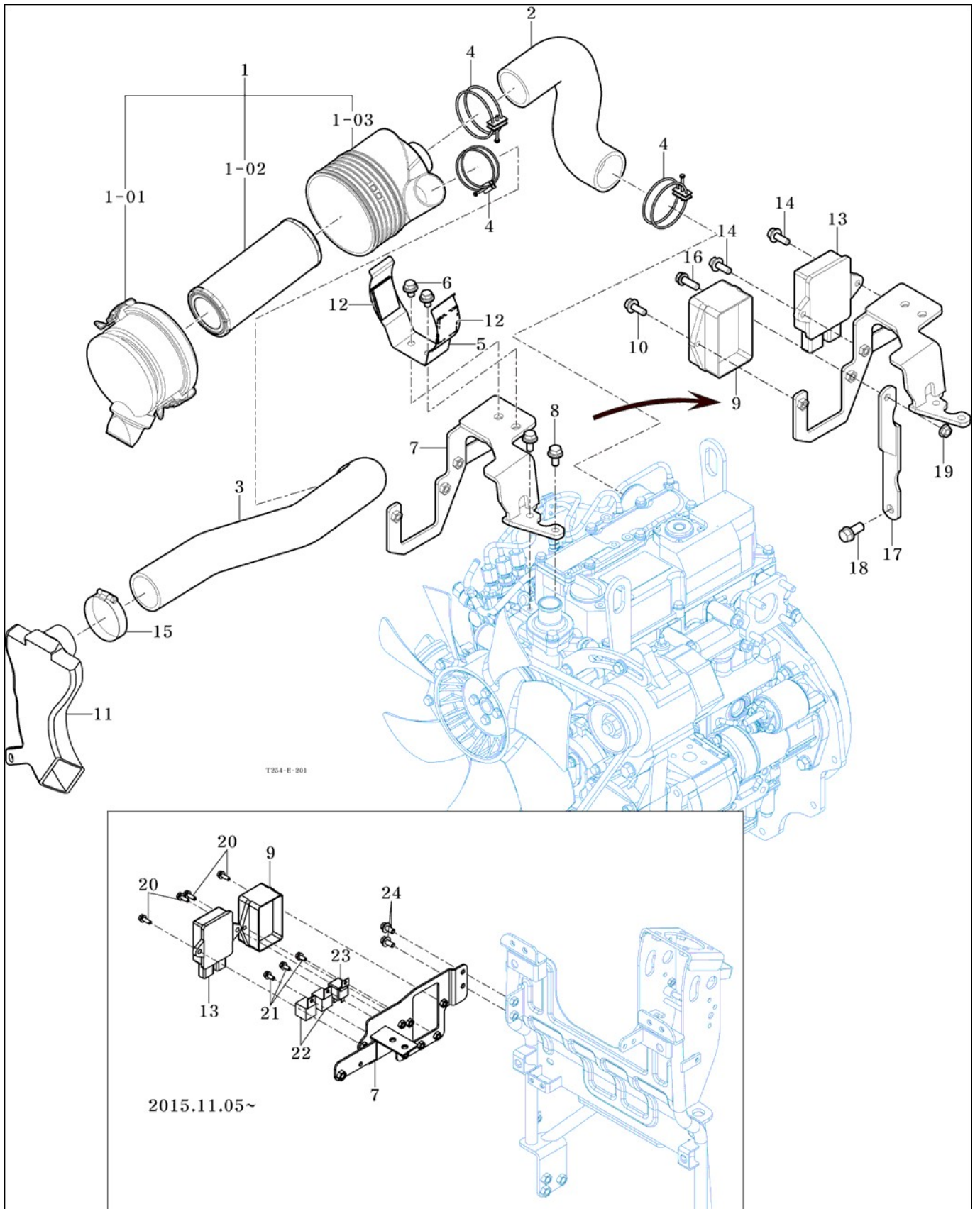
FIG 201

AIR CLEANER

년/월  
Year/Month

2021-05

TC25NM



NOTE





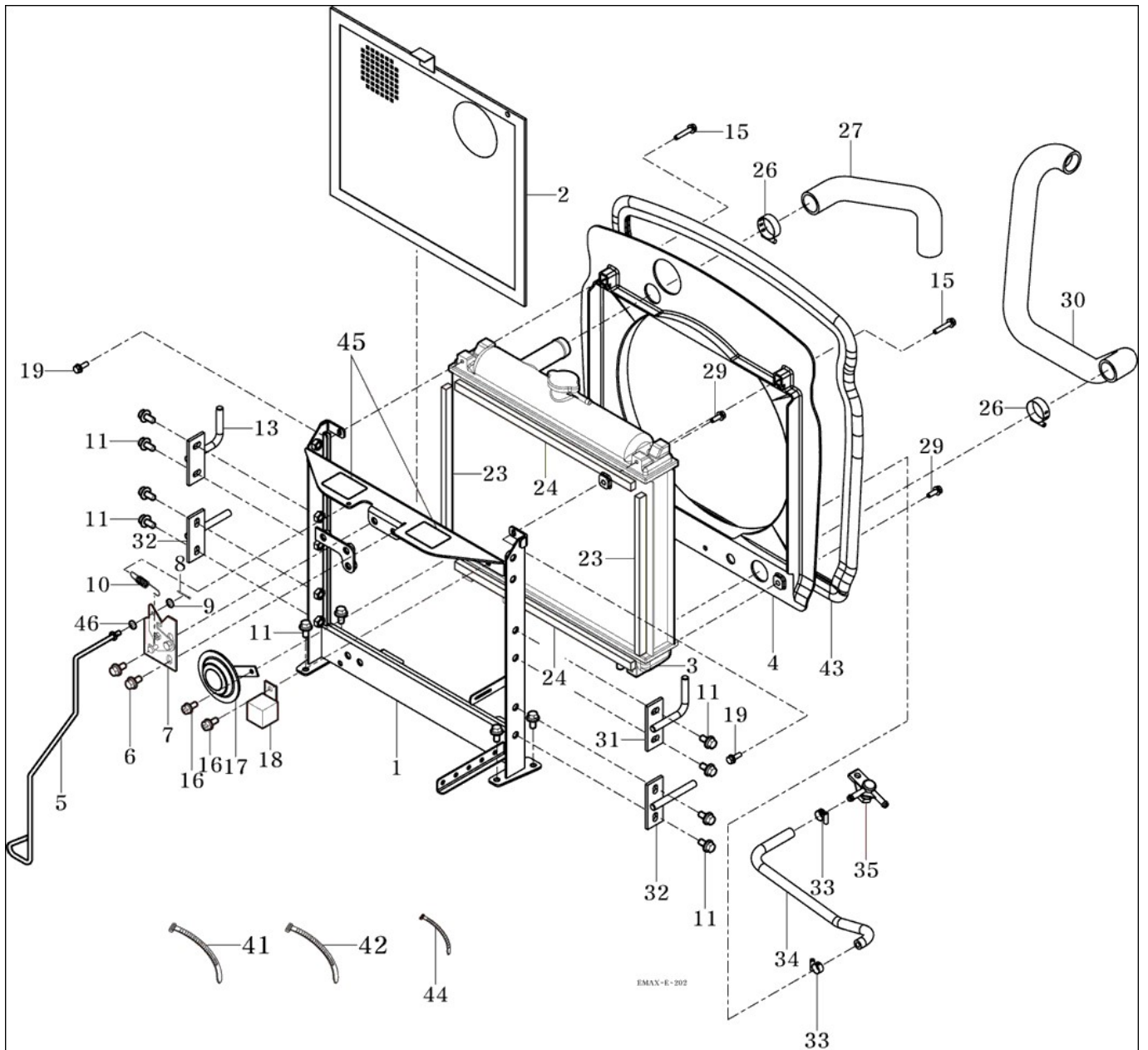
FIG 202

RADIATOR

년/월  
Year/Month

2021-05

TC25NM



NOTE



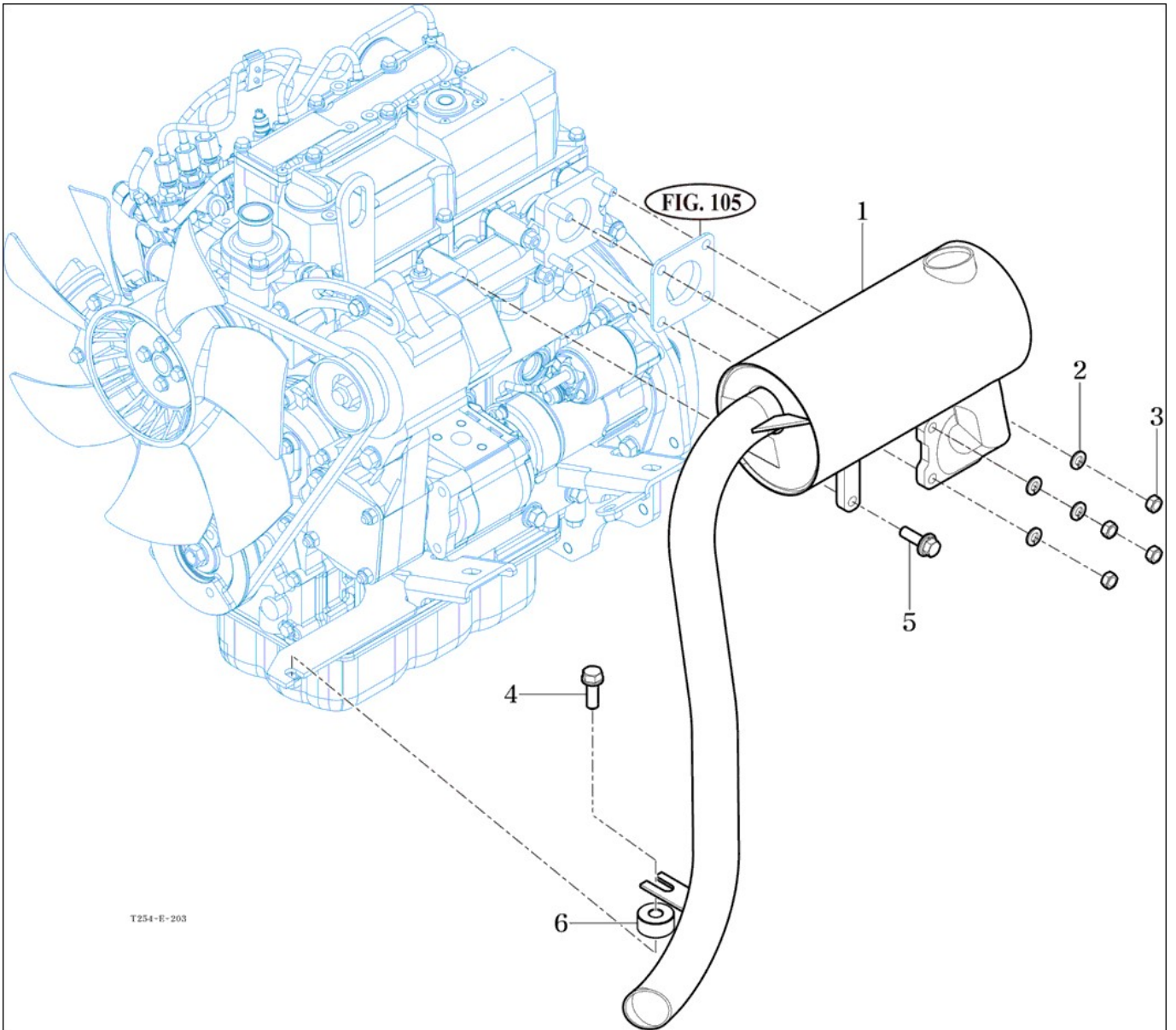
FIG 203

TC25NM

MUFFLER

년/월  
Year/Month

2021-05



NOTE



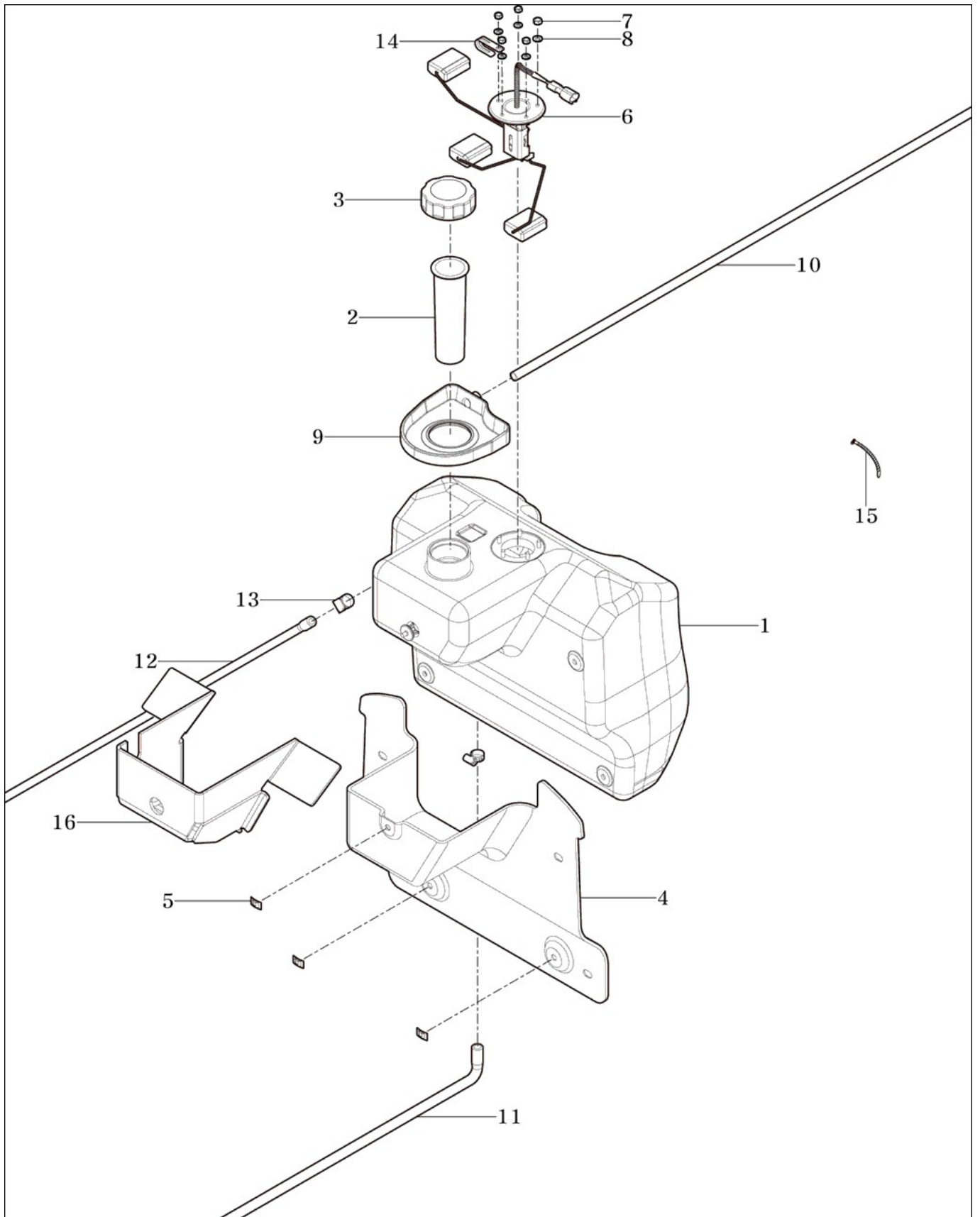
FIG 204

TC25NM

FUEL TANK & FUEL LINE

년/월  
Year/Month

2021-05



NOTE



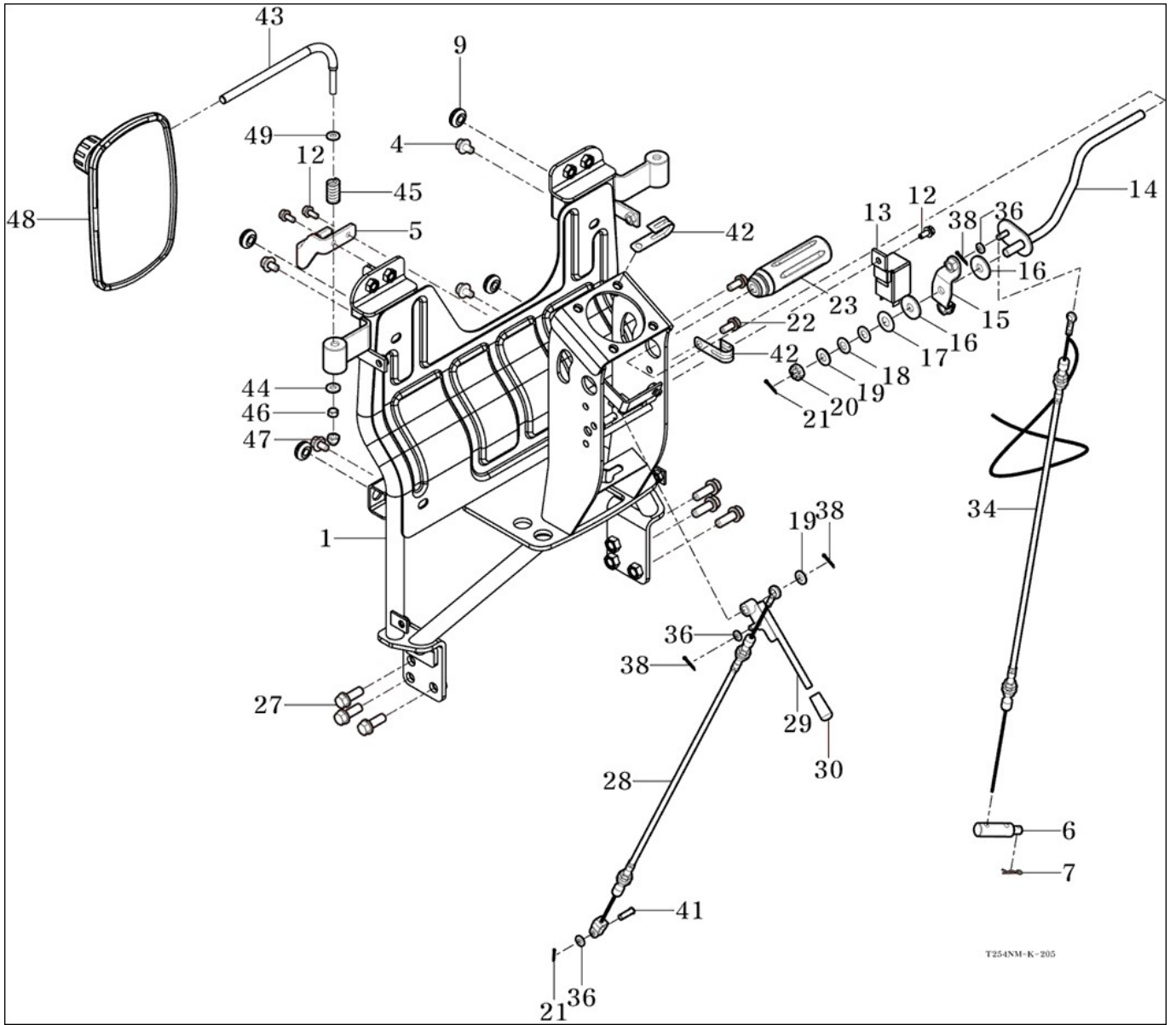
FIG 205

ACCELERATOR

년/월  
Year/Month

2021-05

TC25NM



NOTE





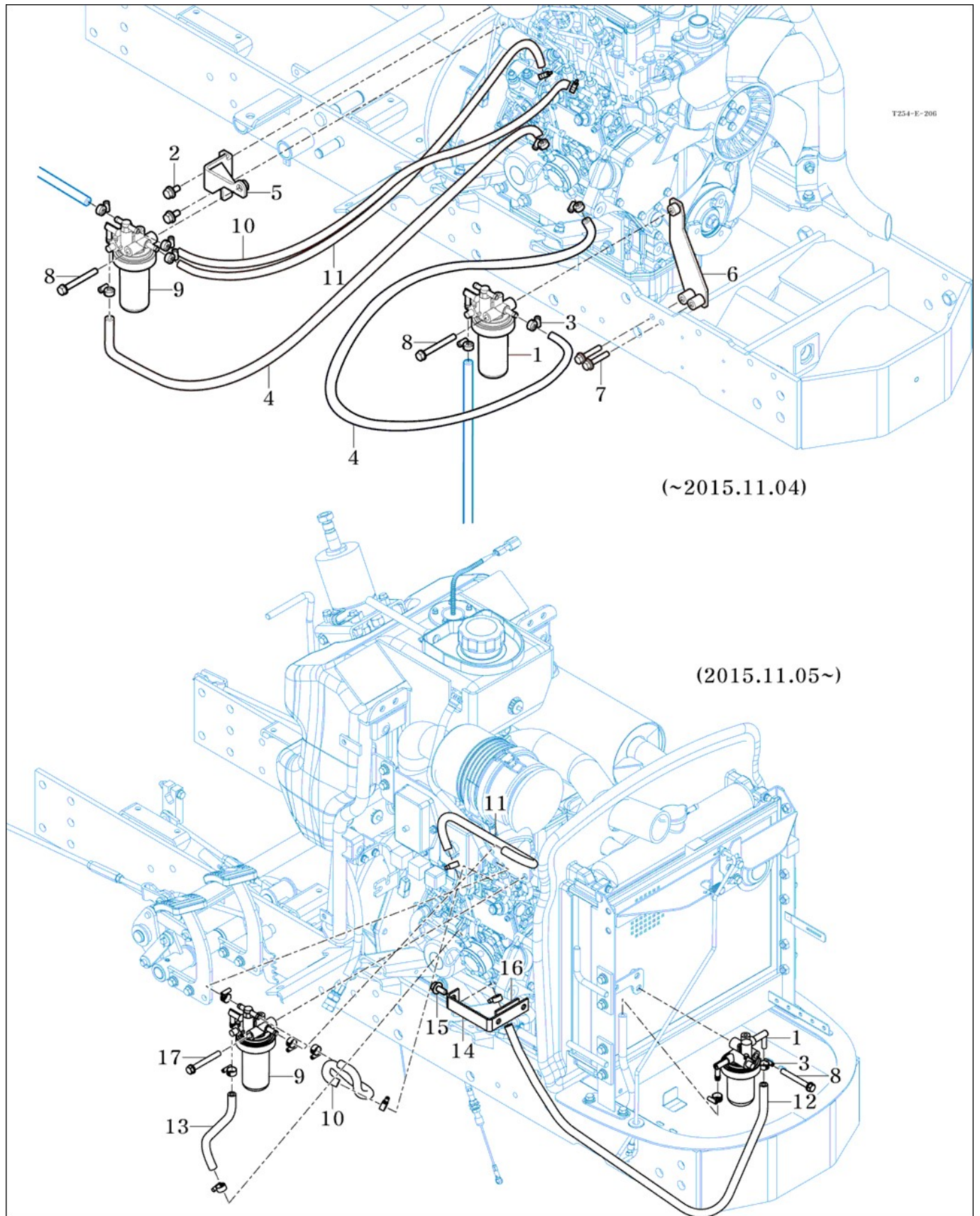
FIG 206

FUEL FILTER

년/월  
Year/Month

TC25NM

2021-05



(~2015.11.04)

(2015.11.05~)

NOTE



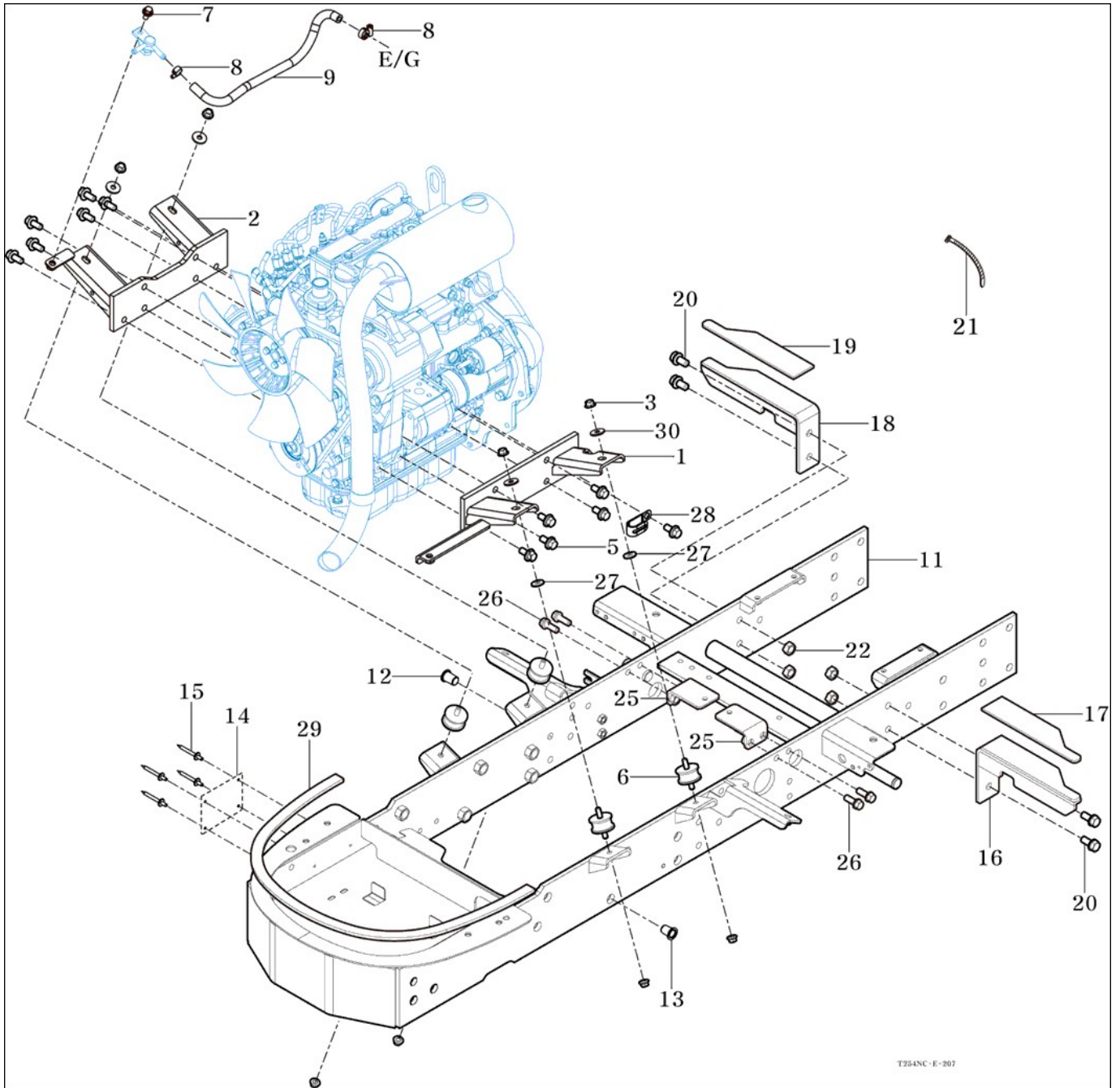
FIG 207

ENGINE MOUNTING

년/월  
Year/Month

TC25NM

2021-05



NOTE



### 3. 클러치/브레이크/스티어링 PART NO. T3

FIG 301 FLYWHEEL COVER	55
FIG 302 BRAKE	57
FIG 303 CLUTCH,BRAKE PEDAL&LINKAGE	59
FIG 304 ACCELERATORPEDAL & CABLE	62
FIG 305 DASH COVER	64
FIG 306 STEERING VALVE	66
FIG 307 STEERING CYLINDER	68
FIG 308 STEERING WHEEL	70
FIG 309 TIRE	72

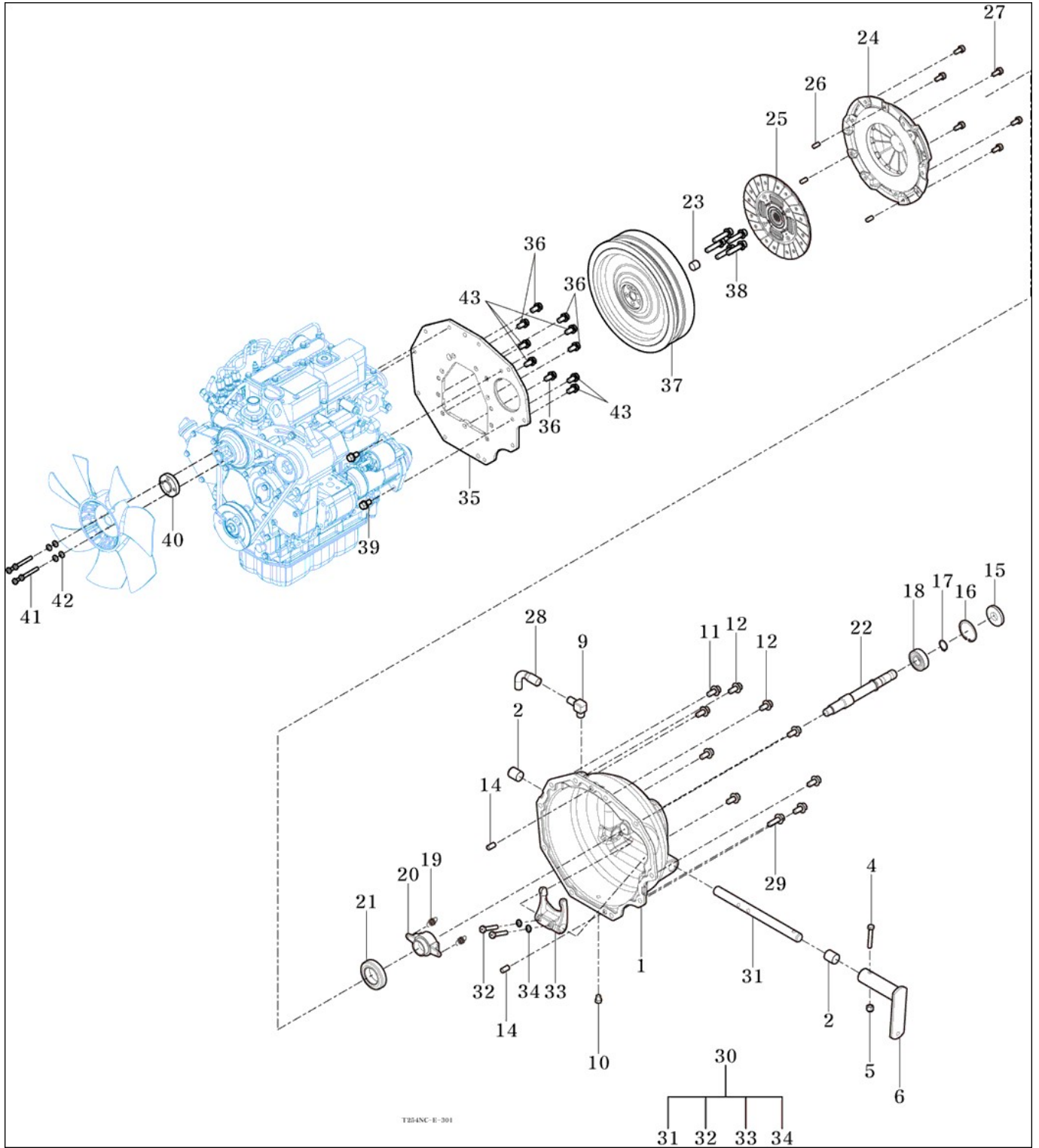
FIG 301

TC25NM

FLYWHEEL COVER

년/월  
Year/Month

2021-05



NOTE





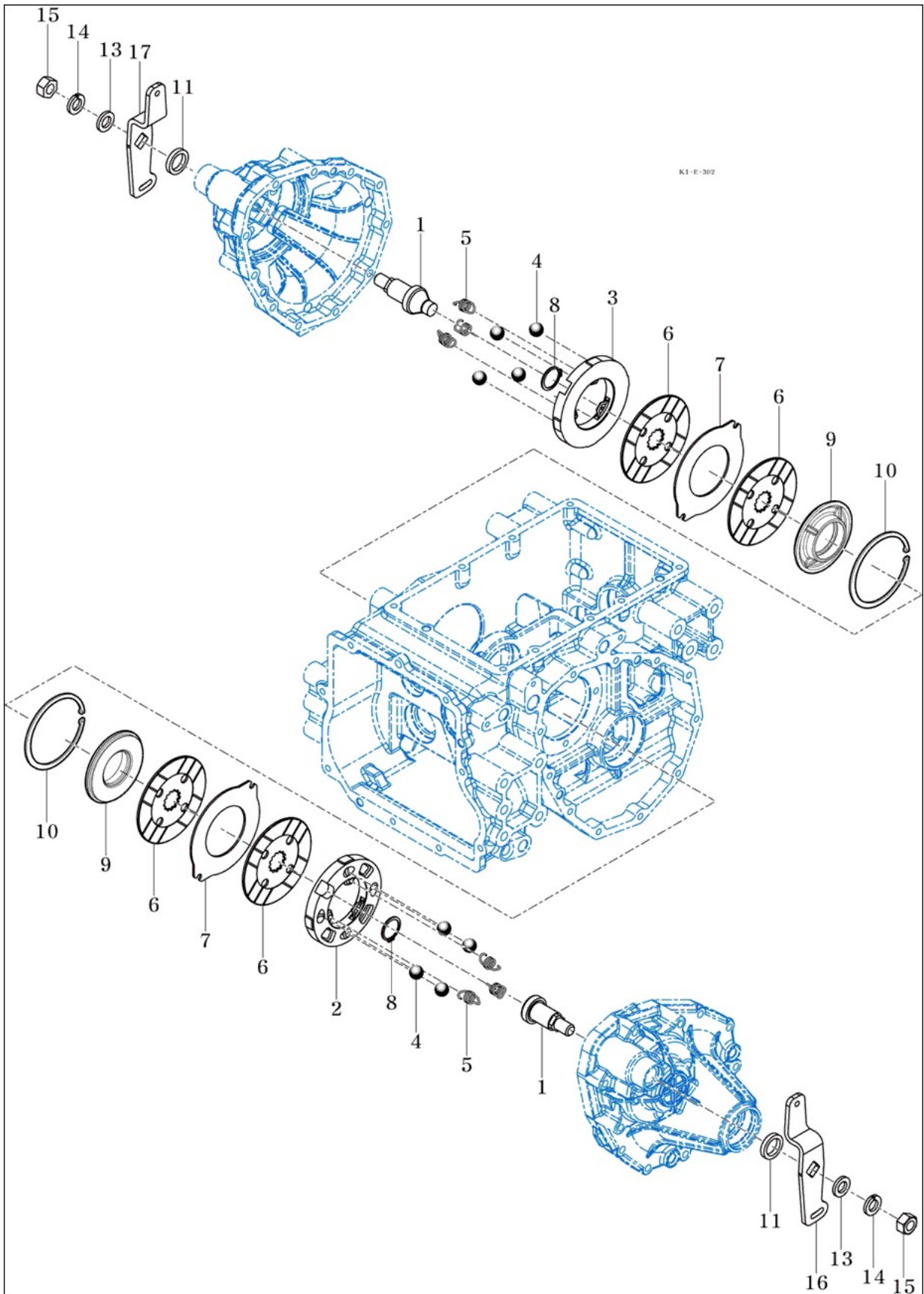
FIG 302

BRAKE

년/월  
Year/Month

TC25NM

2021-05



NOTE



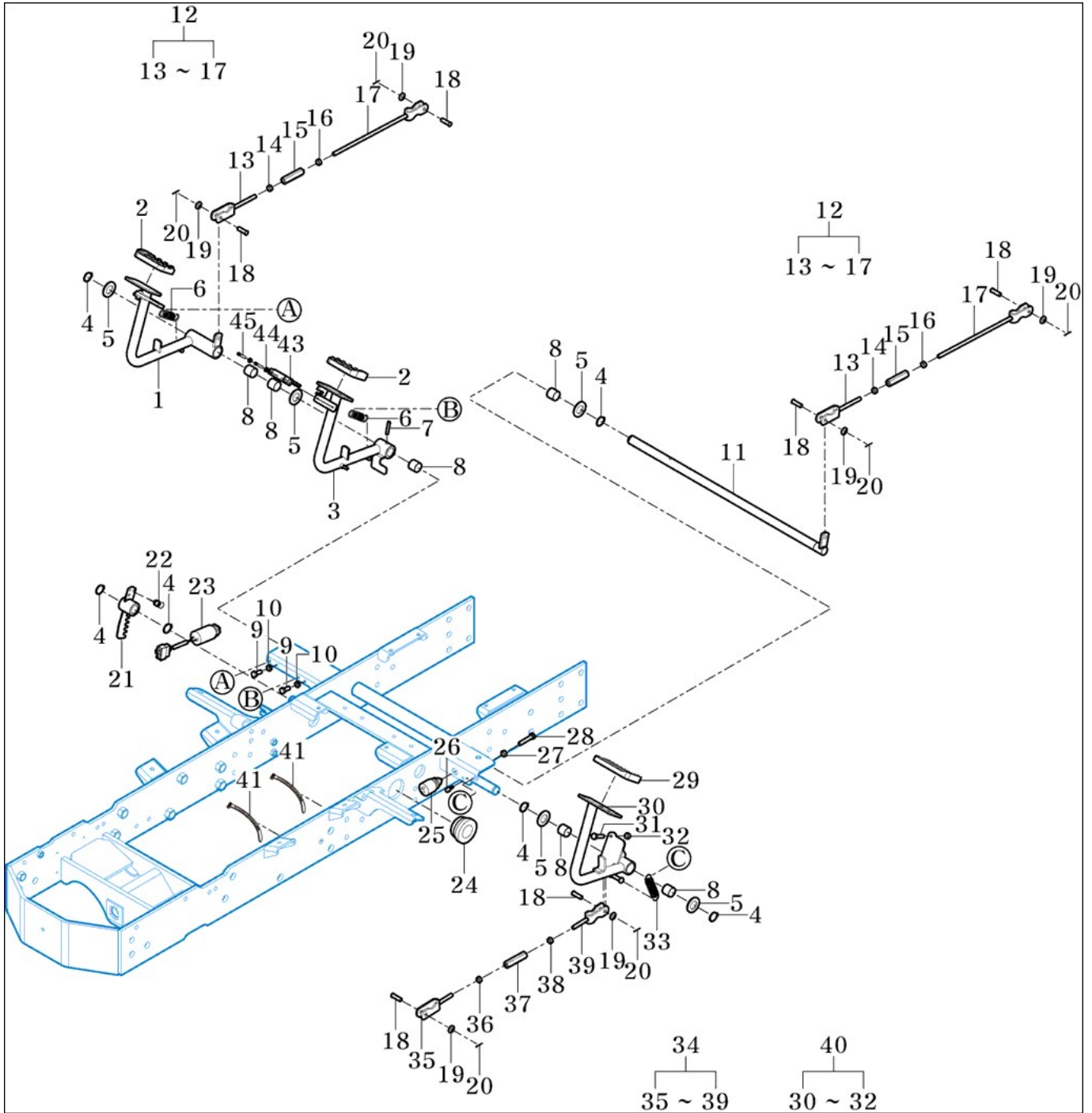
FIG 303

CLUTCH, BRAKE PEDAL & LINKAGE

년/월  
Year/Month

TC25NM

2021-05



NOTE

FIG 303		CLUTCH,BRAKE PEDAL&LINKAGE					년/월	
							Year/Month	
TC25NM		2021-05						
KEY NO	PART NO	DESCRIPTION	SPEC	QTY	REPAIR	EFFECTIVE DATE	REMARKS	
303	1	11503283200GB	브레이크 페달 COMP(RH)		1			
303	2	11503280020	브레이크패드		2			
303	3	11253283100GB	브레이크 페달 COMP(LH)		1			
303	4	V7041400200	C형멈춤링(축용)	20	6			
303	5	V4111600200	평와셔	M20	5			
303	6	35822210090	스프링(HE070)	D=2.6	2			
303	7	V5801406032	스프링핀	6X32	1			
303	8	11102320030	부시(20X23X20)		6			
303	9	V2013608020	소형육각볼트(보통)	M8X20	2			
303	10	V3052600080	소형육각너트보통3종	M8	2			
303	11	11503282100	브레이크 암 COMP		1			
303	12	11103284000	브레이크 로드 ASSY		2			
303	13	11103284200	로드 후크 (RH) COMP		2			
303	14	V3043600080	소형육각너트보통2종	M8	2			
303	15	16601220020	터언버클(M8,60)		2			
303	16	15601320073	육각너트(SM,LH,M8)	"2종,M8"	2			
303	17	11103284100	후크 로드 COMP		2			
303	18	21443370020	핀 (08X25)	D=8	6			
303	19	V4111600080	평와셔	M8	6			
303	20	V5001920015	분할핀	2X15	6			
303	21	11503286200	래칫 COMP(주차)		1			
303	22	13153280040	파킹 스프링	D=1.4	1			
303	23	13153285001	브레이크 스위치 ASSY	1X1X1	1			
303	24	11501300030	마운팅고무(클러치)		1			
303	25	15606642500	스위치(푸시) SET		1			
303	26	21004100070	묘이송암스톱퍼	HS80도	1			
303	27	V3042600080	소형육각너트보통2종	M8	1			
303	28	V2013608040	소형육각볼트(보통)	M8X40	1			
303	29	13153280050	패드	1X1X1	1			
303	30	11501332100	클러치 페달 COMP		1			
303	31	V2013608030	소형육각볼트(보통)	M8X30	1			
303	32	V3042600080	소형육각너트보통2종	M8	1			
303	33	11501330010	리턴스프링		1			
303	34	11501305000	클러치 로드 ASSY		1			
303	35	11501305200	로드 COMP(우)		1			
303	36	V3043600080	소형육각너트보통2종	M8	1			
303	37	16601220020	터언버클(M8,60)		1			
303	38	15601320073	육각너트(SM,LH,M8)	"2종,M8"	1			
303	39	11501305100	로드 COMP(좌)		1			
303	40	11501332000GB	클러치 페달 SUB		1			
303	41	14256210040	하니스클램프(9)		1		~2019.03.31	
303	41	14216210380	케이블타이(200)		1		2019.04.01~	
303	42	V2183608012	소형육각볼트보통(SP)	M8X12	1		~2019.03.31	
303	43	17136702100	스위치 ASSY, 브레이크	1*1*1	1			
303	44	V4111600050	평와셔	M5	2			
NOTE								



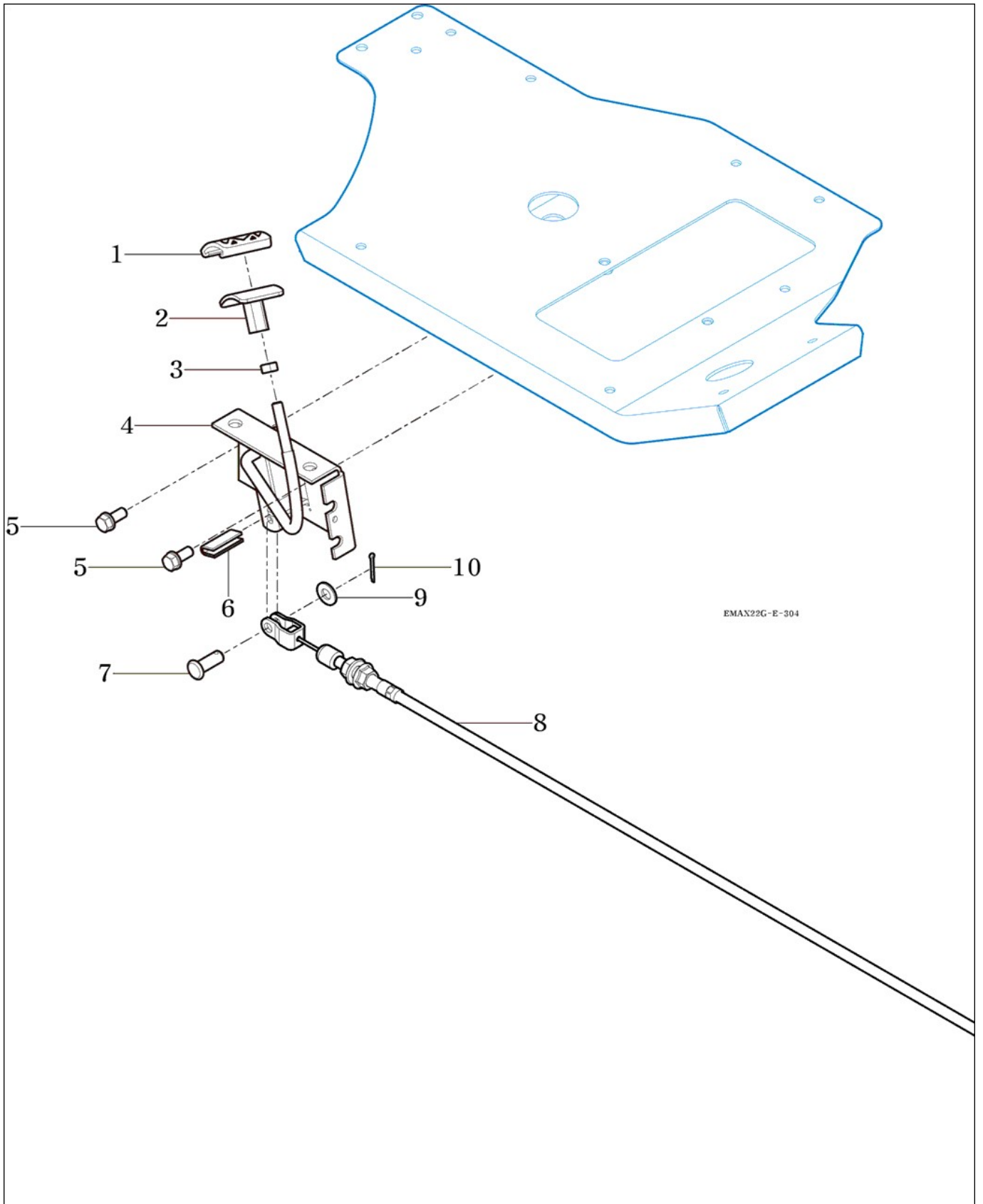
FIG 304

ACCELERATOR PEDAL & CABLE

년/월  
Year/Month

2021-05

TC25NM



EMAN22G-E-304

NOTE



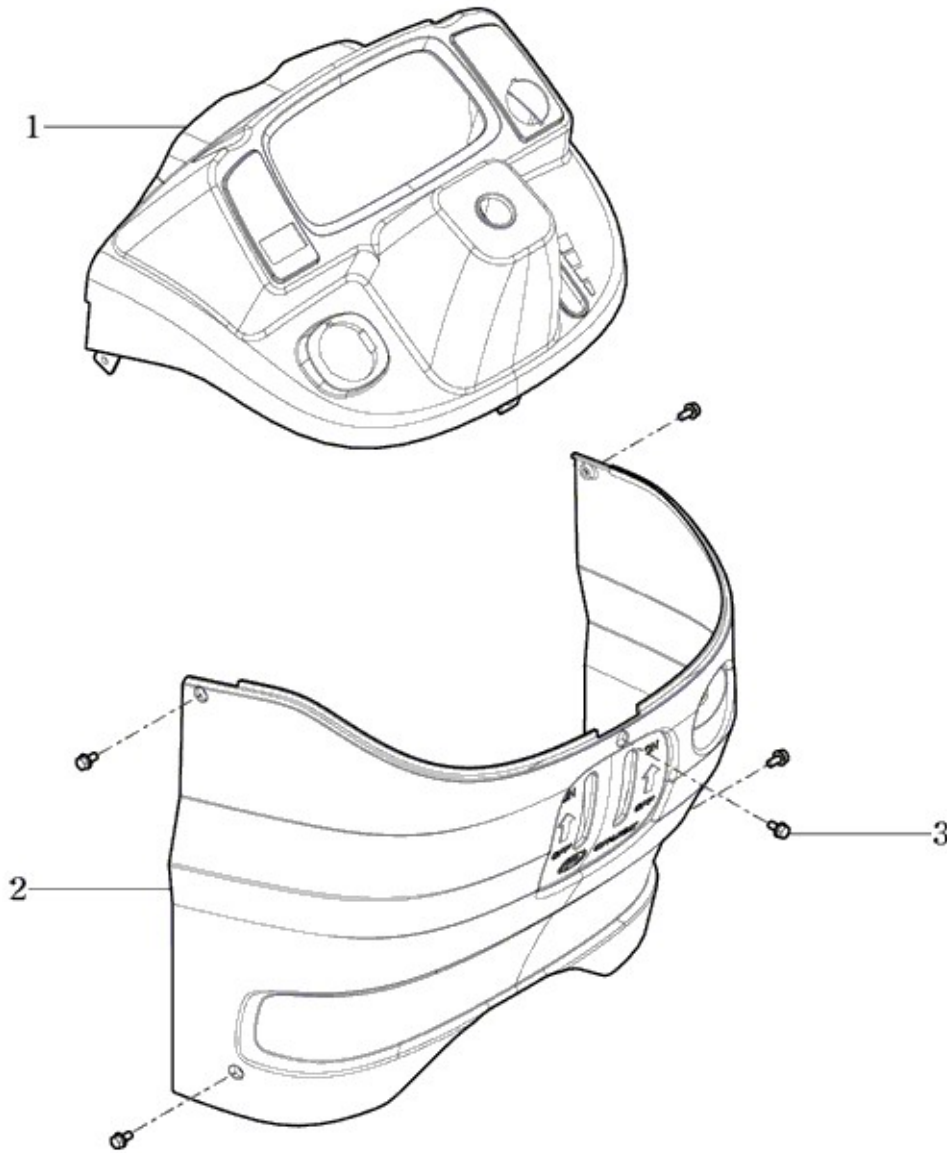
FIG 305

TC25NM

DASH COVER

년/월  
Year/Month

2021-05



NOTE





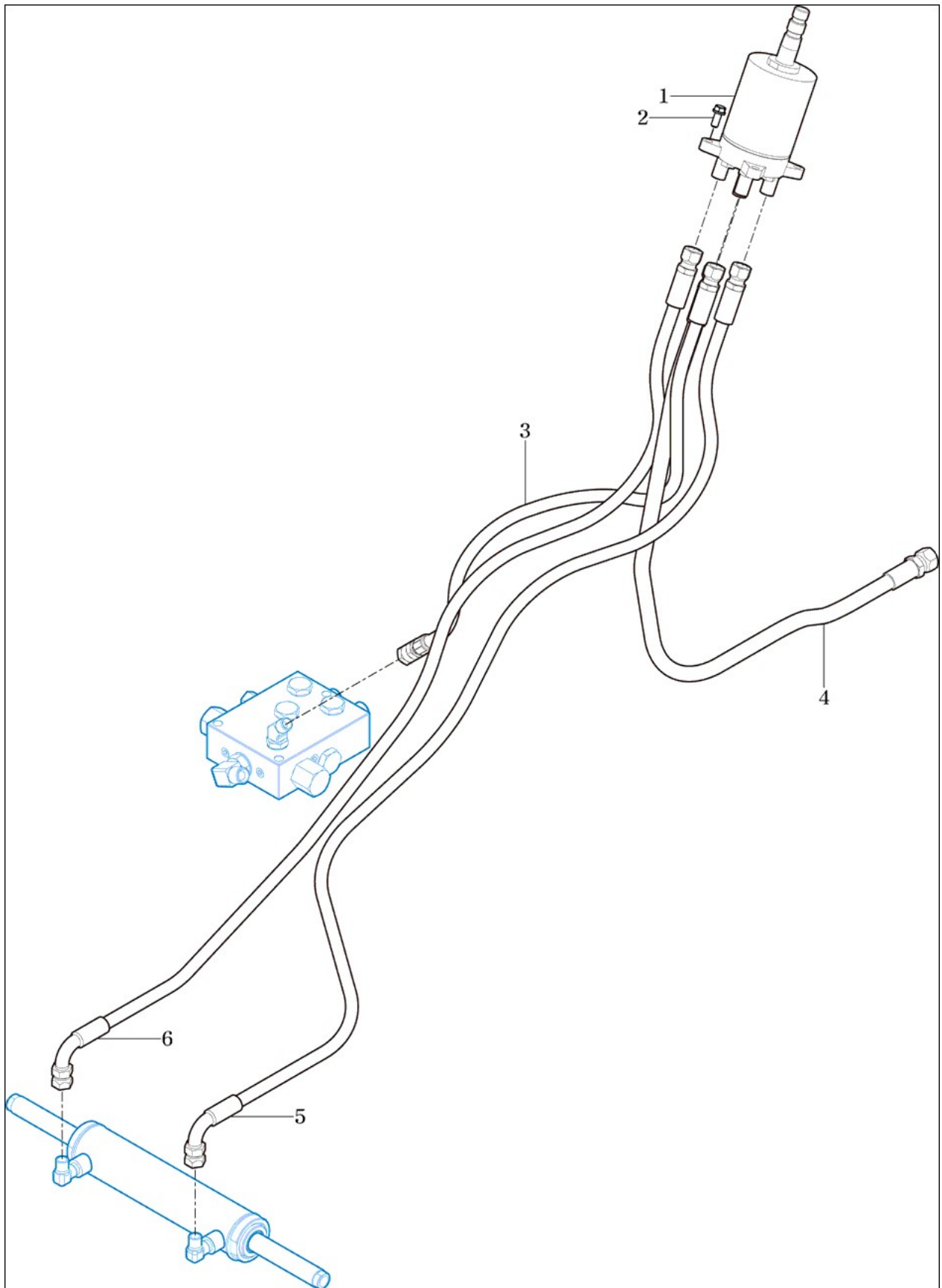
FIG 306

STEERING VALVE

년/월  
Year/Month

TC25NM

2021-05



NOTE



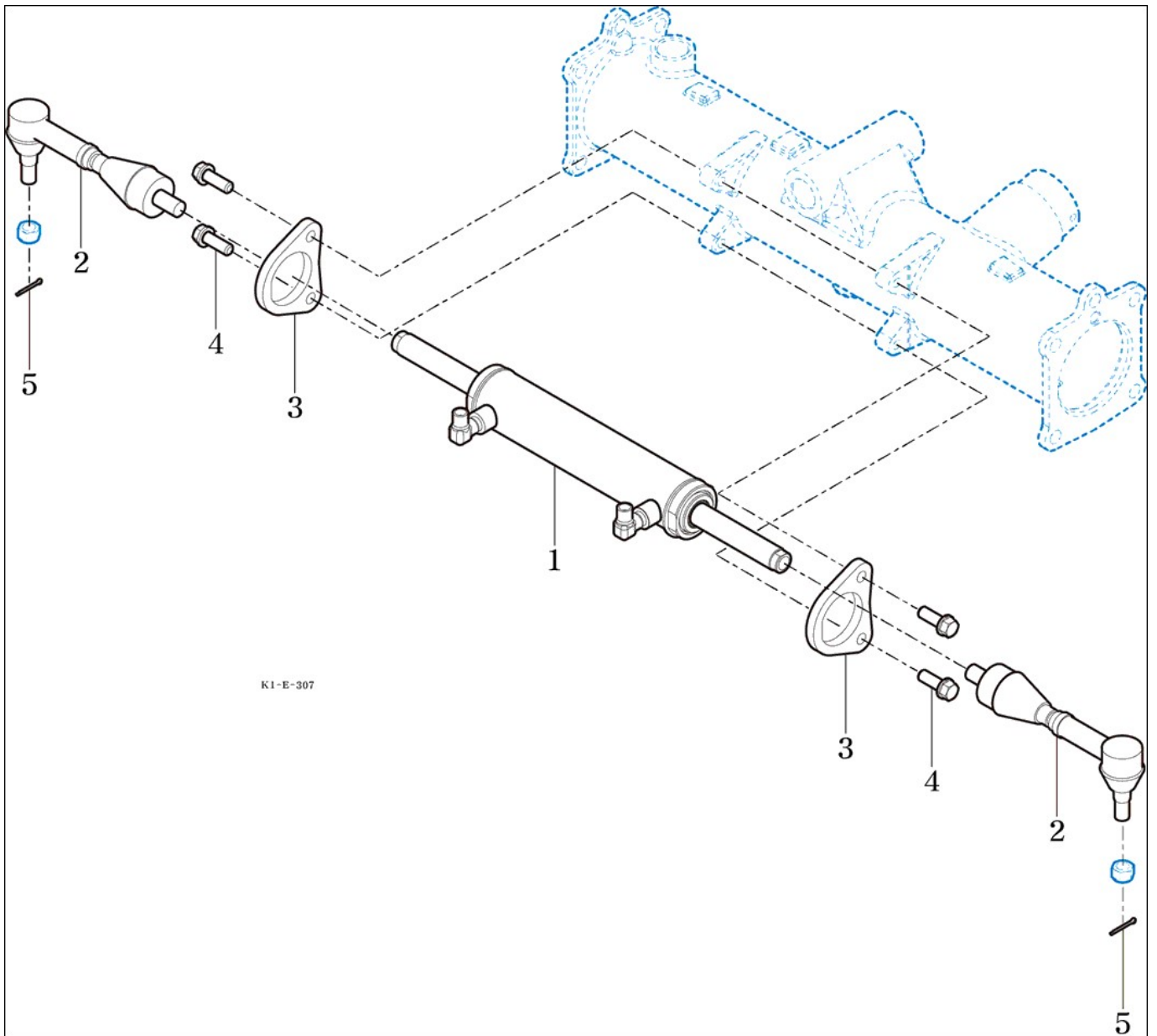
FIG 307

TC25NM

STEERING CYLINDER

년/월  
Year/Month

2021-05



NOTE



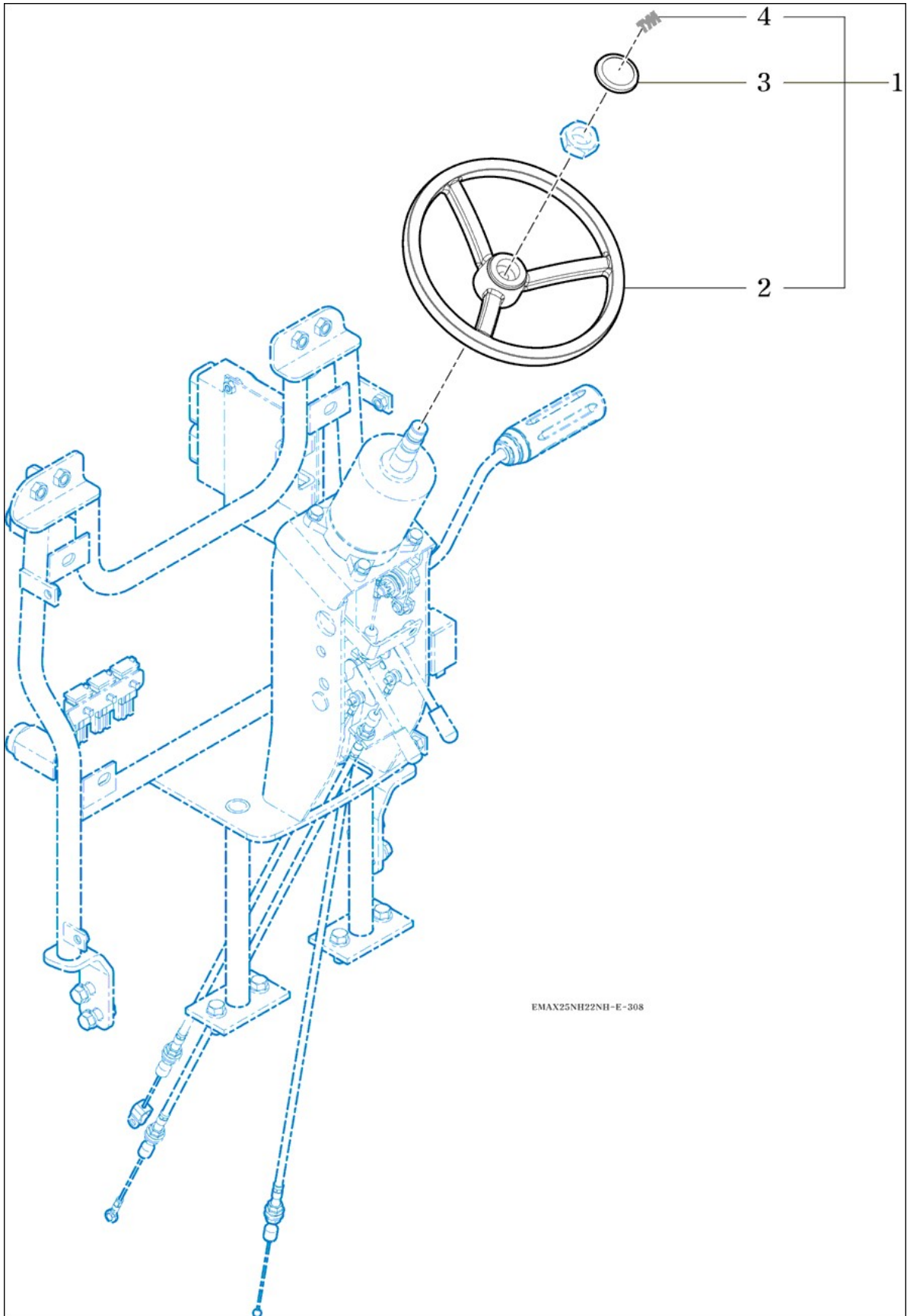
FIG 308

STEERING WHEEL

년/월  
Year/Month

2021-05

TC25NM



EMAX25NH22NH-E-308

NOTE



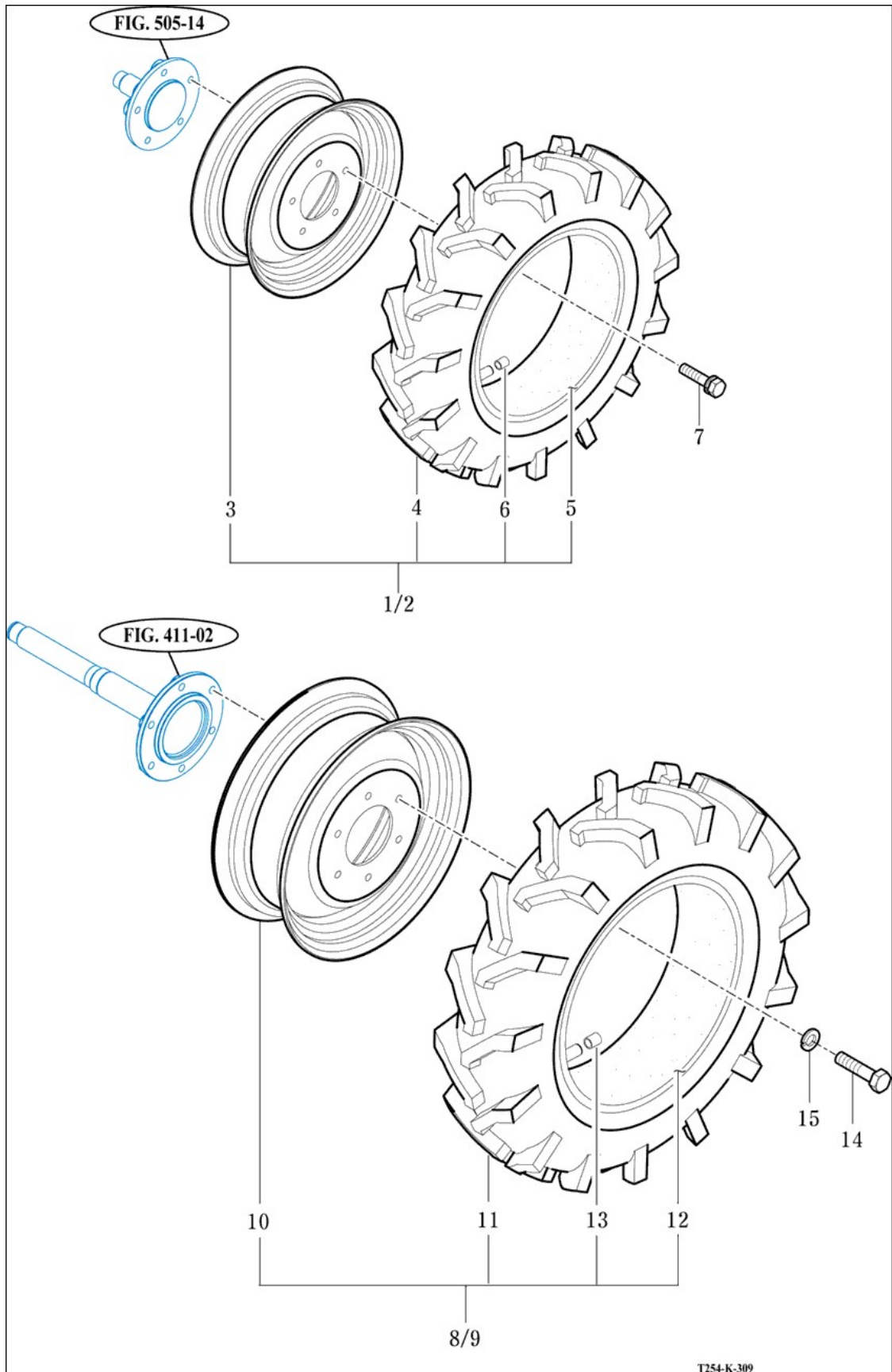
FIG 309

TIRE

년/월  
Year/Month

TC25NM

2021-05



NOTE





#### 4. 트랜스미션 PART NO. T4

FIG 401 INPUT SHAFT	75
FIG 402 INPUT GEAR	77
FIG 403 MAIN SHIFT GEAR	79
FIG 404 RANGE GEAR	81
FIG 405 4WD DRIVE GEAR	83
FIG 406 P.T.O DRIVE SHAFT	85
FIG 407 P.T.O SHAFT	87
FIG 408 MID P.T.O GEAR	89
FIG 409 DIFF LOCK	91
FIG 410 MID TRANSMISSION CASE	93
FIG 411 REAR TRANSMISSION CASE	95
FIG 412 REAR AXLEHOUSING	97
FIG 413 MAIN SHIFT LEVER	99
FIG 414 RANGE SHIFT LEVER	101
FIG 415 P.T.O CHANGE LEVER	103
FIG 416 4WD CHANGE LEVER	105
FIG 417 TRANSMISSION MOUNTING	107

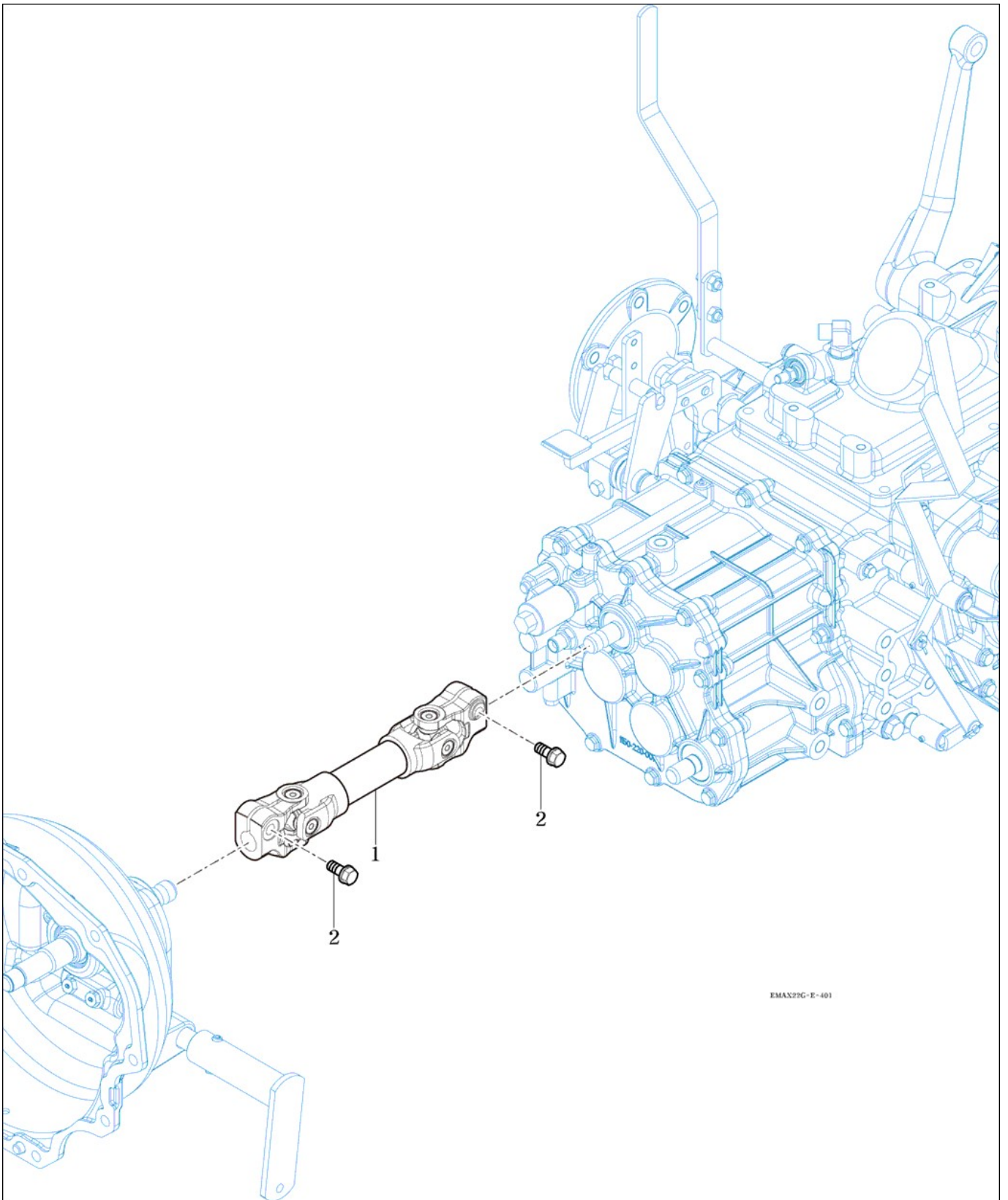
FIG 401

INPUT SHAFT

년/월  
Year/Month

2021-05

TC25NM



EMAX22G-E-401

NOTE



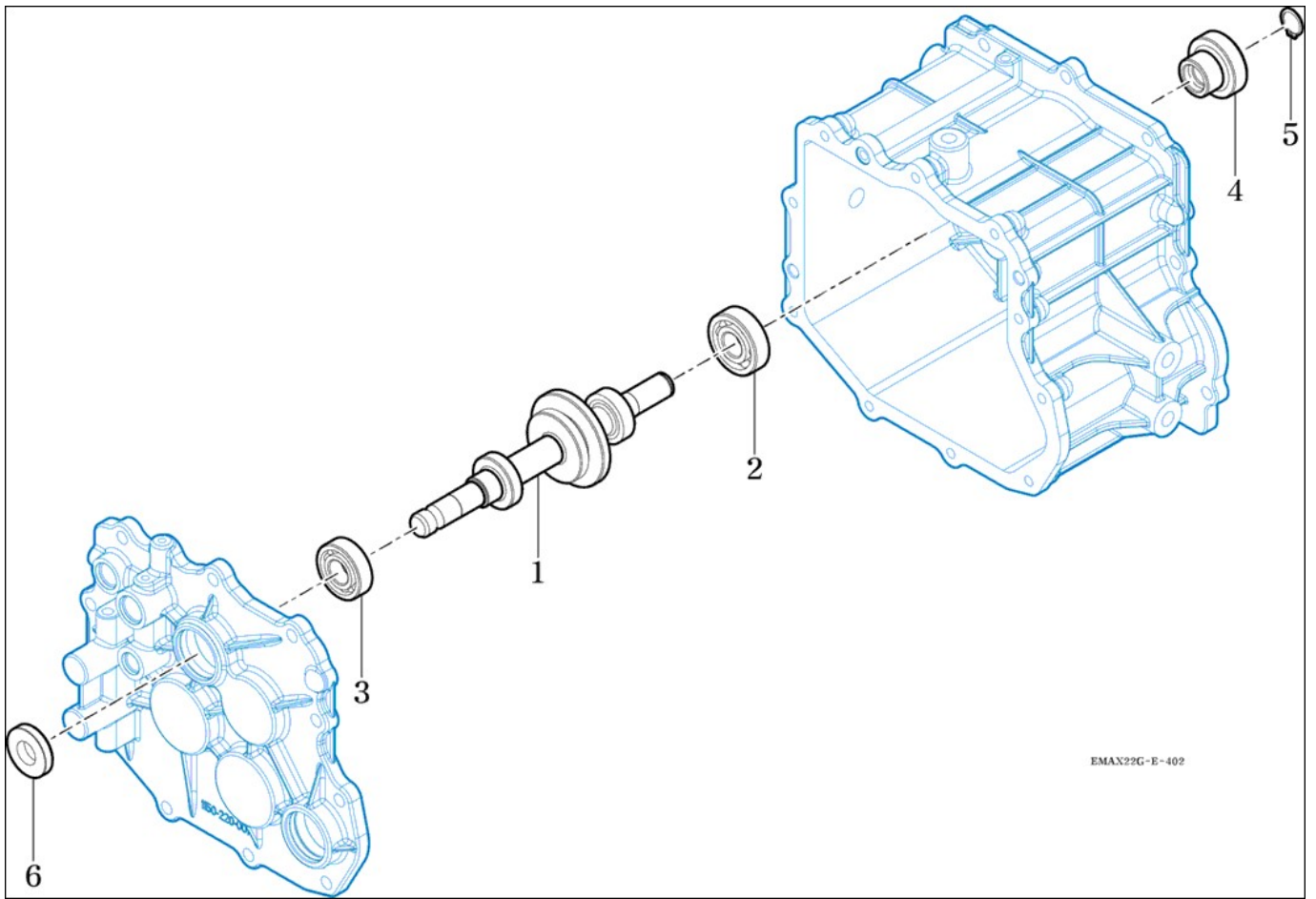
FIG 402

INPUT GEAR

년/월  
Year/Month

TC25NM

2021-05



NOTE



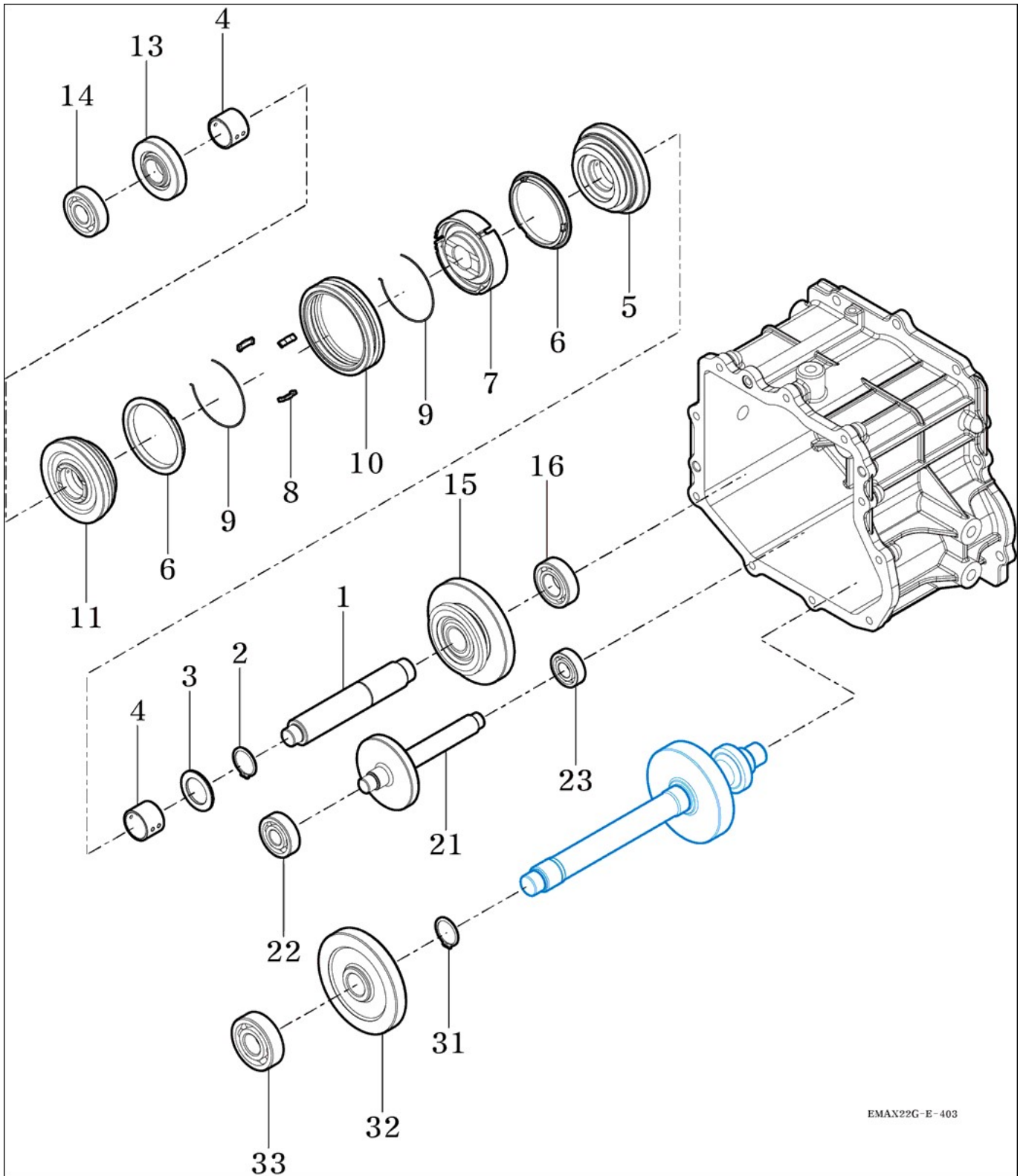
FIG 403

MAIN SHIFT GEAR

년/월  
Year/Month

2021-05

TC25NM



EMAX22G-E-403

NOTE





FIG 404

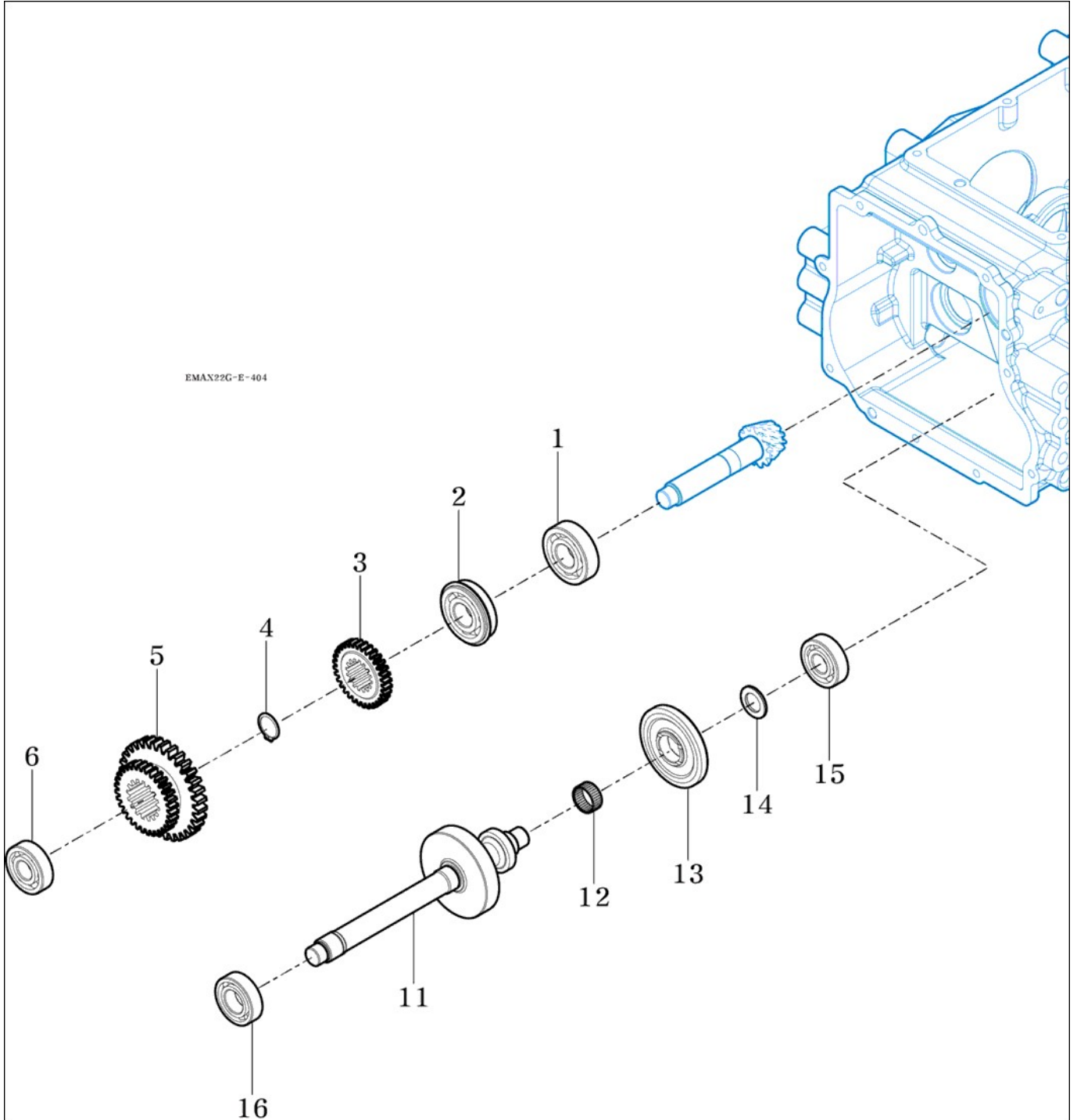
RANGE GEAR

년/월  
Year/Month

2021-05

TC25NM

EMAN22G-E-404



NOTE



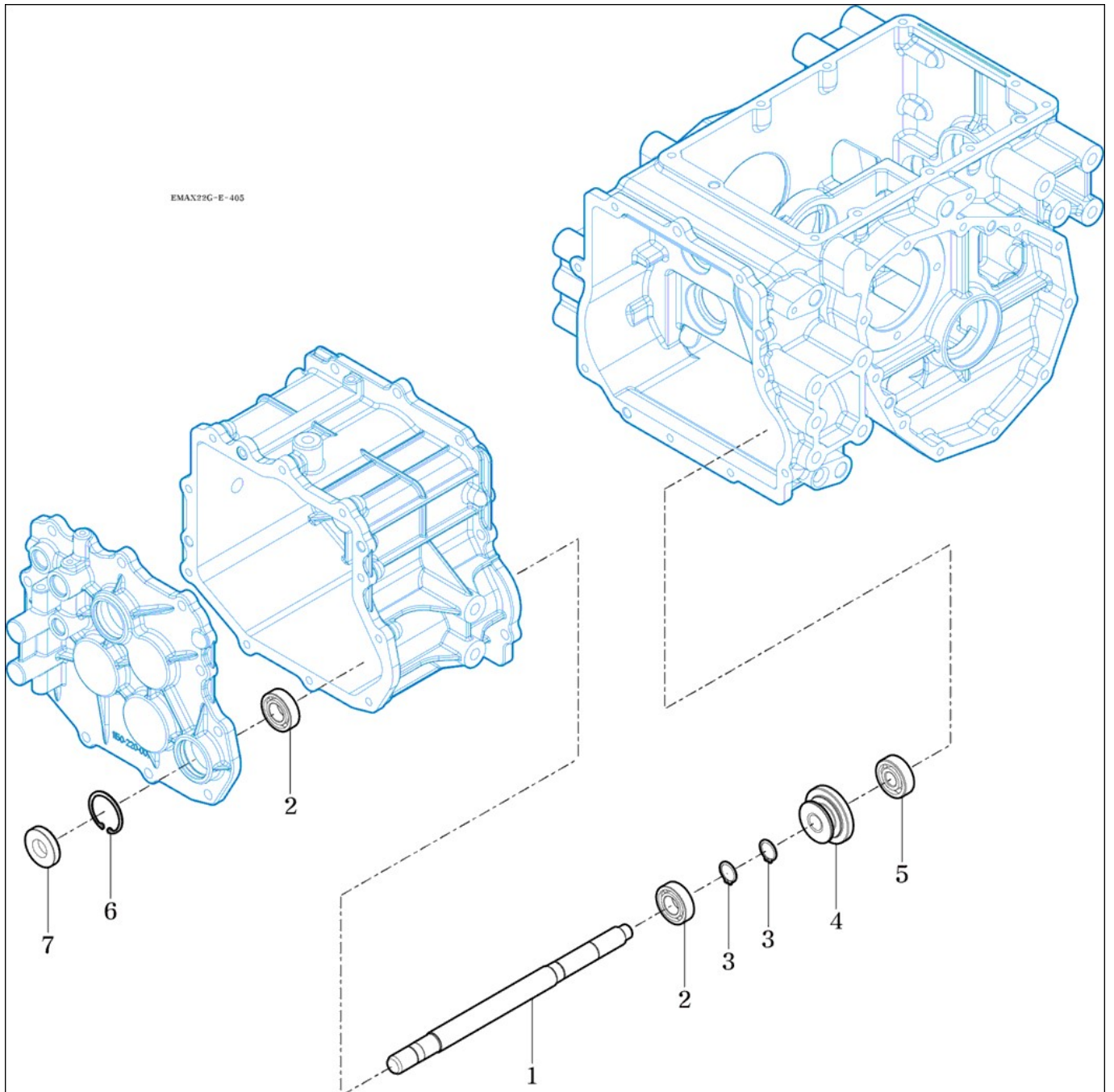
FIG 405

4WD DRIVE GEAR

년/월  
Year/Month

TC25NM

2021-05



NOTE



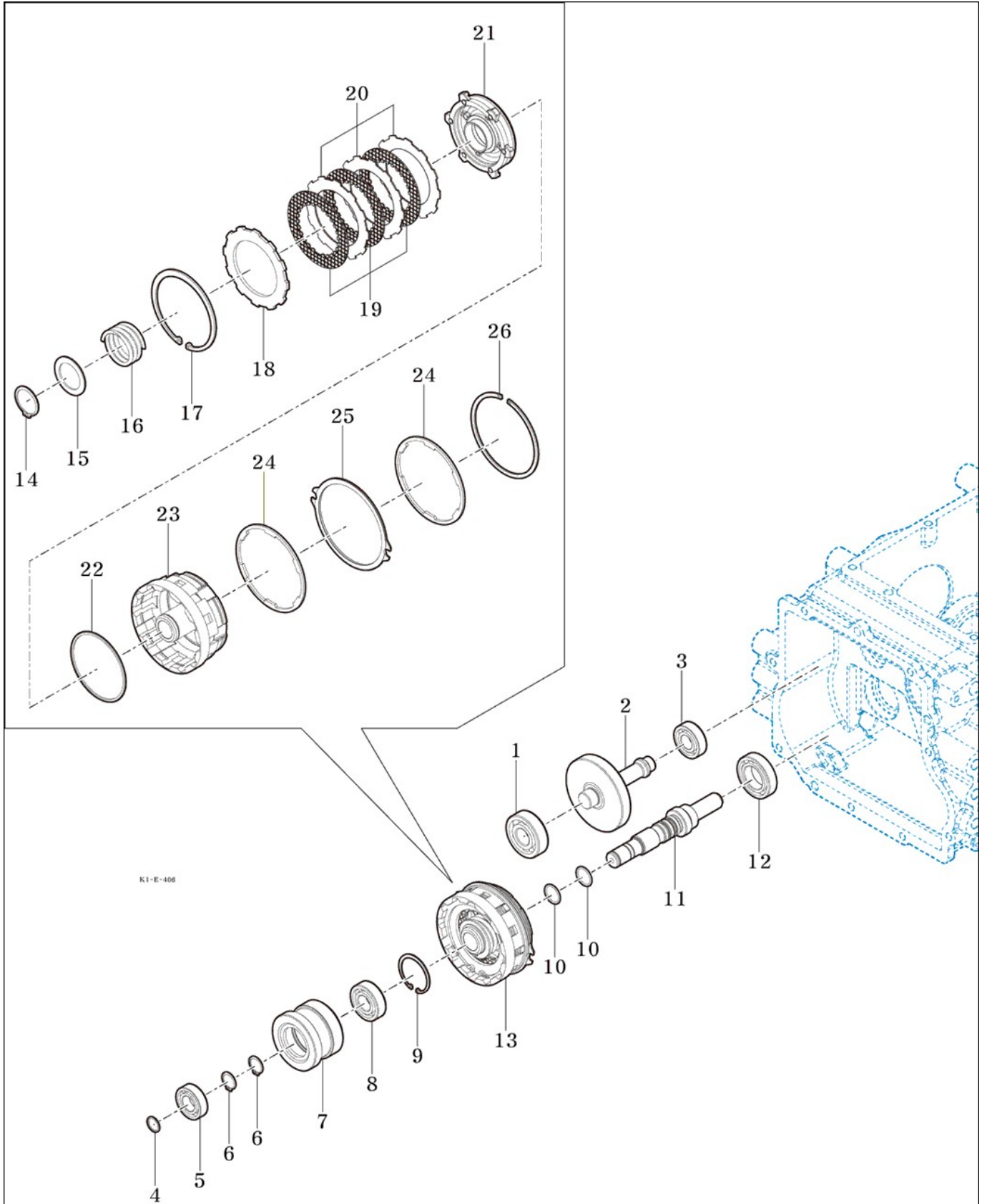
FIG 406

P.T.O DRIVE SHAFT

년/월  
Year/Month

2021-05

TC25NM



K1-E-406

NOTE



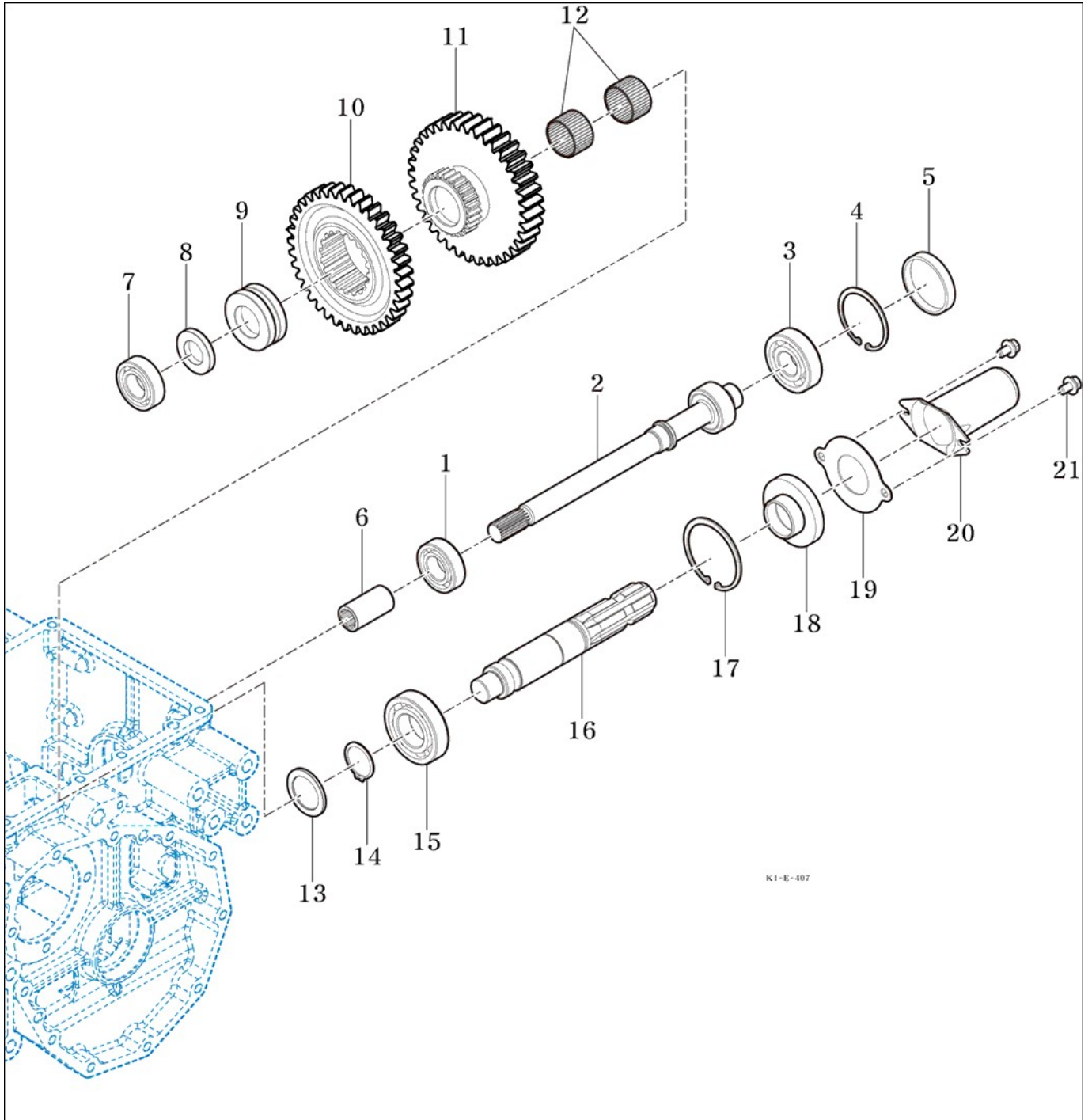
FIG 407

TC25NM

P.T.O SHAFT

년/월  
Year/Month

2021-05



NOTE





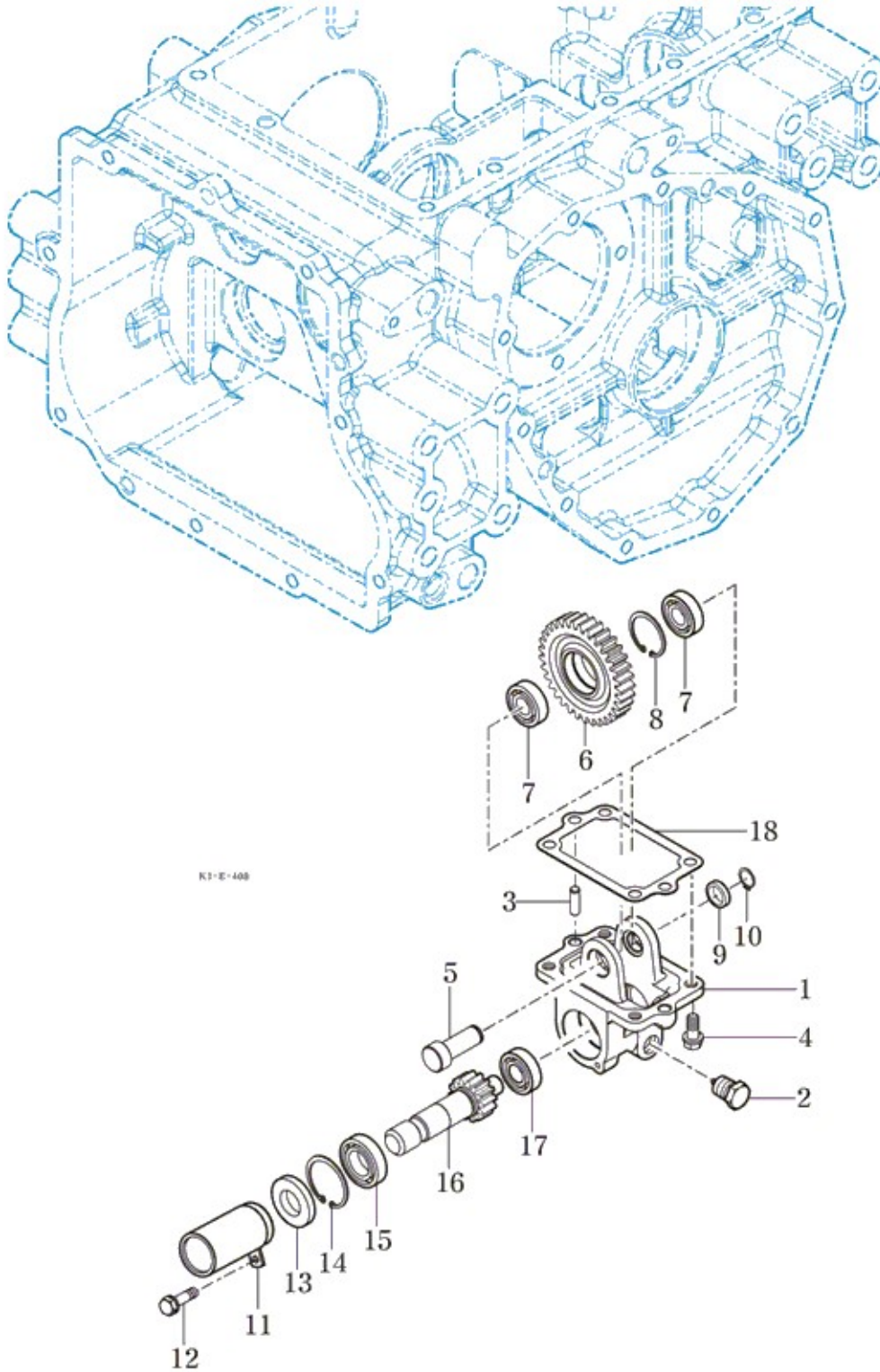
FIG 408

MID P.T.O GEAR

년/월  
Year/Month

TC25NM

2021-05



K3-E-408

NOTE



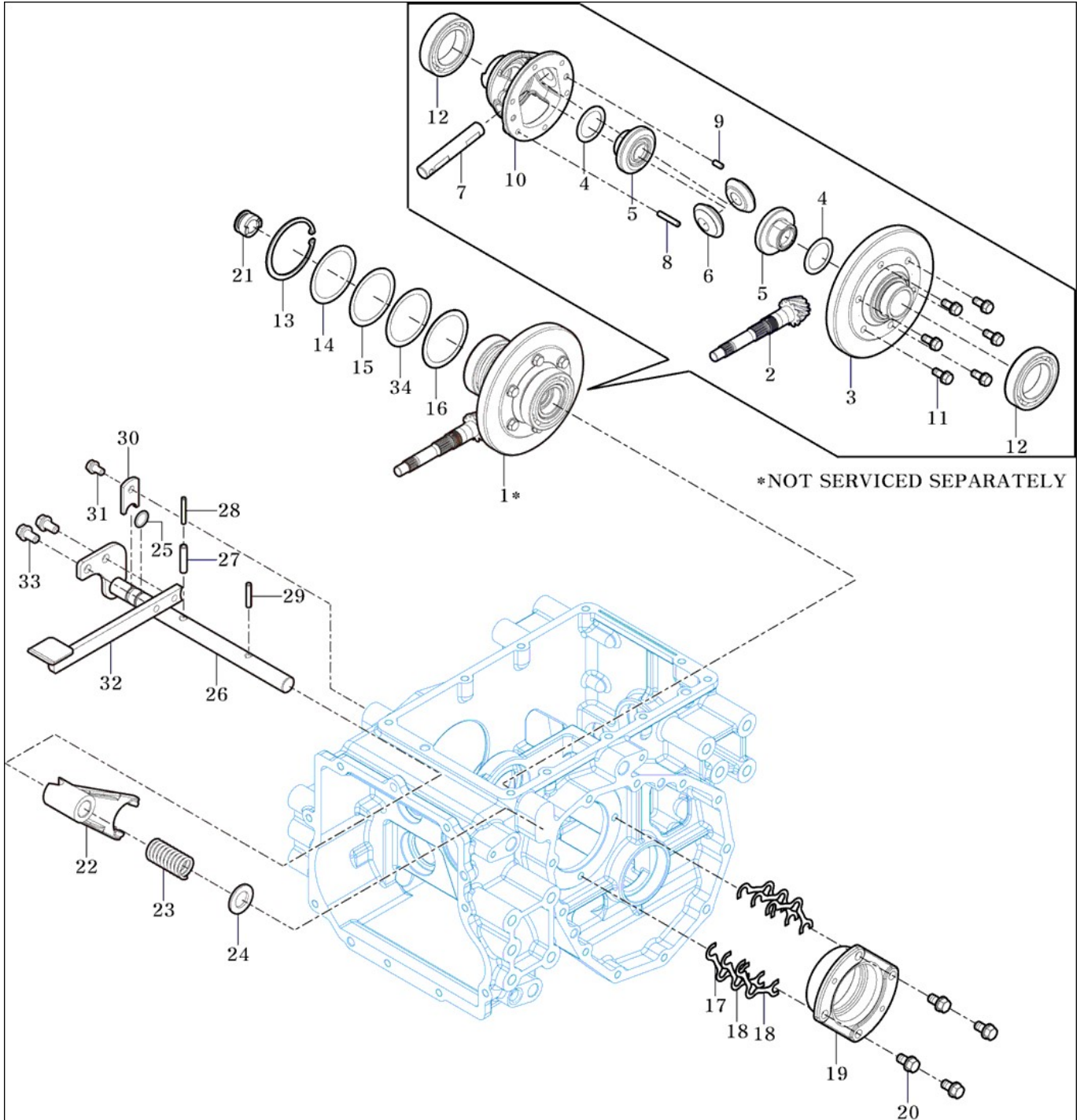
FIG 409

DIFF LOCK

년/월  
Year/Month

TC25NM

2021-05



NOTE



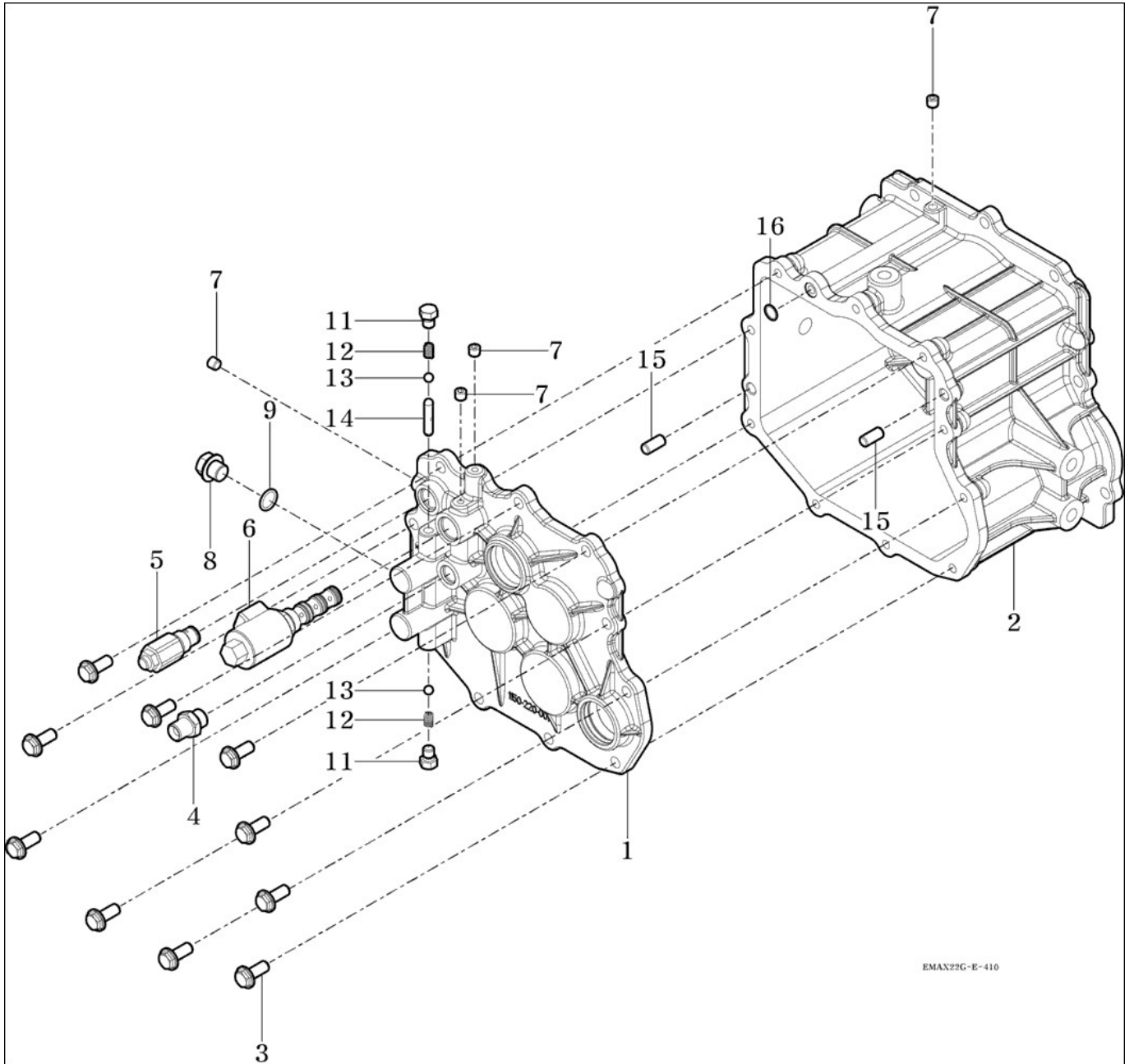
FIG 410

MID TRANSMISSION CASE

년/월  
Year/Month

TC25NM

2021-05



NOTE



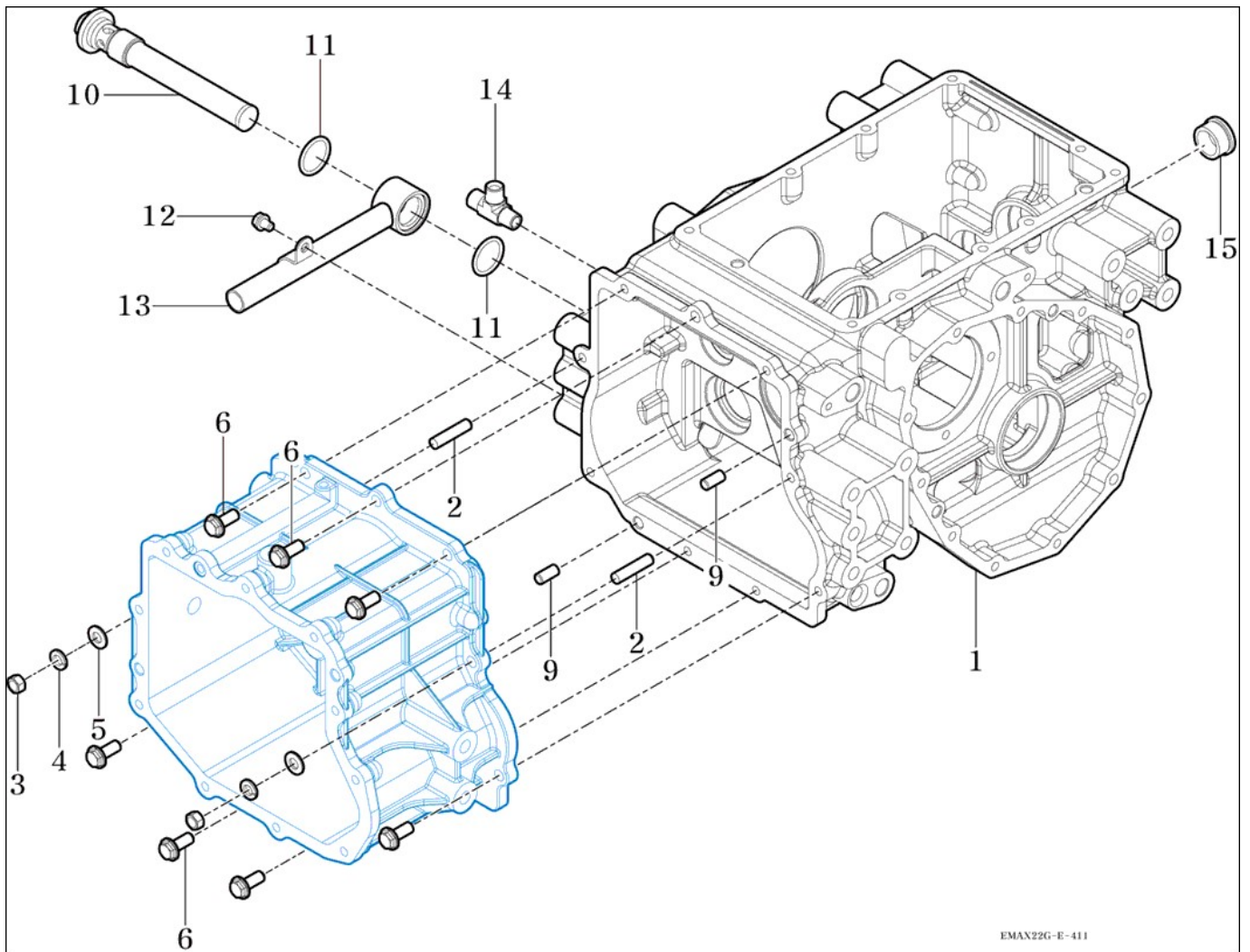
FIG 411

REAR TRANSMISSION CASE

년/월  
Year/Month

2021-05

TC25NM



EMAN22G-E-411

NOTE





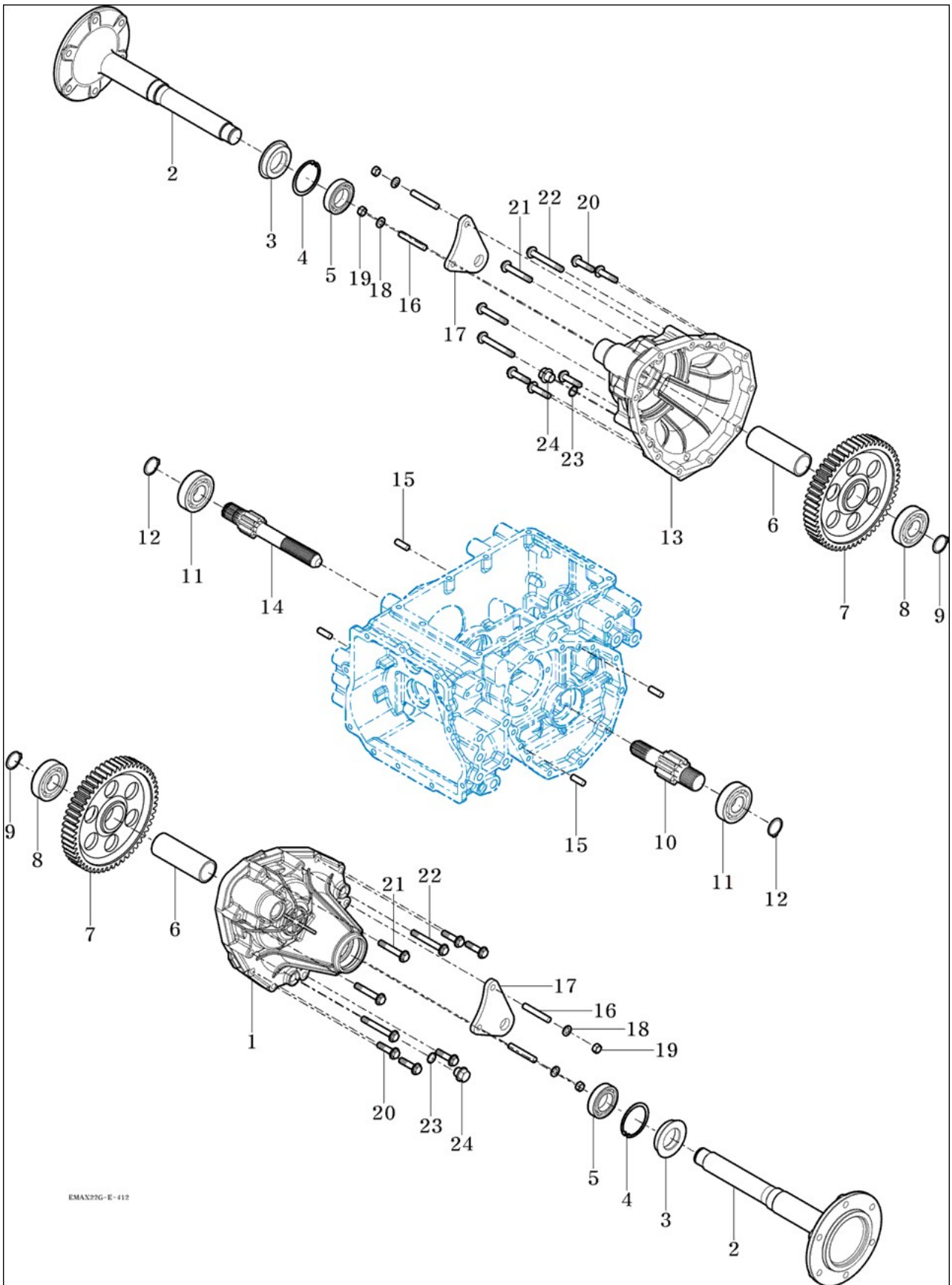
FIG 412

REAR AXLEHOUSING

년/월  
Year/Month

2021-05

TC25NM



EMAX22G-E-412

NOTE



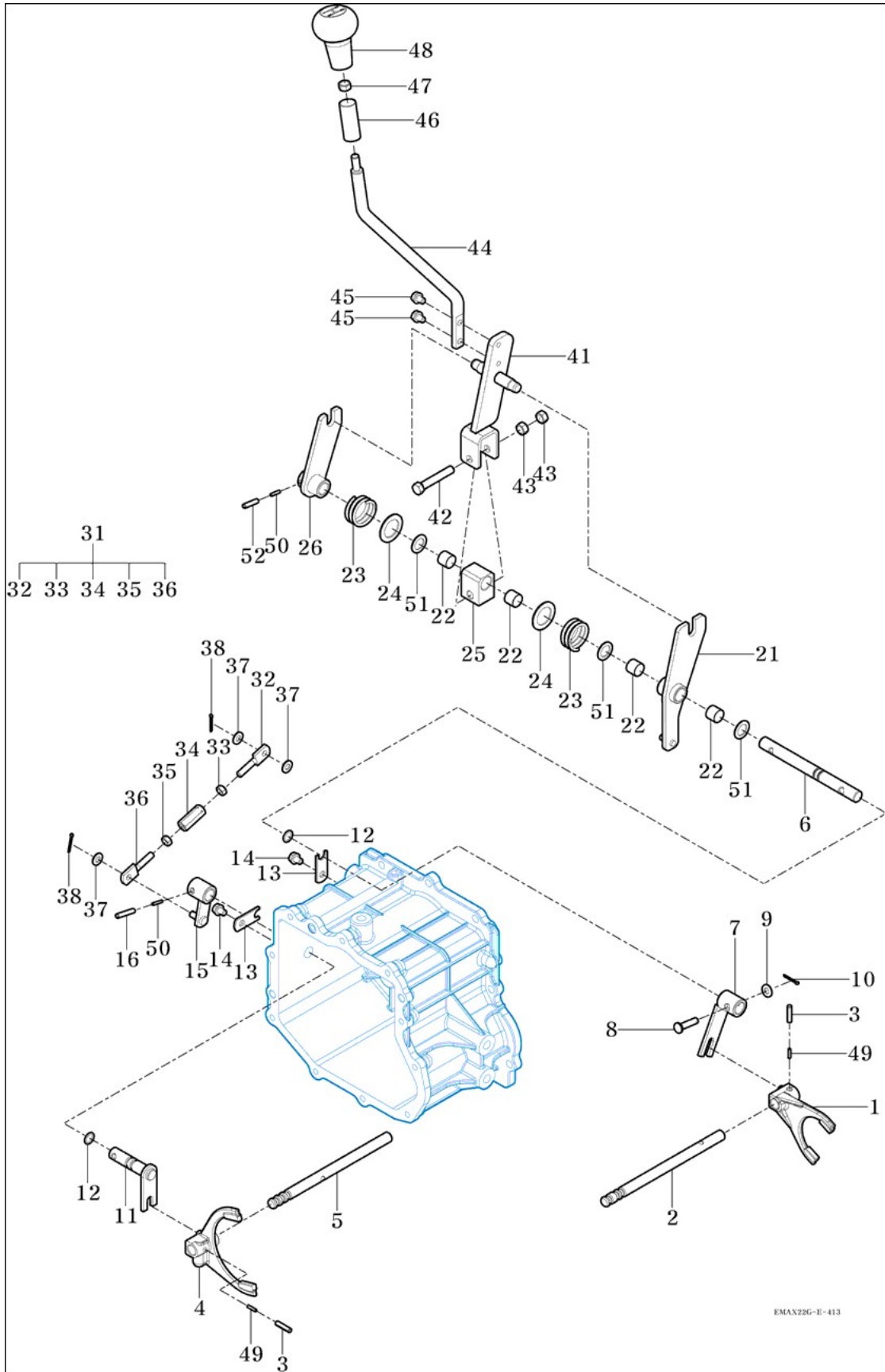
FIG 413

MAIN SHIFT LEVER

년/월  
Year/Month

2021-05

TC25NM



EMAX22G-E-413

NOTE



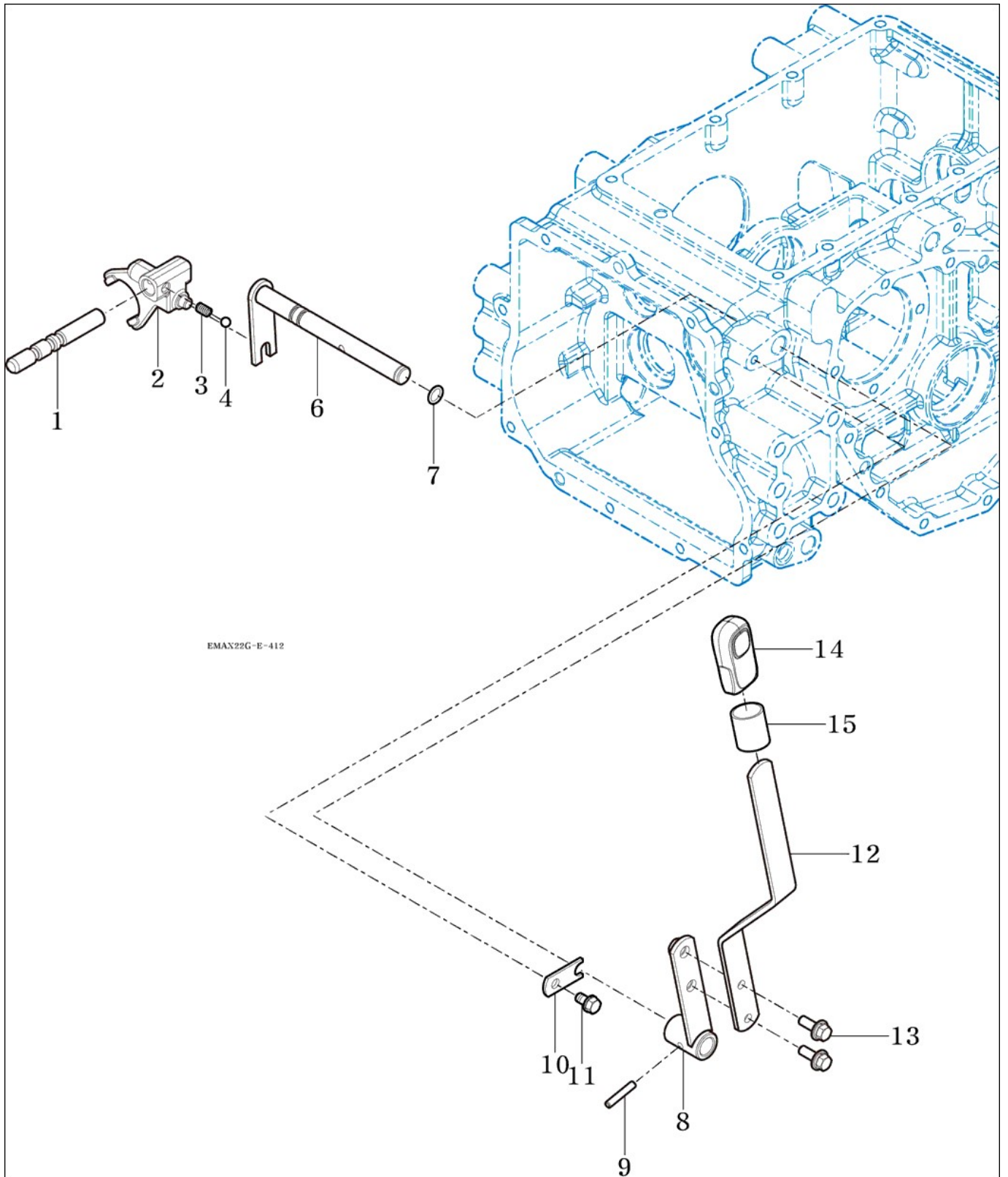
FIG 414

RANGE SHIFT LEVER

년/월  
Year/Month

TC25NM

2021-05



NOTE



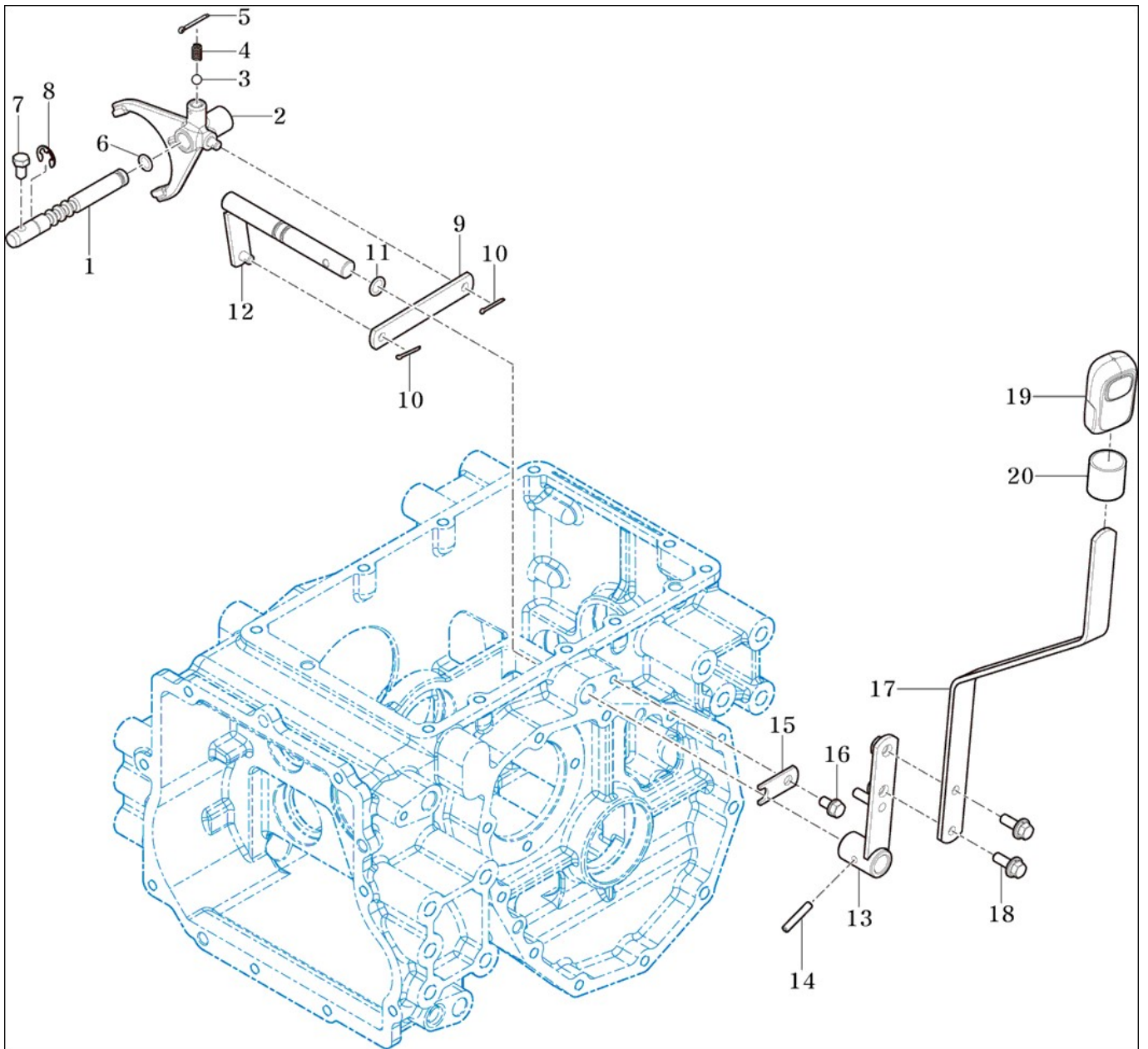
FIG 415

P.T.O CHANGE LEVER

년/월  
Year/Month

2021-05

TC25NM



NOTE





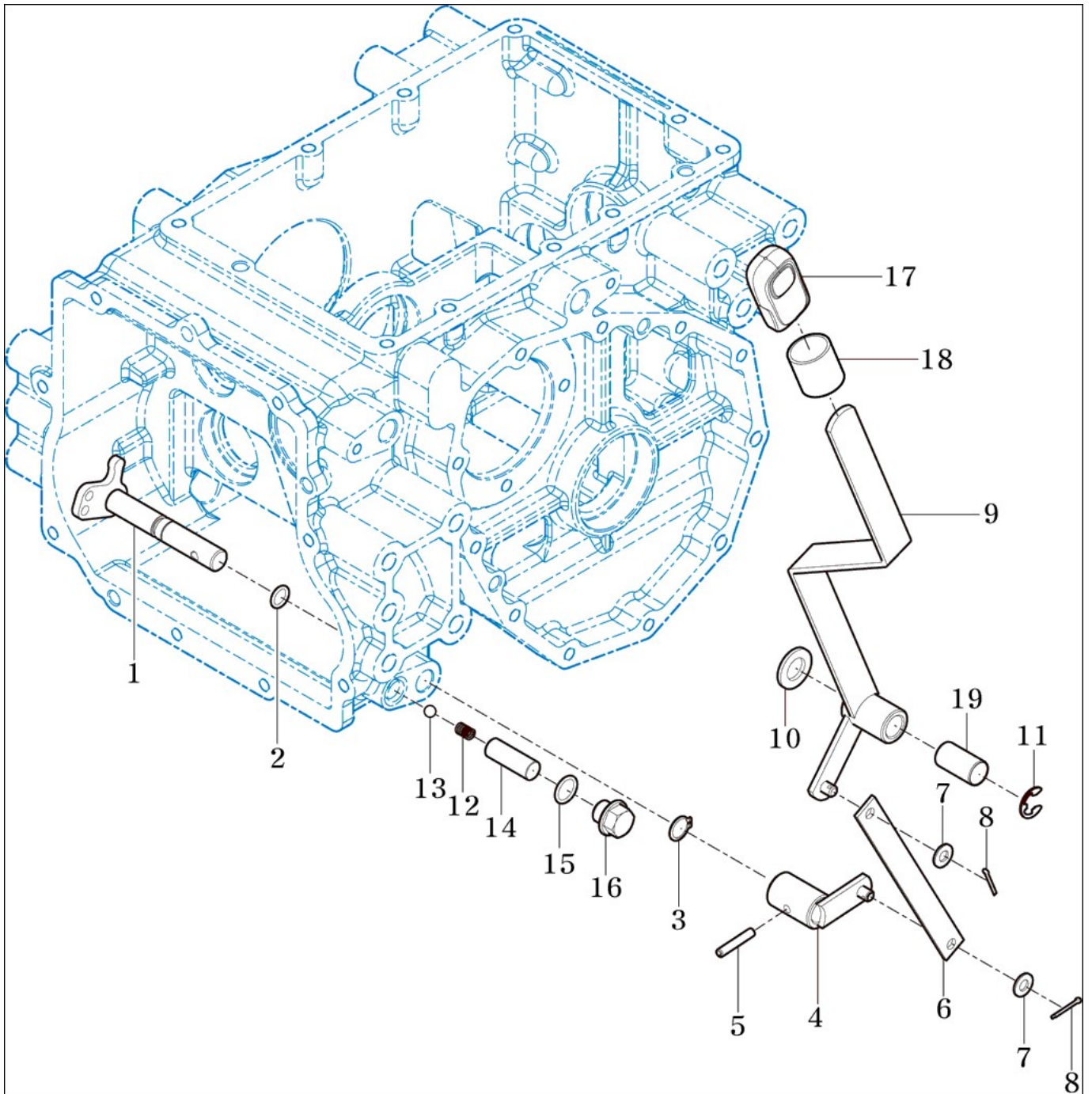
FIG 416

4WD CHANGE LEVER

년/월  
Year/Month

TC25NM

2021-05



NOTE



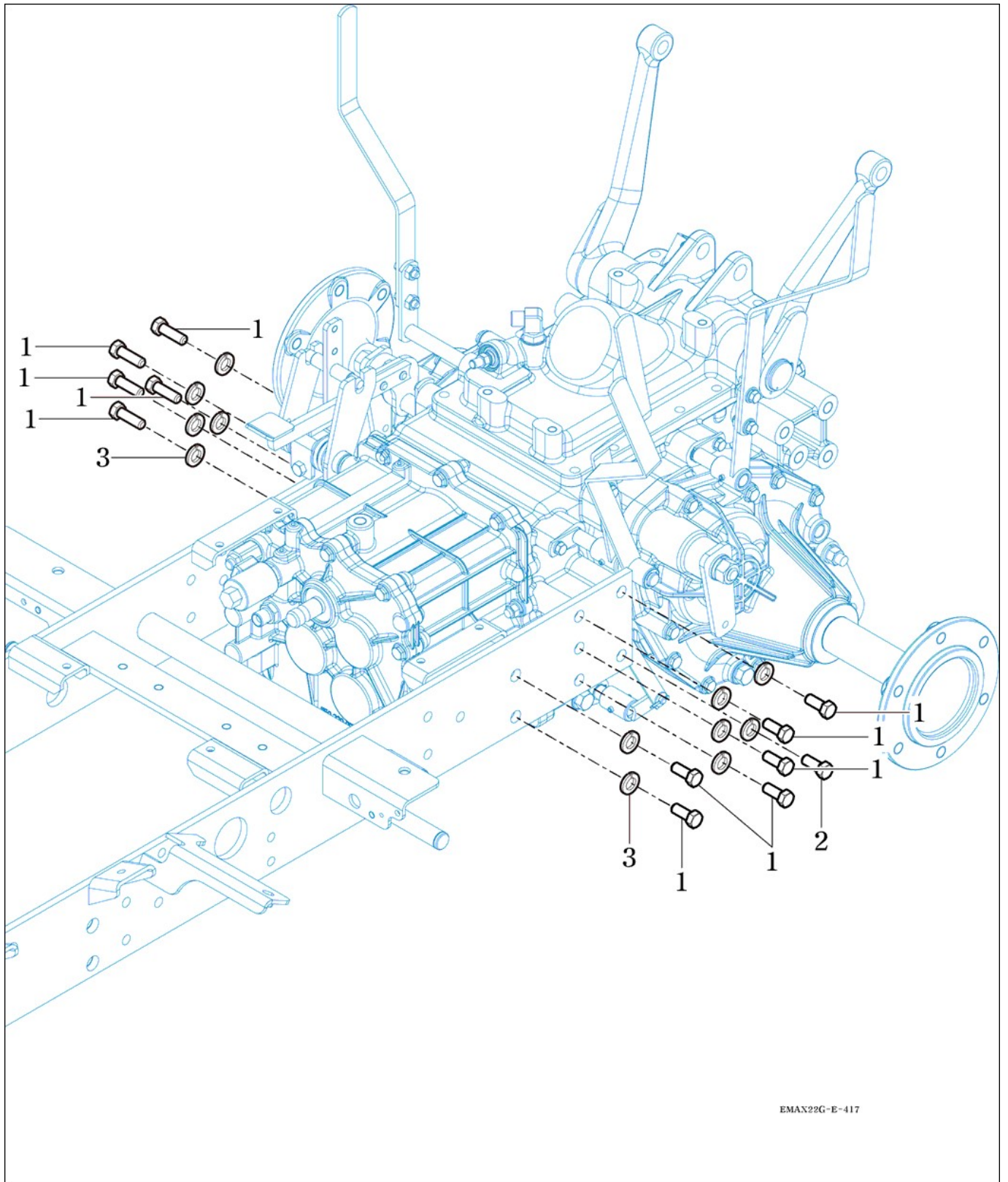
FIG 417

TRANSMISSION MOUNTING

년/월  
Year/Month

TC25NM

2021-05



EMAX22G-E-417

NOTE



## 5. 프런트 액슬 PART NO. T5

FIG 501 FRONT DRIVE SHAFT	110
FIG 502 FRONT DIFFERENTIAL GEAR	112
FIG 503 FRONT AXLE HOUSING	114
FIG 504 FRONT GEAR CASE (1)	116
FIG 505 FRONT GEAR CASE (2)	118

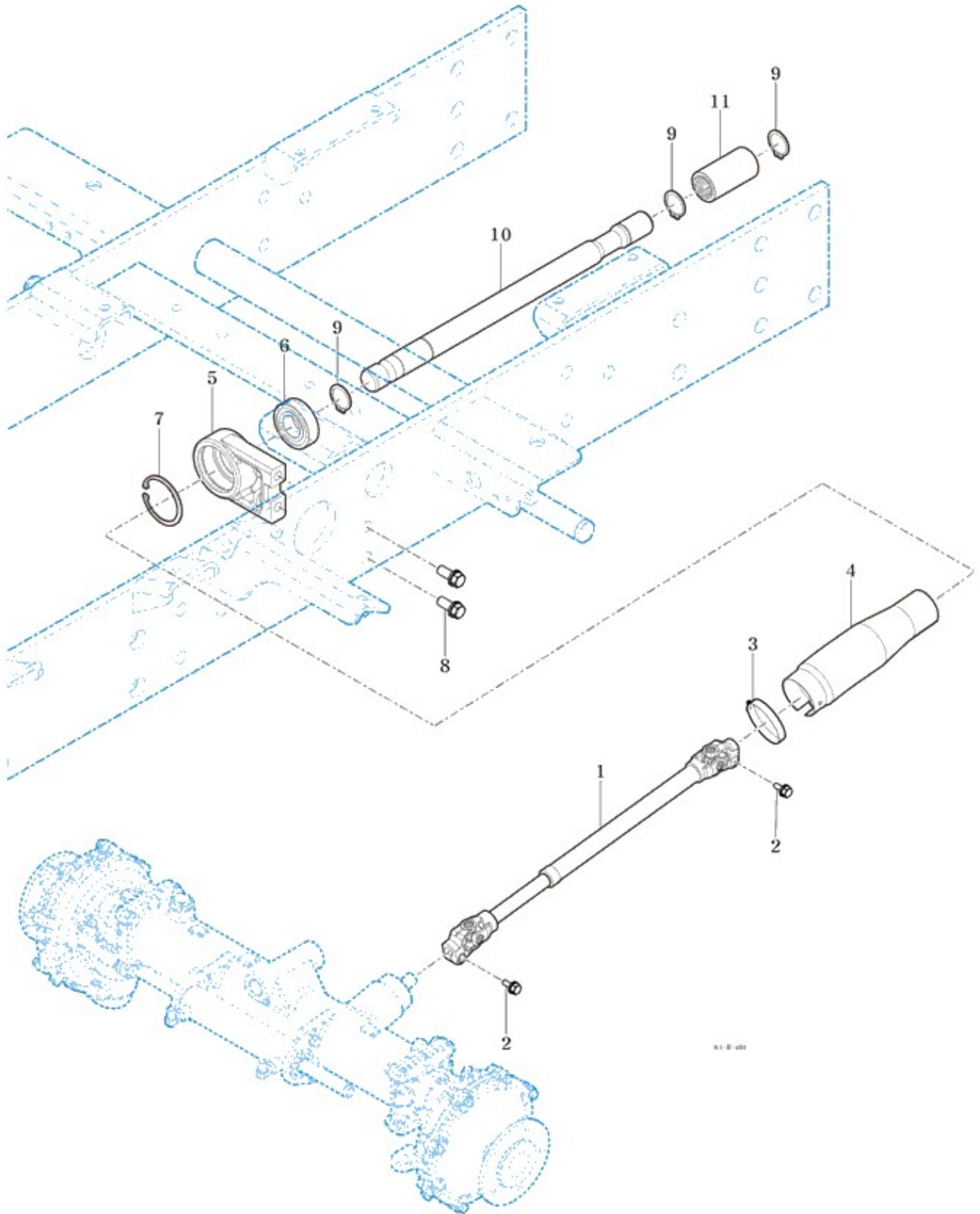
FIG 501

FRONT DRIVE SHAFT

년/월  
Year/Month

2021-05

TC25NM



NOTE



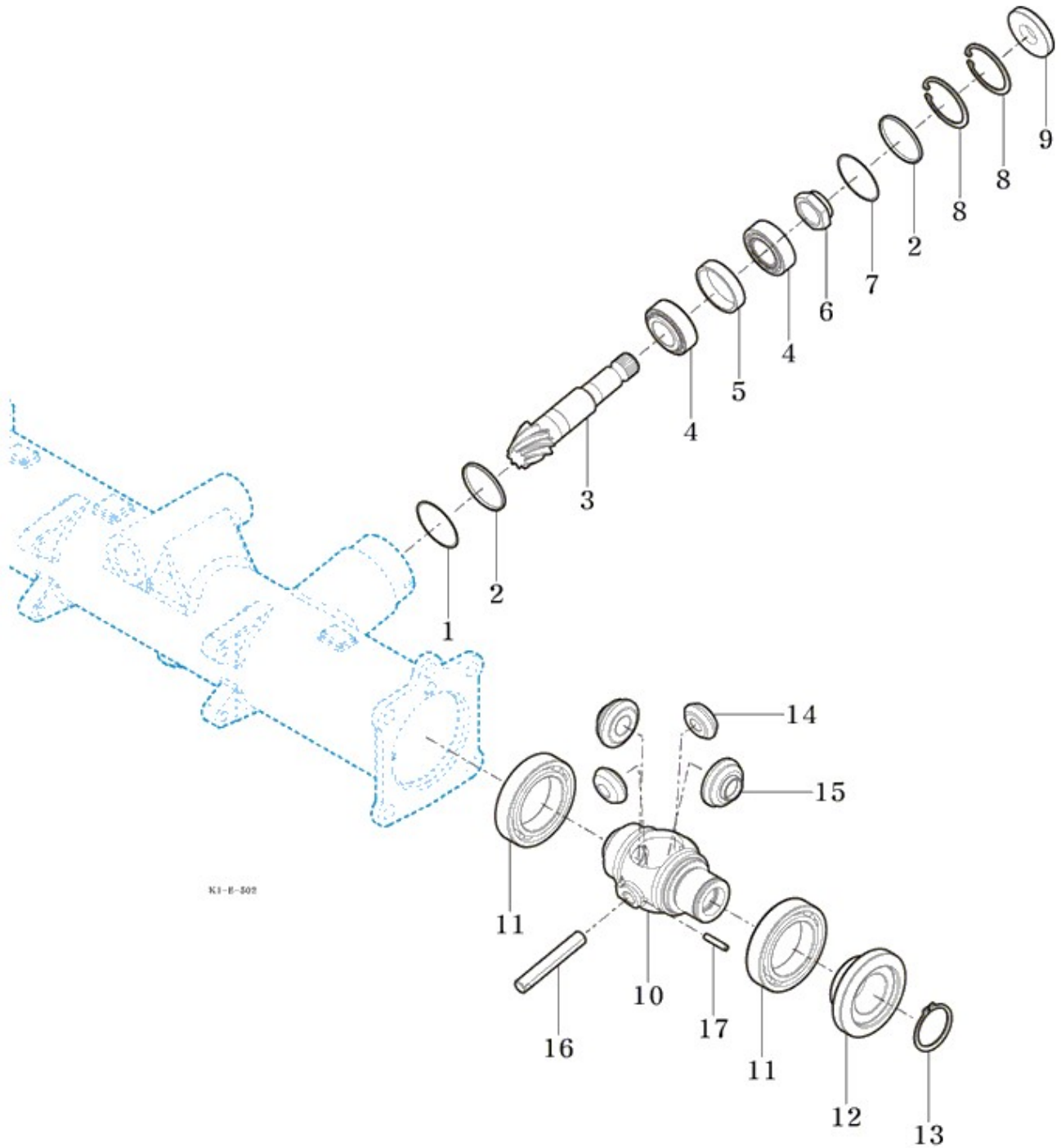
FIG 502

FRONT DIFFERENTIAL GEAR

년/월  
Year/Month

2021-05

TC25NM



NOTE





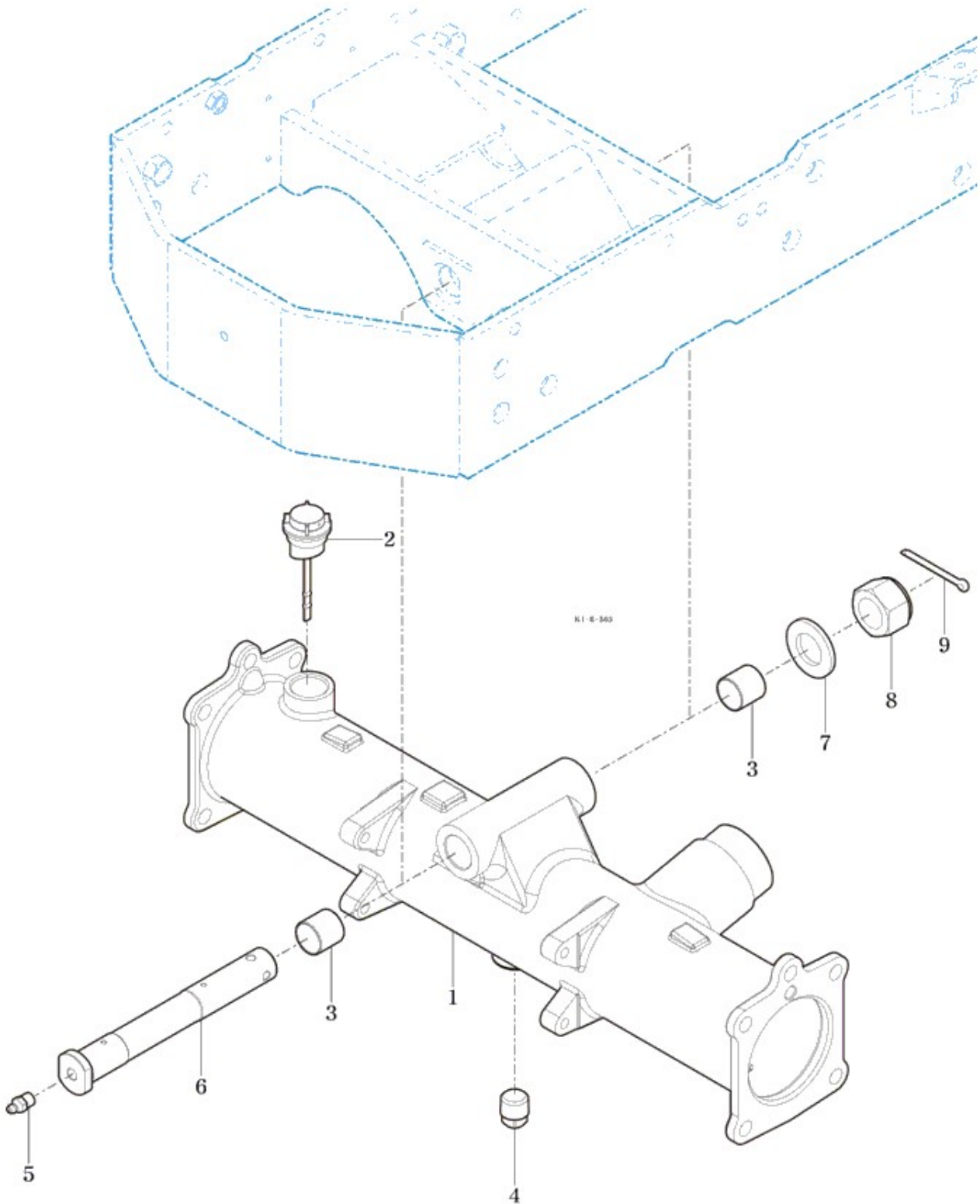
FIG 503

FRONT AXLE HOUSING

년/월  
Year/Month

TC25NM

2021-05



NOTE

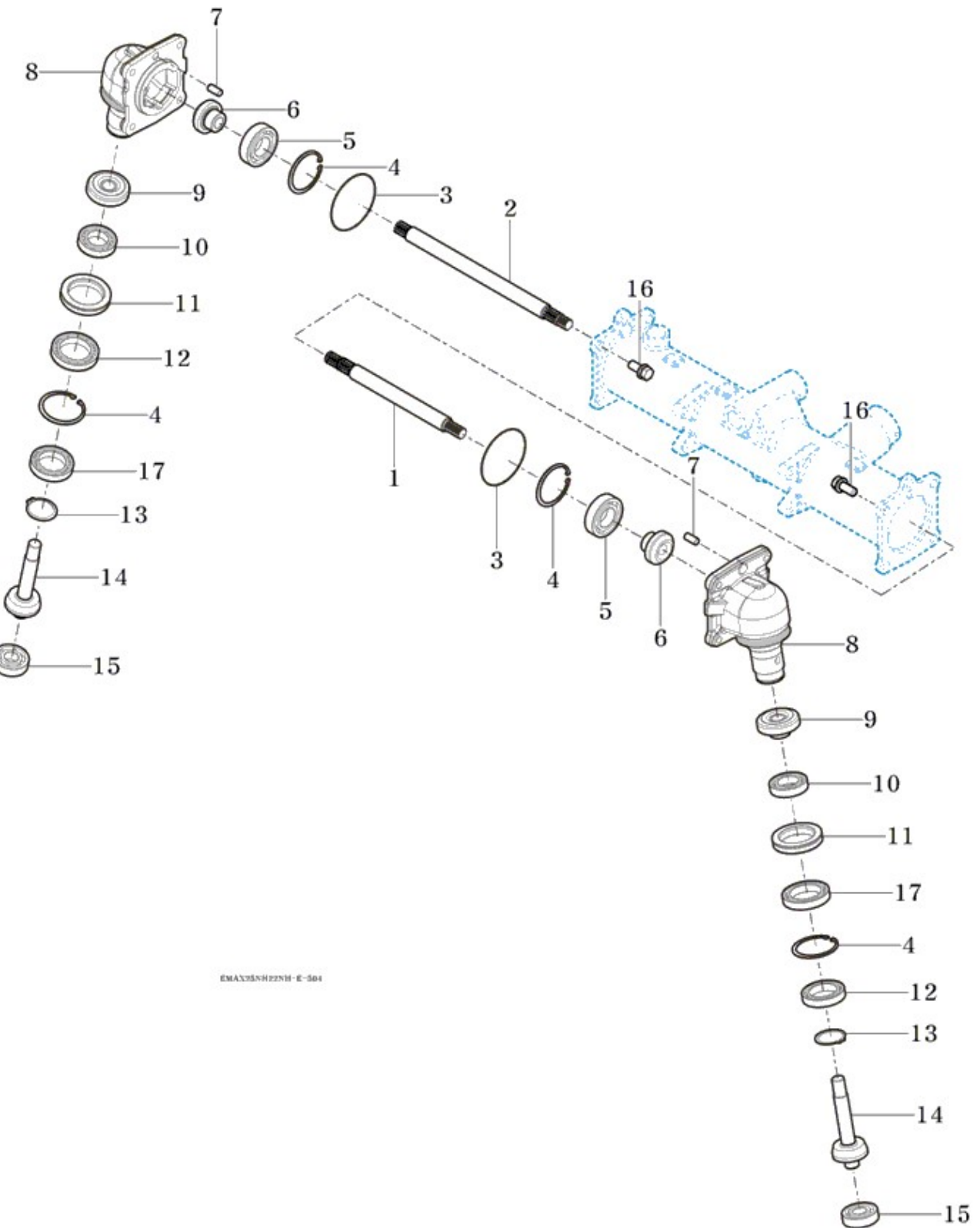


FIG 504

FRONT GEAR CASE (1)

년/월  
Year/Month

2021-05



EMAX25NH225H-E-504

NOTE

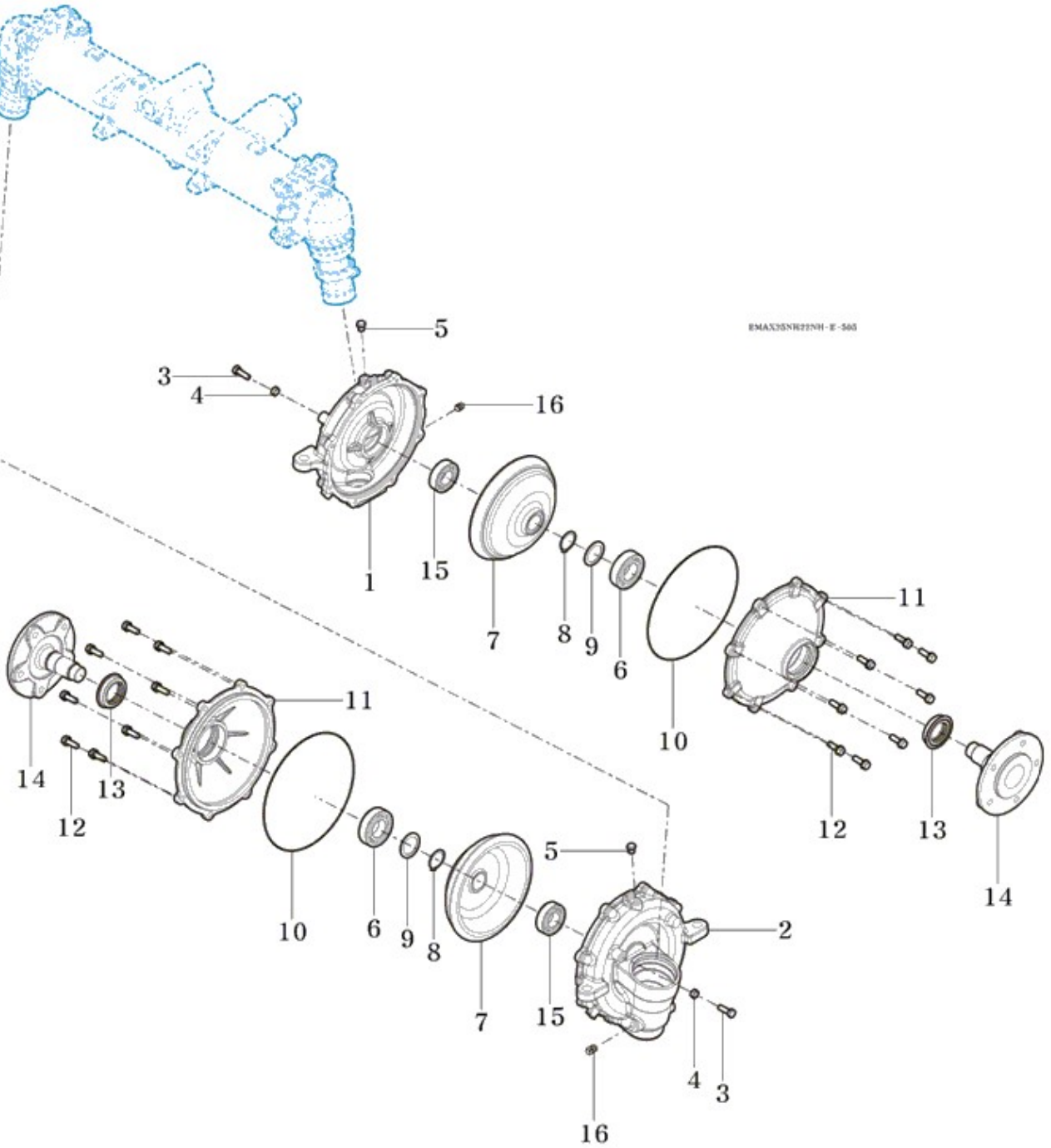


FIG 505

FRONT GEAR CASE (2)

년/월  
Year/Month

2021-05



NOTE



## 6. 유압/3점링크 PART NO. T6

FIG 601 CYLINDER CASE	121
FIG 602 LIFT ARM	123
FIG 603 FLOW CONTROL VALVE	125
FIG 604 MAIN CONTROL VALVE	127
FIG 605 HYDRAULIC SUB	129
FIG 606 HITCH & 3-POINT LINKAGE	131
FIG 607 HITCH & COVER	133



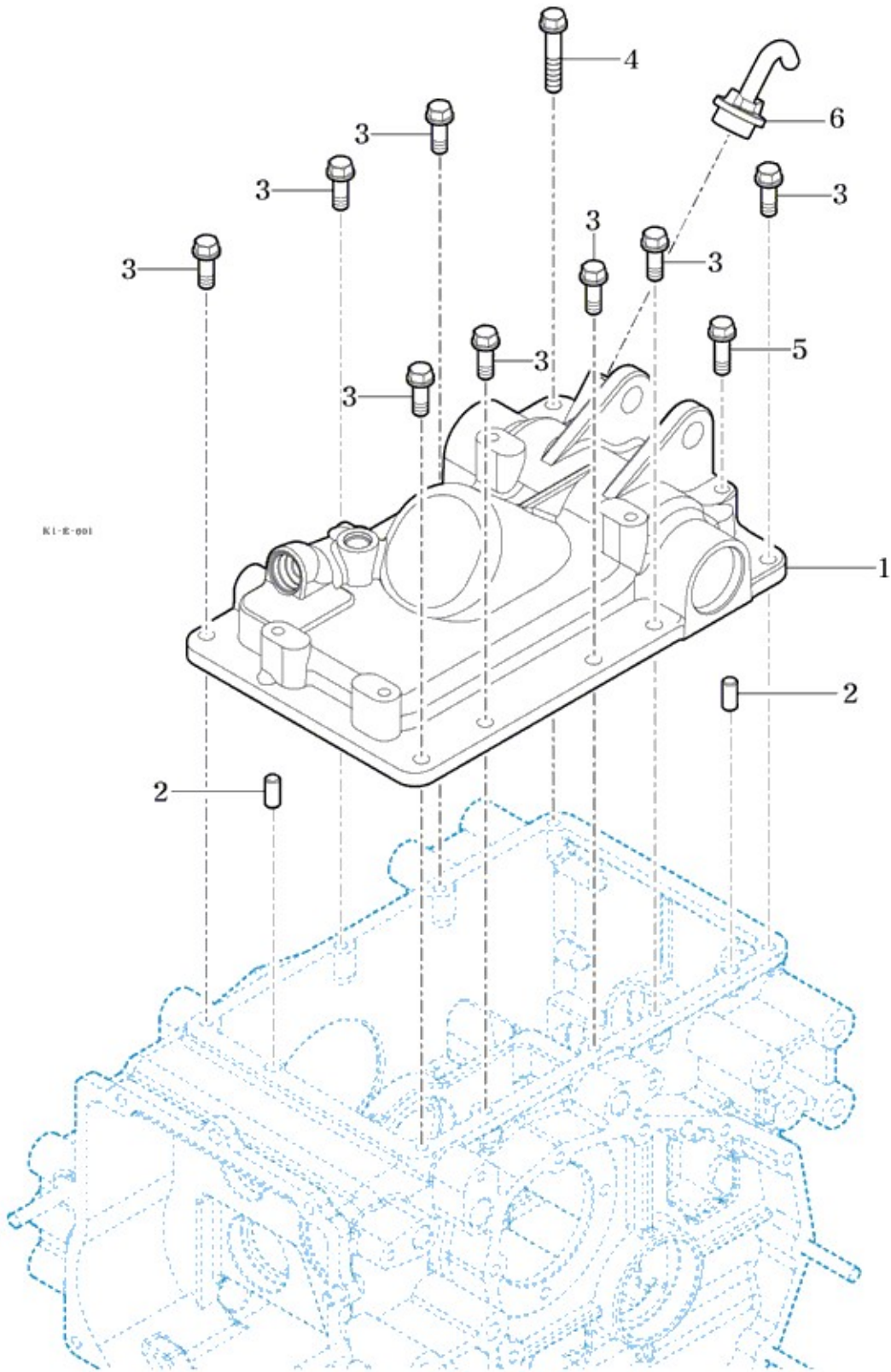
FIG 601

TC25NM

CYLINDER CASE

년/월  
Year/Month

2021-05



NOTE



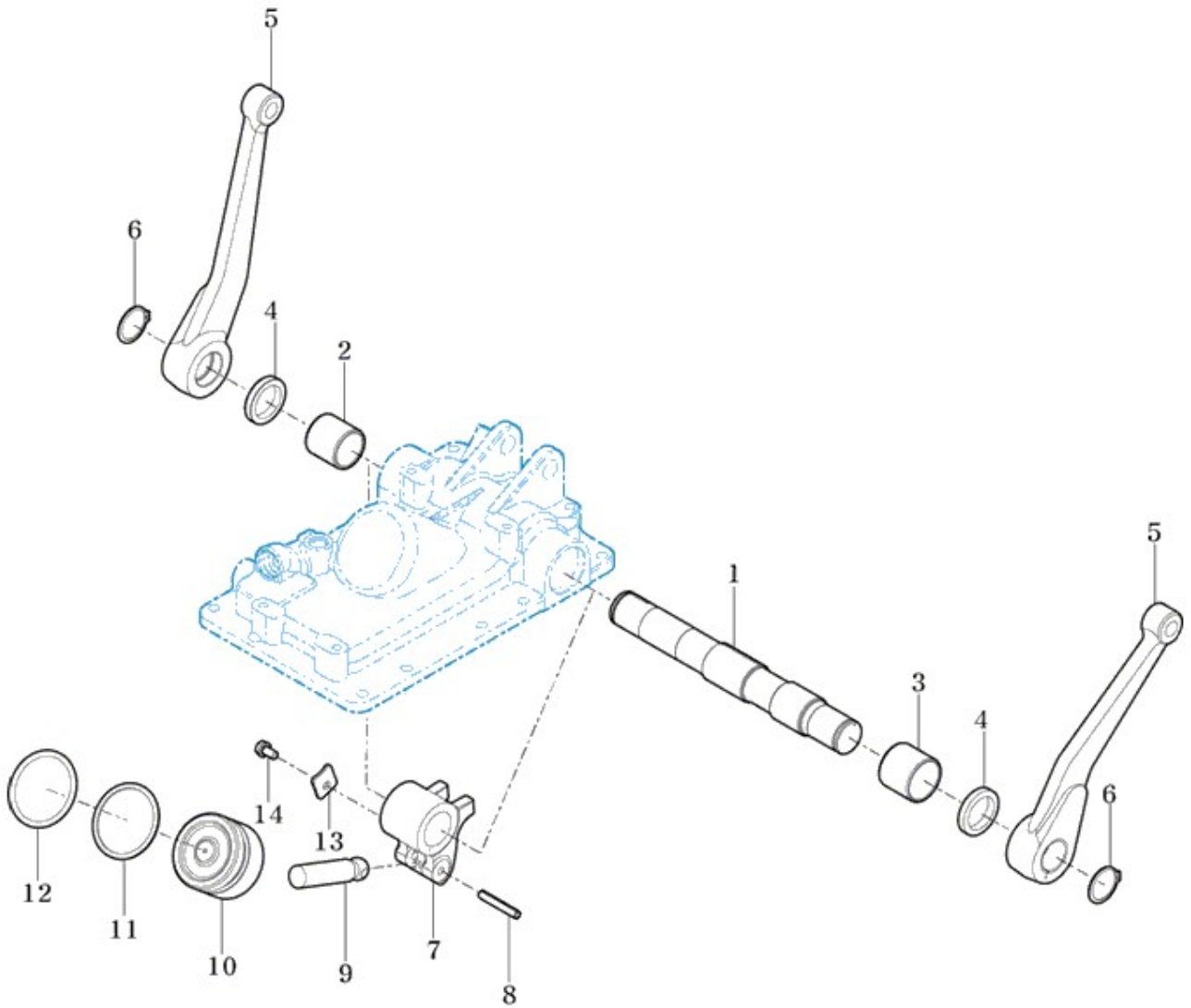
FIG 602

LIFT ARM

년/월  
Year/Month

2021-05

TC25NM



NOTE



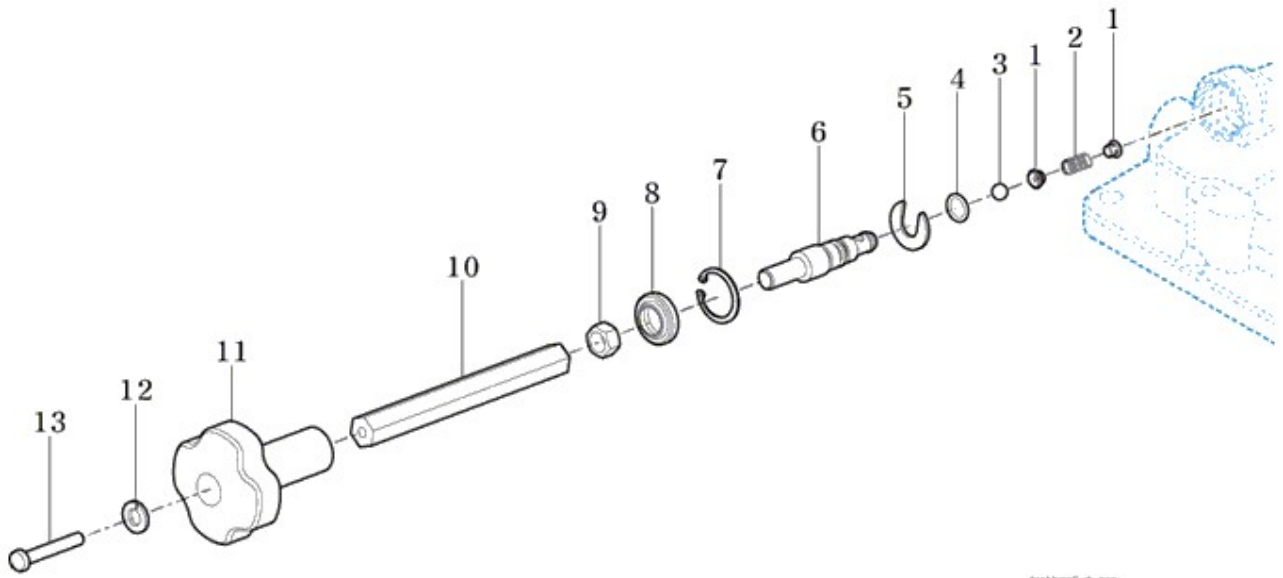
FIG 603

TC25NM

FLOW CONTROL VALVE

년/월  
Year/Month

2021-05



EMAX79C-E-603

NOTE



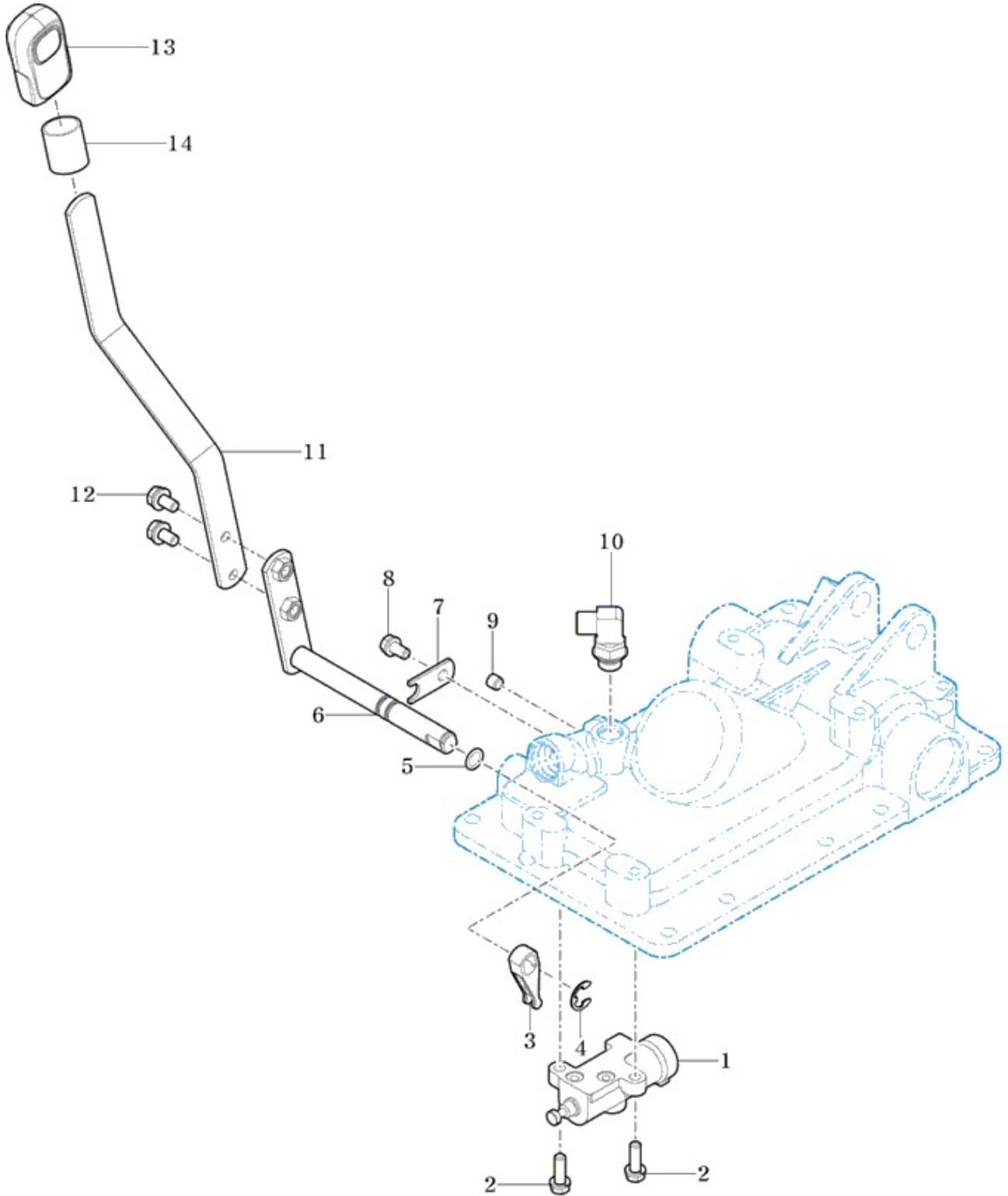
FIG 604

MAIN CONTROL VALVE

년/월  
Year/Month

2021-05

TC25NM



NOTE





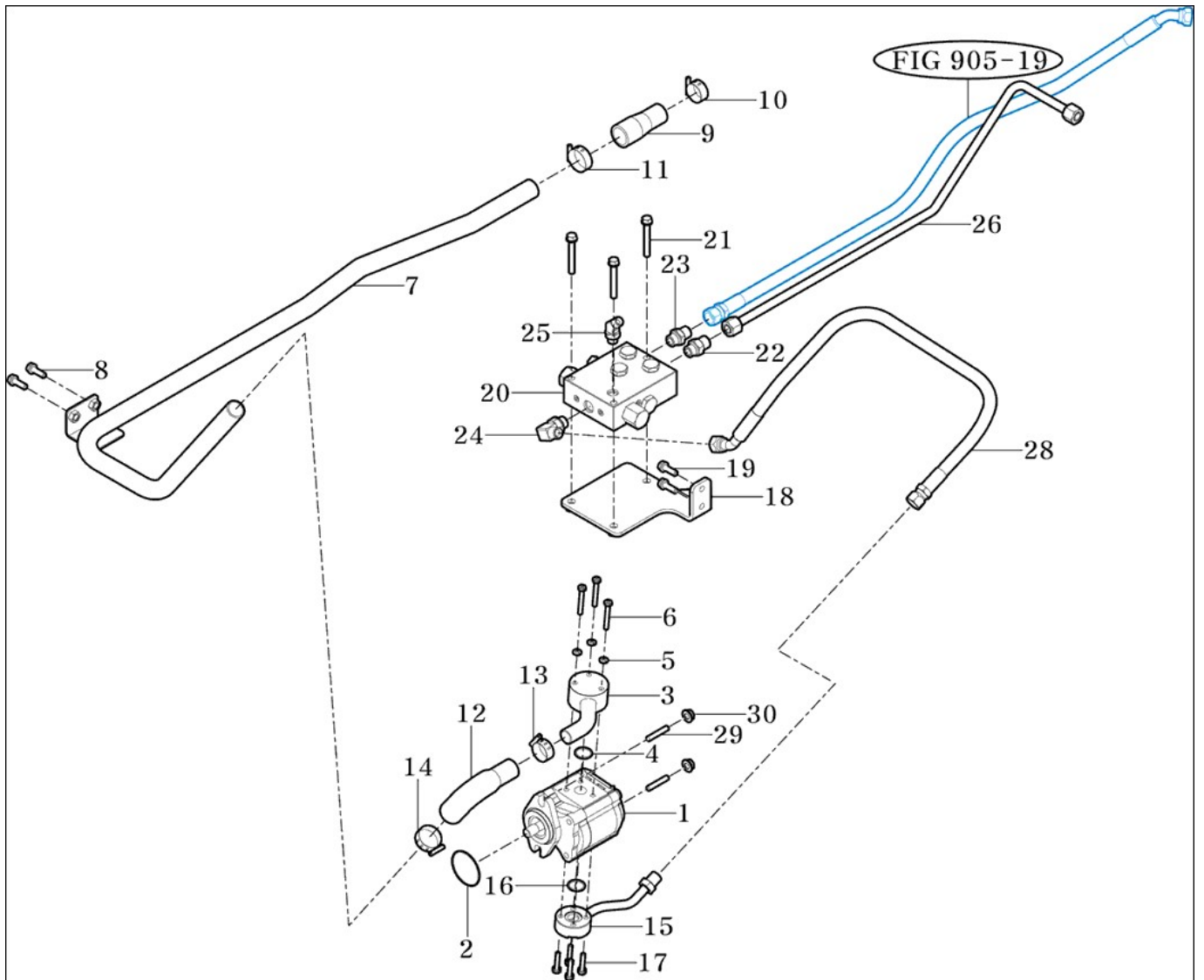
FIG 605

HYDRAULIC SUB

년/월  
Year/Month

TC25NM

2021-05



NOTE



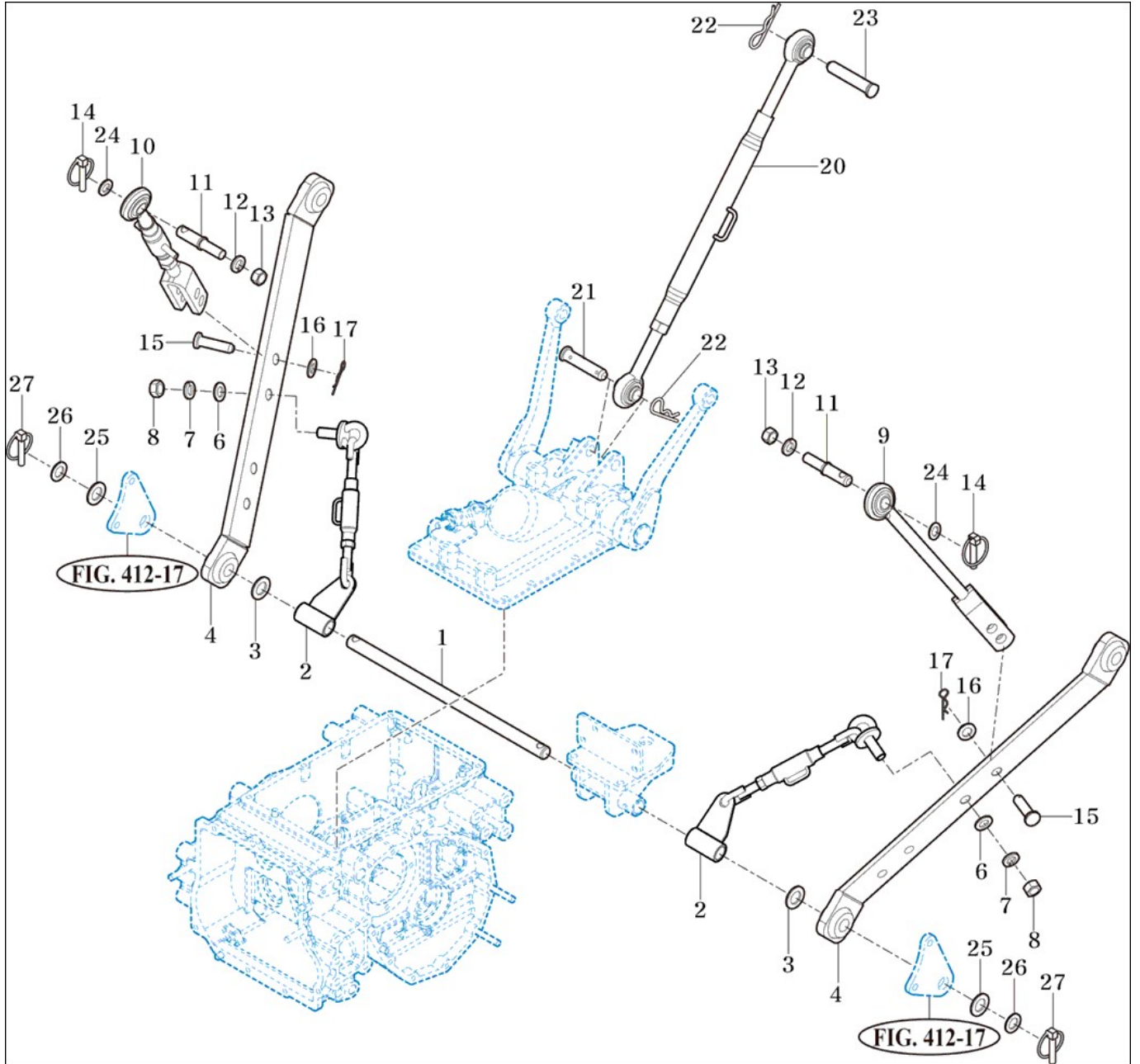
FIG 606

TC25NM

HITCH & 3-POINT LINKAGE

년/월  
Year/Month

2021-05



NOTE



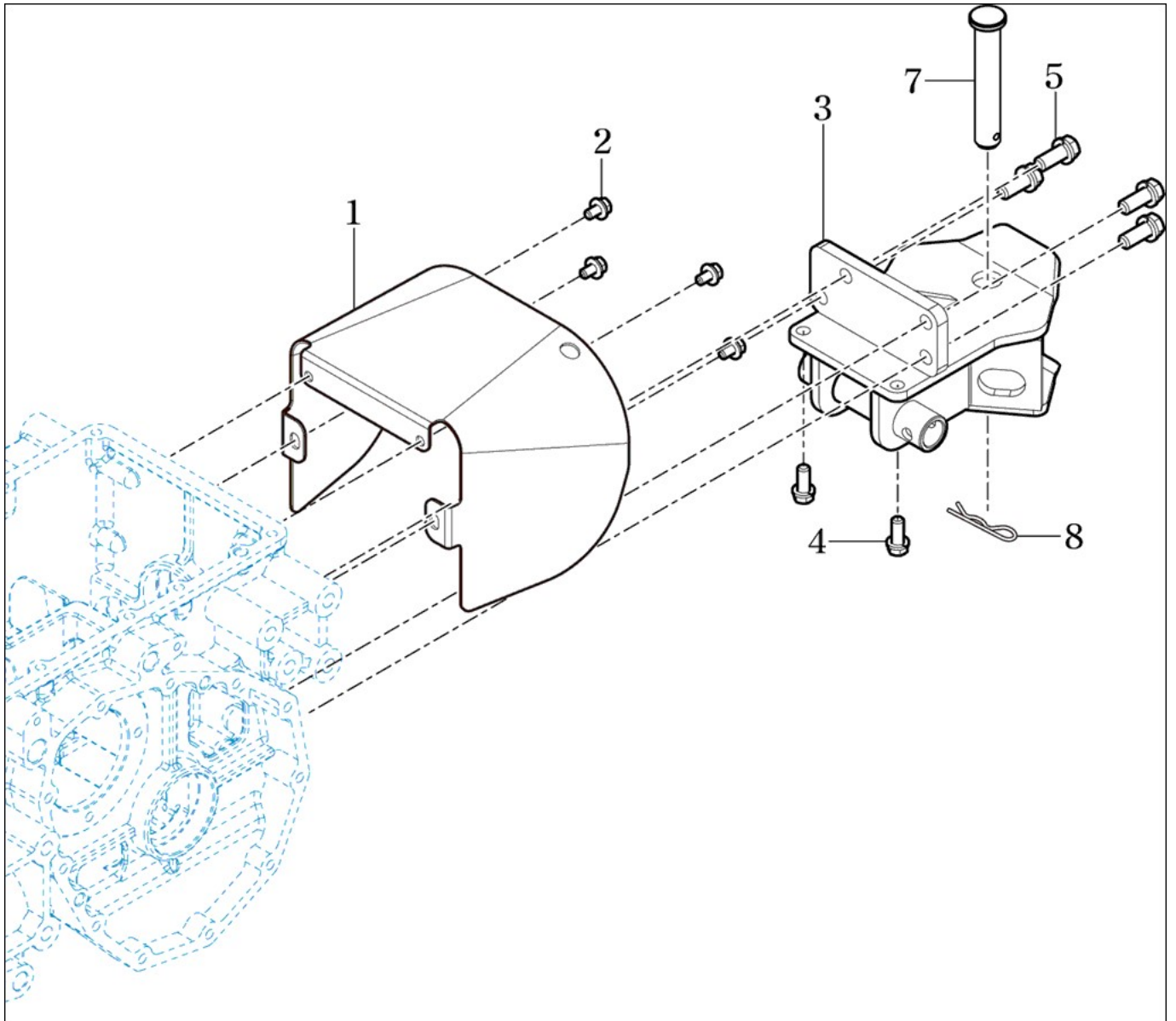
FIG 607

HITCH & COVER

년/월  
Year/Month

TC25NM

2021-05



NOTE



## 7. 시트메탈/캐빈 PART NO. T7

FIG 701 BONNET	136
FIG 701-2 BONNET	138
FIG 702 FLOOR	140
FIG 703 SEAT	142
FIG 704 ROPS	144
FIG 705 LEVER COVER & FENDER	146

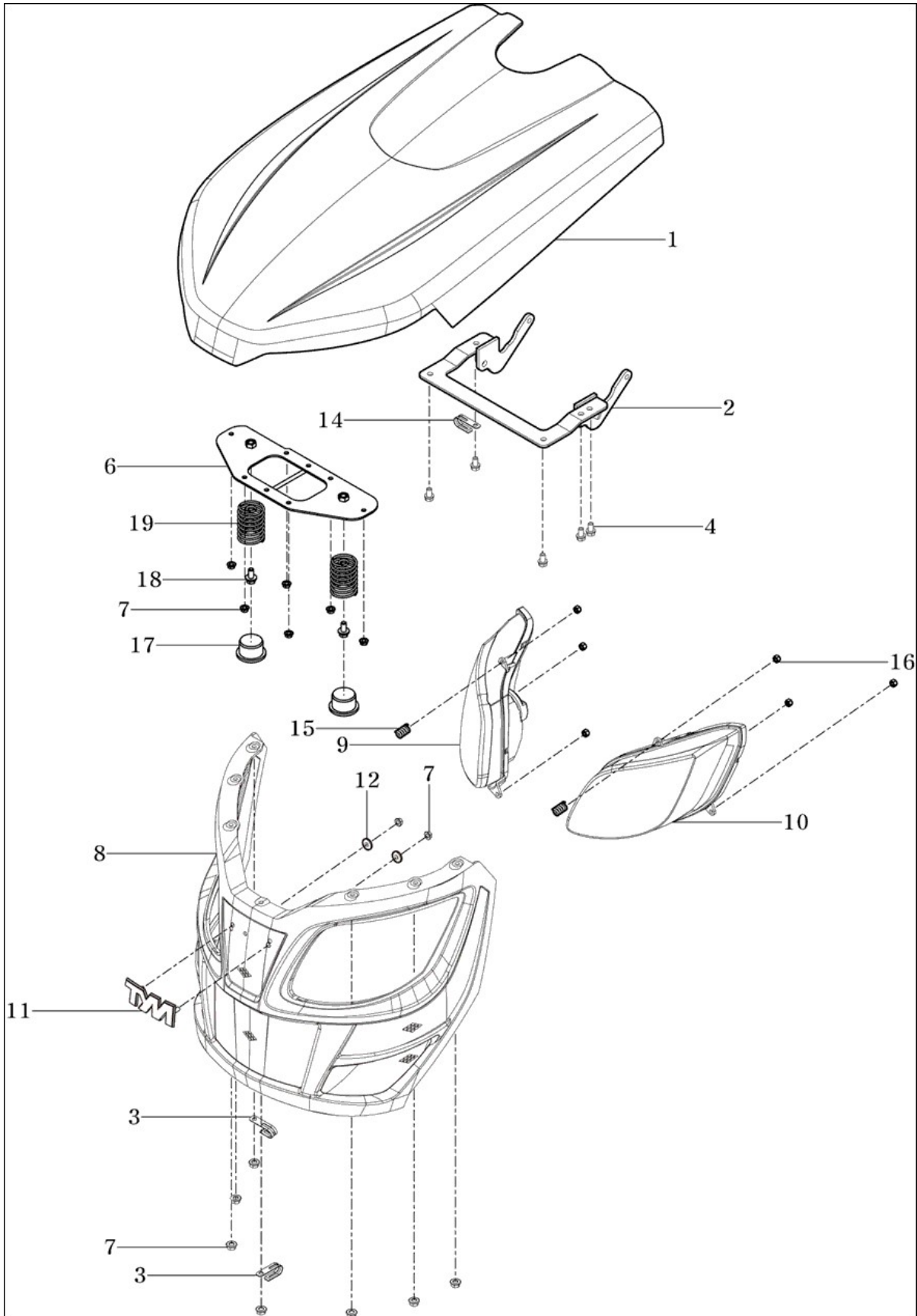
FIG 701

BONNET

년/월  
Year/Month

2021-05

TC25NM



NOTE





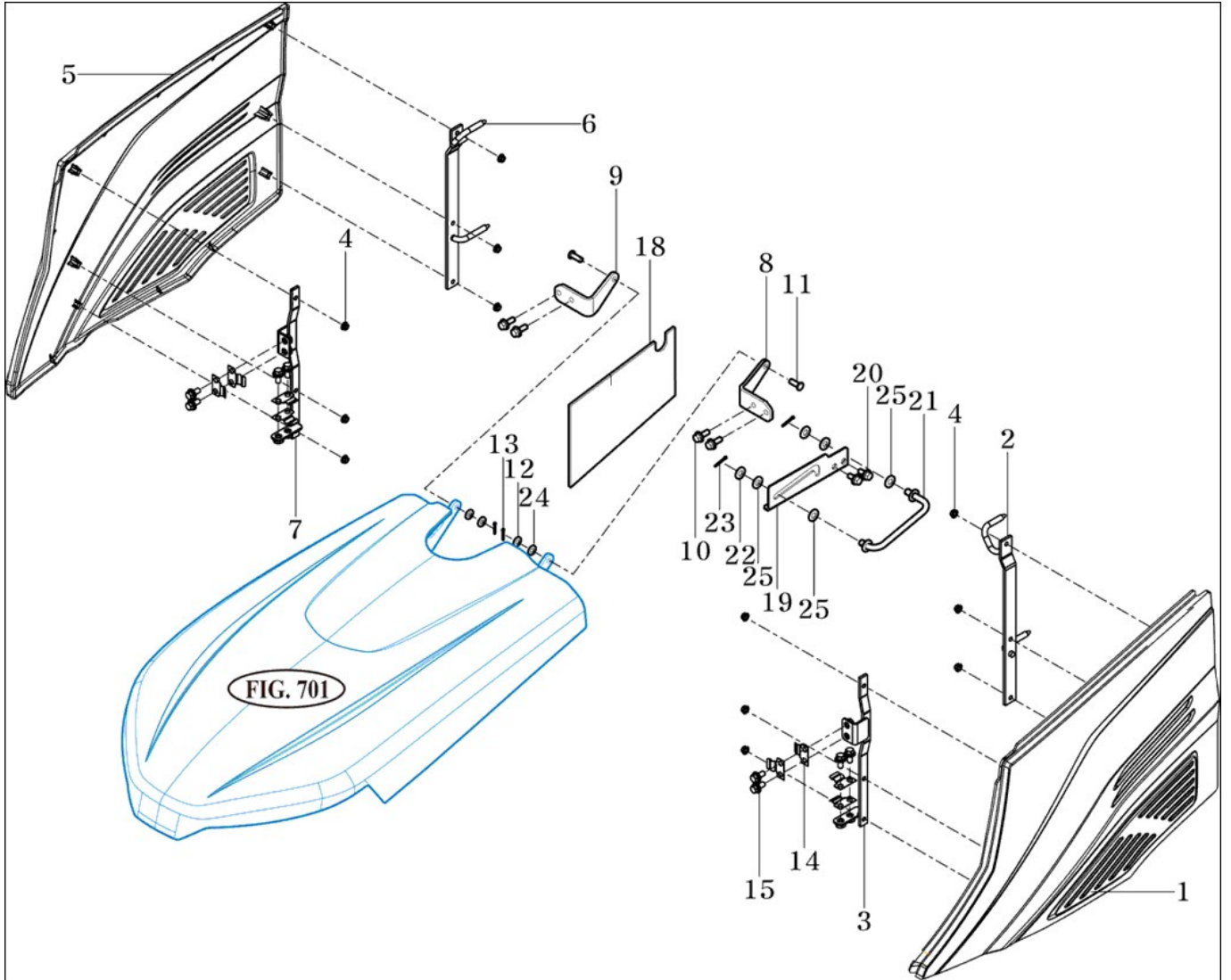
FIG 701-2

BONNET

년/월  
Year/Month

TC25NM

2021-05



NOTE



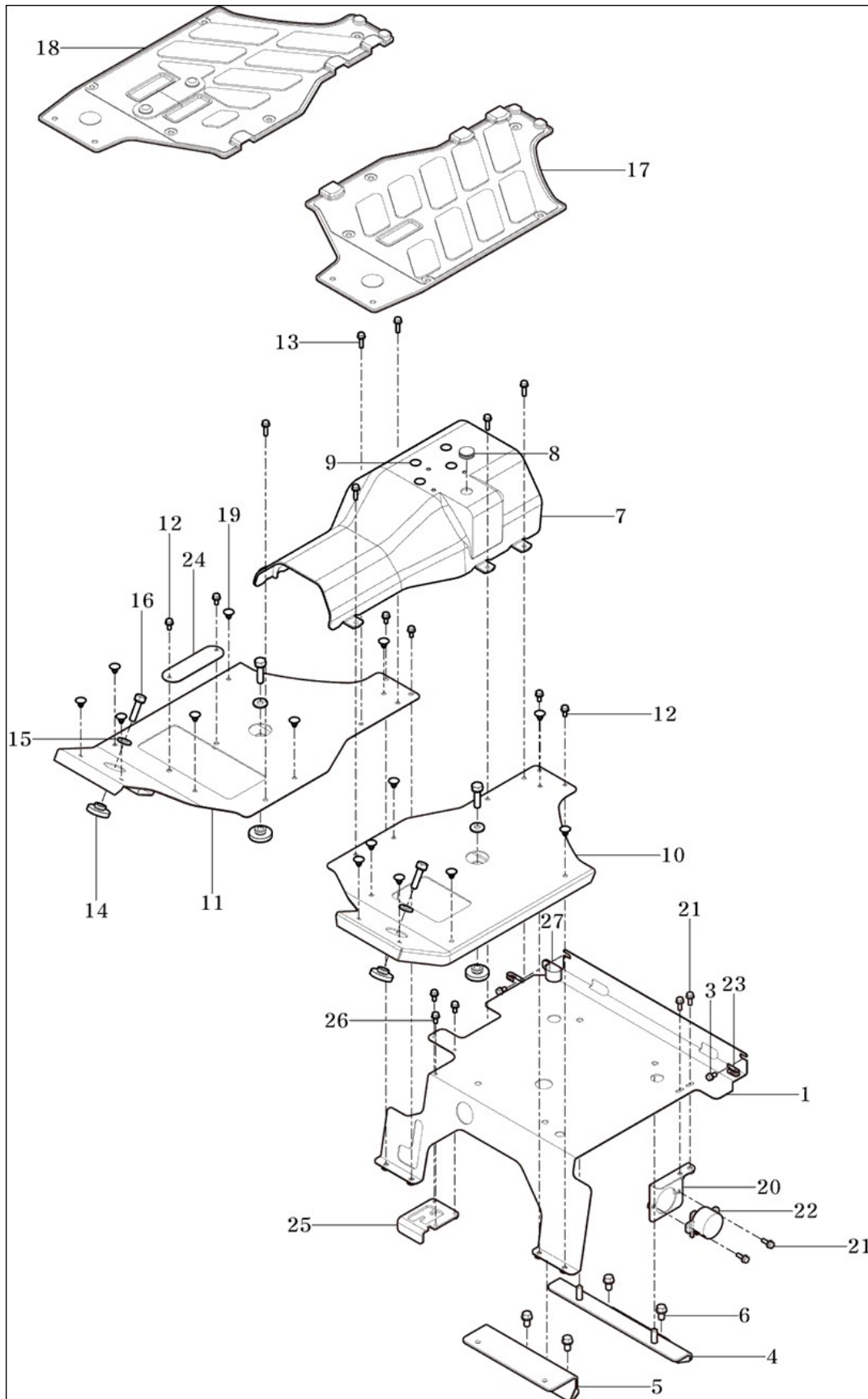
FIG 702

FLOOR

년/월  
Year/Month

2021-05

TC25NM



NOTE



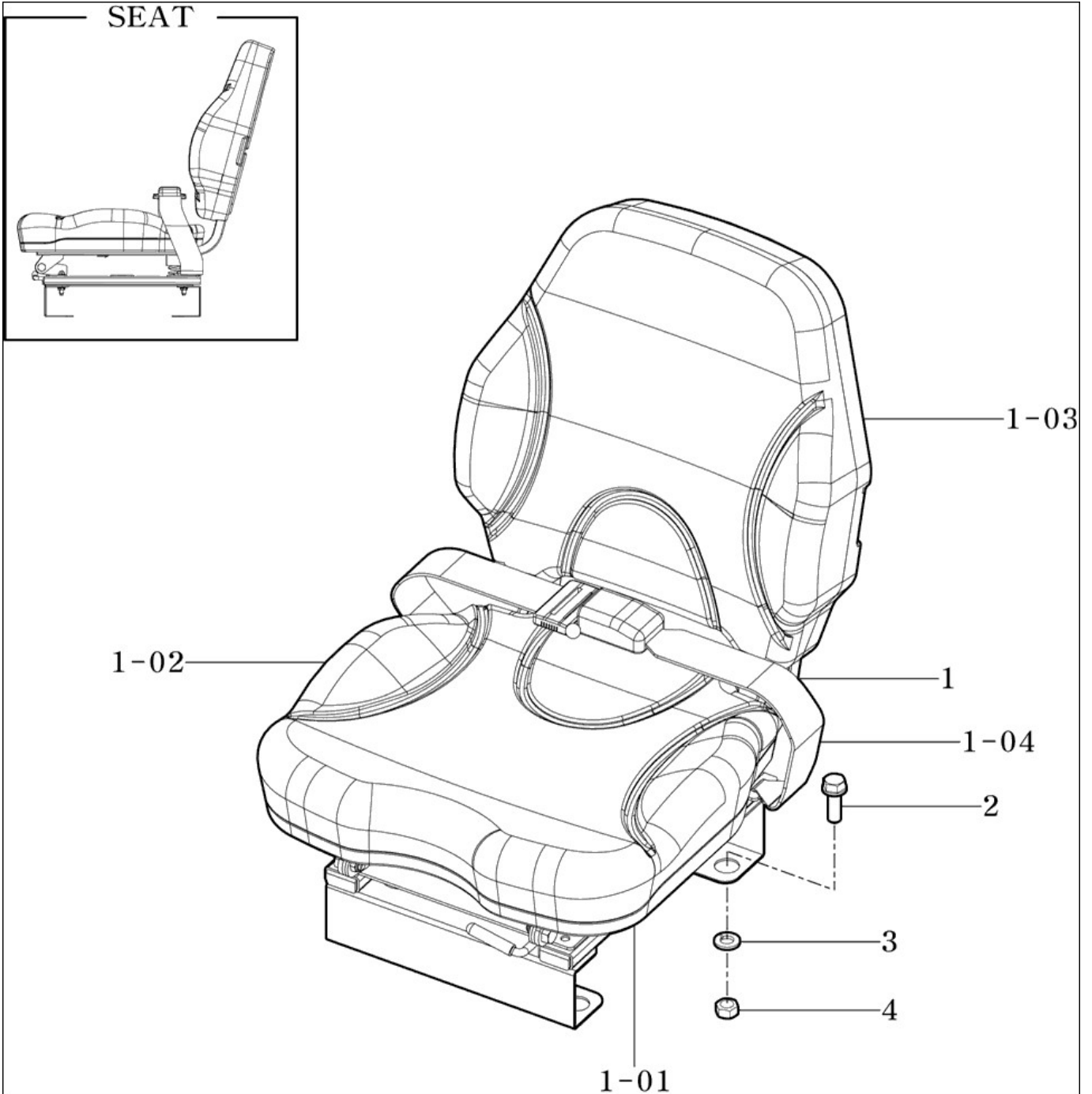
FIG 703

TC25NM

SEAT

년/월  
Year/Month

2021-05



NOTE



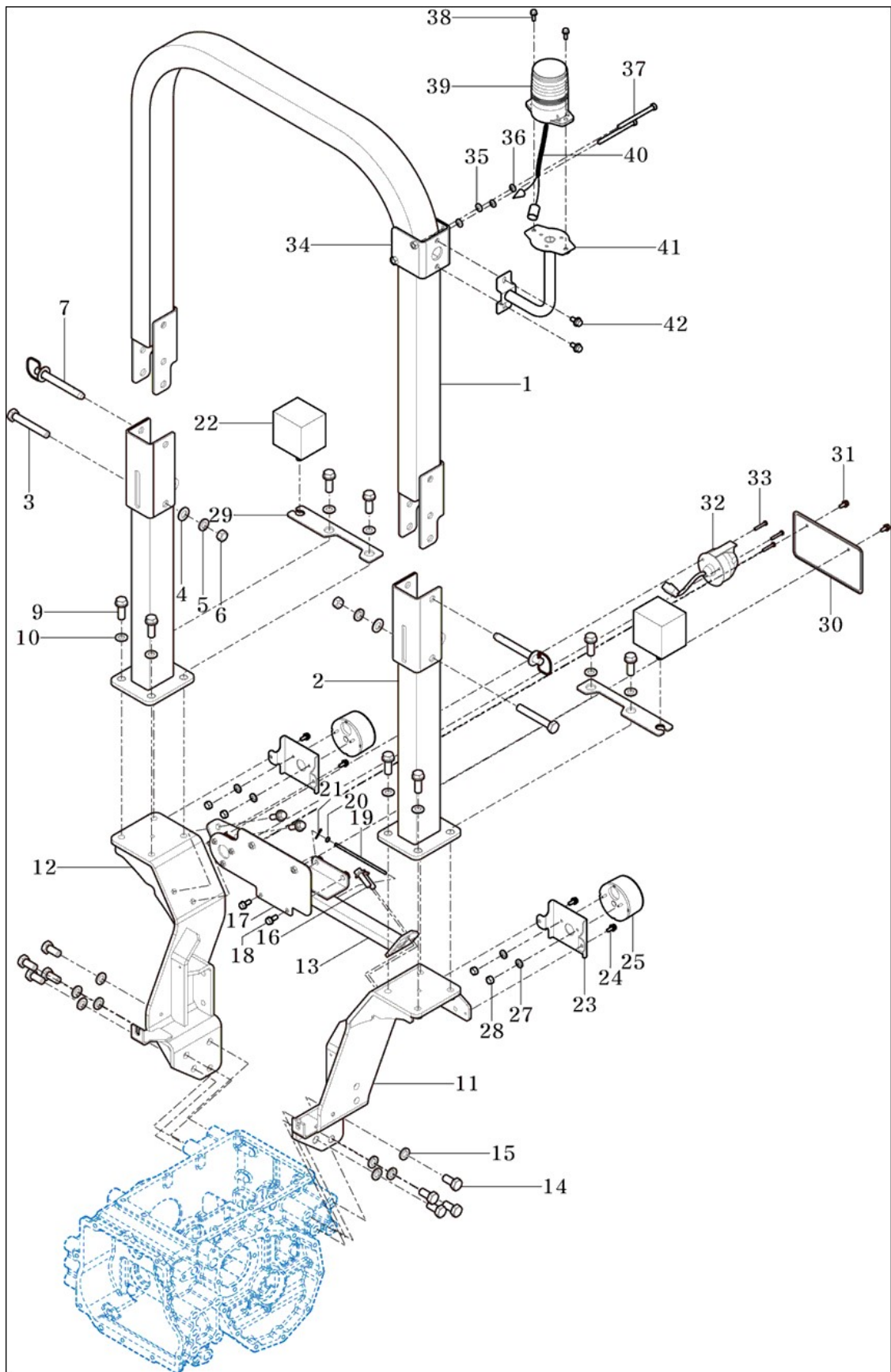
FIG 704

ROPS

년/월  
Year/Month

TC25NM

2021-05



NOTE





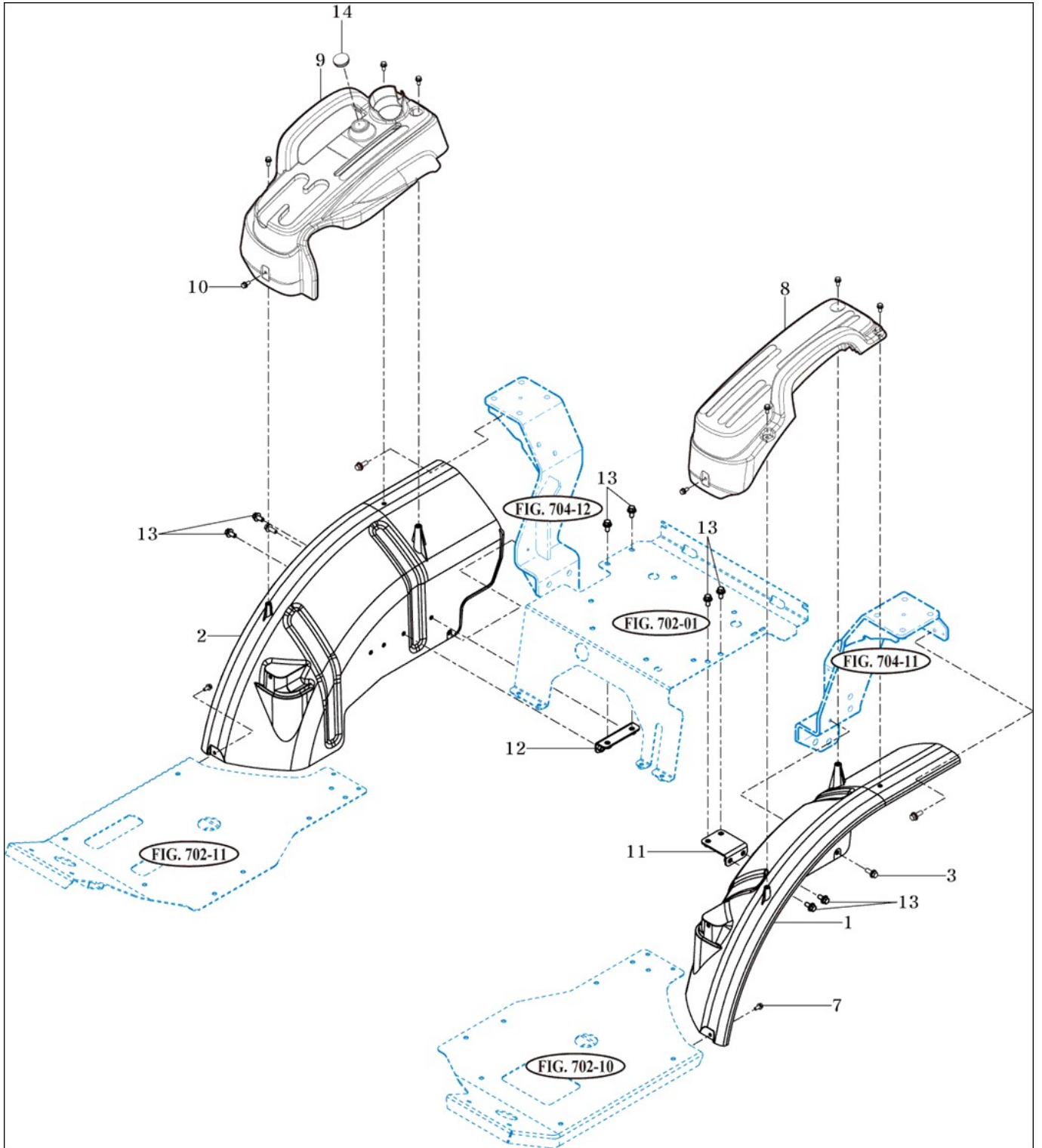
FIG 705

LEVER COVER & FENDER

년/월  
Year/Month

TC25NM

2021-05



NOTE



## 8. 전장 PART NO. T8

FIG 801 BATTERY MOUNTING	149
FIG 802 INSTRUMENT PANEL	151
FIG 803 HARNESS	153
FIG 804 HARNESS	155
FIG 805 HARNESS	157

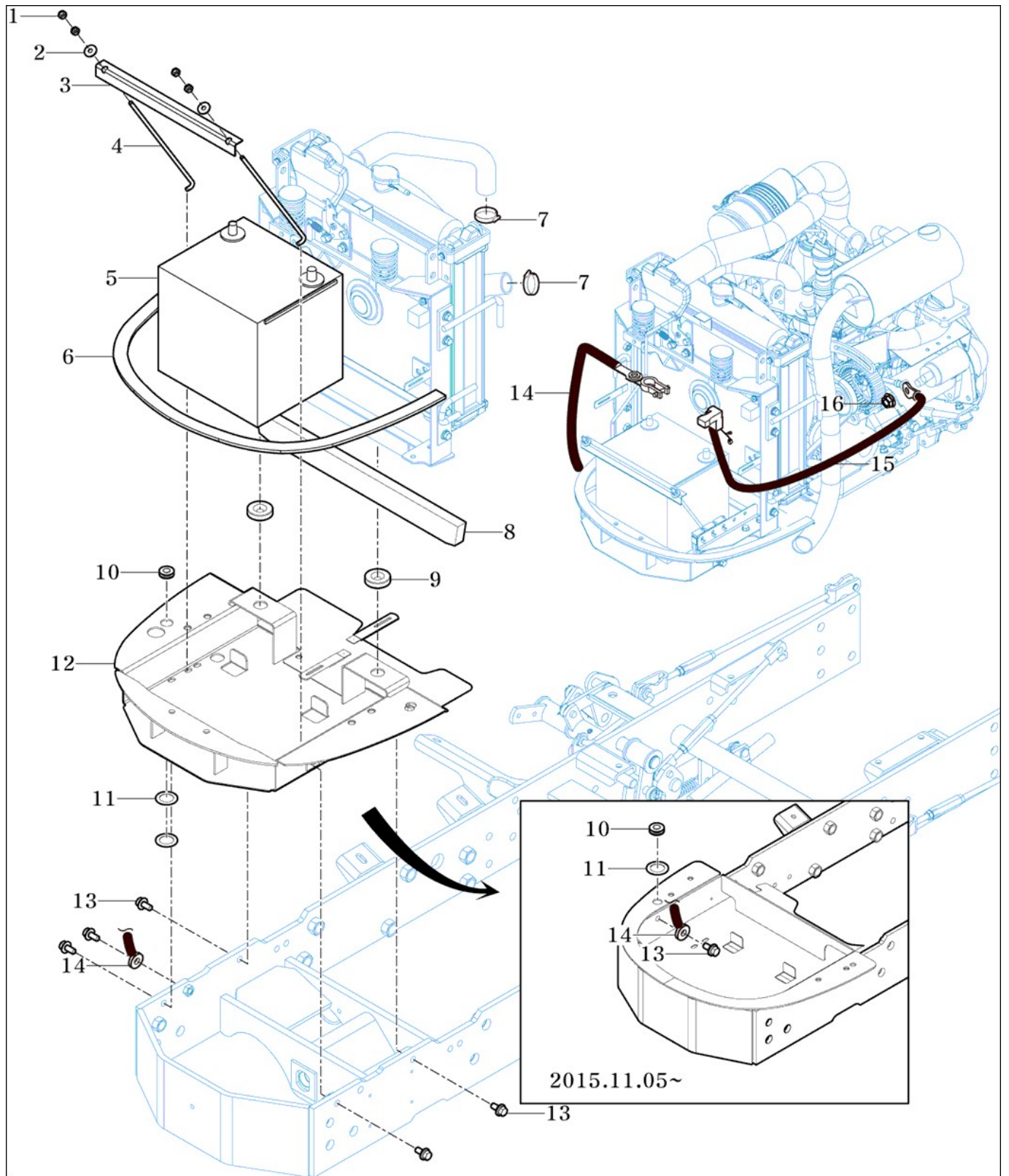
FIG 801

BATTERY MOUNTING

년/월  
Year/Month

TC25NM

2021-05



NOTE



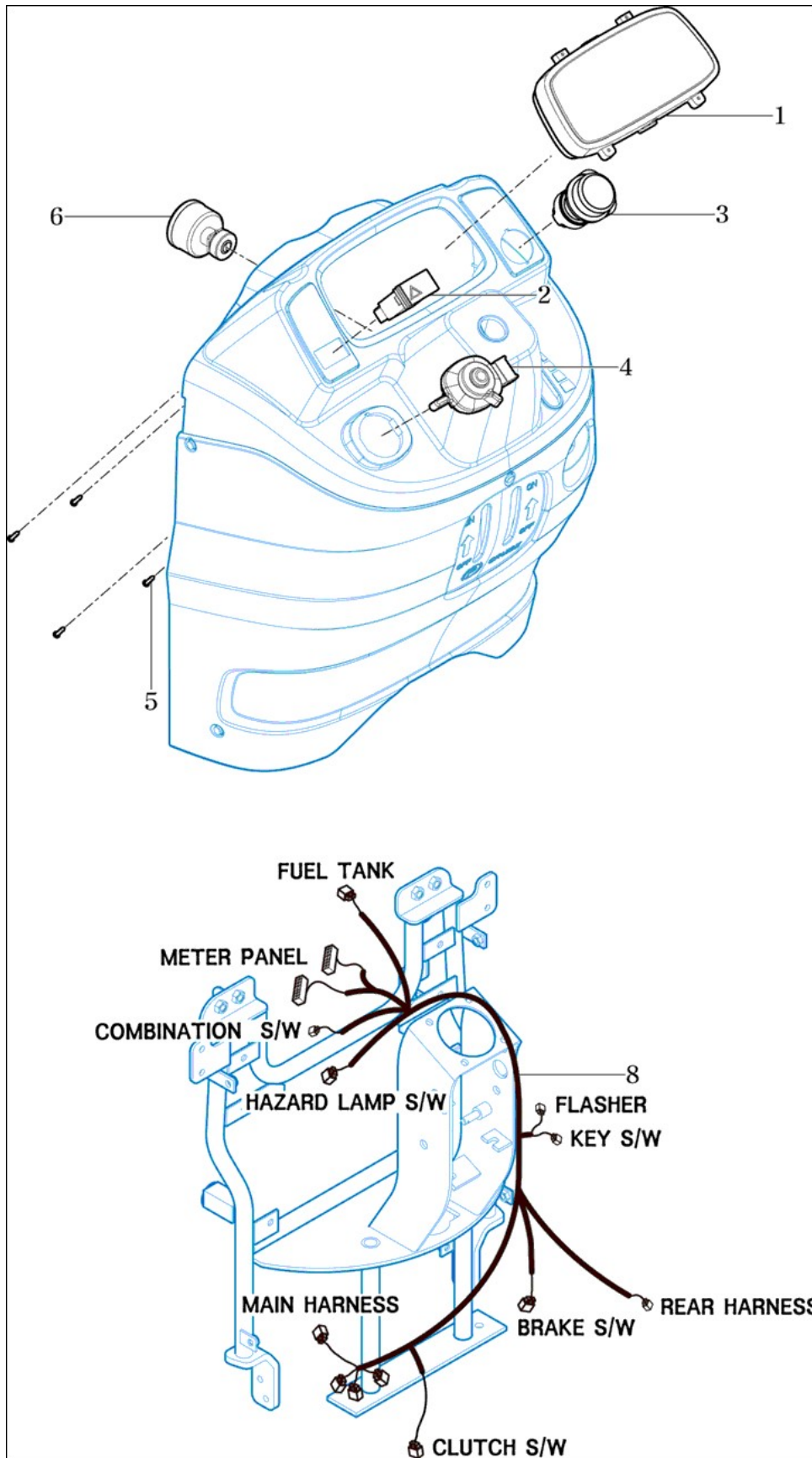
FIG 802

INSTRUMENT PANEL

년/월  
Year/Month

2021-05

TC25NM



NOTE





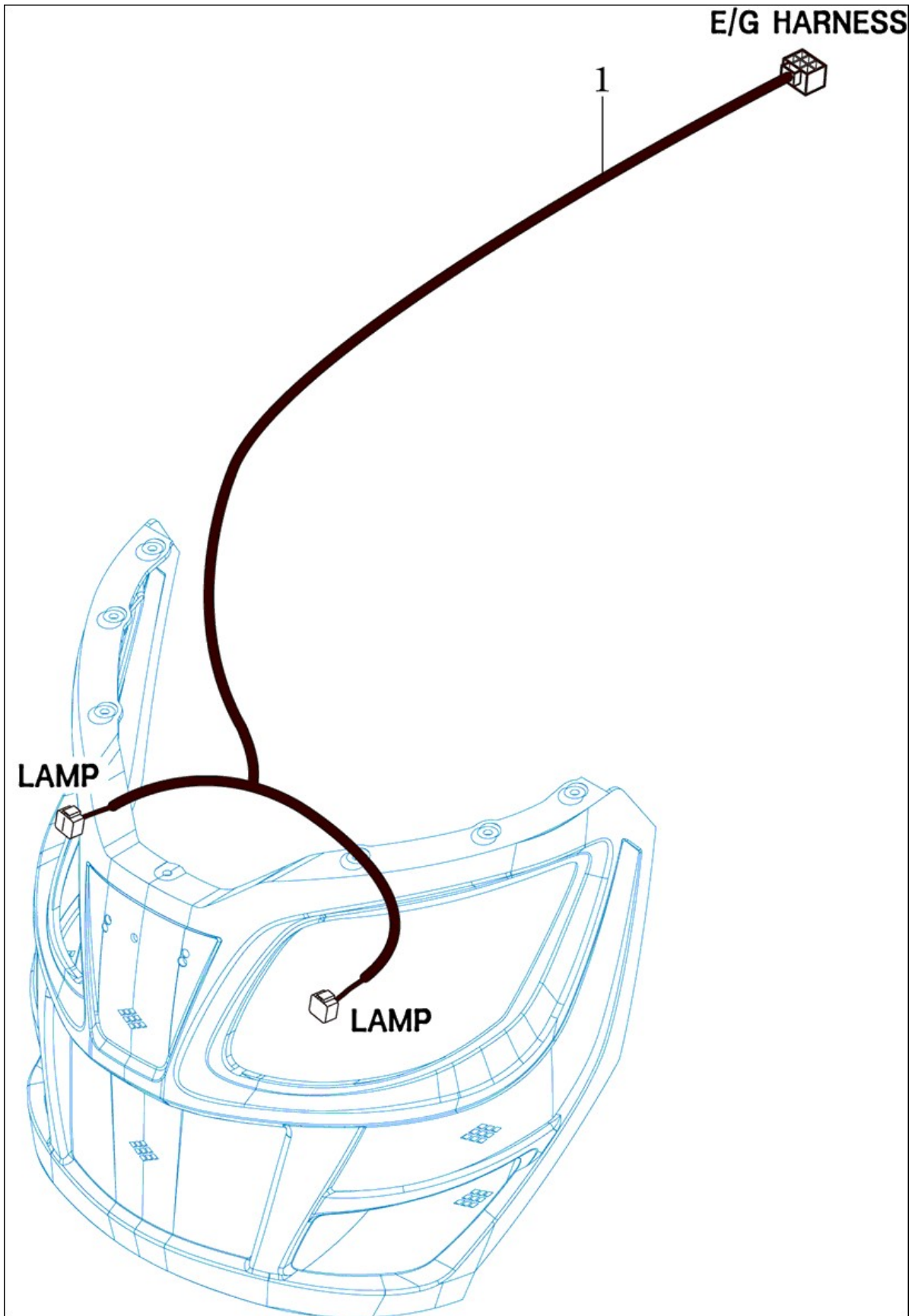
FIG 803

HARNESS

년/월  
Year/Month

TC25NM

2021-05



NOTE



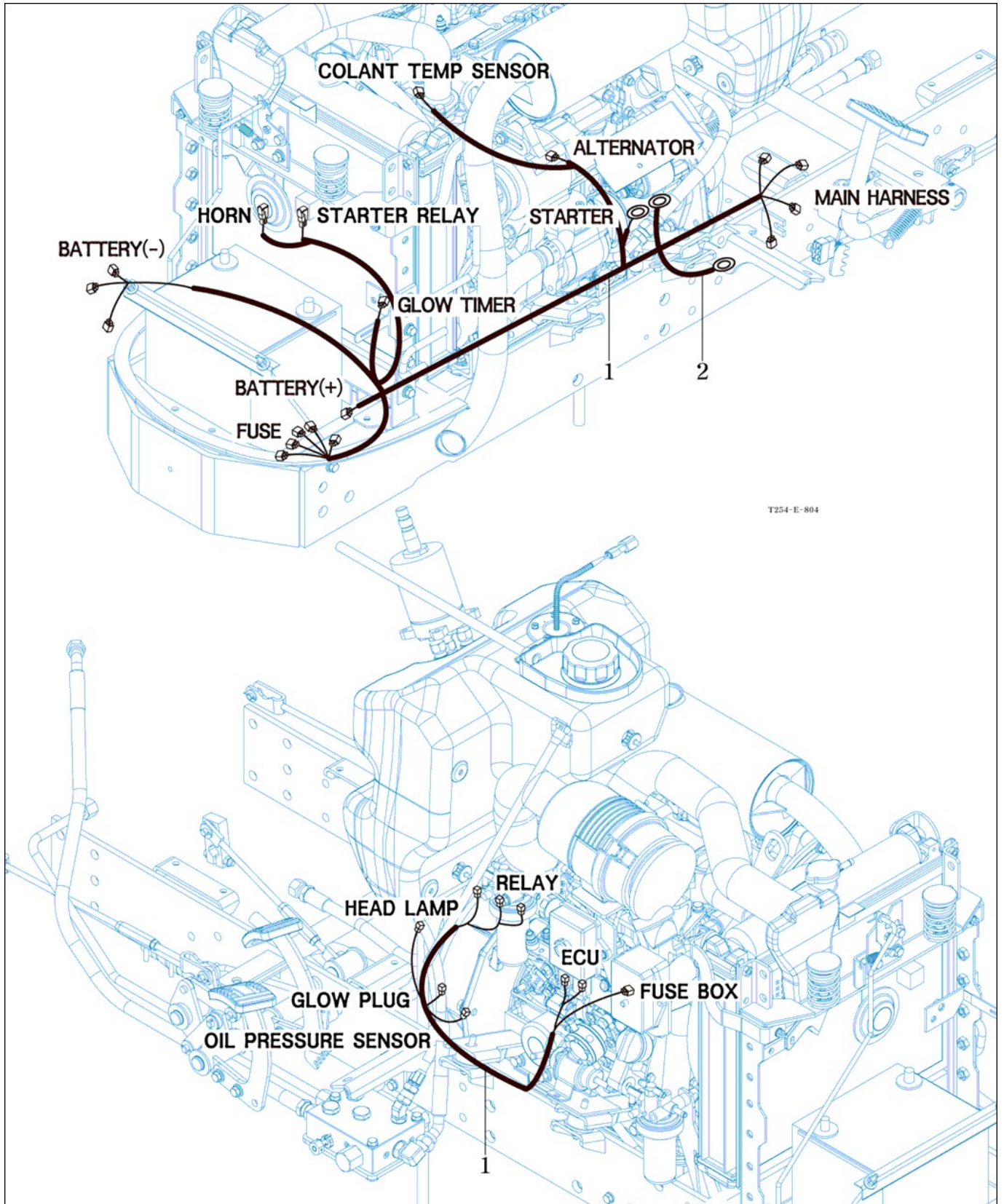
FIG 804

HARNESS

년/월  
Year/Month

TC25NM

2021-05



T254-E-804

NOTE



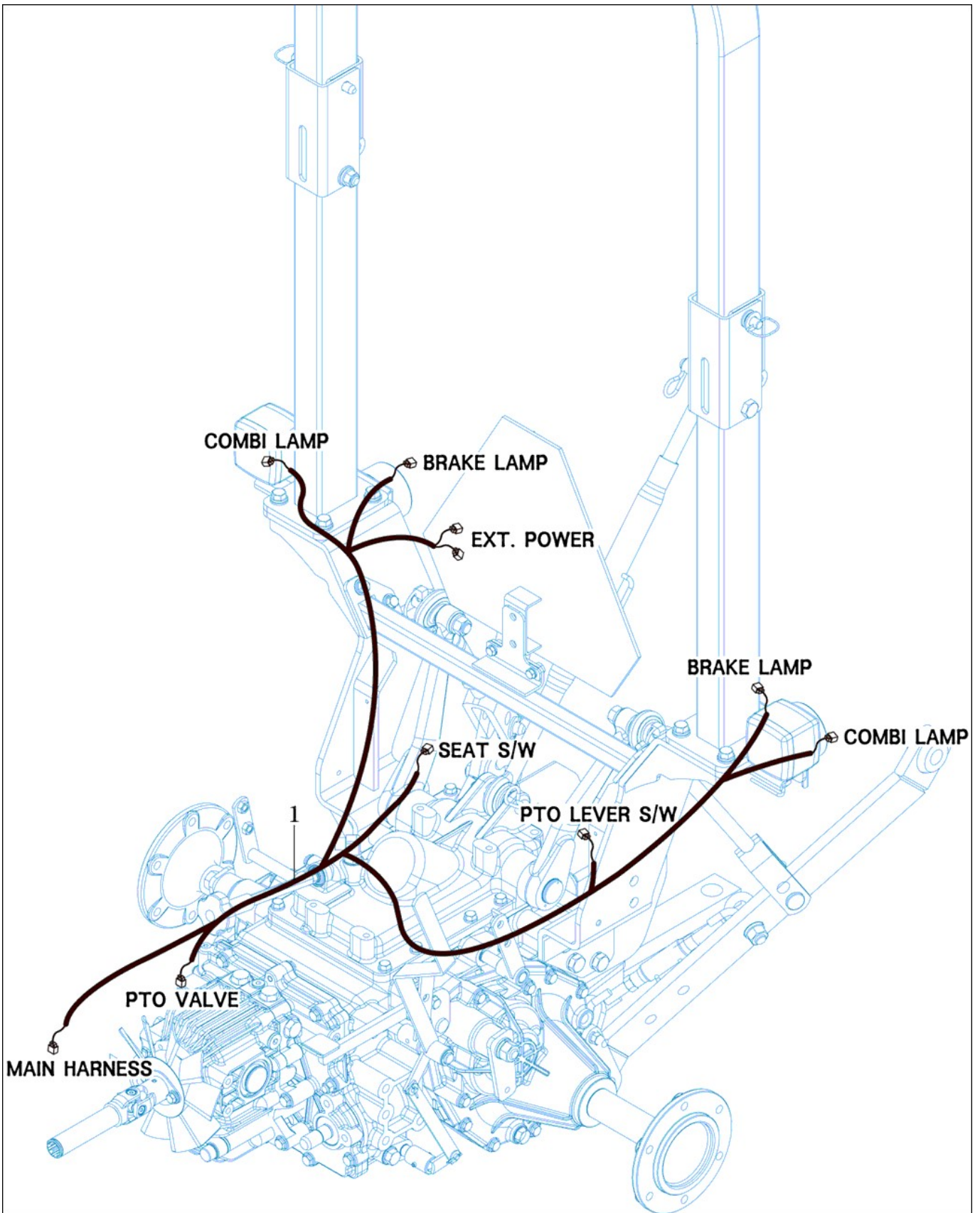
FIG 805

HARNESS

년/월  
Year/Month

TC25NM

2021-05



NOTE



## 9. 라벨/옵션 PART NO. T9

FIG 901 TOOL & ACCESSORY	160
FIG 902 LABEL	162
FIG 903 LABEL	164
FIG 904 WEIGHT	166
FIG 905 AUXILIARY VALVE KIT	168

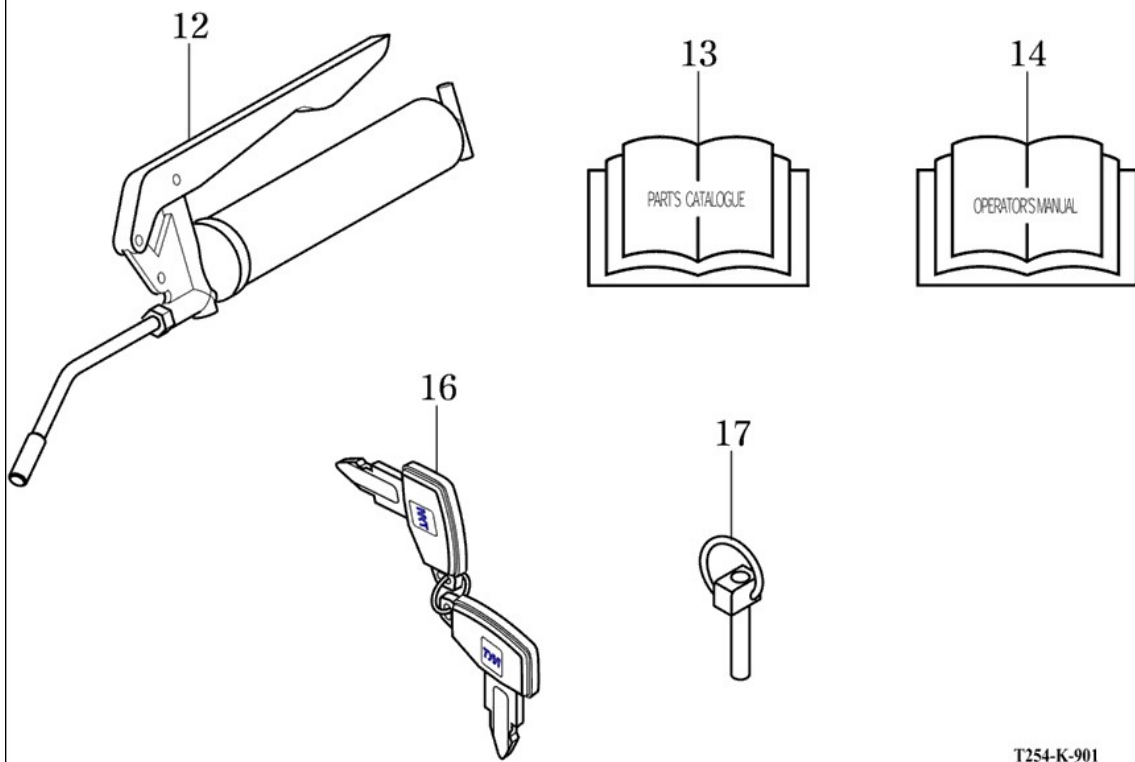
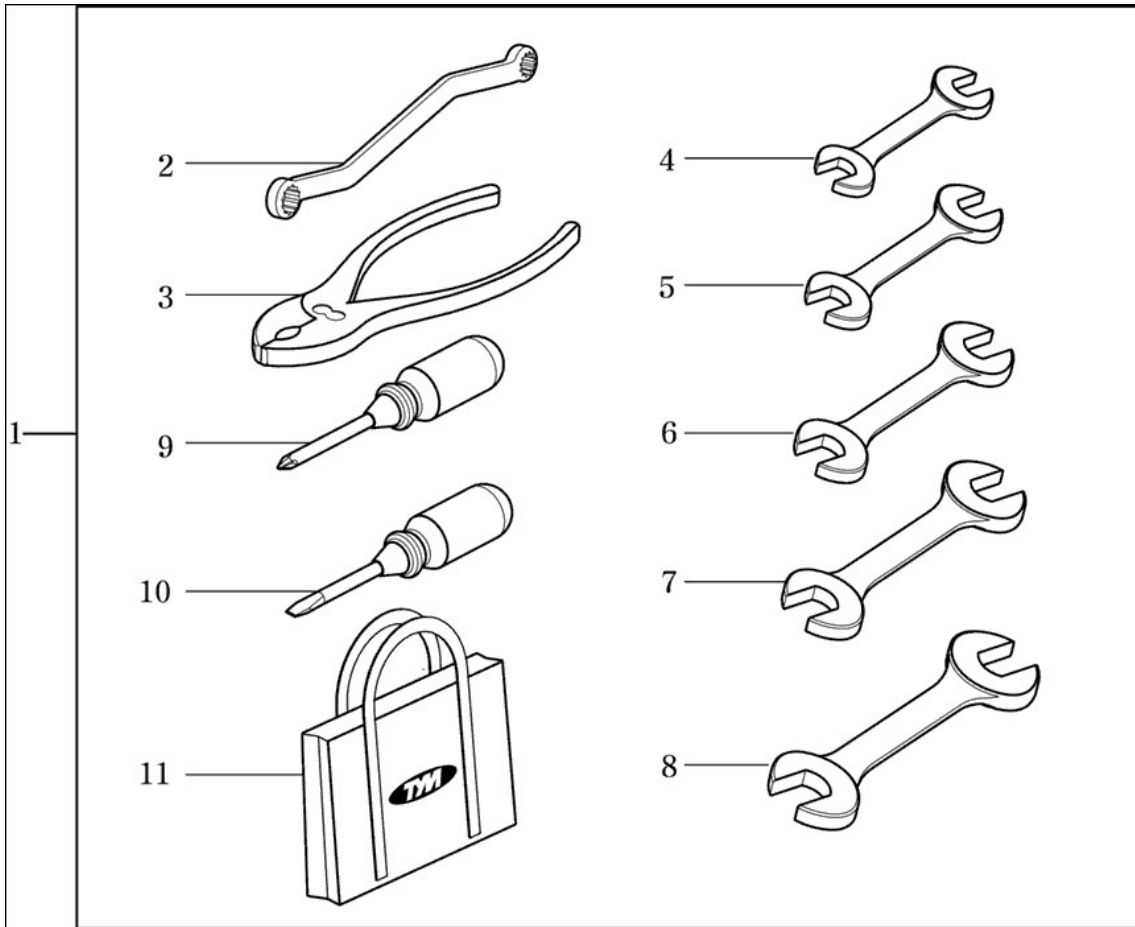
FIG 901

TOOL & ACCESSORY

년/월  
Year/Month

TC25NM

2021-05



T254-K-901

NOTE





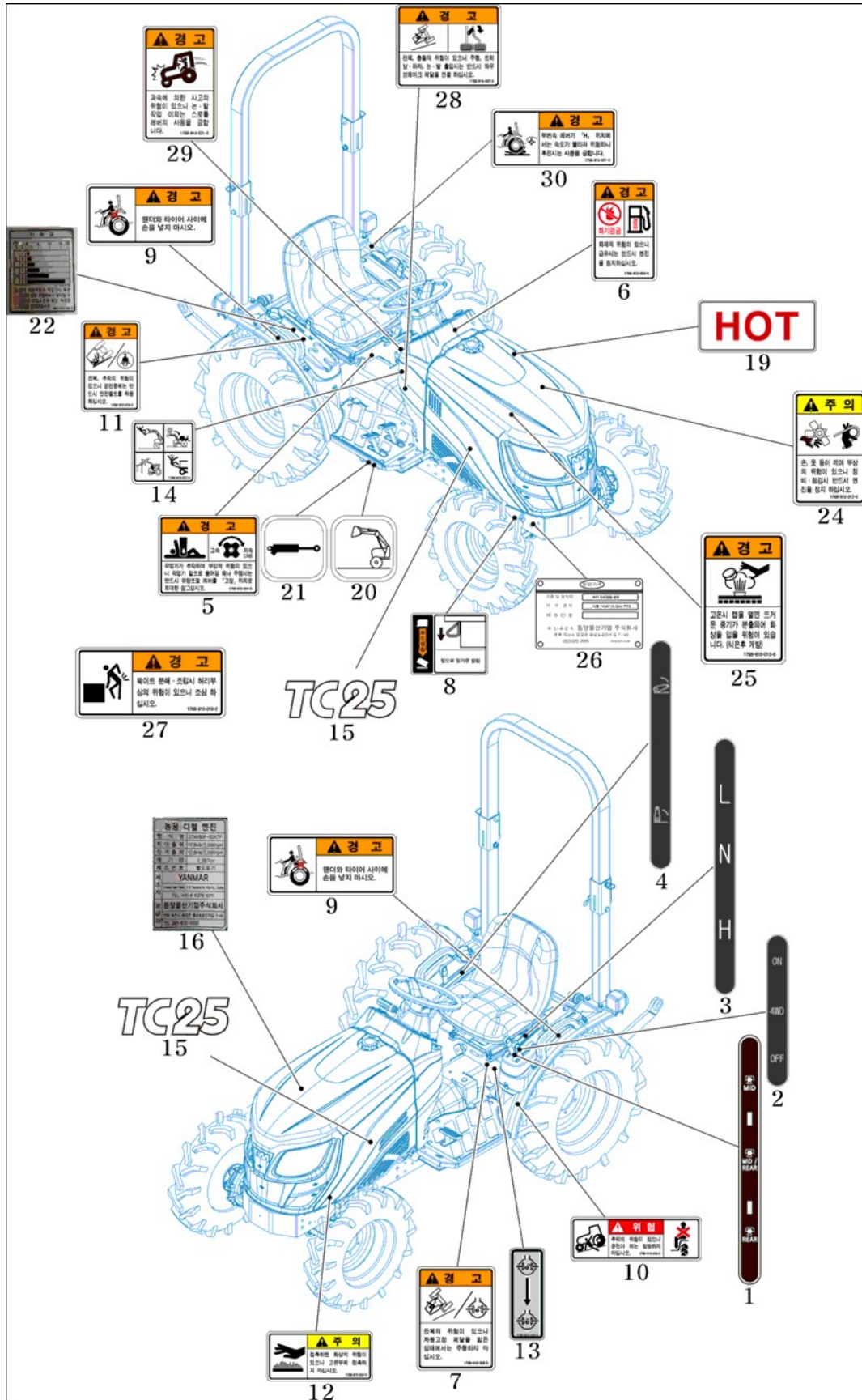
FIG 902

LABEL

년/월  
Year/Month

TC25NM

2021-05



NOTE



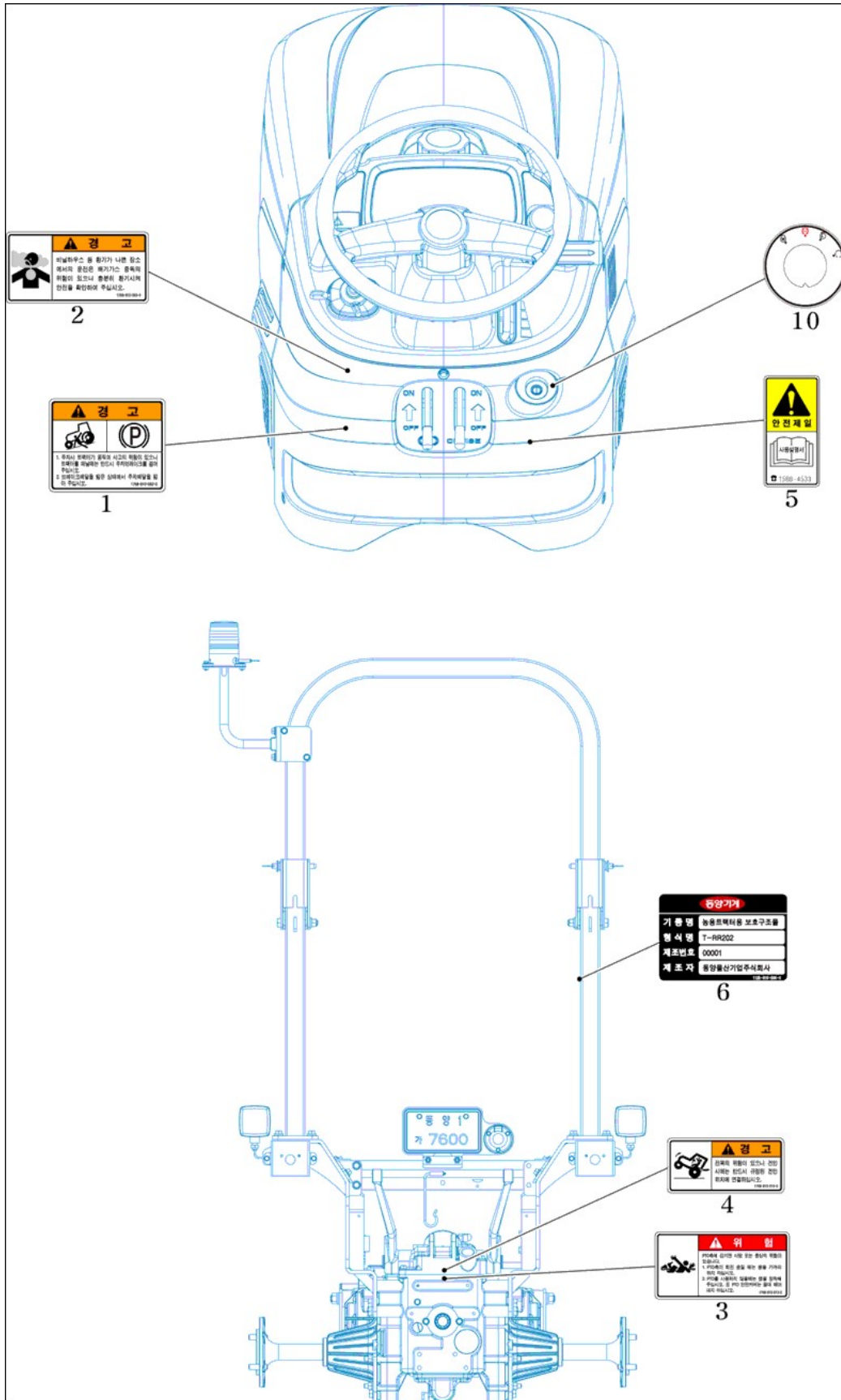
FIG 903

LABEL

년/월  
Year/Month

TC25NM

2021-05



NOTE



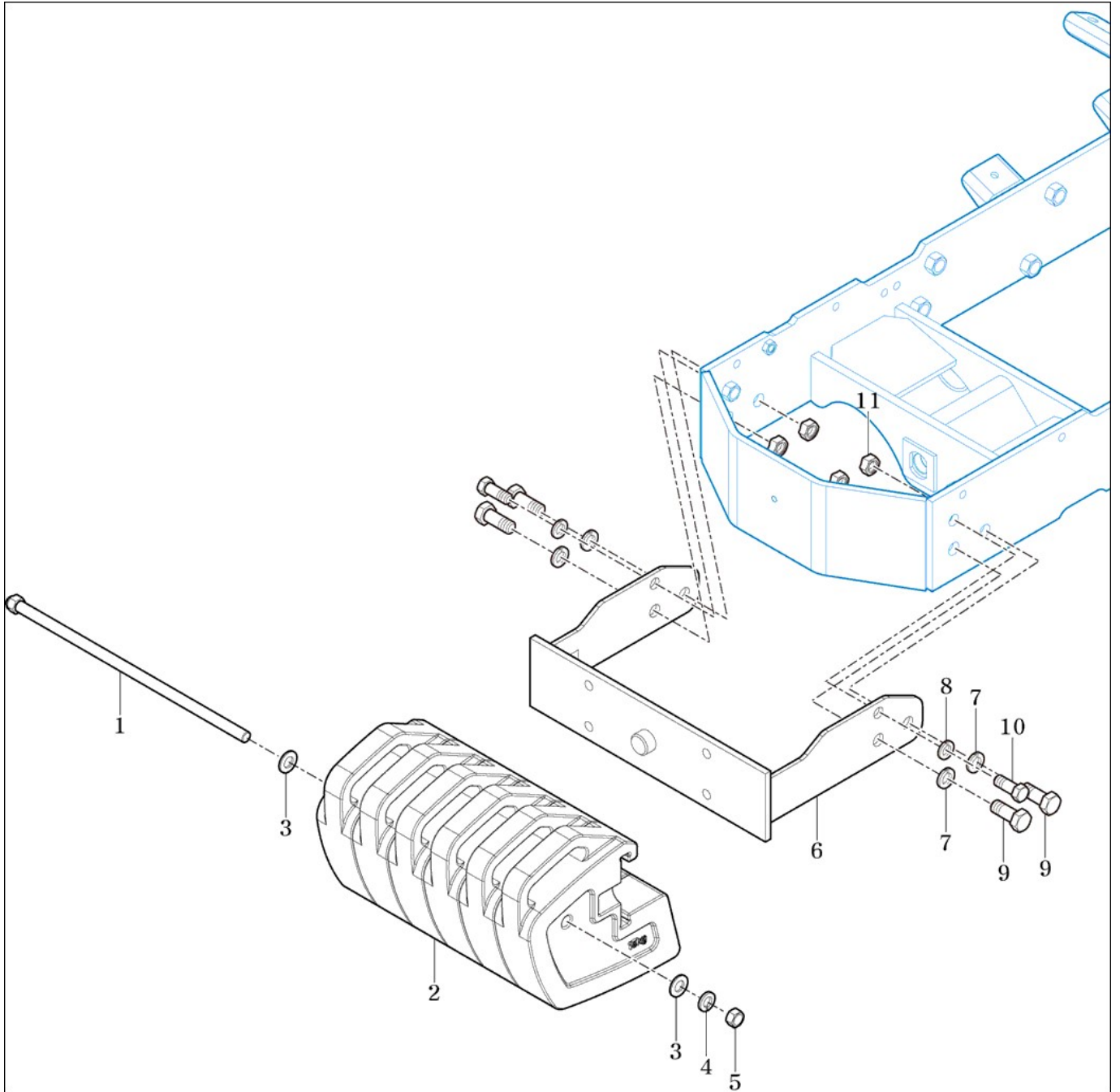
FIG 904

TC25NM

WEIGHT

년/월  
Year/Month

2021-05



NOTE



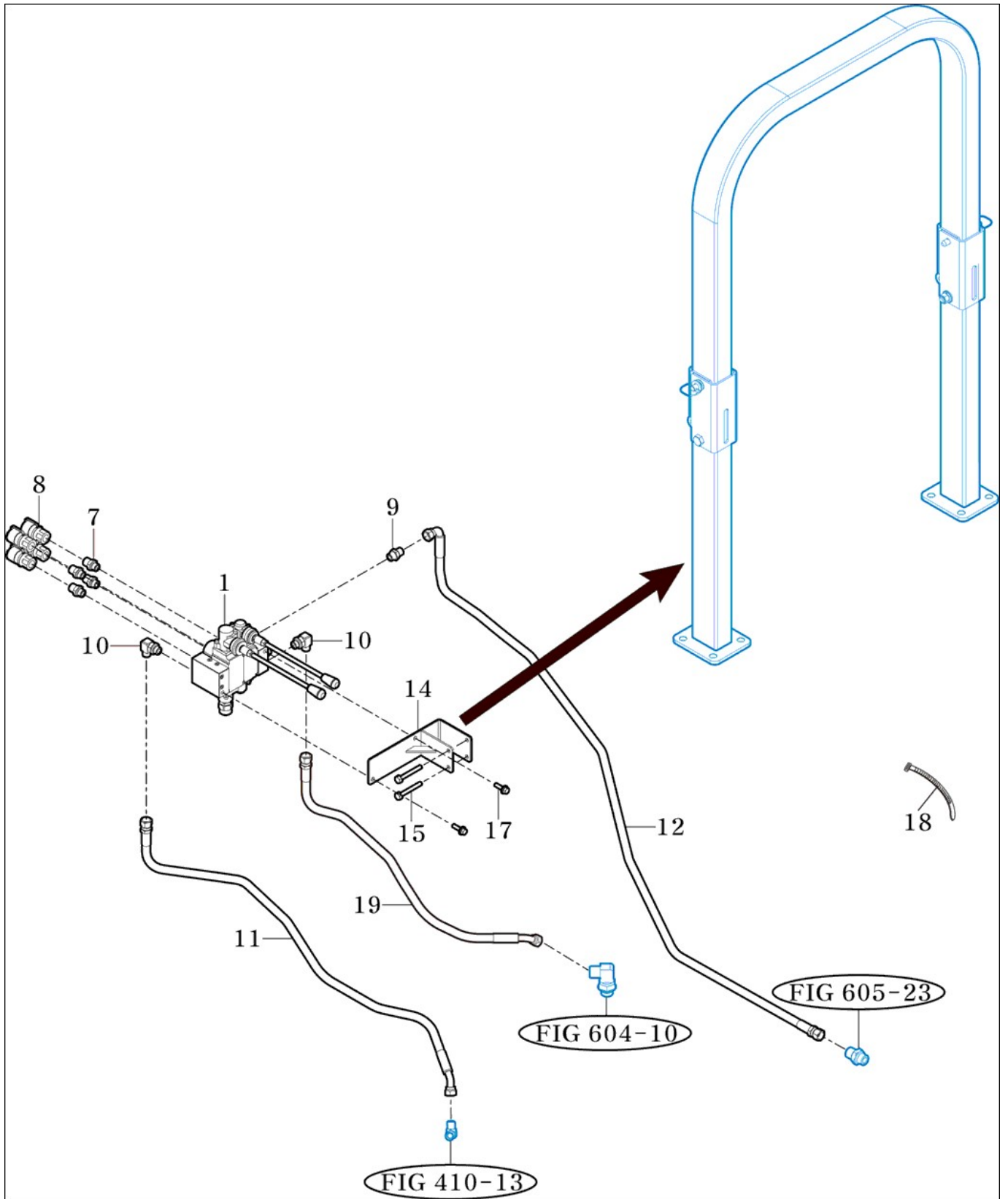
FIG 905

TC25NM

AUXILIARY VALVE KIT

년/월  
Year/Month

2021-05



NOTE



