

T130SPUS1

Parts Catalog

# 목 차

---

---

## 1. Engine PART NO. EG

FIG 000	ENGINE	11
FIG 101	DIPSTICK	13
FIG 102	BLANKING PARTS	15
FIG 103	BREATHER LINE	17
FIG 104	BREATHER LINE	19
FIG 105	REAR END COVER	21
FIG 106	ENGINE BLOCK	23
FIG 107	BLANKING PARTS	25
FIG 108	OIL FILLER TUBE	27
FIG 109	OIL PAN	29
FIG 110	V-RIB.BELT PULLEY	31
FIG 111	V-RIB.BELT PULLEY	33
FIG 112	CRANKSHAFT	35
FIG 113	DYNAMIC BALANCER	37
FIG 114	CONNECTING ROD	39
FIG 115	PISTON	41
FIG 116	FASTENINGS	43
FIG 117	HEAT PROT. SHIELD	45
FIG 118	CYLINDER HEAD	47
FIG 119	VALVE MECHAN.COVER	49
FIG 120	IDLER GEAR	51
FIG 121	FASTENINGS	53
FIG 122	GEARCASE	55
FIG 123	CAMSHAFT	57
FIG 124	VALVE DRIVE	59
FIG 125	OIL COOLER ASSY	61
FIG 126	BRACKET	63
FIG 127	OIL RETURN LINE	65
FIG 128	LUBRICAT. OIL LINE	67
FIG 129	BRACKET	69
FIG 130	OIL SUCTION LINE	71



FIG 131	FUEL INJECT. PUMP	73
FIG 132	FUEL INJECTOR	75
FIG 133	FUEL PREFILTER	77
FIG 134	FUEL SUPPLY PUMP	79
FIG 135	BRACKET	81
FIG 136	FUEL FILTER	83
FIG 137	QUICK-CLUTCH/COUP.	85
FIG 138	FUEL LINE	87
FIG 139	RAIL	89
FIG 140	FUEL LINE	91
FIG 141	SENSOR	93
FIG 142	CHARGE AIR PIPE	95
FIG 143	FASTENINGS	97
FIG 144	THROTTLE VALVE	99
FIG 145	CONTROL UNIT	101
FIG 146	V-RIB.BELT PULLEY	103
FIG 147	V-GROOVED PULLEY	105
FIG 148	COOLANT PUMP	107
FIG 149	COOLING WATER LINE	109
FIG 150	FASTENINGS	111
FIG 151	HOSE	113
FIG 152	HOUSING	115
FIG 153	EGR COOLER	117
FIG 154	SCREW PLUG	119
FIG 155	HEAT PROT. SHIELD	121
FIG 156	EXHAUST MANIFOLD	123
FIG 157	EXHAUST GAS BEND	125
FIG 158	EXHAUST PIPE	127
FIG 159	PRESSURESENSOR MTG	129
FIG 160	COOLING WATER LINE	131
FIG 161	GASKET	133
FIG 162	TURBOCHARGER	135
FIG 163	FASTENINGS	137
FIG 164	STARTER	139
FIG 165	BELT TENSIONER	141
FIG 166	GENERATOR	143
FIG 167	ATTACHMENT PLUG	145
FIG 168	LEVEL SWITCH	147

FIG 169	ELECTRIC LINE	149
FIG 170	RELAY	151
FIG 171	FASTENINGS	153
FIG 172	FASTENINGS	155
FIG 173	RELAY	157
FIG 174	CONNECTING PIPE	159
FIG 175	FASTENINGS	161
FIG 176	RELAY	163
FIG 177	ELECTRIC LINE	165
FIG 178	FASTENINGS	167
FIG 179	CONNECTING PIPE	169
FIG 180	SPEED SENSOR	171
FIG 181	CONNECTING PIPE	173
FIG 182	PRESSURE PICK-UP	175
FIG 183	GLOW PLUG	177
FIG 184	WATER HOSE	179
FIG 185	SOLENOID VALVE	181
FIG 186	PIPE/LINE/LEAD	183
FIG 187	TANK/RESERVOIR	185
FIG 188	SUPPLY PUMP	187
FIG 189	PLUG	189
FIG 190	MOUNT	191
FIG 192	PARTICULATE FILTER	193
FIG 193	BLANKING PARTS	195
FIG 194	BRACKET	197
FIG 195	EXHAUST PIPE	199
FIG 196	PRESSURESENSOR MTG	201
FIG 198	COVER	203
FIG 199	GASKET SET	205
FIG 200	TERMINAL DIAGRAM	207

## 2. Engine Accessories PART NO. T2

FIG 201	AIR CLEANER	210
FIG 202	RADIATOR	212
FIG 203	EXHAUST PIPE	215
FIG 204	FUEL TANK & FUEL LINES	217
FIG 205	FUEL FILTER & FUEL LINES	220

FIG 206	ACCELERATOR ASSY	222
FIG 207	INTERCOOLER	224
FIG 208	FIX PLATE & MIXING PIPE	226
FIG 209	COOLANT DIVIDER PIPE	228

### 3. Clutch/Brake/Steering PART NO. T3

FIG 301	DAMPER FLANGE ASSY	231
FIG 302	CASE SUB ASSY, BRAKE	233
FIG 303A	BRAKE PIPES	235
FIG 303B	BRAKE	237
FIG 304	FRONT WHEEL	239
FIG 305	REAR WHEEL	241
FIG 306	STEERING WHEEL ASSY	243
FIG 307	POWER STEERING VALVE	245
FIG 309	SUB CLUTCH PEDAL	247
FIG 310	HAND BRAKE SUB	249

### 4. Transmission PART NO. T4

FIG 401	RR TRANSMISSION CASE SUB	252
FIG 402A	PINION METAL SUB ASSY	254
FIG 402B	RR DIFF ASSY	256
FIG 403	SUB CHANGE GEARS	258
FIG 404	SUB CHANGE LEVER	260
FIG 405	SUB DRIVE SHAFT	262
FIG 406	RR AXLE HOUSING	264
FIG 407	540,750,1000 PTO CASE	266
FIG 408A	PTO SHAFT	268
FIG 408B	PTO CLUTCH ASSY	270
FIG 409	METAL SUB ASSY	272
FIG 410	MID TRANSMISSION CASE	274
FIG 411	MAIN COUNTER SHAFT	276
FIG 412	POWER MAIN SHAFT	278
FIG 413	CREEP SHAFT	281
FIG 414	PARKING BRAKE	283
FIG 415	POWER SHUTTLE GEAR	285
FIG 416	POWER SHIFT GEAR	287

FIG 417	FR TRANSMISSION CASE	289
FIG 420	4WD SHAFT SUB	292

## 5. Front Axle PART NO. T5

FIG 501	FRONT AXLE SUPPORTER	295
FIG 502	FRONT DRIVE SHAFT	297
FIG 503	AXLE HOUSING	299
FIG 504	SWIVEL HOUSINGS & STEERING CYLINDER	301
FIG 505	BEVEL GEAR SET	303
FIG 506	DIFFERENTIAL	305
FIG 507	DOUBLE U-JOINT	307
FIG 508	MUDGUARD ASSY	309
FIG 509	WHEEL HUB	311
FIG 510	FINAL REDUCTION	313
FIG 511	STEERING SENSOR	315

## 6. Hydraulic/3P-Link PART NO. T6

FIG 601	HYDRAULIC PIPE	318
FIG 602	DRAWBAR ASSY	321
FIG 603A	FILTER SUB, SUCTION	323
FIG 603B	GEAR PUMP ASSY	325
FIG 604	CASE, CYLINDER	327
FIG 605	ARM SUB, LIFT	329
FIG 606	MAIN CONTROL VALVE SUB	331
FIG 607A	AUX VALVE & FILTER SUB	333
FIG 607B	LEVER SUB, AUX	335
FIG 608	HITCH & 3-POINT LINK	337
FIG 609	LOWER LINK & LIFT ROD	339
FIG 610	HYDRAULIC PIPE & HOSES	341
FIG 611	JOYSTICK	343

## 7. Sheet Metal & Cabin PART NO. T7

FIG 701	FRONT FRAME SUB	346
FIG 702	FRAME , HOOD	348
FIG 703	HOOD	350

FIG 704	STEP & BOOTS	353
FIG 705	FRONT & REAR MOUNTING	355
FIG 706	SEAT & MAT	357
FIG 708	DOOR-LH	359
FIG 709	DOOR-RH	361
FIG 710	FRAME COMP & FRONT GLASS	363
FIG 711	SIDE GLASS	365
FIG 712	REAR GLASS	367
FIG 713	SUB FENDER & COVER	369
FIG 714	REARVIEW MIRRORS	371
FIG 715	HEATER & AIR-CON (1)	373
FIG 716	HEATER & AIR-CON (2)	375
FIG 717	ROOF	377
FIG 718	CABIN INTERIOR	379
FIG 719	DASHCOVER	381
FIG 720	TANK ASSY , WASH	383
FIG 721	COVER ASSY	385
FIG 722	COVER-FENDER & JOYSTICK LEVER	387

## 8. Electrical System PART NO. T8

FIG 801	BATTERY & MOUNTING	390
FIG 802	ELECTRIC SYSTEM (1)	392
FIG 803	ELECTRIC SYSTEM (2)	394
FIG 804	ELECTRIC SYSTEM (3)	396
FIG 805	ELECTRIC SYSTEM (4)	398
FIG 806	ELECTRIC SYSTEM (5)	400
FIG 807	ELECTRIC SYSTEM (6)	402

## 9. Label/Option PART NO. T9

FIG 901	TOOL & ACCESSORY	405
FIG 903A	LABEL	407
FIG 903B	LABEL	409

## 1. Engine PART NO. EG

FIG 000	ENGINE	11
FIG 101	DIPSTICK	13
FIG 102	BLANKING PARTS	15
FIG 103	BREATHER LINE	17
FIG 104	BREATHER LINE	19
FIG 105	REAR END COVER	21
FIG 106	ENGINE BLOCK	23
FIG 107	BLANKING PARTS	25
FIG 108	OIL FILLER TUBE	27
FIG 109	OIL PAN	29
FIG 110	V-RIB.BELT PULLEY	31
FIG 111	V-RIB.BELT PULLEY	33
FIG 112	CRANKSHAFT	35
FIG 113	DYNAMIC BALANCER	37
FIG 114	CONNECTING ROD	39
FIG 115	PISTON	41
FIG 116	FASTENINGS	43
FIG 117	HEAT PROT. SHIELD	45
FIG 118	CYLINDER HEAD	47
FIG 119	VALVE MECHAN.COVER	49
FIG 120	IDLER GEAR	51
FIG 121	FASTENINGS	53
FIG 122	GEARCASE	55
FIG 123	CAMSHAFT	57
FIG 124	VALVE DRIVE	59
FIG 125	OIL COOLER ASSY	61
FIG 126	BRACKET	63
FIG 127	OIL RETURN LINE	65
FIG 128	LUBRICAT. OIL LINE	67
FIG 129	BRACKET	69
FIG 130	OIL SUCTION LINE	71
FIG 131	FUEL INJECT. PUMP	73
FIG 132	FUEL INJECTOR	75
FIG 133	FUEL PREFILTER	77
FIG 134	FUEL SUPPLY PUMP	79
FIG 135	BRACKET	81
FIG 136	FUEL FILTER	83
FIG 137	QUICK-CLUTCH/COUP.	85

FIG 138	FUEL LINE	87
FIG 139	RAIL	89
FIG 140	FUEL LINE	91
FIG 141	SENSOR	93
FIG 142	CHARGE AIR PIPE	95
FIG 143	FASTENINGS	97
FIG 144	THROTTLE VALVE	99
FIG 145	CONTROL UNIT	101
FIG 146	V-RIB.BELT PULLEY	103
FIG 147	V-GROOVED PULLEY	105
FIG 148	COOLANT PUMP	107
FIG 149	COOLING WATER LINE	109
FIG 150	FASTENINGS	111
FIG 151	HOSE	113
FIG 152	HOUSING	115
FIG 153	EGR COOLER	117
FIG 154	SCREW PLUG	119
FIG 155	HEAT PROT. SHIELD	121
FIG 156	EXHAUST MANIFOLD	123
FIG 157	EXHAUST GAS BEND	125
FIG 158	EXHAUST PIPE	127
FIG 159	PRESSURESENSOR MTG	129
FIG 160	COOLING WATER LINE	131
FIG 161	GASKET	133
FIG 162	TURBOCHARGER	135
FIG 163	FASTENINGS	137
FIG 164	STARTER	139
FIG 165	BELT TENSIONER	141
FIG 166	GENERATOR	143
FIG 167	ATTACHMENT PLUG	145
FIG 168	LEVEL SWITCH	147
FIG 169	ELECTRIC LINE	149
FIG 170	RELAY	151
FIG 171	FASTENINGS	153
FIG 172	FASTENINGS	155
FIG 173	RELAY	157
FIG 174	CONNECTING PIPE	159
FIG 175	FASTENINGS	161

FIG 176	RELAY	163
FIG 177	ELECTRIC LINE	165
FIG 178	FASTENINGS	167
FIG 179	CONNECTING PIPE	169
FIG 180	SPEED SENSOR	171
FIG 181	CONNECTING PIPE	173
FIG 182	PRESSURE PICK-UP	175
FIG 183	GLOW PLUG	177
FIG 184	WATER HOSE	179
FIG 185	SOLENOID VALVE	181
FIG 186	PIPE/LINE/LEAD	183
FIG 187	TANK/RESERVOIR	185
FIG 188	SUPPLY PUMP	187
FIG 189	PLUG	189
FIG 190	MOUNT	191
FIG 192	PARTICULATE FILTER	193
FIG 193	BLANKING PARTS	195
FIG 194	BRACKET	197
FIG 195	EXHAUST PIPE	199
FIG 196	PRESSURESENSOR MTG	201
FIG 198	COVER	203
FIG 199	GASKET SET	205
FIG 200	TERMINAL DIAGRAM	207



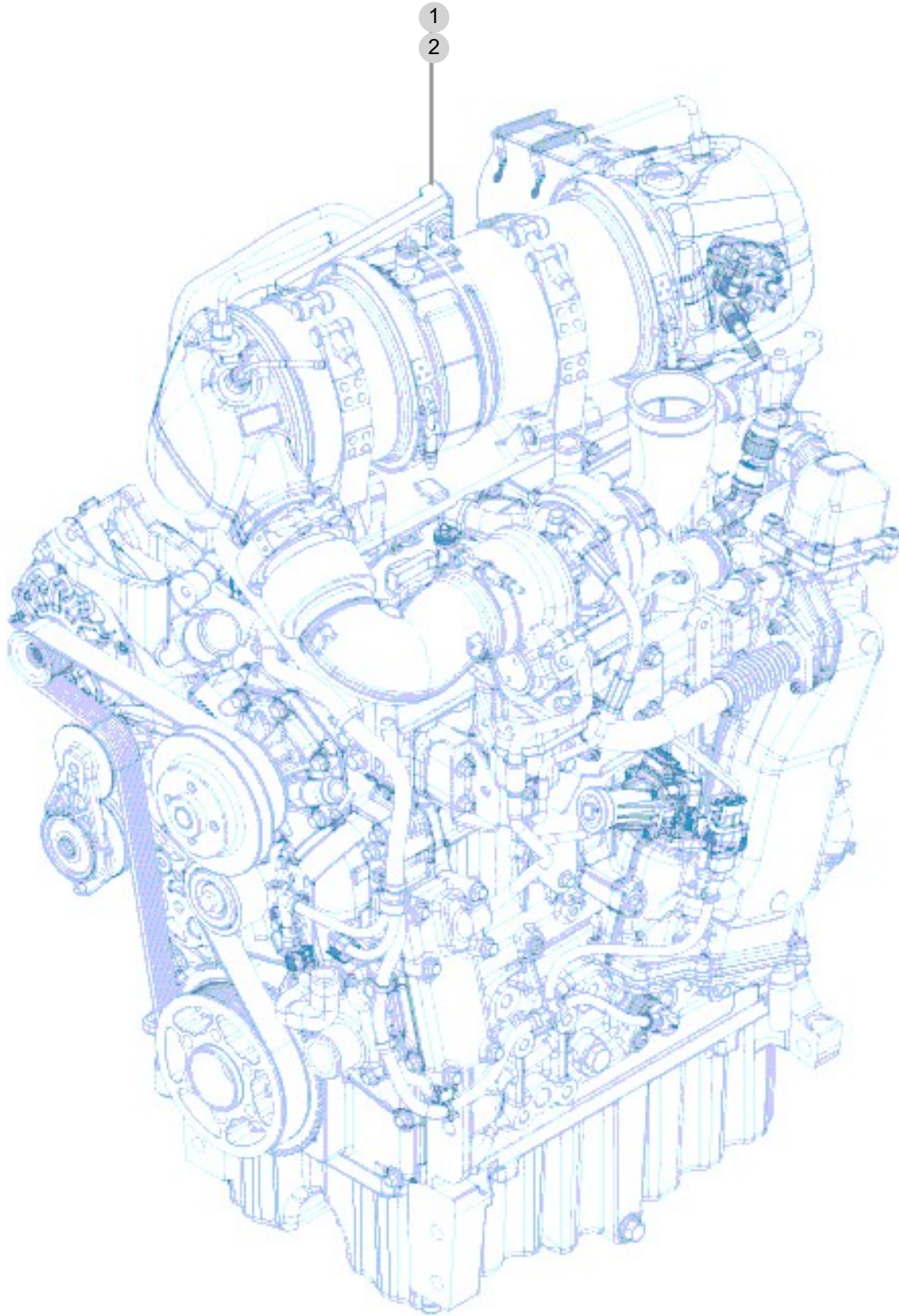
FIG 000

ENGINE

년/월  
Year/Month

T130SPUS1

2024-03



NOTE



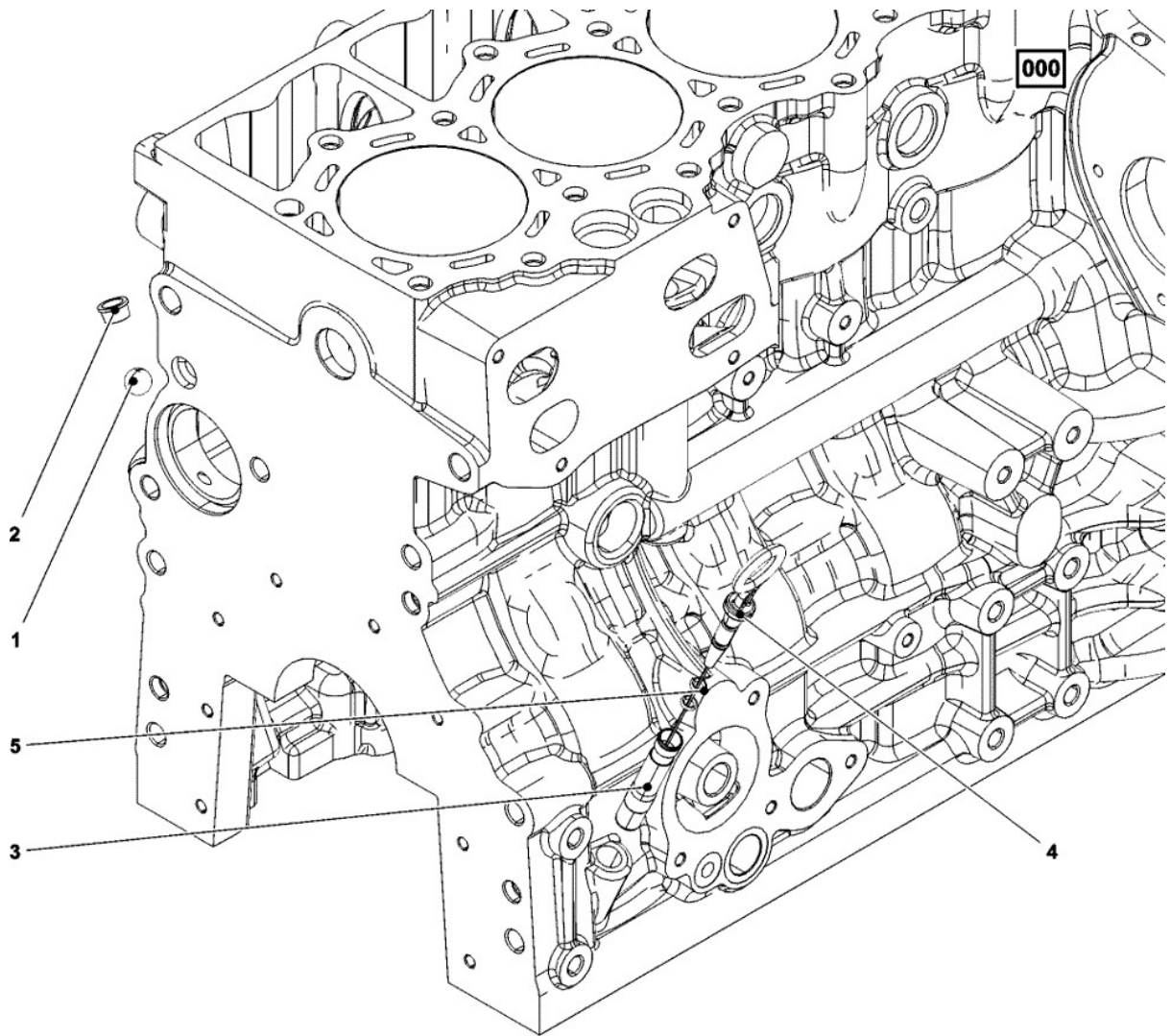
FIG 101

DIPSTICK

년/월  
Year/Month

2024-03

T130SPUS1



NOTE



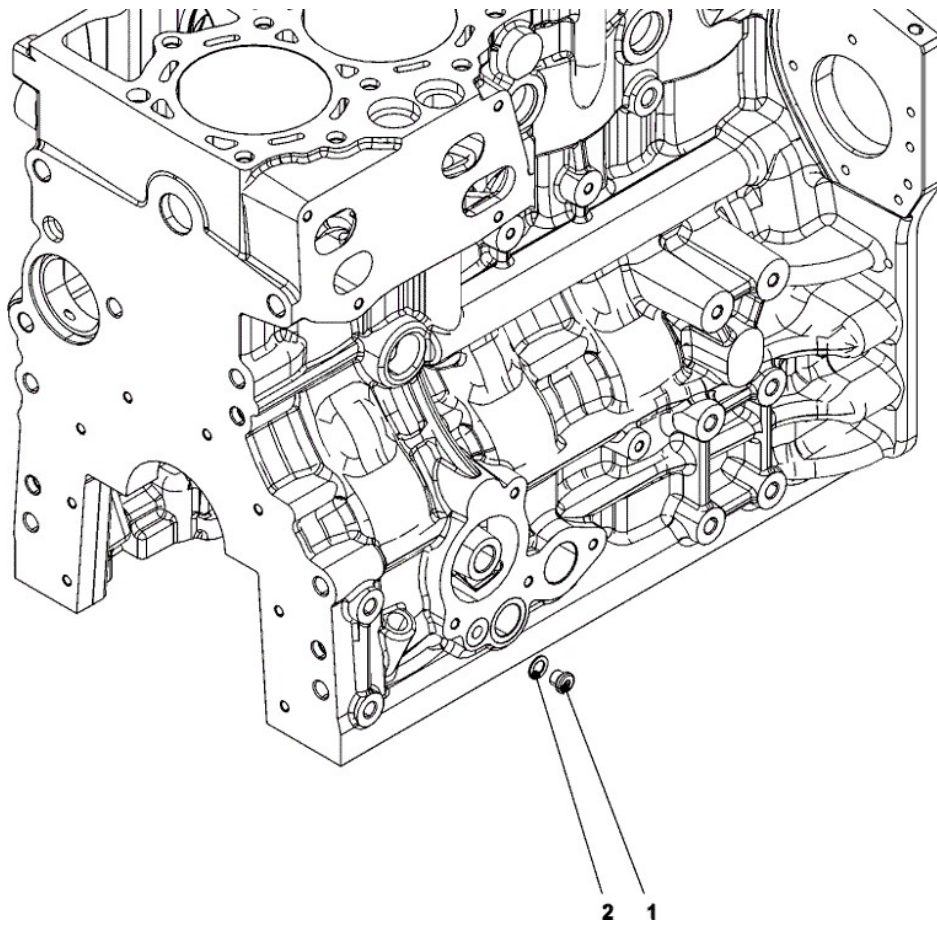
FIG 102

BLANKING PARTS

년/월  
Year/Month

2024-03

T130SPUS1



000

NOTE



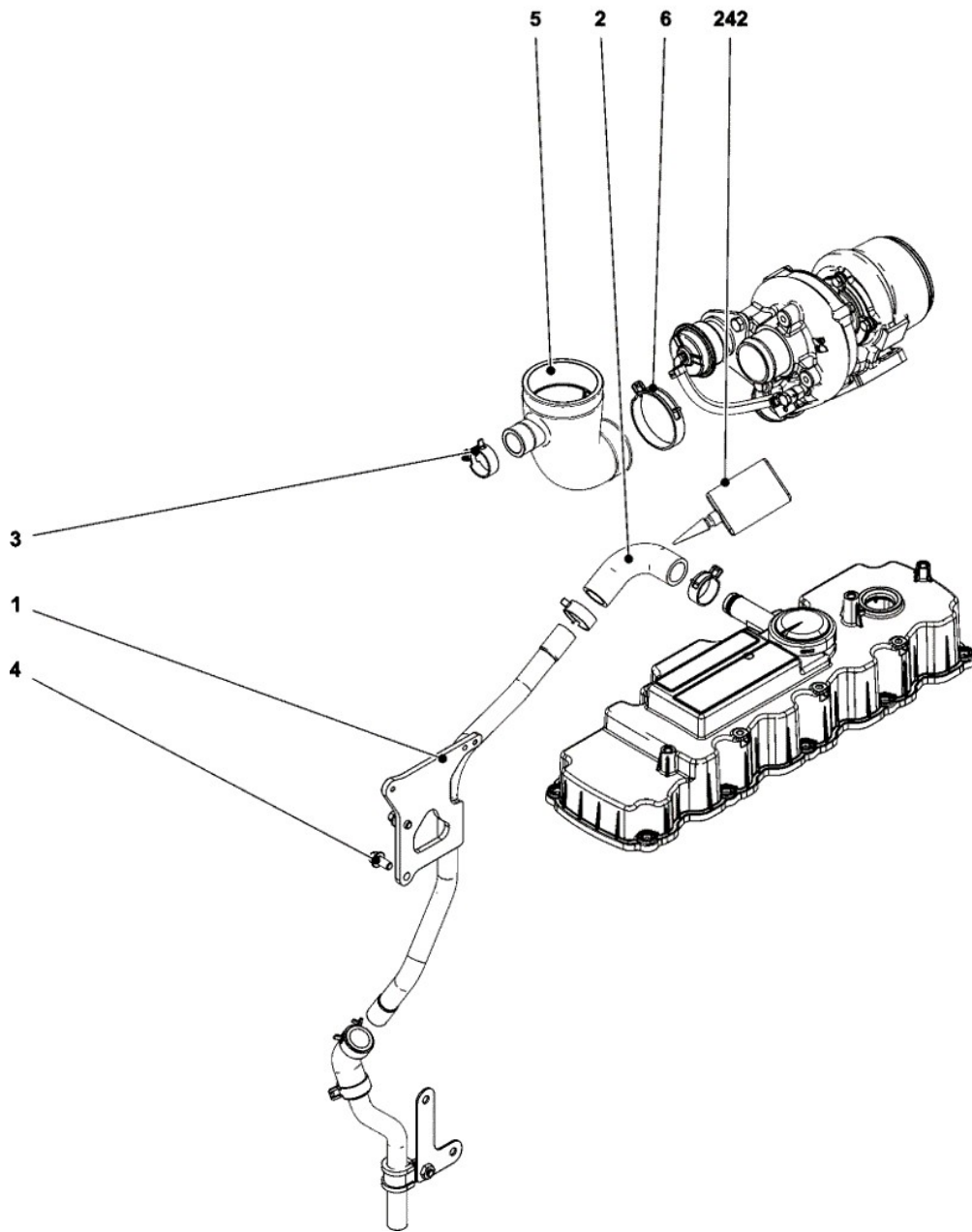
FIG 103

BREATHER LINE

년/월  
Year/Month

2024-03

T130SPUS1



000

NOTE





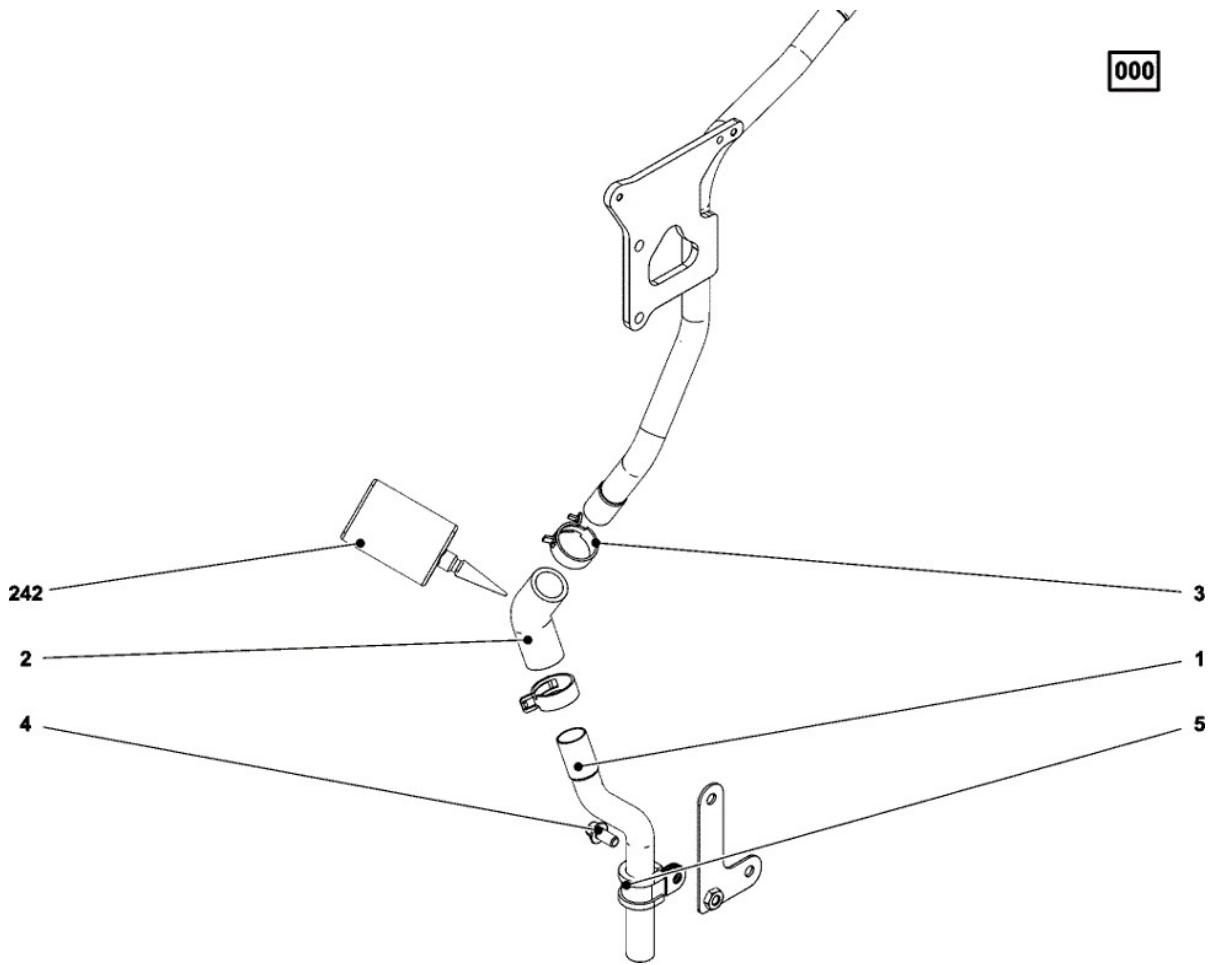
FIG 104

T130SPUS1

BREATHER LINE

년/월  
Year/Month

2024-03



NOTE



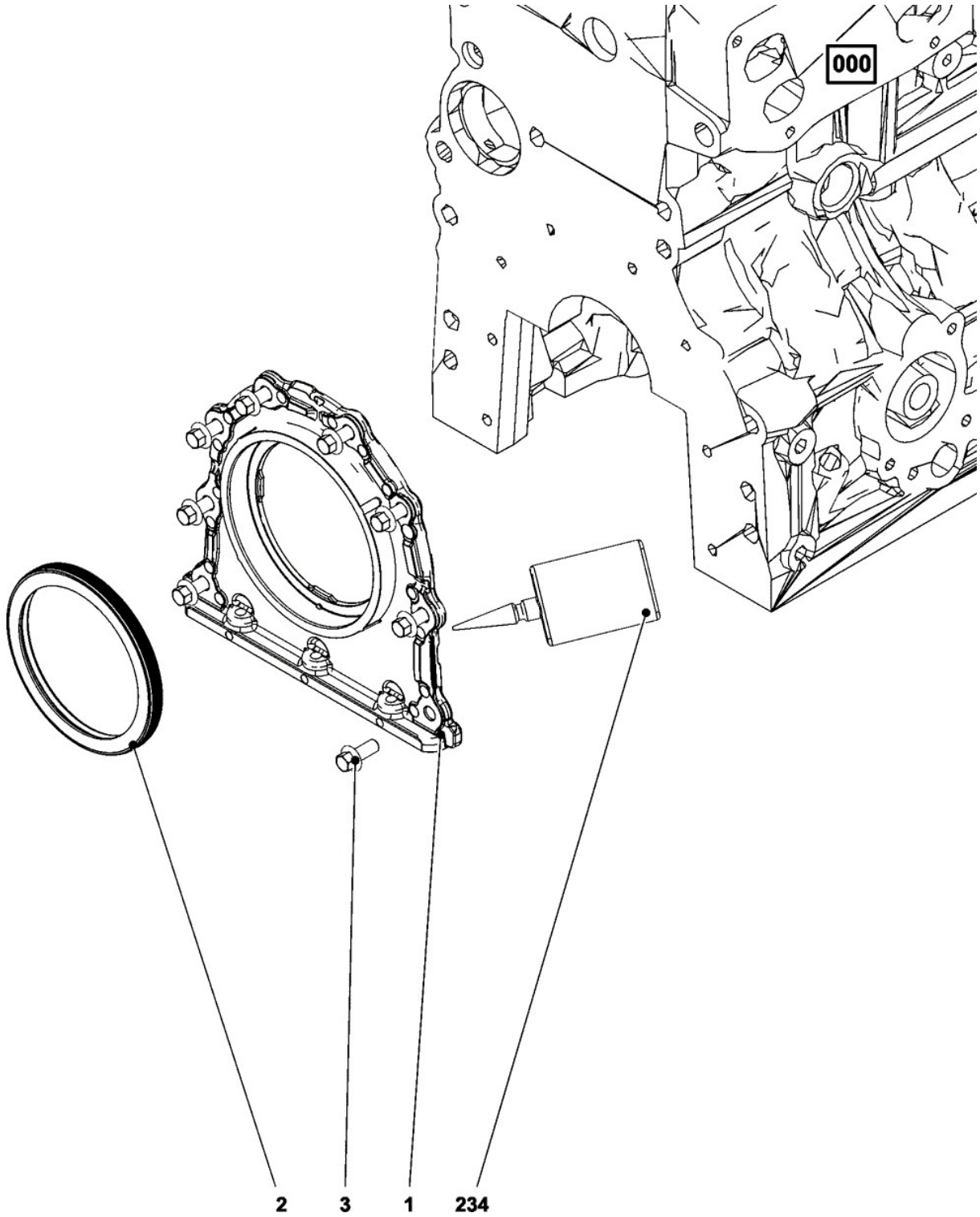
FIG 105

REAR END COVER

년/월  
Year/Month

2024-03

T130SPUS1



NOTE



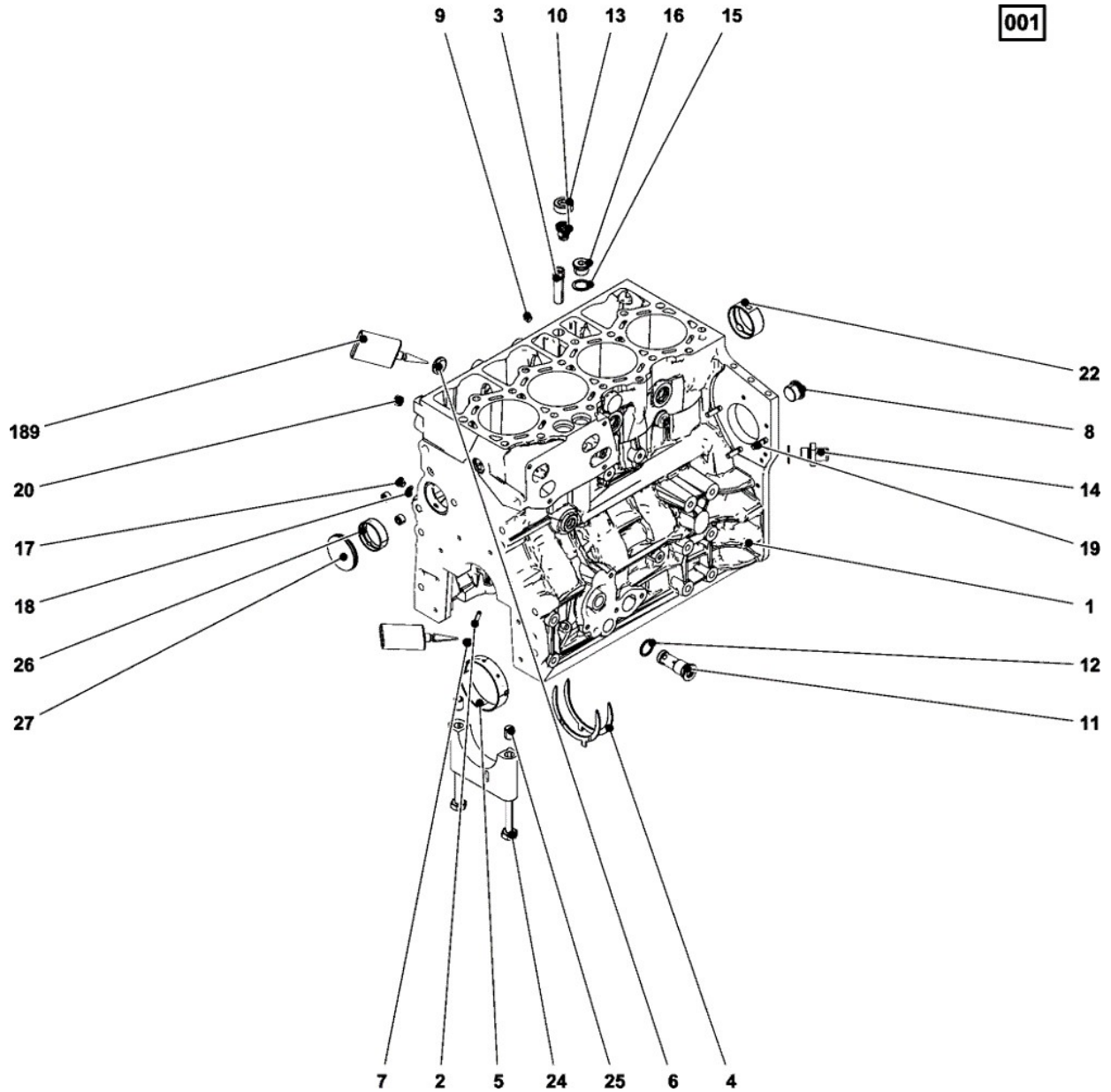
FIG 106

T130SPUS1

ENGINE BLOCK

년/월  
Year/Month

2024-03



NOTE



FIG 107

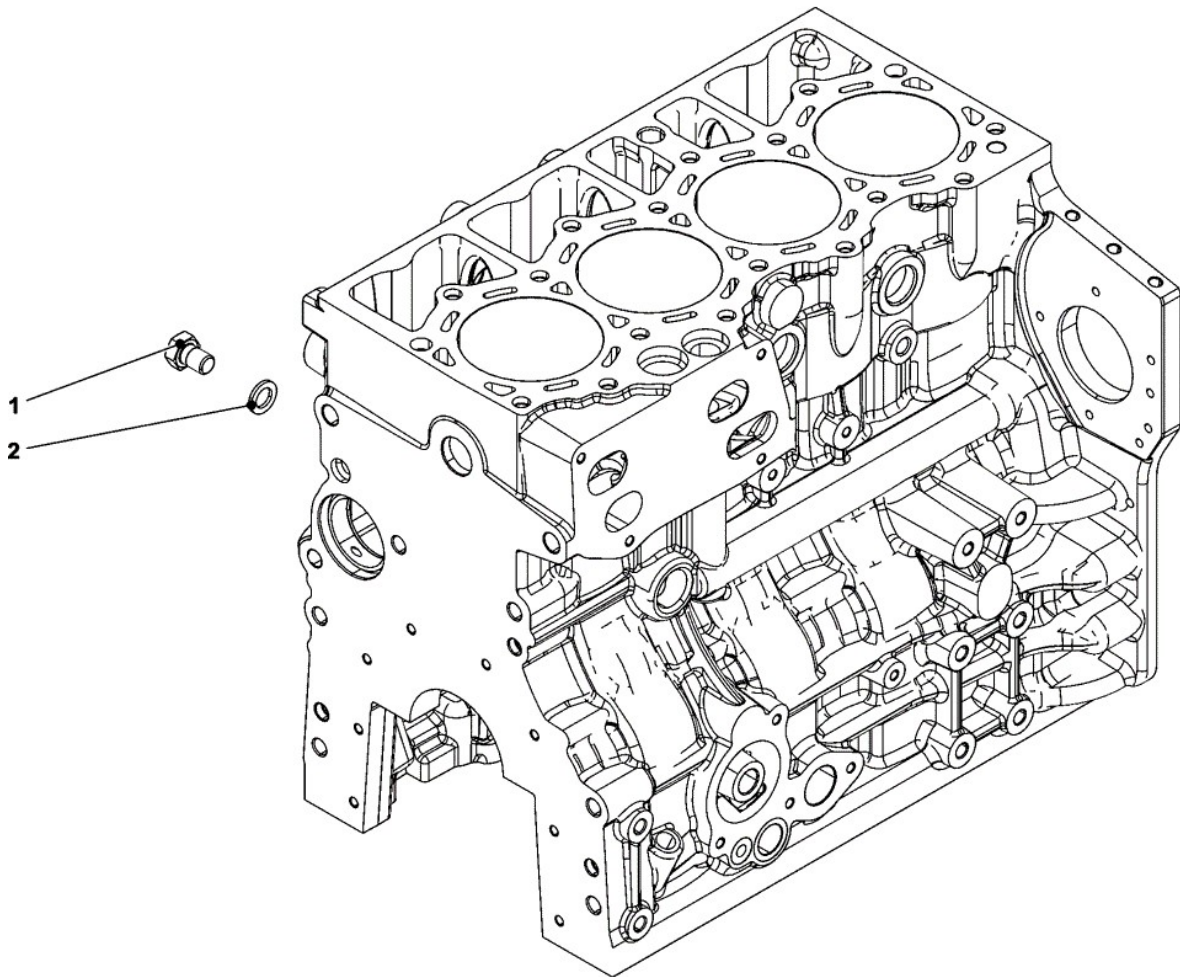
BLANKING PARTS

년/월  
Year/Month

2024-03

T130SPUS1

000



NOTE





FIG 108

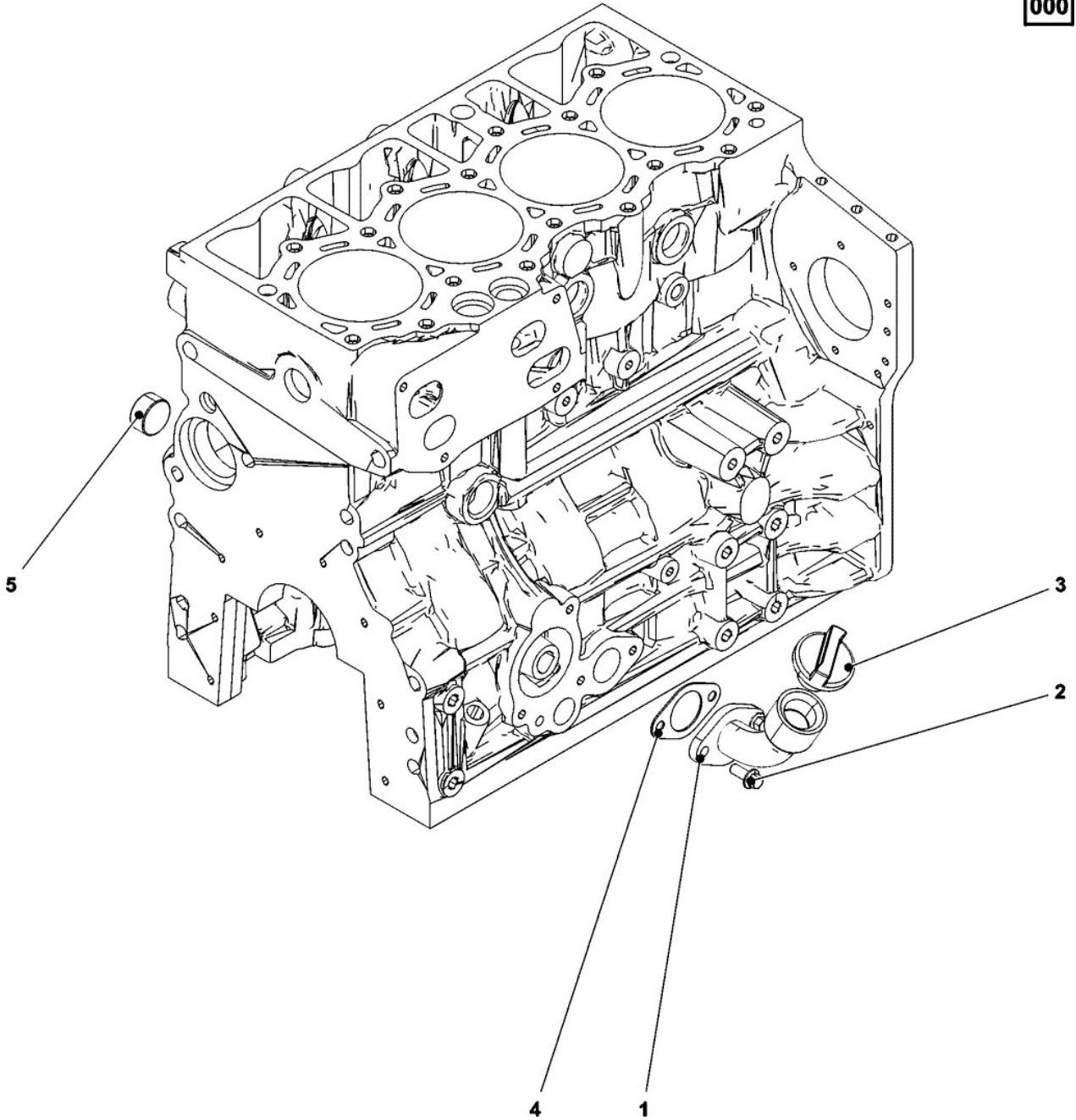
OIL FILLER TUBE

년/월  
Year/Month

2024-03

T130SPUS1

000



NOTE



FIG 109

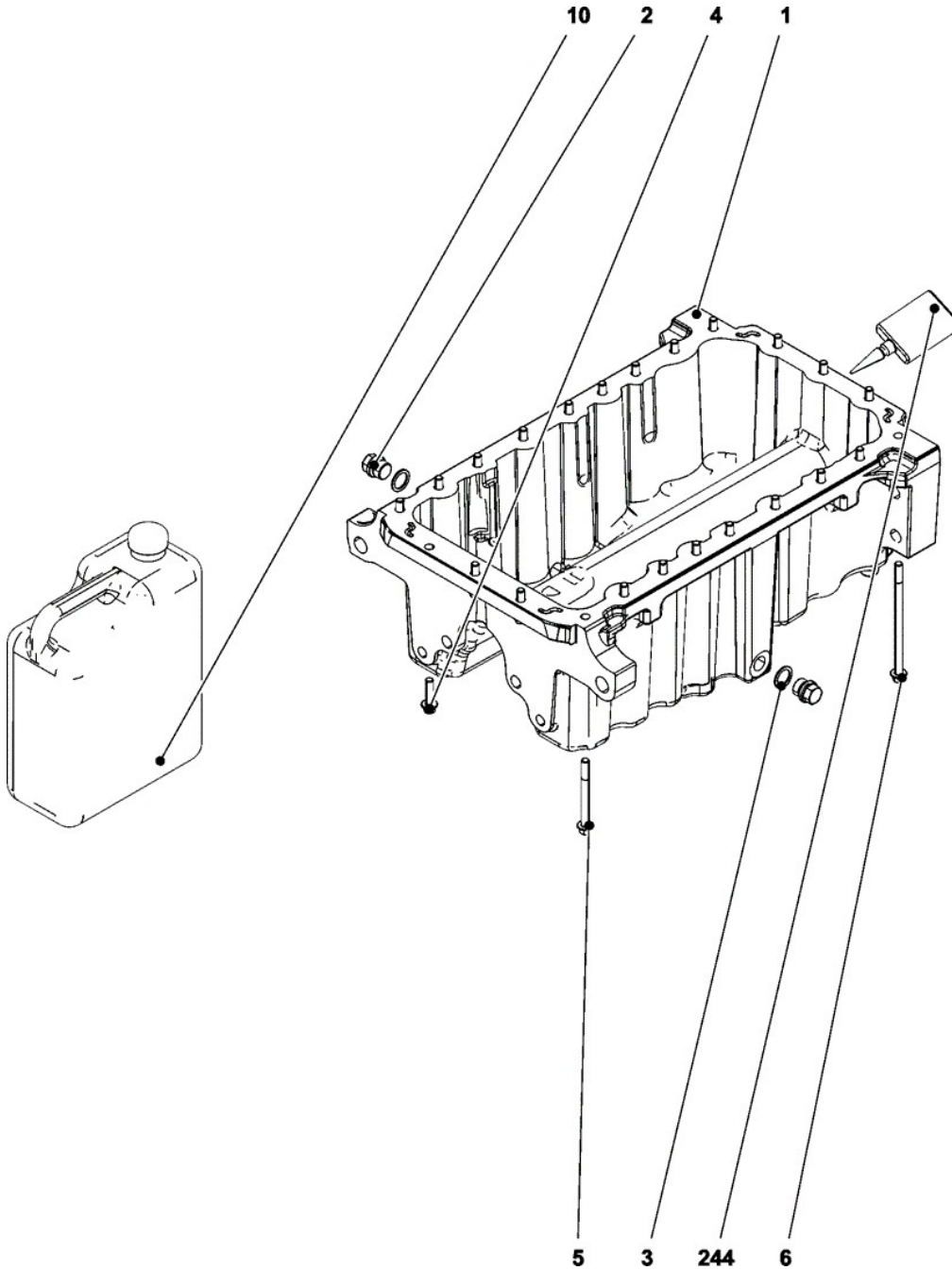
T130SPUS1

OIL PAN

년/월  
Year/Month

2024-03

002



NOTE



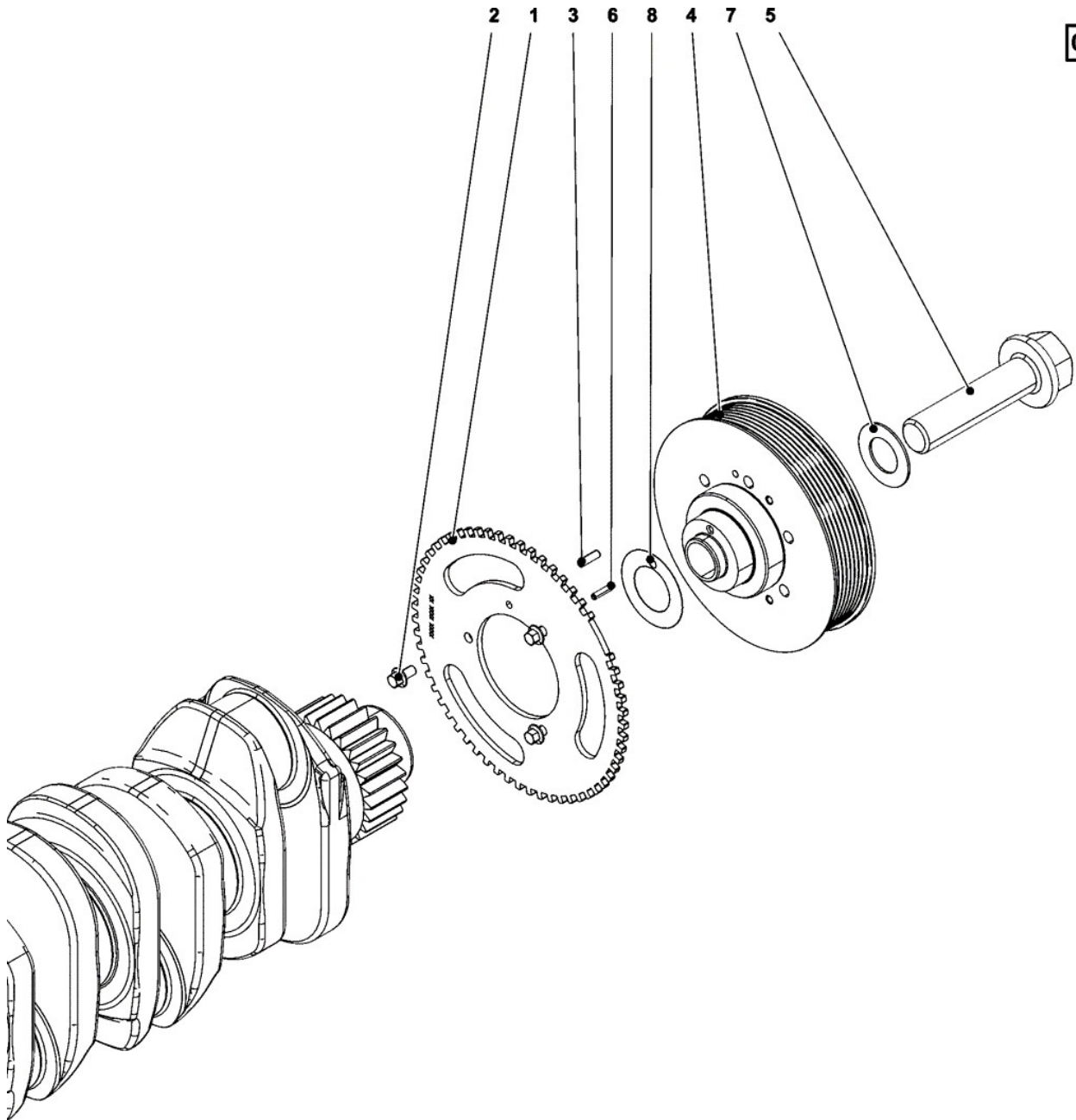
FIG 110

V-RIB.BELT PULLEY

년/월  
Year/Month

2024-03

T130SPUS1



NOTE



FIG 111

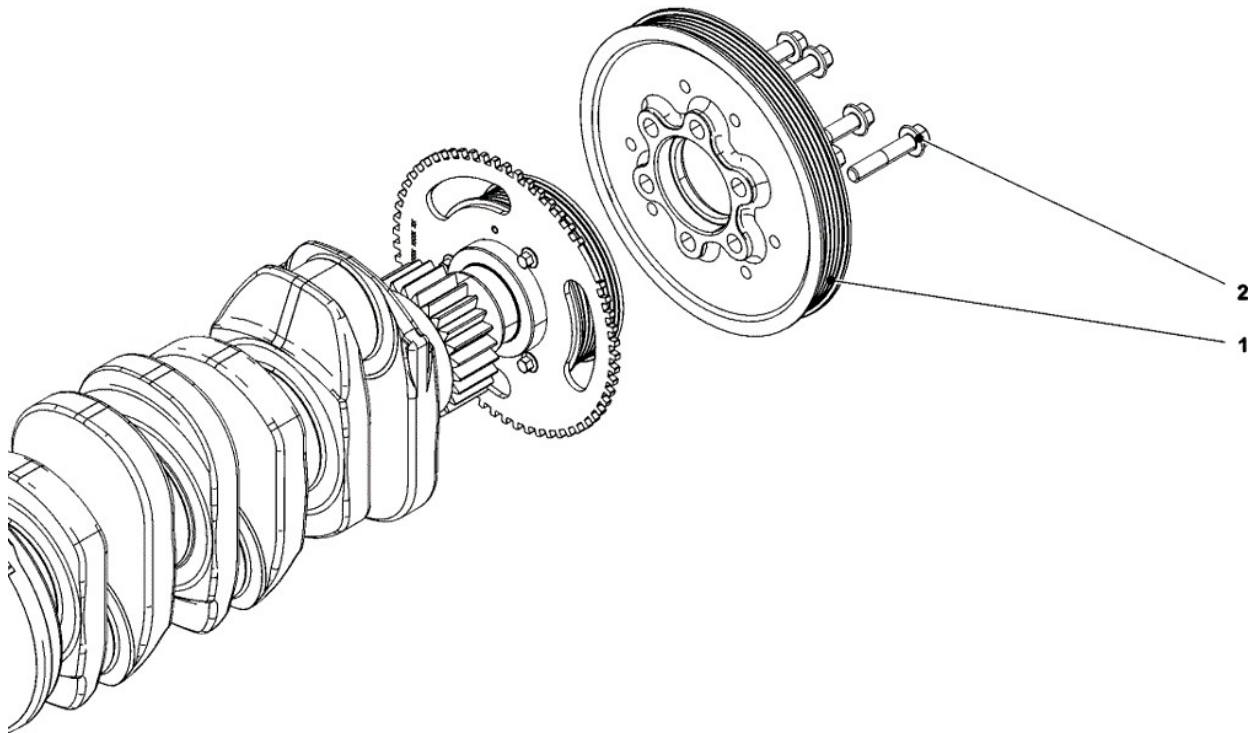
V-RIB.BELT PULLEY

년/월  
Year/Month

2024-03

T130SPUS1

000



NOTE





FIG 112

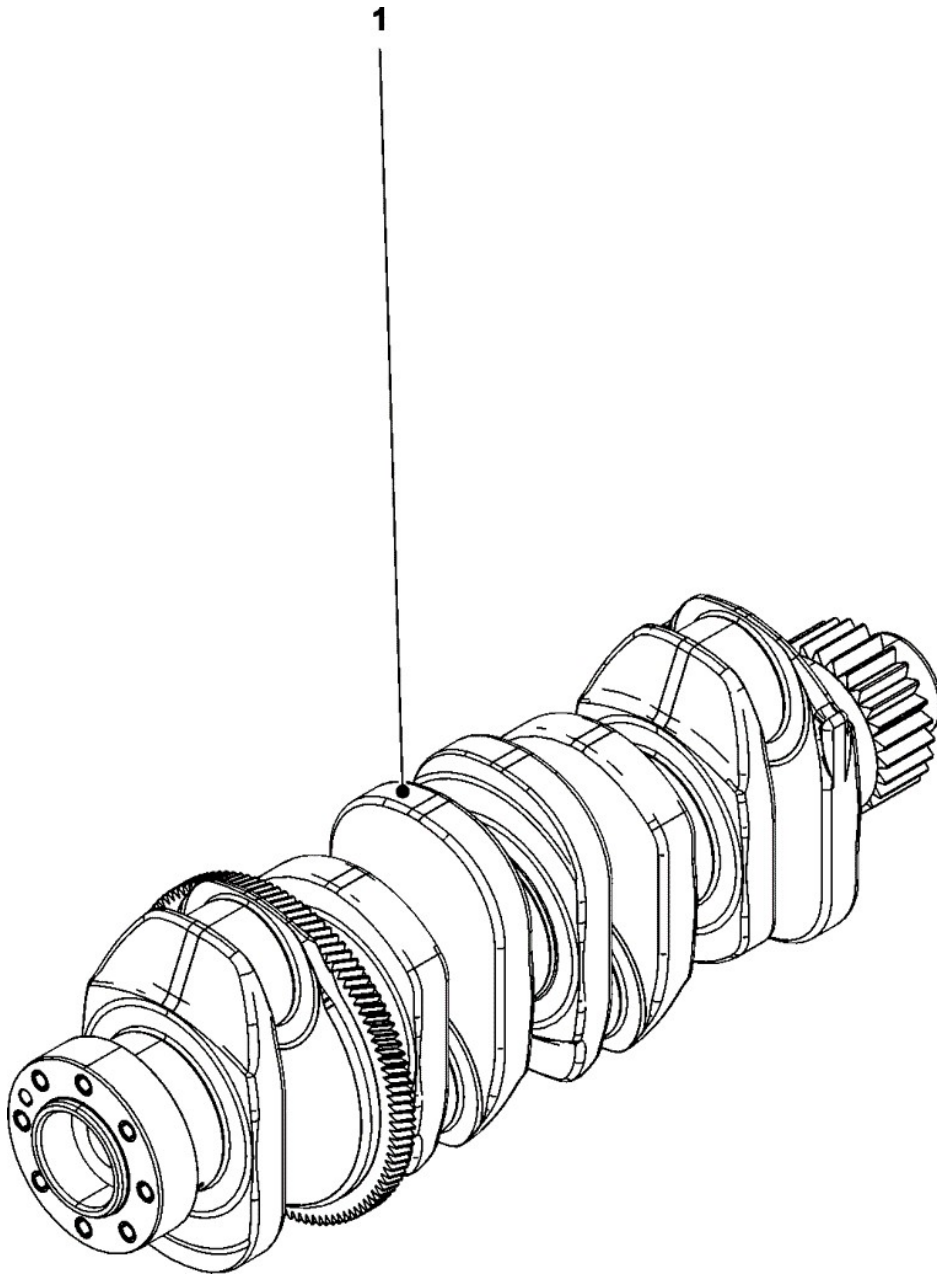
CRANKSHAFT

년/월  
Year/Month

2024-03

T130SPUS1

000



NOTE



FIG 113

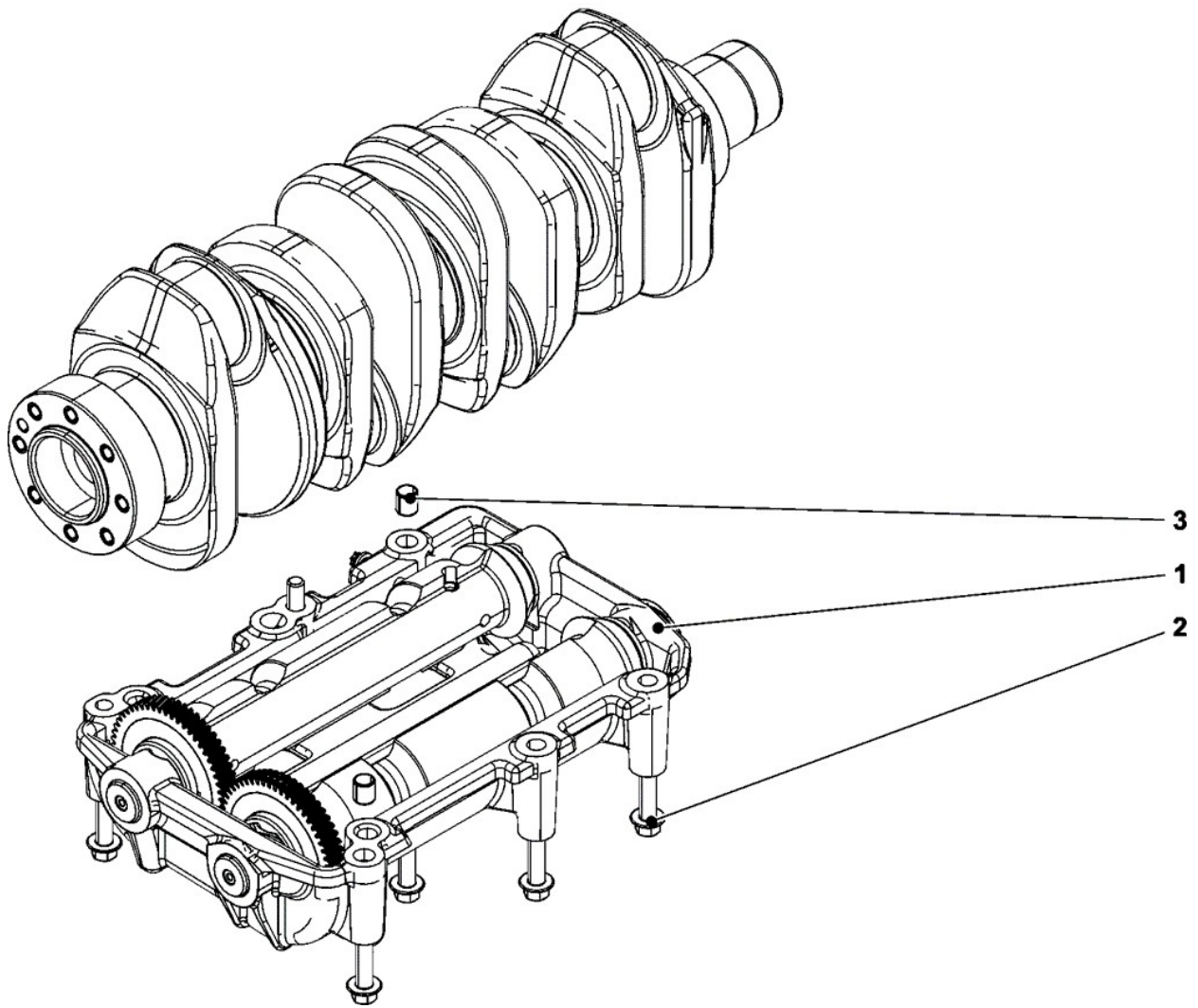
DYNAMIC BALANCER

년/월  
Year/Month

2024-03

T130SPUS1

000



NOTE



FIG 114

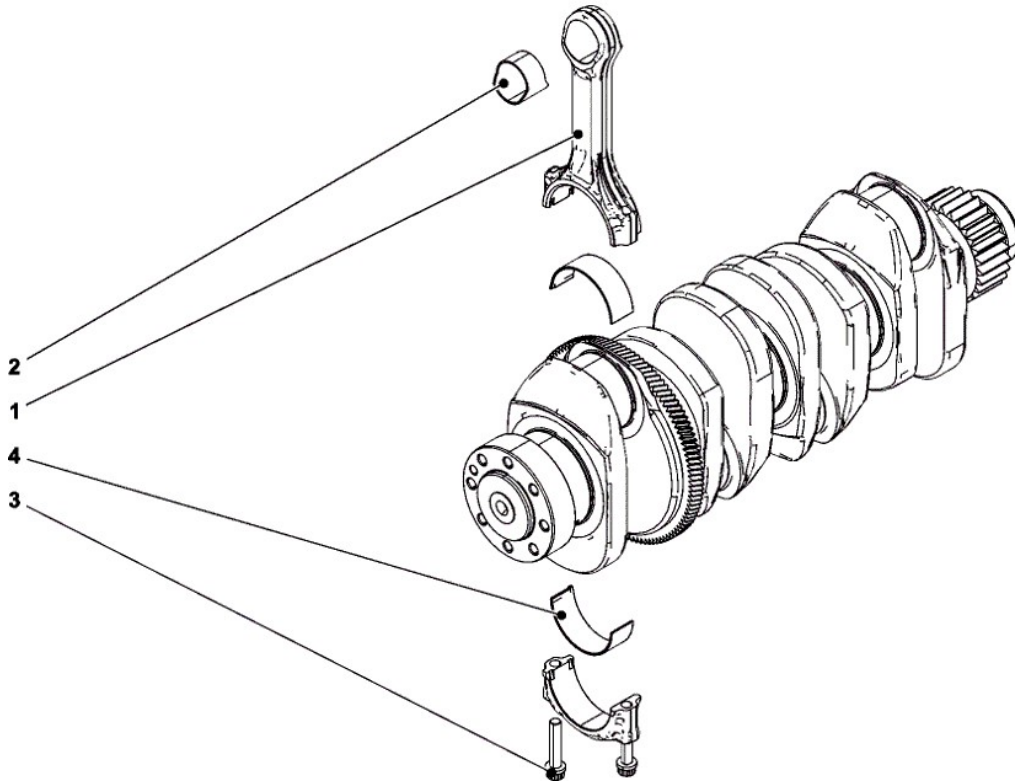
T130SPUS1

CONNECTING ROD

년/월  
Year/Month

2024-03

000



NOTE



FIG 115

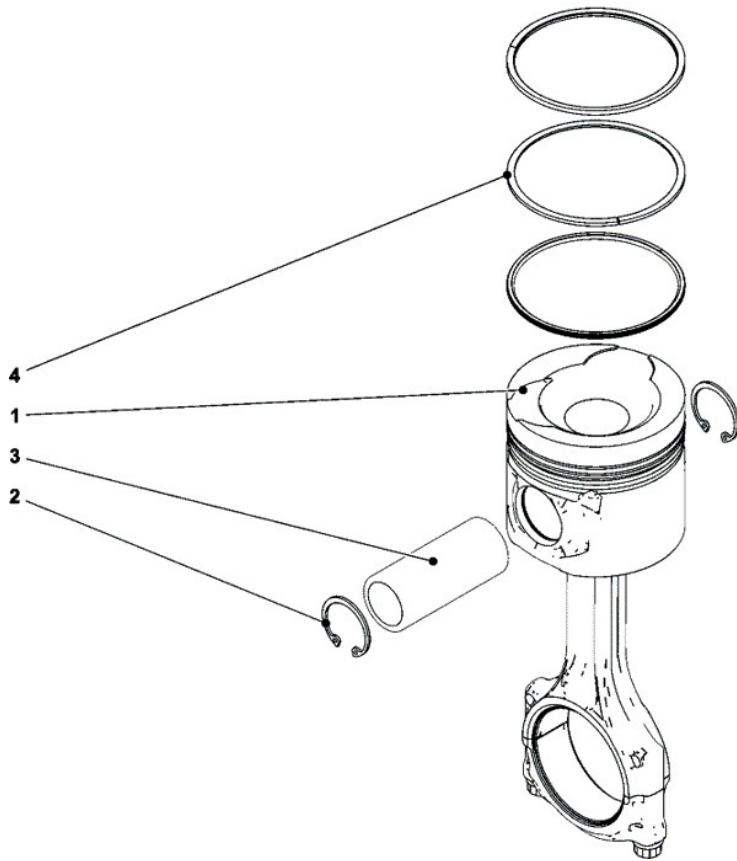
PISTON

년/월  
Year/Month

T130SPUS1

2024-03

000



NOTE





FIG 116

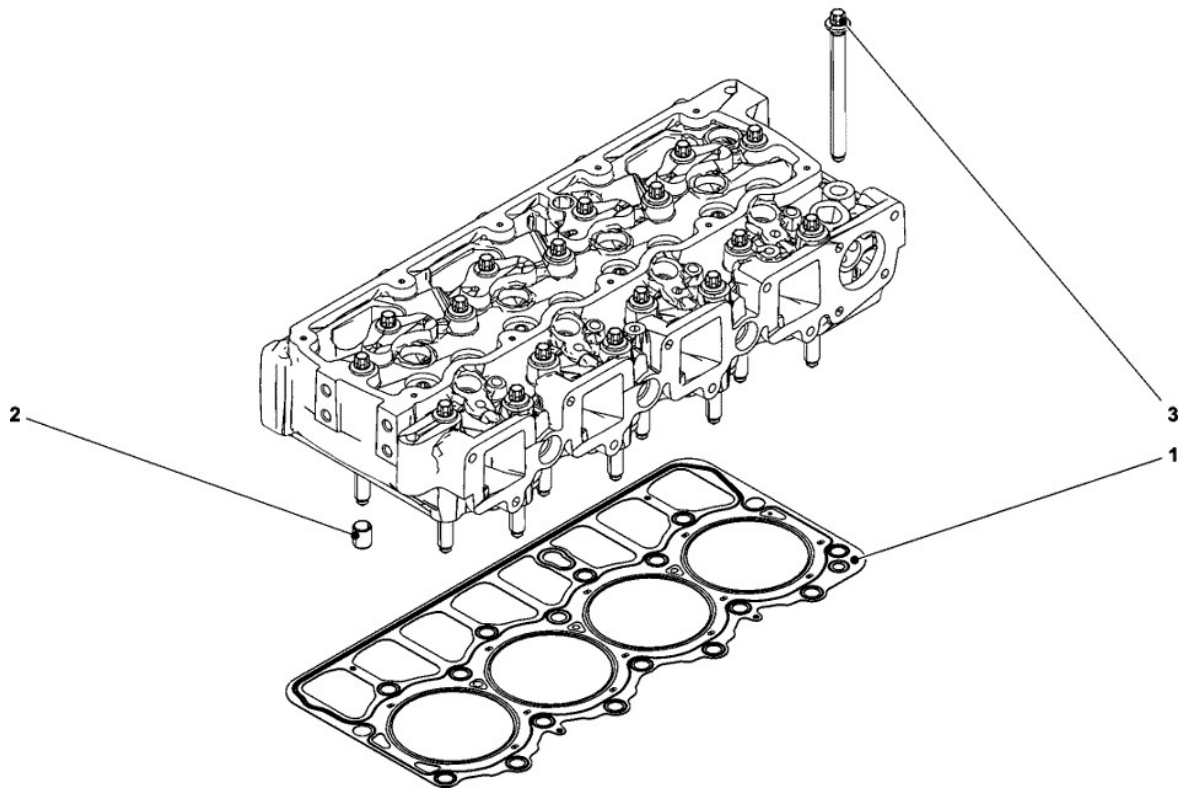
FASTENINGS

년/월  
Year/Month

T130SPUS1

2024-03

001



NOTE



FIG 117

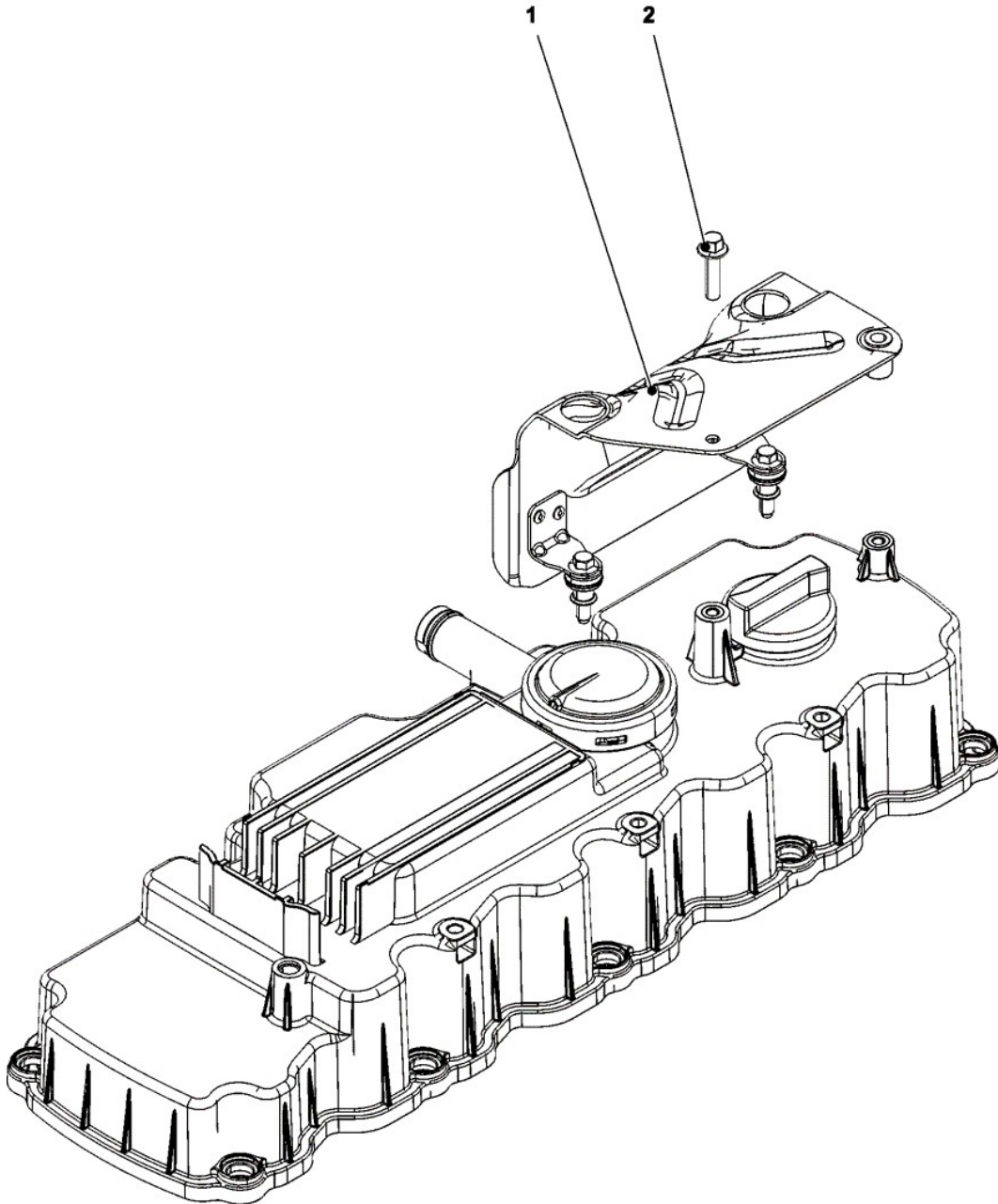
HEAT PROT. SHIELD

년/월  
Year/Month

2024-03

T130SPUS1

000



NOTE



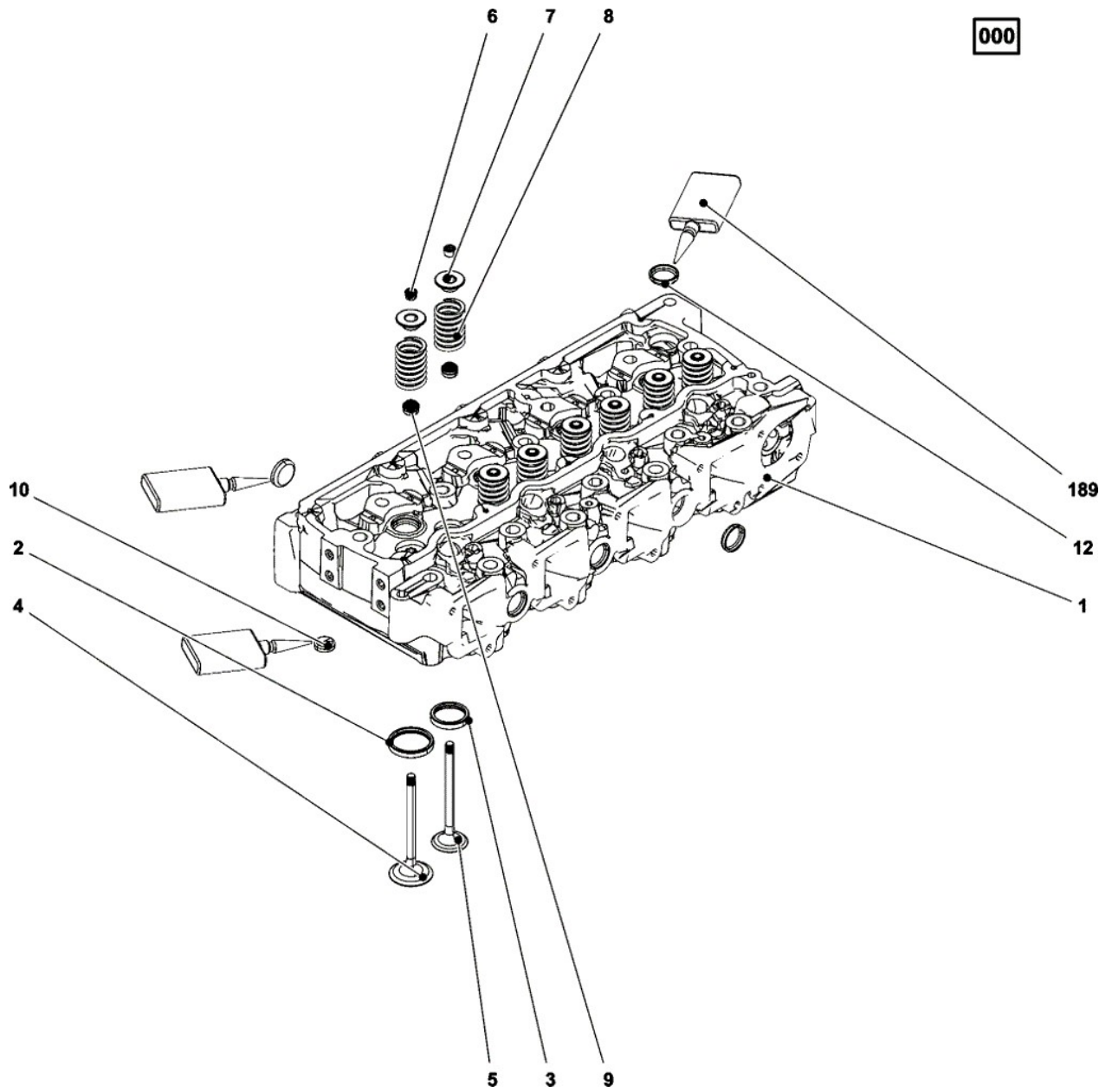
FIG 118

CYLINDER HEAD

년/월  
Year/Month

2024-03

T130SPUS1



NOTE



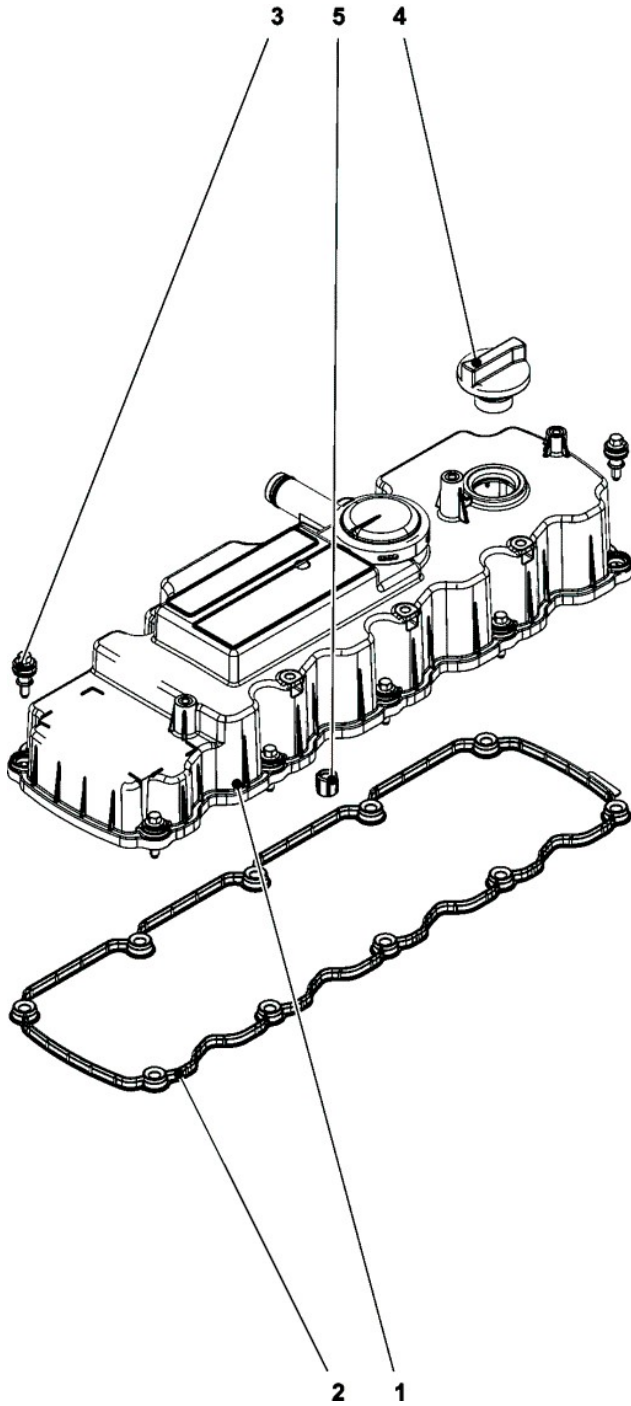
FIG 119

VALVE MECHAN.COVER

년/월  
Year/Month

2024-03

T130SPUS1



000

NOTE





FIG 120

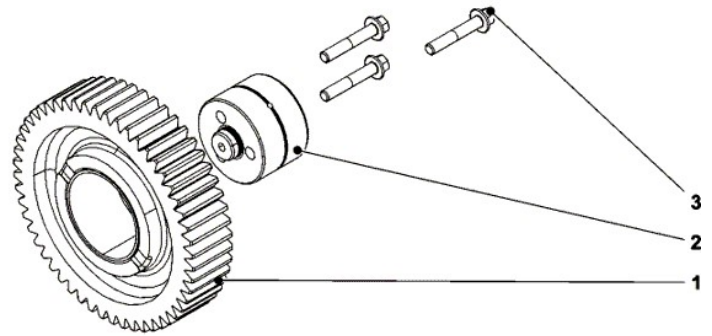
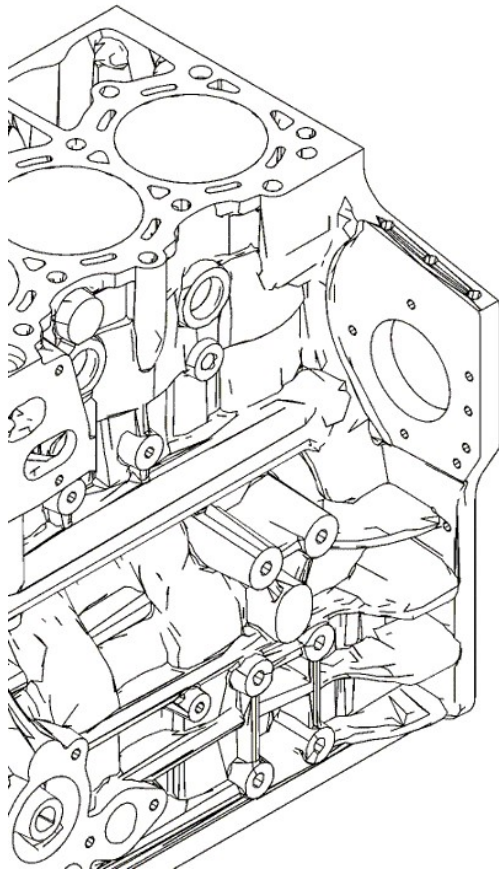
IDLER GEAR

년/월  
Year/Month

2024-03

T130SPUS1

001



NOTE



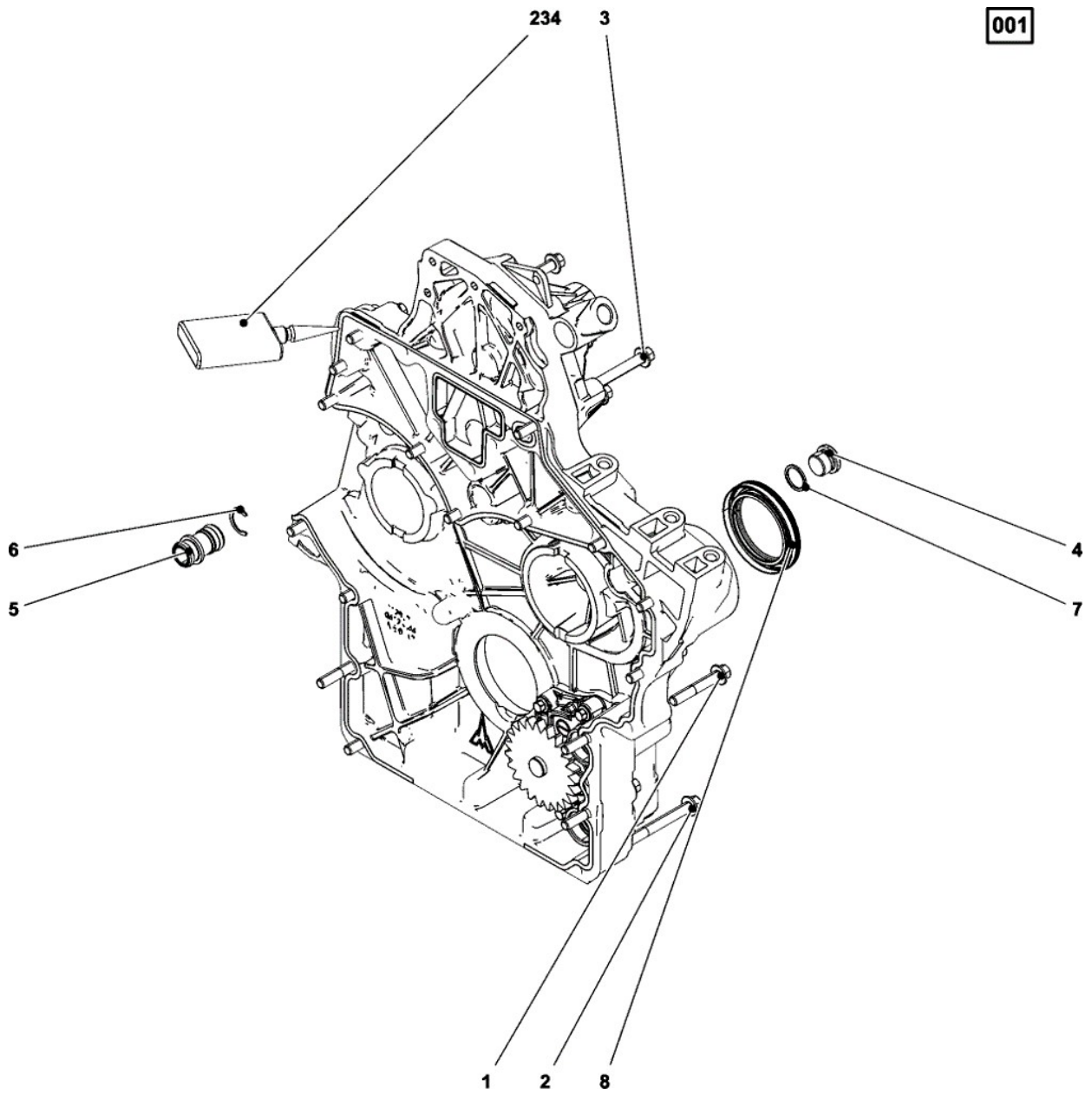
FIG 121

T130SPUS1

FASTENINGS

년/월  
Year/Month

2024-03



NOTE

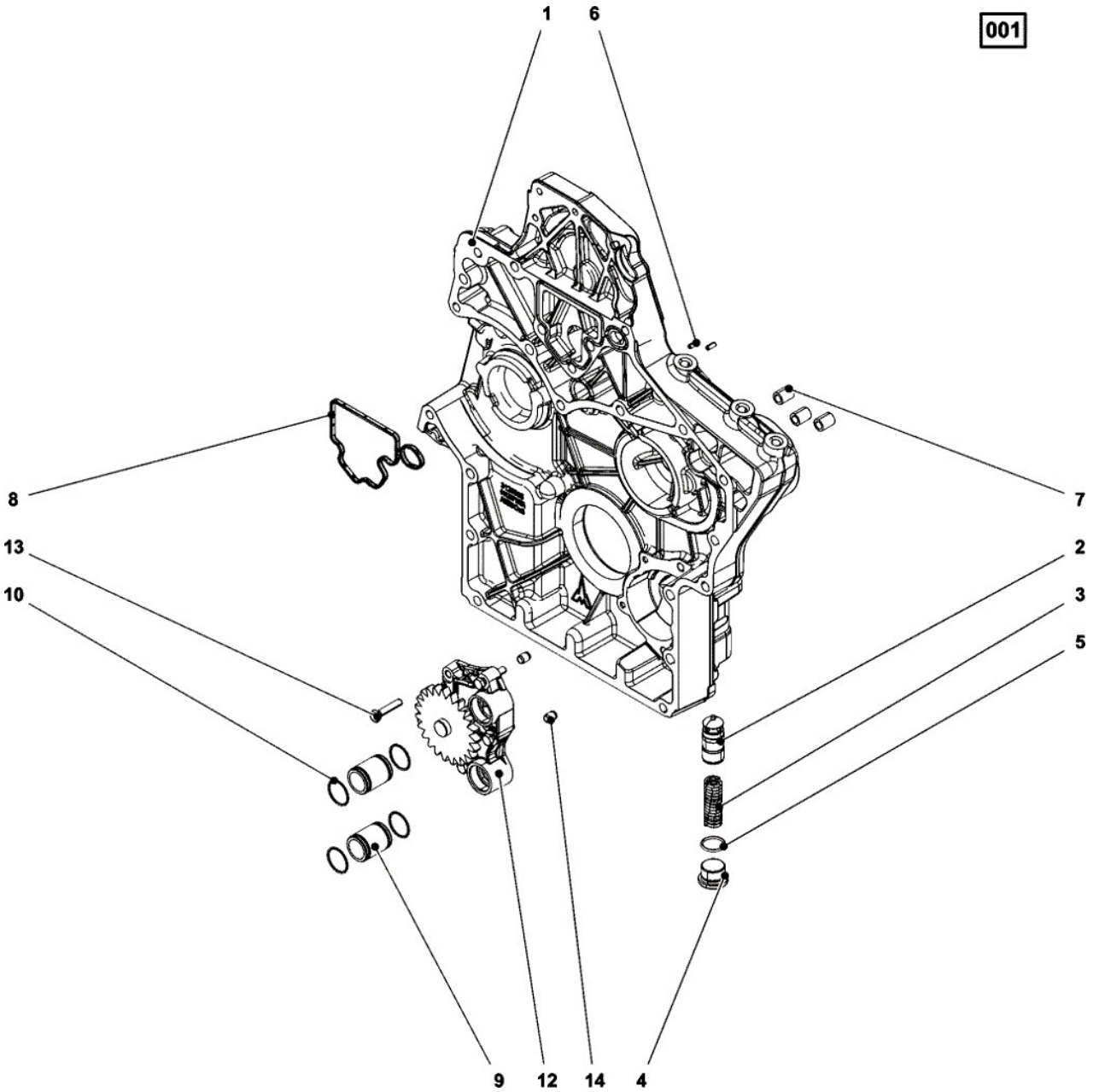


FIG 122

GEARCASE

년/월  
Year/Month

2024-03



NOTE



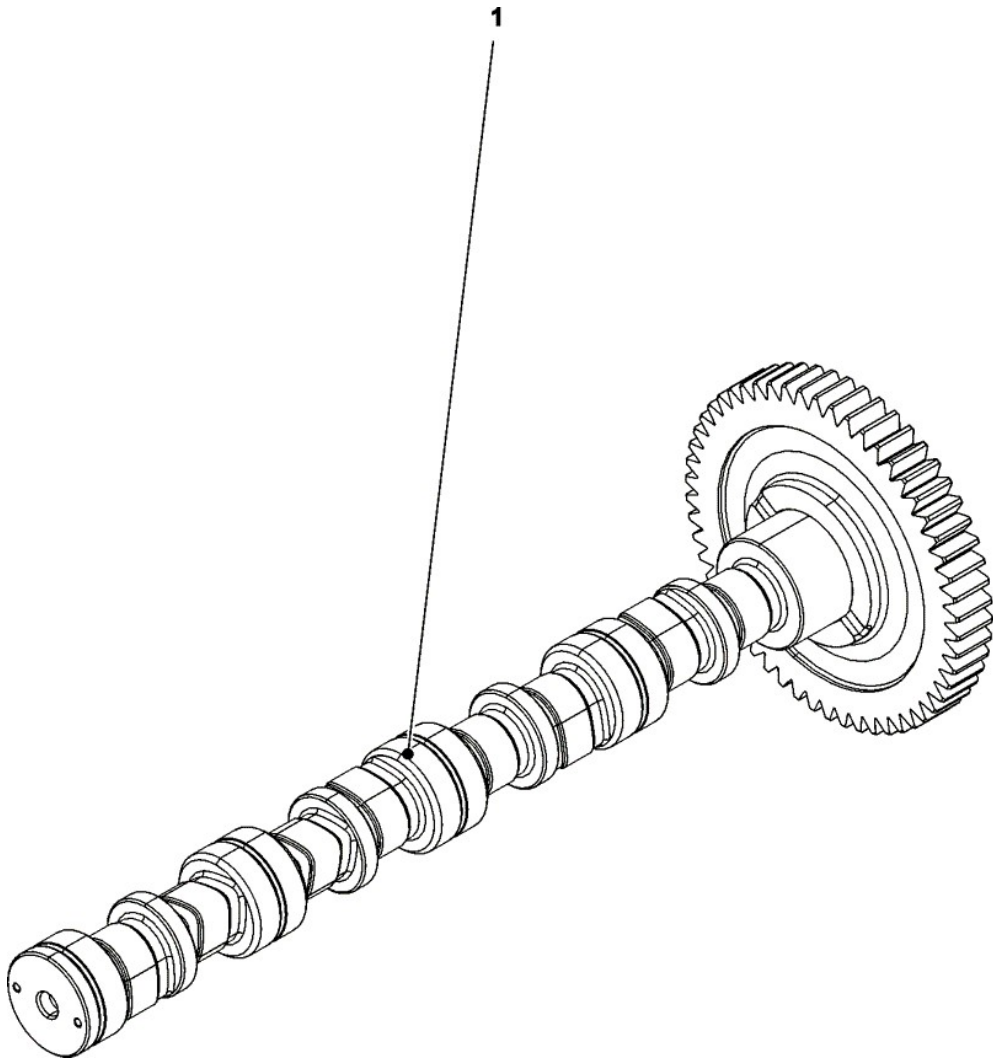
FIG 123

CAMSHAFT

년/월  
Year/Month

2024-03

T130SPUS1



000

NOTE





FIG 124

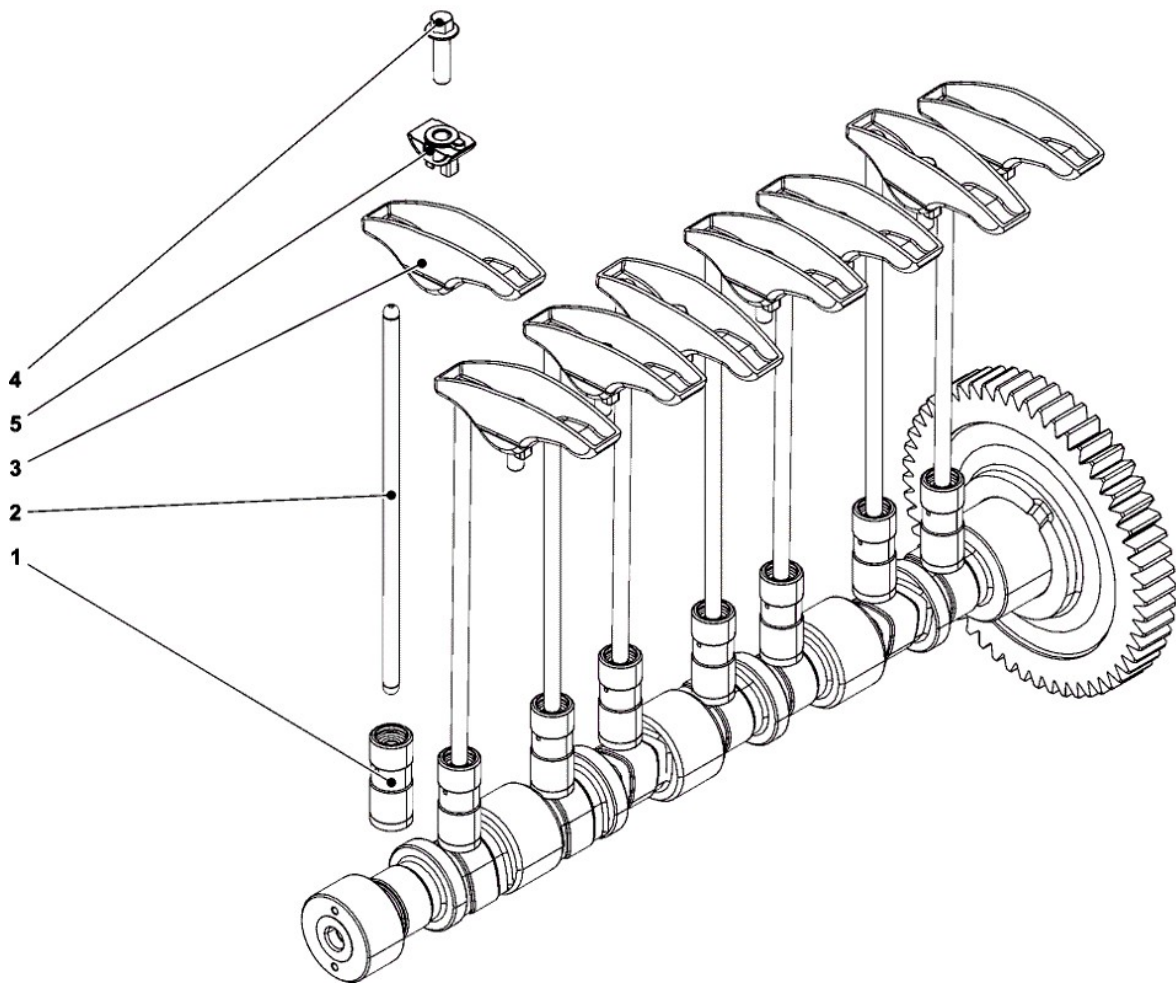
VALVE DRIVE

년/월  
Year/Month

2024-03

T130SPUS1

000



NOTE



FIG 125

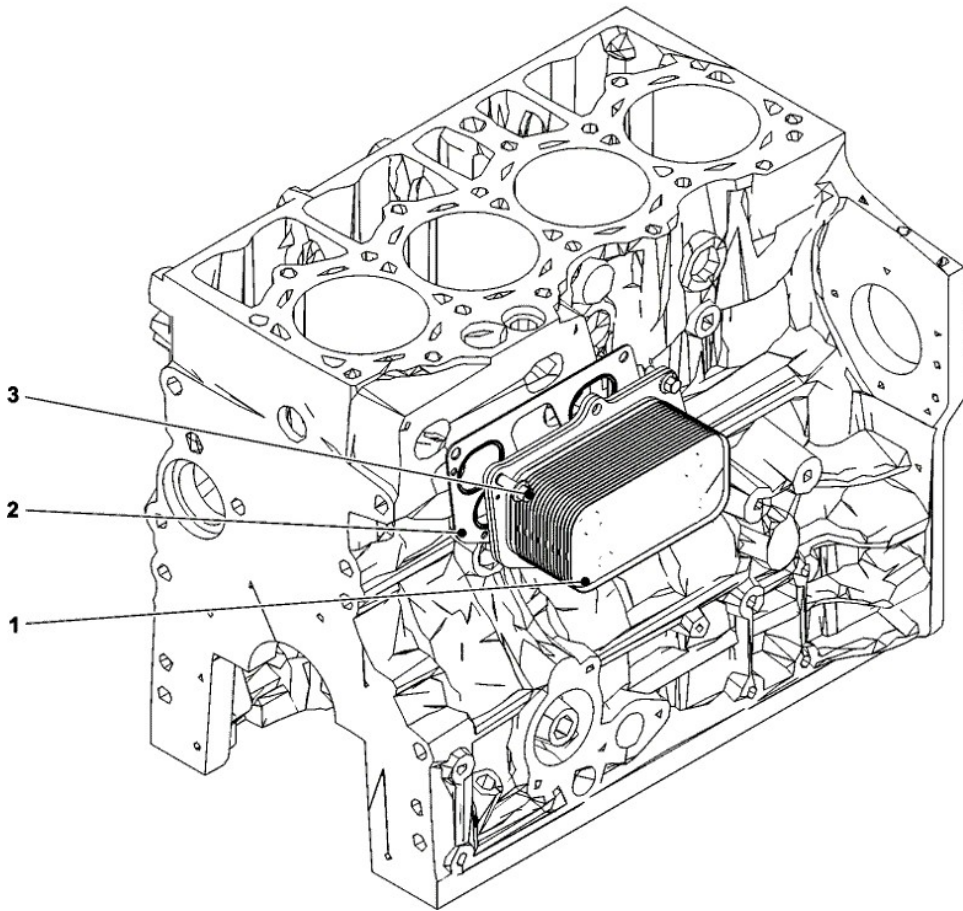
OIL COOLER ASSY

년/월  
Year/Month

2024-03

T130SPUS1

000



NOTE



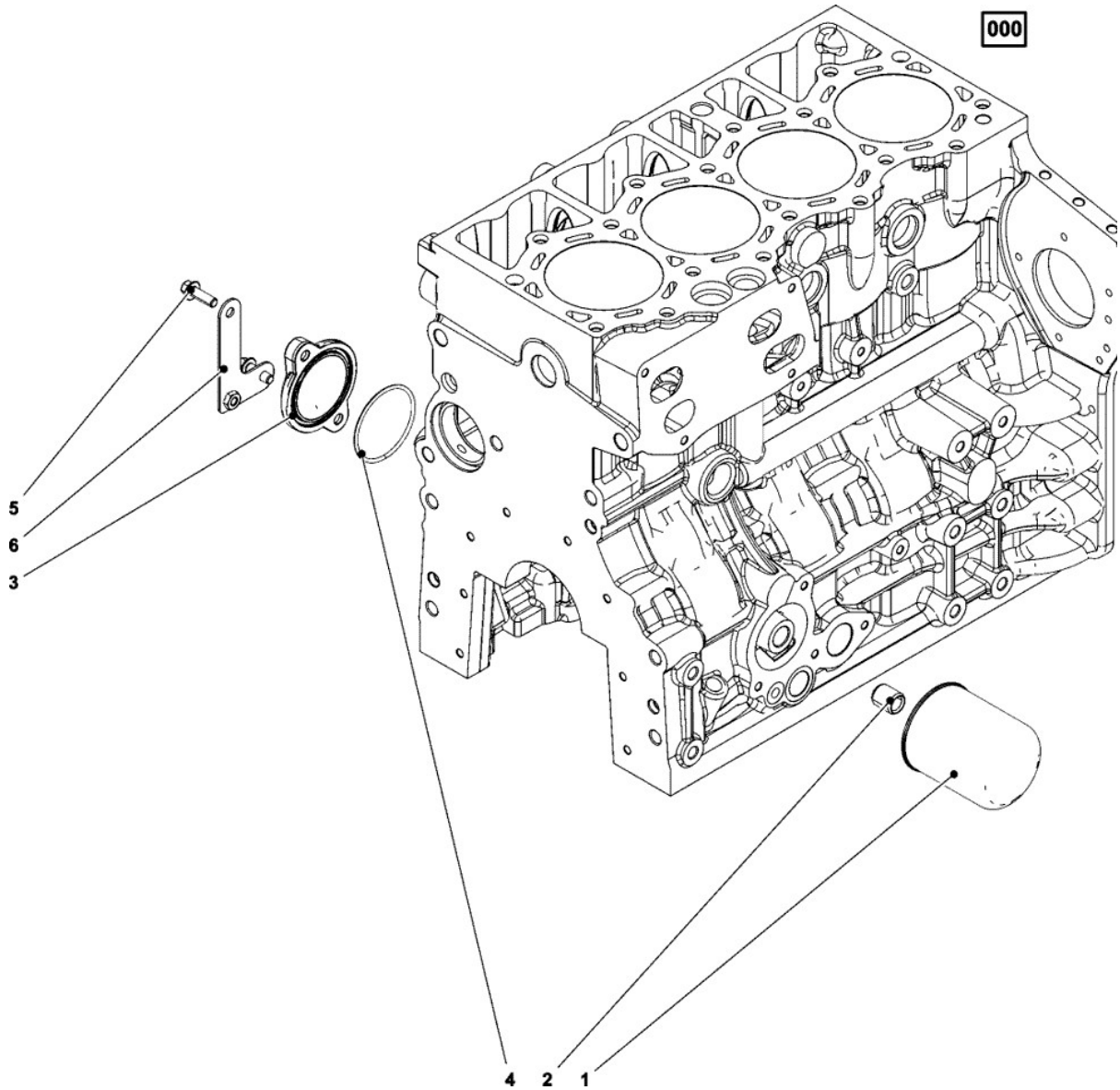
FIG 126

BRACKET

년/월  
Year/Month

2024-03

T130SPUS1



NOTE



FIG 127

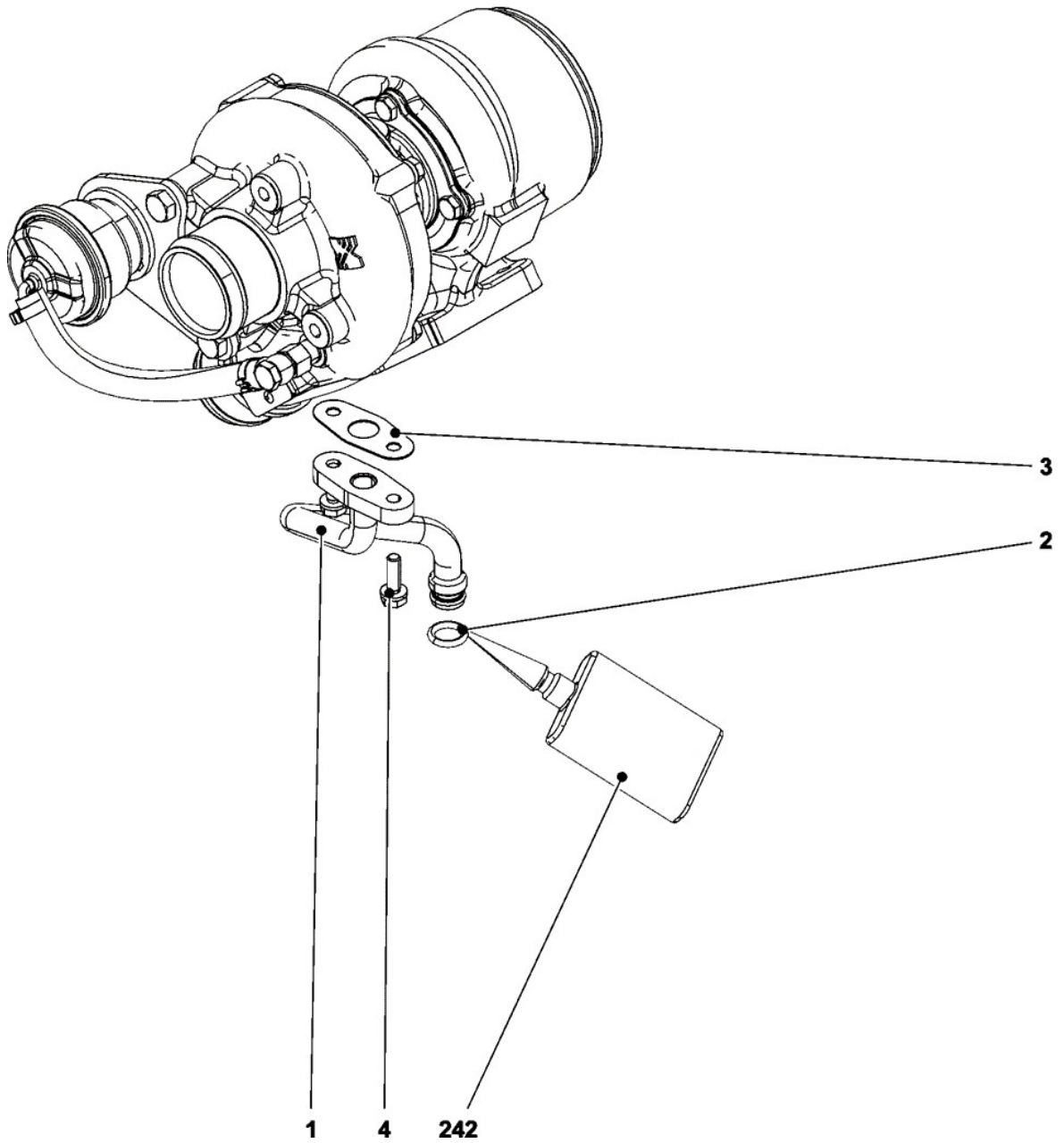
OIL RETURN LINE

년/월  
Year/Month

2024-03

T130SPUS1

000



NOTE





FIG 128

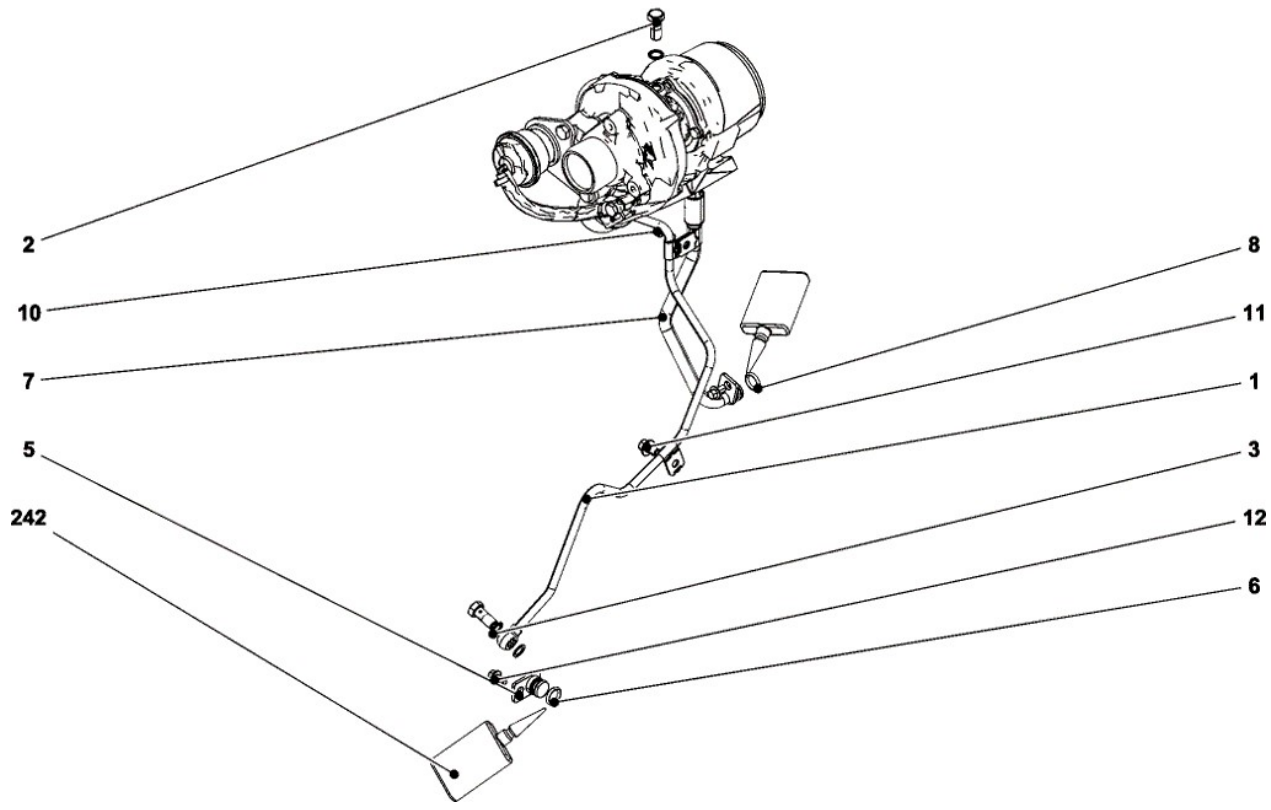
LUBRICAT. OIL LINE

년/월  
Year/Month

2024-03

T130SPUS1

001



NOTE



FIG 129

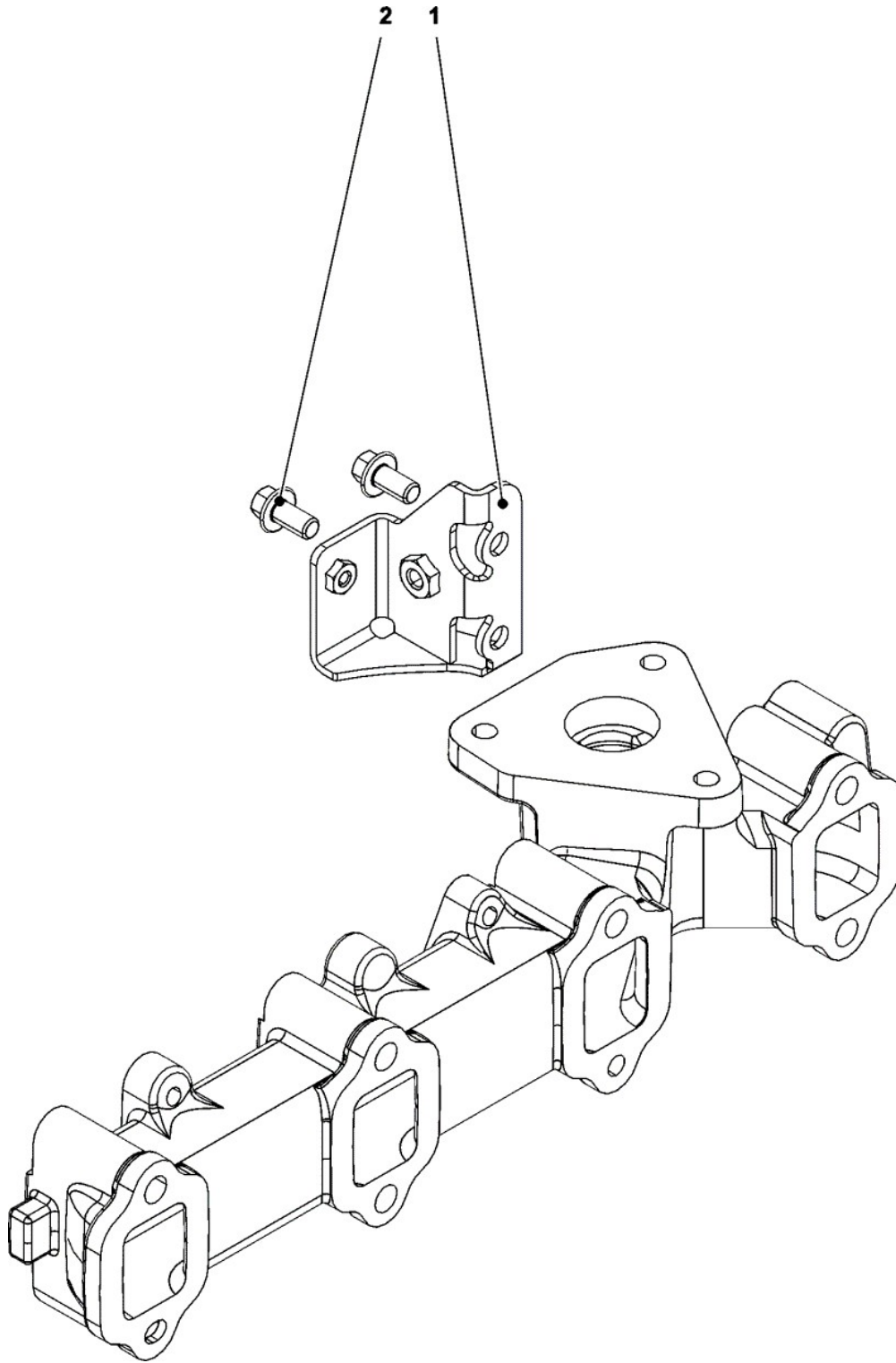
BRACKET

년/월  
Year/Month

2024-03

T130SPUS1

000



NOTE



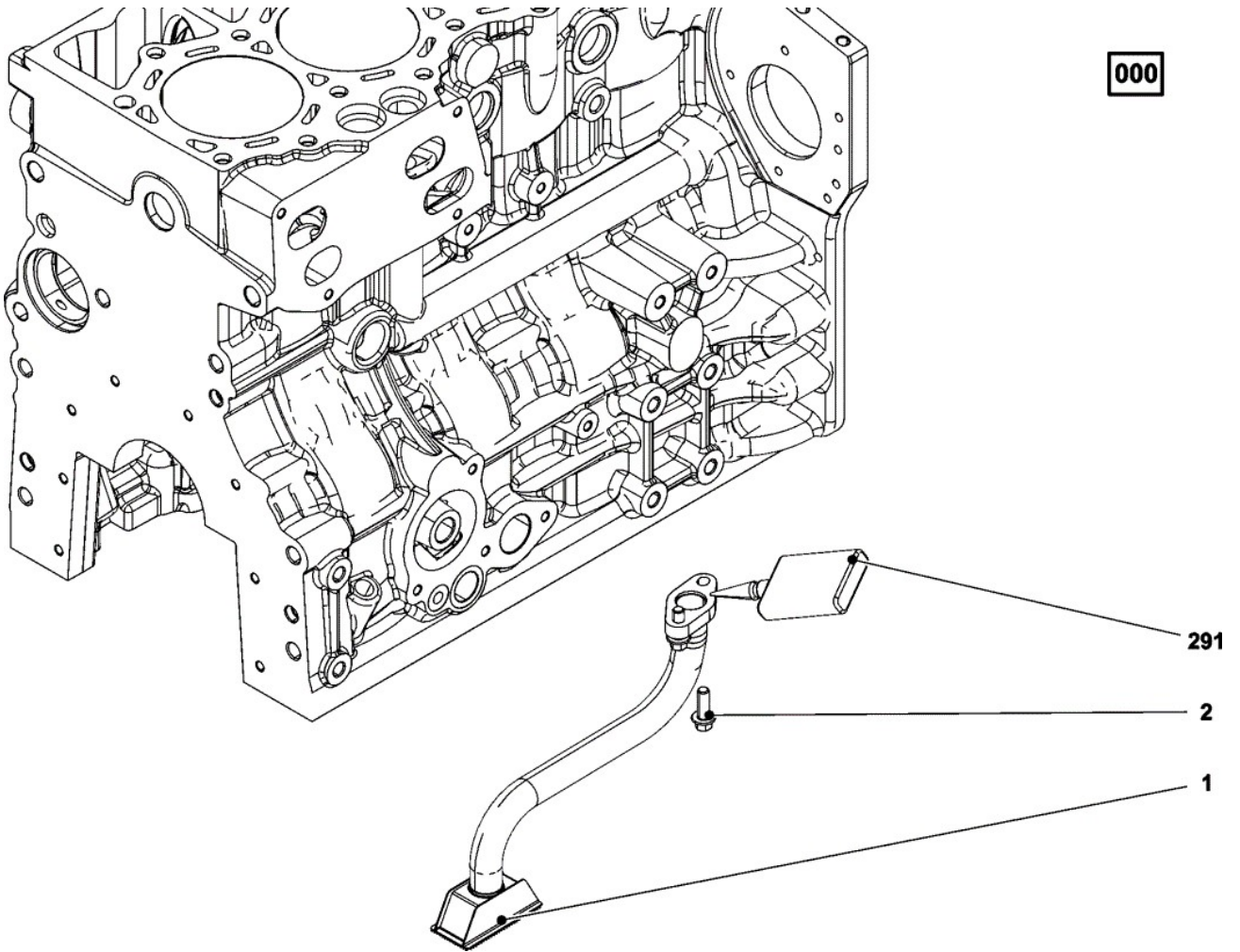
FIG 130

OIL SUCTION LINE

년/월  
Year/Month

2024-03

T130SPUS1



NOTE



FIG 131

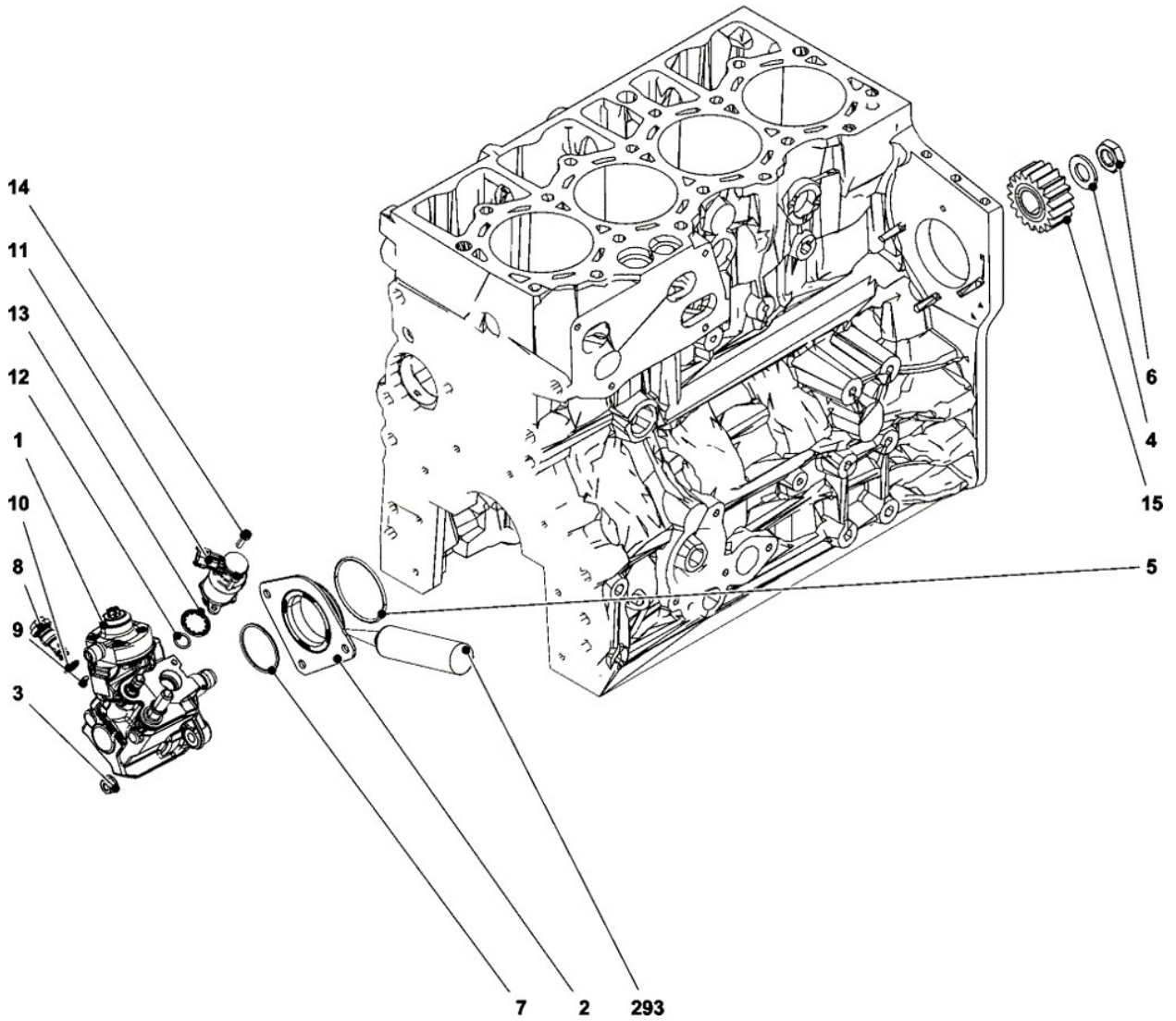
FUEL INJECT. PUMP

년/월  
Year/Month

2024-03

T130SPUS1

000



NOTE





FIG 132

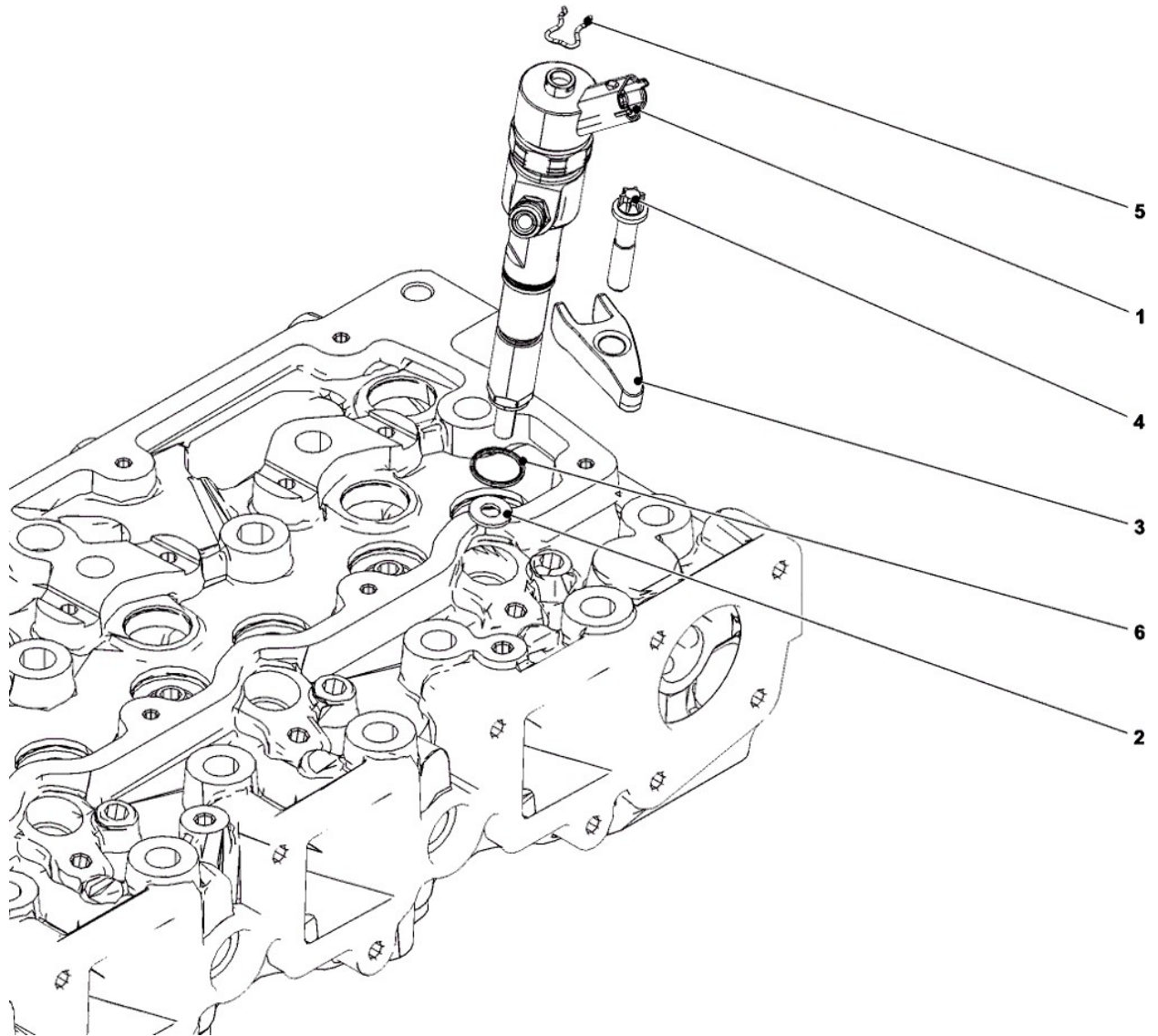
FUEL INJECTOR

년/월  
Year/Month

2024-03

T130SPUS1

002



NOTE



FIG 133

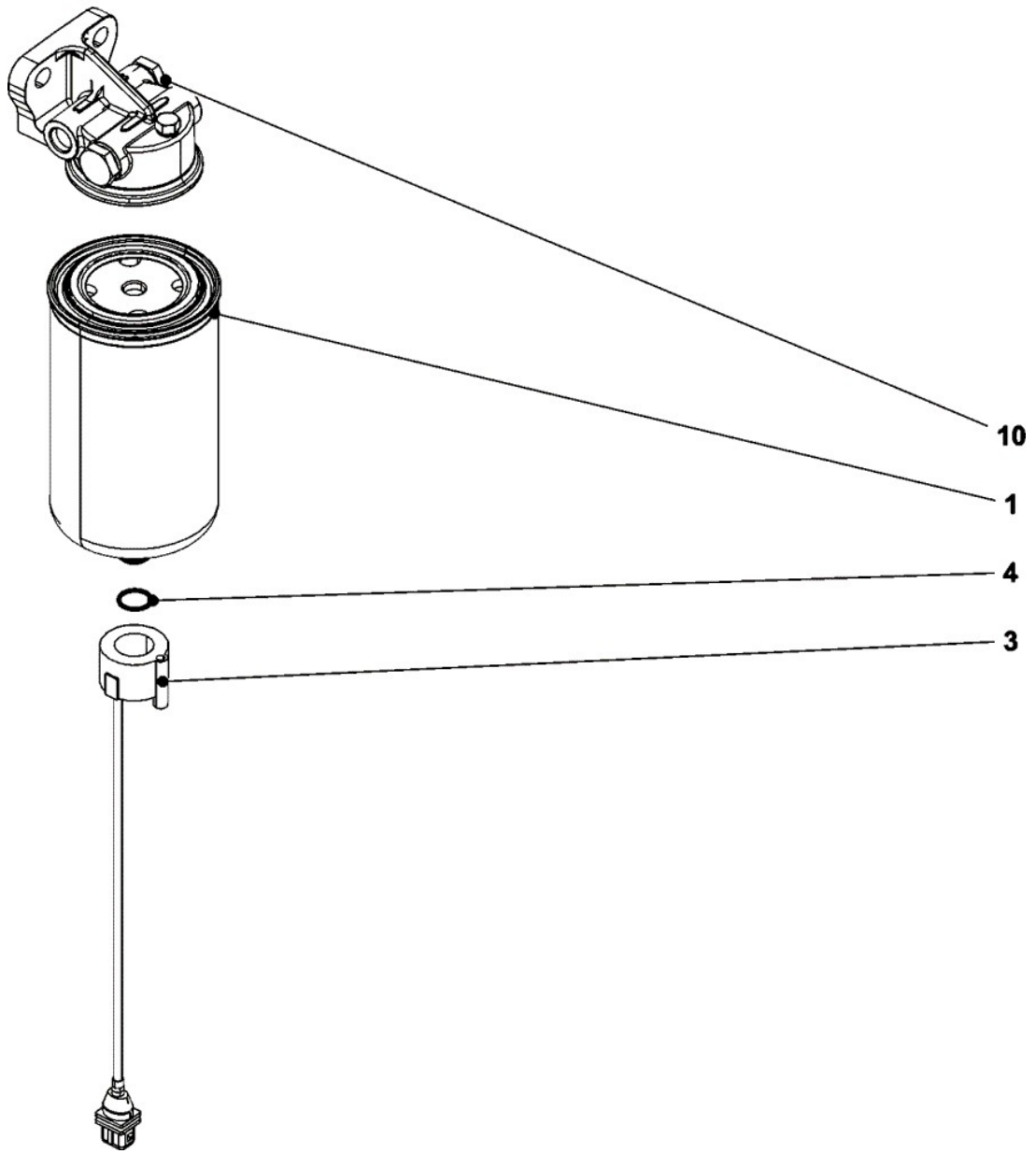
FUEL PREFILTER

년/월  
Year/Month

2024-03

T130SPUS1

001



NOTE



FIG 134

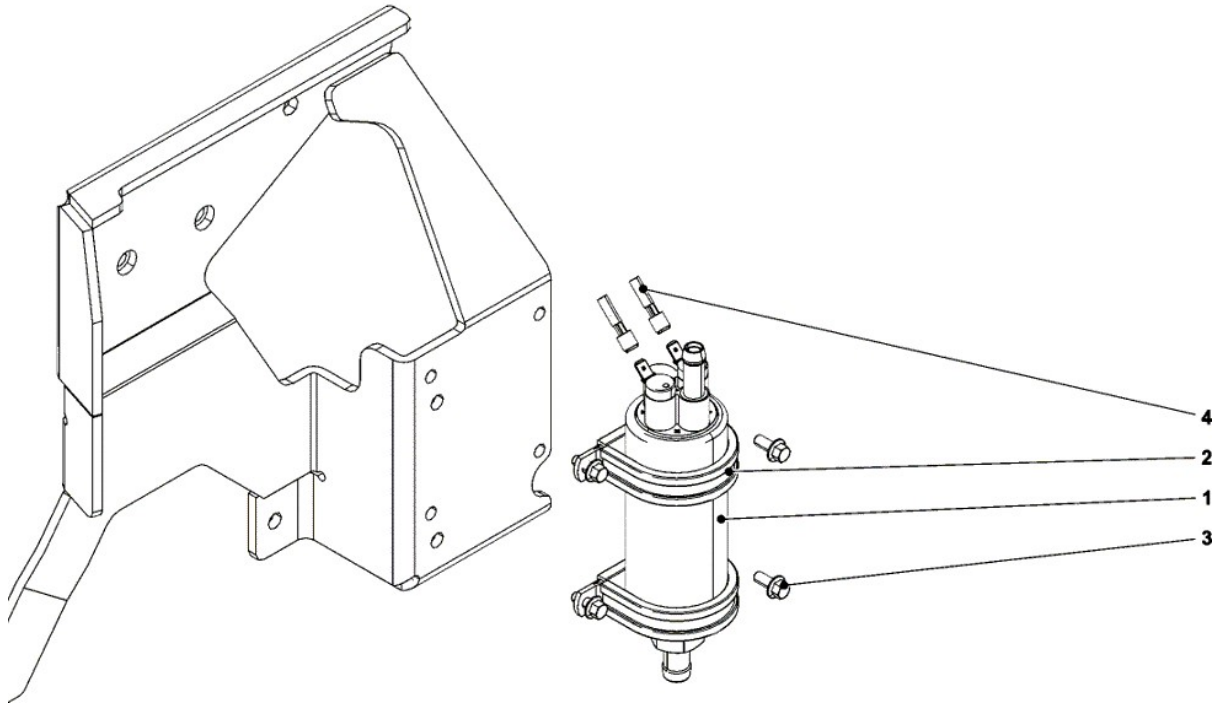
FUEL SUPPLY PUMP

년/월  
Year/Month

T130SPUS1

2024-03

002



NOTE



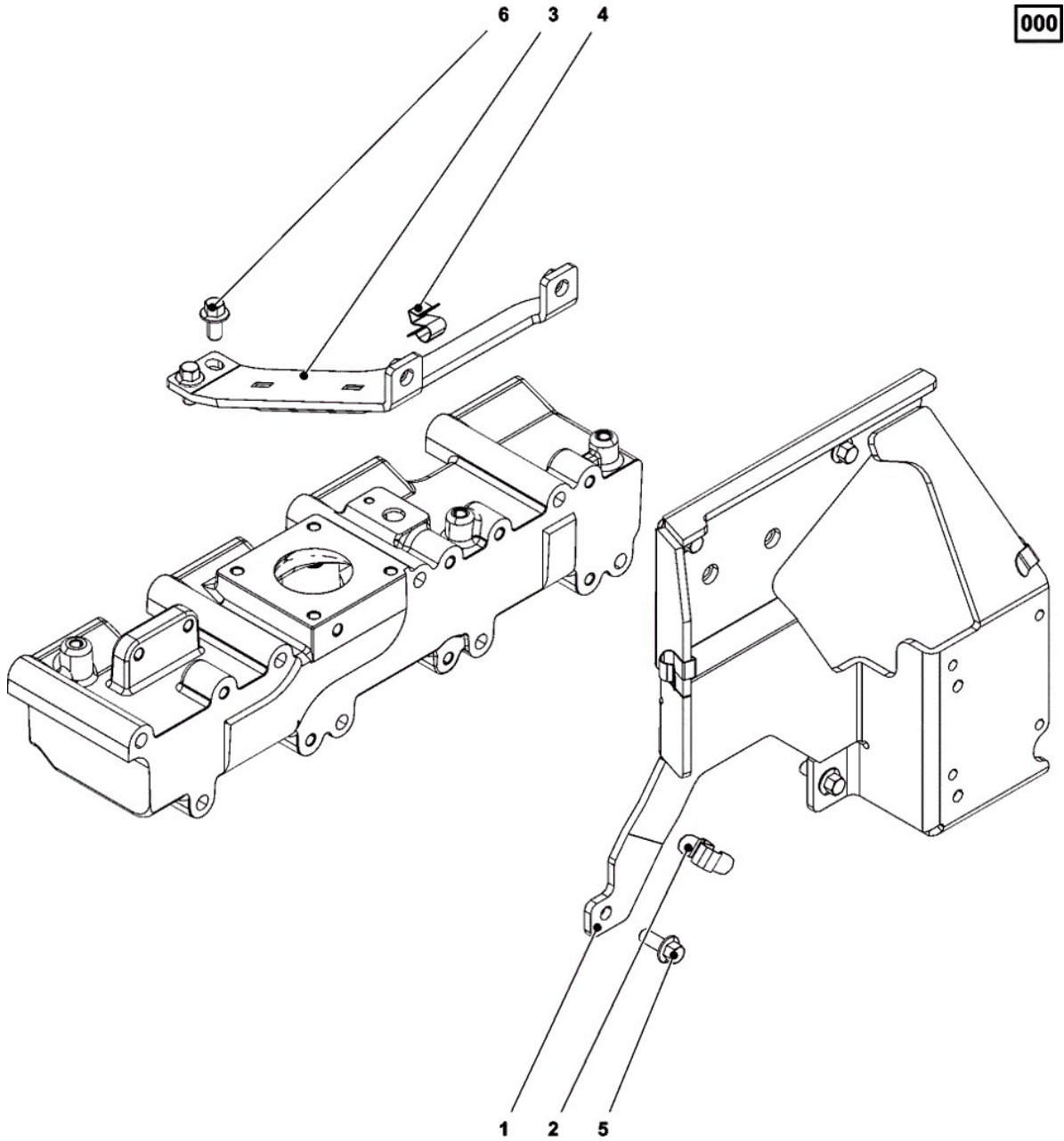
FIG 135

BRACKET

년/월  
Year/Month

2024-03

T130SPUS1



NOTE





FIG 136

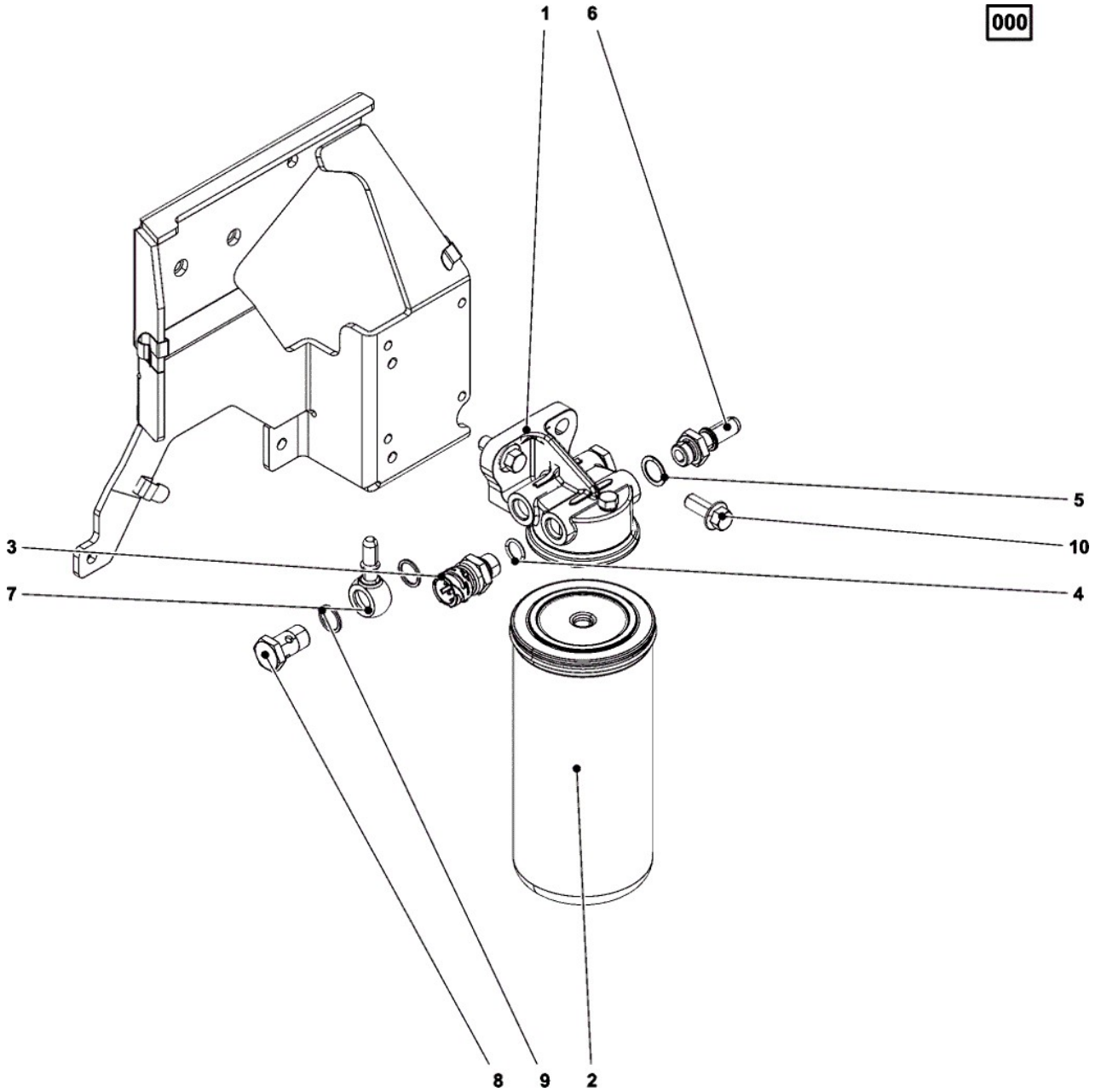
FUEL FILTER

년/월  
Year/Month

2024-03

T130SPUS1

000



NOTE



FIG 137

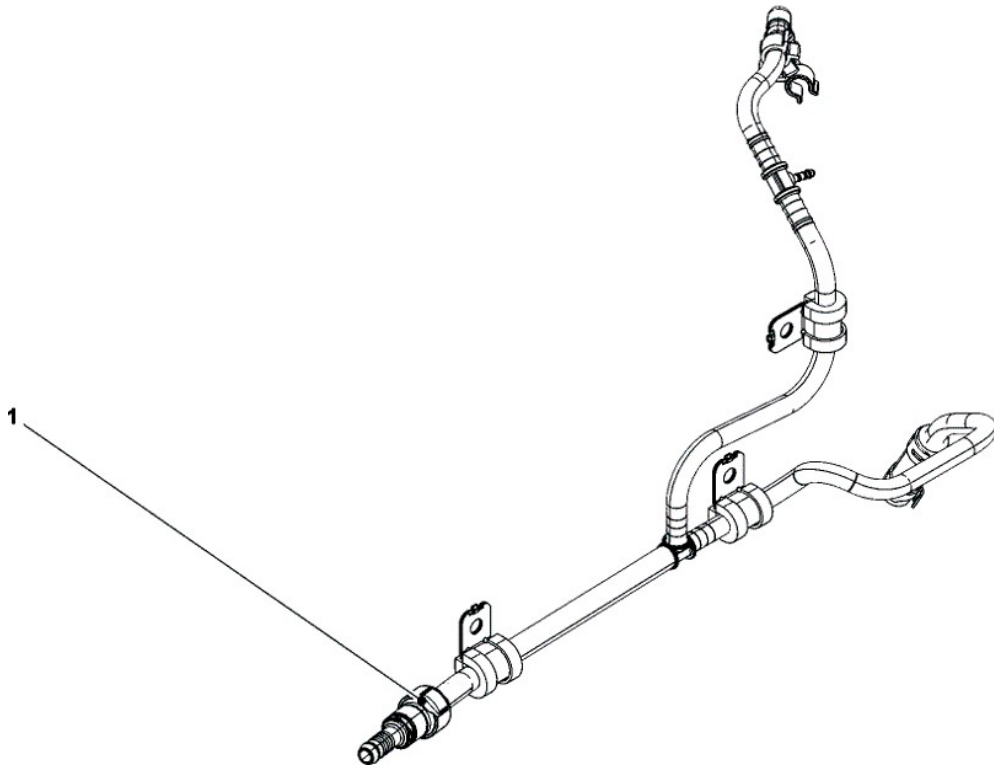
QUICK-CLUTCH/COUP.

년/월  
Year/Month

T130SPUS1

2024-03

000



NOTE



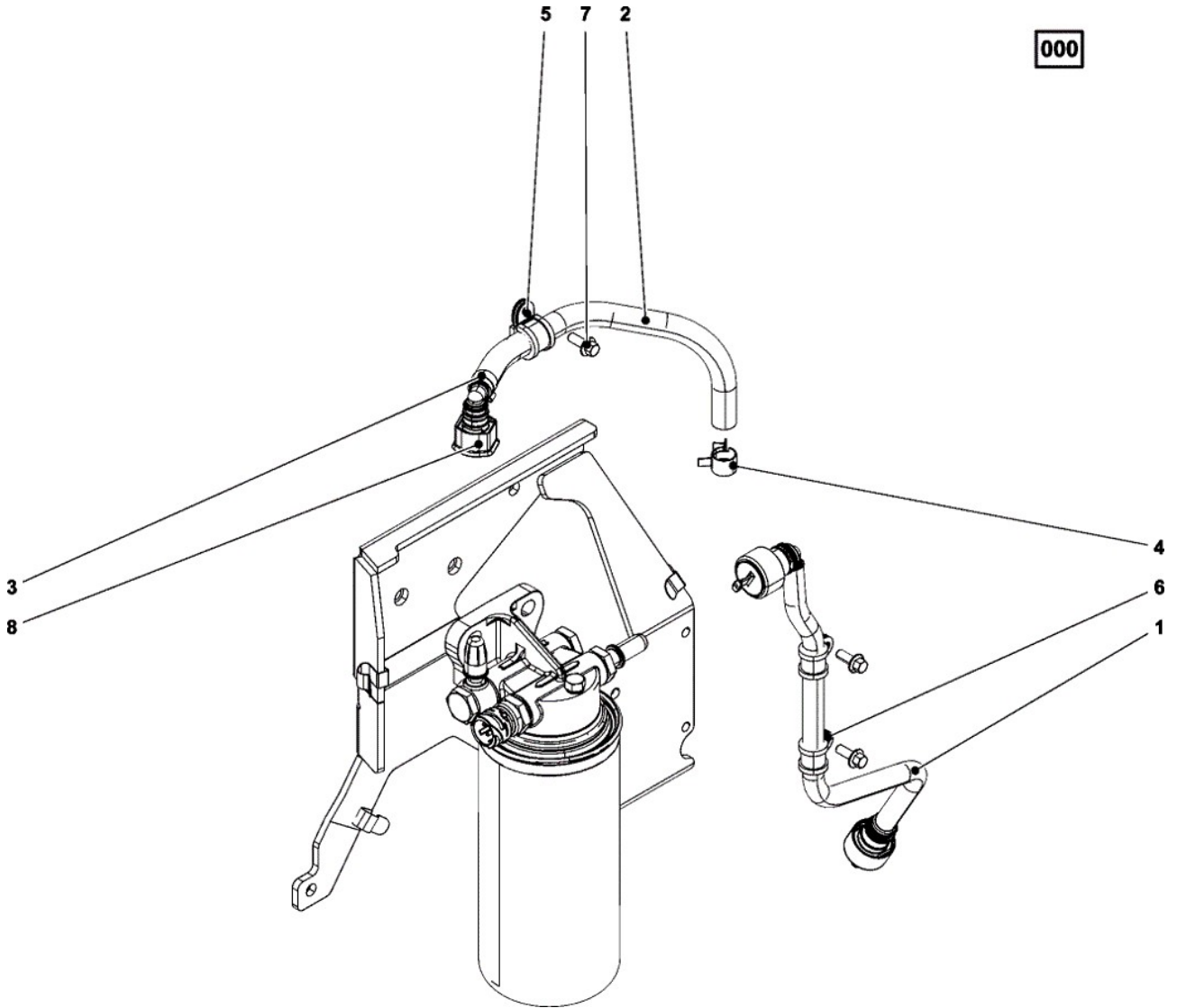
FIG 138

T130SPUS1

FUEL LINE

년/월  
Year/Month

2024-03



NOTE



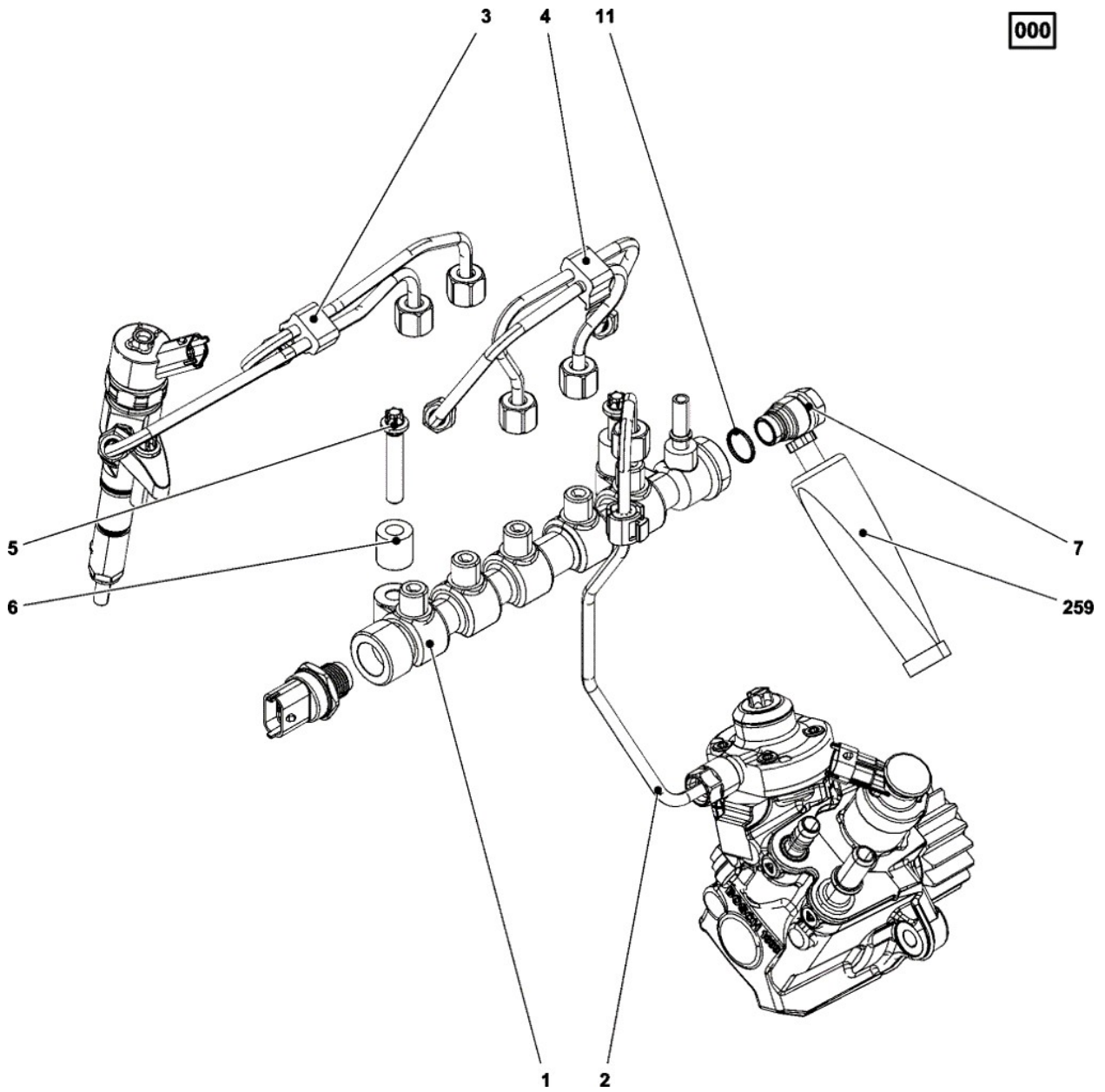
FIG 139

T130SPUS1

RAIL

년/월  
Year/Month

2024-03



NOTE





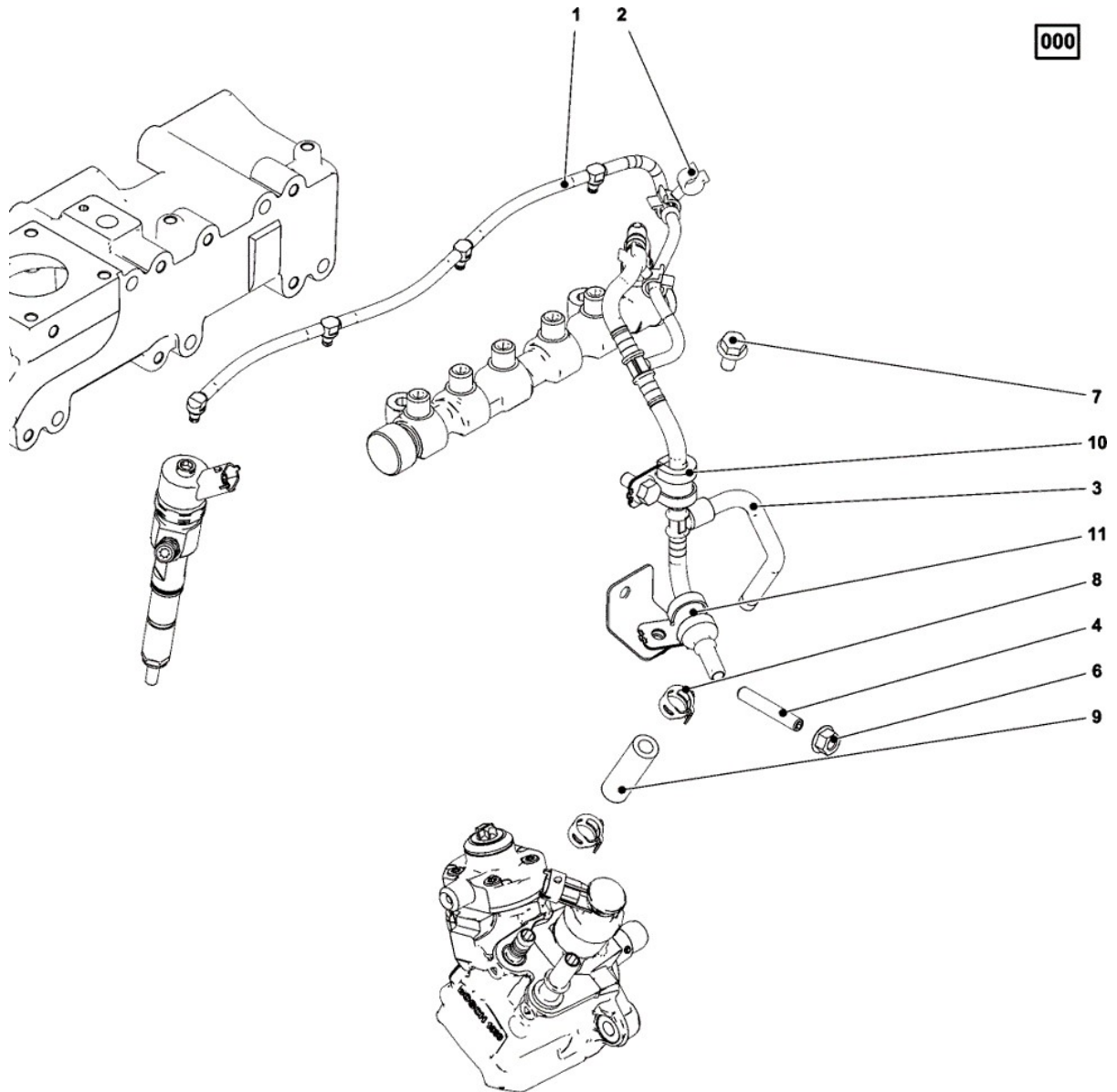
FIG 140

T130SPUS1

FUEL LINE

년/월  
Year/Month

2024-03



NOTE



FIG 141

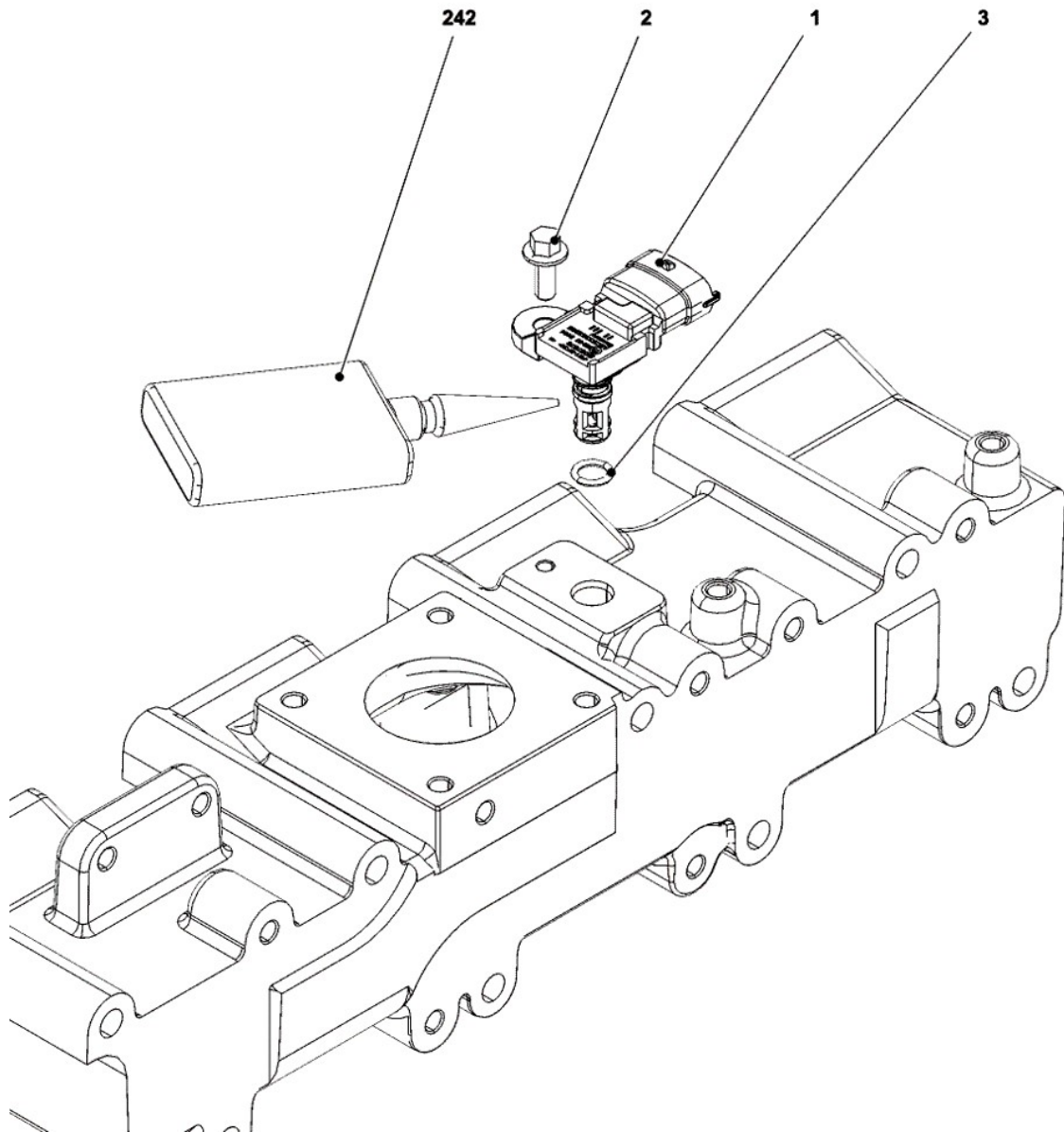
T130SPUS1

SENSOR

년/월  
Year/Month

2024-03

001



NOTE



FIG 142

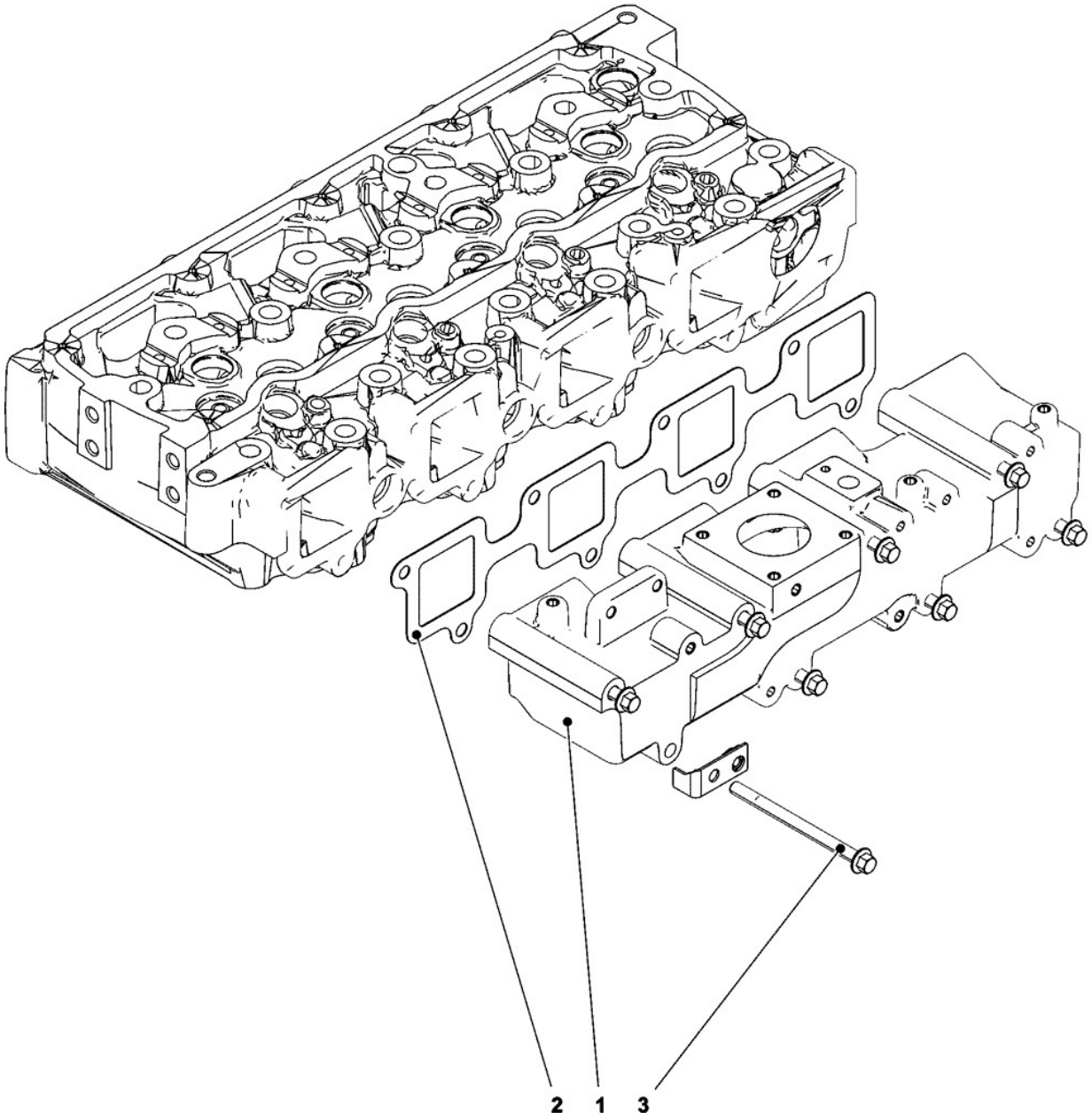
CHARGE AIR PIPE

년/월  
Year/Month

2024-03

T130SPUS1

000



NOTE



FIG 143

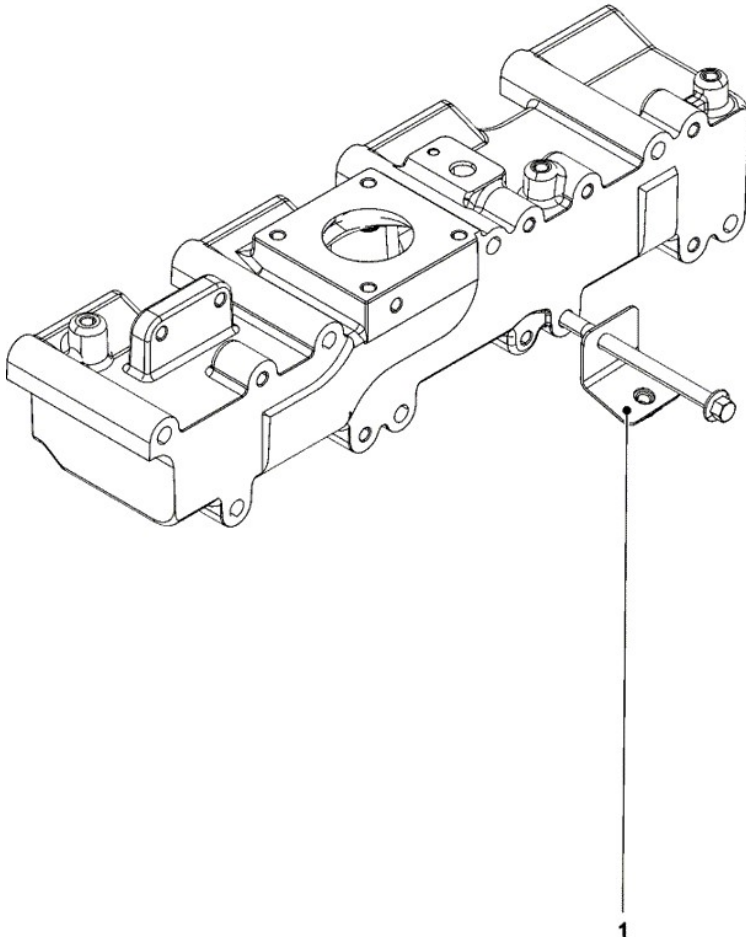
FASTENINGS

년/월  
Year/Month

2024-03

T130SPUS1

001



NOTE





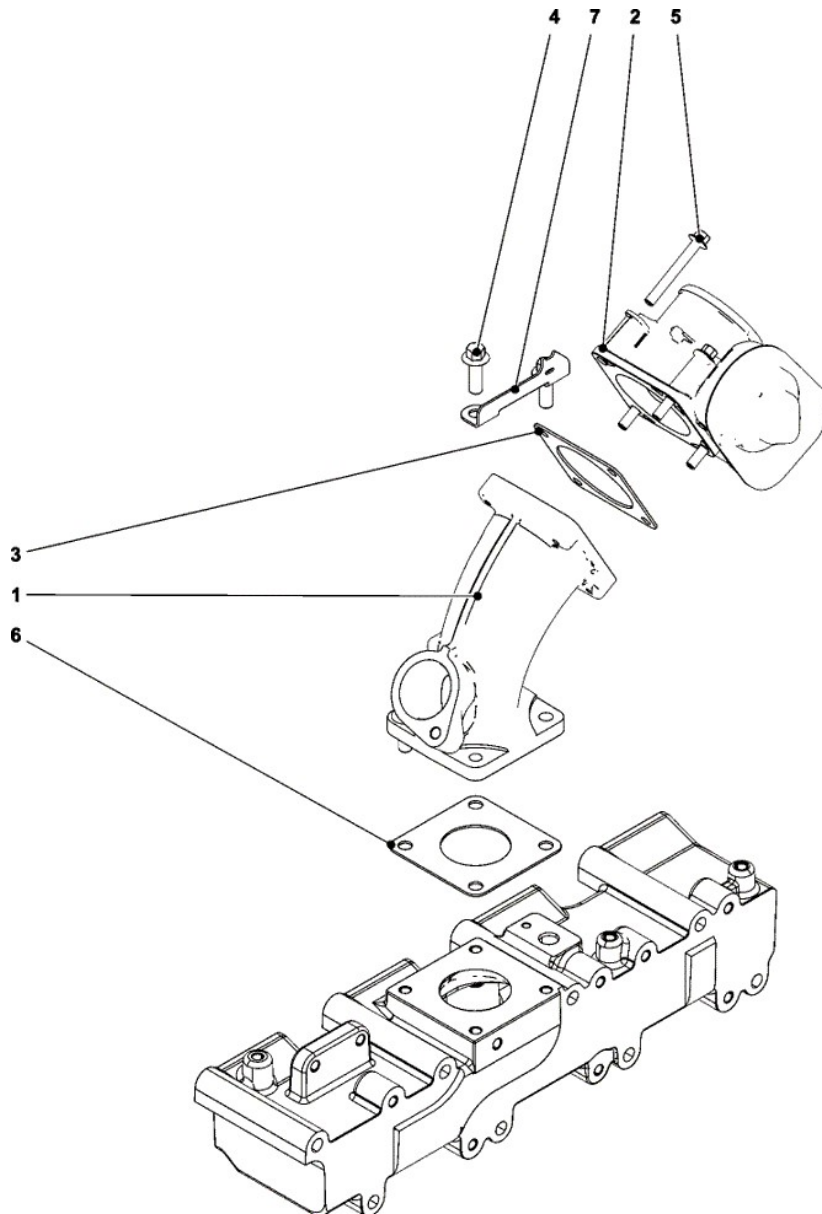
FIG 144

THROTTLE VALVE

년/월  
Year/Month

2024-03

T130SPUS1



000

NOTE



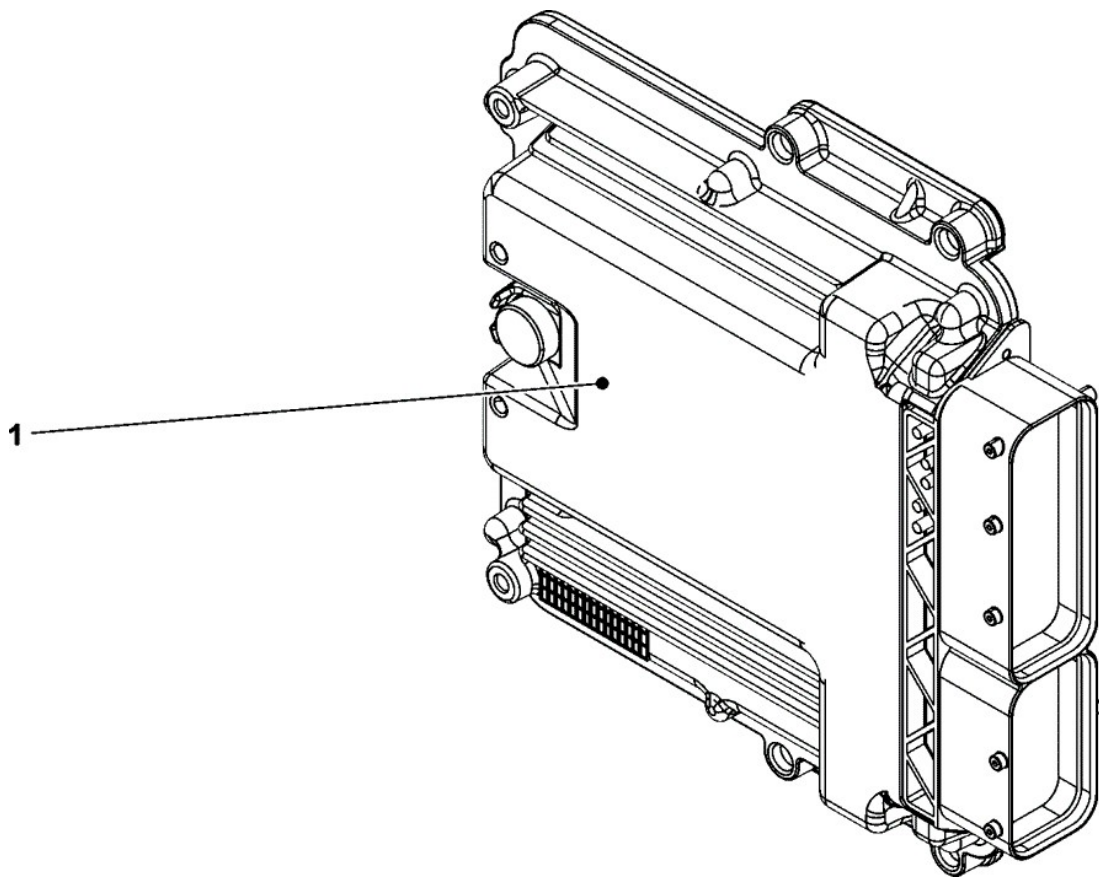
FIG 145

T130SPUS1

CONTROL UNIT

년/월  
Year/Month

2024-03



NOTE



FIG 146

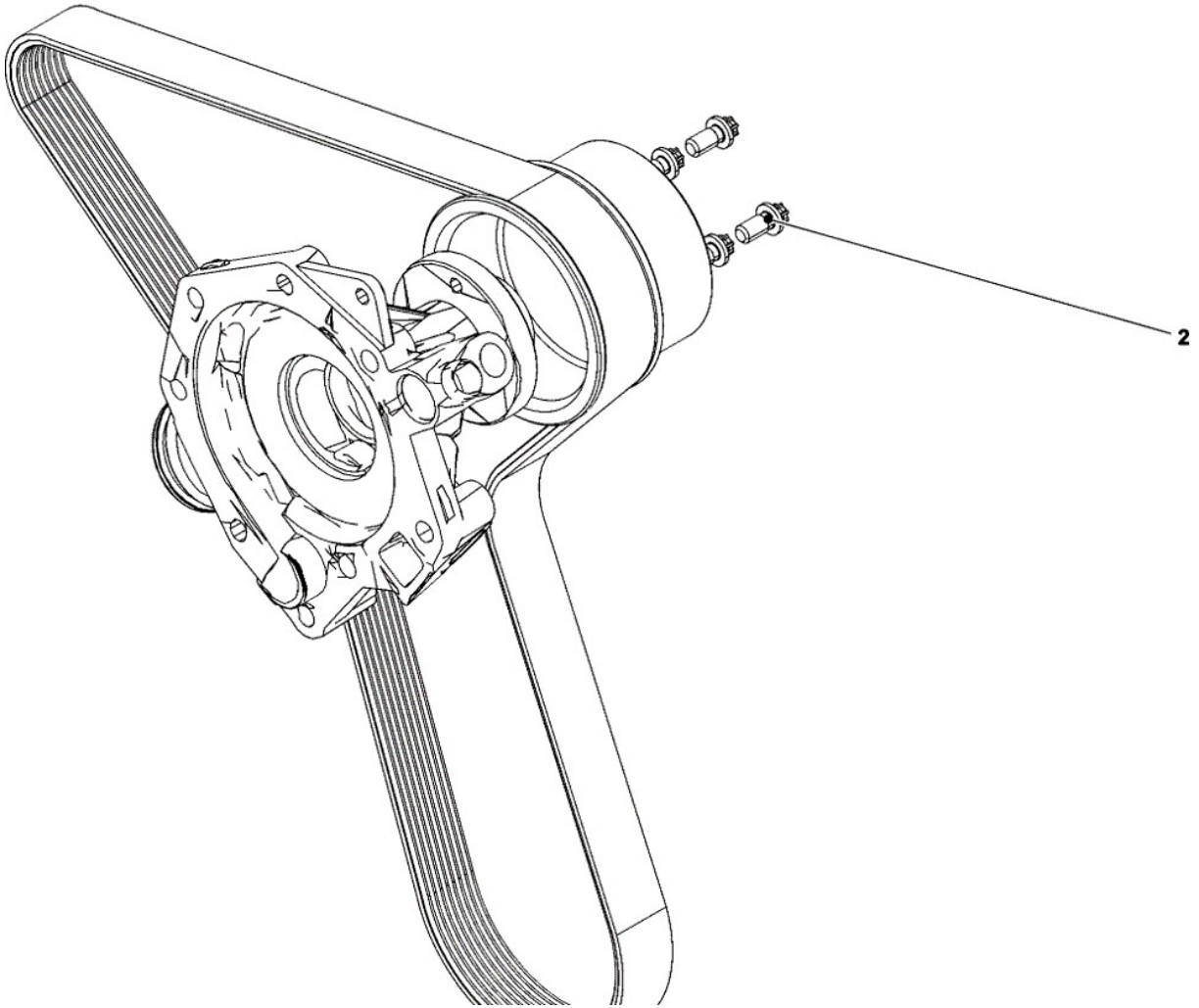
V-RIB.BELT PULLEY

년/월  
Year/Month

2024-03

T130SPUS1

002



NOTE



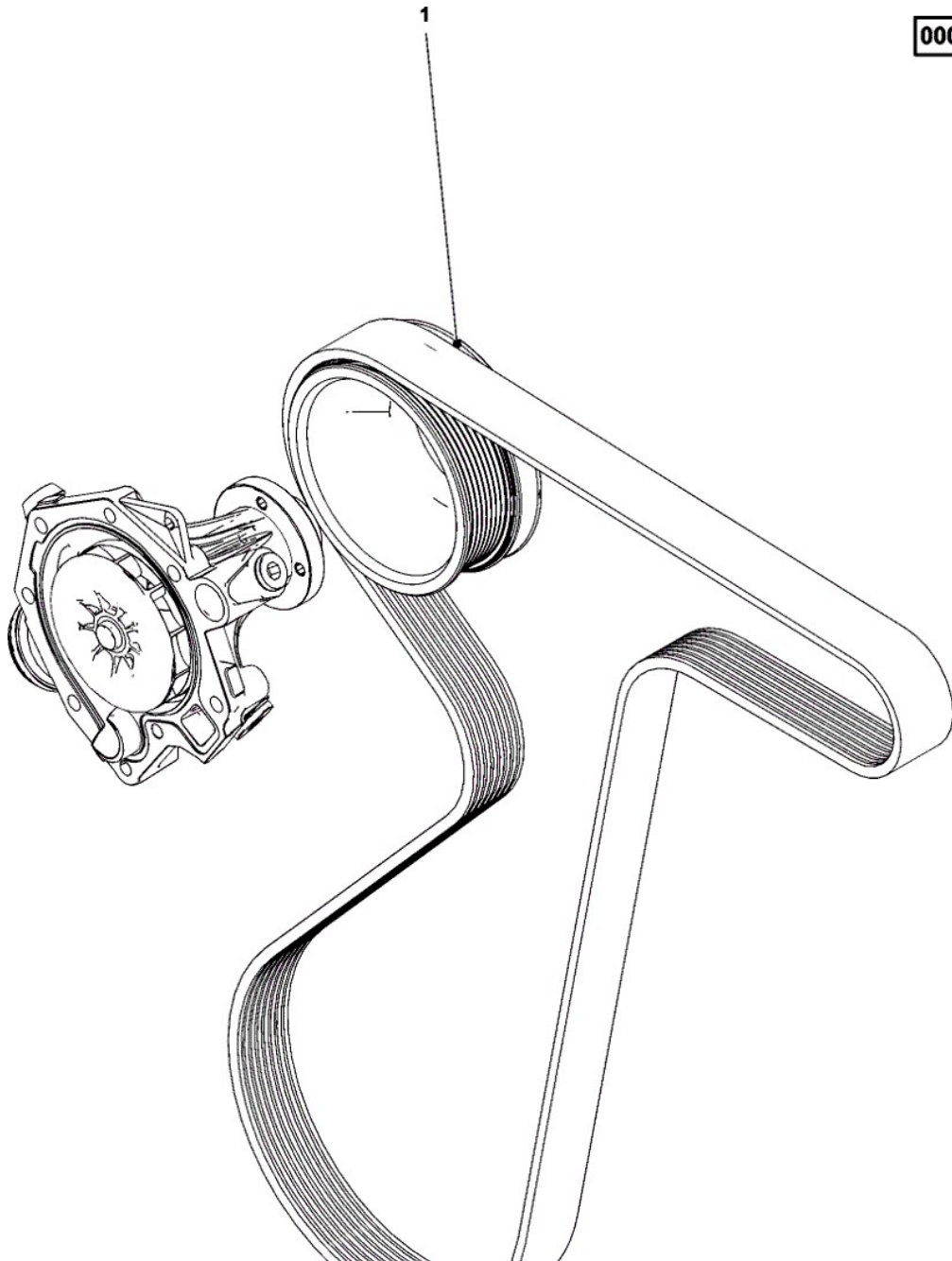
FIG 147

V-GROOVED PULLEY

년/월  
Year/Month

T130SPUS1

2024-03



NOTE





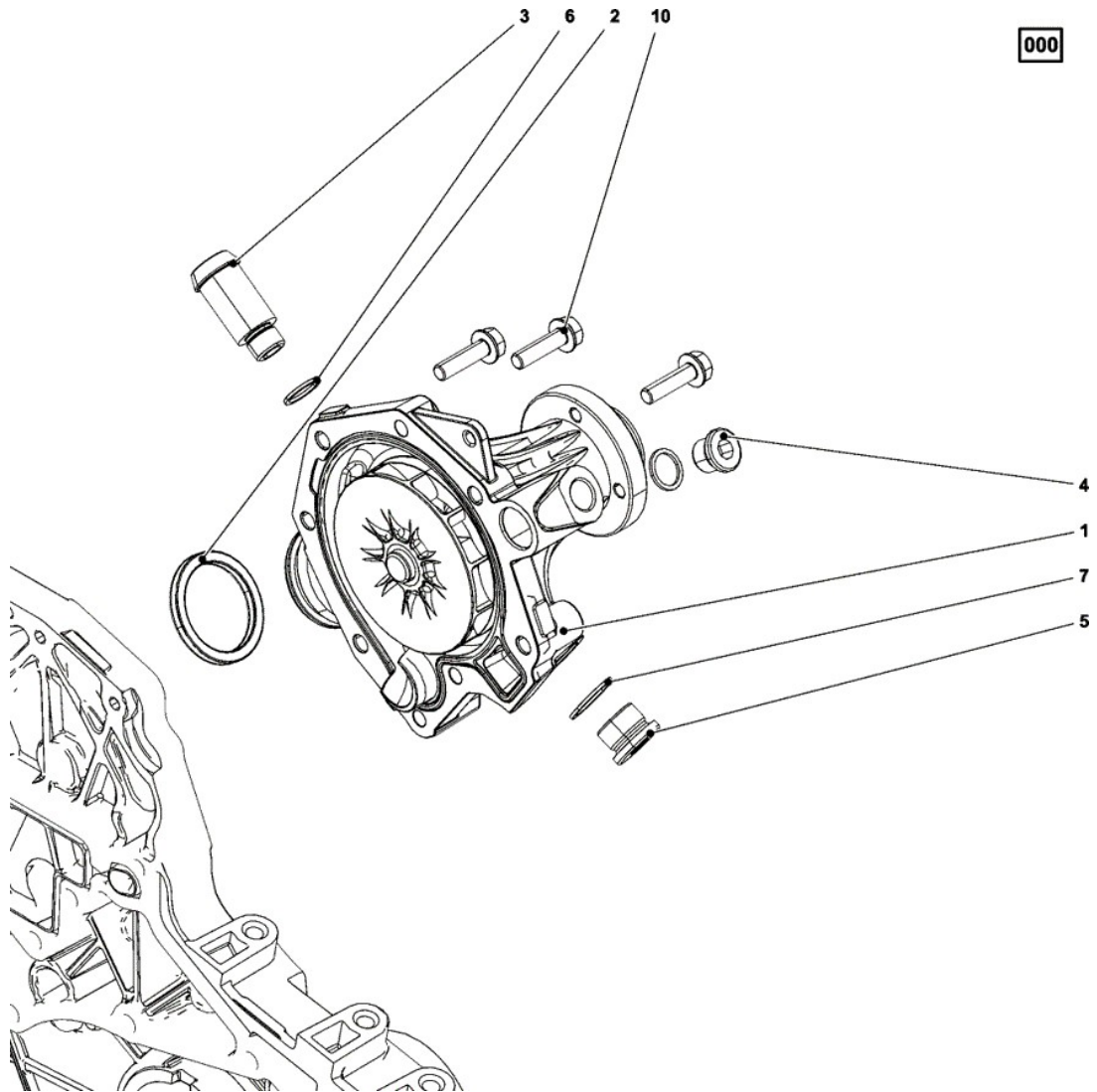
FIG 148

COOLANT PUMP

년/월  
Year/Month

2024-03

T130SPUS1



NOTE



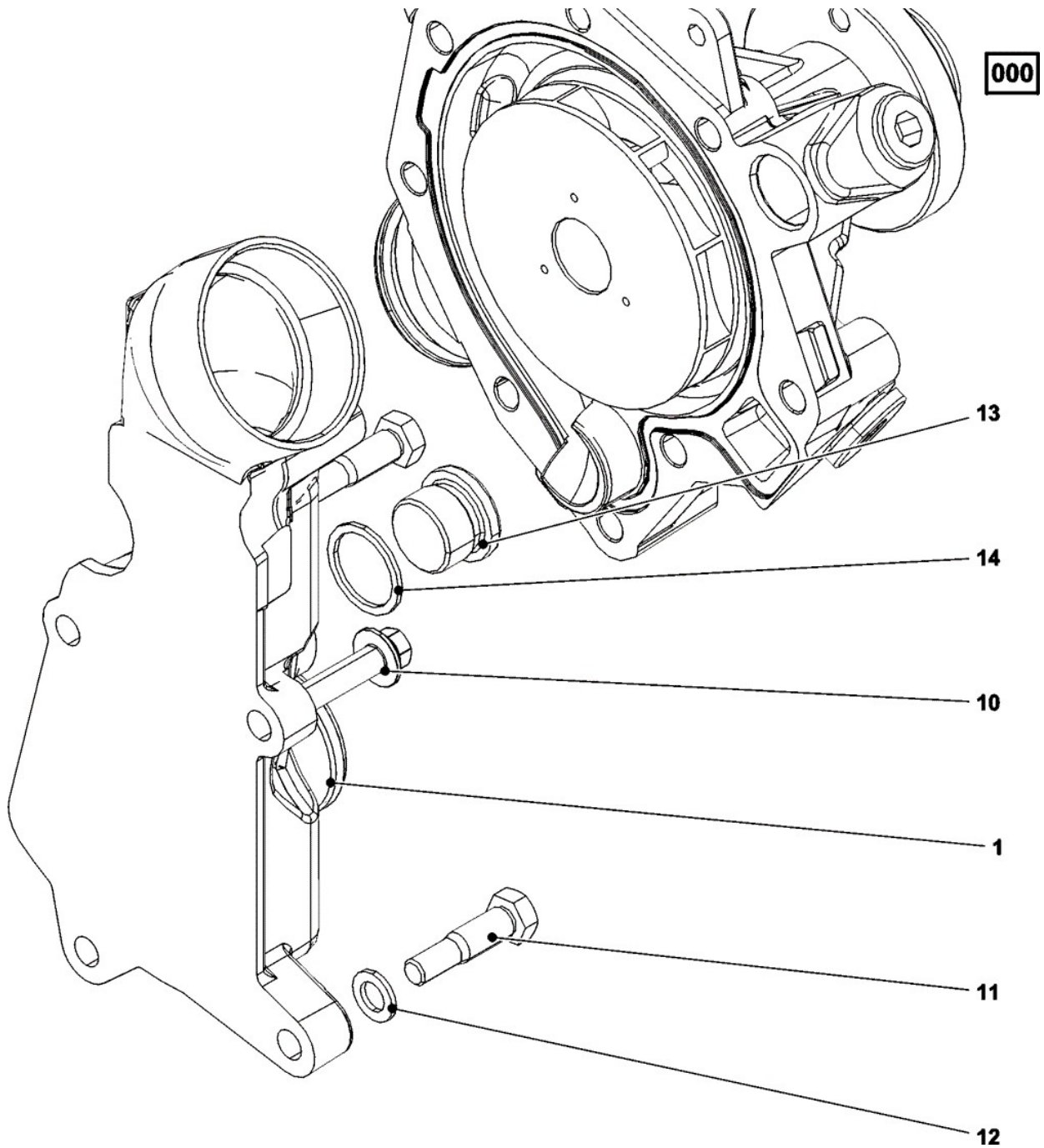
FIG 149

COOLING WATER LINE

년/월  
Year/Month

2024-03

T130SPUS1



NOTE



FIG 150

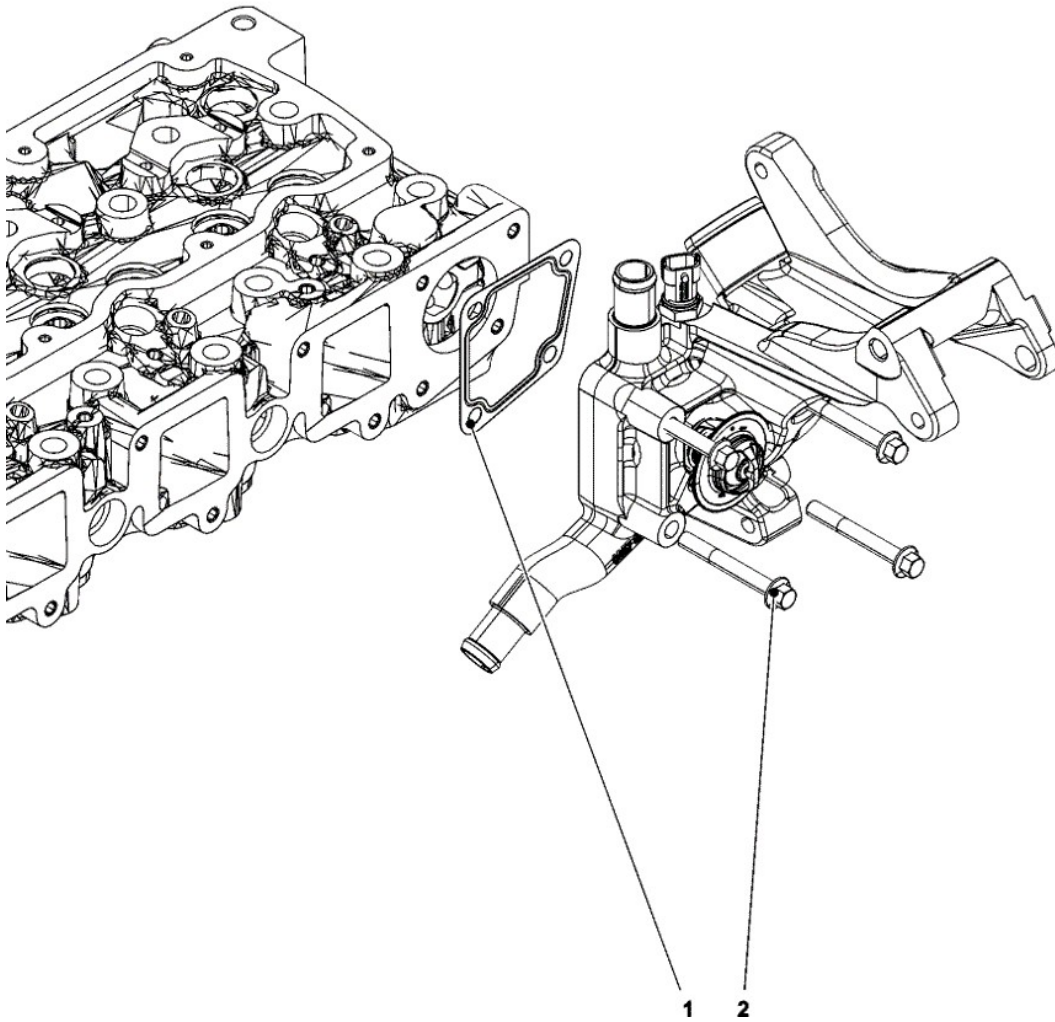
FASTENINGS

년/월  
Year/Month

2024-03

T130SPUS1

000



NOTE



FIG 151

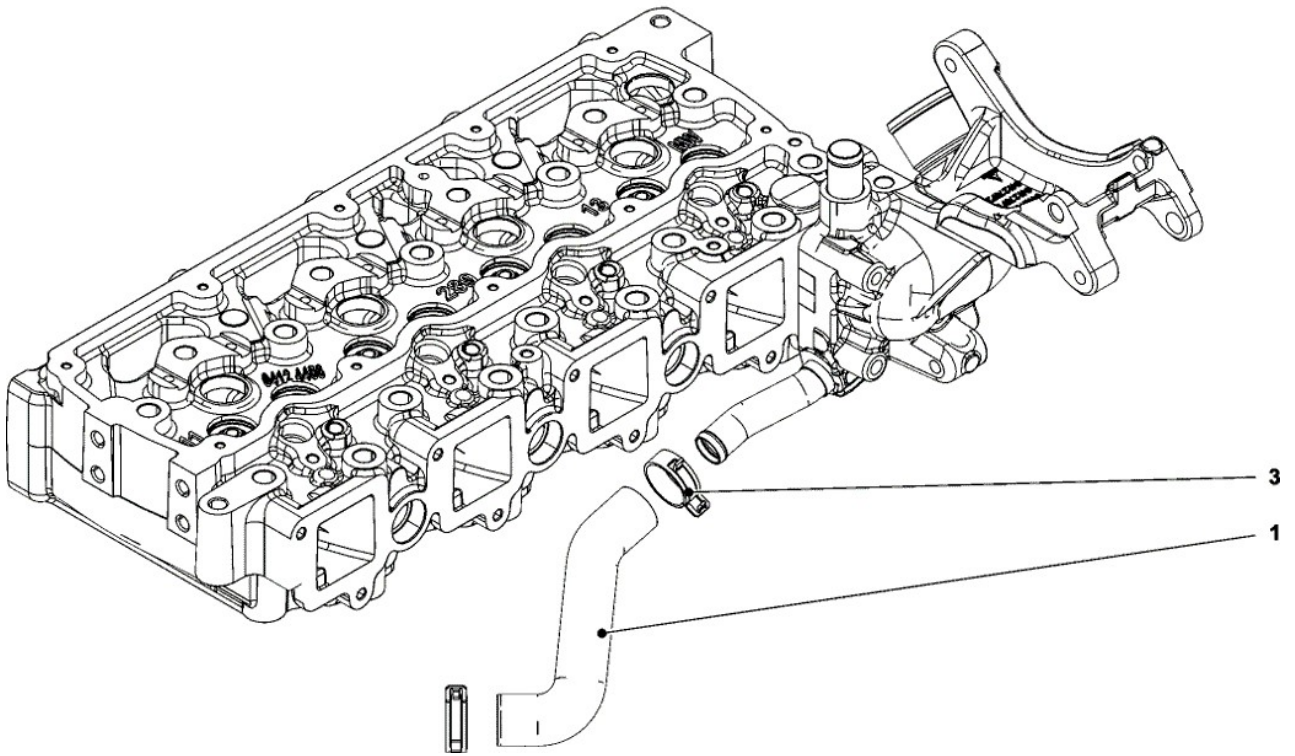
HOSE

년/월  
Year/Month

2024-03

T130SPUS1

000



NOTE





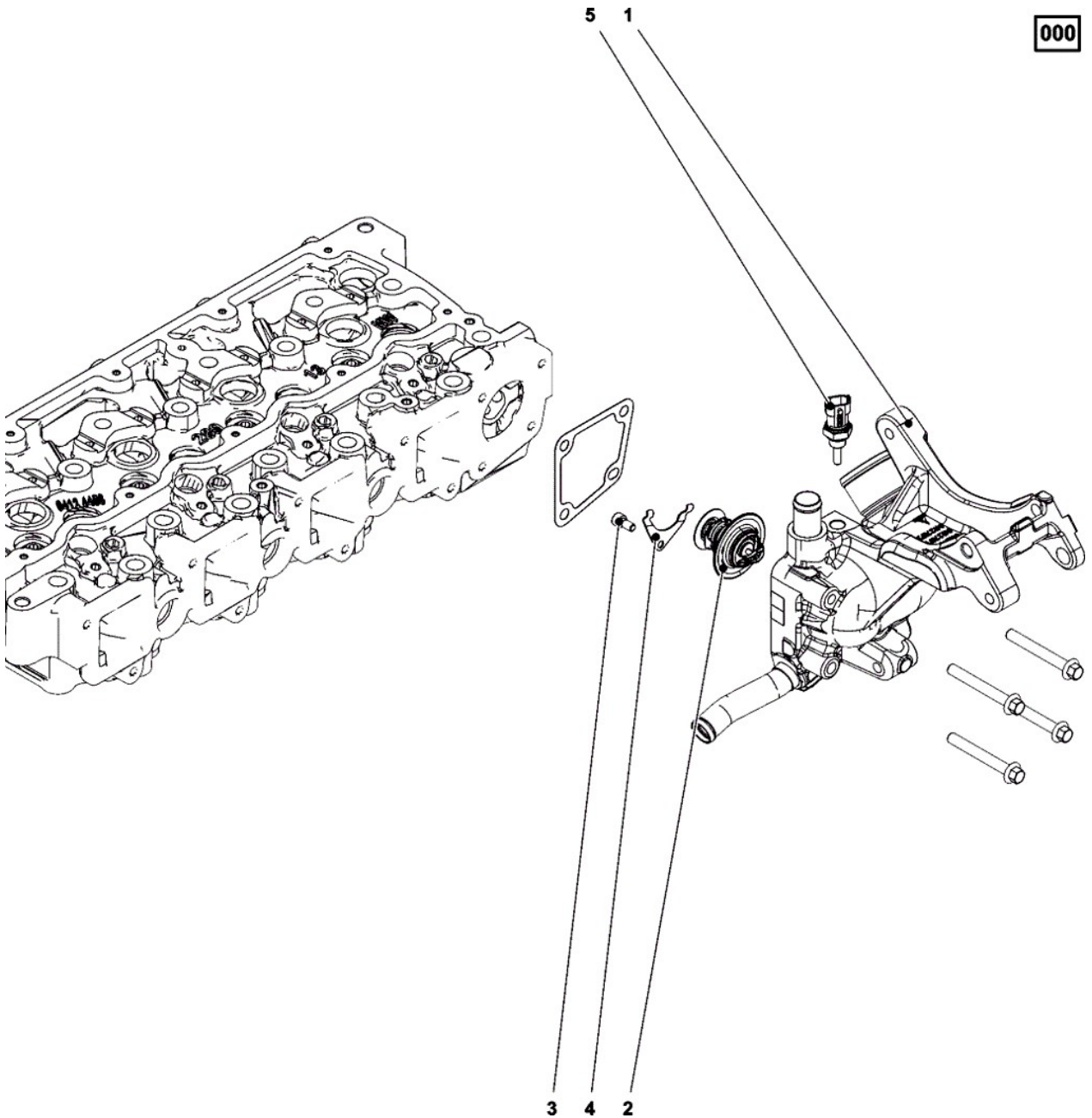
FIG 152

HOUSING

년/월  
Year/Month

T130SPUS1

2024-03



NOTE



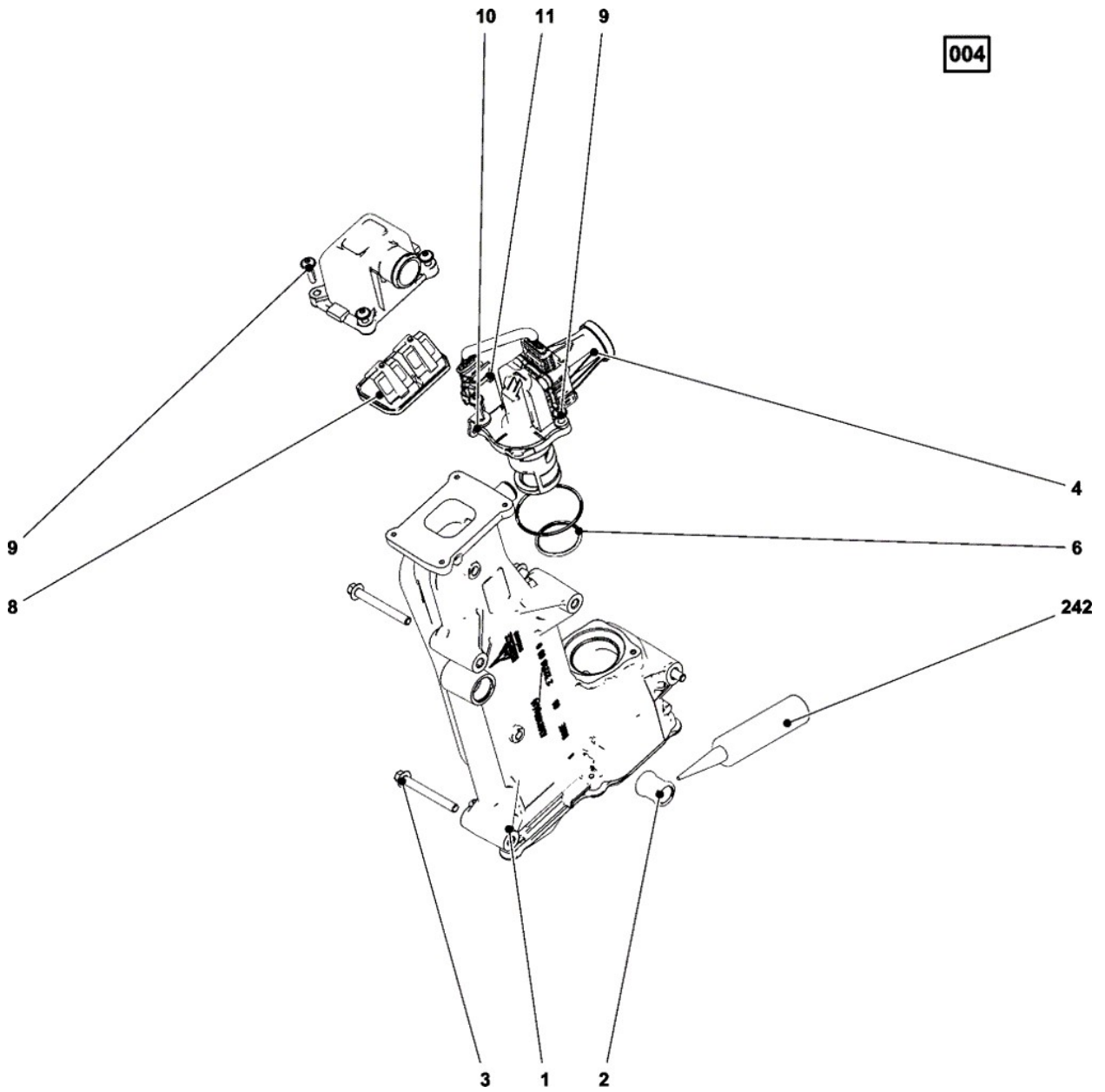
FIG 153

T130SPUS1

EGR COOLER

년/월  
Year/Month

2024-03



NOTE



FIG 154

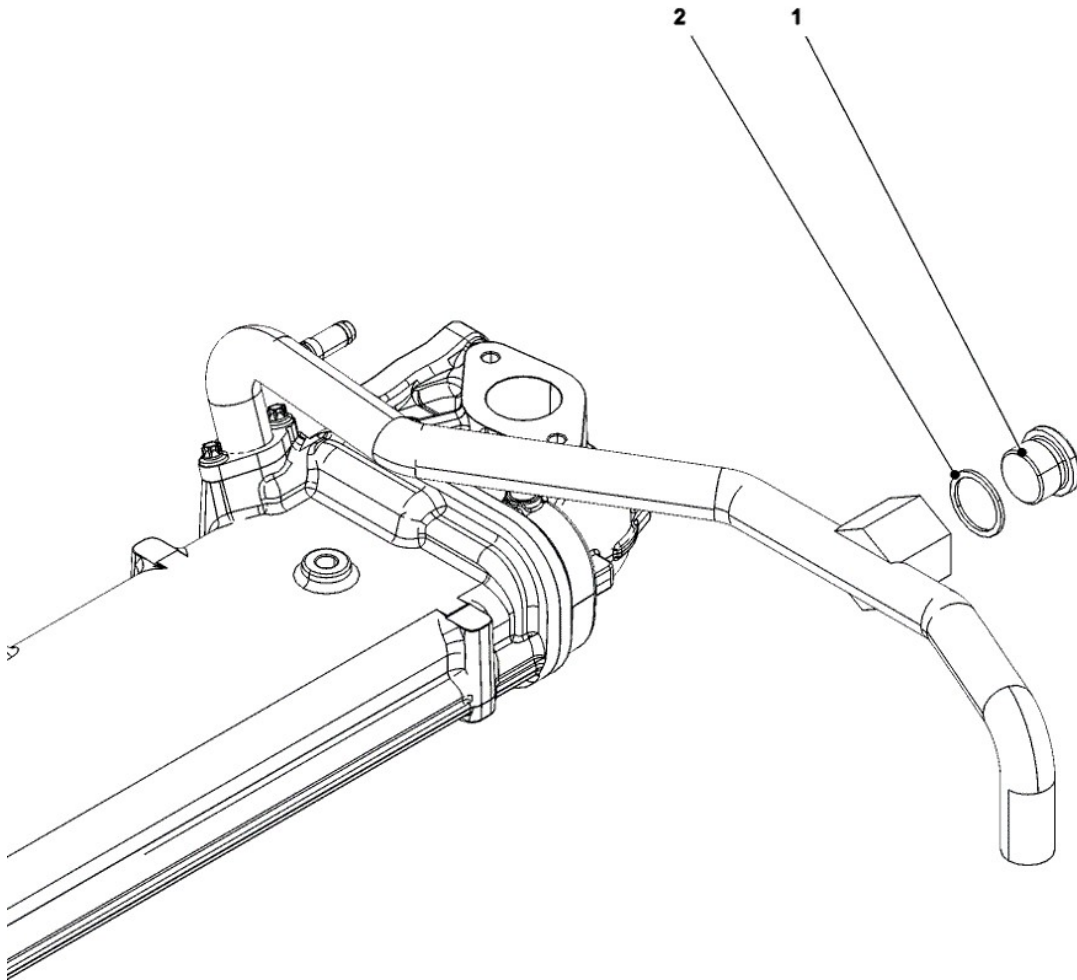
SCREW PLUG

년/월  
Year/Month

2024-03

T130SPUS1

000



NOTE



FIG 155

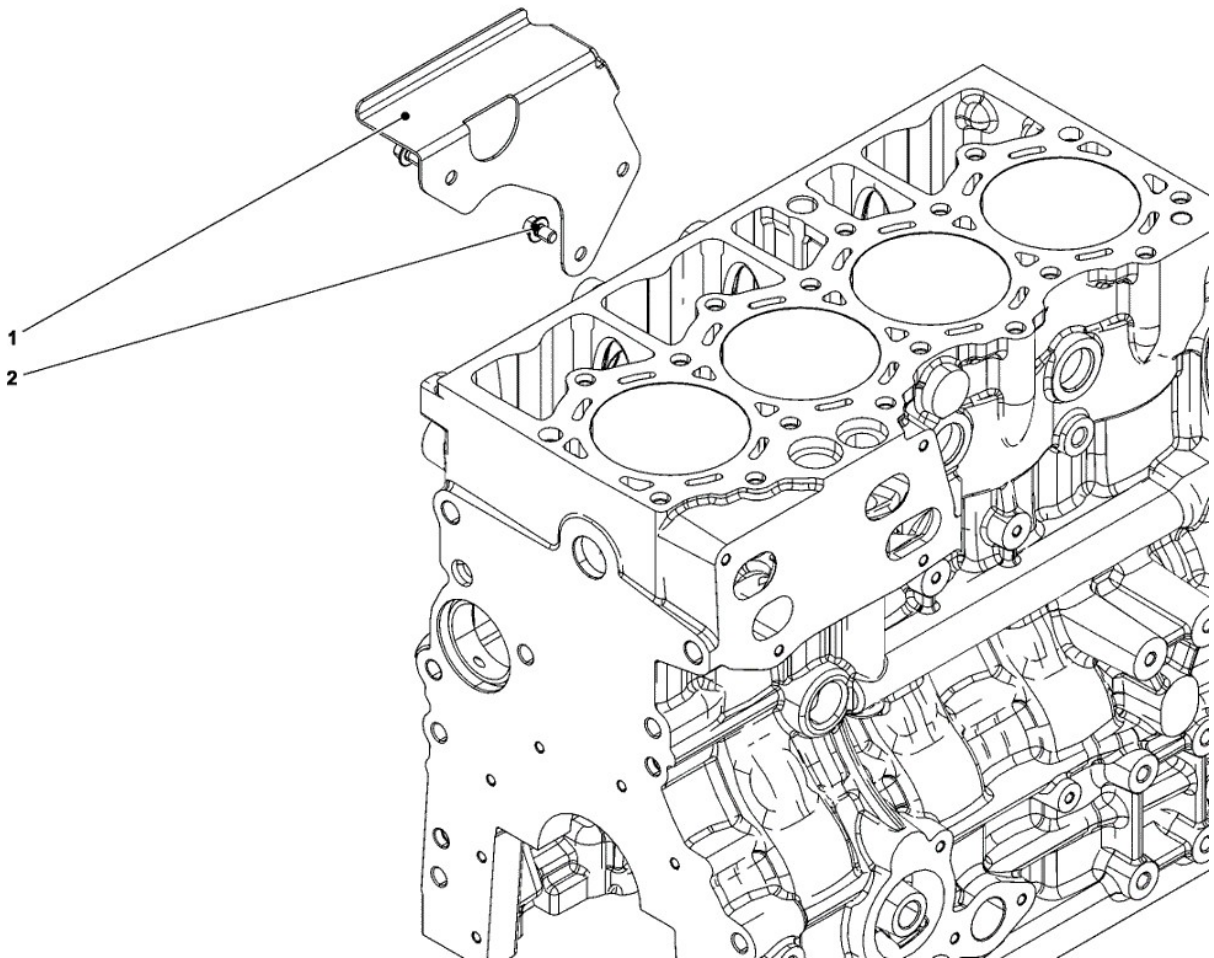
HEAT PROT. SHIELD

년/월  
Year/Month

2024-03

T130SPUS1

000



NOTE





FIG 156

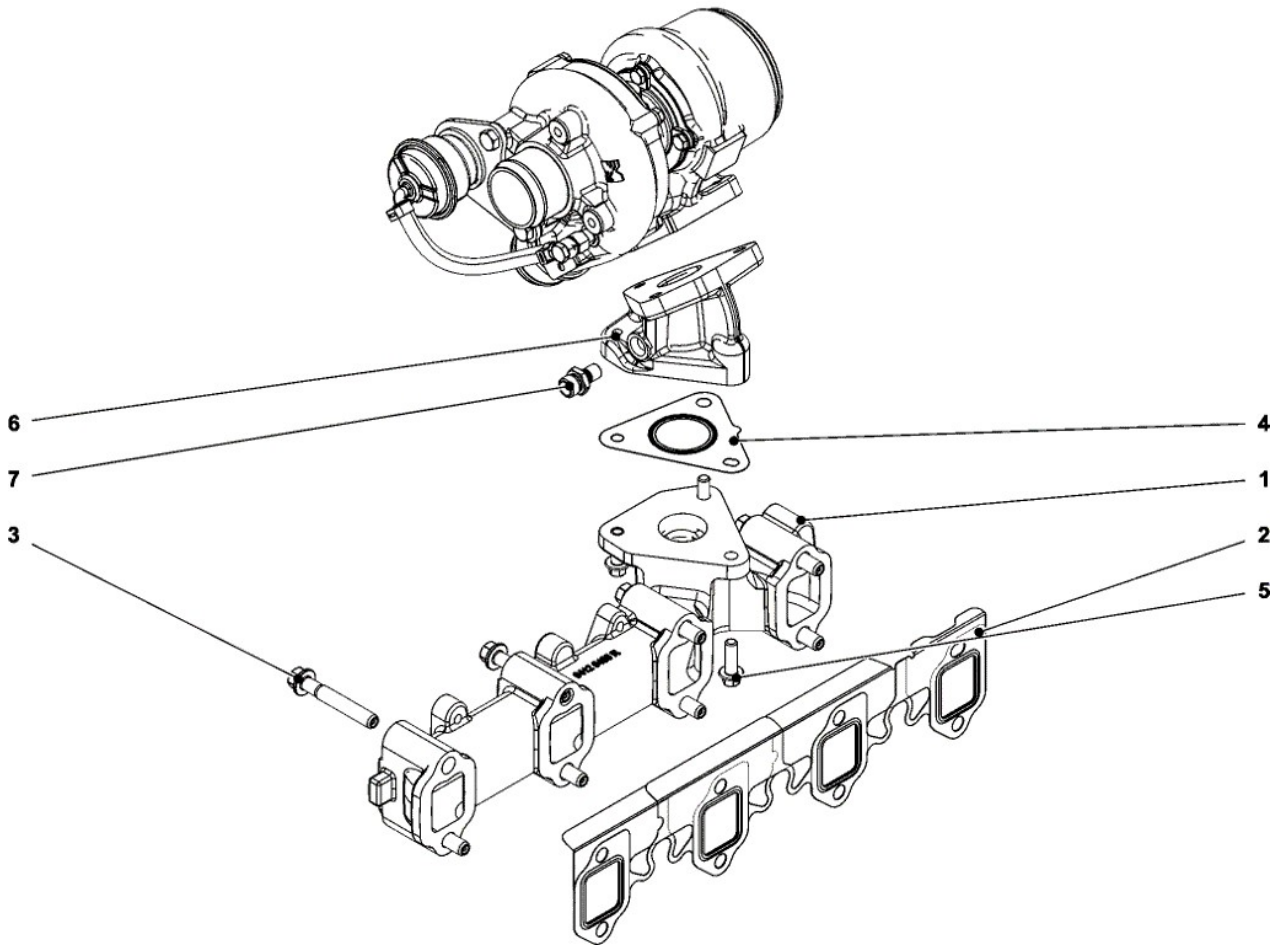
EXHAUST MANIFOLD

년/월  
Year/Month

2024-03

T130SPUS1

000



NOTE



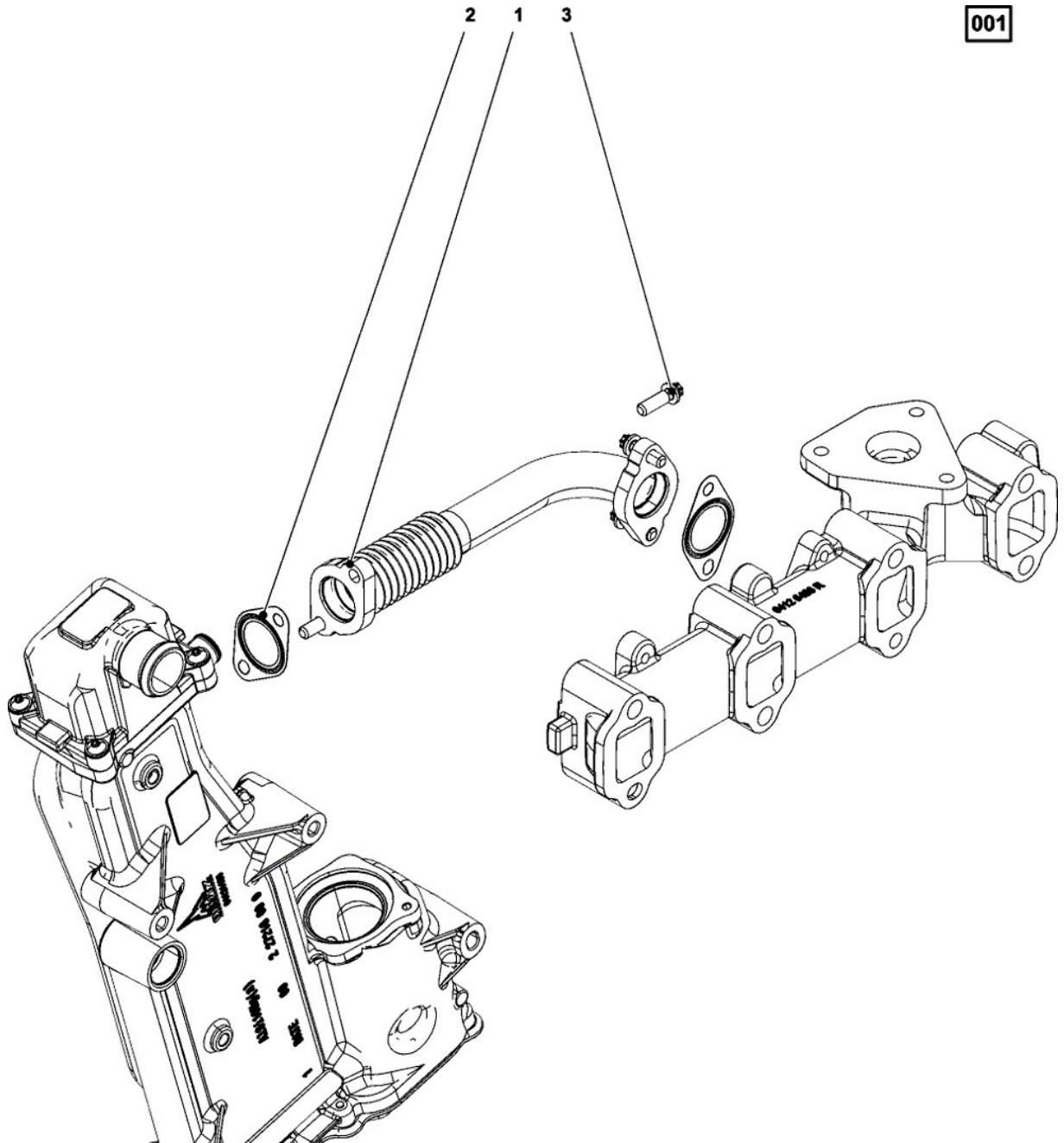
FIG 157

EXHAUST GAS BEND

년/월  
Year/Month

2024-03

T130SPUS1



NOTE



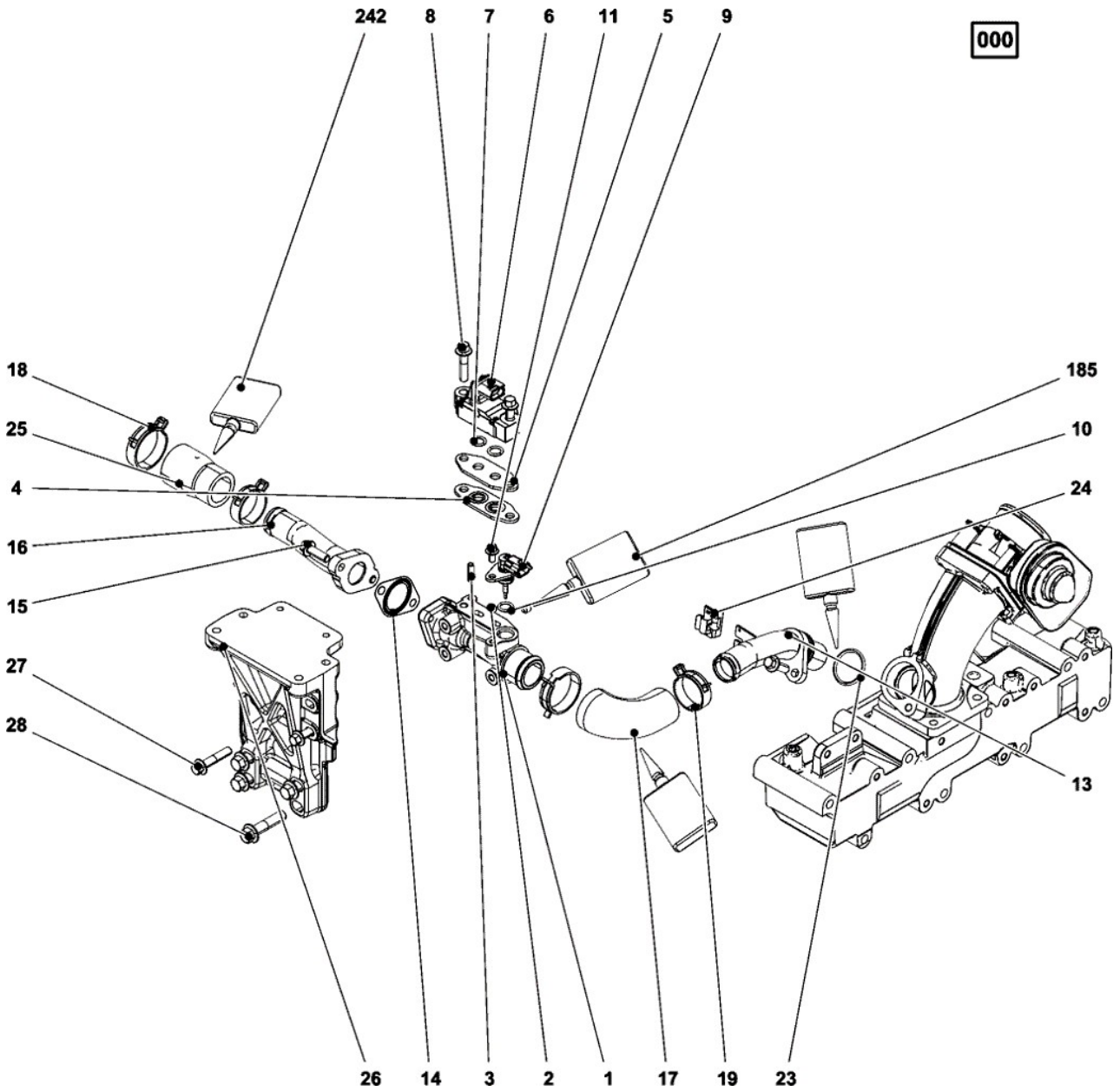
FIG 158

EXHAUST PIPE

년/월  
Year/Month

2024-03

T130SPUS1



NOTE



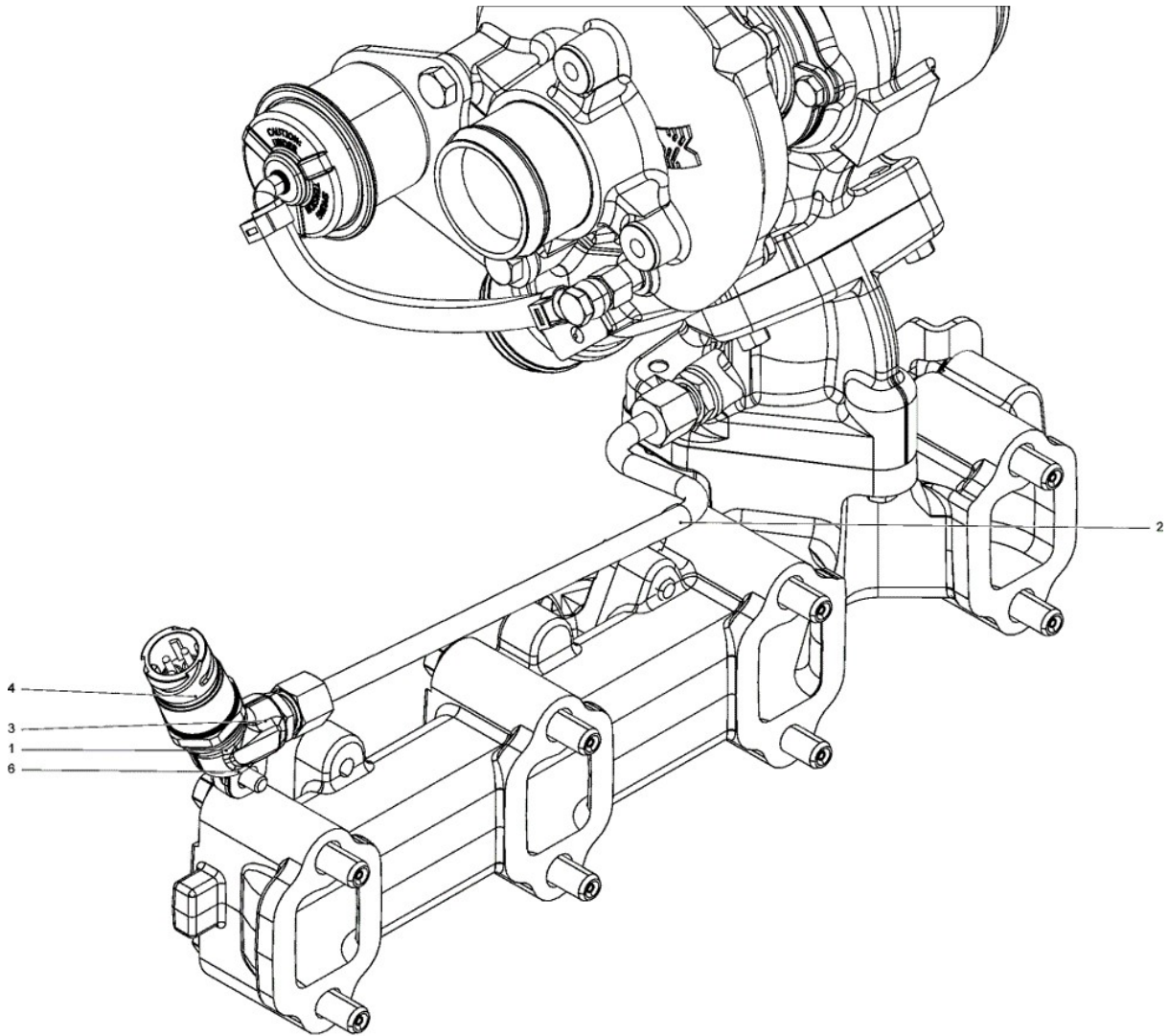
FIG 159

PRESSURESENSOR MTG

년/월  
Year/Month

2024-03

T130SPUS1



NOTE





FIG 160

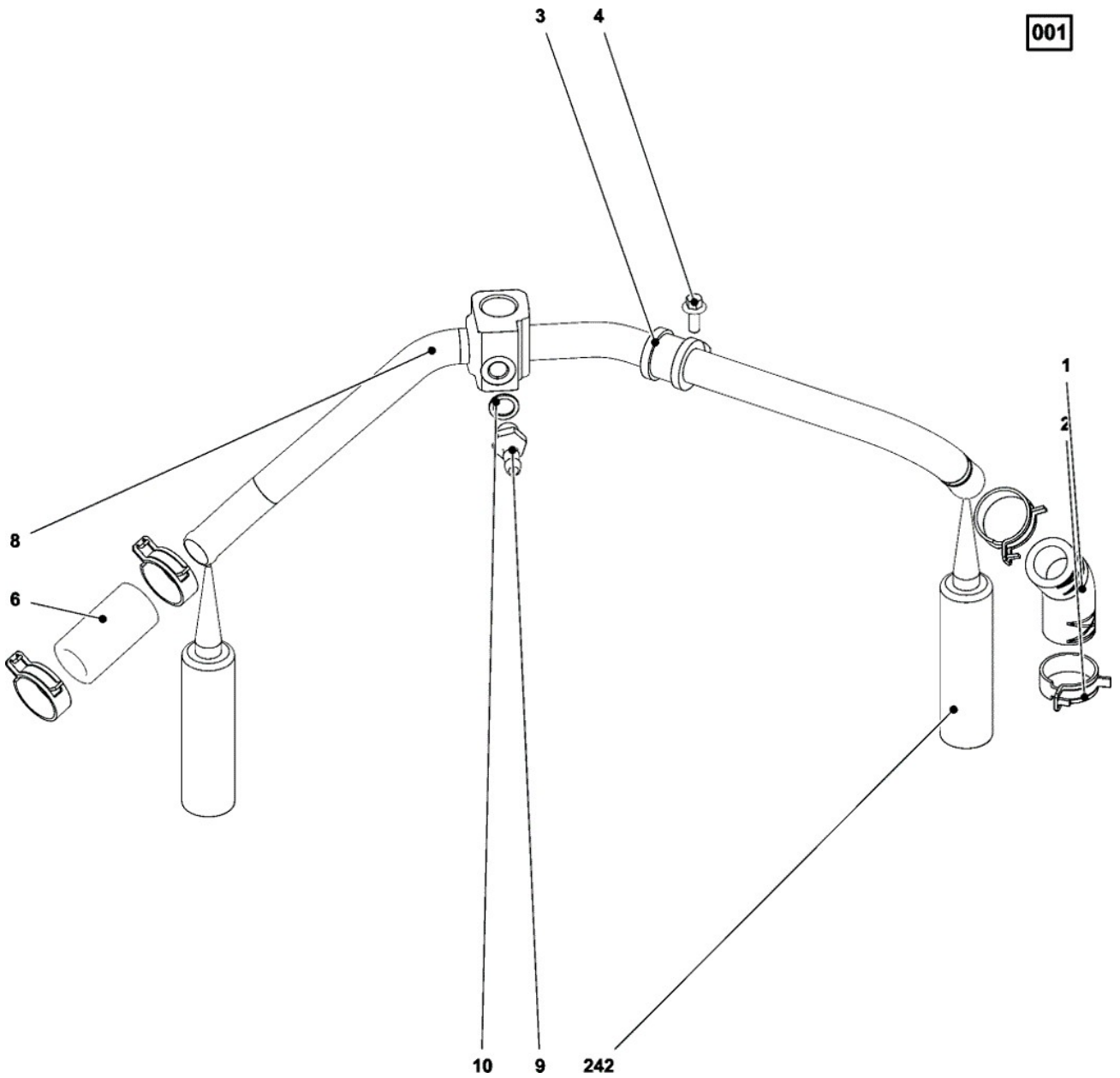
COOLING WATER LINE

년/월  
Year/Month

2024-03

T130SPUS1

001



NOTE



FIG 161

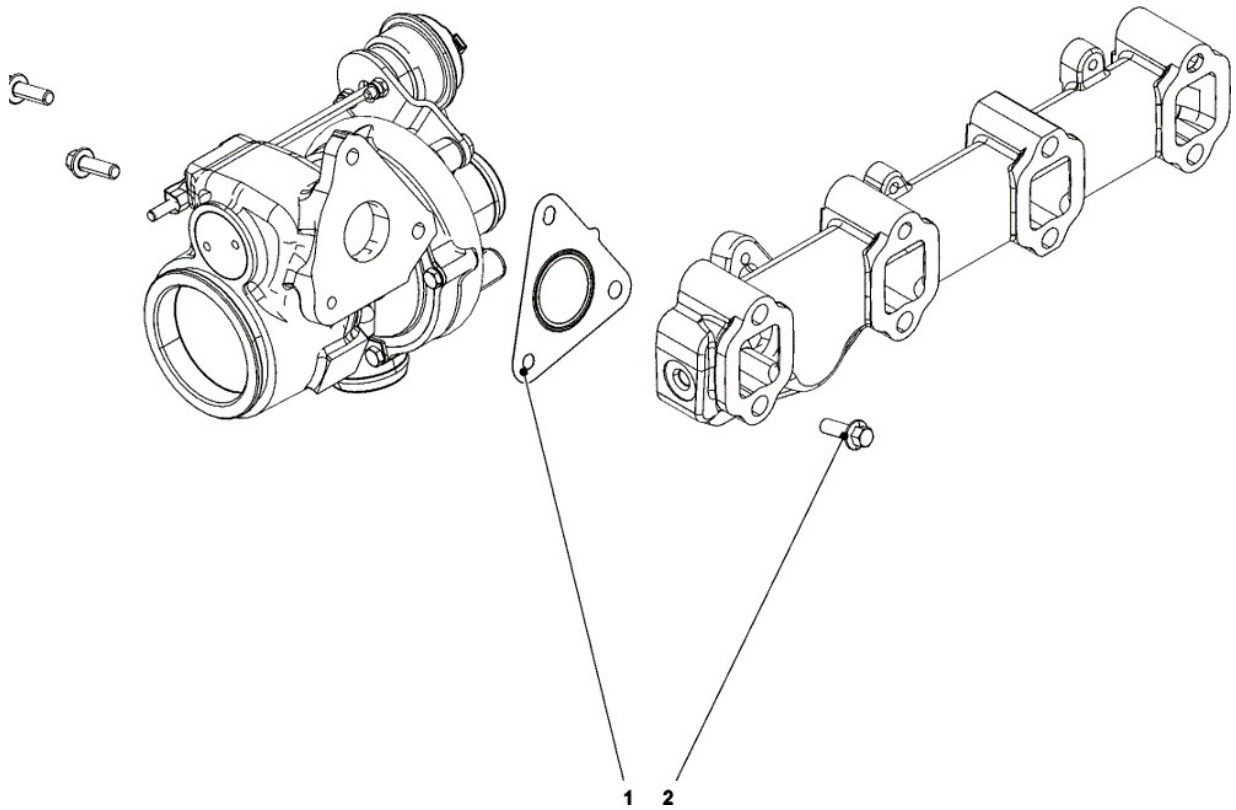
T130SPUS1

GASKET

년/월  
Year/Month

2024-03

001



NOTE



FIG 162

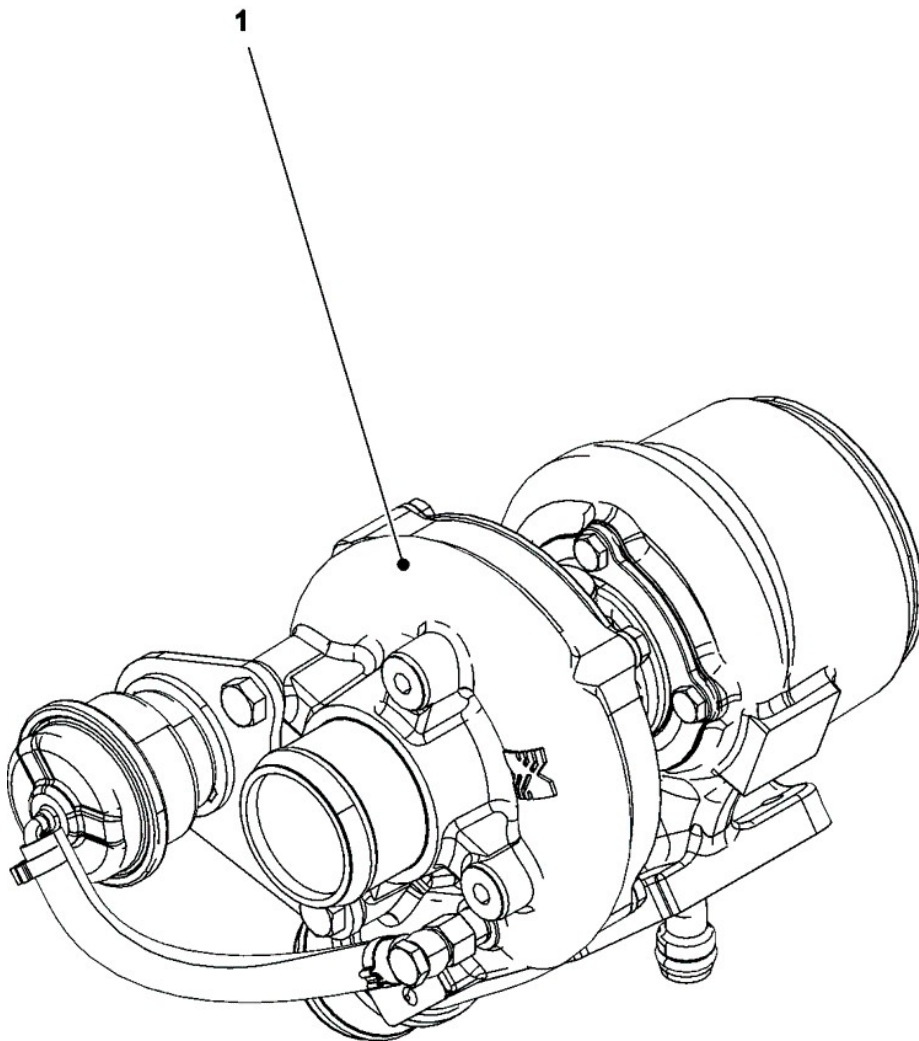
TURBOCHARGER

년/월  
Year/Month

2024-03

T130SPUS1

000



NOTE



FIG 163

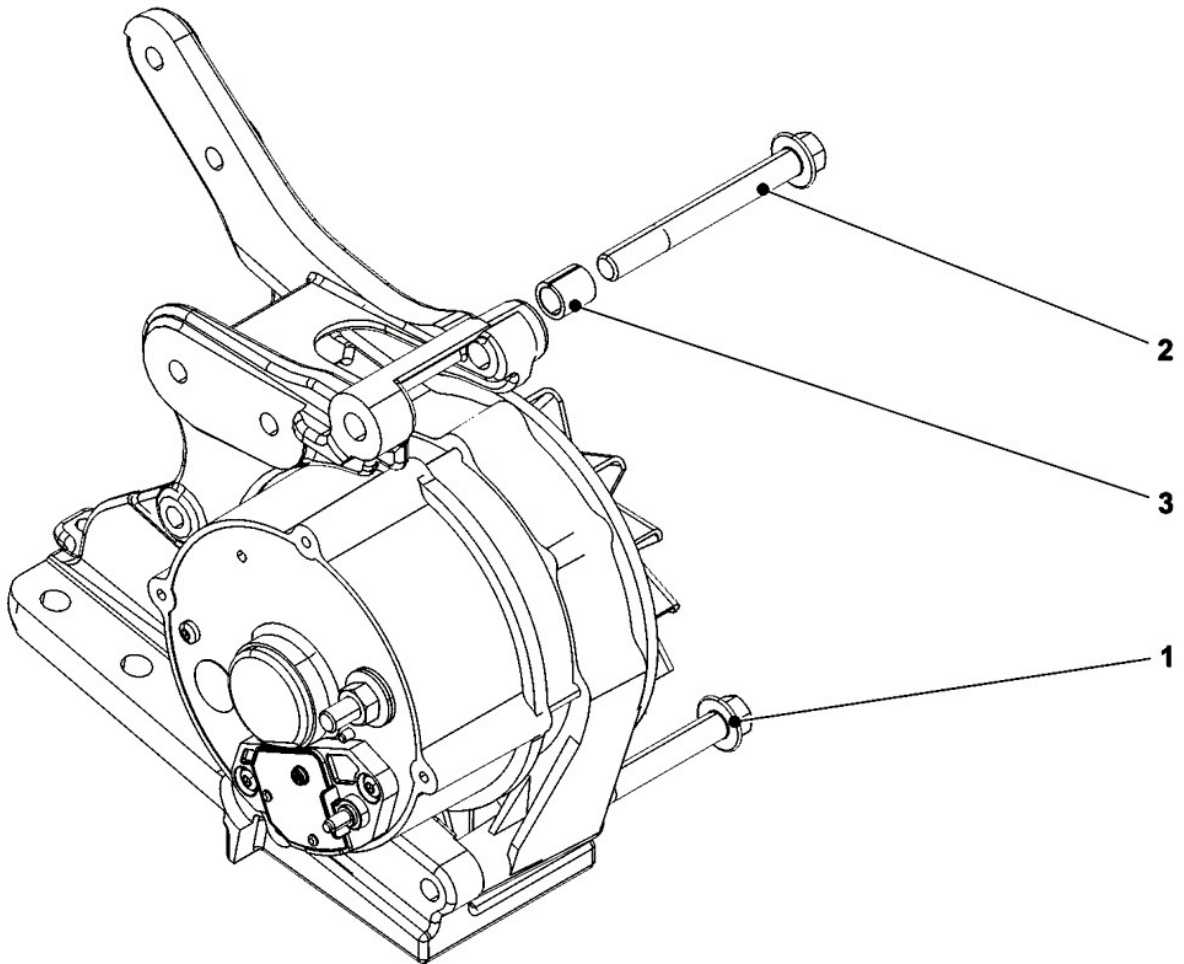
FASTENINGS

년/월  
Year/Month

2024-03

T130SPUS1

000



NOTE





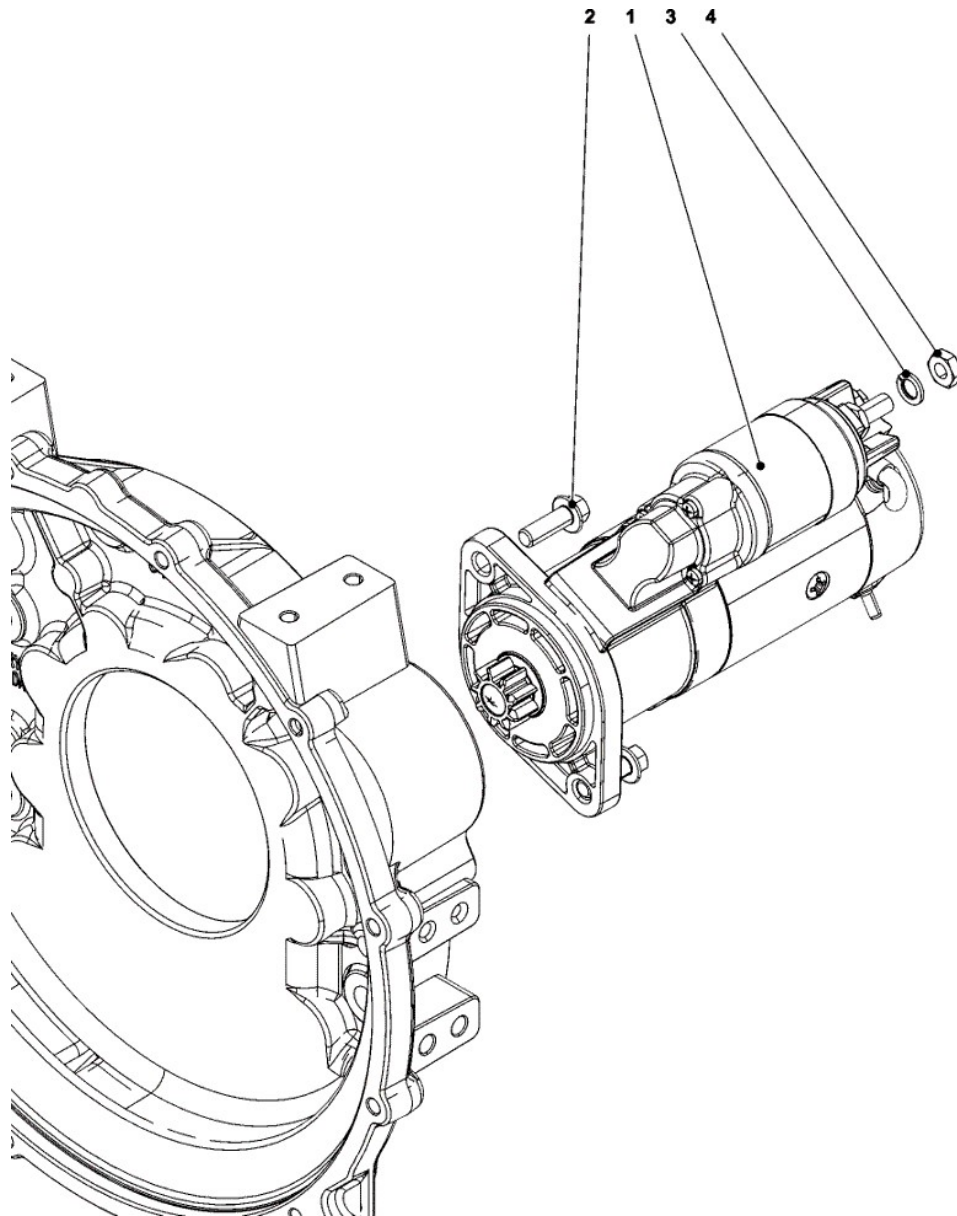
FIG 164

STARTER

년/월  
Year/Month

2024-03

T130SPUS1



001

NOTE



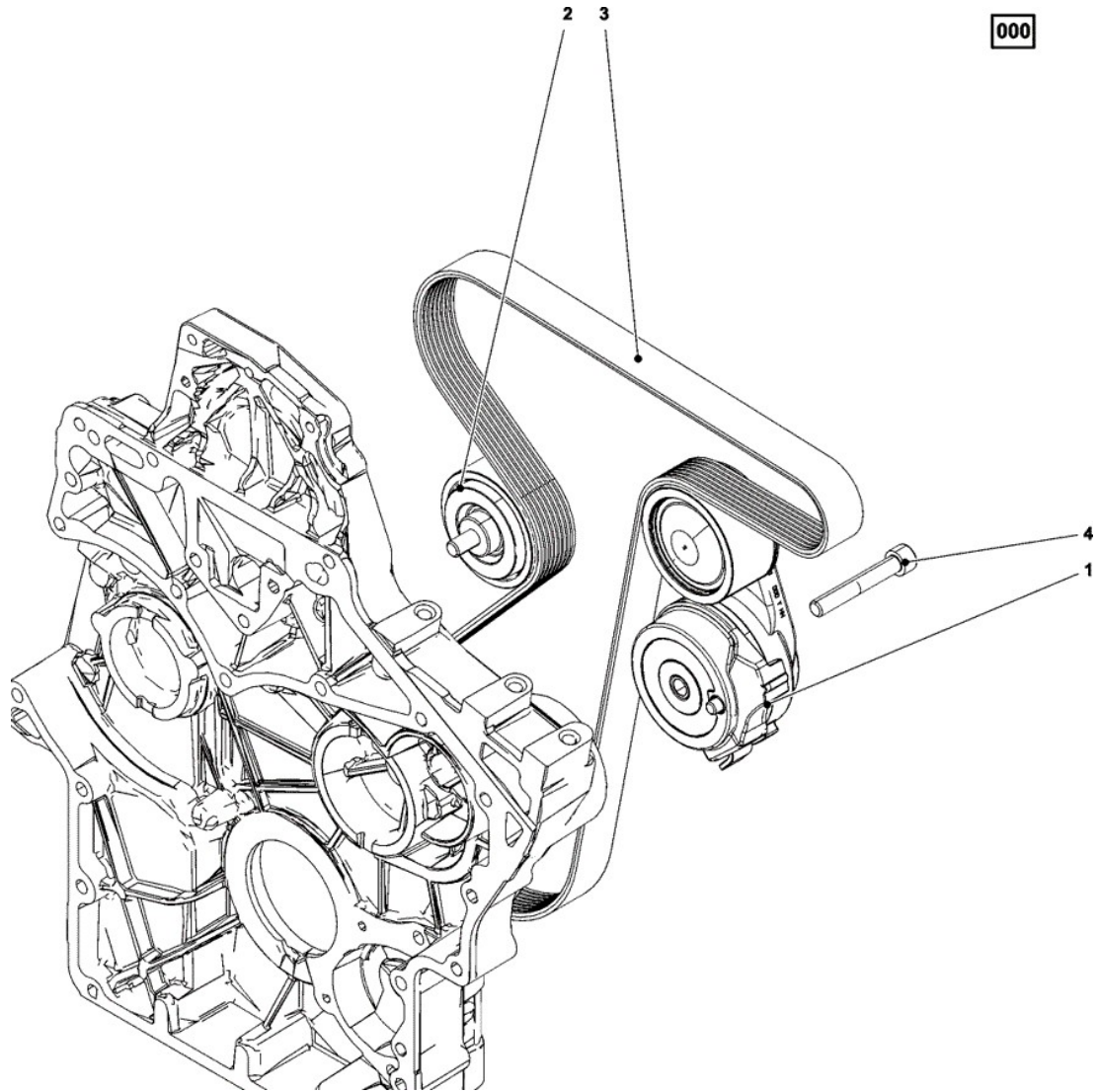
FIG 165

BELT TENSIONER

년/월  
Year/Month

2024-03

T130SPUS1



NOTE



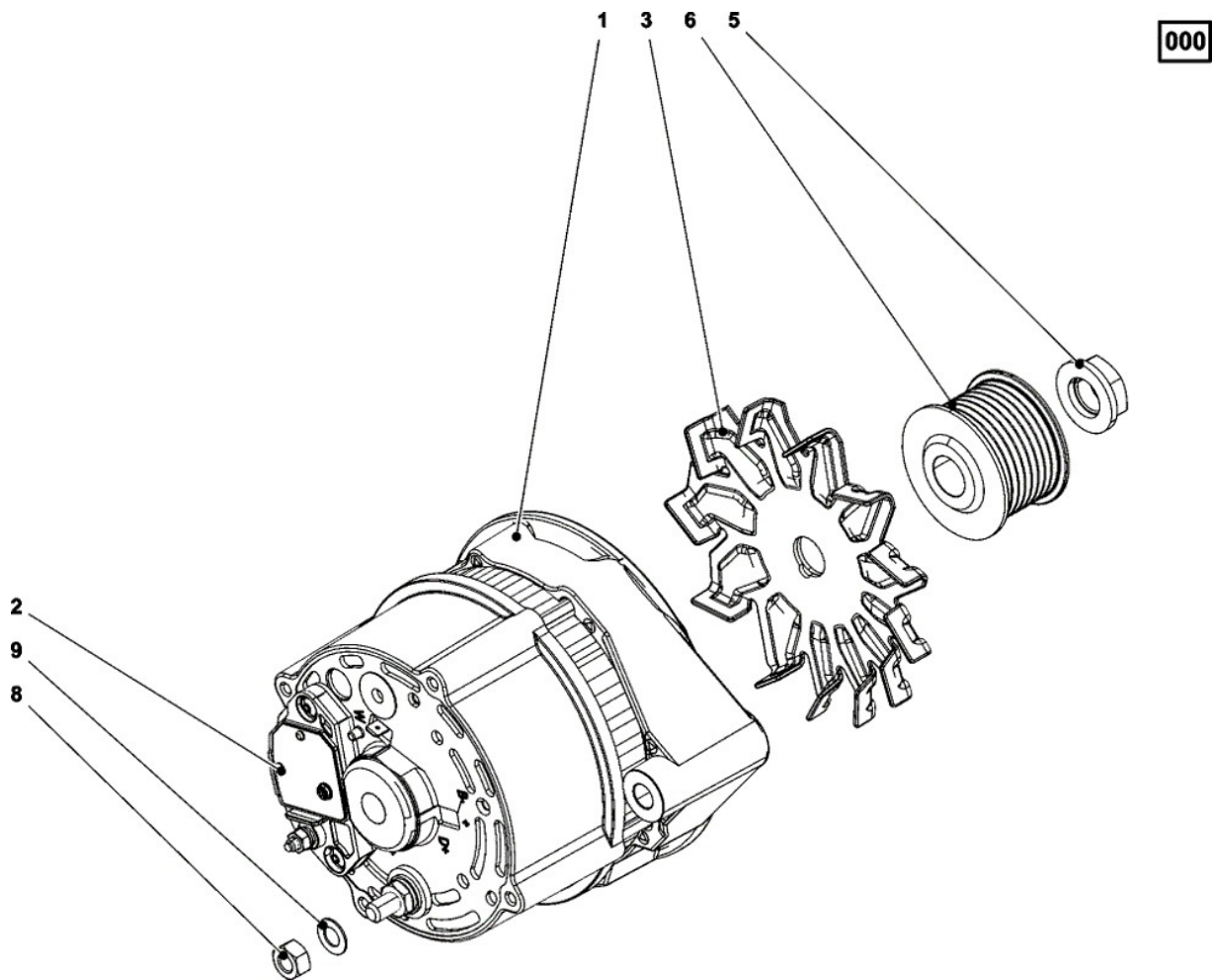
FIG 166

GENERATOR

년/월  
Year/Month

2024-03

T130SPUS1



NOTE



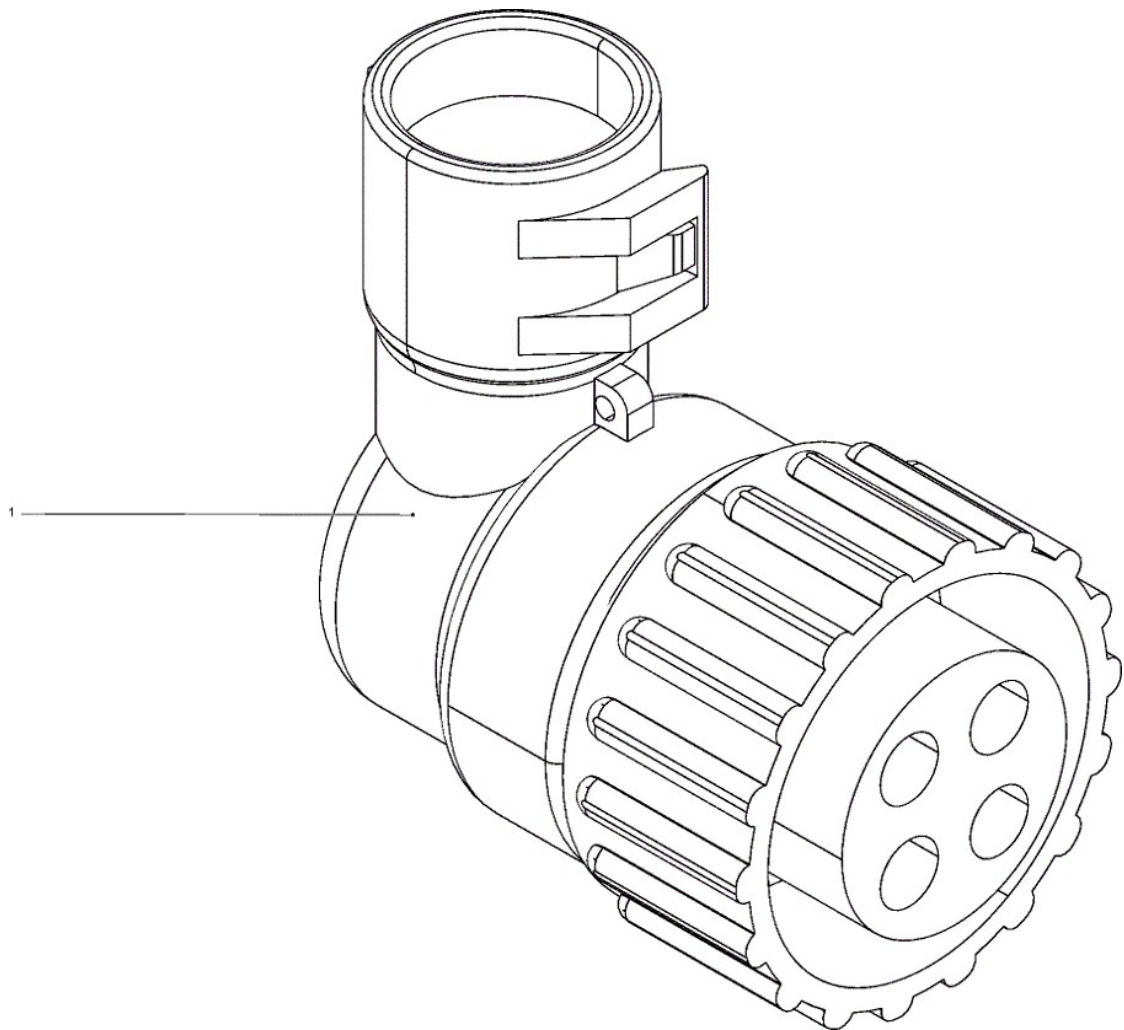
FIG 167

ATTACHMENT PLUG

년/월  
Year/Month

2024-03

T130SPUS1



NOTE





FIG 168

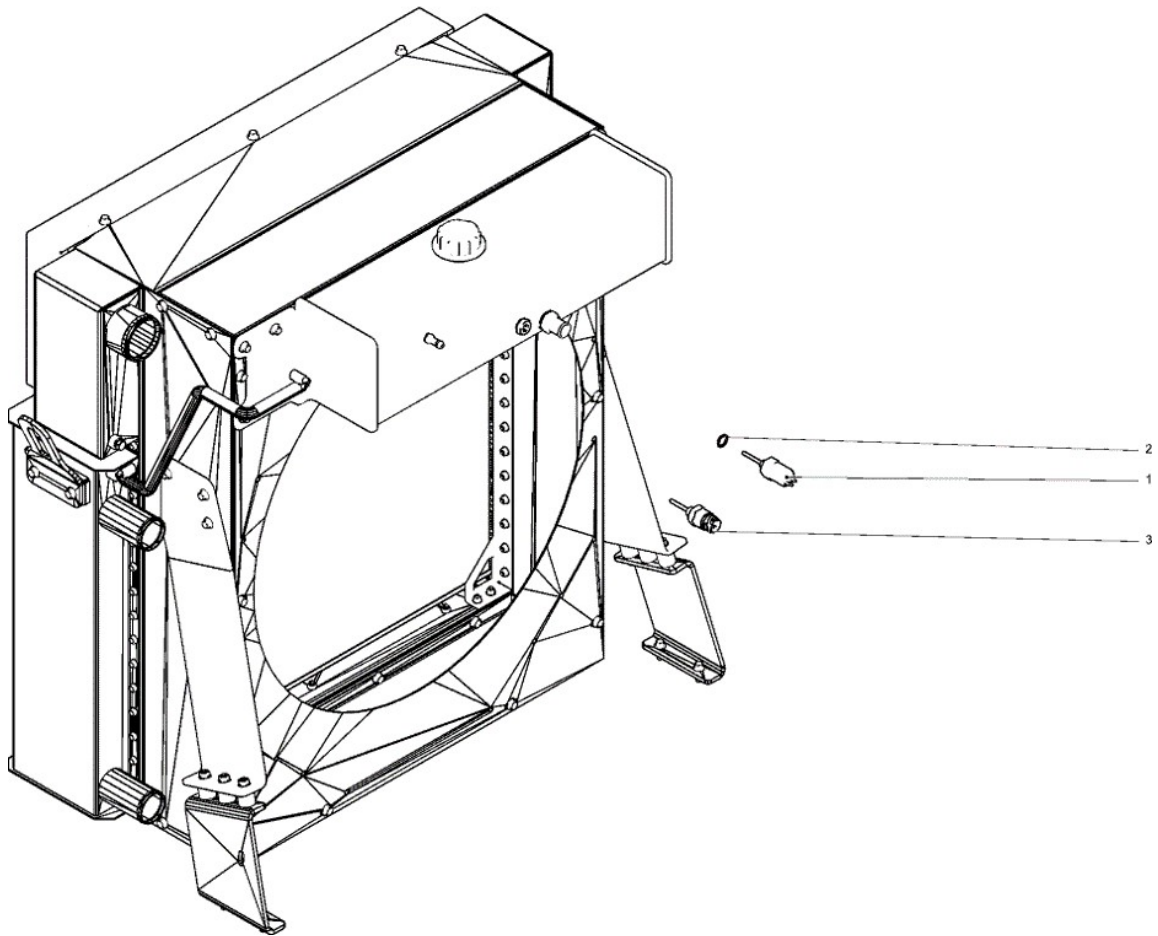
LEVEL SWITCH

년/월  
Year/Month

2024-03

T130SPUS1

001



NOTE



FIG 169

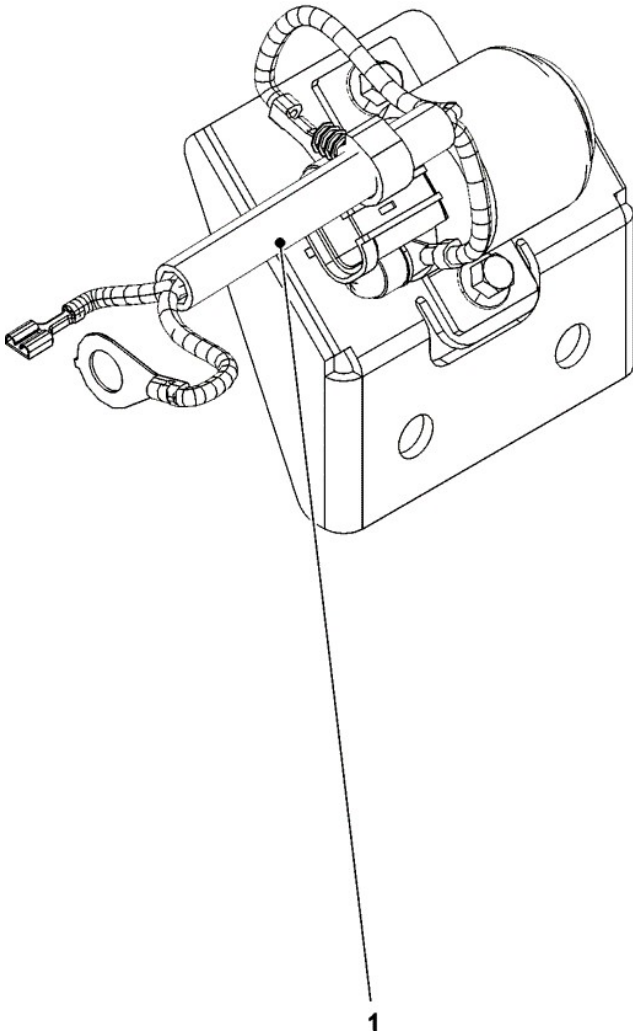
ELECTRIC LINE

년/월  
Year/Month

T130SPUS1

2024-03

000



NOTE



FIG 170

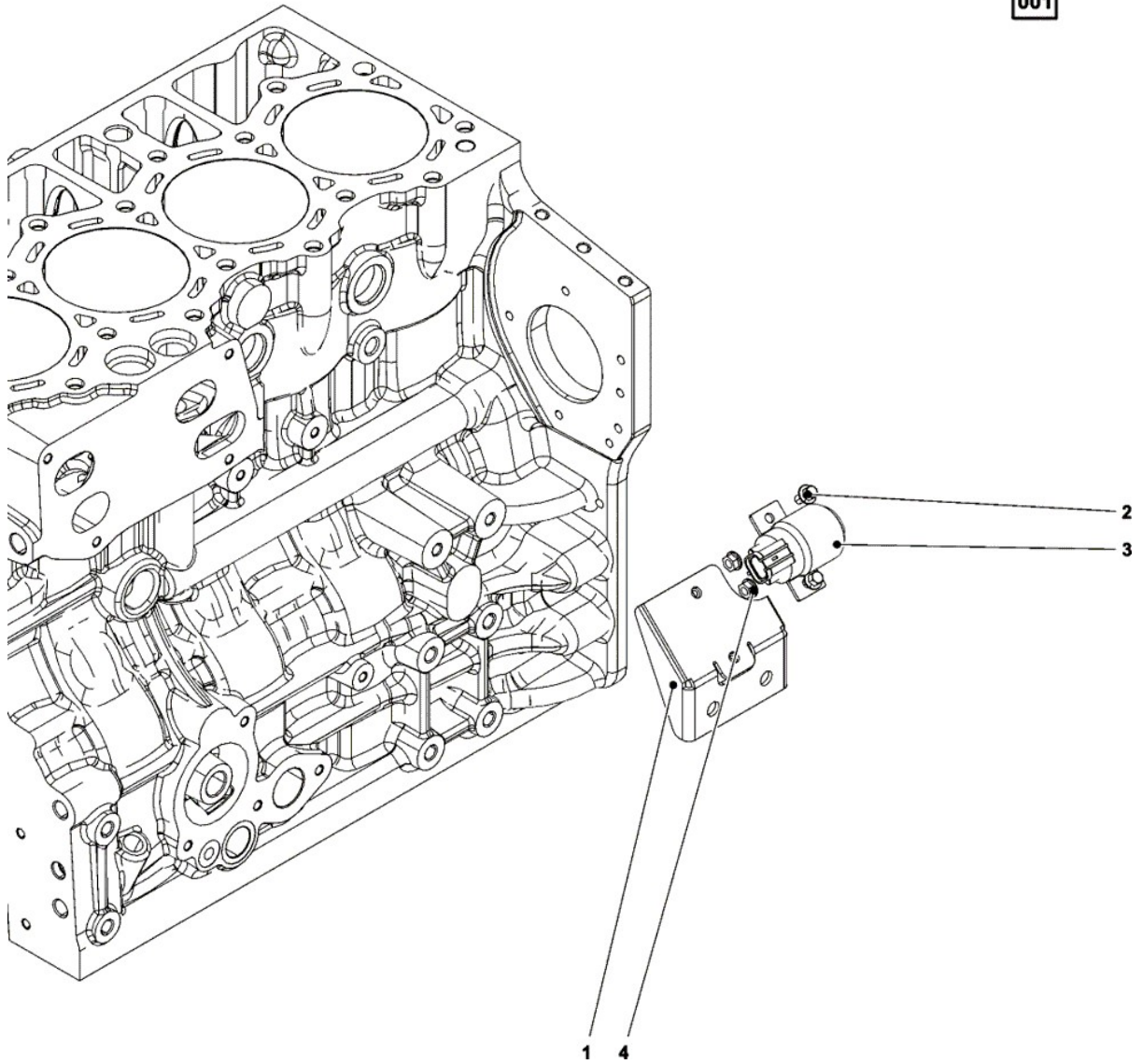
RELAY

년/월  
Year/Month

2024-03

T130SPUS1

001



NOTE



FIG 171

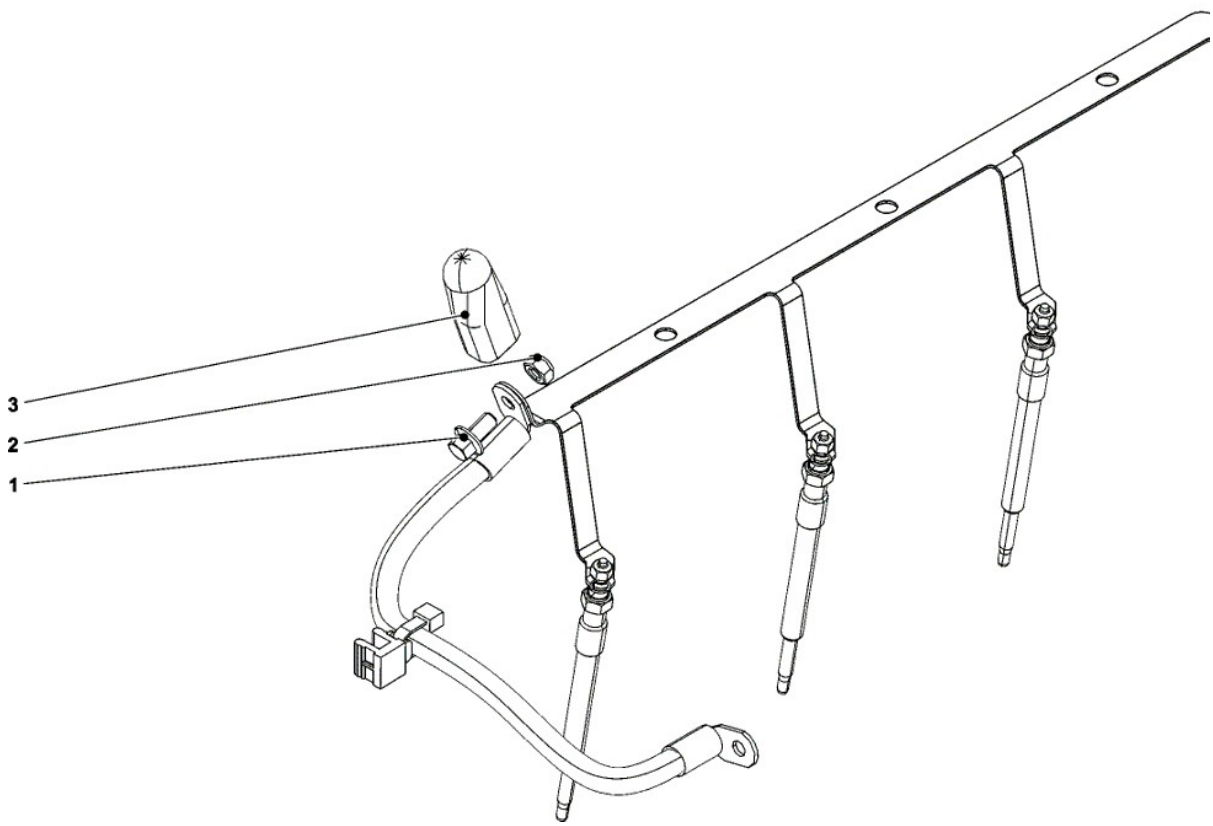
T130SPUS1

FASTENINGS

년/월  
Year/Month

2024-03

001



NOTE





FIG 172

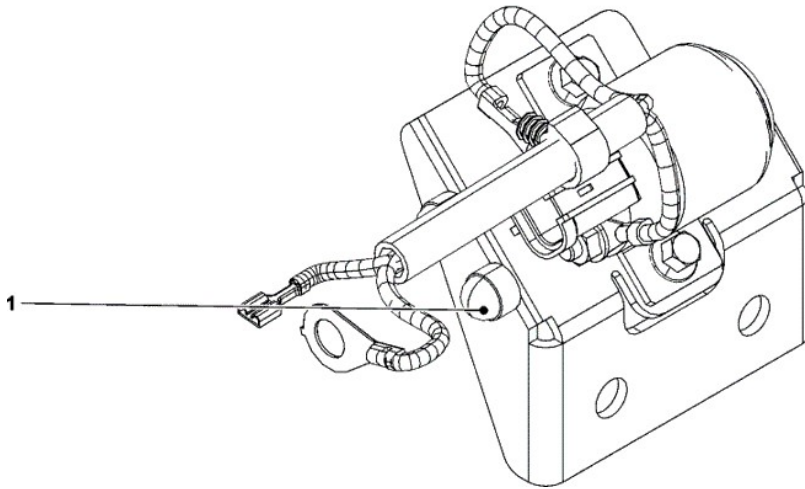
FASTENINGS

년/월  
Year/Month

2024-03

T130SPUS1

000



NOTE



FIG 173

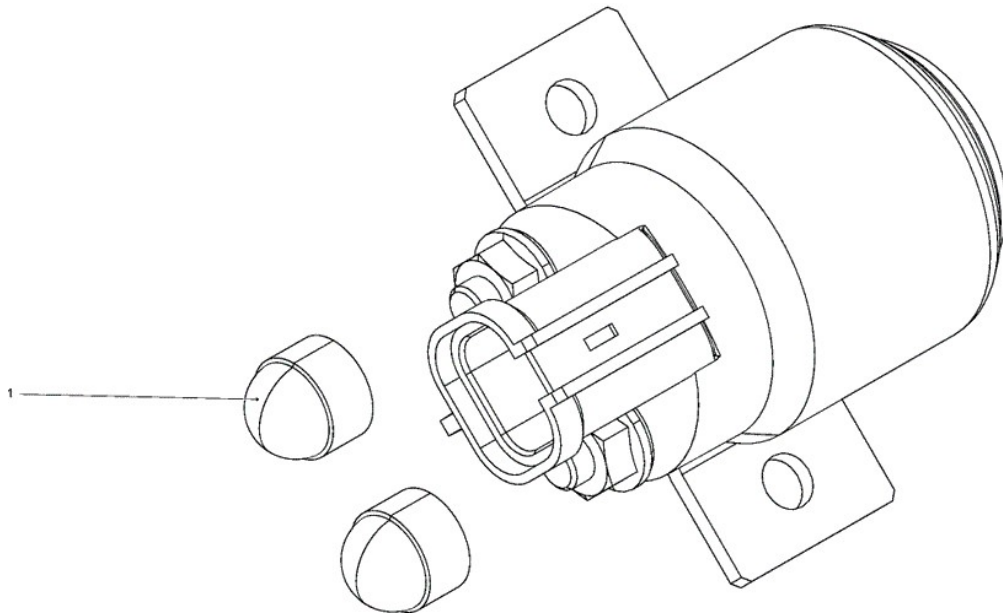
T130SPUS1

RELAY

년/월  
Year/Month

2024-03

000



NOTE



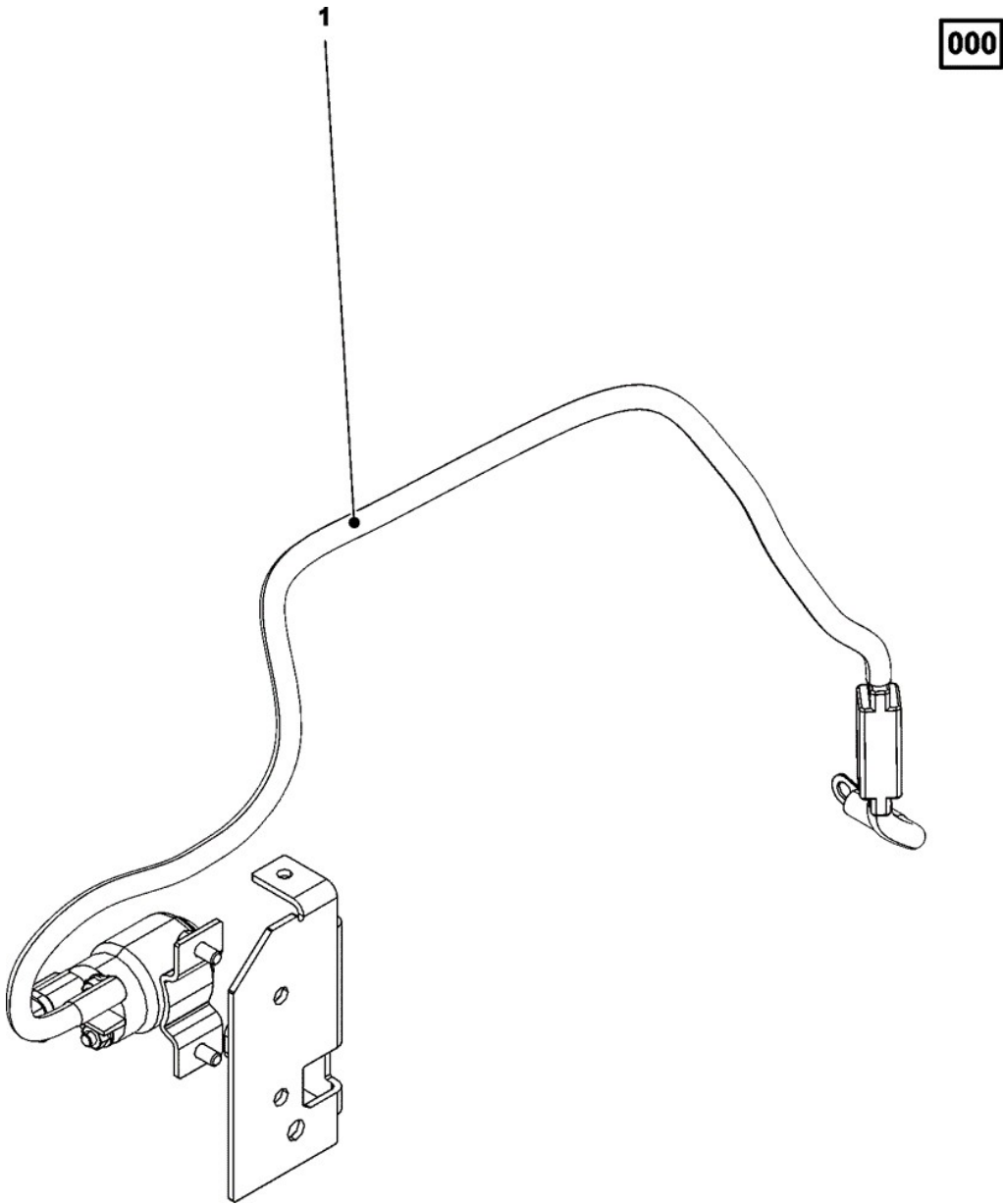
FIG 174

T130SPUS1

CONNECTING PIPE

년/월  
Year/Month

2024-03



NOTE



FIG 175

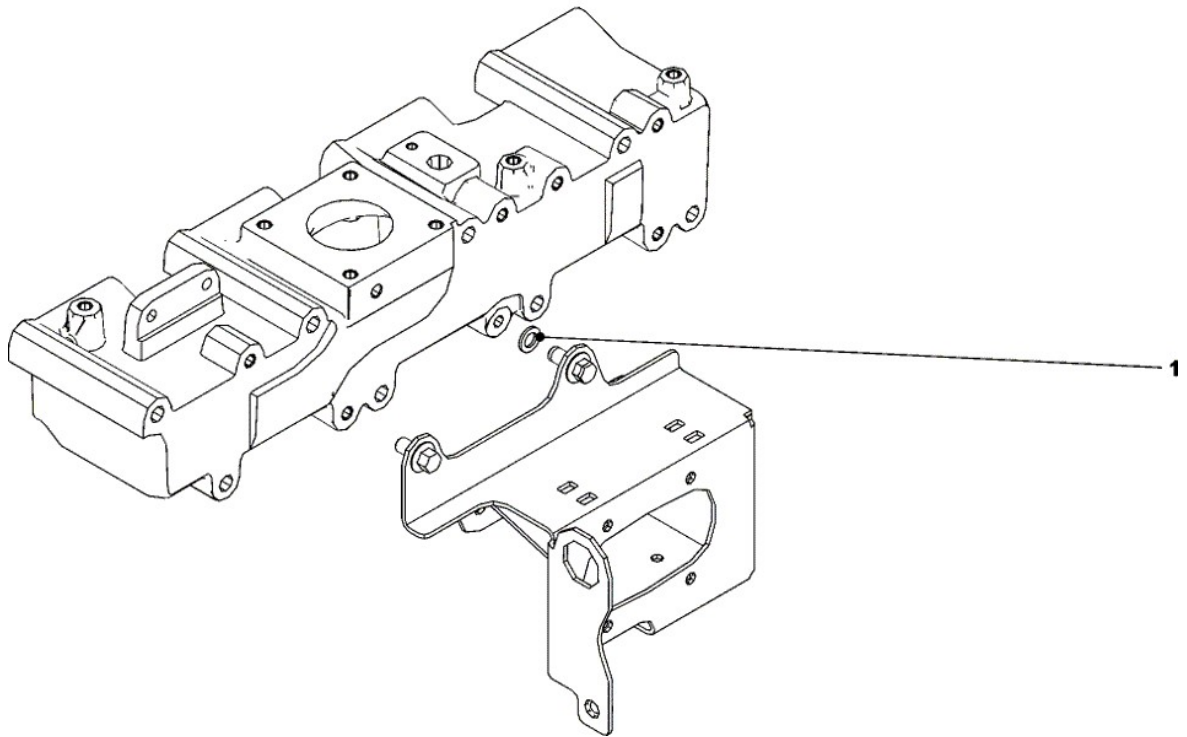
FASTENINGS

년/월  
Year/Month

T130SPUS1

2024-03

000



NOTE





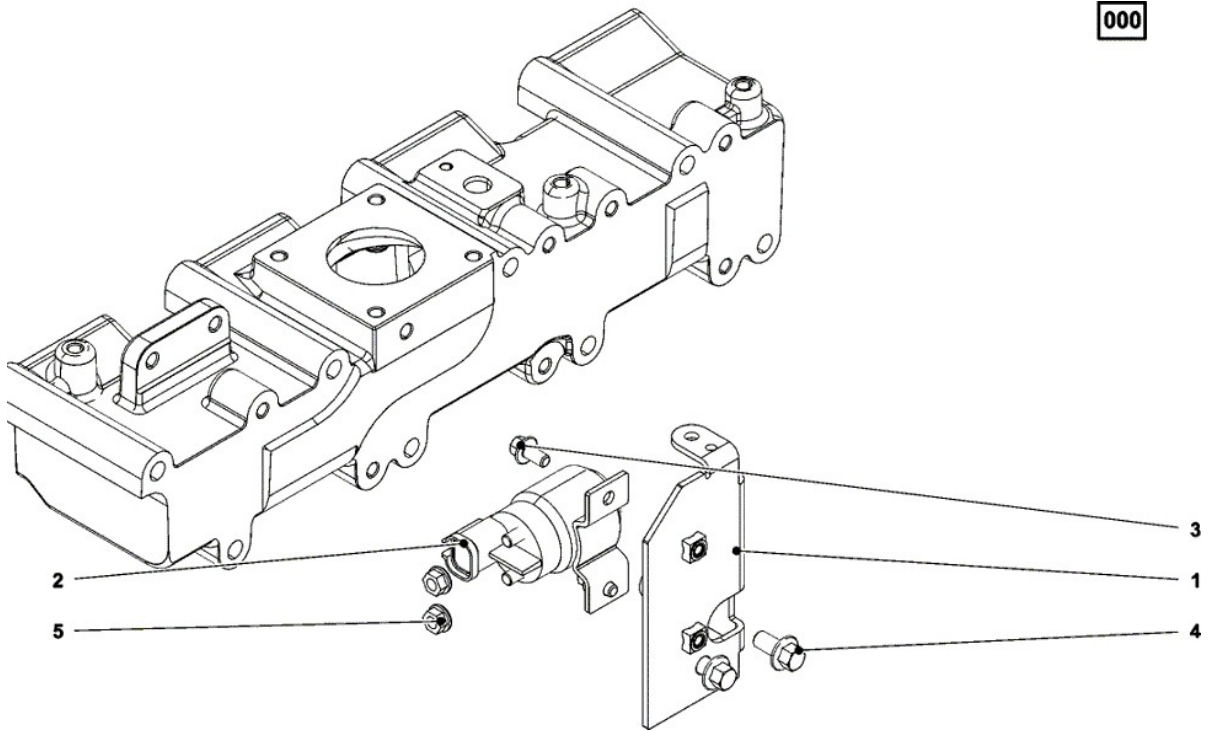
FIG 176

T130SPUS1

RELAY

년/월  
Year/Month

2024-03



NOTE



FIG 177

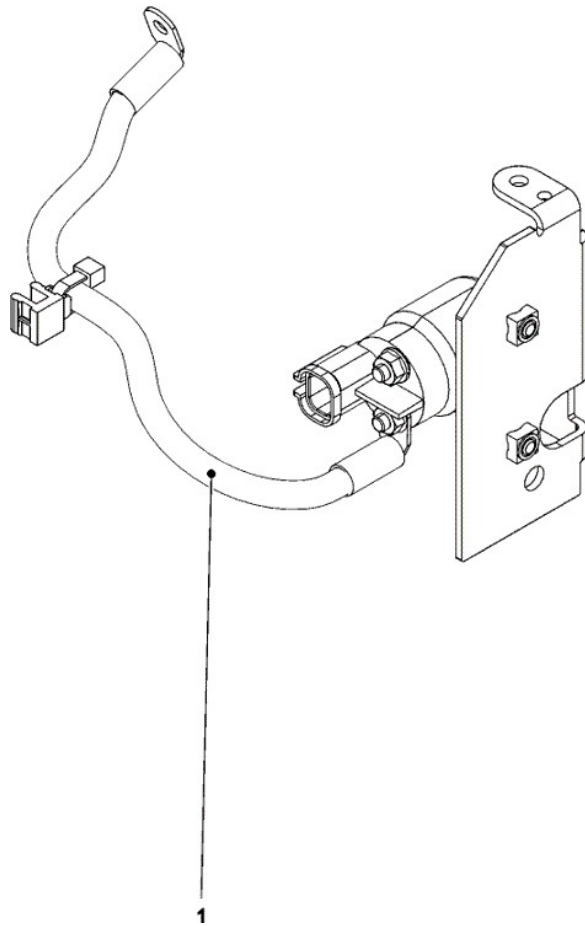
T130SPUS1

ELECTRIC LINE

년/월  
Year/Month

2024-03

000



NOTE



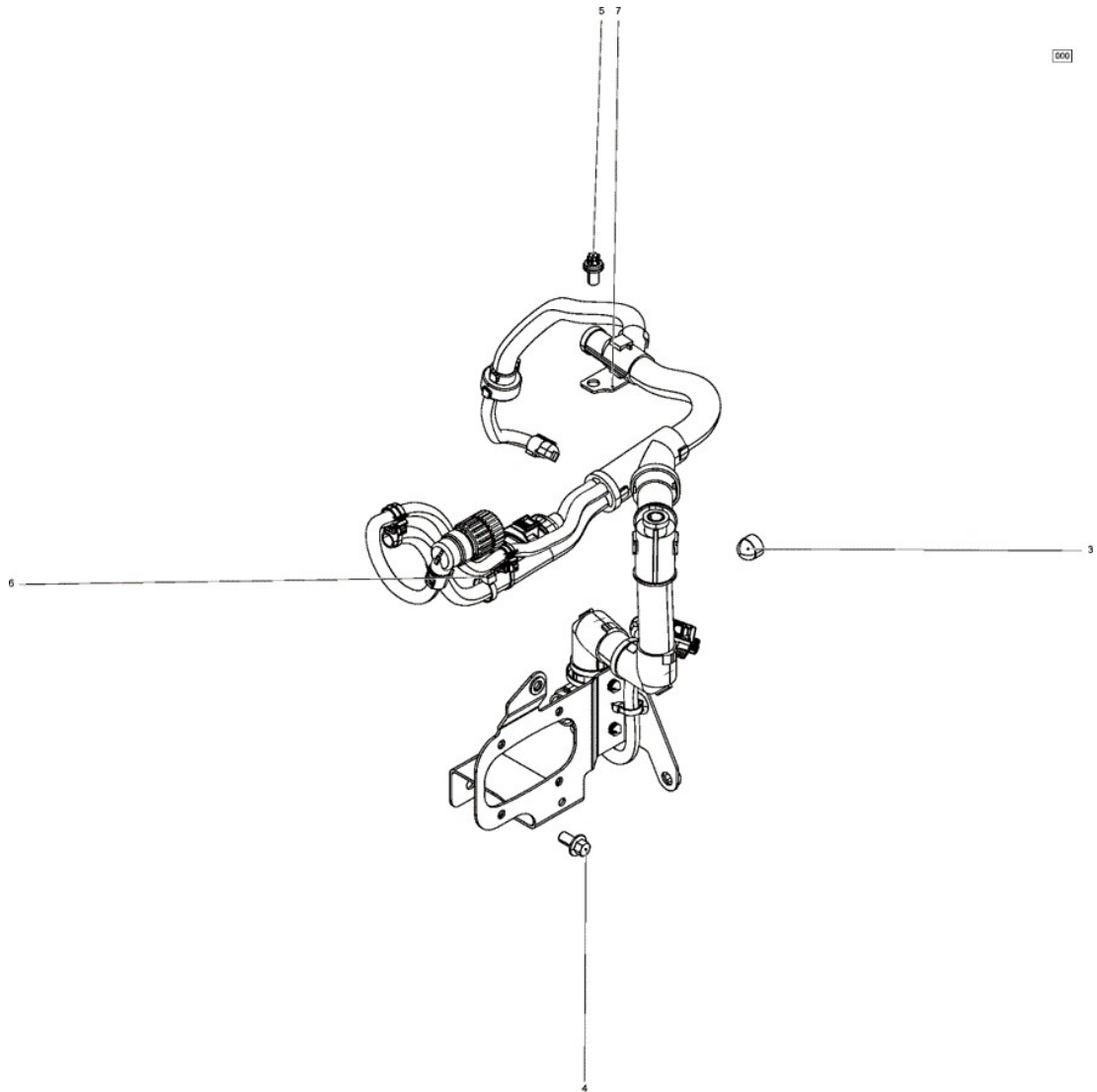
FIG 178

T130SPUS1

FASTENINGS

년/월  
Year/Month

2024-03



NOTE



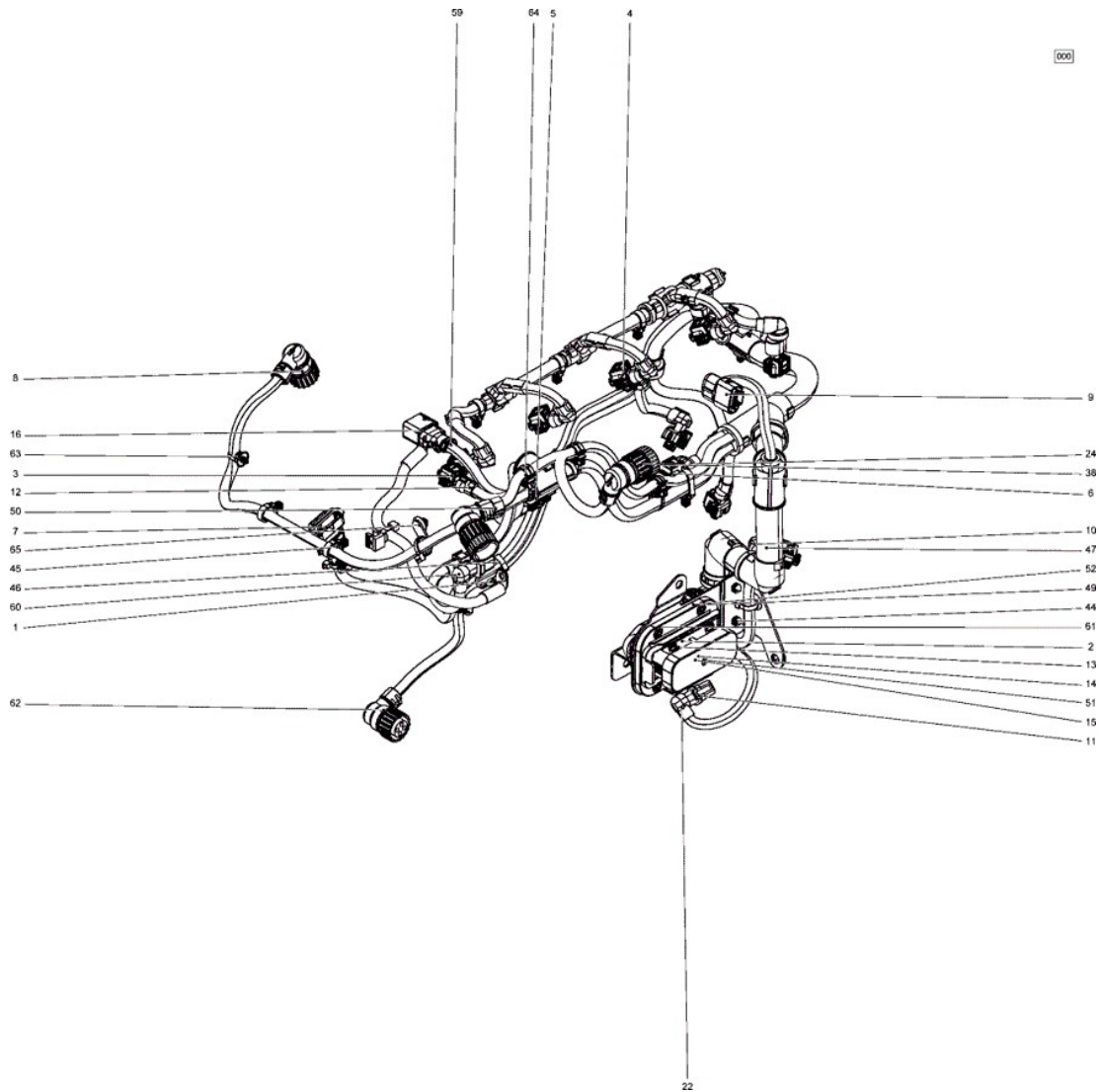
FIG 179

T130SPUS1

CONNECTING PIPE

년/월  
Year/Month

2024-03



NOTE





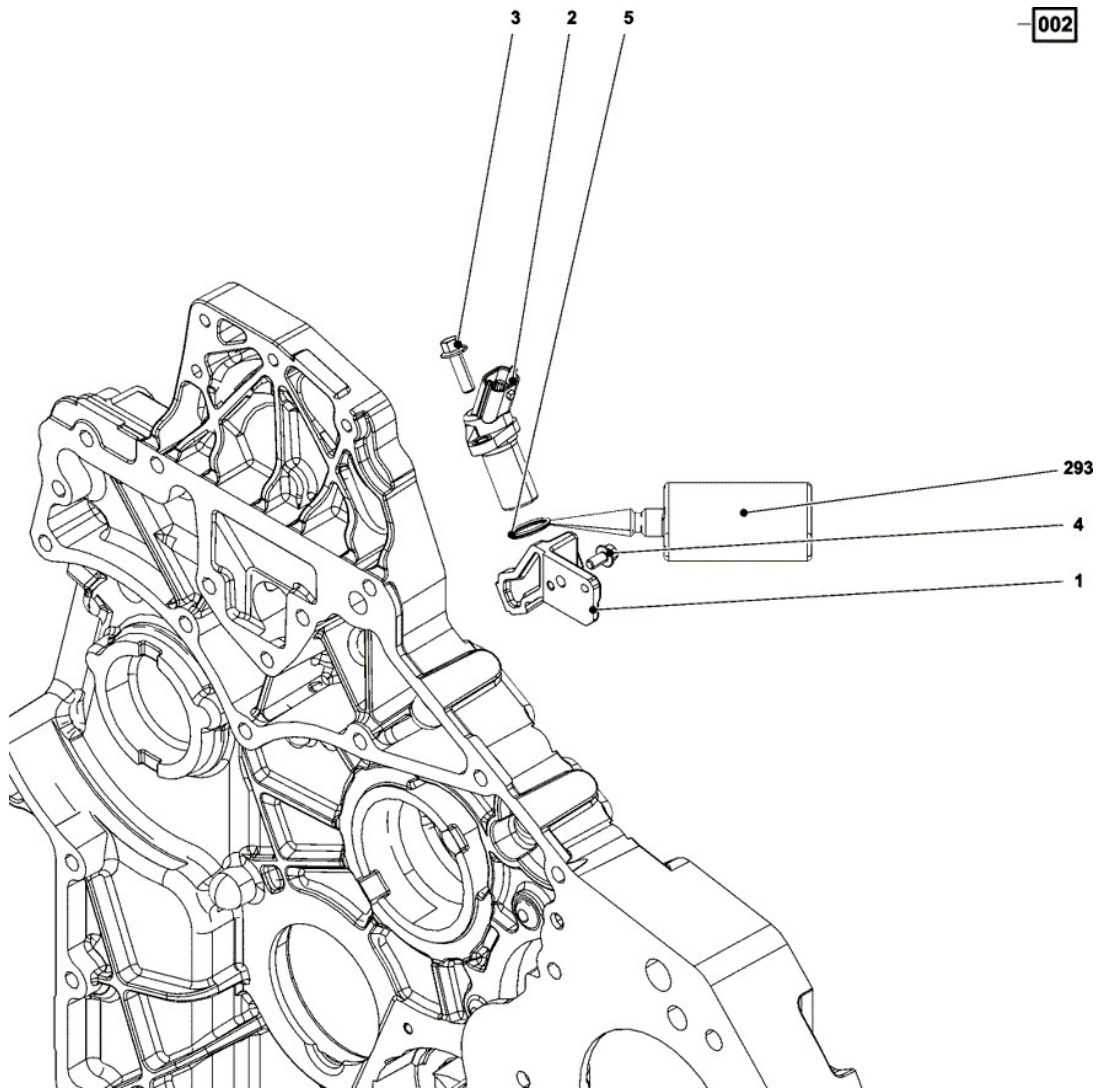
FIG 180

SPEED SENSOR

년/월  
Year/Month

2024-03

T130SPUS1



NOTE



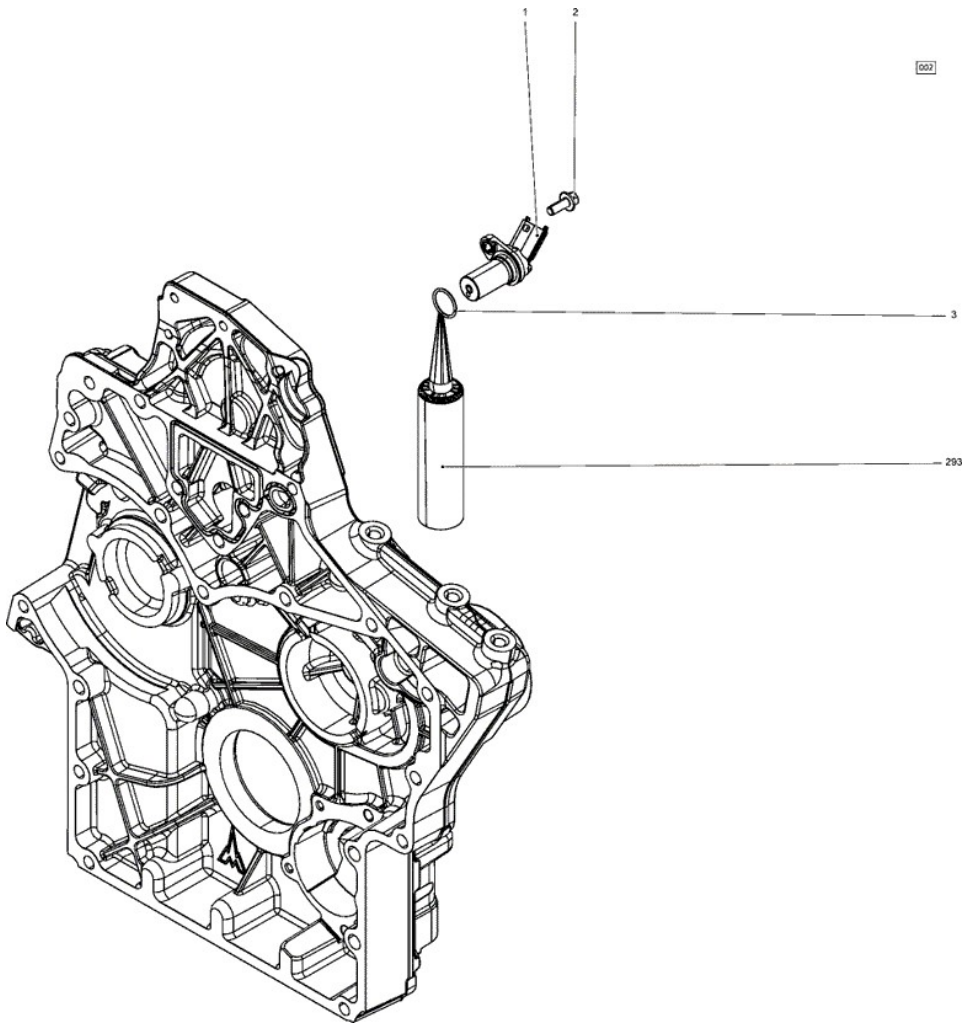
FIG 181

T130SPUS1

CONNECTING PIPE

년/월  
Year/Month

2024-03



NOTE



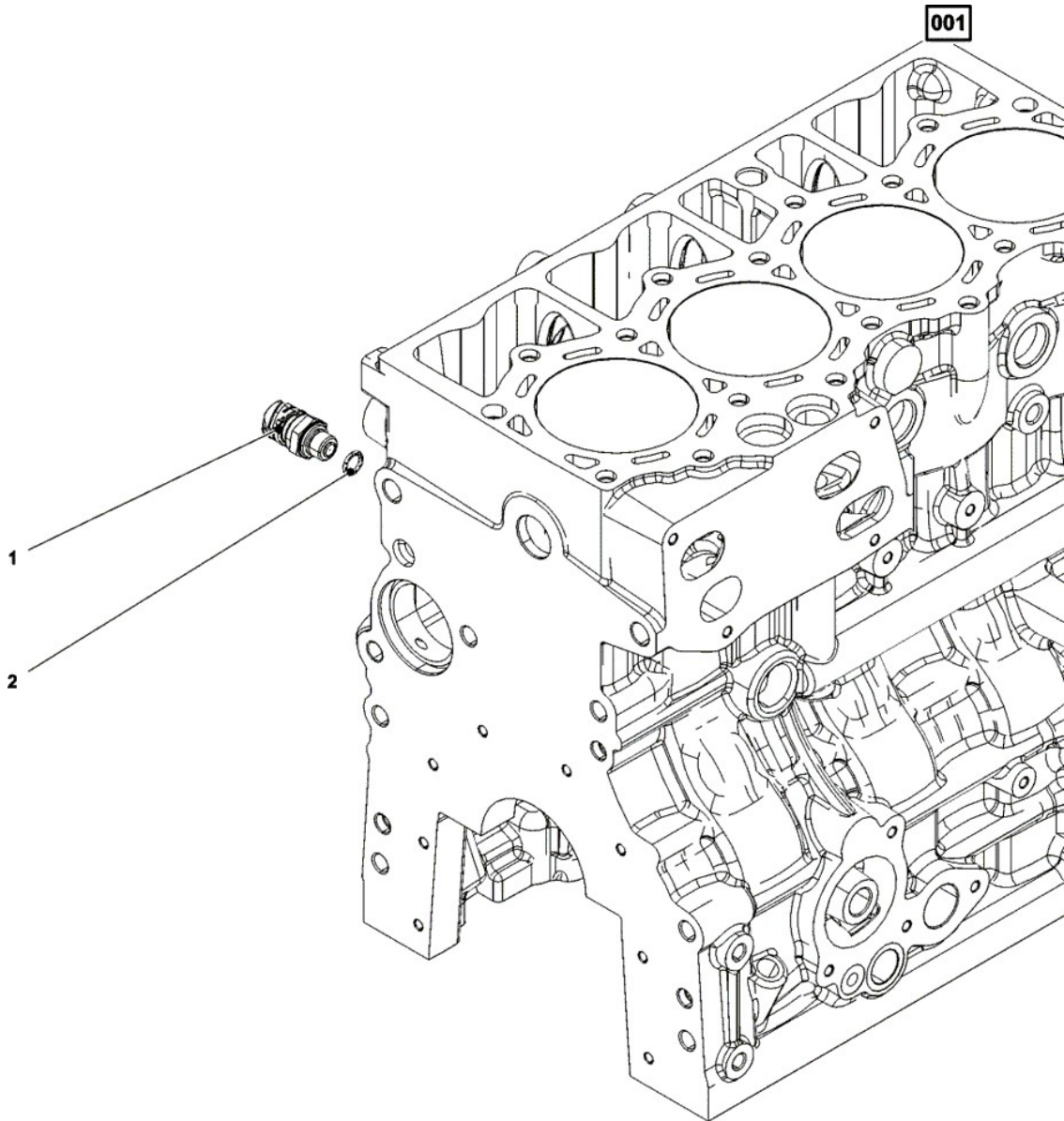
FIG 182

PRESSURE PICK-UP

년/월  
Year/Month

2024-03

T130SPUS1



NOTE



FIG 183

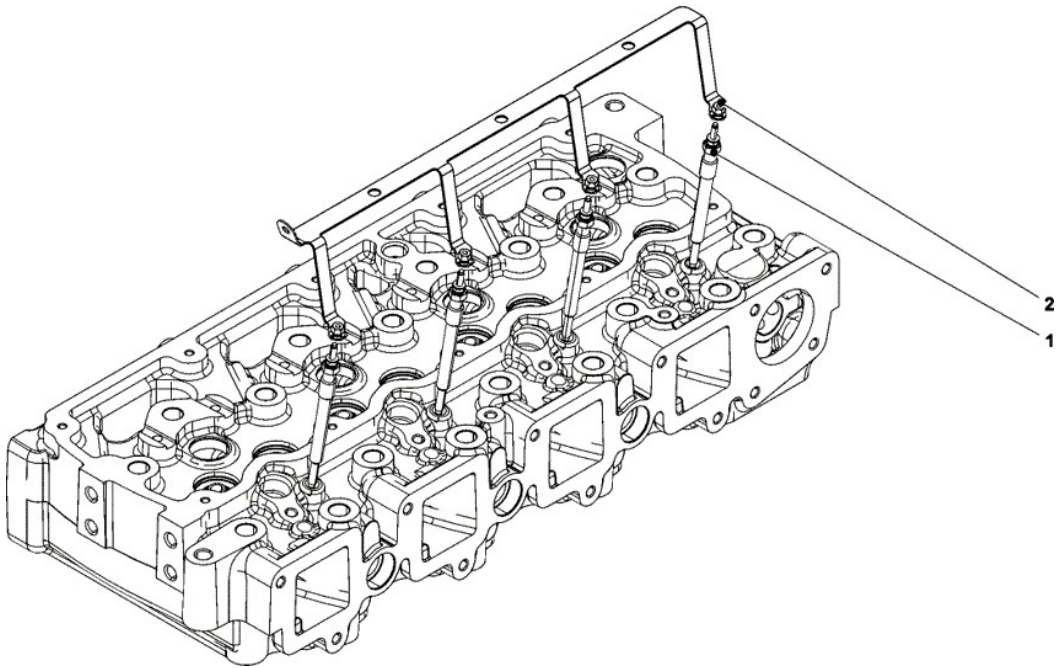
GLOW PLUG

년/월  
Year/Month

T130SPUS1

2024-03

000



NOTE





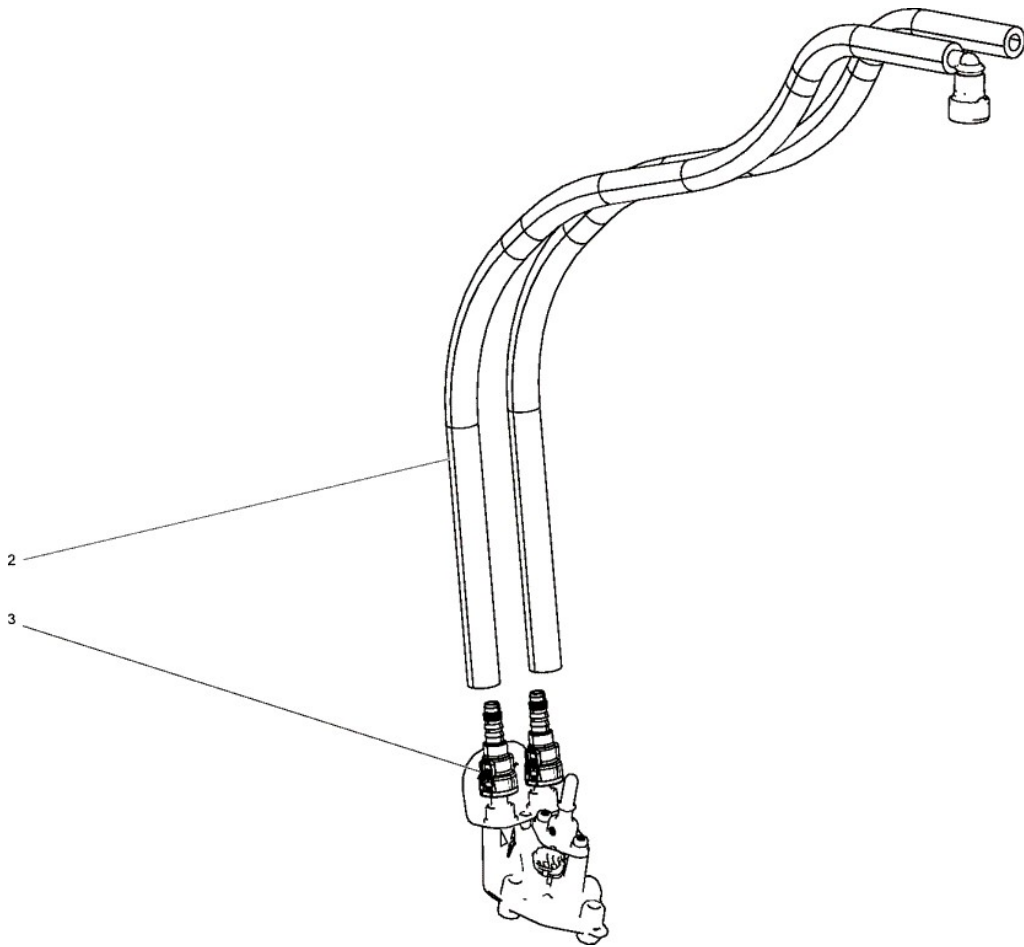
FIG 184

WATER HOSE

년/월  
Year/Month

2024-03

T130SPUS1



NOTE



FIG 185

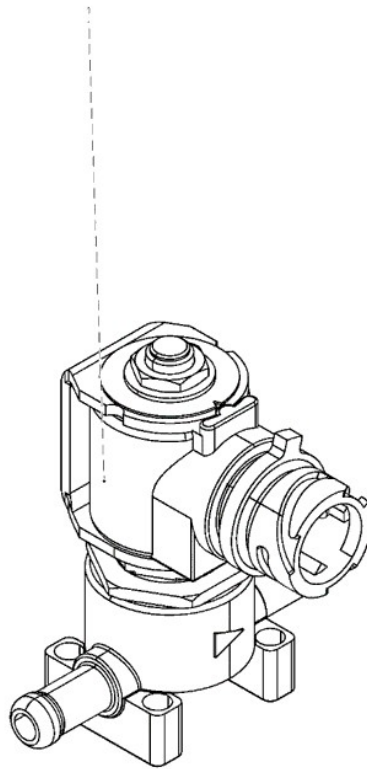
SOLENOID VALVE

년/월  
Year/Month

T130SPUS1

2024-03

000



NOTE



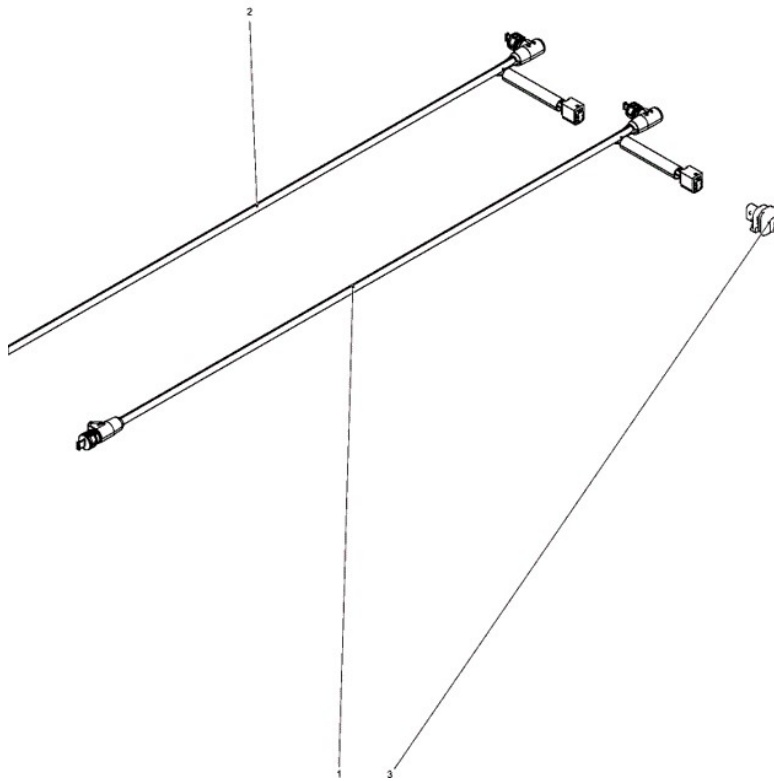
FIG 186

T130SPUS1

PIPE/LINE/LEAD

년/월  
Year/Month

2024-03



NOTE



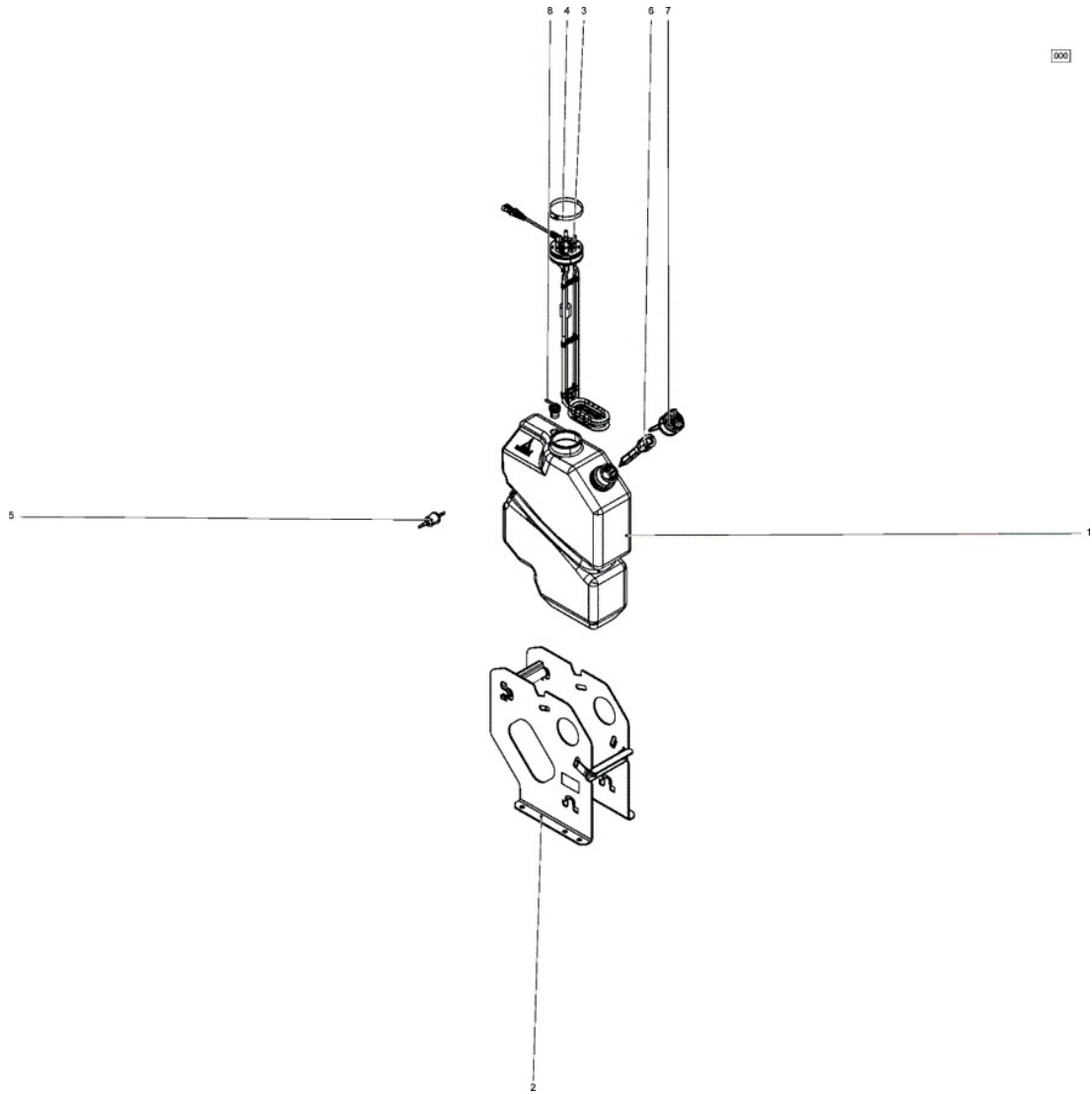
FIG 187

T130SPUS1

TANK/RESERVOIR

년/월  
Year/Month

2024-03



NOTE





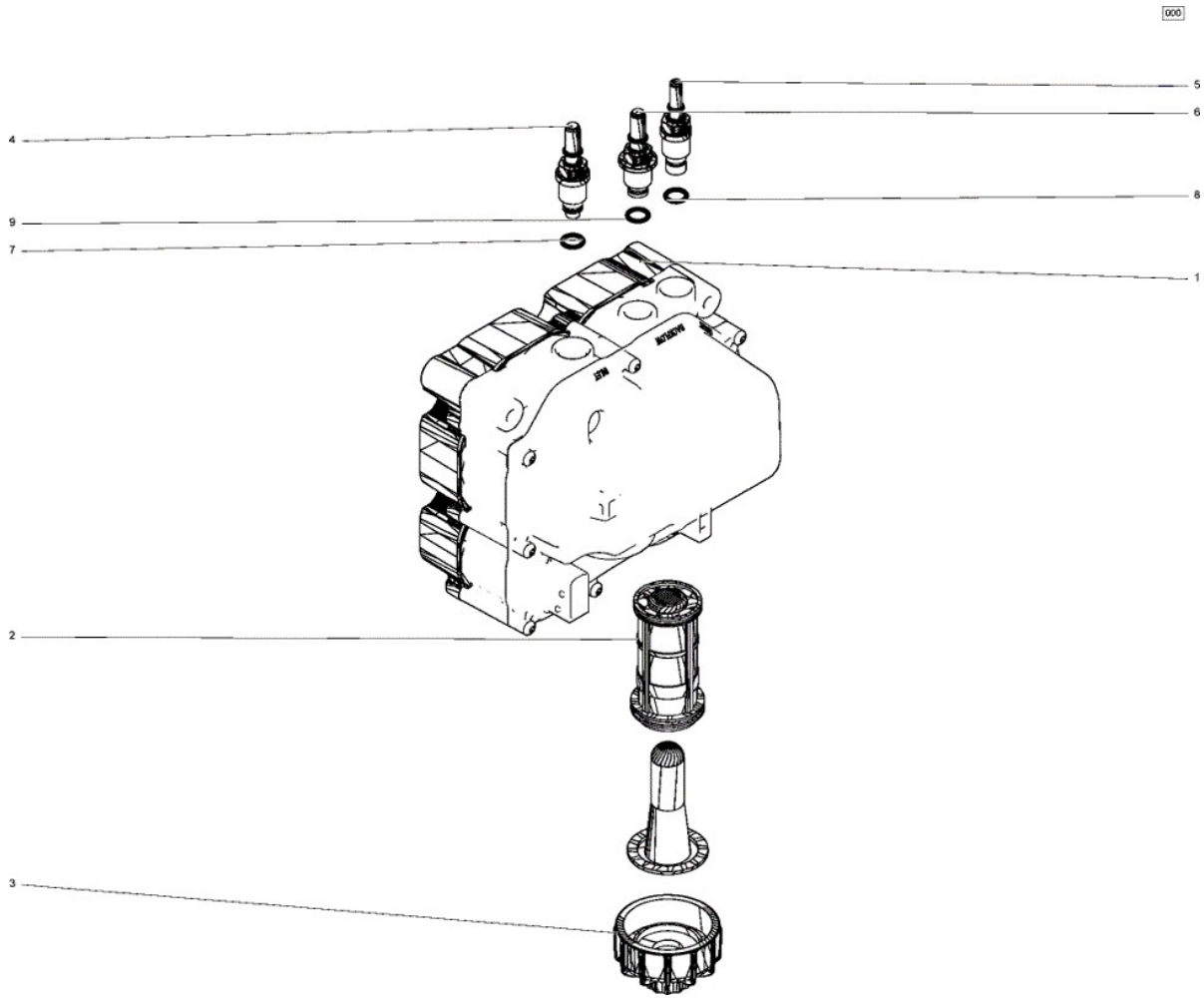
FIG 188

SUPPLY PUMP

년/월  
Year/Month

2024-03

T130SPUS1



NOTE



FIG 189

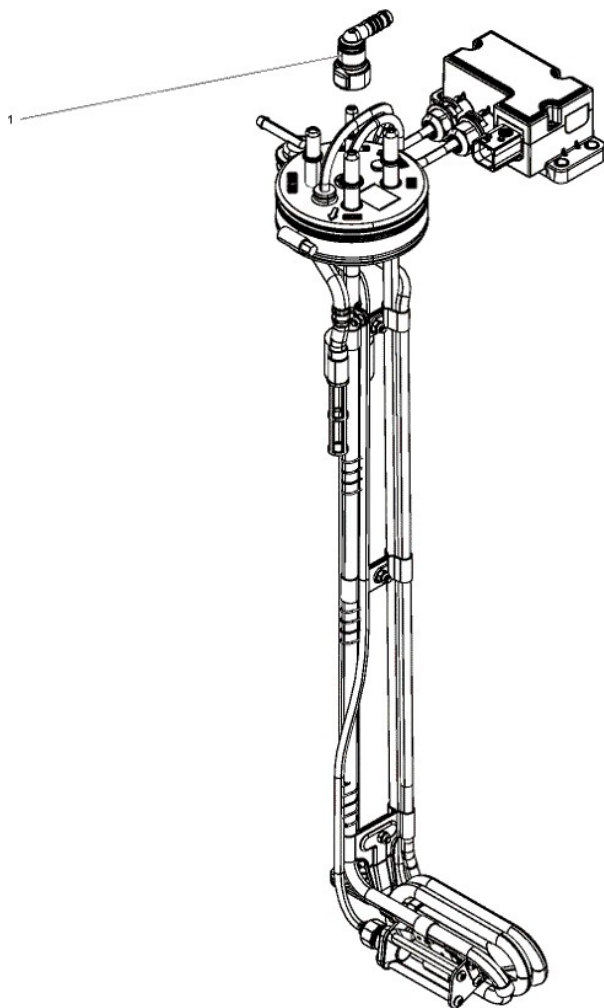
T130SPUS1

PLUG

년/월  
Year/Month

2024-03

000



NOTE



FIG 190

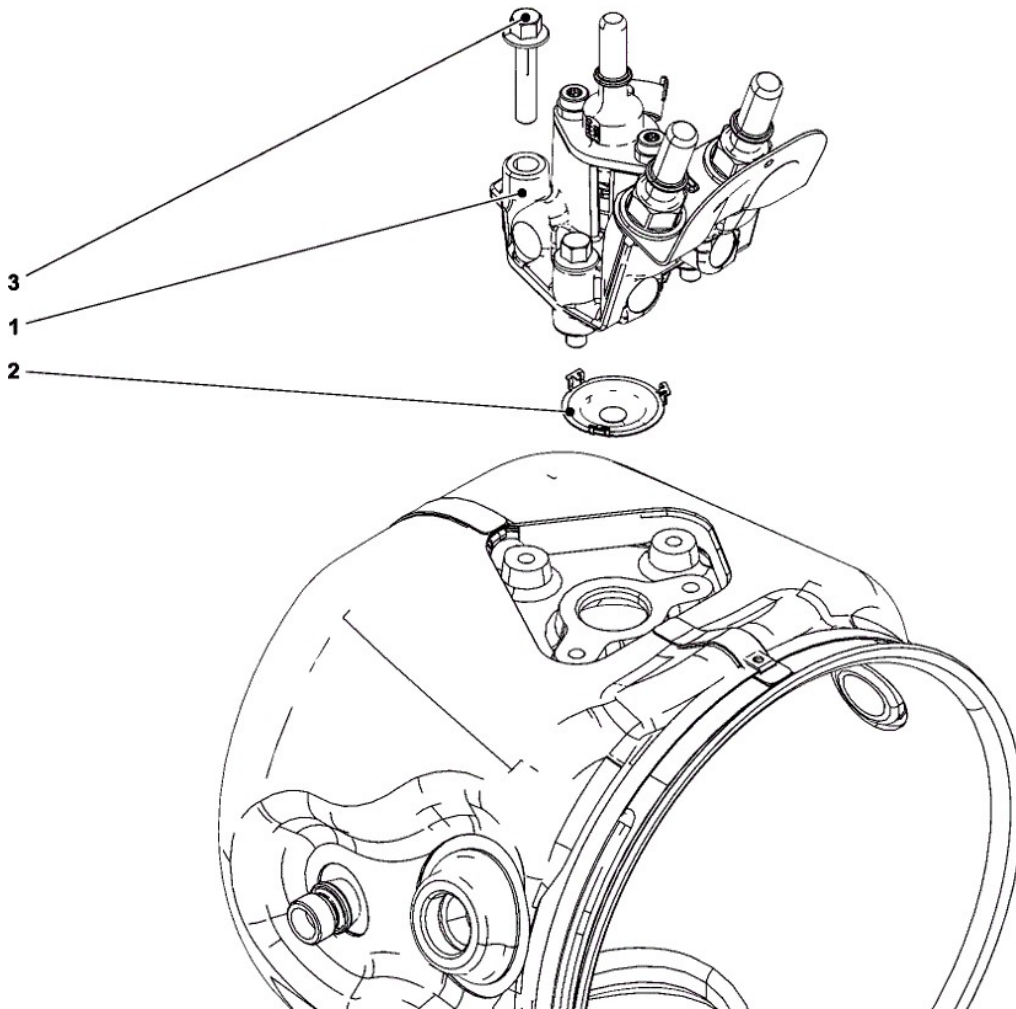
MOUNT

년/월  
Year/Month

T130SPUS1

2024-03

000



NOTE



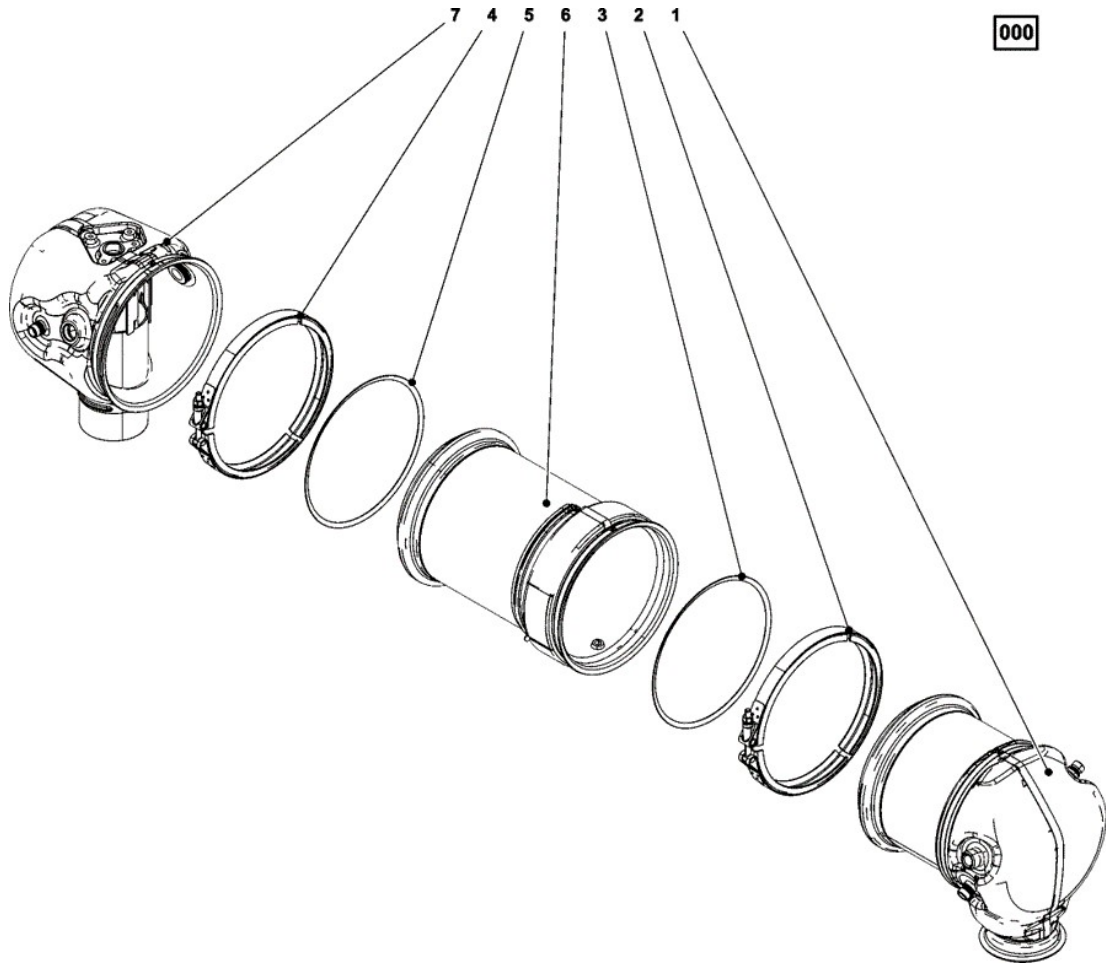
FIG 192

PARTICULATE FILTER

년/월  
Year/Month

2024-03

T130SPUS1



NOTE





FIG 193

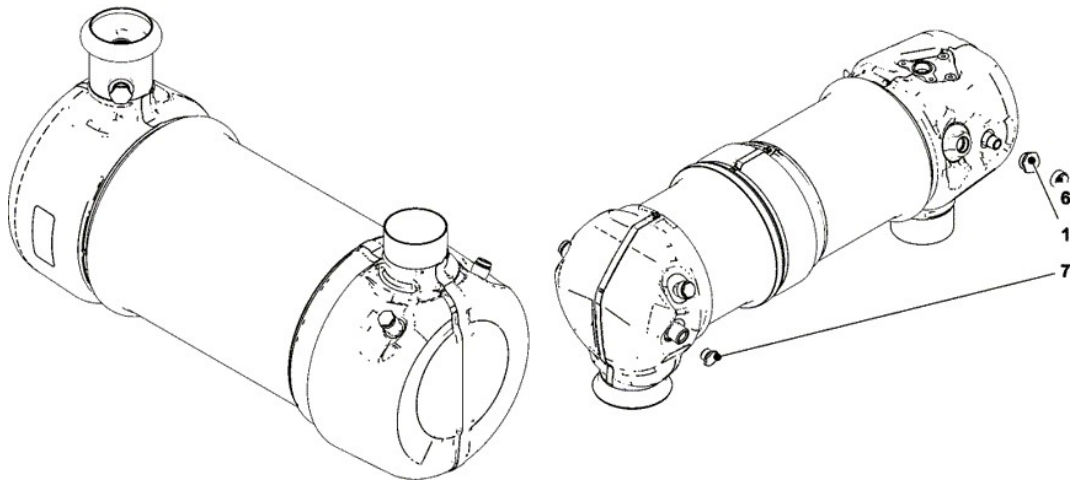
BLANKING PARTS

년/월  
Year/Month

2024-03

T130SPUS1

000



NOTE



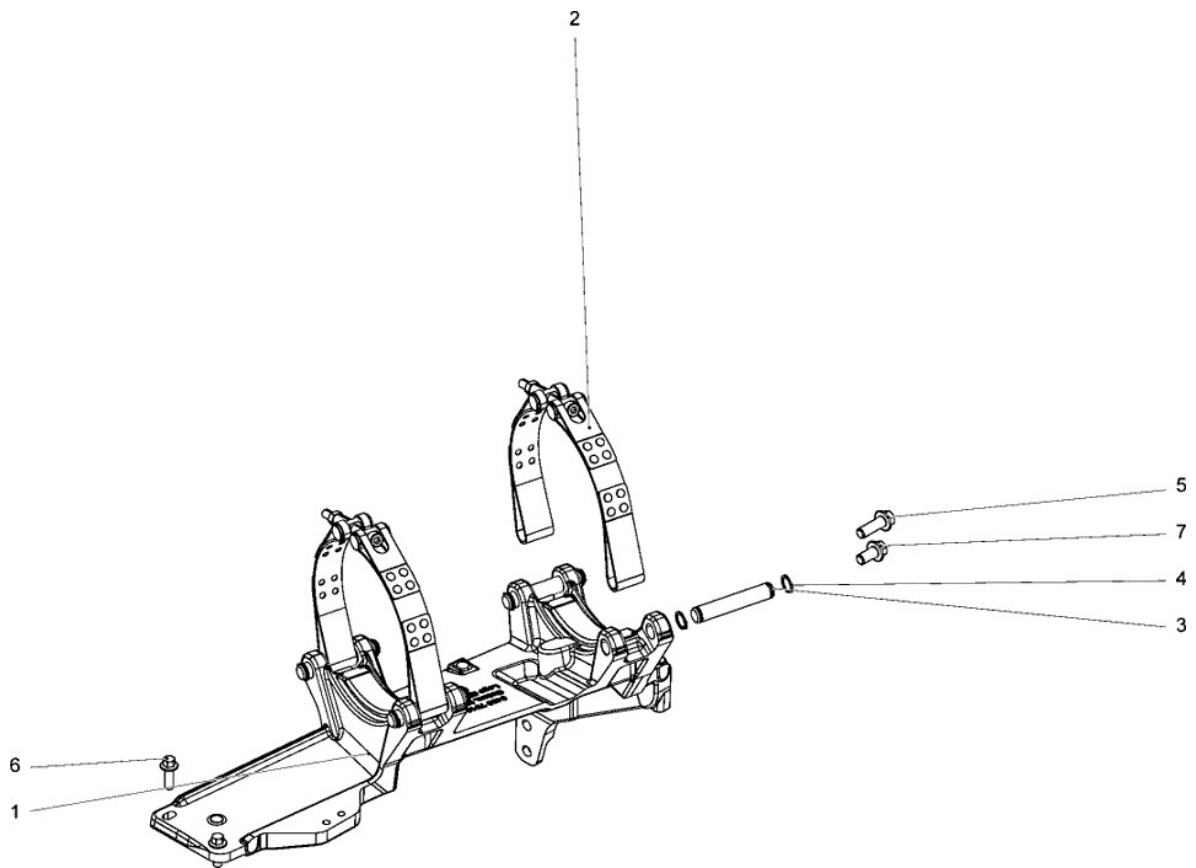
FIG 194

T130SPUS1

BRACKET

년/월  
Year/Month

2024-03



NOTE



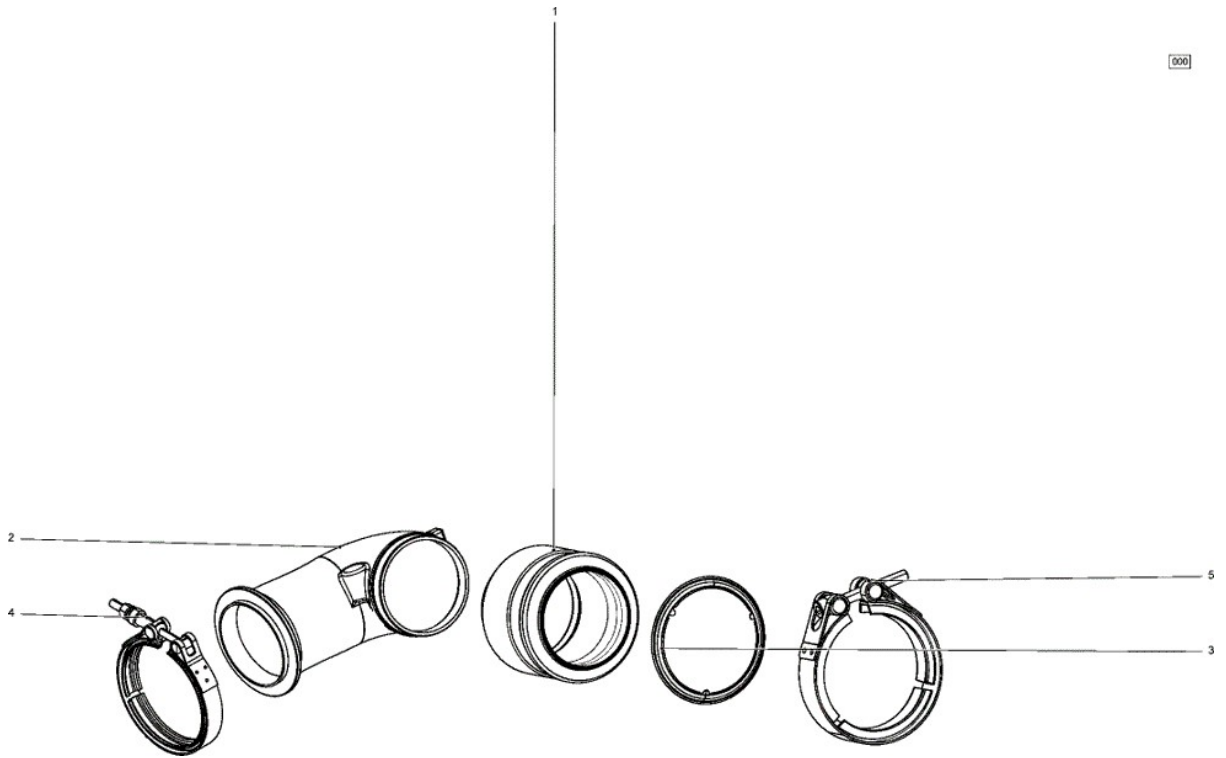
FIG 195

T130SPUS1

EXHAUST PIPE

년/월  
Year/Month

2024-03



NOTE



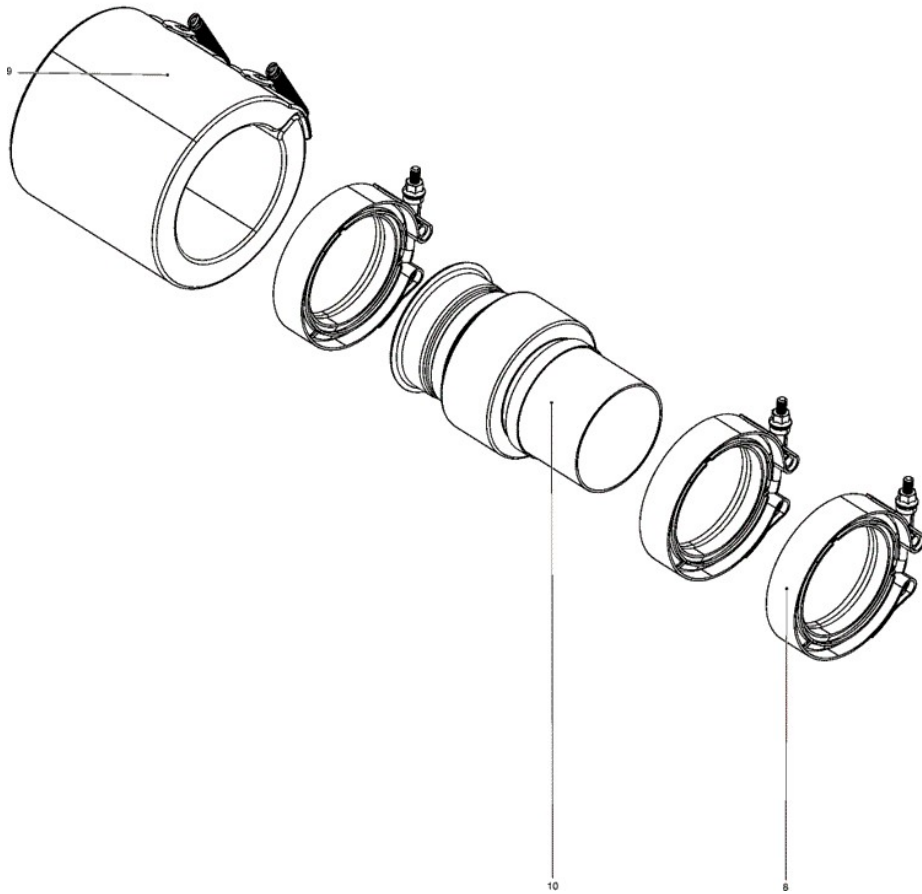
FIG 196

PRESSURESENSOR MTG

년/월  
Year/Month

T130SPUS1

2024-03



NOTE





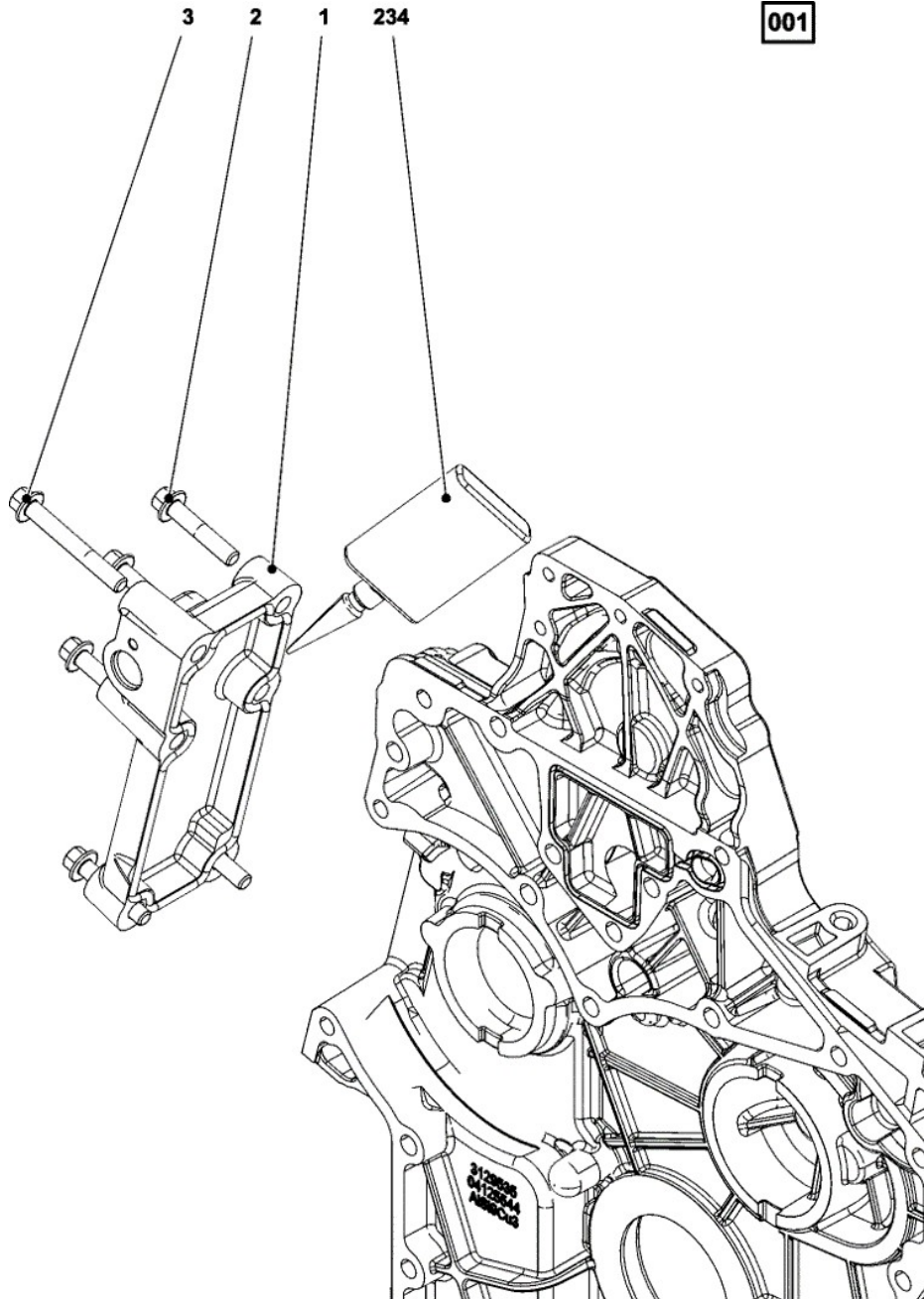
FIG 198

T130SPUS1

COVER

년/월  
Year/Month

2024-03



NOTE



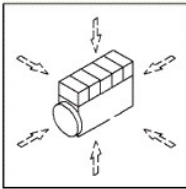
FIG 199

GASKET SET

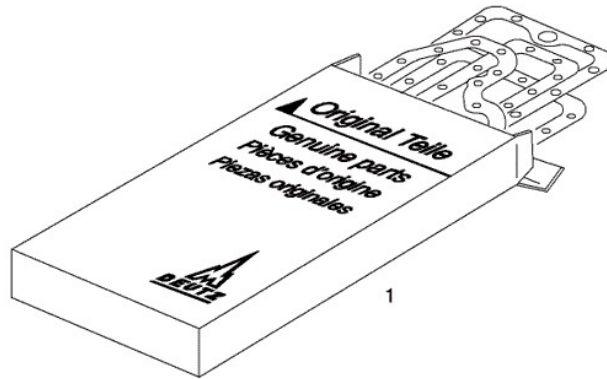
년/월  
Year/Month

T130SPUS1

2024-03



000 ©



NOTE



FIG 200

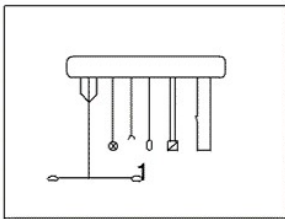
T130SPUS1

TERMINAL DIAGRAM

년/월  
Year/Month

2024-03

000 ©



Schaltplan verfügbar  
Wiring diagram available  
Schema connexions disponible  
Esquema conexiones disponible  
Schema elettrico disponibile

NOTE



## 2. Engine Accessories PART NO. T2

FIG 201	AIR CLEANER	210
FIG 202	RADIATOR	212
FIG 203	EXHAUST PIPE	215
FIG 204	FUEL TANK & FUEL LINES	217
FIG 205	FUEL FILTER & FUEL LINES	220
FIG 206	ACCELERATOR ASSY	222
FIG 207	INTERCOOLER	224
FIG 208	FIX PLATE & MIXING PIPE	226
FIG 209	COOLANT DIVIDER PIPE	228

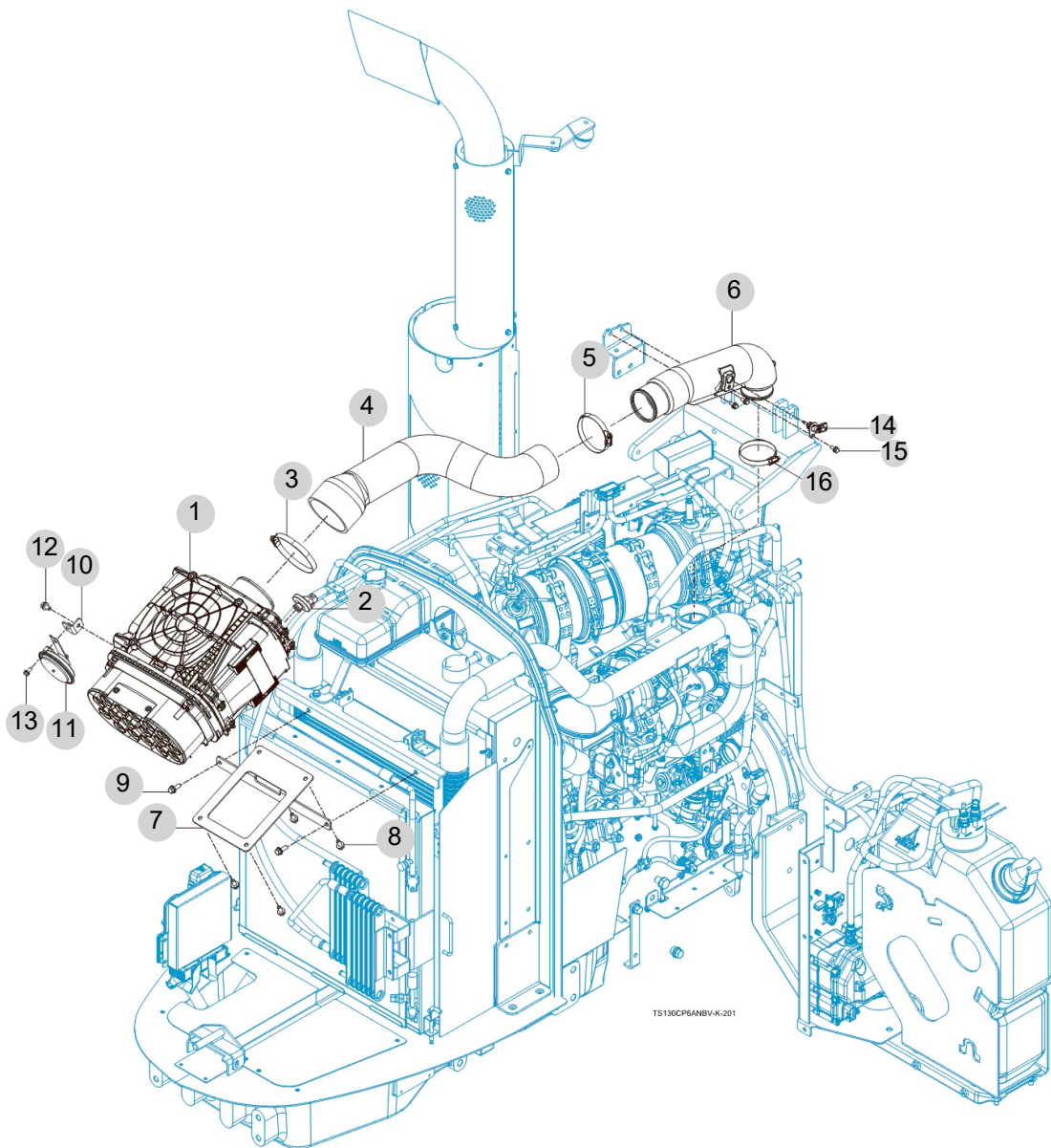
FIG 201

AIR CLEANER

년/월  
Year/Month

2024-03

T130SPUS1



NOTE





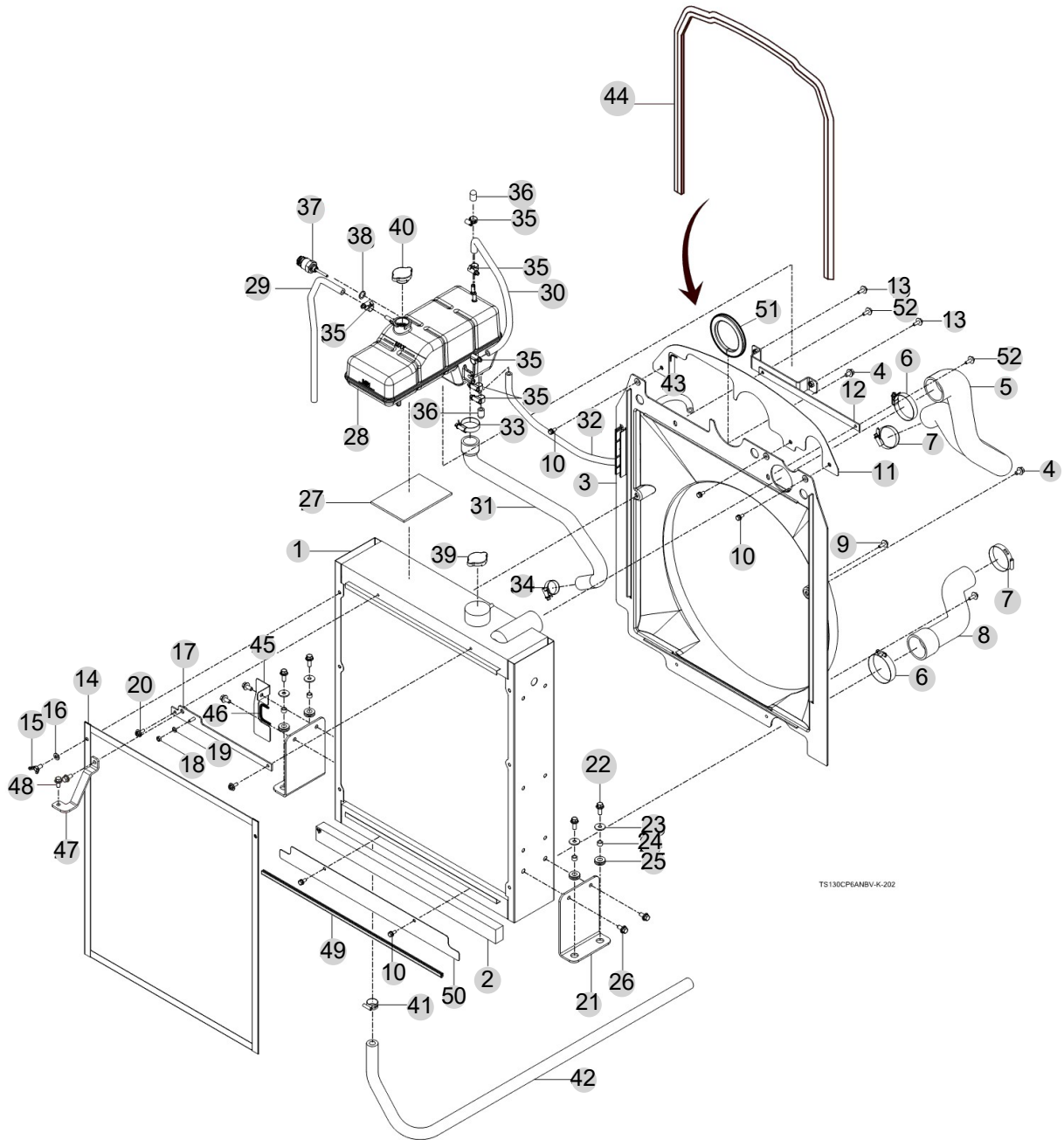
FIG 202

RADIATOR

년/월  
Year/Month

2024-03

T130SPUS1



TS130CP6ANBV-K-202

NOTE

FIG 202		RADIATOR						년/월 Year/Month	
								2024-03	
T130SPUS1		KEY NO	PART NO	DESCRIPTION	SPEC	QTY	REPAIR	EFFECTIVE DATE	REMARKS
202	1	15801042100	RADIATOR ASS'Y			1			
202	2	18711120060	NISULATOR RR600			1			
202	3	15801042211	SHROUD			1			
202	4	V2183608016	BOLT , HEX/SP	M8X16		2			
202	5	10131520010	HOSE , RADIATOR IN			1			
202	6	18027090700	BAND CLAMP 70 EMBO TYPE			2			
202	6	10031020700	HOSE CLIP , TORRO 50-70/12 W3 WF			2			
202	7	18027090600	BAND CLAMP 60 EMBO TYPE			2			
202	7	10031020600	HOSE CLIP , TORRO 40-60/12 W3 WF			2			
202	8	15801040700	HOSE , RADIATOR OUT			1			
202	9	V2193606020	BOLT , HEX/SPL	M6X20		2			
202	10	V2123606016	BOLT , HEX /SP	M6X16		5			
202	11	15801042301GB	PLATE COMP , SEAL			1			
202	12	15801071600GB	BRACKET COMP , TANK			1			
202	13	V2193606020	BOLT , HEX/SPL	M6X20		2			
202	14	15801042402GB	NET COMP , RADIATOR			1			
202	15	V2712608015	BOLT , WING	M8X15		2			
202	16	V4111600080	WASHER , PLAIN	M8		2			
202	17	15801071700GB	BRACKET COMP , TANK F			1			
202	18	V3012600060	NUT , HEX/2	M6		1			
202	19	V4111600060	WASHER , PLAIN	M6		1			
202	20	V2193606020	BOLT , HEX/SPL	M6X20		2			
202	21	15801044200	BRACKET , RADIATOR			2			
202	22	V2173608025	BOLT , HEX/S	M8X25		4			
202	23	35602010150	WASHER , BIND SHAFT			4			
202	24	15991040050	COLLAR , 08X12X08			4			
202	25	14046210300	GROMMET			4			
202	26	V2183608020	BOLT , HEX/SP	M8X20		4			
202	27	15801040250	INSULATOR(160X110)	M6X20		1			
202	28	15801041001	RESERVOIR TANK			1			
202	29	10131523600	HOSE , /470			1			
202	29	18021040050	HOSE , BREATHER 500			1			
202	30	15801090010	HOSE , 430			1			
202	31	10131520030	HOSE ID22			1			
202	32	10131520020	HOSE ID8			1			
202	33	18027090500	BAND CLAMP 50 EMBO TYPE			1			
202	34	18027090320	BAND CLAMP 32 EMBO TYPE			1			
202	35	18027090160	BAND CLAMP 16 EMBO TYPE			6			
202	36	12651040300	CAP , RADIATOR			2			
202	37	04218372	Level Switch			1			
202	38	01148836	SEALING RING			1			
202	39	18021042110	CAP ASSY OKPa			1			
202	40	13011042110	CAP 0.9bar			1			
202	41	18027090160	BAND CLAMP 16 EMBO TYPE			2			
202	42	15801040140	HOSE(DRAIN)			1			
NOTE									



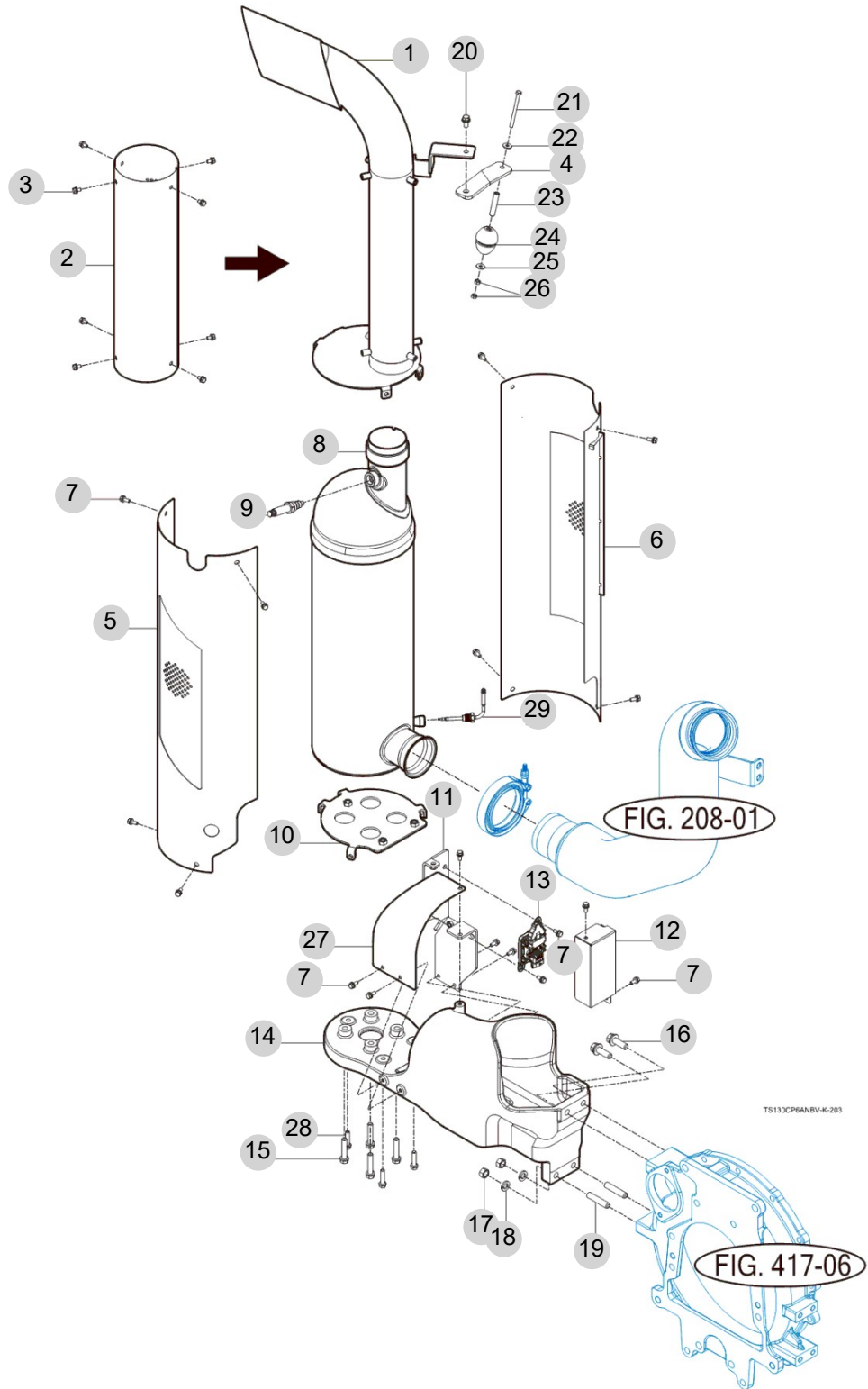
FIG 203

T130SPUS1

EXHAUST PIPE

년/월  
Year/Month

2024-03



TS130CP6ANBV-K-203

NOTE





FIG 204 T130SPUS1		FUEL TANK & FUEL LINES					년/월 Year/Month	
							2024-03	
KEY NO	PART NO	DESCRIPTION	SPEC	QTY	REPAIR	EFFECTIVE DATE	REMARKS	
204	1	15801120011GB	DEF SUPPORT			1		
204	2	04608041	UREA TANK , US			1		
204	3	10131351200GB	BRACKET COMP , DEF			1		
204	4	04600620	SUPPLY PUMP			1		
204	6	10131353300GB	BRACKET , FILTER			1		
204	7	04606000	UREA BREATHER FILTER			1		
204	8	10131353100GB	PLATE COMP , SOLENOID			1		
204	9	04604038	SOLENOID VALVE			1		
204	10	19401123200GB	BRACKET COMP , COVER			1		
204	11	19401120041	COVER , DEF/FUEL TANK			1		
204	12	15801120030	GROMMET 74			1		
204	13	15801123100	BRACKET COMP , DEF TANK			1		
204	14	V4011600100	WASHER , SPRING	M10		6		
204	15	V3042600100	NUT , HEX/2	M10		6		
204	16	V2123606016	BOLT , HEX /SP	M6X16		6		
204	18	15801122401	HOSE 500			1		
204	19	15801122501	HOSE 950			1		
204	20	10131352010	HOSE , /1100			1		
204	21	15801120160	INSULATOR (130X100)			1		
204	22	V2173610035	BOLT , HEX/S	M10X35		4		
204	23	V2513412035	BOLT , STUD/2			2		
204	24	V4011600120	WASHER , SPRING			2		
204	25	V3043600120	NUT , HEX/2			2		
204	26	V2173612035	BOLT , HEX/S	M12X35		2		
204	27	V2123606016	BOLT , HEX /SP	M6X16		8		
204	28	V2193606016	BOLT , HEX/SPL	M6X16		5		
204	29	V2173608085	BOLT , HEX/S	M8X85		3		
204	31	19401112100	FUEL TANK COMP			1		
204	32	15801112600	SPONGE , 1770			1		
204	33	15801112700	SPONGE , 1500			1		
204	34	19401112040	FILTER , FUEL TANK			1		
204	35	15801112201	GAUGE , FUEL			1		
204	36	V4011600040	WASHER , SPRING			5		
204	37	V3012600040	NUT , HEX/2			5		
204	38	19053102200	CAP ASSY , FUEL			1		
204	39	14131110020	HOSE , BREATHER/1000			1		
204	40	16706312920	INSULATOR,SEAT PANEL			1		
204	41	18027090200	BAND CLAMP 20 EMBO TYPE			2		
204	42	14501410050	BAND CLAMP 16			2		
204	43	15801113100	BRACKET COMP , FR/FUEL TANK			1		
204	44	15801113200	BRACKET COMP , FUEL TANK/RR			1		
204	45	V4011600160	WASHER , SPRING	M16		6		
204	46	V2013616035	BOLT , HEX	M16X35		6		
204	47	15801114100	TANK BAND COMP , FUEL TANK/FR			1		
204	48	15801114200GB	TANK BAND COMP , FUEL TANK/RR			1		
NOTE								





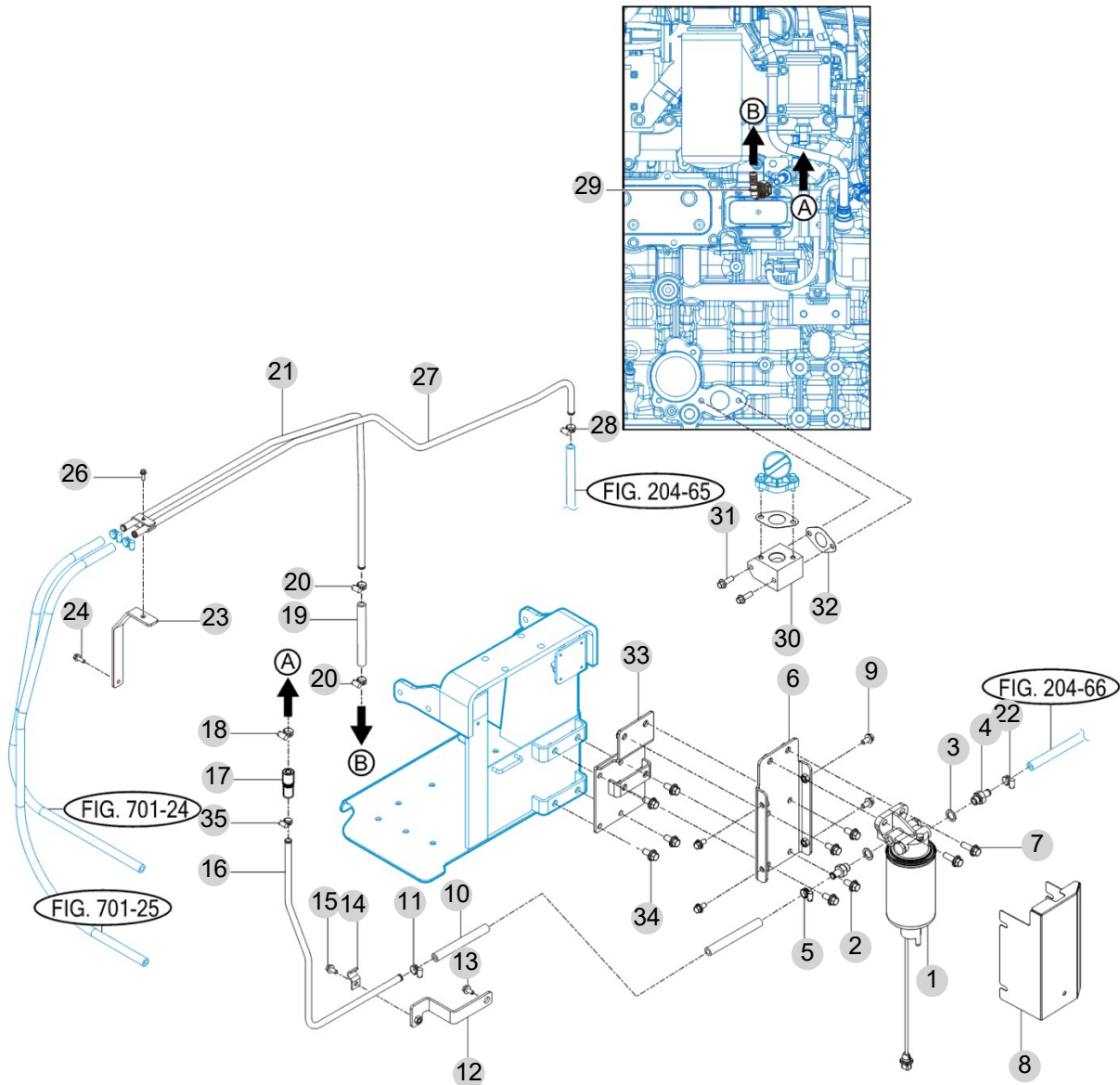
FIG 205

T130SPUS1

FUEL FILTER & FUEL LINES

년/월  
Year/Month

2024-03



NOTE



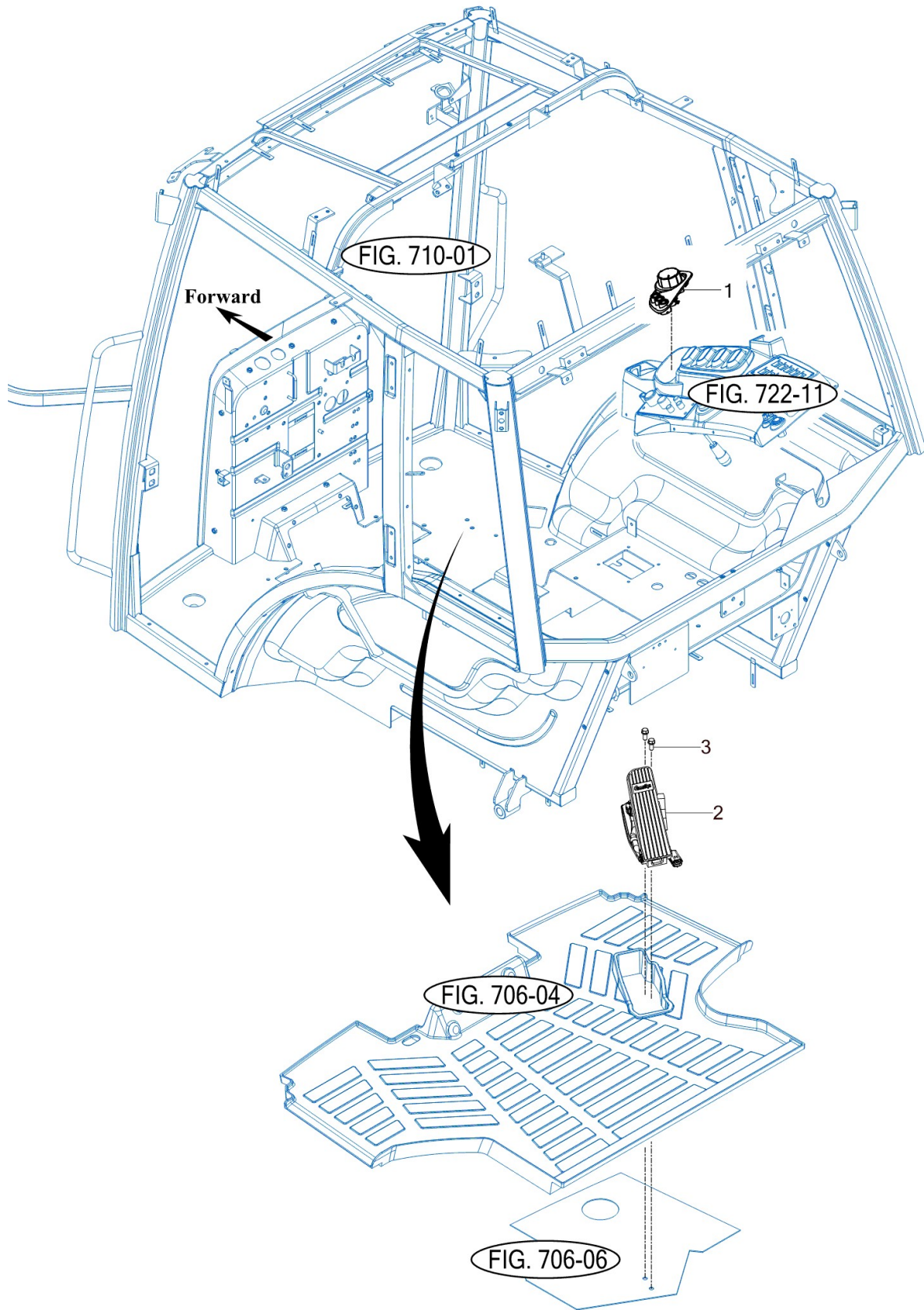
FIG 206

ACCELERATOR ASSY

년/월  
Year/Month

2024-03

T130SPUS1



NOTE



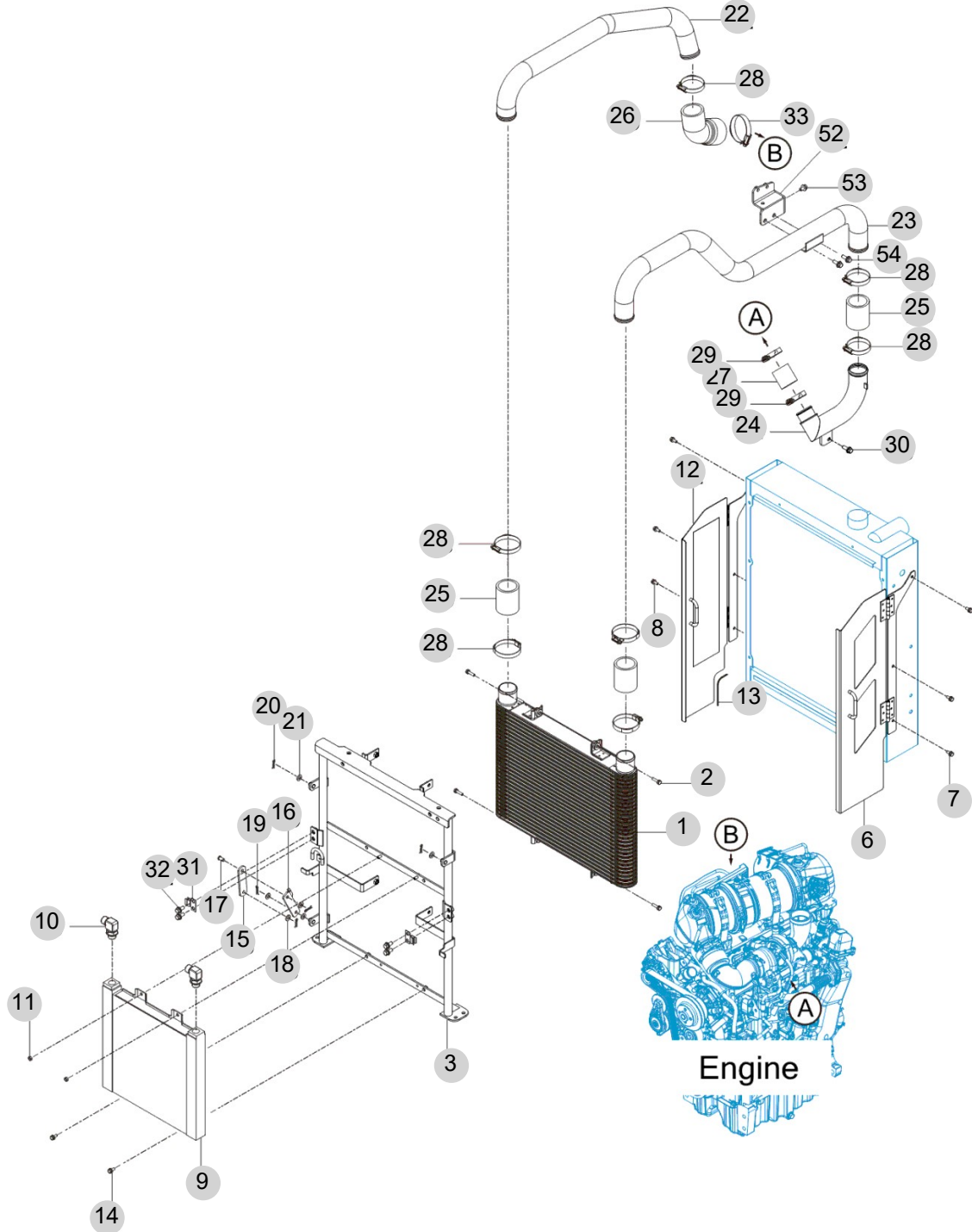
FIG 207

INTERCOOLER

년/월  
Year/Month

2024-03

T130SPUS1



NOTE





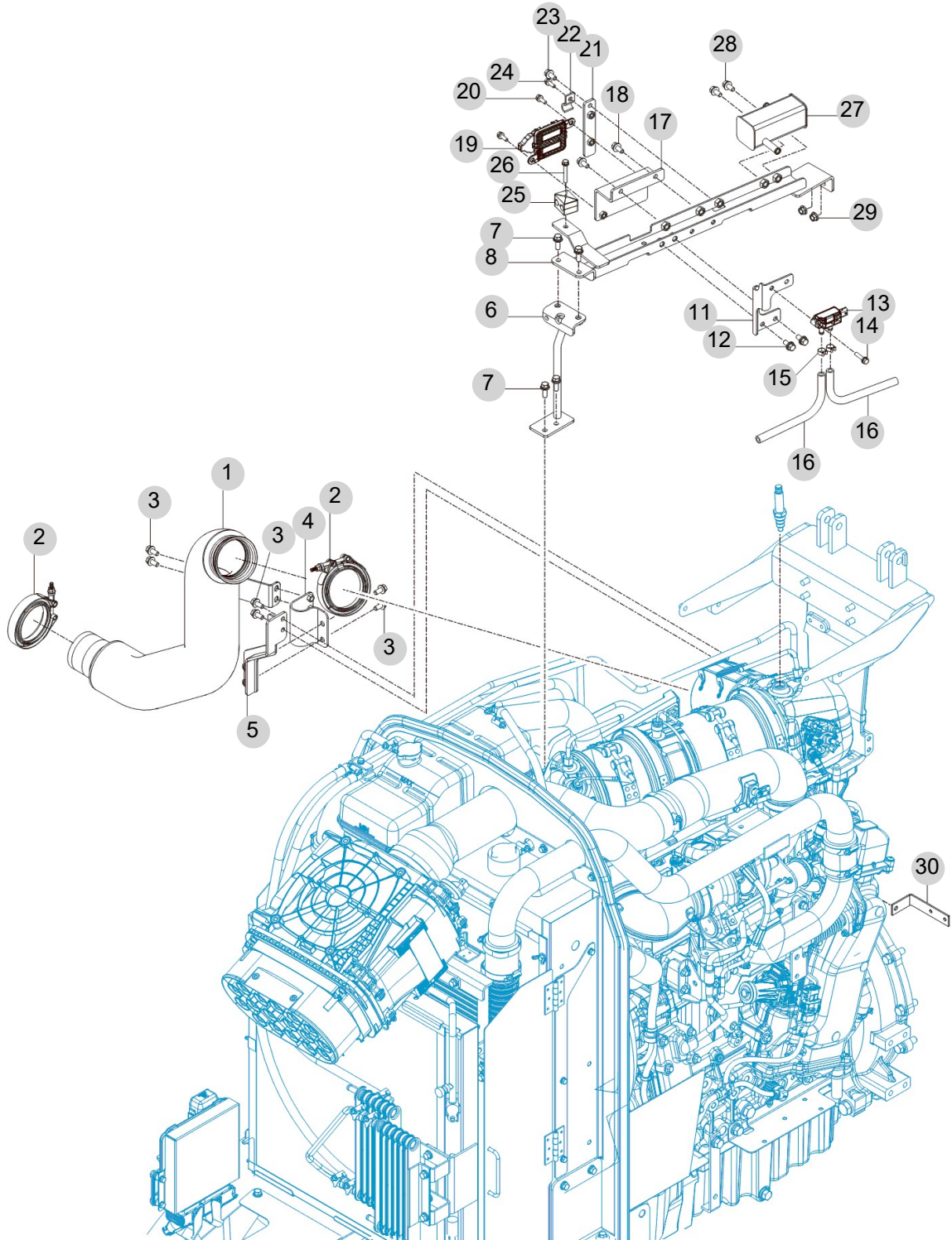
FIG 208

FIX PLATE & MIXING PIPE

년/월  
Year/Month

2024-03

T130SPUS1



NOTE





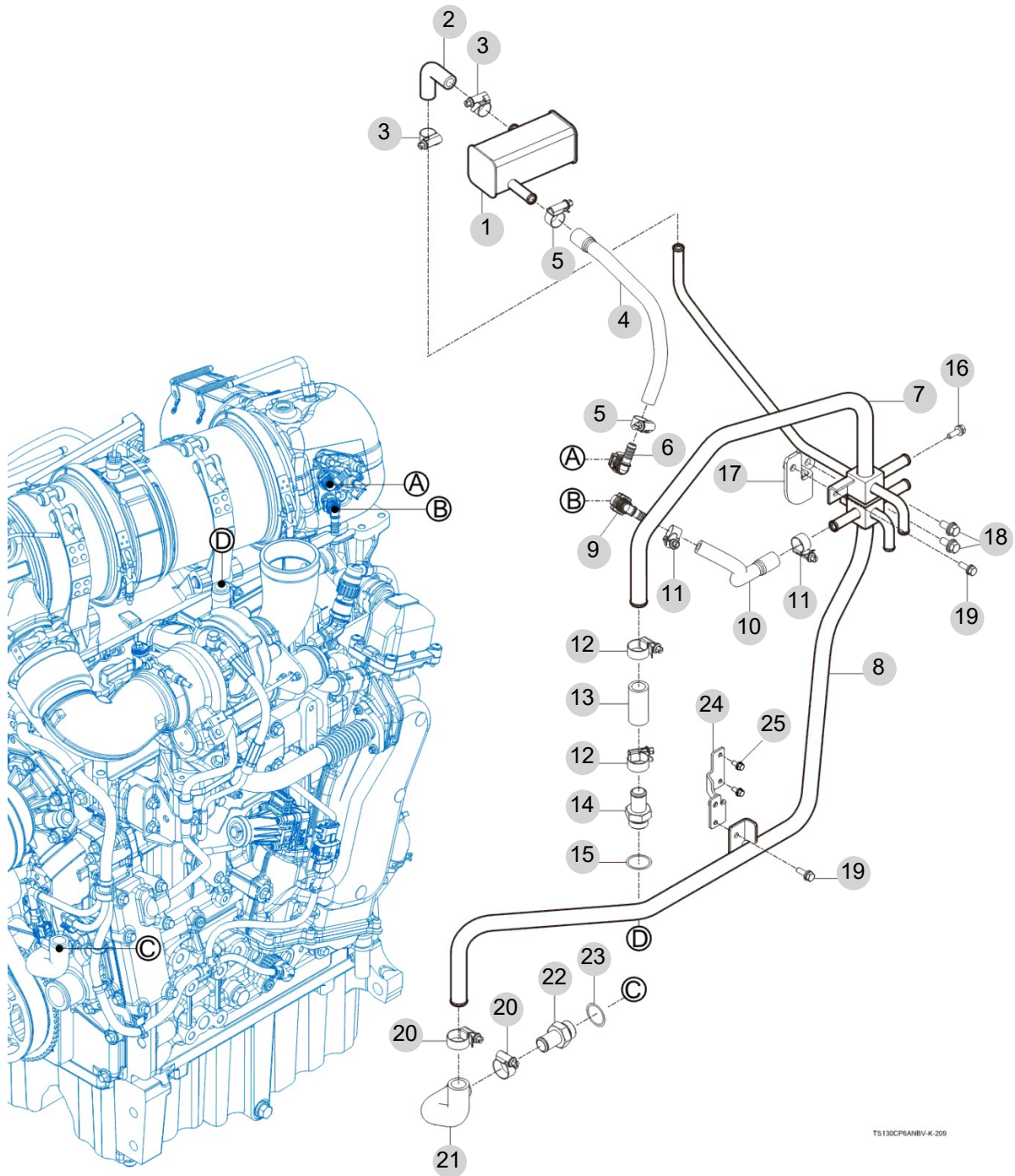
FIG 209

COOLANT DIVIDER PIPE

년/월  
Year/Month

2024-03

T130SPUS1



TS130CP6ANBV-K-209

NOTE



### 3. Clutch/Brake/Steering PART NO. T3

FIG 301	DAMPER FLANGE ASSY	231
FIG 302	CASE SUB ASSY, BRAKE	233
FIG 303A	BRAKE PIPES	235
FIG 303B	BRAKE	237
FIG 304	FRONT WHEEL	239
FIG 305	REAR WHEEL	241
FIG 306	STEERING WHEEL ASSY	243
FIG 307	POWER STEERING VALVE	245
FIG 309	SUB CLUTCH PEDAL	247
FIG 310	HAND BRAKE SUB	249

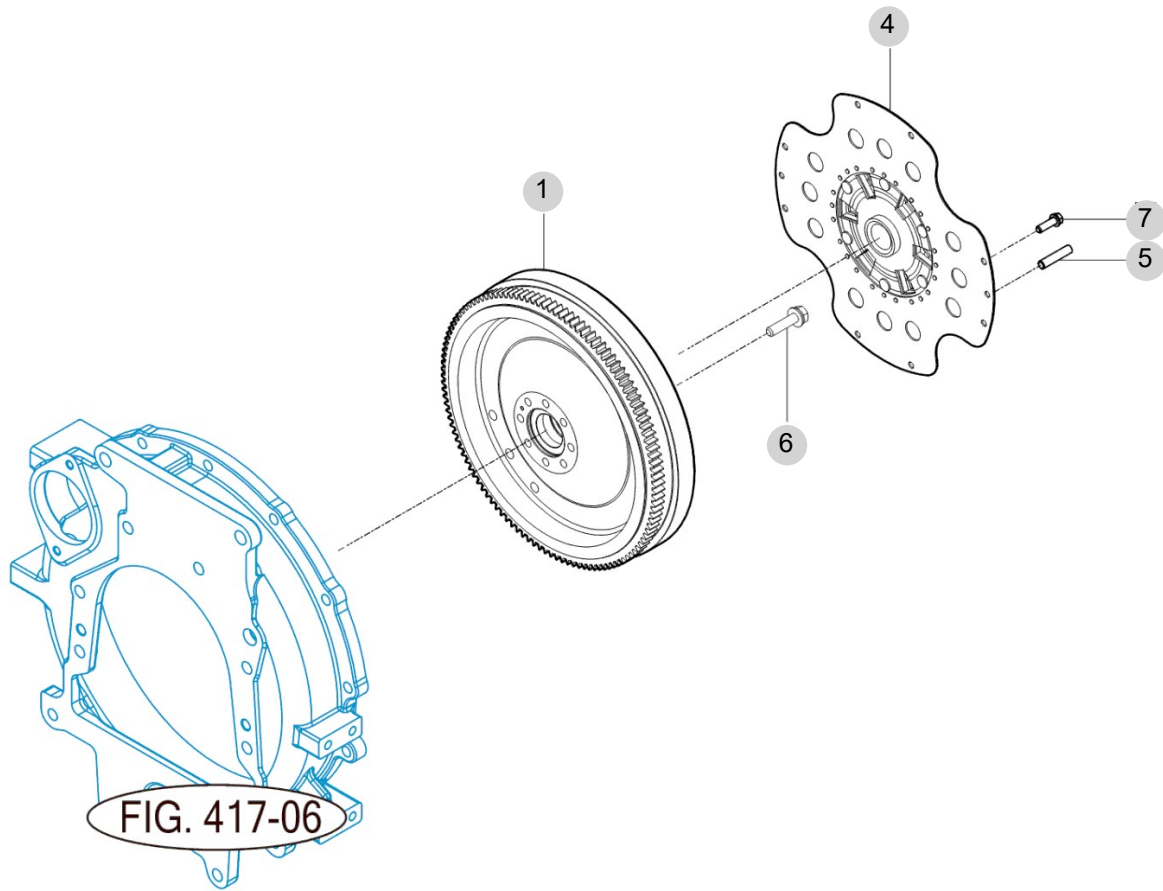
FIG 301

DAMPER FLANGE ASSY

년/월  
Year/Month

T130SPUS1

2024-03



NOTE



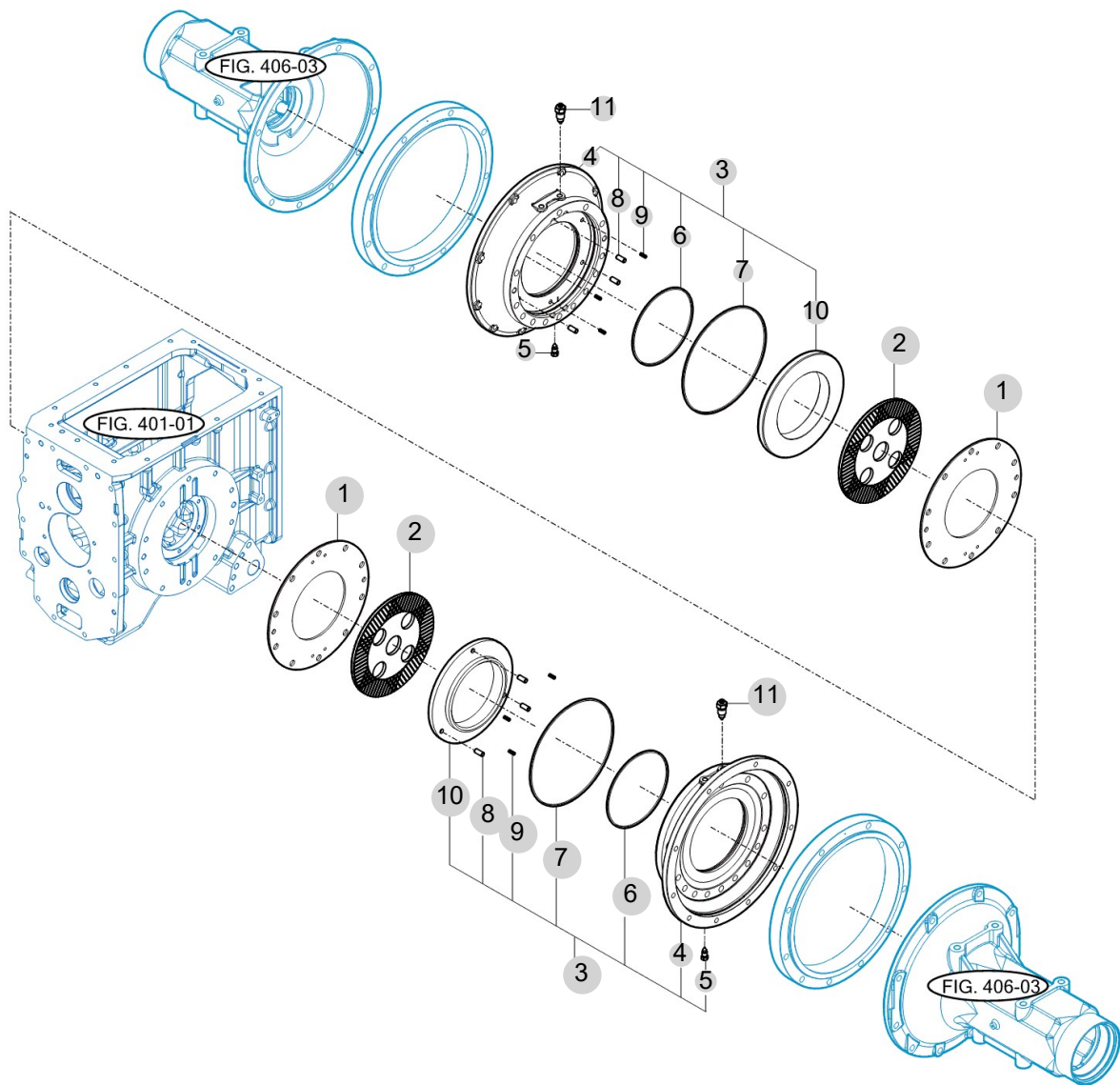
FIG 302

CASE SUB ASSY, BRAKE

년/월  
Year/Month

T130SPUS1

2024-03



NOTE





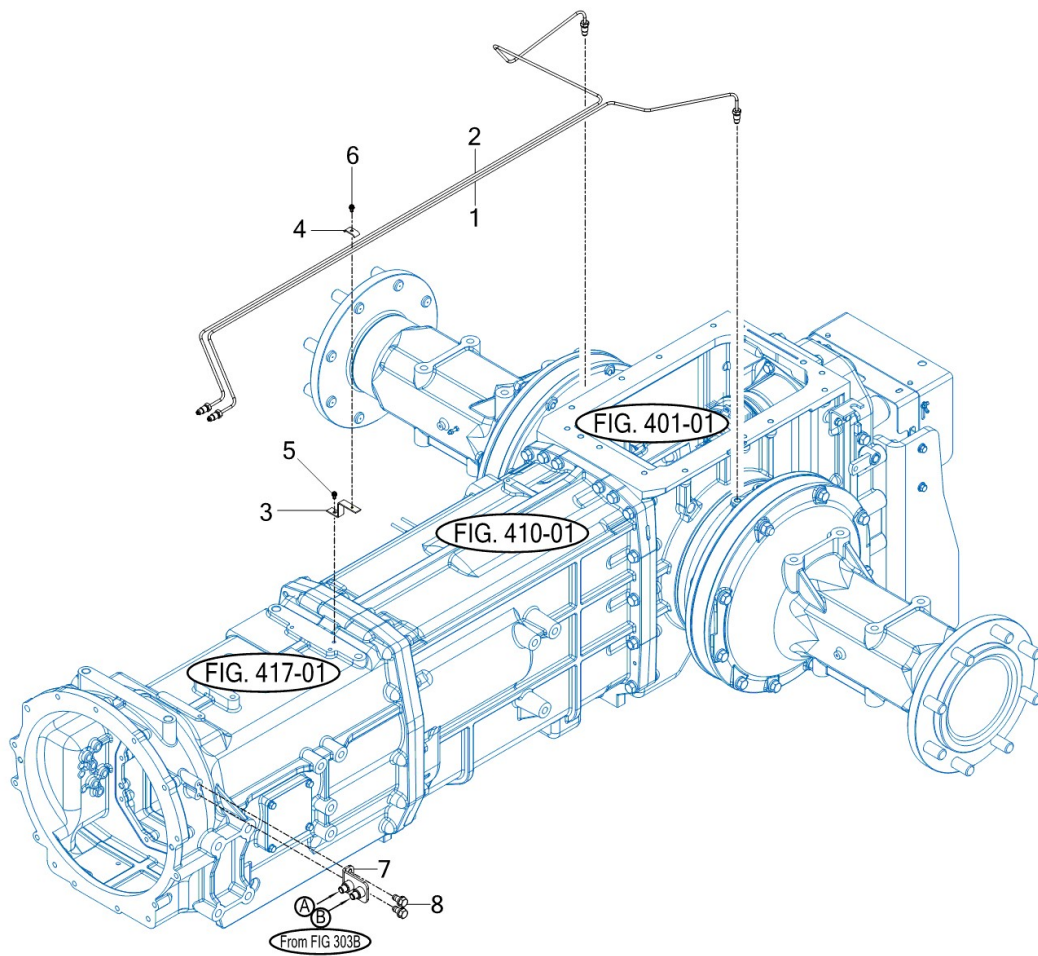
FIG 303A

BRAKE PIPES

년/월  
Year/Month

2024-03

T130SPUS1



I130-K-303A

NOTE



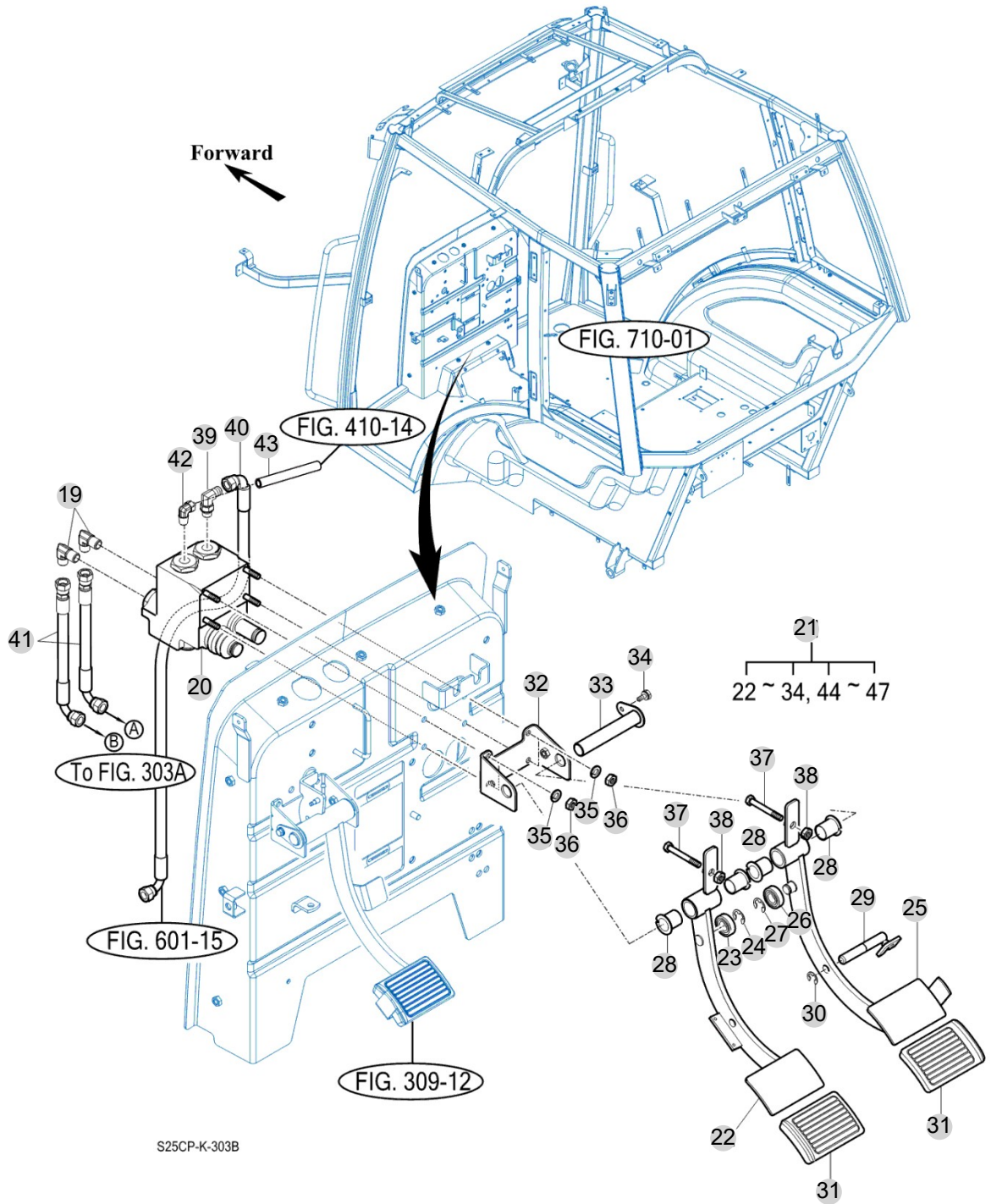
FIG 303B

BRAKE

년/월  
Year/Month

2024-03

T130SPUS1



NOTE



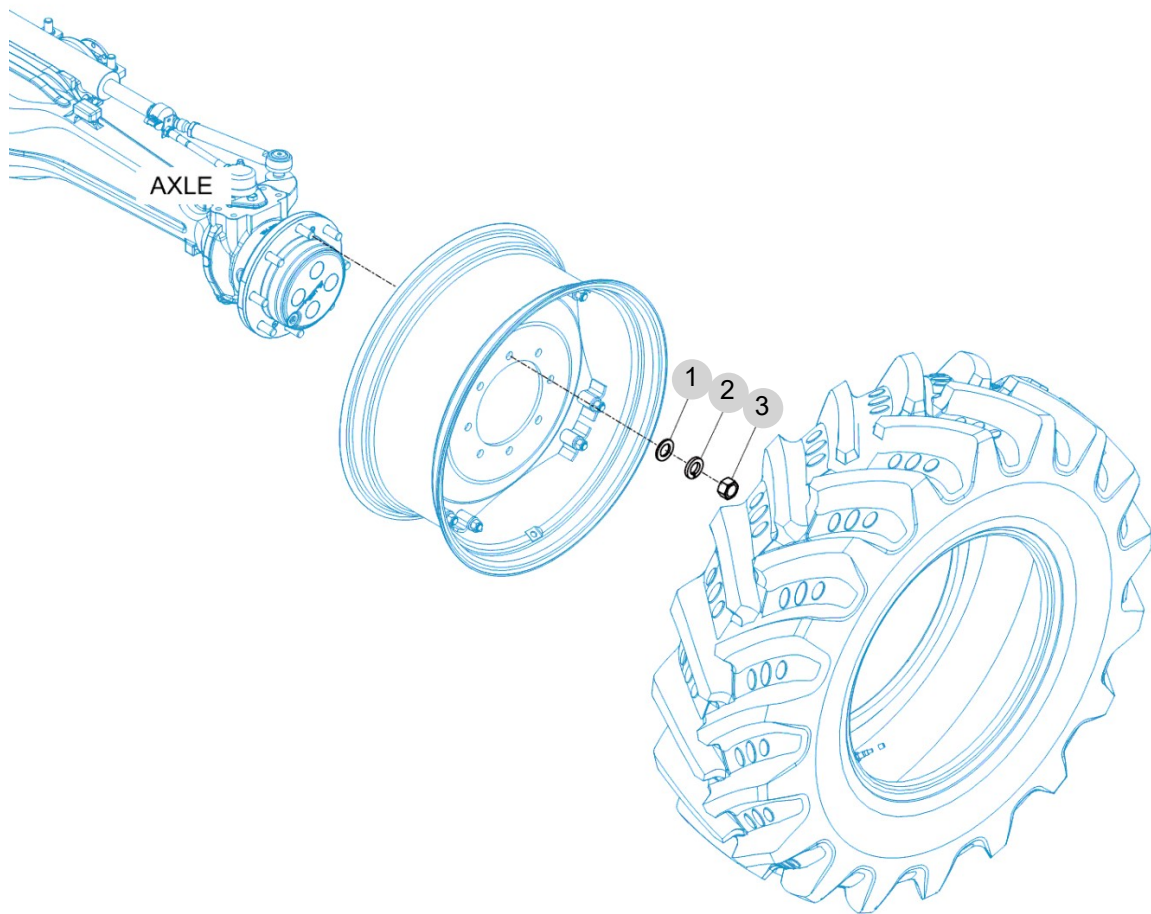
FIG 304

FRONT WHEEL

년/월  
Year/Month

T130SPUS1

2024-03



NOTE

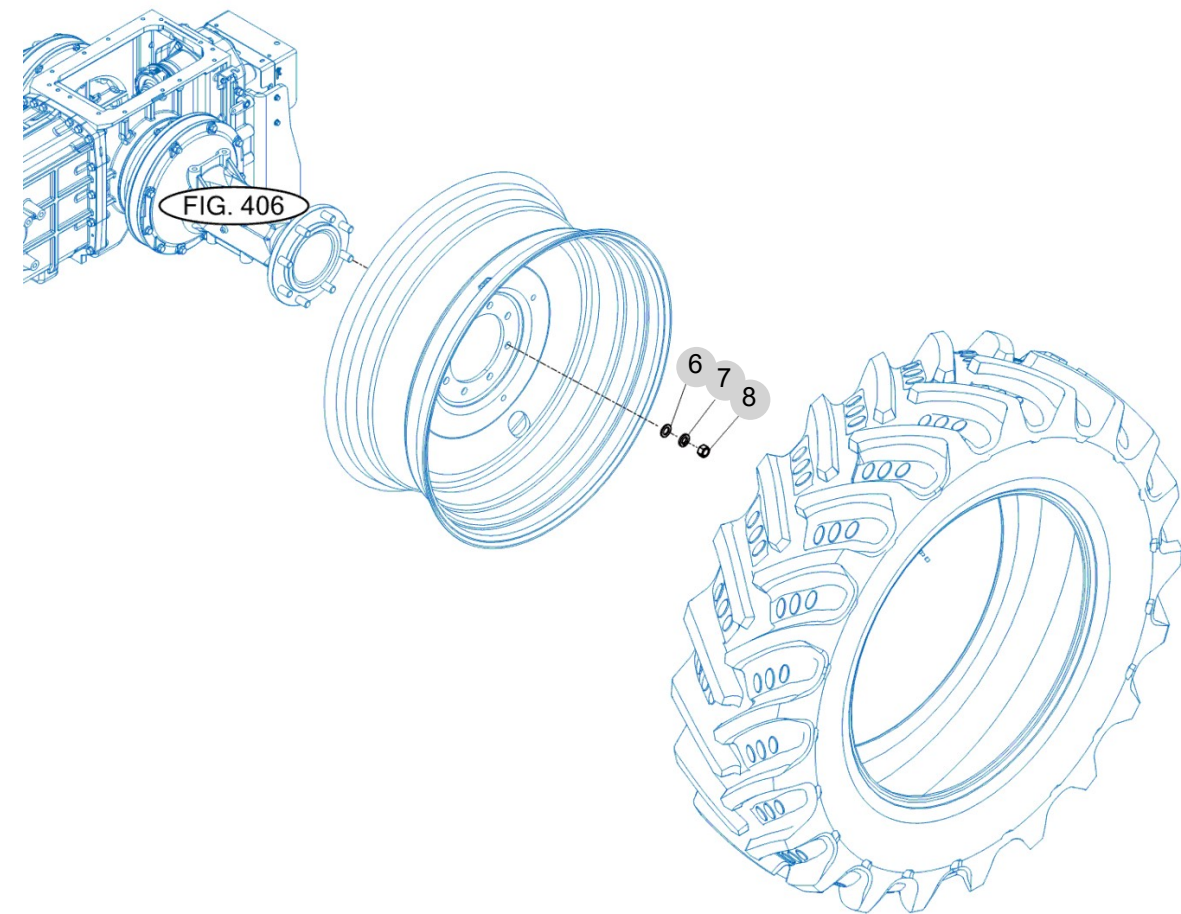


FIG 305

REAR WHEEL

년/월  
Year/Month

2024-03



NOTE









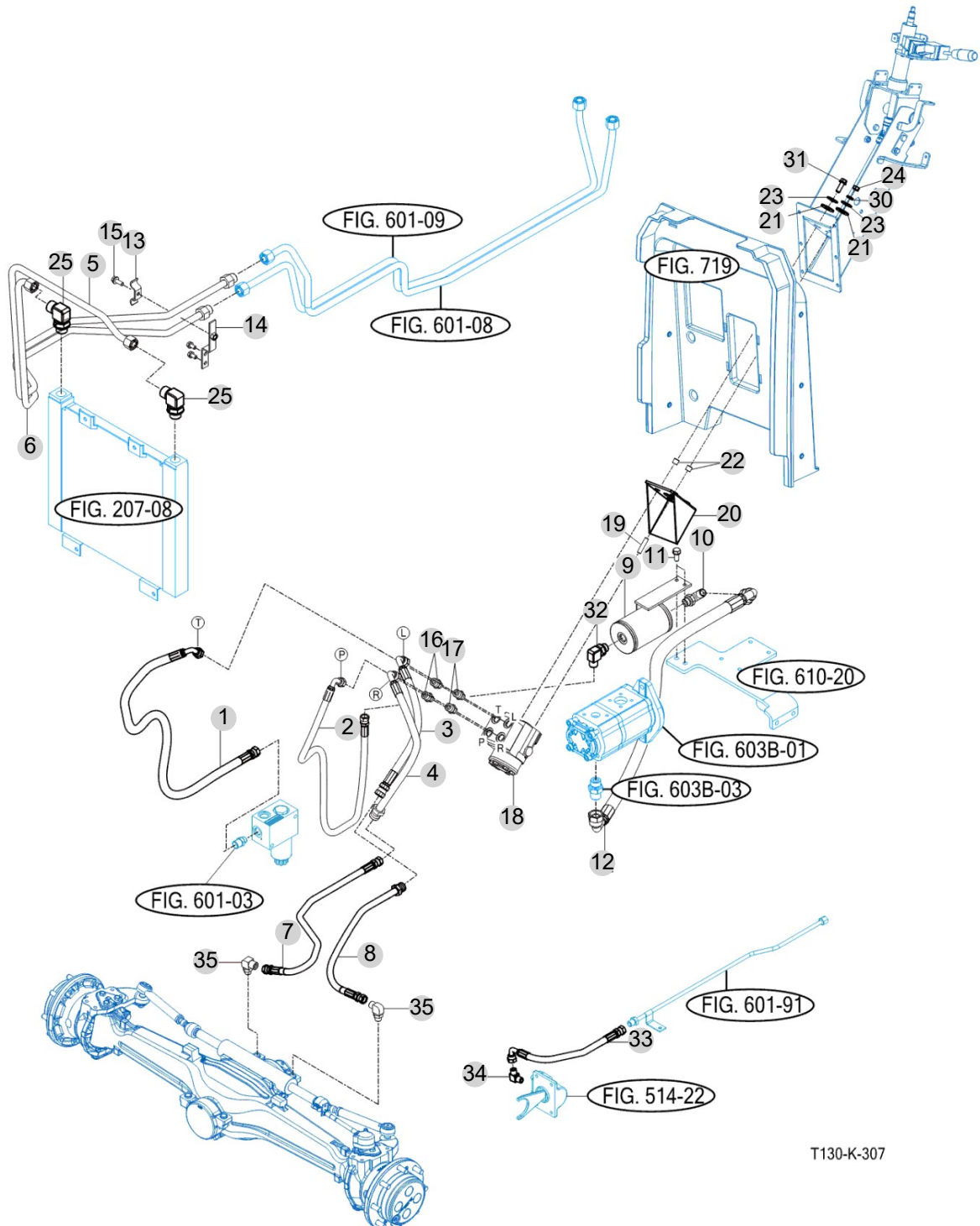
FIG 307

POWER STEERING VALVE

년/월  
Year/Month

T130SPUS1

2024-03



T130-K-307

NOTE



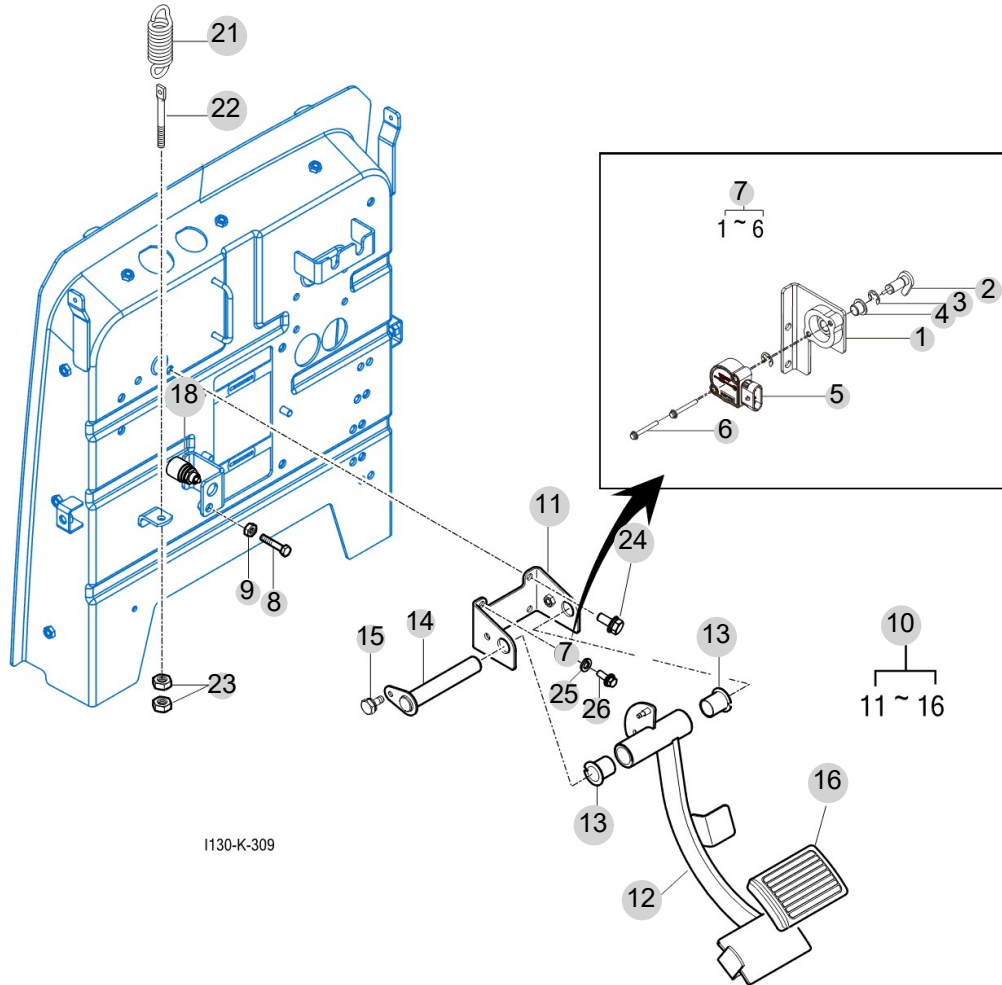
FIG 309

SUB CLUTCH PEDAL

년/월  
Year/Month

2024-03

T130SPUS1



NOTE



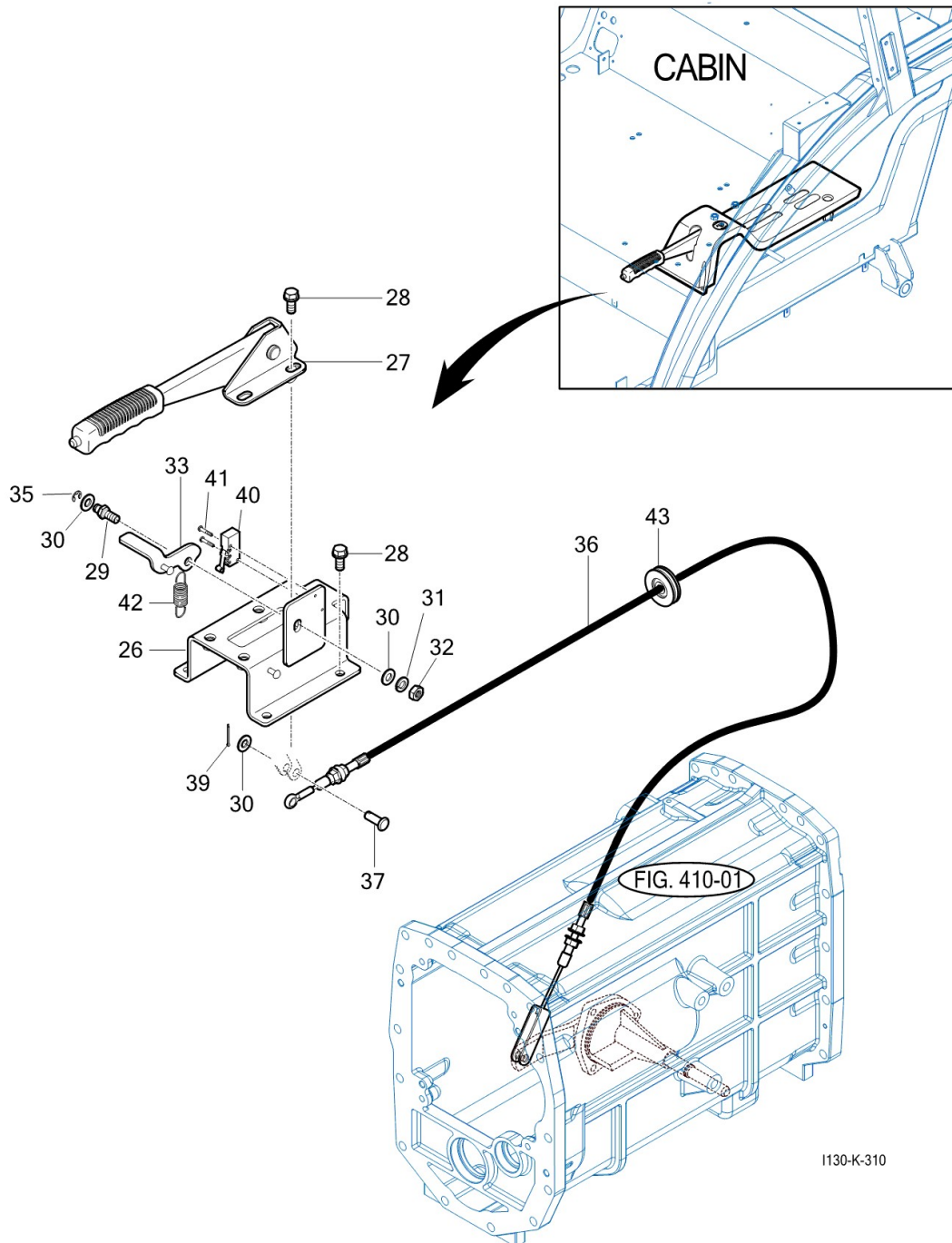
FIG 310

HAND BRAKE SUB

년/월  
Year/Month

2024-03

T130SPUS1



NOTE





## 4. Transmission PART NO. T4

FIG 401	RR TRANSMISSION CASE SUB	252
FIG 402A	PINION METAL SUB ASSY	254
FIG 402B	RR DIFF ASSY	256
FIG 403	SUB CHANGE GEARS	258
FIG 404	SUB CHANGE LEVER	260
FIG 405	SUB DRIVE SHAFT	262
FIG 406	RR AXLE HOUSING	264
FIG 407	540,750,1000 PTO CASE	266
FIG 408A	PTO SHAFT	268
FIG 408B	PTO CLUTCH ASSY	270
FIG 409	METAL SUB ASSY	272
FIG 410	MID TRANSMISSION CASE	274
FIG 411	MAIN COUNTER SHAFT	276
FIG 412	POWER MAIN SHAFT	278
FIG 413	CREEP SHAFT	281
FIG 414	PARKING BRAKE	283
FIG 415	POWER SHUTTLE GEAR	285
FIG 416	POWER SHIFT GEAR	287
FIG 417	FR TRANSMISSION CASE	289
FIG 420	4WD SHAFT SUB	292

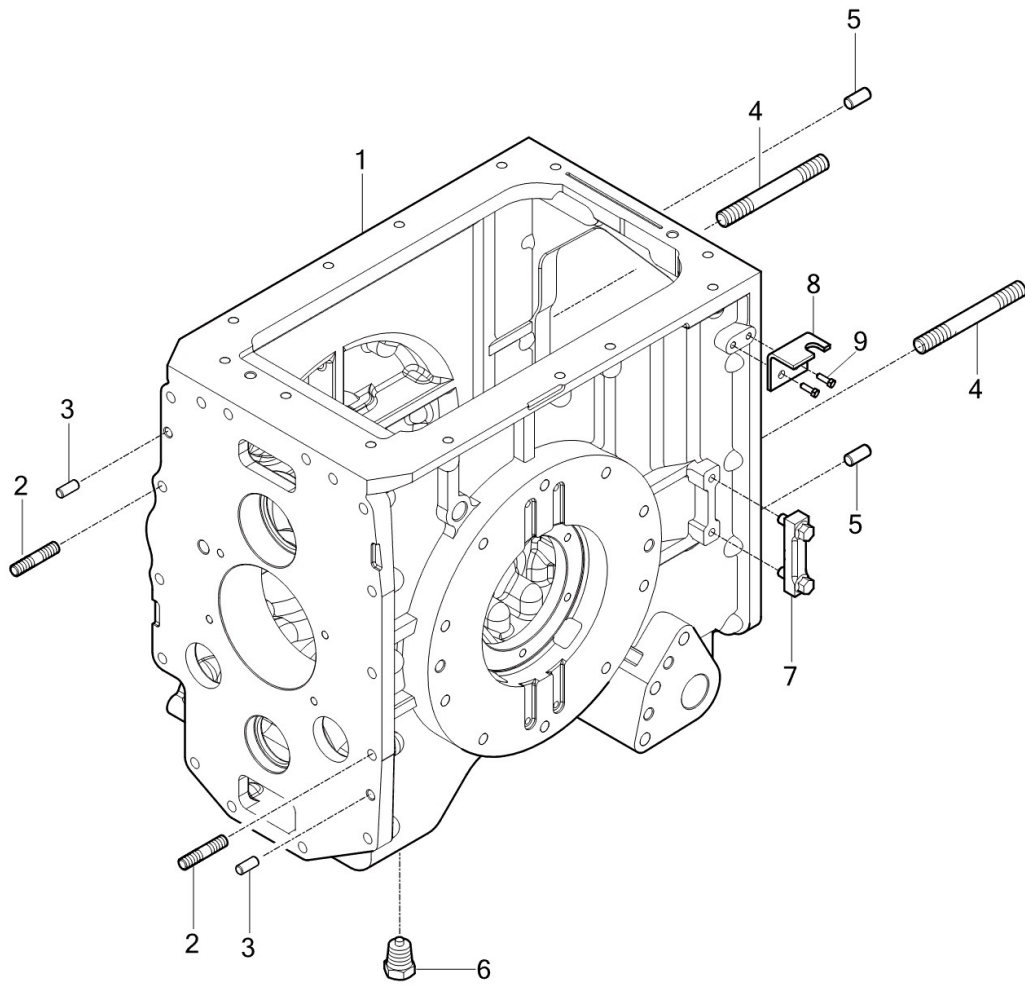
FIG 401

RR TRANSMISSION CASE SUB

년/월  
Year/Month

2024-03

T130SPUS1



S25CP-K-401

NOTE



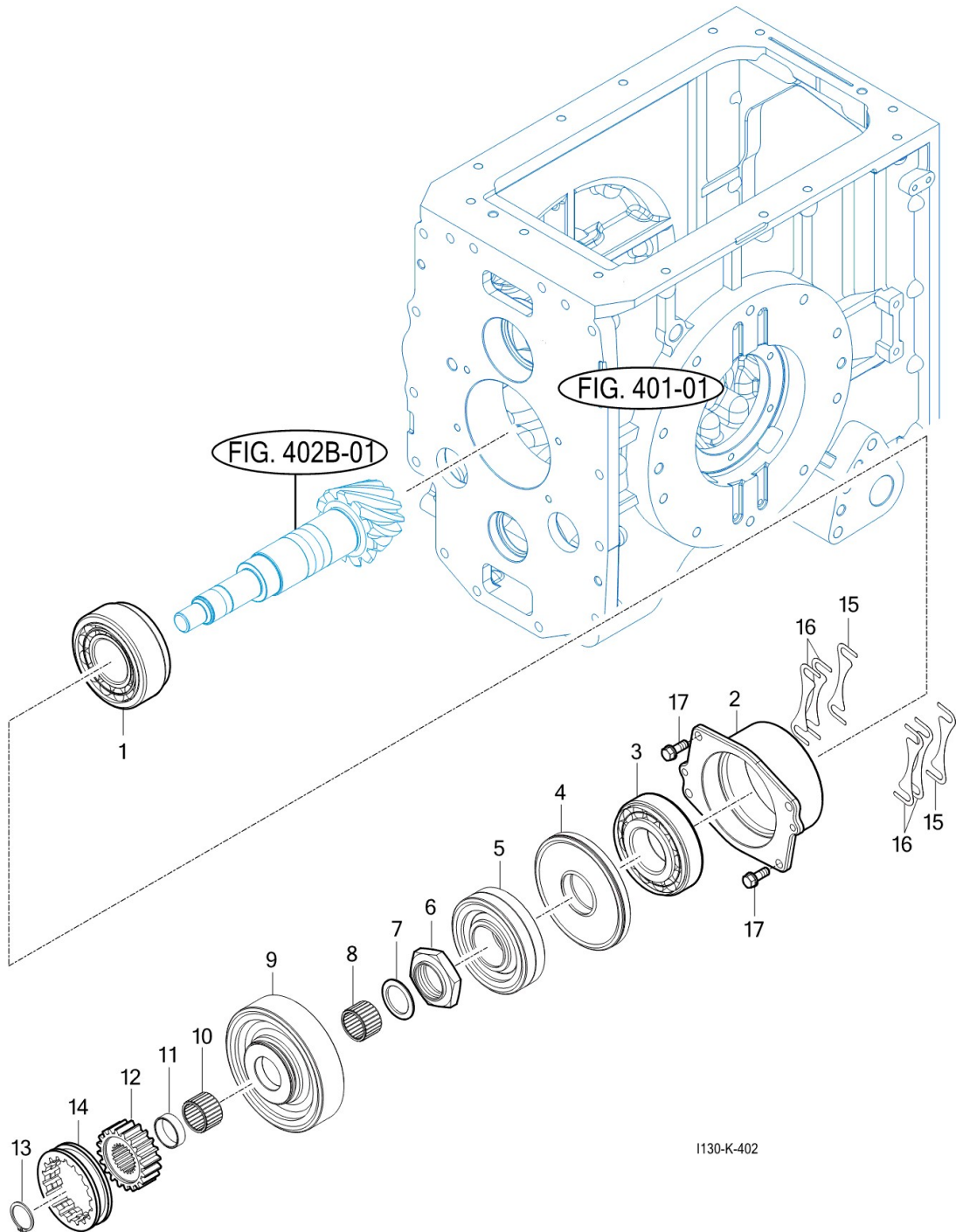
FIG 402A

PINION METAL SUB ASSY

년/월  
Year/Month

2024-03

T130SPUS1



NOTE



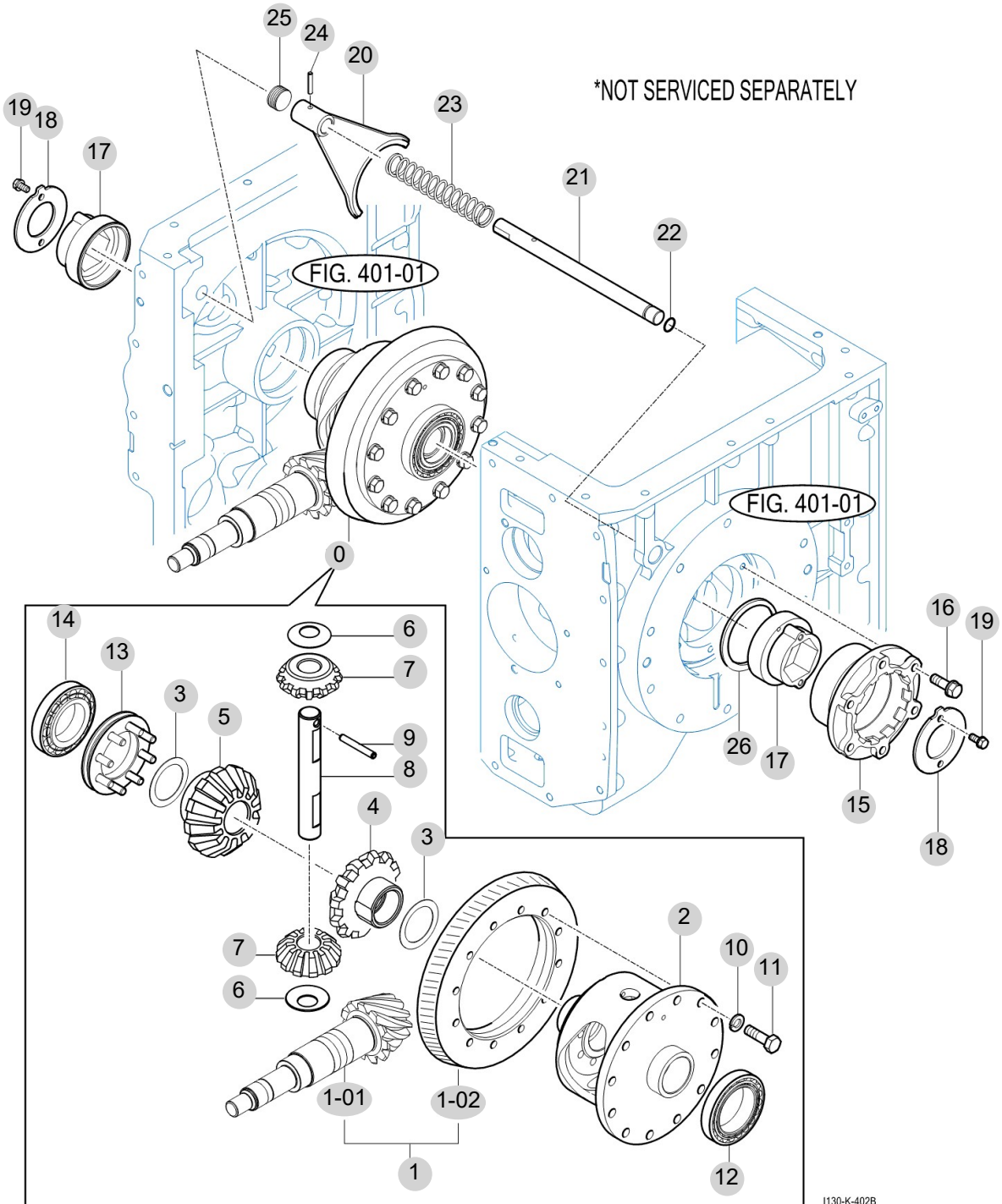
FIG 402B

RR DIFF ASSY

년/월  
Year/Month

2024-03

T130SPUS1



1130-K-402B

NOTE













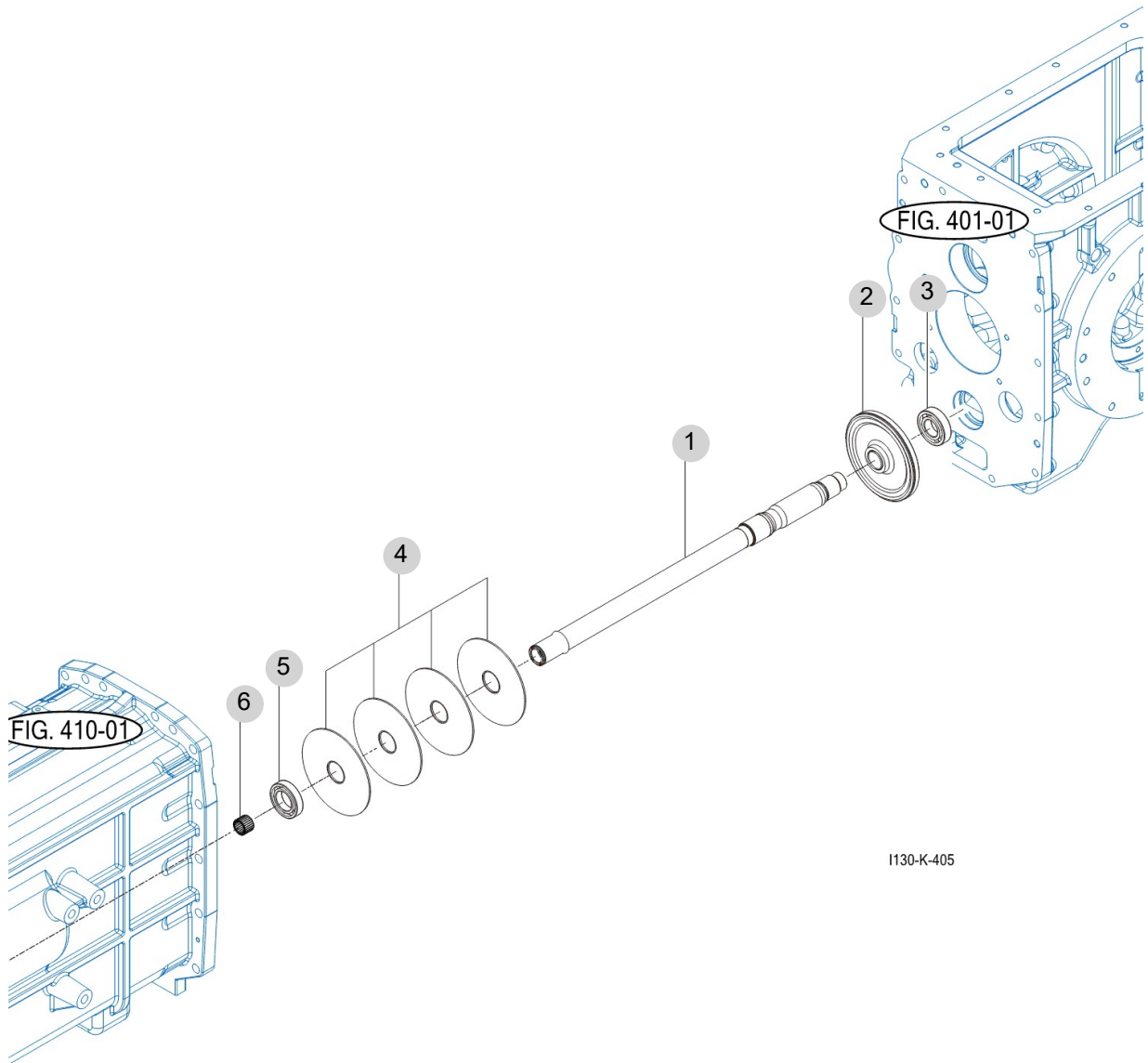
FIG 405

T130SPUS1

SUB DRIVE SHAFT

년/월  
Year/Month

2024-03



I130-K-405

NOTE



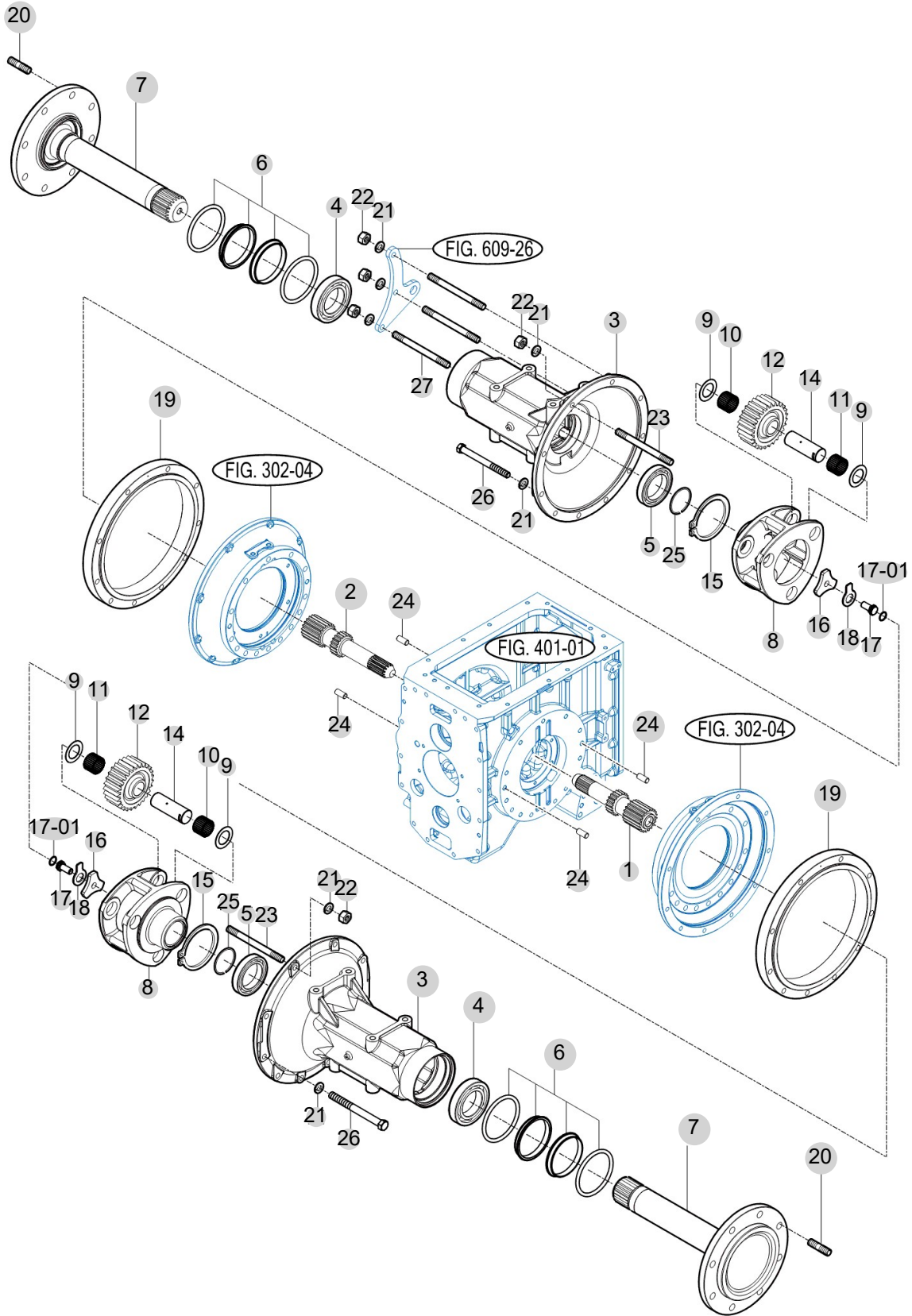
FIG 406

T130SPUS1

RR AXLE HOUSING

년/월  
Year/Month

2024-03



TS130CP6ANBV-K-406

NOTE



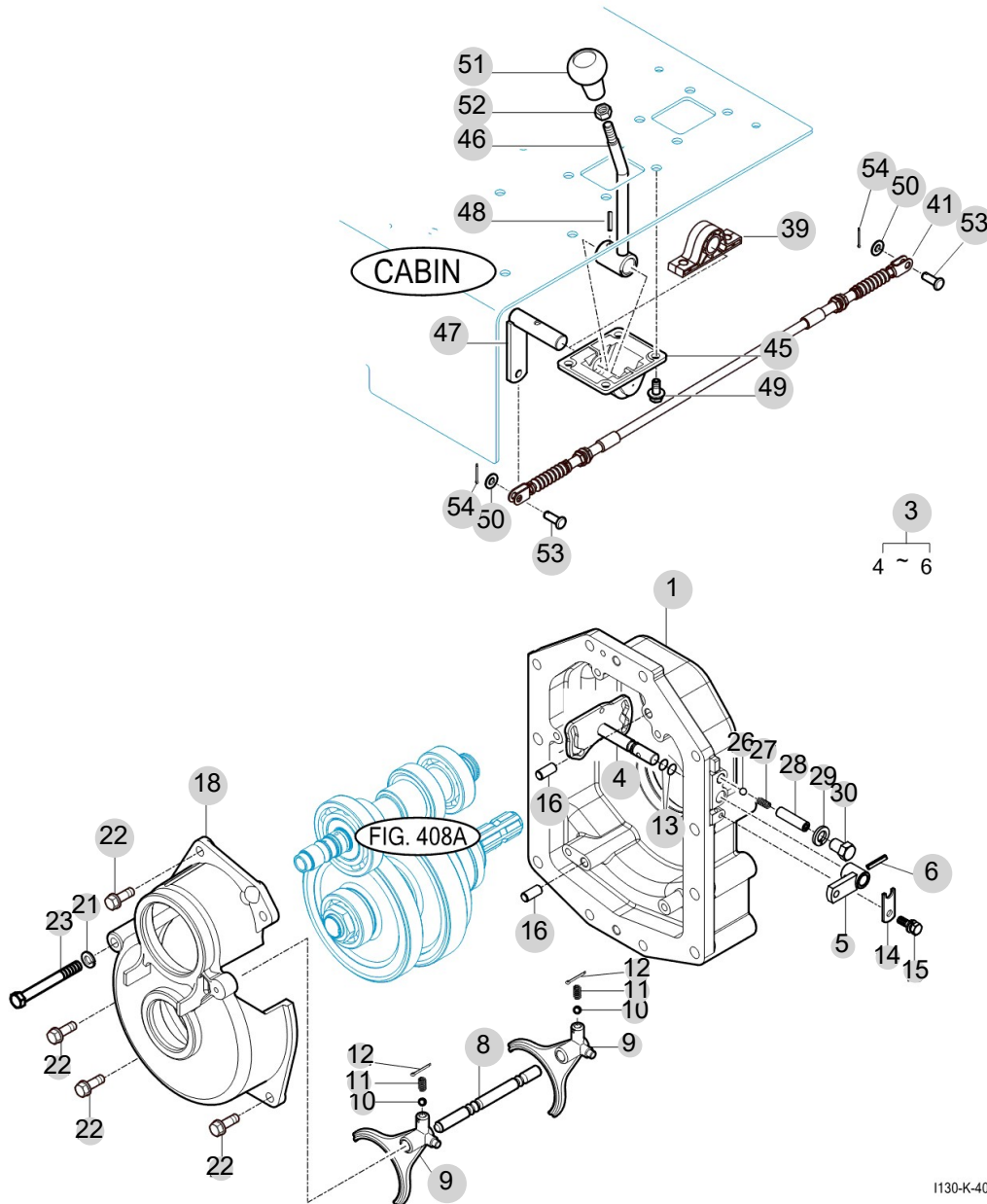
FIG 407

T130SPUS1

540,750,1000 PTO CASE

년/월  
Year/Month

2024-03



NOTE



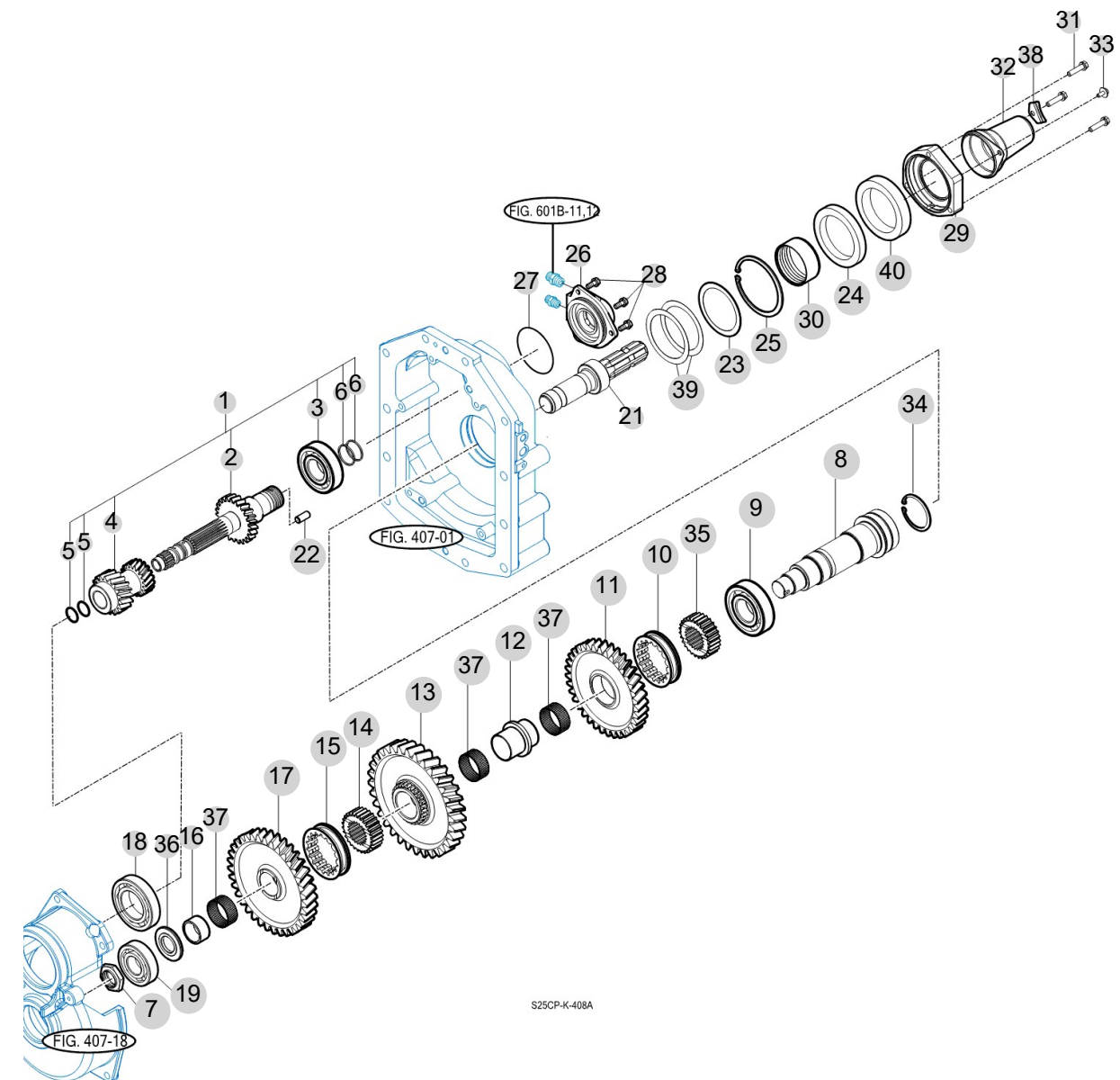


FIG 408A

PTO SHAFT

년/월  
Year/Month

2024-03



S25CP-K-408A

NOTE



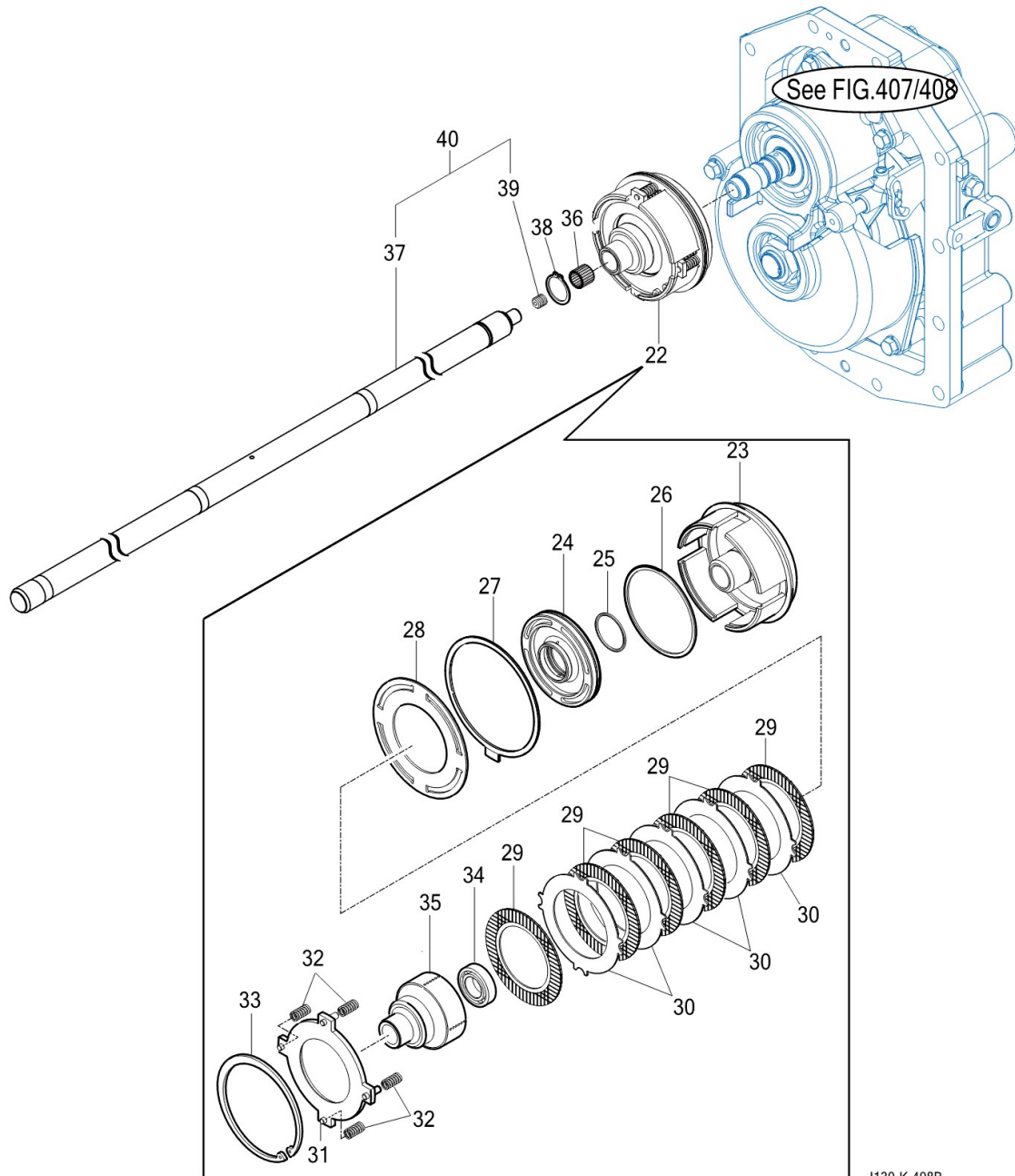
FIG 408B

T130SPUS1

PTO CLUTCH ASSY

년/월  
Year/Month

2024-03



I130-K-408B

NOTE



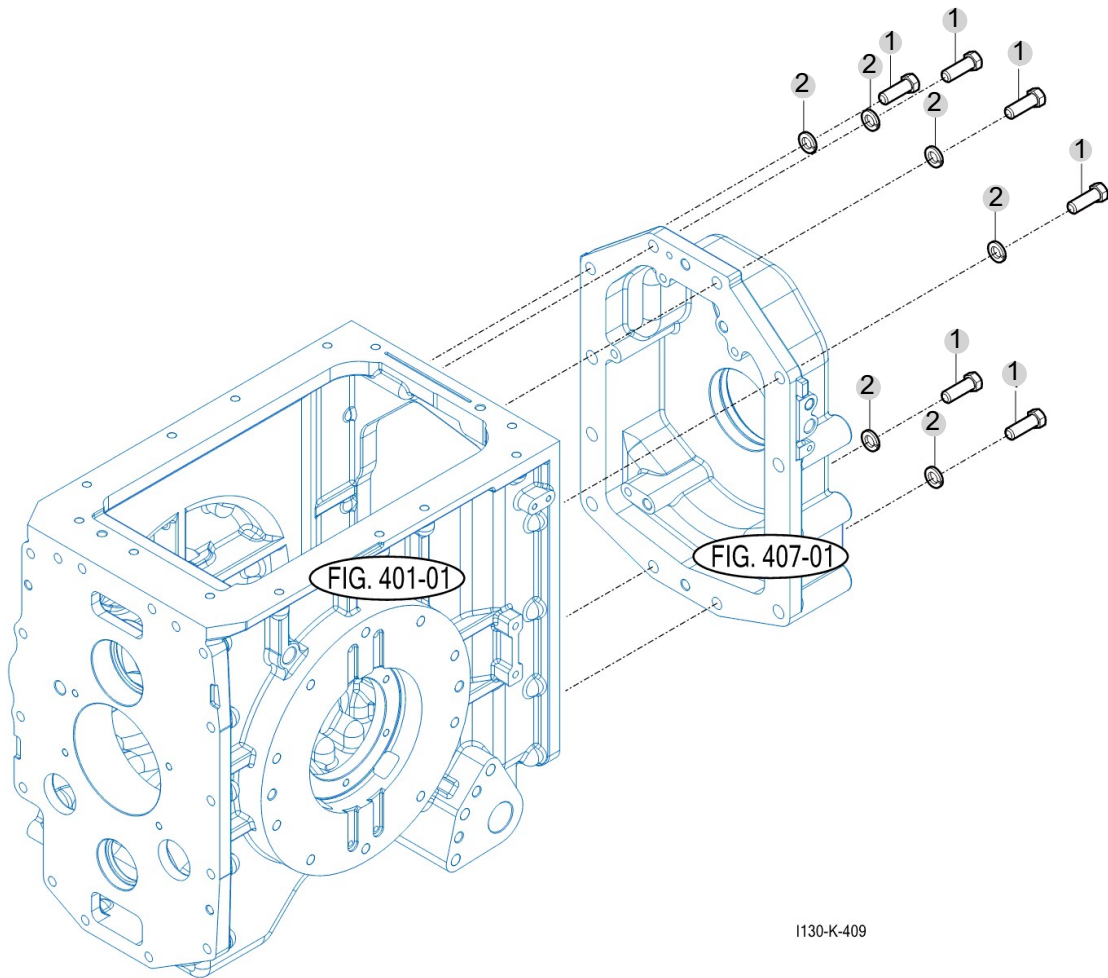
FIG 409

METAL SUB ASSY

년/월  
Year/Month

T130SPUS1

2024-03



NOTE



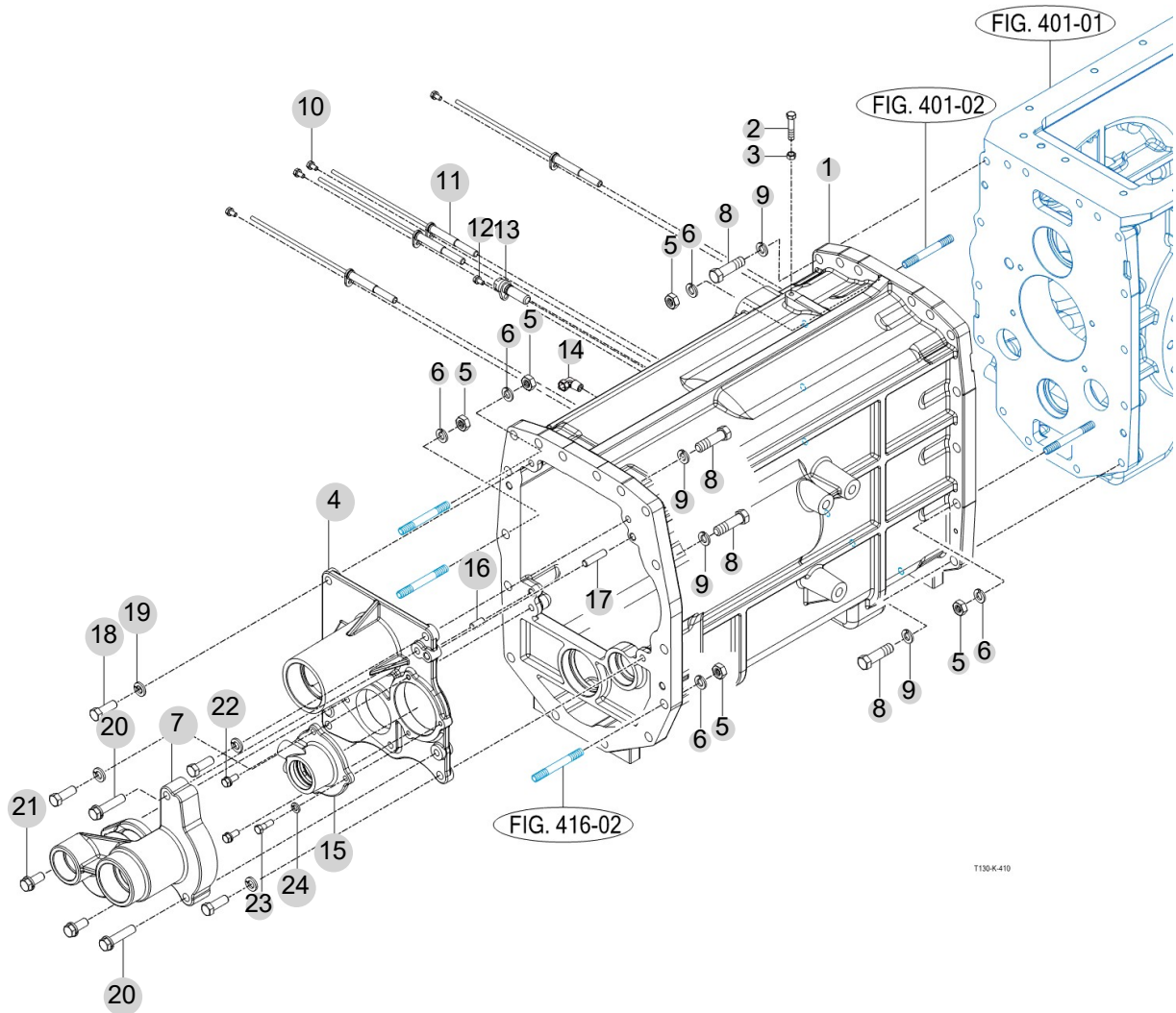
FIG 410

T130SPUS1

MID TRANSMISSION CASE

년/월  
Year/Month

2024-03



NOTE





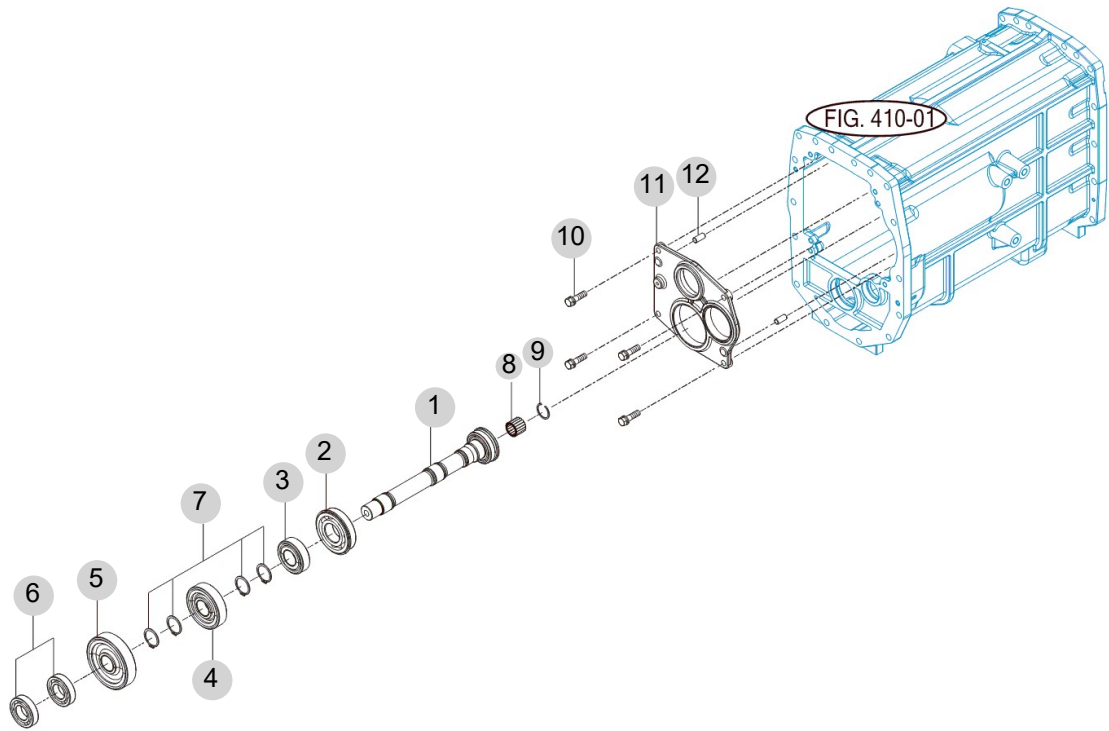
FIG 411

T130SPUS1

MAIN COUNTER SHAFT

년/월  
Year/Month

2024-03



NOTE



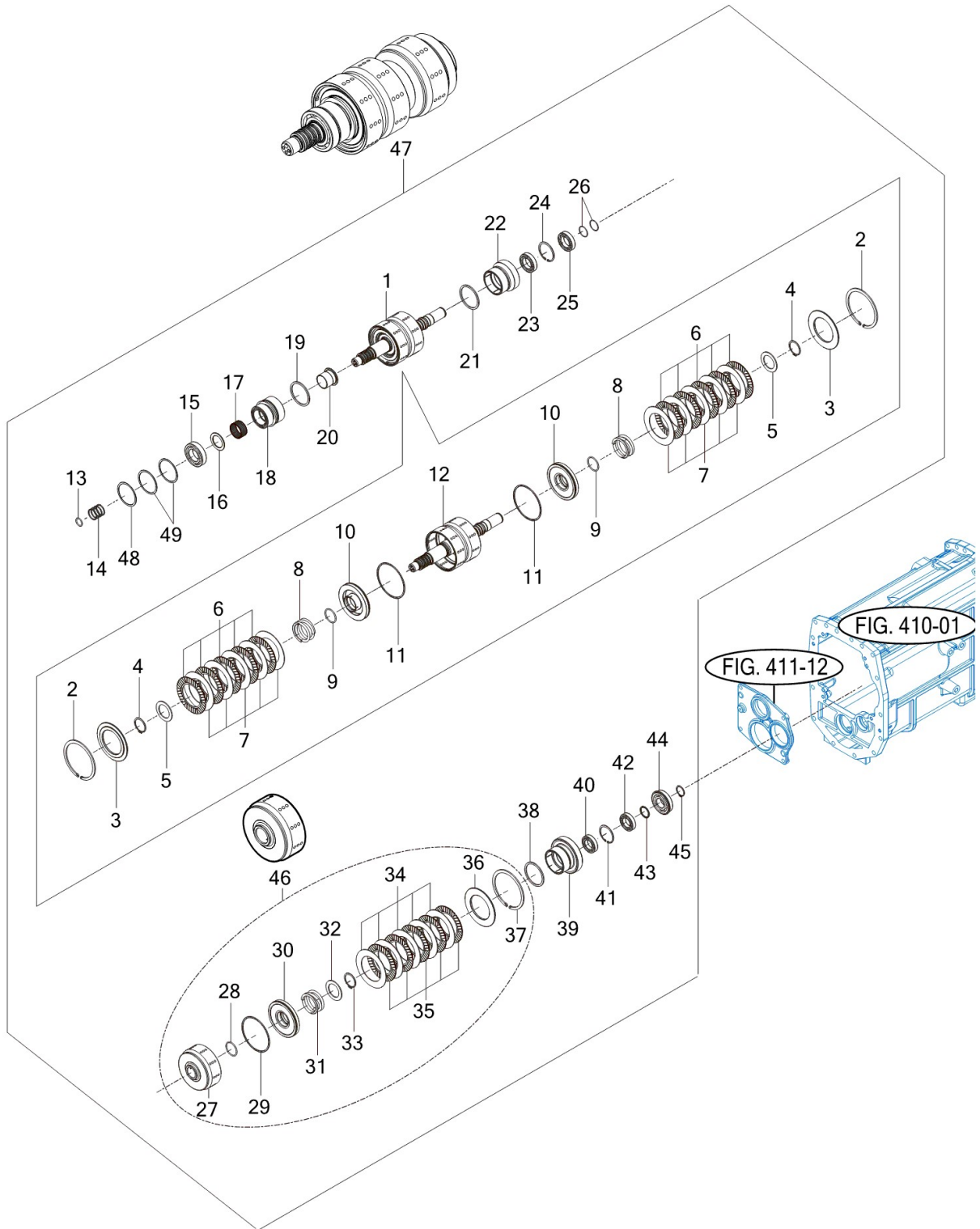
FIG 412

POWER MAIN SHAFT

년/월  
Year/Month

T130SPUS1

2024-03



NOTE

FIG 412		POWER MAIN SHAFT					년/월 Year/Month		
							2024-03		
T130SPUS1		KEY NO	PART NO	DESCRIPTION	SPEC	QTY	REPAIR	EFFECTIVE DATE	REMARKS
412	1	19402222103	SHAFT SUB , POWER MAIN			1			
412	1	19402222102	SHAFT SUB , POWER MAIN			1			
412	2	19409021400	SNAP RING-R140			2			
412	3	18712122060	PLATE , PRESSURE			2			
412	4	V7041400500	C-RING , SHAFT			2			
412	5	19022122120	WASHER , 50X74X3			2			
412	6	18712122500	PLATE COMP , DISC			10			
412	7	18712122041	PLATE , SEPARATE(WAVE)			10			
412	8	18712122030	SPRING , RETURN			2			
412	9	18712122120	O-RING , P			2			
412	10	18712122012M	PISTON			2			
412	11	18712122022	RING , /D(125)			2			
412	11	18712122021	D-RING , 125			2			
412	12	19402222202	SHAFT COMP , POWER MAIN			1			
412	12	19402222201	SHAFT COMP , POWER MAIN			1			
412	13	V7211031030	O-RING , G	G30		1			
412	14	19402120050	PISTON RING , /40			4			
412	14	19022120050	SEAL , 40			4			
412	15	V6001106209	BEARING , BALL	6209		1			
412	16	19402220020	COLLAR(45X65X03)			1			
412	17	V6544505527	BEARING , NEEDLE CAGED	KT505527		1			
412	18	19402222410	GEAR, HELICAL 23			1			
412	19	18712122080	RING , SEAL80			1			
412	20	19402220010	BUSH(45X50X45)			1			
412	21	18712122080	RING , SEAL80			1			
412	22	19402222310	GEAR, HELICAL 31			1			
412	23	V6001106008	BEARING , BALL	6008		1			
412	24	19409020680	SNAP RING-R68			1			
412	25	V6001406008	BEARING , BALL	6008D		1			
412	26	V7231015036	O-RING , S	S36		2			
412	27	19402222600	CLUTCH(C) COMP, MAIN			1			
412	28	18712122120	O-RING , P			1			
412	29	18712122021	D-RING , 125			1			
412	30	18712122012M	PISTON			1			
412	31	18712122030	SPRING , RETURN			1			
412	32	19022122120	WASHER , 50X74X3			1			
412	33	V7041400500	C-RING , SHAFT			1			
412	34	18712122041	PLATE , SEPARATE(WAVE)			5			
412	35	18712122500	PLATE COMP , DISC			5			
412	36	18712122060	PLATE , PRESSURE			1			
412	37	19409021400	SNAP RING-R140			1			
412	38	18712122080	RING , SEAL80			1			
412	39	19402222710	GEAR, HELICAL 39			1			
412	40	V6001106007	BEARING , BALL	6007		1			
412	41	19409020620	SNAP RING-R62			1			
NOTE									

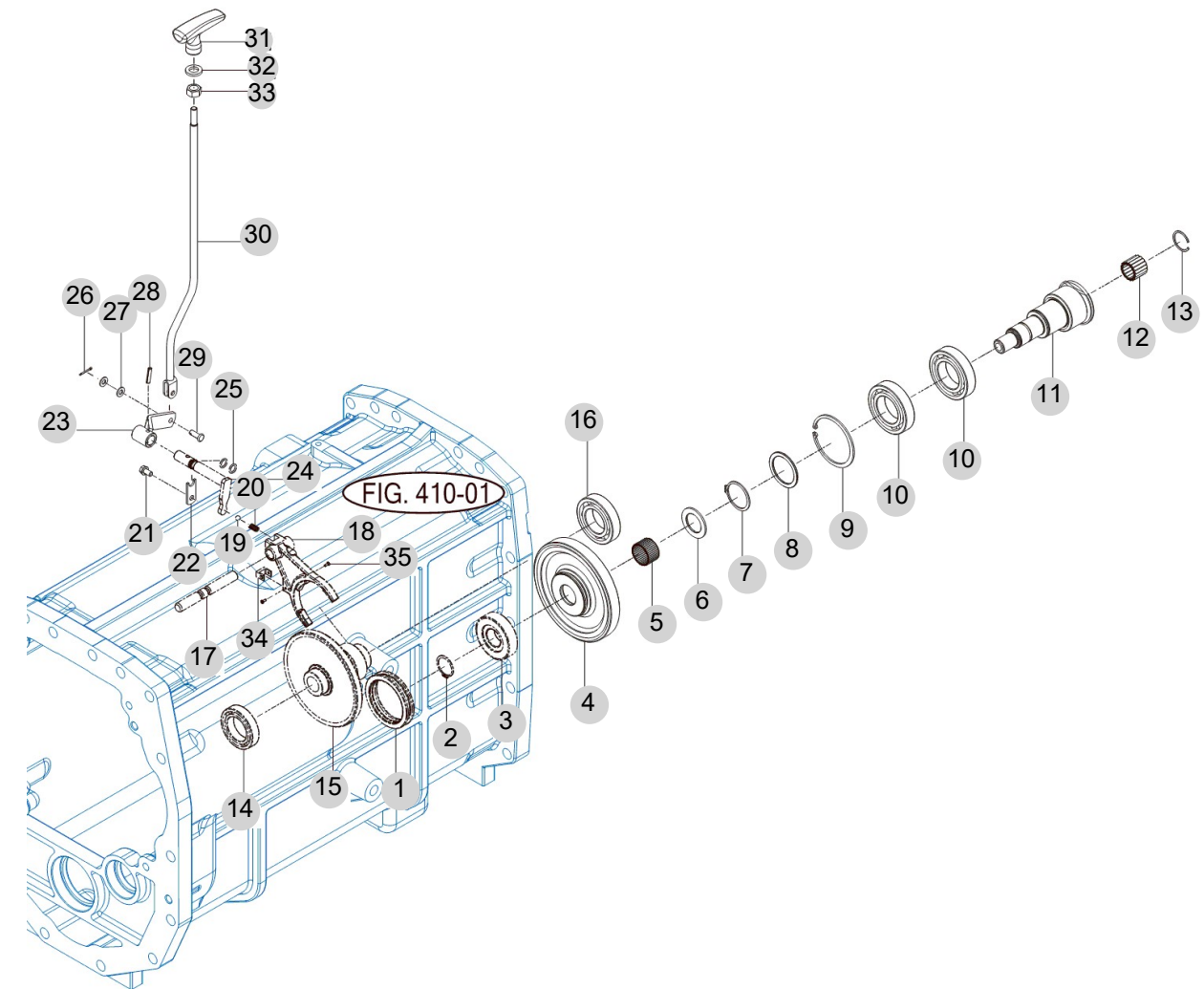


FIG 413

CREEP SHAFT

년/월  
Year/Month

2024-03



NOTE





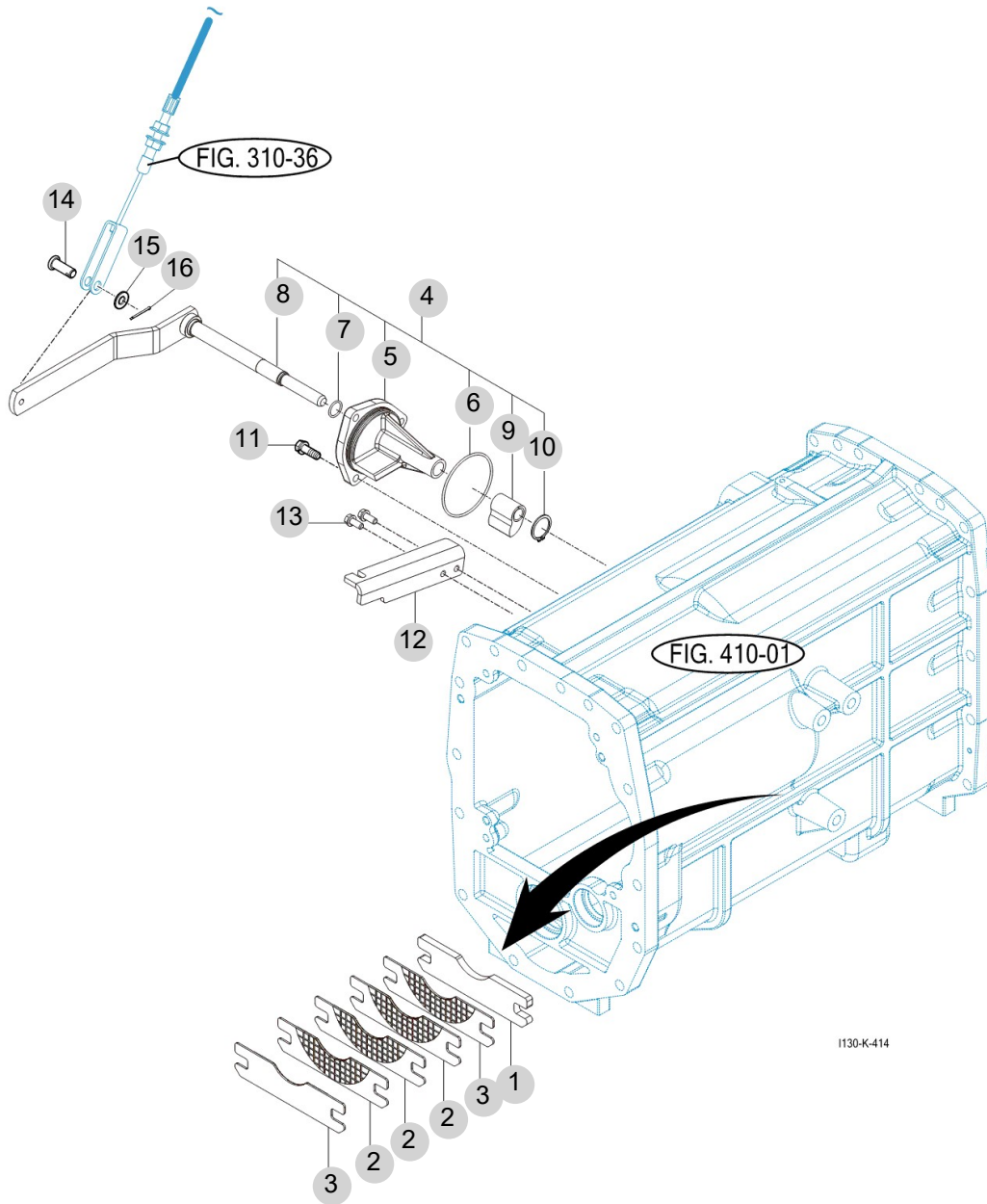
FIG 414

PARKING BRAKE

년/월  
Year/Month

2024-03

T130SPUS1



NOTE







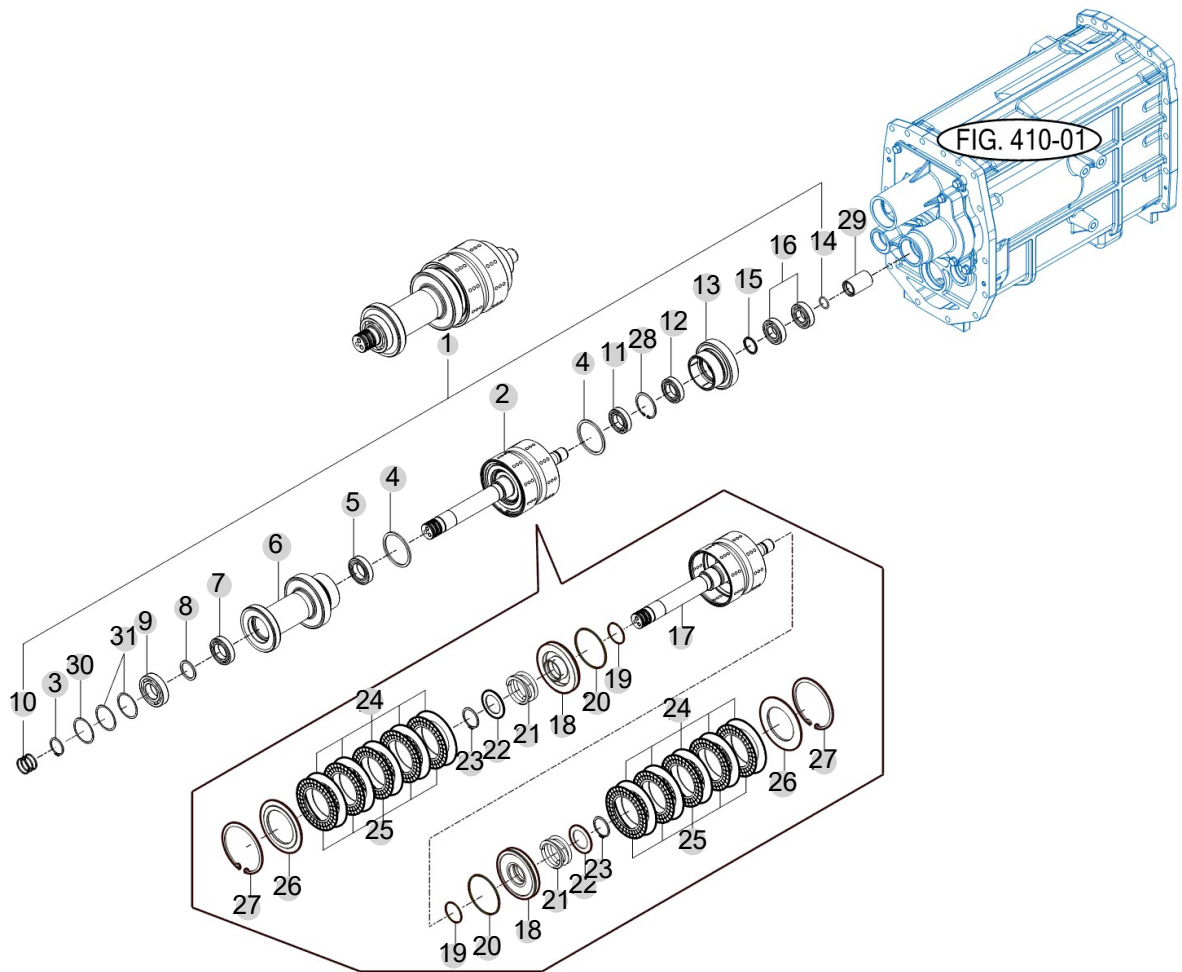
FIG 416

POWER SHIFT GEAR

년/월  
Year/Month

2024-03

T130SPUS1



NOTE



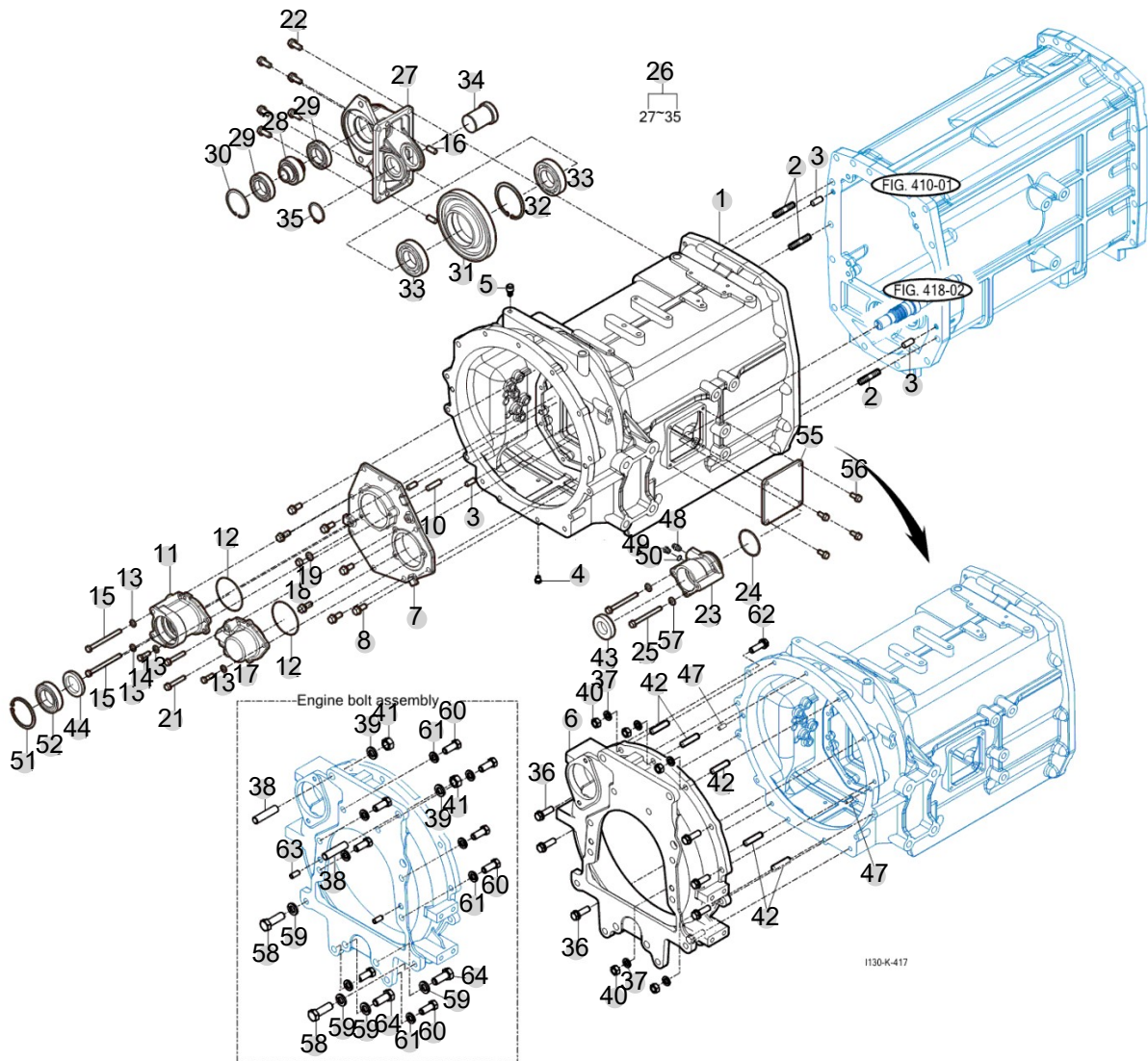
FIG 417

FR TRANSMISSION CASE

년/월  
Year/Month

2024-03

T130SPUS1



NOTE

FIG 417 T130SPUS1		FR TRANSMISSION CASE					년/월 Year/Month	
							2024-03	
KEY NO	PART NO	DESCRIPTION	SPEC	QTY	REPAIR	EFFECTIVE DATE	REMARKS	
417	1	10132100010M	CASE , FR TM			1		
417	1	10132100011M				1		
417	2	V2514414045	BOLT , STUD/2	M14X45		3		
417	3	V5201010022	PIN , PARALLEL/A	10X22(A)		4		
417	4	13267060022	PLUG , DRAIN	HEX,B=12		1		
417	5	10134080020	AIR BREATHER			1		
417	6	15801010501GB	FLYWHEEL HOUSING			1		
417	7	19402100030M	METAL , INPUT			1		
417	8	V2173610025	BOLT , HEX/S	M10X25		7		
417	10	V2514410025	BOLT , STUD/2	M10X25		1		
417	11	19022121100	COVER ASSY, SHUTTLE			1		
417	12	V7231020075	O-RING , S	S75		2		
417	13	V4011600080	WASHER , SPRING	M8		4		
417	14	14151210090	BOLT , REAMER			2		
417	15	V2013608095	BOLT , HEX	M8X95		2		
417	16	V5201010022	PIN , PARALLEL/A			2		
417	17	19022161100	COVER ASSY, POWER SHIFT			1		
417	18	V3043600100	NUT , HEX/2	M10		1		
417	19	V4011600100	WASHER , SPRING	M10		1		
417	21	V2173608050	BOLT . HEX/S	M8X50		2		
417	22	V2173610025	BOLT , HEX/S	M10X25		6		
417	23	19022280111M	COVER , 4WD			1		
417	24	V7211031055	O-RING , G	1A, G55		1		
417	25	V2173608085	BOLT , HEX/S	M8X85		2		
417	26	15892686000	DRIVE SUB , PUMP			1		
417	27	15892680020M	CASE , PUMP DRIVE			1		
417	28	15892680030	GEAR , HELICAL 17T			1		
417	29	34511020050	BEARING , BALL			2		
417	30	V7041400400	C-RING , SHAFT			1		
417	31	15892680040	GEAR , HELICAL 49T			1		
417	32	V7051400800	C-RING , HOLE			1		
417	33	V6041106208	BEARING , BALL/HL1			2		
417	34	15892680050	SHAFT , PUMP IDLE			1		
417	35	V7041400400	C-RING , SHAFT			1		
417	36	V2174612040	BOLT , HEX/S			7		
417	37	V4011600120	WASHER , SPRING			5		
417	38	15801121601	STUD BOLT , M16			2		
417	39	V4011600160	WASHER , SPRING	M16		2		
417	40	V3043600120	NUT , HEX/2	M12		5		
417	41	V3343600160	NUT , HEX FINE/2	M16		2		
417	42	V2513412035	BOLT , STUD/2	M12X35		5		
417	43	V7441305512	SEAL , OIL/D	D305512		1		
417	44	19022120900	SEAL , OIL			1		
417	47	V5201010022	PIN , PARALLEL/A	10X22		2		
417	48	19025162400	UNION(PF1/4-M16)			1		
NOTE								





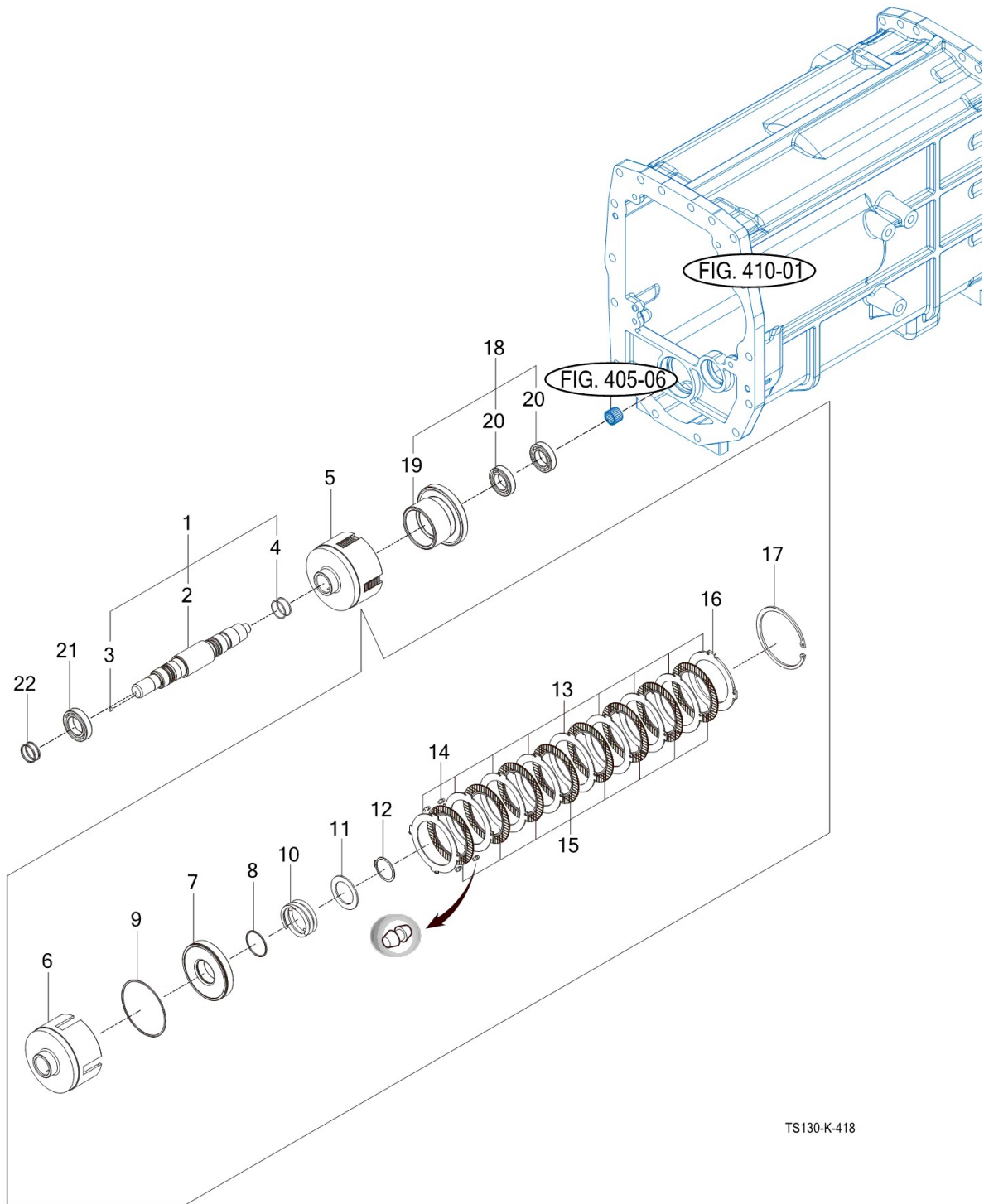
FIG 420

4WD SHAFT SUB

년/월  
Year/Month

2024-03

T130SPUS1



NOTE



## 5. Front Axle PART NO. T5

FIG 501	FRONT AXLE SUPPORTER	295
FIG 502	FRONT DRIVE SHAFT	297
FIG 503	AXLE HOUSING	299
FIG 504	SWIVEL HOUSINGS & STEERING CYLINDER	301
FIG 505	BEVEL GEAR SET	303
FIG 506	DIFFERENTIAL	305
FIG 507	DOUBLE U-JOINT	307
FIG 508	MUDGUARD ASSY	309
FIG 509	WHEEL HUB	311
FIG 510	FINAL REDUCTION	313
FIG 511	STEERING SENSOR	315

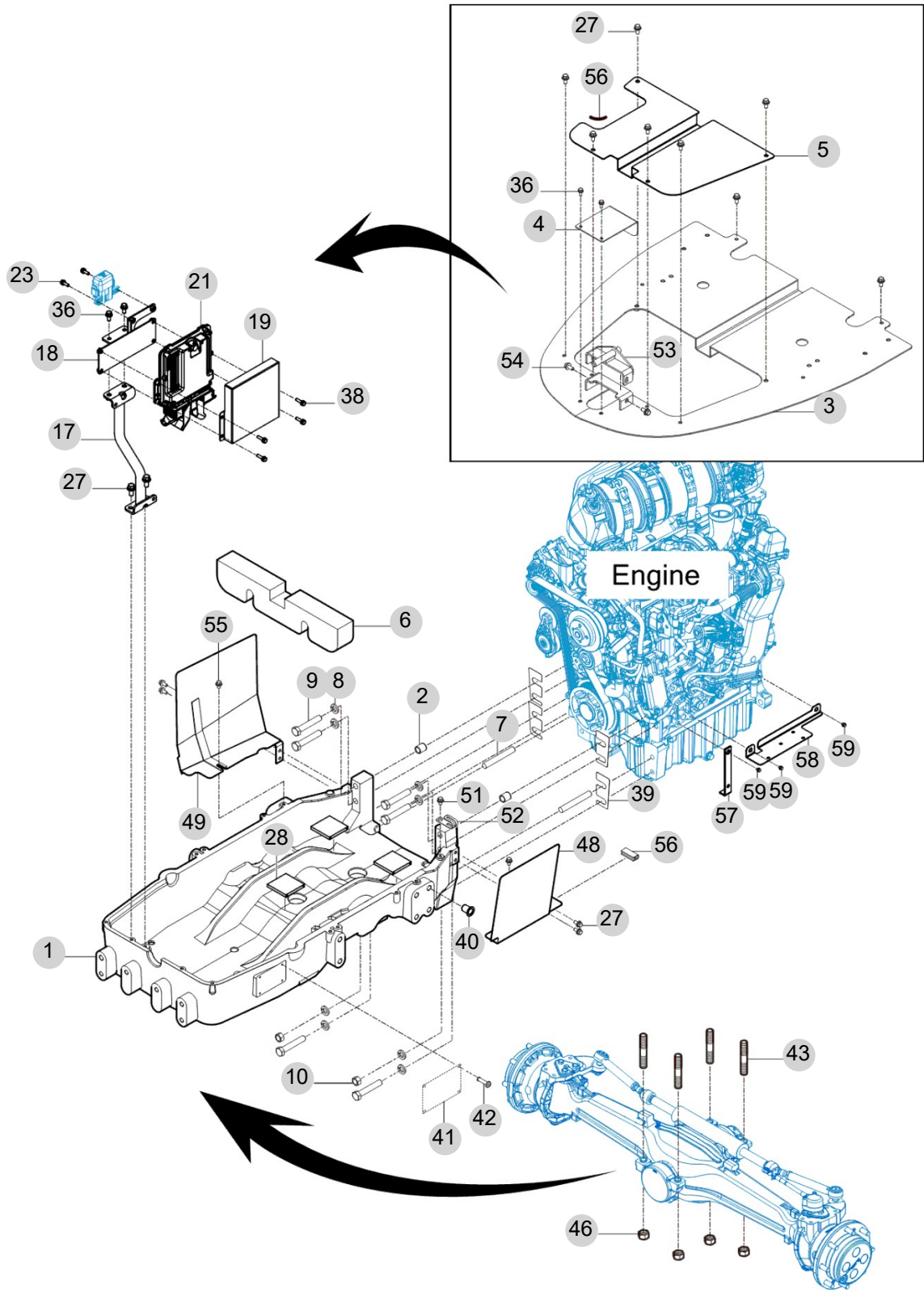
FIG 501

FRONT AXLE SUPPORTER

년/월  
Year/Month

2024-03

T130SPUS1



NOTE



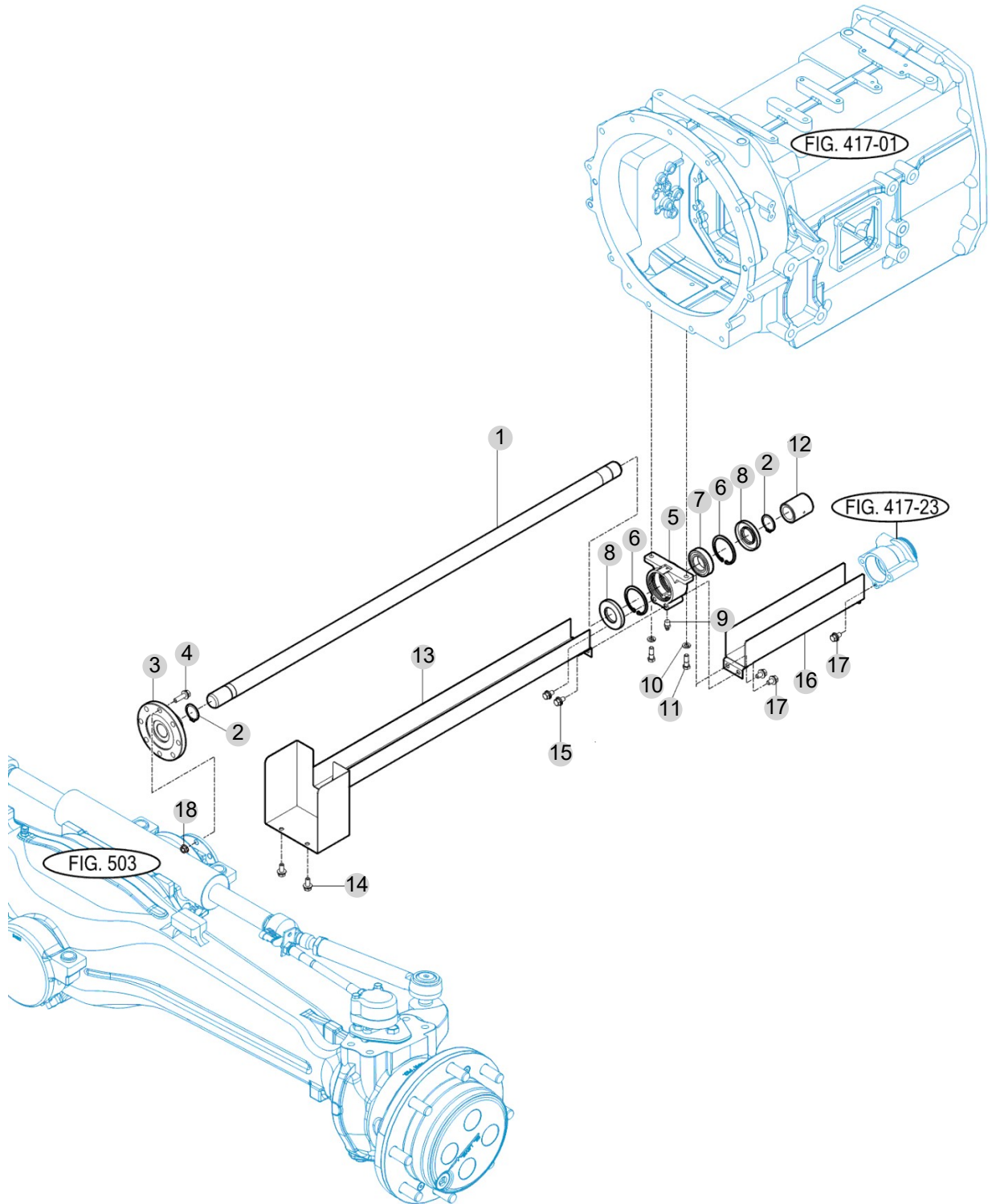
FIG 502

T130SPUS1

FRONT DRIVE SHAFT

년/월  
Year/Month

2024-03



NOTE





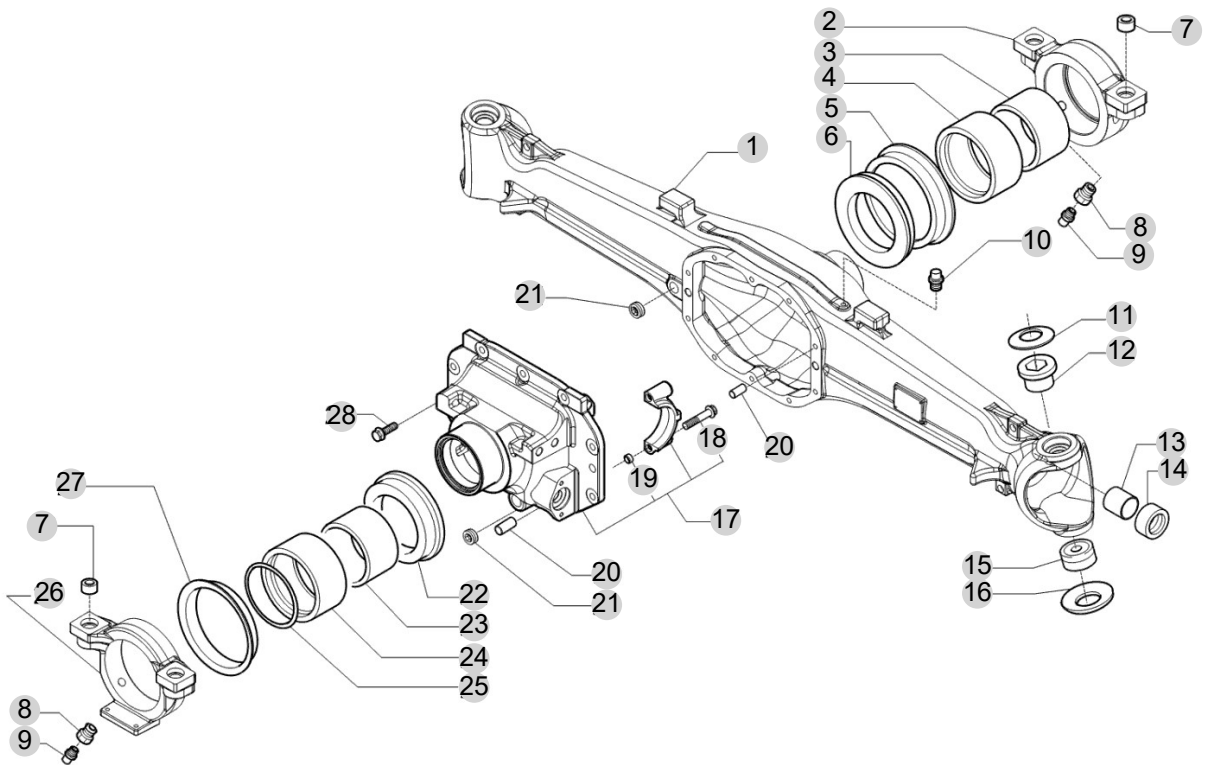
FIG 503

T130SPUS1

AXLE HOUSING

년/월  
Year/Month

2024-03



NOTE



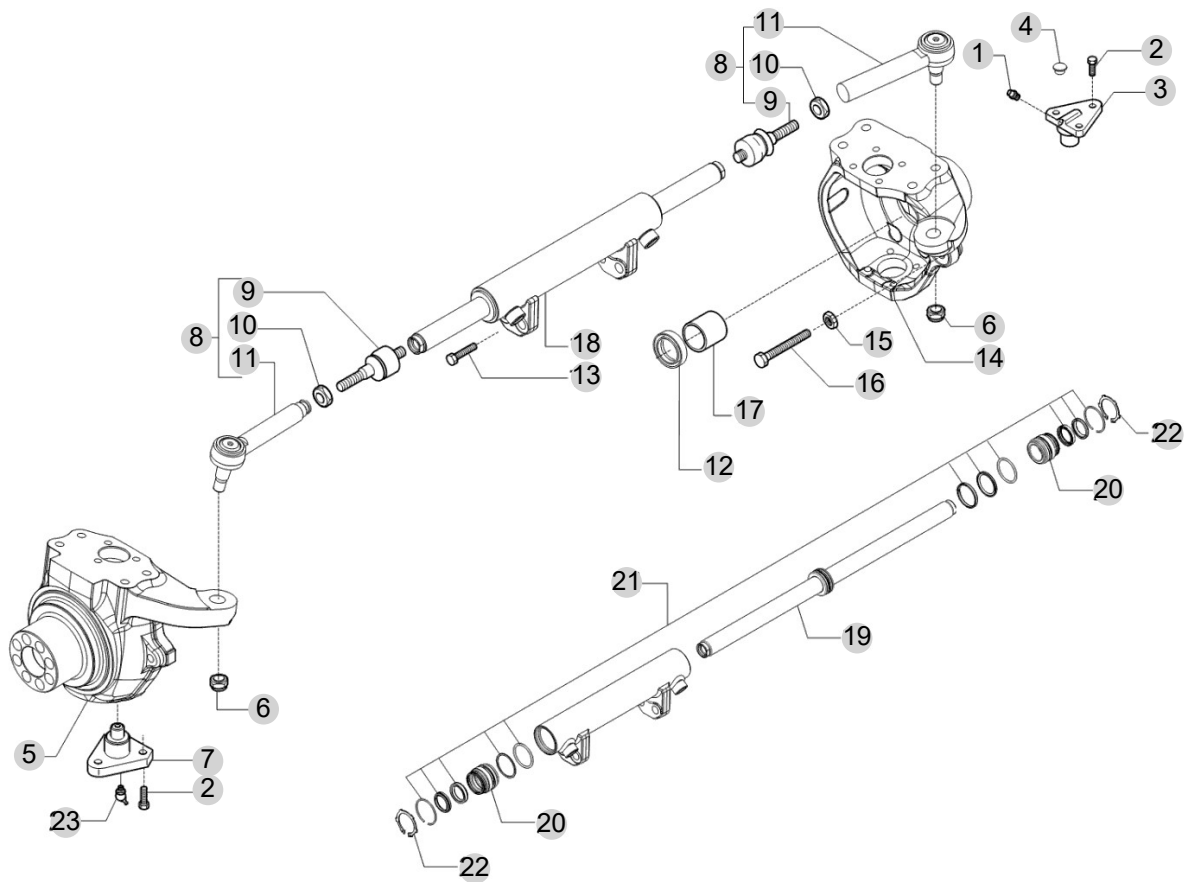
FIG 504

SWIVEL HOUSINGS & STEERING CYLINDER

년/월  
Year/Month

2024-03

T130SPUS1



NOTE



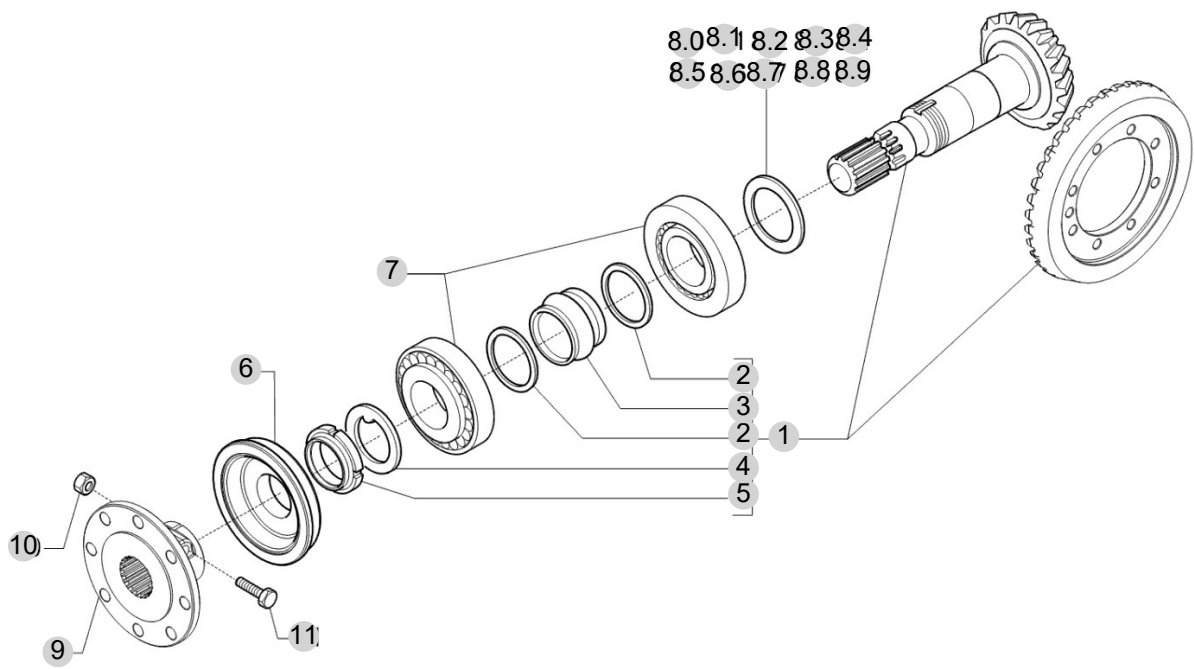
FIG 505

BEVEL GEAR SET

년/월  
Year/Month

2024-03

T130SPUS1



NOTE



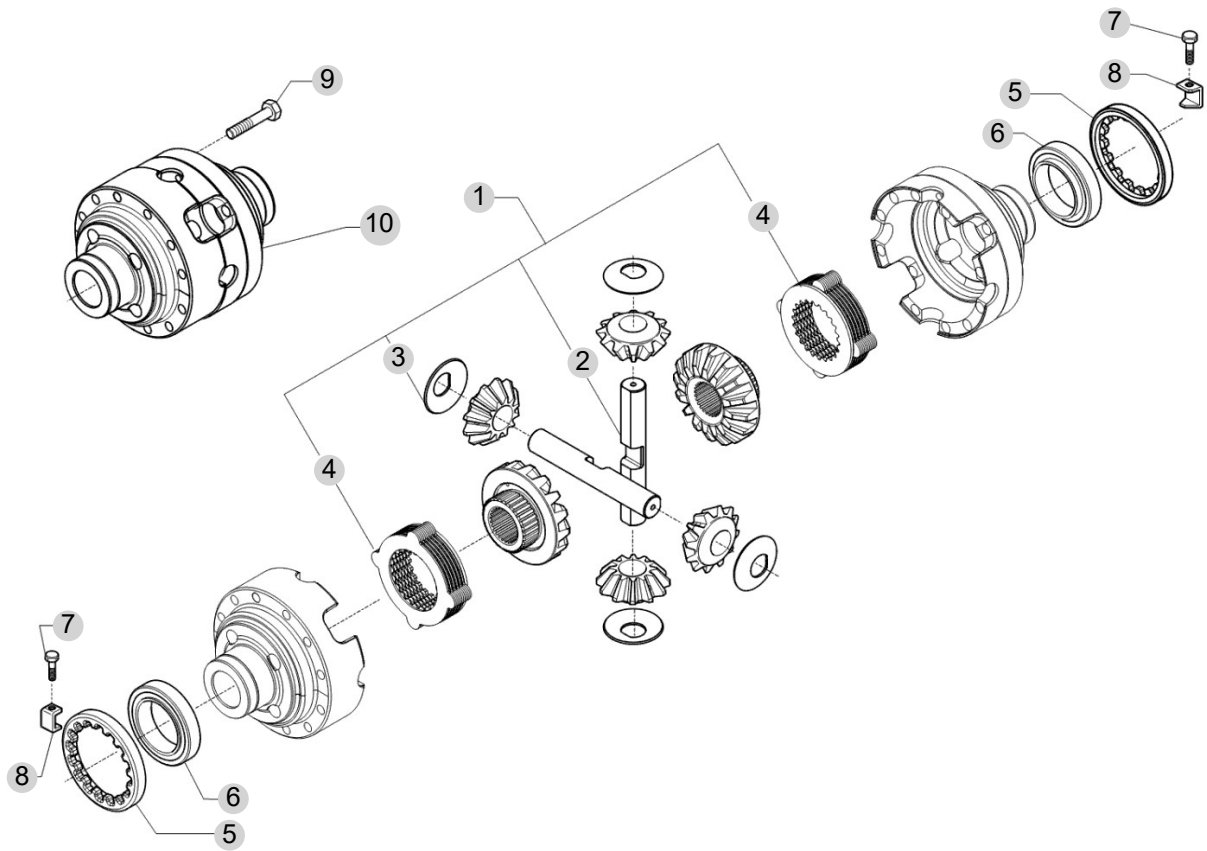
FIG 506

DIFFERENTIAL

년/월  
Year/Month

T130SPUS1

2024-03



NOTE





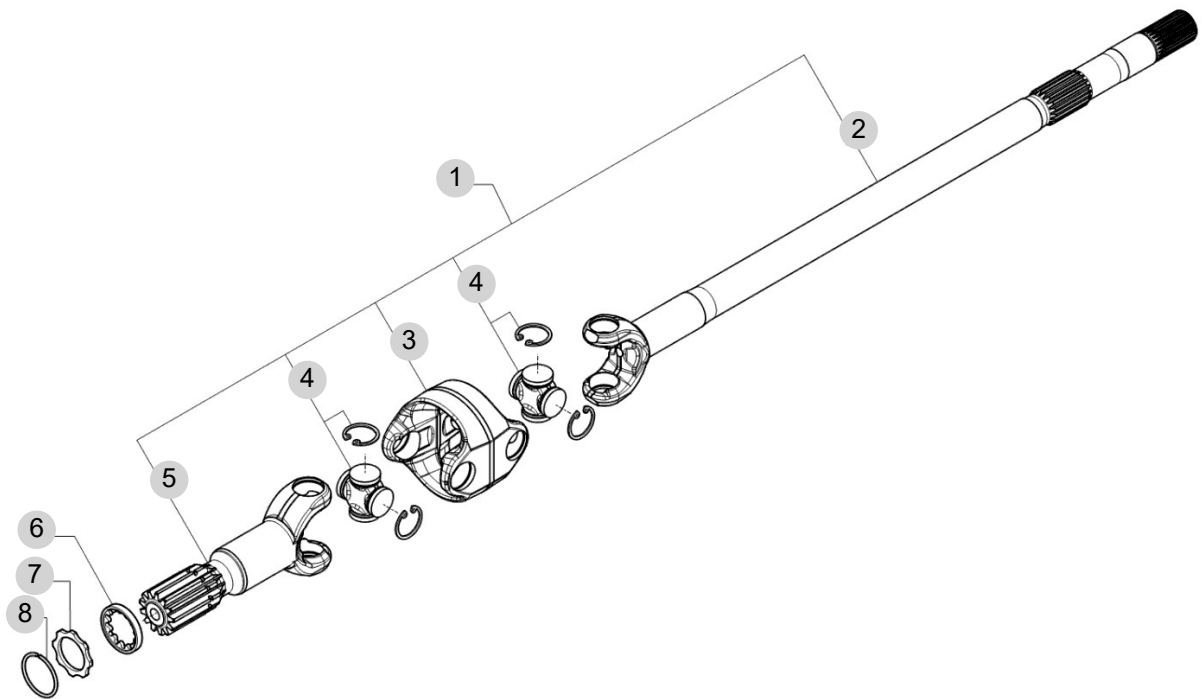
FIG 507

DOUBLE U-JOINT

년/월  
Year/Month

2024-03

T130SPUS1



NOTE







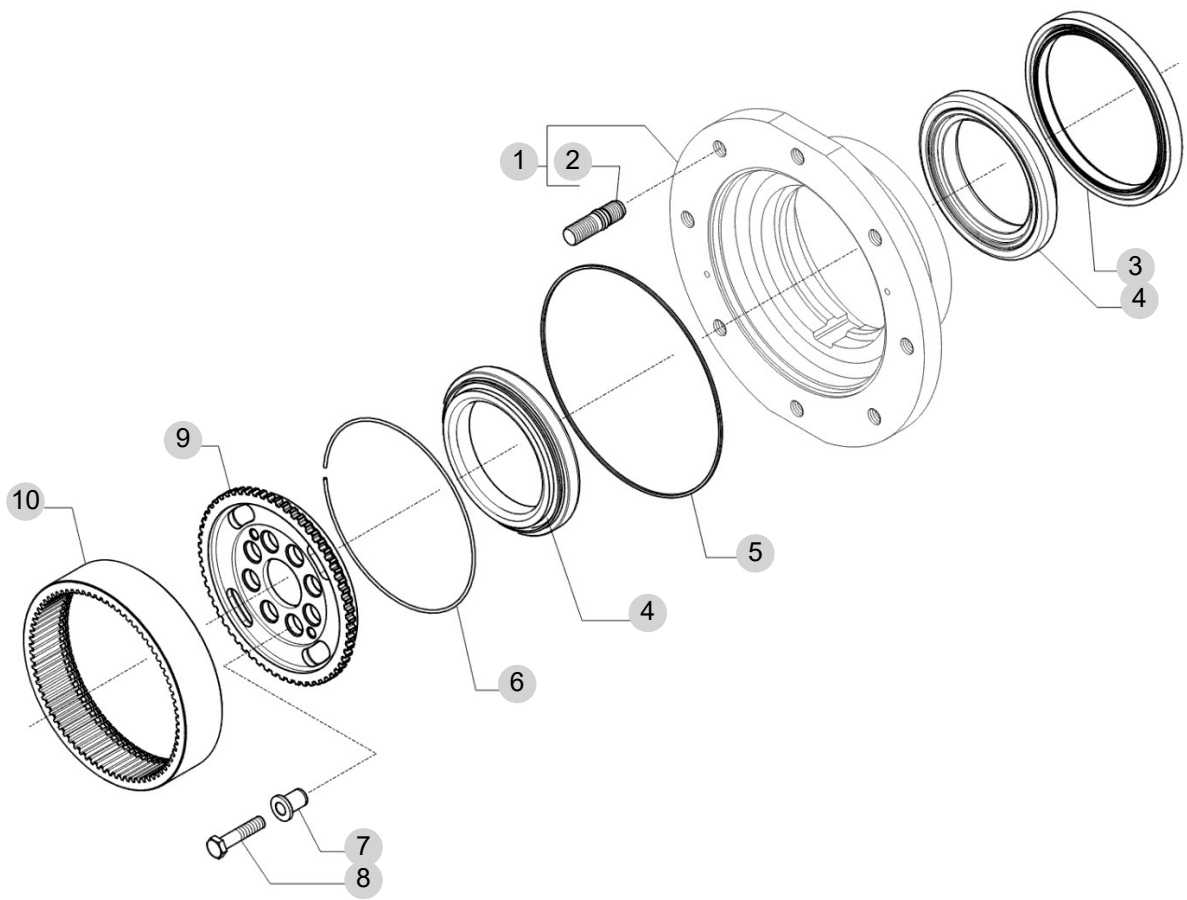
FIG 509

WHEEL HUB

년/월  
Year/Month

2024-03

T130SPUS1



NOTE



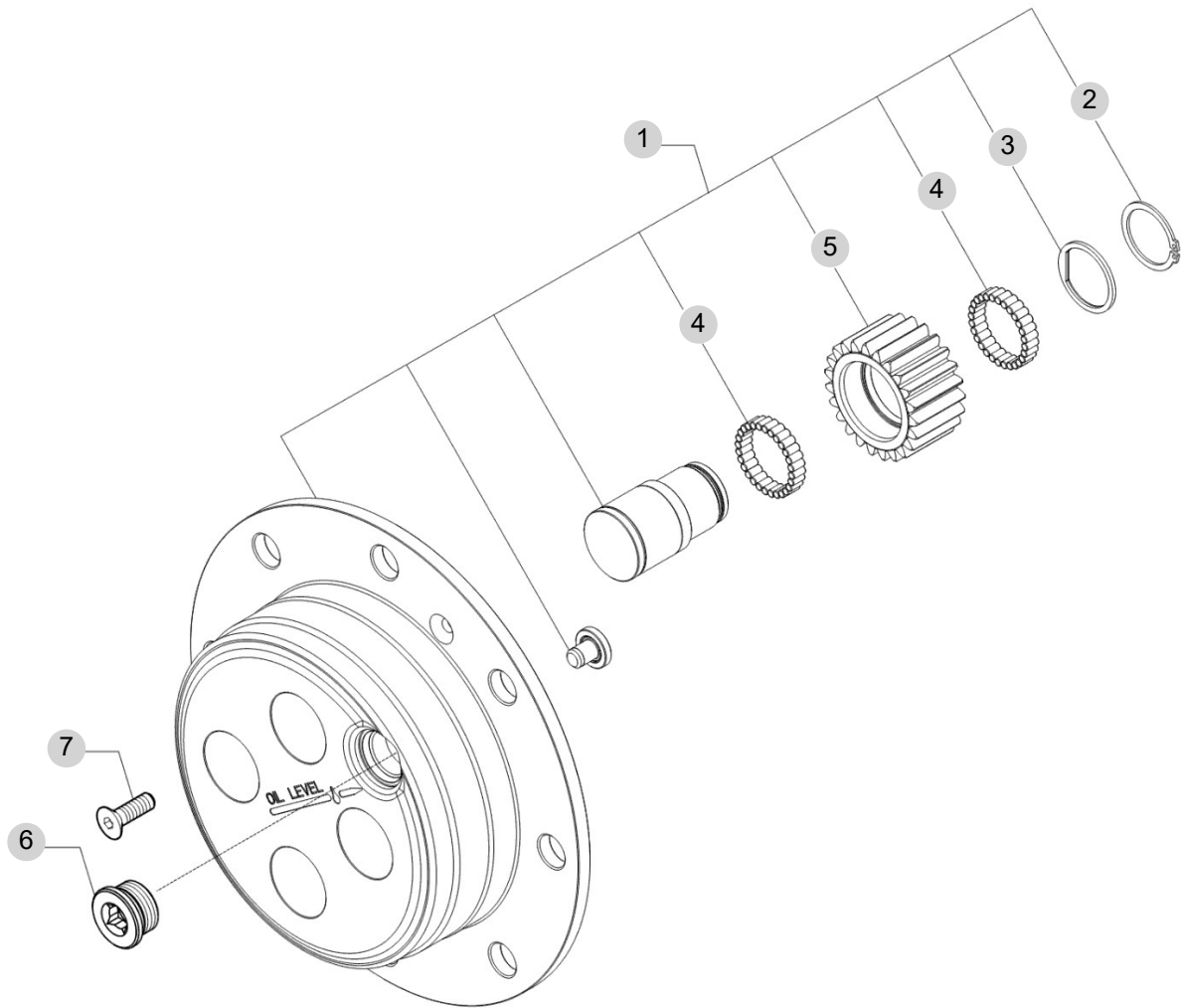
FIG 510

T130SPUS1

FINAL REDUCTION

년/월  
Year/Month

2024-03



NOTE





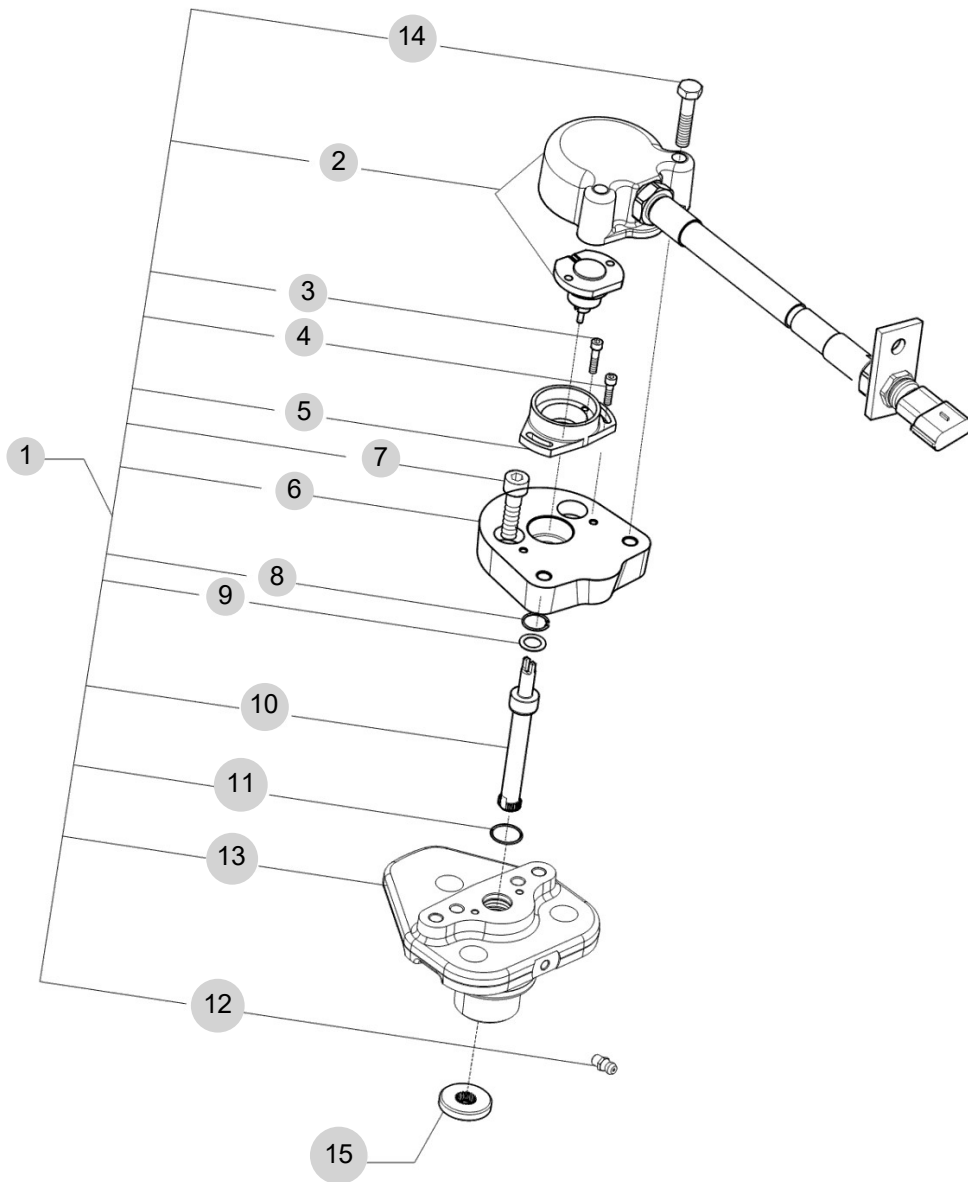
FIG 511

T130SPUS1

STEERING SENSOR

년/월  
Year/Month

2024-03



NOTE



## 6. Hydraulic/3P-Link PART NO. T6

FIG 601	HYDRAULIC PIPE	318
FIG 602	DRAWBAR ASSY	321
FIG 603A	FILTER SUB, SUCTION	323
FIG 603B	GEAR PUMP ASSY	325
FIG 604	CASE, CYLINDER	327
FIG 605	ARM SUB, LIFT	329
FIG 606	MAIN CONTROL VALVE SUB	331
FIG 607A	AUX VALVE & FILTER SUB	333
FIG 607B	LEVER SUB, AUX	335
FIG 608	HITCH & 3-POINT LINK	337
FIG 609	LOWER LINK & LIFT ROD	339
FIG 610	HYDRAULIC PIPE & HOSES	341
FIG 611	JOYSTICK	343



FIG 601 T130SPUS1		HYDRAULIC PIPE					년/월 Year/Month	
							2024-03	
KEY NO	PART NO	DESCRIPTION	SPEC	QTY	REPAIR	EFFECTIVE DATE	REMARKS	
601	1	19405166000	BYPASS VALVE		1			
601	2	15895400020	ELBOW , PF3/8 M22	M22,PF3/8	1			
601	3	17995161130	UNION , PF3/8 PF1/2	PF3/8,PF1/2	1			
601	4	V2173608070	BOLT , HEX/S	M8X70	2			
601	5	19405183700	CONNECTOR COMP , 3WAY		1			
601	6	10135166100	BRACKET COMP , FILTER		1			
601	7	V2173608020	BOLT , HEX/S	M8X20	2			
601	8	19405404100GB	PIPE COMP , COOLER IN FR		1			
601	9	19405404200GB	PIPE COMP , COOLER OUT RR		1			
601	10	19405404400	PIPE COMP , FR-HL LUB		1			
601	11	10135454100	PIPE COMP , FR /LUB PTO		1			
601	12	V7801000002	PLUG , HEX-SOCKET		1			
601	13	V2173608030	BOLT , HEX/S	M8X30	4			
601	14	V7201024016	O-RING , P	P16	2			
601	15	19025403111	ADAPTER		1			
601	16	19405165002	VALVE ASSY , PRIORITY		1			
601	17	V2173608080	BOLT , HEX/S	M8X80	3			
601	18	19405183102	PIPE COMP , PTO VALVE		1			
601	19	19405182132	BOLT , EYE JOINT(PF1/4)	PF 1/4	2			
601	20	19025162400	UNION(PF1/4-M16)	PF 1/4	4			
601	21	19405140060	UNION , PF3/4 M30		1			
601	22	10135253100	PIPE COMP , /LOADER VV P		1			
601	23	19405140060	UNION , PF3/4 M30		1			
601	25	19405182801	PIPE COMP , TC VALVE		1			
601	26	19555410082	BOLT , EYE JOINT(PF1/2)		1			
601	27	19557753010	BONDED SEAL , PF1/2		2			
601	28	10135204100	VALVE ASSY , PTO		1			
601	29	15895400020	ELBOW , PF3/8 M22	PF3/8 , M22	1			
601	30	19025162400	UNION(PF1/4-M16)	PF1/4 , M16	1			
601	31	V2173608060	BOLT , HEX/S	M8X60	3			
601	31	V2173608060	BOLT , HEX/S		4			
601	32	V7201024014	O-RING , P	P14	1			
601	34	19405183402	PIPE COMP , 4WD		1			
601	35	19405182132	BOLT , EYE JOINT(PF1/4)	PF 1/4	2			
601	36	19405160010	BONDED SEAL , PF1/4	PF 1/4	4			
601	37	10135455100	PIPE COMP , DRAIN		1			
601	38	10135454200	PIPE COMP , RR /LUB PTO		1			
601	39	19405162002	TM Control Valve ASSY		1			
601	40	15896463100	SWITCH ASSY , OILPRESSURE	P11	1			
601	41	V2173608070	BOLT , HEX/S	M8X70	2			
601	42	V4111600080	WASHER , PLAIN	M8	2			
601	43	V2205408065	BOLT , HEX-SOCKET	M8X65	1			
601	44	19405182701	PIPE COMP , CLUTCH E		1			
601	45	19405182601	PIPE COMP , CLUTCH D		1			
601	46	19405182501	PIPE COMP , CLUTCH C		1			
NOTE								

FIG 601 T130SPUS1		HYDRAULIC PIPE					년/월 Year/Month	
							2024-03	
KEY NO	PART NO	DESCRIPTION	SPEC	QTY	REPAIR	EFFECTIVE DATE	REMARKS	
601	47	19405182101	PIPE COMP , FR			1		
601	48	19405182201	PIPE COMP , FR			1		
601	49	19405182301	PIPE COMP , LOW			1		
601	50	19405182401	PIPE COMP , HIGH			1		
601	53	19025160081	UNION , M16 PT3/8	M16, PT3/8		7		
601	54	19405182132	BOLT , EYE JOINT(PF1/4)	PF1/4		7		
601	55	19405160010	BONDED SEAL , PF1/4	PF 1/4		14		
601	56	19555410082	BOLT , EYE JOINT(PF1/2)	PF1/2		1		
601	57	19557753010	BONDED SEAL , PF1/2	PF1/2		2		
601	63	19475162500	PIPE COMP , DIFFLOCK			1		
601	64	V2173608030	BOLT , HEX/S	M8X30		2		
601	65	V7211031025	O-RING , G	G25		1		
601	66	10125183600	PIPE COMP , FR DIFF			1		
601	67	19025160034	PIPE , 177			2		
601	68	19025165000	PIPE SET,187			1		
601	69	V7201019009	O-RING , P	P9		12		
601	70	19025160024	PIPE , 92			2		
601	71	19025160063	PIPE , 101			1		
601	74	19405183201	PIPE COMP , PTO			1		
601	75	19405162012	Manifold block			1		
601	76	17825162020	PROPORTIONAL VALVE			7		
601	77	19405162020	SENSOR ASSY , TEMP			1		
601	78	17825162070	WRENCH BOLT			14		
601	79	V7201024014	O-RING , P	P14		1		
601	80	19405169100	ELBOW COMP , PF1/2			1		
601	81	17825162050	ACCUMULATOR			1		
601	82	19405160010	BONDED SEAL , PF1/4			1		
601	84	19406463100	Pressure sensor			7		
601	86	15945170040GB	CLIP			3		
601	87	15945170030GB	CLIP			3		
601	88	V2113606025	BOLT , HEX /S	M6X25		3		
601	92	19405140060	UNION , PF3/4 M30			1		
601	93	10135353200	PIPE COMP , RR /MAIN			1		
601	94	19025140071	ELBOW , PF3/4 M28			1		
601	95	10135153100	FILTER ASSY , /HIGH PRESSURE			1		
601	95-01	10135153110	ELEMENT , /25MIC			1		
601	96	V2183608020	BOLT , HEX/SP	M8X20		2		
601	98	19265154100	FILTER SUB , LINE			1		
601	99	V2183608030	BOLT , HEX/SP			2		
601	100	14135160010	UNION, PF3/8 M22			1		
601	101	16995304000	UNION , O-RING			1		
601	102	10135154300	PIPE COMP , IN FILTER			1		
601	103	10135154400	PIPE COMP , OUT FILTER			1		
601	104	10135155200	BRACKET COMP , FILTER			1		
601	105	V2173608016	BOLT , HEX/S			2		
NOTE								

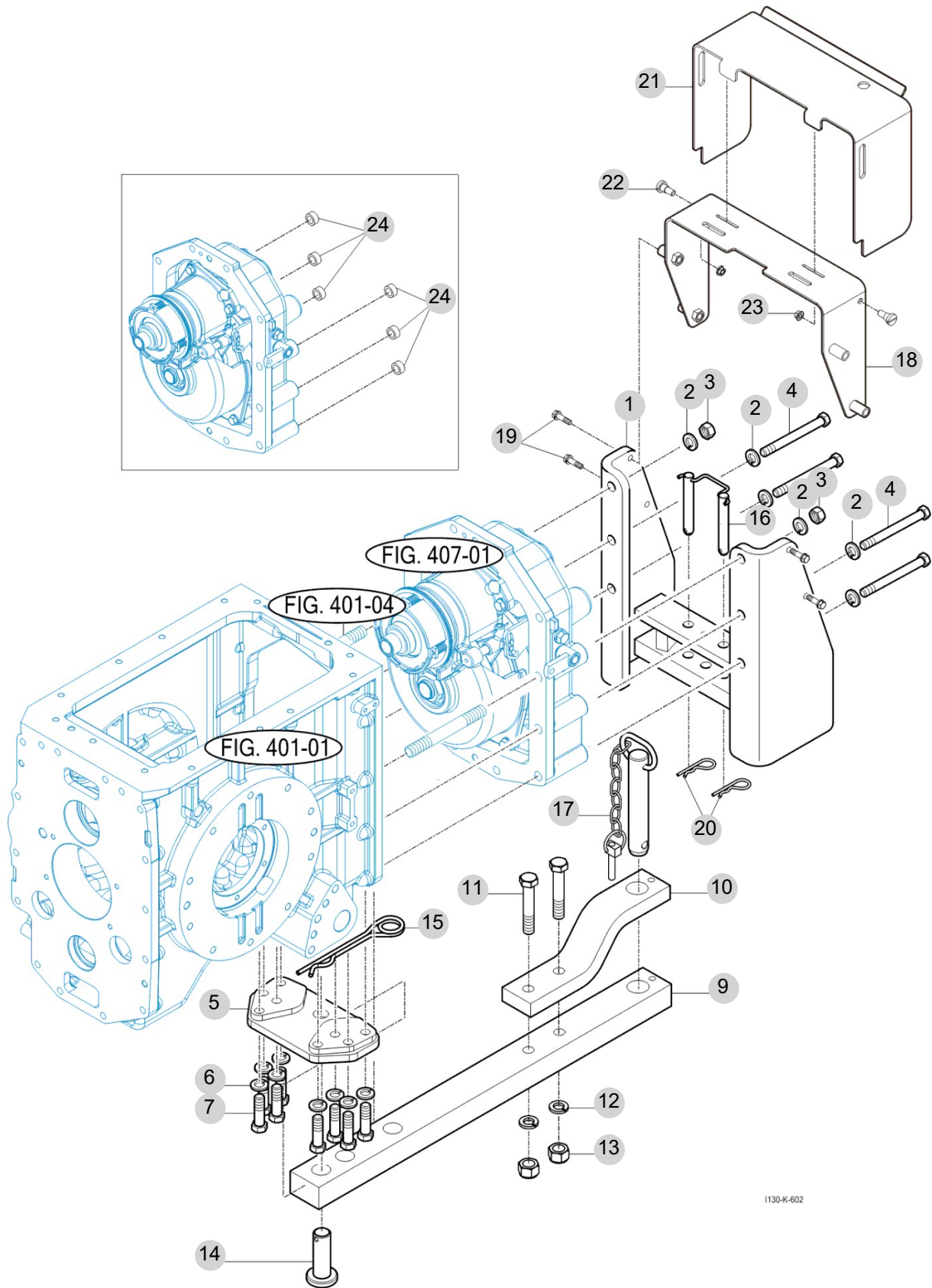
FIG 602

DRAWBAR ASSY

년/월  
Year/Month

T130SPUS1

2024-03



1130-K-602

NOTE



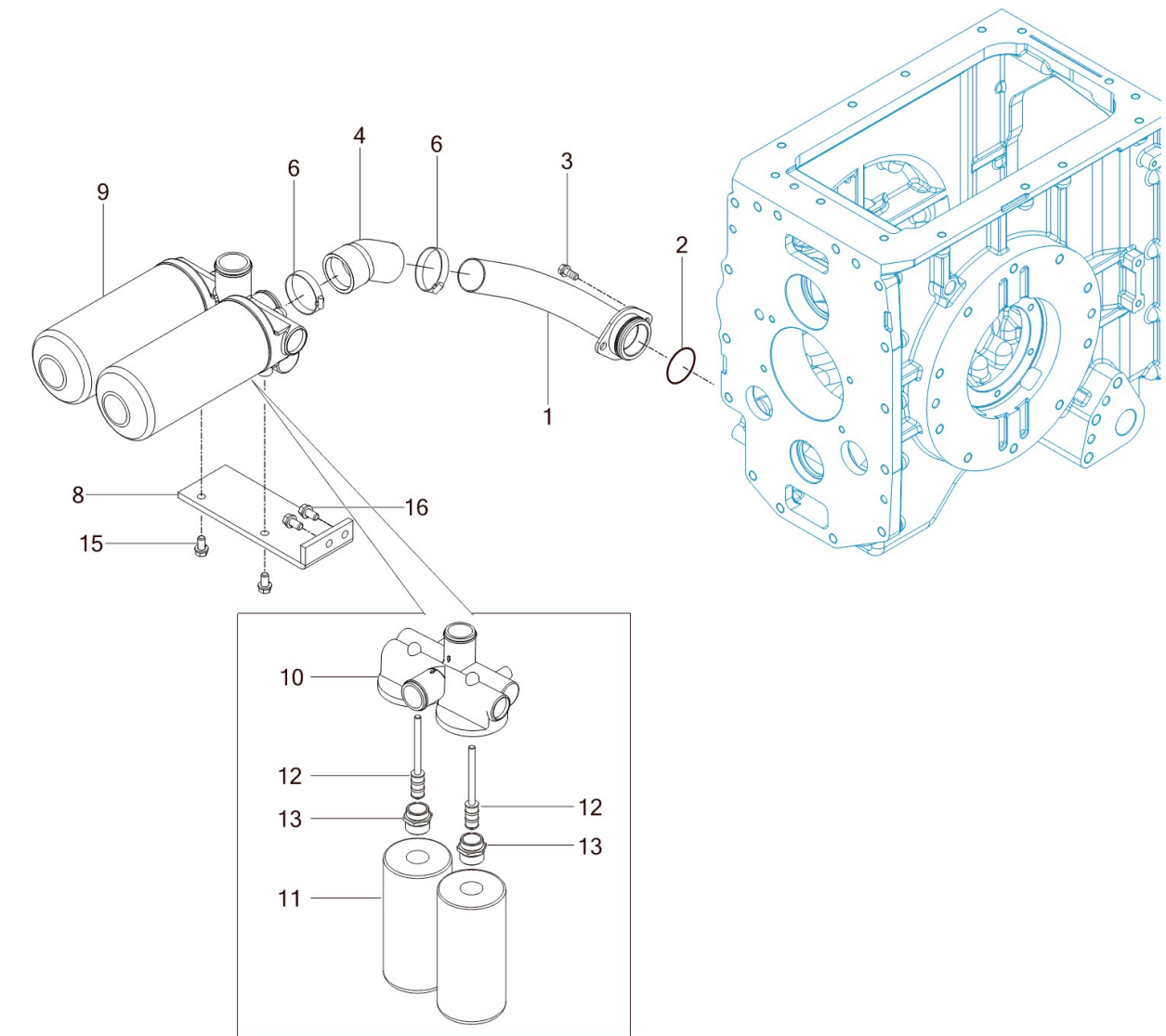


FIG 603A

FILTER SUB, SUCTION

년/월  
Year/Month

2024-03



NOTE



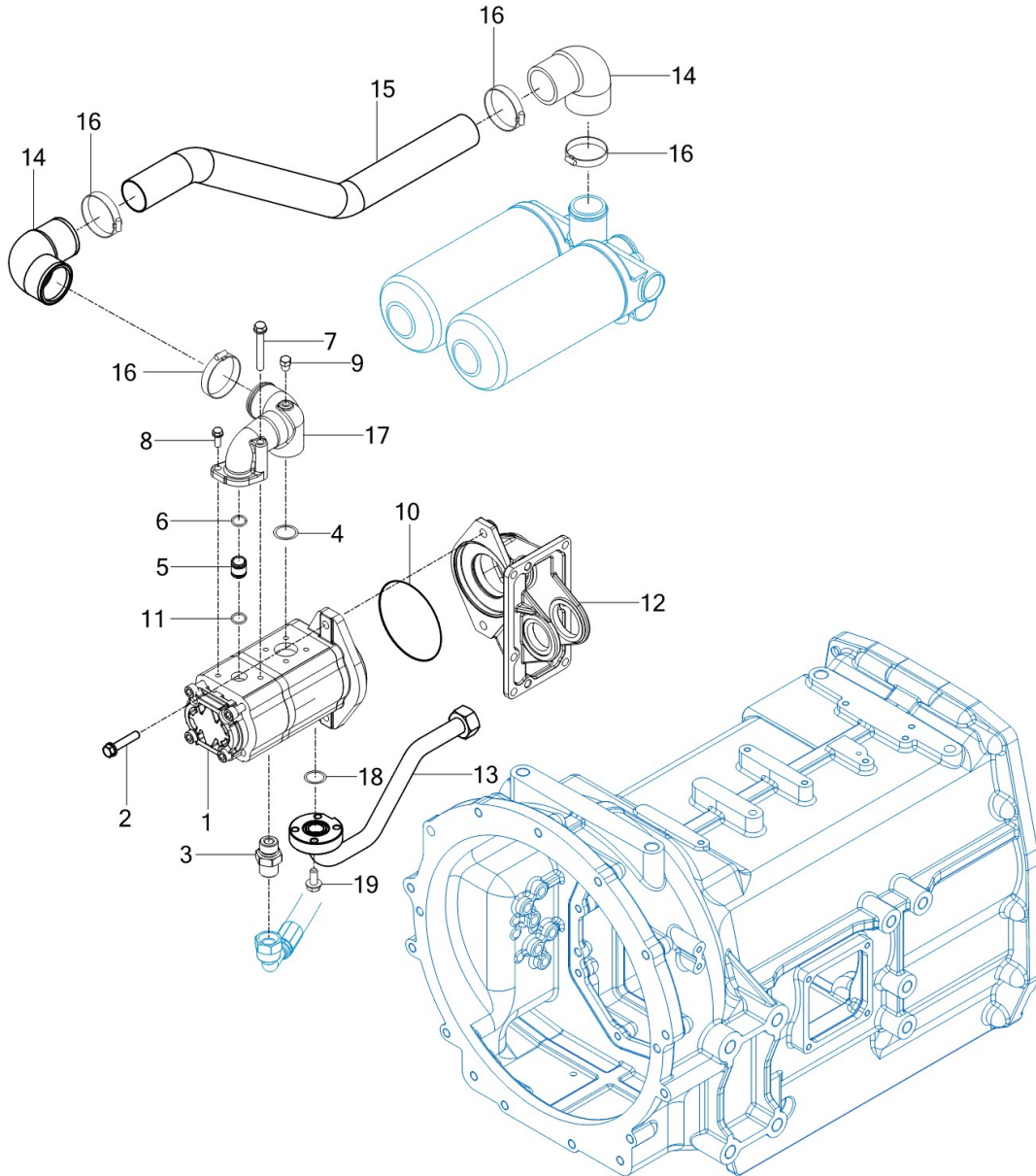
FIG 603B

GEAR PUMP ASSY

년/월  
Year/Month

2024-03

T130SPUS1



NOTE



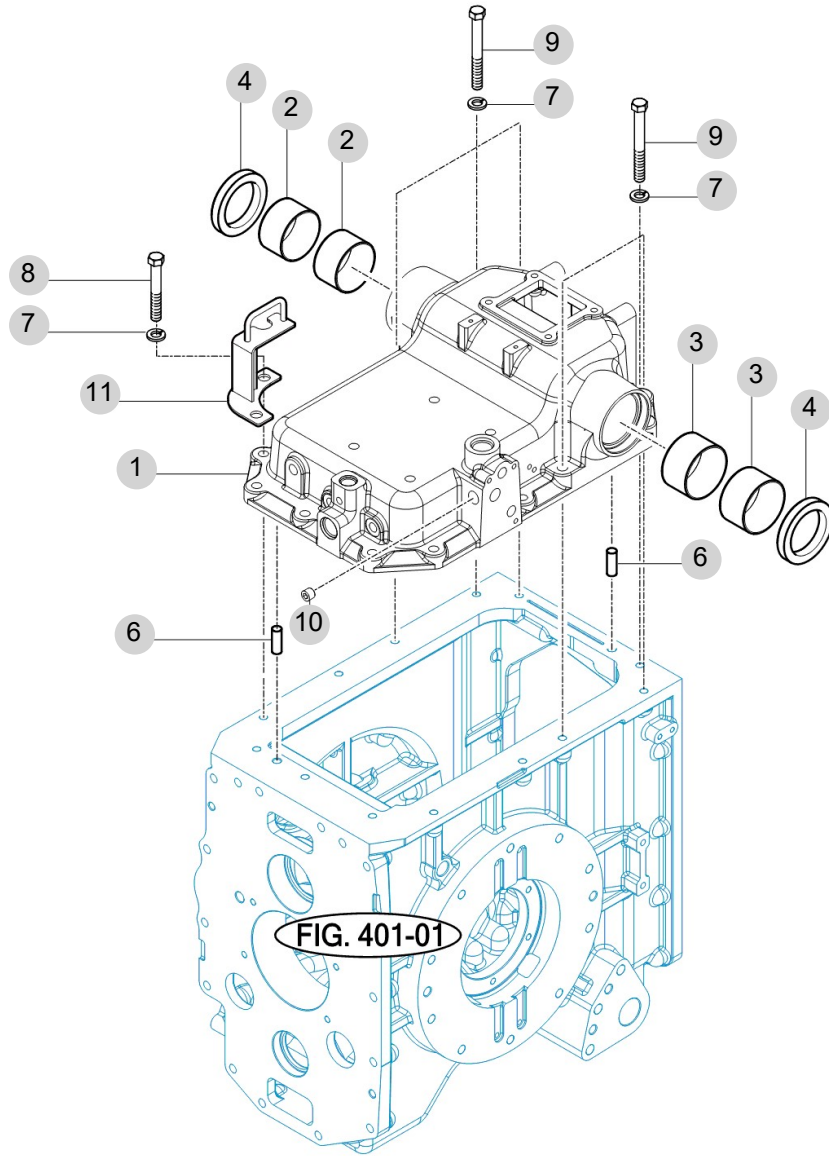
FIG 604

T130SPUS1

CASE, CYLINDER

년/월  
Year/Month

2024-03



NOTE



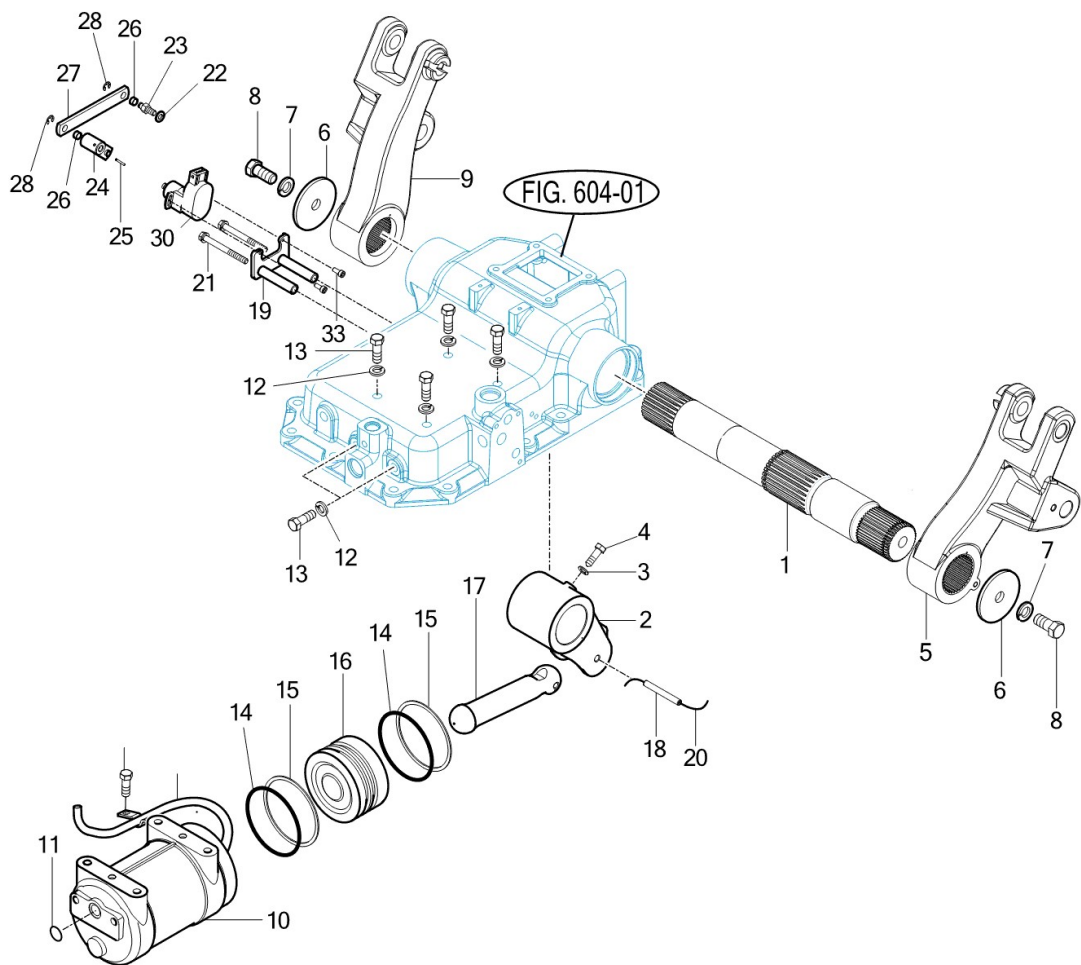
FIG 605

T130SPUS1

ARM SUB, LIFT

년/월  
Year/Month

2024-03



NOTE





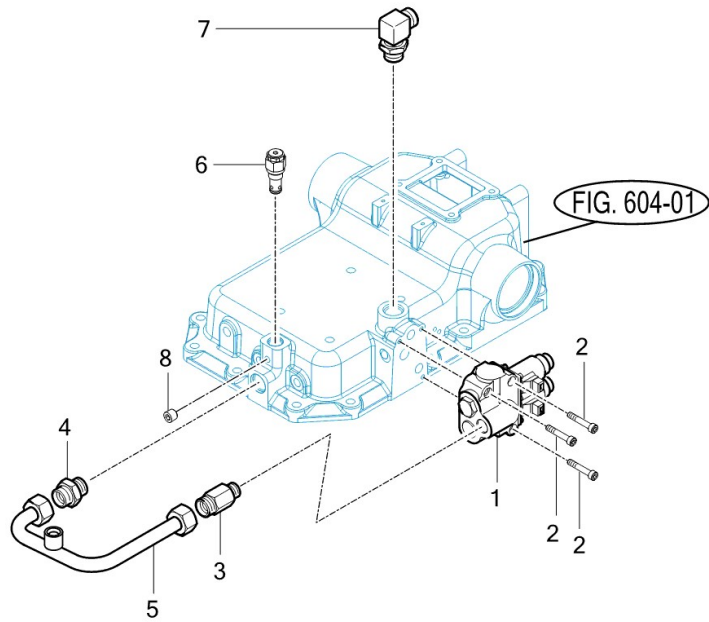
FIG 606

T130SPUS1

MAIN CONTROL VALVE SUB

년/월  
Year/Month

2024-03



S25CP-K-606

NOTE



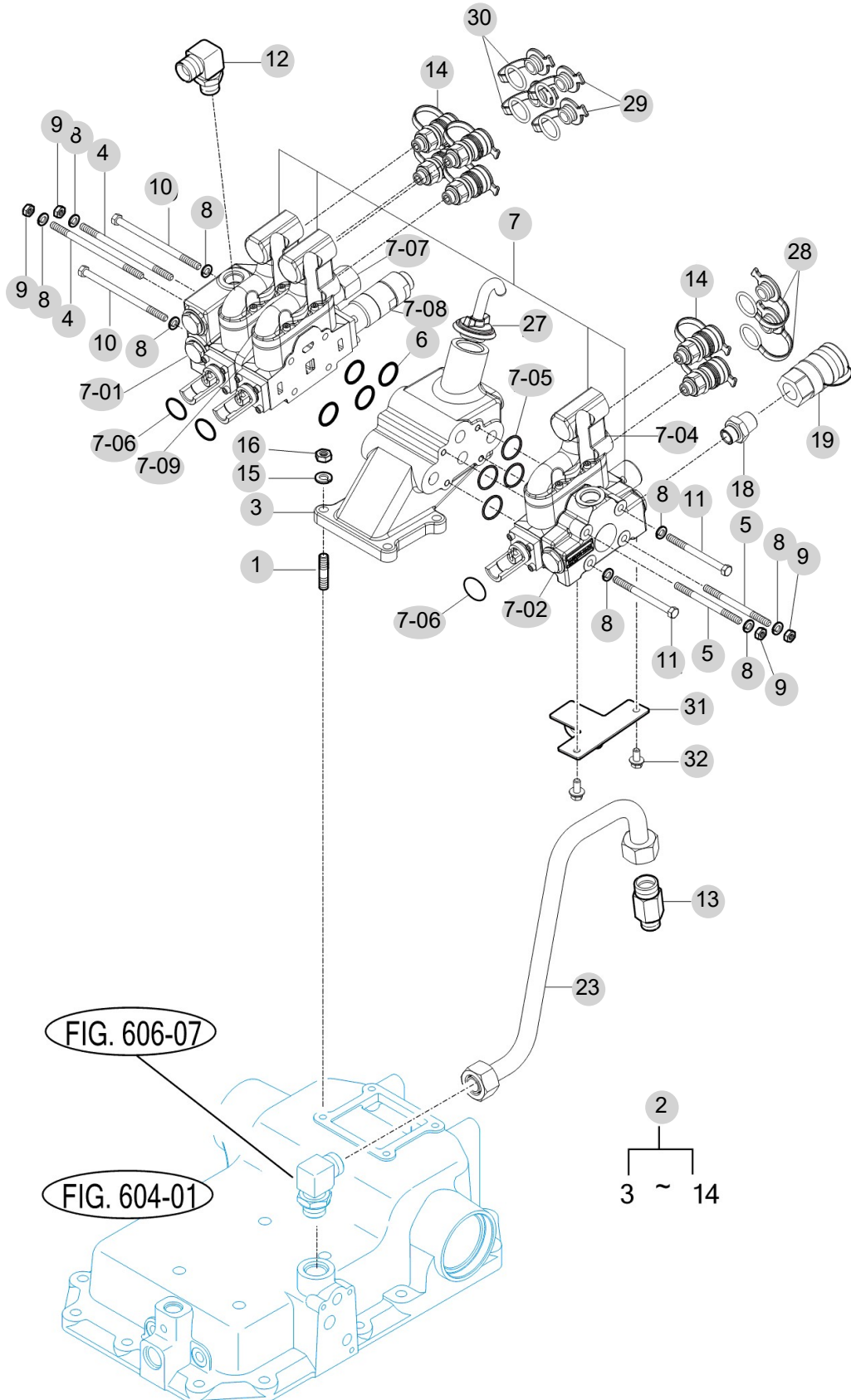
FIG 607A

AUX VALVE & FILTER SUB

년/월  
Year/Month

2024-03

T130SPUS1



NOTE



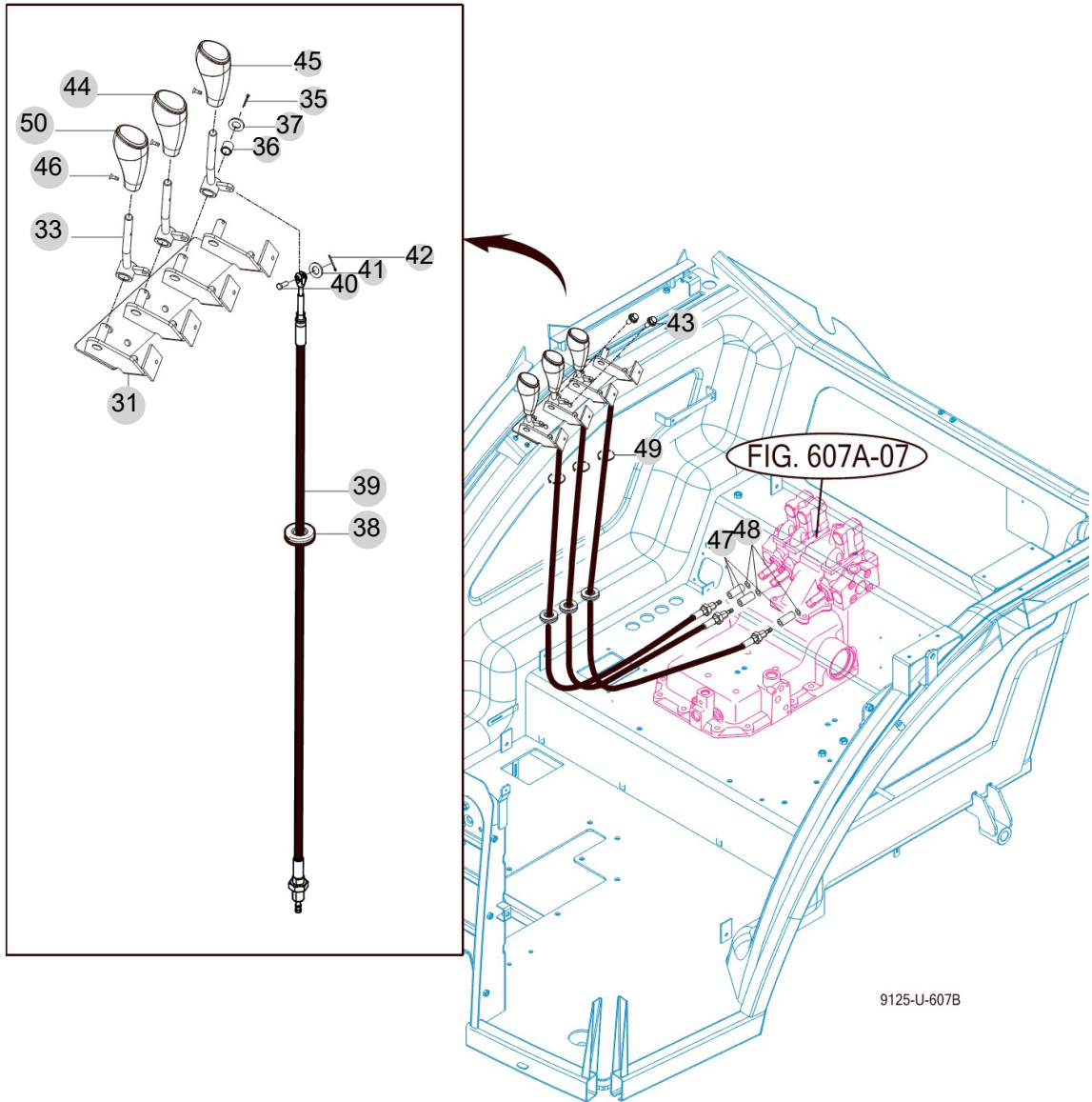
FIG 607B

LEVER SUB, AUX

년/월  
Year/Month

2024-03

T130SPUS1



9125-U-607B

NOTE



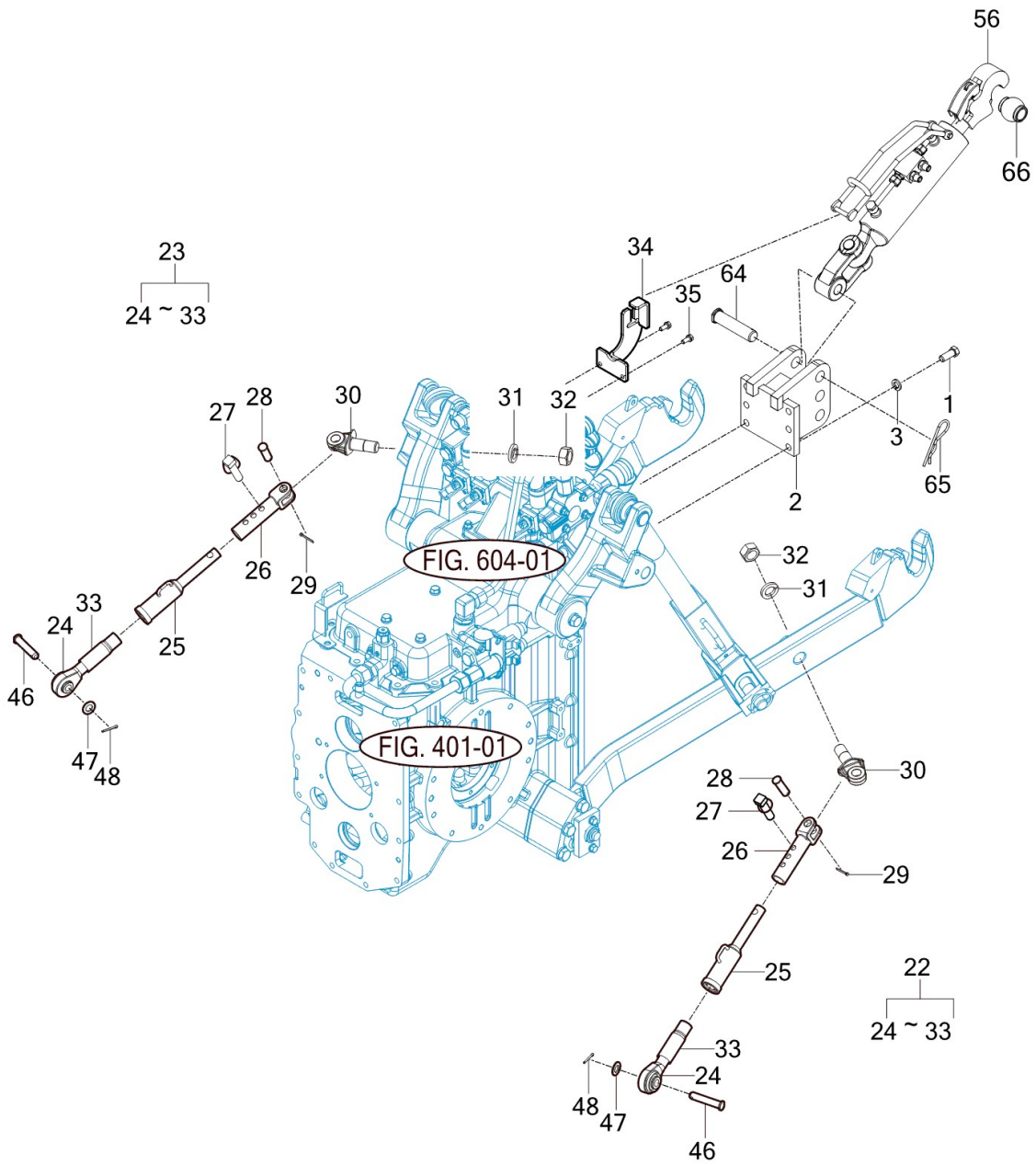
FIG 608

T130SPUS1

HITCH & 3-POINT LINK

년/월  
Year/Month

2024-03



NOTE









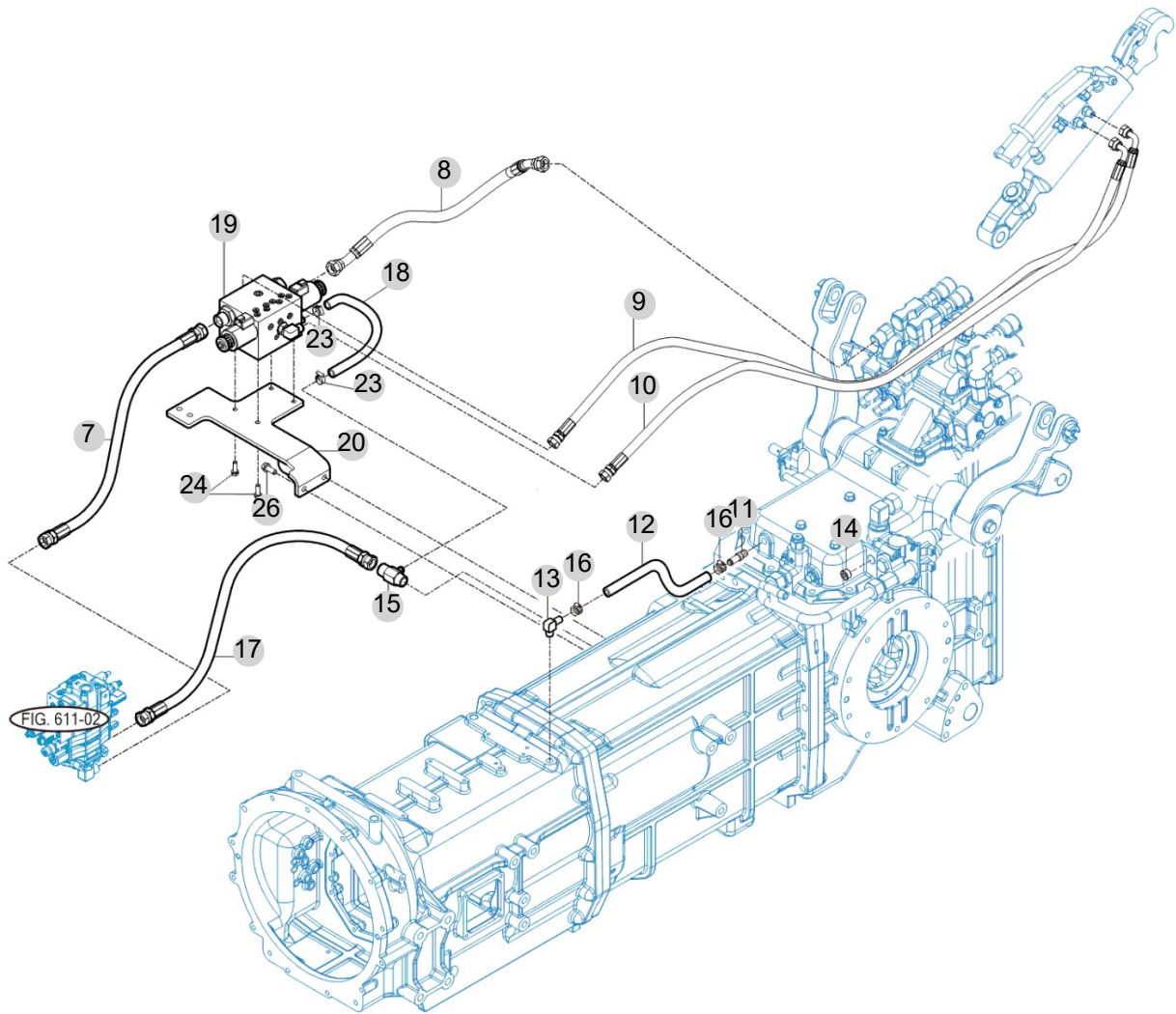
FIG 610

HYDRAULIC PIPE & HOSES

년/월  
Year/Month

2024-03

T130SPUS1



NOTE



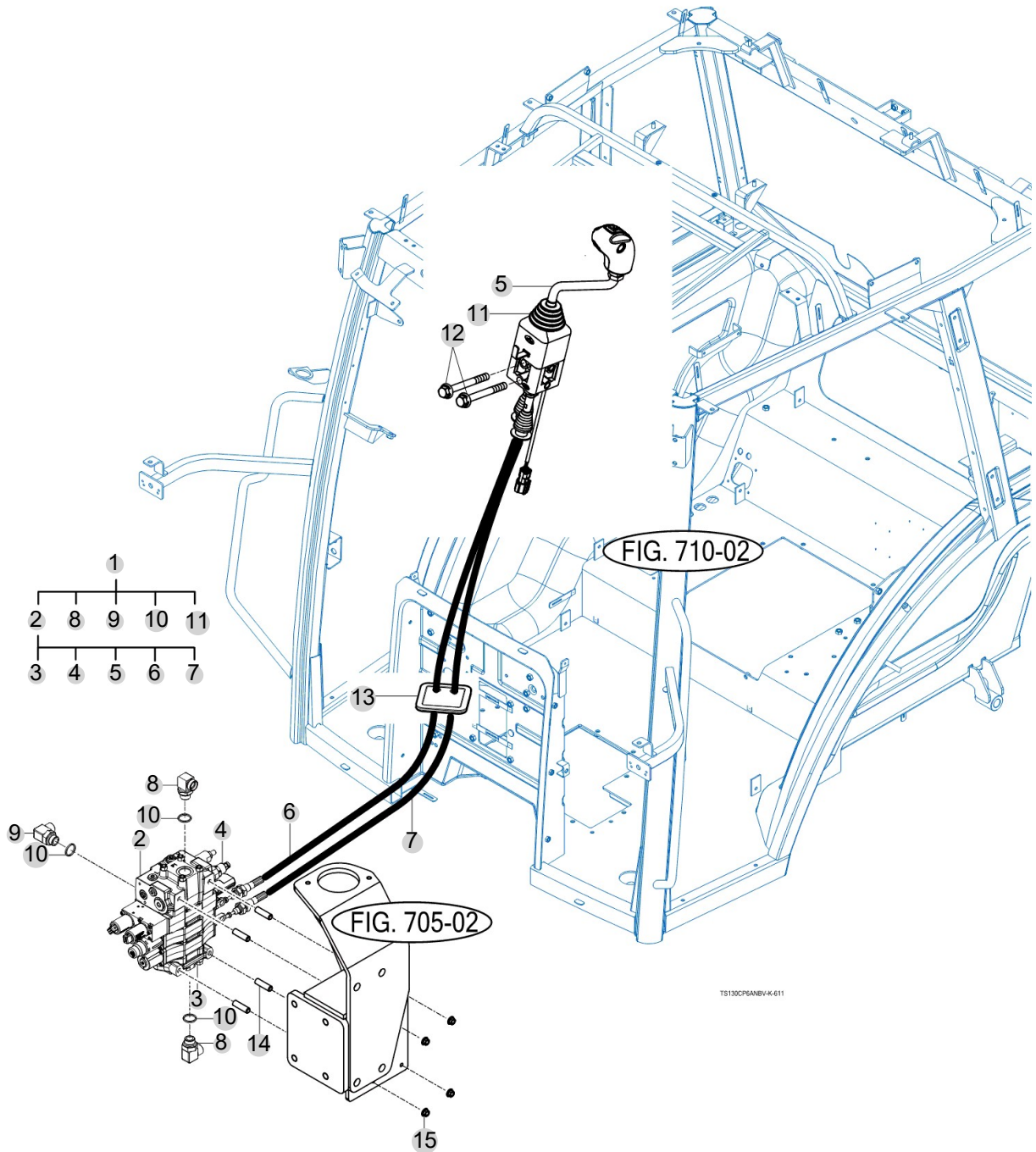
FIG 611

JOYSTICK

년/월  
Year/Month

2024-03

T130SPUS1



NOTE



## 7. Sheet Metal & Cabin PART NO. T7

FIG 701	FRONT FRAME SUB	346
FIG 702	FRAME , HOOD	348
FIG 703	HOOD	350
FIG 704	STEP & BOOTS	353
FIG 705	FRONT & REAR MOUNTING	355
FIG 706	SEAT & MAT	357
FIG 708	DOOR-LH	359
FIG 709	DOOR-RH	361
FIG 710	FRAME COMP & FRONT GLASS	363
FIG 711	SIDE GLASS	365
FIG 712	REAR GLASS	367
FIG 713	SUB FENDER & COVER	369
FIG 714	REARVIEW MIRRORS	371
FIG 715	HEATER & AIR-CON (1)	373
FIG 716	HEATER & AIR-CON (2)	375
FIG 717	ROOF	377
FIG 718	CABIN INTERIOR	379
FIG 719	DASHCOVER	381
FIG 720	TANK ASSY , WASH	383
FIG 721	COVER ASSY	385
FIG 722	COVER-FENDER & JOYSTICK LEVER	387

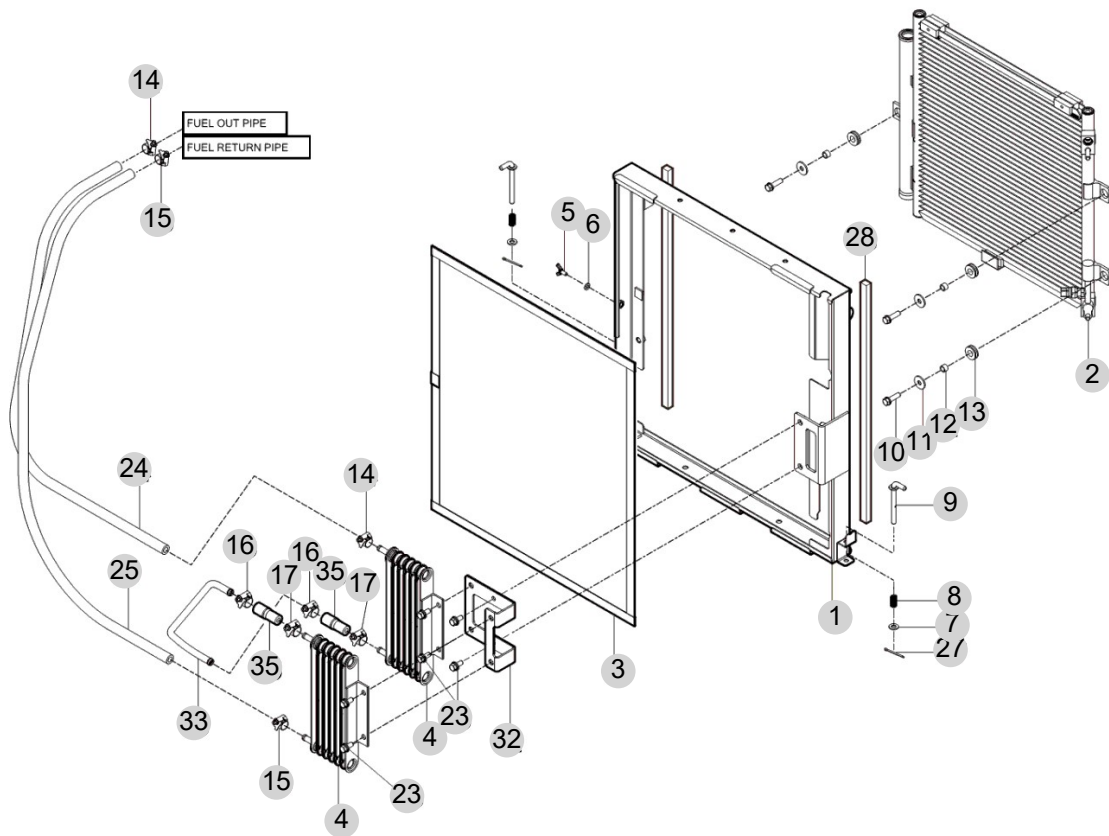
FIG 701

FRONT FRAME SUB

년/월  
Year/Month

2024-03

T130SPUS1



NOTE





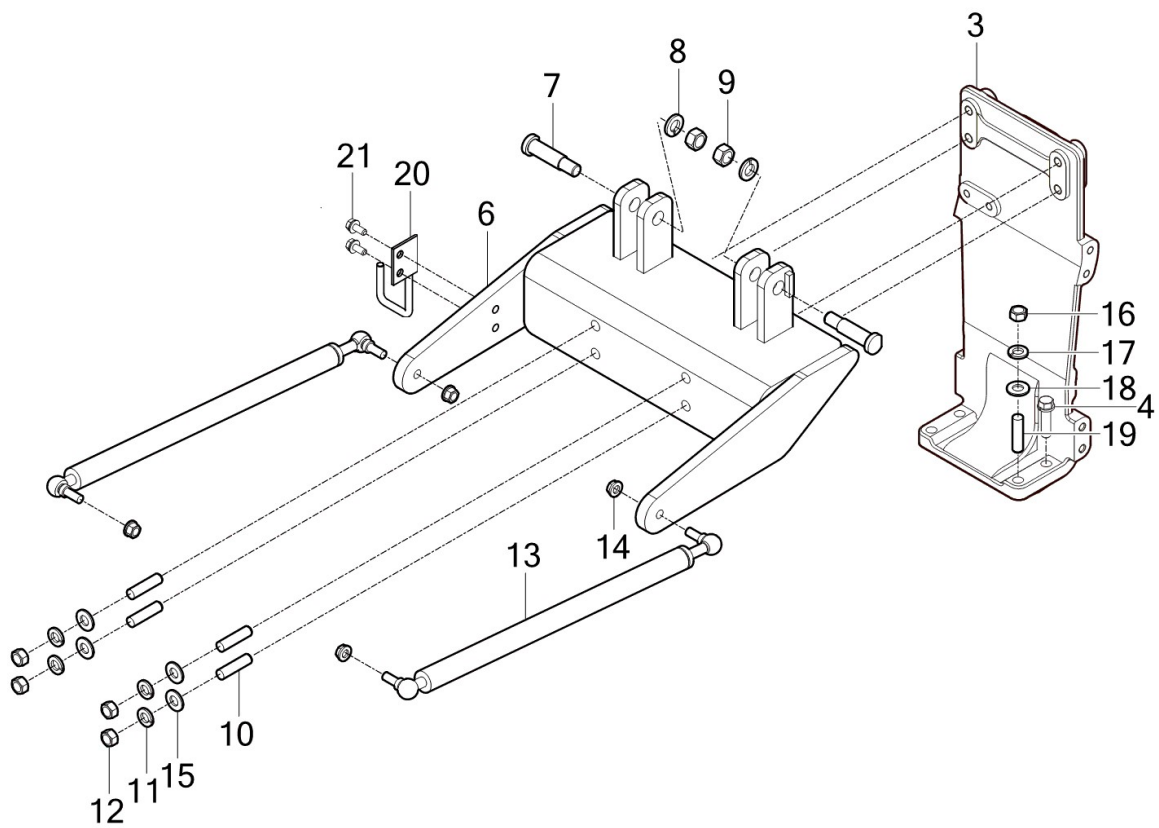
FIG 702

T130SPUS1

FRAME , HOOD

년/월  
Year/Month

2024-03



NOTE



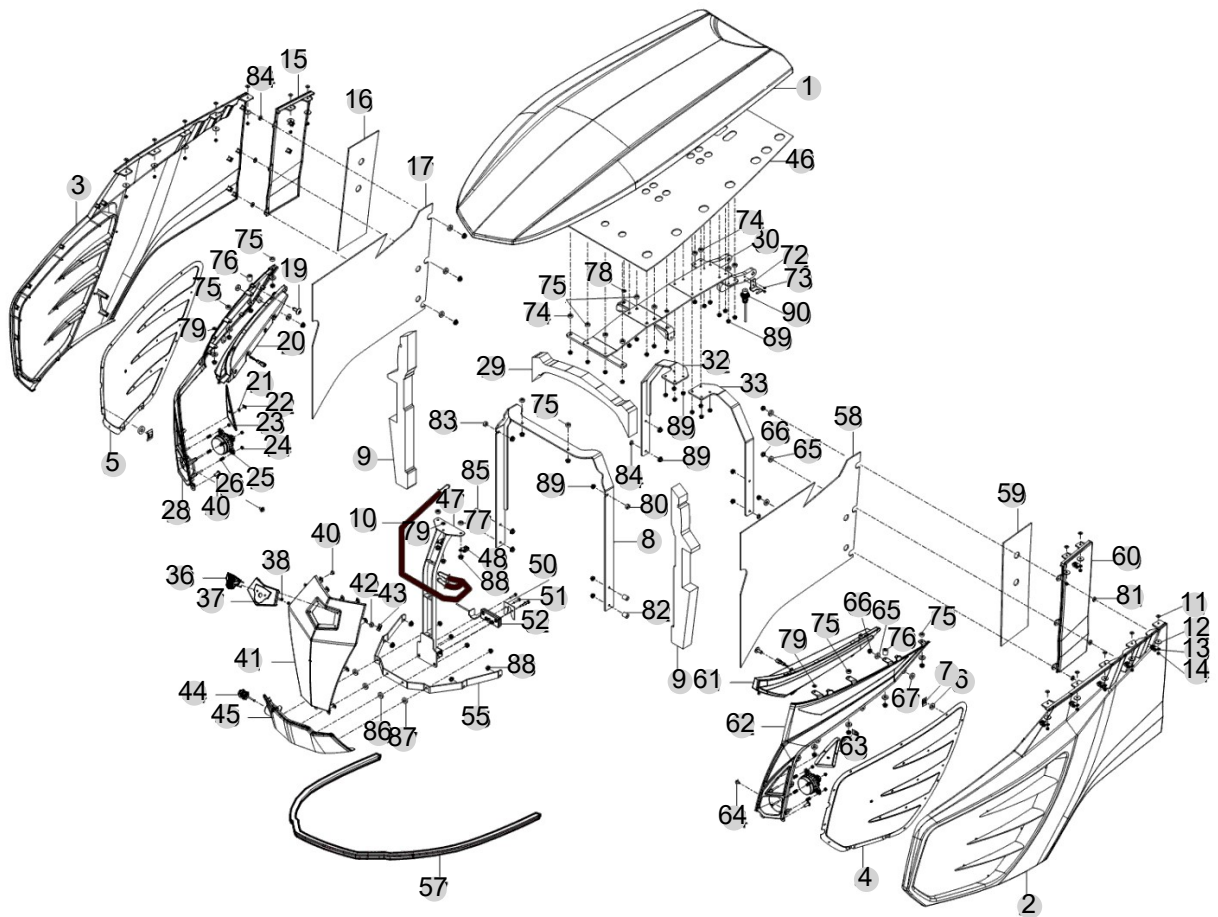
FIG 703

HOOD

년/월  
Year/Month

2024-03

T130SPUS1



NOTE

FIG 703 T130SPUS1		HOOD					년/월 Year/Month	
							2024-03	
KEY NO	PART NO	DESCRIPTION	SPEC	QTY	REPAIR	EFFECTIVE DATE	REMARKS	
703	1	19406112104SR	COVER COMP , HOOD		1			
703	2	19406112204SR	PANEL COMP , LH/SIDE		1			
703	3	19406112304SR	PANEL COMP , RH/SIDE		1			
703	4	19406113010GB	SIDE GRILL , FR/LH		1			
703	5	19406113030GB	SIDE GRILL , FR/RH		1			
703	6	14446010150	WASHER , NET		36			
703	7	V3501600060	NUT, PUSH-ON SPRING		36			
703	8	19406112702GB	FRAME COMP , FRONT		1			
703	9	19406112061	INSULATOR , SIDE PANEL		2			
703	10	15896017600	BAND COMP , BONNET DAMPING		1			
703	11	35605033020	WASHER , WIRE WITHDRAWAL		14			
703	12	19026112050	WASHER , 6X30X2.3		14			
703	13	14256210040	CLAMP , 9		6			
703	14	V3802600060	NUT , HEX FLANGE	M6	14			
703	15	19406113312SR	PANEL , SIDE/RR/RH		1			
703	16	19406110061	INSULATOR , RH/RR/SIDE		1			
703	17	19406110040	INSULATOR , RH/LOW/SIDE PANNEL		1			
703	19	11656011020	TRUSS HEAD TAP SCREW(M5X16)		12			
703	20	19696568001	LAMP ASSY, FRONT/RH		1			
703	21	14446010150	WASHER , NET		10			
703	22	V3501600060	NUT, PUSH-ON SPRING		10			
703	23	19406112160GB	GRILL , FRONT/LH		1			
703	24	V3802600060	NUT , HEX FLANGE		8			
703	25	19406563100	HEAD LAMP ASSY(LED)		2			
703	26	19406563110	SPRING , HEAD LAMP		8			
703	28	19406113600GB	GRILL COMP , FRONT/RH		1			
703	29	19406110020	INSULATOR , HOOD		1			
703	30	19406112503GB	FRAME COMP , HOOD		1			
703	32	19406112902GB	FRAME COMP , SIDE/RH		1			
703	33	19406112802GB	FRAME COMP , SIDE/LH		1			
703	36	11816010100	EMBLEM ASSY , LED		1			
703	37	19406010022	ADAPTER , EMBLEM		1			
703	38	V3802600060	NUT , HEX FLANGE	M6	2			
703	40	19406110080	TAPPING SCREW , TRUSS/6X16		13			
703	41	19406112130GB	GRILL , FRONT/CTR		1			
703	42	14446010150	WASHER , NET		5			
703	43	V3501600060	NUT, PUSH-ON SPRING		5			
703	44	19406110070	PUSH - KEY ASSY		1			
703	45	19406113103GB	HOOD COMP , LOW		1			
703	46	19406110011	INSULATOR , HOOD		1			
703	47	19406112602GB	PIN COMP , HOOD LOCK		1			
703	48	14256210040	CLAMP , 9		2			
703	50	17406014300	GUIDE, HOOD PIN		1			
703	51	V2123606035	BOLT , HEX /SP	M6X35	4			
703	52	19406020600	LOCK COMP , HOOD		1			
NOTE								



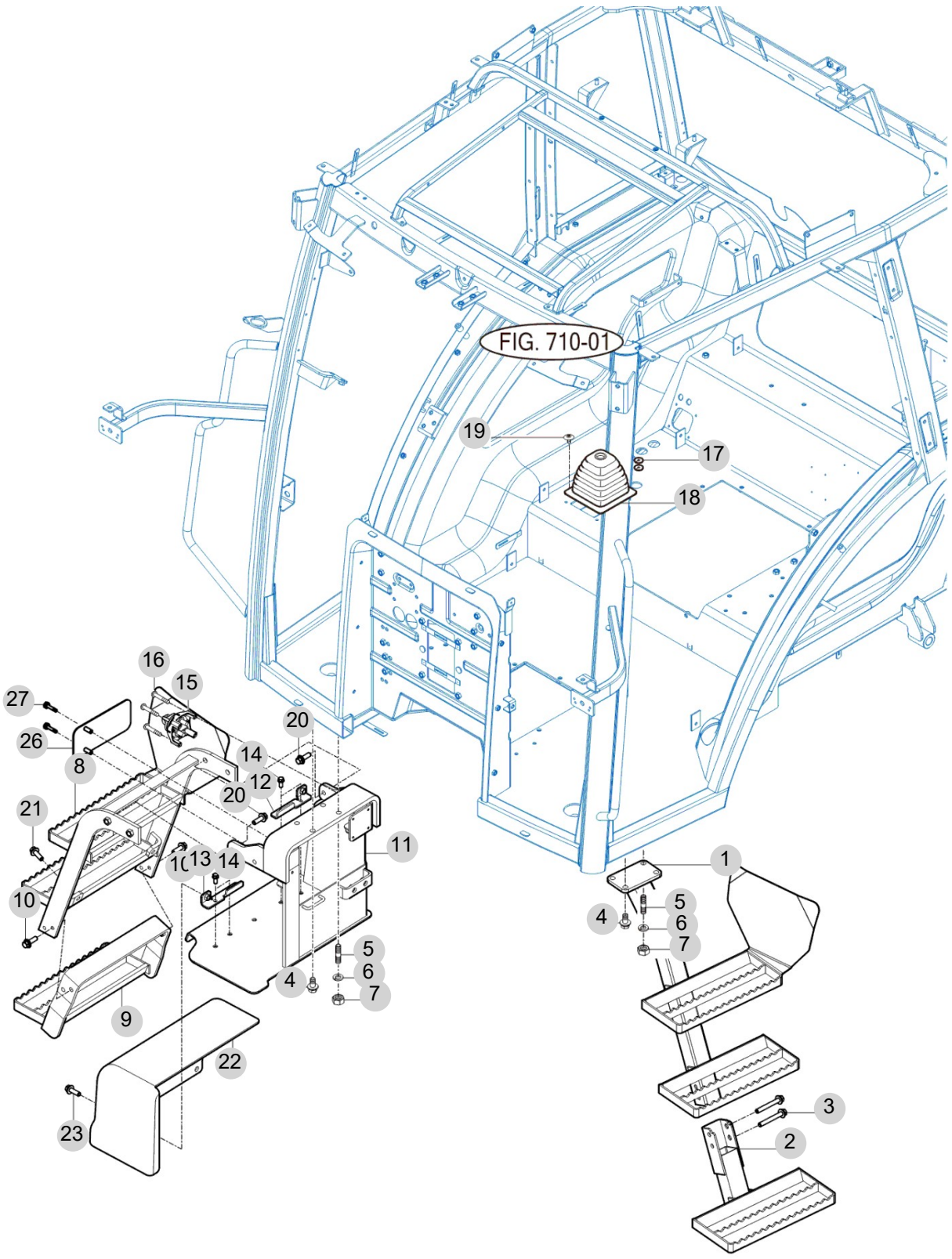
FIG 704

STEP & BOOTS

년/월  
Year/Month

2024-03

T130SPUS1



NOTE





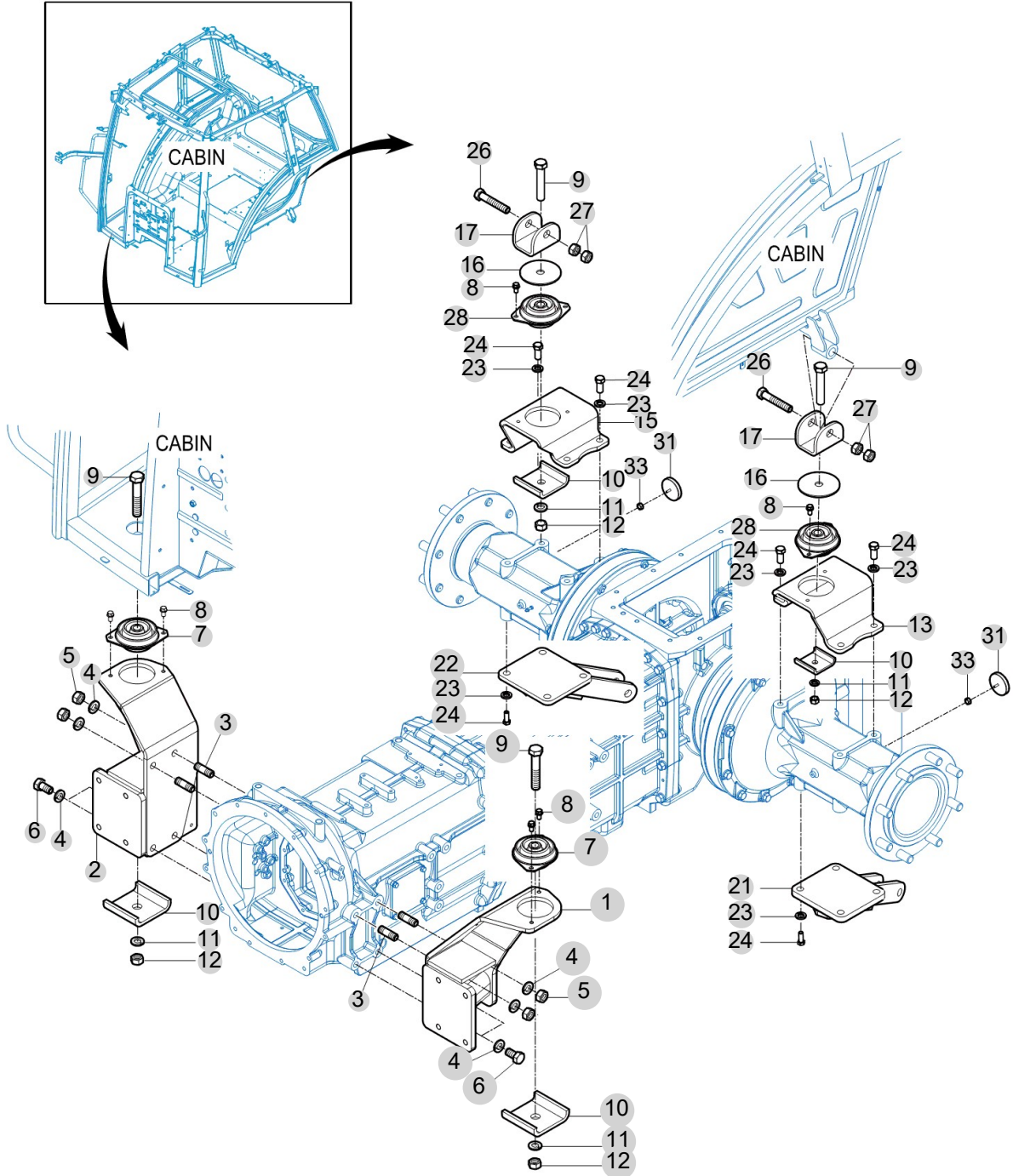
FIG 705

FRONT & REAR MOUNTING

년/월  
Year/Month

T130SPUS1

2024-03



I130-K-705

NOTE



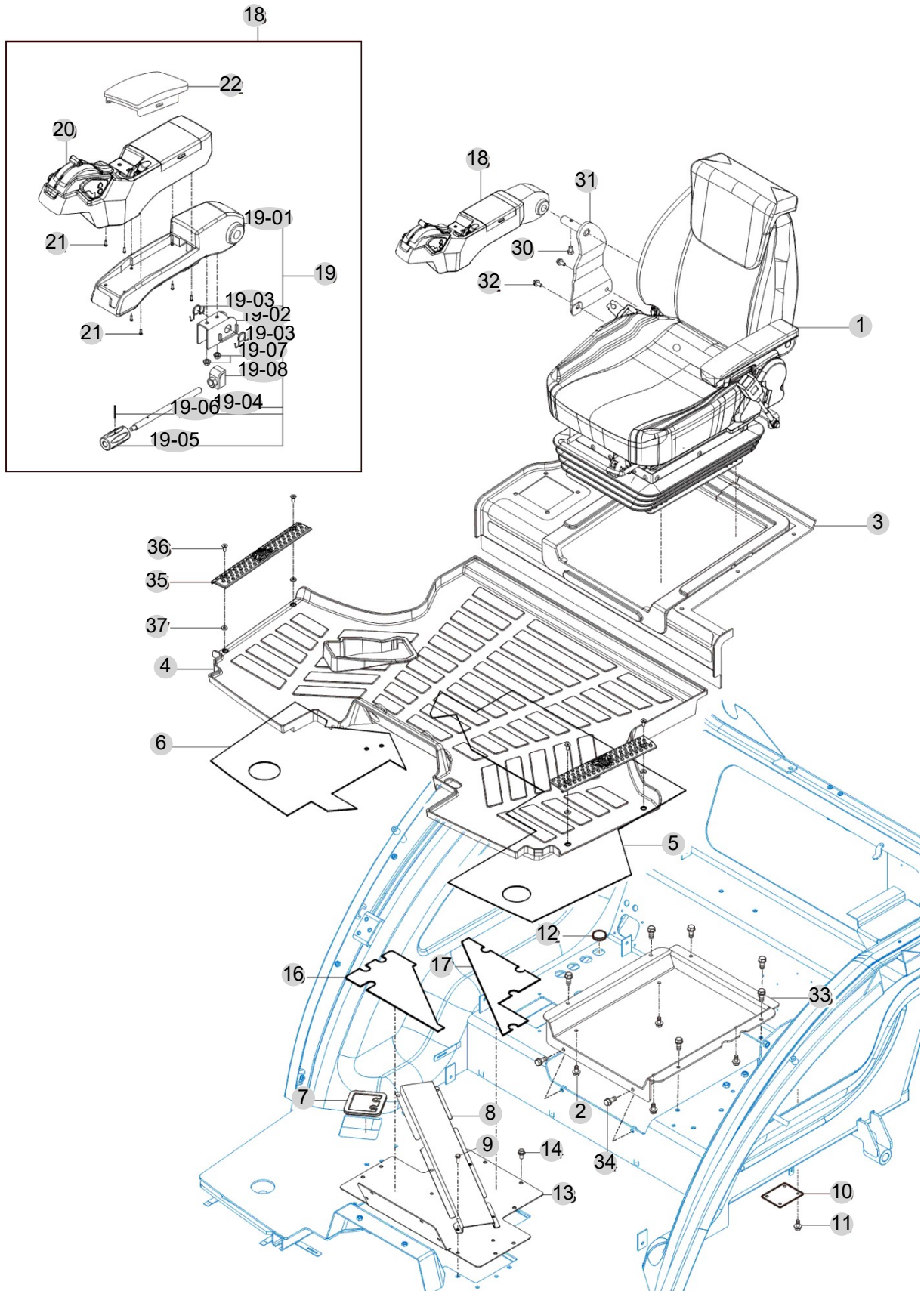
FIG 706

SEAT & MAT

년/월  
Year/Month

2024-03

T130SPUS1



NOTE



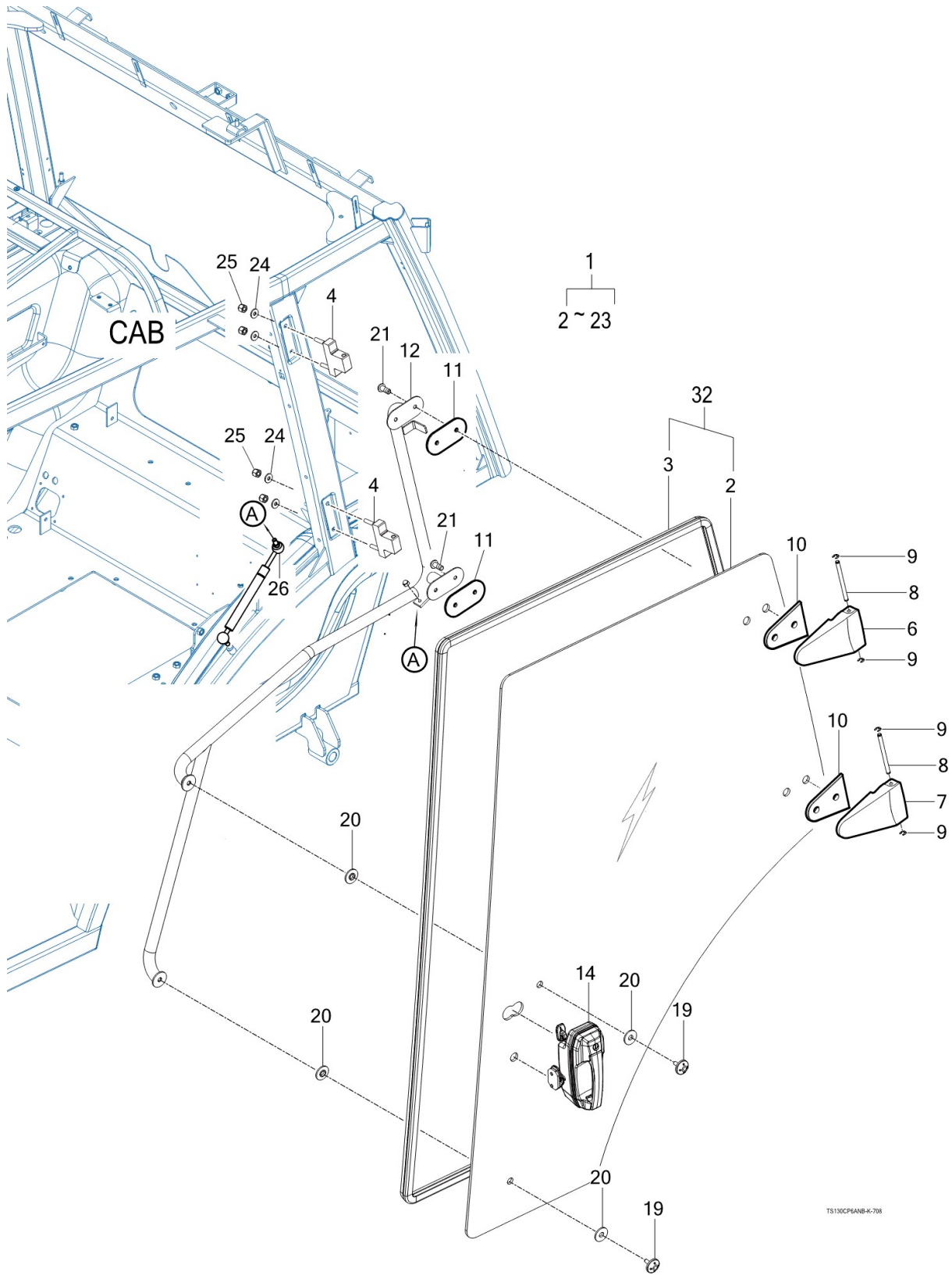
FIG 708

DOOR-LH

년/월  
Year/Month

2024-03

T130SPUS1



T130CPEANB-4-708

NOTE





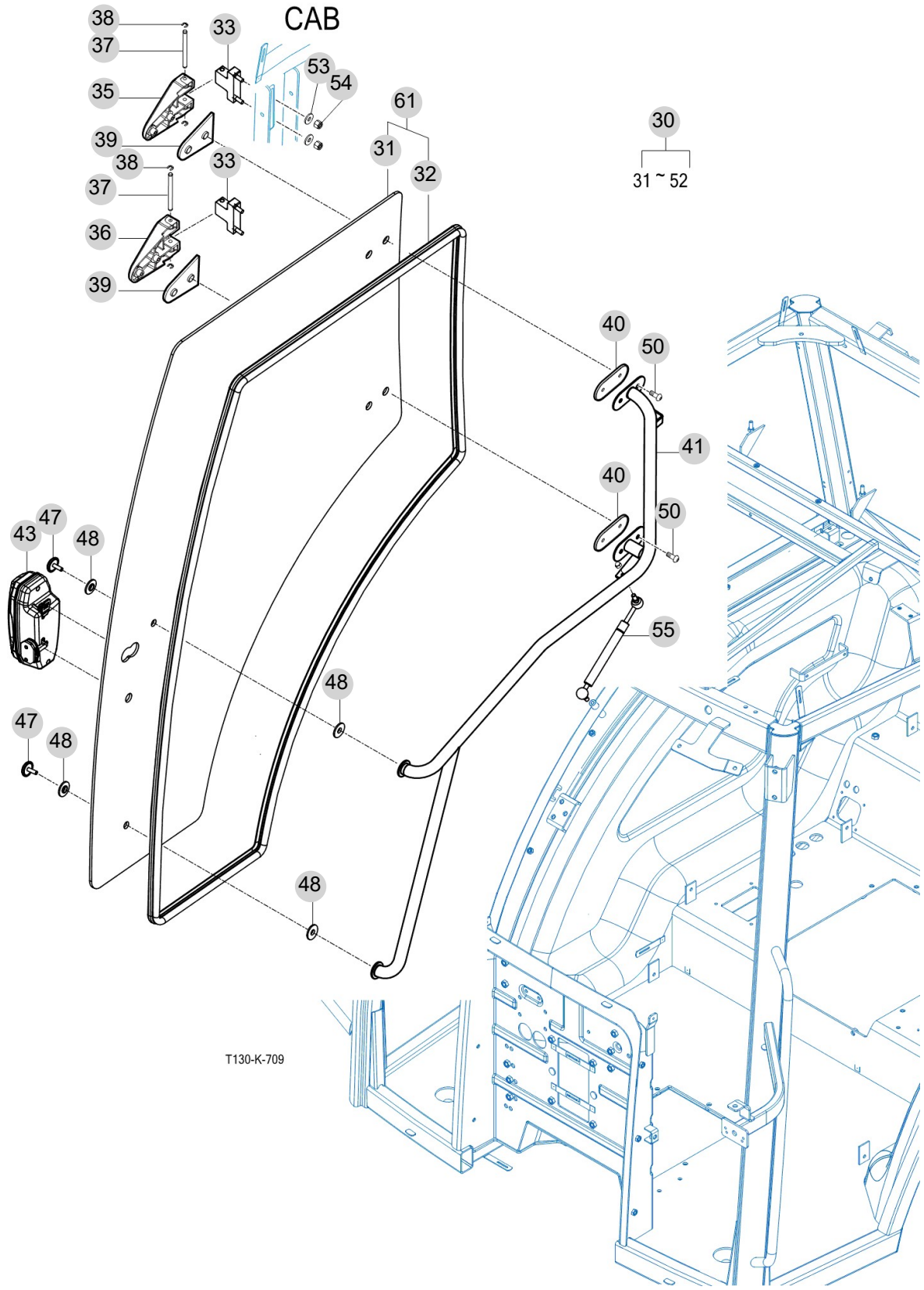
FIG 709

DOOR-RH

년/월  
Year/Month

2024-03

T130SPUS1



NOTE





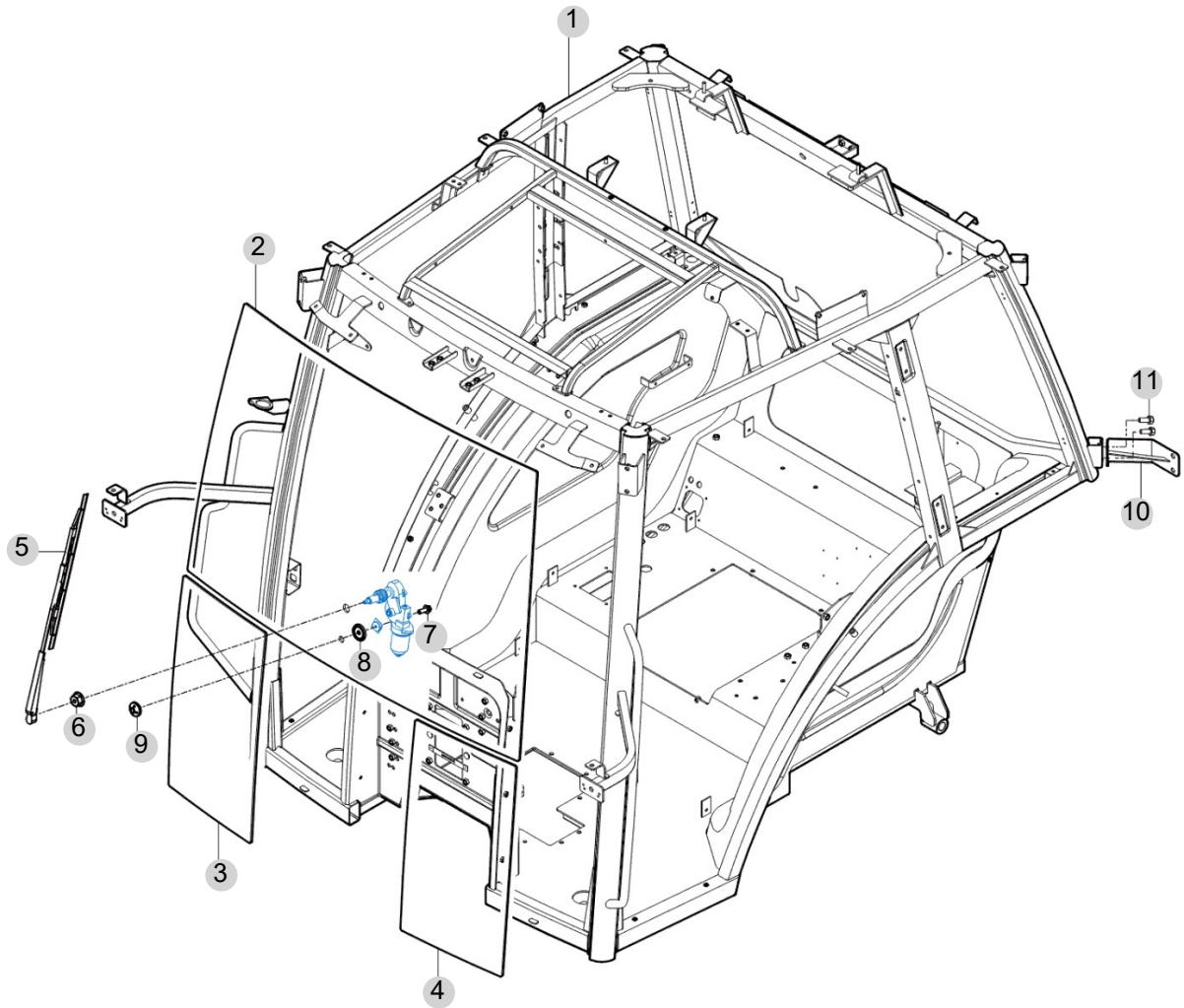
FIG 710

FRAME COMP & FRONT GLASS

년/월  
Year/Month

2024-03

T130SPUS1



NOTE



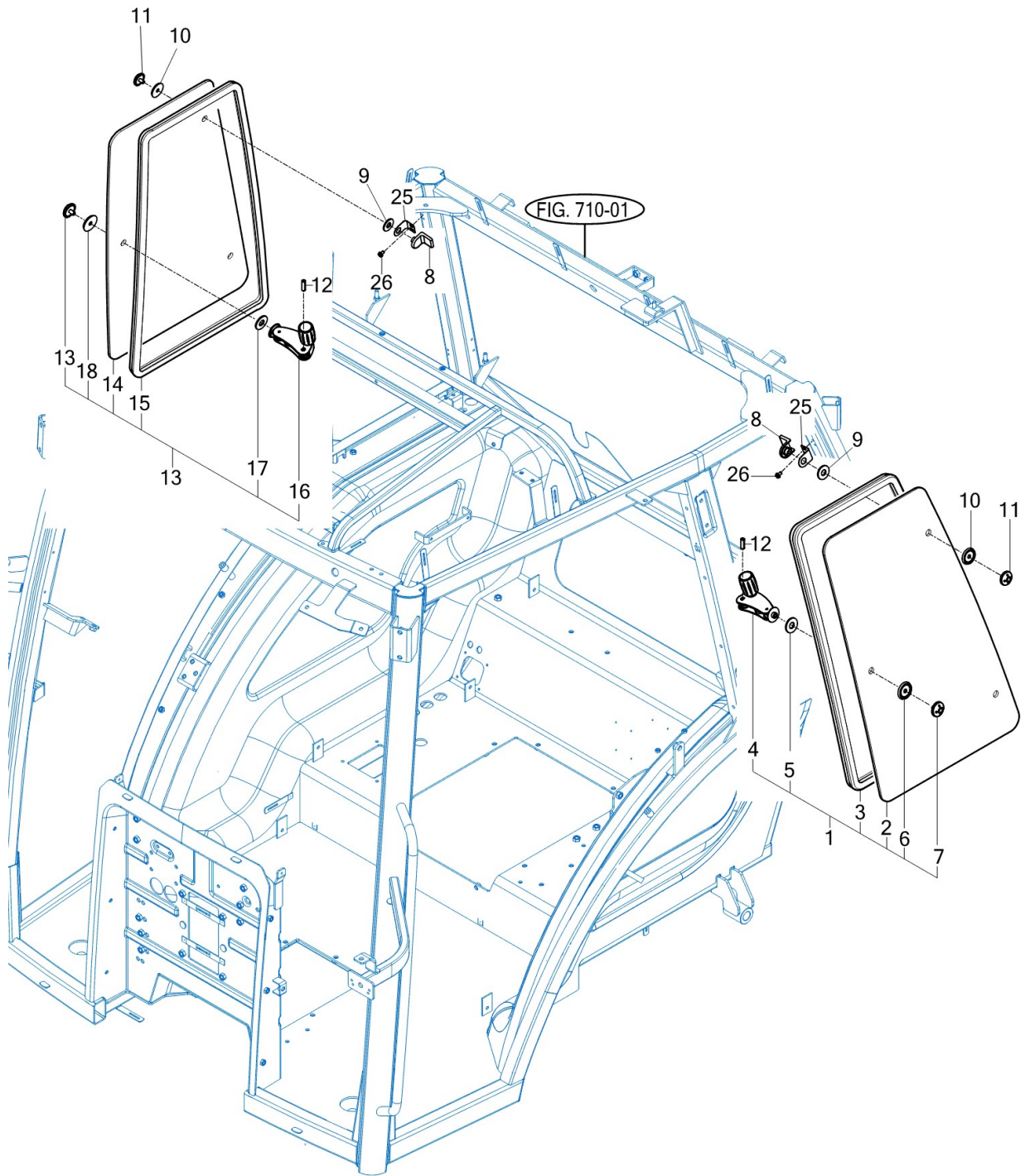
FIG 711

SIDE GLASS

년/월  
Year/Month

2024-03

T130SPUS1



NOTE

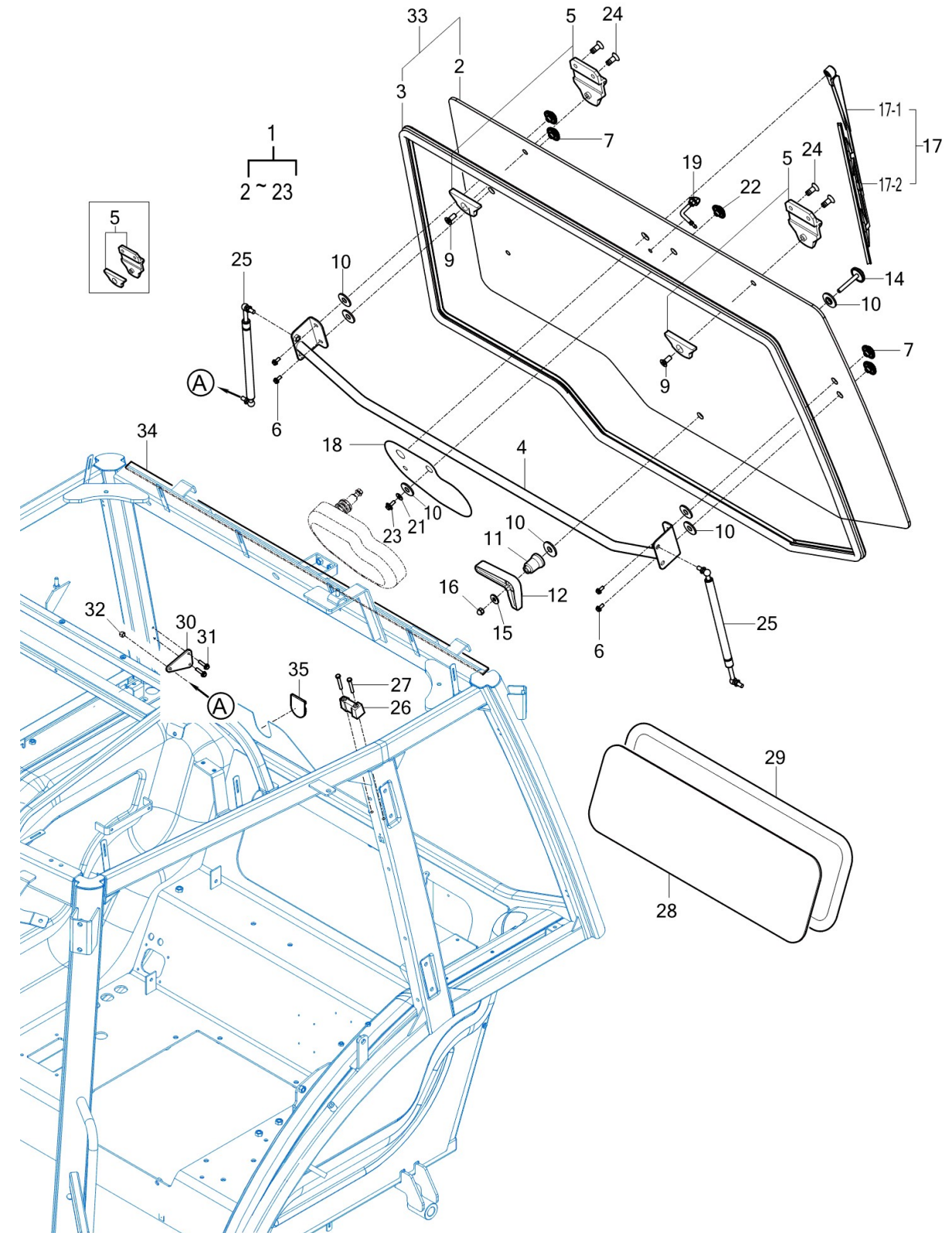


FIG 712

REAR GLASS

년/월  
Year/Month

2024-03



NOTE





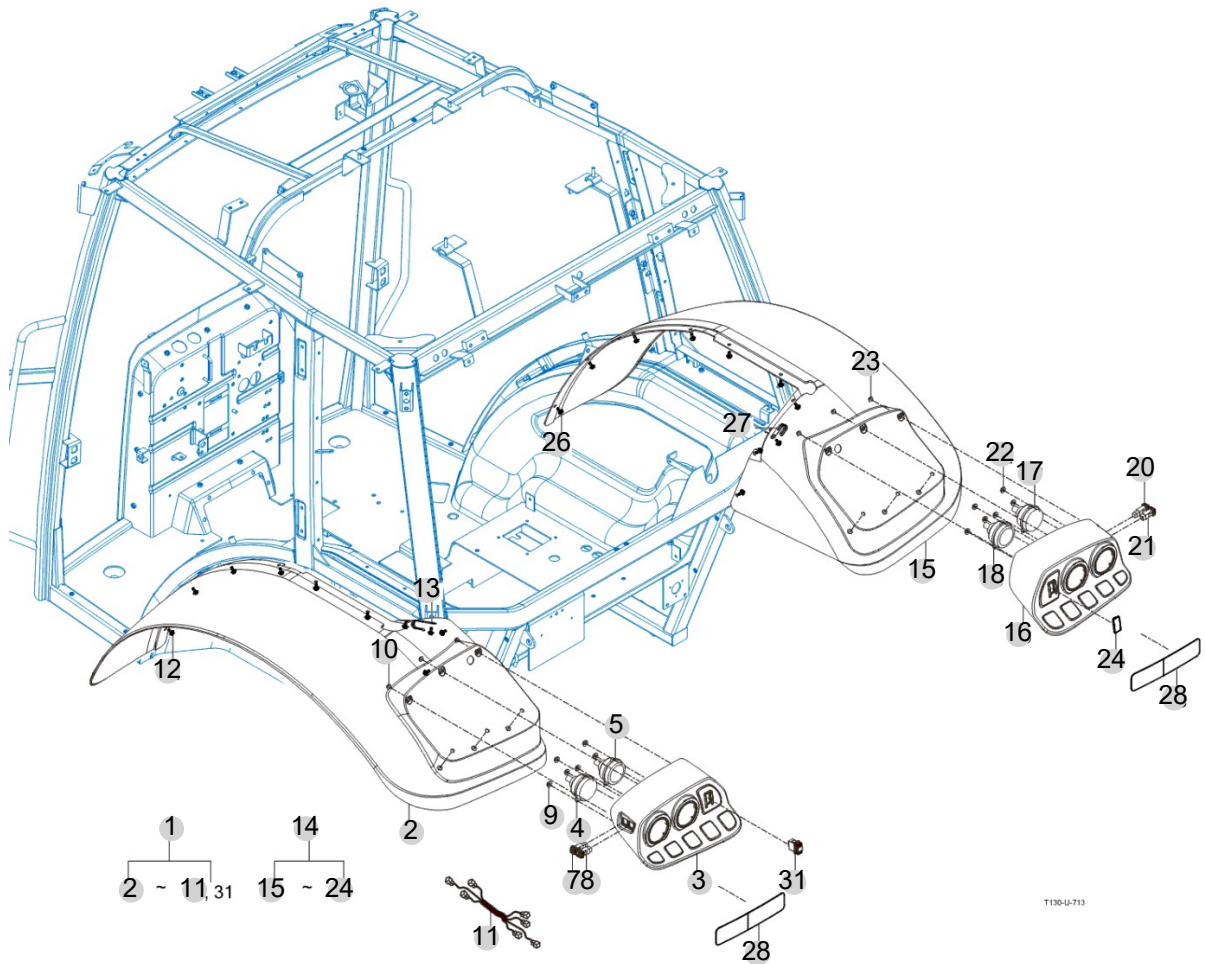
FIG 713

SUB FENDER & COVER

년/월  
Year/Month

2024-03

T130SPUS1



NOTE





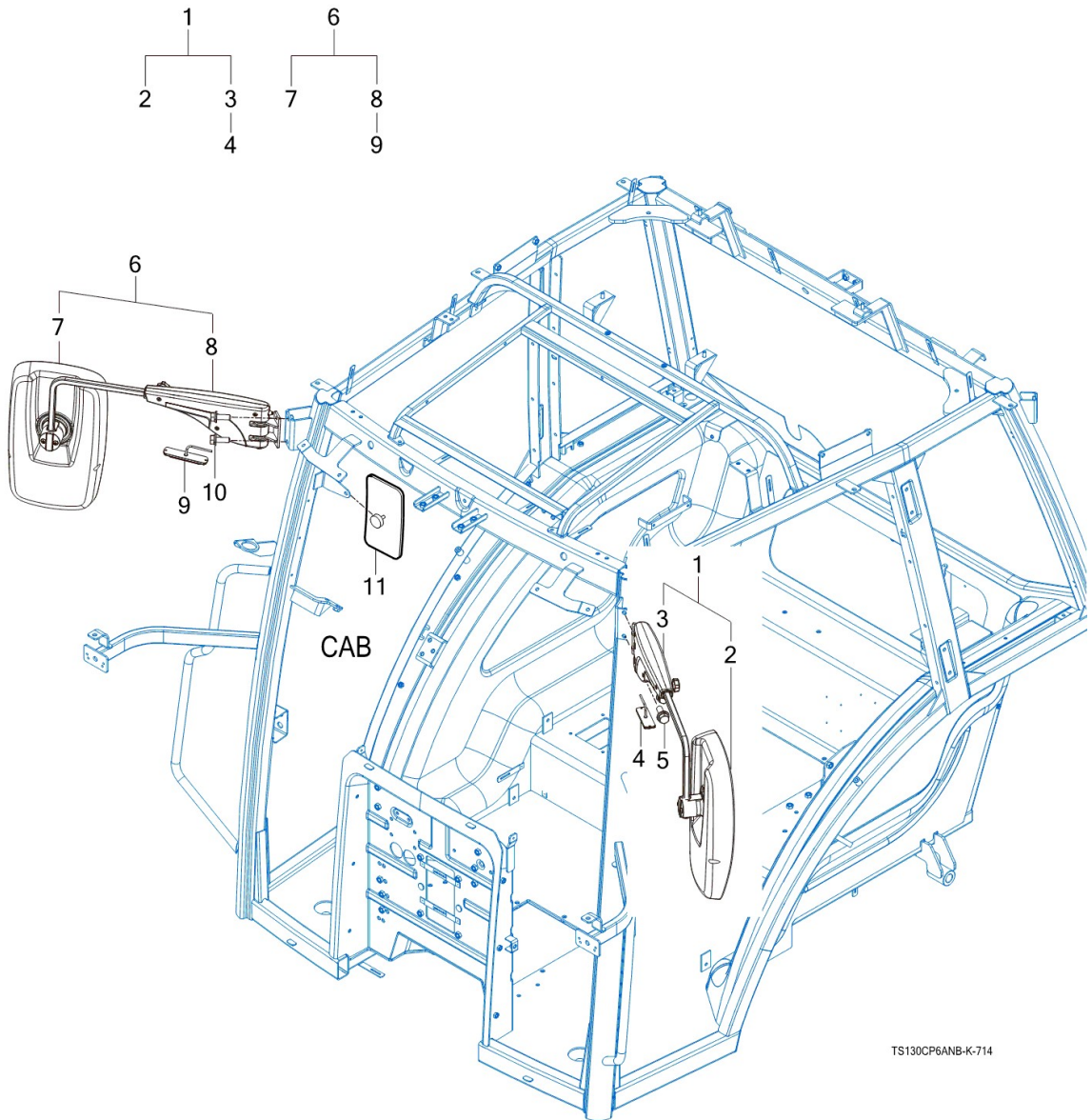
FIG 714

REARVIEW MIRRORS

년/월  
Year/Month

2024-03

T130SPUS1



NOTE



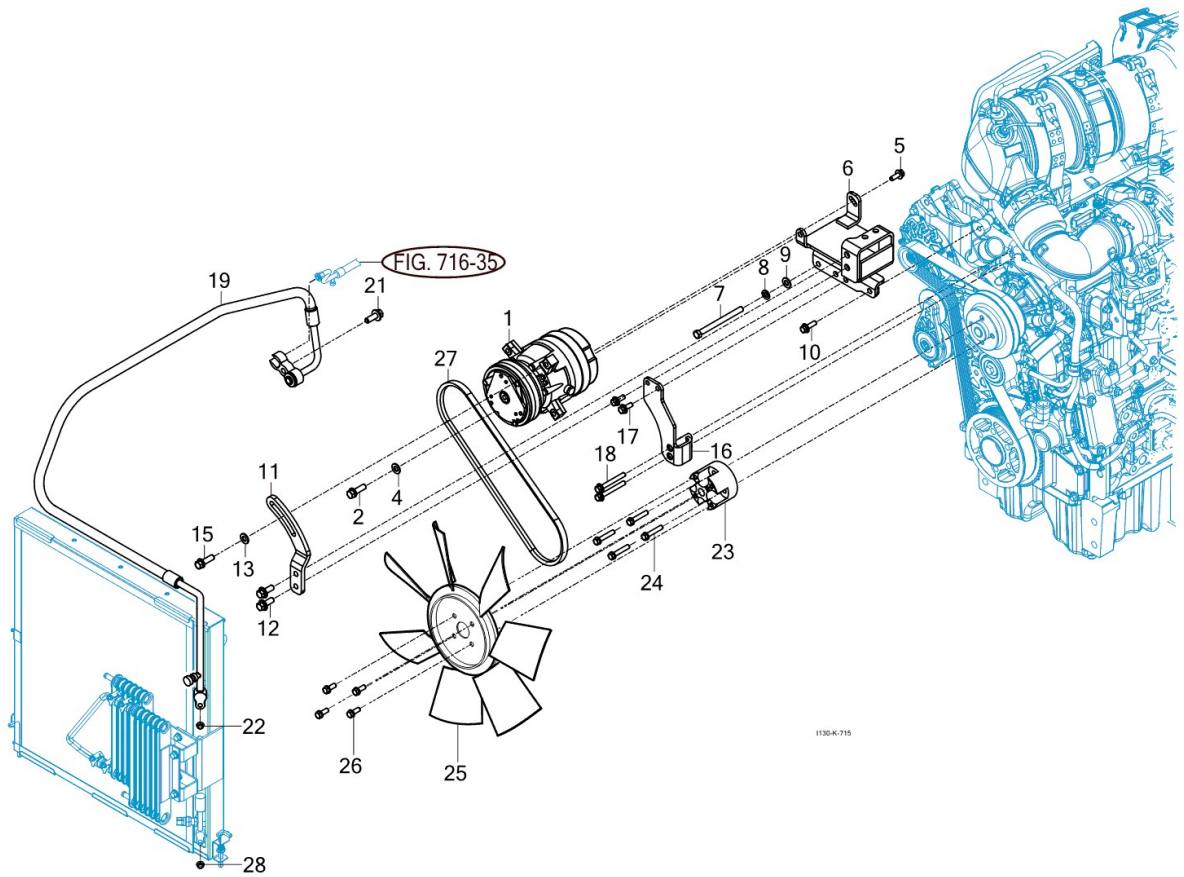
FIG 715

T130SPUS1

HEATER & AIR-CON (1)

년/월  
Year/Month

2024-03



NOTE



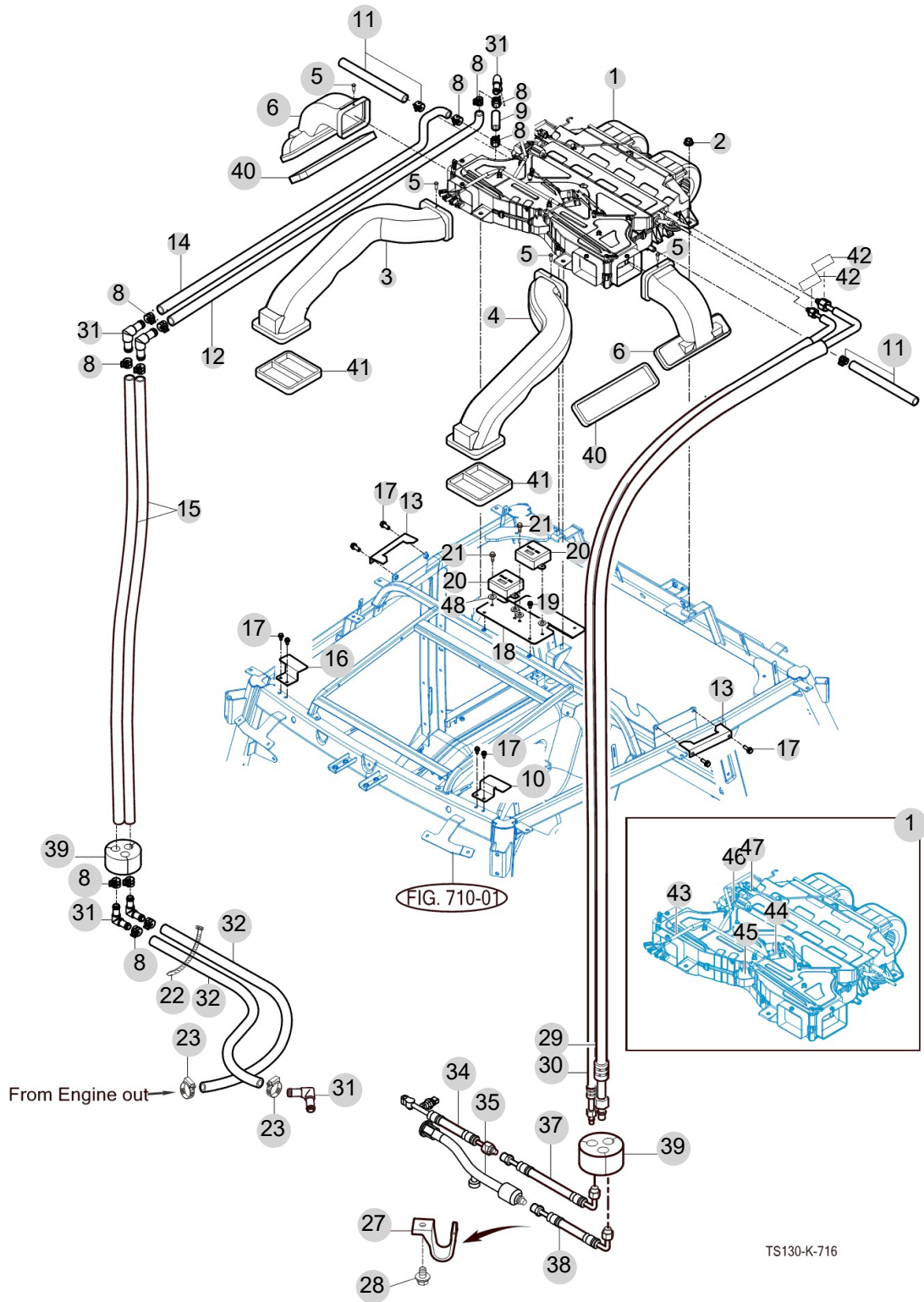
FIG 716

HEATER & AIR-CON (2)

년/월  
Year/Month

2024-03

T130SPUS1



TS130-K-716

NOTE

FIG 716 T130SPUS1		HEATER & AIR-CON (2)					년/월 Year/Month	
							2024-03	
KEY NO	PART NO	DESCRIPTION	SPEC	QTY	REPAIR	EFFECTIVE DATE	REMARKS	
716	1	17827082412	HVAC ASSY		1			
716	2	V3802600080	NUT , HEX FLANGE		4			
716	3	15807622500	DUCT ASSY, FR/RH		1			
716	4	15807622400	DUCT ASSY, FR/LH		1			
716	5	V1922605012	SCREW , TAPPING		4			
716	6	15807622300	DUCT ASSY, SIDE		2			
716	8	14527081160	CLAMP,HOSE/19.3		12			
716	9	17827081110	HOSE, OUT / HEAT CORE		1			
716	10	15807231020GB	FIX BRACKET , FR/LH/DUCT		1			
716	11	17827620030	DRAIN HOSE, EVA		2			
716	12	15807081160	HOSE , IN/HEAT		1			
716	13	15807010010GB	FIX BRACKET , SIDE/DUCT		2			
716	14	15807081150	HOSE , OUT2/HEAT CORE		1			
716	15	15807081140	HOSE , HEAT CORE		2			
716	16	15807231030GB	FIX BRACKET , FR/RH/DUCT		1			
716	17	V2183606020	BOLT , HEX/SP		8			
716	18	15807015701GB	PLATE COMP , RELAY		1			
716	19	V2183608020	BOLT , HEX/SP		2			
716	20	10017070075	RELAY BOX ASSY , CABIN		2			
716	21	V2123606020	BOLT , HEX /SP	M6X16	4			
716	21	V2123606016	BOLT , HEX /SP	M6X16	4			
716	22	14216210380	CABLE TIE , 200		1			
716	23	16601850160	BAND CLAMP 22		2			
716	27	14527081750	CLAMP,HOSE/AIRCON		4			
716	28	V2183608020	BOLT , HEX/SP		4			
716	29	17827081220	SUCTION HOSE, NO3		1			
716	29	15807622050	SUC HOSE ASSY , NO.3		1			
716	30	17827081210	HOSE ASSY, LIQ.NO4		1			
716	30	15807622040	LIQ HOSE ASSY , NO.4		1			
716	31	17688200050	ELBOW , 90		6			
716	32	15807081110	HOSE , ENGINE 1300		2			
716	34	18718302400	LIQ HOSE ASSY , NO3		1			
716	35	15807622070	SUC PIPE ASSY		1			
716	37	18717622061	LIQ HOSE ASSY , NO2		1			
716	38	15807081240	HOSE ASSY, SUC.2		1			
716	39	14527081260	SEAL,PIPE		2			
716	40	15807010070	INSULATOR , SIDE/DUCT		2			
716	41	15807010080	INSULATOR , FR/DUCT		2			
716	42	17827010080	RUBBER		2			
716	43	17828302061	HARNESS HVAC		1			
716	44	17828302011	ACTUATOR , TEMP.		1			
716	45	17828302020	ACTUATOR , MODE		1			
716	46	17828302030	4P RELAY		1			
716	47	17828302050	WATER VALVE		1			
716	48	11205020030	WASHER , RUBBER(8X16X4)		4			
NOTE								



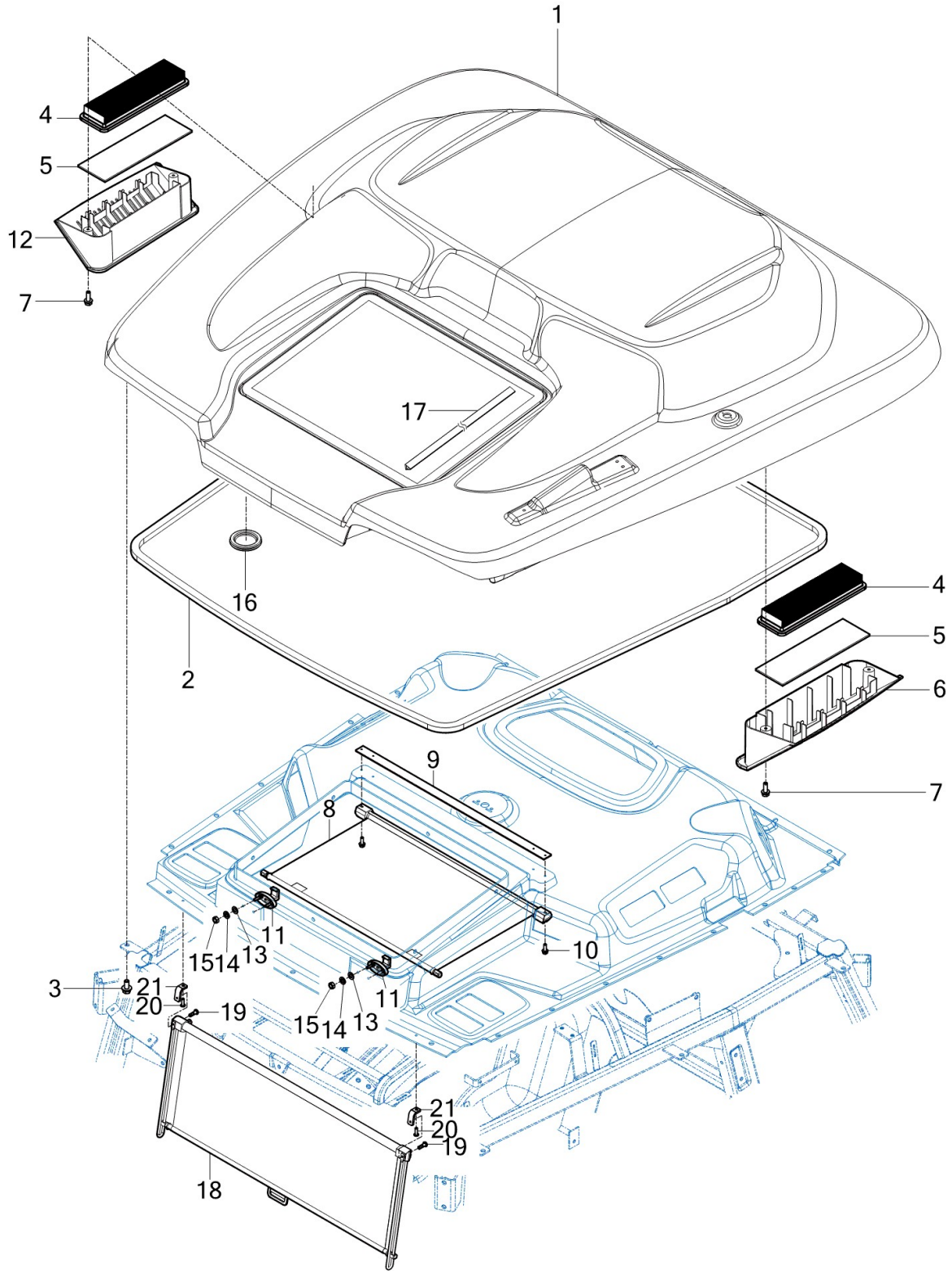
FIG 717

T130SPUS1

ROOF

년/월  
Year/Month

2024-03



NOTE



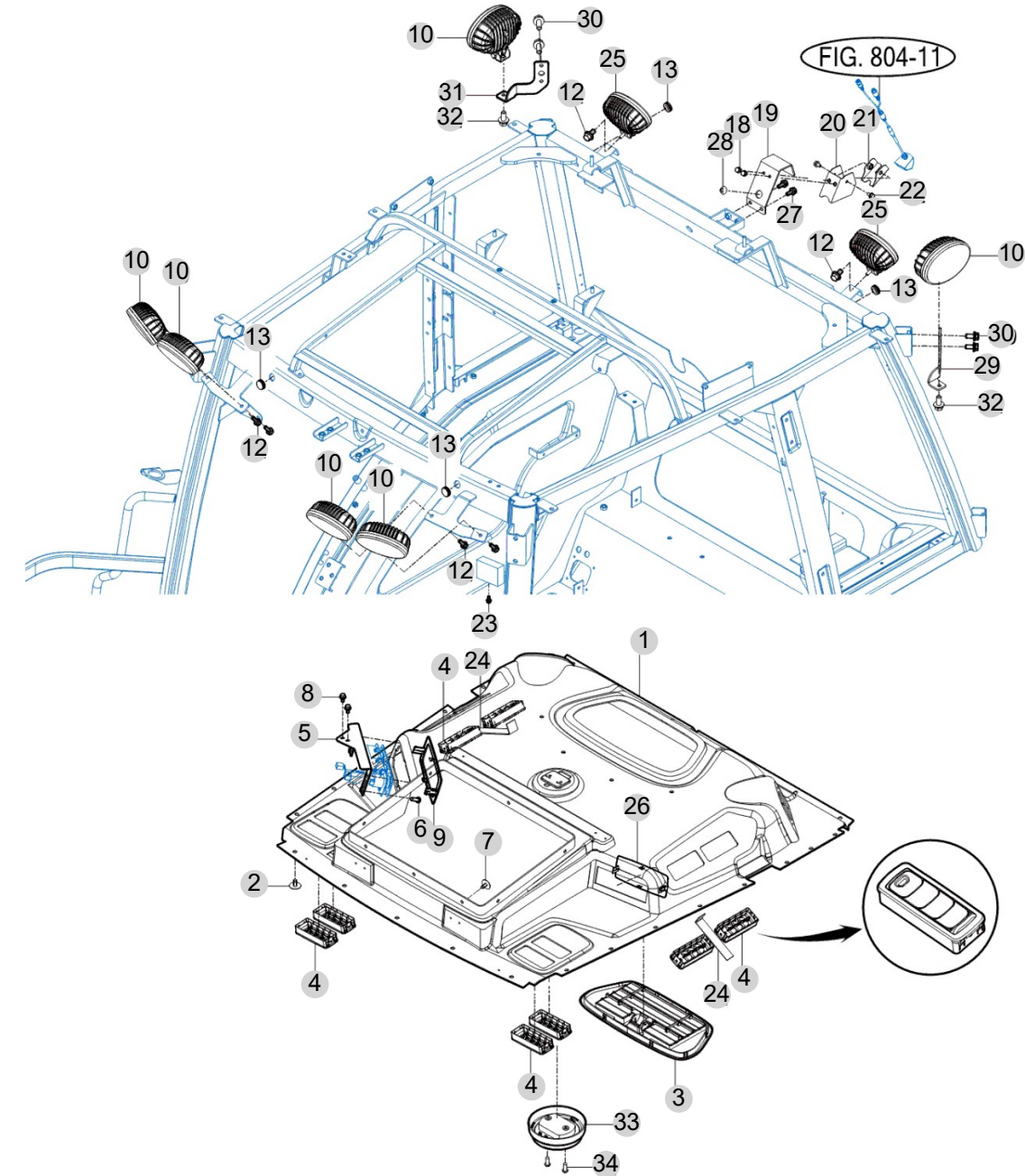


FIG 718

CABIN INTERIOR

년/월  
Year/Month

2024-03



NOTE



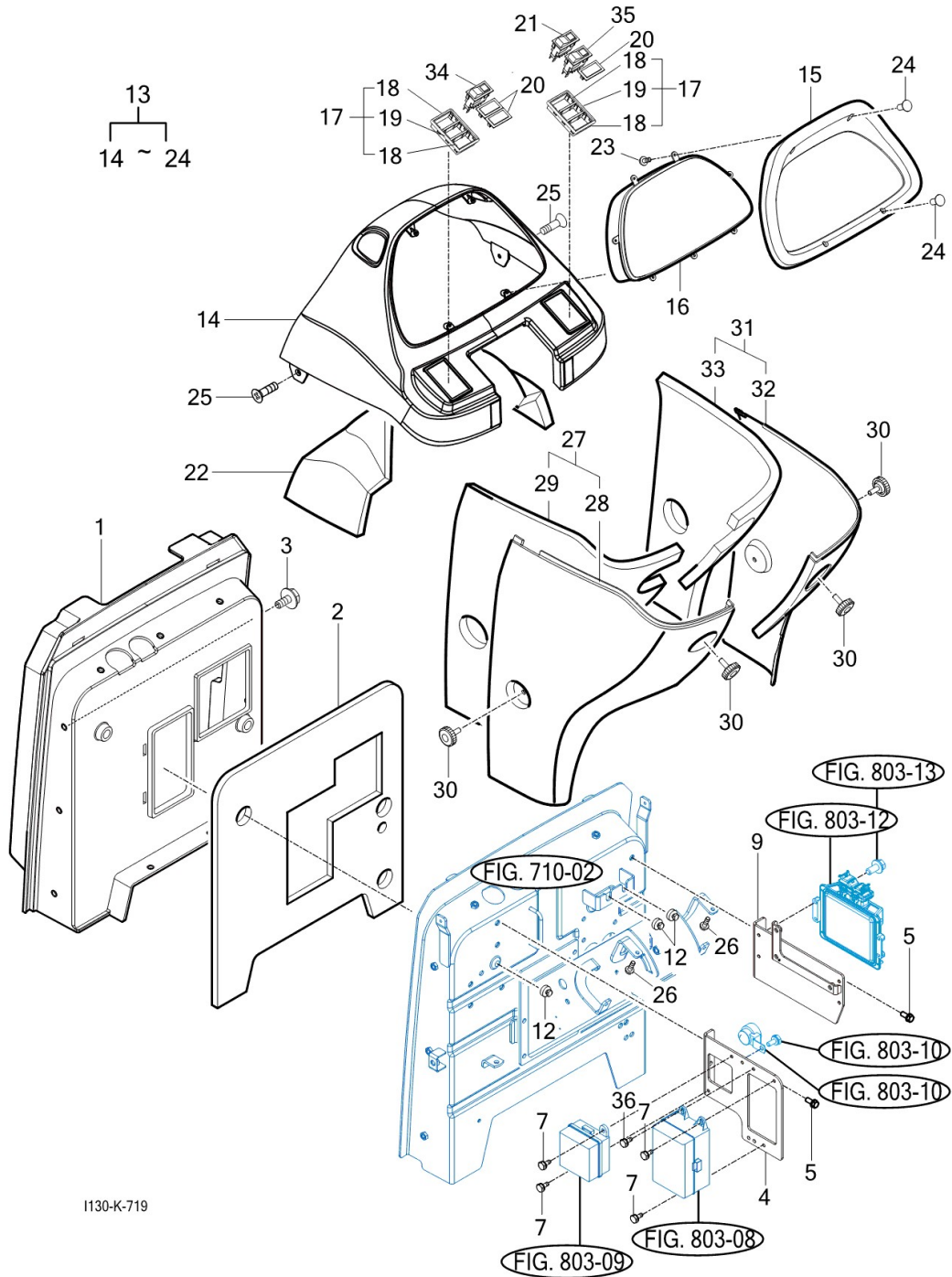
FIG 719

DASHCOVER

년/월  
Year/Month

2024-03

T130SPUS1



NOTE



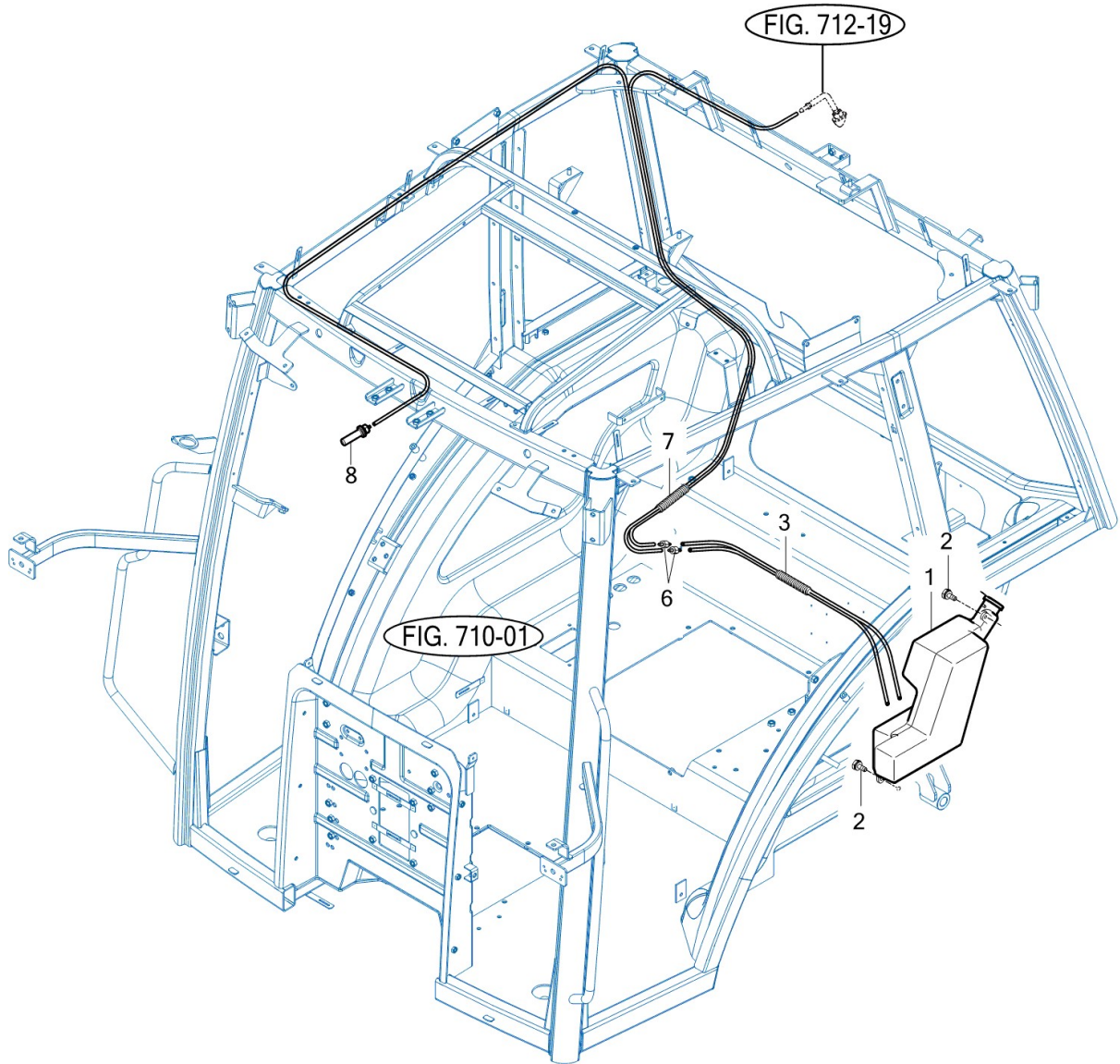
FIG 720

TANK ASSY , WASH

년/월  
Year/Month

T130SPUS1

2024-03



NOTE





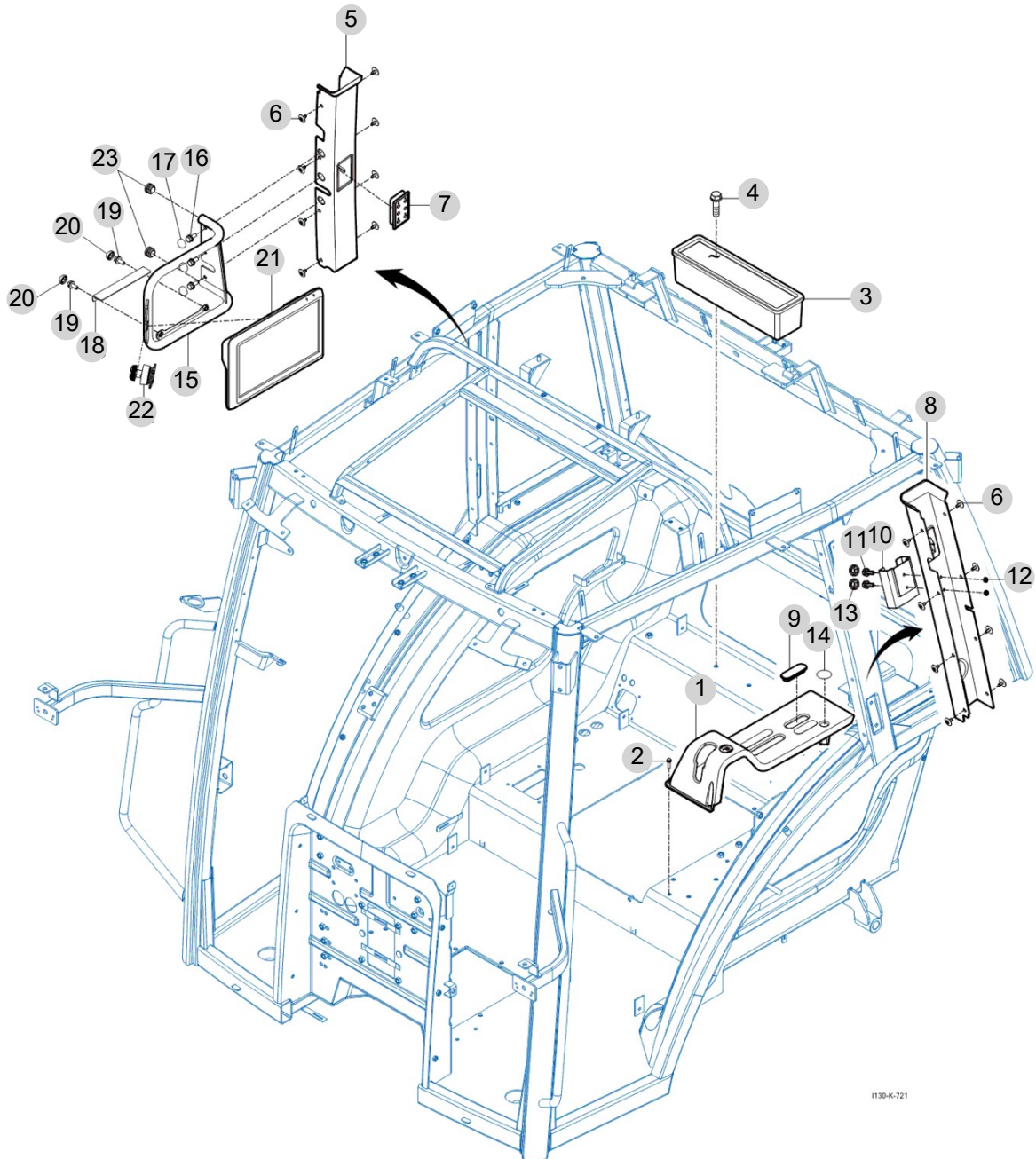
FIG 721

COVER ASSY

년/월  
Year/Month

2024-03

T130SPUS1



f130-k-721

NOTE





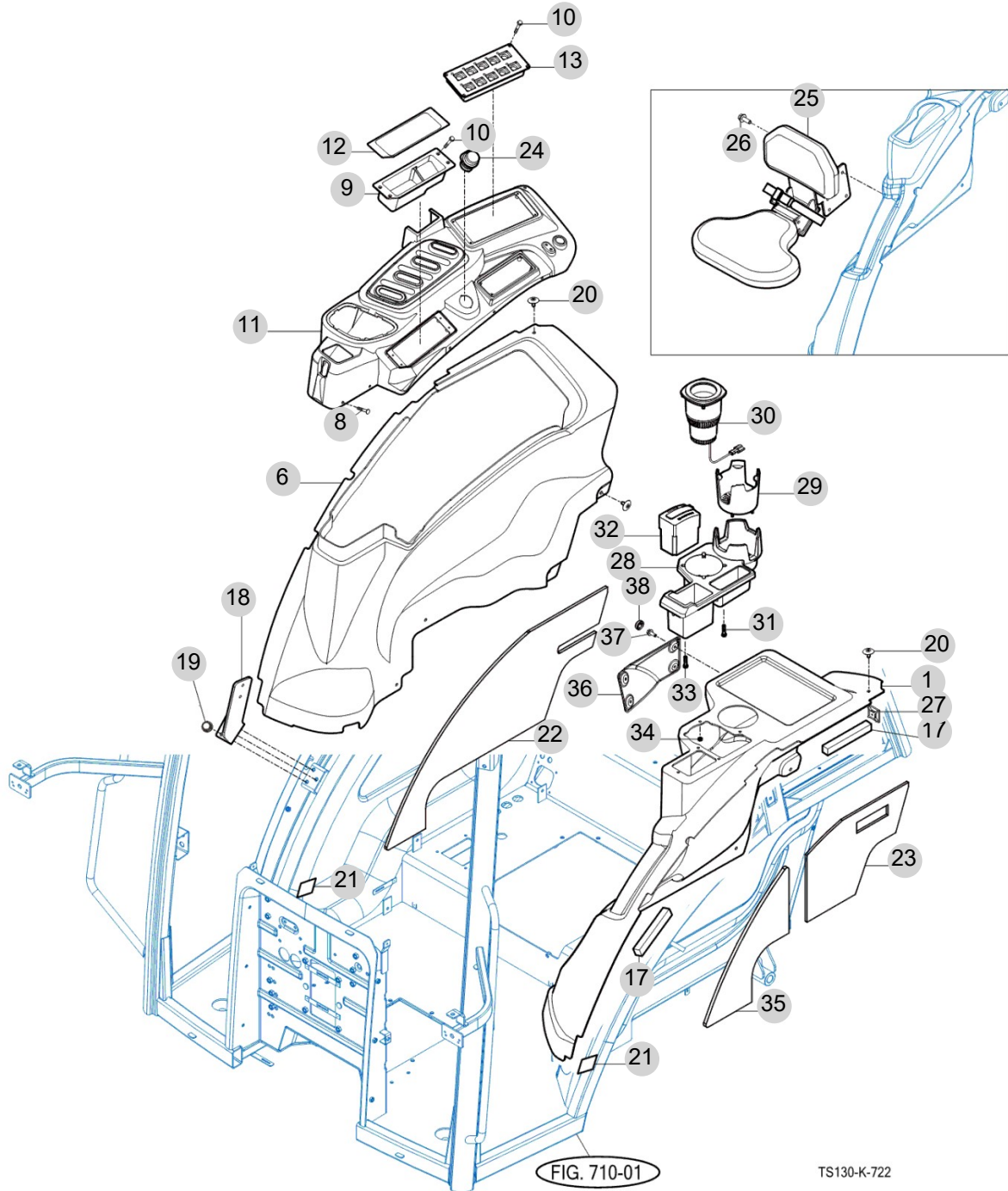
FIG 722

T130SPUS1

COVER-FENDER & JOYSTICK LEVER

년/월  
Year/Month

2024-03



NOTE



## 8. Electrical System PART NO. T8

FIG 801	BATTERY & MOUNTING	390
FIG 802	ELECTRIC SYSTEM (1)	392
FIG 803	ELECTRIC SYSTEM (2)	394
FIG 804	ELECTRIC SYSTEM (3)	396
FIG 805	ELECTRIC SYSTEM (4)	398
FIG 806	ELECTRIC SYSTEM (5)	400
FIG 807	ELECTRIC SYSTEM (6)	402

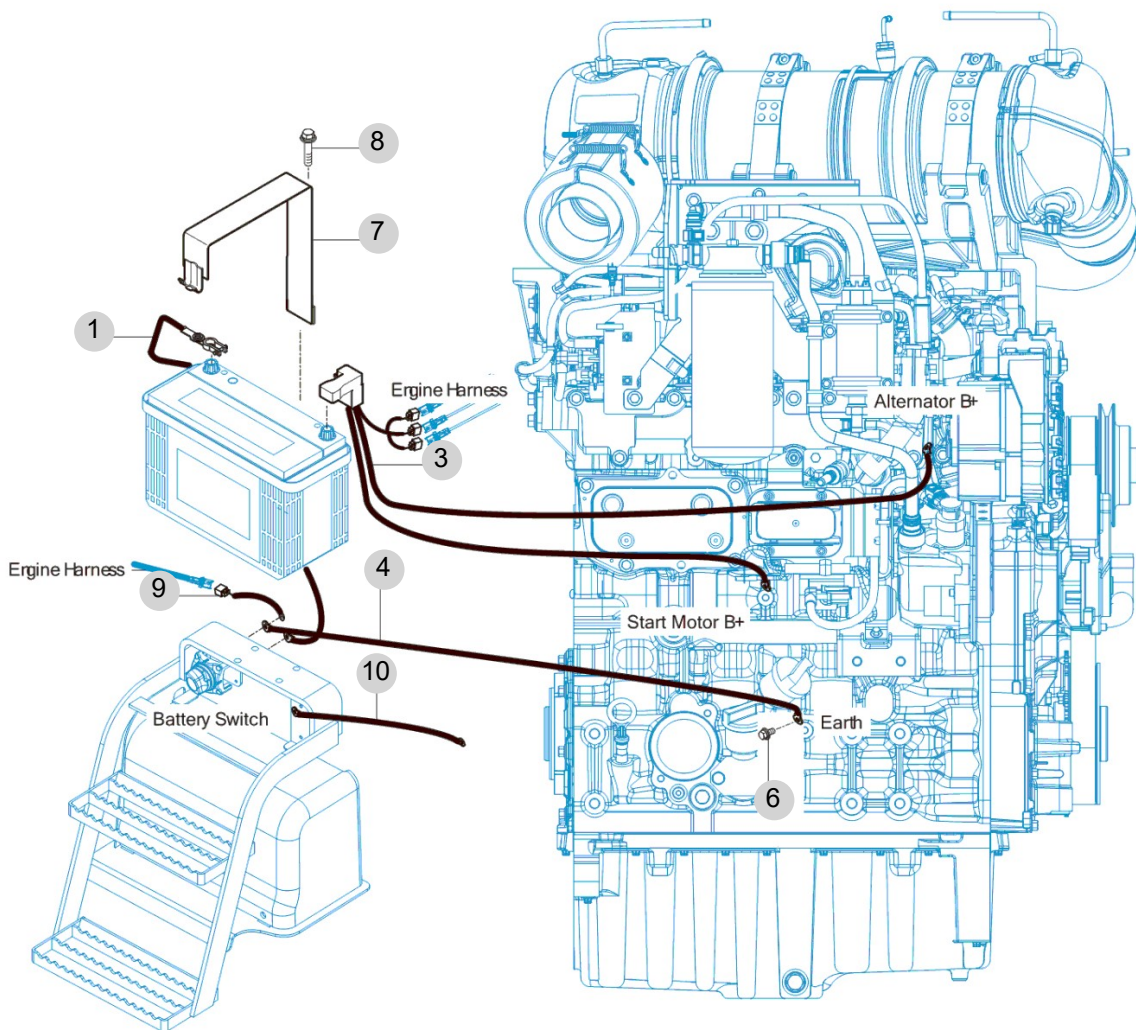
FIG 801

# BATTERY & MOUNTING

년/월  
Year/Month

2024-03

T130SPUS1



NOTE



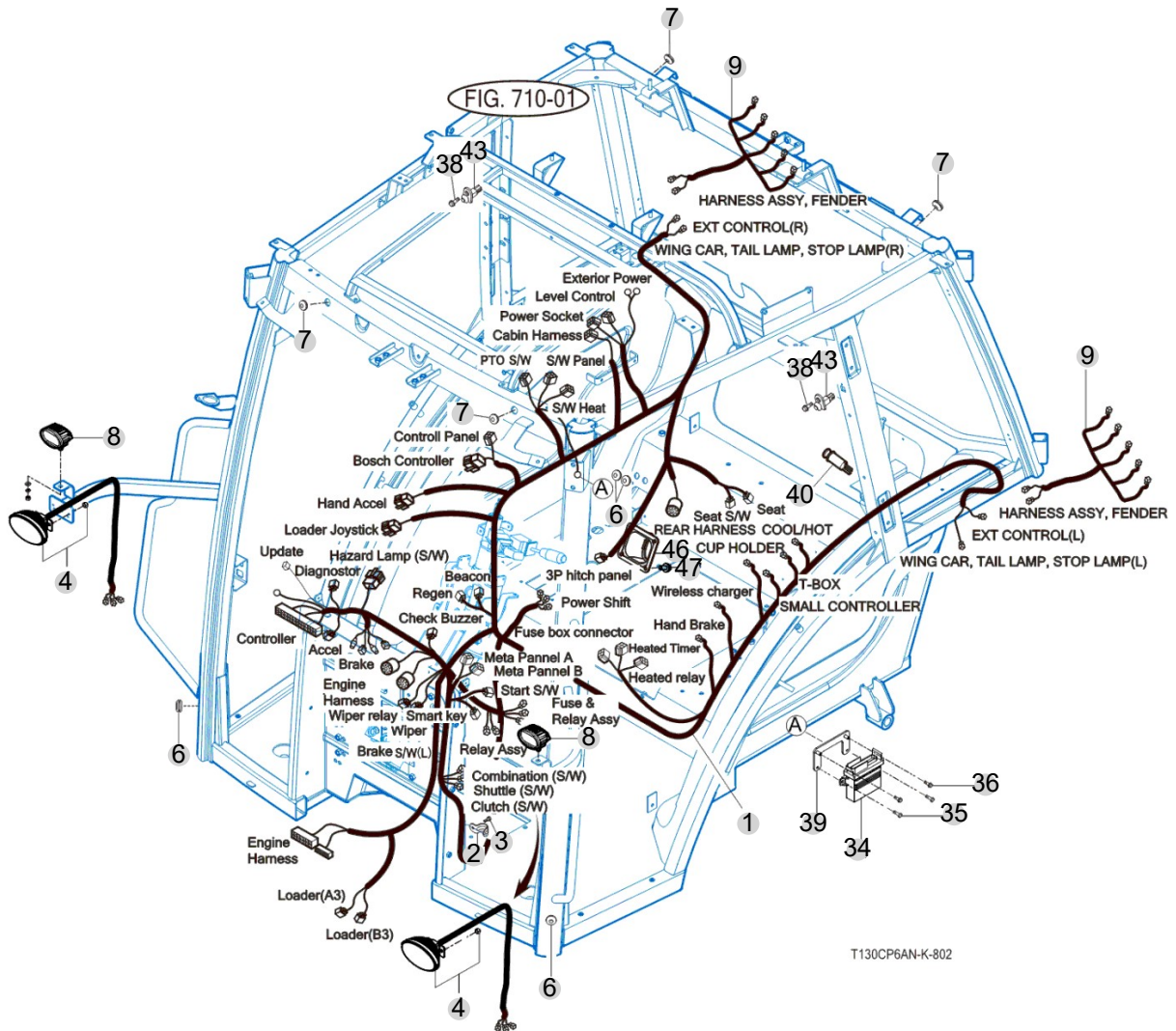
FIG 802

ELECTRIC SYSTEM (1)

년/월  
Year/Month

2024-03

T130SPUS1



NOTE





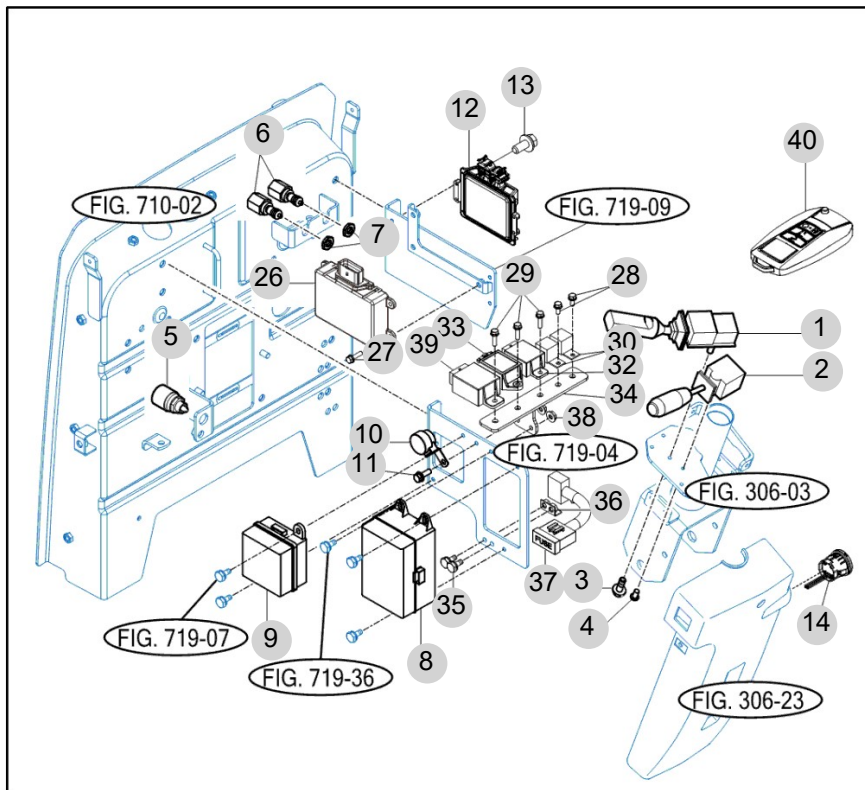
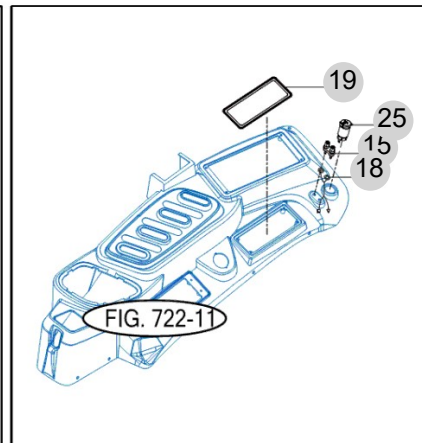
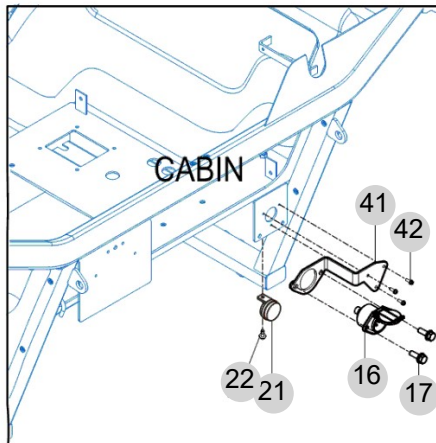
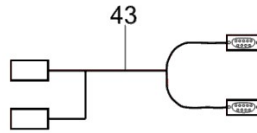
FIG 803

T130SPUS1

ELECTRIC SYSTEM (2)

년/월  
Year/Month

2024-03



TS130CP5AH-K-804

NOTE





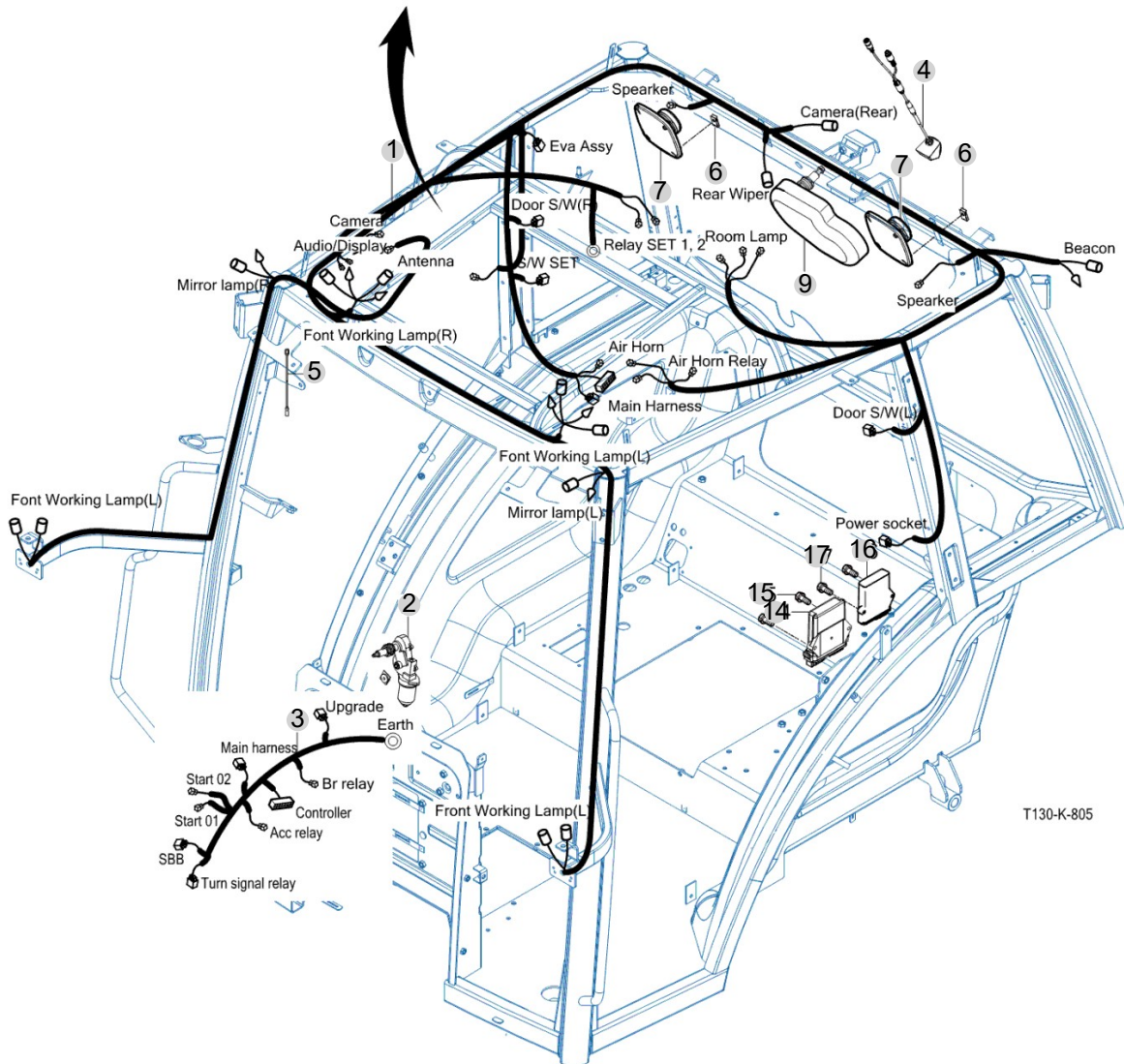
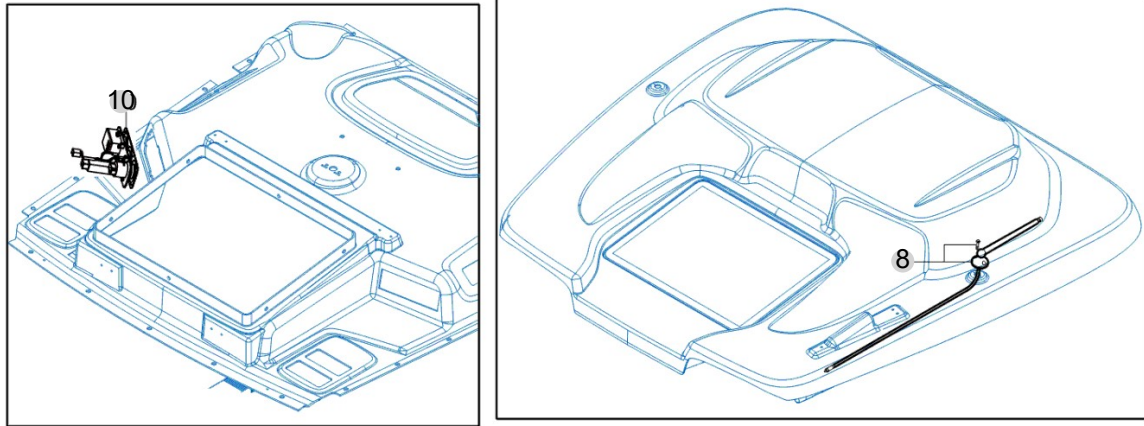
FIG 804

ELECTRIC SYSTEM (3)

년/월  
Year/Month

T130SPUS1

2024-03



T130-K-805

NOTE









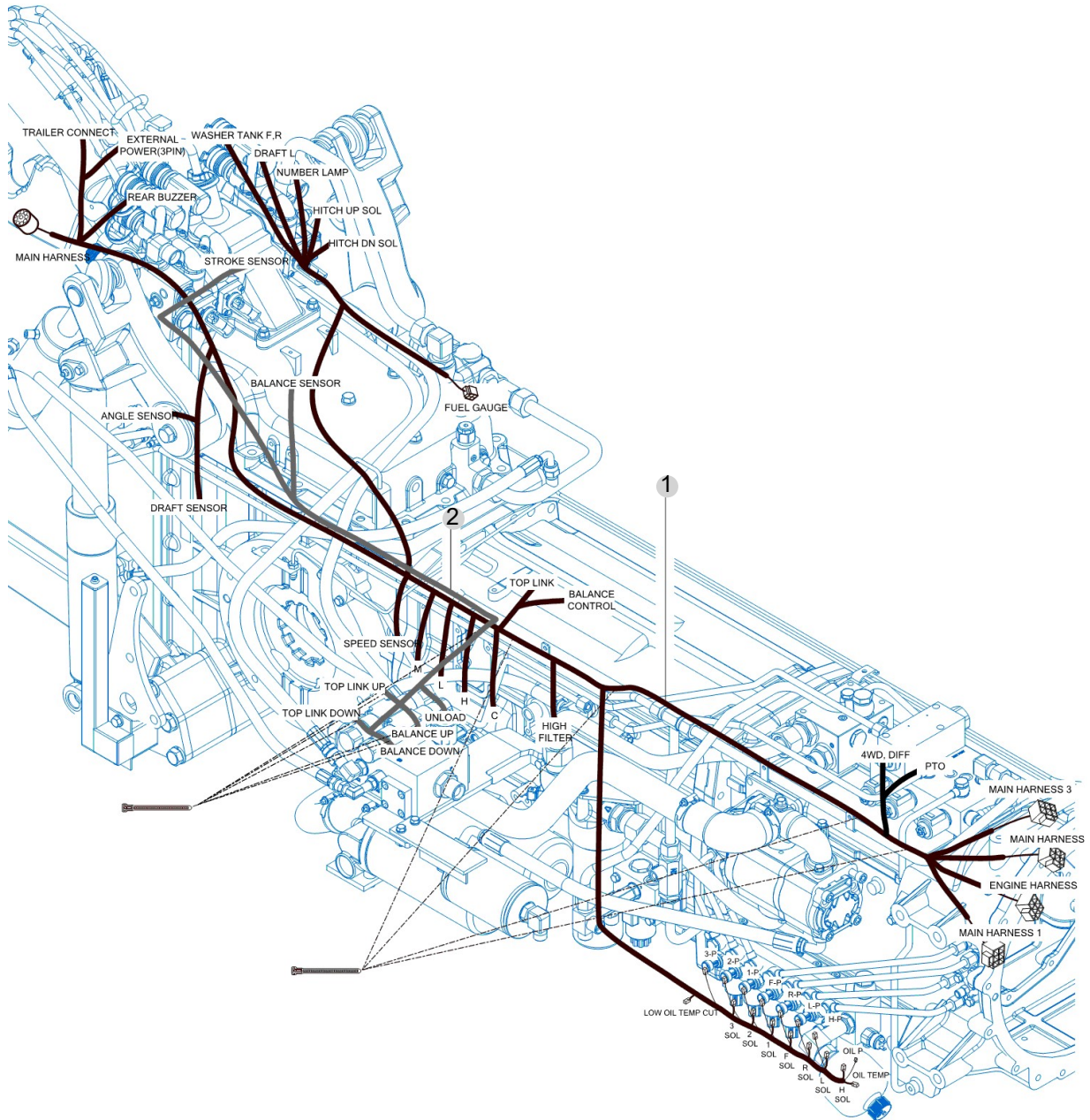
FIG 806

ELECTRIC SYSTEM (5)

년/월  
Year/Month

T130SPUS1

2024-03



NOTE



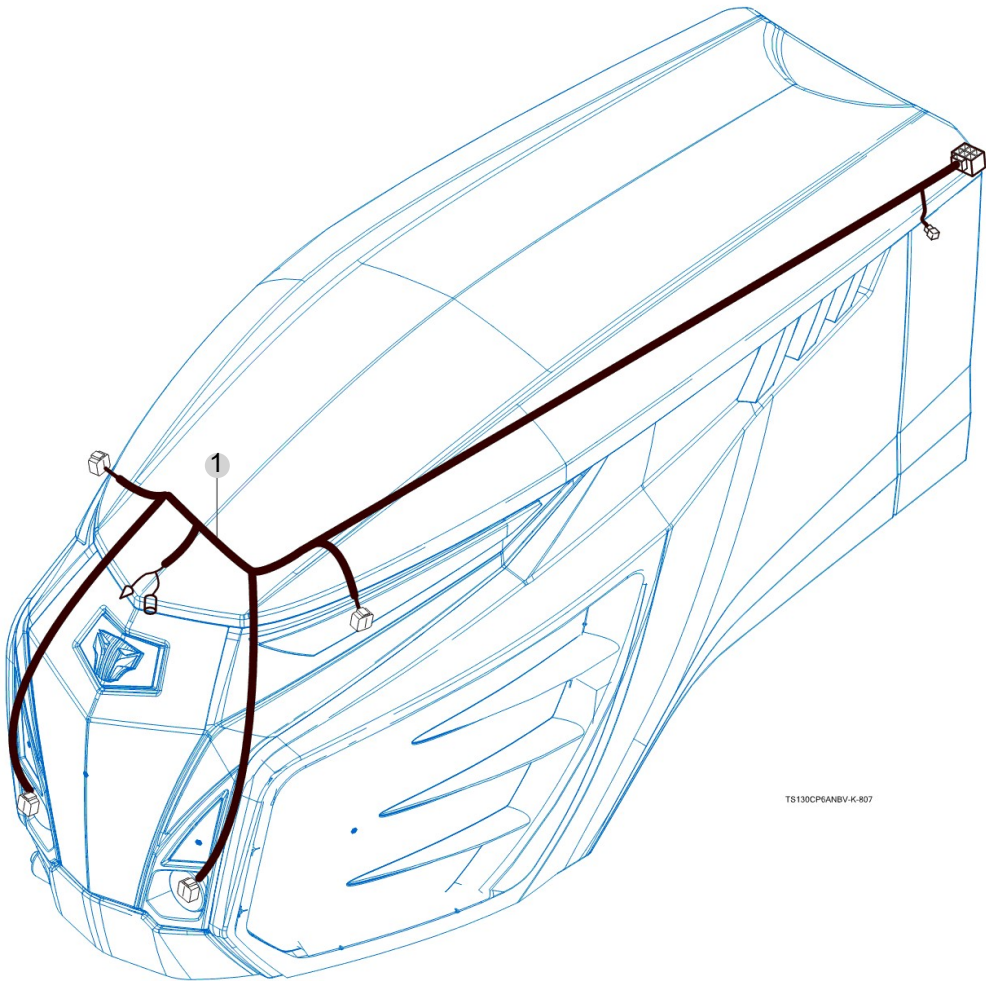
FIG 807

T130SPUS1

ELECTRIC SYSTEM (6)

년/월  
Year/Month

2024-03



TS130CP6ANBV-K-807

NOTE





## 9. Label/Option PART NO. T9

FIG 901 TOOL & ACCESSORY	405
FIG 903A LABEL	407
FIG 903B LABEL	409

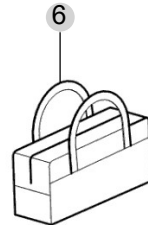
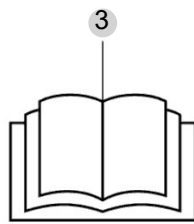
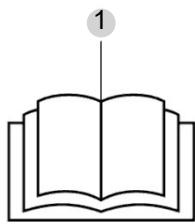
FIG 901

TOOL & ACCESSORY

년/월  
Year/Month

T130SPUS1

2024-03



NOTE



FIG 903A  
T130SPUS1

LABEL

년/월  
Year/Month

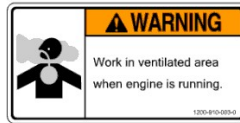
2024-03

**Adjust Shuttle Response with Black Rotary Knob**  
The middle knob position is recommended for most applications.  
•To shuttle smoothly : Rotate the knob towards the torbise.  
•To shuttle aggressively : Rotate the knob towards the hare.  
Repeat above until desired shuttle response is achieved.  
  
The three black buttons are for "dealer only" shuttle and inching pedal adjustment.  
Contact your dealer for additional adjustment. 1144-902-014-1

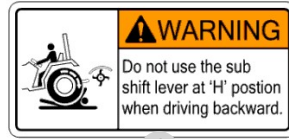
1



2



3



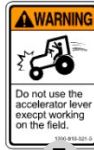
4



5



6



7



8



9



10



11



12



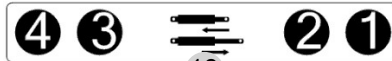
13



14



15



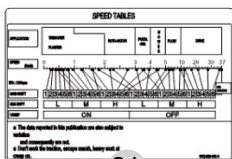
16



19



20



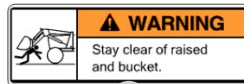
21



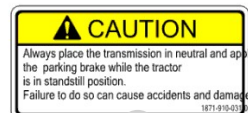
22

**Inner/Outer air Ventilation**  
• when louvers are opened cabin air will be recirculated.  
• For effective use, open the louvers when operating the heater or air conditioner and close the louvers when ventilating fresh air. 1220-004-122

23



24



25

**Caution for operating wet-charged engine**  
1. Do not increase engine RPM rapidly right after the engine.  
2. Do not turn off the engine when the engine is working for the high RPM. Please wait the engine to stop for 2-3 minutes before turning the engine off. If you immediately stop the engine, the engine oil will be splashed on the hot engine parts. It may cause damage to the turbocharger.  
  
**Caution for operating DEDS**  
1. When DEDS starts to run, DEDS has to be shut off when the engine is stopped. Please wait the engine to stop for 2-3 minutes before turning the engine off. If you immediately stop the engine, the engine oil will be splashed on the hot engine parts. It may cause damage to the turbocharger.  
2. Do not stop the engine with a DEDS in an operation.  
3. Please stop the engine when the engine is stopped.  
4. For the information for the above, it may cause damage to the engine.  
Please refer to the manual for more info.

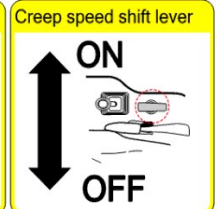
26

**CAUTION**  
**Important Information Before Storing and Restart after Storing**  
-Concentration of DEF must be more than 32.5% as per regulation AUS 32 ISO 22241  
-Must make sure the battery is on for more than 2 minutes until automatic DEF withdrawal process is completed.  
-DEF storing guidance is 2 months under -40 C (-40 F) and 4 months under -40 C (-25 C (-40 F) (-77 F))  
-If the duration for storage exceeds indicated period above, please follow the below procedures before using the tractor.  
1. Replace old DEF with the NEW one.  
2. Replace the main filter equipped in supply Module.  
3. Run the engine for the sufficient amount of time until it is heated up and After Treatment System is fully functioning.  
4. If an error code is noticed or the tractor is in abnormal condition, turn off the engine and make sure After Treatment System is completely stop and then restart the engine.  
5. If the problematic condition continues, please visit the nearest service center for assistance.

27

**Creep speed Operation warning**  
○ Don't use creep speed as shown below works.  
1)Tow Loads 2)Front loader 3)Blade work 4)Civil Engineering work 5)In&out the jobsite 6)Heavy industry  
○ Brake engagement at creep speed.  
1)Be sure to depress clutch pedal before depress brake pedal.  
2)Don't depress brake strongly as shaft reduction ratio of creep speed is very high and high torque.

28



29



30

NOTE



FIG 903B  
T130SPUS1

LABEL

년/월  
Year/Month

2024-03



31



32



33



34



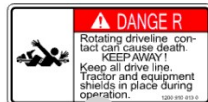
35



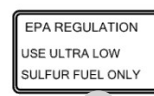
36



37



38



39



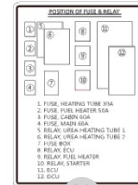
40



41



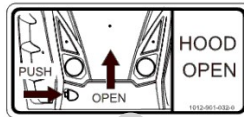
42



43

T130

44

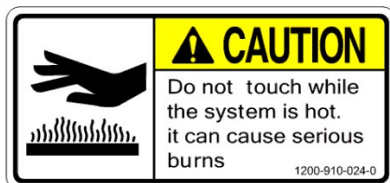


45



TYM

46



47



48



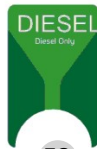
49



50



51



52

NOTE

