

T395NCEU1

Parts Catalog

목 차

1. 엔진 PART NO. EG

FIG 100 ENGINE	7
FIG 101 CYLINDER BLOCK	9
FIG 102 GEAR HOUSING	11
FIG 103 FLYWHEEL HOUSING & OIL SUMP	13
FIG 104 CYLINDER HEAD & BONNET	15
FIG 105 SUCTION MANIFOLD	18
FIG 106 EXHAUST MANIFOLD	20
FIG 107 DIESEL PARTICULATE FILTER(DPF)	22
FIG 108 CAMSHAFT & DRIVING GEAR	24
FIG 109 CRANKSHAFT & PISTON	26
FIG 110 LUB OIL SYSTEM	28
FIG 111 COOLING WATER SYSTEM	30
FIG 112 FUEL SUPPLY PUMP	32
FIG 113 FUEL INJECTION VALVE	34
FIG 114 FUEL PIPE	36
FIG 115 STARTER MOTOR	38
FIG 116 ALTERNATOR	40
FIG 117 ELECTRONIC CONTROL UNIT(ECU)	42
FIG 118 ELECTRIC PARTS	44

2. 엔진보기품 PART NO. T2

FIG 201 AIR CLEANER	47
FIG 202 RADIATOR	49
FIG 203 MUFFLER	51
FIG 204 FUEL TANK	53
FIG 205 ACCELERATOR	55

3. 클러치/브레이크/스티어링 PART NO. T3

FIG 301 CLUTCH PEDAL	58
----------------------	----

FIG 302 FLYWHEEL & CLUTCH	60
FIG 303 BRAKE PEDAL	62
FIG 304 BRAKE	64
FIG 306 FRONT WHEEL MOUNTING	66
FIG 307 REAR WHEEL MOUNTING	68
FIG 308 STEERING WHEEL	70
FIG 309 STEERING VALVE & TILT	72
FIG 310 STEERING CYLINDER	74
FIG 311 HAND BRAKE LINKAGE	76

4. 트랜스미션 PART NO. T4

FIG 401 TRANSMISSION FRONT CASE	79
FIG 402 INPUT METAL	81
FIG 403 INPUT GEAR	83
FIG 404 4WD DRIVE GEAR	85
FIG 405 MAIN CHANGE GEARS & REVERSE GEARS	87
FIG 406 SUB CHANGE GEARS	89
FIG 407 PINION GEARS	91
FIG 408 P.T.O DRIVE SHAFT	93
FIG 409 P.T.O CHANGE GEARS	95
FIG 410 DIFF LOCK	97
FIG 411 TRANSMISSION REAR CASE	99
FIG 412 REAR AXLE HOUSINGS (1)	101
FIG 413 REAR AXLE HOUSINGS (2)	103
FIG 414 MAIN CHANGE LEVER	105
FIG 415 SUB CHANGE LEVER	107
FIG 416 REVERSE LINK	109
FIG 417 REVERSE CHANGE LEVER	111
FIG 418 4WD CHANGE LEVER	113

5. 프론트 액슬 PART NO. T5

FIG 501 FRONT AXLE BRACKET	116
FIG 502 FRONT DIFF. GEARS & SHAFT	118
FIG 503 FRONT AXLE HOUSING	120
FIG 504 FRONT GEAR CASE (1)	122
FIG 505 FRONT GEAR CASE (2)	124

6. 유압/3점링크 PART NO. T6

FIG 601 GEAR PUMP	127
FIG 602 CYLINDER CASE	129
FIG 603 LIFT ARM	131
FIG 604 CYLINDER	133
FIG 605 POSITION LINK (1)	135
FIG 606 POSITION LINK (2)	137
FIG 607 CONTROL VALVE	139
FIG 608 POSITION LEVER	141
FIG 609 HYDRAULIC PIPE (1)	143
FIG 610 HYDRAULIC PIPE (2)	145
FIG 611 EXTERIOR HYD. VALVE	147
FIG 612 3-POINT LINK	149
FIG 613 HITCH & COVER	152

7. 시트메탈/캐빈 PART NO. T7

FIG 701 HOOD	155
FIG 702 BONNET	157
FIG 704 FENDER & REAR FRAME	160
FIG 705 DASH PANEL	163
FIG 706 FLOOR PANEL	165
FIG 707 SEAT	167
FIG 708 FRONT & REAR MOUNTING	169
FIG 709 ROPS	171

8. 전장 PART NO. T8

FIG 801 BATTERY & MOUNTING	174
FIG 802 LAMP	176
FIG 803 INSTRUMENT PANEL	178
FIG 804 ELECTRIC SYSTEM	180
FIG 805 HARNESS (1)	182
FIG 806 HARNESS (2)	184

9. 라벨/옵션 PART NO. T9

FIG 901 WEIGHT	187
----------------	-----

FIG 902 TOOL & ACCESSORY

189

FIG 903-1 LABEL (1)

191

1. 엔진 PART NO. EG

FIG 100 ENGINE	7
FIG 101 CYLINDER BLOCK	9
FIG 102 GEAR HOUSING	11
FIG 103 FLYWHEEL HOUSING & OIL SUMP	13
FIG 104 CYLINDER HEAD & BONNET	15
FIG 105 SUCTION MANIFOLD	18
FIG 106 EXHAUST MANIFOLD	20
FIG 107 DIESEL PARTICULATE FILTER(DPF)	22
FIG 108 CAMSHAFT & DRIVING GEAR	24
FIG 109 CRANKSHAFT & PISTON	26
FIG 110 LUB OIL SYSTEM	28
FIG 111 COOLING WATER SYSTEM	30
FIG 112 FUEL SUPPLY PUMP	32
FIG 113 FUEL INJECTION VALVE	34
FIG 114 FUEL PIPE	36
FIG 115 STARTER MOTOR	38
FIG 116 ALTERNATOR	40
FIG 117 ELECTRONIC CONTROL UNIT(ECU)	42
FIG 118 ELECTRIC PARTS	44

FIG 100 T395NCEU1	ENGINE	년/월 Year/Month
		2022-12
NOTE		

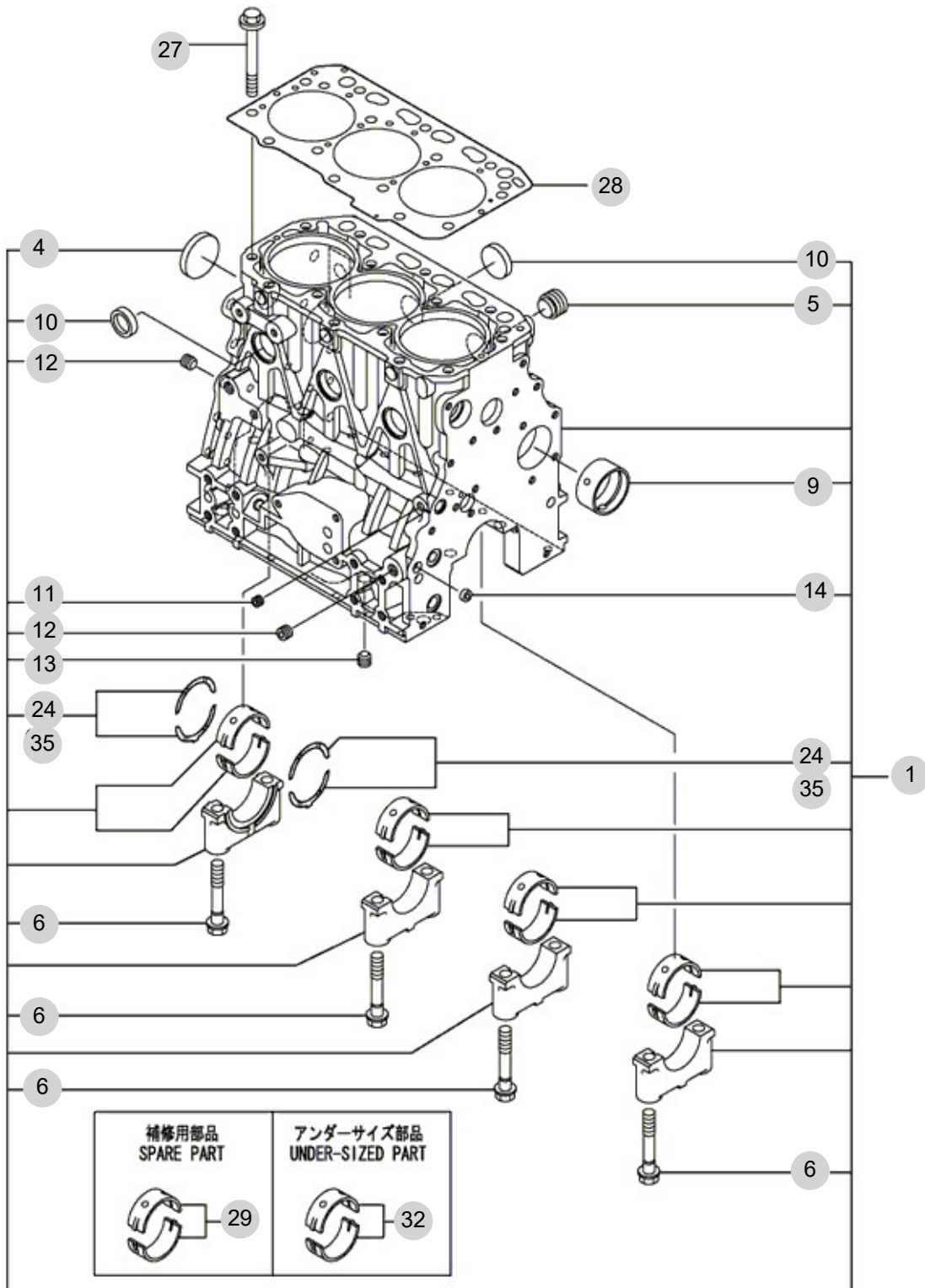
FIG 101

CYLINDER BLOCK

년/월
Year/Month

2022-12

T395NCEU1



NOTE

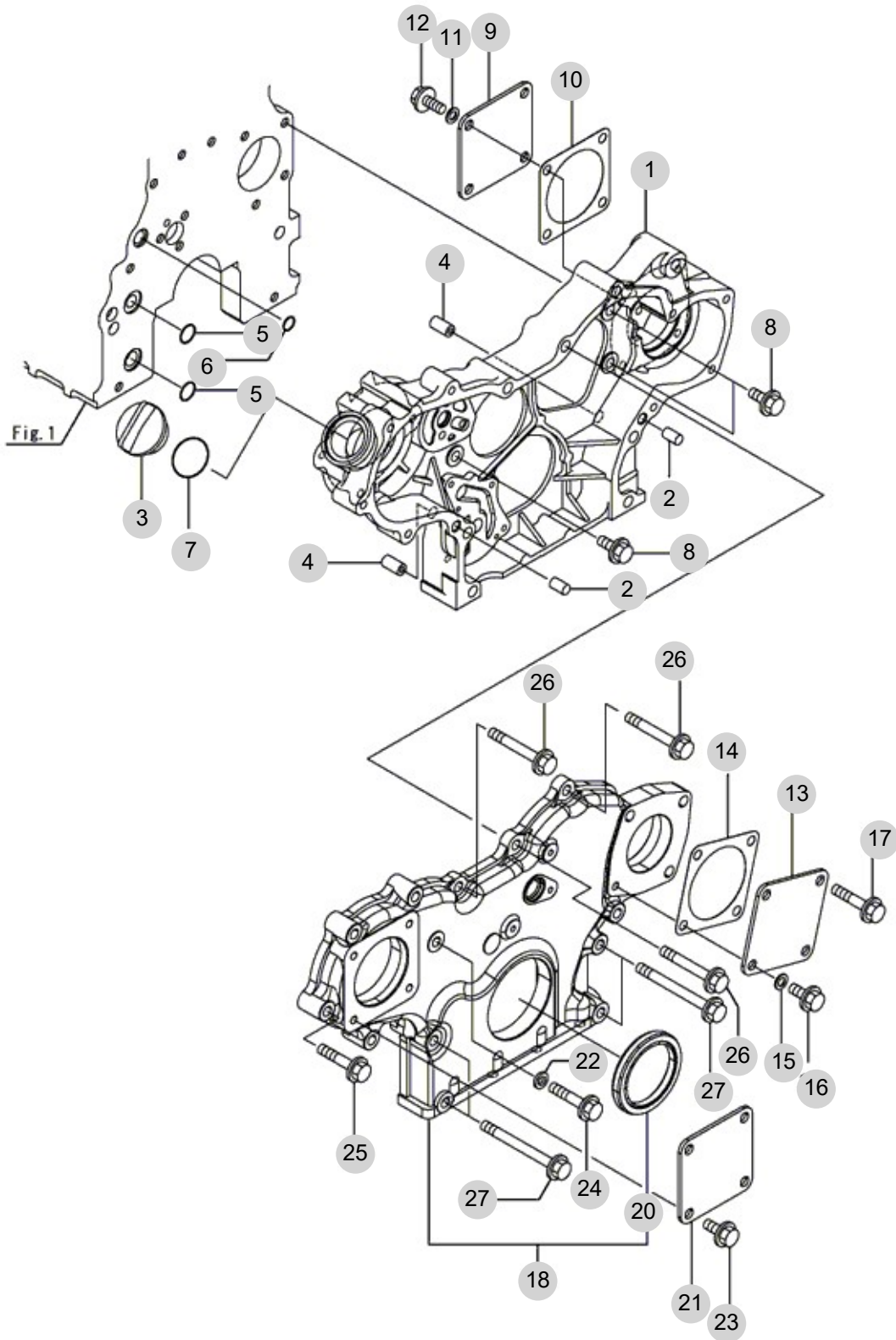
FIG 102

GEAR HOUSING

년/월
Year/Month

2022-12

T395NCEU1



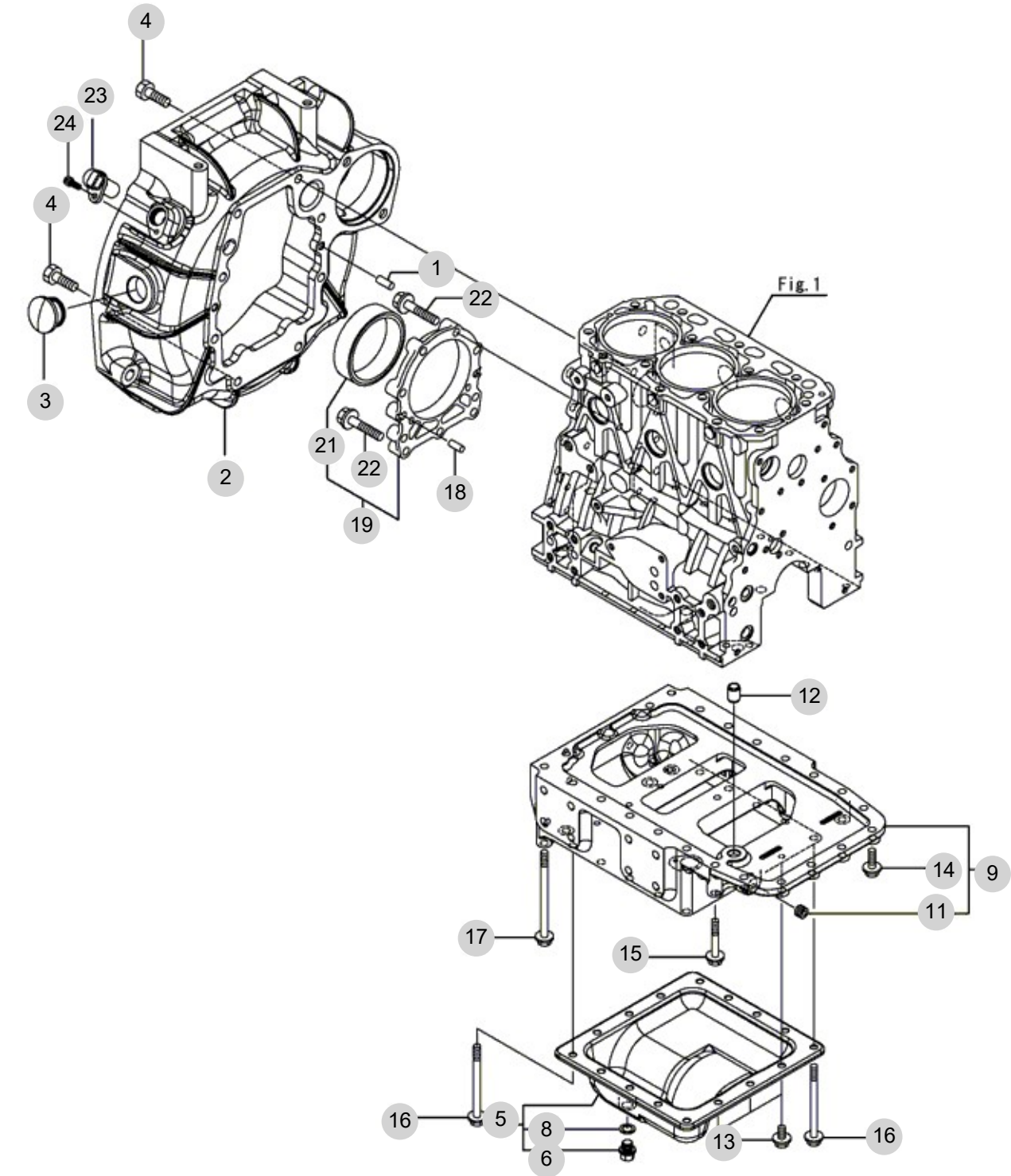
NOTE

FIG 103

FLYWHEEL HOUSING & OIL SUMP

년/월
Year/Month

2022-12



NOTE

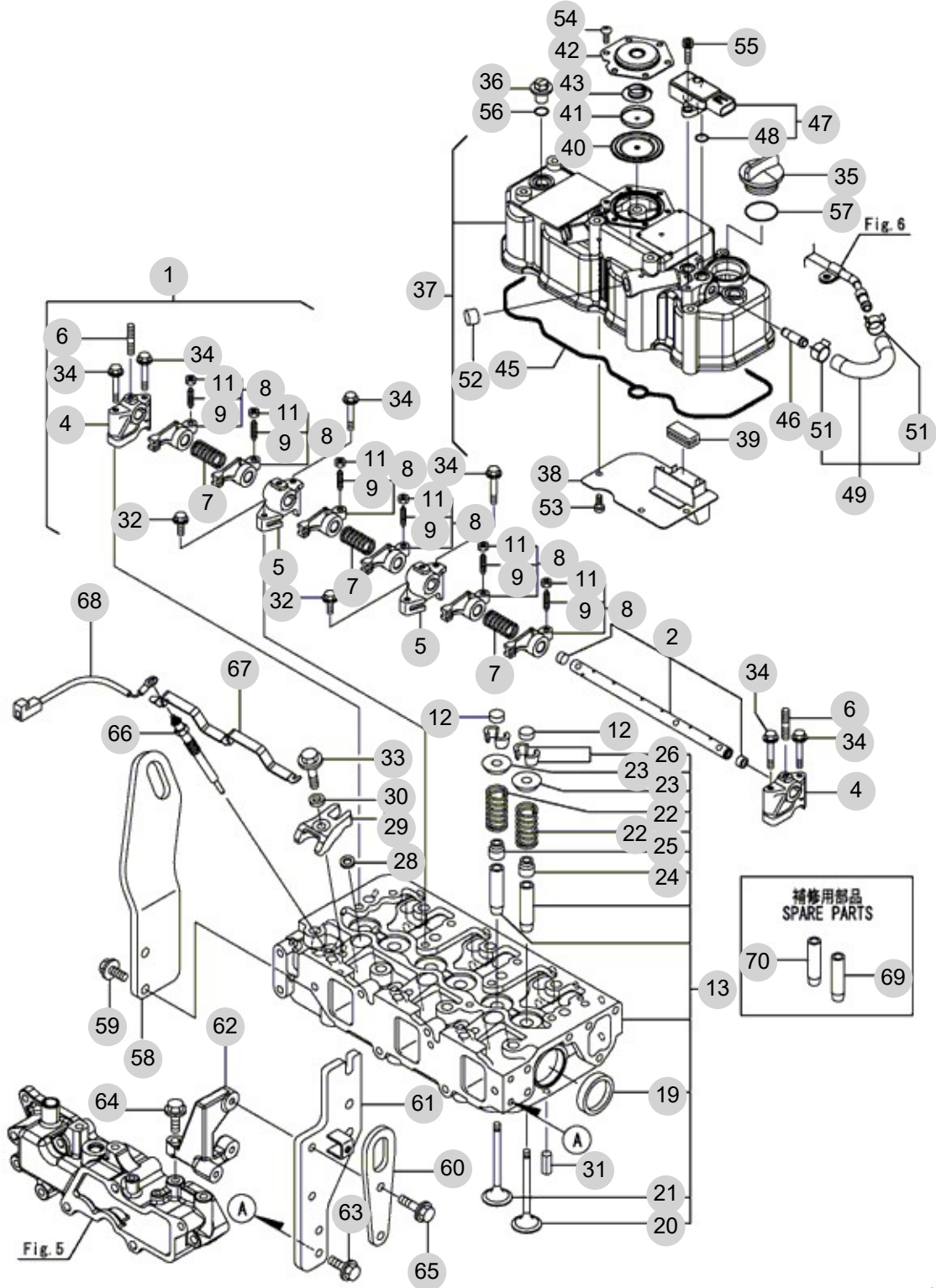
FIG 104

CYLINDER HEAD & BONNET

년/월
Year/Month

2022-12

T395NCEU1



NOTE

FIG 104 T395NCEU1		CYLINDER HEAD & BONNET					년/월 Year/Month	
							2022-12	
KEY NO	PART NO	DESCRIPTION	SPEC	QTY	REPAIR	EFFECTIVE DATE	REMARKS	
104	1	129004-11241	SHAFT ASSY, ROCKER		1			
104	2	129004-11251	SHAFT, ROCKER ARM		1			
104	4	119802-11260	SUPPORT, ROCKER ARM		2			
104	5	119802-11270	SUPPORT, ROCKER ARM		2			
104	6	119802-11280	BOLT, STUD		3			
104	7	129150-11280	SPRING, ROCKER		3			
104	8	129004-11650	ARM ASSY, ROCKER		6			
104	9	129150-11230	SCREW, VALVE ADJUST		6			
104	11	129150-11750	NUT, M8		6			
104	12	129150-11370	CAP, VALVE		6			
104	13	129A00-11710	HEAD ASSY, CYLINDER		1			
104	19	27241-400000	PLUG, 40		2			
104	20	129005-11100	VALVE, SUCTION		3			
104	21	129100-11112	VALVE, EXHAUST		3			
104	22	129795-11120	SPRING, VALVE		6			
104	23	129795-11180	RETAINER, SPRING		6			
104	24	124460-11340	SEAL, VALVE STEM		3			
104	25	129A00-11340	SEAL, VALVE STEM		3			
104	26	27310-080001	COTTER, 8		6			
104	28	129978-11871	GASKET,INJECTOR		3			
104	29	129A00-11900	RETAINER, INJECTOR		3			
104	30	120270-54410	WASHER, INJECTOR		3			
104	31	22351-060012	스프링핀		2			
104	32	26106-080252	육각플랜지볼트		2			
104	33	26106-080352	육각플랜지볼트		3			
104	34	26106-080502	BOLT, M8X 50 PLATED		6			
104	35	124160-01751	CAP, FILLER		1			
104	36	124160-11360	KNOB		3			
104	37	129A00-11360	BONNET ASSY		1			
104	38	129004-03010	PLATE, BAFFLE		1			
104	39	129150-03070	BAFFLE, BREATHER		1			
104	40	123907-03100	DIAPHRAGM		1			
104	41	123907-03110	PLATE		1			
104	42	123907-03120	PLATE, BREATHER		1			
104	43	123907-03140	SPRING, DIAPHRAGM		1			
104	45	129A00-11310	GASKET, BONNET		1			
104	46	129A00-11330	JOINT		1			
104	47	129978-12700	SENSOR,PRESSURE		1			
104	48	129A00-12780	O-RING,PRES SENSOR		2			
104	49	129A00-13360	HOSE ASSY, PRES EXH		1			
104	51	129A00-13380	CLIP, HOSE 14		2			
104	52	119640-61400	PLUG		1			
104	53	22857-500100	SCREW, 5X10		4			
104	54	22857-500100	SCREW, 5X10		6			
104	55	26450-060162	BOLT, M6X 16		2			
NOTE								

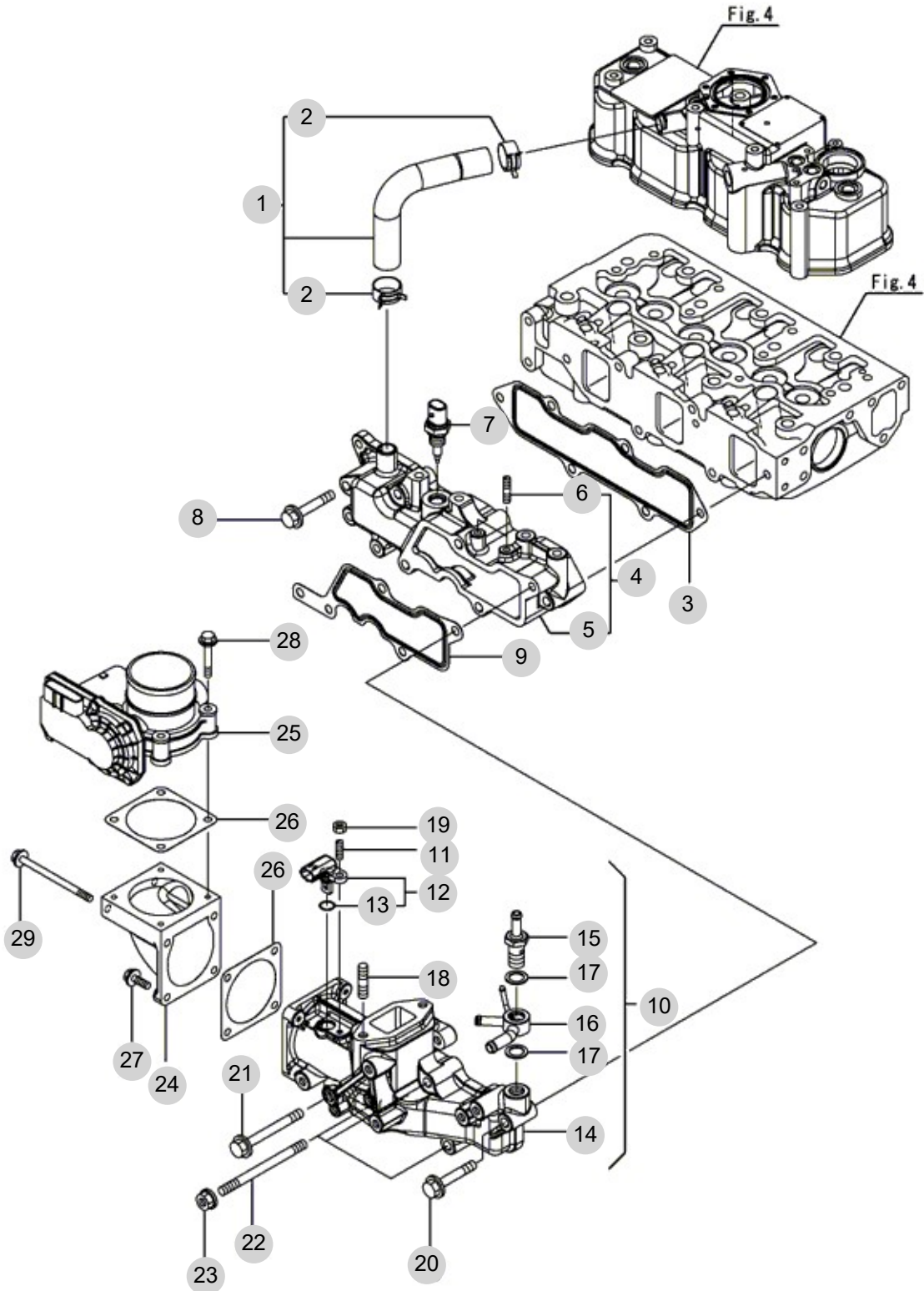
FIG 105

SUCTION MANIFOLD

년/월
Year/Month

2022-12

T395NCEU1



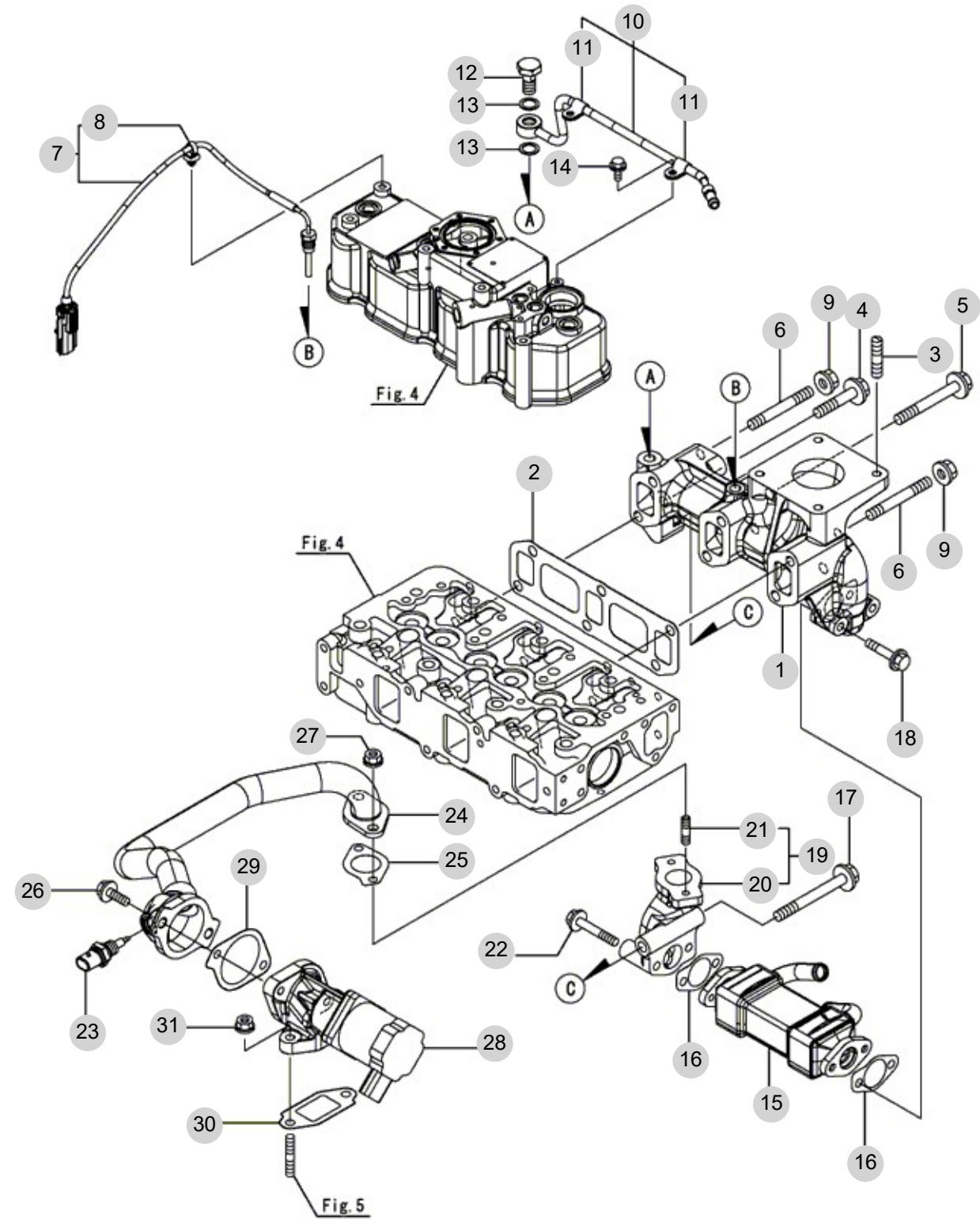
NOTE

FIG 106

EXHAUST MANIFOLD

년/월
Year/Month

2022-12



NOTE

FIG 107 T395NCEU1		DIESEL PARTICULATE FILTER(DPF)					년/월 Year/Month	
							2022-12	
KEY NO	PART NO	DESCRIPTION	SPEC	QTY	REPAIR	EFFECTIVE DATE	REMARKS	
107	1	128300-13230	GASKET, SILENCER		1			
107	2	129A00-16820	STAY,DPF		1			
107	3	129A00-16830	STAY,DPF		1			
107	5	129C00-13940	SENSOR, EXH.TEMP		1			
107	6	129C00-13950	SENSOR, EXH.TEMP		1			
107	7	129A26-16000	DPF ASSY		1			
107	8	129A00-16210	CASE, DOC		1			
107	10	129A00-16410	CASE, SOOT FILTER		1			
107	12	129A00-16500	SILENCER, DPF		1			
107	13	129A00-16600	GASKET, DPF		2			
107	14	129A00-16610	BOLT, M8X28 10.9T		16			
107	15	129C01-16690	LIFTER, DPF		1			
107	16	129A00-16700	STIFFENER, DPF A		5			
107	17	129A00-16720	STIFFENER, DPF B		1			
107	18	129A00-16740	STIFFENER, DPF C		1			
107	19	129A00-16750	STIFFENER, DPF C		1			
107	20	26106-080142	BOLT, M8X 14 PLATED		2			
107	21	26306-080002	NUT, M8		16			
107	23	129A00-13350	BOLT, PIPE JOINT		2			
107	24	129A00-17311	GASKET,SENSOR		4			
107	25	129A00-17330	PIPE ASSY, SENSOR		1			
107	26	129A00-17360	PIPE ASSY, SENSOR		1			
107	27	129A00-17610	HOSE ASSY,PRES EXH		1			
107	29	129A00-17520	CLIP, HOSE		2			
107	30	129A00-17670	HOSE ASSY,PRES EXH		1			
107	31	129A00-17570	CLIP, HOSE		2			
107	33	129978-17700	SENSOR,PRESSURE		1			
107	34	129A00-17780	BRACKET, SENSOR		1			
107	35	26106-060162	BOLT, M6X 16 PLATED		2			
107	36	26106-080202	BOLT, M8X 20 PLATED	8X20	2			
107	37	129A00-91200	BAND CLIP		1			
107	38	129C00-91200	BAND		1			
107	39	129A00-91430	CLIP, CONNECTOR		2			
107	40	129A26-17360	STAY ASSY, DPF		1			
107	41	26216-080202	STUD, M8X 20		1			
107	42	26216-100552	STUD, M10X 55		2			
107	43	129A23-17370	SPACER, DPF		1			
107	44	26106-080162	육각플랜지볼트		3			
107	45	26106-080202	BOLT, M8X 20 PLATED	8X20	4			
107	46	26106-100202	육각플랜지볼트		2			
107	47	26306-080002	NUT, M8		2			
107	48	26306-080002	NUT, M8		1			
107	49	26306-100002	NUT, M10		4			
107	50	26306-100002	NUT, M10		2			
NOTE								

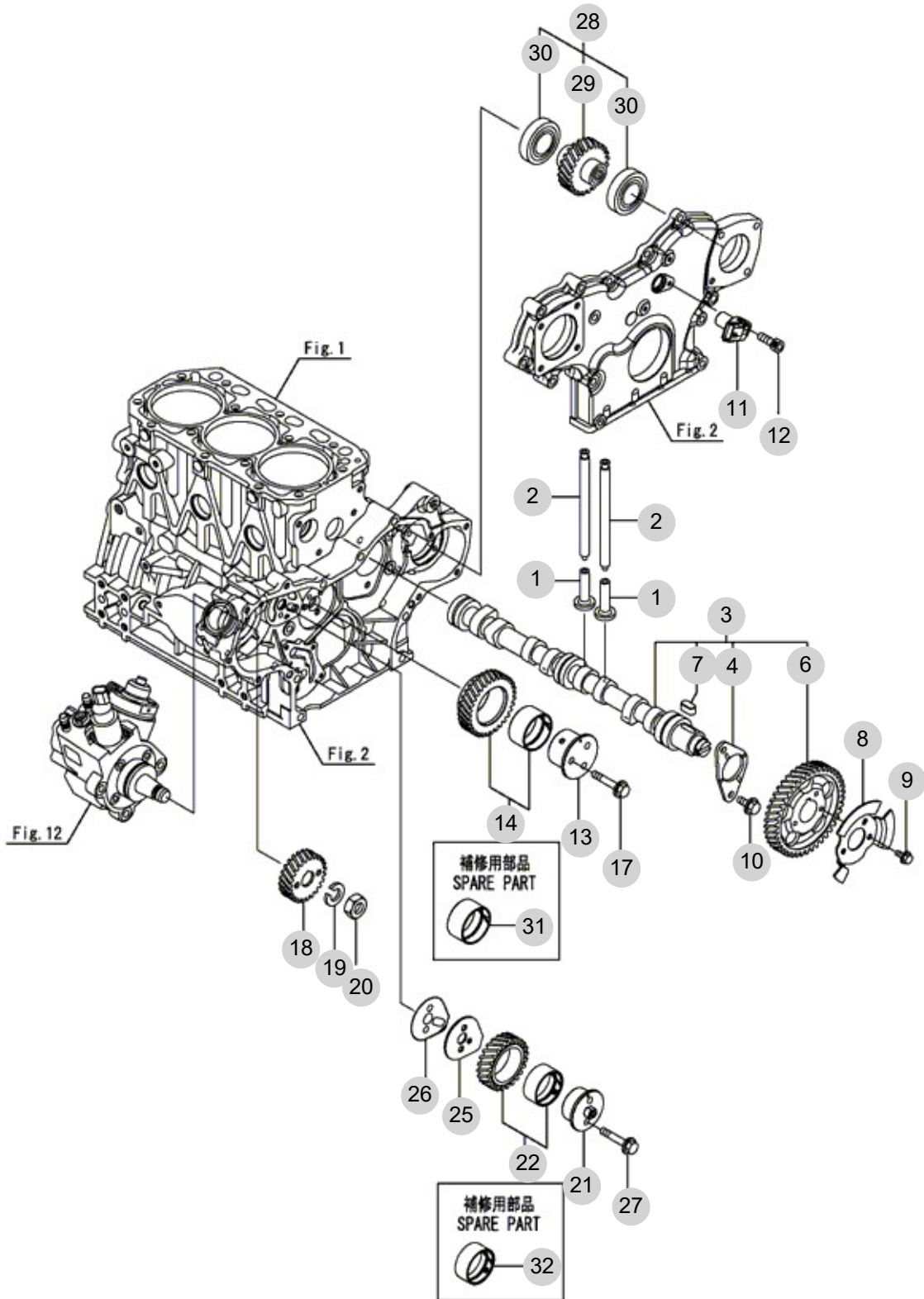
FIG 108

CAMSHAFT & DRIVING GEAR

년/월
Year/Month

2022-12

T395NCEU1



NOTE

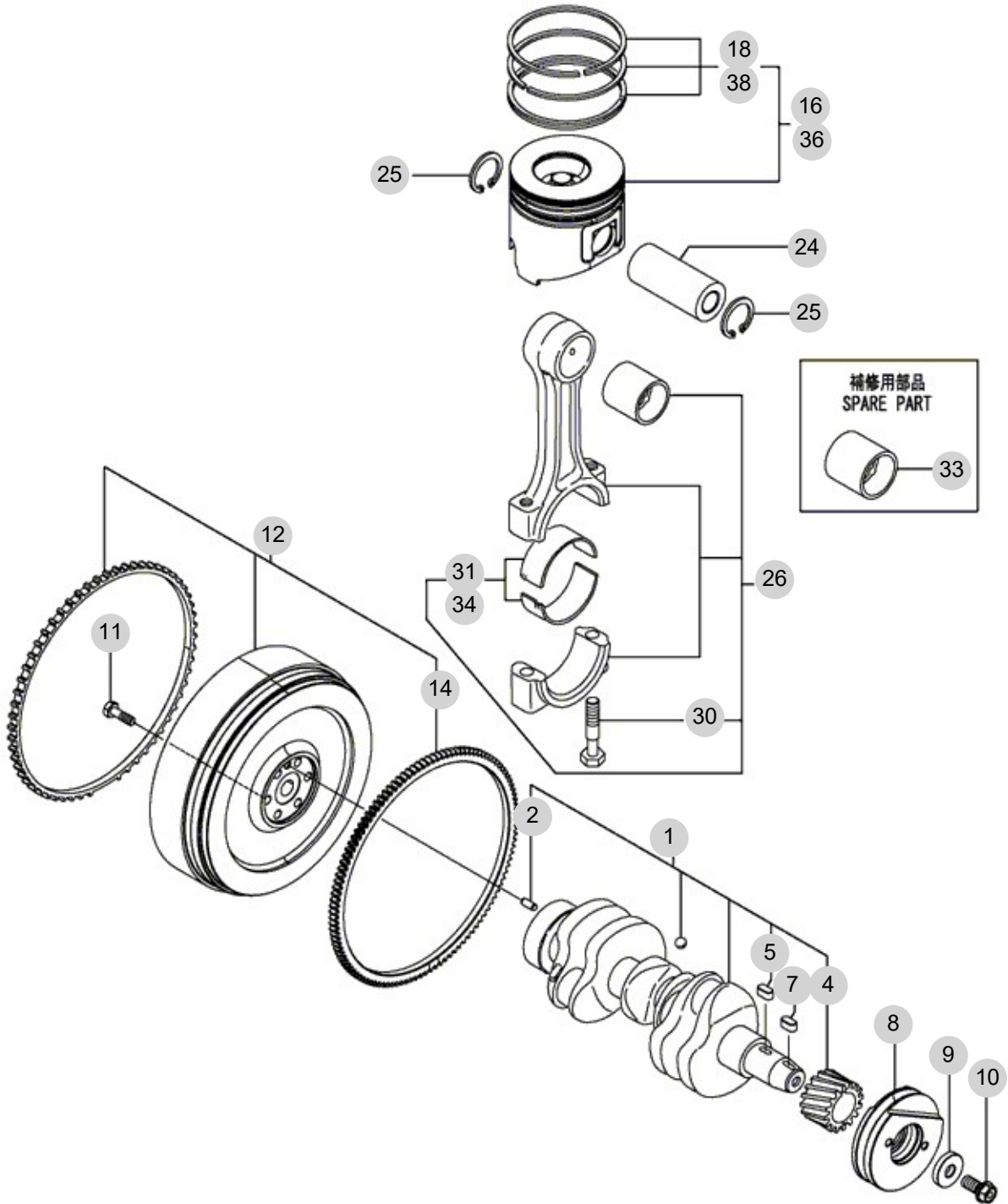
FIG 109

CRANKSHAFT & PISTON

년/월
Year/Month

2022-12

T395NCEU1



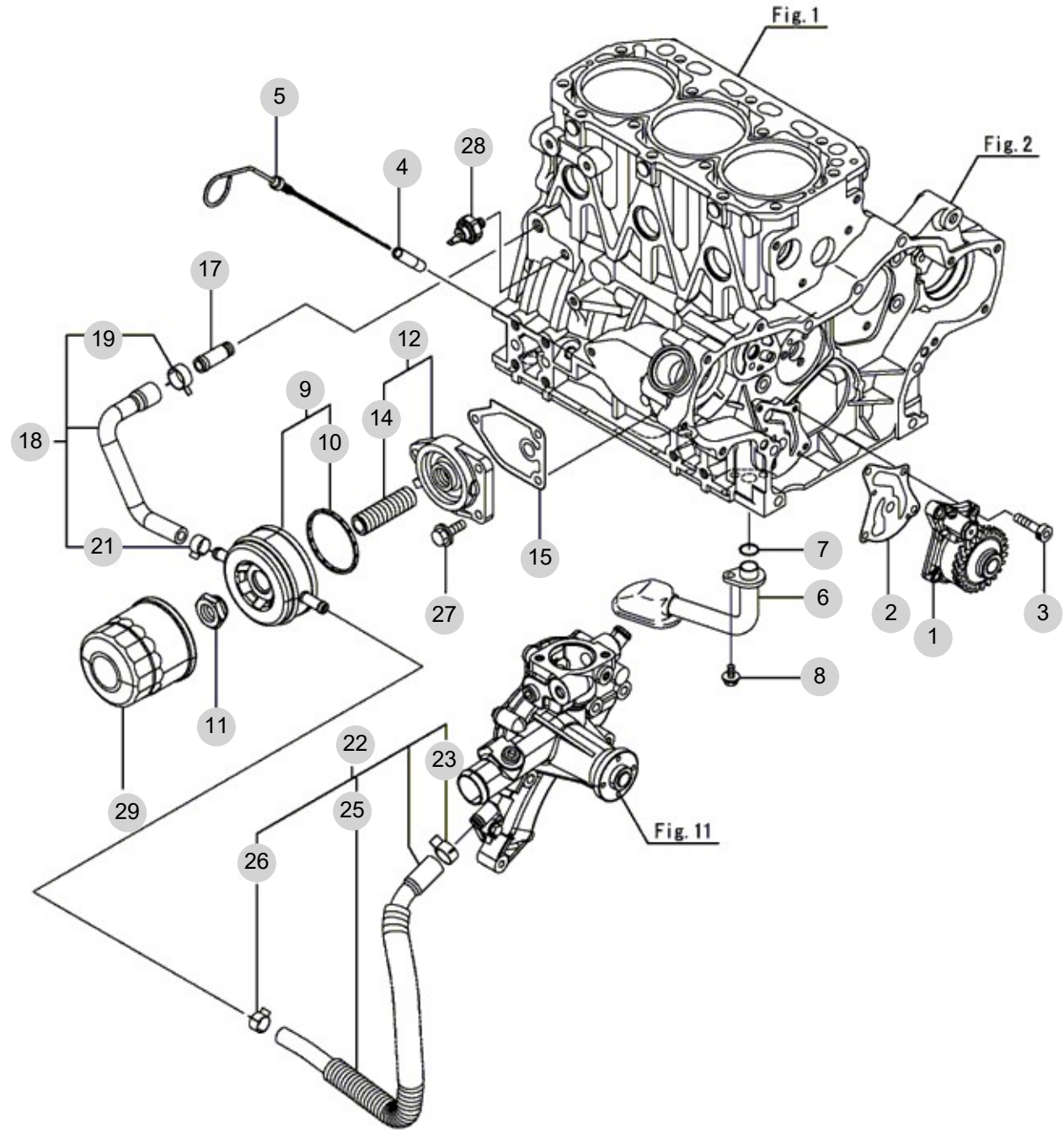
NOTE

FIG 110

LUB OIL SYSTEM

년/월
Year/Month

2022-12



NOTE

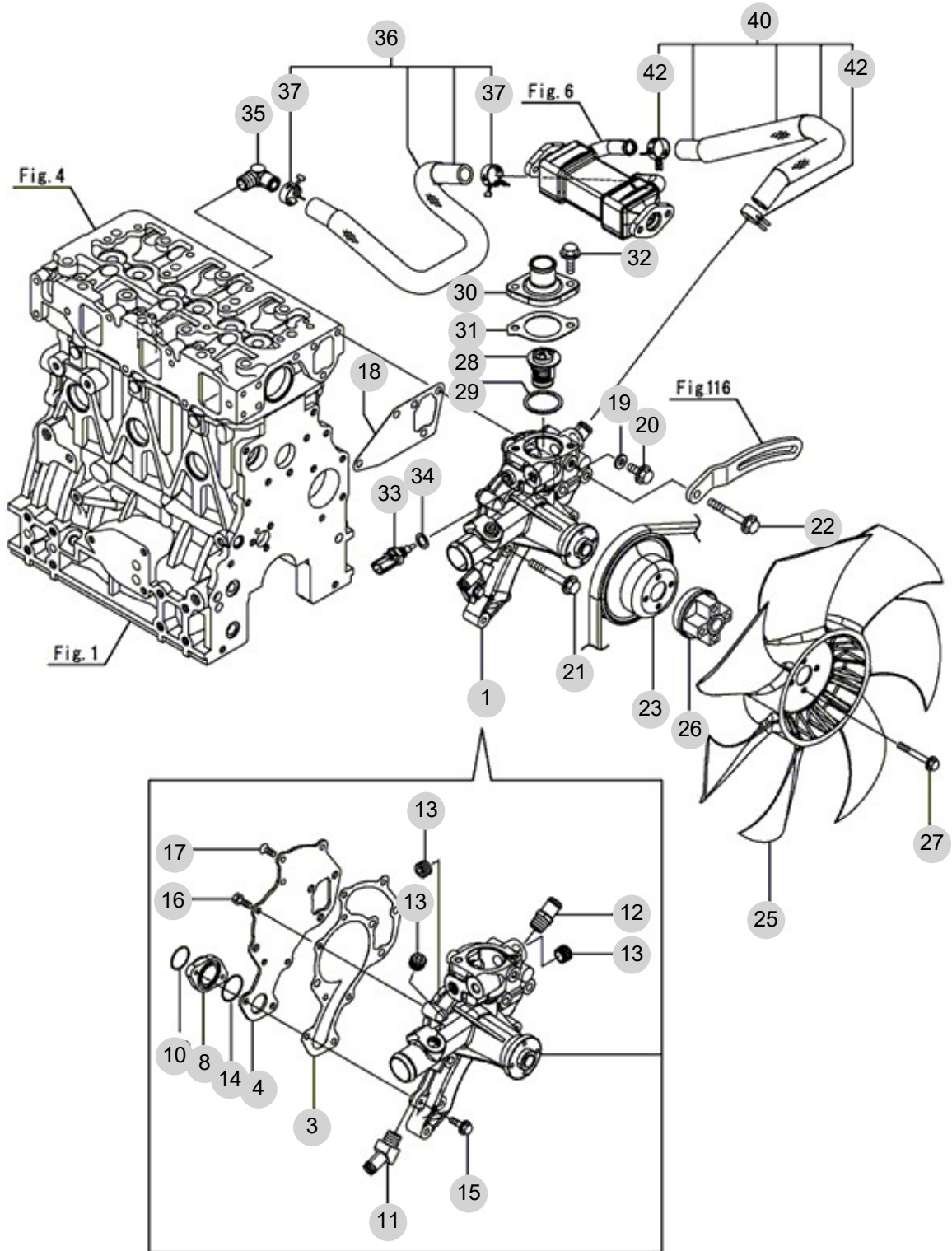
FIG 111

COOLING WATER SYSTEM

년/월
Year/Month

2022-12

T395NCEU1



NOTE

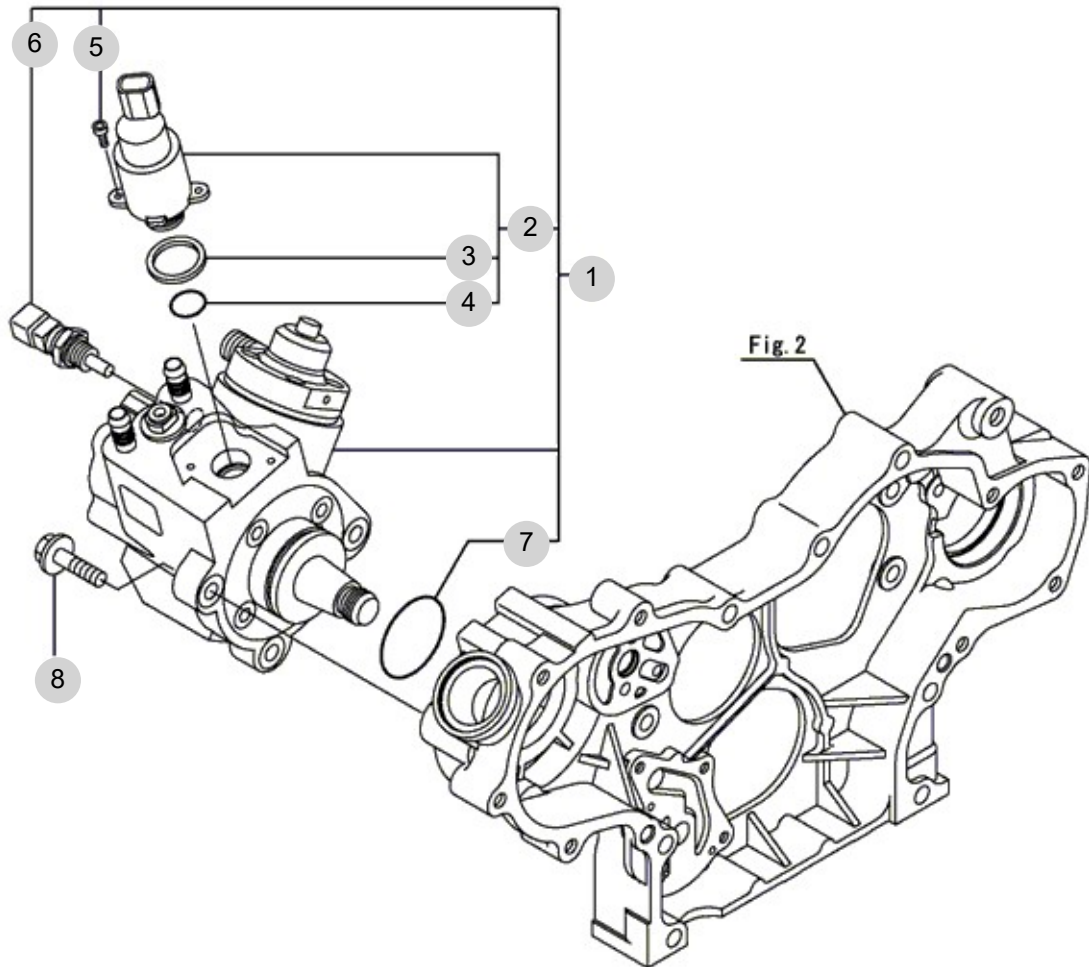
FIG 112

FUEL SUPPLY PUMP

년/월
Year/Month

2022-12

T395NCEU1



NOTE

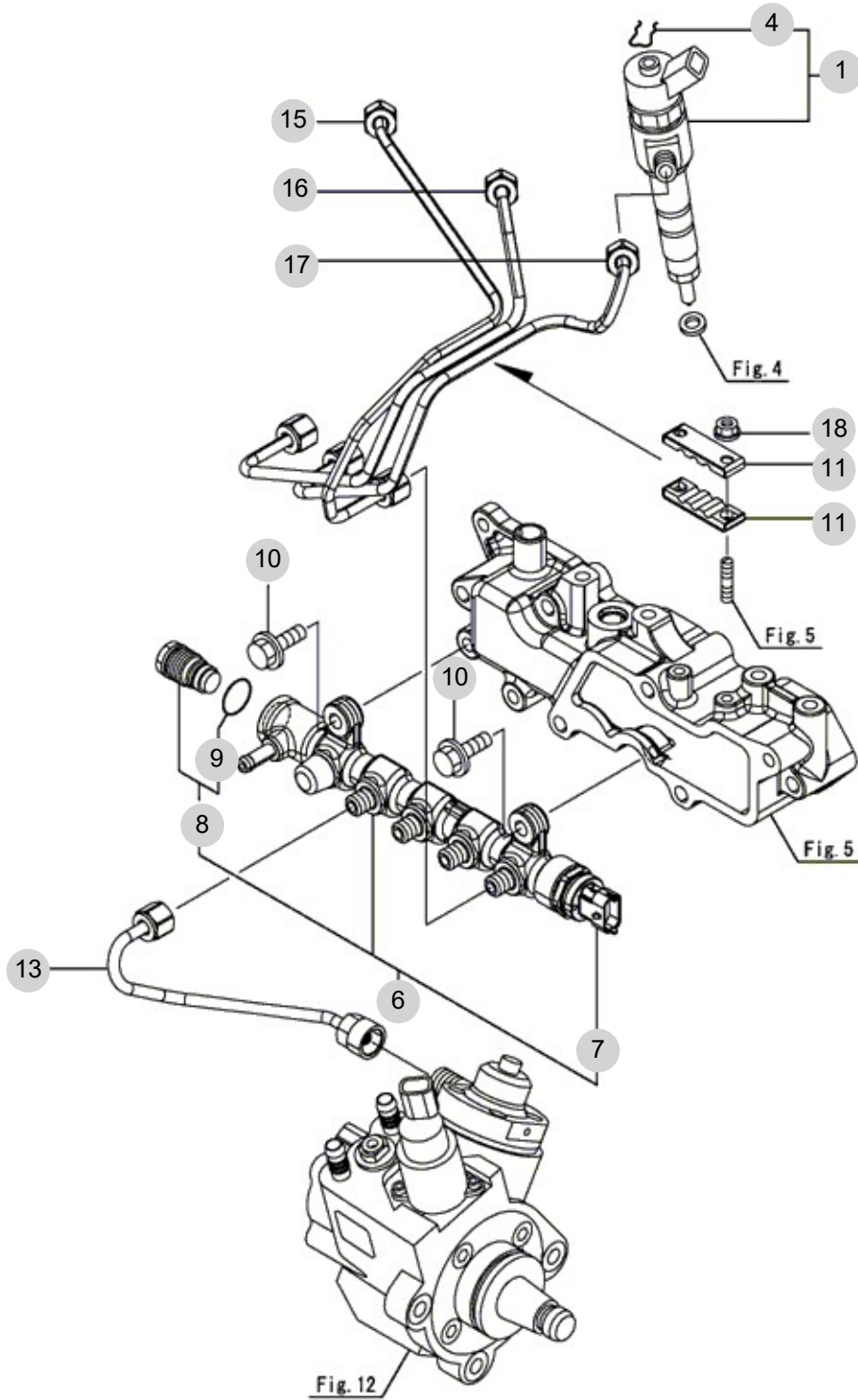
FIG 113

FUEL INJECTION VALVE

년/월
Year/Month

2022-12

T395NCEU1



NOTE

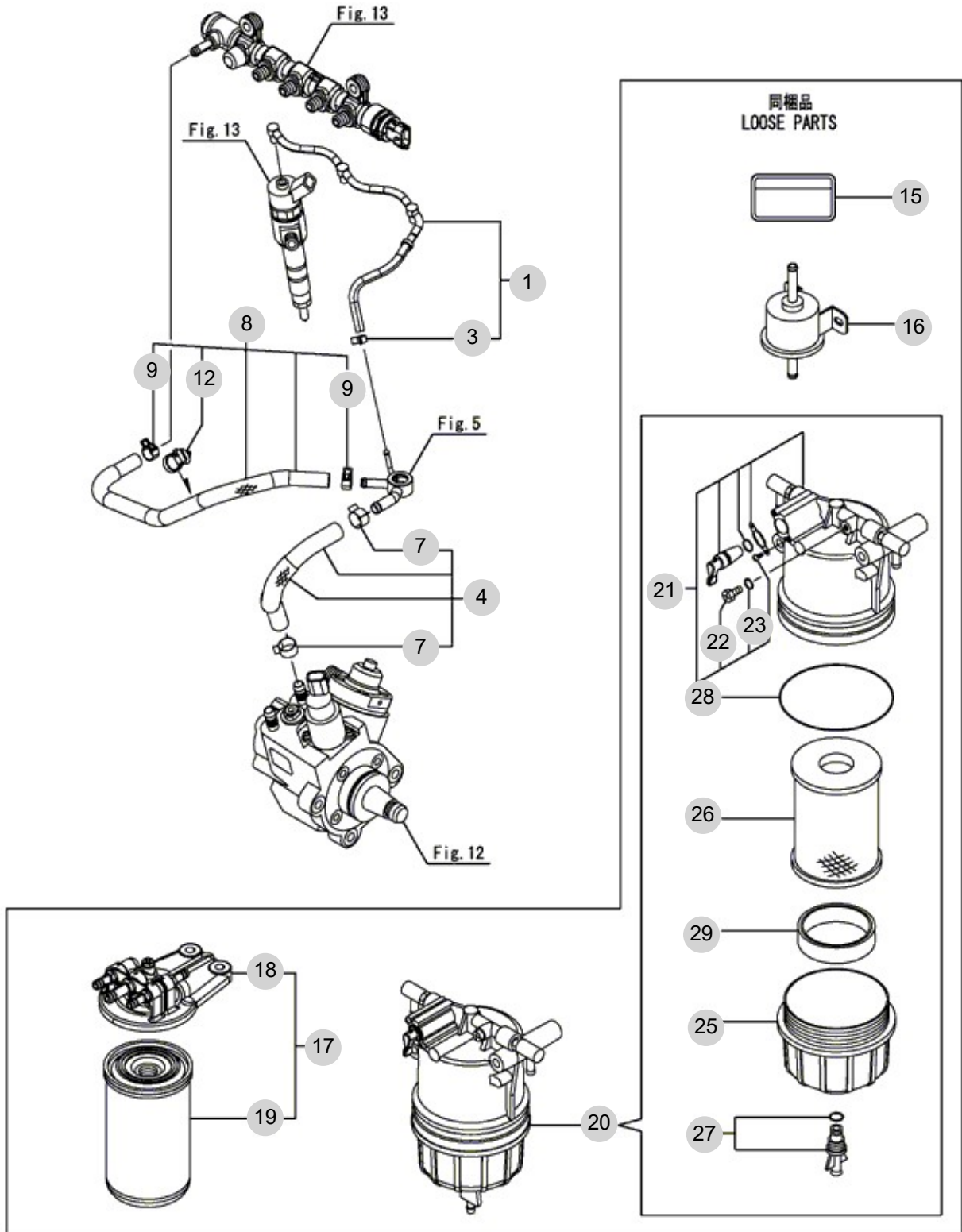
FIG 114

FUEL PIPE

년/월
Year/Month

T395NCEU1

2022-12



NOTE

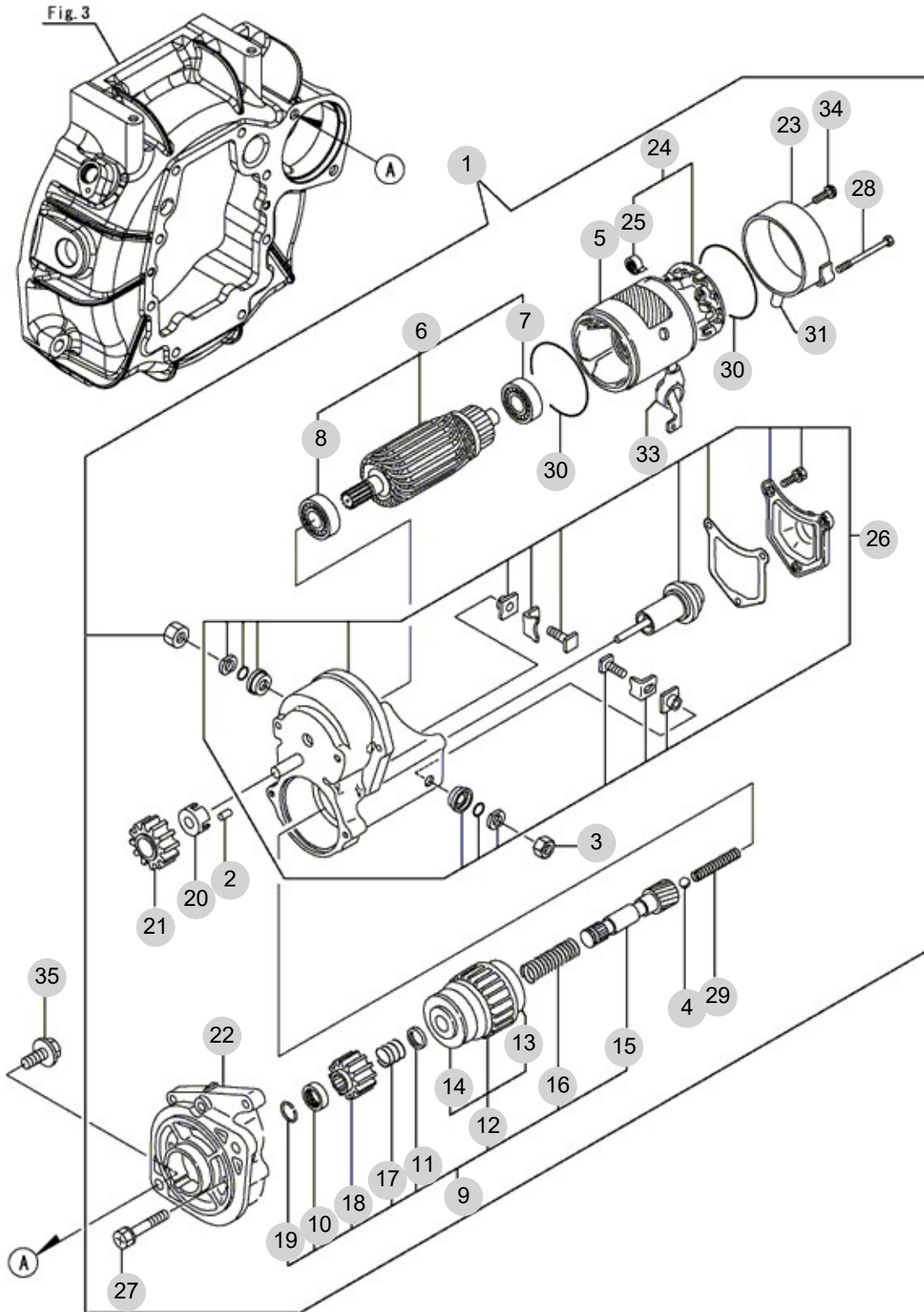
FIG 115

STARTER MOTOR

년/월
Year/Month

2022-12

T395NCEU1



NOTE

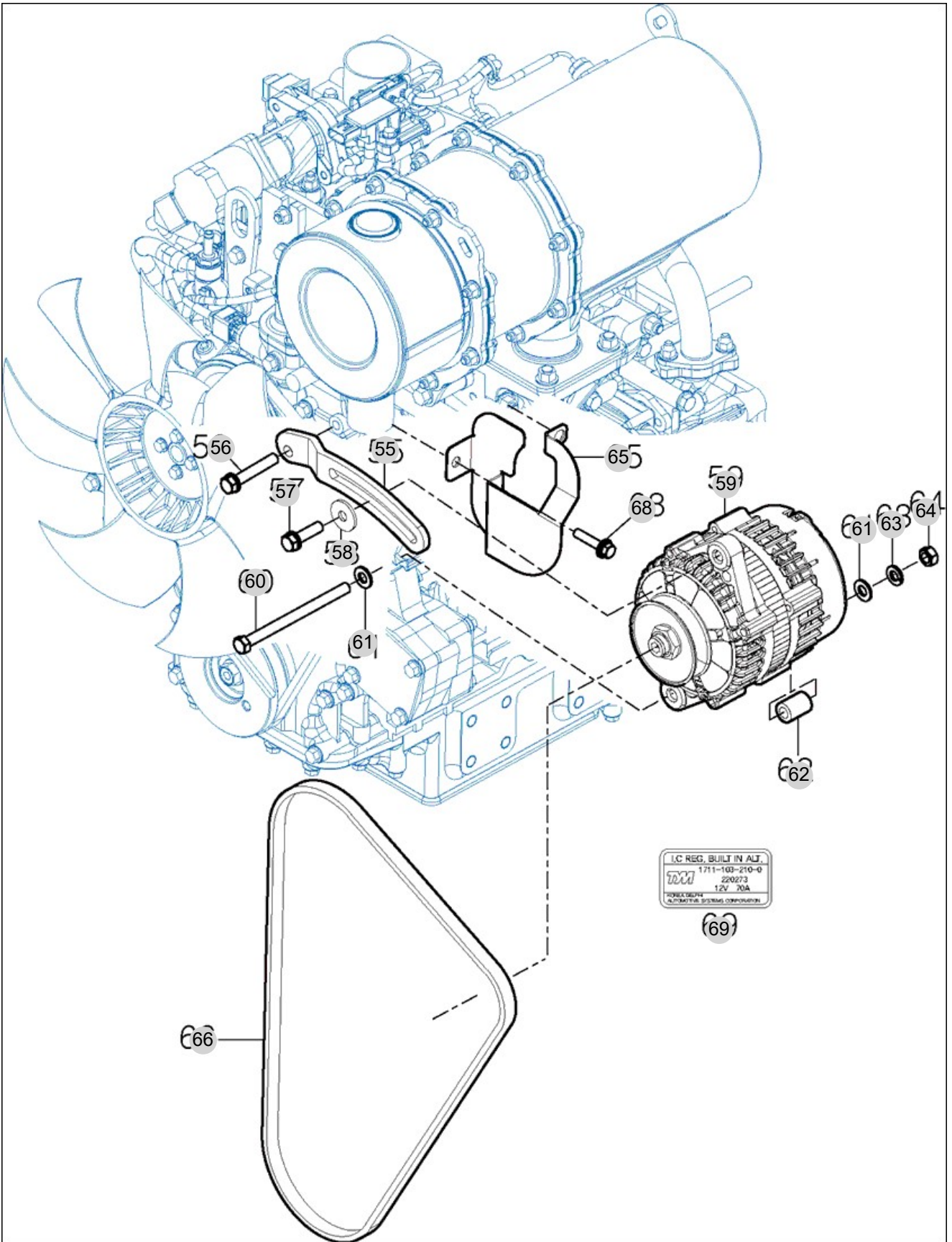
FIG 116

ALTERNATOR

년/월
Year/Month

2022-12

T395NCEU1



NOTE

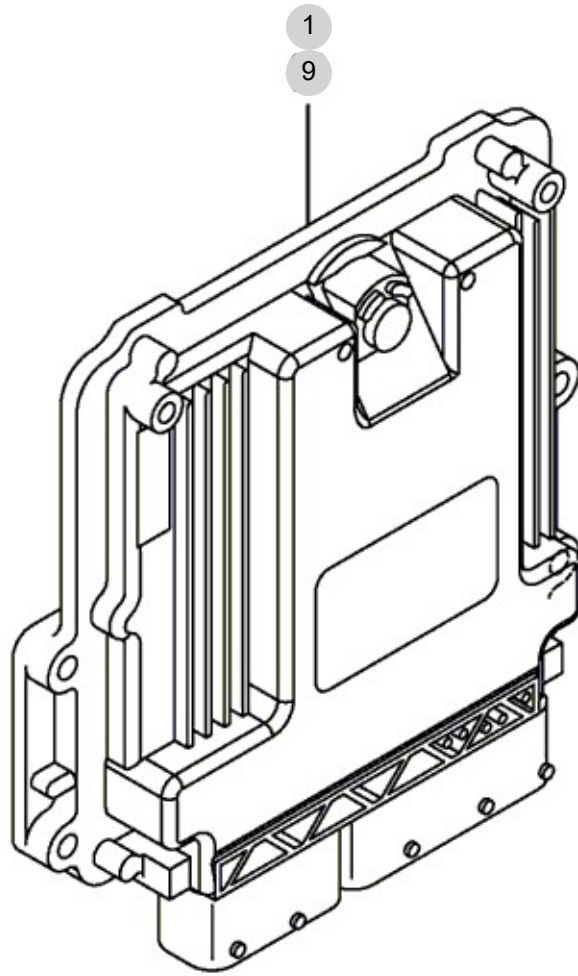
FIG 117

ELECTRONIC CONTROL UNIT(ECU)

년/월
Year/Month

2022-12

T395NCEU1



NOTE

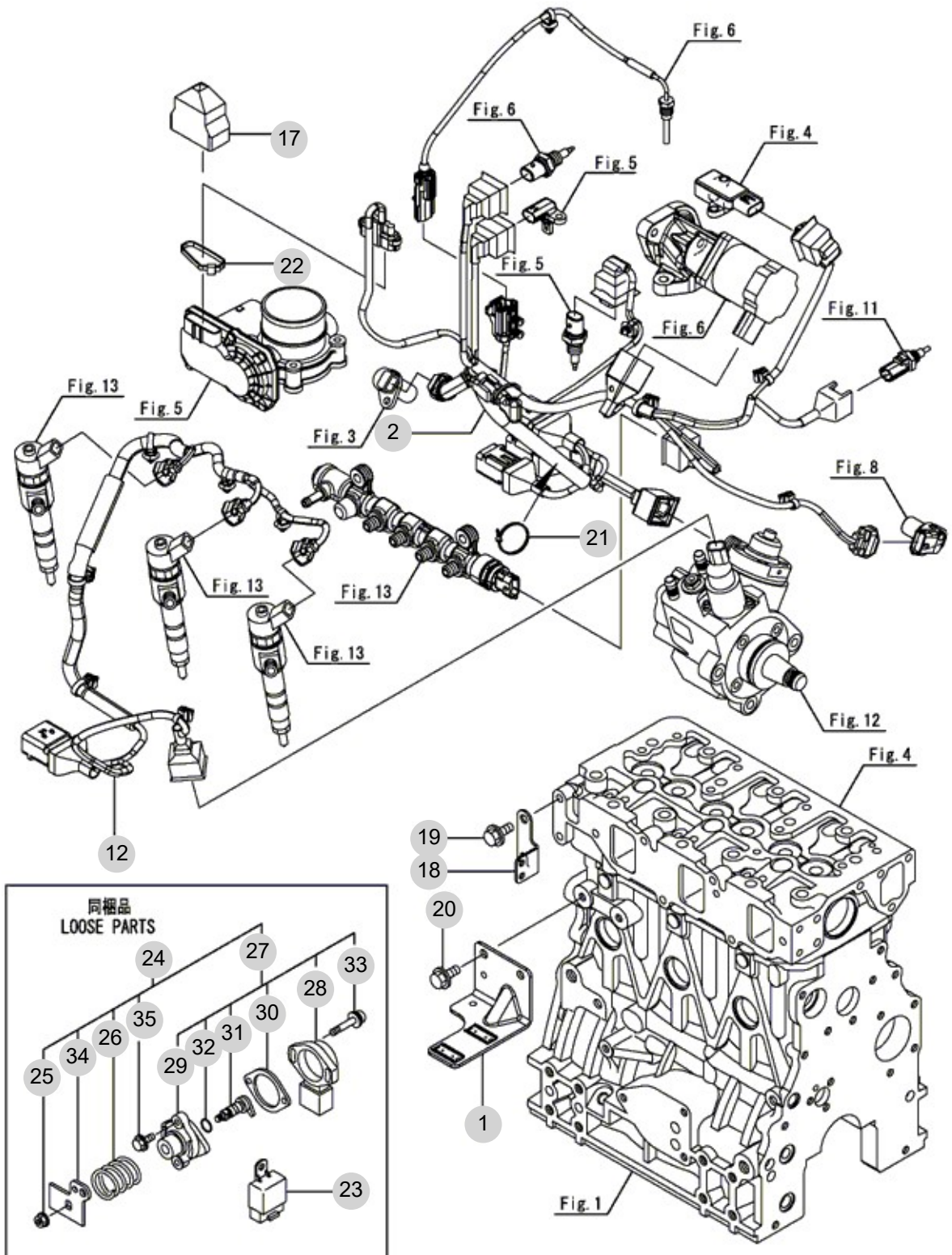
FIG 118

ELECTRIC PARTS

년/월
Year/Month

2022-12

T395NCEU1



NOTE

2. 엔진보기품 PART NO. T2

FIG 201 AIR CLEANER	47
FIG 202 RADIATOR	49
FIG 203 MUFFLER	51
FIG 204 FUEL TANK	53
FIG 205 ACCELERATOR	55

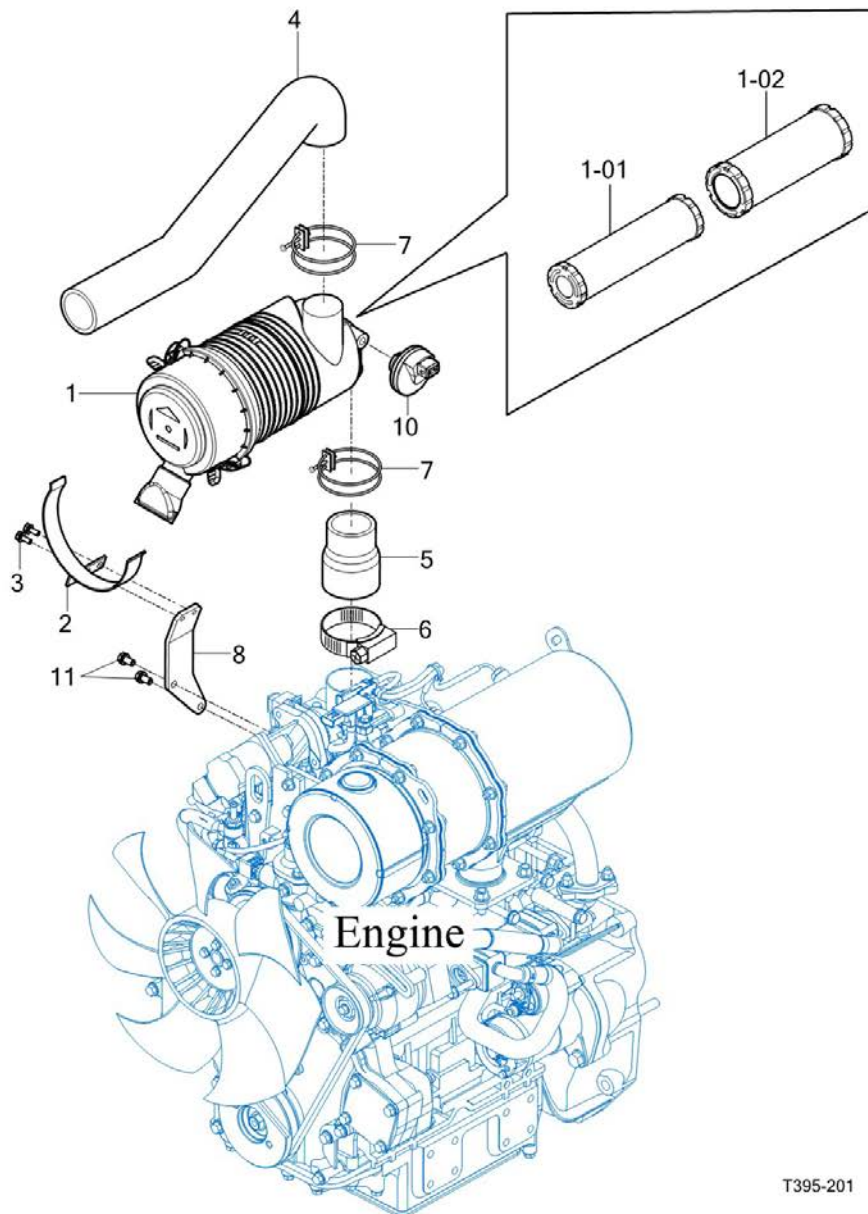
FIG 201

AIR CLEANER

년/월
Year/Month

2022-12

T395NCEU1



T395-201

NOTE

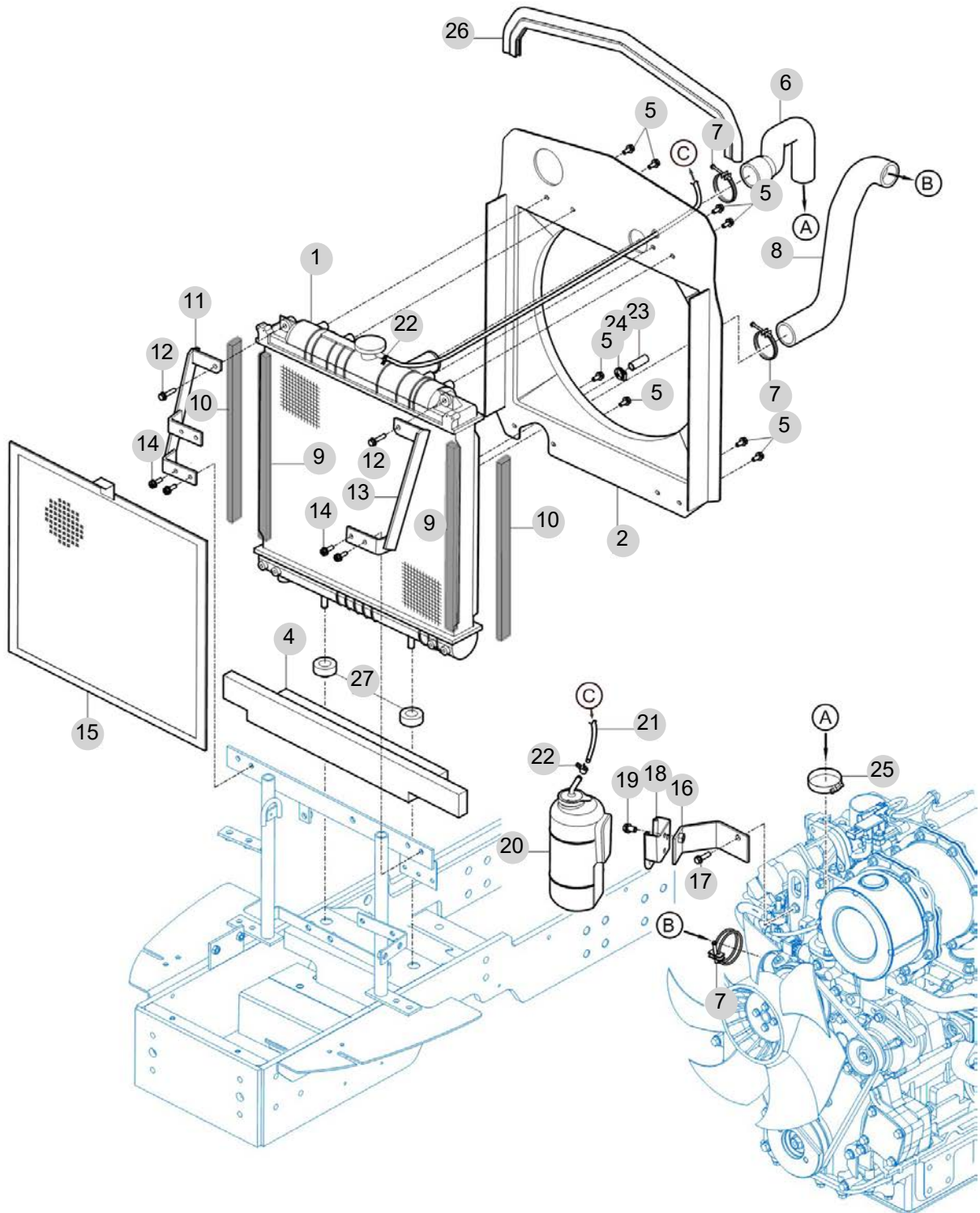
FIG 202

RADIATOR

년/월
Year/Month

2022-12

T395NCEU1



NOTE

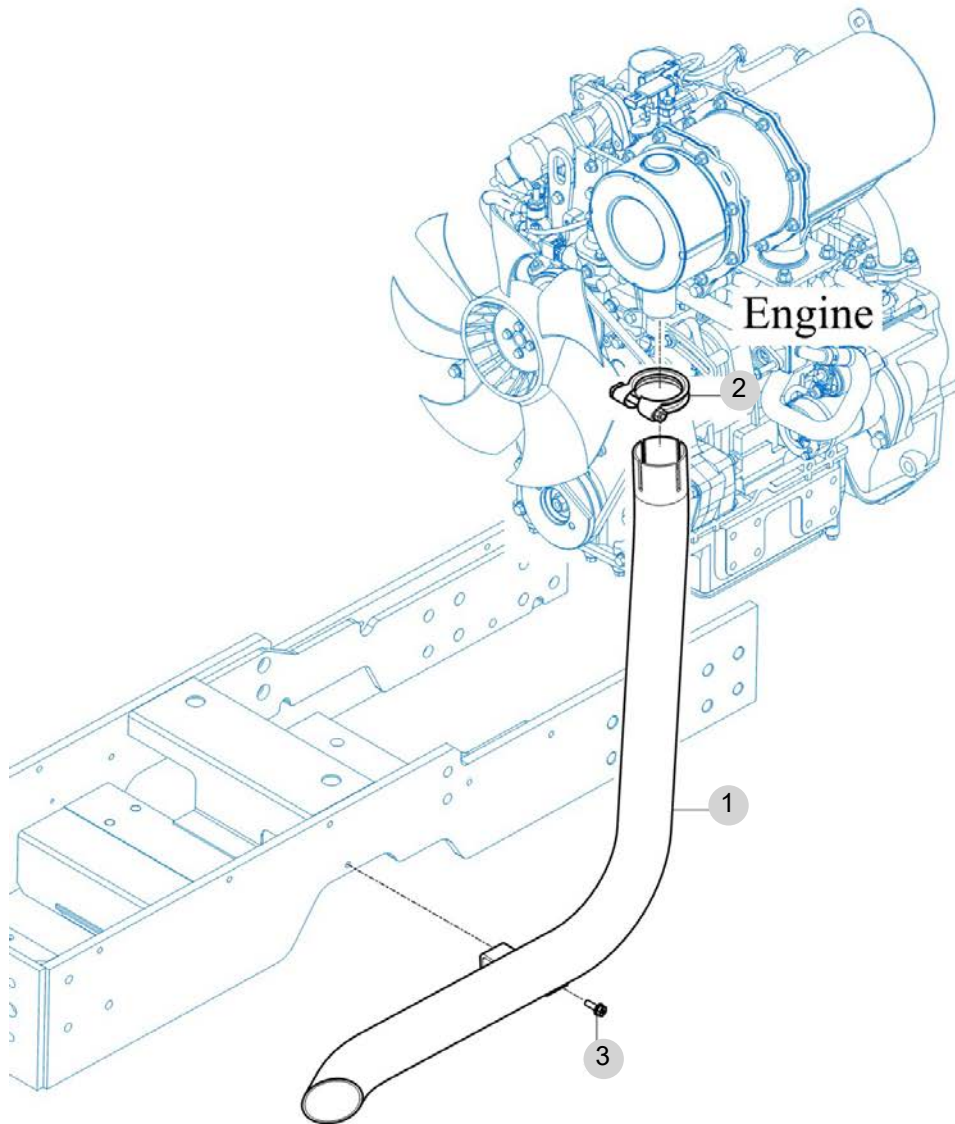
FIG 203

MUFFLER

년/월
Year/Month

2022-12

T395NCEU1



NOTE

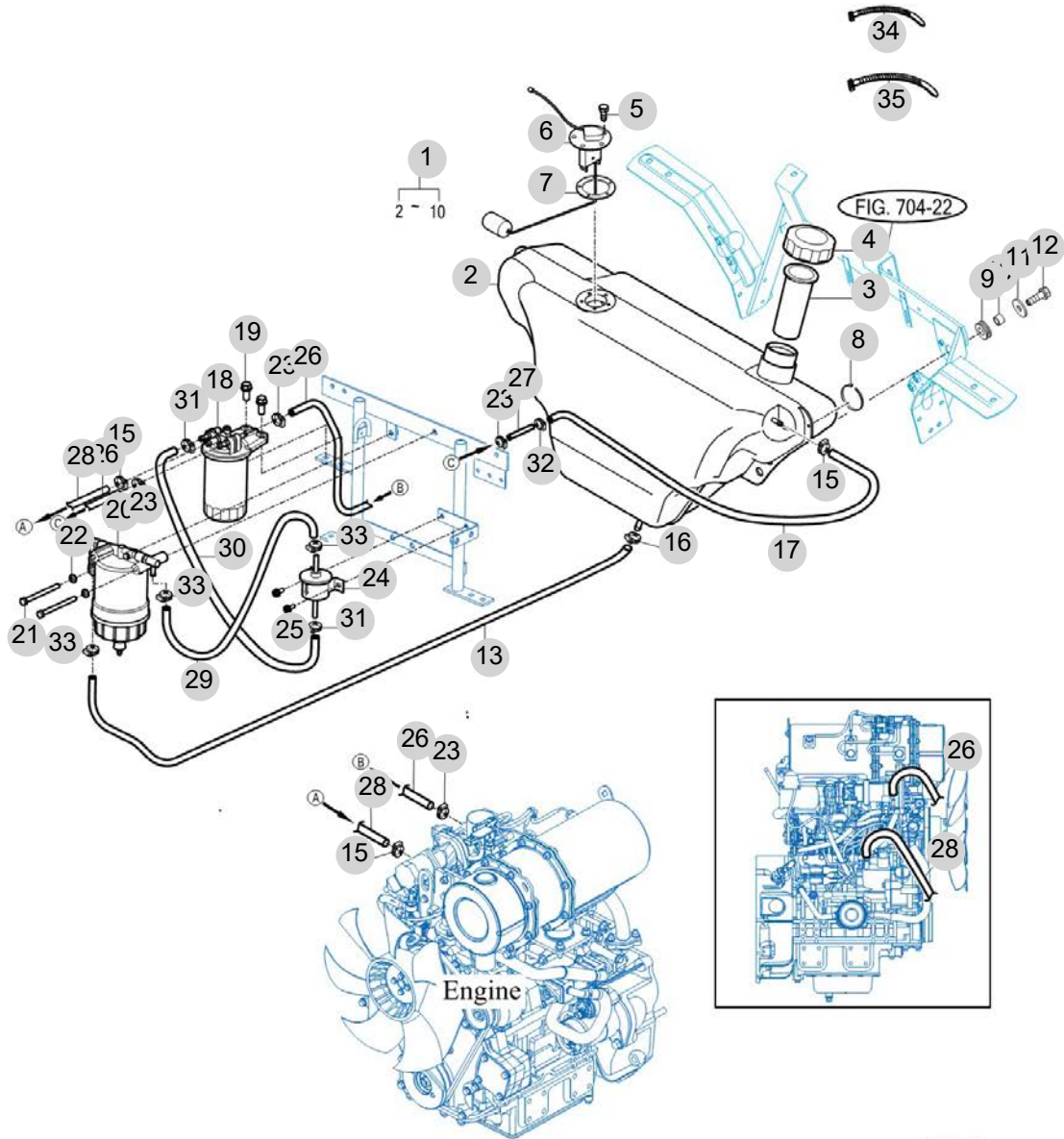
FIG 204

FUEL TANK

년/월
Year/Month

2022-12

T395NCEU1



T354-E-204

NOTE

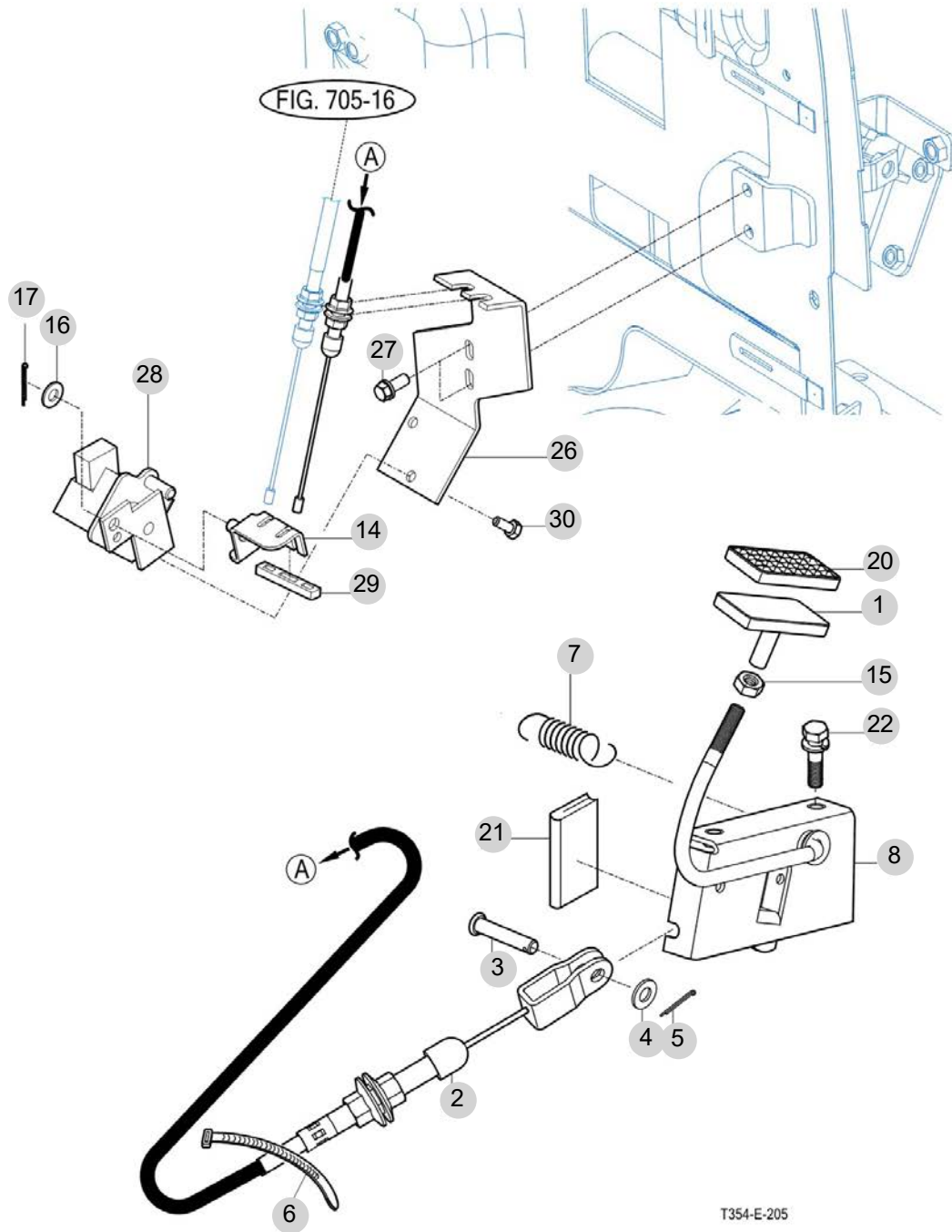
FIG 205

ACCELERATOR

년/월
Year/Month

2022-12

T395NCEU1



T354-E-205

NOTE

3. 클러치/브레이크/스티어링 PART NO. T3

FIG 301 CLUTCH PEDAL	58
FIG 302 FLYWHEEL & CLUTCH	60
FIG 303 BRAKE PEDAL	62
FIG 304 BRAKE	64
FIG 306 FRONT WHEEL MOUNTING	66
FIG 307 REAR WHEEL MOUNTING	68
FIG 308 STEERING WHEEL	70
FIG 309 STEERING VALVE & TILT	72
FIG 310 STEERING CYLINDER	74
FIG 311 HAND BRAKE LINKAGE	76

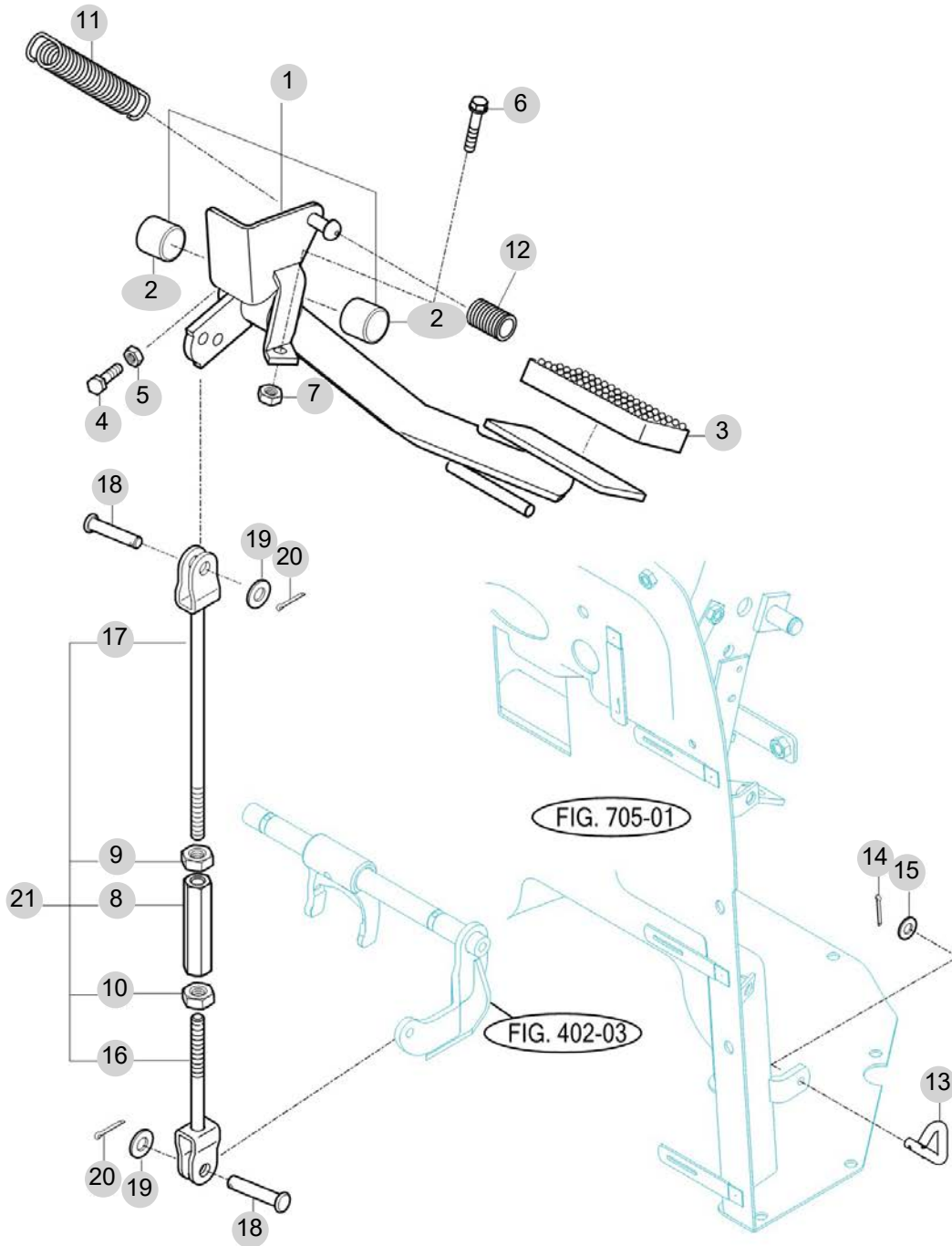
FIG 301

CLUTCH PEDAL

년/월
Year/Month

2022-12

T395NCEU1



T303/353NC-E-301

NOTE

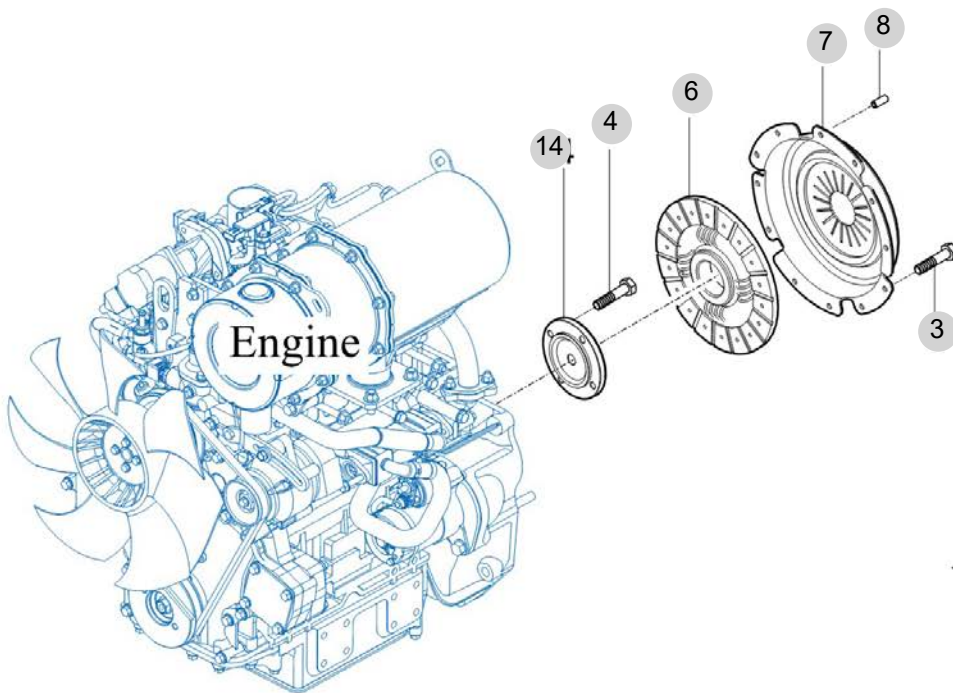
FIG 302

FLYWHEEL & CLUTCH

년/월
Year/Month

2022-12

T395NCEU1



T393-E-302

NOTE

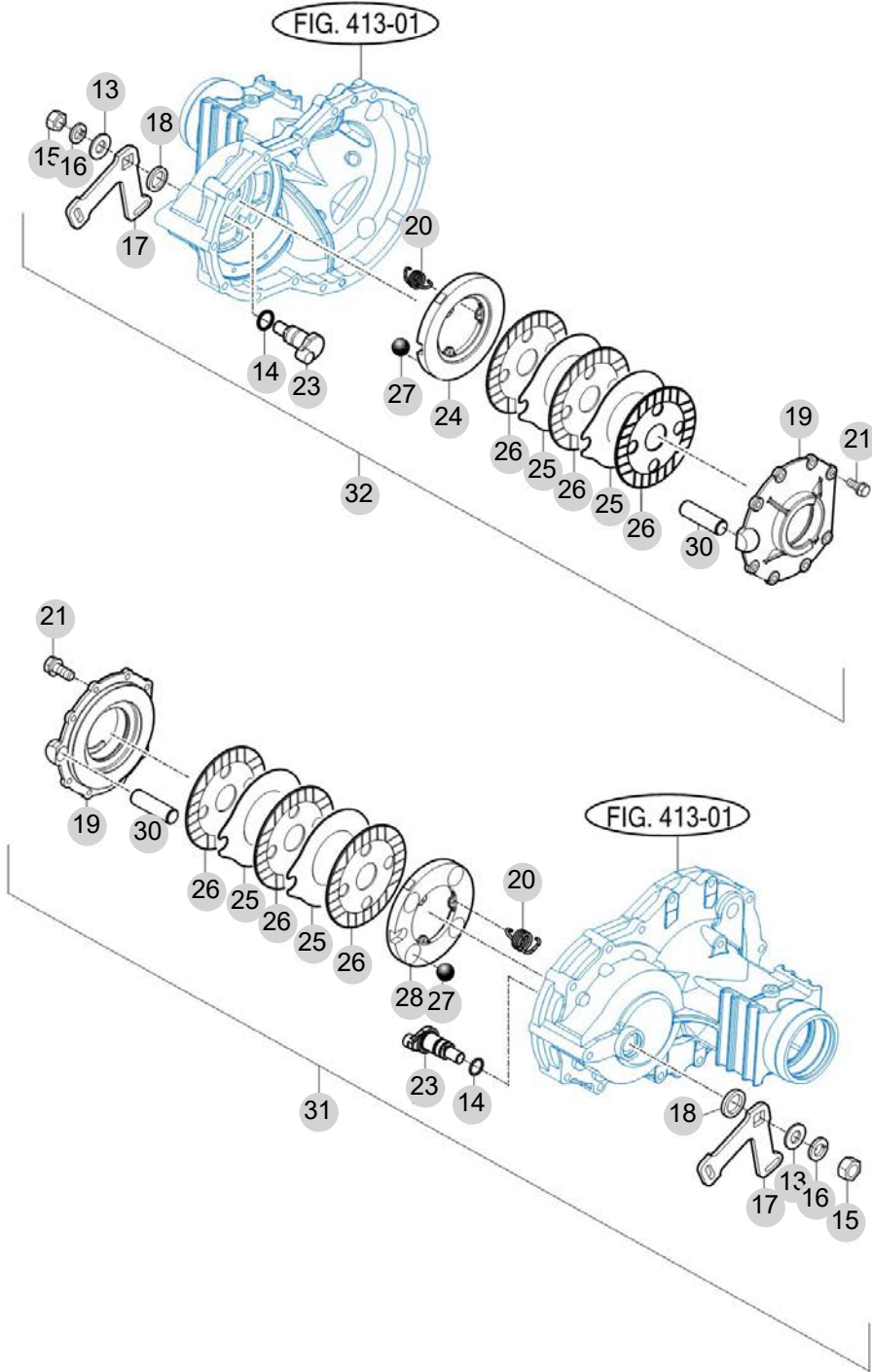
FIG 304

BRAKE

년/월
Year/Month

2022-12

T395NCEU1



NOTE

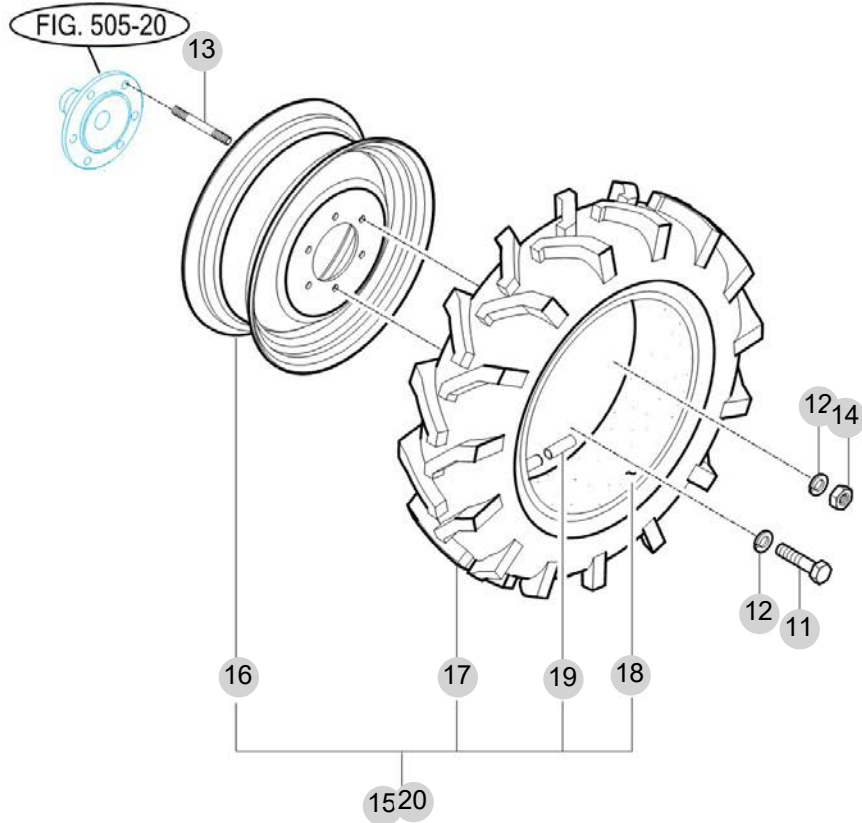
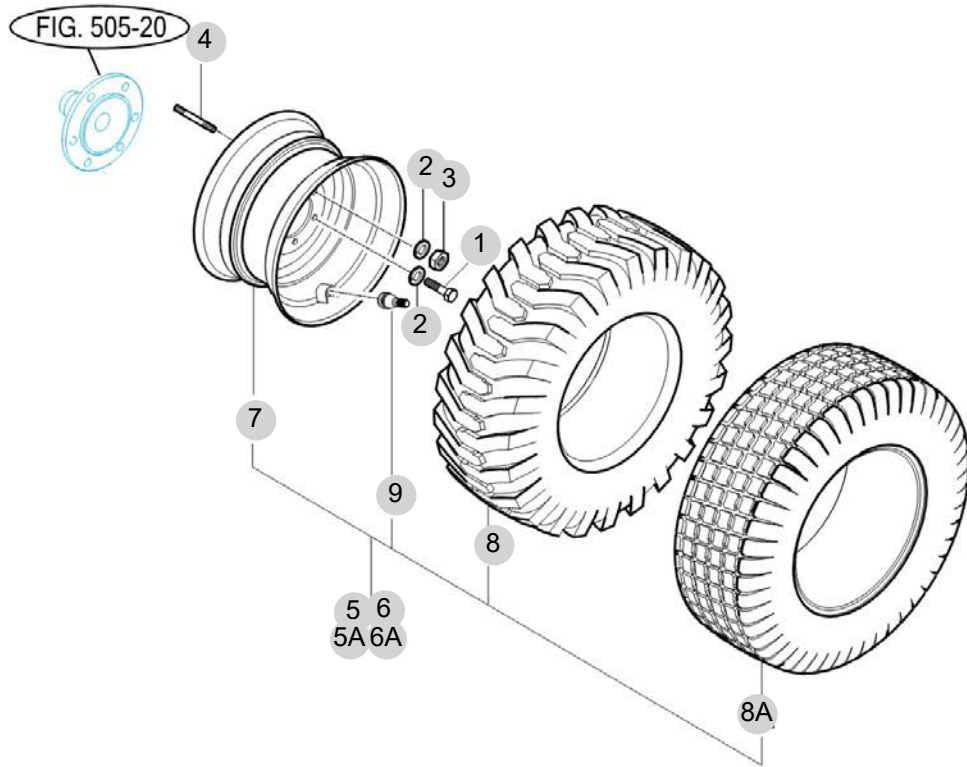
FIG 306

FRONT WHEEL MOUNTING

년/월
Year/Month

2022-12

T395NCEU1



T394-E-306

NOTE

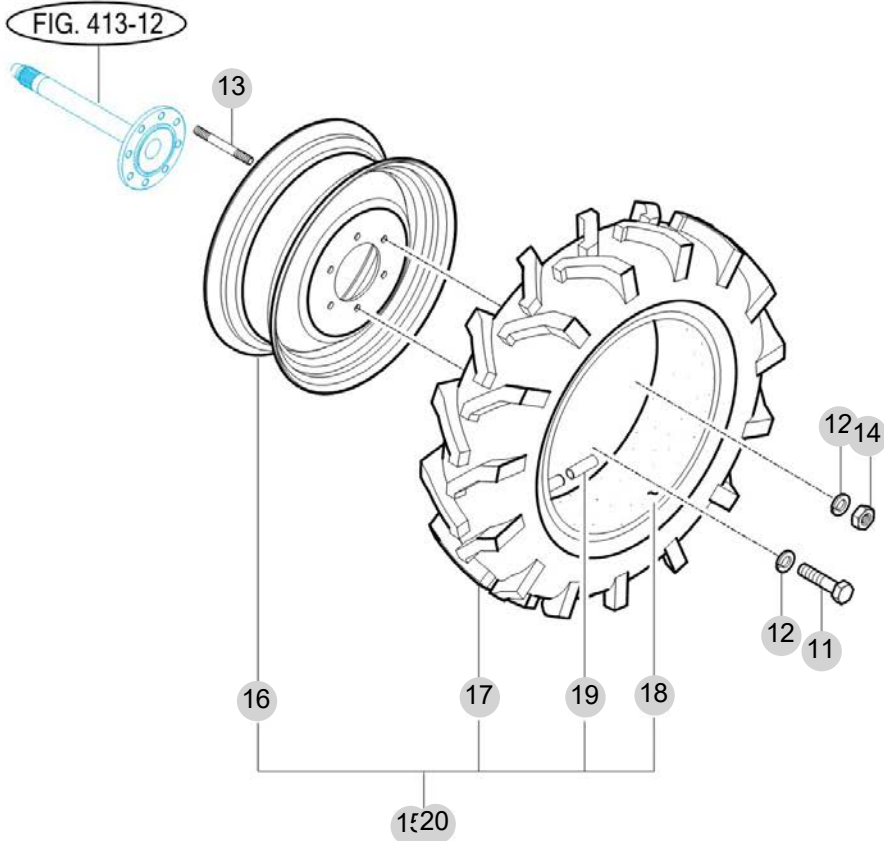
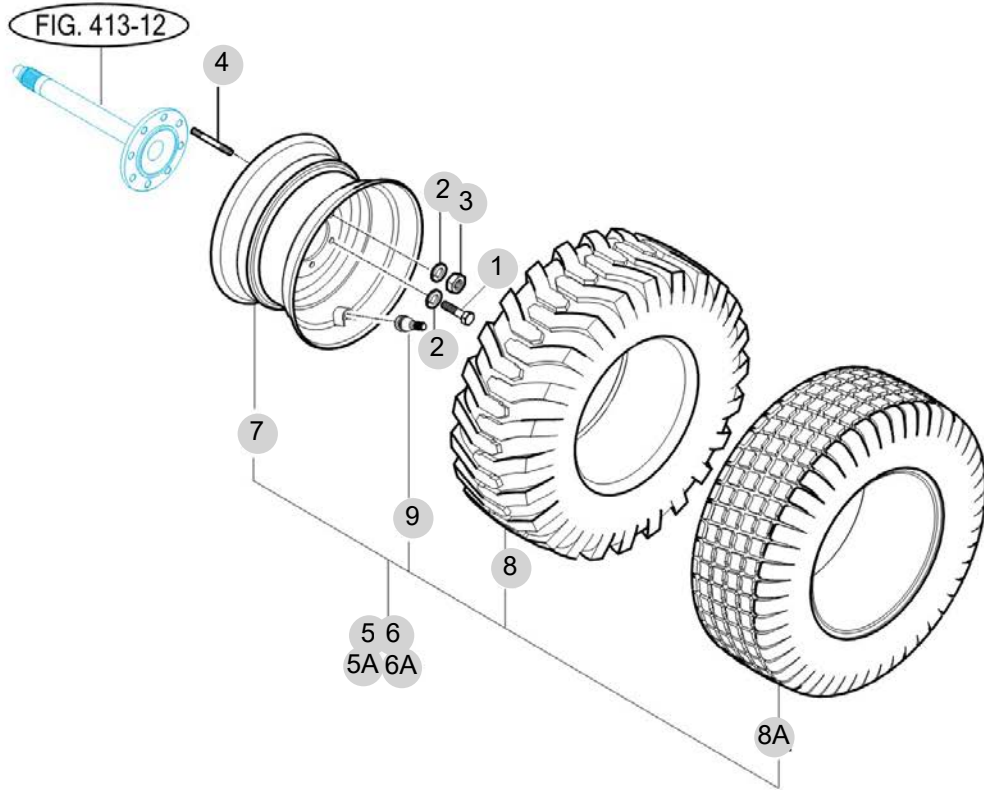
FIG 307

REAR WHEEL MOUNTING

년/월
Year/Month

2022-12

T395NCEU1



T394-E-307

NOTE

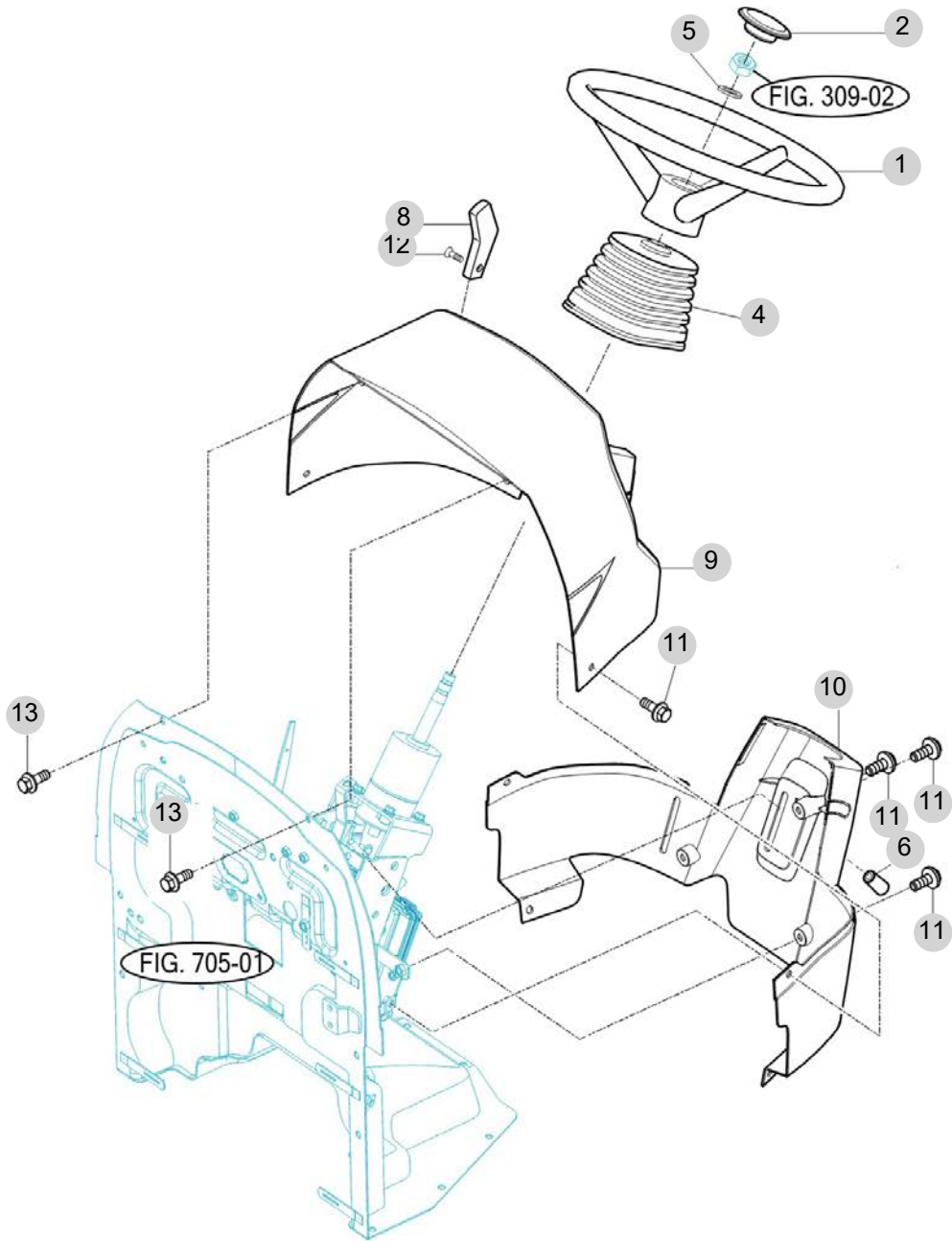
FIG 308

T395NCEU1

STEERING WHEEL

년/월
Year/Month

2022-12



T354-E-308

NOTE

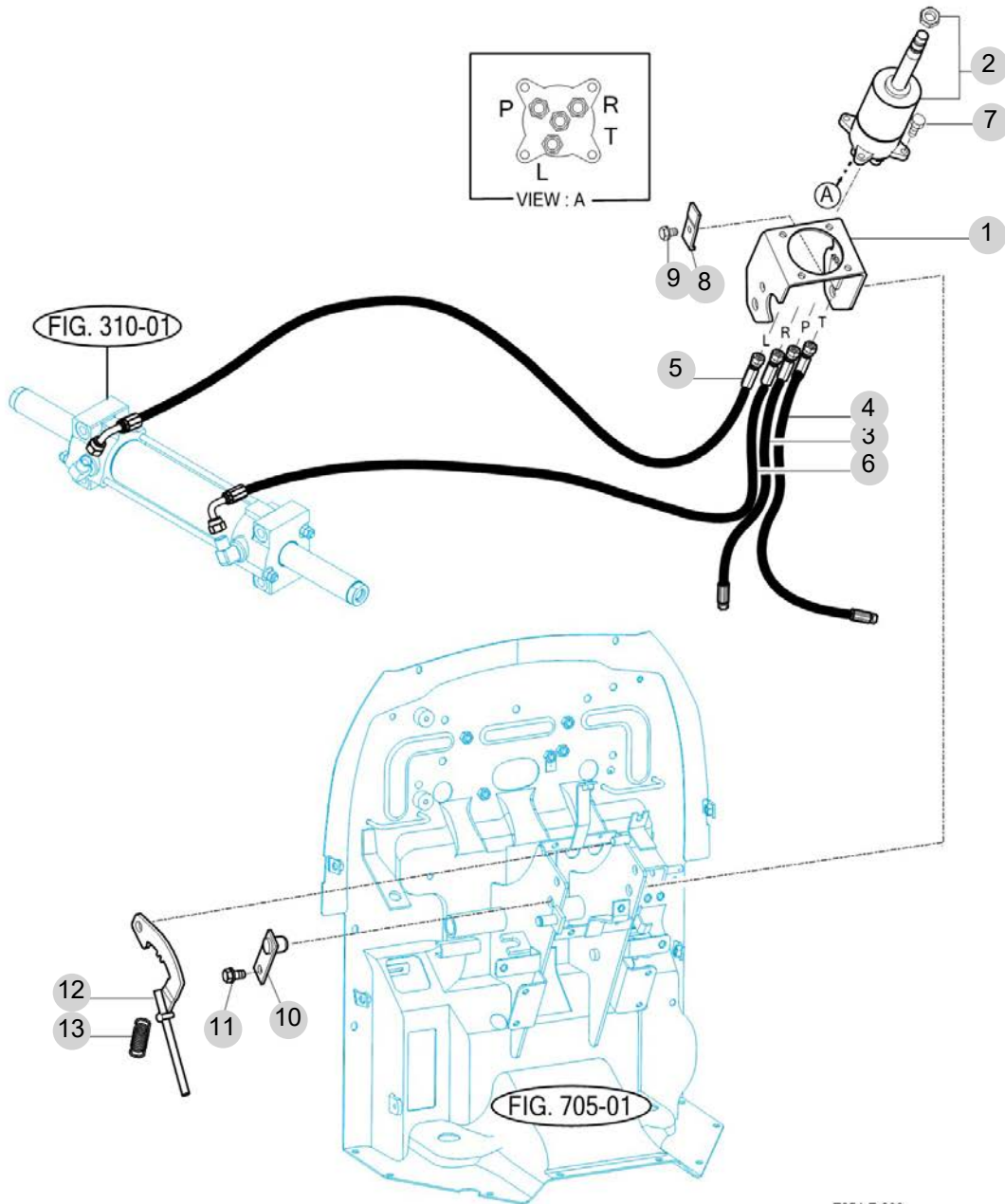
FIG 309

STEERING VALVE & TILT

년/월
Year/Month

2022-12

T395NCEU1



NOTE

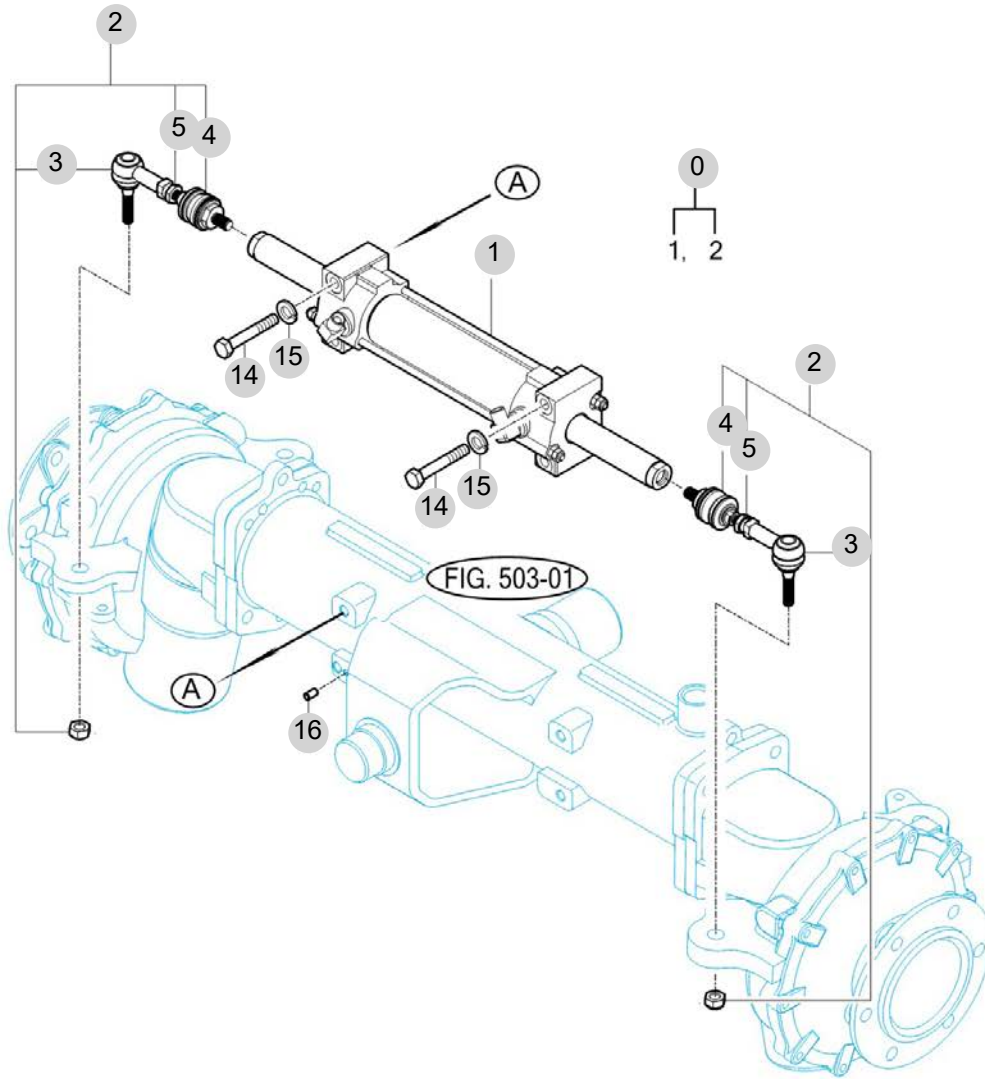
FIG 310

STEERING CYLINDER

년/월
Year/Month

2022-12

T395NCEU1



T393NC-E-310

NOTE

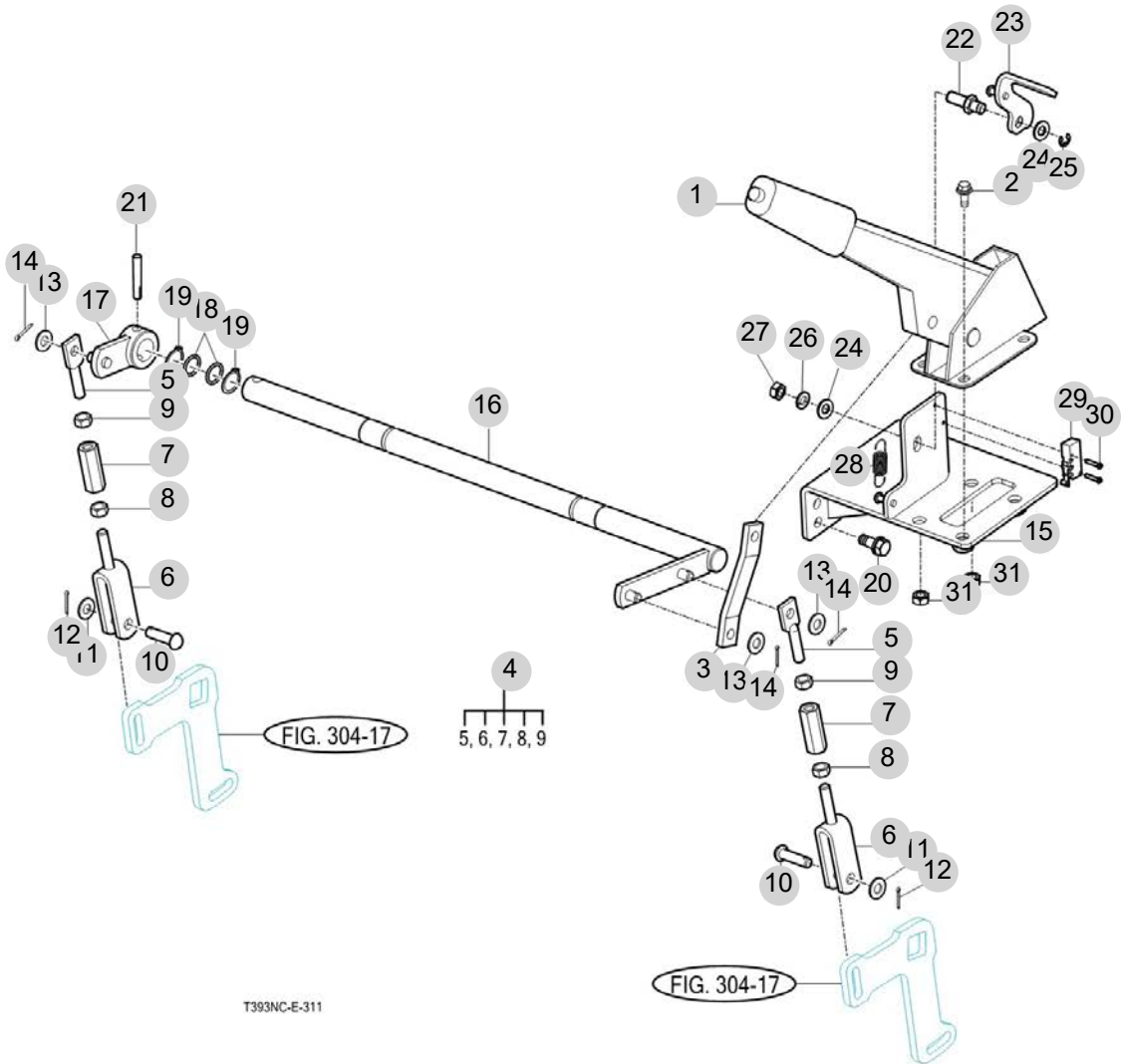
FIG 311

HAND BRAKE LINKAGE

년/월
Year/Month

2022-12

T395NCEU1



T393NC-E-311

NOTE

4. 트랜스미션 PART NO. T4

FIG 401 TRANSMISSION FRONT CASE	79
FIG 402 INPUT METAL	81
FIG 403 INPUT GEAR	83
FIG 404 4WD DRIVE GEAR	85
FIG 405 MAIN CHANGE GEARS & REVERSE GEARS	87
FIG 406 SUB CHANGE GEARS	89
FIG 407 PINION GEARS	91
FIG 408 P.T.O DRIVE SHAFT	93
FIG 409 P.T.O CHANGE GEARS	95
FIG 410 DIFF LOCK	97
FIG 411 TRANSMISSION REAR CASE	99
FIG 412 REAR AXLE HOUSINGS (1)	101
FIG 413 REAR AXLE HOUSINGS (2)	103
FIG 414 MAIN CHANGE LEVER	105
FIG 415 SUB CHANGE LEVER	107
FIG 416 REVERSE LINK	109
FIG 417 REVERSE CHANGE LEVER	111
FIG 418 4WD CHANGE LEVER	113

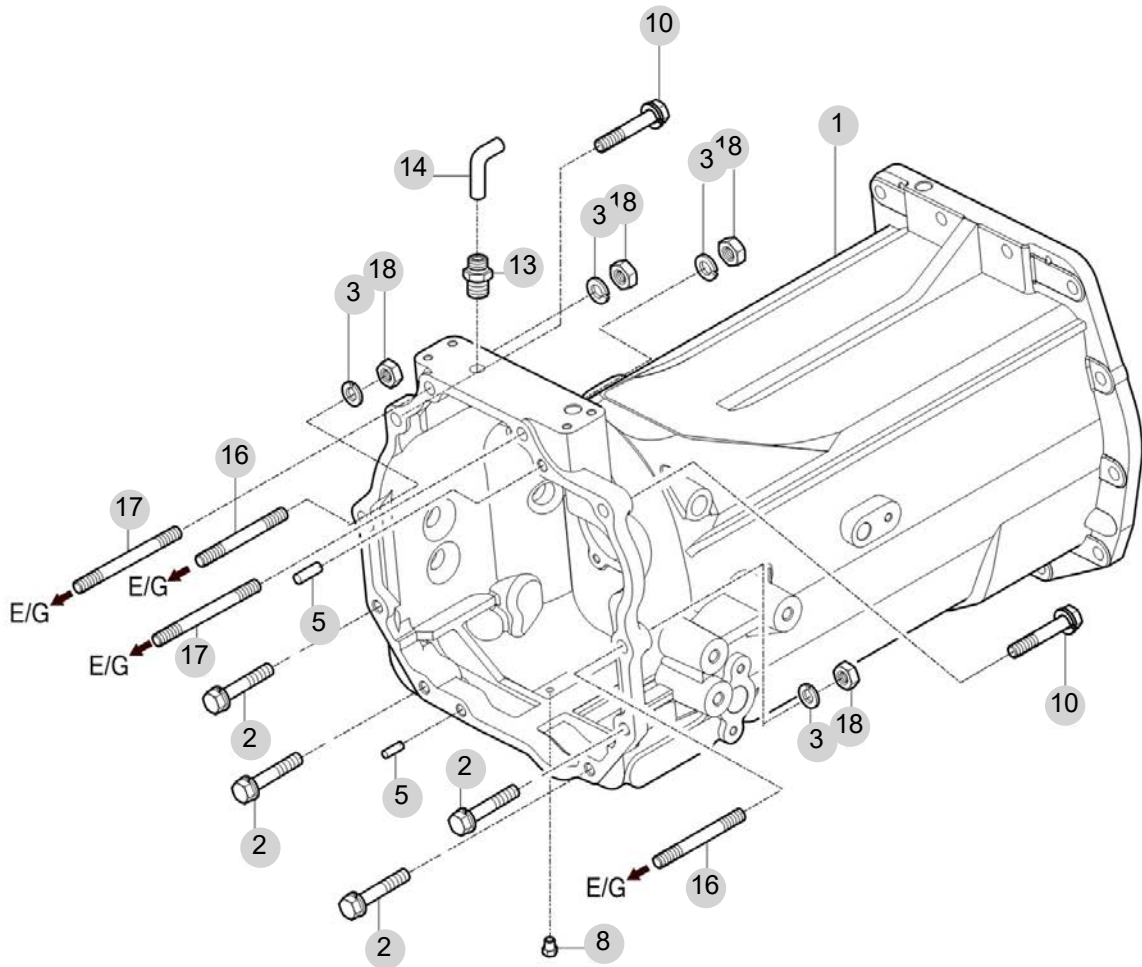
FIG 401

TRANSMISSION FRONT CASE

년/월
Year/Month

2022-12

T395NCEU1



T345-E-401

NOTE

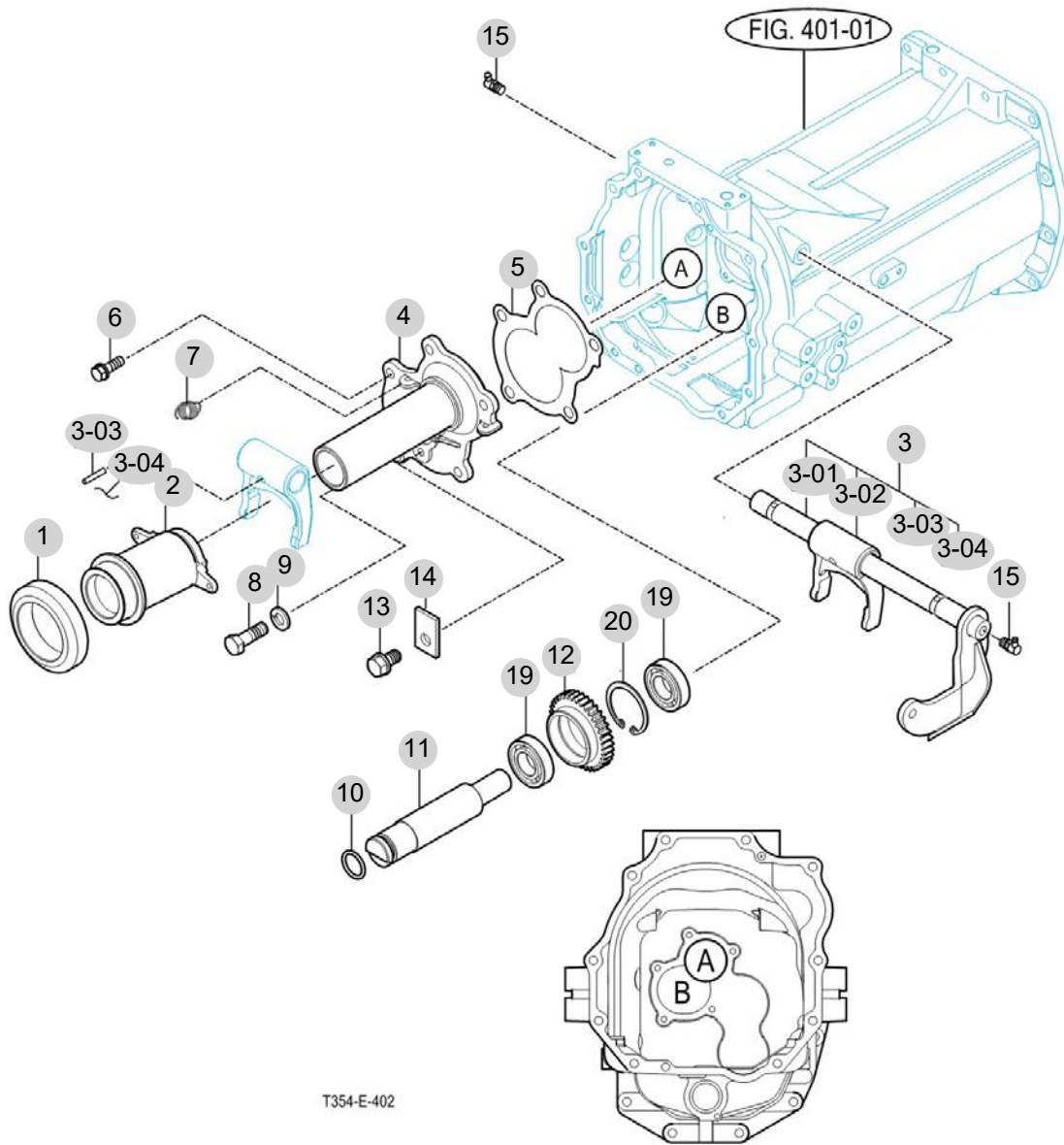
FIG 402

INPUT METAL

년/월
Year/Month

2022-12

T395NCEU1



T354-E-402

NOTE

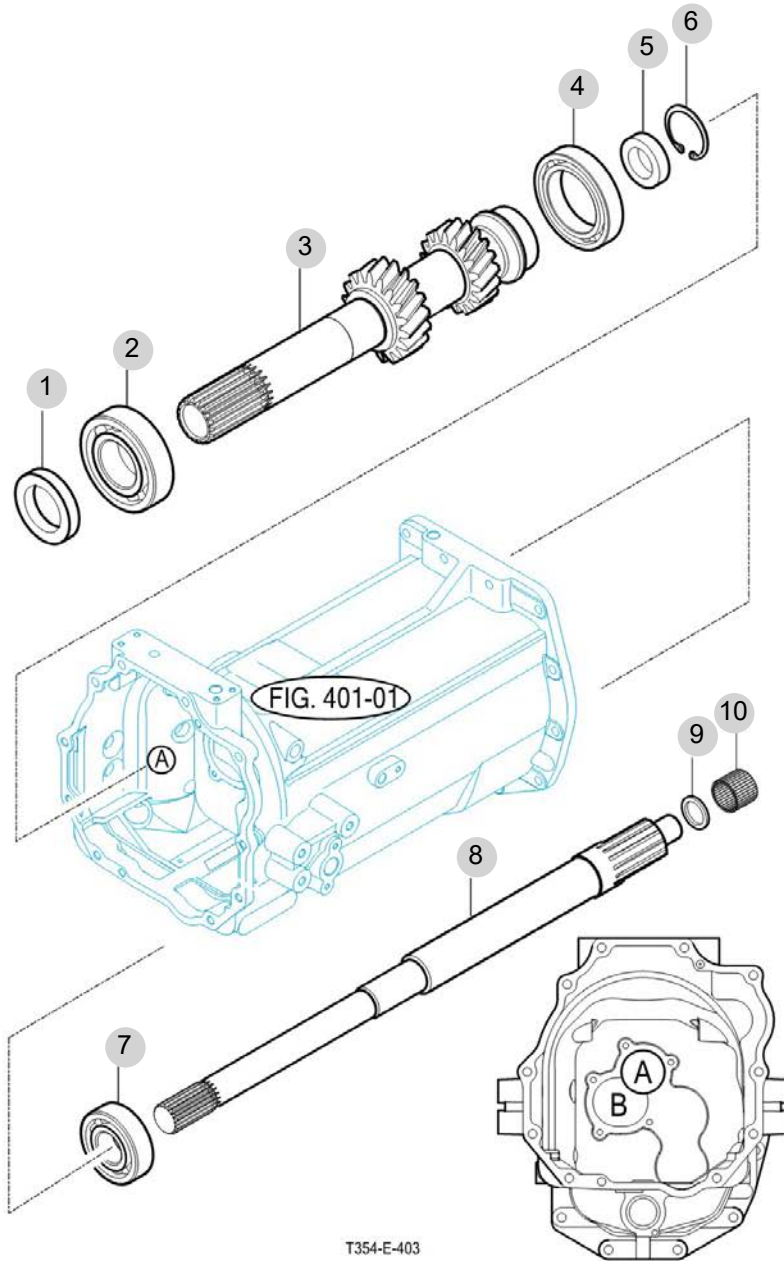
FIG 403

INPUT GEAR

년/월
Year/Month

2022-12

T395NCEU1



NOTE

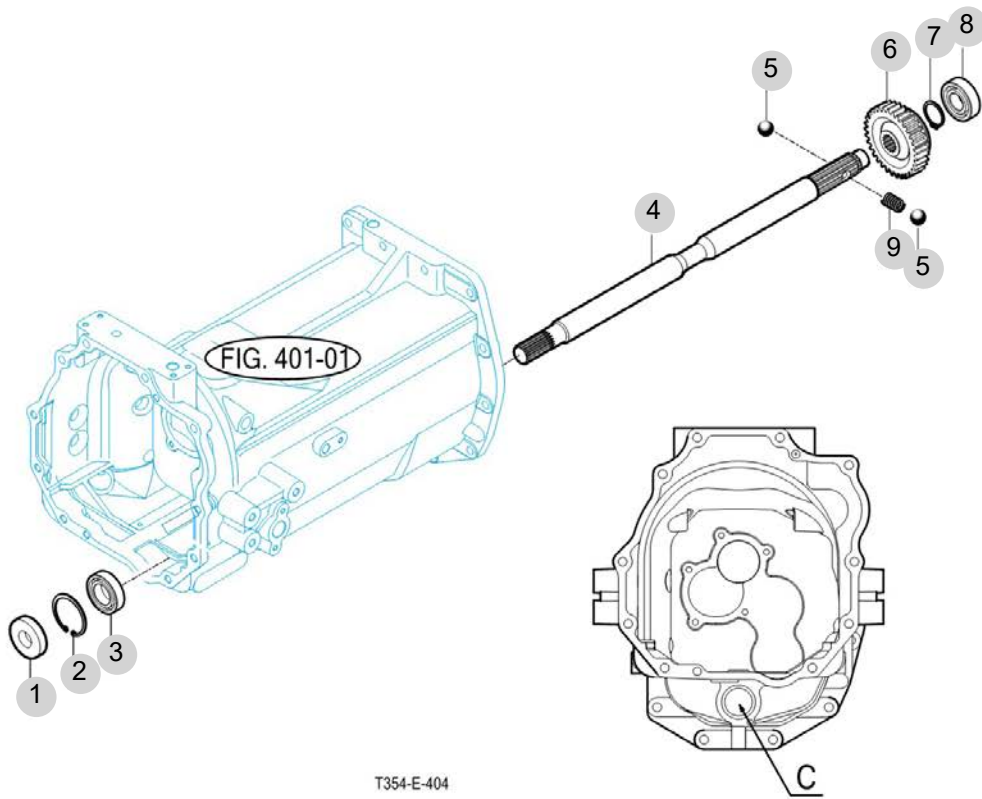
FIG 404

4WD DRIVE GEAR

년/월
Year/Month

2022-12

T395NCEU1



NOTE

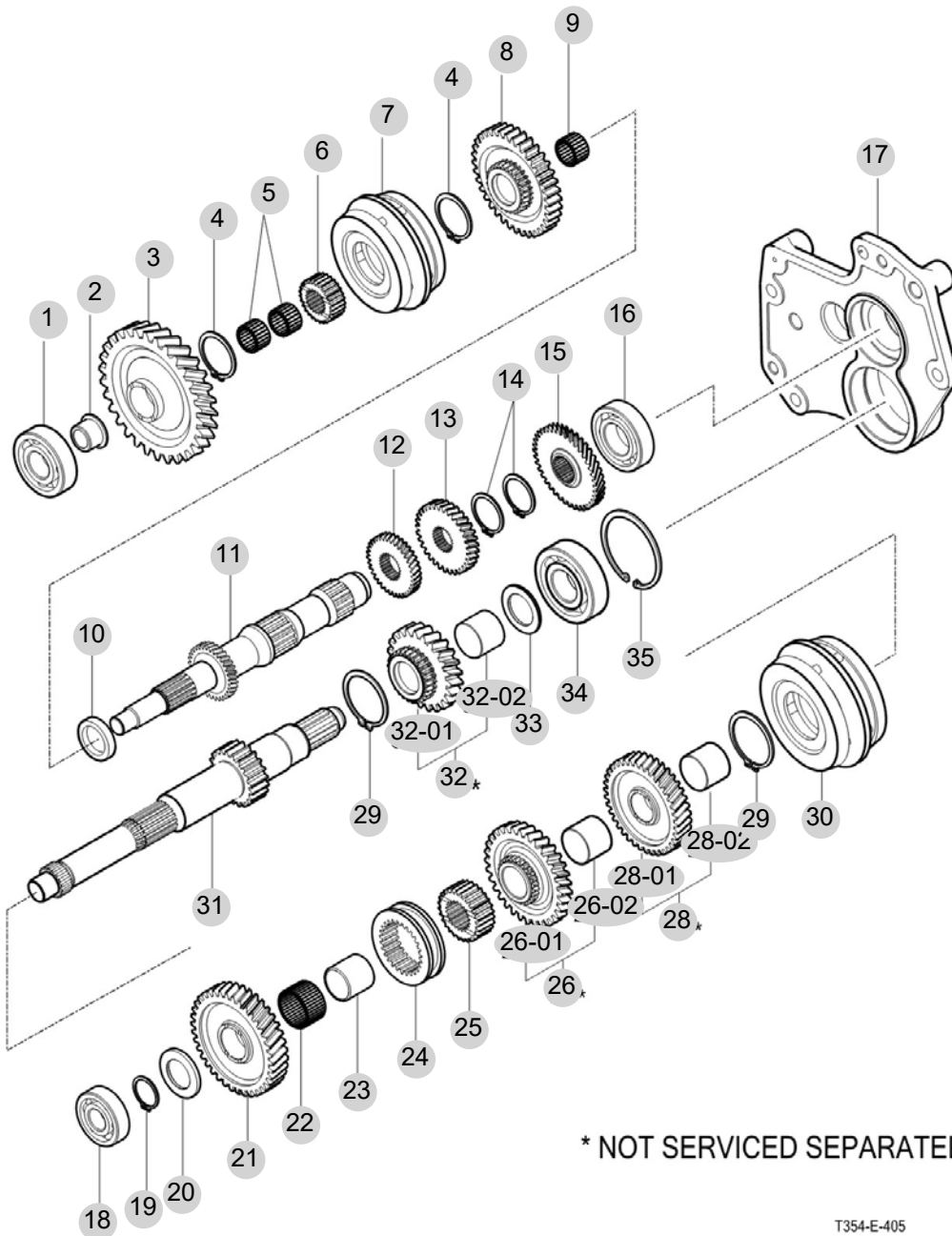
FIG 405

MAIN CHANGE GEARS & REVERSE GEARS

년/월
Year/Month

2022-12

T395NCEU1



NOTE

FIG 405 T395NCEU1		MAIN CHANGE GEARS & REVERSE GEARS					년/월 Year/Month	
							2022-12	
KEY NO	PART NO	DESCRIPTION	SPEC	QTY	REPAIR	EFFECTIVE DATE	REMARKS	
405	1	V6041106305	볼베어링(HL1)	6305HL1	1			
405	2	16702142010	부시(17X25X19)		1			
405	3	16702131021	기어(헬리컬/42)		1			
405	4	V7041400400	C형멈춤링(축용)	40	2			
405	5	V6544202612	니들베어링(케이지)	KT202612	2			
405	6	16702090021	허브(25X51X20)		1			
405	7	14482092100	싱크로나이저ASSY		1			
405	8	16702131032	기어(헬리컬/39)		1			
405	8	16702131033	기어(스퍼/41)		1			
405	9	V6544283313	니들베어링(케이지)	KT283313	1			
405	10	16702130031	와셔(27X39X08)		1			
405	11	16702110012	기어(헬리컬/17)		1			
405	11	16702110013	기어(헬리컬/17)		1			
405	12	14572220050	기어(헬리컬/21)		1			
405	13	14572220060	기어(헬리컬/24)		1			
405	14	V7041400350	C형멈춤링(축용)	35	2			
405	15	14572220020	기어(헬리컬/29)		1			
405	16	V6041106206	볼베어링(HL1)	6206HL1	1			
405	17	16702200201M	베어링 메탈		1			
405	18	V6041106304	볼베어링(HL1)		1			
405	19	V7041400280	C형멈춤링(축용)	28	1			
405	20	16702210021	와셔(28X46X05)		1			
405	21	16702211042	기어(헬리컬/40)		1			
405	22	V6544323723	니들베어링(케이지)	KT323723	1			
405	23	15602080093	부시(28X32X31)		1			
405	24	15602080224	커플링(51X72X18)		1			
405	25	15682090020	허브(28X51X21)		1			
405	26	16702211200	기어조합(헬리컬/36)		1			
405	26-01	16702210070	기어(헬리컬/36)		1			
405	26-02	16702211910	부시(32X34X28)		1			
405	28	16702211500	기어조합(헬리컬/32)		1			
405	28-01	16702210150	기어(헬리컬/32)		1			
405	28-02	16702211910	부시(32X34X28)		1			
405	29	V7041400500	C형멈춤링(축용)	50	2			
405	30	16492092001	싱크로나이저ASSY		1			
405	31	16702211012	주변속축		1			
405	31	16702211013	주변속축		1			
405	31	16702211014	주변속축		1			
405	32	16702211900	기어조합(헬리컬/28)		1			
405	32-01	16702211020	기어(헬리컬/28)		1			
405	32-02	16702211910	부시(32X34X28)		1			
405	33	15642160041	와셔(30X46X03)		1			
405	34	V6001106306	볼베어링	6306	1			
405	35	V7051400720	C형멈춤링(구멍용)	72	1			
NOTE								

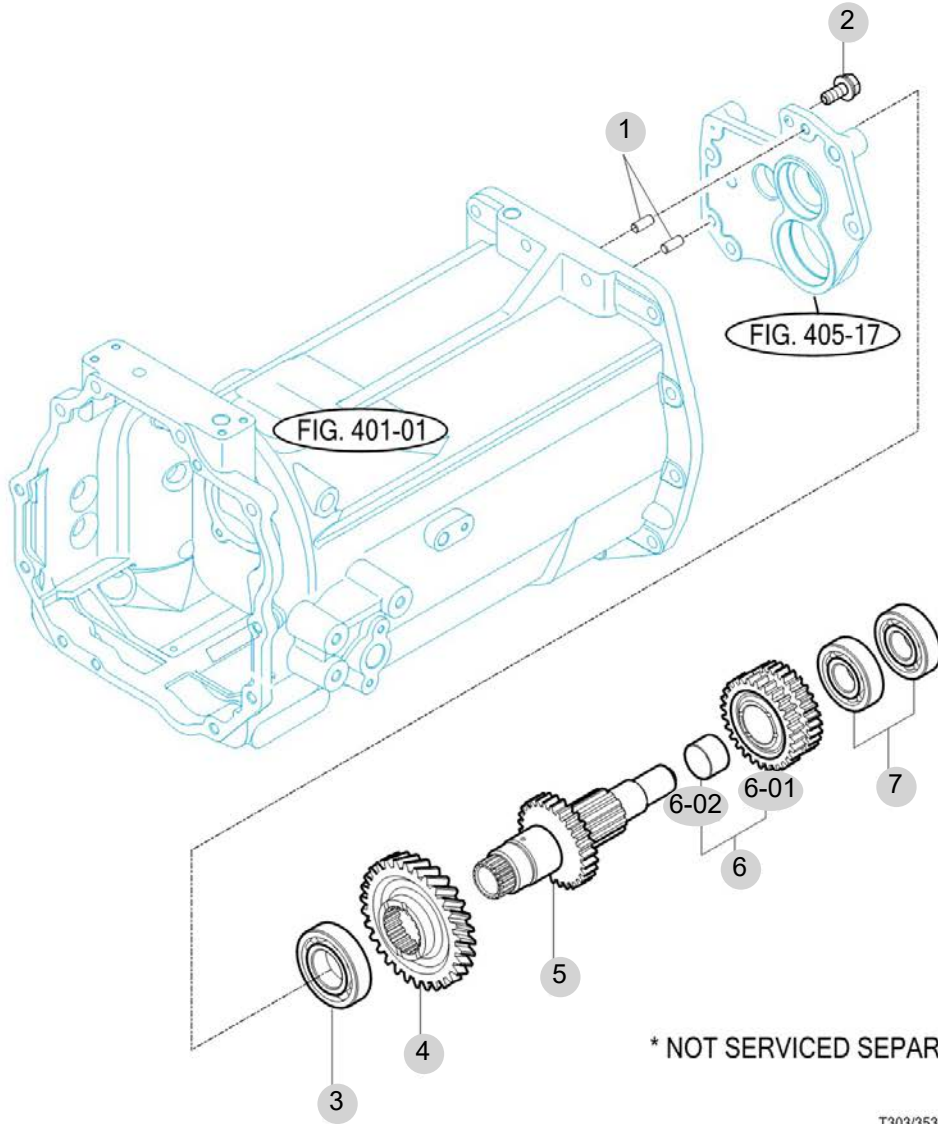
FIG 406

SUB CHANGE GEARS

년/월
Year/Month

2022-12

T395NCEU1



* NOT SERVICED SEPARATELY

T303/353NC-E-406

NOTE

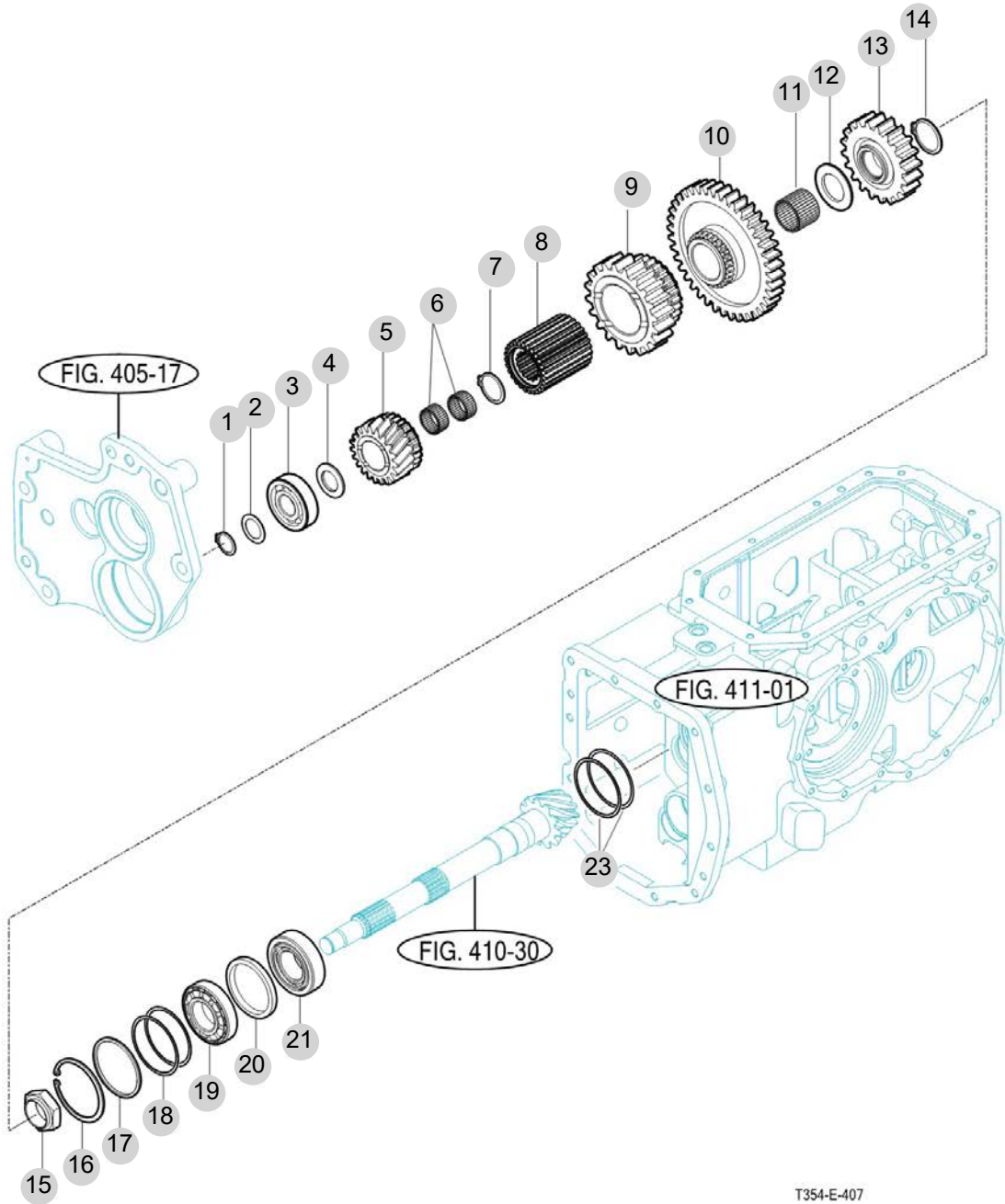
FIG 407

PINION GEARS

년/월
Year/Month

2022-12

T395NCEU1



T354-E-407

NOTE

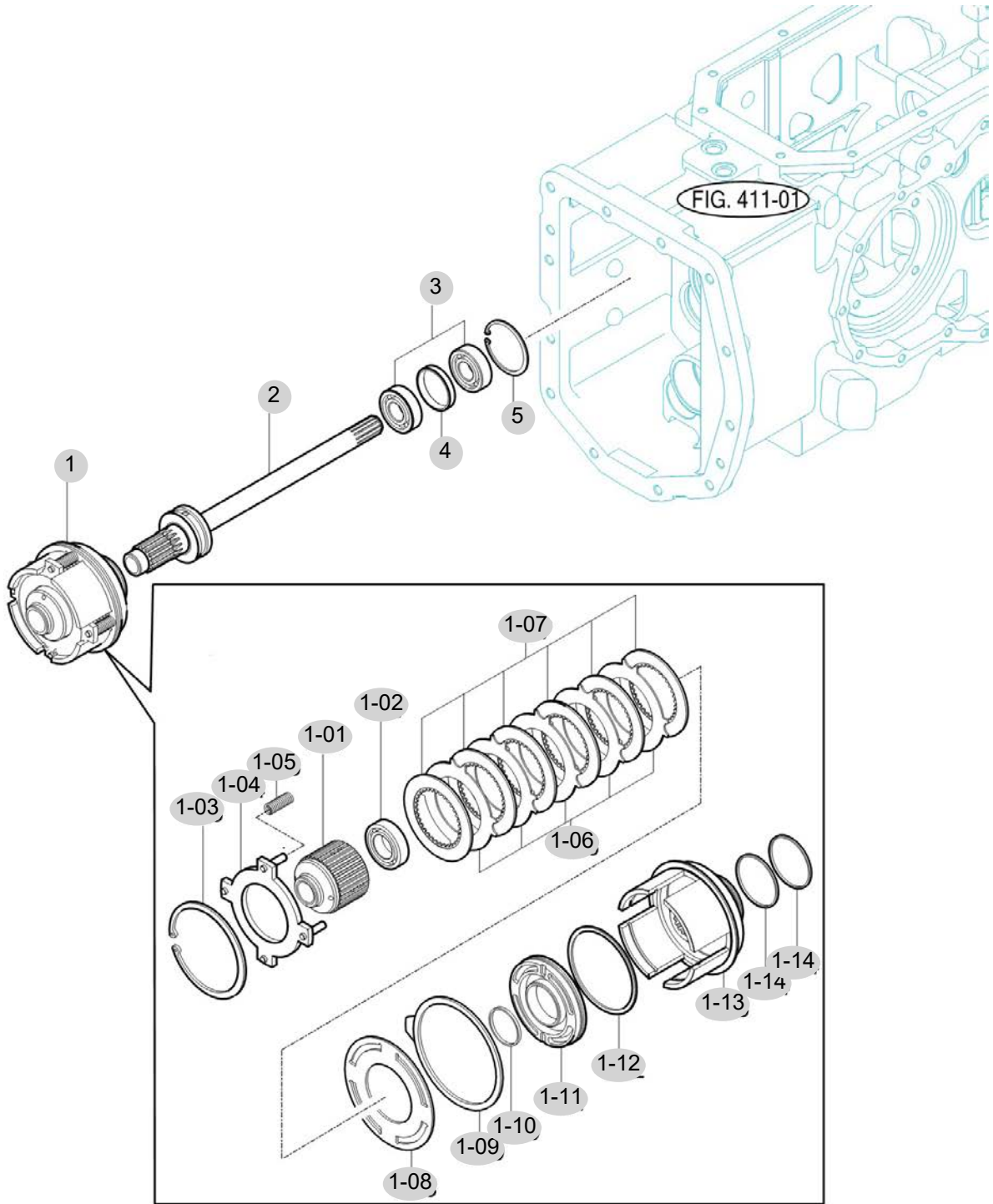
FIG 408

P.T.O DRIVE SHAFT

년/월
Year/Month

T395NCEU1

2022-12



T354-E-408

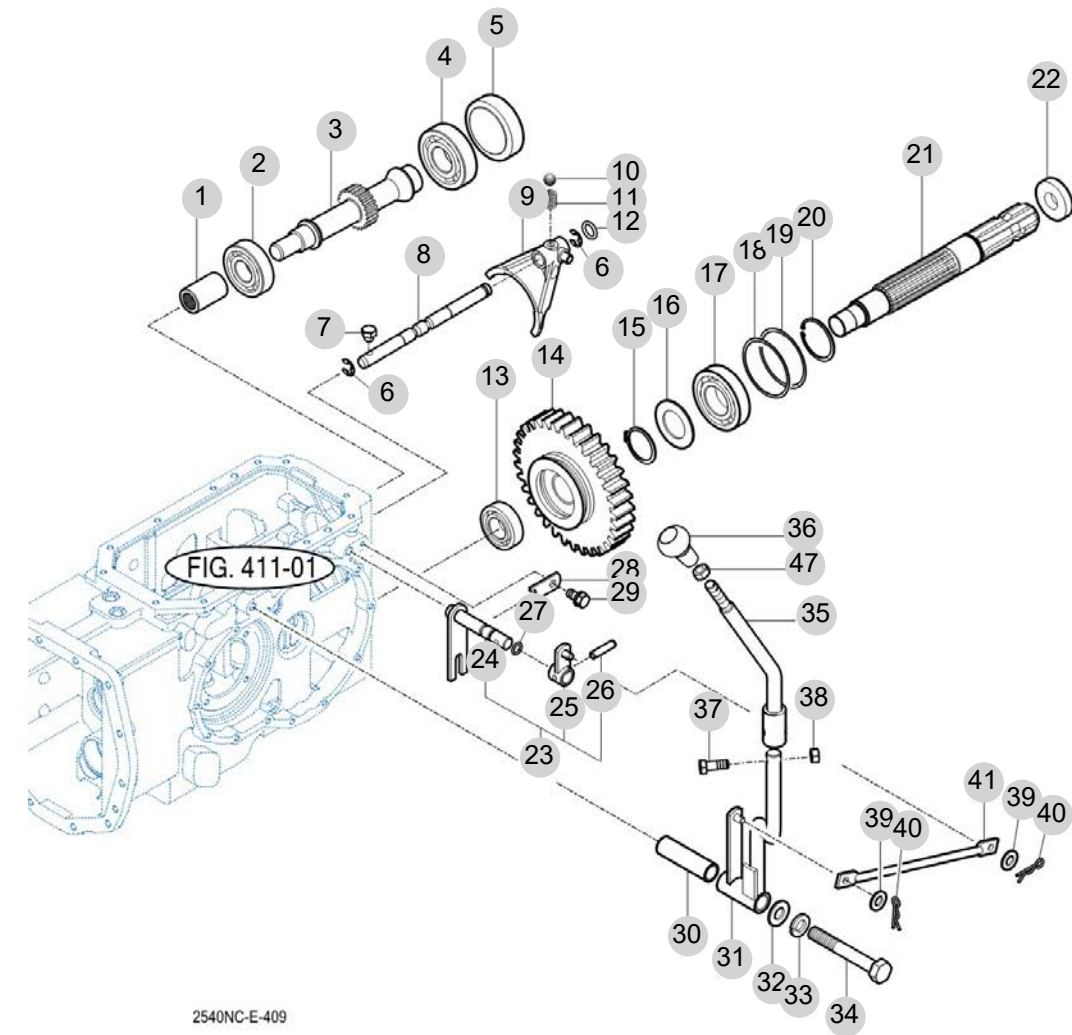
NOTE

FIG 409

P.T.O CHANGE GEARS

년/월
Year/Month

2022-12



2540NC-E-409

NOTE

FIG 409 T395NCEU1		P.T.O CHANGE GEARS					년/월 Year/Month	
							2022-12	
KEY NO	PART NO	DESCRIPTION	SPEC	QTY	REPAIR	EFFECTIVE DATE	REMARKS	
409	1	14211340190	커플링		1			
409	2	V6001106305	볼베어링	6305	1			
409	3	13212543530	기어 , 스퍼 PTO 11		1			
409	4	V6001106306	볼베어링	6306	1			
409	5	14254330180	캠(72)		1			
409	6	V7081400100	E형멈춤링	Ø10	2			
409	7	15602231610	볼트(셋트/M8X16)		1			
409	8	13212540020	PTO 시프트스테이		1			
409	9	16702540011M	포크(PTO)		1			
409	10	V6802000010	강구	5/16	1			
409	11	13022250030	시프터스프링		1			
409	12	V7201024010	O링(P)	P10	1			
409	13	V6001106205	볼베어링	6205	1			
409	14	13212543500	기어(스퍼/PTO 54)		1			
409	15	V7041400350	C형멈춤링(축용)	Ø35	1			
409	16	14443140041	칼라(35X50X2)		1			
409	17	V6001106207	볼베어링	6207	1			
409	18	79642010080	심(B)		2			
409	19	16322730030	심(0.5)		1			
409	20	V7051400720	C형멈춤링(구멍용)	Ø72	1			
409	21	16703140011	PTO축		1			
409	22	16322732000	씰(오일) ASSY		1			
409	23	16702555102	리어 PTO 후크 SET		1			
409	24	16702542102	리어 PTO 후크 COMP		1			
409	25	16702432201	암(부변속) COMP		1			
409	26	V5801406025	스프링핀	6X25	1			
409	27	V7201024012	O링(P)	P12	1			
409	28	16702230371	플레이트		1			
409	29	V2173608016	소형육각볼트보통(S)	M8X16	1			
409	30	16702440070	허브(13X17X61)		1			
409	31	16702552103	PTO 레버 ,하 COMP		1			
409	32	V4111600120	평와셔	M12	1			
409	33	V4011600120	스프링와셔	M12	1			
409	34	V2013612085	소형육각볼트(보통)	M12X85	1			
409	35	16702552202GB	PTO레버(상)COMP		1			
409	36	16992190102	그립(PTO)		1			
409	36	19682190100	그립(PTO)		1			
409	37	V2013608035	소형육각볼트(보통)		1			
409	38	V3042600080	소형육각너트보통2종	M8	1			
409	39	V4111600080	평와셔	M8	2			
409	40	V5601600008	스냅핀	8	2			
409	41	16702553100	로드(236)		1			
409	47	V3342600100	소형육각너트가는2종		1			
NOTE								

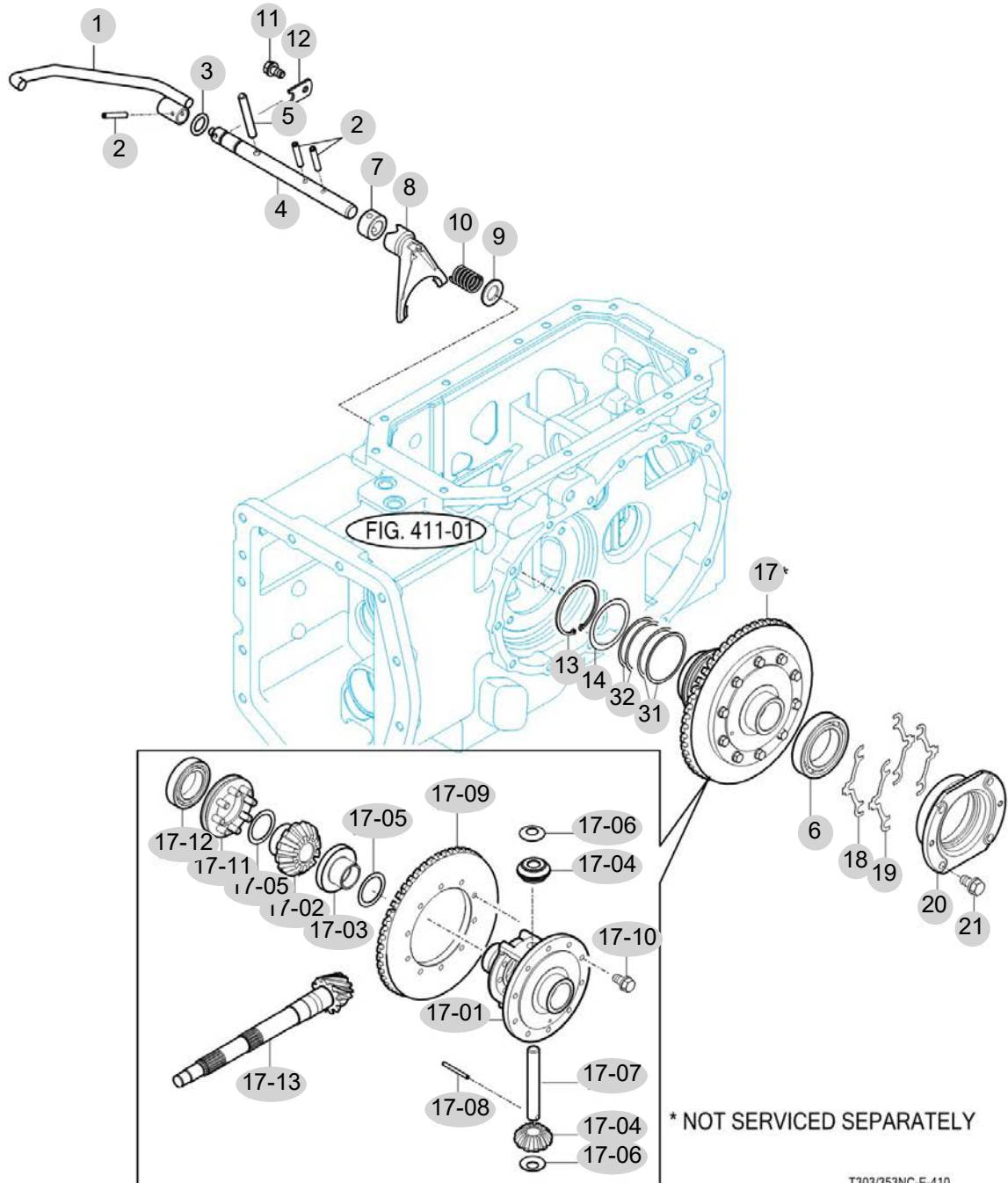
FIG 410

DIFF LOCK

년/월
Year/Month

2022-12

T395NCEU1



T303/353NC-E-410

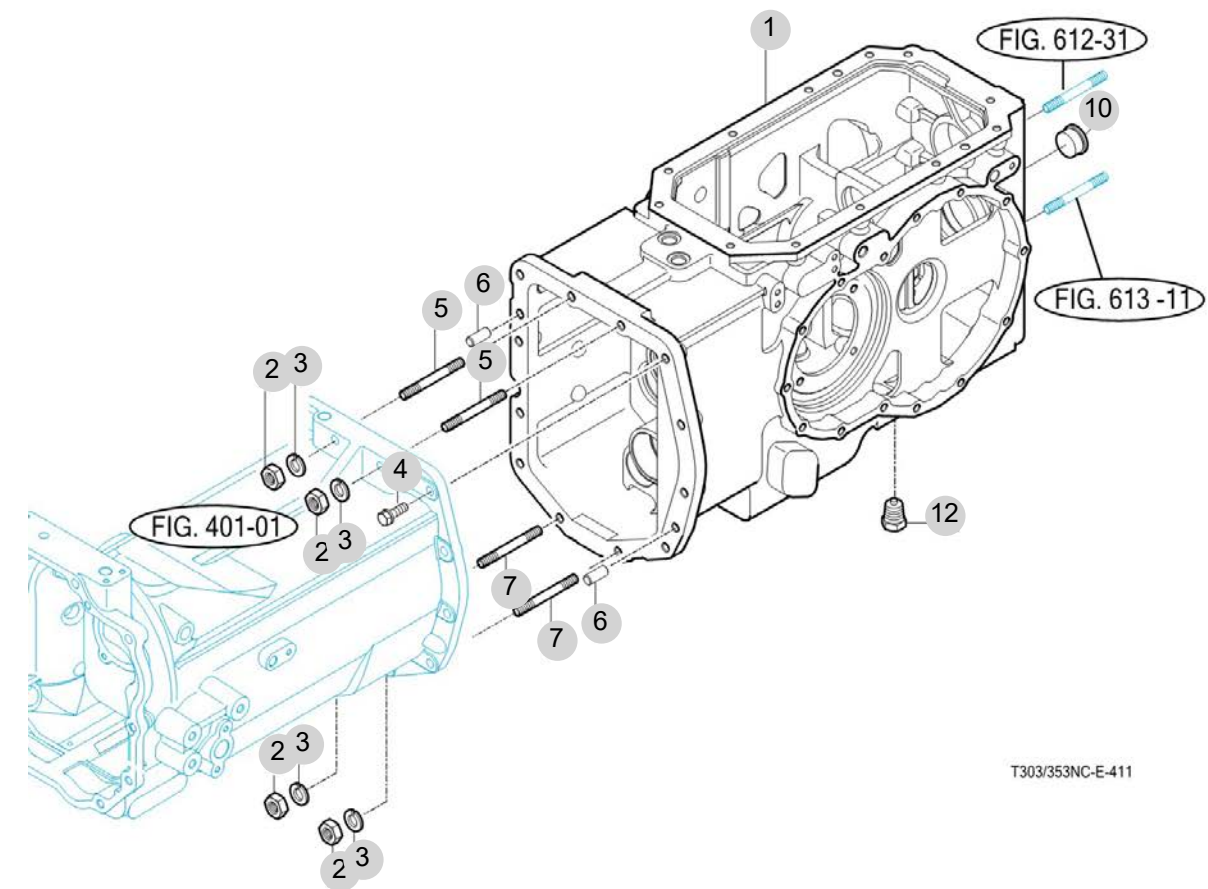
NOTE

FIG 411

TRANSMISSION REAR CASE

년/월
Year/Month

2022-12



T303/353NC-E-411

NOTE

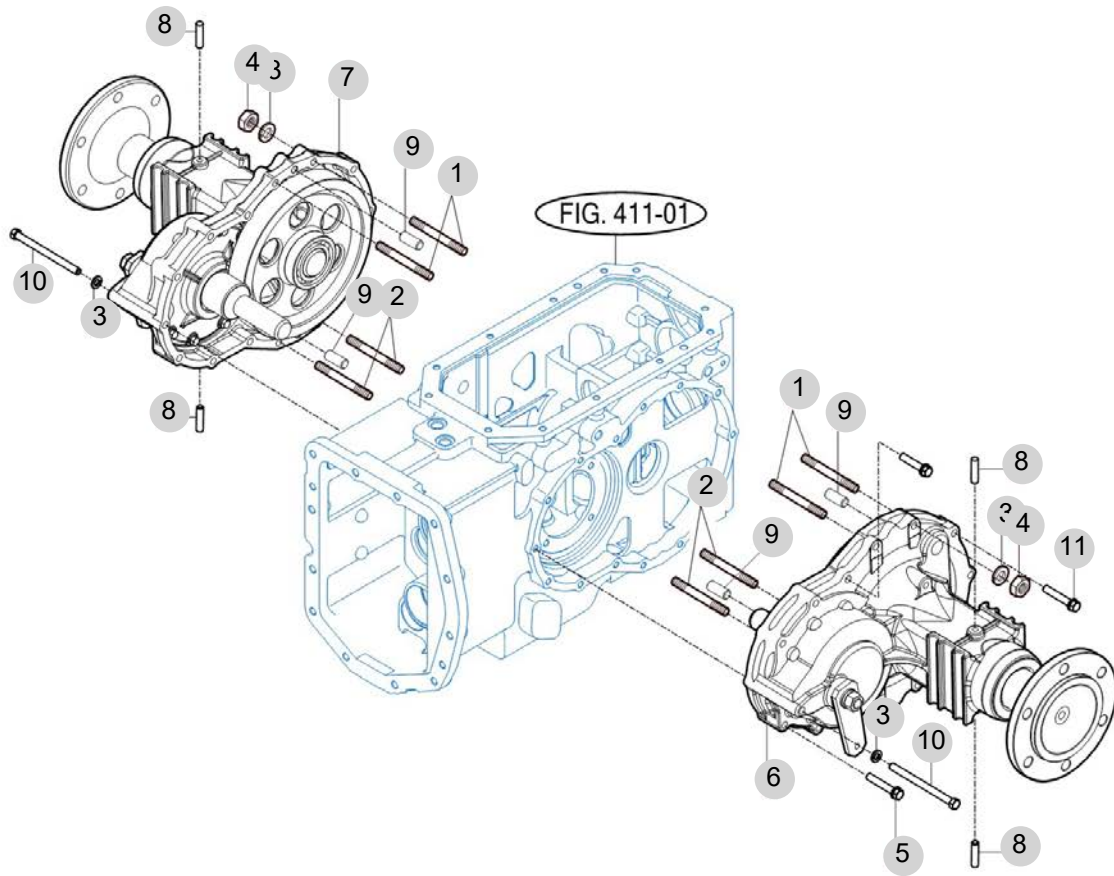
FIG 412

REAR AXLE HOUSINGS (1)

년/월
Year/Month

2022-12

T395NCEU1



2545ST-E-412

NOTE

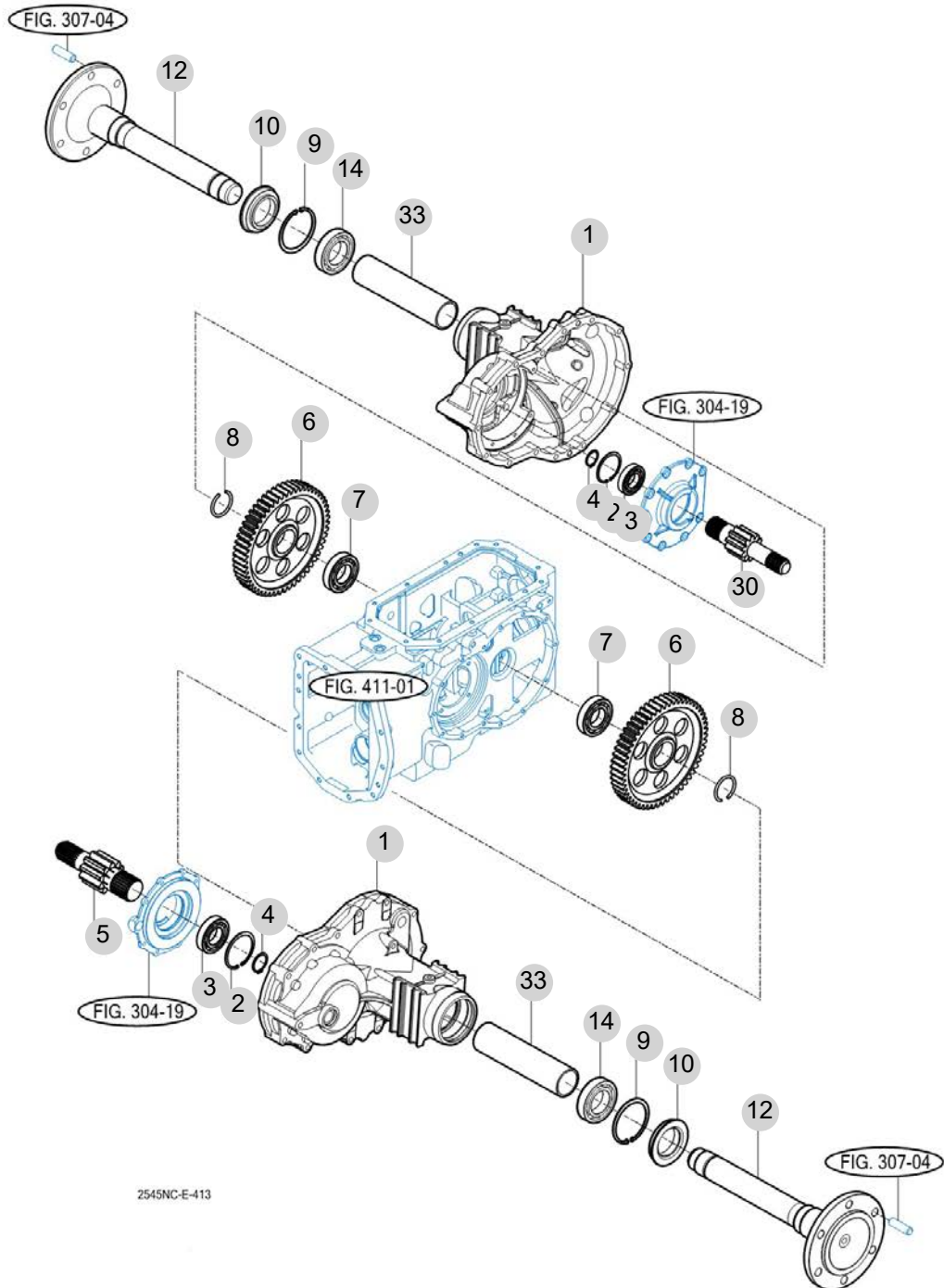
FIG 413

REAR AXLE HOUSINGS (2)

년/월
Year/Month

2022-12

T395NCEU1



2545NC-E-413

NOTE

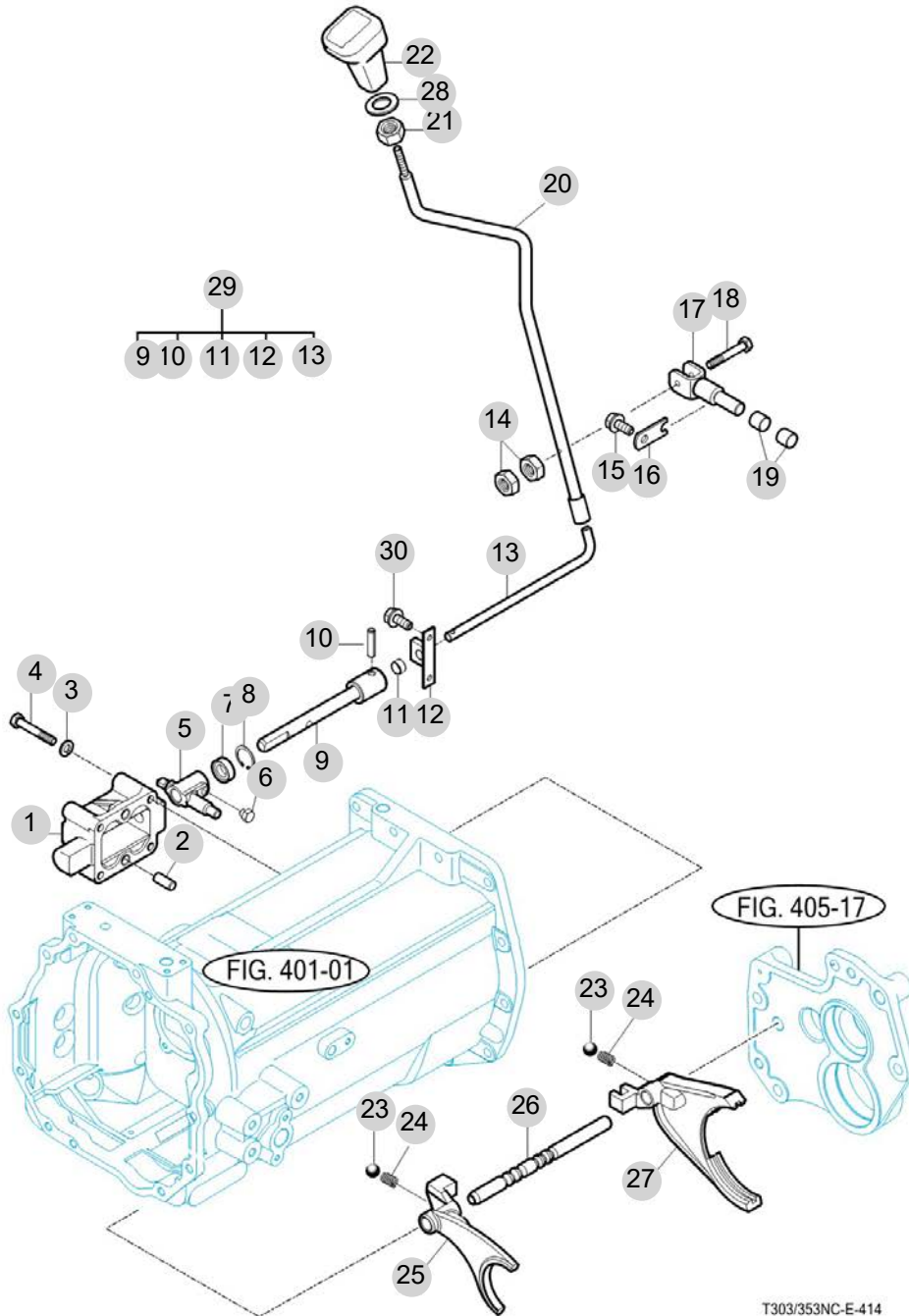
FIG 414

MAIN CHANGE LEVER

년/월
Year/Month

2022-12

T395NCEU1



T303/353NC-E-414

NOTE

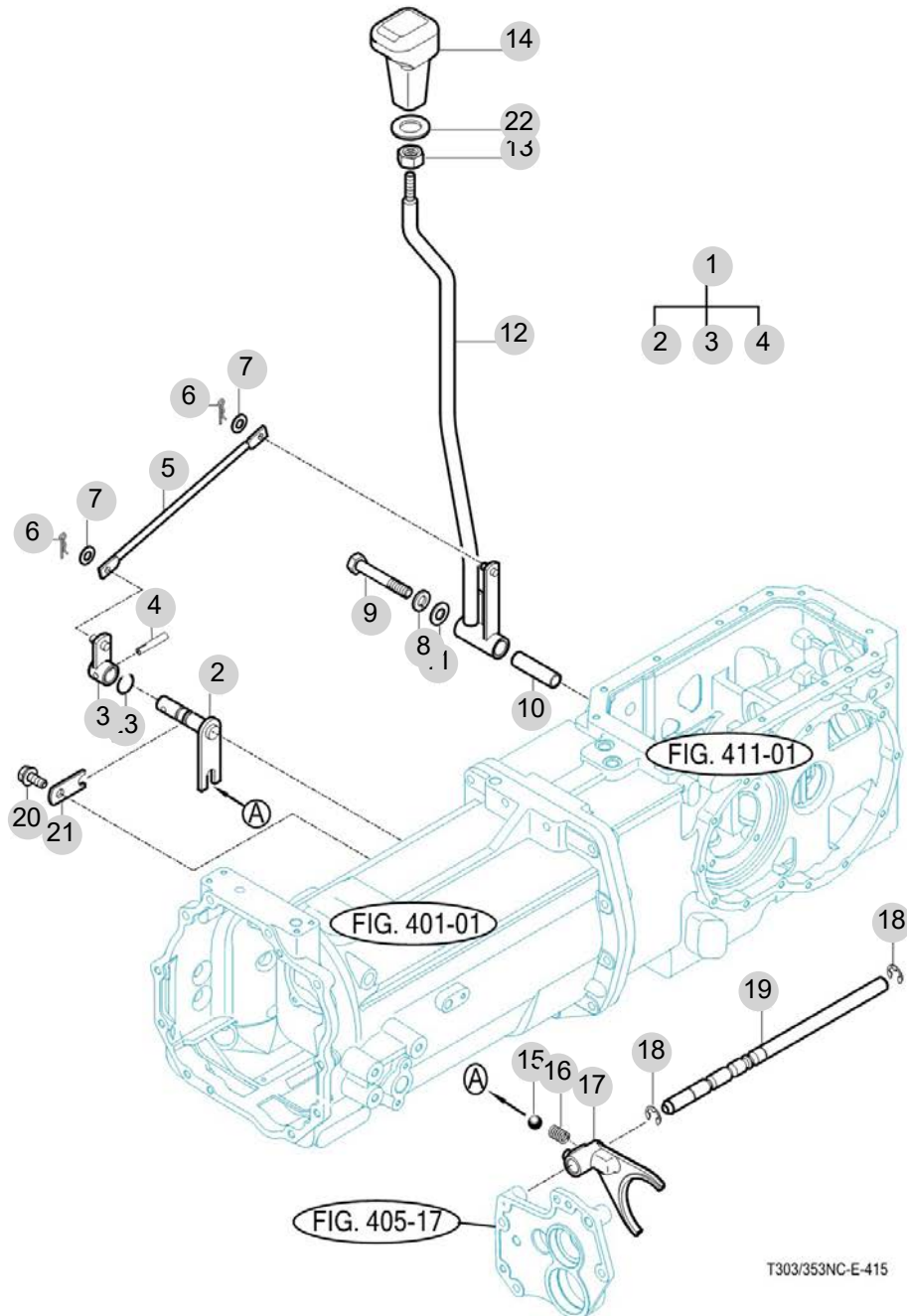
FIG 415

SUB CHANGE LEVER

년/월
Year/Month

2022-12

T395NCEU1



T303/353NC-E-415

NOTE

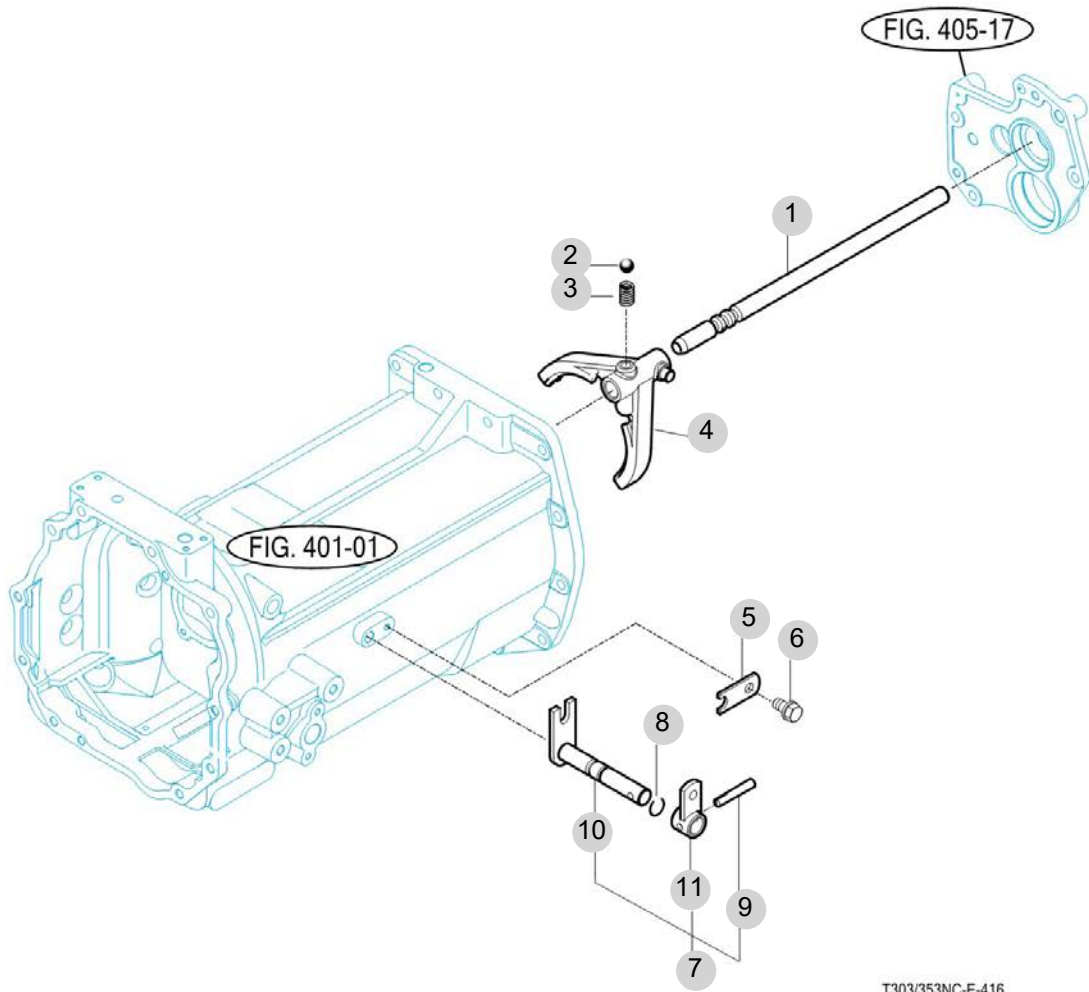
FIG 416

REVERSE LINK

년/월
Year/Month

2022-12

T395NCEU1



T303/353NC-E-416

NOTE

FIG 417

REVERSE CHANGE LEVER

년/월
Year/Month

2022-12

T395NCEU1

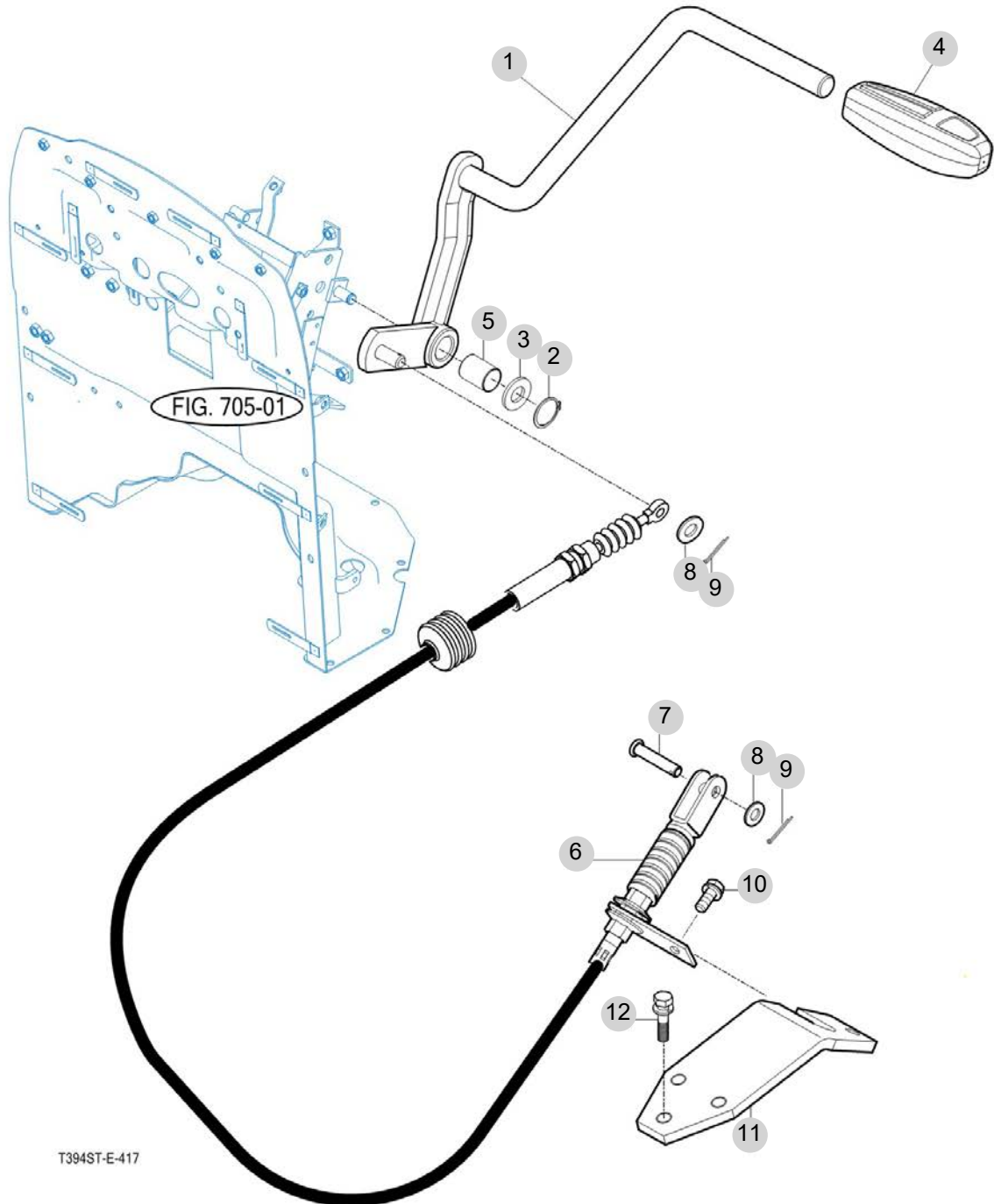


FIG. 705-01

T394ST-E-417

NOTE

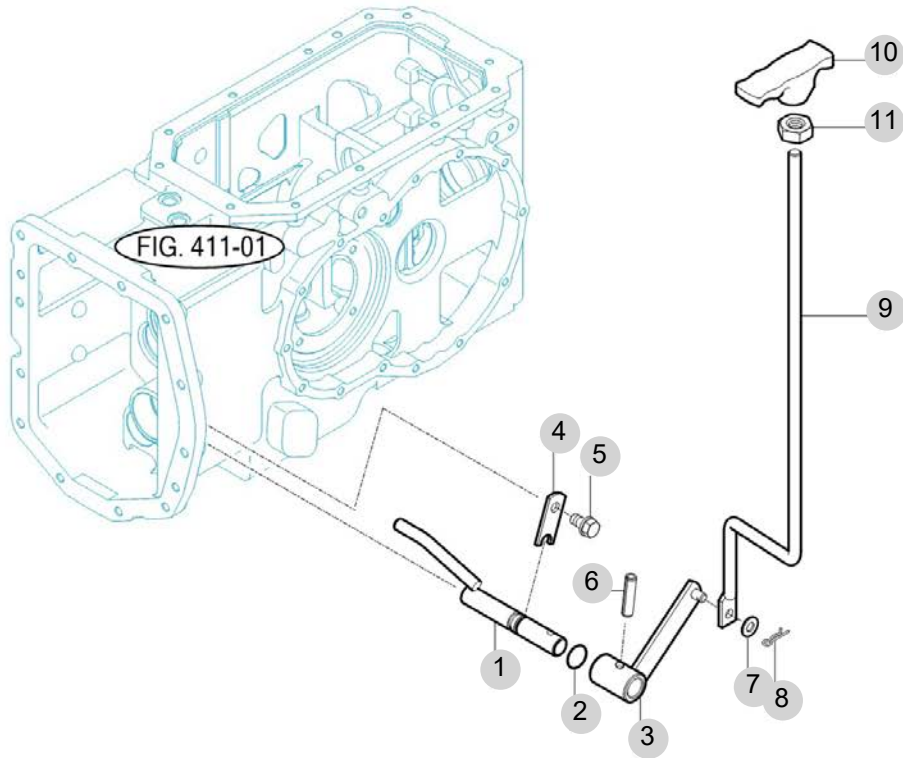
FIG 418

4WD CHANGE LEVER

년/월
Year/Month

2022-12

T395NCEU1



T303/353NC-E-418

NOTE

5. 프런트 액슬 PART NO. T5

FIG 501 FRONT AXLE BRACKET	116
FIG 502 FRONT DIFF. GEARS & SHAFT	118
FIG 503 FRONT AXLE HOUSING	120
FIG 504 FRONT GEAR CASE (1)	122
FIG 505 FRONT GEAR CASE (2)	124

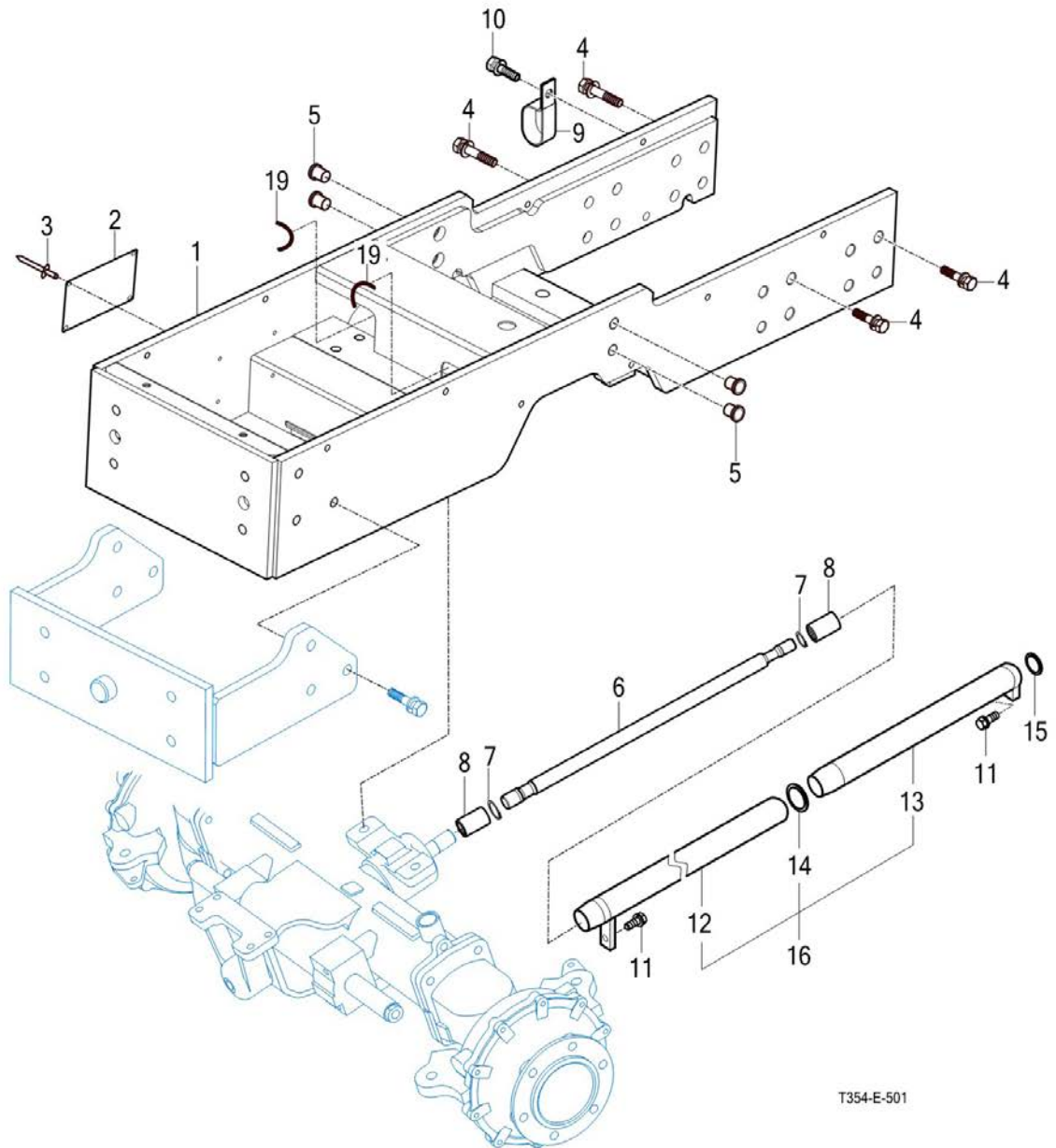
FIG 501

FRONT AXLE BRACKET

년/월
Year/Month

2022-12

T395NCEU1



T354-E-501

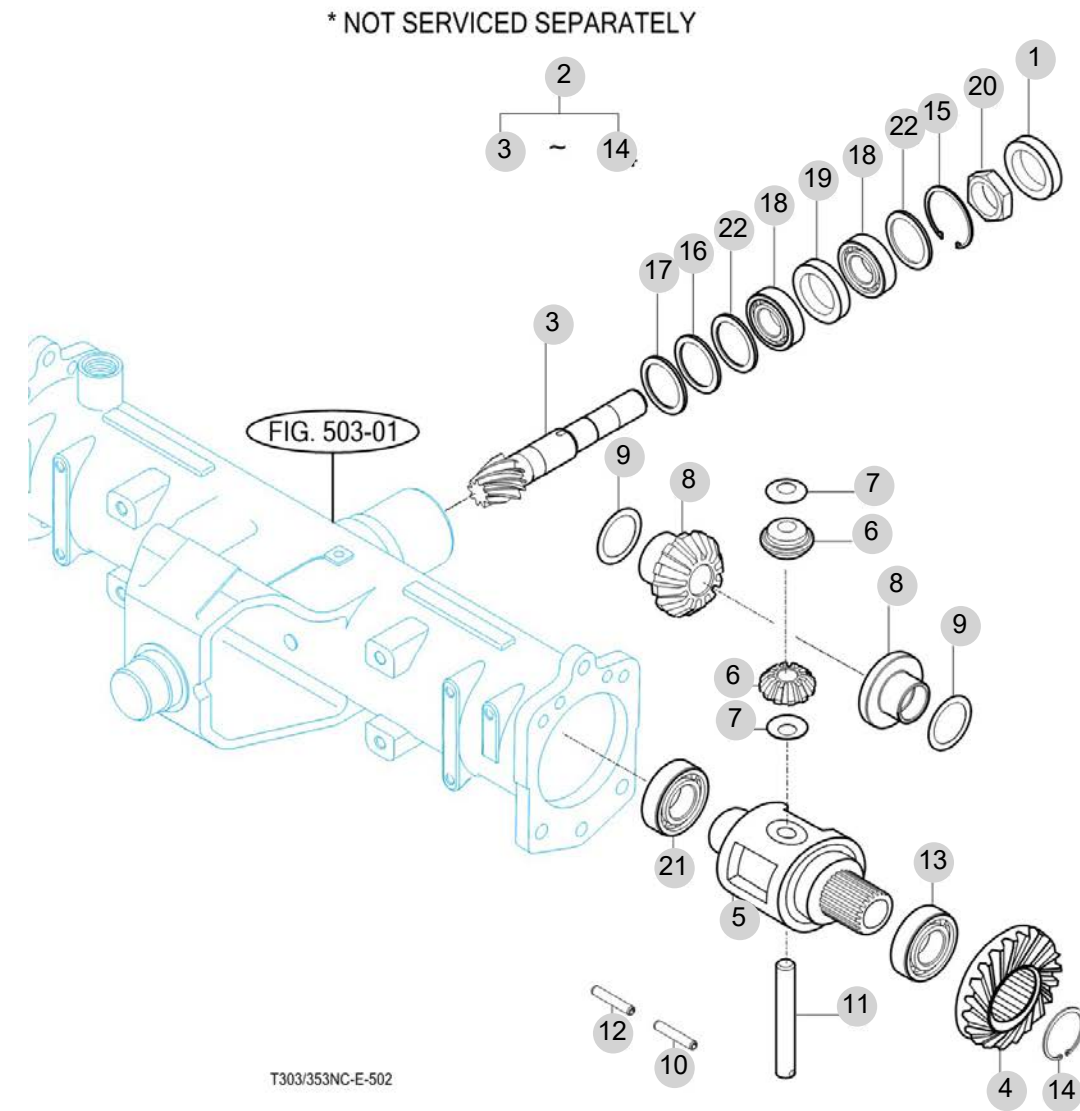
NOTE

FIG 502

FRONT DIFF. GEARS & SHAFT

년/월
Year/Month

2022-12



NOTE

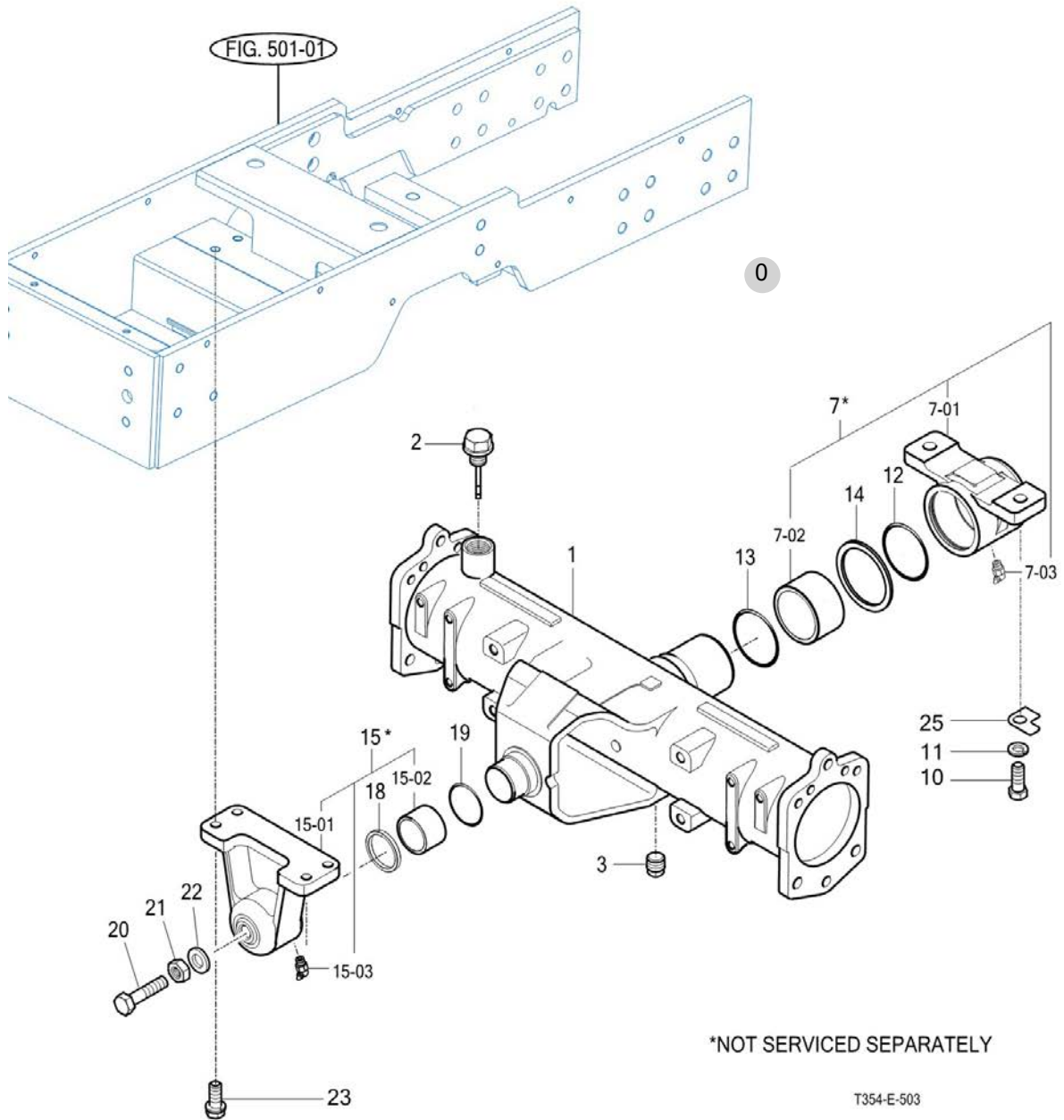
FIG 503

FRONT AXLE HOUSING

년/월
Year/Month

2022-12

T395NCEU1



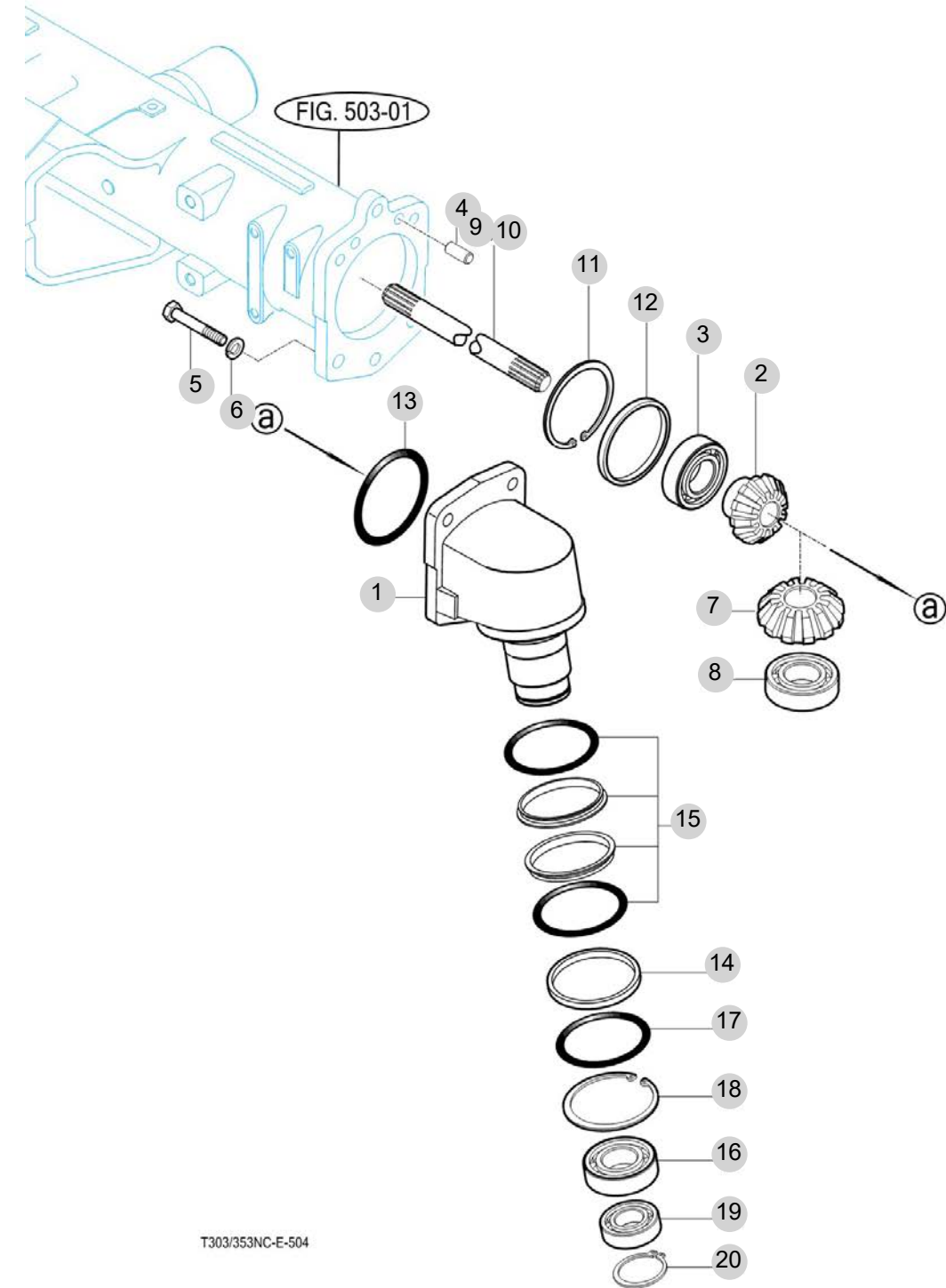
NOTE

FIG 504

FRONT GEAR CASE (1)

년/월
Year/Month

2022-12



T303/353NC-E-504

NOTE

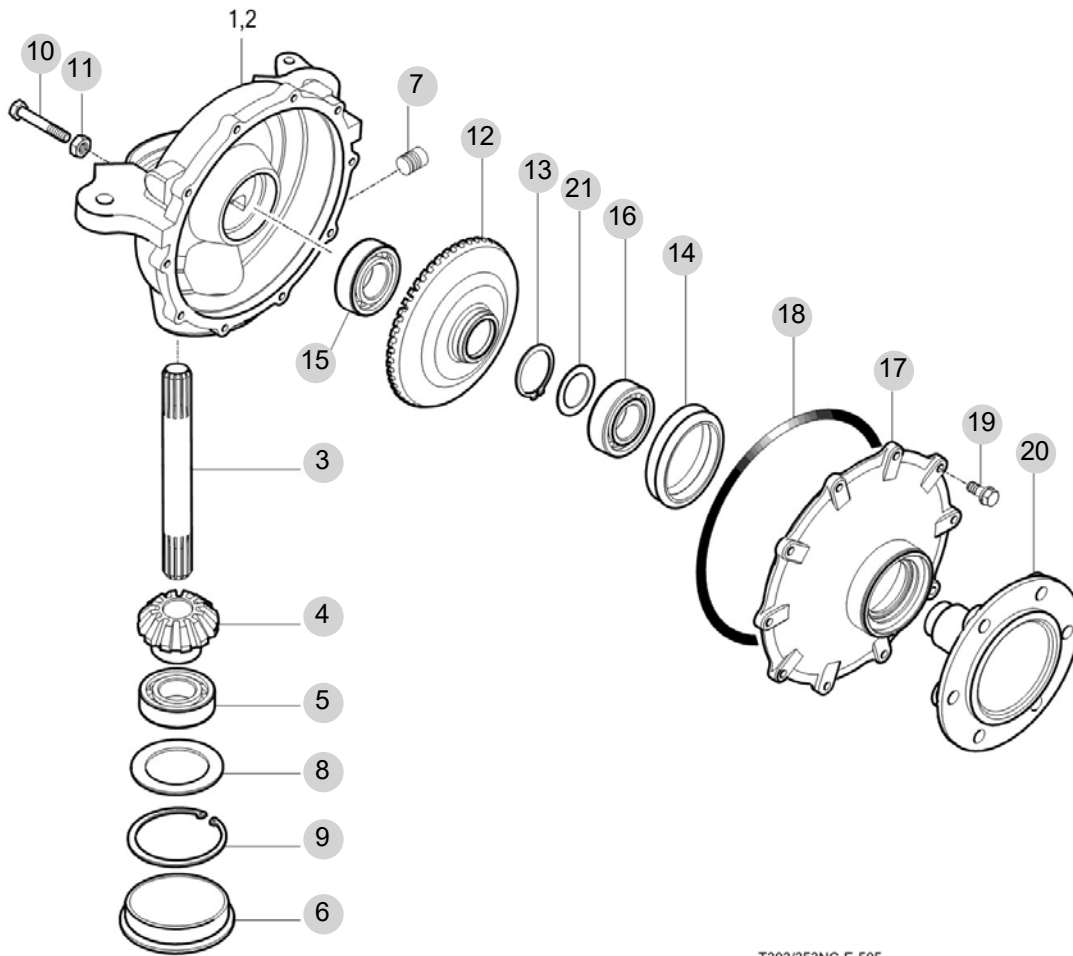
FIG 505

FRONT GEAR CASE (2)

년/월
Year/Month

2022-12

T395NCEU1



T303/353NC-E-505

NOTE

6. 유압/3점링크 PART NO. T6

FIG 601 GEAR PUMP	127
FIG 602 CYLINDER CASE	129
FIG 603 LIFT ARM	131
FIG 604 CYLINDER	133
FIG 605 POSITION LINK (1)	135
FIG 606 POSITION LINK (2)	137
FIG 607 CONTROL VALVE	139
FIG 608 POSITION LEVER	141
FIG 609 HYDRAULIC PIPE (1)	143
FIG 610 HYDRAULIC PIPE (2)	145
FIG 611 EXTERIOR HYD. VALVE	147
FIG 612 3-POINT LINK	149
FIG 613 HITCH & COVER	152

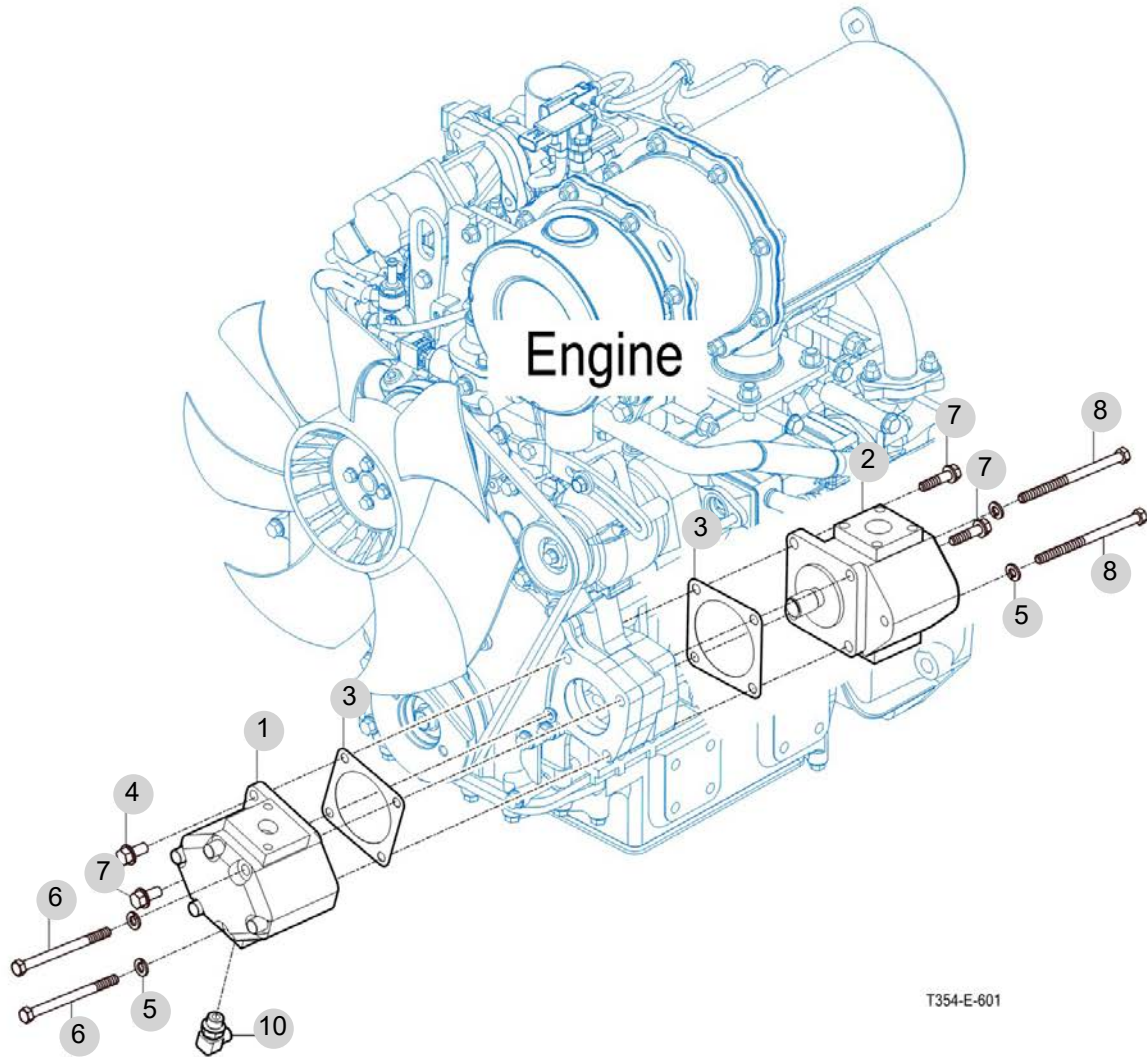
FIG 601

GEAR PUMP

년/월
Year/Month

2022-12

T395NCEU1



NOTE

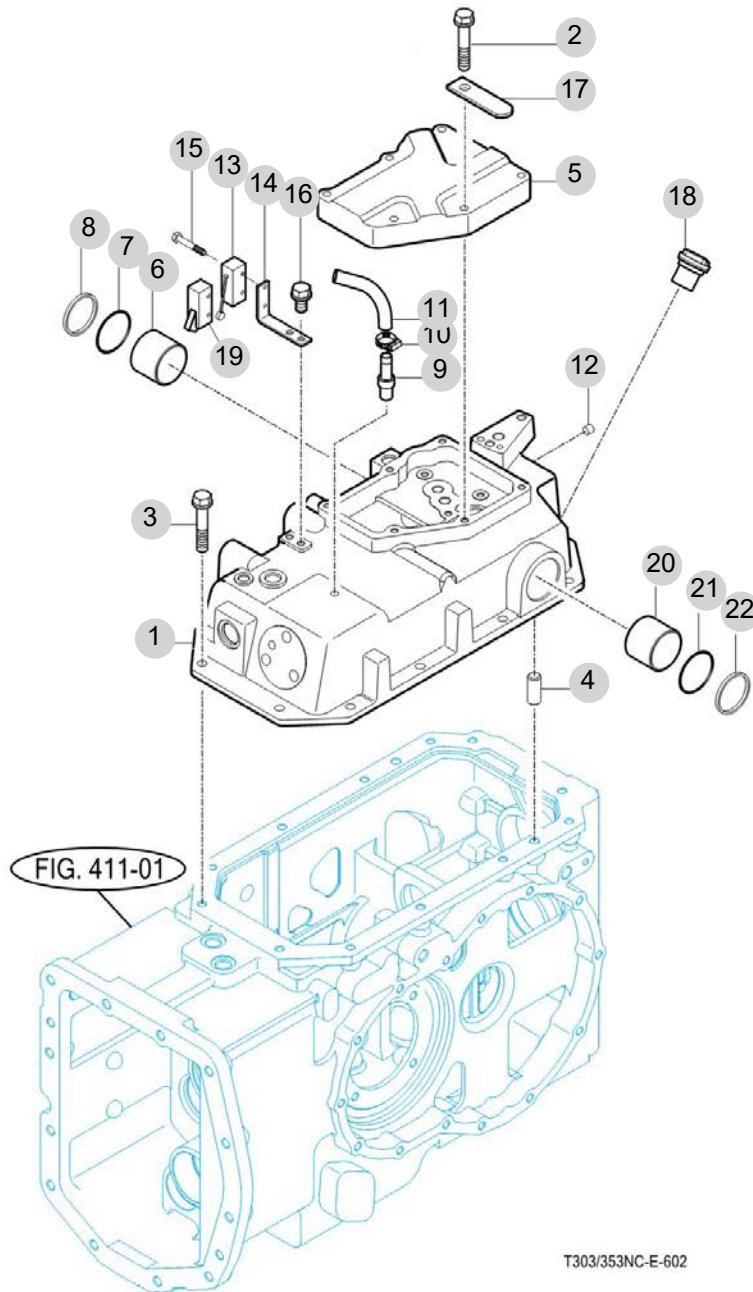
FIG 602

CYLINDER CASE

년/월
Year/Month

2022-12

T395NCEU1



NOTE

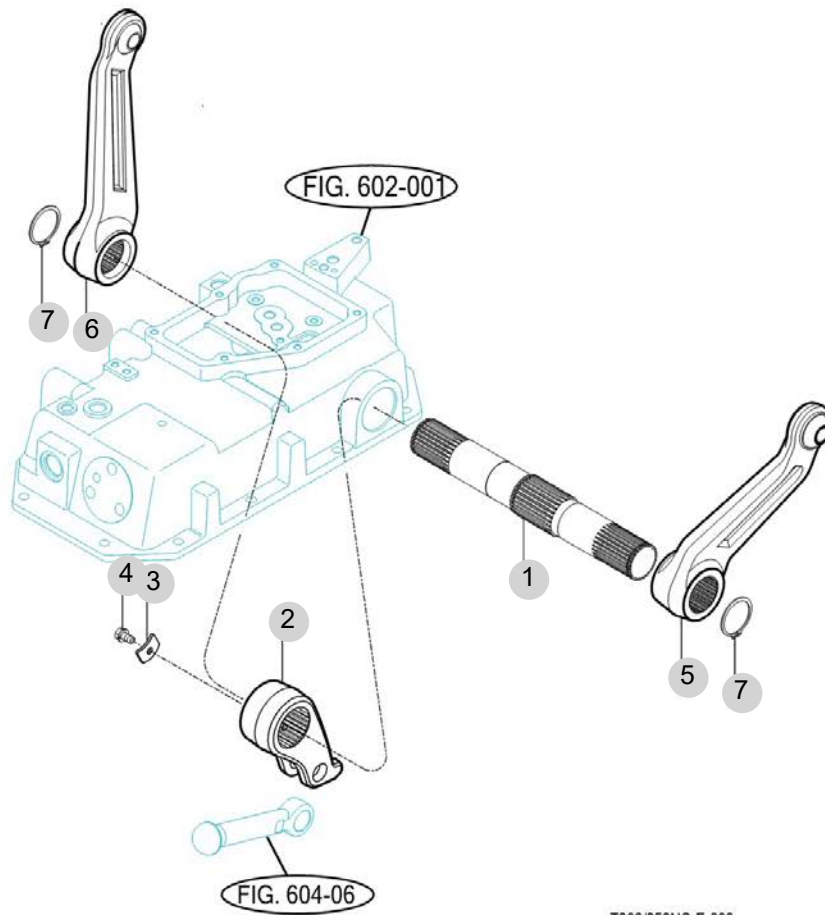
FIG 603

T395NCEU1

LIFT ARM

년/월
Year/Month

2022-12



T303/353NC-E-603

NOTE

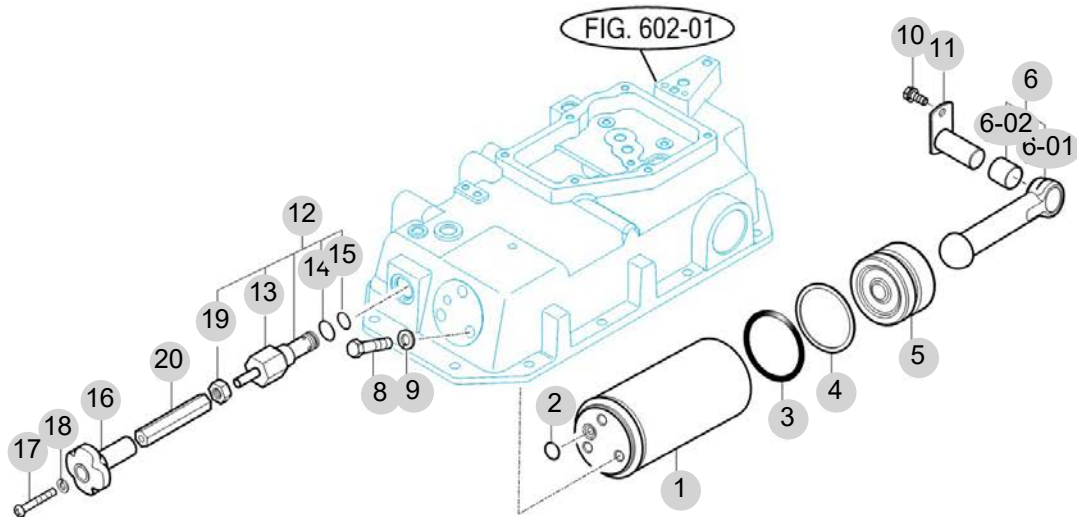
FIG 604

CYLINDER

년/월
Year/Month

2022-12

T395NCEU1



T303/353NC-E-604

NOTE

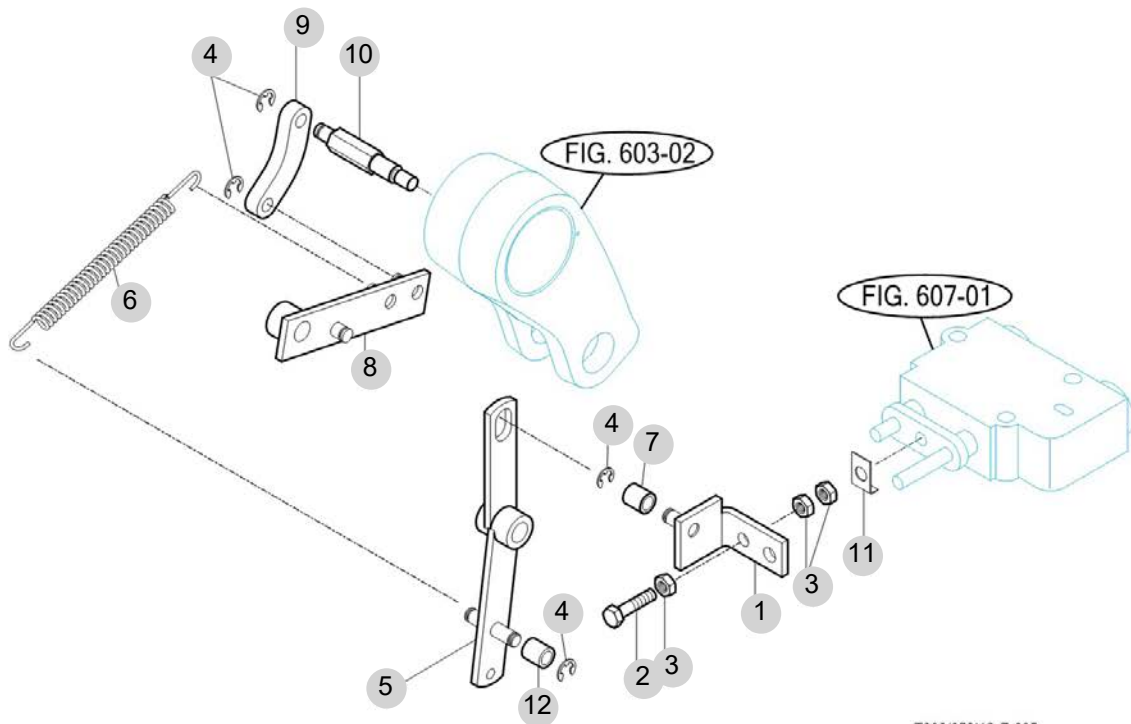
FIG 605

T395NCEU1

POSITION LINK (1)

년/월
Year/Month

2022-12



T303/353NC-E-605

NOTE

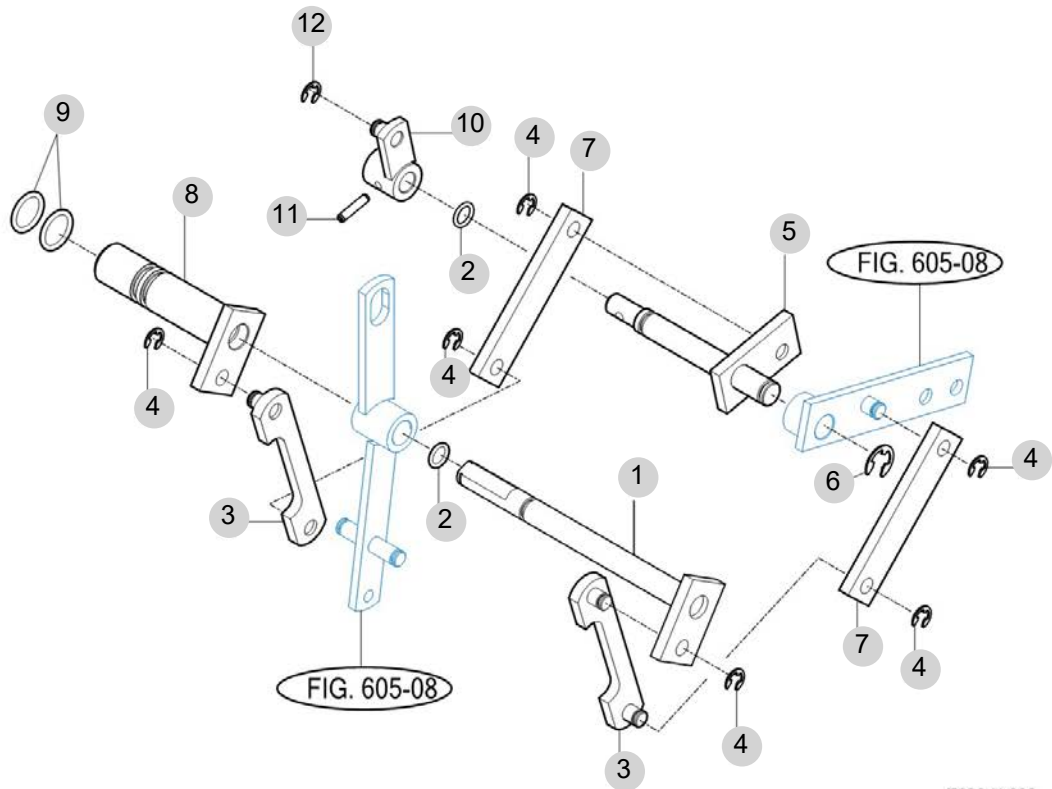
FIG 606

T395NCEU1

POSITION LINK (2)

년/월
Year/Month

2022-12



T393-K-606

NOTE

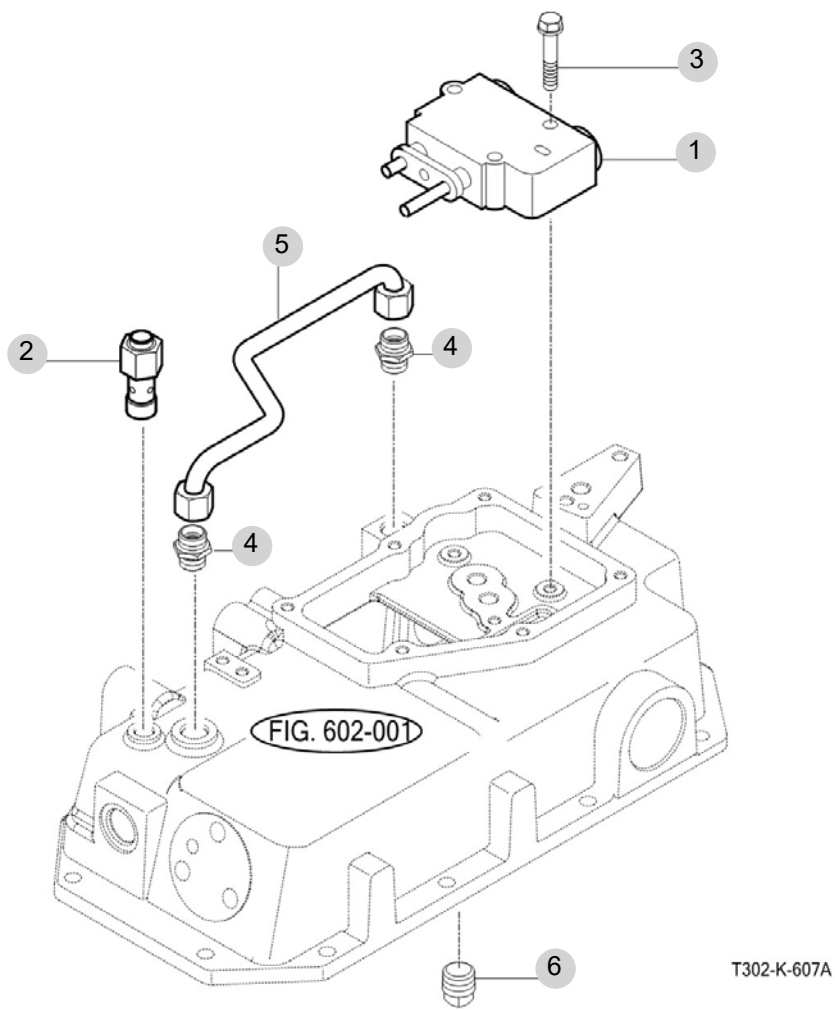
FIG 607

CONTROL VALVE

년/월
Year/Month

2022-12

T395NCEU1



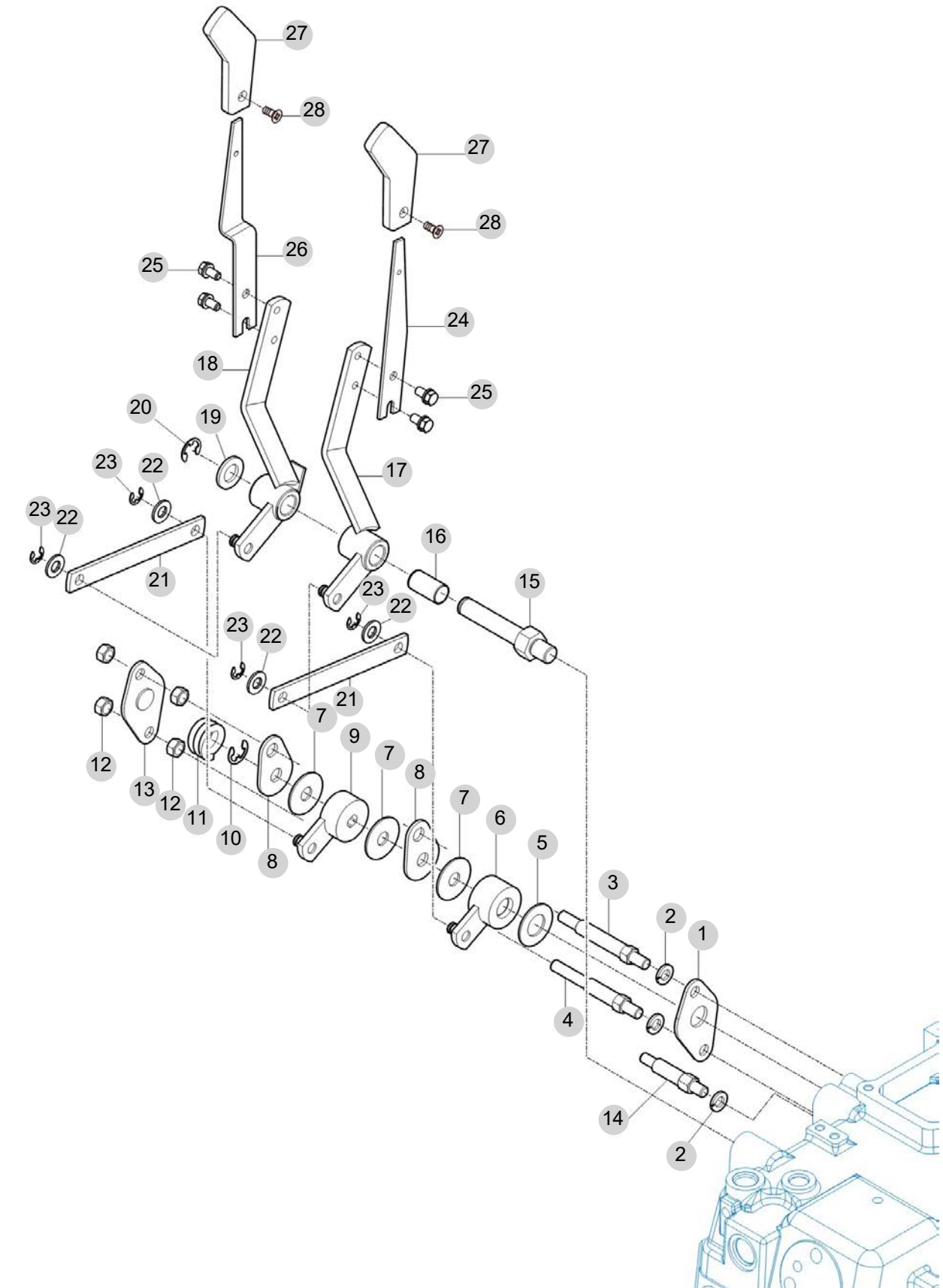
NOTE

FIG 608

POSITION LEVER

년/월
Year/Month

2022-12



NOTE

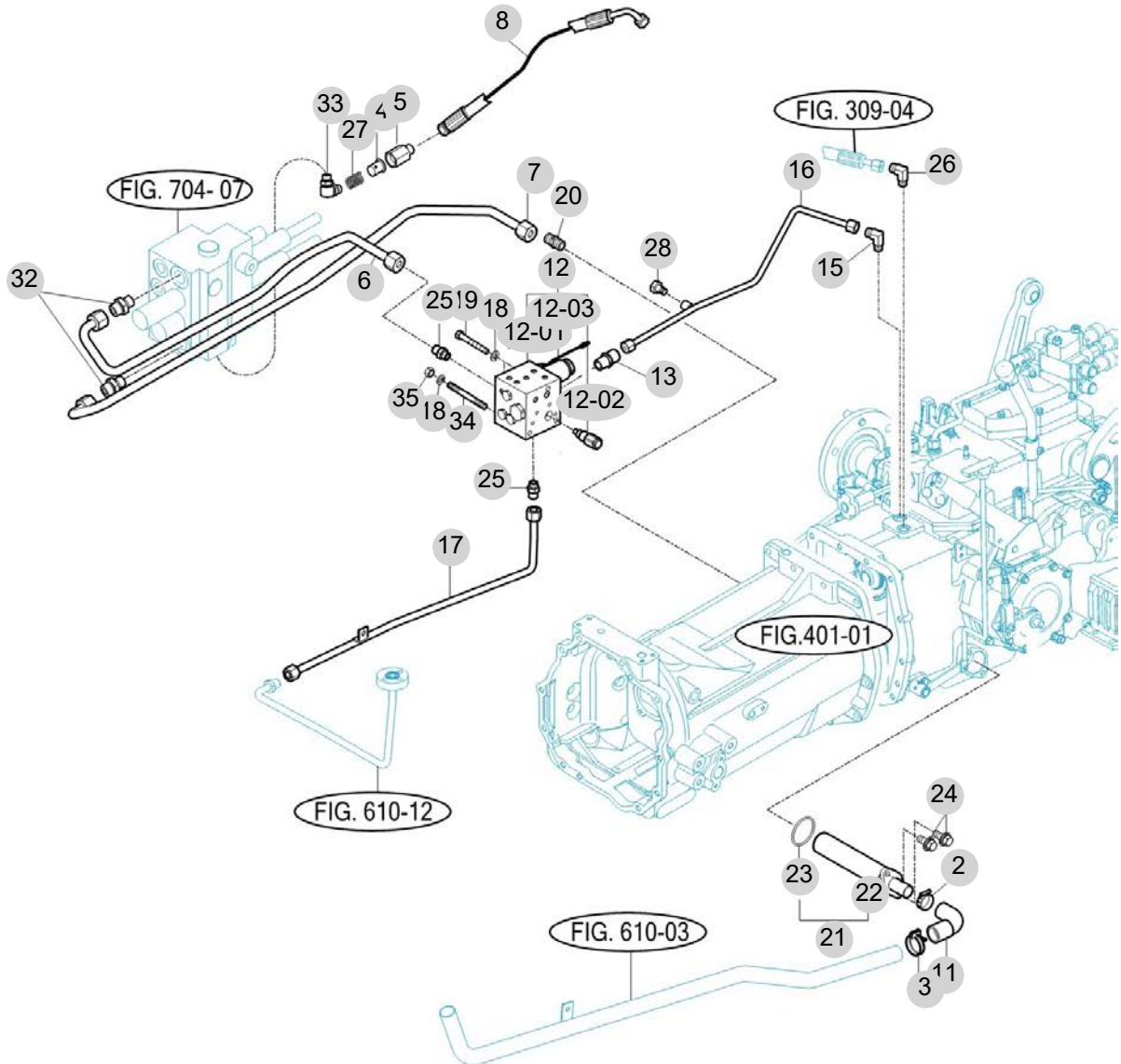
FIG 609

HYDRAULIC PIPE (1)

년/월
Year/Month

2022-12

T395NCEU1



T354-E-609

NOTE

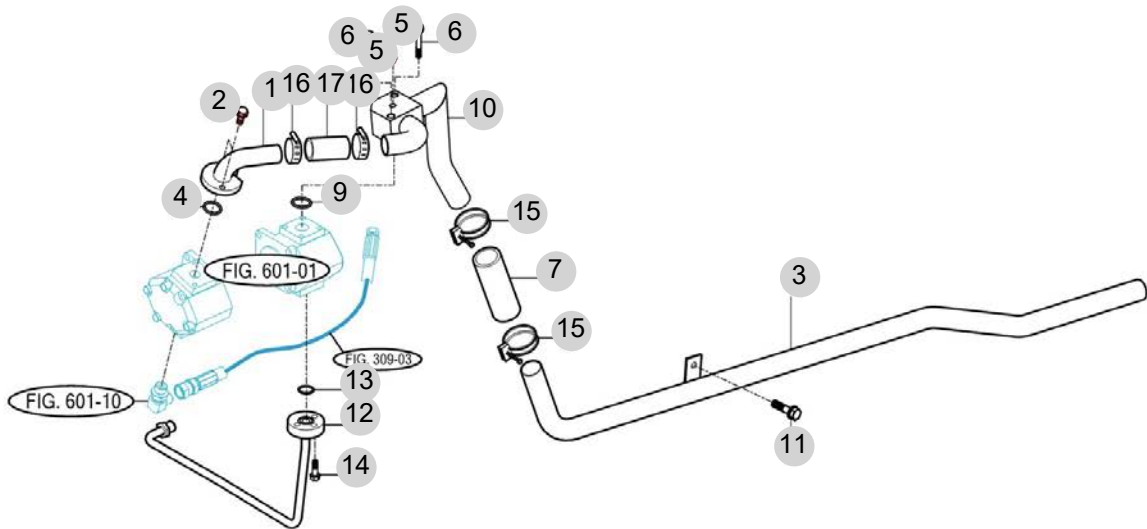
FIG 610

HYDRAULIC PIPE (2)

년/월
Year/Month

2022-12

T395NCEU1



T394NC-E-610

NOTE

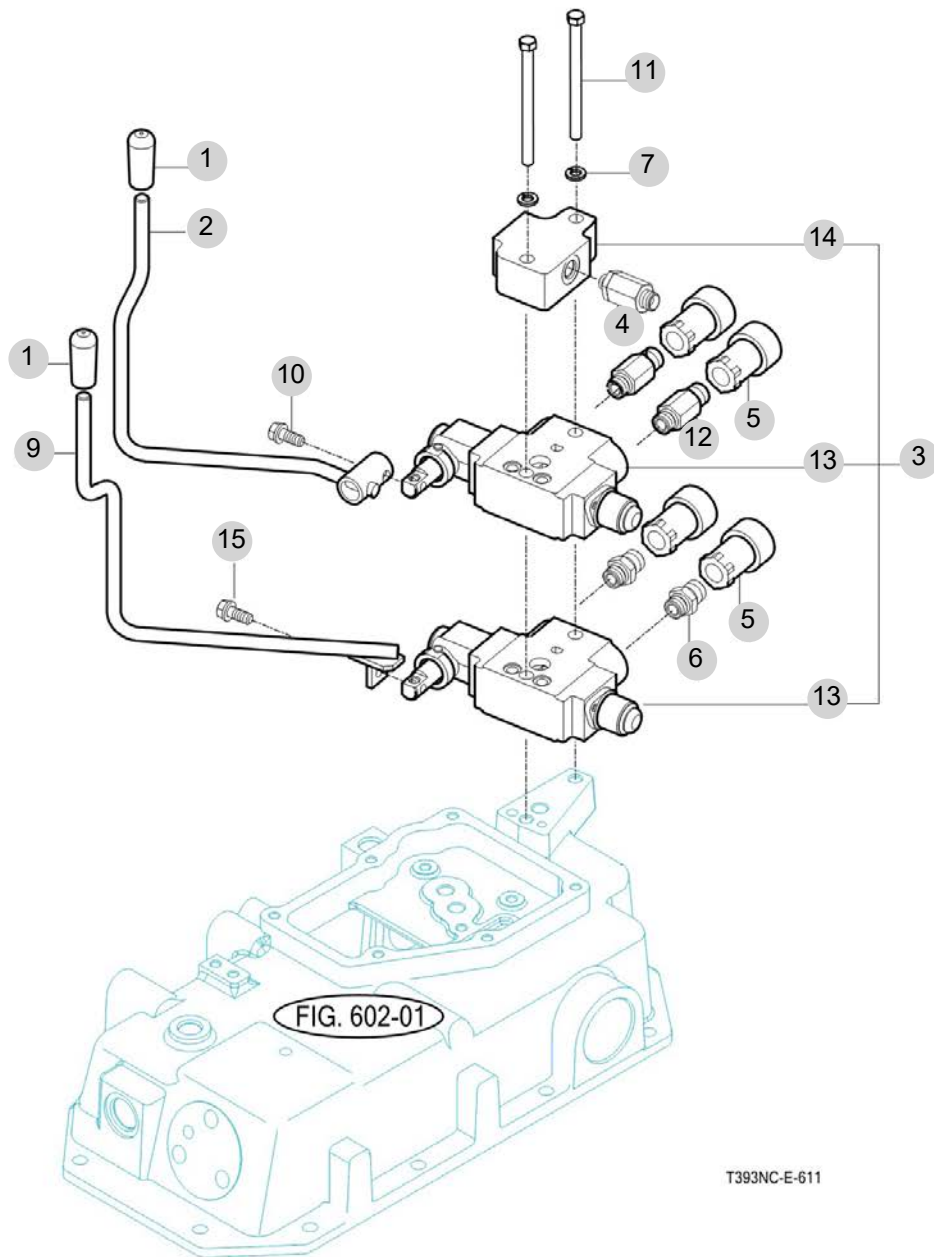
FIG 611

EXTERIOR HYD. VALVE

년/월
Year/Month

2022-12

T395NCEU1



T393NC-E-611

NOTE

FIG 612		3-POINT LINK					년/월	
							Year/Month	
T395NCEU1		2022-12						
KEY NO	PART NO	DESCRIPTION	SPEC	QTY	REPAIR	EFFECTIVE DATE	REMARKS	
612	1	13015205000	브래킷 ASSY		1			
612	1-01	13015222000GB	브래킷 COMP		1			
612	1-02	13015222100GB	링크 COMP		1			
612	1-03	14445140051	헤어핀(19)		2			
612	1-04	15645250010	핀(19X122)		2			
612	1-05	17995220990	가이드 고무		1			
612	2	V4011600140	스프링와셔	M14	4			
612	3	V3043600140	소형육각너트보통2종	M14	2			
612	4	V2014614035	소형육각볼트(보통)		2			
612	5	V2514414030	스터드볼트2종	M14X30	2			
612	7	16705142501	체인(체크) 조합		2			
612	7-01	16705244100	체인(체크,LH)COMP		2			
612	7-02	16705142800	체인(체크,RH)COMP		2			
612	7-03	16705142510M	터언버클		2			
612	7-04	V3043600160	소형육각너트보통2종	M14	2			
612	8	16705142520	체크체인 샤클		2			
612	9	79636110030	핀(12X48)		2			
612	10	16735240060	스프링(45)	3X20	2			
612	12	V4011600160	스프링와셔	M16	2			
612	13	V3013600160	육각너트보통2종	M16	2			
612	14	16705142001GB	로어링크(LH)COMP		1			
612	15	16705142400GB	리프트로드(LH) COMP		1			
612	16	79636130050	핀(16X60)		2			
612	17	V4111600160	평와셔	M16	2			
612	18	13059310030	헤어핀(D=2.3)		2			
612	19	12385142200	핀(LH) COMP		2			
612	20	V2173612030	소형육각볼트보통(S)	M12X30	4			
612	21	16705020050	핀(19X69)		2			
612	22	16735240060	스프링(45)		2			
612	23	16705142101GB	로어링크(RH)COMP		1			
612	24	16705145000GB	리프트로드(RH)ASSY		1			
612	24-01	16705145200	포크(하)COMP		1			
612	24-02	16705145100	슬리브 COMP		1			
612	24-03	16705145300	포크(상)COMP		1			
612	24-04	V3023600220	육각너트보통3종		1			
612	25	15605250030	밴드(470)		1			
612	26	16505245501GB	톱링크ASSY		1			
612	26	16505245502GB	톱링크 ASSY		1			
612	26-01	16505245510	톱링크COMP(RH)		1			
612	26-02	16505245520	톱링크COMP(LH)		1			
612	26-03	14555140251	턴버클 조합(톱링크)		1			
612	26-04	16505245530	육각너트		1			
612	26-05	15645220020	핀(19X95)		1			
612	26-06	15645220011	핀(19X86)		1			
612	26-07	14445140051	헤어핀(19)		2			
NOTE								

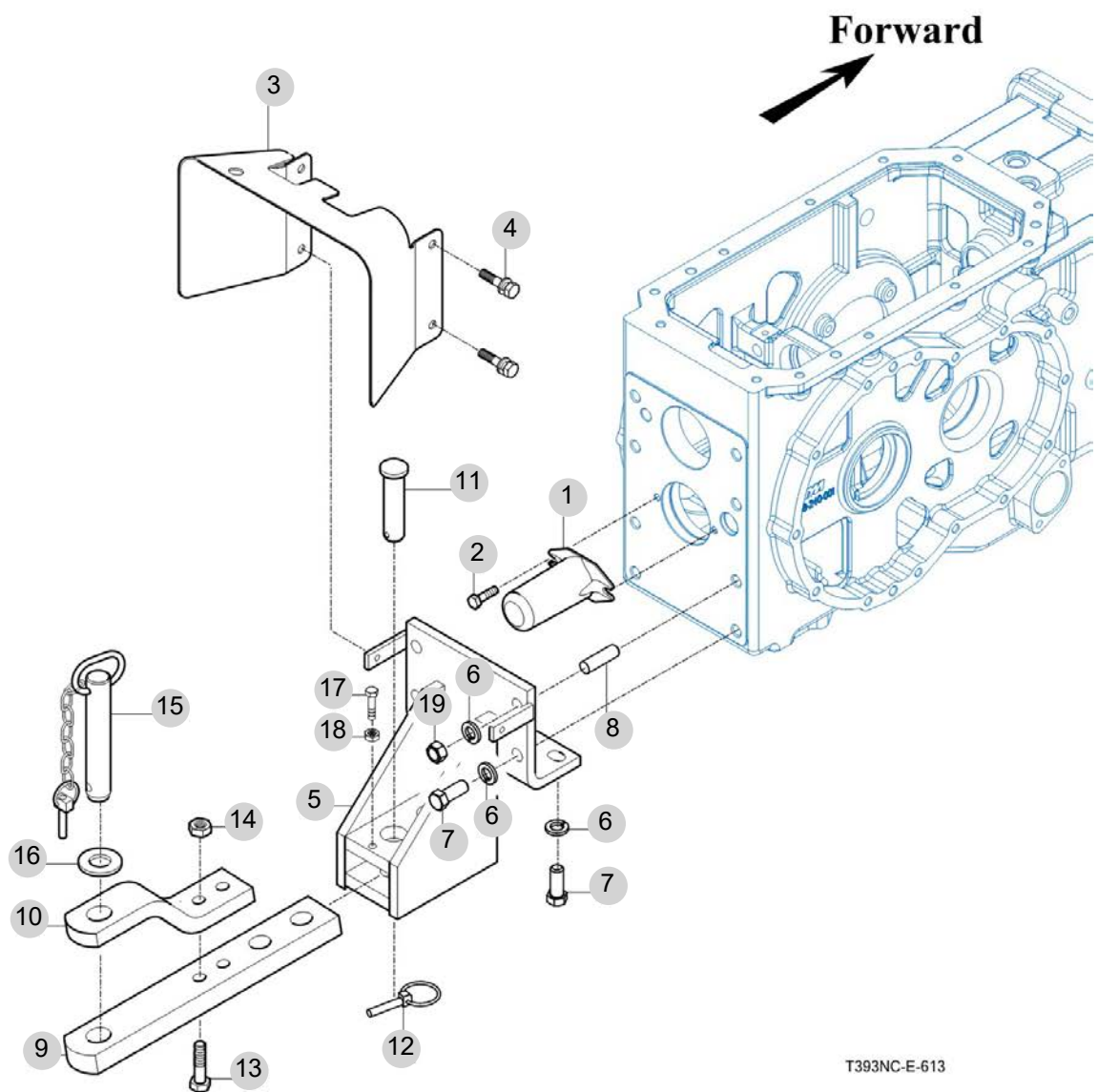
FIG 613

HITCH & COVER

년/월
Year/Month

2022-12

T395NCEU1



NOTE

7. 시트메탈/캐빈 PART NO. T7

FIG 701 HOOD	155
FIG 702 BONNET	157
FIG 704 FENDER & REAR FRAME	160
FIG 705 DASHPANEL	163
FIG 706 FLOOR PANEL	165
FIG 707 SEAT	167
FIG 708 FRONT & REAR MOUNTING	169
FIG 709 ROPS	171

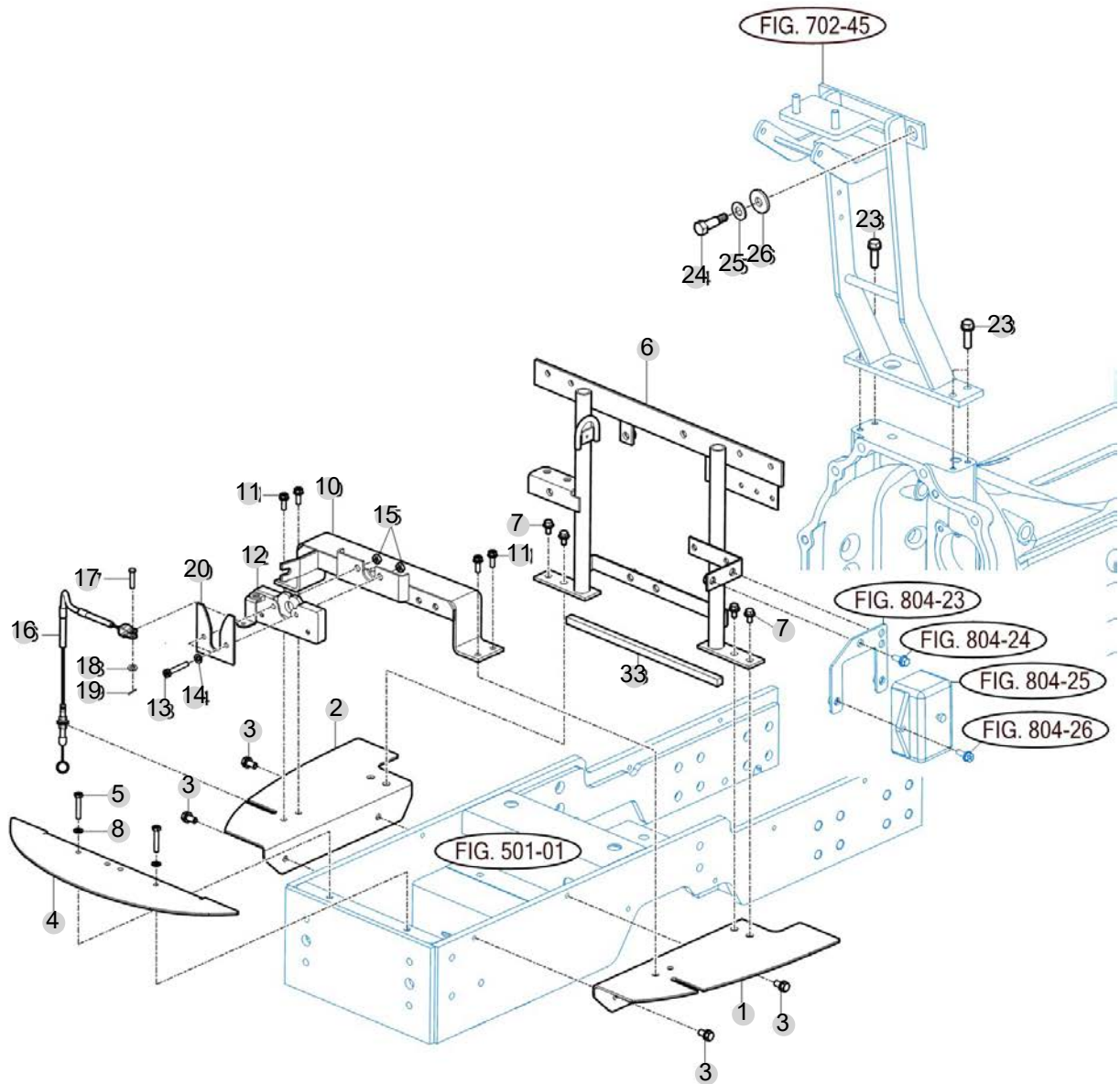
FIG 701

T395NCEU1

HOOD

년/월
Year/Month

2022-12



NOTE

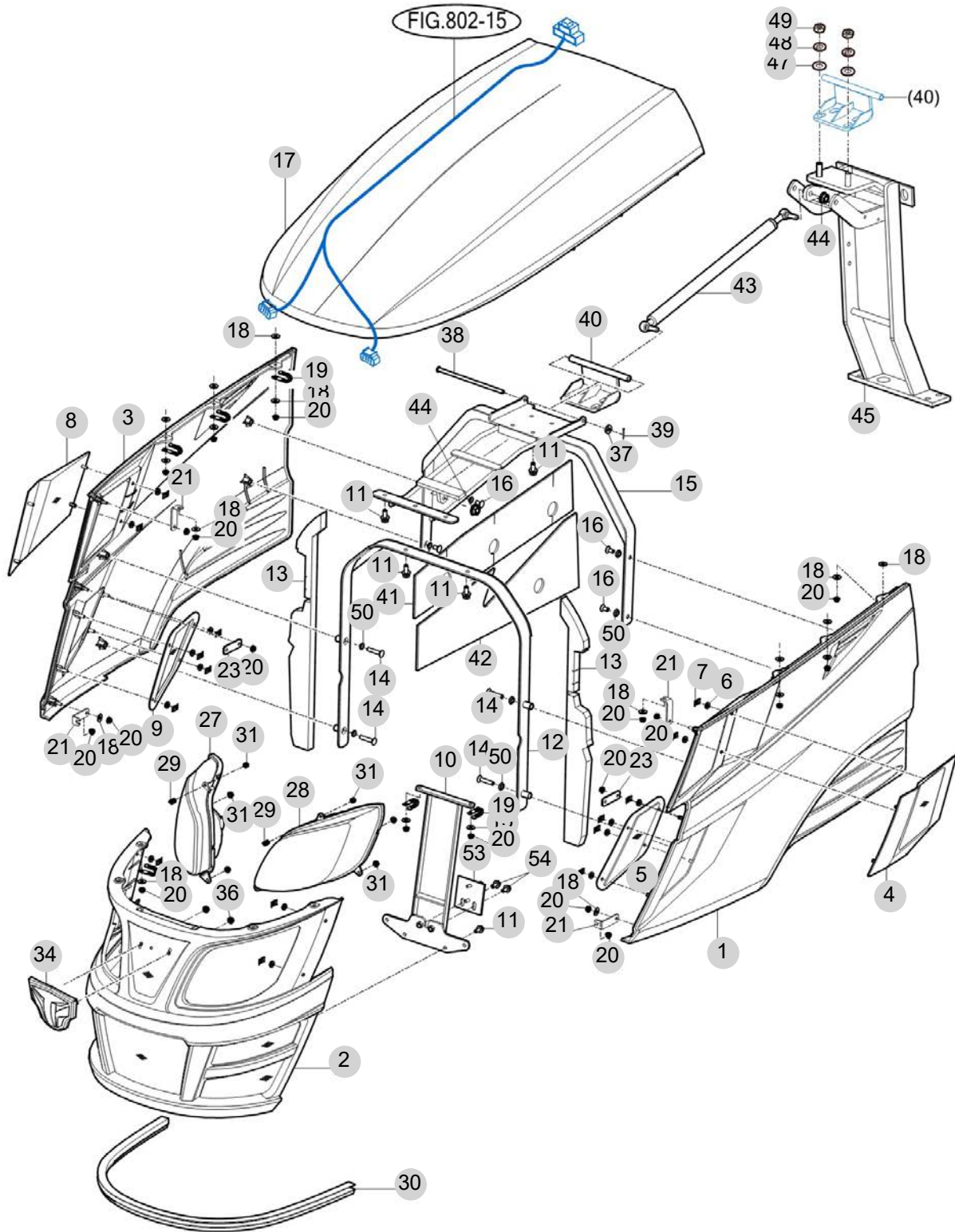
FIG 702

BONNET

년/월
Year/Month

2022-12

T395NCEU1



NOTE

FIG 702 T395NCEU1		BONNET					년/월 Year/Month	
							2022-12	
KEY NO	PART NO	DESCRIPTION	SPEC	QTY	REPAIR	EFFECTIVE DATE	REMARKS	
702	1	17406203301SR	사이드 커버 COMP , 좌		1			
702	1	17406203302SR	사이드 커버 COMP , 좌		1			
702	1	17406203303SR	사이드 커버 COMP , 좌		1			
702	2	17406203201GB	그릴 COMP		1			
702	3	17406203401SR	사이드 커버 COMP , 우		1			
702	3	17406203402SR	사이드 커버 COMP , 우		1			
702	3	17406203403SR	사이드 커버 COMP , 우		1			
702	4	17406203500GB	네트 , 상/좌		1			
702	5	17406203600GB	네트 , 하/좌		1			
702	6	14446010150	네트와샤(6X14X3)		16			
702	7	V3501600060	스프링 너트		16			
702	8	17406203700GB	네트 , 상/우		1			
702	9	17406203800GB	네트 , 하/우		1			
702	10	18366202500GB	핀 COMP , 후드락		1			
702	11	V2183608020	소형육각볼트보통(SP)		13			
702	12	17406202300GB	후드 프레임 COMP , 전		1			
702	13	17406202430	인슐레이터 , 사이드 전		2			
702	14	V1122608040	심자흡접시작은나사		4			
702	15	10536202700GB	후드 프레임 COMP , 후		1			
702	15	10536202701GB	후드 프레임 COMP , 후		1			
702	15	10536202702GB	후드 프레임 COMP , 후		1			
702	16	V1122608016	심자흡접시작은나사		4			
702	17	17406203101SR	후드 COMP		1			
702	17	17406203102SR	후드 COMP		1			
702	17	17406203103SR	후드 COMP		1			
702	18	35605033020	와이어인출용와셔		22			
702	19	37371720090	메인하니스 클램프(하)		6			
702	20	V3802600060	플랜지붙이육각너트	M6	24			
702	21	17406203011GB	플레이트 , 상/사이드		4			
702	21	17406203010GB	플레이트 , 상/사이드		4			
702	23	17406203020GB	플레이트 , 중/사이드		2			
702	27	17406525001	헤드램프 ASSY , 우		1			
702	27	17406525002	헤드램프 ASSY , 우		1			
702	28	17406524001	헤드램프 ASSY , 좌		1			
702	28	17406524002	헤드램프 ASSY , 좌		1			
702	29	36108010080	중자출구스프링(HC016)		2			
702	30	17406203900	인슐레이터 , 후드		1			
702	31	19027210060	나일론너트(M6)		6			
702	34	19959010011	엠블럼		1			
702	34	17406212000	엠블럼 ASSY , V5		1			
702	36	V3802600060	플랜지붙이육각너트	M6	2			
702	37	V4111600080	평와셔	M8	1			
702	38	13016202060	후드 핀		1			
702	39	V5001925020	핀		1			
702	40	13016202803GB	후드 힌지 플레이트 COMP		1			
NOTE								

FIG 704		FENDER & REAR FRAME					년/월 Year/Month		
							2022-12		
T395NCEU1		KEY NO	PART NO	DESCRIPTION	SPEC	QTY	REPAIR	EFFECTIVE DATE	REMARKS
704	1	14726063502SR	휀더(LH)COMP			1			
704	2	12656060040SR	훗받이 휀더 (LH)			1			
704	2	12656060041SR	훗받이 휀더 (LH)			1			
704	3	V2193606016	육각볼트(SPL)	M6X16		12			
704	4	V2123606012	육각볼트(SP)	M6X12		14			
704	5	16606070031	캡(9)			10			
704	6	14726071101	손잡이 COMP			1			
704	7	35602010150	결속축와셔	T=2.3		4			
704	8	V3802600080	플랜지볼이육각너트			4			
704	9	13016060030	리어 램프 커버(우)			1			
704	10	14726063602SR	휀더(RH)COMP(PNT)			1			
704	11	10526060020SR	훗받이 휀더 (RH)			1			
704	11	10526060021SR	훗받이 휀더 (RH)			1			
704	12	13016060020	리어램프커버(좌)			1			
704	13	V2183608020	소형육각볼트보통(SP)	M8X20		8			
704	14	V4011600080	스프링와셔	M8		4			
704	15	V3042600080	소형육각너트보통2종	M8		4			
704	16	16707035403SR	리어프레임(연료탱크)COMP			1			
704	17	14885251100	후크(톱링크)			1			
704	18	V4111600060	평와셔	M6		1			
704	19	V5001920015	분할핀	2X15		1			
704	20	14256210040	하니스클램프(9)			1			
704	21	V2123606012	육각볼트(SP)	M6X12		1			
704	25	V4111600120	평와셔	M12		4			
704	26	36217020030	플리 와셔			4			
704	27	V4011600120	스프링와셔	M12		4			
704	28	V3043600120	소형육각너트보통2종	M12		4			
704	29	14326510210	고무캡(20)			2			
704	30	V2183608020	소형육각볼트보통(SP)	M8X20		4			
704	31	V2183608020	소형육각볼트보통(SP)	M8X20		1			
704	32	V3042600080	소형육각너트보통2종	M8		1			
704	33	14256210040	하니스클램프(9)			1			
704	34	V2183608035	소형육각볼트보통(SP)	M8X35		2			
704	35	14777036302DR	커버 COMP(연료탱크)(PNT)			1			
704	35	14777036302SR	커버 COMP (연료탱크)			1			
704	35	14777036303SR	커버 COMP , 연료탱크			1			
704	36	V2183610020	소형육각볼트보통(SP)	M10X20		2			
704	37	V2323606016	심자훗육각볼트(SP)			6			
704	38	V2193606020	육각볼트(SPL)			2			
704	39	13016061300	리어램프 고정플레이트			2			
704	40	13367023400	스톱램프 ASSY			2			
704	41	14527023300	방향지시등(REAR)ASSY			2			
704	43	V2173612030	소형육각볼트보통(S)	M12X30		2			
704	44	13015504005	로더밸브 조이스틱 ASSY			1			
704	45	12396013900GB	레버(조이스틱)COMP			1			
NOTE									

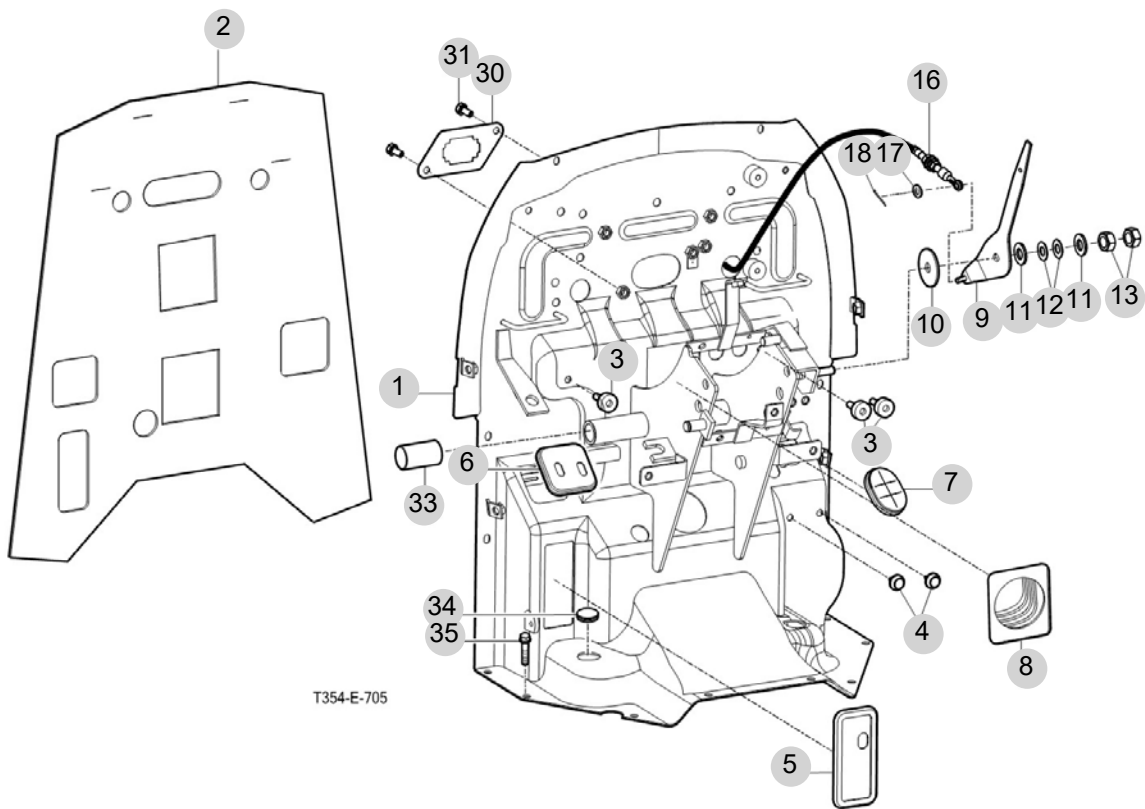
FIG 705

DASHBOARD

년/월
Year/Month

2022-12

T395NCEU1



T354-E-705

NOTE

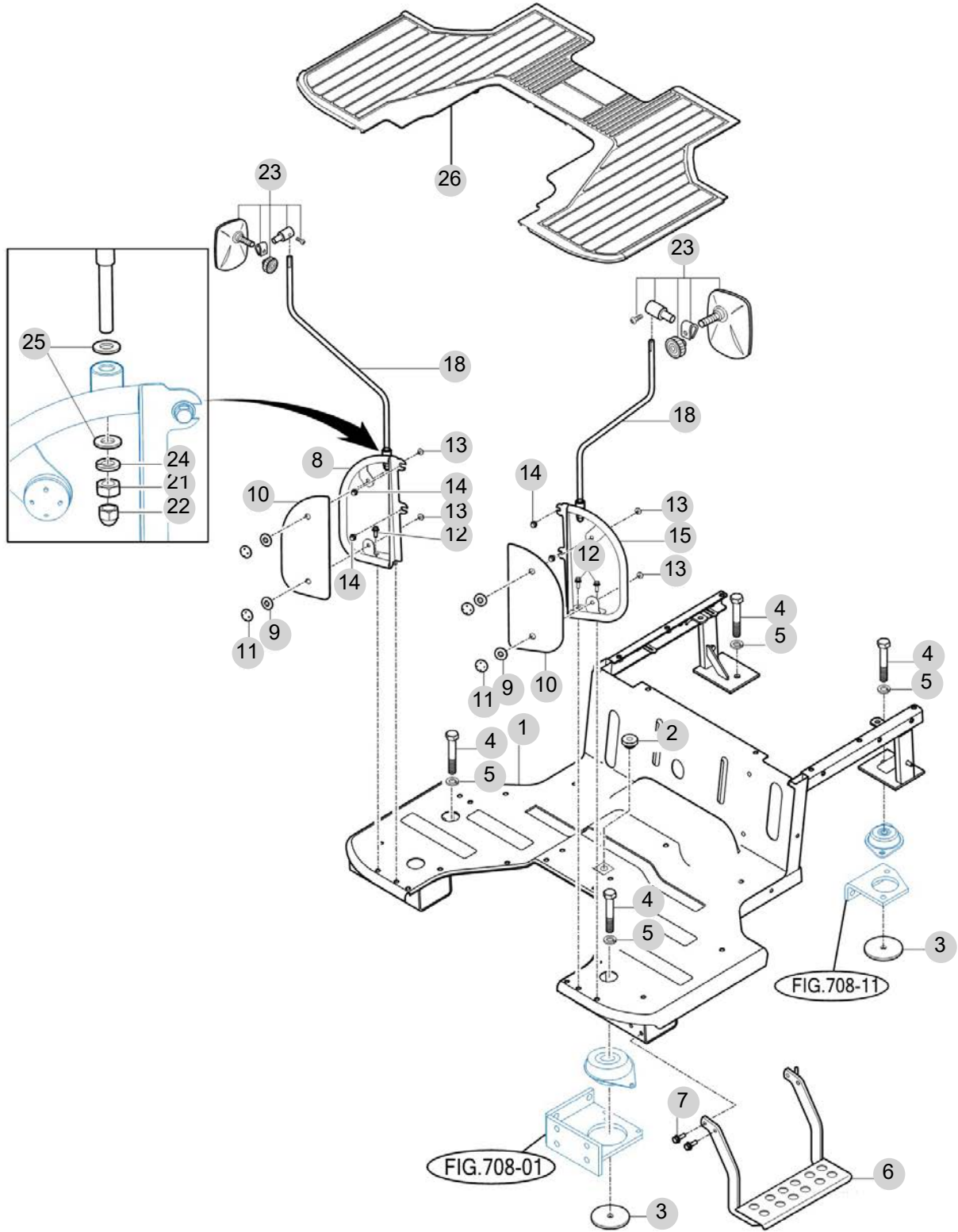
FIG 706

FLOOR PANEL

년/월
Year/Month

T395NCEU1

2022-12



T354-E-706

NOTE

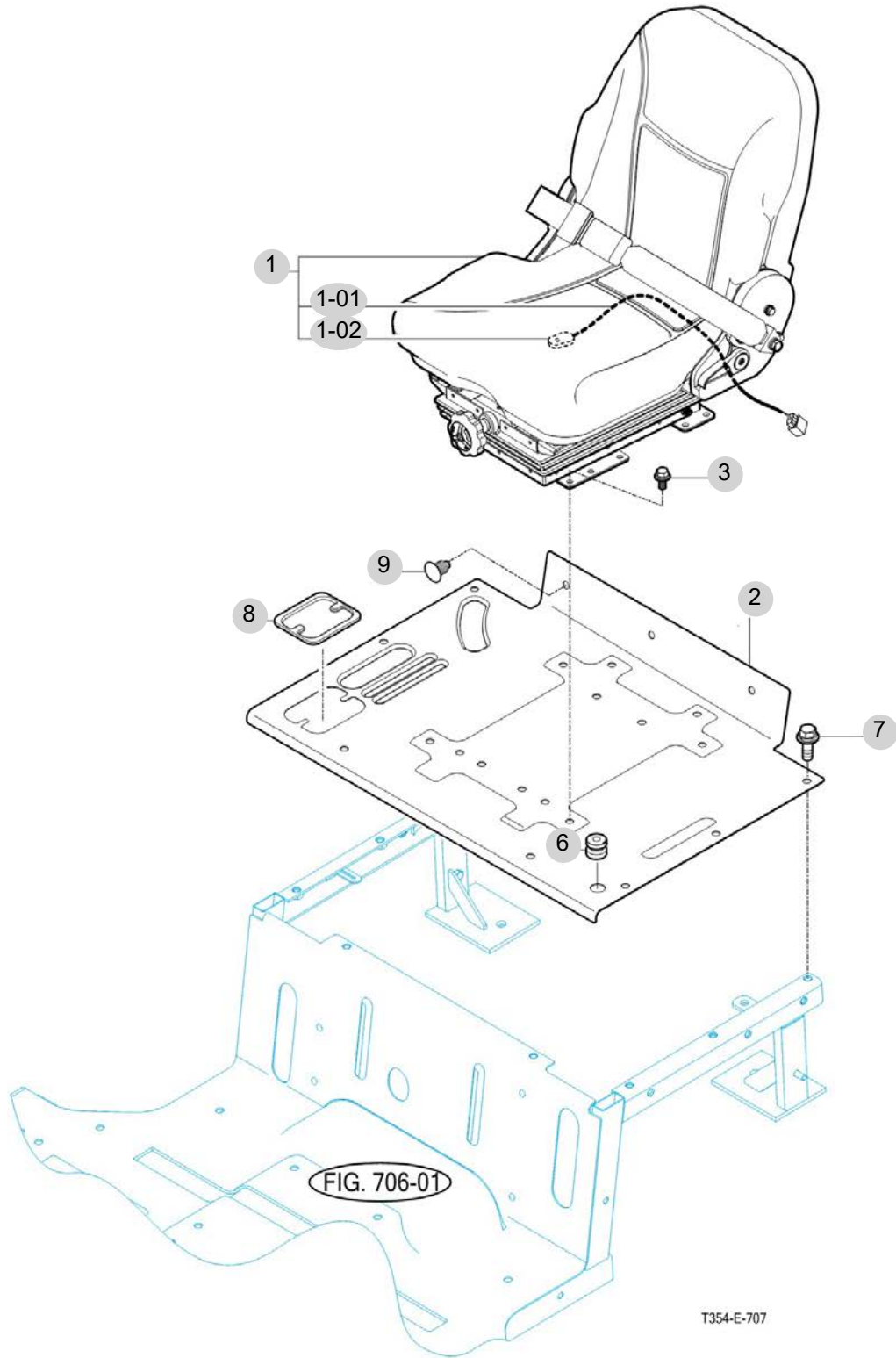
FIG 707

T395NCEU1

SEAT

년/월
Year/Month

2022-12



NOTE

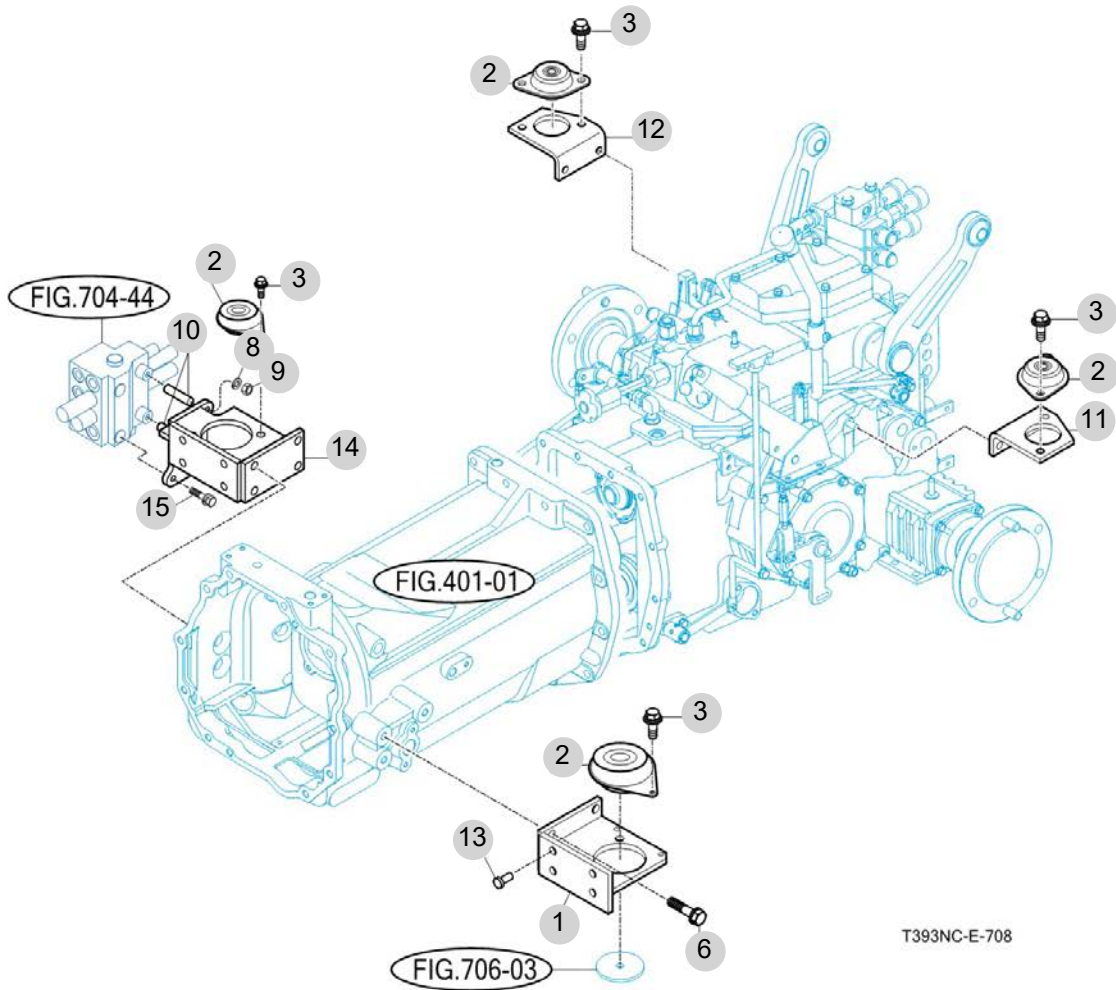
FIG 708

FRONT & REAR MOUNTING

년/월
Year/Month

2022-12

T395NCEU1



T393NC-E-708

NOTE

8. 전장 PART NO. T8

FIG 801 BATTERY & MOUNTING	174
FIG 802 LAMP	176
FIG 803 INSTRUMENT PANEL	178
FIG 804 ELECTRIC SYSTEM	180
FIG 805 HARNESS (1)	182
FIG 806 HARNESS (2)	184

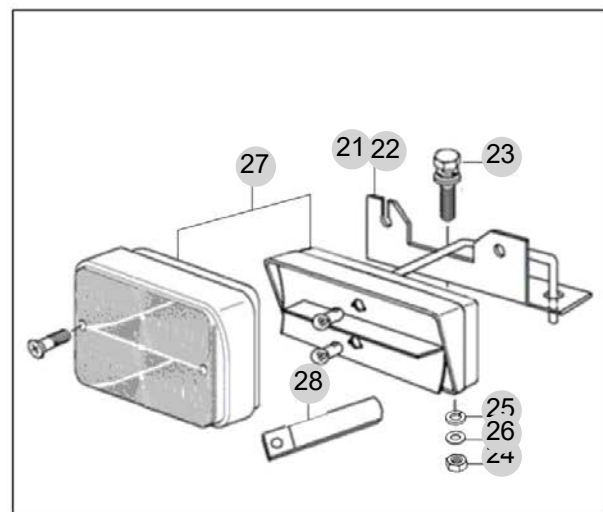
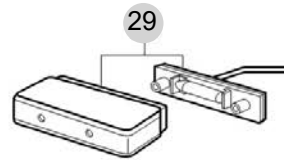
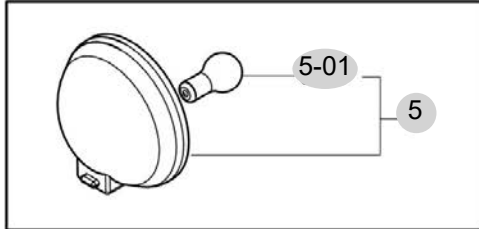
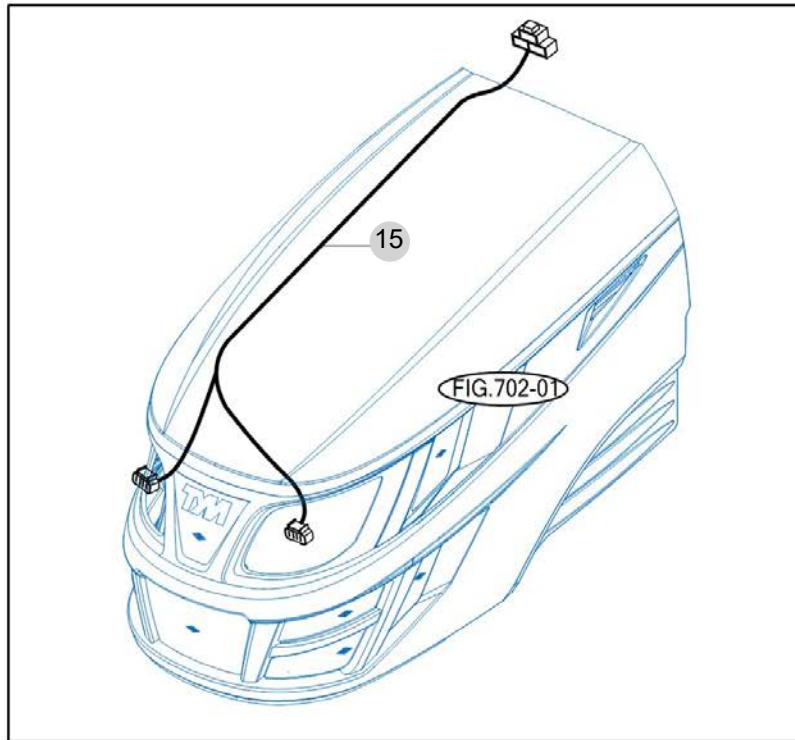
FIG 802

LAMP

년/월
Year/Month

T395NCEU1

2022-12



NOTE

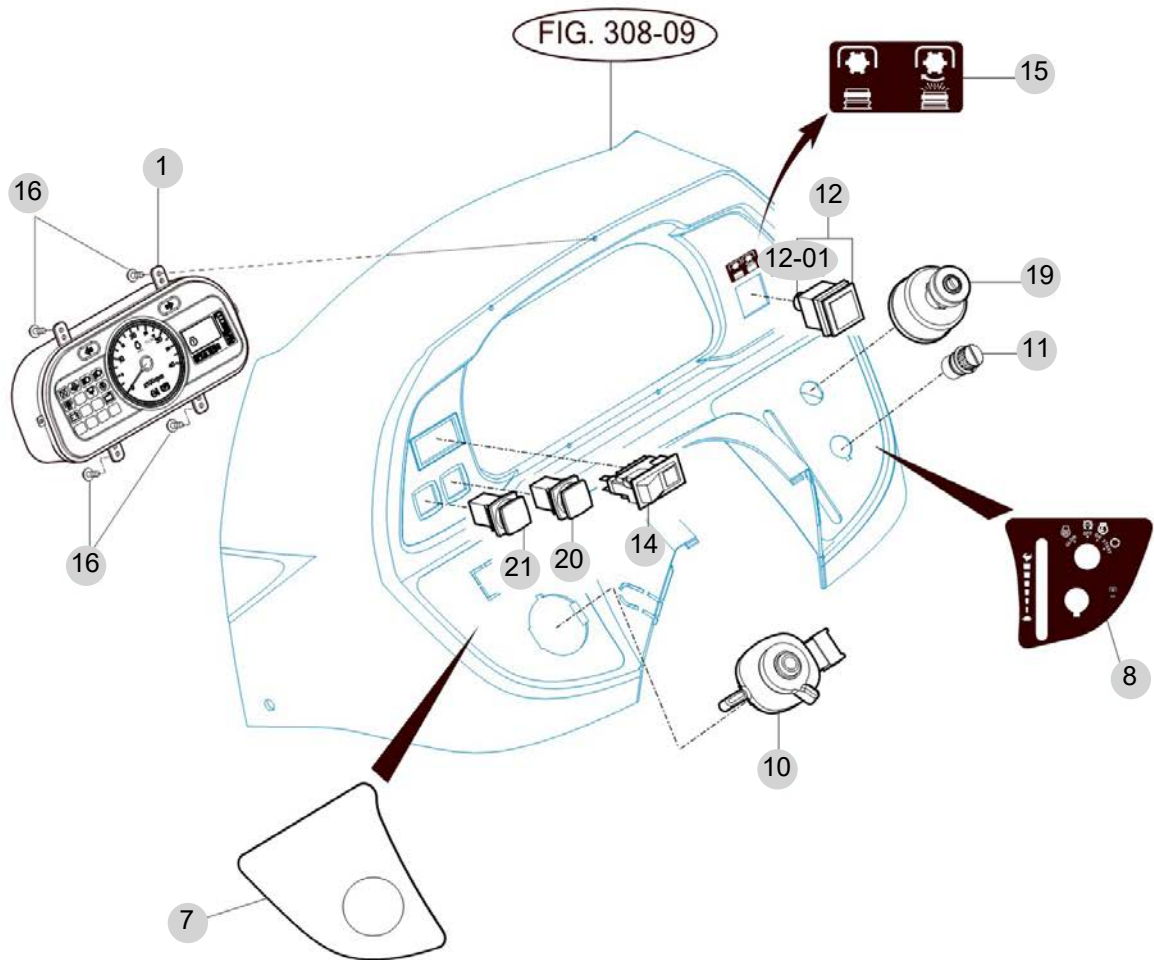
FIG 803

INSTRUMENT PANEL

년/월
Year/Month

2022-12

T395NCEU1



T393NC-E-803

NOTE

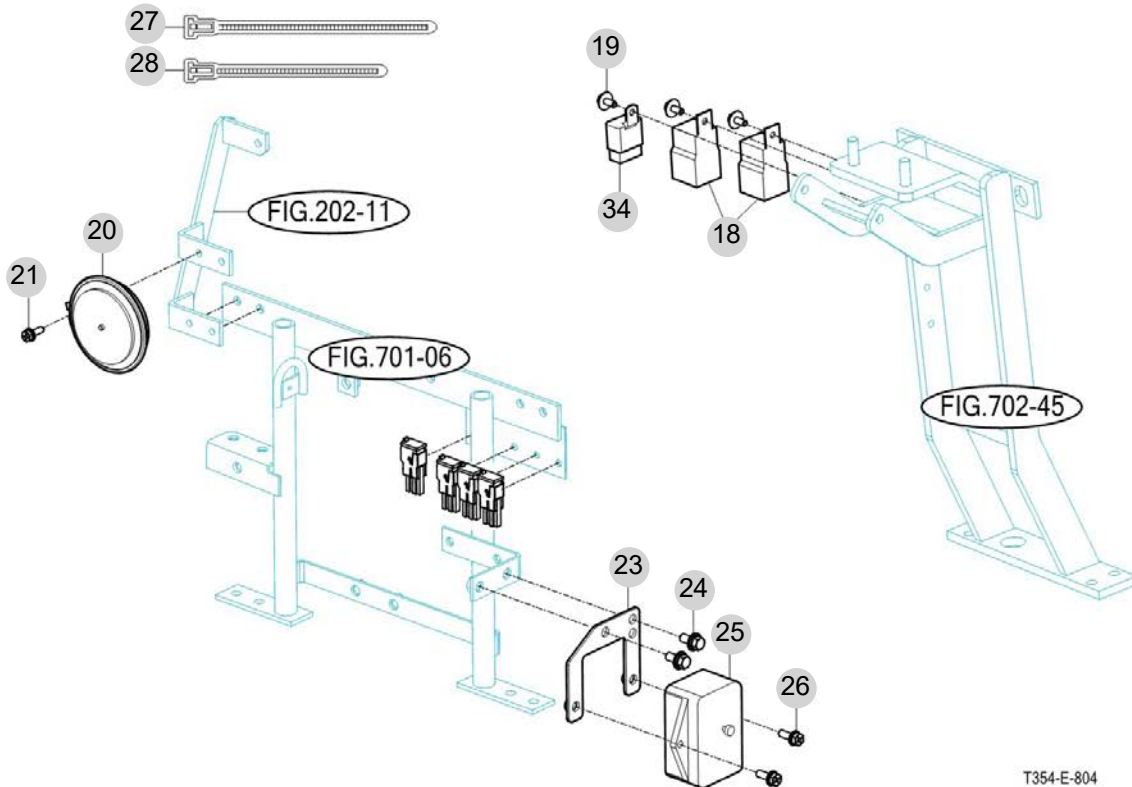
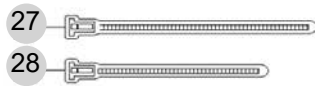
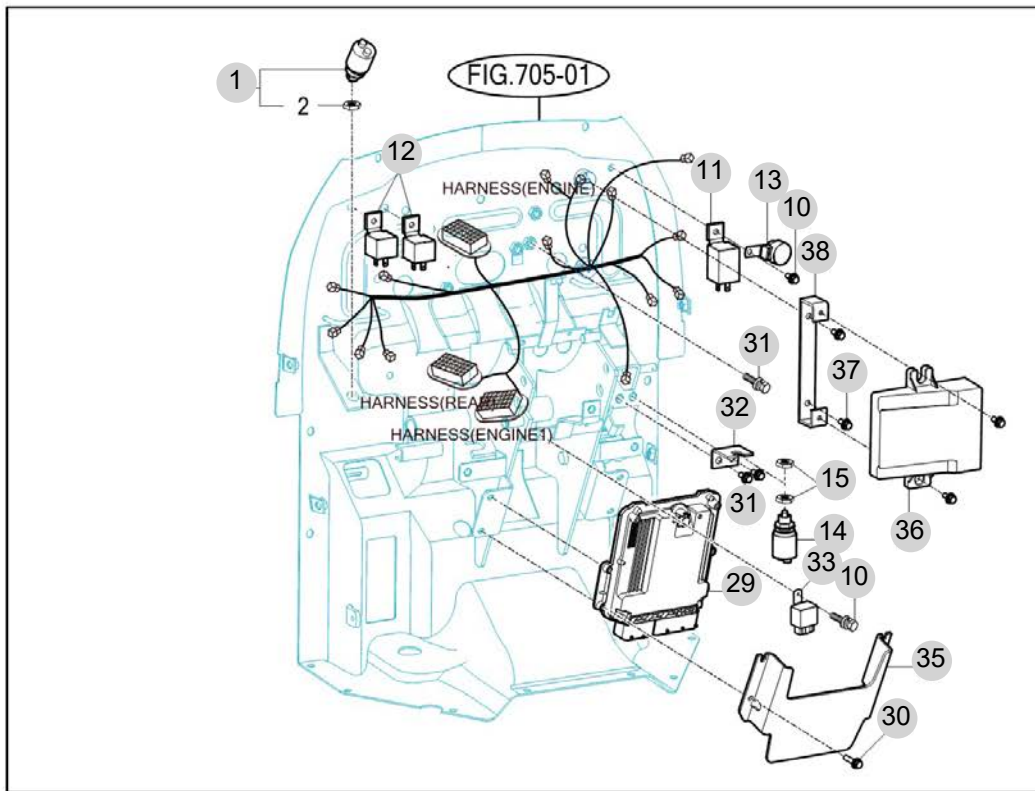
FIG 804

ELECTRIC SYSTEM

년/월
Year/Month

2022-12

T395NCEU1



T354-E-804

NOTE

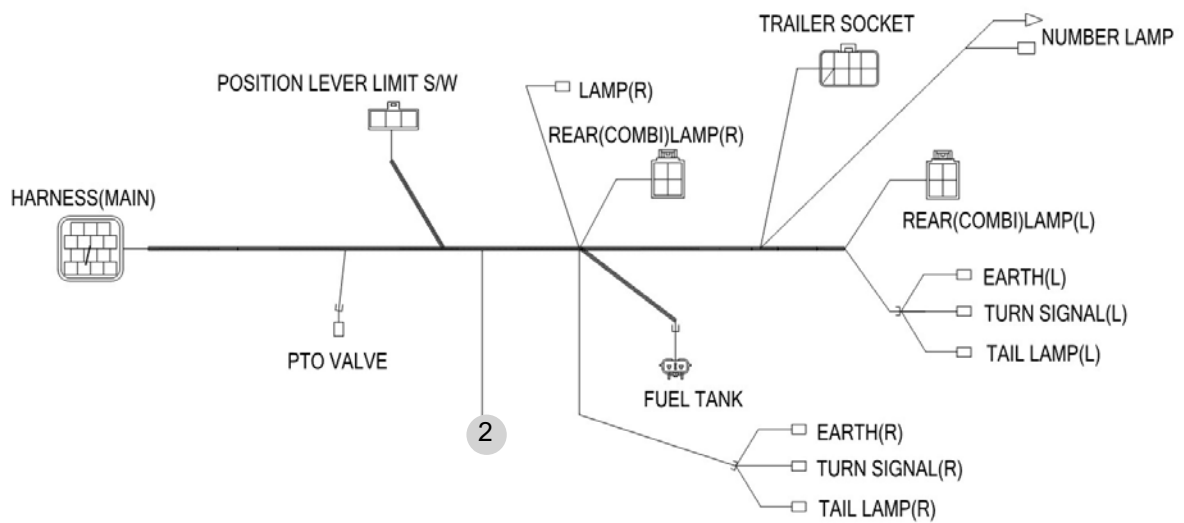
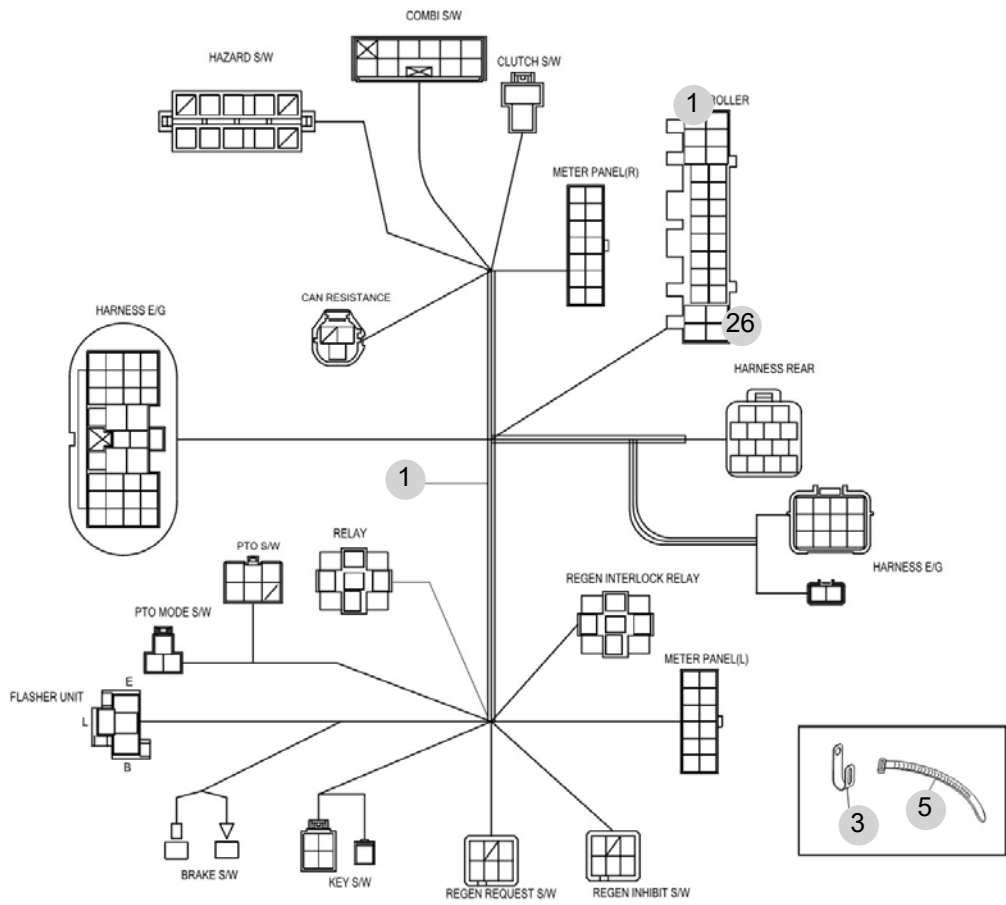
FIG 805

T395NCEU1

HARNESS (1)

년/월
Year/Month

2022-12



T354NC-E-805

NOTE

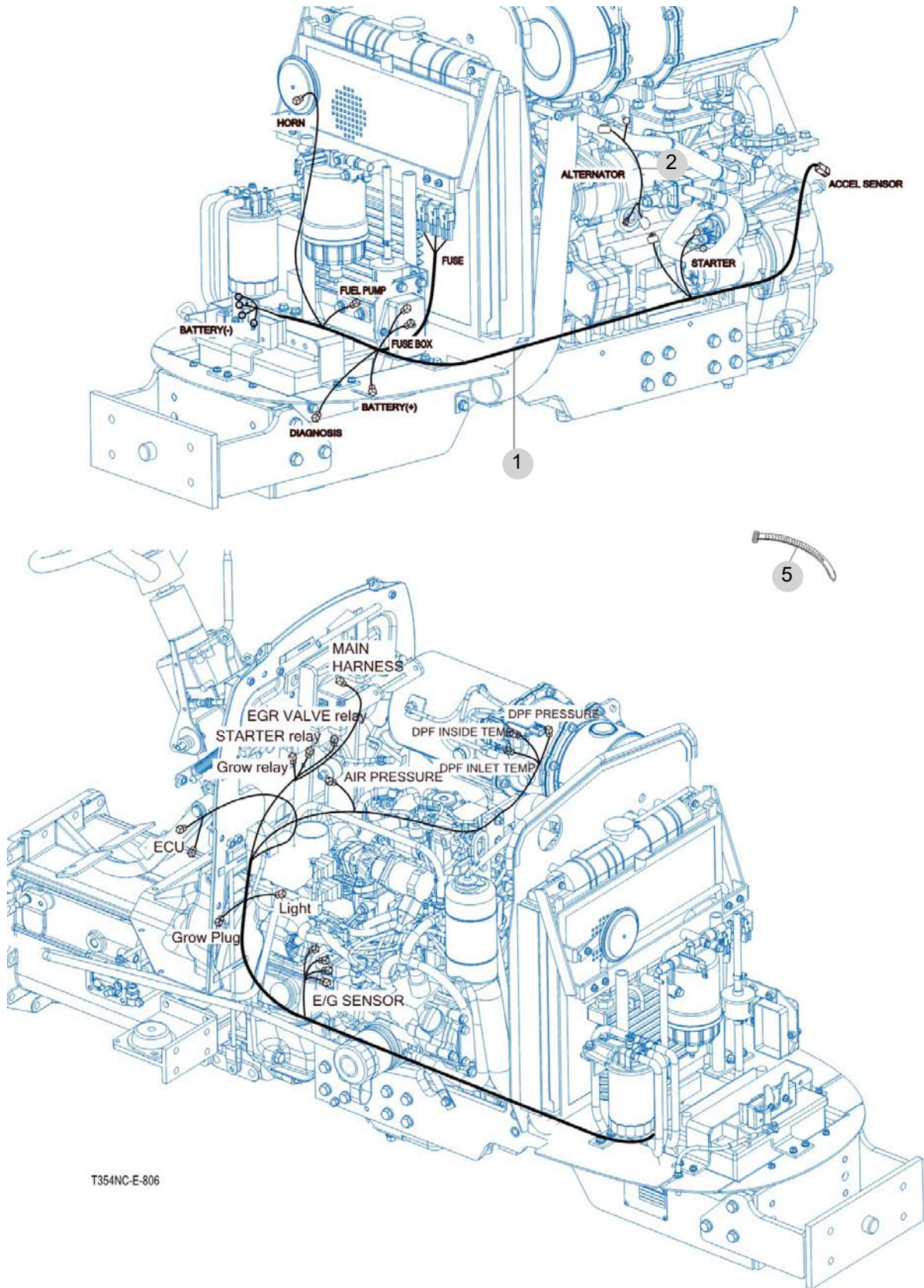
FIG 806

HARNESS (2)

년/월
Year/Month

2022-12

T395NCEU1



NOTE

9. 라벨/옵션 PART NO. T9

FIG 901 WEIGHT	187
FIG 902 TOOL & ACCESSORY	189
FIG 903-1 LABEL (1)	191
FIG 903-2 LABEL (2)	194

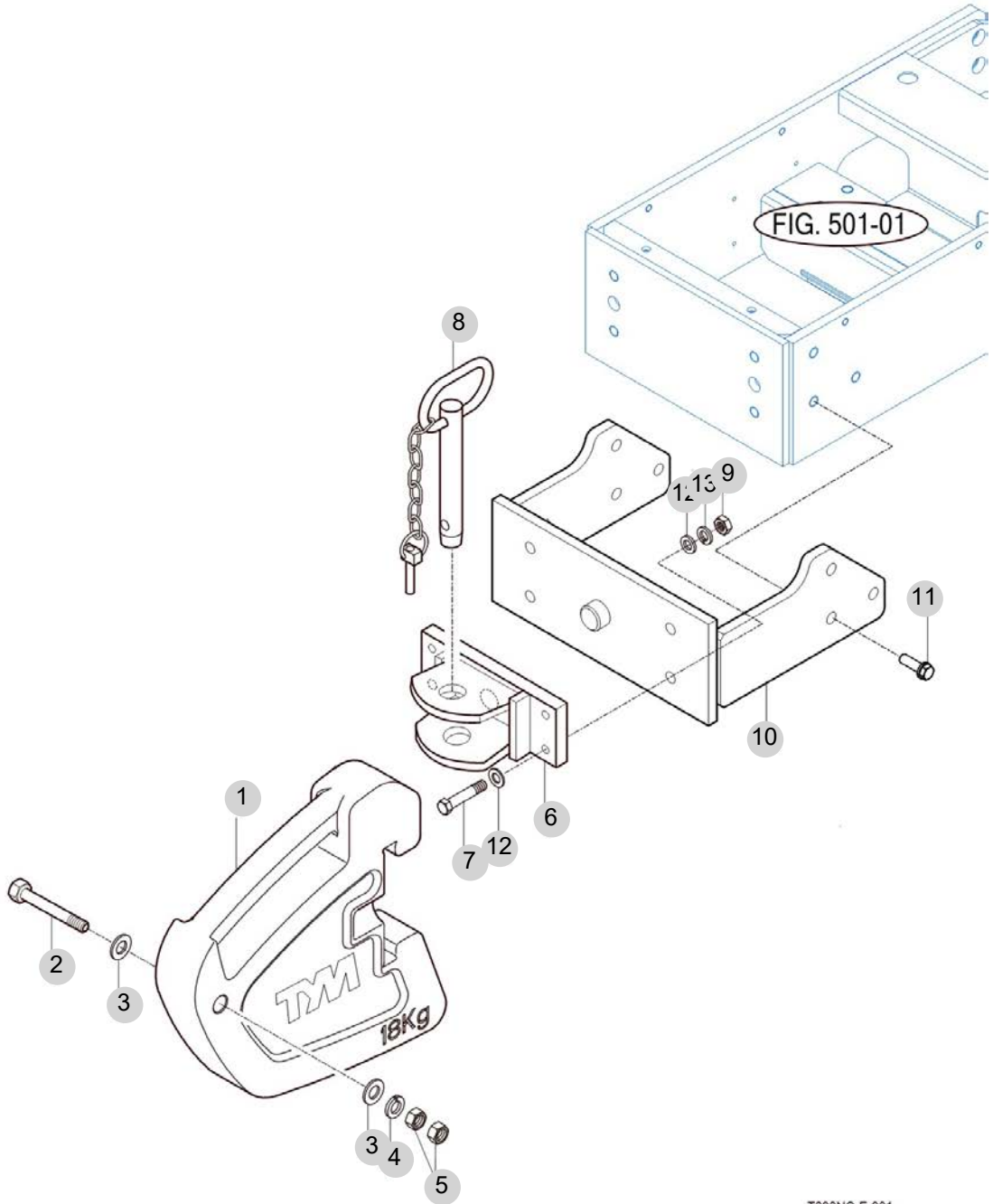
FIG 901

WEIGHT

년/월
Year/Month

2022-12

T395NCEU1



T393NC-E-901

NOTE

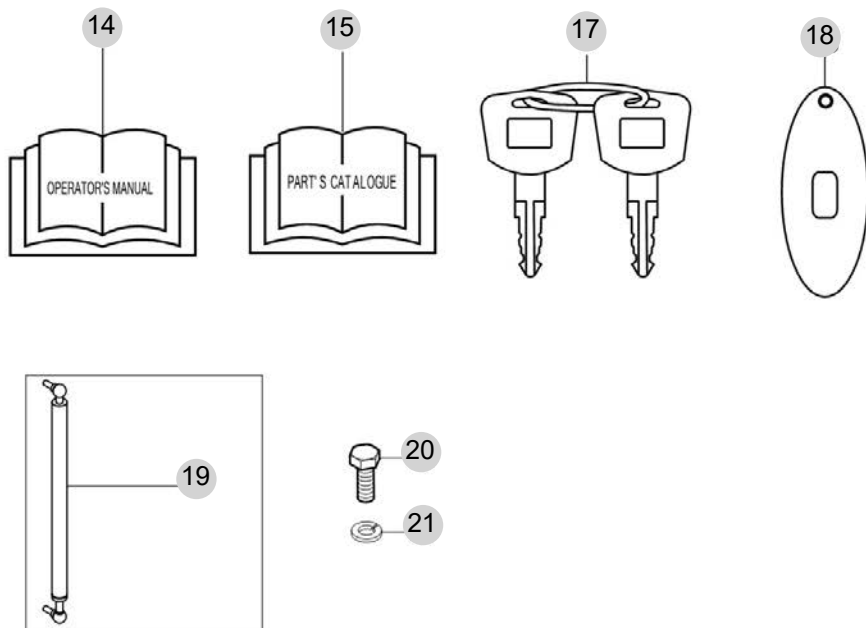
FIG 902

TOOL & ACCESSORY

년/월
Year/Month

2022-12

T395NCEU1



T393-E-902

NOTE

T395NCEU1

WARNING

Death or injury may result if this tractor over turns with the ROPS in the folded down position. Operate this tractor with the ROPS folded down only when necessary. Do not wear seat belt if operated with ROPS folded down

1225-904-902-0

35

DANGER

This Tractor may tip over unexpectedly and quicker than an operator is able to jump free

1. Never operate a tractor without a proper Roll over Protection Structure (ROPS)
2. Always wear your seat belt when operating this tractor equipped with roll over protection.
3. Never pull from above or from the rear axle.
4. Do not operate the tractor on steep slopes or near drop offs
5. Avoid sharp high speed turns. Serious injury or death may result from tractor upsets.

1220-904-901-0

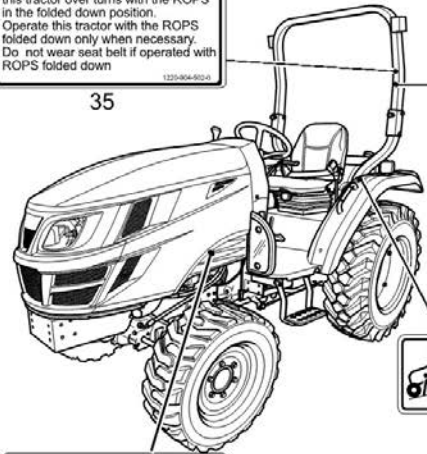
36

SPEED TABLES

APPLICATION	GEAR/PTO	GEAR	PTO	GEAR	PTO	GEAR	PTO	GEAR	PTO	GEAR	PTO	GEAR	PTO	GEAR	PTO
WHEEL SPEED	0	1	2	3	4	5	10	20	30						
PTO SPEED (rpm)															
WHEEL SPEED	1	2	3	4	5	10	20	30							
PTO SPEED (rpm)															

0 The proper driving speed and PTO RPM depend on the type of work, field and ground conditions. For your safety, observe the function of the suitable speed.

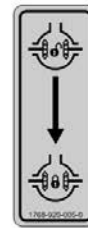
2



DANGER

Do not ride except operator.

13



18



21



27

CAUTION

Do not touch while the system is hot. It cause serious burns

1220-910-021-0

11

WARNING

Work in ventilated Area.

12

A

B

24

25

WARNING

Additions, alterations, cracking, damage or corrosion to this structure may adversely affect the performance of the ROPS.

46



51

03

50

T395

29

TYM

60

TONGYANGMOOLSAN CO., LTD.

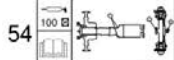
Model	Weight	Capacity	Max. Speed	Max. PTO Speed
T395	1300 kg	1000 L	20 km/h	2000 rpm
T395	1300 kg	1000 L	20 km/h	2000 rpm
T395	1300 kg	1000 L	20 km/h	2000 rpm
T395	1300 kg	1000 L	20 km/h	2000 rpm
T395	1300 kg	1000 L	20 km/h	2000 rpm
T395	1300 kg	1000 L	20 km/h	2000 rpm
T395	1300 kg	1000 L	20 km/h	2000 rpm
T395	1300 kg	1000 L	20 km/h	2000 rpm
T395	1300 kg	1000 L	20 km/h	2000 rpm
T395	1300 kg	1000 L	20 km/h	2000 rpm

41

WARNING

Do not use the sub shift lever at "H" position when driving backward.

11



54



55

WARNING

Always fasten Your seat belt.

1200-910-015-0

15

WARNING

Never use the diff-lock at high speed or on the road as this can cause rollover and injury.

1200-910-016-0

19

WARNING

Do not remove radiator cap while engine is hot. Hot steam will injure you.

1200-910-015-0

8

WARNING

- Start engine only from operators seat. If safety start switch is by passed engine can start with transmission in gear.
- Do not connect or short across terminal on starter solenoid.
- Attach booster cables as shown on battery decal and operators manual.

Starting in gear causing runaway can result in serious injury.

44

WARNING

LOCK → UNLOCK

LOCK BUTTEN

Push the button to lock position with joystick lever is neutral whenever the implement is not operation.

1200-910-020-0

37

TONGYANGMOOLSAN CO., LTD.

TYPE: T395

e13

00073 NS

T: 1.0 tonne

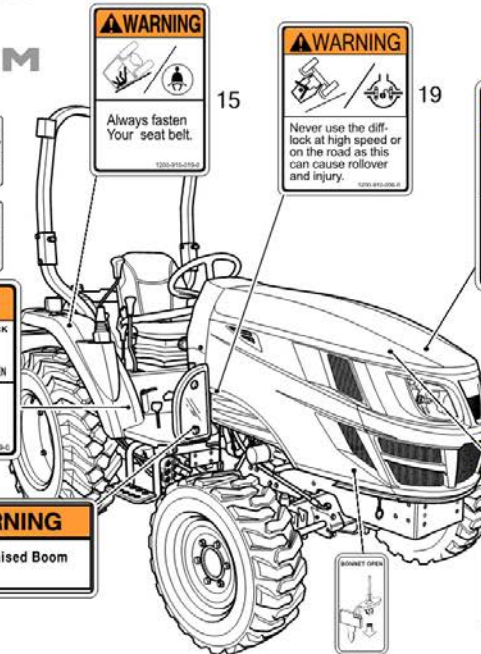
6: 300 kg

48

WARNING

Stay clear of raised Boom and bucket.

38



CAUTION

Keep hands and clothing away from rotating fan and belts to prevent serious injury.

1200-910-012-0

7



56

FIG 903-1		LABEL (1)					년/월 Year/Month	
T395NCEU1							2022-12	
KEY NO	PART NO	DESCRIPTION	SPEC	QTY	REPAIR	EFFECTIVE DATE	REMARKS	
903-1	2	12339040020	라벨, 취급/차속표		1			
903-1	3	12009040041	유압컨트롤마크		1			
903-1	4	12009100080	라벨, 경고/틸트		1			
903-1	5	12009100240	라벨, 주의/소음기		1			
903-1	6	12009100020	라벨, 경고/파킹		1			
903-1	7	12009100120	라벨, 주의/팬		1			
903-1	8	12009100150	라벨, 경고/라디에이터캡		1			
903-1	9	12009100230	라벨, 주의/취급		2			
903-1	10	12009100130	라벨, 위험/PTO		1			
903-1	11	12009100010	라벨, 경고/부변속		1			
903-1	12	12009100030	라벨, 경고/배기가스		1			
903-1	13	12009100160	라벨, 위험/동승금지		1			
903-1	14	17689100170	라벨, 주의/안전		1			
903-1	15	12009100190	라벨, 경고/안전벨트		1			
903-1	16	12009100210	라벨, 경고/스로틀		1			
903-1	17	12009100050	라벨, 경고/화기염금		1			
903-1	18	17689200050	라벨, 취급/차동고정		1			
903-1	19	12009100060	라벨, 경고/차동고정		1			
903-1	20	12009100140	라벨, 경고/견인		1			
903-1	21	12519020060	라벨(PTO)		1			
903-1	24	15189030060	포트마크(A)		1			
903-1	25	15189030070	포트마크(B)		1			
903-1	26	12009100070	라벨, 경고/브레이크		1			
903-1	27	14979010070	라벨(부변속)		1			
903-1	29	13749010042	마크, /T395		2			
903-1	29	13749010041	마크, T395		2			
903-1	35	12209045020	라벨(ROPS경고)		1			
903-1	36	12209045010	라벨(ROPS위험)		1			
903-1	37	17699100090	라벨, 경고/조이스틱		1			
903-1	38	17699100100	라벨, 경고/조이스틱밸브		1			
903-1	39	12519430040	4WD마크		1			
903-1	40	12009100040	라벨, 경고/스톱밸브		1			
903-1	41	15829040220	제조사 식별명판(EU)		1			
903-1	44	12609040620	경고(스타트)		1			
903-1	46	12209045051	라벨, 경고/개조		1			
903-1	47	13749040690	형식마크(ROPS)		1			
903-1	48	12519040230	드로바명판		1			
903-1	50	12519040190	명판(승강장치/상승) CONTROL ID		1			
903-1	51	12519040200	명판(승강장치/하강) CONTROL ID		1			
903-1	52	12519040920	라벨(보조유압/A)		1			
903-1	53	12519040930	라벨(보조유압/B)		1			
903-1	54	12519100130	라벨, 그리스		1			
903-1	55	12519100140	라벨, 잭포인트		1			
903-1	56	12137025120	라벨, 본넷 오픈		1			
903-1	57	12539040690	형식마크(ROPS)		1		FCEU	
NOTE								

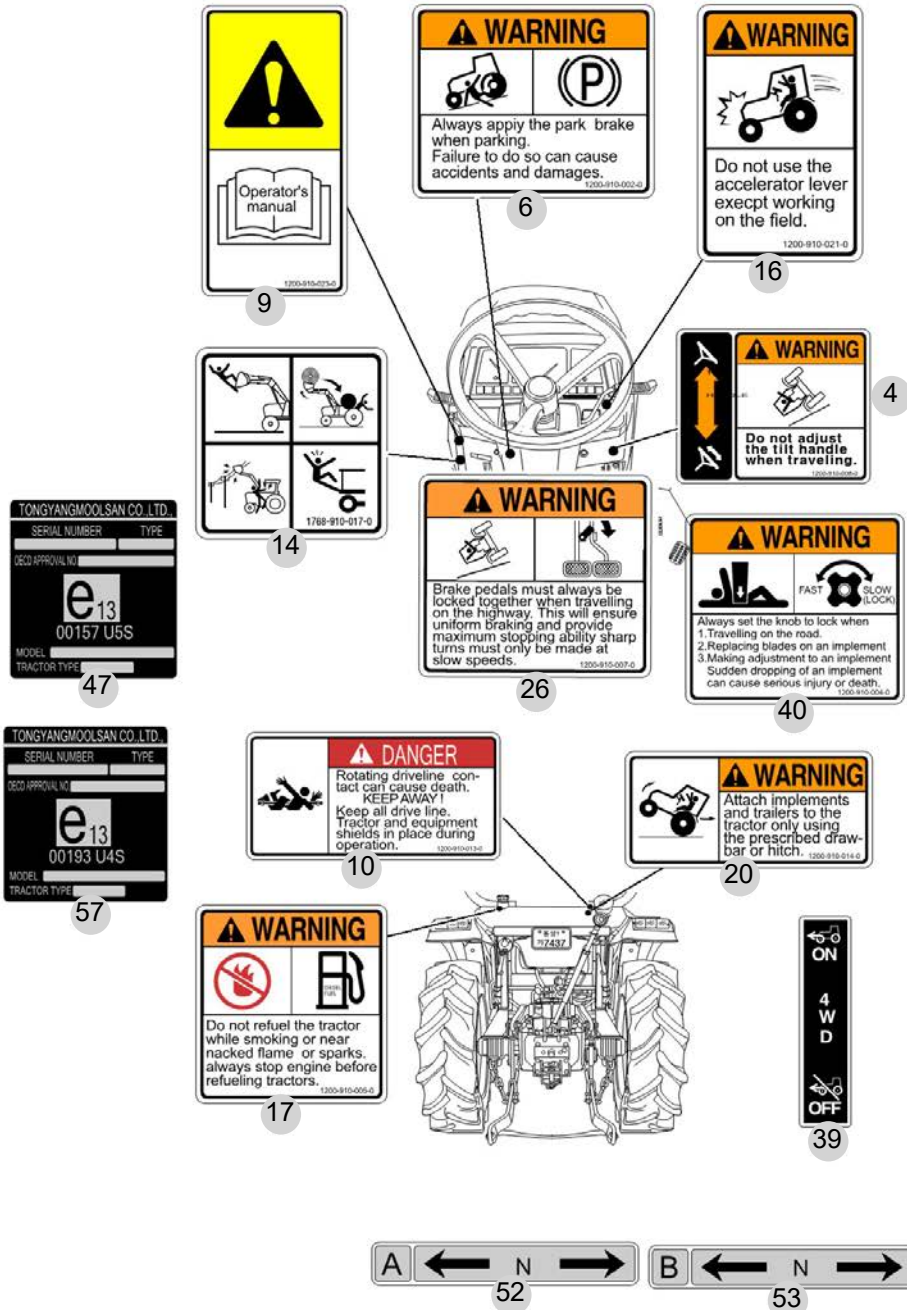
FIG 903-2

LABEL (2)

년/월
Year/Month

2022-12

T395NCEU1



NOTE

FIG 903-2 T395NCEU1		LABEL (2)					년/월 Year/Month	
							2022-12	
KEY NO	PART NO	DESCRIPTION	SPEC	QTY	REPAIR	EFFECTIVE DATE	REMARKS	
903-2	2	12339040020	라벨, 취급/차속표		1			
903-2	3	12009040041	유압컨트롤마크		1			
903-2	4	12009100080	라벨, 경고/틸트		1			
903-2	5	12009100240	라벨, 주의/소음기		1			
903-2	6	12009100020	라벨, 경고/파킹		1			
903-2	7	12009100120	라벨, 주의/팬		1			
903-2	8	12009100150	라벨, 경고/라디에이터캡		1			
903-2	9	12009100230	라벨, 주의/취급		2			
903-2	10	12009100130	라벨, 위험/PTO		1			
903-2	11	12009100010	라벨, 경고/부변속		1			
903-2	12	12009100030	라벨, 경고/배기가스		1			
903-2	13	12009100160	라벨, 위험/동승금지		1			
903-2	14	17689100170	라벨, 주의/안전		1			
903-2	15	12009100190	라벨, 경고/안전벨트		1			
903-2	16	12009100210	라벨, 경고/스로틀		1			
903-2	17	12009100050	라벨, 경고/화기염금		1			
903-2	18	17689200050	라벨, 취급/차동고정		1			
903-2	19	12009100060	라벨, 경고/차동고정		1			
903-2	20	12009100140	라벨, 경고/견인		1			
903-2	21	12519020060	라벨(PTO)		1			
903-2	24	15189030060	포트마크(A)		1			
903-2	25	15189030070	포트마크(B)		1			
903-2	26	12009100070	라벨, 경고/브레이크		1			
903-2	27	14979010070	라벨(부변속)		1			
903-2	29	13749010041	마크, T395		2			
903-2	29	13749010042	마크, /T395		2			
903-2	35	12209045020	라벨(ROPS경고)		1			
903-2	36	12209045010	라벨(ROPS위험)		1			
903-2	37	17699100090	라벨, 경고/조이스틱		1			
903-2	38	17699100100	라벨, 경고/조이스틱밸브		1			
903-2	39	12519430040	4WD마크		1			
903-2	40	12009100040	라벨, 경고/스톱밸브		1			
903-2	41	15829040220	제조사 식별명판(EU)		1			
903-2	41	T0019110060	형식명판, 수출/EU		1			
903-2	44	12609040620	경고(스타트)		1			
903-2	46	12209045051	라벨, 경고/개조		1			
903-2	47	12539040691	형식마크(ROPS)		1			
903-2	48	12519040230	드로바명판		1			
903-2	50	12519040190	명판(승강장치/상승) CONTROL ID		1			
903-2	51	12519040200	명판(승강장치/하강) CONTROL ID		1			
903-2	52	12519040920	라벨(보조유압/A)		1			
903-2	53	12519040930	라벨(보조유압/B)		1			
903-2	54	12519100130	라벨, 그리스		1			
903-2	55	12519100140	라벨, 잭포인트		1			
903-2	56	12137025120	라벨, 본넷 오픈		1			
NOTE								

