

T394ST

Parts Catalog

목 차

0. TRACTOR KIT PART NO. TK1

FIG 000 TRAILER SOCKET KIT	7
FIG 001 T394ST EXTERNAL POSITION LEVER KIT	9
FIG 003 REAR WIPER KIT	11

1. Engine PART NO. EG

FIG 100 ENGINE	14
FIG 101 CYLINDER BLOCK	16
FIG 102 GEAR HOUSING	18
FIG 103 FLYWHEEL HOUSING & OIL SUMP	20
FIG 104 CYLINDER HEAD & BONNET	22
FIG 105 SUCTION MANIFOLD	25
FIG 106 EXHAUST MANIFOLD	27
FIG 107 DIESEL PARTICULATE FILTER(DPF)	29
FIG 108 CAMSHAFT & DRIVING GEAR	31
FIG 109 CRANKSHAFT & PISTON	33
FIG 110 LUB OIL SYSTEM	35
FIG 111 COOLING WATER SYSTEM	37
FIG 112 FUEL SUPPLY PUMP	39
FIG 113 FUEL INJECTION VALVE	41
FIG 114 FUEL PIPE	43
FIG 115 STARTER MOTOR	45
FIG 117 ELECTRONIC CONTROL UNIT(ECU)	47
FIG 118 ELECTRIC PARTS	49

2. Engine Accessories PART NO. T2

FIG 201 AIR CLEANER	52
FIG 202 RADIATOR	54
FIG 203 MUFFLER	56
FIG 204 FUEL TANK & HOSE	58

FIG 204A KIT No. : 12397090000	60
FIG 205 ACCELERATOR	62

3. Clutch/Brake/Steering PART NO. T3

FIG 301 CLUTCH PEDAL	65
FIG 302 FLYWHEEL & CLUTCH	67
FIG 303 BRAKE PEDAL	69
FIG 304 BRAKE	71
FIG 305 FRONT WHEEL MOUNTING	73
FIG 306 REAR WHEEL MOUNTING	75
FIG 307 STEERING WHEEL & DASH COVER	77
FIG 308 STEERING VALVE & PARKING	79
FIG 309 STEERING CYLINDER	81

4. Transmission PART NO. T4

FIG 401 TRANSMISSION FRONT CASE	84
FIG 402 INPUT METAL	86
FIG 403 INPUT GEAR	88
FIG 404 4WD DRIVE GEAR	90
FIG 405 MAIN CHANGE GEARS & REVERSE GEARS	92
FIG 406 SUB CHANGE GEARS	94
FIG 407 PINION GEARS	96
FIG 408 P T O DRIVE SHAFT	98
FIG 409 P T O CHANGE GEARS	100
FIG 410 DIFF LOCK	102
FIG 411 TRANSMISSION REAR CASE	104
FIG 412 REAR AXLE HOUSINGS(1)	106
FIG 413 REAR AXLE HOUSINGS(2)	108
FIG 414 MAIN CHANGE LEVER	110
FIG 415 SUB CHANGE LEVER	112
FIG 416 REVERSE LINK	114
FIG 417 REVERSE CHANGE LEVER	116
FIG 418 4WD CHANGE LEVER	118

5. Front Axle PART NO. T5

FIG 501 FRONT AXLE BRACKET	121
----------------------------	-----

FIG 502 FRONT DIFFERENTIAL GEARS	123
FIG 503 FRONT AXLE HOUSING	125
FIG 504 FRONT GEAR CASE (1)	127
FIG 505 FRONT GEAR CASE (2)	129

6. Hydraulic/3P-Link PART NO. T6

FIG 601 GEAR PUMP	132
FIG 602 CYLINDER CASE	134
FIG 603 LIFT ARM	136
FIG 604 CYLINDER	138
FIG 605 POSITION LINK(1)	140
FIG 606 POSITION LINK(2)	142
FIG 607 CONTROL VALVE	144
FIG 608 POSITION LEVER	146
FIG 609 HYDRAULIC PIPE(1)	148
FIG 610 HYDRAULIC PIPE(2)	150
FIG 611 EXTERIOR HYD VALVE	152
FIG 611-2 VALVE KIT	154
FIG 612 3-POINT LINK	156
FIG 613 HITCH & COVER	158
FIG 614 EXTERIOR POSITION LEVER	160

7. Sheet Metal & Cabin PART NO. T7

FIG 701 HOOD (1)	163
FIG 702 HOOD (2)	166
FIG 704 FRONT & REAR MOUNTING	169
FIG 705 DASH PANEL	171
FIG 706 SEAT & MAT	173
FIG 707 DOOR	175
FIG 707-2 DOOR	178
FIG 708 FRONT GLASS	180
FIG 709 REAR GLASS	182
FIG 710 SUB FENDER & COVER	184
FIG 711 MIRROR	186
FIG 712 HEATER & AIR-CON	188
FIG 712-2 HEATER & AIR-CON	190

FIG 713 FENDER COVER	192
FIG 714 ROOF	194
FIG 715 CABIN INTERIOR	196

8. Electrical System PART NO. T8

FIG 801 BATTERY & MOUNTING	199
FIG 802 LIGHTS	201
FIG 803 INSTRUMENT PANEL	203
FIG 804 ELECTRIC SYSTEM	205
FIG 805 HARNESS (1)	207
FIG 806 HARNESS (2)	209

9. Label/Option PART NO. T9

FIG 901 TOOL & ACCESSORY	212
FIG 902 LABEL	214
FIG 902-2 LABEL	216

0. TRACTOR KIT PART NO. TK1

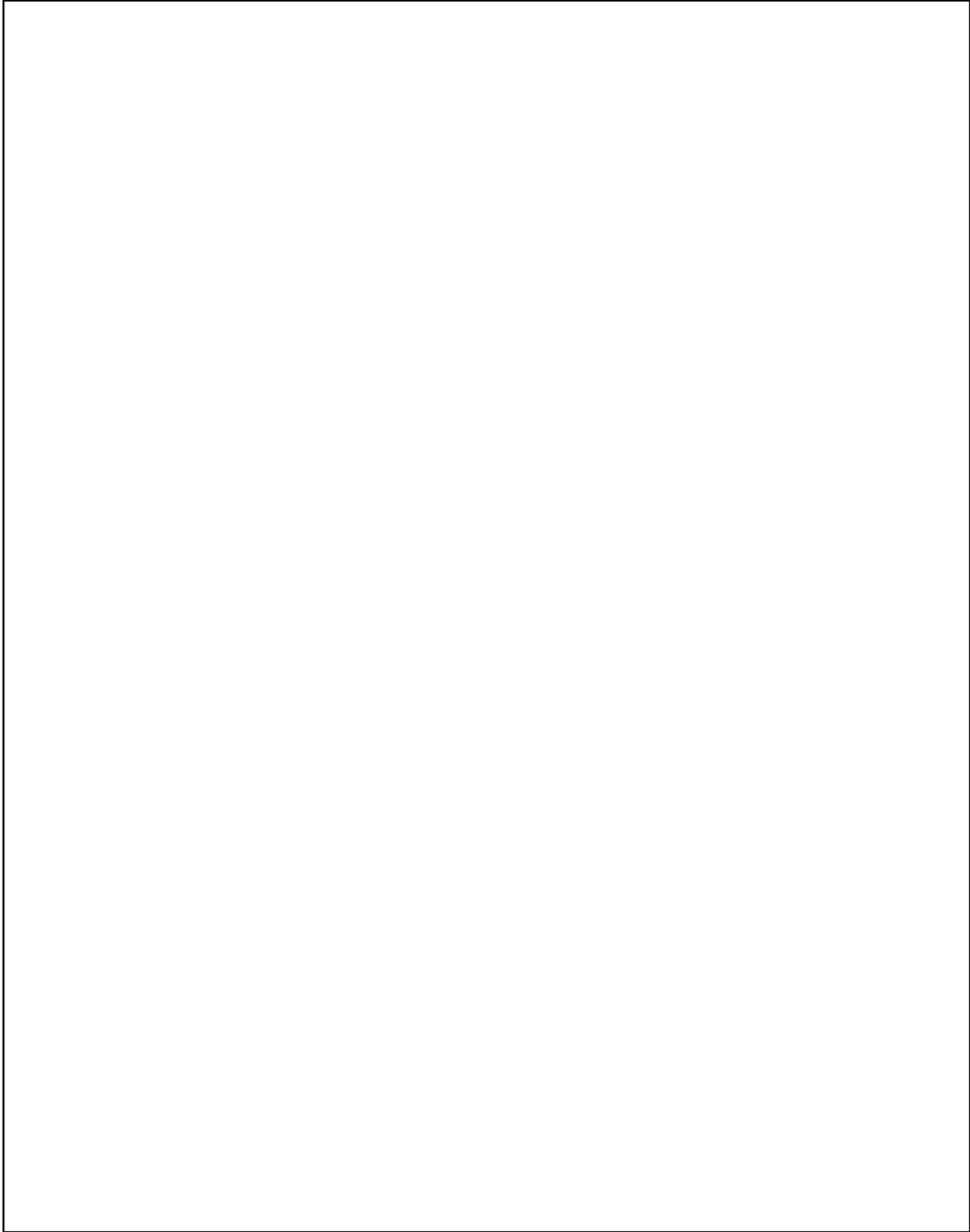
FIG 000 TRAILER SOCKET KIT	7
FIG 001 T394ST EXTERNAL POSITION LEVER KIT	9
FIG 003 REAR WIPER KIT	11

FIG 000 T394ST	TRAILER SOCKET KIT	년/월 Year/Month 2022-12
-------------------	--------------------	------------------------------

--	--

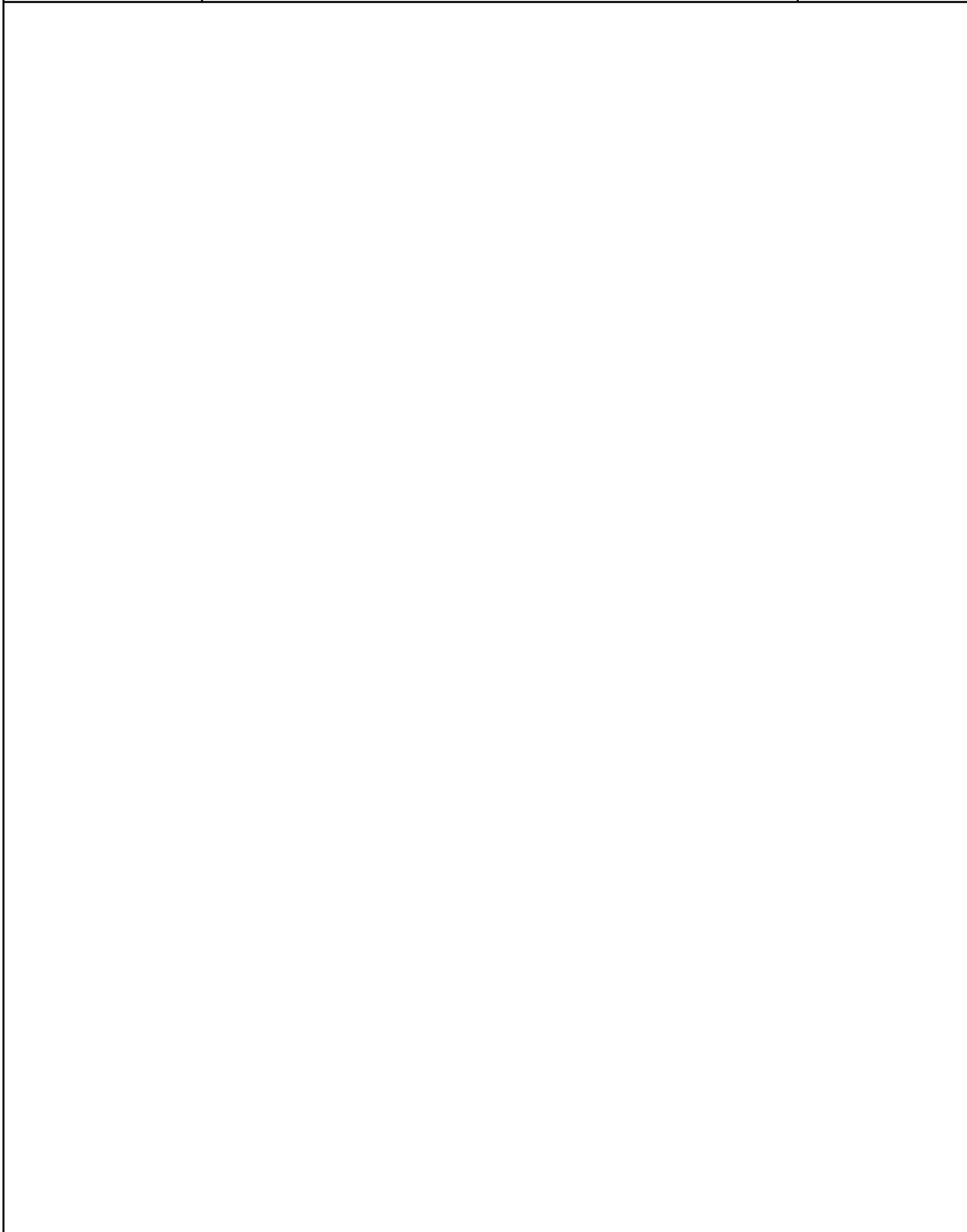
NOTE	
------	--

FIG 001 T394ST	T394ST EXTERNAL POSITION LEVER KIT	년/월 Year/Month 2022-12
-------------------	------------------------------------	------------------------------



NOTE	
------	--

FIG 003 T394ST	REAR WIPER KIT	년/월 Year/Month 2022-12
-------------------	----------------	------------------------------



NOTE	
------	--

1. Engine PART NO. EG

FIG 100 ENGINE	14
FIG 101 CYLINDER BLOCK	16
FIG 102 GEAR HOUSING	18
FIG 103 FLYWHEEL HOUSING & OIL SUMP	20
FIG 104 CYLINDER HEAD & BONNET	22
FIG 105 SUCTION MANIFOLD	25
FIG 106 EXHAUST MANIFOLD	27
FIG 107 DIESEL PARTICULATE FILTER(DPF)	29
FIG 108 CAMSHAFT & DRIVING GEAR	31
FIG 109 CRANKSHAFT & PISTON	33
FIG 110 LUB OIL SYSTEM	35
FIG 111 COOLING WATER SYSTEM	37
FIG 112 FUEL SUPPLY PUMP	39
FIG 113 FUEL INJECTION VALVE	41
FIG 114 FUEL PIPE	43
FIG 115 STARTER MOTOR	45
FIG 117 ELECTRONIC CONTROL UNIT(ECU)	47
FIG 118 ELECTRIC PARTS	49

FIG 100 T394ST	ENGINE	년/월 Year/Month
		2022-12



NOTE	
------	--

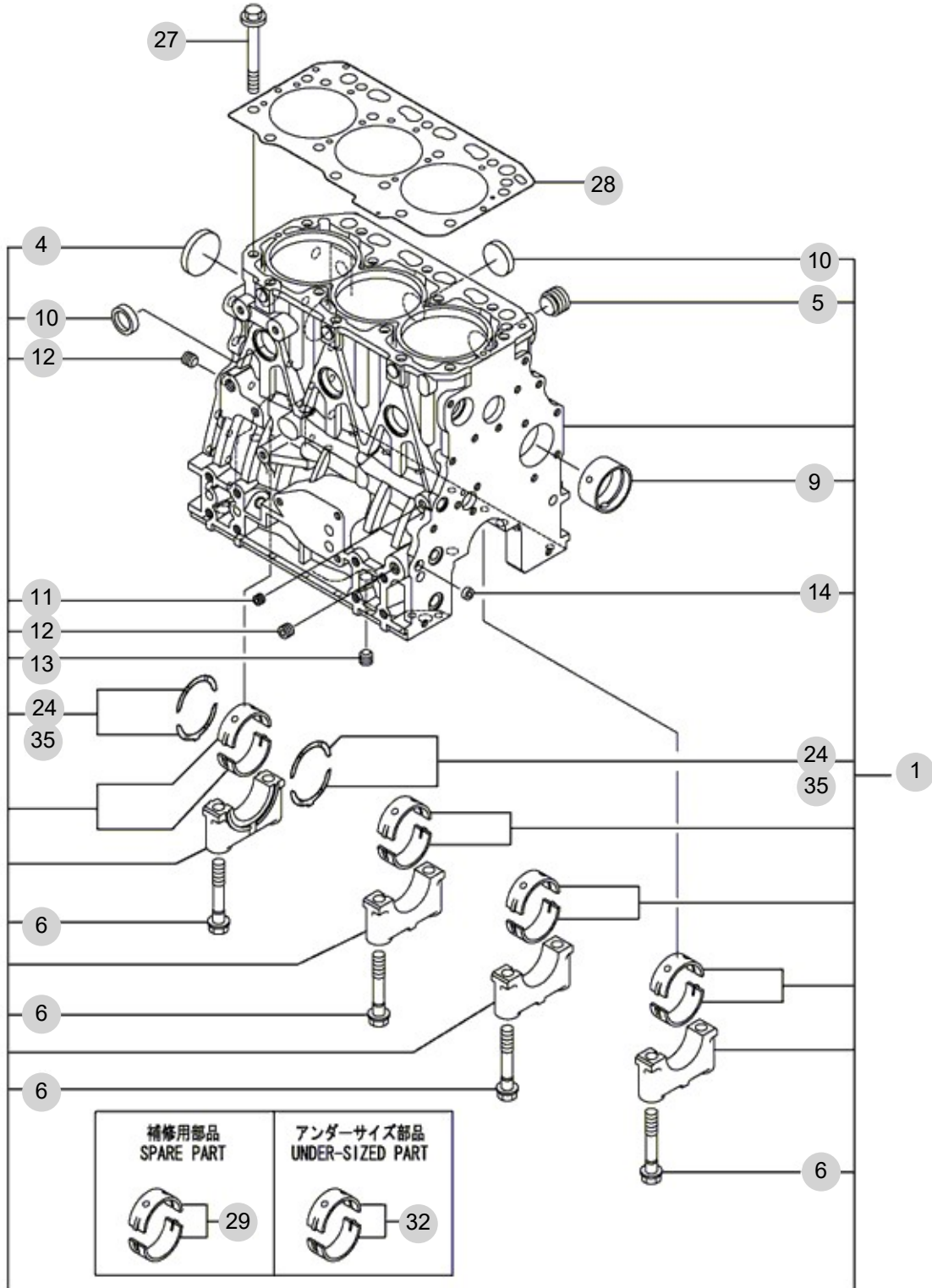
FIG 101

CYLINDER BLOCK

년/월
Year/Month

2022-12

T394ST



NOTE

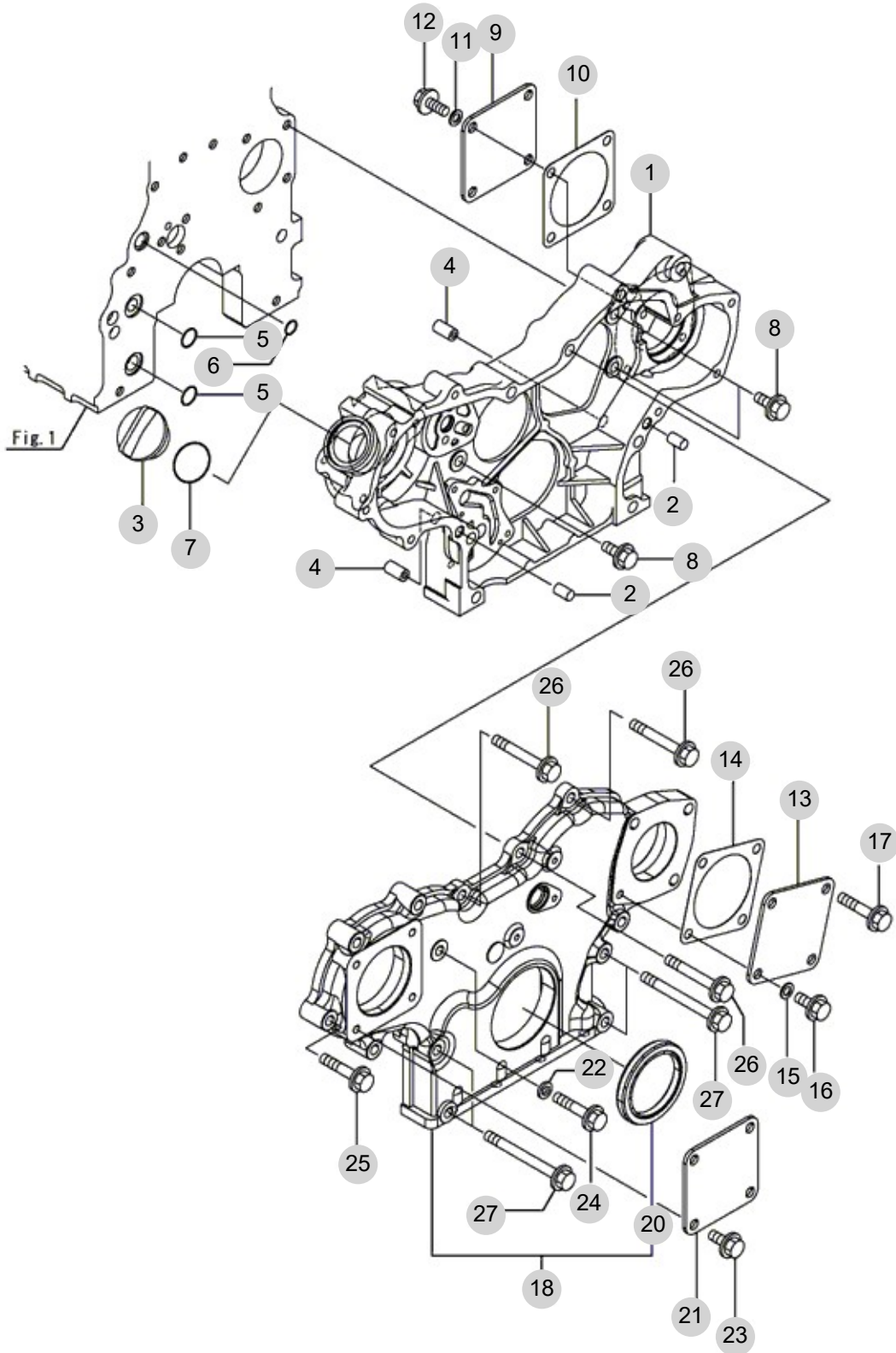
FIG 102

GEAR HOUSING

년/월
Year/Month

2022-12

T394ST



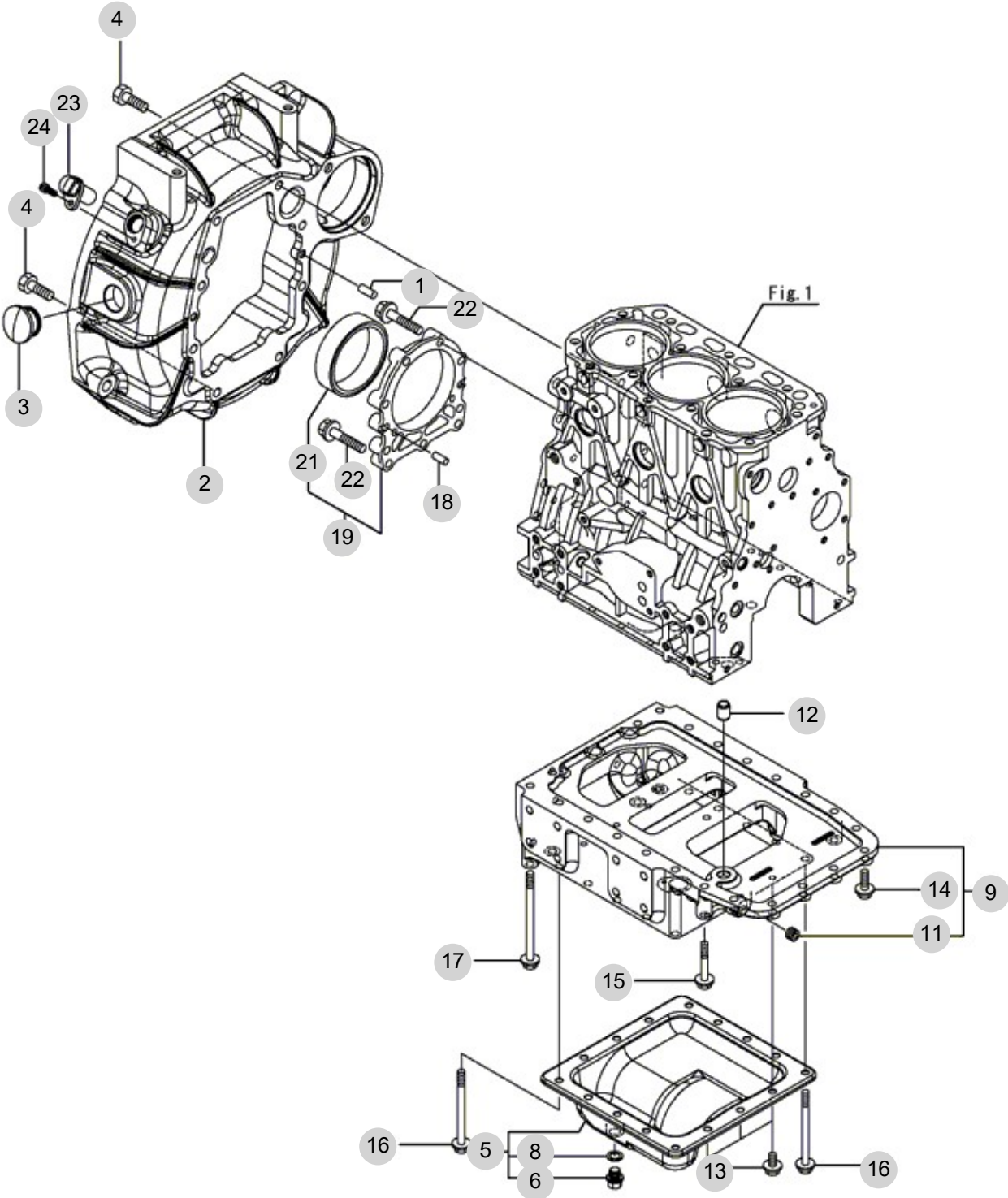
NOTE

FIG 103

FLYWHEEL HOUSING & OIL SUMP

년/월
Year/Month

2022-12



NOTE

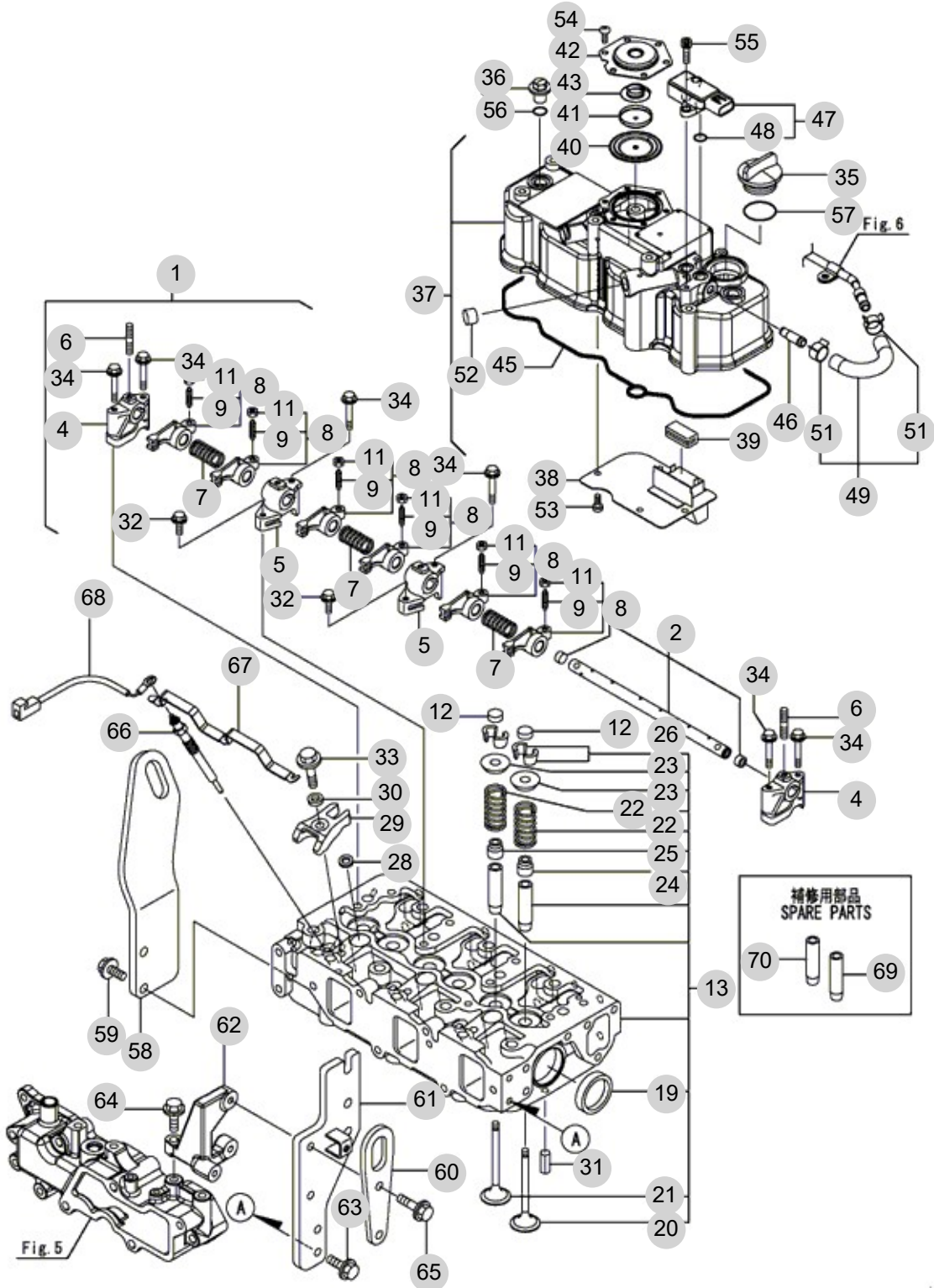
FIG 104

CYLINDER HEAD & BONNET

년/월
Year/Month

2022-12

T394ST



NOTE

FIG 104 T394ST		CYLINDER HEAD & BONNET					년/월 Year/Month	
							2022-12	
KEY NO	PART NO	DESCRIPTION	SPEC	QTY	REPAIR	EFFECTIVE DATE	REMARKS	
104	1	129004-11241	SHAFT ASSY, ROCKER		1			
104	2	129004-11251	SHAFT, ROCKER ARM		1			
104	4	119802-11260	SUPPORT, ROCKER ARM		2			
104	5	119802-11270	SUPPORT, ROCKER ARM		2			
104	6	119802-11280	BOLT, STUD		3			
104	7	129150-11280	SPRING, ROCKER		3			
104	8	129004-11650	ARM ASSY, ROCKER		6			
104	9	129150-11230	SCREW, VALVE ADJUST		6			
104	11	129150-11750	NUT, M8		6			
104	12	129150-11370	CAP, VALVE		6			
104	13	129A00-11710	HEAD ASSY, CYLINDER		1			
104	19	27241-400000	PLUG, 40		2			
104	20	129005-11100	VALVE, SUCTION		3			
104	21	129100-11112	VALVE, EXHAUST		3			
104	22	129795-11120	SPRING, VALVE		6			
104	23	129795-11180	RETAINER, SPRING		6			
104	24	124460-11340	SEAL, VALVE STEM		3			
104	25	129A00-11340	SEAL, VALVE STEM		3			
104	26	27310-080001	COTTER, 8		6			
104	28	129978-11871	GASKET,INJECTOR		3			
104	29	129A00-11900	RETAINER, INJECTOR		3			
104	30	120270-54410	WASHER, INJECTOR		3			
104	31	22351-060012	PIN, SPRING 6.0X12		2			
104	32	26106-080252	SCREW , HEX FLANGE HEAD CAP		2			
104	33	26106-080352	BOLT		3			
104	34	26106-080502	BOLT, M8X 50 PLATED		6			
104	35	124160-01751	CAP, FILLER		1			
104	36	124160-11360	KNOB		3			
104	37	129A00-11360	BONNET ASSY		1			
104	38	129004-03010	PLATE, BAFFLE		1			
104	39	129150-03070	BAFFLE, BREATHER		1			
104	40	123907-03100	DIAPHRAGM		1			
104	41	123907-03110	PLATE		1			
104	42	123907-03120	PLATE, BREATHER		1			
104	43	123907-03140	SPRING, DIAPHRAGM		1			
104	45	129A00-11310	GASKET, BONNET		1			
104	46	129A00-11330	JOINT		1			
104	47	129978-12700	SENSOR,PRESSURE		1			
104	48	129A00-12780	O-RING,PRES SENSOR		2			
104	49	129A00-13360	HOSE ASSY, PRES EXH		1			
104	51	129A00-13380	CLIP, HOSE 14		2			
104	52	119640-61400	PLUG		1			
104	53	22857-500100	SCREW, 5X10		4			
104	54	22857-500100	SCREW, 5X10		6			
104	55	26450-060162	BOLT, M6X 16		2			
NOTE								

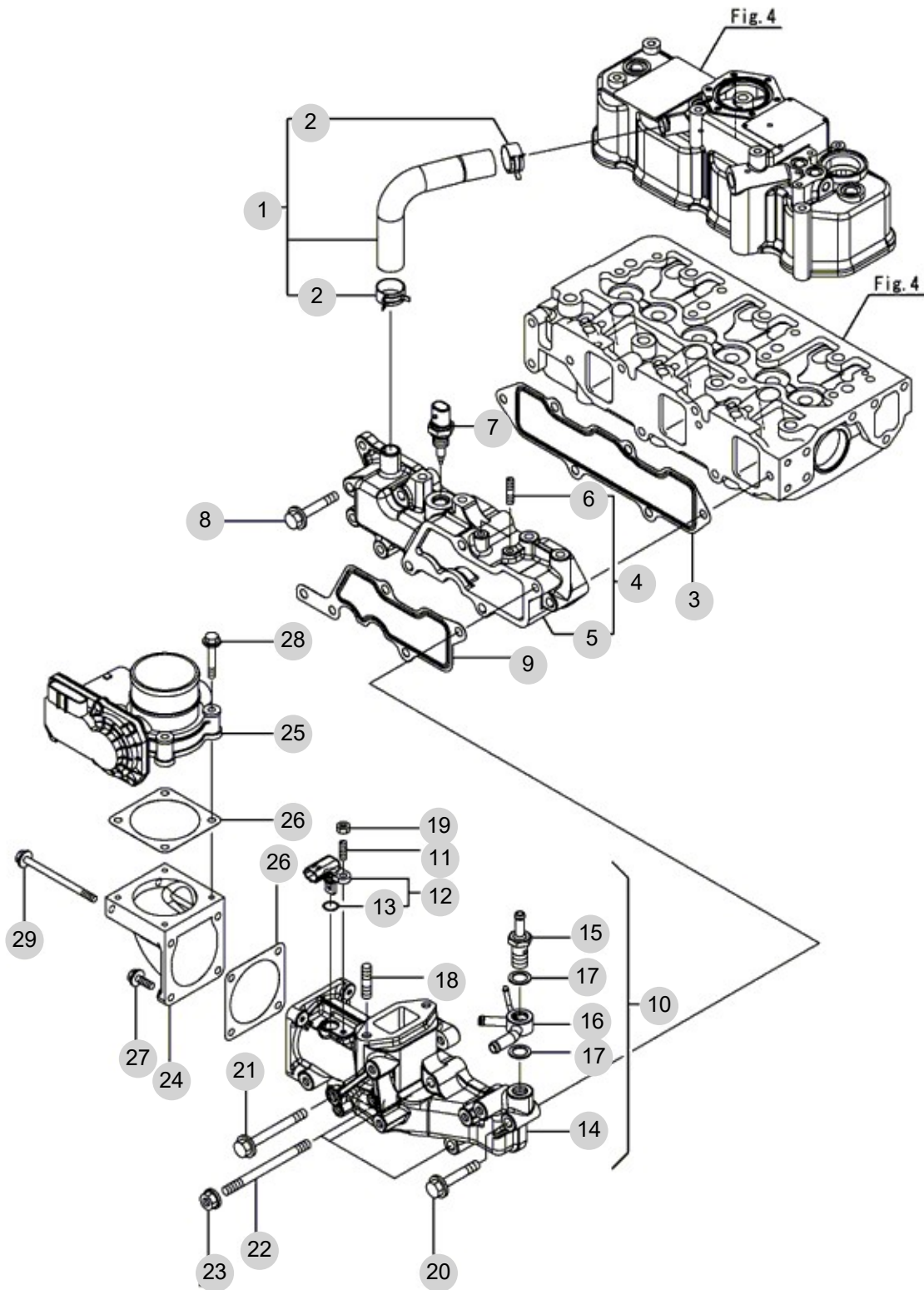
FIG 105

T394ST

SUCTION MANIFOLD

년/월
Year/Month

2022-12



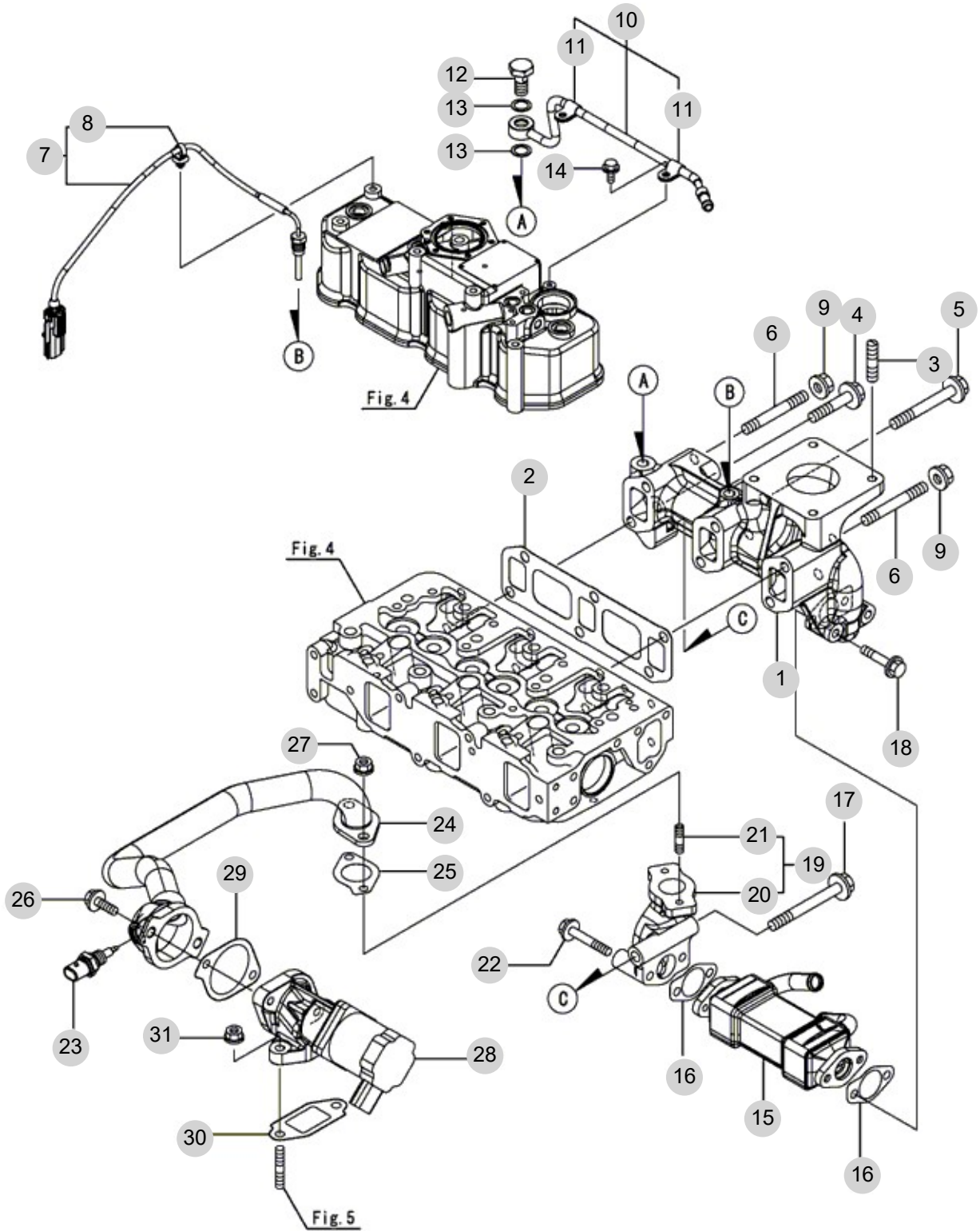
NOTE

FIG 106

EXHAUST MANIFOLD

년/월
Year/Month

2022-12



NOTE

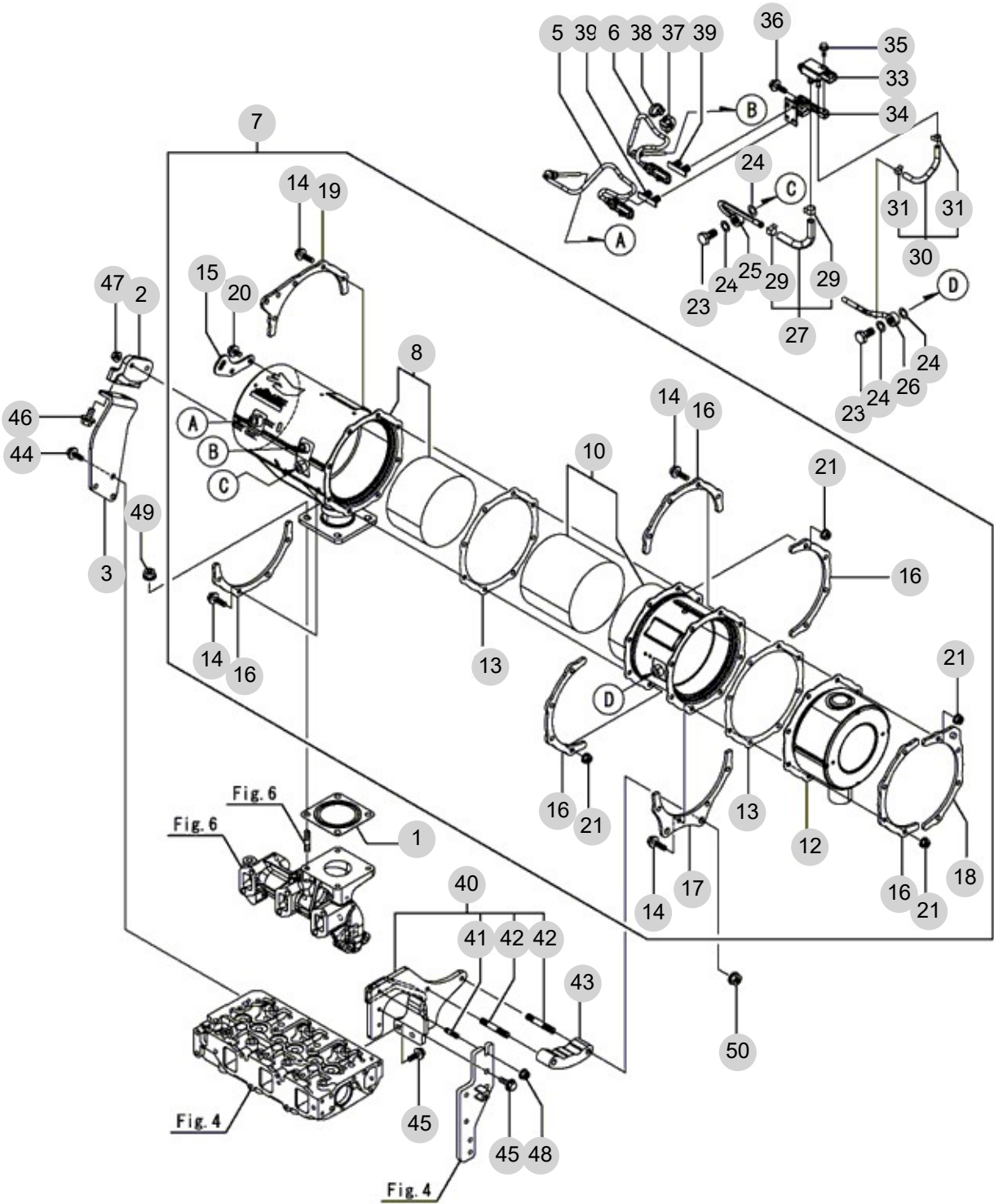
FIG 107

T394ST

DIESEL PARTICULATE FILTER(DPF)

년/월
Year/Month

2022-12



NOTE

FIG 107 T394ST		DIESEL PARTICULATE FILTER(DPF)					년/월 Year/Month	
							2022-12	
KEY NO	PART NO	DESCRIPTION	SPEC	QTY	REPAIR	EFFECTIVE DATE	REMARKS	
107	1	128300-13230	GASKET, SILENCER		1			
107	2	129A00-16820	STAY,DPF		1			
107	3	129A00-16830	STAY,DPF		1			
107	5	129C00-13940	SENSOR, EXH.TEMP		1			
107	6	129C00-13950	SENSOR, EXH.TEMP		1			
107	7	129A26-16000	DPF ASSY		1			
107	8	129A00-16210	CASE, DOC		1			
107	10	129A00-16410	CASE, SOOT FILTER		1			
107	12	129A00-16500	SILENCER, DPF		1			
107	13	129A00-16600	GASKET, DPF		2			
107	14	129A00-16610	BOLT, M8X28 10.9T		16			
107	15	129C01-16690	LIFTER, DPF		1			
107	16	129A00-16700	STIFFENER, DPF A		5			
107	17	129A00-16720	STIFFENER, DPF B		1			
107	18	129A00-16740	STIFFENER, DPF C		1			
107	19	129A00-16750	STIFFENER, DPF C		1			
107	20	26106-080142	BOLT, M8X 14 PLATED		2			
107	21	26306-080002	NUT, M8		16			
107	23	129A00-13350	BOLT, PIPE JOINT		2			
107	24	129A00-17311	GASKET,SENSOR		4			
107	25	129A00-17330	PIPE ASSY, SENSOR		1			
107	26	129A00-17360	PIPE ASSY, SENSOR		1			
107	27	129A00-17610	HOSE ASSY,PRES EXH		1			
107	29	129A00-17520	CLIP, HOSE		2			
107	30	129A00-17670	HOSE ASSY,PRES EXH		1			
107	31	129A00-17570	CLIP, HOSE		2			
107	33	129978-17700	SENSOR,PRESSURE		1			
107	34	129A00-17780	BRACKET, SENSOR		1			
107	35	26106-060162	BOLT, M6X 16 PLATED		2			
107	36	26106-080202	BOLT, M8X 20 PLATED	8X20	2			
107	37	129A00-91200	BAND CLIP		1			
107	38	129C00-91200	BAND		1			
107	39	129A00-91430	CLIP, CONNECTOR		2			
107	40	129A26-17360	STAY ASSY, DPF		1			
107	41	26216-080202	STUD, M8X 20		1			
107	42	26216-100552	STUD, M10X 55		2			
107	43	129A23-17370	SPACER, DPF		1			
107	44	26106-080162	BOLT, M8X 16 PLATED		3			
107	45	26106-080202	BOLT, M8X 20 PLATED	8X20	4			
107	46	26106-100202	FLANGE BOLT		2			
107	47	26306-080002	NUT, M8		2			
107	48	26306-080002	NUT, M8		1			
107	49	26306-100002	NUT, M10		4			
107	50	26306-100002	NUT, M10		2			
NOTE								

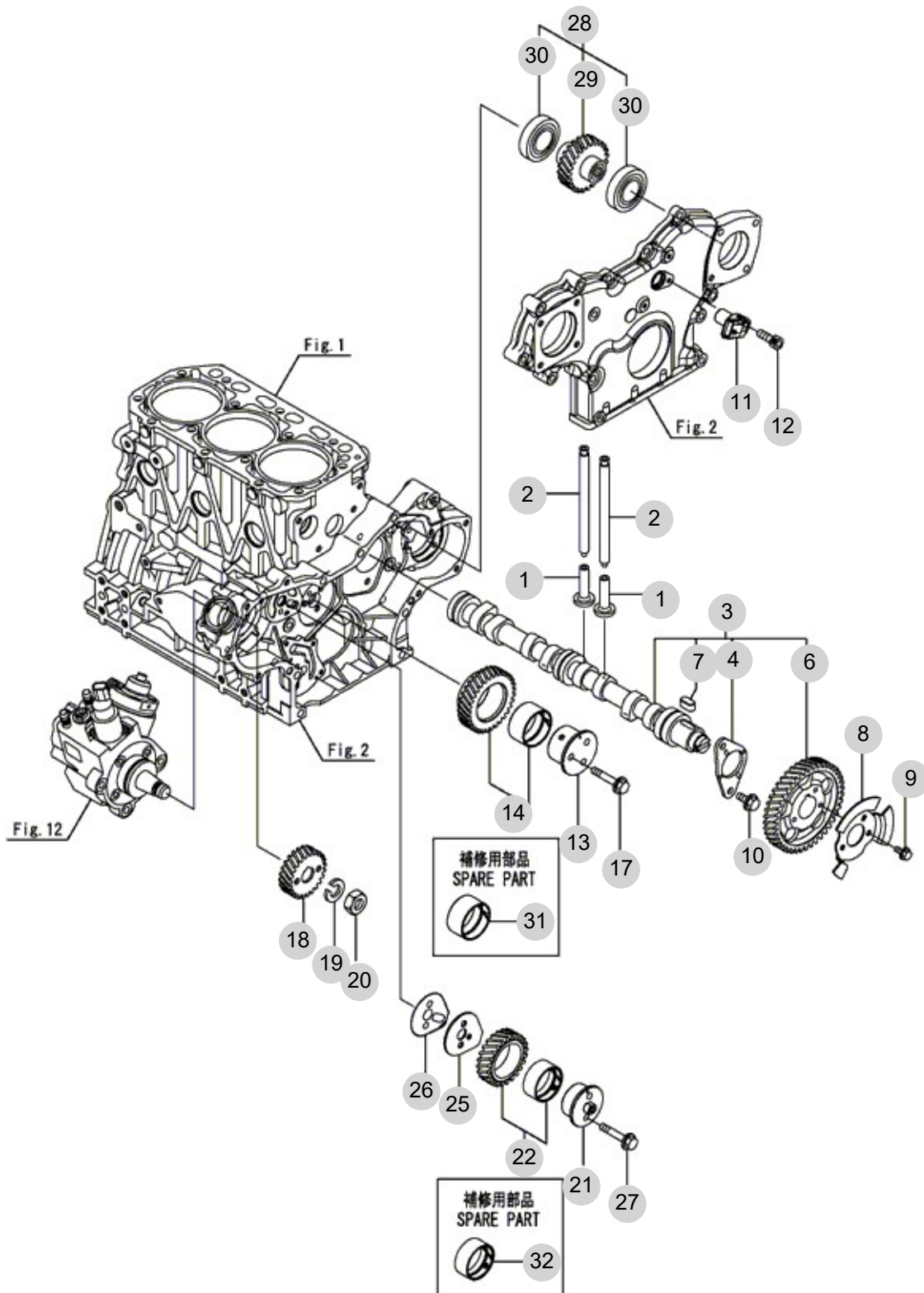
FIG 108

CAMSHAFT & DRIVING GEAR

년/월
Year/Month

2022-12

T394ST



NOTE

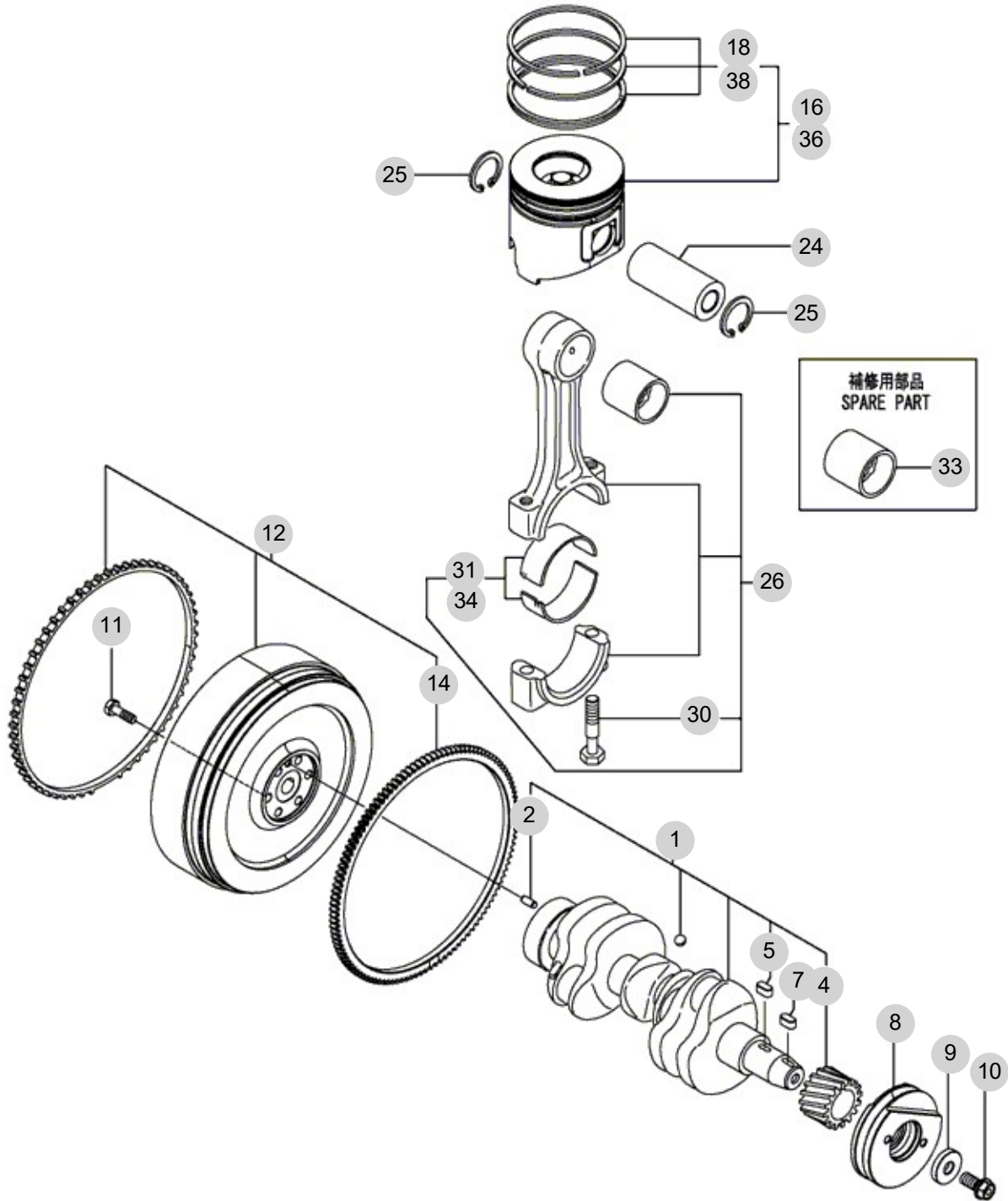
FIG 109

CRANKSHAFT & PISTON

년/월
Year/Month

2022-12

T394ST



NOTE

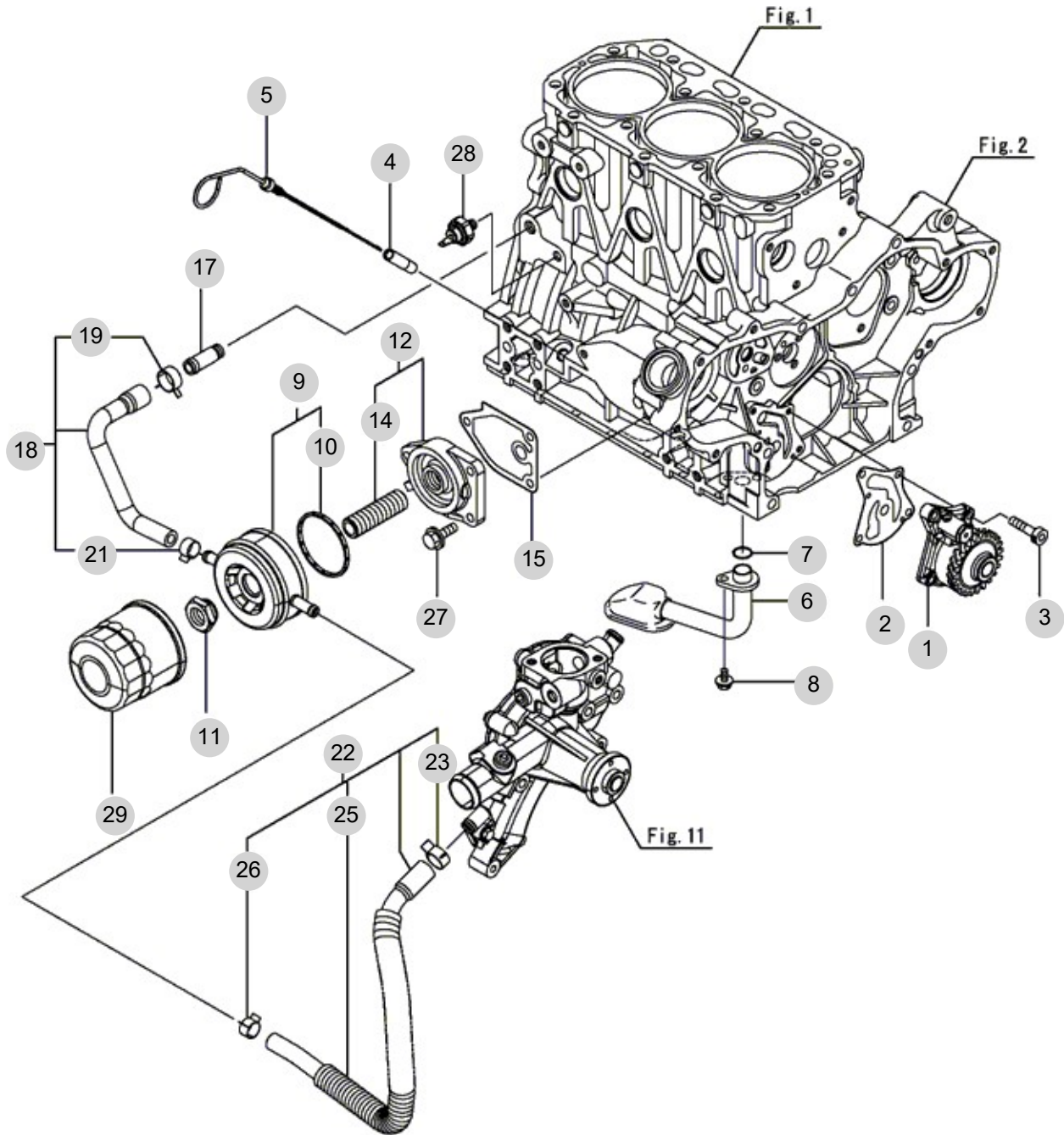
FIG 110

LUB OIL SYSTEM

년/월
Year/Month

2022-12

T394ST



NOTE

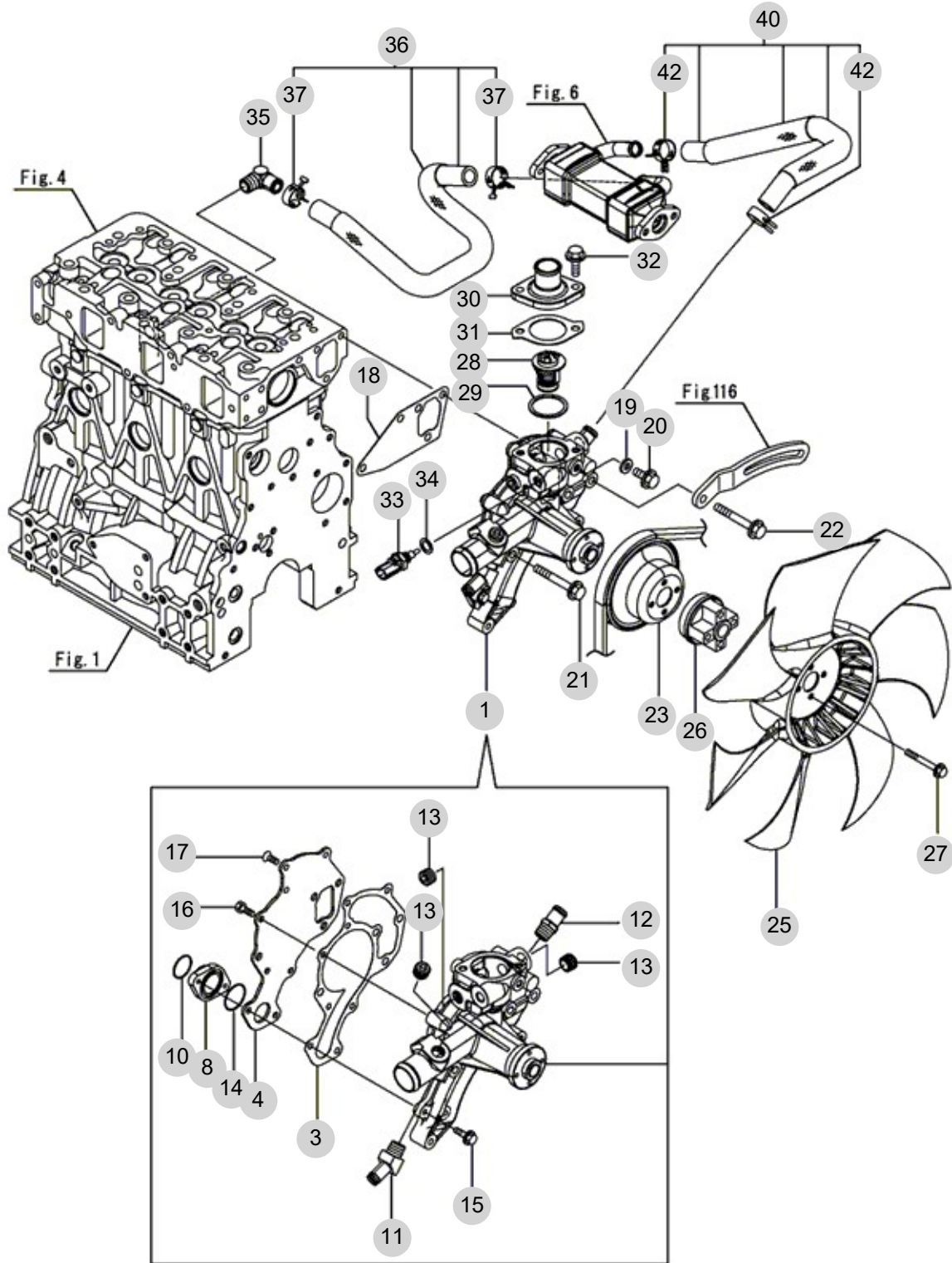
FIG 111

COOLING WATER SYSTEM

년/월
Year/Month

2022-12

T394ST



NOTE

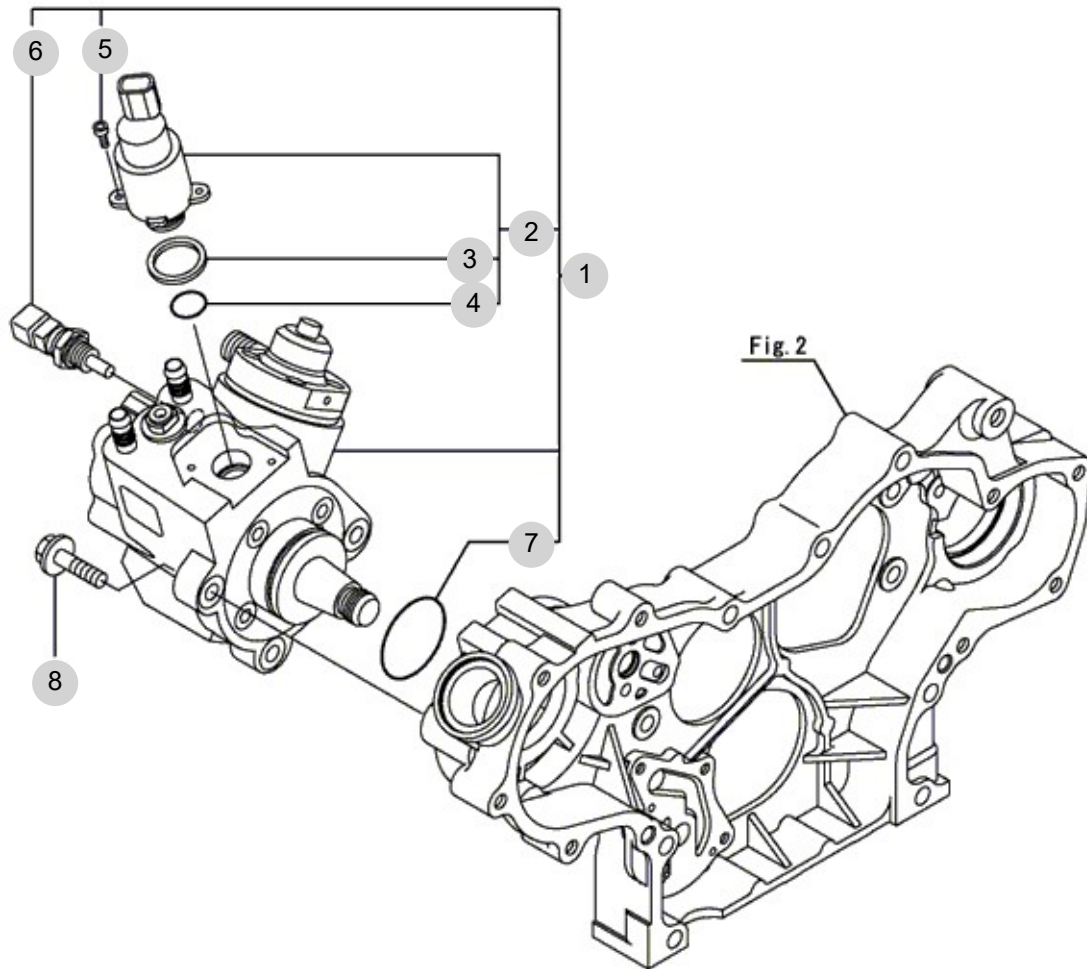
FIG 112

T394ST

FUEL SUPPLY PUMP

년/월
Year/Month

2022-12



NOTE

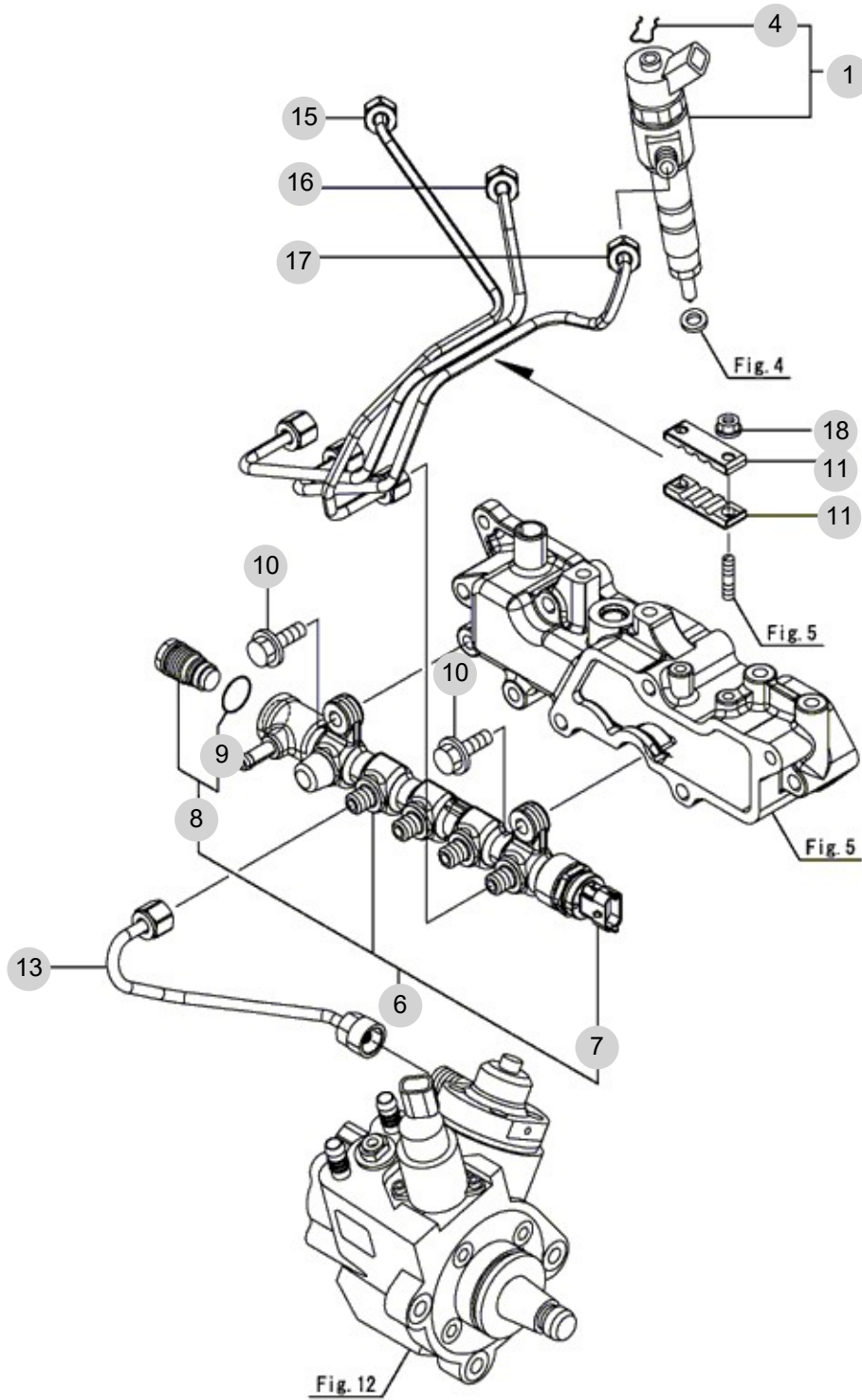
FIG 113

FUEL INJECTION VALVE

년/월
Year/Month

2022-12

T394ST



NOTE

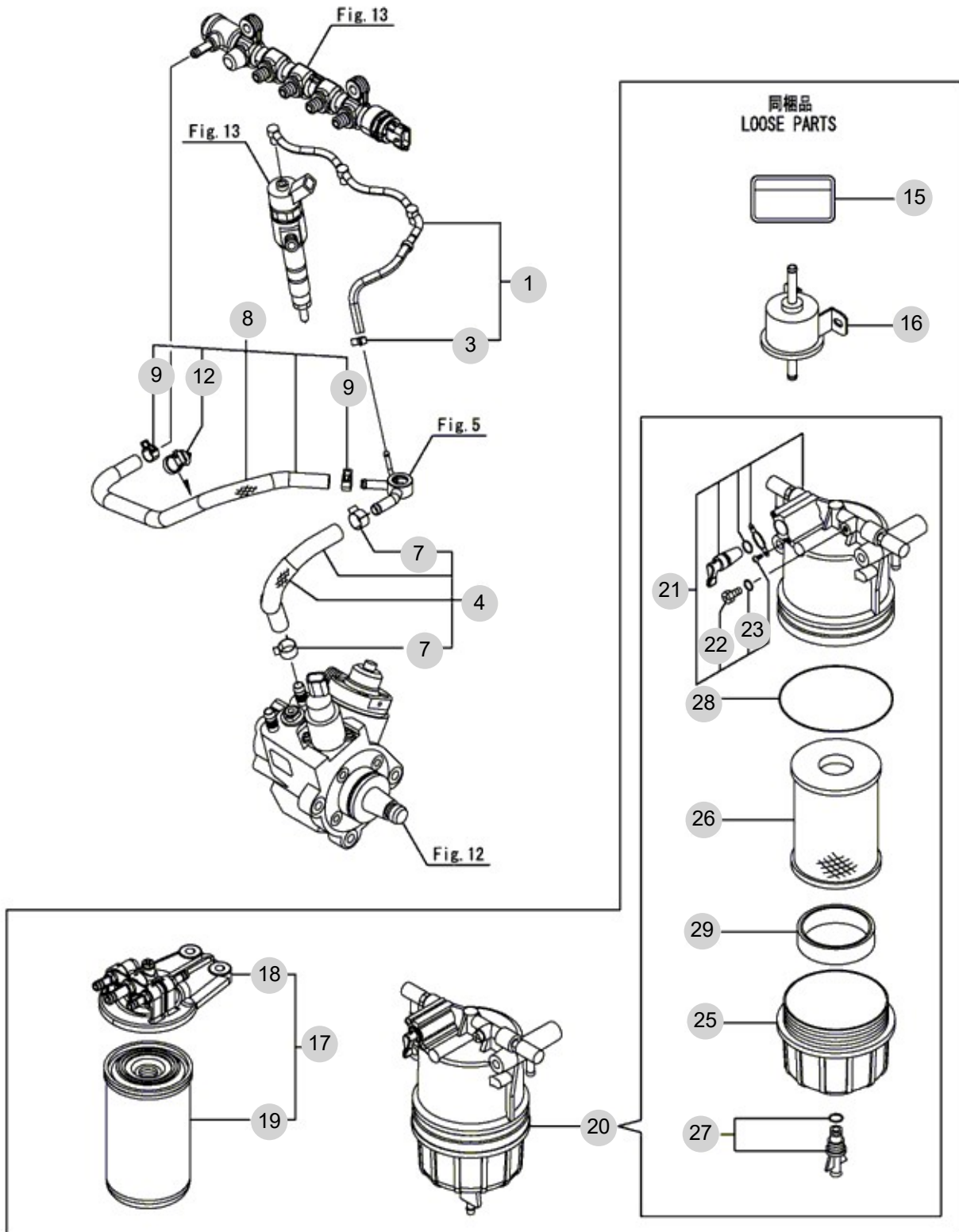
FIG 114

FUEL PIPE

년/월
Year/Month

T394ST

2022-12



NOTE

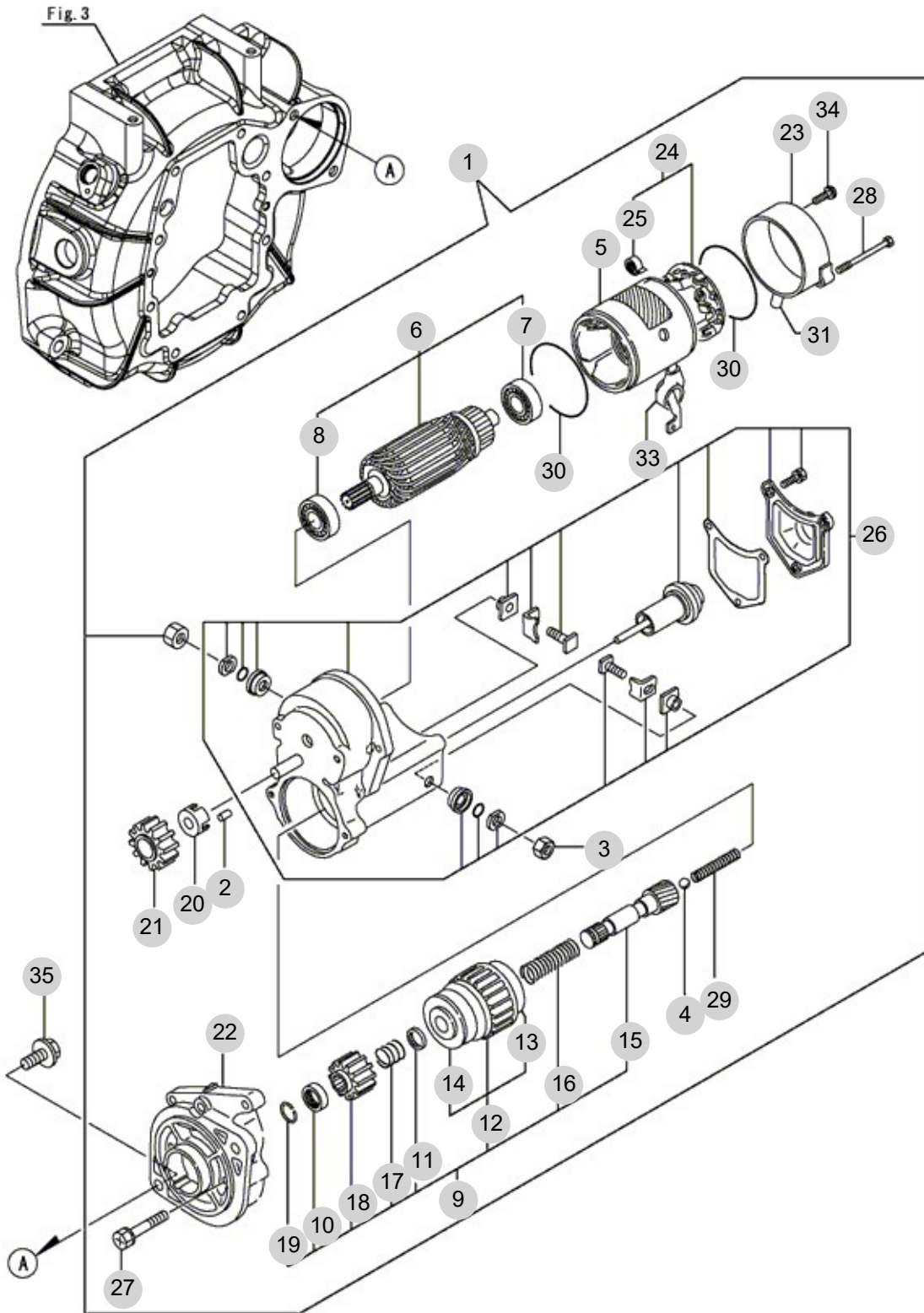
FIG 115

STARTER MOTOR

년/월
Year/Month

2022-12

T394ST



NOTE

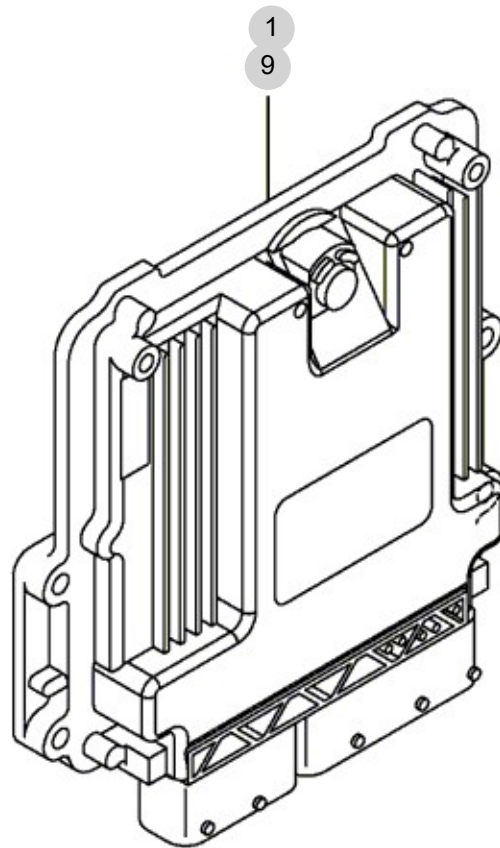
FIG 117

T394ST

ELECTRONIC CONTROL UNIT(ECU)

년/월
Year/Month

2022-12



NOTE

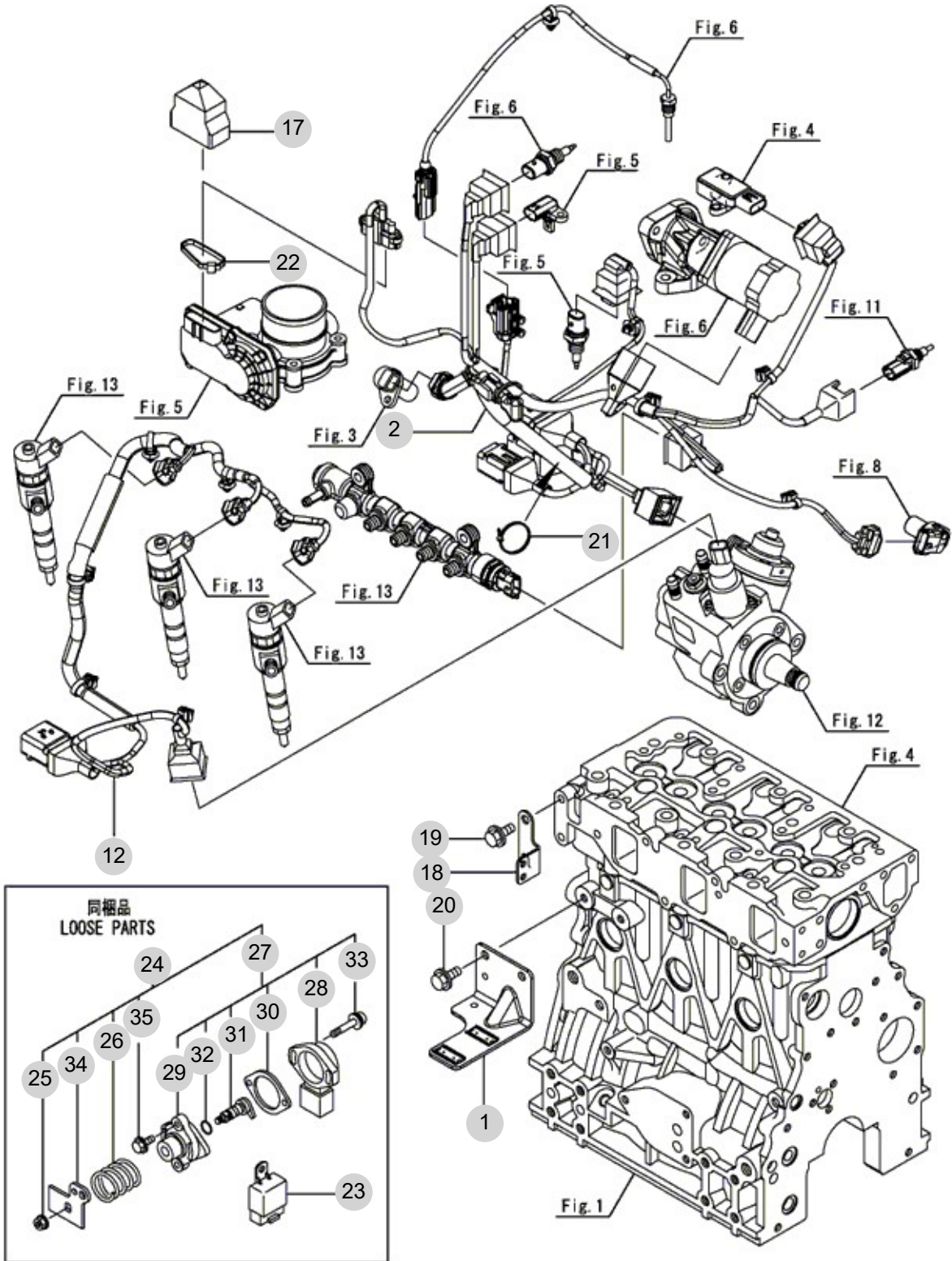
FIG 118

ELECTRIC PARTS

년/월
Year/Month

T394ST

2022-12



NOTE

2. Engine Accessories PART NO. T2

FIG 201 AIR CLEANER	52
FIG 202 RADIATOR	54
FIG 203 MUFFLER	56
FIG 204 FUEL TANK & HOSE	58
FIG 204A KIT No. : 12397090000	60
FIG 205 ACCELERATOR	62

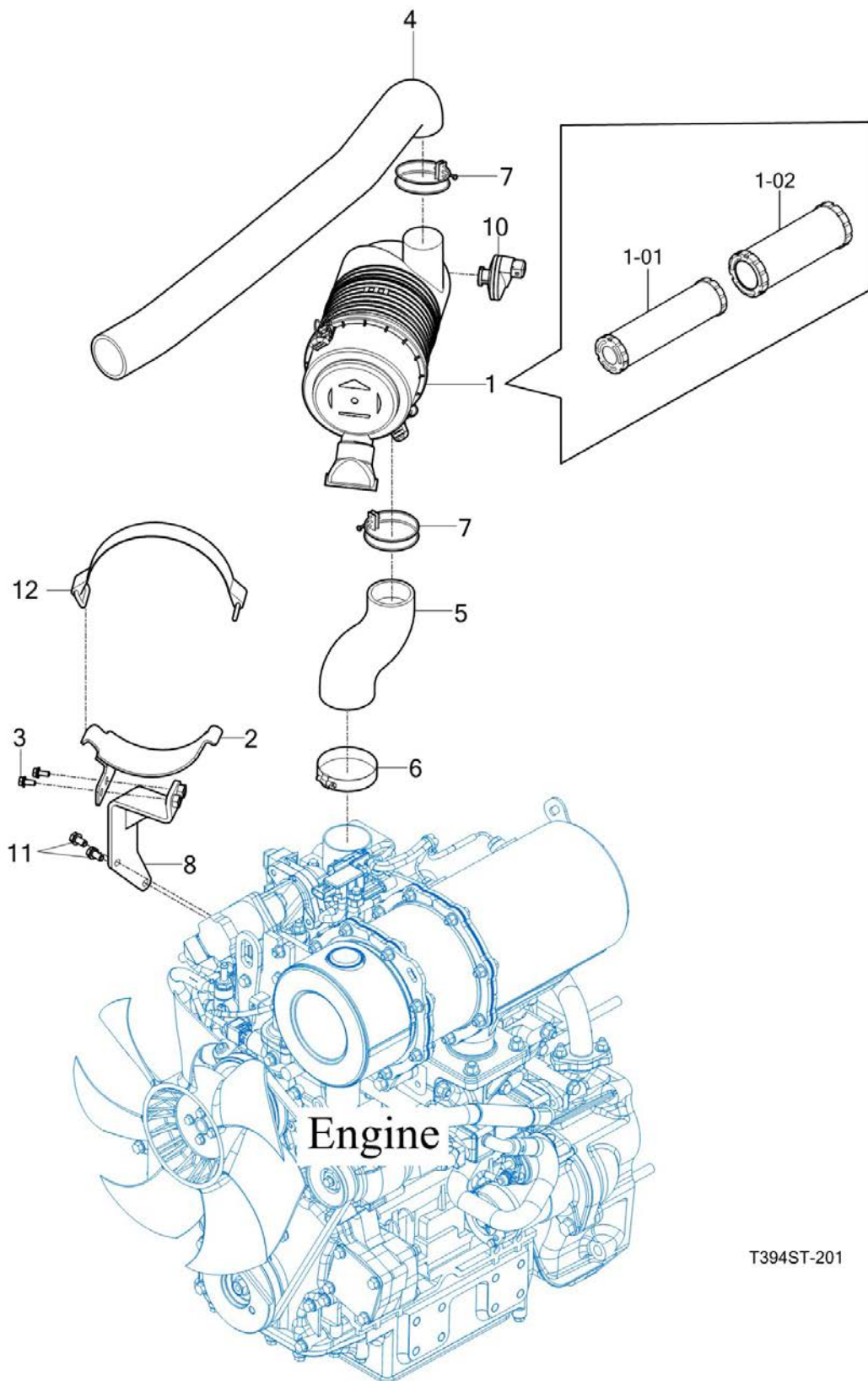
FIG 201

AIR CLEANER

년/월
Year/Month

2022-12

T394ST



T394ST-201

NOTE

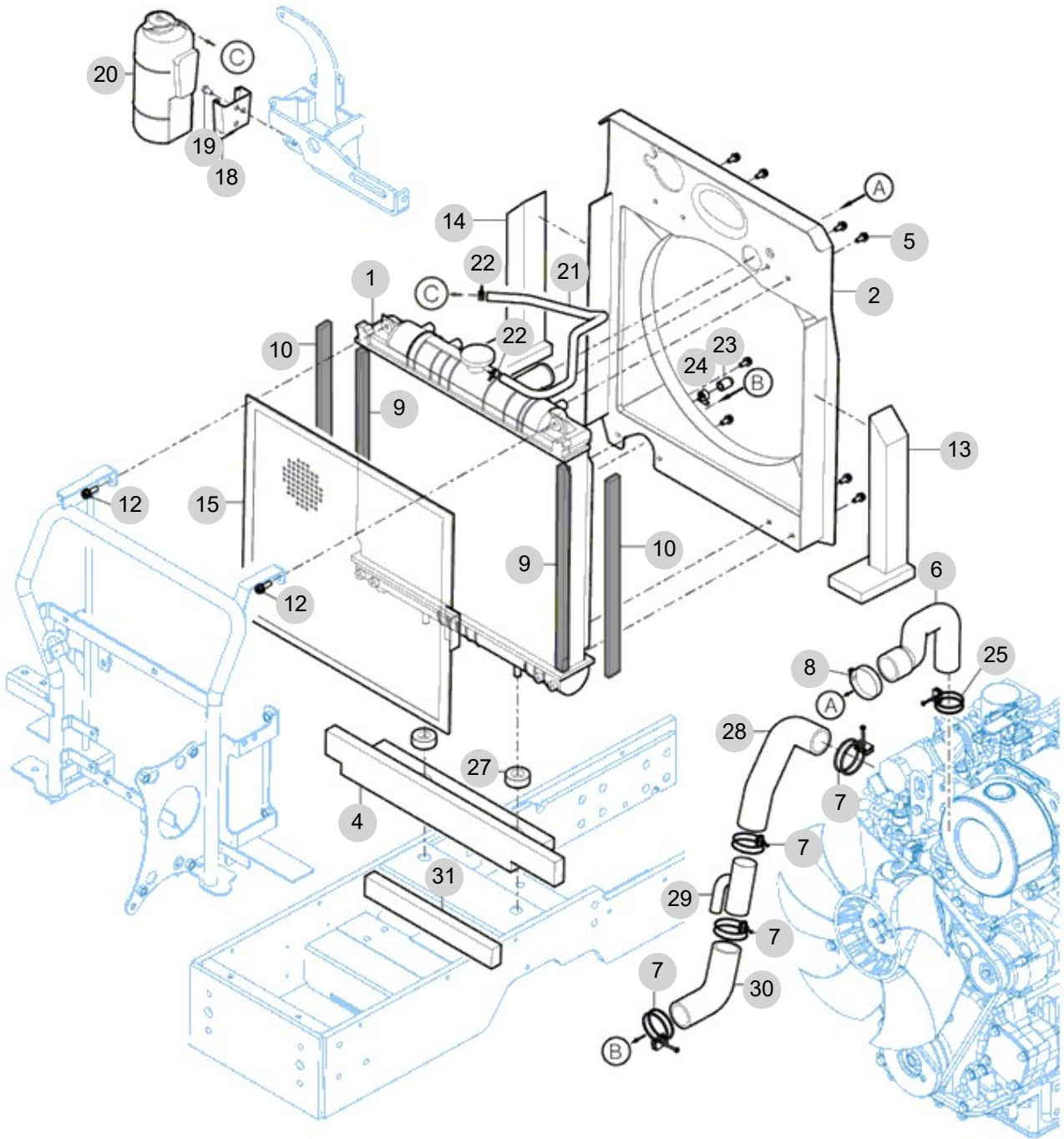
FIG 202

T394ST

RADIATOR

년/월
Year/Month

2022-12



NOTE

FIG 202 T394ST		RADIATOR						년/월 Year/Month	REMARKS
								2022-12	
KEY NO	PART NO	DESCRIPTION	SPEC	QTY	REPAIR	EFFECTIVE DATE			
202	1	13011042100	RADIATOR SET				1		
202	2	12341042201	SHROUD				1		
202	4	17401042351	SPONGE, UNDER				1		
202	5	V2323606016	BOLT , C/R HEX/SP				8		
202	6	17401040010	HOSE , RADIATOR INLET				1		
202	7	14241010040	WIRE CLAMP 45				4		
202	7	18027090500	BAND CLAMP 50 EMBO TYPE				3		
202	8	34513310040	BAND CLAMP 64				1		
202	8	18027090500	BAND CLAMP 50 EMBO TYPE				1		
202	9	14521042360	SPONGE , FRONT 430				2		
202	10	14521042341	SPONGE , SIDE(430)				2		
202	12	V2123606025	BOLT , HEX /SP	M6X25			2		
202	13	12341041420	INSULATOR , UNDER(LH)				1		
202	14	12341041430	INSULATOR , UNDER(RH)				1		
202	15	12621042300GB	NET COMP				1		
202	18	36753302201GB	HOLDER COMP , TANK/RESERVE				1		
202	19	V2183608020	BOLT , HEX/SP	M8X20			1		
202	20	16003302101	TANK ASSY , RESERVE				1		
202	21	17685010150	HOSE . 700				1		
202	22	36423600080	CLIP , HOSE D=12.5				2		
202	23	12651040300	CAP , RADIATOR				1		
202	24	14171020050	WIRE CLAMP 15				1		
202	24	18027090160	BAND CLAMP 16 EMBO TYPE				1		
202	25	18027090400	BAND CLAMP 40 EMBO TYPE				1		
202	27	14526210301	CUSHION RUBBER , RADIATOR				2		
202	28	17461040111	HOSE(RADIATOR/OUTLET)				1		
202	29	14628202600	PIPE COMP				1		
202	30	17461040120	HOSE(RADIATOR/OUTLET)2				1		
202	31	12331041530	INSULATOR , HARNESS				1		
NOTE									

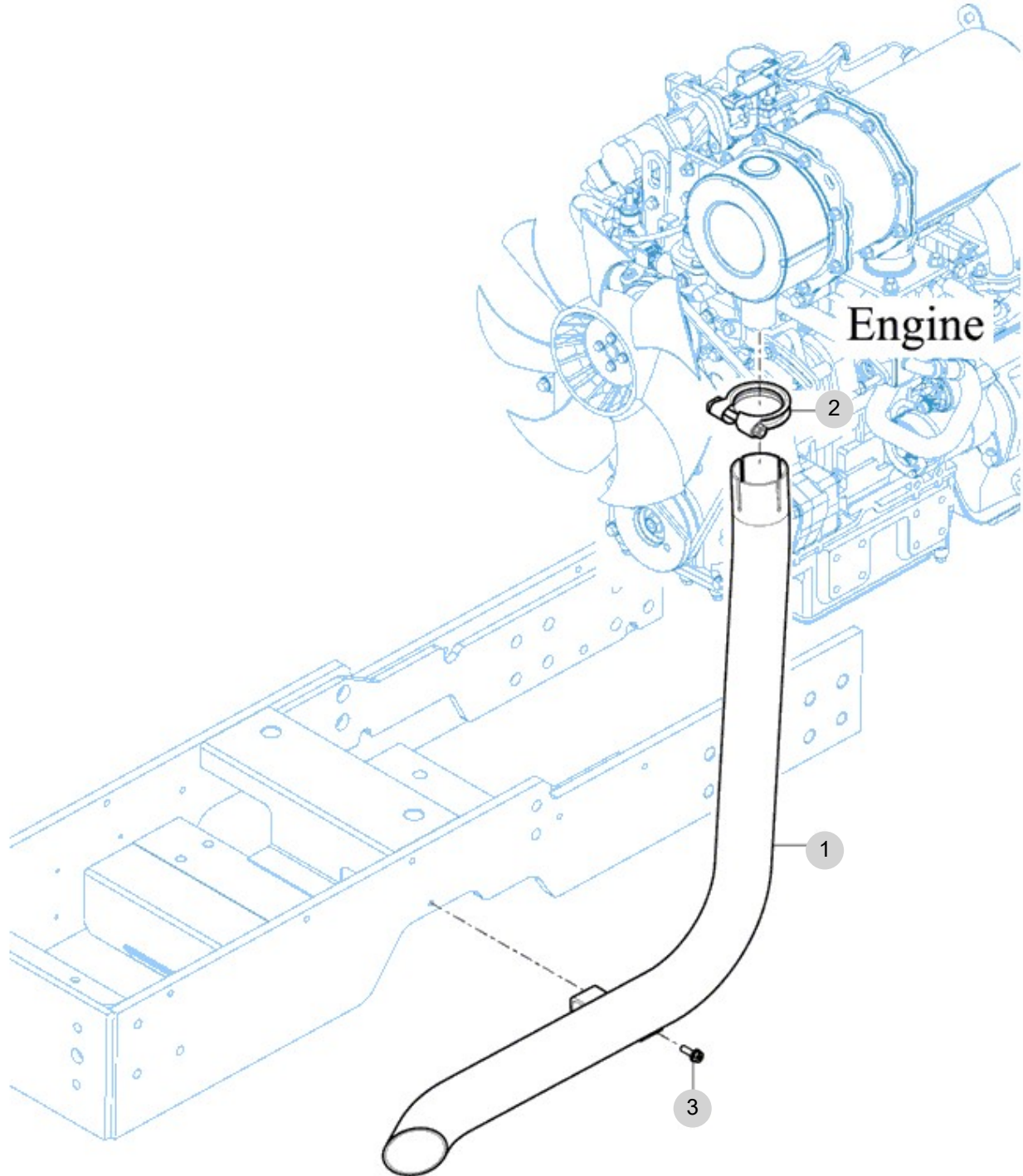
FIG 203

MUFFLER

년/월
Year/Month

T394ST

2022-12



NOTE

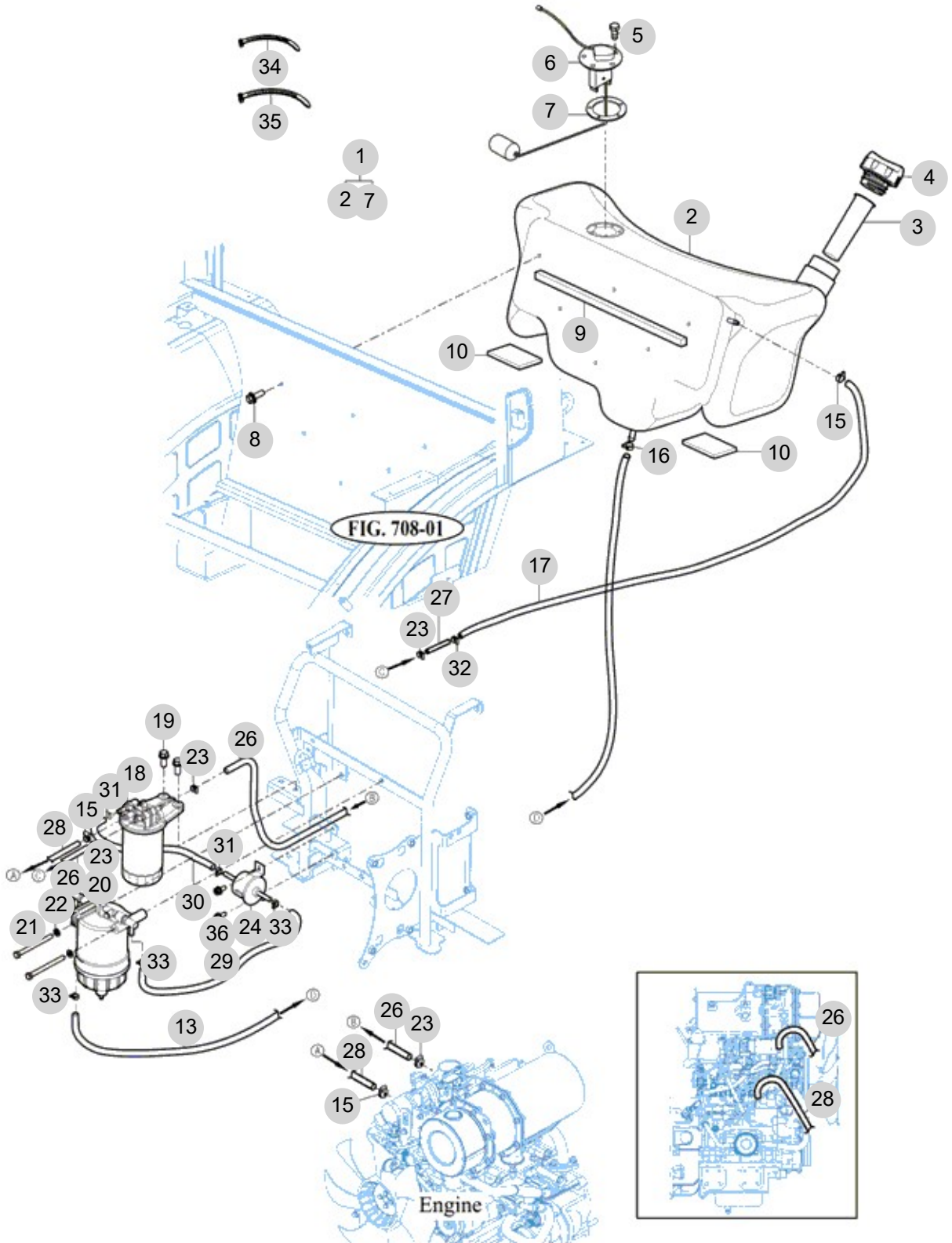
FIG 204

T394ST

FUEL TANK & HOSE

년/월
Year/Month

2022-12



NOTE

FIG 204		FUEL TANK & HOSE						년/월 Year/Month	
								2022-12	
KEY NO	PART NO	DESCRIPTION	SPEC	QTY	REPAIR	EFFECTIVE DATE	REMARKS		
204	1	12647075101	TANK SUB ASSY , FUEL						
204	2	12397010131	TANK , FUEL						
204	3	12641112130	FILTER						
204	4	19143102200	CAP ASSY , FUEL						
204	4	19143102201	CAP ASSY , FUEL						
204	5	V2053605010	BOLT , HEX C/R						
204	6	12396642300	GAUGE ASSY , FUEL						
204	7	16996210370	PACKING						
204	8	V2183608016	BOLT , HEX/SP						
204	9	12391042360	SPONGE , FUEL TANK						
204	10	12397037030	RUBBER, FUEL TANK						
204	13	12341113100	HOSE ASSY, FUEL/FILTER 2870						
204	15	14501410050	BAND CLAMP 16						
204	16	37481850030	BAND CLAMP 18						
204	17	12341112231	HOSE , DRAIN/2210						
204	18	129A00-55600	FILTER ASSY, FO						
204	19	V2183608030	BOLT , HEX/SP	M8X30					
204	20	129E22-55700	FILTER ASSY, FUEL						
204	21	V2013608095	BOLT , HEX	M8X95					
204	22	V4011600080	WASHER , SPRING						
204	23	14501410050	BAND CLAMP 16						
204	24	129612-52100	FUEL PUMP						
204	25	V2323606016	BOLT , C/R HEX/SP	M6X16					
204	26	17401117100	FUEL HOSE, RETURN A						
204	27	17401117300	HOSE, JOINT						
204	28	12341115100	FUEL HOSE, F-E						
204	29	11111113301	HOSE ASSY, FUEL OUT 290						
204	30	12341114100	FUEL HOSE, P-F						
204	31	14501410050	BAND CLAMP 16						
204	32	14501410050	BAND CLAMP 16						
204	33	14501410050	BAND CLAMP 16						
204	34	13424020060	CABLE TIE , 300						
204	35	13764020030	CABLE TIE , 140						
204	36	V2123606016	BOLT , HEX /SP	M6X16					
NOTE									

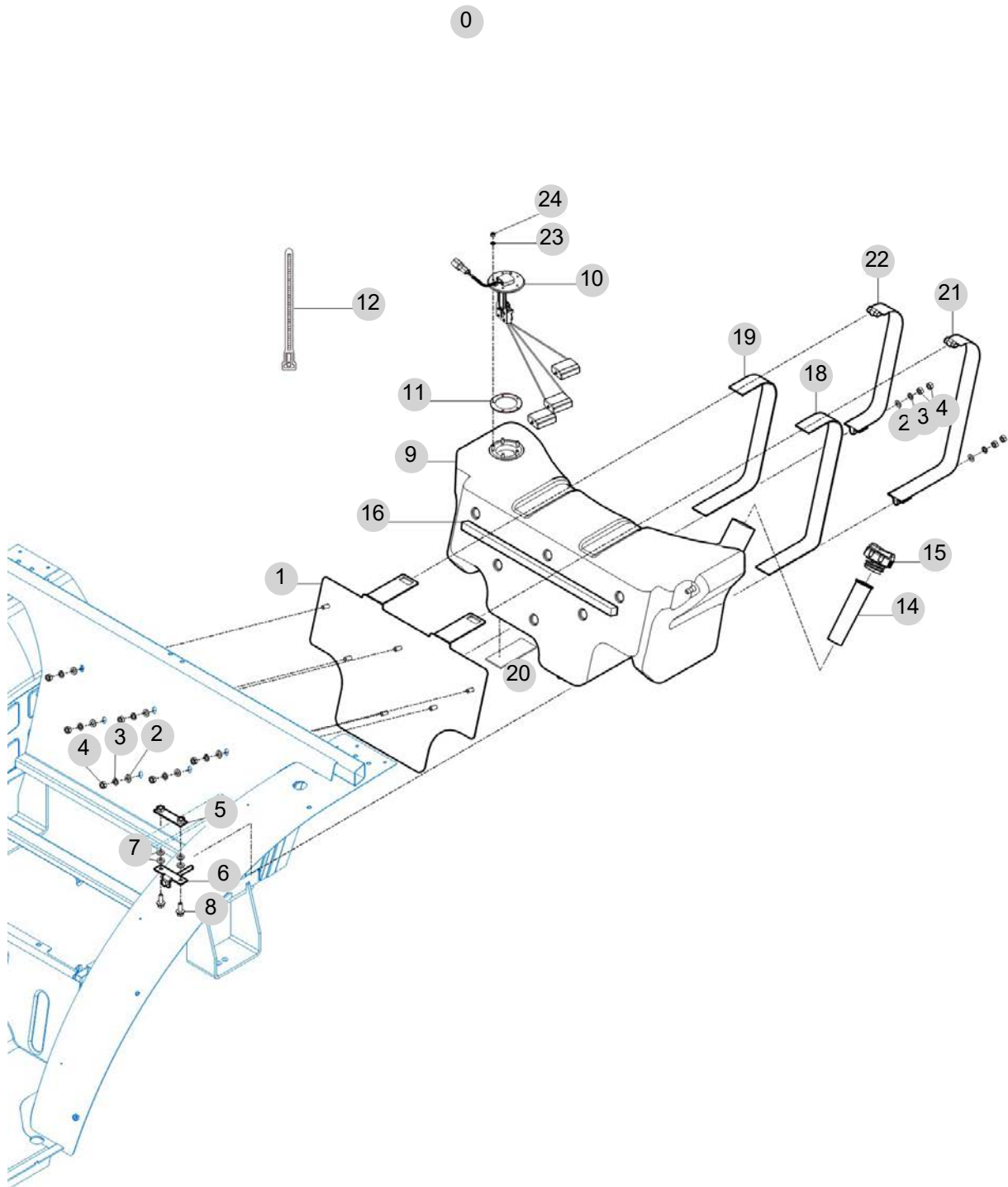
FIG 204A

T394ST

KIT No. : 12397090000

년/월
Year/Month

2022-12



NOTE

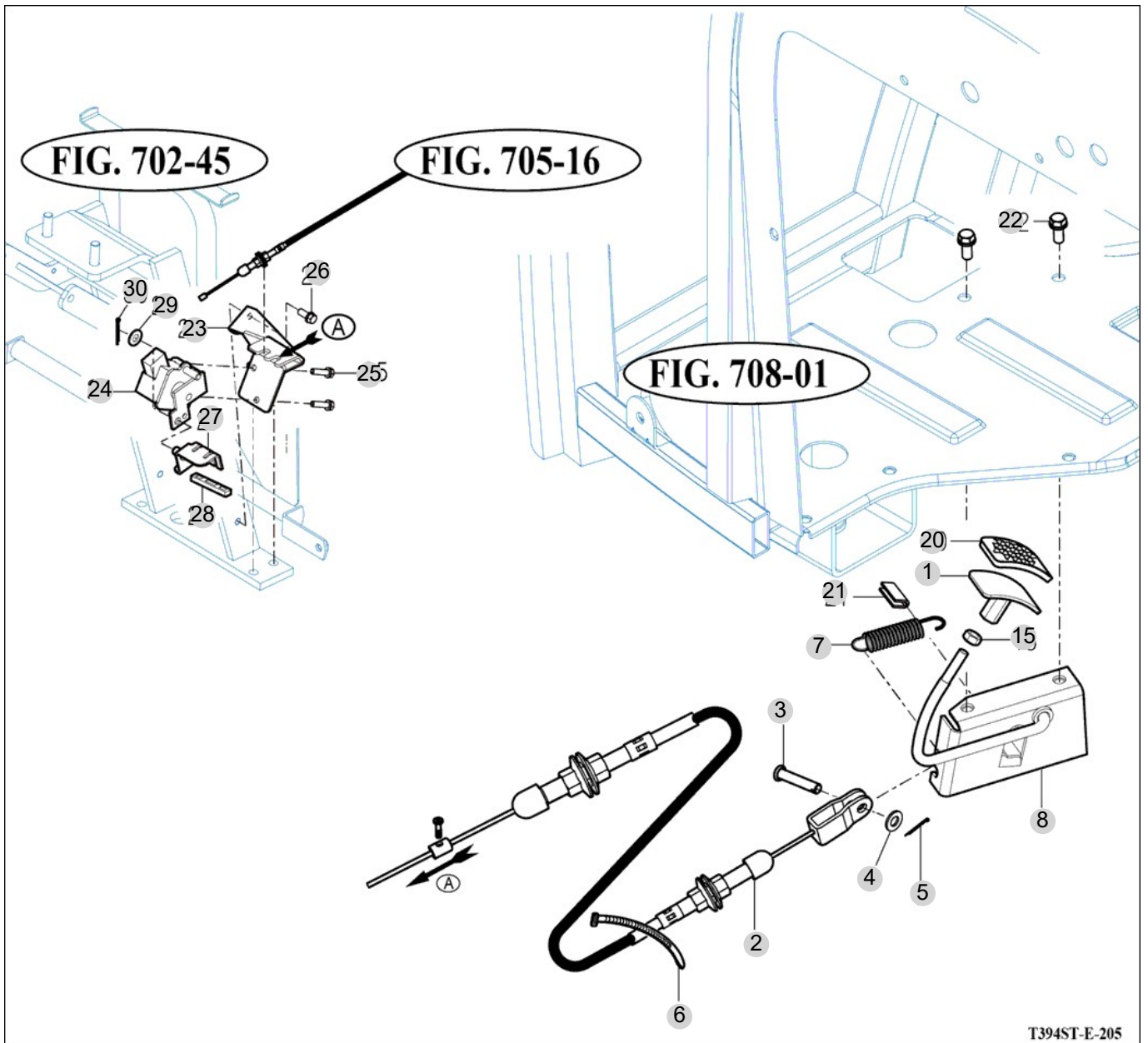
FIG 205

ACCELERATOR

년/월
Year/Month

T394ST

2022-12



T394ST-E-205

NOTE

3. Clutch/Brake/Steering PART NO. T3

FIG 301 CLUTCH PEDAL	65
FIG 302 FLYWHEEL & CLUTCH	67
FIG 303 BRAKE PEDAL	69
FIG 304 BRAKE	71
FIG 305 FRONT WHEEL MOUNTING	73
FIG 306 REAR WHEEL MOUNTING	75
FIG 307 STEERING WHEEL & DASH COVER	77
FIG 308 STEERING VALVE & PARKING	79
FIG 309 STEERING CYLINDER	81

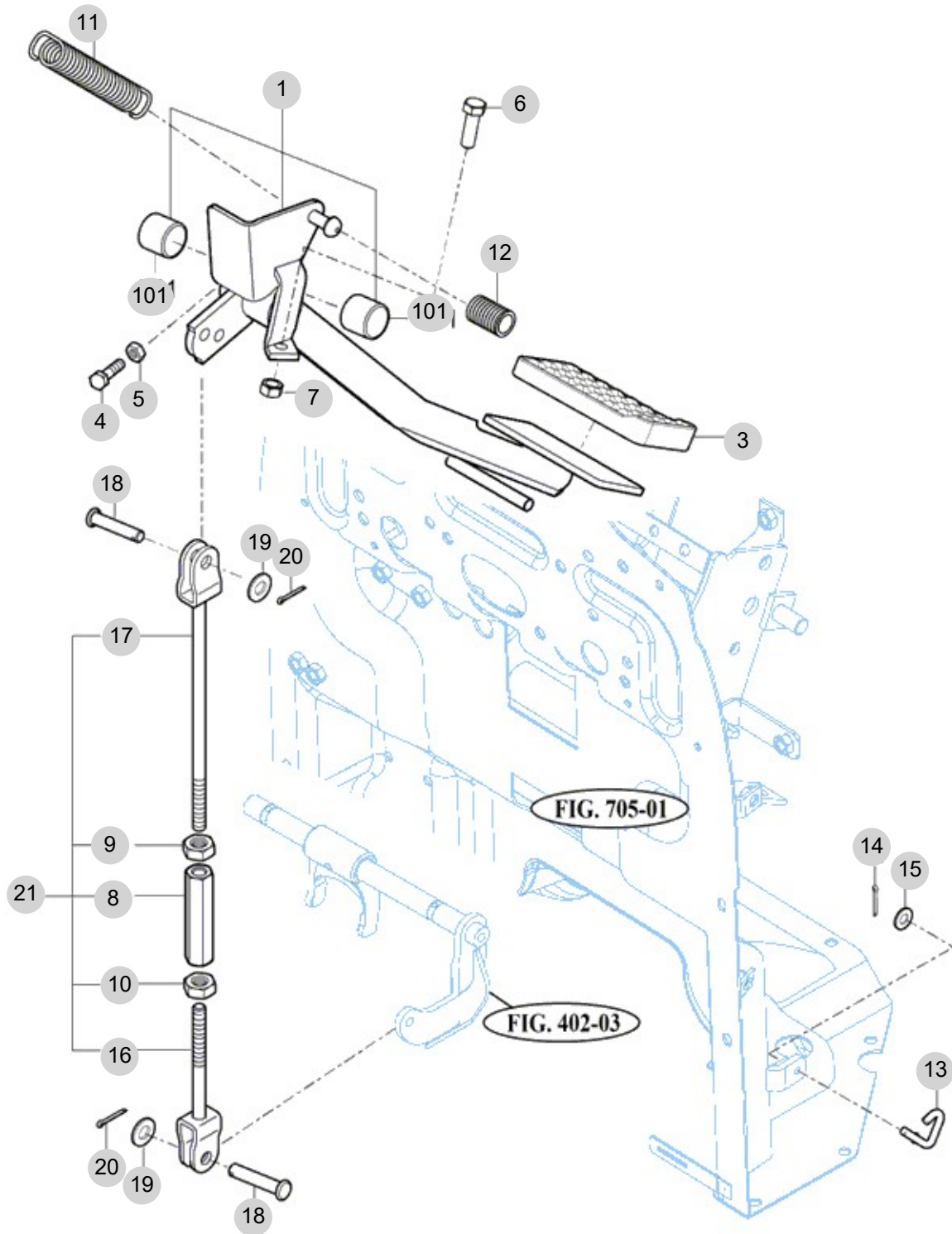
FIG 301

CLUTCH PEDAL

년/월
Year/Month

2022-12

T394ST



T394ST-E-301

NOTE

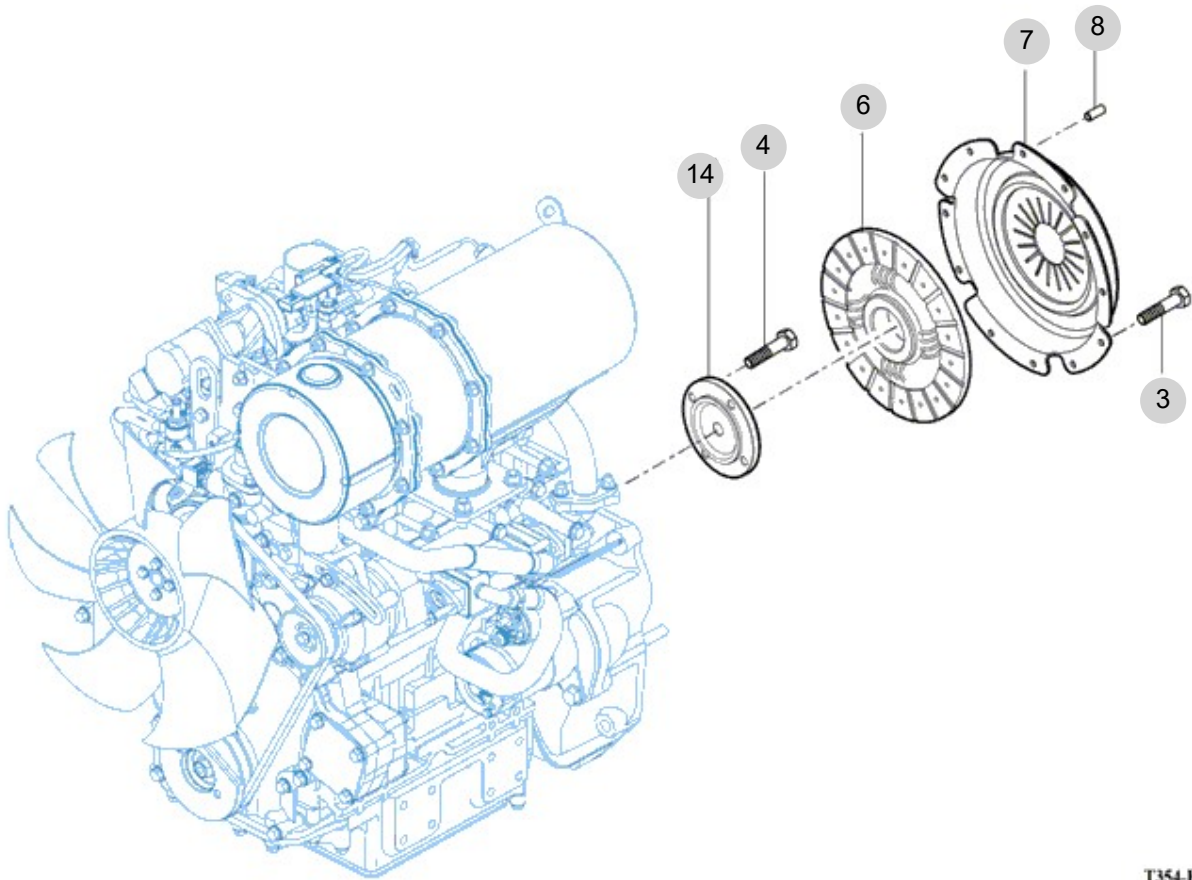
FIG 302

T394ST

FLYWHEEL & CLUTCH

년/월
Year/Month

2022-12



T354-E-302

NOTE

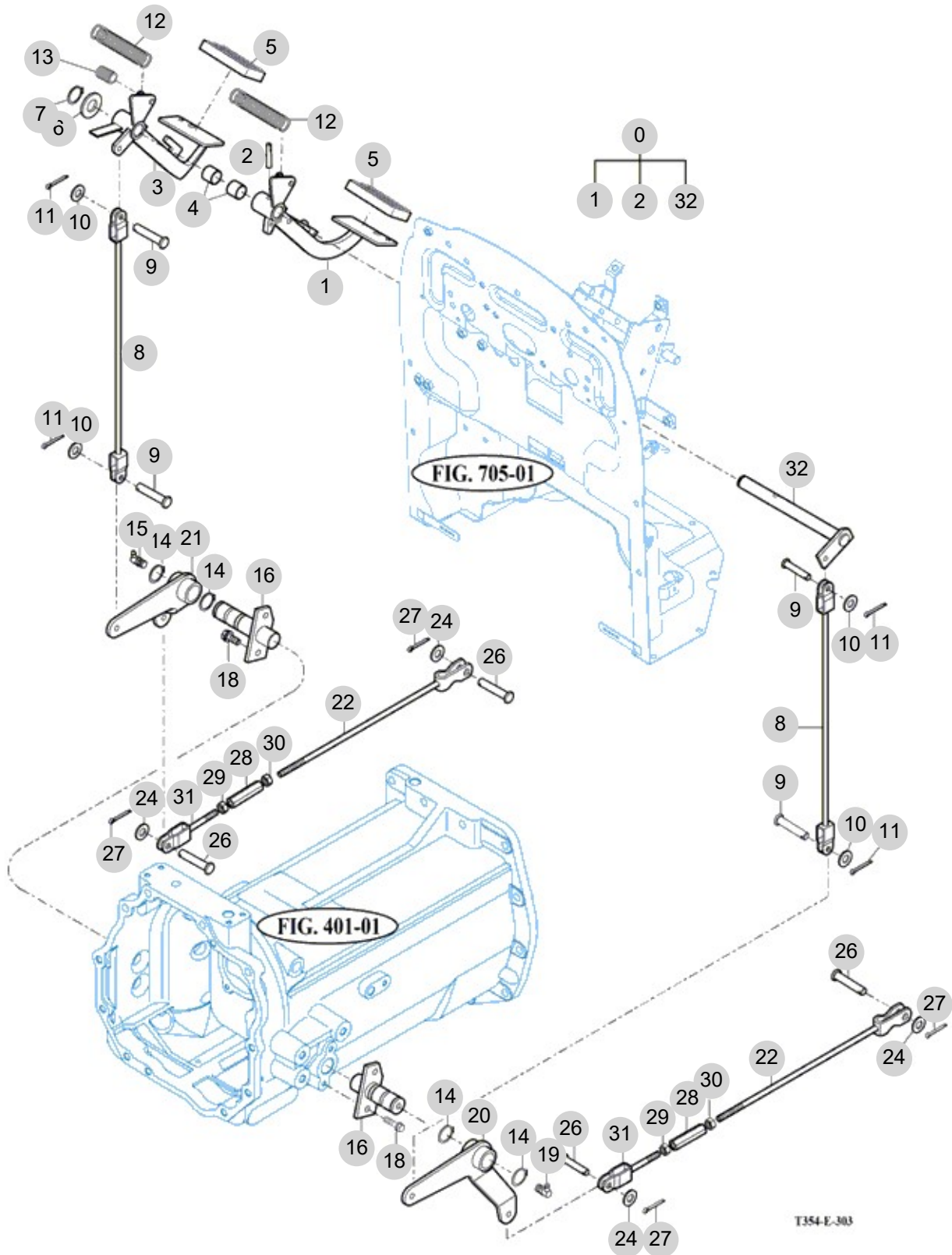
FIG 303

BRAKE PEDAL

년/월
Year/Month

T394ST

2022-12



NOTE

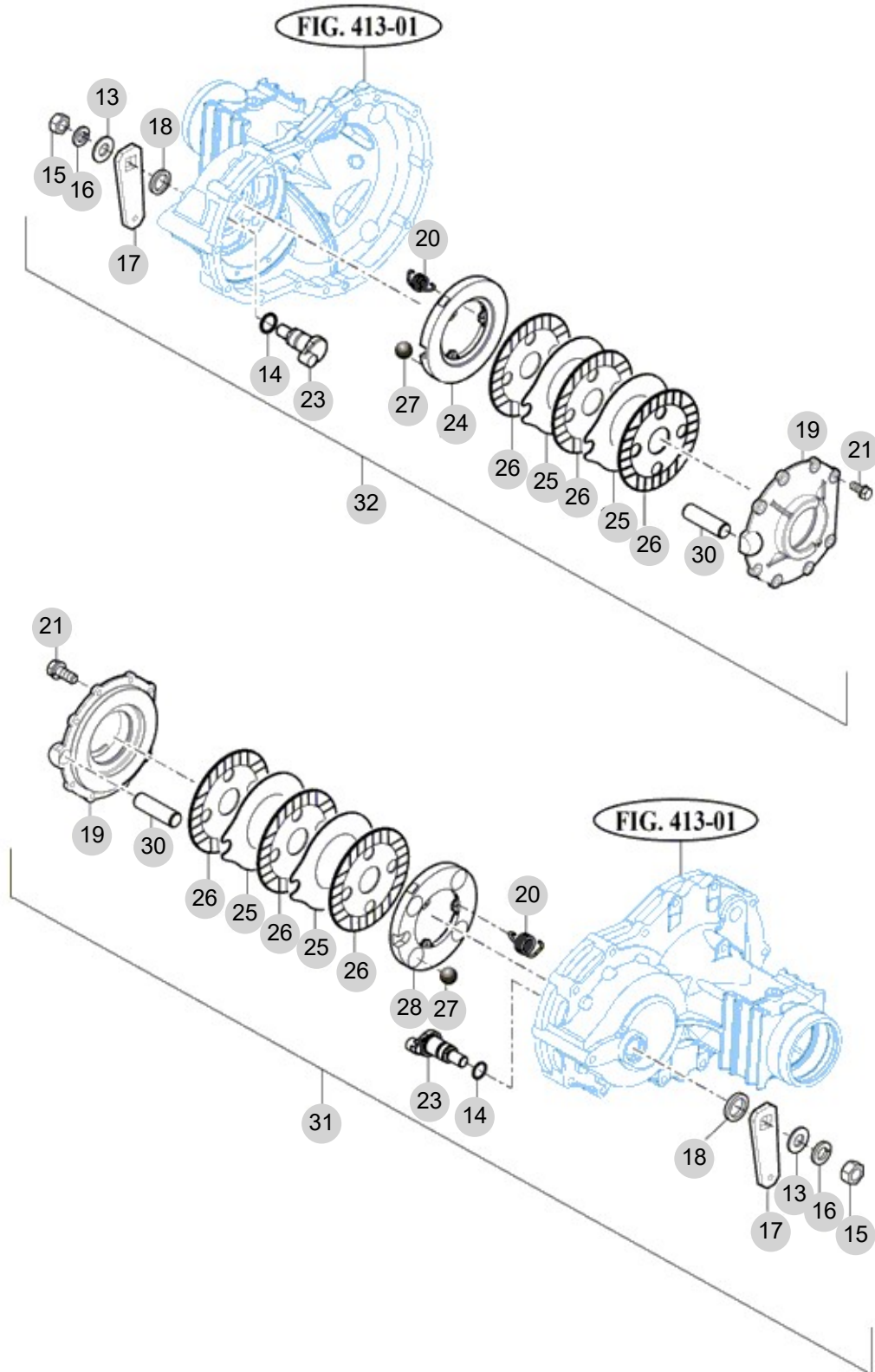
FIG 304

T394ST

BRAKE

년/월
Year/Month

2022-12



NOTE

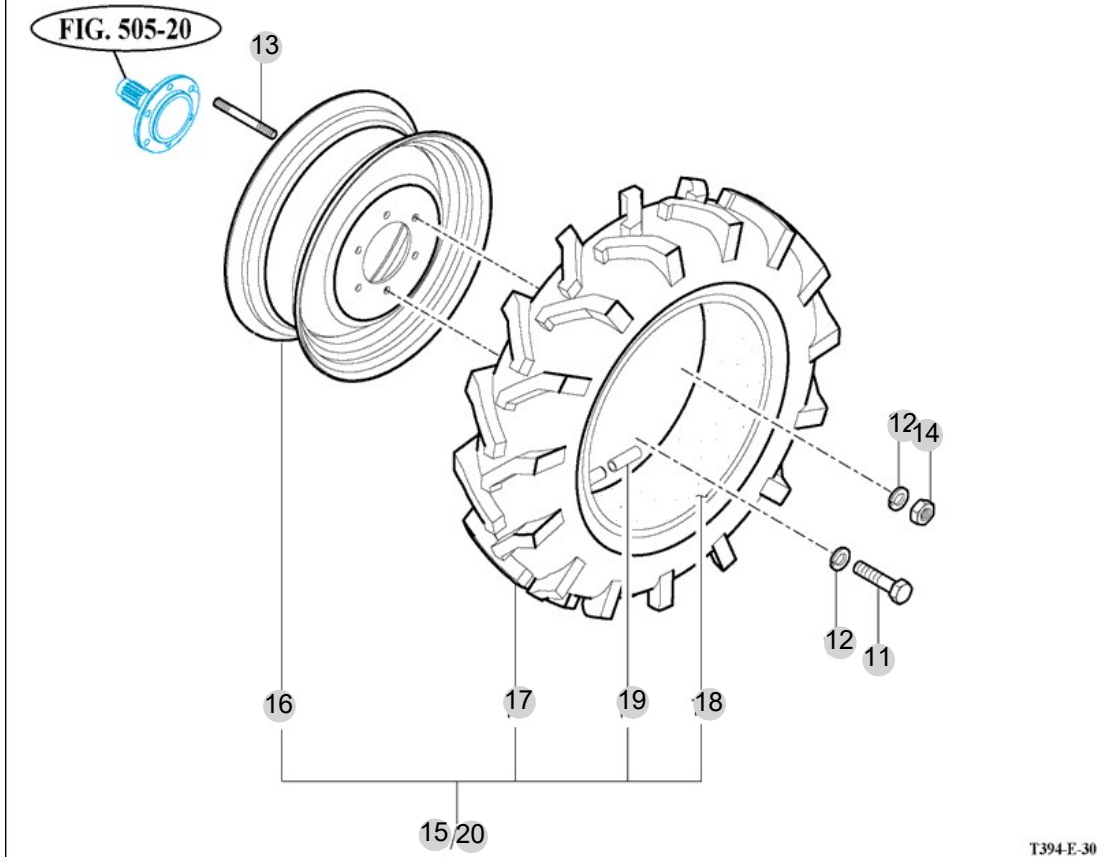
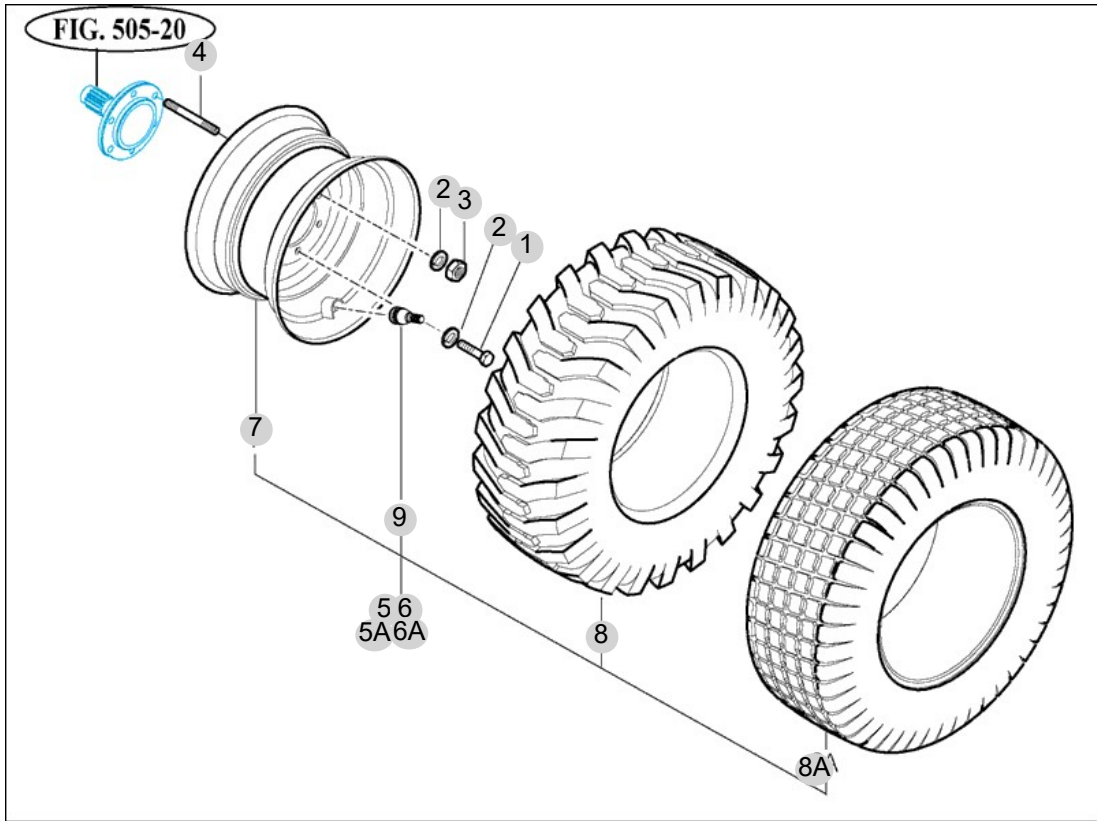
FIG 305

FRONT WHEEL MOUNTING

년/월
Year/Month

2022-12

T394ST



T394-E-305

NOTE

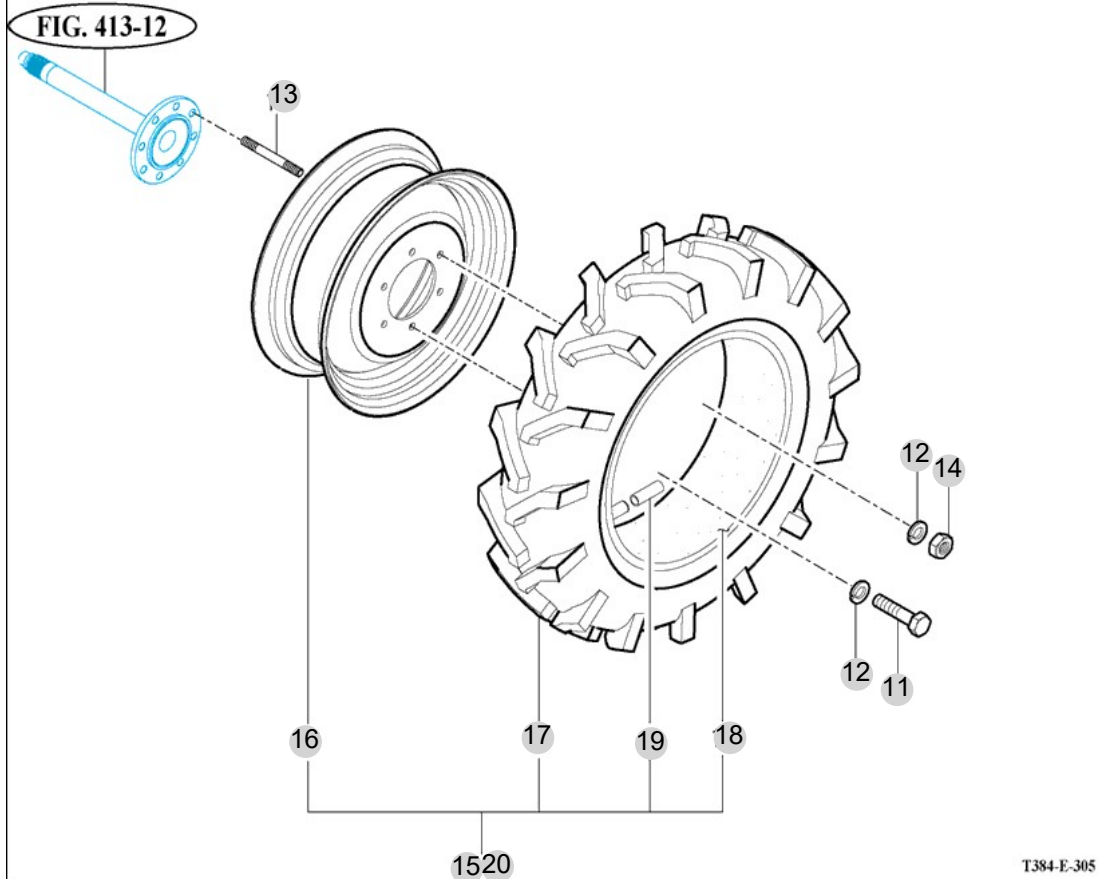
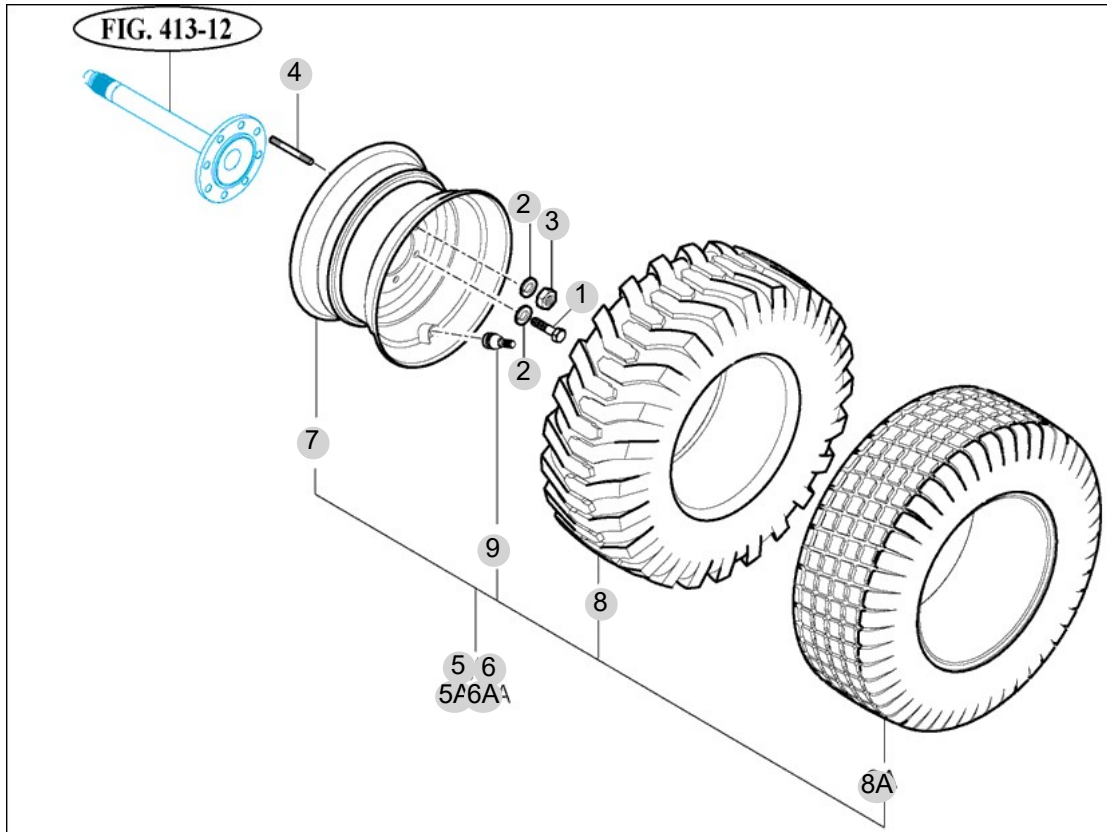
FIG 306

REAR WHEEL MOUNTING

년/월
Year/Month

2022-12

T394ST



T384-E-305

NOTE

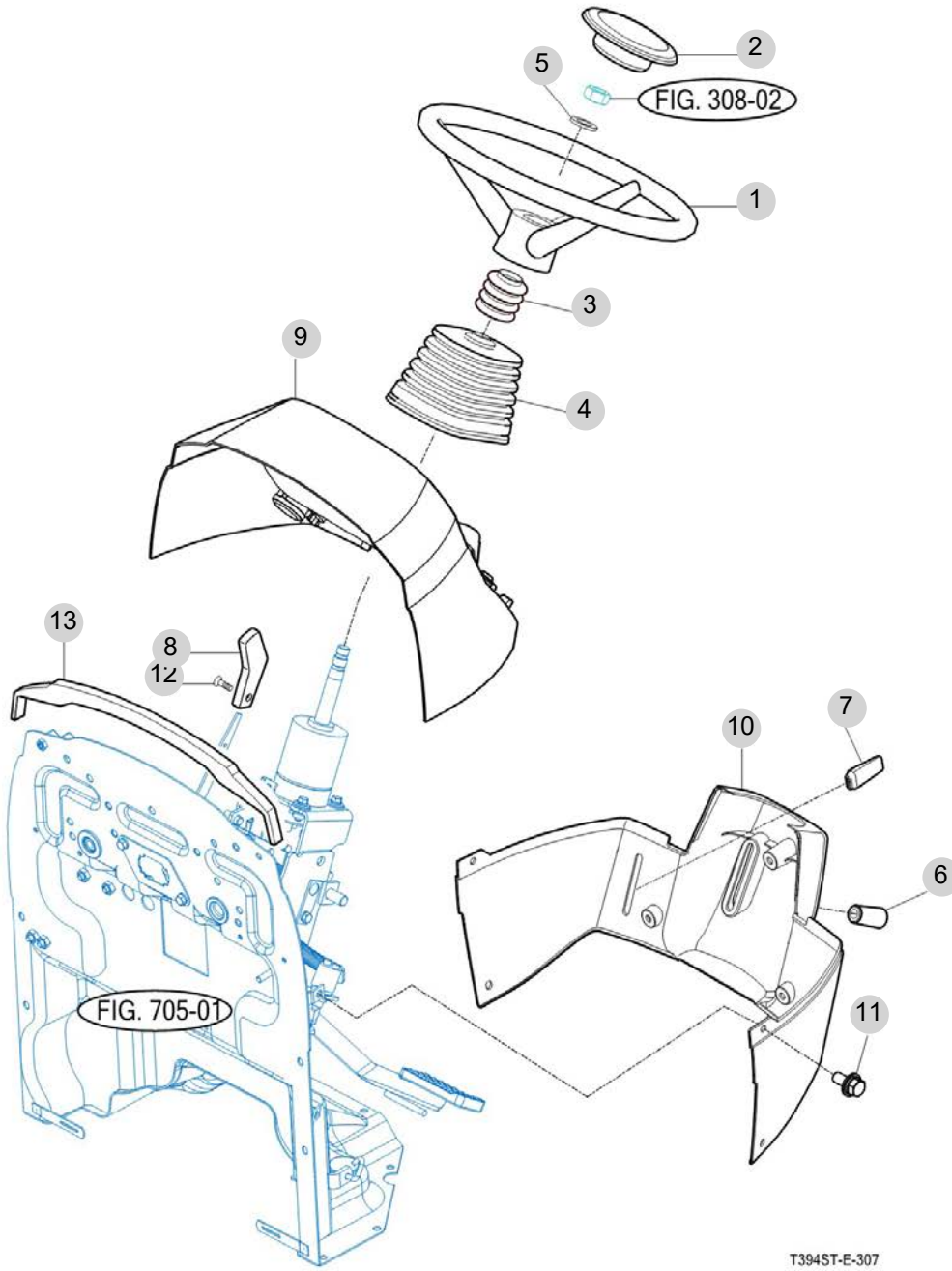
FIG 307

T394ST

STEERING WHEEL & DASH COVER

년/월
Year/Month

2022-12



NOTE

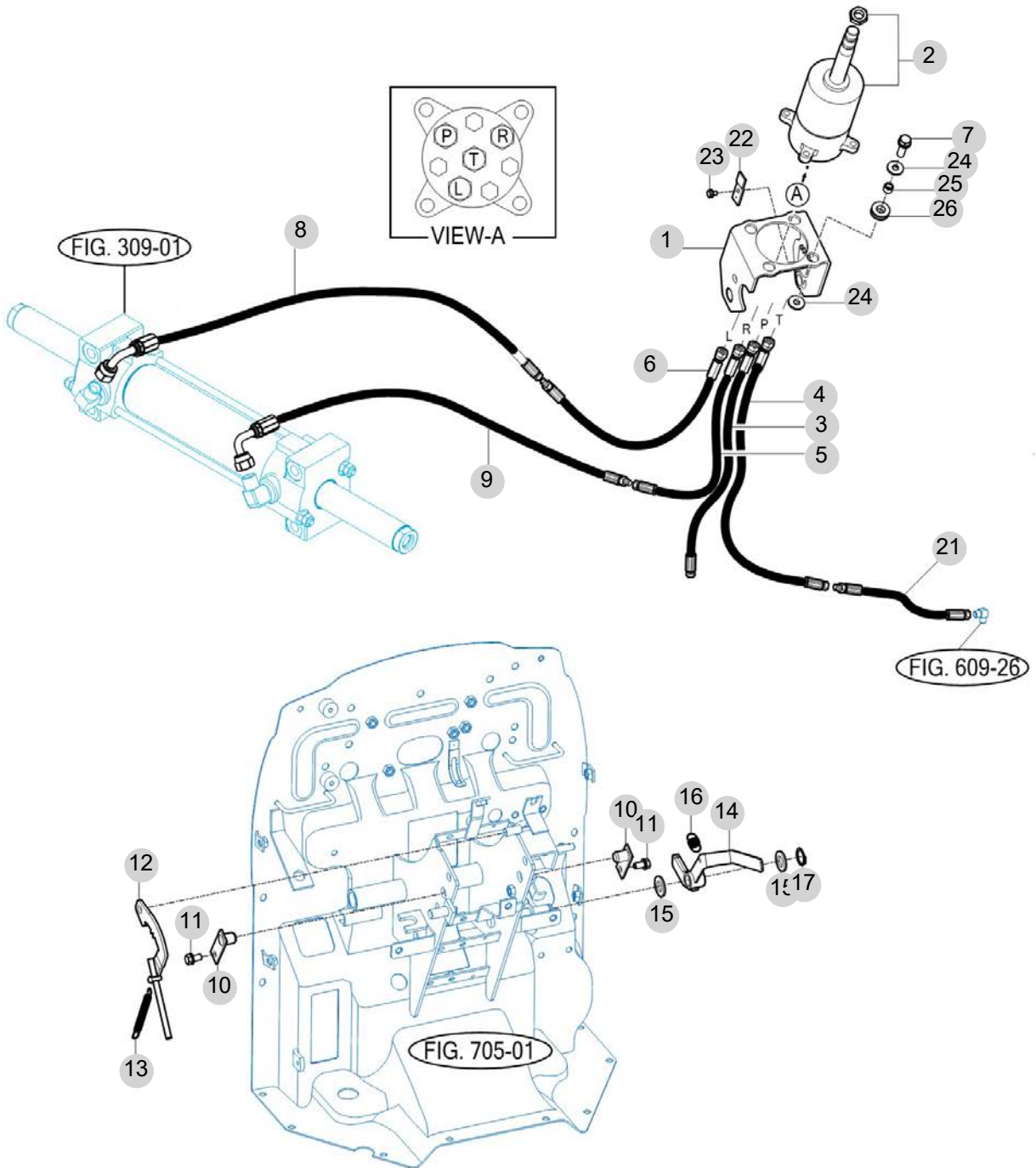
FIG 307 T394ST		STEERING WHEEL & DASH COVER					년/월 Year/Month 2022-12	
KEY NO	PART NO	DESCRIPTION	SPEC	QTY	REPAIR	EFFECTIVE DATE	REMARKS	
307	1	14724012002	WHEEL ASSY , STEERING		1			
307	1	14724012100	WHEEL , STEERING		1			
307	1	13834012100	STEERTING WHEEL		1			
307	2	11644012302	CAP(TYM) , STEERING WHEEL		1			
307	3	16994011990	BOOT , STEERING	T=2	1			
307	4	14724010052	BOOT , TILT	T=1.5	1			
307	5	V4011600160	WASHER , SPRING	M16	1			
307	5	13834012200	WASHER , TOOTH-LOCK/OUT		1			
307	6	21615250020	GRIP , LEVER/RED		1			
307	6	14445070030	GRIP , LEVER		1			
307	7	15605110054	GRIP , 3X17X97	9.5X9.7X5.3	1			
307	7	15605110054	GRIP , 3X17X97		1			
307	8	34523030020	GRIP , THROTTLE	1X1X1	1			
307	8	34523030020	GRIP , THROTTLE		1			
307	9	13016031013	COVER , UPR DASHPANEL		1			
307	9	13016031014	COVER , UPR DASHPANEL		1			
307	10	16706031020	COVER , LOW DASHPANEL		1			
307	10	16706031021	COVER , LOW DASHPANEL	1X1X1	1			
307	11	V2163808020	BOLT , HEX/P	M8X20	8			
307	12	V1122605012	SCREW , C/R FLAT	M5X12	1			
307	12	V1122605012	SCREW , C/R FLAT		1			
307	13	12656300050	RUBBER , DASHCOVER		1			
NOTE								

FIG 308

STEERING VALVE & PARKING

년/월
Year/Month

2022-12



T394ST-E-308

NOTE

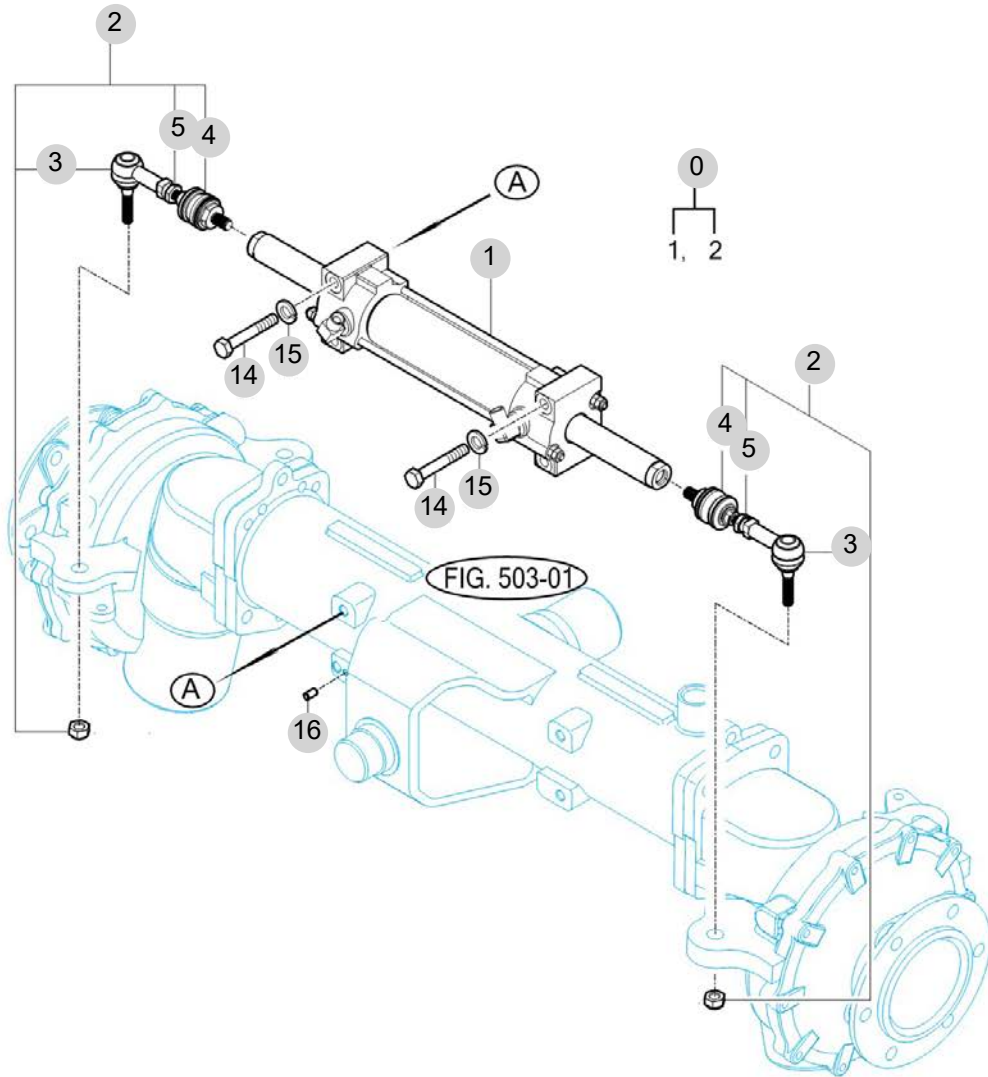
FIG 309

T394ST

STEERING CYLINDER

년/월
Year/Month

2022-12



T393ST-E-310

NOTE

4. Transmission PART NO. T4

FIG 401 TRANSMISSION FRONT CASE	84
FIG 402 INPUT METAL	86
FIG 403 INPUT GEAR	88
FIG 404 4WD DRIVE GEAR	90
FIG 405 MAIN CHANGE GEARS & REVERSE GEARS	92
FIG 406 SUB CHANGE GEARS	94
FIG 407 PINION GEARS	96
FIG 408 P T O DRIVE SHAFT	98
FIG 409 P T O CHANGE GEARS	100
FIG 410 DIFF LOCK	102
FIG 411 TRANSMISSION REAR CASE	104
FIG 412 REAR AXLE HOUSINGS(1)	106
FIG 413 REAR AXLE HOUSINGS(2)	108
FIG 414 MAIN CHANGE LEVER	110
FIG 415 SUB CHANGE LEVER	112
FIG 416 REVERSE LINK	114
FIG 417 REVERSE CHANGE LEVER	116
FIG 418 4WD CHANGE LEVER	118

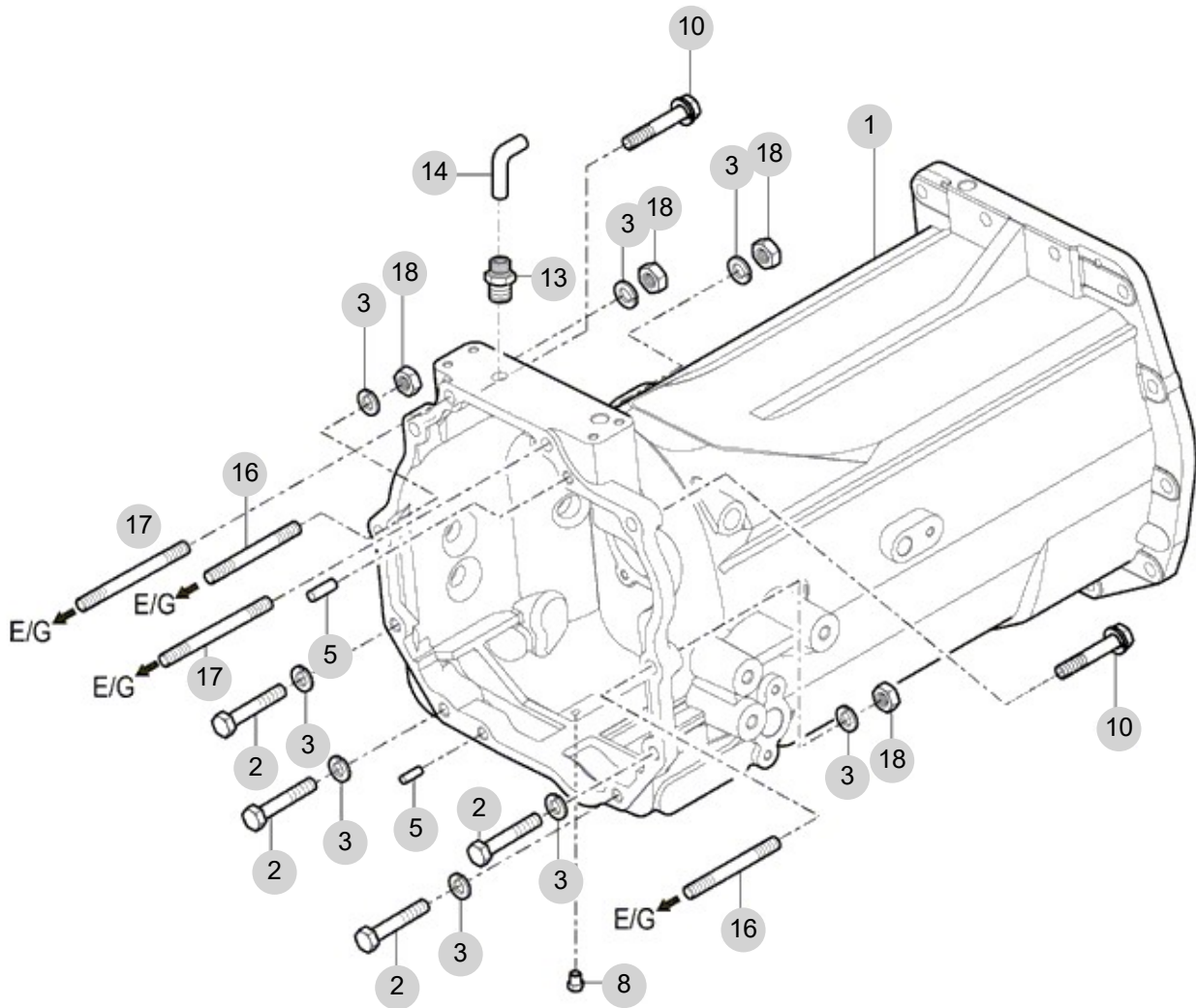
FIG 401

T394ST

TRANSMISSION FRONT CASE

년/월
Year/Month

2022-12



T345-E-401

NOTE

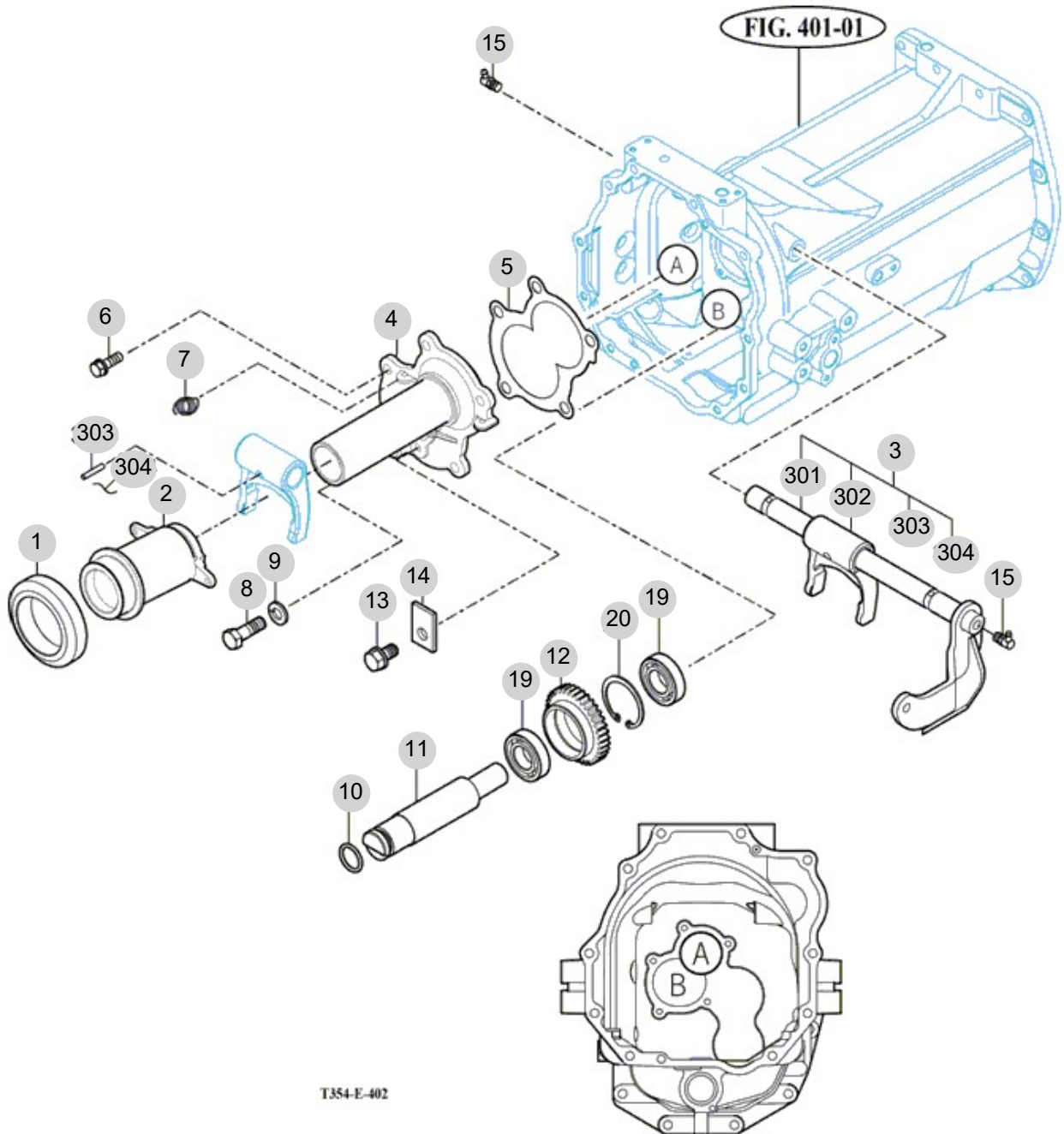
FIG 402

T394ST

INPUT METAL

년/월
Year/Month

2022-12



T354-E-402

NOTE

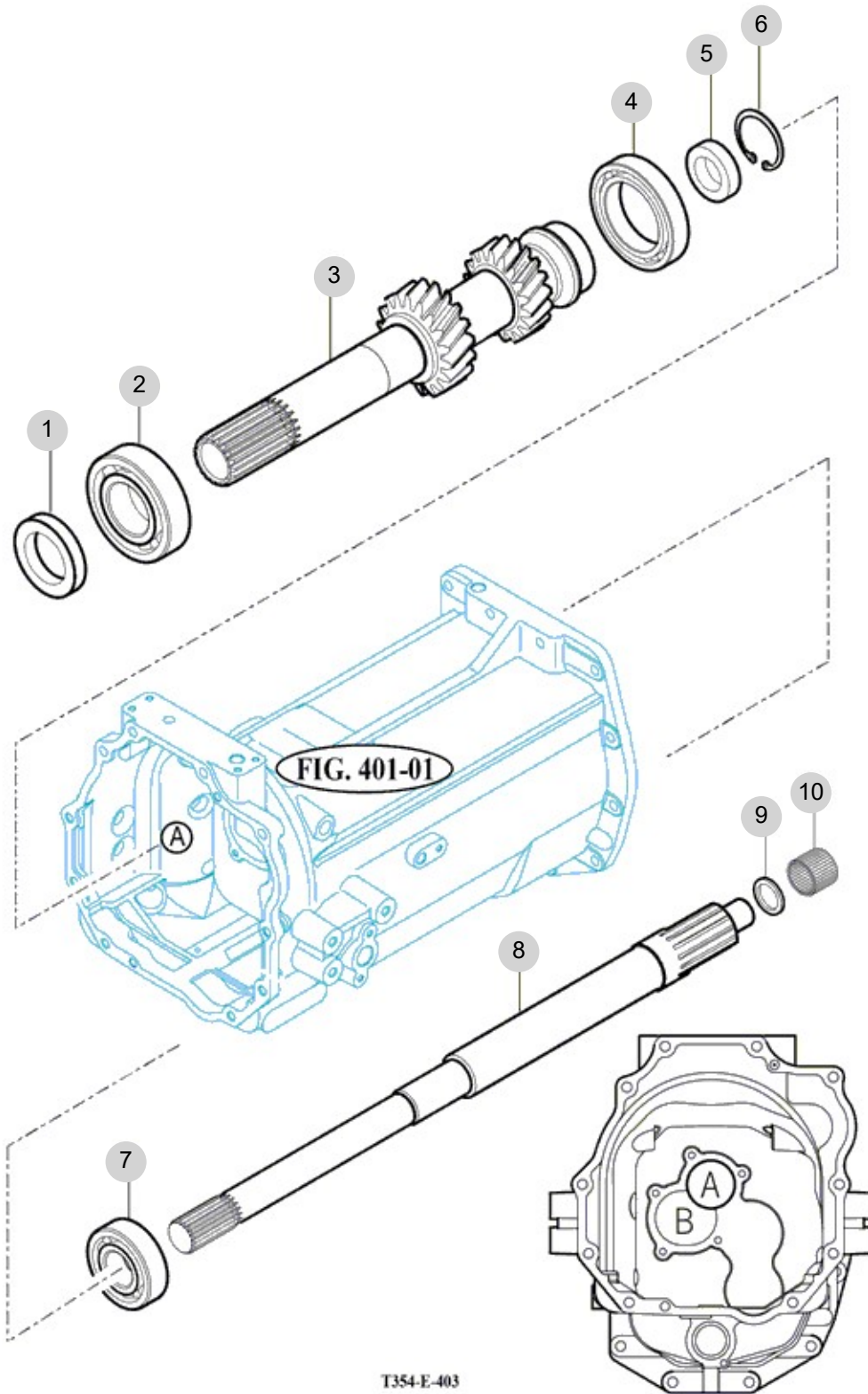
FIG 403

T394ST

INPUT GEAR

년/월
Year/Month

2022-12



NOTE

FIG 403

T394ST

INPUT GEAR

년/월
Year/Month

2022-12

KEY NO		PART NO	DESCRIPTION	SPEC	QTY	REPAIR	EFFECTIVE DATE	REMARKS
403	1	V7441304508	SEAL , OIL/D	D304508	1			
403	2	V6041106206	BEARING , BALL/HL1	6206HL1	1			
403	3	17402110010	GEAR , HELICAL 19T		1			
403	4	V6001106908	BEARING , BALL	6908	1			
403	5	V7441203208	SEAL , OIL/D	D203208	1			
403	6	V7051400320	C-RING , HOLE	32	1			
403	7	V6001106204	BEARING , BALL	6204	1			
403	8	17402160010	SHAFT , PTO INPUT		1			
403	9	16702191050	WASHER , 15.2X21X2		1			
403	10	V6544141813	BEARING , NEEDLE CAGED	KT141813	1			

NOTE

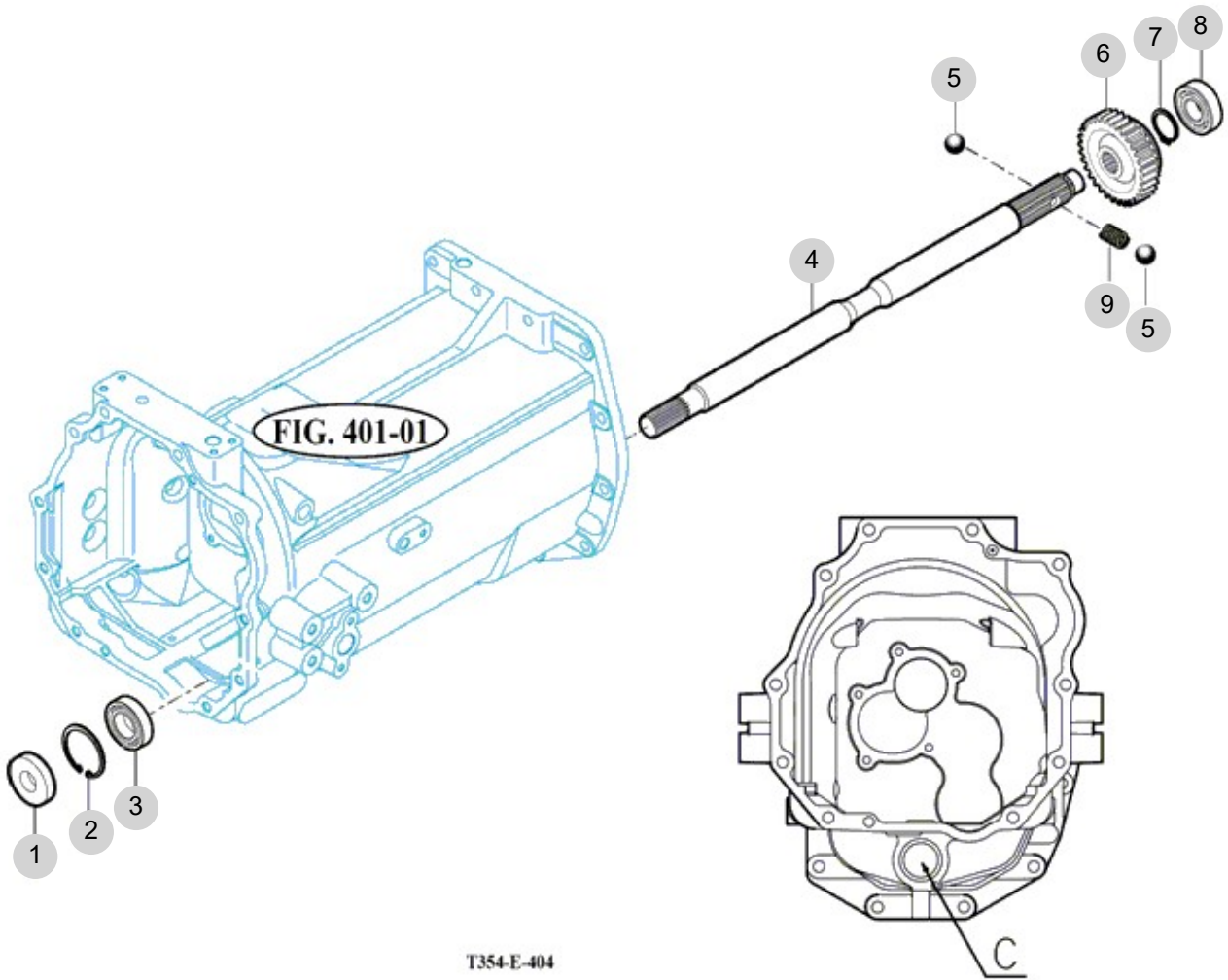
FIG 404

4WD DRIVE GEAR

년/월
Year/Month

T394ST

2022-12



NOTE

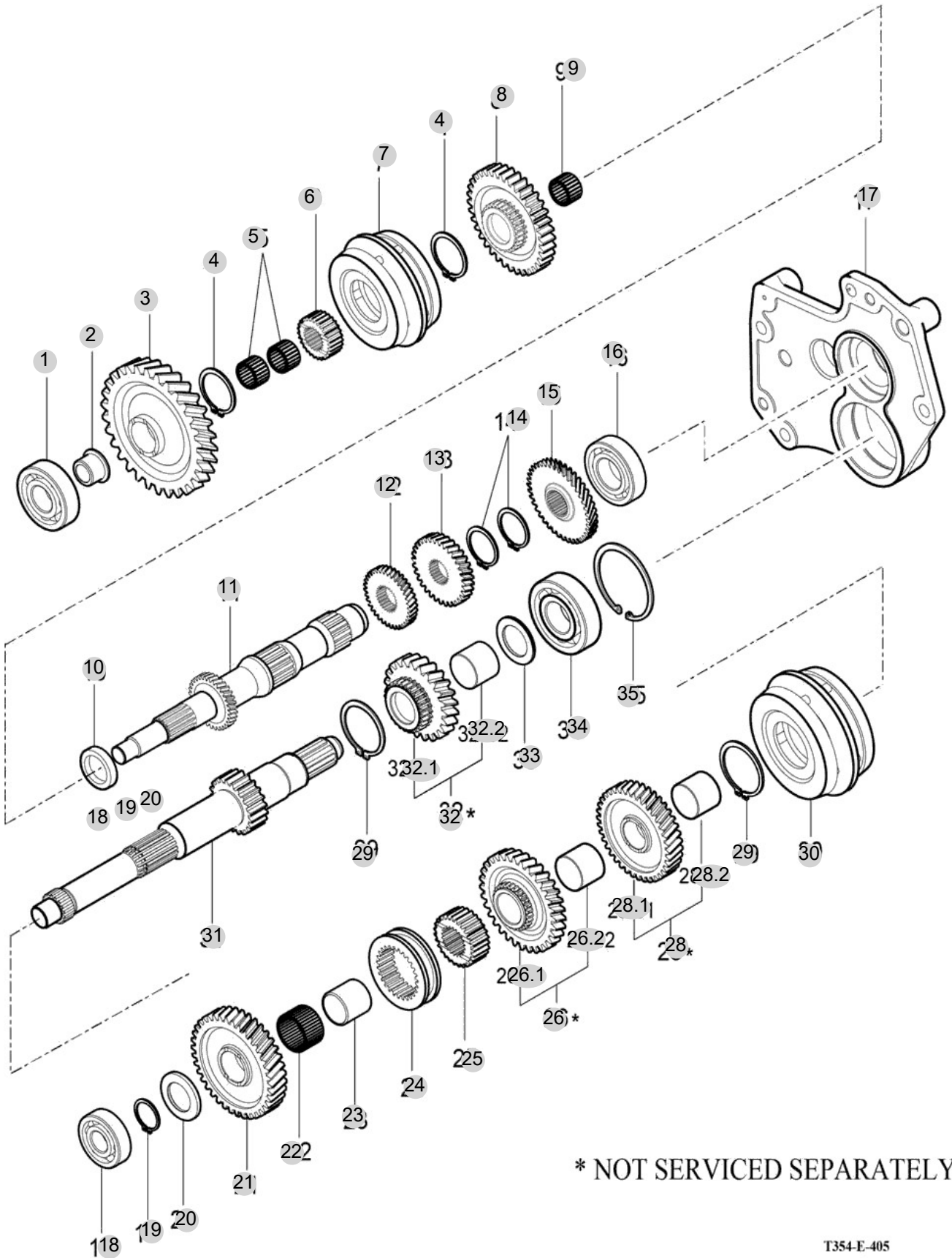
FIG 405

MAIN CHANGE GEARS & REVERSE GEARS

년/월
Year/Month

2022-12

T394ST



T354-E-405

NOTE

FIG 405 T394ST		MAIN CHANGE GEARS & REVERSE GEARS					년/월 Year/Month	
							2022-12	
KEY NO	PART NO	DESCRIPTION	SPEC	QTY	REPAIR	EFFECTIVE DATE	REMARKS	
405	1	V6041106305	BEARING , BALL/HL1	6305HL1	1			
405	2	16702142010	BUSH , 17X25X19	1X1X1	1			
405	3	16702131021	GEAR , HELICAL 42T	1X1X1	1			
405	4	V7041400400	C-RING , SHAFT	40	2			
405	5	V6544202612	BEARING , NEEDLE CAGED	KT202612	2			
405	6	16702090021	HUB , 25X51X20	1X1X1	1			
405	7	14482092100	SYNCHRONIZER ASSY	1X1X1	1			
405	8	16702131032	GEAR , HELICAL 39T		1			
405	8	16702131033	GEAR , SPUR/41T	1X1X1	1			
405	9	V6544283313	BEARING , NEEDLE.ROLLER	KT283313	1			
405	10	16702130031	WASHER , 27X39X2.8	1X1X1	1			
405	11	16702110012	GEAR , HELICAL 17T		1			
405	11	16702110013	GEAR , HELICAL 17T	1X1X1	1			
405	12	14572220050	GEAR , HELICAL 21T		1			
405	13	14572220060	GEAR , HELICAL 24T		1			
405	14	V7041400350	C-RING , SHAFT	35	2			
405	15	14572220020	GEAR , HELICAL 29T		1			
405	16	V6041106206	BEARING , BALL/HL1	6206HL1	1			
405	17	16702200201M	METAL , BEARING	1X1X1	1			
405	18	V6041106304	BEARING , BALL/HL1	6304HL1	1			
405	19	V7041400280	C-RING , SHAFT	28	1			
405	20	16702210021	WASHER , 28X46X05	1X1X1	1			
405	21	16702211042	GEAR , HELICAL 40T	1X1X1	1			
405	22	V6544323723	BEARING , NEEDLE CAGED	KT323723	1			
405	23	15602080093	BUSH , 28X32X31		1			
405	24	15602080224	COUPLING , 51X72X18		1			
405	25	15682090020	HUB , 28X51X21	1X1X1	1			
405	26	16702211200	GEAR ASSY , HELICAL 36T	1X1X1	1			
405	2601	16702210070	GEAR , HELICAL 36T	1X1X1	1			
405	2602	16702211910	BUSH , 32X34X28	1X1X1	1			
405	28	16702211500	GEAR ASSY , HELICAL 32T	1X1X1	1			
405	2801	16702210150	GEAR , HELICAL 32T	1X1X1	1			
405	2802	16702211910	BUSH , 32X34X28	1X1X1	1			
405	29	V7041400500	C-RING , SHAFT	50	2			
405	30	16492092001	SYNCHRONIZER ASSY		1			
405	31	16702211012	SHAFT , MAIN SHIFTER		1			
405	31	16702211013	SHAFT , MAIN SHIFTER		1			
405	31	16702211014	SHAFT , MAIN SHIFTER		1			
405	32	16702211900	GEAR ASSY , HELICAL 28T	1X1X1	1			
405	3201	16702211020	GEAR , HELICAL 28T	1X1X1	1			
405	3202	16702211910	BUSH , 32X34X28	1X1X1	1			
405	33	15642160041	WASHER , 30X46X3		1			
405	34	V6001106306	BEARING , BALL	6306	1			
405	35	V7051400720	C-RING , HOLE	72	1			
NOTE								

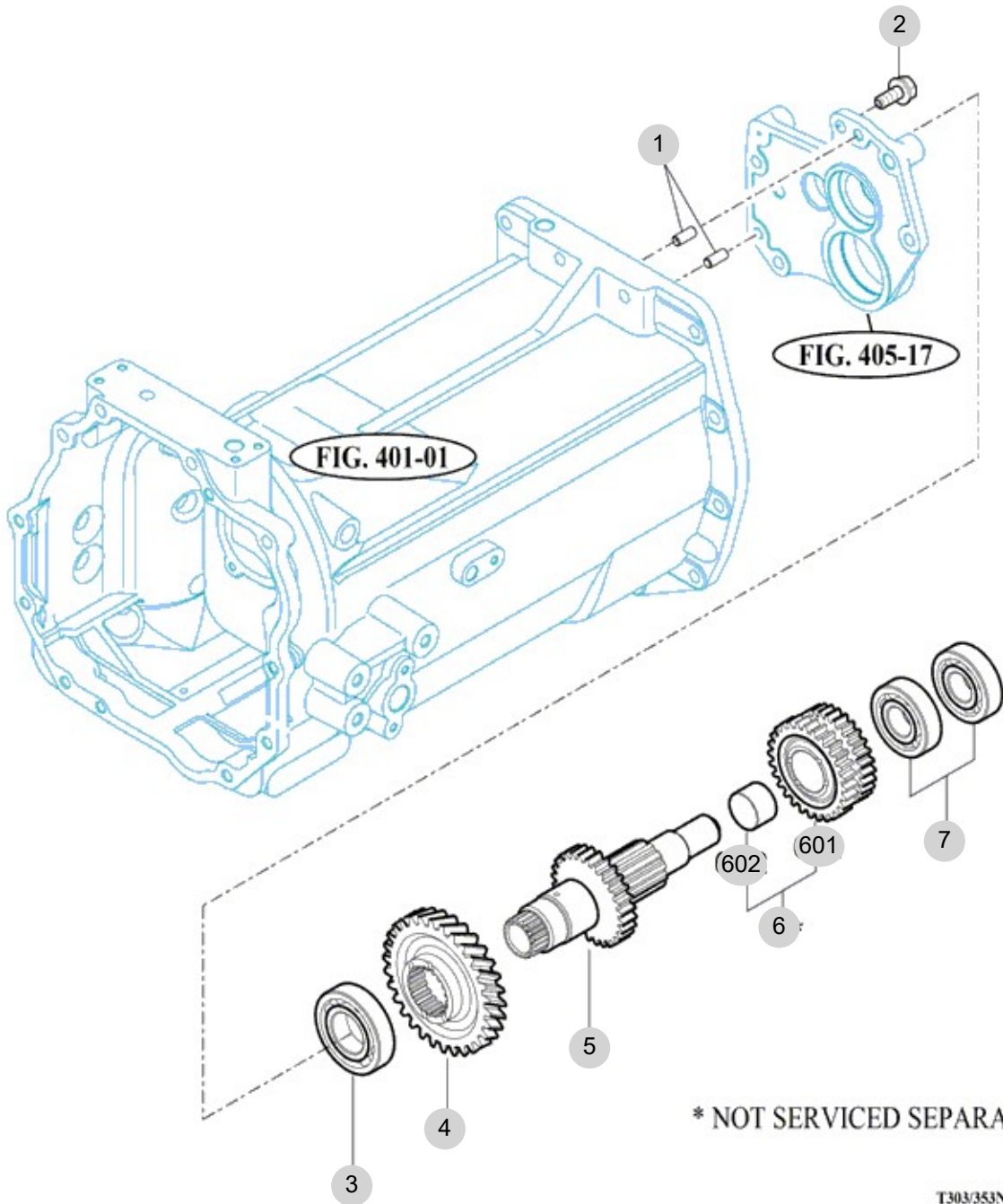
FIG 406

T394ST

SUB CHANGE GEARS

년/월
Year/Month

2022-12



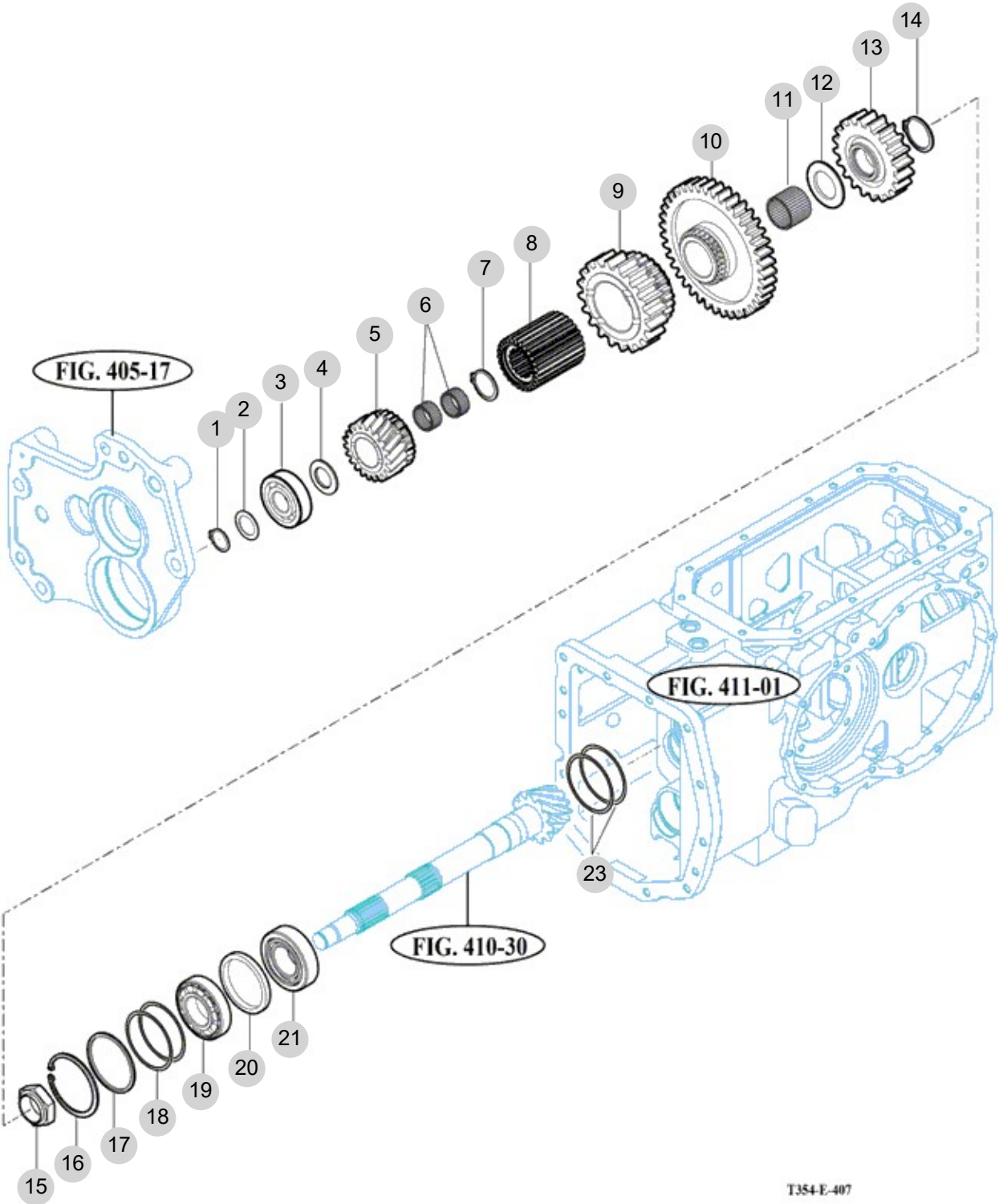
NOTE

FIG 407

PINION GEARS

년/월
Year/Month

2022-12



T354-E-407

NOTE

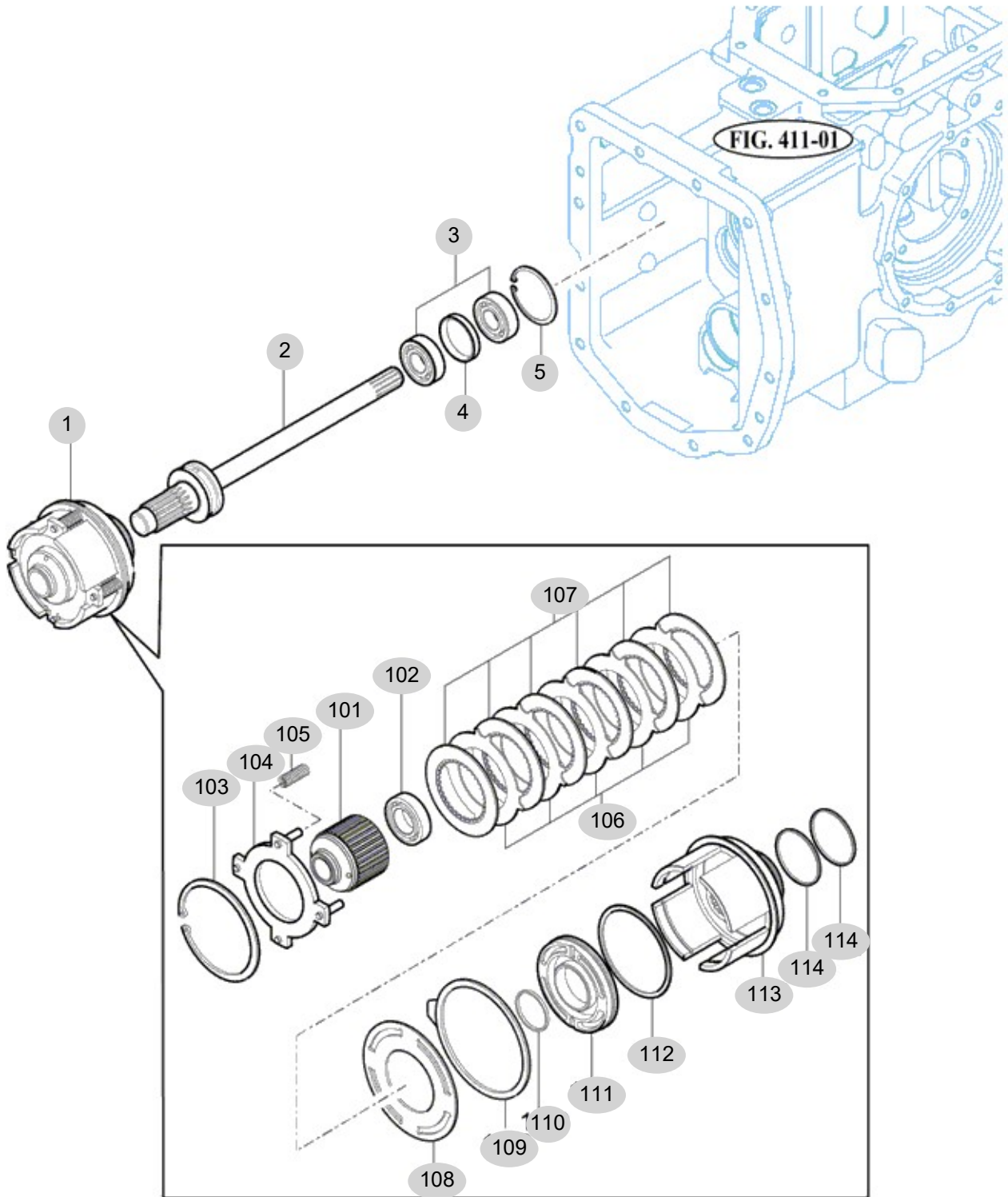
FIG 408

T394ST

P T O DRIVE SHAFT

년/월
Year/Month

2022-12



T354-E-408

NOTE

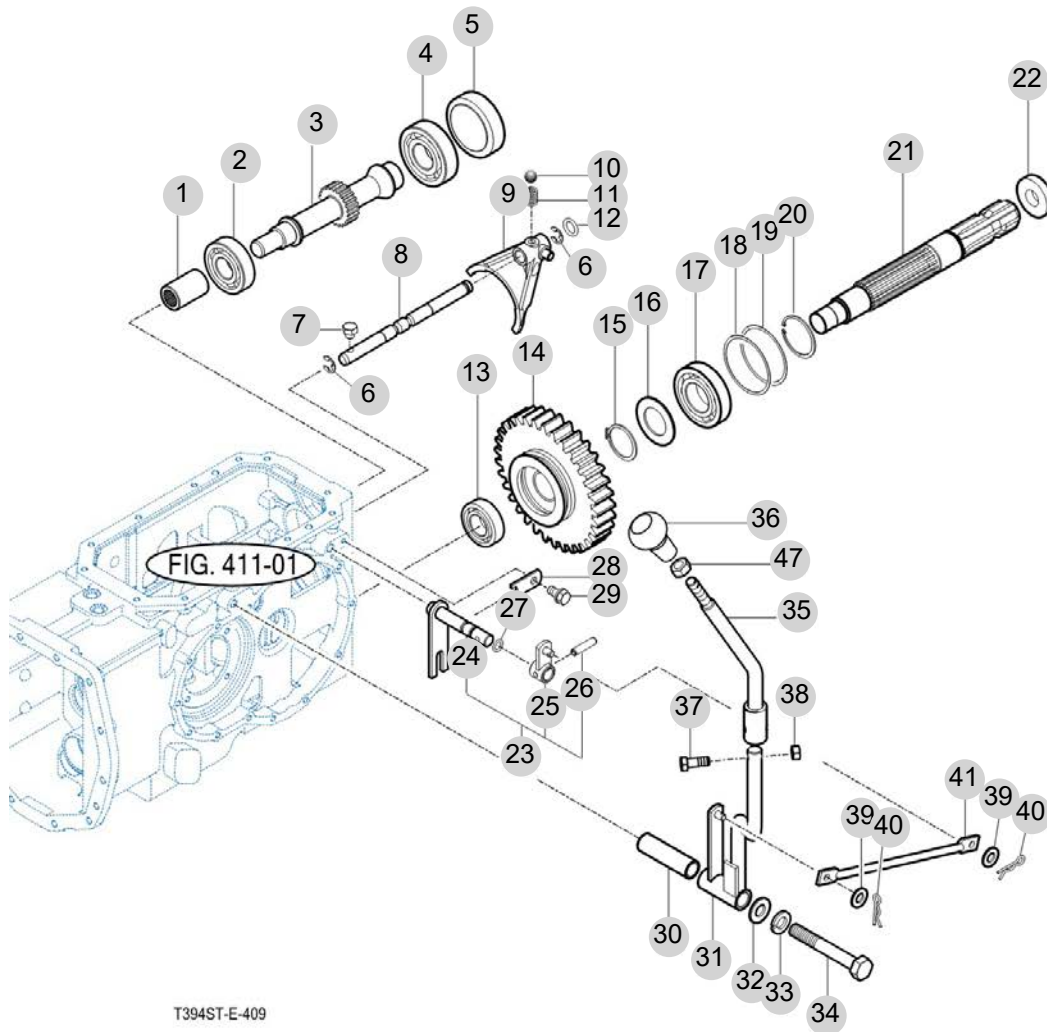
FIG 409

T394ST

P T O CHANGE GEARS

년/월
Year/Month

2022-12



T394ST-E-409

NOTE

FIG 409 T394ST		P T O CHANGE GEARS					년/월 Year/Month			
							2022-12			
							KEY NO	PART NO	DESCRIPTION	SPEC
409	1	14211340190	COUPLING			1				
409	2	V6001106305	BEARING , BALL	6305		1				
409	3	13212543530	GEAR , SPUR PTO 11			1				
409	4	V6001106306	BEARING , BALL	6306		1				
409	5	14254330180	CAP , 72			1				
409	6	V7081400100	E-RING	Ø10		2				
409	7	15602231610	BOLT , SET M8X16			1				
409	8	13212540020	STAY , PTO SHIFT			1				
409	9	16702540011M	FORK , PTO			1				
409	10	V6802000010	BALL , STEEL	5/16		1				
409	11	13022250030	SPRING , SHIFTER			1				
409	12	V7201024010	O-RING , P	P10		1				
409	13	V6001106205	BEARING , BALL	6205		1				
409	14	13212543500	GEAR ,SPUR(PTO 54T)			1				
409	15	V7041400350	C-RING , SHAFT	Ø35		1				
409	16	14443140041	COLLAR , 35X50X2			1				
409	17	V6001106207	BEARING , BALL	6207		1				
409	18	79642010080	SHIM , B			2				
409	19	16322730030	SHIM , 0.5			1				
409	20	V7051400720	C-RING , HOLE	Ø72		1				
409	21	16703140011	SHAFT , PTO			1				
409	22	16322732000	SEAL ASSY , OIL			1				
409	23	16702555102	HOOK SET , RR PTO			1				
409	24	16702542102	HOOK COMP , RR PTO			1				
409	25	16702432201	ARM COMP , RANGE			1				
409	26	V5801406025	PIN , SPRING	6X25		1				
409	27	V7201024012	O-RING , P	P12		1				
409	28	16702230371	PLATE			1				
409	29	V2173608016	BOLT , HEX/S	M8X16		1				
409	30	16702440070	HUB(13*17*61)			1				
409	31	16702552102	LEVER COMP , PTO/DOWN			1				
409	32	V4111600120	WASHER , PLAIN	M12		1				
409	33	V4011600120	WASHER , SPRING	M12		1				
409	34	V2013612085	BOLT , HEX	M12X85		1				
409	35	13832552200GB	LEVER COMP ,PTO/UPPER			1				
409	36	16992190102	GRIP , PTO			1				
409	36	19682190100	GRIP , PTO			1				
409	37	V2013608035	BOLT , HEX			1				
409	38	V3042600080	NUT , HEX/2	M8		1				
409	39	V4111600080	WASHER , PLAIN	M8		2				
409	40	V5601600008	PIN , SNAP	8		2				
409	41	16702553100	ROD , 236			1				
409	47	V3342600100	NUT , HEX FINE/2			1				
NOTE										

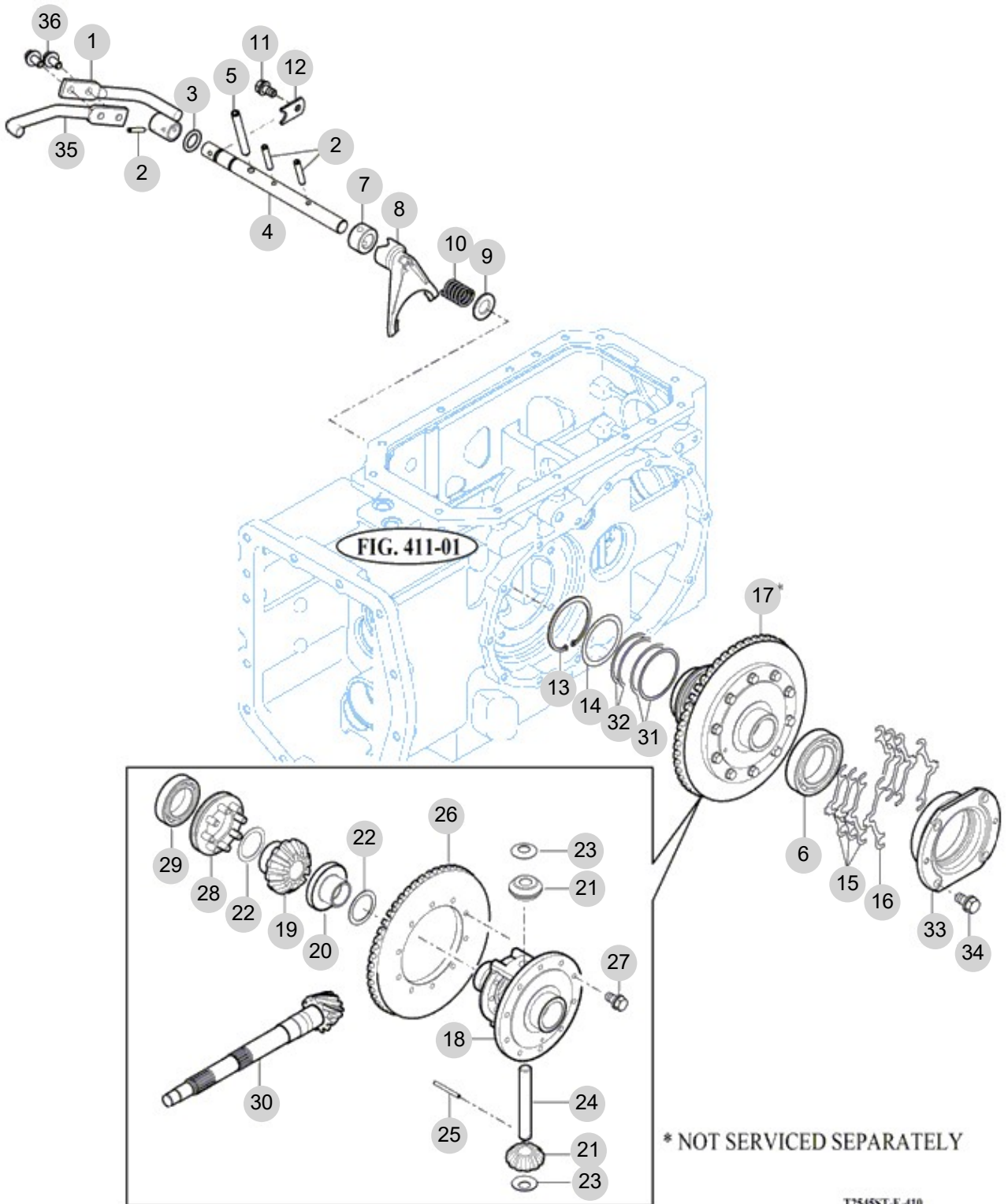
FIG 410

T394ST

DIFF LOCK

년/월
Year/Month

2022-12



NOTE

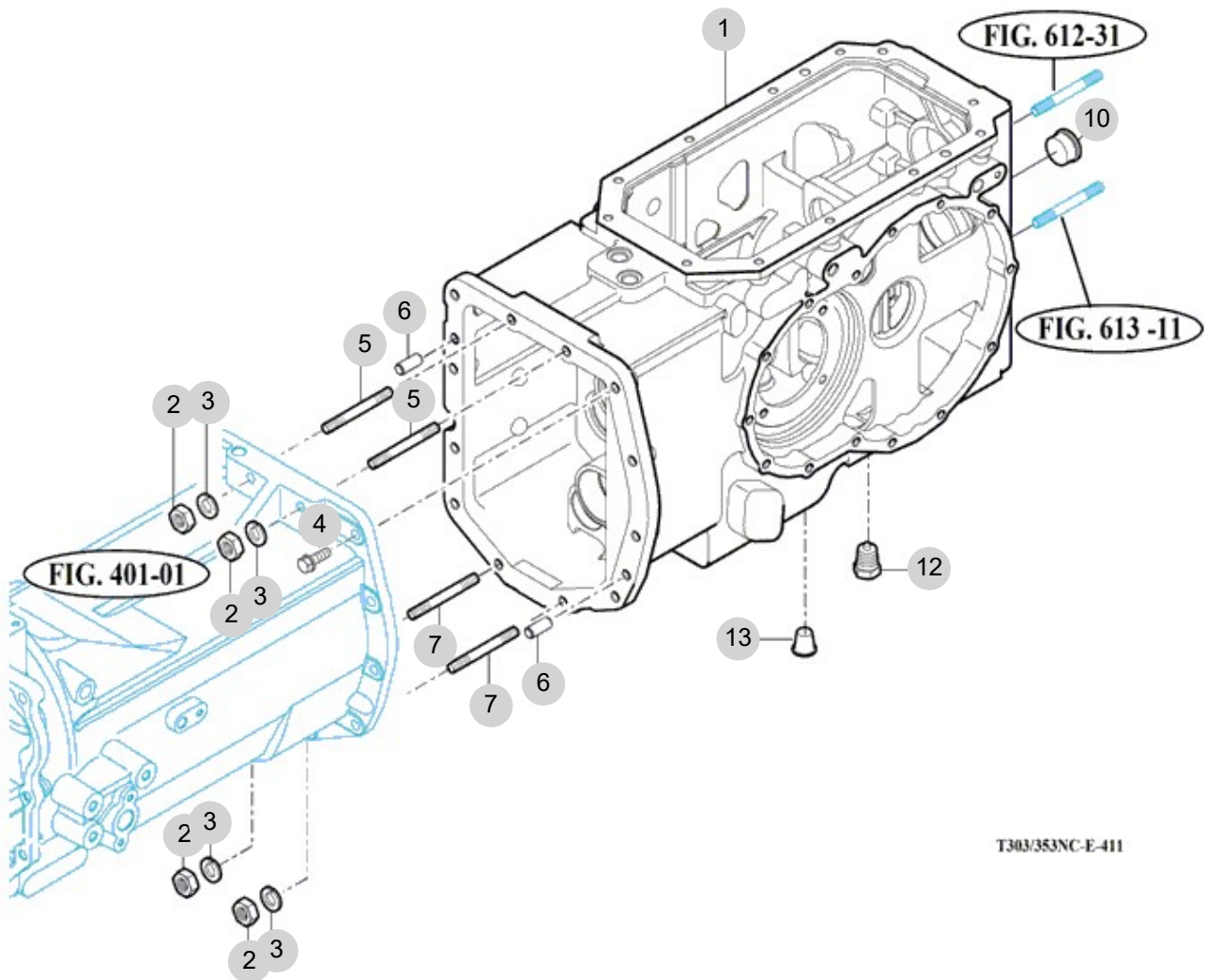
FIG 411

T394ST

TRANSMISSION REAR CASE

년/월
Year/Month

2022-12



T303/353NC-E-411

NOTE

<p>FIG 411</p> <p>T394ST</p>	<p>TRANSMISSION REAR CASE</p>						<p>년/월</p> <p>Year/Month</p>
	<p>2022-12</p>						

KEY NO		PART NO	DESCRIPTION	SPEC	QTY	REPAIR	EFFECTIVE DATE	REMARKS
411	1	14942400014M	CASE , RR TRANSMISSION		1			
411	2	V3043600120	NUT , HEX/2	M12	4			
411	3	V4011600120	WASHER , SPRING	M12	4			
411	4	V2013612040	BOLT , HEX		8			
411	4	V2173612040	BOLT , HEX/S	M12X40	8			
411	5	V2513412045	BOLT , STUD/2	M12X45	2			
411	6	V5201010022	PIN , PARALLEL/A	10X22	2			
411	7	V2514412040	BOLT , STUD/2	M12X40	2			
411	10	11103062000	GAUGE ASSY , OIL LEVEL		1			
411	12	16701015001	PLUG ASSY , DRAIN (MAGNET)		1			
411	13	14272010160	CAP		6			

NOTE

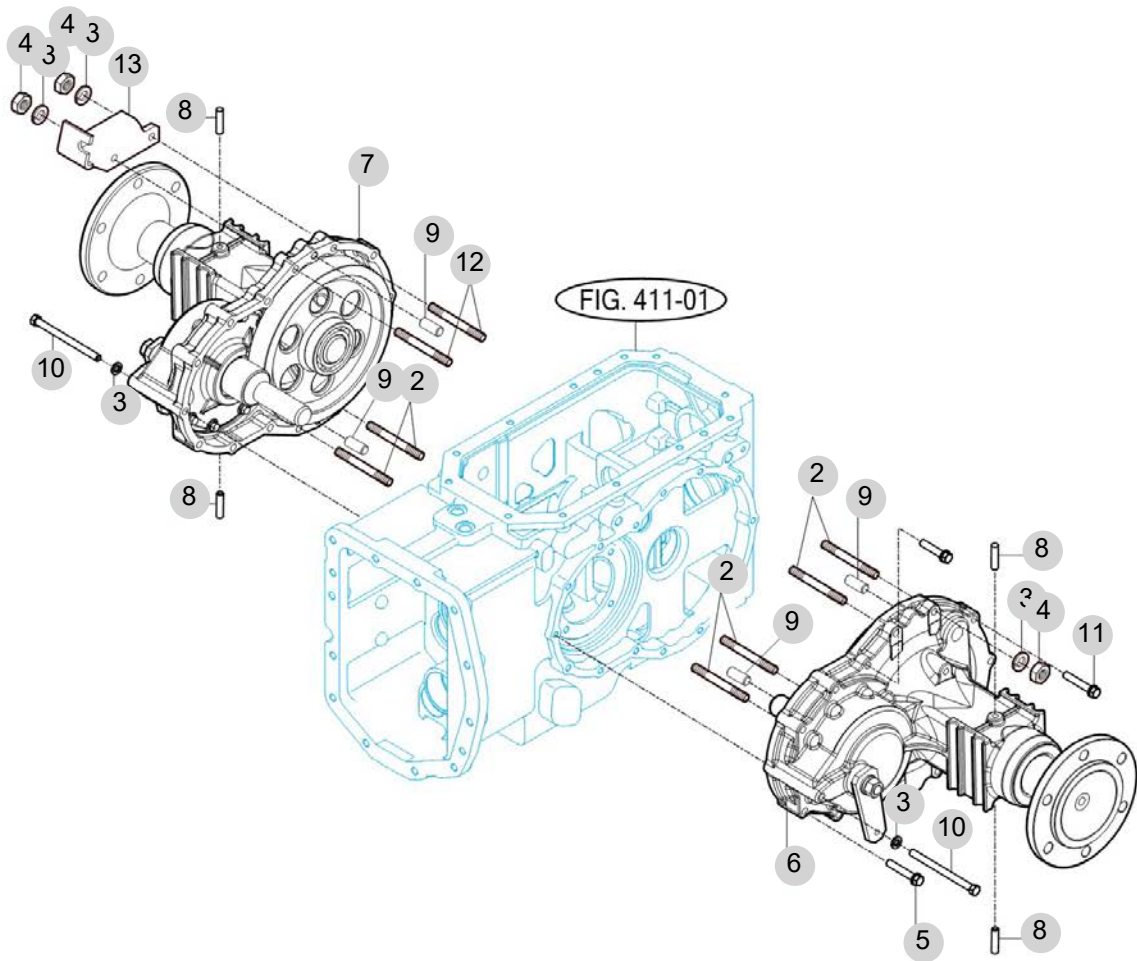
FIG 412

T394ST

REAR AXLE HOUSINGS(1)

년/월
Year/Month

2022-12



2545ST-E-412

NOTE

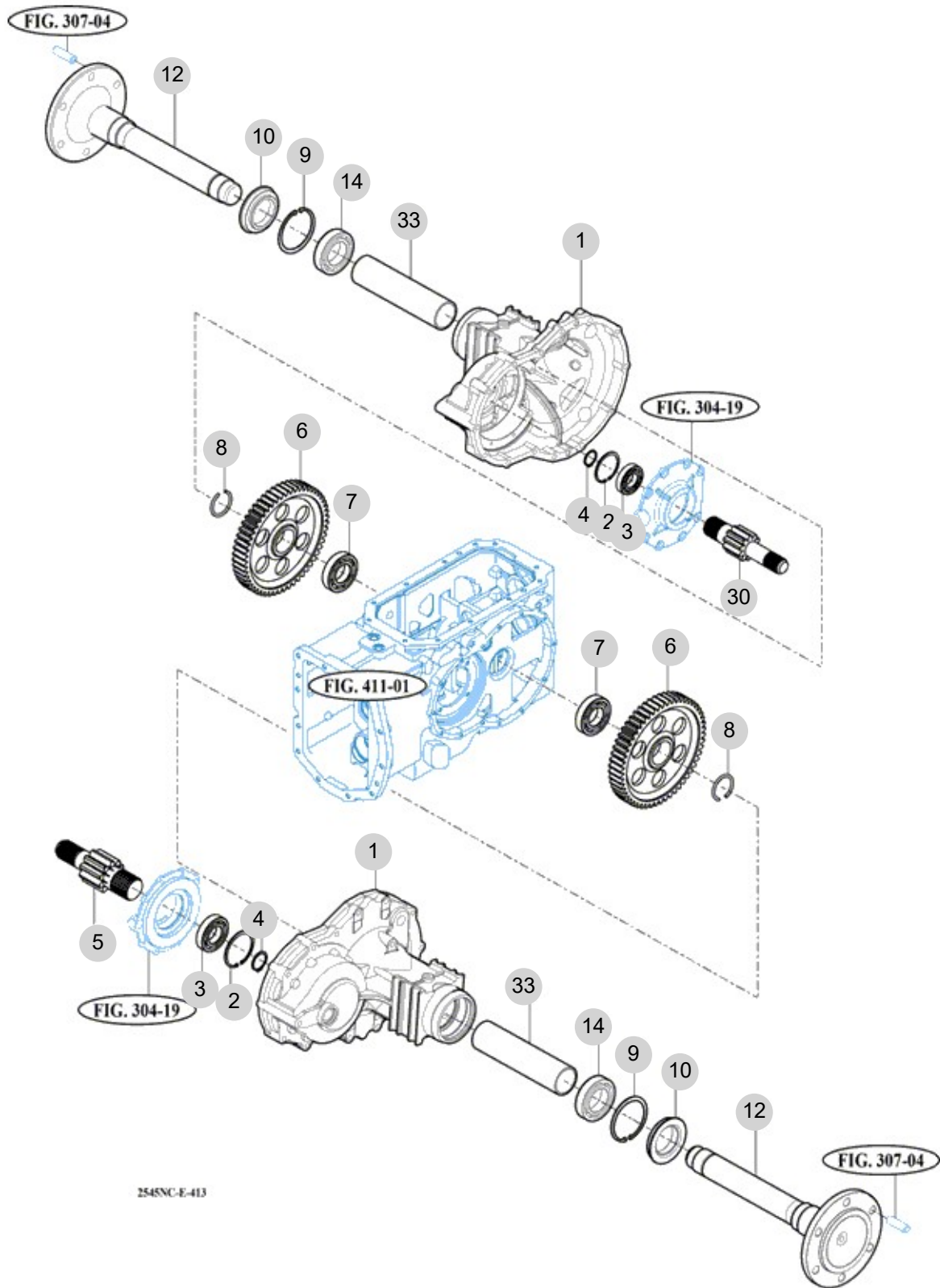
FIG 413

T394ST

REAR AXLE HOUSINGS(2)

년/월
Year/Month

2022-12



254SNC-E-413

NOTE

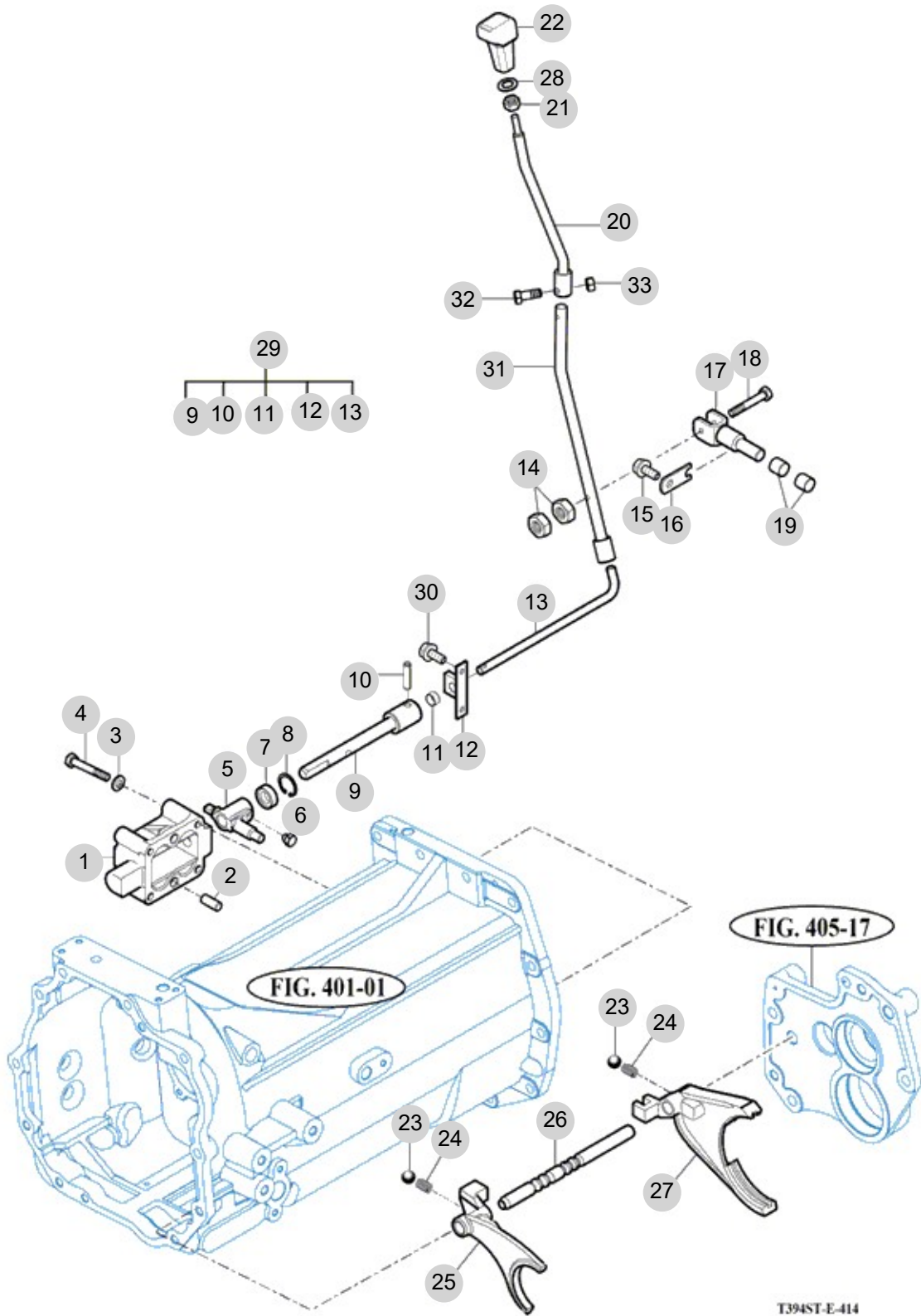
FIG 414

MAIN CHANGE LEVER

년/월
Year/Month

2022-12

T394ST



T394ST-E-414

NOTE

FIG 414 T394ST		MAIN CHANGE LEVER						년/월 Year/Month	REMARKS
								2022-12	
KEY NO	PART NO	DESCRIPTION	SPEC	QTY	REPAIR	EFFECTIVE DATE		REMARKS	
414	1	14942230330M	METAL , MAIN						
414	2	V5201010022	PIN , PARALLEL/A	10X22	2				
414	3	V4011600080	WASHER , SPRING	M8	4				
414	4	V2013608060	BOLT , HEX		4				
414	5	14572230320M	ARM , CHANGE		1				
414	6	15602231610	BOLT , SET M8X16		1				
414	6	15602231600	BOLT , SET SEAL LOCK		1				
414	6	15602231610	BOLT , SET M8X16		1				
414	7	V7441142508	SEAL , OIL/D	D14258	1				
414	8	V7051400250	C-RING , HOLE	Ø25	1				
414	9	16702244300	ROD COMP , IN CHANGE		1				
414	10	V5801406025	PIN , SPRING	6X25	1				
414	11	16702240060	BUSH , 12X14X08		1				
414	12	16702234300	BRACKET COMP , MAIN SHIFTER		1				
414	13	16702233500	ROD COMP , OUT CHANGE		1				
414	14	V3002600060	NUT , HEX/1	M6	2				
414	15	V2173608016	BOLT , HEX/S	M8X16	1				
414	16	16702230371	PLATE		1				
414	17	16702244202	PIN COMP , MAIN CHANGE		1				
414	18	16702240051	BOLT , M6X45		1				
414	19	15603142910	BUSH , 16X18X15		2				
414	20	12642552200GB	LEVER COMP, MAIN SHIFTER/UPPER		1				
414	21	V3342600100	NUT , HEX FINE/2	M10	1				
414	22	14502810074	GRIP COMP , MAIN SHIFTER		1				
414	23	V6802000010	BALL , STEEL	5/16	2				
414	24	13022250030	SPRING , SHIFTER		2				
414	25	16702230023M	FORK , 1ST/2ND		1				
414	26	16702230300	STAY , MAIN SHIFT		1				
414	27	16702230043M	FORK , SYNCHRO		1				
414	28	V4111600100	WASHER , PLAIN	M10	1				
414	29	16702232001	ROD SET , MAIN SHIFT		1				
414	30	V2173608025	BOLT , HEX/S	M8X25	2				
414	31	12642244100	LEVER COMP , MAIN RANGE		1				
414	32	V2013608035	BOLT , HEX	M8X35	1				
414	33	V3042600080	NUT , HEX/2	M8	1				
NOTE									

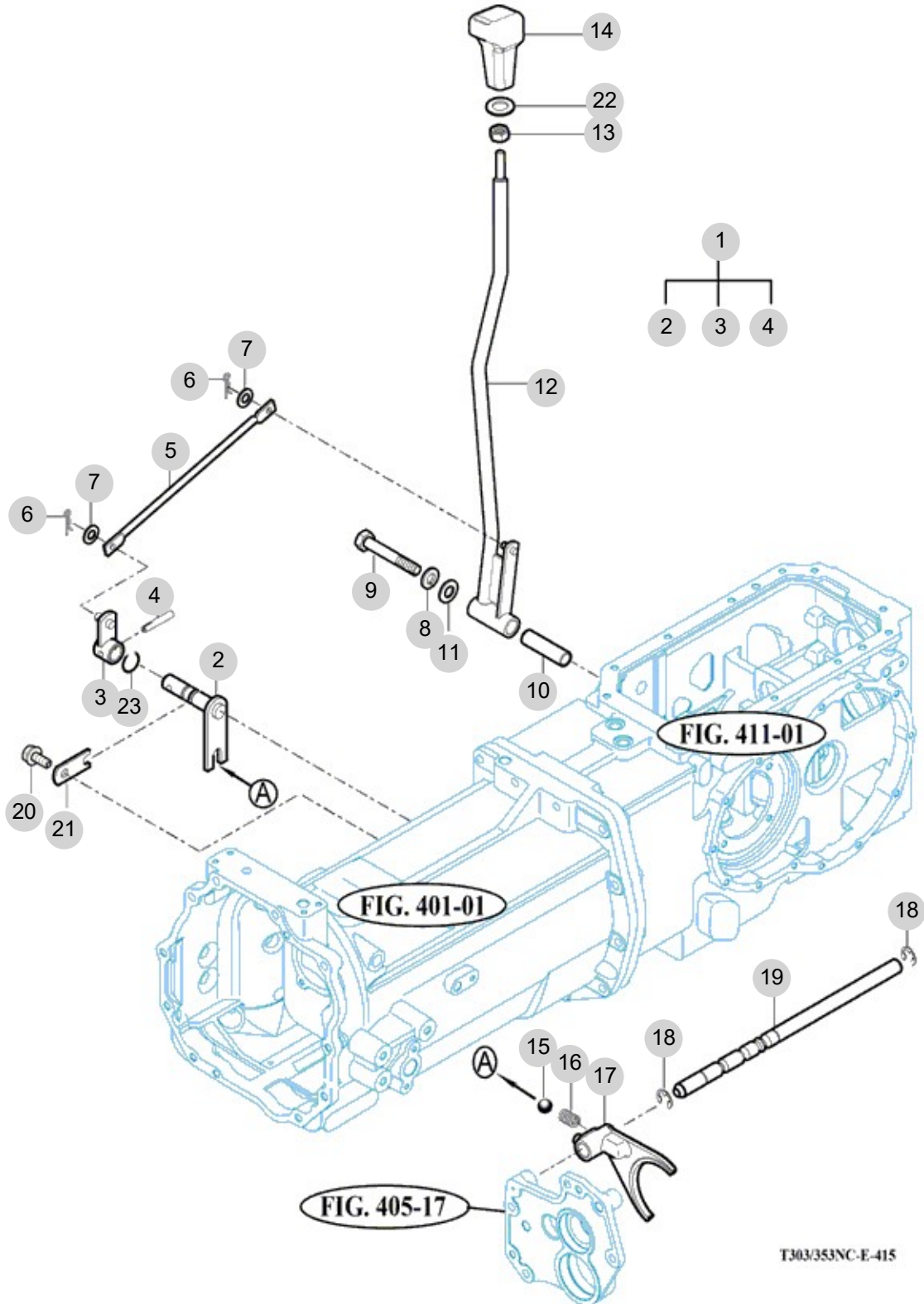
FIG 415

SUB CHANGE LEVER

년/월
Year/Month

T394ST

2022-12



T303353NC-E-415

NOTE

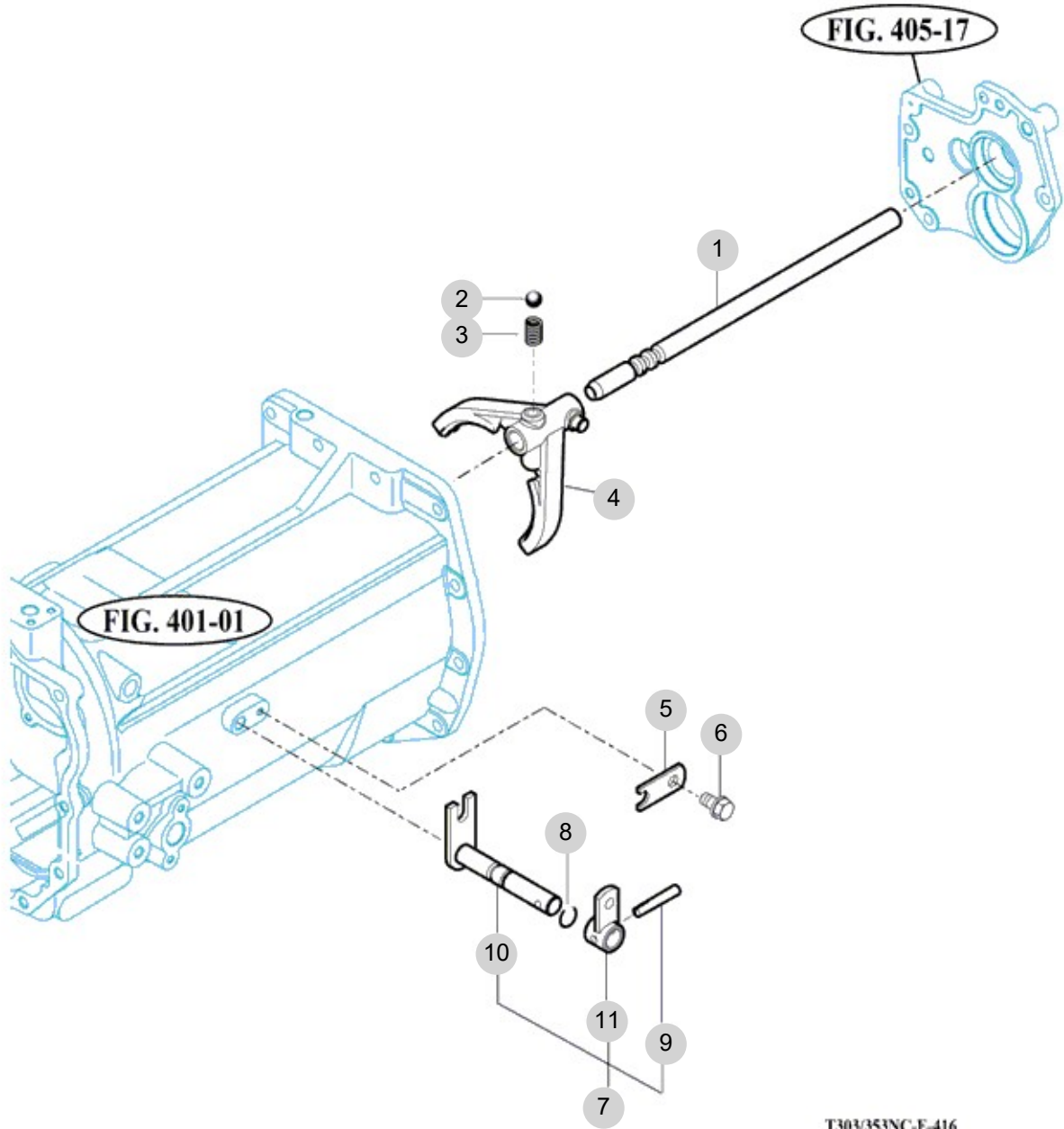
FIG 416

T394ST

REVERSE LINK

년/월
Year/Month

2022-12



T303/353NC-E-416

NOTE

FIG 416		REVERSE LINK					년/월 Year/Month	
T394ST							2022-12	
KEY NO	PART NO	DESCRIPTION	SPEC	QTY	REPAIR	EFFECTIVE DATE	REMARKS	
416	1	16702250060	STAY , SHIFTER REVERSE					
416	2	V6802000010	BALL , STEEL					
416	3	13022250030	SPRING , SHIFTER					
416	4	16702140012M	FORK , SHIFTER SHUTTLE					
416	5	16702230371	PLATE					
416	6	V2173608016	BOLT , HEX/S	M8X16				
416	7	16702252000	ARM SET , REVERSE					
416	8	V7201024012	O-RING , P	P12				
416	9	V5111006036	PIN , TAPER SPLIT	6X36				
416	10	16702252500	ARM COMP					
416	11	16702252301	HOOK COMP					
NOTE								

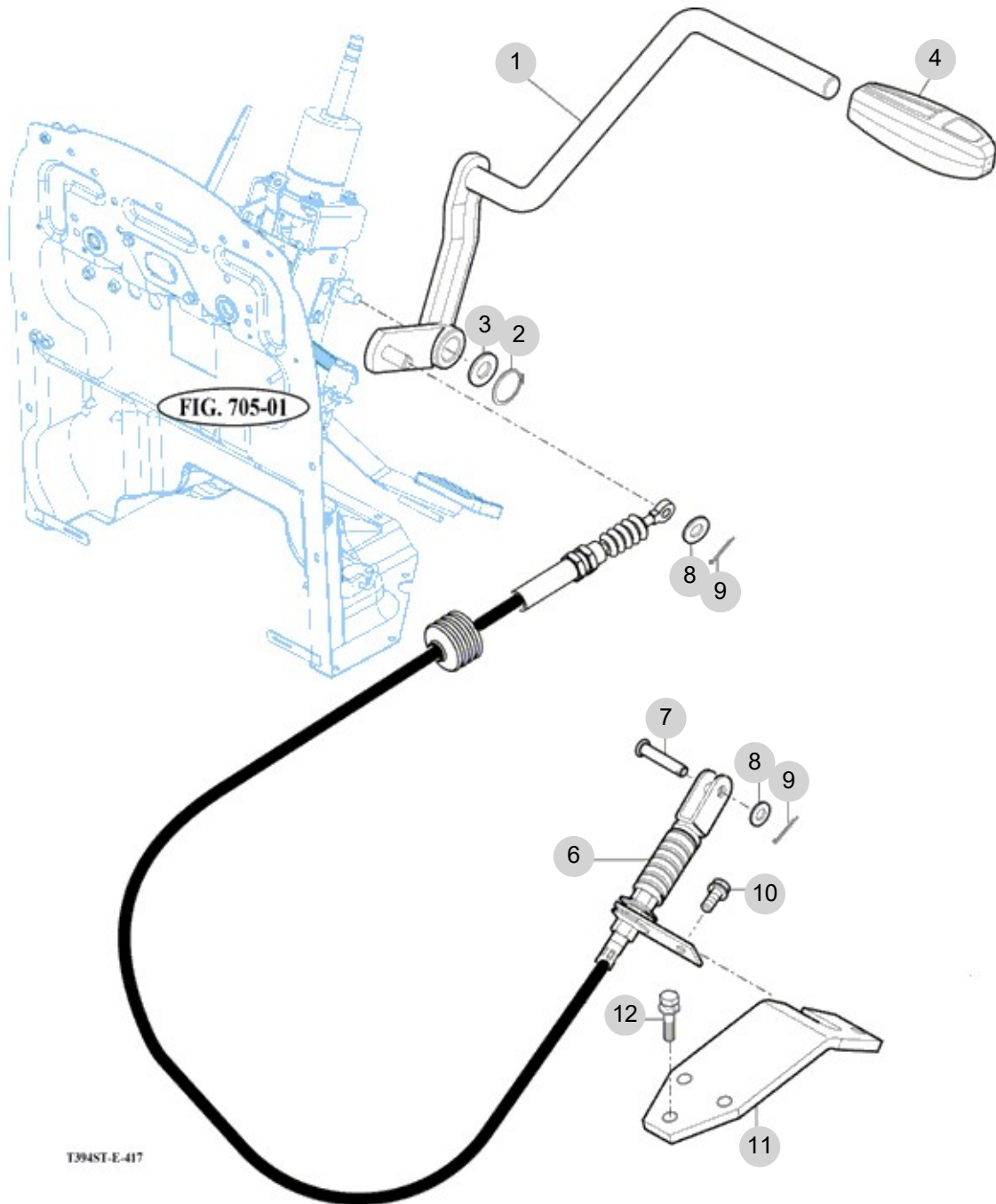
FIG 417

T394ST

REVERSE CHANGE LEVER

년/월
Year/Month

2022-12



T394ST-E-417

NOTE

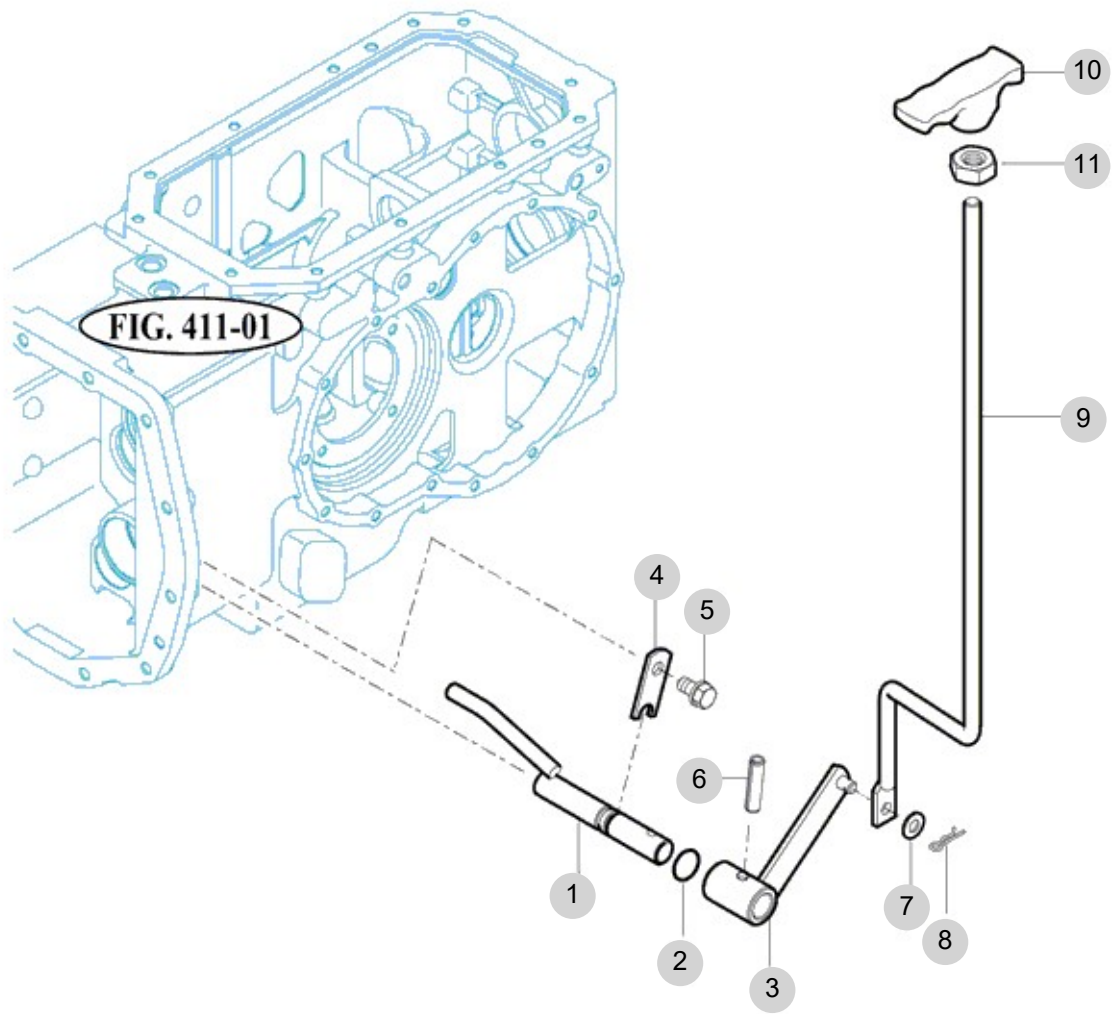
FIG 418

4WD CHANGE LEVER

년/월
Year/Month

T394ST

2022-12



T303/353NC-E-418

NOTE

5. Front Axle PART NO. T5

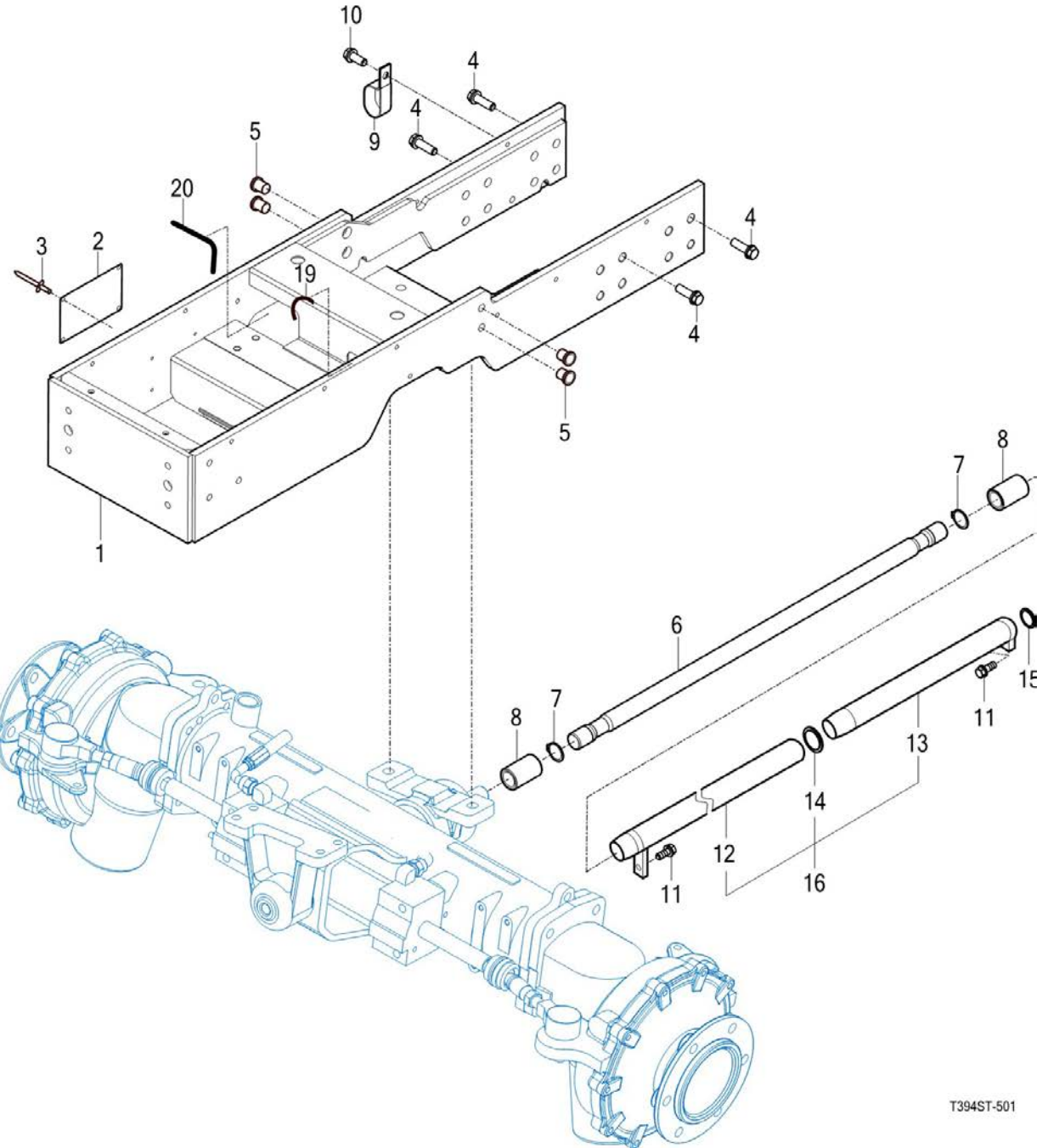
FIG 501 FRONT AXLE BRACKET	121
FIG 502 FRONT DIFFERENTIAL GEARS	123
FIG 503 FRONT AXLE HOUSING	125
FIG 504 FRONT GEAR CASE (1)	127
FIG 505 FRONT GEAR CASE (2)	129

FIG 501

FRONT AXLE BRACKET

년/월
Year/Month

2022-12



T394ST-501

NOTE

FIG 502

T394ST

FRONT DIFFERENTIAL GEARS

년/월
Year/Month

2022-12

* NOT SERVICED SEPARATELY

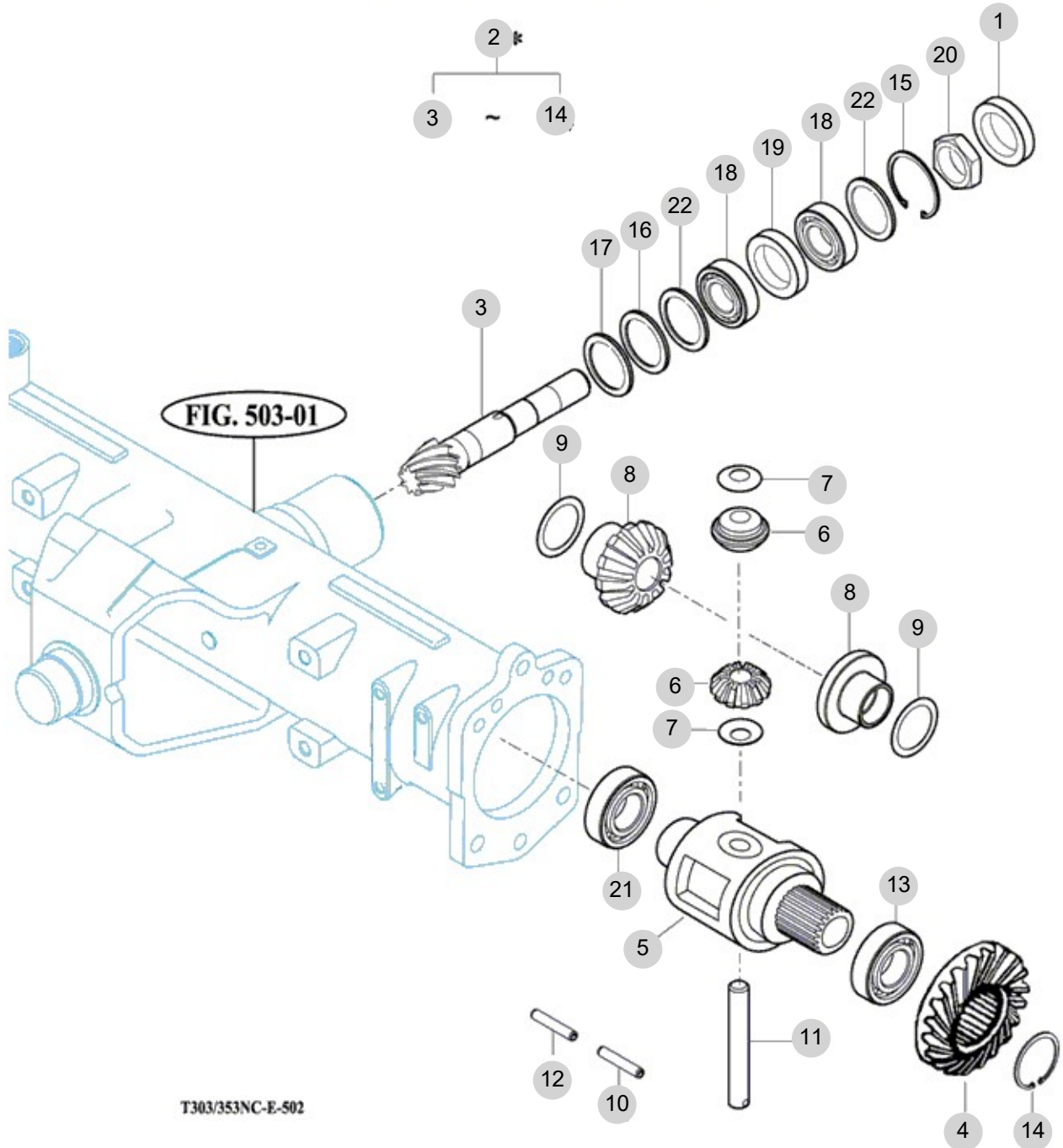


FIG. 503-01

T303/353NC-E-502

NOTE

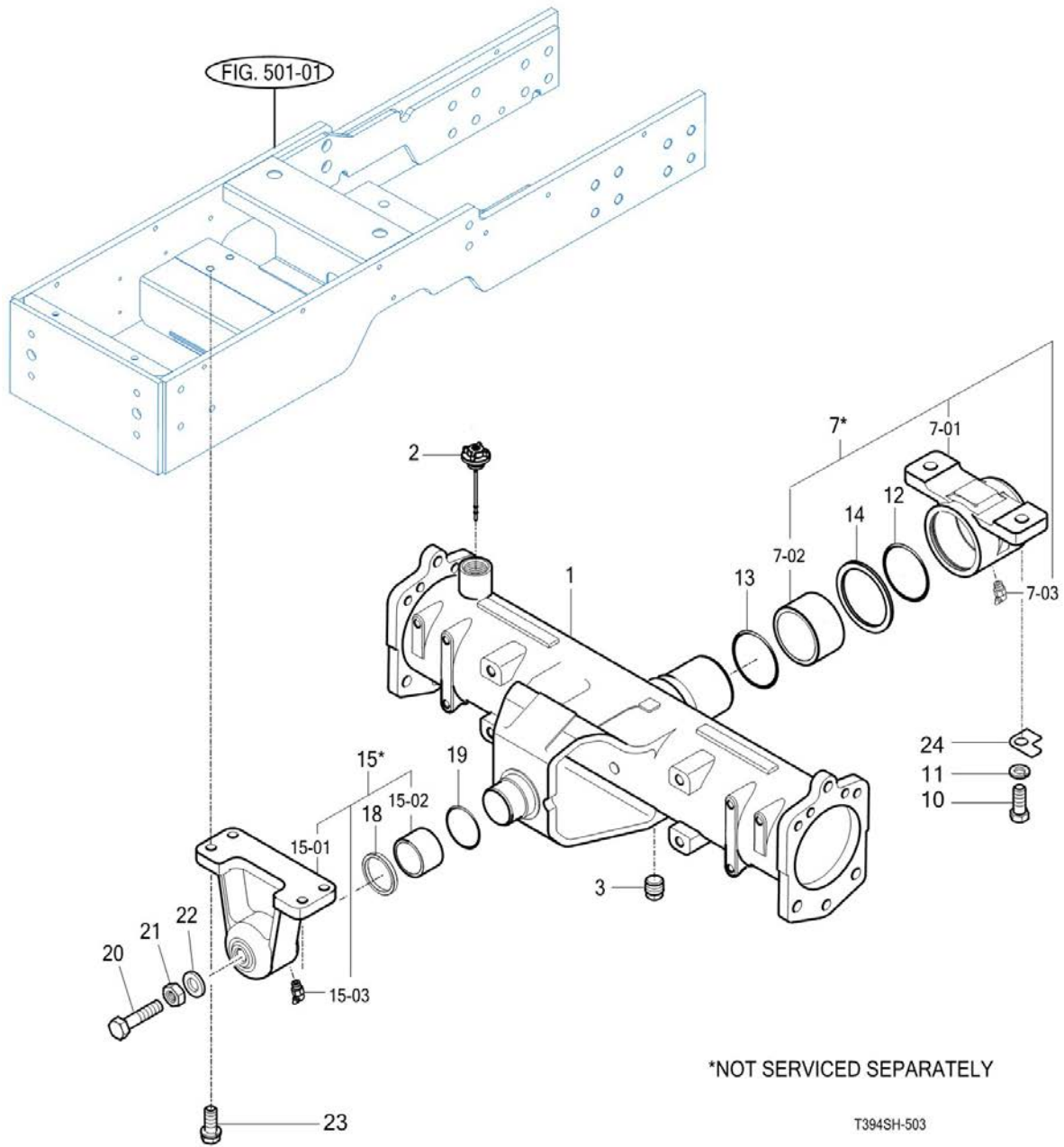
FIG 503

T394ST

FRONT AXLE HOUSING

년/월
Year/Month

2022-12



*NOT SERVICED SEPARATELY

T394SH-503

NOTE

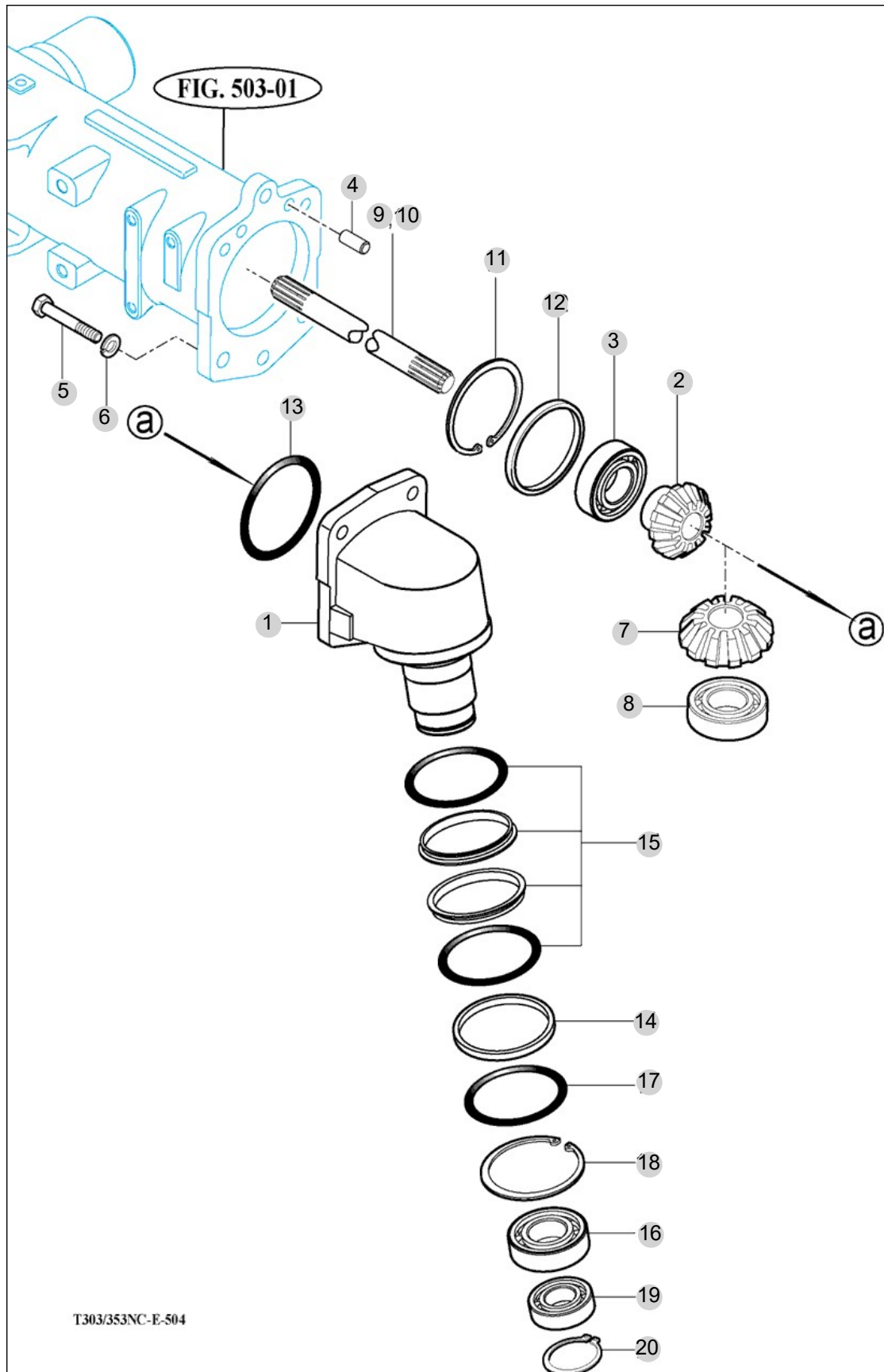
FIG 504

T394ST

FRONT GEAR CASE (1)

년/월
Year/Month

2022-12



T303/353NC-E-504

NOTE

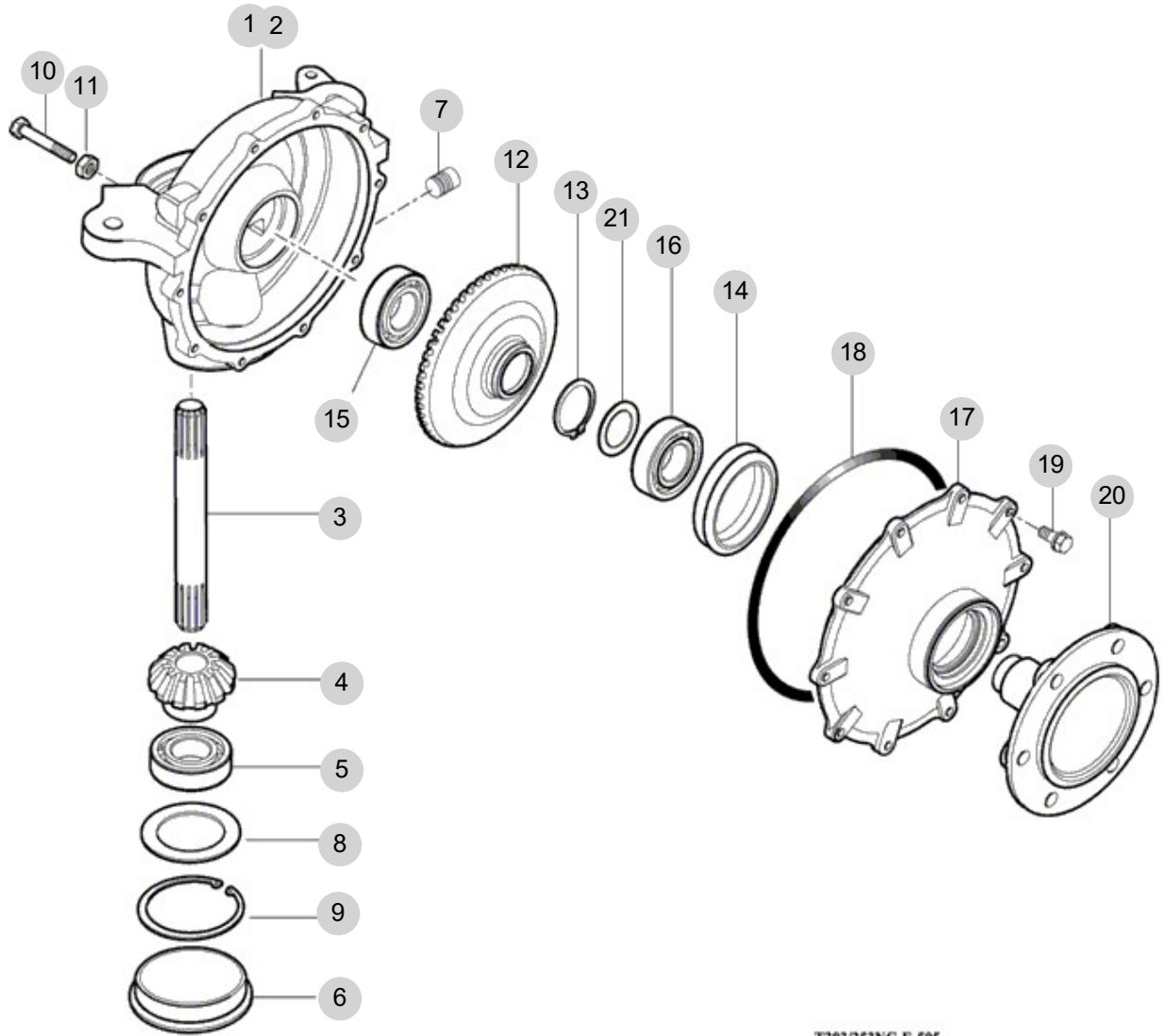
FIG 505

T394ST

FRONT GEAR CASE (2)

년/월
Year/Month

2022-12



T303/353NC-E-505

NOTE

6. Hydraulic/3P-Link PART NO. T6

FIG 601 GEAR PUMP	132
FIG 602 CYLINDER CASE	134
FIG 603 LIFT ARM	136
FIG 604 CYLINDER	138
FIG 605 POSITION LINK(1)	140
FIG 606 POSITION LINK(2)	142
FIG 607 CONTROL VALVE	144
FIG 608 POSITION LEVER	146
FIG 609 HYDRAULIC PIPE(1)	148
FIG 610 HYDRAULIC PIPE(2)	150
FIG 611 EXTERIOR HYD VALVE	152
FIG 611-2 VALVE KIT	154
FIG 612 3-POINT LINK	156
FIG 613 HITCH & COVER	158
FIG 614 EXTERIOR POSITION LEVER	160

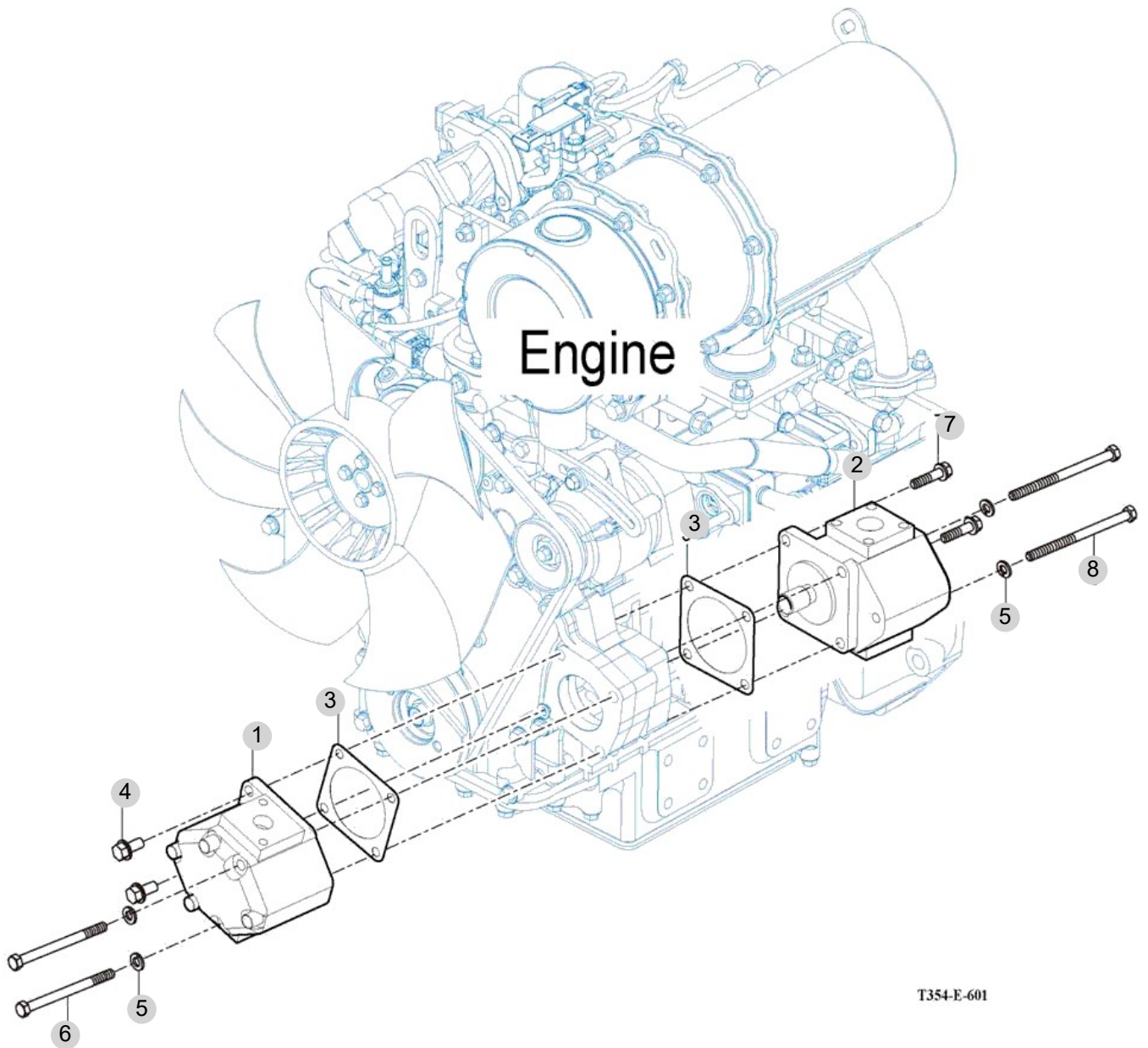
FIG 601

GEAR PUMP

년/월
Year/Month

2022-12

T394ST



NOTE

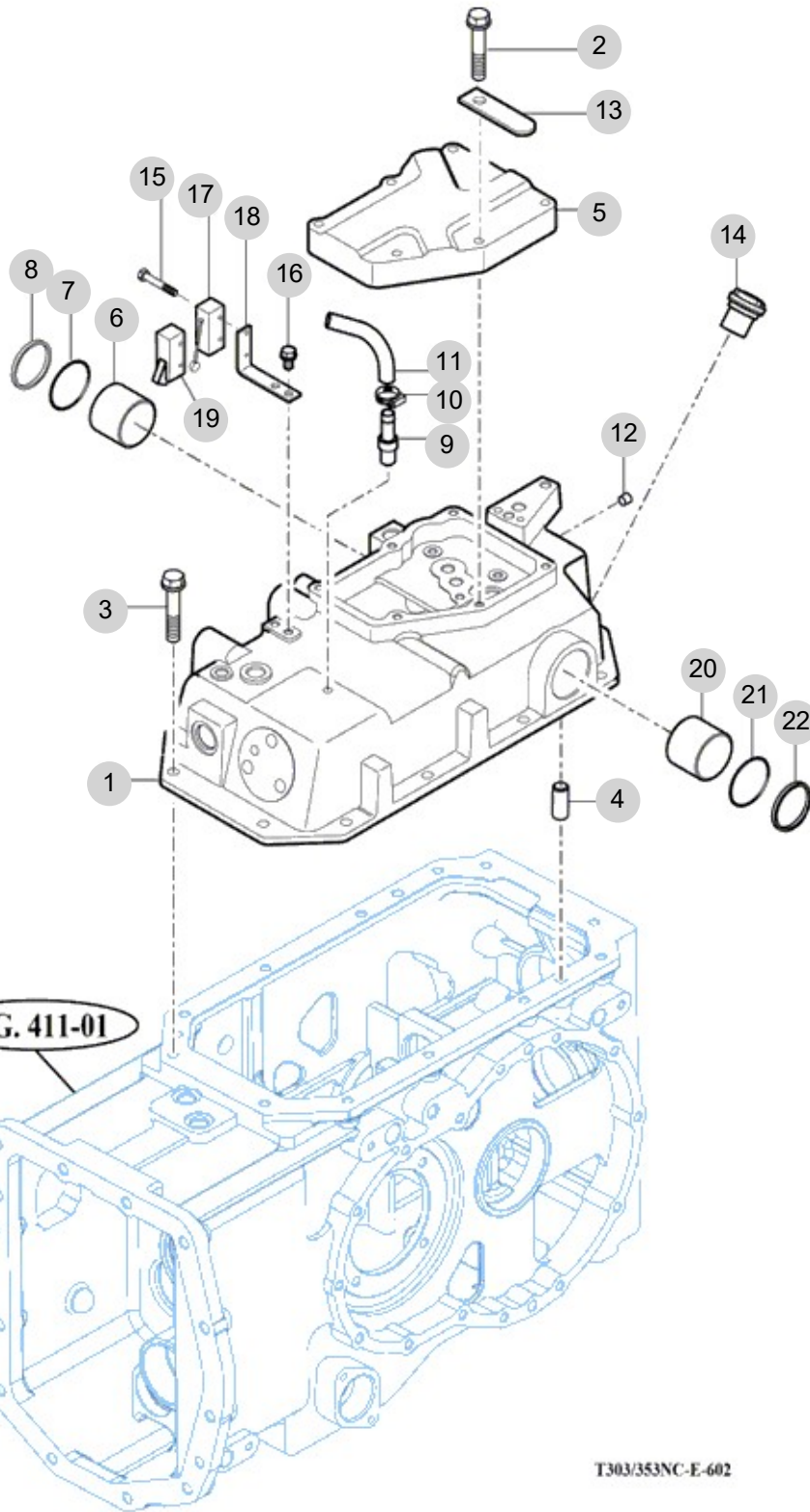
FIG 602

CYLINDER CASE

년/월
Year/Month

2022-12

T394ST



T303/353NC-E-602

NOTE

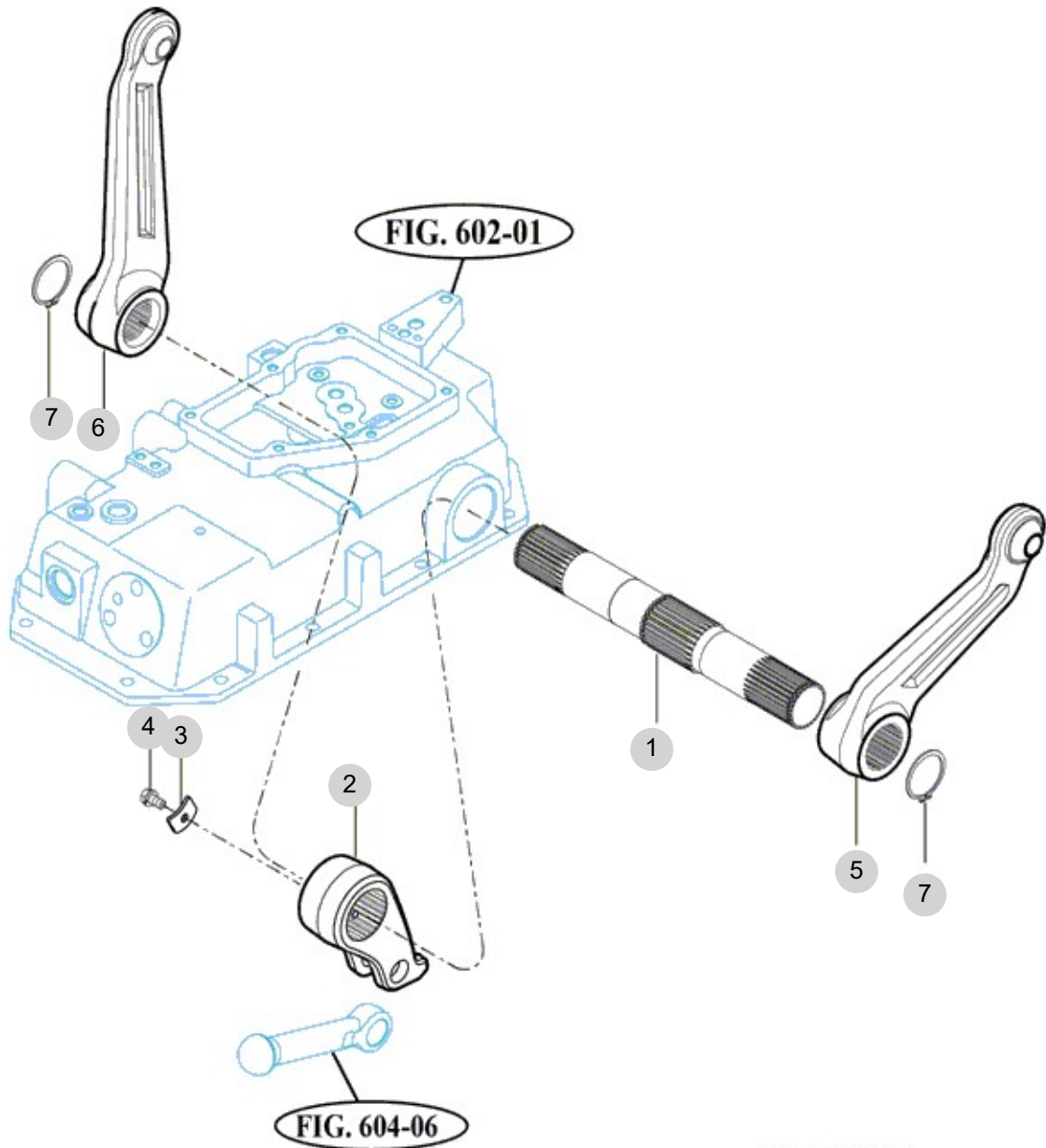
FIG 603

T394ST

LIFT ARM

년/월
Year/Month

2022-12



T303/353NC-E-603

NOTE

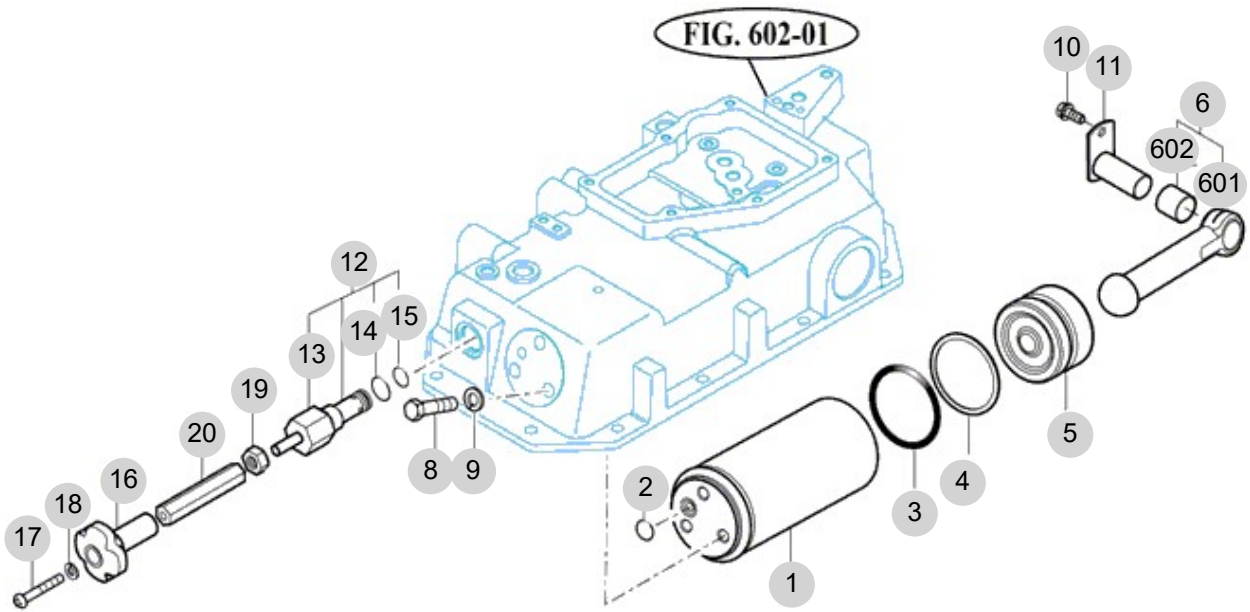
FIG 604

T394ST

CYLINDER

년/월
Year/Month

2022-12



T303/353NC-E-604

NOTE

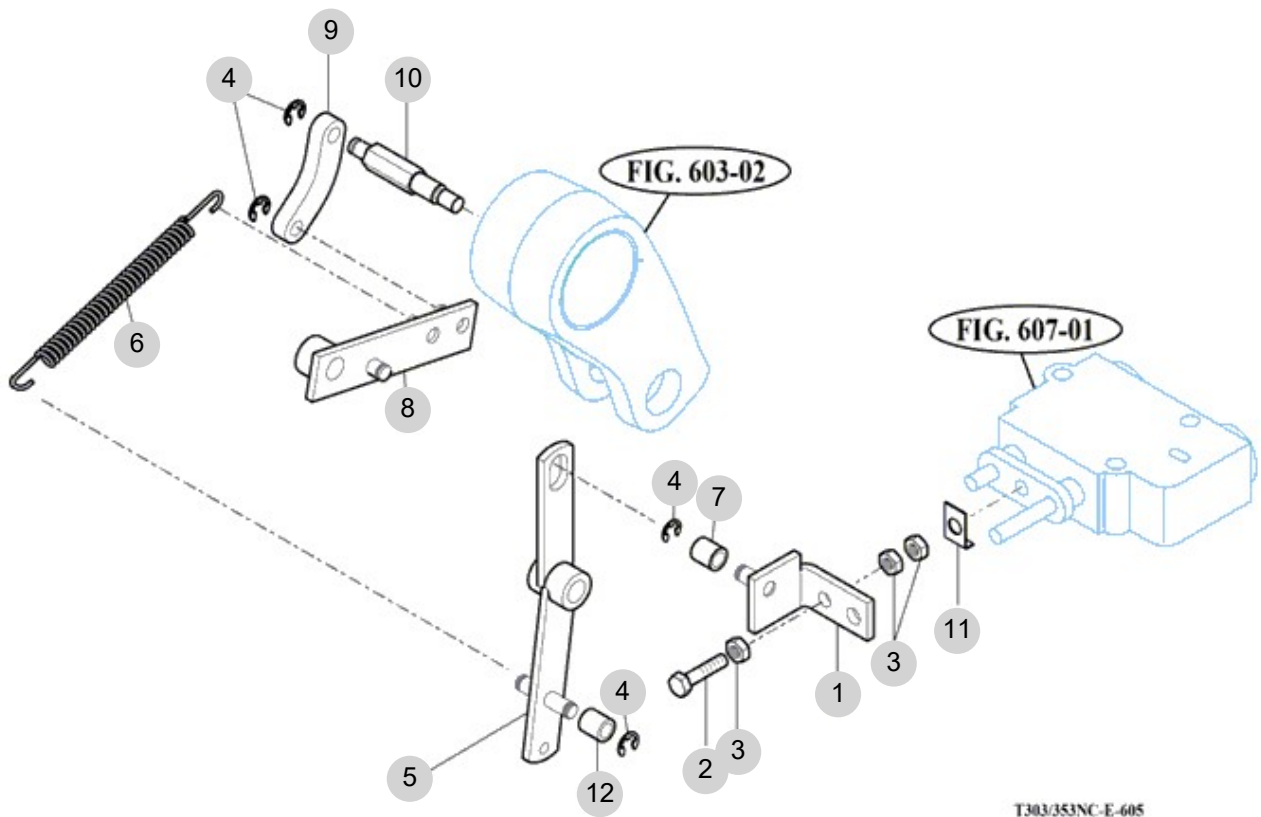
FIG 605

T394ST

POSITION LINK(1)

년/월
Year/Month

2022-12



T303/353NC-E-605

NOTE

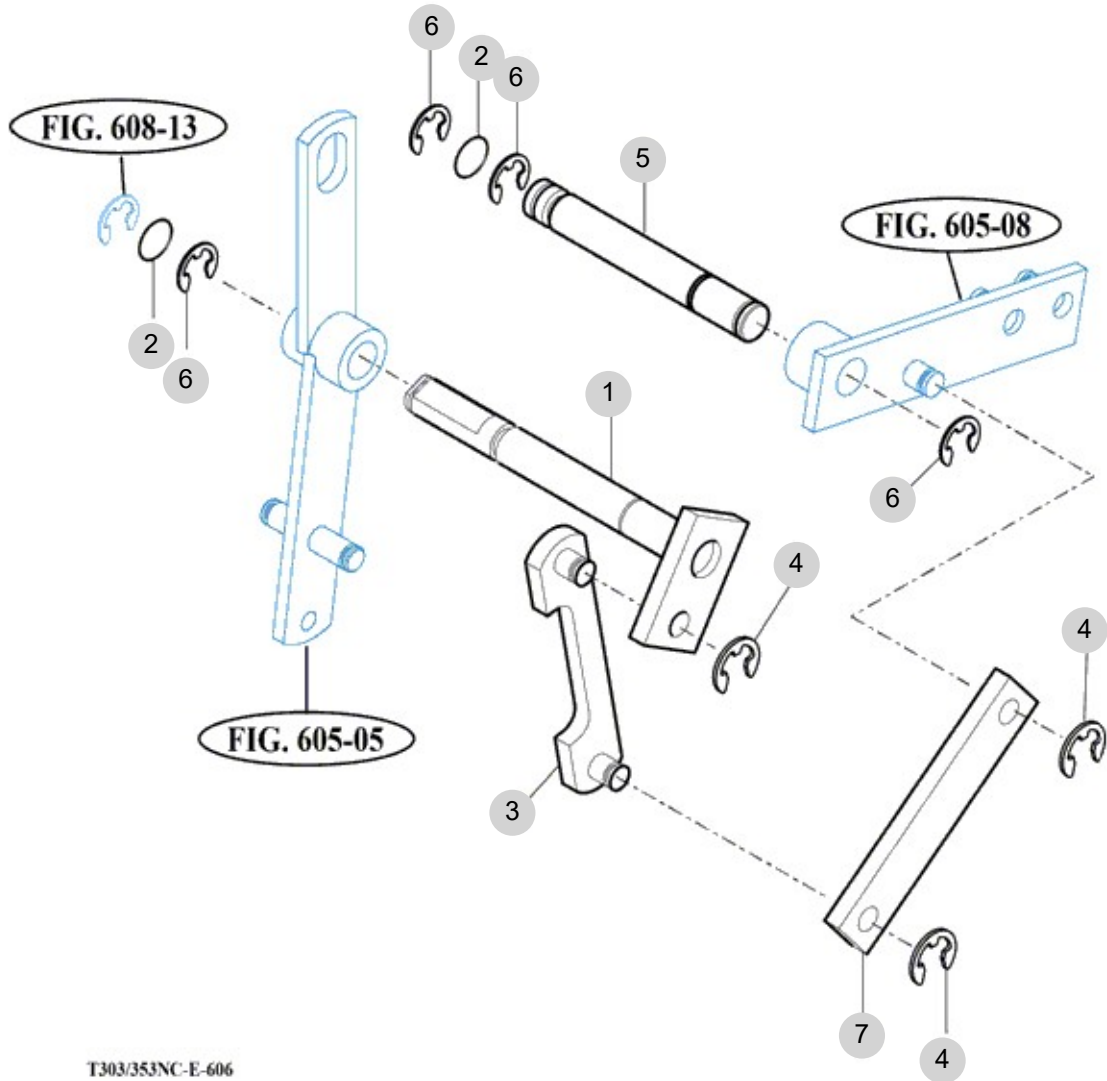
FIG 606

T394ST

POSITION LINK(2)

년/월
Year/Month

2022-12



T303/353NC-E-606

NOTE

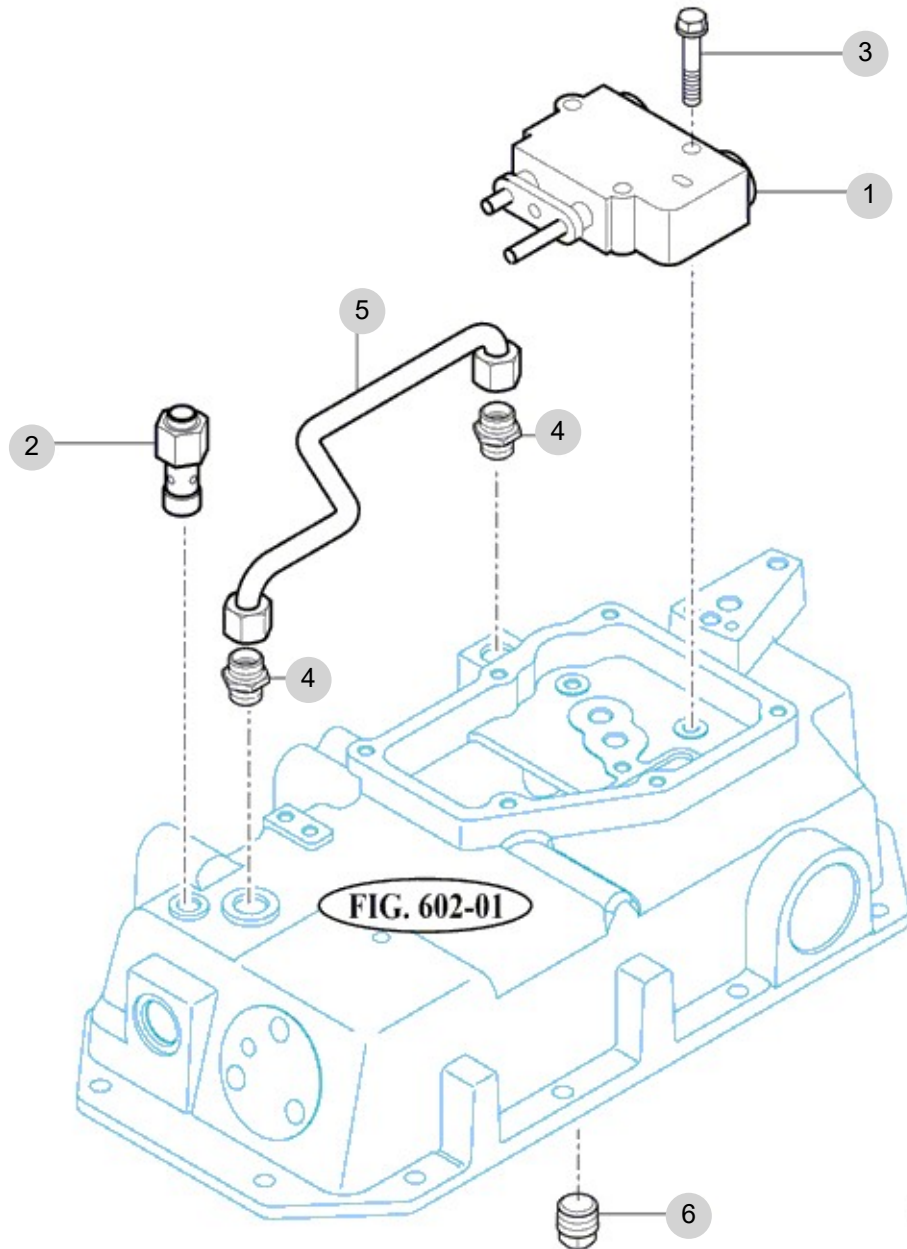
FIG 607

T394ST

CONTROL VALVE

년/월
Year/Month

2022-12



T303/353NC-E-607

NOTE

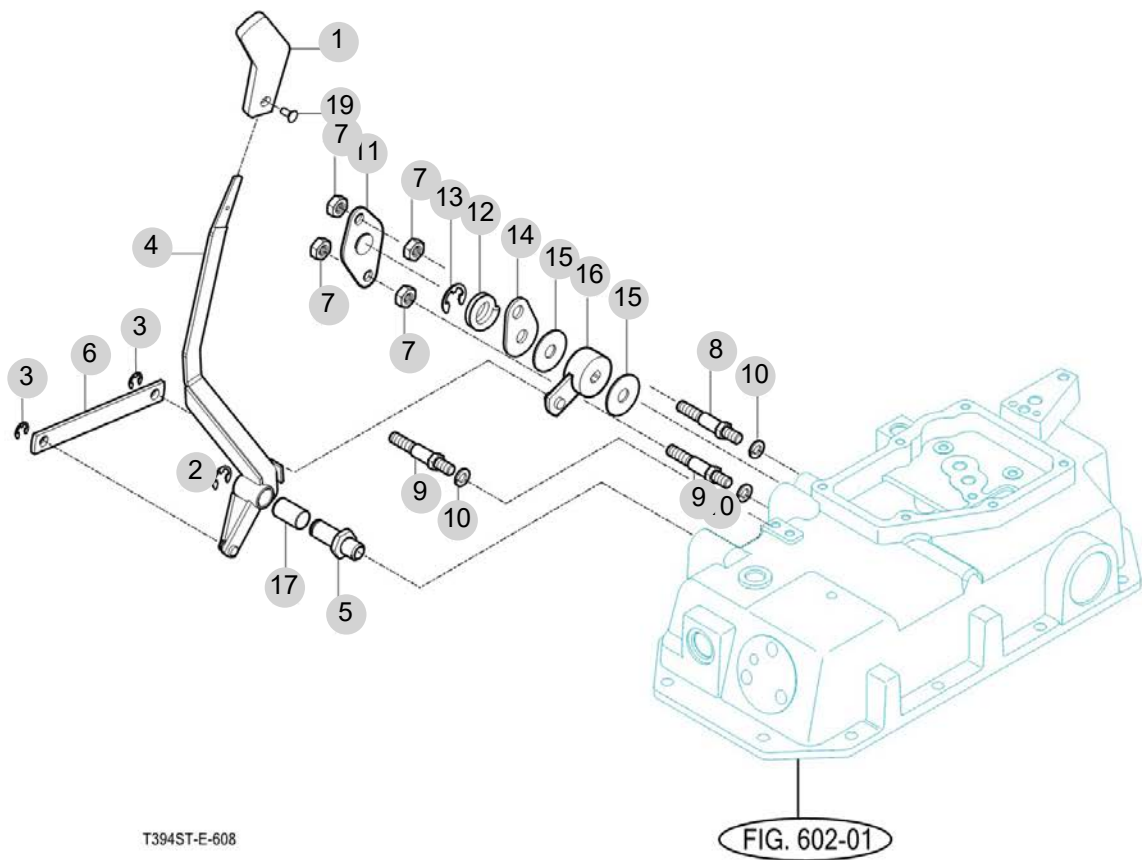
FIG 608

T394ST

POSITION LEVER

년/월
Year/Month

2022-12



NOTE

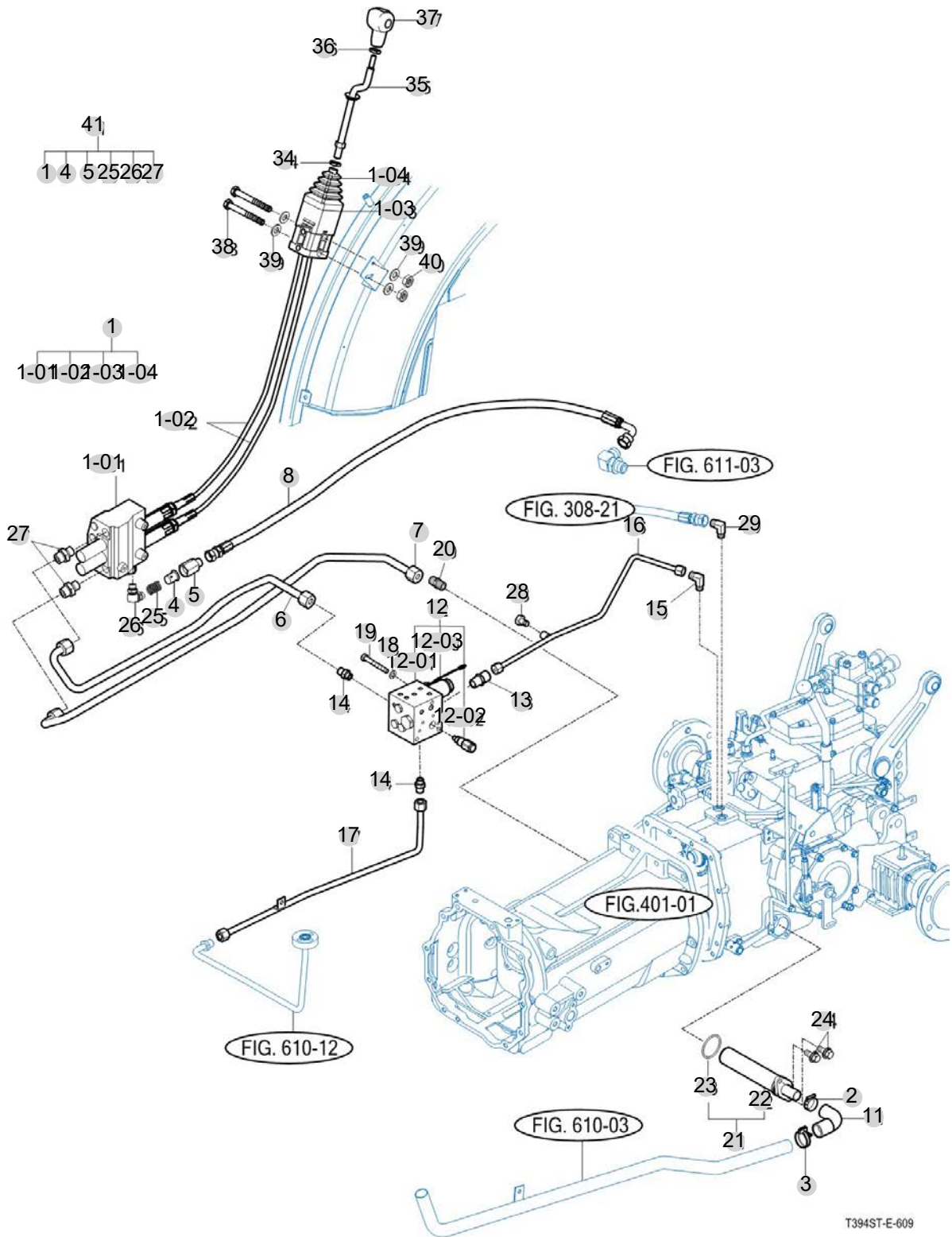
FIG 609

HYDRAULIC PIPE(1)

년/월
Year/Month

2022-12

T394ST



NOTE

FIG 609		HYDRAULIC PIPE(1)					년/월 Year/Month	
T394ST							2022-12	
KEY NO	PART NO	DESCRIPTION	SPEC	QTY	REPAIR	EFFECTIVE DATE	REMARKS	
609	1	12335504000	LOADER VALVE ASSY		1			
609	1-01	13015504101	VALVE ASSY , LOADER(DUKIN)		1			
609	1-02	12335504201	CABLE ASSY , JOYSTICK(910)		2			
609	1-03	13015504010	BODY ASSY , JOYSTICK		1			
609	1-04	13015504020	BOOTS , JOYSTICK VALVE		1			
609	2	18027090400	BAND CLAMP 40 EMBO TYPE		1			
609	3	18027090400	BAND CLAMP 40 EMBO TYPE		1			
609	4	12305180020	FILTER , 80 MESH	D=13	1			
609	5	16705100030	ADAPTER , PF1/2 PF1/2	HEX=27	1			
609	6	12335154400GB	PIPE COMP , PUMP		1			
609	7	12335154500GB	PIPE COMP , TANK		1			
609	8	16705152330	HOSE , 1400 ASSY	1X1X1	1			
609	11	17405100011	HOSE		1			
609	12	14835182001	VALVE ASSY , PTO		1			
609	1201	14725182101	VALVE , PTO		1			
609	1202	15640090001	VALVE ASSY , RELIEF	PVR1-005-020	1			
609	1203	14725182210	SOLENOID COIL	1X1X1	1			
609	13	14444080062	CONNECTOR		1			
609	14	16995304000	UNION , O-RING	D25X25X36	2			
609	15	16705100100	ELBOW UNIT , PF 3/8XM16	PF3/8XM16	1			
609	16	16705104201	PIPE COMP , PTO	1X1X1	1			
609	17	17405104701GB	PIPE COMP , RR MAIN		1			
609	18	V4011600080	WASHER , SPRING	M8	3			
609	19	V2013608090	BOLT , HEX	M8X90	3			
609	20	16994080061	UNION , PT3/8 M18	"PT3/8,M18XP1.5"	1			
609	21	16705105000	FILTER ASSY , SUCTION	D51X92X265	1			
609	22	16705104900	FILTER COMP , SUCTION	1X1X1	1			
609	23	V7211031045	O-RING , G	G45	1			
609	24	V2183610025	BOLT , HEX/SP	M10X25	2			
609	25	17995010210	SPRING	12X22	1			
609	26	13025100060	ELBOW PF1/2	PF1/2	1			
609	27	13025100020	UNION , M18,PF1/2	M18,PF1/2	2			
609	28	13267060022	PLUG , DRAIN	육각 B=12	1			
609	29	14944050100	ELBOW PF3/8XM16 ,45		1			
609	34	V3302600140	NUT , HEX FINE/2	M14	1			
609	35	12646013900GB	LEVER COMP . JOYSTICK		1			
609	36	V3343600100	NUT , HEX FINE/2	M10	1			
609	37	19027750021	GRIP COMP , JOYSTICK	1X1X1	1			
609	38	V2173608085	BOLT , HEX/S	M8X85	2			
609	39	V4111600080	WASHER , PLAIN	M8	4			
609	40	V3042600080	NUT , HEX/2	M8	2			
609	41	12335501000	LOADER VELVE SUB		1			
NOTE								

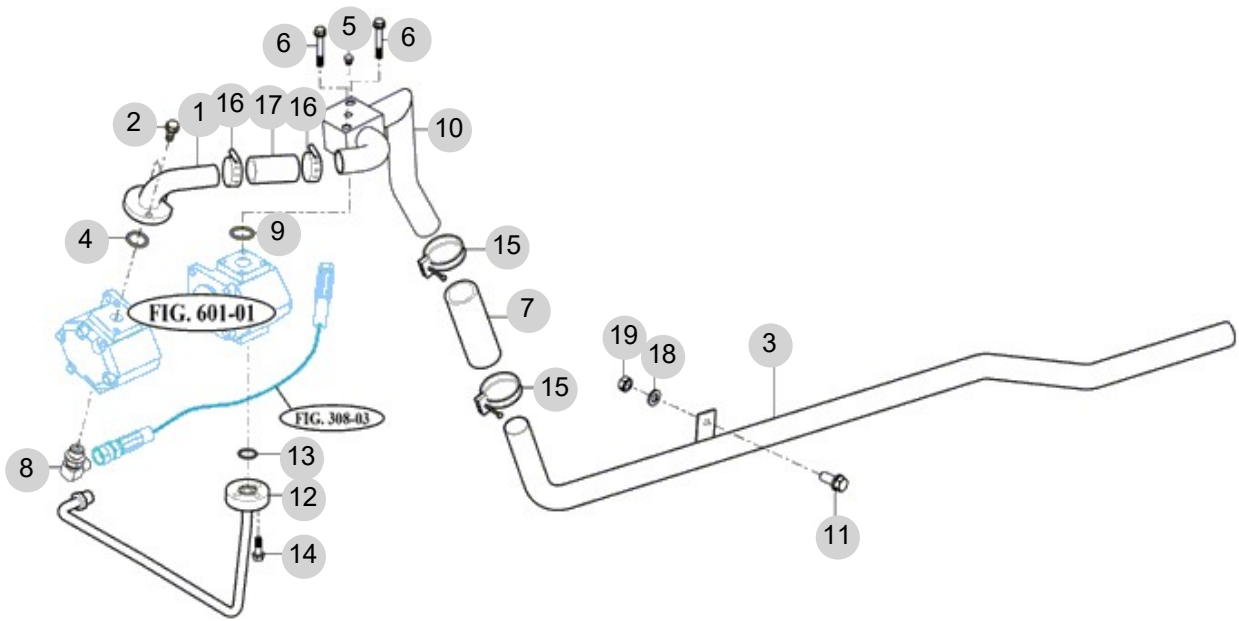
FIG 610

T394ST

HYDRAULIC PIPE(2)

년/월
Year/Month

2022-12



T394-E-606

NOTE

FIG 611

T394ST

EXTERIOR HYD VALVE

년/월
Year/Month

2022-12

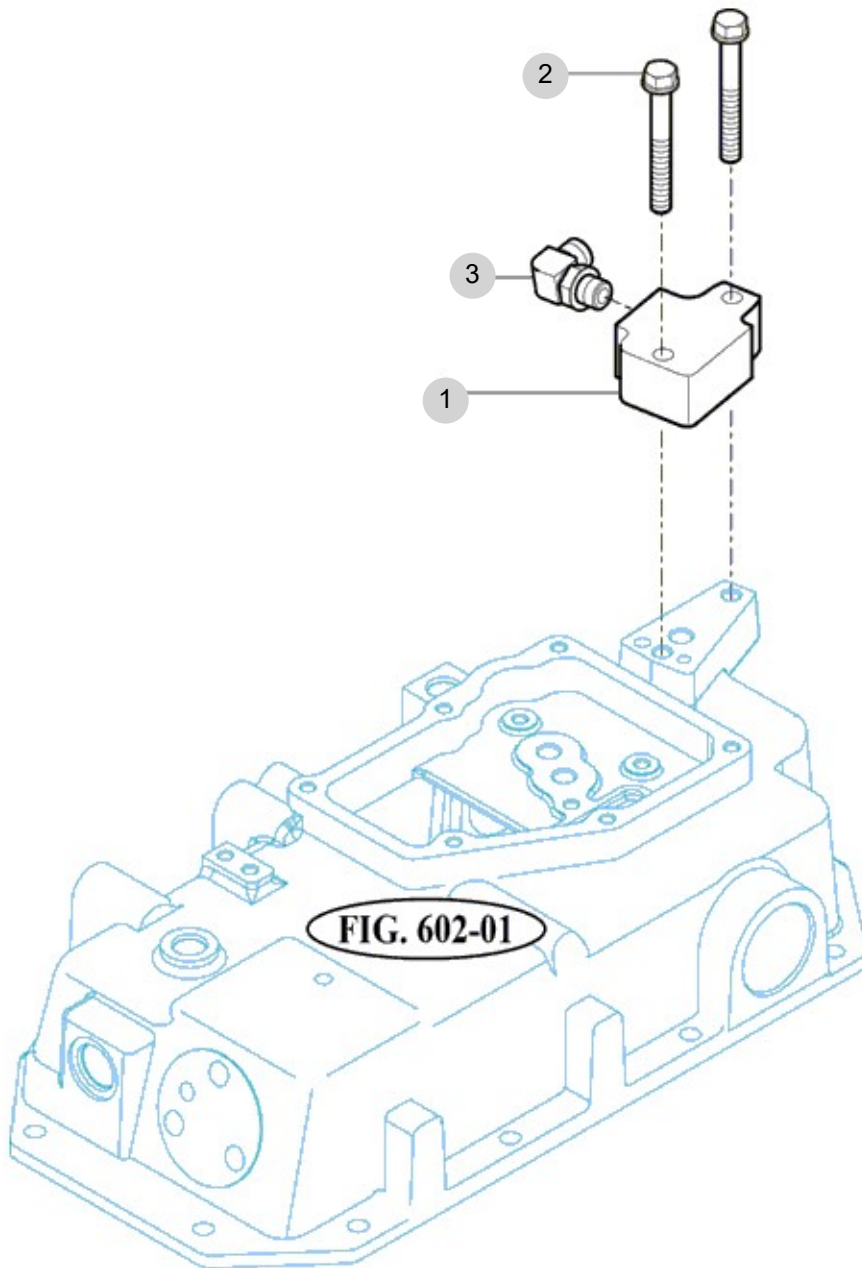


FIG. 602-01

T303/353NC-E-611

NOTE

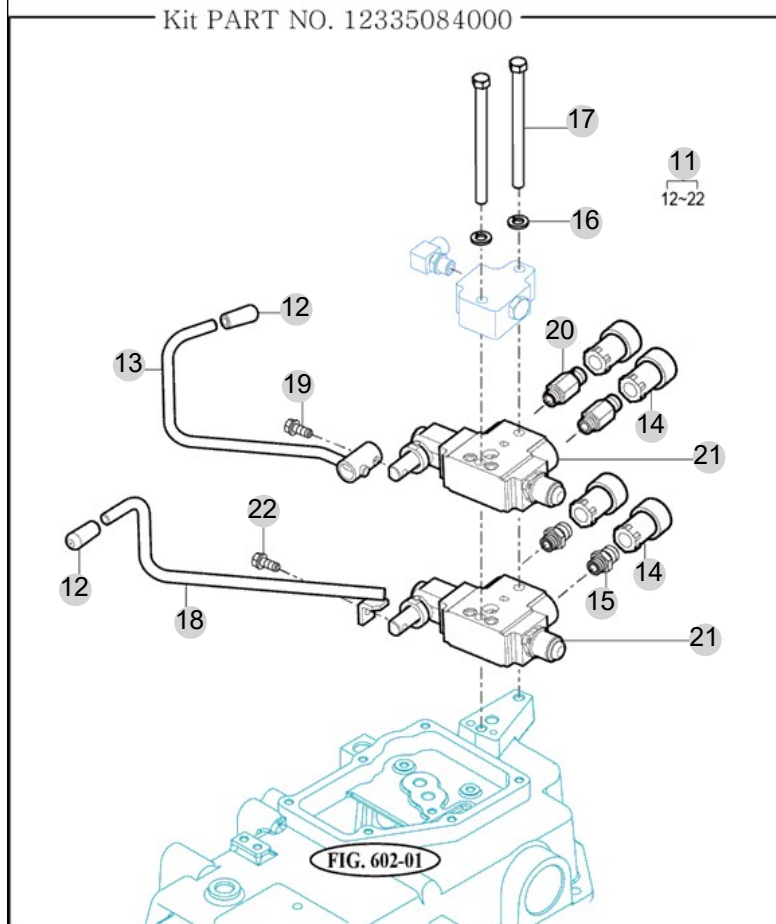
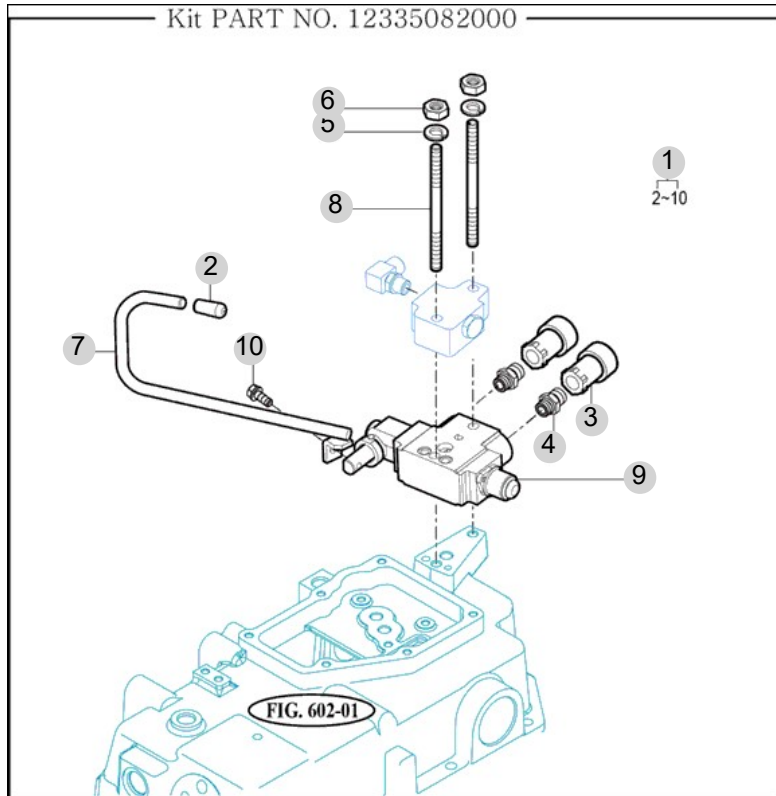
FIG 611-2

T394ST

VALVE KIT

년/월
Year/Month

2022-12



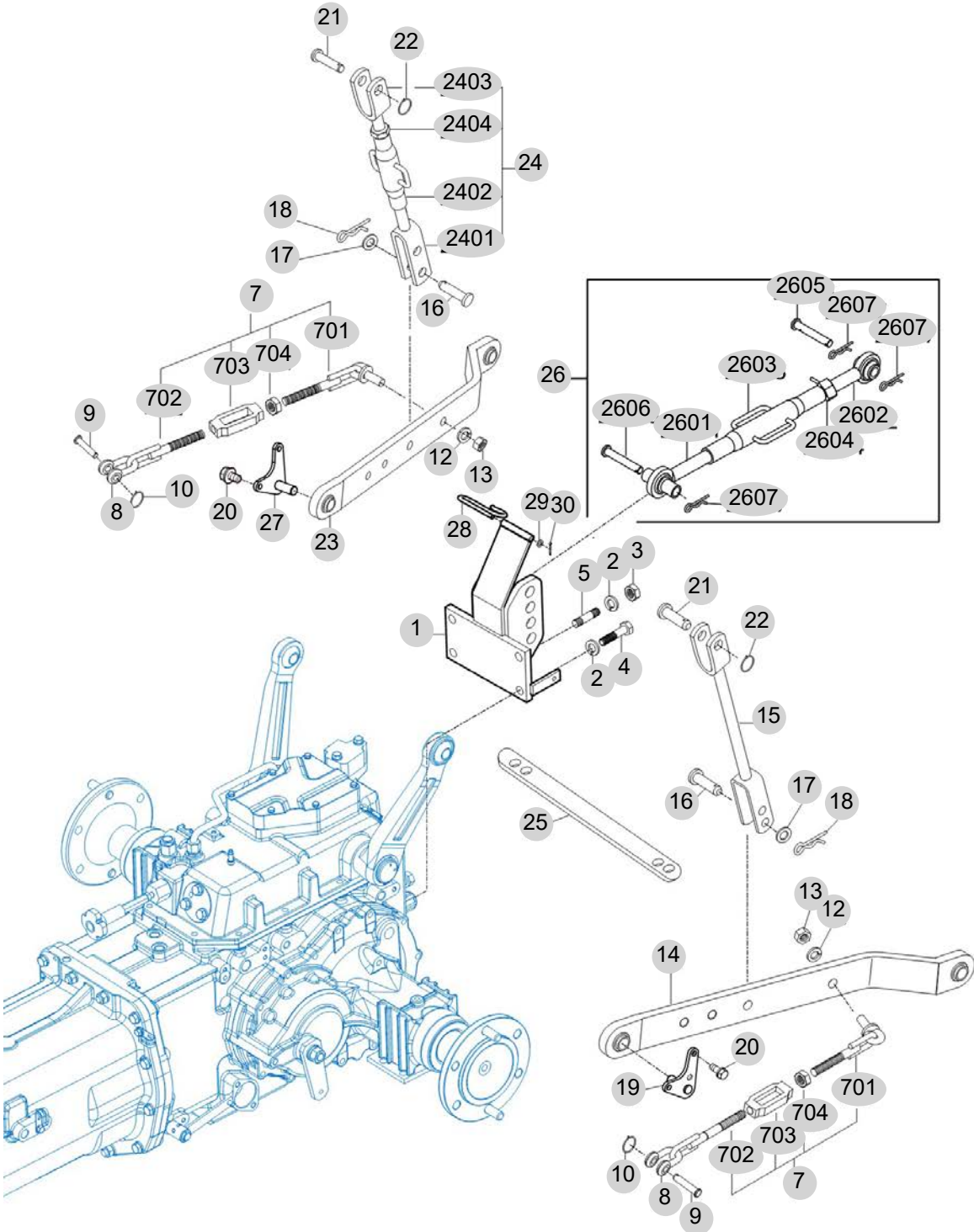
NOTE

FIG 612

3-POINT LINK

년/월
Year/Month

2022-12



2545ST-K-612

NOTE

FIG 612		3-POINT LINK						년/월	REMARKS
								Year/Month	
T394ST								2022-12	
KEY NO	PART NO	DESCRIPTION	SPEC	QTY	REPAIR	EFFECTIVE DATE			
612	1	12393172000GB	BRACKET COMP , TOP LINK						
612	2	V4011600140	WASHER , SPRING	M14	4				
612	3	V3043600140	NUT , HEX/2	M14	2				
612	4	V2014614035	BOLT , HEX	M14X35	2				
612	5	V2514414030	BOLT , STUD/2	M14X30	2				
612	7	16705142501	CHAIN ASSY , CHECK	1X1X1	2				
612	701	16705244100	CHAIN COMP , LH CHECK	1X1X1	2				
612	702	16705142800	CHAIN COMP , RH CHECK	1X1X1	2				
612	703	16705142510M	TURNBUCKLE		2				
612	704	V3043600140	NUT , HEX/2	M14	2				
612	8	16705142520	SHACKLE , CHECK CHAIN	1X1X1	2				
612	9	79636110030	PIN , 12X48	D=12	2				
612	10	16735240060	Spring		2				
612	12	V4011600160	WASHER , SPRING	M16	2				
612	13	V3013600160	NUT , HEX/2	M16	2				
612	14	16705142001GB	LINK COMP , LH LOW	1X1X1	1				
612	15	16705142400GB	ROD COMP , LH LIFT	1X1X1	1				
612	16	79636130050	PIN , 16X60	D=16	2				
612	17	V4111600160	WASHER , PLAIN	M16	2				
612	18	13059310030	PIN	D=2.3	2				
612	19	12385142200	PIN COMP , LH		2				
612	20	V2173612030	BOLT , HEX/S	M12X30	4				
612	21	16705020050	PIN , 19X69	19X75X26	2				
612	22	16735240060	Spring	D48	2				
612	23	16705142101GB	LINK COMP , RH LOW	1X1X1	1				
612	24	16705145000GB	ROD ASSY , RH LIFT	1X1X1	1				
612	2401	16705145200	FORK COMP , LOW	1X1X1	1				
612	2402	16705145100	SLIP COMP	1X1X1	1				
612	2403	16705145300	FORK COMP , UPR	1X1X1	1				
612	2404	V3003600200	NUT , HEX/1	M20	1				
612	25	15605250030	BAND , 470	25X520XT6	1				
612	26	16505245501GB	LINK ASSY , TOP LINK		1				
612	26	16505245502GB	TOP LINK ASSY		1				
612	2601	16505245510	LINK COMP , RH TOP LINK	1X1X1	1				
612	2602	16505245520	LINK COMP , LH TOP LINK	1X1X1	1				
612	2603	14555140251	TURNBUCKLE COMP		1				
612	2604	16505245530	NUT , HEX	1X1X1	1				
612	2605	15645220020	PIN , 19X95	D=19	1				
612	2606	15645220011	PIN , 19X86	D=19	1				
612	2607	14445140051	PIN , 19	D=4.5	3				
612	27	12385142300	PIN COMP , RH		1				
612	28	12396251100	HOOK , TOP LINK		1				
612	29	V4111600060	WASHER , PLAIN	M6	1				
612	30	V5001920020	PIN , SPLIT	2X20	1				
NOTE									

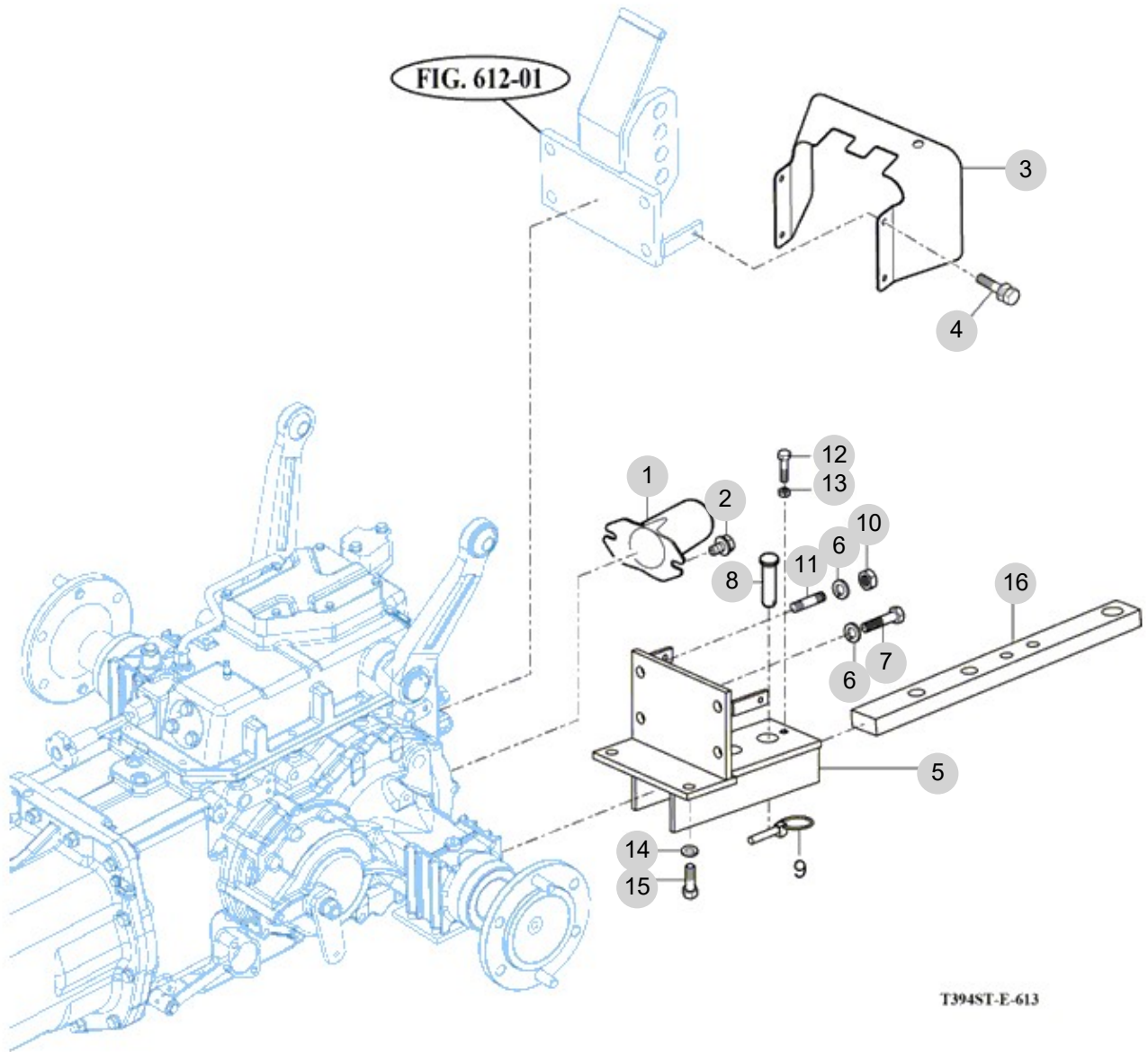
FIG 613

T394ST

HITCH & COVER

년/월
Year/Month

2022-12



NOTE

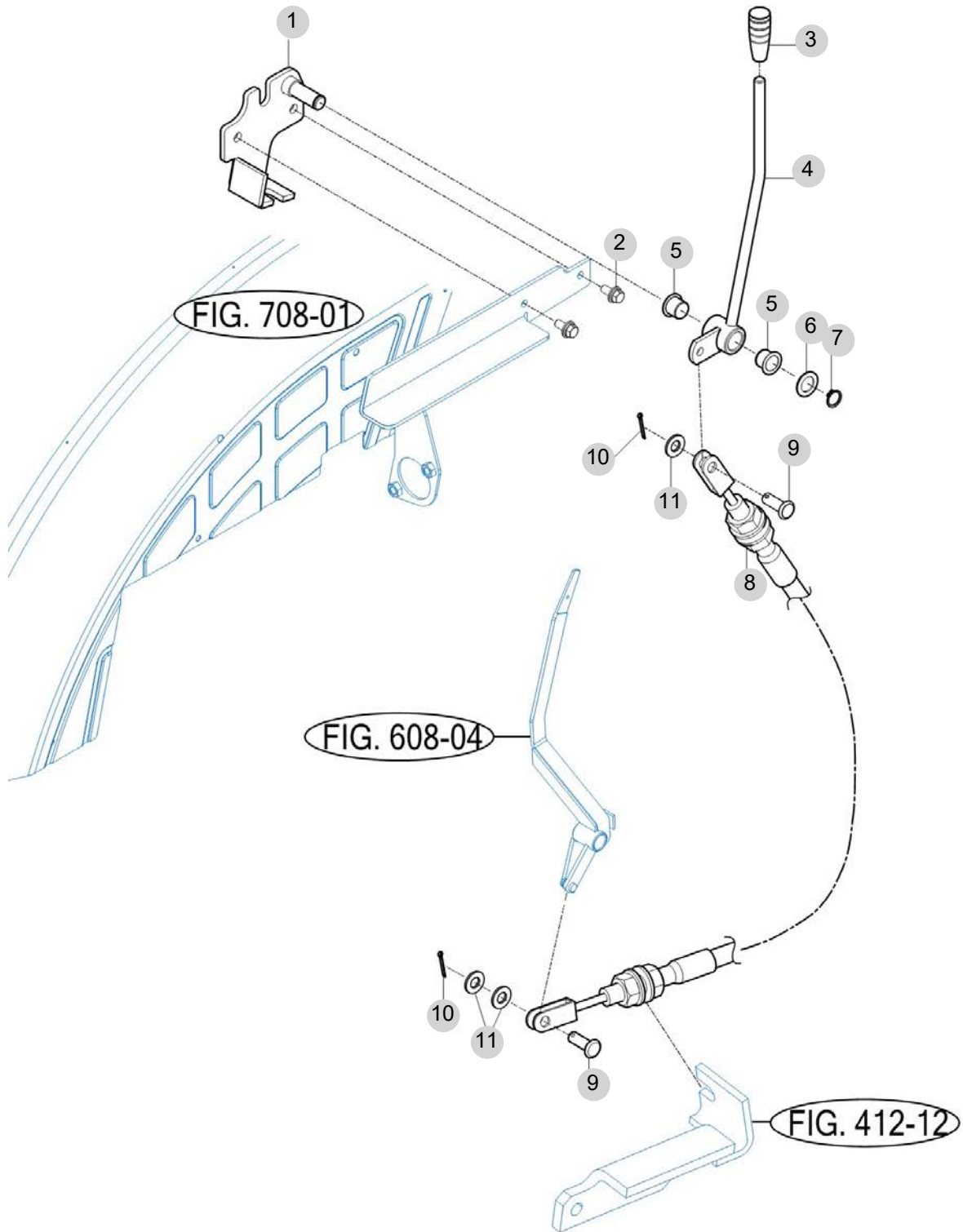
FIG 614

T394ST

EXTERIOR POSITION LEVER

년/월
Year/Month

2022-12



NOTE

7. Sheet Metal & Cabin PART NO. T7

FIG 701 HOOD (1)	163
FIG 702 HOOD (2)	166
FIG 704 FRONT & REAR MOUNTING	169
FIG 705 DASHPANEL	171
FIG 706 SEAT & MAT	173
FIG 707 DOOR	175
FIG 707-2 DOOR	178
FIG 708 FRONT GLASS	180
FIG 709 REAR GLASS	182
FIG 710 SUB FENDER & COVER	184
FIG 711 MIRROR	186
FIG 712 HEATER & AIR-CON	188
FIG 712-2 HEATER & AIR-CON	190
FIG 713 FENDER COVER	192
FIG 714 ROOF	194
FIG 715 CABIN INTERIOR	196

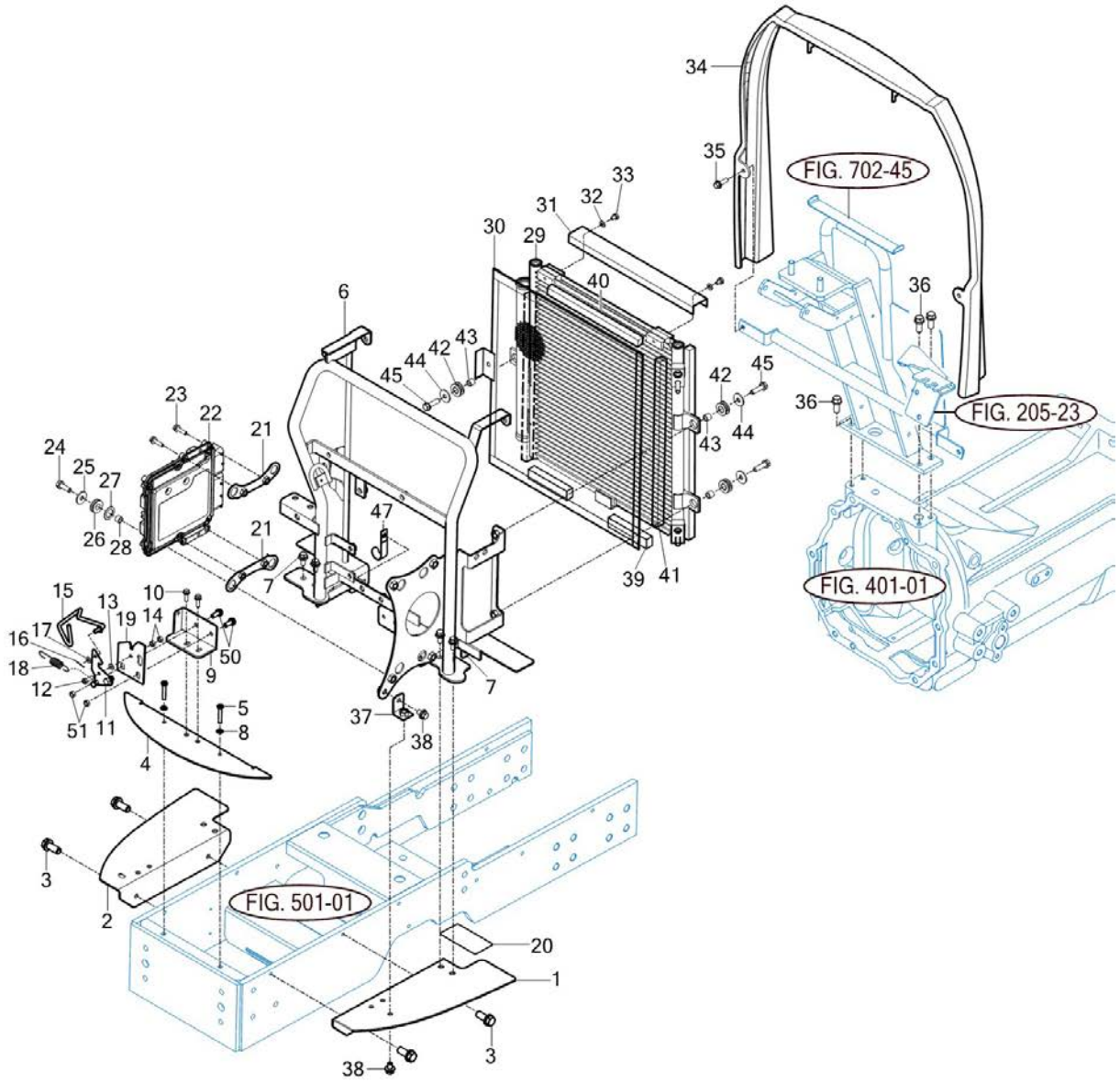
FIG 701

T394ST

HOOD (1)

년/월
Year/Month

2022-12



NOTE

FIG 701		HOOD (1)					년/월 Year/Month		
							2022-12		
T394ST		KEY NO	PART NO	DESCRIPTION	SPEC	QTY	REPAIR	EFFECTIVE DATE	REMARKS
701	1	17404072301GB	PLATE COMP, LH			1			
701	1	10884072300GB	PLATE COMP, LH			1			
701	2	17404072401GB	PLATE COMP, RH			1			
701	2	10884072400GB	PLATE COMP, RH			1			
701	3	V2183608016	BOLT , HEX/SP	M8X16		4			
701	4	17404072501GB	PLATE COMP, C			1			
701	5	V2053606035	BOLT , HEX C/R	M6X35		2			
701	6	12341122000GB	FRAME COMP, FRONT			1			
701	7	V2183608020	BOLT , HEX/SP	M8X20		4			
701	8	V4011600060	WASHER , SPRING			2			
701	9	17406014203GB	STAY COMP , HOOD			1			
701	9	17406014202GB	STAY COMP , HOOD			1			
701	9	17406014500GB	STAY COMP , HOOD			1			
701	10	V2053606045	BOLT , HEX C/R	M6X45		2			
701	10	V2323606020	BOLT , C/R HEX/SP	M6X20		4			
701	11	11106024100	STAY COMP , HOOD A			1			
701	11	17686020600	LOCK COMP . HOOD			1			
701	12	V2053606040	BOLT , HEX C/R	M6X40		2			
701	12	V2323606020	BOLT , C/R HEX/SP			1			
701	13	V4111600060	WASHER , PLAIN			1			
701	13	V4011600060	WASHER , SPRING			2			
701	14	V3002600060	NUT , HEX/1			2			
701	14	V3013600060	NUT .HEX NORMAL /2			2			
701	15	13256020650	CABLE ASSY , HOOD			1			
701	15	17406024300GB	ROD COMP, OPEN			1			
701	16	15601160083	PIN , 06X16			1			
701	16	V5001925020	PIN D2.5x20			1			
701	17	V4111600060	WASHER , PLAIN			1			
701	18	V5001920020	PIN , SPLIT			1			
701	18	14143120020	SPRING , TENSION 53			1			
701	19	11106024210	STAY , HOOD B			1			
701	19	17406014300	GUIDE, HOOD PIN			1			
701	20	12386400011	LABEL , SEAL CLUTCH			1			
701	21	12341222000GB	PLATE COMP , ECU			2			
701	22	129A26-75040	129A2675040-로 주문변경			1			
701	23	V2123606025	BOLT , HEX /SP	M6X25		4			
701	24	V2173608025	BOLT , HEX/S	M8X25		4			
701	25	35602010150	WASHER , BIND SHAFT			4			
701	26	14046210300	GROMMET			4			
701	27	35652030040	COLLAR , PACKER SHAFT			4			
701	28	15991040050	COLLAR , 08X12X08			4			
701	29	13778303700	CONDENSER ASSY			1			
701	29	12398303700	CONDENSER ASSY			1			
701	30	12391042300GB	NET COMP , CONDENSER			1			
701	31	13831054010GB	BRACKET , CONDENSOR UP			1			
NOTE									

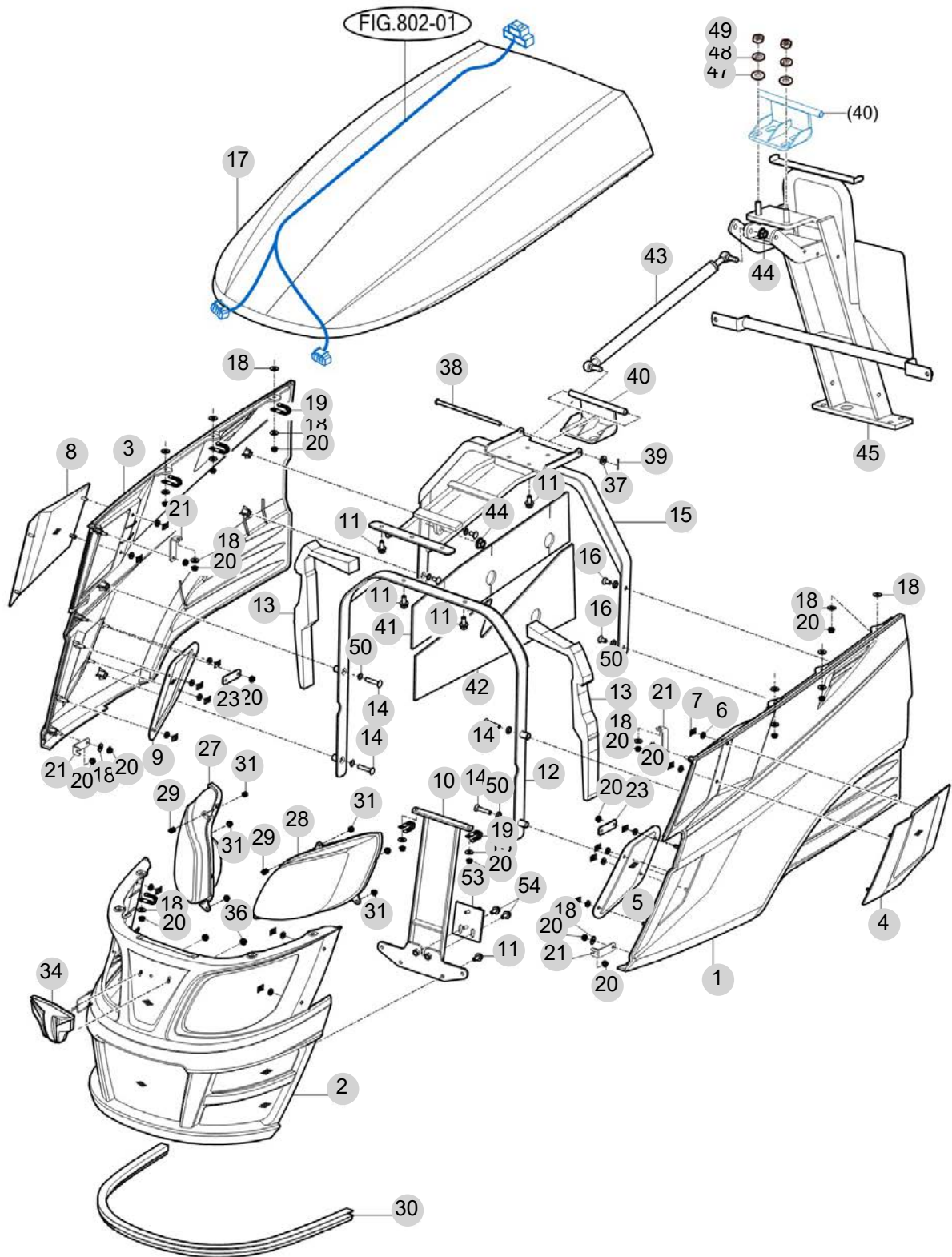
FIG 702

T394ST

HOOD (2)

년/월
Year/Month

2022-12



NOTE

FIG 702		HOOD (2)					년/월 Year/Month	
							2022-12	
T394ST								
KEY NO	PART NO	DESCRIPTION	SPEC	QTY	REPAIR	EFFECTIVE DATE	REMARKS	
702	1	17406203301SR	COVER COMP , SIDE/LH		1			
702	1	17406203302SR	COVER COMP , SIDE/LH		1			
702	1	17406203303SR	COVER COMP , SIDE/LH		1			
702	2	17406203201GB	GRILLE COMP		1			
702	3	17406203401SR	COVER COMP , SIDE/RH		1			
702	3	17406203402SR	COVER COMP , SIDE/RH		1			
702	3	17406203403SR	COVER COMP , SIDE/RH		1			
702	4	17406203500GB	NET , UPR/LH		1			
702	5	17406203600GB	NET , LOW/LH		1			
702	6	14446010150	WASHER , NET		16			
702	7	V3501600060	NUT, PUSH-ON SPRING		16			
702	8	17406203700GB	NET , UPR/RH		1			
702	9	17406203800GB	NET , LOW/RH		1			
702	10	17406202500GB	Pln COMP , HOODLOCK		1			
702	10	18366202500GB	PIN COMP , HOOD LOCK		1			
702	11	V2183608020	BOLT , HEX/SP		13			
702	12	17406202300GB	FRAME COMP , HOOD/FR		1			
702	13	12346202431	INSULATOR , HOOD		2			
702	14	V1122608040	SCREW , C/R FLAT		4			
702	15	17406202700GB	FRAME COMP , HOOD/RR		1			
702	15	10536202700GB	FRAME COMP , HOOD/RR		1			
702	15	10536202701GB	FRAME COMP , HOOD/RR		1			
702	15	10536202702GB	FRAME COMP , HOOD/RR		1			
702	16	V1122608016	SCREW , C/R FLAT		4			
702	17	17406203101SR	HOOD COMP		1			
702	17	17406203102SR	HOOD COMP		1			
702	17	17406203103SR	HOOD COMP		1			
702	18	35605033020	WASHER , WIRE WITHDRAWAL		22			
702	19	37371720090	CLAMP , W/HARNESS		6			
702	20	V3802600060	NUT , HEX FLANGE		24			
702	21	17406203010GB	PLATE , UPR/SIDE		4			
702	21	17406203011GB	PLATE , UPR/SIDE		4			
702	21	17406203010GB	PLATE , UPR/SIDE		4			
702	23	17406203020GB	PLATE , MID/SIDE		2			
702	27	17406525001	HEAD LAMP ASSY , RH		1			
702	27	17406525002	HEAD LAMP ASSY , RH		1			
702	28	17406524001	HEAD LAMP ASSY , LH		1			
702	28	17406524002	HEAD LAMP ASSY , LH		1			
702	29	36108010080	SPRING , ENTRANCE FOR SEED(HC016)		2			
702	30	17406203900	INSULATOR , HOOD		1			
702	31	19027210060	NUT , NYLON , M6		6			
702	34	19959010011	EMBLEM		1			
702	34	17406212000	EMBLEM ASSY , V5		1			
702	36	V3802600060	NUT , HEX FLANGE		2			
702	37	V4111600080	WASHER , PLAIN		1			
NOTE								

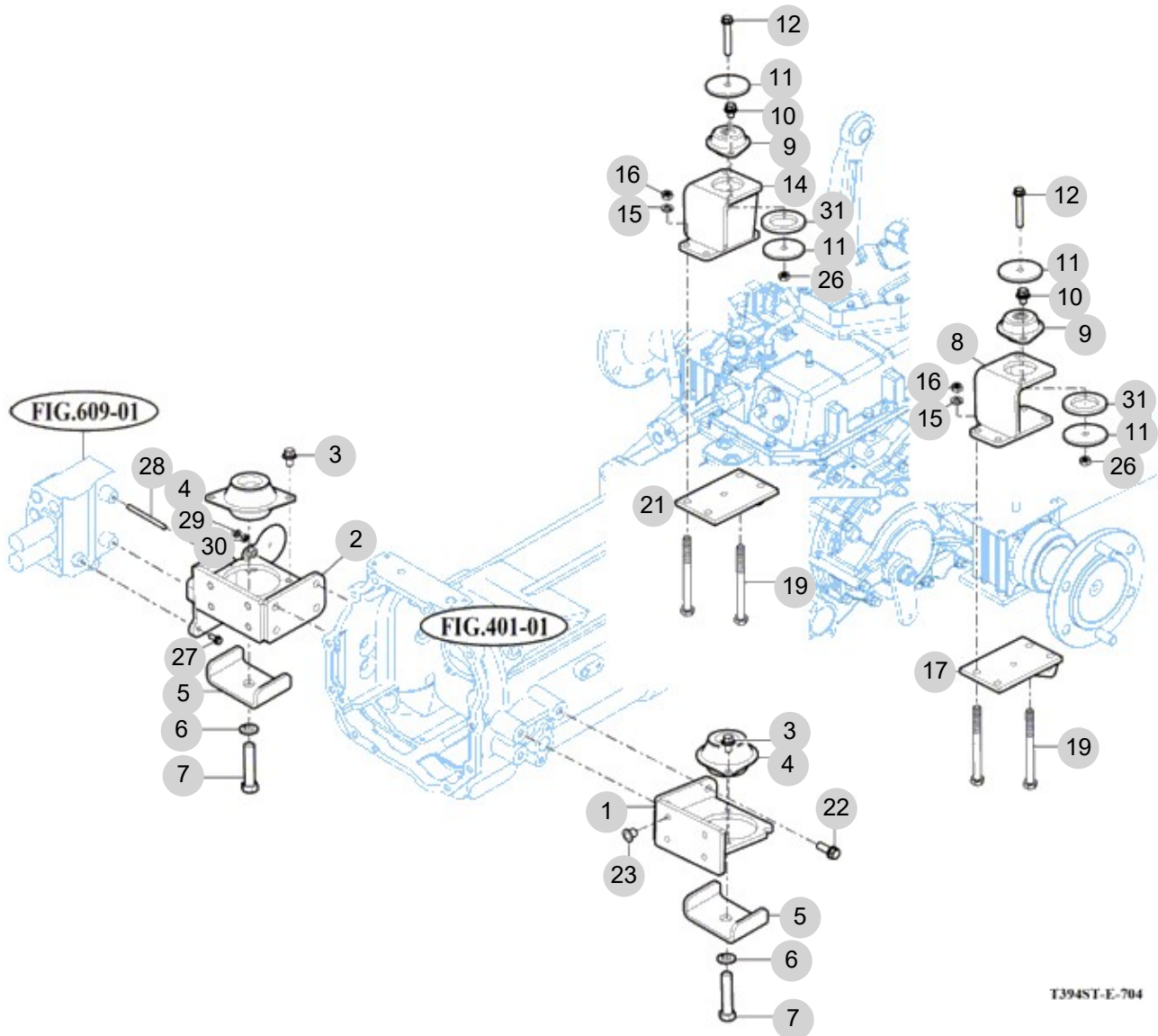
FIG 704

T394ST

FRONT & REAR MOUNTING

년/월
Year/Month

2022-12



NOTE

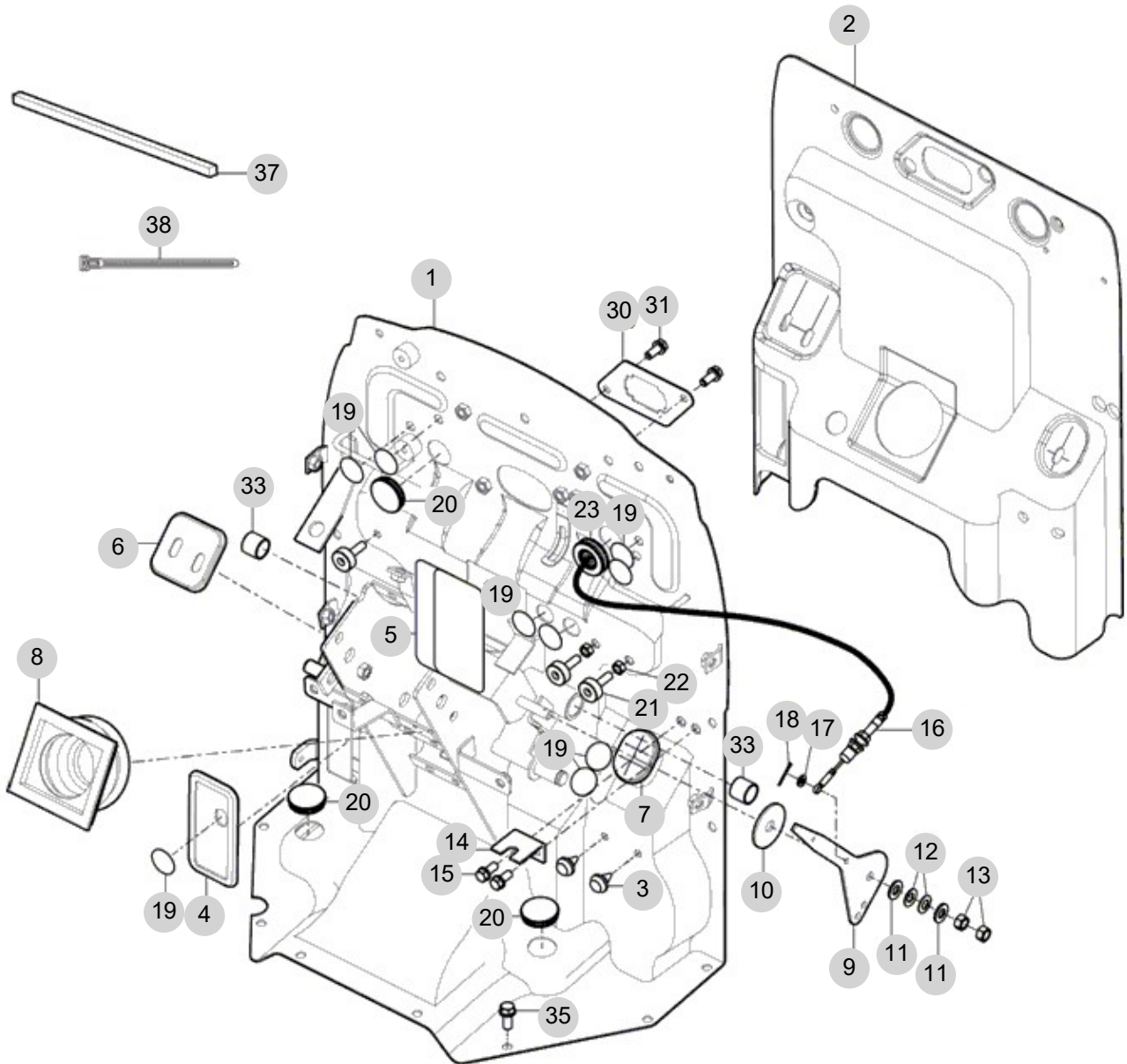
FIG 705

DASHBOARD

년/월
Year/Month

T394ST

2022-12



NOTE

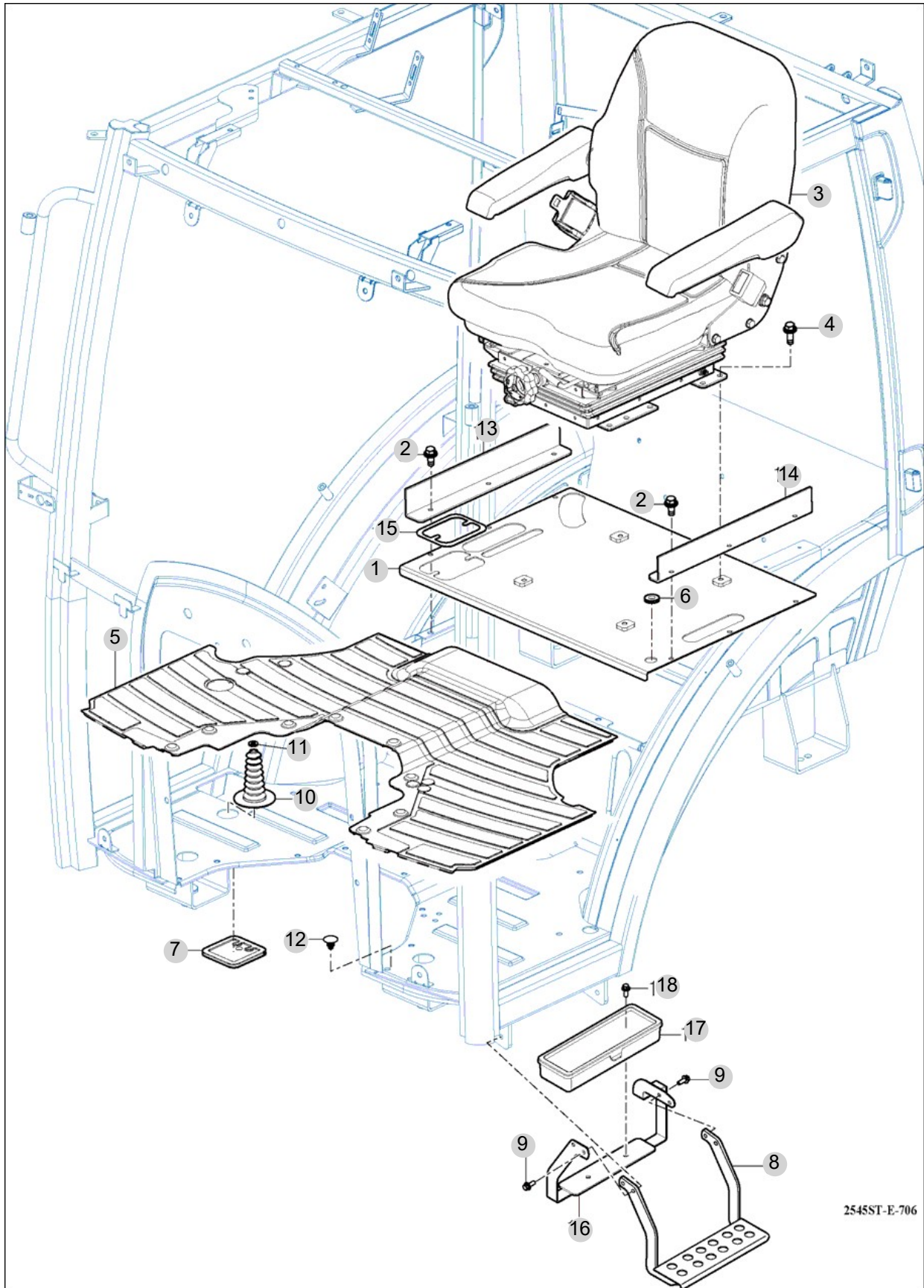
FIG 706

SEAT & MAT

년/월
Year/Month

2022-12

T394ST



2545ST-E-706

NOTE

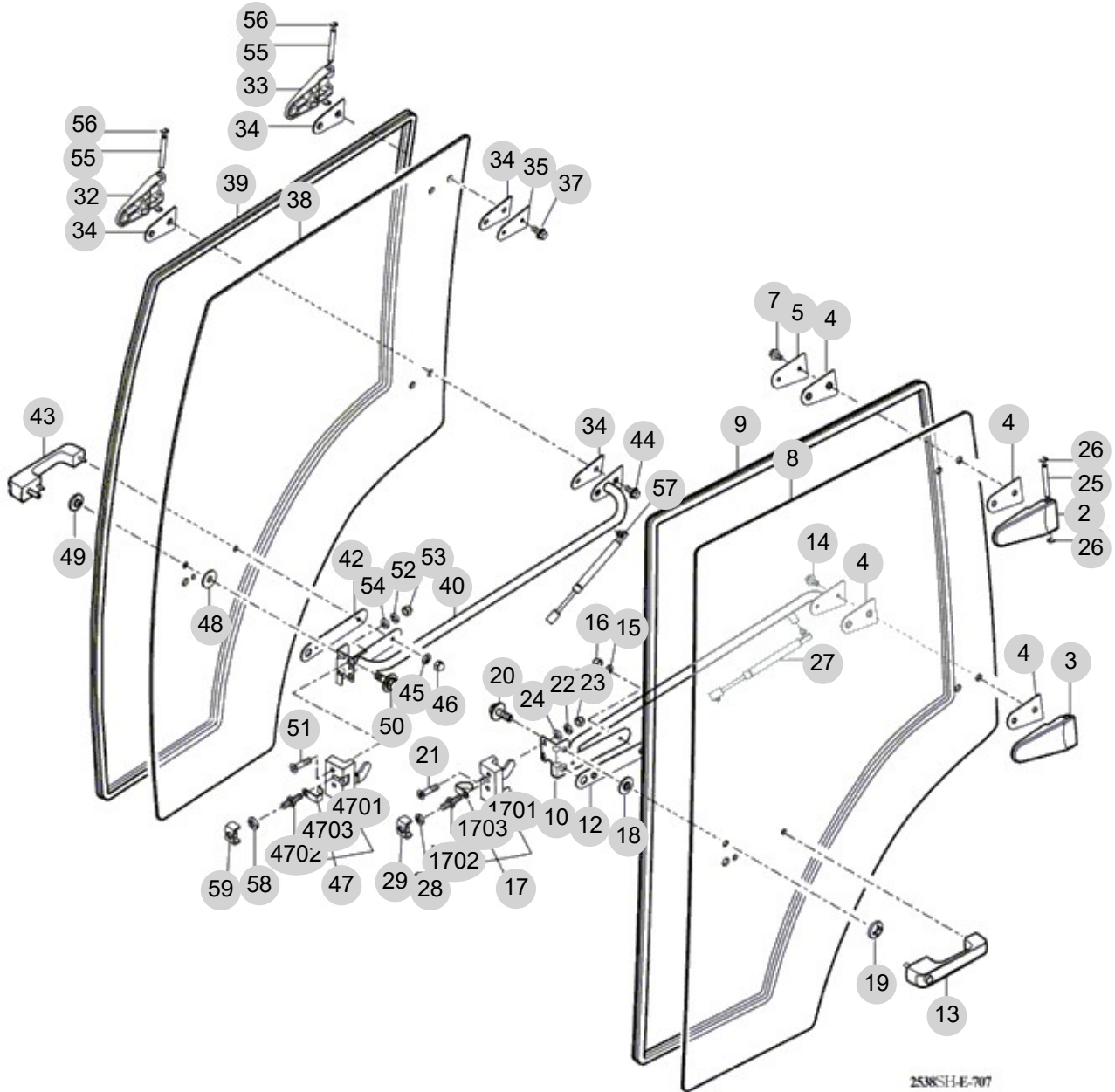
FIG 707

T394ST

DOOR

년/월
Year/Month

2022-12



NOTE

FIG 707		DOOR					년/월 Year/Month		
							2022-12		
T394ST		KEY NO	PART NO	DESCRIPTION	SPEC	QTY	REPAIR	EFFECTIVE DATE	REMARKS
707	2	14527052300	HINGE COMP , UPR/LH	1X1X1	1				
707	3	14527052400	HINGE COMP , UPR/RH	1X1X1	1				
707	4	14527052110	GASKET , DOOR HINGE	1X1X1	4				
707	5	14527052120GB	PLATE , DOOR HINGE	1X1X1	1				
707	7	V2183608020	BOLT , HEX/SP	M8X20	2				
707	8	12397052210	GLASS , LH/ DOOR	6t	1				
707	9	12397042200	INSULATOR , DOOR		1				
707	10	12397022500GB	GUIDE COMP , LH/ DOOR		1				
707	12	14527052150	GASKET,DOOR GRIP	1X1X1	1				
707	13	14527052600	GRIP ASSY, LOCK/HANDLE	1X1X1	1				
707	14	V2183608020	BOLT , HEX/SP	M8X20	2				
707	15	V4011600060	WASHER , SPRING	M6	2				
707	16	V3402700060	NUT , HEX CAP	M6	2				
707	17	14527052700	LOCK SET , LH/DOOR	1X1X1	1				
707	1701	14527052710	LOCK ASSY, LH/DOOR	1X1X1	1				
707	1702	14527052720	STRIKER	1X1X1	1				
707	1703	14527052730	GUARD	1X1X1	1				
707	18	15817401130	GROMMET , 13X17X02		1				
707	19	14527042500	NUT COMP , GLASS	1X1X1	1				
707	20	V2193606012	BOLT , HEX/SPL	M6X12	1				
707	21	V1122608040	SCREW , C/R FLAT	M8X40	2				
707	22	V4011600080	WASHER , SPRING	M8	2				
707	23	V3412700080	NUT , SMALL CAP	M8	2				
707	24	V4111600080	WASHER , PLAIN	M8	2				
707	25	14527041110	PIN, HINGE DOOR	D=8	2				
707	26	V7082400070	E-RING	7	4				
707	27	14527301080	DAMPER ASSY , DOOR	1X1X1	1				
707	28	V4011600100	WASHER , SPRING	M10	1				
707	29	14527062500GB	BRACKET COMP , DOOR LOCK	1X1X1	1				
707	32	14527052300	HINGE COMP , UPR/LH	1X1X1	1				
707	33	14527052400	HINGE COMP , UPR/RH	1X1X1	1				
707	34	14527052110	GASKET , DOOR HINGE	1X1X1	4				
707	35	14527052120GB	PLATE , DOOR HINGE	1X1X1	1				
707	37	V2183608020	BOLT , HEX/SP	M8X20	2				
707	38	12397052110	GLASS , RH/DOOR	6t	1				
707	39	12397042200	INSULATOR , DOOR		1				
707	40	12397024000GB	GUIDE COMP , RH/DOOR		1				
707	42	14527052150	GASKET,DOOR GRIP	1X1X1	1				
707	43	14527052600	GRIP ASSY, LOCK/HANDLE	1X1X1	1				
707	44	V2183608020	BOLT , HEX/SP	M8X20	2				
707	45	V4011600060	WASHER , SPRING	M6	2				
707	46	V3402700060	NUT , HEX CAP	M6	2				
707	47	14527053700	LOCK SET , RH/DOOR	1X1X1	1				
707	4701	14527053710	LOCK ASSY, RH/DOOR	1X1X1	1				
707	4702	14527052720	STRIKER	1X1X1	1				
NOTE									

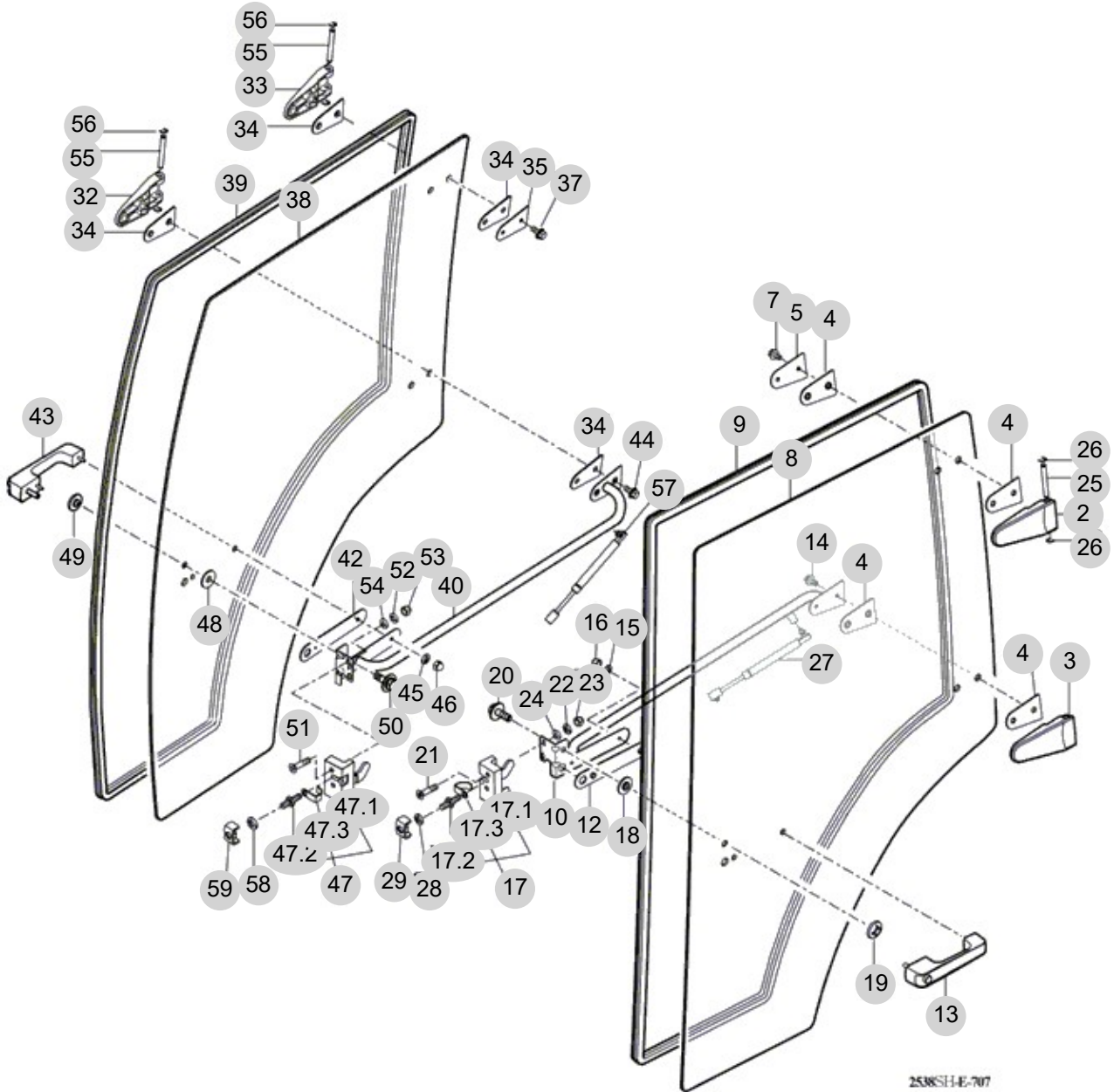
FIG 707-2

T394ST

DOOR

년/월
Year/Month

2022-12



NOTE

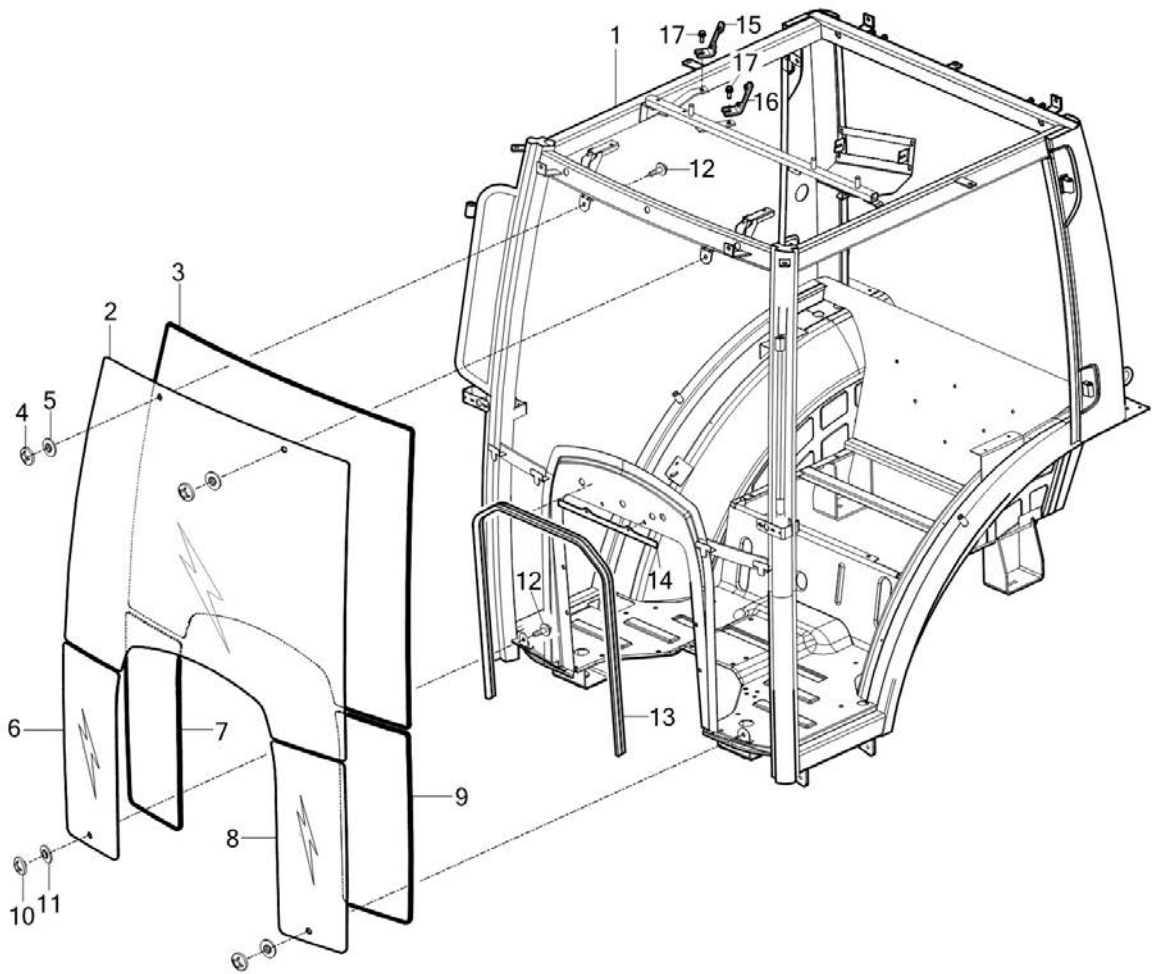
FIG 708

T394ST

FRONT GLASS

년/월
Year/Month

2022-12



NOTE

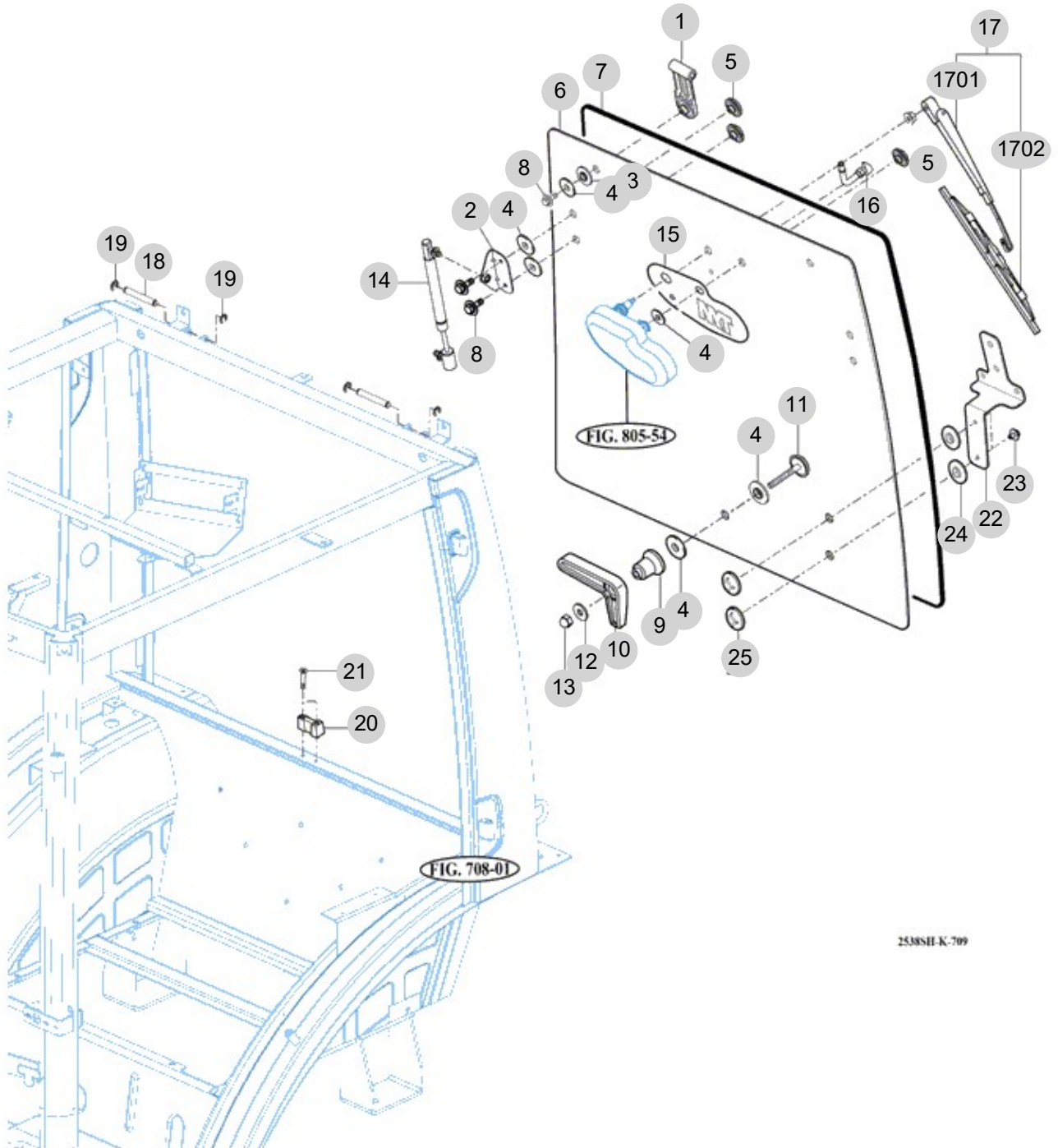
FIG 709

REAR GLASS

년/월
Year/Month

T394ST

2022-12



2538SH-K-709

NOTE

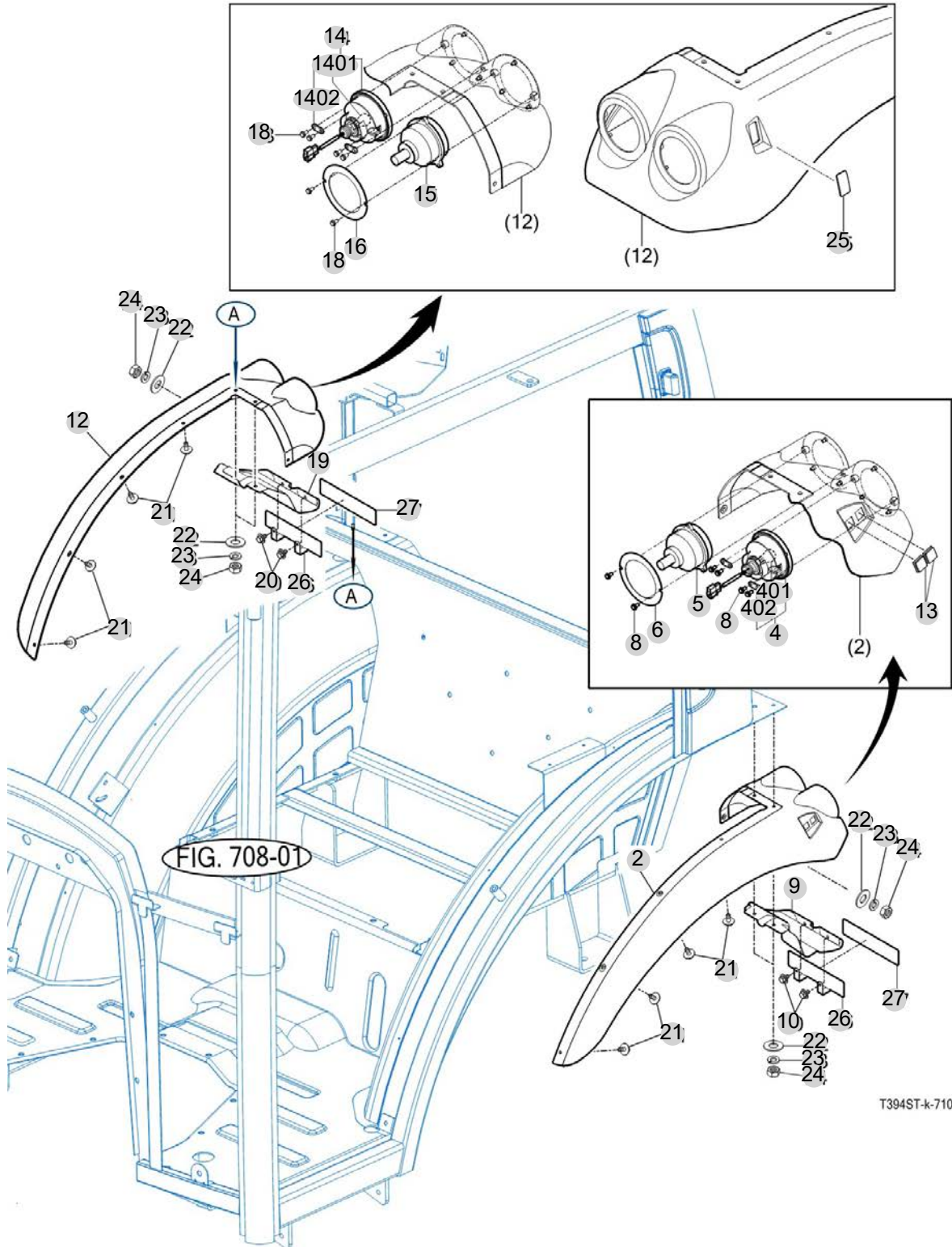
FIG 710

T394ST

SUB FENDER & COVER

년/월
Year/Month

2022-12



T394ST-k-710

NOTE

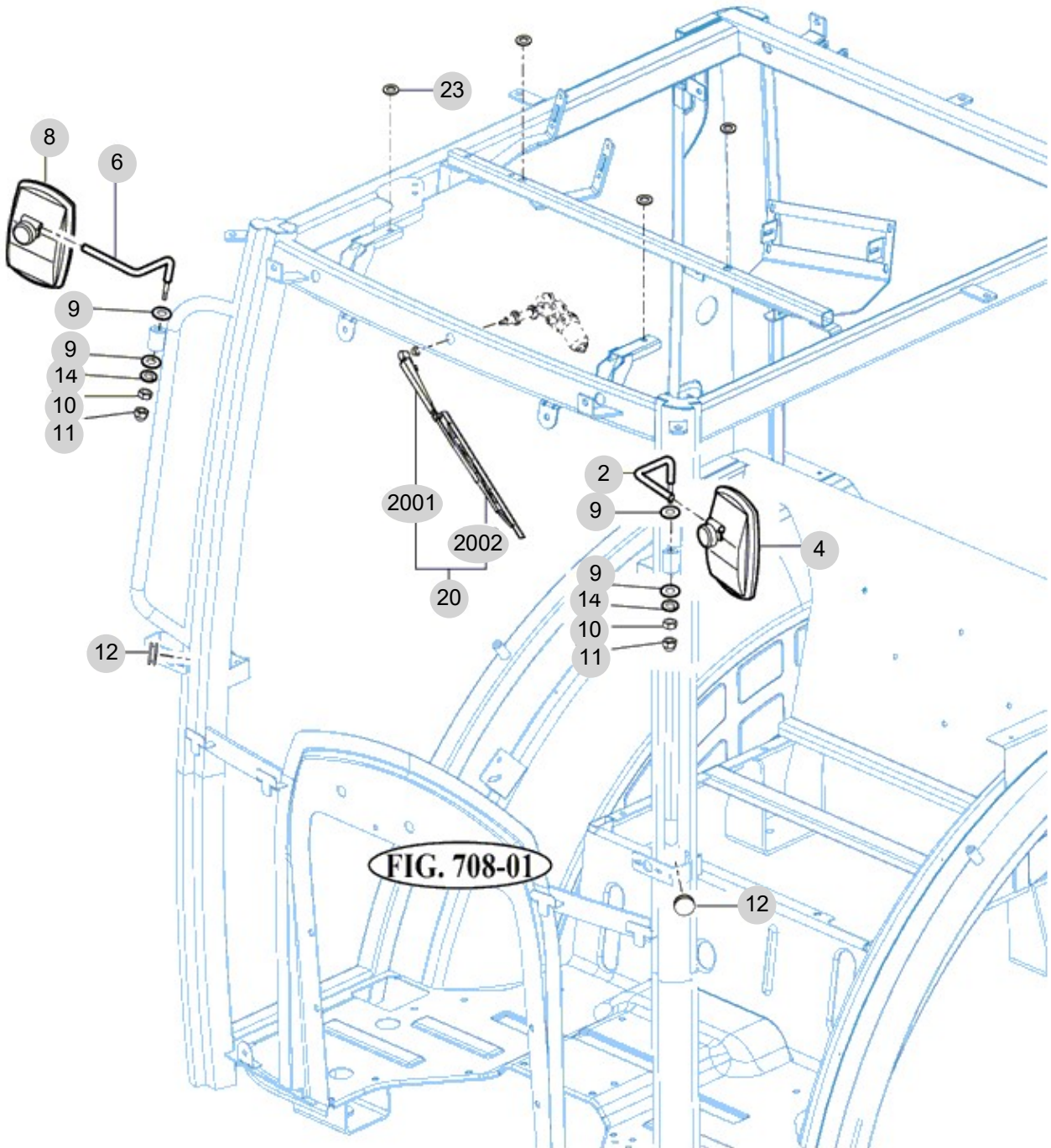
FIG 711

T394ST

MIRROR

년/월
Year/Month

2022-12



NOTE

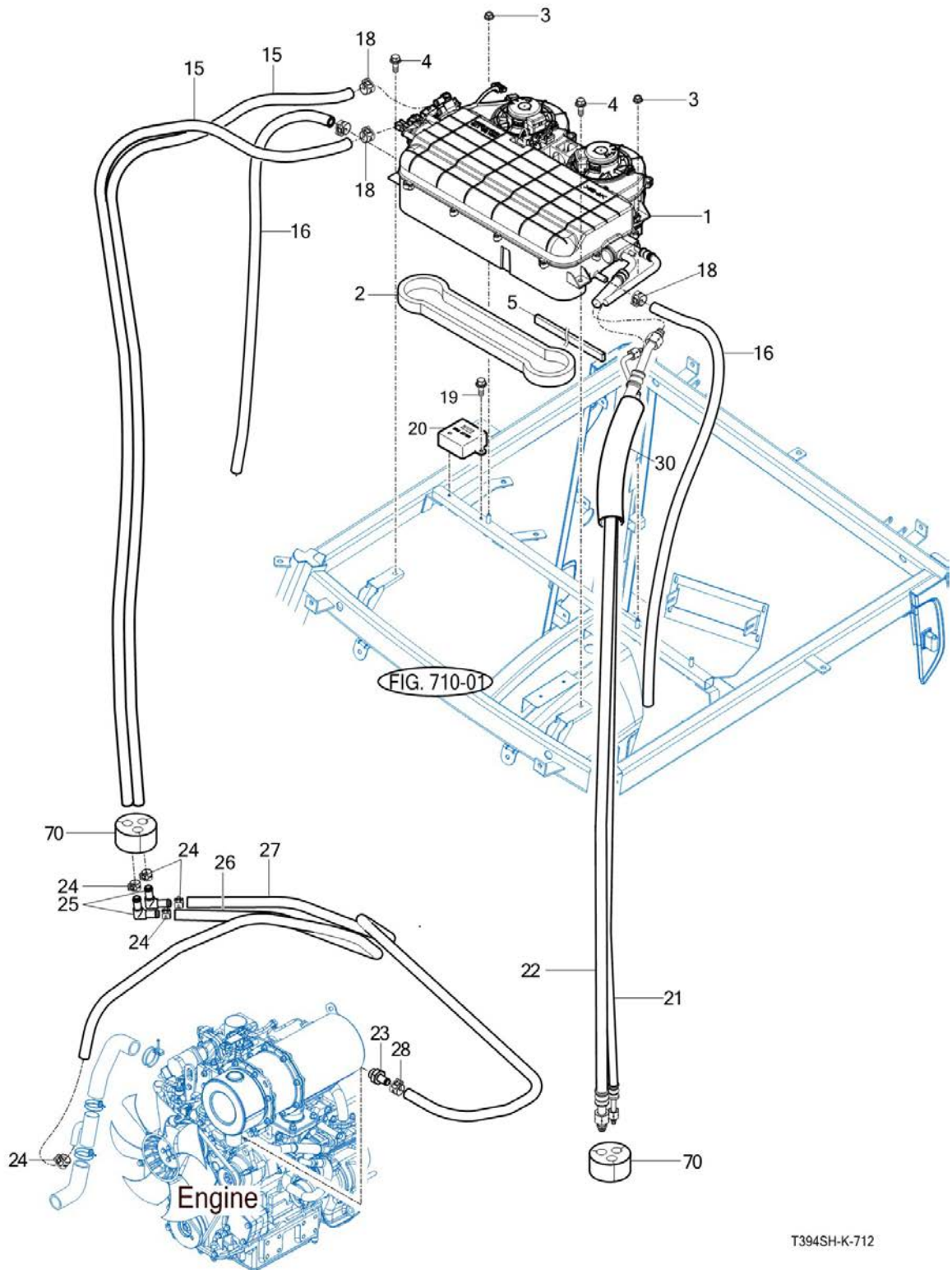
FIG 712

HEATER & AIR-CON

년/월
Year/Month

2022-12

T394ST



NOTE

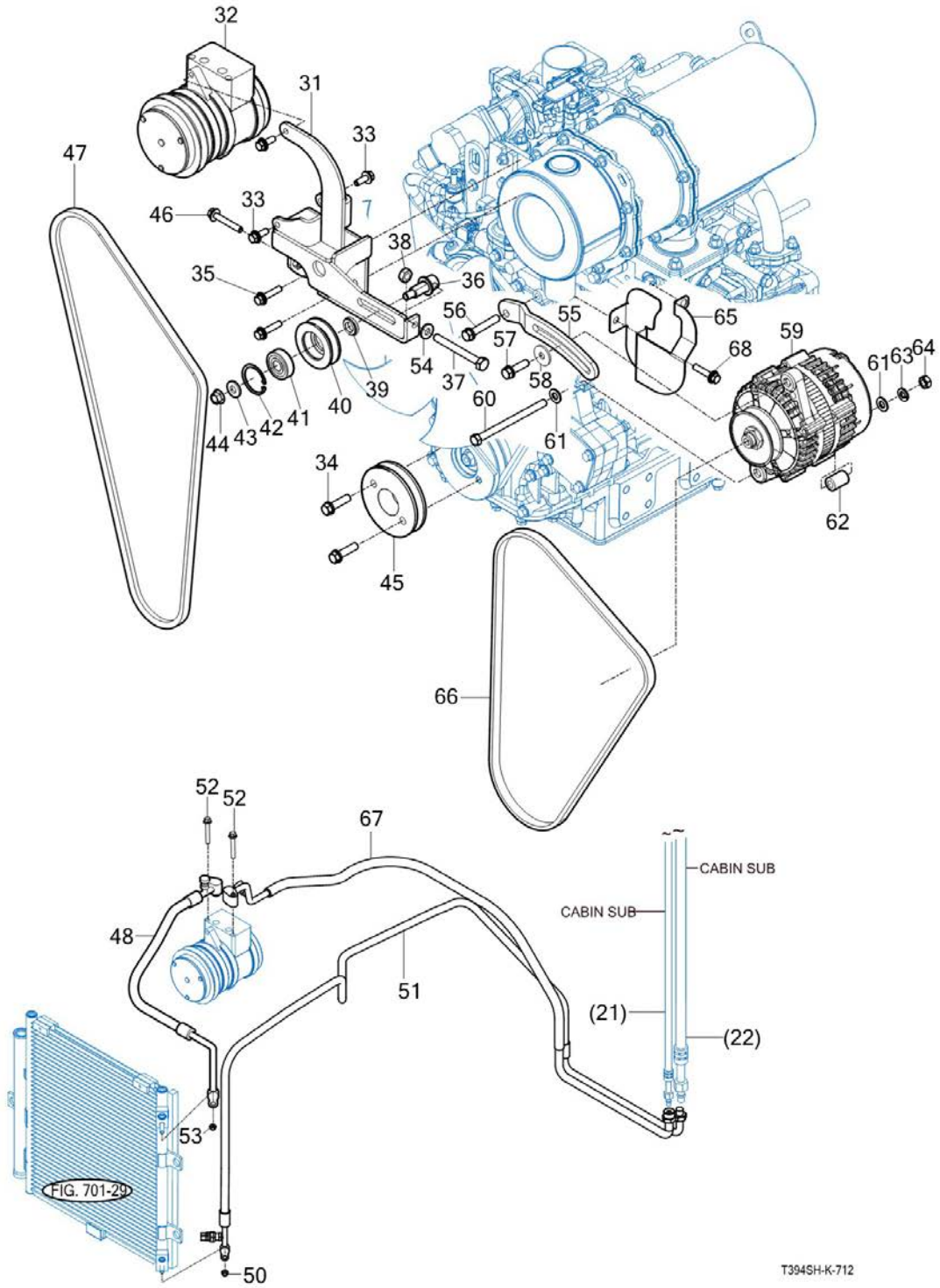
FIG 712-2

HEATER & AIR-CON

년/월
Year/Month

2022-12

T394ST



NOTE

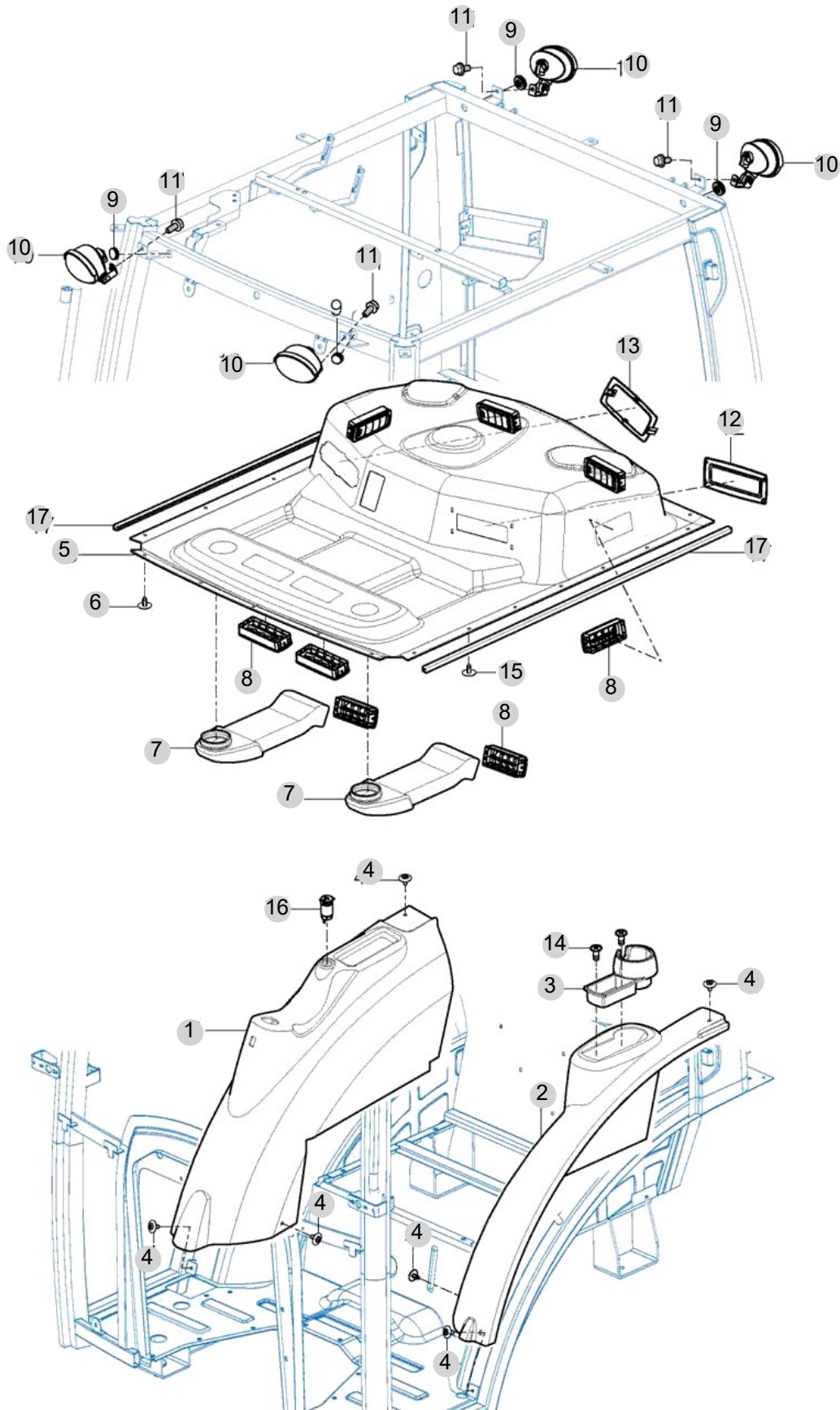
FIG 713

FENDER COVER

년/월
Year/Month

2022-12

T394ST



NOTE

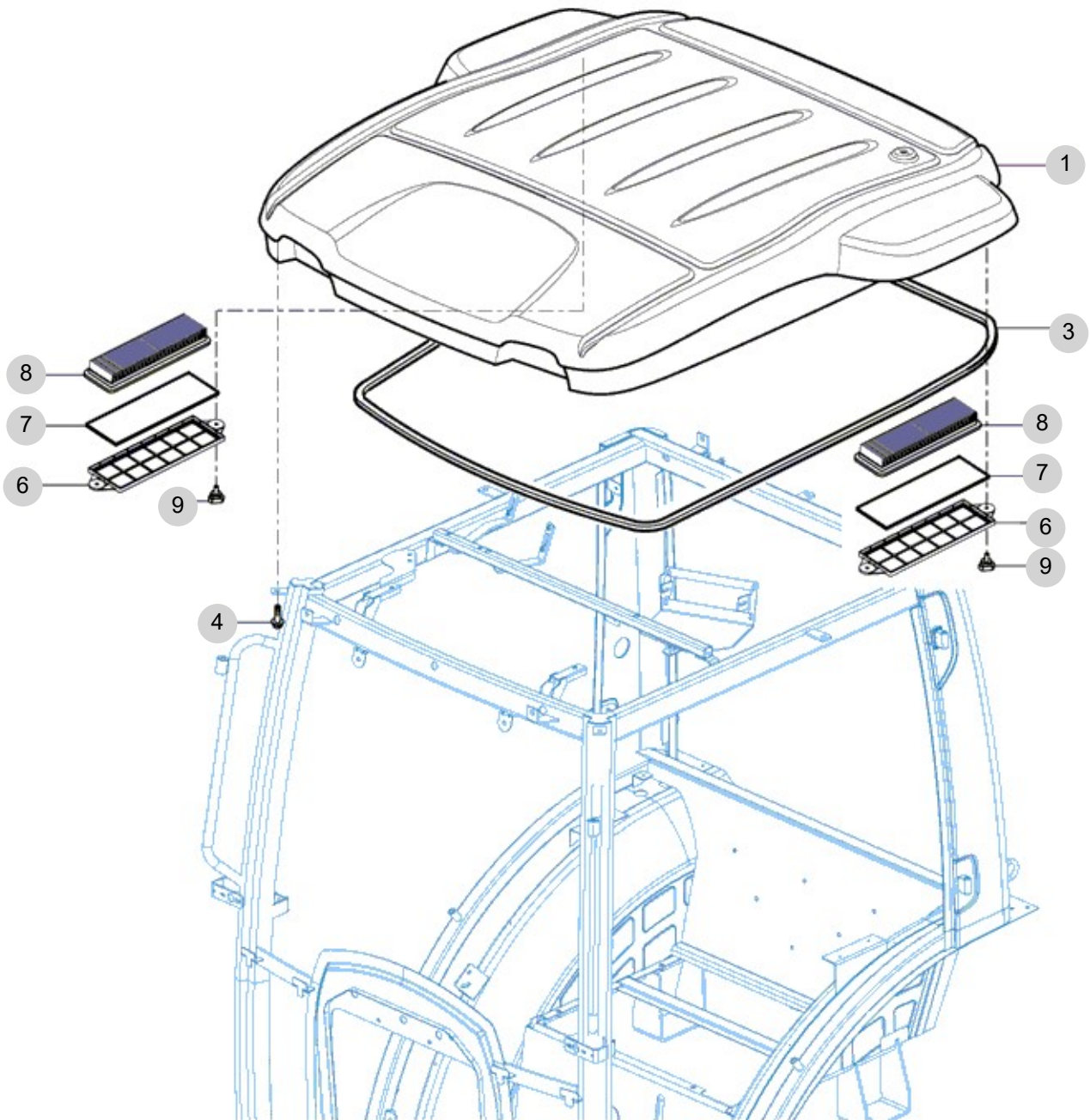
FIG 714

T394ST

ROOF

년/월
Year/Month

2022-12



NOTE

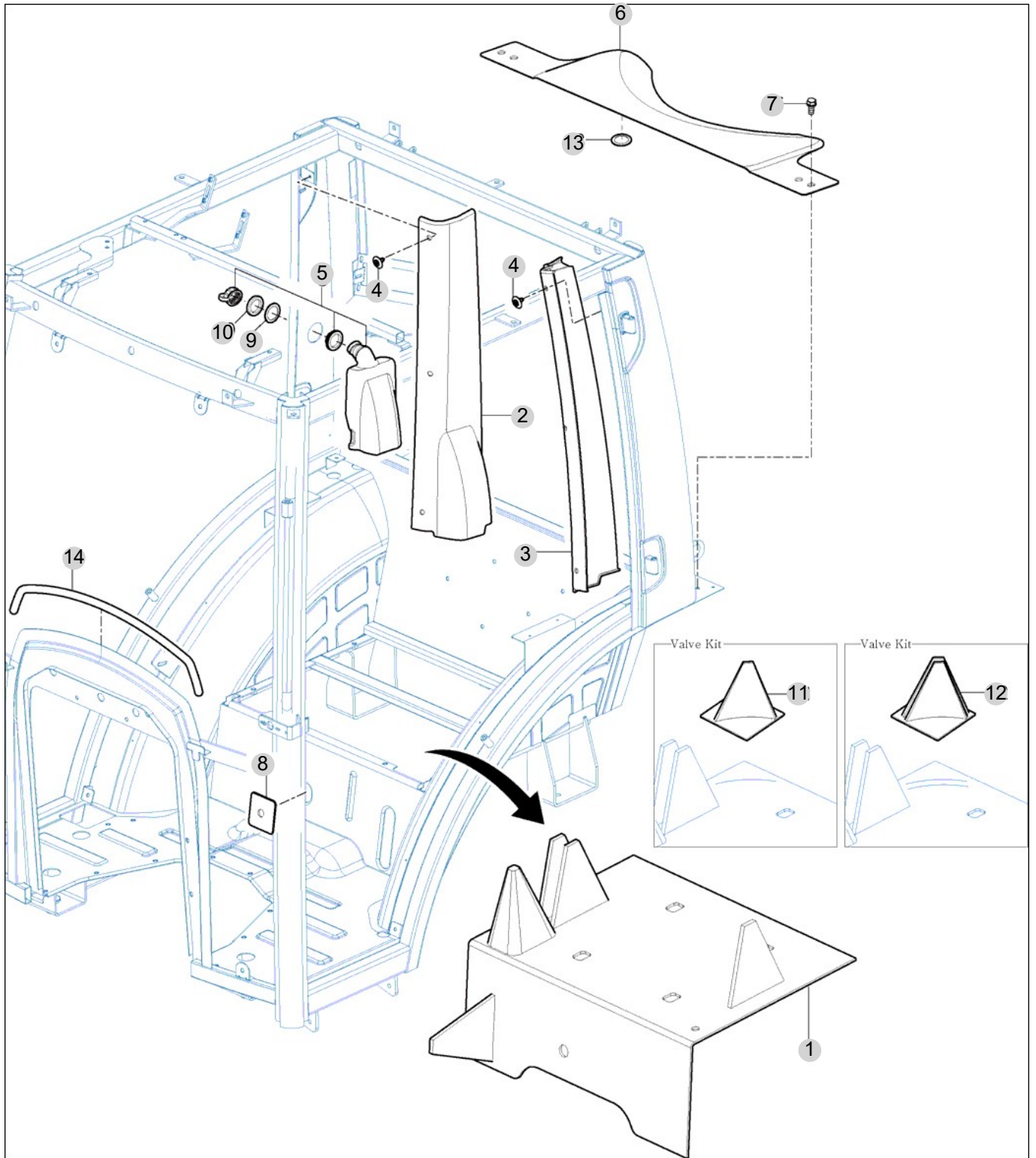
FIG 715

CABIN INTERIOR

년/월
Year/Month

T394ST

2022-12



NOTE

8. Electrical System PART NO. T8

FIG 801 BATTERY & MOUNTING	199
FIG 802 LIGHTS	201
FIG 803 INSTRUMENT PANEL	203
FIG 804 ELECTRIC SYSTEM	205
FIG 805 HARNESS (1)	207
FIG 806 HARNESS (2)	209

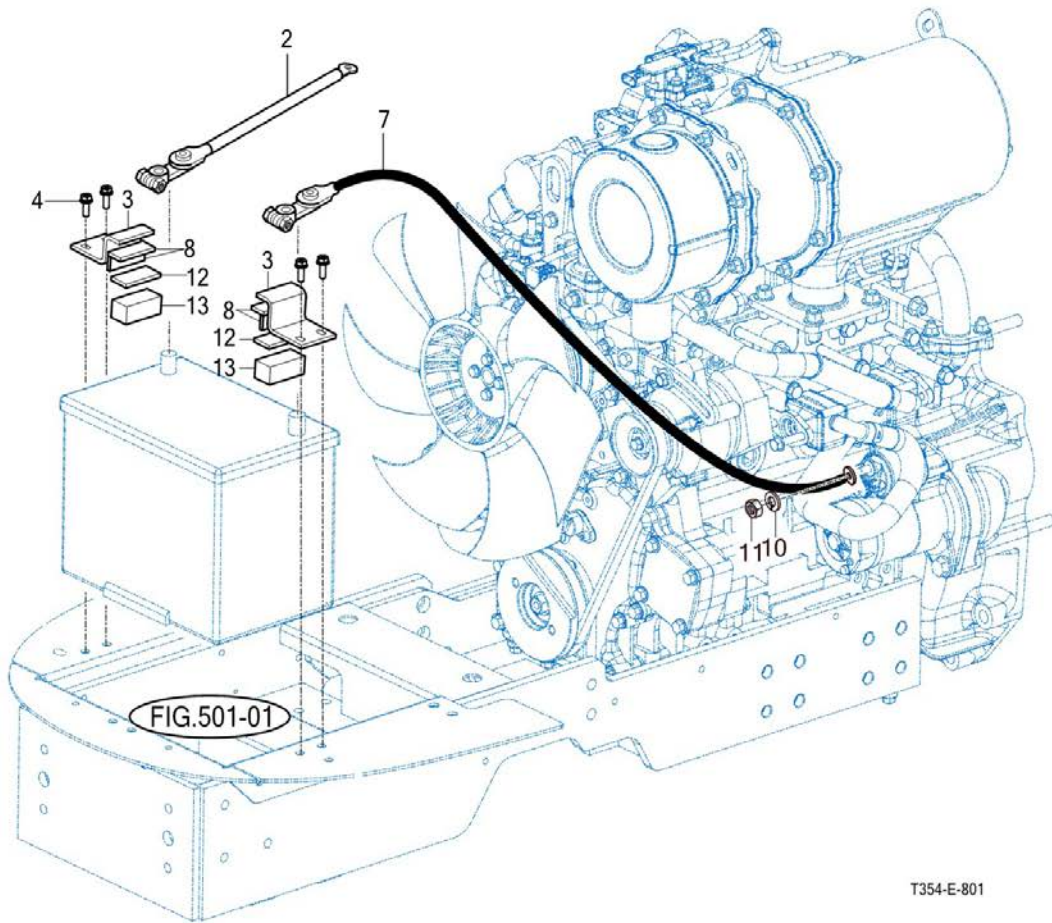
FIG 801

T394ST

BATTERY & MOUNTING

년/월
Year/Month

2022-12



T354-E-801

NOTE

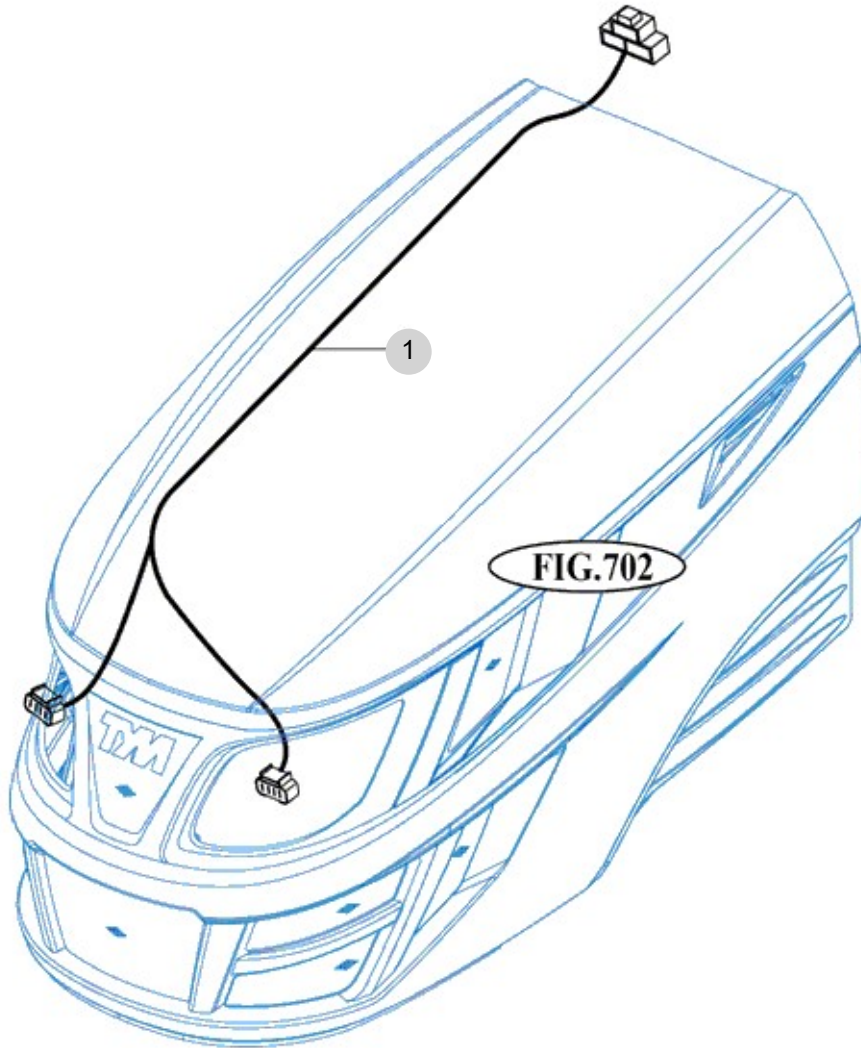
FIG 802

T394ST

LIGHTS

년/월
Year/Month

2022-12



NOTE

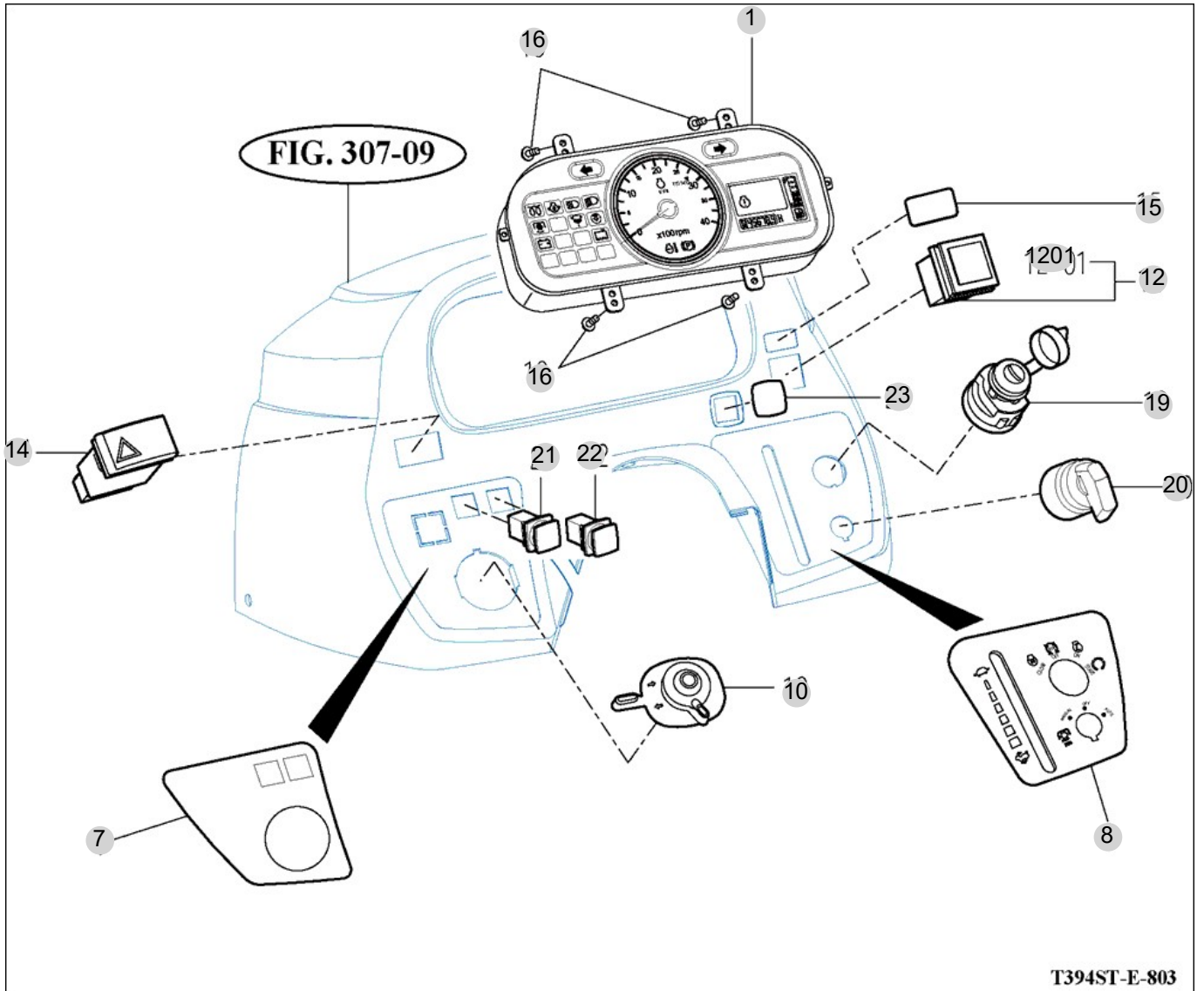
FIG 803

INSTRUMENT PANEL

년/월
Year/Month

2022-12

T394ST



NOTE

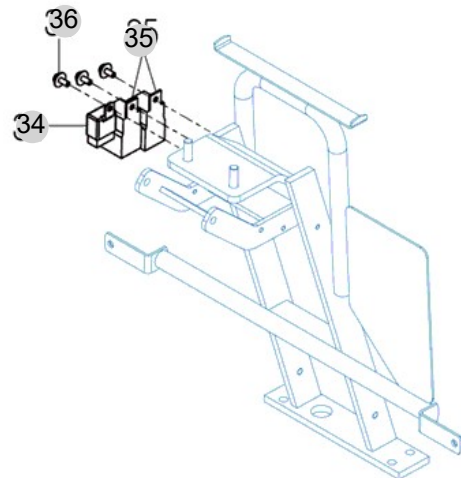
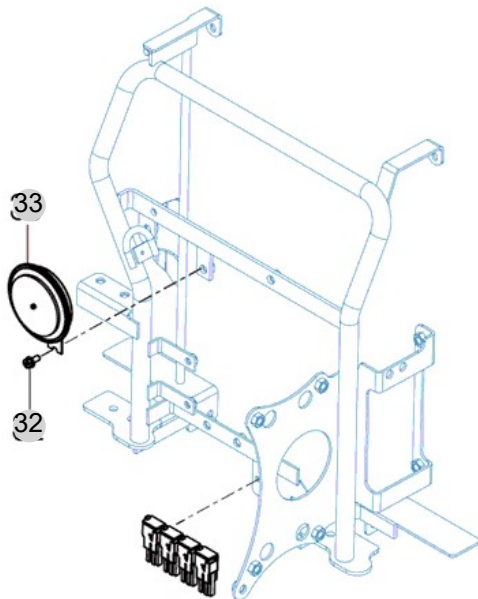
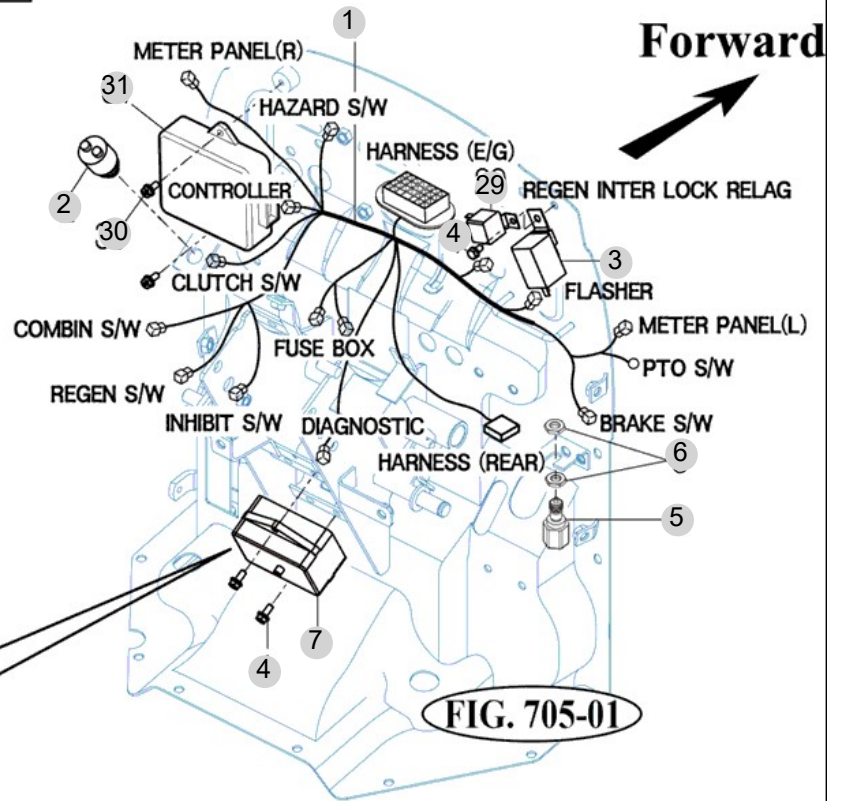
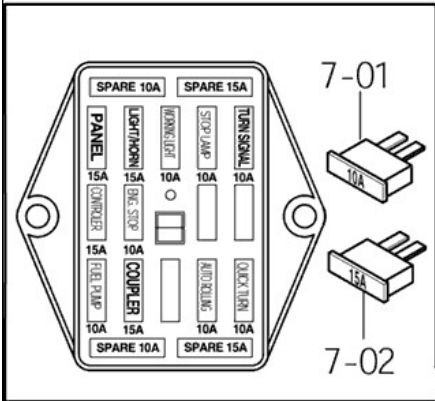
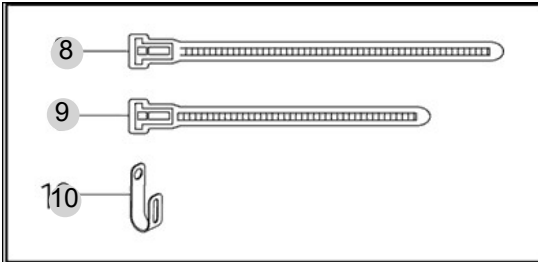
FIG 804

ELECTRIC SYSTEM

년/월
Year/Month

2022-12

T394ST



T394ST-E-804

NOTE

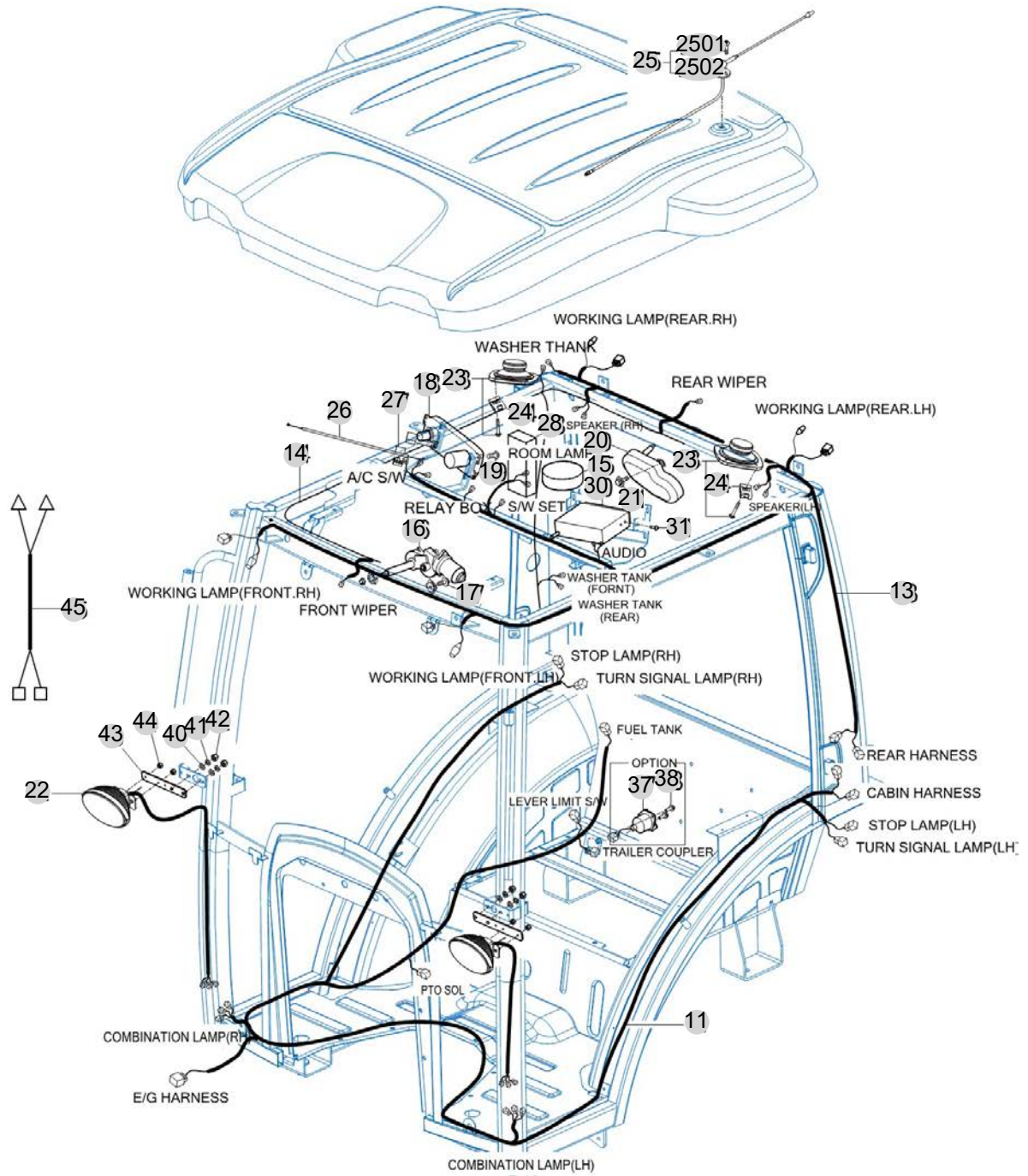
FIG 805

HARNESS (1)

년/월
Year/Month

2022-12

T394ST



T394ST-E-804

NOTE

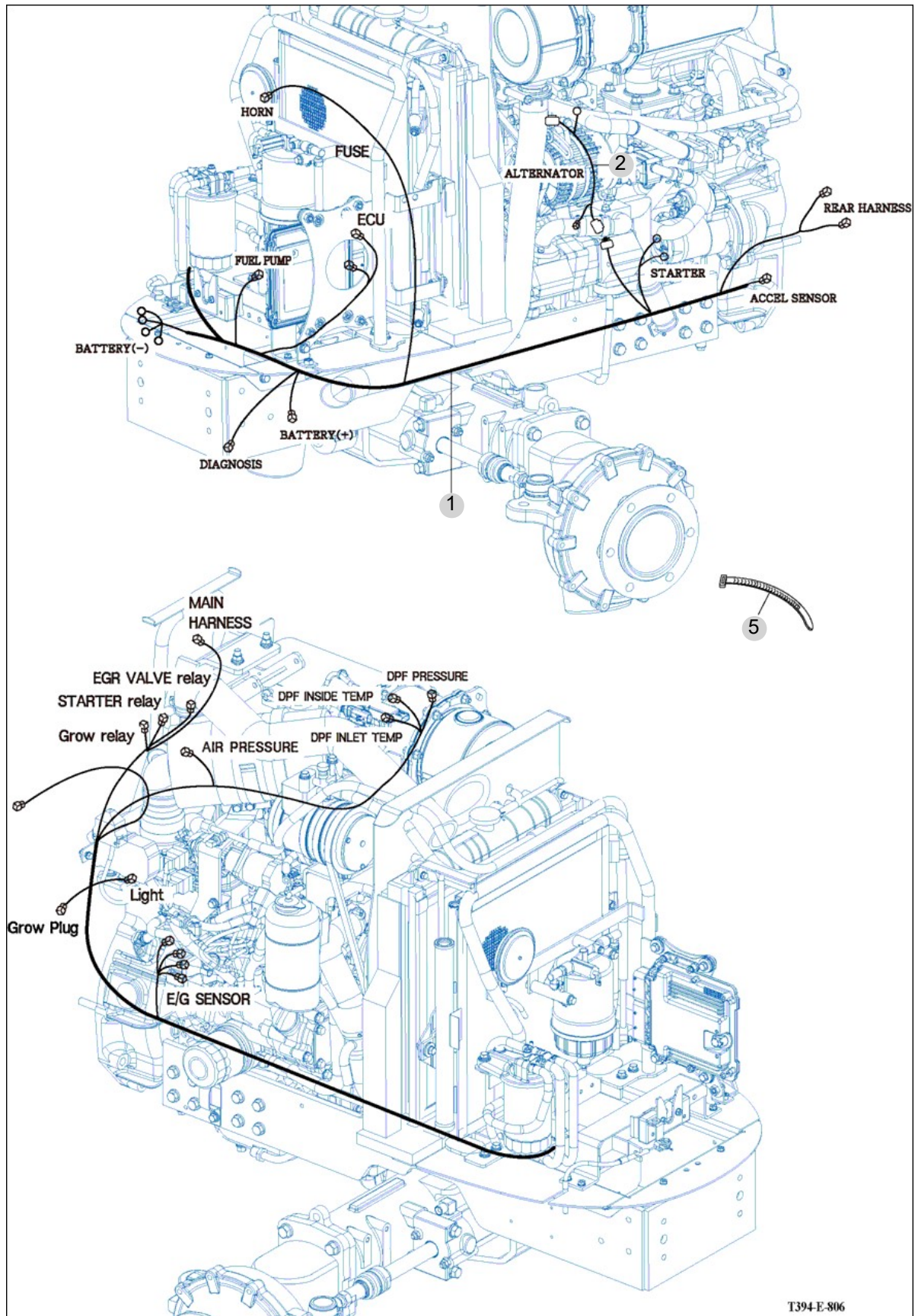
FIG 806

HARNESS (2)

년/월
Year/Month

T394ST

2022-12



T394-E-806

NOTE

9. Label/Option PART NO. T9

FIG 901 TOOL & ACCESSORY	212
FIG 902 LABEL	214
FIG 902-2 LABEL	216
FIG 903 WEIGHT	218

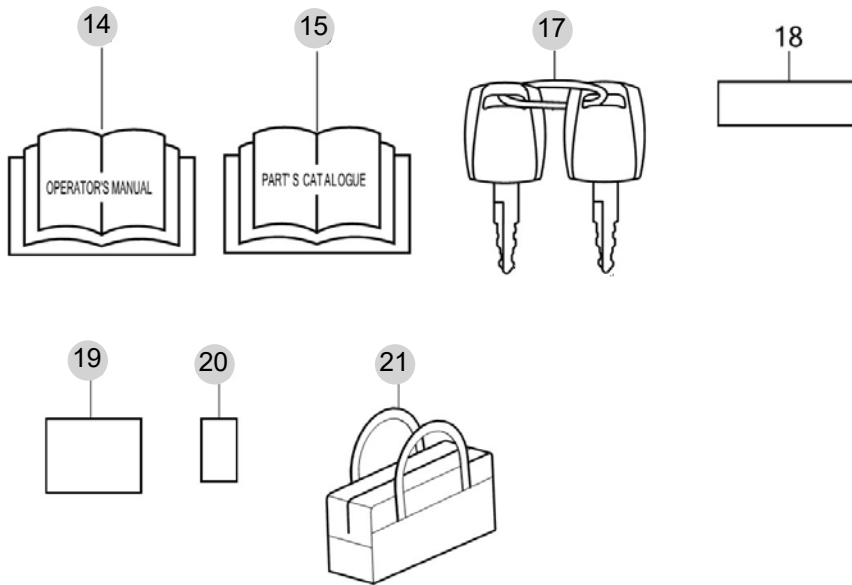
FIG 901

T394ST

TOOL & ACCESSORY

년/월
Year/Month

2022-12



NOTE

FIG 902

T394ST

LABEL

년/월
Year/Month

2022-12



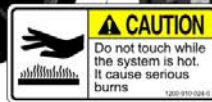
15



11



12



5



29



20



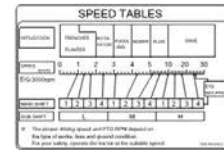
28



2



21



46



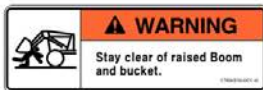
47



10



40



42



16



19



33



13



7



6

NOTE

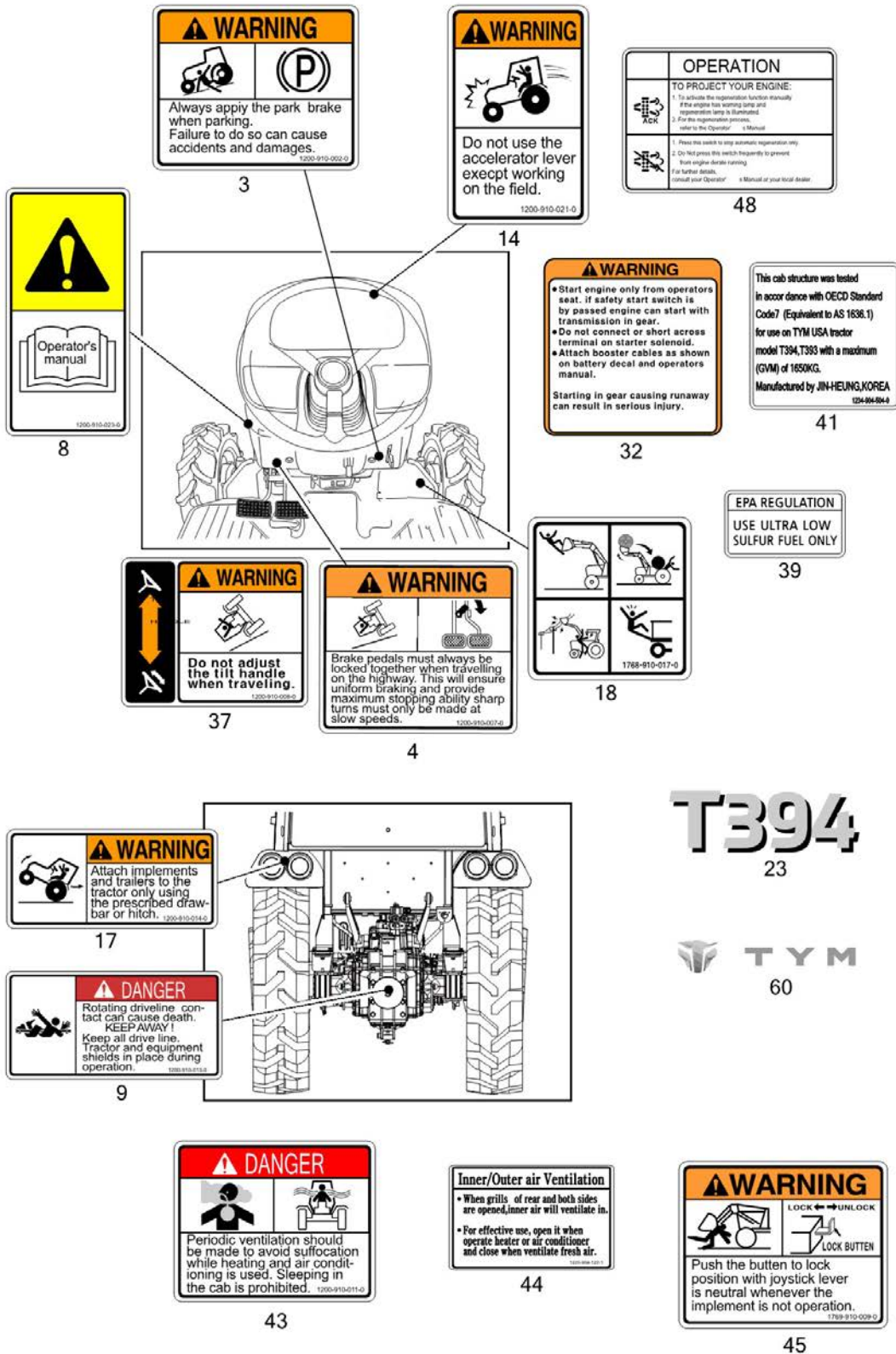
FIG 902-2

LABEL

년/월
Year/Month

T394ST

2022-12



NOTE

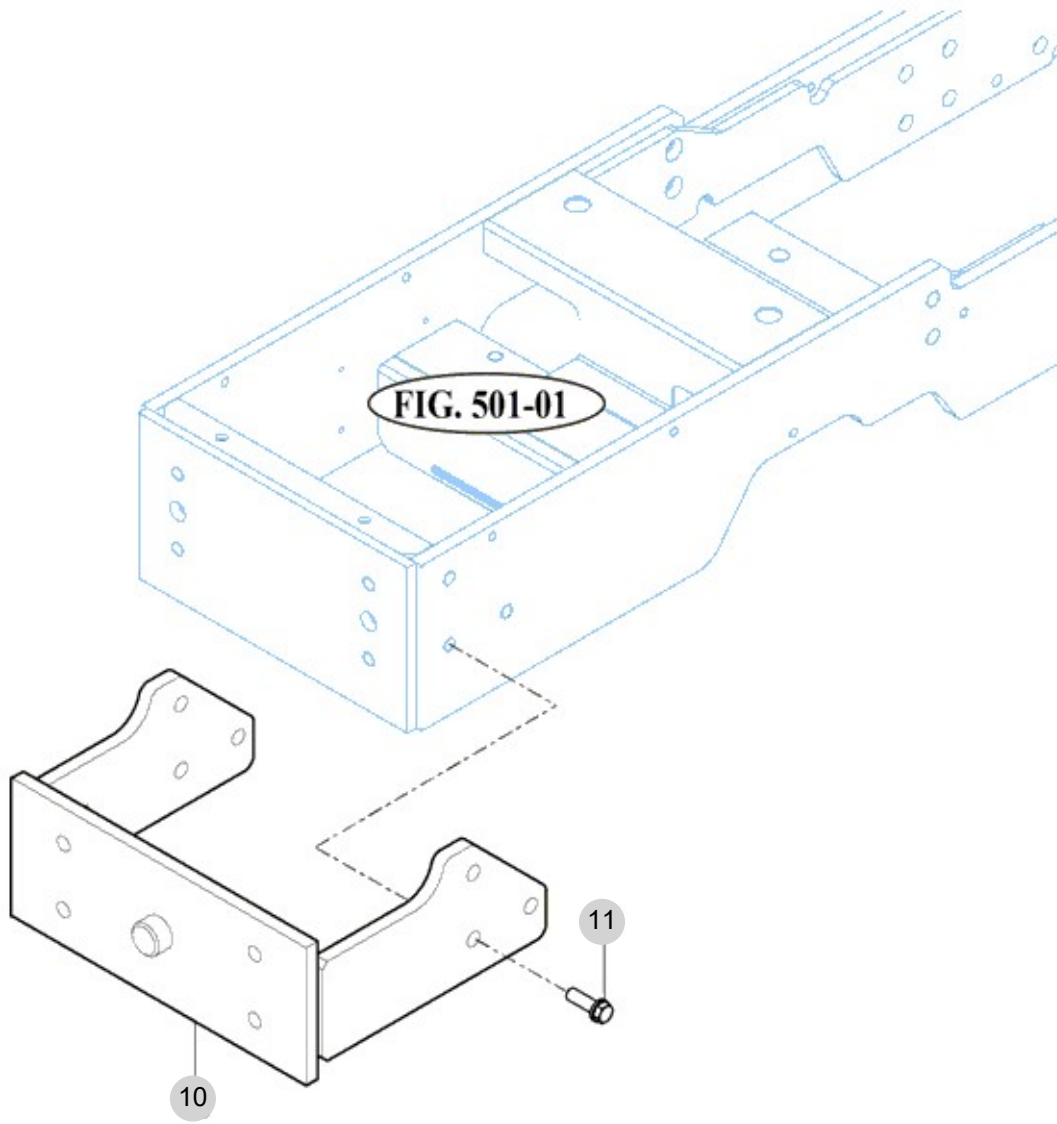
FIG 903

T394ST

WEIGHT

년/월
Year/Month

2022-12



NOTE

