

T394SH

## Parts Catalog

# 목 차

---

## 0. TRACTOR KIT PART NO. TK1

FIG 000 TRAILER SOCKET KIT	7
FIG 001 ADAPTER KIT	9
FIG 001 MID PTO KIT	11
FIG 003 REAR WIPER KIT	13

## 1. Engine PART NO. EG

FIG 100 ENGINE	16
FIG 101 CYLINDER BLOCK	18
FIG 102 GEAR HOUSING	20
FIG 103 FLYWHEEL HOUSING & OIL SUMP	22
FIG 104 CYLINDER HEAD & BONNET	24
FIG 105 SUCTION MANIFOLD	27
FIG 106 EXHAUST MANIFOLD	29
FIG 107 DIESEL PARTICULATE FILTER(DPF)	31
FIG 108 CAMSHAFT & DRIVING GEAR	33
FIG 109 CRANKSHAFT & PISTON	35
FIG 110 LUB OIL SYSTEM	37
FIG 111 COOLING WATER SYSTEM	39
FIG 112 FUEL SUPPLY PUMP	41
FIG 113 FUEL INJECTION VALVE	43
FIG 114 FUEL PIPE	45
FIG 115 STARTER MOTOR	47
FIG 117 ELECTRONIC CONTROL UNIT(ECU)	49
FIG 118 ELECTRIC PARTS	51

## 2. Engine Accessories PART NO. T2

FIG 201 AIR CLEANER	54
FIG 202 RADIATOR	56
FIG 203 MUFFLER	58

FIG 204 FUEL TANK & HOSE	60
FIG 204A KIT No. : 12397090000	62
FIG 205 OIL COOLER	64

### 3. Clutch/Brake/Steering PART NO. T3

FIG 301 FLYWHEEL & CLUTCH	67
FIG 302 BRAKE PEDAL	69
FIG 303 BRAKE	71
FIG 304 FRONT WHEEL MOUNTING	73
FIG 305 REAR WHEEL MOUNTING	75
FIG 306 STEERING WHEEL & DASH COVER	77
FIG 307 STEERING VALVE & TILT	79
FIG 308 STEERING CYLINDER	81

### 4. Transmission PART NO. T4

FIG 401 TRANSMISSION FRONT CASE	84
FIG 402 HST	86
FIG 403 MID CASE	88
FIG 404 4WD DRIVE GEAR	90
FIG 405 INPUT GEAR	92
FIG 406 SUB CHANGE GEARS	94
FIG 407 PINION GEARS	96
FIG 408 P T O DRIVE SHAFT	98
FIG 409 P T O CHANGE GEARS	100
FIG 410 DIFF LOCK	103
FIG 411 TRANSMISSION REAR CASE	105
FIG 412 REAR AXLE HOUSINGS(1)	107
FIG 413 REAR AXLE HOUSINGS(2)	109
FIG 414 MID P T O GEARS	111
FIG 415 SUB CHANGE LEVER	113
FIG 416 FORWARD & REVERSE CONTROL LINKAGE	115
FIG 417 CRUISE CONTROL KIT(OPTION)	117
FIG 418 4WD CHANGE LEVER	119

### 5. Front Axle PART NO. T5

FIG 501 FRONT AXLE BRACKET	122
----------------------------	-----

FIG 502 FRONT DIFFERENTIAL GEARS	124
FIG 503 FRONT AXLE HOUSING	126
FIG 504 FRONT GEAR CASE (1)	128
FIG 505 FRONT GEAR CASE (2)	130

## 6. Hydraulic/3P-Link PART NO. T6

FIG 601 GEAR PUMP	133
FIG 602 CYLINDER CASE	135
FIG 603 LIFT ARM	137
FIG 604 CYLINDER	139
FIG 605 POSITION LINK(1)	141
FIG 606 POSITION LINK(2)	143
FIG 607 CONTROL VALVE	145
FIG 608 POSITION LEVER	147
FIG 609 HYDRAULIC PIPE(1)	149
FIG 610 HYDRAULIC PIPE(2)	152
FIG 611 EXTERIOR HYD VALVE	154
FIG 611-2 VALVE KIT	156
FIG 612 3-POINT LINK	158
FIG 613 HITCH & COVER	160
FIG 614 EXTERIOR POSITION LEVER	162

## 7. Sheet Metal & Cabin PART NO. T7

FIG 701 HOOD (1)	165
FIG 702 HOOD (2)	168
FIG 704 FRONT & REAR MOUNTING	171
FIG 705 DASHPANEL	173
FIG 706 SEAT & MAT	175
FIG 707 DOOR	177
FIG 708 FRONT GLASS	180
FIG 709 REAR GLASS	182
FIG 710 SUB FENDER & COVER	184
FIG 711 MIRROR	186
FIG 712 HEATER & AIR-CON	188
FIG 712-2 HEATER & AIR-CON	190
FIG 713 FENDER COVER	192

FIG 714 ROOF	194
FIG 715 CABIN INTERIOR	196

## 8. Electrical System PART NO. T8

FIG 801 BATTERY & MOUNTING	199
FIG 802 LIGHTS	201
FIG 803 INSTRUMENT PANEL	203
FIG 804 ELECTRIC SYSTEM	205
FIG 805 HARNESS (1)	207
FIG 806 HARNESS (2)	209

## 9. Label/Option PART NO. T9

FIG 901 TOOL & ACCESSORY	212
FIG 902 LABEL	214
FIG 902-2 LABEL	216

## 0. TRACTOR KIT PART NO. TK1

FIG 000 TRAILER SOCKET KIT	7
FIG 001 ADAPTER KIT	9
FIG 001 MID PTO KIT	11
FIG 003 REAR WIPER KIT	13

FIG 000 T394SH	TRAILER SOCKET KIT	년/월 Year/Month 2022-12
-------------------	--------------------	------------------------------

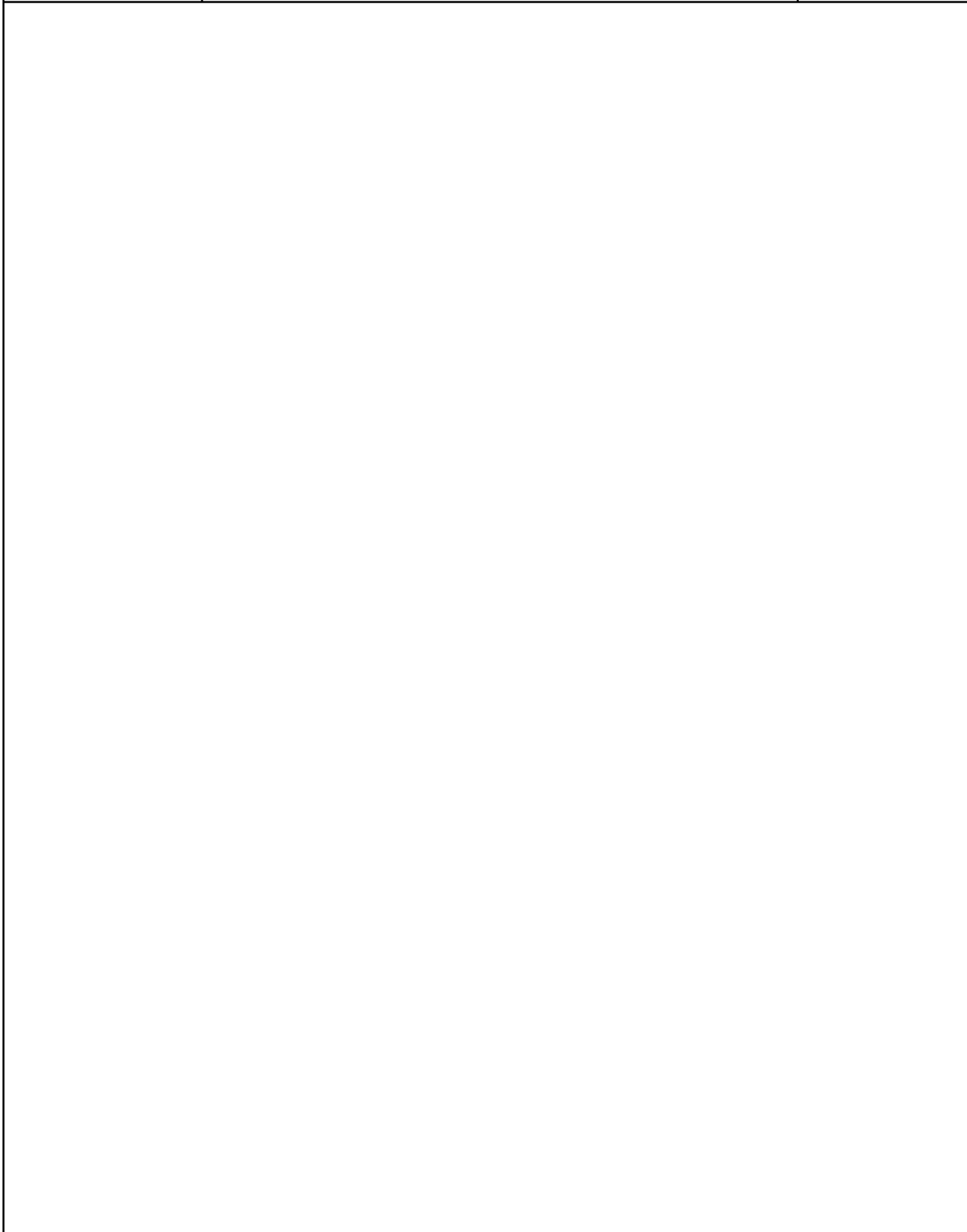
--	--

NOTE	
------	--





FIG 001 T394SH	ADAPTER KIT	년/월 Year/Month 2022-12
-------------------	-------------	------------------------------



NOTE	
------	--



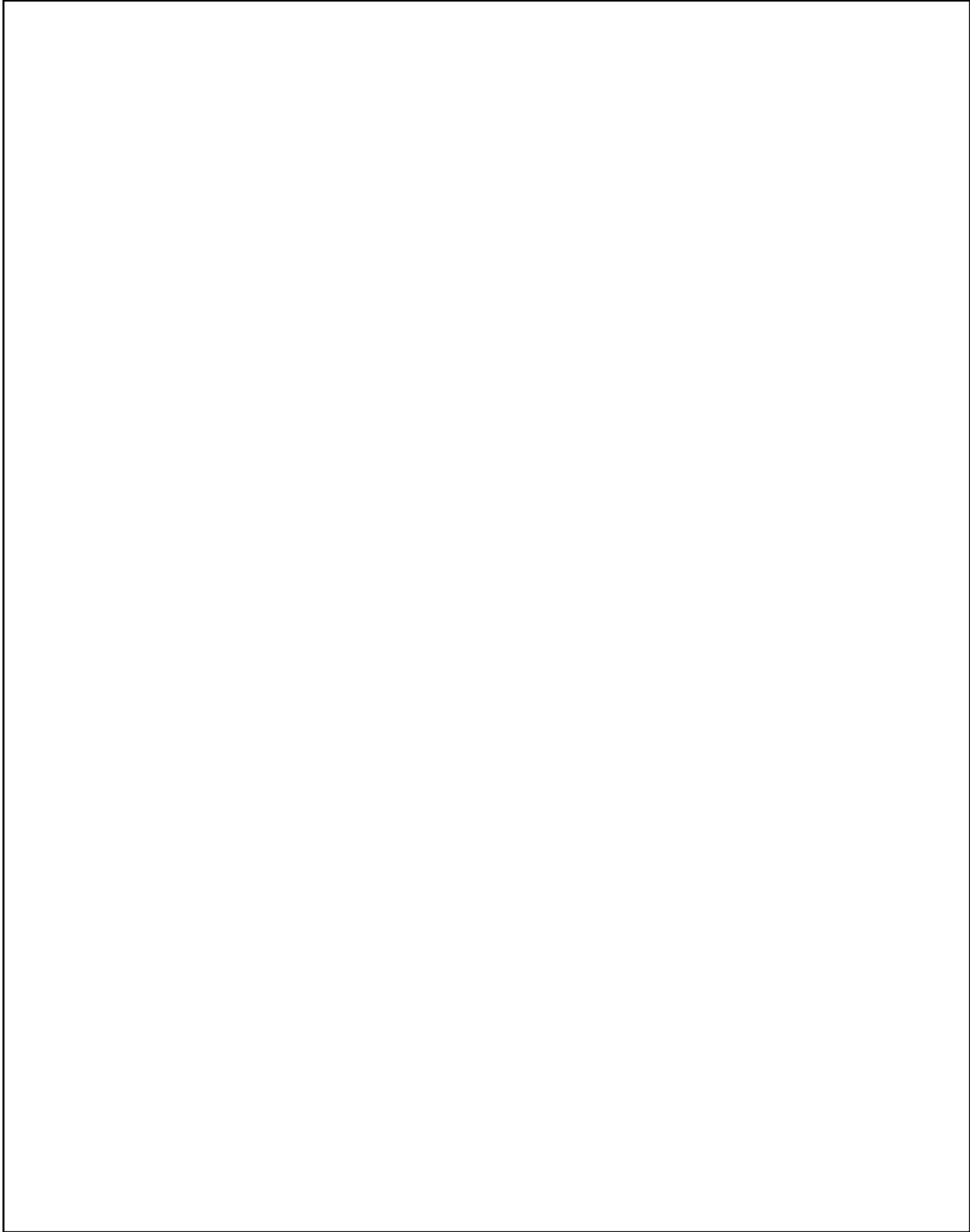
FIG 001 T394SH	MID PTO KIT	년/월 Year/Month
		2022-12

--	--

NOTE	
------	--



FIG 003 T394SH	REAR WIPER KIT	년/월 Year/Month 2022-12
-------------------	----------------	------------------------------



NOTE	
------	--



## 1. Engine PART NO. EG

FIG 100 ENGINE	16
FIG 101 CYLINDER BLOCK	18
FIG 102 GEAR HOUSING	20
FIG 103 FLYWHEEL HOUSING & OIL SUMP	22
FIG 104 CYLINDER HEAD & BONNET	24
FIG 105 SUCTION MANIFOLD	27
FIG 106 EXHAUST MANIFOLD	29
FIG 107 DIESEL PARTICULATE FILTER(DPF)	31
FIG 108 CAMSHAFT & DRIVING GEAR	33
FIG 109 CRANKSHAFT & PISTON	35
FIG 110 LUB OIL SYSTEM	37
FIG 111 COOLING WATER SYSTEM	39
FIG 112 FUEL SUPPLY PUMP	41
FIG 113 FUEL INJECTION VALVE	43
FIG 114 FUEL PIPE	45
FIG 115 STARTER MOTOR	47
FIG 117 ELECTRONIC CONTROL UNIT(ECU)	49
FIG 118 ELECTRIC PARTS	51

FIG 100 T394SH	ENGINE	년/월 Year/Month
		2022-12

--	--

NOTE	
------	--





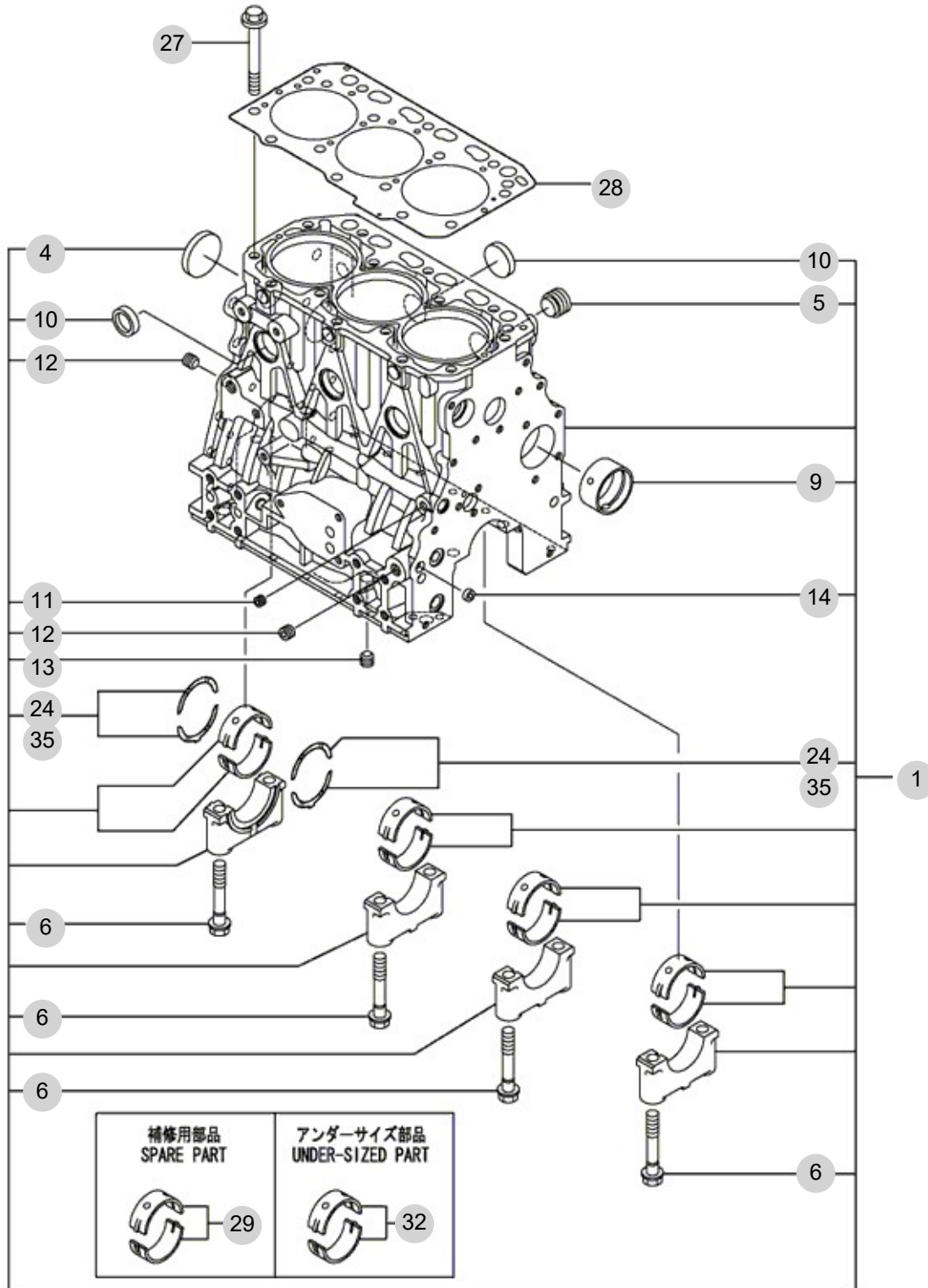
FIG 101

CYLINDER BLOCK

년/월  
Year/Month

2022-12

T394SH



NOTE



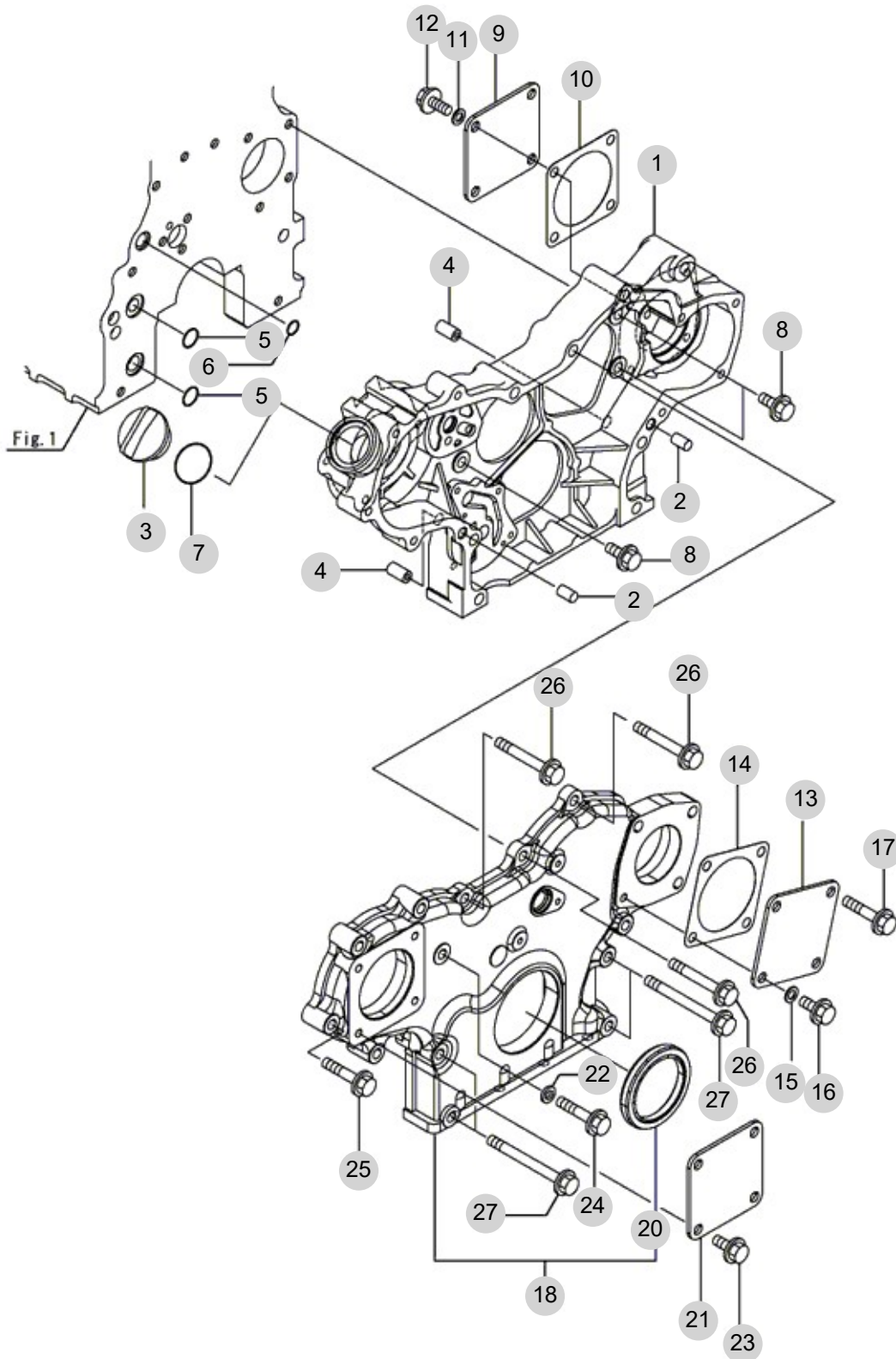
FIG 102

GEAR HOUSING

년/월  
Year/Month

2022-12

T394SH



NOTE

<b>FIG 102</b> T394SH	<b>GEAR HOUSING</b>	년/월 Year/Month 2022-12
--------------------------	---------------------	------------------------------

KEY NO	PART NO	DESCRIPTION	SPEC	QTY	REPAIR	EFFECTIVE DATE	REMARKS
102	1	129C00-01500	CASE, GEAR	1			
102	2	129100-01580	PIN, PARALLEL 8X16	2			
102	3	124160-01751	CAP, FILLER	1			
102	4	129795-01950	PIPE, DOWEL L=18	2			
102	5	119609-32040	O-RING, P16	2			
102	6	119624-32040	O-RING, P12.0	1			
102	7	24311-000320	O-RING, 1AP32.0	1			
102	8	26106-080162	BOLT, M8X 16 PLATED	3			
102	9	124240-01871	COVER, PUMP	1			
102	10	129C26-01890	GASKET, HO-P	1			
102	11	22190-080002	WASHER, SEAL 8	1			
102	12	26106-080162	BOLT, M8X 16 PLATED	4			
102	13	124240-01871	COVER, PUMP	1			
102	14	129C26-01890	GASKET, HO-P	1			
102	15	22190-080002	WASHER, SEAL 8	1			
102	16	26106-080142	BOLT, M8X 14 PLATED	1			
102	17	26106-080352	BOLT	3			
102	18	129C00-01550	COVER ASSY, GEAR CAS	1			
102	20	119934-01800	SEAL, OIL	1			
102	21	124240-01871	COVER, PUMP	1			
102	22	22190-080002	WASHER, SEAL 8	1			
102	23	26106-080162	BOLT, M8X 16 PLATED	4			
102	24	26106-080352	BOLT	1			
102	25	26106-080402	BOLT, M8X 40 PLATED	5			
102	26	26106-080602	BOLT, M8X 60 PLATED	3			
102	27	26106-080852	BOLT	4			

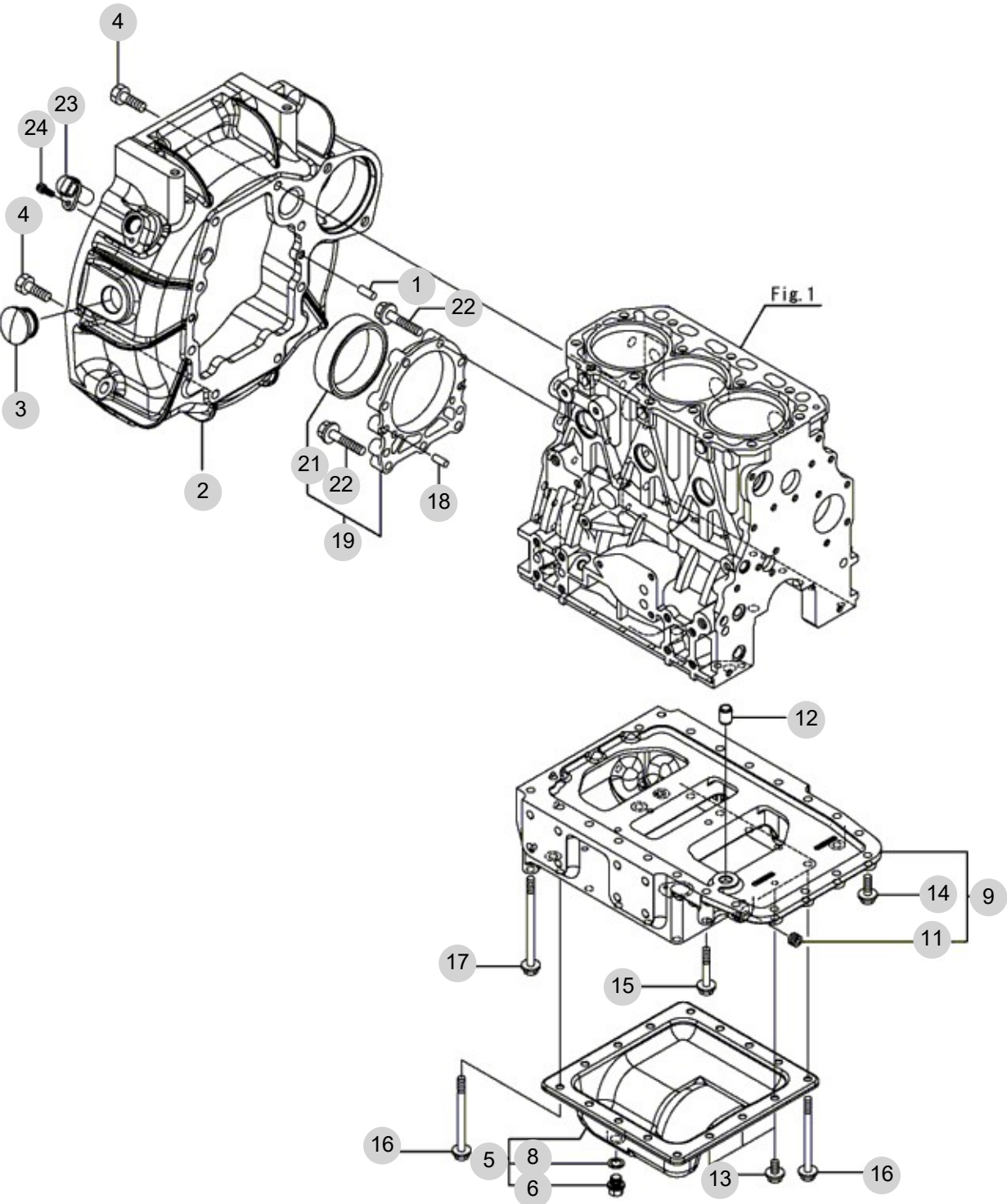
NOTE	
------	--

FIG 103

FLYWHEEL HOUSING & OIL SUMP

년/월  
Year/Month

2022-12



NOTE



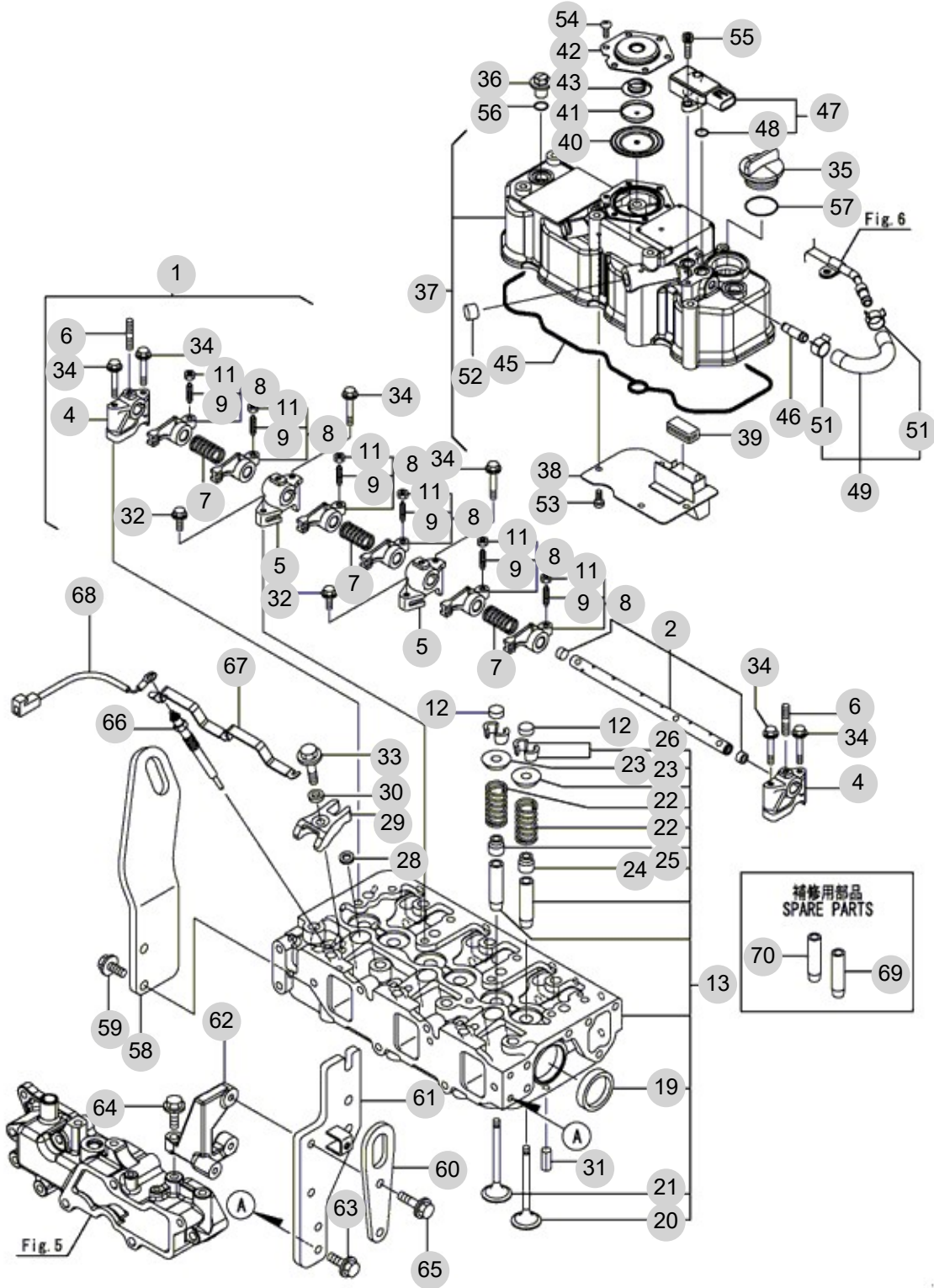
FIG 104

CYLINDER HEAD & BONNET

년/월  
Year/Month

2022-12

T394SH



NOTE



FIG 104		CYLINDER HEAD & BONNET					년/월 Year/Month		
							2022-12		
T394SH		KEY NO	PART NO	DESCRIPTION	SPEC	QTY	REPAIR	EFFECTIVE DATE	REMARKS
104	1	129004-11241	SHAFT ASSY, ROCKER			1			
104	2	129004-11251	SHAFT, ROCKER ARM			1			
104	4	119802-11260	SUPPORT, ROCKER ARM			2			
104	5	119802-11270	SUPPORT, ROCKER ARM			2			
104	6	119802-11280	BOLT, STUD			3			
104	7	129150-11280	SPRING, ROCKER			3			
104	8	129004-11650	ARM ASSY, ROCKER			6			
104	9	129150-11230	SCREW, VALVE ADJUST			6			
104	11	129150-11750	NUT, M8			6			
104	12	129150-11370	CAP, VALVE			6			
104	13	129A00-11710	HEAD ASSY, CYLINDER			1			
104	19	27241-400000	PLUG, 40			2			
104	20	129005-11100	VALVE, SUCTION			3			
104	21	129100-11112	VALVE, EXHAUST			3			
104	22	129795-11120	SPRING, VALVE			6			
104	23	129795-11180	RETAINER, SPRING			6			
104	24	124460-11340	SEAL, VALVE STEM			3			
104	25	129A00-11340	SEAL, VALVE STEM			3			
104	26	27310-080001	COTTER, 8			6			
104	28	129978-11871	GASKET,INJECTOR			3			
104	29	129A00-11900	RETAINER, INJECTOR			3			
104	30	120270-54410	WASHER, INJECTOR			3			
104	31	22351-060012	PIN, SPRING 6.0X12			2			
104	32	26106-080252	SCREW , HEX FLANGE HEAD CAP			2			
104	33	26106-080352	BOLT			3			
104	34	26106-080502	BOLT, M8X 50 PLATED			6			
104	35	124160-01751	CAP, FILLER			1			
104	36	124160-11360	KNOB			3			
104	37	129A00-11360	BONNET ASSY			1			
104	38	129004-03010	PLATE, BAFFLE			1			
104	39	129150-03070	BAFFLE, BREATHER			1			
104	40	123907-03100	DIAPHRAGM			1			
104	41	123907-03110	PLATE			1			
104	42	123907-03120	PLATE, BREATHER			1			
104	43	123907-03140	SPRING, DIAPHRAGM			1			
104	45	129A00-11310	GASKET, BONNET			1			
104	46	129A00-11330	JOINT			1			
104	47	129978-12700	SENSOR,PRESSURE			1			
104	48	129A00-12780	O-RING,PRES SENSOR			2			
104	49	129A00-13360	HOSE ASSY, PRES EXH			1			
104	51	129A00-13380	CLIP, HOSE 14			2			
104	52	119640-61400	PLUG			1			
104	53	22857-500100	SCREW, 5X10			4			
104	54	22857-500100	SCREW, 5X10			6			
104	55	26450-060162	BOLT, M6X 16			2			
NOTE									



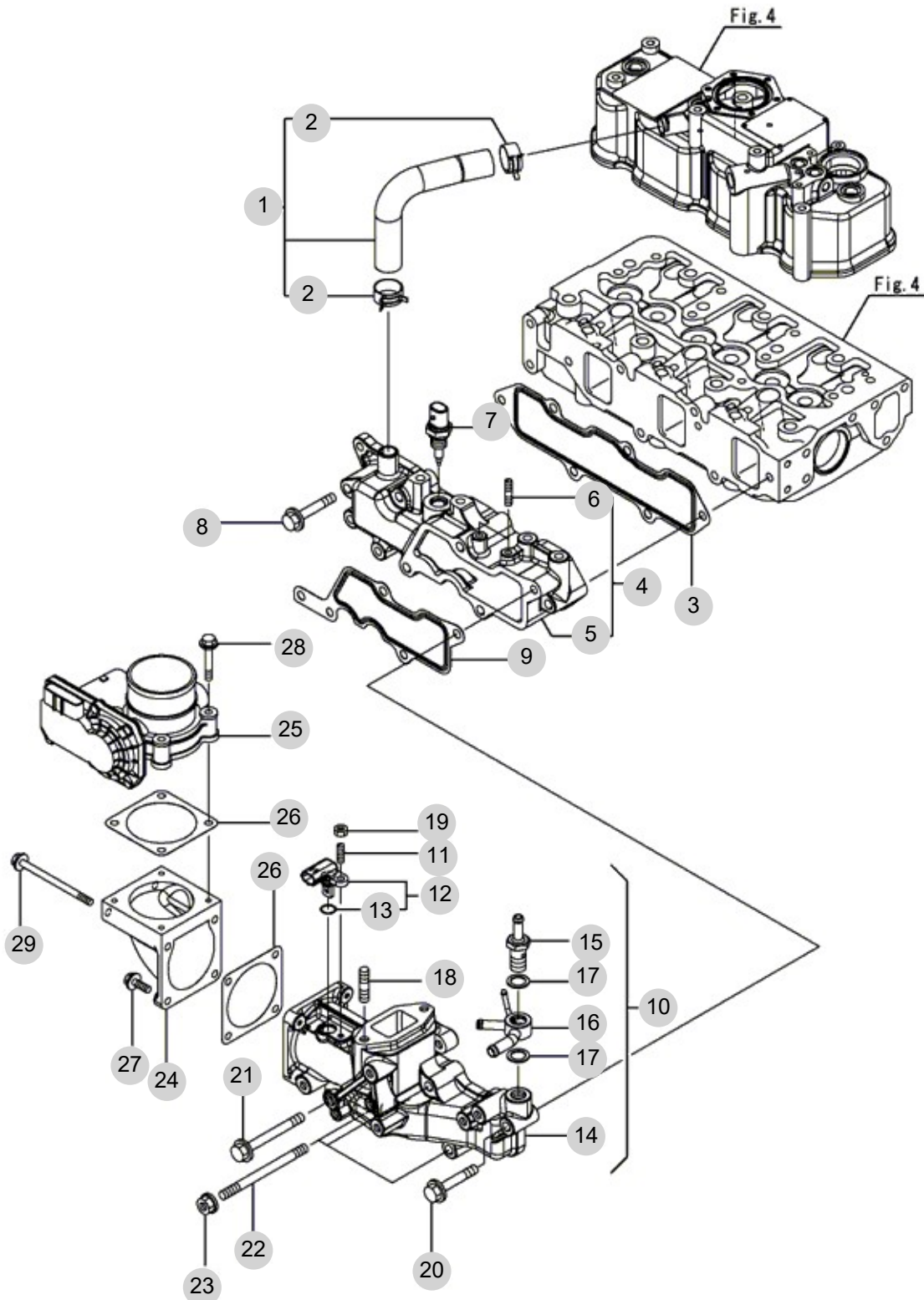
FIG 105

SUCTION MANIFOLD

년/월  
Year/Month

2022-12

T394SH



NOTE

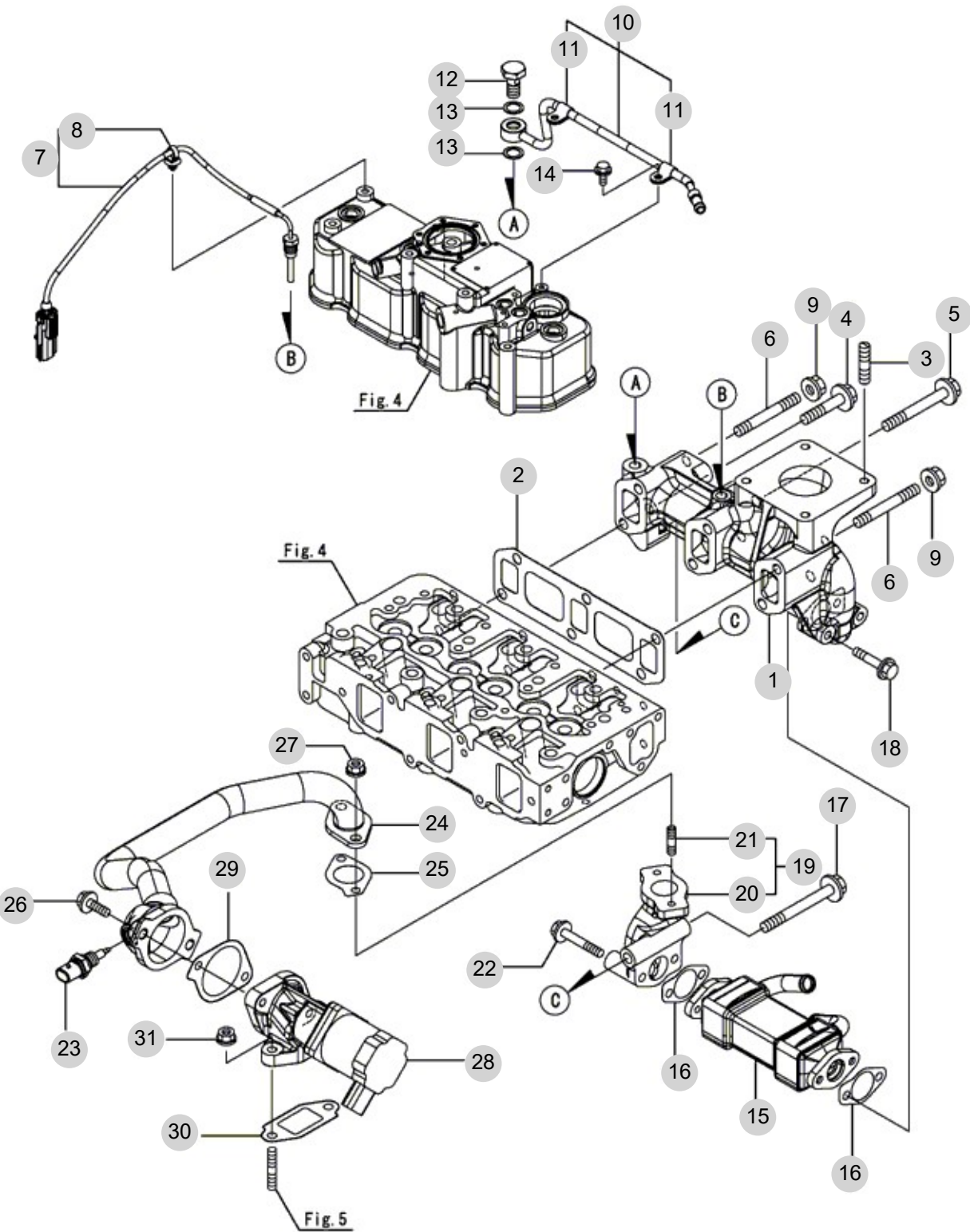


FIG 106

EXHAUST MANIFOLD

년/월  
Year/Month

2022-12



NOTE



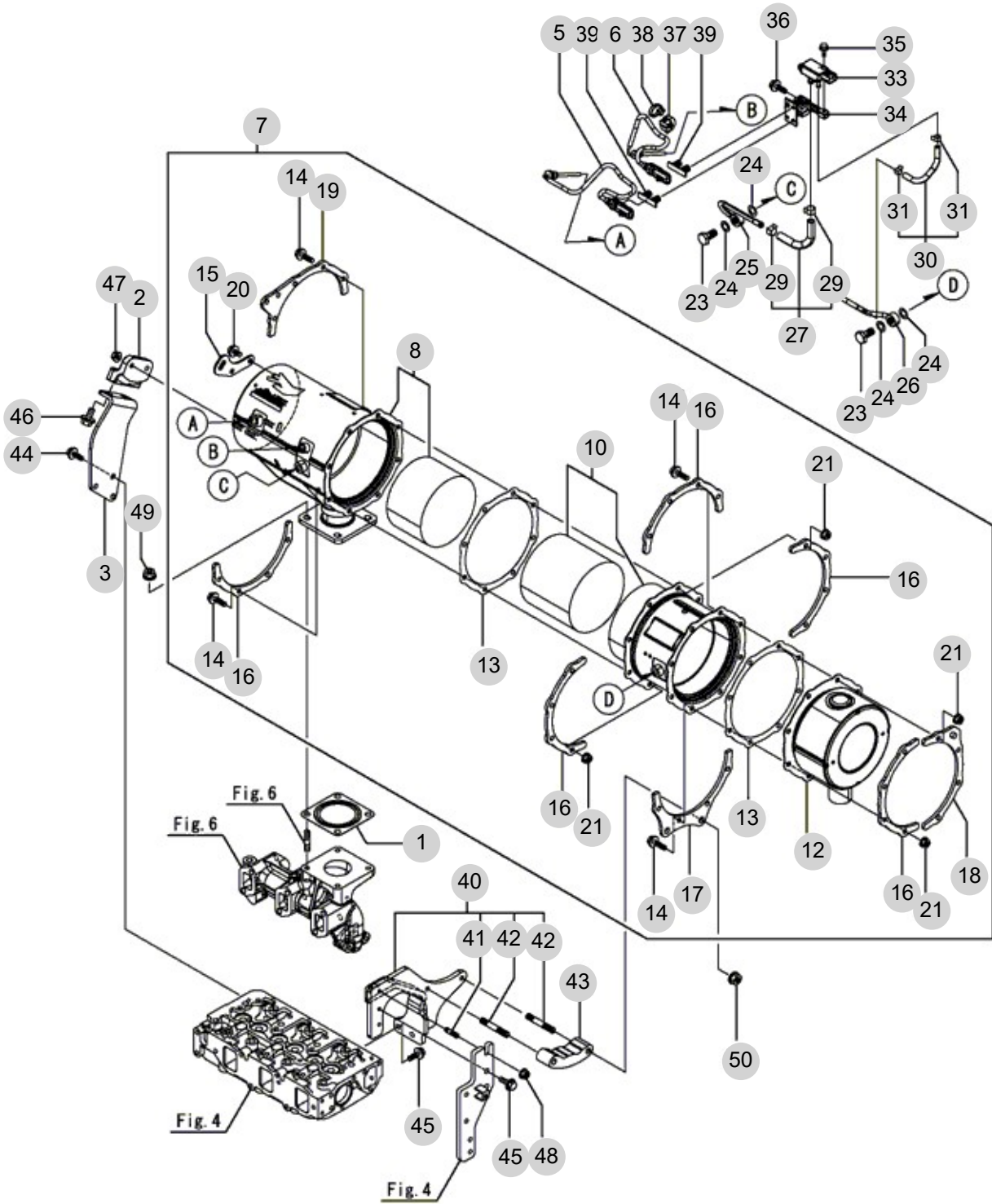
FIG 107

DIESEL PARTICULATE FILTER(DPF)

년/월  
Year/Month

2022-12

T394SH



NOTE

FIG 107		DIESEL PARTICULATE FILTER(DPF)					년/월 Year/Month	
T394SH		2022-12						
KEY NO	PART NO	DESCRIPTION	SPEC	QTY	REPAIR	EFFECTIVE DATE	REMARKS	
107	1	128300-13230	GASKET, SILENCER		1			
107	2	129A00-16820	STAY,DPF		1			
107	3	129A00-16830	STAY,DPF		1			
107	5	129C00-13940	SENSOR, EXH.TEMP		1			
107	6	129C00-13950	SENSOR, EXH.TEMP		1			
107	7	129A26-16000	DPF ASSY		1			
107	8	129A00-16210	CASE, DOC		1			
107	10	129A00-16410	CASE, SOOT FILTER		1			
107	12	129A00-16500	SILENCER, DPF		1			
107	13	129A00-16600	GASKET, DPF		2			
107	14	129A00-16610	BOLT, M8X28 10.9T		16			
107	15	129C01-16690	LIFTER, DPF		1			
107	16	129A00-16700	STIFFENER, DPF A		5			
107	17	129A00-16720	STIFFENER, DPF B		1			
107	18	129A00-16740	STIFFENER, DPF C		1			
107	19	129A00-16750	STIFFENER, DPF C		1			
107	20	26106-080142	BOLT, M8X 14 PLATED		2			
107	21	26306-080002	NUT, M8		16			
107	23	129A00-13350	BOLT, PIPE JOINT		2			
107	24	129A00-17311	GASKET,SENSOR		4			
107	25	129A00-17330	PIPE ASSY, SENSOR		1			
107	26	129A00-17360	PIPE ASSY, SENSOR		1			
107	27	129A00-17610	HOSE ASSY,PRES EXH		1			
107	29	129A00-17520	CLIP, HOSE		2			
107	30	129A00-17670	HOSE ASSY,PRES EXH		1			
107	31	129A00-17570	CLIP, HOSE		2			
107	33	129978-17700	SENSOR,PRESSURE		1			
107	34	129A00-17780	BRACKET, SENSOR		1			
107	35	26106-060162	BOLT, M6X 16 PLATED		2			
107	36	26106-080202	BOLT, M8X 20 PLATED	8X20	2			
107	37	129A00-91200	BAND CLIP		1			
107	38	129C00-91200	BAND		1			
107	39	129A00-91430	CLIP, CONNECTOR		2			
107	40	129A26-17360	STAY ASSY, DPF		1			
107	41	26216-080202	STUD, M8X 20		1			
107	42	26216-100552	STUD, M10X 55		2			
107	43	129A23-17370	SPACER, DPF		1			
107	44	26106-080162	BOLT, M8X 16 PLATED		3			
107	45	26106-080202	BOLT, M8X 20 PLATED	8X20	4			
107	46	26106-100202	FLANGE BOLT		2			
107	47	26306-080002	NUT, M8		2			
107	48	26306-080002	NUT, M8		1			
107	49	26306-100002	NUT, M10		4			
107	50	26306-100002	NUT, M10		2			
NOTE								



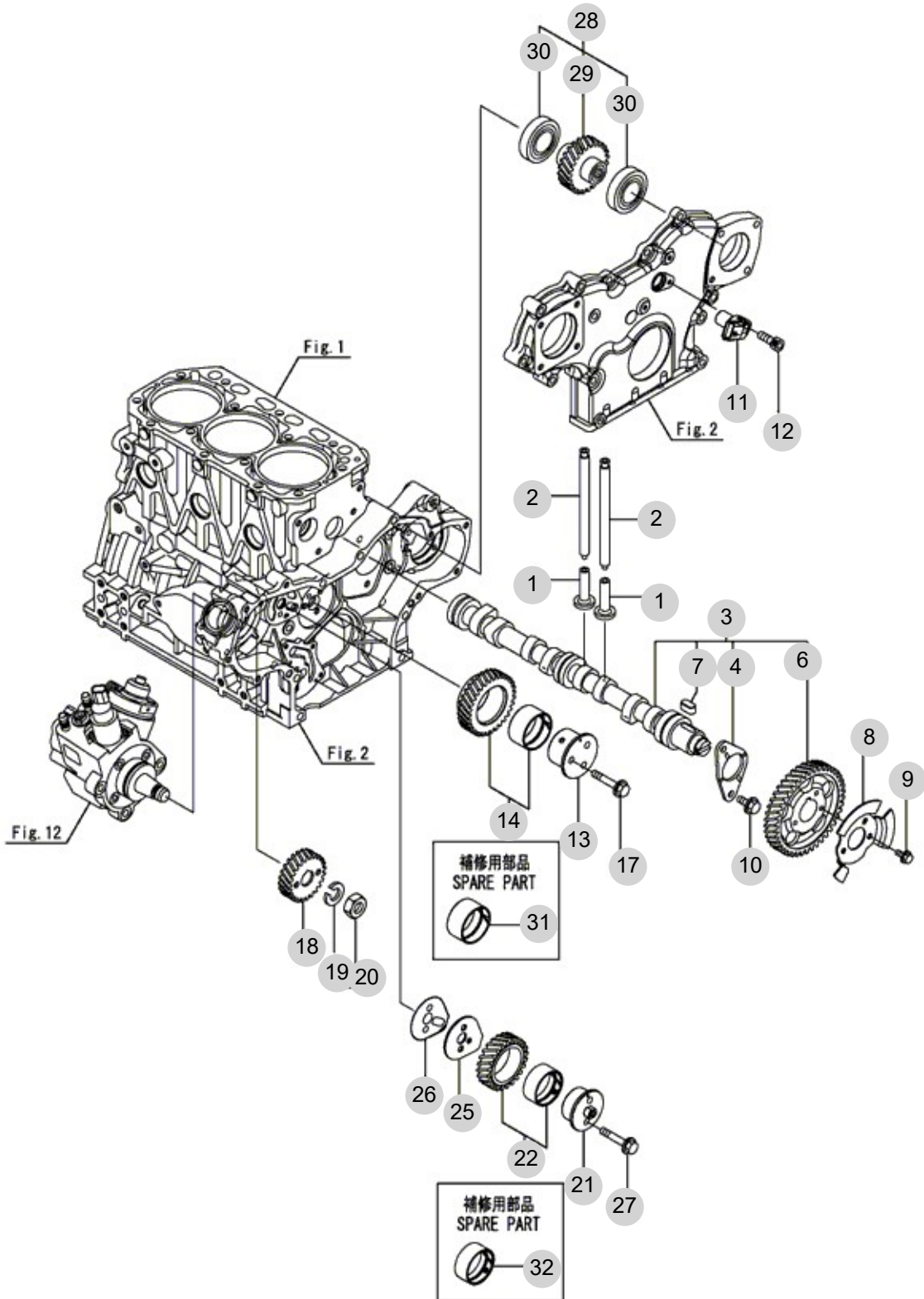
FIG 108

CAMSHAFT & DRIVING GEAR

년/월  
Year/Month

2022-12

T394SH



NOTE

FIG 108 T394SH	CAMSHAFT & DRIVING GEAR	년/월 Year/Month
		2022-12

KEY NO	PART NO	DESCRIPTION	SPEC	QTY	REPAIR	EFFECTIVE DATE	REMARKS
108	1	129150-14200	TAPPET 6	6			
108	2	129150-14400	PUSH-ROD, L=178	6			
108	3	129A00-14580	CAMSHAFT ASSY 1	1			
108	4	129150-02450	BEARING, THRUST	1			
108	6	129A00-14100	GEAR,CAMSHAFT 1	1			
108	7	22512-070140	KEY, 7X 14 1	1			
108	8	129A00-14700	PULSER, CAMSHAFT	1			
108	9	26106-060102	BOLT, M6X 10 PLATED	3			
108	10	26106-080142	BOLT, M8X 14 PLATED	2			
108	11	129A00-14710	SENSOR, GEAR REV	1			
108	12	26450-060162	BOLT, M6X 16 1	1			
108	13	129A00-25050	SHAFT, IDLE GEAR A	1			
108	14	129A00-25110	GEAR ASSY, IDLE A	1			
108	17	26106-080452	BOLT, M8X 45 PLATED	3			
108	18	129A00-25900	GEAR, SUPPLY PUMP	1			
108	19	22217-180000	WASHER, SPRING 18	1			
108	20	26776-180002	NUT, LOCK M18 1	1			
108	21	129A00-25060	SHAFT, IDLE GEAR B	1			
108	22	129A00-25120	GEAR ASSY, IDLE B	1			
108	25	129A00-25200	PLATE, IDLE SHAFT B	1			
108	26	129A00-25210	GASKET, IDLE SHAFT B	1			
108	27	26106-080402	BOLT, M8X 40 PLATED	2			
108	28	129A26-26000	DRIVE ASSY, HO-P	1			
108	29	129555-26201	GEAR ASSY, PUMP	1			
108	30	24105-060064	BEARING, BALL 6006Z	2			
108	31	119802-25071	BUSH, IDLE GEAR	1			
108	32	129A00-25080	BUSH	1			

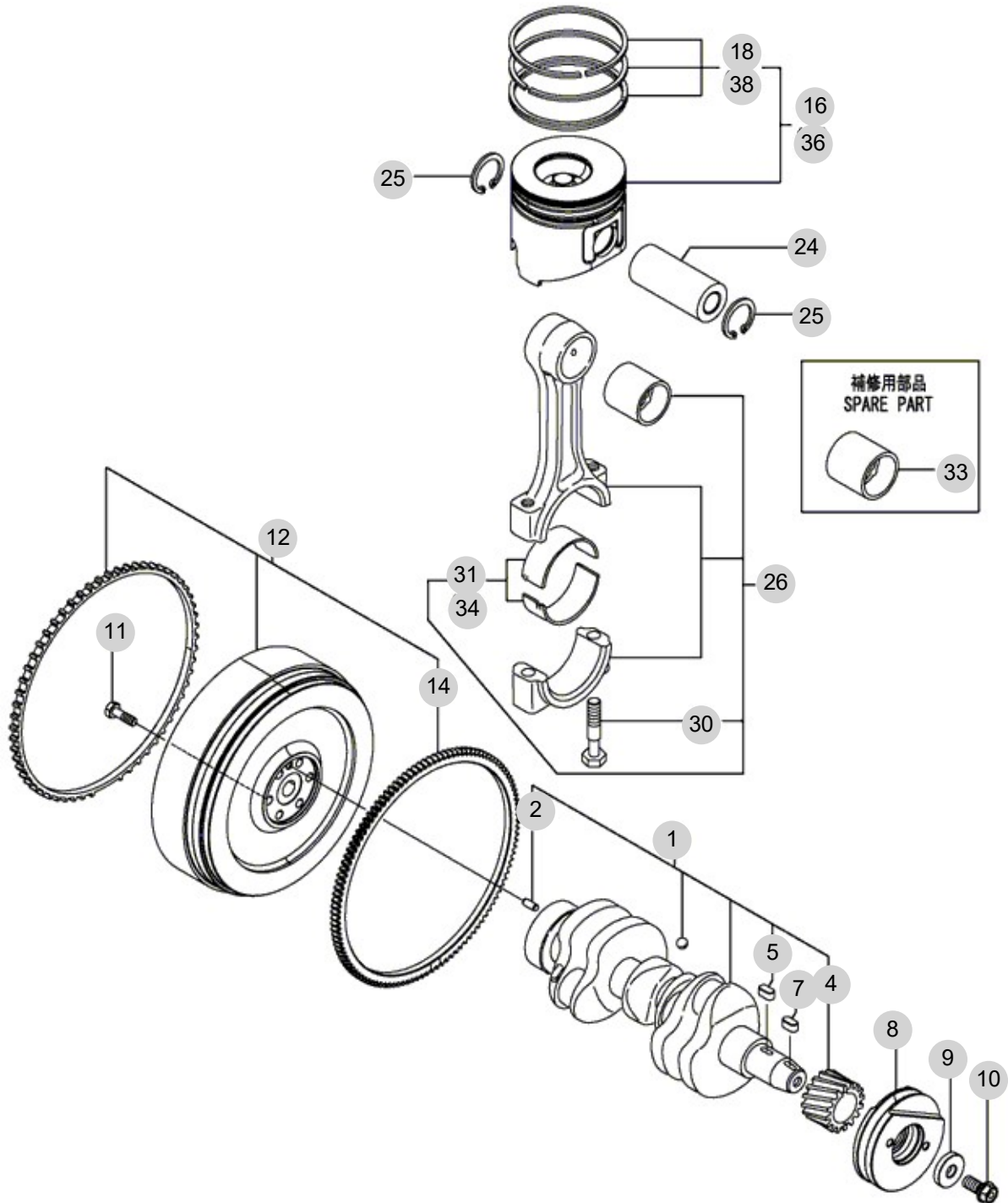
NOTE

FIG 109

CRANKSHAFT & PISTON

년/월  
Year/Month

2022-12



NOTE



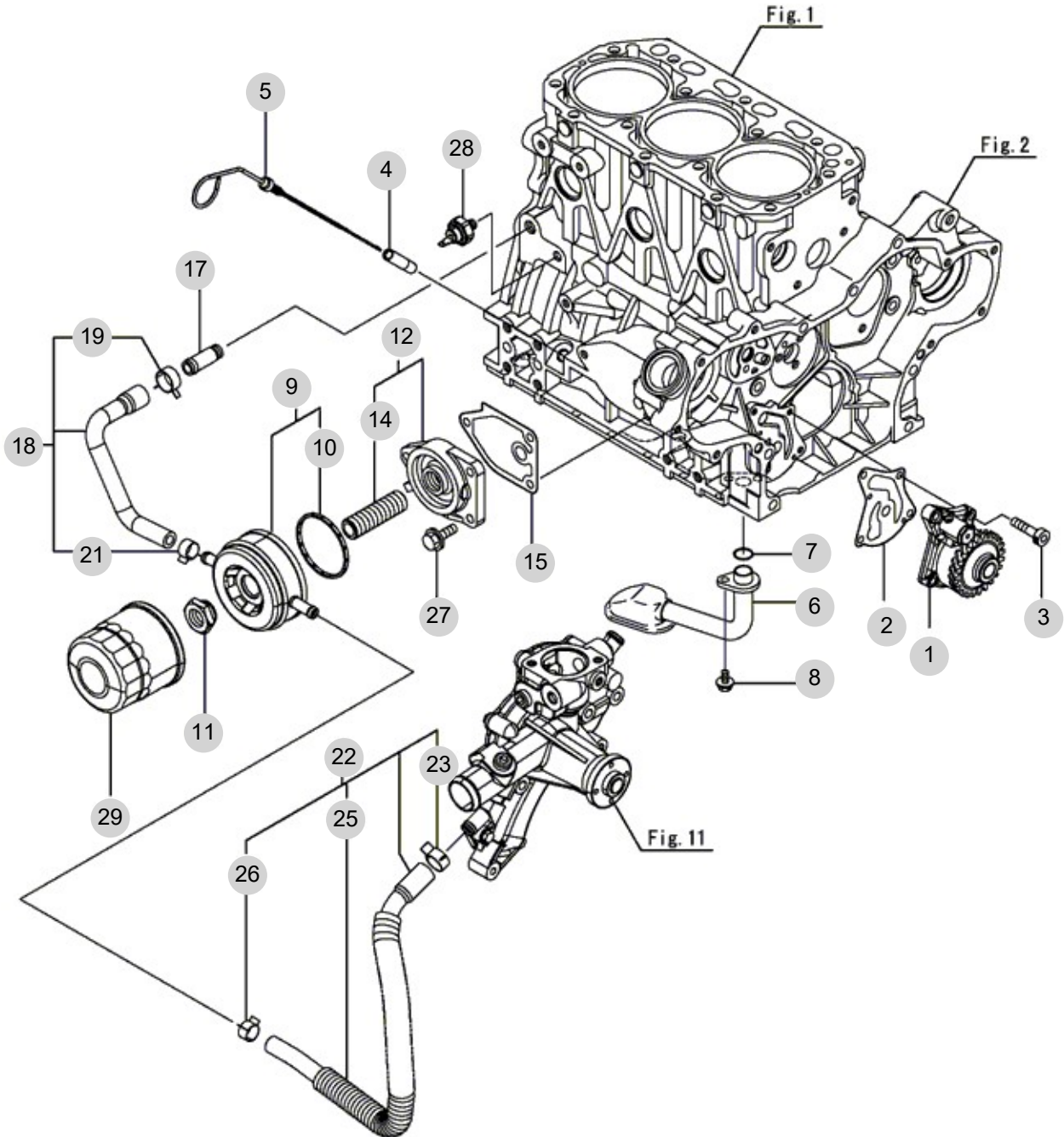
FIG 110

LUB OIL SYSTEM

년/월  
Year/Month

2022-12

T394SH



NOTE

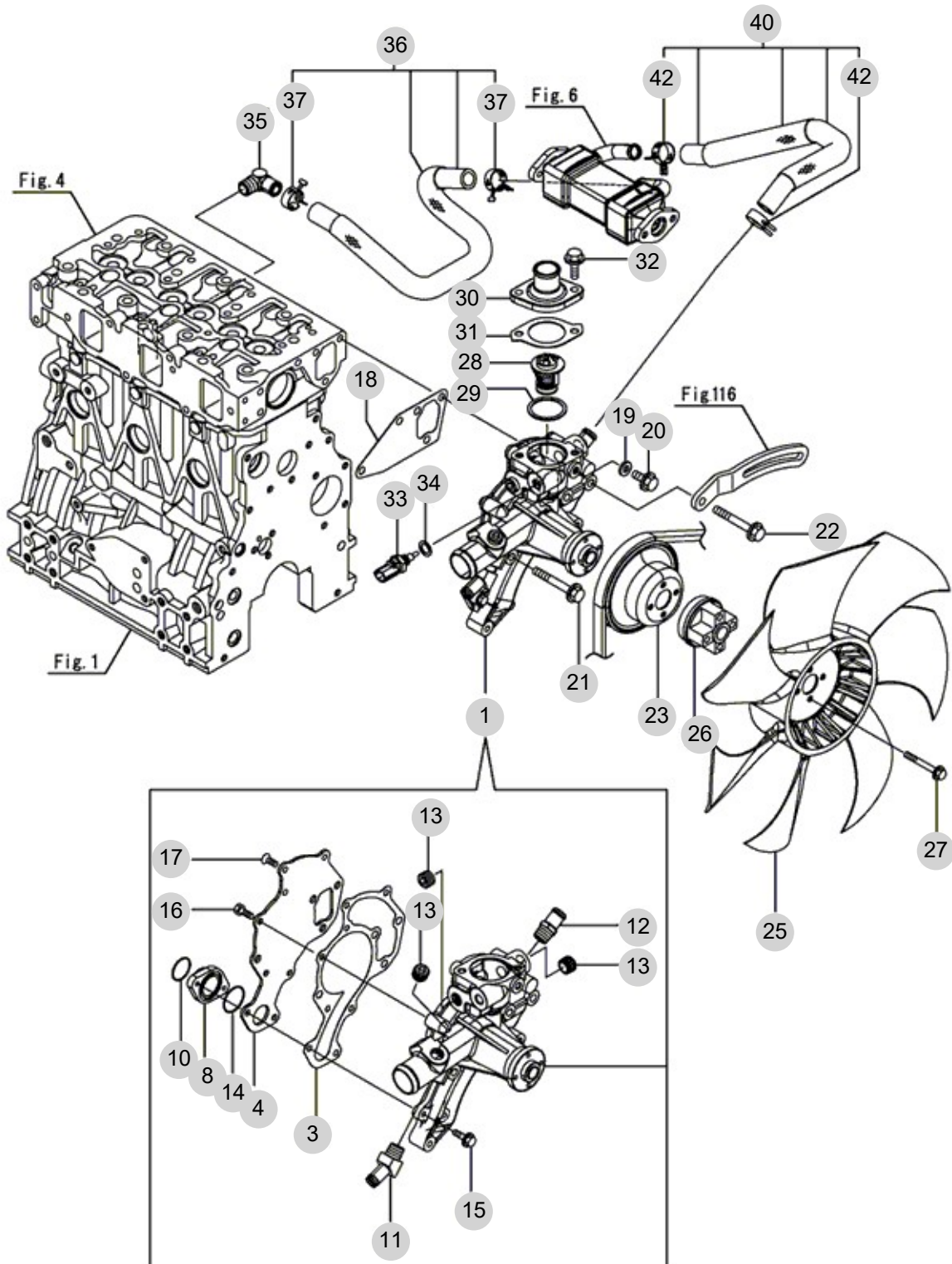


FIG 111

COOLING WATER SYSTEM

년/월  
Year/Month

2022-12



NOTE





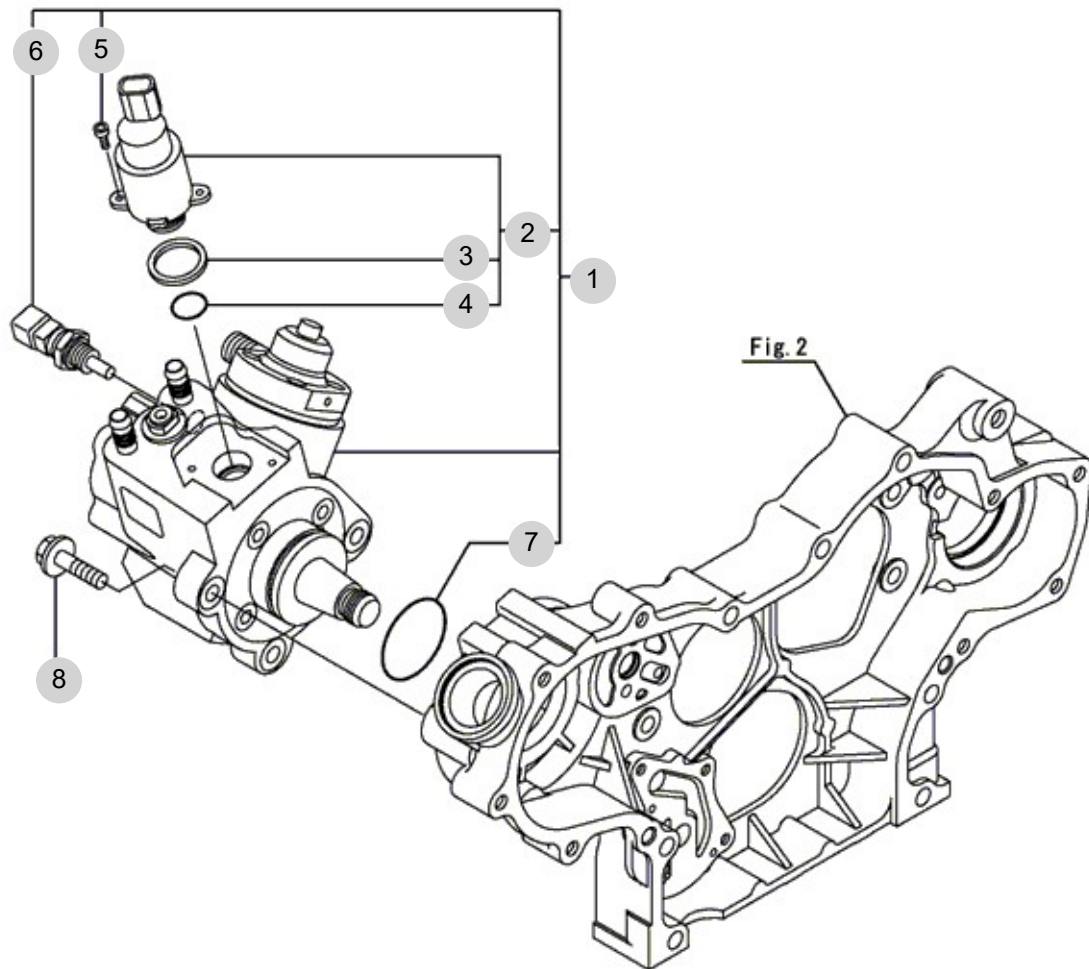
FIG 112

T394SH

FUEL SUPPLY PUMP

년/월  
Year/Month

2022-12



NOTE



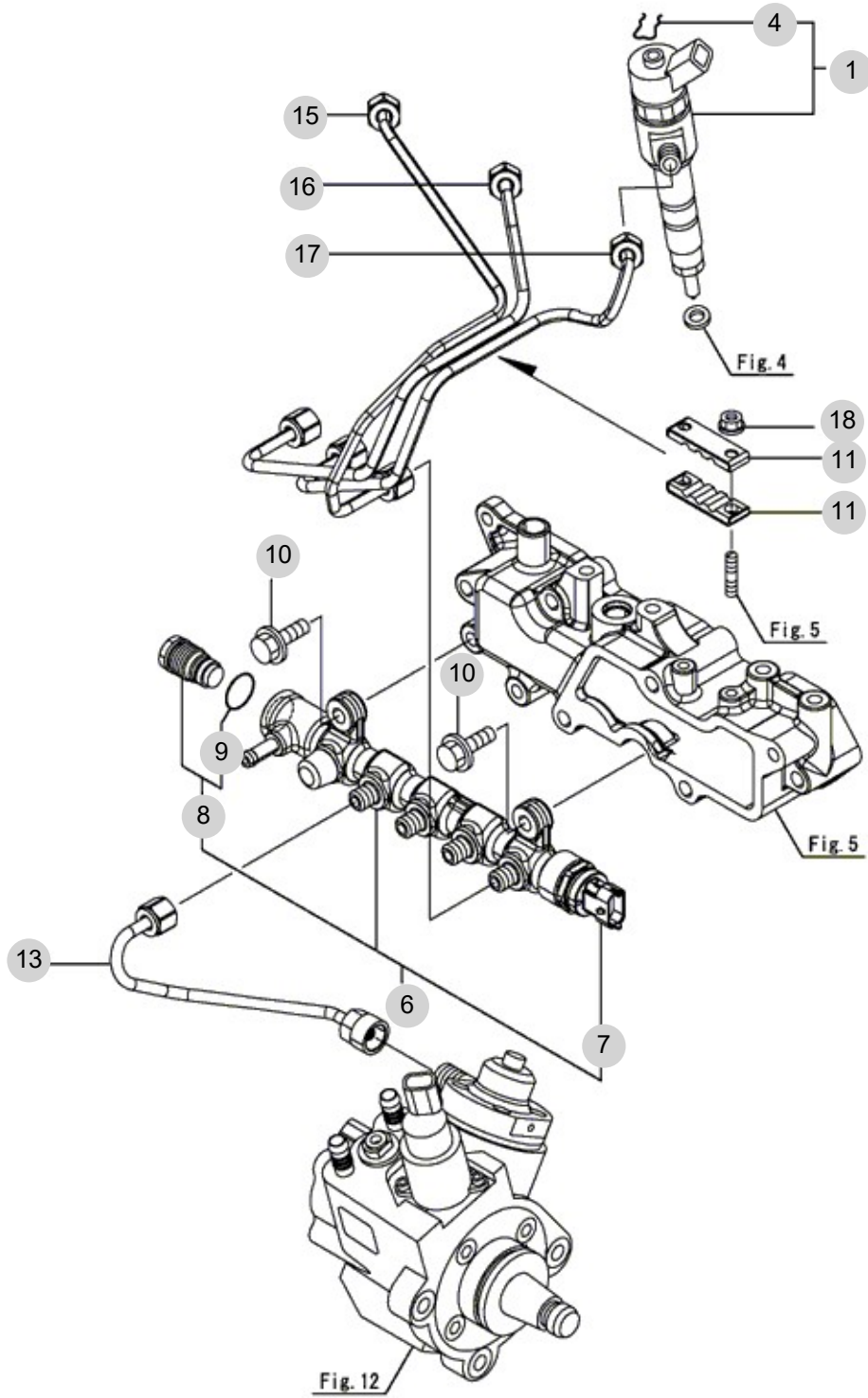
FIG 113

T394SH

FUEL INJECTION VALVE

년/월  
Year/Month

2022-12



NOTE



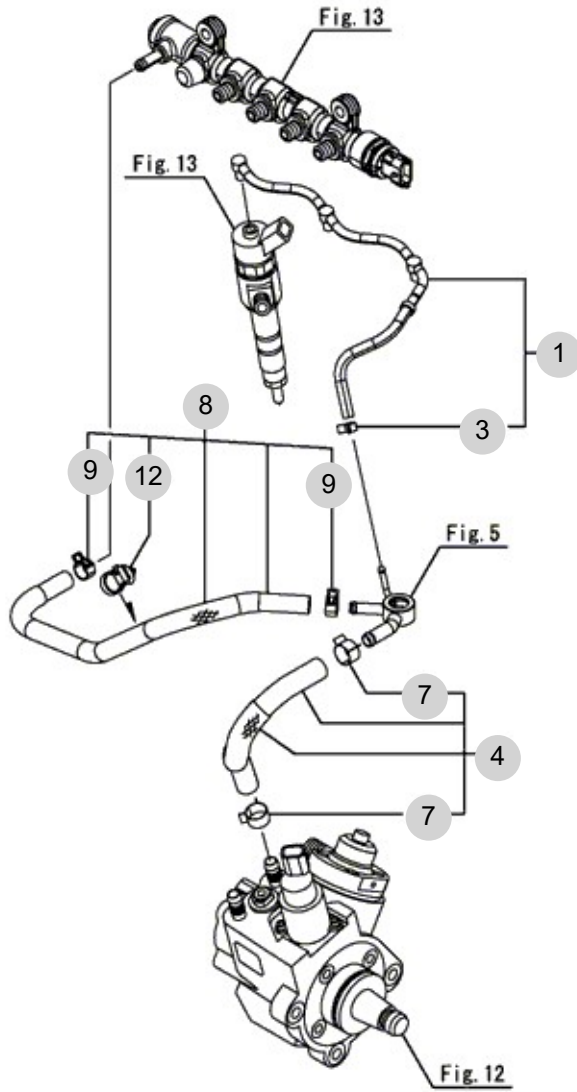
FIG 114

FUEL PIPE

년/월  
Year/Month

T394SH

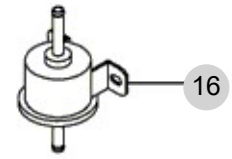
2022-12



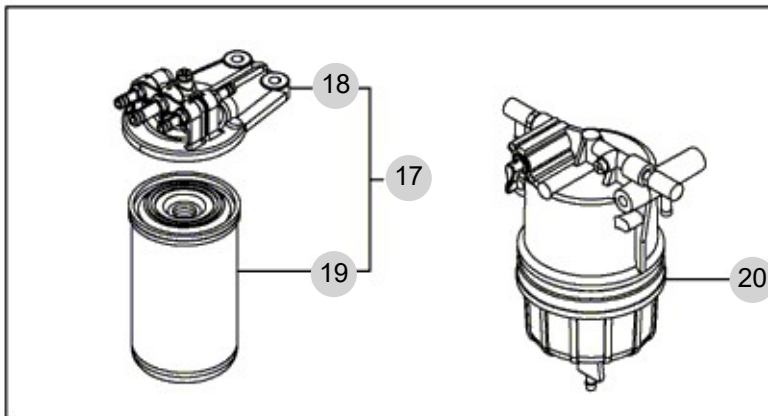
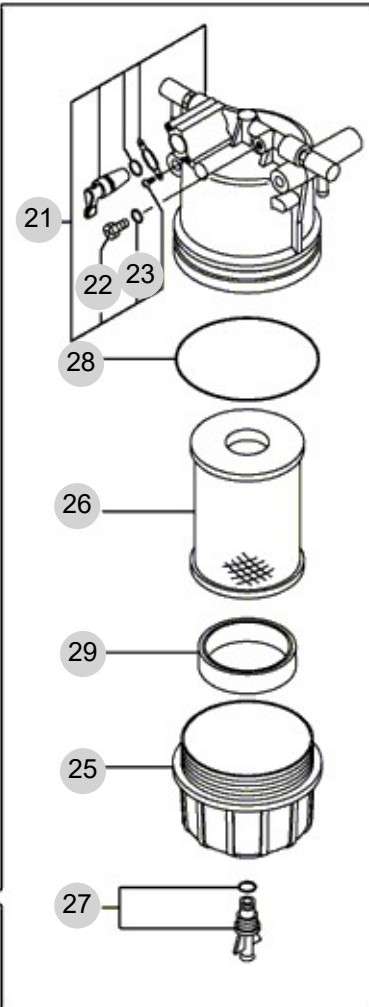
同梱品  
LOOSE PARTS



15



16



NOTE



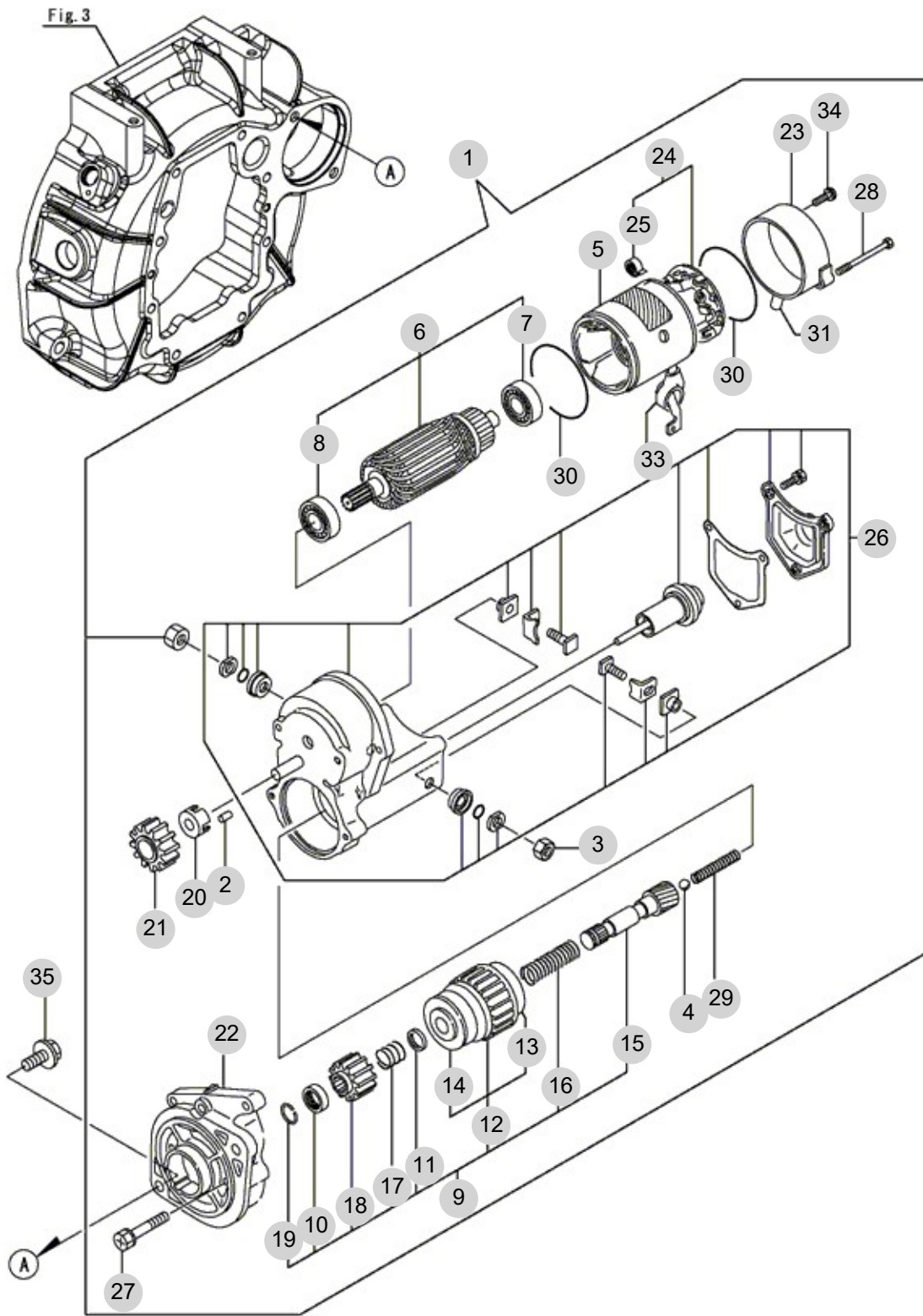
FIG 115

STARTER MOTOR

년/월  
Year/Month

2022-12

T394SH



NOTE

FIG 115		STARTER MOTOR					년/월 Year/Month	
							2022-12	
T394SH		PART NO	DESCRIPTION	SPEC	QTY	REPAIR	EFFECTIVE DATE	REMARKS
KEY NO								
115	1	129407-77010	STARTER, RA1.4		1			
115	2	X0283060061	ROLLER		5			
115	3	X9490561370	NUT		1			
115	4	X9491200240	BALL, STEEL		1			
115	5	129407-77210	YOKE ASSY		1			
115	6	129407-77220	ARMATURE ASSY		1			
115	7	129129-77230	BEARING, BALL		1			
115	8	129129-77240	BEARING, BALL		1			
115	9	129407-77250	STARTER ASSY		1			
115	10	X0280210230	NUT		1			
115	11	X0283270140	RETAINER		1			
115	12	129407-77390	CLUTCH ASSY		1			
115	13	129129-77440	BEARING, BALL		1			
115	14	129129-77450	BEARING, BALL		1			
115	15	129129-77400	SHAFT, STATER		1			
115	16	129129-77410	SPRING		1			
115	17	X9491703371	SPRING		1			
115	18	129129-77420	PINION, STARTER		1			
115	19	129129-77430	RING, SNAP		1			
115	20	129129-77260	RETAINER		1			
115	21	129129-77270	PINION		1			
115	22	129407-77280	HOUSING, STARTOR		1			
115	23	129407-77290	COVER		1			
115	24	129407-77300	HOLDER ASSY		1			
115	25	X9491730461	SPRING		4			
115	26	129407-77310	SWITCH ASSY,MAGNET		1			
115	27	129129-77320	BOLT		2			
115	28	129407-77330	BOLT		2			
115	29	129129-77340	SPRING		1			
115	30	129129-77350	O-RING		2			
115	31	129129-77362	COVER		1			
115	33	129129-77380	CAP		1			
115	34	129129-77460	SCREW		2			
115	35	26106-120252	BOLT, M12X 25 PLATED		2			
NOTE								



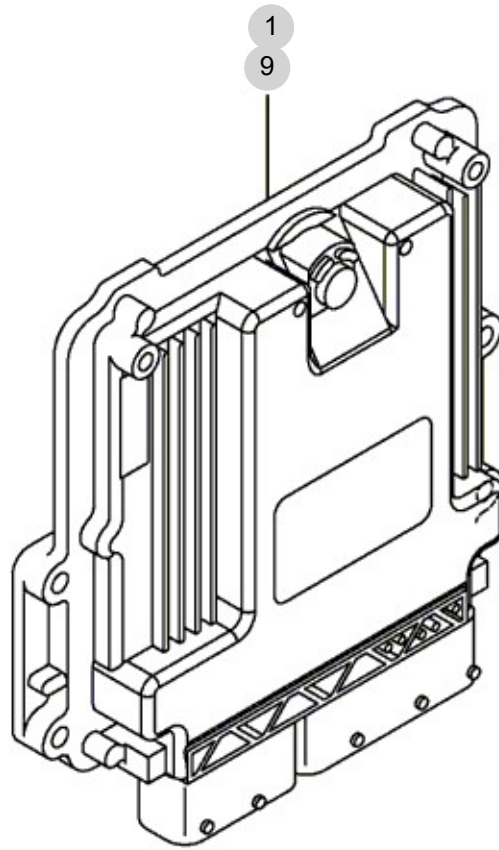
FIG 117

T394SH

ELECTRONIC CONTROL UNIT(ECU)

년/월  
Year/Month

2022-12



NOTE



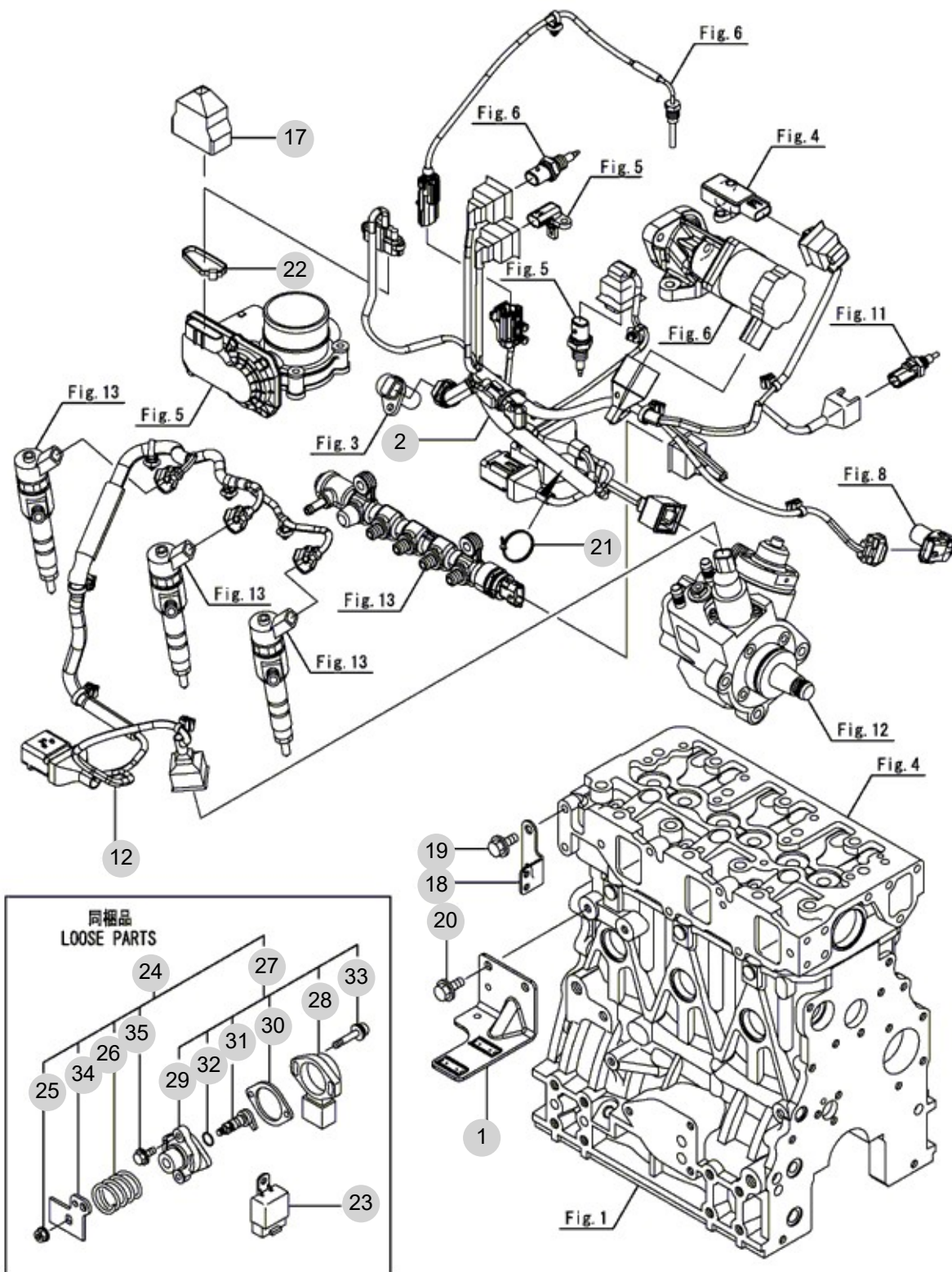
FIG 118

ELECTRIC PARTS

년/월  
Year/Month

T394SH

2022-12



NOTE



## 2. Engine Accessories PART NO. T2

FIG 201 AIR CLEANER	54
FIG 202 RADIATOR	56
FIG 203 MUFFLER	58
FIG 204 FUEL TANK & HOSE	60
FIG 204A KIT No. : 12397090000	62
FIG 205 OIL COOLER	64

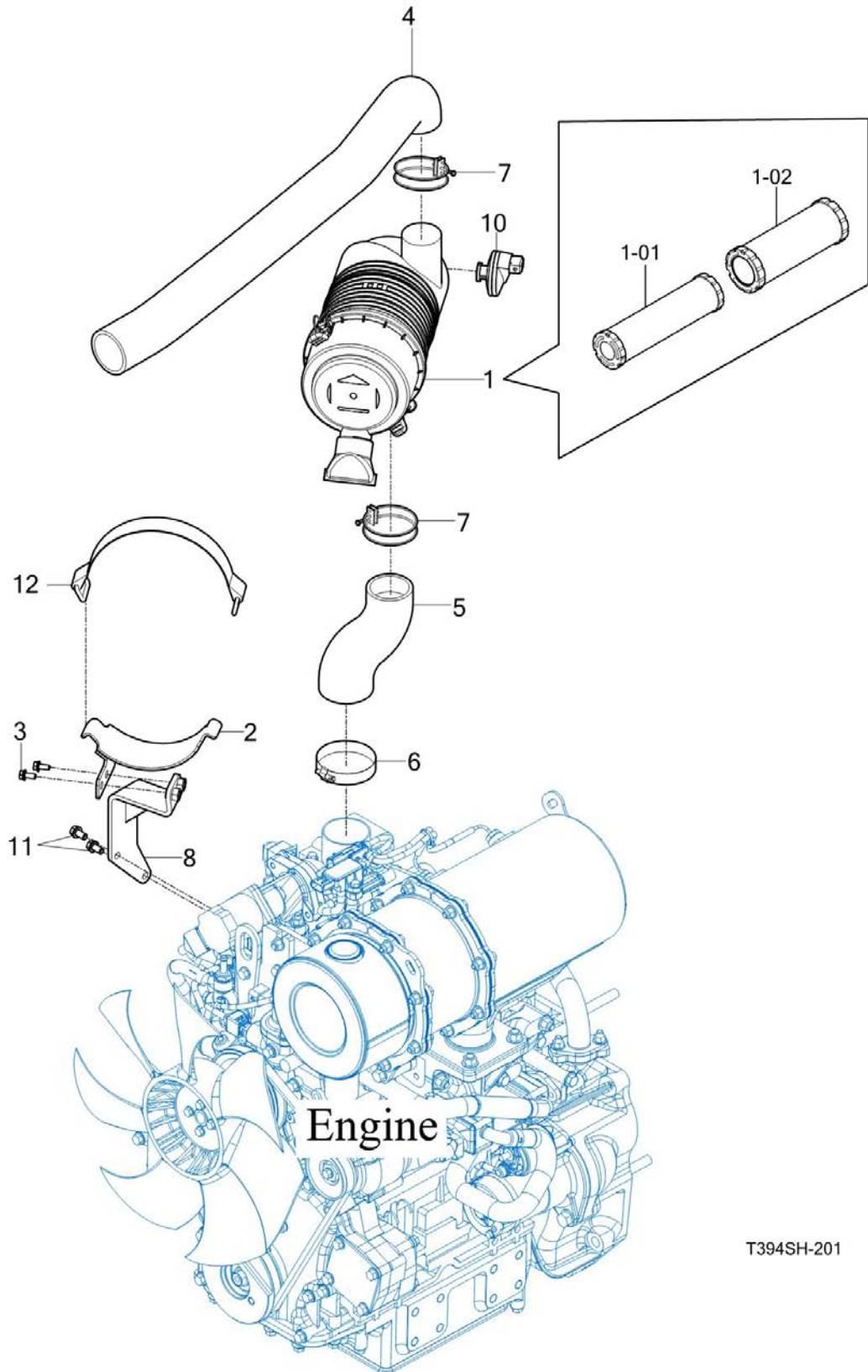
FIG 201

AIR CLEANER

년/월  
Year/Month

2022-12

T394SH



T394SH-201

NOTE

FIG 201 T394SH	AIR CLEANER	년/월 Year/Month
		2022-12

KEY NO	PART NO	DESCRIPTION	SPEC	QTY	REPAIR	EFFECTIVE DATE	REMARKS
201	1	13151035001	AIR CLEANER SUB ASSY,G057512	150X350	1		
201	1	12341215000	AIRCLEANER ASSY , /5 inch (PICLON)		1		
201	101	13151035010	BODY ASSY,P533762	150X265	1		
201	101	12341215010	ELEMENT , SECONDARY /CF 1005	150X265	1		
201	102	13151035020	ELEMENT , AIR CLEANER	1X1X1	1		
201	102	12341215020	ELEMENT , FILTER/ C 11 1005	1X1X1	1		
201	103	13151035040	ELEMENT ASSY, P822858	1X1X1	1		
201	104	13151035030	COVER ASSY,P533761	1X1X1	1		
201	2	13151032300	BRACKET COMP , GUIDE	125X150X65	1		
201	2	12341232300GB			1		
201	3	V2183608016	BOLT , HEX/SP	M8X16	2		
201	3	V2183608020	BOLT , HEX/SP		2		
201	4	12341030020	HOSE ,AIR INLET		1		
201	4	12341030021	HOSE ,AIR INLET		1		
201	4	12341230020	HOSE , /AIR INLET		1		
201	5	17401030030	HOSE , AIR OUTLET		1		
201	5	12341230030	HOSE , /AIR OUTLET		1		
201	6	18027090800	BAND CLAMP 80 EMBO TYPE		1		
201	7	18027090700	BAND CLAMP 70 EMBO TYPE		2		
201	8	12341032401GB	BRACKET COMP , AC		1		
201	8	12341232500GB	BRACKET COMP , /AIR CLEANER		1		
201	9	17401032500	ADAPTER		1		
201	10	18021032100	INDICATOR , REX770050 5KPa		1		
201	10	12341230040	INDICATOR , /39005070902		1		
201	11	V2183608020	BOLT , HEX/SP	M8X20	2		
201	12	36402602001	RUBBER COMP		1		

NOTE

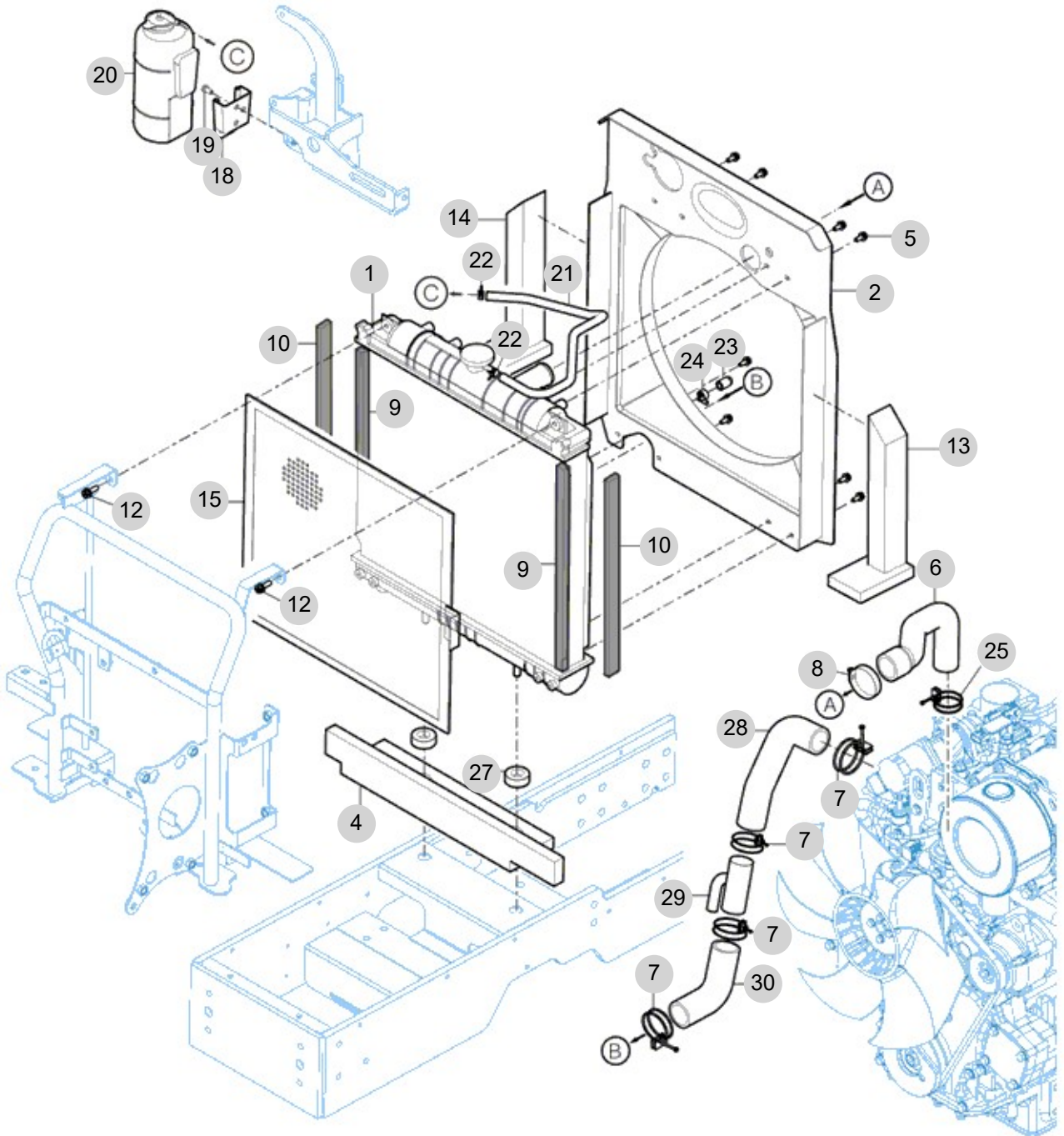
FIG 202

RADIATOR

년/월  
Year/Month

2022-12

T394SH



NOTE





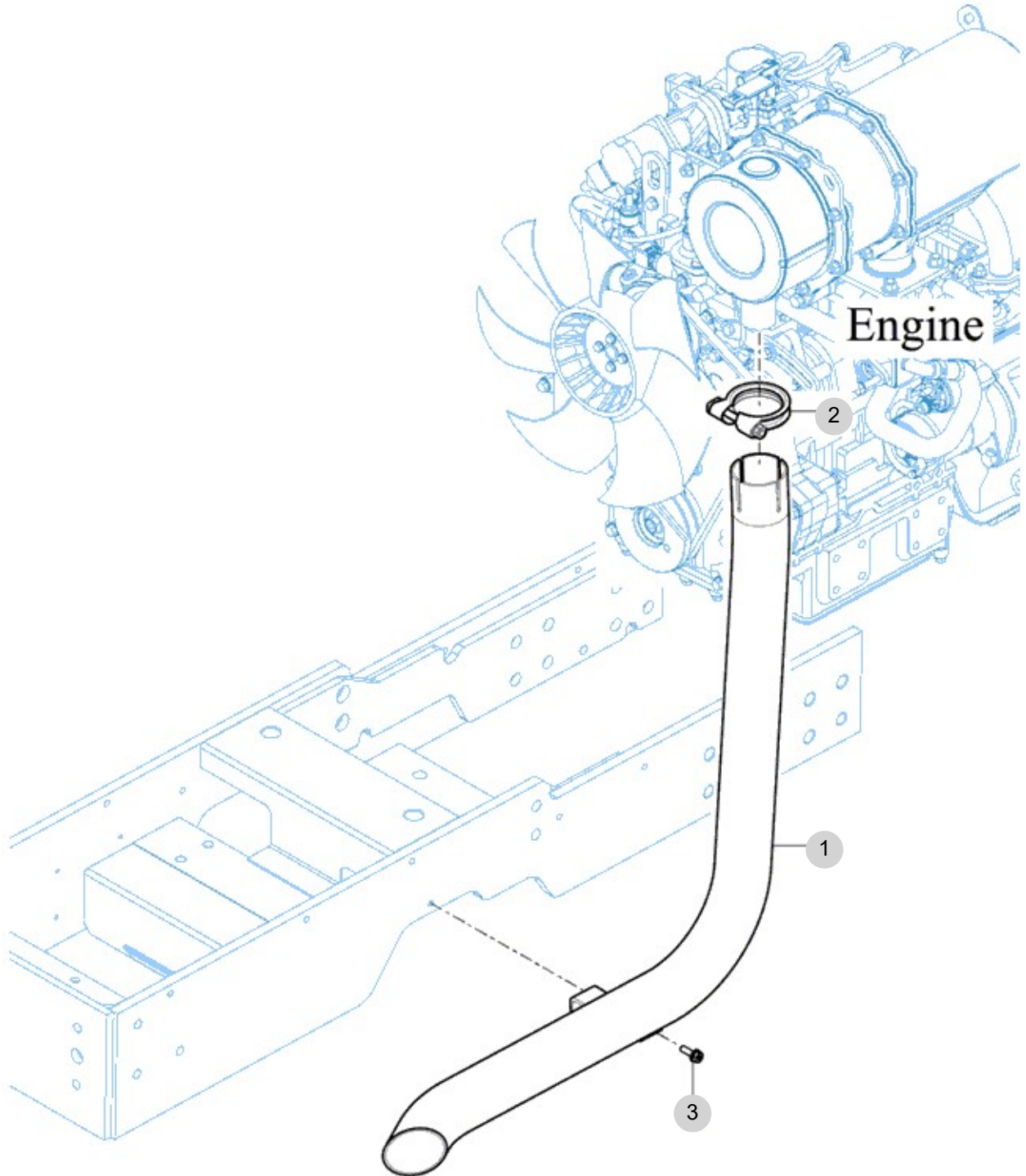
FIG 203

MUFFLER

년/월  
Year/Month

T394SH

2022-12



NOTE



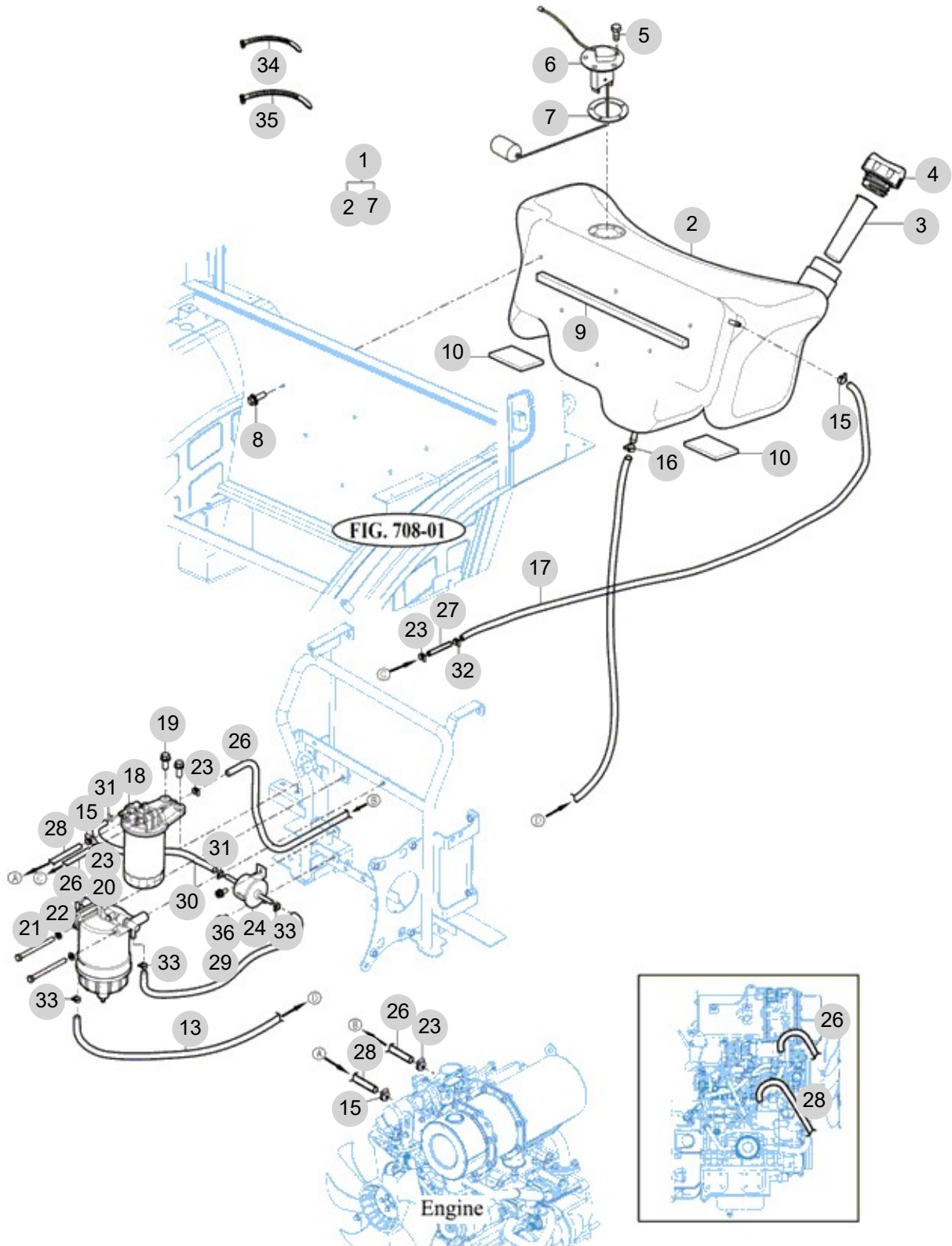
FIG 204

T394SH

FUEL TANK & HOSE

년/월  
Year/Month

2022-12



NOTE



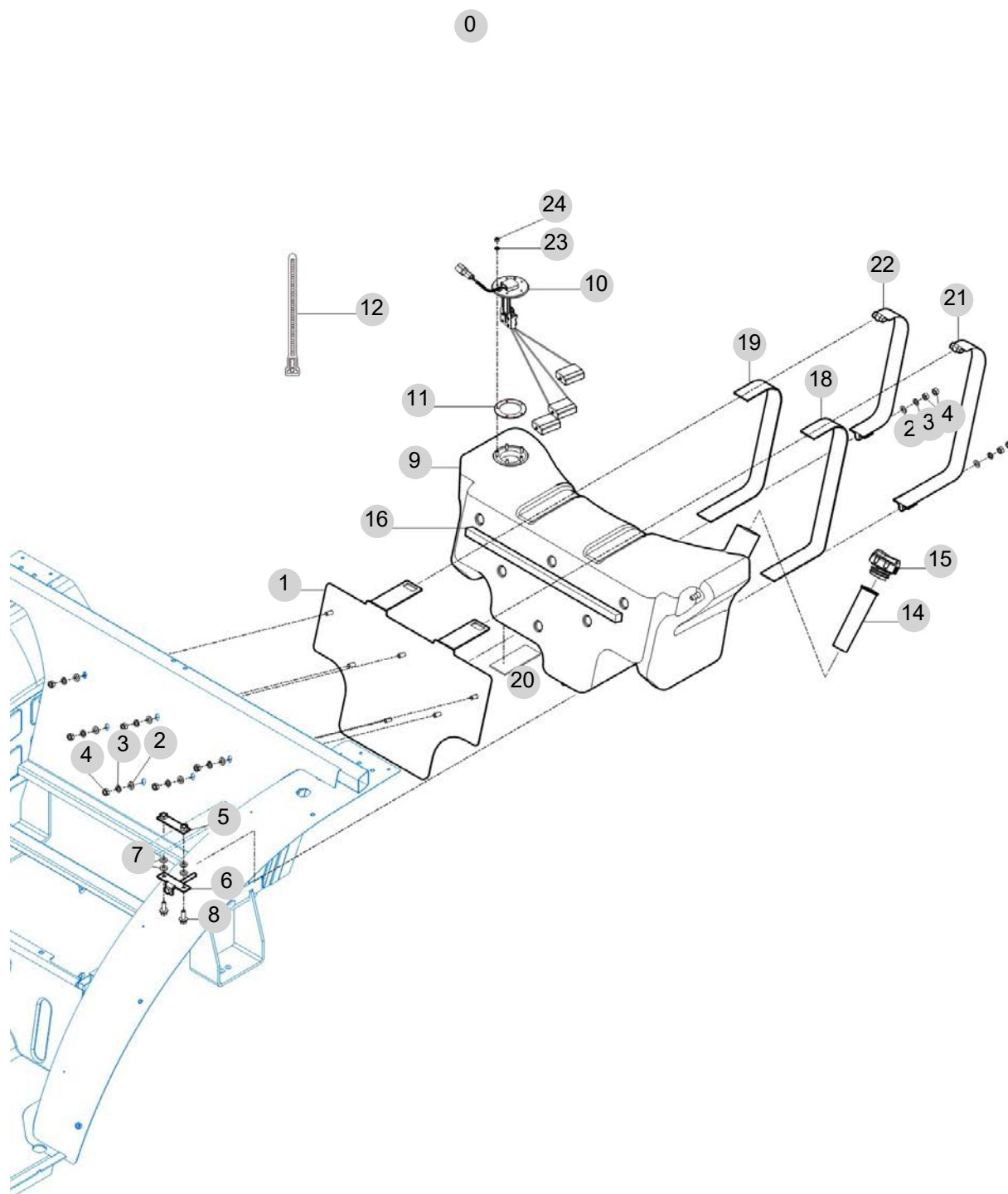
FIG 204A

KIT No. : 12397090000

년/월  
Year/Month

2022-12

T394SH



NOTE



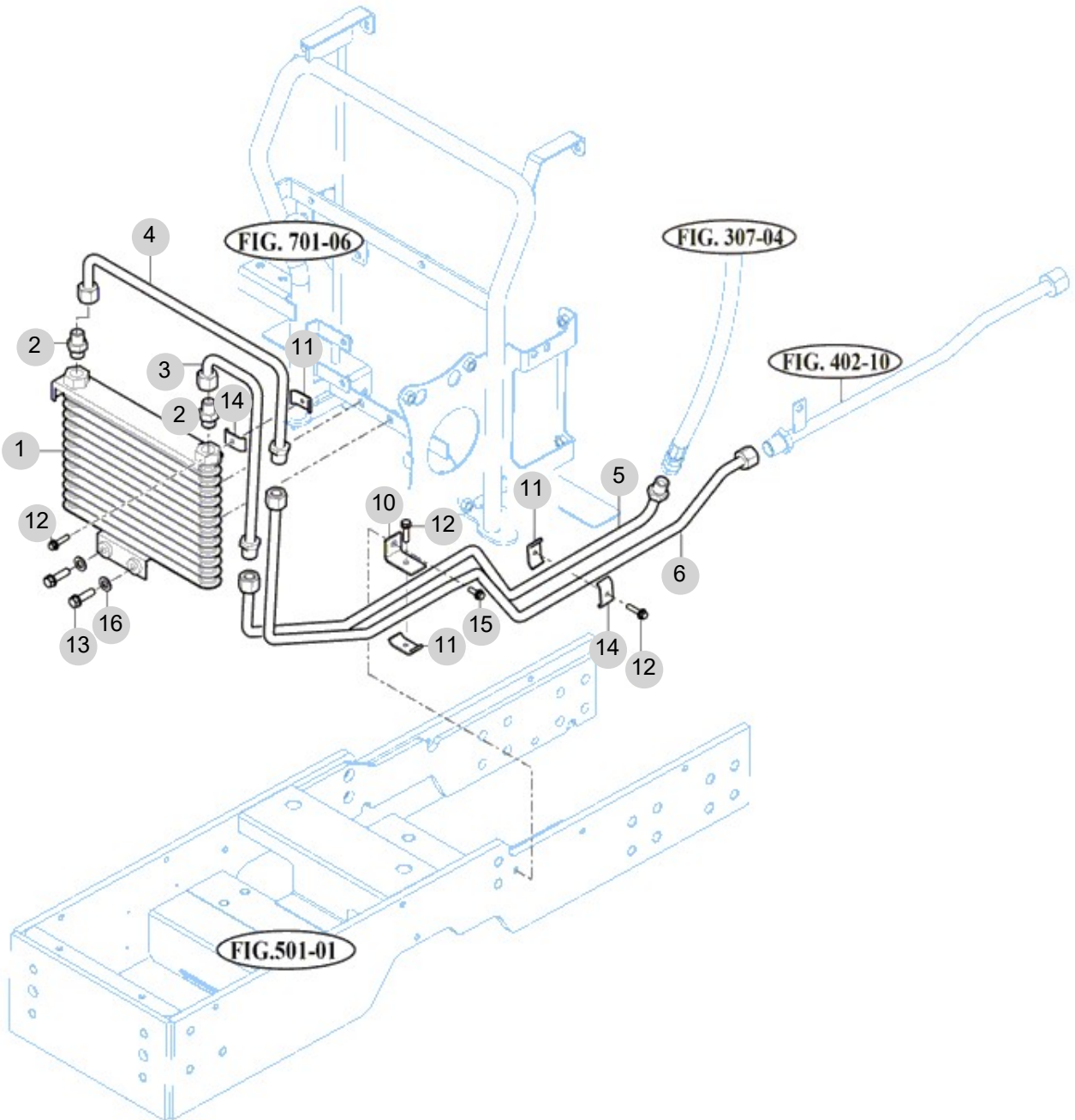
FIG 205

T394SH

OIL COOLER

년/월  
Year/Month

2022-12



NOTE





### 3. Clutch/Brake/Steering PART NO. T3

FIG 301 FLYWHEEL & CLUTCH	67
FIG 302 BRAKE PEDAL	69
FIG 303 BRAKE	71
FIG 304 FRONT WHEEL MOUNTING	73
FIG 305 REAR WHEEL MOUNTING	75
FIG 306 STEERING WHEEL & DASH COVER	77
FIG 307 STEERING VALVE & TILT	79
FIG 308 STEERING CYLINDER	81

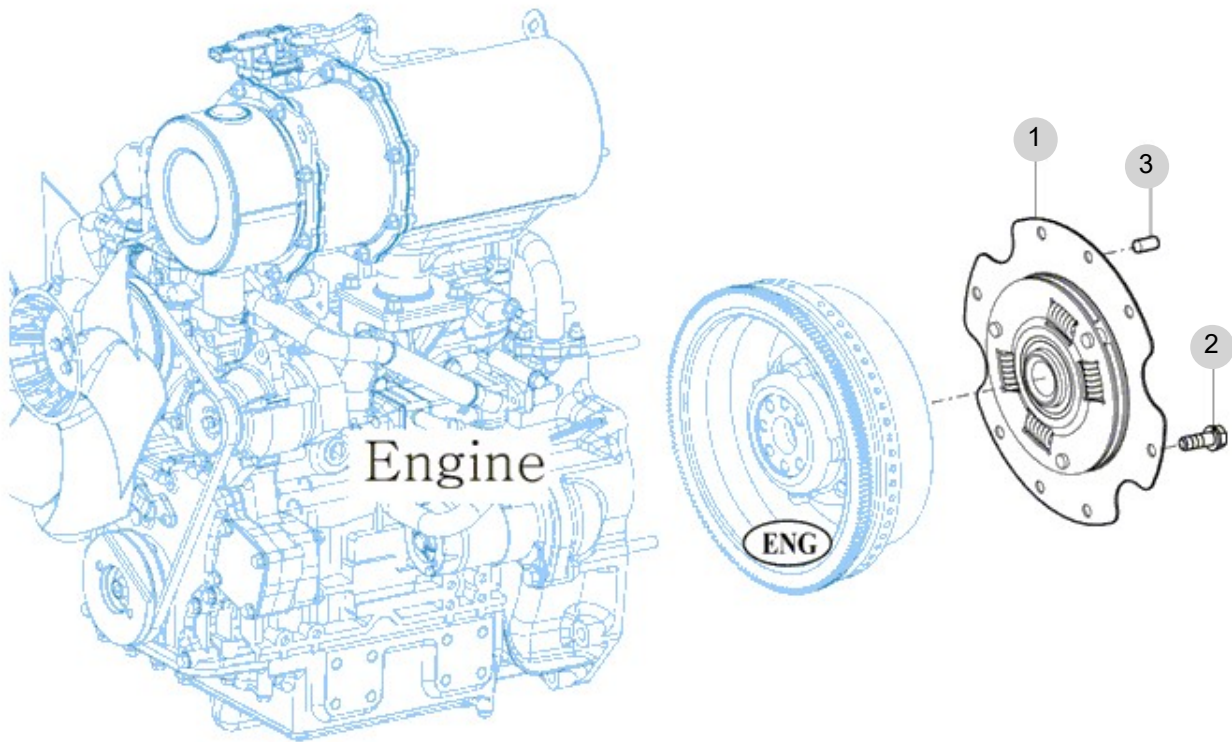
FIG 301

T394SH

FLYWHEEL & CLUTCH

년/월  
Year/Month

2022-12



T384NH-E-301

NOTE



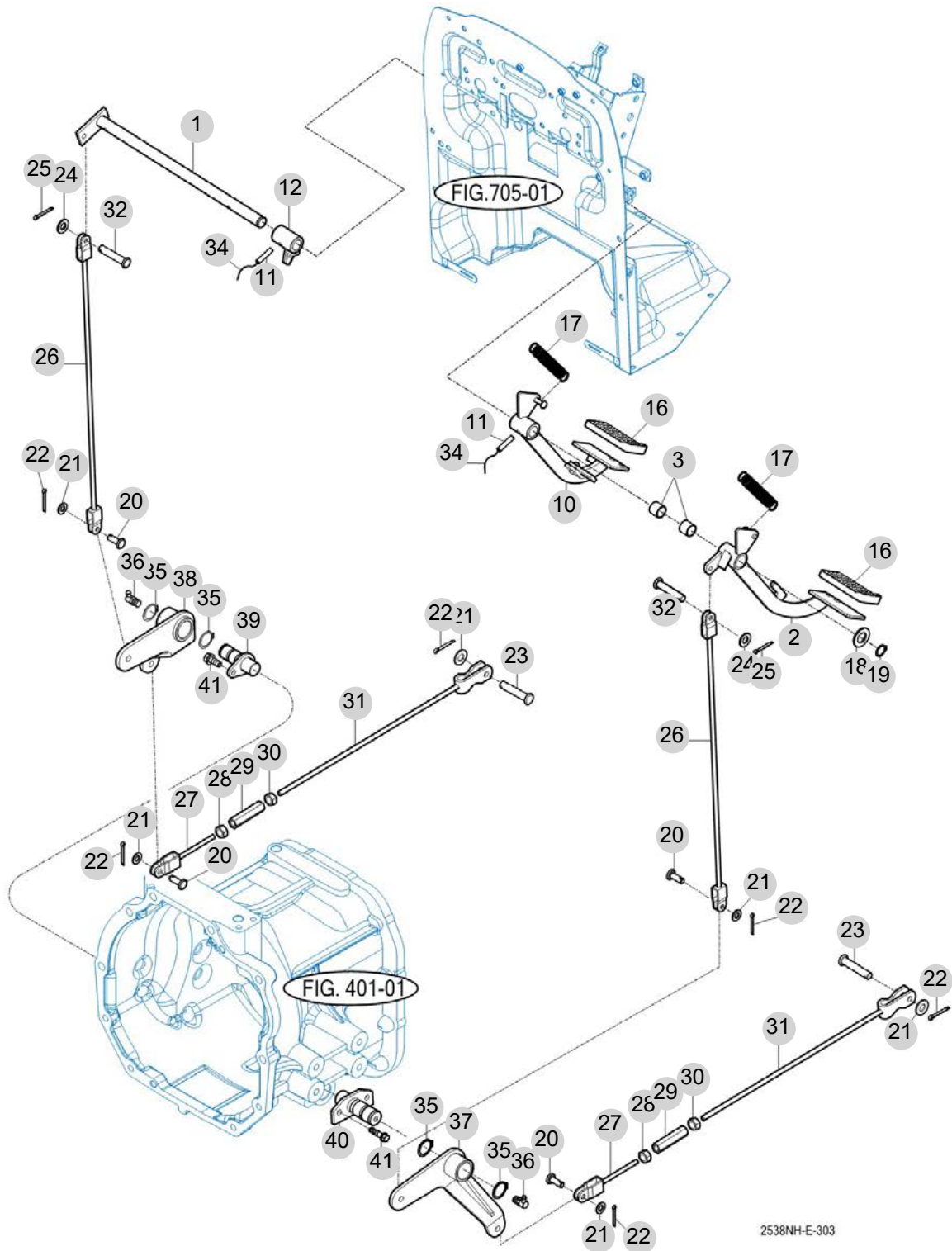
FIG 302

BRAKE PEDAL

년/월  
Year/Month

2022-12

T394SH



NOTE



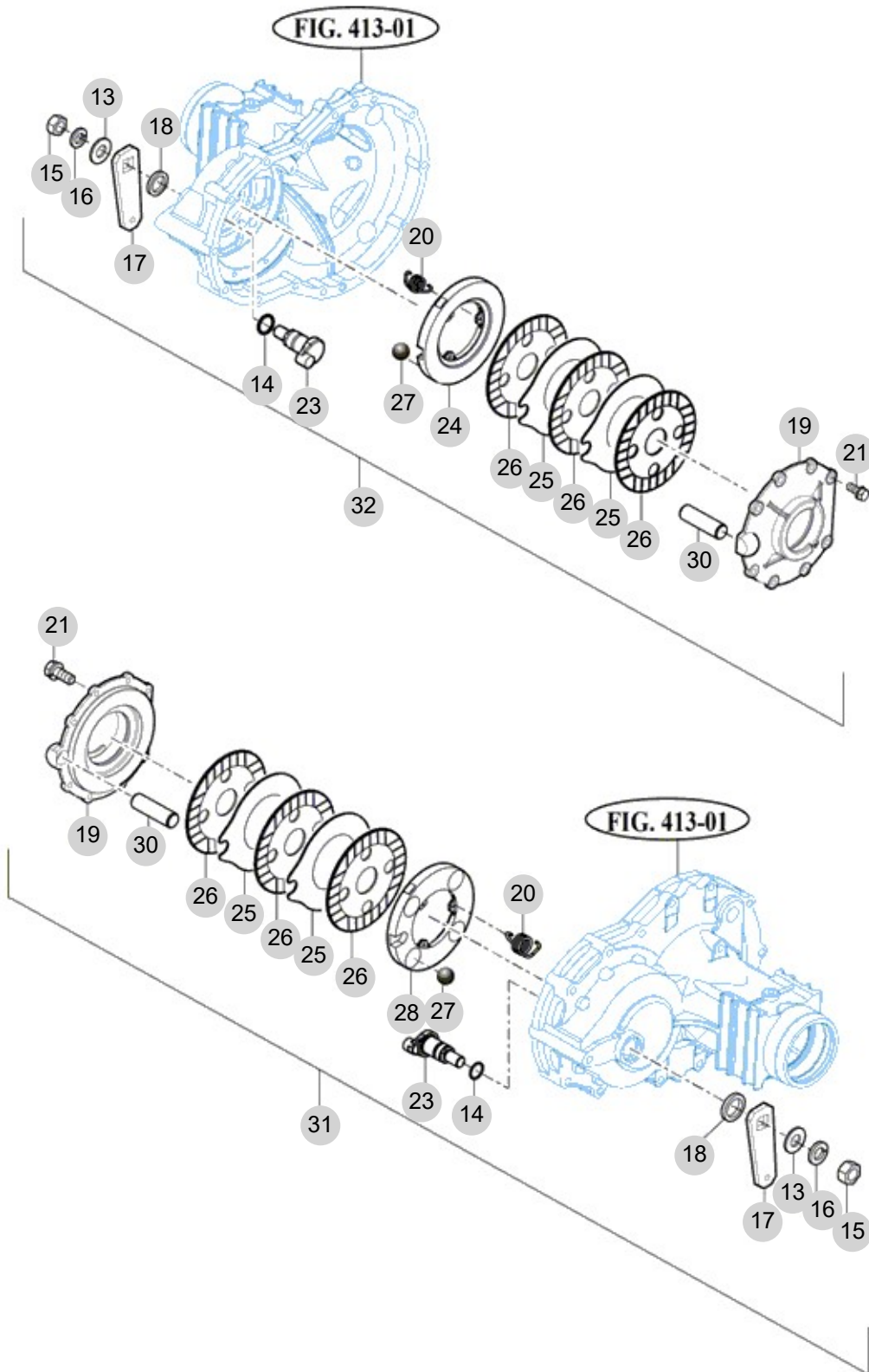
FIG 303

T394SH

BRAKE

년/월  
Year/Month

2022-12



NOTE





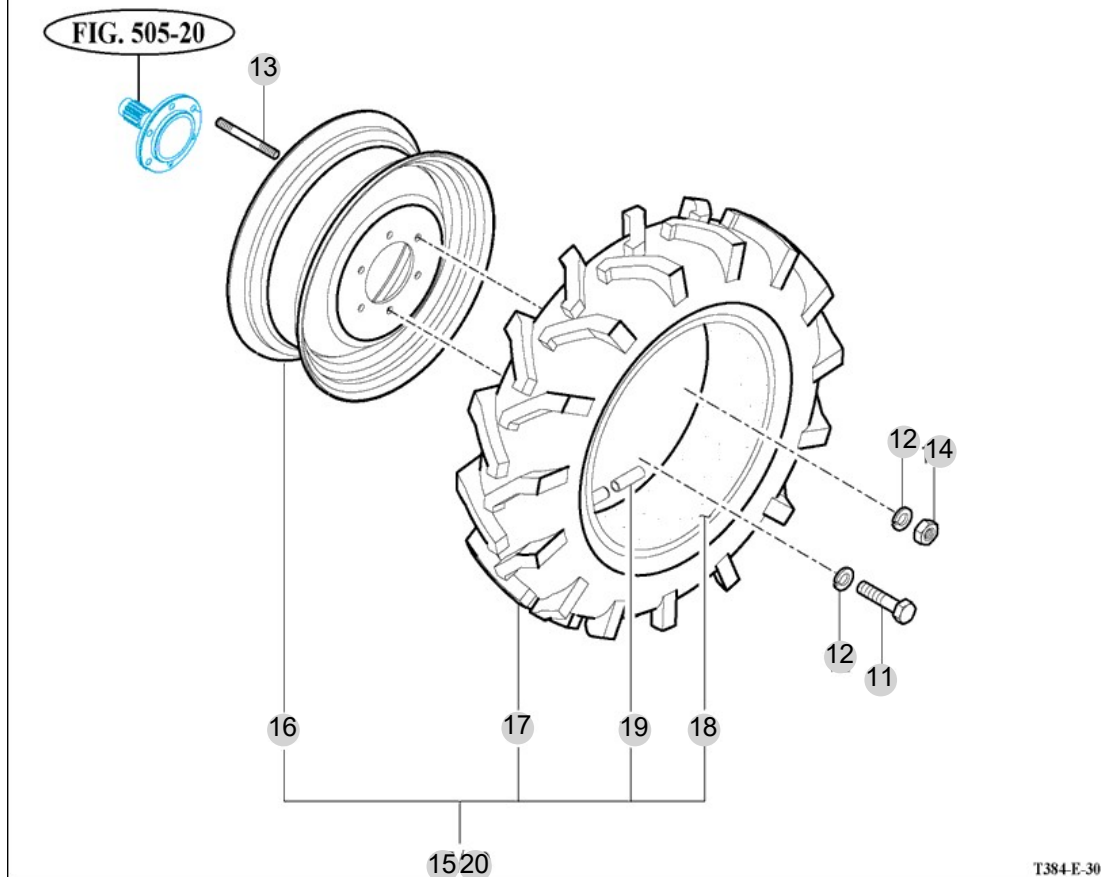
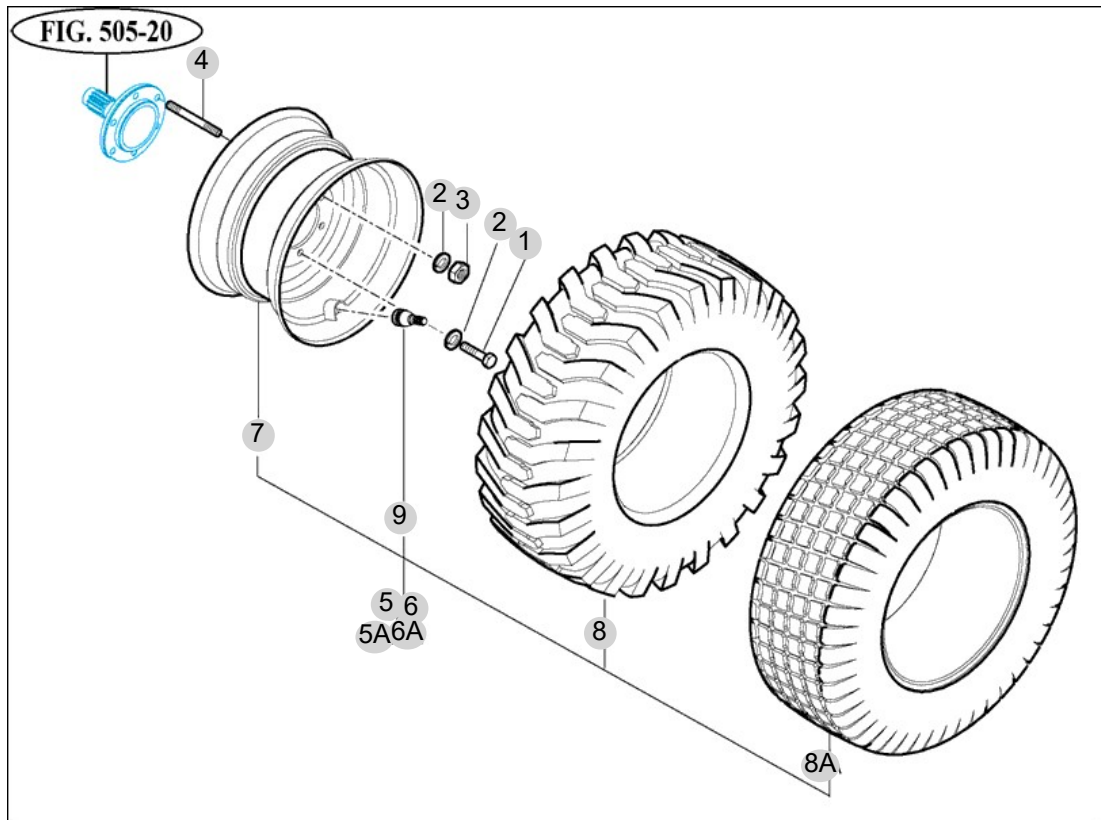
FIG 304

FRONT WHEEL MOUNTING

년/월  
Year/Month

2022-12

T394SH



T384-E-304

NOTE



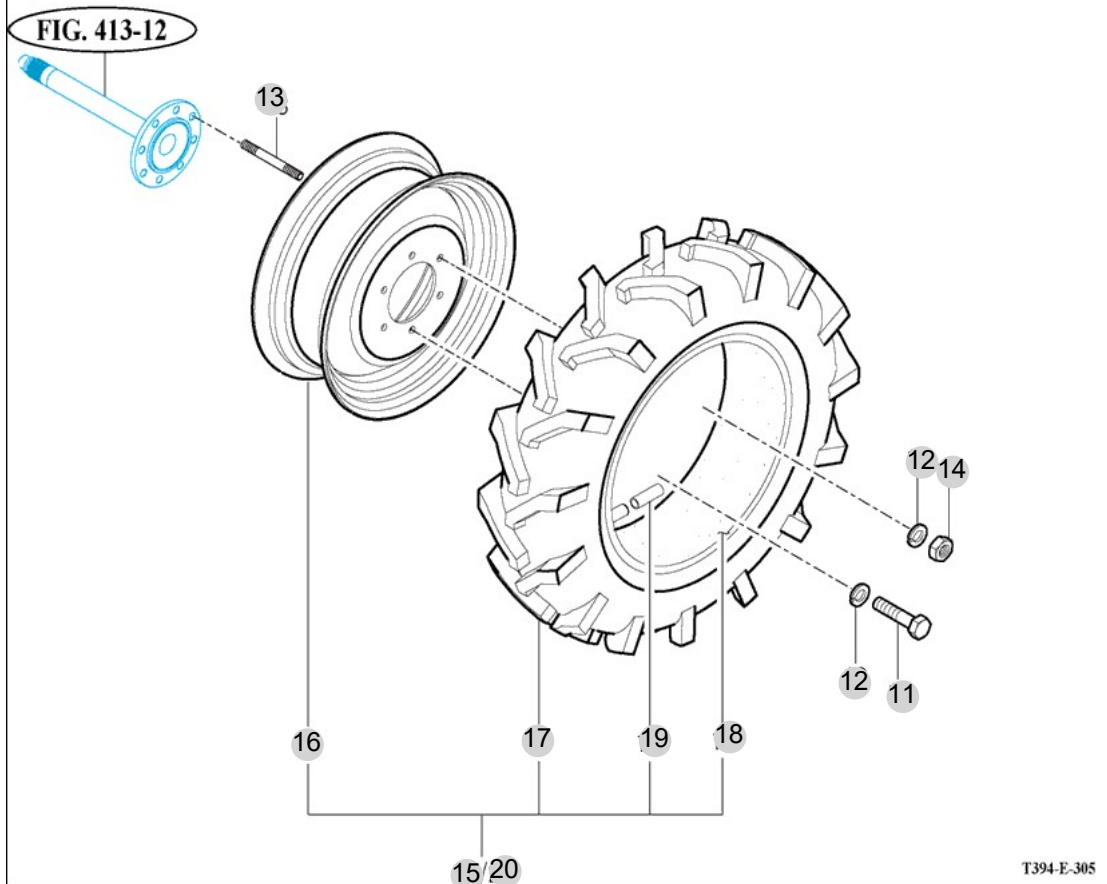
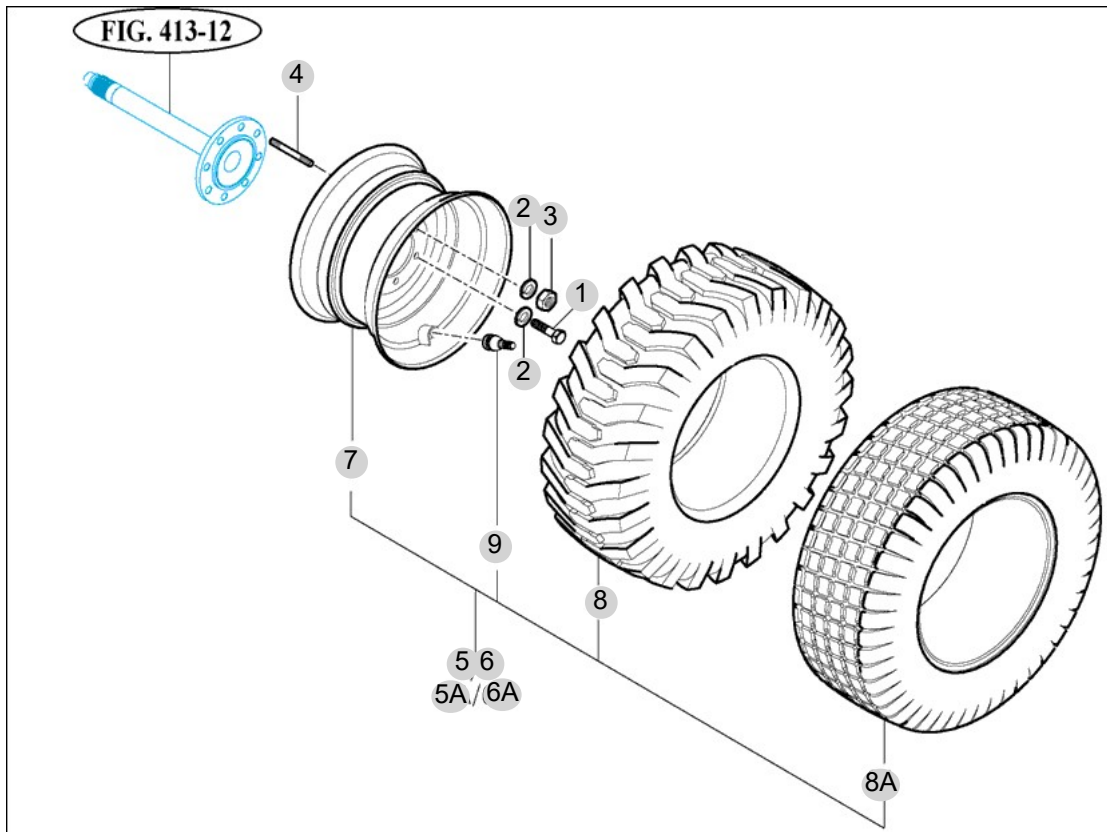
FIG 305

T394SH

REAR WHEEL MOUNTING

년/월  
Year/Month

2022-12



T394-E-305

NOTE



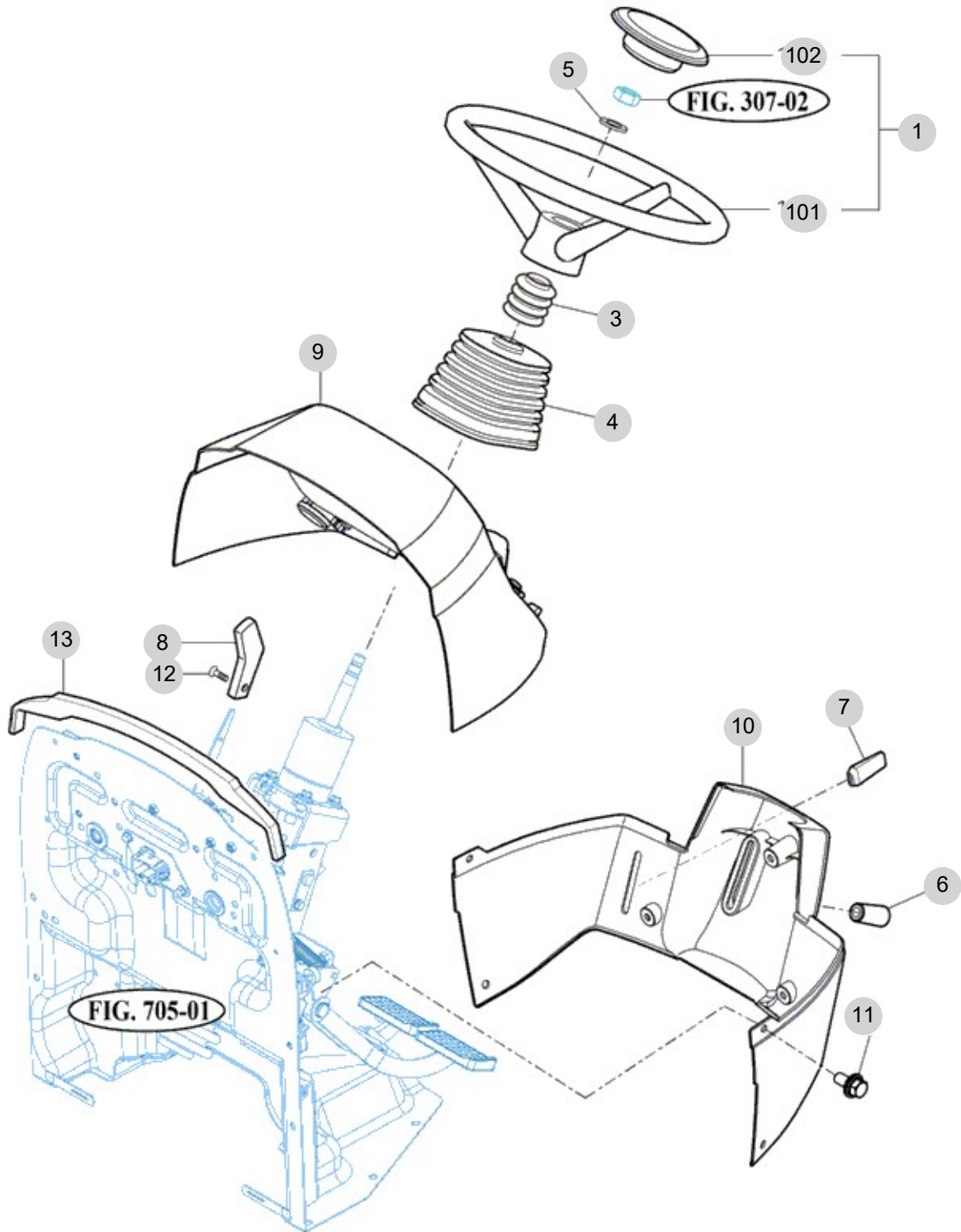
FIG 306

T394SH

STEERING WHEEL & DASH COVER

년/월  
Year/Month

2022-12



T394SH-E-306

NOTE



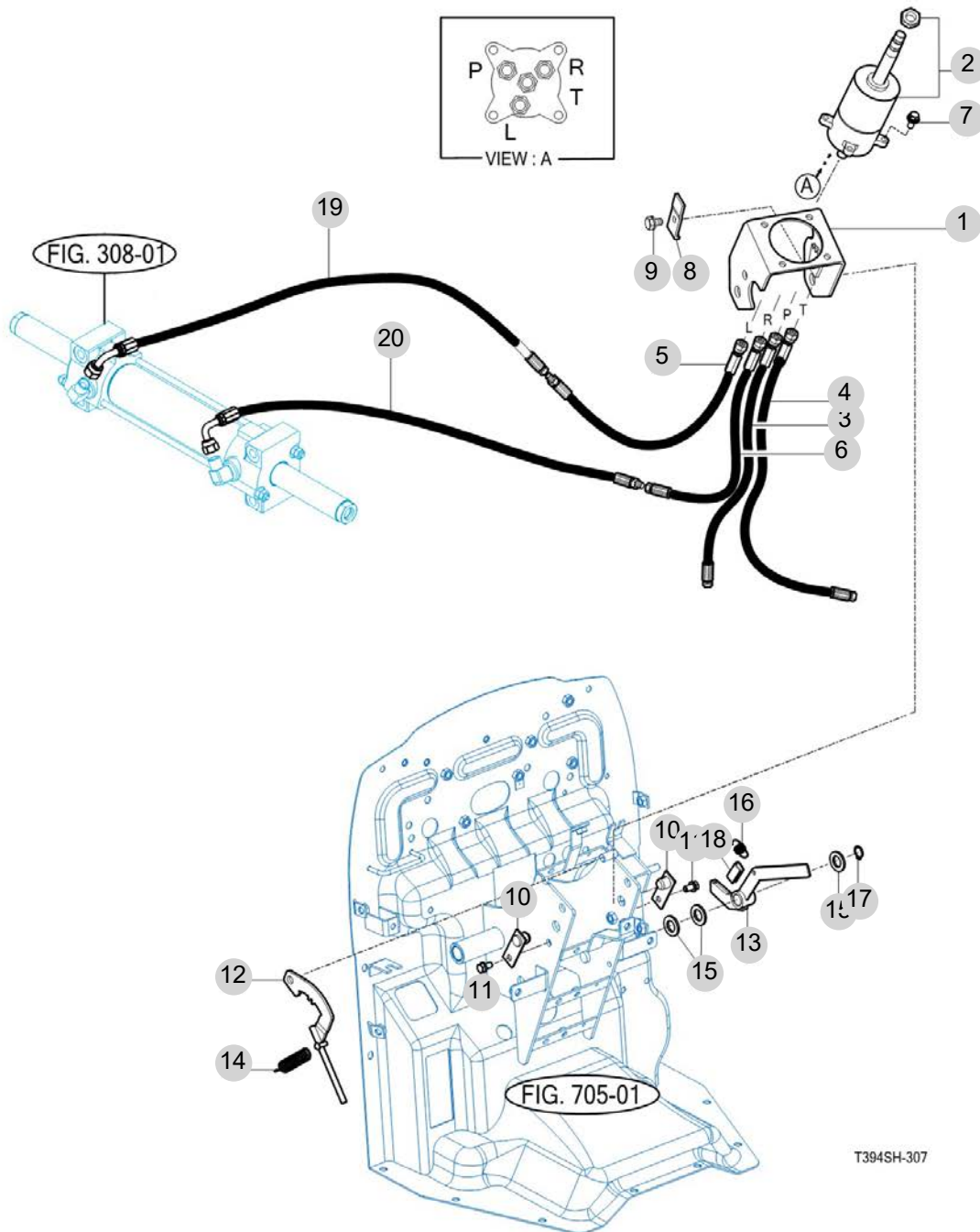
FIG 307

T394SH

STEERING VALVE & TILT

년/월  
Year/Month

2022-12



NOTE





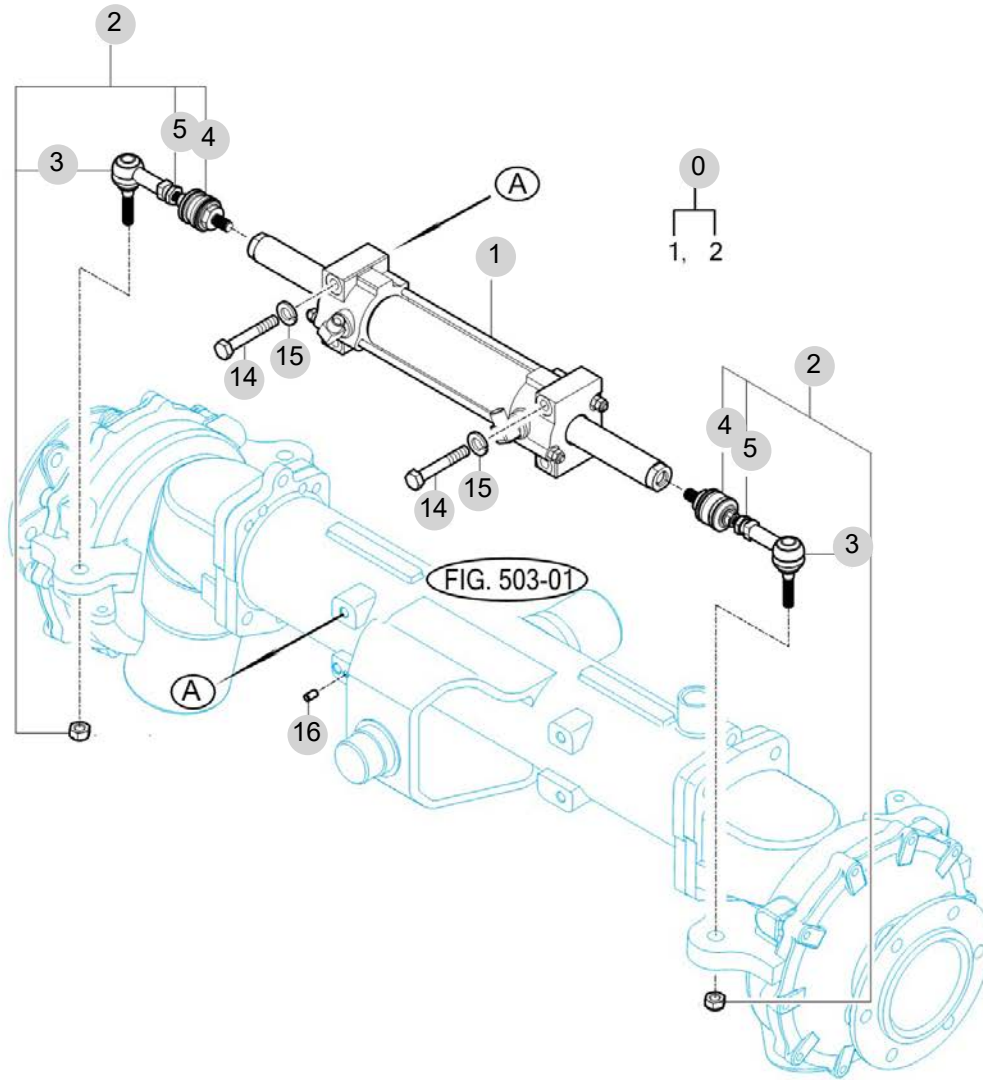
FIG 308

T394SH

STEERING CYLINDER

년/월  
Year/Month

2022-12



T393ST-E-310

NOTE



## 4. Transmission PART NO. T4

FIG 401 TRANSMISSION FRONT CASE	84
FIG 402 HST	86
FIG 403 MID CASE	88
FIG 404 4WD DRIVE GEAR	90
FIG 405 INPUT GEAR	92
FIG 406 SUB CHANGE GEARS	94
FIG 407 PINION GEARS	96
FIG 408 P T O DRIVE SHAFT	98
FIG 409 P T O CHANGE GEARS	100
FIG 410 DIFF LOCK	103
FIG 411 TRANSMISSION REAR CASE	105
FIG 412 REAR AXLE HOUSINGS(1)	107
FIG 413 REAR AXLE HOUSINGS(2)	109
FIG 414 MID P T O GEARS	111
FIG 415 SUB CHANGE LEVER	113
FIG 416 FORWARD & REVERSE CONTROL LINKAGE	115
FIG 417 CRUISE CONTROL KIT(OPTION)	117
FIG 418 4WD CHANGE LEVER	119

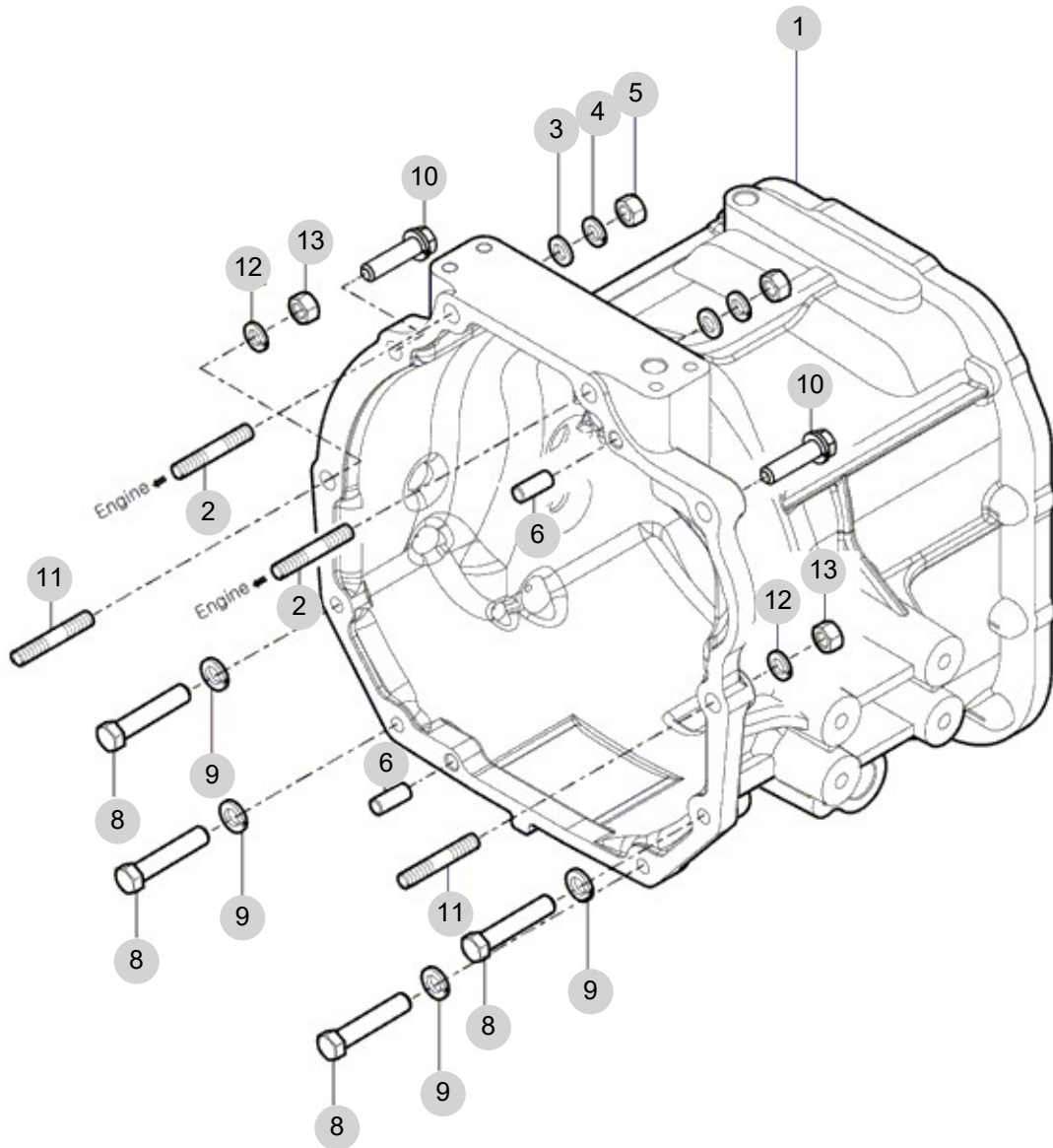
FIG 401

T394SH

TRANSMISSION FRONT CASE

년/월  
Year/Month

2022-12



T384NH-E-401

NOTE



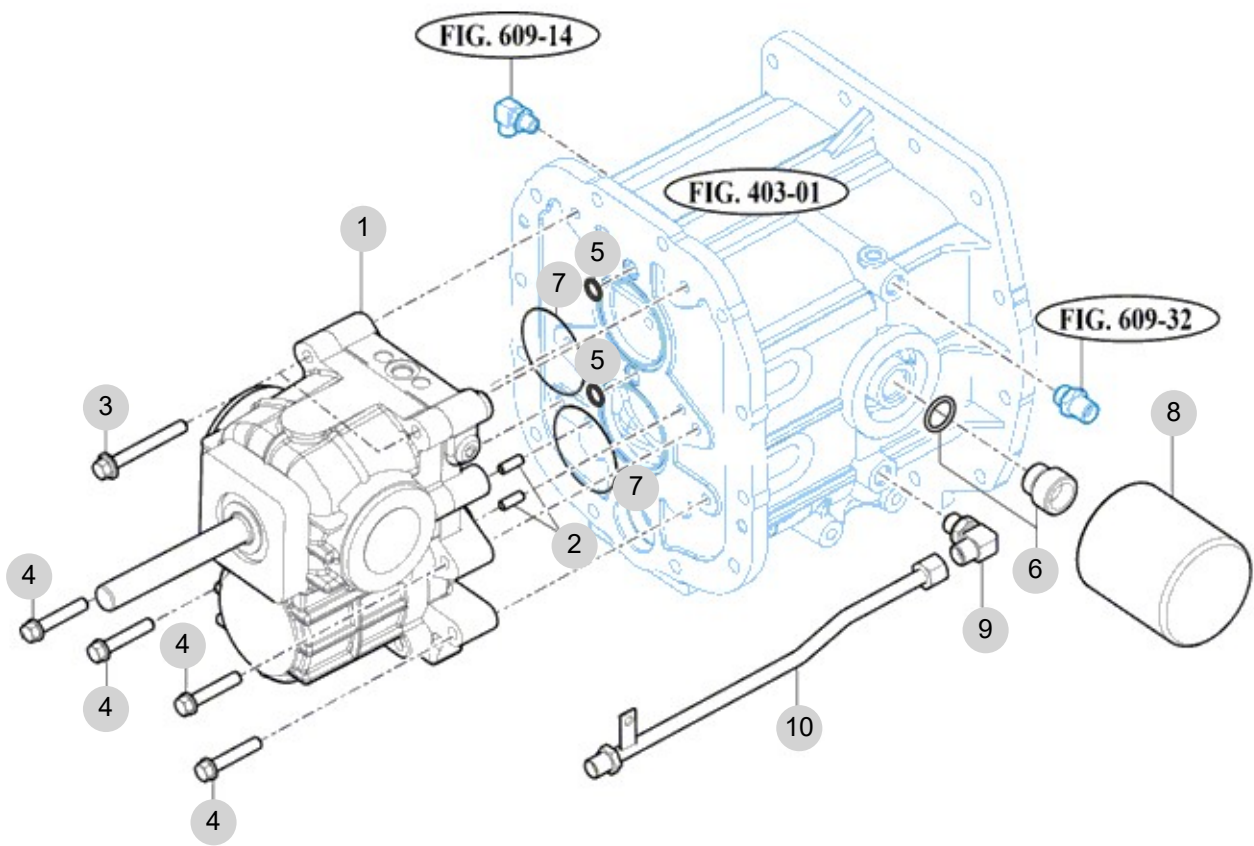
FIG 402

T394SH

HST

년/월  
Year/Month

2022-12



NOTE



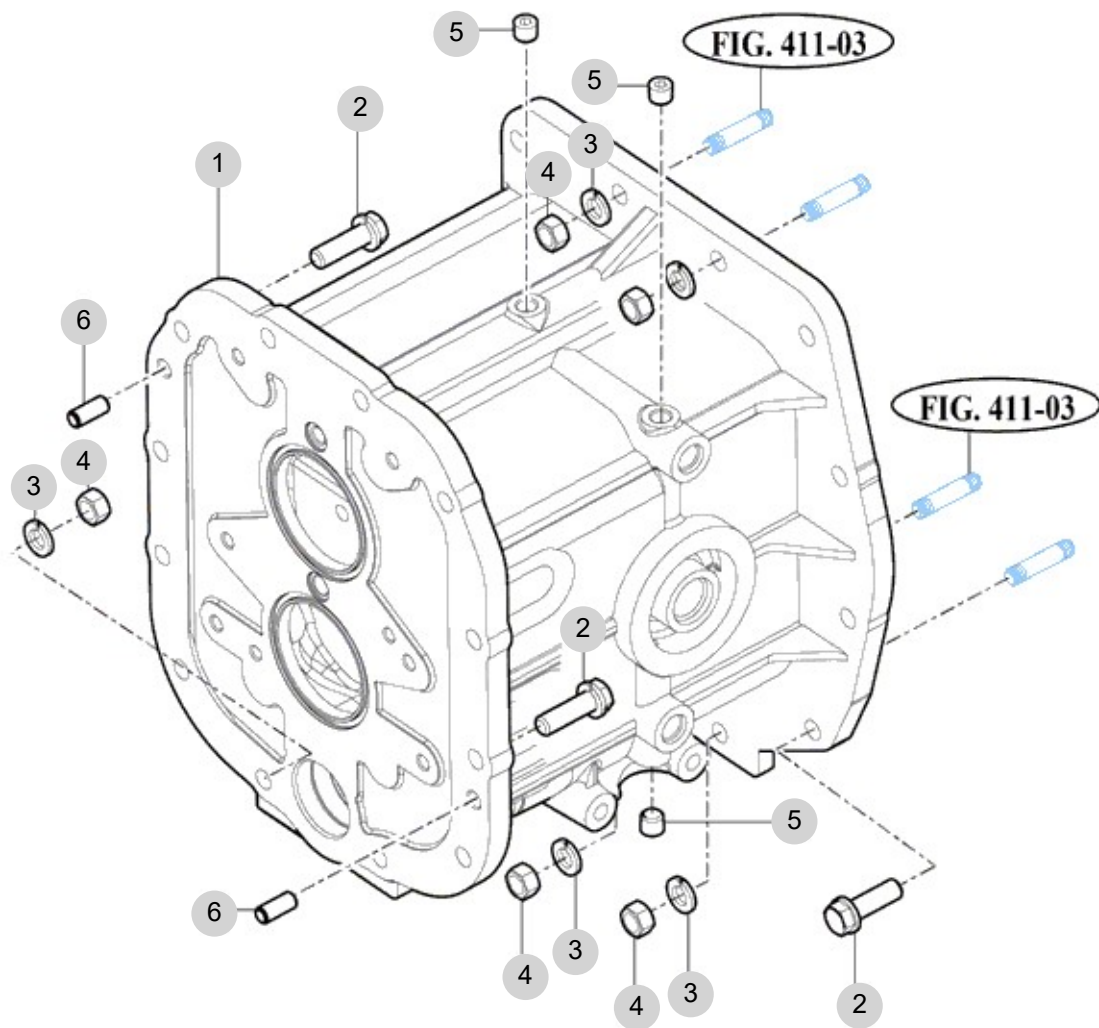
FIG 403

T394SH

MID CASE

년/월  
Year/Month

2022-12



NOTE





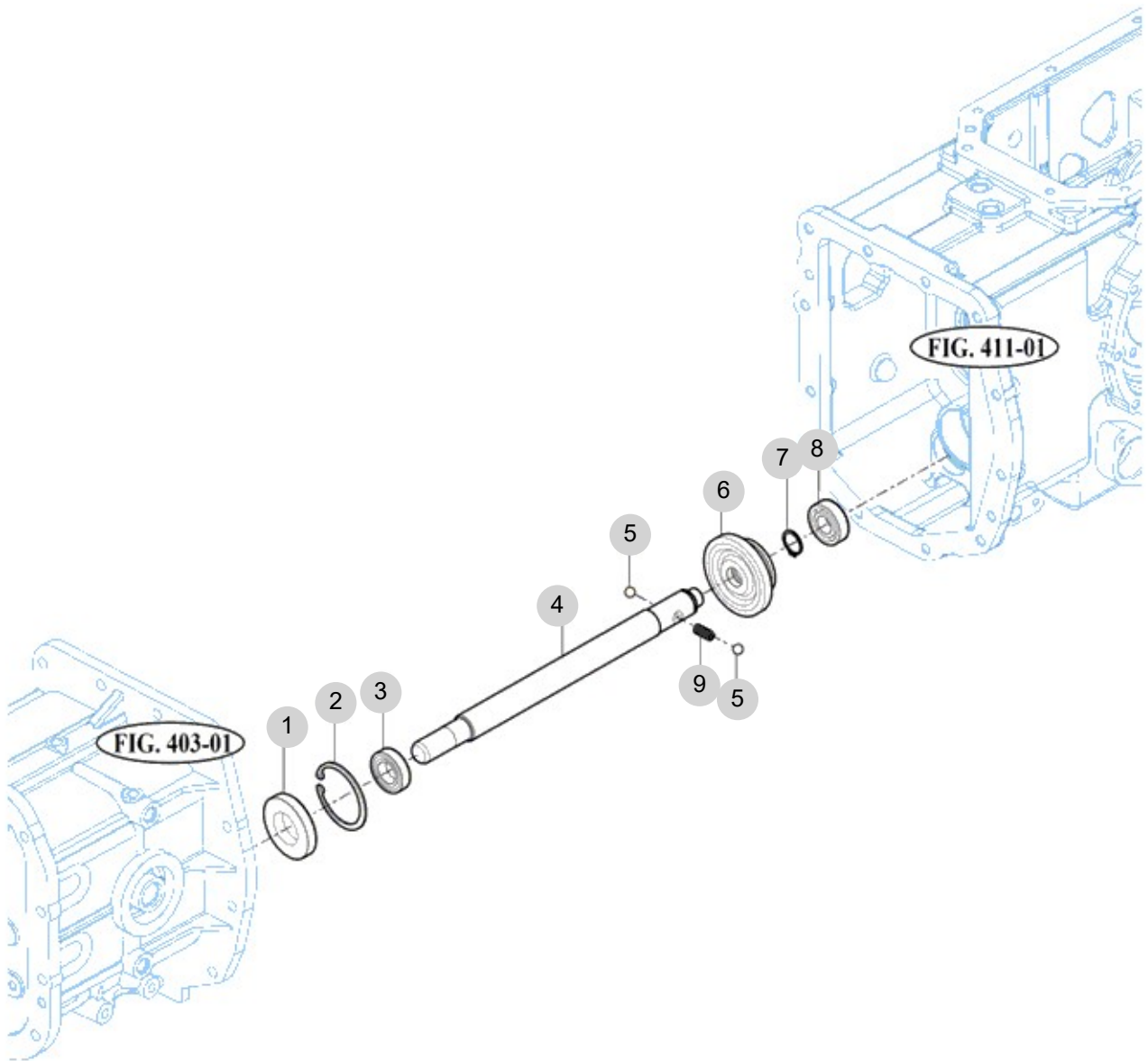
FIG 404

T394SH

4WD DRIVE GEAR

년/월  
Year/Month

2022-12



NOTE



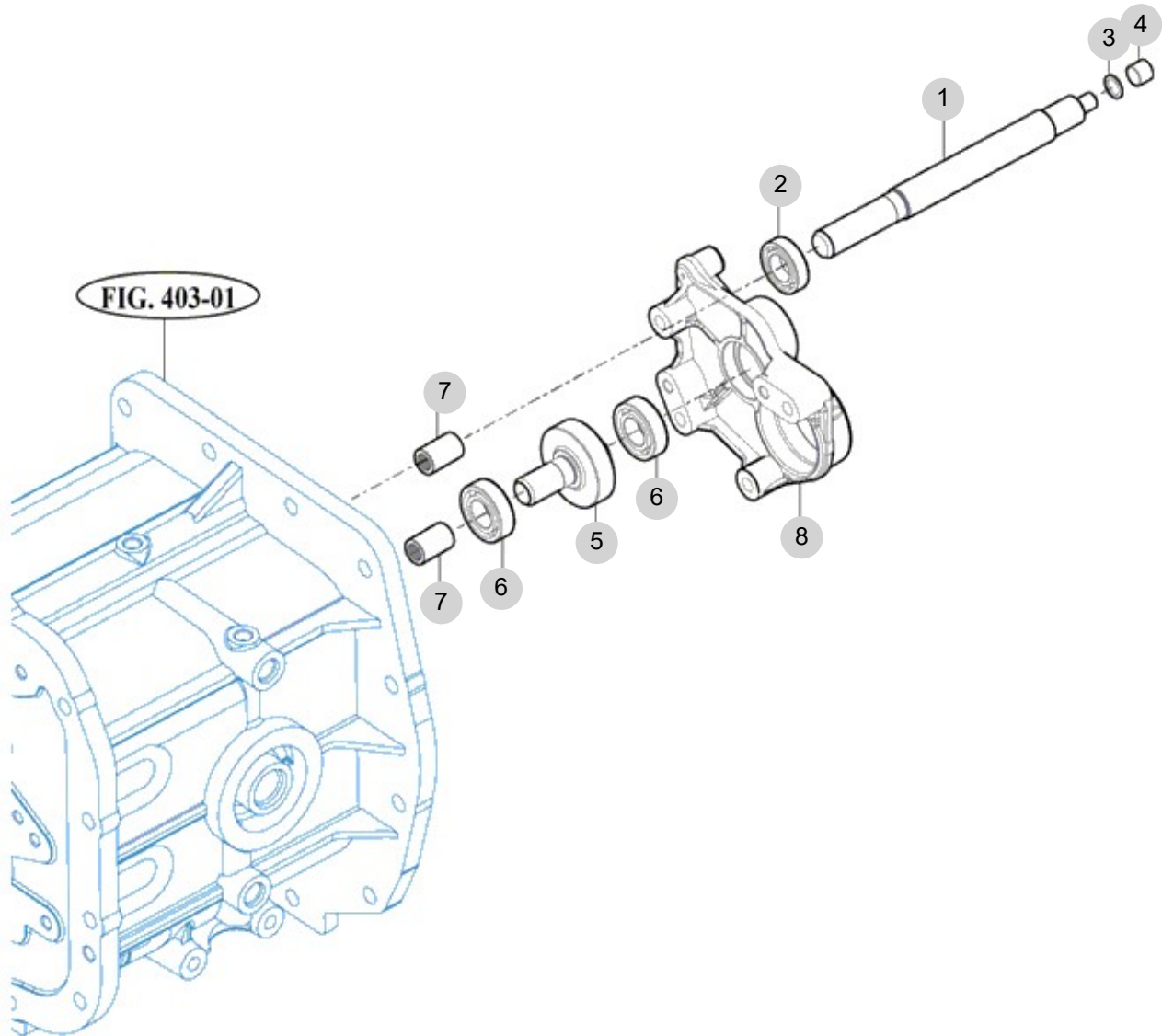
FIG 405

T394SH

INPUT GEAR

년/월  
Year/Month

2022-12



NOTE



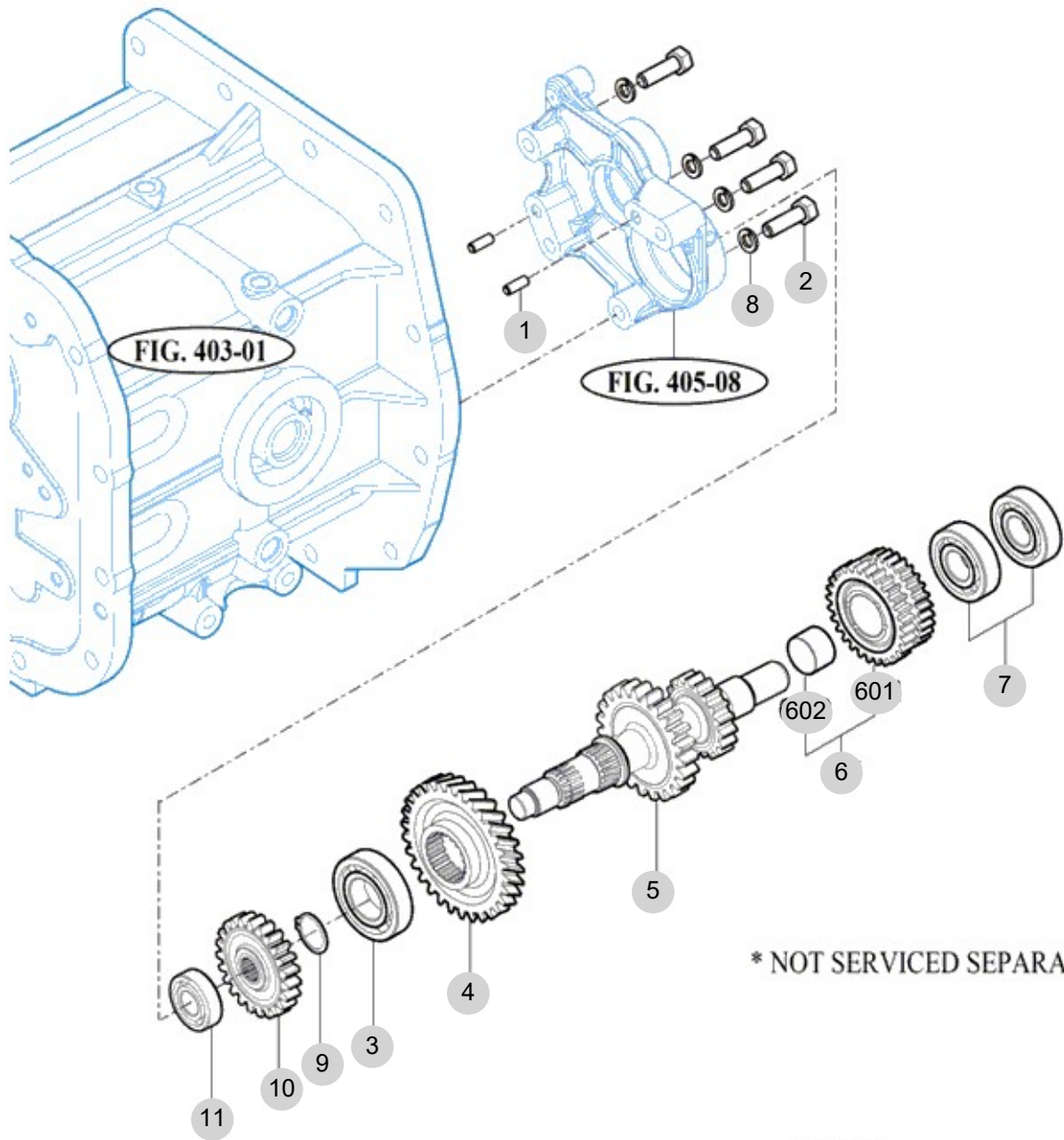
FIG 406

T394SH

SUB CHANGE GEARS

년/월  
Year/Month

2022-12



NOTE



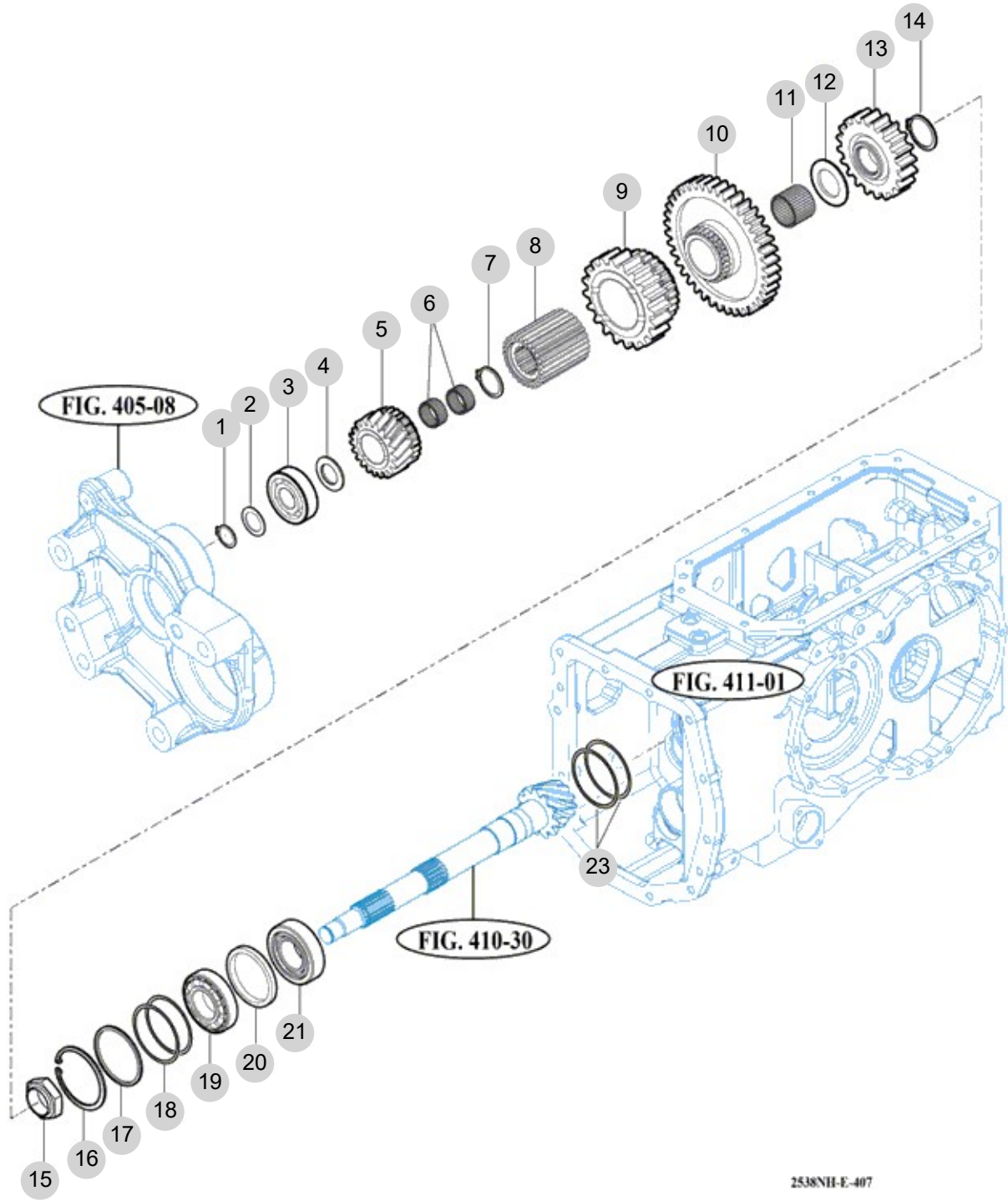
FIG 407

T394SH

PINION GEARS

년/월  
Year/Month

2022-12



2538NII-E-407

NOTE





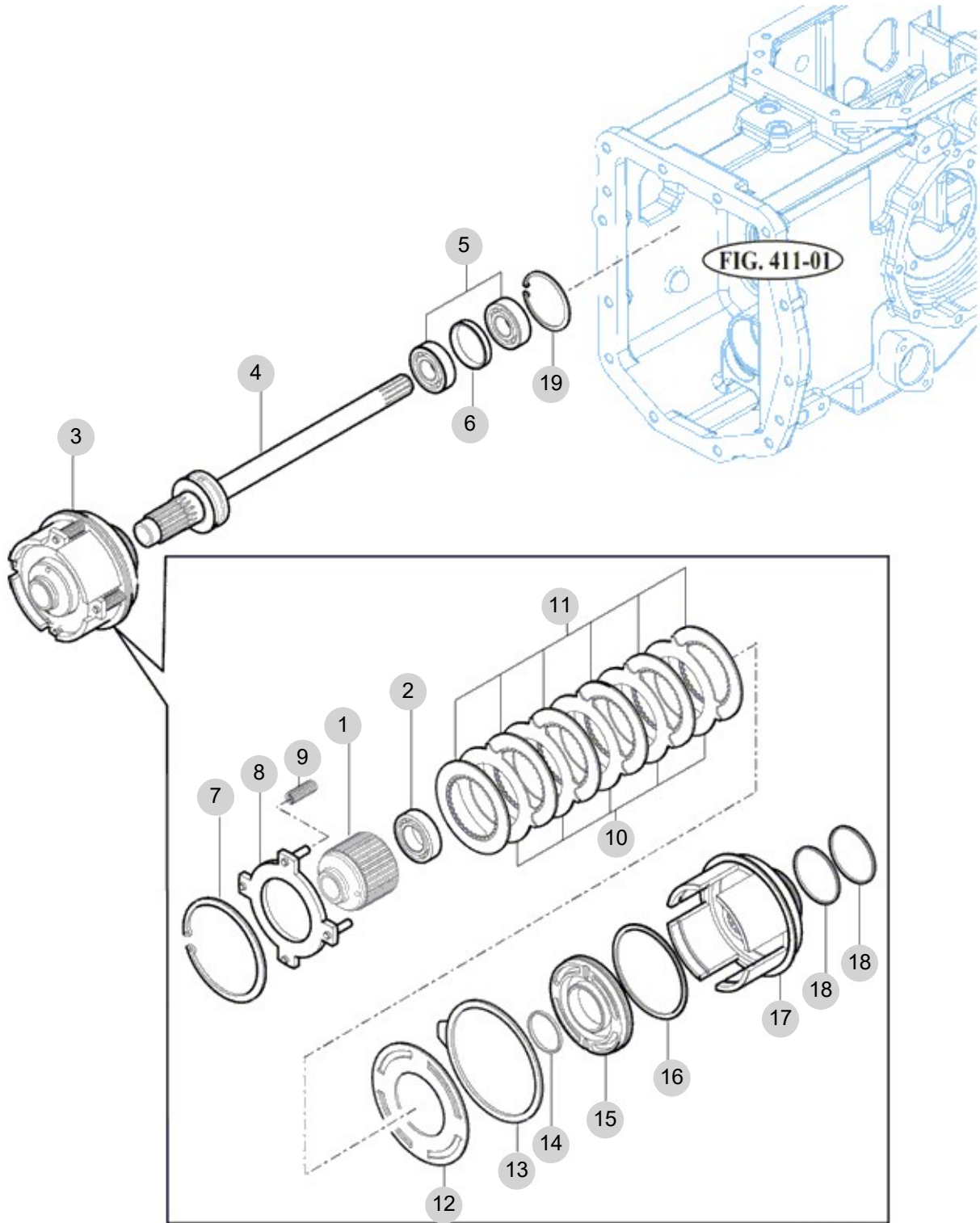
FIG 408

T394SH

P T O DRIVE SHAFT

년/월  
Year/Month

2022-12



T303/353NC-E-408

NOTE

FIG 408		P T O DRIVE SHAFT						년/월 Year/Month	
								2022-12	
T394SH		KEY NO	PART NO	DESCRIPTION	SPEC	QTY	REPAIR	EFFECTIVE DATE	REMARKS
408	1	16702191021	GEAR , HUB PTO			1			
408	2	V6001106005	BEARING , BALL		6005	1			
408	3	16702212000	CLUTCH ASSY , PTO CLUTCH			1			
408	4	16702171041	SHAFT , PTO CLUTCH			1			
408	5	V6001106204	BEARING , BALL		6204	2			
408	6	16702200041	COLLAR , 20X30X08			1			
408	7	V7051400950	C-RING , HOLE		Ø95	1			
408	8	16702212030	PLATE ASSY			1			
408	9	14722212040	SPRING			4			
408	10	16342212050	CLUTCH , PLATE			6			
408	11	15642212050	CLUTCH , DISK			5			
408	12	15642212060	PLATE , RETURN			1			
408	13	14722212070	DISC			1			
408	14	15642212090	SEAL , C			1			
408	15	14722212020	PISTON			1			
408	16	14722212090	RING , PISTON			1			
408	17	14722212010	CASE			1			
408	18	14462162180	SEAL , B			2			
408	19	V7051400470	C-RING , HOLE		Ø47	1			
NOTE									

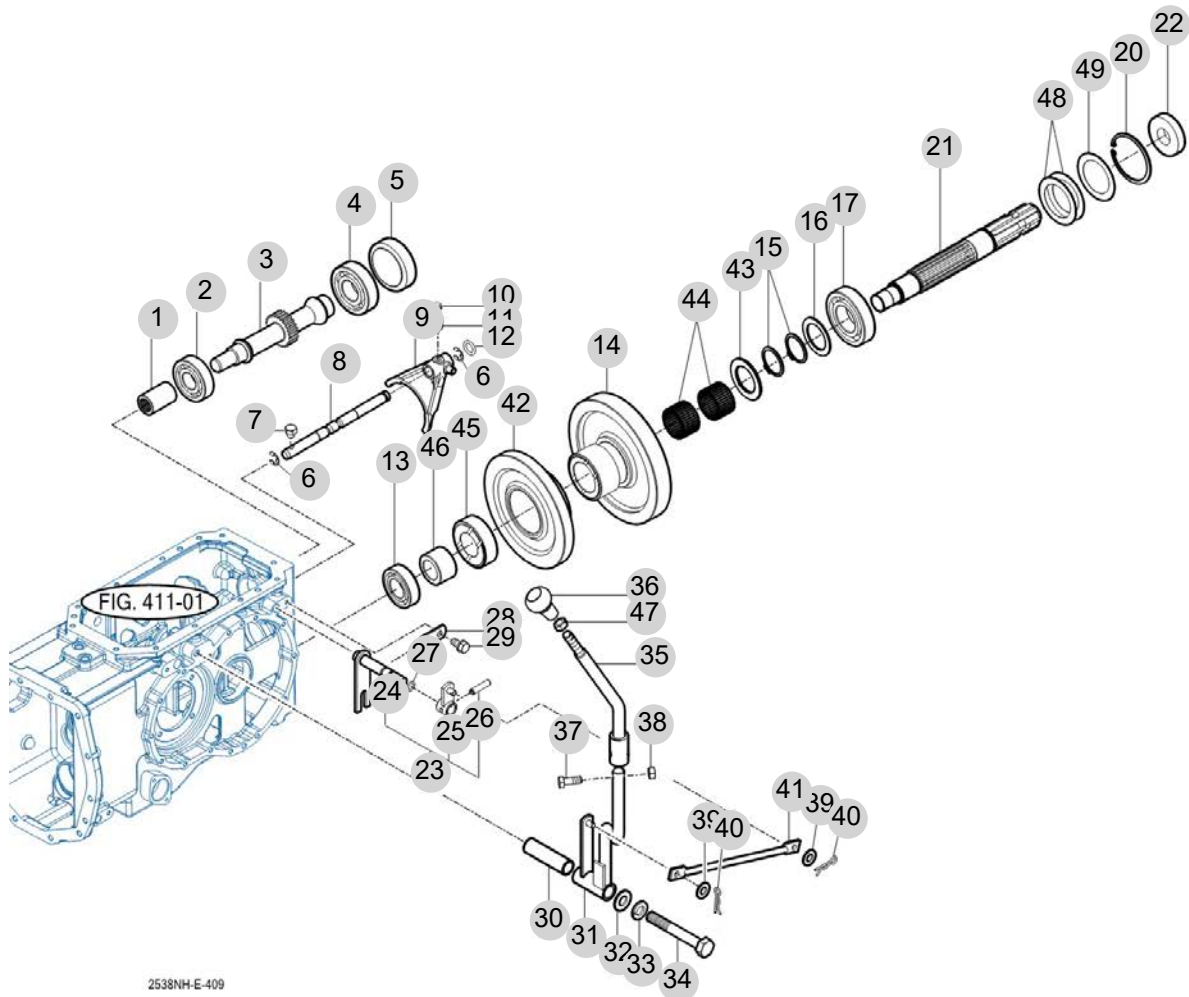
FIG 409

T394SH

P T O CHANGE GEARS

년/월  
Year/Month

2022-12



2538NH-E-409

NOTE

FIG 409		P T O CHANGE GEARS					년/월 Year/Month		
							2022-12		
T394SH		KEY NO	PART NO	DESCRIPTION	SPEC	QTY	REPAIR	EFFECTIVE DATE	REMARKS
409	1	14211340190	COUPLING			1			
409	2	V6001106305	BEARING , BALL	6305		1			
409	3	12352543530	SHAFT , PTO COUNT			1			
409	4	V6001106306	BEARING , BALL	6306		1			
409	5	14254330180	CAP , 72			1			
409	6	V7081400100	E-RING	Ø10		2			
409	7	15602231610	BOLT , SET M8X16			1			
409	8	12382540020	STAY , PTO			1			
409	9	16702540011M	FORK , PTO			1			
409	10	V6802000010	BALL , STEEL	5/16		1			
409	11	13022250030	SPRING , SHIFTER			1			
409	12	V7201024010	O-RING , P	P10		1			
409	13	V6001106205	BEARING , BALL	6205		1			
409	14	12352530020	GEAR , PTO 54T			1			
409	15	V7041400350	C-RING , SHAFT	Ø35		2			
409	16	14443140041	COLLAR , 35X50X2			1			
409	17	V6001106207	BEARING , BALL	6207		1			
409	20	V7051400720	C-RING , HOLE	Ø72		1			
409	21	12382530010	SHAFT , PTO			1			
409	22	16322732000	SEAL ASSY , OIL			1			
409	23	16702555102	HOOK SET , RR PTO			1			
409	24	16702542102	HOOK COMP , RR PTO			1			
409	25	16702432201	ARM COMP , RANGE			1			
409	26	V5801406025	PIN , SPRING	6X25		1			
409	27	V7201024012	O-RING , P	P12		1			
409	28	16702230371	PLATE			1			
409	29	V2173608016	BOLT , HEX/S	M8X16		1			
409	30	16702440070	HUB(13*17*61)			1			
409	31	16702552103	LEVER COMP , PTO/DOWN			1			
409	32	V4111600120	WASHER , PLAIN	M12		1			
409	33	V4011600120	WASHER , SPRING	M12		1			
409	34	V2013612085	BOLT , HEX	M12X85		1			
409	35	13832552200GB	LEVER COMP ,PTO/UPPER			1			
409	36	16992190102	GRIP , PTO			1			
409	36	19682190100	GRIP , PTO			1			
409	37	V2013608035	BOLT , HEX	M8X35		1			
409	38	V3042600080	NUT , HEX/2	M8		1			
409	39	V4111600080	WASHER , PLAIN	M8		2			
409	40	V5601600008	PIN , SNAP	8		2			
409	41	16702553100	ROD , 236			1			
409	42	12382530030	GEAR , SPUR 41T			1			
409	43	15642730082	WASHER , 35X55X3	D=55		1			
409	44	V6544354026	BEARING , NEEDLE CAGED			2			
409	45	15642730052	HUB , 35X62X20			1			
409	46	12382530040	WASHER , 25X40X26	D=40		1			
NOTE									



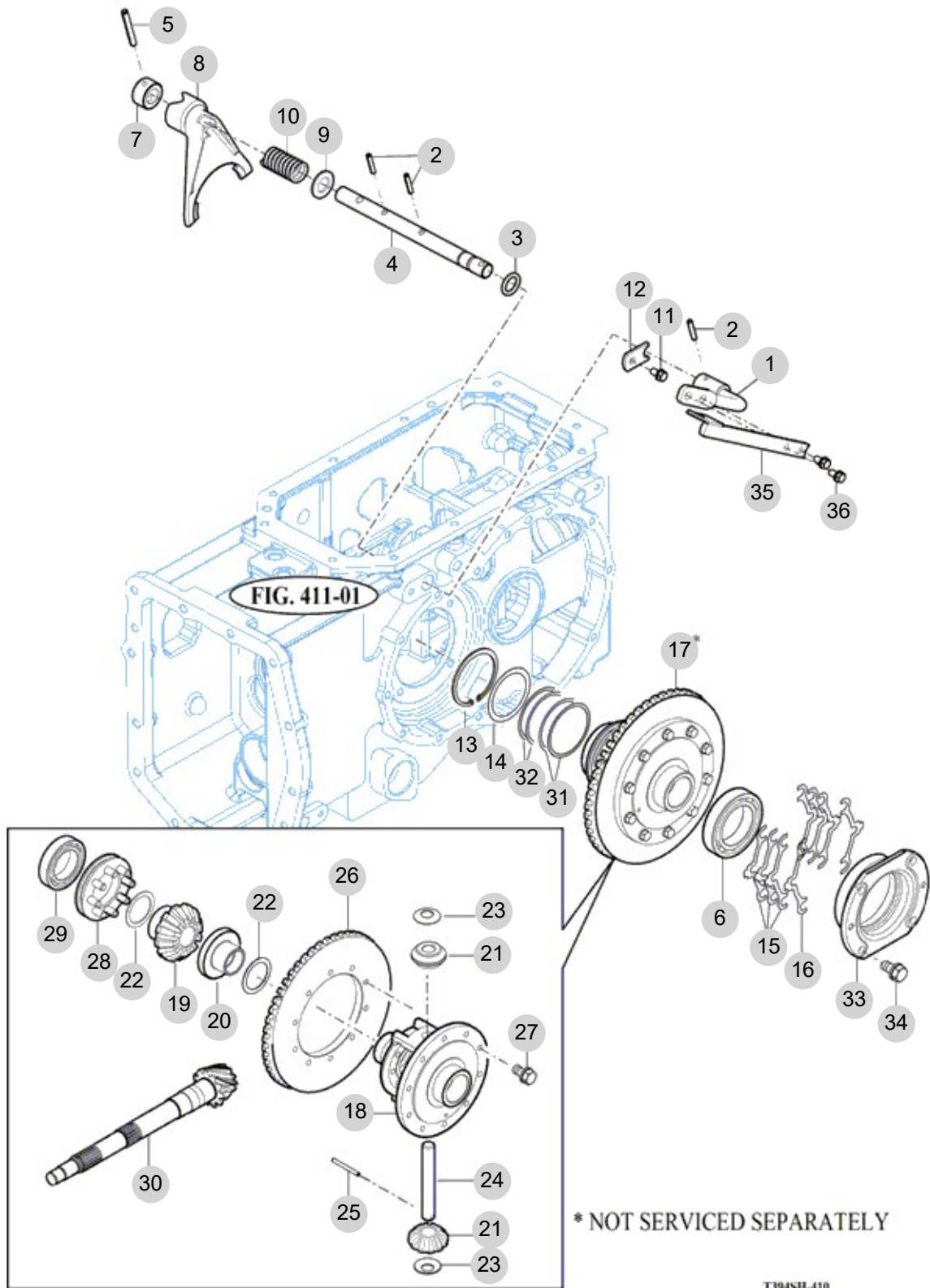
FIG 410

DIFF LOCK

년/월  
Year/Month

2022-12

T394SH



NOTE





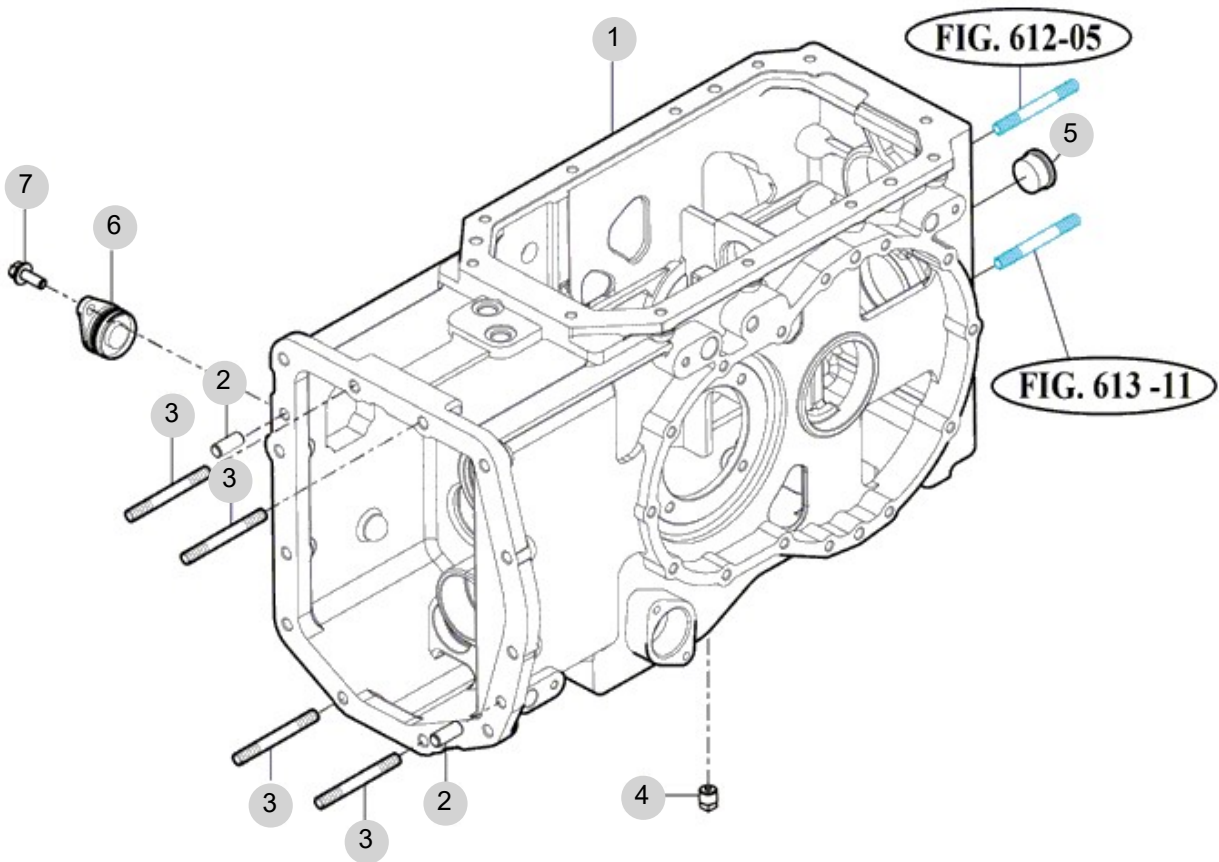
FIG 411

T394SH

TRANSMISSION REAR CASE

년/월  
Year/Month

2022-12



T394NH-E-411

NOTE

FIG 411 T394SH	TRANSMISSION REAR CASE					년/월 Year/Month	
						2022-12	

KEY NO	PART NO	DESCRIPTION	SPEC	QTY	REPAIR	EFFECTIVE DATE	REMARKS
411	1	12352400010M	CASE , RR TRANSMISSION	1			
411	2	V5201010022	PIN , PARALLEL/A	10X22	2		
411	3	V2513412040	BOLT , STUD	M12X40	4		
411	4	16701015001	PLUG ASSY , DRAIN (MAGNET)		1		
411	5	11103062000	GAUGE ASSY , OIL LEVEL		1		
411	6	12355153000	SUCTION ASSY , HEAD		1		
411	6	12355153200	PLATE, SUCTION		1		
411	7	V2183610025	BOLT , HEX/SP	M10X25	1		

NOTE	
------	--

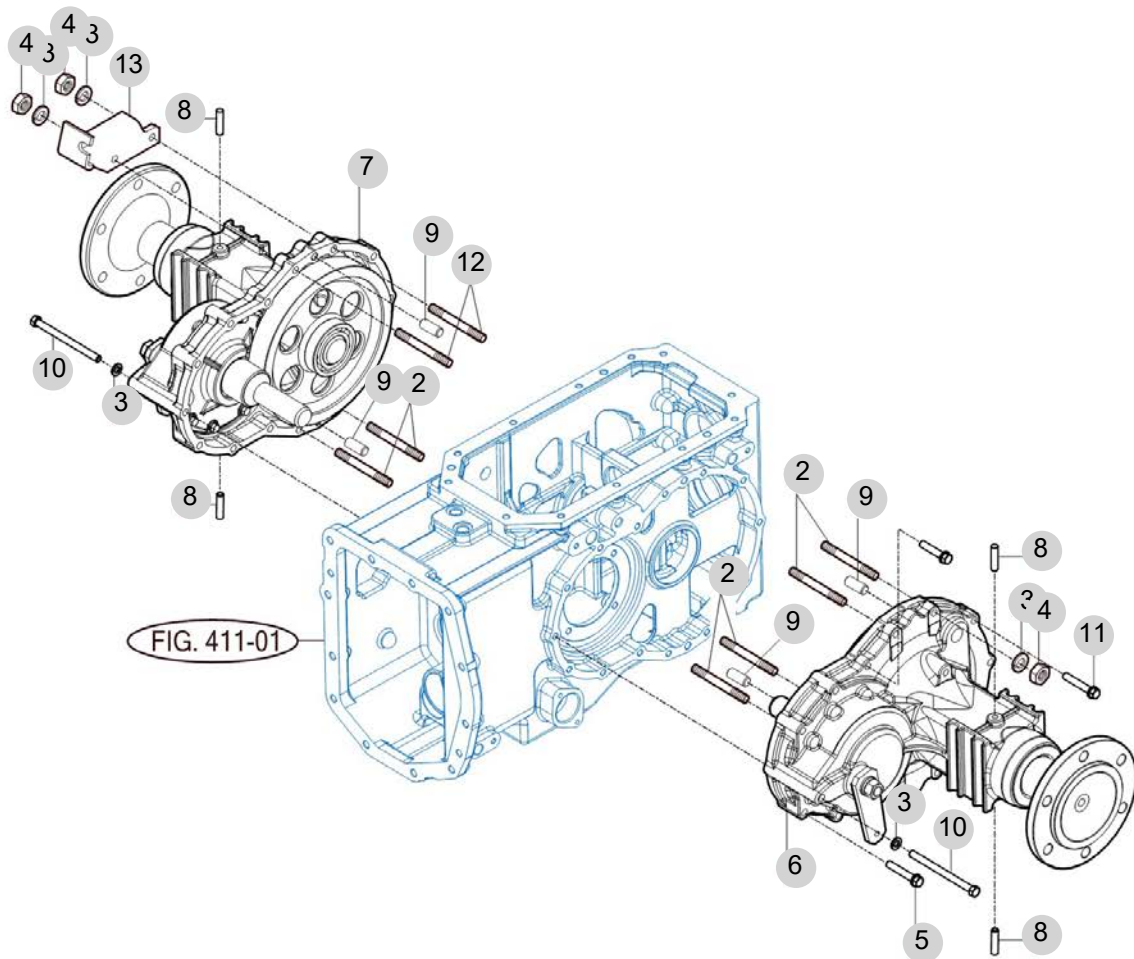
FIG 412

T394SH

REAR AXLE HOUSINGS(1)

년/월  
Year/Month

2022-12



2538NH-E-412

NOTE



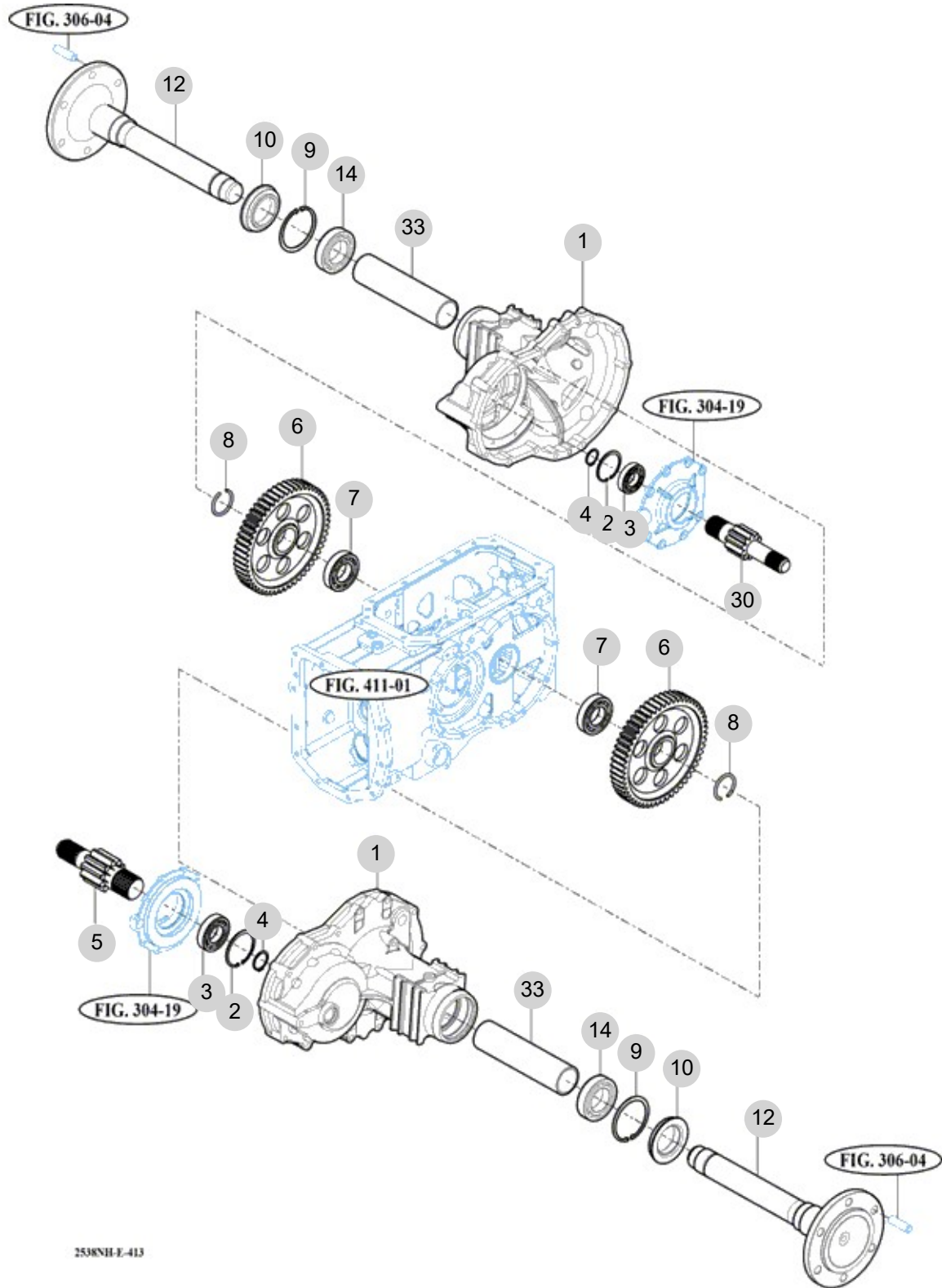
FIG 413

T394SH

REAR AXLE HOUSINGS(2)

년/월  
Year/Month

2022-12



NOTE



FIG 414

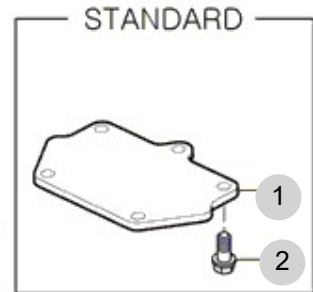
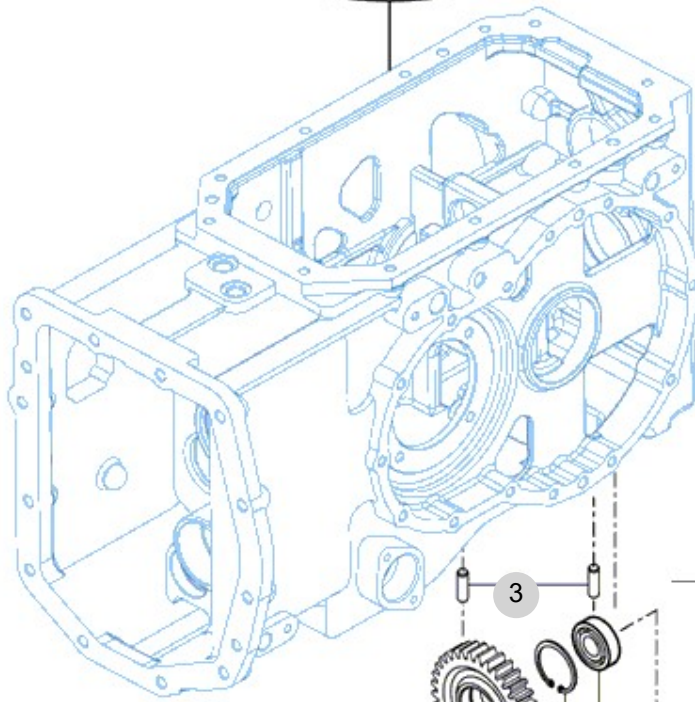
MID P T O GEARS

년/월  
Year/Month

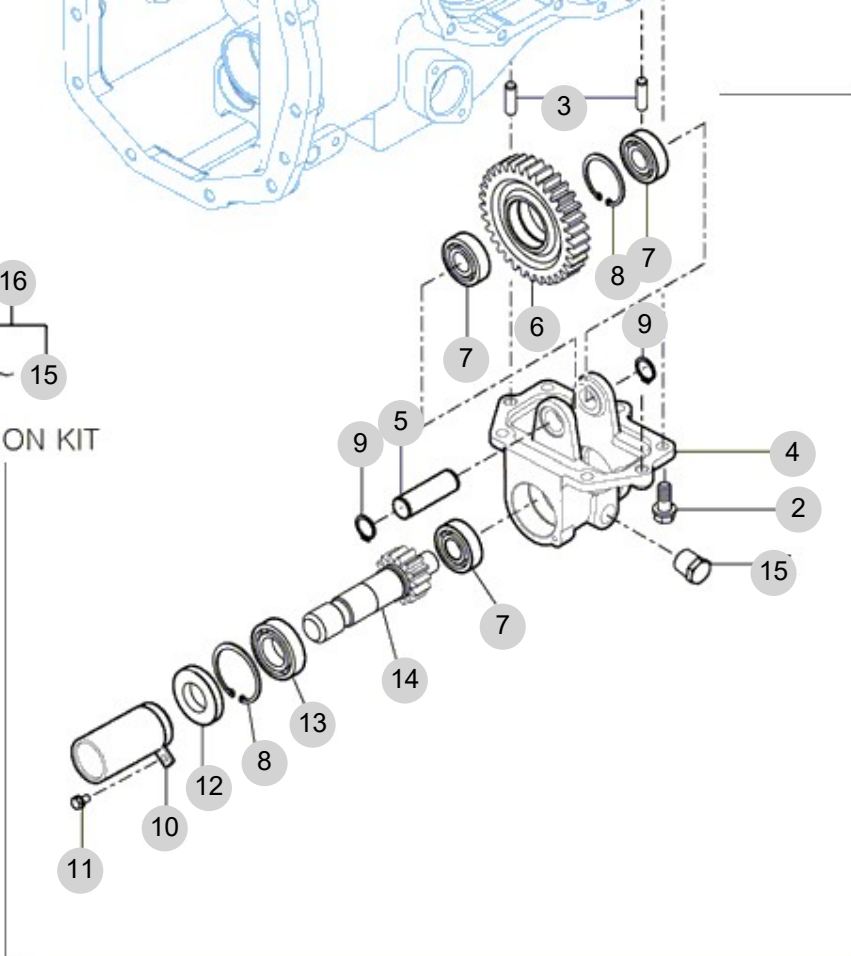
2022-12

T394SH

FIG. 411-01



16  
4 ~ 15  
OPTION KIT



2538NH-E-414

NOTE





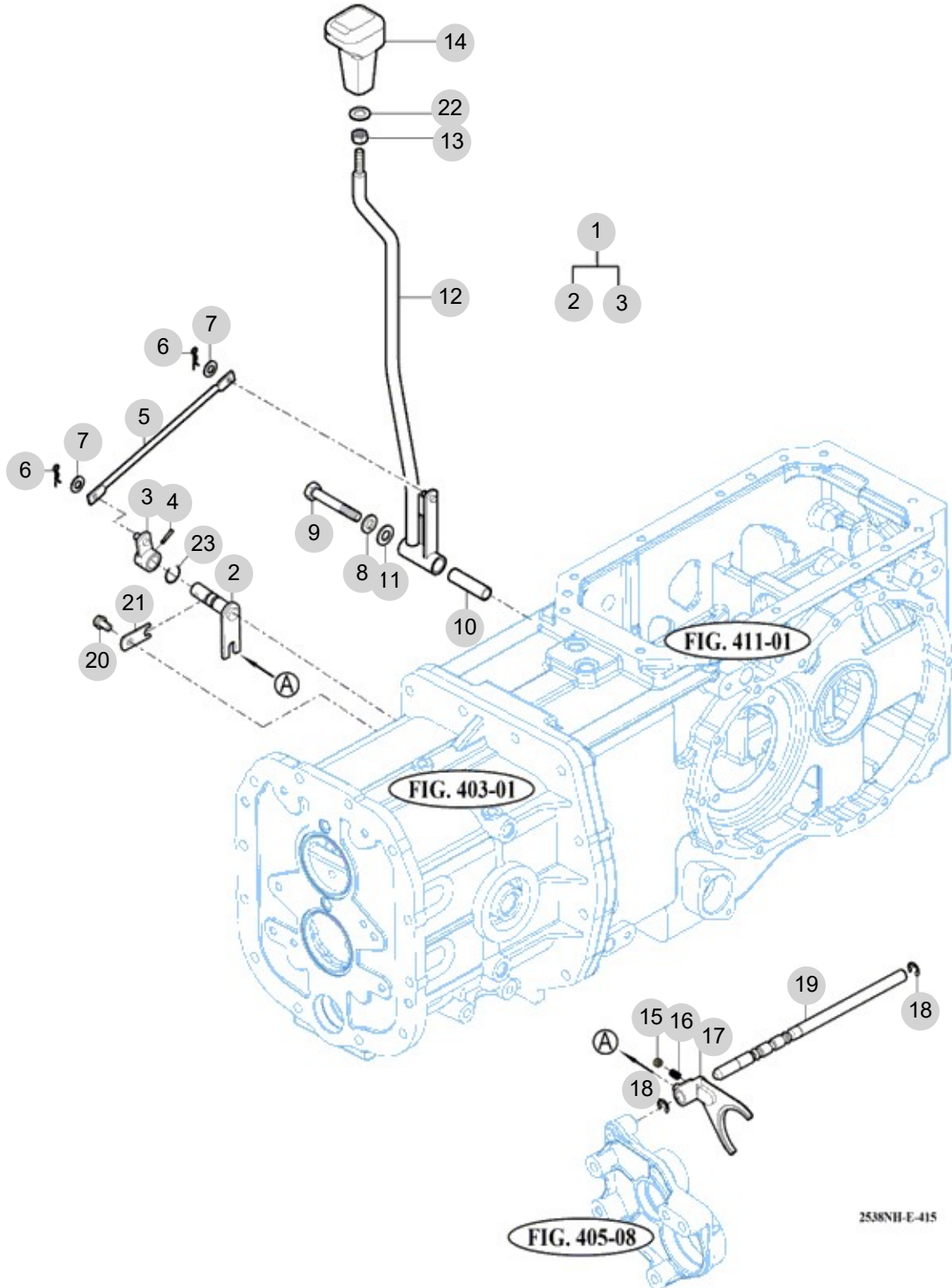
FIG 415

T394SH

SUB CHANGE LEVER

년/월  
Year/Month

2022-12



NOTE



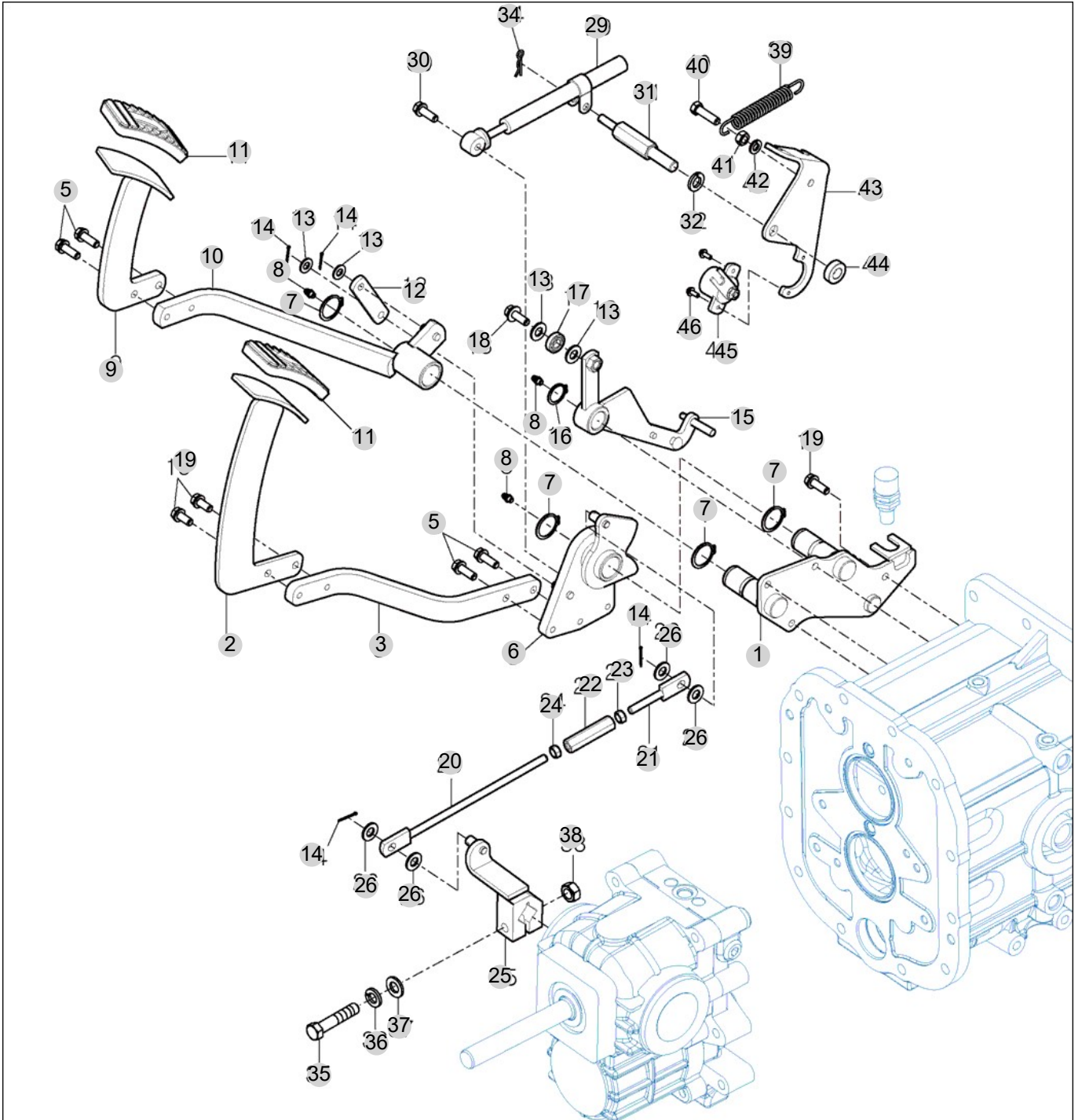
FIG 416

FORWARD & REVERSE CONTROL LINKAGE

년/월  
Year/Month

2022-12

T394SH



NOTE

FIG 416		FORWARD & REVERSE CONTROL LINKAGE						년/월 Year/Month	
								2022-12	
T394SH		KEY NO	PART NO	DESCRIPTION	SPEC	QTY	REPAIR	EFFECTIVE DATE	REMARKS
416	1	12382313201	BRACKET COMP, HST PEDAL			1			
416	2	14722312703GB	PEDAL COMP , FORWARD			1			
416	3	14722310052	PLATE , FORWARD			1			
416	5	V2173608025	BOLT , HEX/S	M8X25		4			
416	6	12382312300	ARM COMP , FORWARD			1			
416	7	V7041400250	C-RING , SHAFT	25		4			
416	8	V7601500000	NIPPLE , GREASE/A-M6F			3			
416	9	14722312802GB	PEDAL COMP , REVERSE			1			
416	10	14722312603	ARM COMP			1			
416	11	14722312730	PAD			2			
416	12	14722310023	PLATE , REVERSE			1			
416	13	V4111600080	WASHER , PLAIN	M8		4			
416	14	V5001920020	PIN , SPLIT	2X20		4			
416	15	10532312600				1			
416	15	10532312601	ARM COMP , CAM FOLLOWER			1			
416	16	V7041400200	C-RING , SHAFT			1			
416	17	14722310060	BEARING , BALL			1			
416	18	V2013608025	BOLT , HEX	M8X25		1			
416	19	V2173608025	BOLT , HEX/S	M8X25		6			
416	20	12382325100	ROD COMP , LH			1			
416	21	11102325200	ROD COMP , RH			1			
416	22	16601220020	TURNBUCKLE , M8 L60			1			
416	23	V3042600080	NUT , HEX/2	M8		1			
416	24	15601320073	NUT , HEX LH			1			
416	25	12382312101	BRACKET COMP , HOLDER			1			
416	26	V4111600100	WASHER , PLAIN	M10		4			
416	29	14722312401	DAMPER , OIL			1			
416	30	V2183608035	BOLT , HEX/SP	M8X35		1			
416	31	10532310090	PIN , OIL DAMPER			1			
416	32	V4011600120	WASHER , SPRING	M12		1			
416	34	V5601600008	PIN , SNAP			1			
416	35	V2173610055	BOLT , HEX/S	M10X55		1			
416	36	V4011600100	WASHER , SPRING	M10		1			
416	37	V4111600100	WASHER , PLAIN	M10		1			
416	38	V3043600100	NUT , HEX/2	M10		1			
416	39	14722310033	SPRING , RETURN			1			
416	40	V2013608035	BOLT , HEX	M8X35		1			
416	41	V3042600080	NUT , HEX/2	M8		1			
416	42	V4011600080	WASHER , SPRING			1			
416	43	10531163810	BRACKET , P			1			
416	44	10532310080	COLLAR , 12X24X8			1			
416	45	14545300020	POTENTIOMETER ASSY			1			
416	46	V1222604012	SCREW , C/R PAN/SP	M4X12		2			
NOTE									

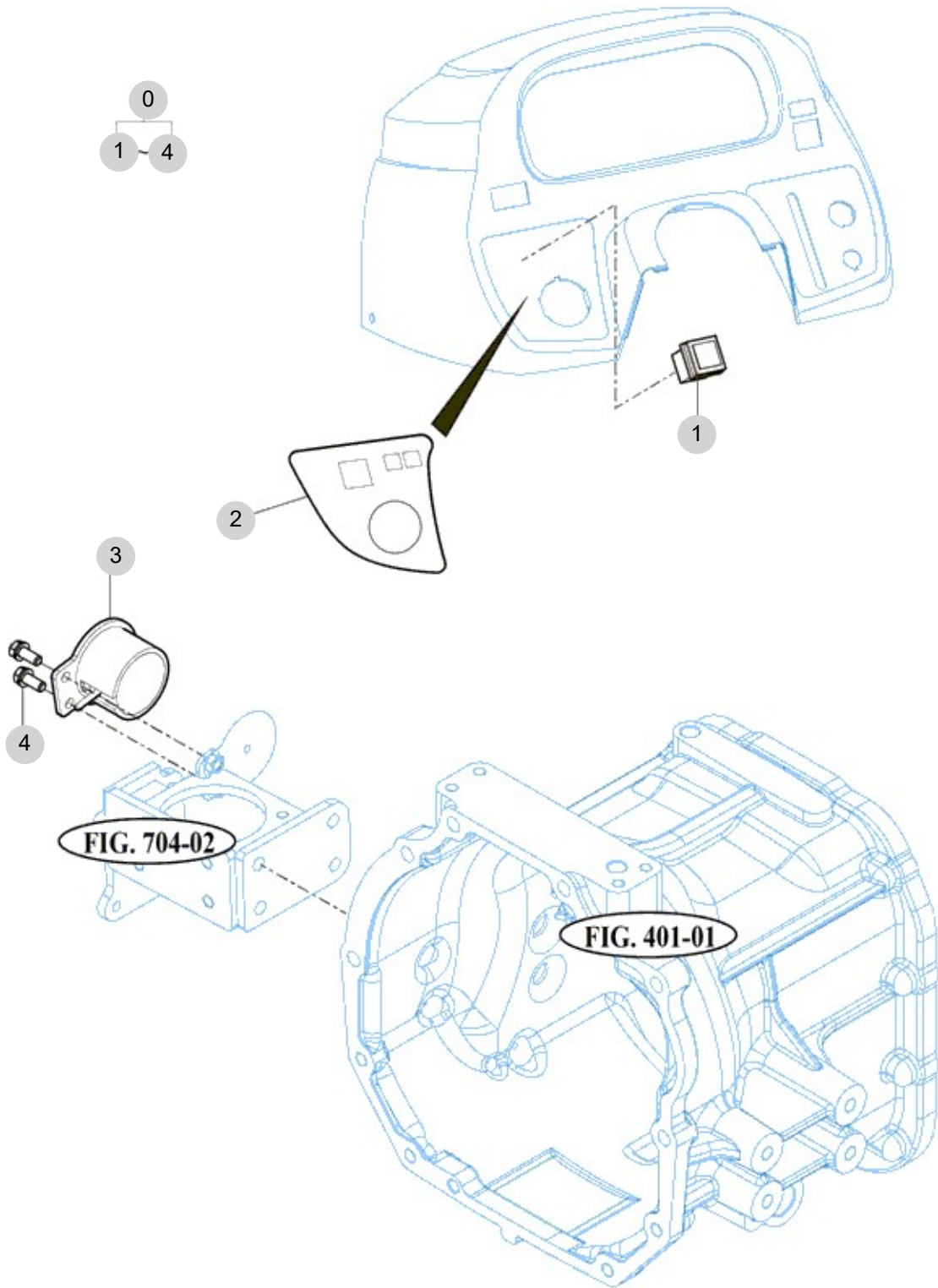
FIG 417

T394SH

CRUISE CONTROL KIT(OPTION)

년/월  
Year/Month

2022-12



NOTE



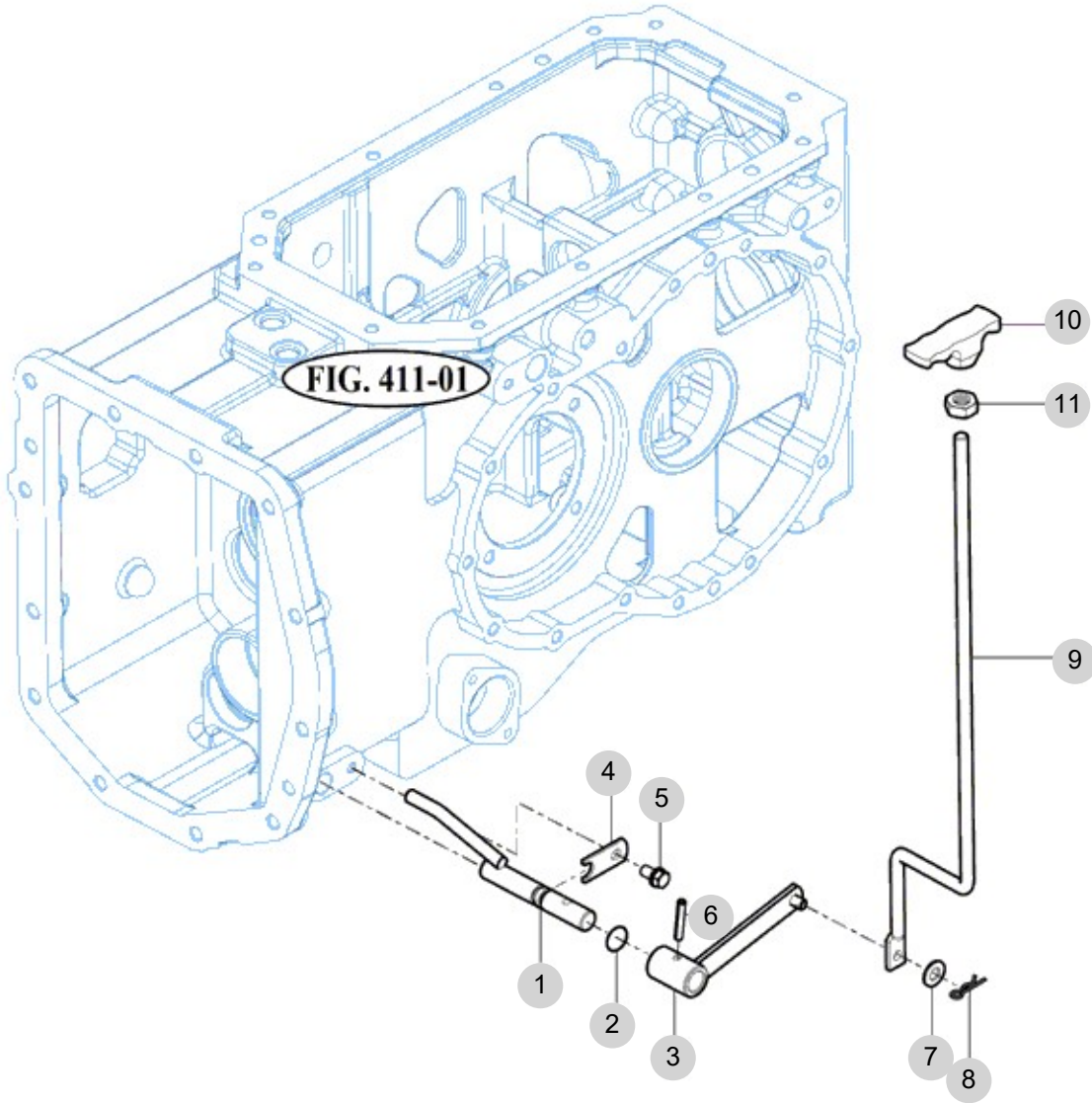
FIG 418

T394SH

4WD CHANGE LEVER

년/월  
Year/Month

2022-12



2538NH-K-418

NOTE





## 5. Front Axle PART NO. T5

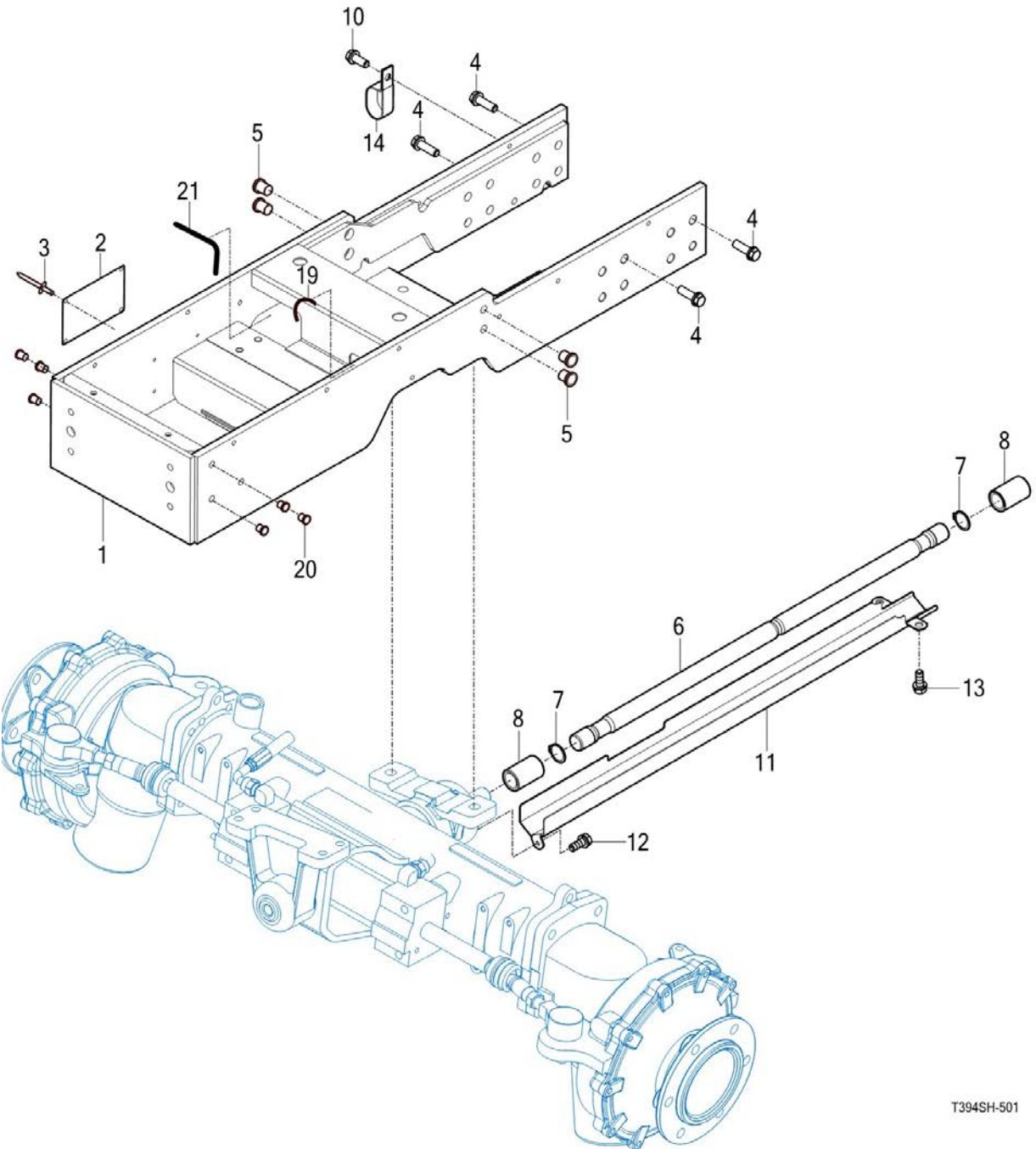
FIG 501 FRONT AXLE BRACKET	122
FIG 502 FRONT DIFFERENTIAL GEARS	124
FIG 503 FRONT AXLE HOUSING	126
FIG 504 FRONT GEAR CASE (1)	128
FIG 505 FRONT GEAR CASE (2)	130

FIG 501

FRONT AXLE BRACKET

년/월  
Year/Month

2022-12



T394SH-501

NOTE



FIG 502

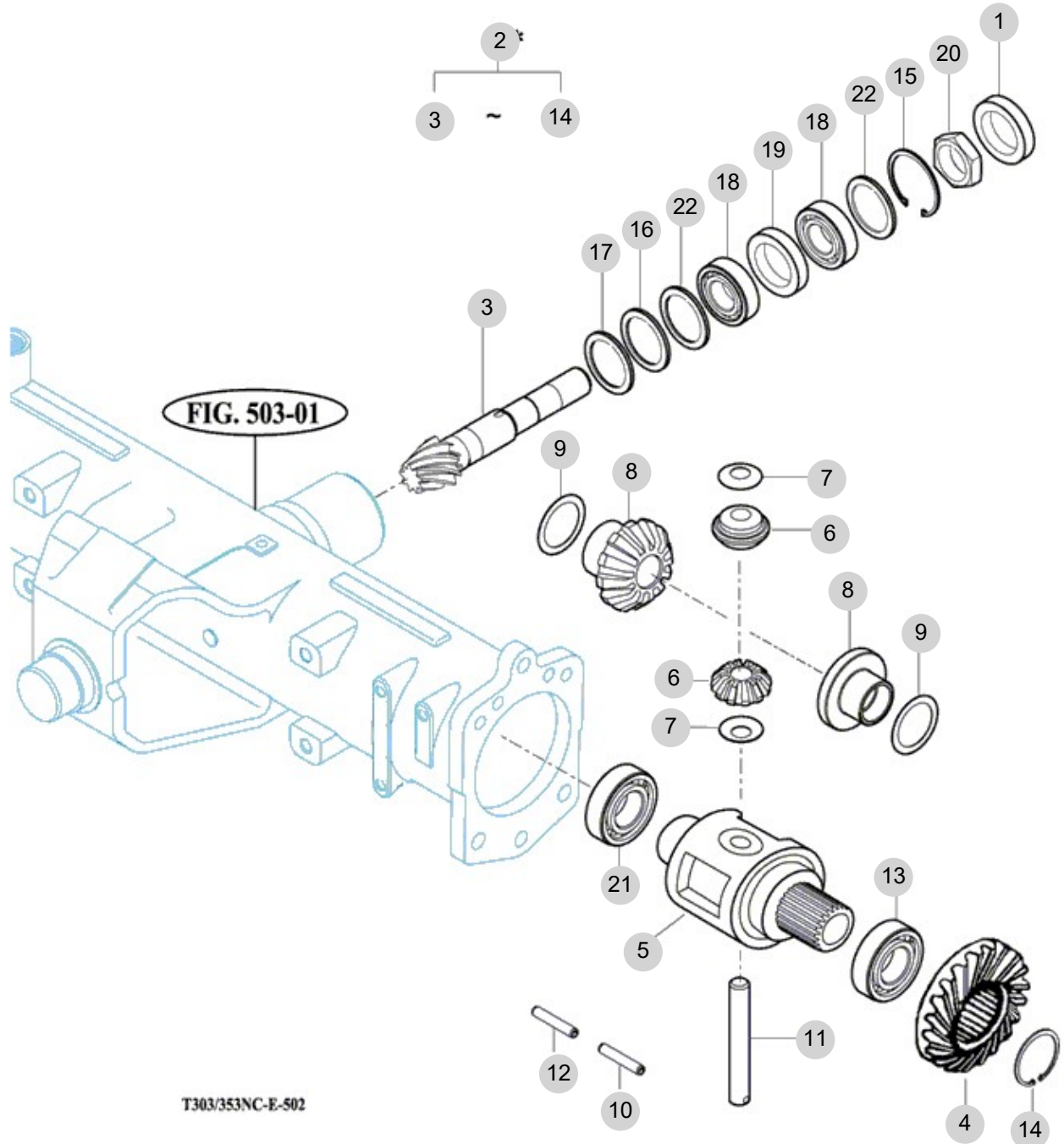
T394SH

FRONT DIFFERENTIAL GEARS

년/월  
Year/Month

2022-12

\* NOT SERVICED SEPARATELY



NOTE



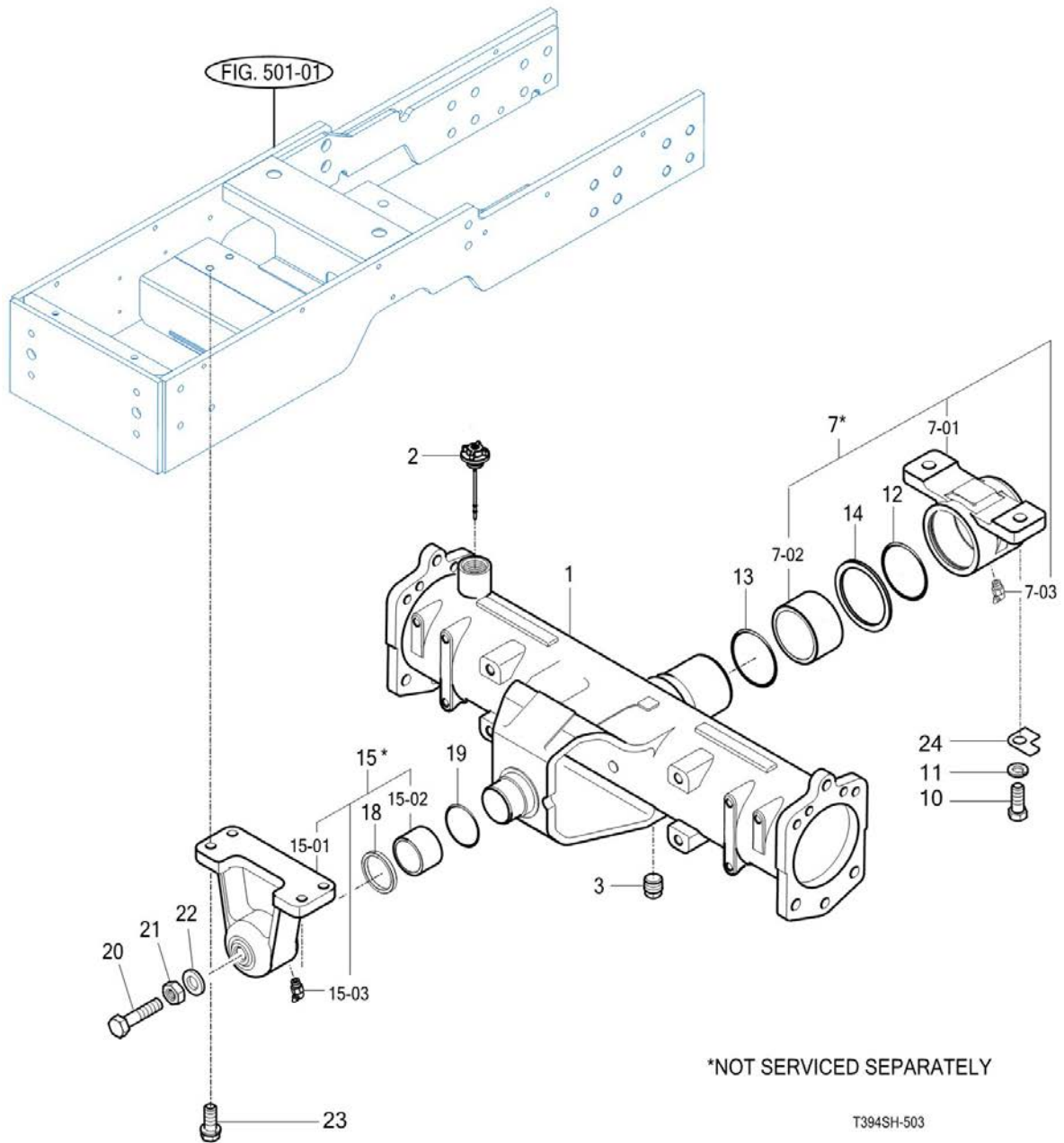
FIG 503

T394SH

FRONT AXLE HOUSING

년/월  
Year/Month

2022-12



NOTE



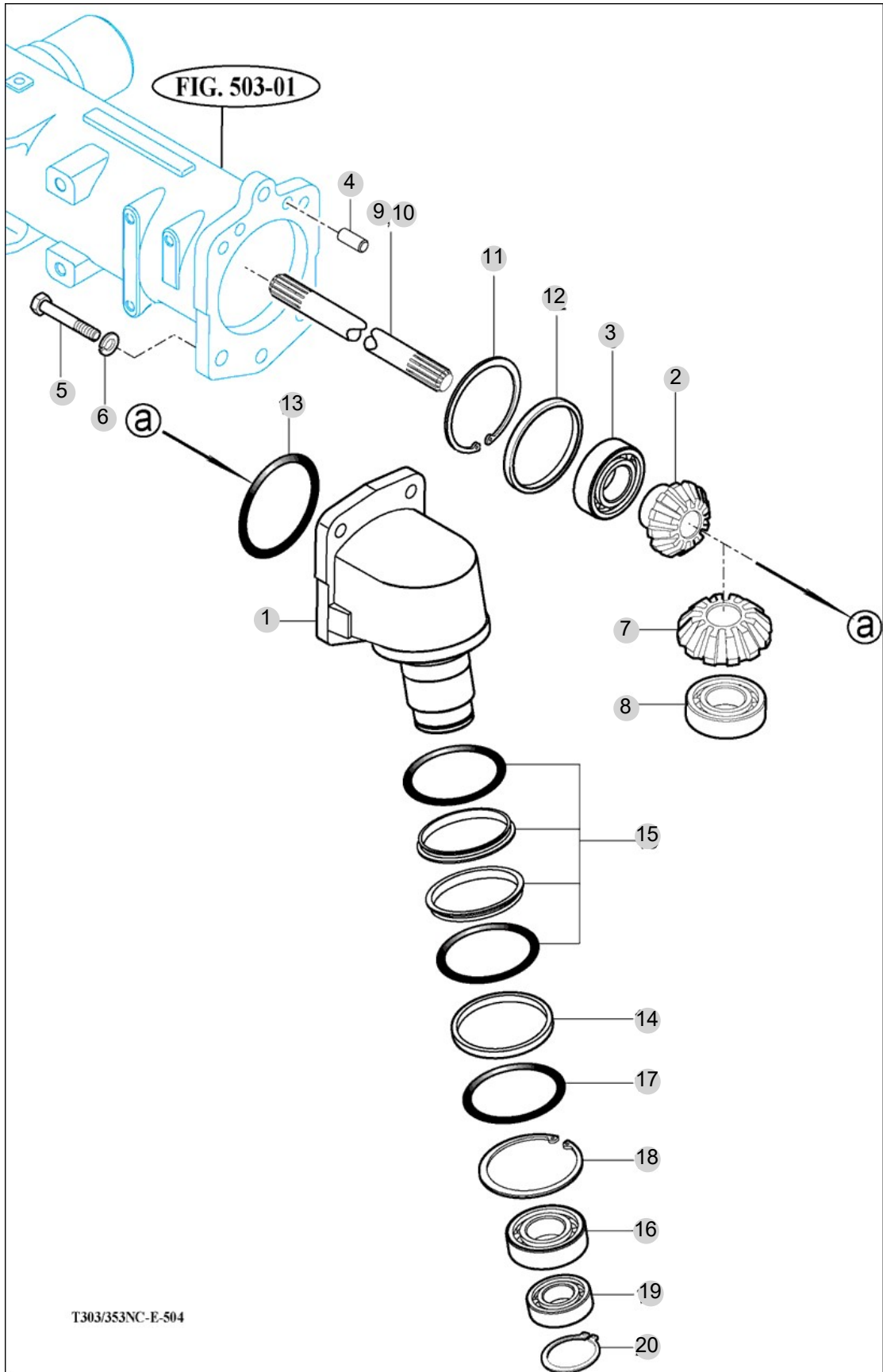
FIG 504

T394SH

FRONT GEAR CASE (1)

년/월  
Year/Month

2022-12



NOTE





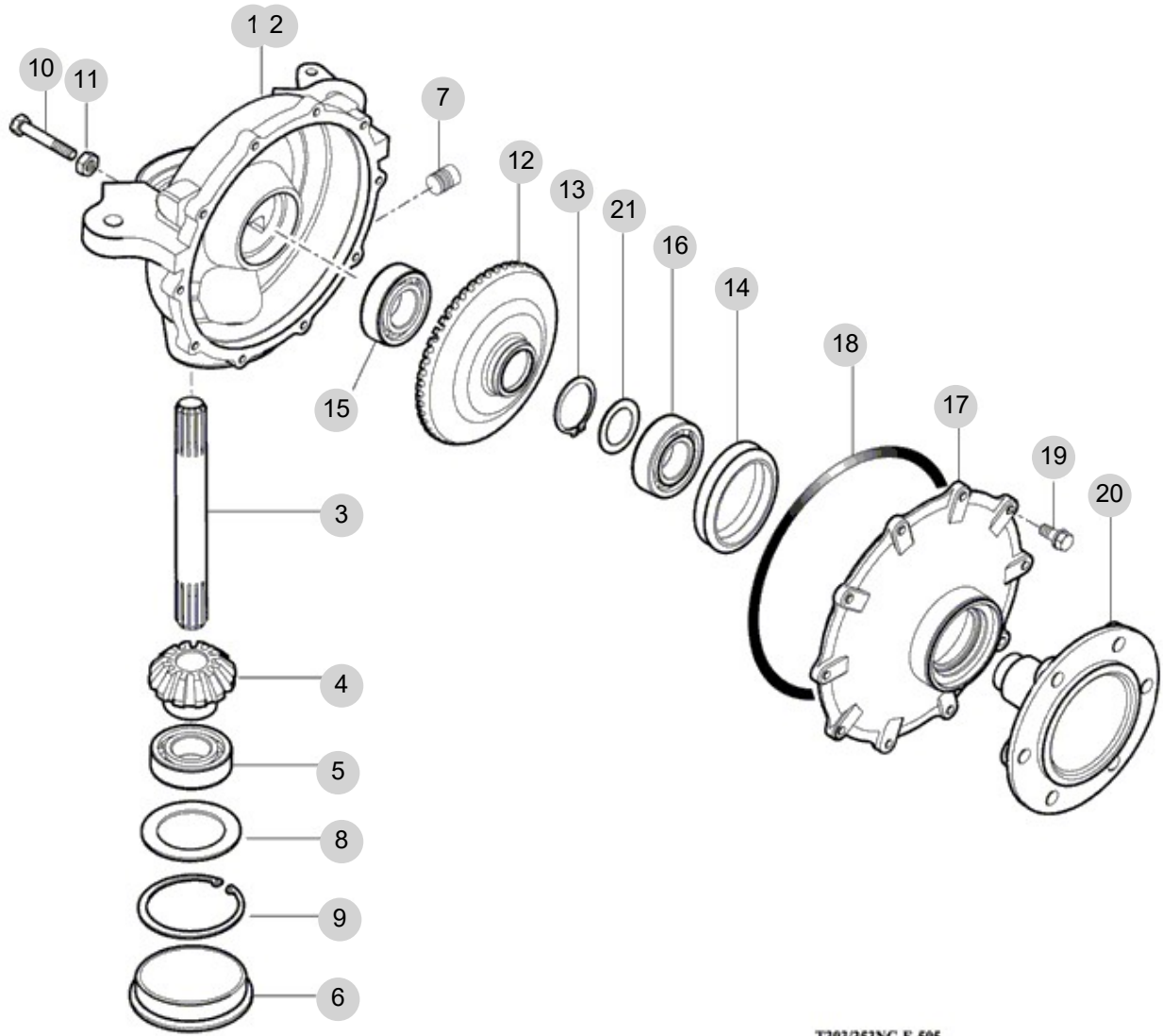
FIG 505

T394SH

FRONT GEAR CASE (2)

년/월  
Year/Month

2022-12



T303/353NC-E-505

NOTE



## 6. Hydraulic/3P-Link PART NO. T6

FIG 601 GEAR PUMP	133
FIG 602 CYLINDER CASE	135
FIG 603 LIFT ARM	137
FIG 604 CYLINDER	139
FIG 605 POSITION LINK(1)	141
FIG 606 POSITION LINK(2)	143
FIG 607 CONTROL VALVE	145
FIG 608 POSITION LEVER	147
FIG 609 HYDRAULIC PIPE(1)	149
FIG 610 HYDRAULIC PIPE(2)	152
FIG 611 EXTERIOR HYD VALVE	154
FIG 611-2 VALVE KIT	156
FIG 612 3-POINT LINK	158
FIG 613 HITCH & COVER	160
FIG 614 EXTERIOR POSITION LEVER	162

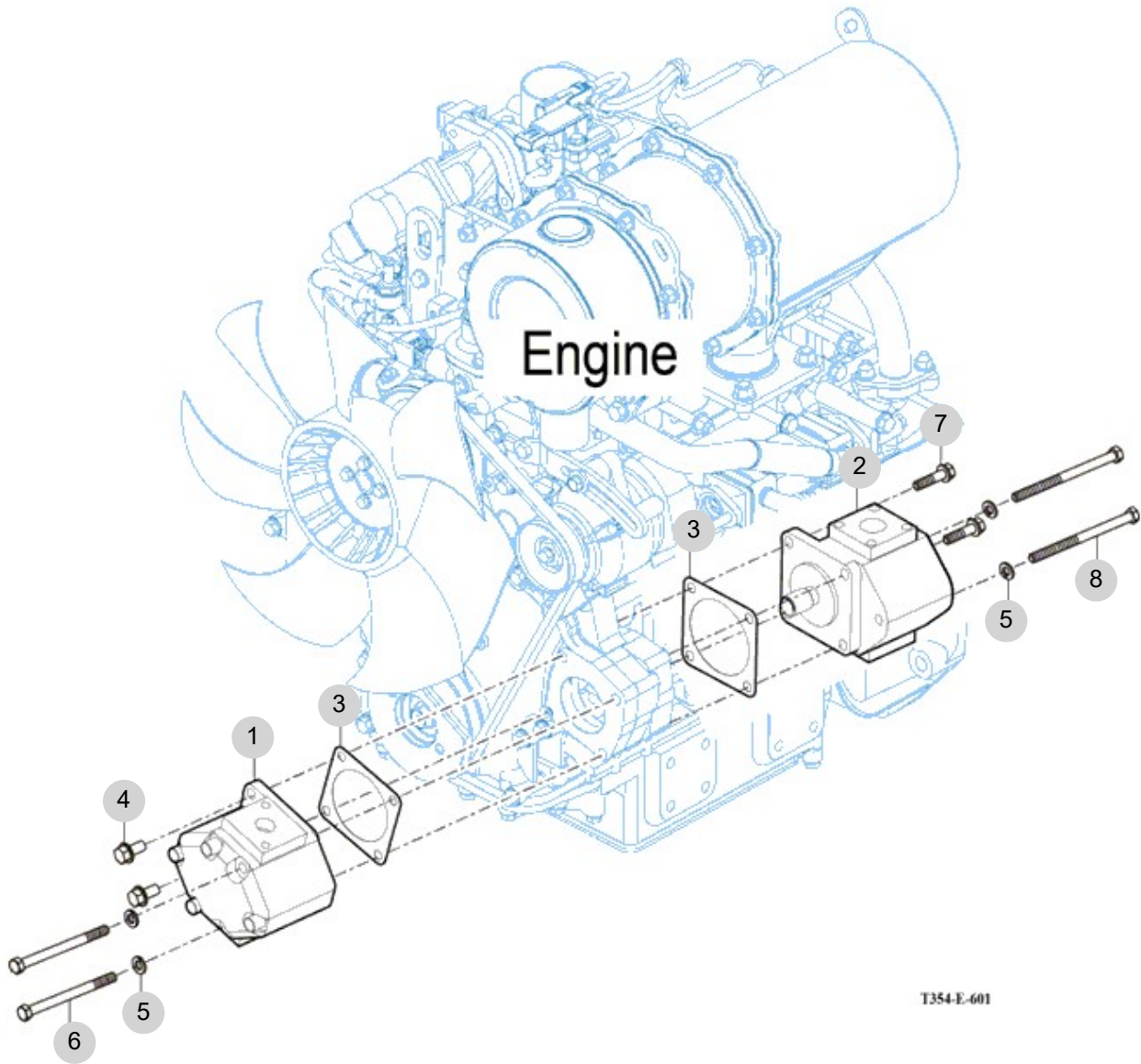
FIG 601

GEAR PUMP

년/월  
Year/Month

T394SH

2022-12



NOTE



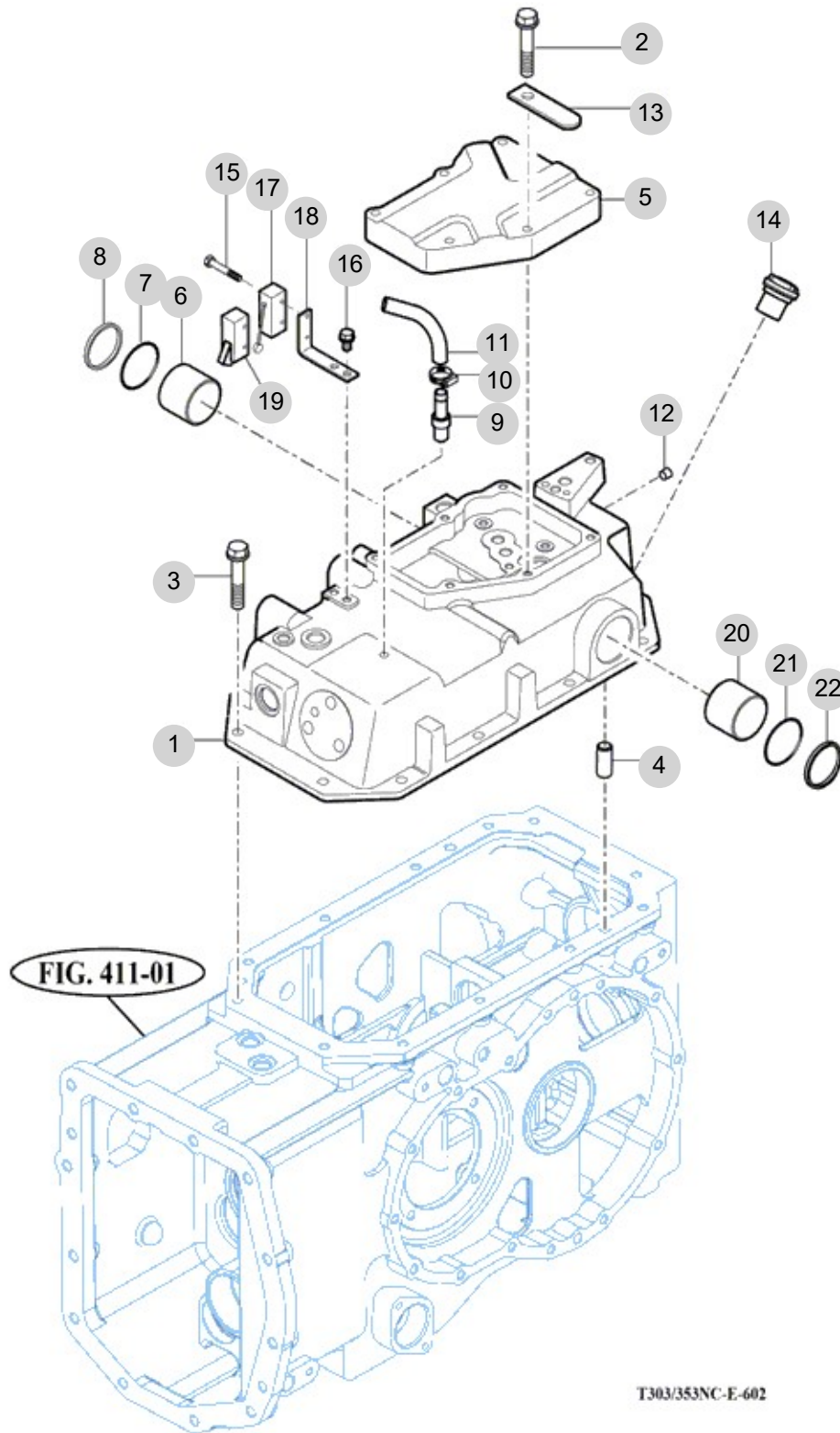
FIG 602

CYLINDER CASE

년/월  
Year/Month

2022-12

T394SH



NOTE

FIG 602 T394SH	CYLINDER CASE	년/월 Year/Month 2022-12
-------------------	---------------	------------------------------

KEY NO	PART NO	DESCRIPTION	SPEC	QTY	REPAIR	EFFECTIVE DATE	REMARKS
602	1	16705010014M	CASE , CYLINDER	1			
602	1	16705010015M	CASE , CYLINDER	1			
602	1	16705010016M	CASE , CYLINDER	1			
602	1	16705010017M	CASE , CYLINDER	1			
602	2	V2173608045	BOLT , HEX/S	M8X45	6		
602	3	V2173610030	BOLT , HEX/S	M10X30	12		
602	4	V5201010022	PIN , PARALLEL/A	10X22	2		
602	5	17995010081M	COVER , MAIN CONTROL VALVE		1		
602	6	17995050090	BUSH , 50X55X40		1		
602	6	17995050090	BUSH , 50X55X40		2		
602	7	V7212031050	O-RING , G	G50	2		
602	7	V7211031050	O-RING , G		1		
602	8	16705010110	RING		1		
602	8	16705010110	RING		2		
602	9	17994360221	CONNECTOR		1		
602	10	17131049210	HOSE CLIP 11		1		
602	11	19021024300	HOSE . 530		1		
602	12	V7801000002	PLUG , HEX-SOCKET	R1/8	6		
602	13	37371720090	CLAMP , W/HARNESS		1		
602	13	13764020030	CABLE TIE , 140		6		
602	13	36571720090	CLAMP		6		
602	14	15184322500	CAP ASSY , OIL		1		
602	15	V1222604030	SCREW , C/R PAN/SP	M4X30	2		
602	16	V2173608016	BOLT , HEX/S	M8X16	2		
602	17	14586702100	SWITCH ASSY , LIMIT		1		
602	18	16705060040DG	BRACKET , S/W		1		
602	18	16705060040GB	BRACKET , S/W		1		
602	19	14466220030	COVER		1		
602	20	16705010020	BUSH , 45X50X40		1		
602	21	V7211031045	O-RING , G		1		
602	22	17995010110	RING		1		

NOTE	
------	--



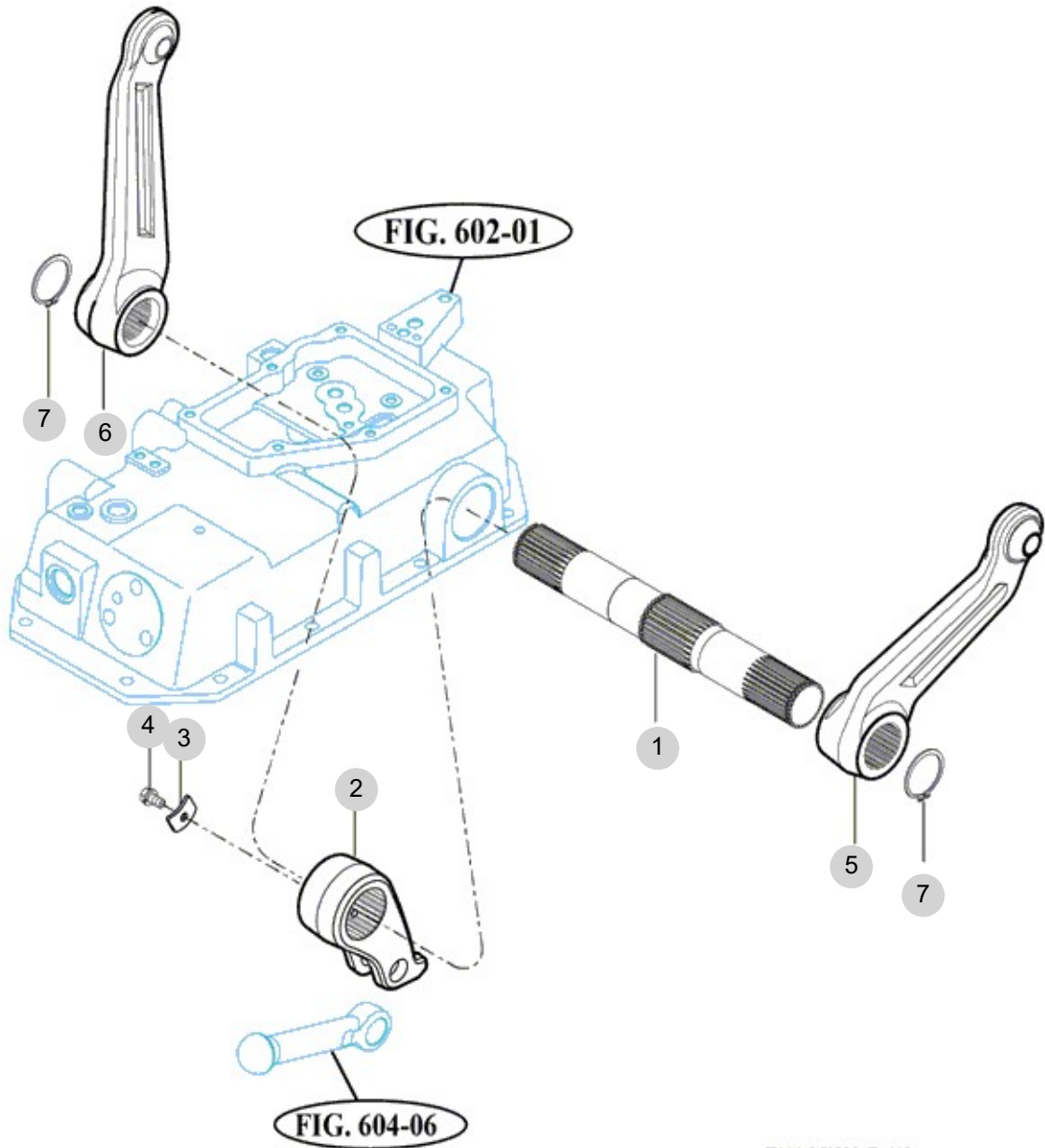
FIG 603

T394SH

LIFT ARM

년/월  
Year/Month

2022-12



T303/353NC-E-603

NOTE



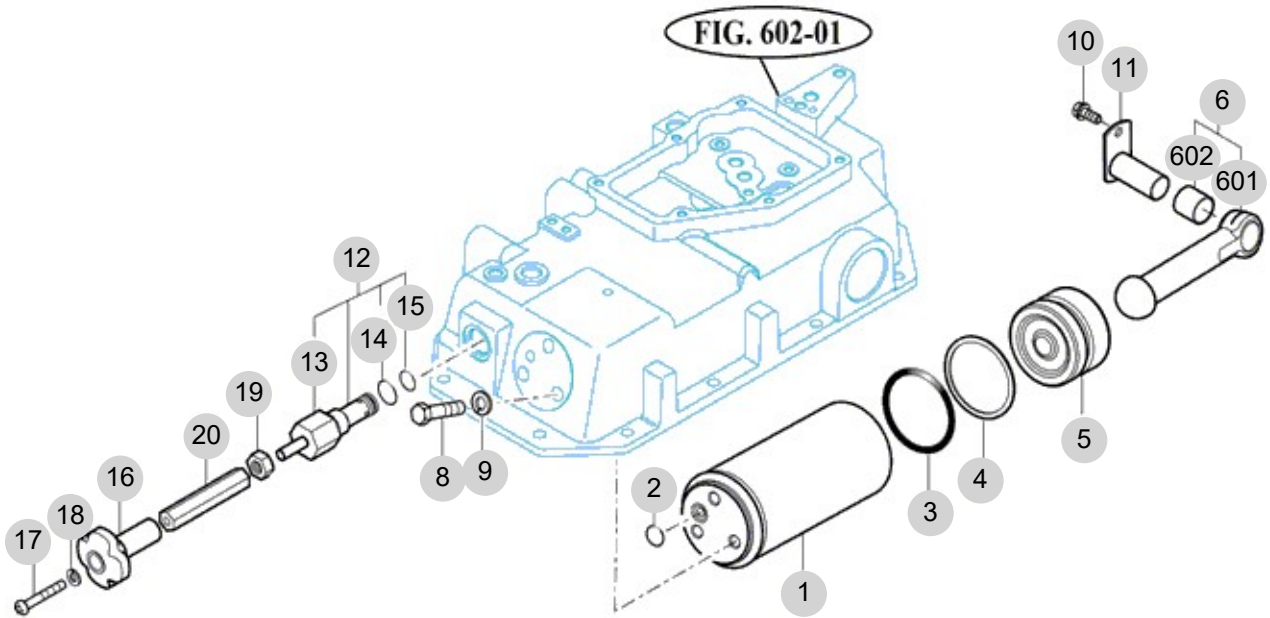
FIG 604

T394SH

CYLINDER

년/월  
Year/Month

2022-12



T303/353NC-E-604

NOTE



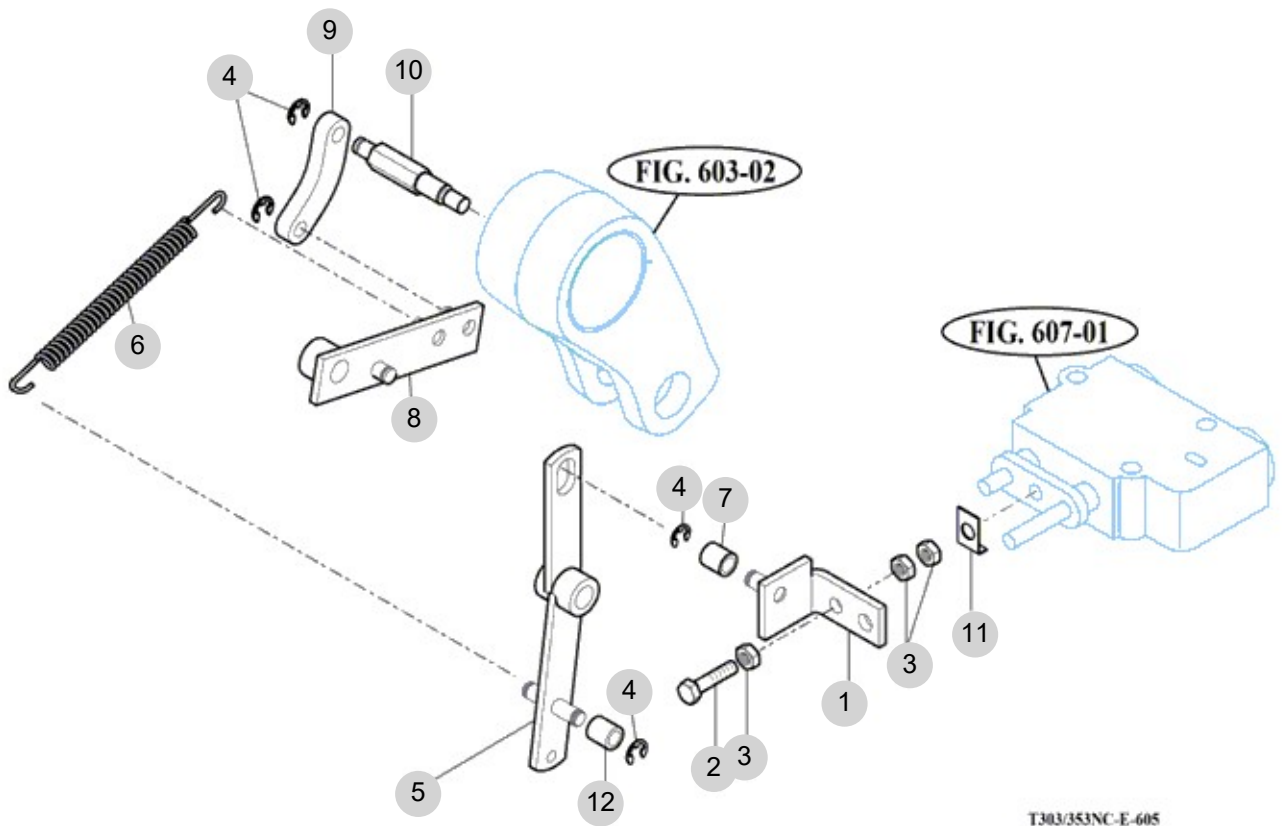
FIG 605

T394SH

POSITION LINK(1)

년/월  
Year/Month

2022-12



T303/353NC-E-605

NOTE



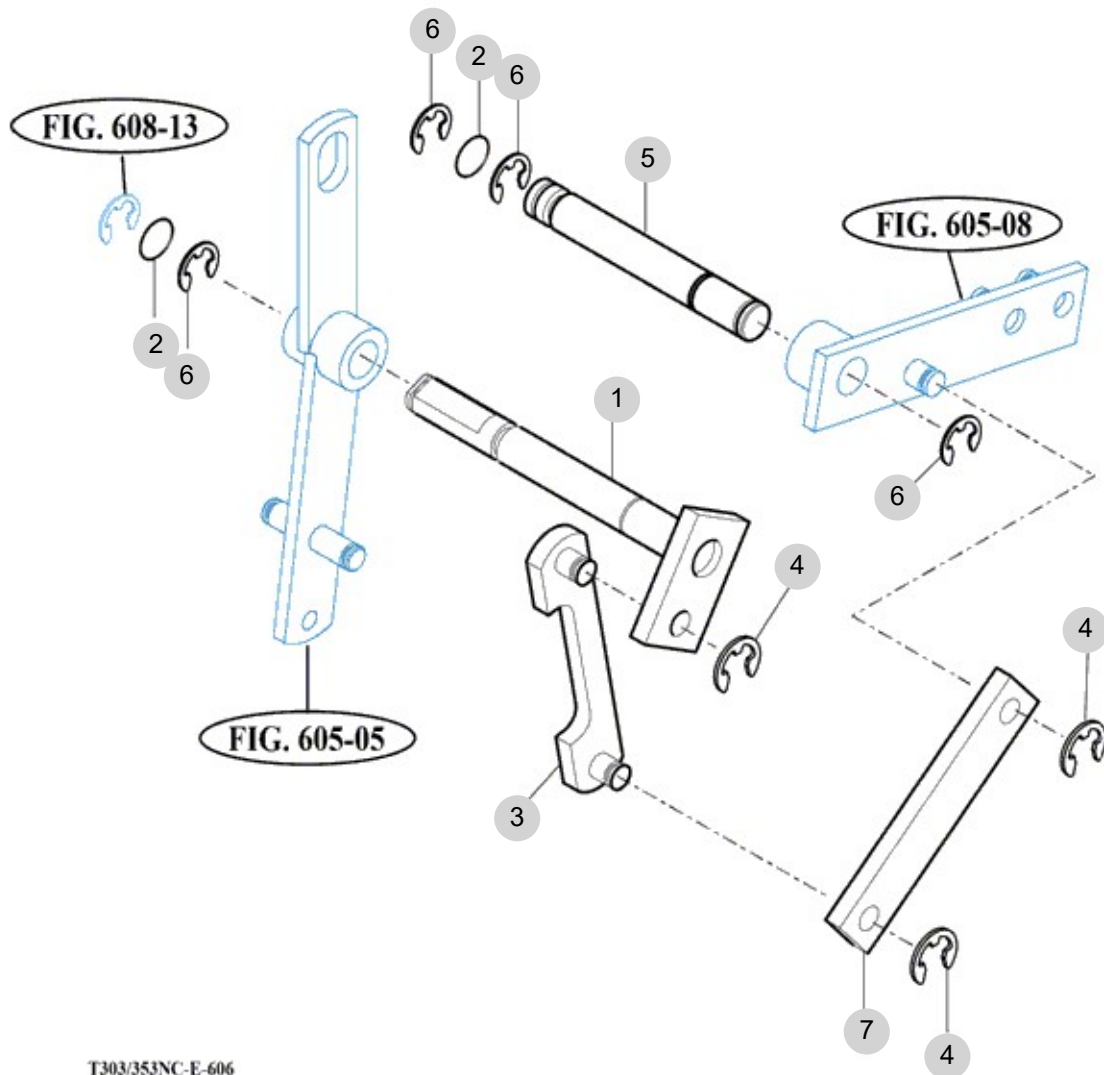
FIG 606

T394SH

POSITION LINK(2)

년/월  
Year/Month

2022-12



T303/353NC-E-606

NOTE





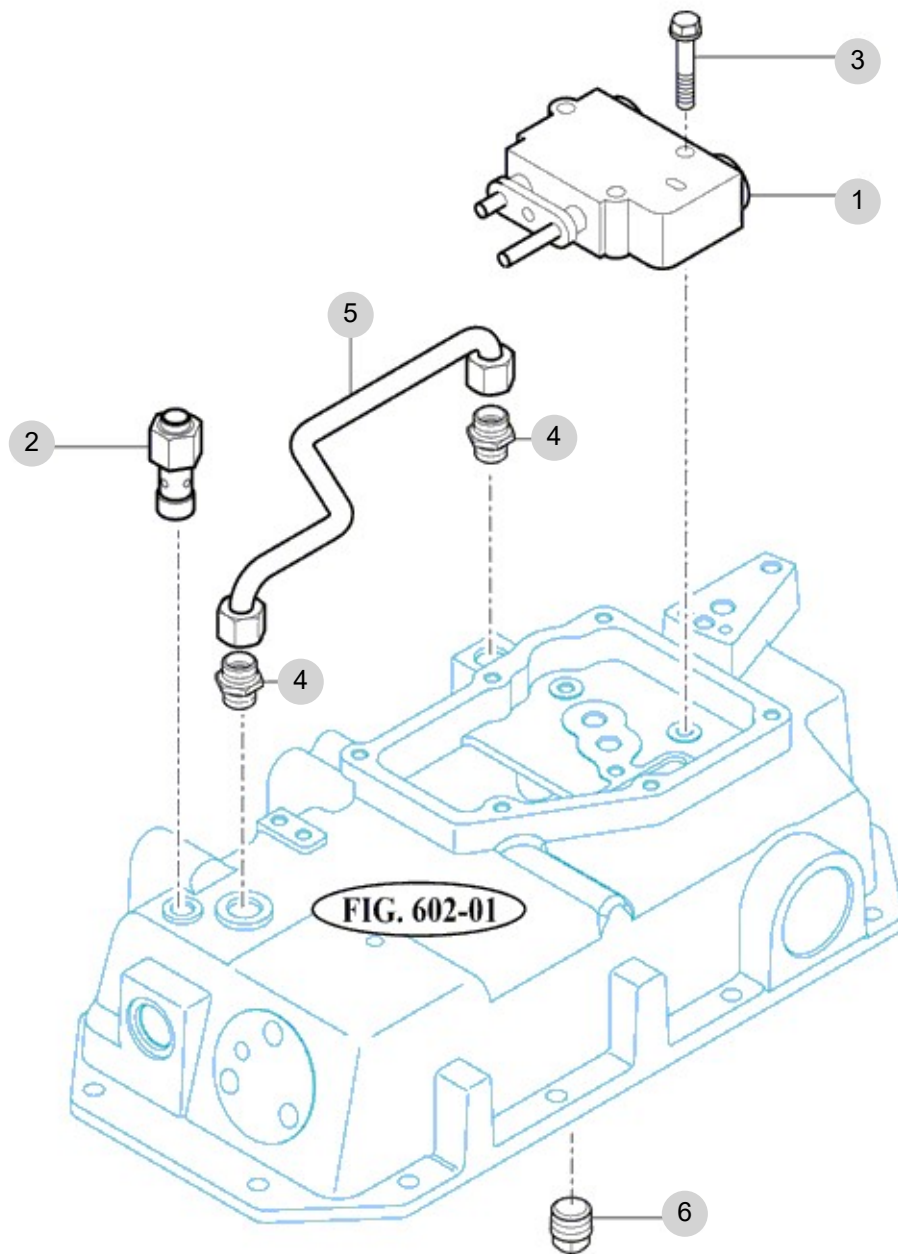
FIG 607

T394SH

CONTROL VALVE

년/월  
Year/Month

2022-12



T303/353NC-E-607

NOTE



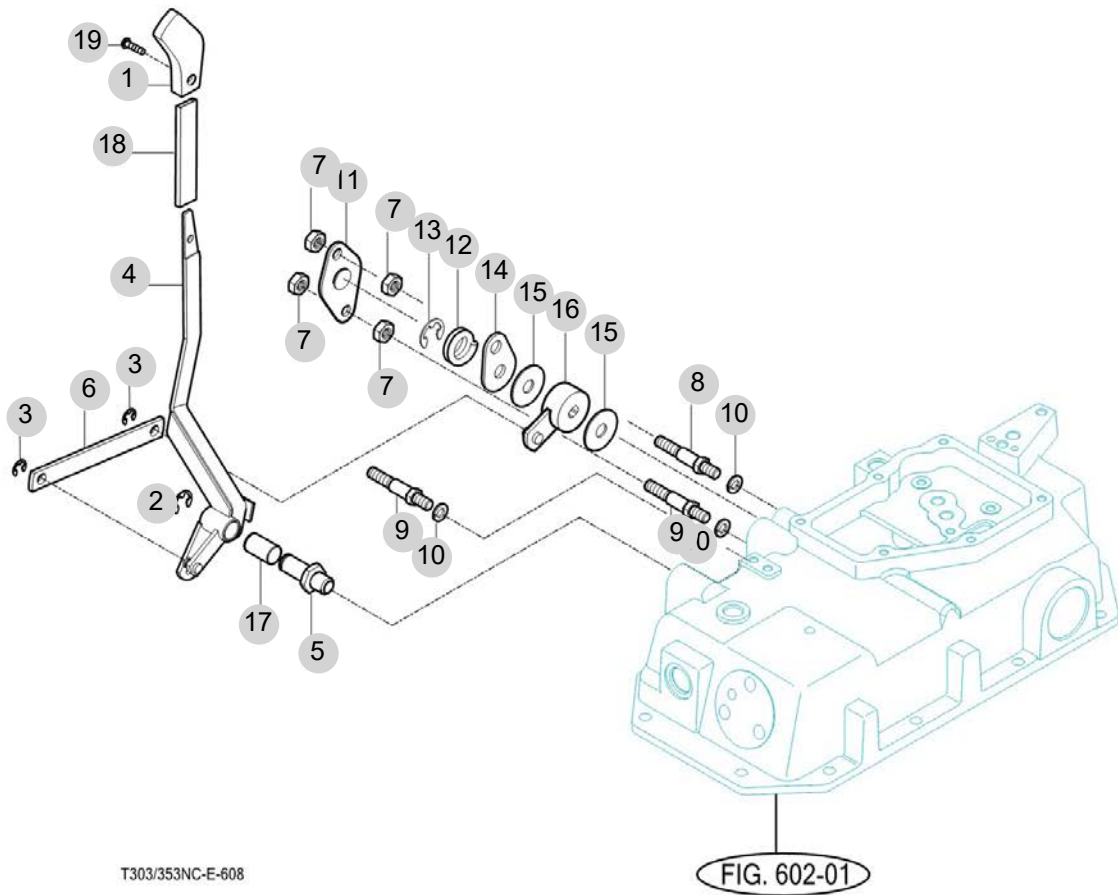
FIG 608

T394SH

POSITION LEVER

년/월  
Year/Month

2022-12



T303/353NC-E-608

FIG. 602-01

NOTE



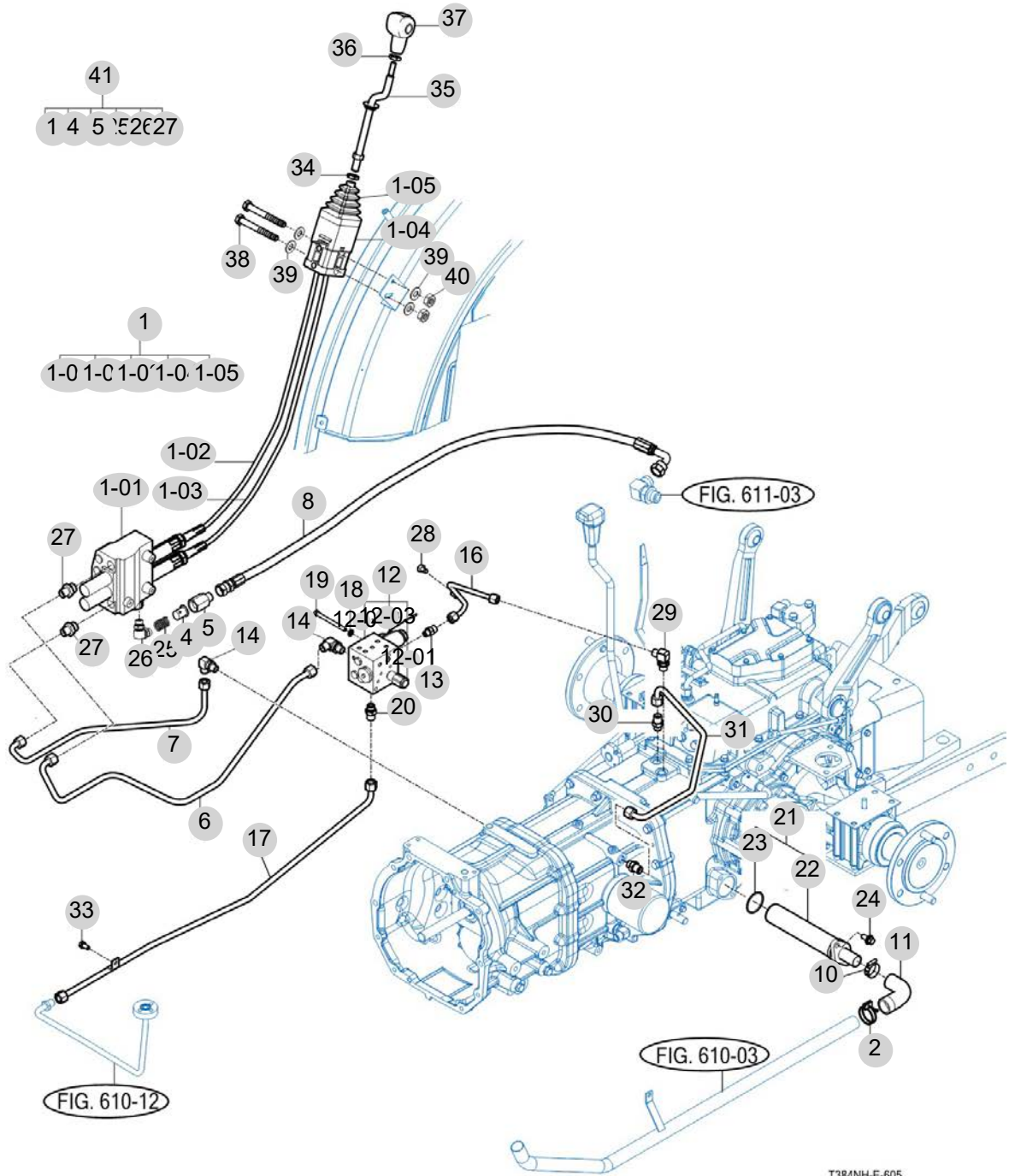
FIG 609

T394SH

HYDRAULIC PIPE(1)

년/월  
Year/Month

2022-12



T384NH-E-605

NOTE

FIG 609		HYDRAULIC PIPE(1)					년/월 Year/Month		
							2022-12		
T394SH		KEY NO	PART NO	DESCRIPTION	SPEC	QTY	REPAIR	EFFECTIVE DATE	REMARKS
609	1	12345504000	LOADER VALVE ASSY			1			
609	1-01	13015504101	VALVE ASSY , LOADER(DUKIN)			1			
609	1-02	13015504210	CABLE ASSY , JOYSTICK(760)			1			
609	1-03	13015504220	CABLE ASSY , JOYSTICK(790)			1			
609	1-04	13015504010	BODY ASSY , JOYSTICK			1			
609	1-05	13015504020	BOOTS , JOYSTICK VALVE			1			
609	2	18027090400	BAND CLAMP 40 EMBO TYPE			1			
609	4	12305180020	FILTER , 80 MESH			1			
609	5	16705100030	ADAPTER , PF1/2 PF1/2			1			
609	6	12355134401GB	PIPE COMP , PUMP			1			
609	7	12355134502GB	PIPE COMP , TANK			1			
609	8	16705152330	HOSE , 1400 ASSY			1			
609	10	18027090400	BAND CLAMP 40 EMBO TYPE			1			
609	11	17405100011	HOSE			1			
609	12	14835182001	VALVE ASSY , PTO			1			
609	1201	14725182101	VALVE , PTO			1			
609	1202	15640090001	VALVE ASSY , RELIEF			1			
609	1203	14725182210	SOLENOID COIL			1			
609	13	14444080062	CONNECTOR			1			
609	14	14725100100	ELBOW , PF3/8 M18			2			
609	16	12385204200	PIPE COMP , PTO			1			
609	17	12355104702GB	PIPE COMP , RR MAIN			1			
609	18	V4011600080	WASHER , SPRING	M8		3			
609	19	V2013608090	BOLT , HEX	M8X90		3			
609	20	16995304000	UNION , O-RING			1			
609	21	16705105000	FILTER ASSY , SUCTION			1			
609	22	16705104900	FILTER COMP , SUCTION			1			
609	23	V7211031045	O-RING , G	G45		1			
609	24	V2183610025	BOLT , HEX/SP	M10X25		2			
609	25	17995010210	SPRING			1			
609	26	13025100060	ELBOW PF1/2			1			
609	27	13025100020	UNION , M18,PF1/2			2			
609	28	13267060022	PLUG , DRAIN			1			
609	29	16705100100	ELBOW UNIT , PF 3/8XM16			1			
609	30	16995304000	UNION , O-RING			1			
609	31	12385204300	PIPE COMP , PTO CLUTCH			1			
609	32	12385304000	UNION(M18 , PF3/8, 0.6 orifice)			1			
609	33	V2173608025	BOLT , HEX/S	M8X25		1			
609	34	V3302600140	NUT , HEX FINE/2	M14		1			
609	35	12646013900GB	LEVER COMP . JOYSTICK			1			
609	36	V3343600100	NUT , HEX FINE/2			1			
609	37	19027750021	GRIP COMP , JOYSTICK			1			
609	38	V2173608085	BOLT , HEX/S	M8X85		2			
609	39	V4111600080	WASHER , PLAIN	M8		4			
609	40	V3042600080	NUT , HEX/2	M8		2			
NOTE									



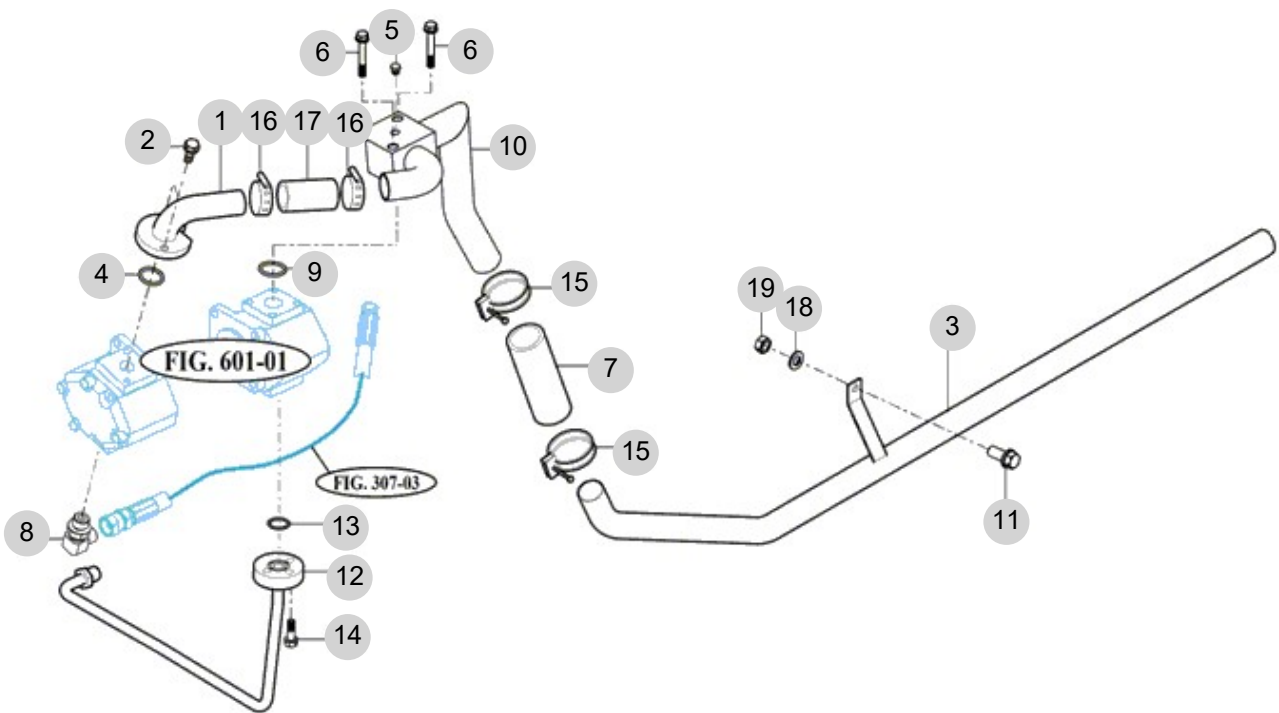
FIG 610

T394SH

HYDRAULIC PIPE(2)

년/월  
Year/Month

2022-12



T394-E-606

NOTE



<b>FIG 610</b>	<b>HYDRAULIC PIPE(2)</b>	년/월 Year/Month
T394SH		2022-12

KEY NO	PART NO	DESCRIPTION	SPEC	QTY	REPAIR	EFFECTIVE DATE	REMARKS
610	1	15155152901GB	PIPE COMP , FR SUCTION	1			
610	2	V2113606020	BOLT , HEX /S	2			
610	3	12355102100GB	PIPE COMP , SUCTION RR	1			
610	4	V7201024018	O-RING , P	1			
610	5	13267060022	PLUG , DRAIN	1			
610	6	V2173608050	BOLT . HEX/S	2			
610	7	15605150031	HOSE , 100	1			
610	8	36313530021	ADAPTER , HIGH-PRESSURE	1			
610	9	V7211031030	O-RING , G	1			
610	10	12345153300GB	PIPE COMP , FR SUCTION	1			
610	11	V2173608020	BOLT , HEX/S	1			
610	12	17405104100GB	PIPE COMP , FR MAIN	1			
610	13	V7201124020	O-RING , P	1			
610	14	V2173608025	BOLT , HEX/S	3			
610	15	18027090400	BAND CLAMP 40 EMBO TYPE	2			
610	16	18027090400	BAND CLAMP 40 EMBO TYPE	2			
610	17	19955100010	HOSE , 26X34X60	1			
610	18	V4111600080	WASHER , PLAIN	1			
610	19	V3042600080	NUT , HEX/2	1			

NOTE

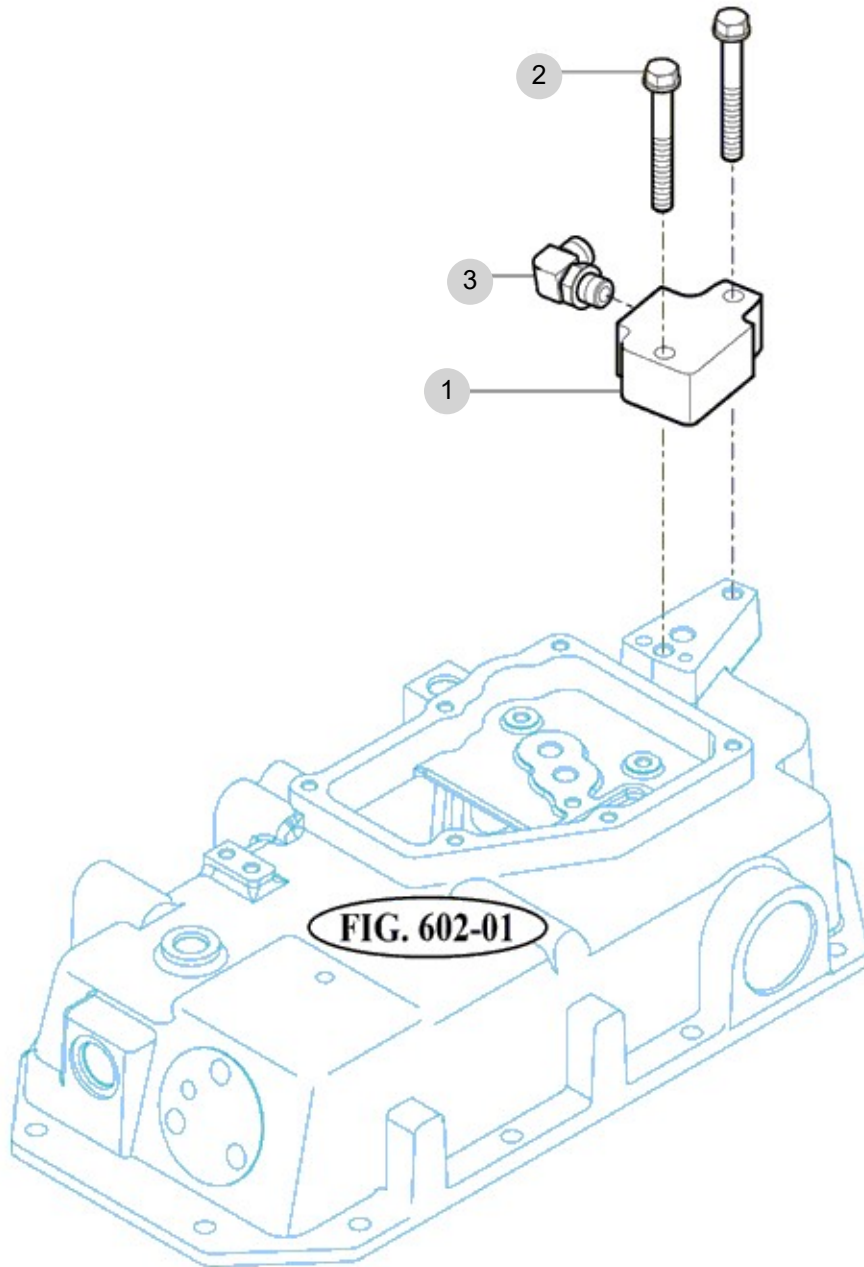
FIG 611

T394SH

EXTERIOR HYD VALVE

년/월  
Year/Month

2022-12



NOTE



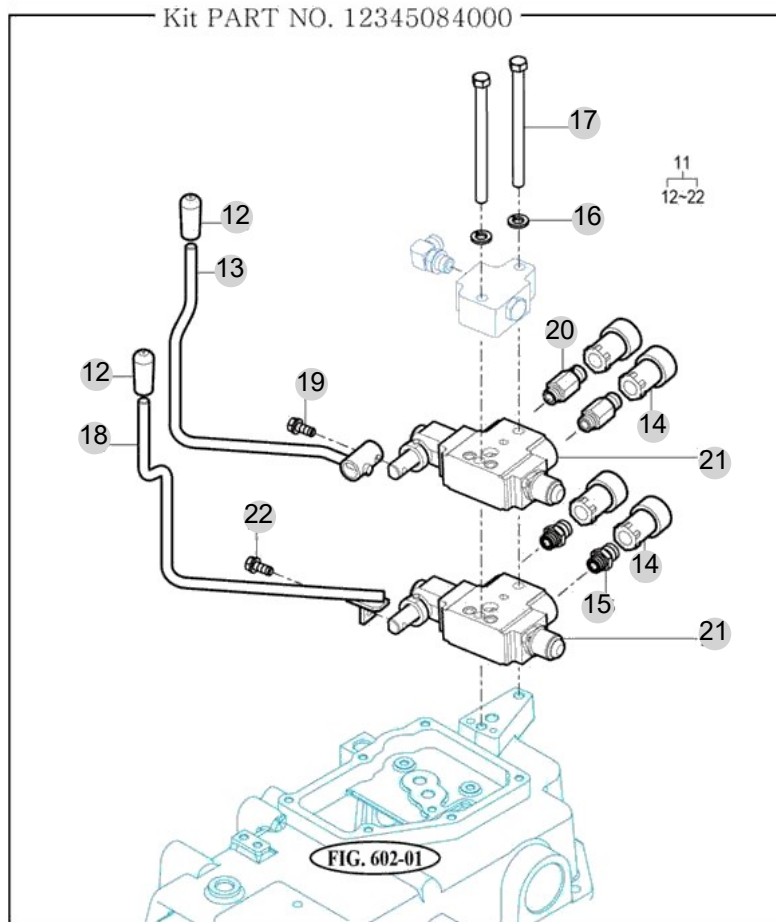
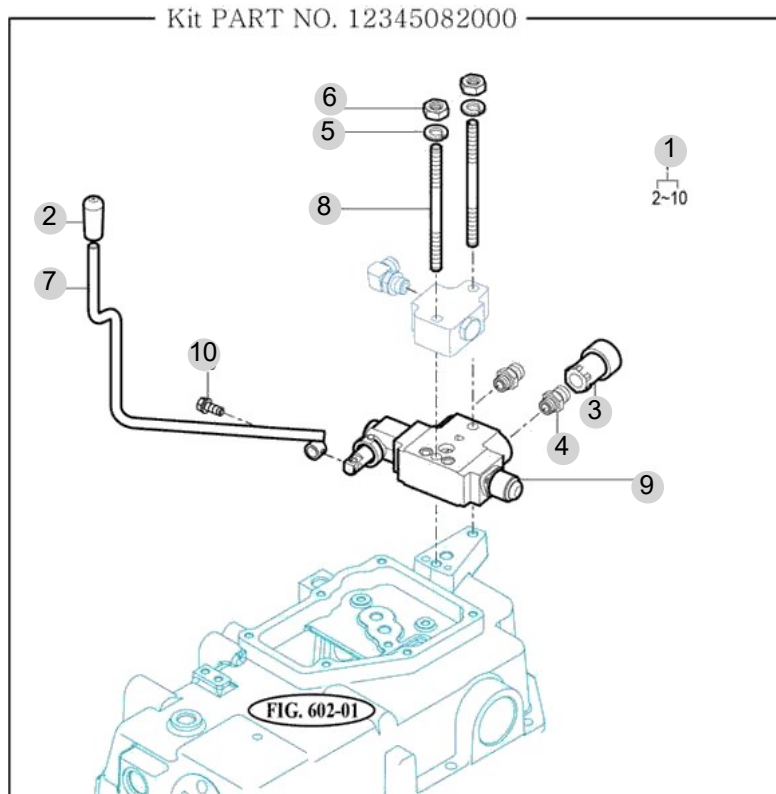
FIG 611-2

T394SH

VALVE KIT

년/월  
Year/Month

2022-12



NOTE



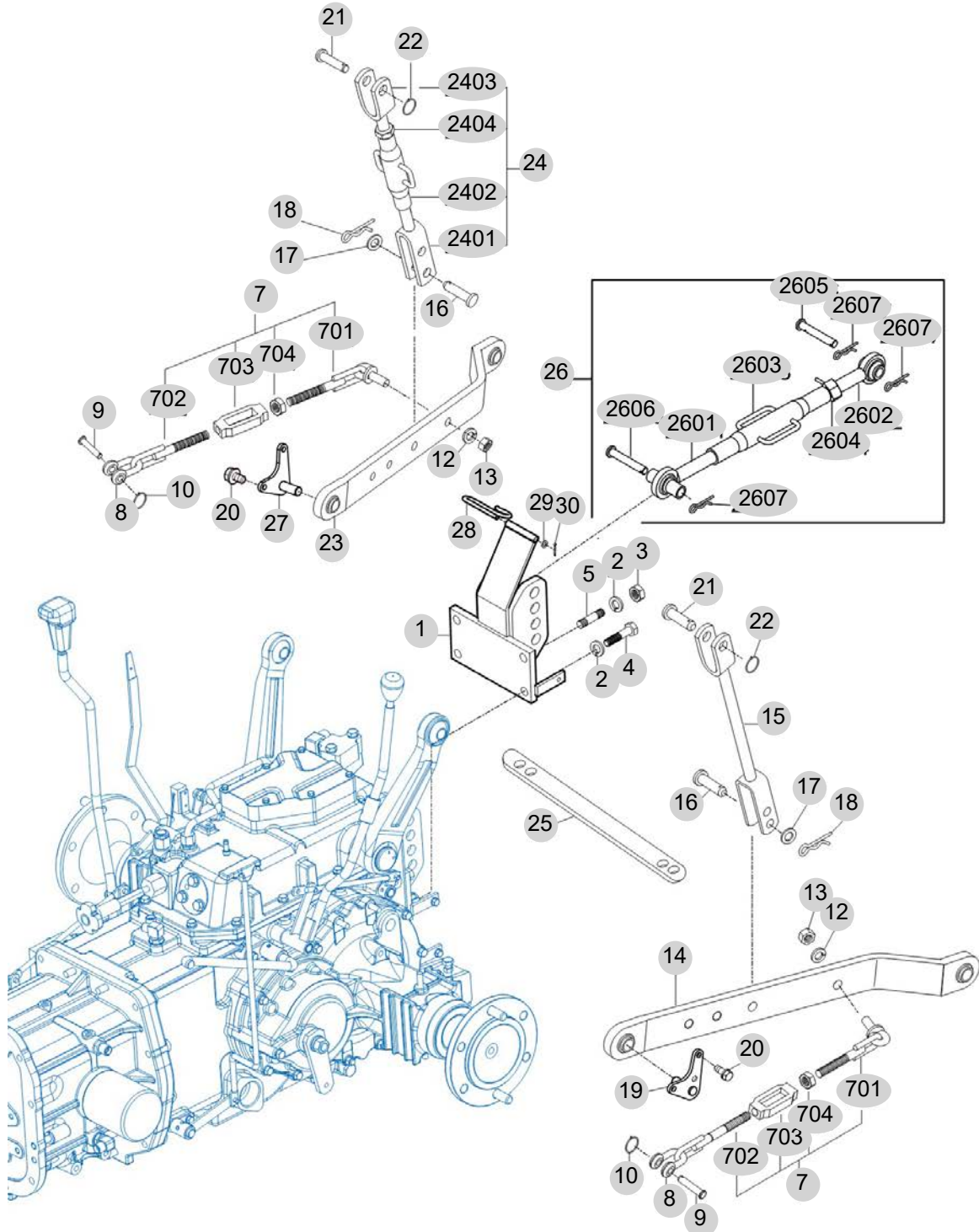
FIG 612

3-POINT LINK

년/월  
Year/Month

2022-12

T394SH



T394SH-K-612

NOTE

FIG 612		3-POINT LINK					년/월 Year/Month		
							2022-12		
T394SH		KEY NO	PART NO	DESCRIPTION	SPEC	QTY	REPAIR	EFFECTIVE DATE	REMARKS
612	1	12393172000GB	BRACKET COMP , TOP LINK			1			
612	2	V4011600140	WASHER , SPRING	M14		4			
612	3	V3043600140	NUT , HEX/2	M14		2			
612	4	V2014614035	BOLT , HEX	M14X35		2			
612	5	V2514414030	BOLT , STUD/2	M14X30		2			
612	7	16705142501	CHAIN ASSY , CHECK	1X1X1		2			
612	701	16705244100	CHAIN COMP , LH CHECK	1X1X1		2			
612	702	16705142800	CHAIN COMP , RH CHECK	1X1X1		2			
612	703	16705142510M	TURNBUCKLE			2			
612	704	V3043600140	NUT , HEX/2	M14		2			
612	8	16705142520	SHACKLE , CHECK CHAIN	1X1X1		2			
612	9	79636110030	PIN , 12X48	D=12		2			
612	10	16735240060	Spring	3X20		4			
612	12	V4011600160	WASHER , SPRING	M16		2			
612	13	V3013600160	NUT , HEX/2	M16		2			
612	14	12385142000GB	LINK COMP , LH LOW			1			
612	15	16705142400GB	ROD COMP , LH LIFT	1X1X1		1			
612	16	79636130050	PIN , 16X60	D=16		2			
612	17	V4111600160	WASHER , PLAIN	M16		2			
612	18	13059310030	PIN	D=2.3		2			
612	19	12385142200	PIN COMP , LH			2			
612	20	V2173612030	BOLT , HEX/S			1			
612	20	V2173612030	BOLT , HEX/S	M12X30		4			
612	21	16705020050	PIN , 19X69	19X75X26		2			
612	22	16735240060	Spring	D48		2			
612	23	12385142100GB	LINK COMP , RH LOW			1			
612	24	16705145000GB	ROD ASSY , RH LIFT	1X1X1		1			
612	2401	16705145200	FORK COMP , LOW	1X1X1		1			
612	2402	16705145100	SLIP COMP	1X1X1		1			
612	2403	16705145300	FORK COMP , UPR	1X1X1		1			
612	2404	V3023600220	NUT , HEX/3	M20		1			
612	25	15605250030	BAND , 470	25X520XT6		1			
612	26	16505245501GB	LINK ASSY , TOP LINK			1			
612	26	16505245502GB	TOP LINK ASSY			1			
612	2601	16505245510	LINK COMP , RH TOP LINK	1X1X1		1			
612	2602	16505245520	LINK COMP , LH TOP LINK	1X1X1		1			
612	2603	14555140251	TURNBUCKLE COMP			1			
612	2604	16505245530	NUT , HEX	1X1X1		1			
612	2605	15645220020	PIN , 19X95	D=19		1			
612	2606	15645220011	PIN , 19X86	D=19		1			
612	2607	14445140051	PIN , 19	D=4.5		3			
612	27	12385142300	PIN COMP , RH			1			
612	28	12396251100	HOOK , TOP LINK			1			
612	29	V4111600060	WASHER , PLAIN	M6		1			
612	30	V5001920020	PIN , SPLIT	2X20		1			
NOTE									

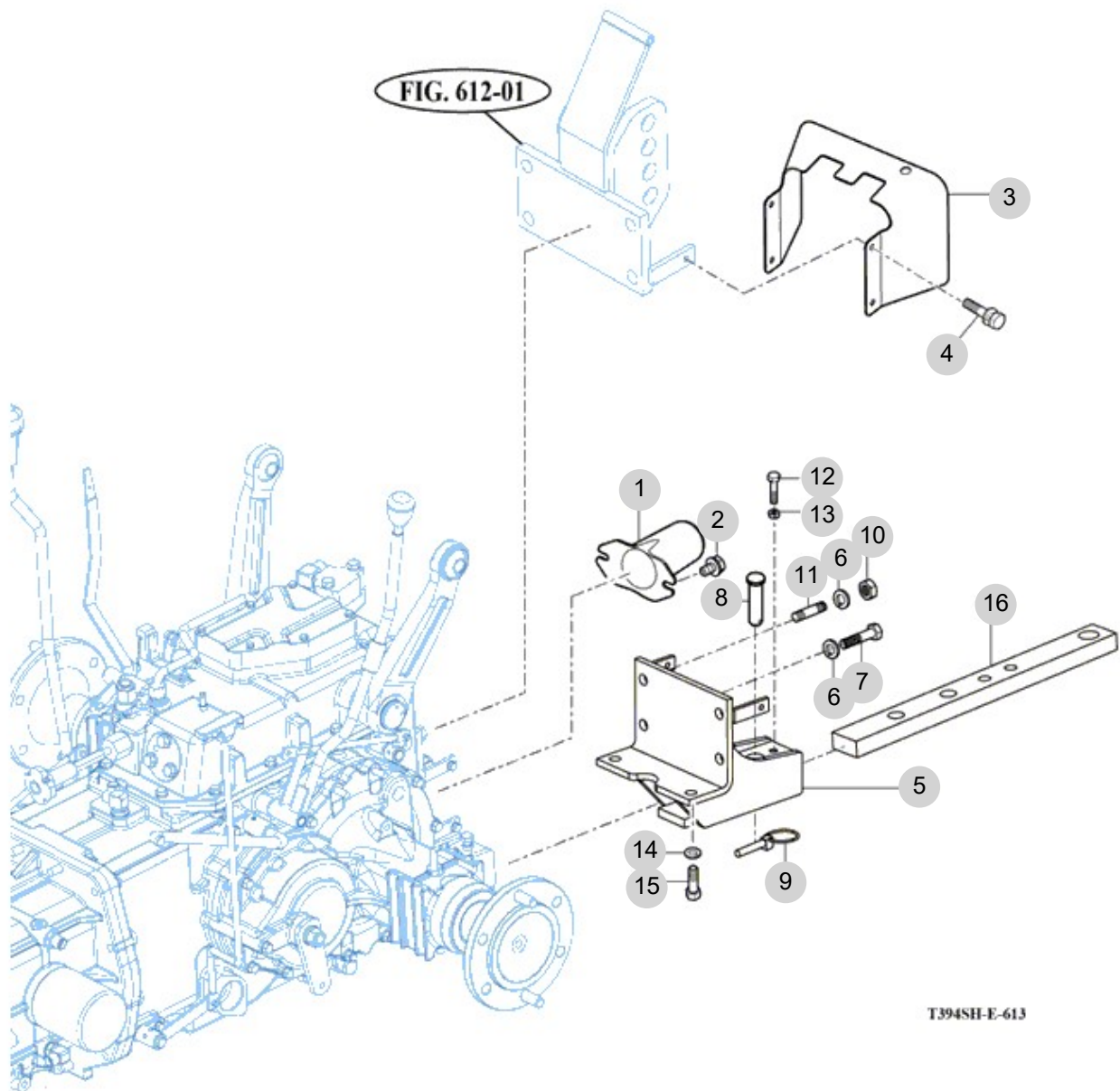
FIG 613

T394SH

HITCH & COVER

년/월  
Year/Month

2022-12



NOTE





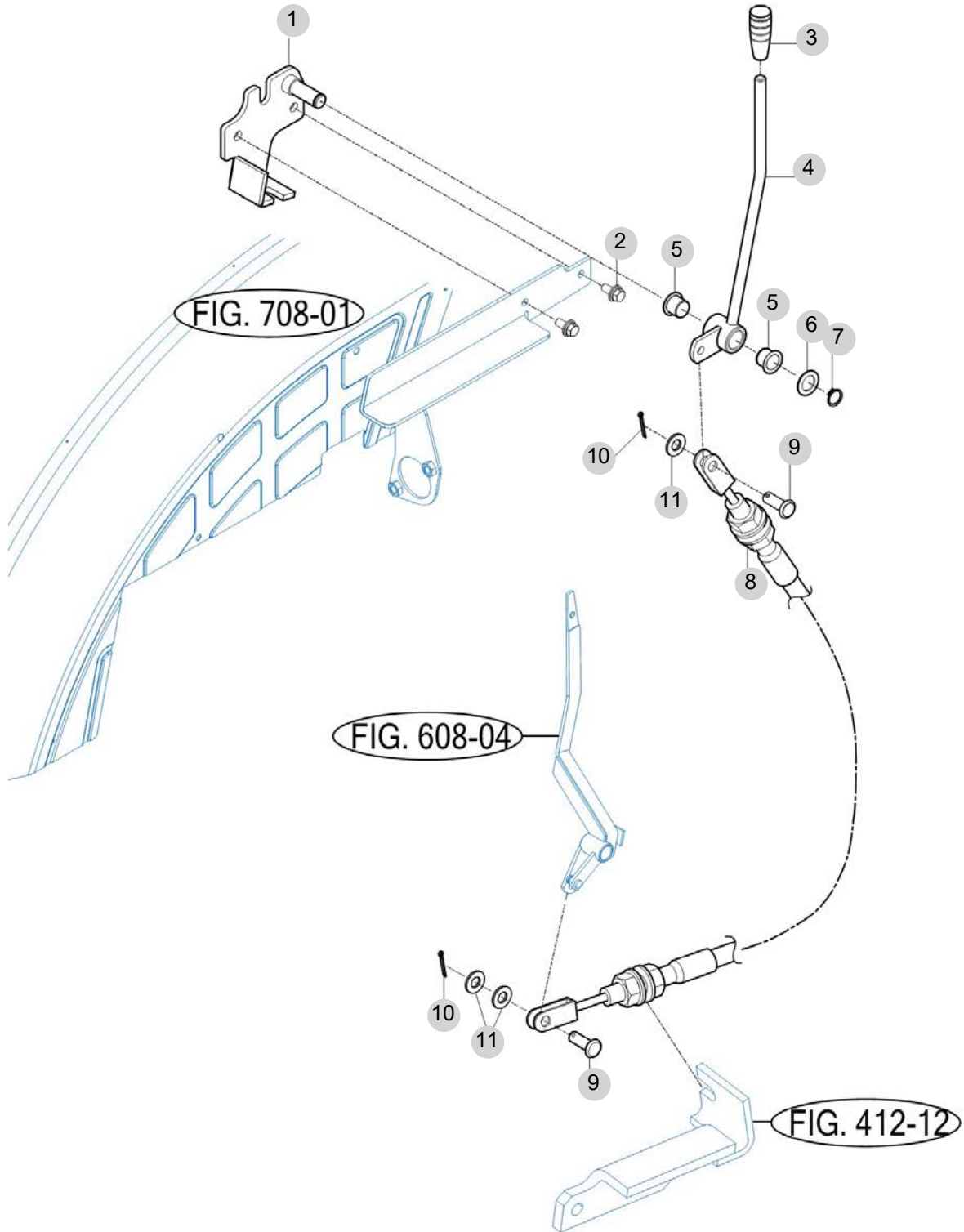
FIG 614

T394SH

EXTERIOR POSITION LEVER

년/월  
Year/Month

2022-12



NOTE



## 7. Sheet Metal & Cabin PART NO. T7

FIG 701 HOOD (1)	165
FIG 702 HOOD (2)	168
FIG 704 FRONT & REAR MOUNTING	171
FIG 705 DASHPANEL	173
FIG 706 SEAT & MAT	175
FIG 707 DOOR	177
FIG 708 FRONT GLASS	180
FIG 709 REAR GLASS	182
FIG 710 SUB FENDER & COVER	184
FIG 711 MIRROR	186
FIG 712 HEATER & AIR-CON	188
FIG 712-2 HEATER & AIR-CON	190
FIG 713 FENDER COVER	192
FIG 714 ROOF	194
FIG 715 CABIN INTERIOR	196

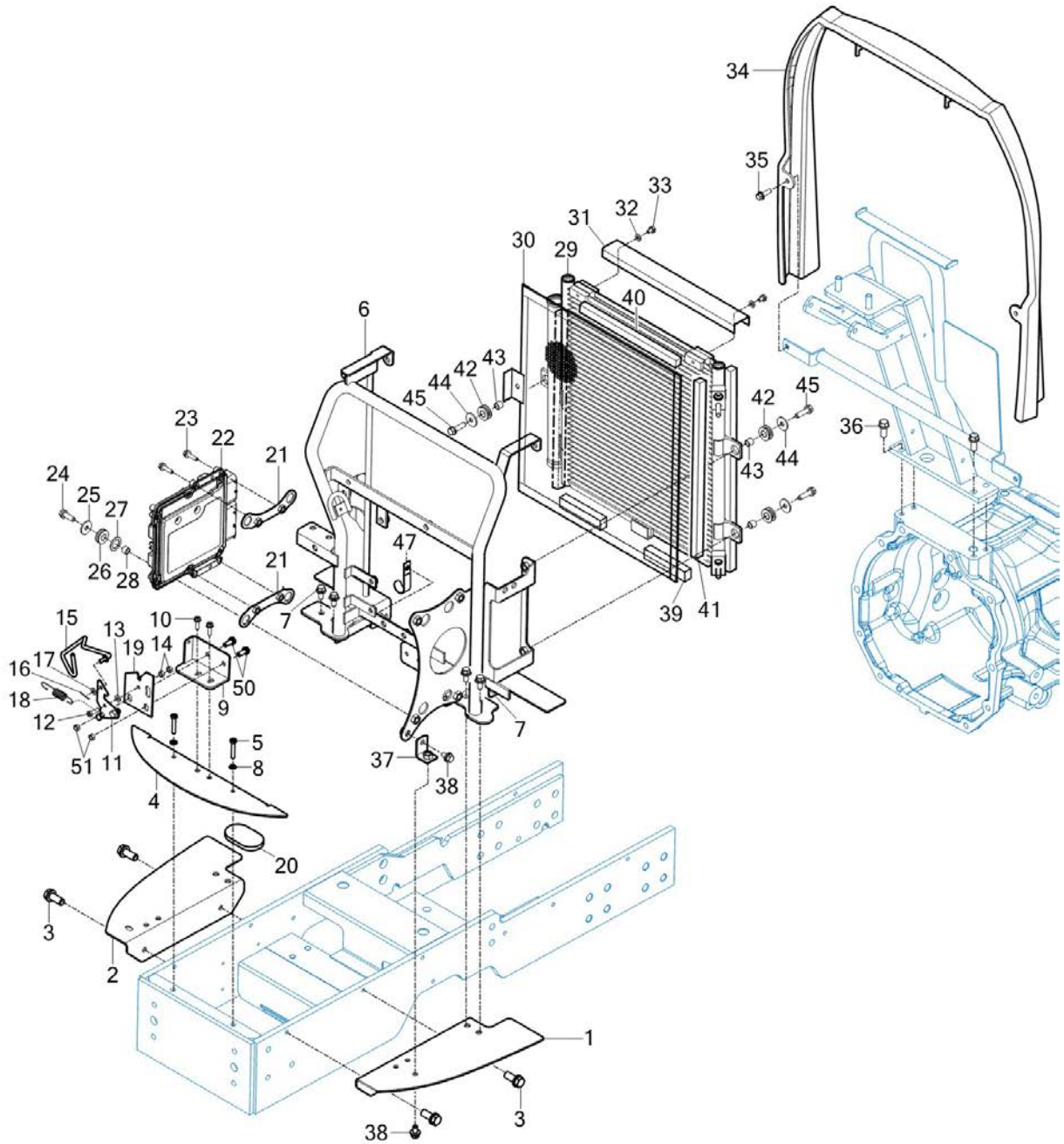
FIG 701

T394SH

HOOD (1)

년/월  
Year/Month

2022-12



NOTE

FIG 701		HOOD (1)					년/월 Year/Month		
							2022-12		
T394SH		KEY NO	PART NO	DESCRIPTION	SPEC	QTY	REPAIR	EFFECTIVE DATE	REMARKS
701	1	17404072301GB	PLATE COMP, LH			1			
701	1	10884072300GB	PLATE COMP, LH			1			
701	2	17404072401GB	PLATE COMP, RH			1			
701	2	10884072400GB	PLATE COMP, RH			1			
701	3	V2183608016	BOLT , HEX/SP			4			
701	4	17404072501GB	PLATE COMP, C			1			
701	5	V2053606035	BOLT , HEX C/R			2			
701	6	12341122000GB	FRAME COMP, FRONT			1			
701	7	V2183608020	BOLT , HEX/SP			4			
701	8	V4011600060	WASHER , SPRING			2			
701	9	17406014203GB	STAY COMP , HOOD			1			
701	9	17406014202GB	STAY COMP , HOOD			1			
701	9	17406014500GB	STAY COMP , HOOD			1			
701	10	V2053606045	BOLT , HEX C/R	M6X45		2			
701	10	V2323606020	BOLT , C/R HEX/SP			4			
701	11	11106024100	STAY COMP , HOOD A			1			
701	11	17686020600	LOCK COMP . HOOD			1			
701	12	V2323606020	BOLT , C/R HEX/SP			1			
701	12	V2053606040	BOLT , HEX C/R			2			
701	13	V4011600060	WASHER , SPRING			2			
701	13	V4111600060	WASHER , PLAIN			1			
701	14	V3002600060	NUT , HEX/1			2			
701	14	V3013600060	NUT .HEX NORMAL /2			2			
701	15	13256020650	CABLE ASSY , HOOD			1			
701	15	17406024300GB	ROD COMP, OPEN			1			
701	16	15601160083	PIN , 06X16			1			
701	16	V5001925020	PIN D2.5x20			1			
701	17	V4111600060	WASHER , PLAIN			1			
701	18	V5001920020	PIN , SPLIT			1			
701	18	14143120020	SPRING , TENSION 53			1			
701	19	11106024210	STAY , HOOD B			1			
701	19	17406014300	GUIDE, HOOD PIN			1			
701	20	14541063080	SEAL , LH			2			
701	21	12341222000GB	PLATE COMP , ECU			2			
701	22	129A26-75040	129A2675040-로 주문변경			1			
701	23	V2123606025	BOLT , HEX /SP			4			
701	24	V2173608025	BOLT , HEX/S			4			
701	25	35602010150	WASHER , BIND SHAFT			4			
701	26	14046210300	GROMMET			4			
701	27	35652030040	COLLAR , PACKER SHAFT			4			
701	28	15991040050	COLLAR , 08X12X08			4			
701	29	13778303700	CONDENSER ASSY			1			
701	29	12398303700	CONDENSER ASSY			1			
701	30	12391042300GB	NET COMP , CONDENSER			1			
701	31	13831054010GB	BRACKET , CONDENSOR UP			1			
NOTE									



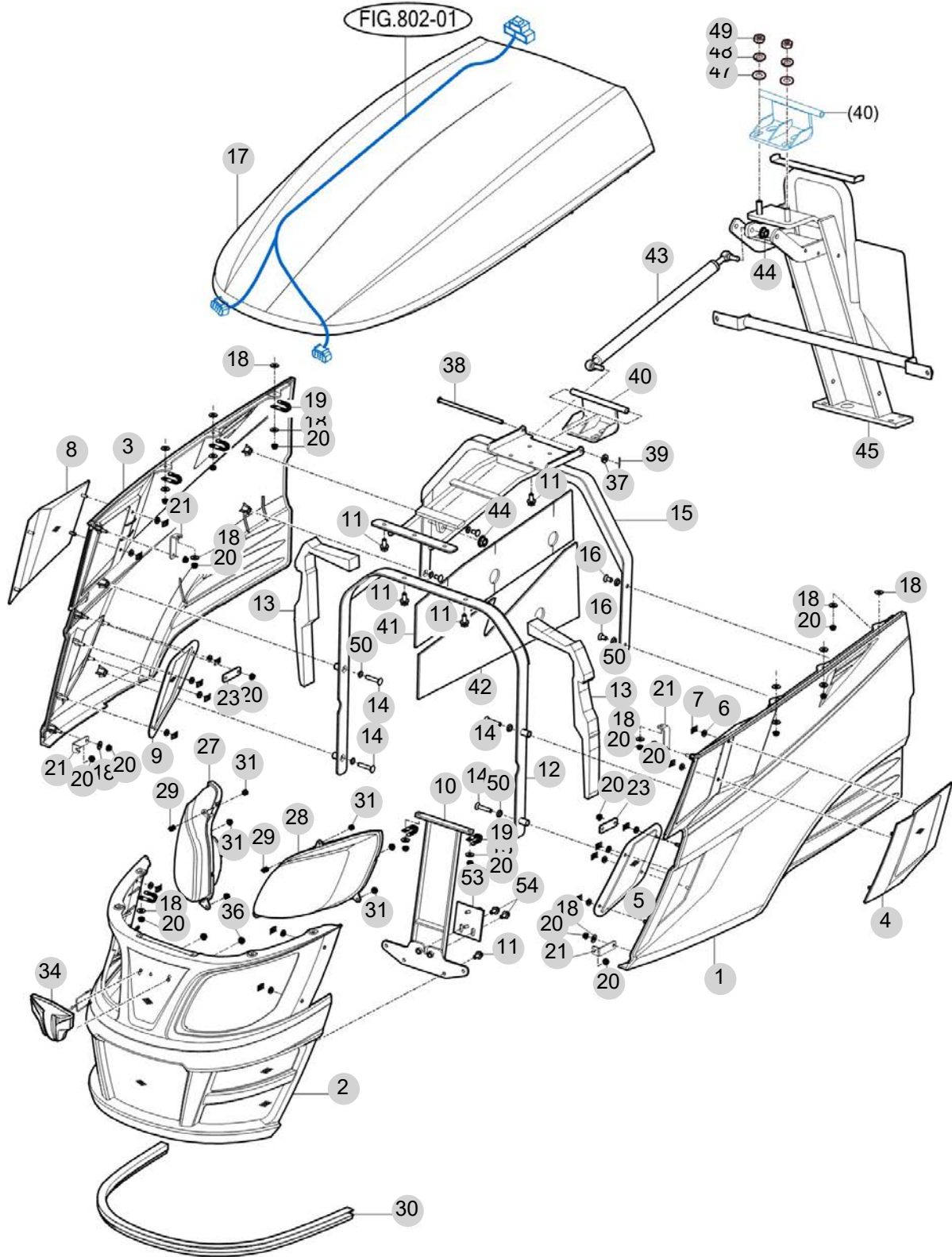
FIG 702

T394SH

HOOD (2)

년/월  
Year/Month

2022-12



NOTE



FIG 702		HOOD (2)					년/월 Year/Month		
							2022-12		
T394SH		KEY NO	PART NO	DESCRIPTION	SPEC	QTY	REPAIR	EFFECTIVE DATE	REMARKS
702	1	17406203301SR	COVER COMP , SIDE/LH			1			
702	1	17406203302SR	COVER COMP , SIDE/LH			1			
702	1	17406203303SR	COVER COMP , SIDE/LH			1			
702	2	17406203200GB	GRILLE COMP			1			
702	2	17406203201GB	GRILLE COMP			1			
702	3	17406203401SR	COVER COMP , SIDE/RH			1			
702	3	17406203402SR	COVER COMP , SIDE/RH			1			
702	3	17406203403SR	COVER COMP , SIDE/RH			1			
702	4	17406203500GB	NET , UPR/LH			1			
702	5	17406203600GB	NET , LOW/LH			1			
702	6	14446010150	WASHER , NET			16			
702	7	V3501600060	NUT , PUSH-ON SPRING			16			
702	8	17406203700GB	NET , UPR/RH			1			
702	9	17406203800GB	NET , LOW/RH			1			
702	10	17406202500GB	Pin COMP , HOODLOCK			1			
702	10	18366202500GB	PIN COMP , HOOD LOCK			1			
702	11	V2183608020	BOLT , HEX/SP			13			
702	12	17406202300GB	FRAME COMP , HOOD/FR			1			
702	13	12346202431	INSULATOR , HOOD			2			
702	14	V1122608040	SCREW , C/R FLAT			4			
702	15	17406202700GB	FRAME COMP , HOOD/RR			1			
702	15	10536202700GB	FRAME COMP , HOOD/RR			1			
702	15	10536202701GB	FRAME COMP , HOOD/RR			1			
702	15	10536202702GB	FRAME COMP , HOOD/RR			1			
702	16	V1122608016	SCREW , C/R FLAT			4			
702	17	17406203101SR	HOOD COMP			1			
702	17	17406203102SR	HOOD COMP			1			
702	17	17406203103SR	HOOD COMP			1			
702	18	35605033020	WASHER , WIRE WITHDRAWAL			12			
702	19	37371720090	CLAMP , W/HARNESS			6			
702	20	V3802600060	NUT , HEX FLANGE			14			
702	21	17406203010GB	PLATE , UPR/SIDE			4			
702	21	17406203011GB	PLATE , UPR/SIDE			4			
702	21	17406203010GB	PLATE , UPR/SIDE			4			
702	23	17406203020GB	PLATE , MID/SIDE			2			
702	27	17406525001	HEAD LAMP ASSY , RH			1			
702	27	17406525002	HEAD LAMP ASSY , RH			1			
702	28	17406524001	HEAD LAMP ASSY , LH			1			
702	28	17406524002	HEAD LAMP ASSY , LH			1			
702	29	36108010080	SPRING , ENTRANCE FOR SEED(HC016)			2			
702	30	17406203900	INSULATOR , HOOD			1			
702	31	19027210060	NUT , NYLON , M6			6			
702	34	19959010010	EMBLEM			1			
702	34	19959010011	EMBLEM			1			
702	34	17406212000	EMBLEM ASSY , V5			1			
NOTE									



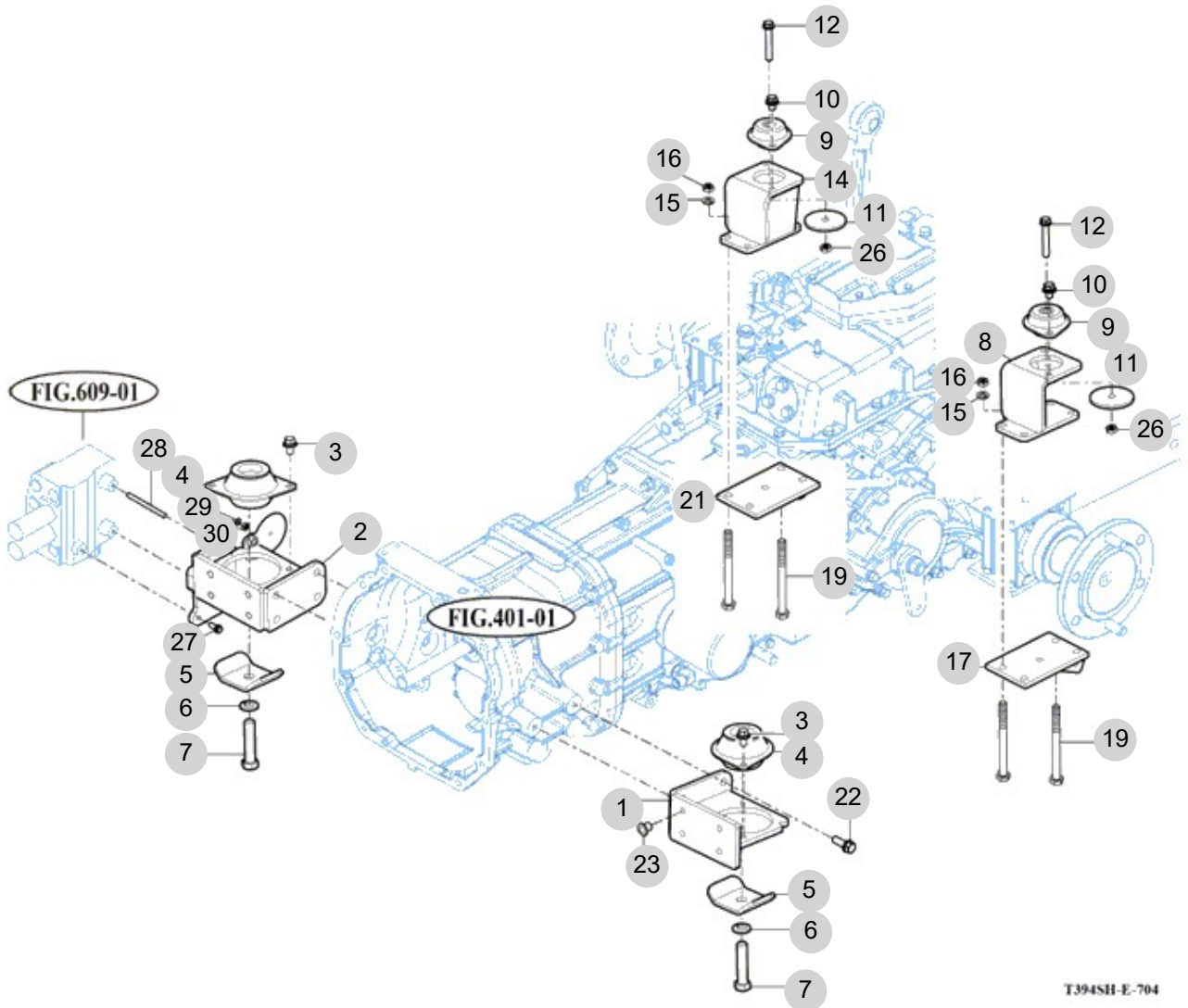
FIG 704

T394SH

FRONT & REAR MOUNTING

년/월  
Year/Month

2022-12



T394SH-E-704

NOTE



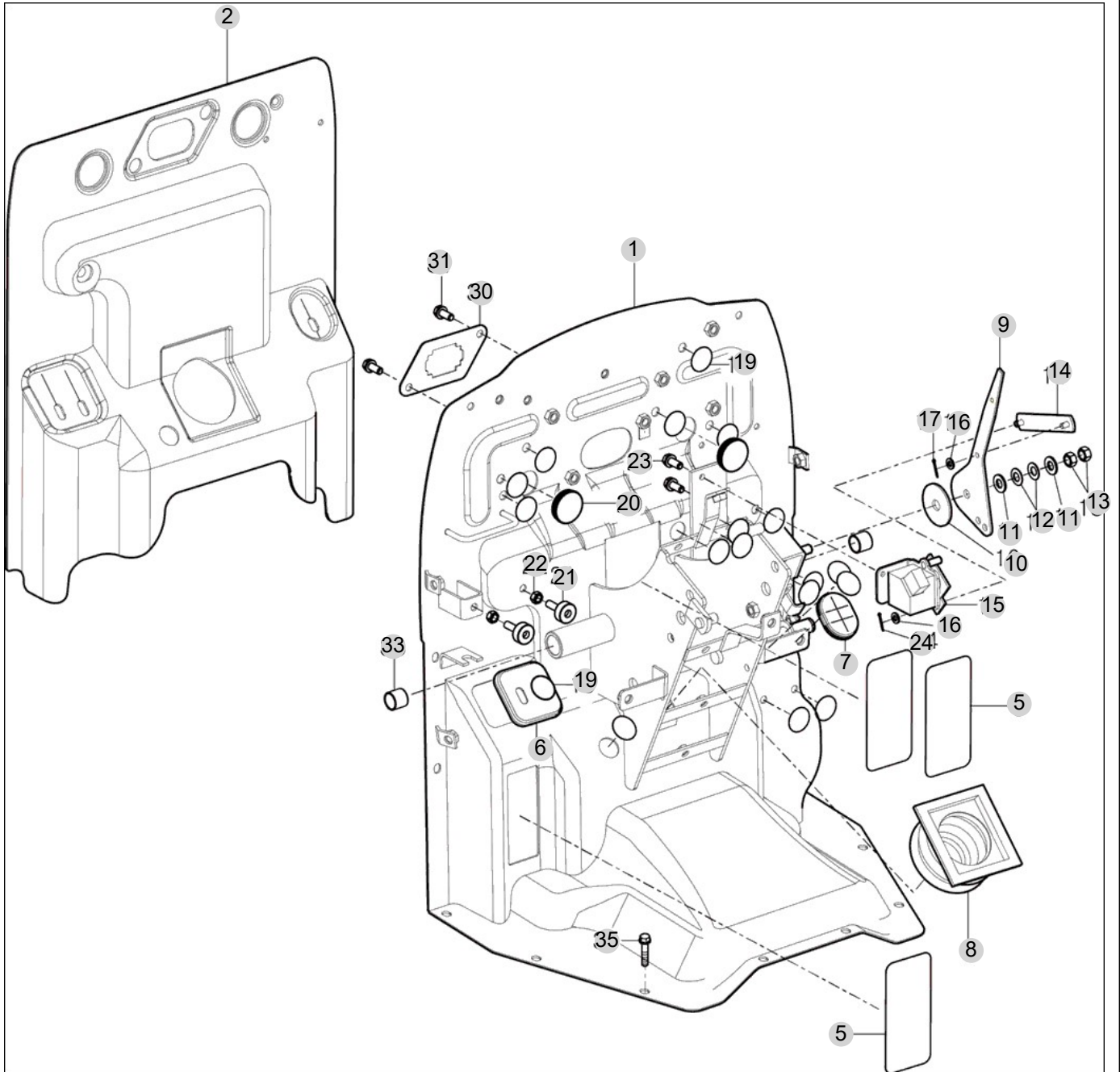
FIG 705

DASHBOARD

년/월  
Year/Month

T394SH

2022-12



NOTE



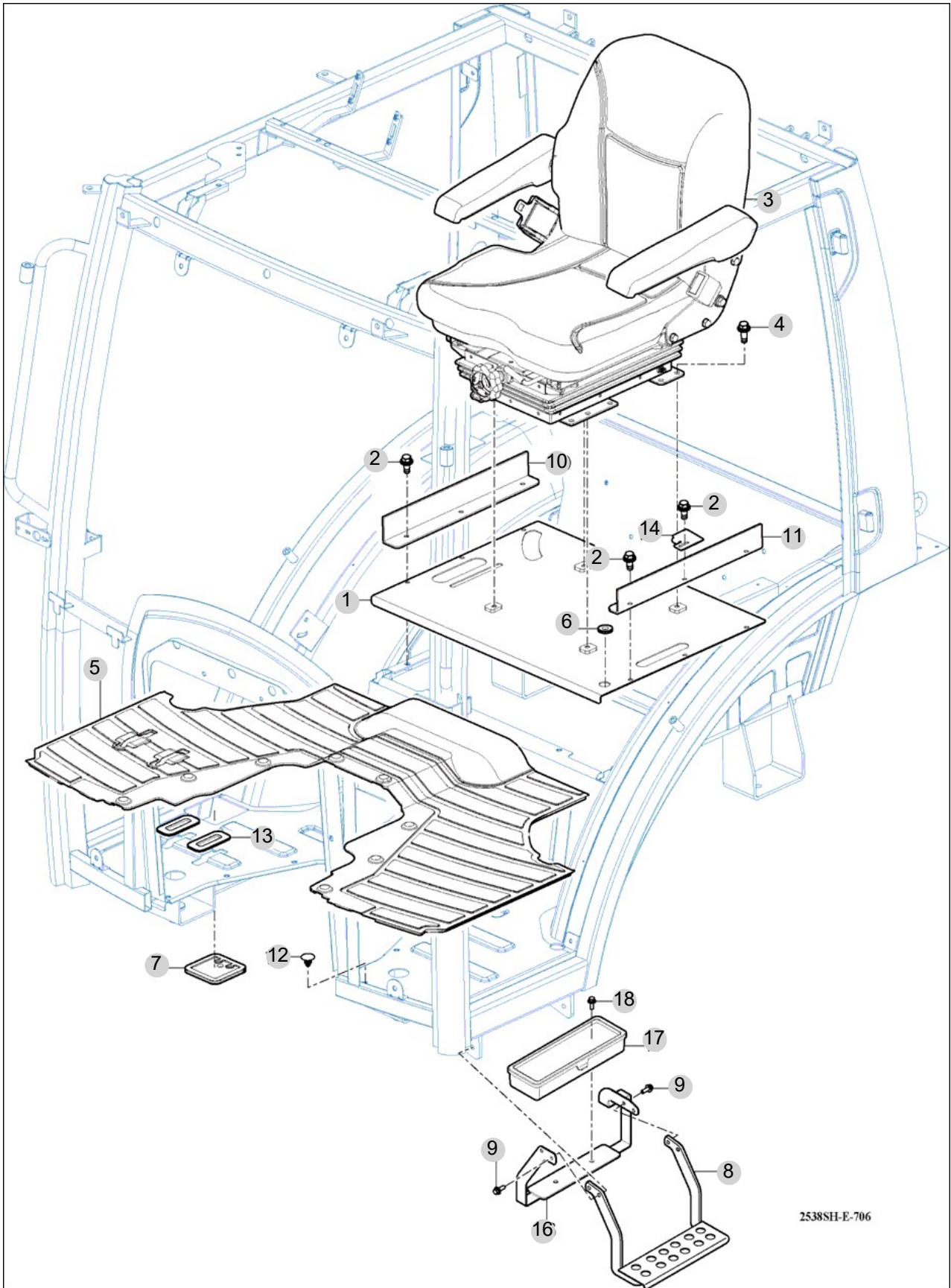
FIG 706

SEAT & MAT

년/월  
Year/Month

2022-12

T394SH



2538SH-E-706

NOTE





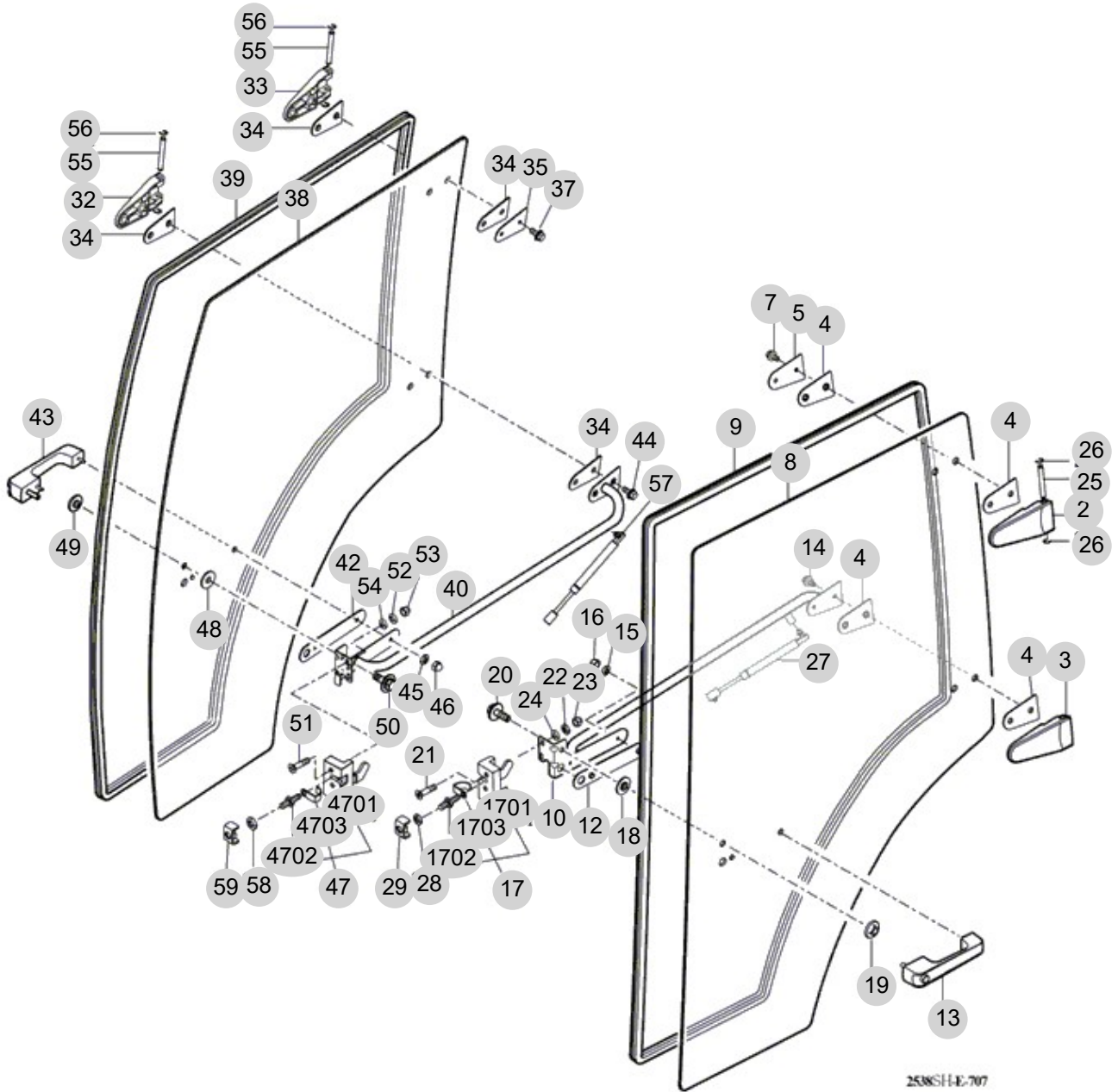
FIG 707

T394SH

DOOR

년/월  
Year/Month

2022-12



2538SH-E-707

NOTE

FIG 707		DOOR					년/월 Year/Month		
							2022-12		
T394SH		KEY NO	PART NO	DESCRIPTION	SPEC	QTY	REPAIR	EFFECTIVE DATE	REMARKS
707	2	14527052300	HINGE COMP , UPR/LH	1X1X1	1				
707	3	14527052400	HINGE COMP , UPR/RH	1X1X1	1				
707	4	14527052110	GASKET , DOOR HINGE	1X1X1	4				
707	5	14527052120GB	PLATE , DOOR HINGE	1X1X1	1				
707	7	V2183608020	BOLT , HEX/SP	M8X20	2				
707	8	12397052211	GLASS , LH/ DOOR	6t	1				
707	9	12397042200	INSULATOR , DOOR		1				
707	10	12397022500GB	GUIDE COMP , LH/ DOOR		1				
707	12	14527052150	GASKET,DOOR GRIP	1X1X1	1				
707	13	14527052600	GRIP ASSY, LOCK/HANDLE	1X1X1	1				
707	14	V2183608020	BOLT , HEX/SP	M8X20	2				
707	15	V4011600060	WASHER , SPRING	M6	2				
707	16	V3402700060	NUT , HEX CAP	M6	2				
707	17	14527052700	LOCK SET , LH/DOOR	1X1X1	1				
707	1701	14527052710	LOCK ASSY, LH/DOOR	1X1X1	1				
707	1702	14527052720	STRIKER	1X1X1	1				
707	1703	14527052730	GUARD	1X1X1	1				
707	18	15817401130	GROMMET , 13X17X02		1				
707	19	14527042500	NUT COMP , GLASS	1X1X1	1				
707	20	V2193606012	BOLT , HEX/SPL	M6X12	1				
707	21	V1122608040	SCREW , C/R FLAT	M8X40	2				
707	22	V4011600080	WASHER , SPRING	M8	2				
707	23	V3402700080	NUT , HEX CAP	M8	2				
707	24	V4111600080	WASHER , PLAIN	M8	2				
707	25	14527041110	PIN, HINGE DOOR	D=8	2				
707	26	V7082400070	E-RING	7	4				
707	27	14527301080	DAMPER ASSY , DOOR	1X1X1	1				
707	28	V4011600100	WASHER , SPRING	M10	1				
707	29	14527062500GB	BRACKET COMP , DOOR LOCK	1X1X1	1				
707	32	14527052300	HINGE COMP , UPR/LH	1X1X1	1				
707	33	14527052400	HINGE COMP , UPR/RH	1X1X1	1				
707	34	14527052110	GASKET , DOOR HINGE	1X1X1	4				
707	35	14527052120GB	PLATE , DOOR HINGE	1X1X1	1				
707	37	V2183608020	BOLT , HEX/SP	M8X20	2				
707	38	12397052110	GLASS , RH/DOOR	6t	1				
707	39	12397042200	INSULATOR , DOOR		1				
707	40	12397024000GB	GUIDE COMP , RH/DOOR		1				
707	42	14527052150	GASKET,DOOR GRIP	1X1X1	1				
707	43	14527052600	GRIP ASSY, LOCK/HANDLE	1X1X1	1				
707	44	V2183608020	BOLT , HEX/SP	M8X20	2				
707	45	V4011600060	WASHER , SPRING	M6	2				
707	46	V3402700060	NUT , HEX CAP	M6	2				
707	47	14527053700	LOCK SET , RH/DOOR	1X1X1	1				
707	4701	14527053710	LOCK ASSY, RH/DOOR	1X1X1	1				
707	4702	14527052720	STRIKER	1X1X1	1				
NOTE									



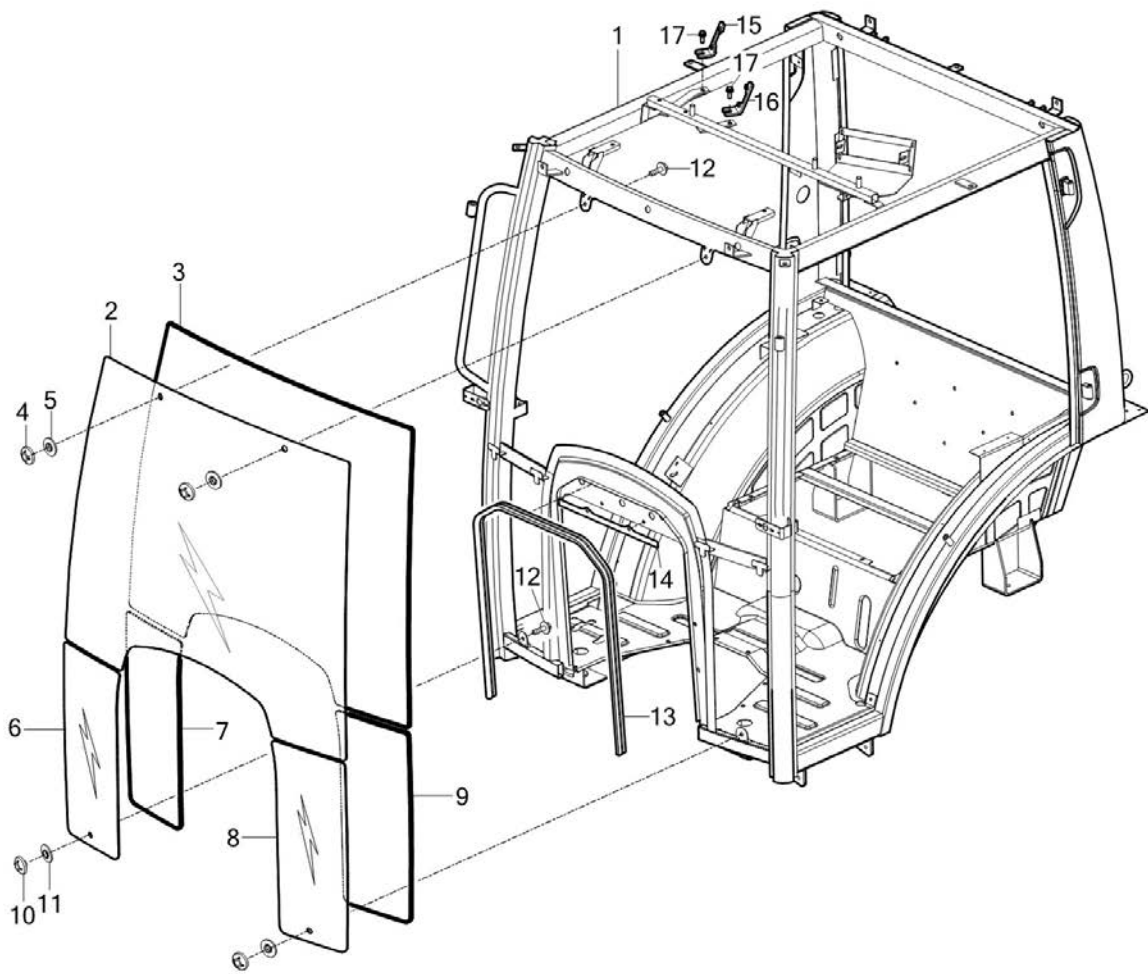
FIG 708

FRONT GLASS

년/월  
Year/Month

2022-12

T394SH



NOTE



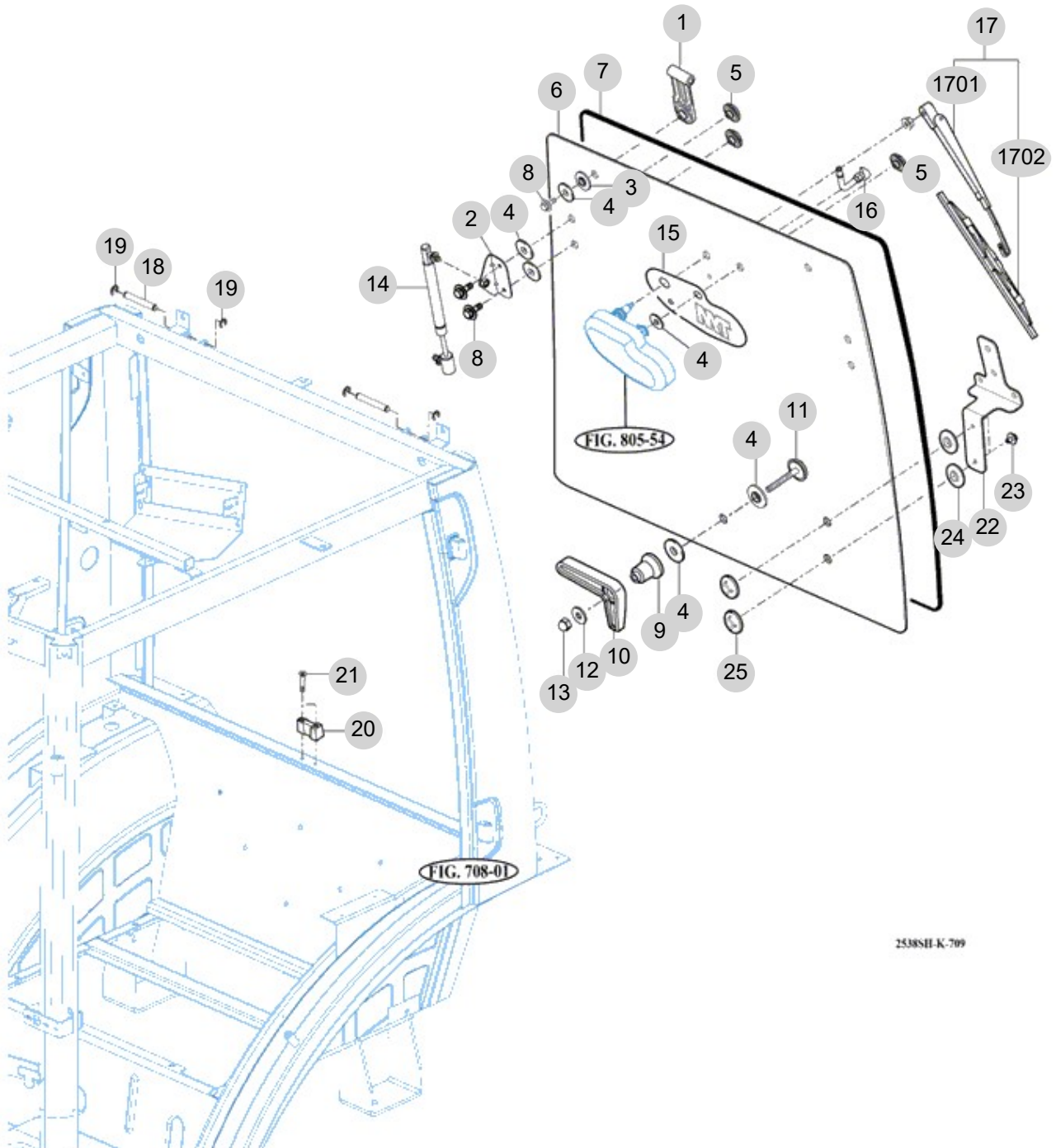
FIG 709

REAR GLASS

년/월  
Year/Month

2022-12

T394SH



NOTE



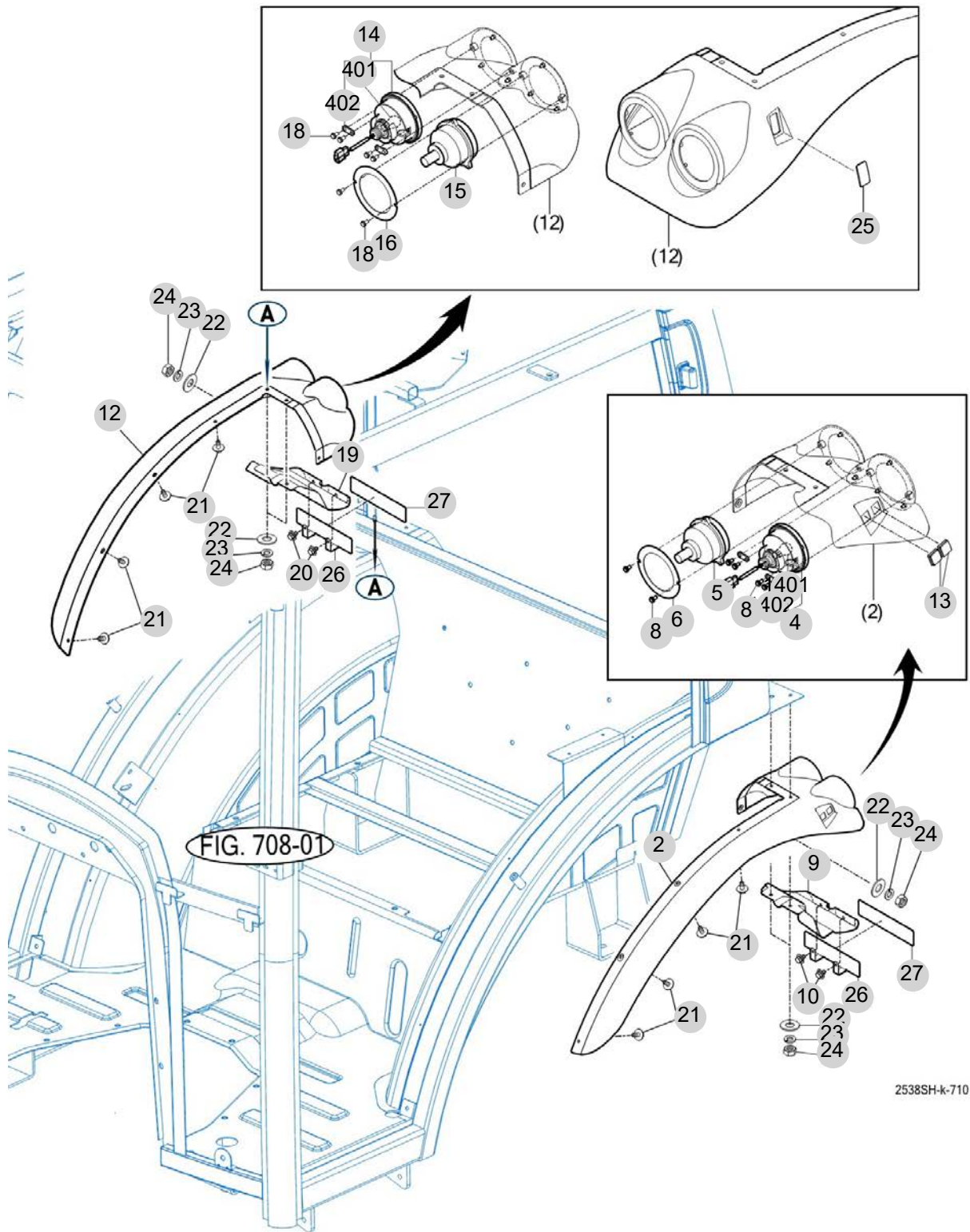
FIG 710

T394SH

SUB FENDER & COVER

년/월  
Year/Month

2022-12



NOTE





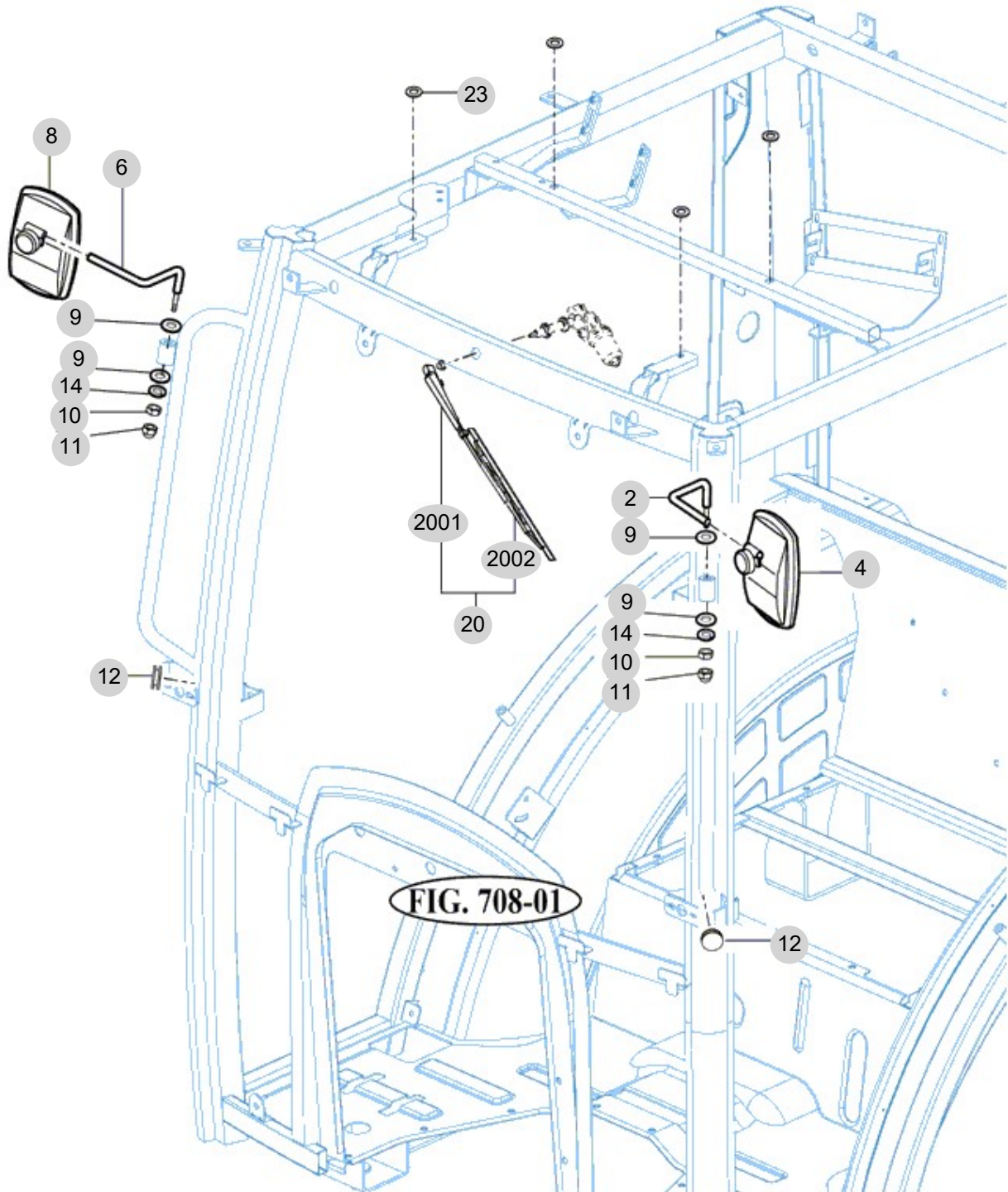
FIG 711

T394SH

MIRROR

년/월  
Year/Month

2022-12



NOTE



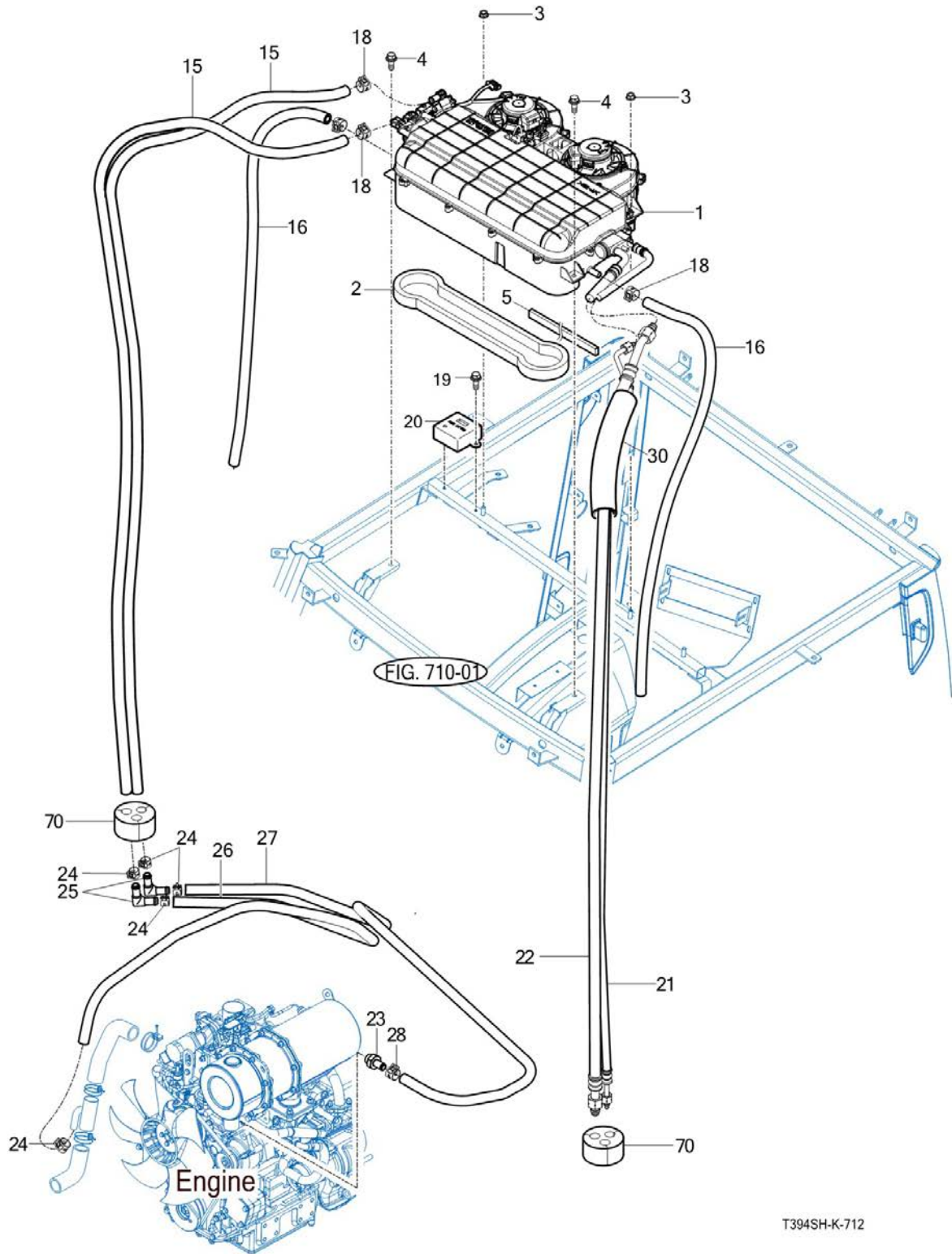
FIG 712

HEATER & AIR-CON

년/월  
Year/Month

2022-12

T394SH



T394SH-K-712

NOTE



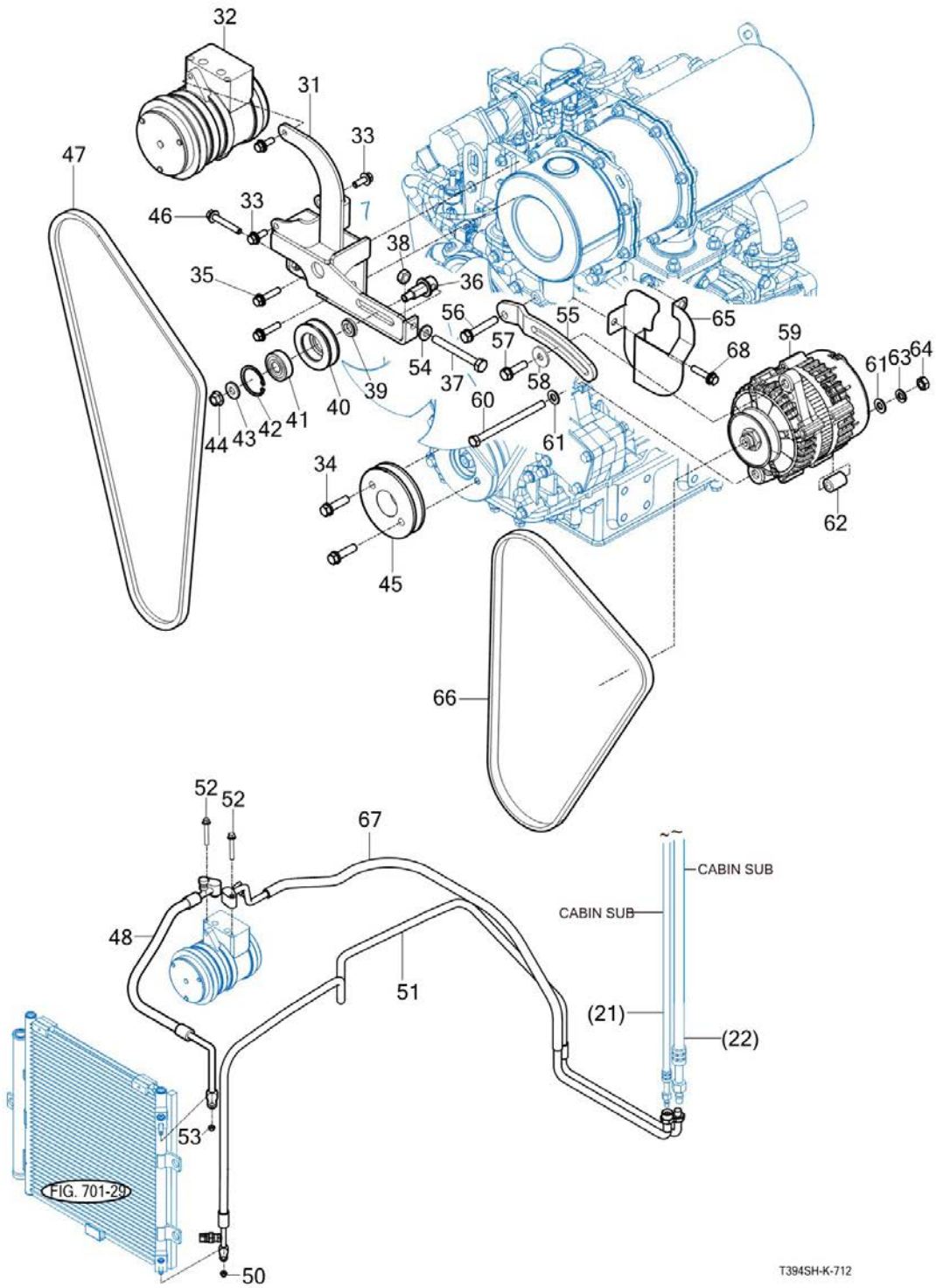
FIG 712-2

HEATER & AIR-CON

년/월  
Year/Month

2022-12

T394SH



NOTE



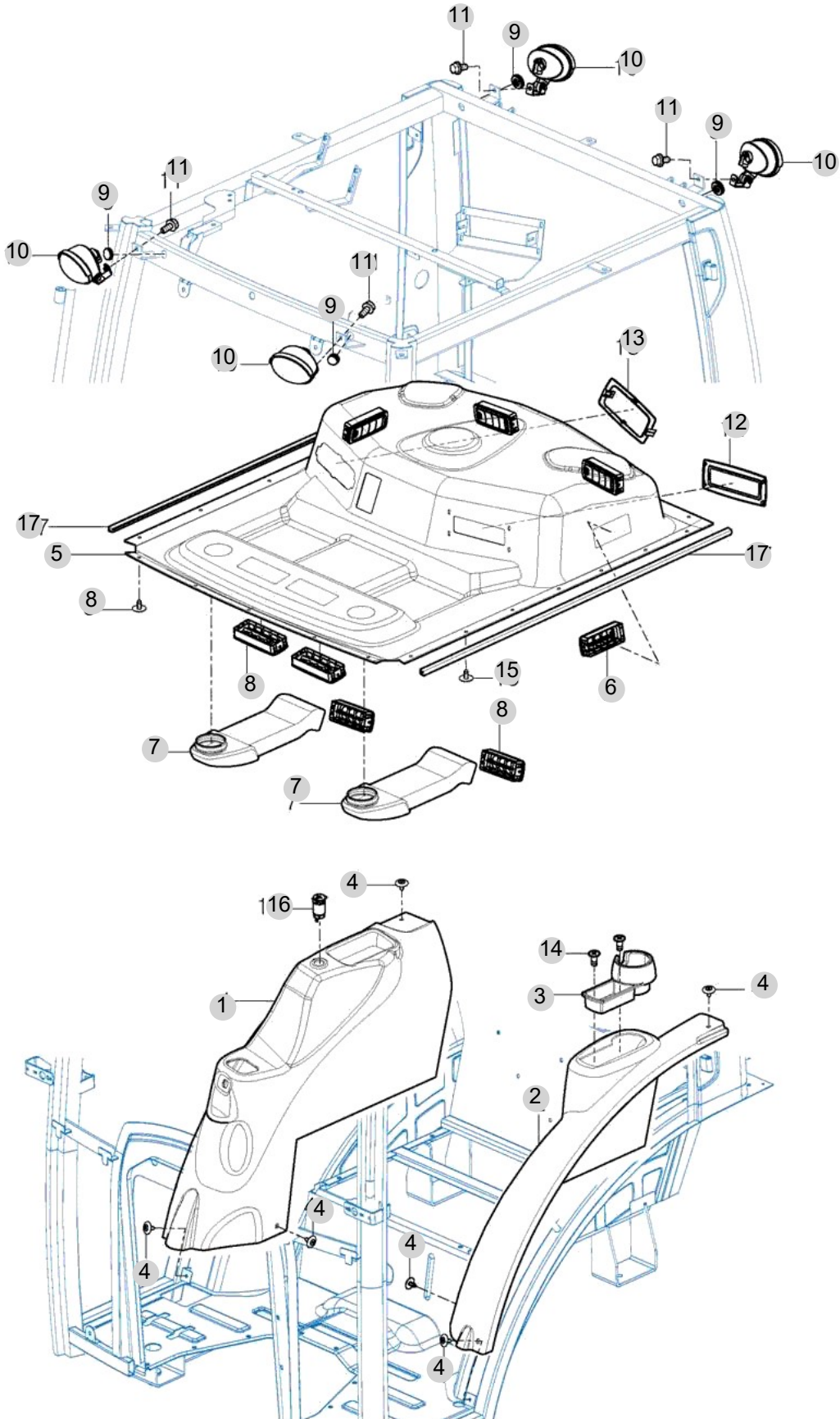
FIG 713

FENDER COVER

년/월  
Year/Month

2022-12

T394SH



NOTE





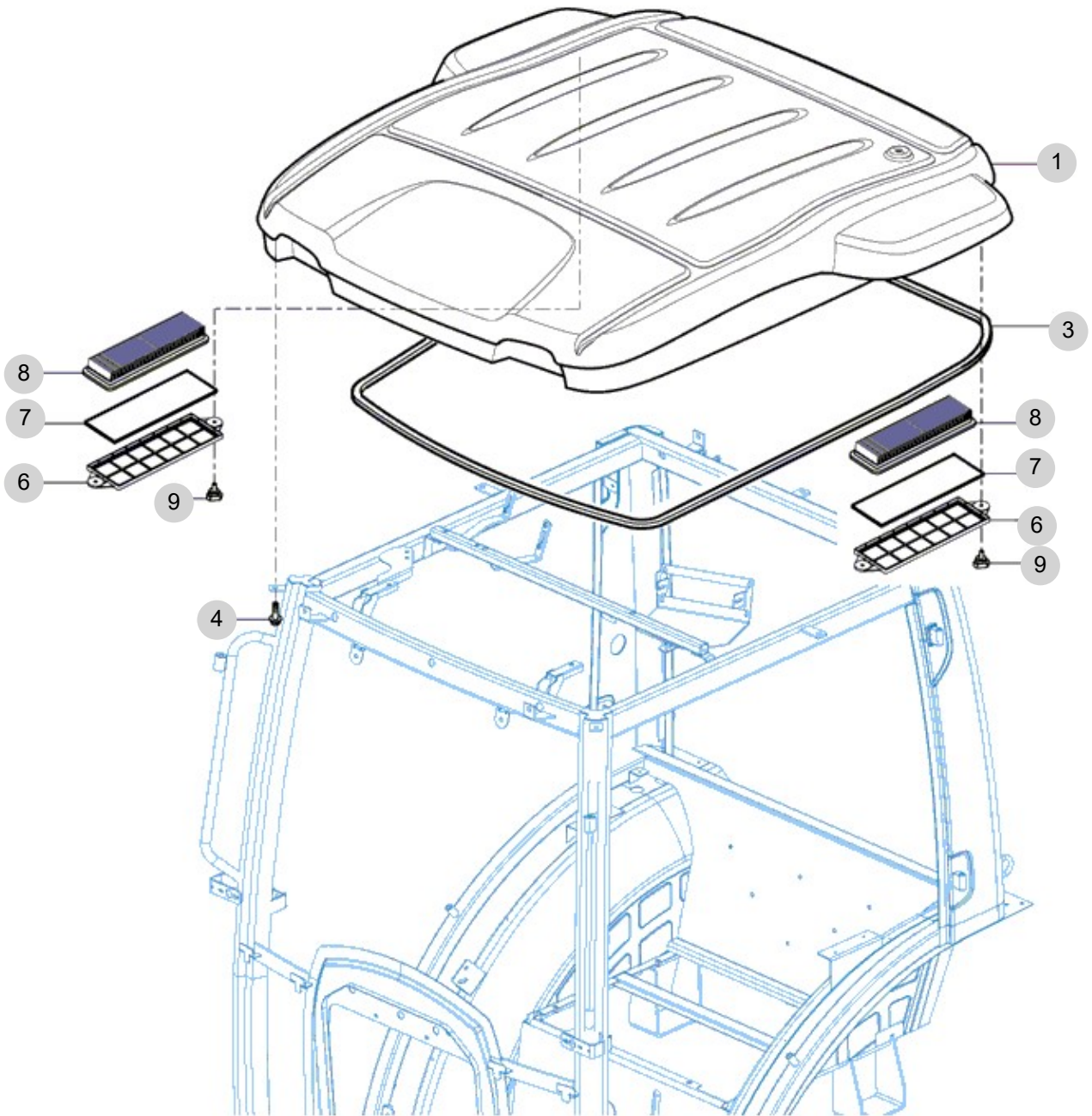
FIG 714

T394SH

ROOF

년/월  
Year/Month

2022-12



NOTE



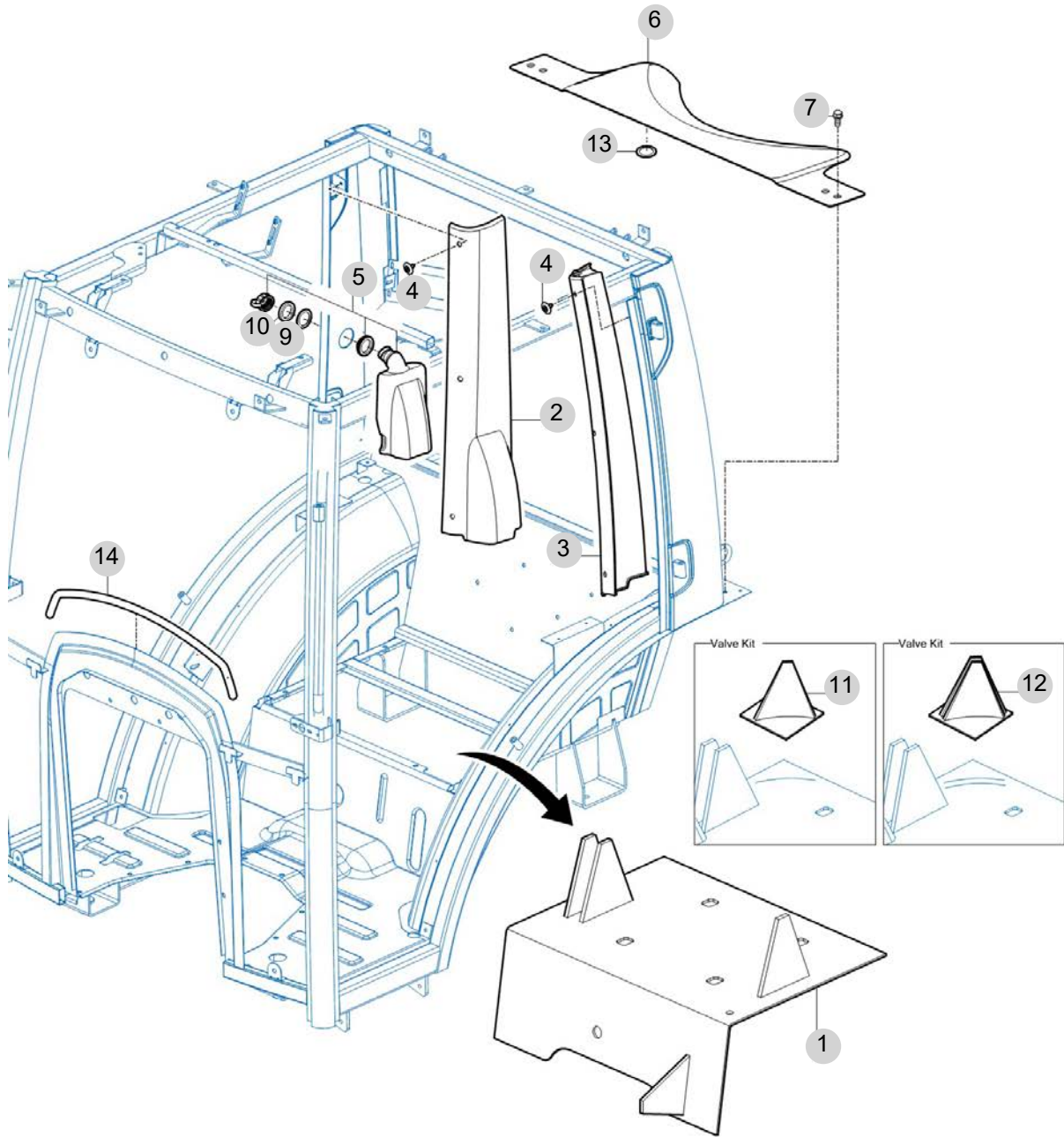
FIG 715

CABIN INTERIOR

년/월  
Year/Month

2022-12

T394SH



NOTE



## 8. Electrical System PART NO. T8

FIG 801 BATTERY & MOUNTING	199
FIG 802 LIGHTS	201
FIG 803 INSTRUMENT PANEL	203
FIG 804 ELECTRIC SYSTEM	205
FIG 805 HARNESS (1)	207
FIG 806 HARNESS (2)	209

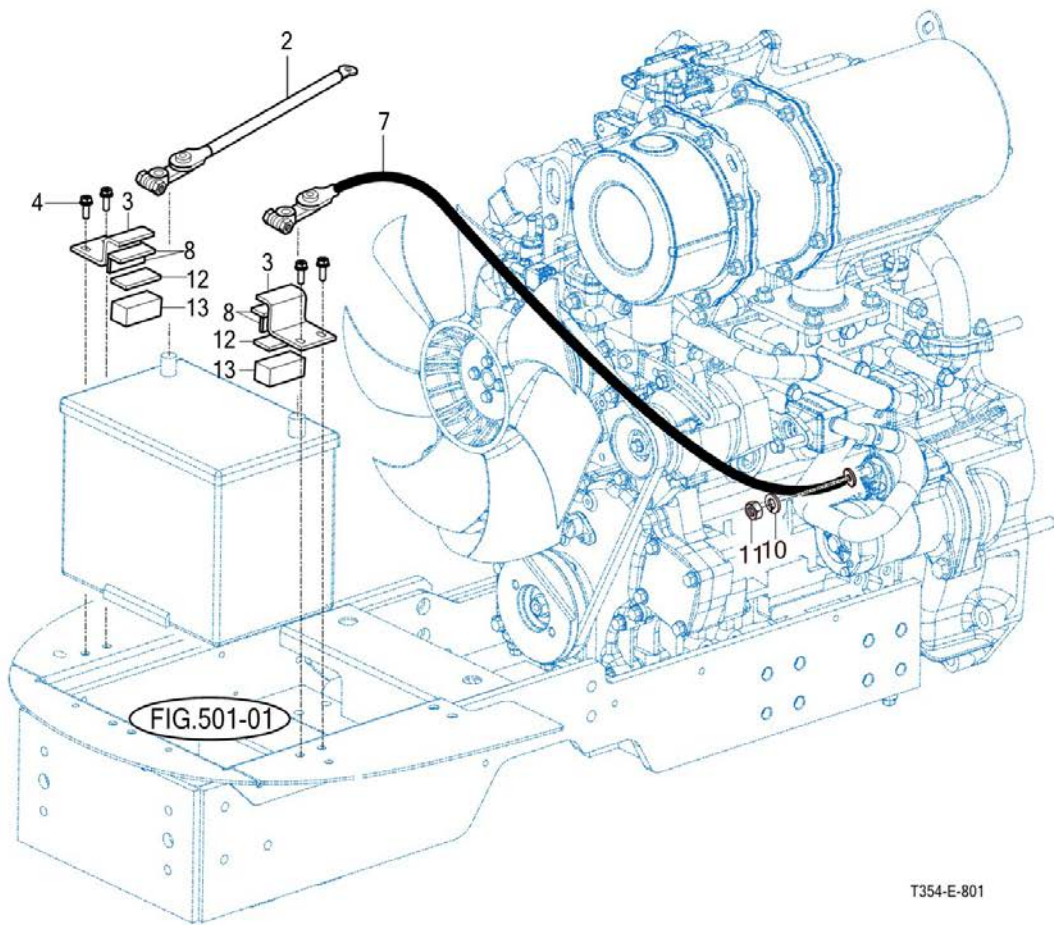
FIG 801

T394SH

BATTERY & MOUNTING

년/월  
Year/Month

2022-12



T354-E-801

NOTE





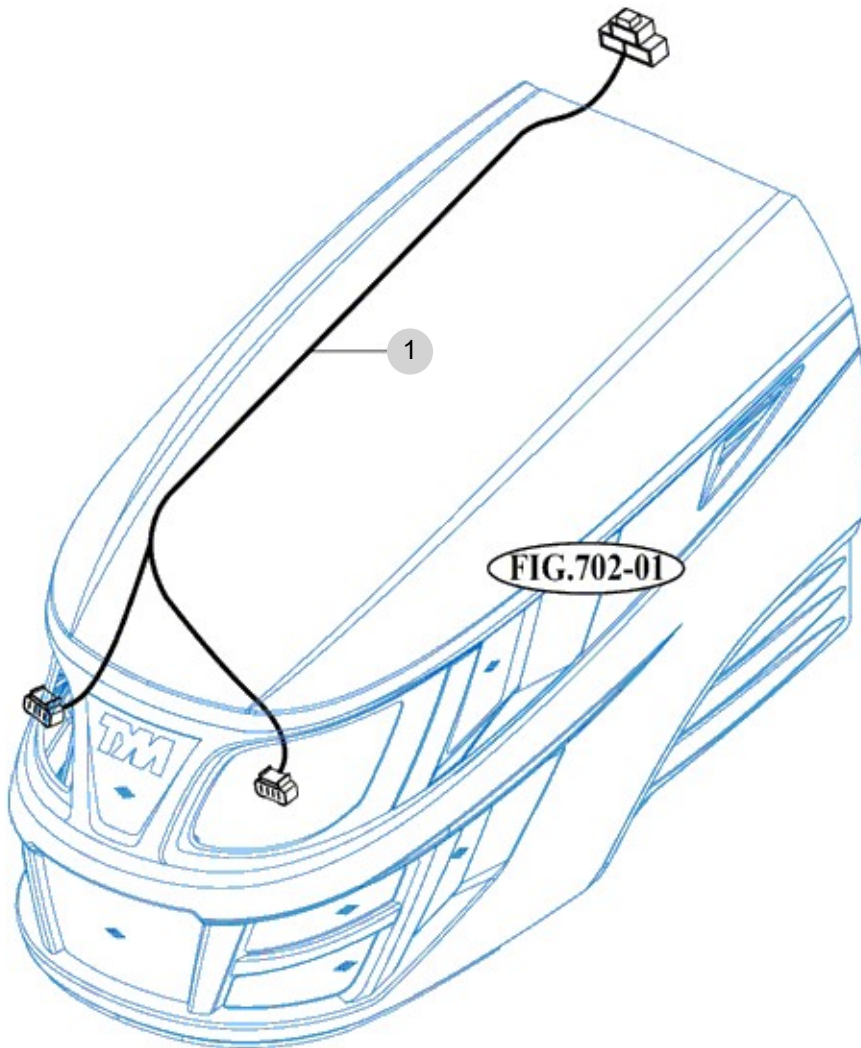
FIG 802

T394SH

LIGHTS

년/월  
Year/Month

2022-12



NOTE



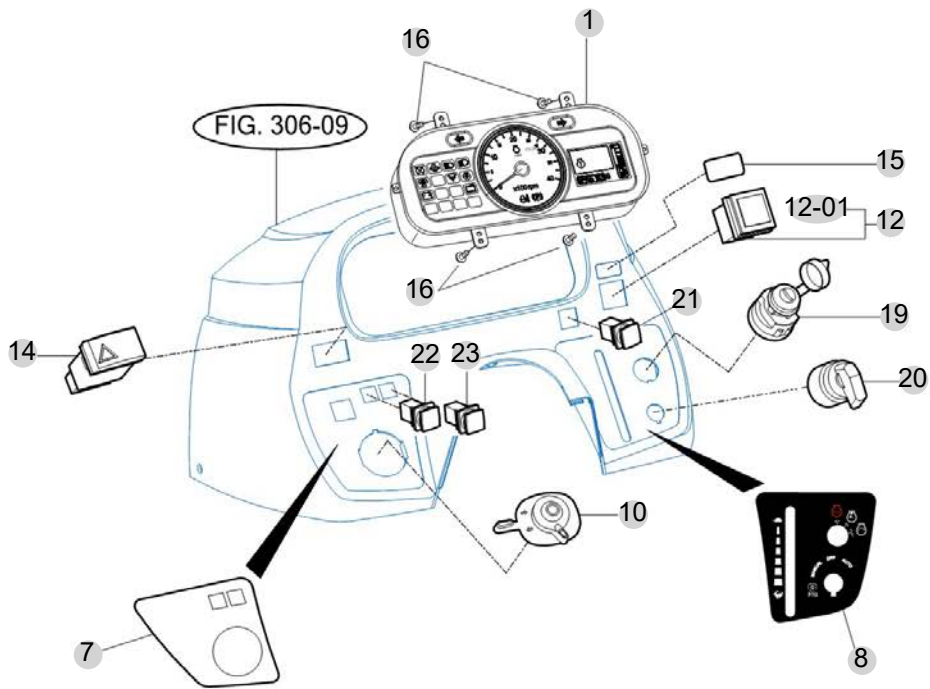
FIG 803

T394SH

INSTRUMENT PANEL

년/월  
Year/Month

2022-12



T394SH-E-803

NOTE



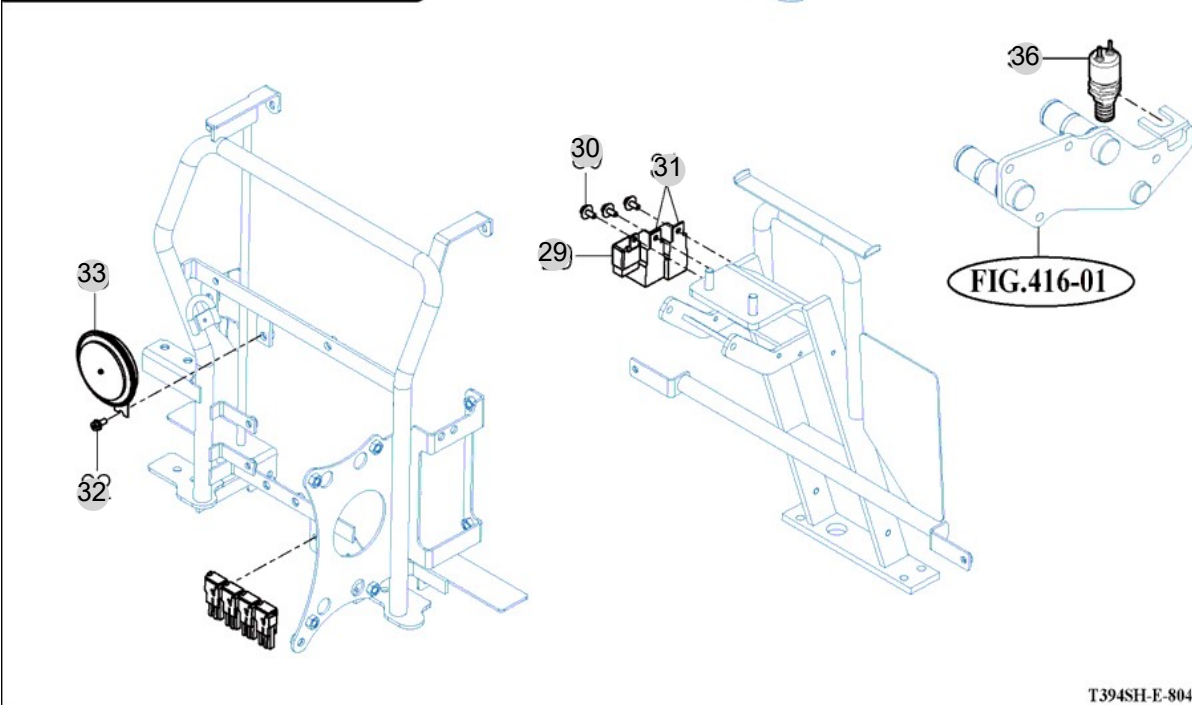
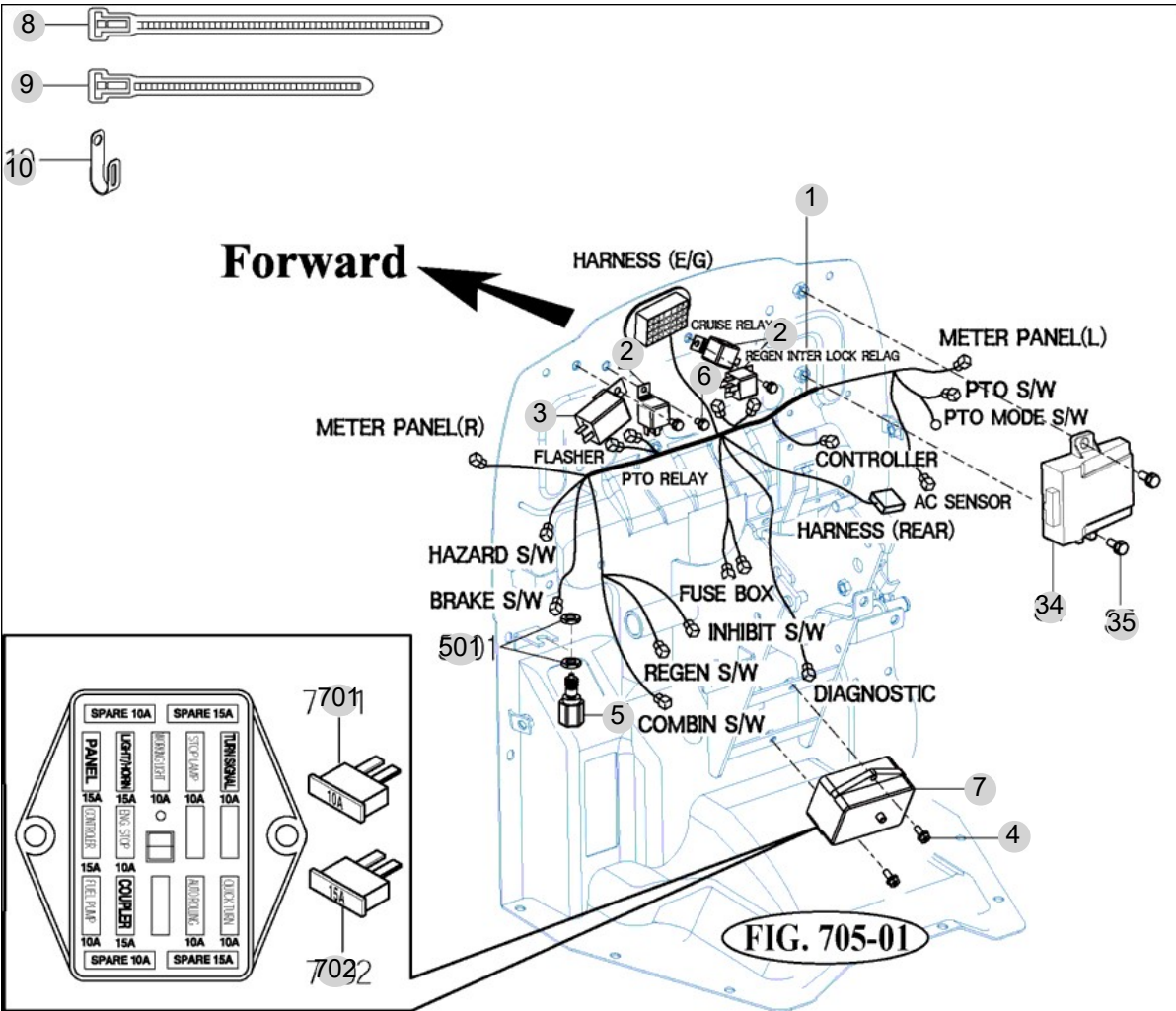




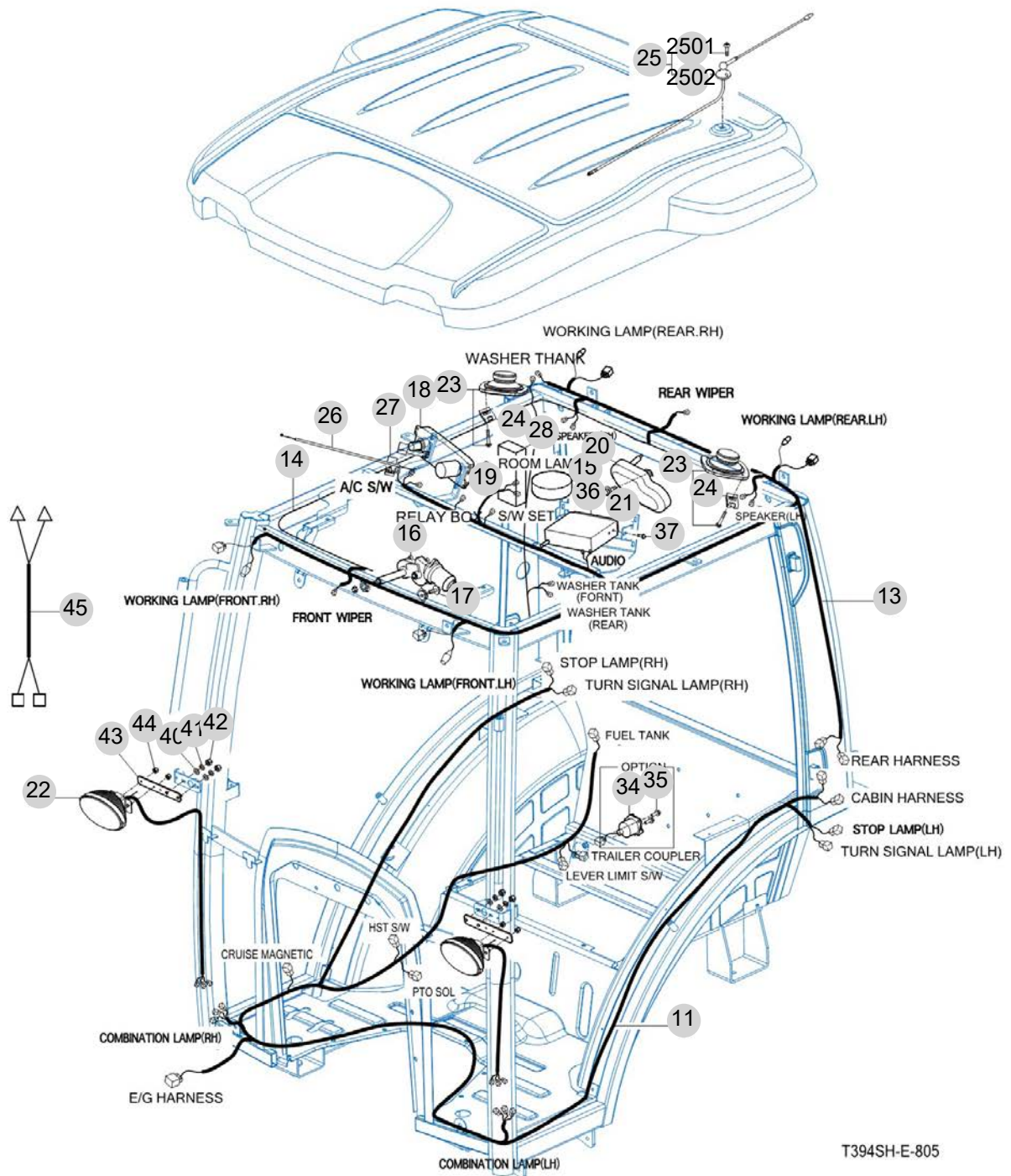
FIG 805

HARNESS (1)

년/월  
Year/Month

2022-12

T394SH



T394SH-E-805

NOTE





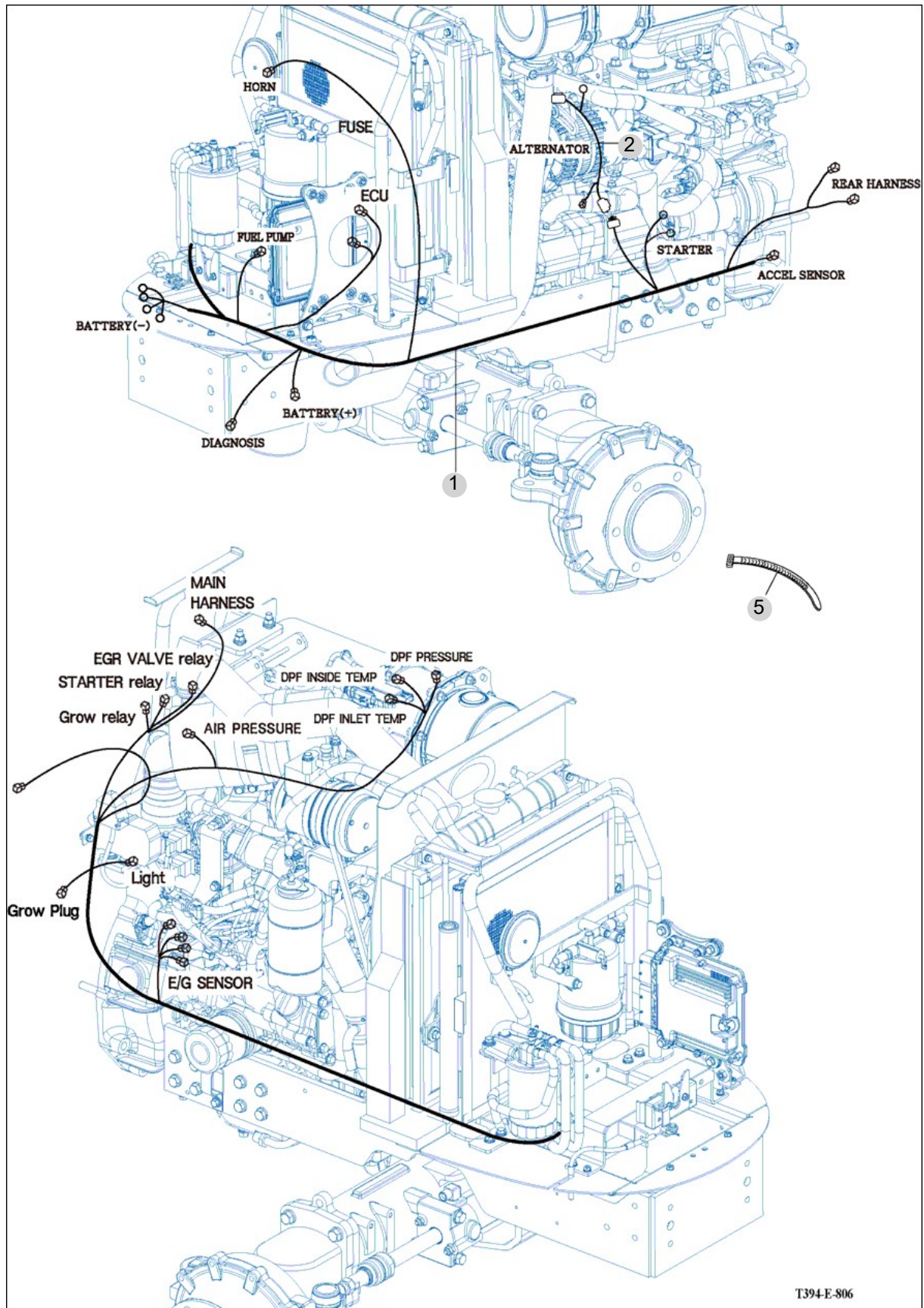
FIG 806

HARNESS (2)

년/월  
Year/Month

T394SH

2022-12



T394-E-806

NOTE



## 9. Label/Option PART NO. T9

FIG 901 TOOL & ACCESSORY	212
FIG 902 LABEL	214
FIG 902-2 LABEL	216
FIG 903 WEIGHT	218

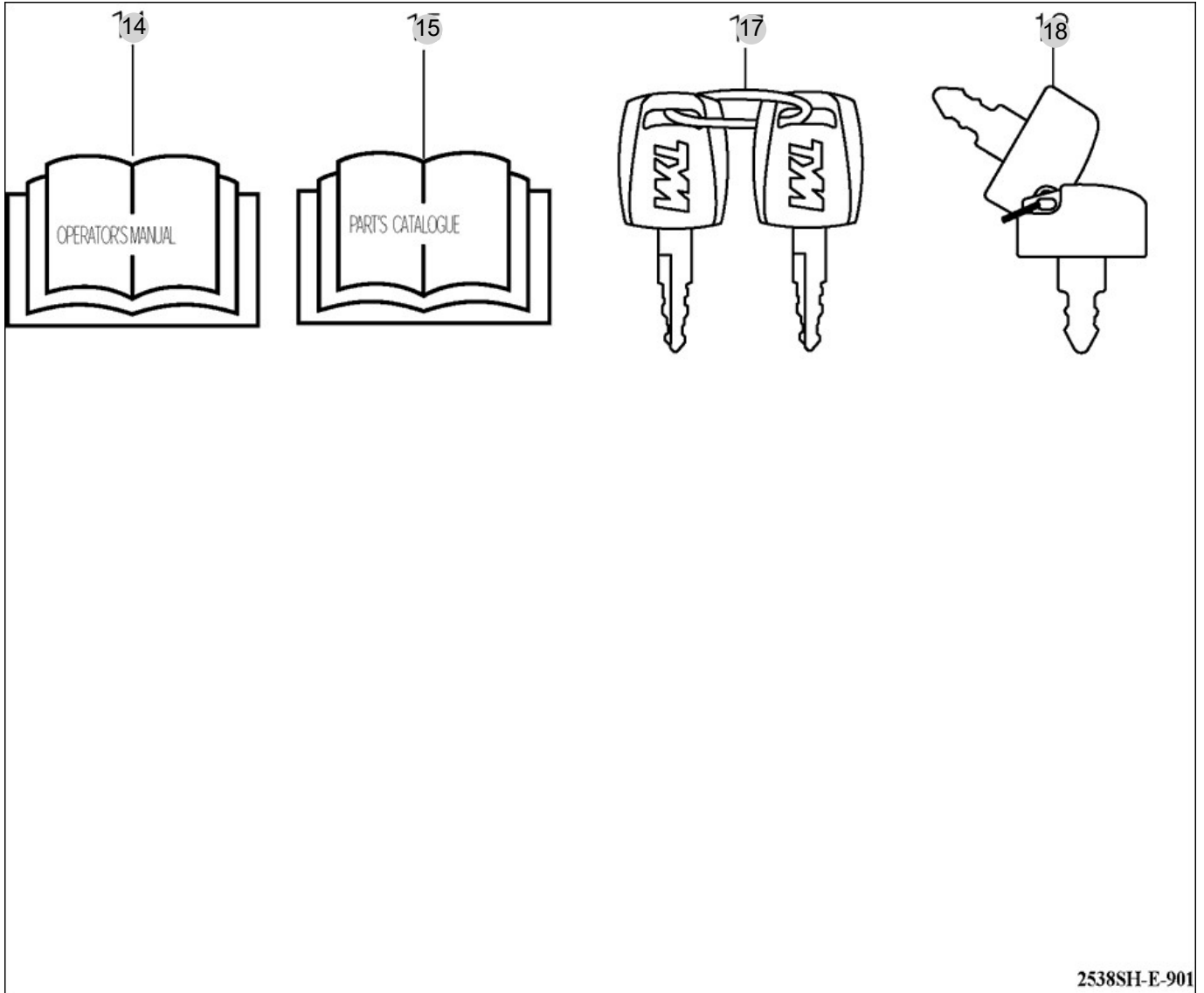
FIG 901

T394SH

TOOL & ACCESSORY

년/월  
Year/Month

2022-12



2538SH-E-901

NOTE



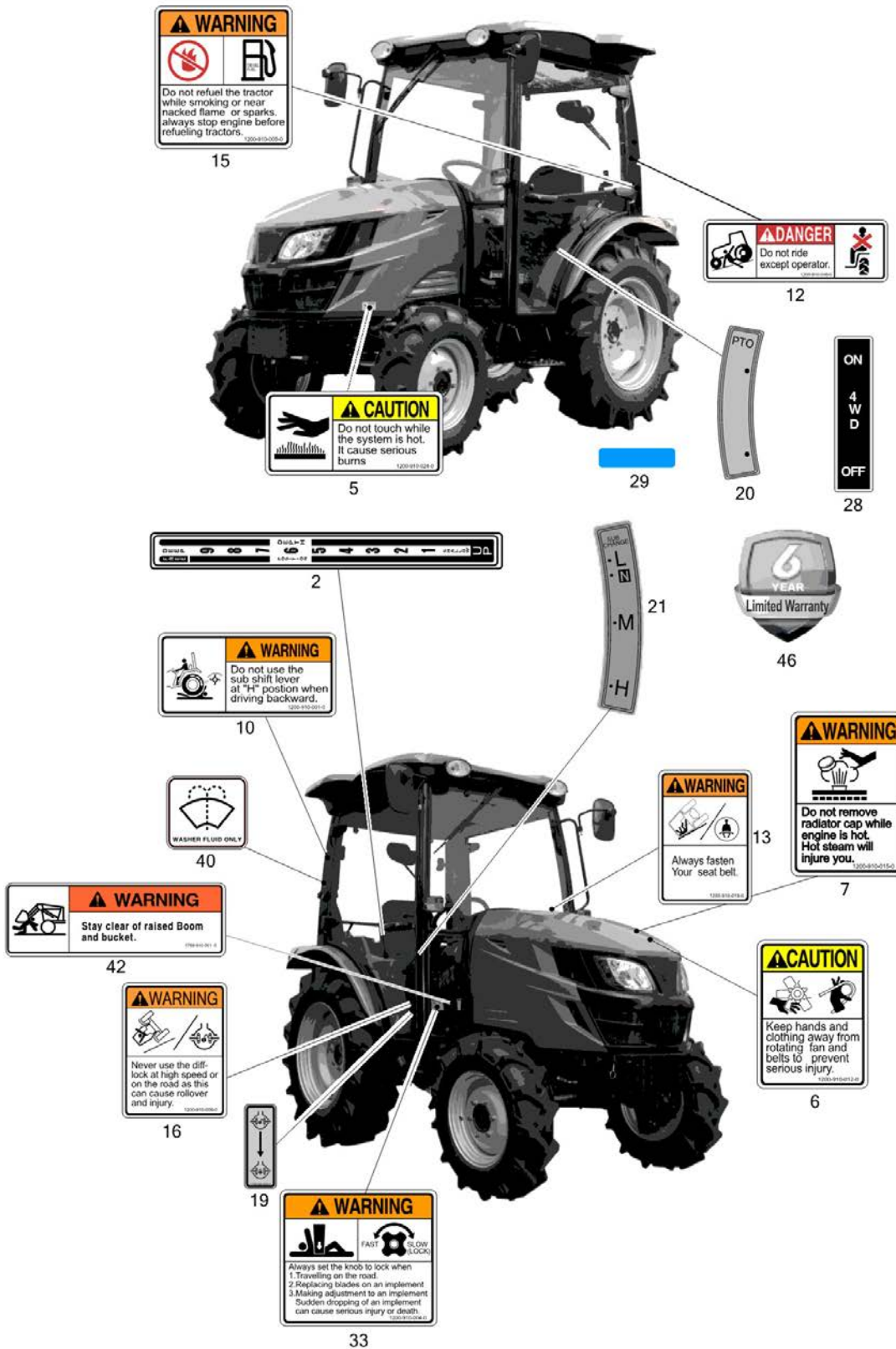
FIG 902

T394SH

LABEL

년/월  
Year/Month

2022-12



NOTE



FIG 902-2

LABEL

년/월  
Year/Month

T394SH

2022-12

**WARNING**  
Always apply the park brake when parking. Failure to do so can cause accidents and damages.  
1200-910-022-0

**WARNING**  
Do not use the accelerator lever except working on the field.  
1200-910-021-0

**OPERATION**  
**TO PROJECT YOUR ENGINE:**  
1. To activate the regeneration function manually if the engine has warning lamp and regeneration lamp is illuminated.  
2. For the regeneration process, refer to the Operator's Manual.  
3. Press the switch to stop automatic regeneration only.  
4. Do not press this switch frequently to prevent from engine (or air) stalling.  
For further details, consult your Operator's Manual or your local dealer.

**WARNING**  
Start engine only from operators seat. If safety start switch is bypassed engine can start with transmission in gear.  
Do not connect or short across terminal on starter solenoid.  
Attach booster cables as shown on battery decal and operators manual.  
Starting in gear causing runaway can result in serious injury.

This cab structure was tested in accordance with OECD Standard Code7 (Equivalent to AS 1636.1) for use on TYM USA tractor model T394, T393 with a maximum (GVW) of 16500KG.  
Manufactured by JIN-HEUNG, KOREA  
1204-904-804-4

**EPA REGULATION**  
USE ULTRA LOW SULFUR FUEL ONLY

**WARNING**  
Breathing diesel engine exhaust exposes you to chemicals known to the State of California to cause cancer and birth defects or other reproductive harm. Always start and operate the engine in a well-ventilated area. If an enclosed area, use the exhaust in the outside. Do not modify or tamper with the exhaust system. For more information go to: www.PSEWarnings.ca.gov/label

**WARNING**  
Cancer and Reproductive Harm  
www.PSEWarnings.ca.gov

**WARNING**  
Attach implements and trailers to the tractor only using the prescribed drawbar or hitch.

**DANGER**  
Rotating driveline contact can cause death. KEEP AWAY! Keep all drive line, Tractor and equipment shields in place during operation.

**DANGER**  
Periodic ventilation should be made to avoid suffocation while heating and air conditioning is used. Sleeping in the cab is prohibited.

**Inner/Outer air Ventilation**  
When grills of rear and both sides are opened, inner air will ventilate in.  
For effective use, open it when operate heater or air conditioner and close when ventilate fresh air.

**WARNING**  
Push the button to lock position with joystick lever is neutral whenever the implement is not operation.

**Operator's manual**

**WARNING**  
Start only from seat in park or neutral  
Starting in gear

**WARNING**  
Do not adjust the tilt handle when traveling.

**WARNING**  
Brake pedals must always be locked together when travelling on the highway. This will ensure uniform braking and provide maximum stopping ability sharp turns must only be made at slow speeds.

**WARNING**  
Do not use the accelerator lever except working on the field.

**WARNING**  
Do not connect or short across terminal on starter solenoid. Attach booster cables as shown on battery decal and operators manual. Starting in gear causing runaway can result in serious injury.

**OPERATION**  
TO PROJECT YOUR ENGINE:  
1. To activate the regeneration function manually if the engine has warning lamp and regeneration lamp is illuminated.  
2. For the regeneration process, refer to the Operator's Manual.  
3. Press the switch to stop automatic regeneration only.  
4. Do not press this switch frequently to prevent from engine (or air) stalling.  
For further details, consult your Operator's Manual or your local dealer.

**EPA REGULATION**  
USE ULTRA LOW SULFUR FUEL ONLY

**WARNING**  
Breathing diesel engine exhaust exposes you to chemicals known to the State of California to cause cancer and birth defects or other reproductive harm. Always start and operate the engine in a well-ventilated area. If an enclosed area, use the exhaust in the outside. Do not modify or tamper with the exhaust system. For more information go to: www.PSEWarnings.ca.gov/label

**WARNING**  
Cancer and Reproductive Harm  
www.PSEWarnings.ca.gov

**WARNING**  
Attach implements and trailers to the tractor only using the prescribed drawbar or hitch.

**DANGER**  
Rotating driveline contact can cause death. KEEP AWAY! Keep all drive line, Tractor and equipment shields in place during operation.

**DANGER**  
Periodic ventilation should be made to avoid suffocation while heating and air conditioning is used. Sleeping in the cab is prohibited.

**Inner/Outer air Ventilation**  
When grills of rear and both sides are opened, inner air will ventilate in.  
For effective use, open it when operate heater or air conditioner and close when ventilate fresh air.

**WARNING**  
Push the button to lock position with joystick lever is neutral whenever the implement is not operation.

**Operator's manual**

**WARNING**  
Start only from seat in park or neutral  
Starting in gear

**WARNING**  
Do not adjust the tilt handle when traveling.

**WARNING**  
Brake pedals must always be locked together when travelling on the highway. This will ensure uniform braking and provide maximum stopping ability sharp turns must only be made at slow speeds.

**WARNING**  
Do not use the accelerator lever except working on the field.

**OPERATION**  
TO PROJECT YOUR ENGINE:  
1. To activate the regeneration function manually if the engine has warning lamp and regeneration lamp is illuminated.  
2. For the regeneration process, refer to the Operator's Manual.  
3. Press the switch to stop automatic regeneration only.  
4. Do not press this switch frequently to prevent from engine (or air) stalling.  
For further details, consult your Operator's Manual or your local dealer.

**EPA REGULATION**  
USE ULTRA LOW SULFUR FUEL ONLY

**WARNING**  
Breathing diesel engine exhaust exposes you to chemicals known to the State of California to cause cancer and birth defects or other reproductive harm. Always start and operate the engine in a well-ventilated area. If an enclosed area, use the exhaust in the outside. Do not modify or tamper with the exhaust system. For more information go to: www.PSEWarnings.ca.gov/label

**WARNING**  
Cancer and Reproductive Harm  
www.PSEWarnings.ca.gov

NOTE



FIG 902-2		LABEL					년/월 Year/Month		
							2022-12		
T394SH		KEY NO	PART NO	DESCRIPTION	SPEC	QTY	REPAIR	EFFECTIVE DATE	REMARKS
902-2	2	12389040040	LABEL , HYDRAULIC CONTROL			1			
902-2	3	12009100020	LABEL , WARNING PARKING			1			
902-2	4	12009100070	LABEL , WARNING BRAKE			1			
902-2	5	12009100240	LABEL , CAUTION MUFFLER			1			
902-2	6	12009100120	LABEL , CAUTION FAN			2			
902-2	7	12009100150	LABEL , WARNING RADIATOR			1			
902-2	8	12009100230	LABEL , CAUTION OPERATION			1			
902-2	9	12009100130	LABEL , DANGER PTO			1			
902-2	10	12009100010	LABEL , WARNING SUB SHIFTER			1			
902-2	12	12009100160	LABEL , DANGER RIDING			1			
902-2	13	12009100190	LABEL , WARNING BELT			1			
902-2	14	12009100210	LABEL , WARNING THROTTLE			1			
902-2	15	12009100050	LABEL , WARNING FIRE			1			
902-2	16	12389100060	LABEL , WARNING DIFF			1			
902-2	17	12009100140	LABEL , WARNING DRAW			1			
902-2	18	17689100170	LABEL , CAUTION SAFETY			1			
902-2	19	12389200050	LABEL , DIFF			1			
902-2	20	13219020060	LABEL , PTO			1			
902-2	21	14979010070	LABEL , SHIFT			1			
902-2	22	14729020011	LABEL , HST			2			
902-2	22	14729020012	LABEL , HST			2			
902-2	23	12359040041	MARK ONAMENT , T394			2			
902-2	23	12359040042	MARK , T394			2			
902-2	23	12359040043	MARK , /T394			2			
902-2	25	13019041130	LABEL , TYM(35)			2			
902-2	28	12009430041	LABEL . 4WD			1			
902-2	29	14726400010	SEAL , HANDBRAKE			1			
902-2	32	12609040620	LABEL , STARTING WARNING			1			
902-2	33	12009100040	LABEL , WARNING STOP VALVE			1			
902-2	37	12009100080	LABEL , WARNING TILTING			1			
902-2	38	14729020110	LABEL , DANGER			1			
902-2	39	18711201100	LABEL , ULTRA LOW SULFUR			1			
902-2	40	12399042110	LABEL , WASHER FLUID			1			
902-2	41	12349045040	LABEL , CABIN			1			
902-2	42	17699100100	LABEL , WARNING JOYSTICK			1			
902-2	43	12009100111	LABEL , DANGER AIR CONDITIONER			1			
902-2	44	12209041222	LABEL , VENTILATION			1			
902-2	45	17699100090	LABEL , WARNING JOYSTICK			1			
902-2	46	13379100150	6YEAR WARRANTY LABEL			1			
902-2	47	17409209010	LABEL , OPERATION/DPF REGEN SWITCH			1			
902-2	50	11449100020	LABEL , WARNING/CA P65 A			1			
902-2	51	11449100030	LABEL , WARNING/CA P65 B			1			
902-2	60	14119010020	LABEL , /TYM 60			2			
NOTE									

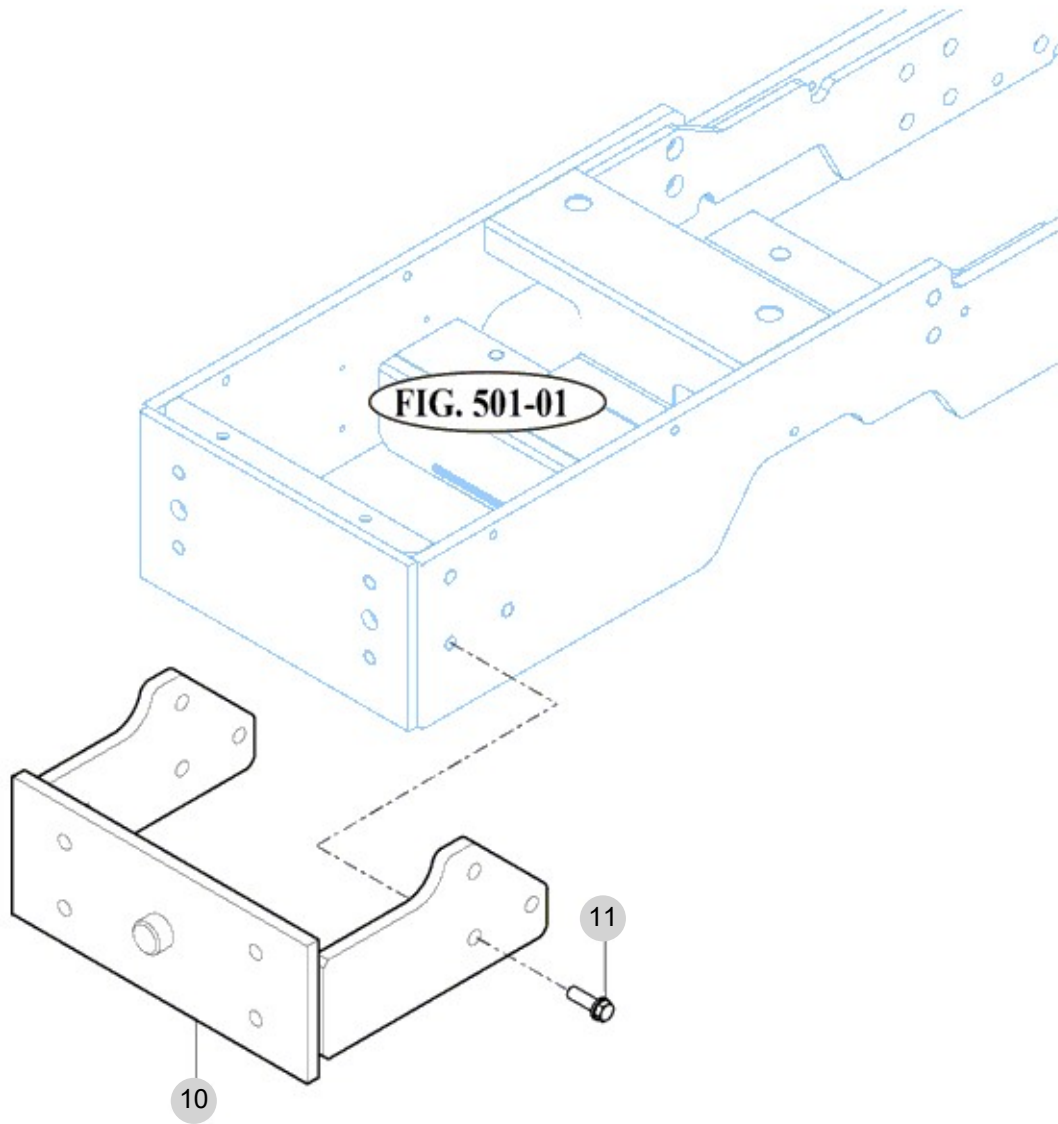
FIG 903

T394SH

WEIGHT

년/월  
Year/Month

2022-12



NOTE

