

3515CH_US_FL(AC02159) TRACTOR

Parts Catalogue



CONTENTS

GROUP NO	GROUP NAME	PAGE
G. ENGINE		
A01_004	CYLINDER BLOCK	4
A02_005	DRIVE PULLY	6
A03_003	CRANK SHAFT PULLEY	8
A04_004	GLOW PLUG ASS'Y OPTION	10
A05_003	CRANK SHAFT ASS'Y OPTION	12
A06_002	BREATHER OPTION	14
A07_002	CAMSHAFT	16
A08_006	ALTERNATOR	18
A09_002	COOLING WATER PUMP	20
A10_004	COOLING FAN SPACER	22
A11_005	INJECTOR	24
A12_006	FUEL INJECTON	26
A13_002	PLUMBING, FUEL	28
A14_001	FUEL FILTER BRACKET	30
A16_018	FUEL FILTER ASS'Y OPTION	32
A17_021	INTAKE MANIFOLD ASS'Y OPTION	34
A18_005	FLYWHEEL	36
A19_005	FLYWHEEL HOUSING	38
A20_007	HEAD, CYLINDER	40
A21_002	HEAD COVER	42
A23_003	TURBOCHARGER SUPPORT ASS'Y OPTION	44
A26_001	COOLER, ENGINE OIL	46
A27_004	OIL PAN ASS'Y OPTION	48
A28_001	PUMP, LUBRICATING OIL	50
A29_005	FILTER, LUBRICATING OIL	52
A30_003	FRONT GEAR ACCESSORY DRIVE	54
A31_003	PISTON	56
A32_002	LEVER, LOCKER	58
A33_006	EXHAUST MANIFOLD	60
A35_002	IDLE GEAR	62
A36_002	COVER, FRONT GEAR	64
A38_004	GAUGE, OIL LEVEL	66
A39_001	OIL FILLER CAP	68
A40_003	LIFT ASS'Y OPTION	70

CONTENTS

GROUP NO	GROUP NAME	PAGE
G. ENGINE		
A41_001	COMP,DRIVE PULLEY ASS'Y OPTION	72
A42_003	MOTER, STARTIONS	74
A43_001	DPF SUPPORT OPTION	76
A44_003	DPF MOUNTING OPTION	78
A45_011	DPF	80
A48_006	V-BELT	82
F. TRANSMISSION		
F01010	CLUTCH HOUSING[4815CH]	84
F01020	TRANSMISSION CASE	86
F01030	REAR AXLE HOUSING	88
F01050	HYD SHIFT TRANSMISSION HOUSING	90
F03040	RANGE SHIFT DRIVE SHAFT-1	92
F04010	FORNT DRIVE SHAFT	94
F05020	REAR DIFFERNTIAL	96
F05020	RING GEAR&DIFF.GEAR ASS'Y	98
F06030	BRAKE	100
F07030	PTO DRIVE SHAFT	102
F07070	P.T.O SHAFT	104
F08060	FORK, PTO SHIFT	106
F10010	CASE, HYD CYLINDER	108
F10020	LIFT ARM	110
F10030	SAFETY VALVE	112
F10040	STOP VALVE	114
F10061	DRAFT/POSITION CONTROL LEVER	116
F10063	DRAFT CONTROL LEVER	118
F10064	POSITION CONTROL LEVER	120
F10120	REAR SCV	122
F10130	BLOCK, REAR	124
F11020	LEVER ASS'Y, RANGE SHIFT	126
F11060	DIFFERENTIAL	128
F11080	4WD LEVER	130

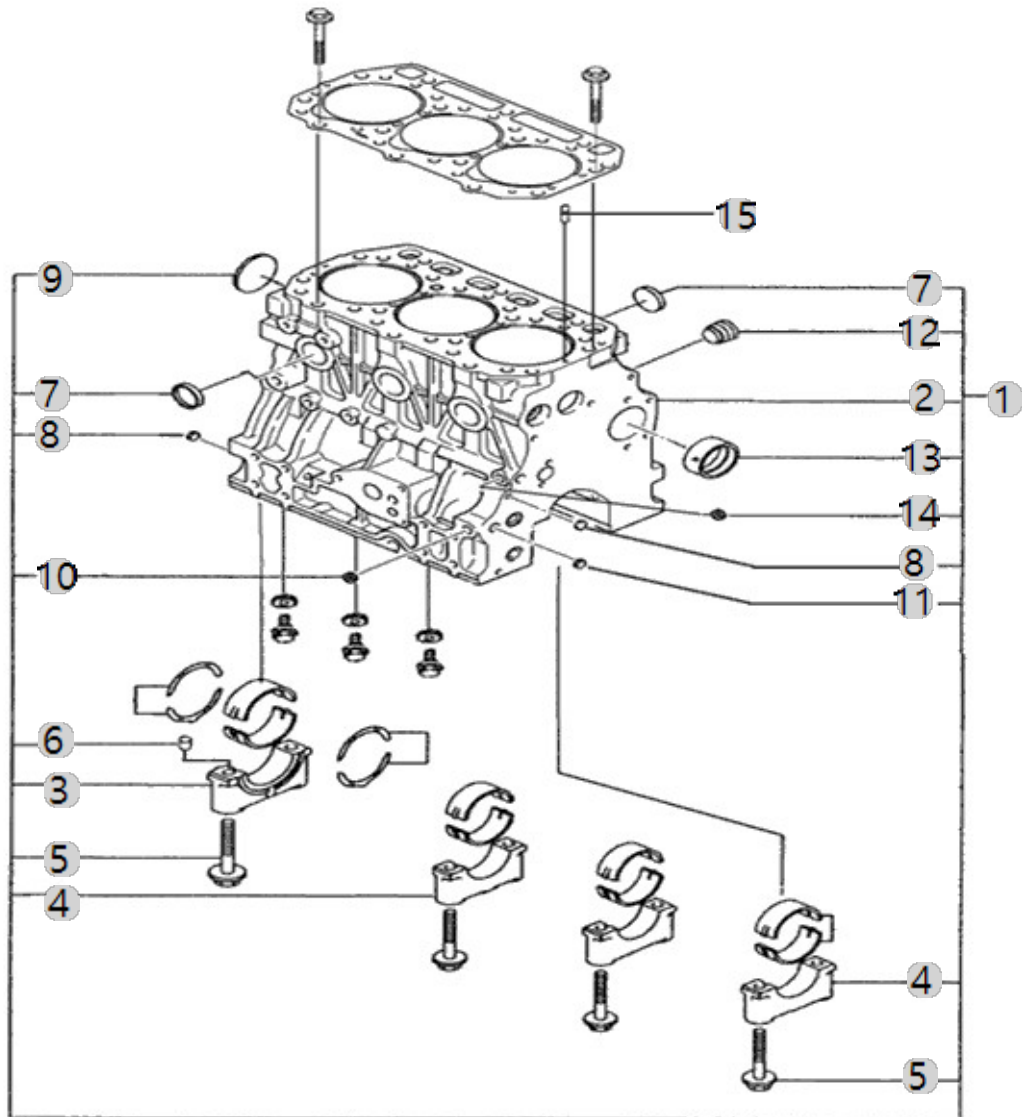
A01_004

A1700N4-UTC_4
(AB00289)

CYLINDER BLOCK

Year/Month

2022-12-15



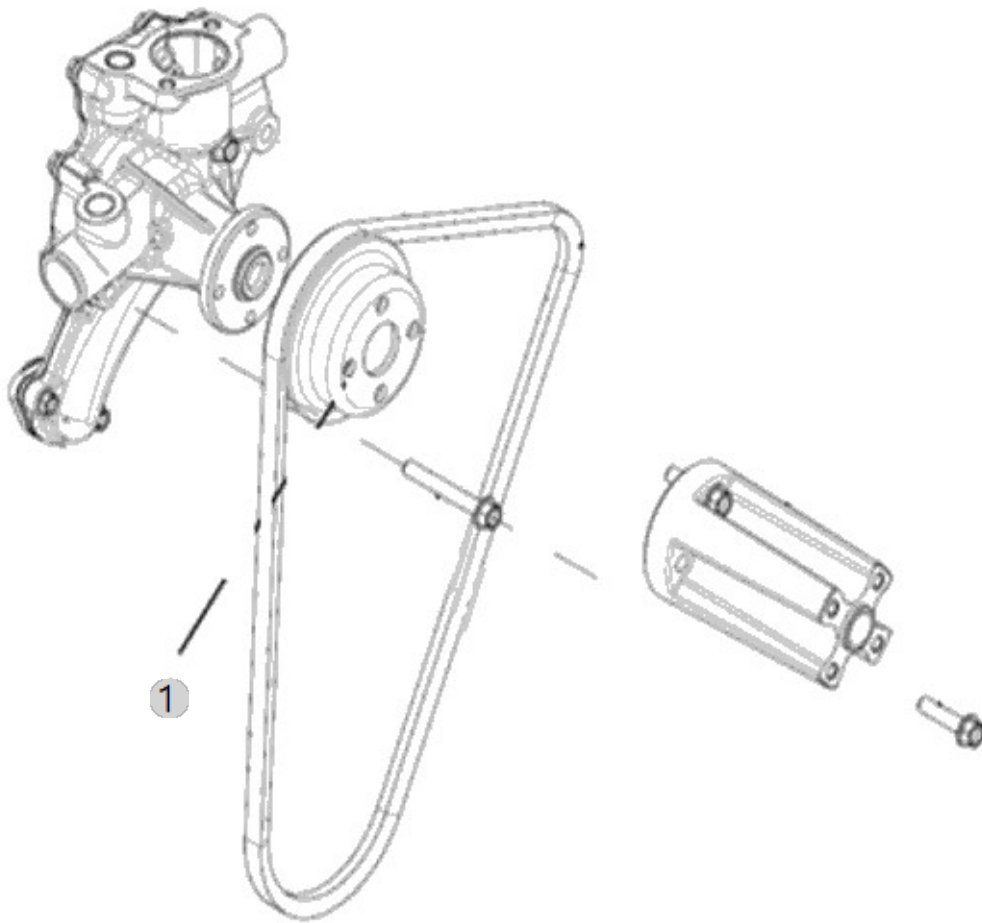
A02_005

A1700N4-UTC_4
(AB00289)

DRIVE PULLY

Year/Month

2022-12-15



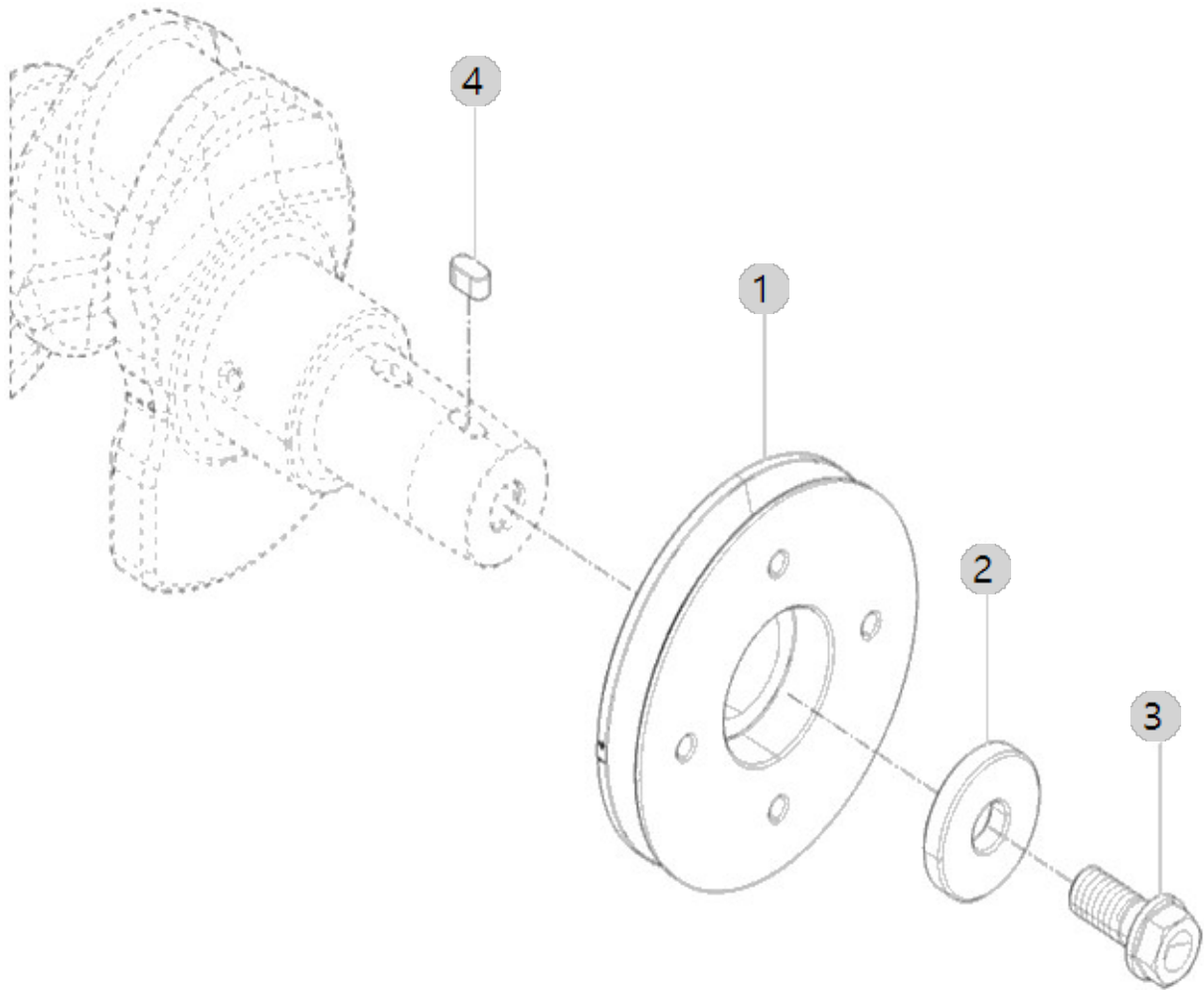
A03_003

A1700N4-UTC_4
(AB00289)

CRANK SHAFT PULLEY

Year/Month

2022-12-15



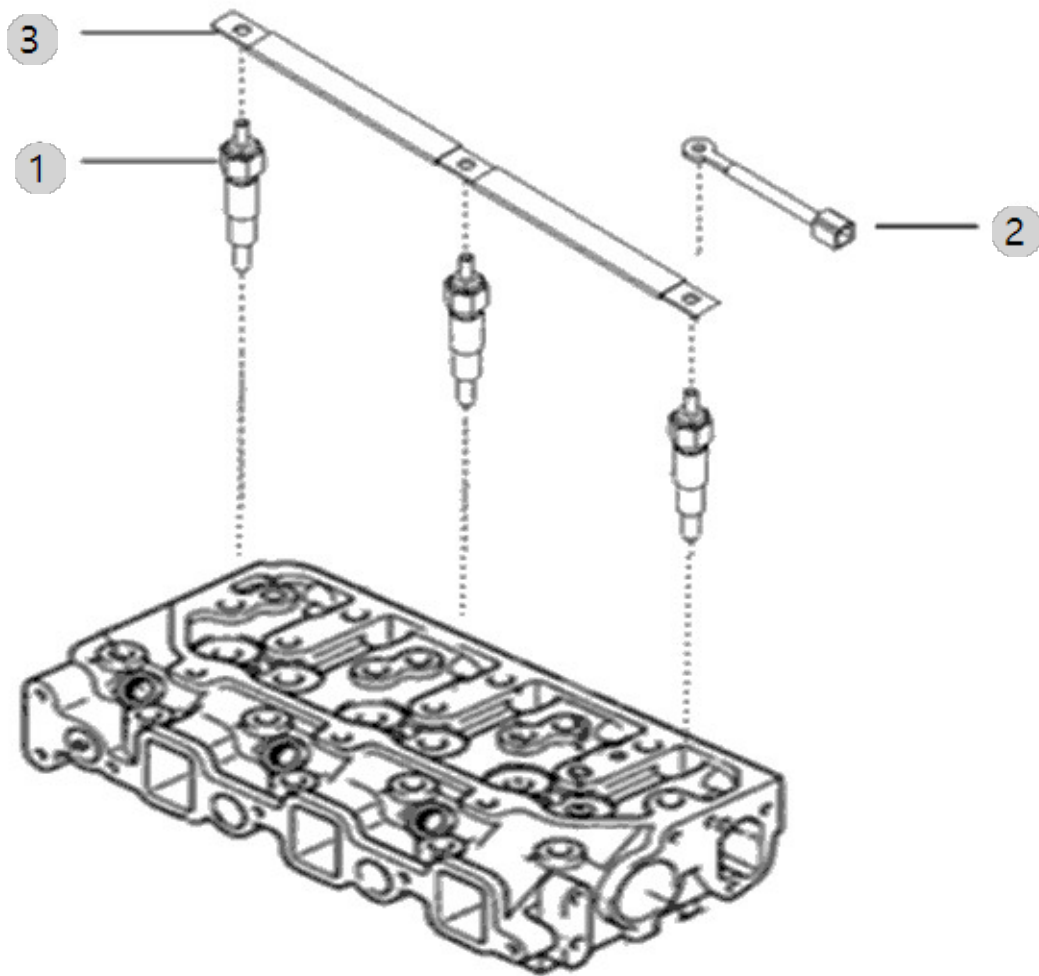
A04_004

A1700N4-UTC_4
(AB00289)

GLOW PLUG ASS'Y OPTION

Year/Month

2022-12-15



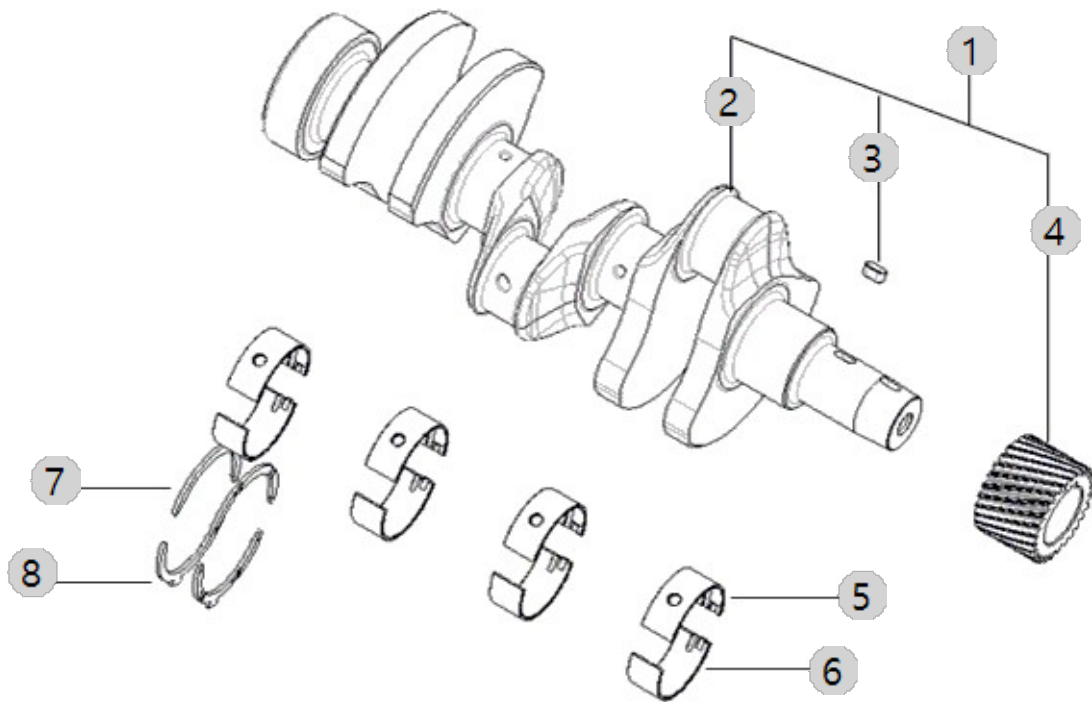
A05_003

A1700N4-UTC_4
(AB00289)

CRANK SHAFT ASS'Y OPTION

Year/Month

2022-12-15



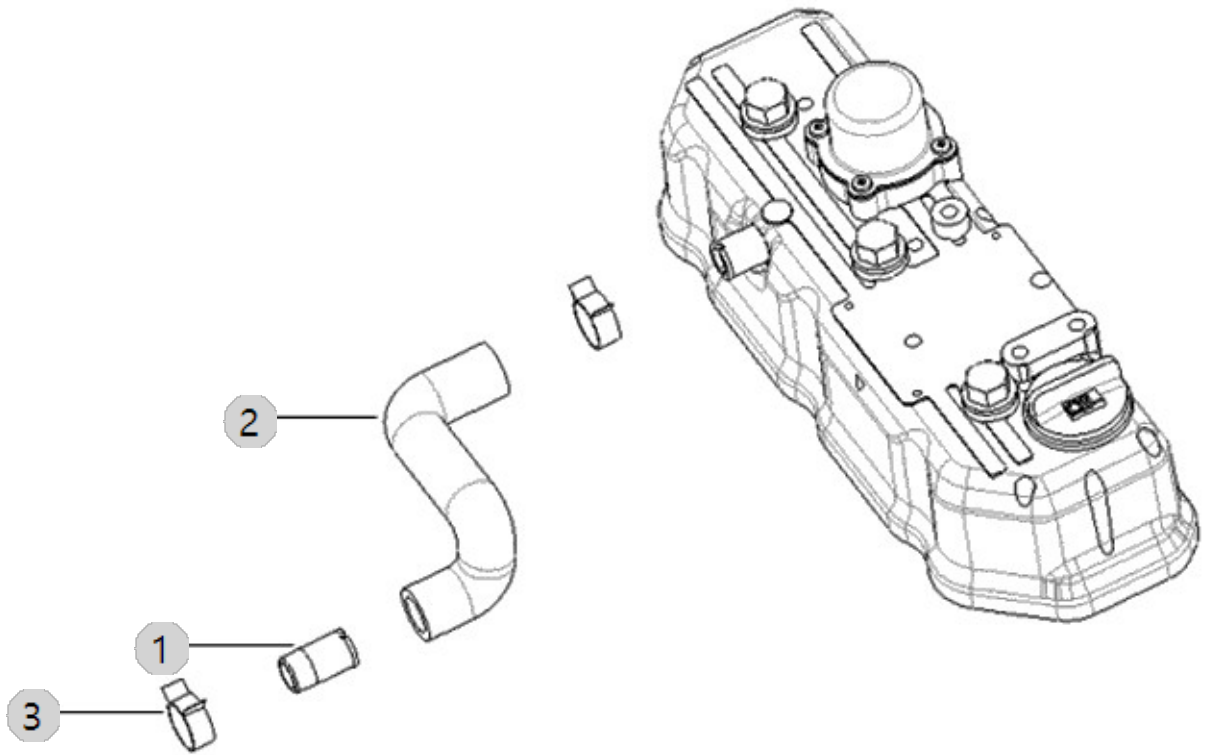
A06_002

A1700N4-UTC_4
(AB00289)

BREATHER OPTION

Year/Month

2022-12-15



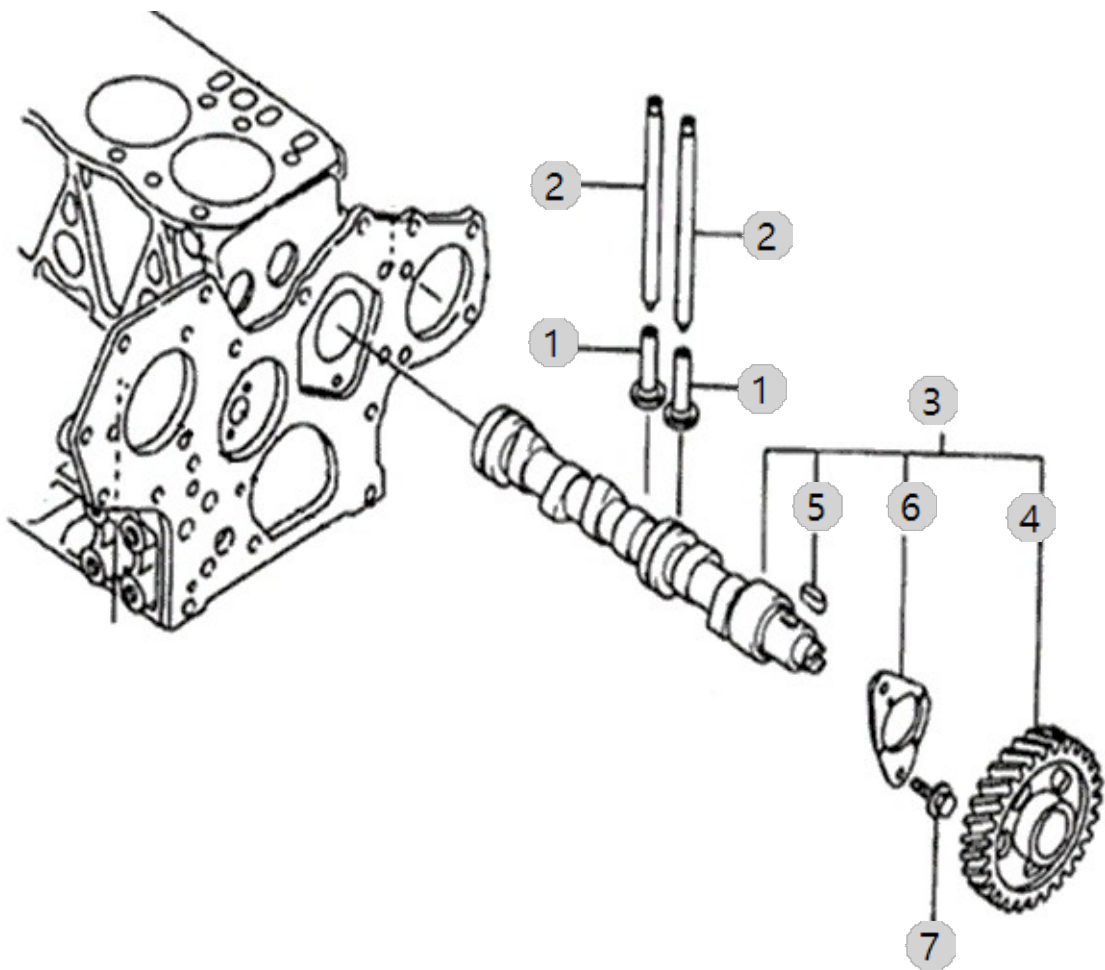
A07_002

A1700N4-UTC_4
(AB00289)

CAMSHAFT

Year/Month

2022-12-15



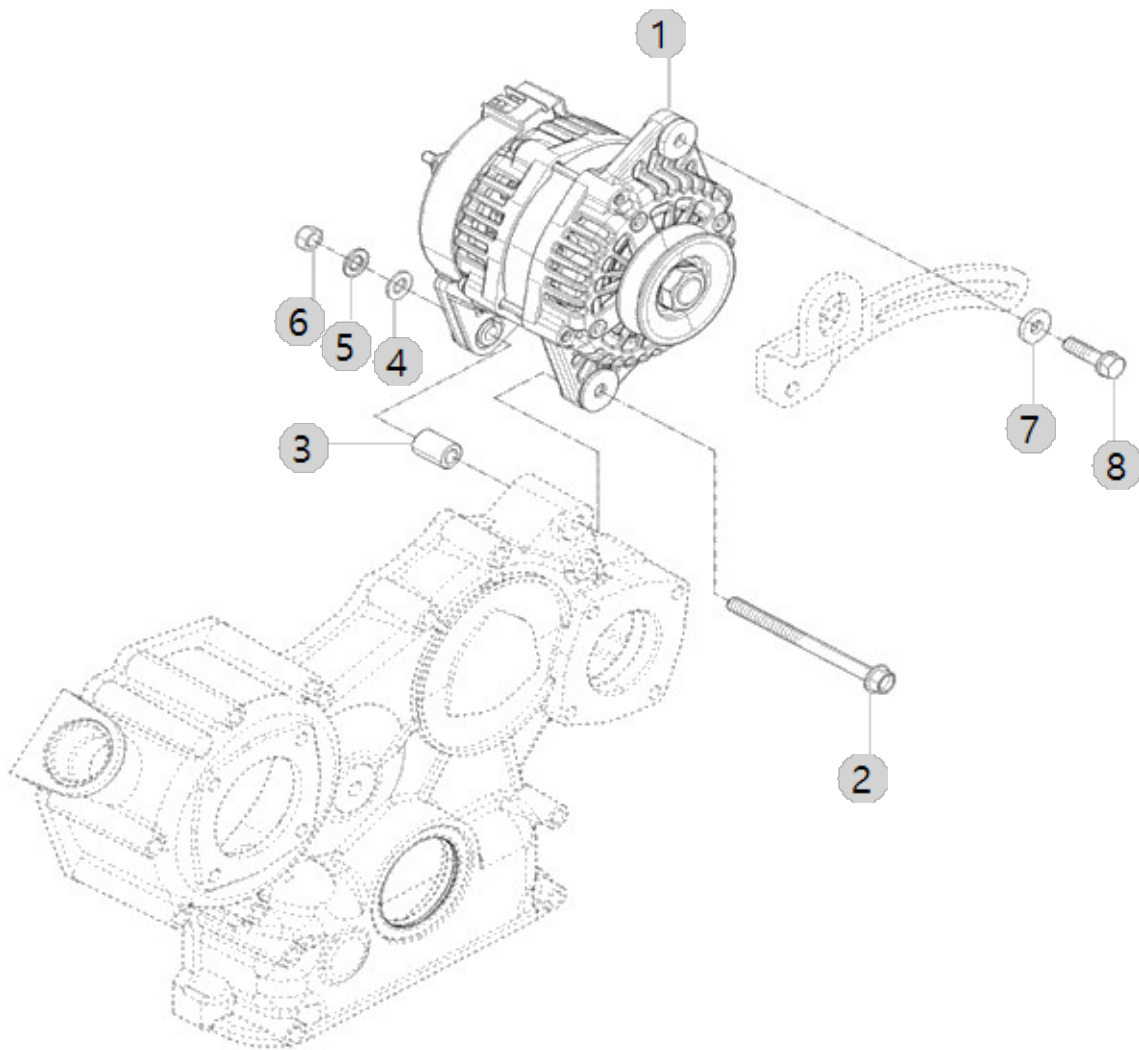
A08_006

A1700N4-UTC_4
(AB00289)

ALTERNATOR

Year/Month

2022-12-15



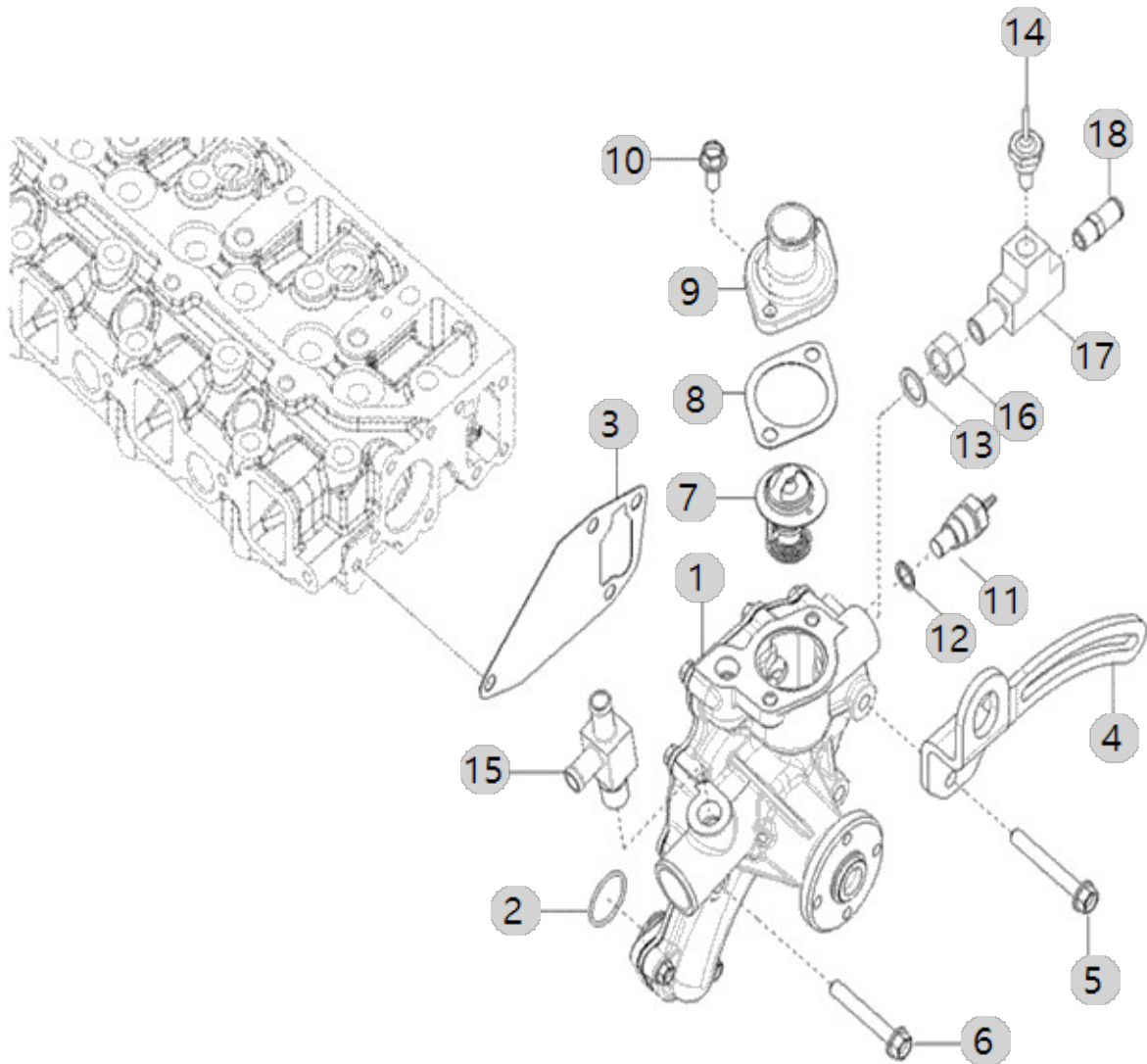
A09_002

A1700N4-UTC_4
(AB00289)

COOLING WATER PUMP

Year/Month

2022-12-15



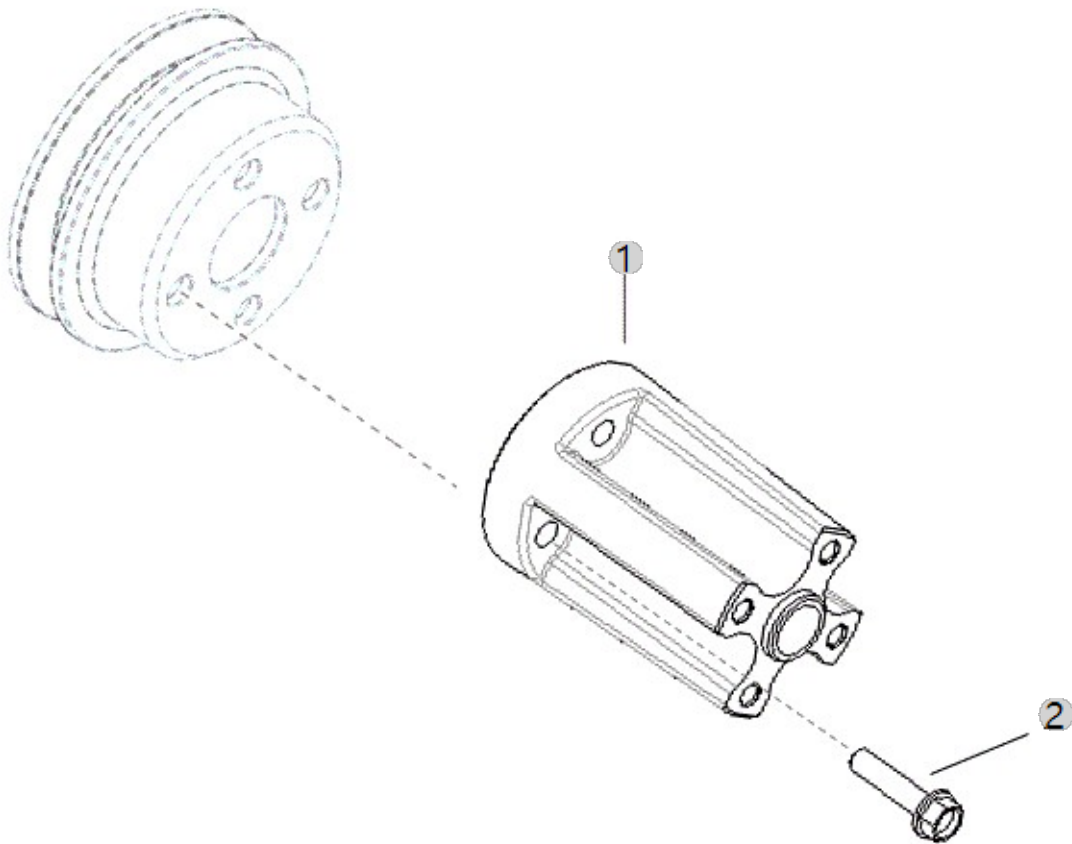
A10_004

A1700N4-UTC_4
(AB00289)

COOLING FAN SPACER

Year/Month

2022-12-15



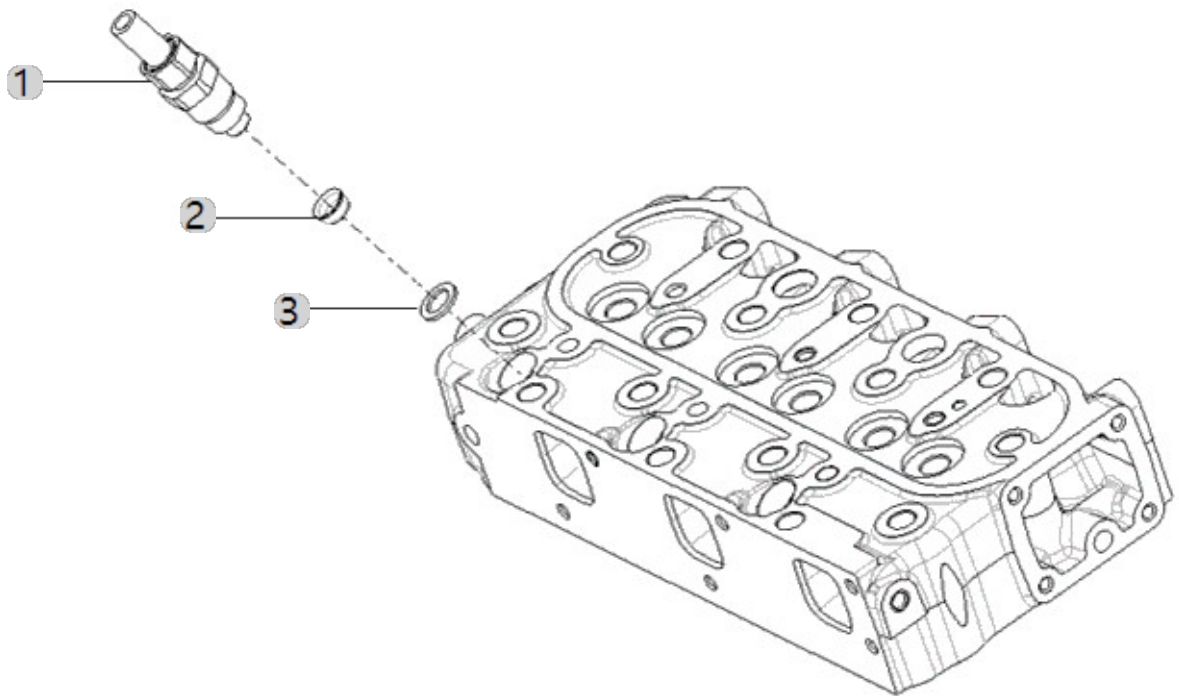
A11_005

A1700N4-UTC_4
(AB00289)

INJECTOR

Year/Month

2022-12-15



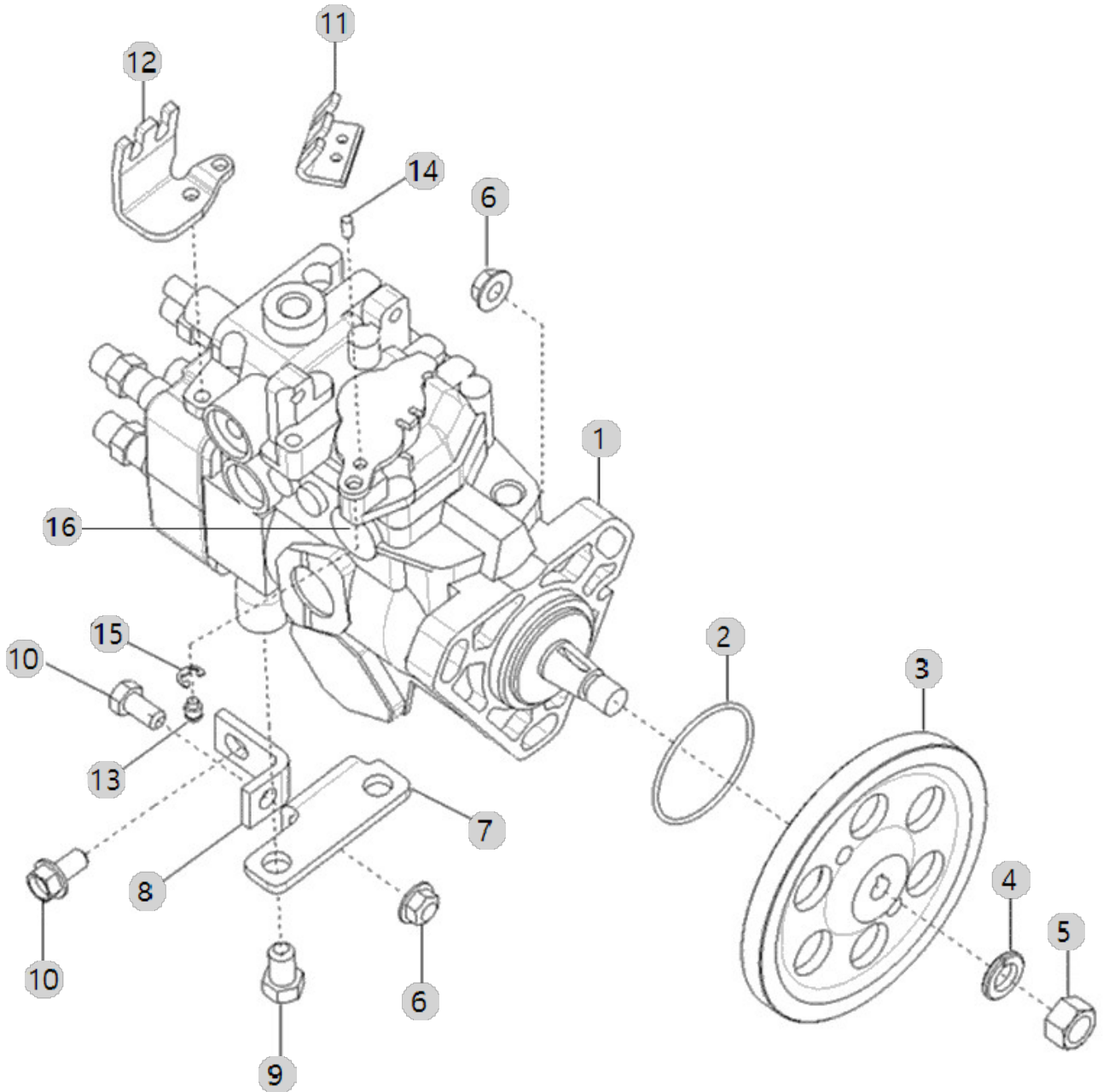
A12_006

A1700N4-UTC_4
(AB00289)

FUEL INJECTOR

Year/Month

2022-12-15



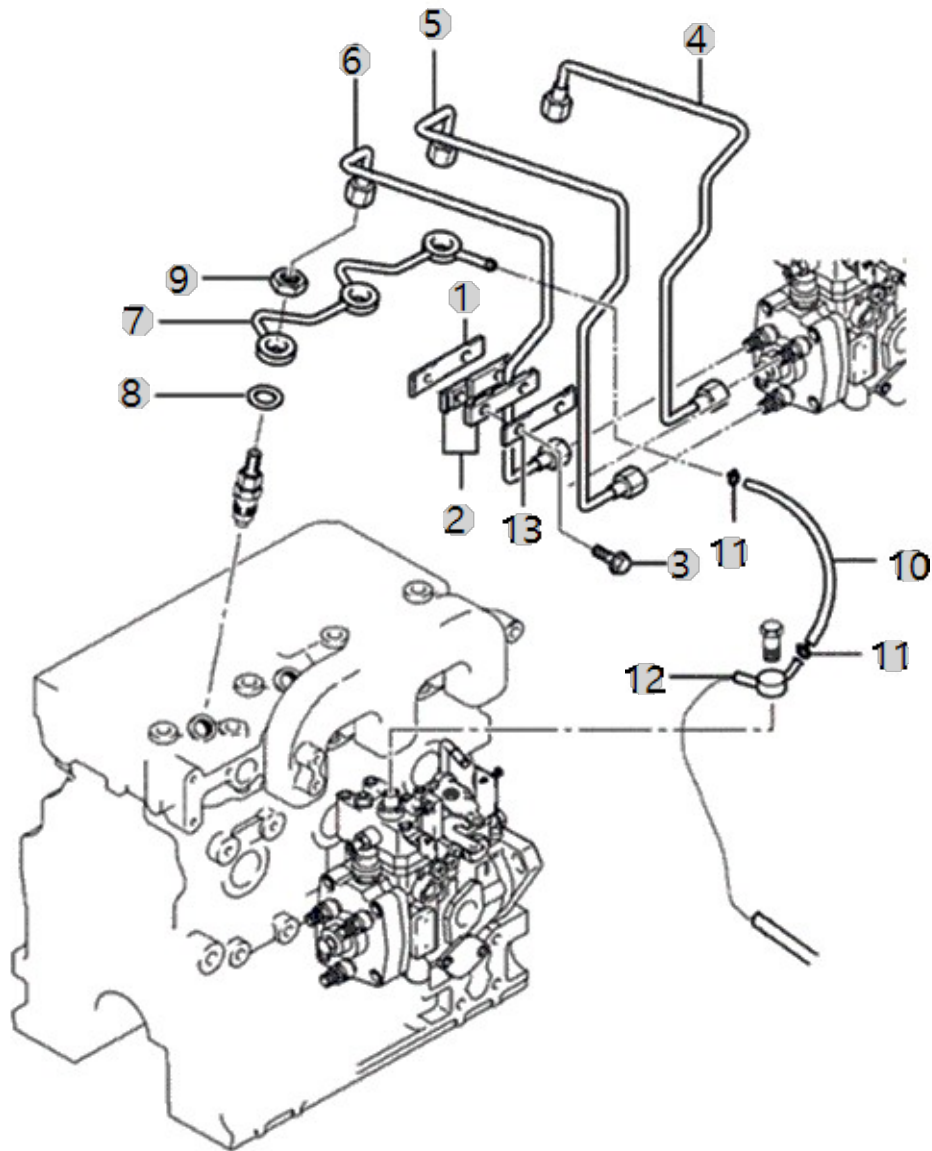
A13_002

A1700N4-UTC_4
(AB00289)

PLUMBING, FUEL

Year/Month

2022-12-15



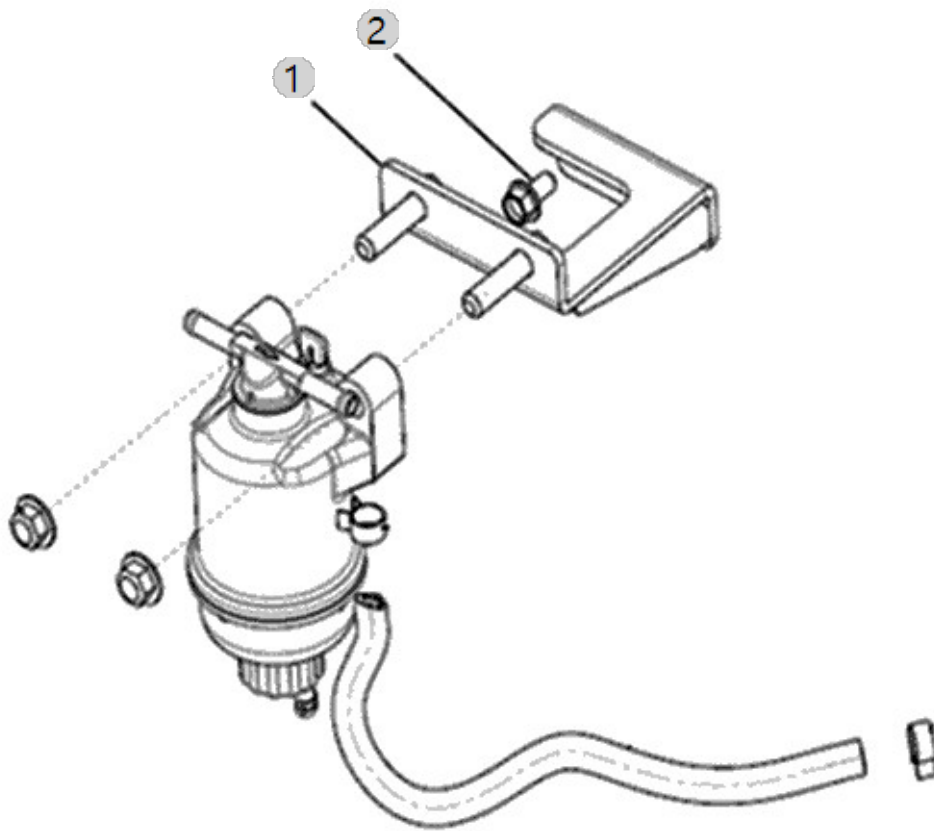
A14_001

A1700N4-UTC_4
(AB00289)

FUEL FILTER BRACKET

Year/Month

2022-12-15



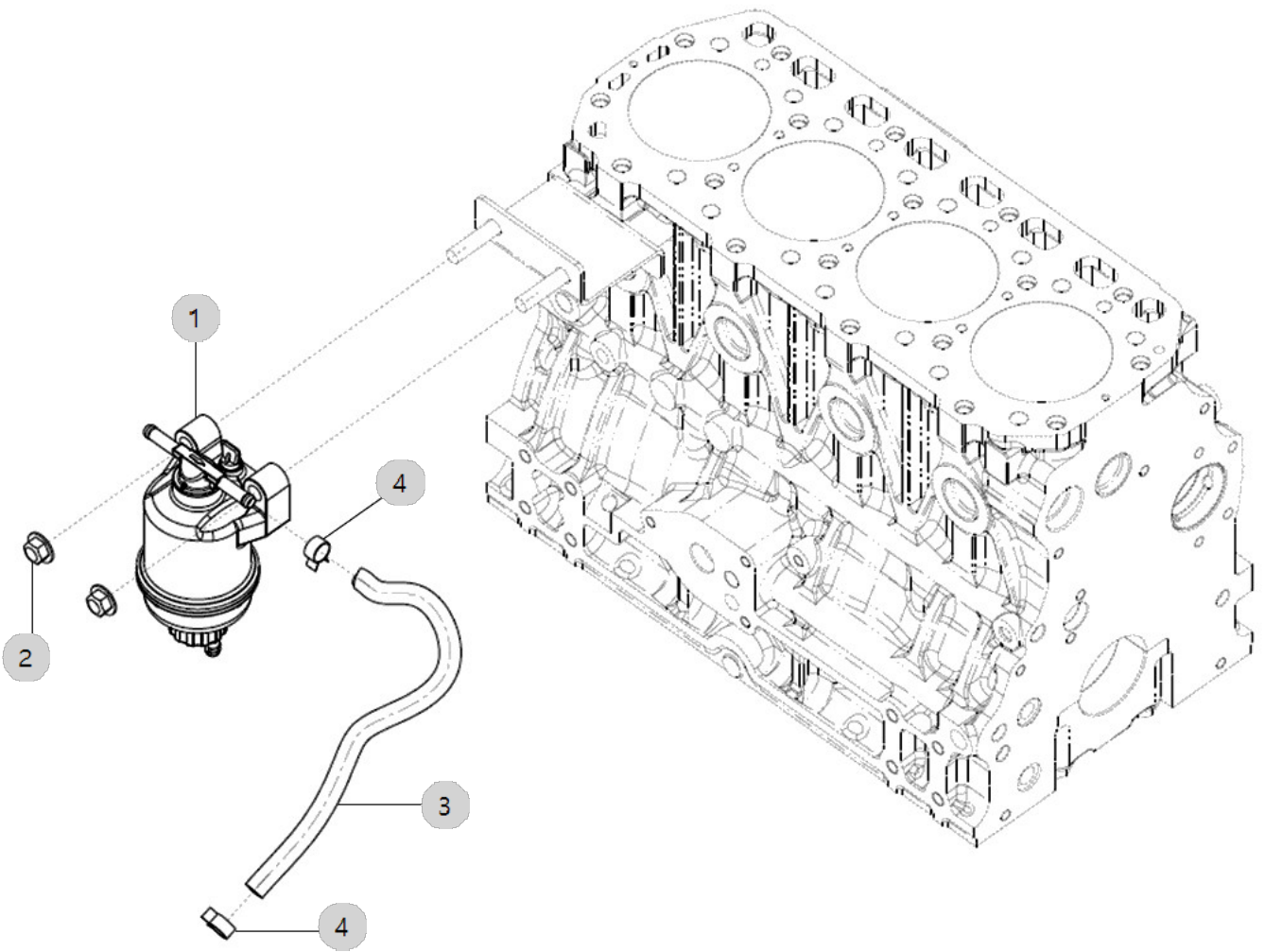
A16_018

A1700N4-UTC_4
(AB00289)

FUEL FILTER ASS'Y OPTION

Year/Month

2022-12-15



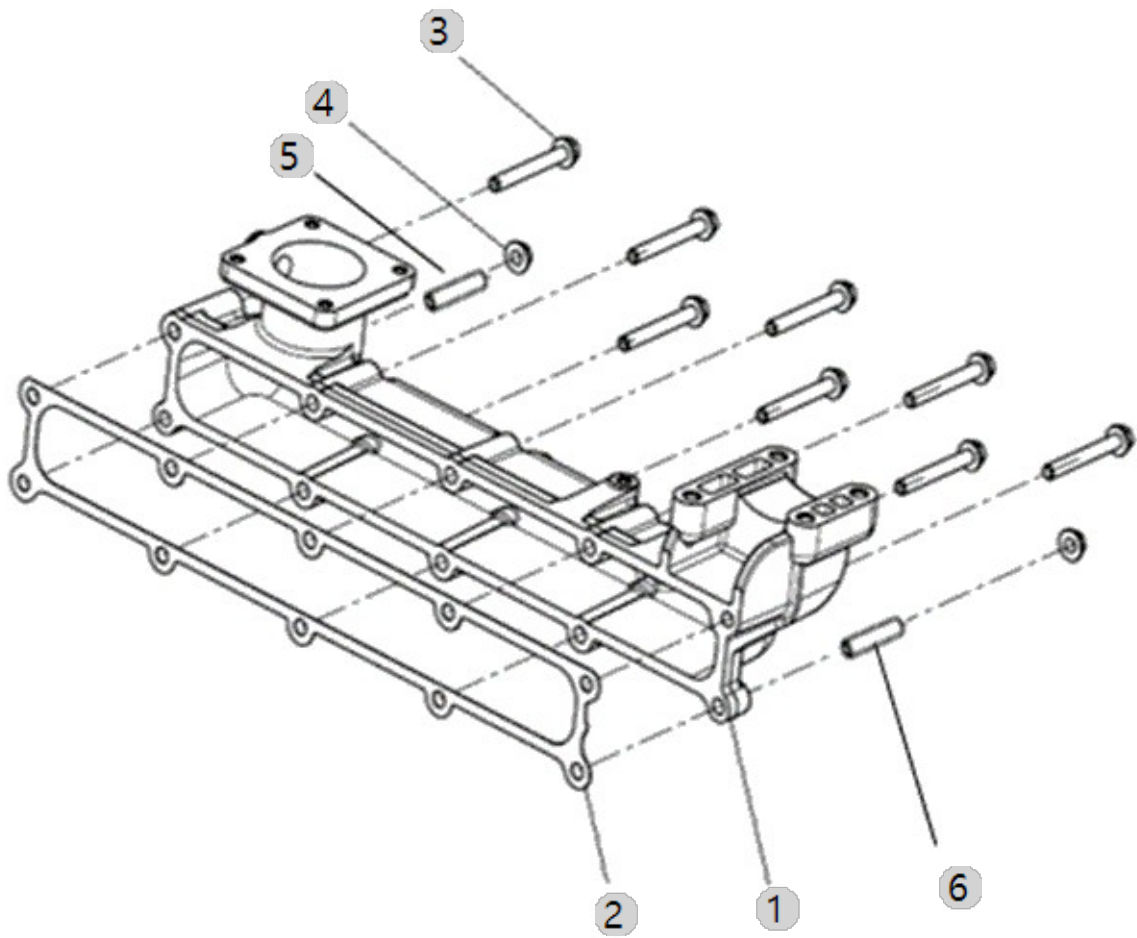
A17_021

A1700N4-UTC_4
(AB00289)

INTAKE MANIFOLD ASS'Y OPTION

Year/Month

2022-12-15



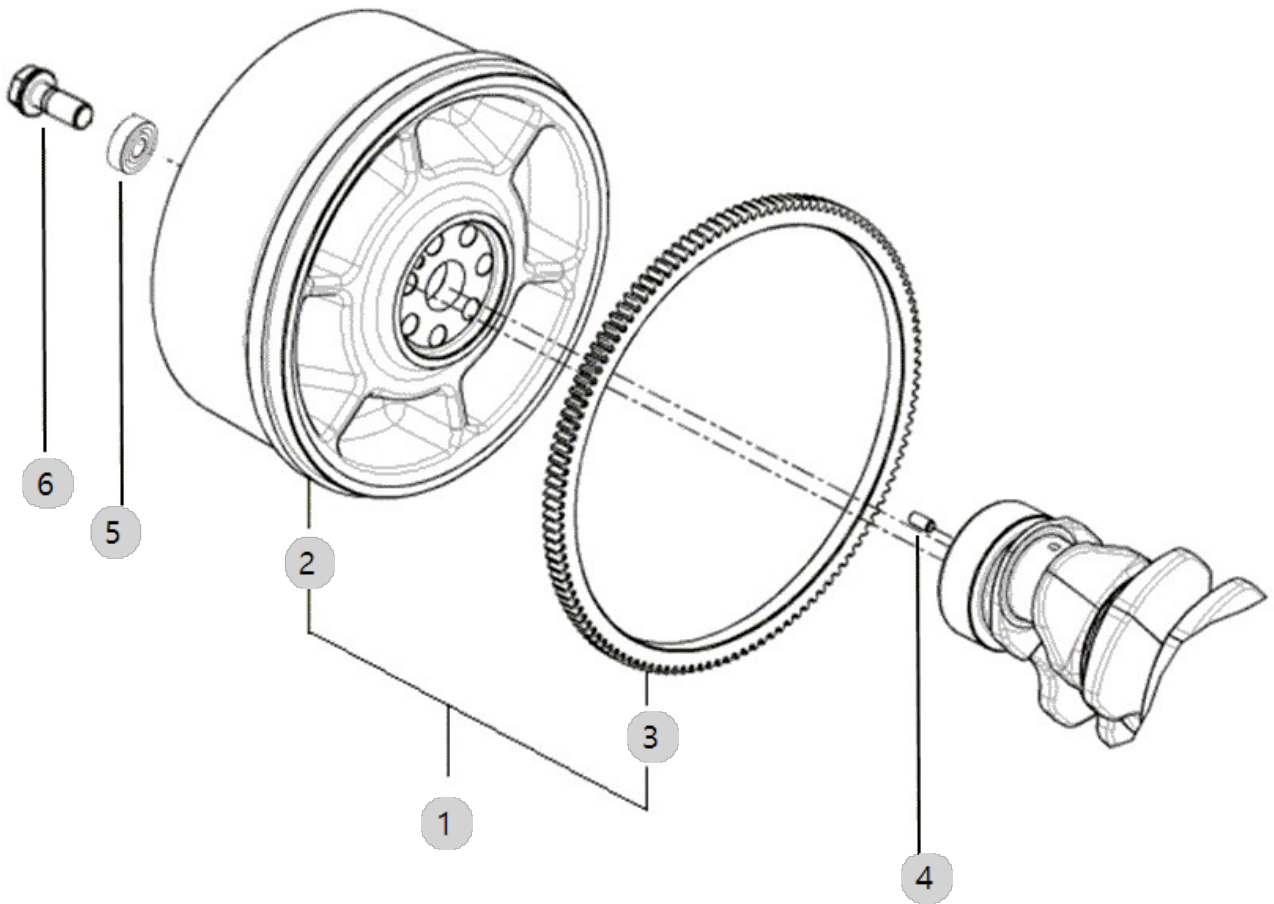
A18_005

A1700N4-UTC_4
(AB00289)

FLYWHEEL

Year/Month

2022-12-15



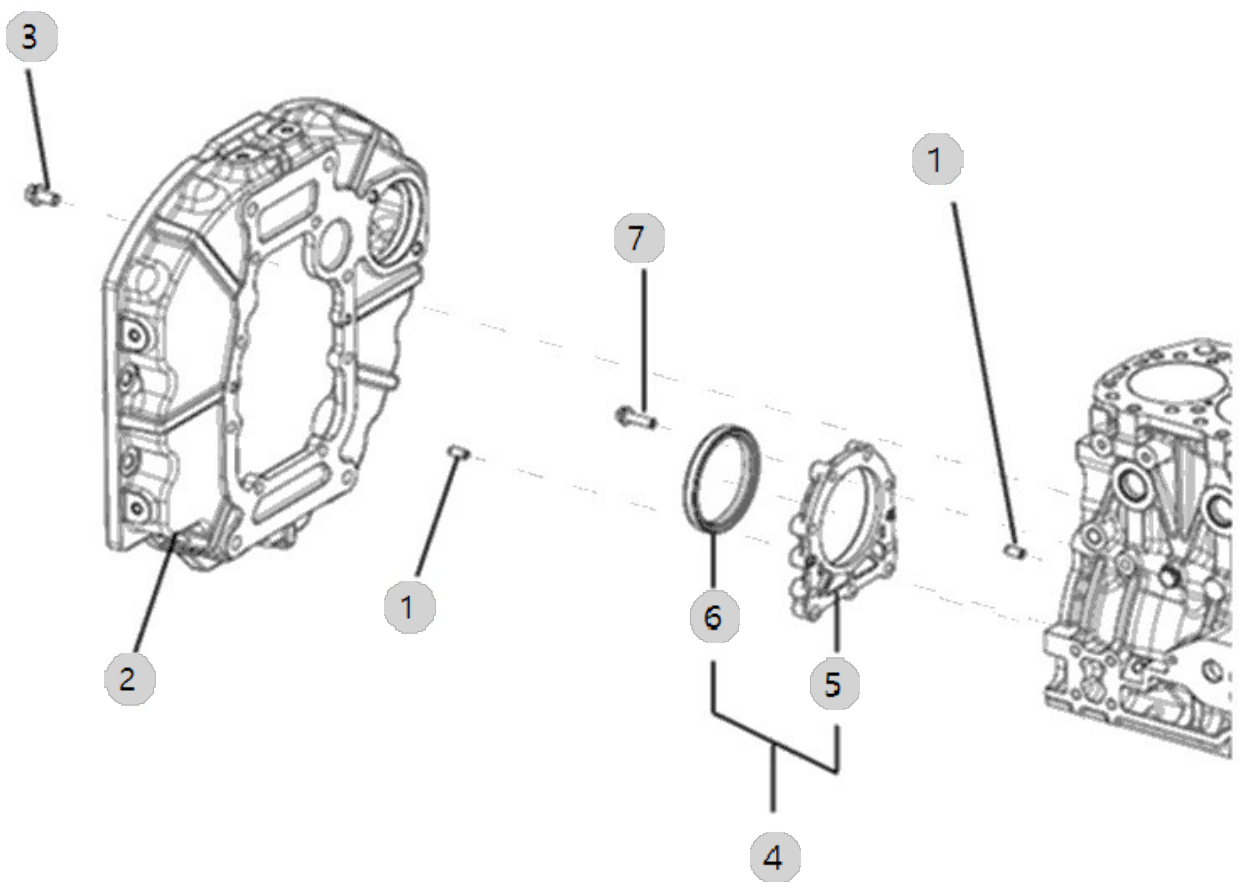
A19_005

A1700N4-UTC_4
(AB00289)

FLYWHEEL HOUSING

Year/Month

2022-12-15



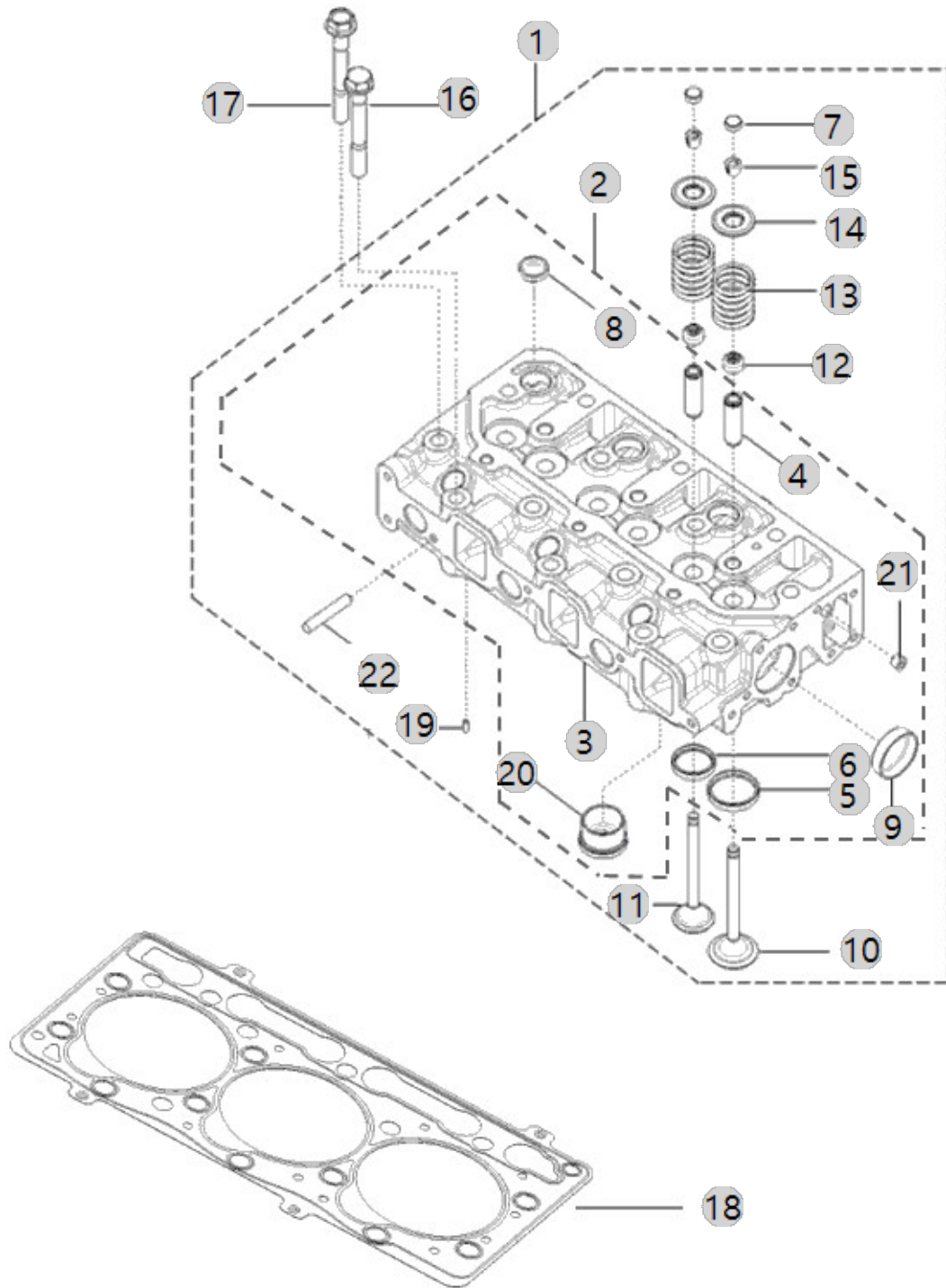
A20_007

A1700N4-UTC_4
(AB00289)

HEAD, CYLINDER

Year/Month

2022-12-15



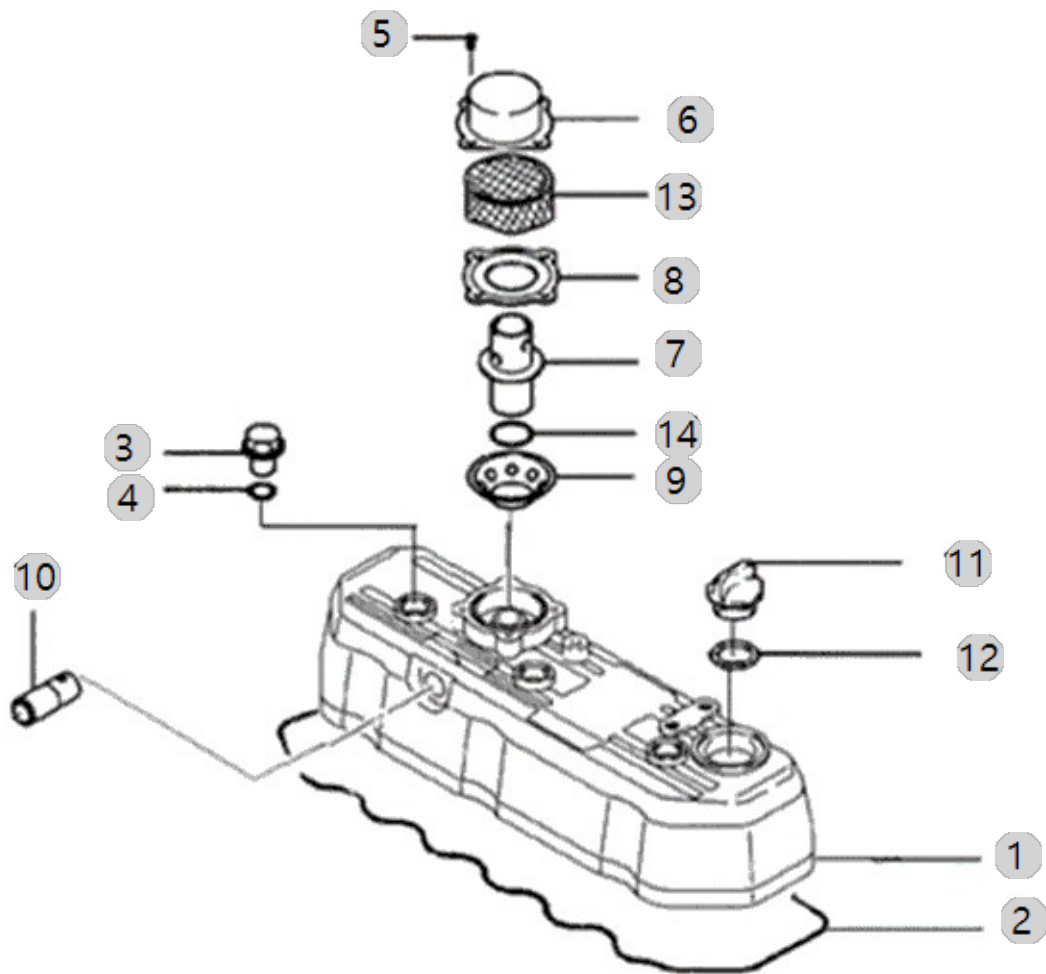
A21_002

A1700N4-UTC_4
(AB00289)

HEAD COVER

Year/Month

2022-12-15



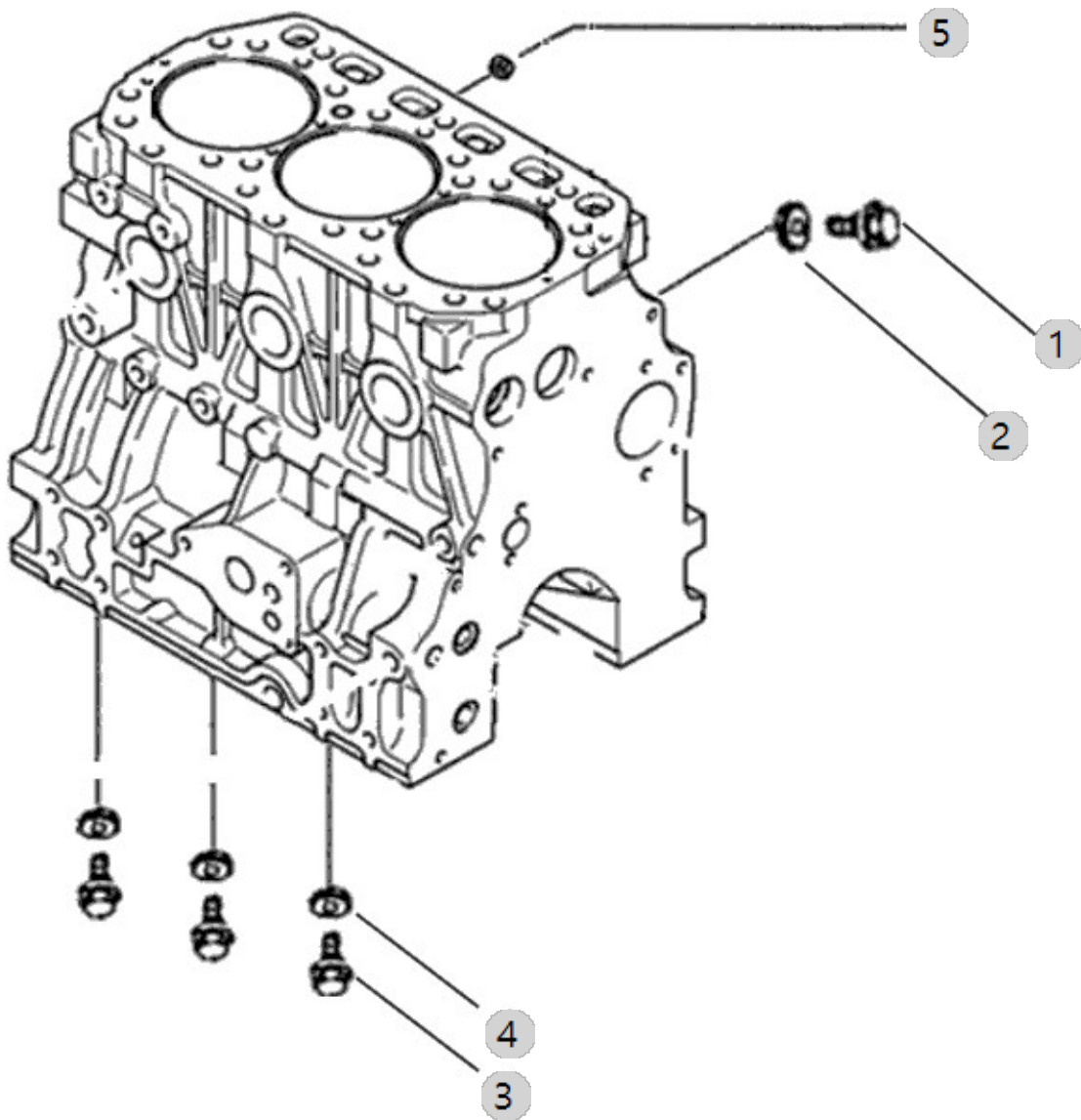
A23_003

A1700N4-UTC_4
(AB00289)

TURBOCHARGER SUPPORT ASS'Y OPTION

Year/Month

2022-12-15



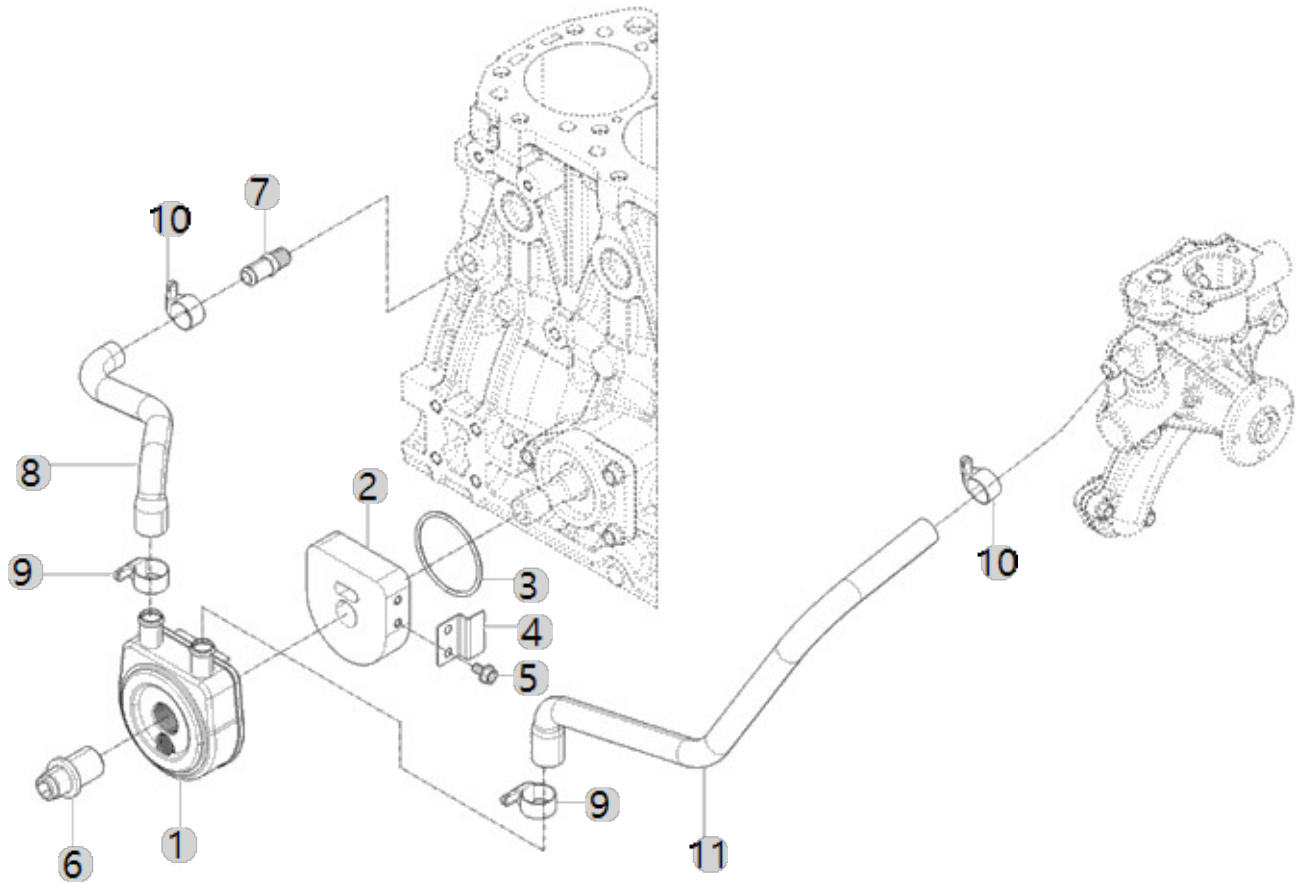
A26_001

A1700N4-UTC_4
(AB00289)

COOLER, ENGINE OIL

Year/Month

2022-12-15



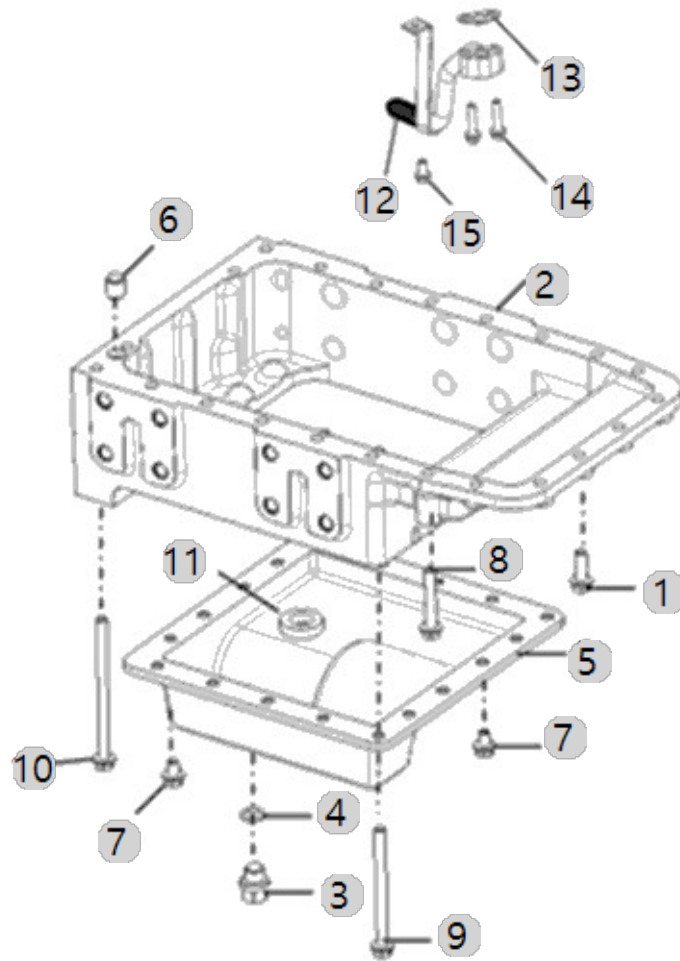
A27_004

A1700N4-UTC_4
(AB00289)

OIL PAN ASS'Y OPTION

Year/Month

2022-12-15



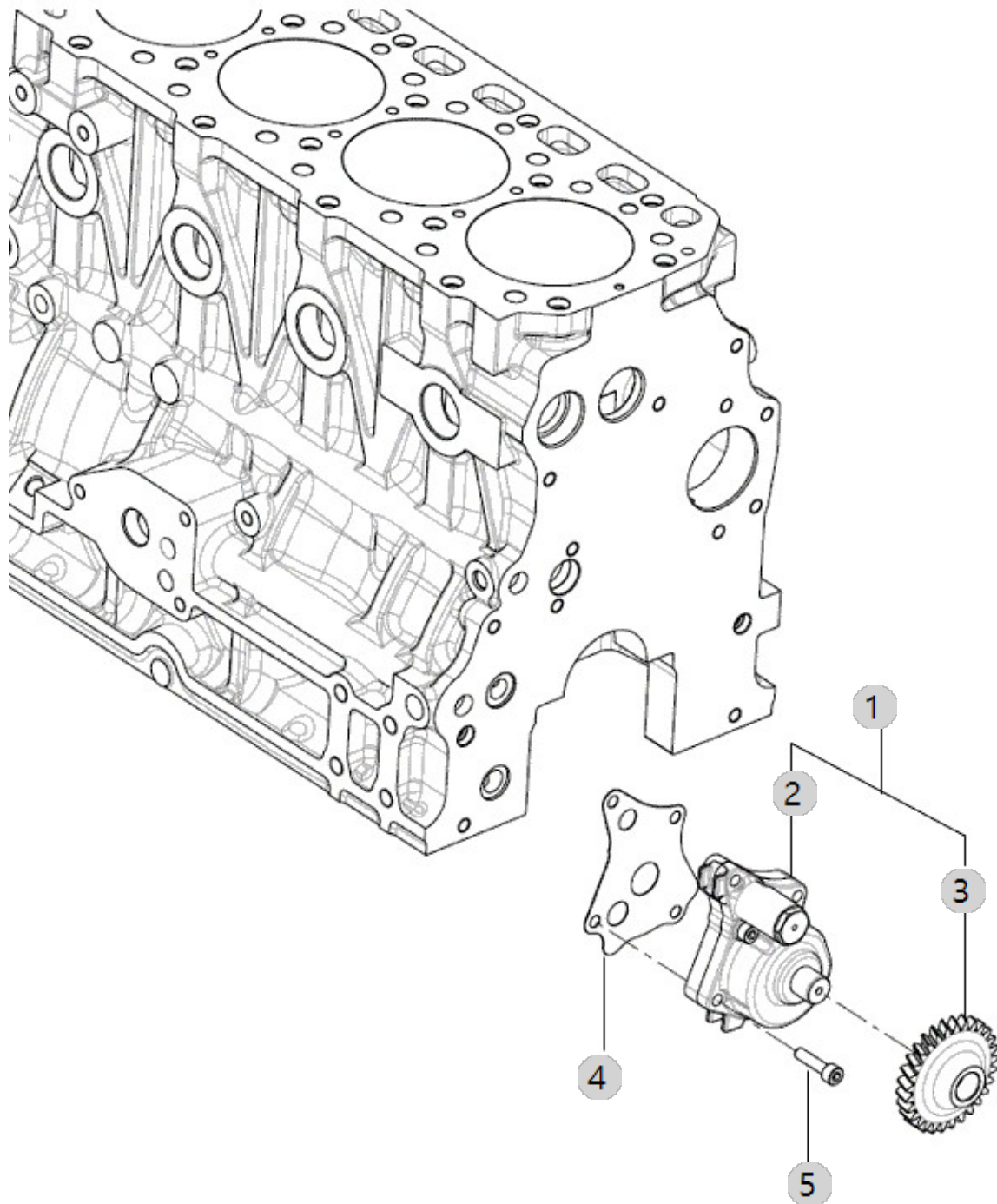
A28_001

A1700N4-UTC_4
(AB00289)

PUMP, LUBRICATING OIL

Year/Month

2022-12-15



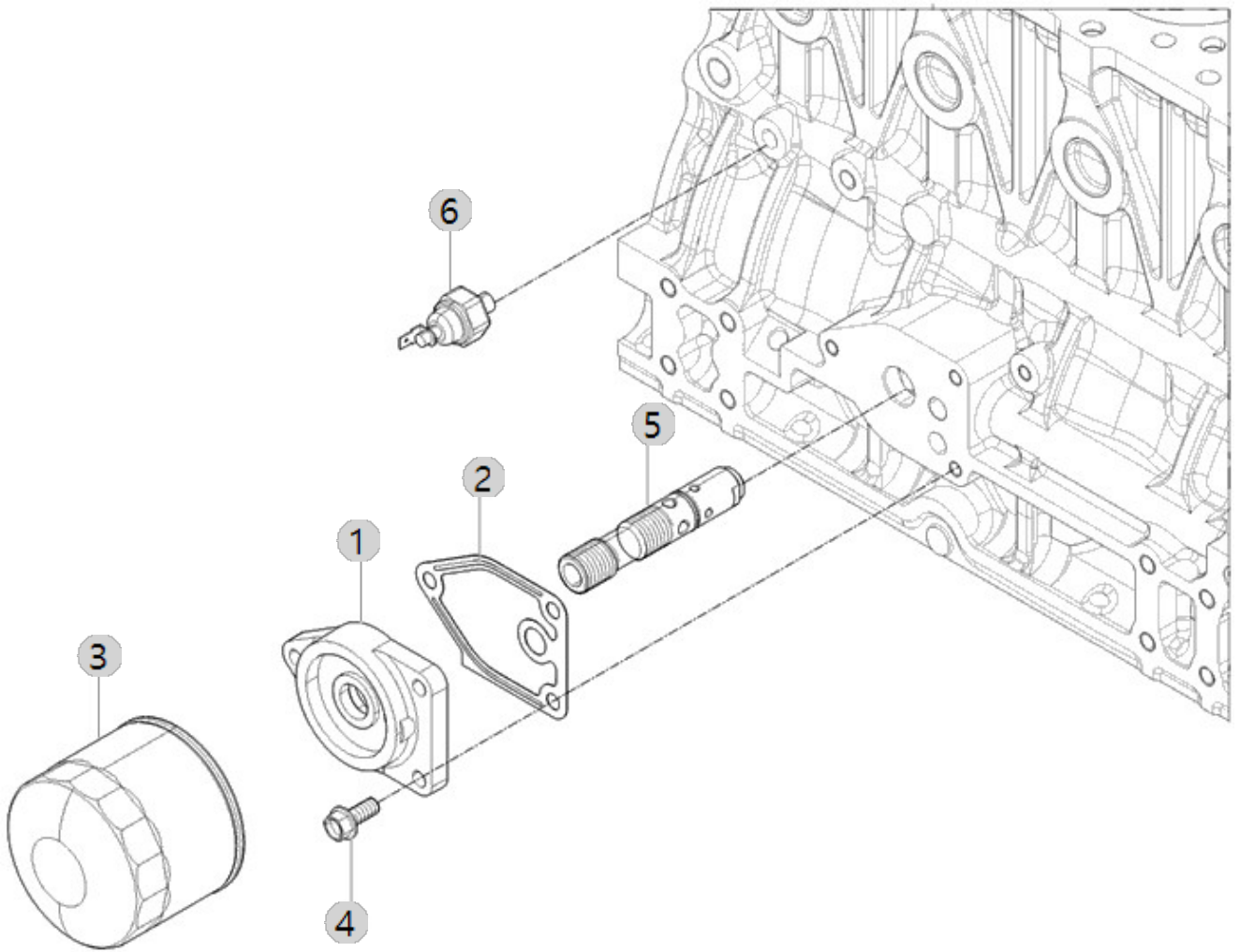
A29_005

A1700N4-UTC_4
(AB00289)

FILTER, LUBRICATING OIL

Year/Month

2022-12-15



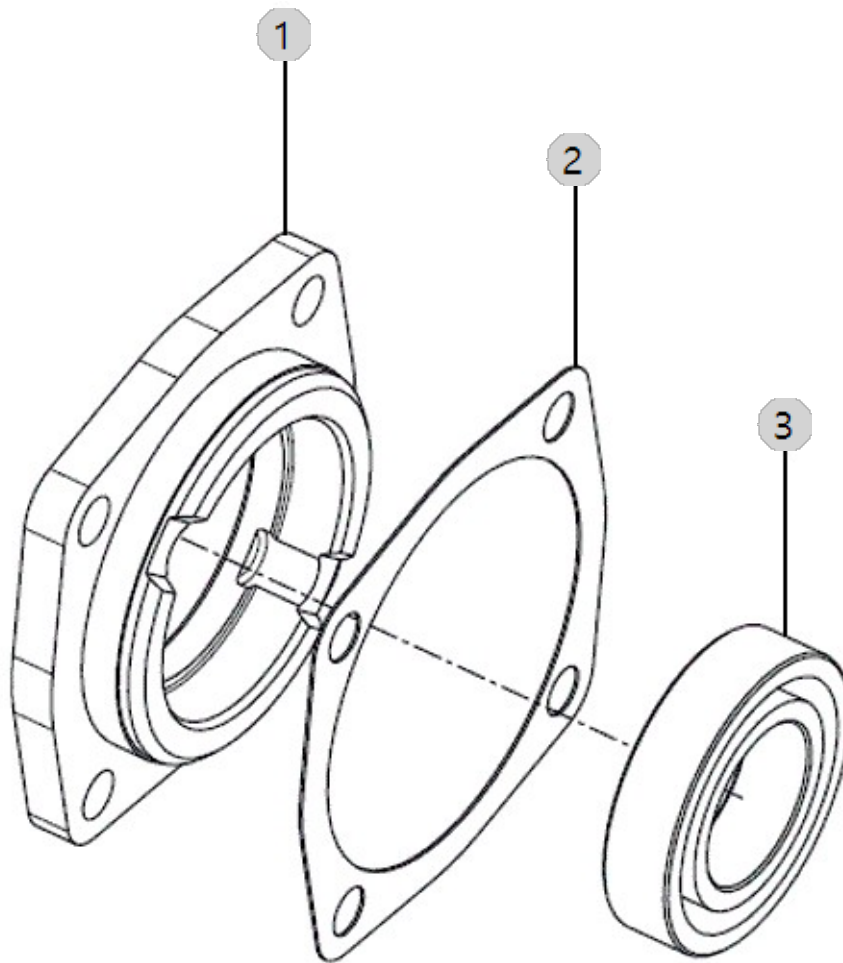
A30_003

A1700N4-UTC_4
(AB00289)

FRONT GEAR ACCESSORY DRIVE

Year/Month

2022-12-15



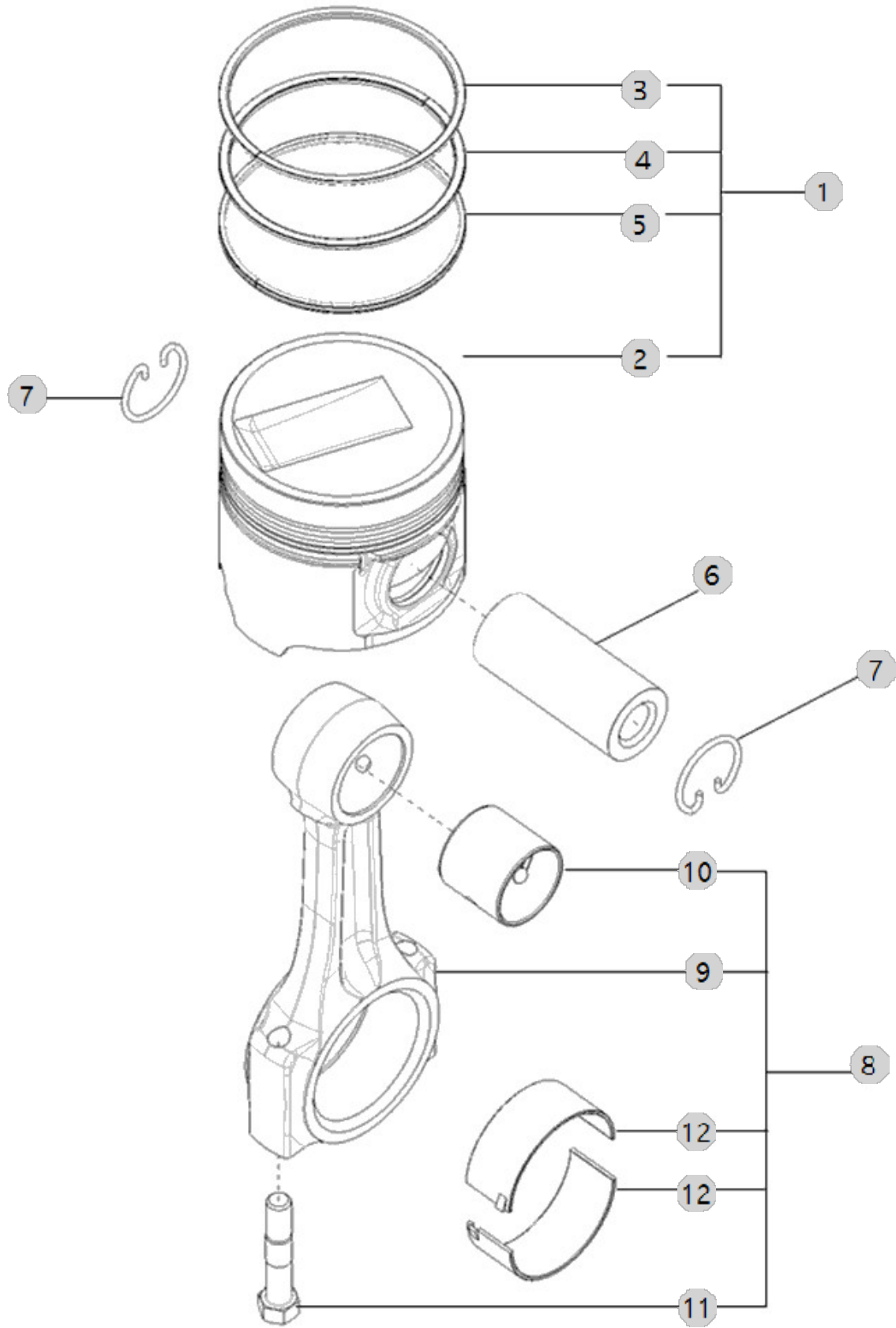
A31_003

A1700N4-UTC_4
(AB00289)

PISTON

Year/Month

2022-12-15



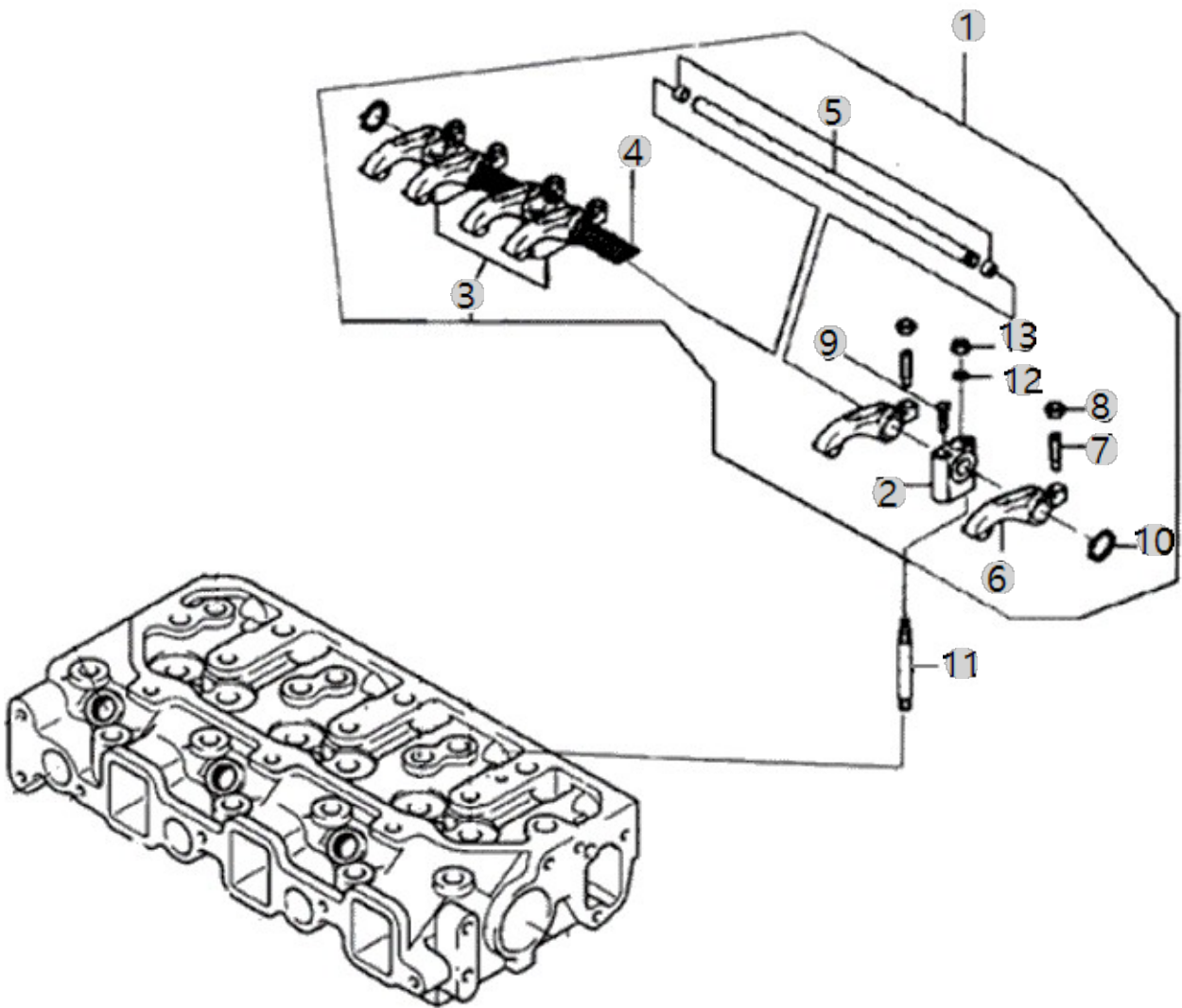
A32_002

A1700N4-UTC_4
(AB00289)

LEVER, LOCKER

Year/Month

2022-12-15



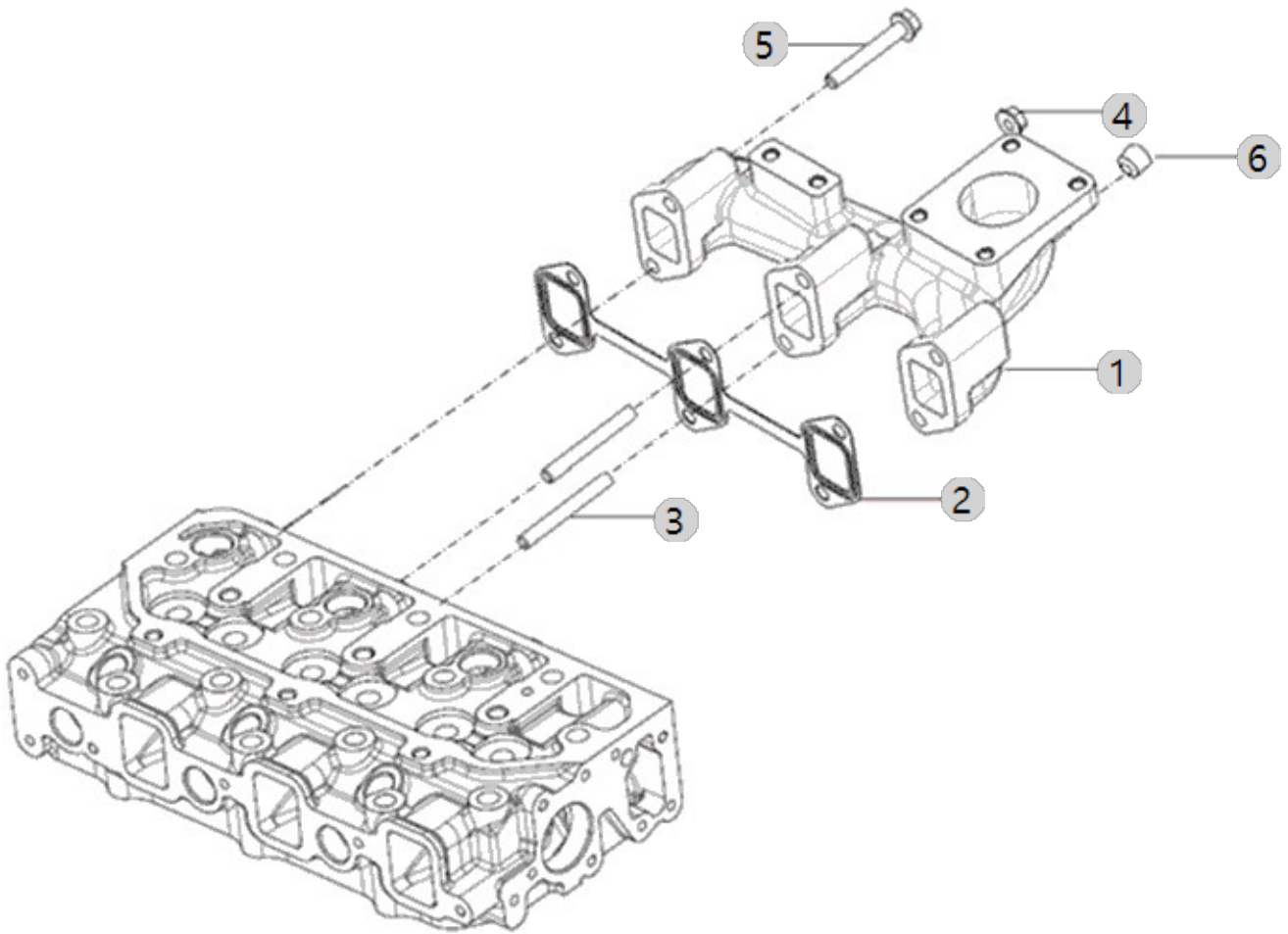
A33_006

A1700N4-UTC_4
(AB00289)

EXHAUST MANIFOLD

Year/Month

2022-12-15



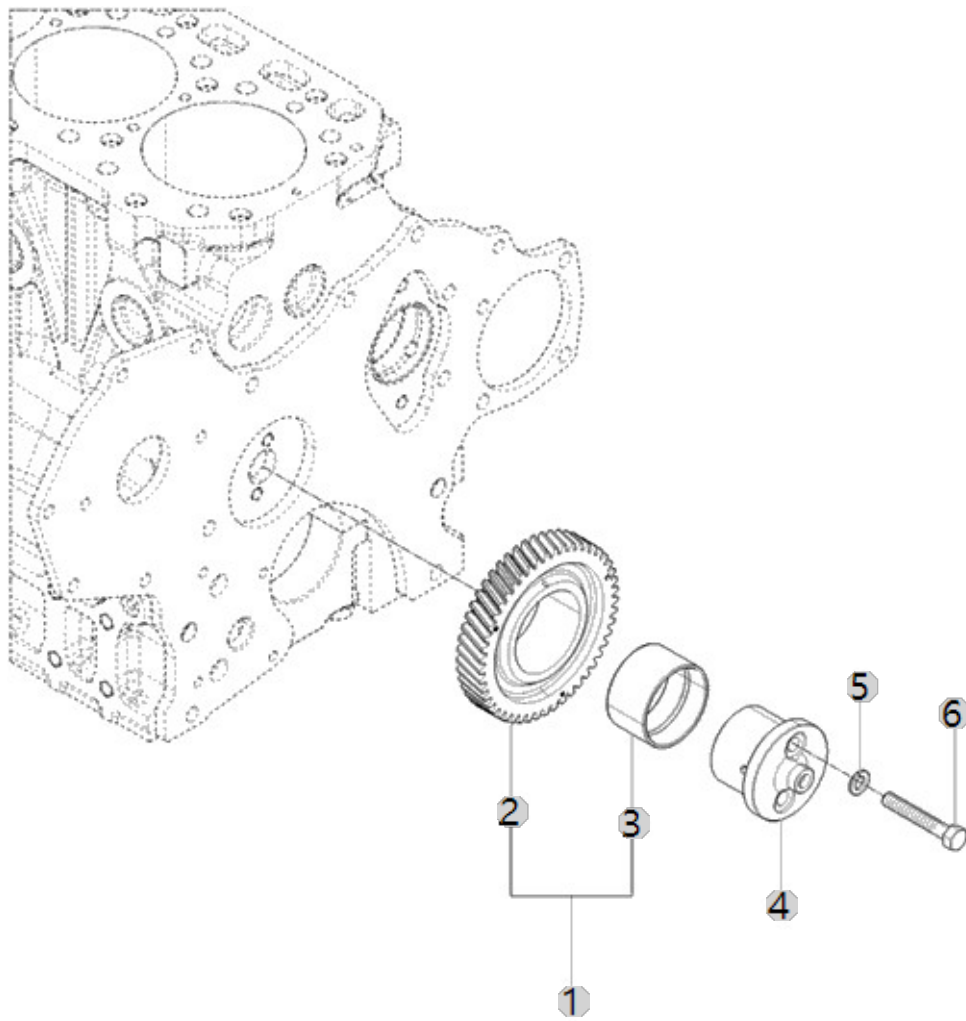
A35_002

A1700N4-UTC_4
(AB00289)

IDLE GEAR

Year/Month

2022-12-15



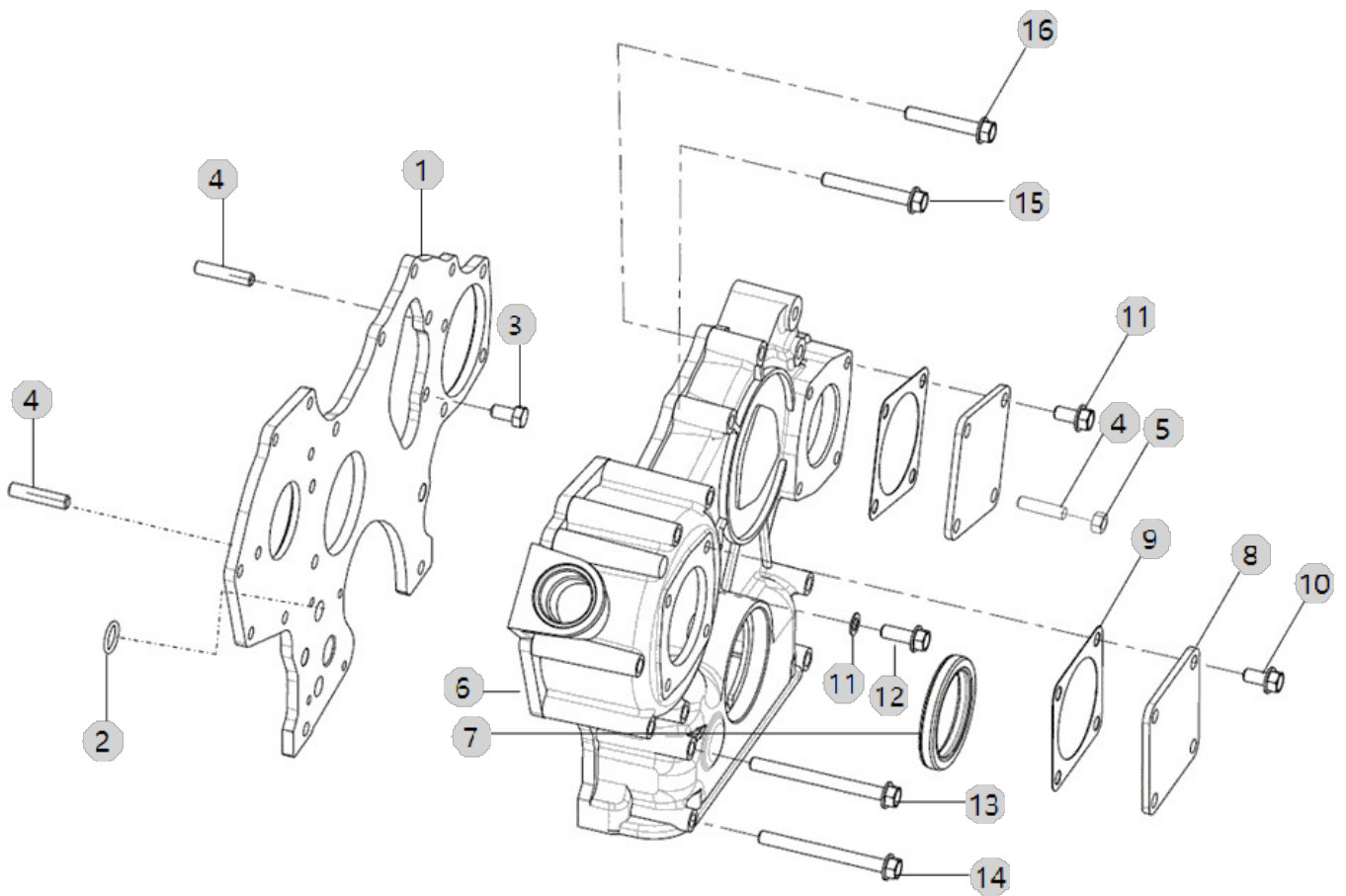
A36_002

A1700N4-UTC_4
(AB00289)

COVER, FRONT GEAR

Year/Month

2022-12-15



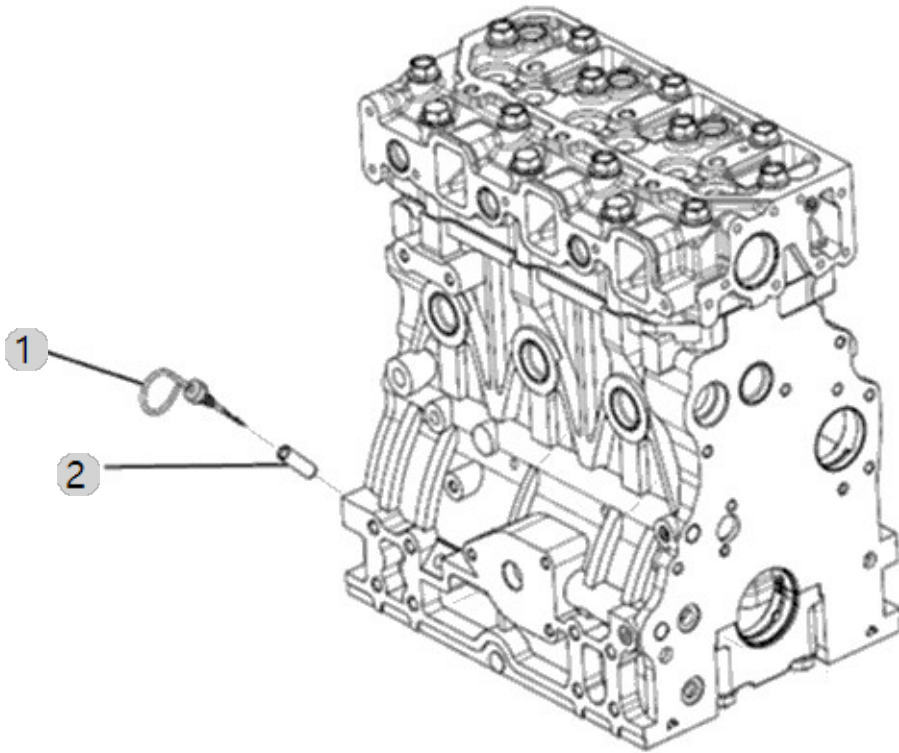
A38_004

A1700N4-UTC_4
(AB00289)

GAUGE, OIL LEVEL

Year/Month

2022-12-15



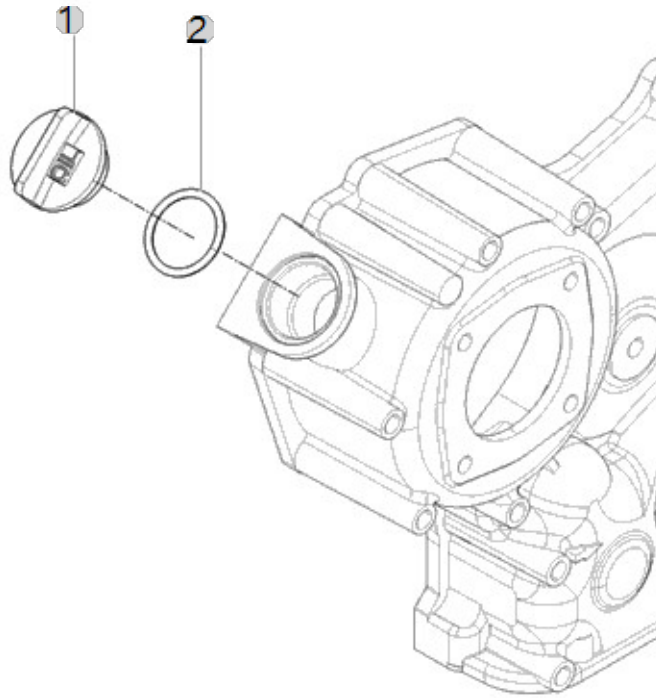
A39_001

A1700N4-UTC_4
(AB00289)

OIL FILLER CAP

Year/Month

2022-12-15



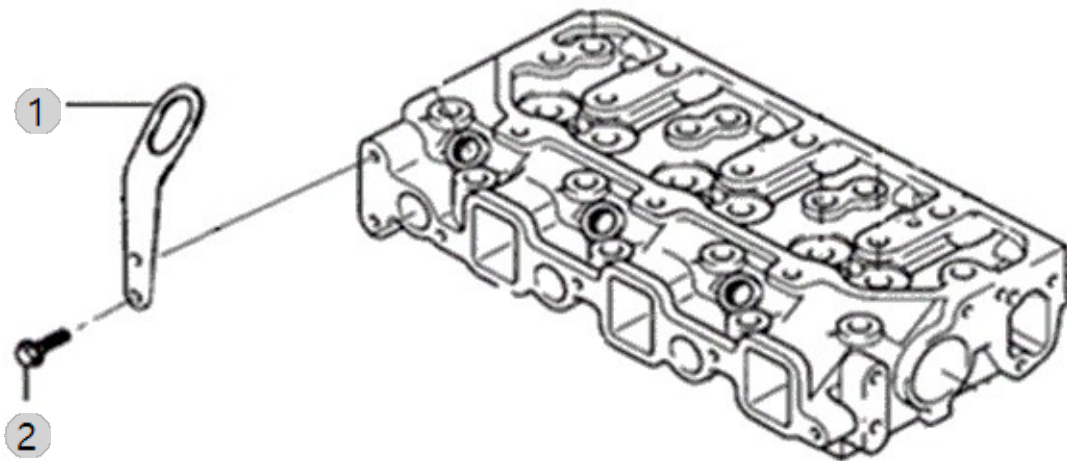
A40_003

A1700N4-UTC_4
(AB00289)

LIFT ASS'Y OPTION

Year/Month

2022-12-15



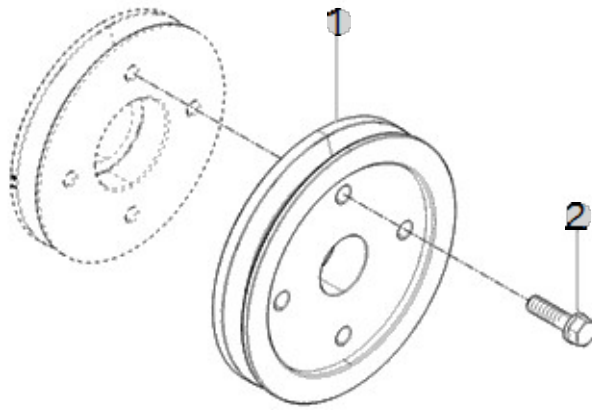
A41_001

A1700N4-UTC_4
(AB00289)

COMP,DRIVE PULLEY ASS'Y OPTION

Year/Month

2022-12-15



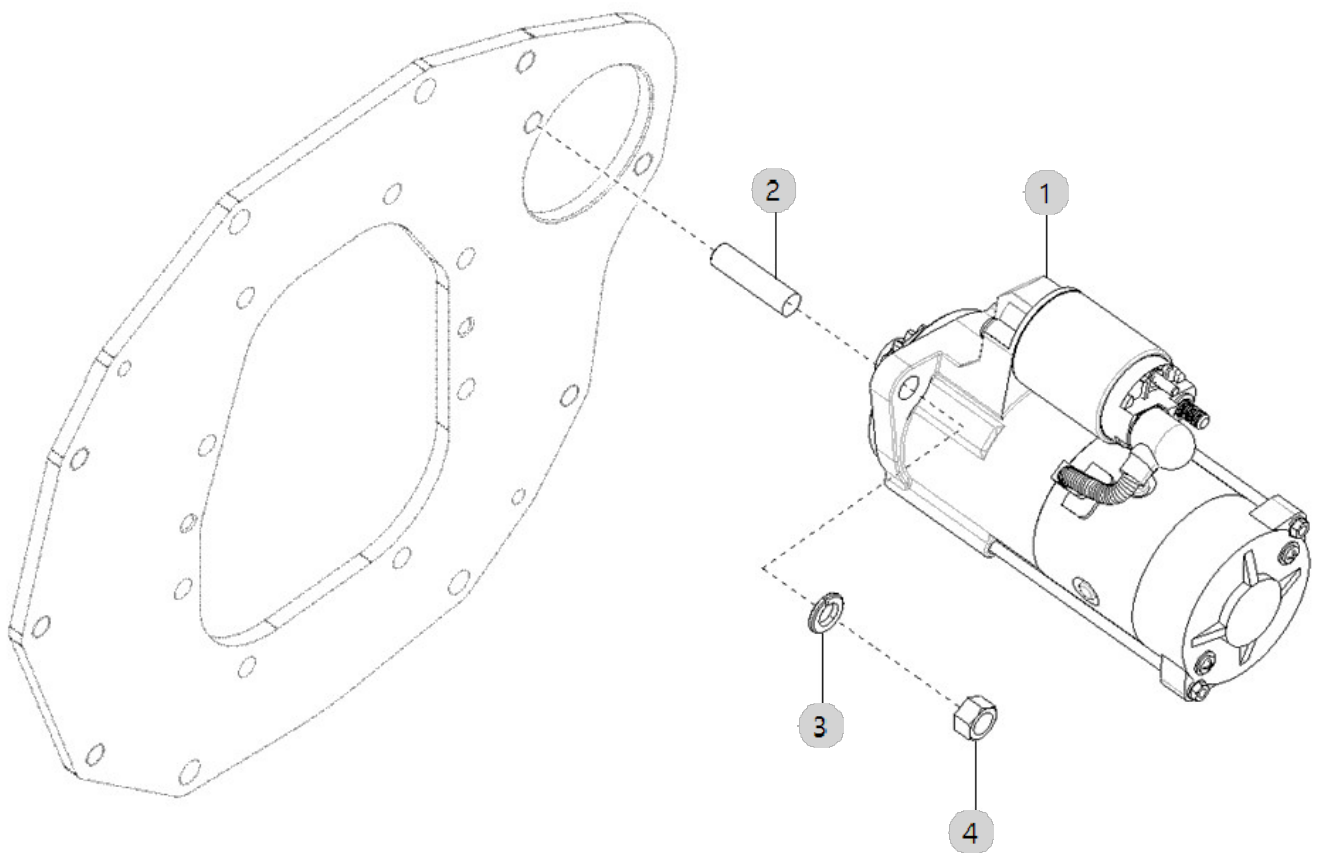
A42_003

A1700N4-UTC_4
(AB00289)

MOTER, STARTIONS

Year/Month

2022-12-15



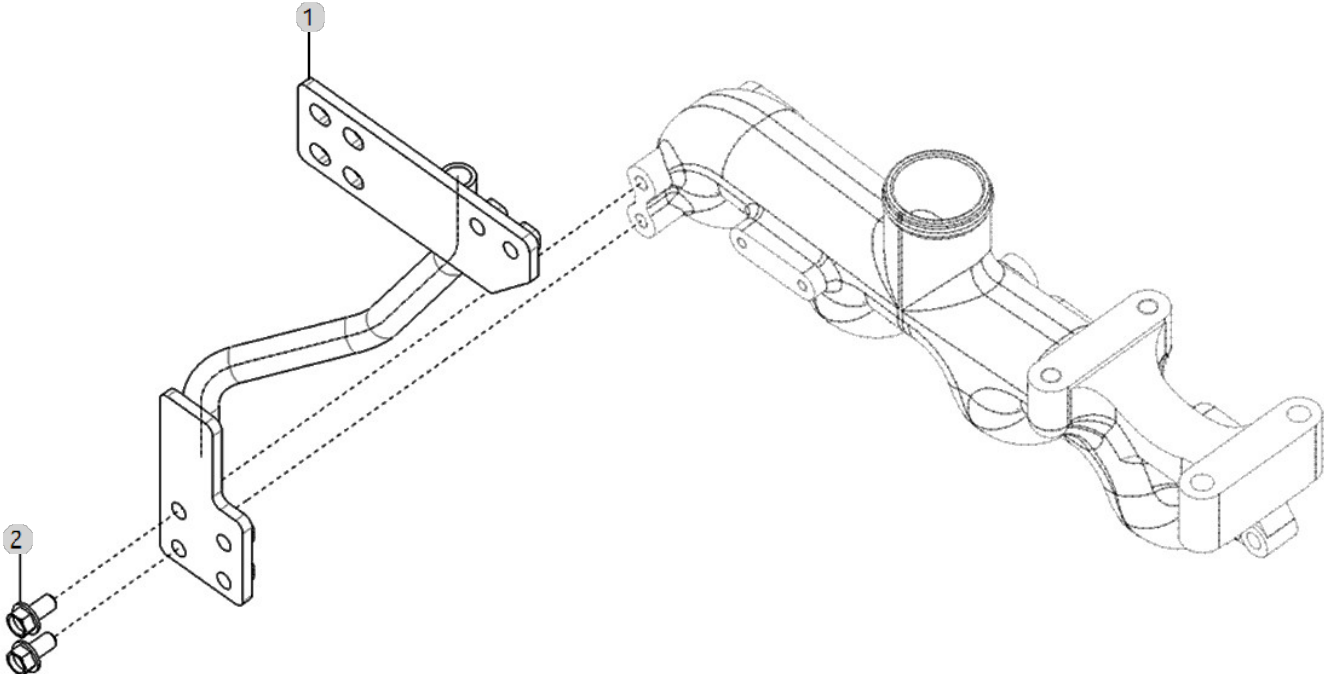
A43_001

A1700N4-UTC_4
(AB00289)

DPF SUPPORT OPTION

Year/Month

2022-12-15



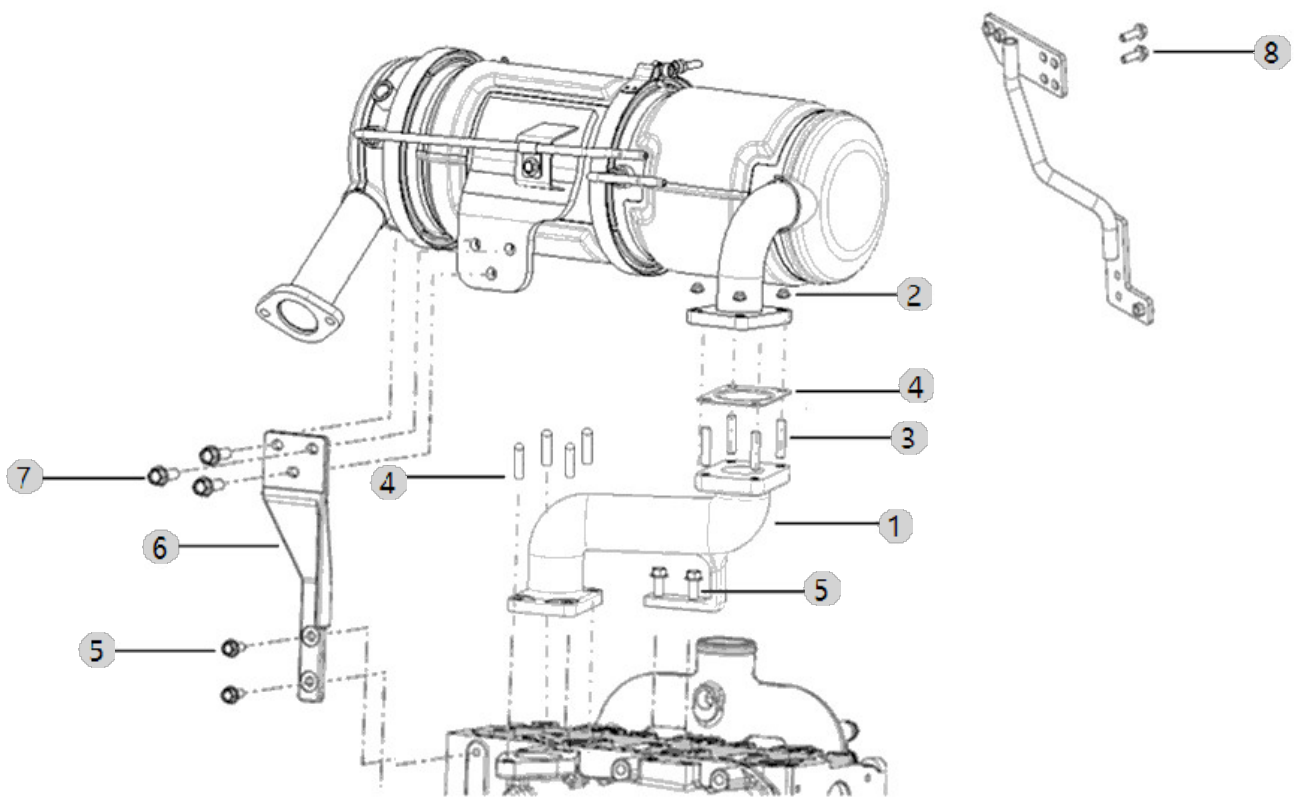
A44_003

A1700N4-UTC_4
(AB00289)

DPF MOUNTING OPTION

Year/Month

2022-12-15



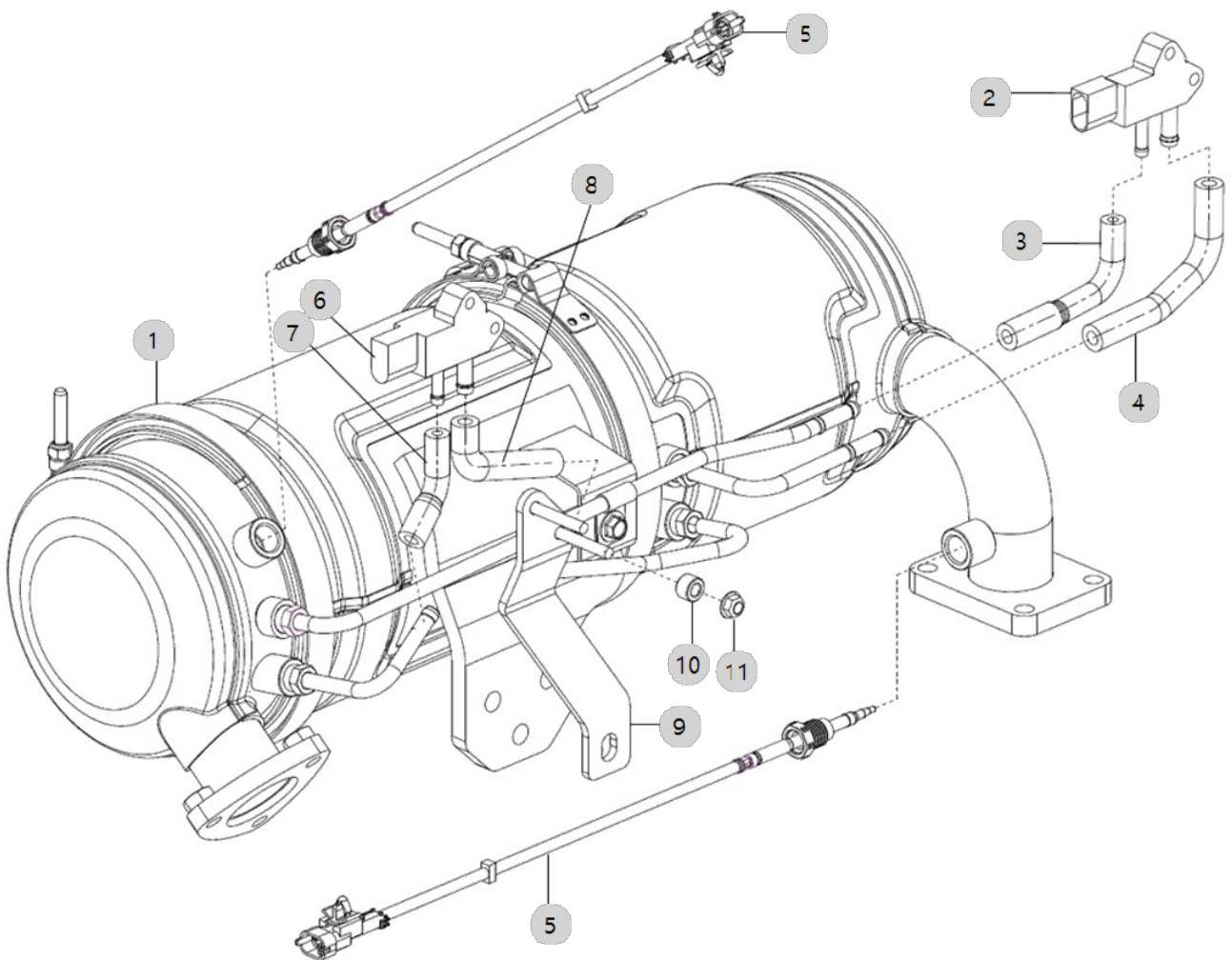
A45_011

A1700N4-UTC_4
(AB00289)

DPF

Year/Month

2022-12-15



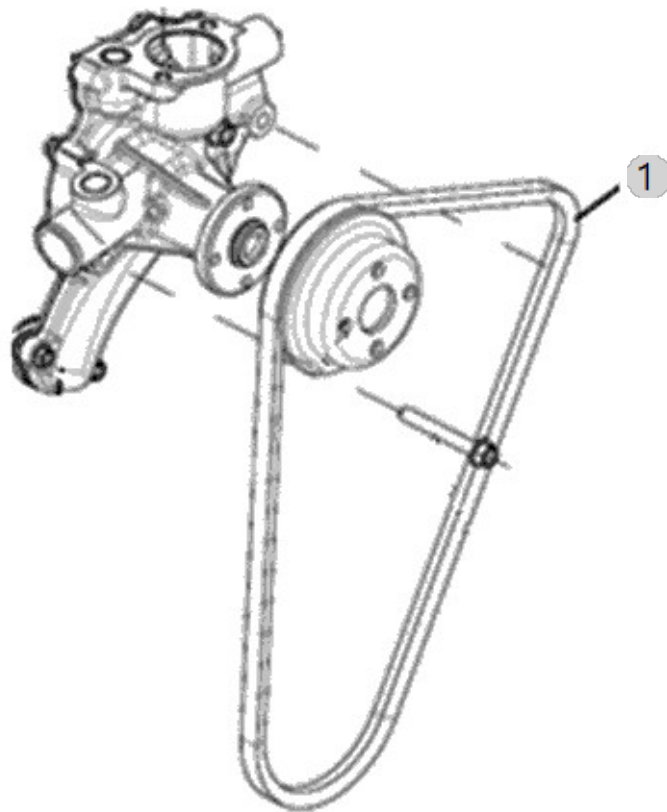
A48_006

A1700N4-UTC_4
(AB00289)

V-BELT

Year/Month

2022-12-15



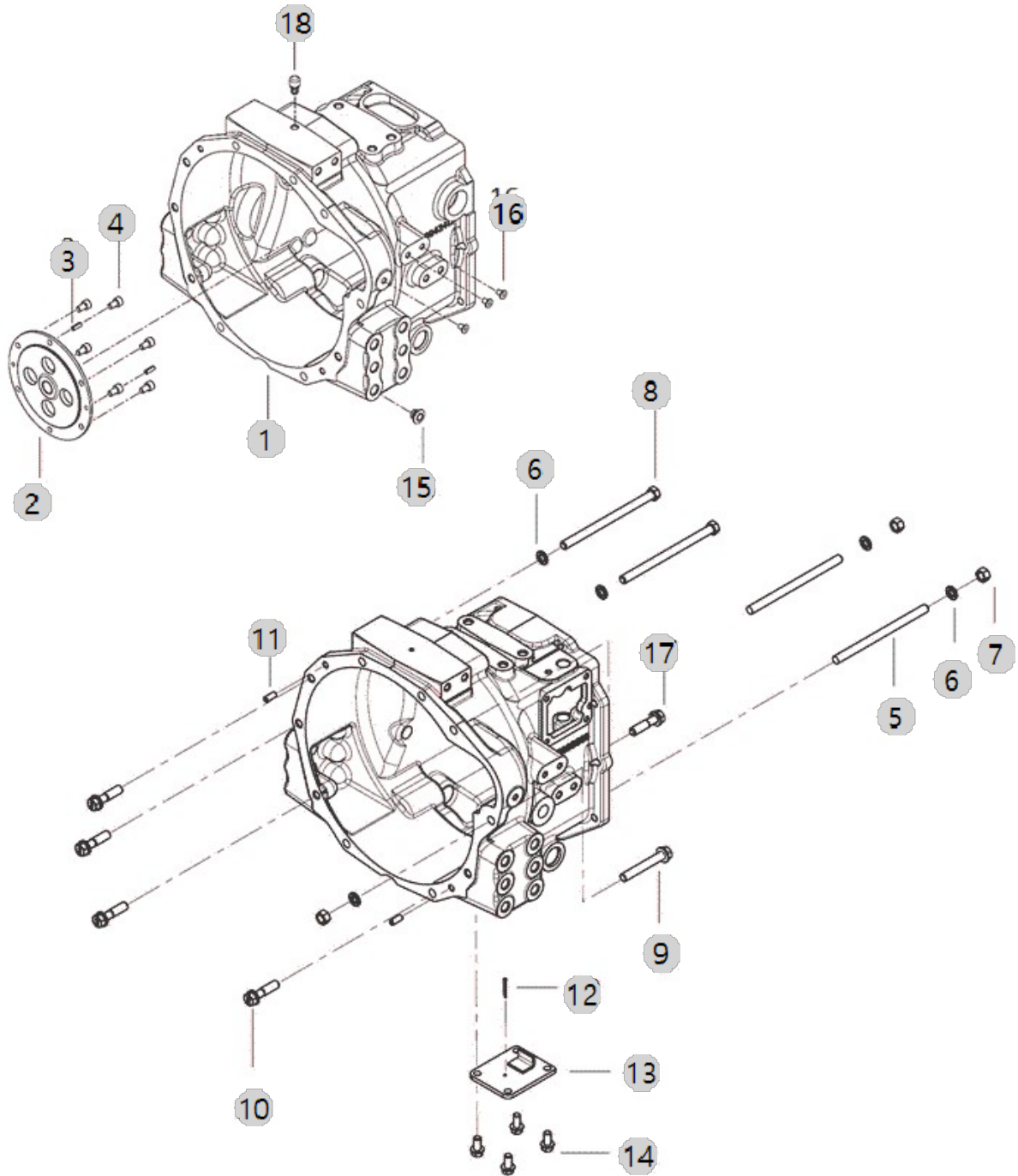
F01010

BRANSON K3CH
TM_US(AC01569)

CLUTCH HOUSING[4815CH]

Year/Month

2022-12-15



<p>F01010</p> <p>BRANSON K3CH</p> <p>TM_US(AC01569)</p>	<p>CLUTCH HOUSING[4815CH]</p>	Year/Month
		2022-12-15

순번 (NO)	부품번호 (PART NO)	품명 (PART NAME)	품명 (PART NAME)	수량 (QTY)	규격 (SPEC)	비고 (REMARK)
1	TA00042413H	클러치하우징	CLUTCH HOUSING	1		
1	TA00042413I	클러치하우징	CLUTCH HOUSING	1		
1	TA00042413J	클러치하우징	CLUTCH HOUSING	1		
2	TA00038871E	PTO슬리브	SLEEVE	1		
3	22351-060016	스프링핀	PIN, SPRING (6-16)	2	D6X16	
4	26450-080142	육각소켓캡보울트	BOLT	6	M8X14	
5	TA00040214C	심음볼트(185mm)	BOLT	2		
6	22217-120000	스프링와셔	WASHER, SPRING (Φ 12)	5	M12	
7	26716-120002	295,ALL,육각너트	HEXA NUT295	3	M12X1.75	
8	TA00049978B	육각볼트(M12X150)	HEX BOLT	2		
9	TA00049979B	육각플랜지볼트(M12X60)	HEX FLANGE BOLT	1		
10	TC54220000B4	볼트 M12X30	BOLT_M12X30	4		
11	22312-080180	평행핀	PIN, DOWEL (8-18)	2	D8X18	
12	22417-300250	가름핀3X25	PIN , COTTER (3-25)	1	D3.0X25	
13	TA00038610B	커버	COVER, CLUTCH HOUSING	1		
14	26106-100202	육각플랜지볼트	HEX BOLT, (10-20)	4	M10XP1.5X20	
15	FB08090000A4	플러그15	PLUG	12		
16	TB26060000A4	플러그7.8	PLUGRUBBER	3		
17	TH22090000B4	보울트(M12xP1.75x35)		1	-	
18	TA00034078A	에어 브리더	AIR BREATHER	1		DEL.20220623

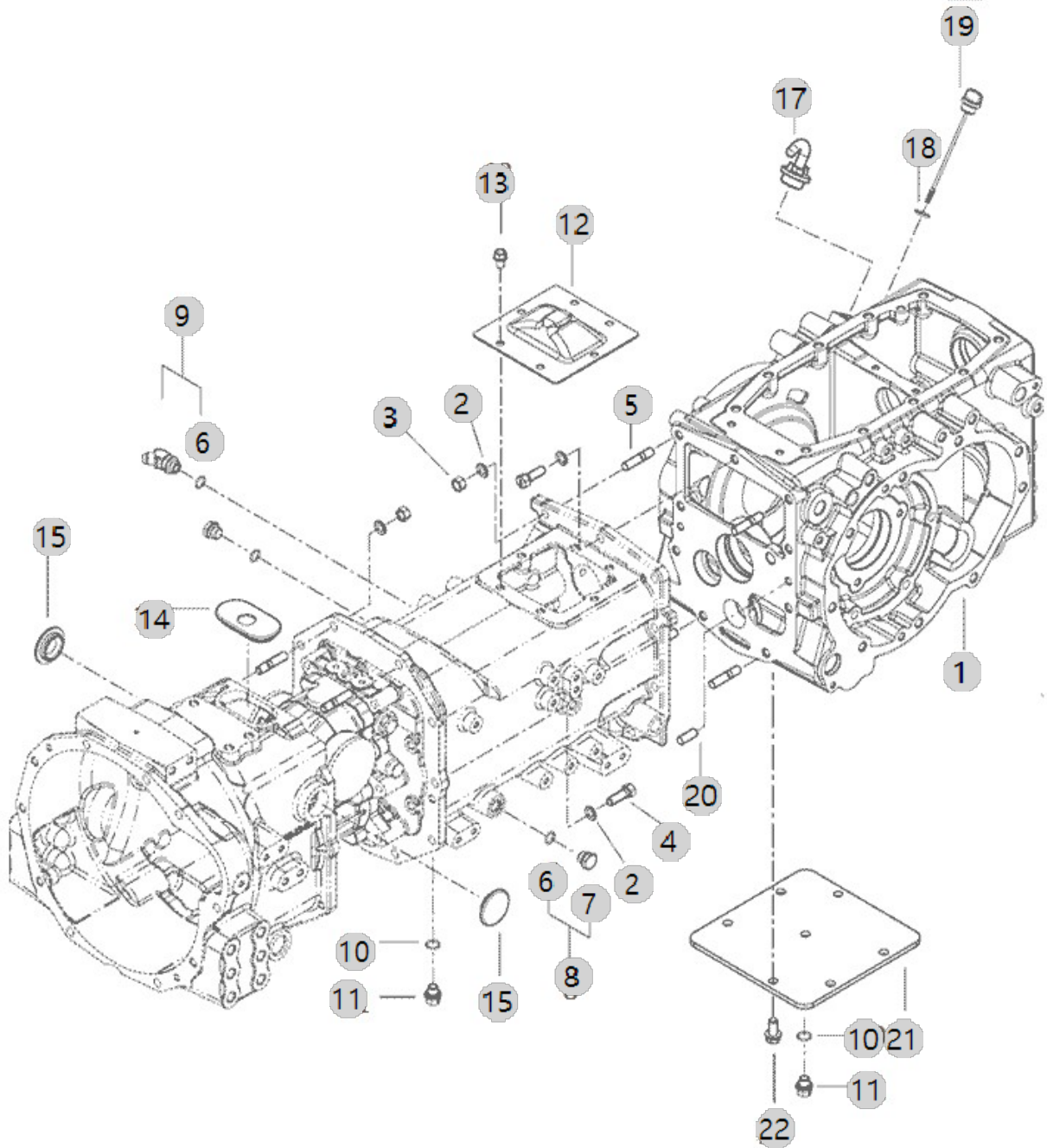
F01020

BRANSON K3CH
TM_US(AC01569)

TRANSMISSION CASE

Year/Month

2022-12-15



F01020 BRANSON K3CH TM_US(AC01569)	TRANSMISSION CASE	Year/Month
		2022-12-15

순번 (NO)	부품번호 (PART NO)	품명 (PART NAME)	품명 (PART NAME)	수량 (QTY)	규격 (SPEC)	비고 (REMARK)
1	TA00050237G	후차축케이스_MID PTO	REAR AXLE CASE	1		
2	22217-120000	스프링와셔	WASHER, SPRING (Φ 12)	19	M12	
3	26716-120002	295,ALL,육각너트	HEXA NUT295	6	M12X1.75	
4	TH22090000B4	보울트(M12xP1.75x35)		13	-	
5	FT80120000B4	심음볼트	STUD BOLT(12X38)	6		
6	24311-000140	441,ALL,O-RINGP-14	O-RING, DYNAMIC (Φ14)	3	P14	
7	NTA1130100A9	몸체		2		
8	NTA1130000B4	플러그	PLUG	2		
9	FT33060000B4	45도 어댑터(3/8)	45ELBOW[3/8]	1		
10	24311-000160	O-링 P 16	O-RING, DYNAMIC (Φ16)	2	P16	
11	TB28120000D4	퇴유플러그	PLUG	2	D23	DEL.20220331
12	TA00042422A	PTO클러치커버	COVER	1		
13	26106-100162	플랜지볼트M10X16	SCREW,HEXFLANGEHEADCAP	6	M10XP1.5X16	
14	TA00043328A	HST고무커버	COVER, RUBBER	1		
15	TA00042481A	고무플러그	PLUG,RUBBER	2		
17	FT80370000A4	주유구캡	CAP,INTAKE	1		
18	24311-000180	O-RING(P18)	O-RING, DYNAMIC (Φ18)	1	P18	
19	TA00038076B	검유봉	LOD	1		
20	22312-100180	평행핀	PIN, DOWEL (10-18)	2	D10X18	
21	TA00054742B	MID PTO 커버	COVER, MID PTO	1		
22	26106-100202	육각플랜지볼트	HEX BOLT, (10-20)	6	M10XP1.5X20	

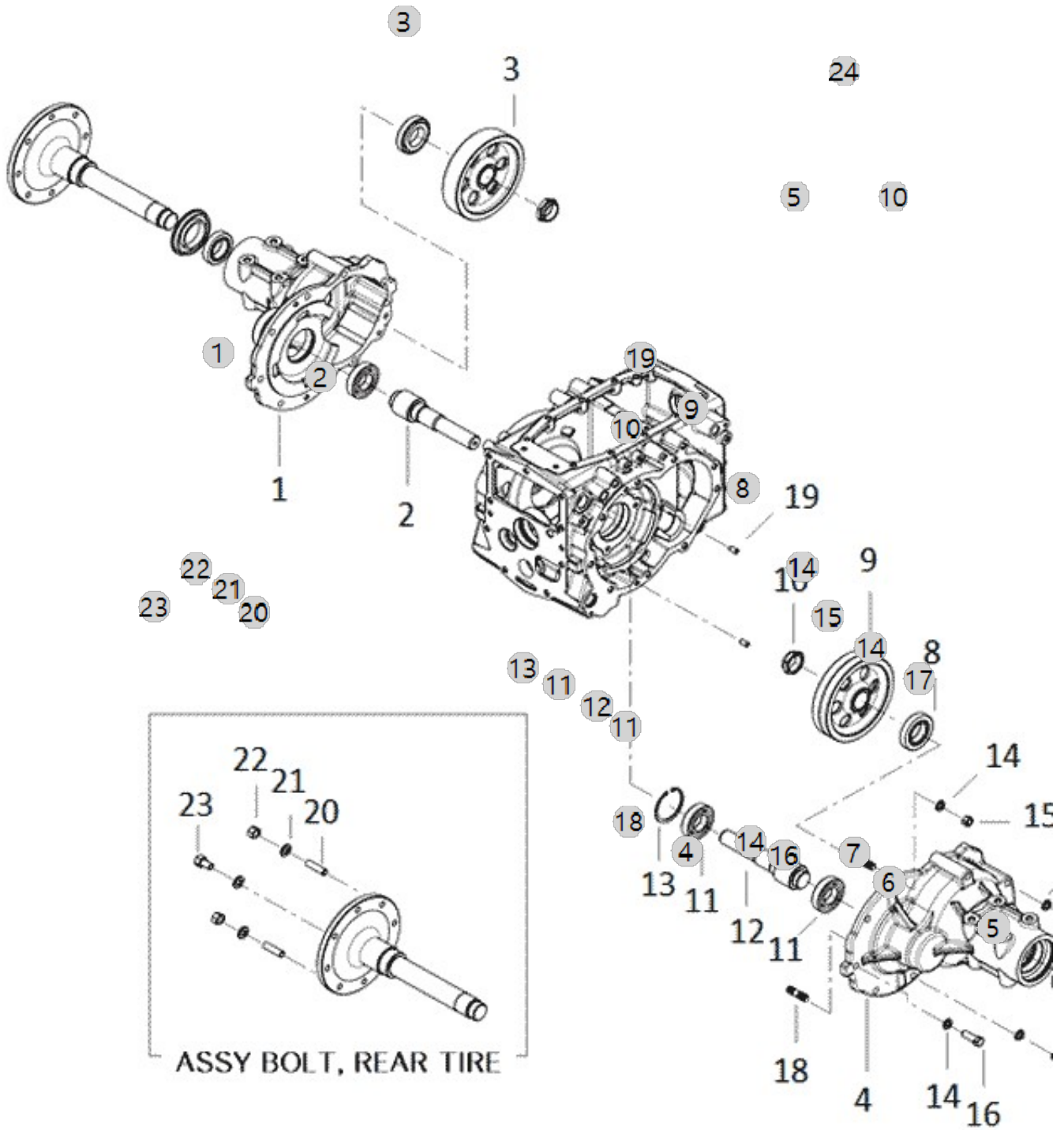
F01030

BRANSON K3CH
TM_US(AC01569)

REAR AXLE HOUSING

Year/Month

2022-12-15



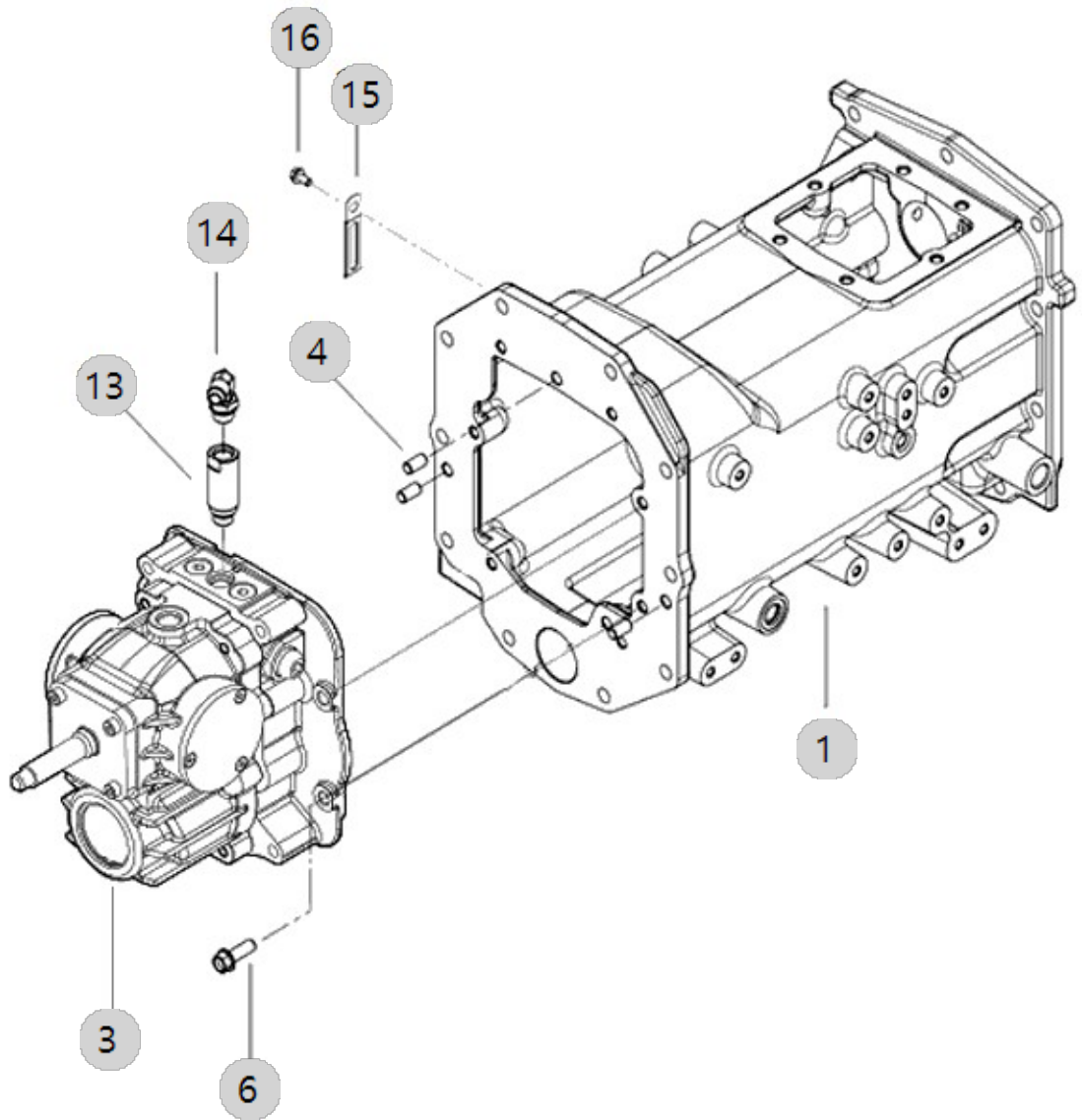
F01050

BRANSON K3CH
TM_US(AC01569)

HYD SHIFT TRANSMISSION HOUSING

Year/Month

2022-12-15



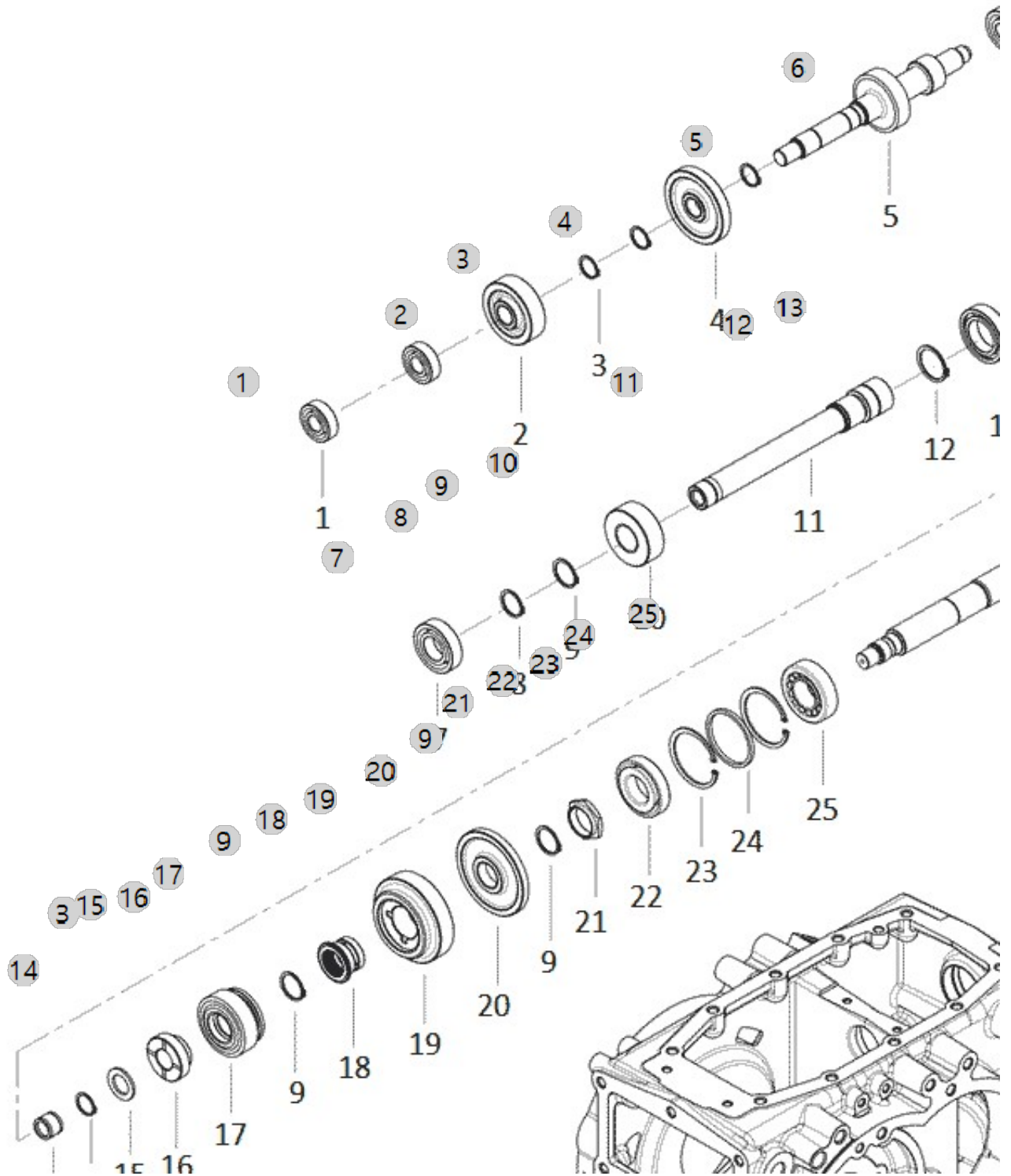
F03040

BRANSON K3CH
TM_US(AC01569)

RANGE SHIFT DRIVE SHAFT-1

Year/Month

2022-12-15



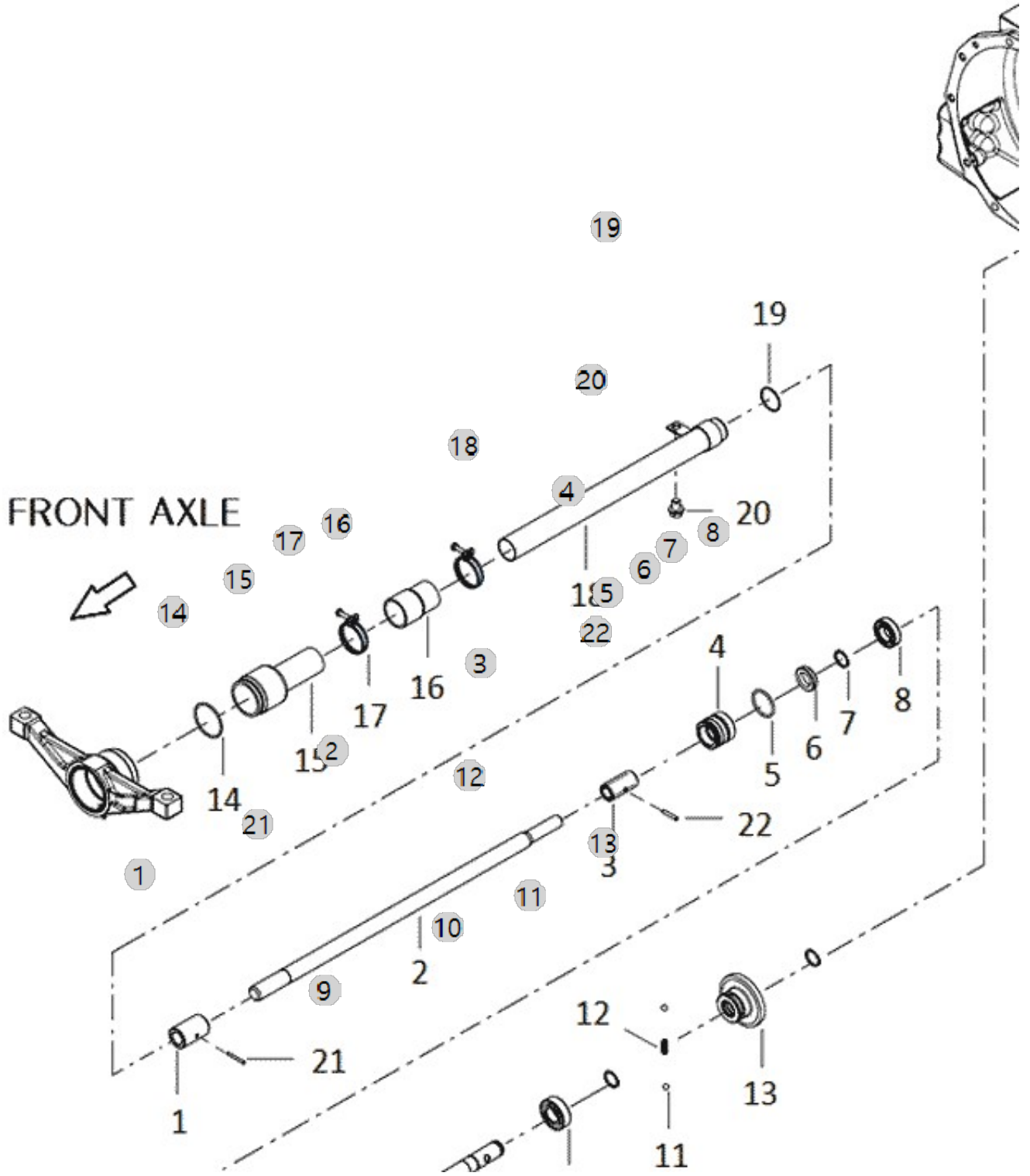
F04010

BRANSON K3CH
TM_US(AC01569)

FORNT DRIVE SHAFT

Year/Month

2022-12-15



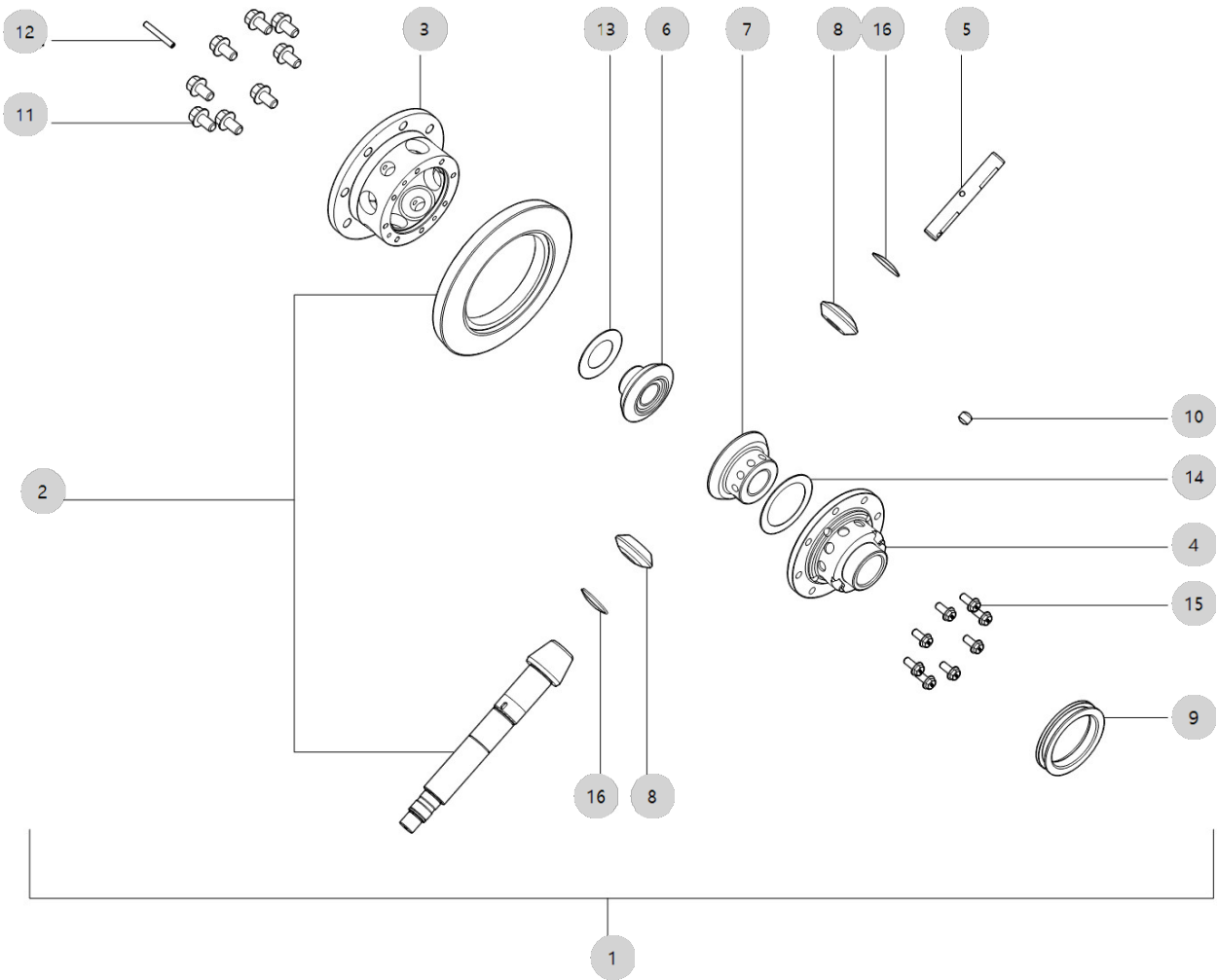
F05020

BRANSON K3CH
TM_US(AC01569)

REAR DIFFERENTIAL

Year/Month

2022-12-15



F05020 BRANSON K3CH TM_US(AC01569)	REAR DIFFERENTIAL	Year/Month
		2022-12-15

순번 (NO)	부품번호 (PART NO)	품 명 (PART NAME)	품 명 (PART NAME)	수량 (QTY)	규격 (SPEC)	비고 (REMARK)
1	TA00038522E	차동장치조합	DIFFERENTIAL ASS'Y	1		
2	TA00038772D	링기어조합	RING GEAR ASSY	1		
3	TA00038523B	차동케이스(우)	CASE R, DIFF	1		
4	TA00032118B	차동케이스(좌)	CASE LH, DIFF.	1		
5	TA00032091A	차동축(1)	SHAFT, DIFFERENTIAL	1		
6	TA00032090A	차동사이드기어R	SIDE GEAR R, DIFFERENTIAL	1		
7	TA00032089A	차동사이드기어L	SIDE GEAR L, DIFFERENTIAL	1		
8	TA00032079A	차동피니언	PINION	2		
9	TA00038510A	차동고정슬라이더	SLIDER	1		
10	TA00038507A	롤러	ROLLER	10		
11	TA00038929B	볼트(M12X1.25)	BOLT	8		
12	22351-060050	스프링핀	PIN, SPRING (6-50)	1	D6X50	
13	TA00032148A	스러스트 와셔	THRUST WASHER	1		
14	TA00032149A	와셔	WASHER	1		
15	TA00038928B	볼트(M8X1.25)	BOLT	8		
16	TA00032092A	트러스트 와셔	BRACKET	2		

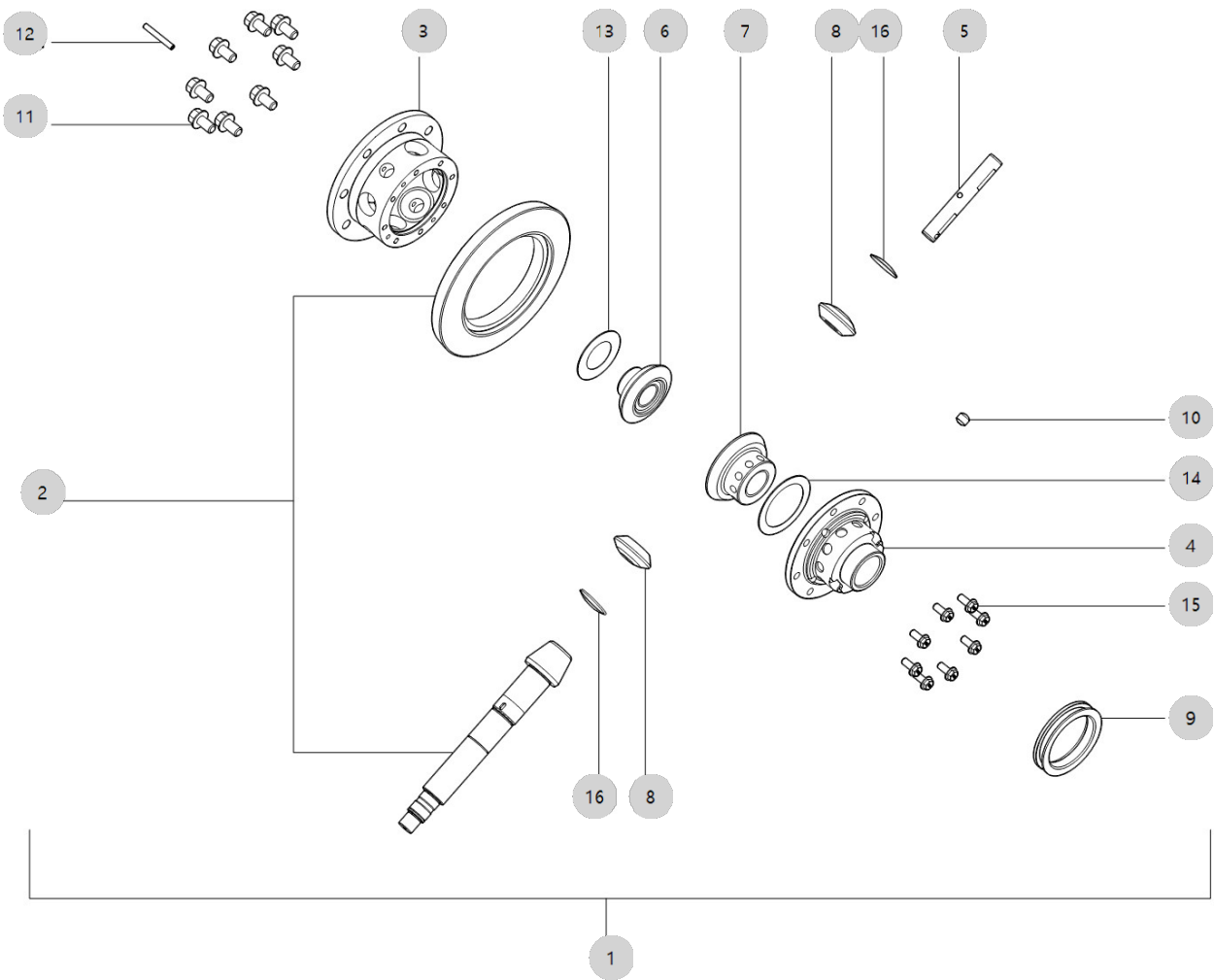
F05020

BRANSON K3CH
TM_US(AC01569)

RING GEAR&DIFF.GEAR ASS'Y

Year/Month

2022-12-15



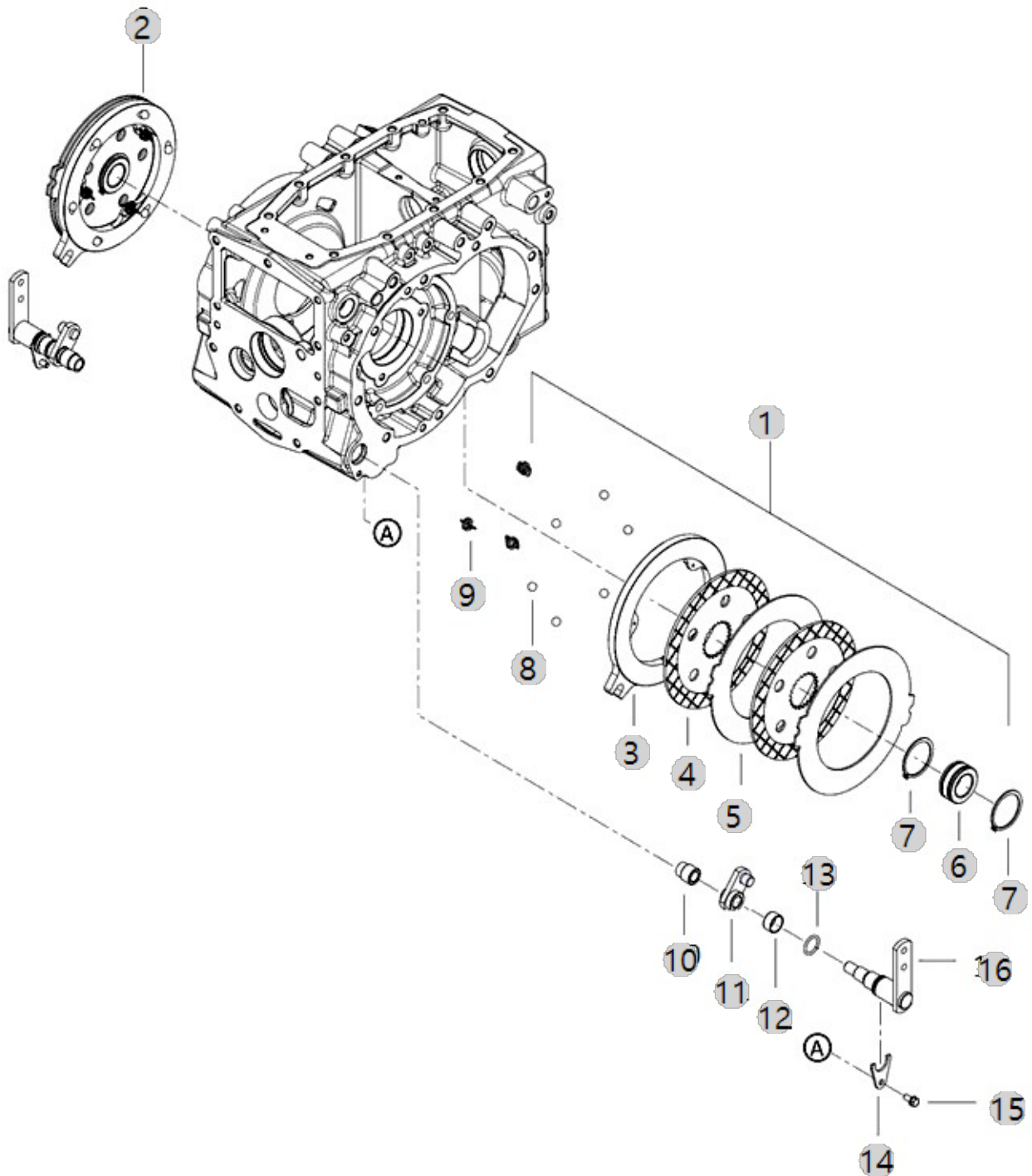
F06030

BRANSON K3CH
TM_US(AC01569)

BRAKE

Year/Month

2022-12-15



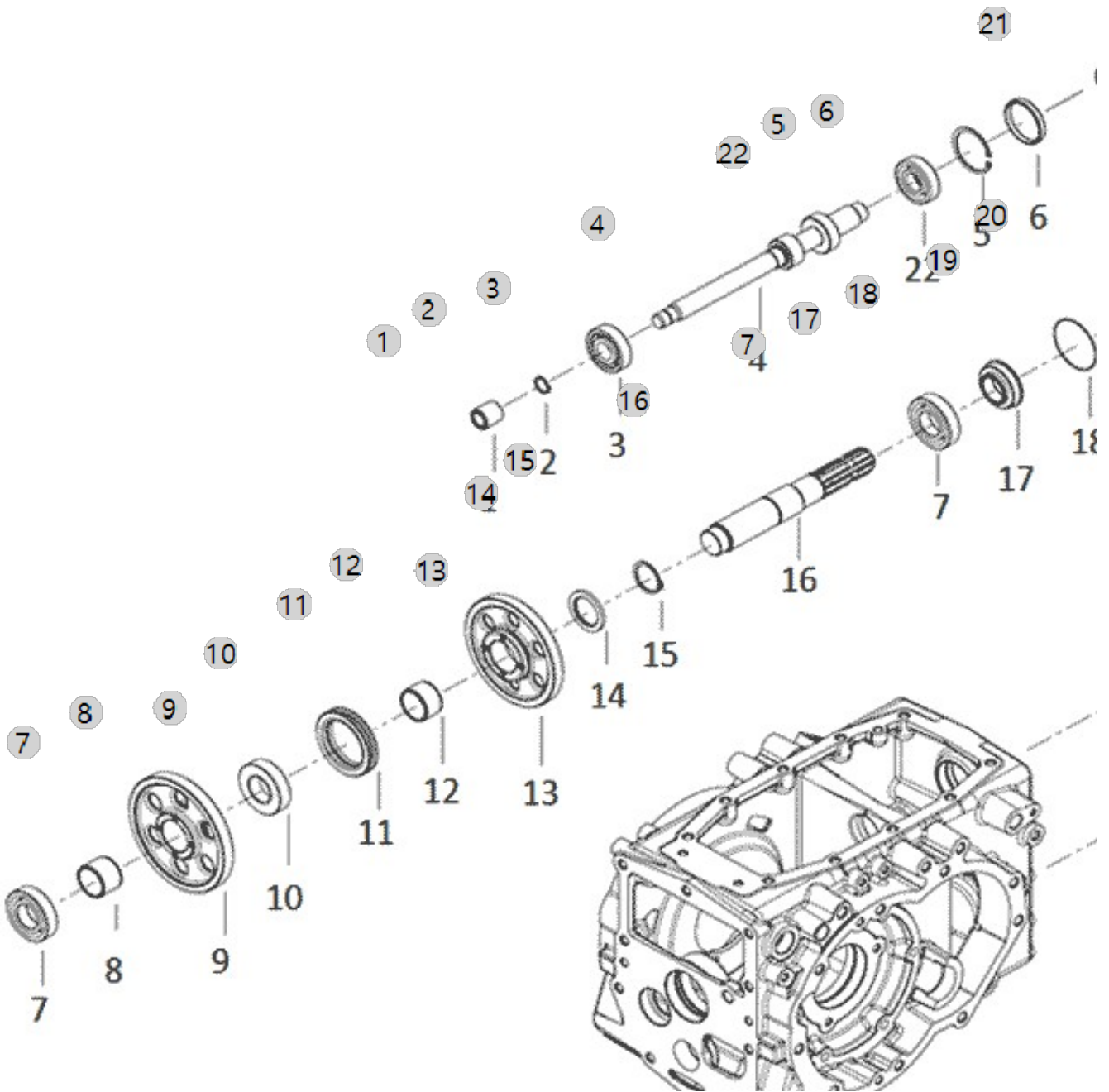
F07030

BRANSON K3CH
TM_US(AC01569)

PTO DRIVE SHAFT

Year/Month

2022-12-15



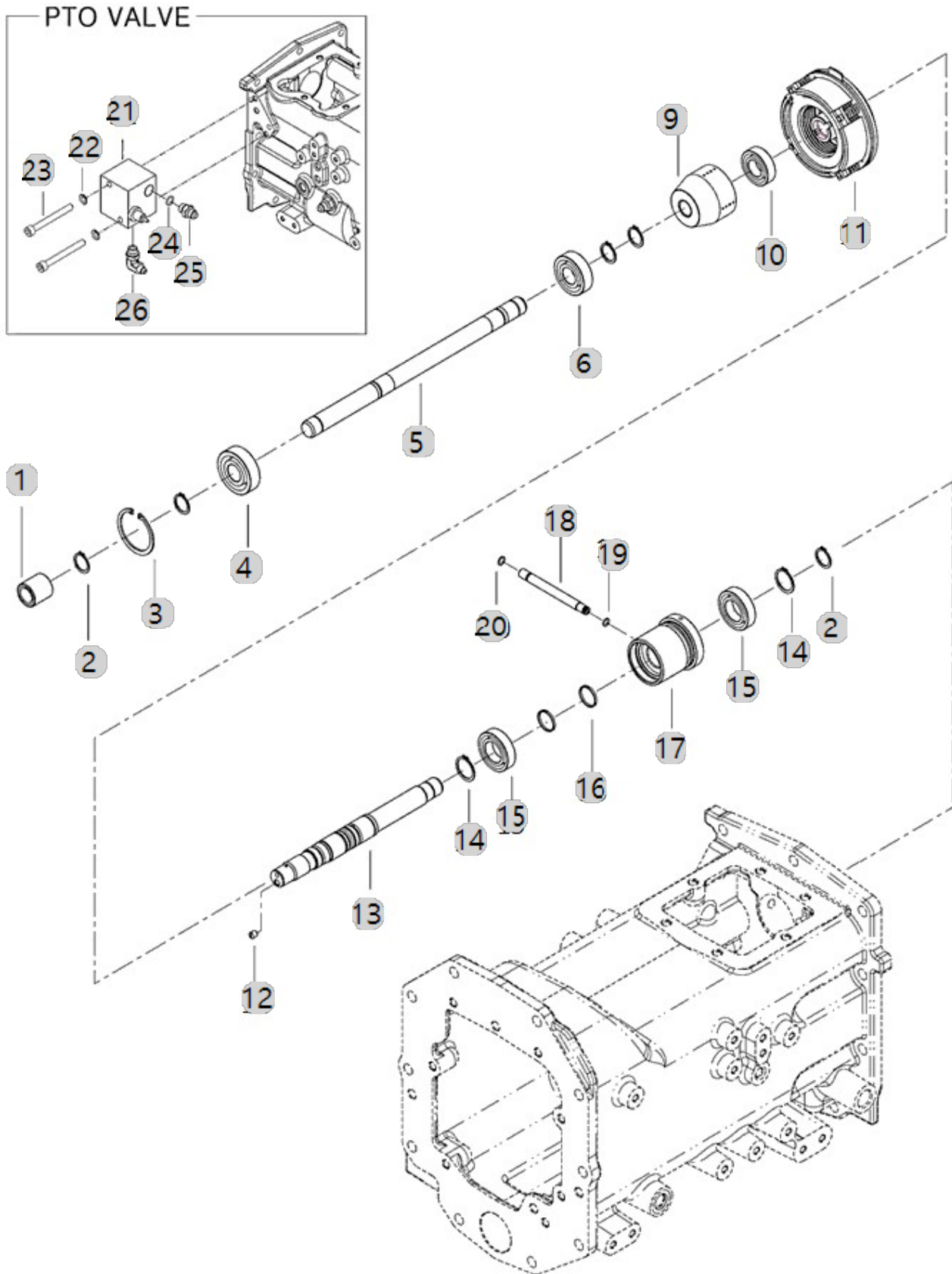
F07070

BRANSON K3CH
TM_US(AC01569)

P.T.O SHAFT

Year/Month

2022-12-15



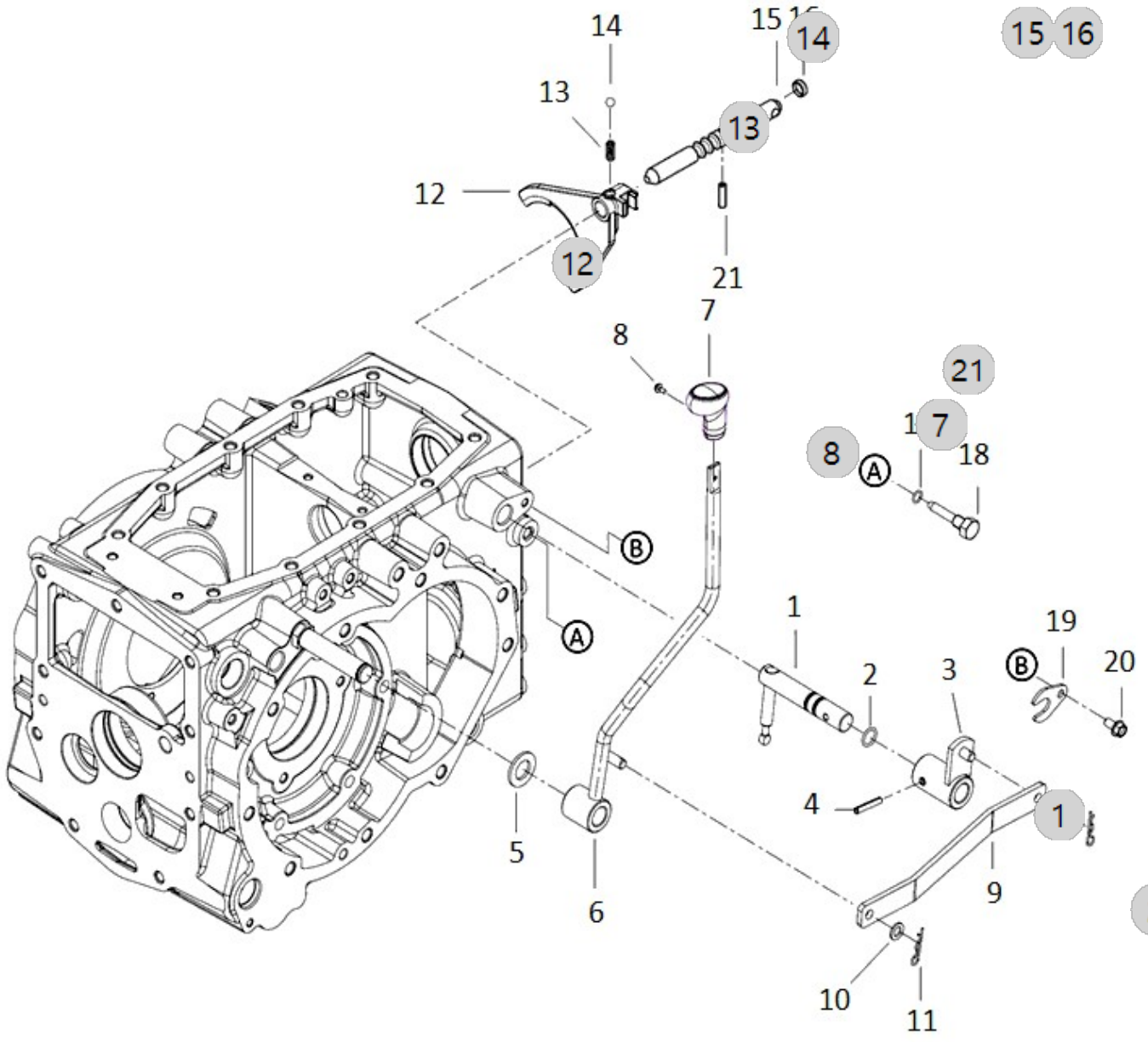
F08060

BRANSON K3CH
TM_US(AC01569)

FORK, PTO SHIFT

Year/Month

2022-12-15



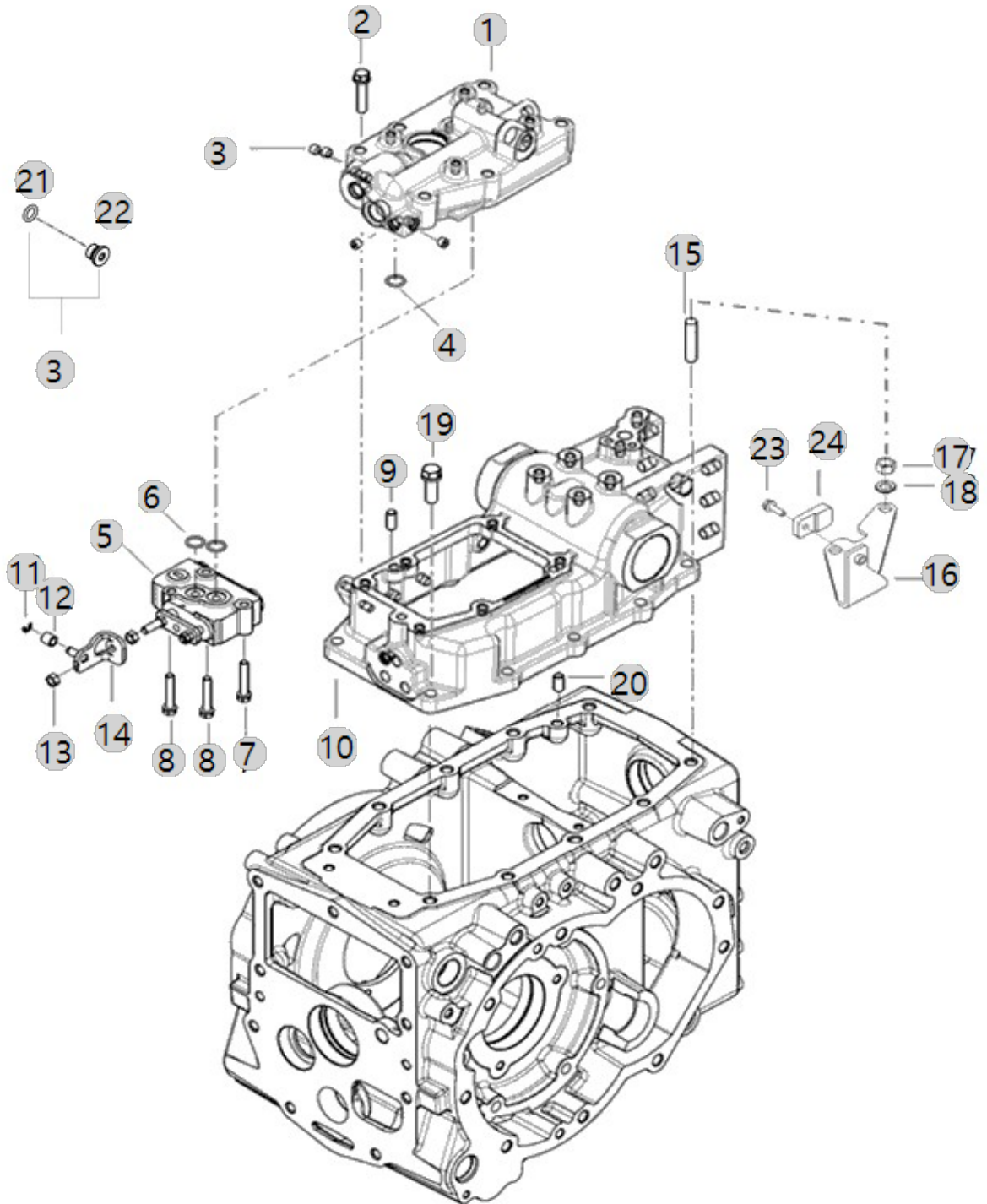
F10010

BRANSON K3CH
TM_US(AC01569)

CASE, HYD CYLINDER

Year/Month

2022-12-15



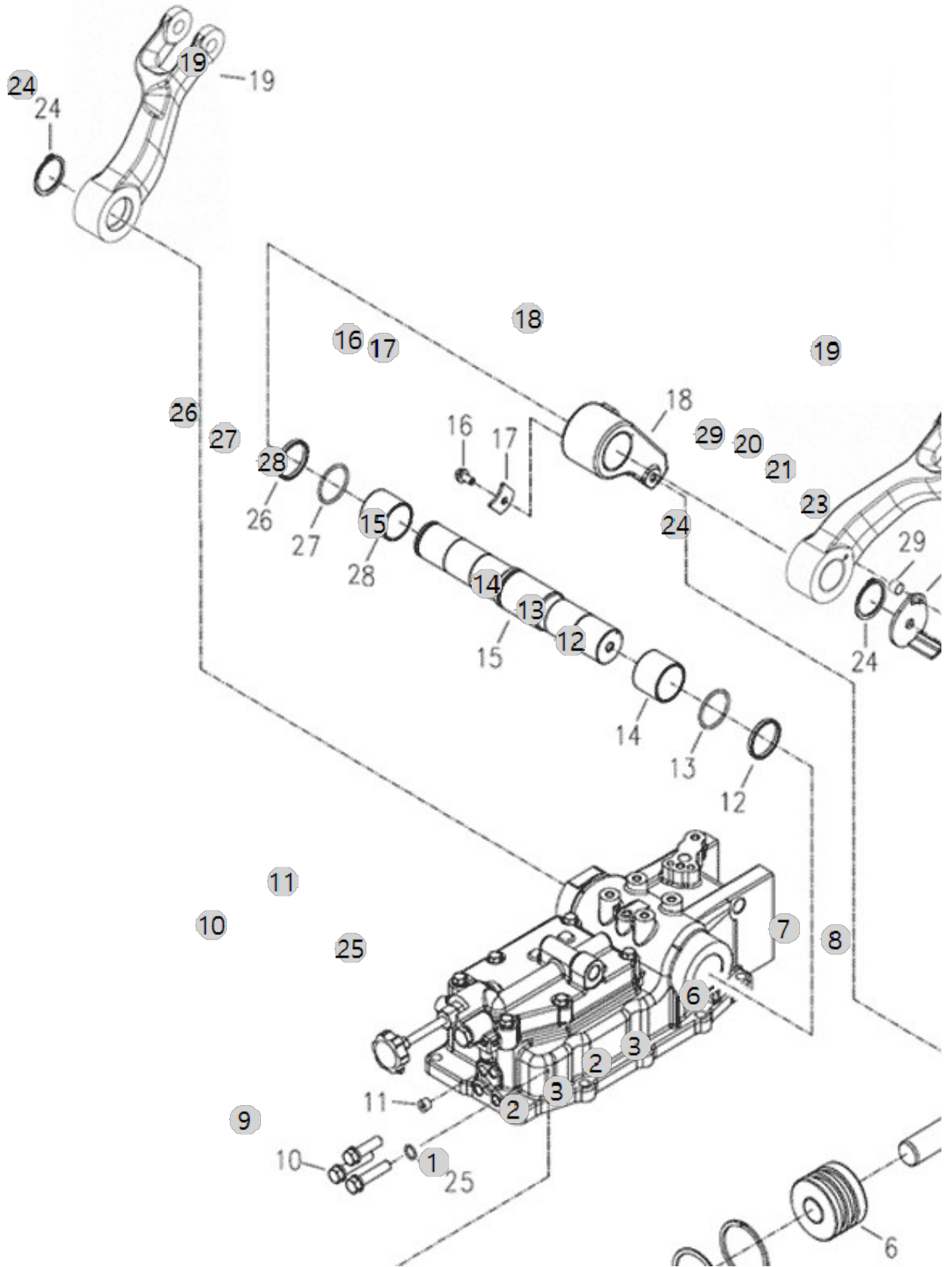
F10020

BRANSON K3CH
TM_US(AC01569)

LIFT ARM

Year/Month

2022-12-15



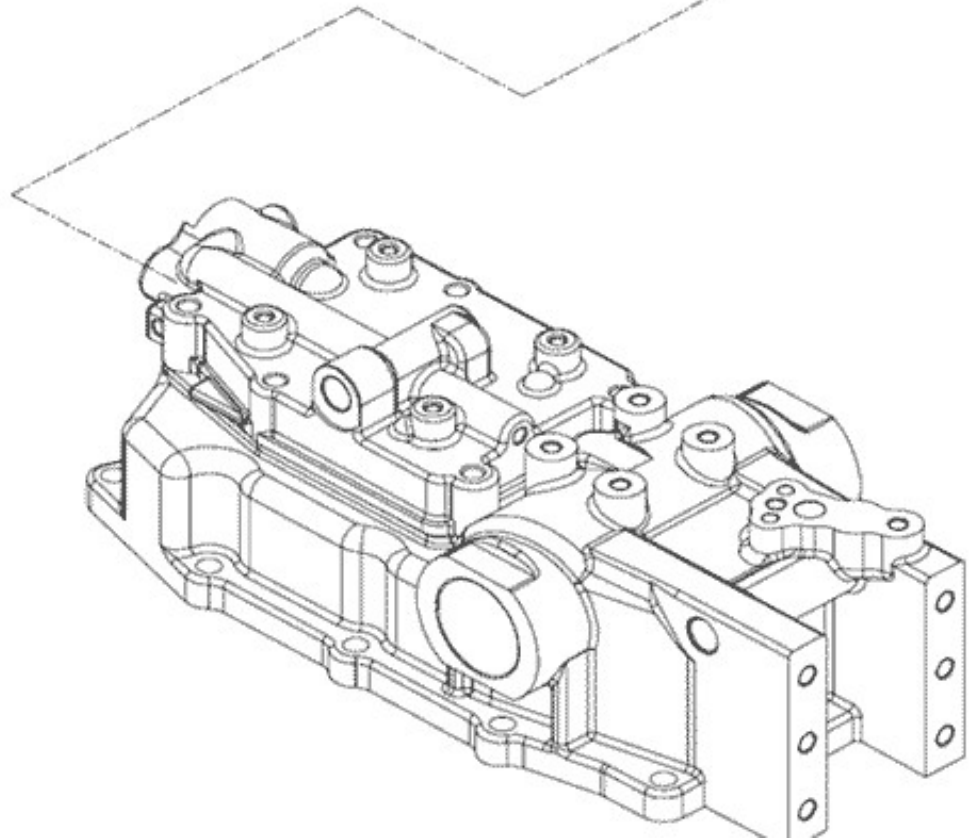
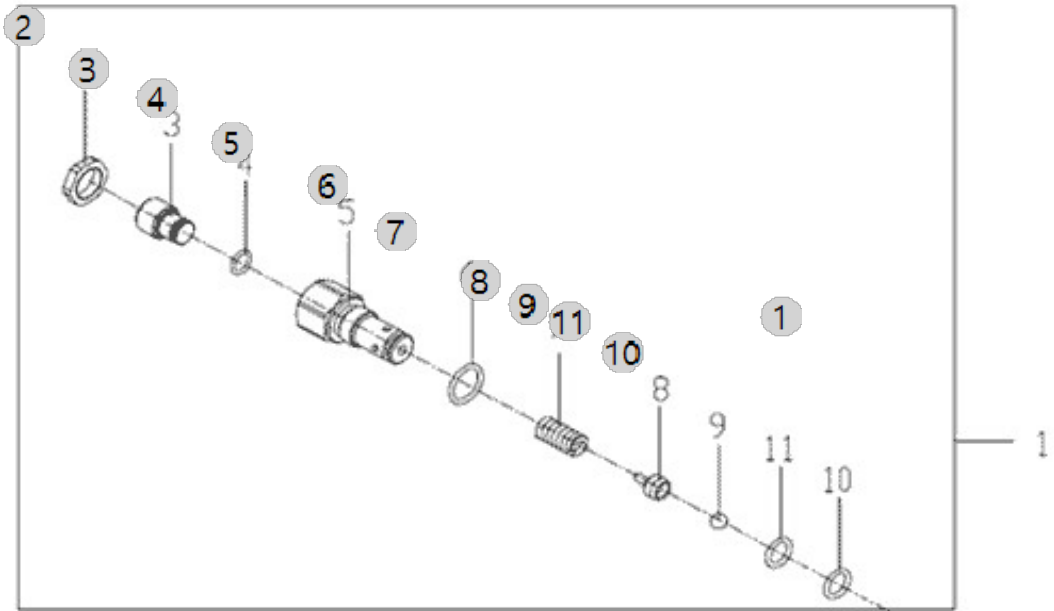
F10030

BRANSON K3CH
TM_US(AC01569)

SAFETY VALVE

Year/Month

2022-12-15



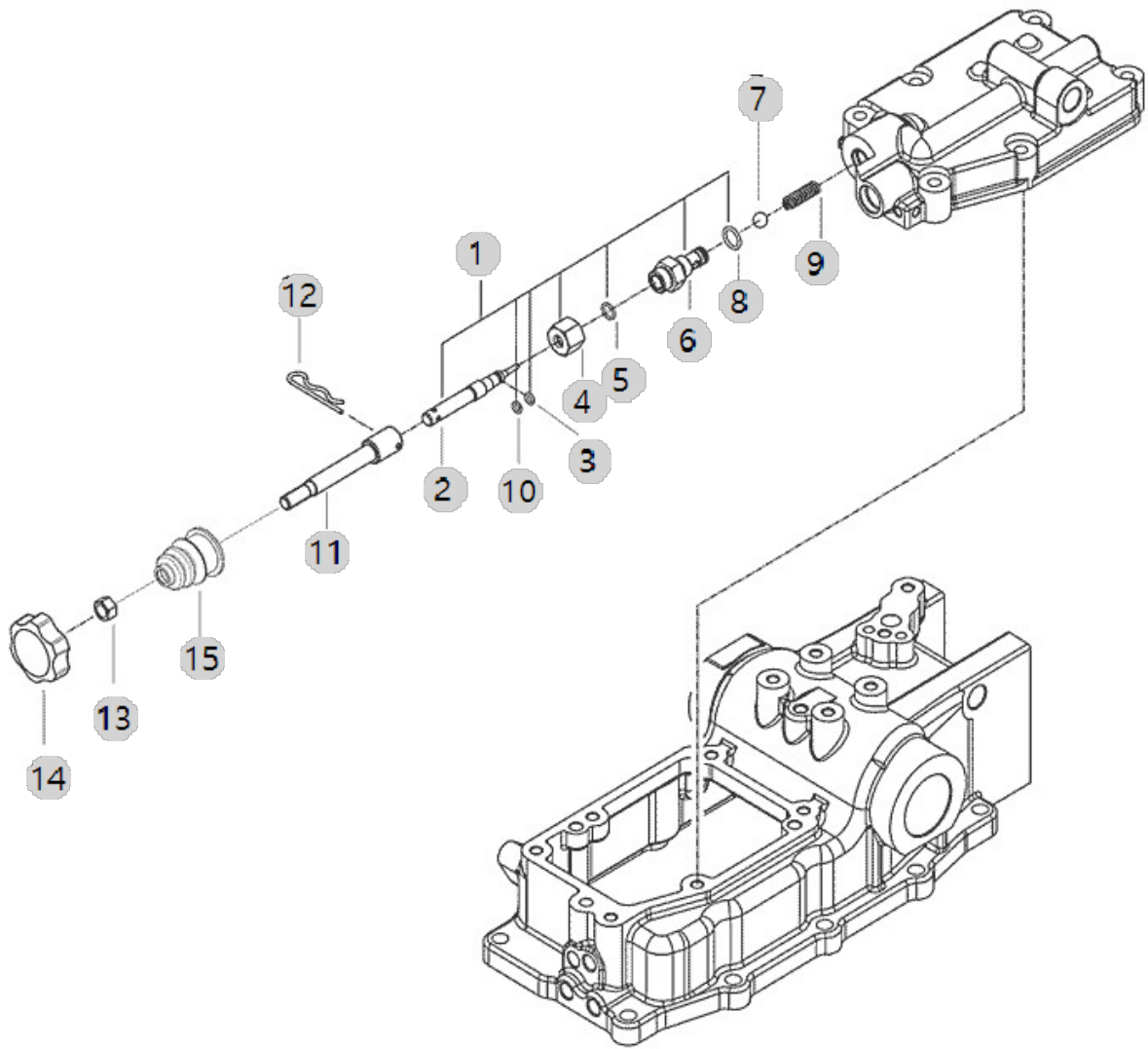
F10040

BRANSON K3CH
TM_US(AC01569)

STOP VALVE

Year/Month

2022-12-15



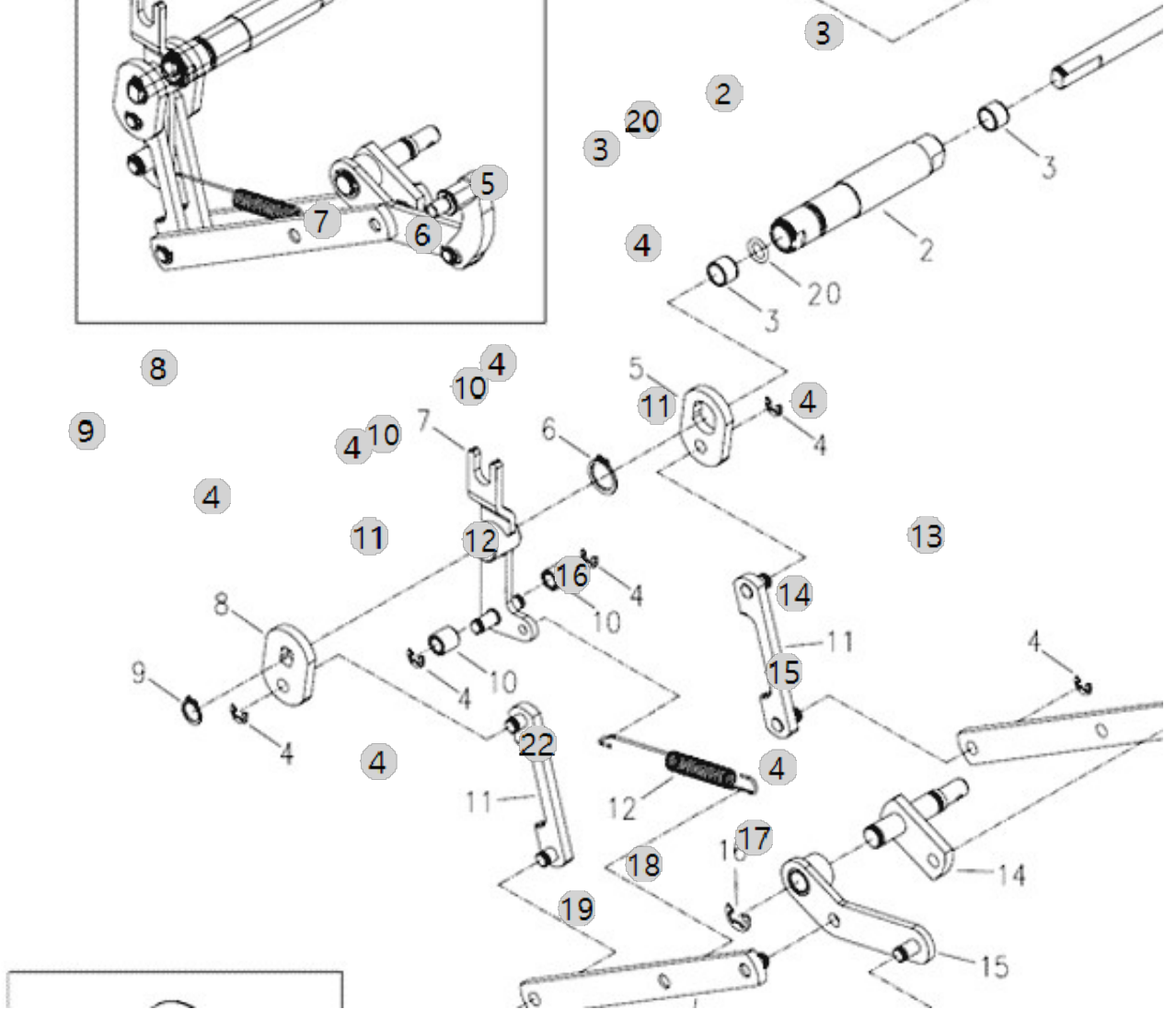
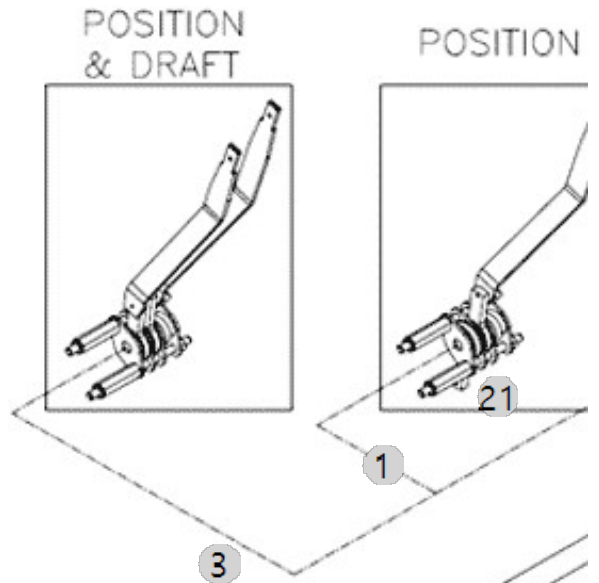
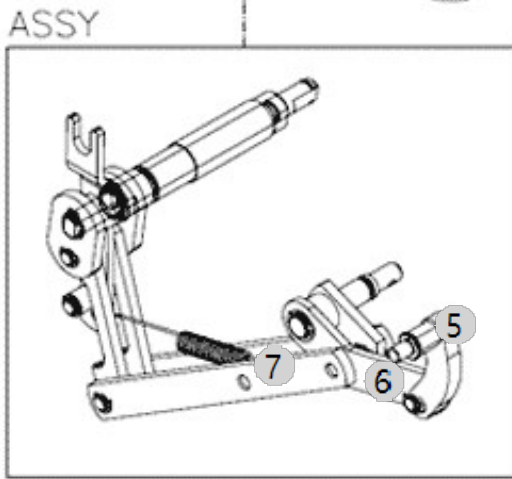
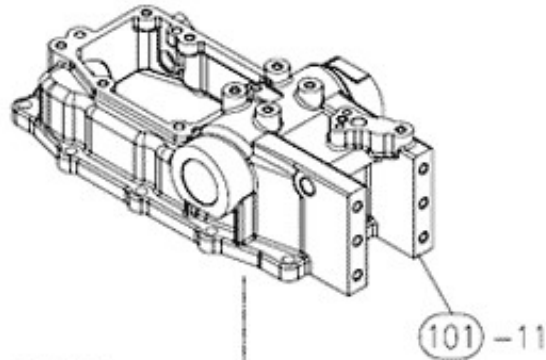
F10061

BRANSON K3CH
TM_US(AC01569)

DRAFT/POSITION CONTROL LEVER

Year/Month

2022-12-15



F10063

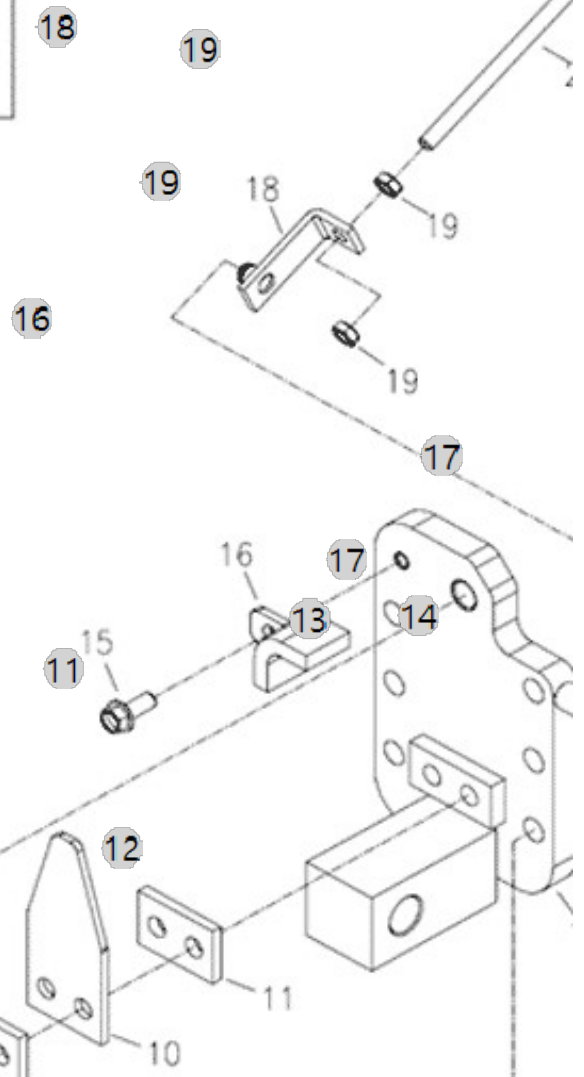
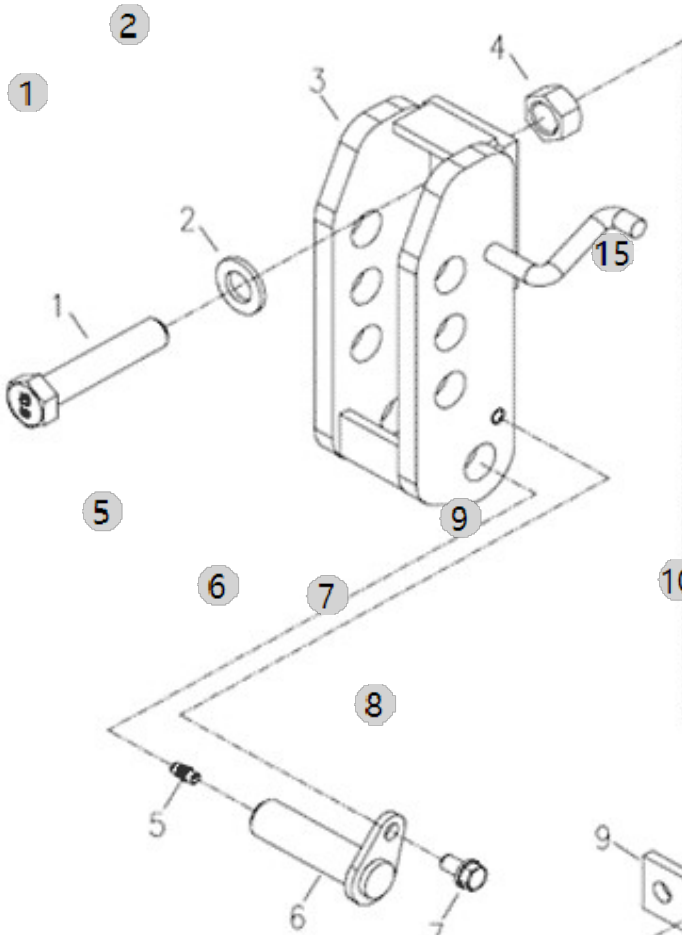
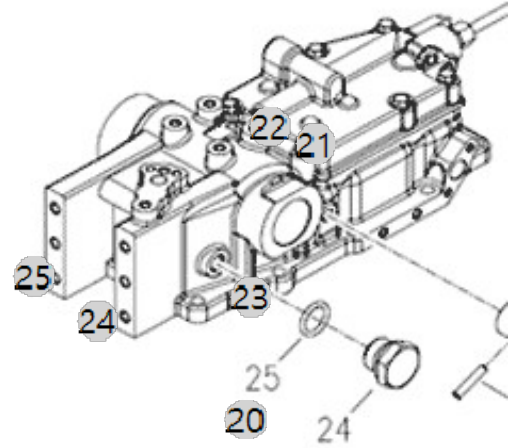
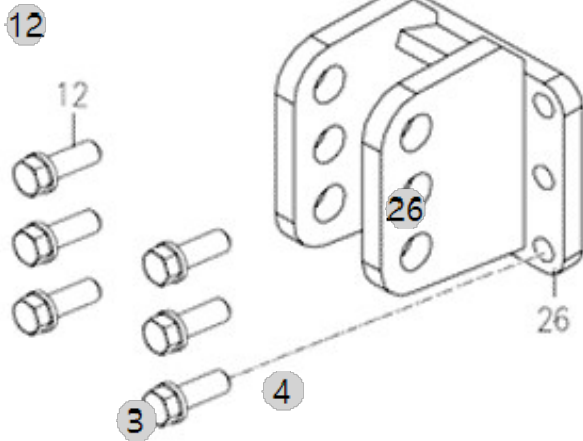
BRANSON K3CH
TM_US(AC01569)

DRAFT CONTROL LEVER

Year/Month

2022-12-15

POSITION



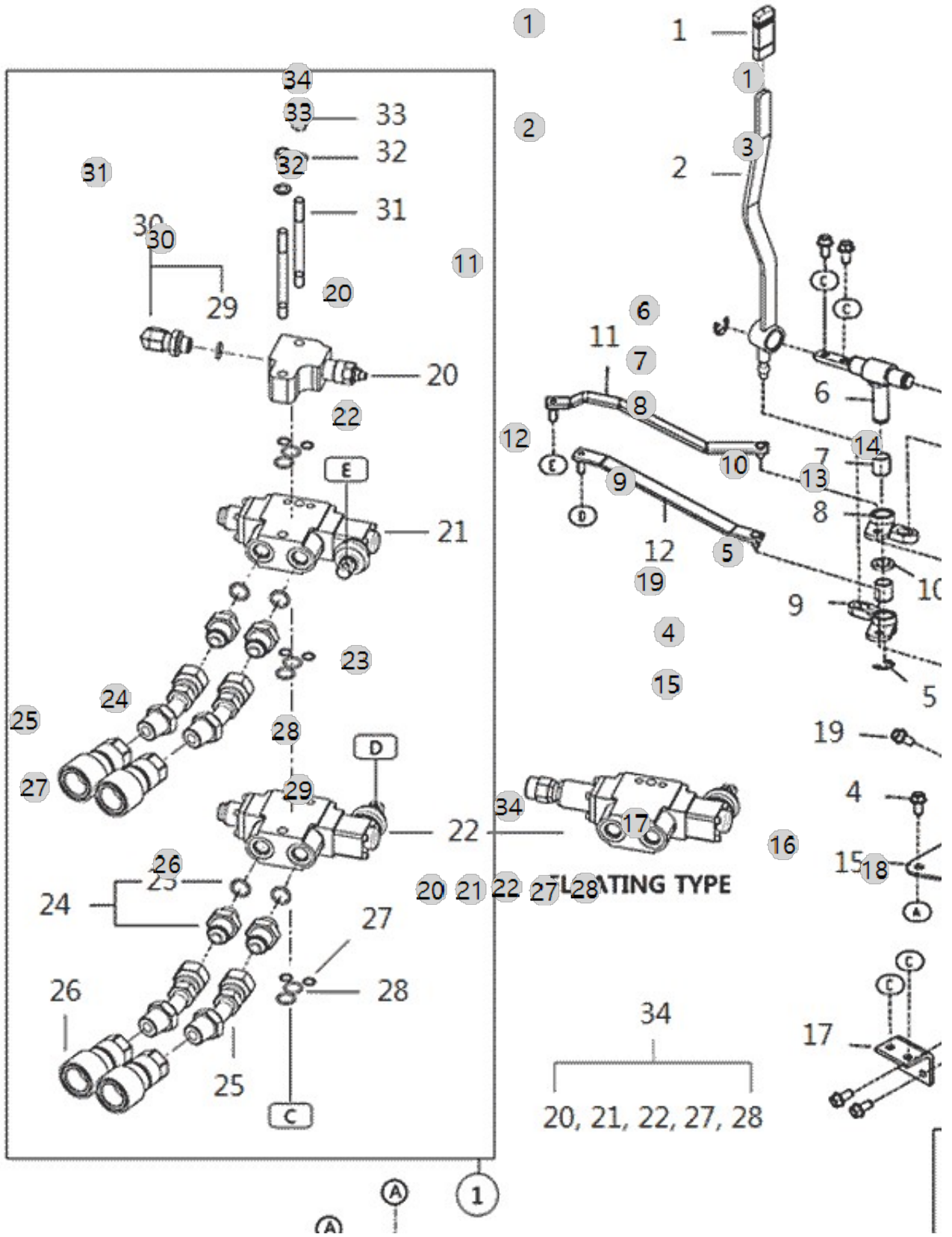
F10120

BRANSON K3CH
TM_US(AC01569)

REAR SCV

Year/Month

2022-12-15



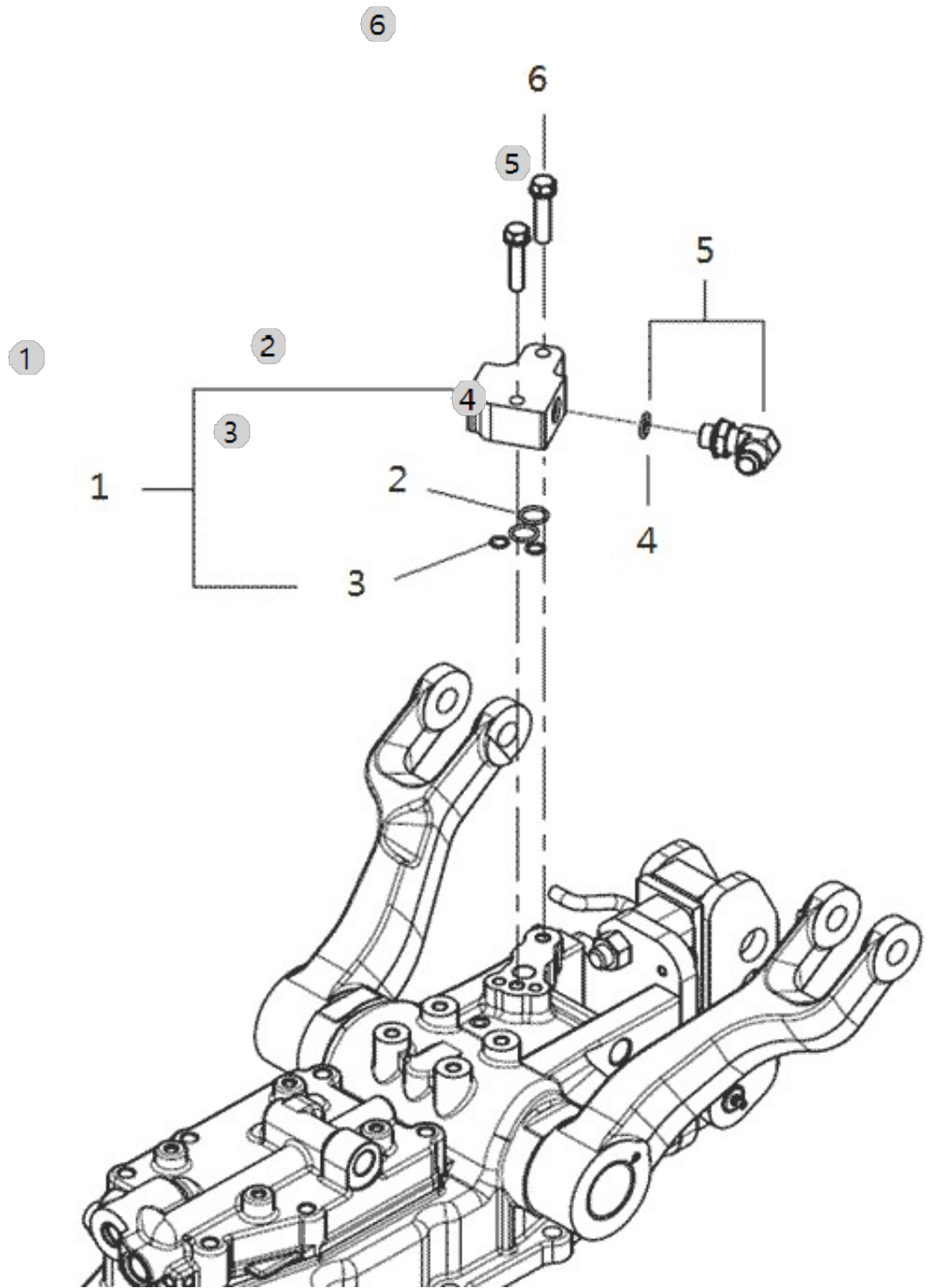
F10130

BRANSON K3CH
TM_US(AC01569)

BLOCK, REAR

Year/Month

2022-12-15



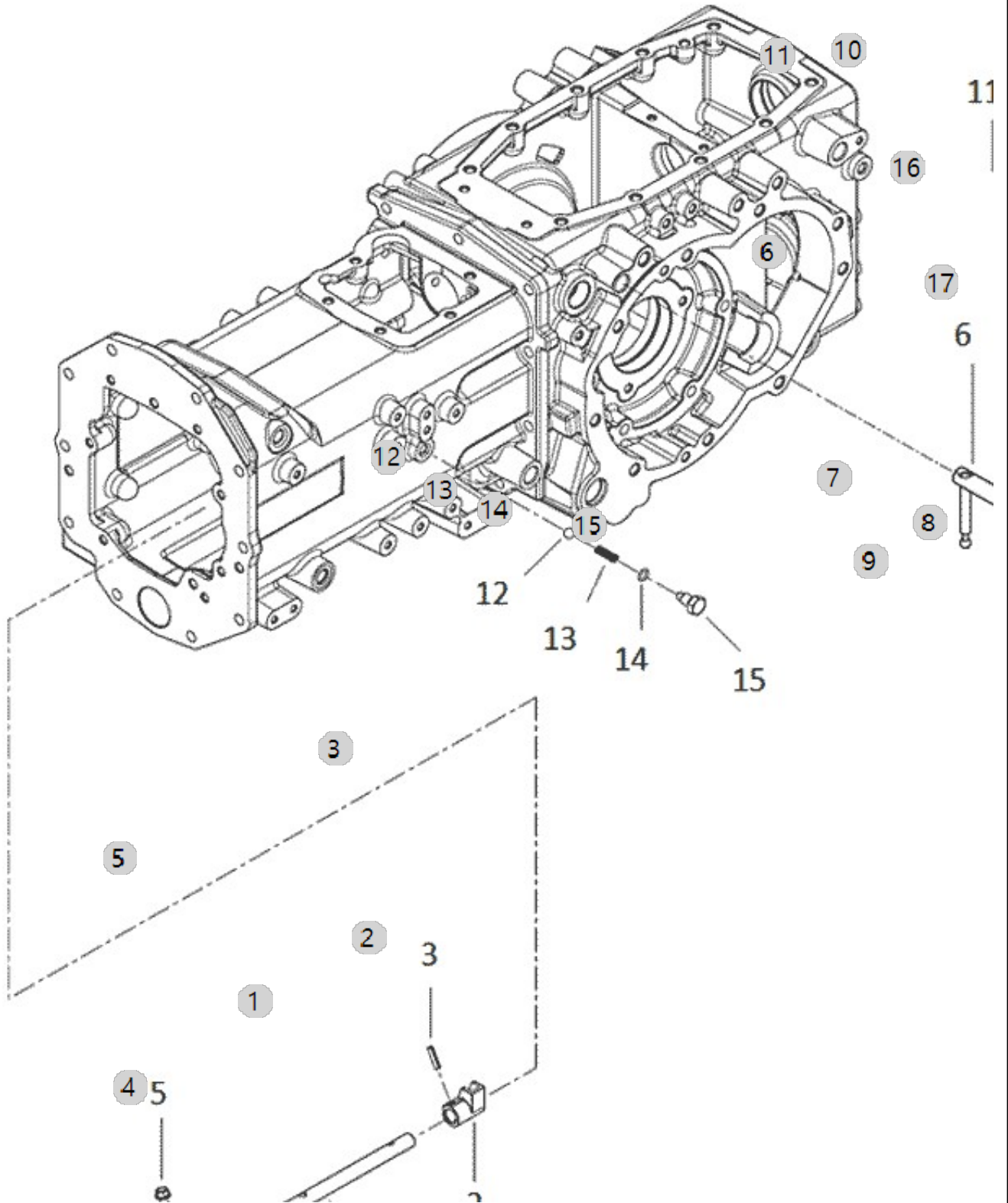
F11020

BRANSON K3CH
TM_US(AC01569)

LEVER ASS'Y, RANGE SHIFT

Year/Month

2022-12-15



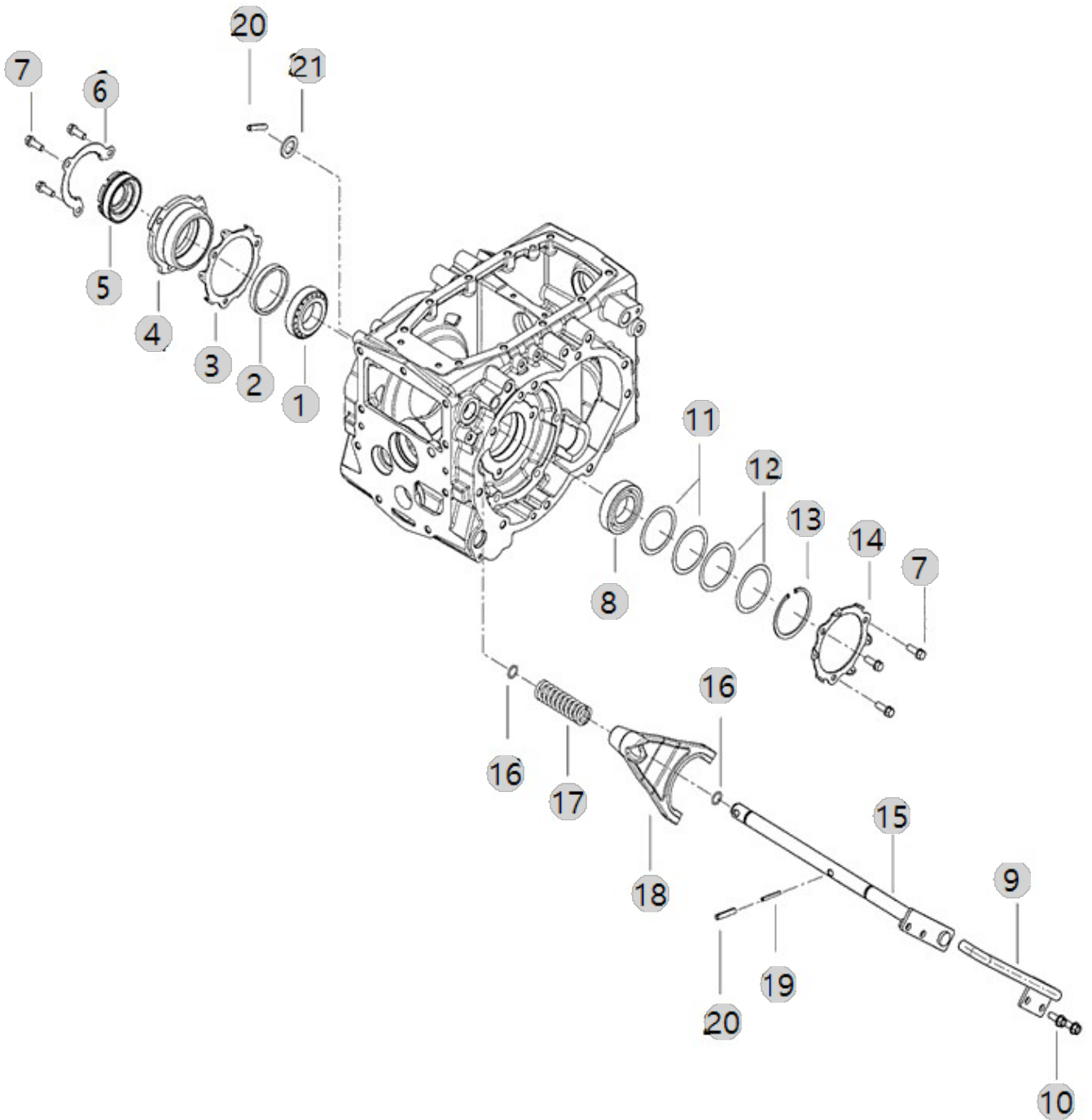
F11060

BRANSON K3CH
TM_US(AC01569)

DIFFERENTIAL

Year/Month

2022-12-15



F11080

BRANSON K3CH
TM_US(AC01569)

4WD LEVER

Year/Month

2022-12-15

