

T454SH

Parts Catalog

# 목 차

---

## 0. TRACTOR KIT PART NO. TK1

FIG 000 TRAILER SOCKET KIT	7
FIG 001 ADAPTER KIT	9
FIG 001 EXTERNAL POSITION LEVER KIT	11

## 1. Engine PART NO. EG

FIG 100 ENGINE	14
FIG 101B CYLINDER BLOCK (T454)	16
FIG 102 GEAR HOUSING	18
FIG 103 FLYWHEEL HOUSING & OIL SUMP	20
FIG 104B CYLINDER HEAD & BONNET (T454)	22
FIG 105B SUCTION MANIFOLD (T454)	25
FIG 106B EXHAUST MANIFOLD (T454)	27
FIG 107B DIESEL PARTICULATE FILTER (T454)	29
FIG 108 CAMSHAFT & DRIVING GEAR	31
FIG 110B CRANKSHAFT & PISTON (T454)	33
FIG 111 BALANCER	35
FIG 112B LUB. OIL SYSTEM (T454)	37
FIG 114 COOLING WATER SYSTEM	39
FIG 115 FUEL SUPPLY PUMP	41
FIG 116B FUEL INJECTION VALVE (T454)	43
FIG 117 FUEL LINE	45
FIG 118 STARTING MOTOR	47
FIG 119 GENERATOR	49
FIG 120B ELECTRONIC CONTROL UNIT (T454)	51
FIG 121B ELECTRIC PARTS (T454)	53
FIG 122B ACCESSORY (T454)	55

## 2. Engine Accessories PART NO. T2

FIG 201 AIR CLEANER	58
---------------------	----

FIG 202 RADIATOR	60
FIG 203 MUFFLER	62
FIG 204 FUEL HOSE & FILTER	64
FIG 205 FUEL TANK	66
FIG 206 ACCELERATOR	68
FIG 207 OIL COOLER	70
FIG 208 FAN , COOLING	72

### 3. Clutch/Brake/Steering PART NO. T3

FIG 301 CLUTCH	75
FIG 302 CLUTCH PEDAL	77
FIG 303 BRAKE	79
FIG 304 BRAKE PEDAL & LINK	81
FIG 305A FRONT WHEEL	83
FIG 305B FRONT WHEEL (R4 OPTION)	85
FIG 306A REAR WHEEL	87
FIG 306B REAR WHEEL (R4 OPTION)	89
FIG 307 POWER STEERING WHEEL	91
FIG 308 POWER STEERING VALVE	93
FIG 309 POWER STEERING CYLINDER	95

### 4. Transmission PART NO. T4

FIG 401 TRANSMISSION FRONT CASE	98
FIG 402 HST	100
FIG 402-1 HST	102
FIG 403 MID TRANSMISSION CASE	104
FIG 404 TRANSTER GEAR SET	106
FIG 405 TRANSMISSION REAR CASE	108
FIG 406 SUB CHANGE GEARS	110
FIG 407 SUB CHANGE SHIFTER	112
FIG 408 DRIVE GEARS	114
FIG 409 4WD CHANGE LEVER	116
FIG 410 P.T.O DRIVE SHAFT	118
FIG 411 P.T.O CHANGE GEARS	120
FIG 412 REAR DIFFERENTIAL GEARS	122
FIG 413 REAR AXLE HOUSING	125

## 5. Front Axle PART NO. T5

FIG 501 FRONT AXLE SUPPORT	128
FIG 502 FRONT DRIVE SHAFT	130
FIG 503 FRONT AXLE HOUSING	132
FIG 504 FRONT DIFFERENTIAL GEARS	134
FIG 505 FRONT GEAR CASE (1)	136
FIG 506 FRONT GEAR CASE (2)	138
FIG 507 FRONT GEAR CASE (3)	140

## 6. Hydraulic/3P-Link PART NO. T6

FIG 601 CYLINDER CASE	143
FIG 602 LIFT ARM	145
FIG 603 CYLINDER	147
FIG 604 POSITION LINK	149
FIG 605 CONTROL VALVE	151
FIG 606 DRAFT LINK	153
FIG 607 POSITION & DRAFT LEVER	155
FIG 607 POSITION & DRAFT LEVER	157
FIG 609 HYDRAULIC PIPE	159
FIG 610 JOYSTICK	162
FIG 611 HYDRAULIC HOSE	164
FIG 612 HITCH & 3-POINT LINK	166
FIG 613 LOWER LINK & LIFT ROD	169
FIG 614 EXTERNAL POSITION LEVER KIT	171

## 7. Sheet Metal & Cabin PART NO. T7

FIG 701 HOOD (1)	174
FIG 702 HOOD (2)	177
FIG 704A LEVER COVER & STEP	179
FIG 705 FRONT & REAR MOUNTING	181
FIG 706 SEAT & MAT	183
FIG 709 DOOR	185
FIG 710A FRONT GLASS	188
FIG 711 SIDE GLASS	190



FIG 712 REAR GLASS	192
FIG 713A SUB FENDER&COVER	194
FIG 714A MIRROR	196
FIG 715A HEATER & AIR-CON	198
FIG 715B HEATER & AIR-CON	200
FIG 716 FENDER COVER	202
FIG 717 ROOF	204
FIG 718 CABIN INTERIOR	206
FIG 719 PEDAL SUB ASSY	208

## 8. Electrical System PART NO. T8

FIG 801 BATTERY & MOUNTING	211
FIG 802 LIGHT & BACK LAMP	213
FIG 803 INSTRUMENT PANEL	215
FIG 804 ELECTRIC SYSTEM (1)	217
FIG 805A ELECTRIC SYSTEM (2)	219
FIG 806 INSTRUMENT PANEL	221

## 9. Label/Option PART NO. T9

FIG 901 TOOL & ACCESSORY	224
FIG 902A LABEL	226

# 0. TRACTOR KIT PART NO. TK1

FIG 000 TRAILER SOCKET KIT

7

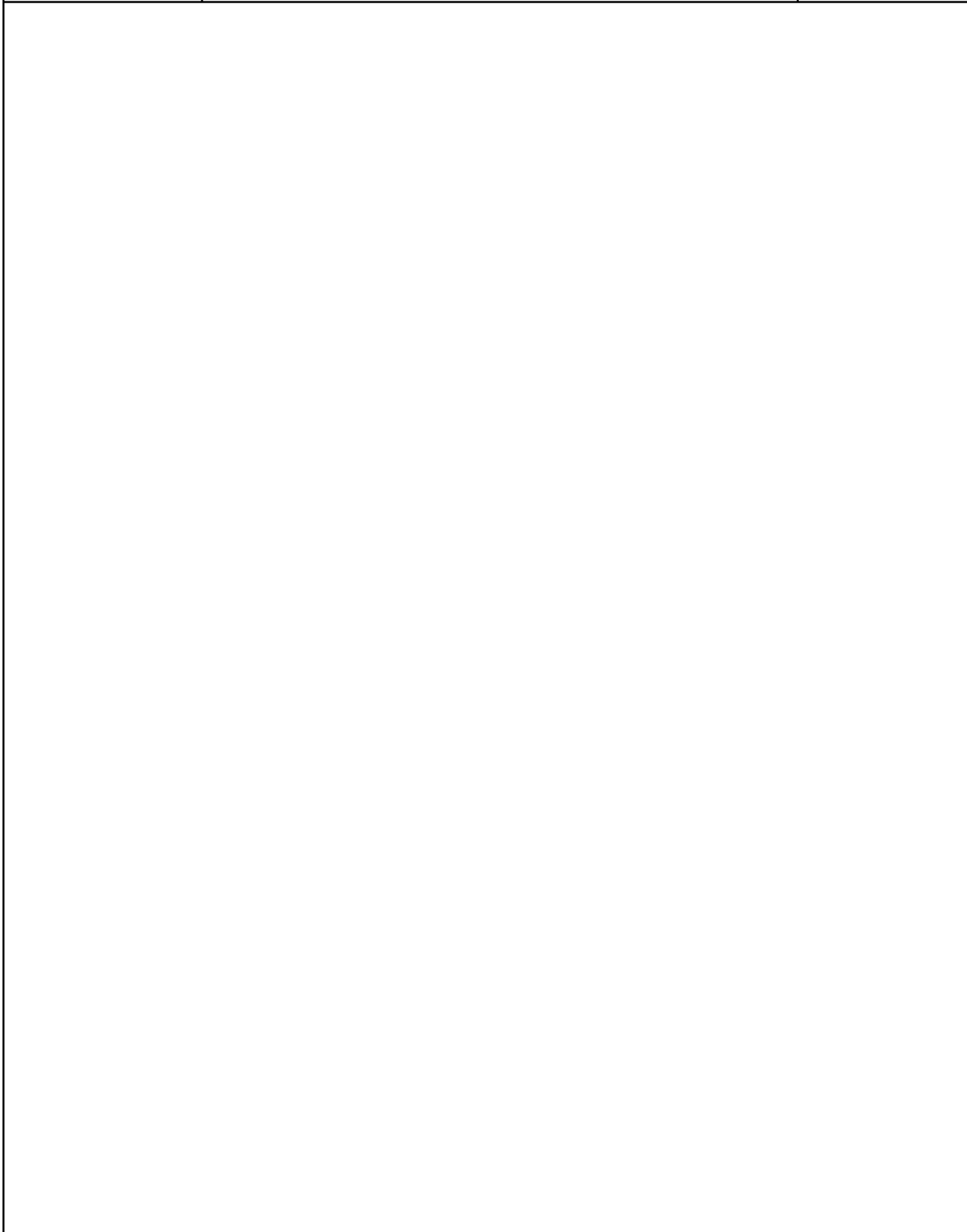
FIG 001 ADAPTER KIT

9

FIG 001 EXTERNAL POSITION LEVER KIT

11

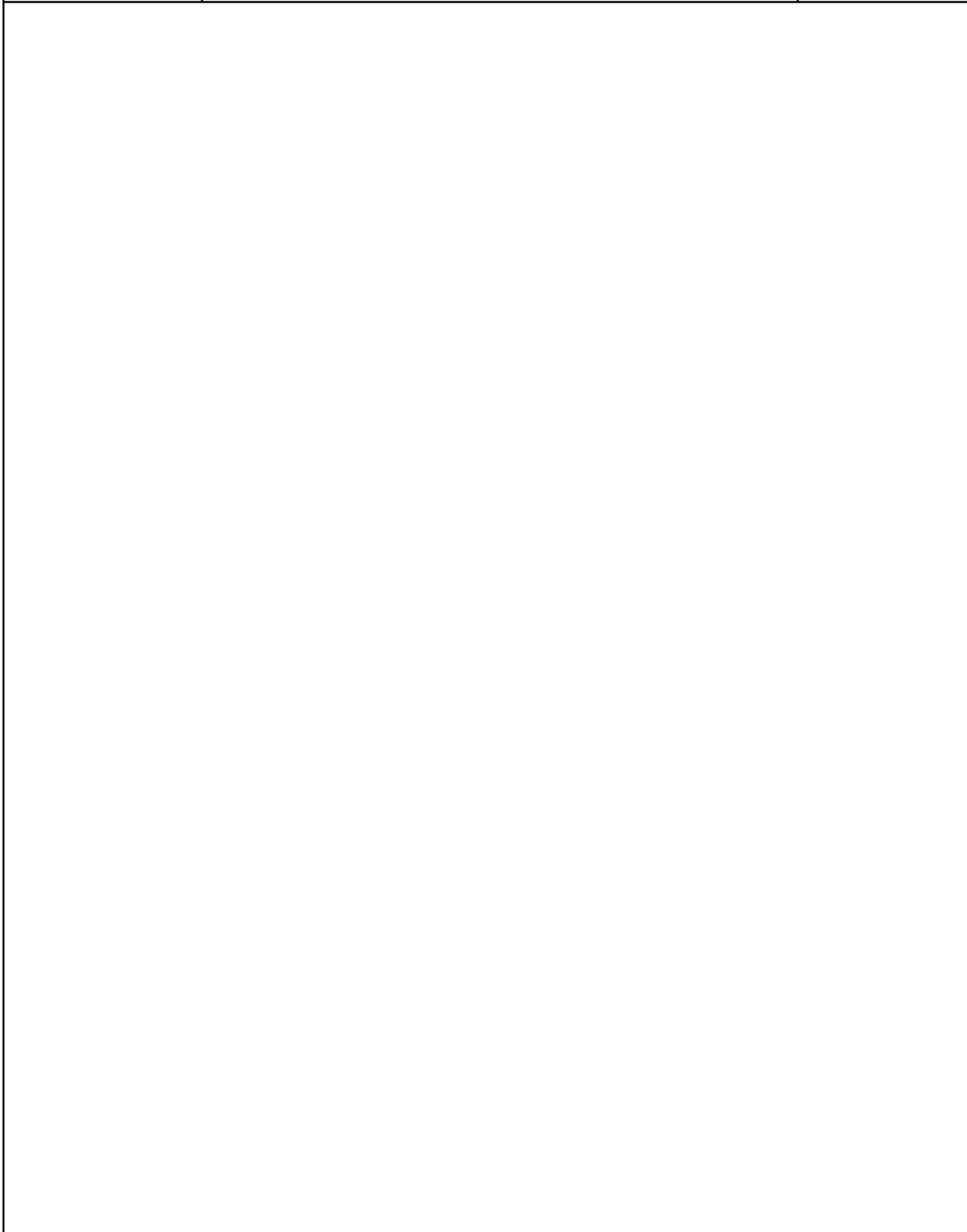
FIG 000 T454SH	TRAILER SOCKET KIT	년/월 Year/Month 2022-12
-------------------	--------------------	------------------------------



NOTE	
------	--



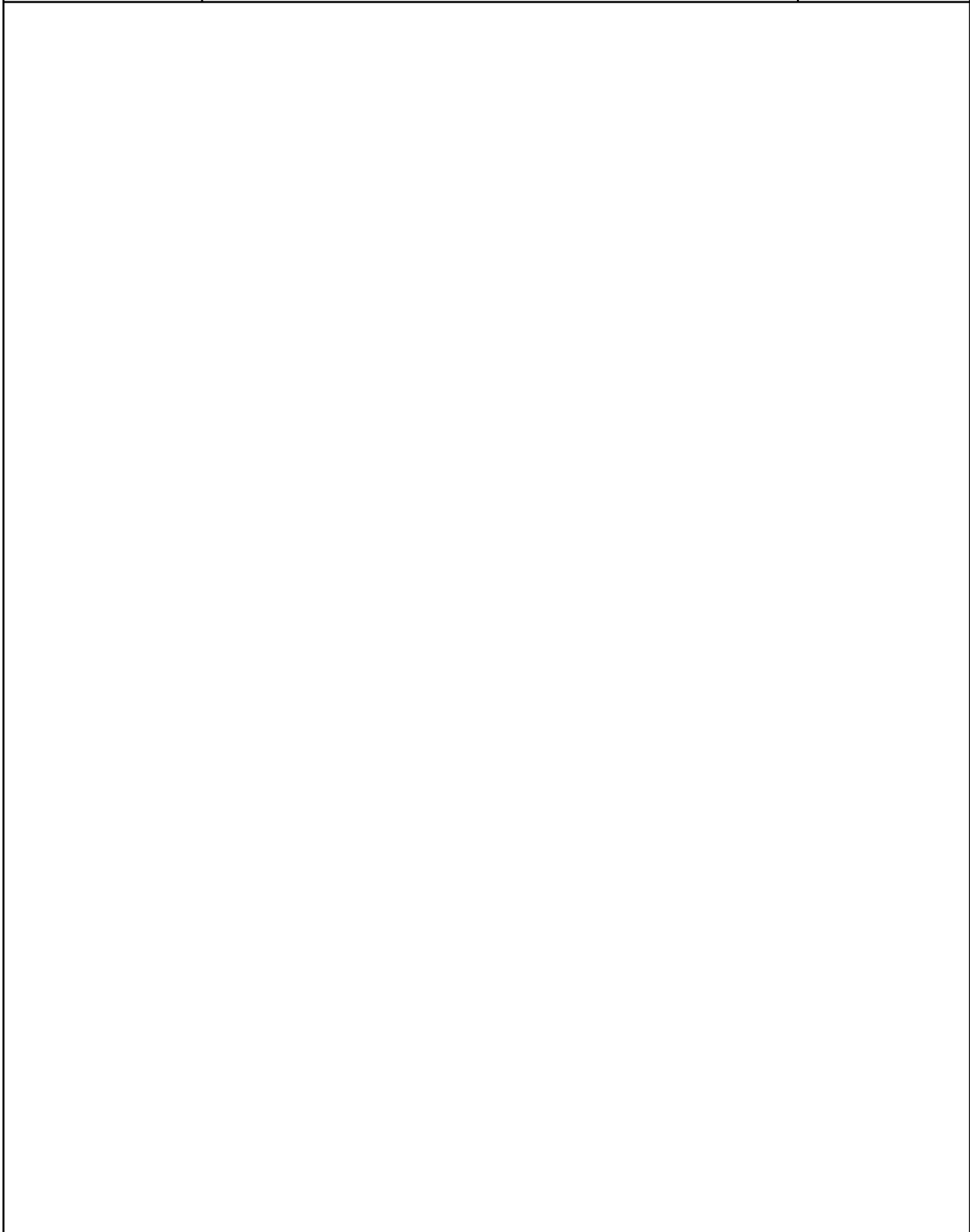
FIG 001 T454SH	ADAPTER KIT	년/월 Year/Month 2022-12
-------------------	-------------	------------------------------



NOTE	
------	--



FIG 001 T454SH	EXTERNAL POSITION LEVER KIT	년/월 Year/Month 2022-12
-------------------	-----------------------------	------------------------------



NOTE	
------	--

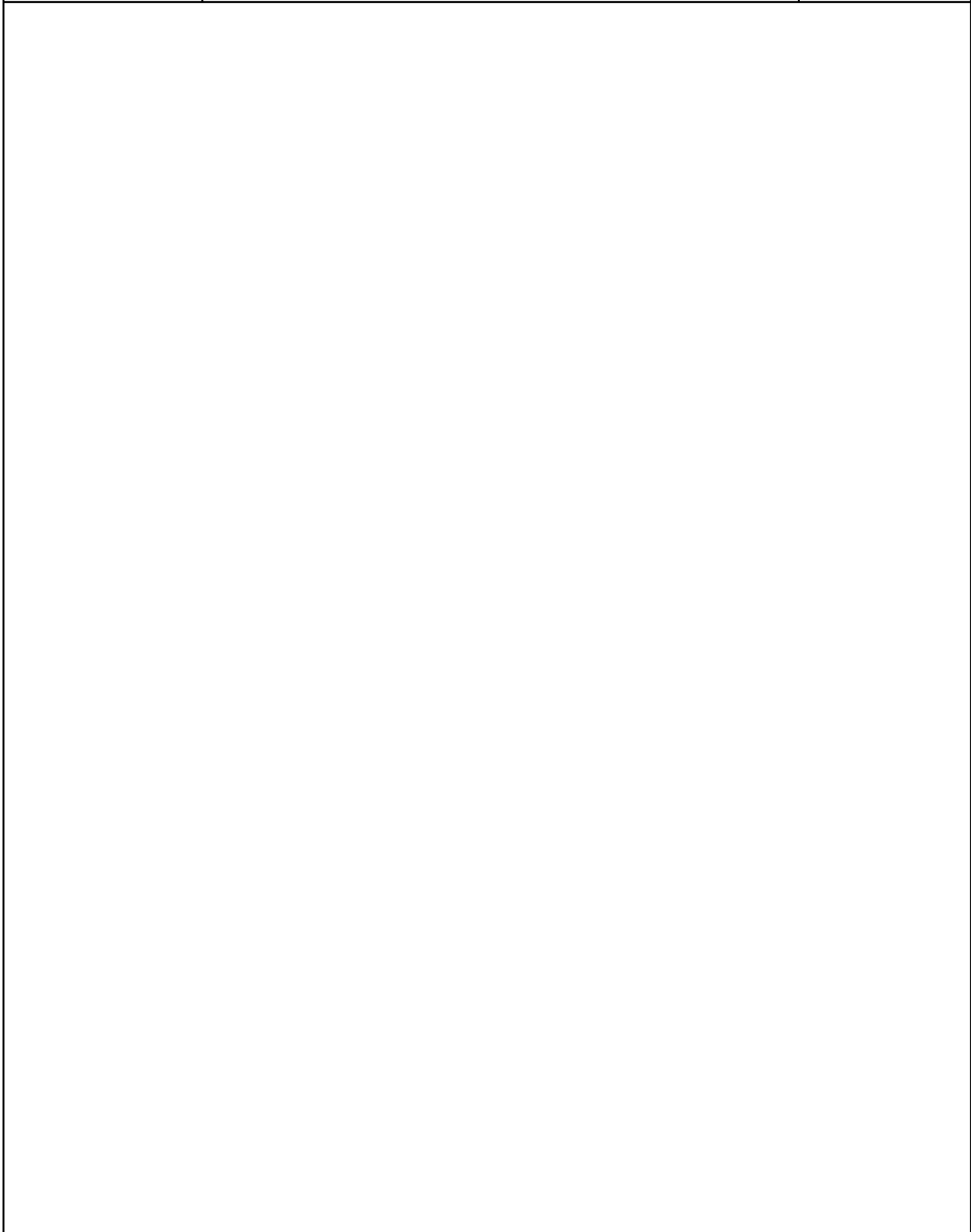




## 1. Engine PART NO. EG

FIG 100 ENGINE	14
FIG 101B CYLINDER BLOCK (T454)	16
FIG 102 GEAR HOUSING	18
FIG 103 FLYWHEEL HOUSING & OIL SUMP	20
FIG 104B CYLINDER HEAD & BONNET (T454)	22
FIG 105B SUCTION MANIFOLD (T454)	25
FIG 106B EXHAUST MANIFOLD (T454)	27
FIG 107B DIESEL PARTICULATE FILTER (T454)	29
FIG 108 CAMSHAFT & DRIVING GEAR	31
FIG 110B CRANKSHAFT & PISTON (T454)	33
FIG 111 BALANCER	35
FIG 112B LUB. OIL SYSTEM (T454)	37
FIG 114 COOLING WATER SYSTEM	39
FIG 115 FUEL SUPPLY PUMP	41
FIG 116B FUEL INJECTION VALVE (T454)	43
FIG 117 FUEL LINE	45
FIG 118 STARTING MOTOR	47
FIG 119 GENERATOR	49
FIG 120B ELECTRONIC CONTROL UNIT (T454)	51
FIG 121B ELECTRIC PARTS (T454)	53
FIG 122B ACCESSORY (T454)	55

FIG 100 T454SH	ENGINE	년/월 Year/Month 2022-12
-------------------	--------	------------------------------



NOTE	
------	--



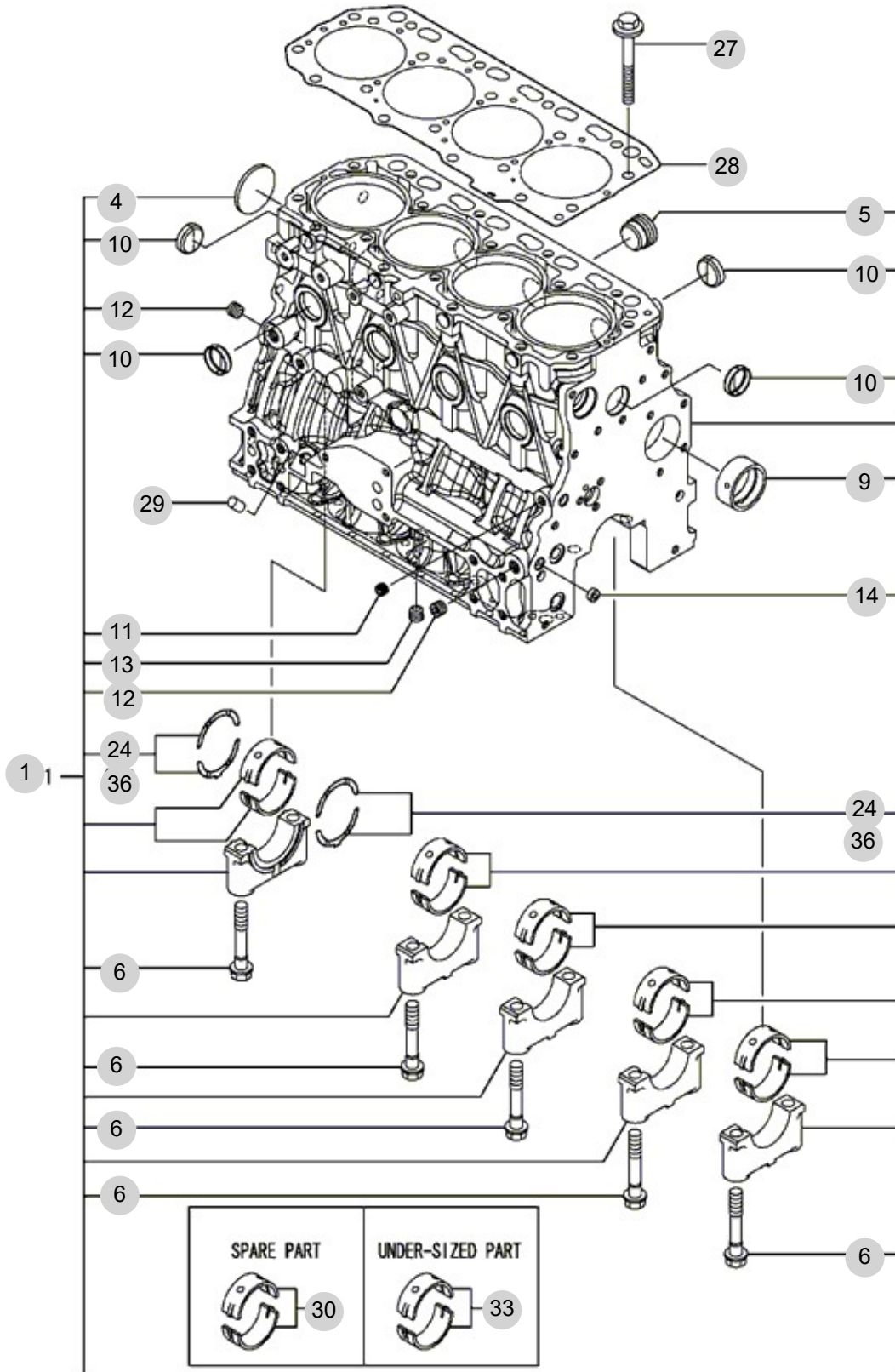
FIG 101B

CYLINDER BLOCK (T454)

년/월  
Year/Month

2022-12

T454SH



NOTE



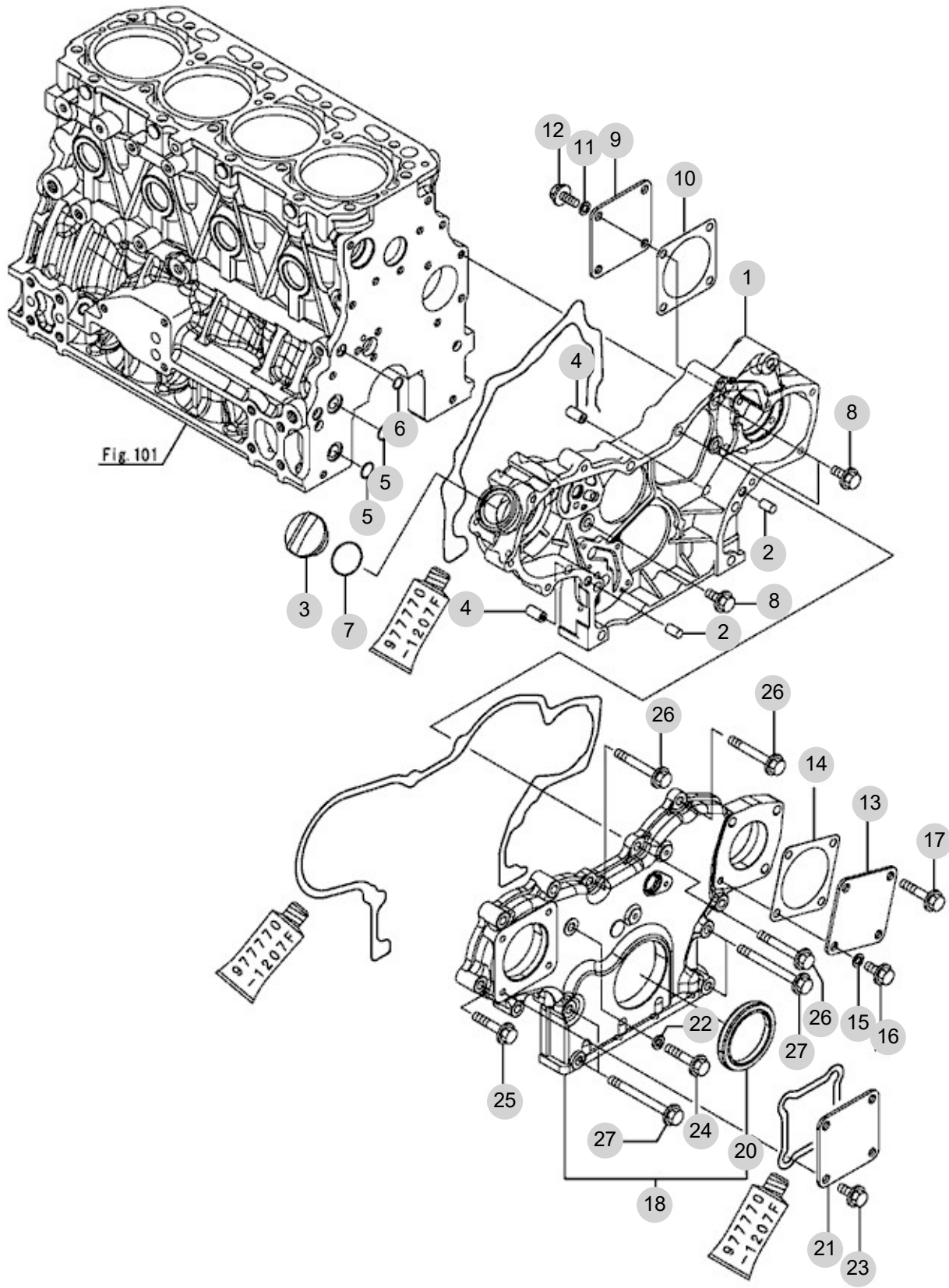
FIG 102

GEAR HOUSING

년/월  
Year/Month

2022-12

T454SH



NOTE



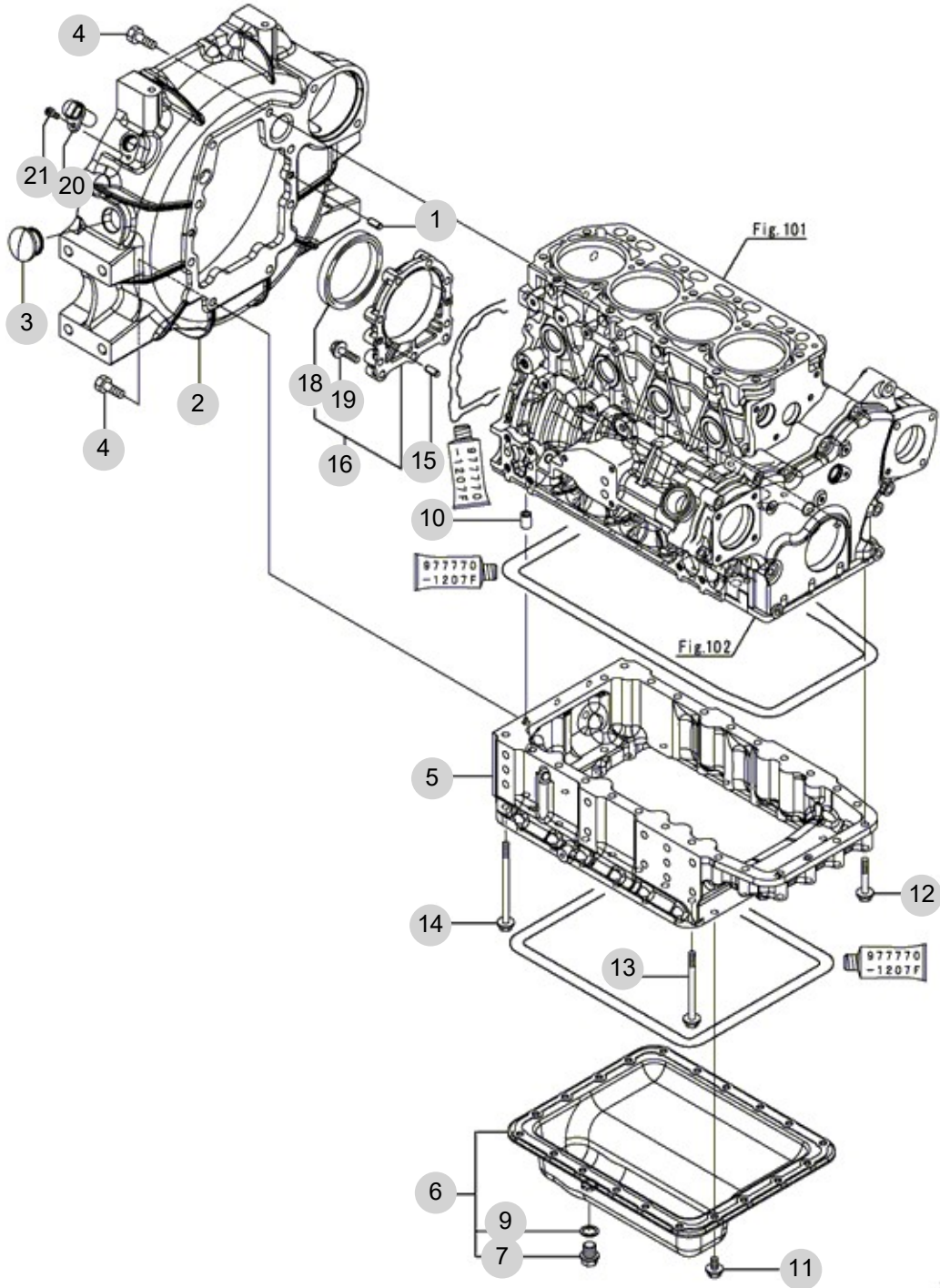
FIG 103

T454SH

FLYWHEEL HOUSING & OIL SUMP

년/월  
Year/Month

2022-12



NOTE





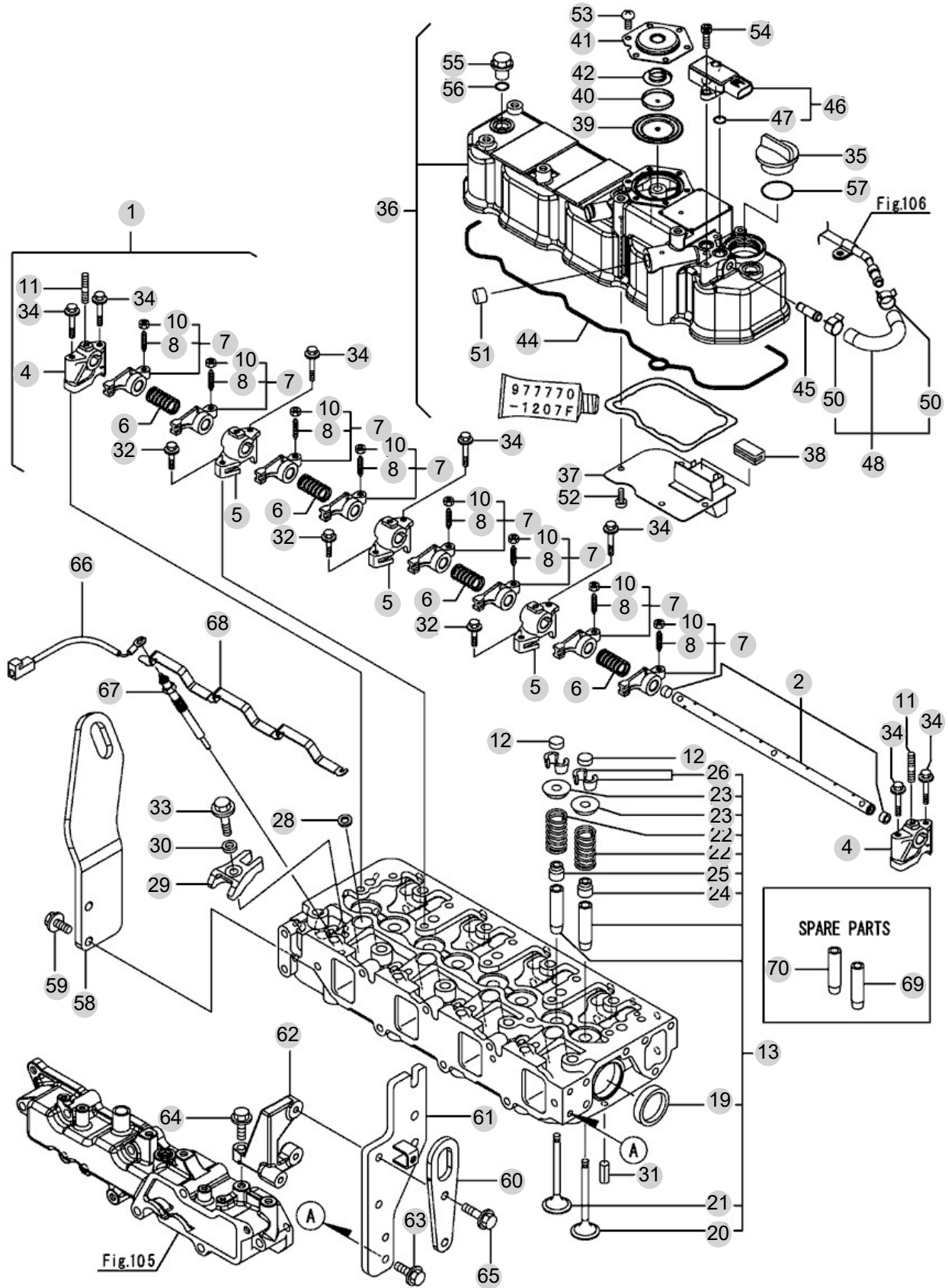
FIG 104B

CYLINDER HEAD & BONNET (T454)

년/월  
Year/Month

2022-12

T454SH



NOTE

FIG 104B		CYLINDER HEAD & BONNET (T454)					년/월 Year/Month		
							2022-12		
T454SH		KEY NO	PART NO	DESCRIPTION	SPEC	QTY	REPAIR	EFFECTIVE DATE	REMARKS
104B	1	129601-11241	SHAFTASSY,ROCKER			1			
104B	2	129601-11251	SHAFT,ROCKERARM			1			
104B	4	119802-11260	SUPPORT,ROCKERARM			2			
104B	5	119802-11270	SUPPORT,ROCKERARM			3			
104B	6	129150-11280	SPRING			4			
104B	7	129004-11650	ARM,ROCKER			8			
104B	8	129150-11230	SCREW,VALVEADJUST			8			
104B	10	129150-11750	NUT, M8			8			
104B	11	26226-080182	STUD, M8X18			3			
104B	12	129150-11370	CAP,VALVE			8			
104B	13	129C00-11710	HEADASSY,CYLINDER			1			
104B	19	27241-400000	PLUG,40			2			
104B	20	129005-11100	VALVE,INTAKE			4			
104B	21	129100-11112	VALVE,EXHAUST			4			
104B	22	129795-11120	SPRING,VALVE			8			
104B	23	129795-11180	RETAINER,SPRING			8			
104B	24	124460-11340	SEAL,VALVESTEM			4			
104B	25	129A00-11340	SEAL,VALVESTEM			4			
104B	26	27310-080001	COTTER,8			8			
104B	28	129978-11871	GASKET,INJECTOR			4			
104B	29	129A00-11900	RETAINER,INJECTOR			4			
104B	30	120270-54410	WASHER,INJECTOR			4			
104B	31	22351-060012	PIN, SPRING 6.0X12			2			
104B	32	26106-080252	SCREW , HEX FLANGE HEAD CAP			3			
104B	33	26106-080352	BOLT			4			
104B	34	26106-080502	BOLT,M8X50 PLATED			7			
104B	35	124160-01751	COVER,FILLER			1			
104B	36	129C00-11350	BONNETASSY			1			
104B	37	129004-03010	PLATE			1			
104B	38	129150-03070	BAFFLE,BREATHER			1			
104B	39	123907-03100	DIAPHRAGM			1			
104B	40	123907-03110	PLATE			1			
104B	41	123907-03120	PLATE,BREATHER			1			
104B	42	123907-03140	SPRING,DIAPHRAGM			1			
104B	44	129C00-11310	GASKET,COVER			1			
104B	45	129A00-11330	JOINT			1			
104B	46	129A00-12703	SENSOR,PRESSURE			1			
104B	47	129A00-12780	O-RING,PRESSENSOR			2			
104B	48	129A00-13360	HOSEASSY,PRESEXH			1			
104B	50	129A00-13380	CLIP,HOSE14			2			
104B	51	119640-61400	PLUG			1			
104B	52	22857-500100	SCREW,5X10			4			
104B	53	22857-500100	SCREW,5X10			6			
104B	54	26450-060162	BOLT,M6X16			2			
104B	55	124160-11360	KNOB			3			
NOTE									



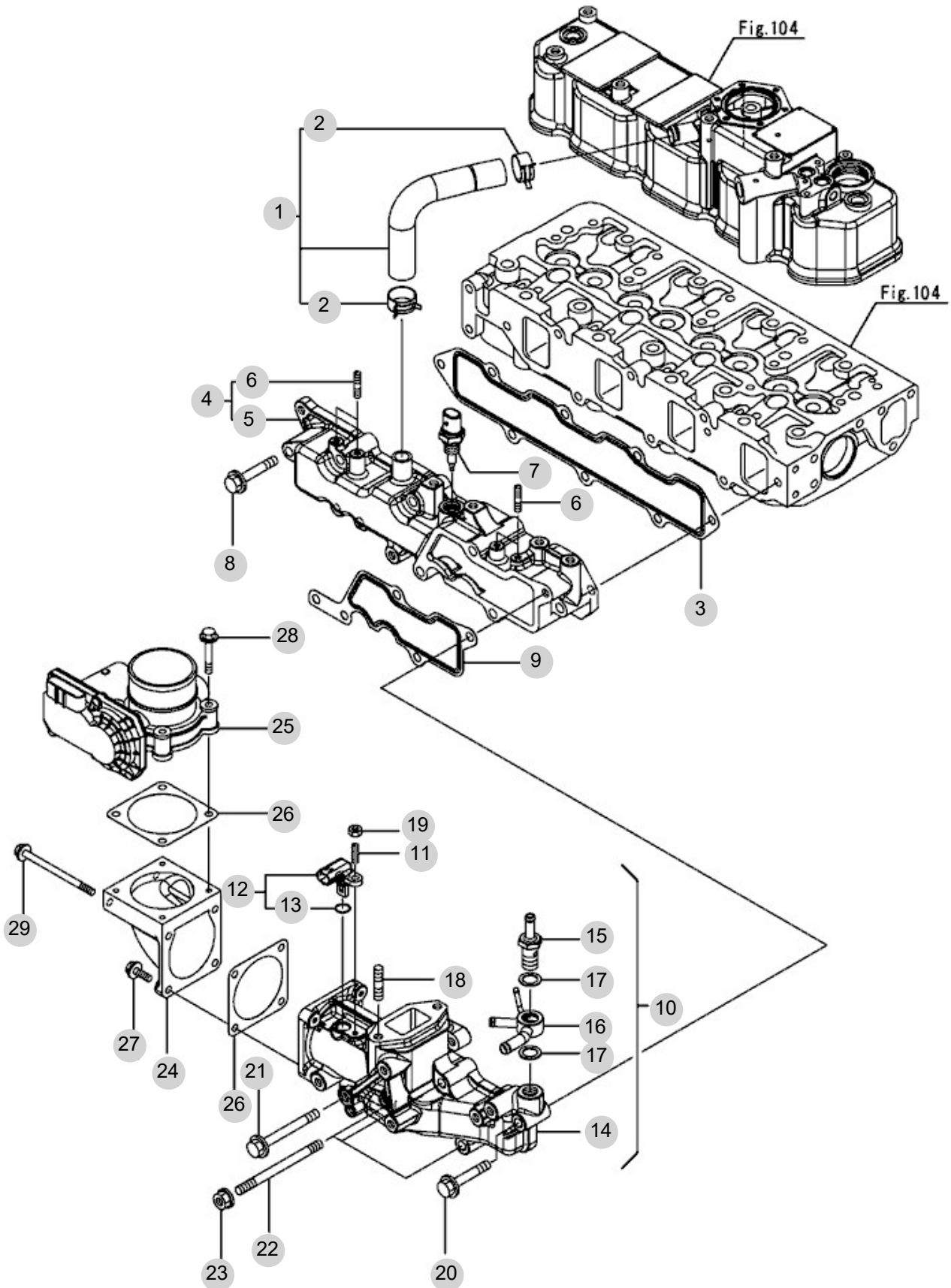
FIG 105B

SUCTION MANIFOLD (T454)

년/월  
Year/Month

2022-12

T454SH



NOTE

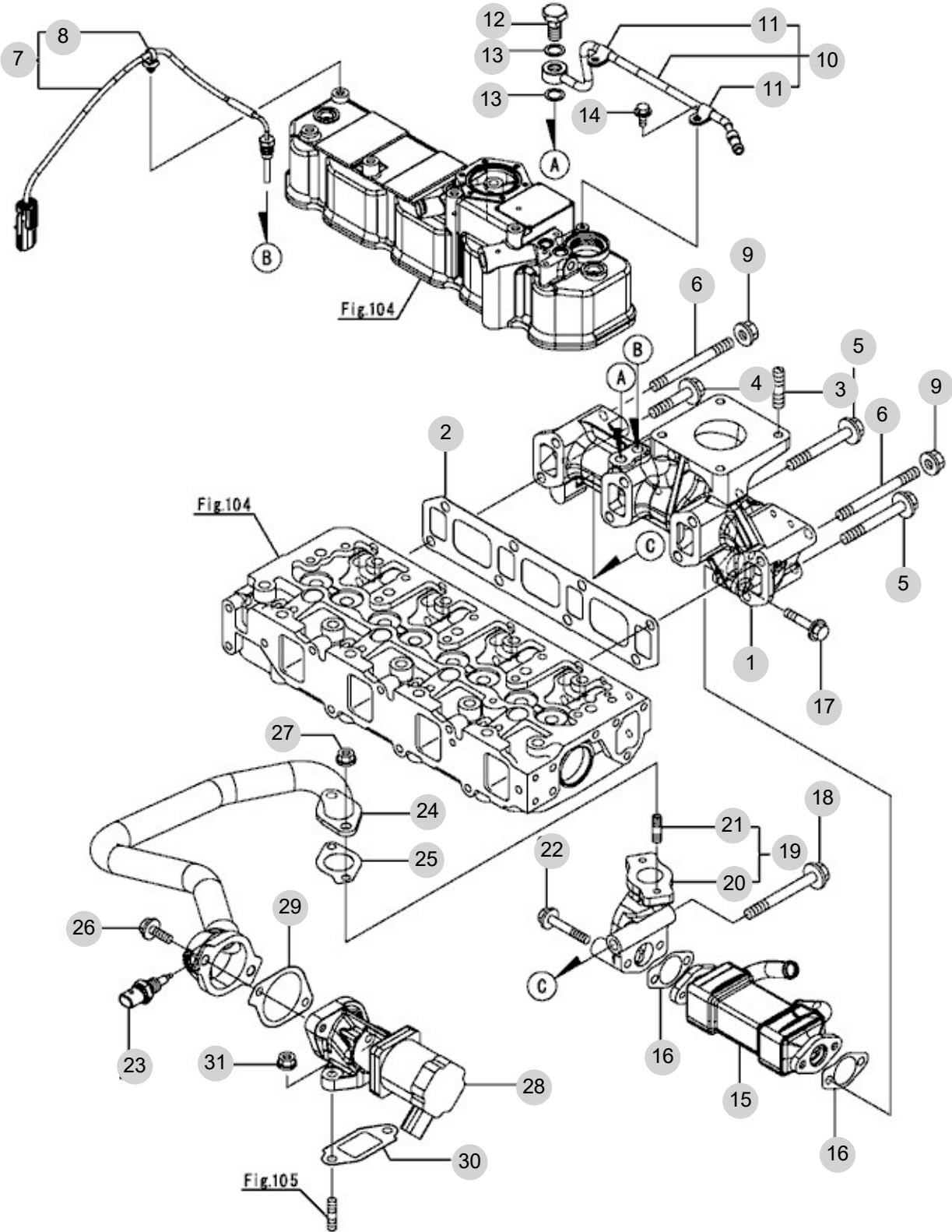


FIG 106B

EXHAUST MANIFOLD (T454)

년/월  
Year/Month

2022-12



NOTE





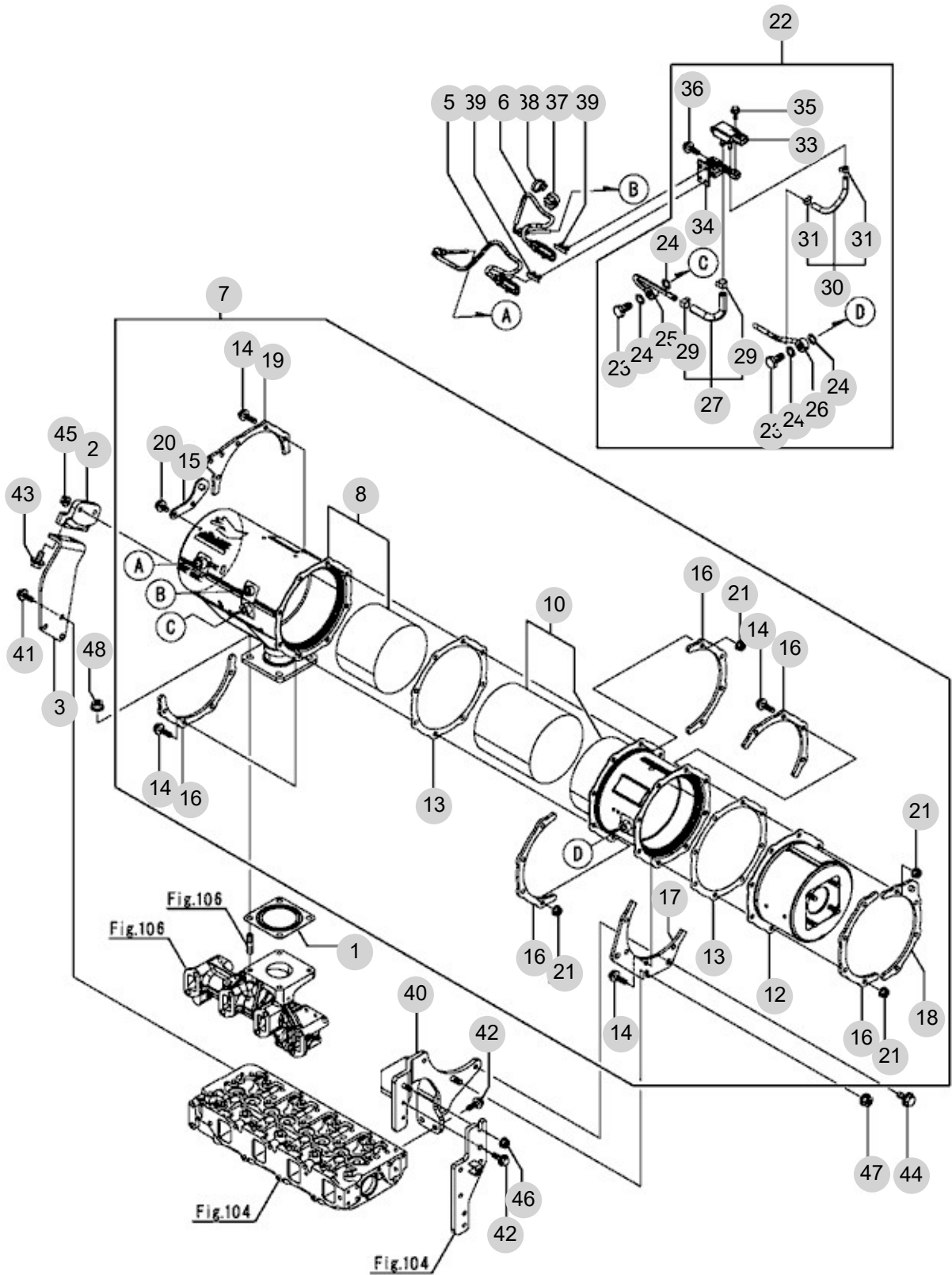
FIG 107B

DIESEL PARTICULATE FILTER (T454)

년/월  
Year/Month

T454SH

2022-12



NOTE



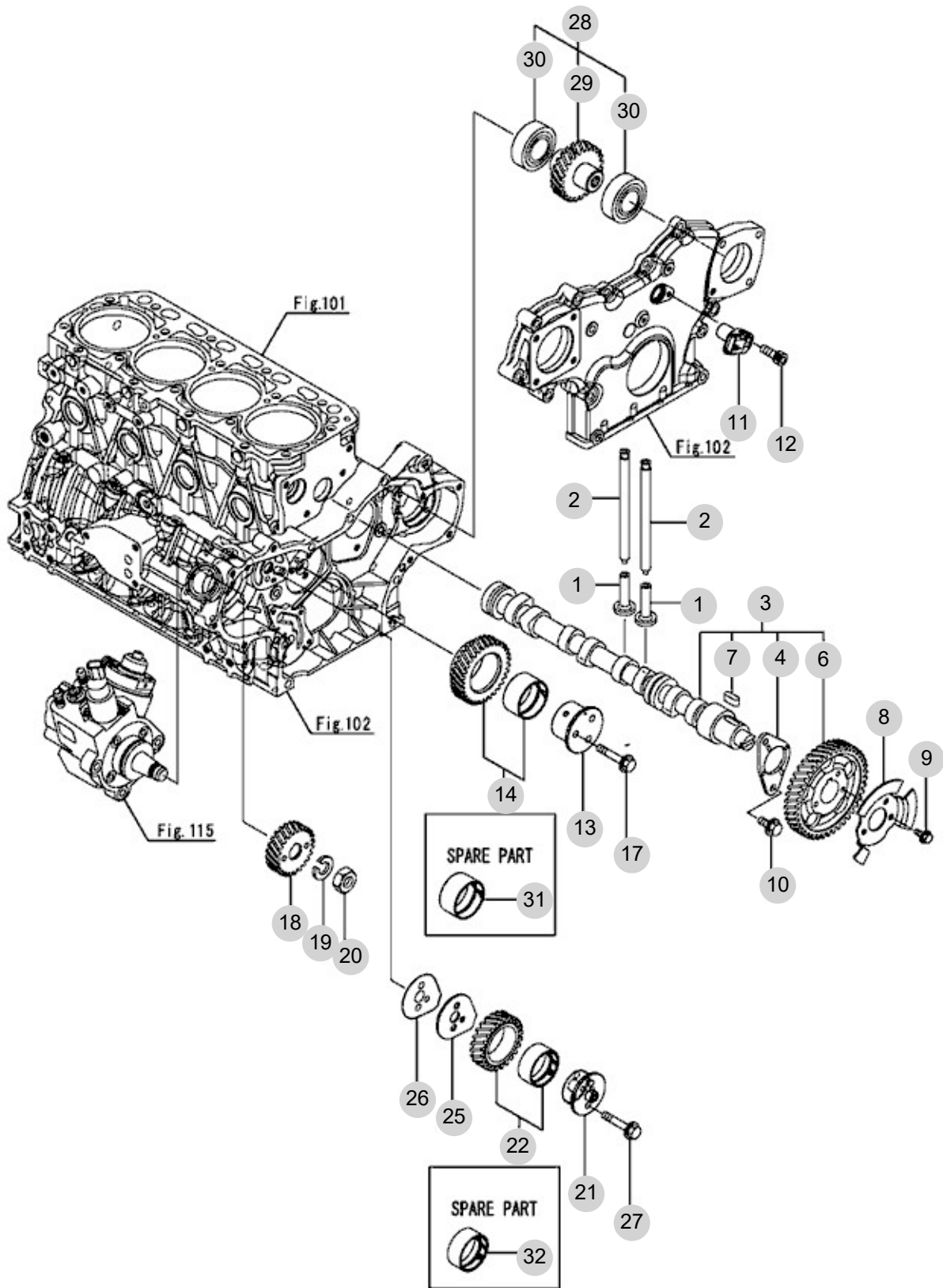
FIG 108

T454SH

CAMSHAFT & DRIVING GEAR

년/월  
Year/Month

2022-12



NOTE



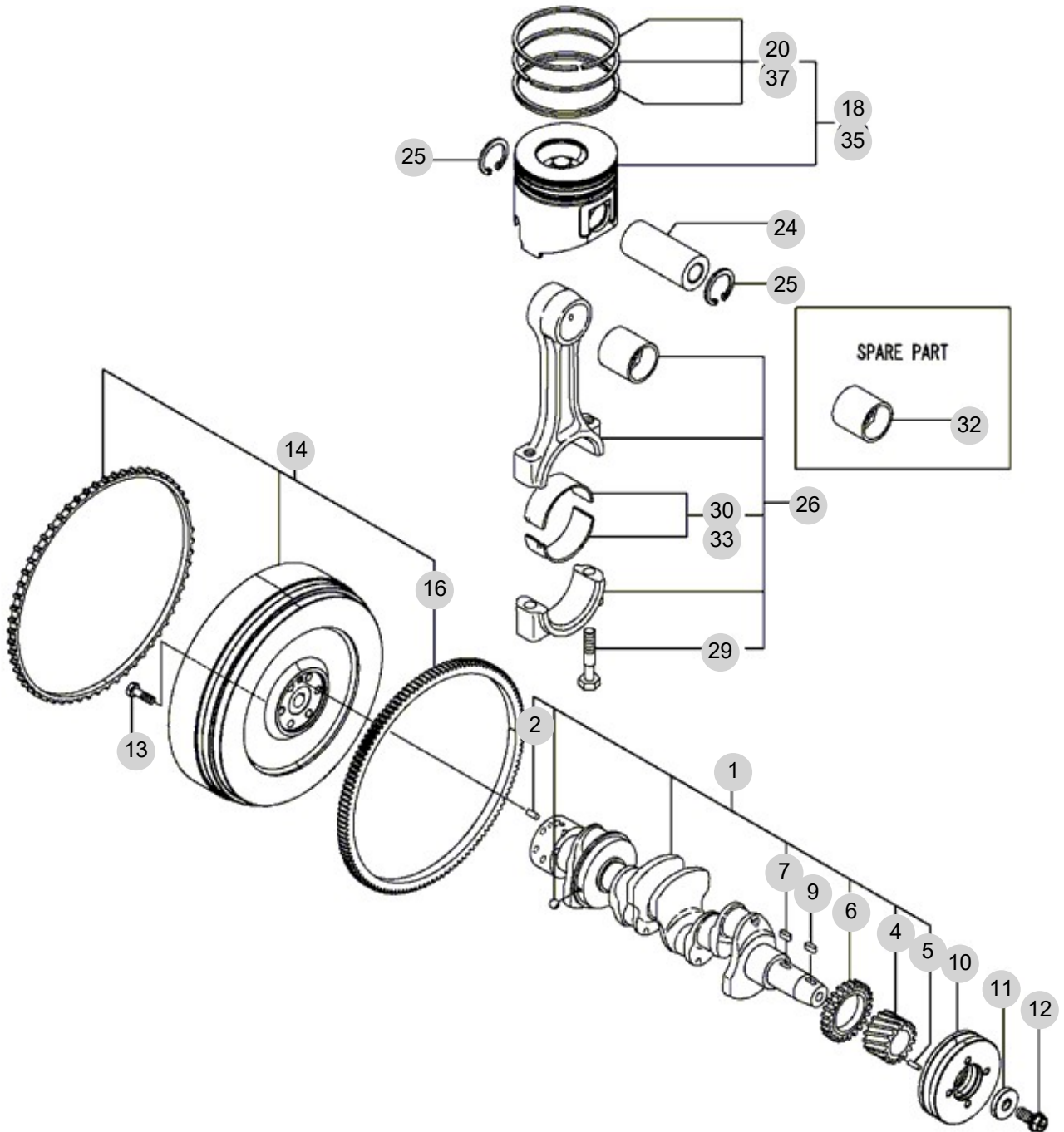
FIG 110B

CRANKSHAFT & PISTON (T454)

년/월  
Year/Month

2022-12

T454SH



NOTE



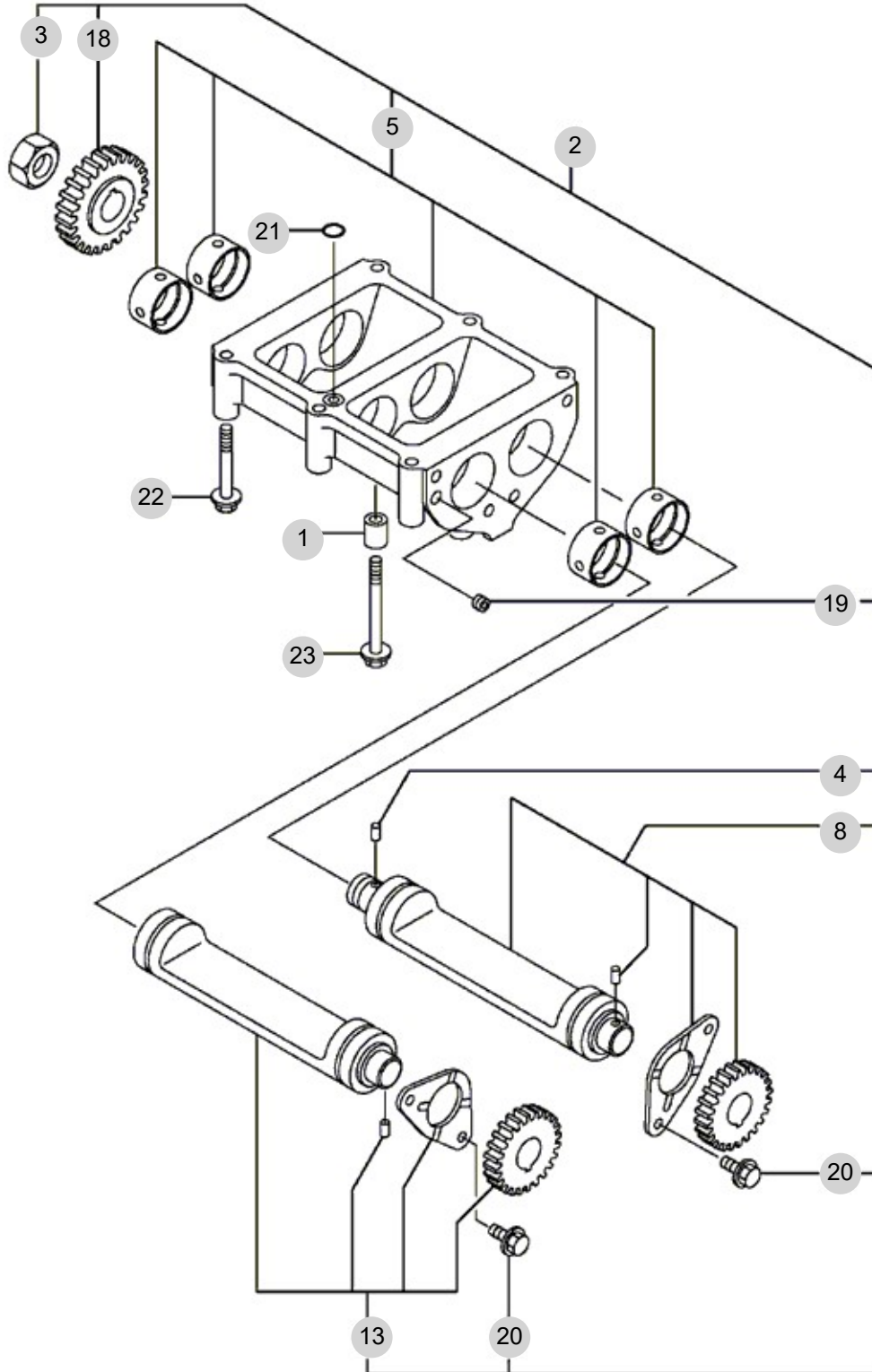
FIG 111

BALANCER

년/월  
Year/Month

2022-12

T454SH



NOTE



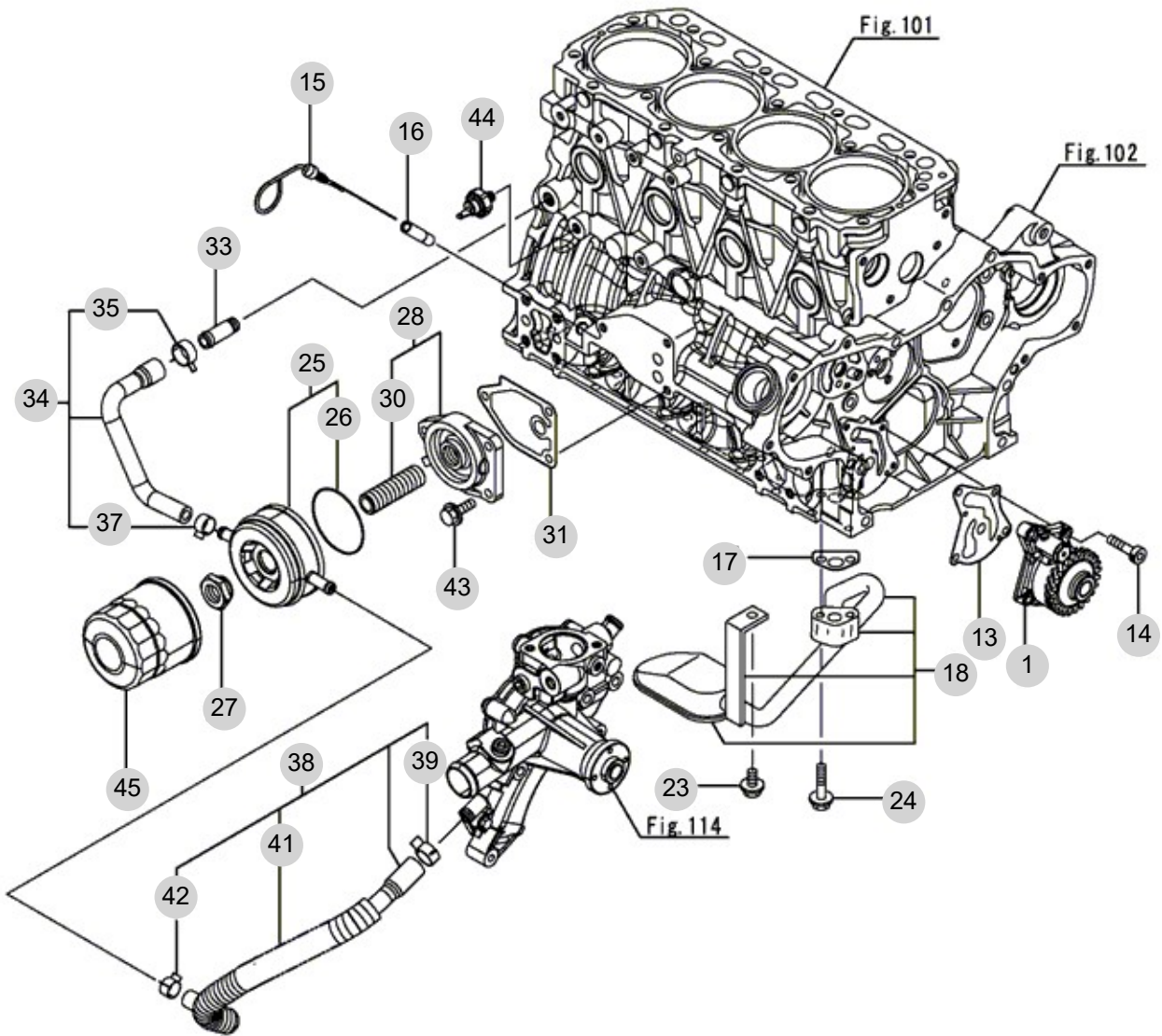


FIG 112B

LUB. OIL SYSTEM (T454)

년/월  
Year/Month

2022-12



NOTE



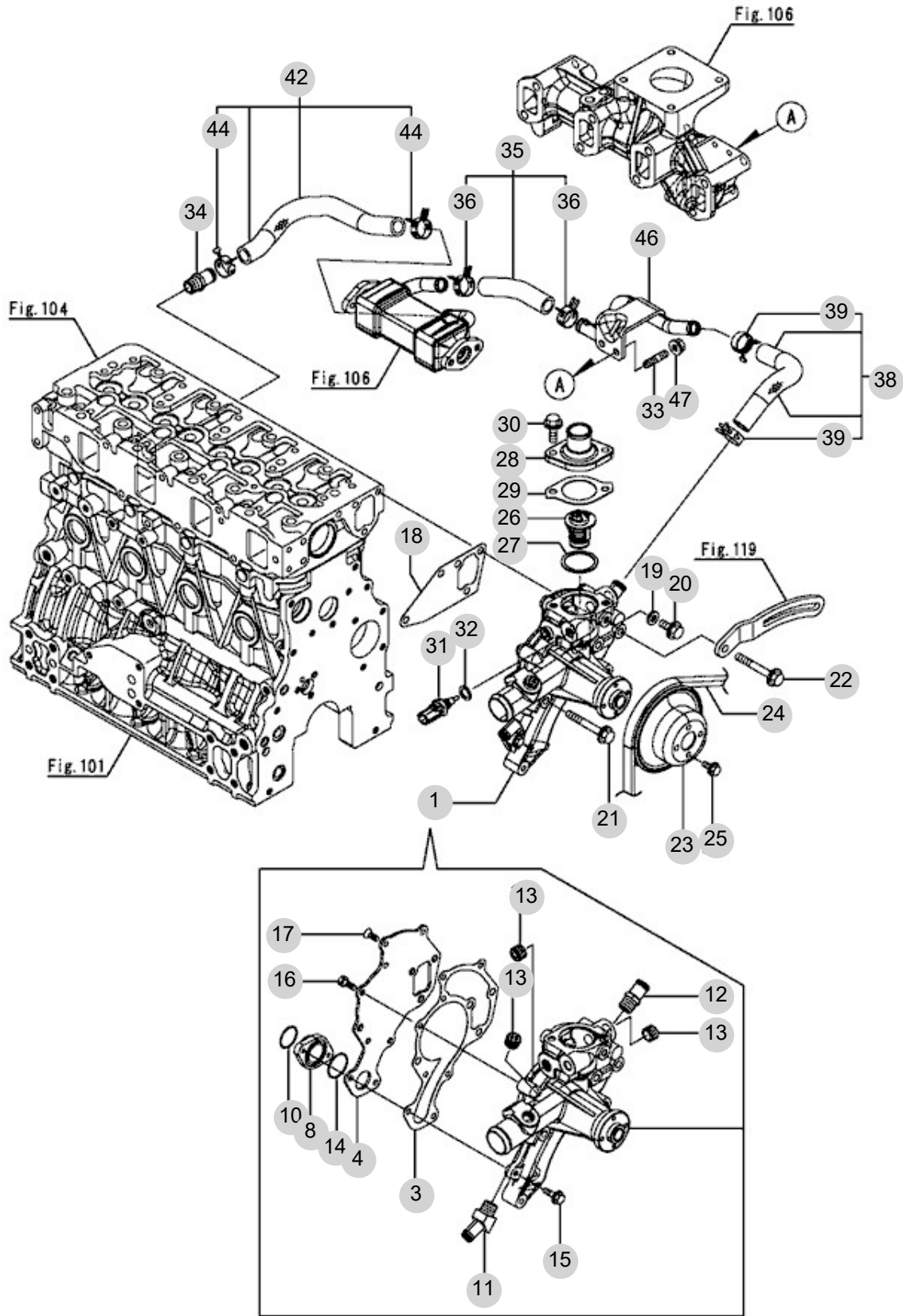
FIG 114

COOLING WATER SYSTEM

년/월  
Year/Month

2022-12

T454SH



NOTE



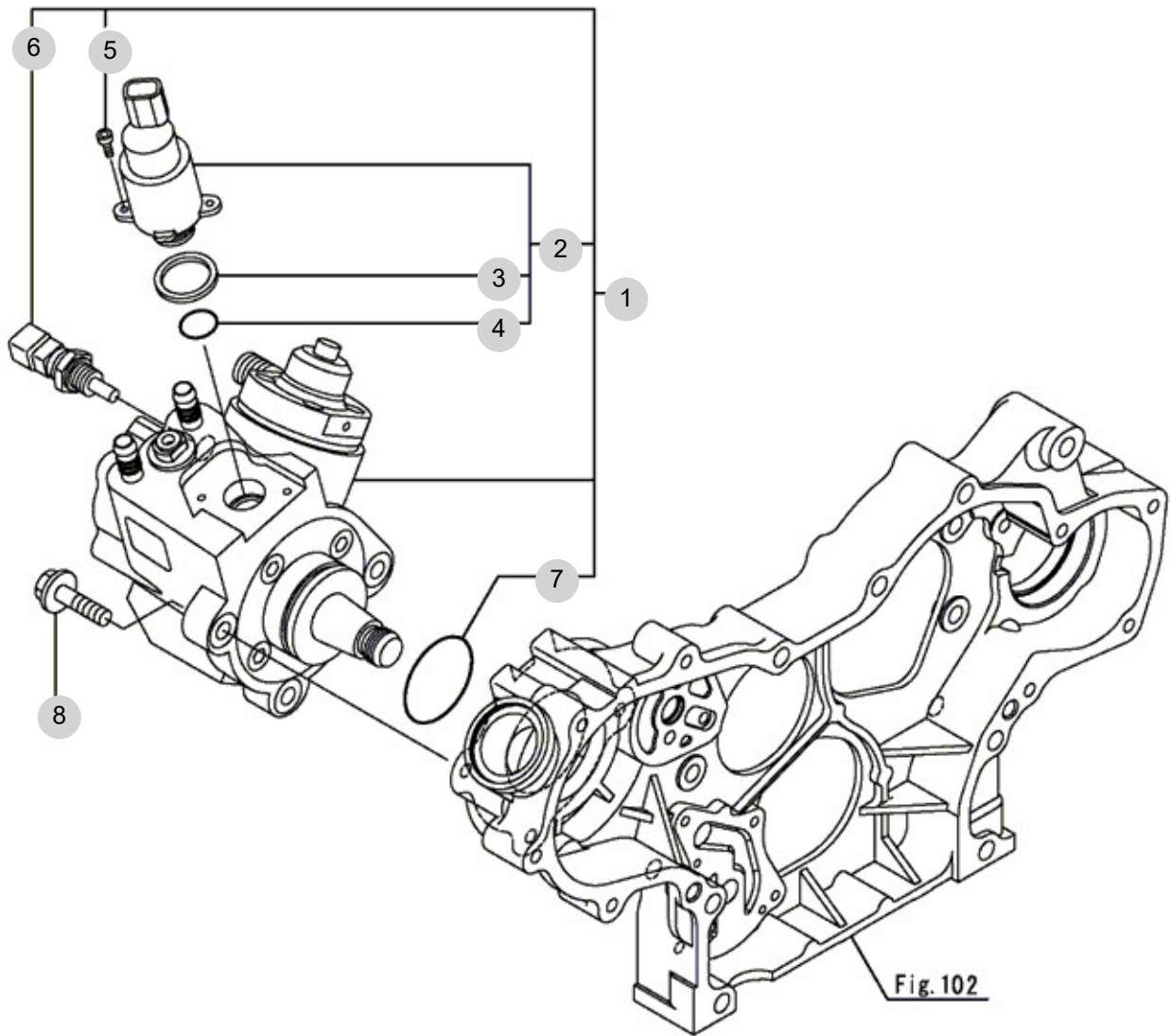
FIG 115

T454SH

FUEL SUPPLY PUMP

년/월  
Year/Month

2022-12



NOTE



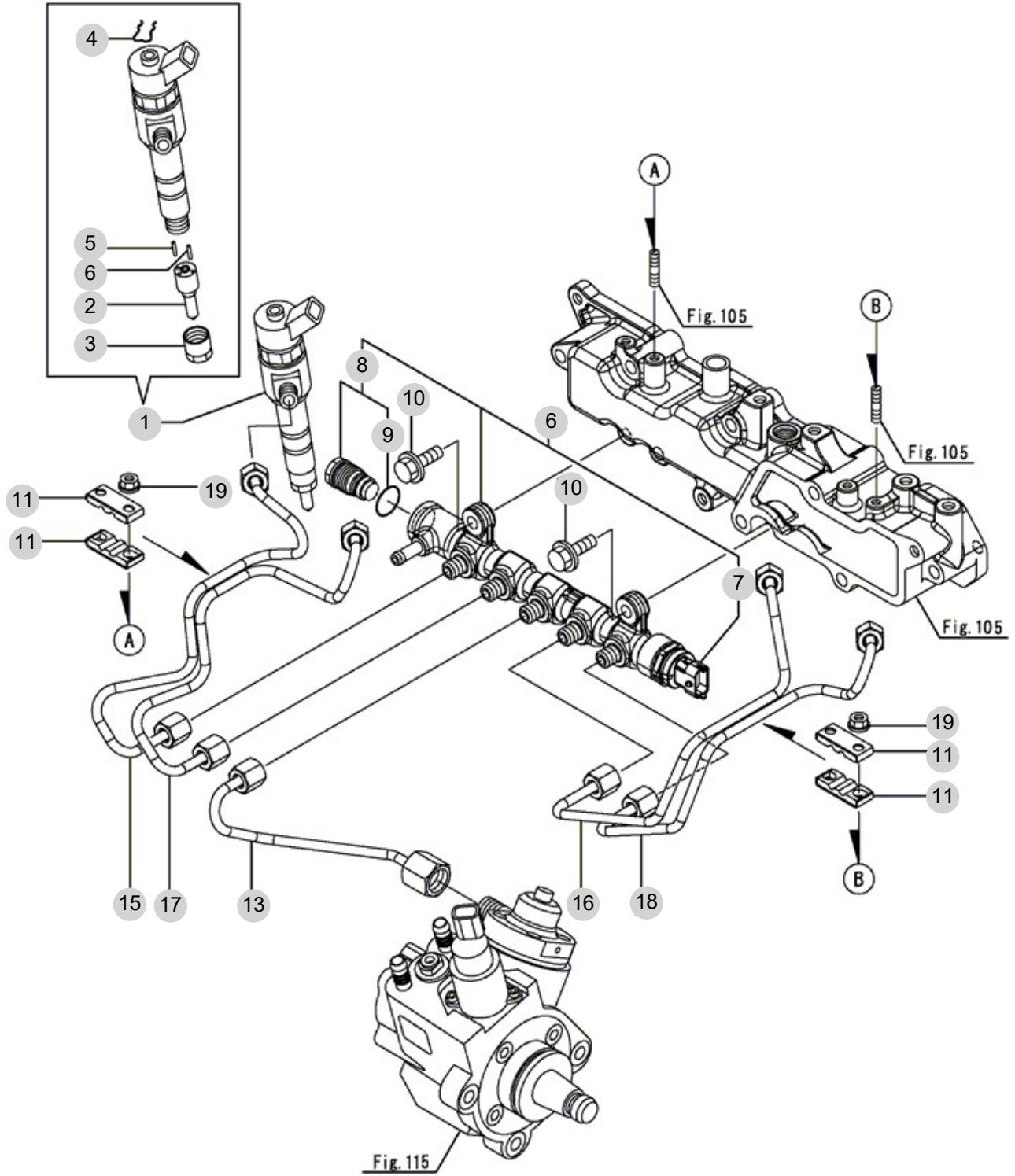
FIG 116B

FUEL INJECTION VALVE (T454)

년/월  
Year/Month

2022-12

T454SH



NOTE





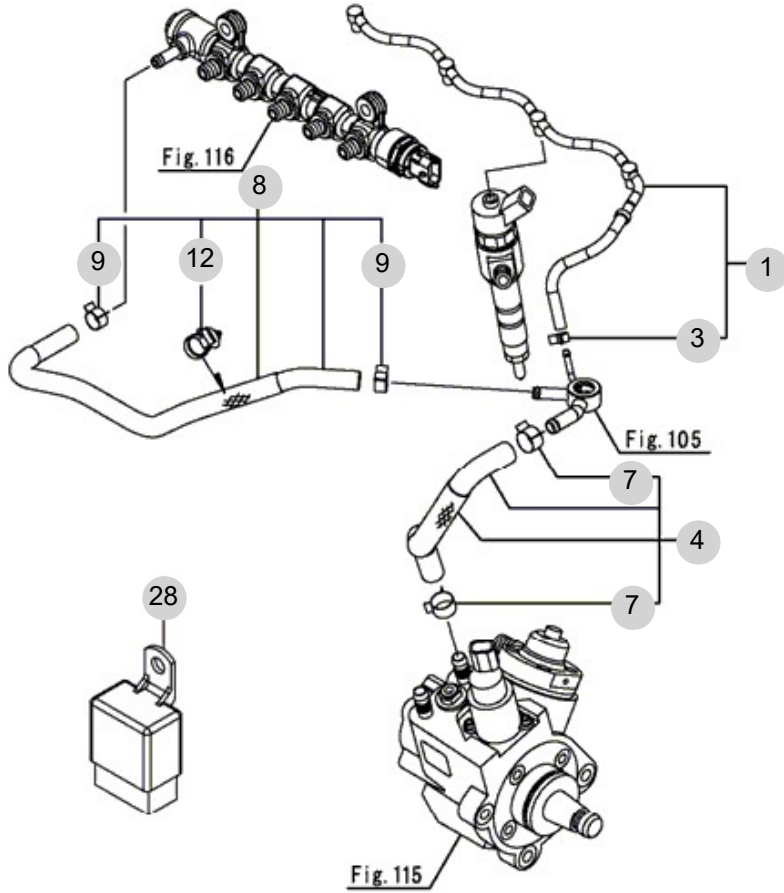
FIG 117

T454SH

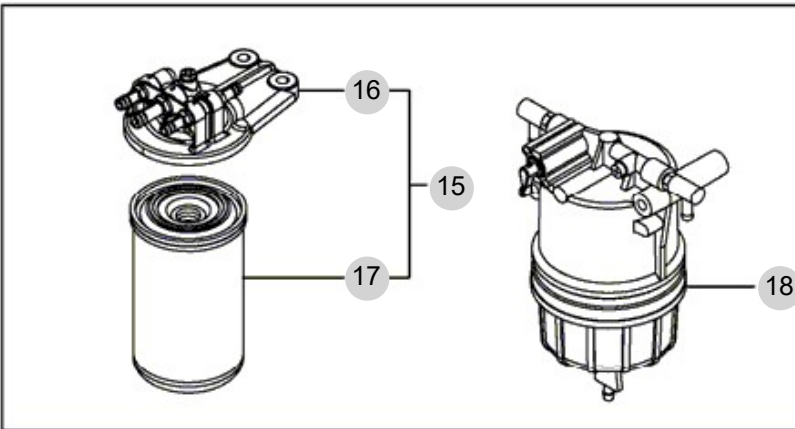
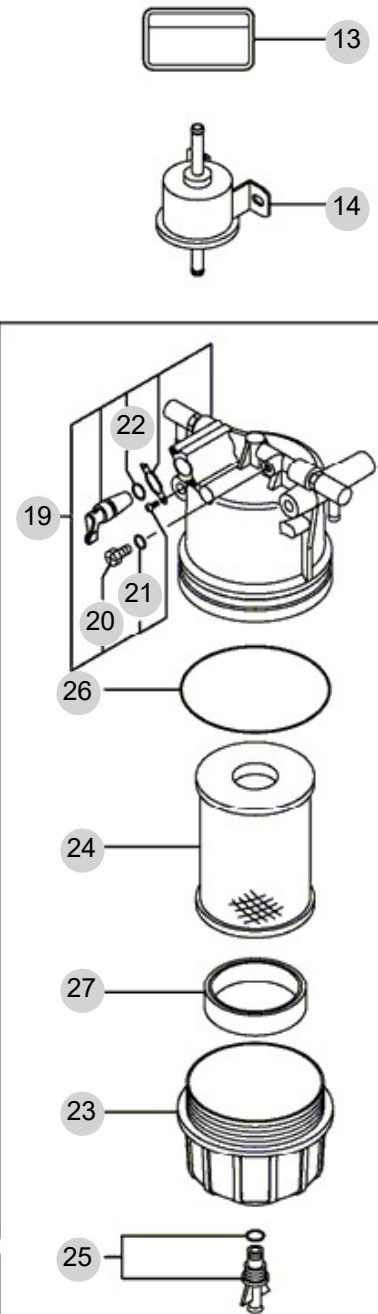
FUEL LINE

년/월  
Year/Month

2022-12



LOOSE PARTS



NOTE



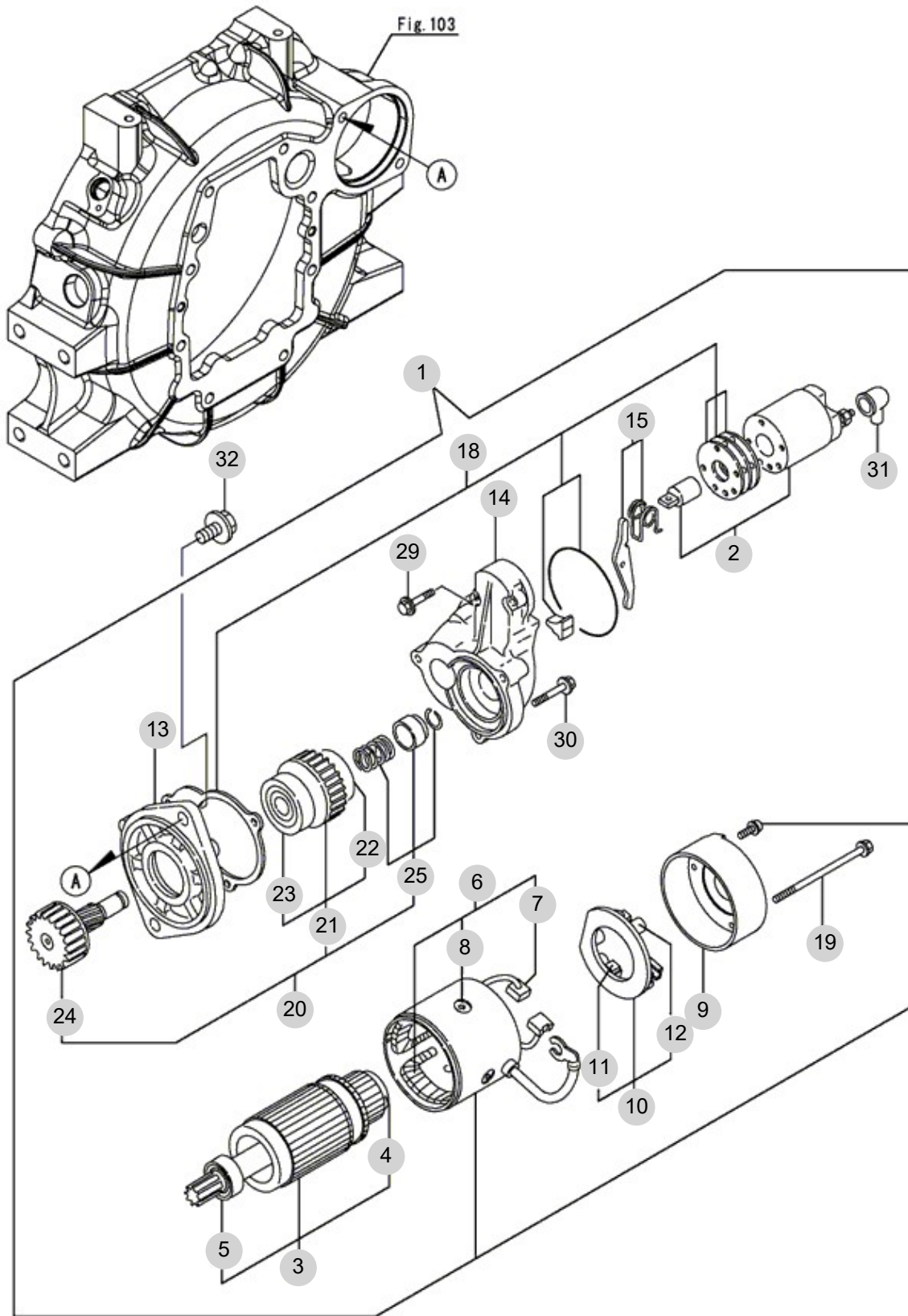
FIG 118

STARTING MOTOR

년/월  
Year/Month

2022-12

T454SH



NOTE



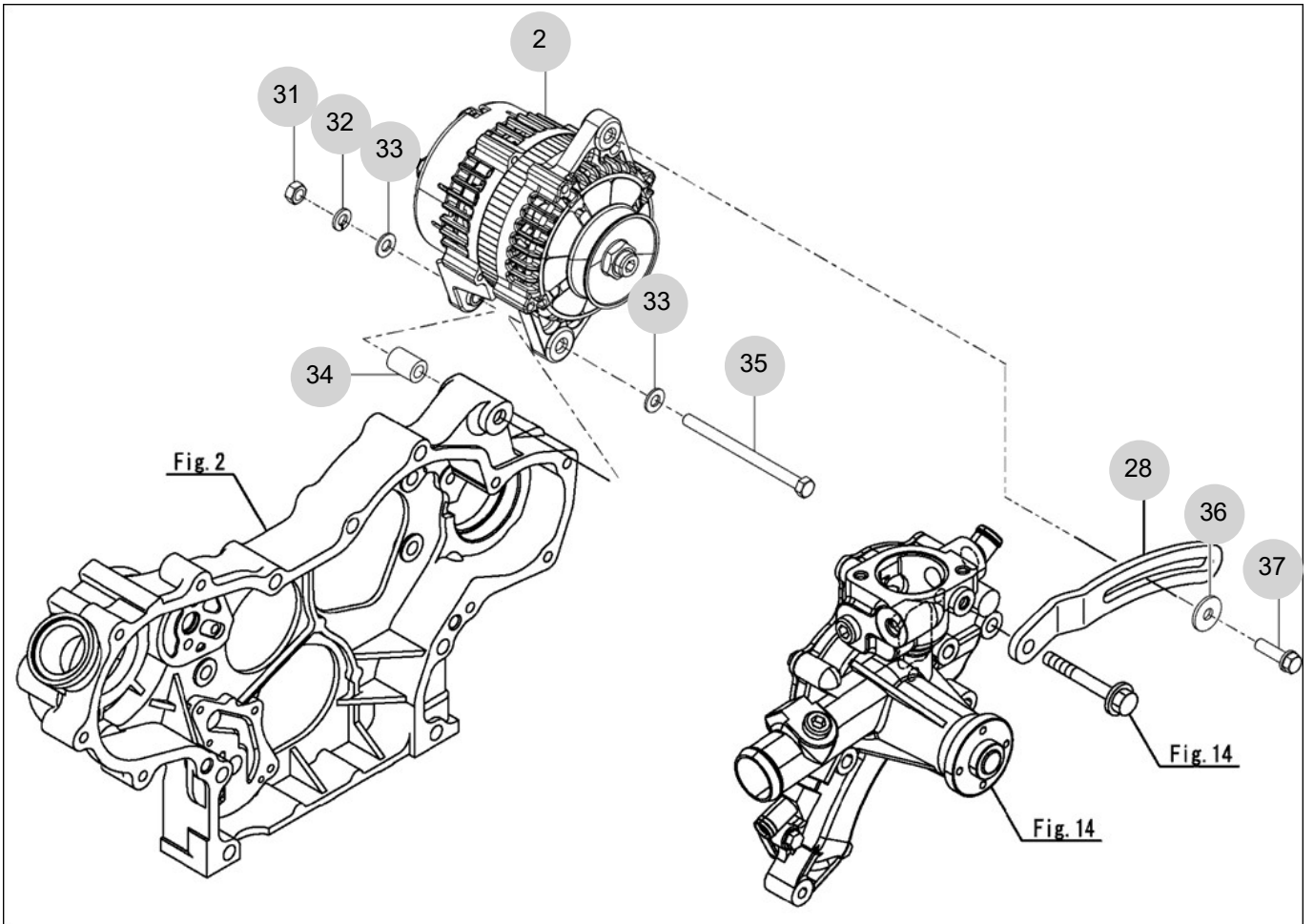
FIG 119

GENERATOR

년/월  
Year/Month

2022-12

T454SH



NOTE



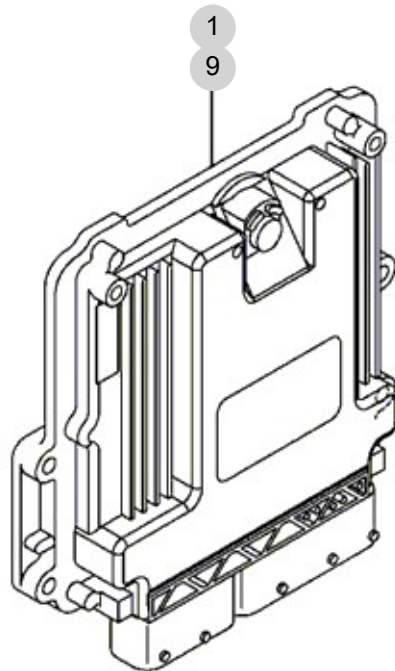
FIG 120B

T454SH

ELECTRONIC CONTROL UNIT (T454)

년/월  
Year/Month

2022-12



NOTE





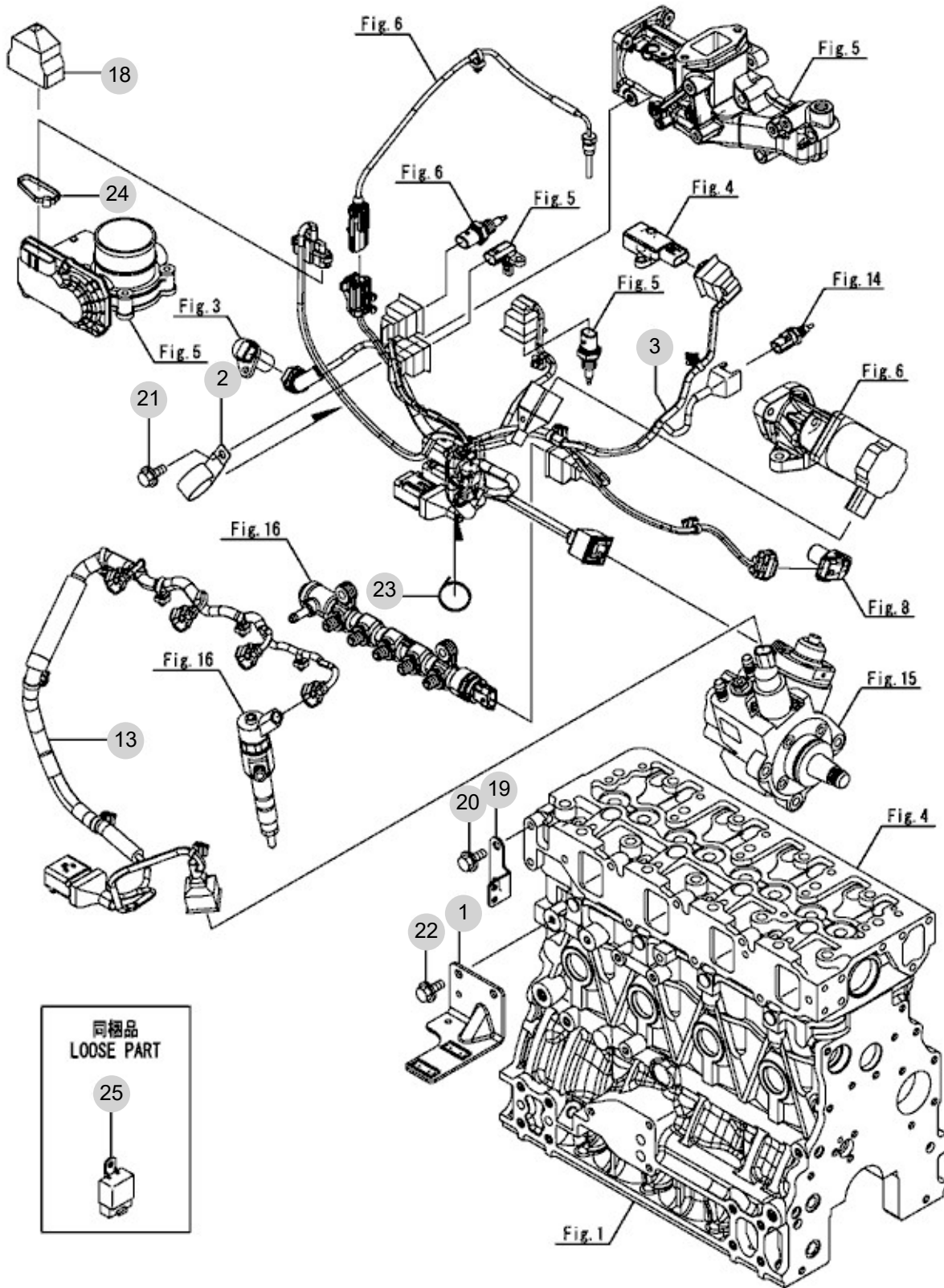
FIG 121B

ELECTRIC PARTS (T454)

년/월  
Year/Month

2022-12

T454SH



NOTE



FIG 122B

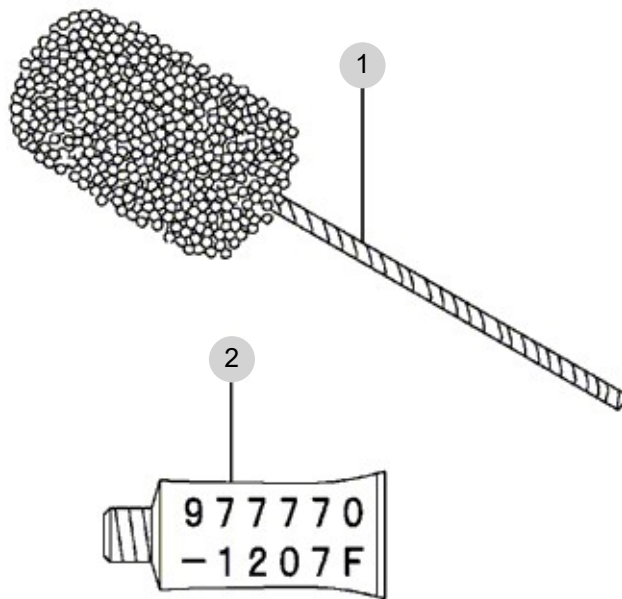
T454SH

ACCESSORY (T454)

년/월  
Year/Month

2022-12

OPTIONAL PARTS



NOTE



## 2. Engine Accessories PART NO. T2

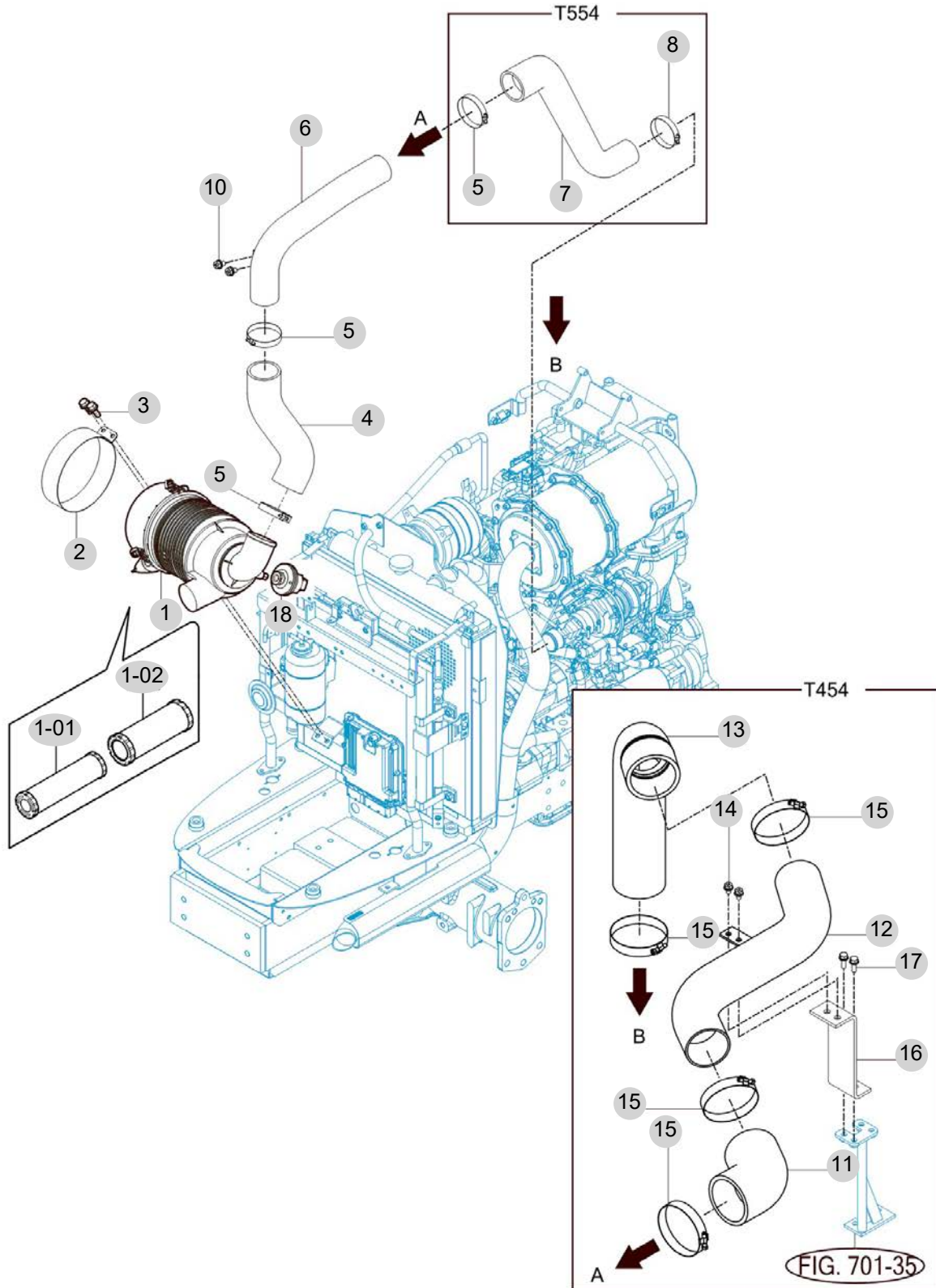
FIG 201 AIR CLEANER	58
FIG 202 RADIATOR	60
FIG 203 MUFFLER	62
FIG 204 FUEL HOSE & FILTER	64
FIG 205 FUEL TANK	66
FIG 206 ACCELERATOR	68
FIG 207 OIL COOLER	70
FIG 208 FAN , COOLING	72

FIG 201

AIR CLEANER

년/월  
Year/Month

2022-12



NOTE



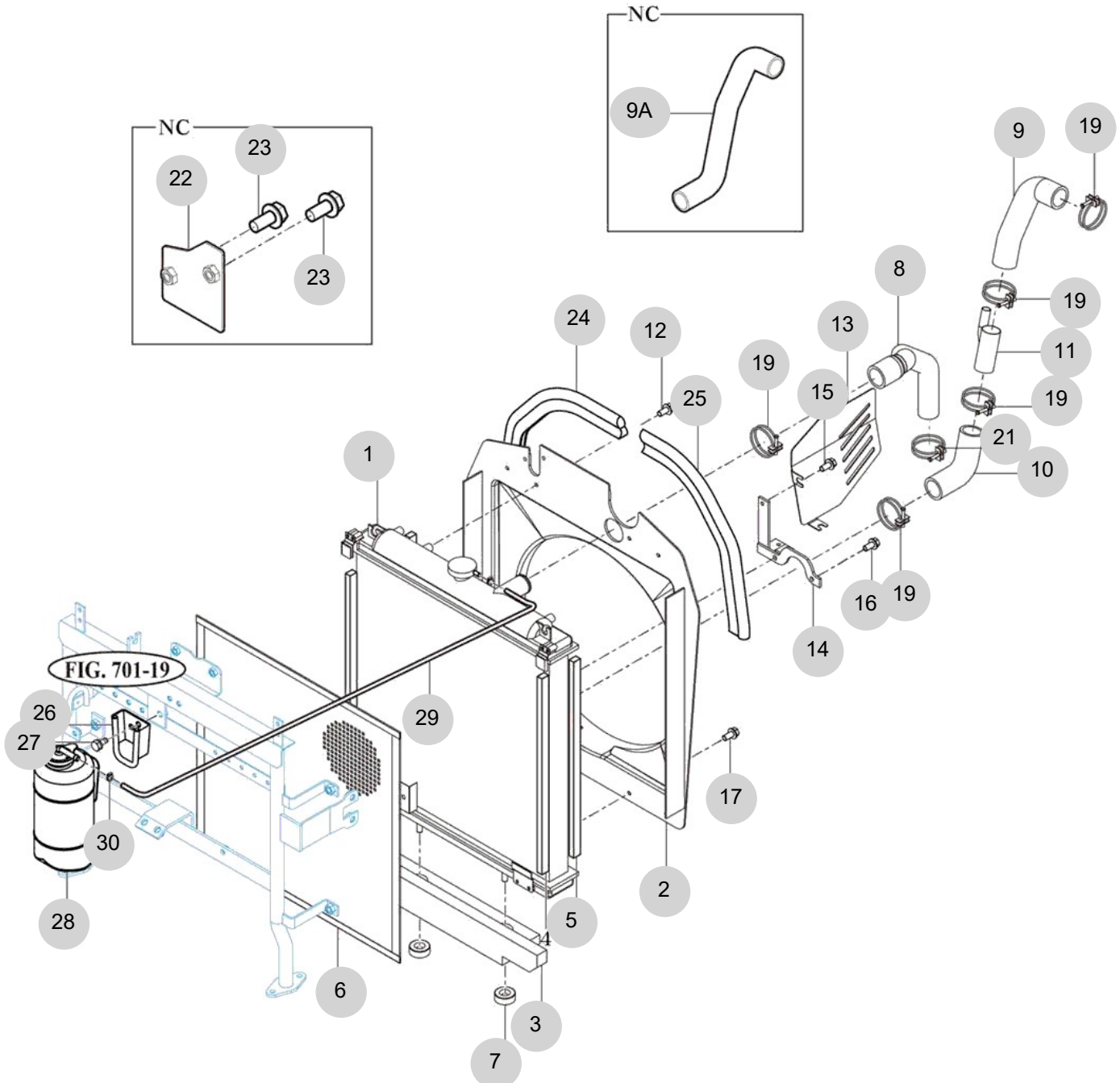
FIG 202

RADIATOR

년/월  
Year/Month

2022-12

T454SH



NOTE





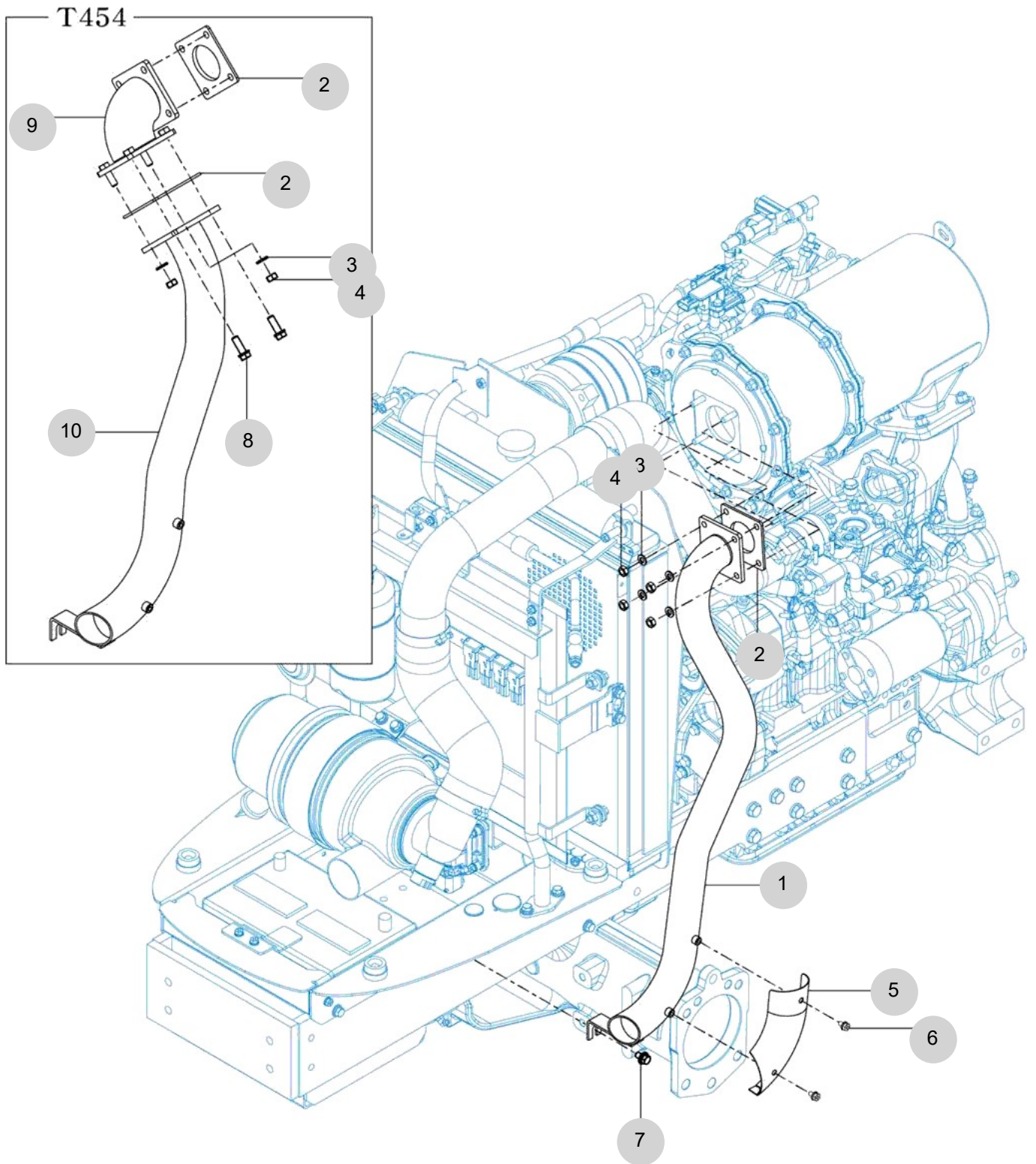
FIG 203

MUFFLER

년/월  
Year/Month

2022-12

T454SH



NOTE



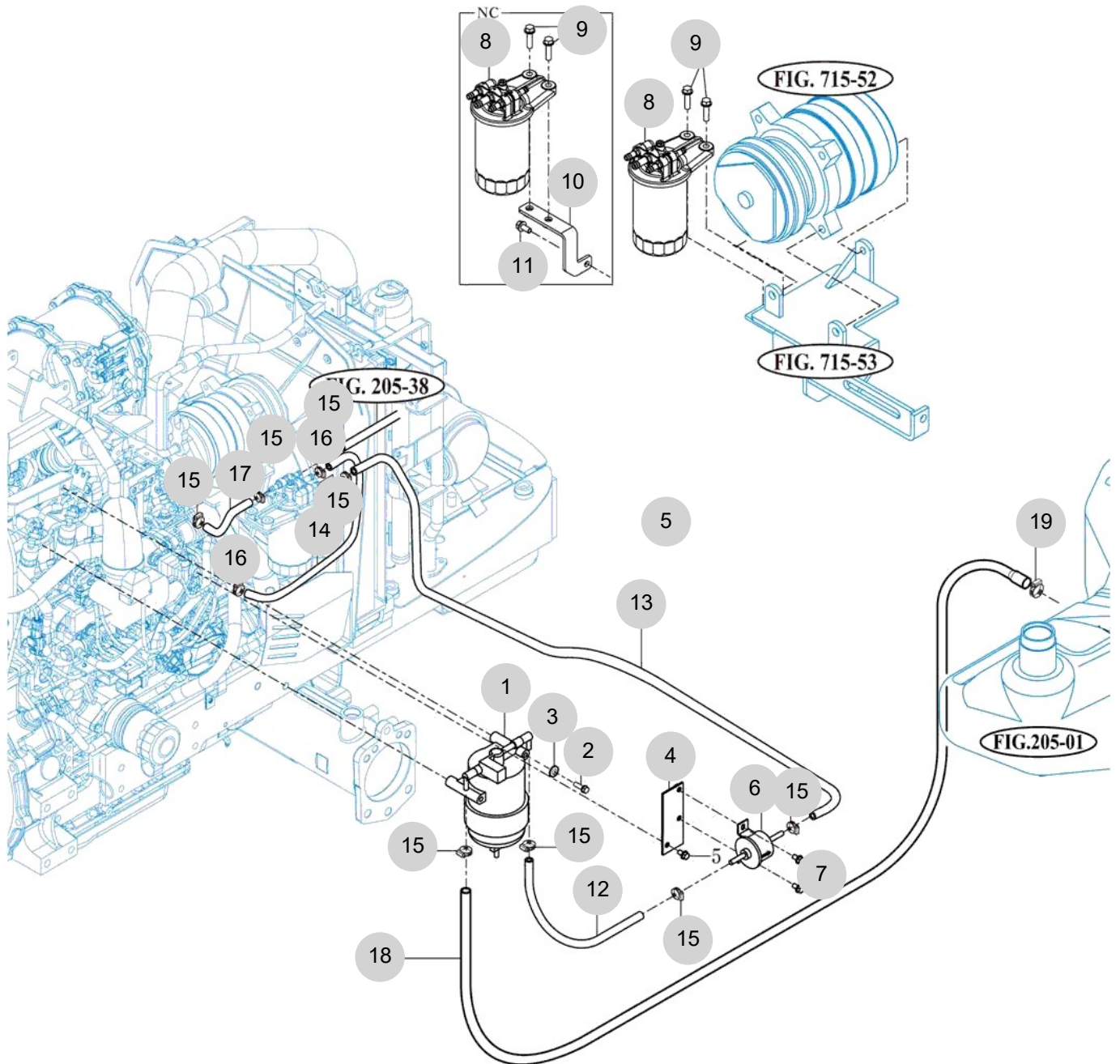
FIG 204

FUEL HOSE & FILTER

년/월  
Year/Month

T454SH

2022-12



NOTE









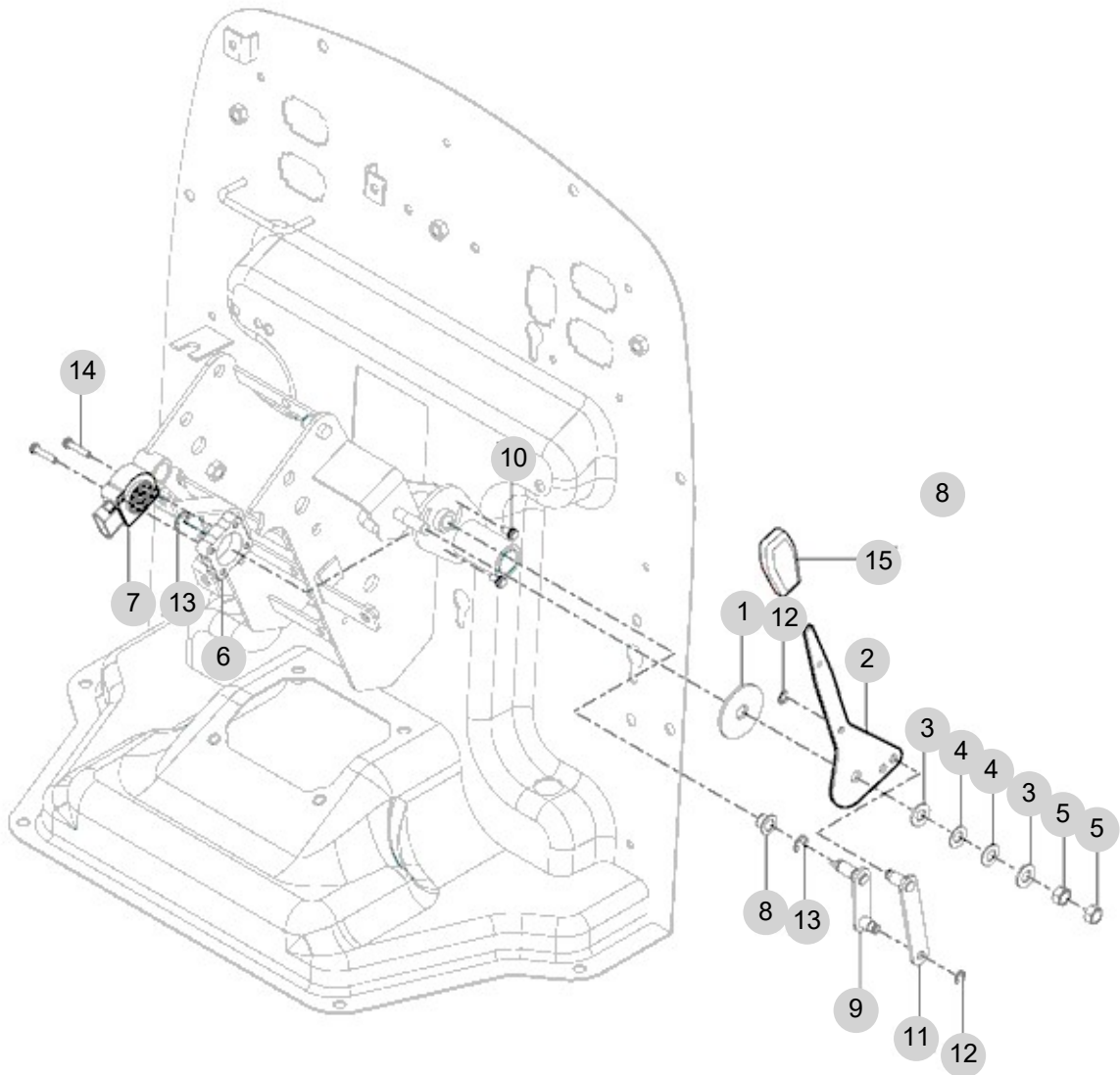
FIG 206

ACCELERATOR

년/월  
Year/Month

2022-12

T454SH



NOTE





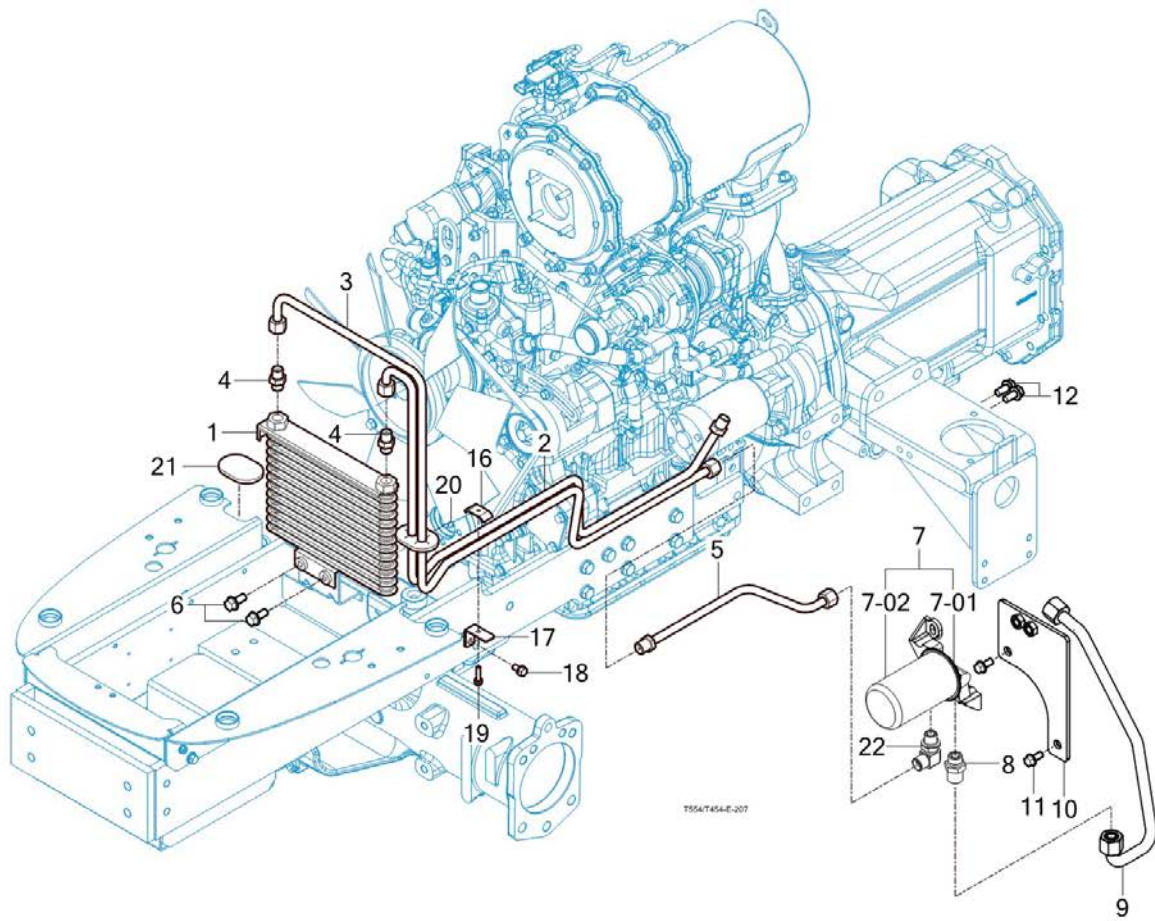
FIG 207

OIL COOLER

년/월  
Year/Month

2022-12

T454SH



NOTE



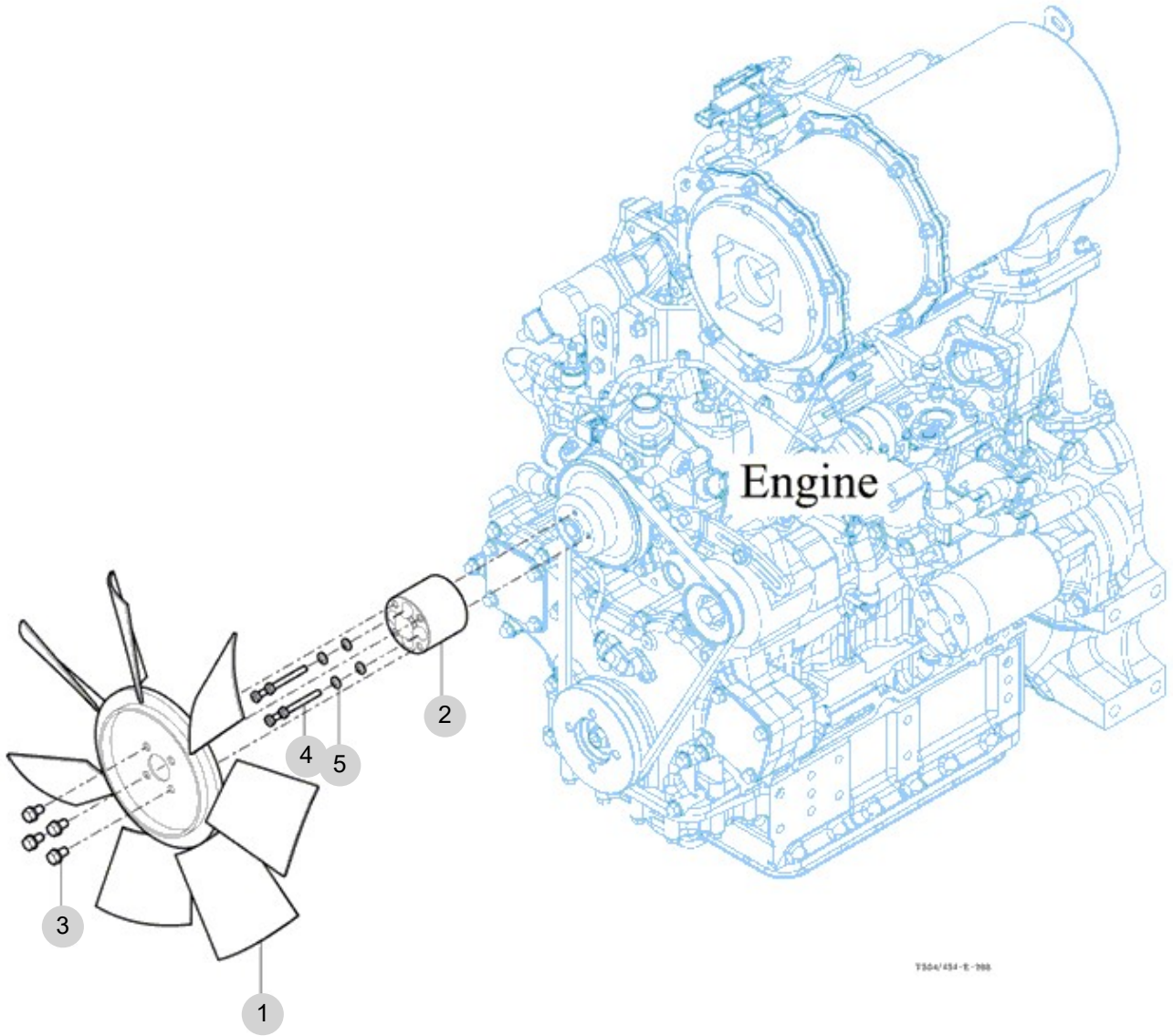
FIG 208

FAN , COOLING

년/월  
Year/Month

2022-12

T454SH



NOTE



### 3. Clutch/Brake/Steering PART NO. T3

FIG 301 CLUTCH	75
FIG 302 CLUTCH PEDAL	77
FIG 303 BRAKE	79
FIG 304 BRAKE PEDAL & LINK	81
FIG 305A FRONT WHEEL	83
FIG 305B FRONT WHEEL (R4 OPTION)	85
FIG 306A REAR WHEEL	87
FIG 306B REAR WHEEL (R4 OPTION)	89
FIG 307 POWER STEERING WHEEL	91
FIG 308 POWER STEERING VALVE	93
FIG 309 POWER STEERING CYLINDER	95

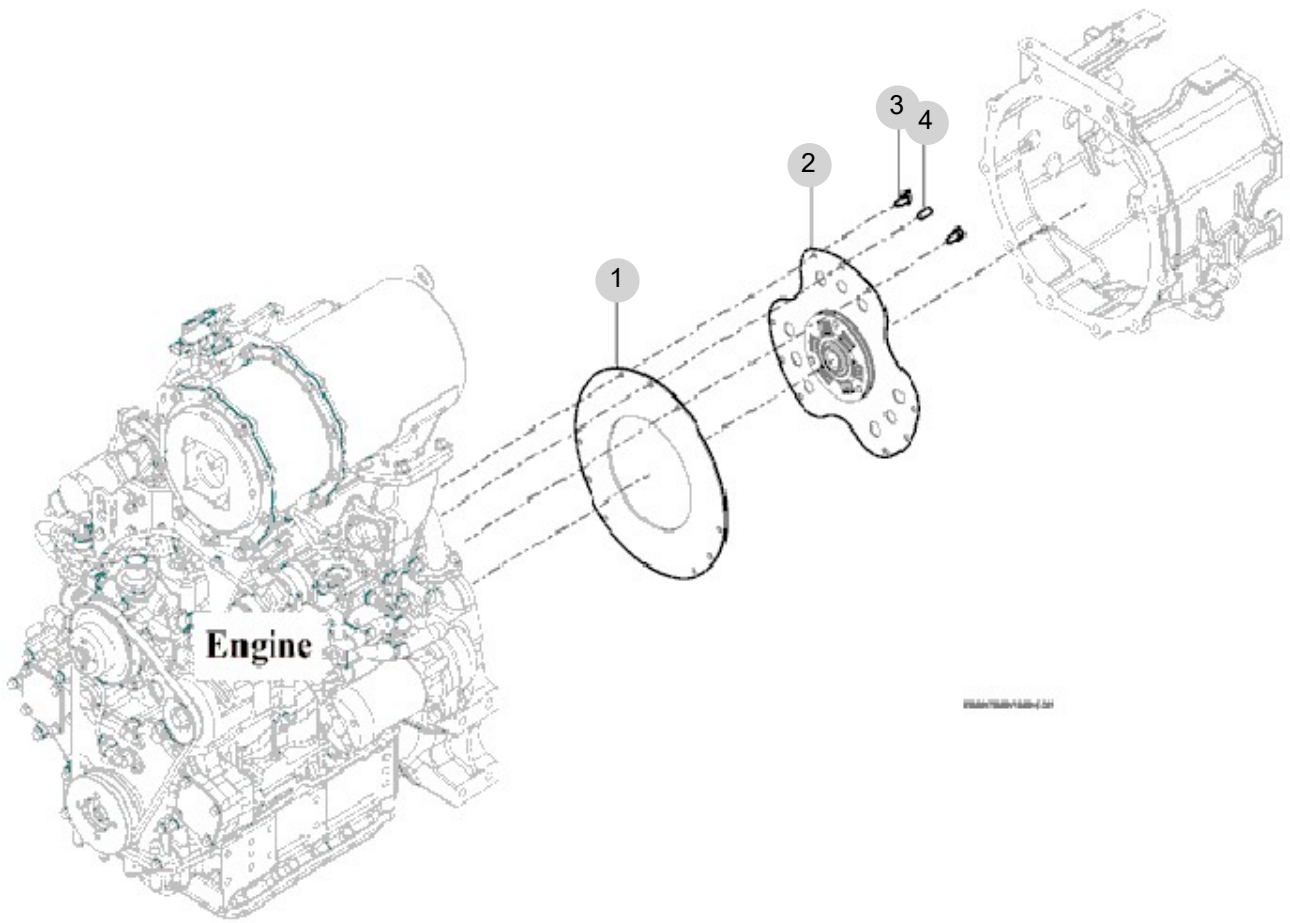
FIG 301

T454SH

CLUTCH

년/월  
Year/Month

2022-12



NOTE





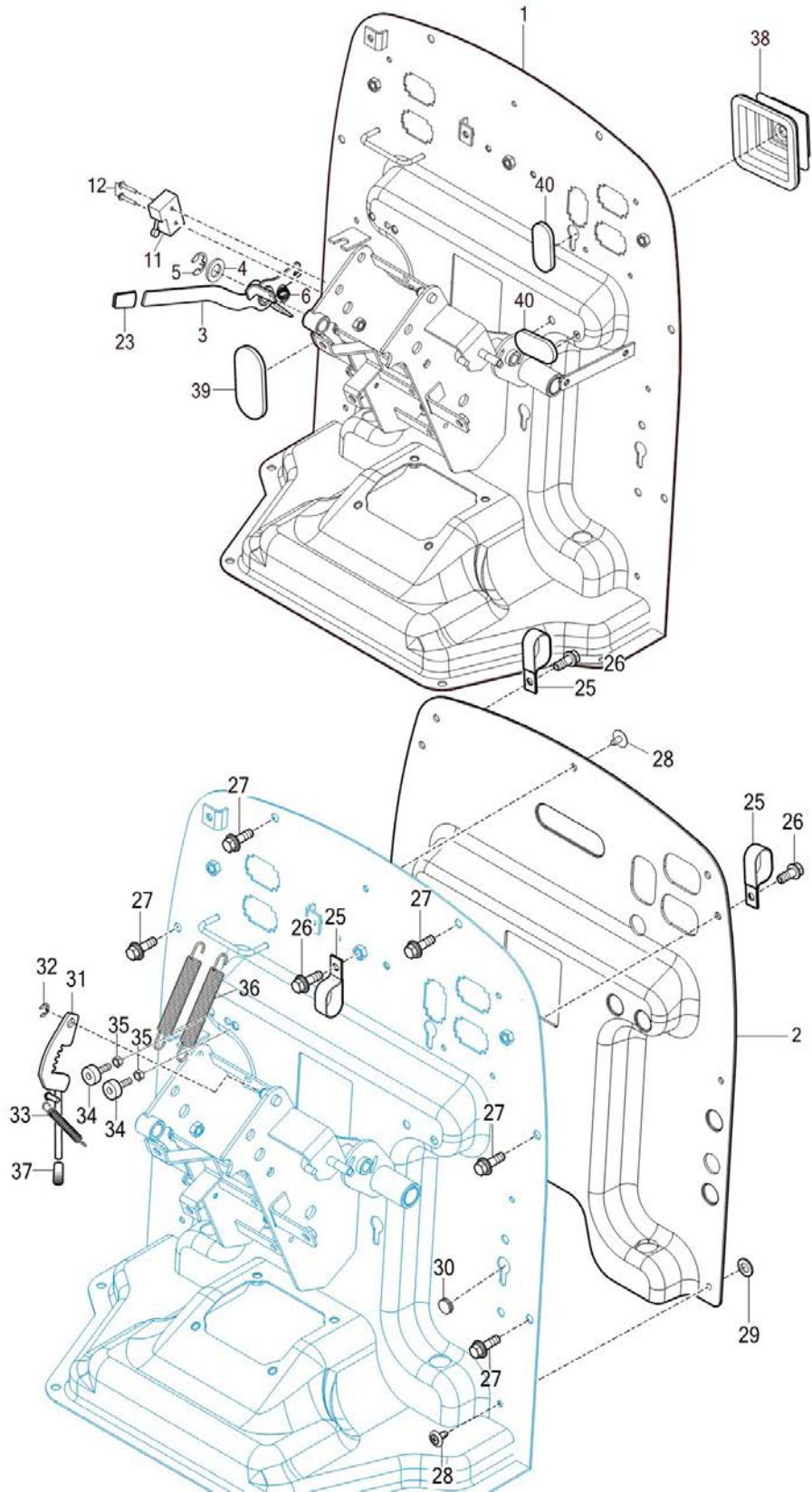
FIG 302

CLUTCH PEDAL

년/월  
Year/Month

2022-12

T454SH



NOTE

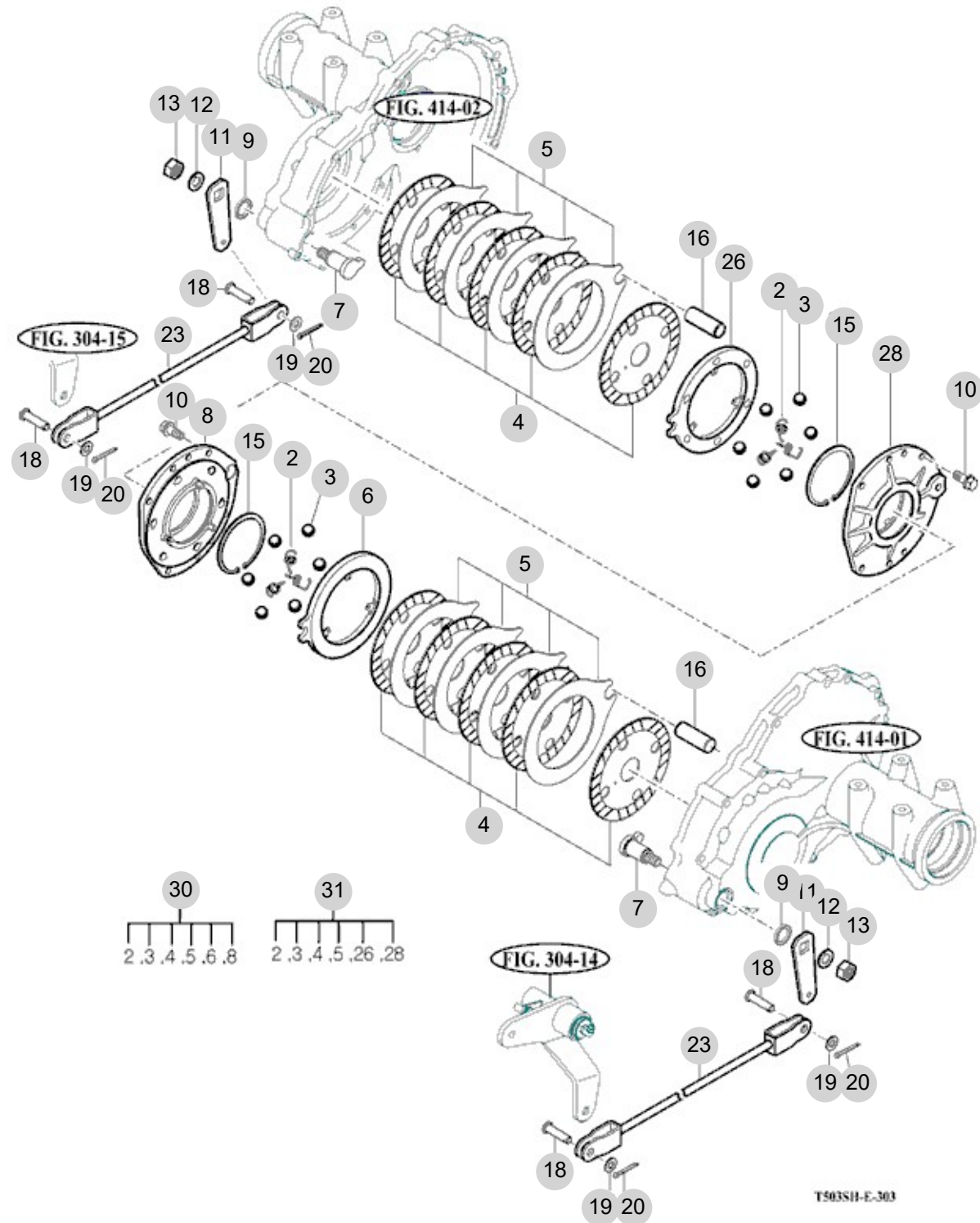


FIG 303

BRAKE

년/월  
Year/Month

2022-12



NOTE



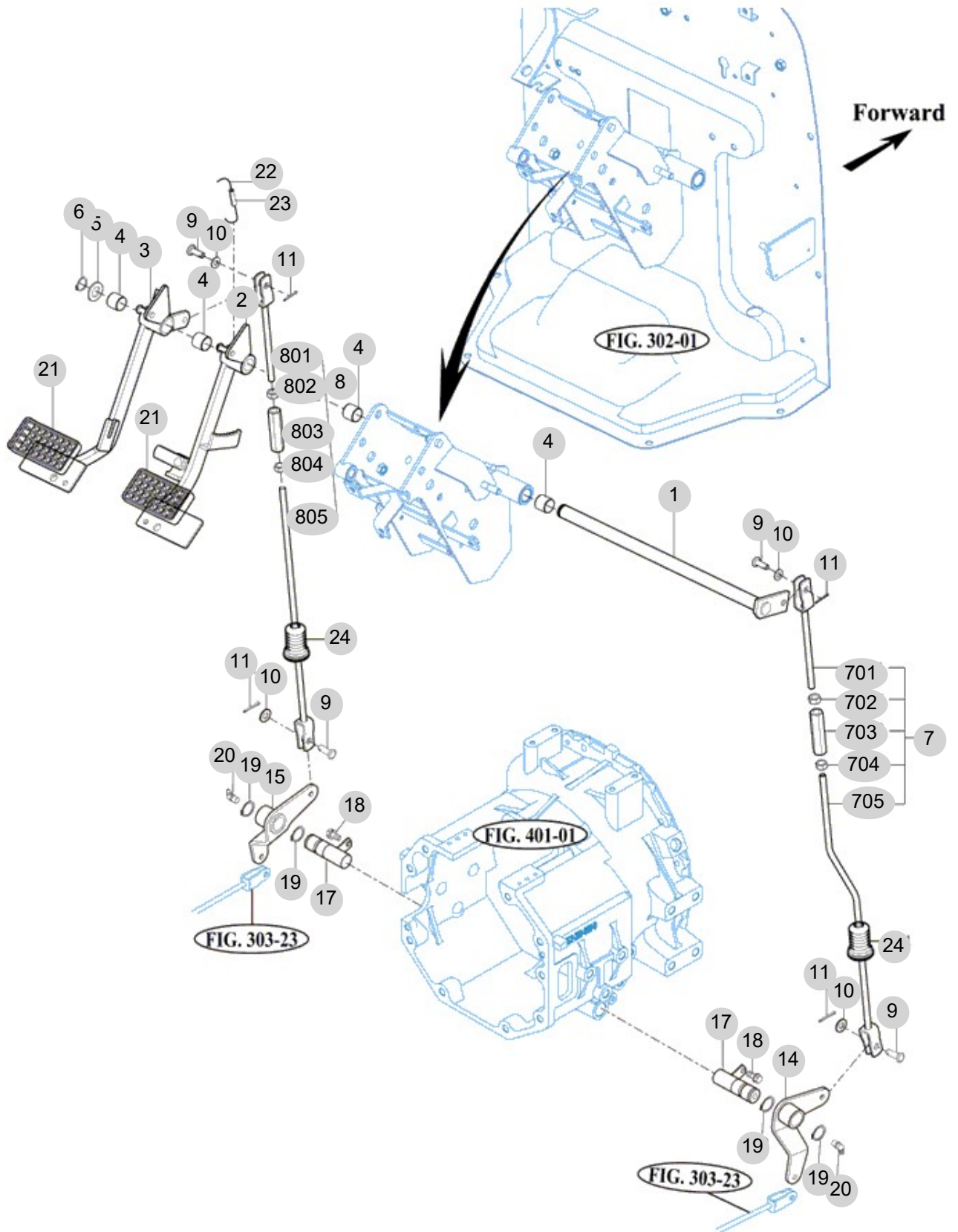
FIG 304

BRAKE PEDAL & LINK

년/월  
Year/Month

2022-12

T454SH



NOTE









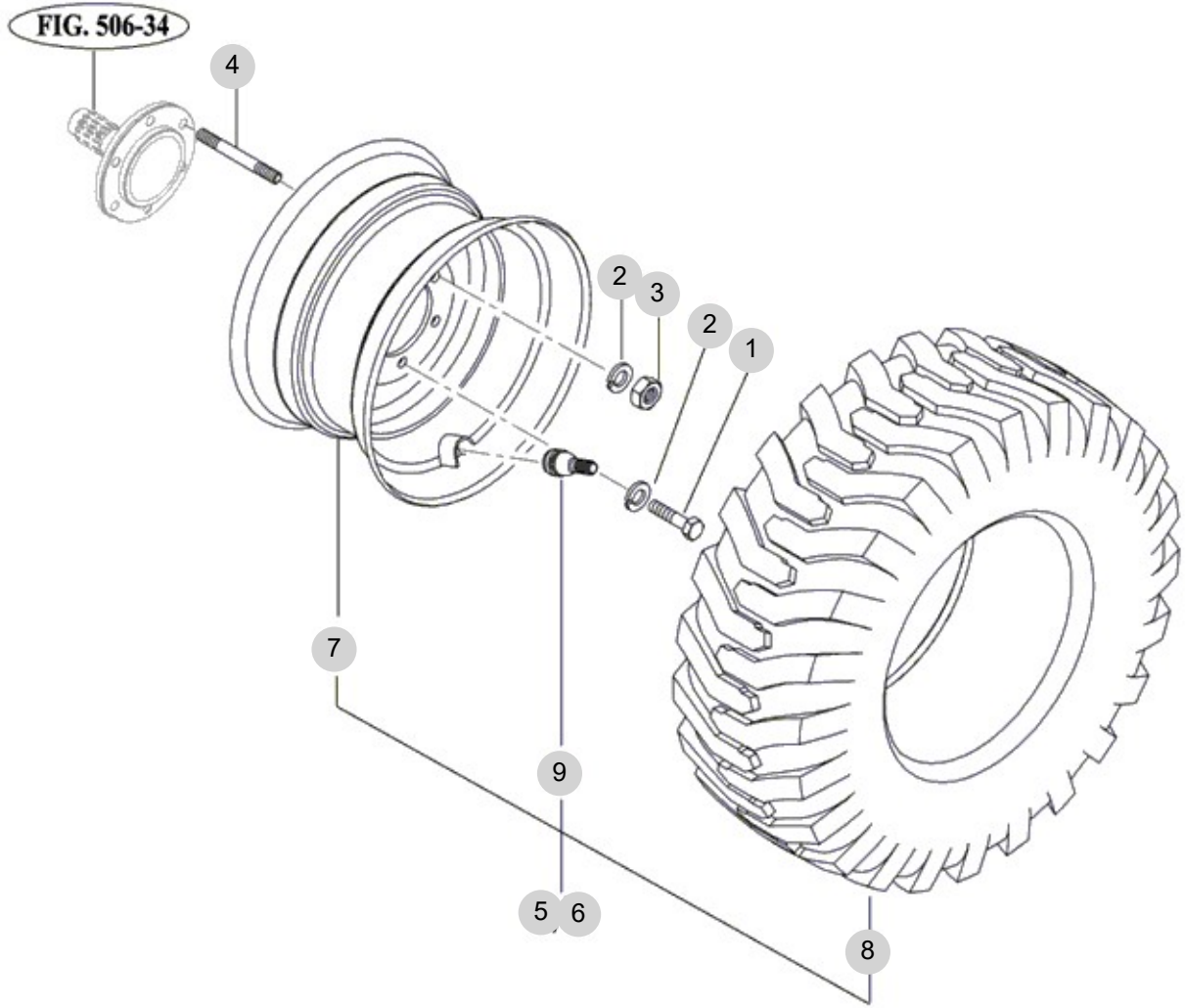
FIG 305B

T454SH

FRONT WHEEL (R4 OPTION)

년/월  
Year/Month

2022-12



T503-E-305C

NOTE







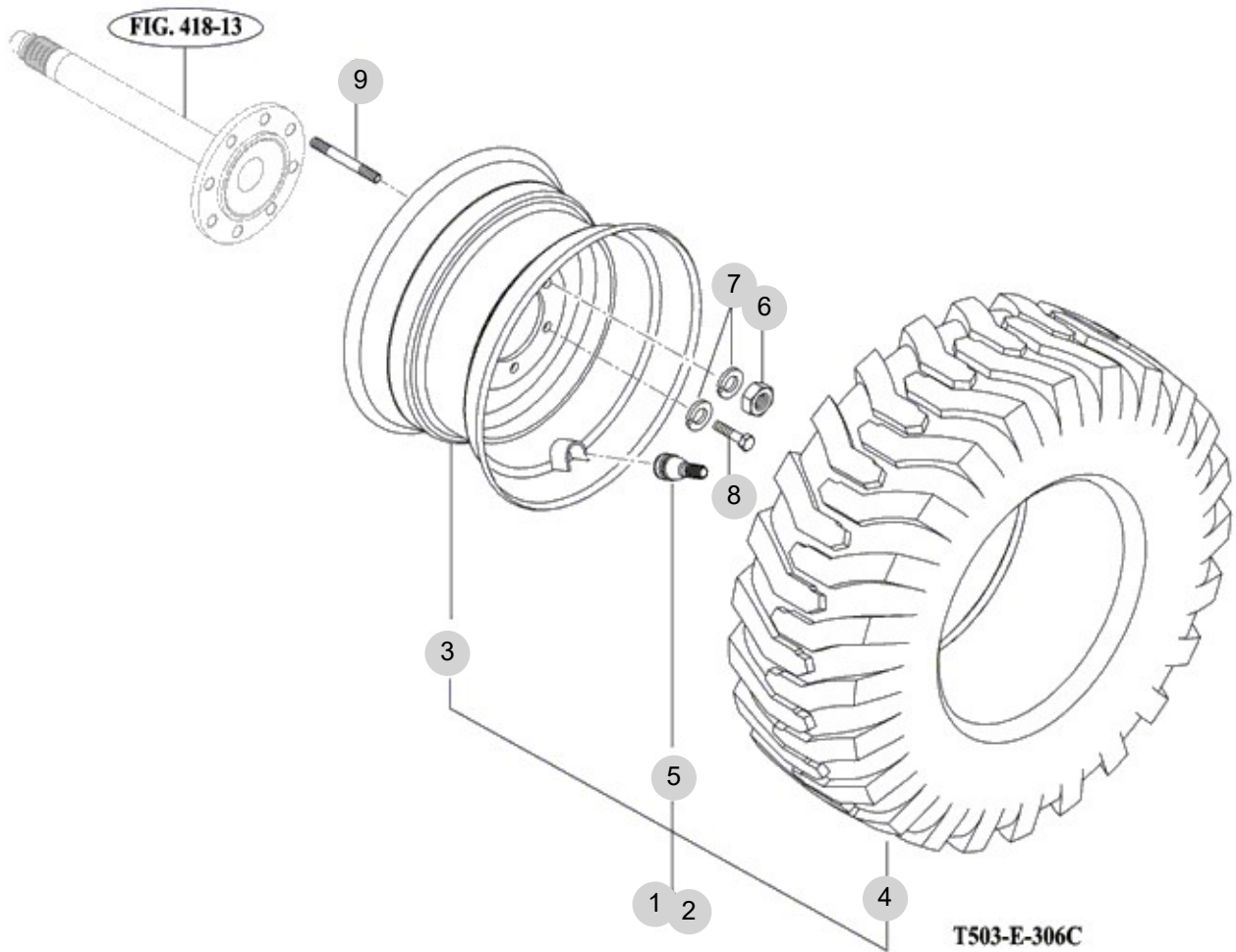
FIG 306B

T454SH

REAR WHEEL (R4 OPTION)

년/월  
Year/Month

2022-12



NOTE









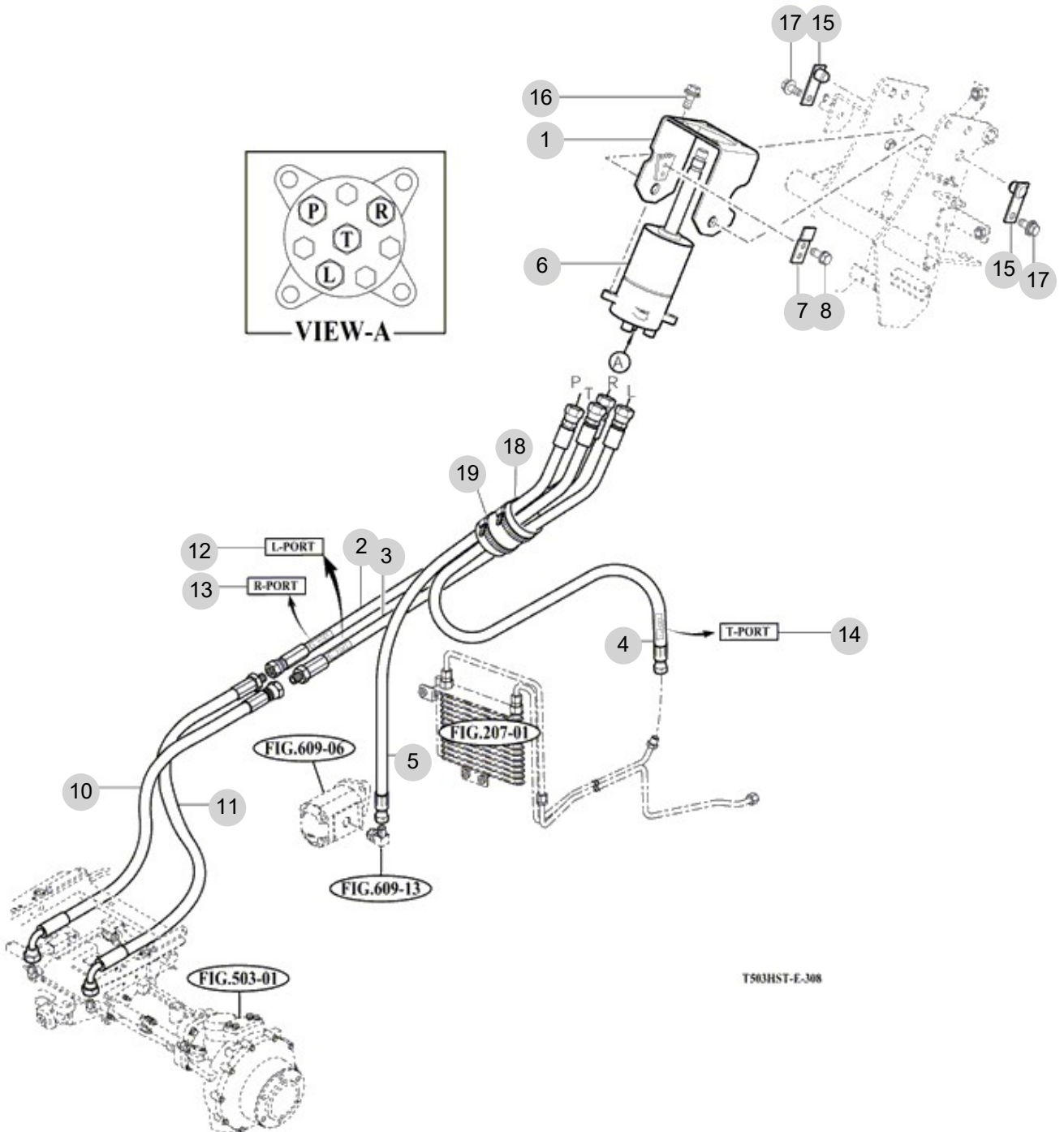
FIG 308

POWER STEERING VALVE

년/월  
Year/Month

T454SH

2022-12



T503HST-E-308

NOTE



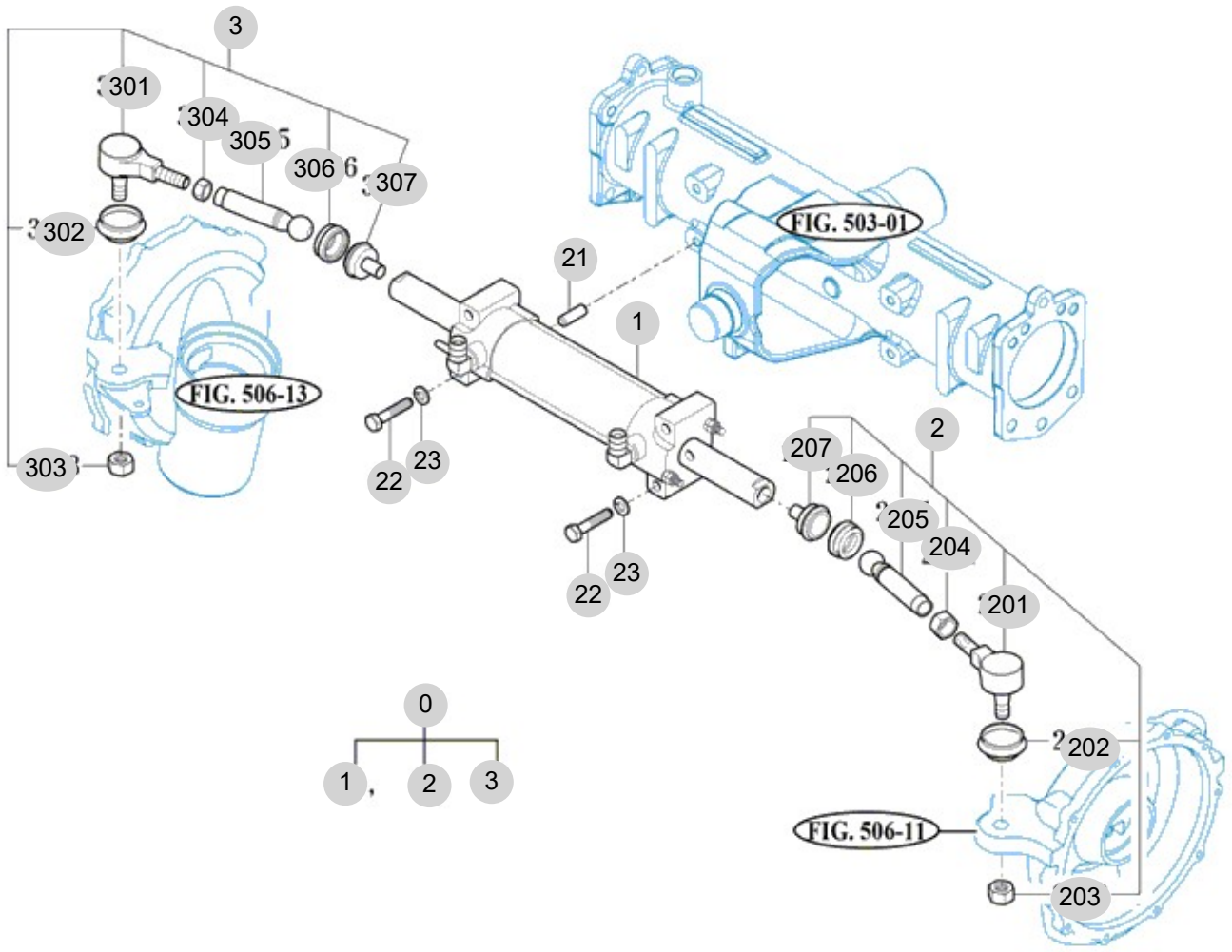
FIG 309

T454SH

POWER STEERING CYLINDER

년/월  
Year/Month

2022-12



NOTE



## 4. Transmission PART NO. T4

FIG 401 TRANSMISSION FRONT CASE	98
FIG 402 HST	100
FIG 402-1 HST	102
FIG 403 MID TRANSMISSION CASE	104
FIG 404 TRANSTER GEAR SET	106
FIG 405 TRANSMISSION REAR CASE	108
FIG 406 SUB CHANGE GEARS	110
FIG 407 SUB CHANGE SHIFTER	112
FIG 408 DRIVE GEARS	114
FIG 409 4WD CHANGE LEVER	116
FIG 410 P.T.O DRIVE SHAFT	118
FIG 411 P.T.O CHANGE GEARS	120
FIG 412 REAR DIFFERENTIAL GEARS	122
FIG 413 REAR AXLE HOUSING	125

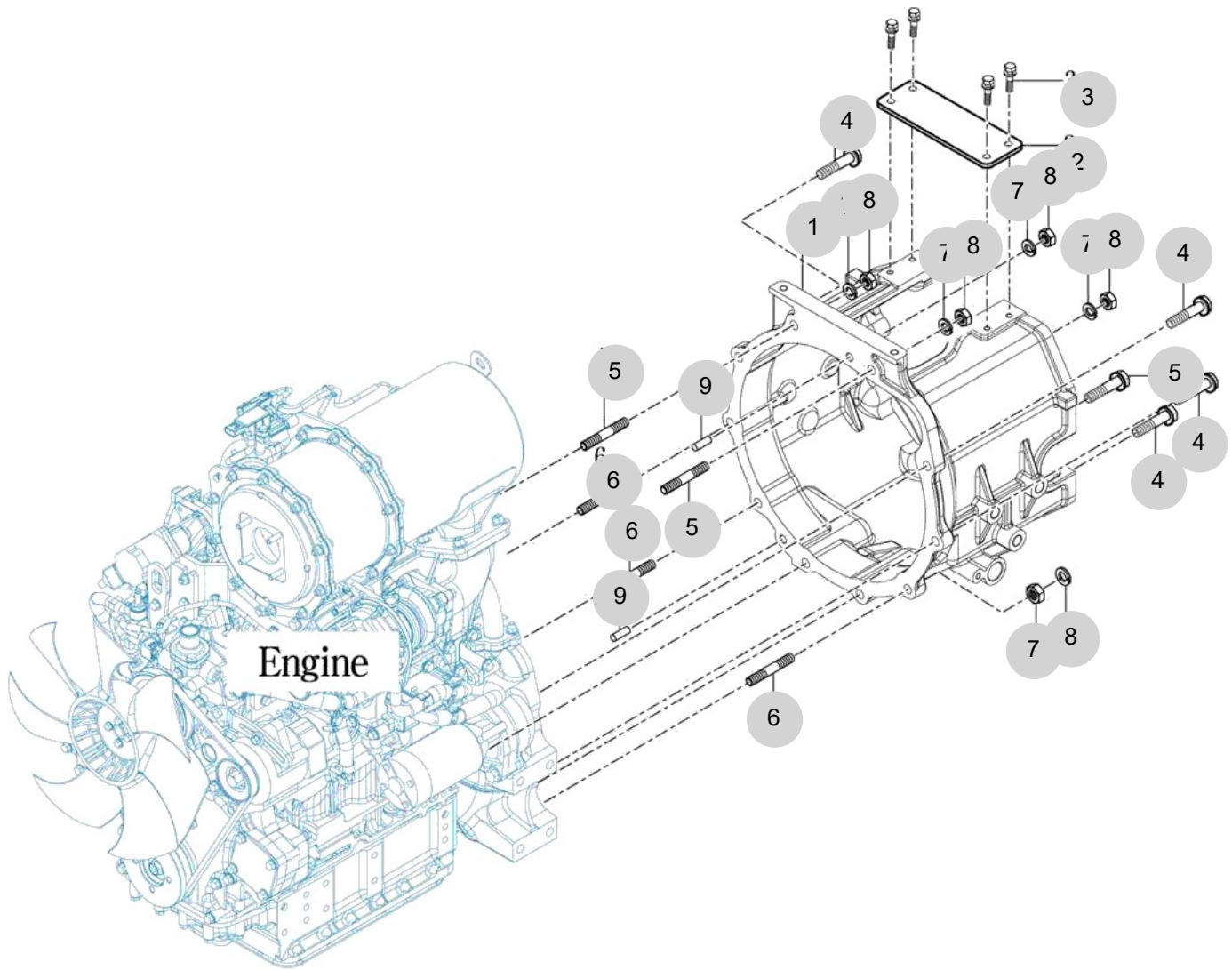
FIG 401

TRANSMISSION FRONT CASE

년/월  
Year/Month

2022-12

T454SH



TSSN1T55881T454SH-01

NOTE



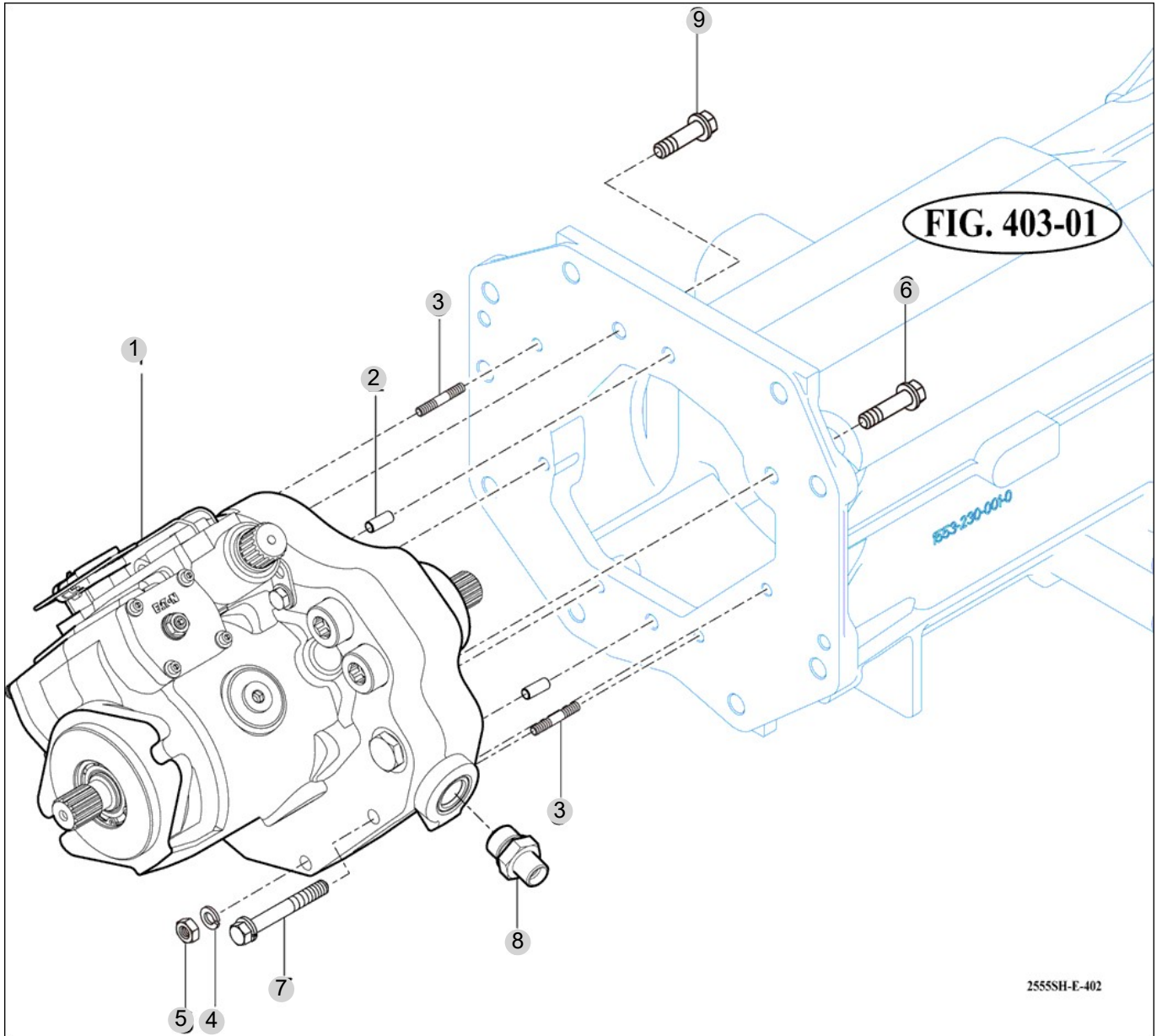
FIG 402

T454SH

HST

년/월  
Year/Month

2022-12



NOTE





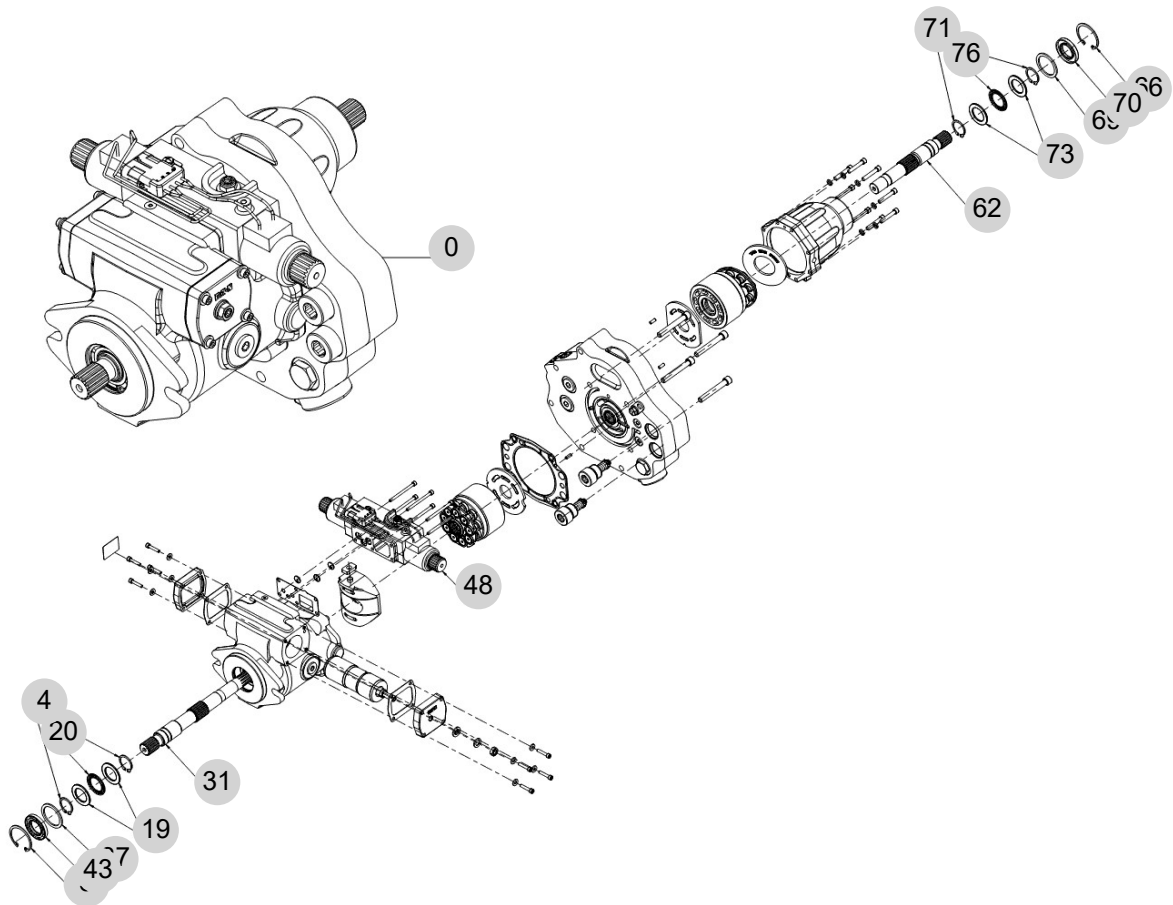
FIG 402-1

HST

년/월  
Year/Month

T454SH

2022-12



NOTE



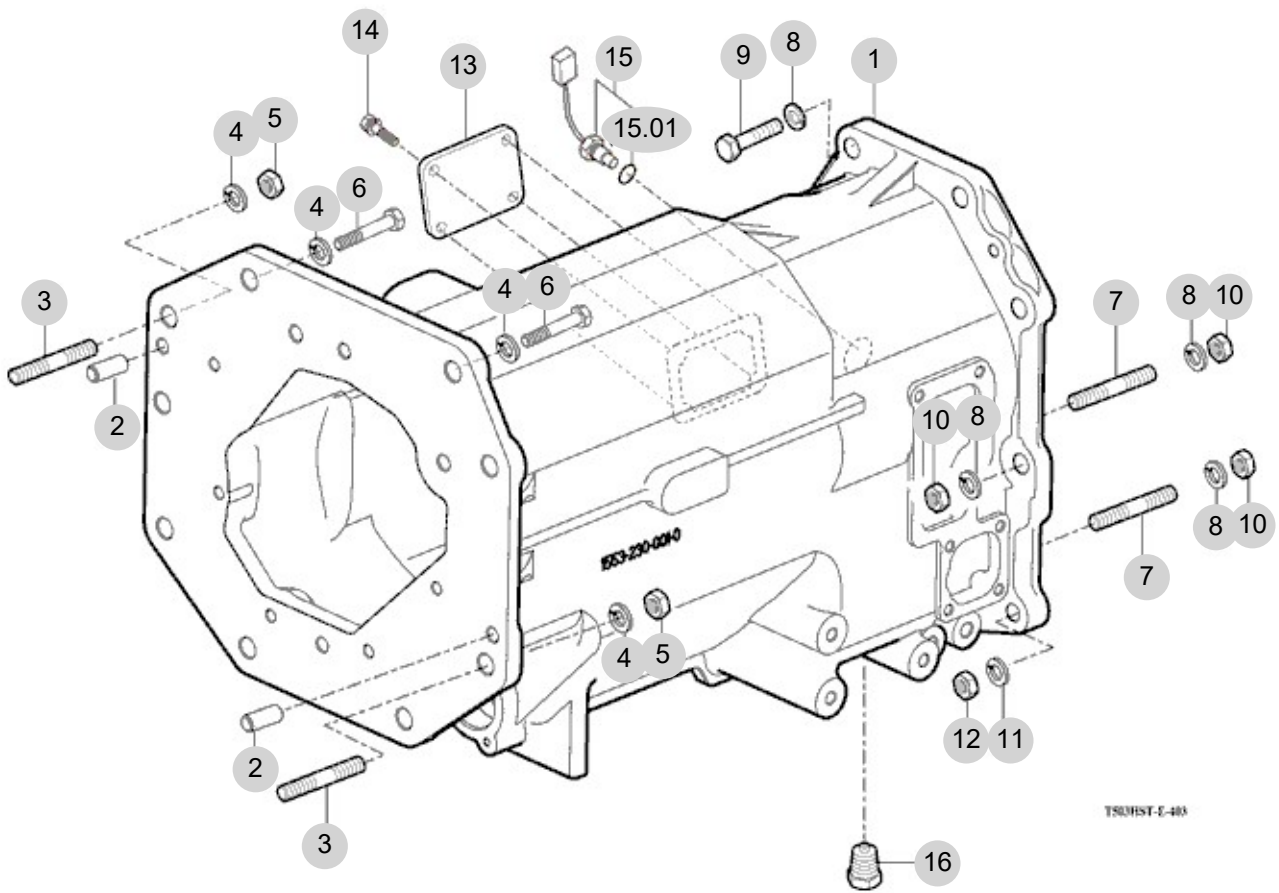
FIG 403

T454SH

MID TRANSMISSION CASE

년/월  
Year/Month

2022-12



TS00ST-E-004

NOTE



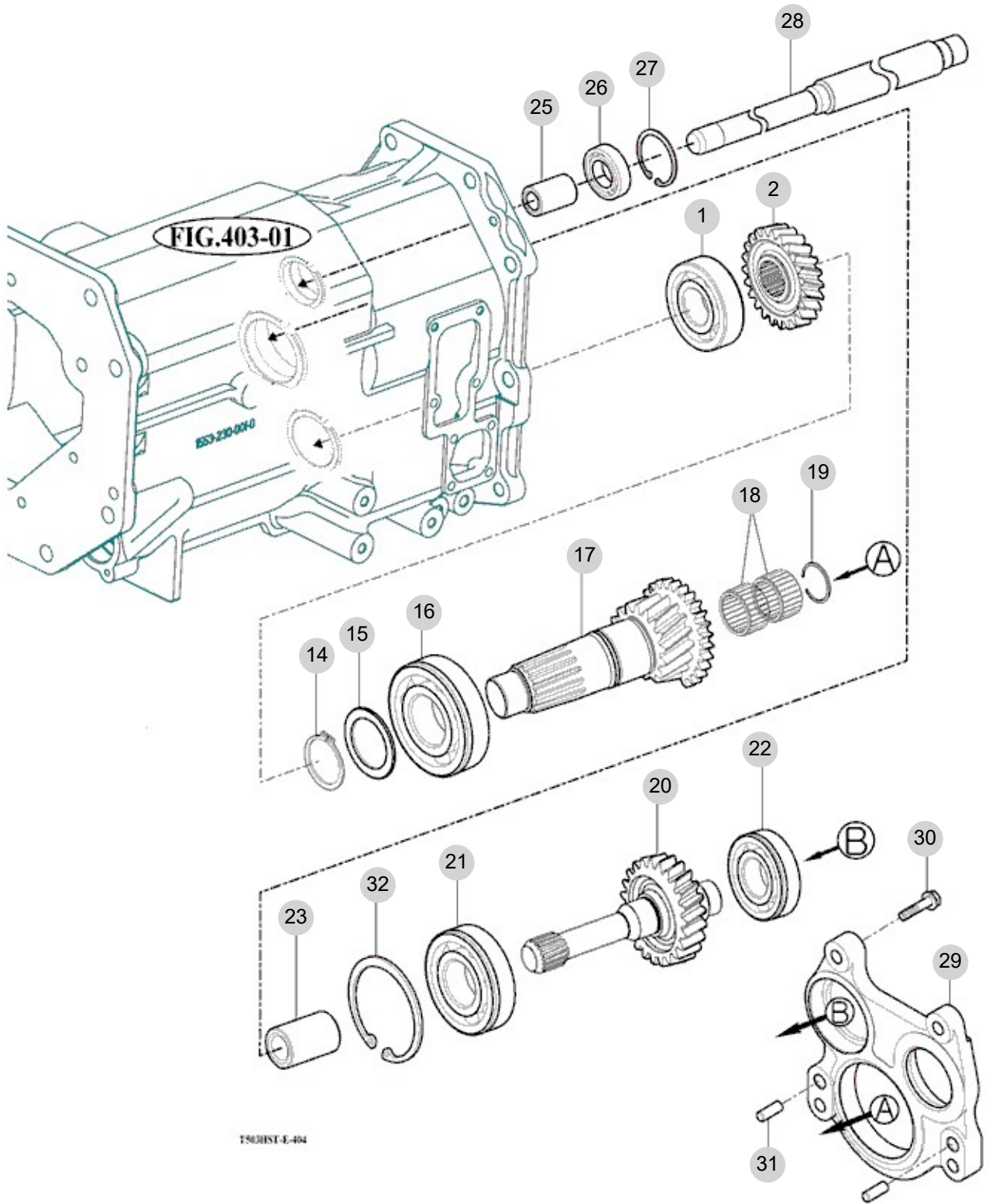
FIG 404

TRANSFER GEAR SET

년/월  
Year/Month

2022-12

T454SH



NOTE



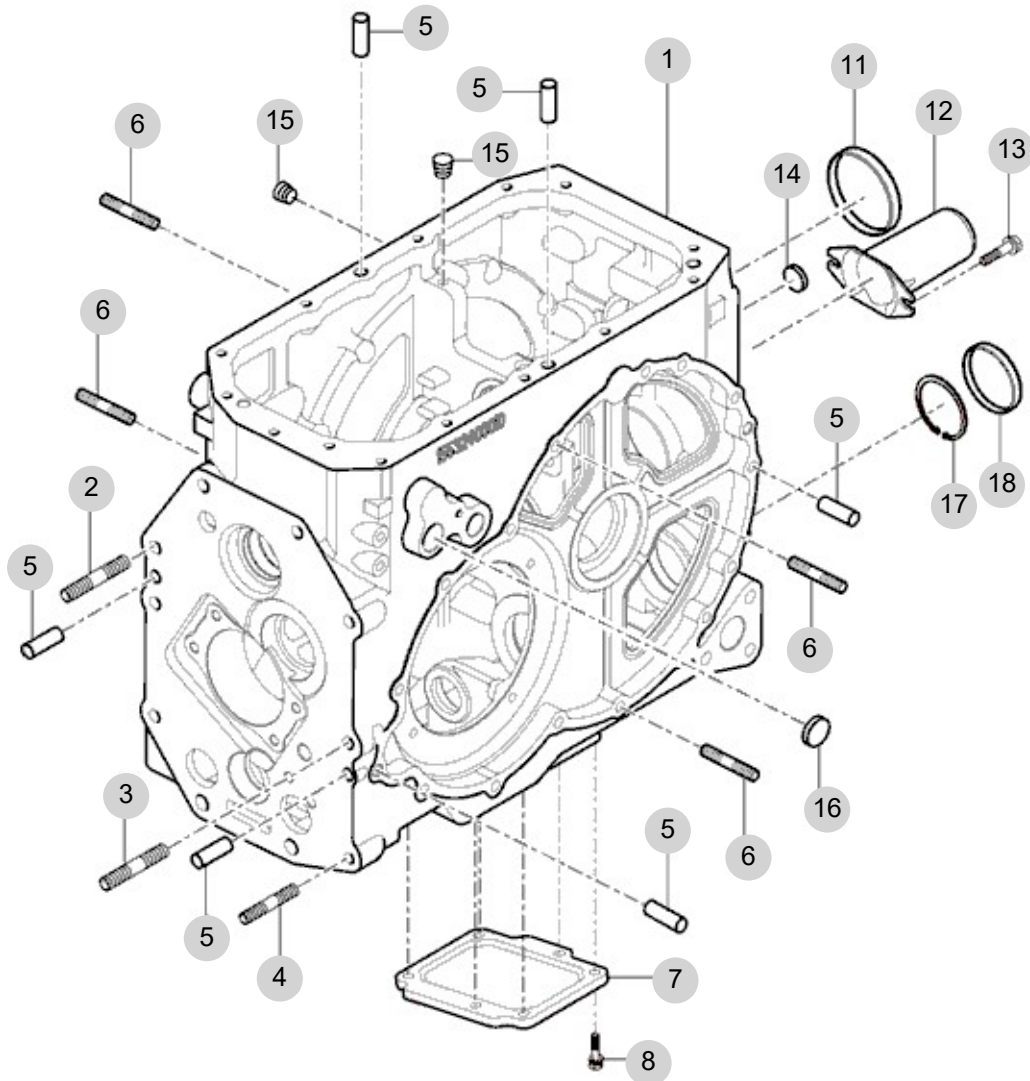
FIG 405

TRANSMISSION REAR CASE

년/월  
Year/Month

2022-12

T454SH



NOTE





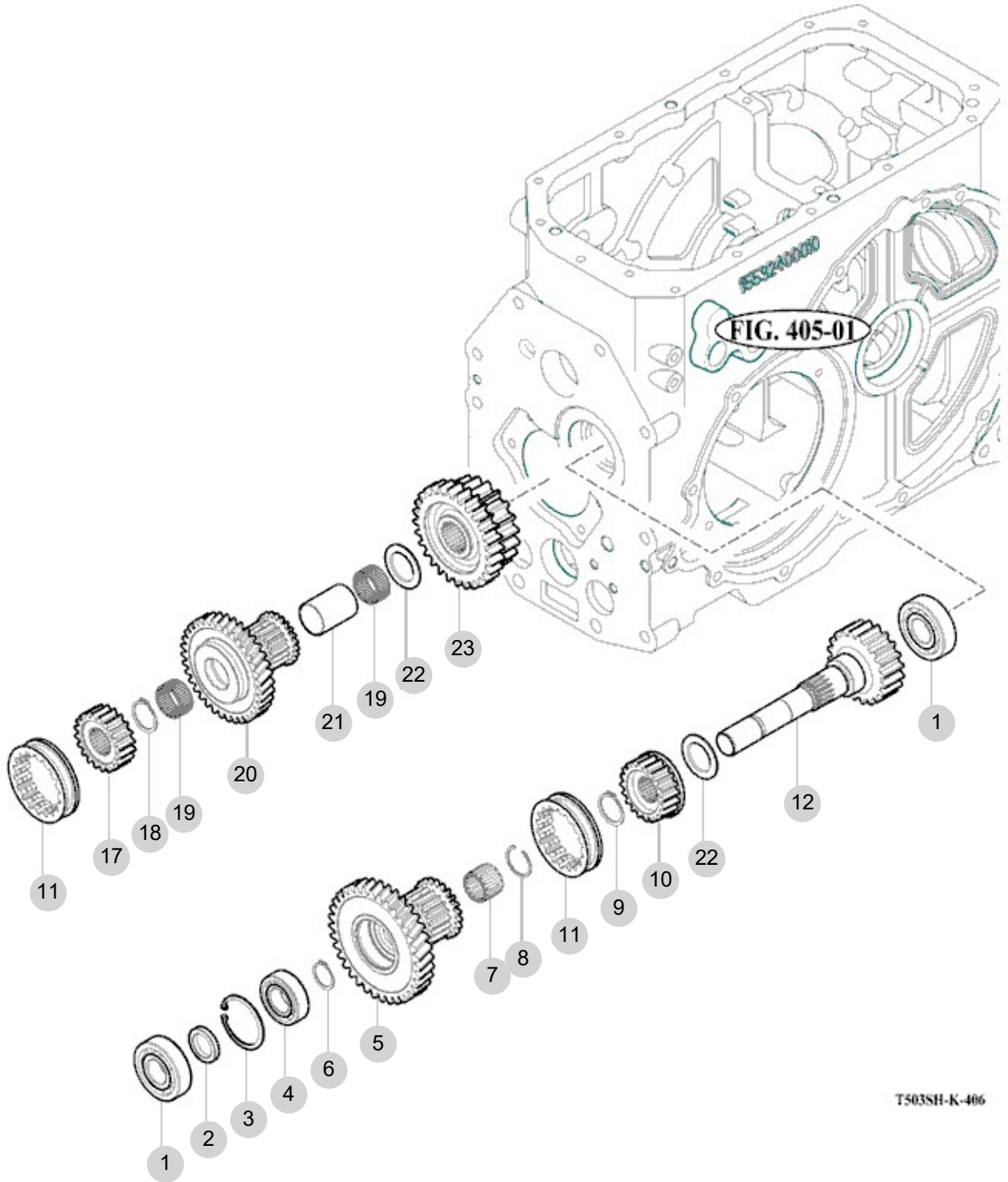
FIG 406

T454SH

SUB CHANGE GEARS

년/월  
Year/Month

2022-12



NOTE







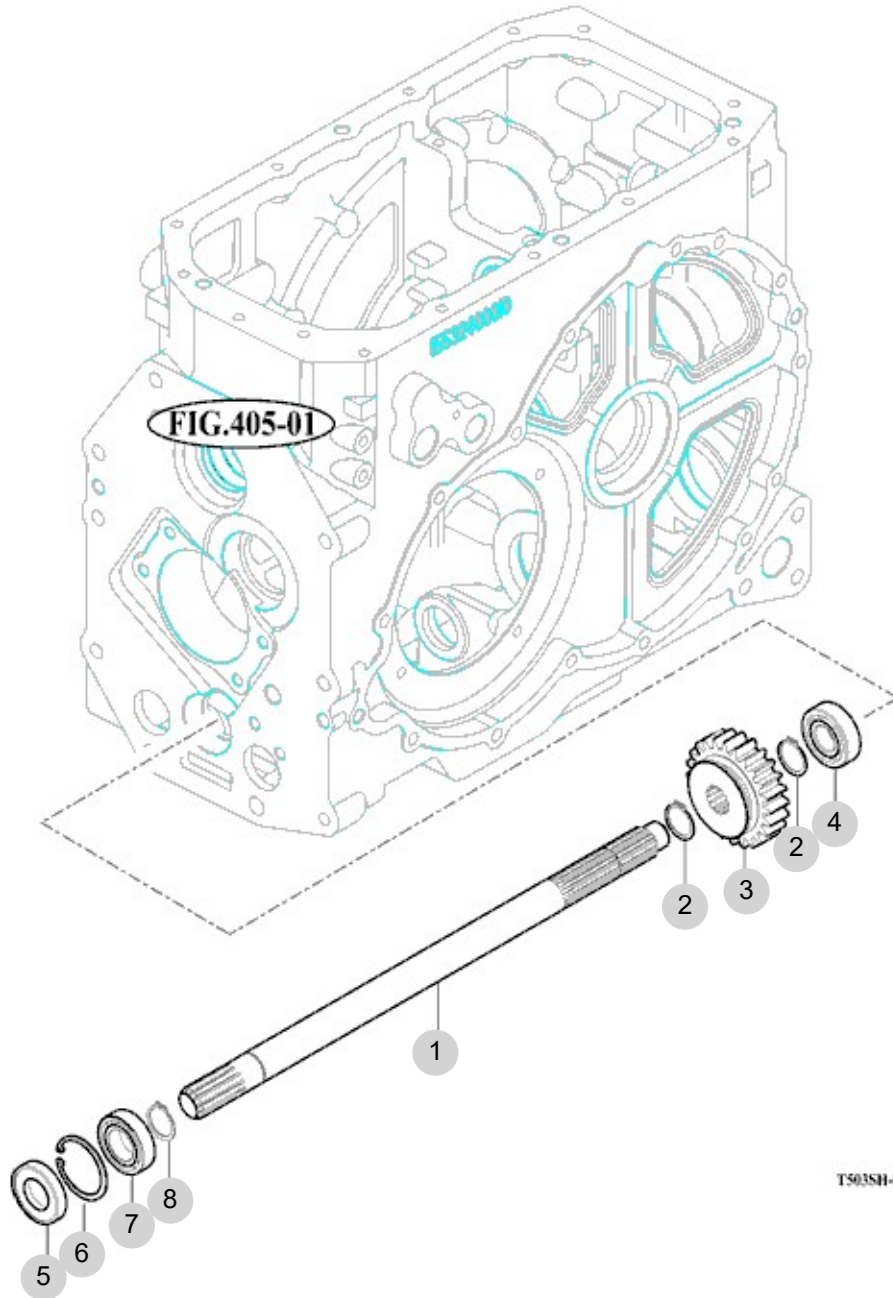
FIG 408

DRIVE GEARS

년/월  
Year/Month

T454SH

2022-12



NOTE



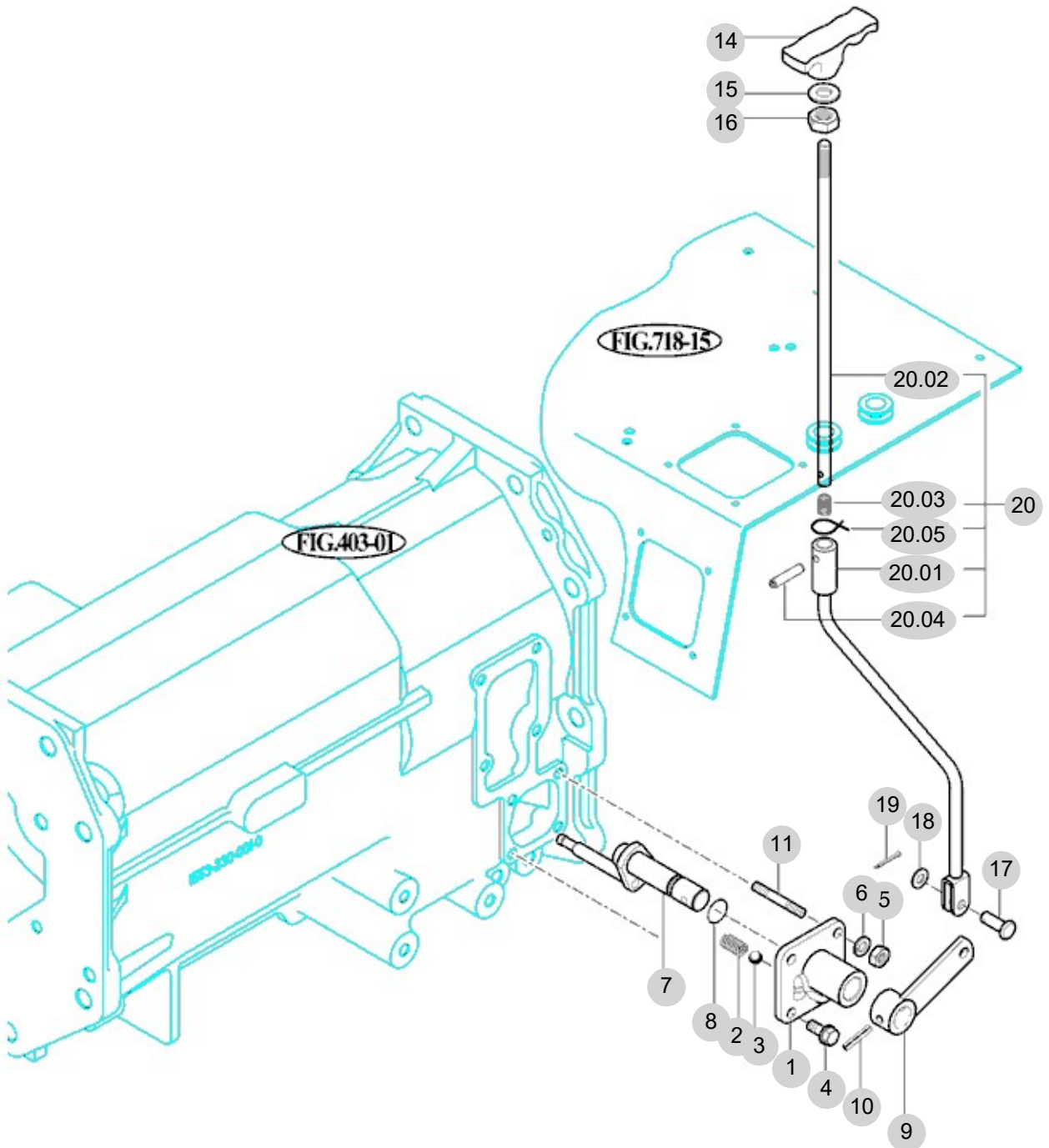
FIG 409

T454SH

4WD CHANGE LEVER

년/월  
Year/Month

2022-12



\*NOT SERVICED SEPARATELY

T503SH-E-409

NOTE





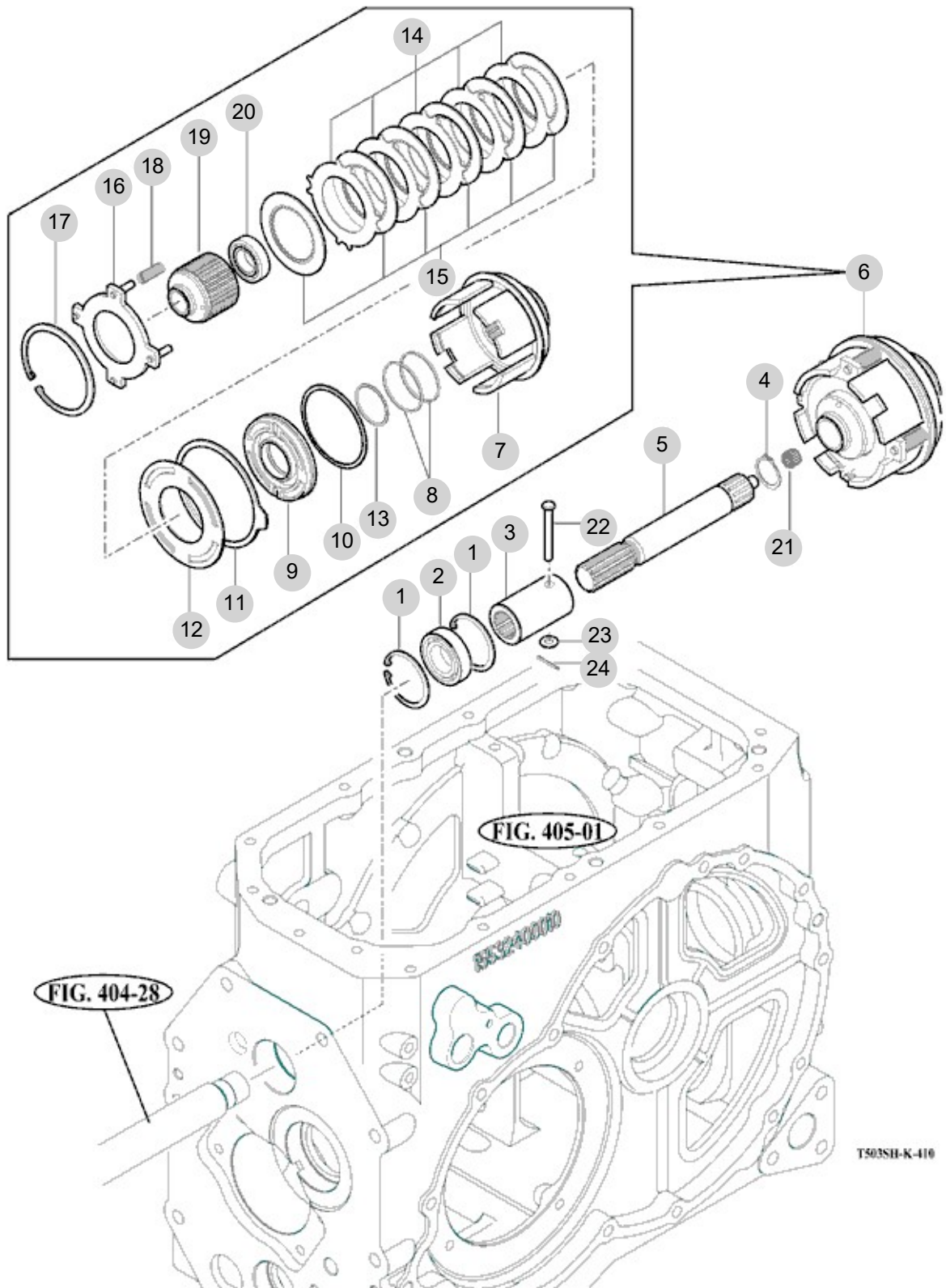
FIG 410

P.T.O DRIVE SHAFT

년/월  
Year/Month

T454SH

2022-12



NOTE



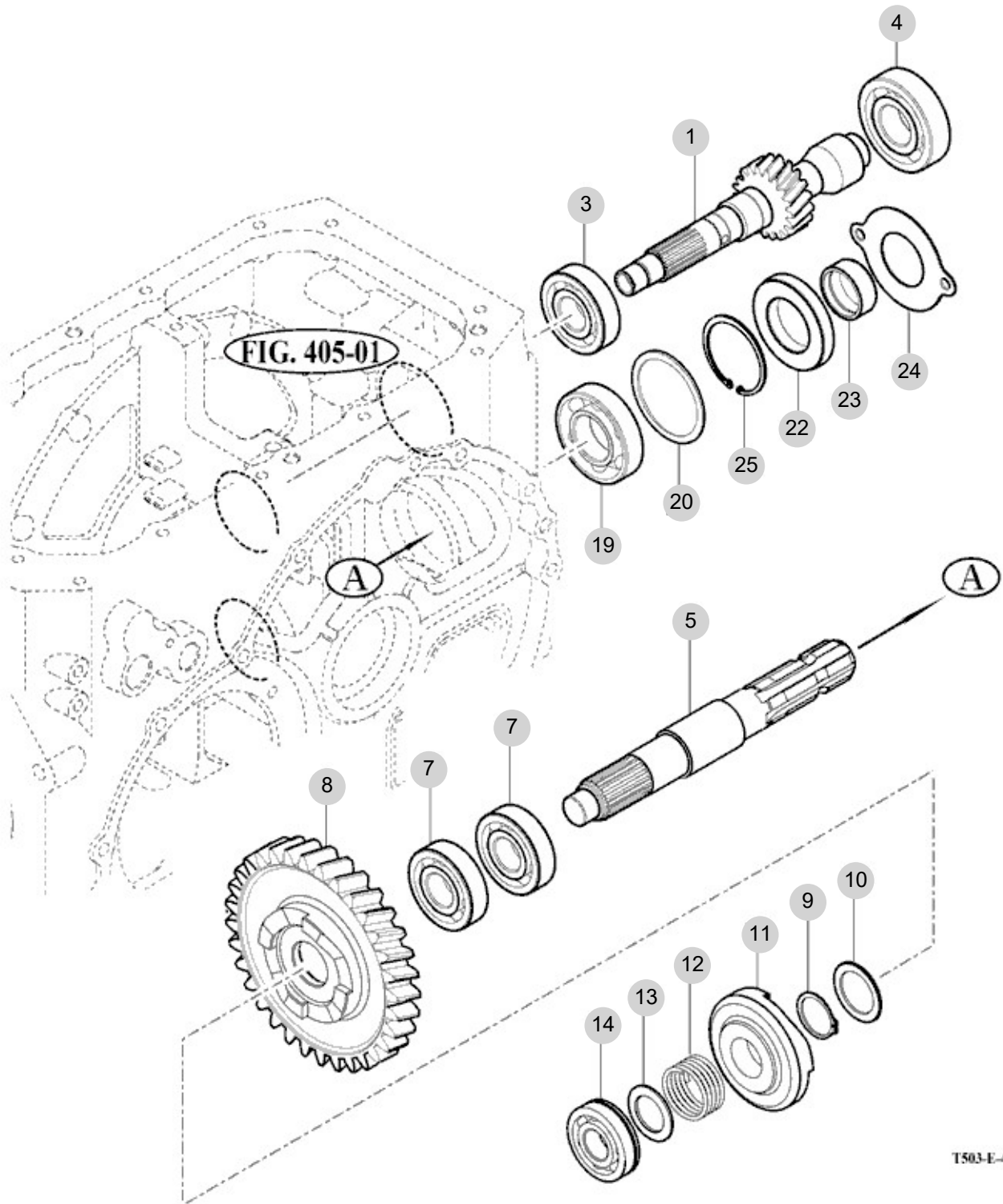
FIG 411

T454SH

P.T.O CHANGE GEARS

년/월  
Year/Month

2022-12



T503-E-411A

NOTE



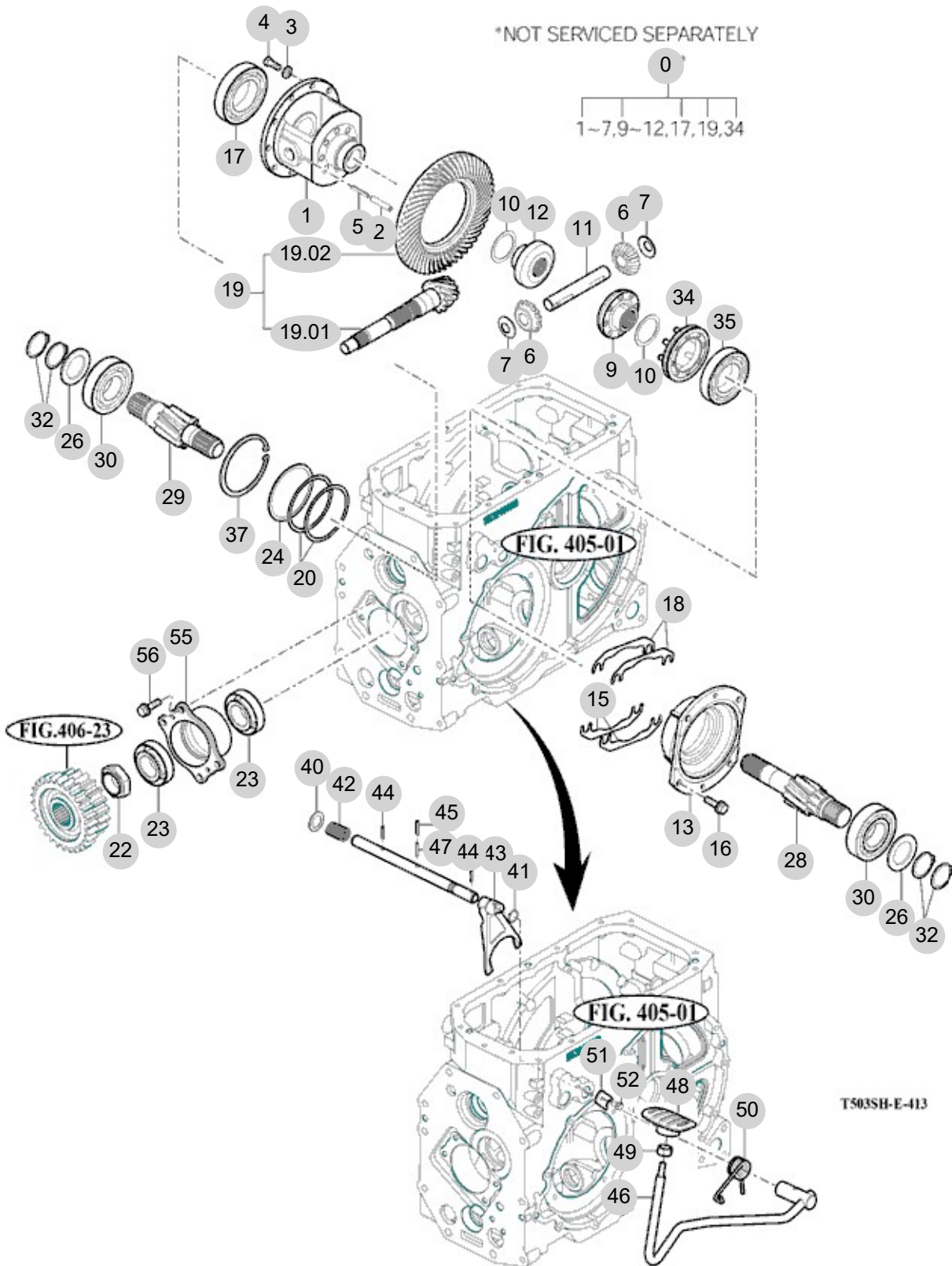
FIG 412

REAR DIFFERENTIAL GEARS

년/월  
Year/Month

2022-12

T454SH



NOTE

FIG 412		REAR DIFFERENTIAL GEARS					년/월 Year/Month		
							2022-12		
T454SH		KEY NO	PART NO	DESCRIPTION	SPEC	QTY	REPAIR	EFFECTIVE DATE	REMARKS
412	0	14523031001	DIFF ASSY, RR 47PS			1			
412	1	14523030010M	CASE , DIFF			1			
412	2	V5801408040	PIN , SPRING	8X50		1			
412	3	V4011600100	WASHER , SPRING	M10		10			
412	4	V2024610025	BOLT , HEX FINE	M10X25		10			
412	5	V5801405036	PIN , SPRING	5X36		1			
412	6	14523180041	PINION , DIFF	1X1X1		2			
412	7	14523030080	COLLAR , PINION	T=1.0		2			
412	9	14523180061	PINION , BEVEL 16T LH	1X1X1		1			
412	10	14523030100	WASHER , THRUST	D=52.5		2			
412	11	14523030110	SHAFT , DIFF PINION	D=23		1			
412	12	14523180031	PINION , BEVEL 16T RH	1X1X1		1			
412	13	14523030131M	METAL , DIFF CASE LH			1			
412	15	14523010090	SHIM , B	T=0.2		4			
412	16	V2173610025	BOLT , HEX/S	M10X25		4			
412	17	V6001106212	BEARING , BALL	6212		1			
412	18	14523010080	SHIM , A	T=0.1		2			
412	19	14523022100	GEAR SET , 10-41T			1			
412	20	14523010050	SHIM , 0.1	T=0.1		1			
412	22	15533030020	NUT , M40 P1,5	육각B=55		1			
412	23	V6321132208	BEARING , TAPER-ROLLER	32208CR		2			
412	24	14523010100	SHIM , 0.2	T=0.2		2			
412	26	15133060030	COLLAR , THRUST 45X68X4			2			
412	28	14523060010	PINION , LH HERICAL11T			1			
412	29	14523060020	PINION , RH HERICAL11T			1			
412	30	V6001106309	BEARING , BALL	6309		2			
412	32	V7041400450	C-RING , SHAFT	45		4			
412	34	14523033400	SLEEVE COMP			1			
412	35	V6001106211	BEARING , BALL	6211		1			
412	37	V7051401100	C-RING , HOLE	110		1			
412	39	15533193010	SHAFT , DIFF LOCK	D=20		1			
412	40	V4111600200	WASHER , PLAIN	M20		1			
412	41	V7201024016	O-RING , P	P16		1			
412	42	17973030420	SPRING	(D=3.6) X22.5X74.5		1			
412	43	14523190011M	FORK , DIFF LOCK			1			
412	44	V5801406032	PIN , SPRING	6X32		2			
412	45	V5801408036	PIN , SPRING	8X36		1			
412	46	15533193100	PEDAL COMP , DIFF LOCK			1			
412	47	V5801405036	PIN , SPRING	5X36		1			
412	48	14521220120	PEDAL COMP,ACCEL	1X1X1		1			
412	49	V3342600100	NUT , HEX FINE/2	M10		1			
412	50	15533190020	SPRING , DIFF PEDAL			1			
412	50	15533190021	SPRING , DIFF PEDAL	D=5.5		1			
412	51	16703180191	PLATE , STOP	25X4.5T		1			
412	52	V2173608016	BOLT , HEX/S	M8X16		1			
NOTE									





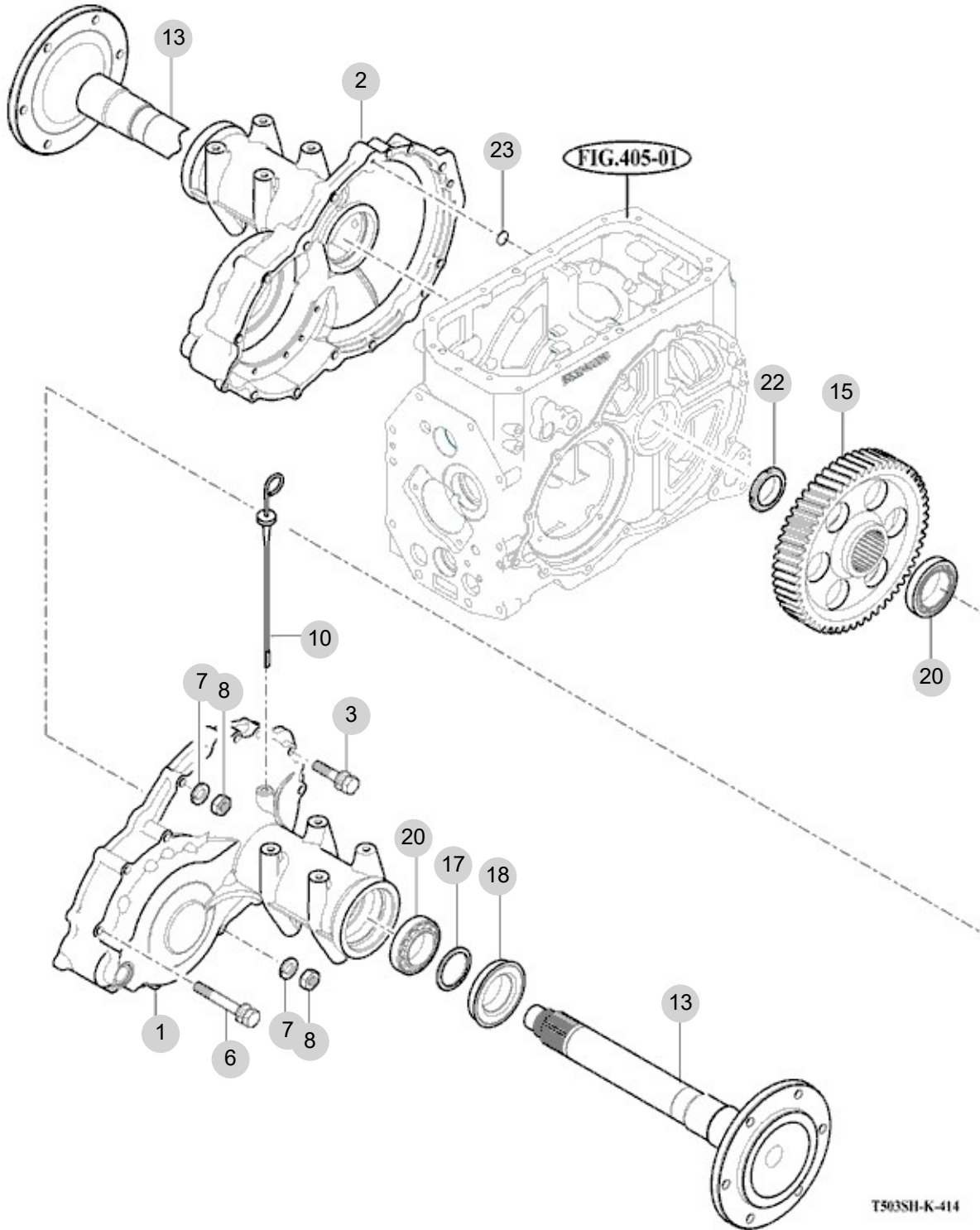
FIG 413

REAR AXLE HOUSING

년/월  
Year/Month

2022-12

T454SH



T503SH-K-414

NOTE



## 5. Front Axle PART NO. T5

FIG 501 FRONT AXLE SUPPORT	128
FIG 502 FRONT DRIVE SHAFT	130
FIG 503 FRONT AXLE HOUSING	132
FIG 504 FRONT DIFFERENTIAL GEARS	134
FIG 505 FRONT GEAR CASE (1)	136
FIG 506 FRONT GEAR CASE (2)	138
FIG 507 FRONT GEAR CASE (3)	140

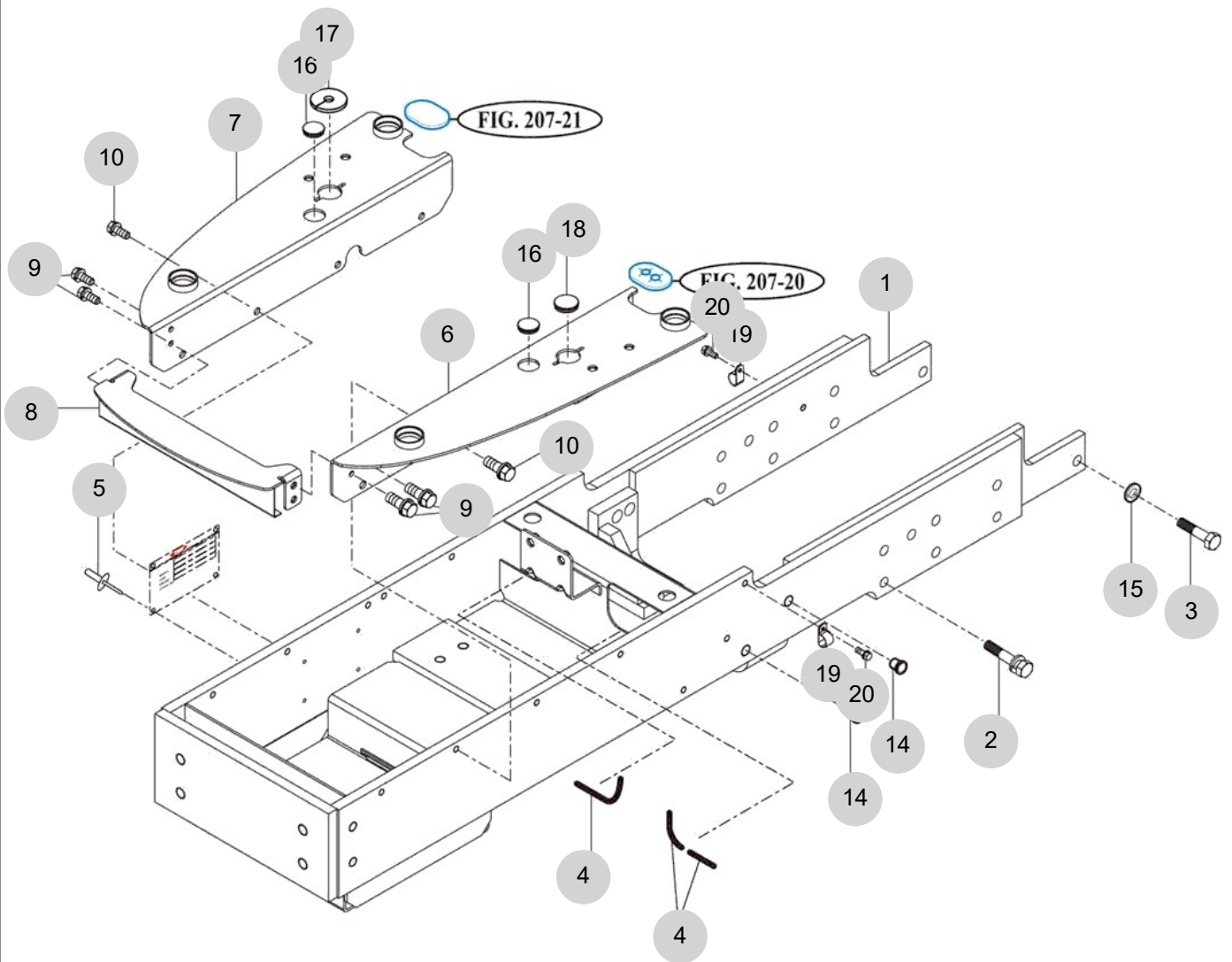
FIG 501

T454SH

FRONT AXLE SUPPORT

년/월  
Year/Month

2022-12



NOTE



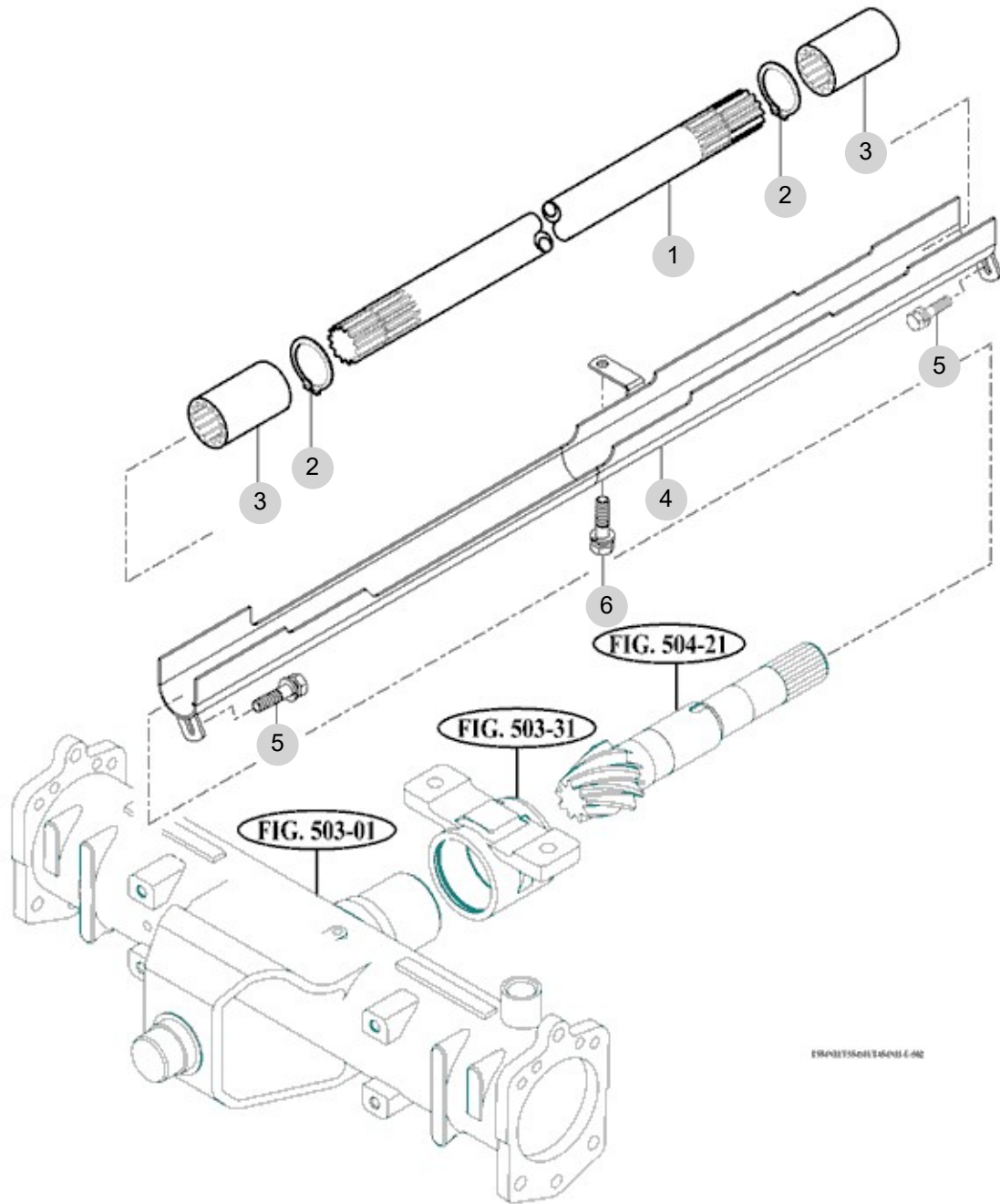
FIG 502

T454SH

FRONT DRIVE SHAFT

년/월  
Year/Month

2022-12



FRONT DRIVE SHAFT

NOTE



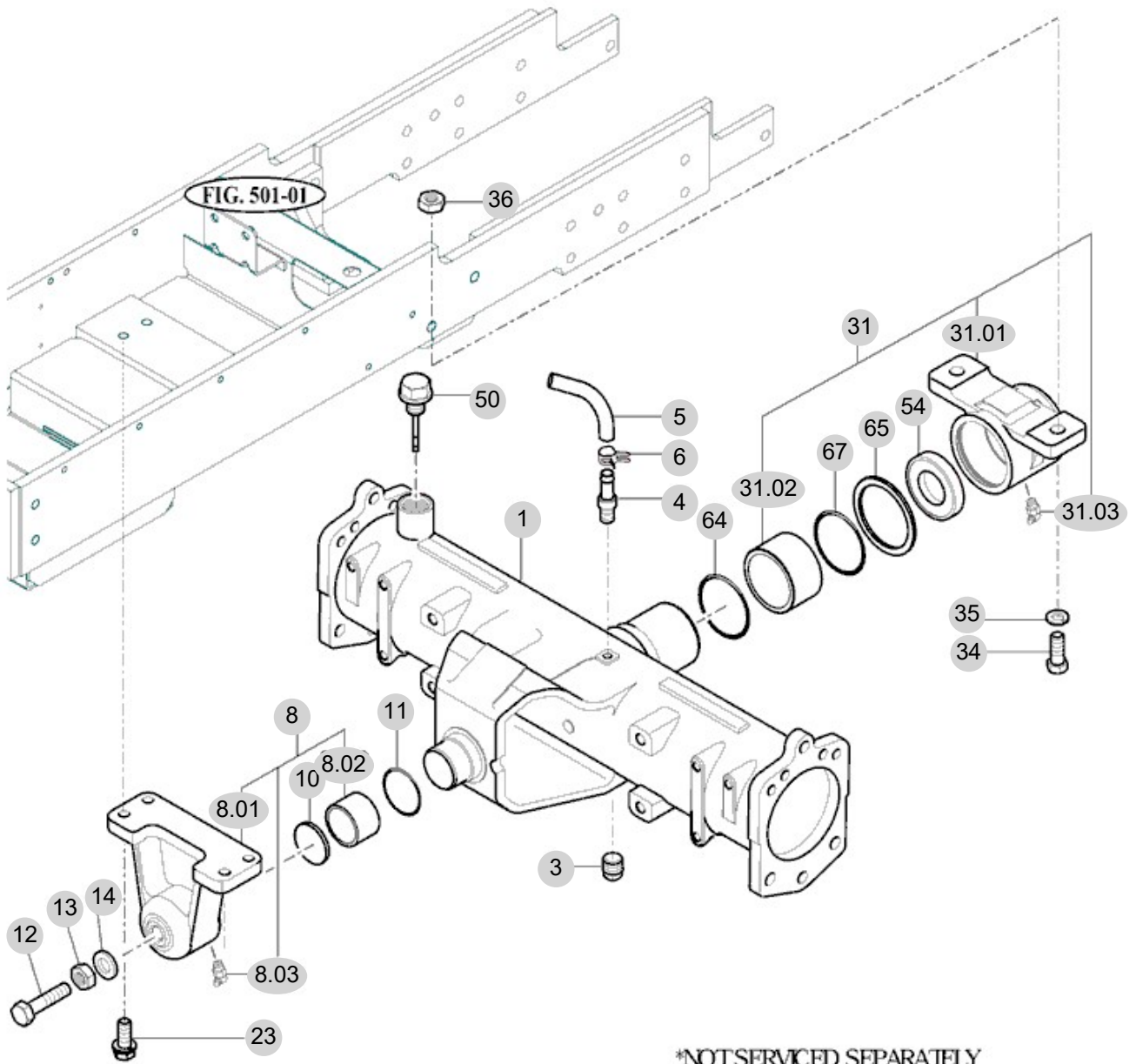
FIG 503

T454SH

FRONT AXLE HOUSING

년/월  
Year/Month

2022-12



T194/04 E-001

NOTE





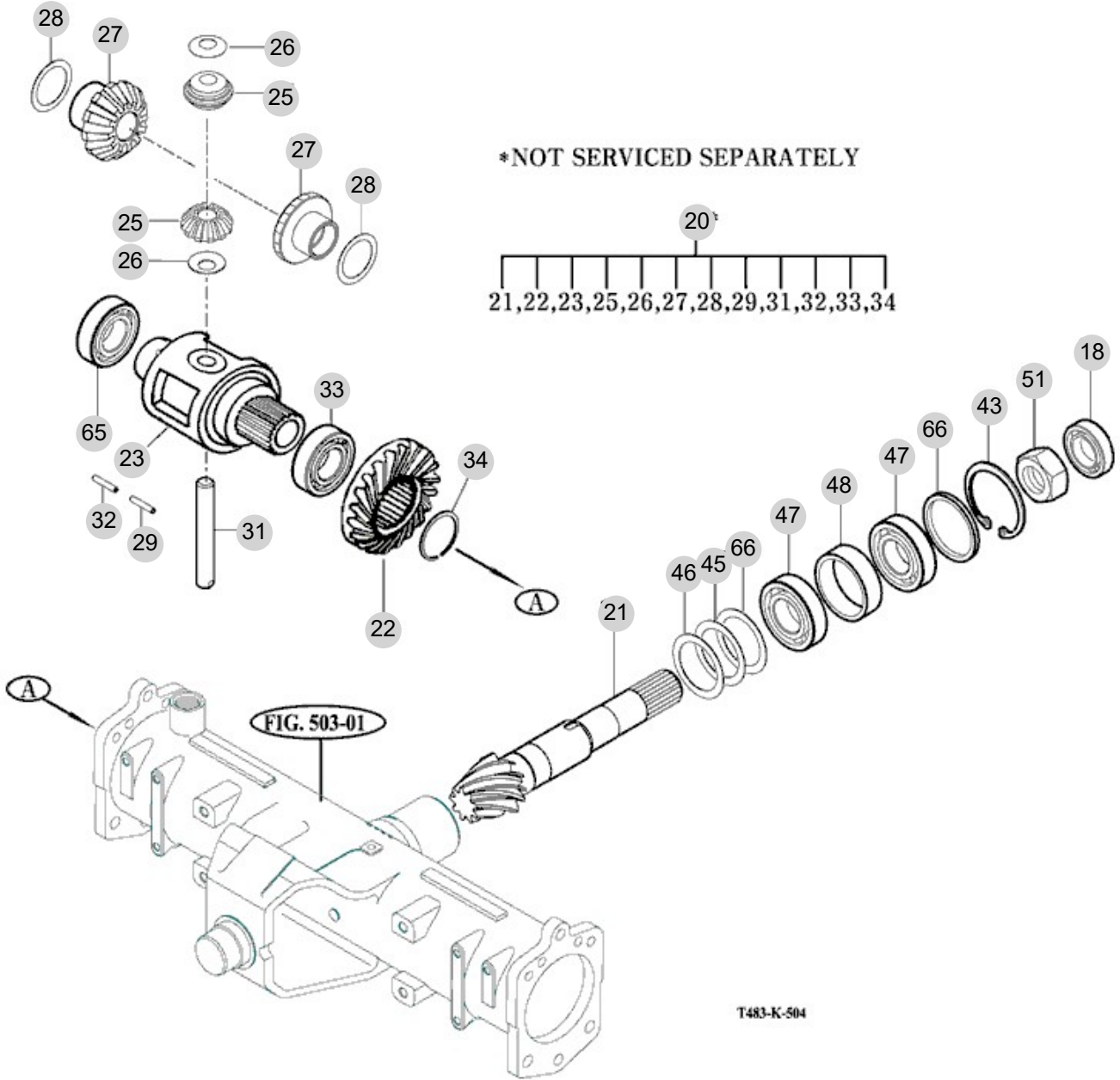
FIG 504

FRONT DIFFERENTIAL GEARS

년/월  
Year/Month

2022-12

T454SH



NOTE



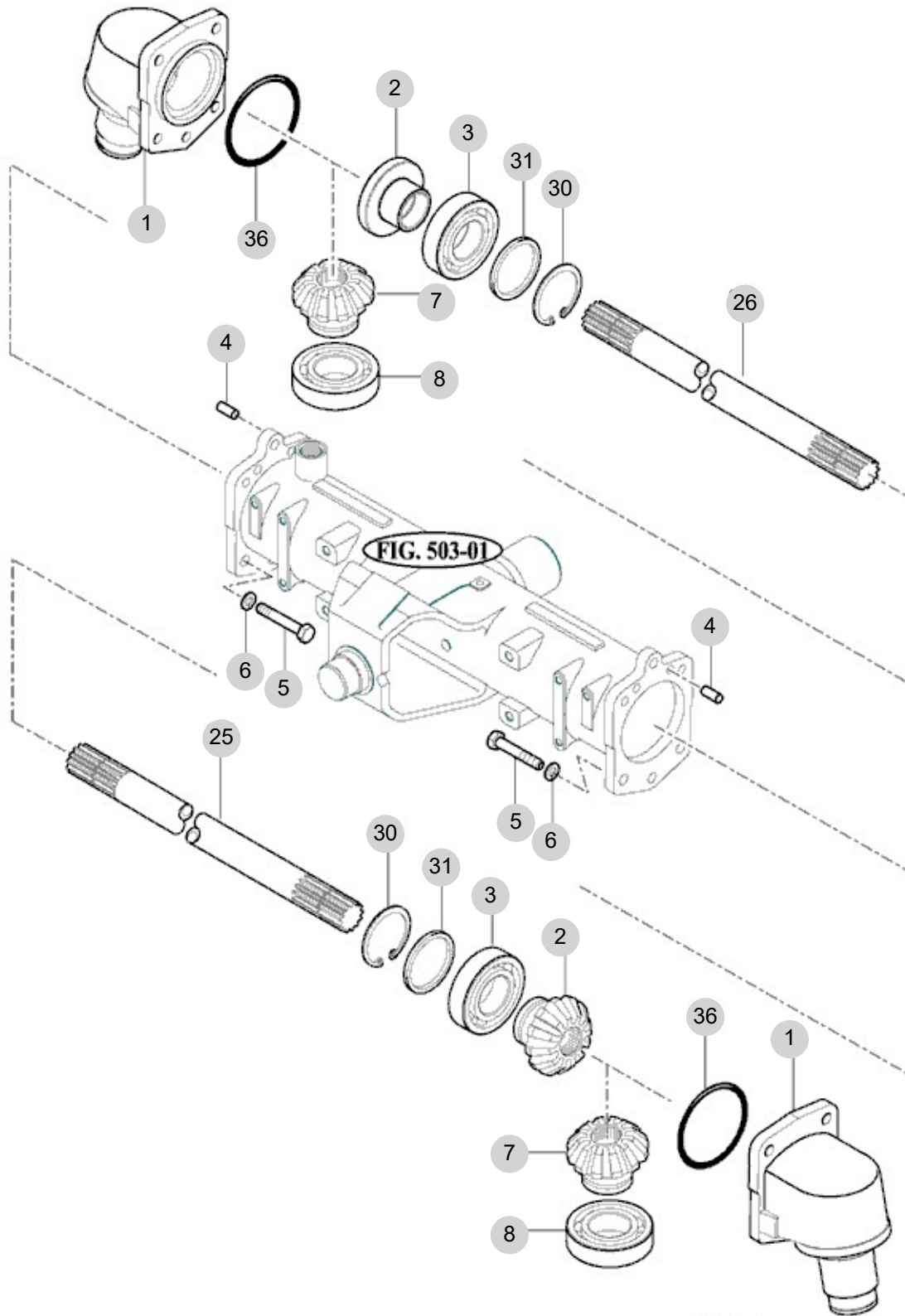
FIG 505

T454SH

FRONT GEAR CASE (1)

년/월  
Year/Month

2022-12



T483-k-505

NOTE







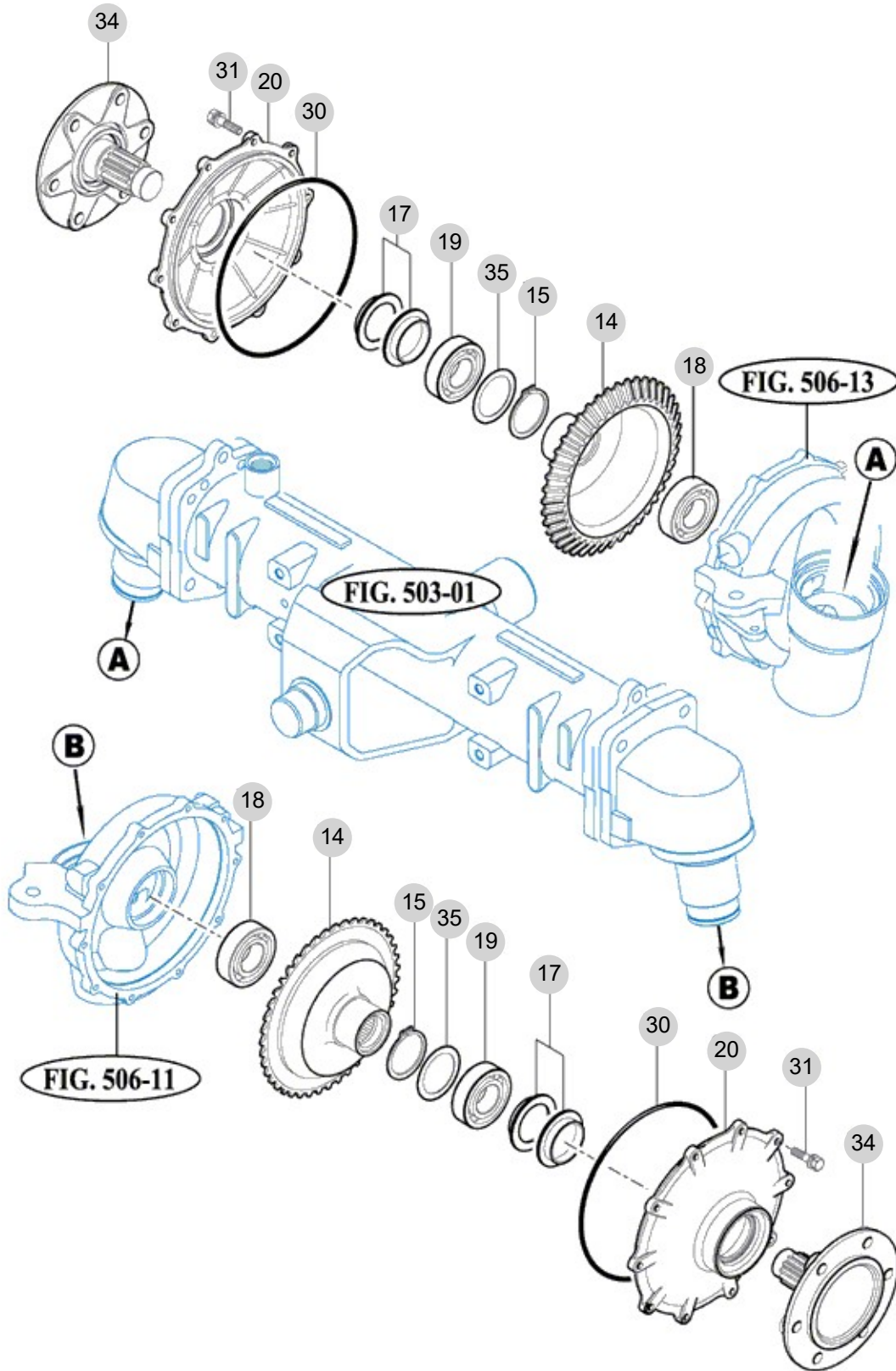
FIG 507

T454SH

FRONT GEAR CASE (3)

년/월  
Year/Month

2022-12



NOTE





## 6. Hydraulic/3P-Link PART NO. T6

FIG 601 CYLINDER CASE	143
FIG 602 LIFT ARM	145
FIG 603 CYLINDER	147
FIG 604 POSITION LINK	149
FIG 605 CONTROL VALVE	151
FIG 606 DRAFT LINK	153
FIG 607 POSITION & DRAFT LEVER	155
FIG 607 POSITION & DRAFT LEVER	157
FIG 609 HYDRAULIC PIPE	159
FIG 610 JOYSTICK	162
FIG 611 HYDRAULIC HOSE	164
FIG 612 HITCH & 3-POINT LINK	166
FIG 613 LOWER LINK & LIFT ROD	169
FIG 614 EXTERNAL POSITION LEVER KIT	171

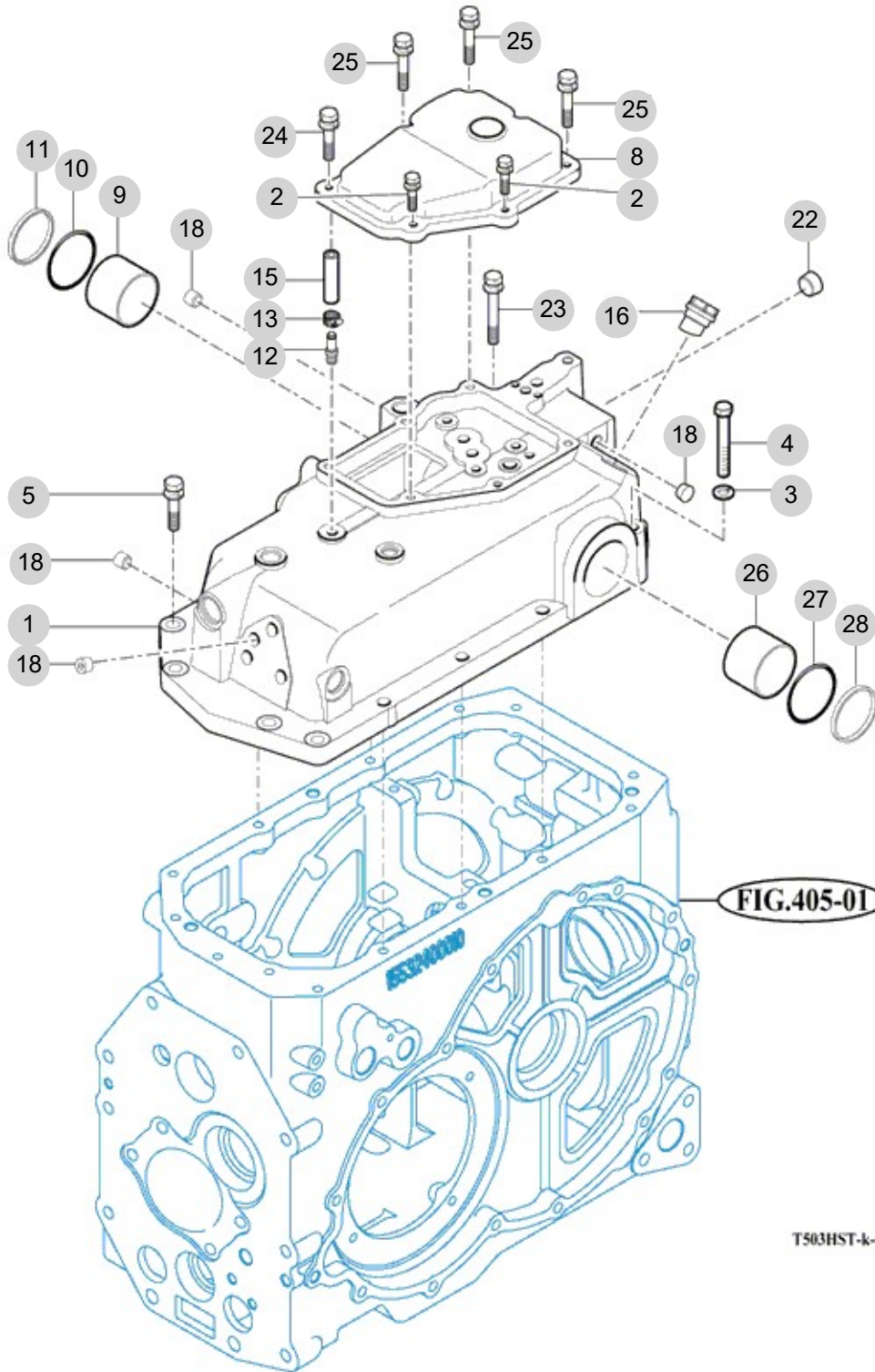
FIG 601

CYLINDER CASE

년/월  
Year/Month

2022-12

T454SH



NOTE



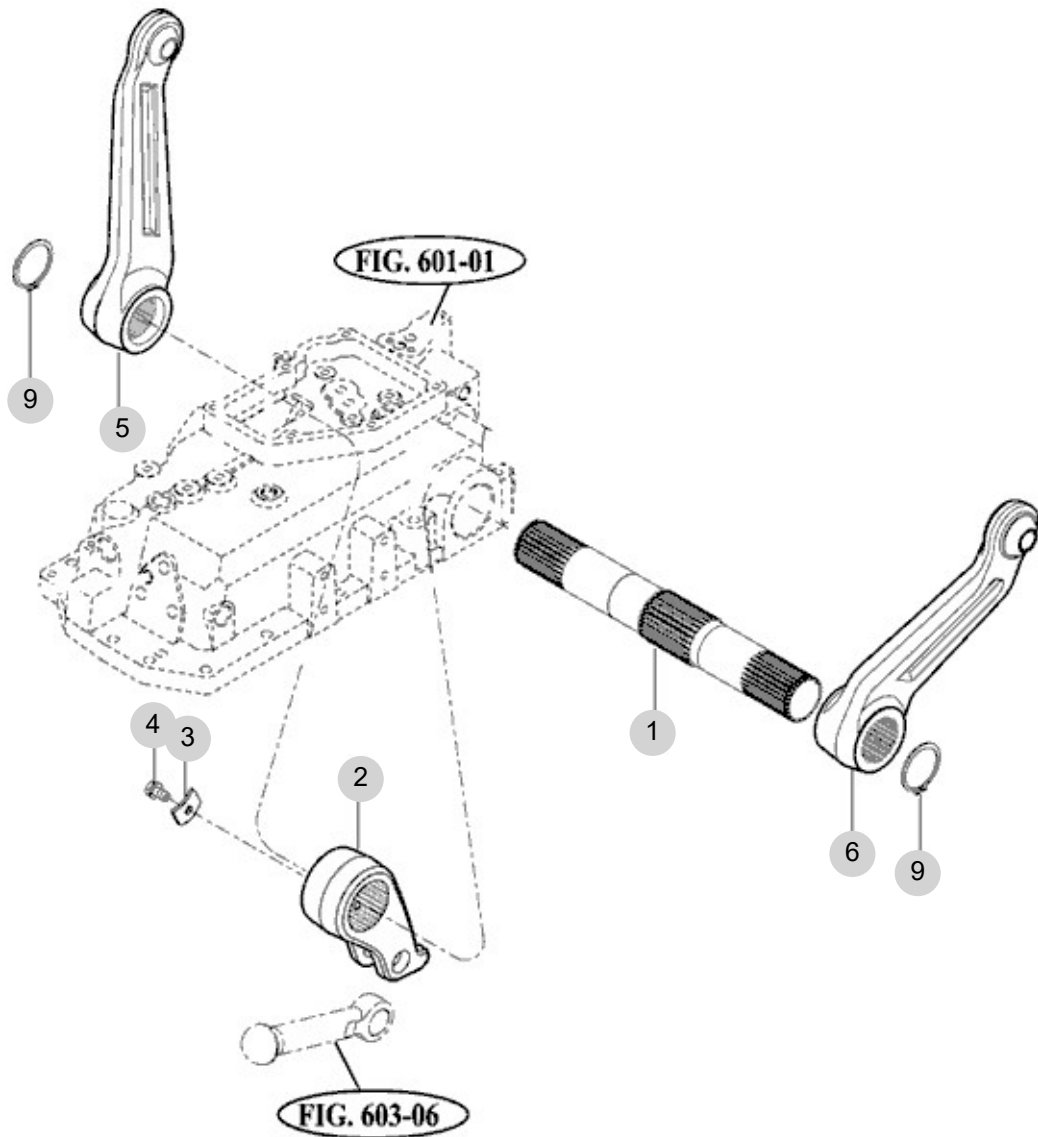
FIG 602

T454SH

LIFT ARM

년/월  
Year/Month

2022-12



T473-E-602A

NOTE



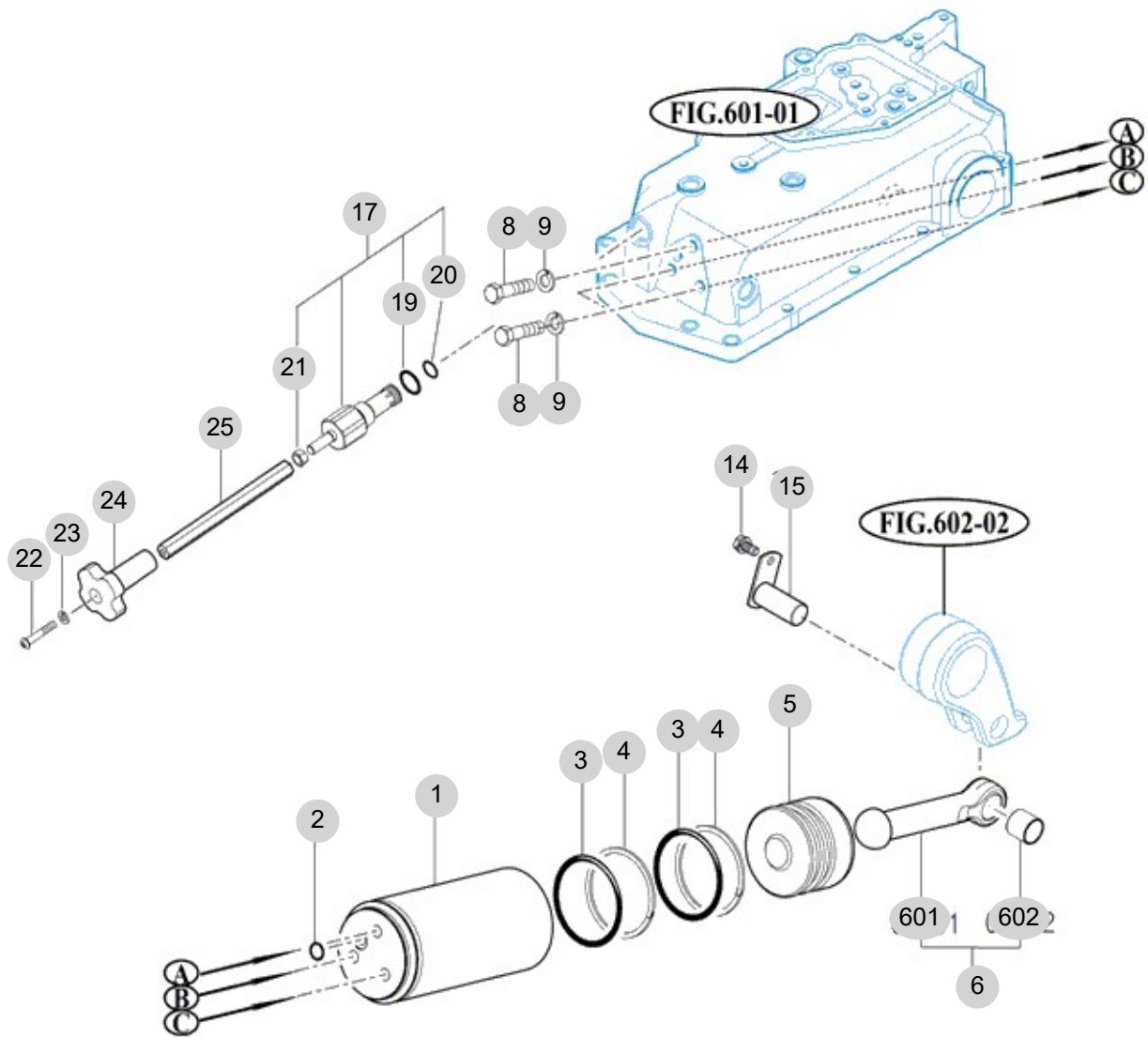
FIG 603

T454SH

CYLINDER

년/월  
Year/Month

2022-12



T483-K-603

NOTE





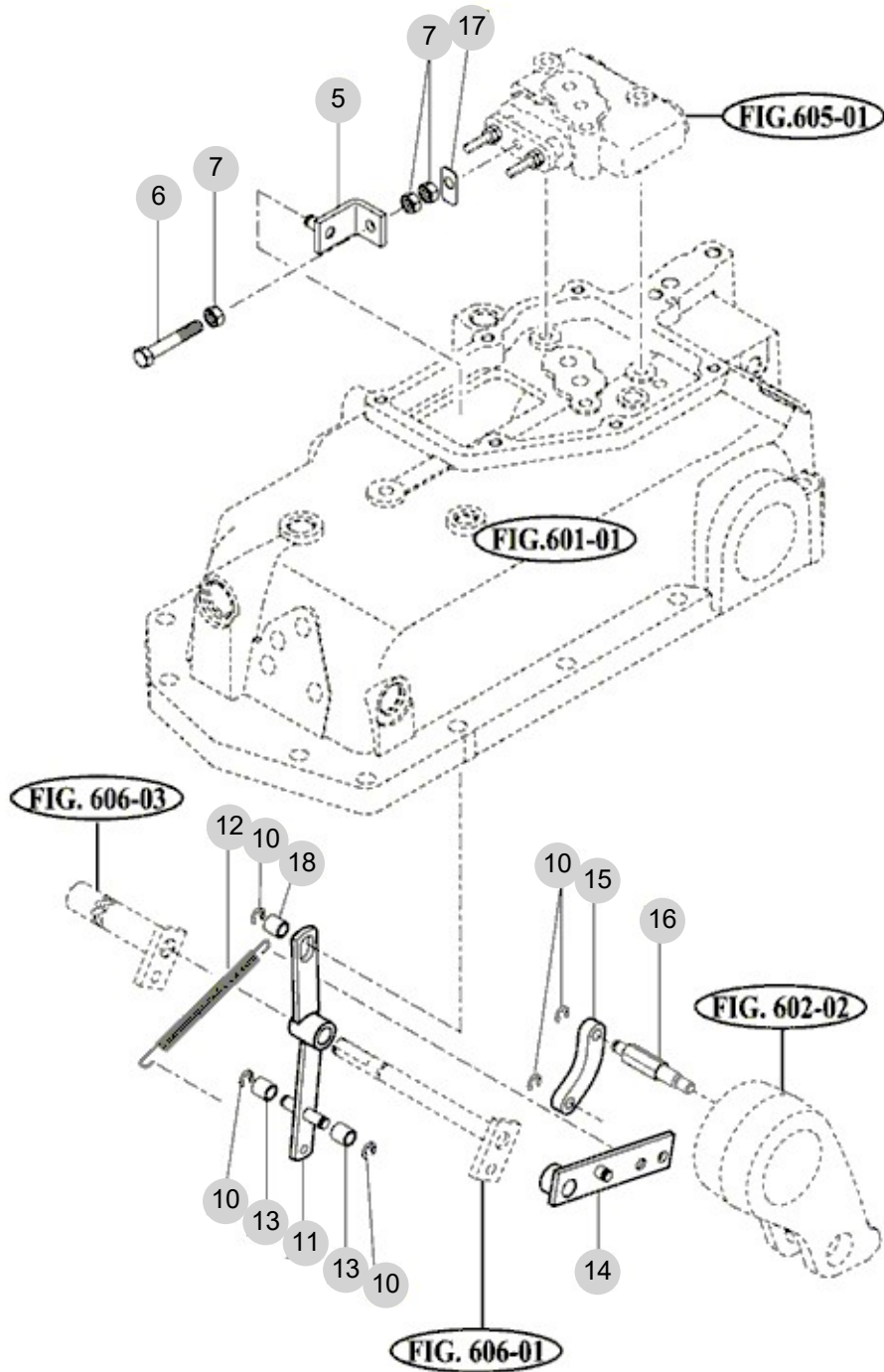
FIG 604

T454SH

POSITION LINK

년/월  
Year/Month

2022-12



T483-K-604

NOTE



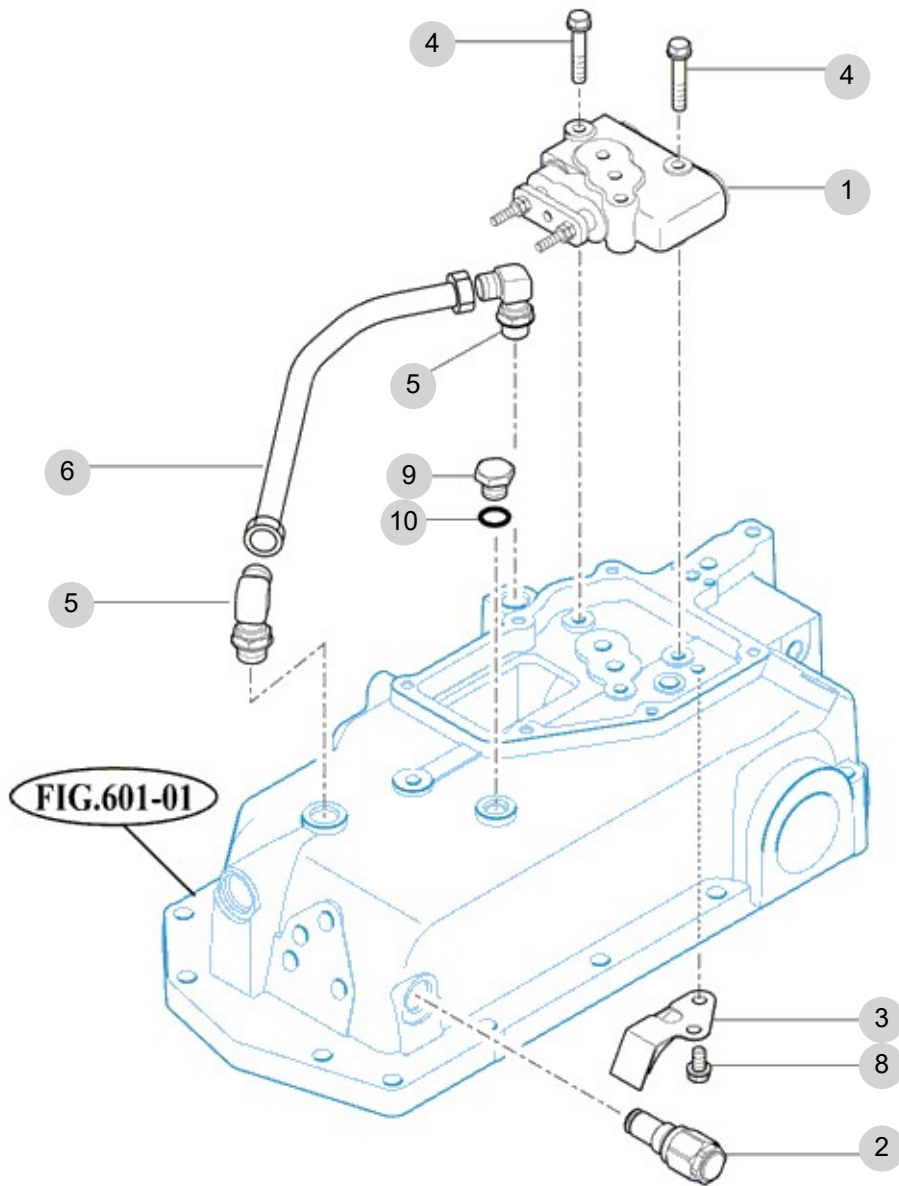
FIG 605

T454SH

CONTROL VALVE

년/월  
Year/Month

2022-12



T503HST-K-605

NOTE



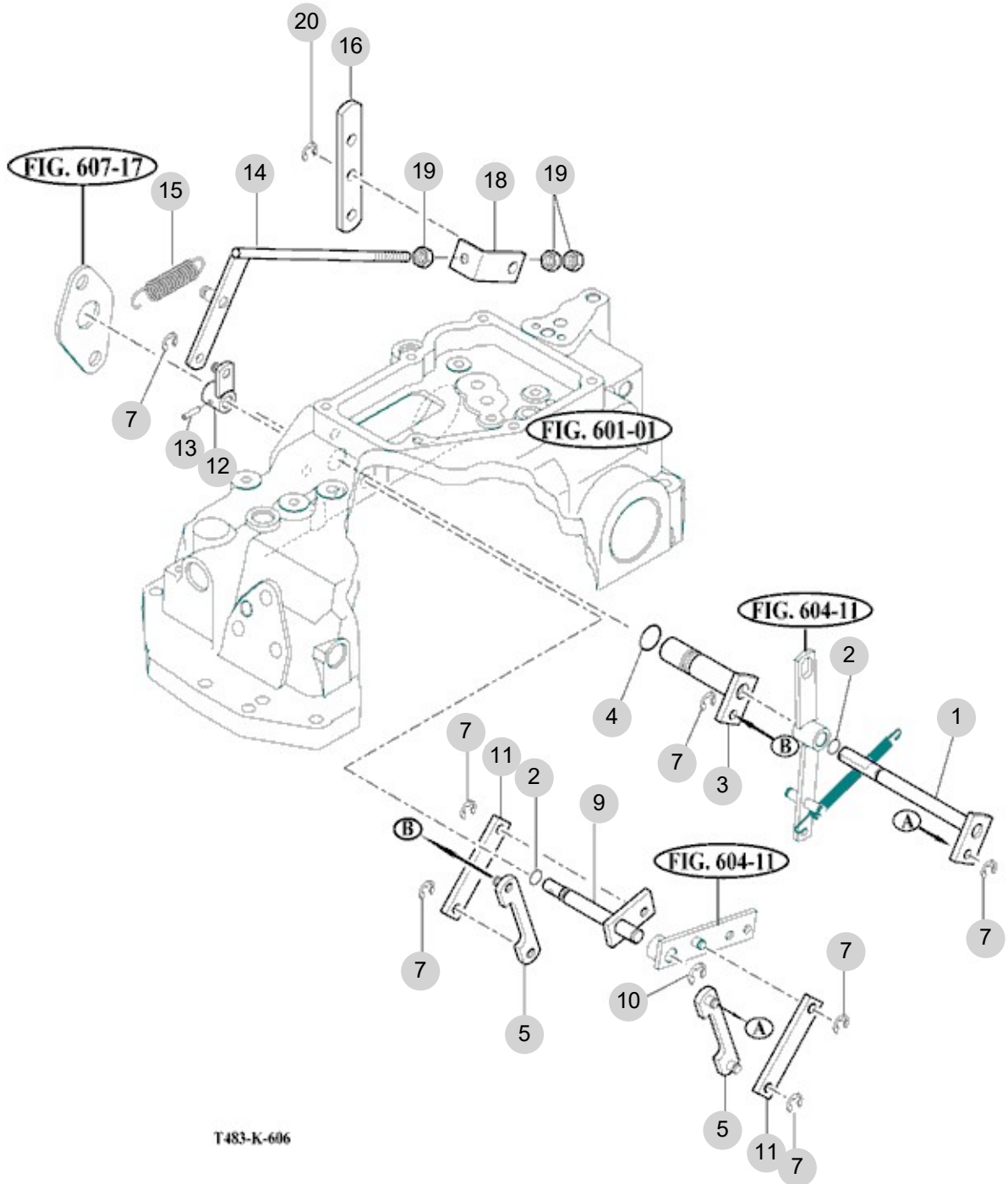
FIG 606

DRAFT LINK

년/월  
Year/Month

2022-12

T454SH



T483-K-606

NOTE



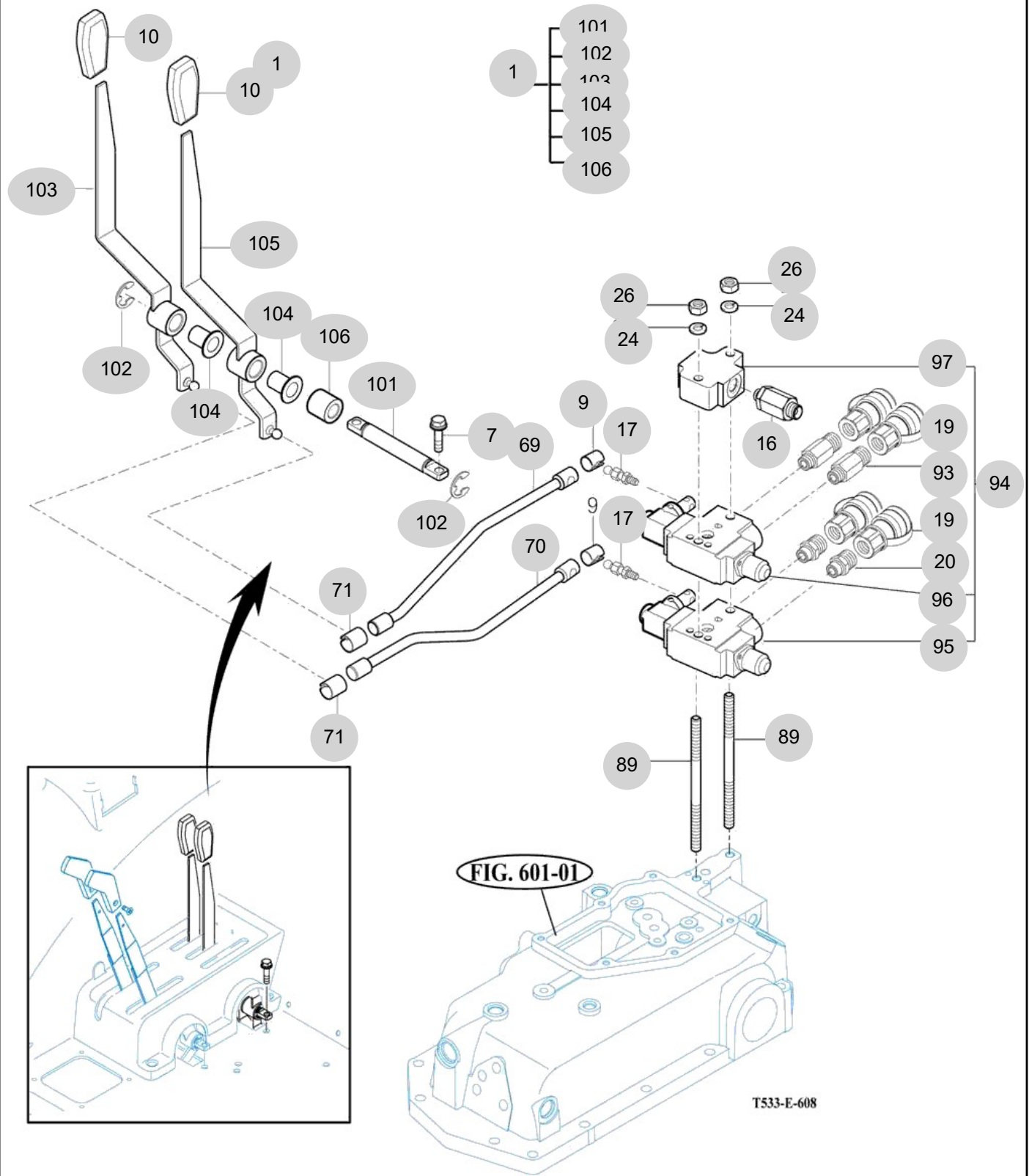
FIG 607

T454SH

POSITION & DRAFT LEVER

년/월  
Year/Month

2022-12



NOTE





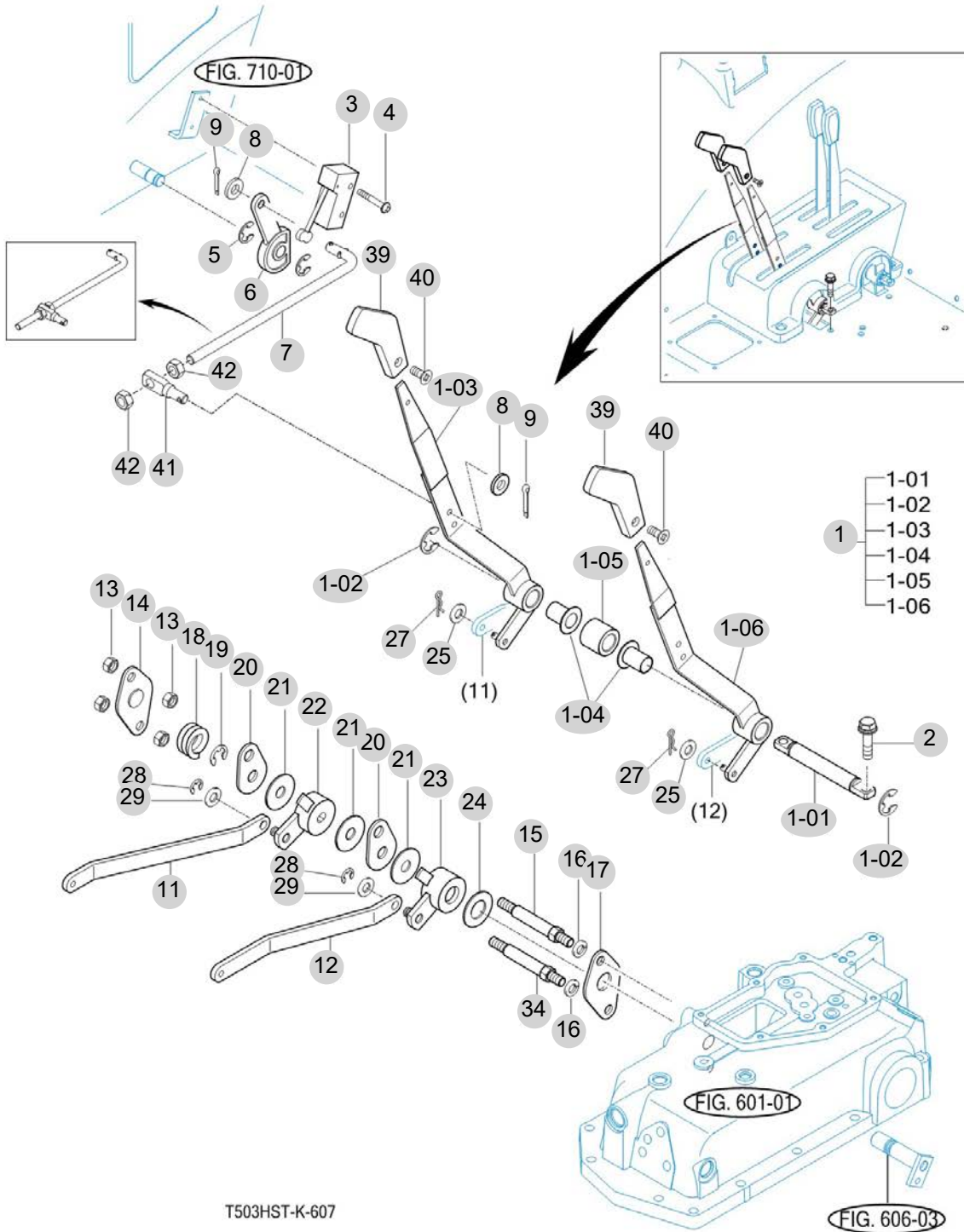
FIG 607

POSITION & DRAFT LEVER

년/월  
Year/Month

2022-12

T454SH



NOTE



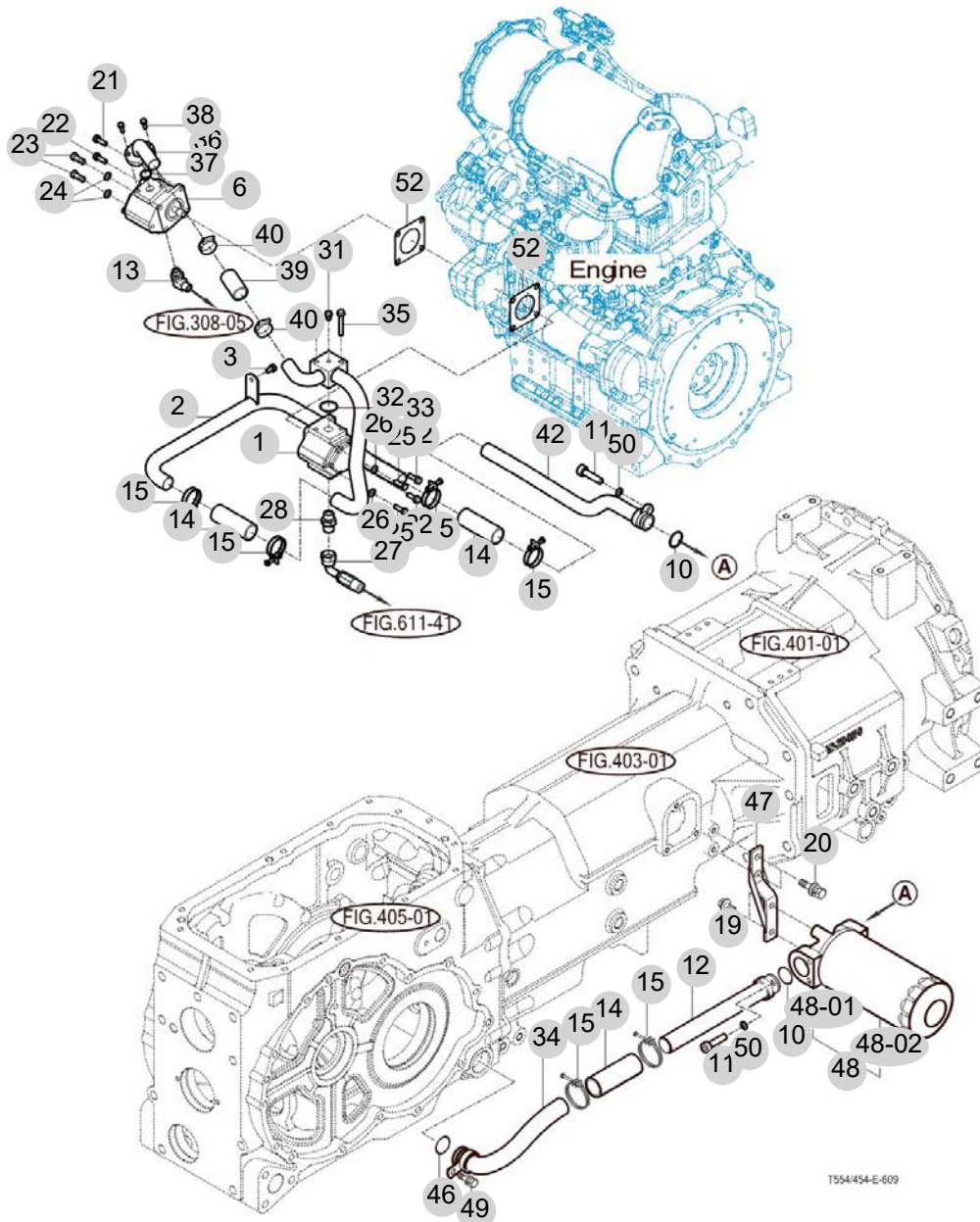
FIG 609

HYDRAULIC PIPE

년/월  
Year/Month

2022-12

T454SH



T554/454-E-609

NOTE

FIG 609		HYDRAULIC PIPE					년/월 Year/Month		
							2022-12		
T454SH		KEY NO	PART NO	DESCRIPTION	SPEC	QTY	REPAIR	EFFECTIVE DATE	REMARKS
609	1	15115100001	PUMP ASSY , GEAR (MAIN)			1			
609	2	17465152201GB	PIPE COMP , SUCTION FR/RR			1			
609	2	17465152202GB	PIPE COMP , SUCTION FR/RR			1			
609	3	V2173608016	BOLT , HEX/S	M8X16		1			
609	6	15115200000	PUMP ASSY , GEAR	7.5CC/REV		1			
609	10	V7211031030	O-RING , G			2			
609	11	V2205408016	BOLT , HEX-SOCKET	M8X16		2			
609	12	14525153401	PIPE COMP , FR SUCTION			1			
609	12	14525153401PC	PIPE COMP , FR SUCTION			1			
609	12	14525153401	PIPE COMP , FR SUCTION			1			
609	13	36313530021	ADAPTER , HIGH-PRESSURE	25XC112X39		1			
609	14	15605150031	HOSE , 100			3			
609	15	18027090400	BAND CLAMP 40 EMBO TYPE	D=40		6			
609	19	V2183610025	BOLT , HEX/SP	M10X25		2			
609	20	V2183608020	BOLT , HEX/SP	M8X20		2			
609	21	V2173608040	BOLT , HEX/S	M8X40		1			
609	22	V2173608025	BOLT , HEX/S	M8X25		3			
609	23	V2013608110	BOLT , HEX	M8X110		2			
609	24	V4011600080	WASHER , SPRING	M8		2			
609	25	V2013608110	BOLT , HEX	M8X110		2			
609	26	V4011600080	WASHER , SPRING	M8		2			
609	27	14525152331	HOSE ASSY , HYD 1560	1X1X1		1			
609	28	16582630620	CONNECTOR , PF1/2	C3236-0808		1			
609	31	13267060022	PLUG , DRAIN	육각 B=12		1			
609	32	V7211031030	O-RING , G			1			
609	33	17465153301GB	PIPE COMP , SUCTION FR			1			
609	33	17465153302GB	PIPE COMP , SUCTION FR			1			
609	33	17465153303GB	PIPE COMP , SUCTION FR			1			
609	34	14525162402PC	PIPE COMP , SUCTION RR			1			
609	34	14525162403	PIPE COMP , SUCTION RR			1			
609	35	V2173608055	BOLT , HEX/S	M8X55		2			
609	36	15155152901GB	PIPE COMP , FR SUCTION			1			
609	37	V7201024018	O-RING , P	P18		1			
609	38	V2113606020	BOLT , HEX /S	M6X20		2			
609	39	19955100010	HOSE , 26X34X60			1			
609	40	18027090400	BAND CLAMP 40 EMBO TYPE			2			
609	42	14525152101	PIPE COMP , SUCTION IN			1			
609	42	14525152102	PIPE COMP , SUCTION IN			1			
609	42	14525152102PC	PIPE COMP , SUCTION IN			1			
609	42	14525152103	PIPE COMP , SUCTION IN			1			
609	46	V7211031030	O-RING , G	G30		1			
609	47	14525150000GB	BRACKET , OIL FILTER			1			
609	47	14525150000	BRACKET , OIL FILTER			1			
609	47	14525150001	BRACKET , OIL FILTER			1			
609	48	17975152001	FILTER ASSY , SUCTION 43	1X1X1		1			
NOTE									



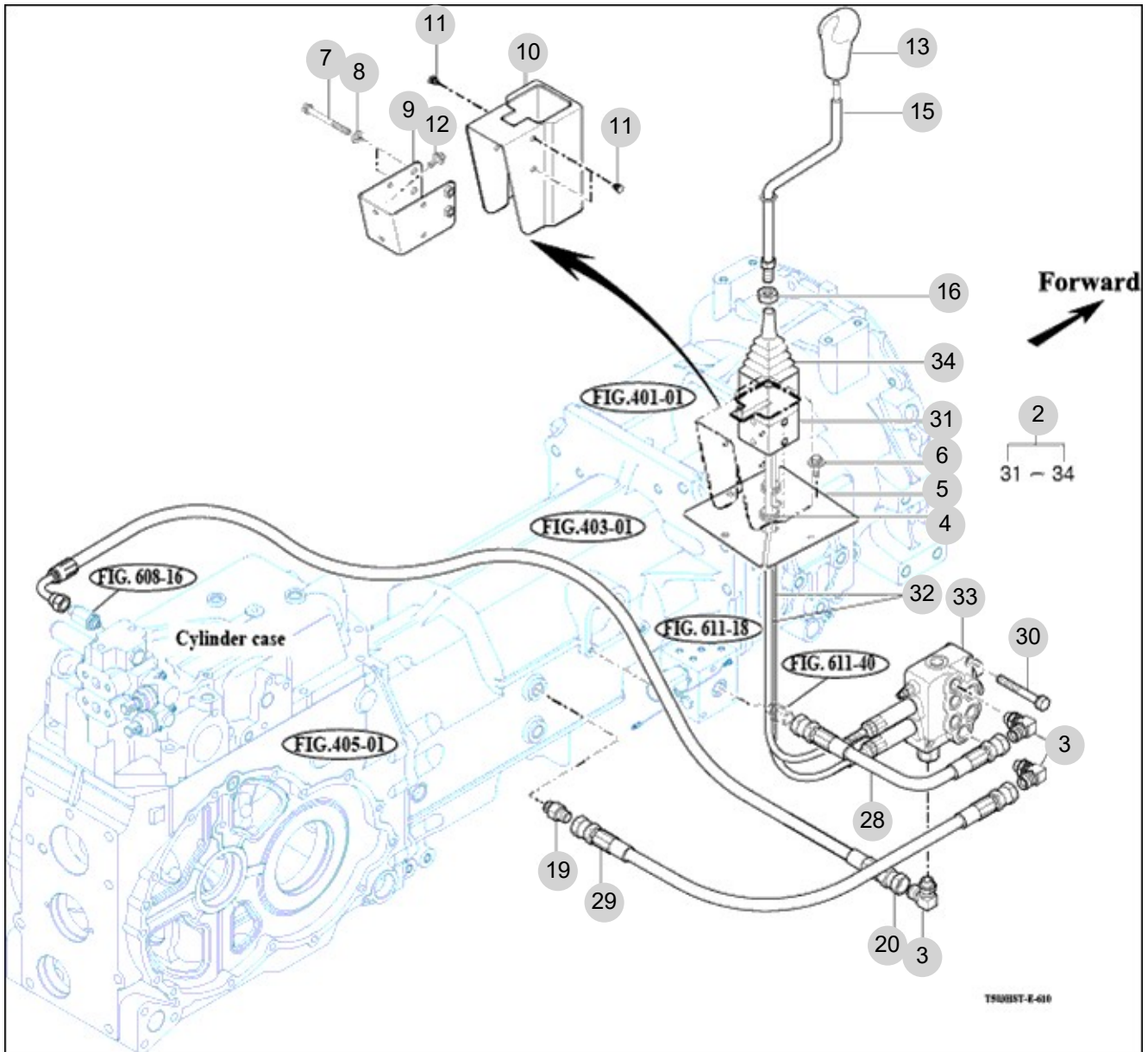
FIG 610

T454SH

JOYSTICK

년/월  
Year/Month

2022-12



NOTE





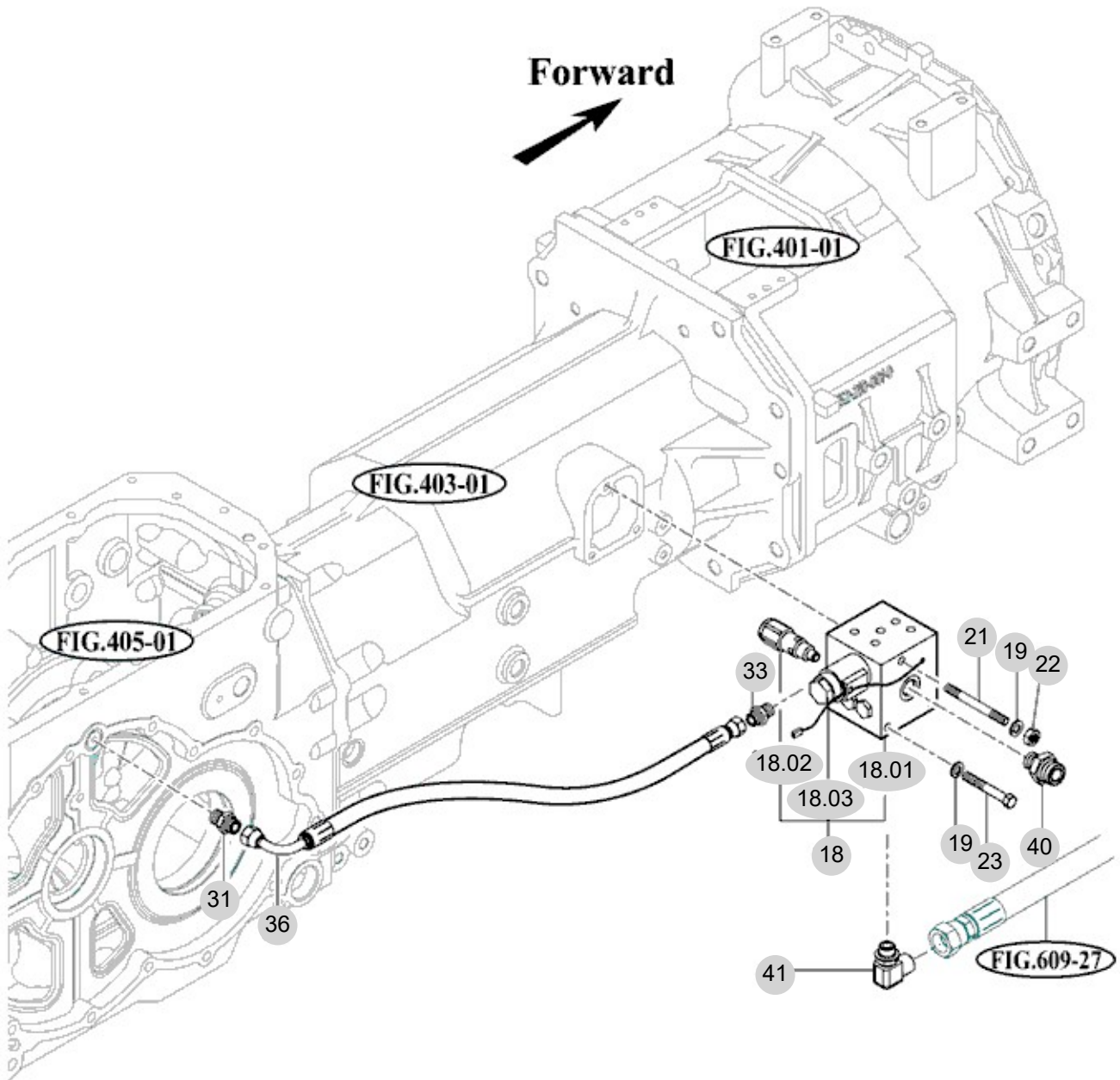
FIG 611

HYDRAULIC HOSE

년/월  
Year/Month

2022-12

T454SH



T554/554-E-611

NOTE





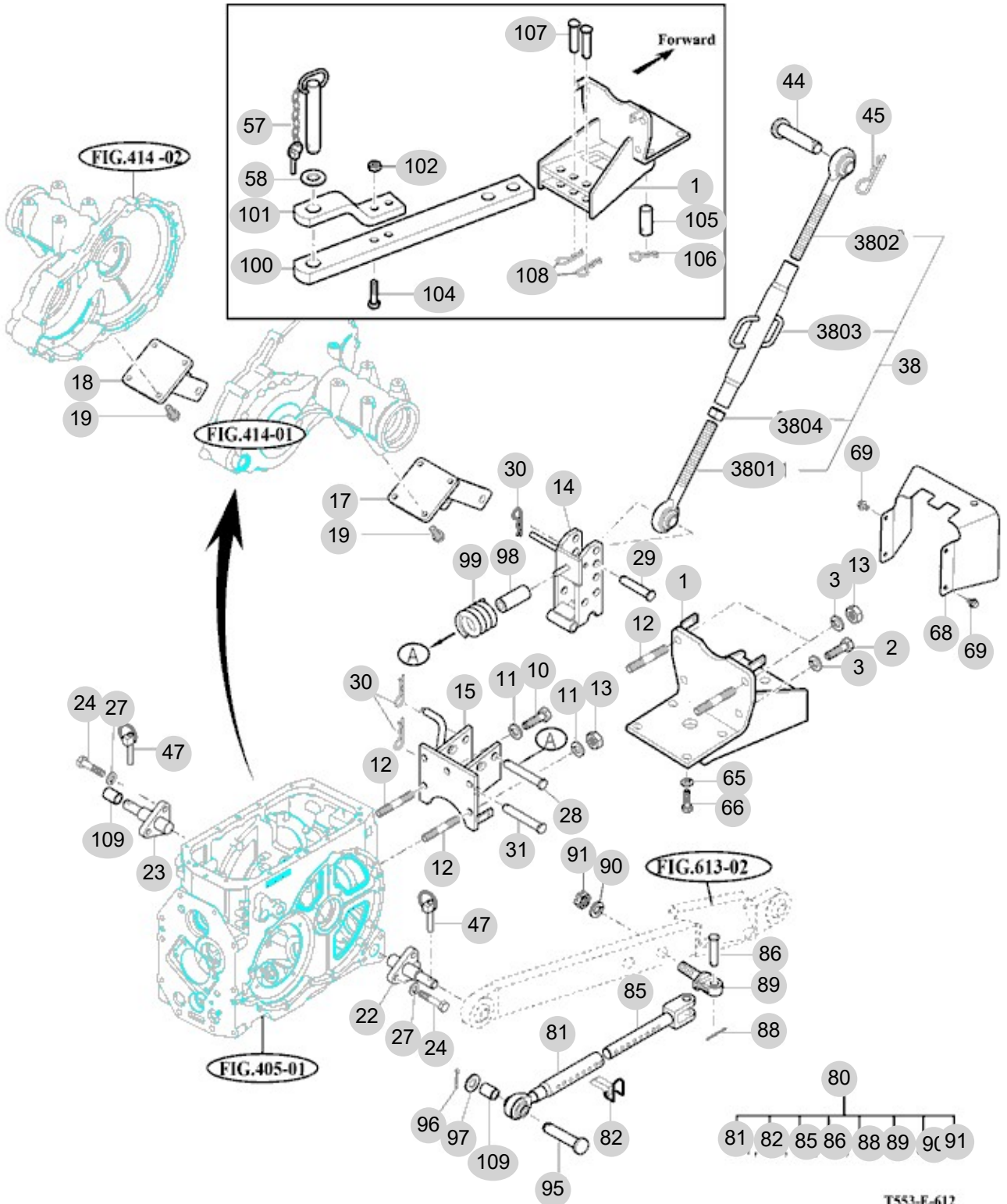
FIG 612

HITCH & 3-POINT LINK

년/월  
Year/Month

2022-12

T454SH



T553-E-612

NOTE

FIG 612		HITCH & 3-POINT LINK						년/월 Year/Month	
								2022-12	
T454SH		KEY NO	PART NO	DESCRIPTION	SPEC	QTY	REPAIR	EFFECTIVE DATE	REMARKS
612	1	15535202001GB	BRACKET COMP, SWING DRAWBAR			1			
612	1	15535202002GB	BRACKET COMP, SWING DRAWBAR			1			
612	1	15535202003GB	BRACKET COMP, SWING DRAWBAR			1			
612	2	V2013616035	BOLT, HEX	M16X35		2			
612	3	V4011600160	WASHER, SPRING	M16		4			
612	10	V2013616035	BOLT, HEX	M16X35		3			
612	11	V4011600160	WASHER, SPRING	M16		5			
612	12	V2513416035	BOLT, STUD/2	M16X35		4			
612	13	V3043600160	NUT, HEX/2	M16		4			
612	14	16735222102GB	LINK COMP	1X1X1		1			
612	15	15185222000GB	BRACKET COMP			1			
612	17	14525254100GB	BRACKET COMP, RR			1			
612	18	14525254100GB	BRACKET COMP, RR			1			
612	19	V2173612030	BOLT, HEX/S	M12X30		8			
612	22	15685252204	PIN COMP, LH			1			
612	23	15685252801	PIN COMP, RH			1			
612	24	V2013614040	BOLT, HEX	M14X40		6			
612	27	V4011600140	WASHER, SPRING	M14		6			
612	28	15645250010	PIN, 19X122	D=19		1			
612	29	15645220020	PIN, 19X95	D=19		1			
612	30	14445140051	PIN, 19	D=4.5		3			
612	31	15645250010	PIN, 19X122	D=19		1			
612	38	16505245501GB	LINK ASSY, TOP LINK			1			
612	38	16505245502GB	TOP LINK ASSY			1			
612	44	15645220011	PIN, 19X86	D=19		1			
612	45	14445140051	PIN, 19	D=4.5		1			
612	47	14215020020	PIN, LINK			2			
612	57	S0973063031	PIN ASSY	1X1X1		1			
612	58	15252470010	RUBBER, CUSHION			1			
612	65	V4011600140	WASHER, SPRING	M14		4			
612	66	V2013614035	BOLT, HEX	M14X35		4			
612	68	13605200012GB	COVER, SHIELD	1X1X1		1			
612	69	V2183608016	BOLT, HEX/SP	M8X16		4			
612	80	15155253000GB	LINK ASSY, ADJUSTER	570*60*50		2			
612	81	15155253100	ROD SUB, FR	44*320*60		2			
612	82	17705254200	PIN	1X1X1		2			
612	85	15155253300	ROD SUB, REAR	340*50*50		2			
612	86	15155253400	PIN, ø20X59	ø20X59		2			
612	88	V5001940035	PIN, SPLIT	4X35		2			
612	89	15155253500	EYEBOLT	66*60*40		2			
612	90	V4111600220	WASHER, PLAIN	M22		2			
612	91	V3343600220	NUT, HEX FINE/2	M22		2			
612	95	15645220020	PIN, 19X95	D=19		2			
612	96	14445140051	PIN, 19	D=4.5		2			
612	97	V4111600200	WASHER, PLAIN	M20		2			
NOTE									



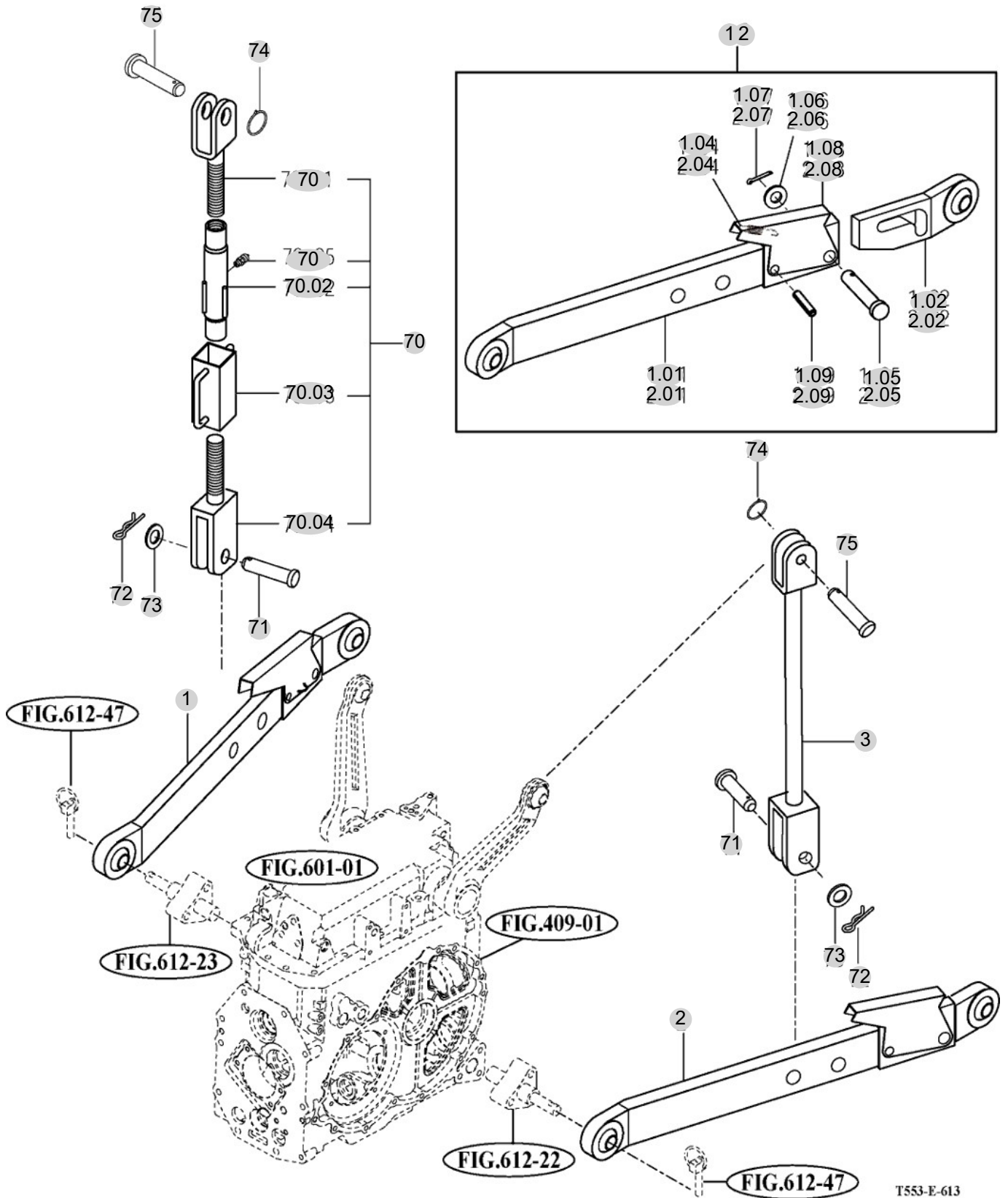
FIG 613

LOWER LINK & LIFT ROD

년/월  
Year/Month

T454SH

2022-12



T553-E-613

NOTE

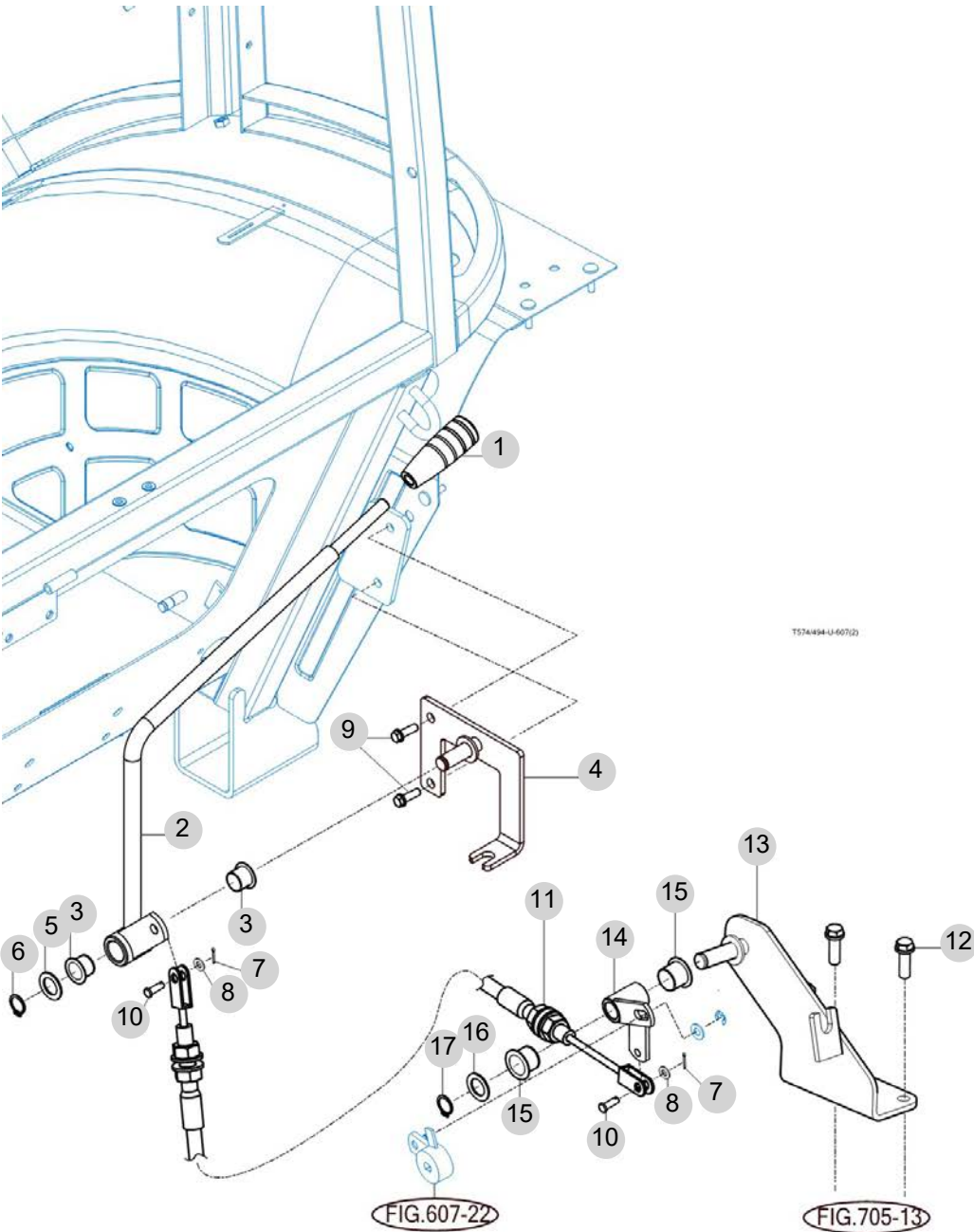


FIG 614

EXTERNAL POSITION LEVER KIT

년/월  
Year/Month

2022-12



NOTE





## 7. Sheet Metal & Cabin PART NO. T7

FIG 701 HOOD (1)	174
FIG 702 HOOD (2)	177
FIG 704A LEVER COVER & STEP	179
FIG 705 FRONT & REAR MOUNTING	181
FIG 706 SEAT & MAT	183
FIG 709 DOOR	185
FIG 710A FRONT GLASS	188
FIG 711 SIDE GLASS	190
FIG 712 REAR GLASS	192
FIG 713A SUB FENDER&COVER	194
FIG 714A MIRROR	196
FIG 715A HEATER & AIR-CON	198
FIG 715B HEATER & AIR-CON	200
FIG 716 FENDER COVER	202
FIG 717 ROOF	204
FIG 718 CABIN INTERIOR	206
FIG 719 PEDAL SUB ASSY	208

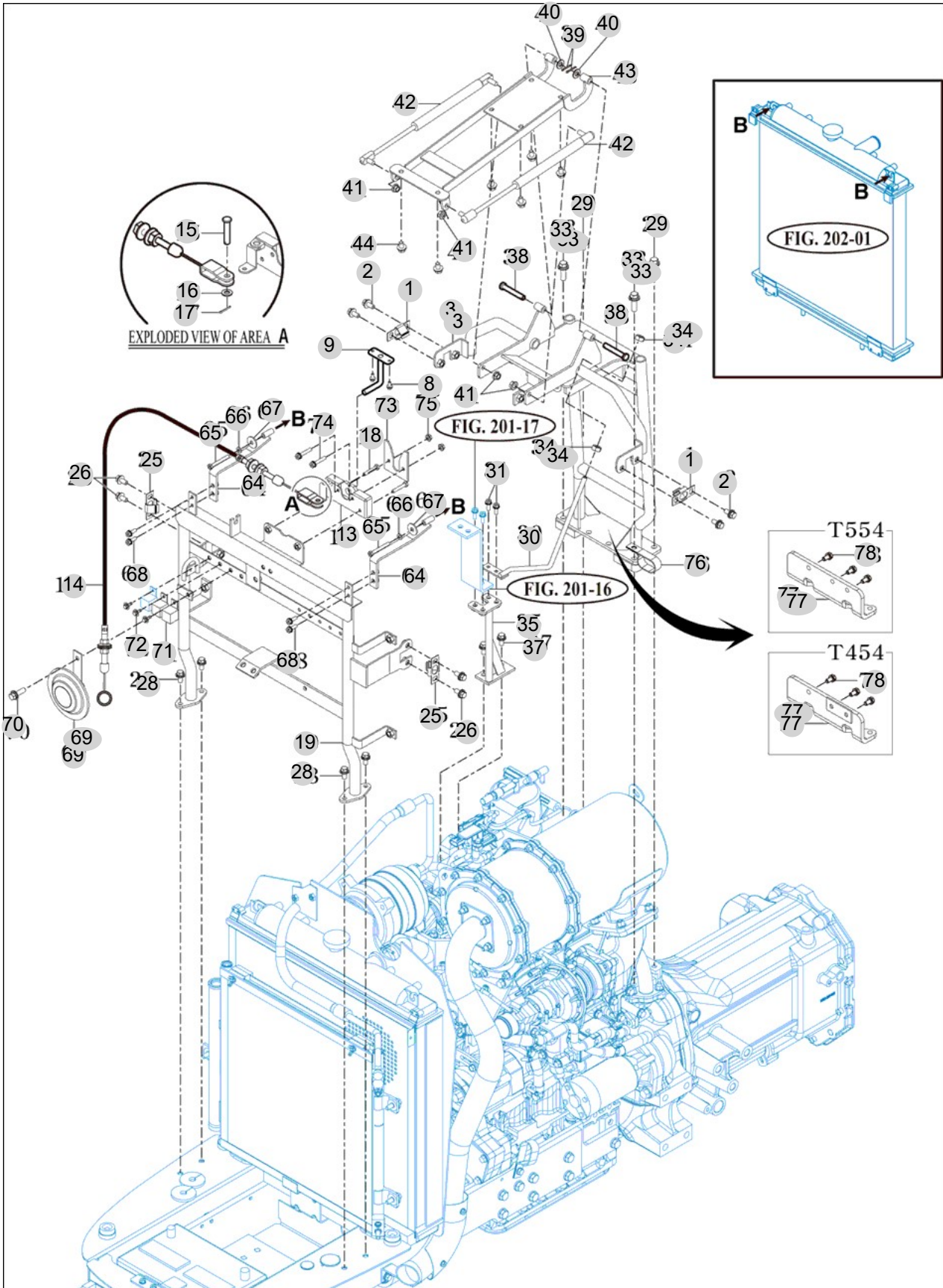
FIG 701

HOOD (1)

년/월  
Year/Month

2022-12

T454SH



NOTE

FIG 701		HOOD (1)					년/월 Year/Month		
							2022-12		
T454SH		KEY NO	PART NO	DESCRIPTION	SPEC	QTY	REPAIR	EFFECTIVE DATE	REMARKS
701	1	17686013502	SPRING	T=1.0	2				
701	2	V2183608020	BOLT , HEX/SP	M8X20	4				
701	3	17466019400	HOOD FRAME SUB ASSY		1				
701	3	17476019400	HOOD FRAME SUB ASSY		1				
701	8	V2183608016	BOLT , HEX/SP	M8X16	2				
701	9	17466022100	BRACKET COMP , HOOD LOCK		1				
701	13	17686020600	LOCK COMP . HOOD	1X1X1	1				
701	14	14526020650	CABLE ASSY , HOOD	1X1X1	1				
701	15	15601160083	PIN , 06X16	D=6	1				
701	16	V4111600060	WASHER , PLAIN	M6	1				
701	17	V5001920020	PIN , SPLIT	2X20	1				
701	18	V2053606035	BOLT , HEX C/R	M6X35	2				
701	19	17466029000	FRAME , FR HOOD		1				
701	25	17686013502	SPRING	T=1.0	2				
701	26	V2183608020	BOLT , HEX/SP	M8X20	4				
701	28	V2183608020	BOLT , HEX/SP	M8X20	4				
701	29	V2183610020	BOLT , HEX/SP	M10X20	2				
701	30	17463282200	ROD COMP		1				
701	31	V2123606020	BOLT , HEX /SP	M6X20	2				
701	33	V2183610035	BOLT , HEX/SP	M10X35	2				
701	33	V2174610050	BOLT , HEX/S	M10X50	2				
701	34	V3342600100	NUT , HEX FINE/2	M10	2				
701	34	V3013600100	NUT .HEX NORMAL /2	M10	2				
701	35	17466052300GB	SUPPORT COMP		1				
701	37	V2183608020	BOLT , HEX/SP	M8X20	2				
701	38	16996024552	PIN	D=8	2				
701	39	V5001920020	PIN , SPLIT	2X20	2				
701	40	V4111600080	WASHER , PLAIN	M8	2				
701	41	V3802600080	NUT , HEX FLANGE	M8	4				
701	42	19957022201	DAMPER ASSY,HOOD	1X1X1	2				
701	43	19956054600GB	HOOD OPEN BRACKET COMP	1X1X1	1				
701	44	V2183608016	BOLT , HEX/SP	M8X16	6				
701	64	17466012100GB	PLATE COMP , RADIATOR FIX		2				
701	65	V2053606050	BOLT , HEX C/R	M6X50	2				
701	66	V4011600060	WASHER , SPRING	M6	2				
701	67	35602010150	WASHER , BIND SHAFT	T=2.3	2				
701	68	V2123606020	BOLT , HEX /SP	M6X20	4				
701	69	13266212002	HORN		1				
701	69	13266212003	HORN		1				
701	70	V2113606012	BOLT , HEX /S	M6X12	1				
701	71	17686641110	RELAY , PREHEAT	1X1X1	2				
701	72	V2193606016	BOLT , HEX/SPL	M6X16	2				
701	72	V2193606016	BOLT , HEX/SPL	M6X16	3				
701	73	17406014300	GUIDE, HOOD PIN		1				
701	74	V2123606035	BOLT , HEX /SP	M6X35	2				
NOTE									



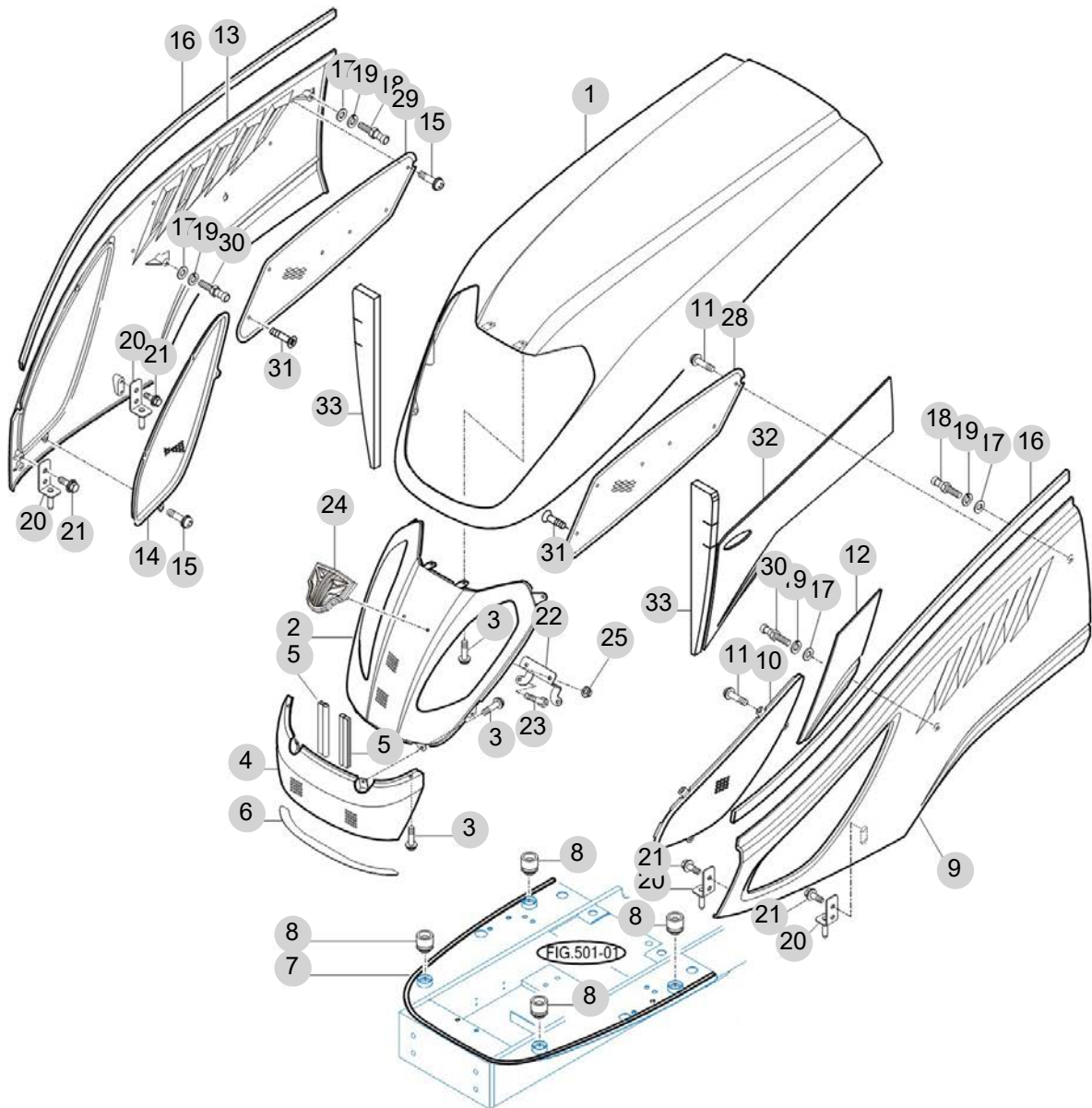
FIG 702

T454SH

HOOD (2)

년/월  
Year/Month

2022-12



T554/454-E-702

NOTE



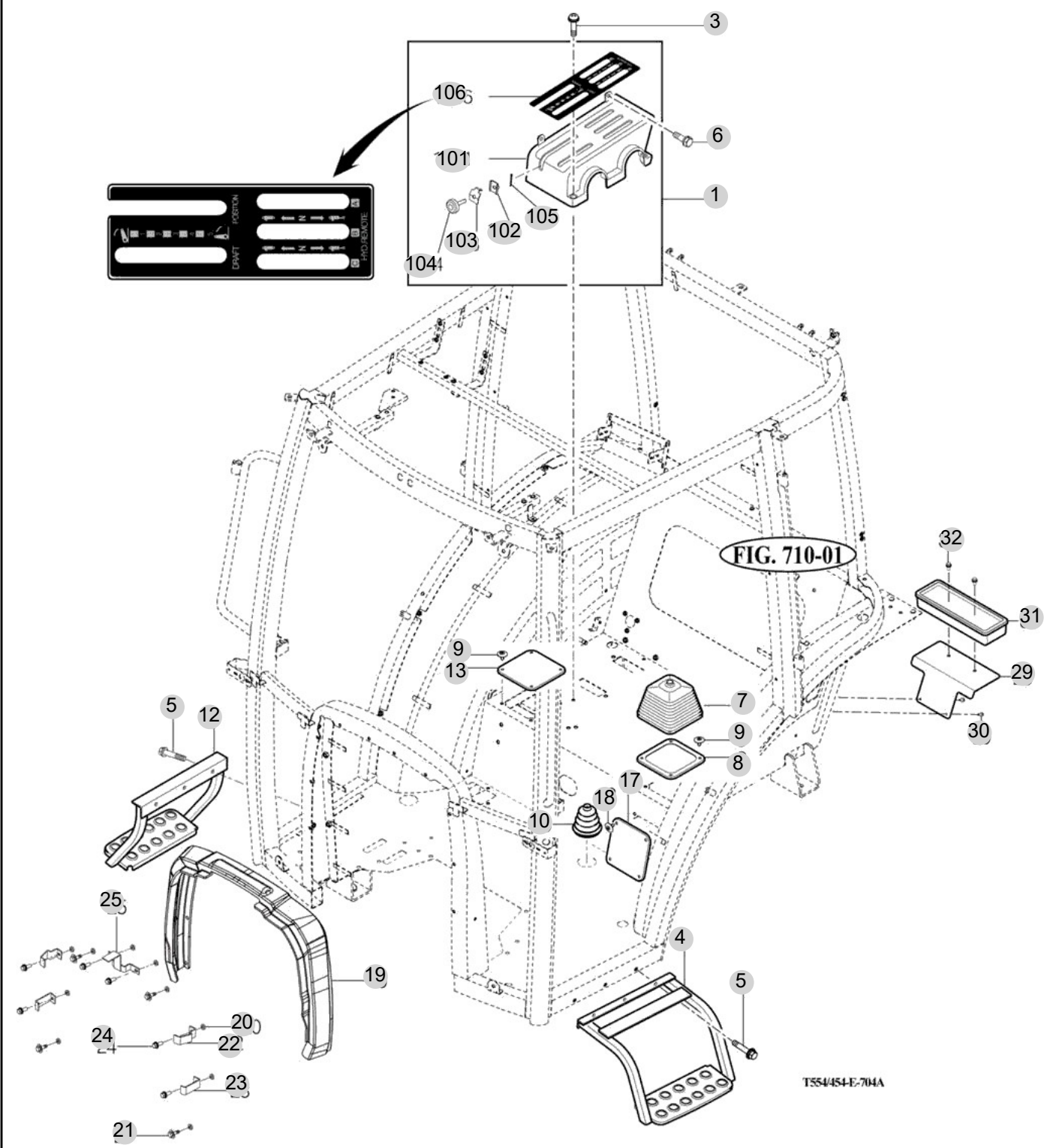
FIG 704A

LEVER COVER & STEP

년/월  
Year/Month

2022-12

T454SH



NOTE





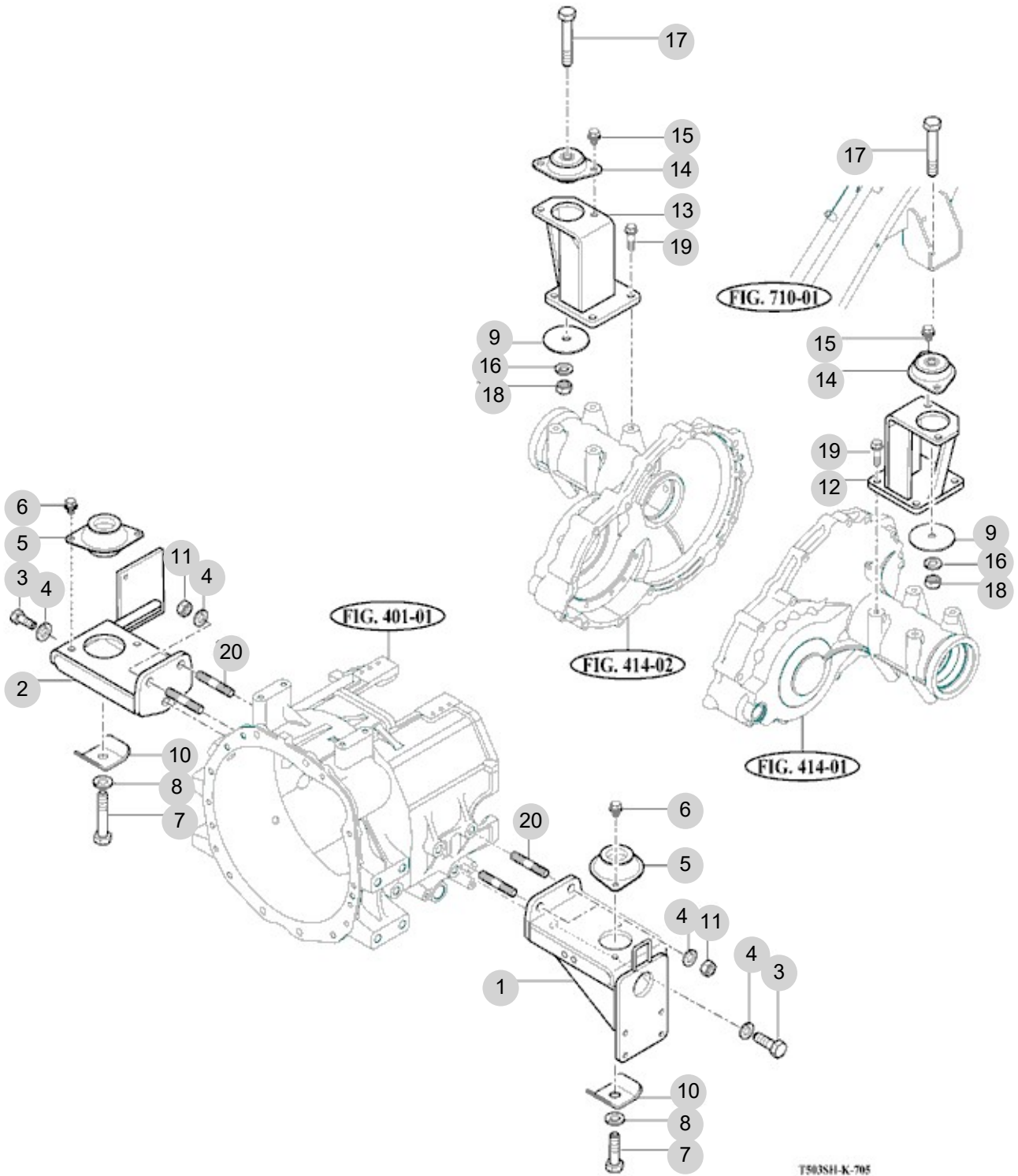
FIG 705

T454SH

FRONT & REAR MOUNTING

년/월  
Year/Month

2022-12



T503SH-K-705

NOTE

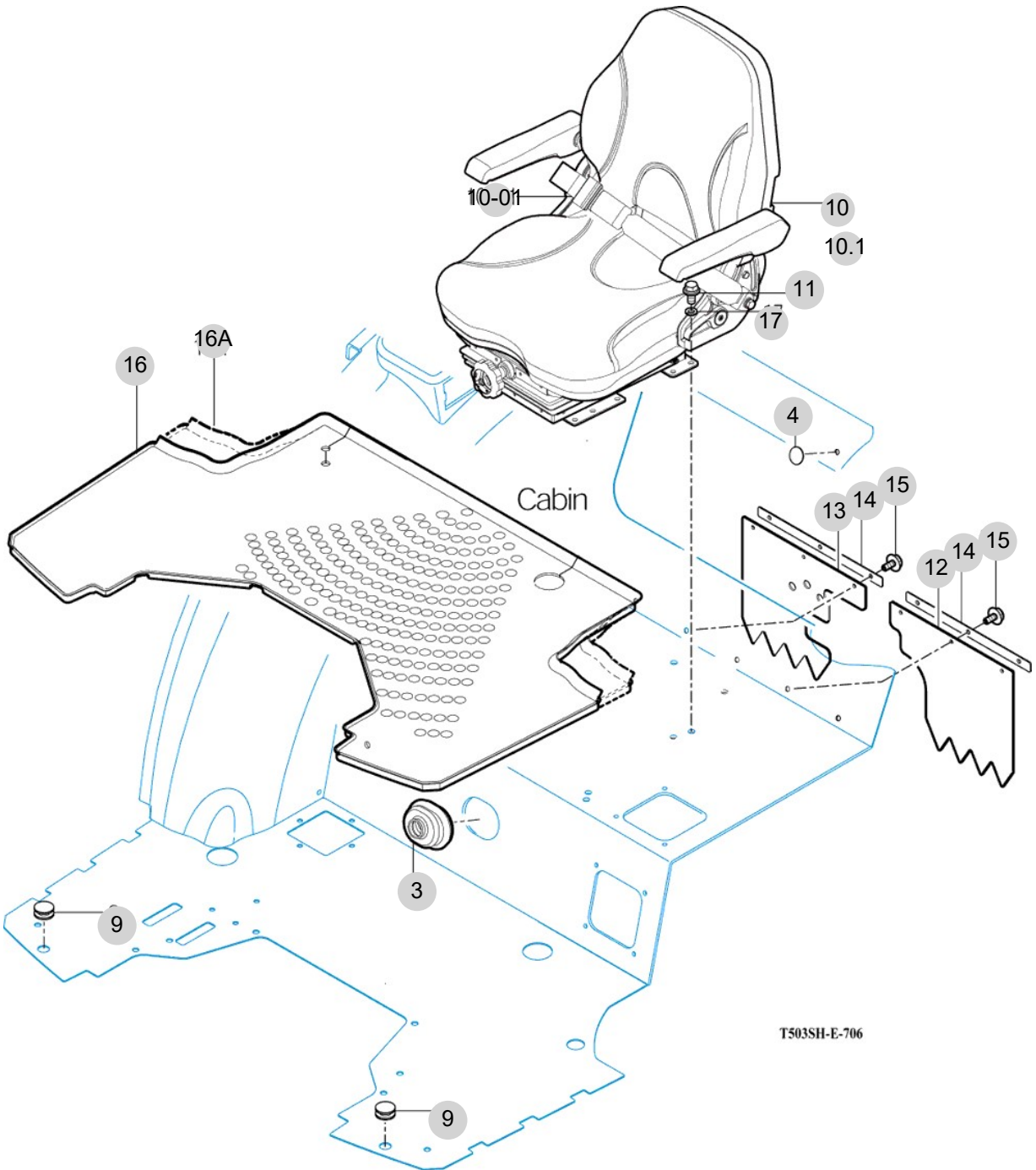


FIG 706

SEAT & MAT

년/월  
Year/Month

2022-12



NOTE



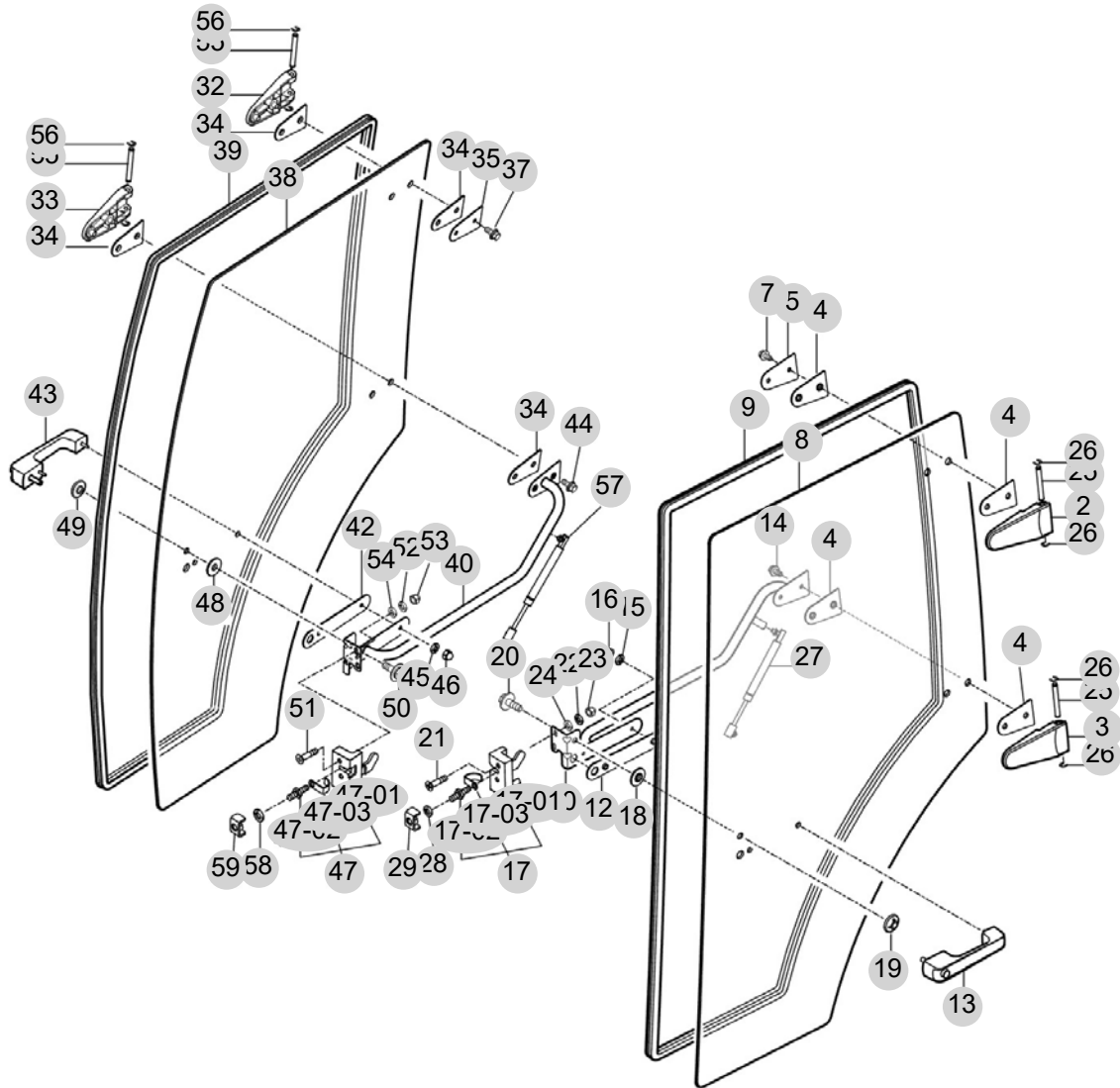
FIG 709

DOOR

년/월  
Year/Month

2022-12

T454SH



T554-U-709

NOTE

FIG 709		DOOR					년/월 Year/Month		
							2022-12		
T454SH		KEY NO	PART NO	DESCRIPTION	SPEC	QTY	REPAIR	EFFECTIVE DATE	REMARKS
709	2	14527052300	HINGE COMP , UPR/LH			1			
709	3	14527052400	HINGE COMP , UPR/RH			1			
709	4	14527052110	GASKET , DOOR HINGE			4			
709	5	14527052120GB	PLATE , DOOR HINGE			1			
709	7	V2183608020	BOLT , HEX/SP	M8X20		2			
709	8	14527052131	GLASS , LH/ DOOR	6t		1			
709	9	14527052140	INSULATOR/DOOR			1			
709	10	14527052500GB	GUIDE COMP ,LH/ DOOR			1			
709	12	14527052150	GASKET,DOOR GRIP			1			
709	13	14527052600	GRIP ASSY, LOCK/HANDLE			1			
709	14	V2183608020	BOLT , HEX/SP	M8X20		2			
709	15	V4011600060	WASHER , SPRING	M6		2			
709	16	V3402700060	NUT , HEX CAP	M6		2			
709	17	14527052700	LOCK SET , LH/DOOR			1			
709	17-01	14527052710	LOCK ASSY, LH/DOOR			1			
709	17-02	14527052720	STRIKER			1			
709	17-03	14527052730	GUARD			1			
709	18	15817401130	GROMMET , 13X17X02			1			
709	19	14527042500	NUT COMP , GLASS			1			
709	20	V2193606012	BOLT , HEX/SPL	M6X12		1			
709	21	V1122608040	SCREW , C/R FLAT	M8X40		2			
709	22	V4011600080	WASHER , SPRING	M8		2			
709	23	V3412700080	NUT , SMALL CAP	M8		2			
709	24	V4111600080	WASHER , PLAIN			2			
709	25	14527041110	PIN, HINGE DOOR	D=8		2			
709	26	V7082400070	E-RING	7		4			
709	27	14527301080	DAMPER ASSY , DOOR	20KG		1			
709	28	V4011600100	WASHER , SPRING	M10		1			
709	29	14527062500GB	BRACKET COMP , DOOR LOCK			1			
709	32	14527052300	HINGE COMP , UPR/LH			1			
709	33	14527052400	HINGE COMP , UPR/RH			1			
709	34	14527052110	GASKET , DOOR HINGE			4			
709	35	14527052120GB	PLATE , DOOR HINGE			1			
709	37	V2183608020	BOLT , HEX/SP	M8X20		2			
709	38	14527053131	GLASS , RH/ DOOR	6t		1			
709	39	14527052140	INSULATOR/DOOR			1			
709	40	14527053500GB	GUIDE COMP ,RH/DOOR			1			
709	42	14527052150	GASKET,DOOR GRIP			1			
709	43	14527052600	GRIP ASSY, LOCK/HANDLE			1			
709	44	V2183608020	BOLT , HEX/SP	M8X20		2			
709	45	V4011600060	WASHER , SPRING	M6		2			
709	46	V3402700060	NUT , HEX CAP	M6		2			
709	47	14527053700	LOCK SET , RH/DOOR			1			
709	47-01	14527053710	LOCK ASSY, RH/DOOR			1			
709	47-02	14527052720	STRIKER			1			
NOTE									



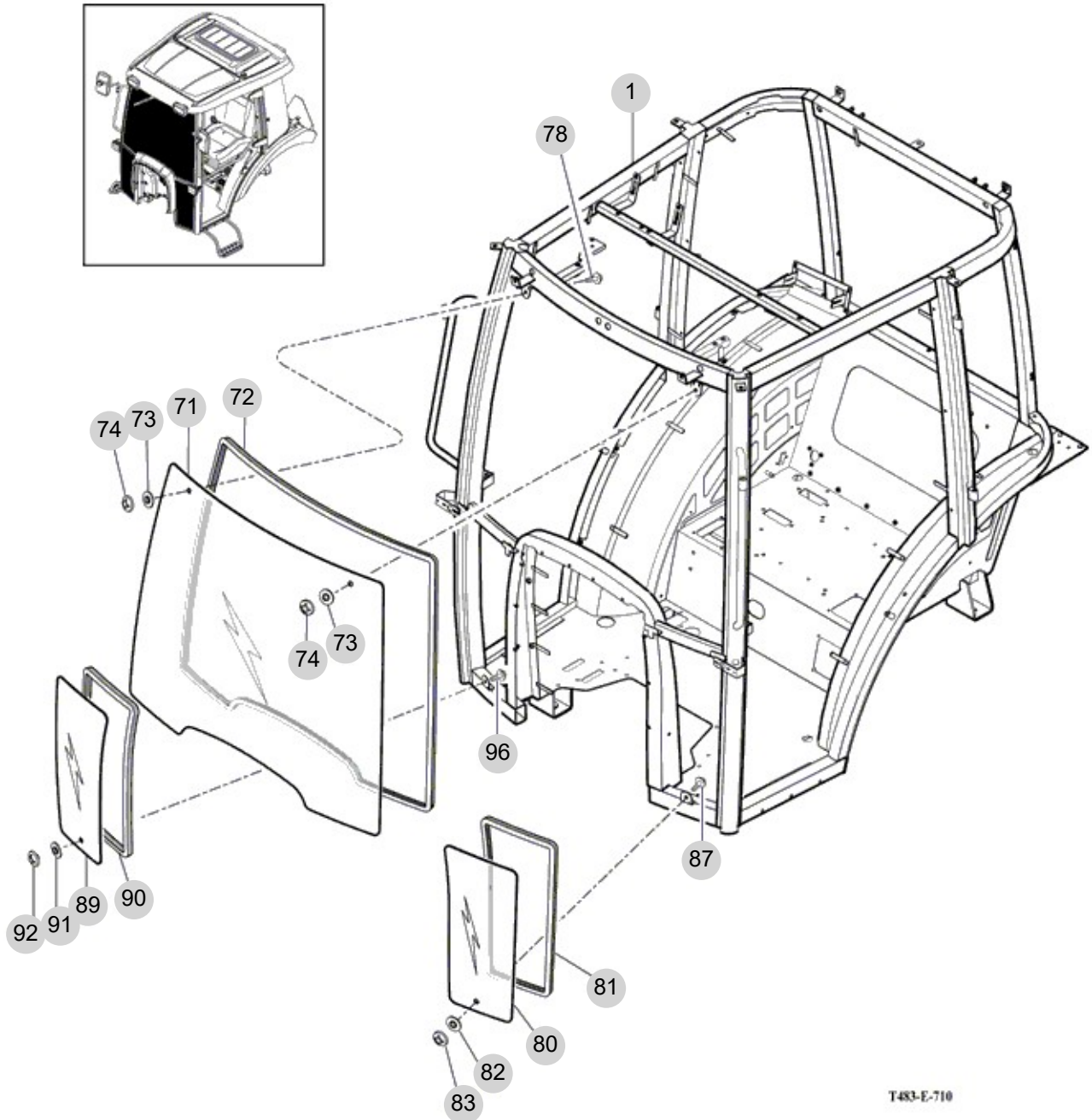
FIG 710A

FRONT GLASS

년/월  
Year/Month

2022-12

T454SH



NOTE



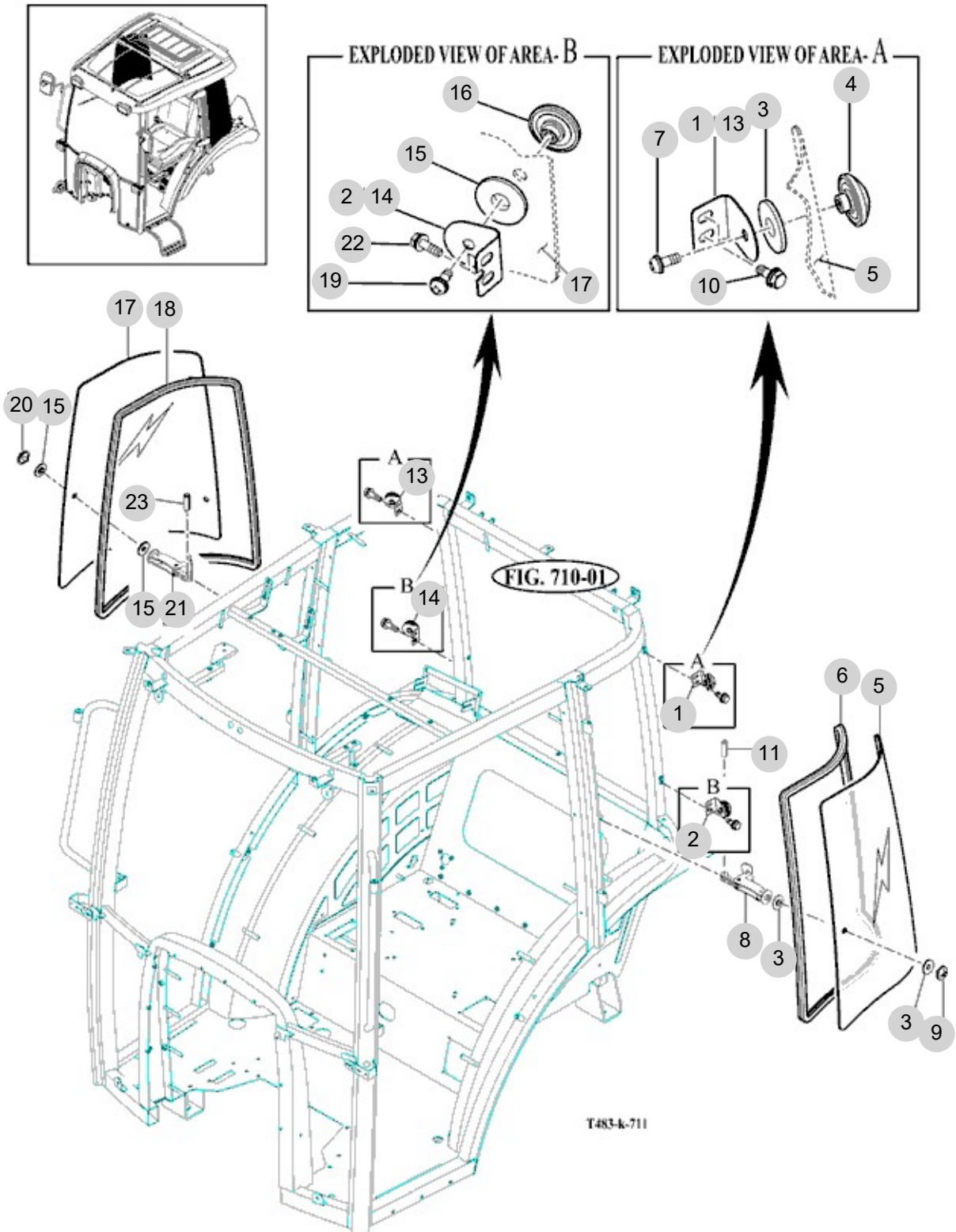


FIG 711

SIDE GLASS

년/월  
Year/Month

2022-12



NOTE



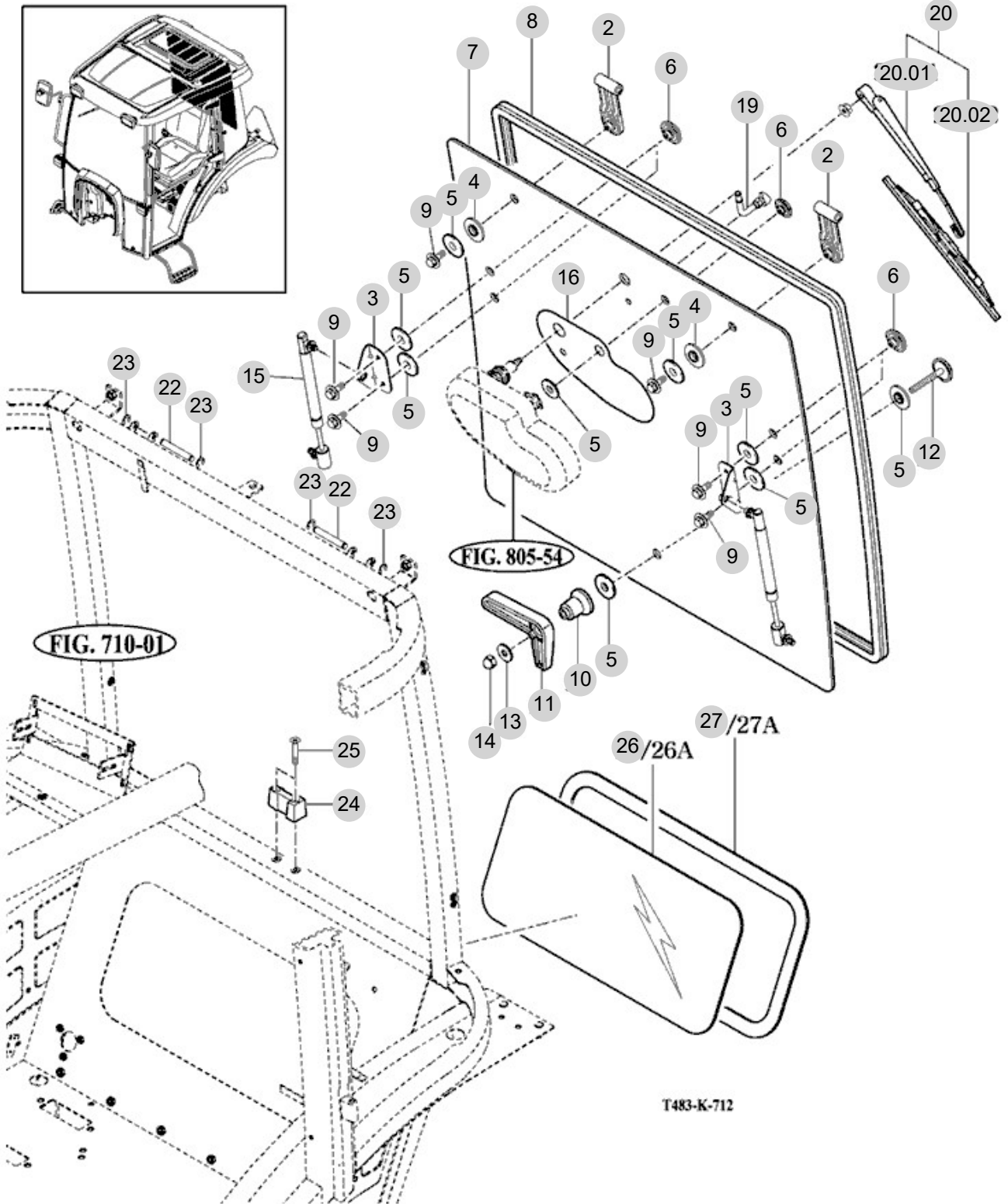
FIG 712

REAR GLASS

년/월  
Year/Month

2022-12

T454SH



NOTE



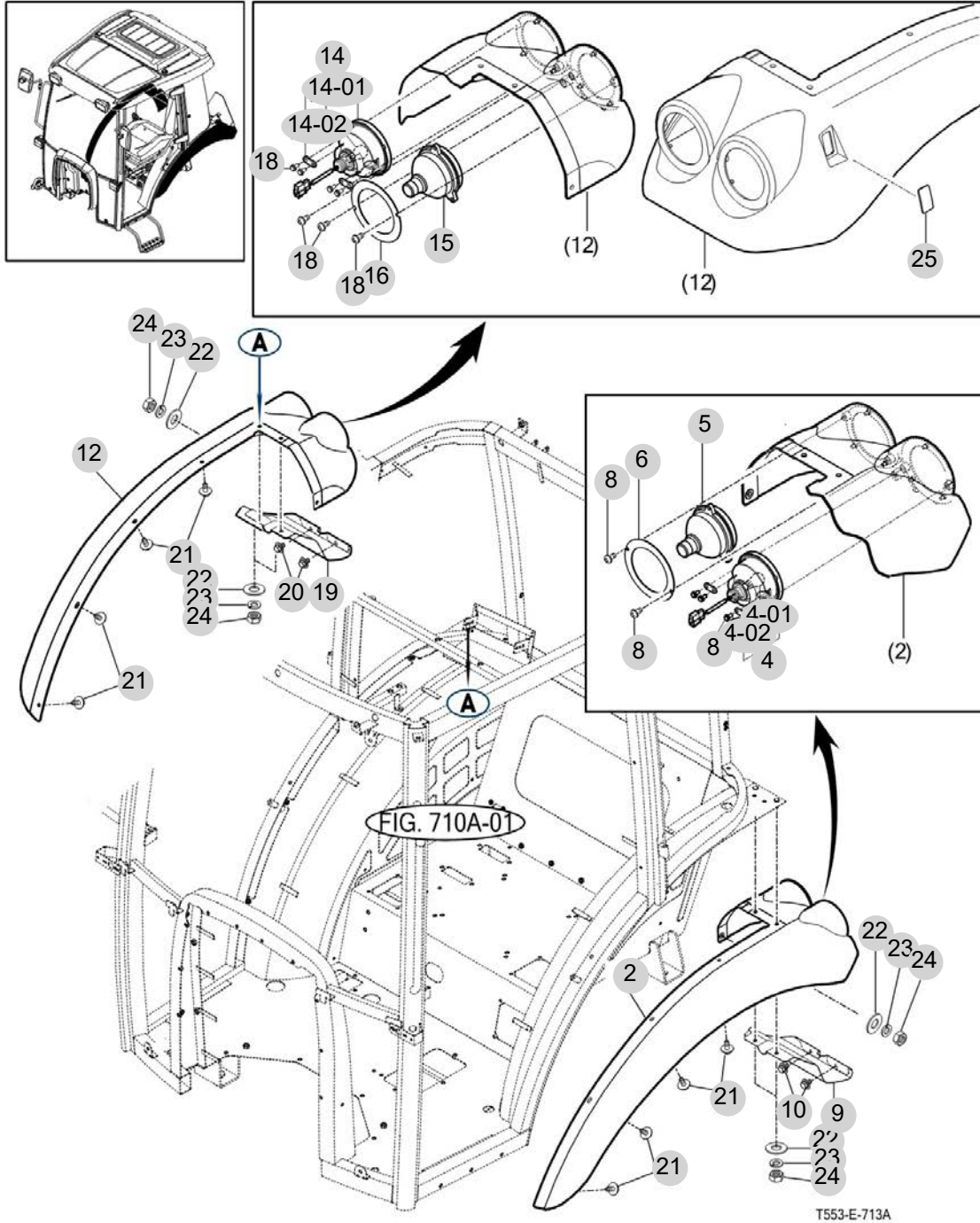
FIG 713A

SUB FENDER&COVER

년/월  
Year/Month

2022-12

T454SH



NOTE





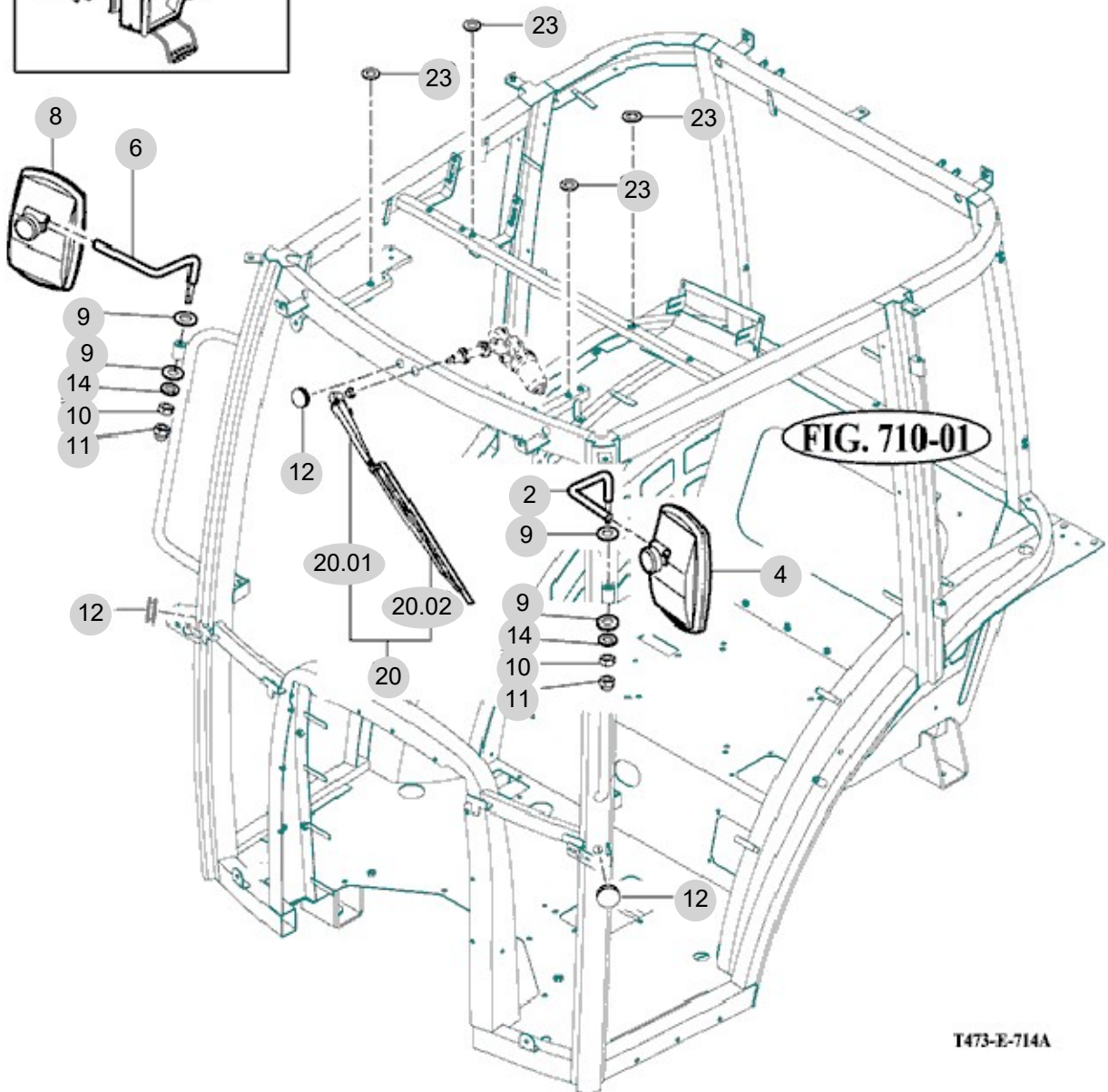
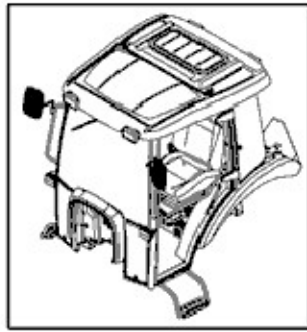
FIG 714A

MIRROR

년/월  
Year/Month

2022-12

T454SH



NOTE









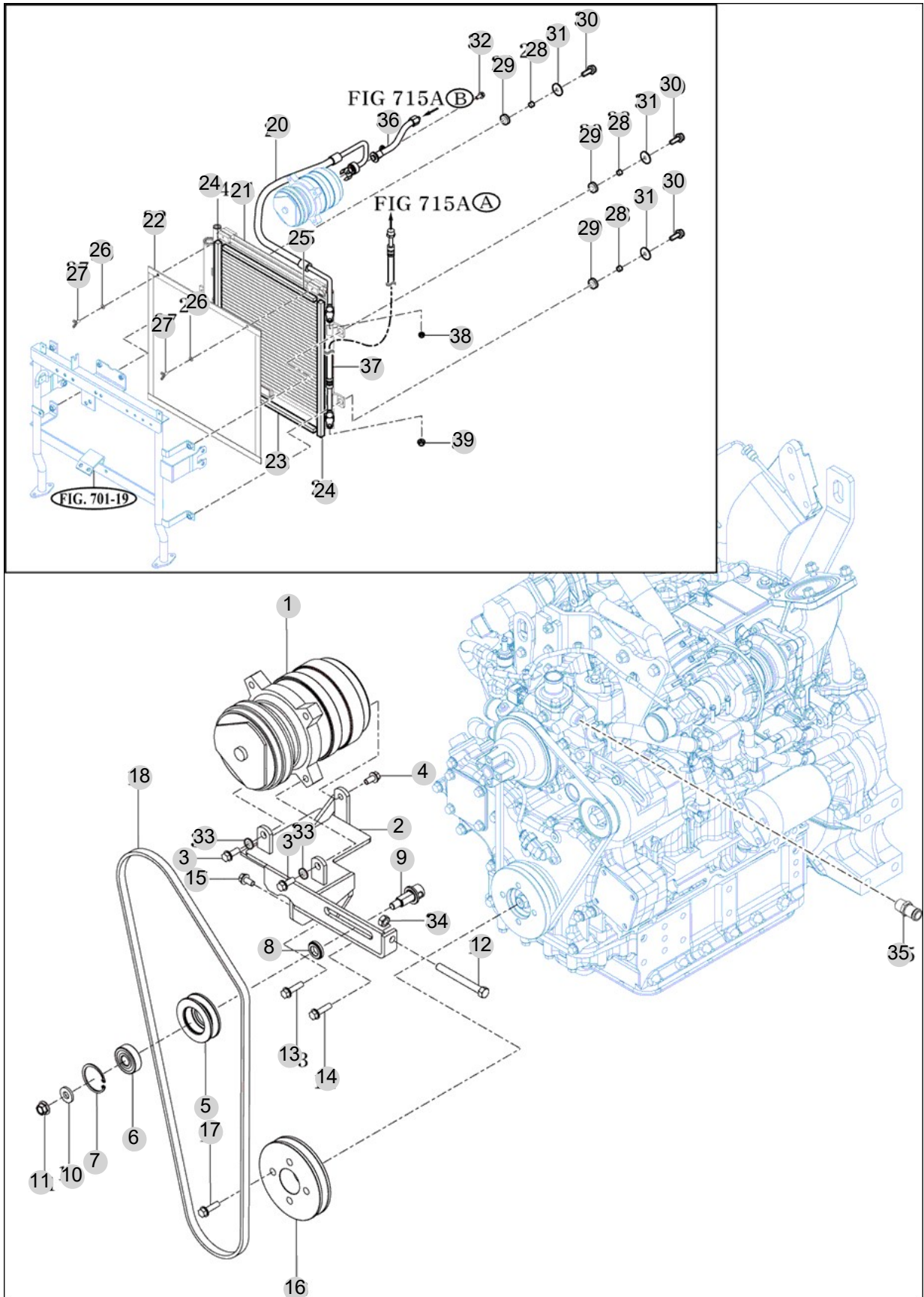
FIG 715B

HEATER & AIR-CON

년/월  
Year/Month

2022-12

T454SH



NOTE





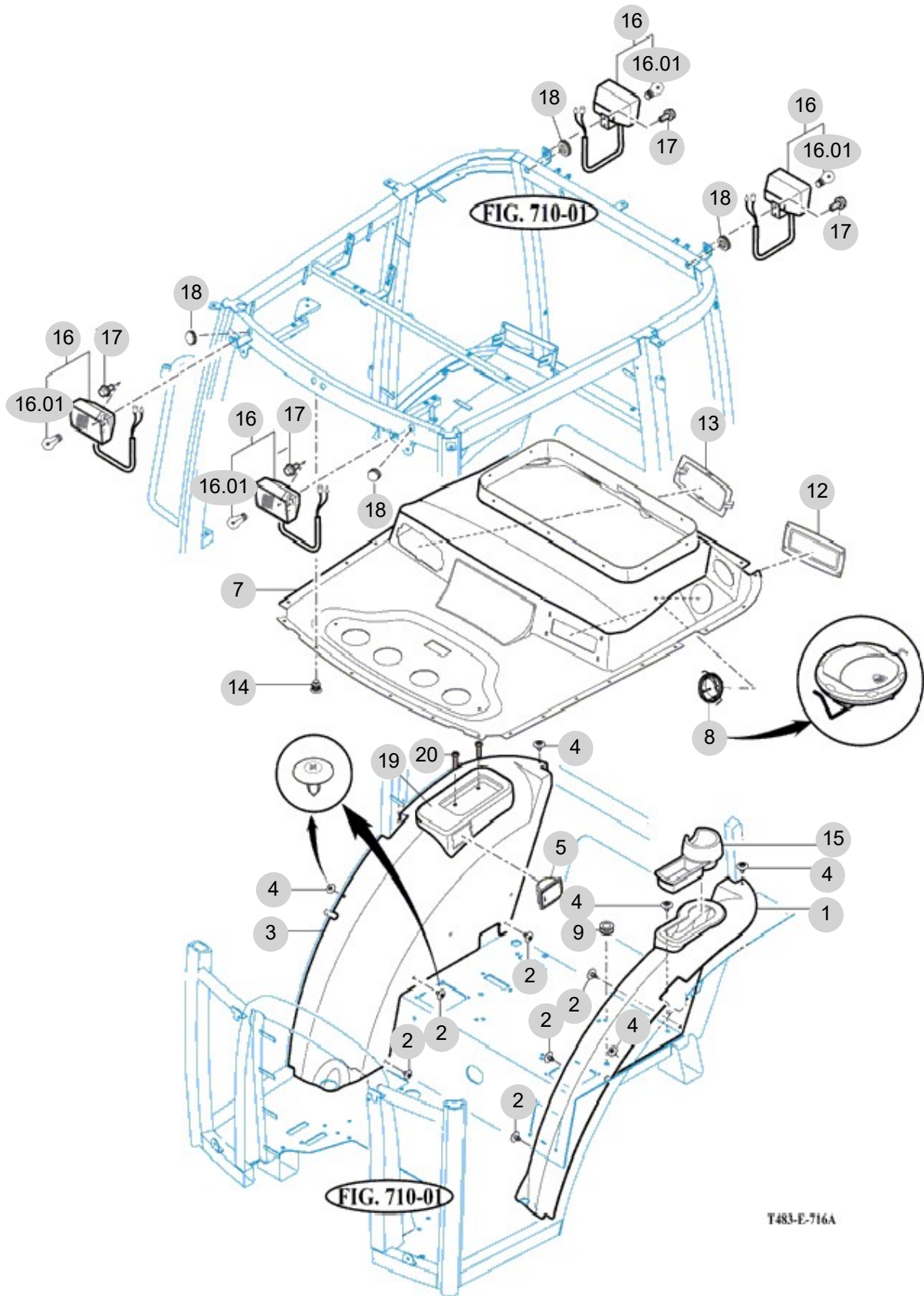
FIG 716

T454SH

FENDER COVER

년/월  
Year/Month

2022-12



NOTE



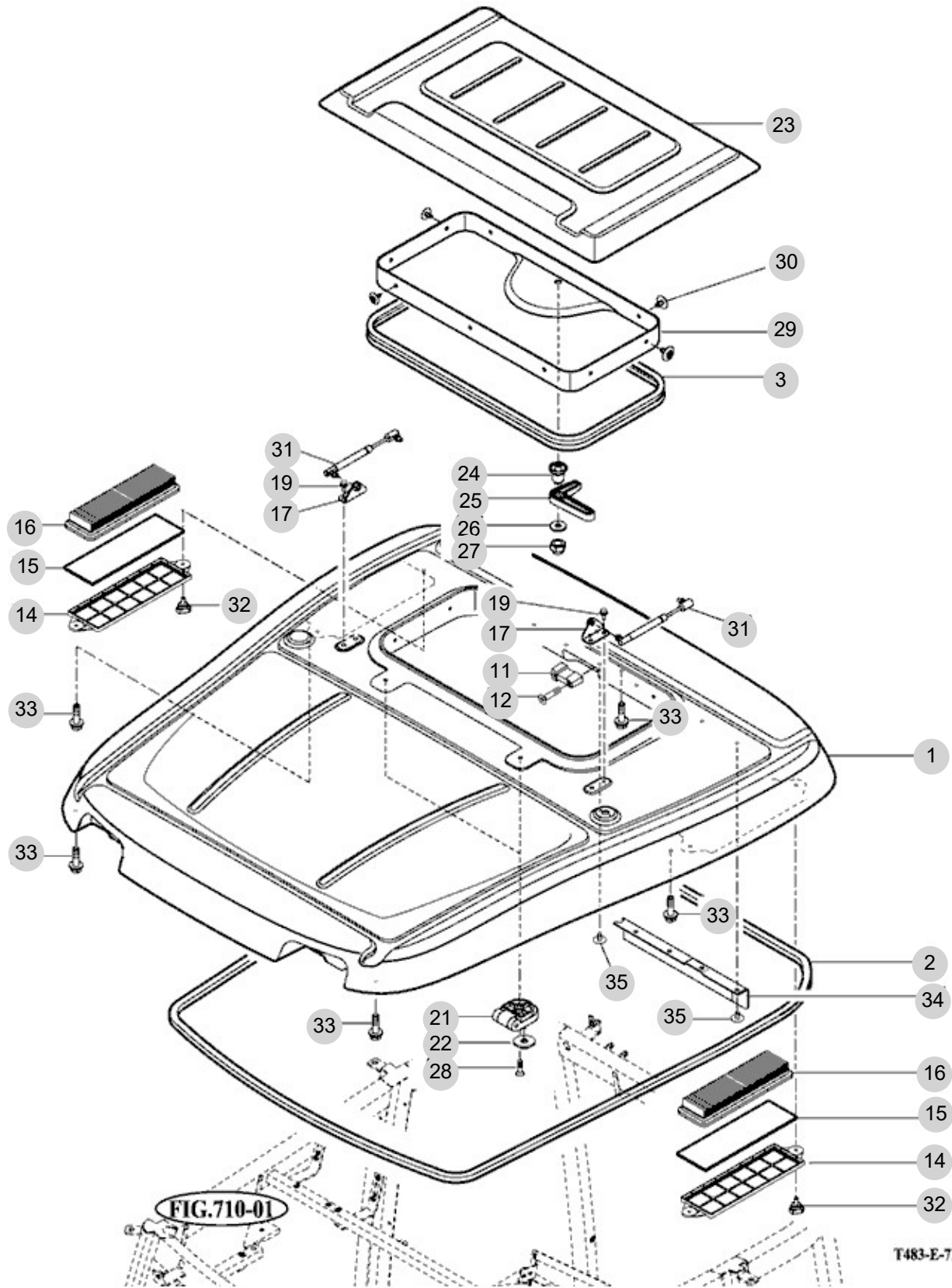
FIG 717

T454SH

ROOF

년/월  
Year/Month

2022-12



NOTE





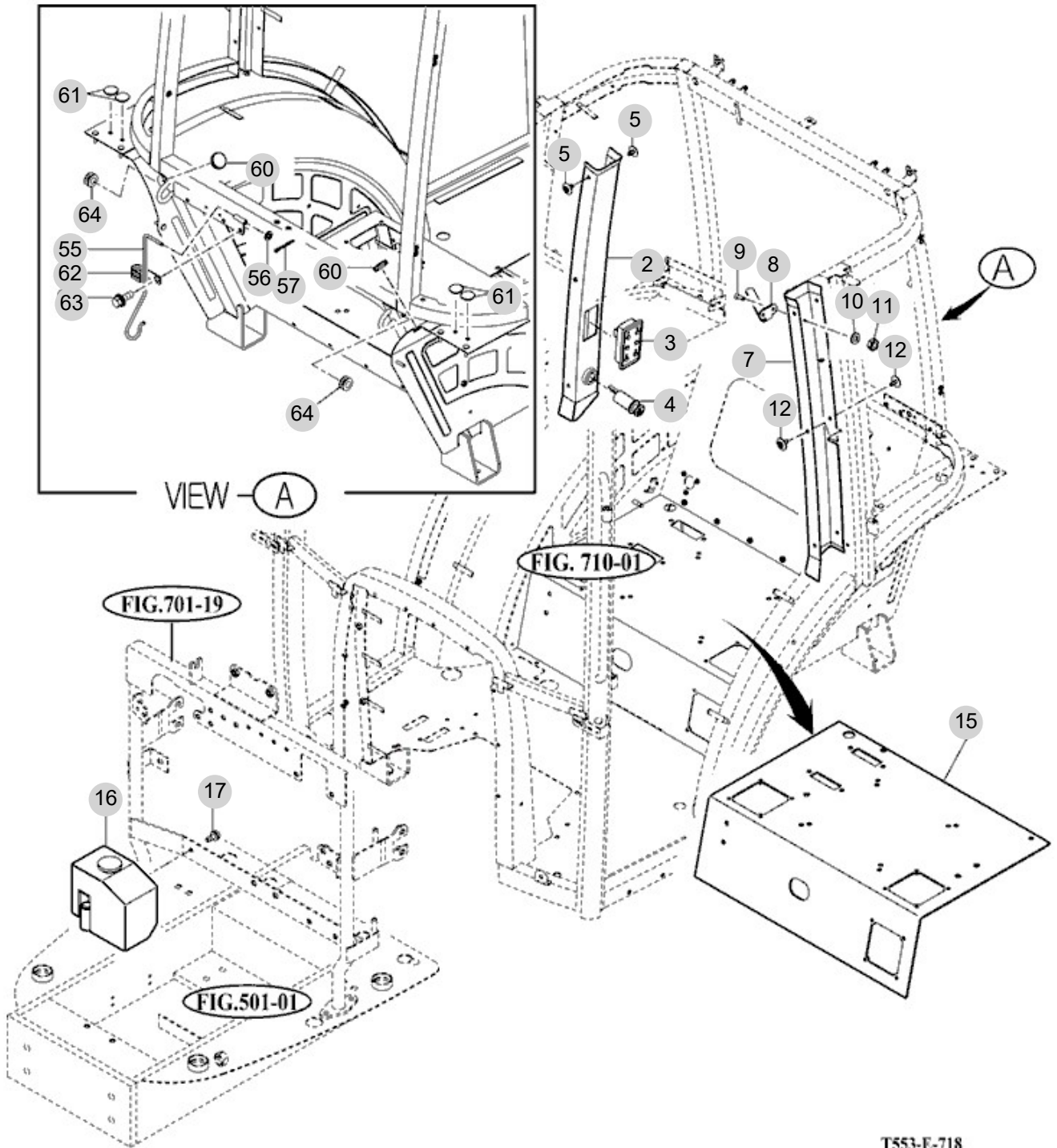
FIG 718

CABIN INTERIOR

년/월  
Year/Month

T454SH

2022-12



T553-E-718

NOTE



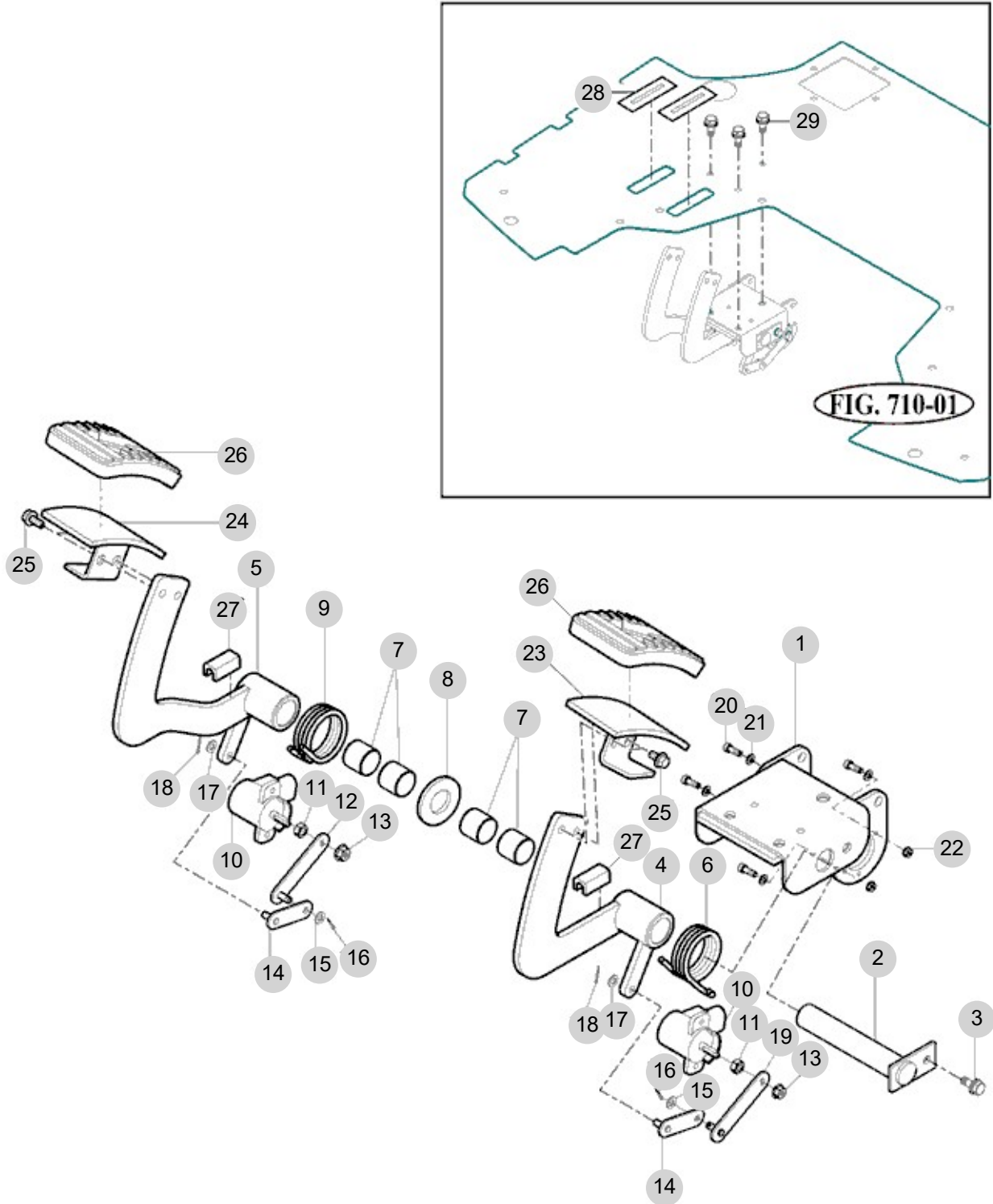
FIG 719

PEDAL SUB ASSY

년/월  
Year/Month

T454SH

2022-12



NOTE



## 8. Electrical System PART NO. T8

FIG 801 BATTERY & MOUNTING	211
FIG 802 LIGHT & BACK LAMP	213
FIG 803 INSTRUMENT PANEL	215
FIG 804 ELECTRIC SYSTEM (1)	217
FIG 805A ELECTRIC SYSTEM (2)	219
FIG 806 INSTRUMENT PANEL	221

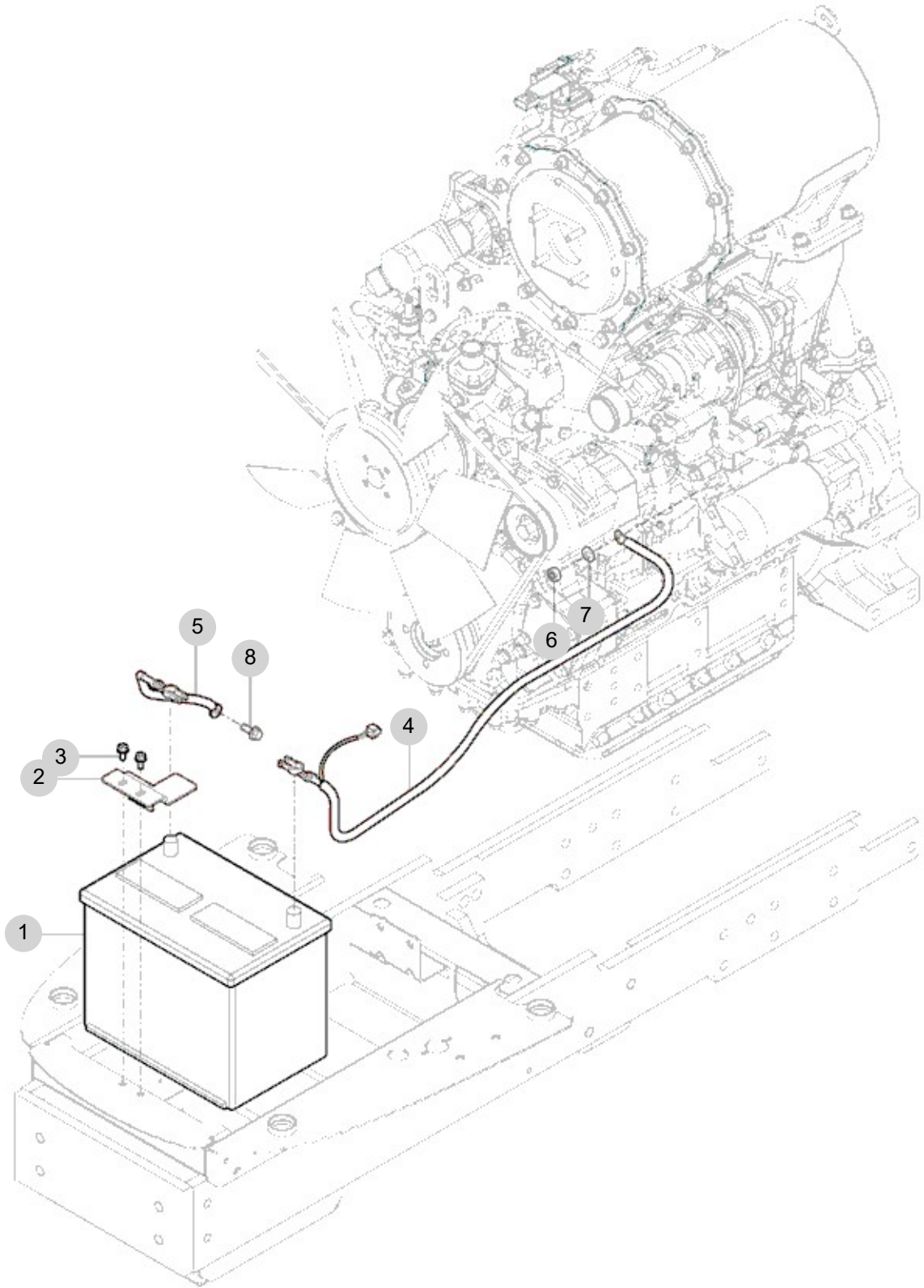
FIG 801

BATTERY & MOUNTING

년/월  
Year/Month

2022-12

T454SH



NOTE



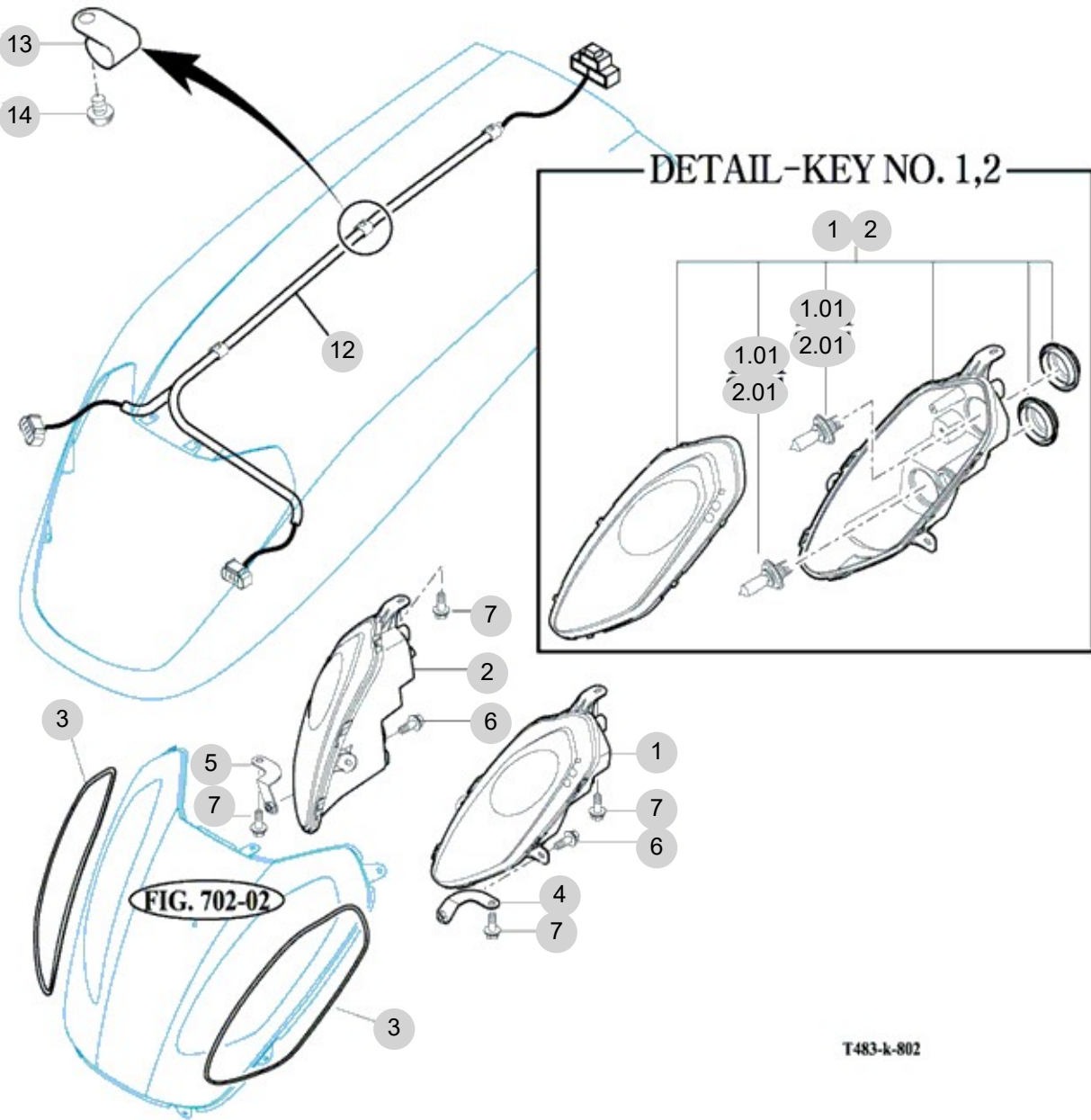


FIG 802

LIGHT & BACK LAMP

년/월  
Year/Month

2022-12



T483-k-802

NOTE



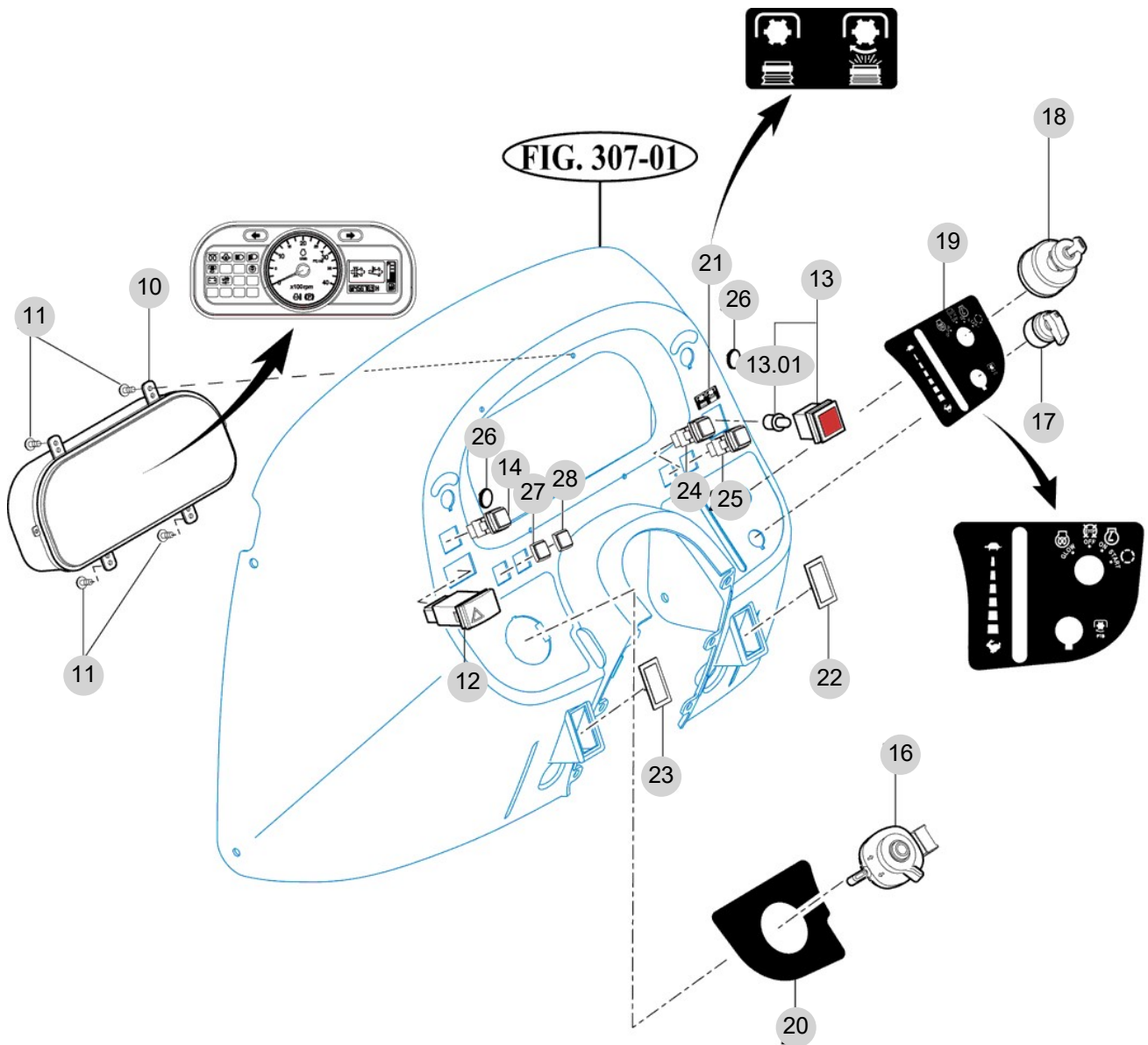
FIG 803

T454SH

INSTRUMENT PANEL

년/월  
Year/Month

2022-12



NOTE



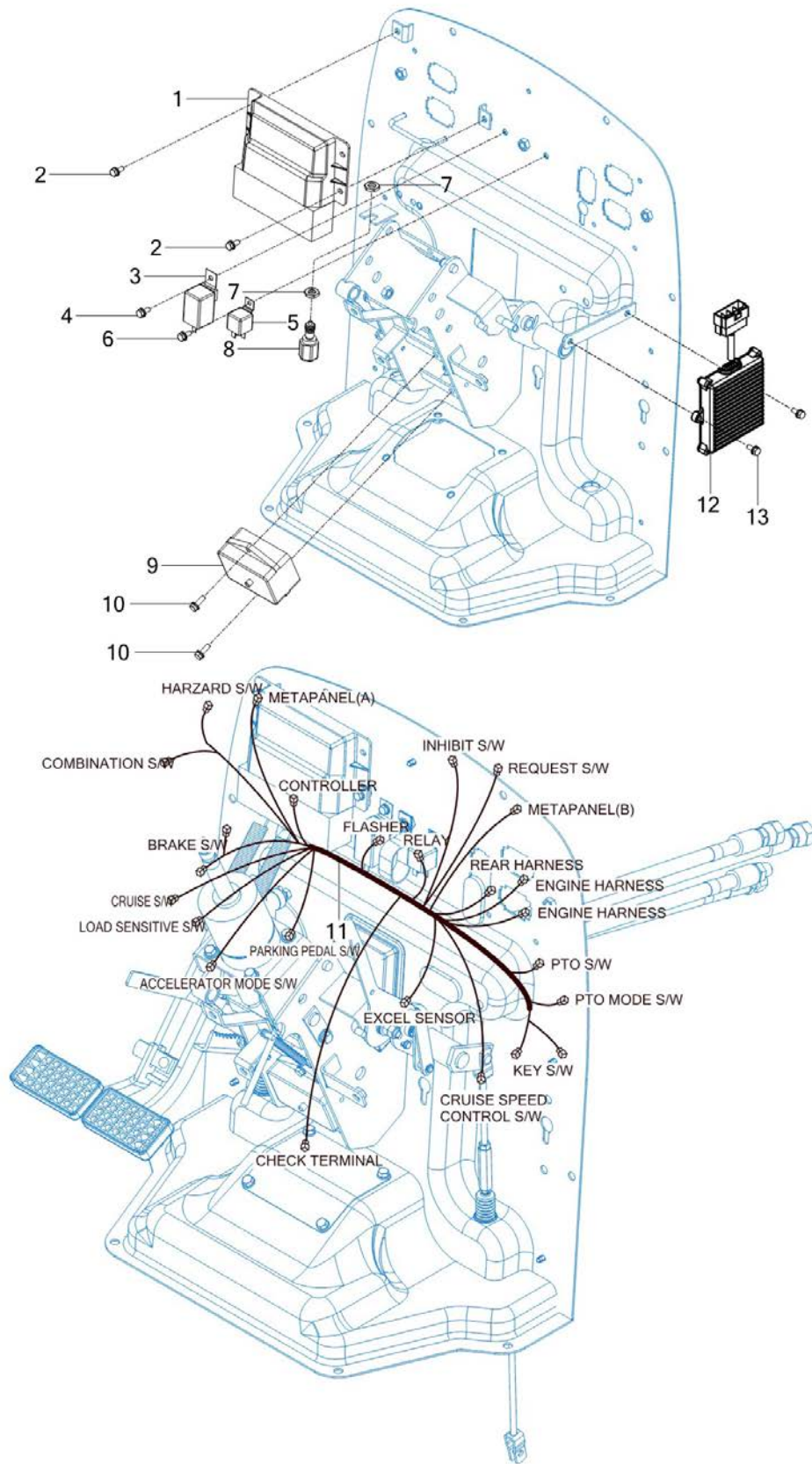
FIG 804

T454SH

ELECTRIC SYSTEM (1)

년/월  
Year/Month

2022-12



NOTE





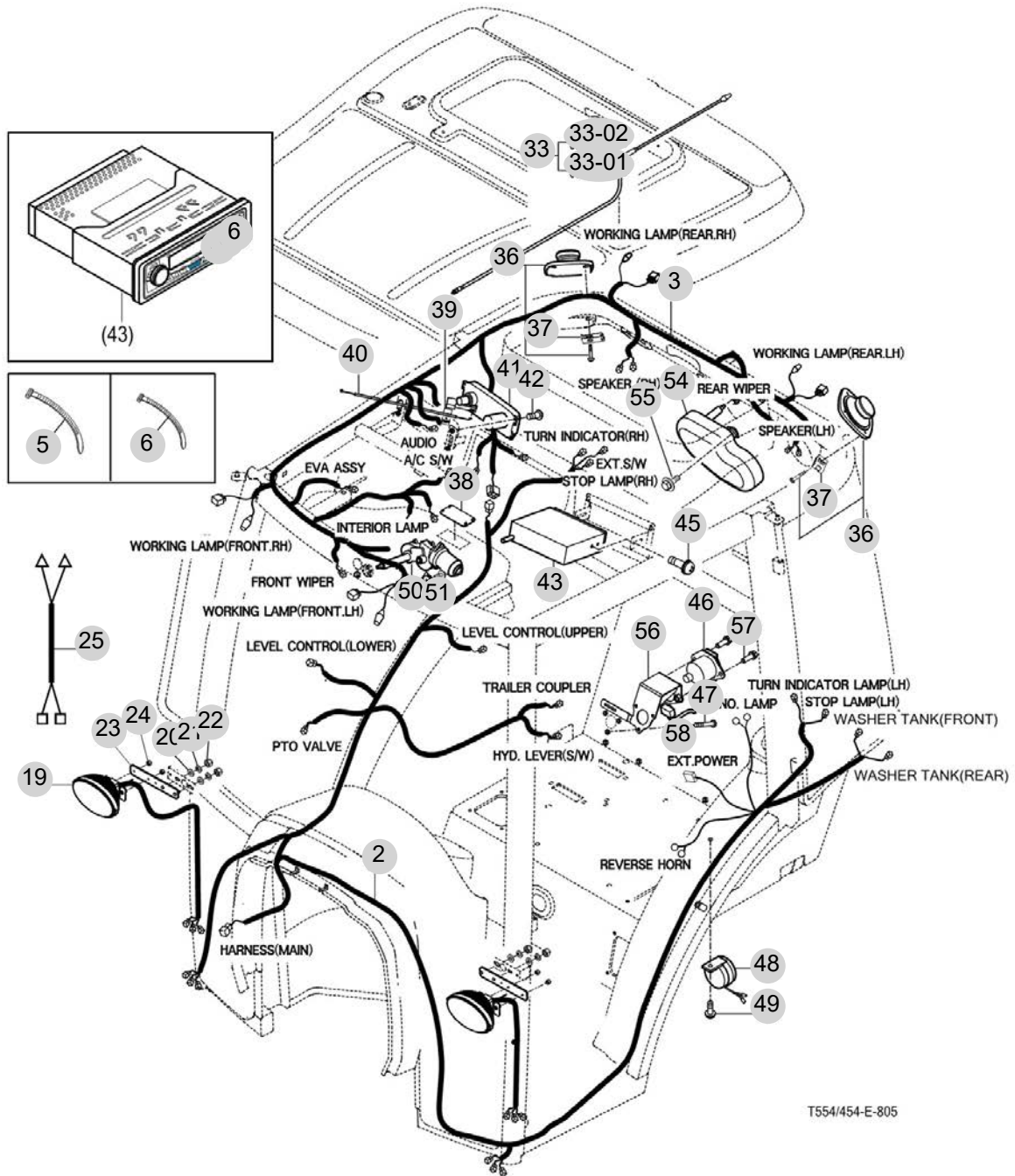
FIG 805A

ELECTRIC SYSTEM (2)

년/월  
Year/Month

2022-12

T454SH



T554/454-E-805

NOTE





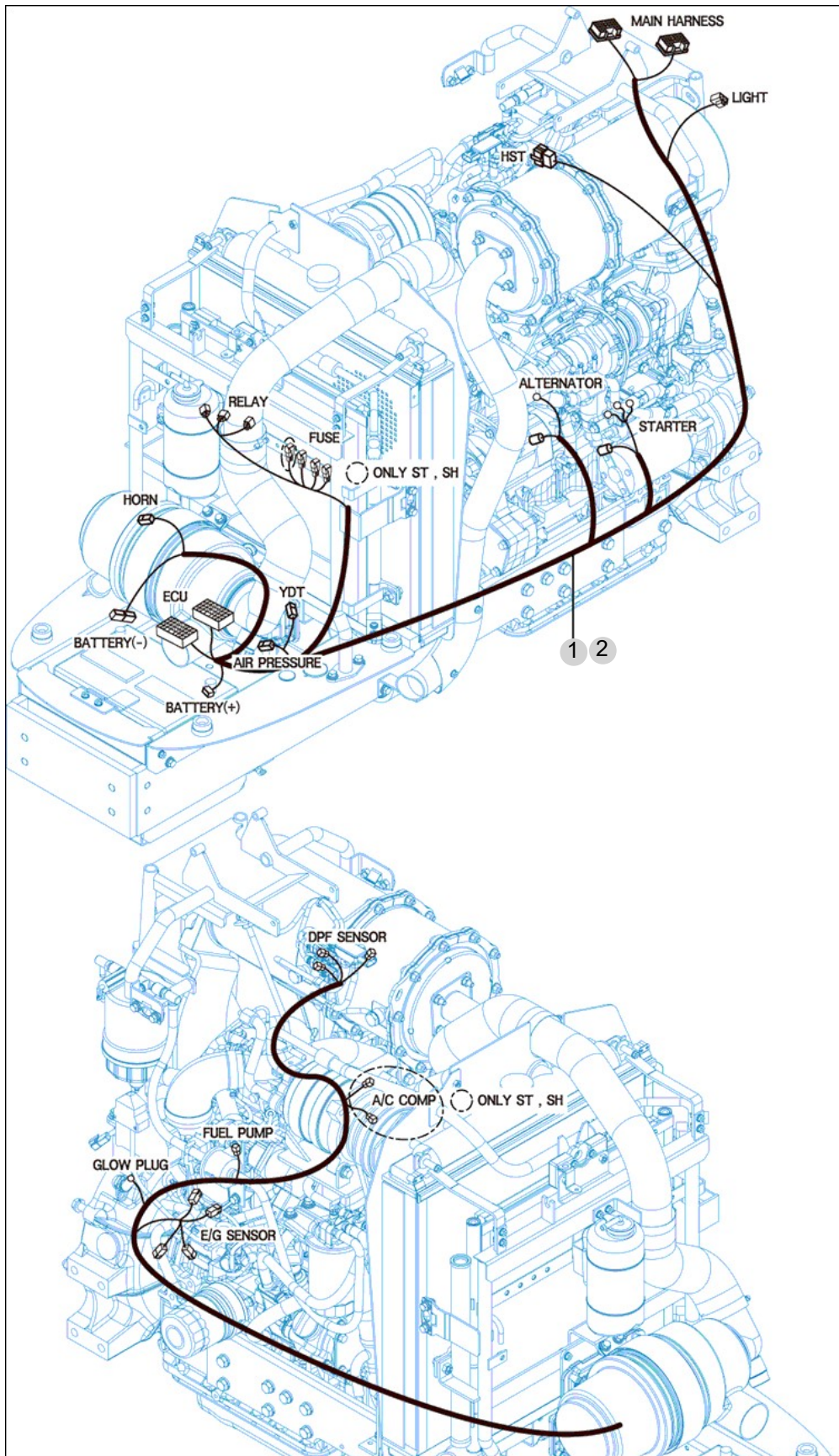
FIG 806

INSTRUMENT PANEL

년/월  
Year/Month

T454SH

2022-12



NOTE



## 9. Label/Option PART NO. T9

FIG 901 TOOL & ACCESSORY	224
FIG 902A LABEL	226
FIG 902B LABEL	228

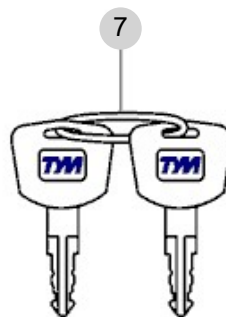
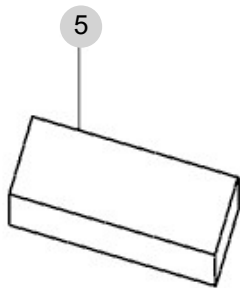
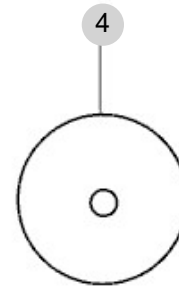
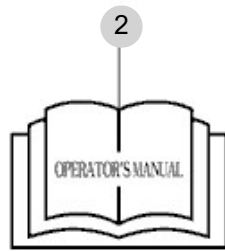
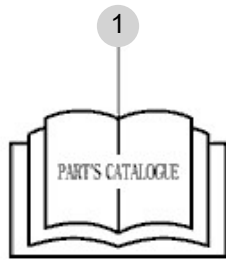
FIG 901

T454SH

TOOL & ACCESSORY

년/월  
Year/Month

2022-12



T354/T454-E-001

NOTE



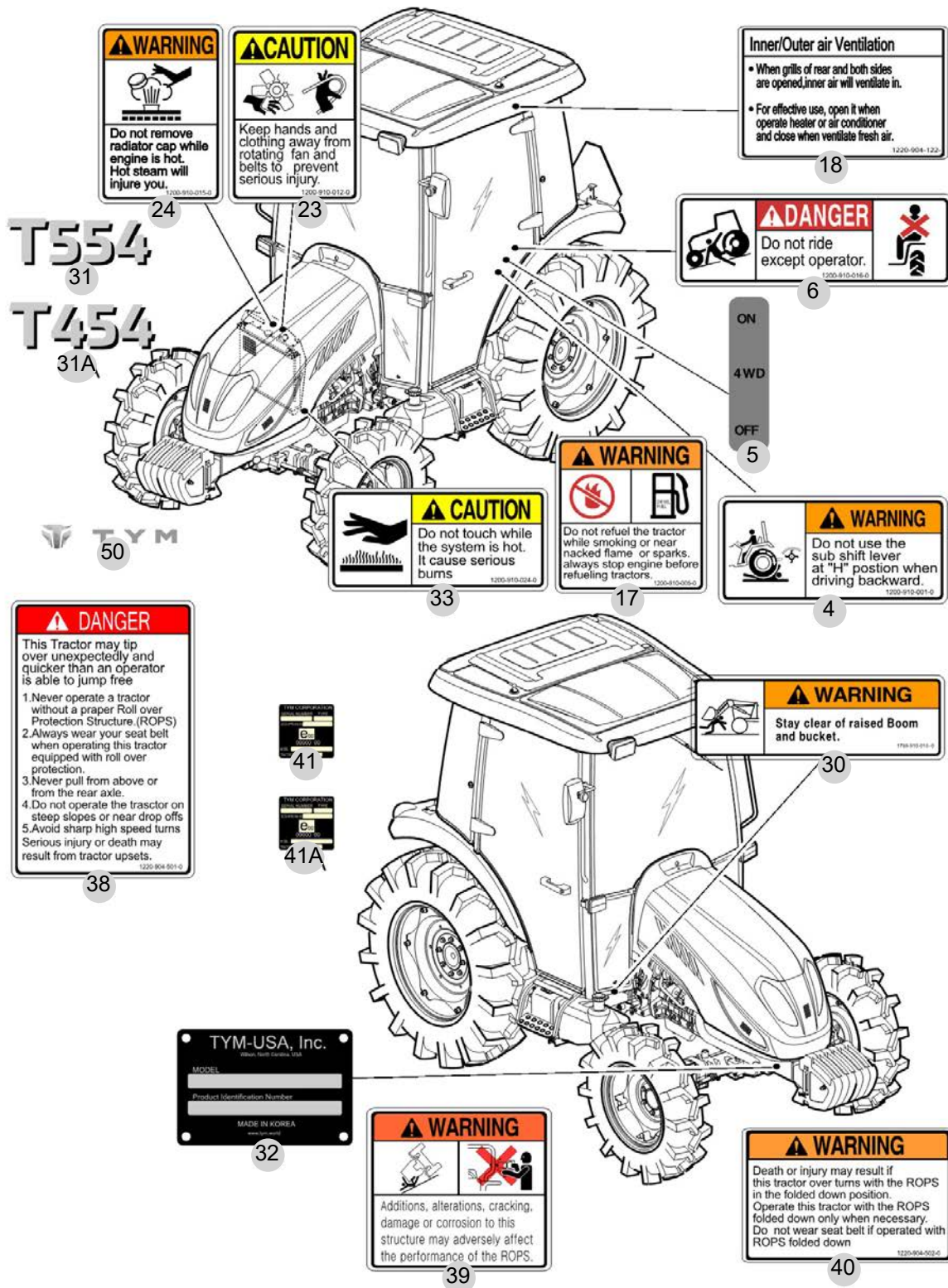
FIG 902A

LABEL

년/월  
Year/Month

T454SH

2022-12



NOTE









