

T654SCEU1

Parts Catalog

목 차

1. Engine PART NO. EG

FIG 00 EG	7
FIG 01 0512 4184, 0512 4259, 0512 4281, 0512 4051	9
FIG 02 0512 4368	11
FIG 05 0512 4036, 0512 4130, 0512 4238, 0512 4321	13
FIG 06 0512 4003	15
FIG 07 0512 4005	17
FIG 08 0512 4312, 0512 4050, 0512 4246	19
FIG 09 0512 4044, 0512 4320	21
FIG 10 0512 4284	23
FIG 11 0512 4004, 0512 4045, 0512 4046	25
FIG 14 0512 4027	27
FIG 15 0512 4120, 0506 4400, 0512 4000	29
FIG 16 0512 4261	31
FIG 17 0512 4052	33
FIG 19 0512 4047	35
FIG 20 0512 4224	37
FIG 21 0512 4009, 0512 4008, 0512 4299	39
FIG 22 0512 4345, 0512 4392	41
FIG 27 0511 8909	43
FIG 37 0512 4331	45
FIG 38 0512 4055	47
FIG 41 0512 4143, 0512 4058, 0512 4097, 0512 4257	49
FIG 43 0512 4384	51
FIG 44 0512 4062, 0512 4256, 0512 4393, 0512 4400	53
FIG 48-1 0511 7723, 0512 4011, 0512 4098, 0512 4127, 0512 4292	55
FIG 48-2 0512 4128, 0512 4293, 0512 4334, 0512 4338, 0512 4343	57
FIG 51 0512 4060, 0512 4104, 0512 4300, 0512 4329	59
FIG 63 0512 4010	61
FIG 83 0512 4176, 0512 4180, 0512 4251, 0512 4337, 0512 4339, 0512	63
FIG 90 0512 4355	65

2. Engine Accessories PART NO. T2

FIG 201 AIR CLEANER	68
---------------------	----

FIG 202 RADIATOR	70
FIG 203 MUFFLER & EXHAUST PIPE	73
FIG 204 FUEL TANK	76
FIG 205 FUEL FILTER & FUEL PUMP	78
FIG 206 OIL COOLER	80

3. Clutch/Brake/Steering PART NO. T3

FIG 301 CLUTCH	83
FIG 302 CLUTCH PEDAL	85
FIG 302-2 CLUTCH PEDAL	87
FIG 303 BRAKE	89
FIG 304 BRAKE PEDAL & LINK	91
FIG 305 FORNT WHEEL	93
FIG 306 REAR WHEEL	95
FIG 307 POWER STEERING WHEEL	97
FIG 308 POWER STEERING VALVE	99
FIG 309 POWER STEERING CYLINDER	101
FIG 310 HAND BRAKE & BRAKE(EU)	103

4. Transmission PART NO. T4

FIG 401 TRANSMISSION FRONT CASE	106
FIG 402 NPUT & COUNTER GEARS	108
FIG 403 CHANGE GEARS	110
FIG 404 REVERSE GEARS	112
FIG 405(EU) DRIVE GEARS	114
FIG 406 P.T.O DRIVE SHAFT	116
FIG 407 MAIN CHANGE LEVER	118
FIG 408 REVERSE CHANGE LEVER	120
FIG 409 TRANSMISSION MID CASE	122
FIG 410 TRANSMISSION REAR CASE	124
FIG 411 SUB CHANGE GEARS	126
FIG 412 SUB CHANGE SHIFTER	128
FIG 413 CREEP CHANGE	130
FIG 415 4WD CHANGE LEVER	132
FIG 416 P.T.O CHANGE GEARS	134
FIG 417 P.T.O CHANGE SHIFTER	136

FIG 418 REAR DIFFERENTIAL GEARS	138
FIG 419 REAR AXLE HOUSING	141

5. Front Axle PART NO. T5

FIG 501 FRONT AXLE SUPPORT	144
FIG 502 FRONT DRIVE SHAFT	146
FIG 503 FRONT AXLE HOUSING	148
FIG 504 FRONT DIFFERENTIAL GEARS	150
FIG 505 FRONT GEAR CASE (1)	152
FIG 506 FRONT GEAR CASE (2)	154
FIG 507 FRONT GEAR CASE (3)	156

6. Hydraulic/3P-Link PART NO. T6

FIG 601 CYLINDER CASE	159
FIG 602 LIFT ARM	161
FIG 603 CYLINDER	163
FIG 604 POSITION LINK	165
FIG 605 CONTROL VALVE	167
FIG 606 DRAFT LINK	169
FIG 607 POSITION & DRAFT LEVER	171
FIG 608 EXTERIOR HYD. VALVE(OPTION_6P)	174
FIG 608 EXTERIOR HYD. VALVE	176
FIG 609 HYDRAULIC PIPE	178
FIG 610 JOYSTICK	180
FIG 611-1B(EU) HITCH & 3-POINT LINK (EU)	182
FIG 612(EU) LOWER LINK & LIFT ROD(EU)	185
FIG 613 HYDRAULIC HOSE	187

7. Sheet Metal & Cabin PART NO. T7

FIG 701 HOOD	190
FIG 702 FRONT FRAME	192
FIG 703 SIDE SUPPORT & FRAME HOOD	194
FIG 704 LEVER COVER & STEP	197
FIG 705 FRONT & REAR MOUNTING	199
FIG 706 SEAT & MAT	201

FIG 709 DOOR	203
FIG 709-2 DOOR	206
FIG 710 FRONT GLASS	208
FIG 711 SIDE GLASS	210
FIG 712 REAR GLASS	212
FIG 713 SUB FENDER & COVER	214
FIG 714 MIRROR	216
FIG 715 HEATER & AIR-CON	218
FIG 715-2 HEATER & AIR-CON	220
FIG 716 FENDER COVER	222
FIG 717 ROOF	224
FIG 718 CABIN INTERIOR	226

8. Electrical System PART NO. T8

FIG 801 BATTERY & MOUNTING	229
FIG 802 HARNESS	231
FIG 803 LIGHT & BACK LAMP	233
FIG 804 INSTRUMENT PANEL	235
FIG 805 ELECTRIC SYSTEM (1)	237
FIG 806 ELECTRIC SYSTEM (2)	239

9. Label/Option PART NO. T9

FIG 901 TOOL & ACCESSORY	242
FIG 902(EU) WEIGHT	244
FIG 903 LABEL	246

1. Engine PART NO. EG

FIG 00 EG	7
FIG 01 0512 4184, 0512 4259, 0512 4281, 0512 4051	9
FIG 02 0512 4368	11
FIG 05 0512 4036, 0512 4130, 0512 4238, 0512 4321	13
FIG 06 0512 4003	15
FIG 07 0512 4005	17
FIG 08 0512 4312, 0512 4050, 0512 4246	19
FIG 09 0512 4044, 0512 4320	21
FIG 10 0512 4284	23
FIG 11 0512 4004, 0512 4045, 0512 4046	25
FIG 14 0512 4027	27
FIG 15 0512 4120, 0506 4400, 0512 4000	29
FIG 16 0512 4261	31
FIG 17 0512 4052	33
FIG 19 0512 4047	35
FIG 20 0512 4224	37
FIG 21 0512 4009, 0512 4008, 0512 4299	39
FIG 22 0512 4345, 0512 4392	41
FIG 27 0511 8909	43
FIG 37 0512 4331	45
FIG 38 0512 4055	47
FIG 41 0512 4143, 0512 4058, 0512 4097, 0512 4257	49
FIG 43 0512 4384	51
FIG 44 0512 4062, 0512 4256, 0512 4393, 0512 4400	53
FIG 48-1 0511 7723, 0512 4011, 0512 4098, 0512 4127, 0512 4292	55
FIG 48-2 0512 4128, 0512 4293, 0512 4334, 0512 4338, 0512 4343	57
FIG 51 0512 4060, 0512 4104, 0512 4300, 0512 4329	59
FIG 63 0512 4010	61
FIG 83 0512 4176, 0512 4180, 0512 4251, 0512 4337, 0512 4339, 0512	63
FIG 90 0512 4355	65

FIG 00 T654SCEU1	EG	년/월 Year/Month 2022-12
---------------------	----	------------------------------

--	--

NOTE	
------	--

FIG 01

0512 4184, 0512 4259, 0512 4281, 0512 4051

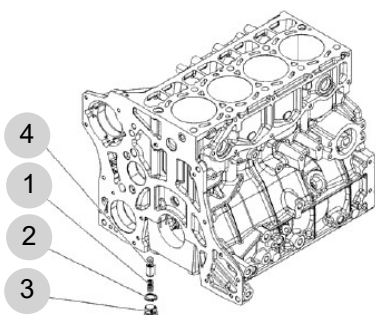
년/월
Year/Month

2022-12

T654SCEU1

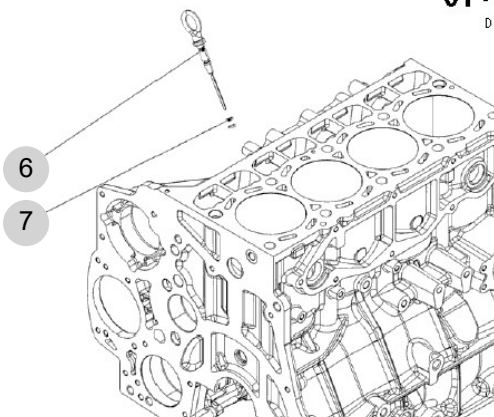
01 - 0512 4051

PRESSURESTAT



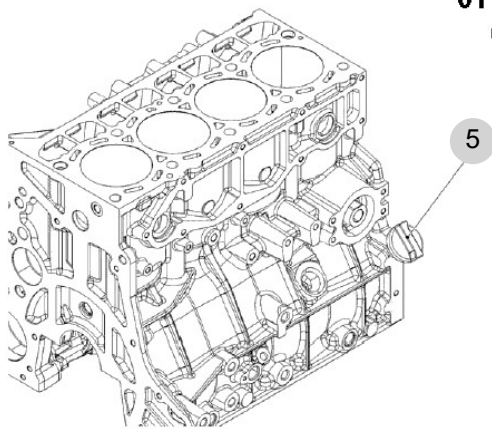
01 - 0512 4259

DIPSTICK



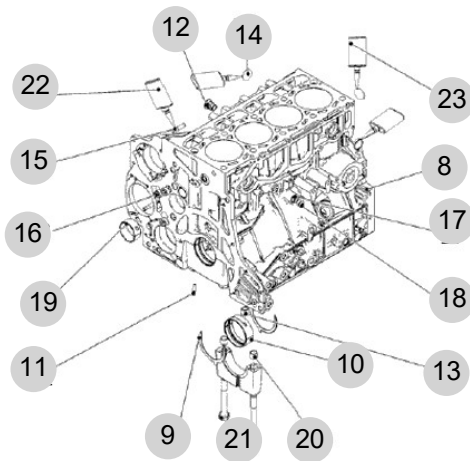
01 - 0512 4184

FILLER CAP



01 - 0512 4281

CRANKCASE



NOTE

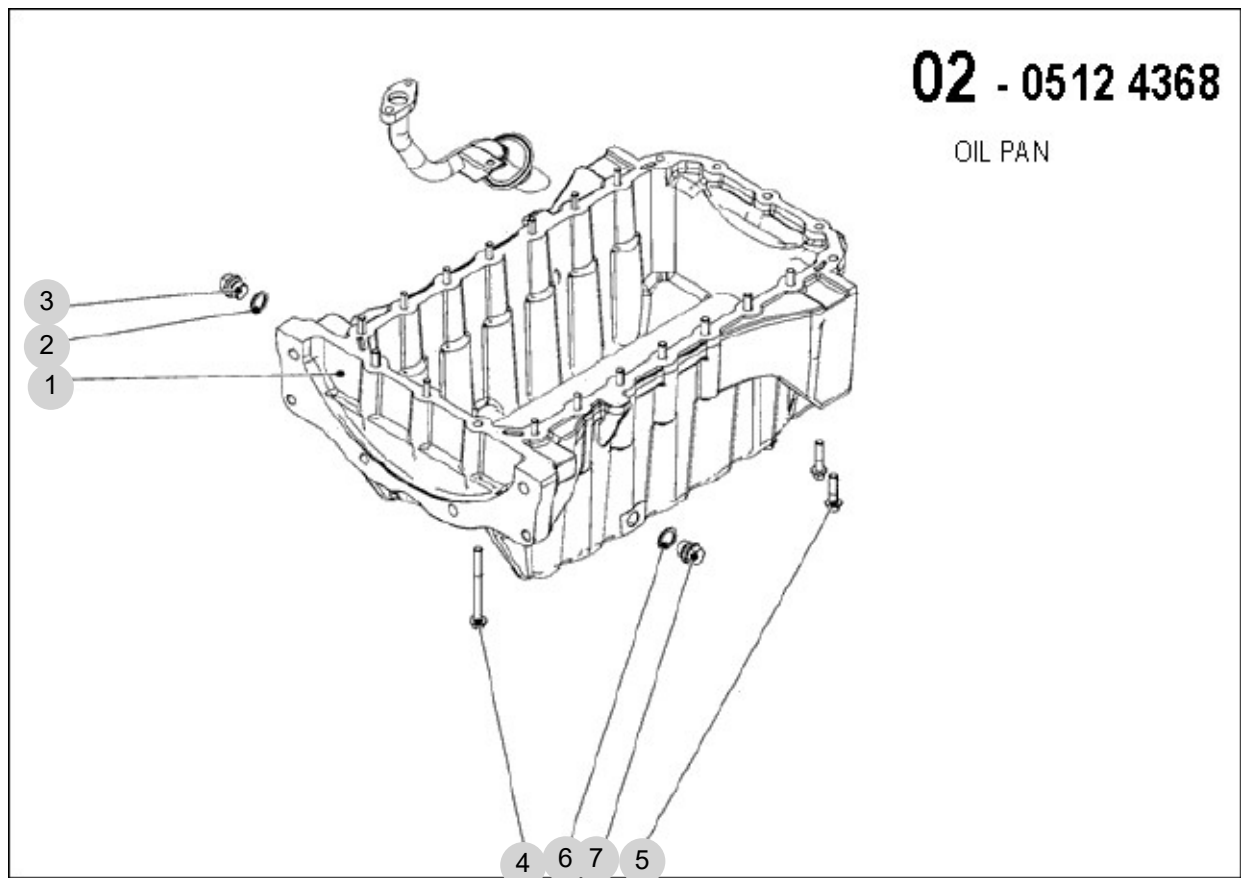
FIG 02

0512 4368

년/월
Year/Month

2022-12

T654SCEU1



NOTE

FIG 05

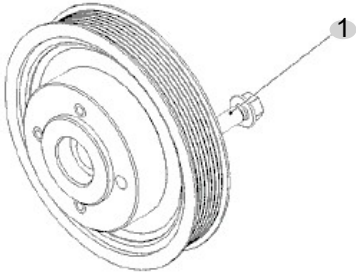
T654SCEU1

0512 4036, 0512 4130, 0512 4238, 0512 4321

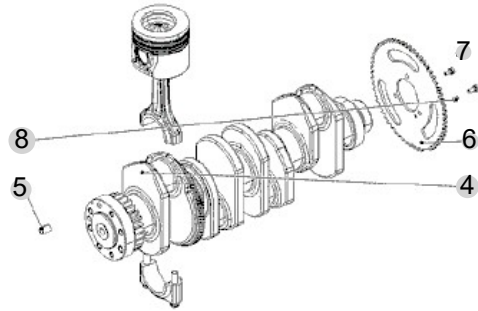
년/월
Year/Month

2022-12

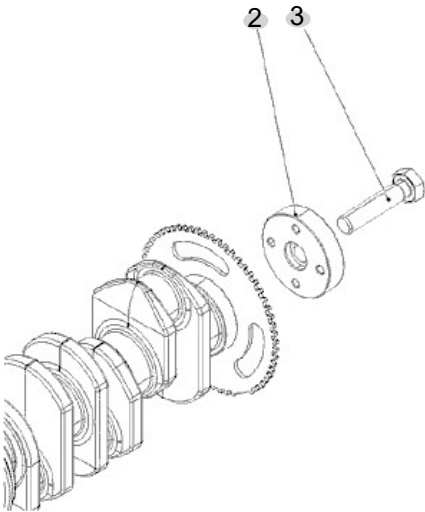
05 - 0512 4036
FASTENINGS



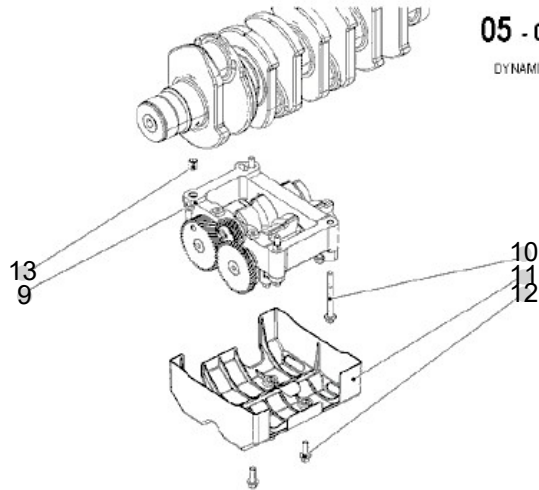
05 - 0512 4238
CRANKSHAFT



05 - 0512 4130
CRANKSHAFT ACCESS.



05 - 0512 4321
DYNAMIC BALANCER



NOTE

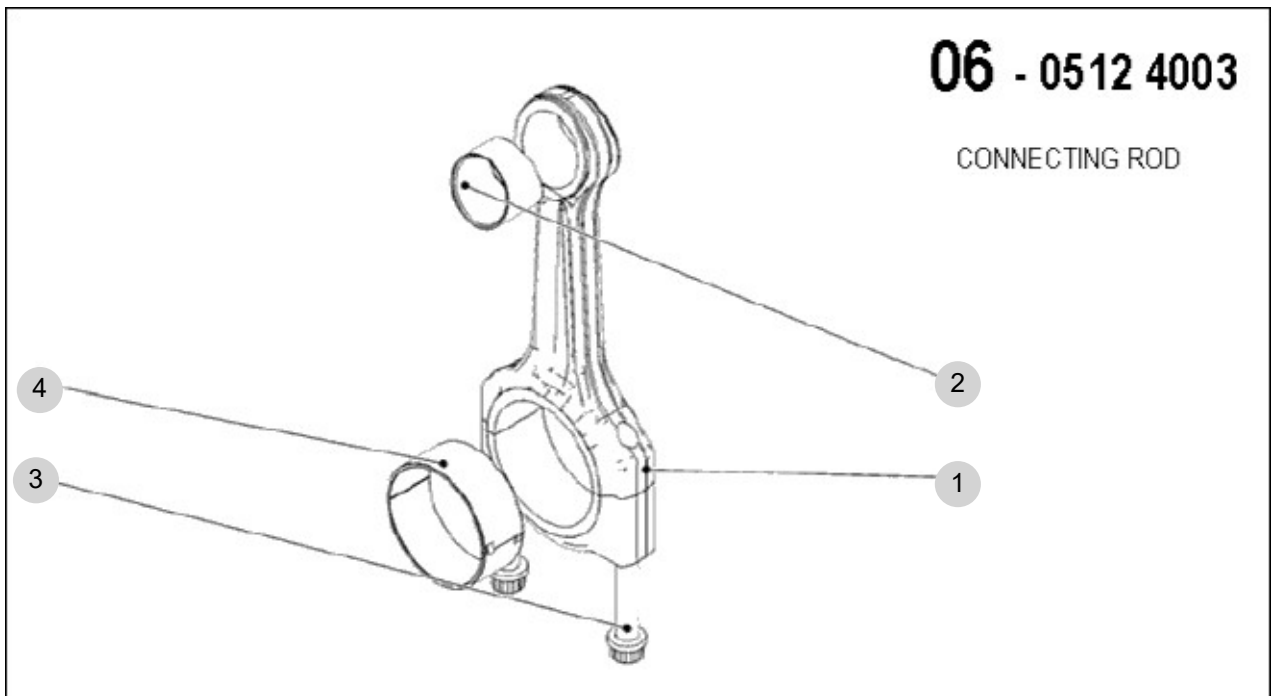
FIG 06

0512 4003

년/월
Year/Month

2022-12

T654SCEU1



NOTE

FIG 06 T654SCEU1		0512 4003					년/월 Year/Month	
							2022-12	
KEY NO	PART NO	DESCRIPTION	SPEC	QTY	REPAIR	EFFECTIVE DATE	REMARKS	
06	1	0413 2010	CONNECTING ROD		1			
06	2	0413 2007	SMALL END BEARING		1			
06	3	0428 6942	BIG END BOLT		2			
06	4	0413 2075	BEARING SHELL		1			
06	950	0413 3404	BEARING SHELL		1			
06	951	0413 3405	BEARING SHELL		1			
NOTE								

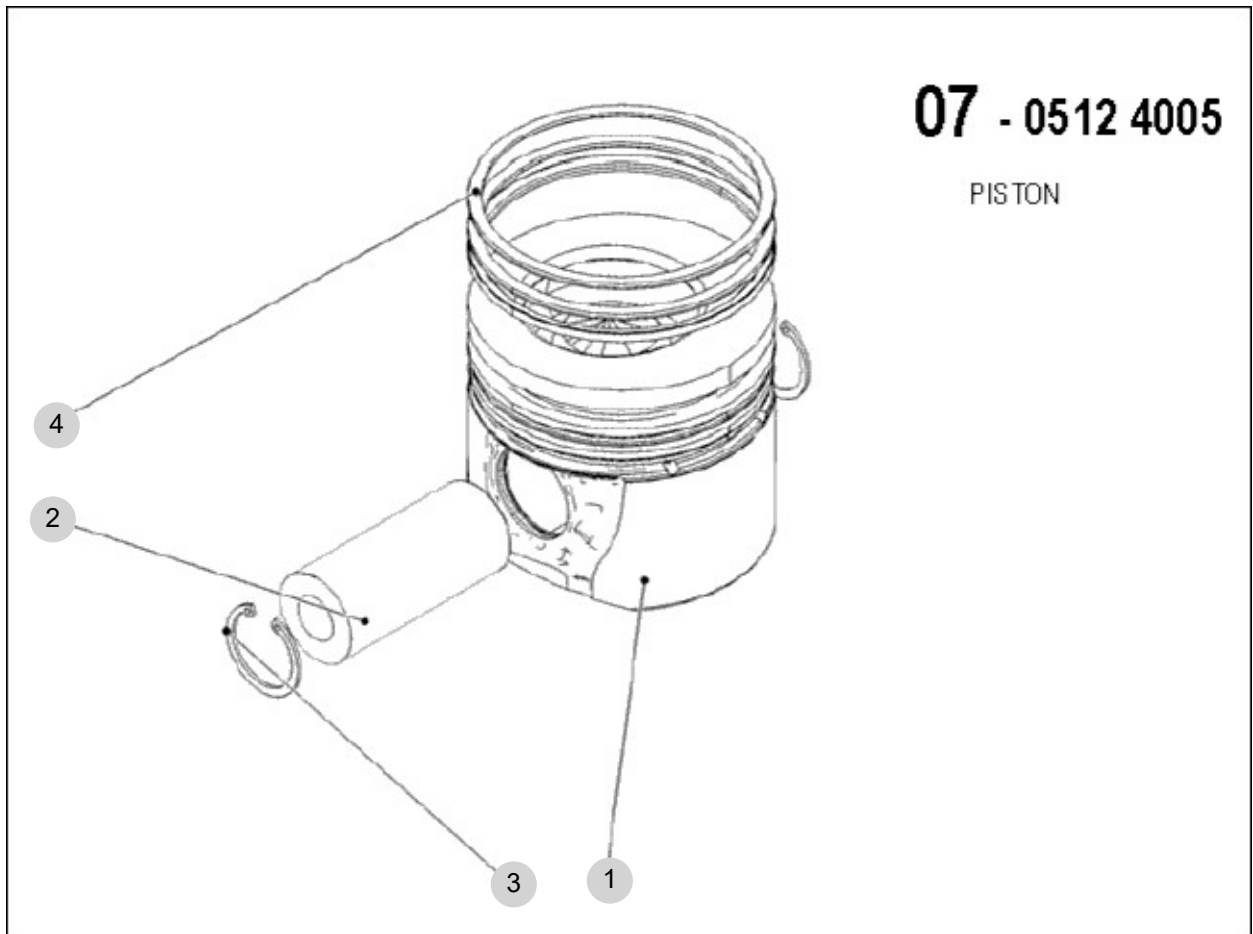
FIG 07

0512 4005

년/월
Year/Month

2022-12

T654SCEU1



NOTE

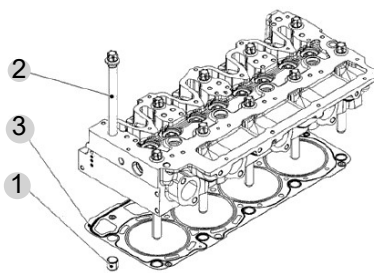
FIG 08

0512 4312, 0512 4050, 0512 4246

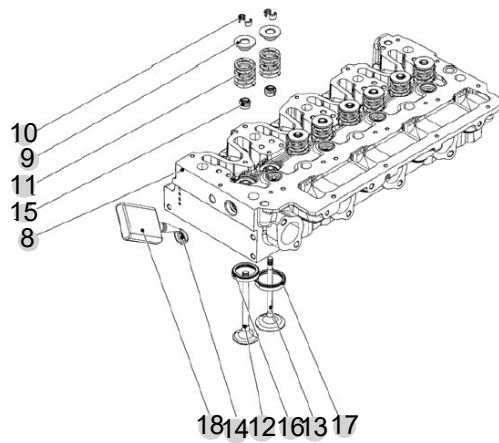
년/월
Year/Month

2022-12

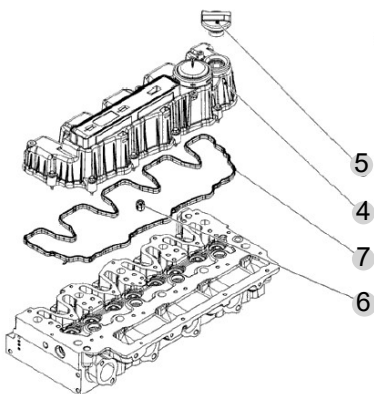
T654SCEU1



08 - 0512 4050
FASTENINGS



08 - 0512 4312
CYLINDER HEAD



08 - 0512 4246
VALVE MECHAN COVER

NOTE

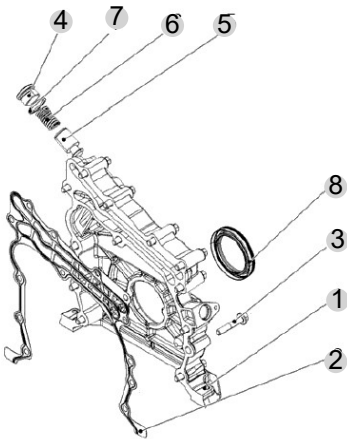
FIG 09

0512 4044, 0512 4320

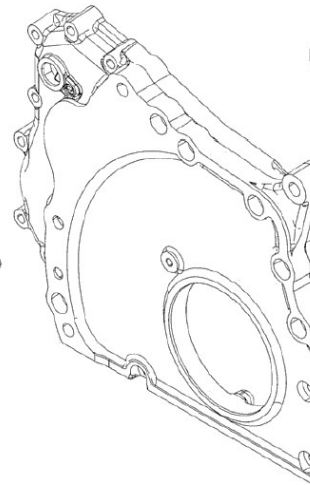
년/월
Year/Month

T654SCEU1

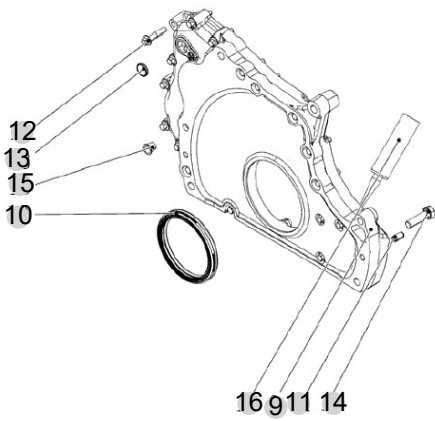
2022-12



09 - 0512 4044
FRONT COVER



09 - 0512 4406
SEALING RING



09 - 0512 4320
GEARCASE

NOTE

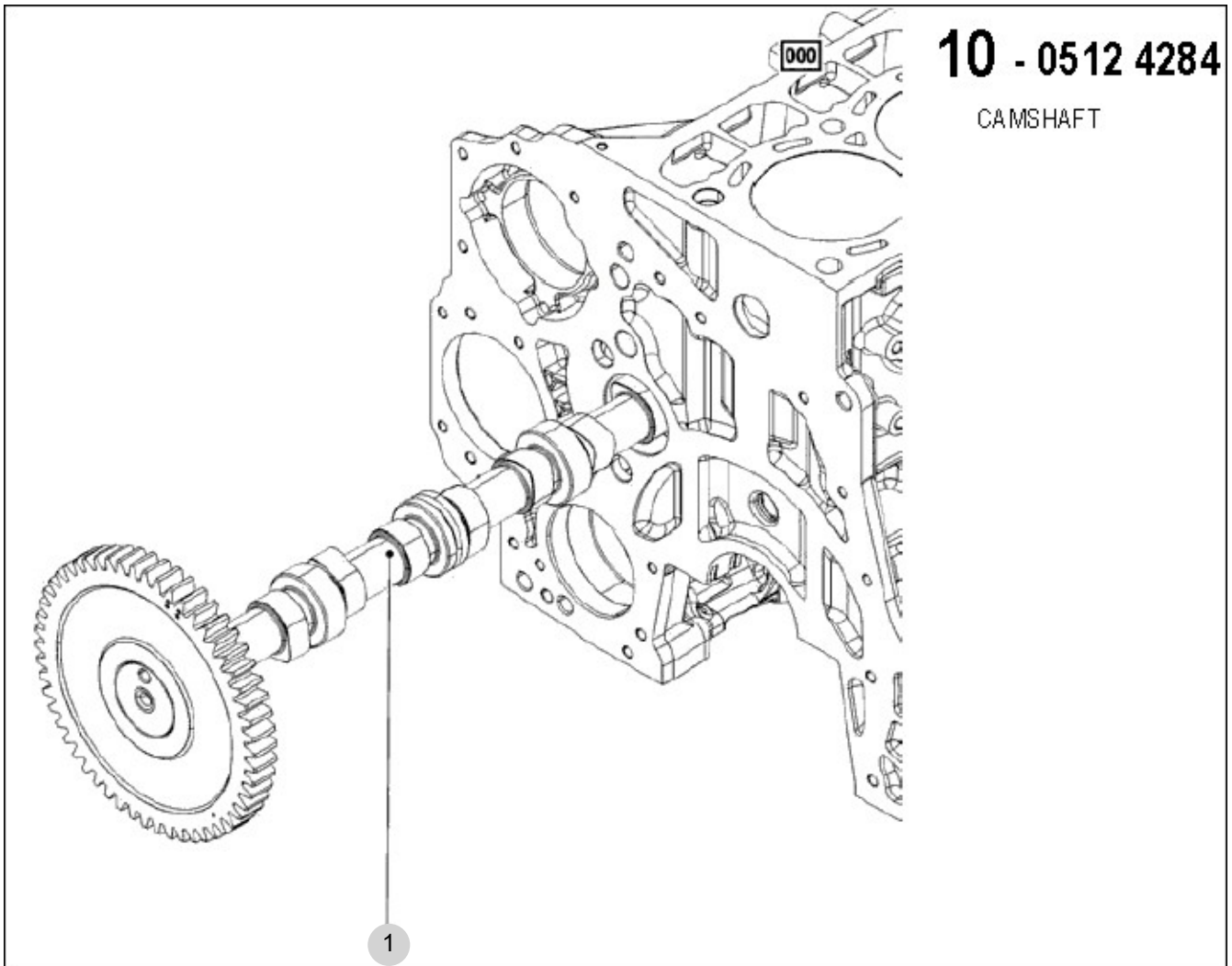
FIG 10

0512 4284

년/월
Year/Month

2022-12

T654SCEU1



NOTE

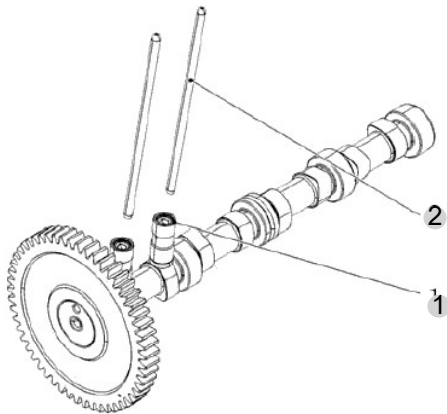
FIG 11

0512 4004, 0512 4045, 0512 4046

년/월
Year/Month

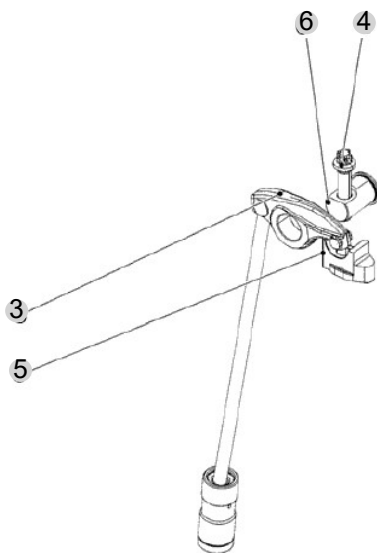
2022-12

T654SCEU1



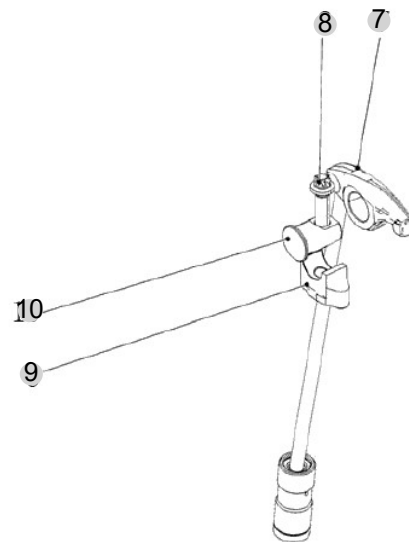
11 - 0512 4004

VALVE DRIVE



11 - 0512 4045

ROCKER ARM OUTLET



11 - 0512 4046

ROCKER ARM INLET

NOTE

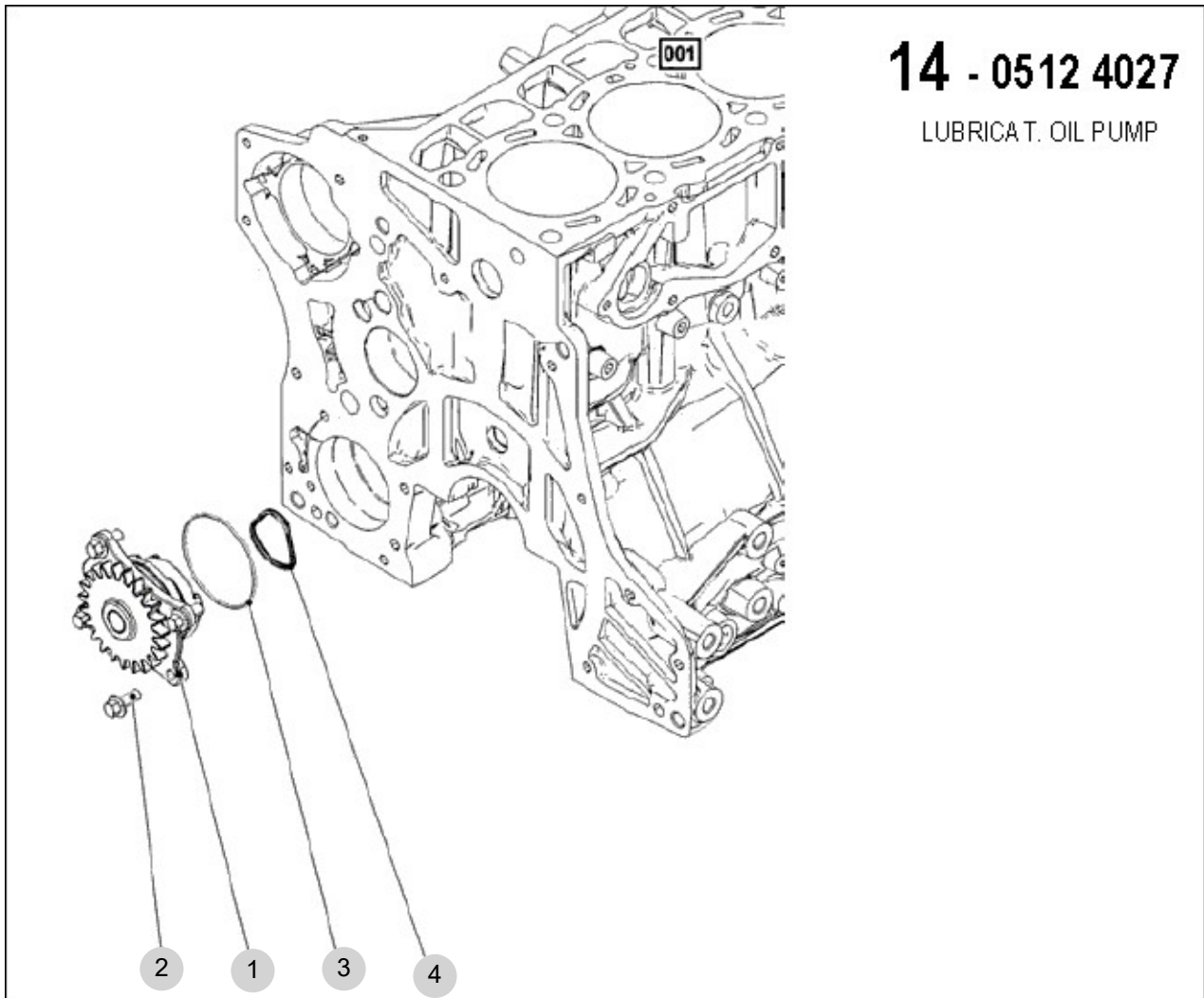
FIG 14

0512 4027

년/월
Year/Month

2022-12

T654SCEU1



NOTE

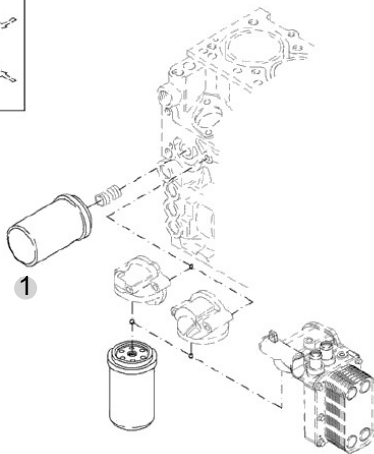
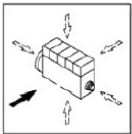
FIG 15

0512 4120, 0506 4400, 0512 4000

년/월
Year/Month

2022-12

T654SCEU1

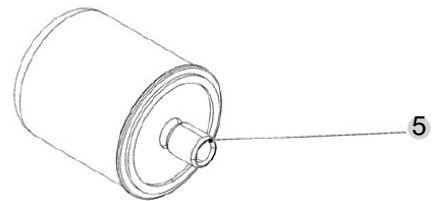


15 - 0506 4400

LUBRIC. OIL FILTER

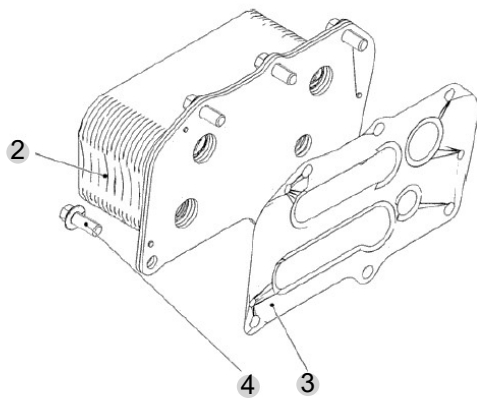
15 - 0512 4120

OIL FILTER ASSY



15 - 0512 4000

OIL COOLER



NOTE

FIG 16

0512 4261

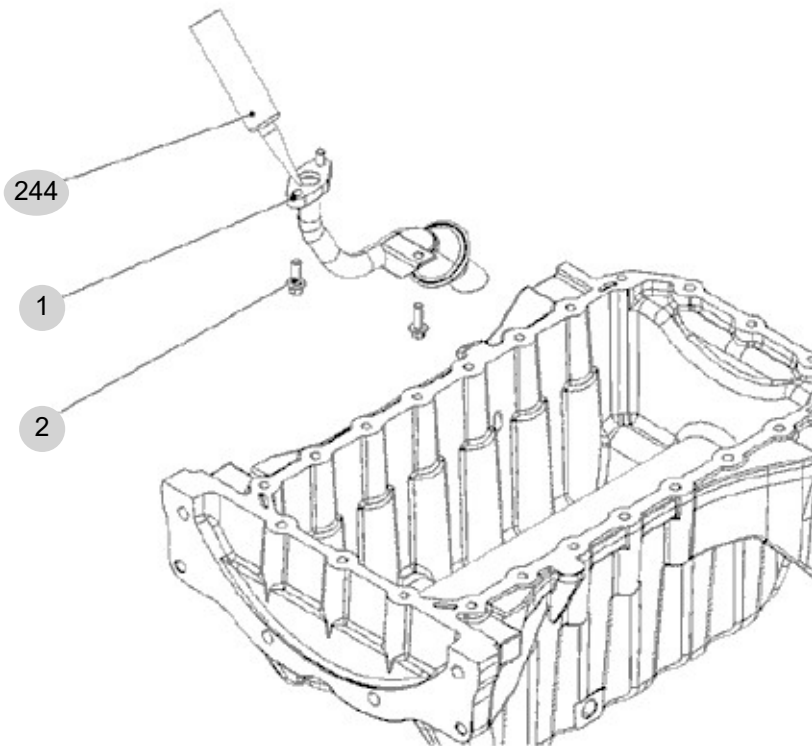
년/월
Year/Month

T654SCEU1

2022-12

16 - 0512 4261

OIL SUCTION PIPE



NOTE

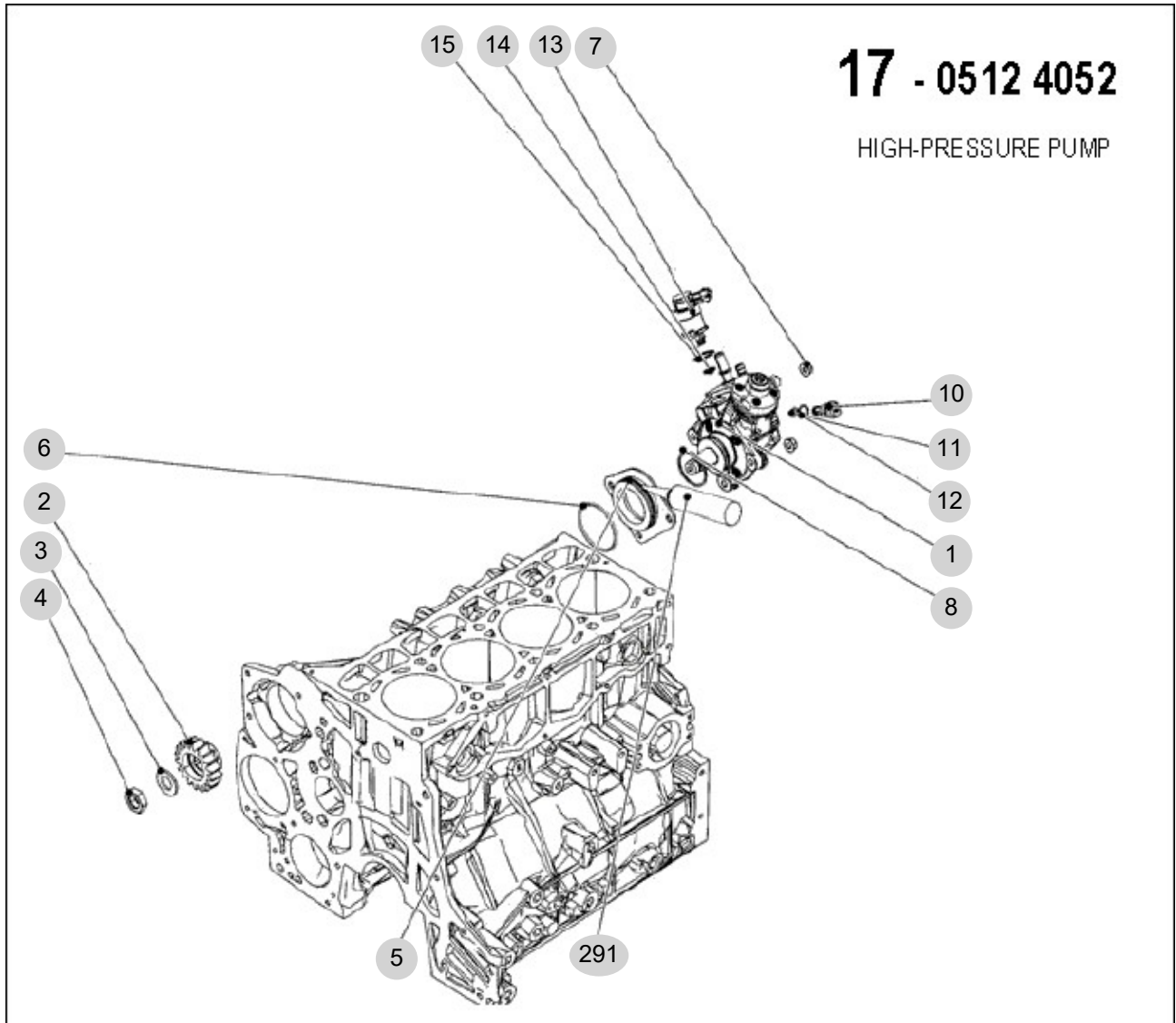
FIG 17

0512 4052

년/월
Year/Month

2022-12

T654SCEU1



NOTE

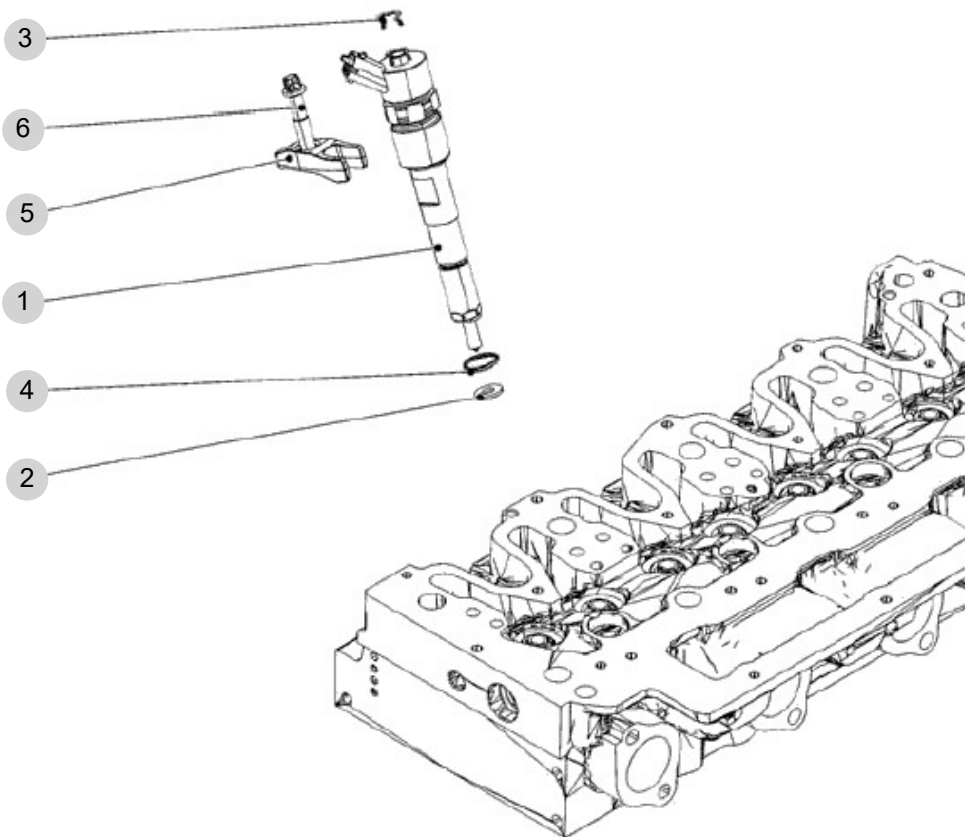
FIG 19

0512 4047

년/월
Year/Month

2022-12

T654SCEU1



19 - 0512 4047

FUEL INJECTOR

NOTE

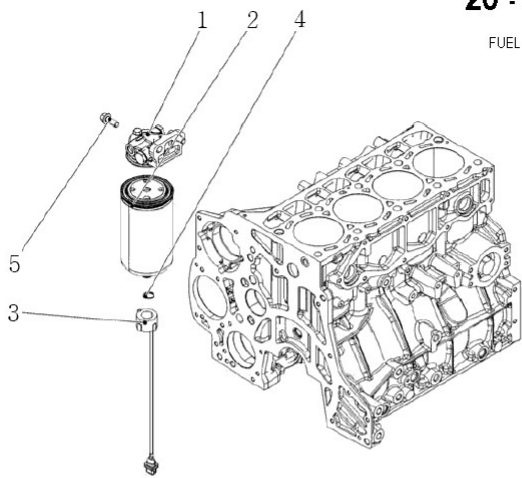
FIG 20

0512 4224

년/월
Year/Month

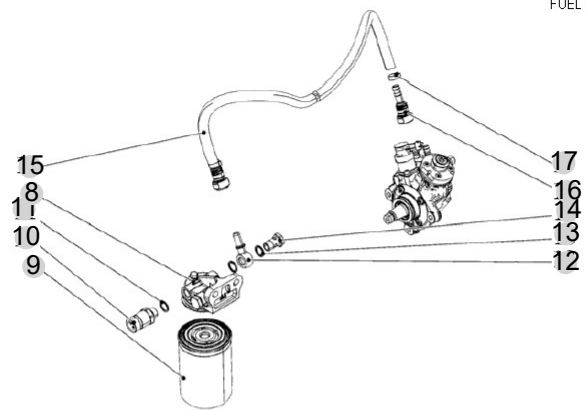
2022-12

T654SCEU1



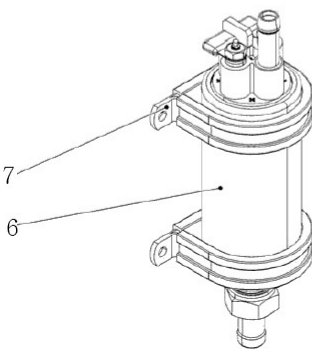
20 - 0512 4064

FUEL PREFILTER



20 - 0512 4224

FUEL FILTER



20 - 0512 4140

FUEL SUPPLY PUMP

NOTE

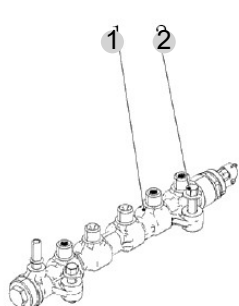
FIG 21

0512 4009, 0512 4008, 0512 4299

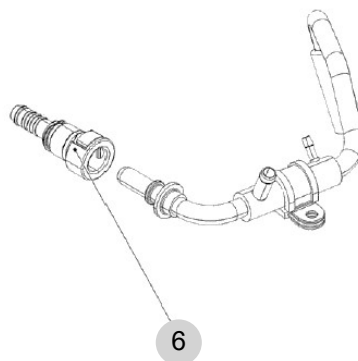
년/월
Year/Month

T654SCEU1

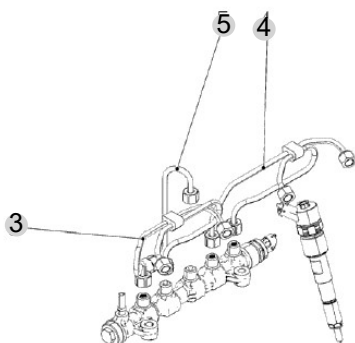
2022-12



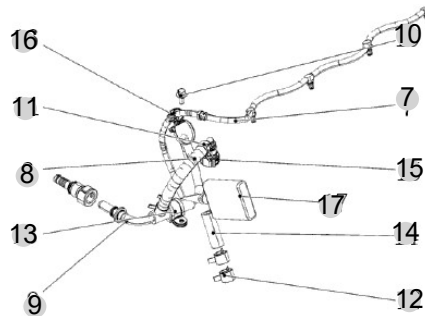
21 - 0512 4008
RAIL



21 - 0512 4286
QUICK-CLUTCH COUP.



21 - 0512 4009
HIGH PRESSURE PIPE



21 - 0512 4299
FUEL LINE

NOTE

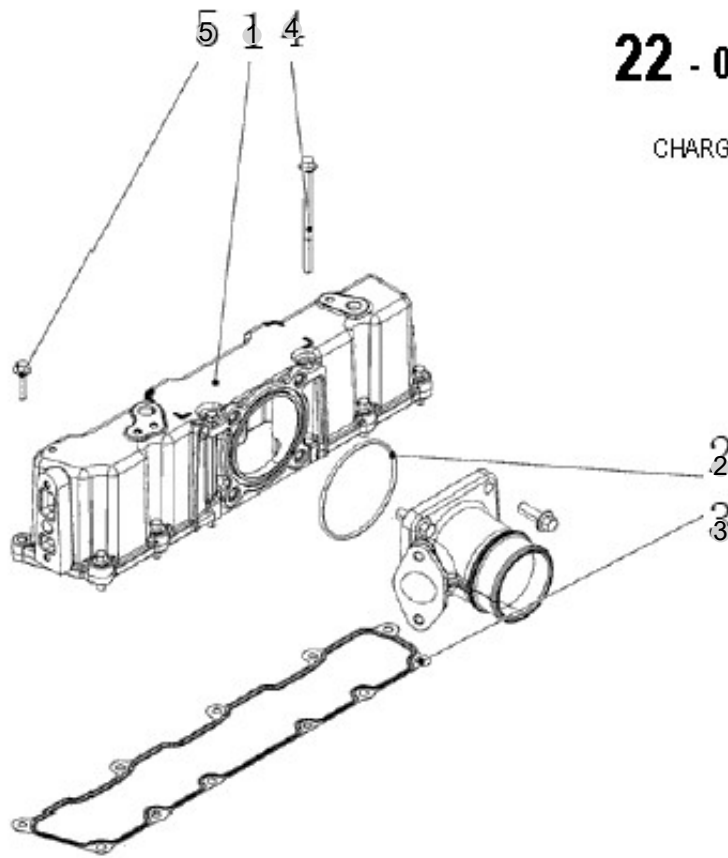
FIG 22

0512 4345, 0512 4392

년/월
Year/Month

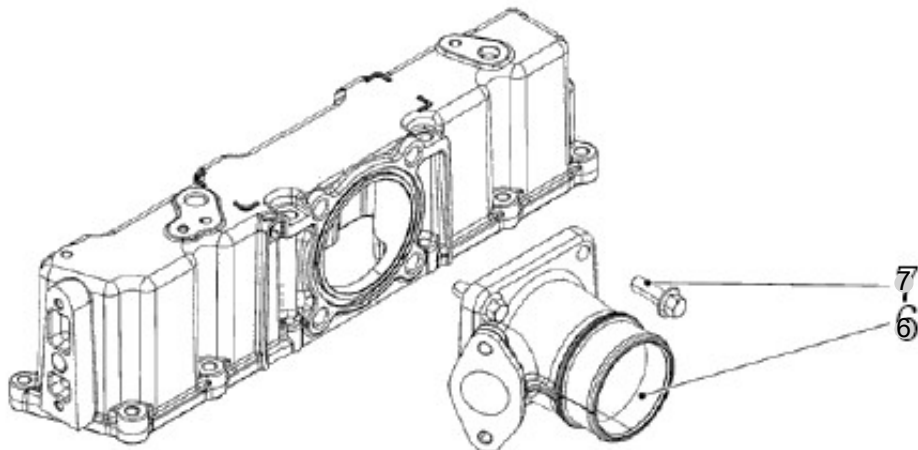
2022-12

T654SCEU1



22 - 0512 4392

CHARGE AIR ELBOW



NOTE

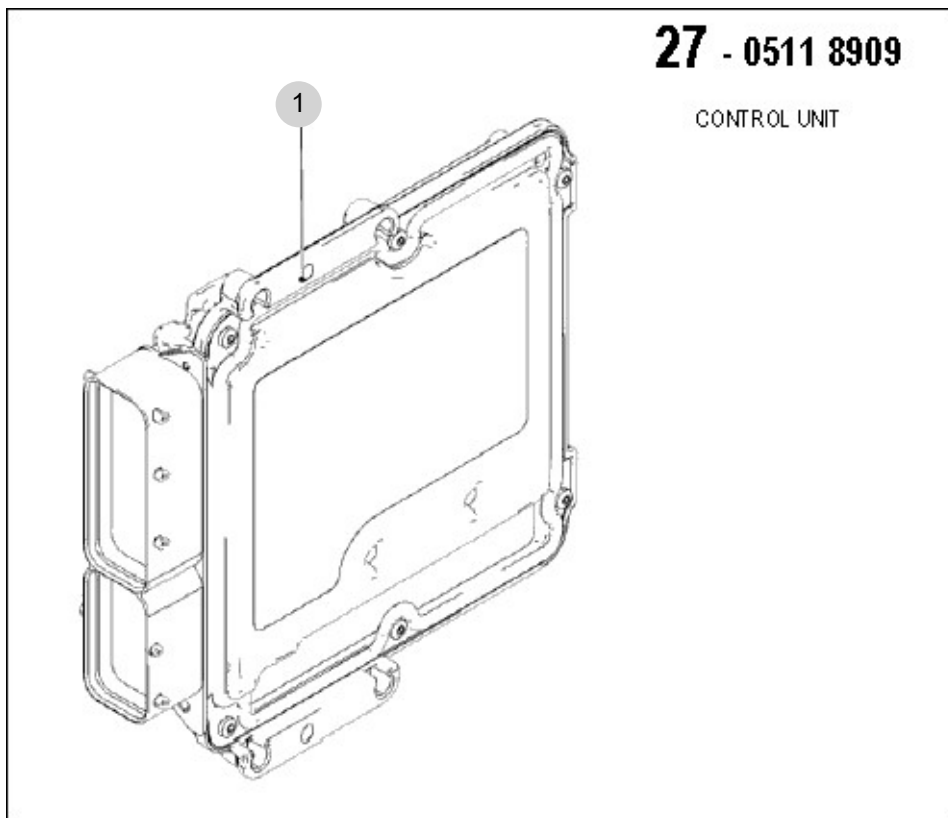
FIG 27

0511 8909

년/월
Year/Month

2022-12

T654SCEU1



NOTE

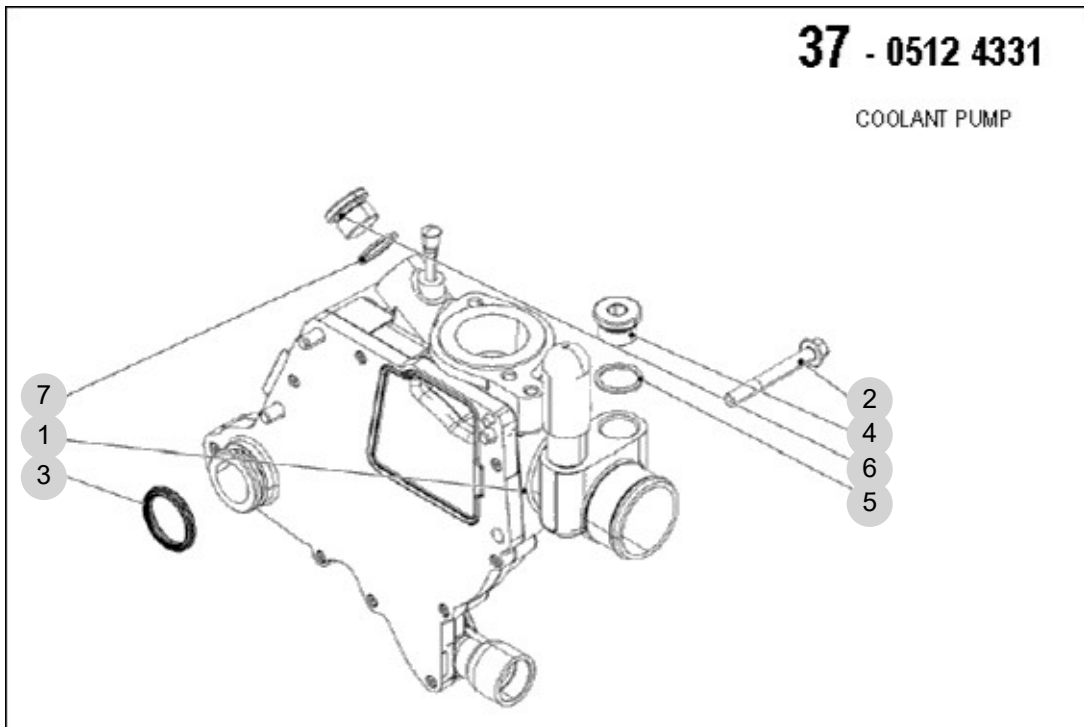
FIG 37

0512 4331

년/월
Year/Month

2022-12

T654SCEU1



NOTE

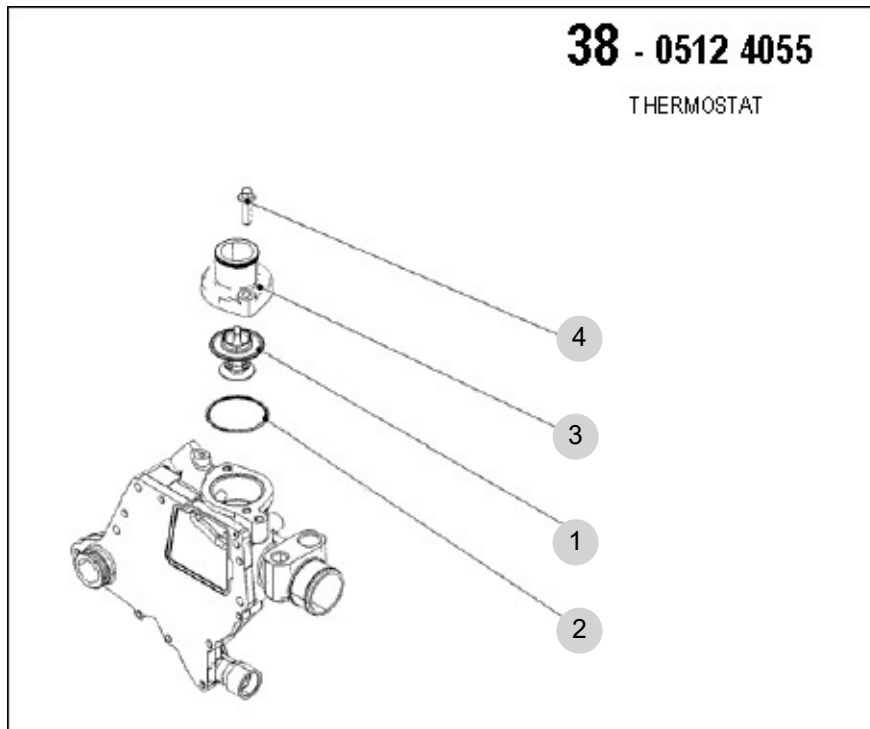
FIG 38

0512 4055

년/월
Year/Month

2022-12

T654SCEU1



NOTE

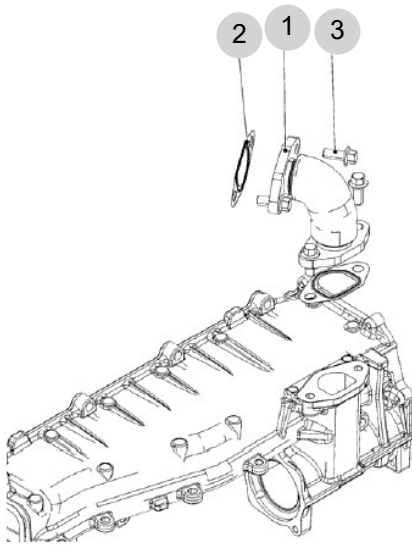
FIG 41

0512 4143, 0512 4058, 0512 4097, 0512 4257

년/월
Year/Month

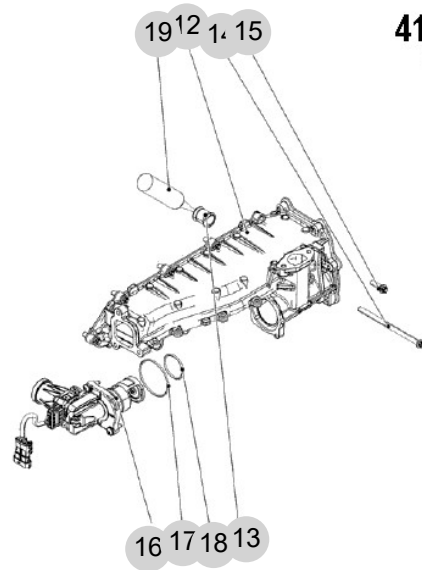
2022-12

T654SCEU1



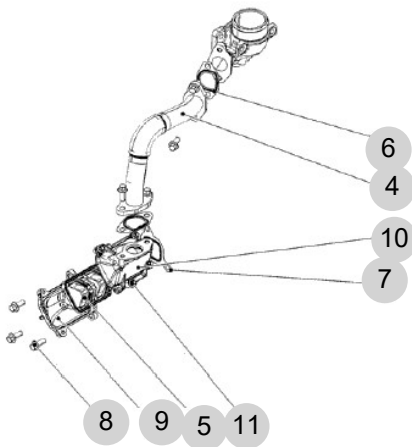
41 - 0512 4058

PIPELINE/LEAD



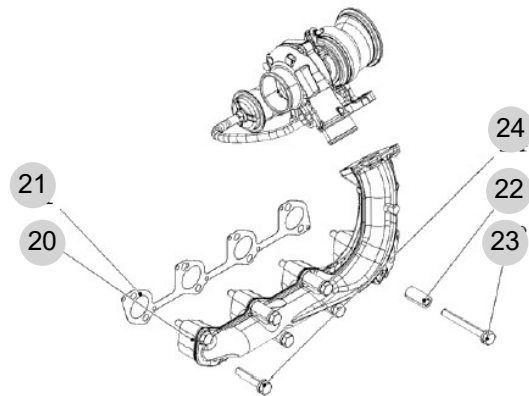
41 - 0512 4143

EGR-MODULE



41 - 0512 4097

PIPELINE/LEAD



41 - 0512 4257

EXHAUST MANIFOLD

NOTE

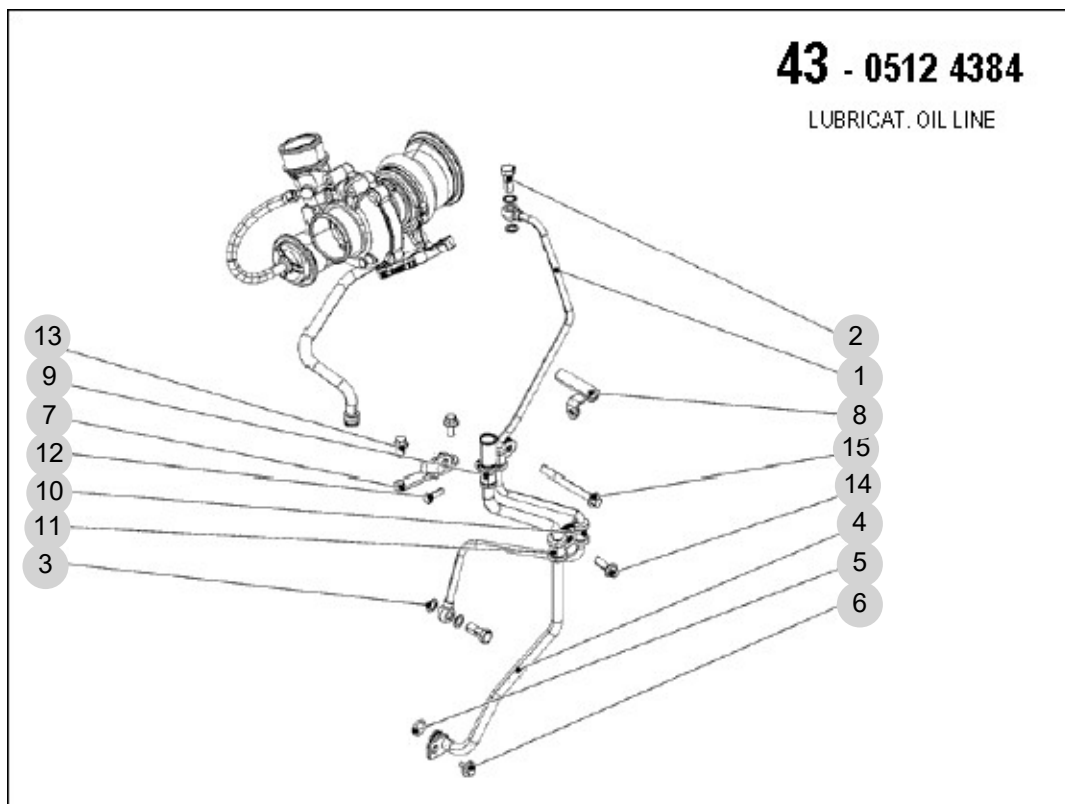
FIG 43

0512 4384

년/월
Year/Month

2022-12

T654SCEU1



NOTE

FIG 44

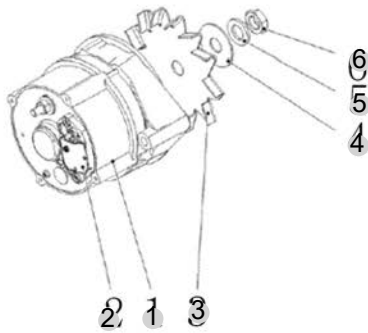
0512 4062, 0512 4256, 0512 4393, 0512 4400

년/월
Year/Month

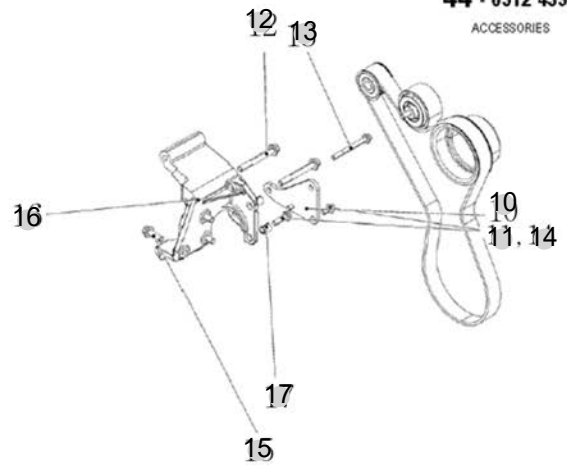
2022-12

T654SCEU1

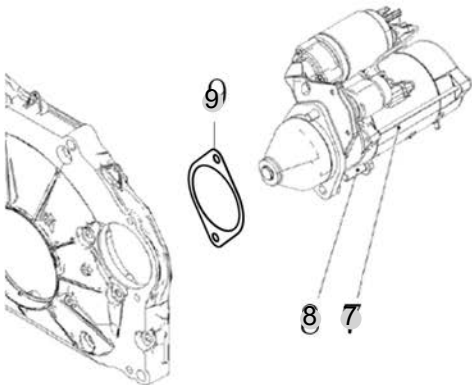
44 - 0512 4062
GENERATOR



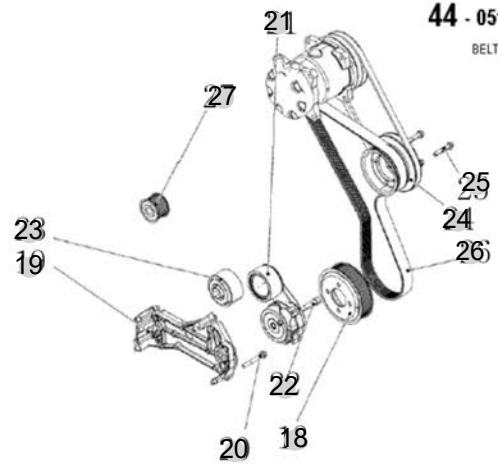
44 - 0512 4393
ACCESSORIES



44 - 0512 4256
STARTER



44 - 0512 4400
BELT DRIVE



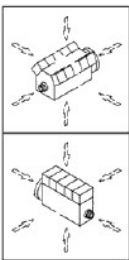
NOTE

FIG 48-1

0511 7723, 0512 4011, 0512 4098, 0512 4127,
0512 4292

년/월
Year/Month

2022-12



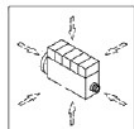
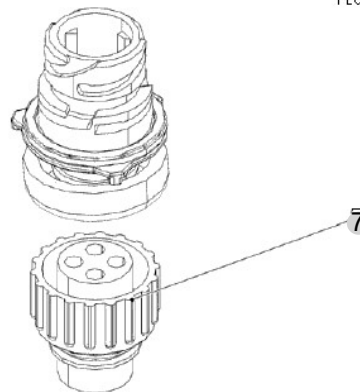
48 - 0511 7723

ATTACHMENT PLUG



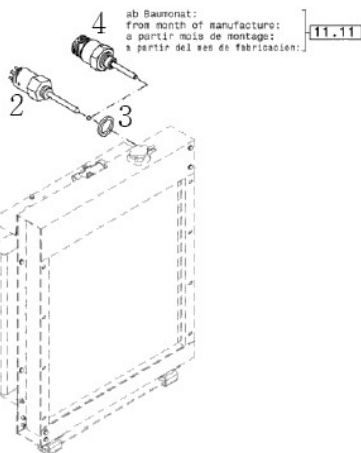
48 - 0512 4098

PLUG-IN CONNECTOR



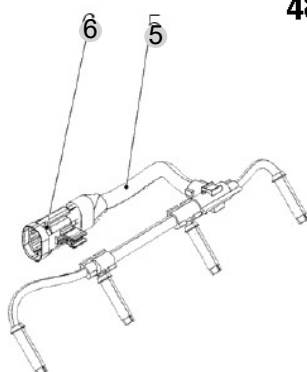
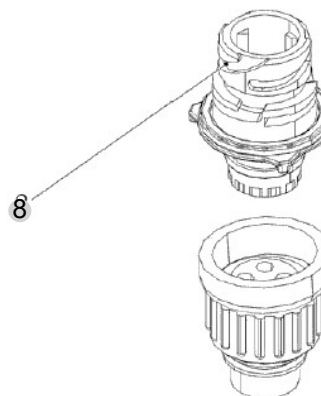
48 - 0511 8568

LEVEL SWITCH



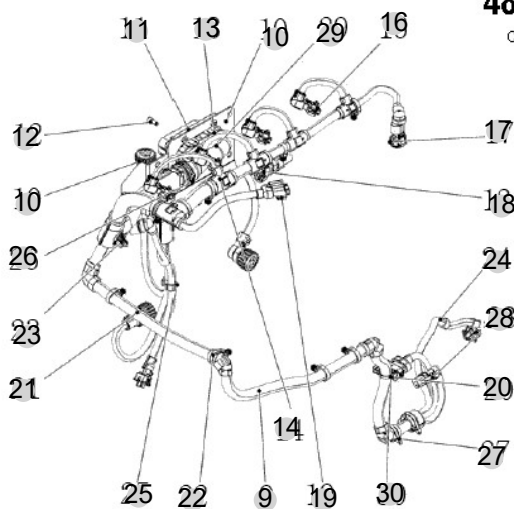
48 - 0512 4127

PLUG-IN CONNECTOR



48 - 0512 4011

CABLE HARNESS



48 - 0512 4292

CABLE HARNESS

NOTE

FIG 48-2

T654SCEU1

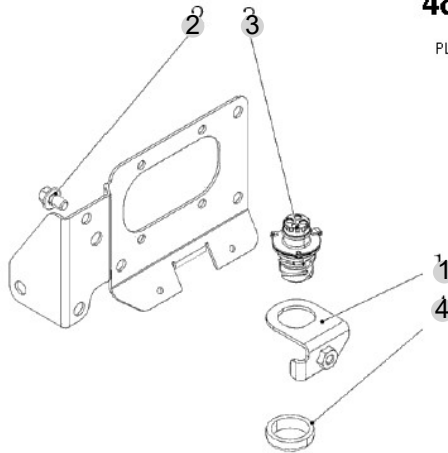
0512 4128, 0512 4293, 0512 4334, 0512 4338,
0512 4343

년/월
Year/Month

2022-12

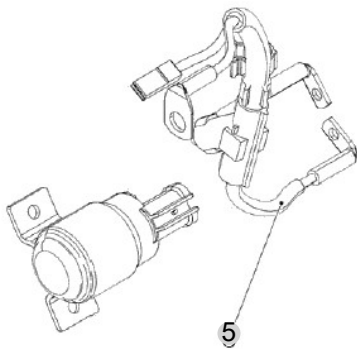
48 - 0512 4128

PLUG-IN CONNECTOR



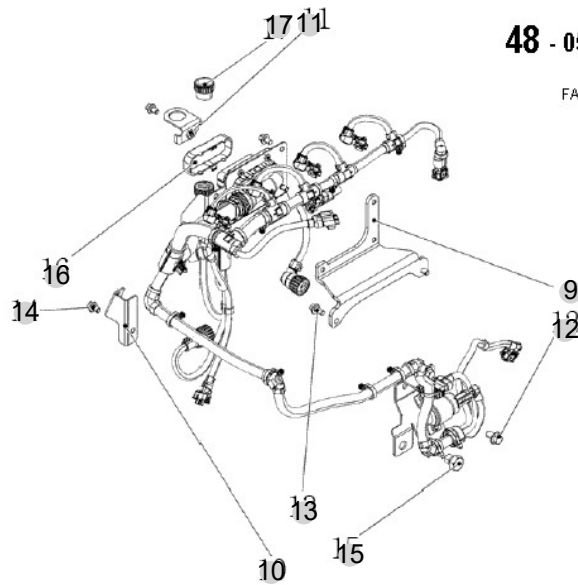
48 - 0512 4293

CONNECTING PIPE



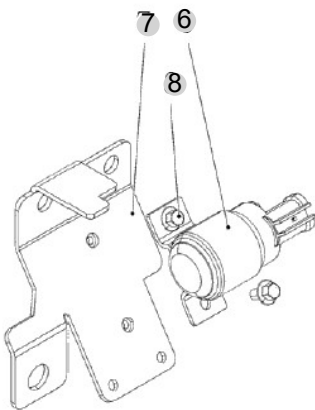
48 - 0512 4338

FASTENINGS



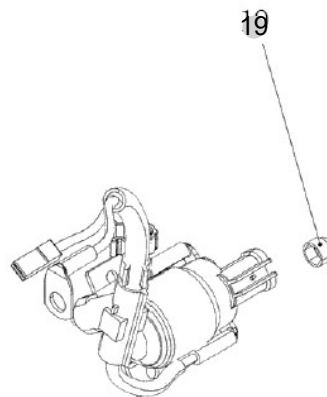
48 - 0512 4334

RELAY



48 - 0512 4343

PROTECTING CAP



NOTE

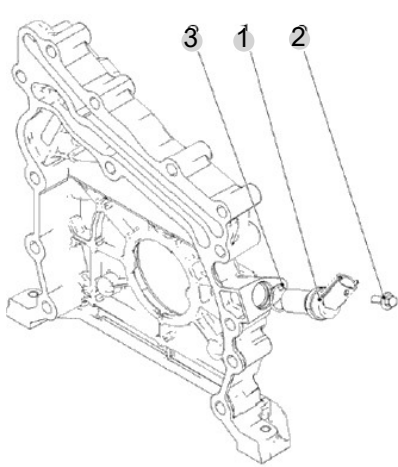
FIG 51

0512 4060, 0512 4104, 0512 4300, 0512 4329

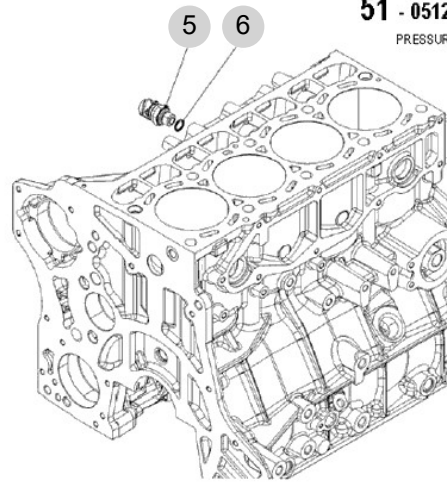
년/월
Year/Month

2022-12

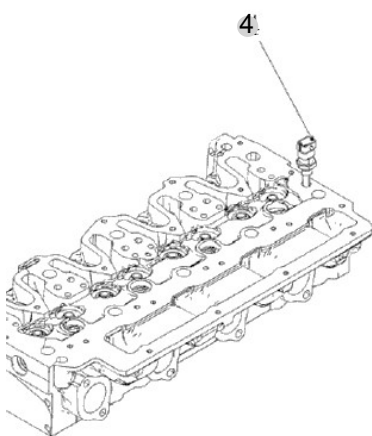
T654SCEU1



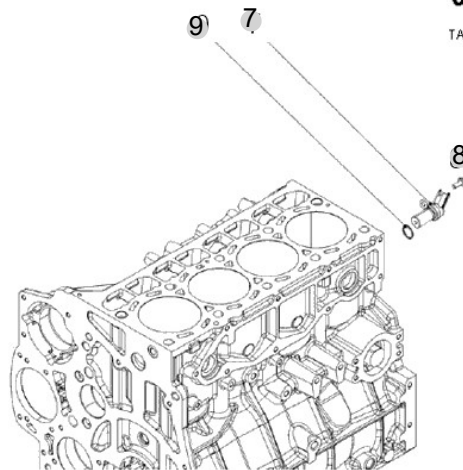
51 - 0512 4060
TACHO-GENERATOR



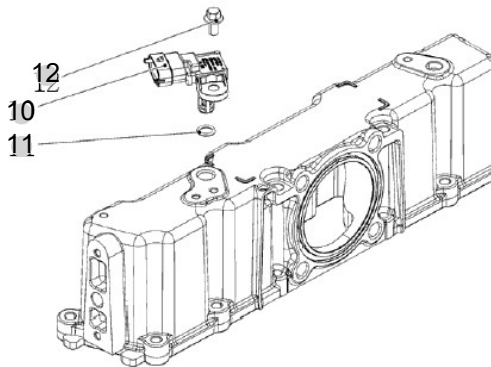
51 - 0512 4105
PRESSURE SENSOR



51 - 0512 4104
TEMPER.TRANSMITTER



51 - 0512 4300
TACHO-GENERATOR



51 - 0512 4329
SENSOR

NOTE

FIG 63

0512 4010

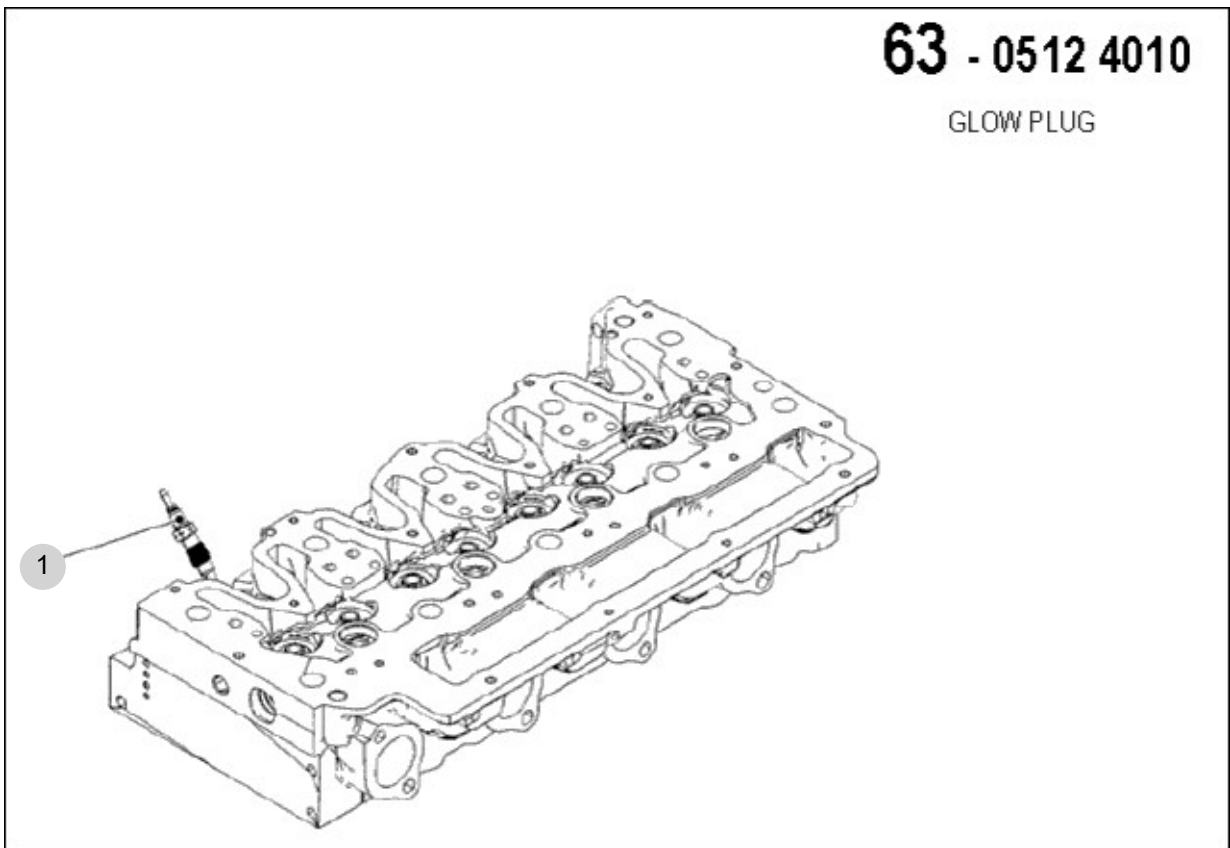
년/월
Year/Month

2022-12

T654SCEU1

63 - 0512 4010

GLOW PLUG



NOTE

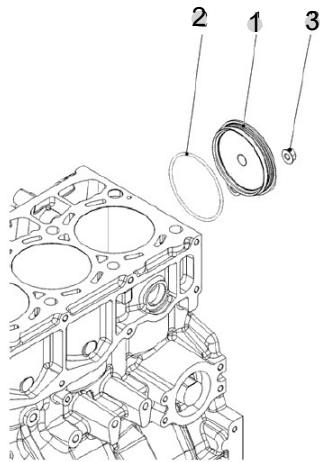
FIG 83

T654SCEU1

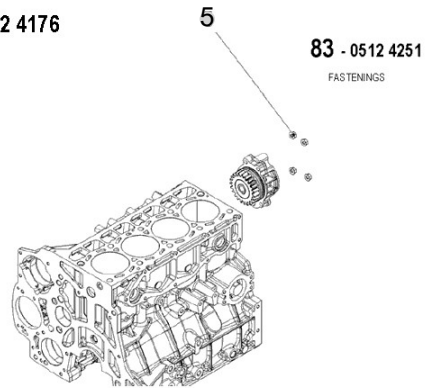
0512 4176, 0512 4180, 0512 4251, 0512 4337,
0512 4339, 0512

년/월
Year/Month

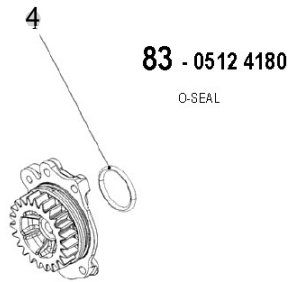
2022-12



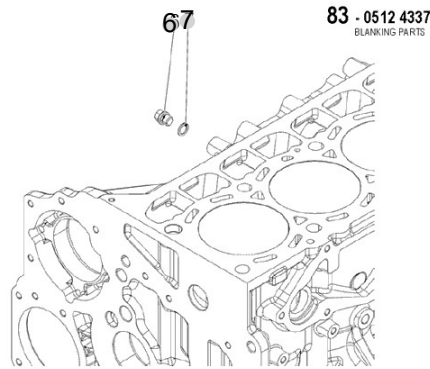
83 - 0512 4176
COVER



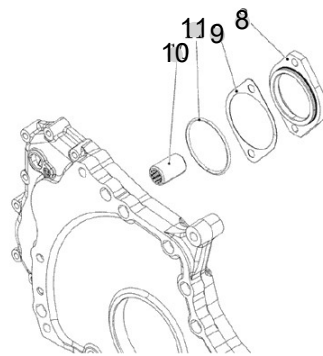
83 - 0512 4251
FASTENINGS



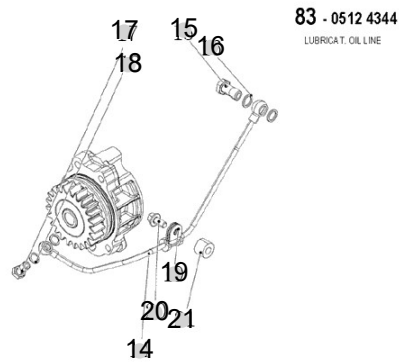
83 - 0512 4180
O-SEAL



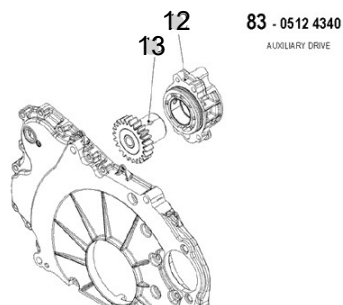
83 - 0512 4337
BLANKING PARTS



83 - 0512 4339
ADAPTERFLANSCH



83 - 0512 4344
LUBRICAT. OIL LINE



83 - 0512 4340
AUXILIARY DRIVE

NOTE

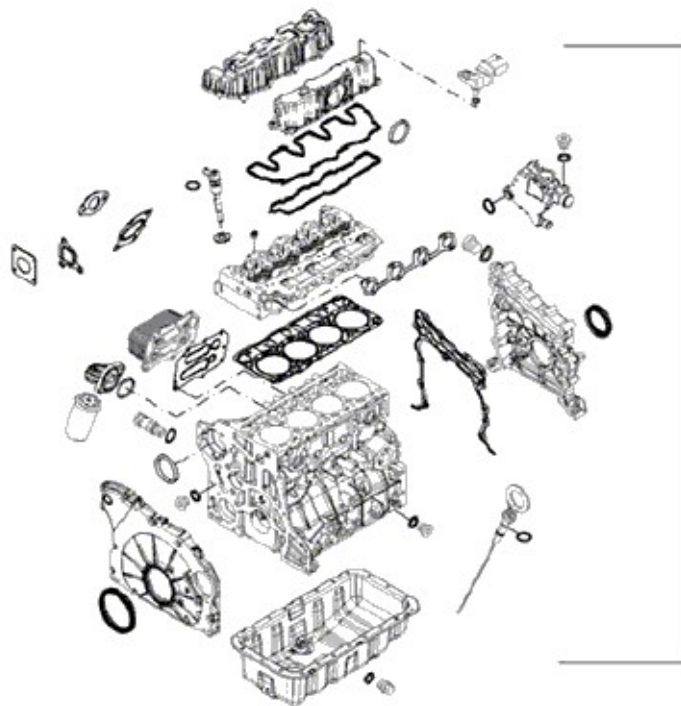
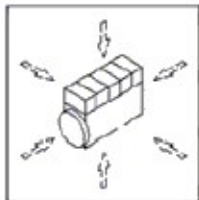
FIG 90

0512 4355

년/월
Year/Month

2022-12

T654SCEU1



90 - 0512 4355

GASKET SET

1

NOTE

2. Engine Accessories PART NO. T2

FIG 201 AIR CLEANER	68
FIG 202 RADIATOR	70
FIG 203 MUFFLER & EXHAUST PIPE	73
FIG 204 FUEL TANK	76
FIG 205 FUEL FILTER & FUEL PUMP	78
FIG 206 OIL COOLER	80

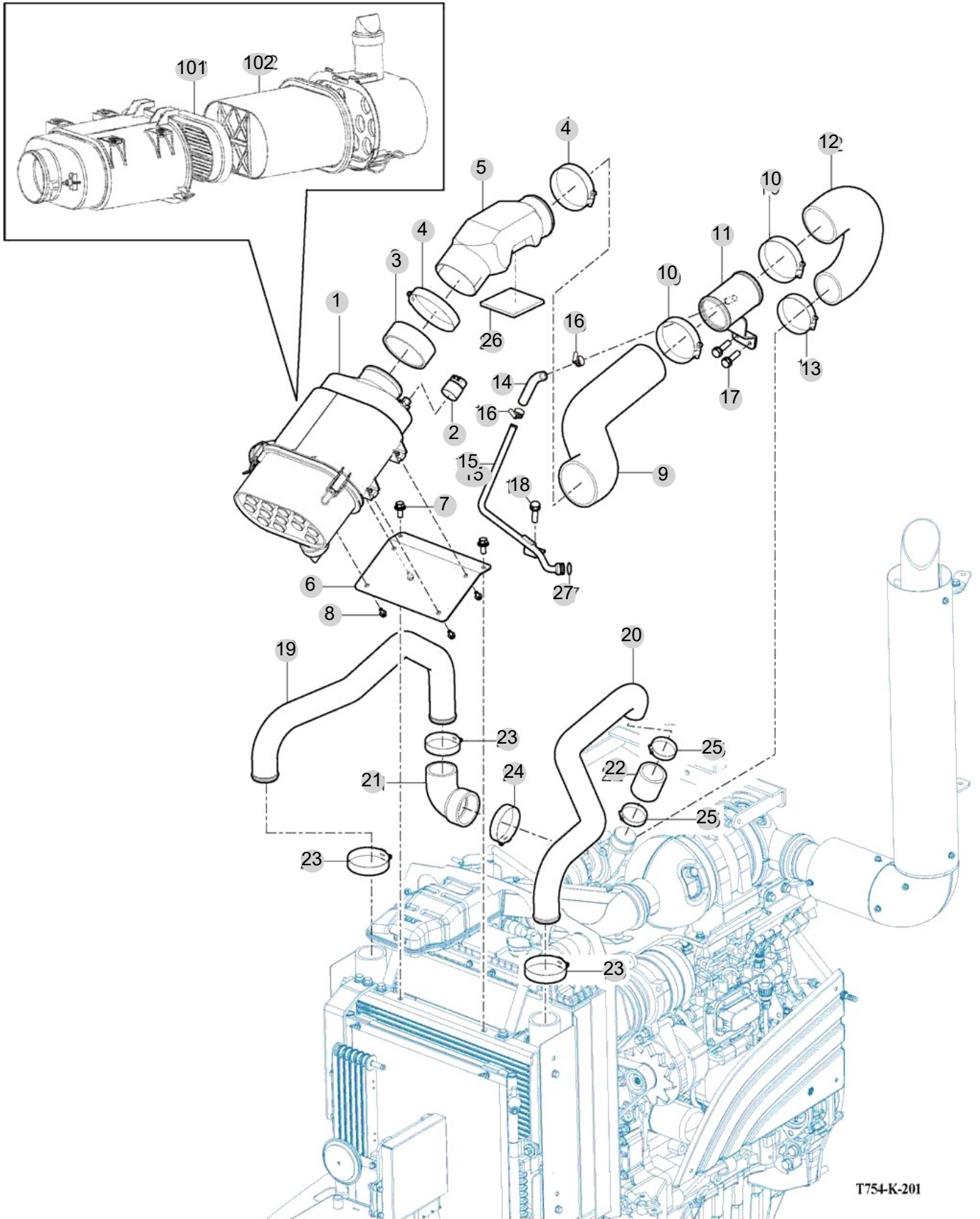
FIG 201

AIR CLEANER

년/월
Year/Month

2022-12

T654SCEU1



NOTE

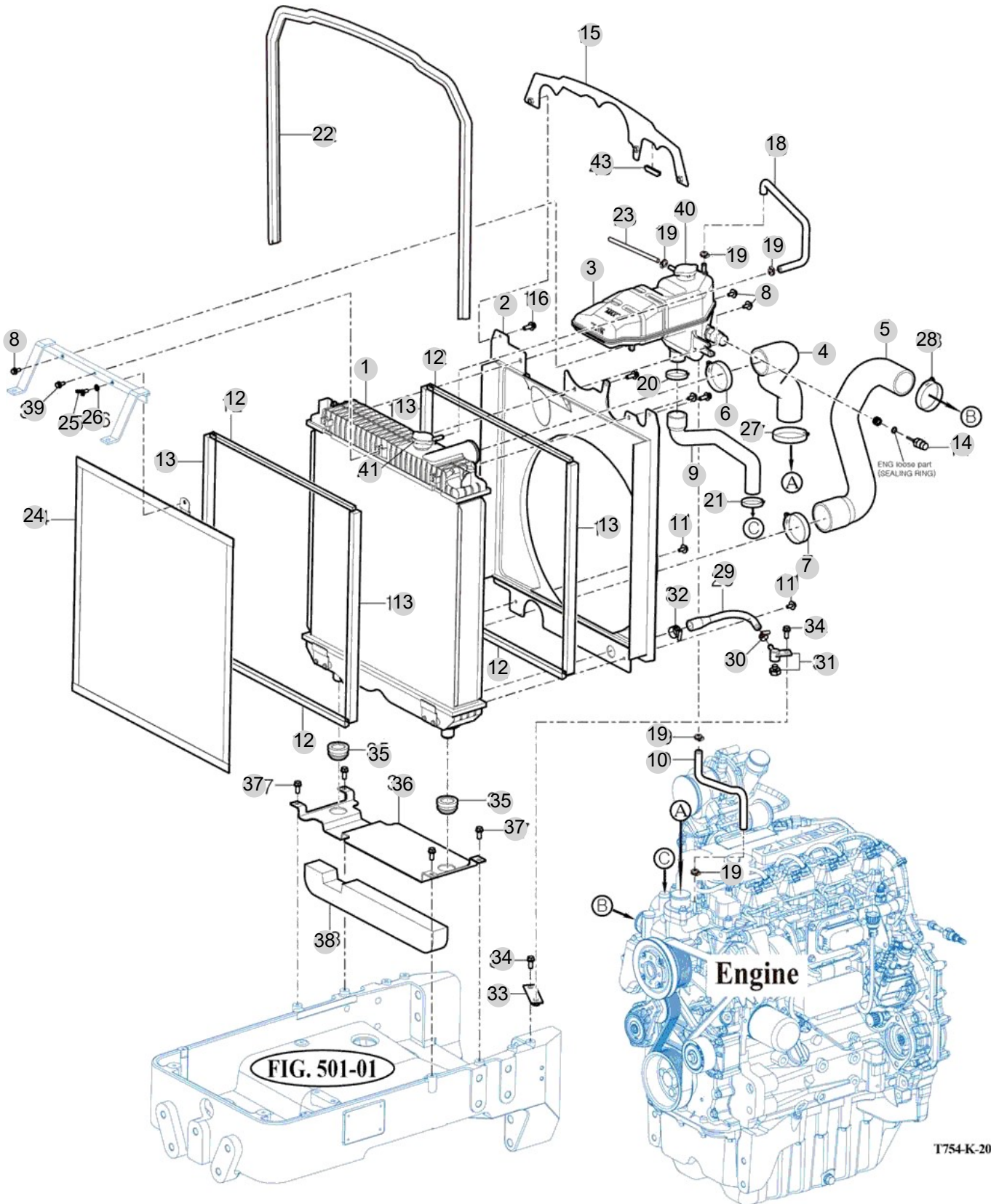
FIG 202

RADIATOR

년/월
Year/Month

2022-12

T654SCEU1



NOTE

FIG 202 T654SCEU1		RADIATOR					년/월 Year/Month	
							2022-12	
KEY NO	PART NO	DESCRIPTION	SPEC	QTY	REPAIR	EFFECTIVE DATE	REMARKS	
202	1	18021042500	RADIATOR ASSY		1			
202	2	18021042201	SHROUD		1			
202	3	18021041002	RESERVE TANK		1			
202	3	18021041003	RESERVOIR TANK		1			
202	4	18021040010	HOSE , RADIATOR INLET		1			
202	5	18021040020	HOSE , RADIATOR/OUTLET		1			
202	6	18027090600	BAND CLAMP 60 EMBO TYPE		1			
202	7	18027090700	BAND CLAMP 70 EMBO TYPE		1			
202	8	V2193606025	BOLT , HEX/SPL	M6X25	3			
202	9	18021040030	HOSE ID22		1			
202	10	18028200081	HOSE 290		1			
202	11	V2193606016	BOLT , HEX/SPL	M6X16	3			
202	12	16601042340	SPONGE , 495		4			
202	13	10011042360	SPONGE , 20X15		4			
202	14	04218100	LEVEL SWITCH		1			
202	15	18021042300GB	PLATE COMP , SEAL C		1			
202	16	V2123606016	BOLT , HEX /SP	M6X16	3			
202	18	18021040041	HOSE RD TANK		1			
202	19	14501410050	BAND CLAMP 16		5			
202	20	14241010050	WIRE CLAMP 42		1			
202	20	18027090500	BAND CLAMP 50 EMBO TYPE		1			
202	21	18027090400	BAND CLAMP 40 EMBO TYPE		1			
202	22	10031040320	INSULATOR		1			
202	23	18021040050	HOSE , BREATHER 500		1			
202	24	17811042300GB	NET COMP , RADIATOR		1			
202	25	V2712606012	BOLT , WING	M6X12	1			
202	26	V4111600060	WASHER , PLAIN	M6	1			
202	27	18027090600	BAND CLAMP 60 EMBO TYPE		1			
202	28	18027090600	BAND CLAMP 60 EMBO TYPE		1			
202	29	19021040091	HOSE(210)		1			
202	30	37481850030	BAND CLAMP 18		1			
202	30	18027090160	BAND CLAMP 16 EMBO TYPE		1			
202	31	15231041000	CONNECTOR		1			
202	32	37681850160	BAND CLAMP 25		1			
202	32	18027090250	BAND CLAMP 25 EMBO TYPE		1			
202	33	16991041100GB	PLATE COMP , CONNECTOR		1			
202	34	V2183608025	BOLT , HEX/SP	M8X25	1			
202	35	19021040020	CUSHION RADIATOR		2			
202	36	17131142100GB	SUPPORT , RADIATOR		1			
202	37	V2183608020	BOLT , HEX/SP	M8X20	4			
202	38	18021040500	INSULATOR , RADIATOR		1			
202	39	V2323606016	BOLT , C/R HEX/SP	M6X16	1			
202	39	V2323606016	BOLT , C/R HEX/SP		1			
202	40	13011042110	CAP 0.9bar		1			
202	41	18021042110	CAP ASSY OKPa		1			
NOTE								

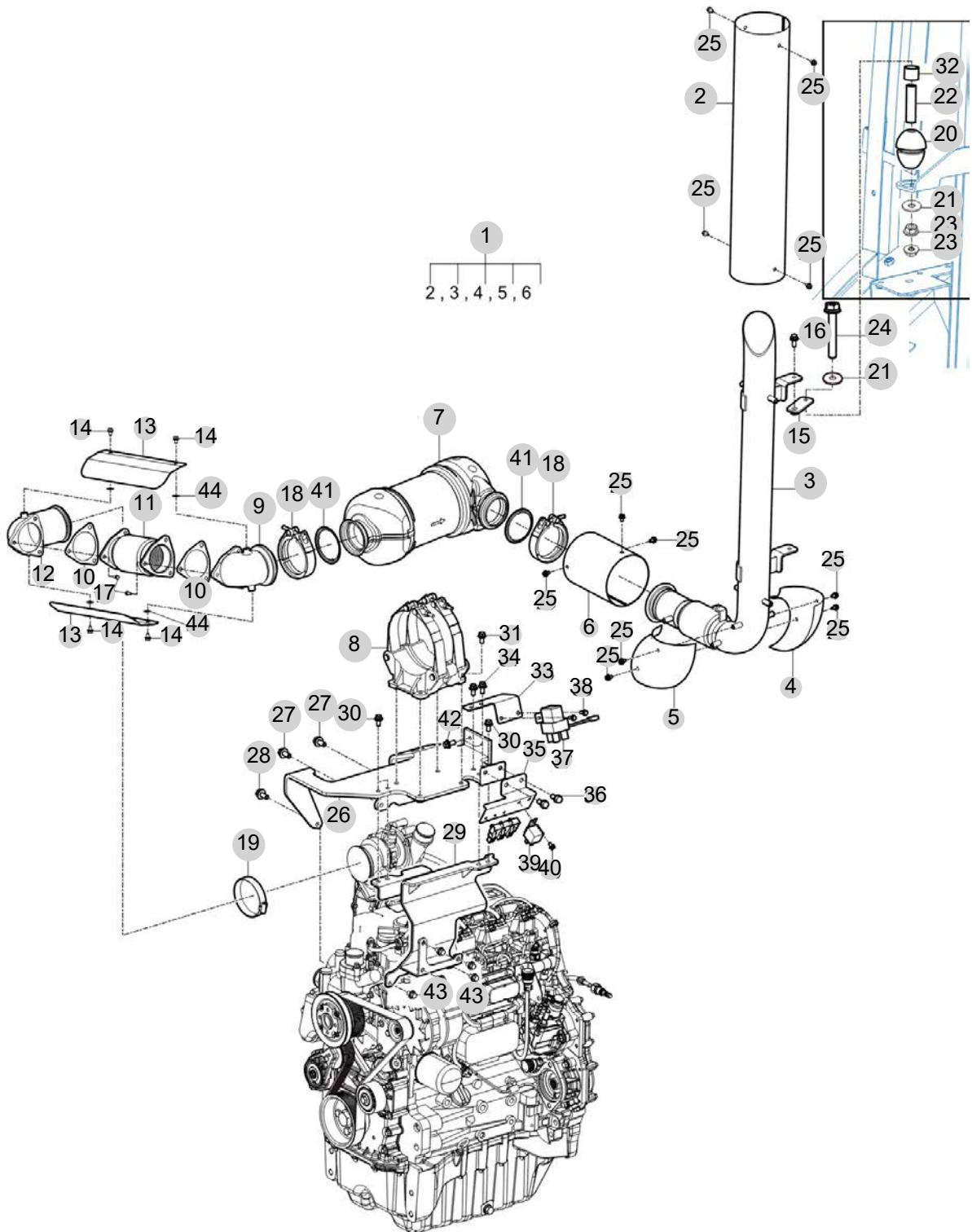
FIG 203

MUFFLER & EXHAUST PIPE

년/월
Year/Month

2022-12

T654SCEU1



NOTE

FIG 203 T654SCEU1		MUFFLER & EXHAUST PIPE					년/월 Year/Month	
							2022-12	
KEY NO	PART NO	DESCRIPTION	SPEC	QTY	REPAIR	EFFECTIVE DATE	REMARKS	
203	1	18021061001	EXHAUST PIPE ASSY		1			
203	1	18021061002	EXHAUST PIPE ASSY		1			
203	1	18021061003	EXHAUST PIPE ASSY		1			
203	7	04603915	CATALYST ax rd 90(DOC)		1			
203	7	04605726	CATALYST ax rd 90(DOC)		1			
203	8	04604243	BRACKET (DOC MOUNT)		1			
203	8	04605741	BRACKET (DOC MOUNT)		1			
203	9	18021061600DD	ELBOW / DOC		1			
203	10	18021061800	GASKET , BELLOWS		2			
203	11	18021061700DD	BELLOWS COMP		1			
203	12	18021061500DD	ELBOW / TC		1			
203	13	18021062100DD	PLATE , INSULATOR		1			
203	13	18021062400DD	PLATE COMP , INSULATION		1			
203	14	V2123606016	BOLT , HEX /SP	M6X16	4			
203	15	18021061900GB	CONNECTOR COMP		1			
203	16	V2183608020	BOLT , HEX/SP	M8X20	1			
203	17	V2173608020	BOLT , HEX/S	M8X20	6			
203	18	04603585	CLIP		1			
203	18	04607110	CLIP		2			
203	19	04602018	CLIP		1			
203	20	18501058010	RUBBER, VIBRATION		2			
203	21	35605033020	WASHER , WIRE WITHDRAWAL		4			
203	22	18501058020	SPACER		2			
203	23	V3802600060	NUT , HEX FLANGE	M6	4			
203	24	V2003606090	BOLT , HEX	M6X90	2			
203	25	V2327006012	BOLT , C/R HEX/SP	M6X12	11			
203	26	18021051503GB	BRACKET COMP , DOC		1			
203	27	V2183608025	BOLT , HEX/SP	M8X25	2			
203	28	V2183608025	BOLT , HEX/SP	M8X25	1			
203	29	18021052500GB	BRACKET COMP , DOC SIDE		1			
203	30	V2183608030	BOLT , HEX/SP	M8X30	4			
203	31	V2183608035	BOLT , HEX/SP	M8X35	4			
203	32	15701062000	COLLAR 20X7X20		2			
203	32	15701062001	COLLAR 20X7X15		2			
203	33	18021051601GB	BKT COMP , GLOW RELAY		1			
203	34	V2183608025	BOLT , HEX/SP	M8X25	2			
203	35	18021052101GB	BKT COMP , FUSE		1			
203	36	V2183608025	BOLT , HEX/SP	M8X25	2			
203	37	10036802800	RELAY ASSY , GLOW		1			
203	38	V2123606016	BOLT , HEX /SP	M6X16	2			
203	39	11616212900	RELAY 5P		1			
203	40	V2123606016	BOLT , HEX /SP	M6X16	1			
203	41	04600004	GASKET DOC		2			
203	42	V2183608025	BOLT , HEX/SP	M8X25	2			
203	43	V2183608020	BOLT , HEX/SP	M8X20	5			
NOTE								

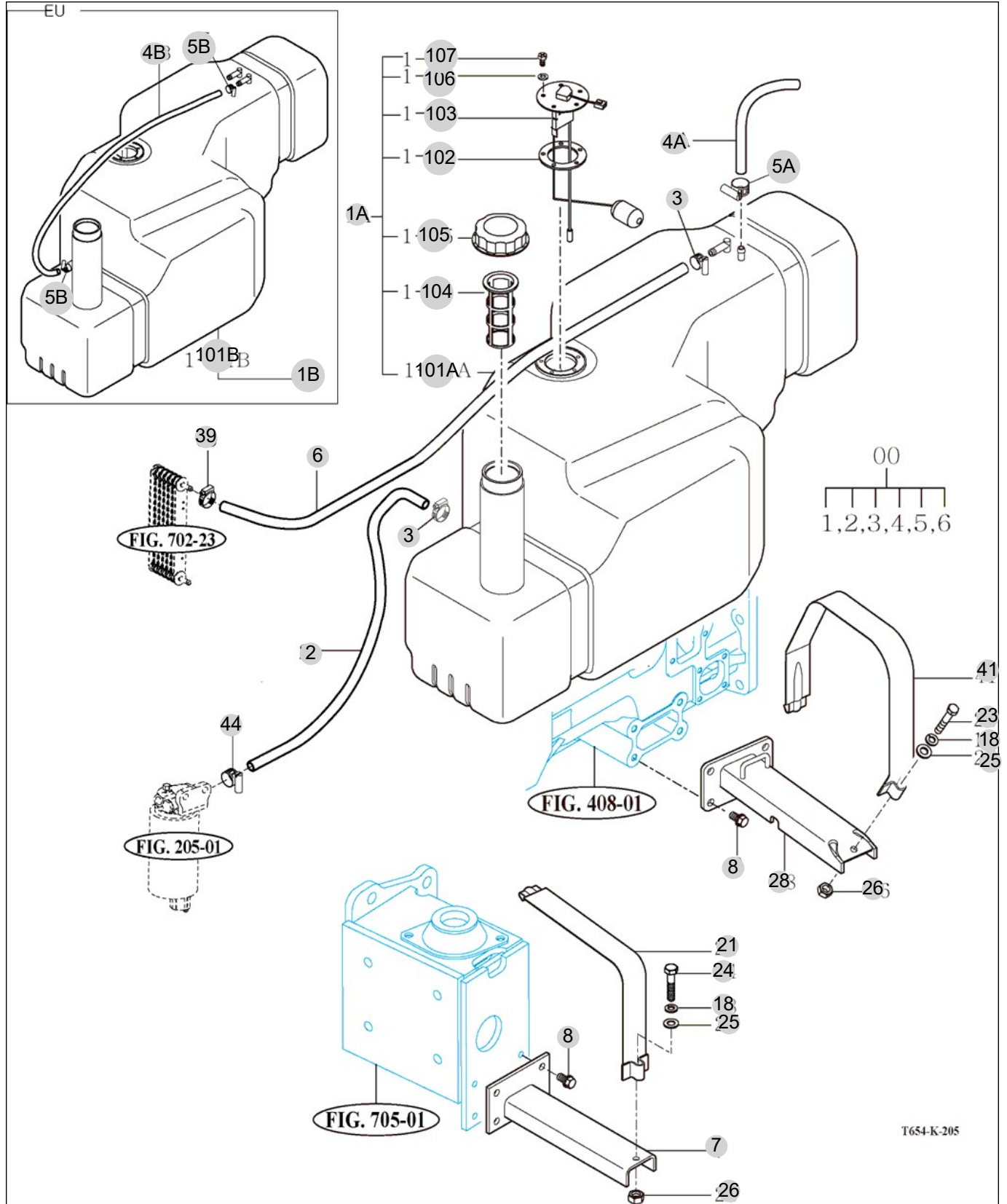
FIG 204

FUEL TANK

년/월
Year/Month

2022-12

T654SCEU1



T654-K-205

NOTE

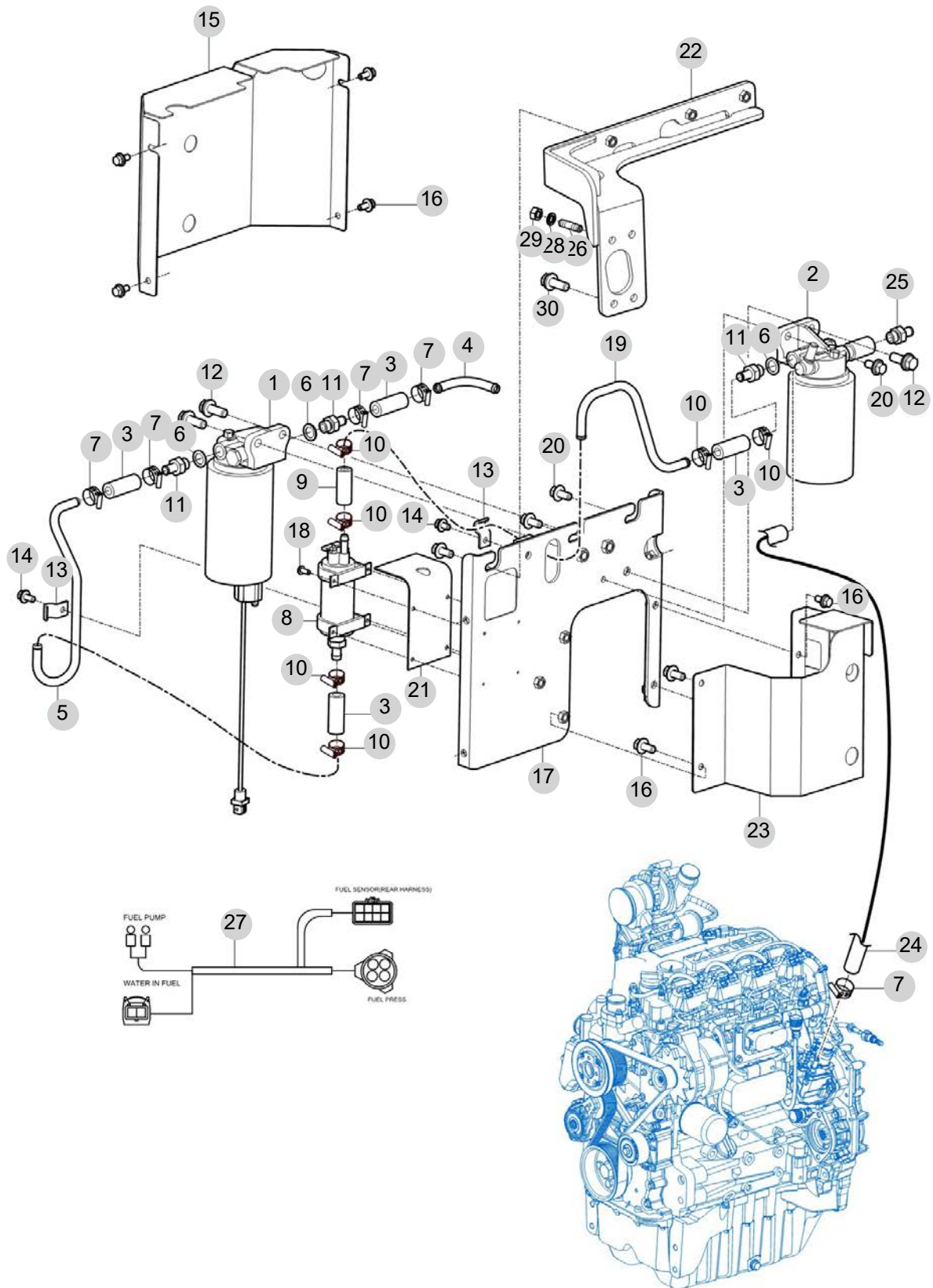
FIG 205

FUEL FILTER & FUEL PUMP

T654SCEU1

년/월
Year/Month

2022-12



NOTE

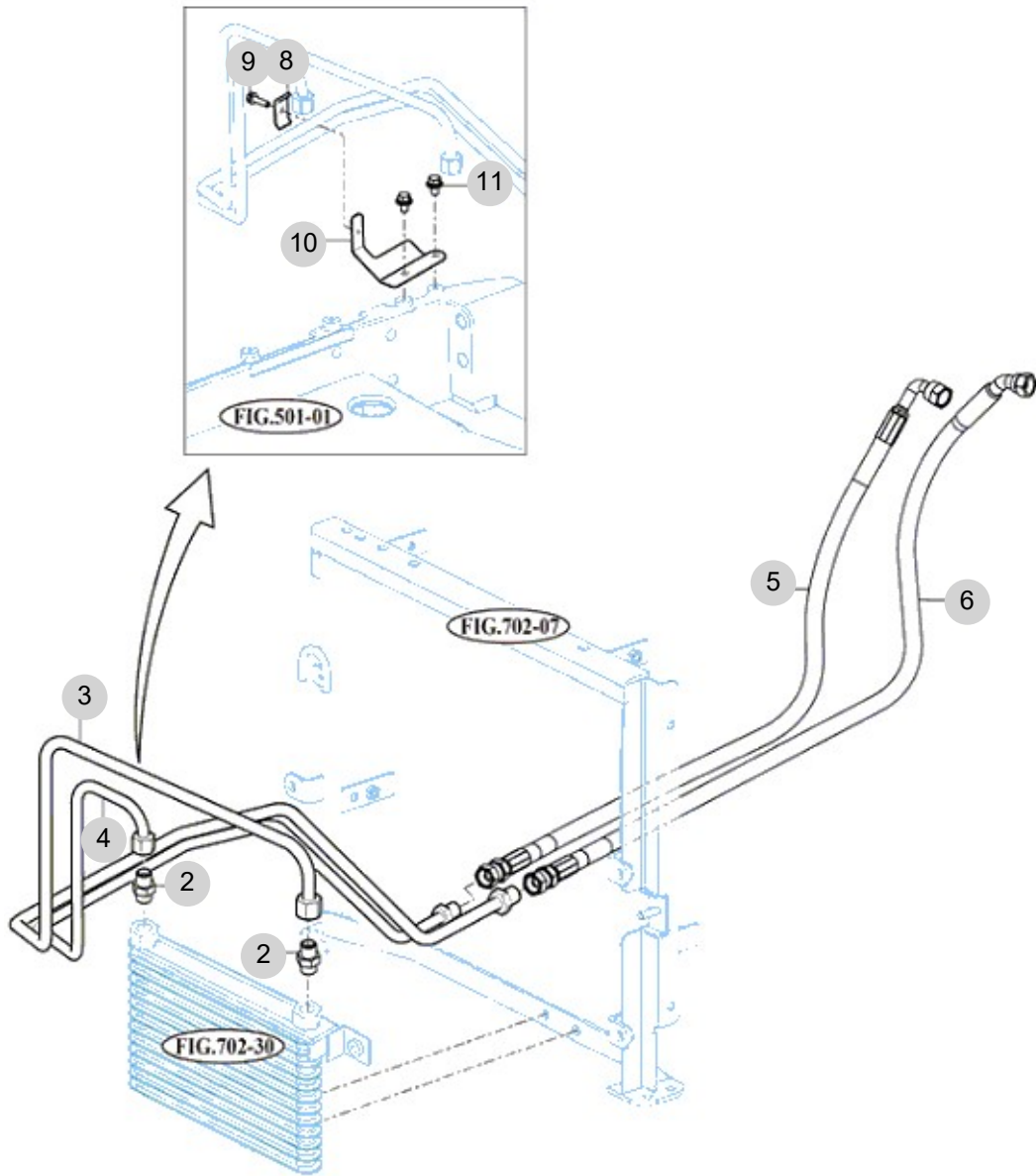
FIG 206

T654SCEU1

OIL COOLER

년/월
Year/Month

2022-12



X750QP-K-207

NOTE

3. Clutch/Brake/Steering PART NO. T3

FIG 301 CLUTCH	83
FIG 302 CLUTCH PEDAL	85
FIG 302-2 CLUTCH PEDAL	87
FIG 303 BRAKE	89
FIG 304 BRAKE PEDAL & LINK	91
FIG 305 FORNT WHEEL	93
FIG 306 REAR WHEEL	95
FIG 307 POWER STEERING WHEEL	97
FIG 308 POWER STEERING VALVE	99
FIG 309 POWER STEERING CYLINDER	101
FIG 310 HAND BRAKE & BRAKE(EU)	103

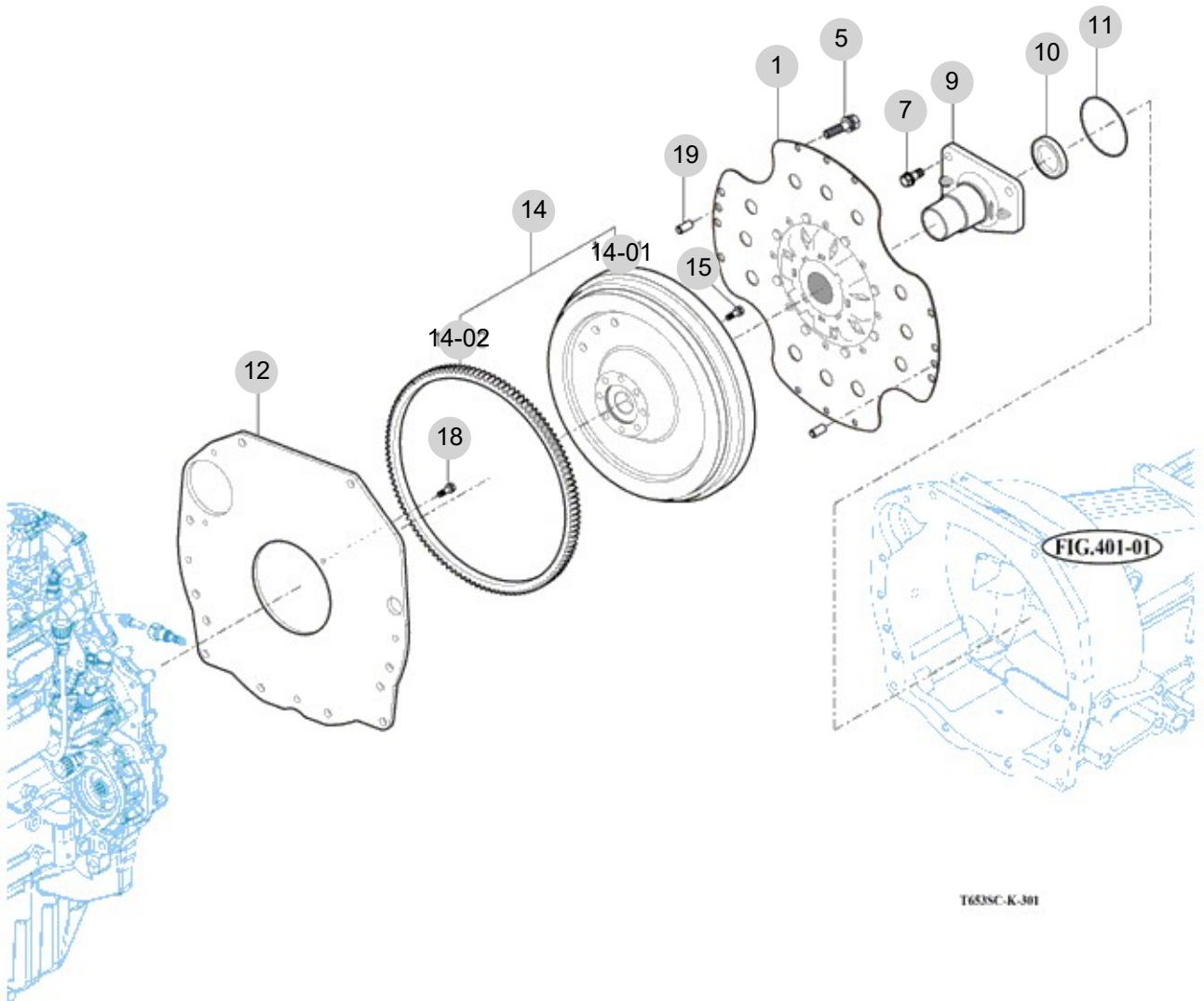
FIG 301

T654SCEU1

CLUTCH

년/월
Year/Month

2022-12



NOTE

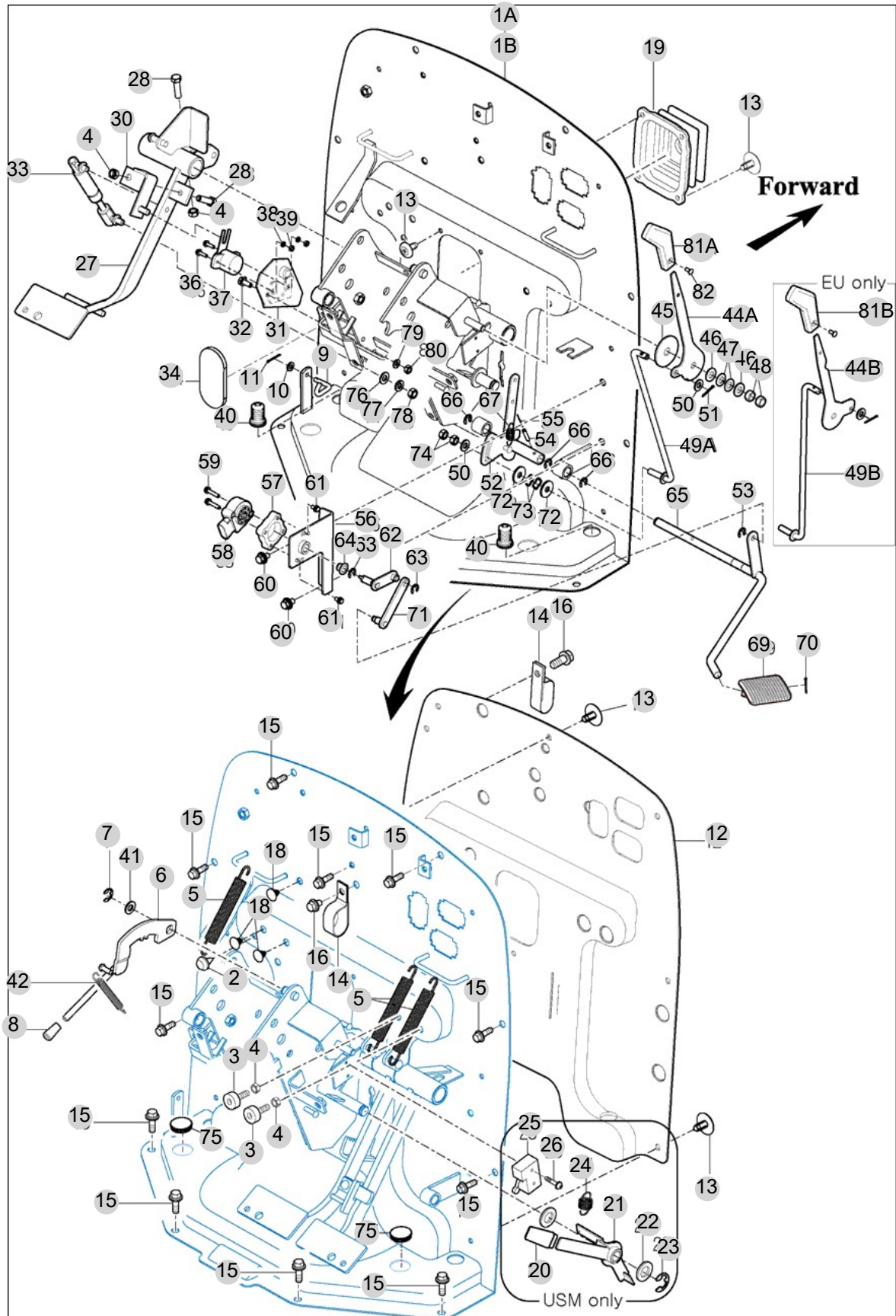
FIG 302

CLUTCH PEDAL

년/월
Year/Month

2022-12

T654SCEU1



NOTE

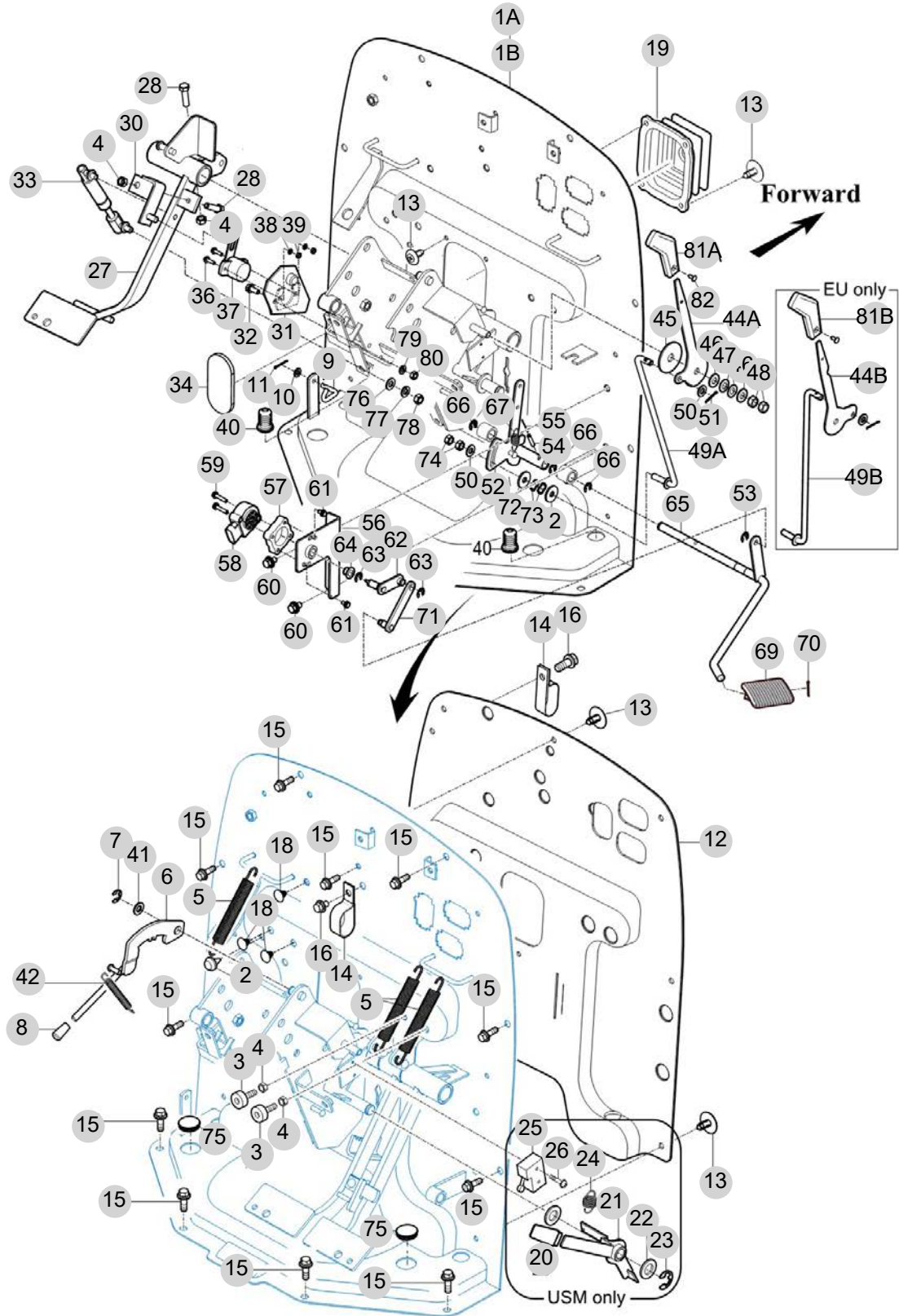
FIG 302-2

CLUTCH PEDAL

년/월
Year/Month

2022-12

T654SCEU1



NOTE

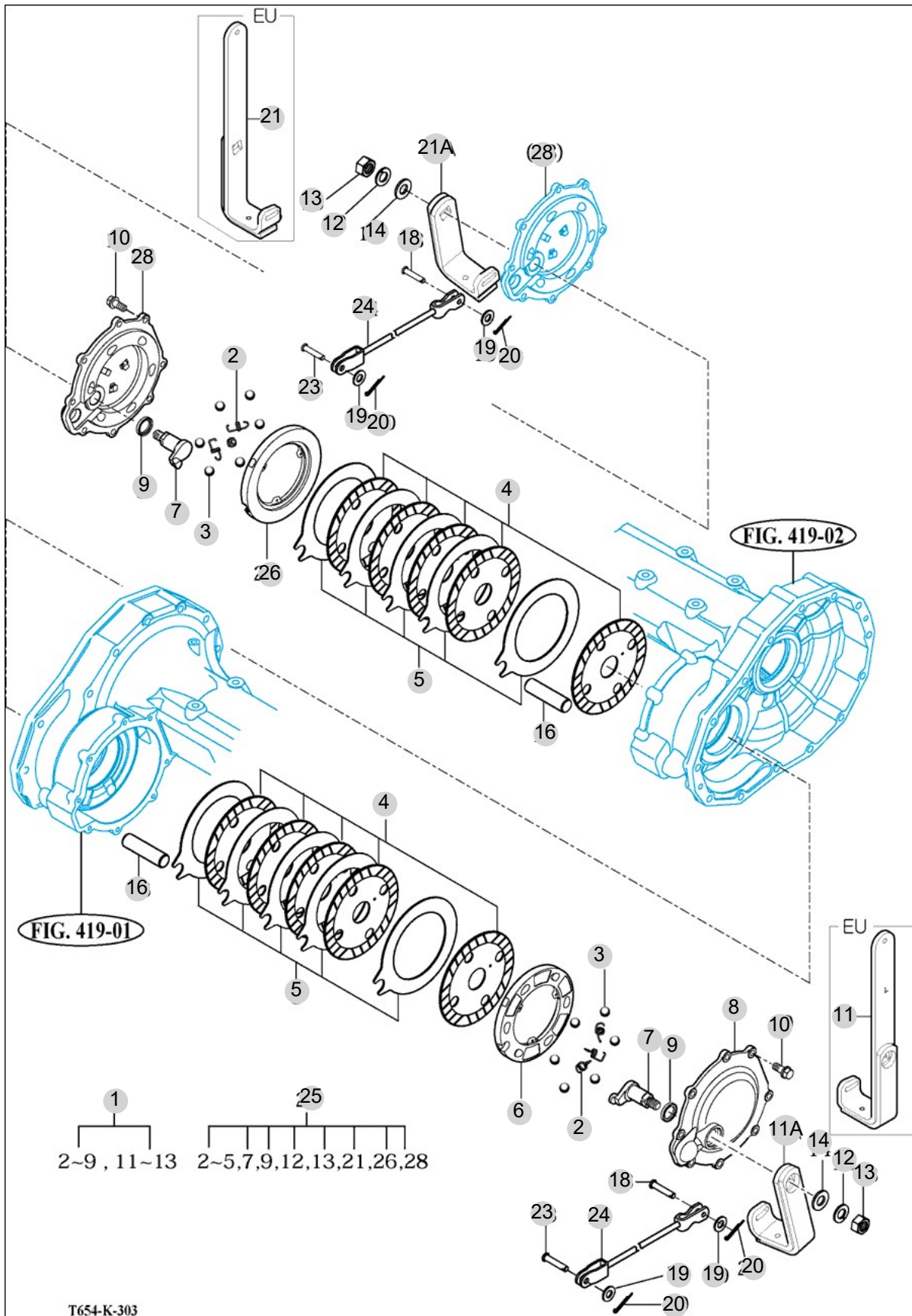
FIG 303

BRAKE

년/월
Year/Month

2022-12

T654SCEU1



NOTE

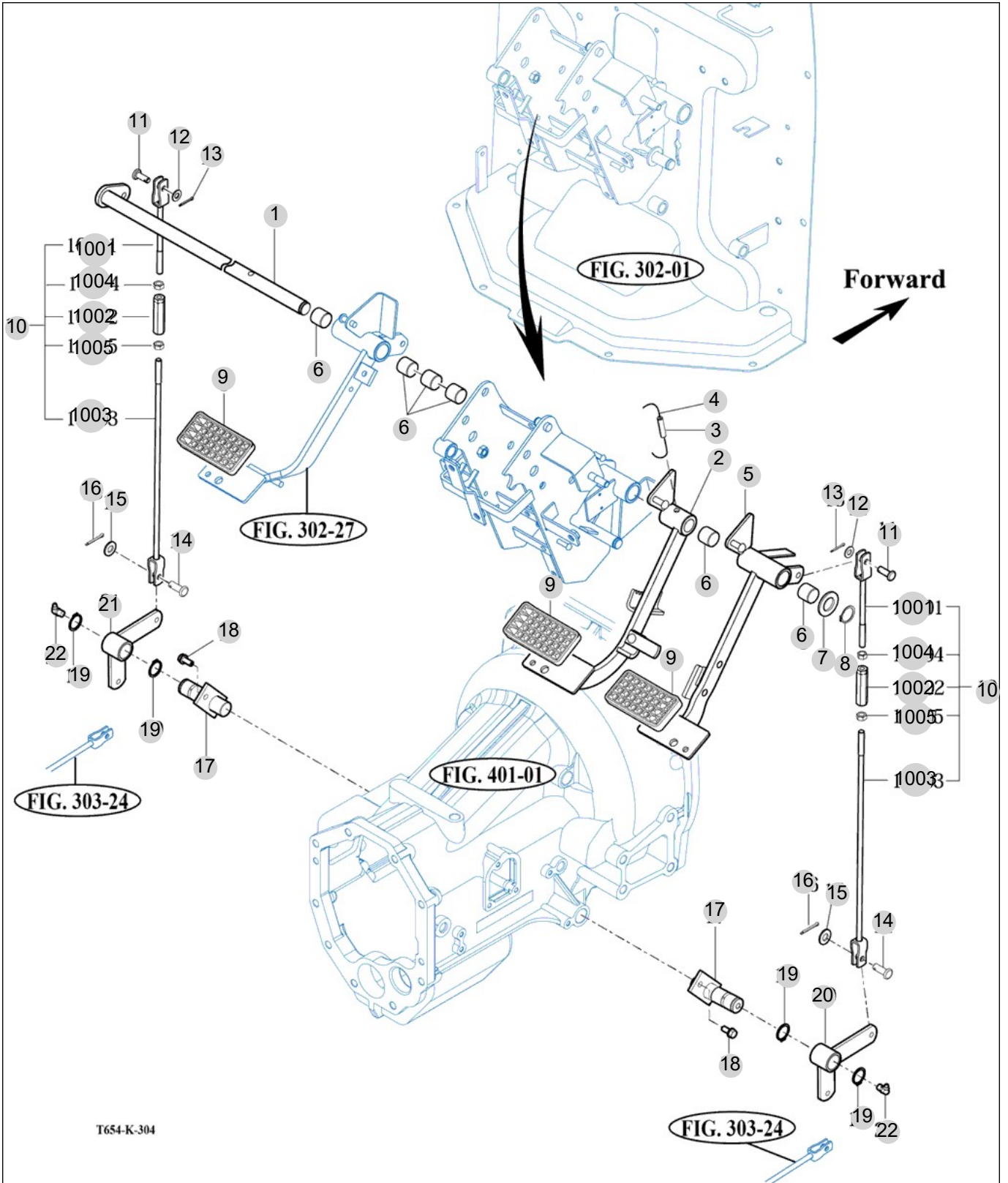
FIG 304

BRAKE PEDAL & LINK

년/월
Year/Month

2022-12

T654SCEU1



T654-K-304

NOTE

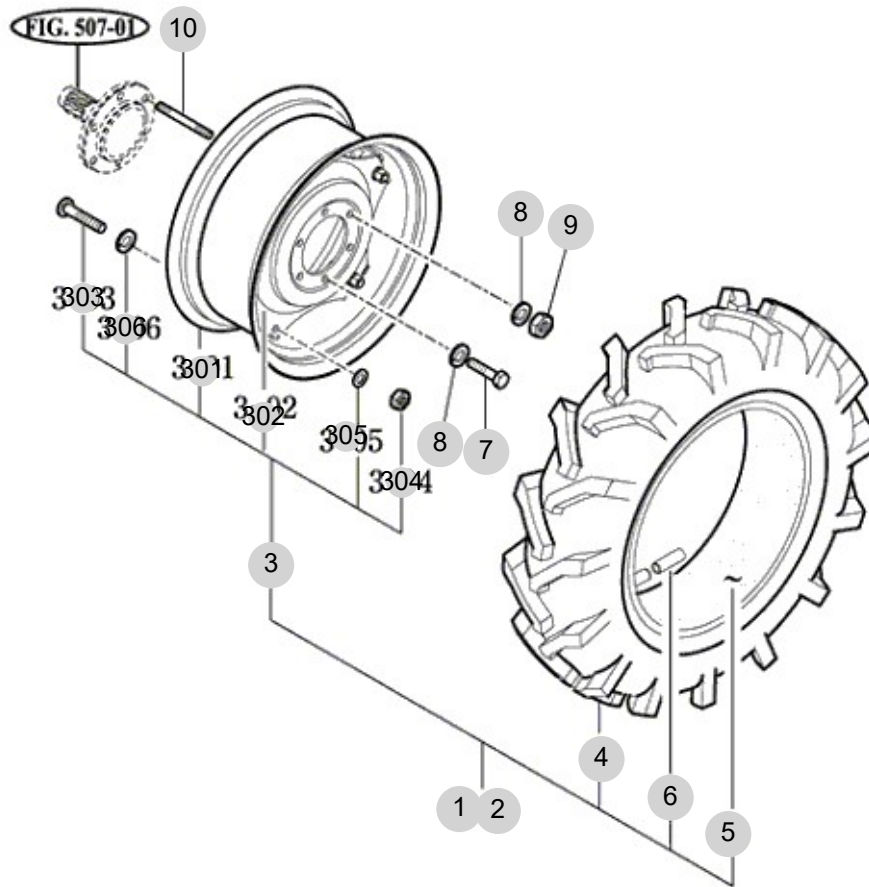
FIG 305

FORNT WHEEL

년/월
Year/Month

2022-12

T654SCEU1



T552/T552NC-K-305A

NOTE

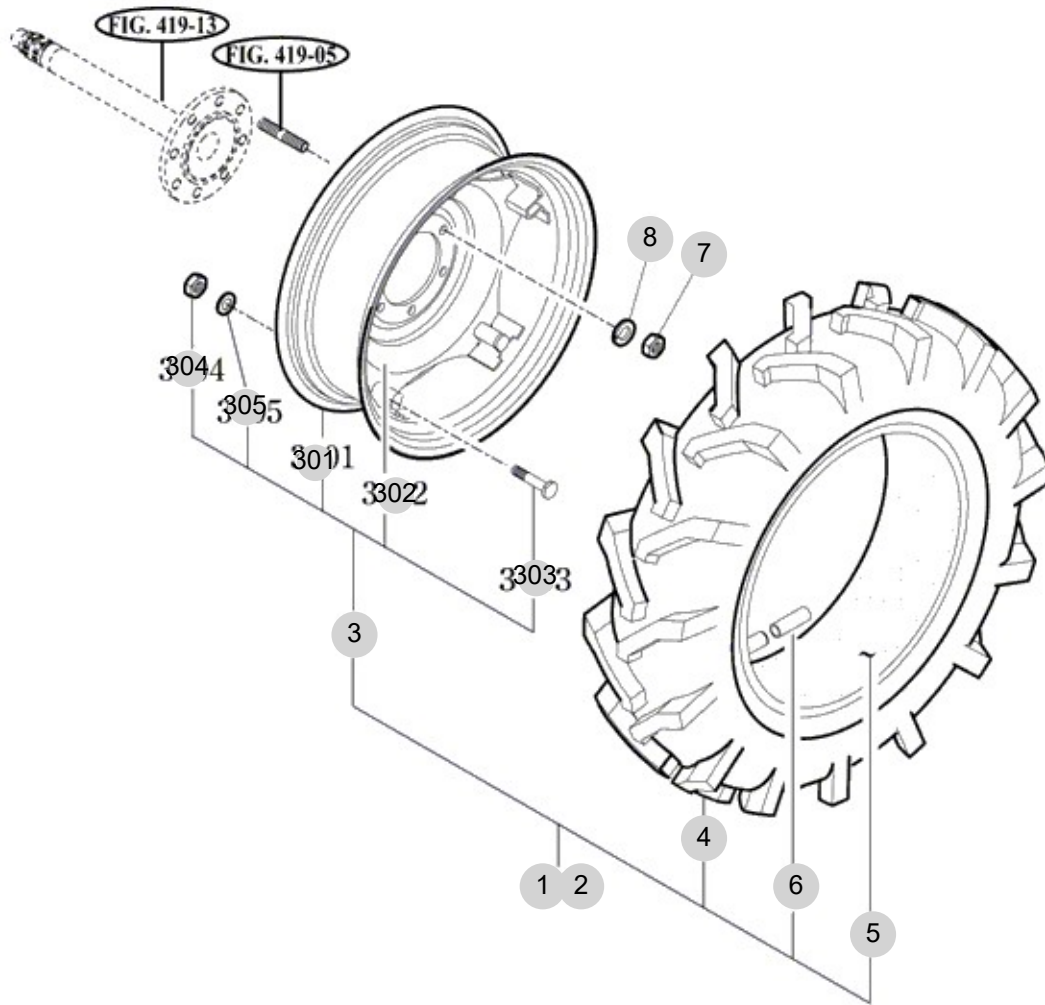
FIG 306

REAR WHEEL

년/월
Year/Month

2022-12

T654SCEU1



T623STQP-K-306

NOTE

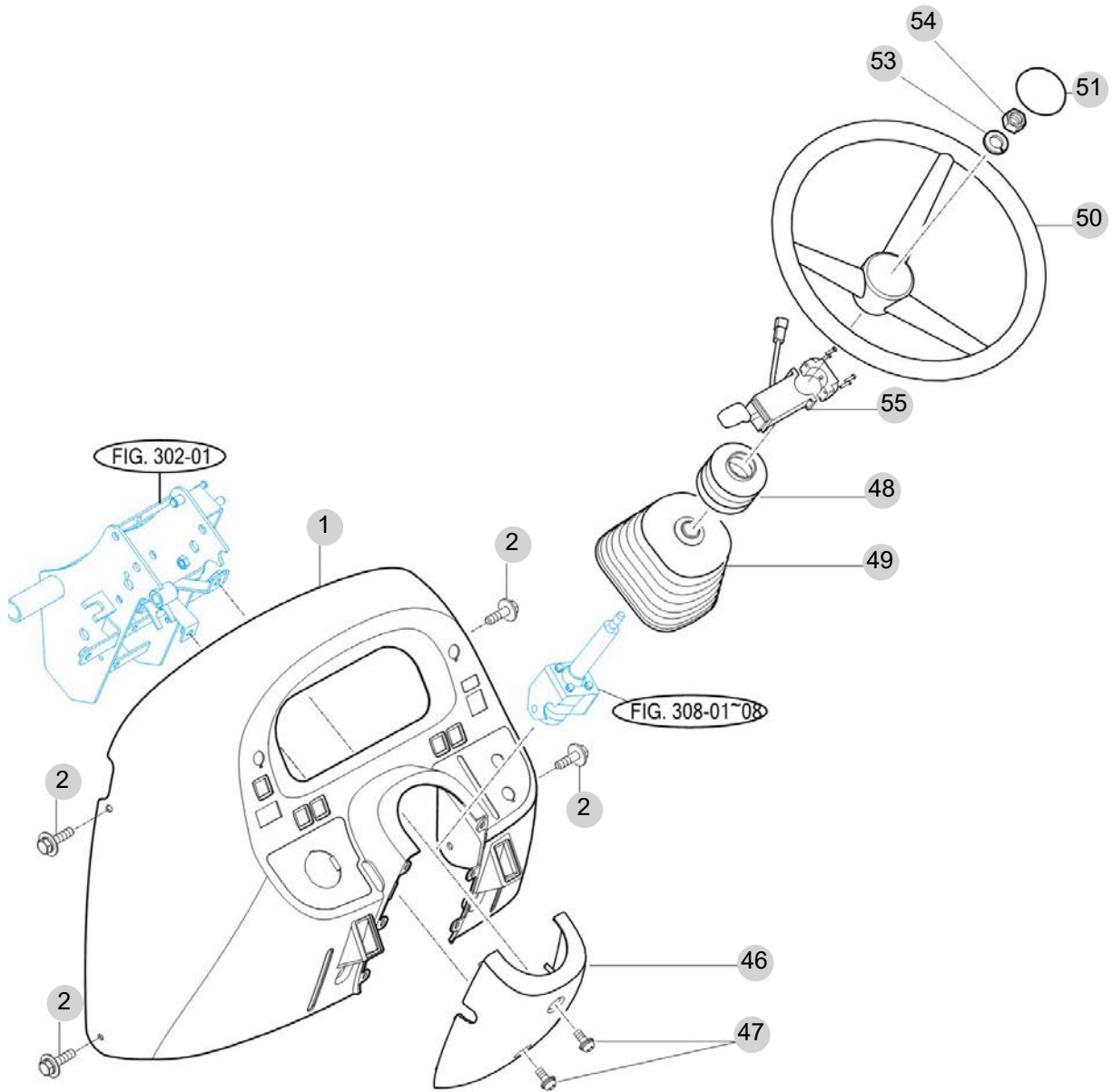
FIG 307

POWER STEERING WHEEL

년/월
Year/Month

2022-12

T654SCEU1



T654SC-K-307

NOTE

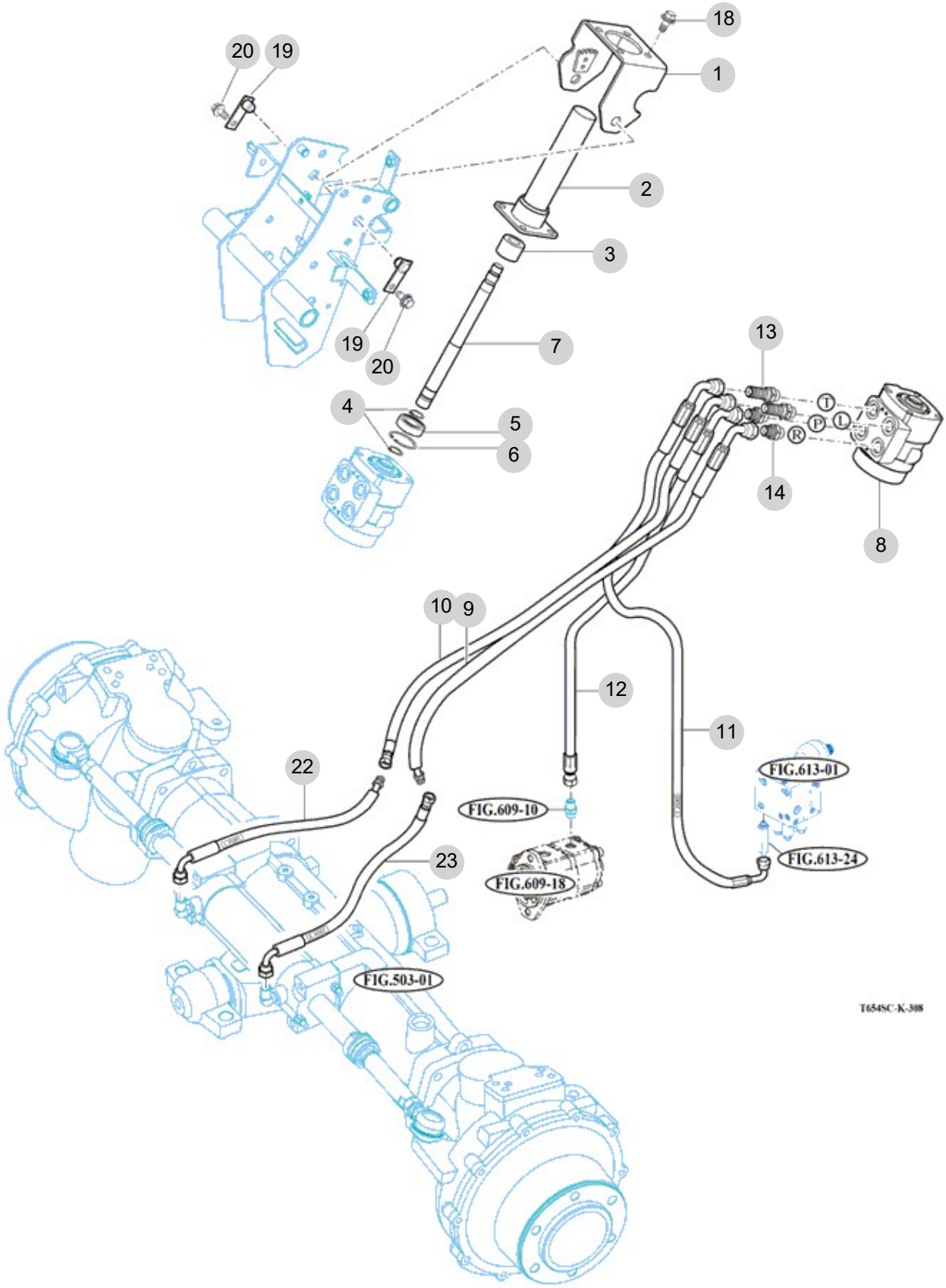
FIG 308

POWER STEERING VALVE

년/월
Year/Month

2022-12

T654SCEU1



T654SC-K-308

NOTE

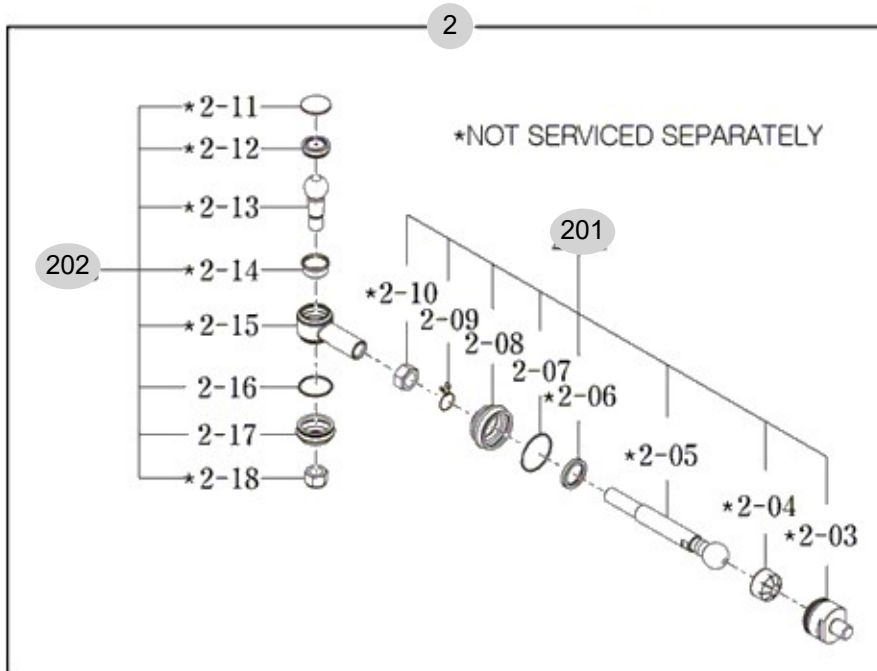
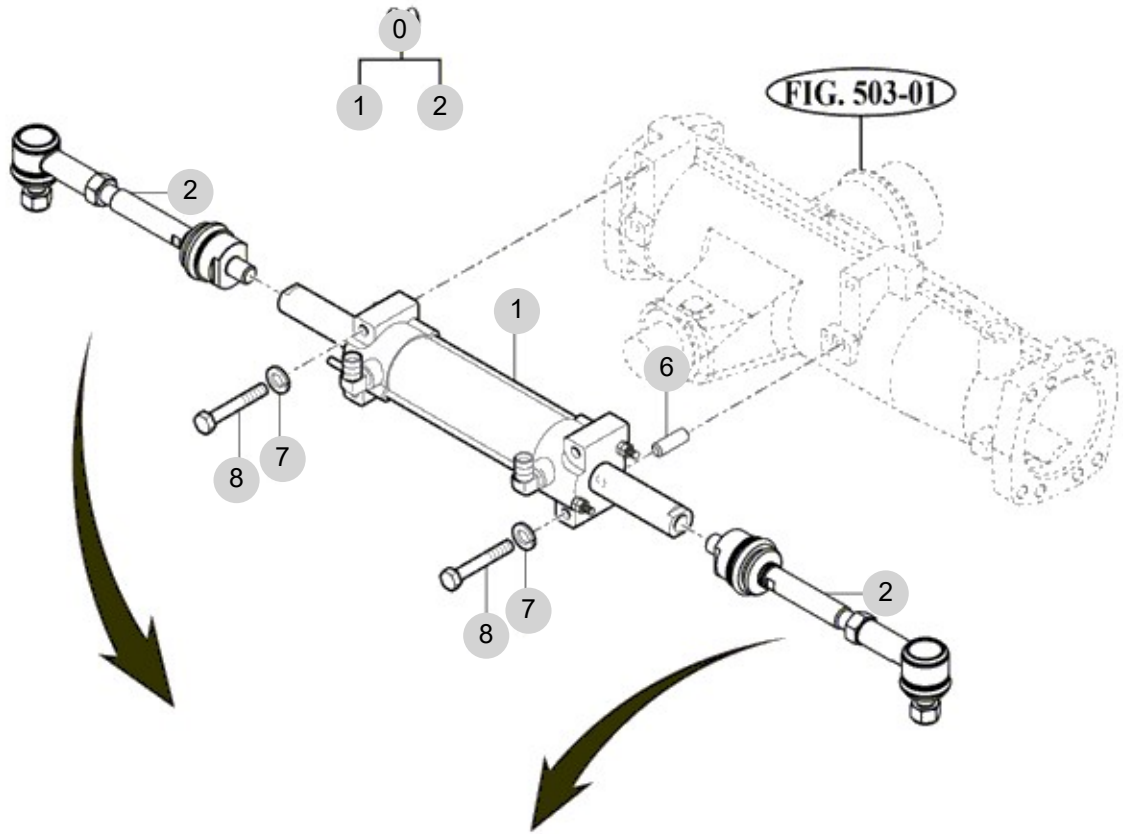
FIG 309

POWER STEERING CYLINDER

년/월
Year/Month

2022-12

T654SCEU1



TX553/653/703-K-309

NOTE

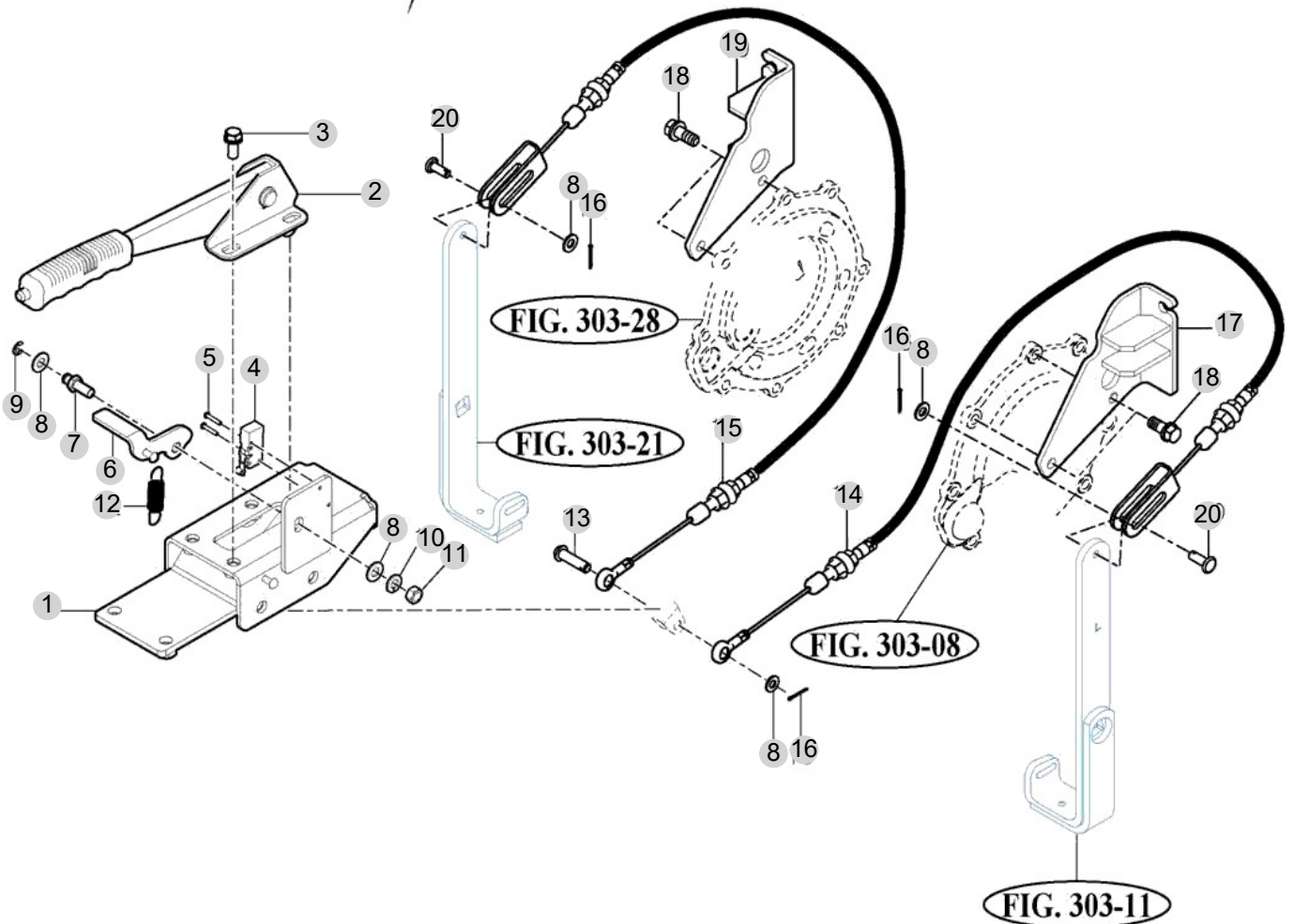
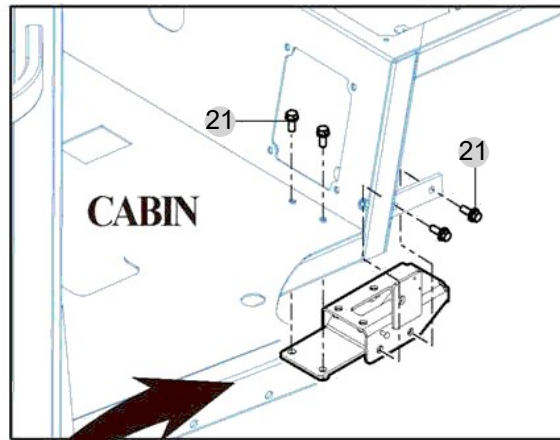
FIG 310

T654SCEU1

HAND BRAKE & BRAKE(EU)

년/월
Year/Month

2022-12



NOTE

FIG 310 T654SCEU1	HAND BRAKE & BRAKE(EU)	년/월 Year/Month 2022-12
---------------------------------	-----------------------------------	----------------------------------

KEY NO	PART NO	DESCRIPTION	SPEC	QTY	REPAIR	EFFECTIVE DATE	REMARKS
310	1	18017612101	BRACKET COMP , HANDBRAKE				
310	2	17073202100	BRAKE , HAND				
310	3	V2173608020	BOLT , HEX/S	M8X20			
310	4	34522153200	SWITCH				
310	5	V1112603016	SCREW . C/R PAN				
310	6	19027612301	CAM COMP				
310	7	19027612020	PIN , M8				
310	8	V4111600080	WASHER , PLAIN	M8			
310	9	V7081400060	E-RING				
310	10	V4011600080	WASHER , SPRING	M8			
310	11	V3042600080	NUT , HEX/2				
310	12	11106020010	SPRING , TENSION 40				
310	13	14043120060	PIN , YOKE				
310	14	19943166520	CABLE ASSY , HAND BRAKE LH				
310	15	19943166510	CABLE ASSY , HAND BRAKE RH				
310	16	V5001920020	PIN , SPLIT				
310	17	19943166600					
310	17	19943166601	BRACKET , HAND BRAKE				
310	18	V2173610030	BOLT , HEX/S	M10X30			
310	19	19943166700					
310	19	19943166701	BRACKET , HAND BRAKE				
310	20	14322420010	PIN				
310	21	V2173608025	BOLT , HEX/S	M8X25			

NOTE

4. Transmission PART NO. T4

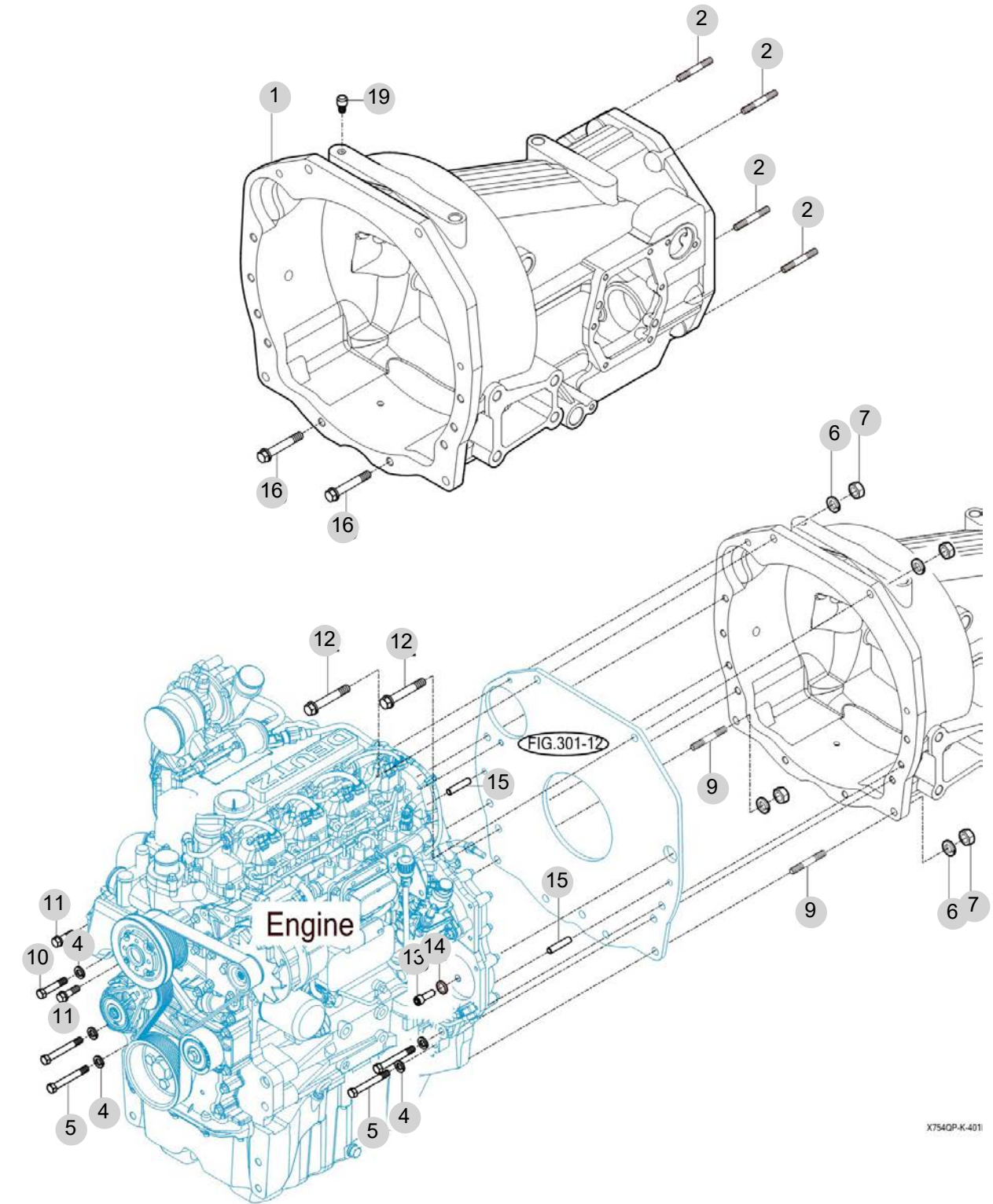
FIG 401 TRANSMISSION FRONT CASE	106
FIG 402 NPUT & COUNTER GEARS	108
FIG 403 CHANGE GEARS	110
FIG 404 REVERSE GEARS	112
FIG 405(EU) DRIVE GEARS	114
FIG 406 P.T.O DRIVE SHAFT	116
FIG 407 MAIN CHANGE LEVER	118
FIG 408 REVERSE CHANGE LEVER	120
FIG 409 TRANSMISSION MID CASE	122
FIG 410 TRANSMISSION REAR CASE	124
FIG 411 SUB CHANGE GEARS	126
FIG 412 SUB CHANGE SHIFTER	128
FIG 413 CREEP CHANGE	130
FIG 415 4WD CHANGE LEVER	132
FIG 416 P.T.O CHANGE GEARS	134
FIG 417 P.T.O CHANGE SHIFTER	136
FIG 418 REAR DIFFERENTIAL GEARS	138
FIG 419 REAR AXLE HOUSING	141

FIG 401

TRANSMISSION FRONT CASE

년/월
Year/Month

2022-12



X754QP-K-401

NOTE

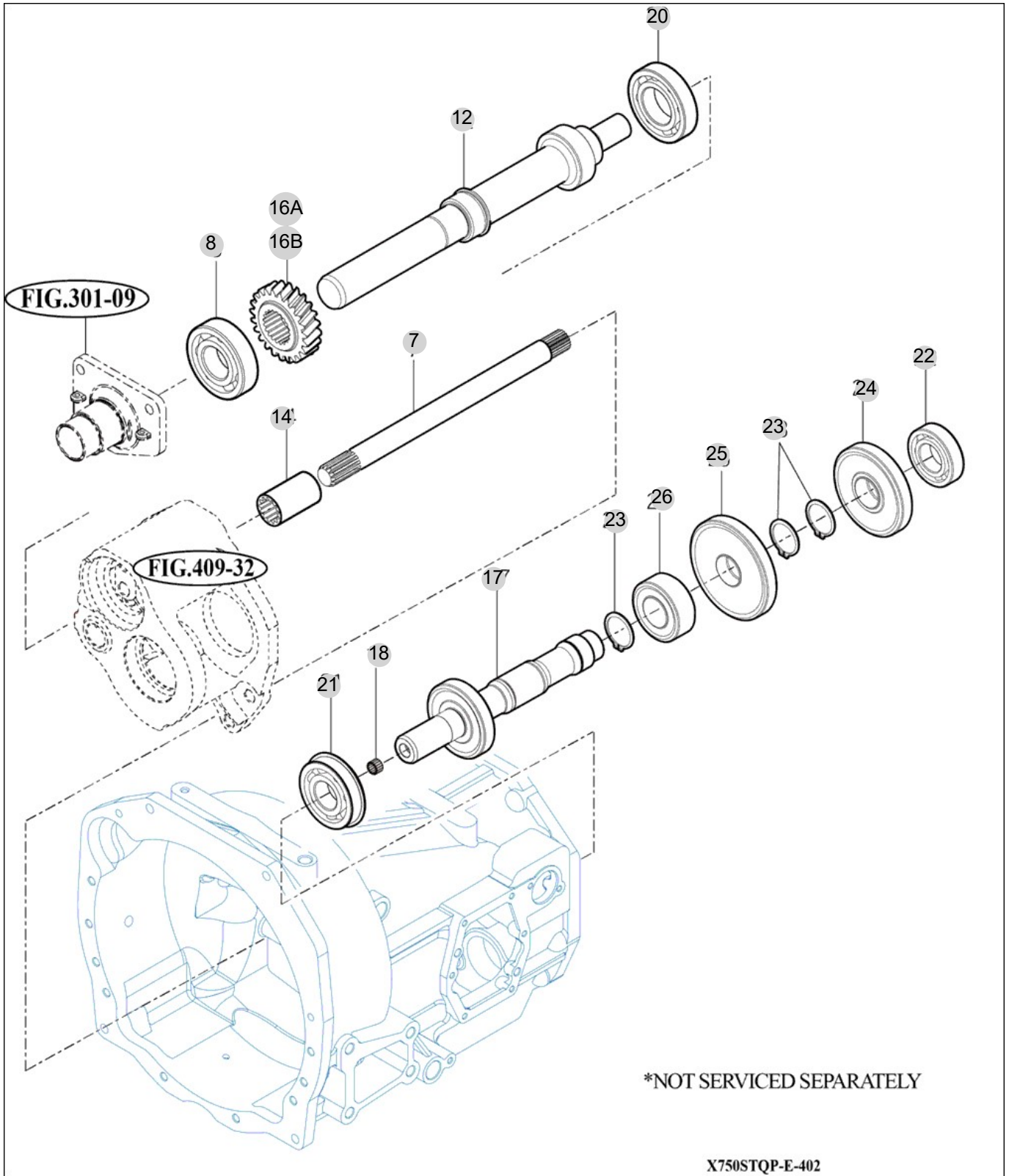
FIG 402

NPUT & COUNTER GEARS

년/월
Year/Month

2022-12

T654SCEU1



*NOT SERVICED SEPARATELY

X750STQP-E-402

NOTE

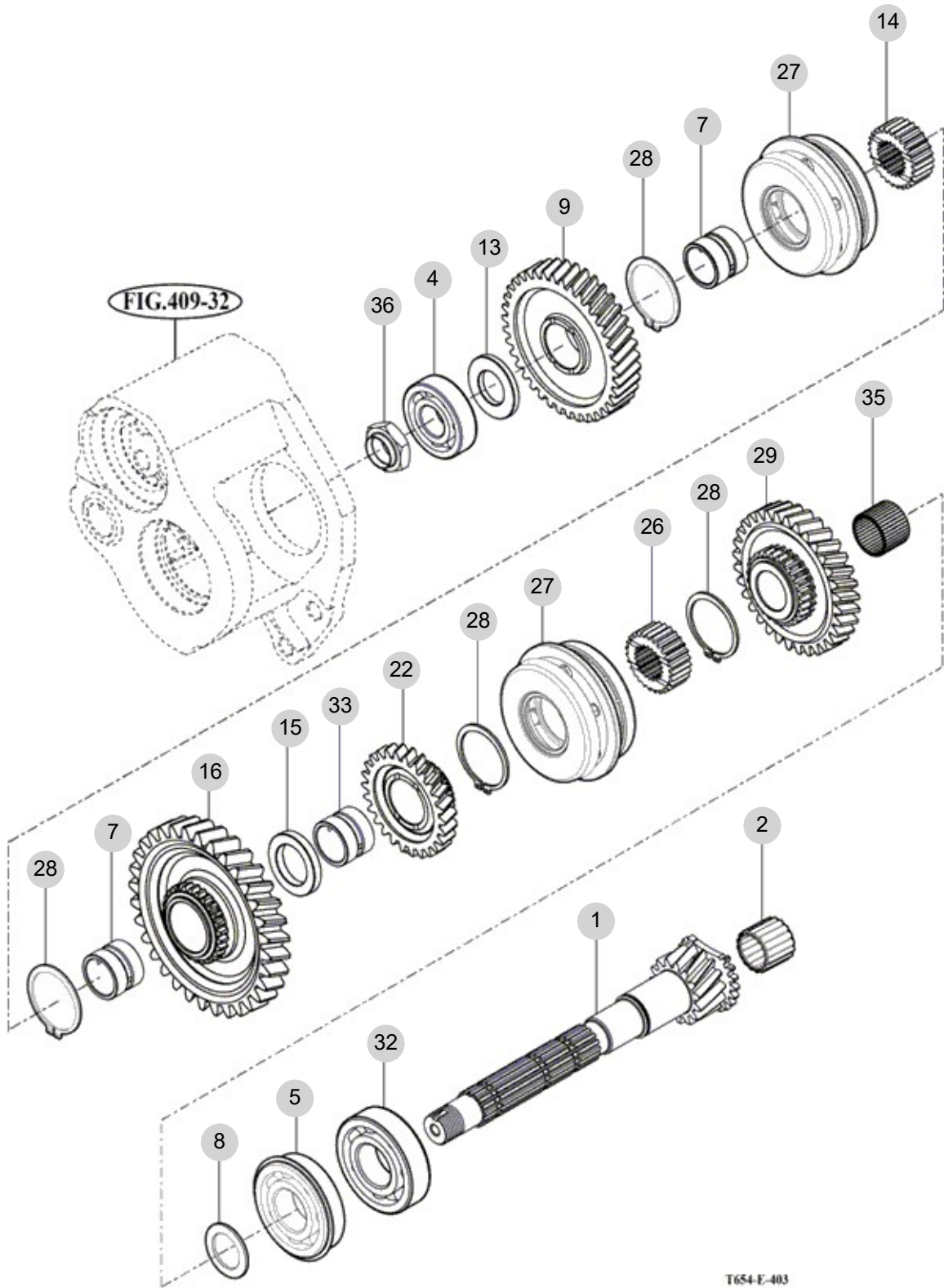
FIG 403

CHANGE GEARS

년/월
Year/Month

T654SCEU1

2022-12



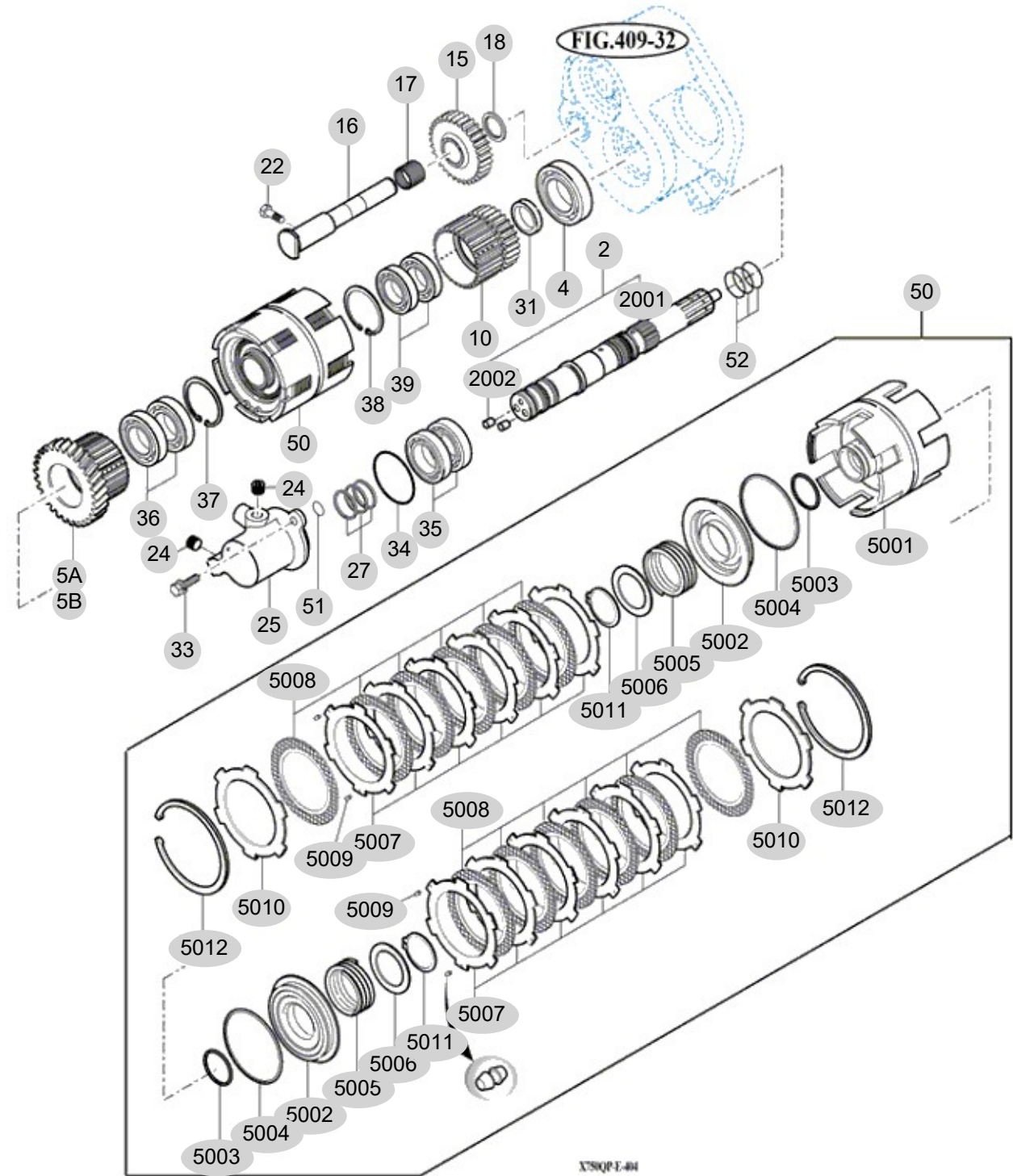
NOTE

FIG 404

REVERSE GEARS

년/월
Year/Month

2022-12



NOTE

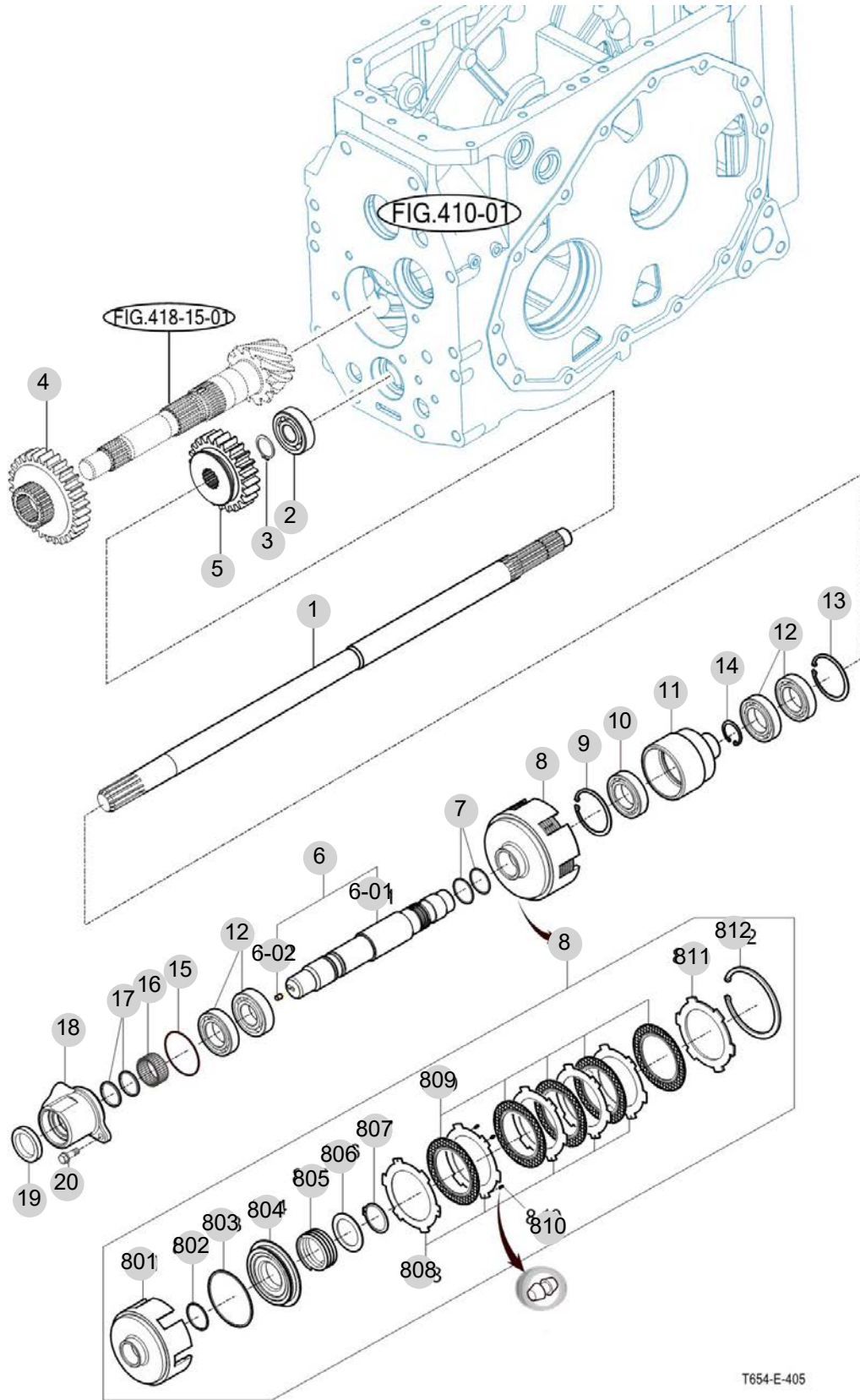
FIG 405(EU)

DRIVE GEARS

년/월
Year/Month

2022-12

T654SCEU1



T654-E-405

NOTE

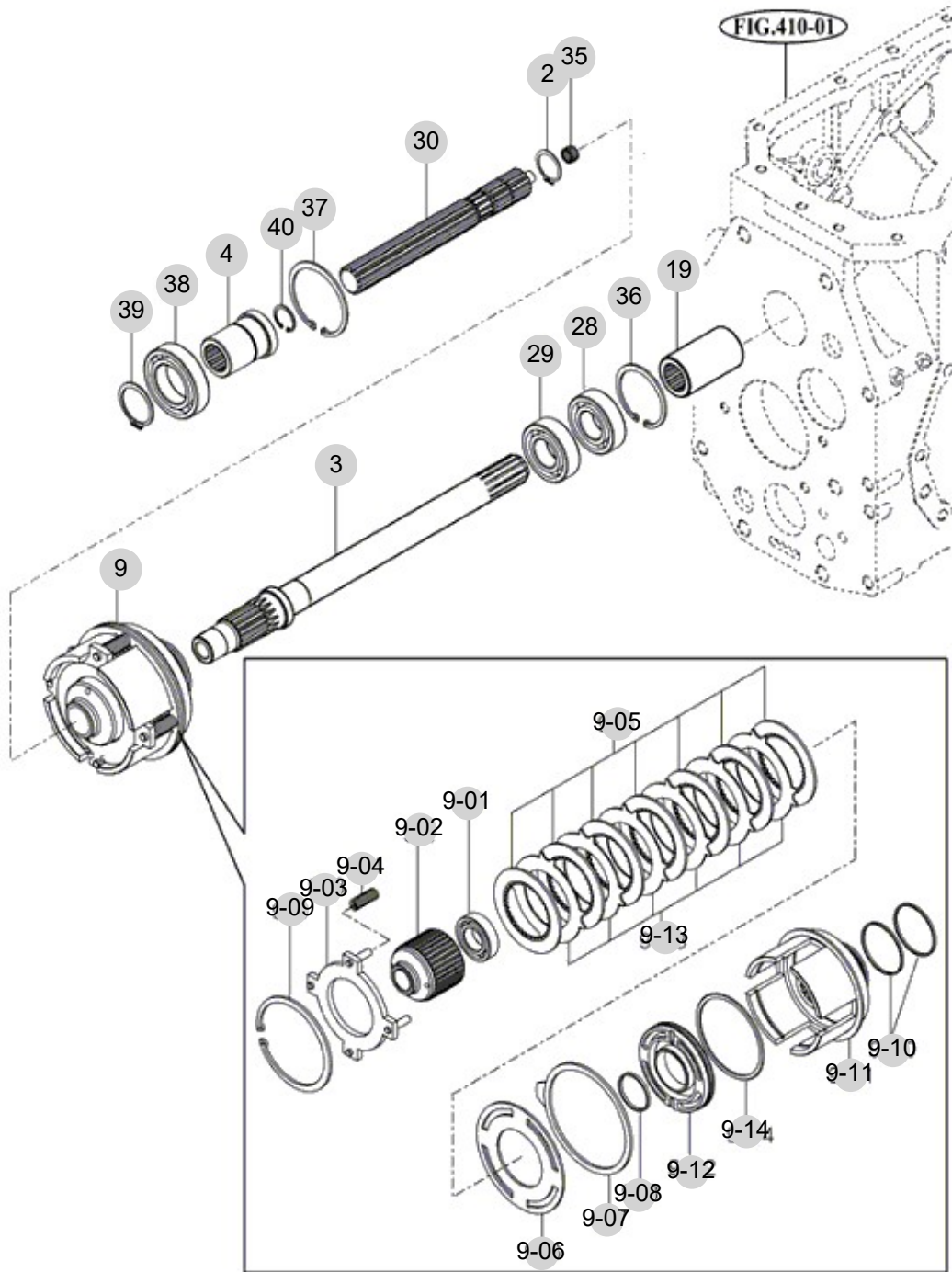
FIG 406

P.T.O DRIVE SHAFT

년/월
Year/Month

2022-12

T654SCEU1



T623TQP-K-406

NOTE

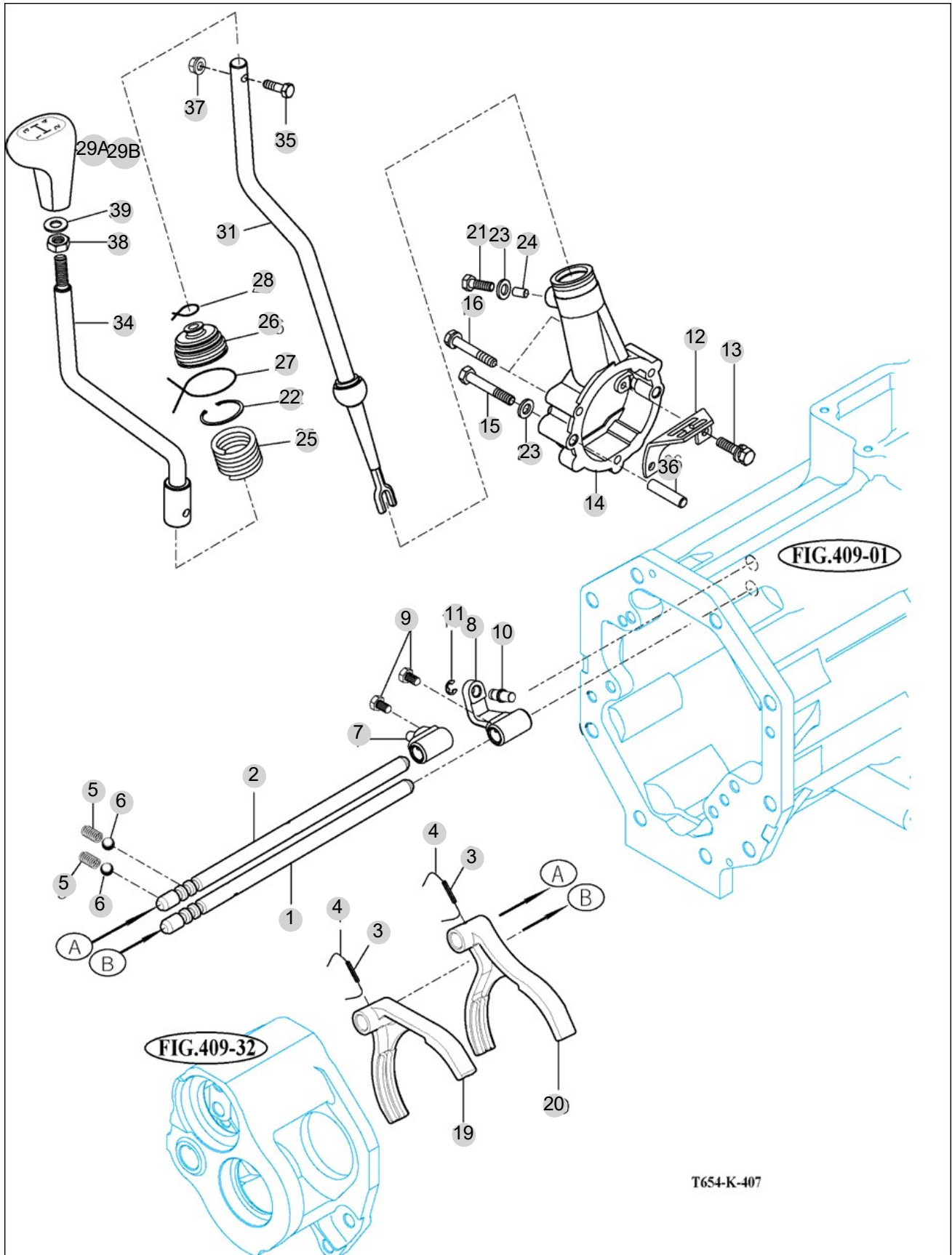
FIG 407

MAIN CHANGE LEVER

년/월
Year/Month

2022-12

T654SCEU1



T654-K-407

NOTE

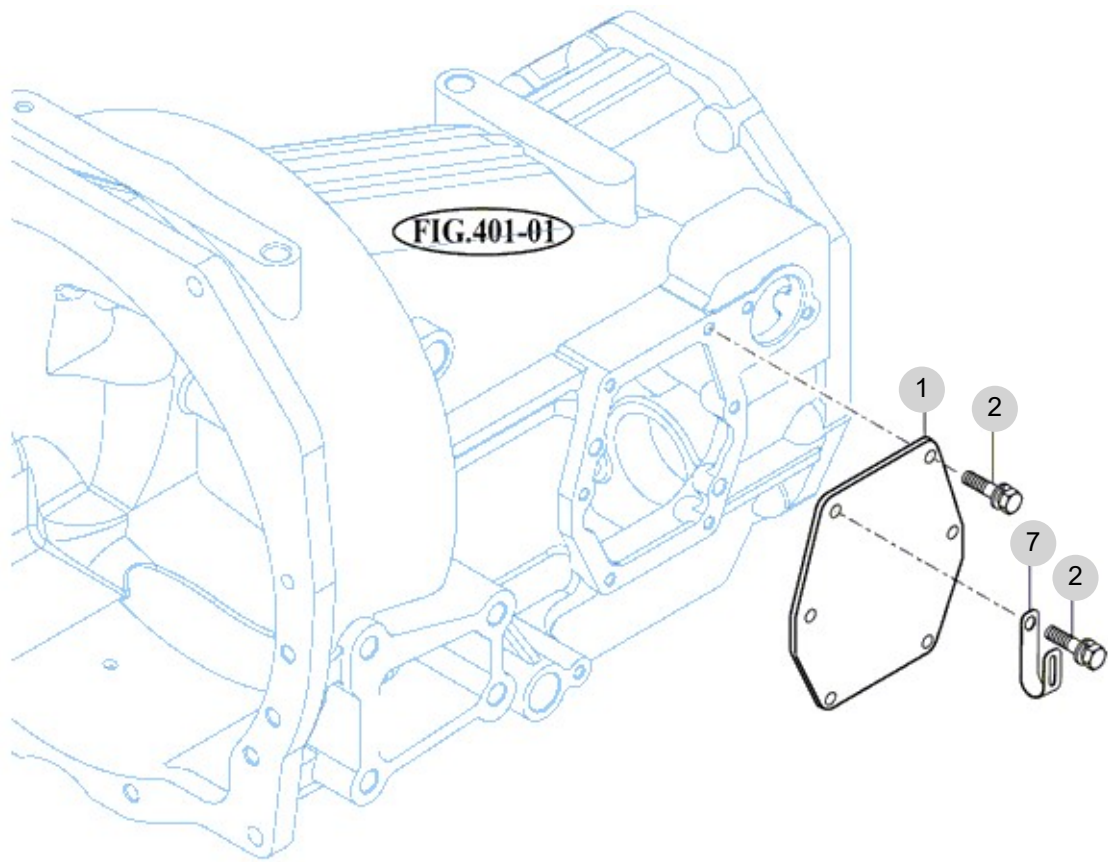
FIG 408

REVERSE CHANGE LEVER

년/월
Year/Month

2022-12

T654SCEU1



NOTE

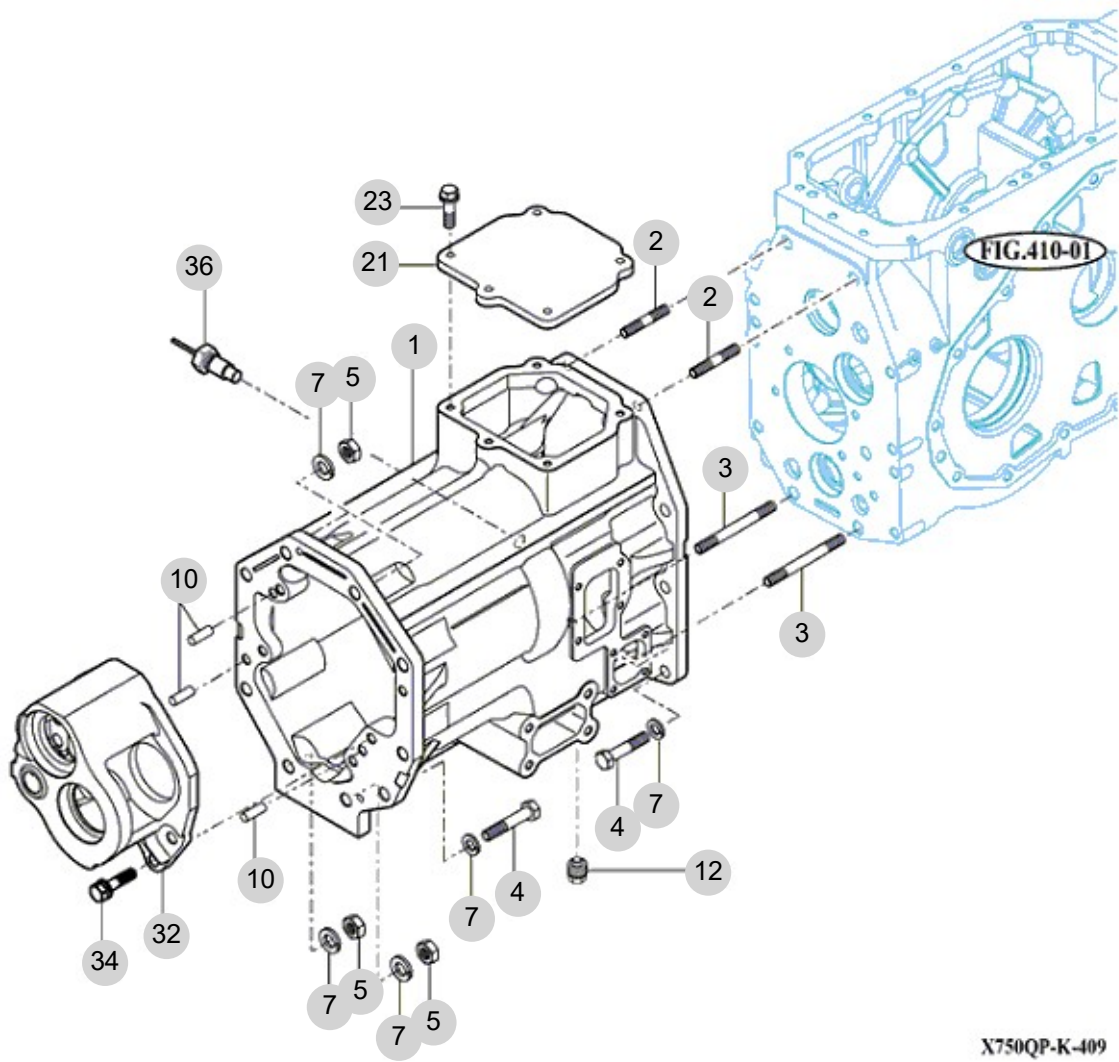
FIG 409

T654SCEU1

TRANSMISSION MID CASE

년/월
Year/Month

2022-12



X750QP-K-409

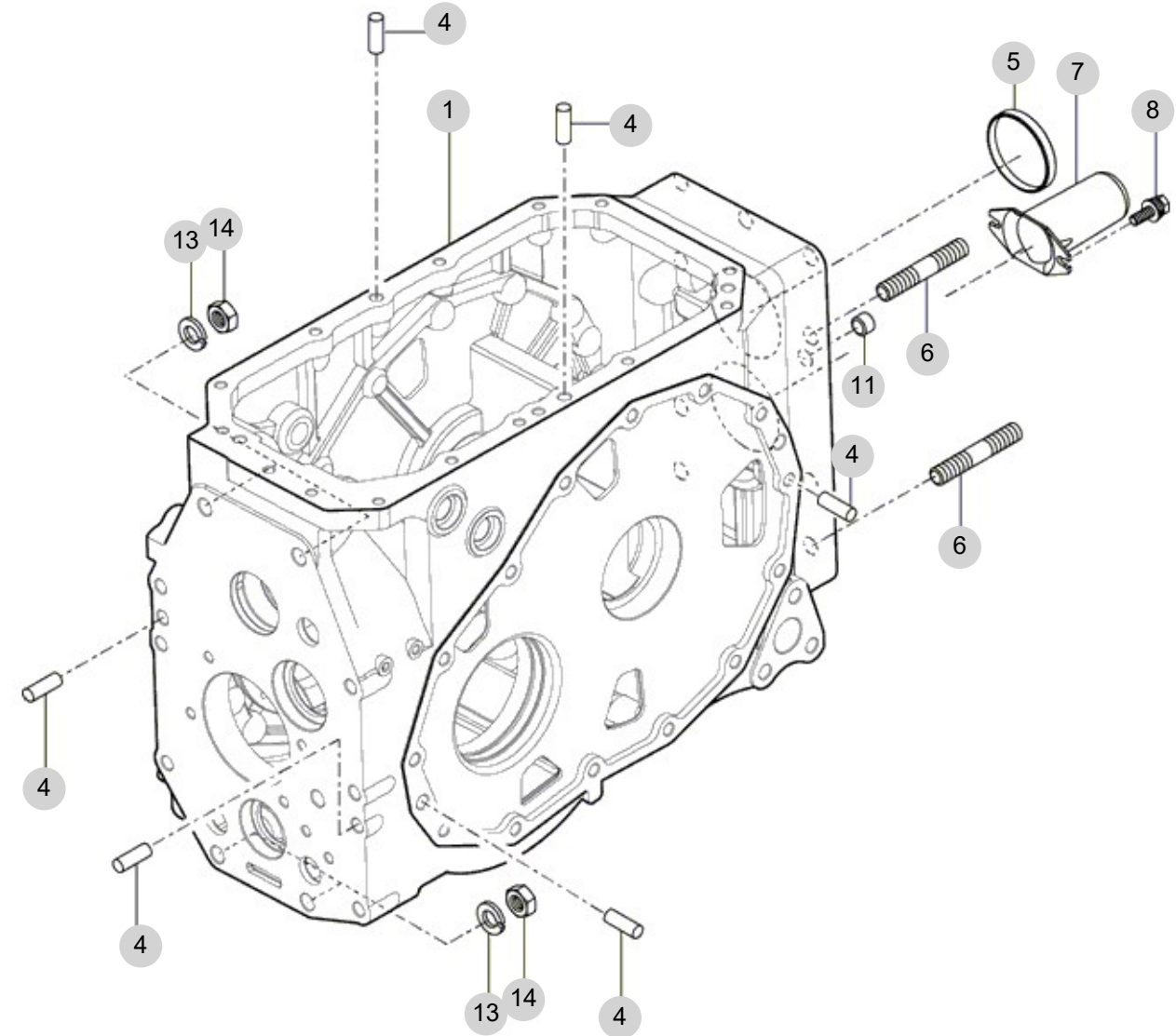
NOTE

FIG 410

TRANSMISSION REAR CASE

년/월
Year/Month

2022-12



X750-E-410

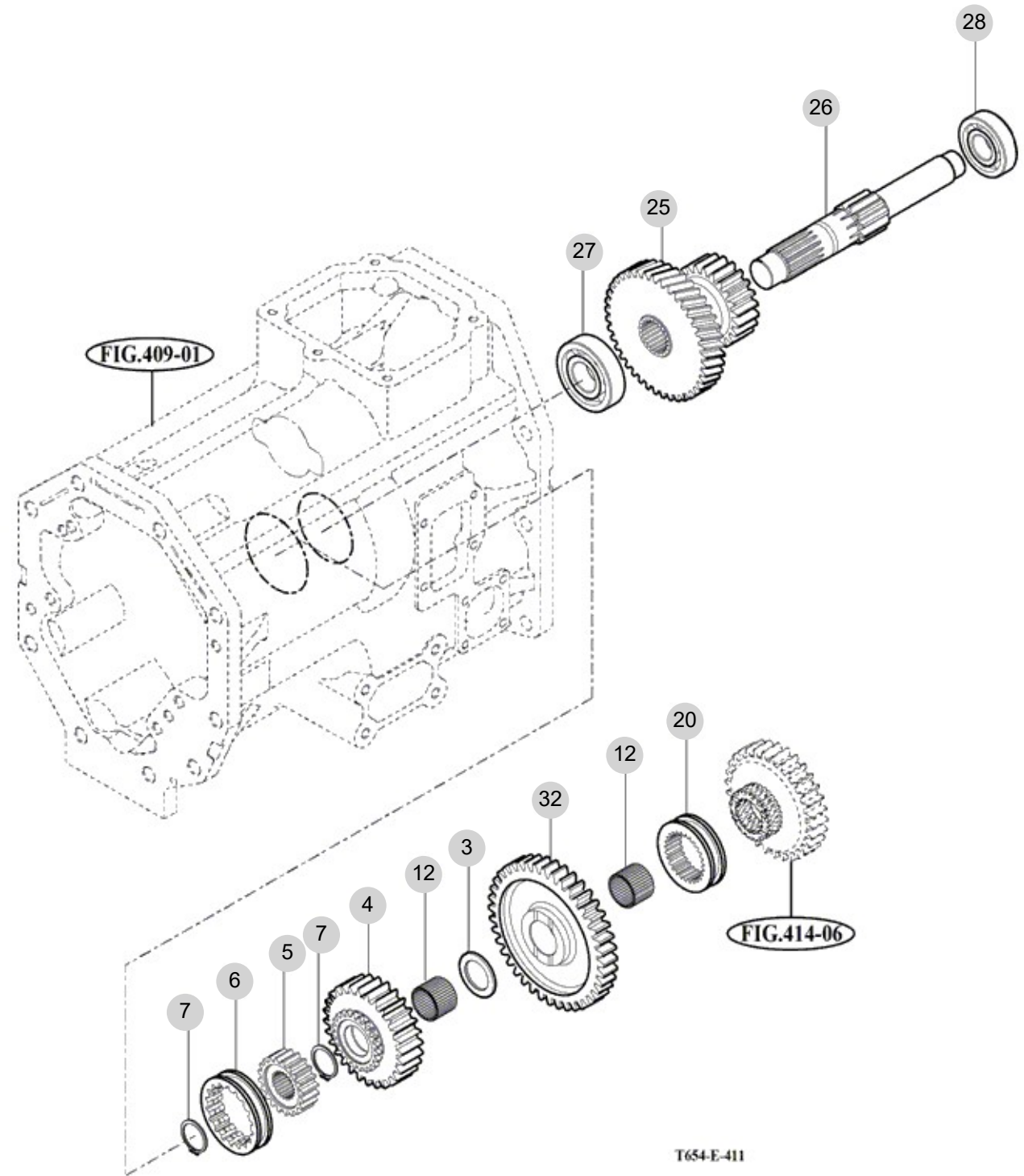
NOTE

FIG 411

SUB CHANGE GEARS

년/월
Year/Month

2022-12



T654-E-411

NOTE

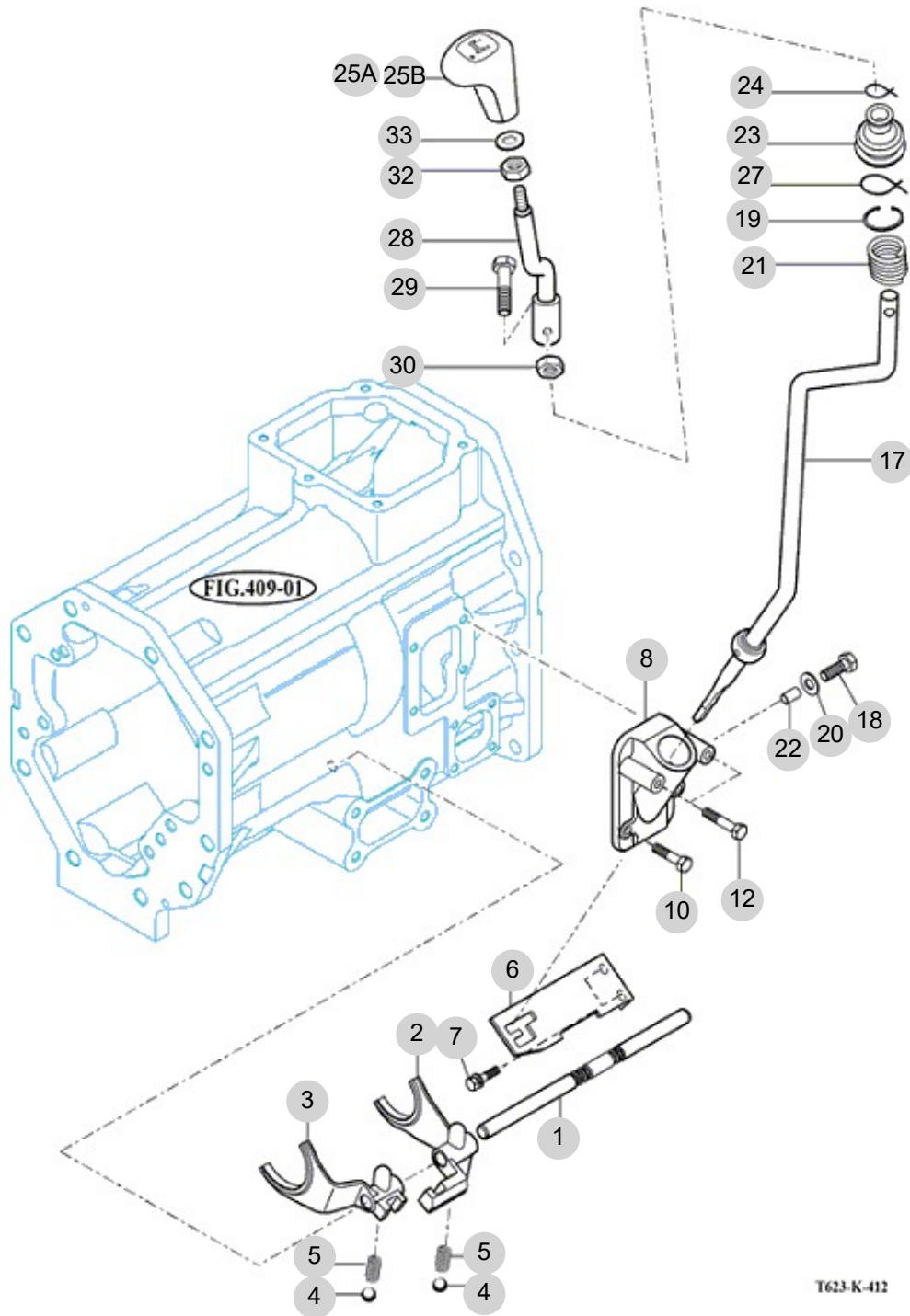
FIG 412

SUB CHANGE SHIFTER

년/월
Year/Month

2022-12

T654SCEU1



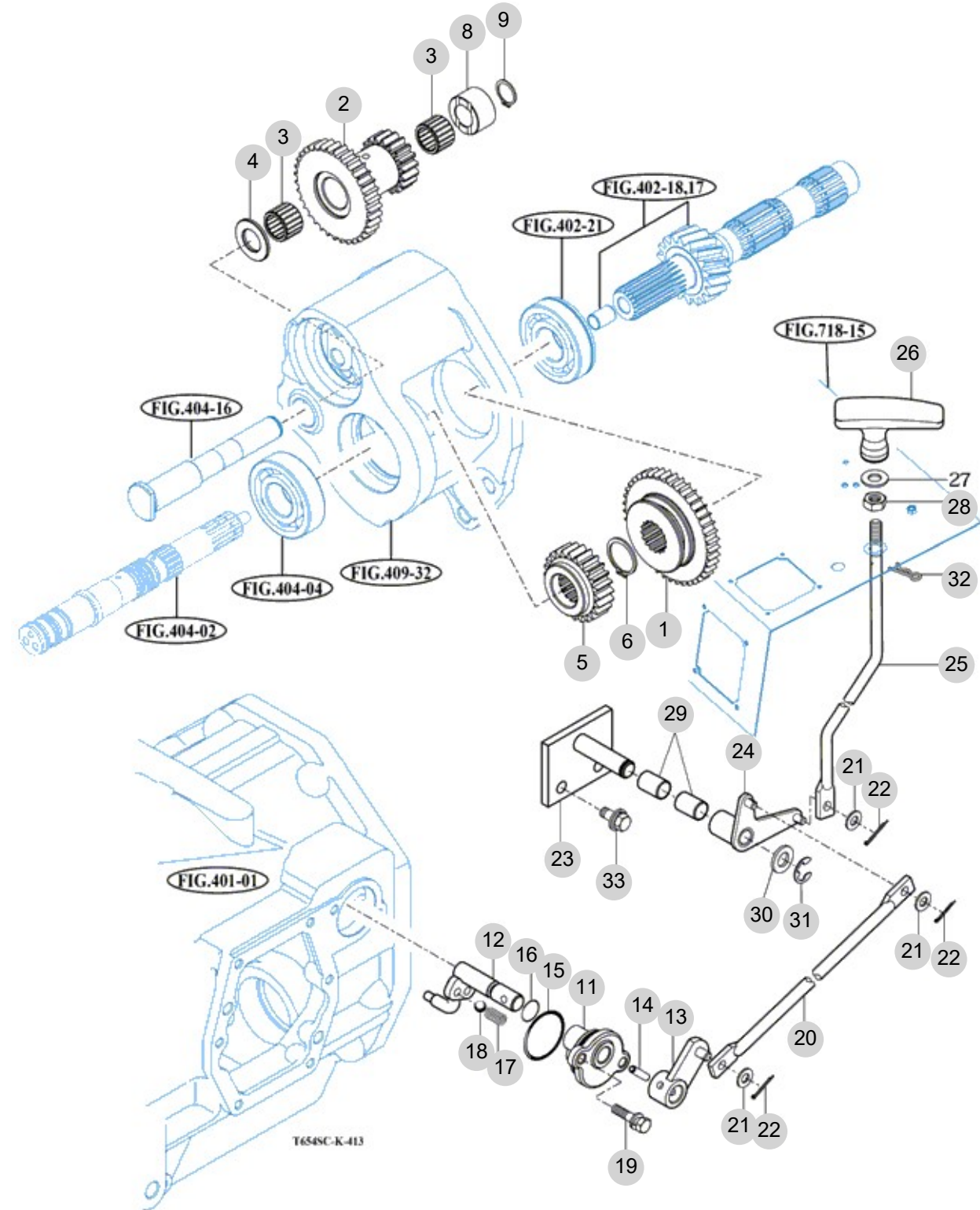
NOTE

FIG 413

CREEP CHANGE

년/월
Year/Month

2022-12



NOTE

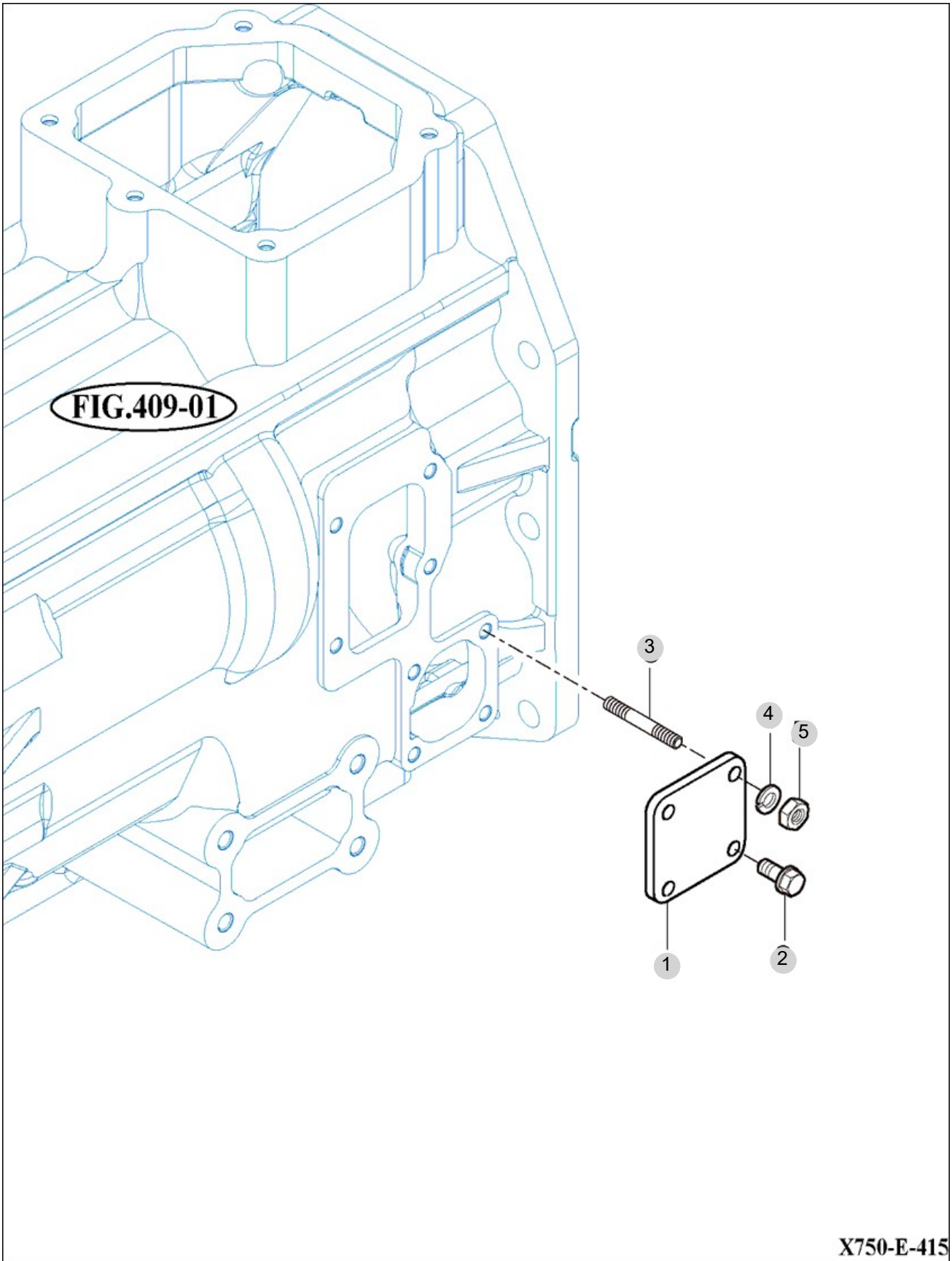
FIG 415

4WD CHANGE LEVER

년/월
Year/Month

T654SCEU1

2022-12



NOTE

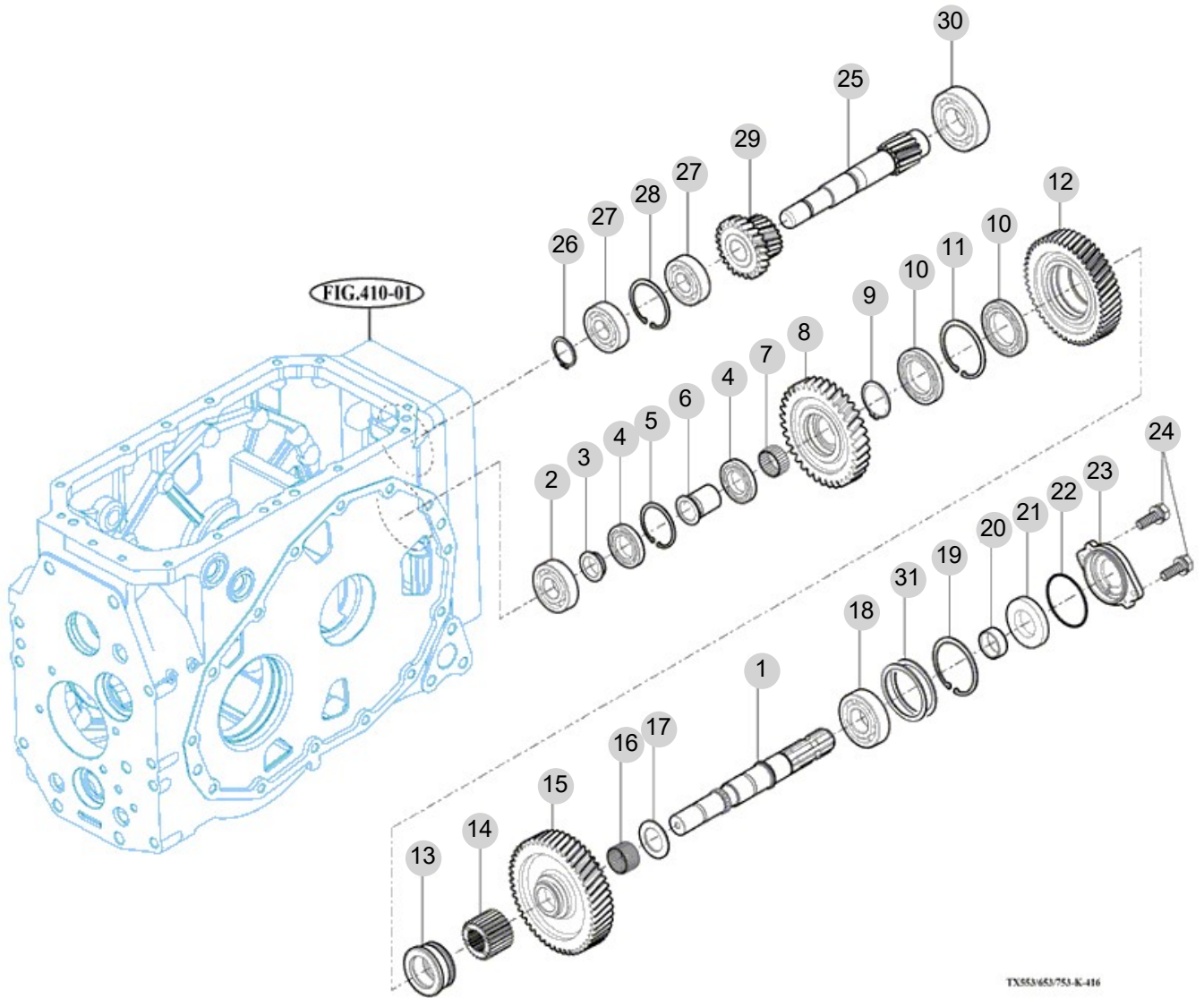
FIG 416

P.T.O CHANGE GEARS

년/월
Year/Month

T654SCEU1

2022-12



NOTE

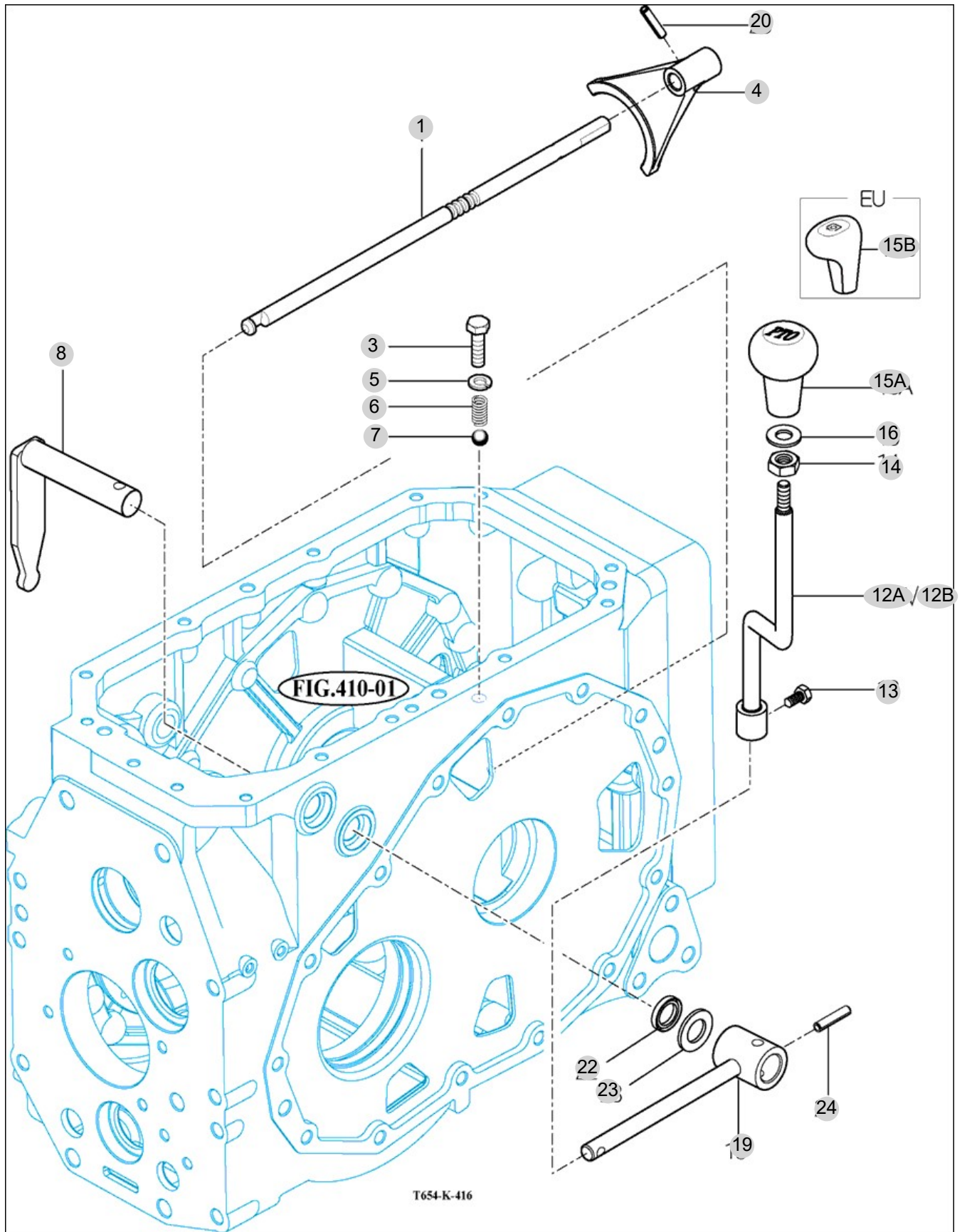
FIG 417

P.T.O CHANGE SHIFTER

년/월
Year/Month

2022-12

T654SCEU1



NOTE

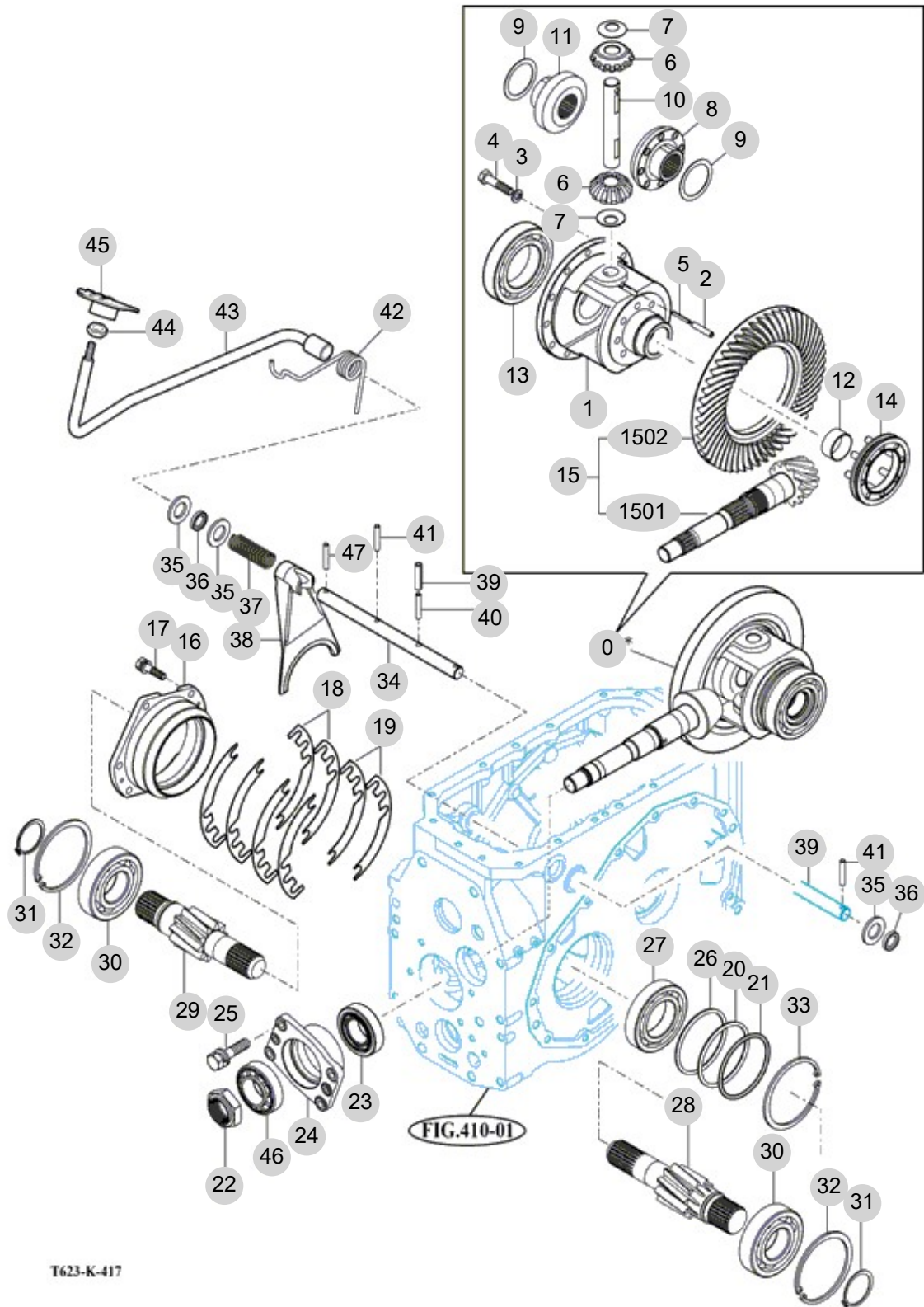
FIG 418

REAR DIFFERENTIAL GEARS

년/월
Year/Month

2022-12

T654SCEU1



T623-K-417

NOTE

FIG 418 T654SCEU1		REAR DIFFERENTIAL GEARS					년/월 Year/Month	
							2022-12	
KEY NO	PART NO	DESCRIPTION	SPEC	QTY	REPAIR	EFFECTIVE DATE	REMARKS	
418	0	19963031000	DIFF SET , RR T553		1			
418	1	17973030011M	CASE , DIFF		1			
418	2	V5801408040	PIN , SPRING	8X40	1			
418	3	V4011600100	WASHER , SPRING	M10	12			
418	4	V2024610025	BOLT , HEX FINE	M10X25	12			
418	5	V5801405036	PIN , SPRING	5X36	1			
418	6	17973030060	PINION , DIFF 10		2			
418	7	17973030070	COLLAR , PINION		2			
418	8	17973030091	GEAR , BEVEL 16LH		1			
418	9	17973030100	COLLAR , THRUST		2			
418	10	17973030110	SHAFT , DIFF PINION		1			
418	11	17973030121	GEAR , BEVEL 16RH		1			
418	12	17973030030	BUSH , 40X44X20		1			
418	13	V6001106214	BEARING , BALL	6214	1			
418	14	17973033400	SLEEVE COMP		1			
418	15	19963022100	GEAR SET , 11-48T		1			
418	1501	19963022110	PINION , BEVEL 11T		1			
418	1502	17973022120	GEAR , BEVEL 48T		1			
418	16	17973030131M	METAL , DIFF		1			
418	17	V2173610030	BOLT , HEX/S	M10X30	6			
418	18	17973030160	SHIM , 0.2		8			
418	19	17973030150	SHIM , 0.1		2			
418	20	17973030201	SHIM , 95X109.8X1.5		1			
418	21	14523010050	SHIM , 0.1		1			
418	22	17973030020	NUT , M40 P1,5		1			
418	23	V6321132208	BEARING , TAPER-ROLLER		1			
418	24	15703010040M	METAL , PINION		1			
418	25	V2173610035	BOLT , HEX/S	M10X35	4			
418	26	14523010100	SHIM , 0.2		1			
418	27	V6001106212	BEARING , BALL	6212	1			
418	28	19963030280	PINION , LH WHEEL		1			
418	29	19963030290	PINION , RH WHEEL		1			
418	30	V6001106310	BEARING , BALL	6310	2			
418	31	V7041400500	C-RING , SHAFT	50	2			
418	32	V7051401100	C-RING , HOLE	R110	2			
418	33	V7051401100	C-RING , HOLE	R110	1			
418	34	17973030391	SHAFT , DIFF LOCK		1			
418	35	V4111600200	WASHER , PLAIN	M20	3			
418	36	V7421203007	SEAL , OIL/G	G203006	2			
418	37	17973030420	SPRING		1			
418	38	17973030431M	FORK , DIFF		1			
418	39	V5801408036	PIN , SPRING	8X36	1			
418	40	V5801405036	PIN , SPRING	5X36	1			
418	41	V5801406032	PIN , SPRING	6X32	2			
418	42	14523160020	SPRING , DIFF PEDAL		1			
NOTE								

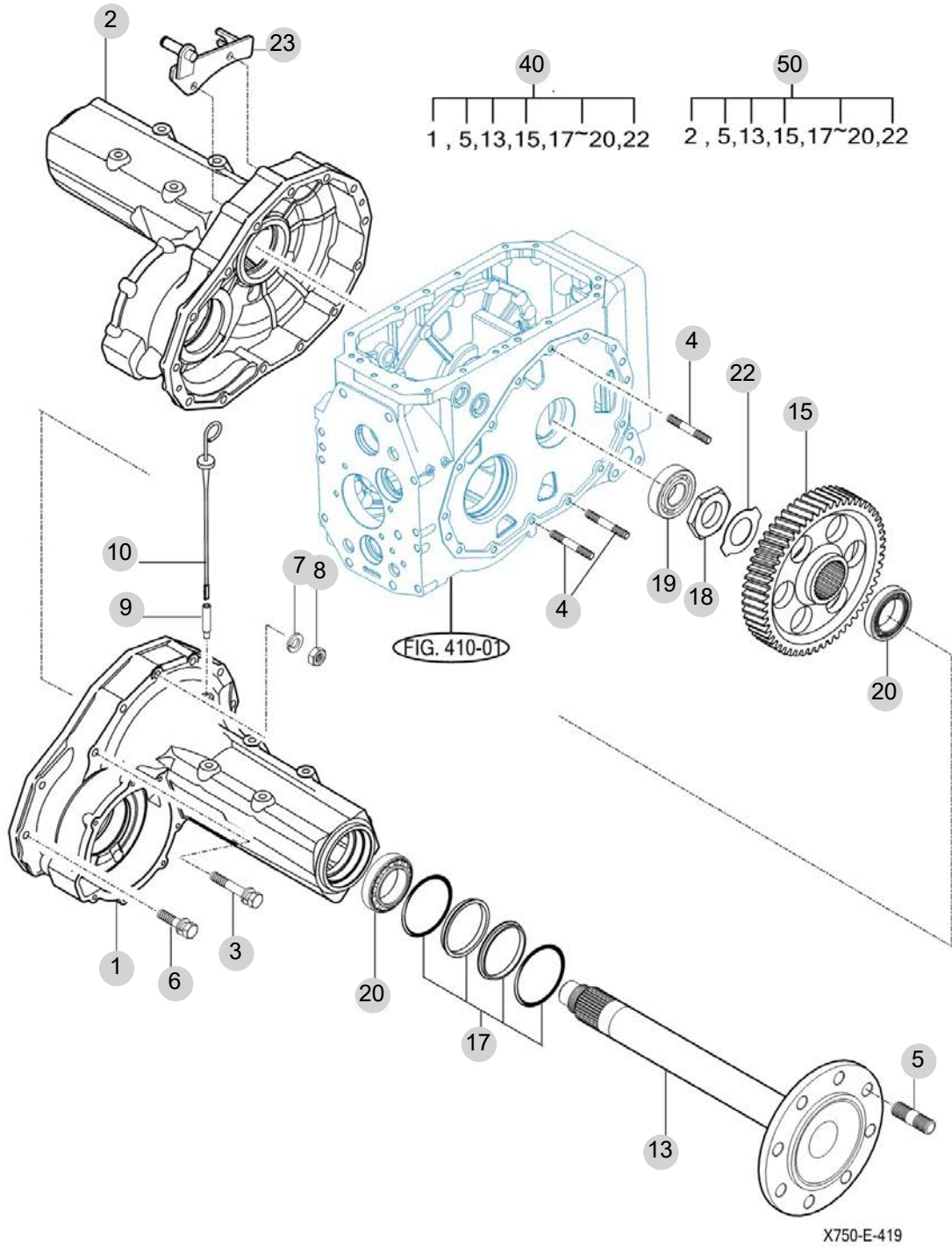
FIG 419

REAR AXLE HOUSING

년/월
Year/Month

2022-12

T654SCEU1



NOTE

5. Front Axle PART NO. T5

FIG 501 FRONT AXLE SUPPORT	144
FIG 502 FRONT DRIVE SHAFT	146
FIG 503 FRONT AXLE HOUSING	148
FIG 504 FRONT DIFFERENTIAL GEARS	150
FIG 505 FRONT GEAR CASE (1)	152
FIG 506 FRONT GEAR CASE (2)	154
FIG 507 FRONT GEAR CASE (3)	156

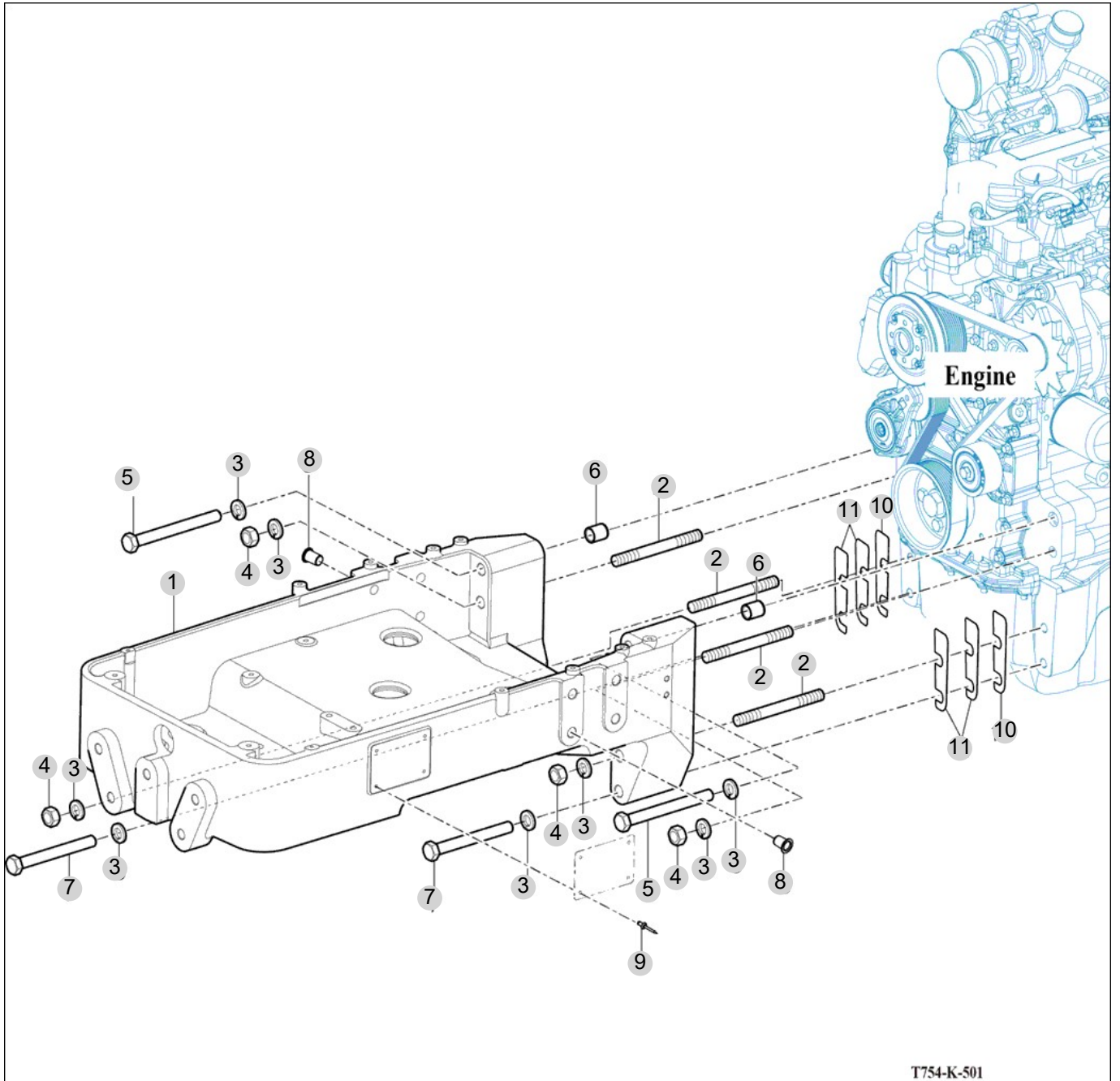
FIG 501

FRONT AXLE SUPPORT

년/월
Year/Month

2022-12

T654SCEU1



T754-K-501

NOTE

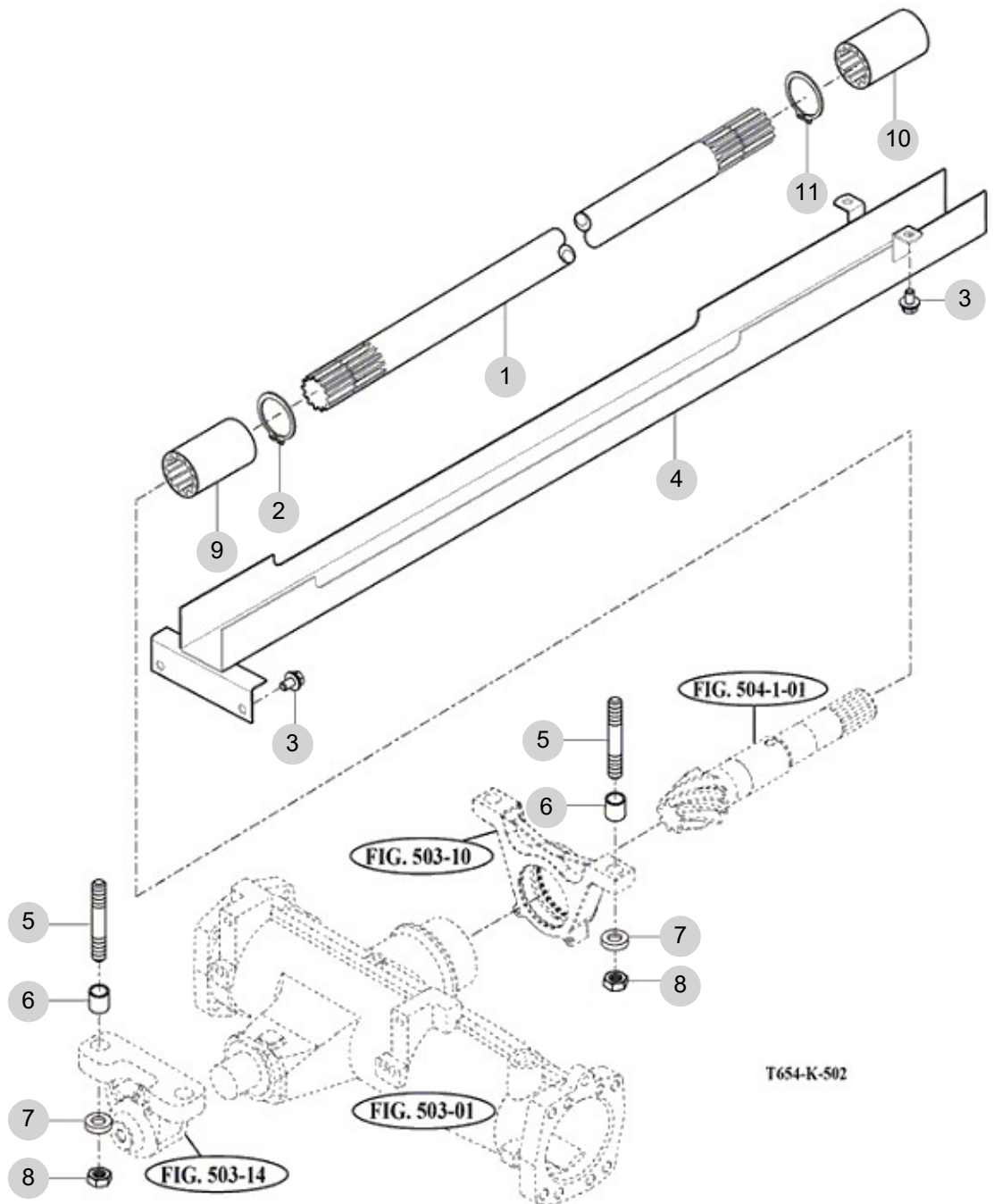
FIG 502

FRONT DRIVE SHAFT

년/월
Year/Month

2022-12

T654SCEU1



NOTE

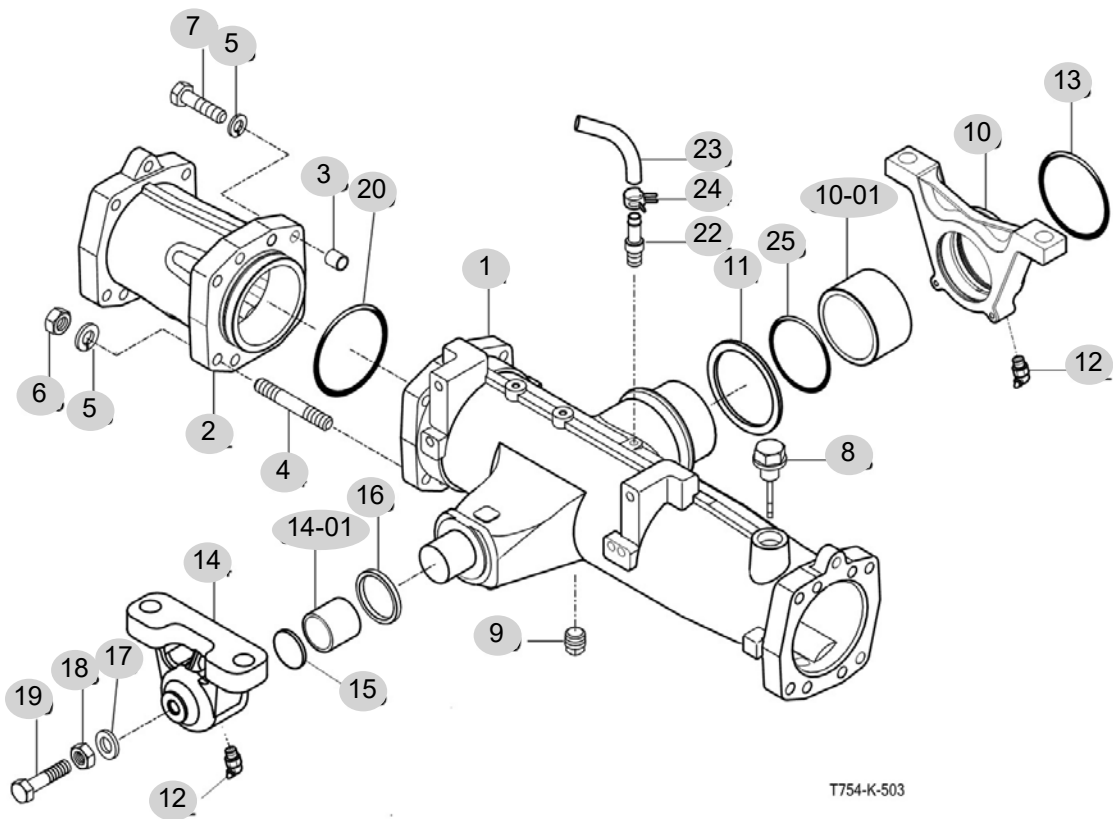
FIG 503

FRONT AXLE HOUSING

년/월
Year/Month

2022-12

T654SCEU1



T754-K-503

NOTE

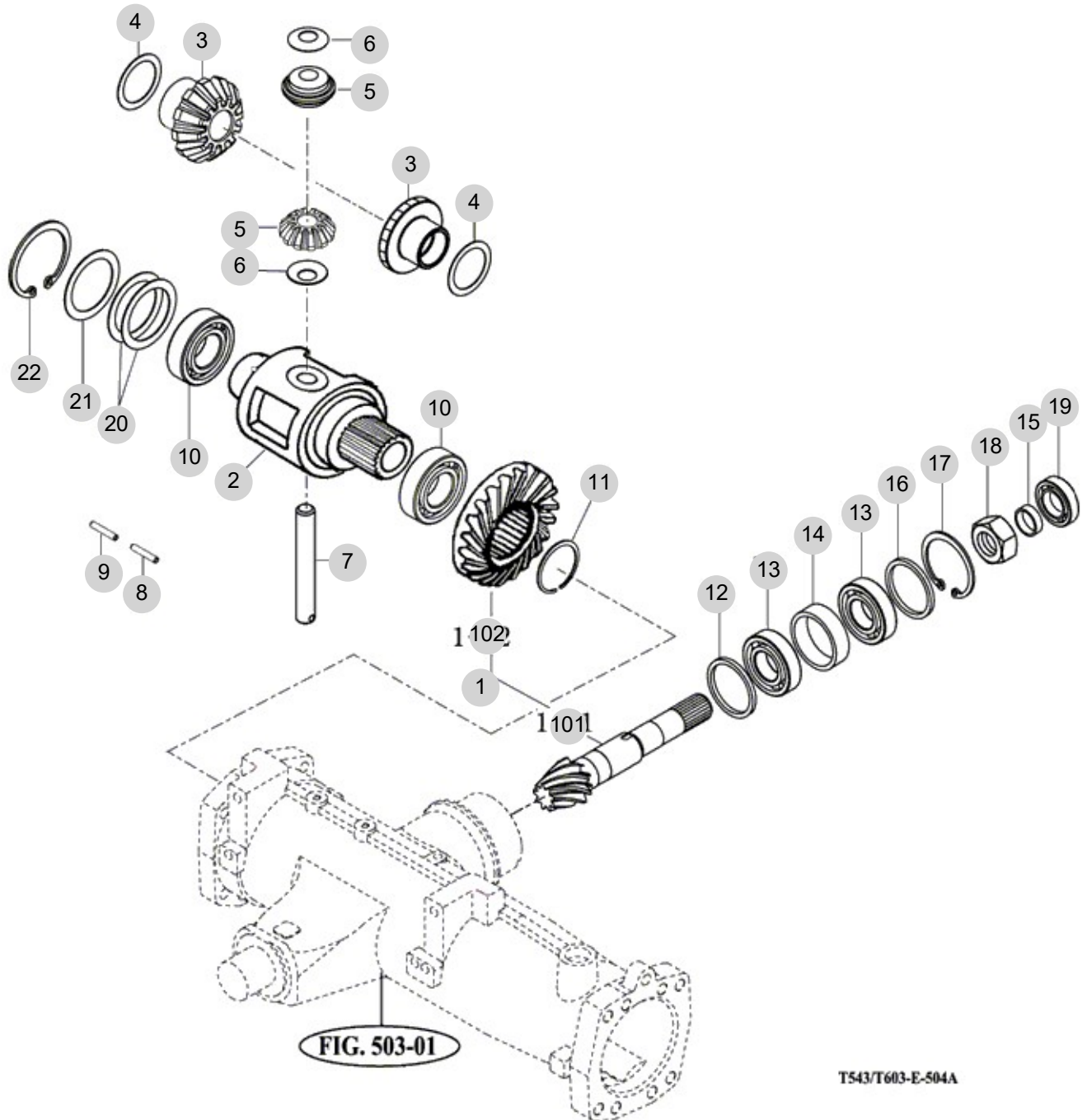
FIG 504

FRONT DIFFERENTIAL GEARS

년/월
Year/Month

2022-12

T654SCEU1



NOTE

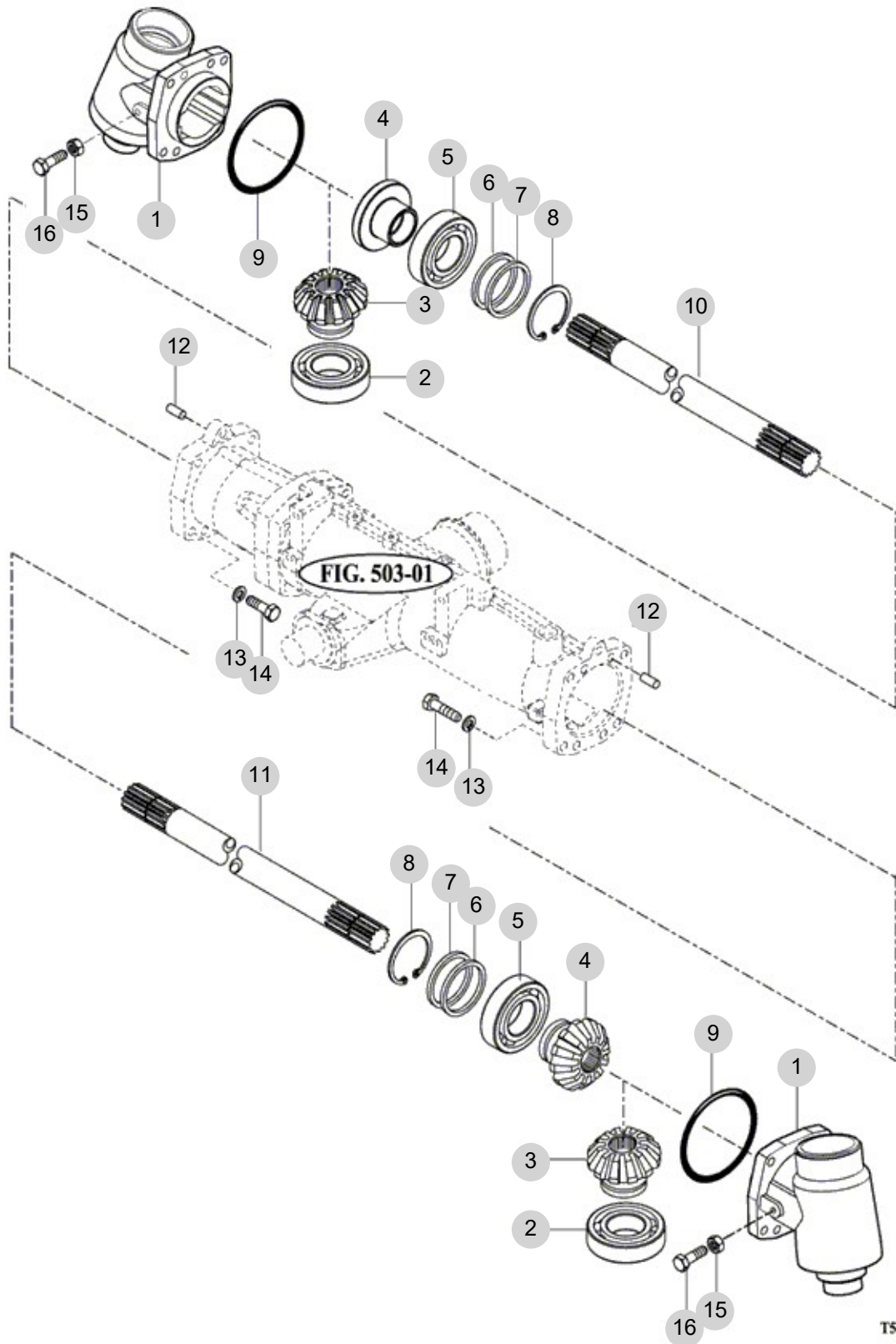
FIG 505

FRONT GEAR CASE (1)

년/월
Year/Month

2022-12

T654SCEU1



TS43/T603-E-505A

NOTE

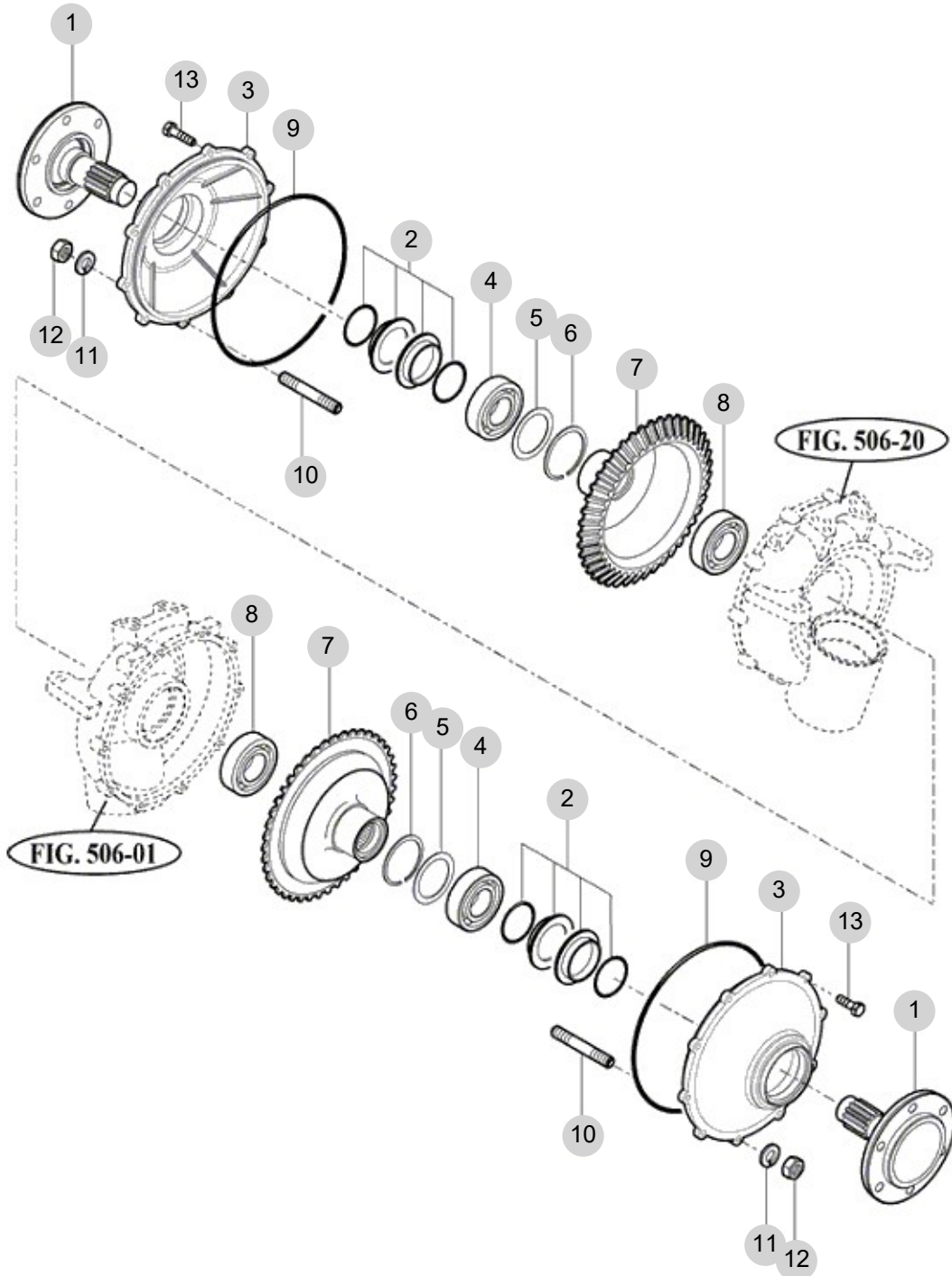
FIG 507

FRONT GEAR CASE (3)

년/월
Year/Month

2022-12

T654SCEU1



T754-E-507

NOTE

6. Hydraulic/3P-Link PART NO. T6

FIG 601 CYLINDER CASE	159
FIG 602 LIFT ARM	161
FIG 603 CYLINDER	163
FIG 604 POSITION LINK	165
FIG 605 CONTROL VALVE	167
FIG 606 DRAFT LINK	169
FIG 607 POSITION & DRAFT LEVER	171
FIG 608 EXTERIOR HYD. VALVE(OPTION_6P)	174
FIG 608 EXTERIOR HYD. VALVE	176
FIG 609 HYDRAULIC PIPE	178
FIG 610 JOYSTICK	180
FIG 611-1B(EU) HITCH & 3-POINT LINK (EU)	182
FIG 612(EU) LOWER LINK & LIFT ROD(EU)	185
FIG 613 HYDRAULIC HOSE	187

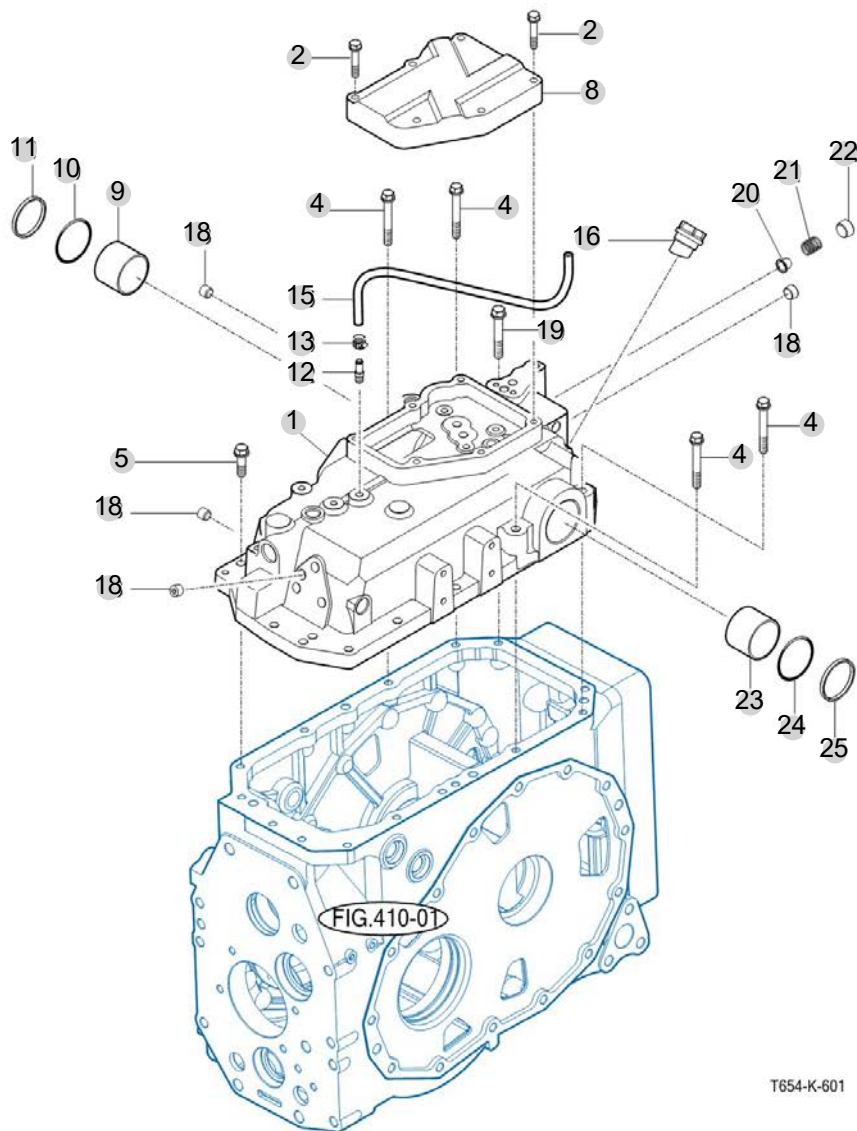
FIG 601

CYLINDER CASE

년/월
Year/Month

2022-12

T654SCEU1



NOTE

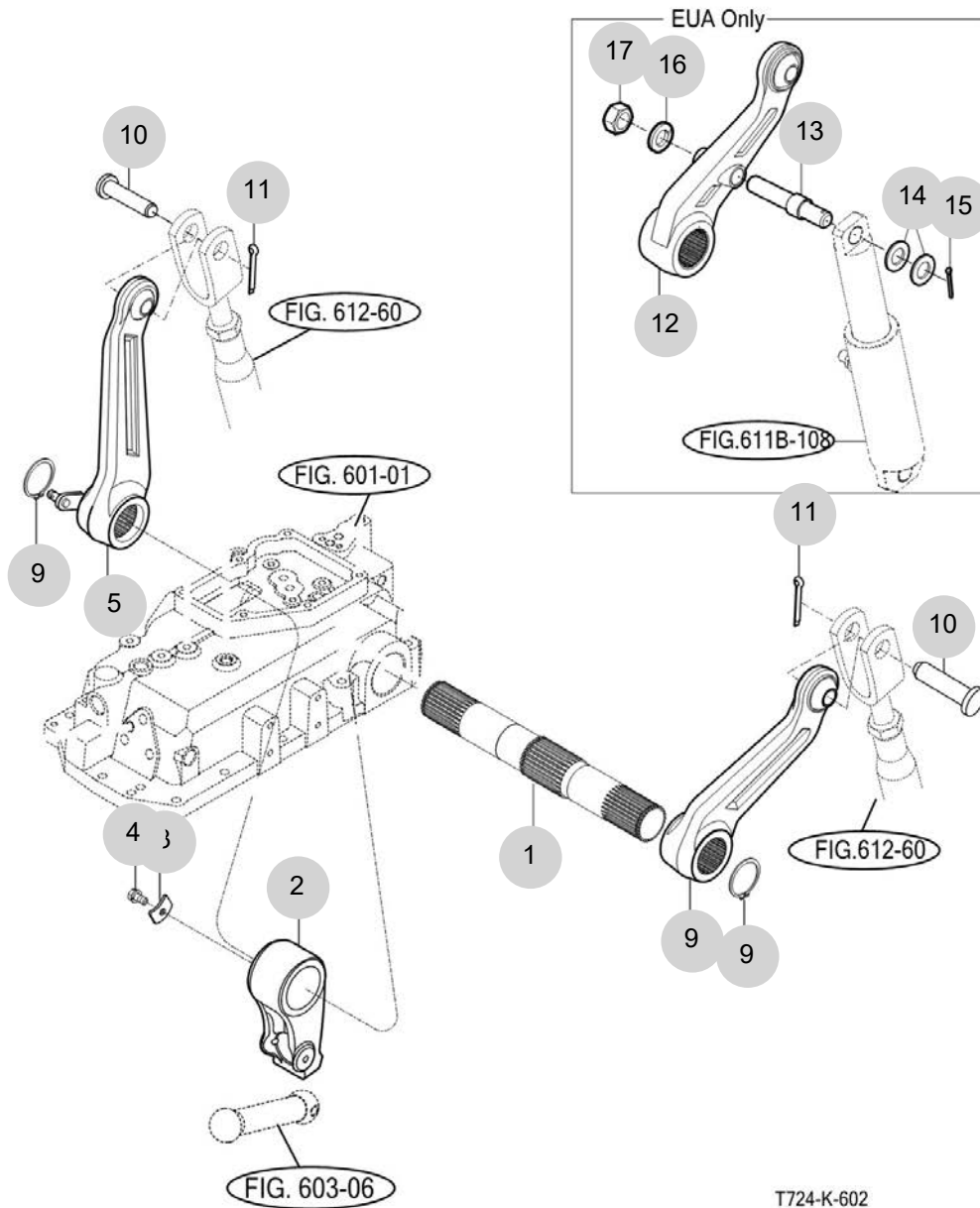
FIG 602

LIFT ARM

년/월
Year/Month

T654SCEU1

2022-12



NOTE

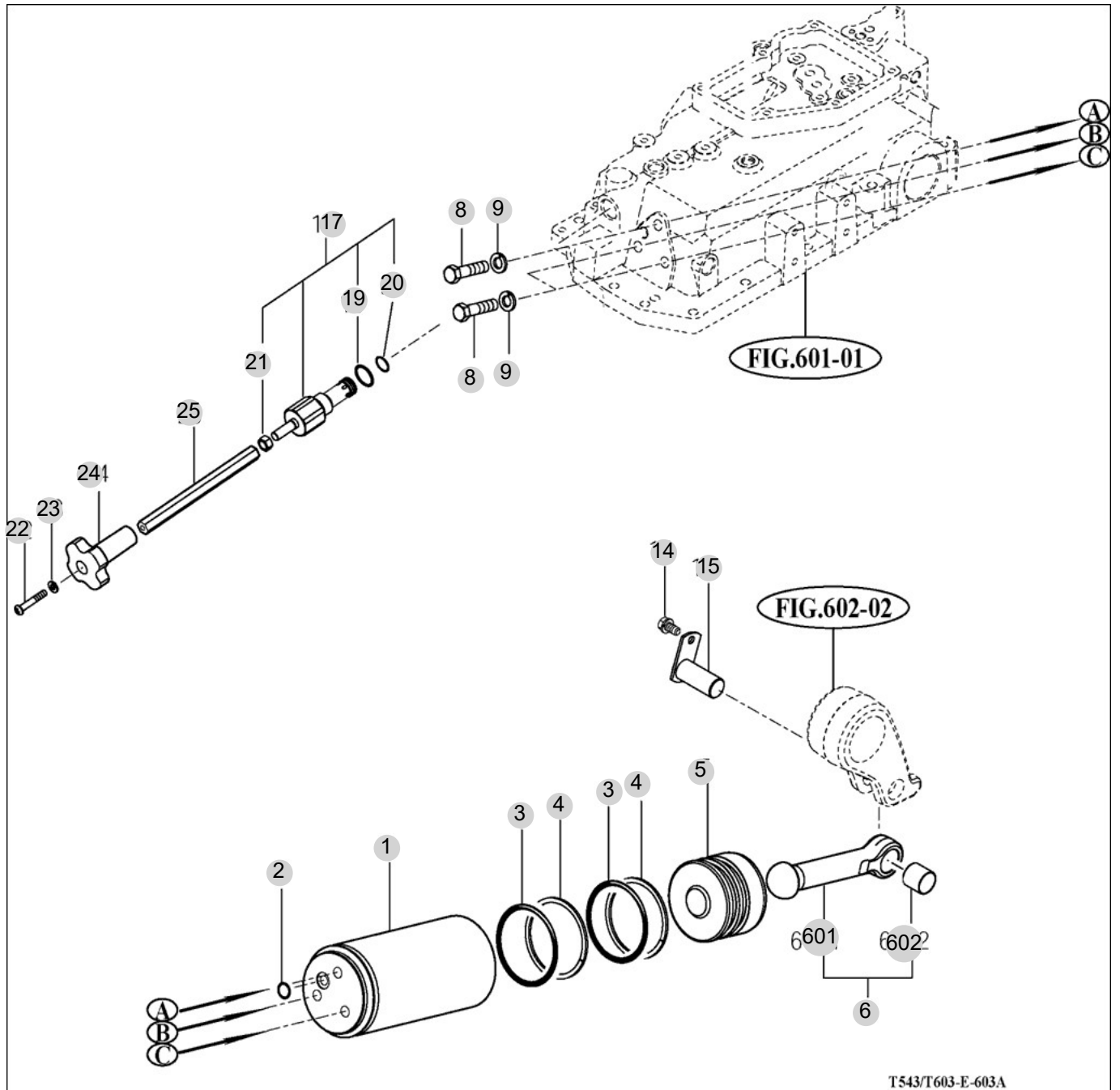
FIG 603

T654SCEU1

CYLINDER

년/월
Year/Month

2022-12



NOTE

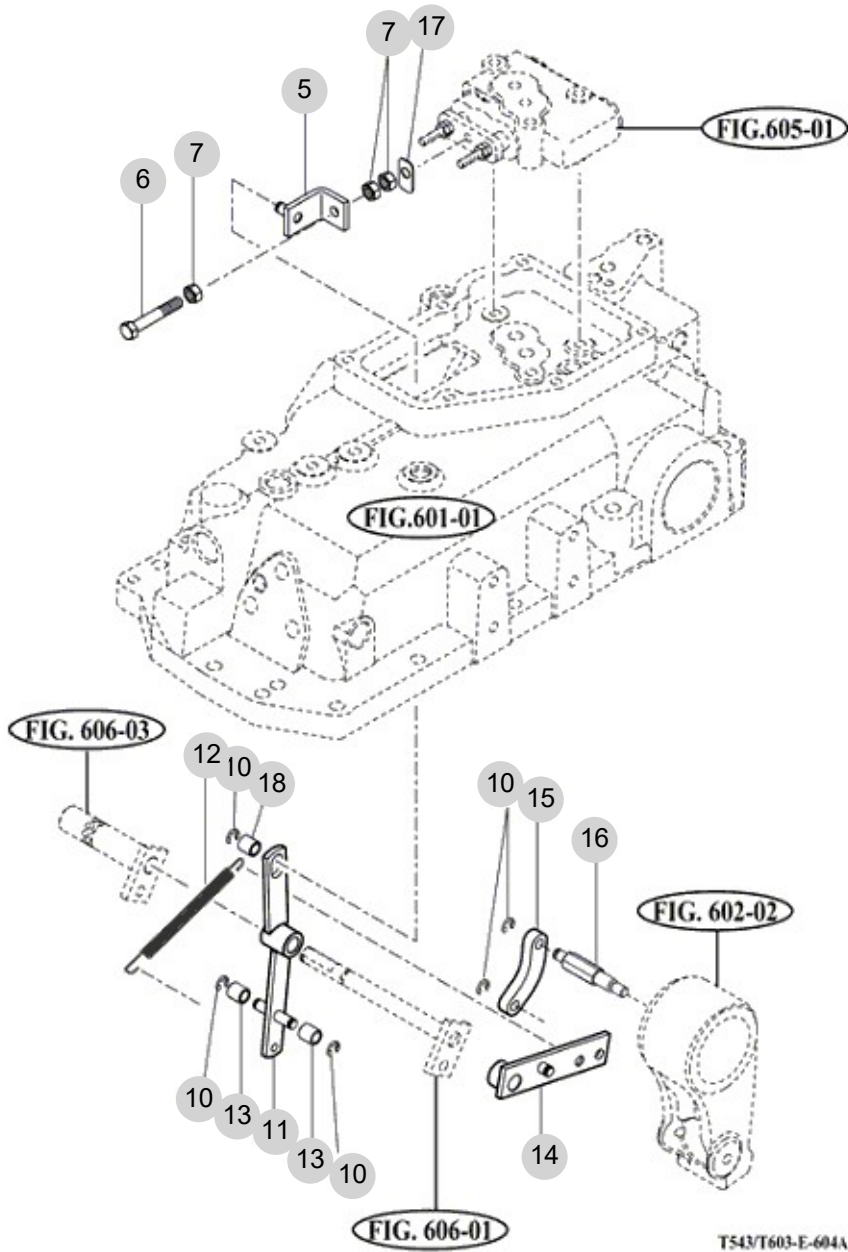
FIG 604

POSITION LINK

년/월
Year/Month

2022-12

T654SCEU1



T543/T603-E-604A

NOTE

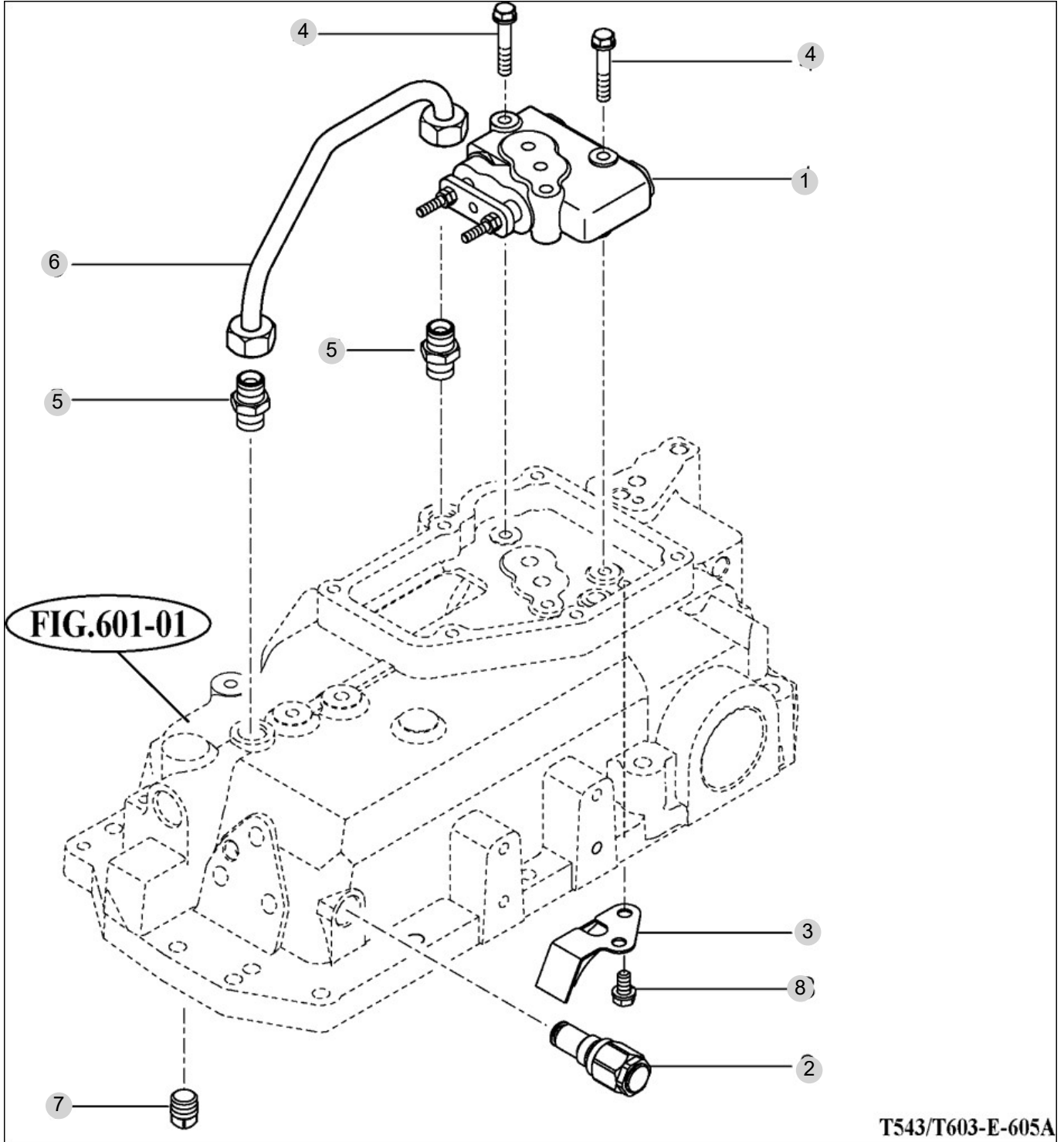
FIG 605

CONTROL VALVE

년/월
Year/Month

2022-12

T654SCEU1



NOTE

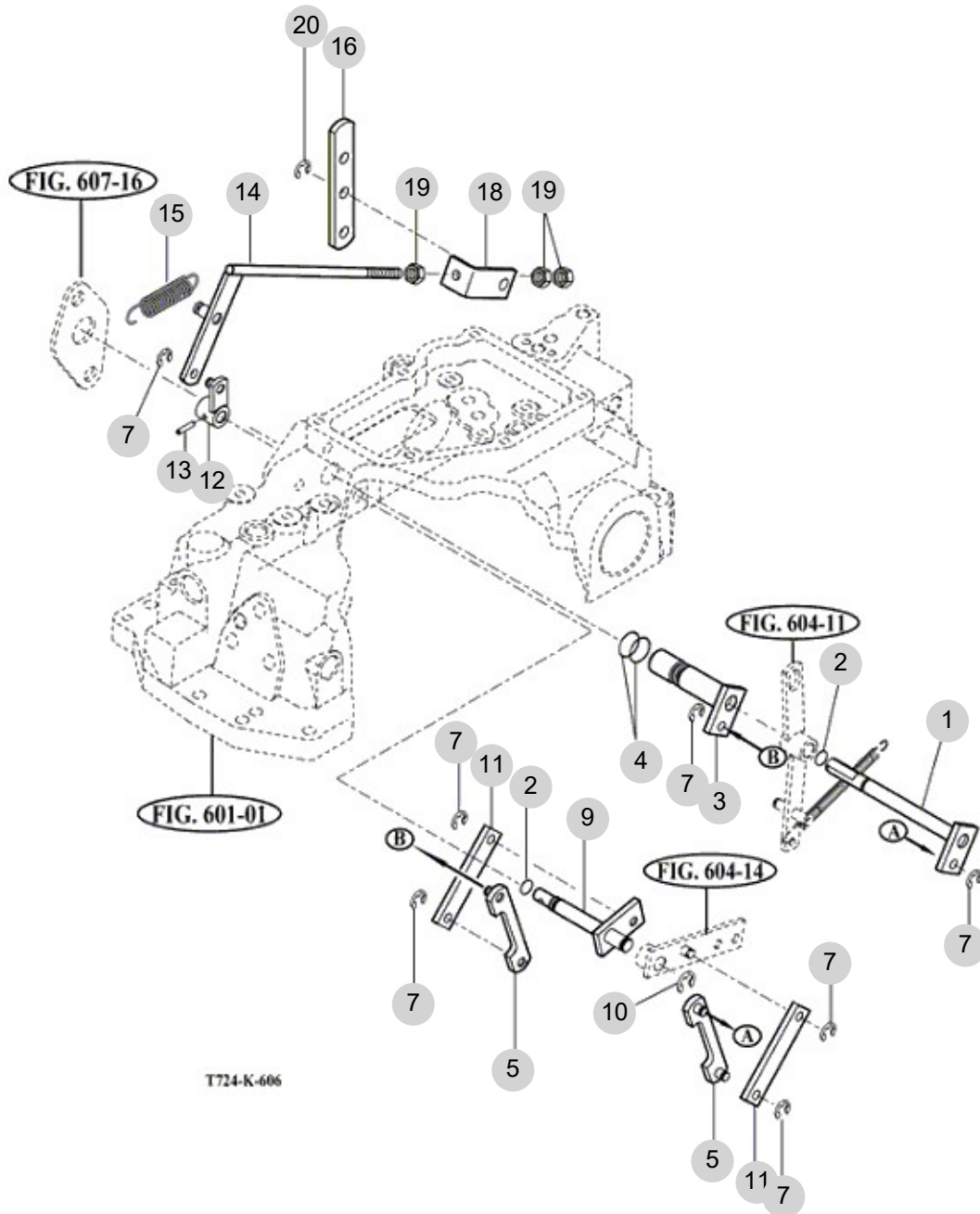
FIG 606

DRAFT LINK

년/월
Year/Month

2022-12

T654SCEU1



T724-K-606

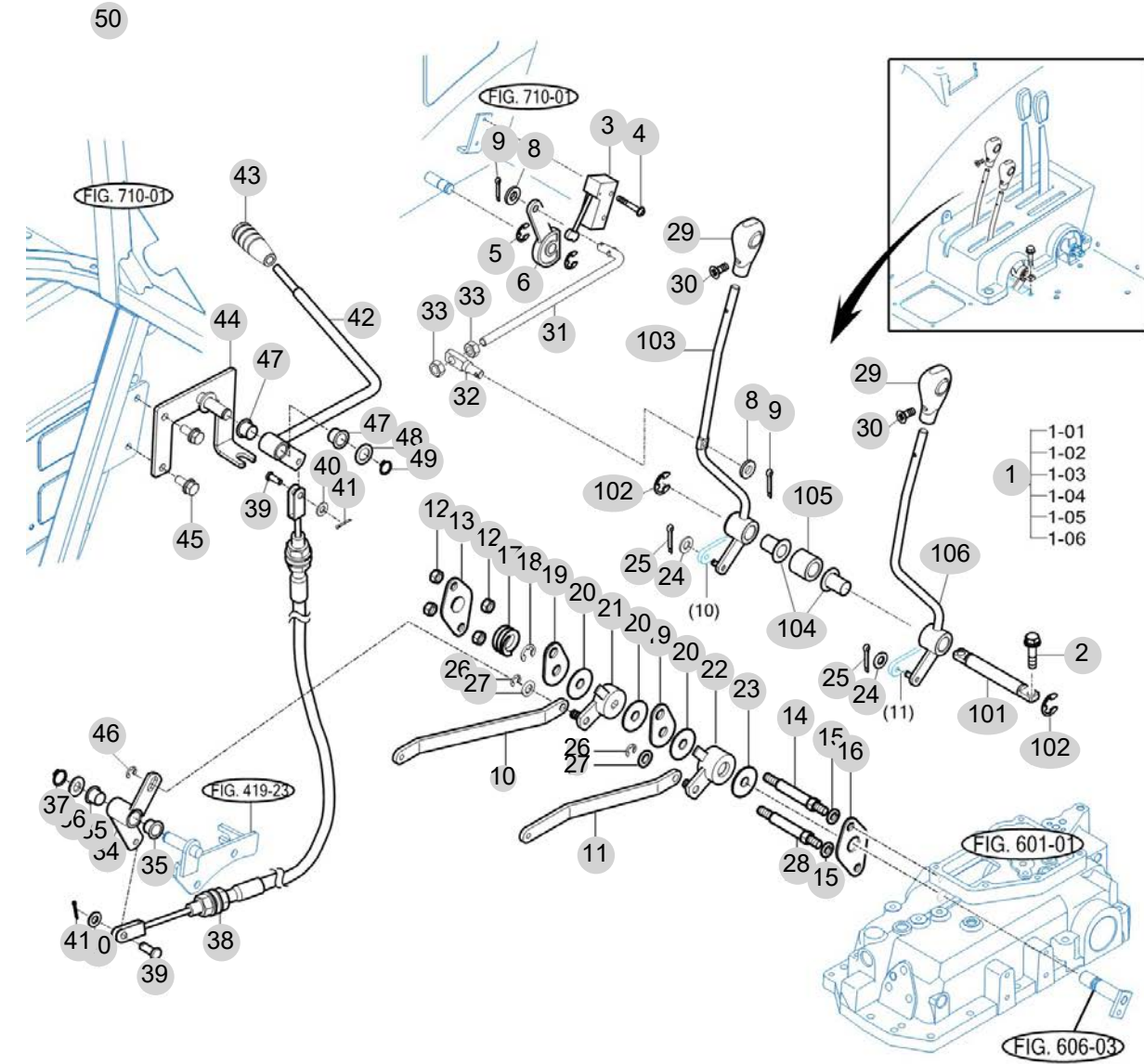
NOTE

FIG 607

POSITION & DRAFT LEVER

년/월
Year/Month

2022-12



T654-K-607

NOTE

FIG 607 T654SCEU1		POSITION & DRAFT LEVER					년/월 Year/Month	
							2022-12	
KEY NO	PART NO	DESCRIPTION	SPEC	QTY	REPAIR	EFFECTIVE DATE	REMARKS	
607	1	19997092101	REVER SUB , POSITION/DRAFT	1X1X1	1			
607	101	14527092110	SHAFT	D=16	1			
607	102	V7081400150	E-RING	15	2			
607	103	19997092201GB	LEVER COMP , POSITION	400*50*100	1			
607	104	14527092120	BUSH, NYLON/16X18X27	1X1X1	2			
607	105	14527092251	COLLER , SPACE	D=30	1			
607	106	19997092301GB	LEVER COMP , DRAFT	400*50*100	1			
607	2	V2183608020	BOLT , HEX/SP	M8X20	2			
607	3	16606742301	SWITCH ASSY . LIMIT		1			
607	4	V1222604025	SCREW , C/R PAN/SP	M4X25	2			
607	5	V7081400080	E-RING	8	2			
607	6	14527090020	CAM , SENSER	1X1X1	1			
607	8	V4111600060	WASHER , PLAIN	M6	2			
607	9	V5001920020	PIN , SPLIT	2X20	2			
607	10	19995070120	PLATE , POSITION	19X6T	1			
607	11	19995070140	PLATE , DRAFTER	19X6T	1			
607	12	V3043600100	NUT , HEX/2	M10	4			
607	13	17995070140	PLATE , C	3.2T	1			
607	14	17995070150	BOLT , SUPPORT	H14X108.9	1			
607	15	V4011600100	WASHER , SPRING	M10	2			
607	16	17995070170	PLATE , D	3.2TX90X50	1			
607	17	17995070180	SPRING	33X23	1			
607	18	V7081400120	E-RING	12	1			
607	19	17995070200	PLATE , A	3.2TX40X62	2			
607	20	17995070211	PLATE , FRICTION	13X40X2T	3			
607	20	13835070210	PLATE , FRICTION		3			
607	21	14525070221	ARM COMP , POSITION	1X1X1	1			
607	22	14525070230	ARM COMP , DRAFT LEVER		1			
607	23	17995070241	PLATE , FRICTION	21*40*2T	1			
607	23	13835070220	PLATE , FRICTION		1			
607	24	V4111600060	WASHER , PLAIN	M6	2			
607	25	V5001920020	PIN , SPLIT	2X20	2			
607	26	V7081400080	E-RING	8	2			
607	27	V4111600100	WASHER , PLAIN	M10	2			
607	28	17995070340	BOLT , SUPPORT		1			
607	29	19027592011	KNOB , AUX LEVER	1X1X1	2			
607	30	V1122804012	SCREW , C/R FLAT	M4X12	2			
607	31	19997090010	ROD,SWITCH	6*150*28	1			
607	32	19997090210	PIN , POSITION ROD	10.6*32*8	1			
607	33	V3002600060	NUT , HEX/1	M6	2			
607	34	19995070500GB	ARM COMP , EXTERIOR POSITION	1X1X1	1			
607	35	15602870024	BUSH , 16X24X15		2			
607	36	36212110030	WASHER , TENSION ARM	T=1.6	1			
607	37	V7041400160	C-RING , SHAFT	16	1			
607	38	18175070700	CABLE, EXTERNAL POSITION ASSY		1			
NOTE								

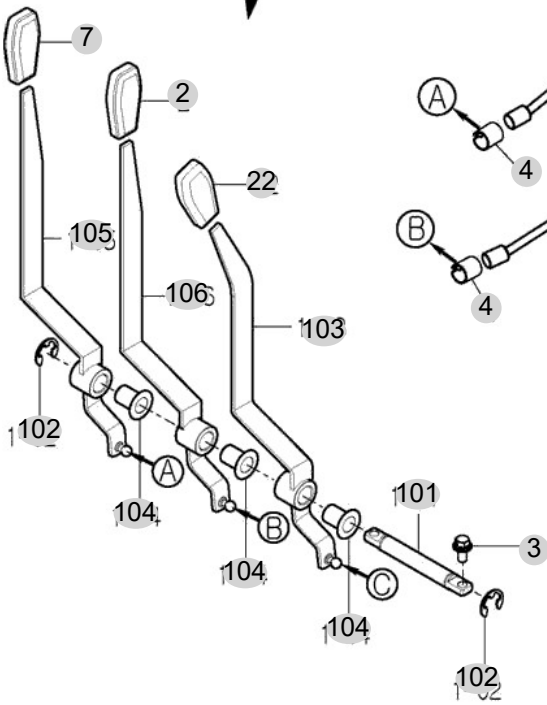
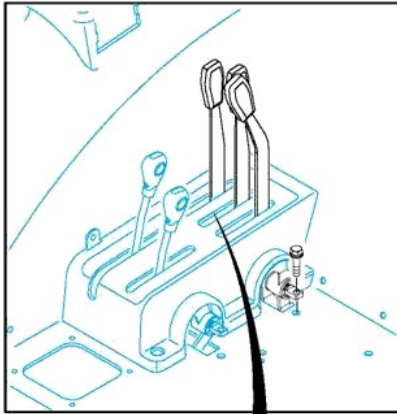
FIG 608

EXTERIOR HYD. VALVE(OPTION_6P)

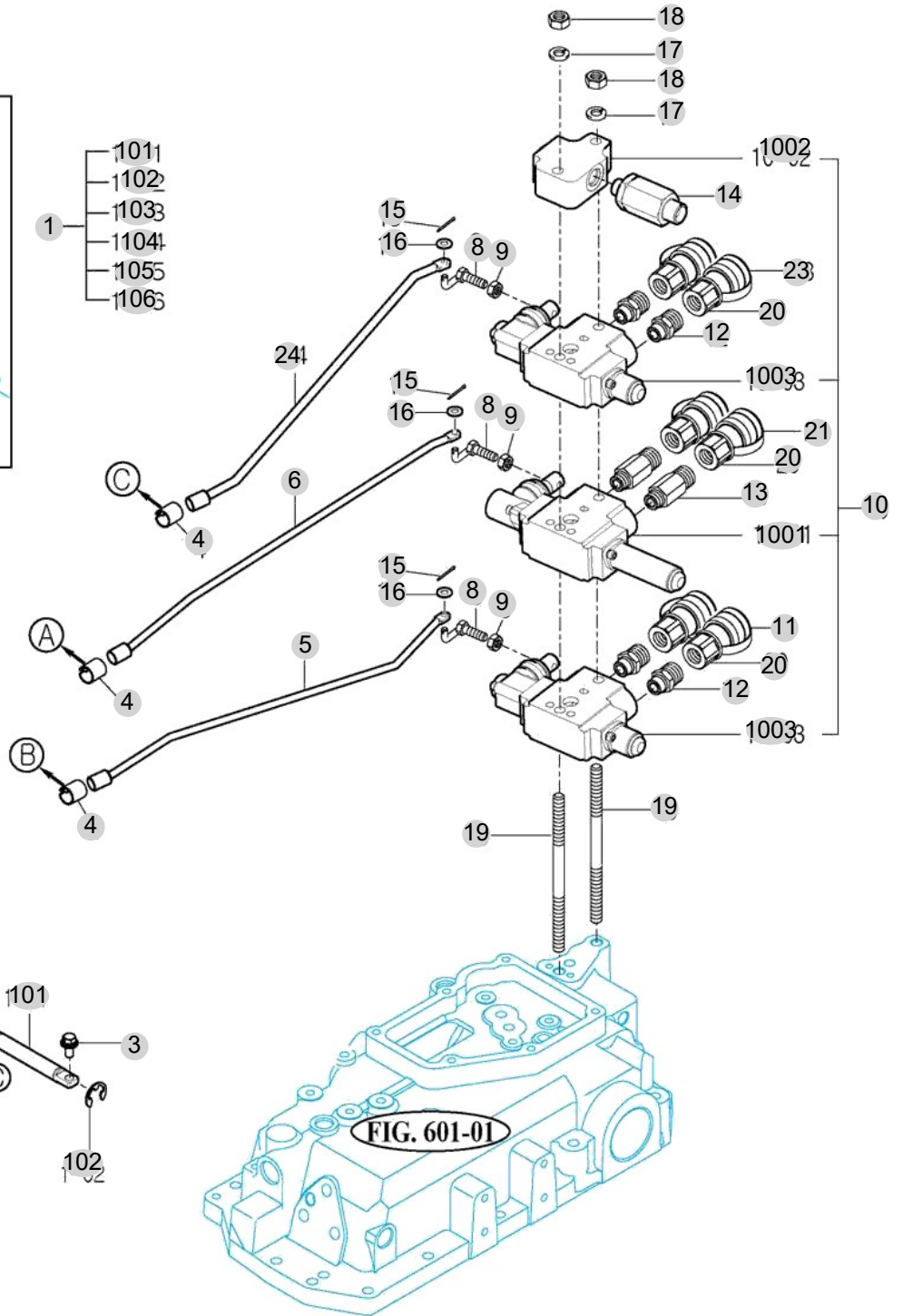
년/월
Year/Month

2022-12

T654SCEU1



T754-K-608



NOTE

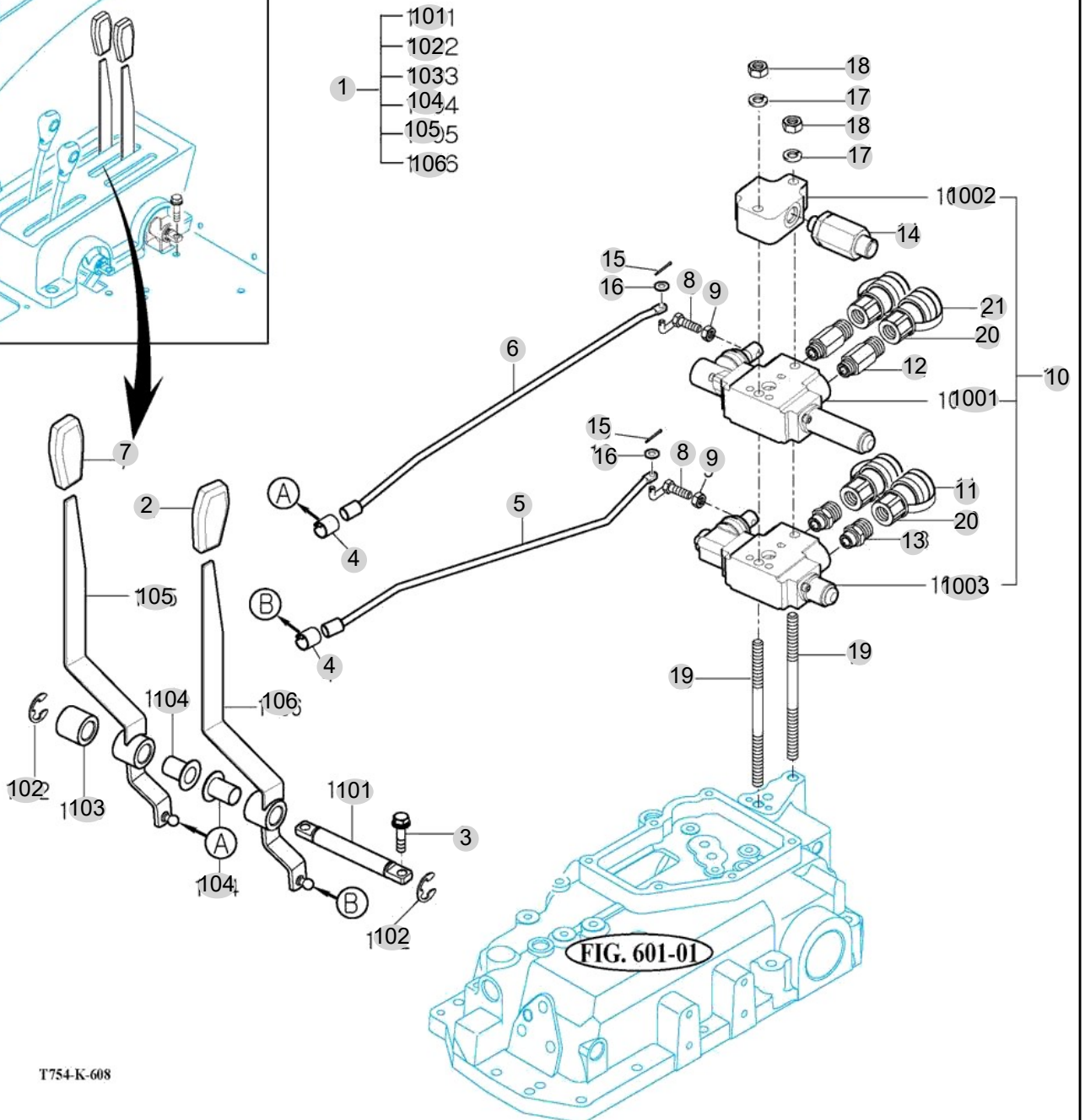
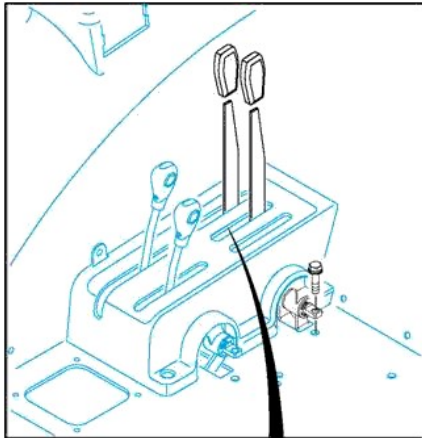
FIG 608

EXTERIOR HYD. VALVE

년/월
Year/Month

2022-12

T654SCEU1



T754-K-608

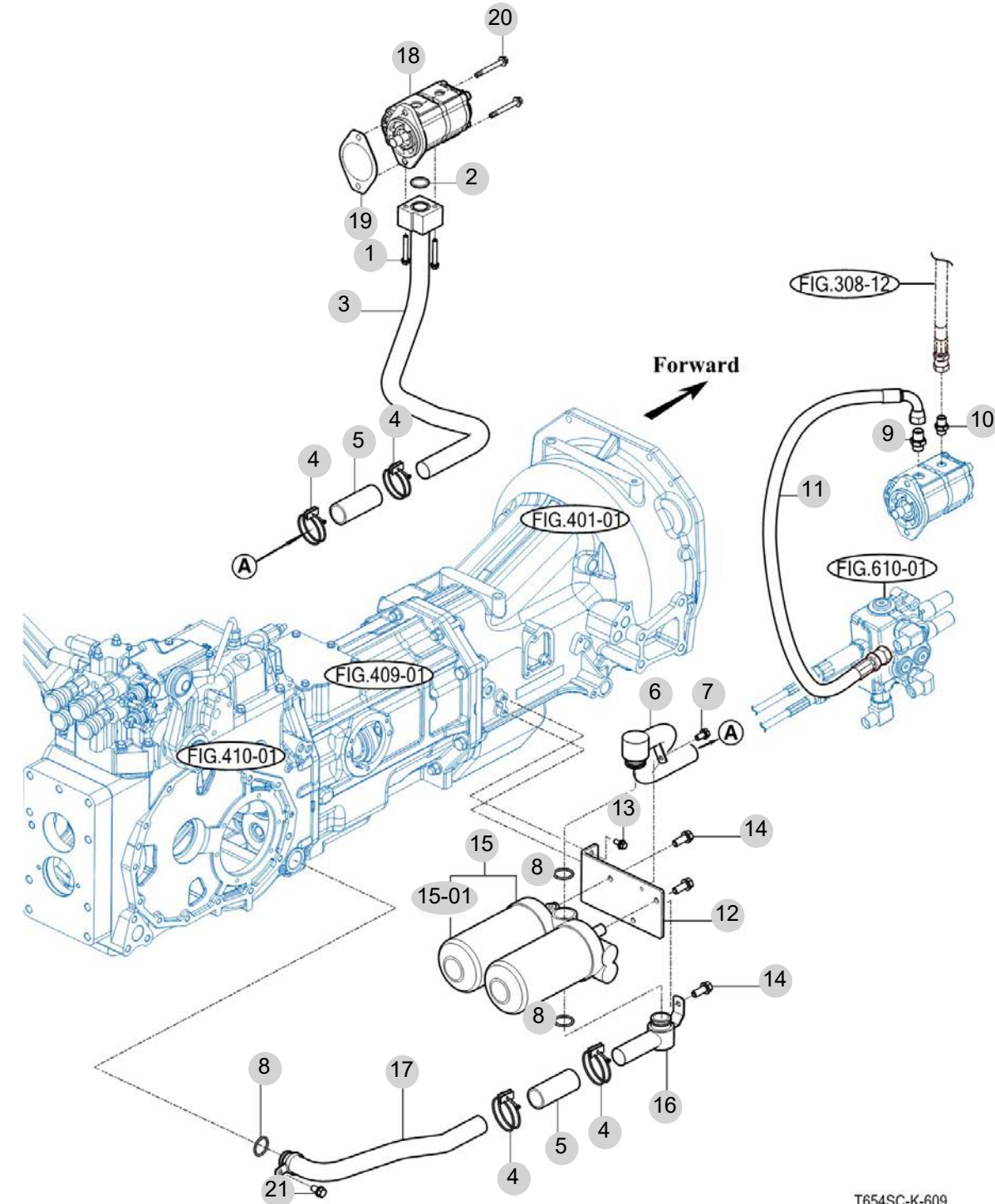
NOTE

FIG 609

HYDRAULIC PIPE

년/월
Year/Month

2022-12



T654SC-K-609

NOTE

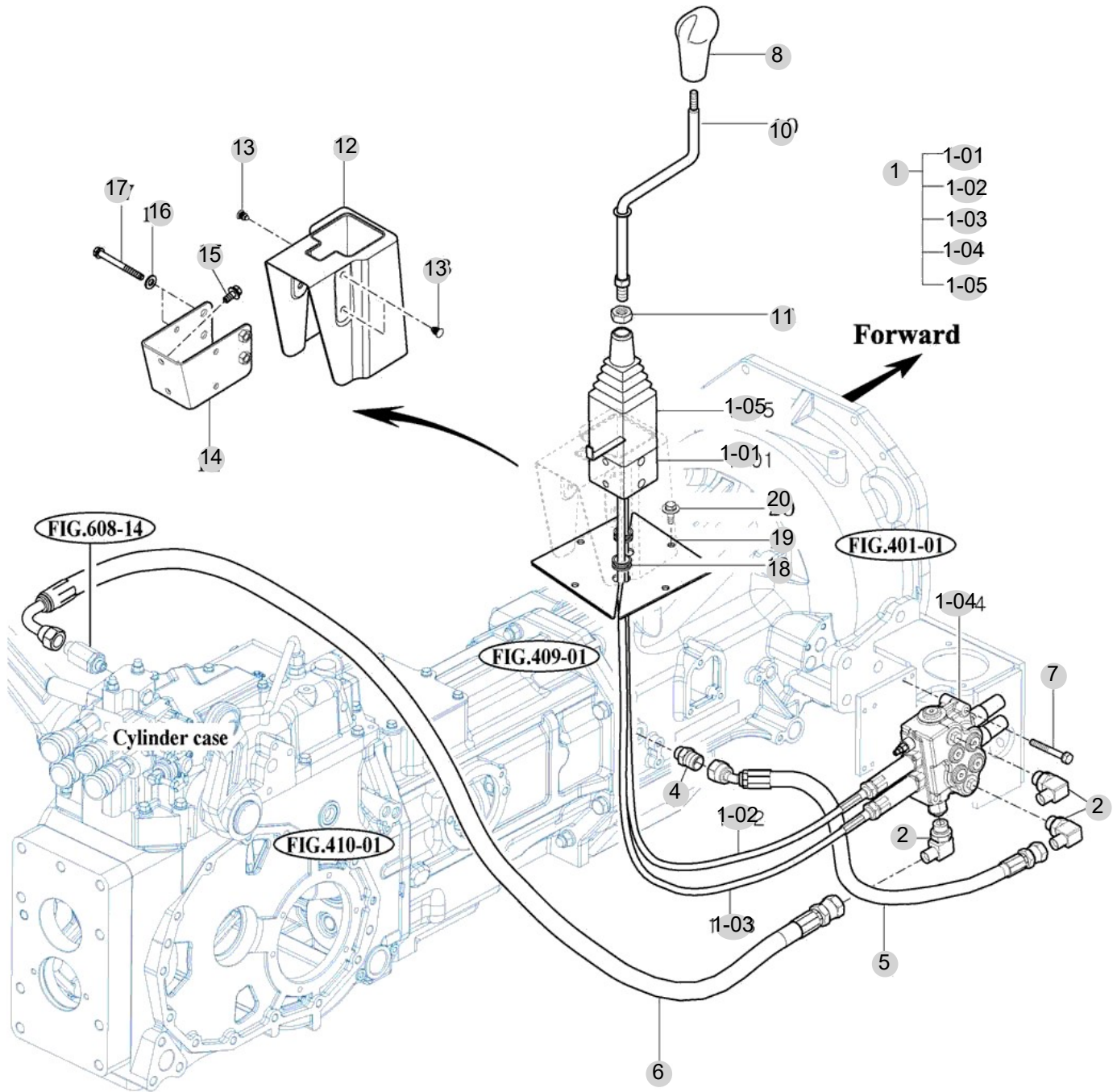
FIG 610

JOYSTICK

년/월
Year/Month

2022-12

T654SCEU1



T654SC-K-610

NOTE

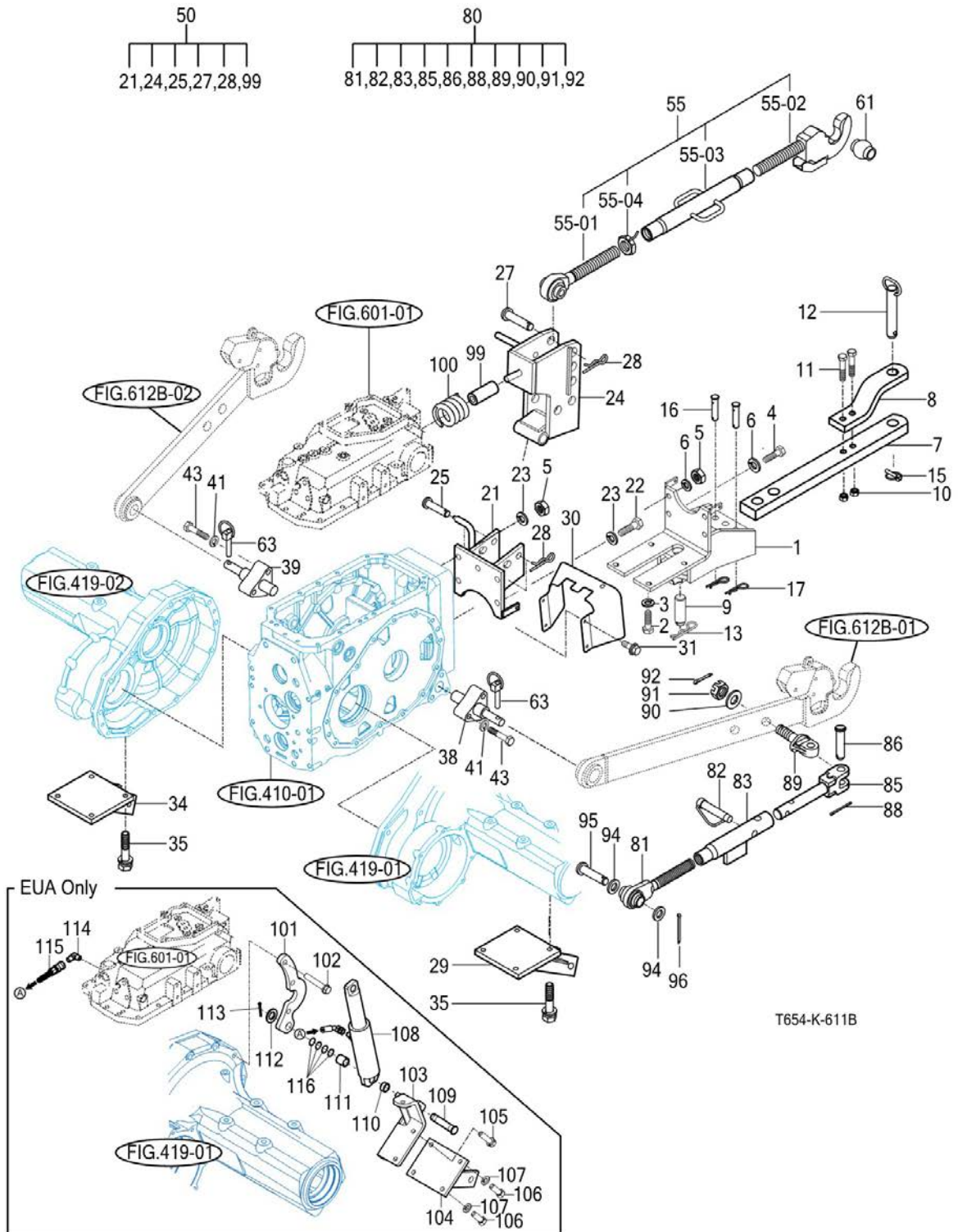
FIG 611-1B(EU)

HITCH & 3-POINT LINK (EU)

년/월
Year/Month

2022-12

T654SCEU1



T654-K-611B

NOTE

FIG 611-1B(EU)		HITCH & 3-POINT LINK (EU)					년/월 Year/Month		
							2022-12		
T654SCEU1		KEY NO	PART NO	DESCRIPTION	SPEC	QTY	REPAIR	EFFECTIVE DATE	REMARKS
611-1B (EU)	1	18015202000GB	BRACKET COMP , DRAW BAR/SWING	246*20*440	1				
611-1B (EU)	2	V2013614035	BOLT , HEX	M14X35	4				
611-1B (EU)	3	V4011600140	WASHER , SPRING	M14	4				
611-1B (EU)	4	V2013616035	BOLT , HEX	M16X35	2				
611-1B (EU)	5	V3043600160	NUT , HEX/2	M16	4				
611-1B (EU)	6	V4011600160	WASHER , SPRING	M16	4				
611-1B (EU)	7	17332470010GB	LINK , DRAW BAR SWING	65X35X660	1				
611-1B (EU)	8	18992470020GB	LINK , HITCH	1X1X1	1				
611-1B (EU)	9	17332472010	PIN , DRAWBAR	D=28	1				
611-1B (EU)	10	15189240160	NUT , NYLON , M16	1X1X1	2				
611-1B (EU)	11	V2004616080	BOLT , HEX	M16X80	2				
611-1B (EU)	12	S0973063031	PIN ASSY	D=19	2				
611-1B (EU)	13	S2169908420	PIN , SNAP/28	1X1X1	1				
611-1B (EU)	15	14215020020	PIN , LINK		1				
611-1B (EU)	16	15645220011	PIN , 19X86	D=19	2				
611-1B (EU)	17	14445140051	PIN , 19	D=4.5	2				
611-1B (EU)	21	15705222000GB	BRACKET COMP		1				
611-1B (EU)	22	V2013616035	BOLT , HEX	M16X35	3				
611-1B (EU)	23	V4011600080	WASHER , SPRING	M8	5				
611-1B (EU)	24	19995222100GB	LINK COMP	13.0X18.3X23.4	1				
611-1B (EU)	25	15645250010	PIN , 19X122	D=19	2				
611-1B (EU)	27	15645220020	PIN , 19X95	D=19	1				
611-1B (EU)	28	14445140051	PIN , 19	D=4.5	3				
611-1B (EU)	29	17975254100GB	BRACKET COMP , LH	1X1X1	1				
611-1B (EU)	30	13605200012GB	COVER , SHIELD	1X1X1	1				
611-1B (EU)	31	V2183608016	BOLT , HEX/SP	M8X16	4				
611-1B (EU)	34	17975254200GB	BRACKET COMP , RH	1X1X1	1				
611-1B (EU)	35	V2013614030	BOLT , HEX	M14X30	8				
611-1B (EU)	38	17975252710	PIN , LOWER LINK		1				
611-1B (EU)	39	17975252810	PIN , LOWER LINK	1X1X1	1				
611-1B (EU)	41	V4011600140	WASHER , SPRING	M14	6				
611-1B (EU)	43	V2013614060	BOLT , HEX	M14X60	6				
611-1B (EU)	50	15705200500	BRACKET ASSY		1				
611-1B (EU)	55	17995201002GB	LINK ASSY . TOP LINK	1X1X1	1				
611-1B (EU)	61	17995201500	BALL , TOP LINK	1X1X1	1				
611-1B (EU)	63	14215020020	PIN , LINK		2				
611-1B (EU)	80	19955253001GB	LINK ASSY , ADJUSTER		2				
611-1B (EU)	81	17995253102	ROD ASSY , TIE	1X1X1	2				
611-1B (EU)	82	17995253200	PIN COMP	1X1X1	4				
611-1B (EU)	83	17995253302GB	SLEEVE COMP	1X1X1	4				
611-1B (EU)	85	17995201300	ROD COMP , RH	1X1X1	2				
611-1B (EU)	86	S2167091722	PIN , 20X59	62X22	4				
611-1B (EU)	88	V5001950035	PIN , SPLIT	5X35	2				
611-1B (EU)	89	16995253091	BOLT , EYE		2				
611-1B (EU)	90	V4111600240	WASHER , PLAIN	M24	2				
NOTE									

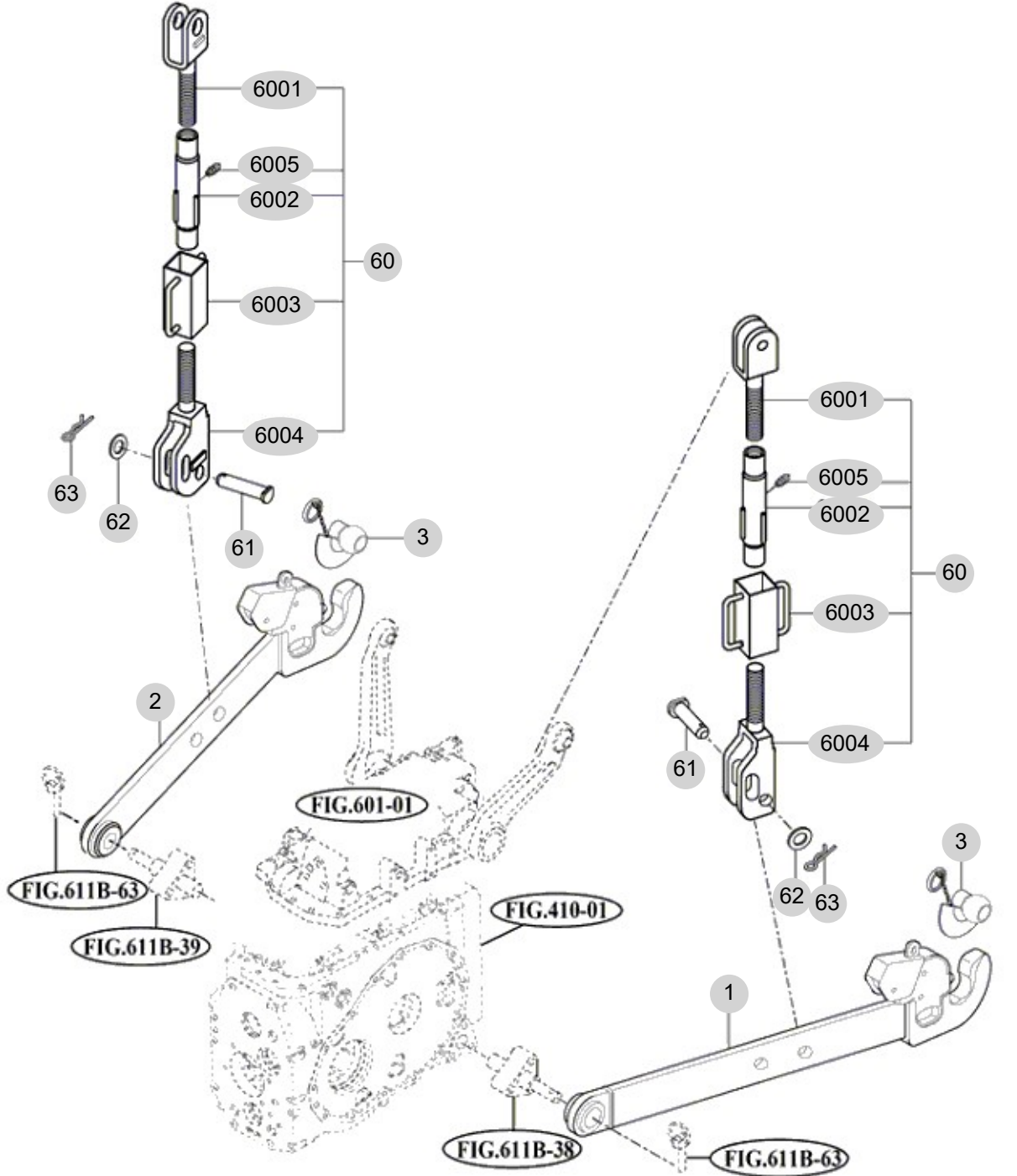
FIG 612(EU)

LOWER LINK & LIFT ROD(EU)

년/월
Year/Month

2022-12

T654SCEU1



T654-K-612B

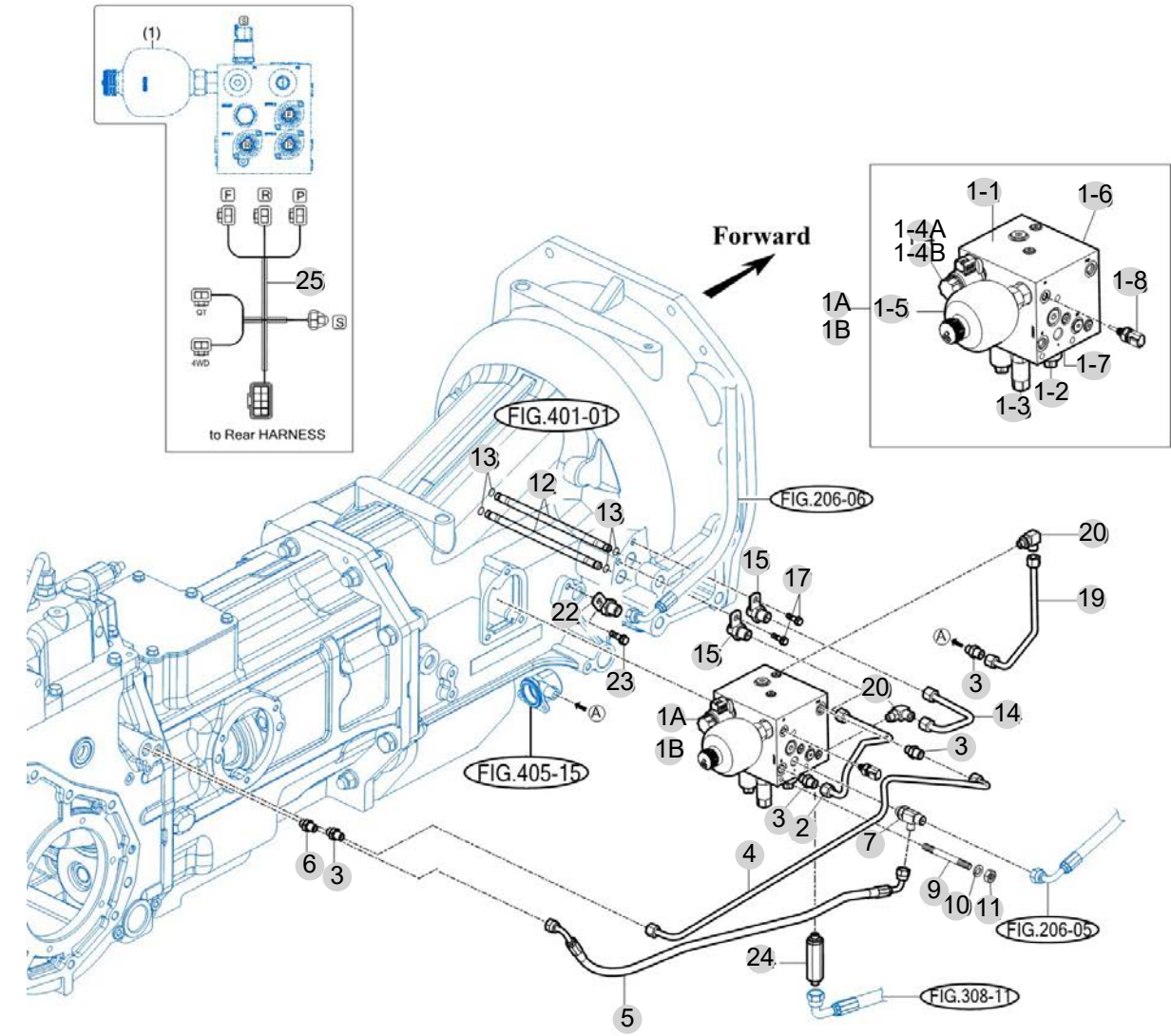
NOTE

FIG 613

HYDRAULIC HOSE

년/월
Year/Month

2022-12



T654SC-K-613

NOTE

7. Sheet Metal & Cabin PART NO. T7

FIG 701 HOOD	190
FIG 702 FRONT FRAME	192
FIG 703 SIDE SUPPORT & FRAME HOOD	194
FIG 704 LEVER COVER & STEP	197
FIG 705 FRONT & REAR MOUNTING	199
FIG 706 SEAT & MAT	201
FIG 709 DOOR	203
FIG 709-2 DOOR	206
FIG 710 FRONT GLASS	208
FIG 711 SIDE GLASS	210
FIG 712 REAR GLASS	212
FIG 713 SUB FENDER & COVER	214
FIG 714 MIRROR	216
FIG 715 HEATER & AIR-CON	218
FIG 715-2 HEATER & AIR-CON	220
FIG 716 FENDER COVER	222
FIG 717 ROOF	224
FIG 718 CABIN INTERIOR	226

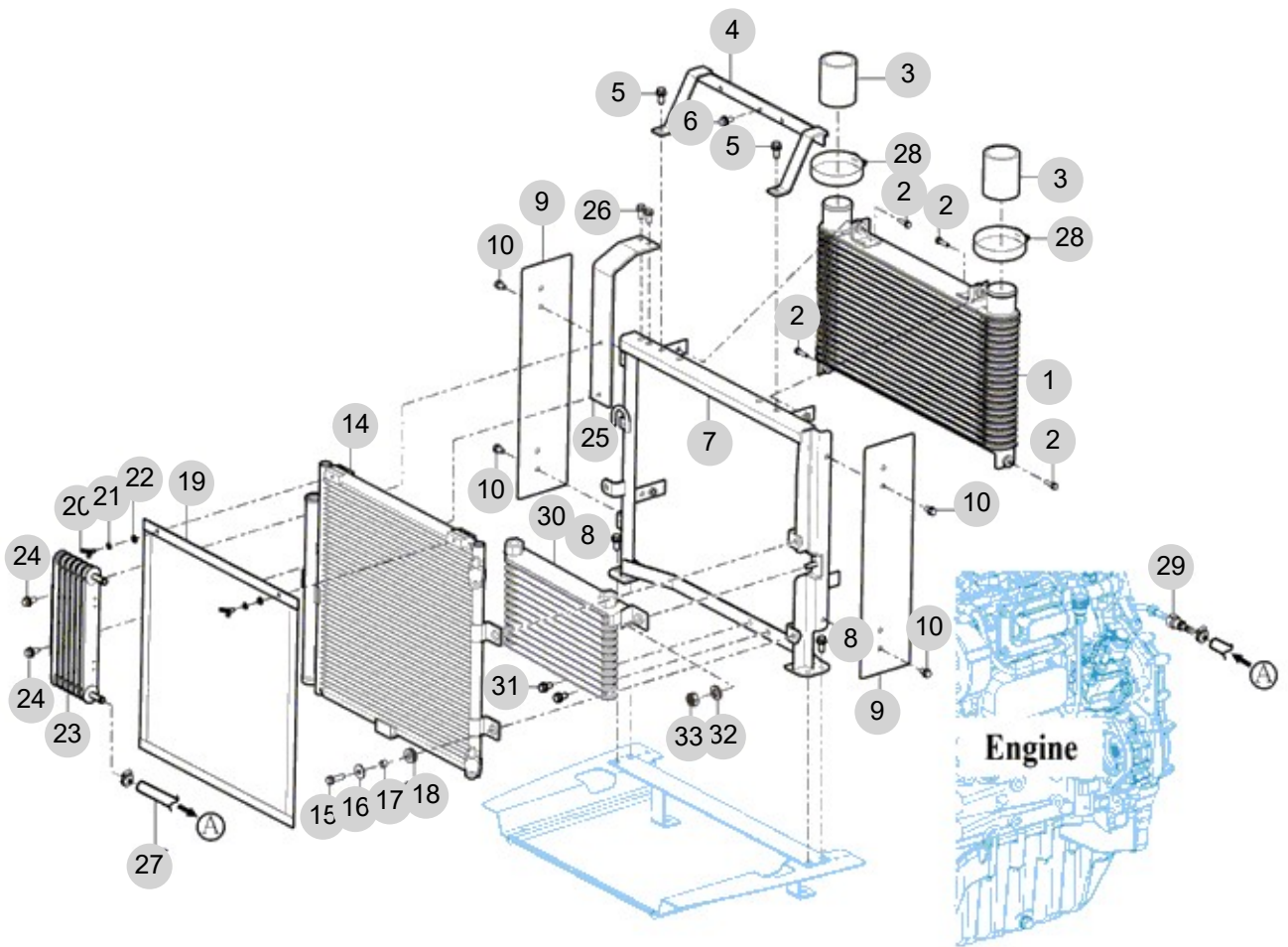
FIG 702

FRONT FRAME

년/월
Year/Month

2022-12

T654SCEU1



X750QP-K-702

NOTE

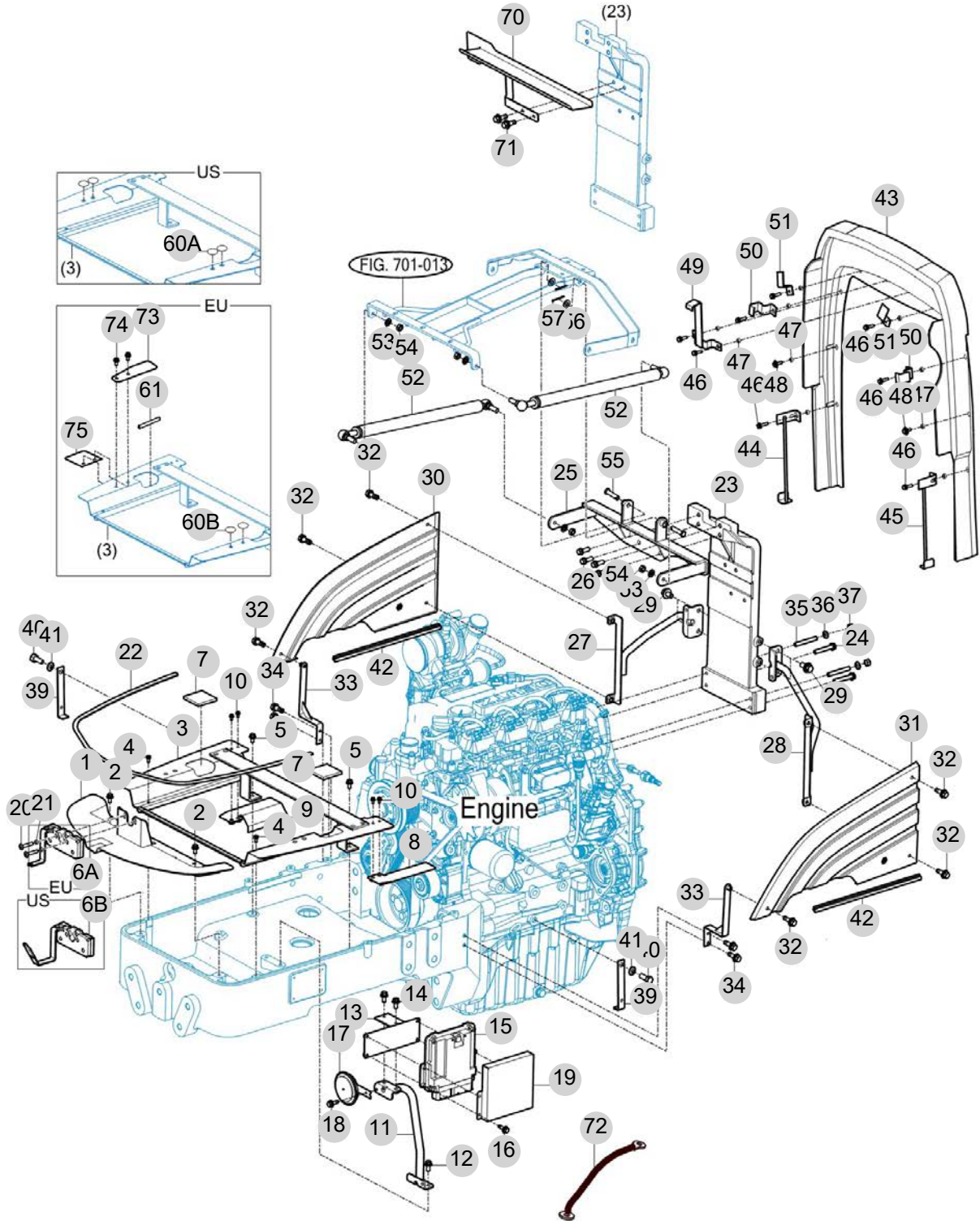
FIG 703

SIDE SUPPORT & FRAME HOOD

년/월
Year/Month

2022-12

T654SCEU1



T754-K-703

NOTE

FIG 703 T654SCEU1		SIDE SUPPORT & FRAME HOOD					년/월 Year/Month	
							2022-12	
KEY NO	PART NO	DESCRIPTION	SPEC	QTY	REPAIR	EFFECTIVE DATE	REMARKS	
703	1	18014103101GB	PLATE COMP, LOW/FR		1			
703	2	V2173608020	BOLT, HEX/S	M8X20	2			
703	3	18026022102GB	FRAME COMP, BETTERY		1			
703	4	V2113606016	BOLT, HEX /S	M6X16	2			
703	5	V2183608020	BOLT, HEX/SP	M8X20	2			
703	6A	18026014800	LOCK COMP, HOOD		1			
703	7	10031040020	INSULATOR, RADIATOR		2			
703	8	17136012400GB	COVER COMP, LH		1			
703	9	17136012300GB	COVER COMP, RH		1			
703	10B	V2123606012	BOLT, HEX /SP	M6X12	4			
703	11	18021051100	ECU STAND COMP		1			
703	11	18021051100GB	ECU STAND COMP		1			
703	12	V2184610025	BOLT, HEX/SP	M10X25	2			
703	13	18021051200	BRACKET COMP, ECU		1			
703	13	18021051200GB	BRACKET COMP, ECU		1			
703	14	V2184608020	BOLT, HEX/SP	M8X20	2			
703	15	02959610	CONTROL UNIT (ECU)		1			
703	16	V2123606025	BOLT, HEX /SP	M6X25	4			
703	17	13266212003	HORN		1			
703	18	V2123606016	BOLT, HEX /SP	M6X16	1			
703	19	18021025200GB	COVER, ECU		1			
703	20	V2053606035	BOLT, HEX C/R	M6X35	2			
703	21	V3802600060	NUT, HEX FLANGE	M6	2			
703	22	10034100010	INSULATOR, HOOD		1			
703	23	18026050011GB	HOOD SUPPORT		1			
703	24	V2173608050	BOLT . HEX/S	M8X50	2			
703	25	17136052102GB	HINGE COMP, HOOD		1			
703	25	17136052103GB	HINGE COMP, HOOD		1			
703	26	V2173610035	BOLT, HEX/S	M10X35	4			
703	27	18026022500GB	STAY COMP, RH		1			
703	28	18026022400GB	STAY COMP, LH		1			
703	29	V2183610020	BOLT, HEX/SP	M10X20	4			
703	30	17136113021GB	SUPPORT, RH SIDE		1			
703	31	17136113011GB	SUPPORT, LH SIDE		1			
703	32	V2123806012	BOLT . HEX /SP	M6X12	6			
703	33	18026022600GB	FRAME COMP, SIDE		2			
703	34	V2183608020	BOLT, HEX/SP	M8X20	4			
703	35	V2513408050	BOLT, STUD/2	M8X50	2			
703	36	V4011600080	WASHER, SPRING	M8	2			
703	37	V3042600080	NUT, HEX/2	M8	2			
703	39	18024050010GB	BRACKET, STEERING HOSE		2			
703	40	V2013614030	BOLT, HEX		2			
703	41	V4011600140	WASHER, SPRING	M14	2			
703	42	17136040050	INSULATOR, SUPPORT		2			
703	43	15706301040	EXTENSION COVER		1			
NOTE								

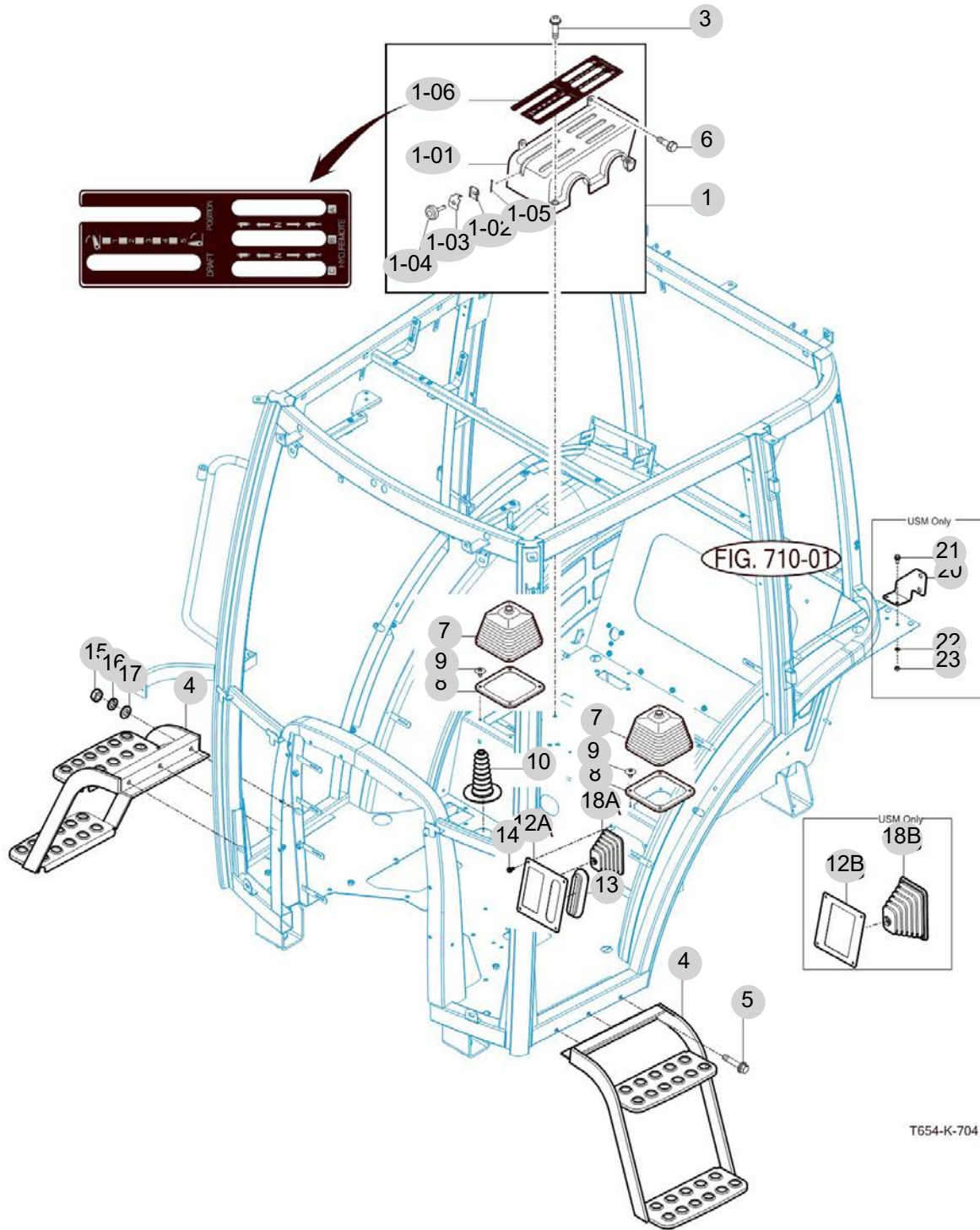
FIG 704

T654SCEU1

LEVER COVER & STEP

년/월
Year/Month

2022-12



NOTE

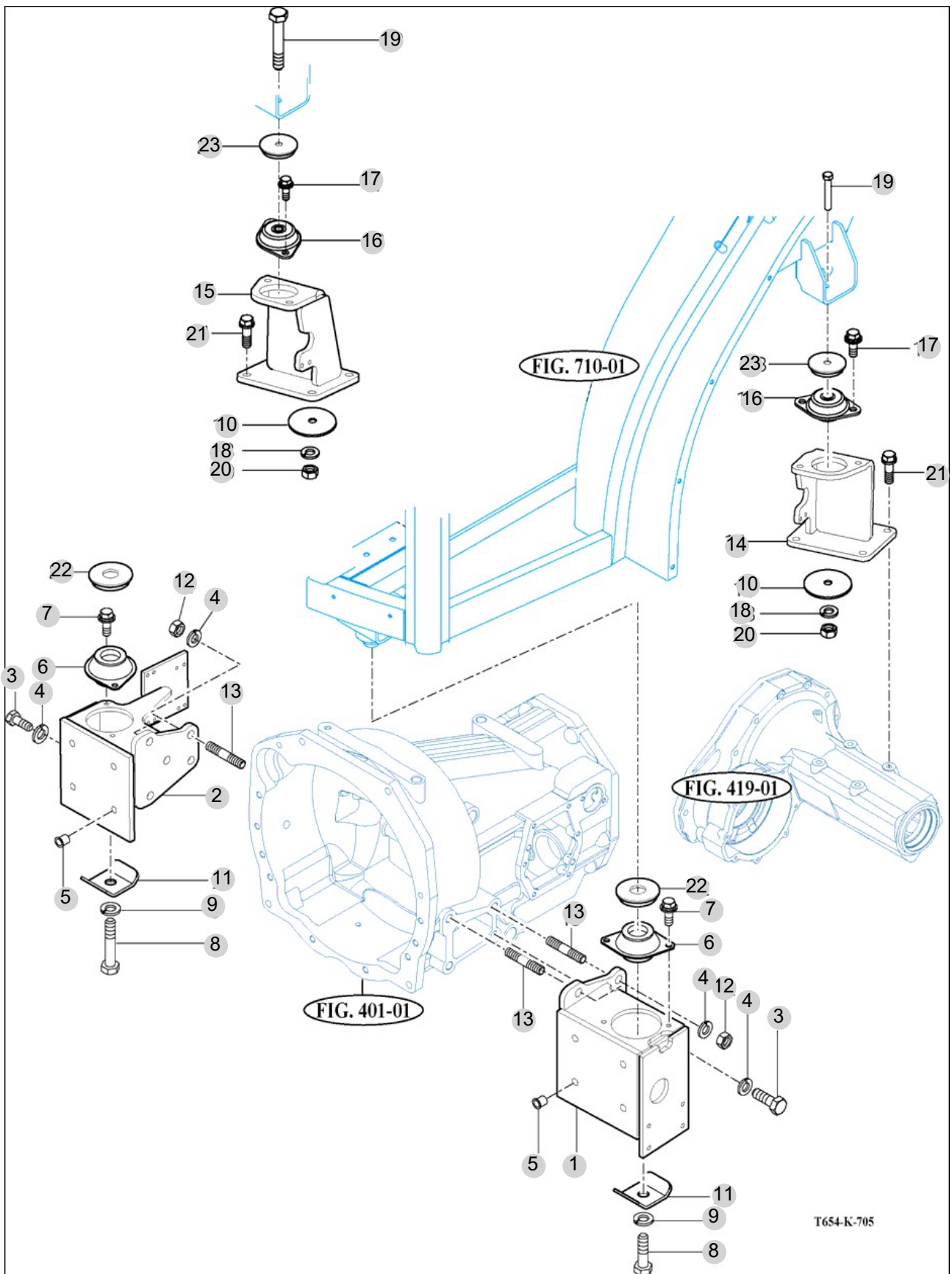
FIG 705

FRONT & REAR MOUNTING

년/월
Year/Month

2022-12

T654SCEU1



T654-K-705

NOTE

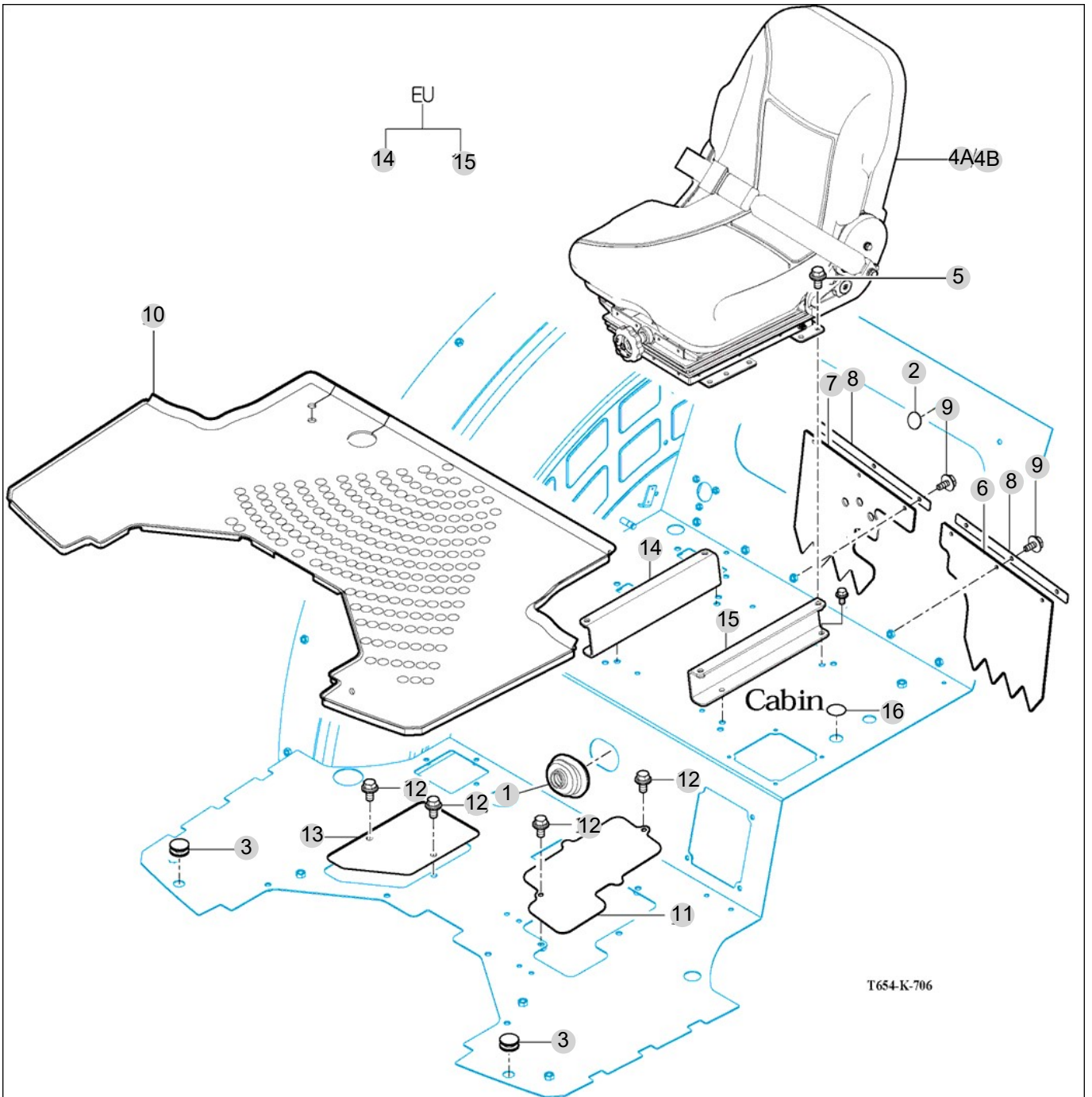
FIG 706

SEAT & MAT

년/월
Year/Month

2022-12

T654SCEU1



NOTE

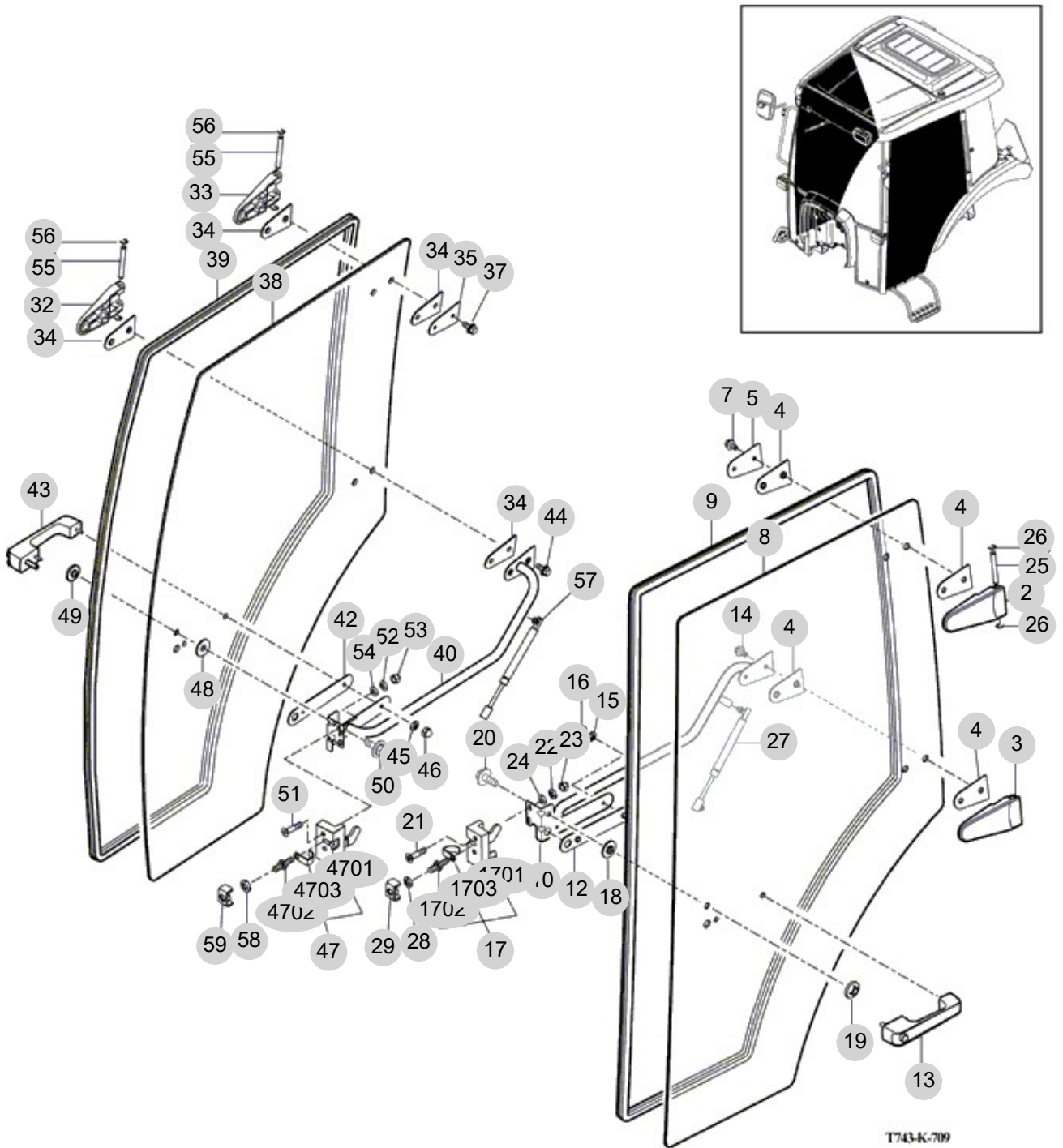
FIG 709

DOOR

년/월
Year/Month

T654SCEU1

2022-12



NOTE

FIG 709 T654SCEU1		DOOR					년/월 Year/Month	
							2022-12	
KEY NO	PART NO	DESCRIPTION	SPEC	QTY	REPAIR	EFFECTIVE DATE	REMARKS	
709	2	14527052300	HINGE COMP , UPR/LH			1		
709	3	14527052400	HINGE COMP , UPR/RH			1		
709	4	14527052110	GASKET , DOOR HINGE			4		
709	5	14527052120GB	PLATE , DOOR HINGE			1		
709	7	V2183608020	BOLT , HEX/SP	M8X20		2		
709	8	14527052131	GLASS , LH/ DOOR	6t		1		
709	9	14527052140	INSULATOR/DOOR			1		
709	10	14527052500GB	GUIDE COMP ,LH/ DOOR			1		
709	12	14527052150	GASKET,DOOR GRIP			1		
709	13	14527052600	GRIP ASSY, LOCK/HANDLE			1		
709	14	V2183608020	BOLT , HEX/SP	M8X20		2		
709	15	V4011600060	WASHER , SPRING	M6		2		
709	16	V3402700060	NUT , HEX CAP	M6		2		
709	17	14527052700	LOCK SET , LH/DOOR			1		
709	1701	14527052710	LOCK ASSY, LH/DOOR			1		
709	1702	14527052720	STRIKER			1		
709	1703	14527052730	GUARD			1		
709	18	15817401130	GROMMET , 13X17X02			1		
709	19	14527042500	NUT COMP , GLASS			1		
709	20	V2193606012	BOLT , HEX/SPL	M6X12		1		
709	21	V1122608040	SCREW , C/R FLAT	M8X40		2		
709	22	V4011600080	WASHER , SPRING	M8		2		
709	23	V3412700080	NUT , SMALL CAP	M8		2		
709	24	V4111600080	WASHER , PLAIN			2		
709	25	14527041110	PIN, HINGE DOOR	D=8		2		
709	26	V7082400070	E-RING	7		4		
709	27	14527301080	DAMPER ASSY , DOOR	20KG		1		
709	28	V4011600100	WASHER , SPRING	M10		1		
709	29	14527062500GB	BRACKET COMP , DOOR LOCK			1		
709	32	14527052300	HINGE COMP , UPR/LH			1		
709	33	14527052400	HINGE COMP , UPR/RH			1		
709	34	14527052110	GASKET , DOOR HINGE			4		
709	35	14527052120GB	PLATE , DOOR HINGE			1		
709	37	V2183608020	BOLT , HEX/SP	M8X20		2		
709	38	14527053131	GLASS , RH/ DOOR	6t		1		
709	39	14527052140	INSULATOR/DOOR			1		
709	40	14527053500GB	GUIDE COMP ,RH/DOOR			1		
709	42	14527052150	GASKET,DOOR GRIP			1		
709	43	14527052600	GRIP ASSY, LOCK/HANDLE			1		
709	44	V2183608020	BOLT , HEX/SP	M8X20		2		
709	45	V4011600060	WASHER , SPRING	M6		2		
709	46	V3402700060	NUT , HEX CAP	M6		2		
709	47	14527053700	LOCK SET , RH/DOOR			1		
709	4701	14527053710	LOCK ASSY, RH/DOOR			1		
709	4702	14527052720	STRIKER			1		
NOTE								

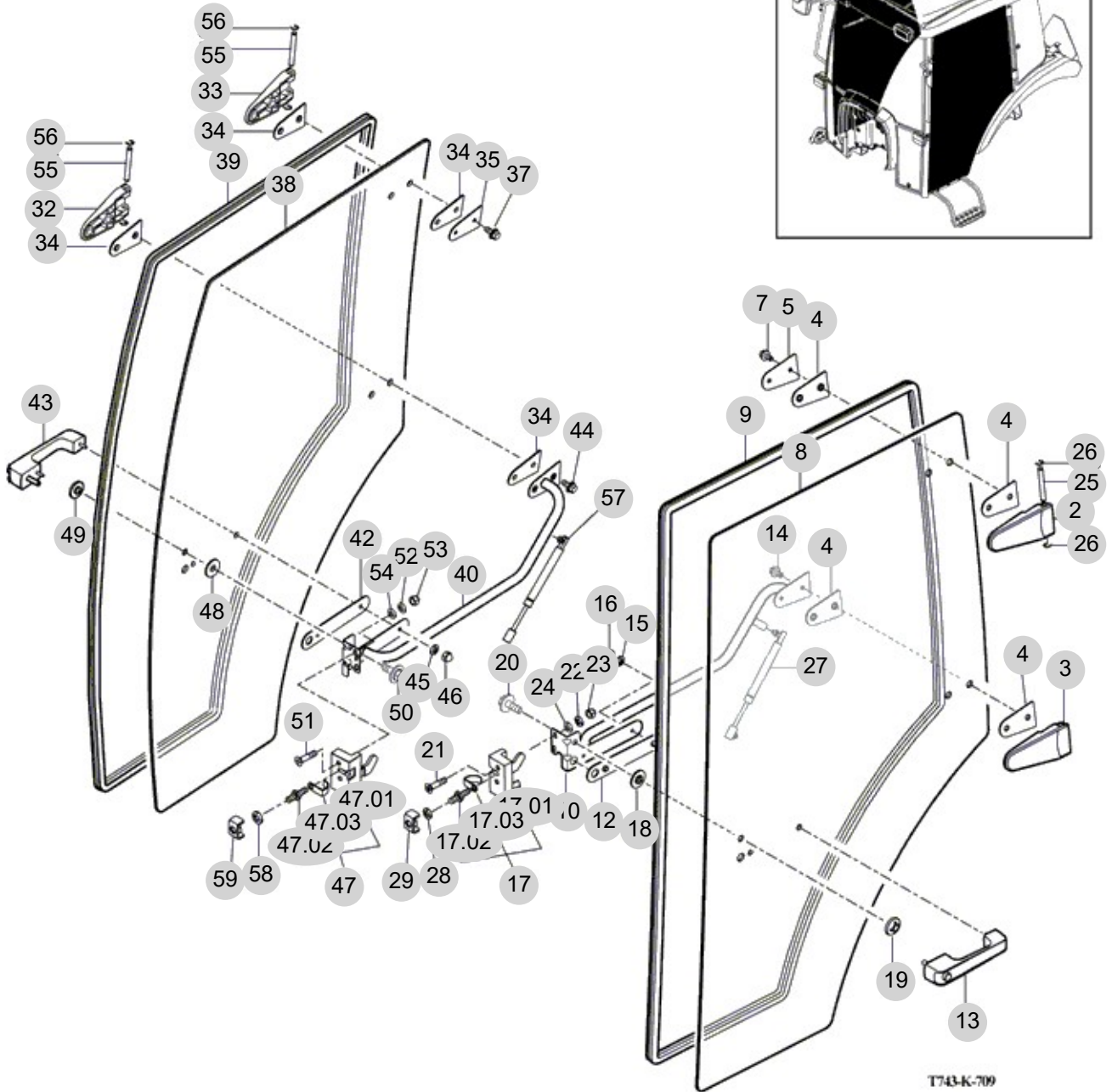
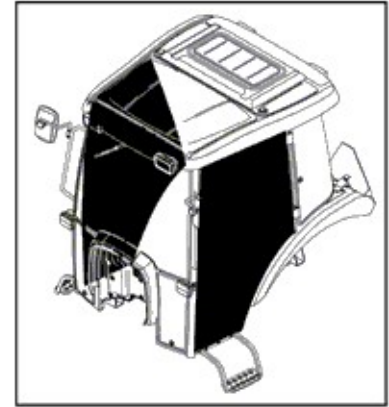
FIG 709-2

DOOR

년/월
Year/Month

2022-12

T654SCEU1



T743-K-709

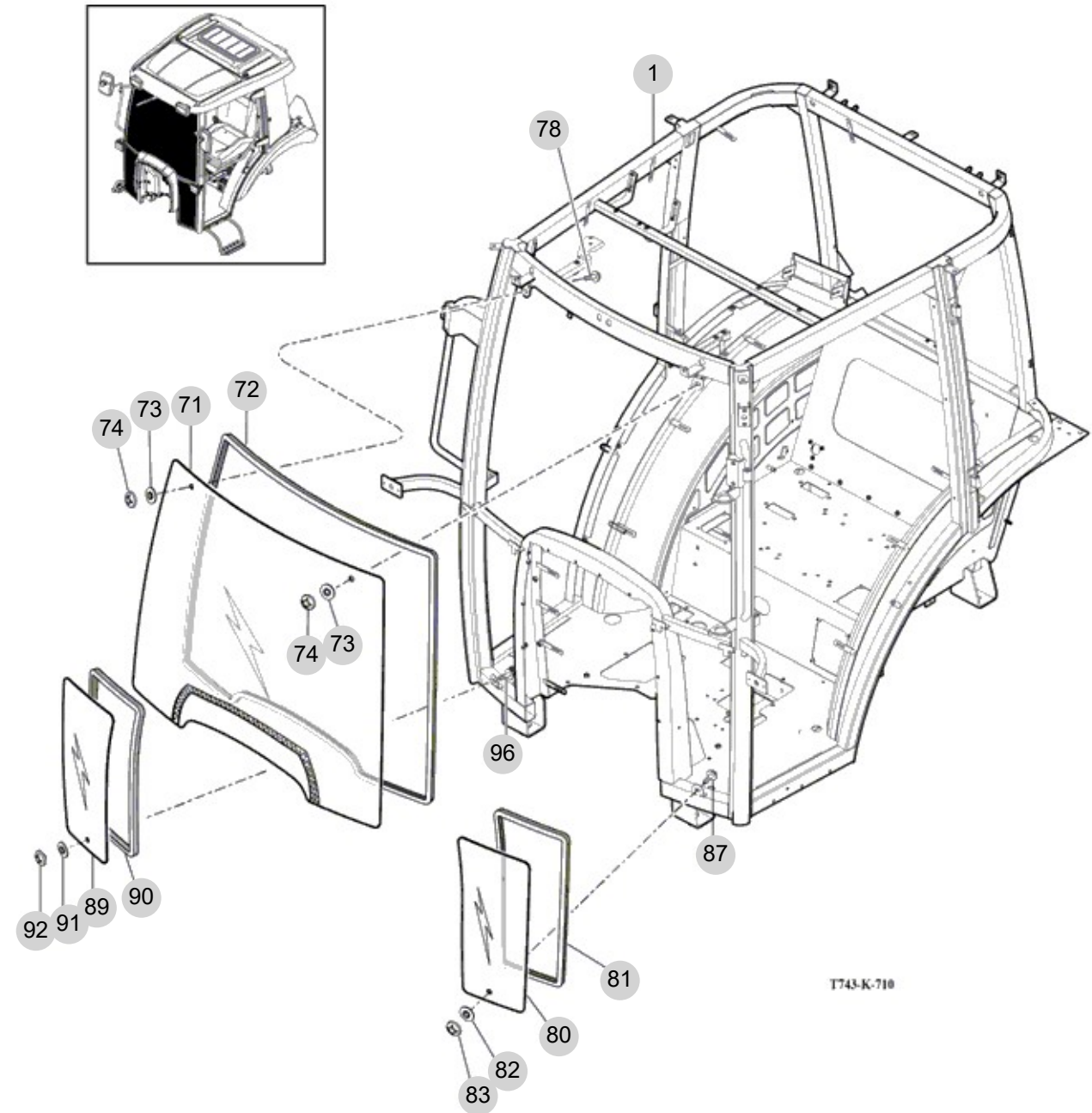
NOTE

FIG 710

FRONT GLASS

년/월
Year/Month

2022-12



NOTE

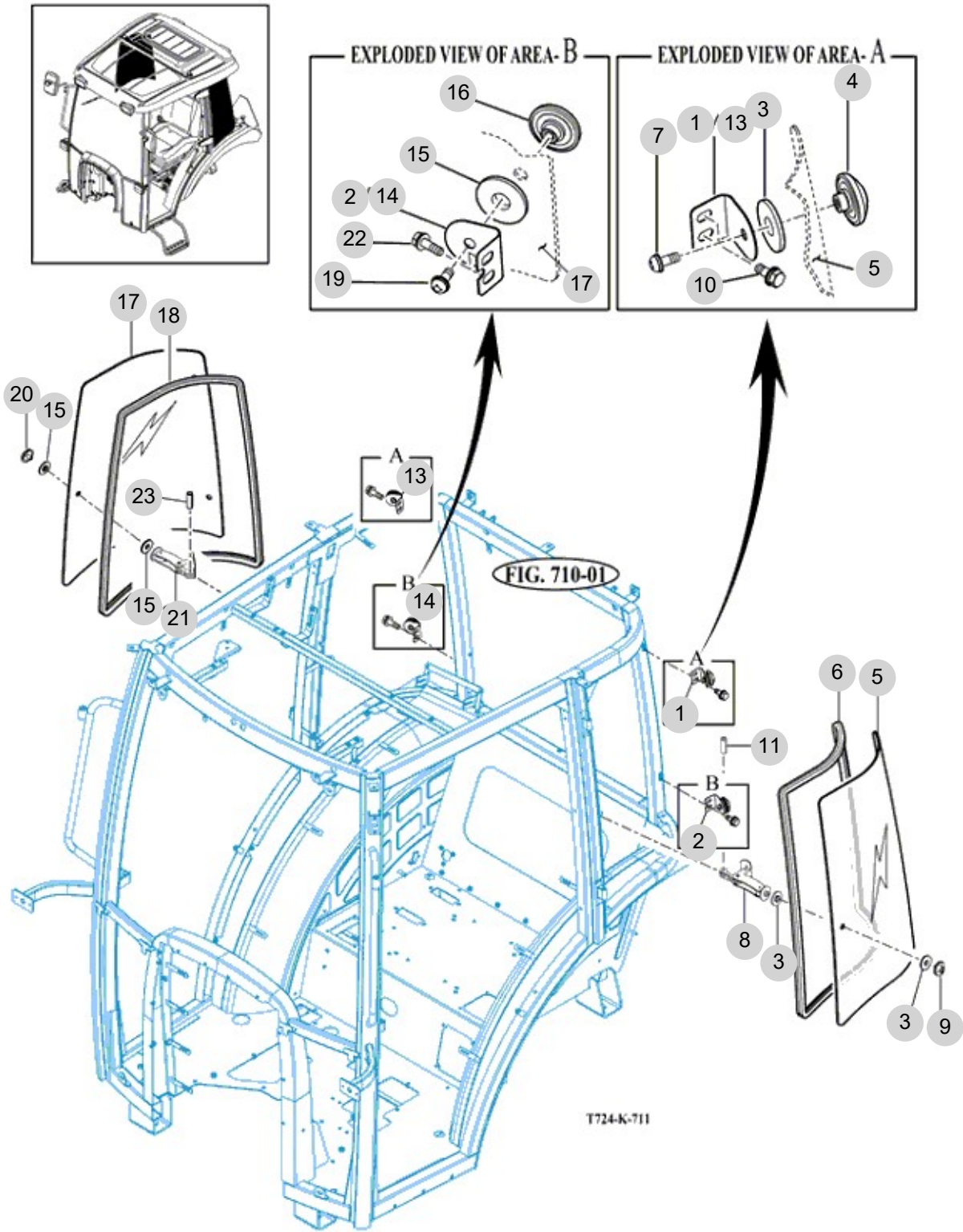
FIG 711

T654SCEU1

SIDE GLASS

년/월
Year/Month

2022-12



NOTE

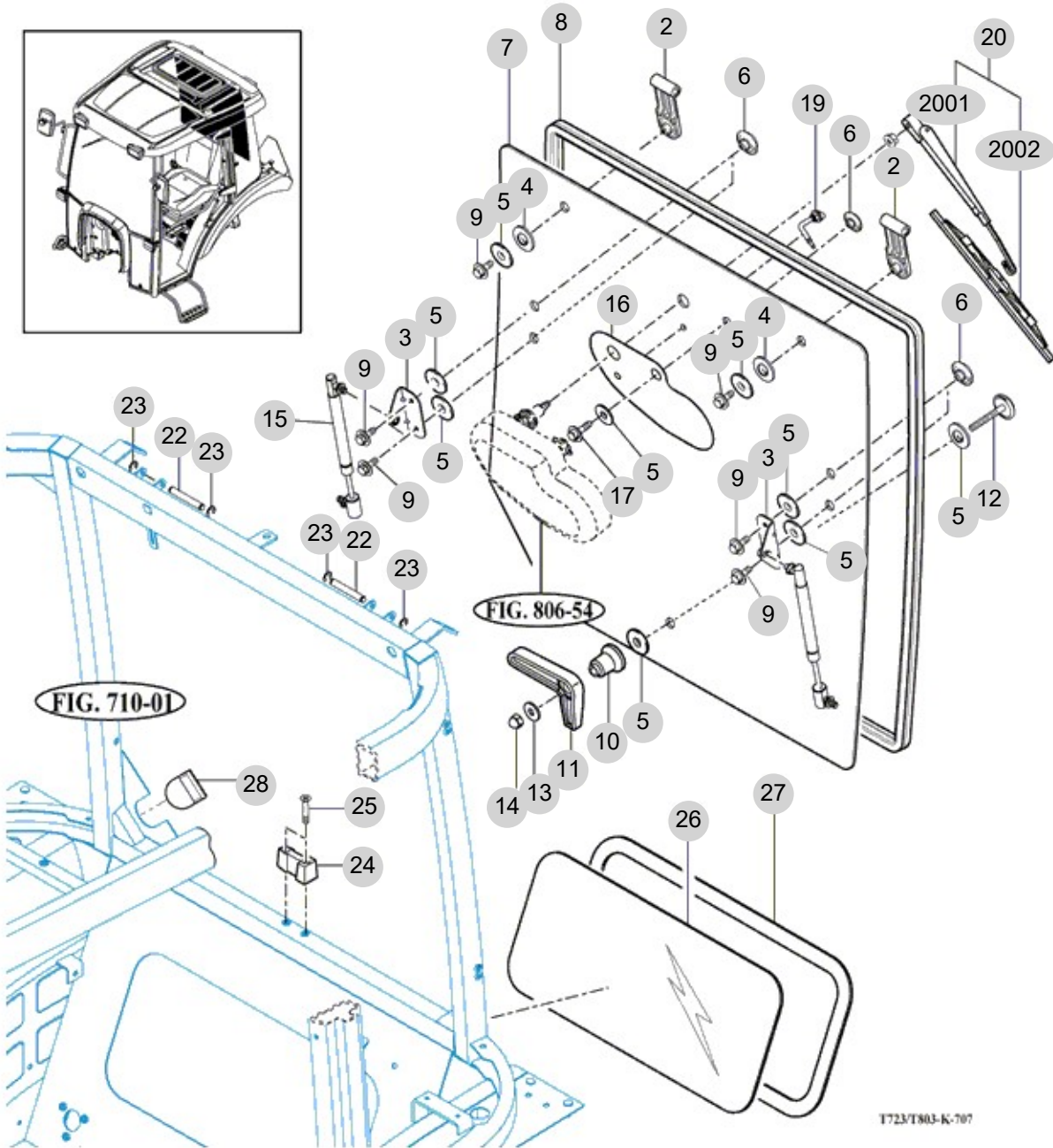
FIG 712

REAR GLASS

년/월
Year/Month

2022-12

T654SCEU1



NOTE

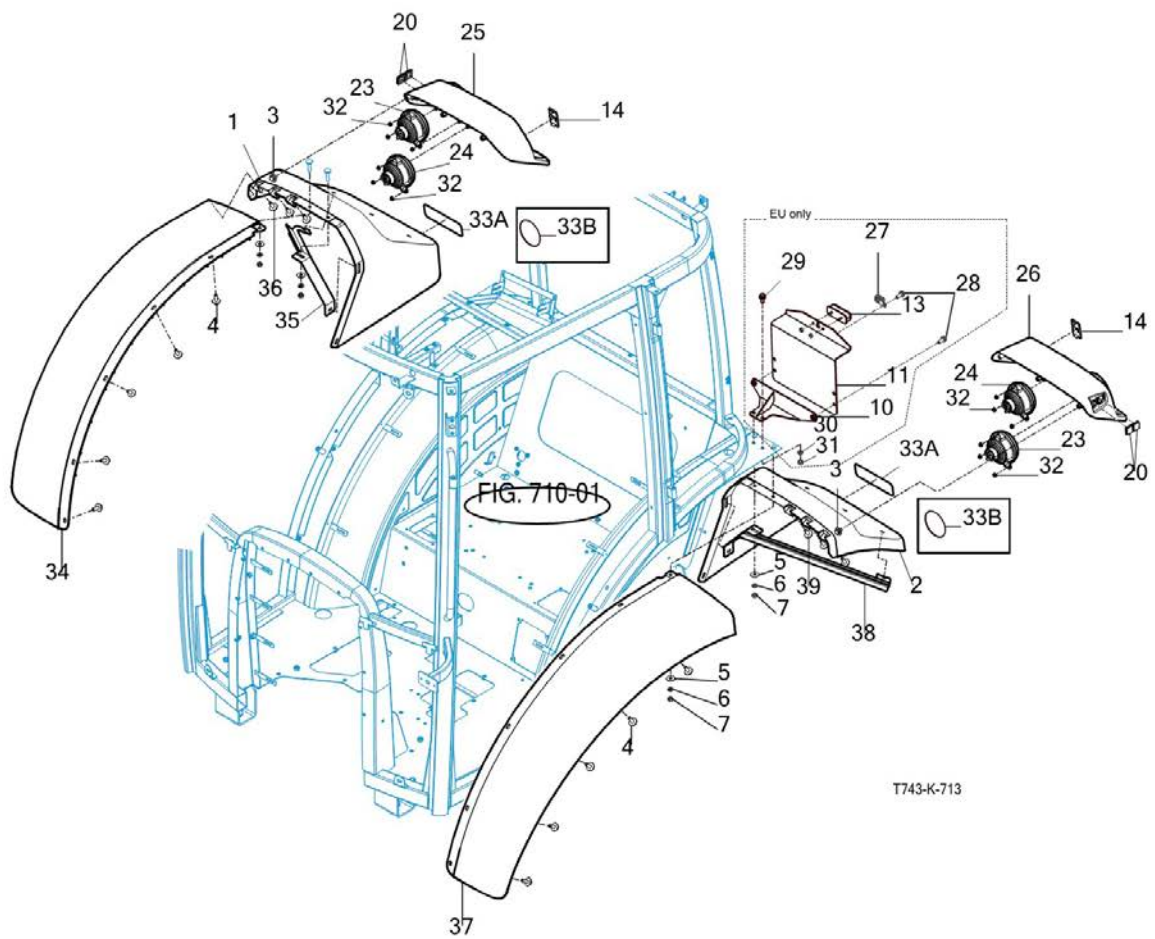
FIG 713

SUB FENDER & COVER

년/월
Year/Month

2022-12

T654SCEU1



NOTE

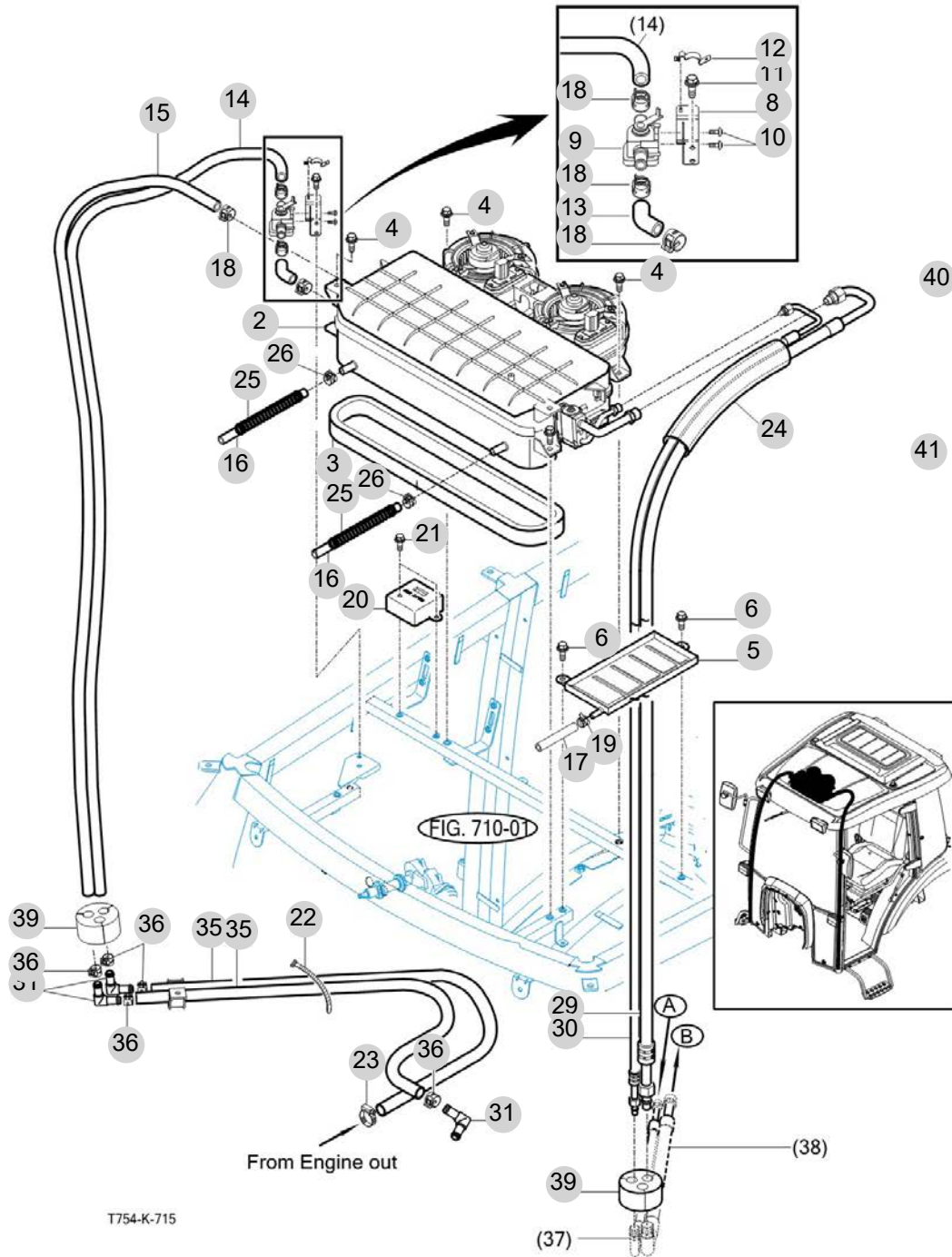
FIG 715

HEATER & AIR-CON

년/월
Year/Month

2022-12

T654SCEU1



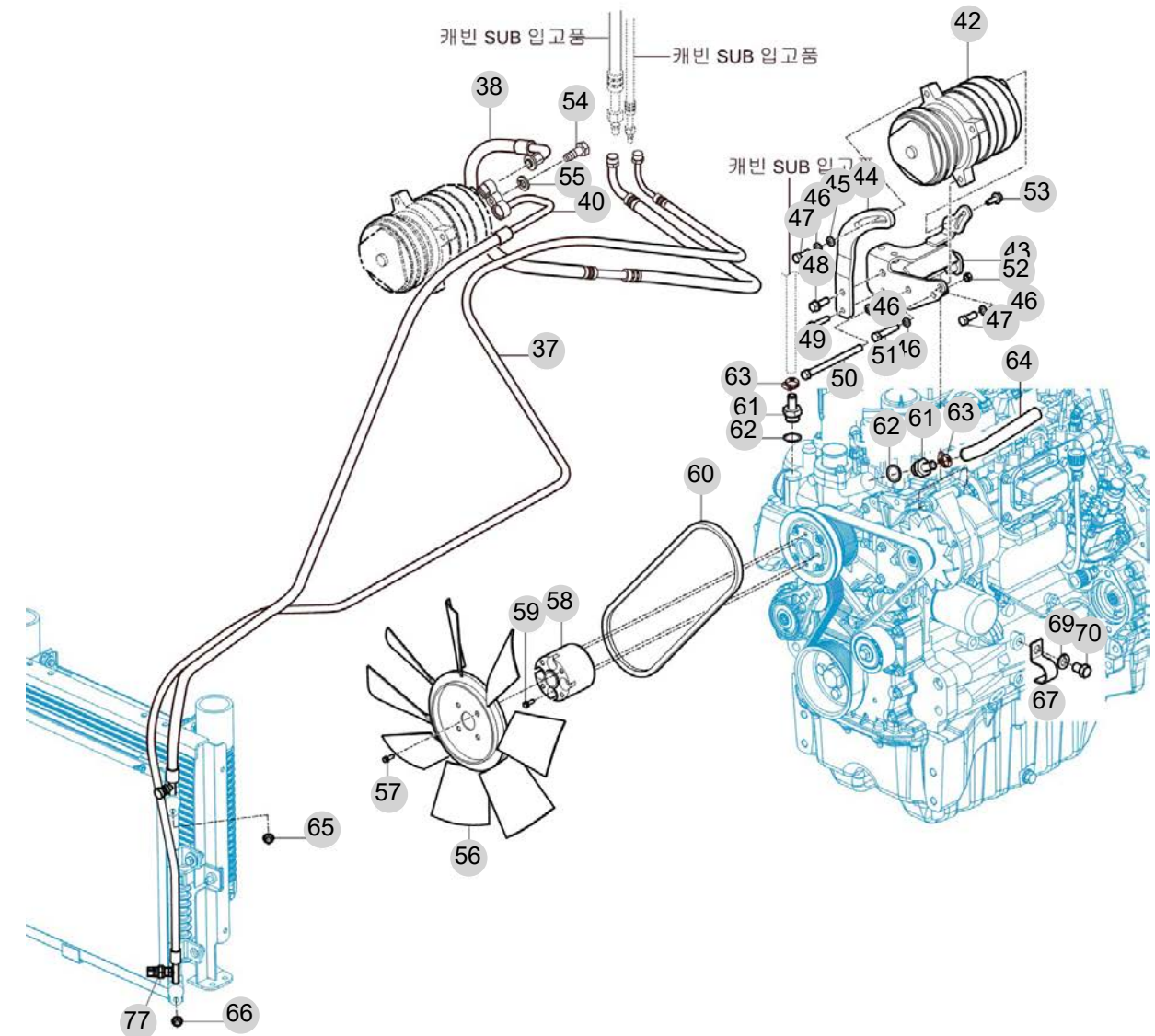
NOTE

FIG 715-2

HEATER & AIR-CON

년/월
Year/Month

2022-12



NOTE

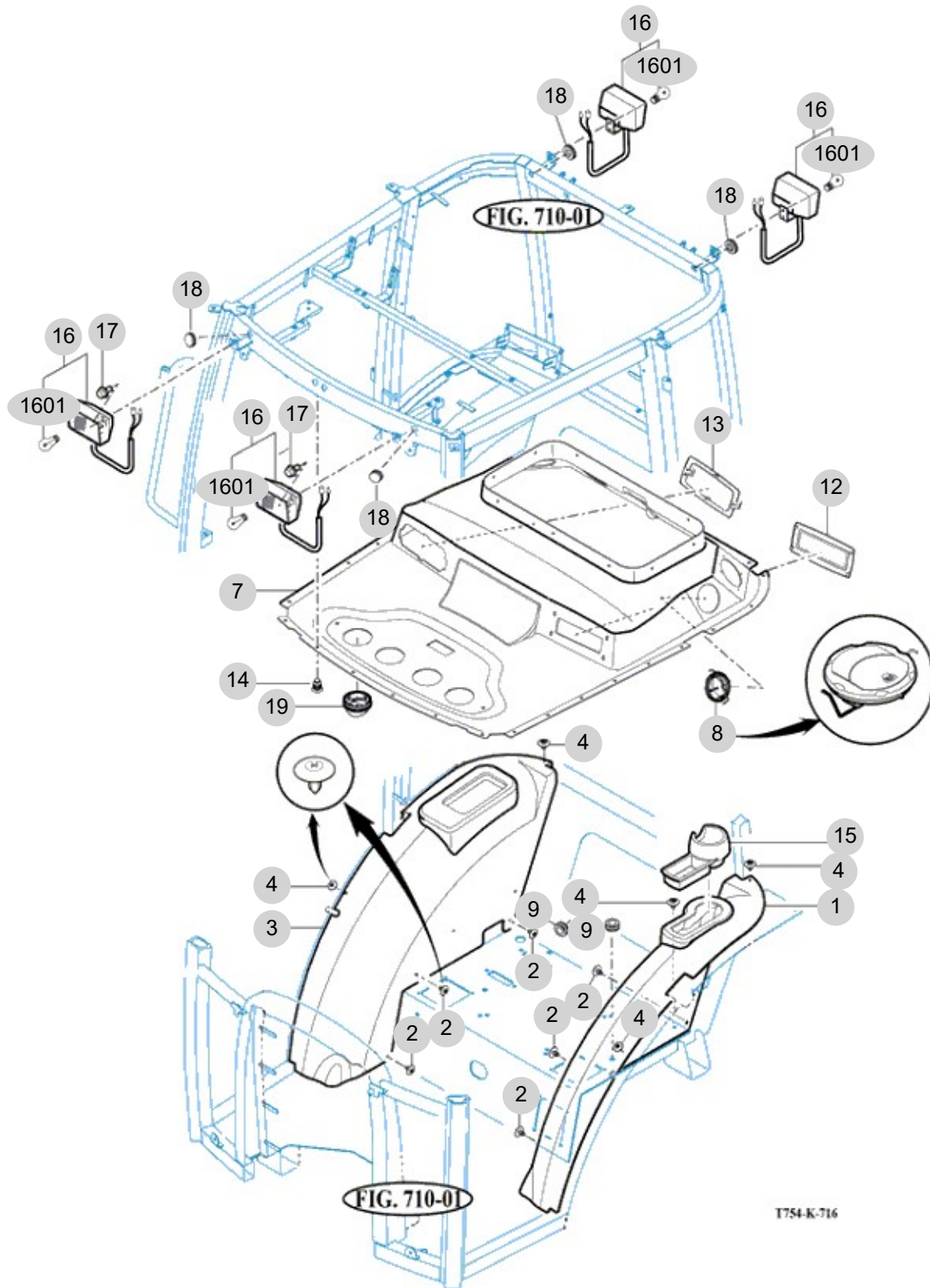
FIG 716

FENDER COVER

년/월
Year/Month

2022-12

T654SCEU1



NOTE

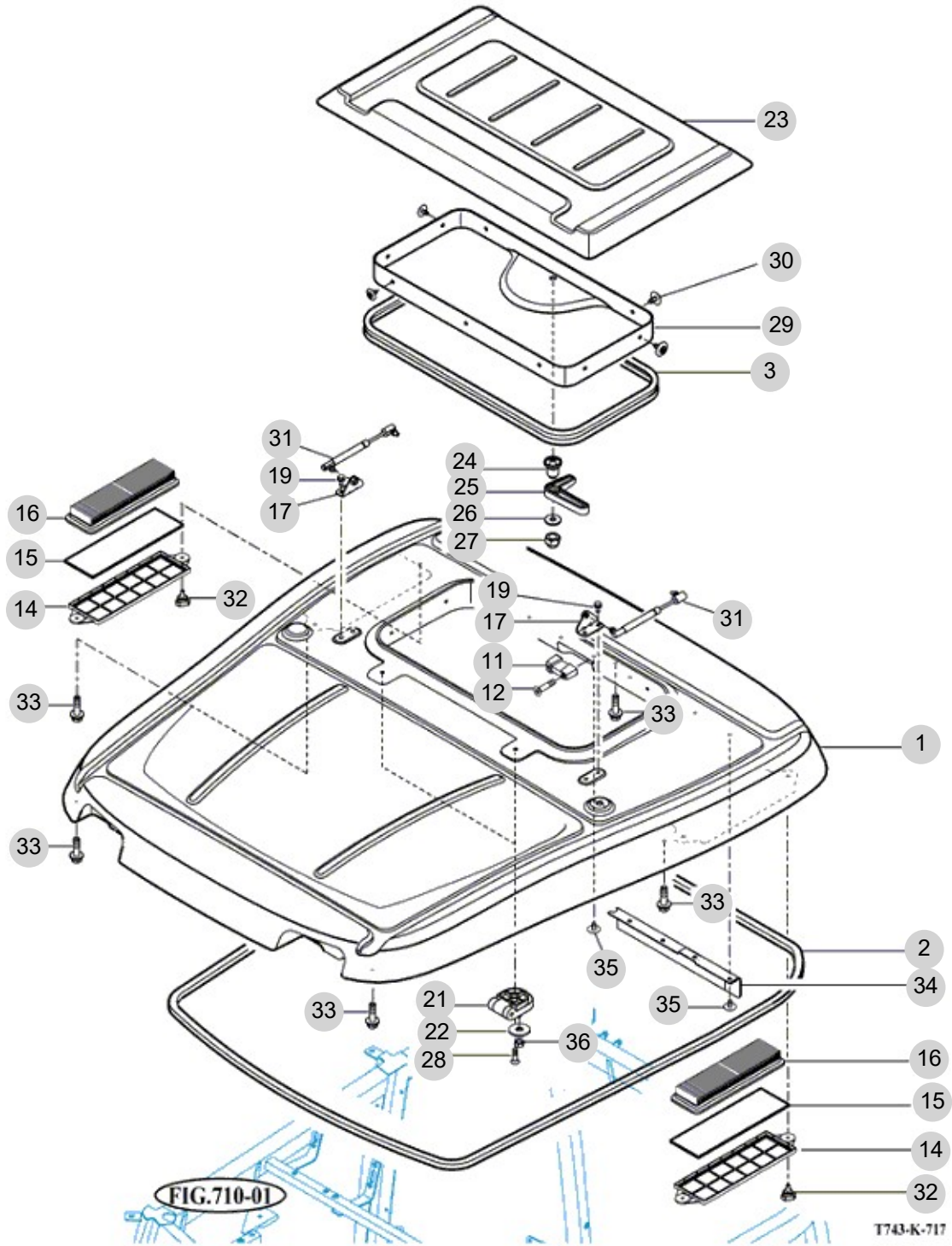
FIG 717

T654SCEU1

ROOF

년/월
Year/Month

2022-12



NOTE

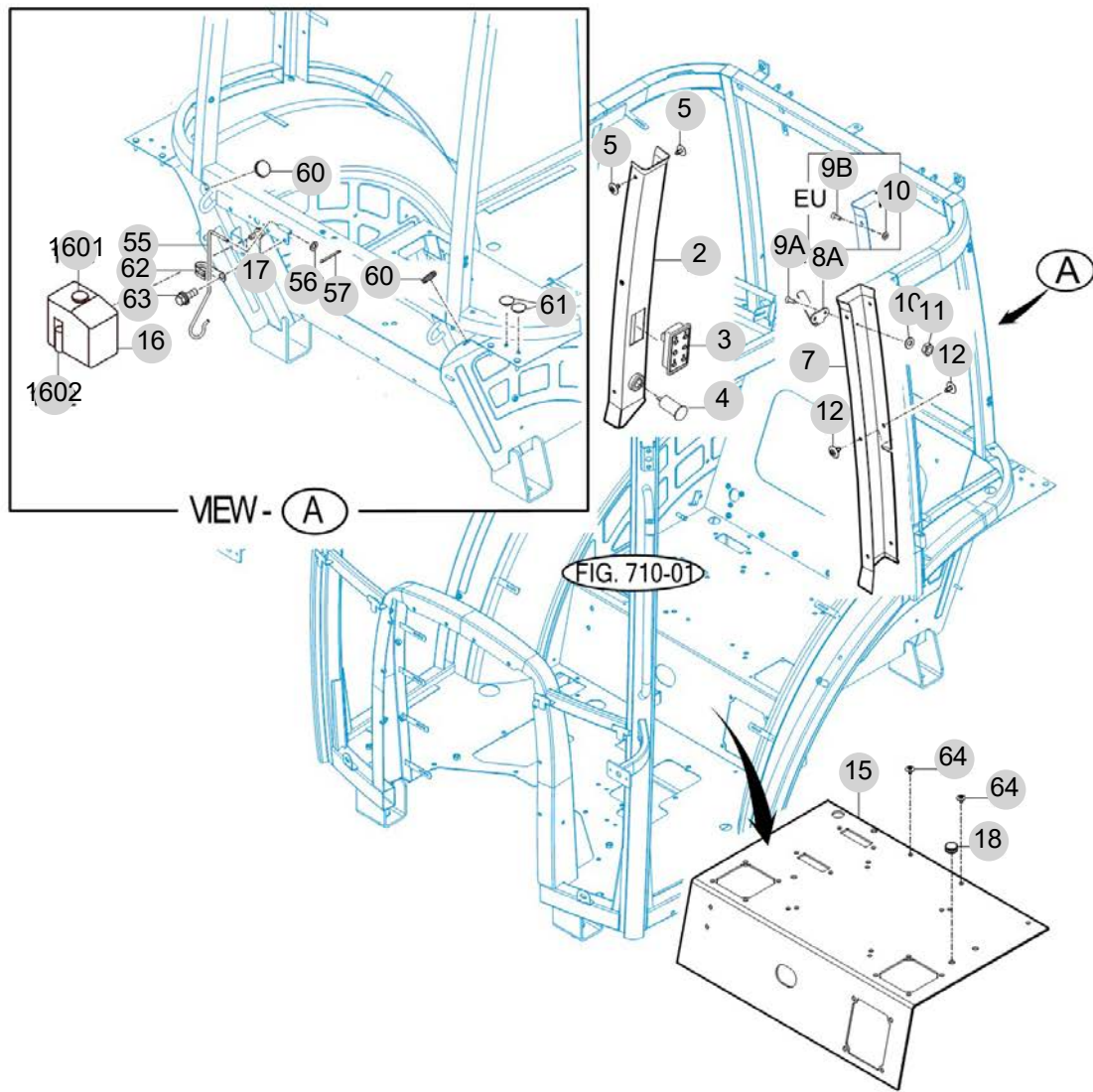
FIG 718

CABIN INTERIOR

년/월
Year/Month

T654SCEU1

2022-12



T654-K-718

NOTE

8. Electrical System PART NO. T8

FIG 801 BATTERY & MOUNTING	229
FIG 802 HARNESS	231
FIG 803 LIGHT & BACK LAMP	233
FIG 804 INSTRUMENT PANEL	235
FIG 805 ELECTRIC SYSTEM (1)	237
FIG 806 ELECTRIC SYSTEM (2)	239

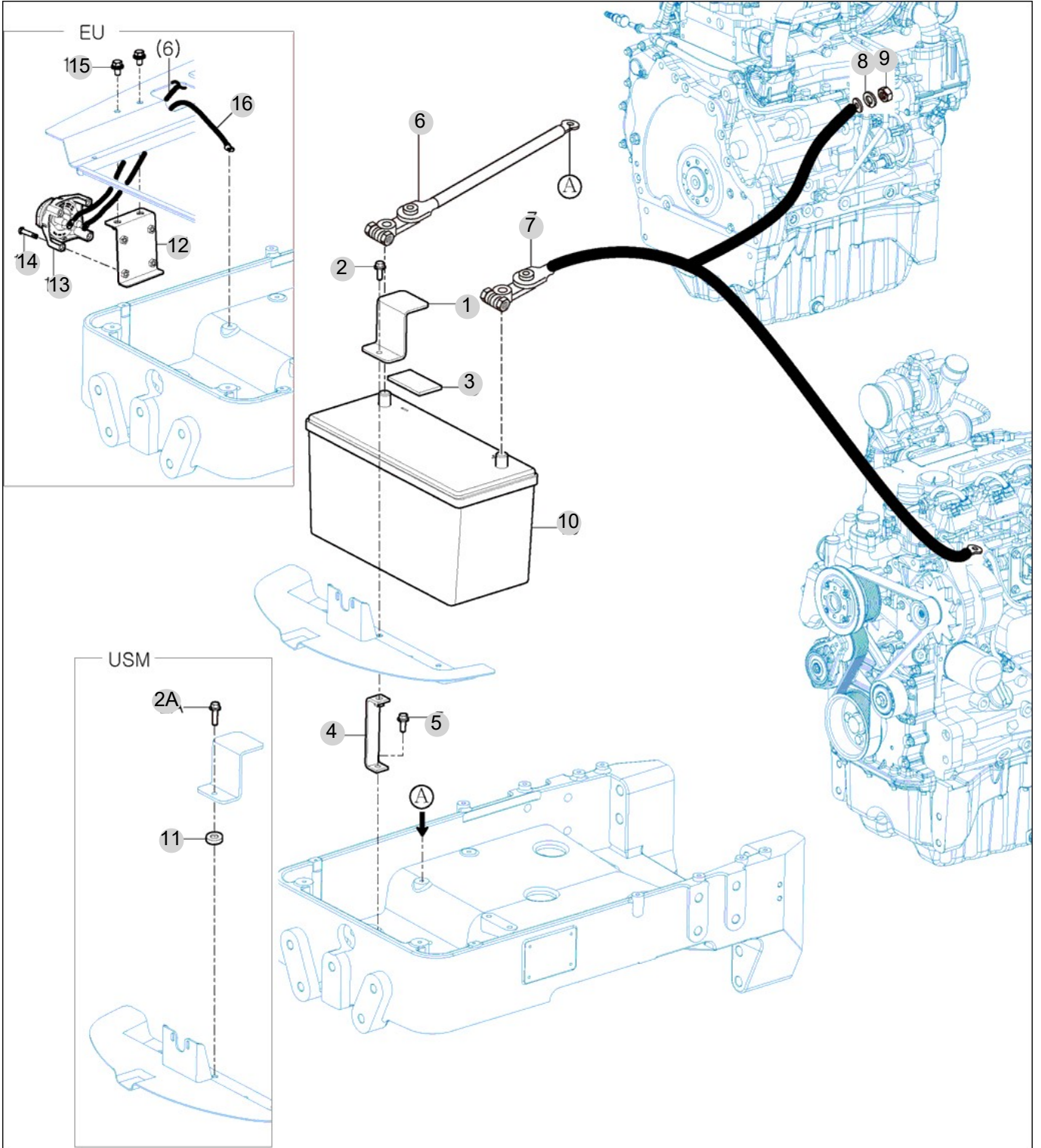
FIG 801

BATTERY & MOUNTING

년/월
Year/Month

2022-12

T654SCEU1



NOTE

FIG 801 T654SCEU1	BATTERY & MOUNTING						년/월 Year/Month
							2022-12

KEY NO		PART NO	DESCRIPTION	SPEC	QTY	REPAIR	EFFECTIVE DATE	REMARKS
801	1	18026022300GB	BRACKET UPPER , BETTERY FIX		1			
801	2	V2183608025	BOLT , HEX/SP	M8X25	1			
801	3	13151112011	INSULATOR , 40X70		1			
801	4	18026022200GB	BRACKET BOTTOM , BATTERY FIX		1			
801	5	V2183608020	BOLT , HEX/SP	M8X20	1			
801	6B	16996503100	HARNESS		1			
801	7	18026502001	HARNESS ASSY,BATTERY		1			
801	8	V4011600080	WASHER , SPRING		1			
801	9	V3042600080	NUT , HEX/2		1			
801	10	15186214402	BATTERY ASSY , 12V110AH		1			
801	12	18026022800GB	BRACKET COMP. BATTERY SWITCH		1			
801	13	12120028430	SWITCH , BATTERY		1			
801	14	V1112605030	SCREW , C/R PAN	M5X30	4			
801	15	V2183608016	BOLT , HEX/SP		2			
801	16	18026802800	HARNESS ASSY, EARTH		1			
801	16	10916802800	HARNESS ASSY , EARTH		1			

NOTE

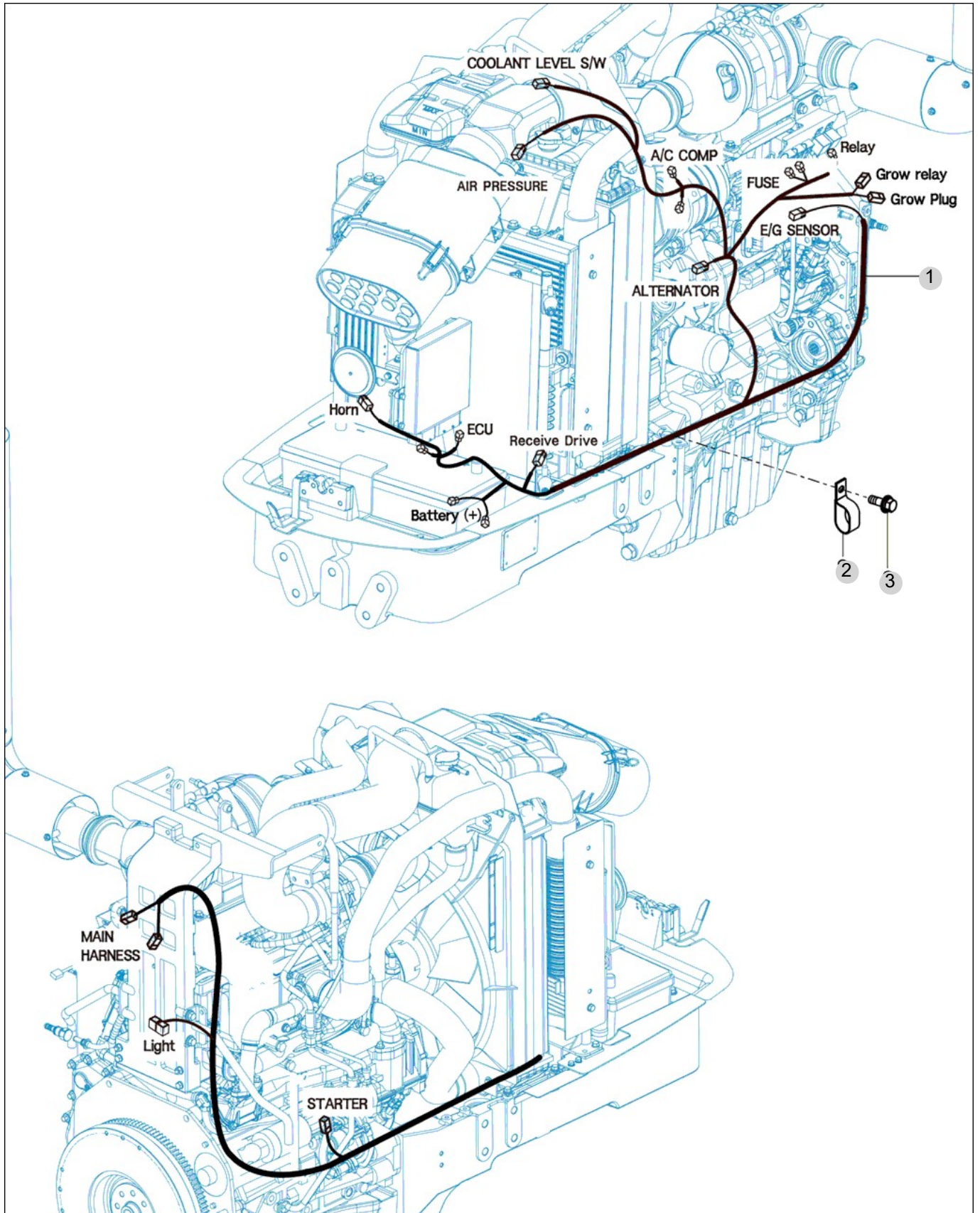
FIG 802

HARNESS

년/월
Year/Month

2022-12

T654SCEU1



NOTE

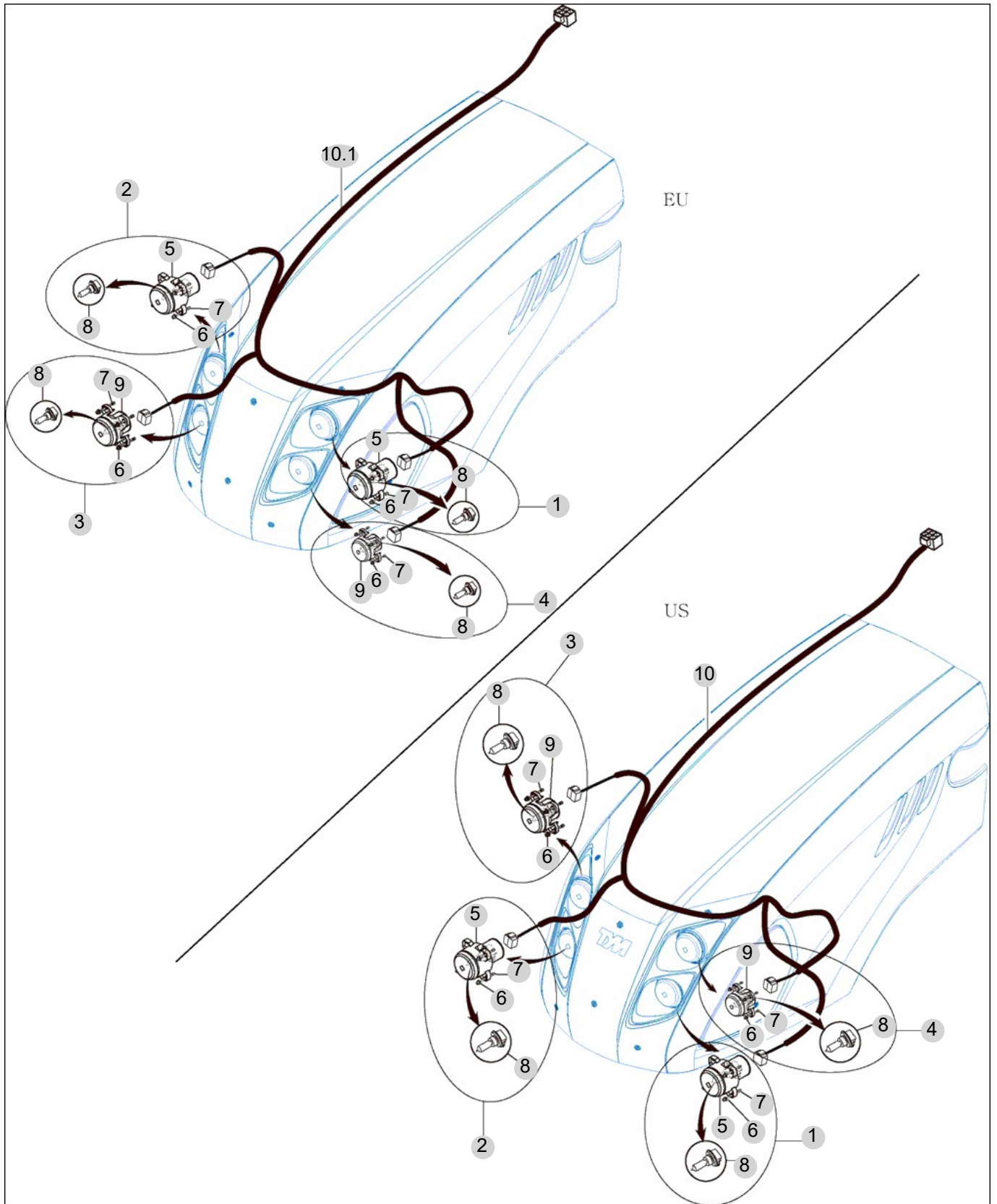
FIG 803

LIGHT & BACK LAMP

년/월
Year/Month

2022-12

T654SCEU1



NOTE

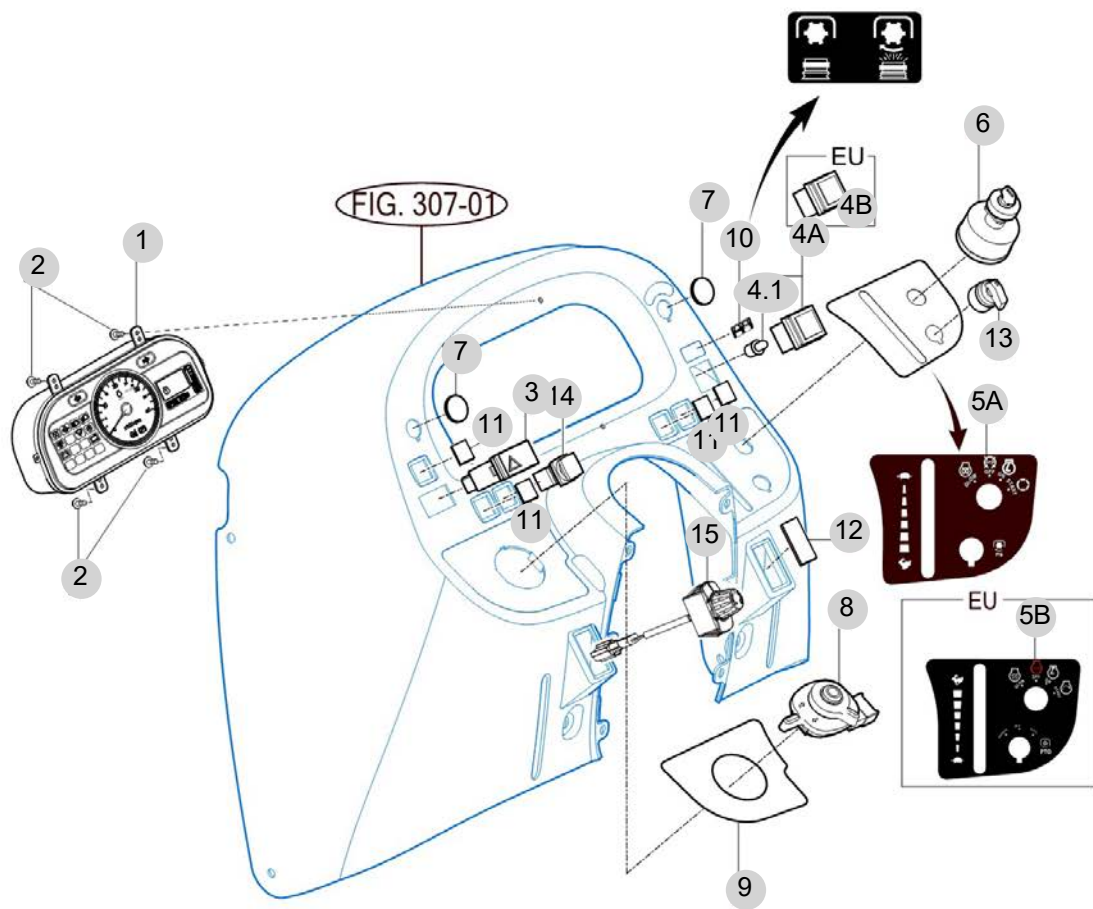
FIG 804

INSTRUMENT PANEL

년/월
Year/Month

2022-12

T654SCEU1



T754-K-804

NOTE

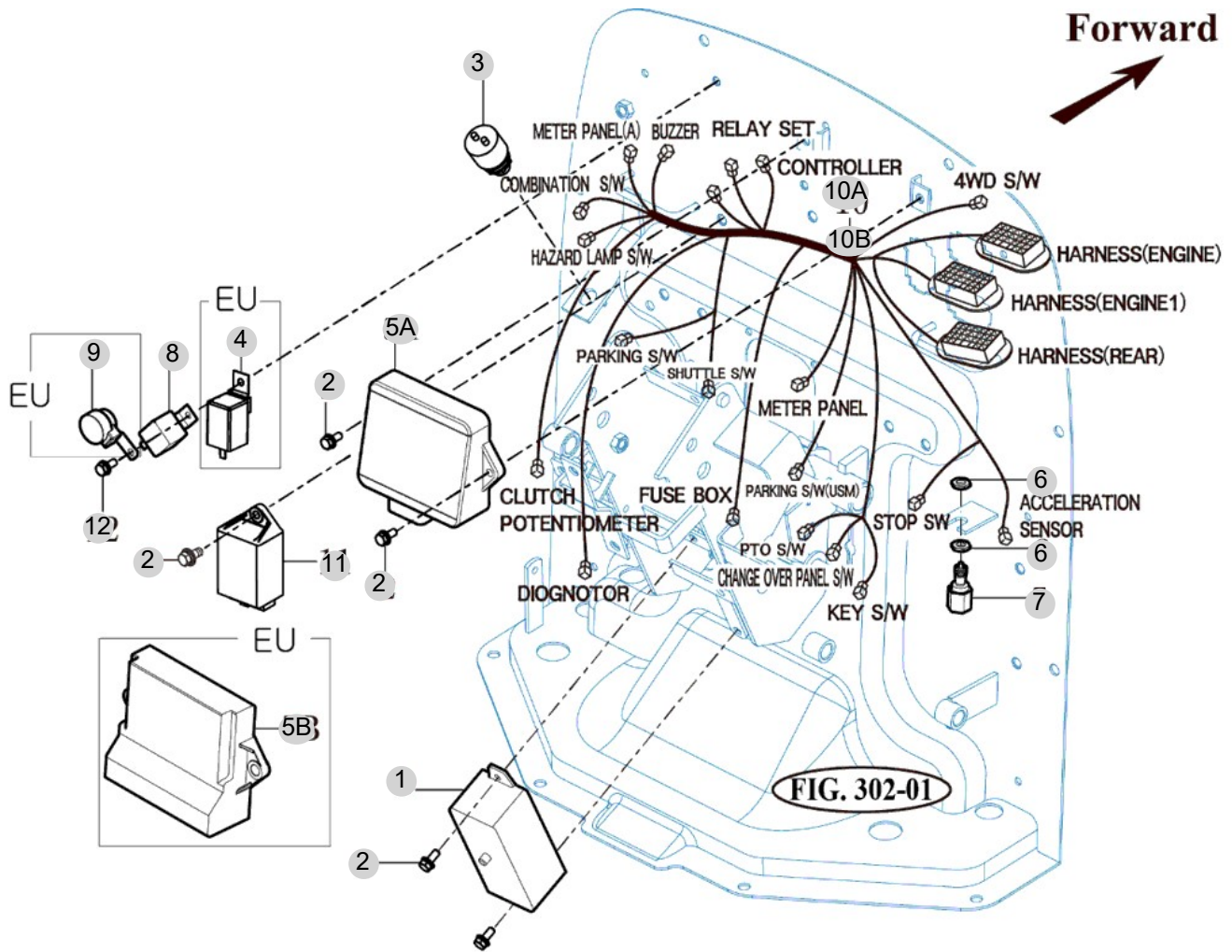
FIG 805

ELECTRIC SYSTEM (1)

년/월
Year/Month

2022-12

T654SCEU1



T654SC-K-805

NOTE

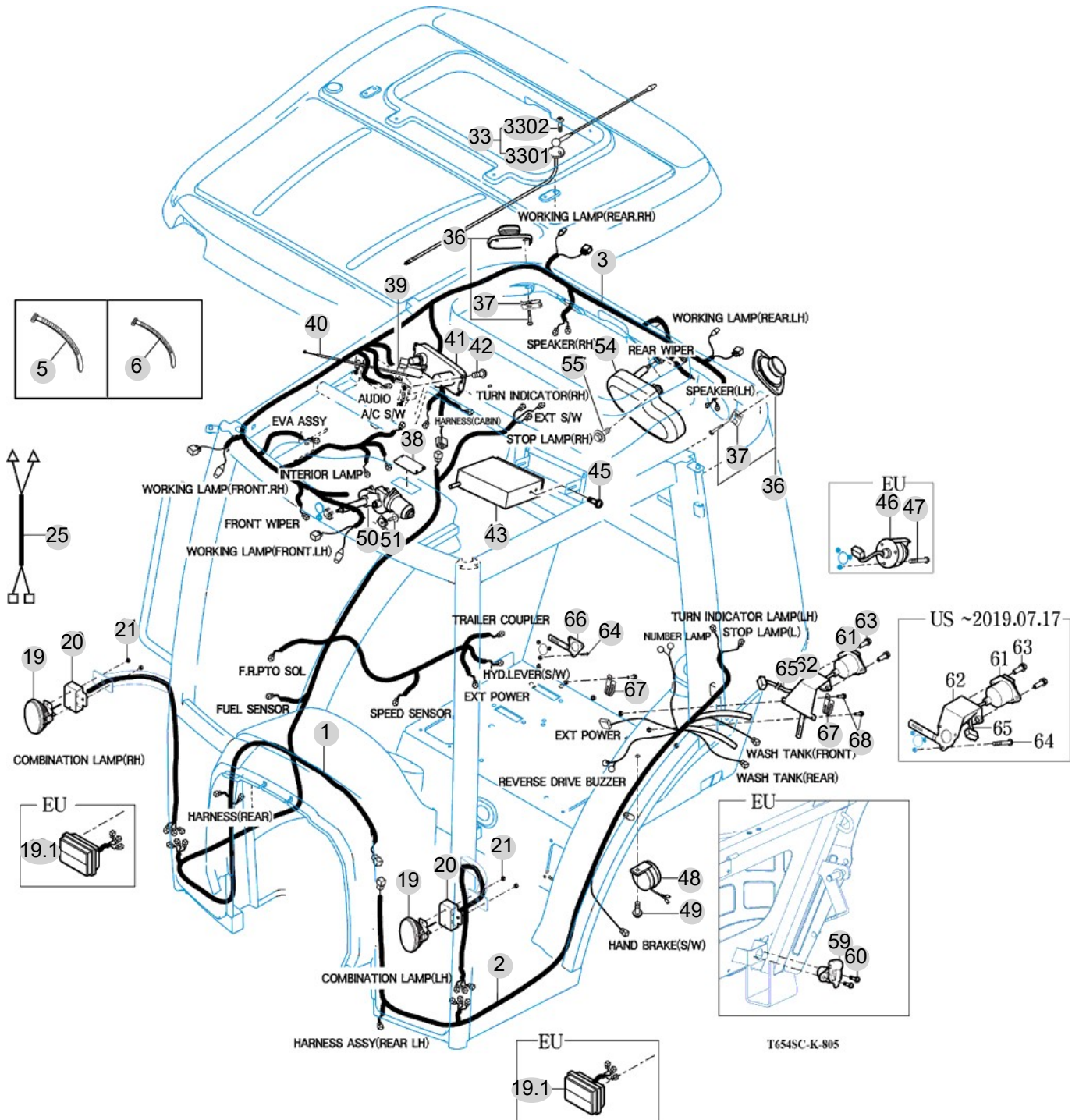
FIG 806

ELECTRIC SYSTEM (2)

년/월
Year/Month

T654SCEU1

2022-12



NOTE

9. Label/Option PART NO. T9

FIG 901 TOOL & ACCESSORY	242
FIG 902(EU) WEIGHT	244
FIG 903 LABEL	246
FIG 903-2 LABEL	248

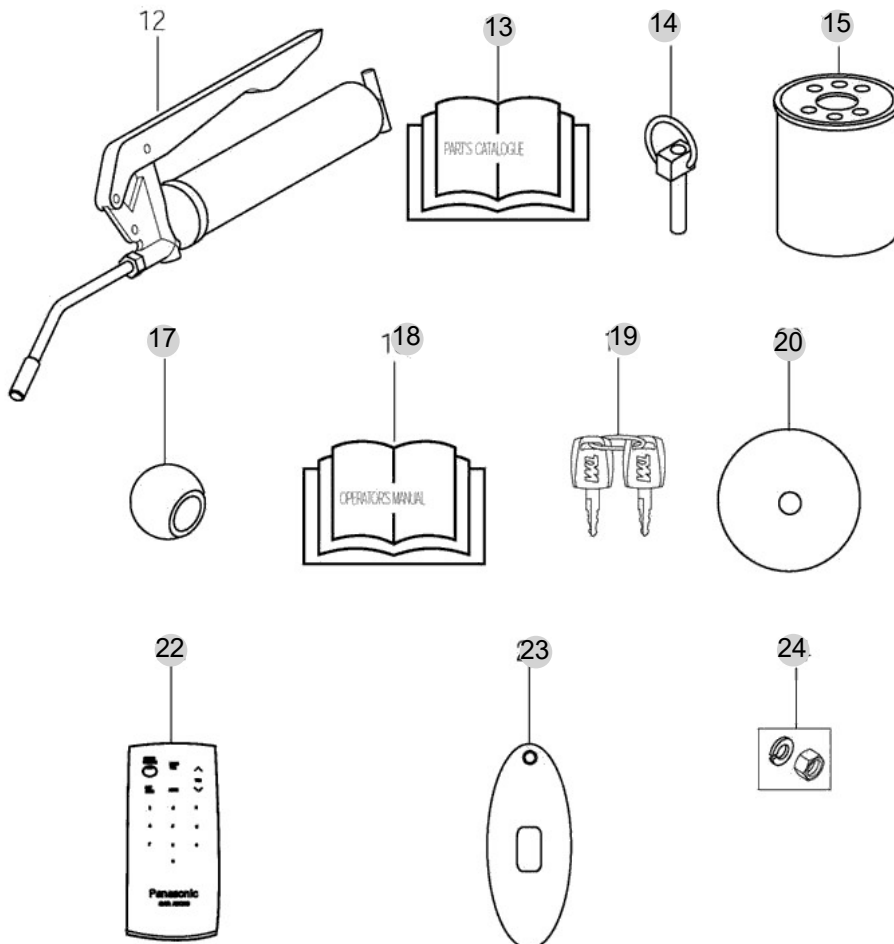
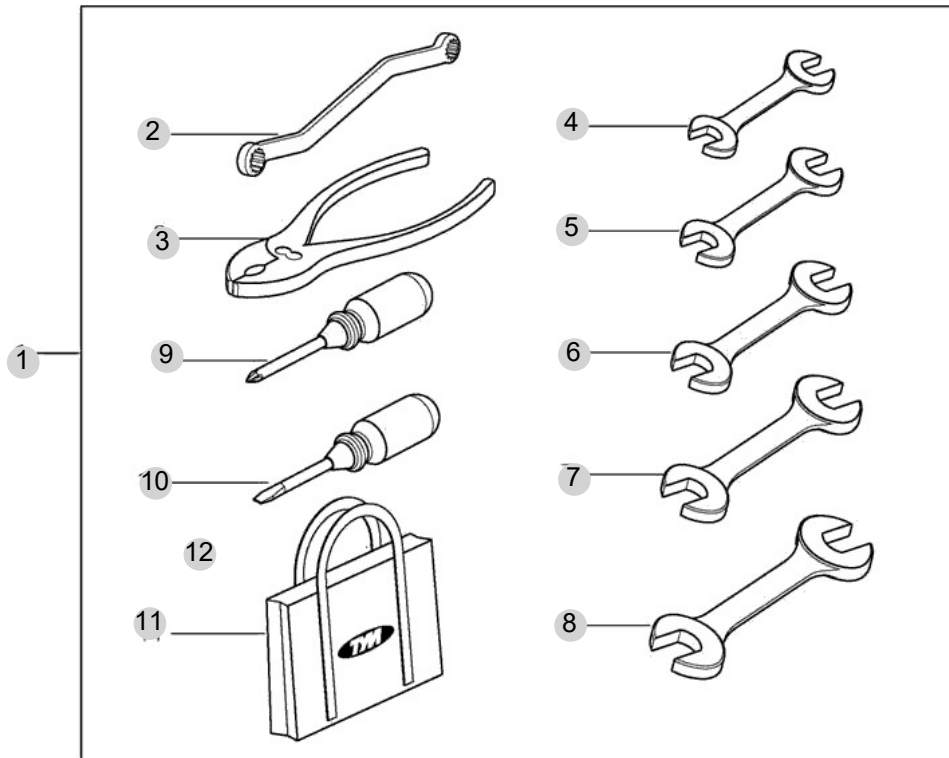
FIG 901

TOOL & ACCESSORY

년/월
Year/Month

2022-12

T654SCEU1



T754-E-901

NOTE

FIG 902(EU)

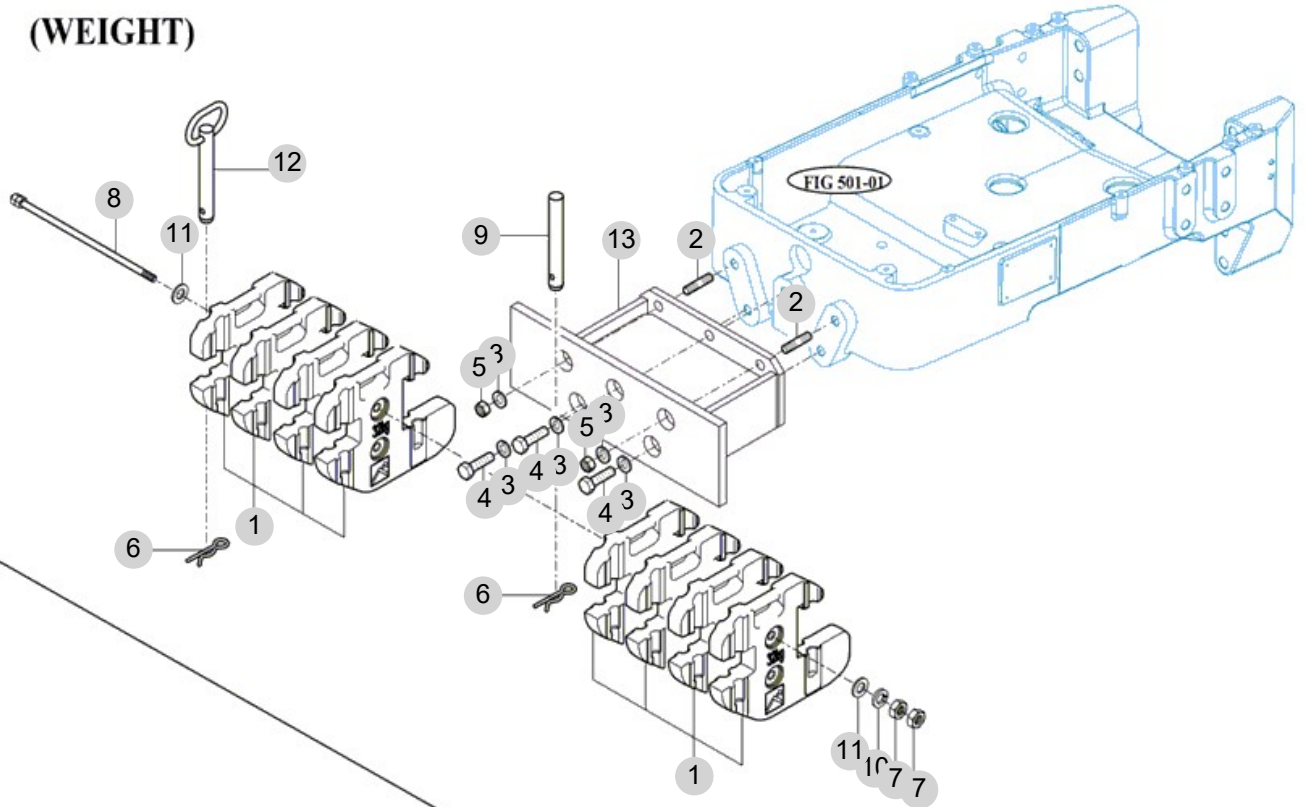
T654SCEU1

WEIGHT

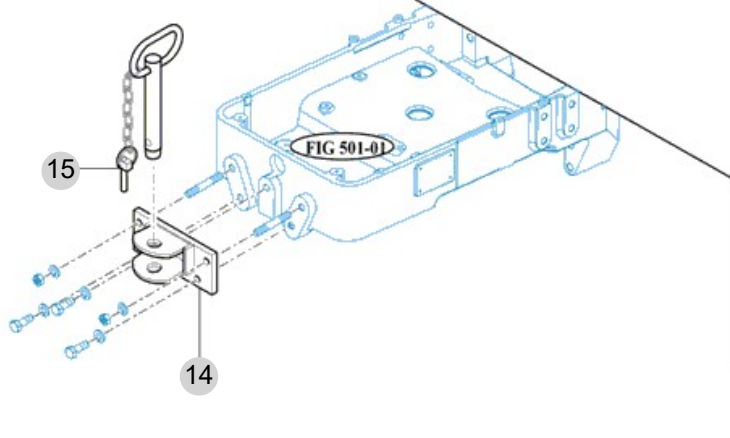
년/월
Year/Month

2022-12

(WEIGHT)



(TOWING HOOK)



NOTE

FIG 903

LABEL

년/월
Year/Month

T654SCEU1

2022-12

Inner/Outer air Ventilation

- When grills of rear and both sides are opened, inner air will ventilate in.
- For effective use, open it when operate heater or air conditioner and close when ventilate fresh air.

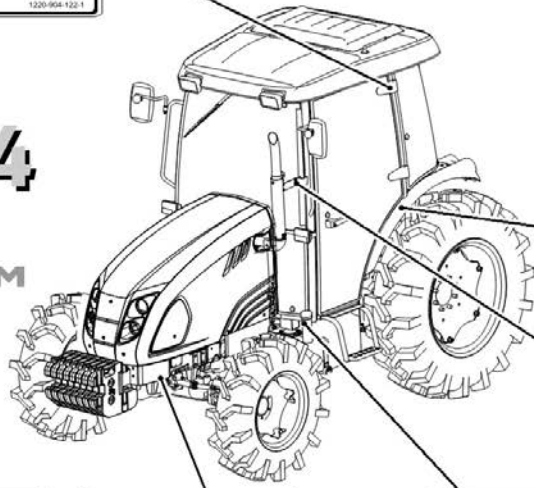
1220-904-122-1

18

T654

51

90



⚠ DANGER

Do not ride except operator.

1200-910-016-0

6

⚠ CAUTION

Do not touch while the system is hot. It cause serious burns

1200-910-024-6

33

TYM-USA, Inc.
www.tym.com

MODEL

Product Identification Number

MADE IN KOREA

32B

TYM CORPORATION

WINDO TEST

EU TYPE APPROVAL NUMBER

CATEGORY	TOTAL	EU
A-1	T-1	T-2
B-1	T-3	T-4
B-2	T-5	T-6
B-3	T-7	T-8
B-4	T-9	T-10

Manufactured by TYM CORPORATION

32A

⚠ WARNING

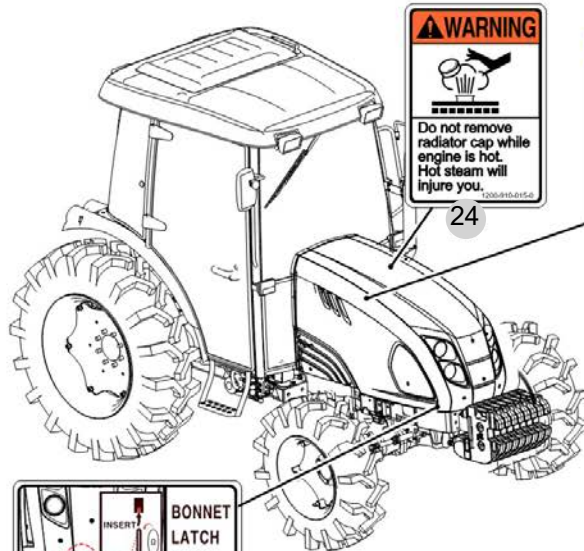
Do not refuel the tractor while smoking or near naked flame or sparks. always stop engine before refueling tractors.

1200-910-025-6

17



88



⚠ WARNING

Do not remove radiator cap while engine is hot. Hot steam will injure you.

1200-910-017-6

24

⚠ CAUTION

Keep hands and clothing away from rotating fan and belts to prevent serious injury.

1200-910-012-0

23

BONNET LATCH OPEN

INSERT

OPEN

1200-910-023-6

89

NOTE

FIG 903 T654SCEU1		LABEL					년/월 Year/Month	
							2022-12	
KEY NO	PART NO	DESCRIPTION	SPEC	QTY	REPAIR	EFFECTIVE DATE	REMARKS	
903	2B	15729010030	LABEL , SPEED		1			
903	3	12009100030	LABEL , WARNING EXHAUST		1			
903	4	12009100010	LABEL , WARNING SUB SHIFTER		1			
903	6	12009100160	LABEL , DANGER RIDING		1			
903	8	12009100190	LABEL , WARNING BELT		1			
903	9	12009100210	LABEL , WARNING THROTTLE		1			
903	10	17689200050	LABEL , DIFF		1			
903	11	12009100020	LABEL , WARNING PARKING		1			
903	12	12009100060	LABEL , WARNING DIFF		1			
903	13	12009100040	LABEL , WARNING STOP VALVE		1			
903	14	12009100111	LABEL , DANGER AIR CONDITIONER		1			
903	15	12009100070	LABEL , WARNING BRAKE		1			
903	16	12009100080	LABEL , WARNING TILTING		1			
903	17	12009100050	LABEL , WARNING FIRE		1			
903	18	12209041221	LABEL , VENTILATION		1			
903	19	12009100140	LABEL , WARNING DRAW		1			
903	20	12009100130	LABEL , DANGER PTO		1			
903	21	12149020110	LABEL , EMERGENCY EXIT		1			
903	23	12009100120	LABEL , CAUTION FAN		2			
903	24	12009100150	LABEL , WARNING RADIATOR		1			
903	25	19959041130	LABEL, TYM(66X150)		1			
903	26	12009100230	LABEL , CAUTION OPERATION		1			
903	32A	15829040220	LABEL , MODEL/EU		1			
903	33	12009100240	LABEL , CAUTION MUFFLER		1			
903	34	15729010060	LABEL , POWER SHUTTLE		2			
903	40	19849040250	LABEL , CREEPER		1			
903	42	15739045040	LABEL, CABIN		1			
903	43	18029040260	LABEL , DRAWBAR NAME		1			
903	51	15709010042	MARK , /T654		2			
903	51	15709010041	MARK, ORNAMENT(T654)		2			
903	79	18015300041	LABEL , HYDRAULIC CAUTION		1			
903	80	12609040620	LABEL , STARTING WARNING		1			
903	81	16329040020	LABEL , CAUTION GREASE		1			
903	82A	15709040070	LABEL , PTO 1-2-3		1			
903	83	17139100020	LABEL , FUSE		1			
903	84	18029100150	LABEL , RADIATOR		1			
903	85	18711201100	LABEL , ULTRA LOW SULFUR		1			
903	86	18719100310	LABEL , CAUTION LEVER		1			
903	87	19879100320	LABEL , WARNING SHUTTLE		1			
903	88	13379100150	6YEAR WARRANTY LABEL		1			
903	89	18189010320	LABEL , HOOD		1			
903	90	10789010020	LABEL , /TYM 50		2			
NOTE								

FIG 903-2 T654SCEU1		LABEL					년/월 Year/Month	
							2022-12	
KEY NO	PART NO	DESCRIPTION	SPEC	QTY	REPAIR	EFFECTIVE DATE	REMARKS	
903-2	2B	15729010030	LABEL , SPEED		1			
903-2	3	12009100030	LABEL , WARNING EXHAUST		1			
903-2	4	12009100010	LABEL , WARNING SUB SHIFTER		1			
903-2	6	12009100160	LABEL , DANGER RIDING		1			
903-2	8	12009100190	LABEL , WARNING BELT		1			
903-2	9	12009100210	LABEL , WARNING THROTTLE		1			
903-2	10	17689200050	LABEL , DIFF		1			
903-2	11	12009100020	LABEL , WARNING PARKING		1			
903-2	12	12009100060	LABEL , WARNING DIFF		1			
903-2	13	12009100040	LABEL , WARNING STOP VALVE		1			
903-2	14	12009100111	LABEL , DANGER AIR CONDITIONER		1			
903-2	15	12009100070	LABEL , WARNING BRAKE		1			
903-2	16	12009100080	LABEL , WARNING TILTING		1			
903-2	17	12009100050	LABEL , WARNING FIRE		1			
903-2	18	12209041221	LABEL , VENTILATION		1			
903-2	19	12009100140	LABEL , WARNING DRAW		1			
903-2	20	12009100130	LABEL , DANGER PTO		1			
903-2	21	12149020110	LABEL , EMERGENCY EXIT		1			
903-2	23	12009100120	LABEL , CAUTION FAN		2			
903-2	24	12009100150	LABEL , WARNING RADIATOR		1			
903-2	25	19959041130	LABEL, TYM(66X150)		1			
903-2	26	12009100230	LABEL , CAUTION OPERATION		1			
903-2	32A	15829040220	LABEL , MODEL/EU		1			
903-2	32A	T0019110060	NAMEPLATE , EU		1			
903-2	33	12009100240	LABEL , CAUTION MUFFLER		1			
903-2	34	15729010060	LABEL , POWER SHUTTLE		2			
903-2	40	19849040250	LABEL , CREEPER		1			
903-2	42	15739045040	LABEL, CABIN		1			
903-2	43	18029040260	LABEL , DRAWBAR NAME		1			
903-2	51	15709010040	MARK, ORNAMENT(T654)		2			
903-2	51	15709010041	MARK, ORNAMENT(T654)		2			
903-2	51	15709010042	MARK , /T654		2			
903-2	52	19129041130	LABEL , TYM(75)		2			
903-2	79	18015300041	LABEL , HYDRAULIC CAUTION		1			
903-2	80	12609040620	LABEL , STARTING WARNING		1			
903-2	81	16329040020	LABEL , CAUTION GREASE		1			
903-2	82A	15709040070	LABEL , PTO 1-2-3		1			
903-2	83	17139100020	LABEL , FUSE		1			
903-2	84	18029100150	LABEL , RADIATOR		1			
903-2	85	18711201100	LABEL , ULTRA LOW SULFUR		1			
903-2	86	18719100310	LABEL , CAUTION LEVER		1			
903-2	87	19879100320	LABEL , WARNING SHUTTLE		1			
903-2	88	13379100150	6YEAR WARRANTY LABEL		1			
903-2	89	18189010320	LABEL , HOOD		1			
903-2	100	13839100220	LABEL , WARNING EXT POSITION LEVER		1			
NOTE								