

T554NH

Parts Catalog

목 차

0. TRACTOR KIT PART NO. TK1

FIG 001 ADAPTER KIT	7
FIG 001 EXTERNAL POSITION LEVER KIT	9

1. Engine PART NO. EG

FIG 100 ENGINE	12
FIG 101A CYLINDER BLOCK (T554)	14
FIG 102 GEAR HOUSING	16
FIG 103 FLYWHEEL HOUSING & OIL SUMP	18
FIG 104A CYLINDER HEAD & BONNET (T554)	20
FIG 105A SUCTION MANIFOLD (T554)	23
FIG 106A EXHAUST MANIFOLD (T554)	25
FIG 107A DIESEL PARTICULATE FILTER (T554)	27
FIG 108 CAMSHAFT & DRIVING GEAR	29
FIG 109 TURBINE (T554)	31
FIG 110A CRANKSHAFT & PISTON (T554)	33
FIG 111 BALANCER	35
FIG 112A LUB. OIL SYSTEM (T554)	37
FIG 113 LUB. OIL LINE (T554)	39
FIG 114 COOLING WATER SYSTEM	41
FIG 115 FUEL SUPPLY PUMP	43
FIG 116A FUEL INJECTION VALVE (T554)	45
FIG 117 FUEL LINE	47
FIG 118 STARTING MOTOR	49
FIG 119 GENERATOR	51
FIG 120A ELECTRONIC CONTROL UNIT (T554)	53
FIG 121A ELECTRIC PARTS (T554)	55
FIG 122A ACCESSORY (T554)	57

2. Engine Accessories PART NO. T2

FIG 201 AIR CLEANER	60
---------------------	----

FIG 202 RADIATOR	62
FIG 203 MUFFLER	64
FIG 204 FUEL HOSE & FILTER	66
FIG 205 FUEL TANK	68
FIG 206 ACCELERATOR	70
FIG 207 OIL COOLER	72
FIG 208 FAN , COOLING	74

3. Clutch/Brake/Steering PART NO. T3

FIG 301 CLUTCH	77
FIG 302 CLUTCH PEDAL	79
FIG 303 BRAKE	81
FIG 304 BRAKE PEDAL & LINK	83
FIG 305A FRONT WHEEL	85
FIG 305B FRONT WHEEL (R4 OPTION)	87
FIG 306A REAR WHEEL	89
FIG 306B REAR WHEEL (R4 OPTION)	91
FIG 307 POWER STEERING WHEEL	93
FIG 308 POWER STEERING VALVE	95
FIG 309 POWER STEERING CYLINDER	97

4. Transmission PART NO. T4

FIG 401 TRANSMISSION FRONT CASE	100
FIG 402 HST	102
FIG 402-1 HST	104
FIG 403 MID TRANSMISSION CASE	106
FIG 404 TRANSTER GEAR SET	108
FIG 405 TRANSMISSION REAR CASE	110
FIG 406 SUB CHANGE GEARS	112
FIG 407 SUB CHANGE SHIFTER	114
FIG 408 DRIVE GEARS	116
FIG 409 4WD CHANGE LEVER	118
FIG 410 P.T.O DRIVE SHAFT	120
FIG 411 P.T.O CHANGE GEARS	122
FIG 412 REAR DIFFERENTIAL GEARS	124
FIG 413 REAR AXLE HOUSING	127

5. Front Axle PART NO. T5

FIG 501 FRONT AXLE SUPPORT	130
FIG 502 FRONT DRIVE SHAFT	132
FIG 503 FRONT AXLE HOUSING	134
FIG 504 FRONT DIFFERENTIAL GEARS	136
FIG 505 FRONT GEAR CASE (1)	138
FIG 506 FRONT GEAR CASE (2)	140
FIG 507 FRONT GEAR CASE (3)	142

6. Hydraulic/3P-Link PART NO. T6

FIG 601 CYLINDER CASE	145
FIG 602 LIFT ARM	147
FIG 603 CYLINDER	149
FIG 604 POSITION LINK	151
FIG 605 CONTROL VALVE	153
FIG 606 DRAFT LINK	155
FIG 607 POSITION & DRAFT LEVER	157
FIG 607 POSITION & DRAFT LEVER	159
FIG 609 HYDRAULIC PIPE	161
FIG 610 JOYSTICK	164
FIG 611 HYDRAULIC HOSE	166
FIG 612 HITCH & 3-POINT LINK	168
FIG 613 LOWER LINK & LIFT ROD	171
FIG 614 EXTERNAL POSITION LEVER KIT	173

7. Sheet Metal & Cabin PART NO. T7

FIG 701 HOOD (1)	176
FIG 702 HOOD (2)	179
FIG 704B LEVER COVER & STEP-NON CAB	181
FIG 705 FRONT & REAR MOUNTING	183
FIG 706 SEAT & MAT	185
FIG 710B FRAME & 2POLES-ROPS-NON CAB	187
FIG 713B SUB FENDER&COVER-NON CAB	189
FIG 714B MIRROR&WORKING LAMP-NON CAB	191

FIG 718 CABIN INTERIOR	193
FIG 719 PEDAL SUB ASSY	195

8. Electrical System PART NO. T8

FIG 801 BATTERY & MOUNTING	198
FIG 802 LIGHT & BACK LAMP	200
FIG 803 INSTRUMENT PANEL	202
FIG 804 ELECTRIC SYSTEM (1)	204
FIG 805B ELECTRIC SYSTEM (2)-NON CAB	206
FIG 806 INSTRUMENT PANEL	208

9. Label/Option PART NO. T9

FIG 901 TOOL & ACCESSORY	211
FIG 902A LABEL	213

0. TRACTOR KIT PART NO. TK1

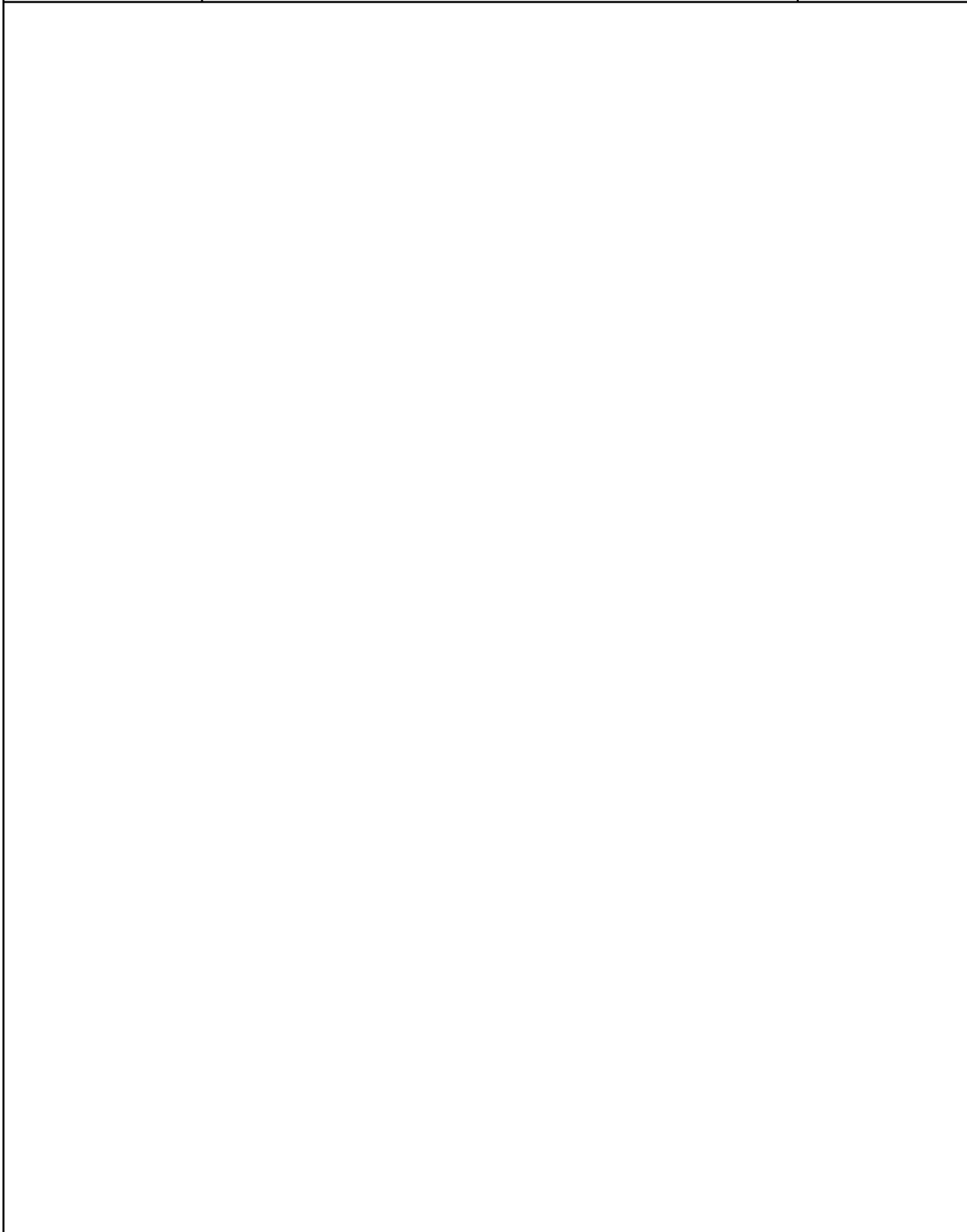
FIG 001 ADAPTER KIT

7

FIG 001 EXTERNAL POSITION LEVER KIT

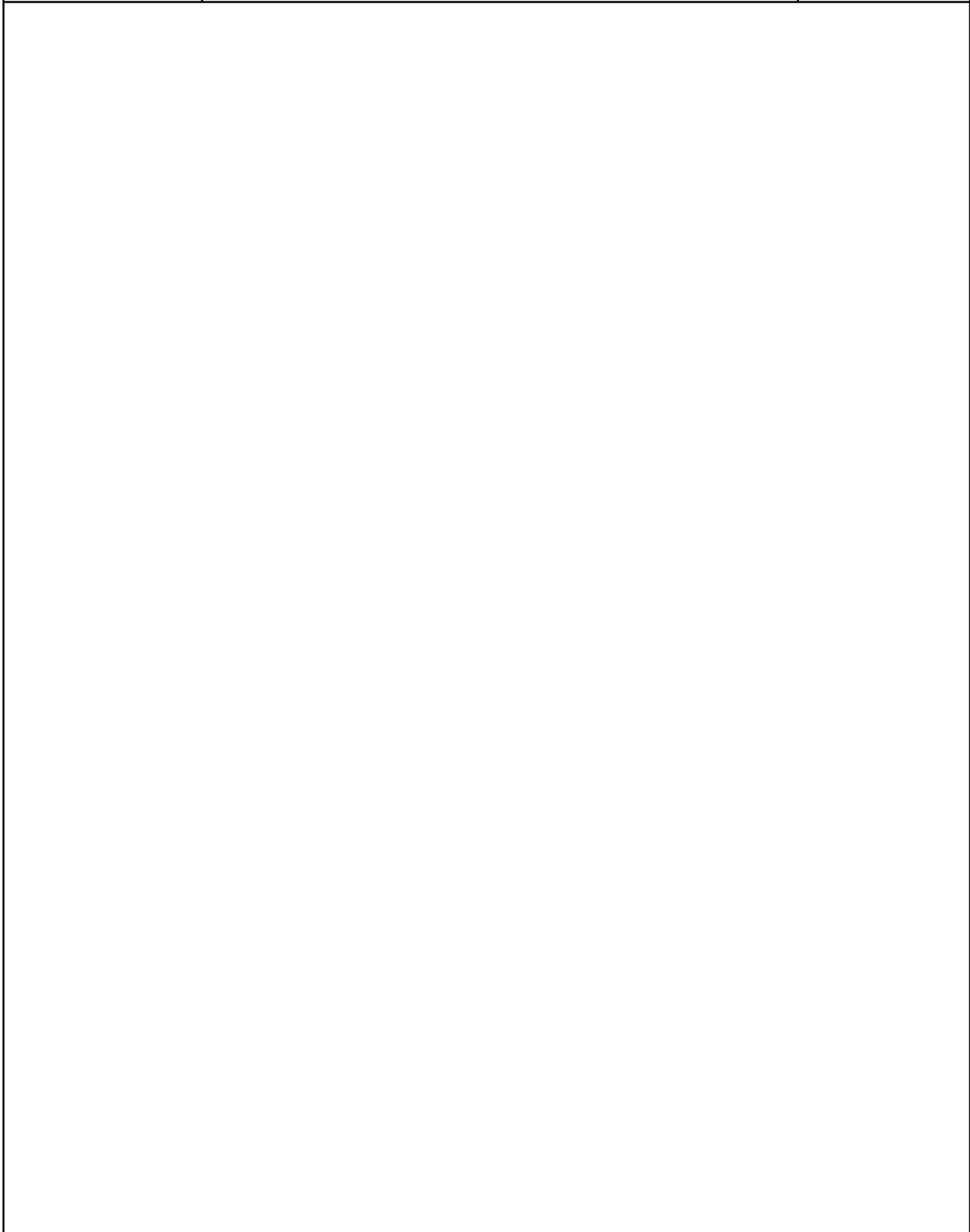
9

FIG 001 T554NH	ADAPTER KIT	년/월 Year/Month 2022-12
-------------------	-------------	------------------------------



NOTE	
------	--

FIG 001 T554NH	EXTERNAL POSITION LEVER KIT	년/월 Year/Month 2022-12
-------------------	-----------------------------	------------------------------



NOTE	
------	--

1. Engine PART NO. EG

FIG 100 ENGINE	12
FIG 101A CYLINDER BLOCK (T554)	14
FIG 102 GEAR HOUSING	16
FIG 103 FLYWHEEL HOUSING & OIL SUMP	18
FIG 104A CYLINDER HEAD & BONNET (T554)	20
FIG 105A SUCTION MANIFOLD (T554)	23
FIG 106A EXHAUST MANIFOLD (T554)	25
FIG 107A DIESEL PARTICULATE FILTER (T554)	27
FIG 108 CAMSHAFT & DRIVING GEAR	29
FIG 109 TURBINE (T554)	31
FIG 110A CRANKSHAFT & PISTON (T554)	33
FIG 111 BALANCER	35
FIG 112A LUB. OIL SYSTEM (T554)	37
FIG 113 LUB. OIL LINE (T554)	39
FIG 114 COOLING WATER SYSTEM	41
FIG 115 FUEL SUPPLY PUMP	43
FIG 116A FUEL INJECTION VALVE (T554)	45
FIG 117 FUEL LINE	47
FIG 118 STARTING MOTOR	49
FIG 119 GENERATOR	51
FIG 120A ELECTRONIC CONTROL UNIT (T554)	53
FIG 121A ELECTRIC PARTS (T554)	55
FIG 122A ACCESSORY (T554)	57

FIG 100 T554NH	ENGINE	년/월 Year/Month
		2022-12

--	--

NOTE	
------	--

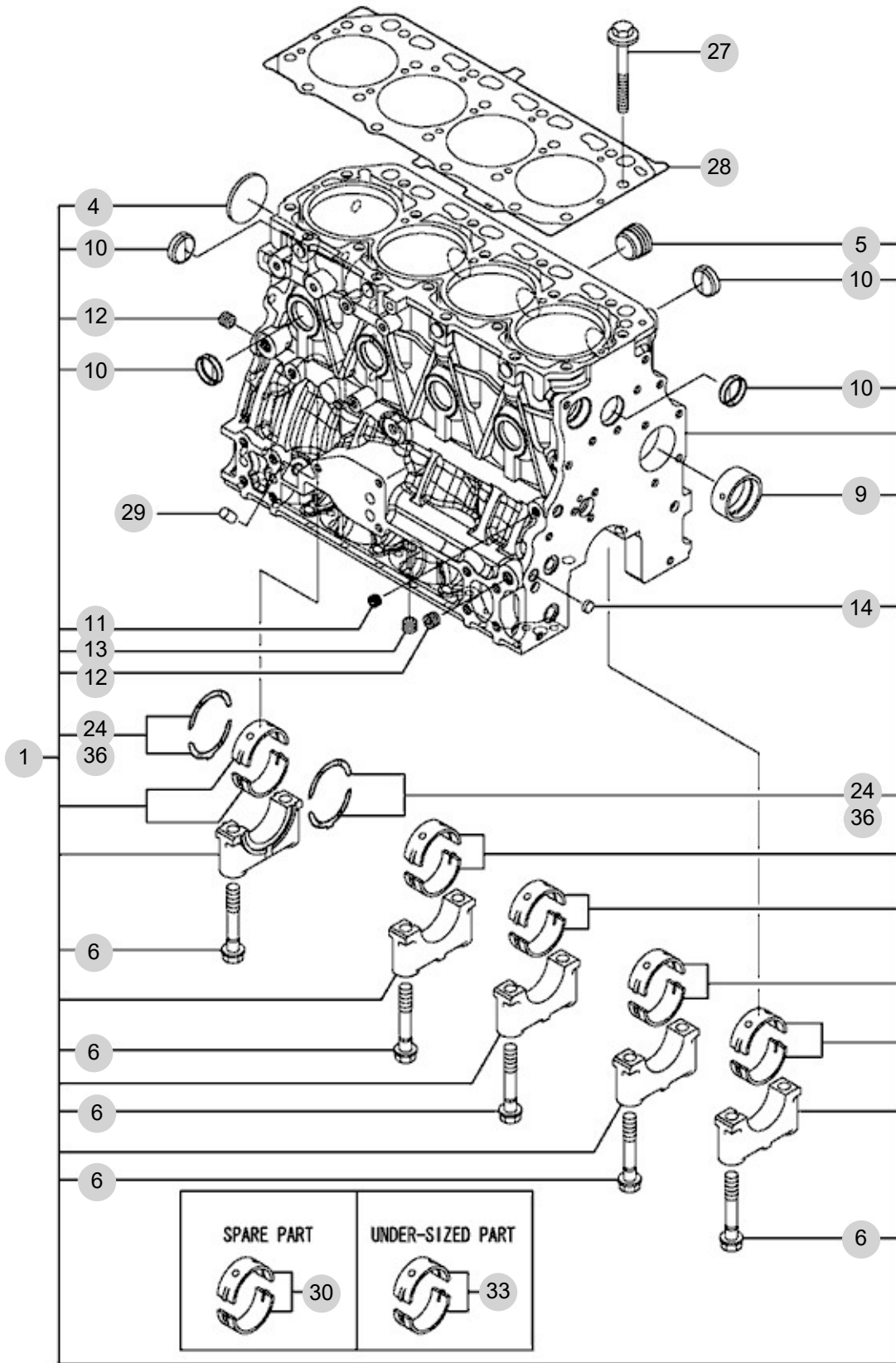
FIG 101A

CYLINDER BLOCK (T554)

년/월
Year/Month

2022-12

T554NH



NOTE

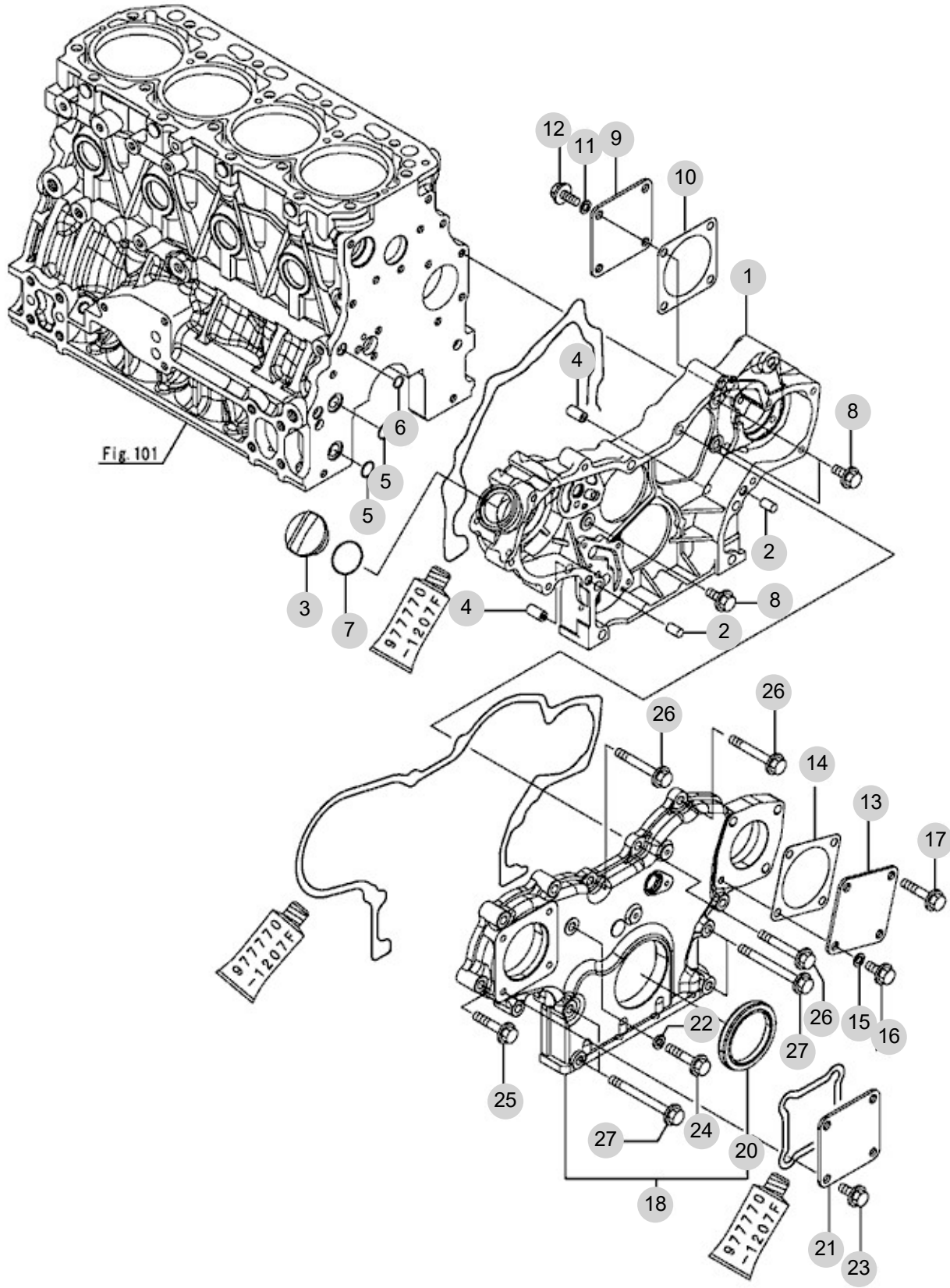
FIG 102

GEAR HOUSING

년/월
Year/Month

2022-12

T554NH



NOTE

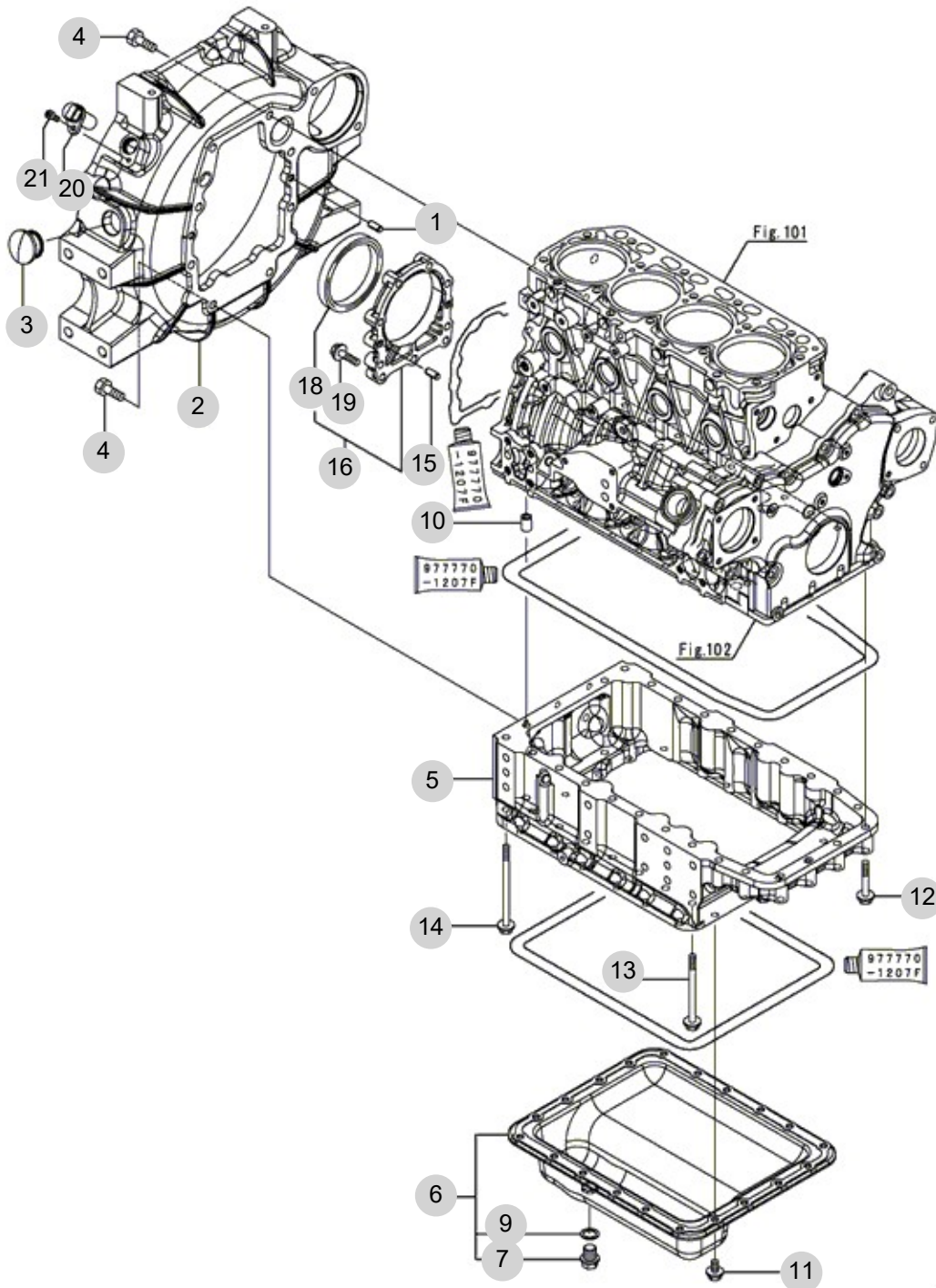
FIG 103

T554NH

FLYWHEEL HOUSING & OIL SUMP

년/월
Year/Month

2022-12



NOTE

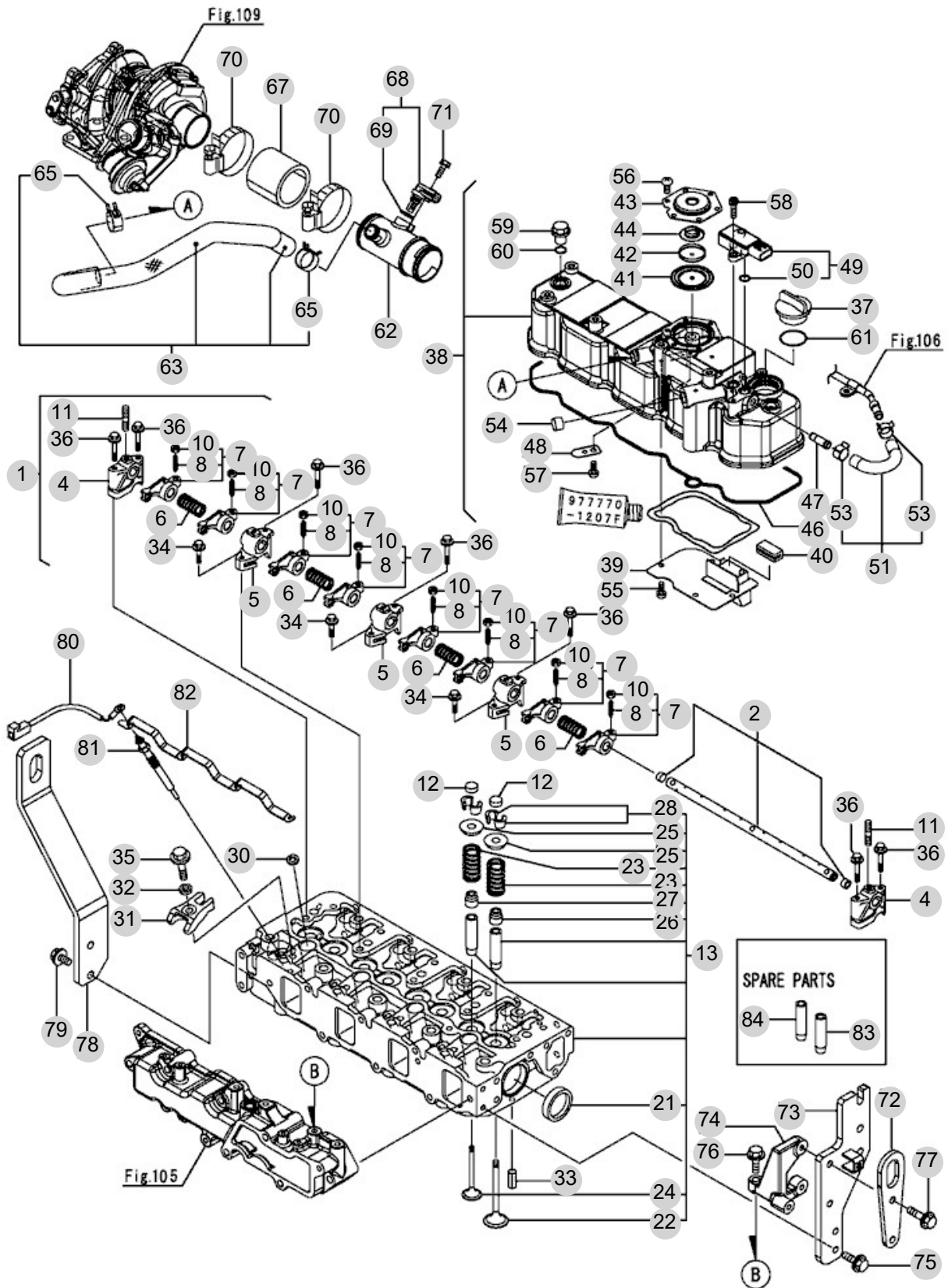
FIG 104A

CYLINDER HEAD & BONNET (T554)

년/월
Year/Month

2022-12

T554NH



NOTE

FIG 104A		CYLINDER HEAD & BONNET (T554)					년/월 Year/Month		
							2022-12		
T554NH		KEY NO	PART NO	DESCRIPTION	SPEC	QTY	REPAIR	EFFECTIVE DATE	REMARKS
104A	1	129601-11241	SHAFT ASSY, ROCKER			1			
104A	2	129601-11251	SHAFT, ROCKER ARM			1			
104A	4	119802-11260	SUPPORT, ?ROCKER?ARM			2			
104A	5	119802-11270	SUPPORT, ROCKER ARM			3			
104A	6	129150-11280	SPRING			4			
104A	7	129004-11650	ARM, ?ROCKER			8			
104A	8	129150-11230	SCREW, VALVE ADJUST			8			
104A	10	129150-11750	NUT, M8			8			
104A	11	26226-080182	STUD, ?M8X18			3			
104A	12	129150-11370	CAP, VALVE			8			
104A	13	129C01-11700	HEAD ASSY, CYLINDER			1			
104A	21	27241-400000	PLUG, ?40			2			
104A	22	129005-11100	VALVE, INTAKE			4			
104A	23	129795-11120	SPRING, VALVE			8			
104A	24	129100-11130	VALVE, ?EXHAUST			4			
104A	25	129795-11180	RETAINER, SPRING			8			
104A	26	124460-11340	SEAL, VALVE STEM			4			
104A	27	129A00-11340	SEAL, ?VALVE?STEM			4			
104A	28	27310-080001	COTTER, 8			8			
104A	30	129978-11871	GASKET, INJECTOR			4			
104A	31	129A00-11900	RETAINER, ?INJECTOR			4			
104A	32	120270-54410	WASHER, INJECTOR			4			
104A	33	22351-060012	PIN, SPRING 6.0X12			2			
104A	34	26106-080252	SCREW , HEX FLANGE HEAD CAP			3			
104A	35	26106-080352	BOLT			4			
104A	36	26106-080502	BOLT, M8X50 PLATED			7			
104A	37	124160-01751	COVER, ?FILLER			1			
104A	38	129C01-11351	BONNET ASSY			1			
104A	39	129004-03010	PLATE			1			
104A	40	129150-03070	BAFFLE, ?BREATHER			1			
104A	41	123907-03100	DIAPHRAGM			1			
104A	42	123907-03110	PLATE			1			
104A	43	123907-03120	PLATE, ?BREATHER			1			
104A	44	123907-03140	SPRING, DIAPHRAGM			1			
104A	46	129C00-11310	GASKET, COVER			1			
104A	47	129A00-11330	JOINT			1			
104A	48	129009-11340	SPRING			1			
104A	49	129A00-12703	SENSOR, PRESSURE			1			
104A	50	129A00-12780	O-RING, PRES?SENSOR			2			
104A	51	129A00-13360	HOSE ASSY, PRES EXH			1			
104A	53	129A00-13380	CLIP, HOSE 14			2			
104A	54	119640-61400	PLUG			1			
104A	55	22857-500100	SCREW, 5X10			4			
104A	56	22857-500100	SCREW, 5X10			6			
104A	57	22857-500100	SCREW, ?5X10			1			
NOTE									

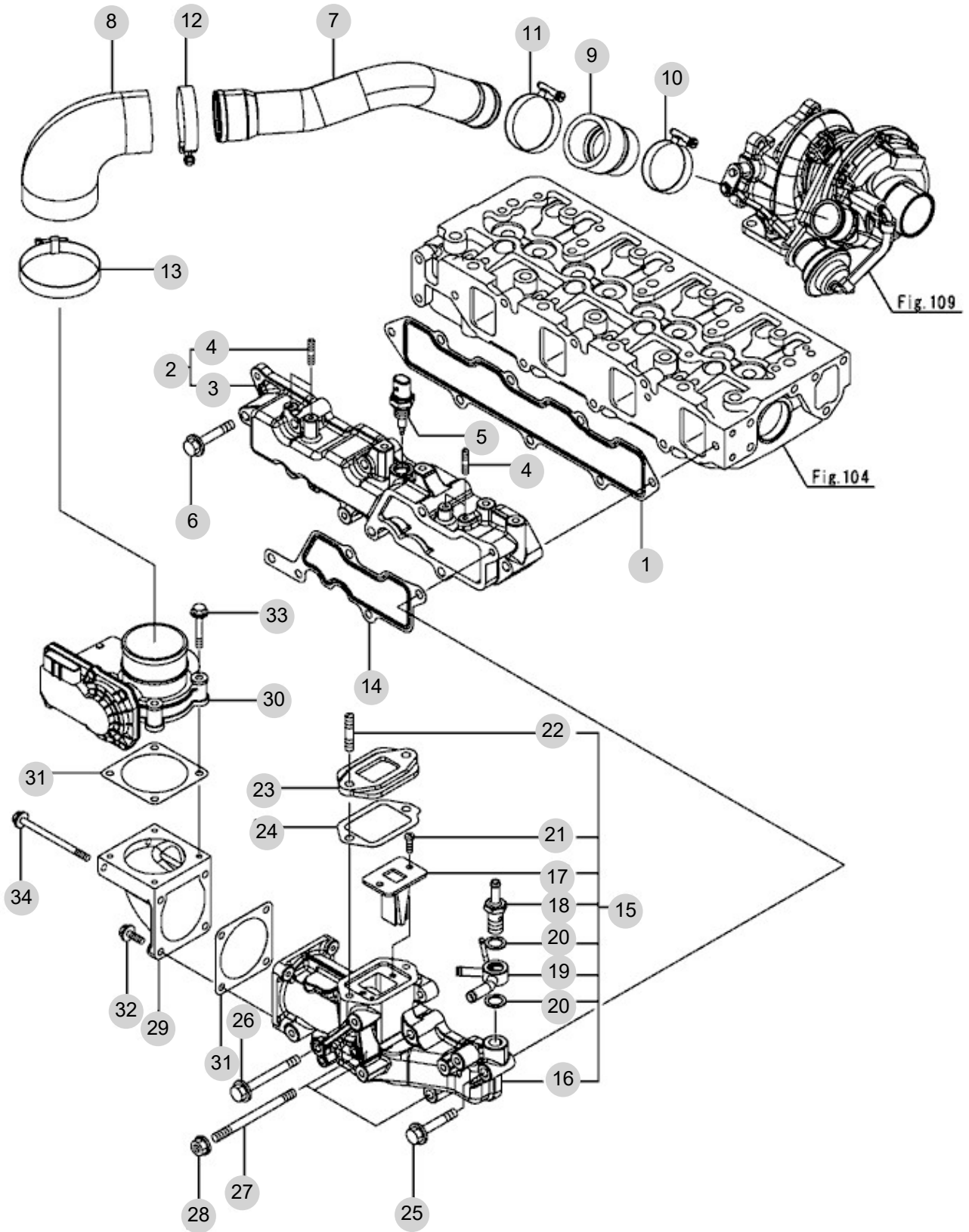
FIG 105A

SUCTION MANIFOLD (T554)

년/월
Year/Month

2022-12

T554NH



NOTE

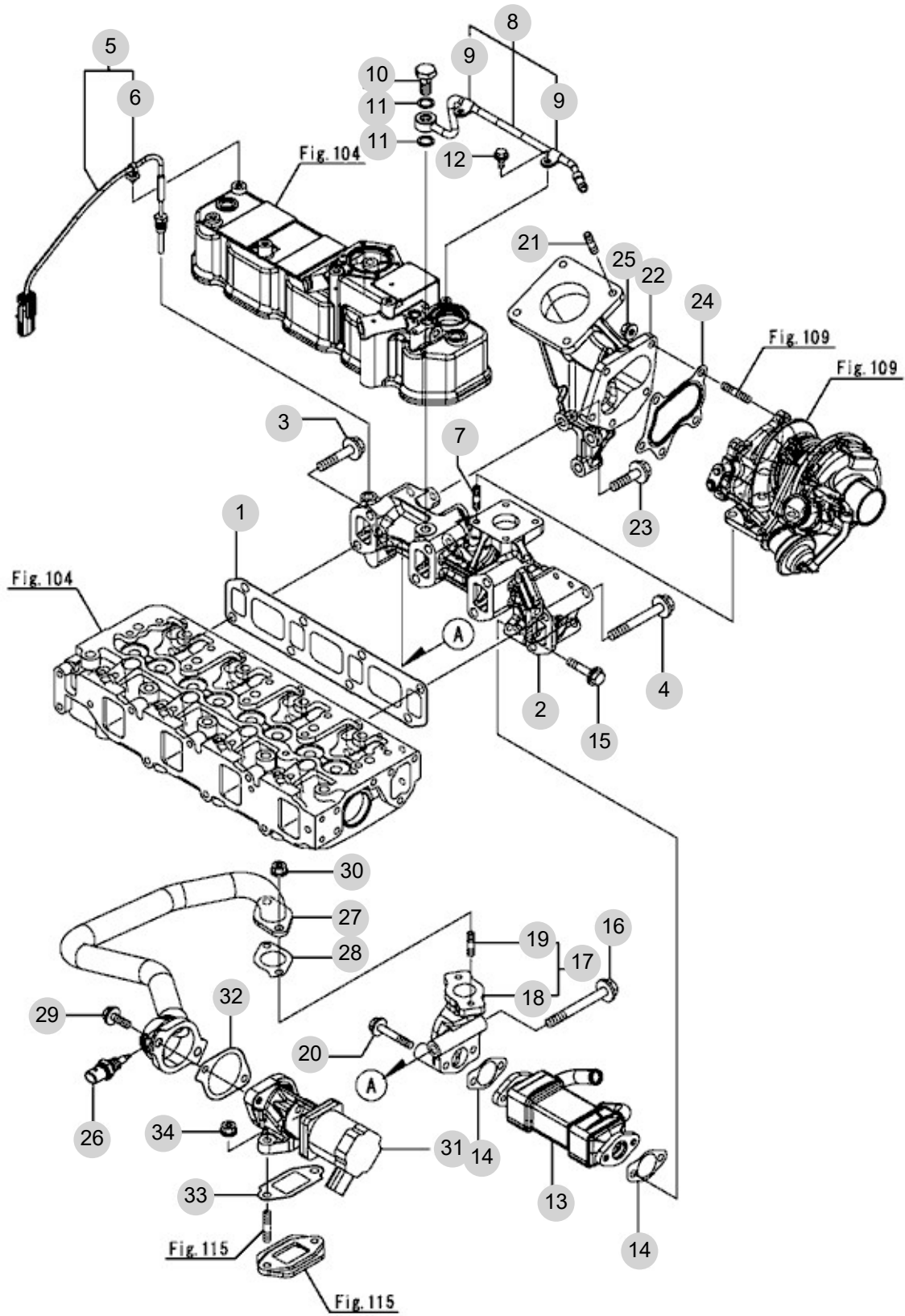
FIG 106A

EXHAUST MANIFOLD (T554)

년/월
Year/Month

2022-12

T554NH



NOTE

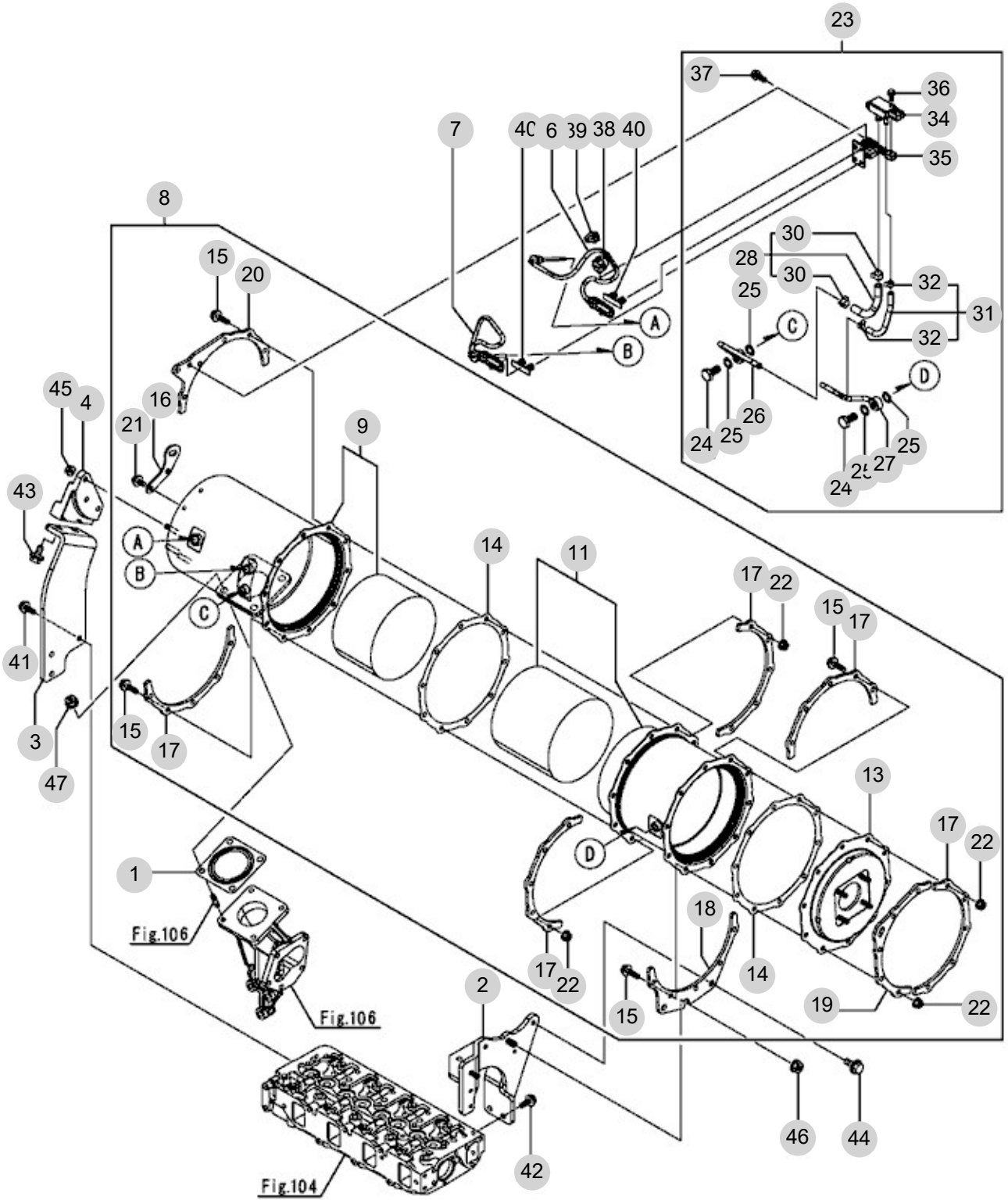
FIG 107A

DIESEL PARTICULATE FILTER (T554)

년/월
Year/Month

2022-12

T554NH



NOTE

FIG 107A		DIESEL PARTICULATE FILTER (T554)					년/월 Year/Month		
							2022-12		
T554NH		KEY NO	PART NO	DESCRIPTION	SPEC	QTY	REPAIR	EFFECTIVE DATE	REMARKS
107A	1	128300-13230	GASKET,SILENCER			1			
107A	2	129C01-16811	STAY,DPF			1			
107A	3	129C01-16820	STAY,DPF			1			
107A	4	129C01-16830	STAY,DPF			1			
107A	6	129C00-13940	SENSOR,EXH.TEMP			1			
107A	7	129C00-13950	SENSOR,EXH.TEMP			1			
107A	8	129C01-16011	DPFASSY			1			
107A	9	129C01-16210	CASE,DOC			1			
107A	11	129C01-16410	CASE,SOOT FILTER			1			
107A	13	129C01-16550	FLANGE,OUTLET			1			
107A	14	129E00-16600	GASKET,DPF			2			
107A	15	129A00-16610	BOLT,M8X28 10.9T			20			
107A	16	129C01-16680	LIFTER,DPF			1			
107A	17	129C01-16700	STIFFENER,DPF A			5			
107A	18	129C01-16721	STIFFENER,DPF B			1			
107A	19	129C01-16740	STIFFENER,DPF C			1			
107A	20	129C01-16750	STIFFENER,DPF C			1			
107A	21	26106-080142	BOLT,M8X14 PLATED			2			
107A	22	26306-080002	NUT,M8			20			
107A	23	129E01-17220	SENSORUNIT, PRESSURE			1			
107A	24	129A00-13350	BOLT, PIPE JOINT			2			
107A	25	129A00-17311	GASKET,SENSOR			4			
107A	26	129E00-17310	PIPEASSY,PRES EXH			1			
107A	27	129E00-17360	PIPEASSY,PRES EXH			1			
107A	28	129C01-17610	HOSEASSY,PRES EXH			1			
107A	30	129A00-17520	CLIP,HOSE			2			
107A	31	129A00-17670	HOSEASSY,PRES EXH			1			
107A	32	129A00-17570	CLIP,HOSE			2			
107A	34	129A00-17702	SENSOR,PRESSURE			1			
107A	35	129A00-17780	BRACKET,SENSOR			1			
107A	36	26106-060162	BOLT,M6X16 PLATED			2			
107A	37	26106-080202	볼트	8X20		2			
107A	38	129A00-91200	BAND CLIP			1			
107A	39	129C00-91200	BAND			1			
107A	40	129A00-91430	CLIP,CONNECTOR			2			
107A	41	26106-080202	볼트	8X20		3			
107A	42	26106-080202	볼트	8X20		2			
107A	43	26106-100202	FLANGE BOLT			2			
107A	44	26106-100202	FLANGE BOLT			2			
107A	45	26306-080002	NUT,M8			3			
107A	46	26306-100002	NUT,M10			1			
107A	47	26306-100002	NUT,M10			4			
NOTE									

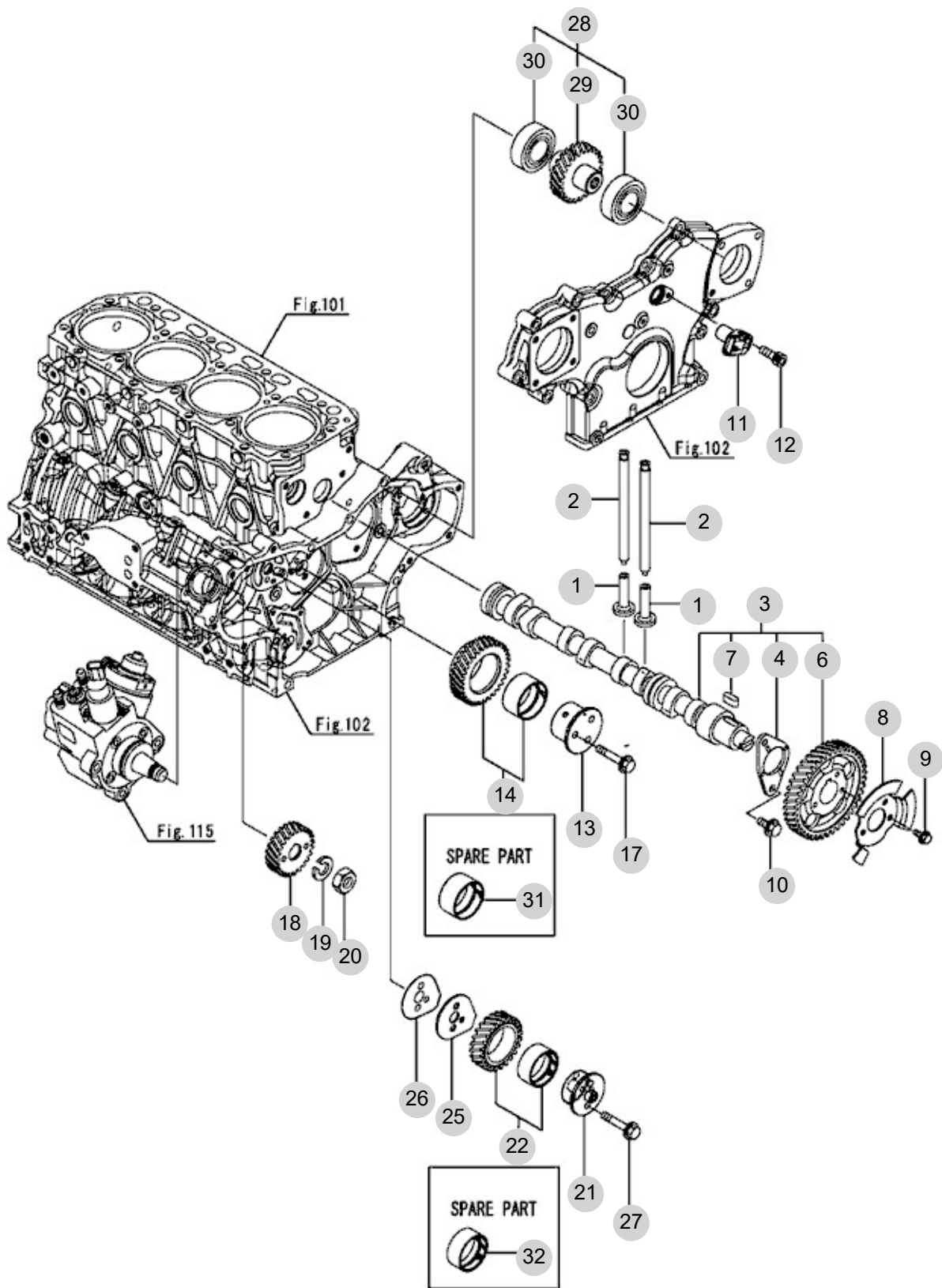
FIG 108

CAMSHAFT & DRIVING GEAR

년/월
Year/Month

2022-12

T554NH



NOTE

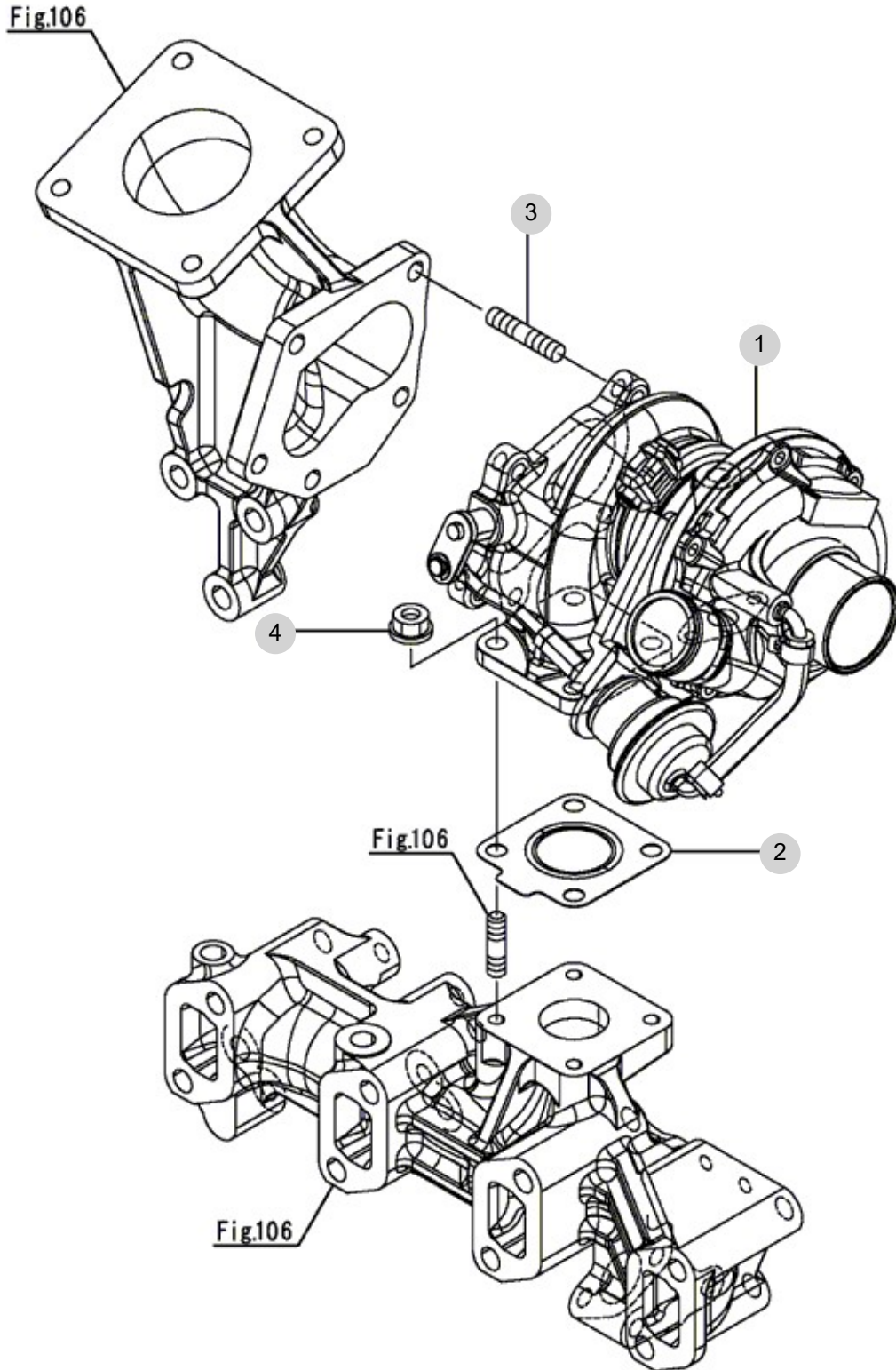
FIG 109

TURBINE (T554)

년/월
Year/Month

2022-12

T554NH



NOTE

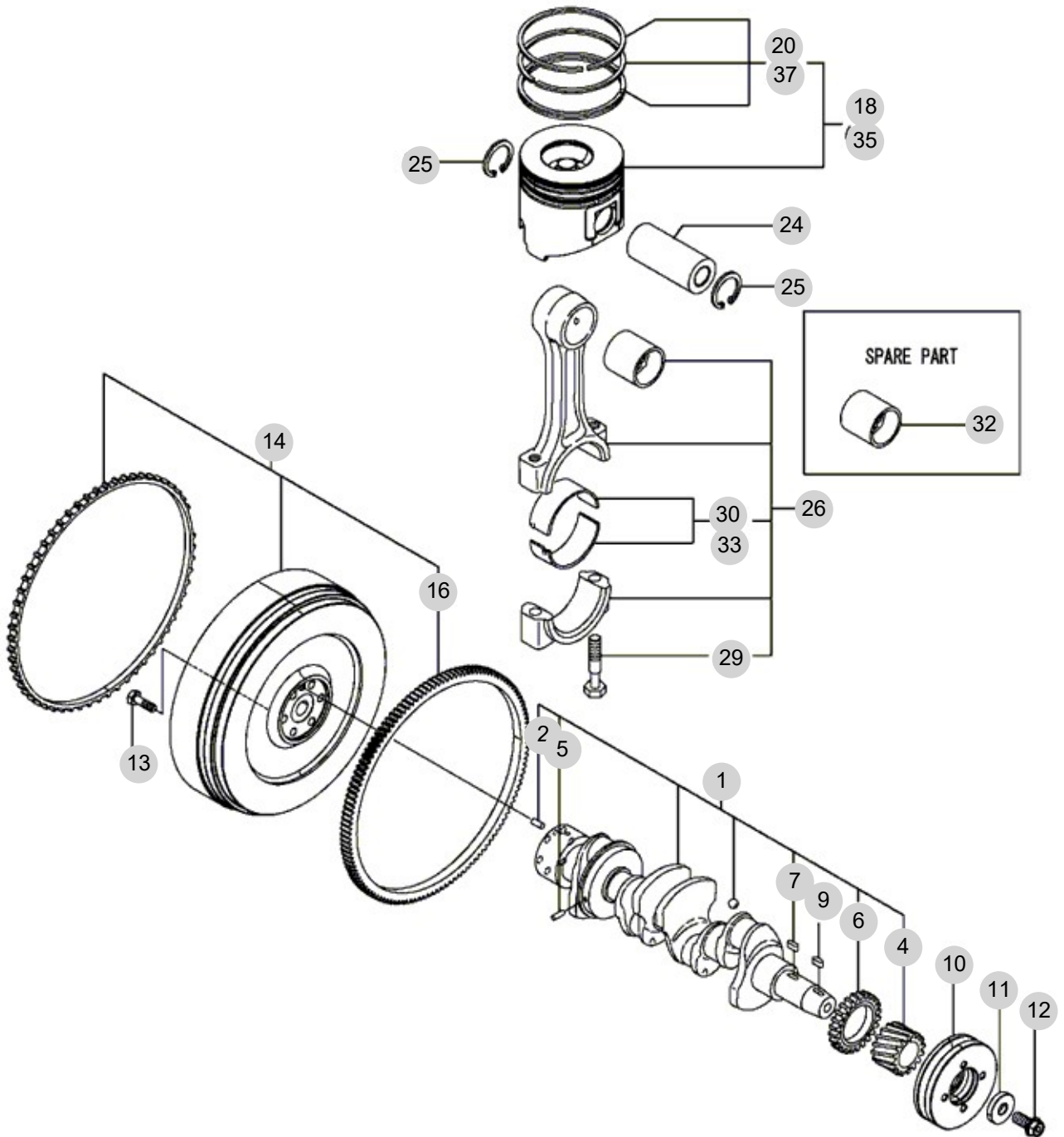
FIG 110A

CRANKSHAFT & PISTON (T554)

년/월
Year/Month

2022-12

T554NH



NOTE

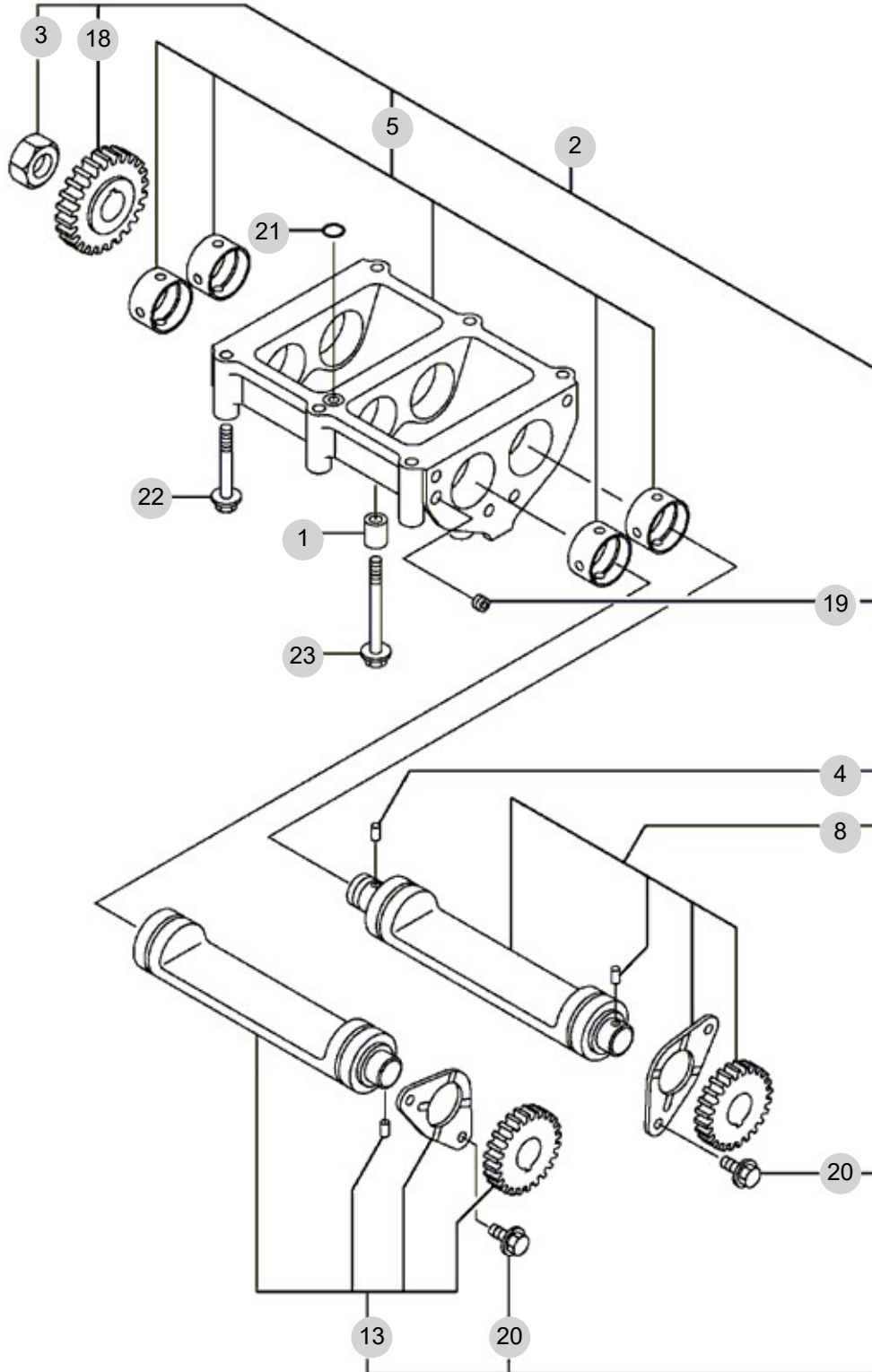
FIG 111

BALANCER

년/월
Year/Month

2022-12

T554NH



NOTE

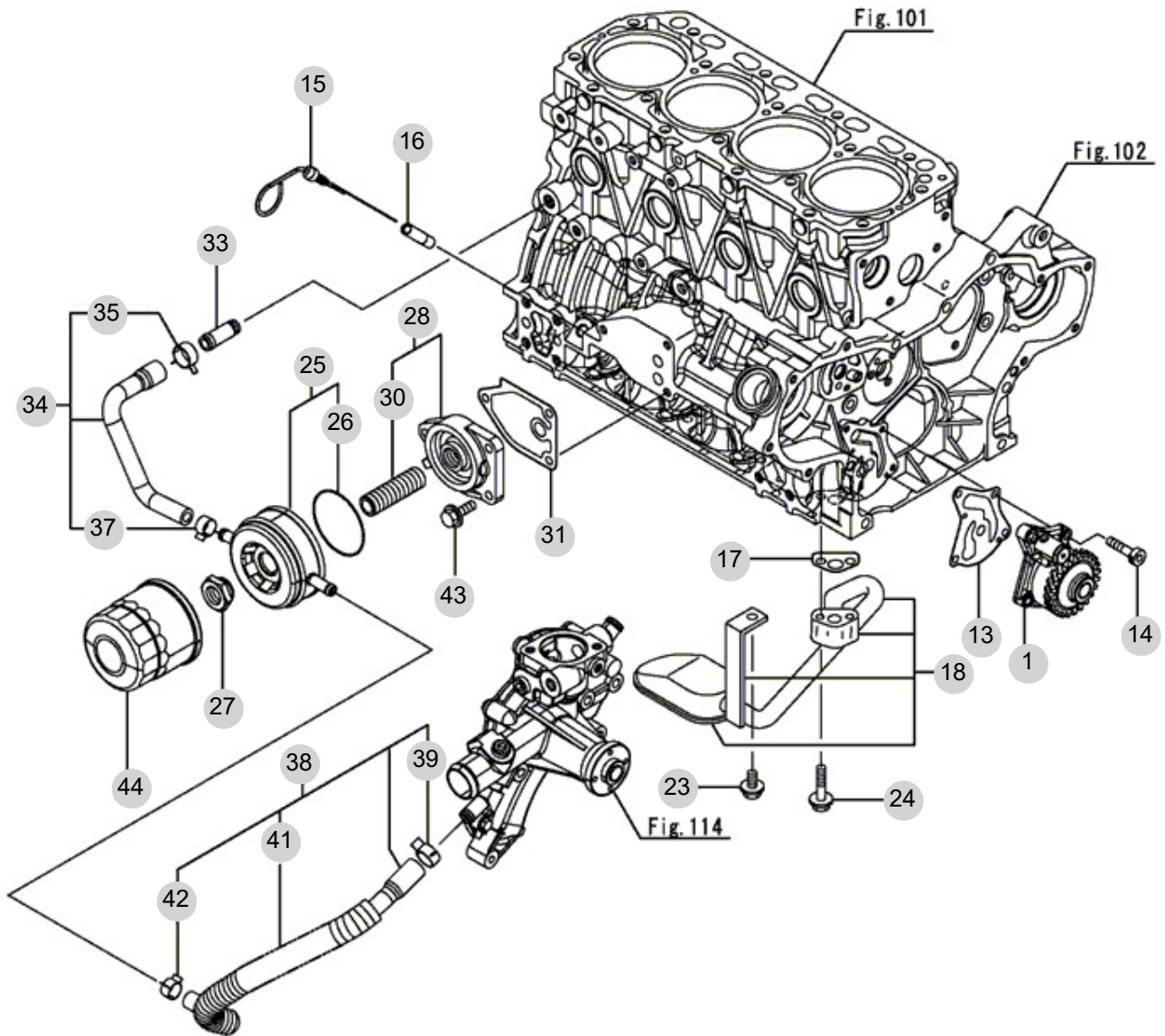
FIG 112A

T554NH

LUB. OIL SYSTEM (T554)

년/월
Year/Month

2022-12



NOTE

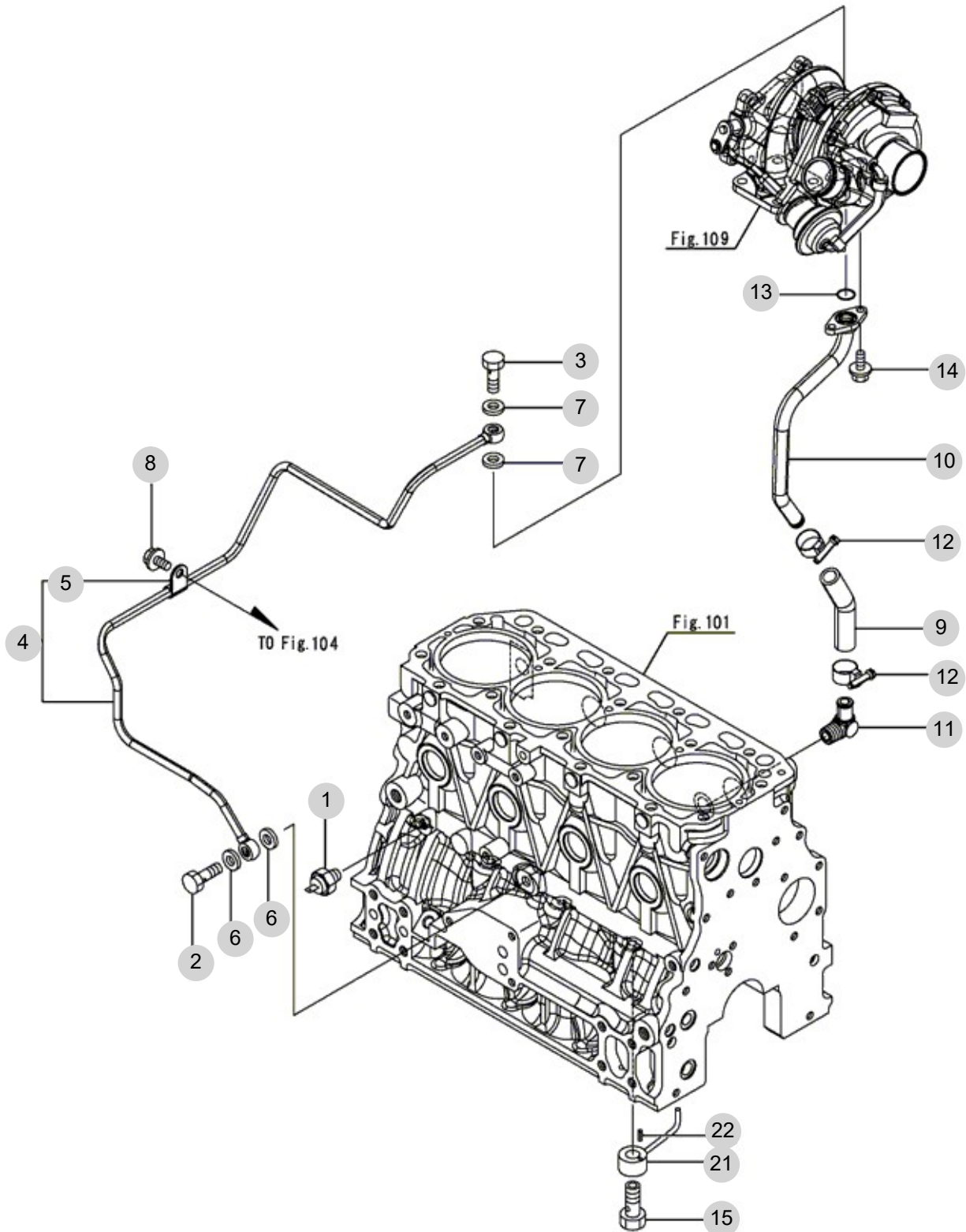
FIG 113

T554NH

LUB. OIL LINE (T554)

년/월
Year/Month

2022-12



NOTE

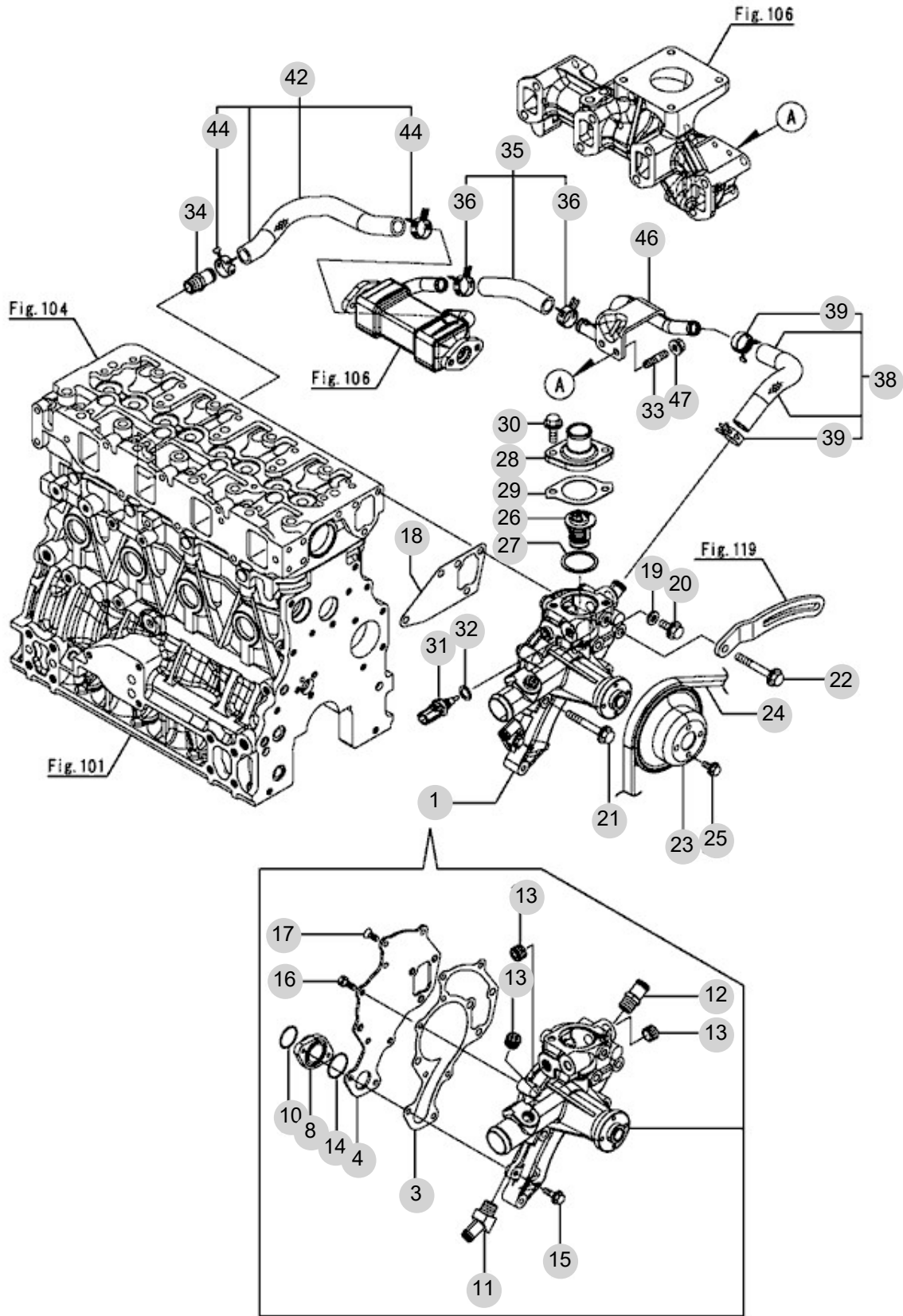
FIG 114

COOLING WATER SYSTEM

년/월
Year/Month

2022-12

T554NH



NOTE

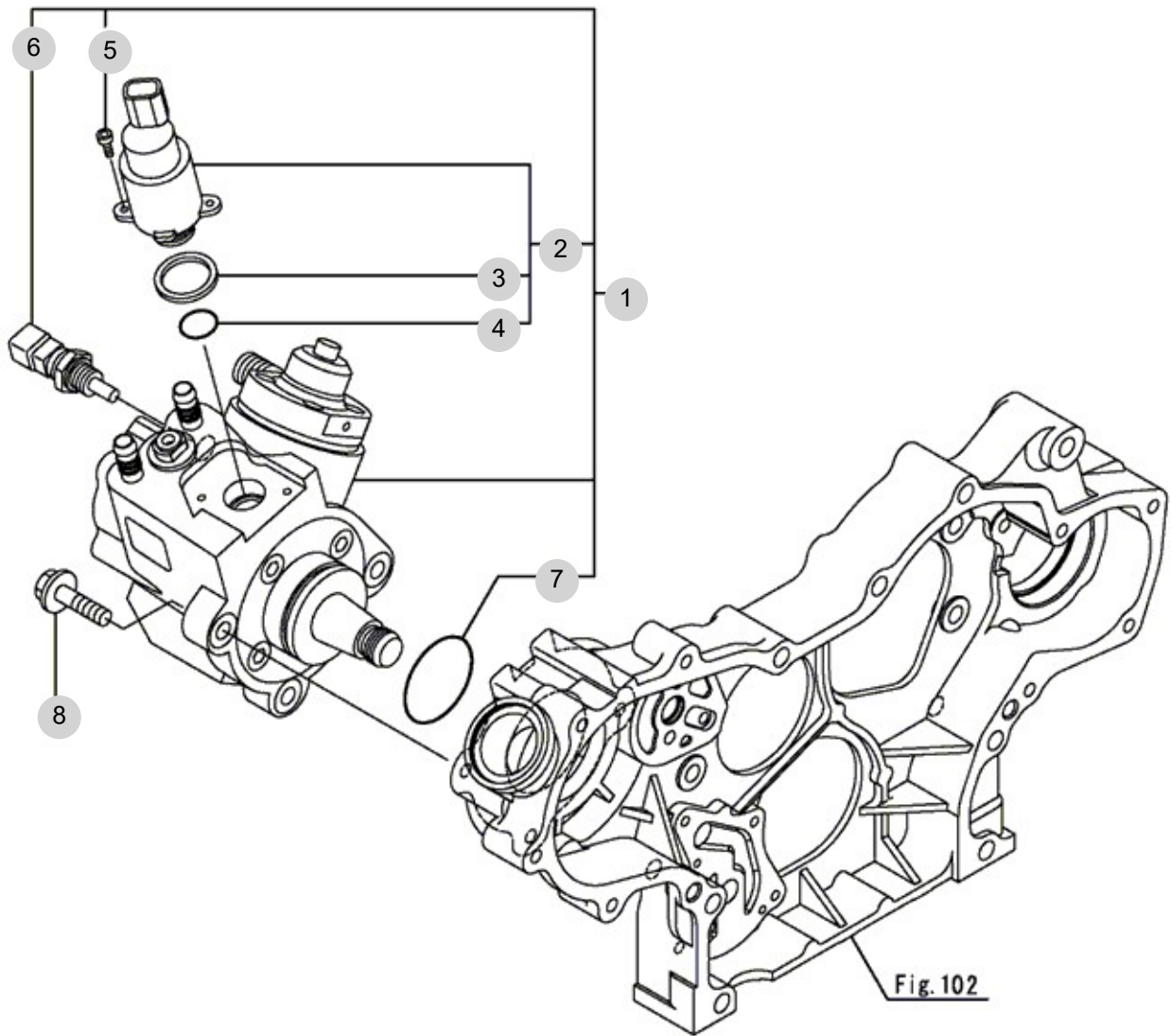
FIG 115

T554NH

FUEL SUPPLY PUMP

년/월
Year/Month

2022-12



NOTE

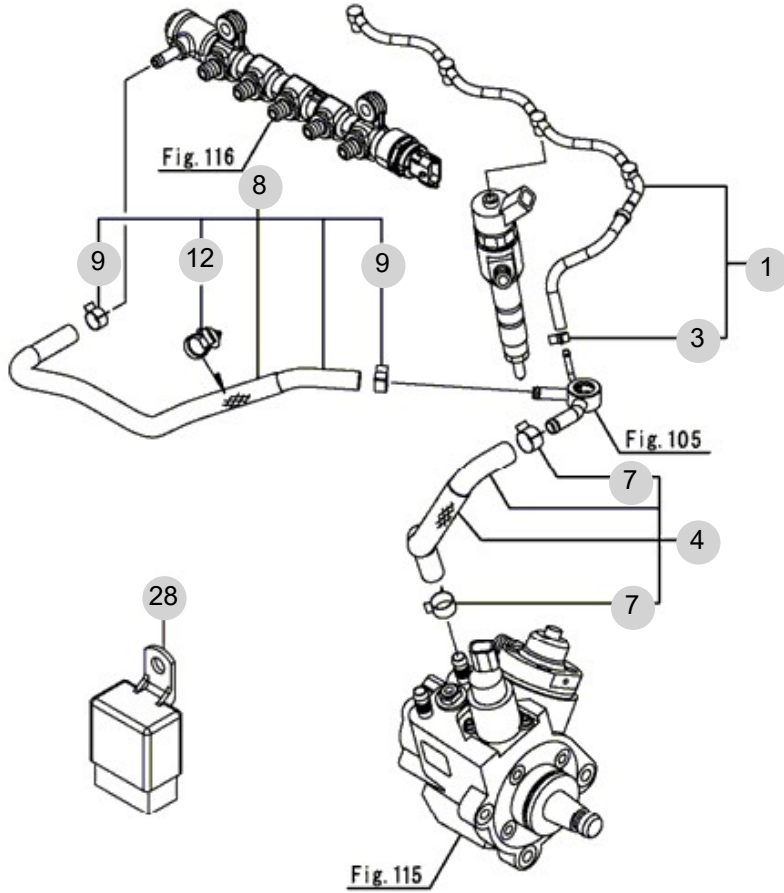
FIG 117

T554NH

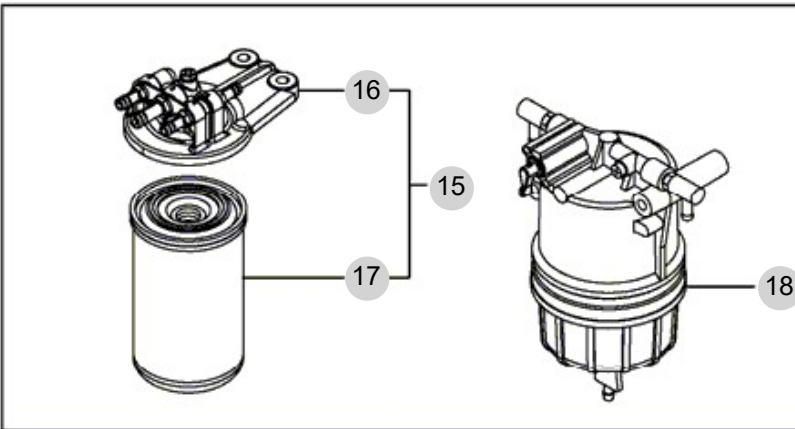
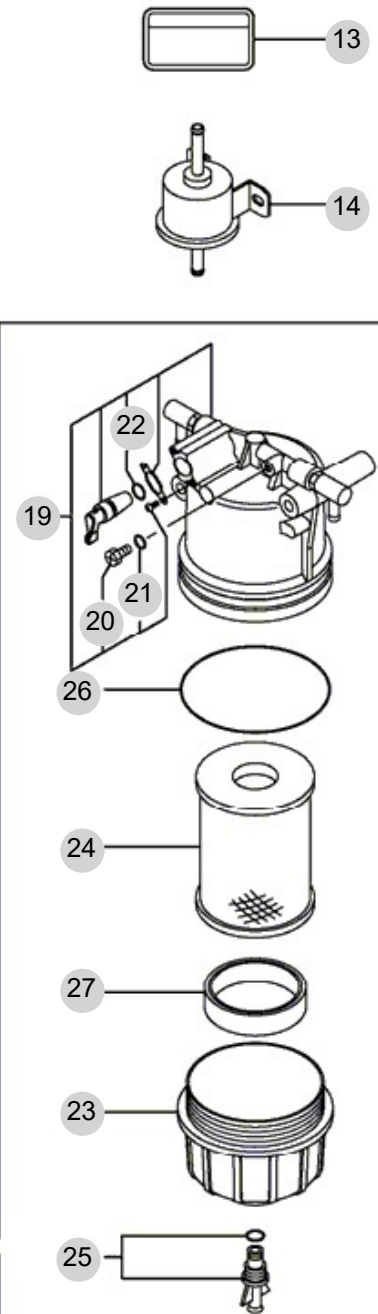
FUEL LINE

년/월
Year/Month

2022-12



LOOSE PARTS



NOTE

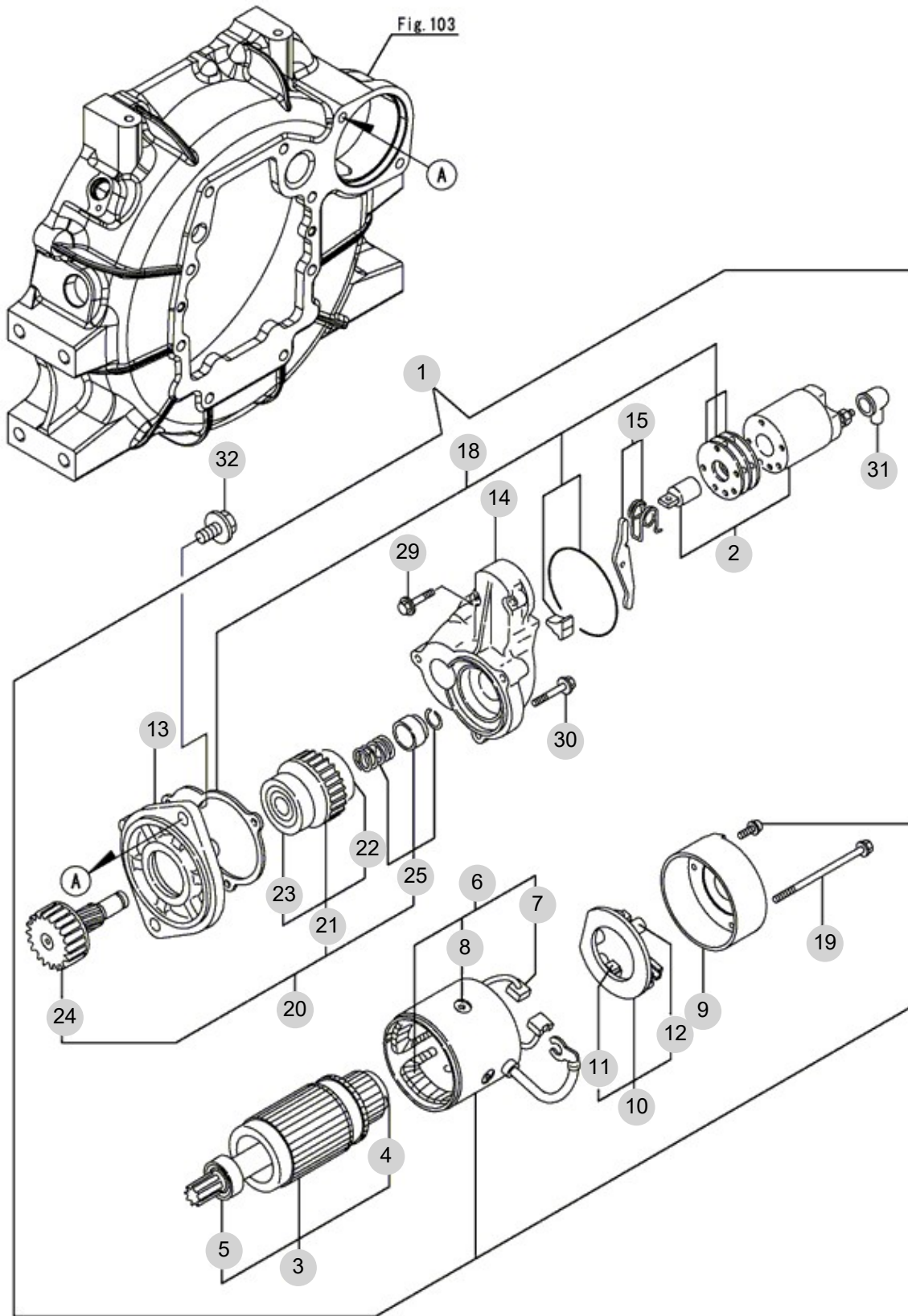
FIG 118

STARTING MOTOR

년/월
Year/Month

2022-12

T554NH



NOTE

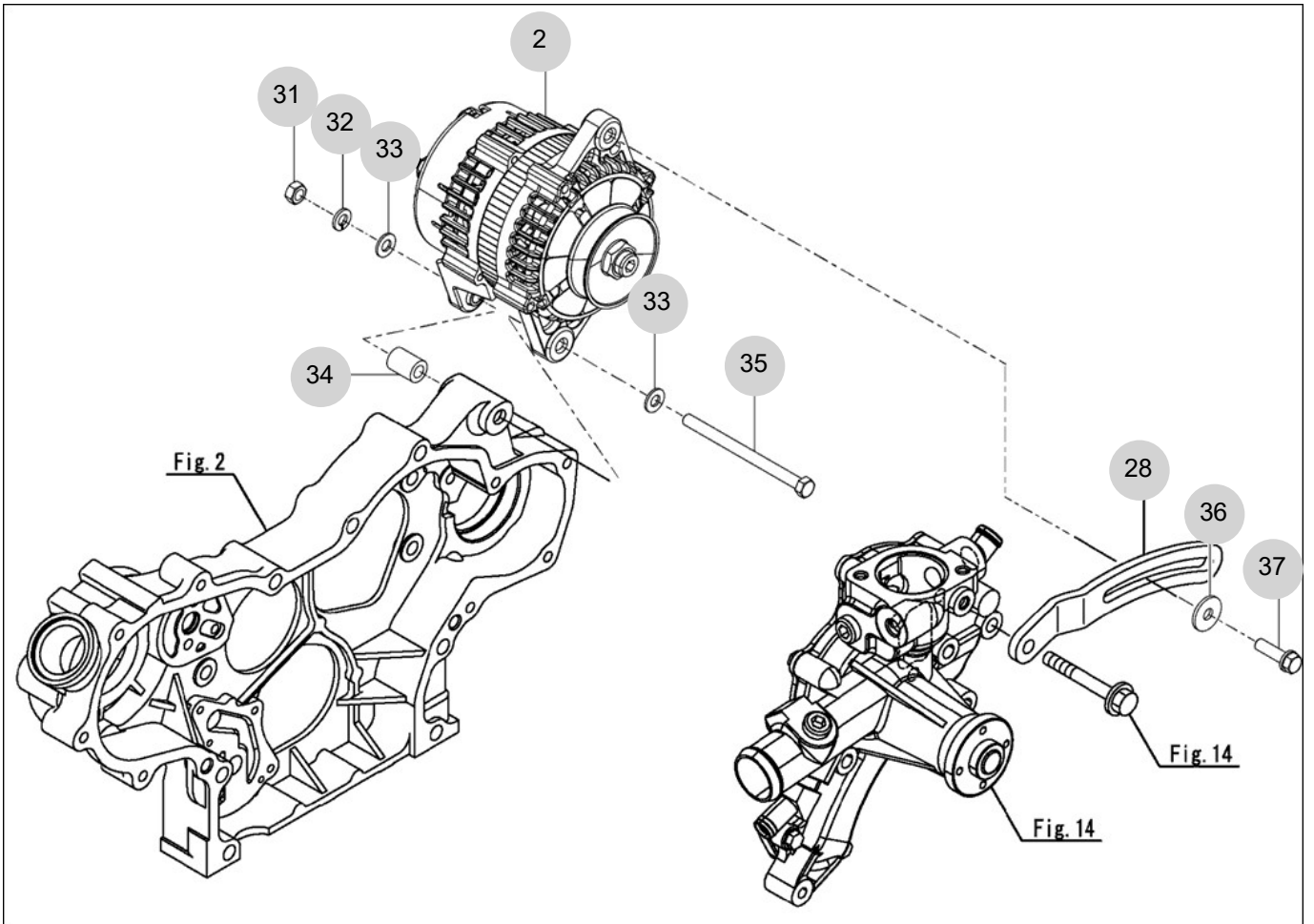
FIG 119

GENERATOR

년/월
Year/Month

2022-12

T554NH



NOTE

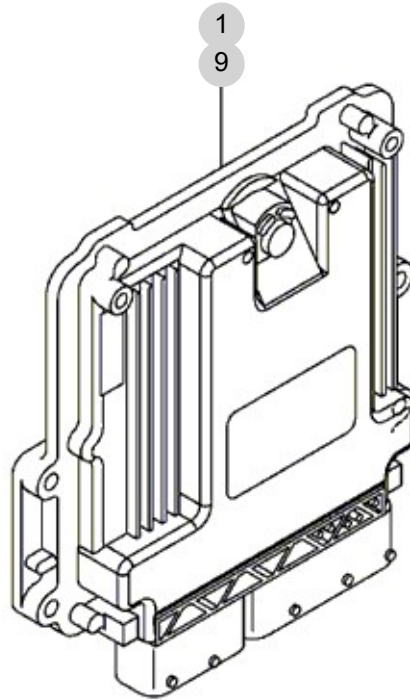
FIG 120A

T554NH

ELECTRONIC CONTROL UNIT (T554)

년/월
Year/Month

2022-12



NOTE

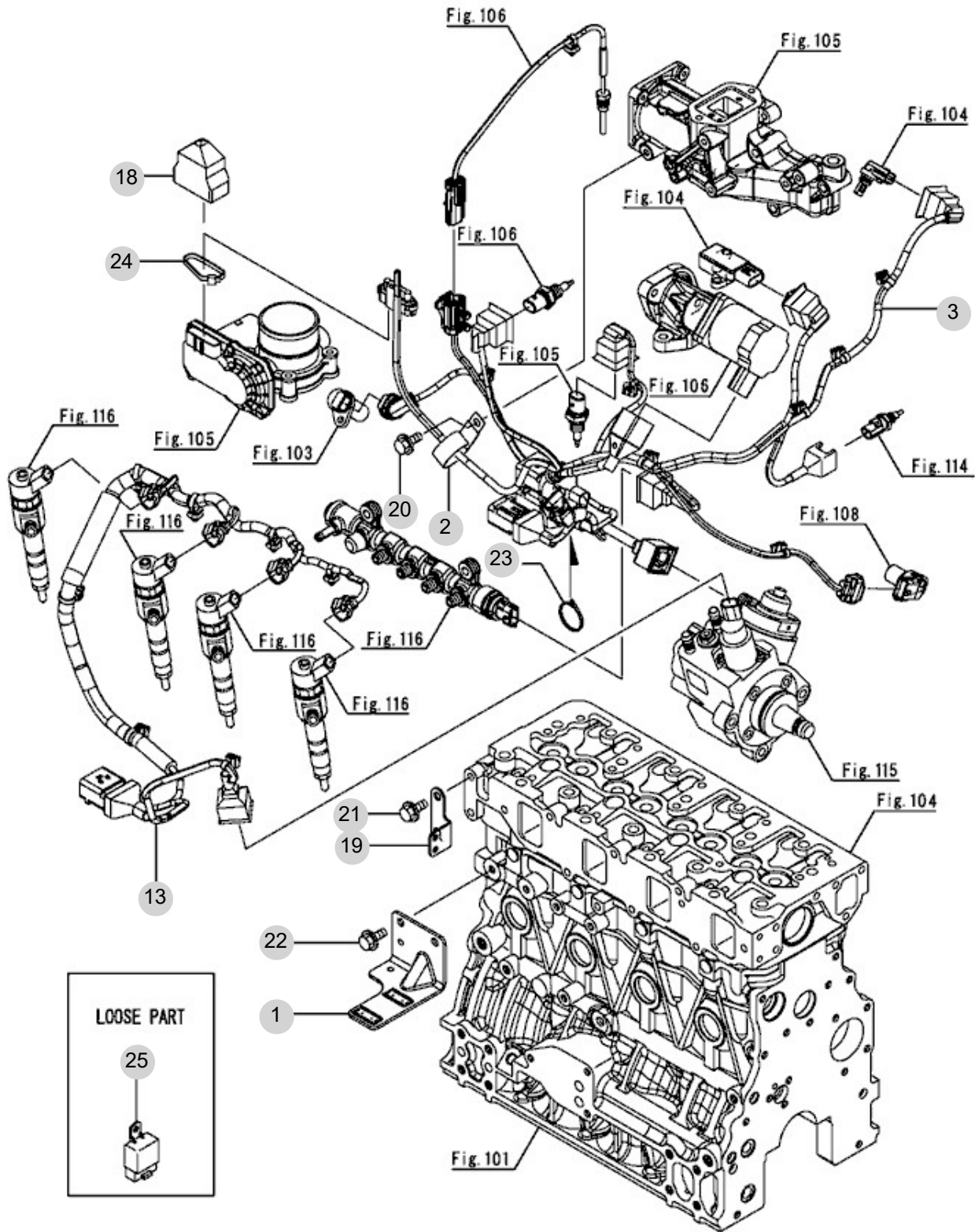
FIG 121A

ELECTRIC PARTS (T554)

년/월
Year/Month

2022-12

T554NH



NOTE

FIG 122A

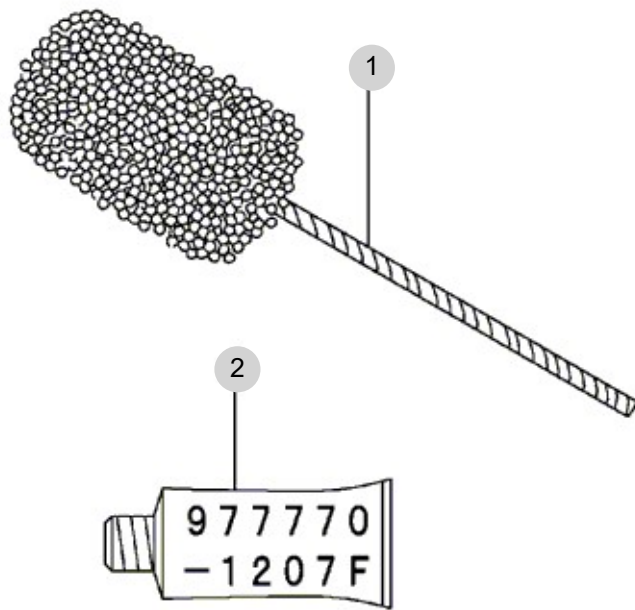
ACCESSORY (T554)

년/월
Year/Month

T554NH

2022-12

OPTIONAL PARTS



NOTE

2. Engine Accessories PART NO. T2

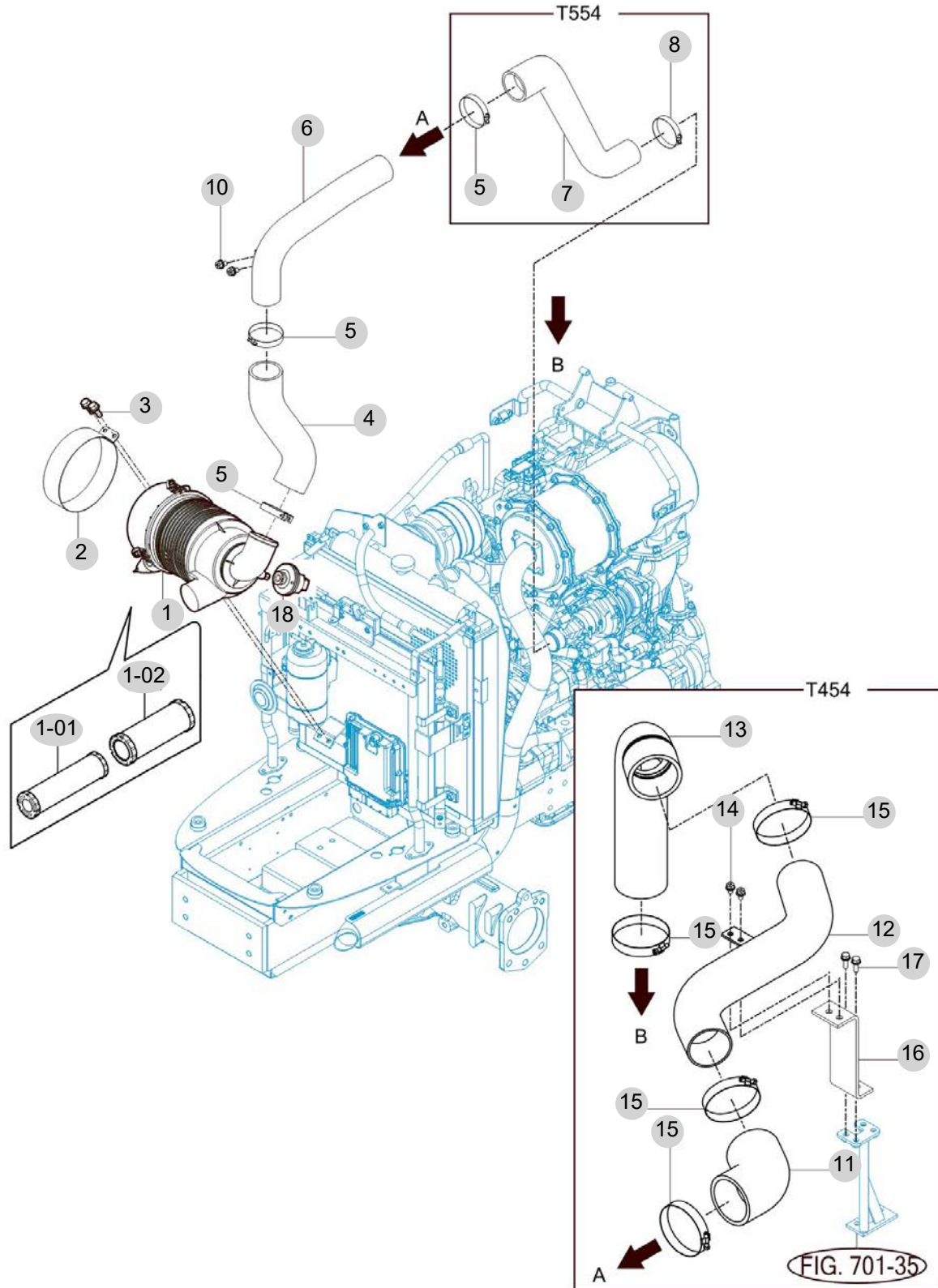
FIG 201 AIR CLEANER	60
FIG 202 RADIATOR	62
FIG 203 MUFFLER	64
FIG 204 FUEL HOSE & FILTER	66
FIG 205 FUEL TANK	68
FIG 206 ACCELERATOR	70
FIG 207 OIL COOLER	72
FIG 208 FAN , COOLING	74

FIG 201

AIR CLEANER

년/월
Year/Month

2022-12



NOTE

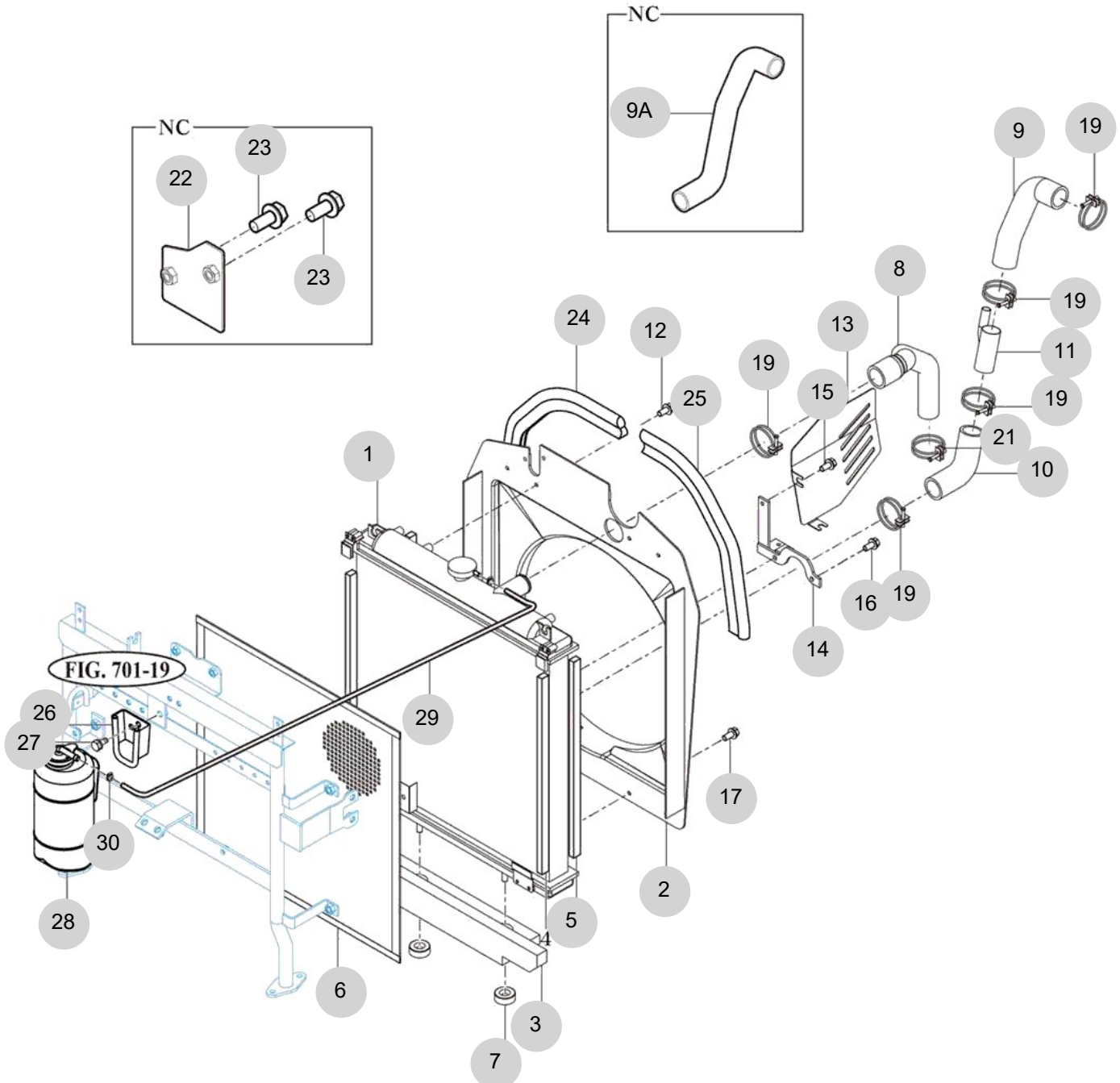
FIG 202

RADIATOR

년/월
Year/Month

T554NH

2022-12



NOTE

FIG 202 T554NH	RADIATOR	년/월 Year/Month
		2022-12

KEY NO	PART NO	DESCRIPTION	SPEC	QTY	REPAIR	EFFECTIVE DATE	REMARKS
202	1	17461042100		1			
202	2	17461042201		1			
202	3	17461042350		1			
202	4	14661042360		2			
202	5	14661042340		2			
202	6	17461042300GB		1			
202	7	15156210300		2			
202	7	14526210301		2			
202	8	17461040010		1			
202	9A	17471040110		1			
202	10	17461040120		1			
202	11	14628202600	1X1X1	1			
202	12	V2323606016	M6X16	4			
202	13	19951040090GB	1X1X1	1			
202	14	17461040300GB		1			
202	15	V2183608012	M8X12	2			
202	16	V2123606020	M6X20	2			
202	17	V2323606016	M6X16	2			
202	19	14241010040	D=45	5			
202	19	18027090500		5			
202	21	18027090400	40	1			
202	22	17471042300GB		1			
202	23	V2323606016	M6X16	2			
202	24	17461040330		1			
202	25	17461040320		1			
202	26	36753302201GB	1X1X1	1			
202	27	V2183608025	M8X25	1			
202	28	16003302101		1			
202	29	17995010150	13X500	1			
202	30	36423600080	21X15	2			

NOTE	
------	--

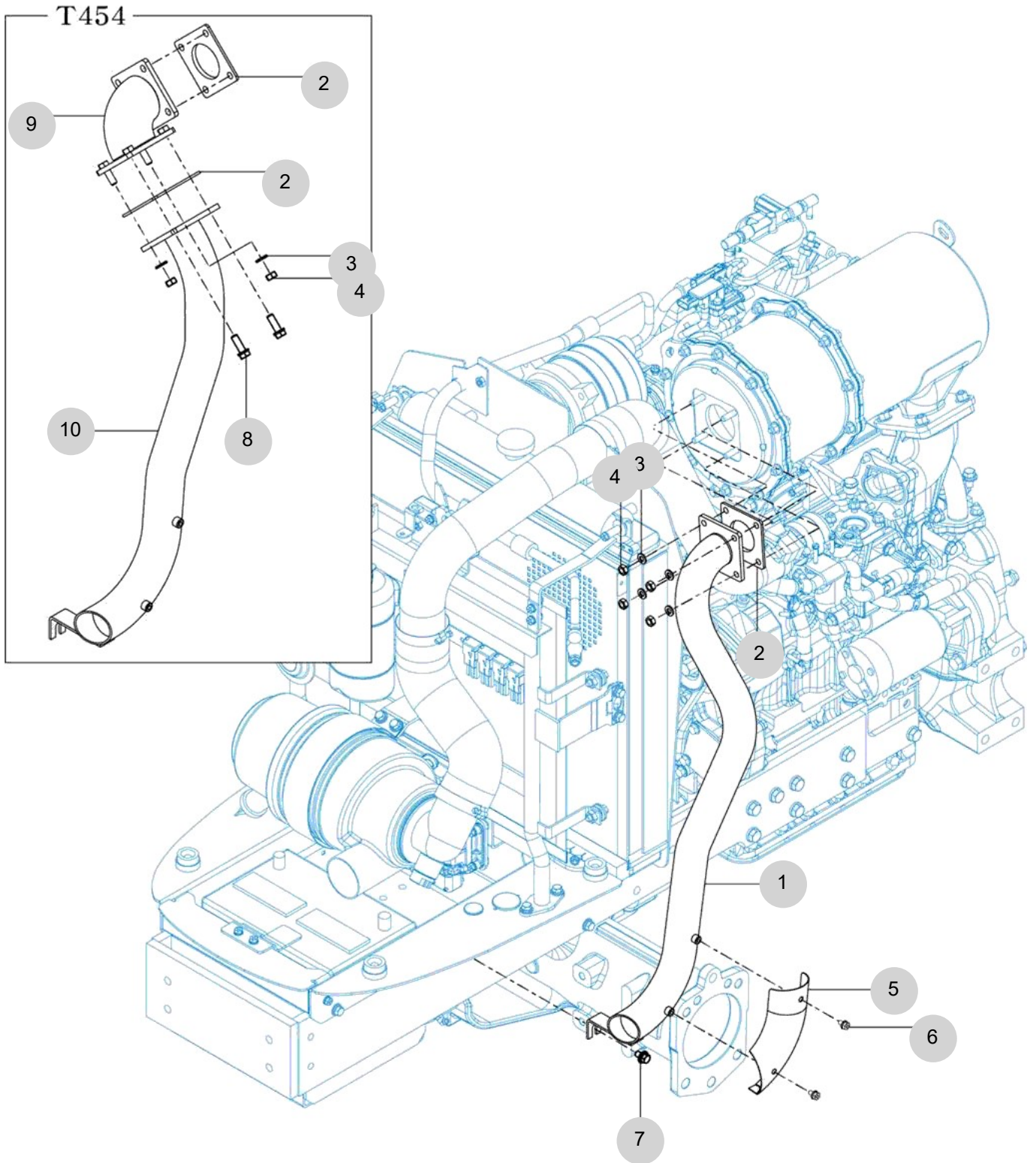
FIG 203

MUFFLER

년/월
Year/Month

2022-12

T554NH



NOTE

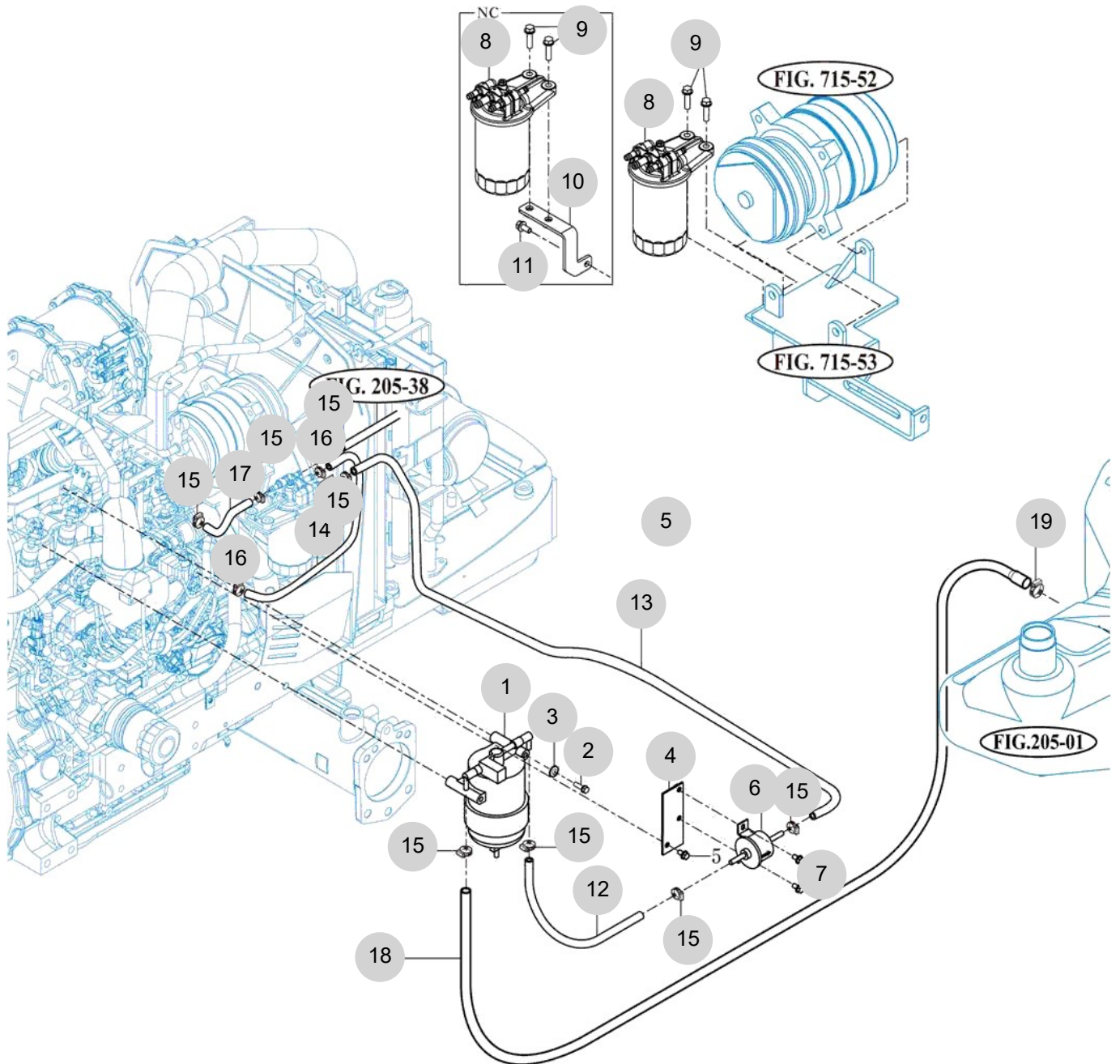
FIG 204

FUEL HOSE & FILTER

년/월
Year/Month

T554NH

2022-12



NOTE

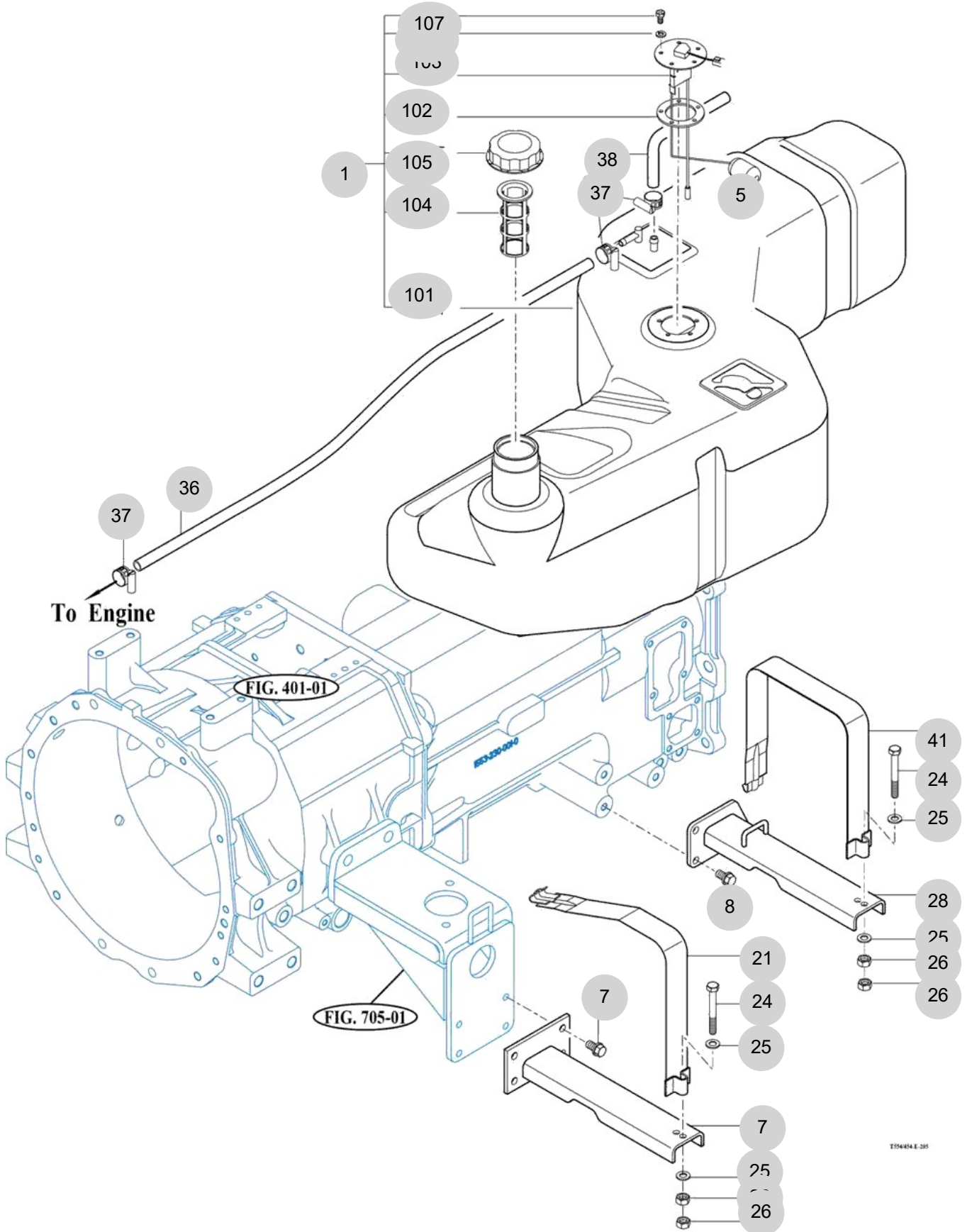
FIG 205

T554NH

FUEL TANK

년/월
Year/Month

2022-12



NOTE

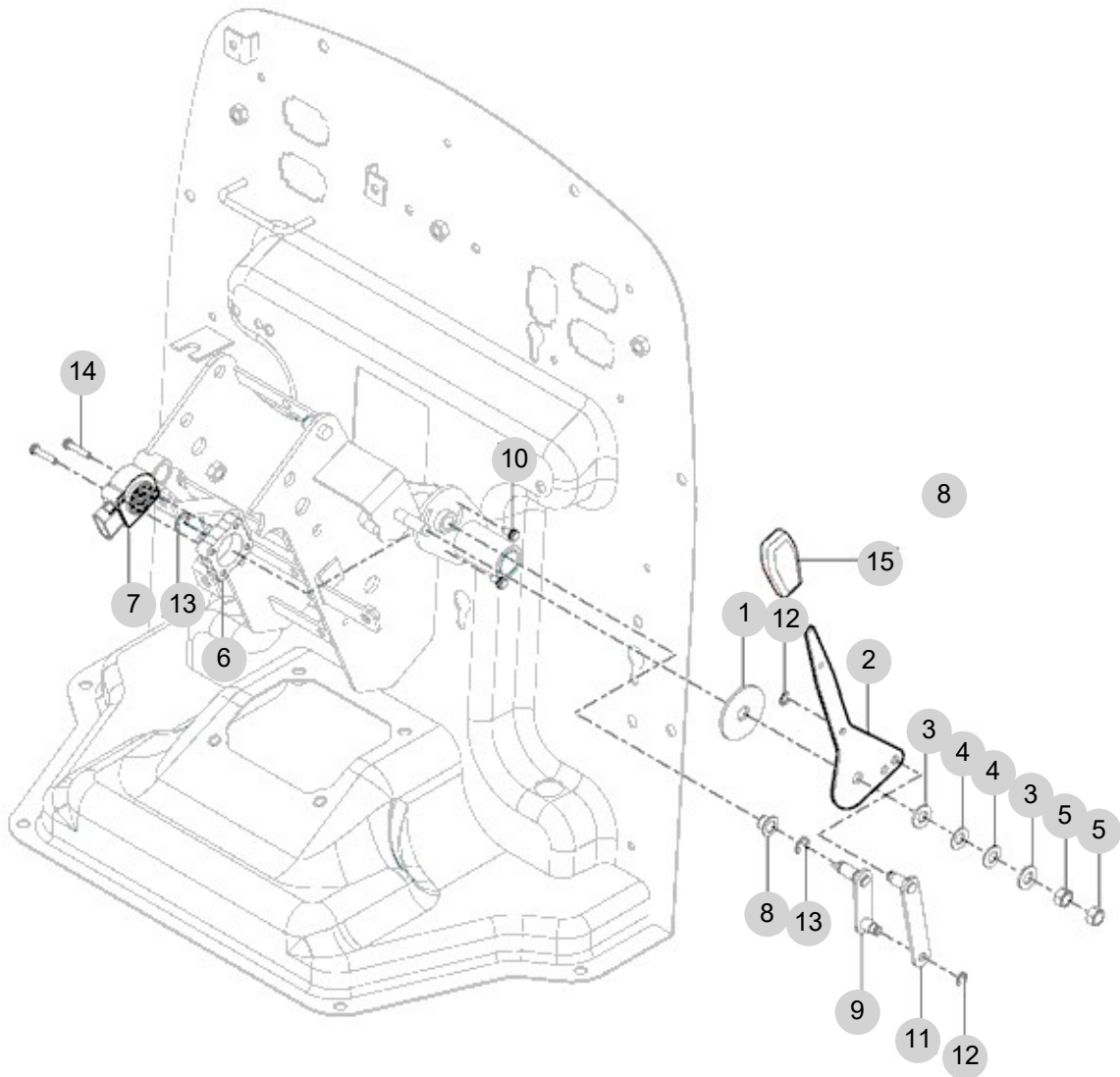
FIG 206

ACCELERATOR

년/월
Year/Month

2022-12

T554NH



NOTE

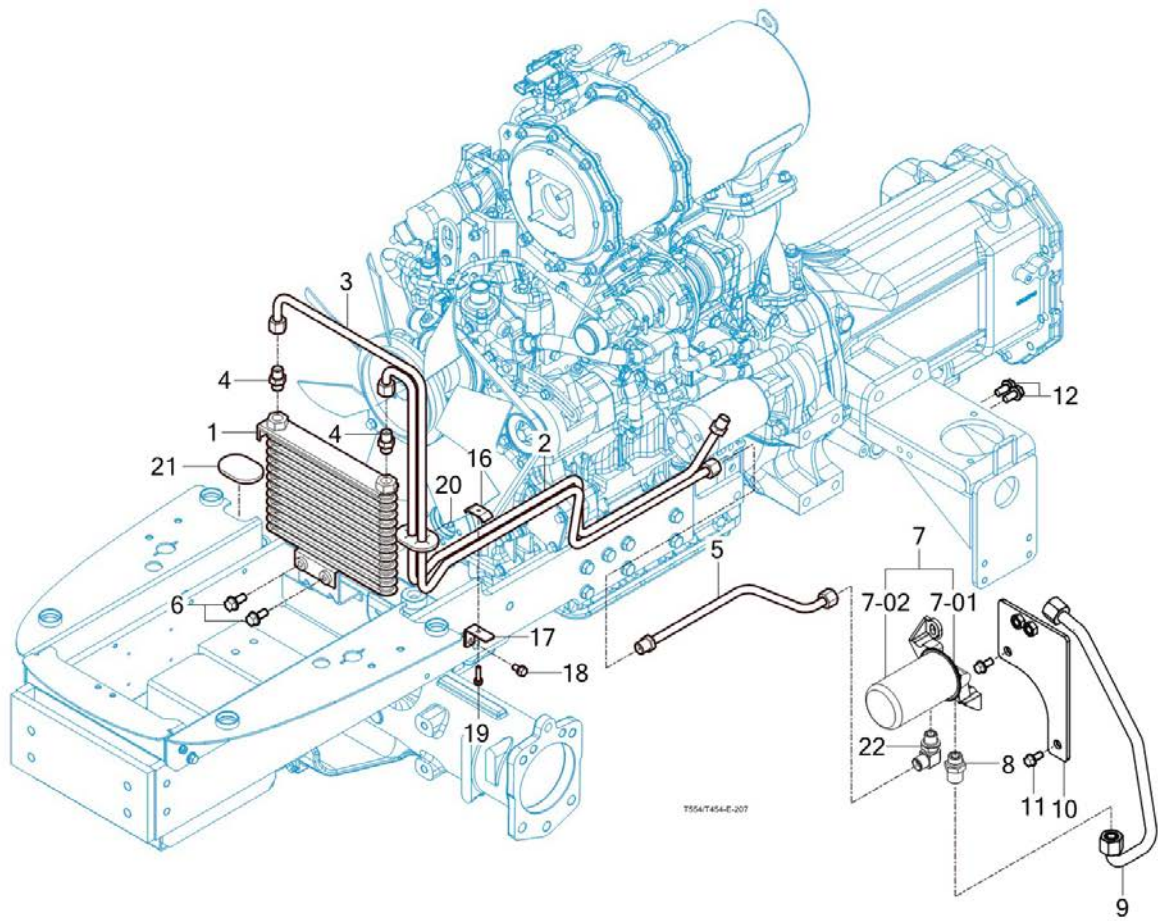
FIG 207

OIL COOLER

년/월
Year/Month

T554NH

2022-12



NOTE

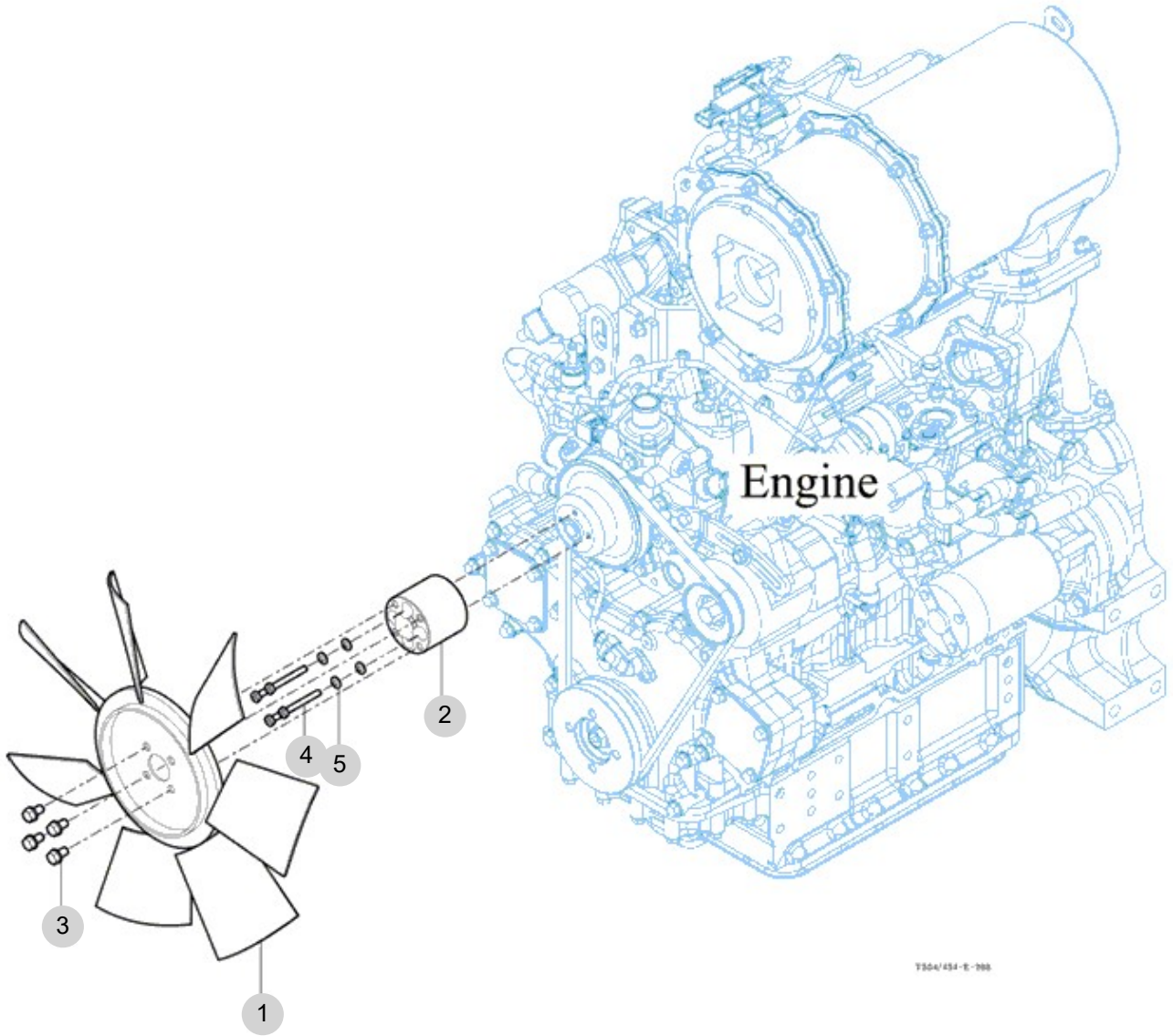
FIG 208

T554NH

FAN , COOLING

년/월
Year/Month

2022-12



T554/454-E-100

NOTE

FIG 208		FAN , COOLING						년/월 Year/Month
T554NH								2022-12
KEY NO	PART NO	DESCRIPTION	SPEC	QTY	REPAIR	EFFECTIVE DATE	REMARKS	
208	1	19951030790	FAN,LD7_412(K06)	1X1X1		1		
208	2	17461000060	SPACER , FAN			1		
208	3	V2173608016	BOLT , HEX/S	M8X16		4		
208	4	V2053606050	BOLT , HEX C/R	M6X50		4		
208	5	V4011600060	WASHER , SPRING	M6		4		
NOTE								

3. Clutch/Brake/Steering PART NO. T3

FIG 301 CLUTCH	77
FIG 302 CLUTCH PEDAL	79
FIG 303 BRAKE	81
FIG 304 BRAKE PEDAL & LINK	83
FIG 305A FRONT WHEEL	85
FIG 305B FRONT WHEEL (R4 OPTION)	87
FIG 306A REAR WHEEL	89
FIG 306B REAR WHEEL (R4 OPTION)	91
FIG 307 POWER STEERING WHEEL	93
FIG 308 POWER STEERING VALVE	95
FIG 309 POWER STEERING CYLINDER	97

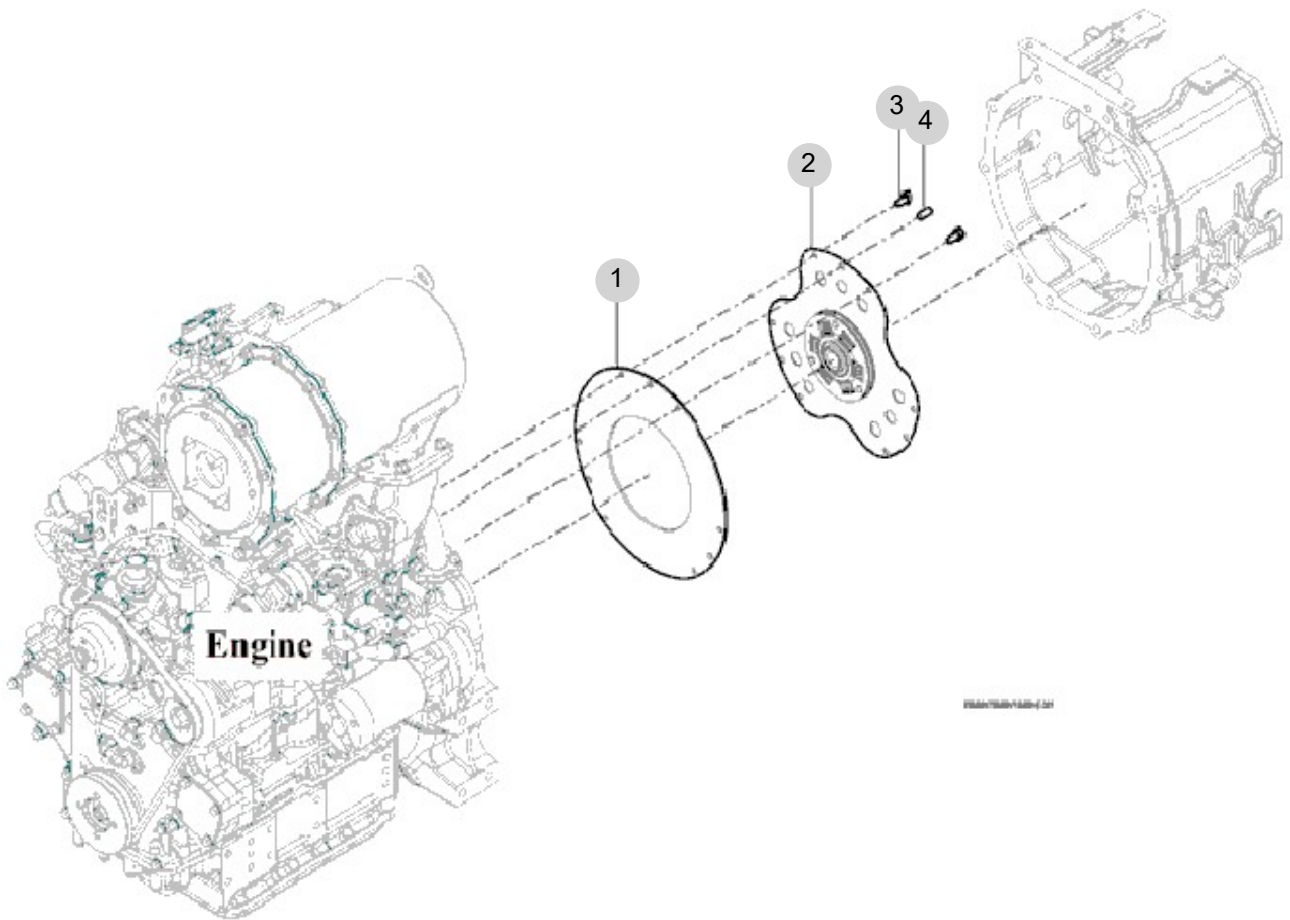
FIG 301

T554NH

CLUTCH

년/월
Year/Month

2022-12



NOTE

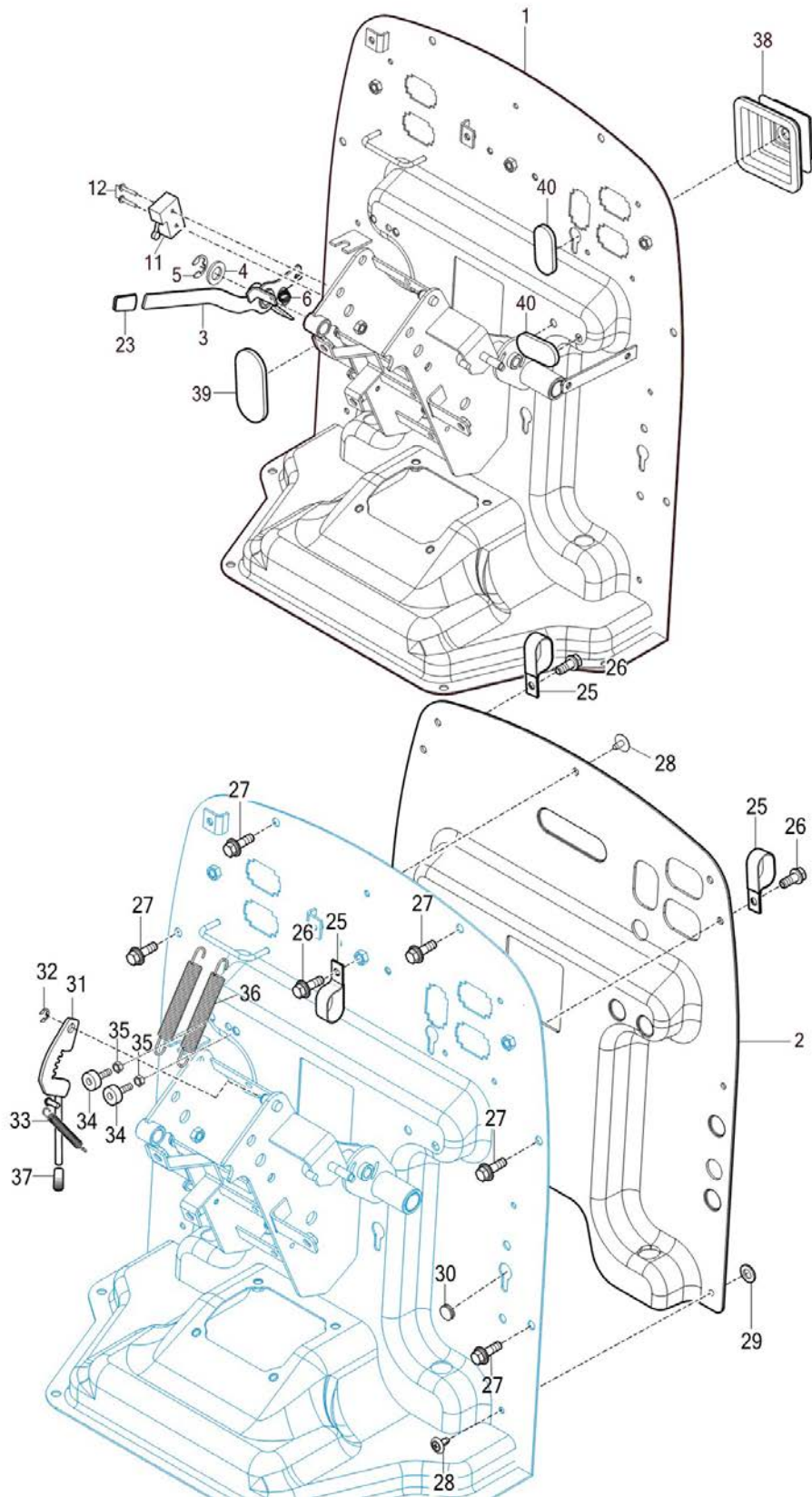
FIG 302

CLUTCH PEDAL

년/월
Year/Month

2022-12

T554NH



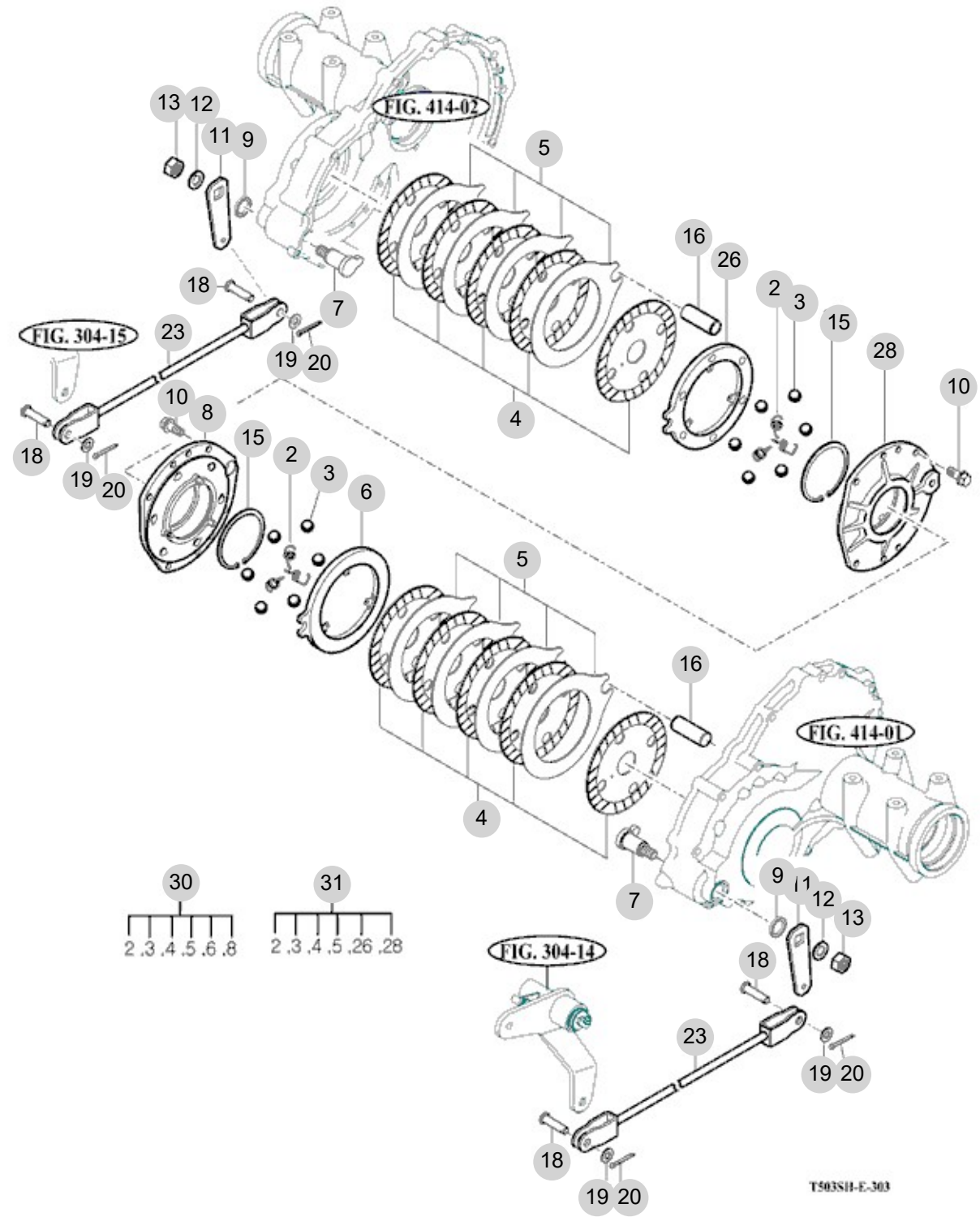
NOTE

FIG 303

BRAKE

년/월
Year/Month

2022-12



NOTE

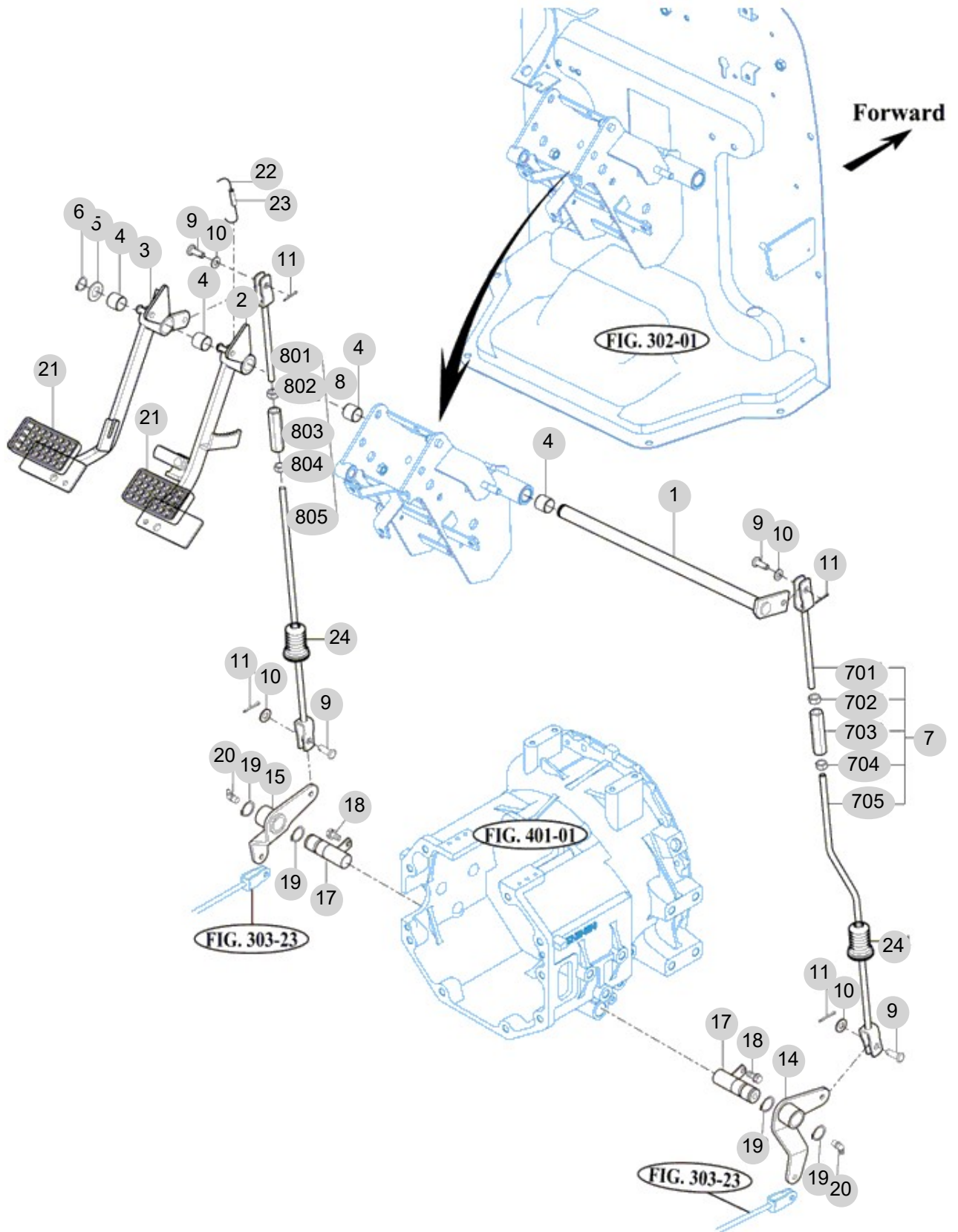
FIG 304

T554NH

BRAKE PEDAL & LINK

년/월
Year/Month

2022-12



NOTE

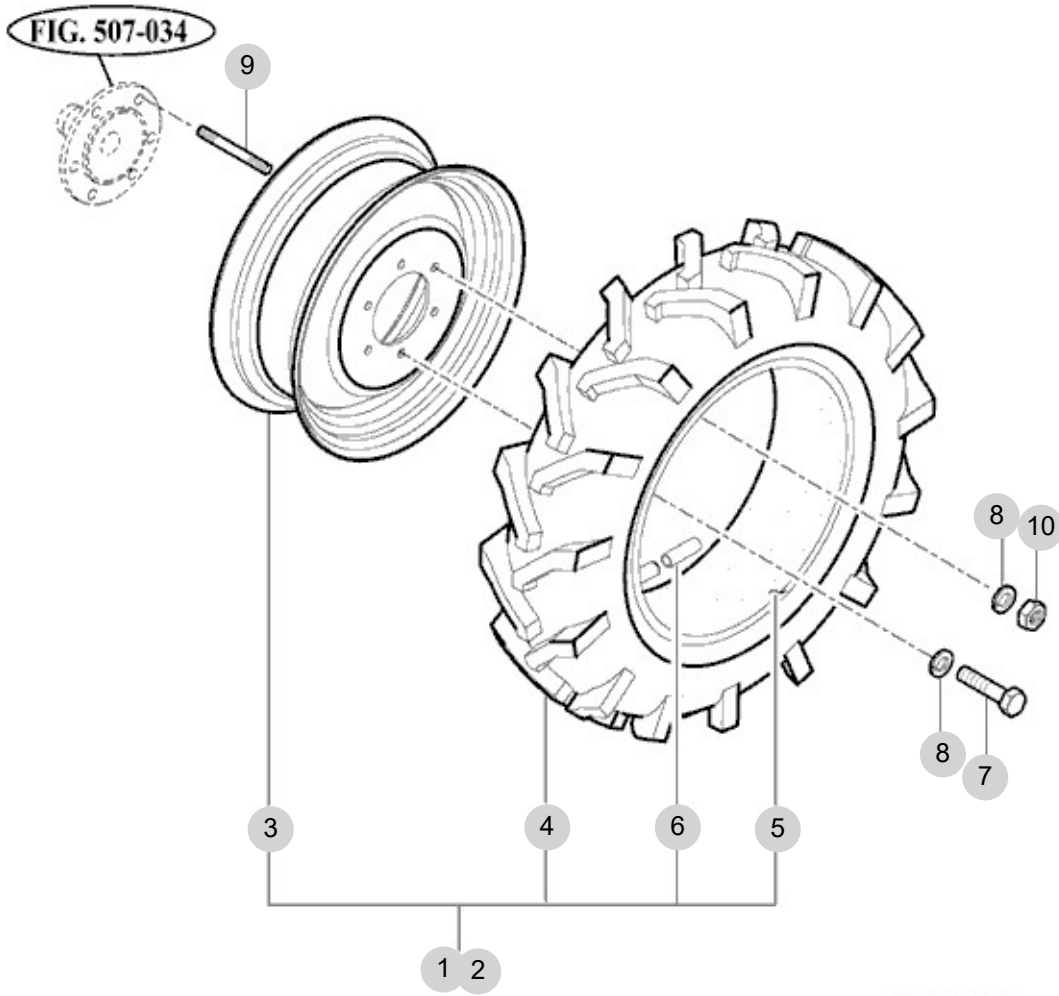
FIG 305A

FRONT WHEEL

년/월
Year/Month

2022-12

T554NH



T503HST-E-305A

NOTE

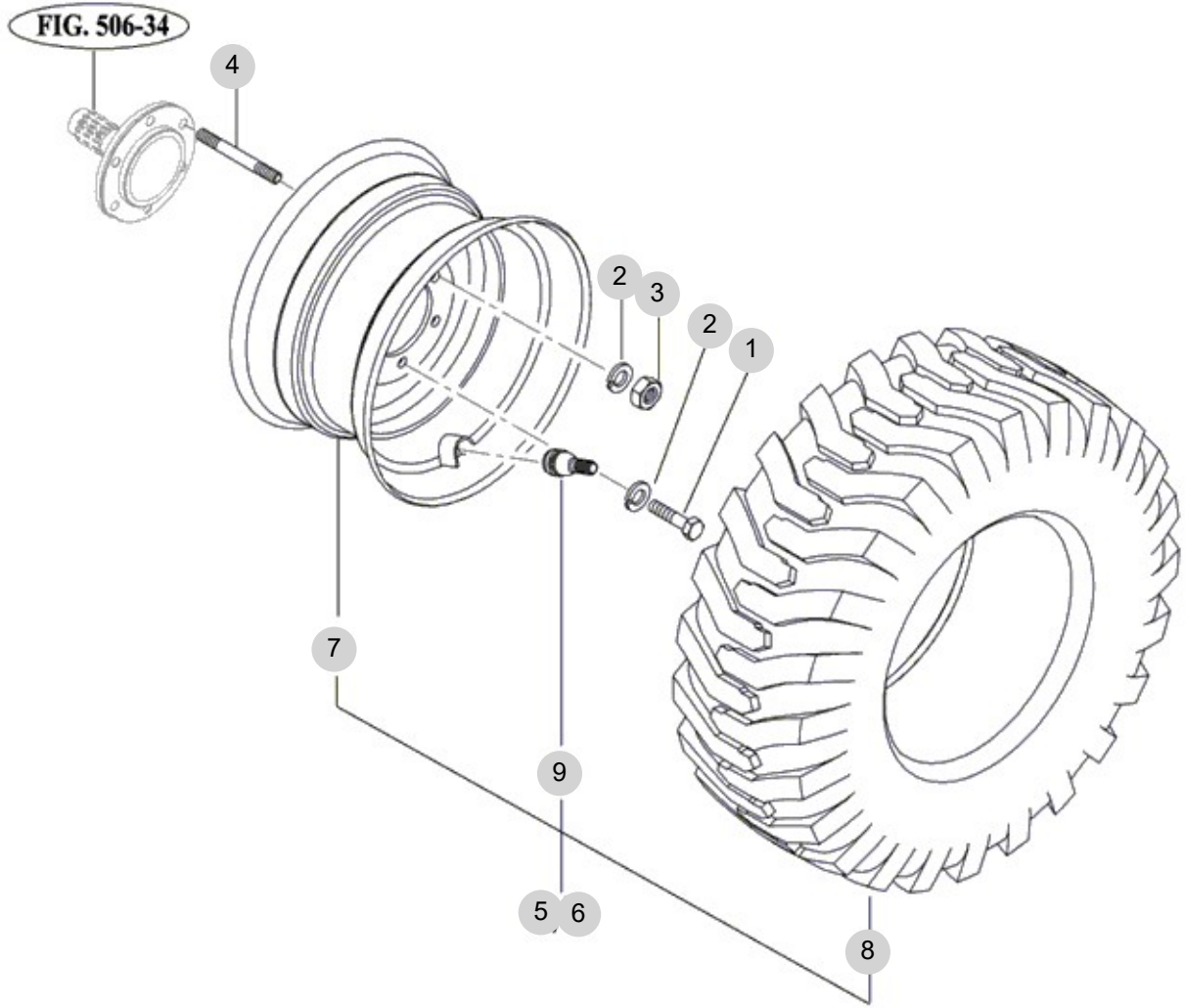
FIG 305B

T554NH

FRONT WHEEL (R4 OPTION)

년/월
Year/Month

2022-12



T503-E-305C

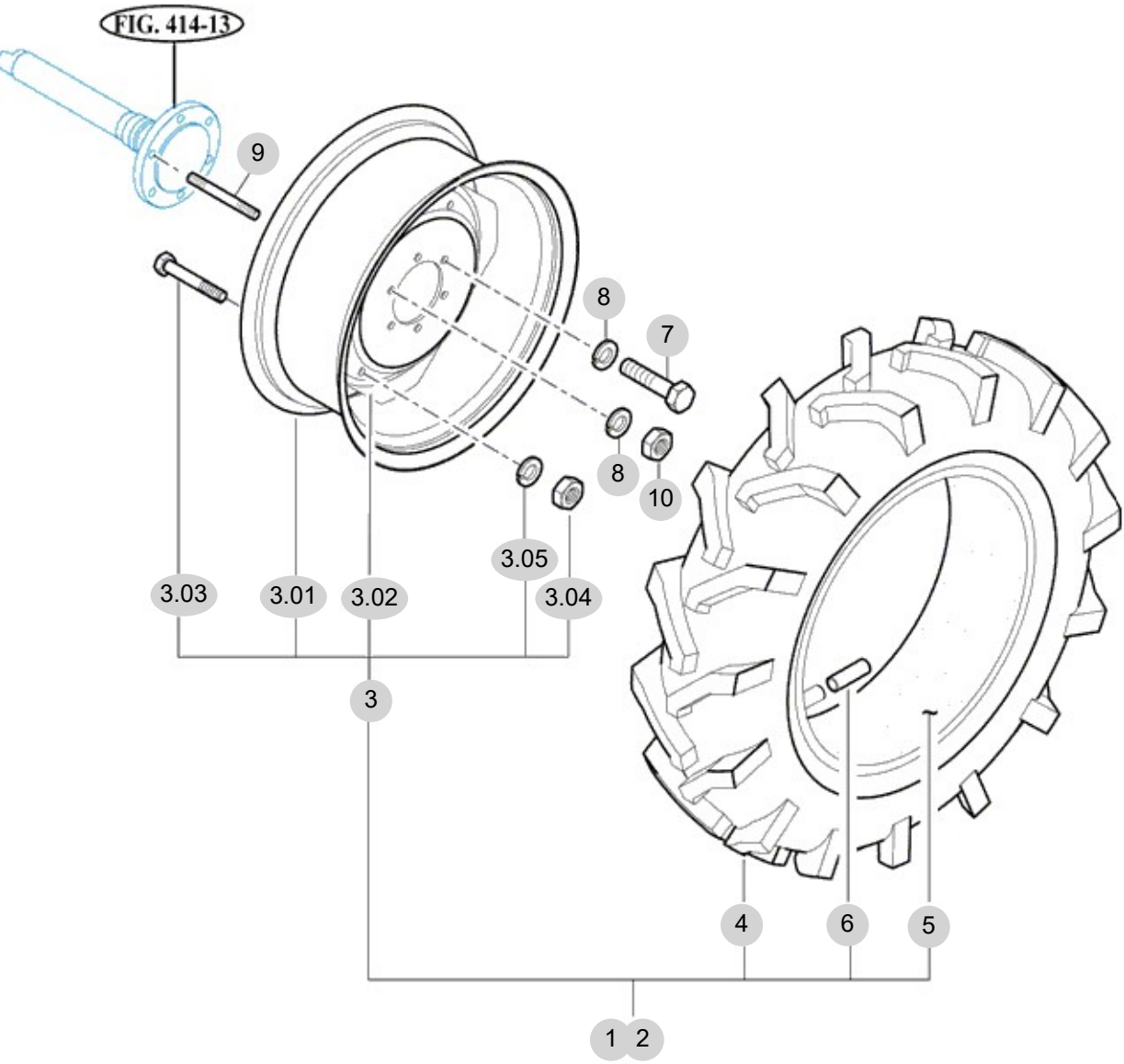
NOTE

FIG 306A

REAR WHEEL

년/월
Year/Month

2022-12



NOTE

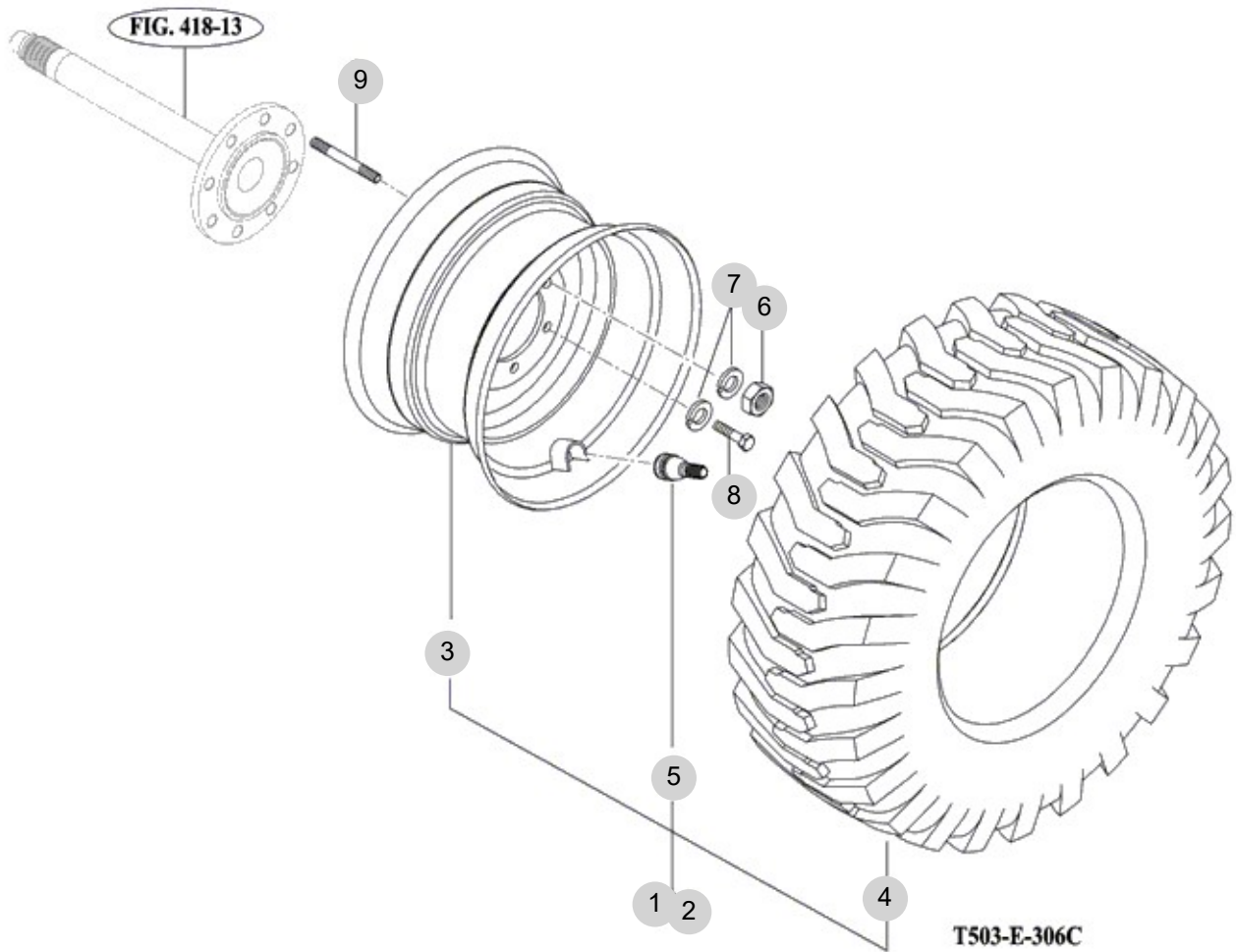
FIG 306B

T554NH

REAR WHEEL (R4 OPTION)

년/월
Year/Month

2022-12



NOTE

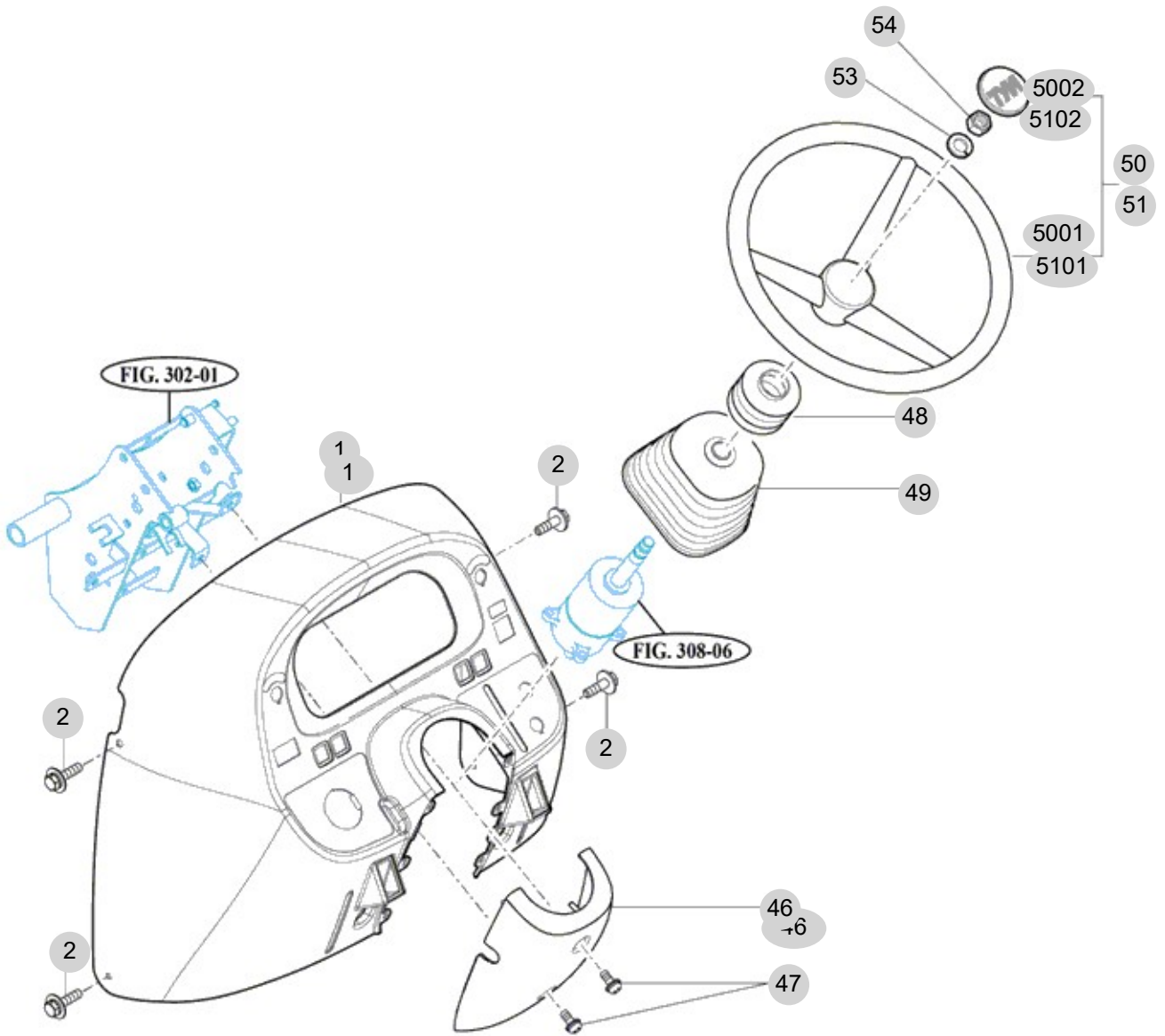
FIG 307

T554NH

POWER STEERING WHEEL

년/월
Year/Month

2022-12



NOTE

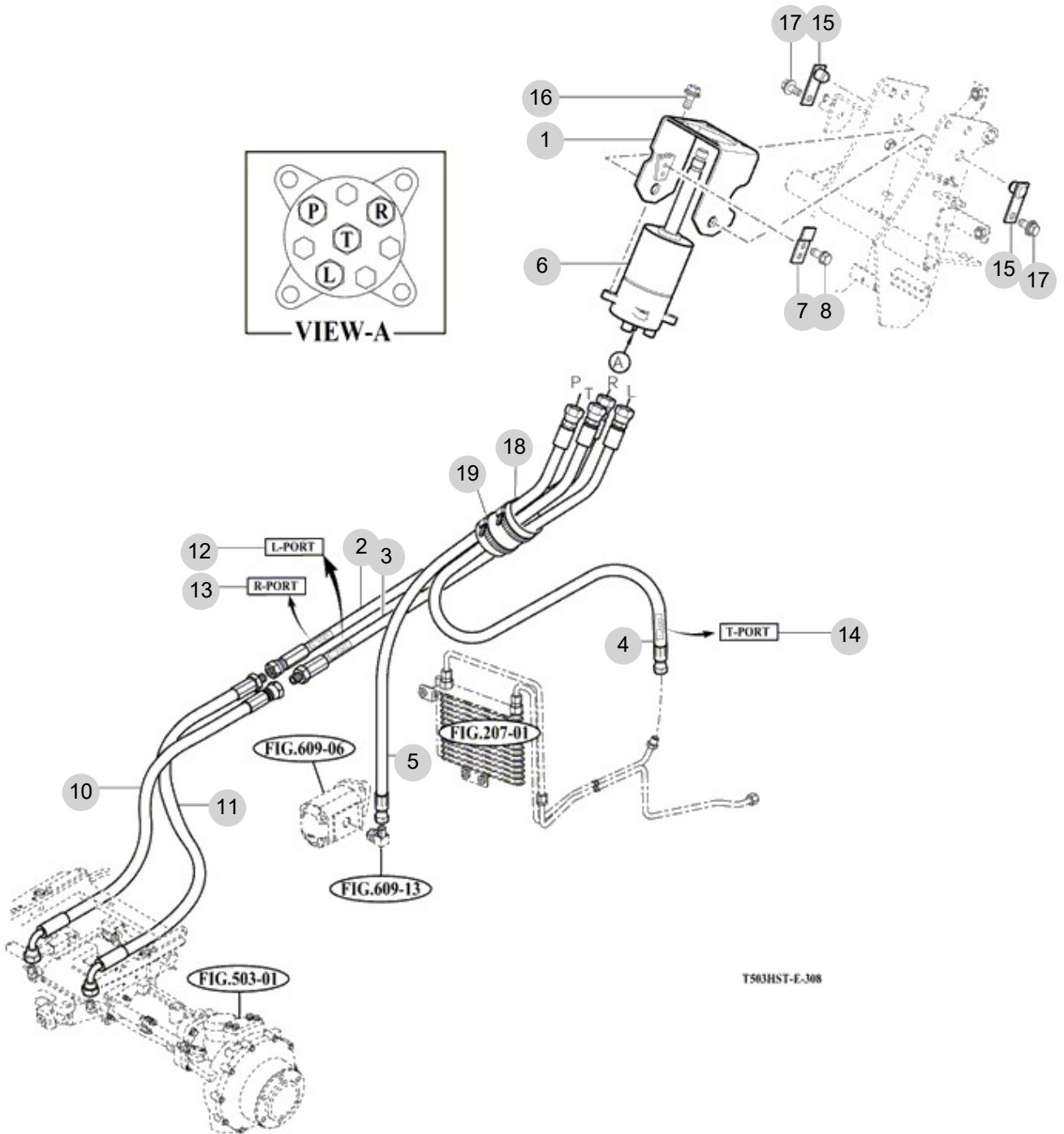
FIG 308

POWER STEERING VALVE

년/월
Year/Month

2022-12

T554NH



T503HST-E-308

NOTE

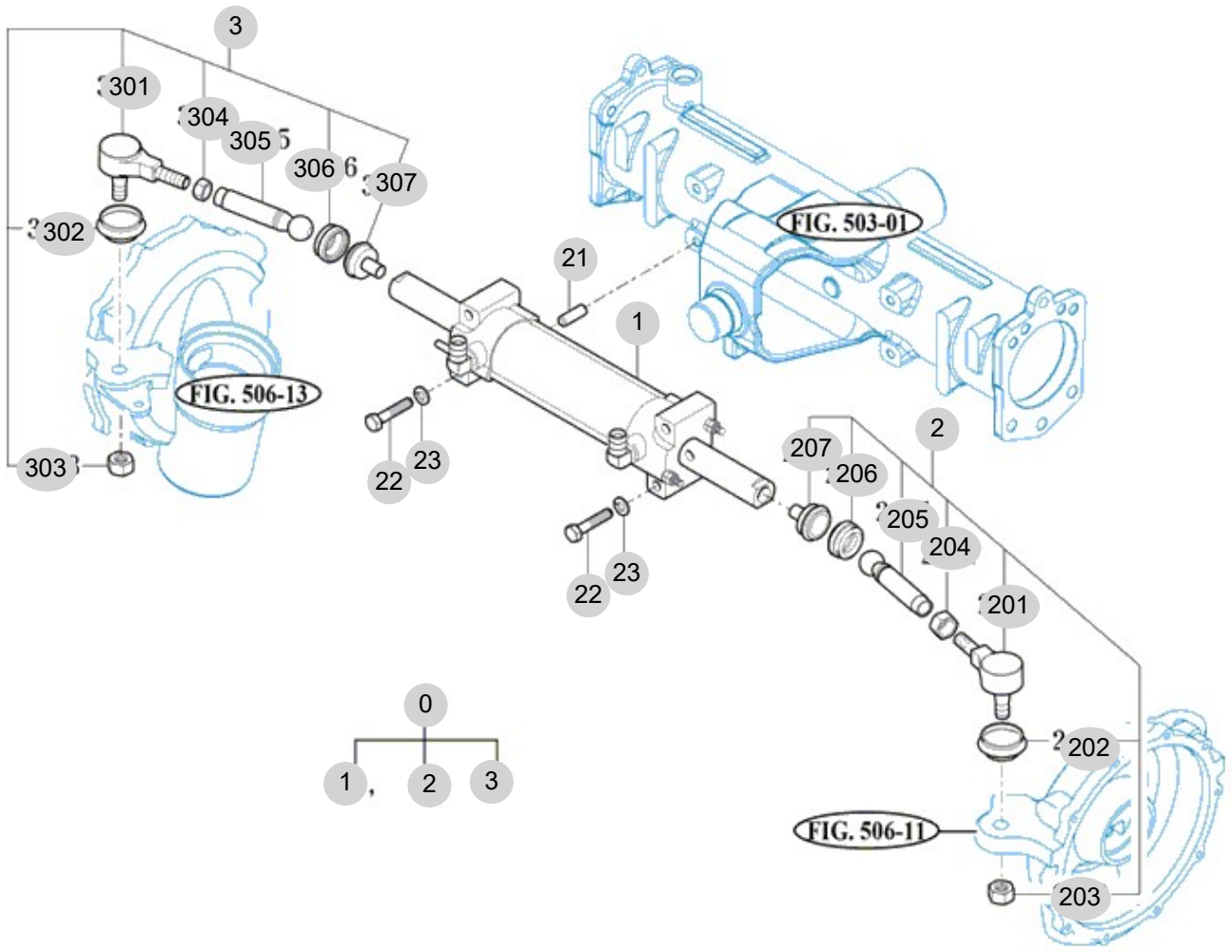
FIG 309

T554NH

POWER STEERING CYLINDER

년/월
Year/Month

2022-12



NOTE

4. Transmission PART NO. T4

FIG 401 TRANSMISSION FRONT CASE	100
FIG 402 HST	102
FIG 402-1 HST	104
FIG 403 MID TRANSMISSION CASE	106
FIG 404 TRANSTER GEAR SET	108
FIG 405 TRANSMISSION REAR CASE	110
FIG 406 SUB CHANGE GEARS	112
FIG 407 SUB CHANGE SHIFTER	114
FIG 408 DRIVE GEARS	116
FIG 409 4WD CHANGE LEVER	118
FIG 410 P.T.O DRIVE SHAFT	120
FIG 411 P.T.O CHANGE GEARS	122
FIG 412 REAR DIFFERENTIAL GEARS	124
FIG 413 REAR AXLE HOUSING	127

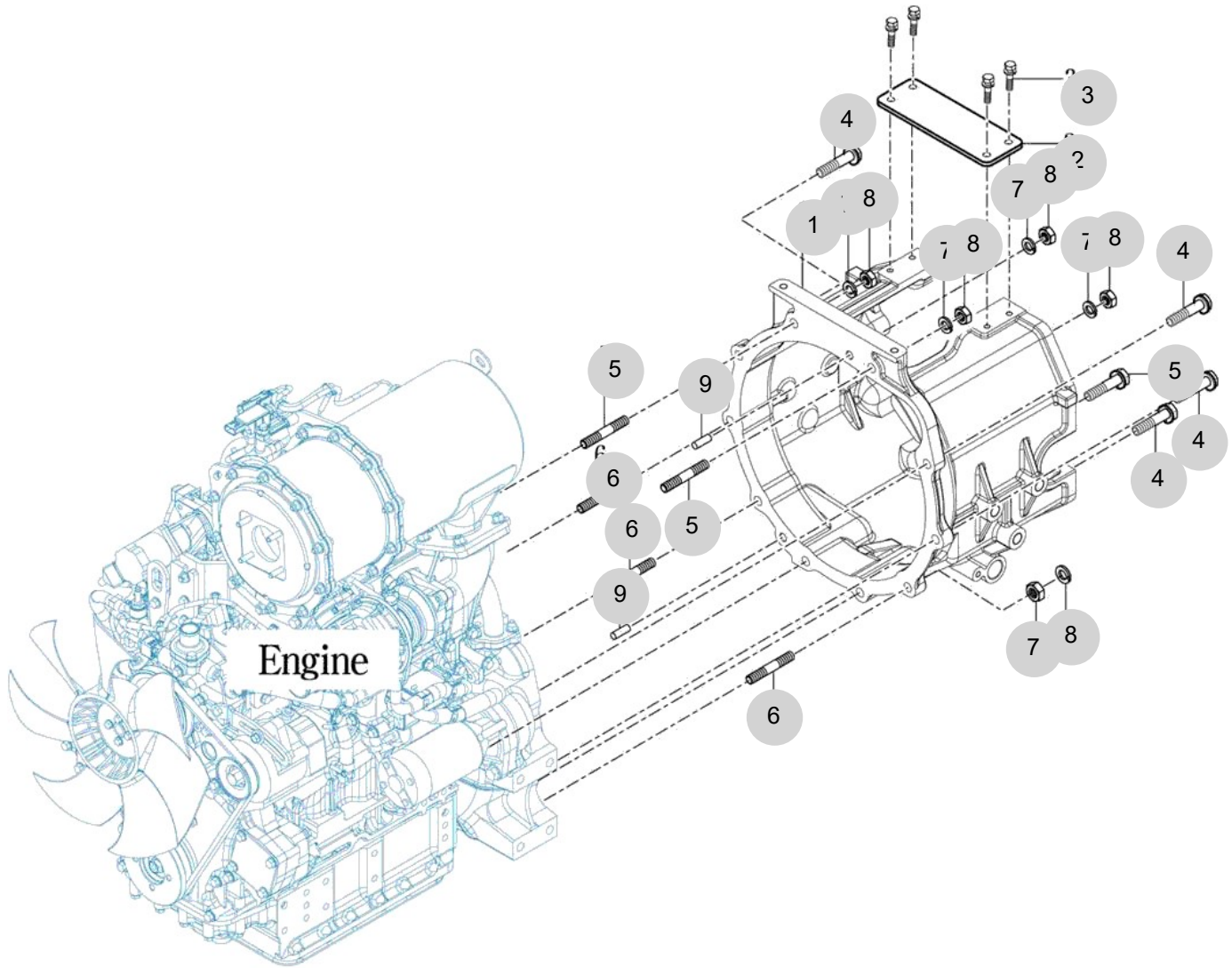
FIG 401

TRANSMISSION FRONT CASE

년/월
Year/Month

2022-12

T554NH



T554NH554NH454NH4-01

NOTE

FIG 401 T554NH		TRANSMISSION FRONT CASE						년/월 Year/Month
								2022-12
KEY NO		PART NO	DESCRIPTION	SPEC	QTY	REPAIR	EFFECTIVE DATE	REMARKS
401	1	17482100011M	CASE , FRONT		1			
401	2	15532100020	COVER, FRONT CASE	T=6	1			
401	3	V2173608016	BOLT , HEX/S	M8X16	4			
401	4	V2173612040	BOLT , HEX/S	M12X40	5			
401	5	V2513412045	BOLT , STUD/2	M12X45	2			
401	6	V2514412040	BOLT , STUD/2	M12X40	3			
401	7	V4011600120	WASHER , SPRING	M12	5			
401	8	V3043600120	NUT , HEX/2	M12	5			
401	9	V5201010022	PIN , PARALLEL/A	10X22	2			
NOTE								

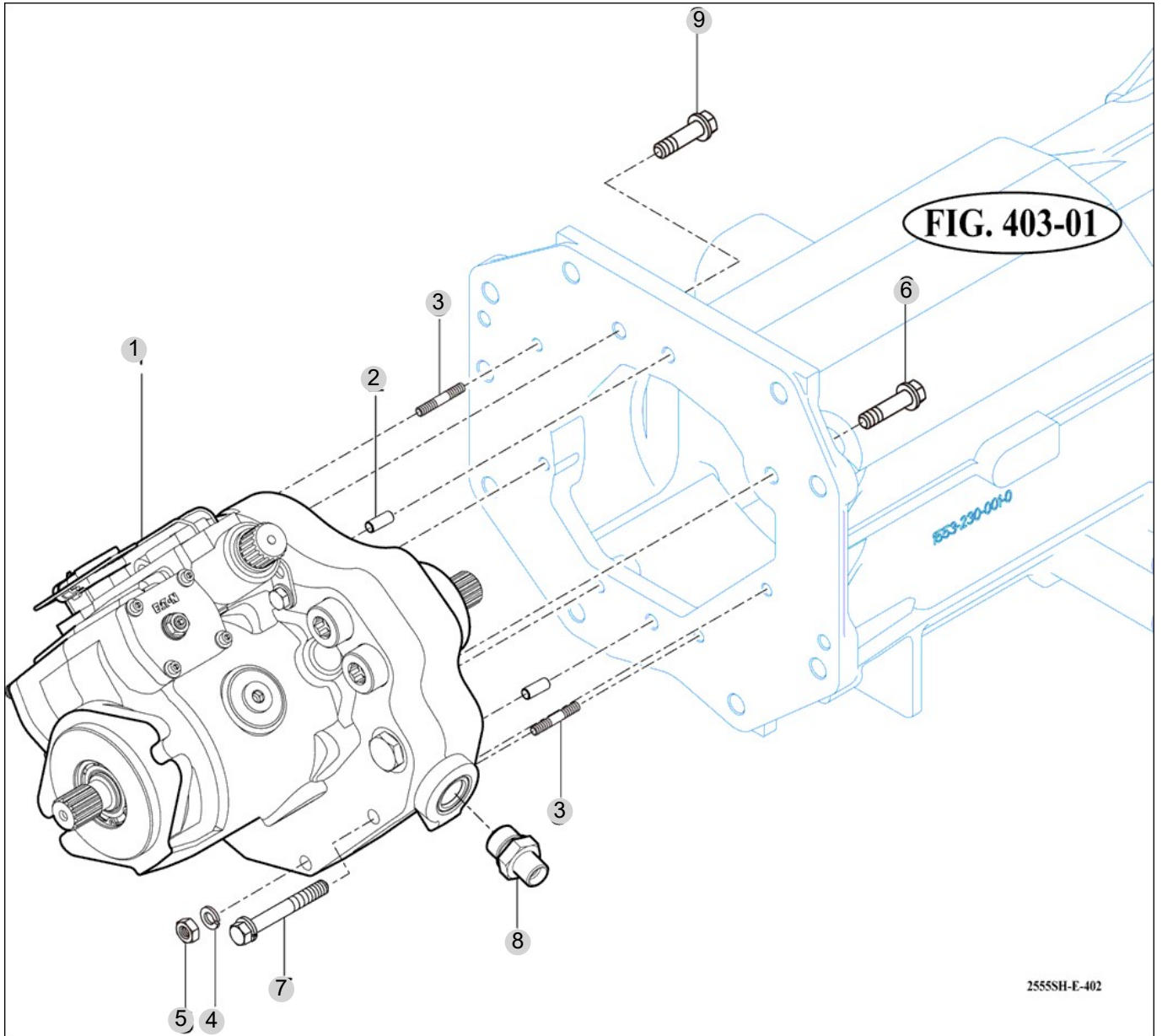
FIG 402

T554NH

HST

년/월
Year/Month

2022-12



2555SH-E-402

NOTE

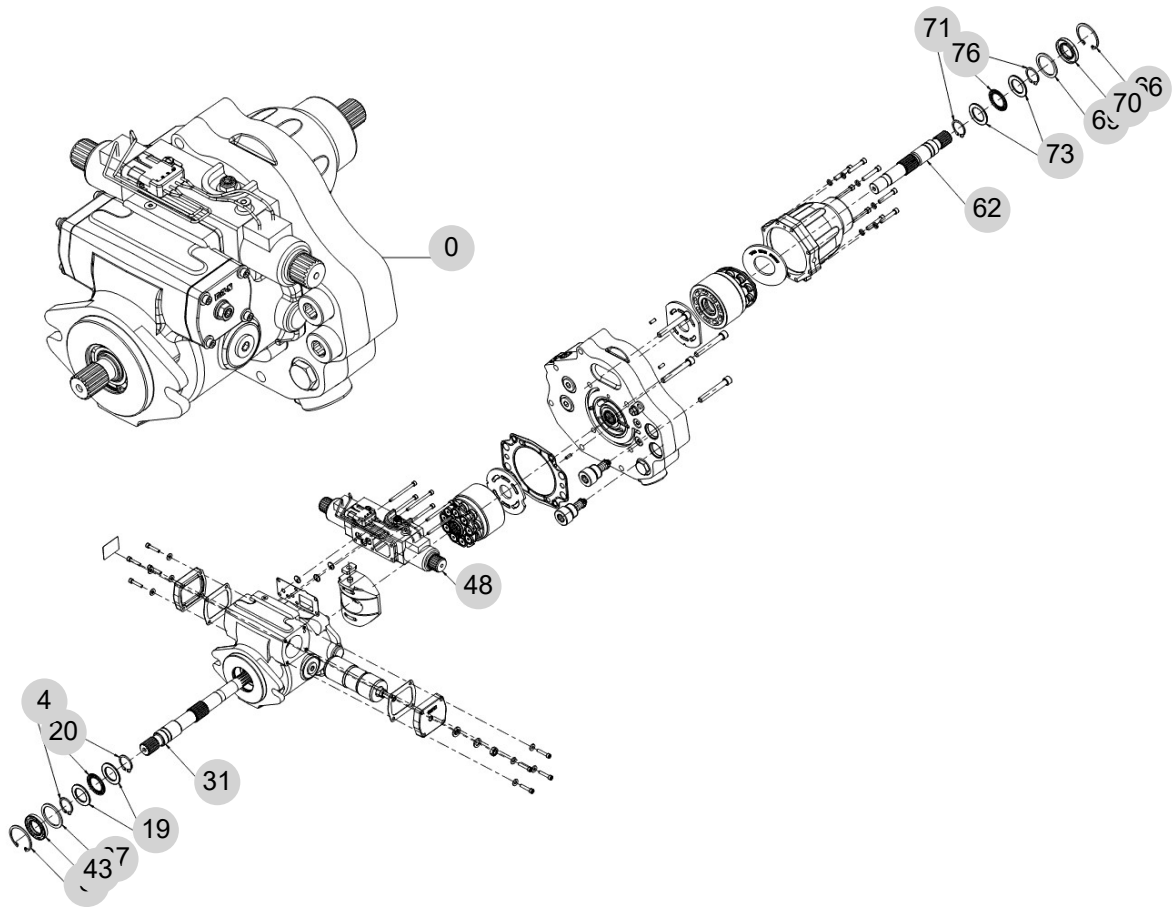
FIG 402-1

HST

년/월
Year/Month

T554NH

2022-12



NOTE

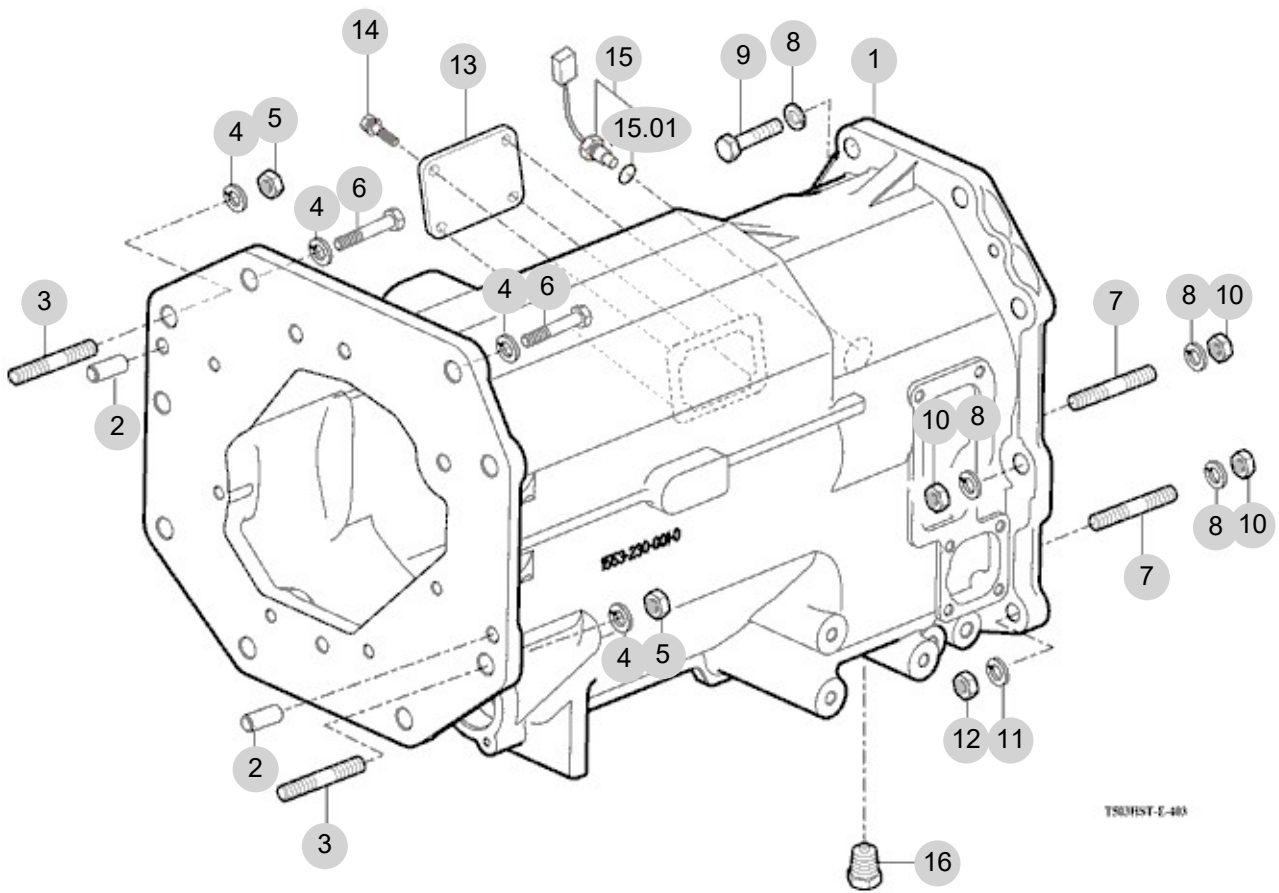
FIG 403

T554NH

MID TRANSMISSION CASE

년/월
Year/Month

2022-12



TSUHST-E-403

NOTE

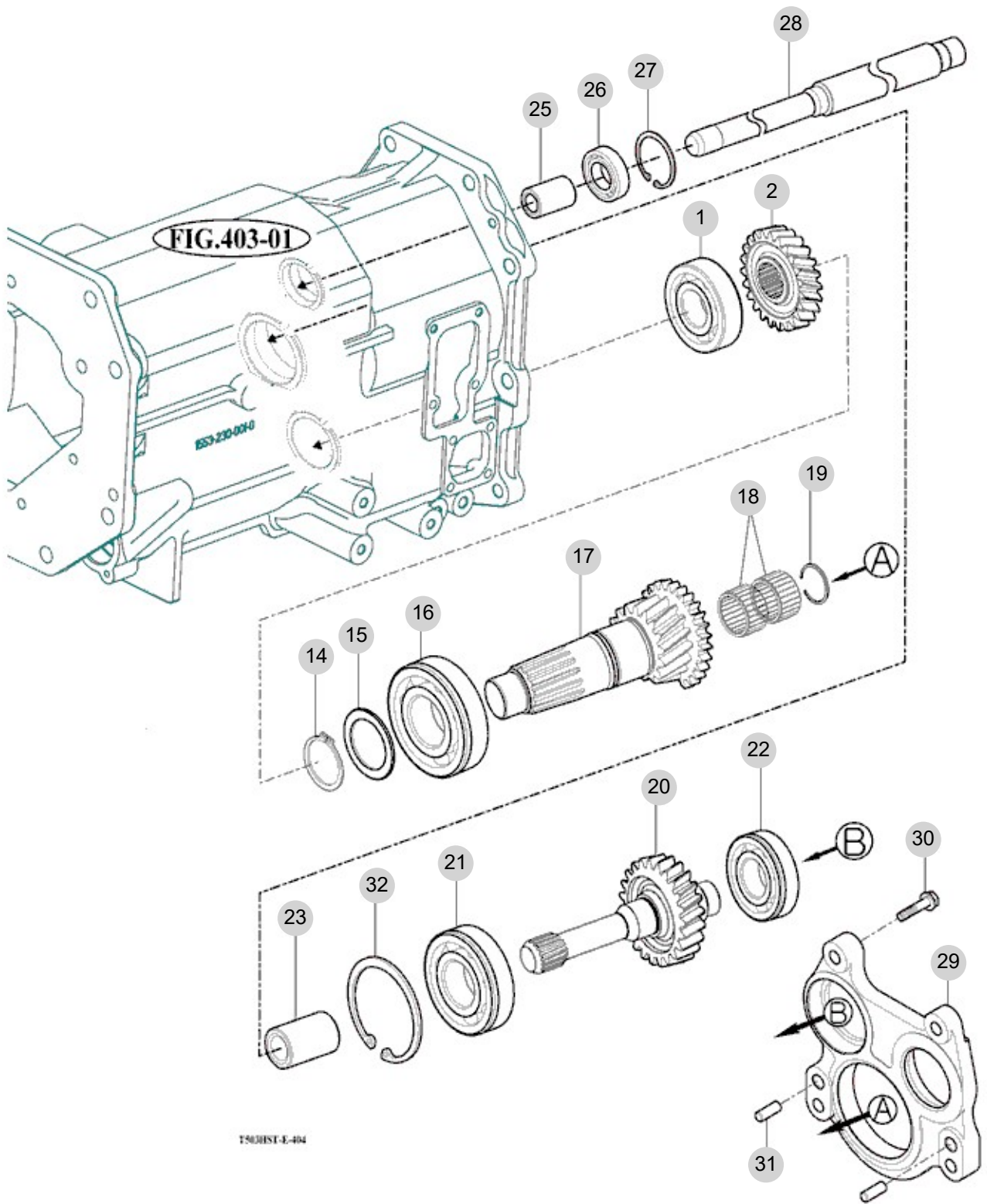
FIG 404

TRANSFER GEAR SET

년/월
Year/Month

2022-12

T554NH



NOTE

FIG 404 T554NH	TRANSTER GEAR SET	년/월 Year/Month 2022-12
------------------------------	--------------------------	----------------------------------

KEY NO	PART NO	DESCRIPTION	SPEC	QTY	REPAIR	EFFECTIVE DATE	REMARKS
404	1	V6001106305	BEARING , BALL	6305	1		
404	2	15532300080	GEAR, (H/27)		1		
404	14	V7041400350	C-RING , SHAFT	35	1		
404	15	14443140041	COLLAR , 35X50X2	T=2	1		
404	16	V6001606307	BEARING , BALL	6307N	1		
404	17	15532300090	GEAR(H/14)		1		
404	18	14523020010	BEARING , NEEDLE CAGED-K243013.8	PK24*30*13.8	2		
404	19	14522080080	SNAP RING , C TYPE	AR32	1		
404	20	15532300030	GEAR , HELICAL 23T		1		
404	21	V6041106306	BEARING , BALL/HL1	6306HL1	1		
404	22	V6041106206	BEARING , BALL/HL1	6206HL1	1		
404	23	14722202100	COUPLING ASSY	1X1X1	1		
404	25	15532300120	COUPLING, 48	D=32	1		
404	26	V6001106005	BEARING , BALL	6005	1		
404	27	V7051400470	C-RING , HOLE	47	1		
404	28	15532300110	SHAFT, INPUT/PTO		1		
404	29	15532300020M	METAL, BEARING		1		
404	30	V2173610035	BOLT , HEX/S	M10X35	4		
404	31	V5201010022	PIN , PARALLEL/A	10X22	2		
404	32	V7051400720	C-RING , HOLE	72	1		

NOTE	
------	--

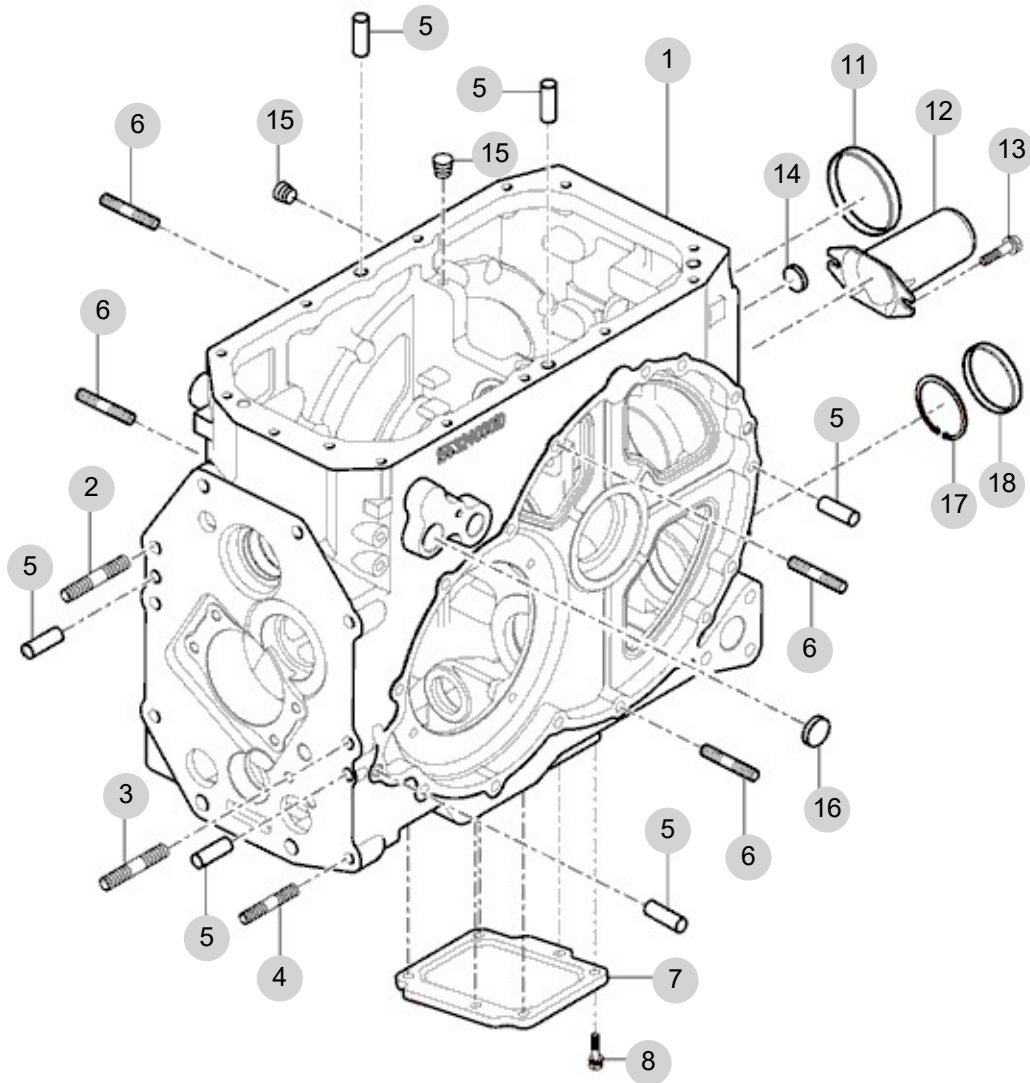
FIG 405

TRANSMISSION REAR CASE

년/월
Year/Month

2022-12

T554NH



NOTE

FIG 405 T554NH		TRANSMISSION REAR CASE						년/월 Year/Month	REMARKS
								2022-12	
		KEY NO	PART NO	DESCRIPTION	SPEC	QTY	REPAIR	EFFECTIVE DATE	
405	1	15532400011M	CASE, REAR		1				
405	2	V2513414040	BOLT , STUD/2	M14X40	1				
405	3	V2513414035	BOLT , STUD/2	M14X35	1				
405	4	V2514412040	BOLT , STUD/2	M12X40	1				
405	5	V5201010022	PIN , PARALLEL/A	10X22	8				
405	6	V2514410050	BOLT , STUD/2	M10X50	4				
405	7	15532401011	COVER , MID PTO	1X1X1	1				
405	8	V2173608020	BOLT , HEX/S	M8X20	6				
405	11	14254330180	CAP , 72		1				
405	12	14443140091	CAP , PTO SHAFT		1				
405	13	V2183608016	BOLT , HEX/SP	M8X16	2				
405	14	15152730050	SEAL , OIL A	TC6Y417211	1				
405	15	V7801000002	PLUG , HEX-SOCKET	PT1/8	2				
405	16	15152730060	SEAL , OIL B	TC6Y417211	1				
405	17	V7051400620	C-RING , HOLE	62	1				
405	18	14443140080	SEAL , 62	D=62	1				
NOTE									

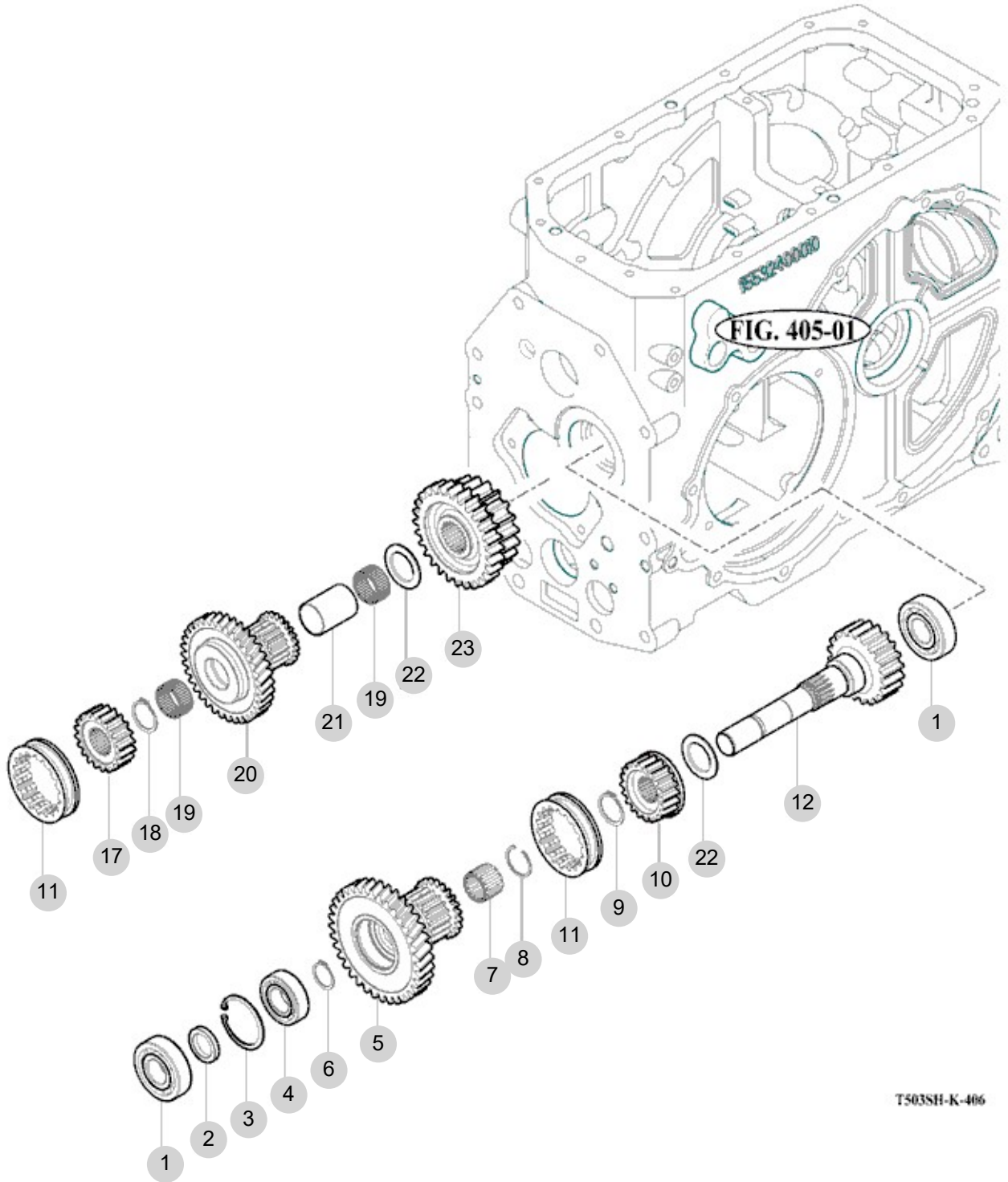
FIG 406

T554NH

SUB CHANGE GEARS

년/월
Year/Month

2022-12



NOTE

FIG 406 T554NH	SUB CHANGE GEARS	년/월 Year/Month 2022-12
-----------------------	------------------	----------------------------------

KEY NO	NO	PART NO	DESCRIPTION	SPEC	QTY	REPAIR	EFFECTIVE DATE	REMARKS
406	1	V6041106305	BEARING , BALL/HL1	6305HL1	2			
406	2	14522240180	SPACKER,25X36X06	25X36X6	1			
406	3	V7051400520	C-RING , HOLE	52	1			
406	4	V6001106205	BEARING , BALL	6205	1			
406	5	15532300040	GEAR(S-H/20-38)		1			
406	6	V7041400250	C-RING , SHAFT	25	1			
406	7	15683020010	BEARING , NEEDLE 253224	KT253224E02C 3	1			
406	8	15642080080	SNAP RING , C TYPE	AR32	1			
406	9	V7041400300	C-RING , SHAFT	30	1			
406	10	15532430110	HUB , 30X66X24		1			
406	11	15242360050	COUPLING , SLIDE		2			
406	12	15532300050	GEAR(S/27)		1			
406	17	15642430110	HUB , 30X62X19		1			
406	18	V7041400300	C-RING , SHAFT	30	1			
406	19	V6544303517	BEARING , NEEDLE CAGED	KT303517	2			
406	20	15532300070	GEAR, SPUR 35T		1			
406	21	14522430020	SPACER , 34X1.8		1			
406	22	15642160041	WASHER , 30X46X3		2			
406	23	15532300060	GEAR(S,S/35-25)		1			

NOTE

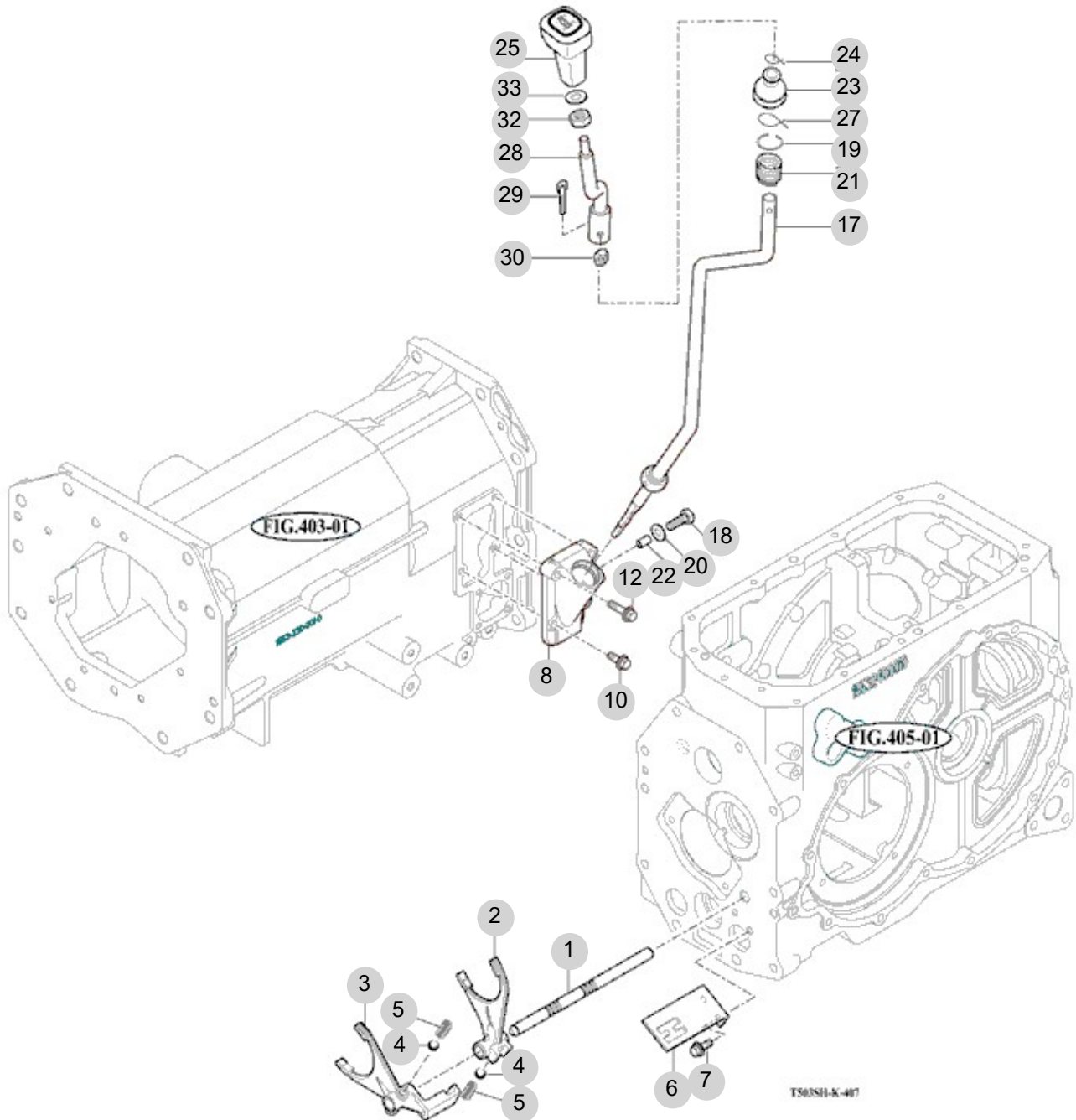
FIG 407

SUB CHANGE SHIFTER

년/월
Year/Month

2022-12

T554NH



NOTE

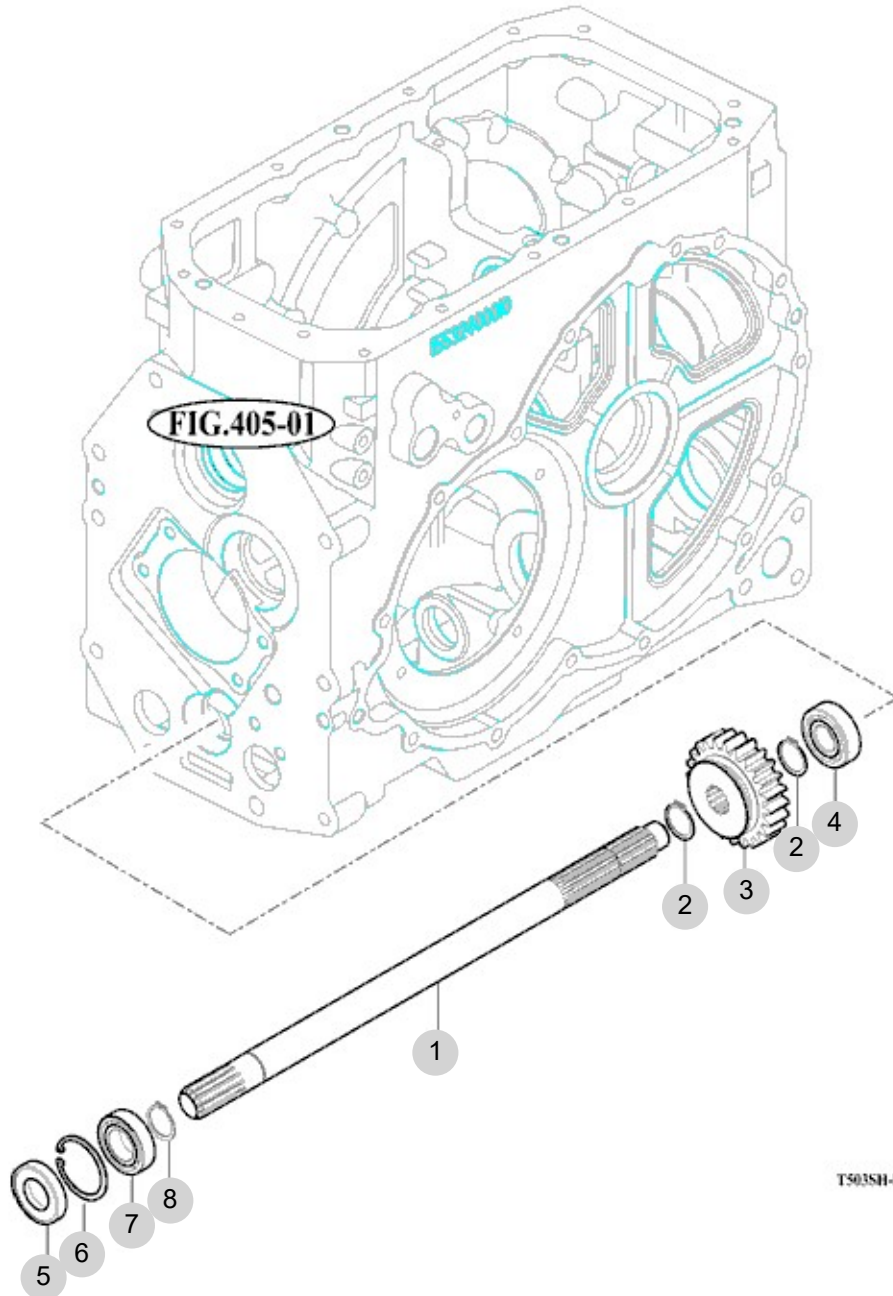
FIG 408

DRIVE GEARS

년/월
Year/Month

T554NH

2022-12



NOTE

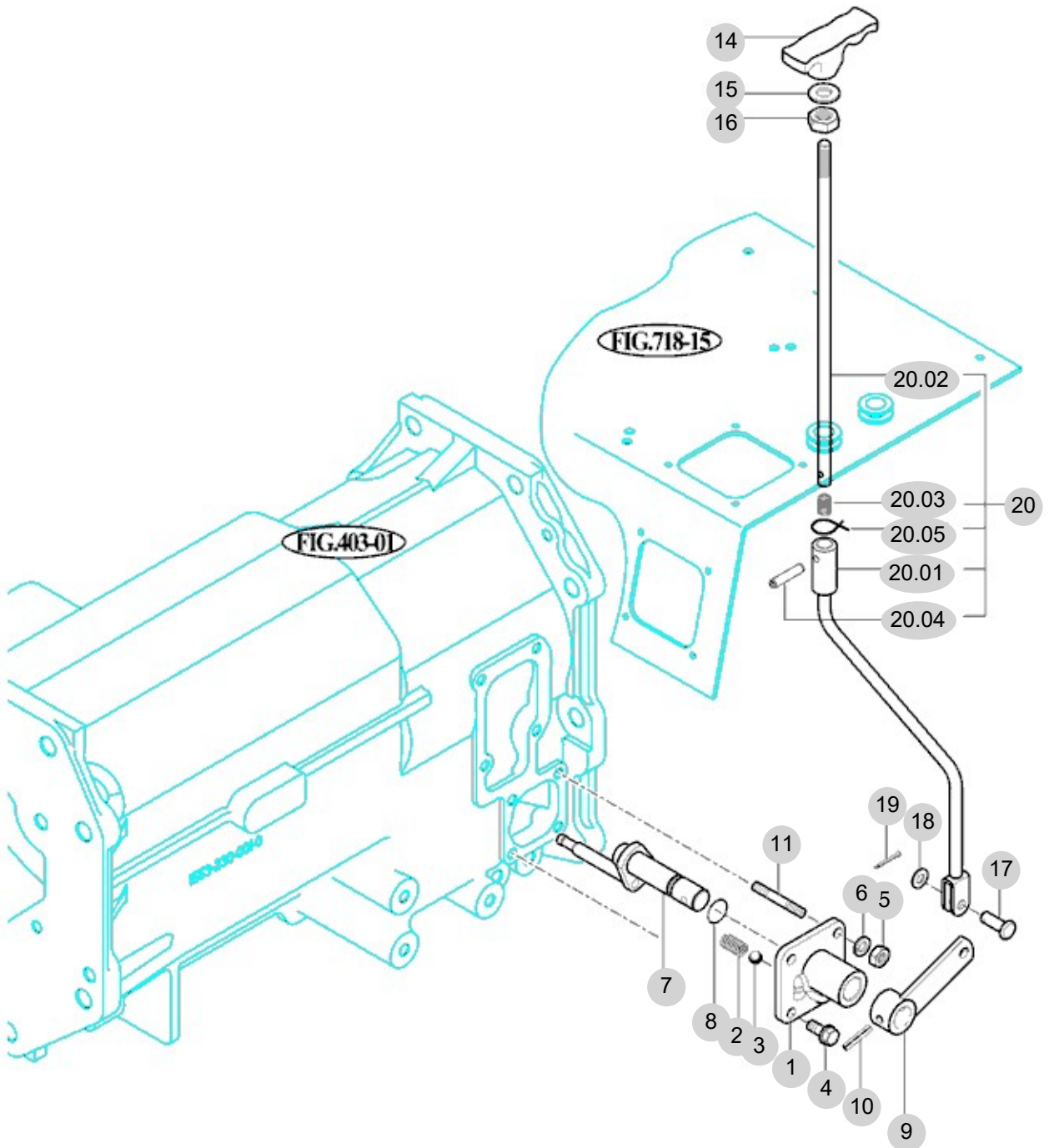
FIG 409

T554NH

4WD CHANGE LEVER

년/월
Year/Month

2022-12



*NOT SERVICED SEPARATELY

T503SH-E-409

NOTE

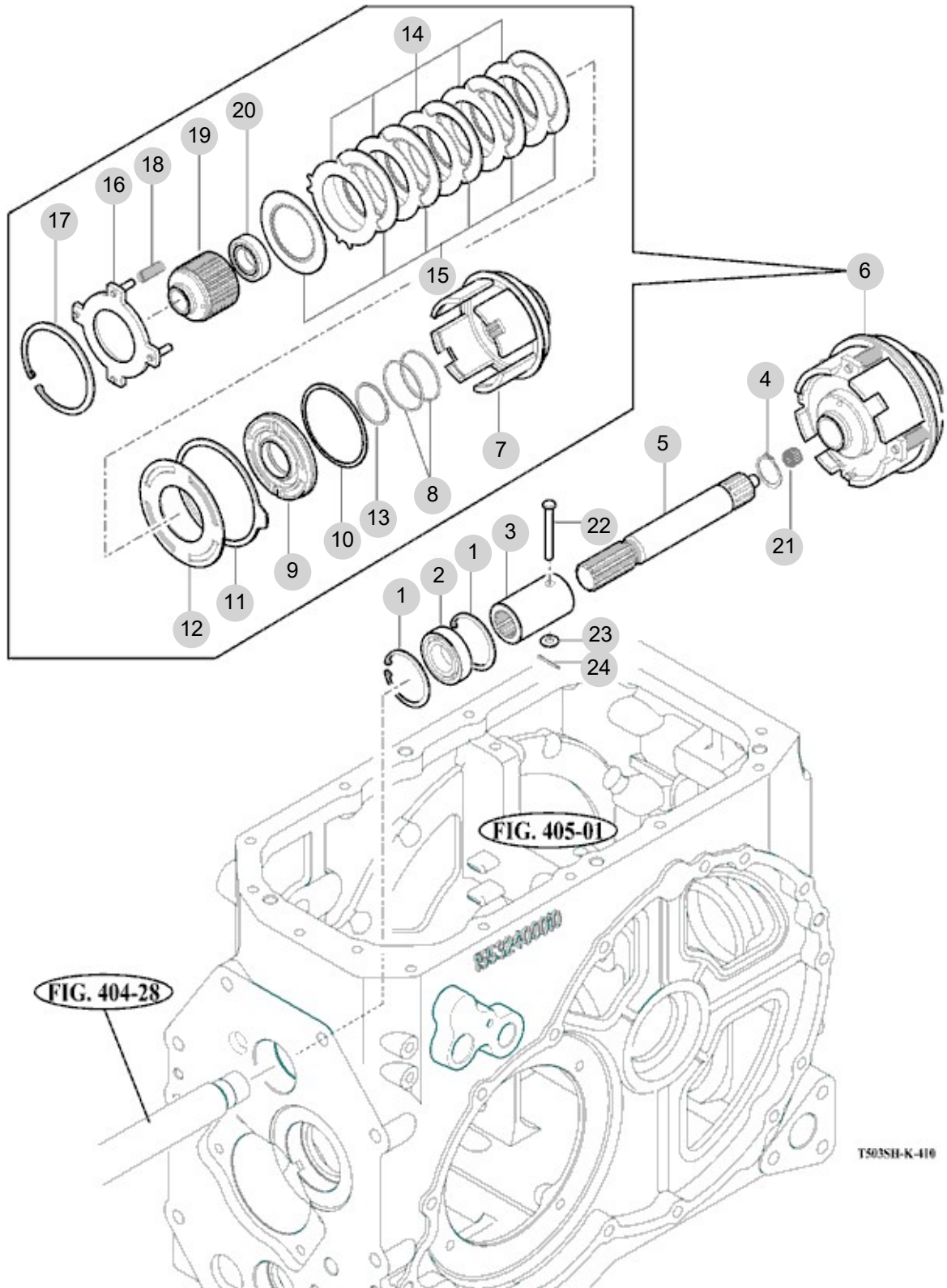
FIG 410

T554NH

P.T.O DRIVE SHAFT

년/월
Year/Month

2022-12



NOTE

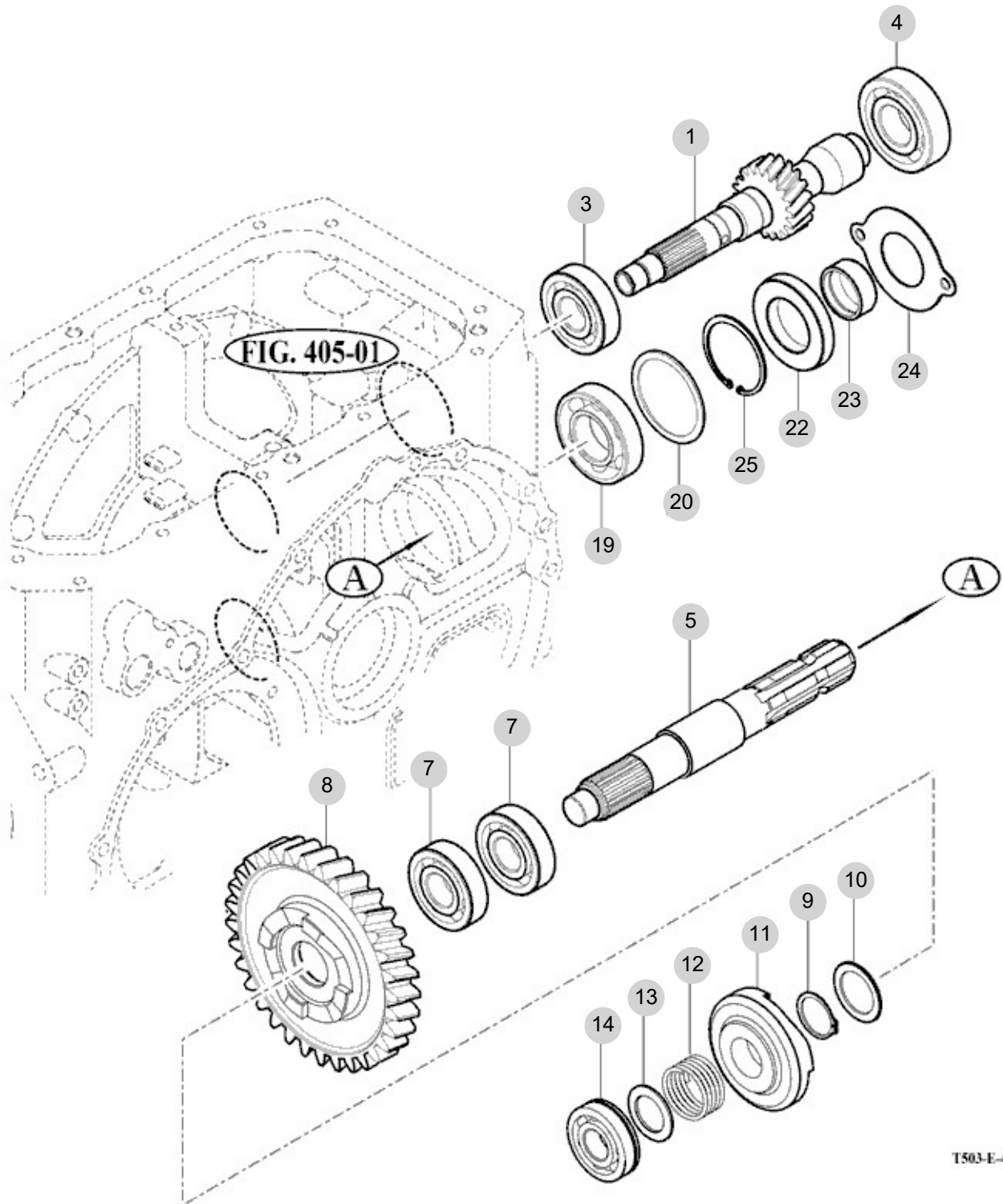
FIG 411

T554NH

P.T.O CHANGE GEARS

년/월
Year/Month

2022-12



T503-E-411A

NOTE

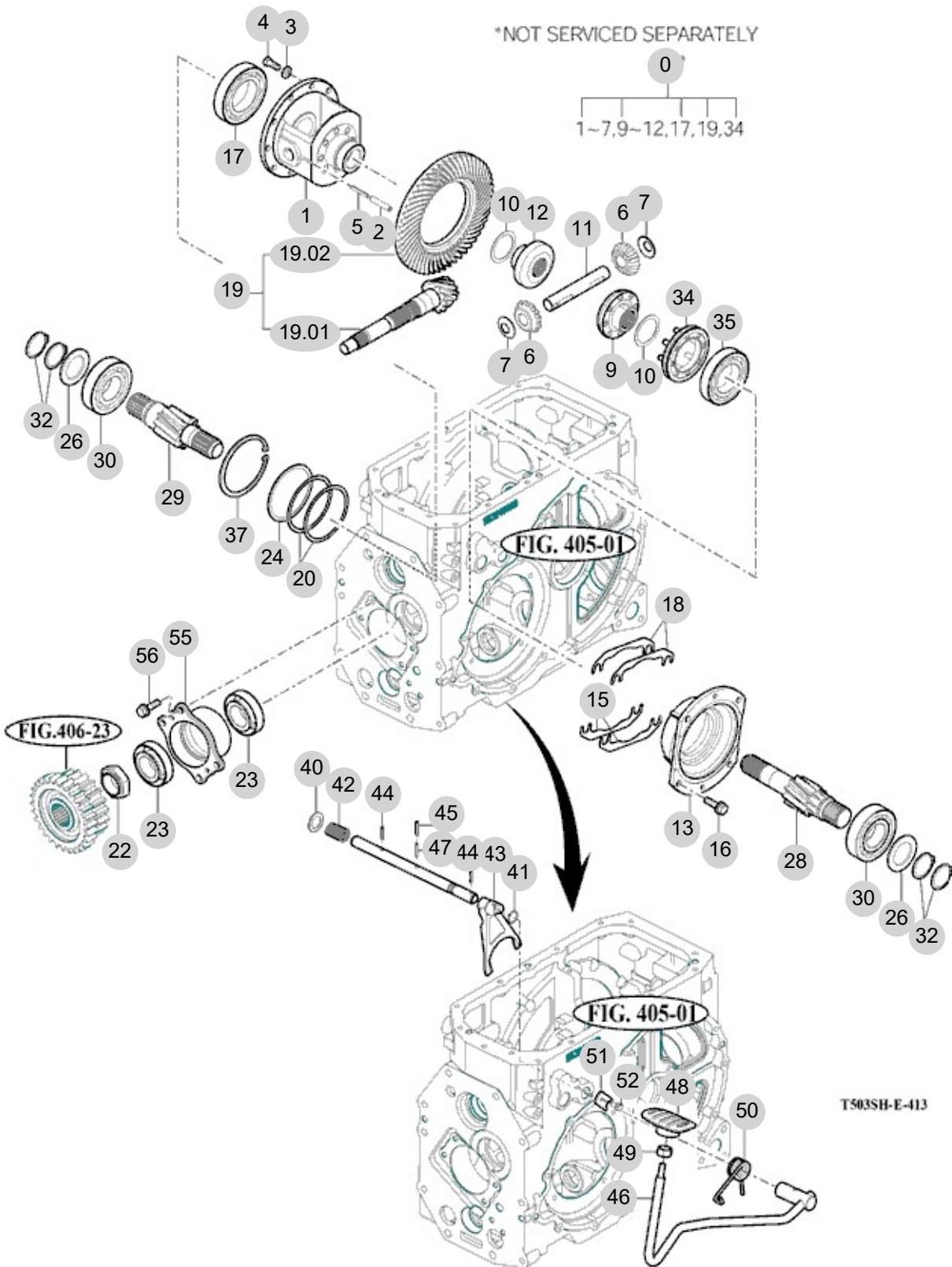
FIG 412

REAR DIFFERENTIAL GEARS

년/월
Year/Month

2022-12

T554NH



NOTE

FIG 412		REAR DIFFERENTIAL GEARS					년/월 Year/Month		
							2022-12		
T554NH		KEY NO	PART NO	DESCRIPTION	SPEC	QTY	REPAIR	EFFECTIVE DATE	REMARKS
412	0	14523031001	DIFF ASSY, RR 47PS			1			
412	1	14523030010M	CASE , DIFF			1			
412	2	V5801408040	PIN , SPRING	8X50		1			
412	3	V4011600100	WASHER , SPRING	M10		10			
412	4	V2024610025	BOLT , HEX FINE	M10X25		10			
412	5	V5801405036	PIN , SPRING	5X36		1			
412	6	14523180041	PINION , DIFF	1X1X1		2			
412	7	14523030080	COLLAR , PINION	T=1.0		2			
412	9	14523180061	PINION , BEVEL 16T LH	1X1X1		1			
412	10	14523030100	WASHER , THRUST	D=52.5		2			
412	11	14523030110	SHAFT , DIFF PINION	D=23		1			
412	12	14523180031	PINION , BEVEL 16T RH	1X1X1		1			
412	13	14523030131M	METAL , DIFF CASE LH			1			
412	15	14523010090	SHIM , B	T=0.2		4			
412	16	V2173610025	BOLT , HEX/S	M10X25		4			
412	17	V6001106212	BEARING , BALL	6212		1			
412	18	14523010080	SHIM , A	T=0.1		2			
412	19	14523022100	GEAR SET , 10-41T			1			
412	20	14523010050	SHIM , 0.1	T=0.1		1			
412	22	15533030020	NUT , M40 P1,5	육각B=55		1			
412	23	V6321132208	BEARING , TAPER-ROLLER	32208CR		2			
412	24	14523010100	SHIM , 0.2	T=0.2		2			
412	26	15133060030	COLLAR , THRUST 45X68X4			2			
412	28	14523060010	PINION , LH HERICAL11T			1			
412	29	14523060020	PINION , RH HERICAL11T			1			
412	30	V6001106309	BEARING , BALL	6309		2			
412	32	V7041400450	C-RING , SHAFT	45		4			
412	34	14523033400	SLEEVE COMP			1			
412	35	V6001106211	BEARING , BALL	6211		1			
412	37	V7051401100	C-RING , HOLE	110		1			
412	39	15533193010	SHAFT , DIFF LOCK	D=20		1			
412	40	V4111600200	WASHER , PLAIN	M20		1			
412	41	V7201024016	O-RING , P	P16		1			
412	42	17973030420	SPRING	(D=3.6) X22.5X74.5		1			
412	43	14523190011M	FORK , DIFF LOCK			1			
412	44	V5801406032	PIN , SPRING	6X32		2			
412	45	V5801408036	PIN , SPRING	8X36		1			
412	46	15533193100	PEDAL COMP , DIFF LOCK			1			
412	47	V5801405036	PIN , SPRING	5X36		1			
412	48	14521220120	PEDAL COMP,ACCEL	1X1X1		1			
412	49	V3342600100	NUT , HEX FINE/2	M10		1			
412	50	15533190020	SPRING , DIFF PEDAL			1			
412	50	15533190021	SPRING , DIFF PEDAL	D=5.5		1			
412	51	16703180191	PLATE , STOP	25X4.5T		1			
412	52	V2173608016	BOLT , HEX/S	M8X16		1			
NOTE									

FIG 412 T554NH		REAR DIFFERENTIAL GEARS					년/월 Year/Month	
							2022-12	
KEY NO		PART NO	DESCRIPTION	SPEC	QTY	REPAIR	EFFECTIVE DATE	REMARKS
412	55	14523020040M	METAL , PINION		1			
412	56	14523010031	SHIM , 0.2		4			
412	56	V2173610025	BOLT , HEX/S	M10X25	4			
412	1901	14523022111	PINION , BEVEL		1			
412	1902	14523022120	GEAR , SPIRAL BEVEL		1			
NOTE								

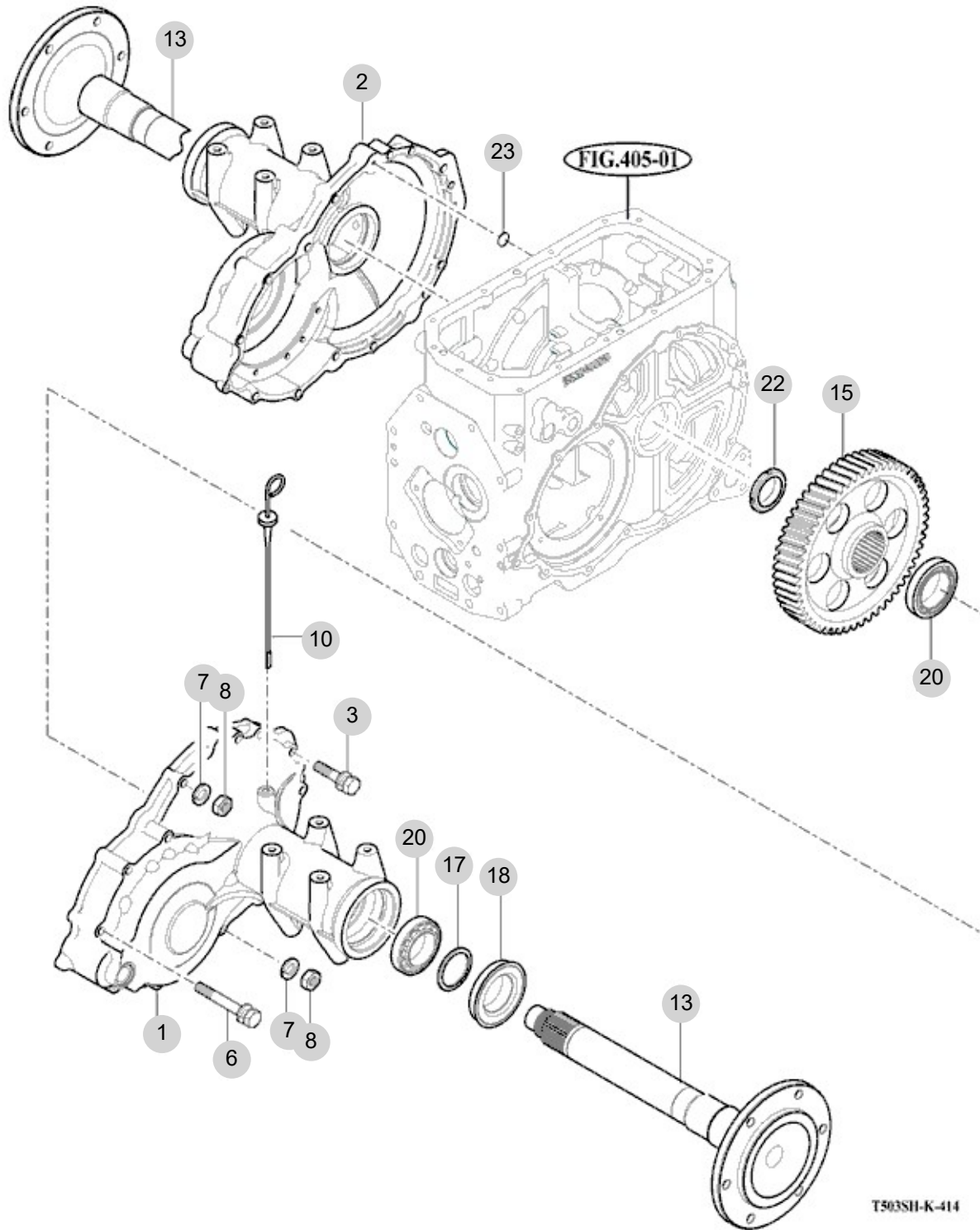
FIG 413

T554NH

REAR AXLE HOUSING

년/월
Year/Month

2022-12



T503SH-K-414

NOTE

FIG 413		REAR AXLE HOUSING						년/월 Year/Month	
								2022-12	
T554NH		KEY NO	PART NO	DESCRIPTION	SPEC	QTY	REPAIR	EFFECTIVE DATE	REMARKS
413	1	14523040011M	HOUSING , AXLE L			1			
413	2	14523040021M	HOUSING , AXLE R			1			
413	3	V2173610055	BOLT , HEX/S	M10X55		12			
413	6	V2173610075	BOLT , HEX /S	M10X75		12			
413	7	V4011600100	WASHER , SPRING	M10		4			
413	8	V3043600100	NUT , HEX/2	M10		4			
413	10	14523040030	GAUGE , OIL			1			
413	13	14523070010M	SHAFT , REAR WHEEL			2			
413	15	14523070020	GEAR , HELICAL 54T			2			
413	17	14153070020	COLLAR , 55X70X4	D=70		2			
413	18	15643072001	SEAL ASSY , OIL	60X100X26		2			
413	18	15643072002	SEAL ASSY , OIL			1			
413	20	V6321132011	BEARING , TAPER-ROLLER(32012XQ)	32011DJ		4			
413	22	16603070010	NUT , M50 P1.5	1X1X1		2			
413	23	V7201024020	O-RING , P			1			
413	23	V7201124020	O-RING , P	P20		1			
NOTE									

5. Front Axle PART NO. T5

FIG 501 FRONT AXLE SUPPORT	130
FIG 502 FRONT DRIVE SHAFT	132
FIG 503 FRONT AXLE HOUSING	134
FIG 504 FRONT DIFFERENTIAL GEARS	136
FIG 505 FRONT GEAR CASE (1)	138
FIG 506 FRONT GEAR CASE (2)	140
FIG 507 FRONT GEAR CASE (3)	142

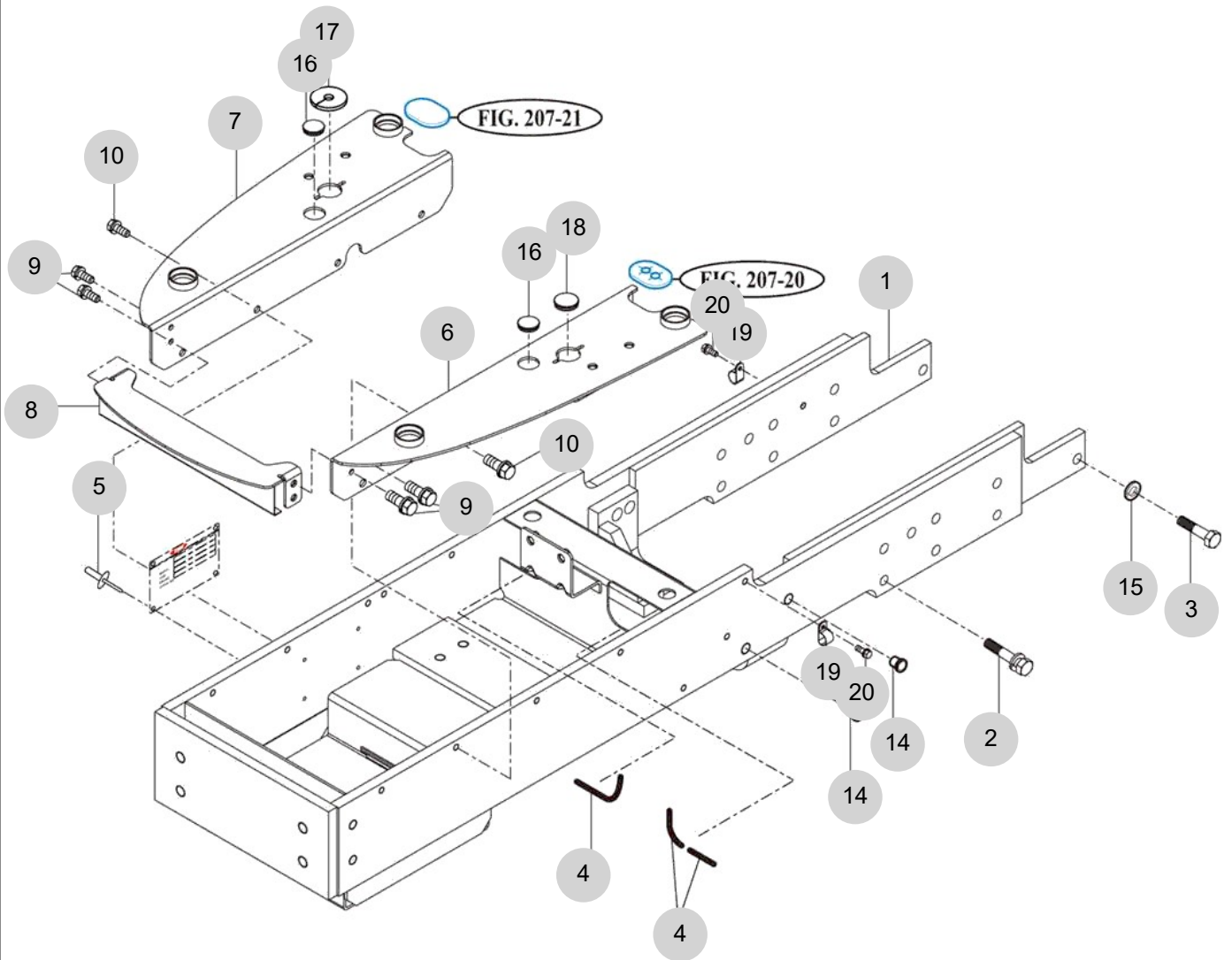
FIG 501

T554NH

FRONT AXLE SUPPORT

년/월
Year/Month

2022-12



NOTE

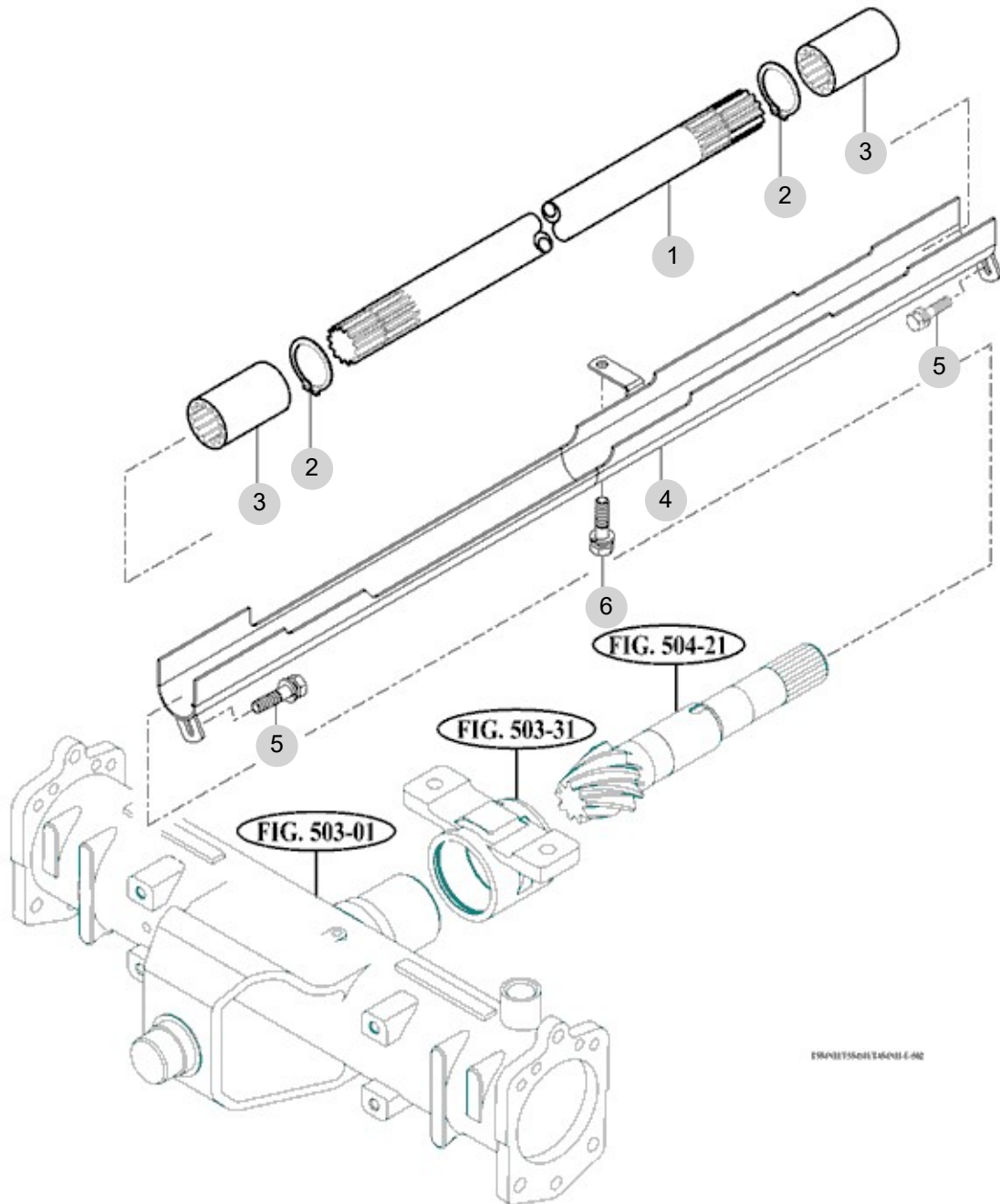
FIG 502

T554NH

FRONT DRIVE SHAFT

년/월
Year/Month

2022-12



FRONT DRIVE SHAFT 502

NOTE

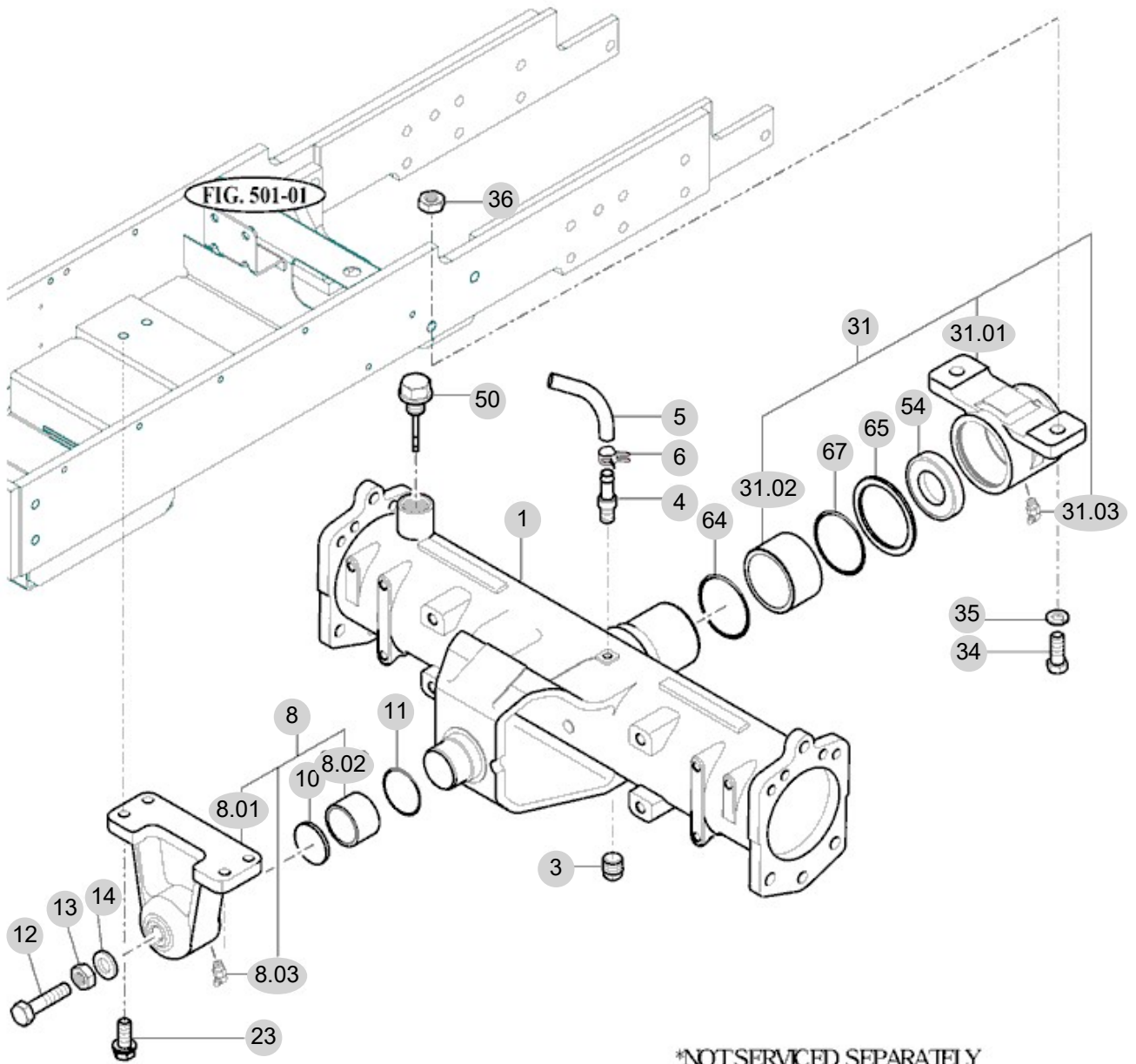
FIG 503

T554NH

FRONT AXLE HOUSING

년/월
Year/Month

2022-12



T194/04 E-001

NOTE

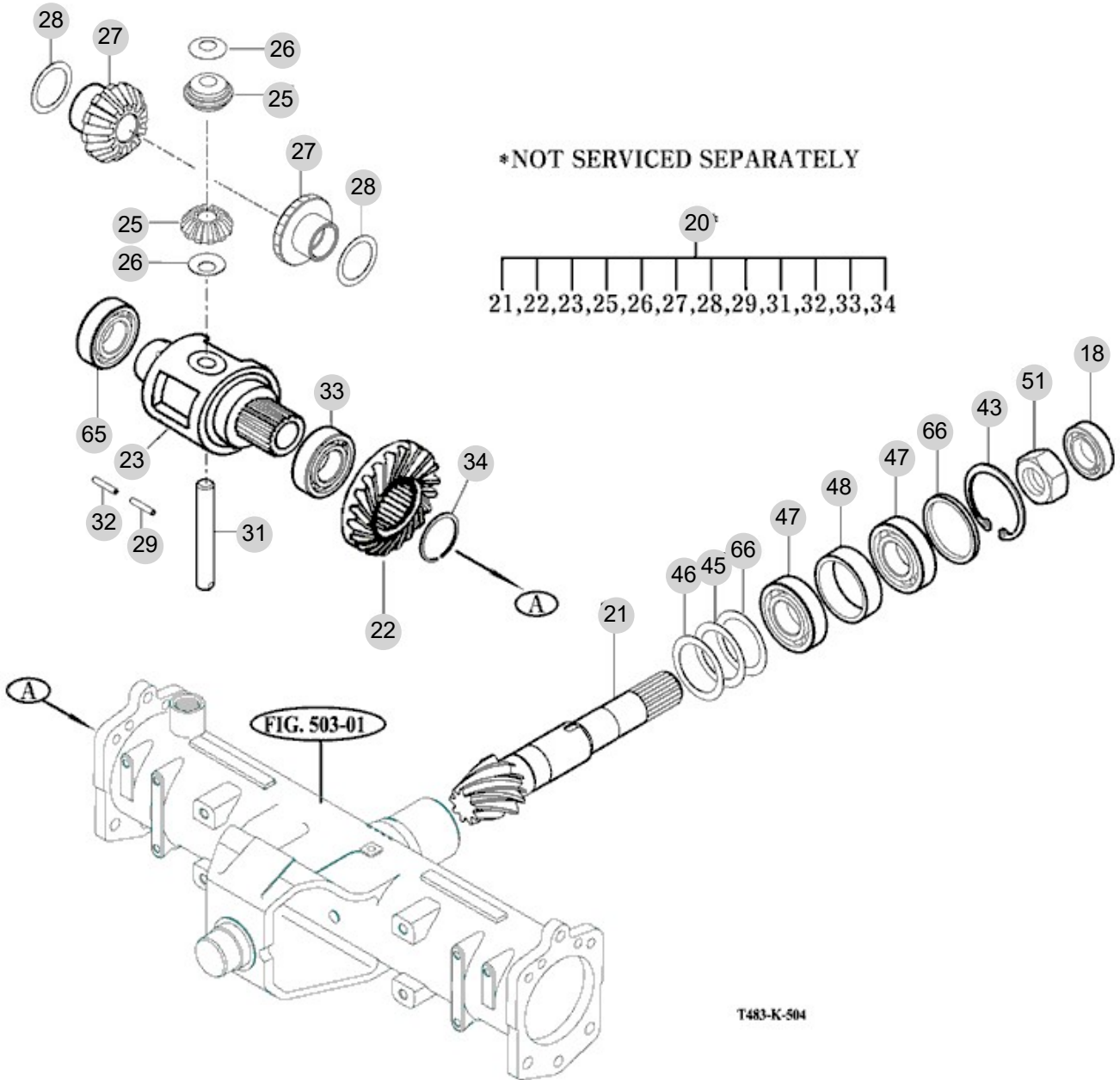
FIG 504

FRONT DIFFERENTIAL GEARS

년/월
Year/Month

2022-12

T554NH



NOTE

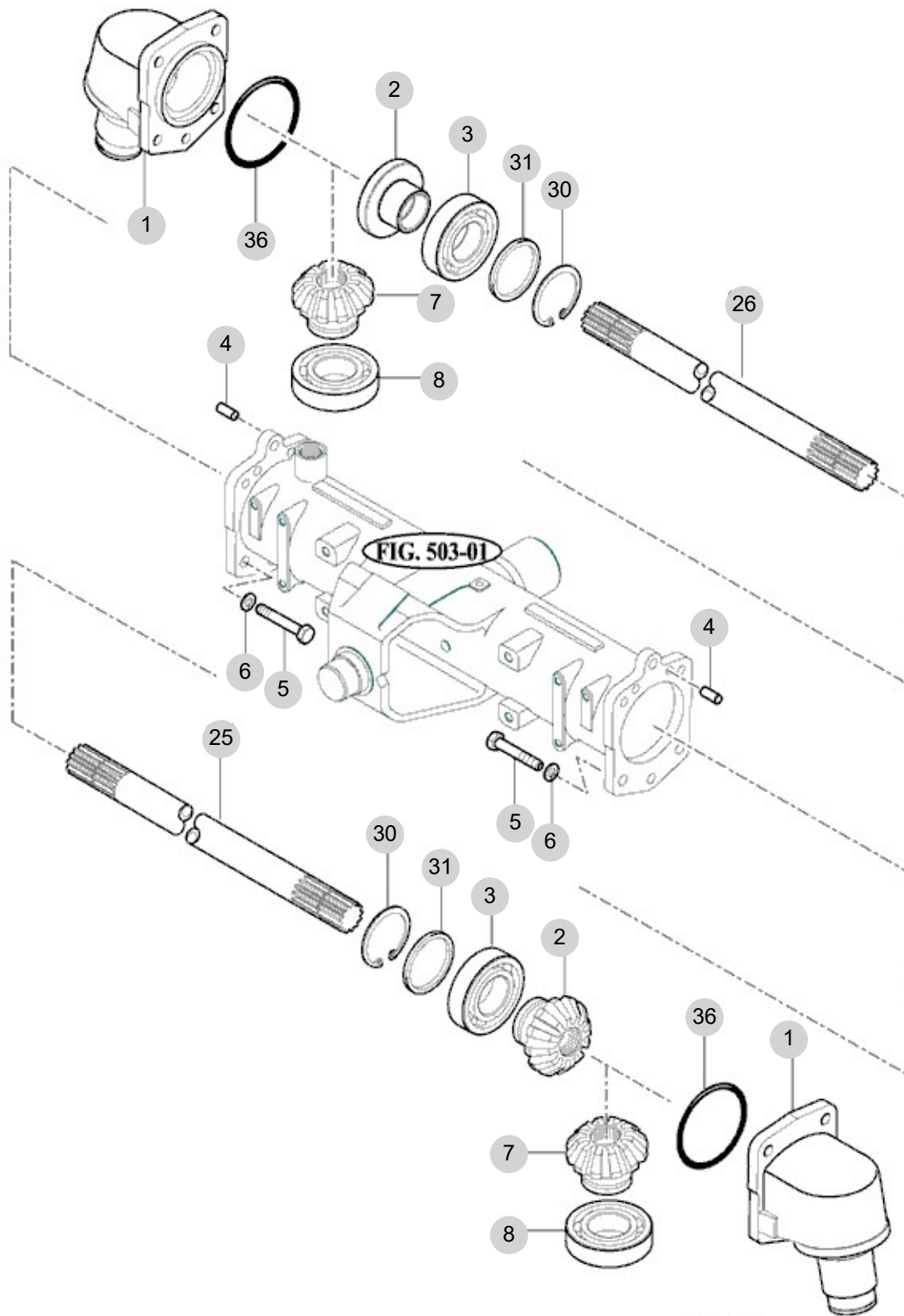
FIG 505

T554NH

FRONT GEAR CASE (1)

년/월
Year/Month

2022-12



NOTE

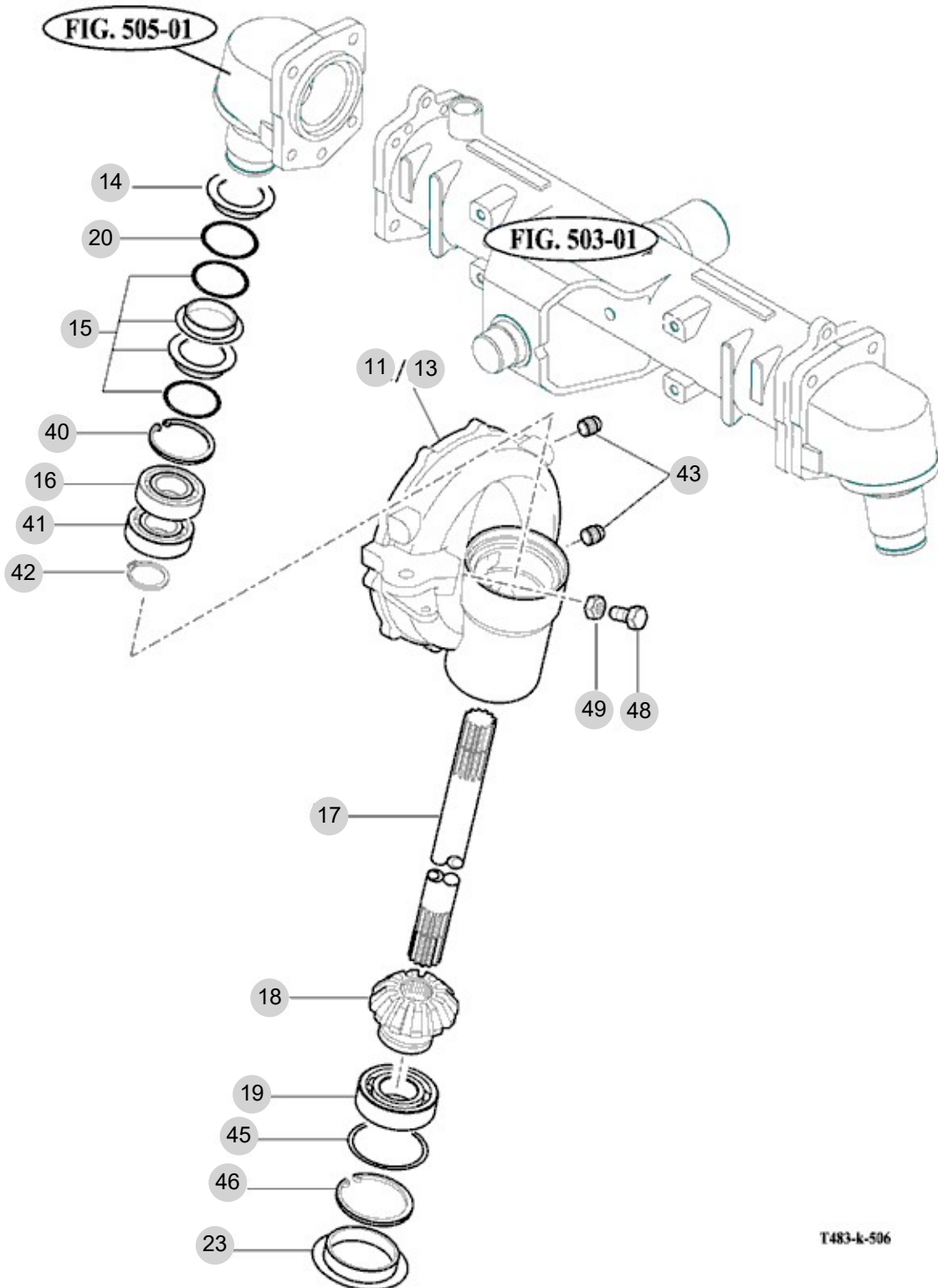
FIG 506

T554NH

FRONT GEAR CASE (2)

년/월
Year/Month

2022-12



T483-k-506

NOTE

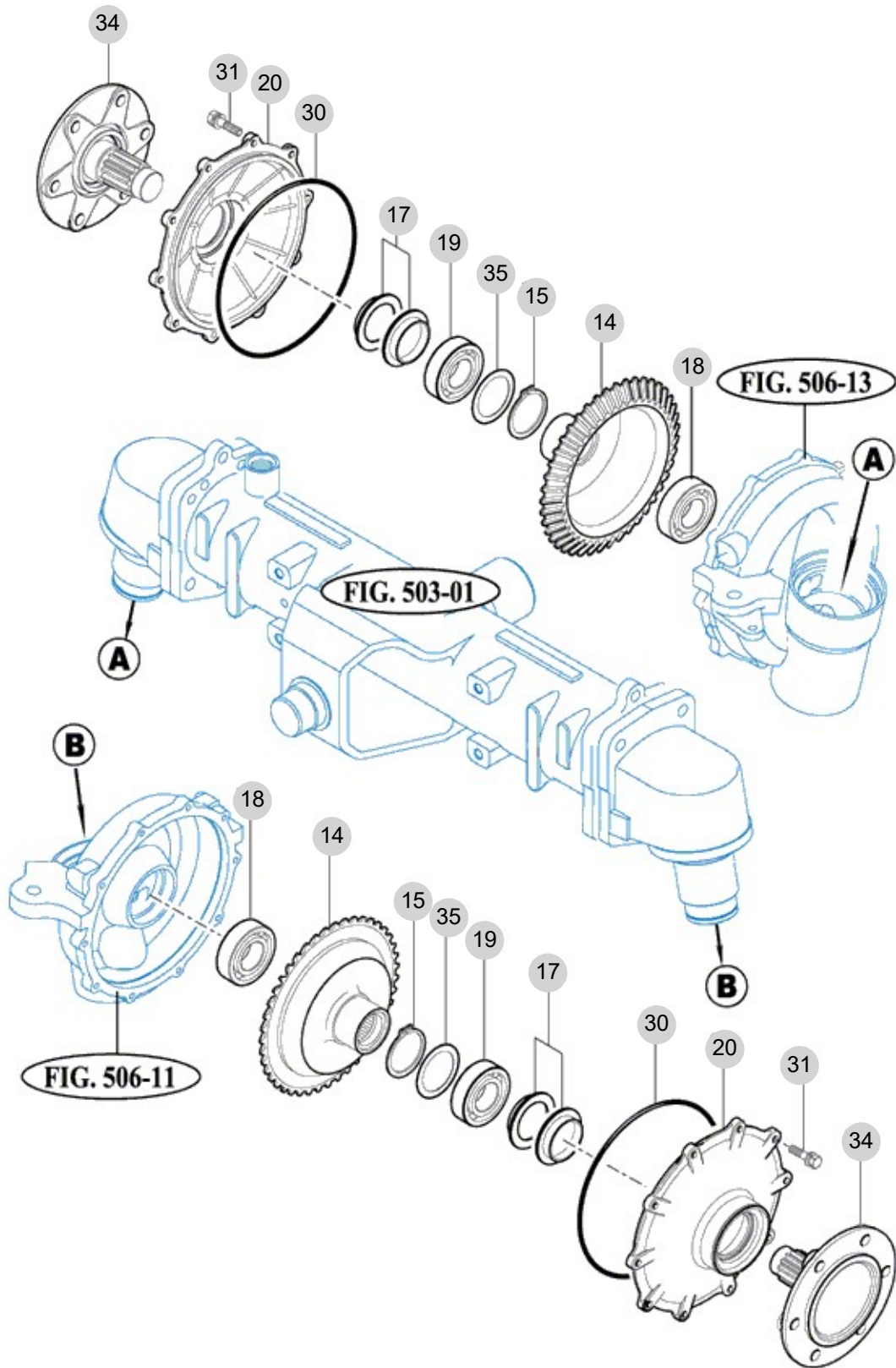
FIG 507

T554NH

FRONT GEAR CASE (3)

년/월
Year/Month

2022-12



T483-k-507

NOTE

6. Hydraulic/3P-Link PART NO. T6

FIG 601 CYLINDER CASE	145
FIG 602 LIFT ARM	147
FIG 603 CYLINDER	149
FIG 604 POSITION LINK	151
FIG 605 CONTROL VALVE	153
FIG 606 DRAFT LINK	155
FIG 607 POSITION & DRAFT LEVER	157
FIG 607 POSITION & DRAFT LEVER	159
FIG 609 HYDRAULIC PIPE	161
FIG 610 JOYSTICK	164
FIG 611 HYDRAULIC HOSE	166
FIG 612 HITCH & 3-POINT LINK	168
FIG 613 LOWER LINK & LIFT ROD	171
FIG 614 EXTERNAL POSITION LEVER KIT	173

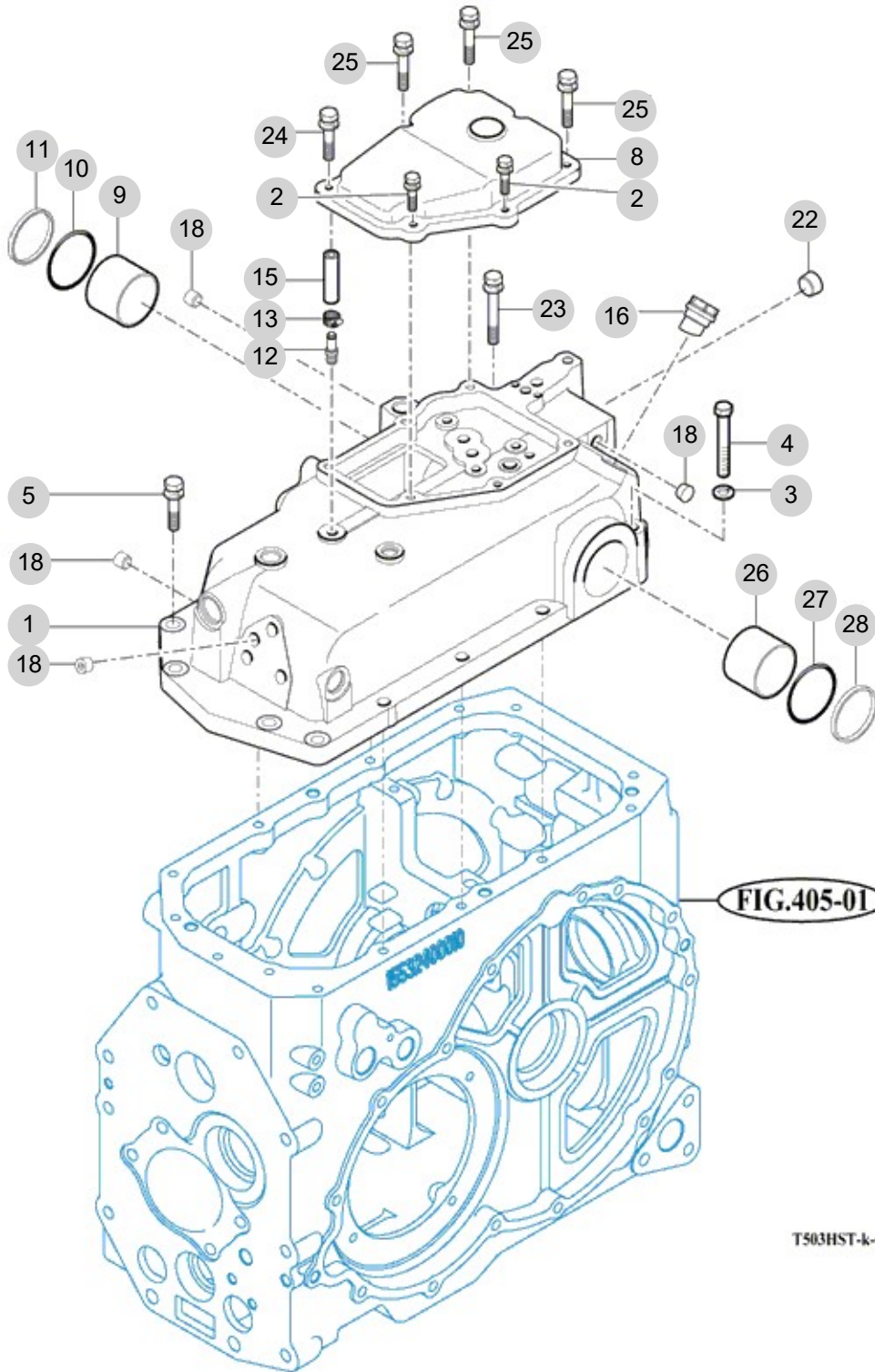
FIG 601

CYLINDER CASE

년/월
Year/Month

2022-12

T554NH



NOTE

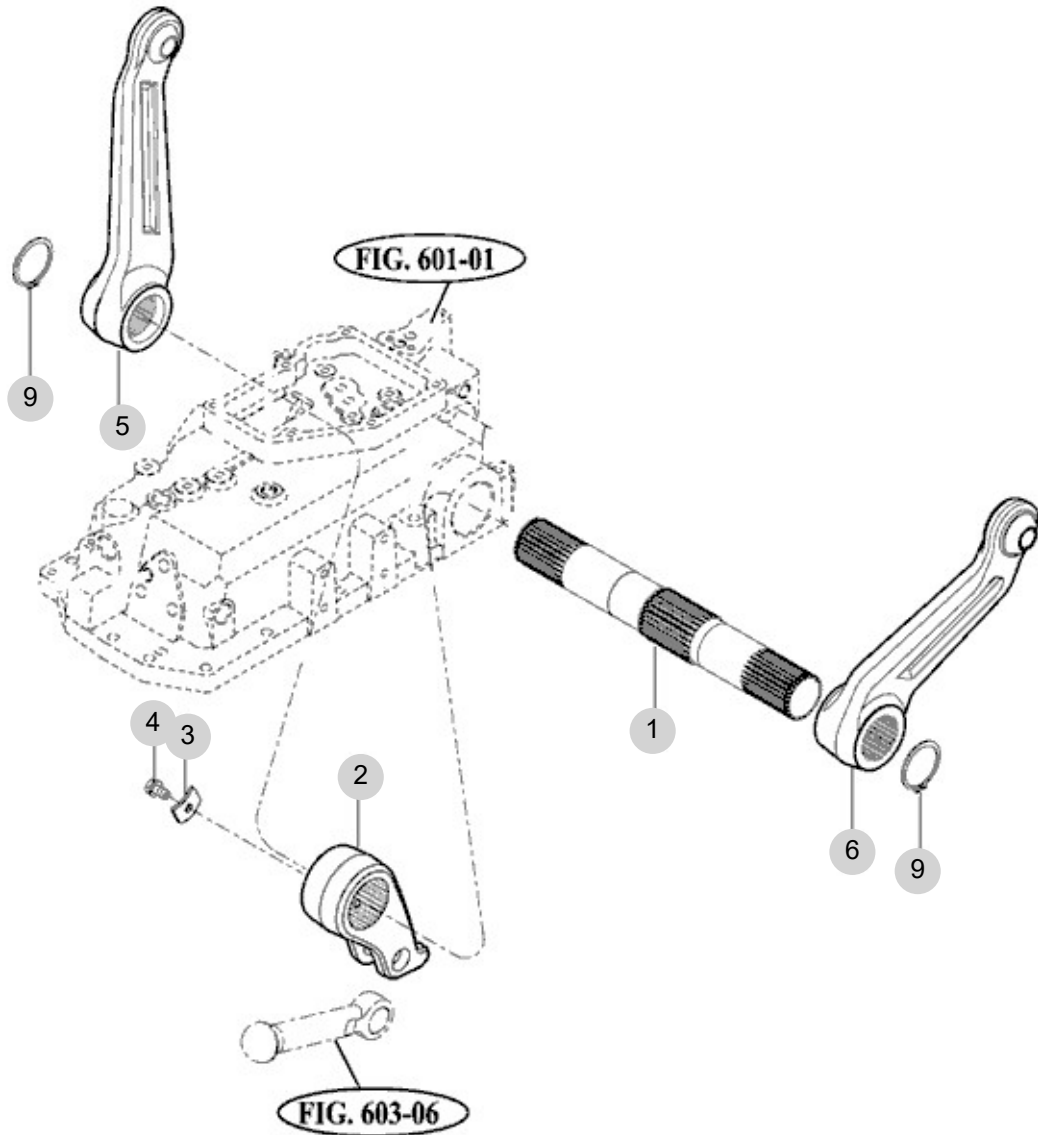
FIG 602

T554NH

LIFT ARM

년/월
Year/Month

2022-12



T473-E-602A

NOTE

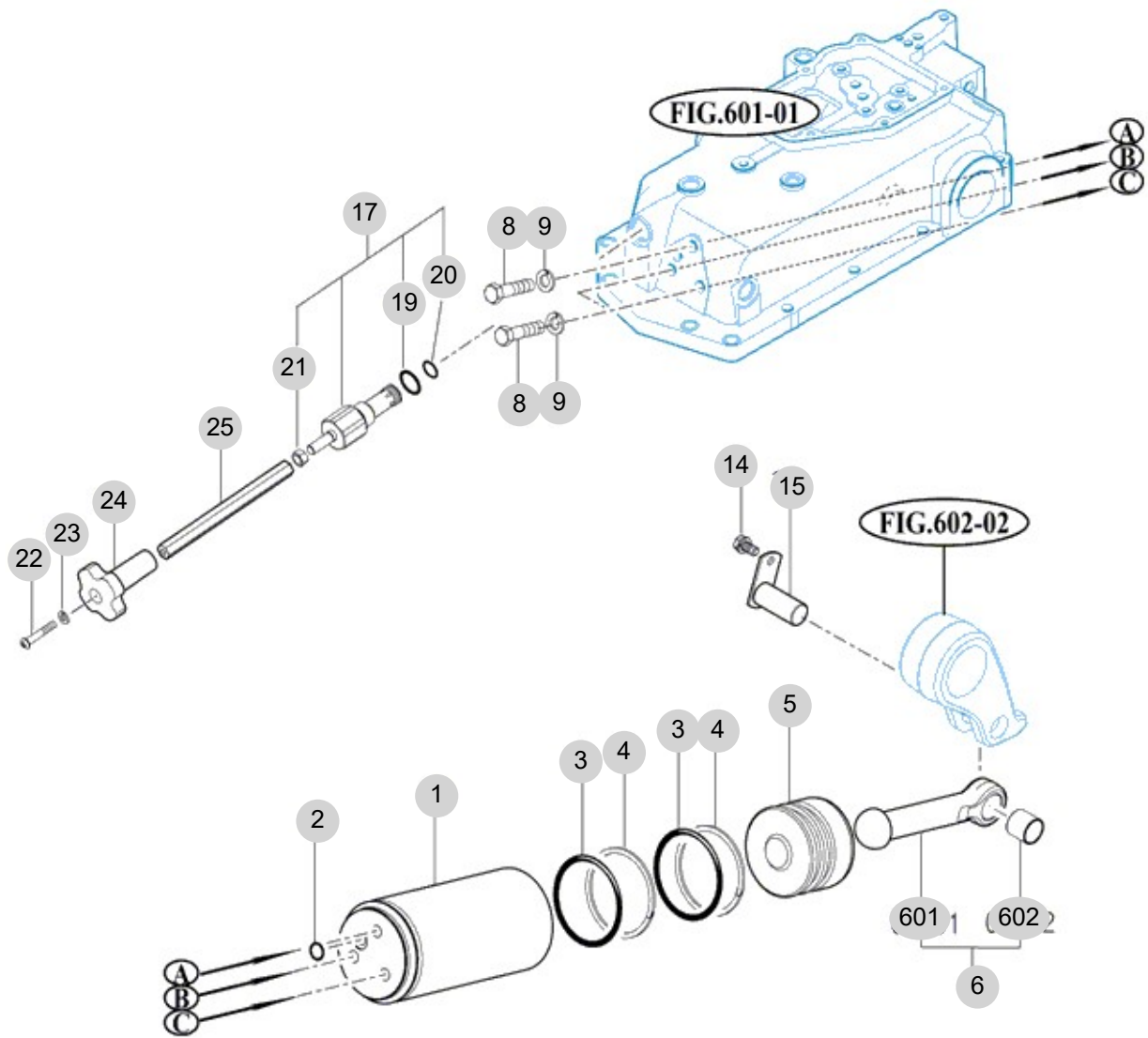
FIG 603

T554NH

CYLINDER

년/월
Year/Month

2022-12



T483-K-603

NOTE

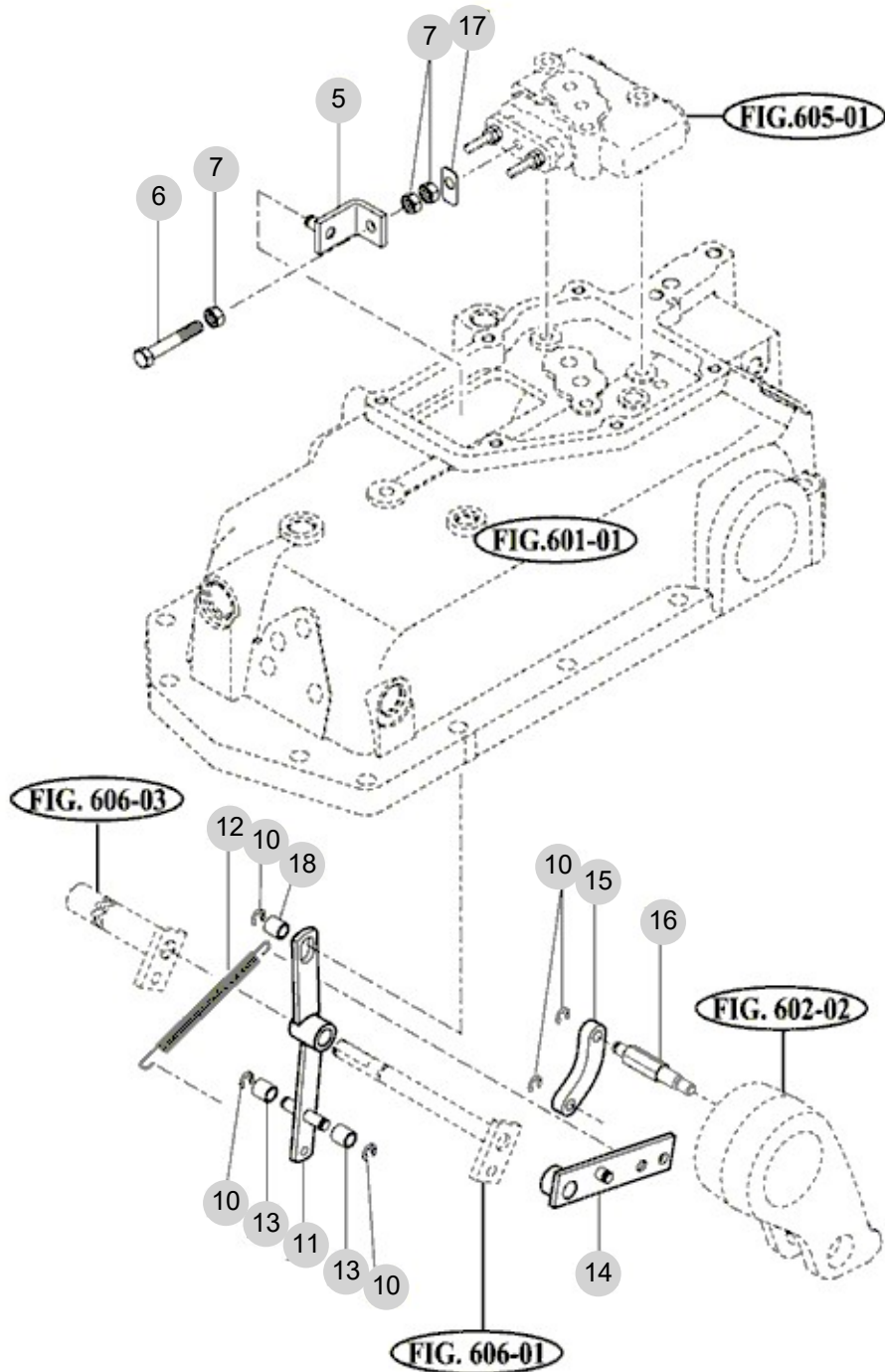
FIG 604

T554NH

POSITION LINK

년/월
Year/Month

2022-12



T483-K-604

NOTE

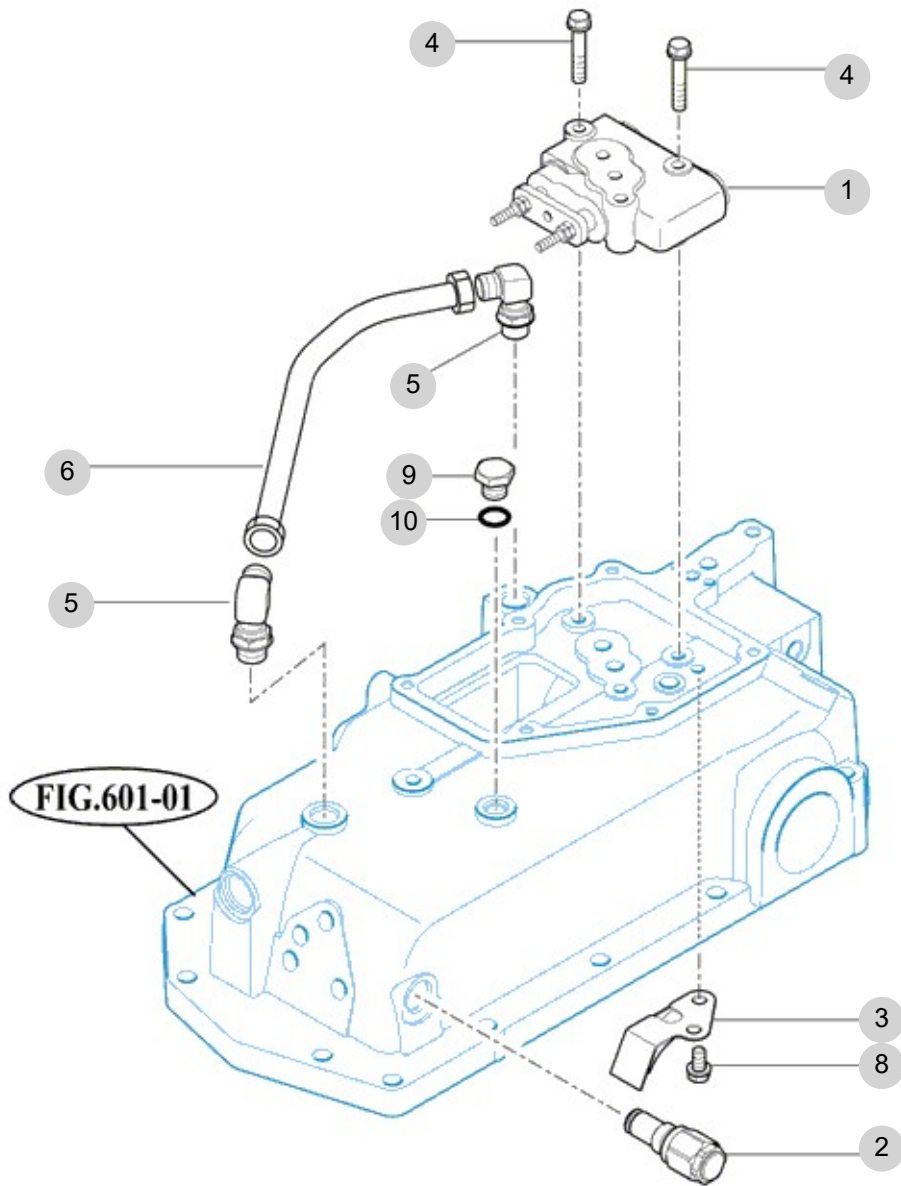
FIG 605

T554NH

CONTROL VALVE

년/월
Year/Month

2022-12



T503HST-K-605

NOTE

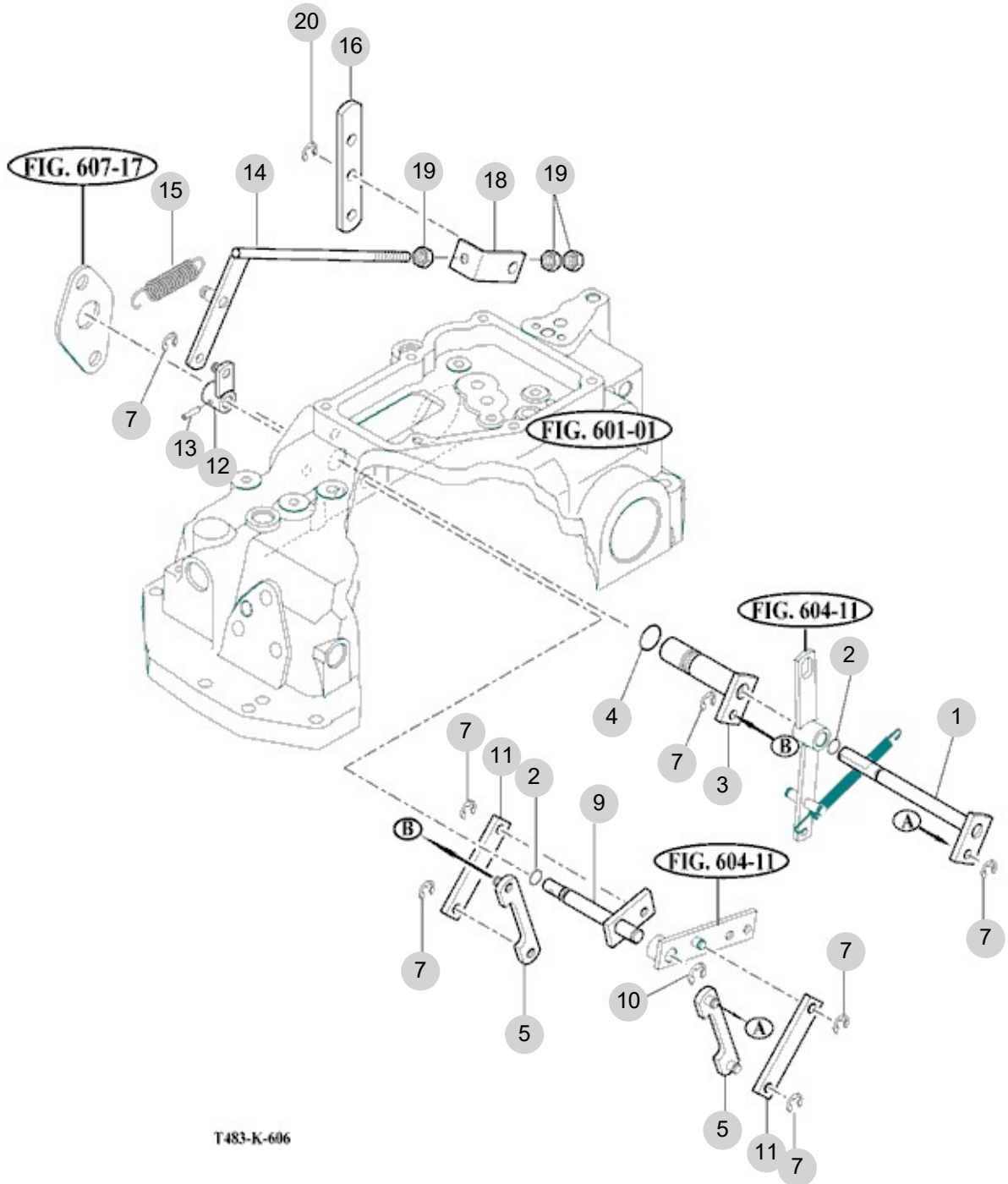
FIG 606

T554NH

DRAFT LINK

년/월
Year/Month

2022-12



NOTE

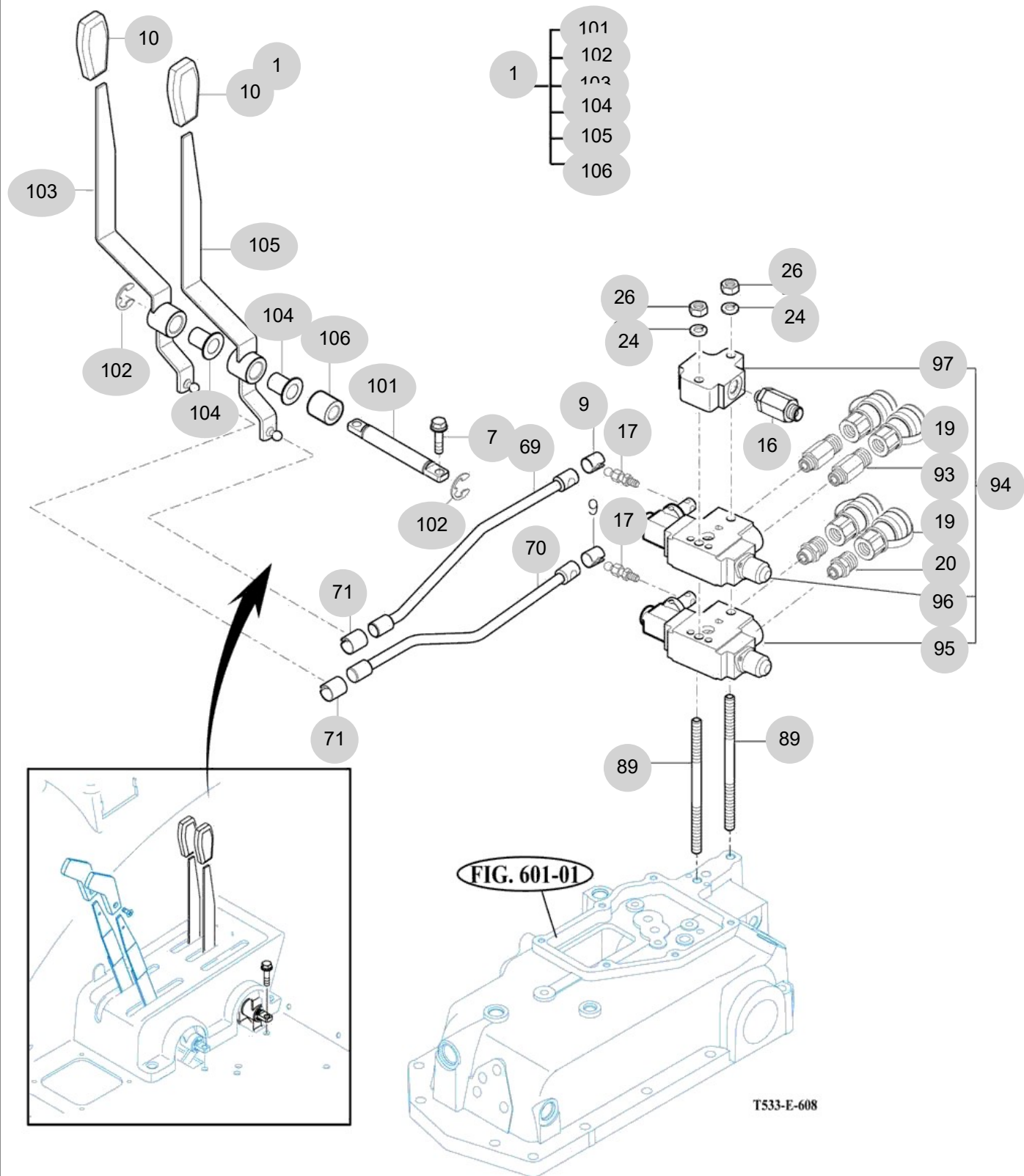
FIG 607

T554NH

POSITION & DRAFT LEVER

년/월
Year/Month

2022-12



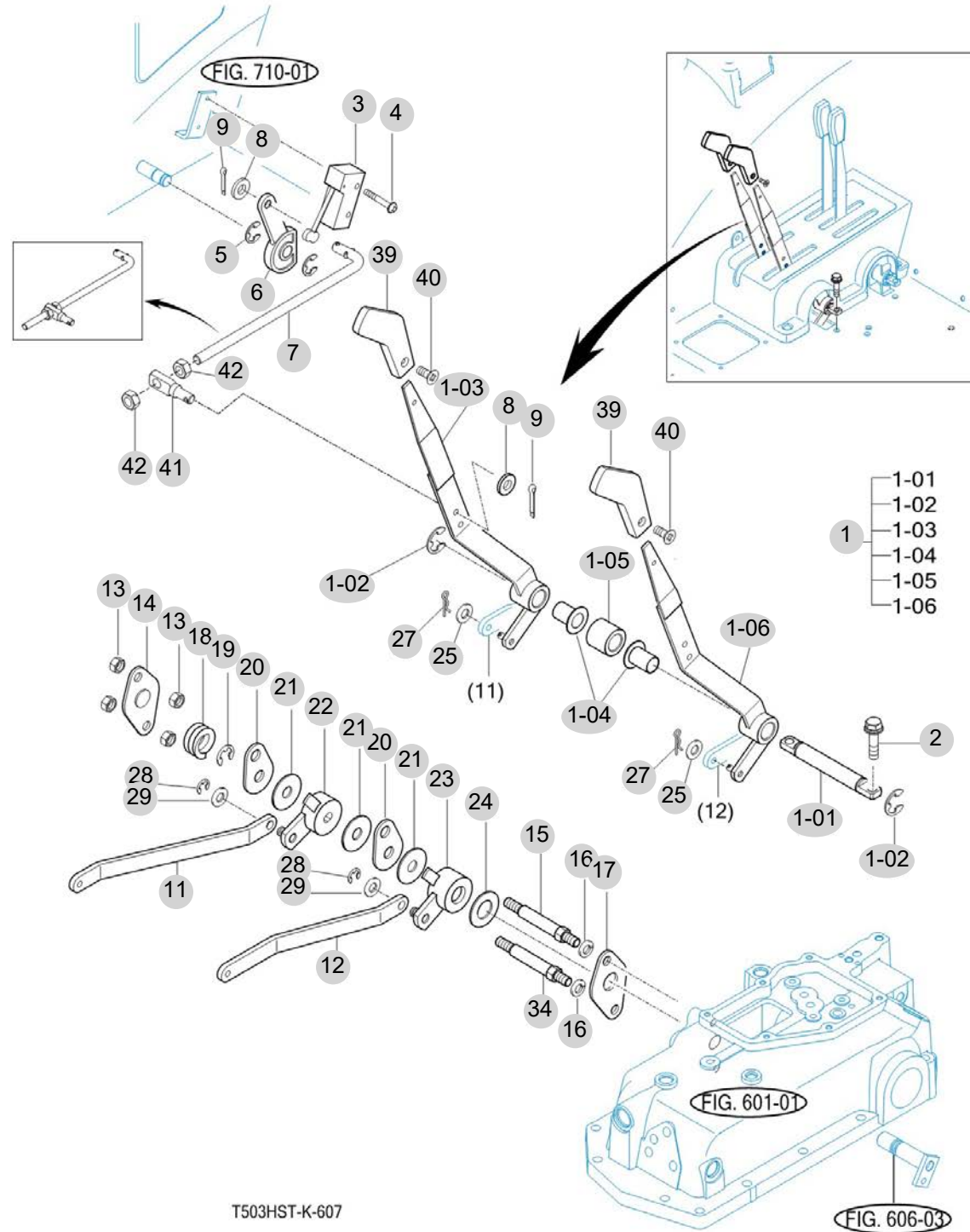
NOTE

FIG 607

POSITION & DRAFT LEVER

년/월
Year/Month

2022-12



NOTE

FIG 607		POSITION & DRAFT LEVER					년/월	
							Year/Month	
T554NH						2022-12		
KEY NO	PART NO	DESCRIPTION	SPEC	QTY	REPAIR	EFFECTIVE DATE	REMARKS	
607	1	10567092100	REVER SUB, POSITION/DRAFT					
607	2	V2183608020	BOLT , HEX/SP	M8X20	2			
607	3	16606742301	SWITCH ASSY . LIMIT		1			
607	4	V1222604025	SCREW , C/R PAN/SP	M4X25	2			
607	5	V7081400080	E-RING	8	2			
607	6	14527090020	CAM , SENSER	1X1X1	1			
607	7	19997090010	ROD,SWITCH	6*150*28	1			
607	8	V4111600060	WASHER , PLAIN	M6	2			
607	9	V5001920020	PIN , SPLIT	2X20	2			
607	11	14525070121	PLATE , POSITION	19X6T	1			
607	12	14525070141	PLATE , DRAFTER	19X6T	1			
607	13	V3043600100	NUT , HEX/2	M10	4			
607	14	17995070140	PLATE , C	3.2T	1			
607	15	17995070150	BOLT , SUPPORT	H14X108.9	1			
607	16	V4011600100	WASHER , SPRING	M10	2			
607	17	17995070170	PLATE , D	3.2TX90X50	1			
607	18	17995070180	SPRING	33X23	1			
607	19	V7081400120	E-RING	12	1			
607	20	17995070200	PLATE , A	3.2TX40X62	2			
607	21	17995070211	PLATE , FRICTION	13X40X2T	3			
607	22	14525070221	ARM COMP , POSITION	1X1X1	1			
607	23	14525070230	ARM COMP , DRAFT LEVER		1			
607	24	17995070241	PLATE , FRICTION	21*40*2T	1			
607	25	V4111600060	WASHER , PLAIN	M6	2			
607	27	21306010180	PIN , SNAP/6	D=1.2	2			
607	28	V7081400080	E-RING	8	2			
607	29	V4111600100	WASHER , PLAIN	M10	2			
607	34	17995070340	BOLT , SUPPORT		1			
607	39	15605110054	GRIP , 3X17X97	9.5X9.7X5.3	2			
607	40	V1122605012	SCREW , C/R FLAT	M5X12	2			
607	41	19997090210	PIN , POSITION ROD		1			
607	42	V3002600060	NUT , HEX/1	M6	2			
607	101	14527092110	SHAFT	D=16	1			
607	102	V7081400150	E-RING	15	2			
607	103	14527092201GB	LEVER COMP,P/D	1X1X1	1			
607	104	14527092120	BUSH, NYLON/16X18X27	1X1X1	2			
607	105	14527092251	COLLER , SPACE	D=30	1			
607	106	10567092300GB	LEVER COMP,P/D		1			
NOTE								

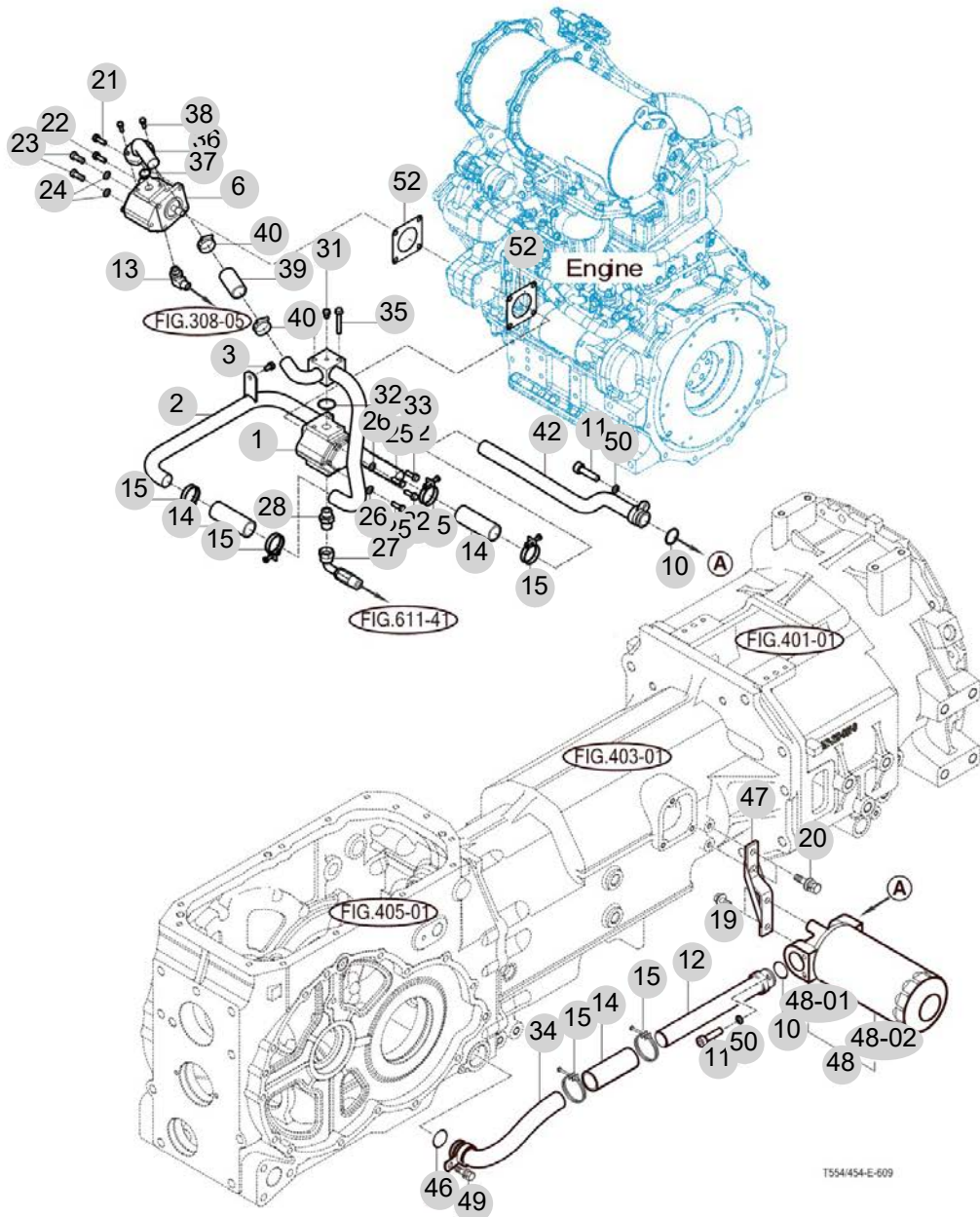
FIG 609

HYDRAULIC PIPE

년/월
Year/Month

2022-12

T554NH



NOTE

FIG 609		HYDRAULIC PIPE					년/월 Year/Month		
							2022-12		
T554NH		KEY NO	PART NO	DESCRIPTION	SPEC	QTY	REPAIR	EFFECTIVE DATE	REMARKS
609	1	15115100001	PUMP ASSY , GEAR (MAIN)			1			
609	2	17465152201GB	PIPE COMP , SUCTION FR/RR			1			
609	2	17465152202GB	PIPE COMP , SUCTION FR/RR			1			
609	3	V2173608016	BOLT , HEX/S	M8X16		1			
609	6	15115200000	PUMP ASSY , GEAR	7.5CC/REV		1			
609	10	V7211031030	O-RING , G			2			
609	11	V2205408016	BOLT , HEX-SOCKET	M8X16		2			
609	12	14525153401	PIPE COMP , FR SUCTION			1			
609	12	14525153401PC	PIPE COMP , FR SUCTION			1			
609	12	14525153401	PIPE COMP , FR SUCTION			1			
609	13	36313530021	ADAPTER , HIGH-PRESSURE	25XC112X39		1			
609	14	15605150031	HOSE , 100			3			
609	15	18027090400	BAND CLAMP 40 EMBO TYPE	D=40		6			
609	19	V2183610025	BOLT , HEX/SP	M10X25		2			
609	20	V2183608020	BOLT , HEX/SP	M8X20		2			
609	21	V2173608040	BOLT , HEX/S	M8X40		1			
609	22	V2173608025	BOLT , HEX/S	M8X25		3			
609	23	V2013608110	BOLT , HEX	M8X110		2			
609	24	V4011600080	WASHER , SPRING	M8		2			
609	25	V2013608110	BOLT , HEX	M8X110		2			
609	26	V4011600080	WASHER , SPRING	M8		2			
609	27	14525152331	HOSE ASSY , HYD 1560	1X1X1		1			
609	28	16582630620	CONNECTOR , PF1/2	C3236-0808		1			
609	31	13267060022	PLUG , DRAIN	육각 B=12		1			
609	32	V7211031030	O-RING , G			1			
609	33	17465153301GB	PIPE COMP , SUCTION FR			1			
609	33	17465153302GB	PIPE COMP , SUCTION FR			1			
609	33	17465153303GB	PIPE COMP , SUCTION FR			1			
609	34	14525162402PC	PIPE COMP , SUCTION RR			1			
609	34	14525162403	PIPE COMP , SUCTION RR			1			
609	35	V2173608055	BOLT , HEX/S	M8X55		2			
609	36	15155152901GB	PIPE COMP , FR SUCTION			1			
609	37	V7201024018	O-RING , P	P18		1			
609	38	V2113606020	BOLT , HEX /S	M6X20		2			
609	39	19955100010	HOSE , 26X34X60			1			
609	40	18027090400	BAND CLAMP 40 EMBO TYPE			2			
609	42	14525152101	PIPE COMP , SUCTION IN			1			
609	42	14525152102	PIPE COMP , SUCTION IN			1			
609	42	14525152102PC	PIPE COMP , SUCTION IN			1			
609	42	14525152103	PIPE COMP , SUCTION IN			1			
609	46	V7211031030	O-RING , G	G30		1			
609	47	14525150000GB	BRACKET , OIL FILTER			1			
609	47	14525150000	BRACKET , OIL FILTER			1			
609	47	14525150001	BRACKET , OIL FILTER			1			
609	48	17975152001	FILTER ASSY , SUCTION 43	1X1X1		1			
NOTE									

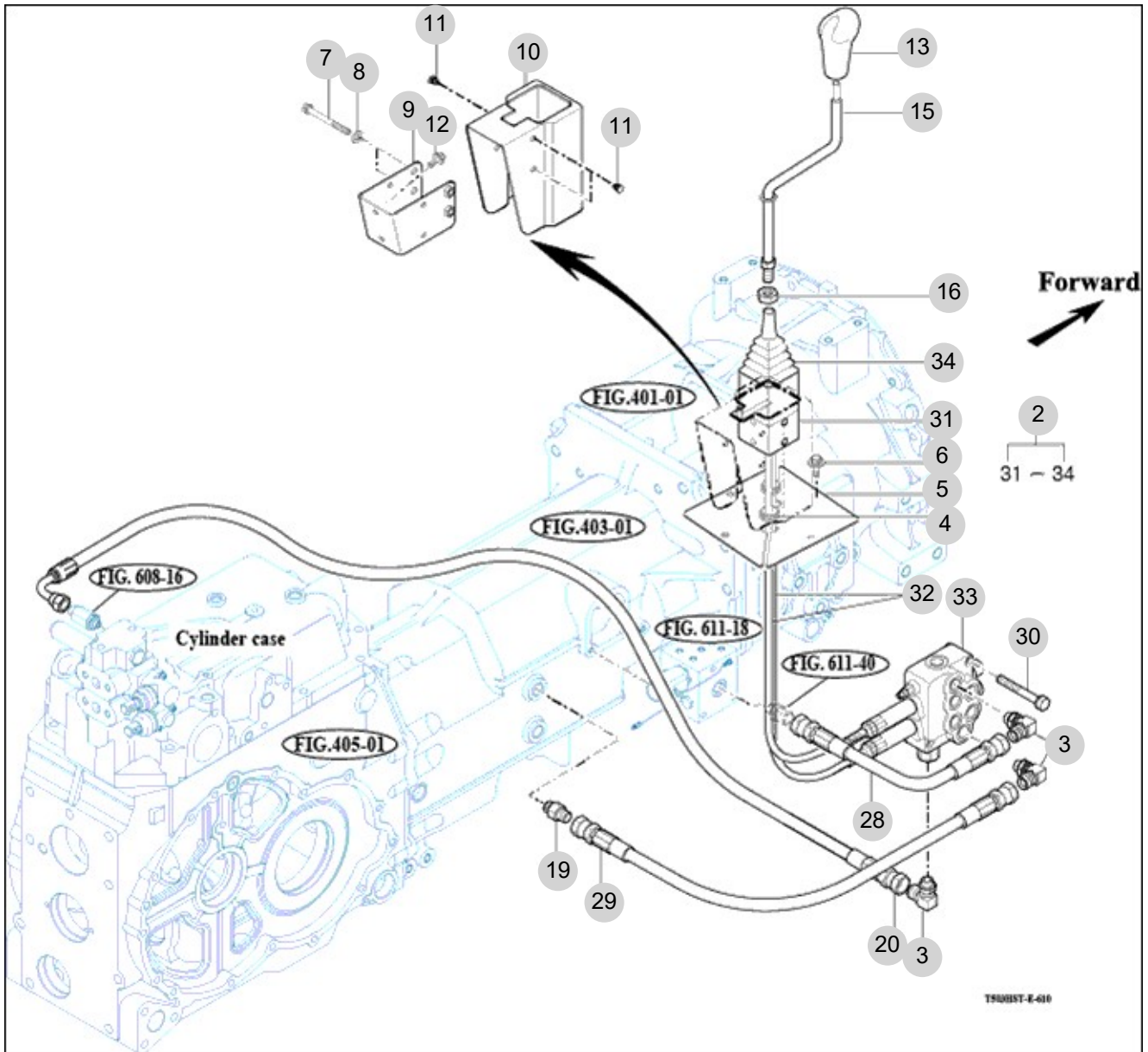
FIG 610

T554NH

JOYSTICK

년/월
Year/Month

2022-12



NOTE

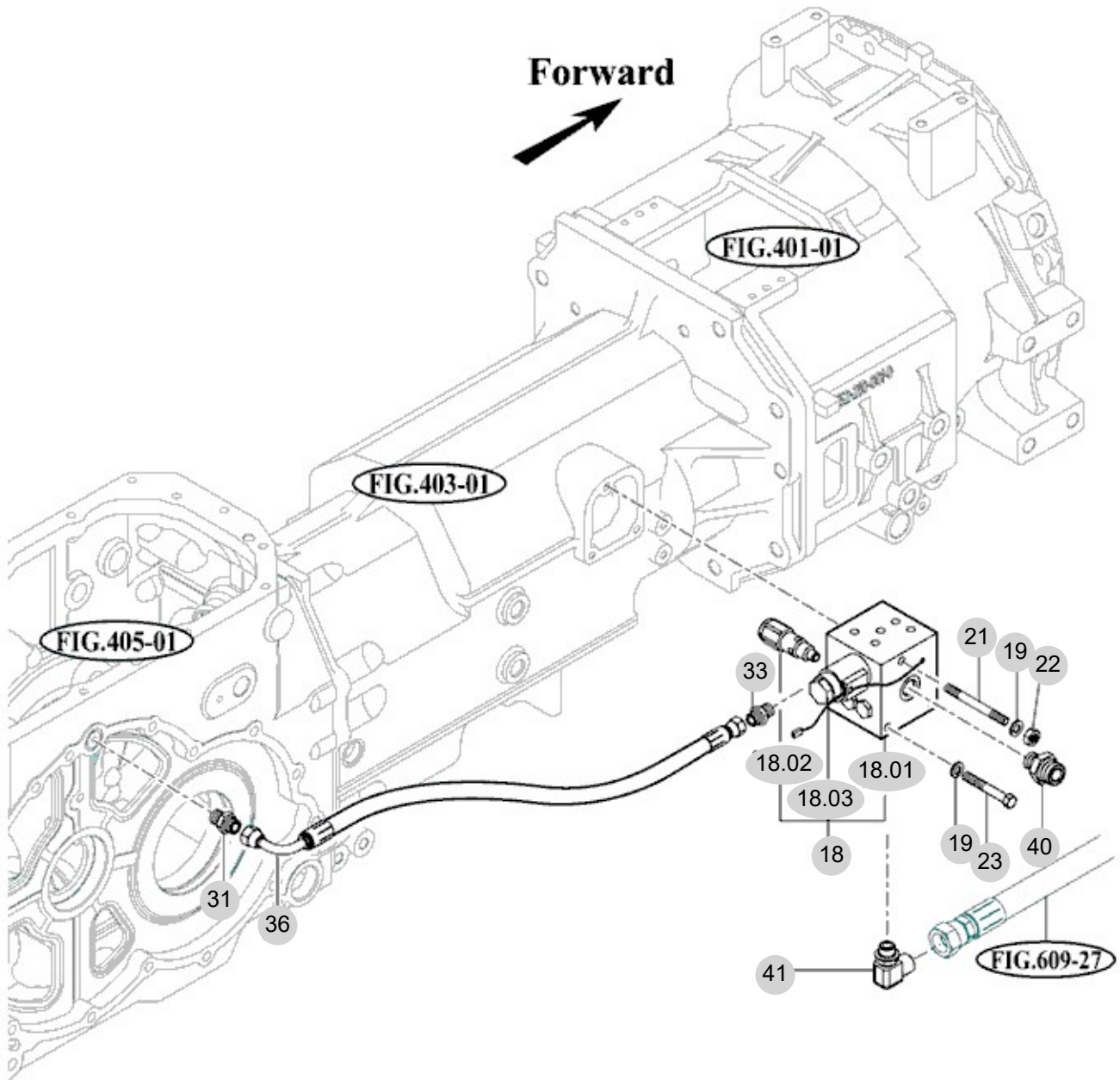
FIG 611

HYDRAULIC HOSE

년/월
Year/Month

2022-12

T554NH



T554/454-E-611

NOTE

FIG 611		HYDRAULIC HOSE						년/월 Year/Month	
								2022-12	
T554NH		KEY NO	PART NO	DESCRIPTION	SPEC	QTY	REPAIR	EFFECTIVE DATE	REMARKS
611	18	17975182001		VALVE ASSY , PTO	1X1X1	1			
611	1801	17975182100		VALVE , PTO	1X1X1	1			
611	1802	16490110001		VALVE ASSY , RELIEF	PVRI-005-030	1			
611	1803	14725182210		SOLENOID COIL	1X1X1	1			
611	19	V4011600080		WASHER , SPRING	M8	3			
611	21	V2513408090		BOLT , STUD/2	M8X90	1			
611	22	V3042600080		NUT , HEX/2	M8	1			
611	23	V2013608090		BOLT , HEX	M8X90	2			
611	31	17971850140		ADAPTER , STRAIGHT PF1/4	1X1X1	1			
611	33	37681850141		ADAPTER , STRAIGHT		1			
611	36	14525180361		HOSE ASSY . HYD 690	1X1X1	1			
611	40	17995161130		UNION , PF3/8 PF1/2		1			
611	41	17407362300		ELBOW , PF3/8 PF1/2	"PF3/8,PF1/2"	1			
NOTE									

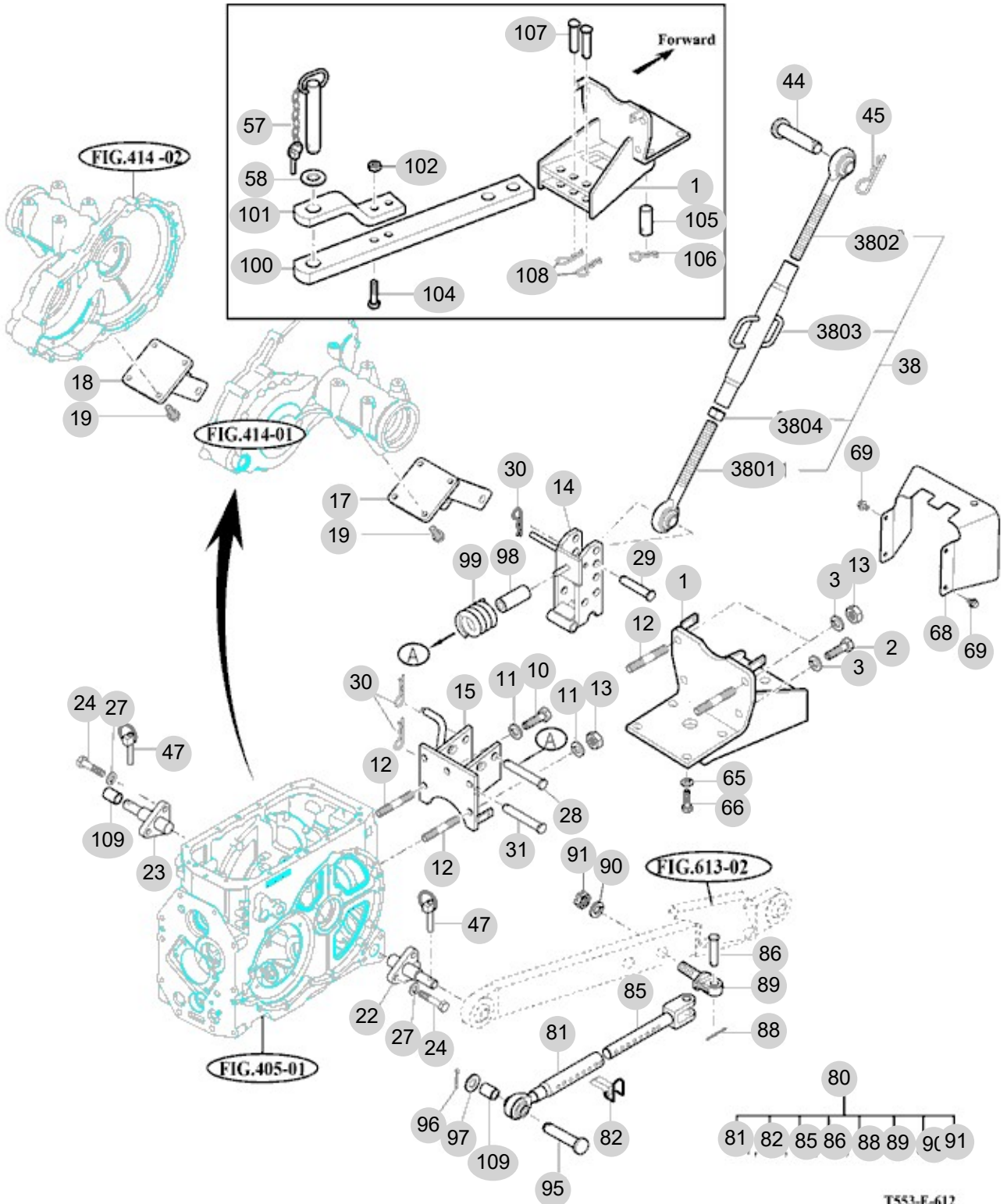
FIG 612

HITCH & 3-POINT LINK

년/월
Year/Month

2022-12

T554NH



T553-E-612

NOTE

FIG 612		HITCH & 3-POINT LINK						년/월 Year/Month	
								2022-12	
T554NH		KEY NO	PART NO	DESCRIPTION	SPEC	QTY	REPAIR	EFFECTIVE DATE	REMARKS
612	1	15535202001GB	BRACKET COMP, SWING DRAWBAR			1			
612	1	15535202002GB	BRACKET COMP, SWING DRAWBAR			1			
612	1	15535202003GB	BRACKET COMP, SWING DRAWBAR			1			
612	2	V2013616035	BOLT, HEX	M16X35		2			
612	3	V4011600160	WASHER, SPRING	M16		4			
612	10	V2013616035	BOLT, HEX	M16X35		3			
612	11	V4011600160	WASHER, SPRING	M16		5			
612	12	V2513416035	BOLT, STUD/2	M16X35		4			
612	13	V3043600160	NUT, HEX/2	M16		4			
612	14	16735222102GB	LINK COMP	1X1X1		1			
612	15	15185222000GB	BRACKET COMP			1			
612	17	14525254100GB	BRACKET COMP, RR			1			
612	18	14525254100GB	BRACKET COMP, RR			1			
612	19	V2173612030	BOLT, HEX/S	M12X30		8			
612	22	15685252204	PIN COMP, LH			1			
612	23	15685252801	PIN COMP, RH			1			
612	24	V2013614040	BOLT, HEX	M14X40		6			
612	27	V4011600140	WASHER, SPRING	M14		6			
612	28	15645250010	PIN, 19X122	D=19		1			
612	29	15645220020	PIN, 19X95	D=19		1			
612	30	14445140051	PIN, 19	D=4.5		3			
612	31	15645250010	PIN, 19X122	D=19		1			
612	38	16505245501GB	LINK ASSY, TOP LINK			1			
612	38	16505245502GB	TOP LINK ASSY			1			
612	44	15645220011	PIN, 19X86	D=19		1			
612	45	14445140051	PIN, 19	D=4.5		1			
612	47	14215020020	PIN, LINK			2			
612	57	S0973063031	PIN ASSY	1X1X1		1			
612	58	15252470010	RUBBER, CUSHION			1			
612	65	V4011600140	WASHER, SPRING	M14		4			
612	66	V2013614035	BOLT, HEX	M14X35		4			
612	68	13605200012GB	COVER, SHIELD	1X1X1		1			
612	69	V2183608016	BOLT, HEX/SP	M8X16		4			
612	80	15155253000GB	LINK ASSY, ADJUSTER	570*60*50		2			
612	81	15155253100	ROD SUB, FR	44*320*60		2			
612	82	17705254200	PIN	1X1X1		2			
612	85	15155253300	ROD SUB, REAR	340*50*50		2			
612	86	15155253400	PIN, ø20X59	ø20X59		2			
612	88	V5001940035	PIN, SPLIT	4X35		2			
612	89	15155253500	EYEBOLT	66*60*40		2			
612	90	V4111600220	WASHER, PLAIN	M22		2			
612	91	V3343600220	NUT, HEX FINE/2	M22		2			
612	95	15645220020	PIN, 19X95	D=19		2			
612	96	14445140051	PIN, 19	D=4.5		2			
612	97	V4111600200	WASHER, PLAIN	M20		2			
NOTE									

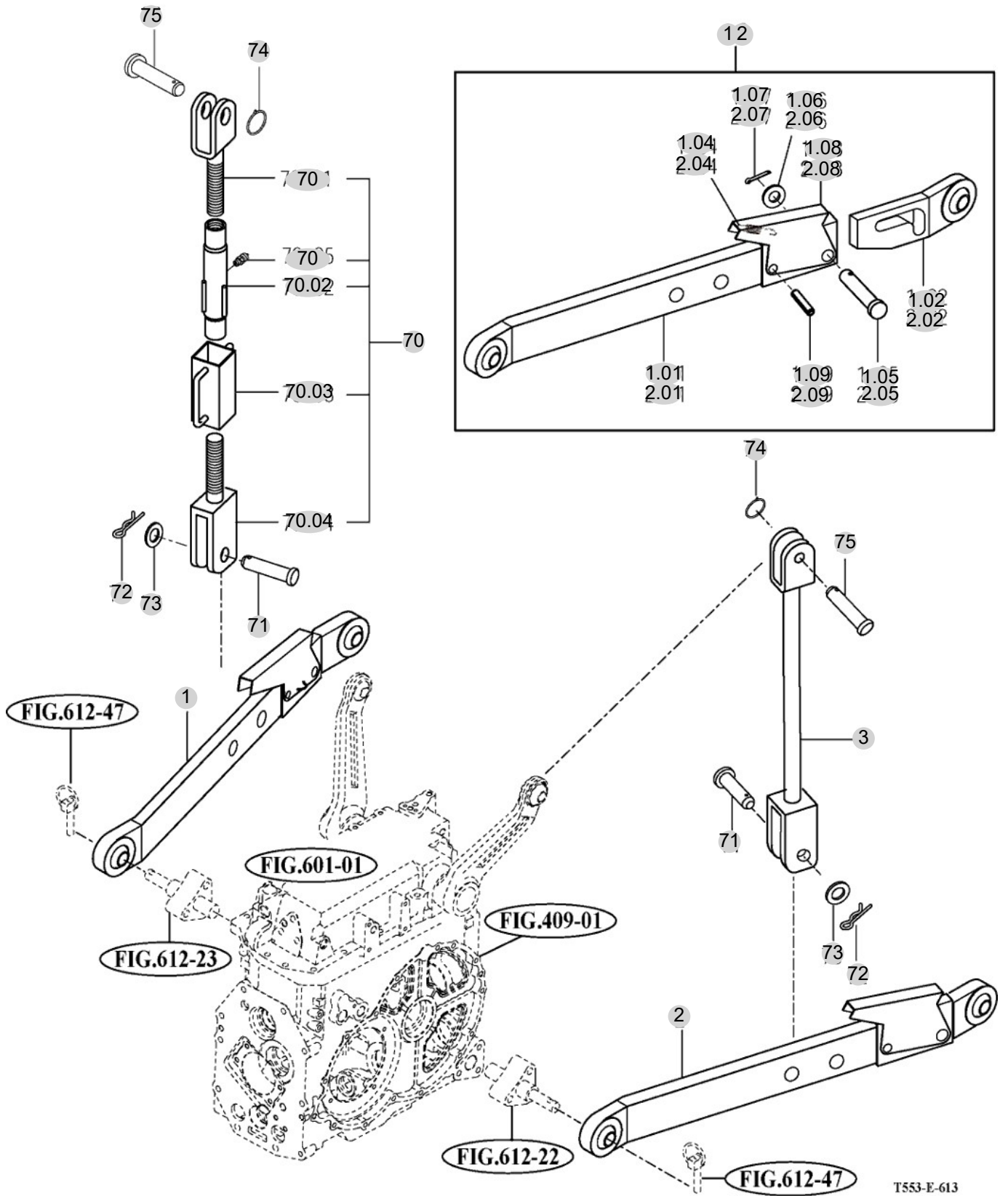
FIG 613

LOWER LINK & LIFT ROD

년/월
Year/Month

2022-12

T554NH



NOTE

FIG 613		LOWER LINK & LIFT ROD						년/월 Year/Month	
								2022-12	
T554NH		KEY NO	PART NO	DESCRIPTION	SPEC	QTY	REPAIR	EFFECTIVE DATE	REMARKS
613	1	15175262200GB	LINK ASSY , RH LOWER	1X1X1	1				
613	1	15155262200GB	LINK ASSY , RH LOWER	1X1X1	1				
613	2	15175262300GB	LINK ASSY , LOWER LH	1X1X1	1				
613	2	15155262300GB	LINK ASSY , LH LOWER	870*100*55	1				
613	3	15175243000GB	ROD ASSY , LIFT	1X1X1	1				
613	3	12185243000GB	ROD ASSY , LIFT		1				
613	3	15155243000GB	ROD ASSY , LIFT	535*55*50	1				
613	3	12175243000GB	ROD ASSY , LIFT		1				
613	70	15175244000GB	LINK ASSY , LIFT RH	1X1X1	1				
613	70	15155244000GB	LIFT ROD ASSY , RH	1X1X1	1				
613	70	V7601500000	NIPPLE , GREASE/A-M6F		1				
613	71	15175250010	PIN , 22X63	D=22	2				
613	71	15605260014	PIN , 16X51	D=16	2				
613	72	S2169908420	PIN , SNAP/28	1X1X1	2				
613	72	V5601600160	PIN , SNAP	160	2				
613	73	V4111600220	WASHER , PLAIN	M22	2				
613	73	V4111600160	WASHER , PLAIN	M16	2				
613	74	16735240060	Spring	D48	2				
613	75	16735243500	PIN	1X1X1	2				
613	101	15175262210	LINK SUB, LOWER RH/FR	810*75*56	1				
613	101	15155262210	LINK SUB, LOWER RH/FR	810*70*56	1				
613	102	15175262220	LINK SUB , LOWER RH/RR	220*80*42	1				
613	102	15155262220	LINK SUB , LOWER RH/RR	220*75*42	1				
613	104	15155262330	SPRING , EXTENSION	T=3.0	1				
613	105	15155262340	PIN , 22X56	22X56	1				
613	106	V4111600220	WASHER , PLAIN	M22	1				
613	107	V5001940035	PIN , SPLIT	4X35	1				
613	108	15155262350	GRIP		1				
613	109	15155262360	PIN , SPRING		1				
613	201	15175262310	LINK SUB, LOWER LH/FR	810*75*56	1				
613	201	15155262310	LINK SUB, LOWER LH/FR	810*70*56	1				
613	202	15175262320	LINK SUB , LOWER LH/RR	220*80*42	1				
613	202	15155262320	LINK SUB , LOWER LH/RR	220*75*42	1				
613	204	15155262330	SPRING , EXTENSION	T=3.0	1				
613	205	15155262340	PIN , 22X56	22X56	1				
613	206	V4111600220	WASHER , PLAIN	M22	1				
613	207	V5001940035	PIN , SPLIT	4X35	1				
613	208	15155262350	GRIP		1				
613	209	15155262360	PIN , SPRING		1				
613	7001	15155244100	LIFT SUB , UPR	212*59*38	1				
613	7002	15155244200	SLEEVE	ø35*225	1				
613	7003	15155244300	HANDLE	120*40*106	1				
613	7004	15175244400	LIFT SUB , LOW	50*55*267.5	1				
613	7004	15155244400	LIFT SUB , LOW	38*44*238	1				
NOTE									

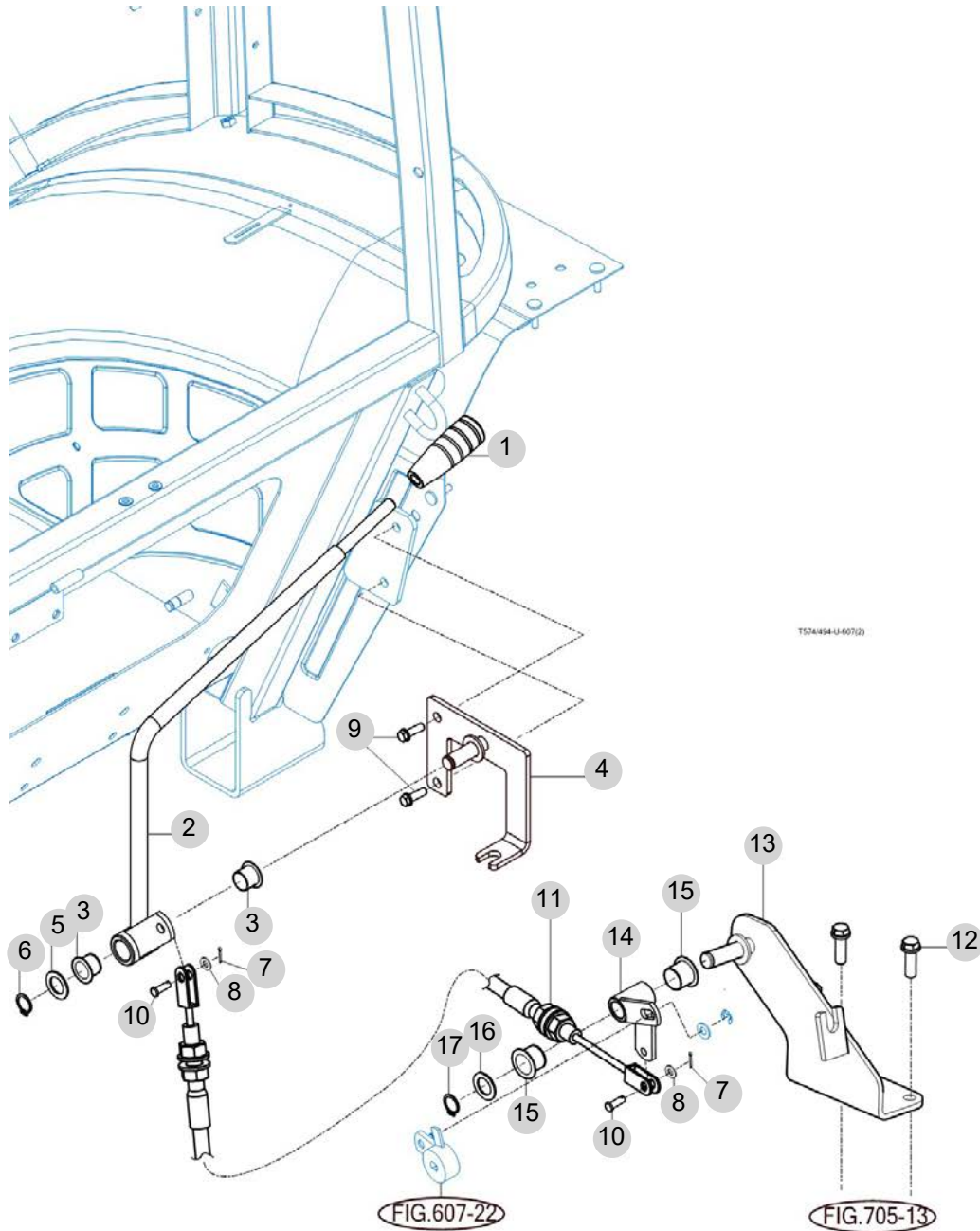
FIG 614

EXTERNAL POSITION LEVER KIT

년/월
Year/Month

T554NH

2022-12



NOTE

7. Sheet Metal & Cabin PART NO. T7

FIG 701 HOOD (1)	176
FIG 702 HOOD (2)	179
FIG 704B LEVER COVER & STEP-NON CAB	181
FIG 705 FRONT & REAR MOUNTING	183
FIG 706 SEAT & MAT	185
FIG 710B FRAME & 2POLES-ROPS-NON CAB	187
FIG 713B SUB FENDER&COVER-NON CAB	189
FIG 714B MIRROR&WORKING LAMP-NON CAB	191
FIG 718 CABIN INTERIOR	193
FIG 719 PEDAL SUB ASSY	195

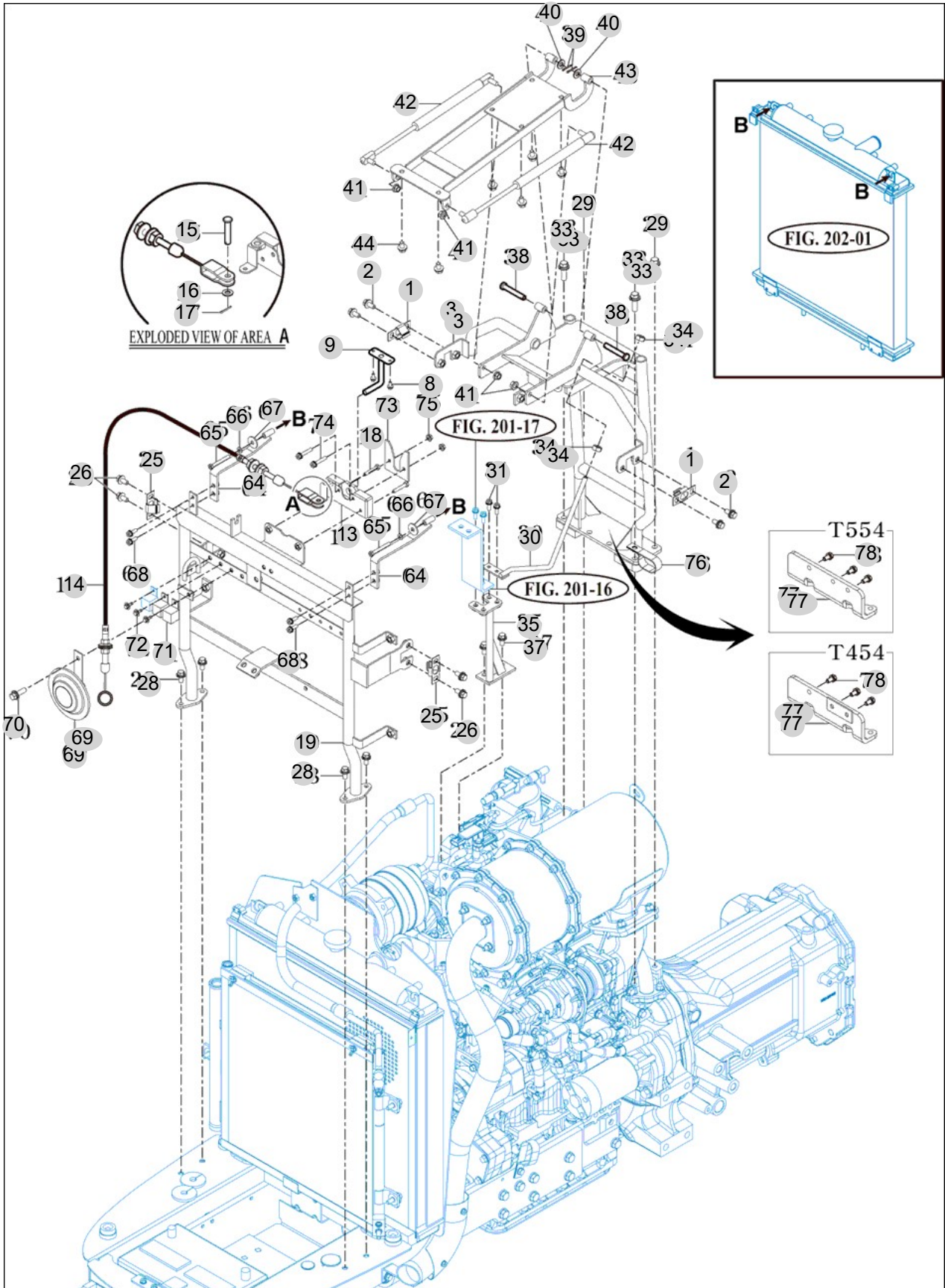
FIG 701

HOOD (1)

년/월
Year/Month

2022-12

T554NH



NOTE

FIG 701		HOOD (1)					년/월 Year/Month		
							2022-12		
T554NH		KEY NO	PART NO	DESCRIPTION	SPEC	QTY	REPAIR	EFFECTIVE DATE	REMARKS
701	1	17686013502	SPRING	T=1.0	2				
701	2	V2183608020	BOLT , HEX/SP	M8X20	4				
701	3	17466019400	HOOD FRAME SUB ASSY		1				
701	3	17476019400	HOOD FRAME SUB ASSY		1				
701	8	V2183608016	BOLT , HEX/SP	M8X16	2				
701	9	17466022100	BRACKET COMP , HOOD LOCK		1				
701	13	17686020600	LOCK COMP . HOOD	1X1X1	1				
701	14	14526020650	CABLE ASSY , HOOD	1X1X1	1				
701	15	15601160083	PIN , 06X16	D=6	1				
701	16	V4111600060	WASHER , PLAIN	M6	1				
701	17	V5001920020	PIN , SPLIT	2X20	1				
701	18	V2053606035	BOLT , HEX C/R	M6X35	2				
701	19	17466029000	FRAME , FR HOOD		1				
701	25	17686013502	SPRING	T=1.0	2				
701	26	V2183608020	BOLT , HEX/SP	M8X20	4				
701	28	V2183608020	BOLT , HEX/SP	M8X20	4				
701	29	V2183610020	BOLT , HEX/SP	M10X20	2				
701	30	17463282200	ROD COMP		1				
701	31	V2123606020	BOLT , HEX /SP	M6X20	2				
701	33	V2183610035	BOLT , HEX/SP	M10X35	2				
701	33	V2174610050	BOLT , HEX/S	M10X50	2				
701	34	V3342600100	NUT , HEX FINE/2	M10	2				
701	34	V3013600100	NUT .HEX NORMAL /2	M10	2				
701	35	17466052300GB	SUPPORT COMP		1				
701	37	V2183608020	BOLT , HEX/SP	M8X20	2				
701	38	16996024552	PIN	D=8	2				
701	39	V5001920020	PIN , SPLIT	2X20	2				
701	40	V4111600080	WASHER , PLAIN	M8	2				
701	41	V3802600080	NUT , HEX FLANGE	M8	4				
701	42	19957022201	DAMPER ASSY,HOOD	1X1X1	2				
701	43	19956054600GB	HOOD OPEN BRACKET COMP	1X1X1	1				
701	44	V2183608016	BOLT , HEX/SP	M8X16	6				
701	64	17466012100GB	PLATE COMP , RADIATOR FIX		2				
701	64	17466012101GB	PLATE COMP , RADIATOR FIX		2				
701	65	V2053606050	BOLT , HEX C/R	M6X50	2				
701	66	V4011600060	WASHER , SPRING	M6	2				
701	67	35602010150	WASHER , BIND SHAFT	T=2.3	2				
701	68	V2123606020	BOLT , HEX /SP	M6X20	4				
701	69	13266212002	HORN		1				
701	69	13266212003	HORN		1				
701	70	V2113606012	BOLT , HEX /S	M6X12	1				
701	71	17686641110	RELAY , PREHEAT	1X1X1	2				
701	72	V2193606016	BOLT , HEX/SPL	M6X16	2				
701	72	V2193606016	BOLT , HEX/SPL	M6X16	3				
701	73	17406014300	GUIDE, HOOD PIN		1				
NOTE									

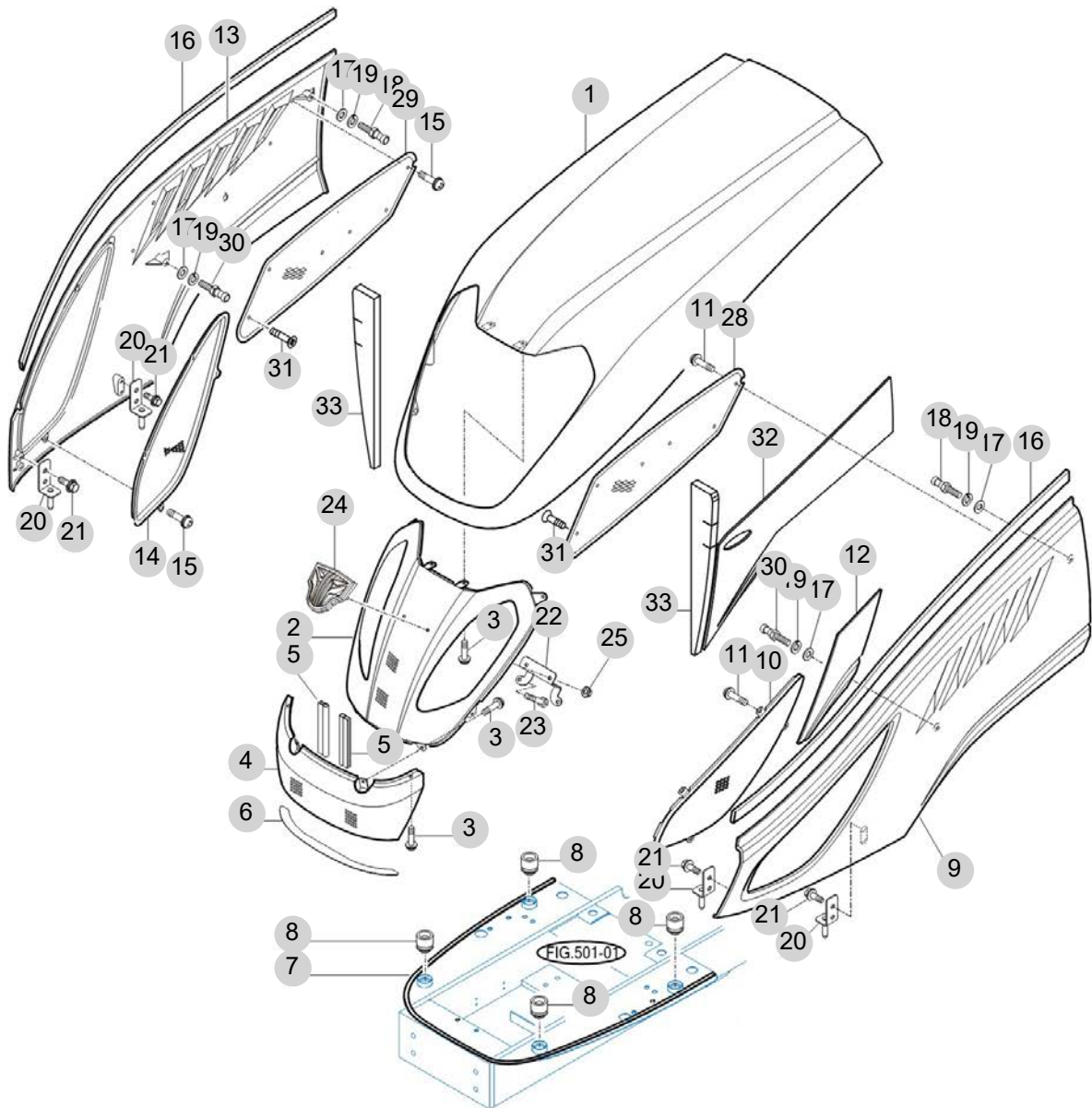
FIG 702

T554NH

HOOD (2)

년/월
Year/Month

2022-12



T554/454-E-702

NOTE

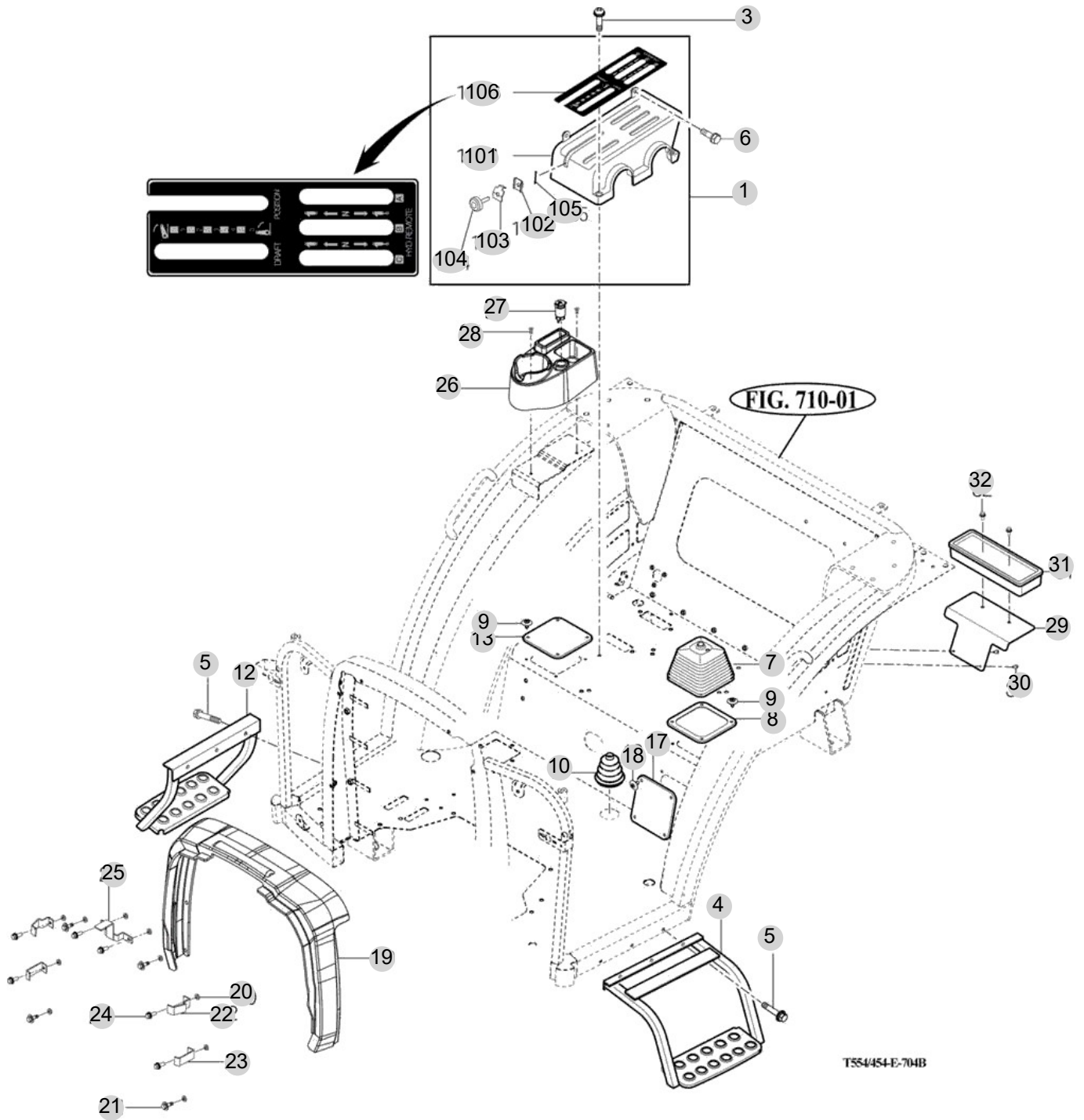
FIG 704B

LEVER COVER & STEP-NON CAB

년/월
Year/Month

2022-12

T554NH



T554/454-E-704B

NOTE

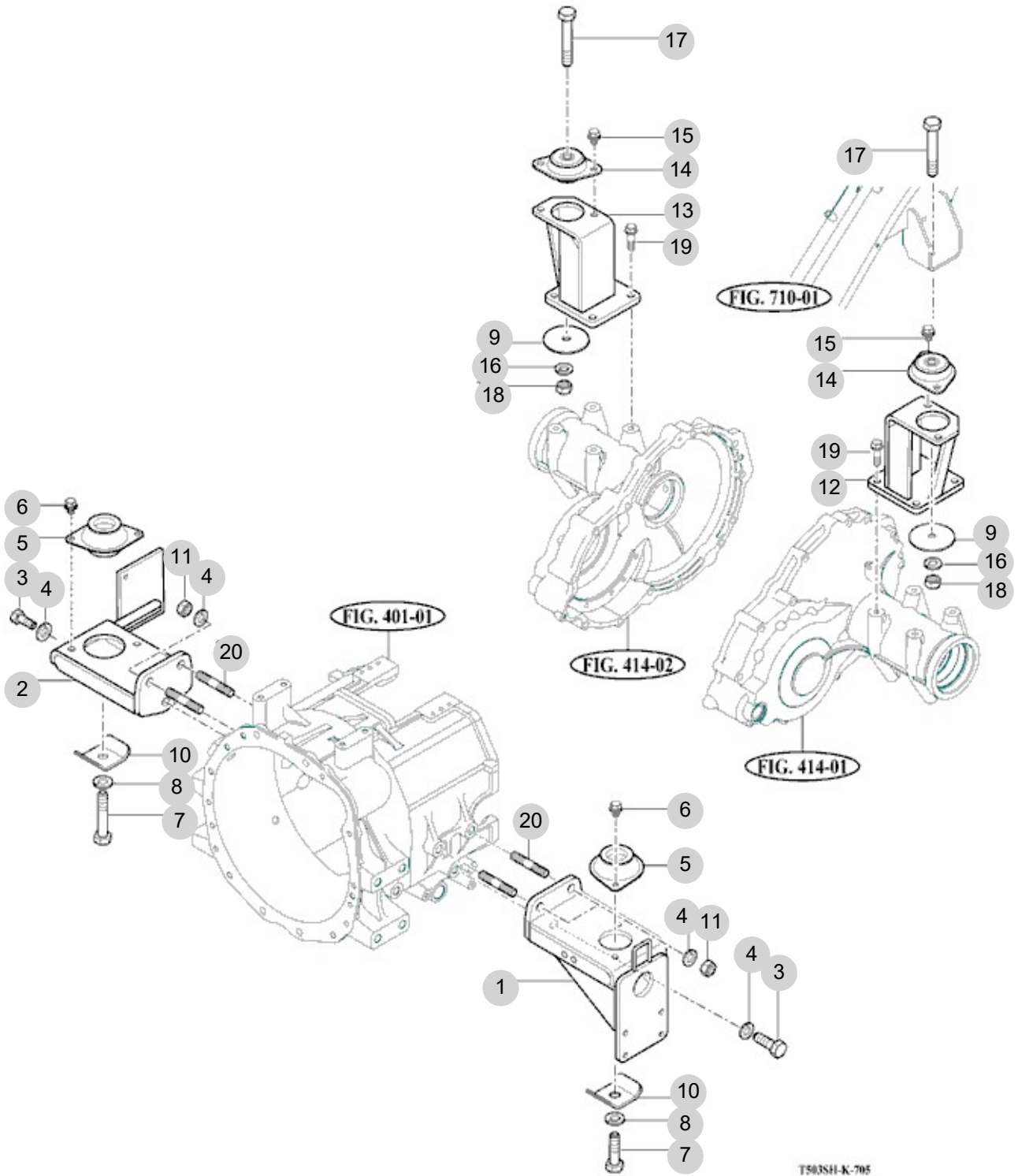
FIG 705

T554NH

FRONT & REAR MOUNTING

년/월
Year/Month

2022-12



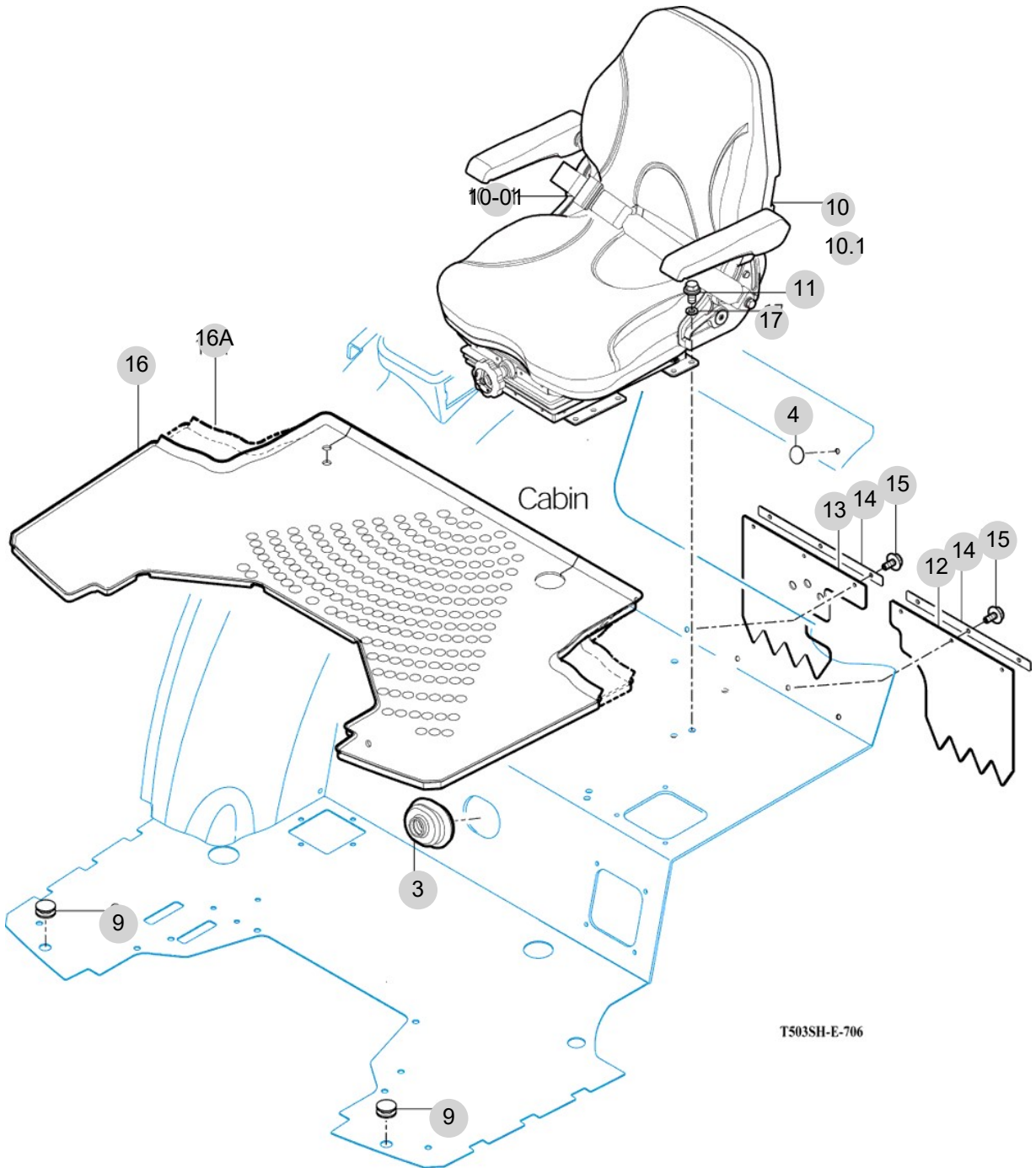
NOTE

FIG 706

SEAT & MAT

년/월
Year/Month

2022-12



NOTE

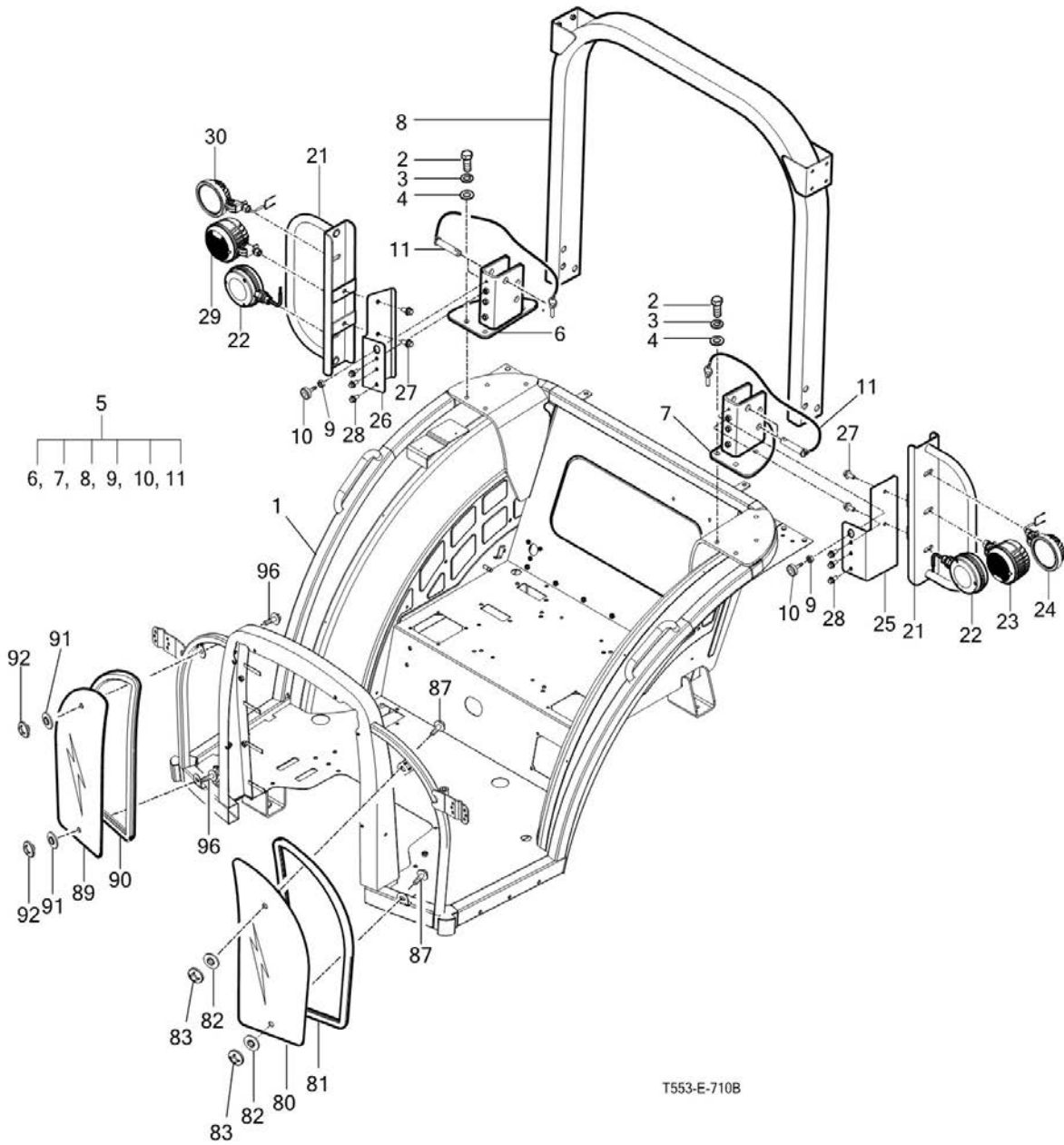
FIG 710B

FRAME & 2POLES-ROPS-NON CAB

년/월
Year/Month

2022-12

T554NH



T553-E-710B

NOTE

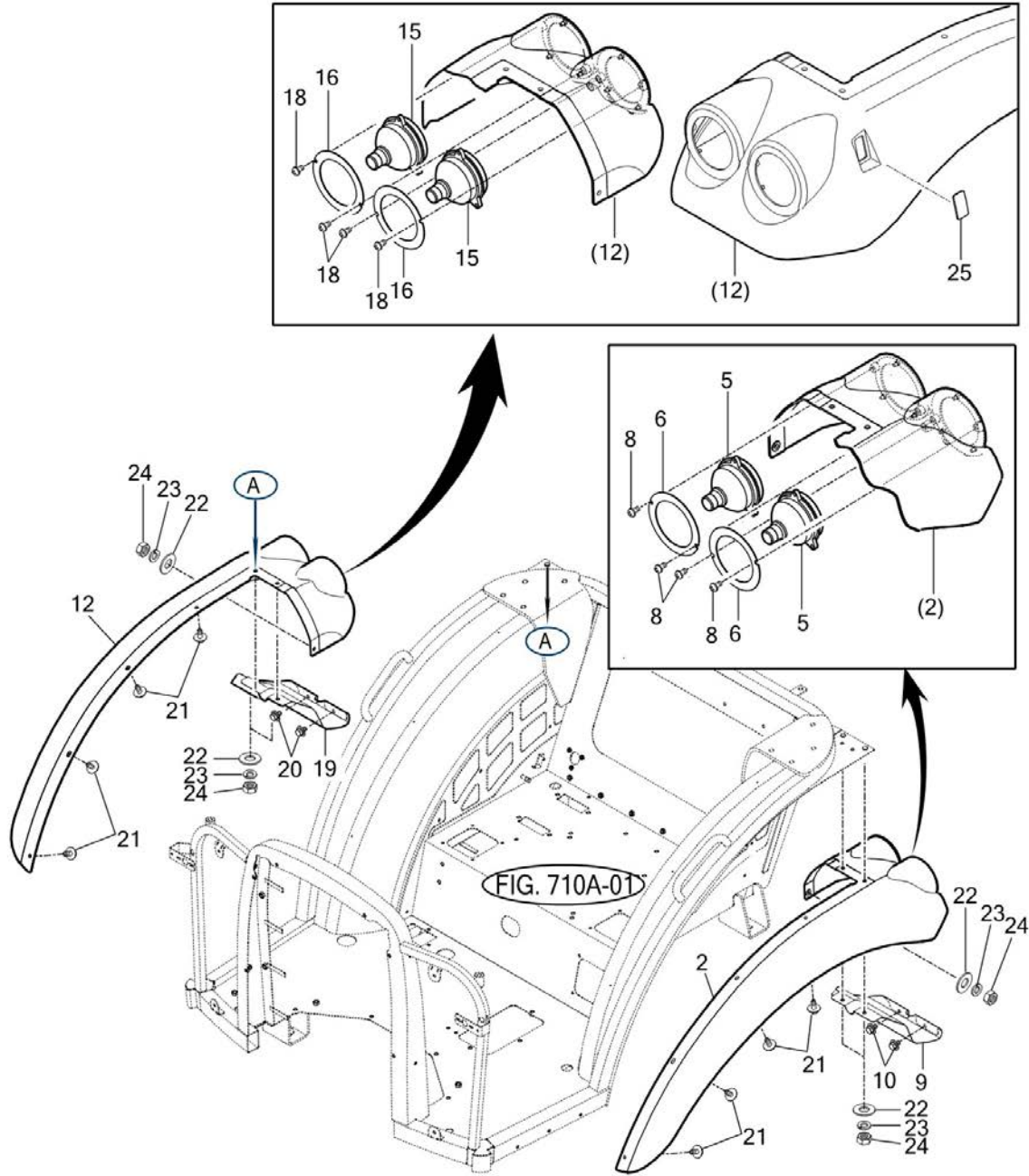
FIG 713B

SUB FENDER&COVER-NON CAB

년/월
Year/Month

2022-12

T554NH



NOTE

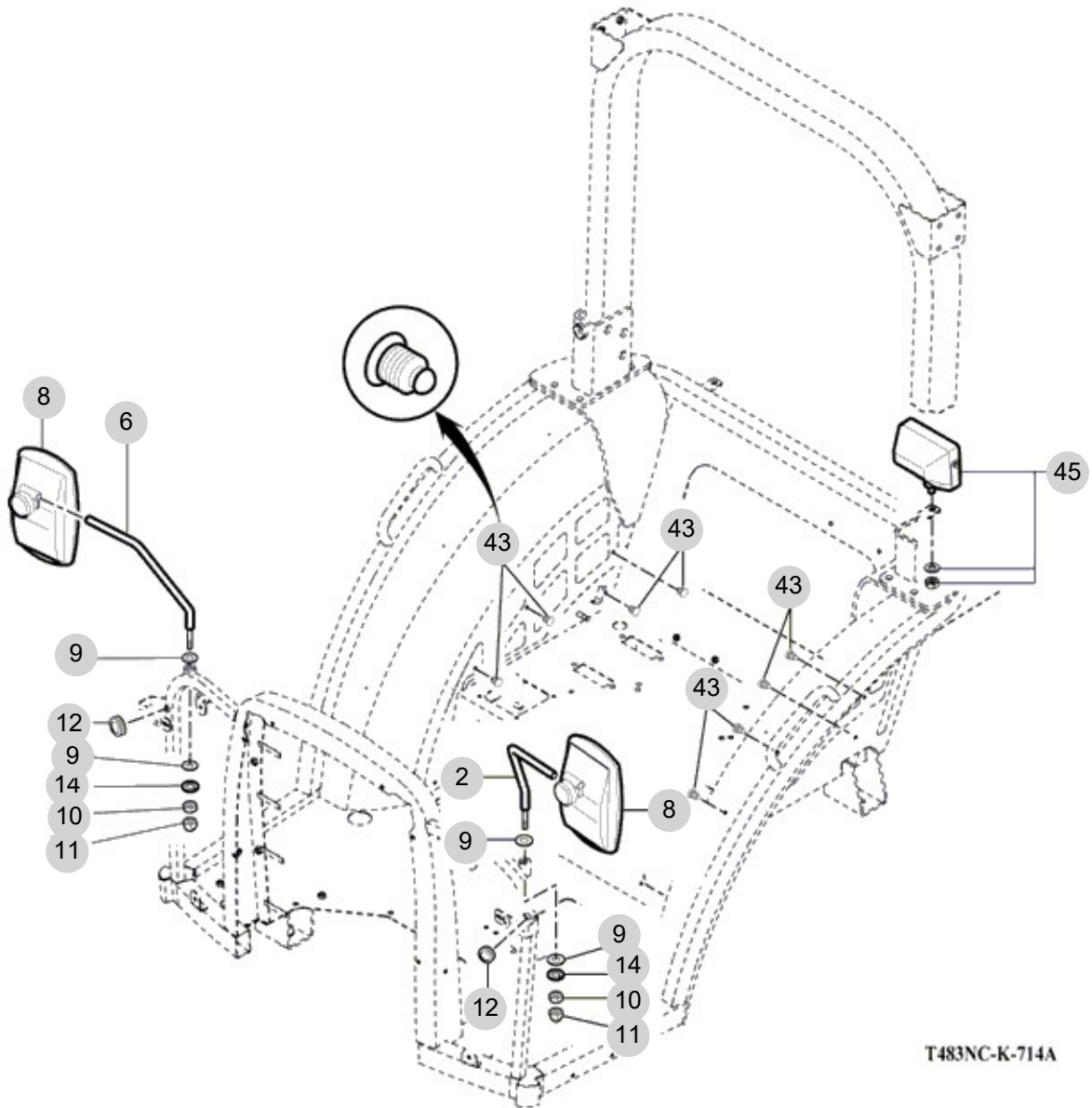
FIG 714B

MIRROR&WORKING LAMP-NON CAB

년/월
Year/Month

2022-12

T554NH



NOTE

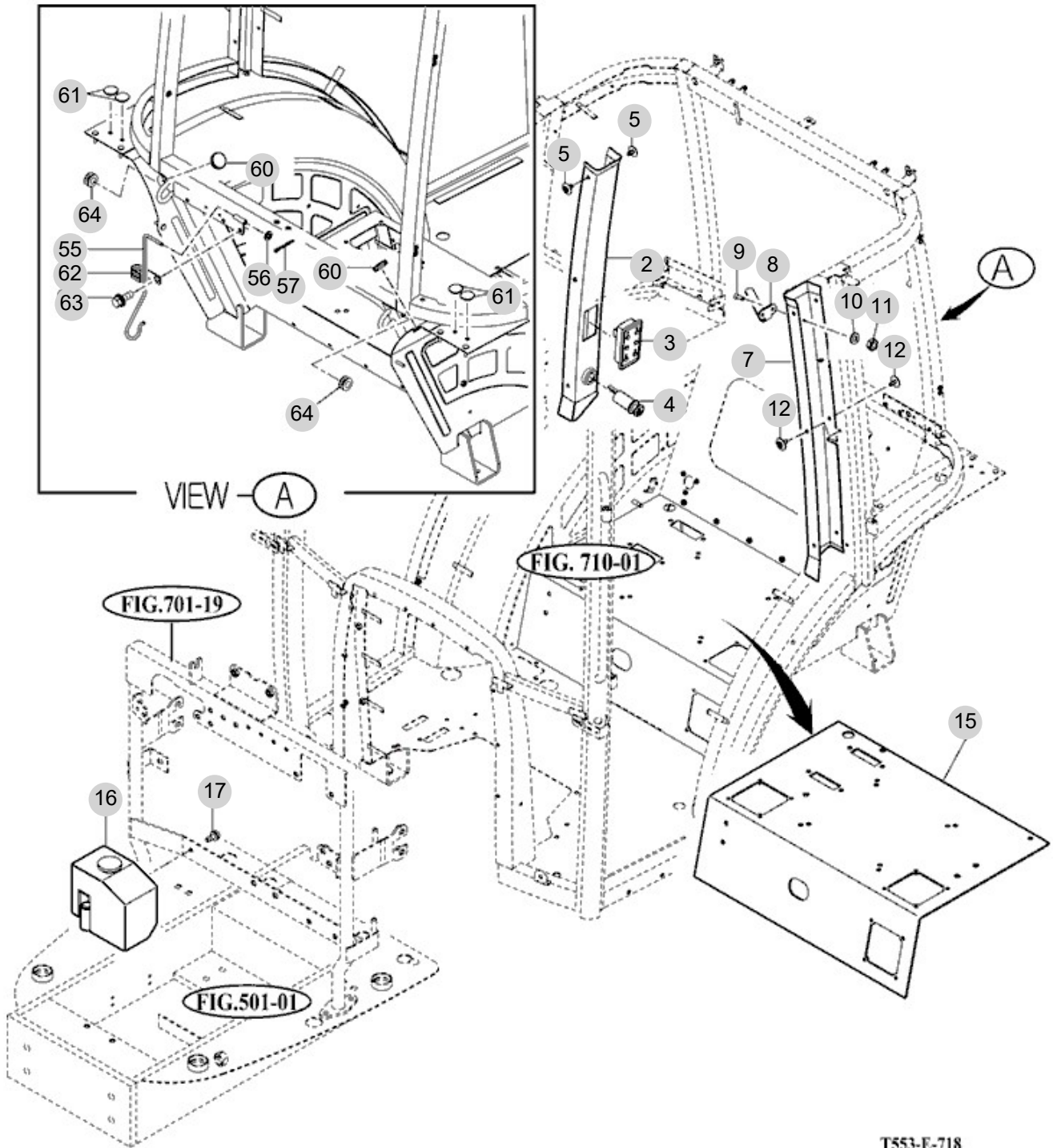
FIG 718

CABIN INTERIOR

년/월
Year/Month

T554NH

2022-12



T553-E-718

NOTE

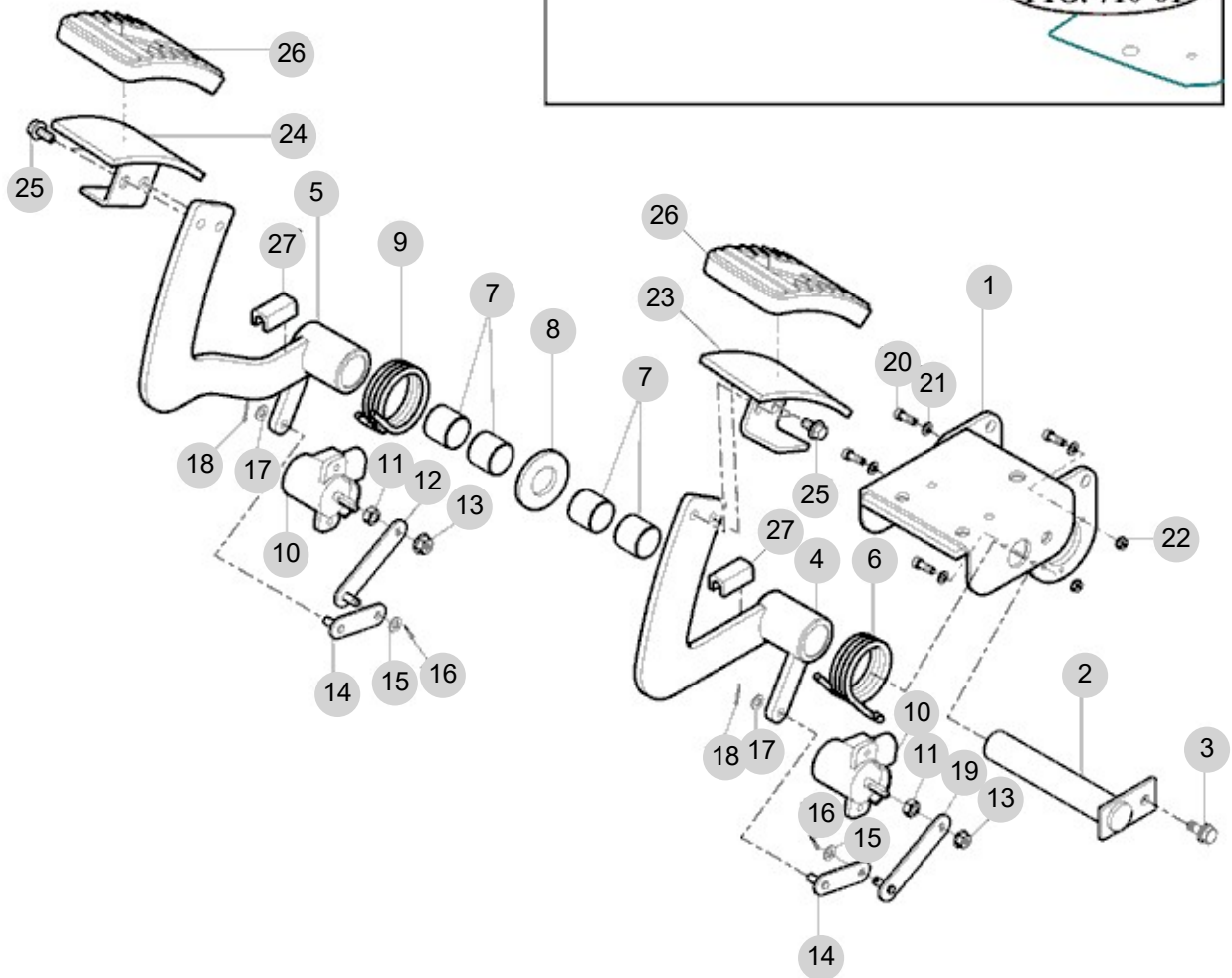
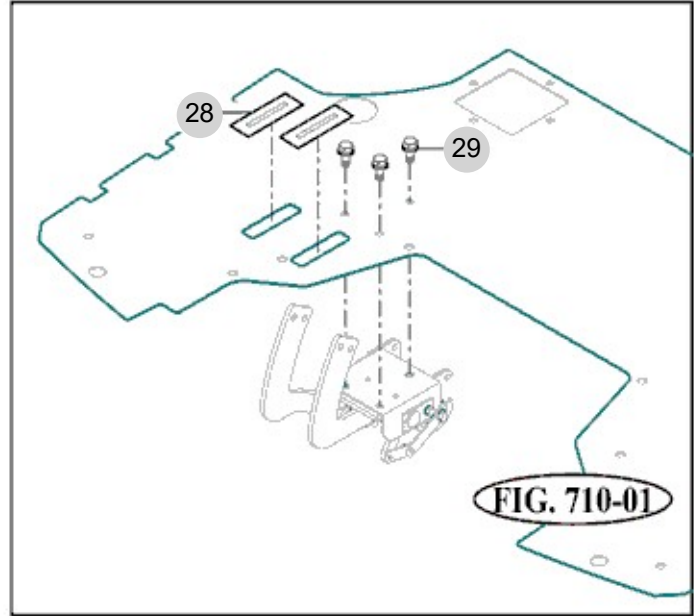
FIG 719

PEDAL SUB ASSY

년/월
Year/Month

2022-12

T554NH



NOTE

8. Electrical System PART NO. T8

FIG 801 BATTERY & MOUNTING	198
FIG 802 LIGHT & BACK LAMP	200
FIG 803 INSTRUMENT PANEL	202
FIG 804 ELECTRIC SYSTEM (1)	204
FIG 805B ELECTRIC SYSTEM (2)-NON CAB	206
FIG 806 INSTRUMENT PANEL	208

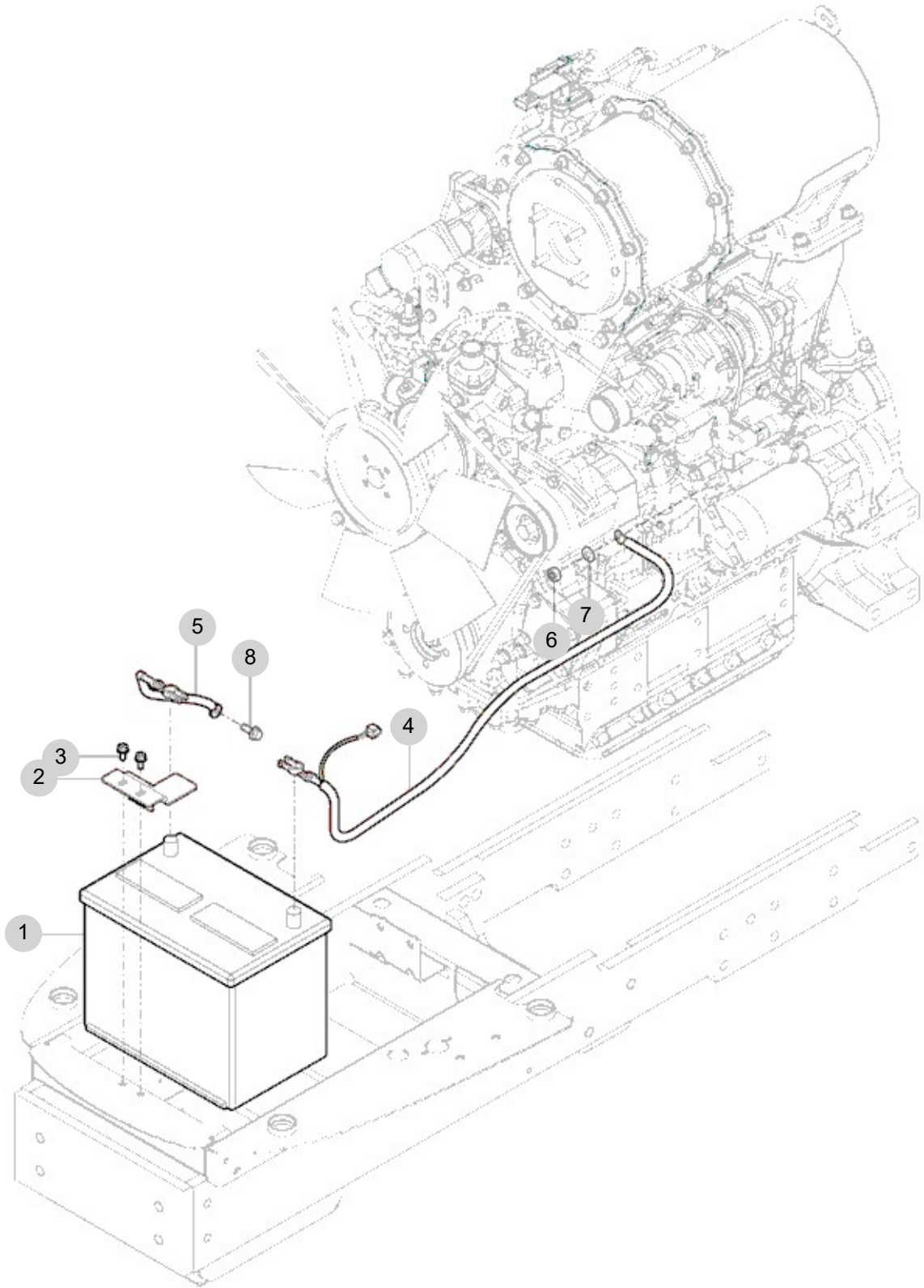
FIG 801

BATTERY & MOUNTING

년/월
Year/Month

2022-12

T554NH



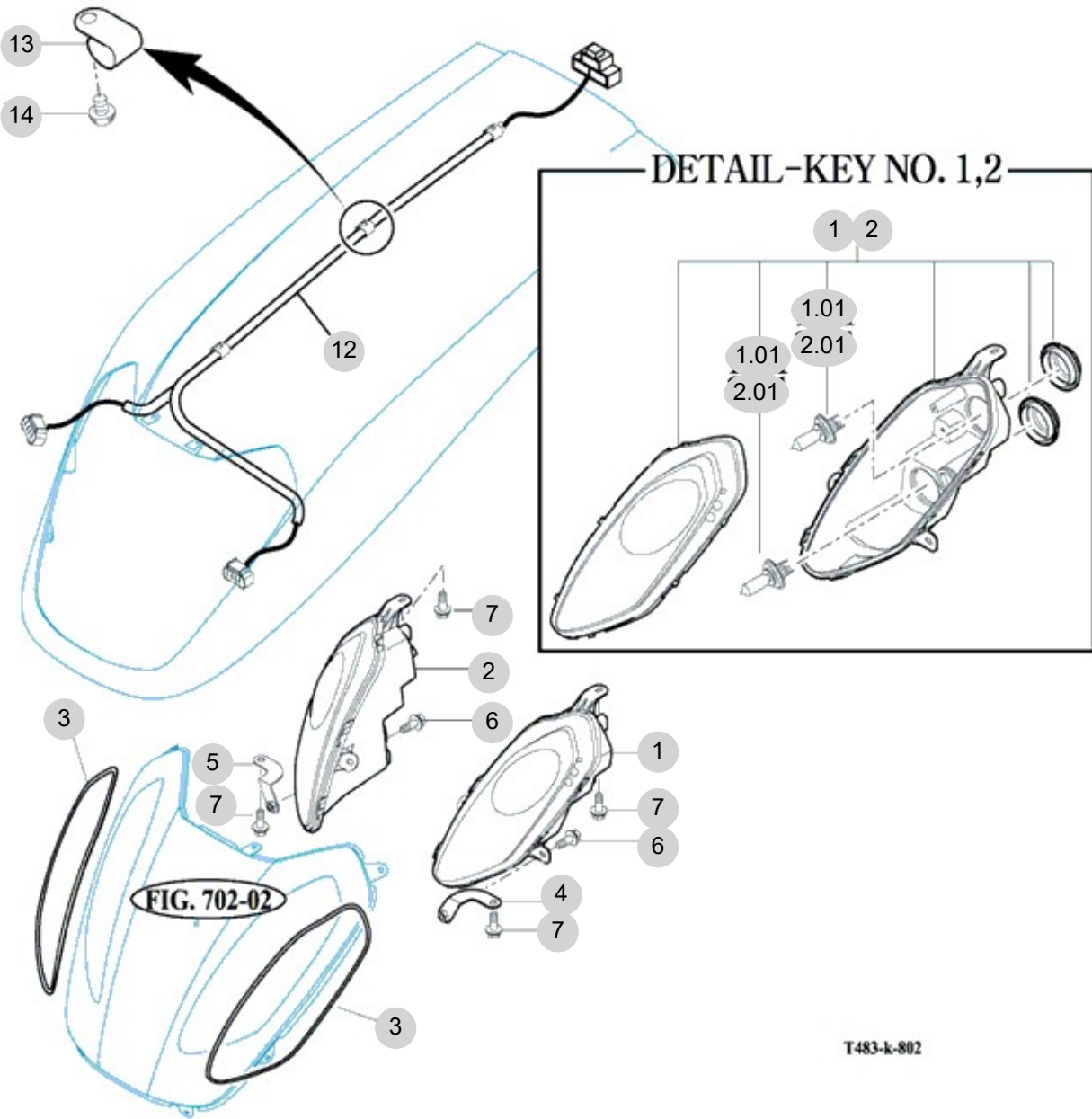
NOTE

FIG 802

LIGHT & BACK LAMP

년/월
Year/Month

2022-12



T483-k-802

NOTE

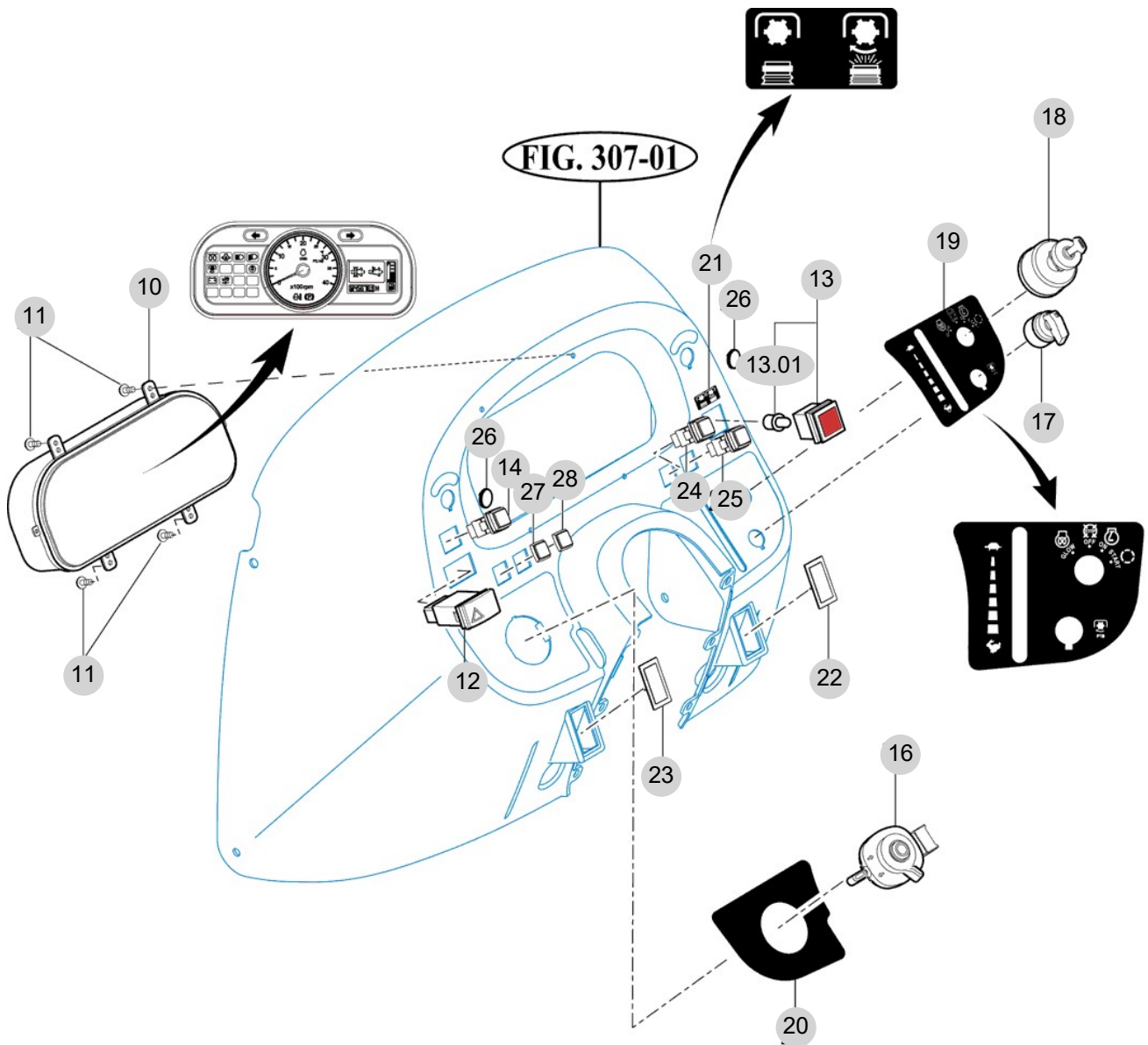
FIG 803

INSTRUMENT PANEL

년/월
Year/Month

2022-12

T554NH



NOTE

FIG 803 T554NH		INSTRUMENT PANEL						년/월 Year/Month	REMARKS
								2022-12	
KEY NO	PART NO	DESCRIPTION	SPEC	QTY	REPAIR	EFFECTIVE DATE			
803	10	17466602101	PANEL ASSY, METER		1				
803	10	17466602102	PANEL ASSY, METER		1				
803	10	17466602103	PANEL ASSY, METER		1				
803	10	17466602104	PANEL ASSY, METER		1				
803	11	V1222604012	SCREW , C/R PAN/SP	M4X12	4				
803	12	14537072500	hazard SWITCH	1X1X1	1				
803	12	14537072501	hazard SWITCH		1				
803	13	15616743300	SWITCH ASSY , ALTERNATOR		1				
803	13.01	36502702140	LAMP COMP , 12V 3.4W		1				
803	14	10536462600	SWITCH ASSY , AUTO THROTTLE		1				
803	16	13156642202	SWITCH , COMBI	6.8X10.1X31	1				
803	17	15616603100	SWITCH SET , ROTARY	3.2X3.9X25	1				
803	18	14527078701	SWITCH SET,KEY	1X1X1	1				
803	19	14527078530	LABEL, RH/KEY	T=0.38	1				
803	19	17487078530	LABEL, RH/KEY		1				
803	20	12187078540	LABEL , LH/COMB		1				
803	21	14527078550	LABEL,PTO	T=0.38	1				
803	22	14546462400	SWITCH ASSY, H/M/L	1X1X1	1				
803	23	15536462500	SWITCH ASSY , RES(+,-)	1X1X1	1				
803	24	17466462700	SWITCH ASSY , INHIBIT		1				
803	25	17466462600	SWITCH ASSY , REGEN		1				
803	26	15537078560	CAP , SWITCH	1X1X1	2				
803	27	20085312400	SWITCH ASSY , PLANTING	1X1X1	1				
803	27	20085312600	SWITCH ASSY , MARKER		1				
803	28	20085312400	SWITCH ASSY , PLANTING	1X1X1	1				
803	28	20085312400	SWITCH ASSY , PLANTING		1				
803	28	20085312600	SWITCH ASSY , MARKER		1				
NOTE									

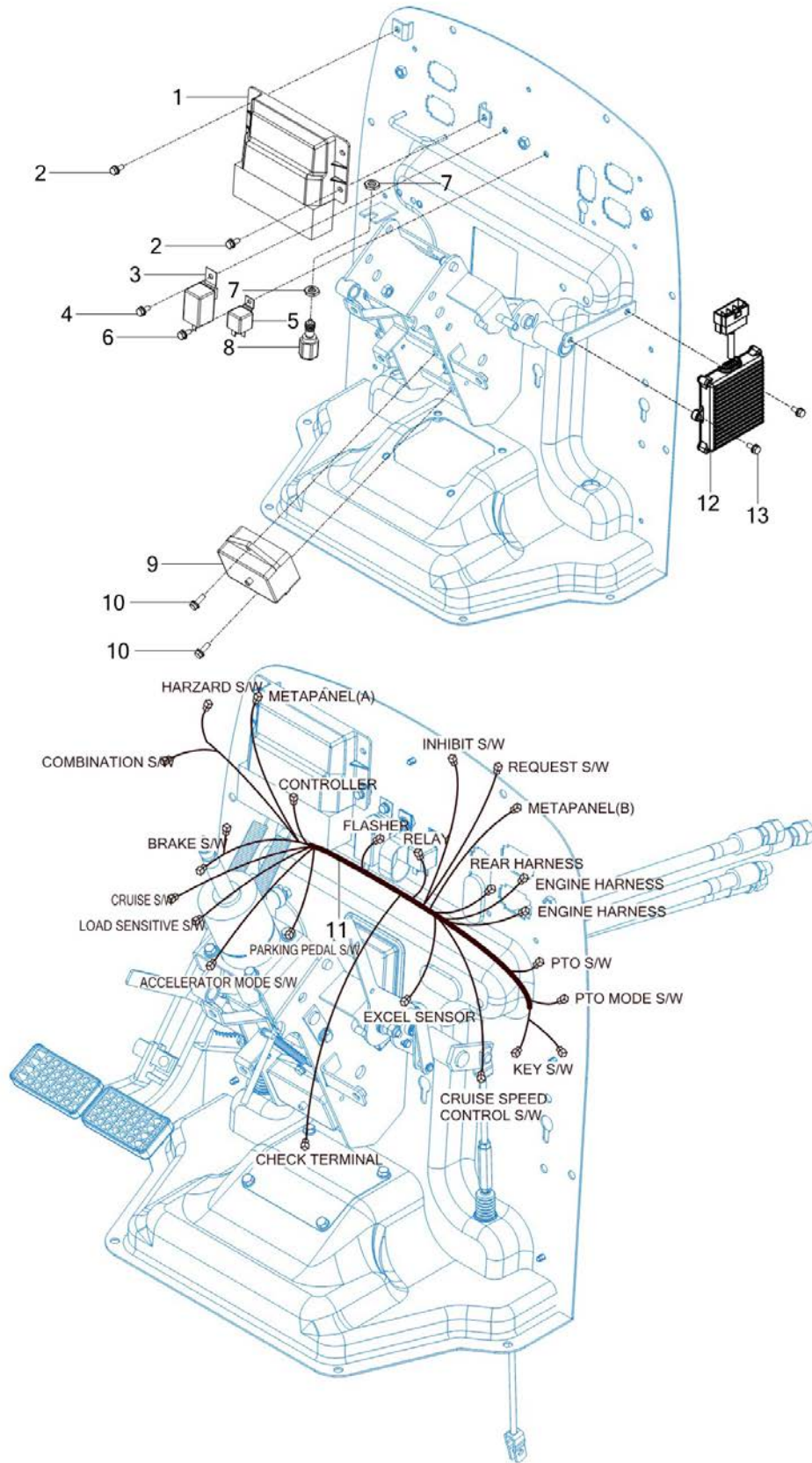
FIG 804

T554NH

ELECTRIC SYSTEM (1)

년/월
Year/Month

2022-12



NOTE

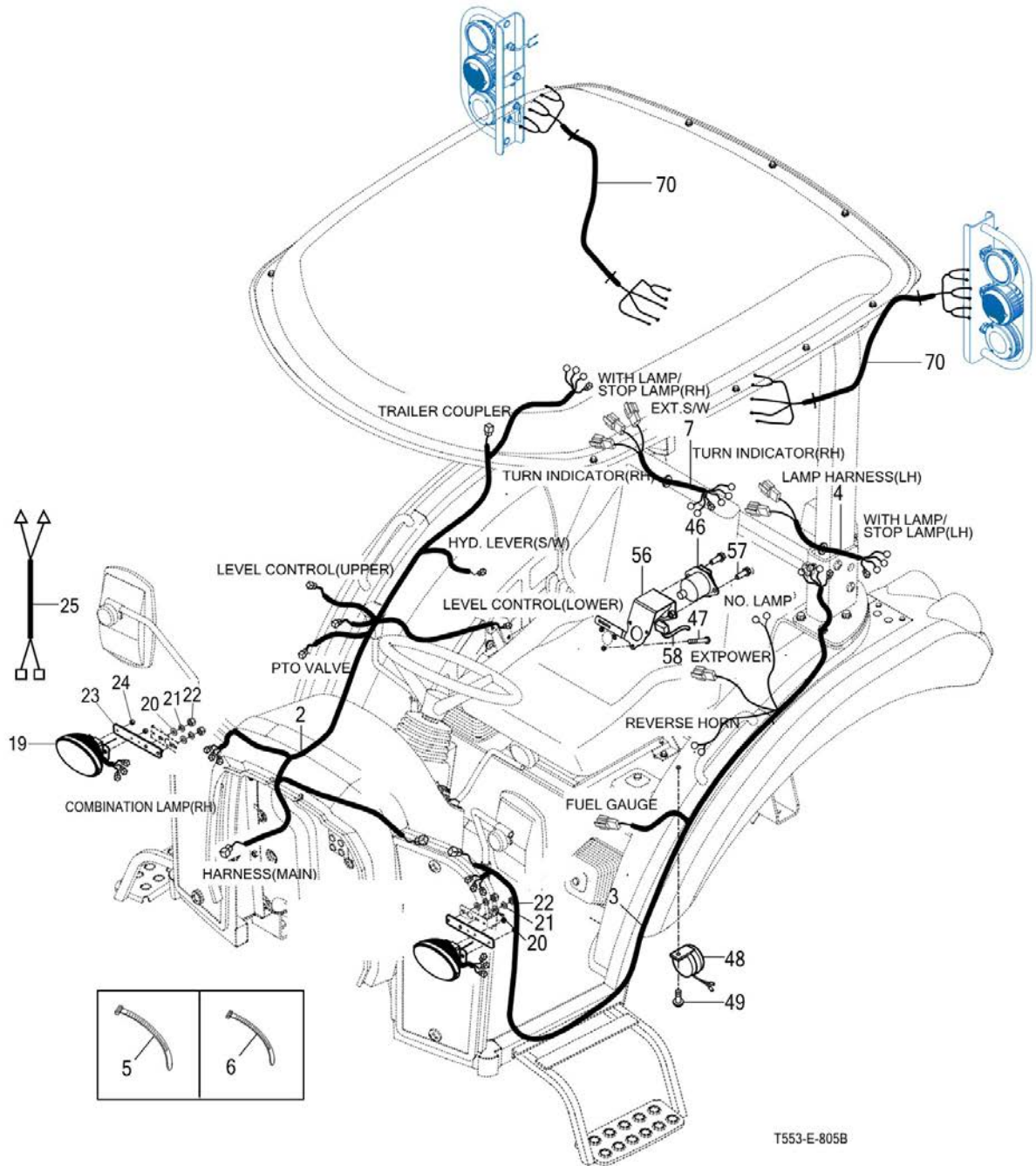
FIG 805B

ELECTRIC SYSTEM (2)-NON CAB

년/월
Year/Month

2022-12

T554NH



NOTE

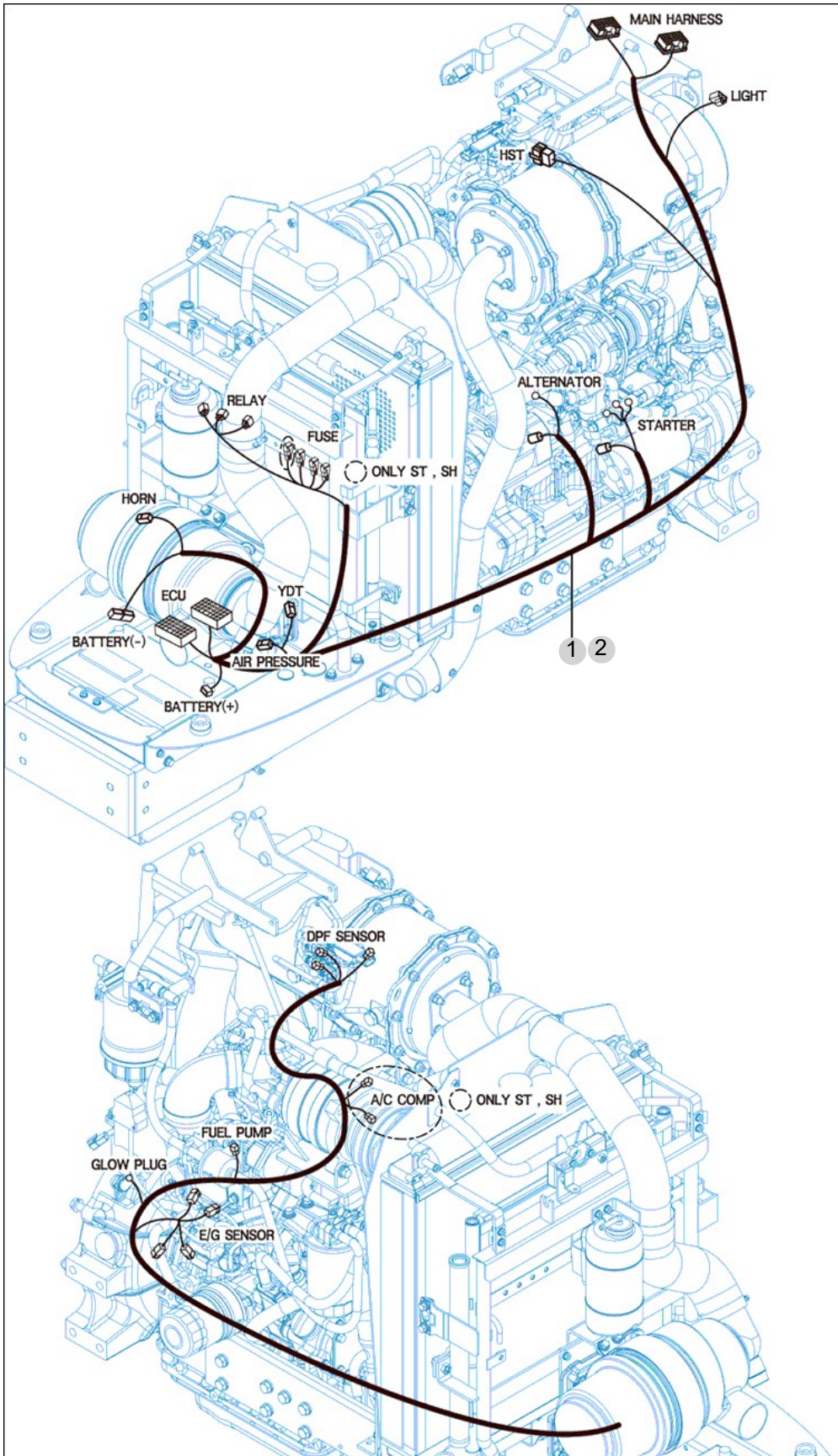
FIG 806

INSTRUMENT PANEL

년/월
Year/Month

T554NH

2022-12



NOTE

FIG 806		INSTRUMENT PANEL						년/월 Year/Month
T554NH								2022-12
KEY NO	PART NO	DESCRIPTION	SPEC	QTY	REPAIR	EFFECTIVE DATE	REMARKS	
806	2	17476682201	HARNESS ASSY , ENGINE			1		
806	2	17476682202	HARNESS ASSY , ENGINE			1		
806	2	17476682203	HARNESS ASSY , ENGINE			1		
806	2	17476682204	HARNESS ASSY , ENGINE			1		
806	2	17476682205	HARNESS ASSY , ENGINE			1		
NOTE								

9. Label/Option PART NO. T9

FIG 901 TOOL & ACCESSORY

211

FIG 902A LABEL

213

FIG 902B LABEL

215

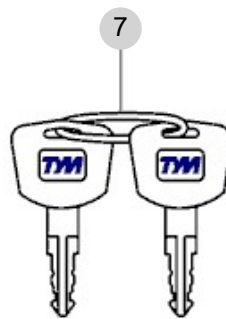
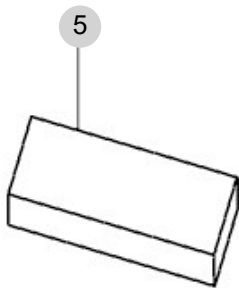
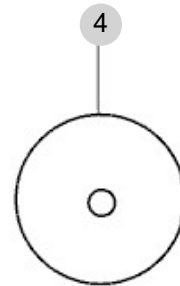
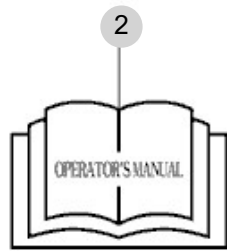
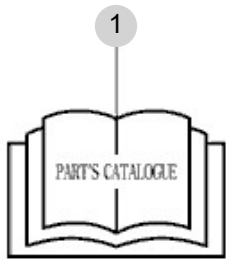
FIG 901

T554NH

TOOL & ACCESSORY

년/월
Year/Month

2022-12



T554/T554-E-001

NOTE

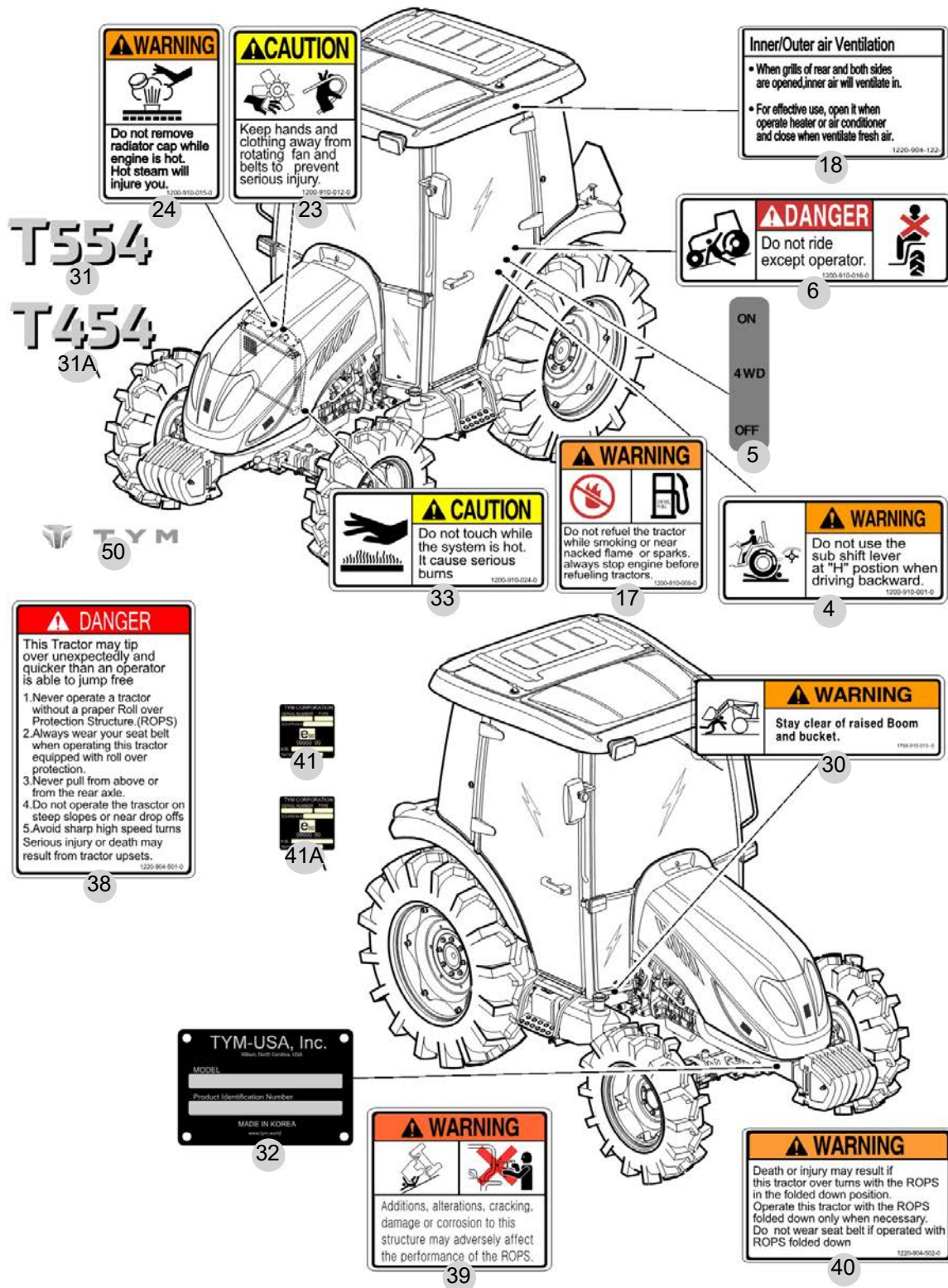
FIG 902A

LABEL

년/월
Year/Month

T554NH

2022-12



NOTE

FIG 902A T554NH	LABEL	년/월 Year/Month
		2022-12

KEY NO	PART NO	DESCRIPTION	SPEC	QTY	REPAIR	EFFECTIVE DATE	REMARKS
902A	4	12009100010	LABEL , WARNING SUB SHIFTER	1X1X1	1		
902A	5	17979040130	LABEL , 4WD	T=0.05	1		
902A	6	12009100160	LABEL , DANGER RIDING	1X1X1	1		
902A	7	17689100170	LABEL , CAUTION SAFETY		1		
902A	8	12009100190	LABEL , WARNING BELT	1X1X1	1		
902A	9	12009100210	LABEL , WARNING THROTTLE	1X1X1	1		
902A	10	17689200050	LABEL , DIFF		1		
902A	11	12009100020	LABEL , WARNING PARKING	1X1X1	1		
902A	12	12009100060	LABEL , WARNING DIFF	1X1X1	1		
902A	13	12009100040	LABEL , WARNING STOP VALVE	1X1X1	1		
902A	14	12009100111	LABEL , DANGER AIR CONDITIONER		1		
902A	15	12009100070	LABEL , WARNING BRAKE	1X1X1	1		
902A	16	12009100080	LABEL , WARNING TILTING	1X1X1	1		
902A	17	12009100050	LABEL , WARNING FIRE	1X1X1	1		
902A	18	12209041222	LABEL , VENTILATION		1		
902A	19	12009100140	LABEL , WARNING DRAW	1X1X1	1		
902A	20	12009100130	LABEL , DANGER PTO	1X1X1	1		
902A	21	17699100090	LABEL , WARNING JOYSTICK	1X1X1	1		
902A	23	12009100120	LABEL , CAUTION FAN	1X1X1	1		
902A	24	12009100150	LABEL , WARNING RADIATOR	1X1X1	1		
902A	29	12009100230	LABEL , CAUTION OPERATION	T=0.05	1		
902A	30	17699100100	LABEL , WARNING JOYSTICK		1		
902A	31	17469010042	MARK , /T554		2		
902A	32	T0019010021	LABEL , MODEL/EXPORT	1X1X1	1		
902A	33	12009100240	LABEL , CAUTION MUFFLER	1X1X1	1		
902A	34	14729020011	LABEL , HST	1X1X1	2		
902A	35	12609040620	LABEL , STARTING WARNING	T=0.05	1		
902A	36	14527078550	LABEL,PTO	T=0.38	1		
902A	38	12209045010	LABEL , ROPS DANGER	T=0.05	1		
902A	39	12209045051	LABEL , ROPS WARNING/REMODELING		1		
902A	40	12209045020	LABEL , ROPS WARNING	T=0.05	1		
902A	41	15569045044	LABEL , ROPS		1		
902A	43	13379100150	6YEAR WARRANTY LABEL		1		
902A	44	17409209010	LABEL , OPERATION/DPF REGEN SWITCH		1		
902A	50	11999010020	TYM LABEL		2		

NOTE	
-------------	--

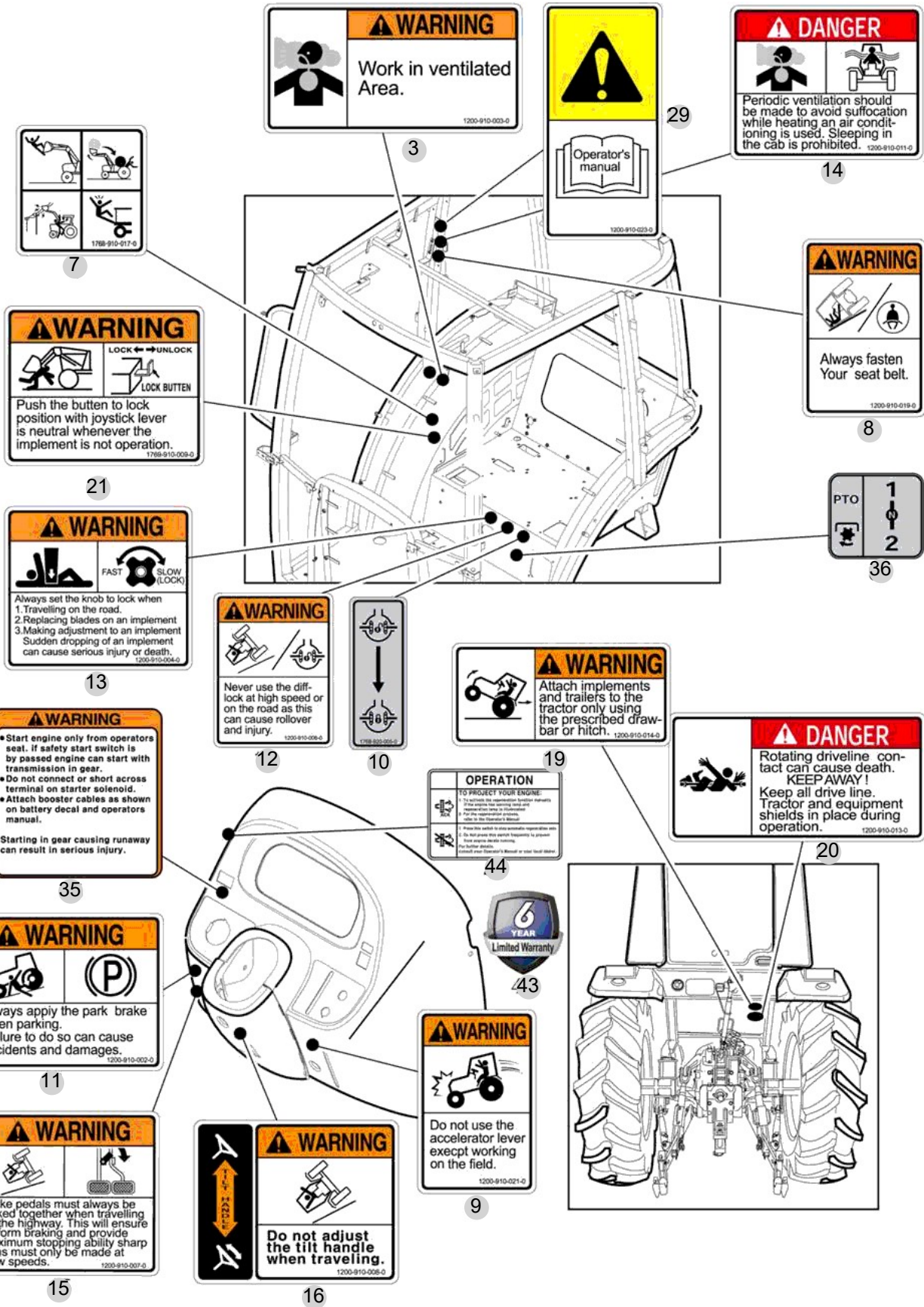
FIG 902B

LABEL

년/월
Year/Month

T554NH

2022-12



NOTE

