

F36CN\_EU\_FL(AC02133) TRACTOR

## Parts Catalogue



# CONTENTS

GROUP NO	GROUP NAME	PAGE
G. ENGINE		
A01_004	CYLINDER BLOCK	4
A02_005	DRIVE PULLY	6
A03_003	CRANK SHAFT PULLEY	8
A04_004	GLOW PLUG ASS'Y OPTION	10
A05_003	CRANK SHAFT ASS'Y OPTION	12
A06_002	BREATHER OPTION	14
A07_002	CAMSHAFT	16
A08_006	ALTERNATOR	18
A09_002	COOLING WATER PUMP	20
A10_004	COOLING FAN SPACER	22
A11_005	INJECTOR	24
A12_006	FUEL INJECTON	26
A13_002	PLUMBING, FUEL	28
A14_001	FUEL FILTER BRACKET	30
A16_018	FUEL FILTER ASS'Y OPTION	32
A17_021	INTAKE MANIFOLD ASS'Y OPTION	34
A18_005	FLYWHEEL	36
A19_005	FLYWHEEL HOUSING	38
A20_007	HEAD, CYLINDER	40
A21_002	HEAD COVER	42
A23_003	TURBOCHARGER SUPPORT ASS'Y OPTION	44
A26_001	COOLER, ENGINE OIL	46
A27_004	OIL PAN ASS'Y OPTION	48
A28_001	PUMP, LUBRICATING OIL	50
A29_005	FILTER, LUBRICATING OIL	52
A30_003	FRONT GEAR ACCESSORY DRIVE	54
A31_003	PISTON	56
A32_002	LEVER, LOCKER	58
A33_006	EXHAUST MANIFOLD	60
A35_002	IDLE GEAR	62
A36_002	COVER, FRONT GEAR	64
A38_004	GAUGE, OIL LEVEL	66
A39_001	OIL FILLER CAP	68
A40_003	LIFT ASS'Y OPTION	70

# CONTENTS

GROUP NO	GROUP NAME	PAGE
<b>G. ENGINE</b>		
A41_001	COMP,DRIVE PULLEY ASS'Y OPTION	72
A42_003	MOTER, STARTIONS	74
A43_001	DPF SUPPORT OPTION	76
A44_003	DPF MOUNTING OPTION	78
A45_001	DPF	80
A48_006	V-BELT	82
<b>F. TRANSMISSION</b>		
F01010	CLUTCH HOUSING	84
F01020	TRANSMISSION CASE	86
F01030	REAR AXLE HOUSING	89
F02010	CLUTCH RELEASE	92
F02020	CLUTCH SHAFT	94
F02030	SHUTTLE SHAFT	96
F03010	MAIN SHIFT DRIVE SHAFT	98
F03040	RANGE SHIFT GEAR	100
F04010	FORNT DRIVE SHAFT	102
F05020	RING GEAR&DIFF.GEAR ASS'Y	104
F05020	RING GEAR&DIFF.GEAR ASS'Y	106
F07030	PTO DRIVE SHAFT	108
F07070	MAIN P.T.O SHAFT	110
F08021	FORK, MAIN SHIFT	112
F08060	FORK, PTO SHIFT	115
F10010	CASE, HYD CYLINDER	117
F10020	LIFT ARM	119
F10030	SAFETY VALVE	121
F10040	STOP VALVE	123
F10061	DRAFT/POSITION CONTROL LEVER	125
F10063	DRAFT CONTROL LEVER	127
F10064	POSITION CONTROL LEVER	129
F10120	REAR SCV	131
F11020	LEVER ASS'Y, RANGE SHIFT	134
F11080	4WD LEVER	136

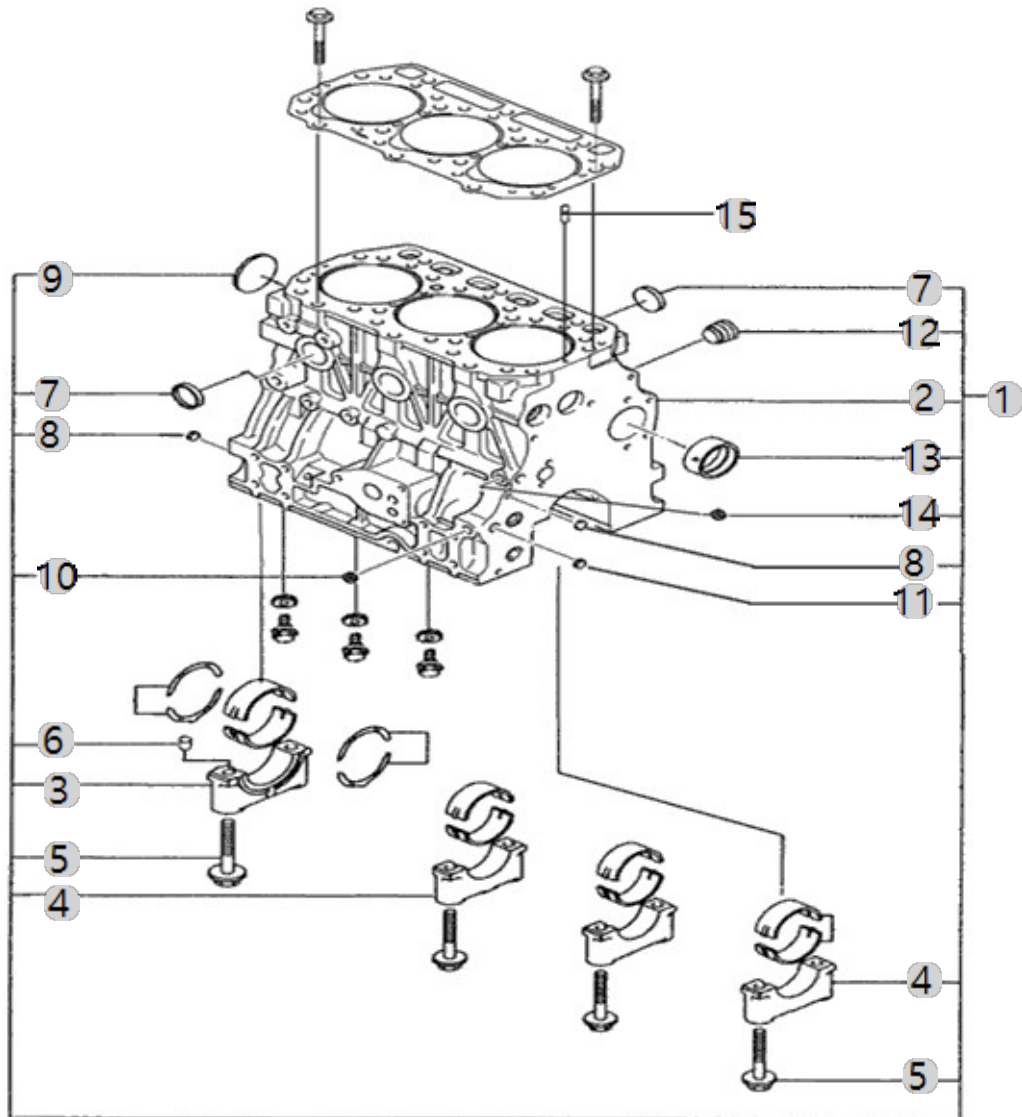
A01\_004

A1700N4-ETC\_5  
(AB00325)

### CYLINDER BLOCK

Year/Month

2022-12-16





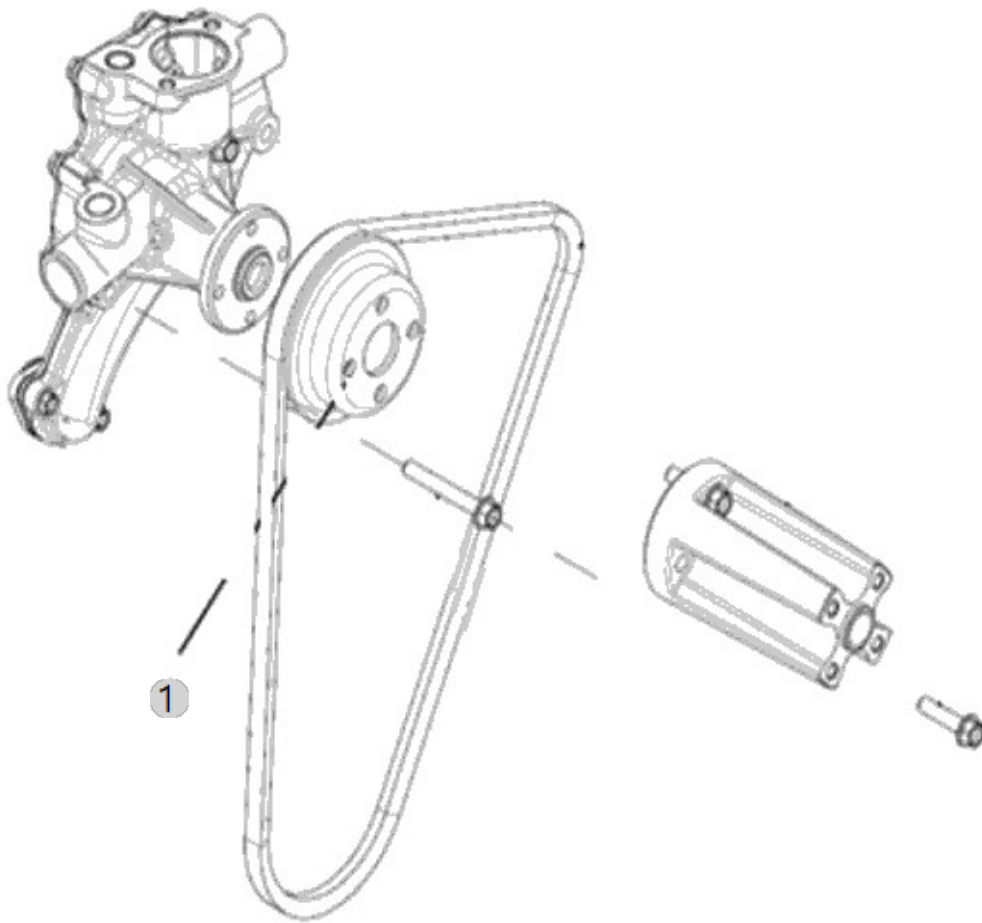
A02\_005

A1700N4-ETC\_5  
(AB00325)

# DRIVE PULLY

Year/Month

2022-12-16





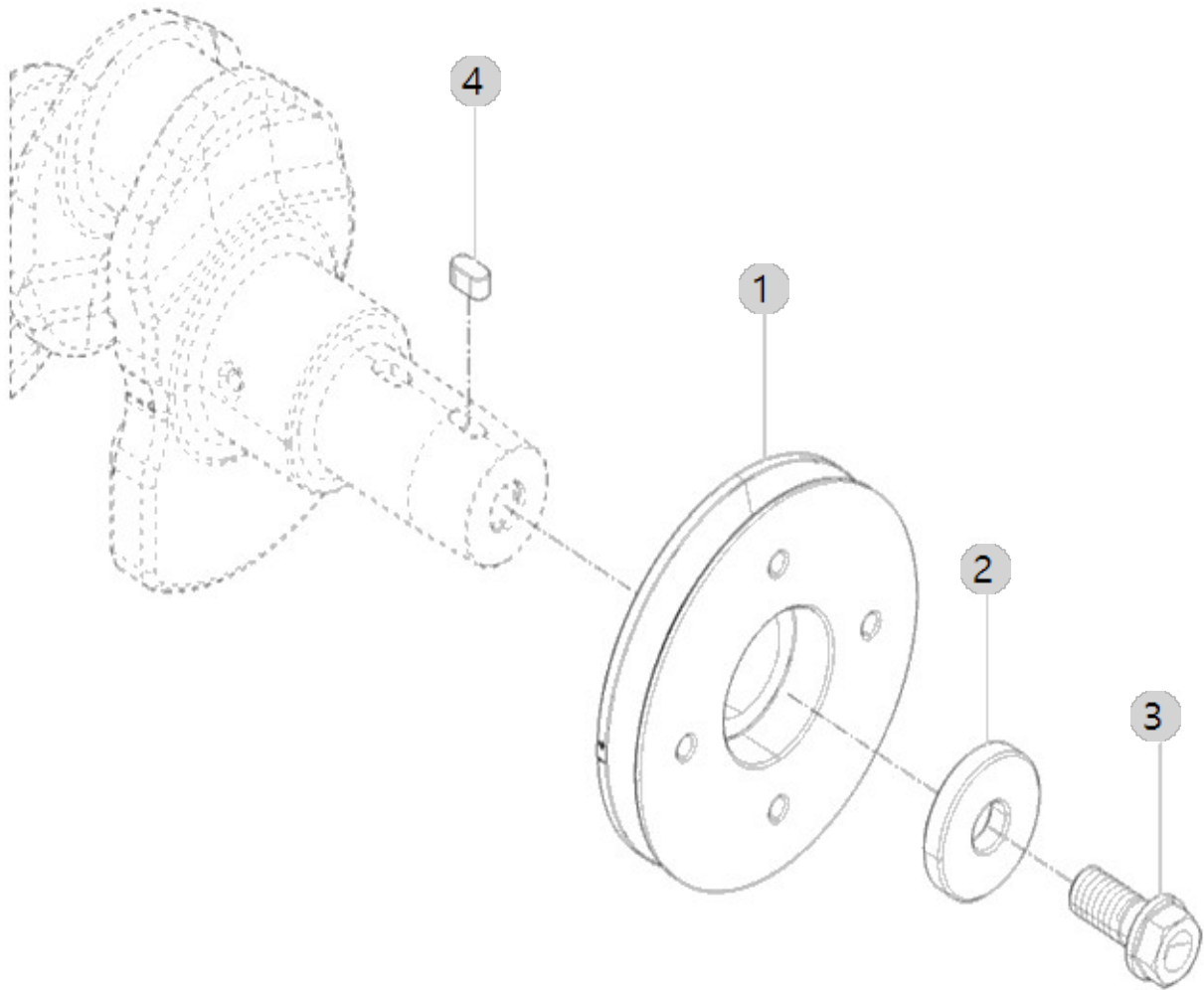
A03\_003

A1700N4-ETC\_5  
(AB00325)

# CRANK SHAFT PULLEY

Year/Month

2022-12-16







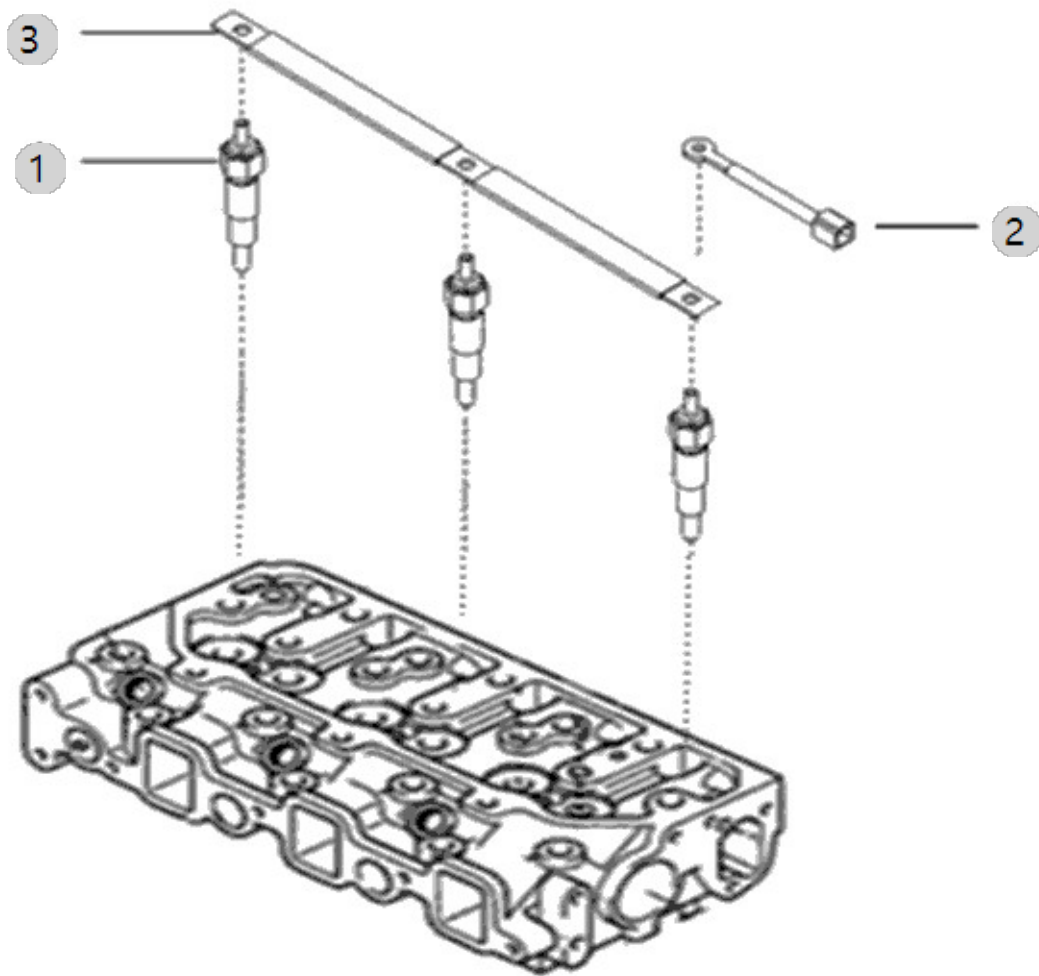
A04\_004

A1700N4-ETC\_5  
(AB00325)

### GLOW PLUG ASS'Y OPTION

Year/Month

2022-12-16





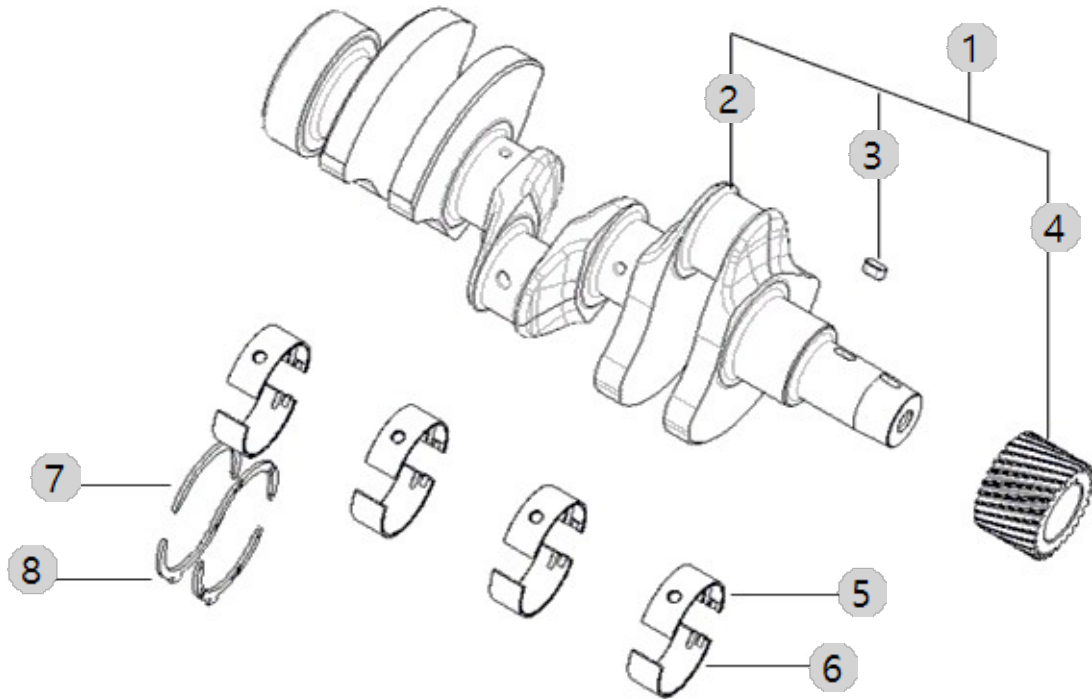
A05\_003

A1700N4-ETC\_5  
(AB00325)

### CRANK SHAFT ASS'Y OPTION

Year/Month

2022-12-16





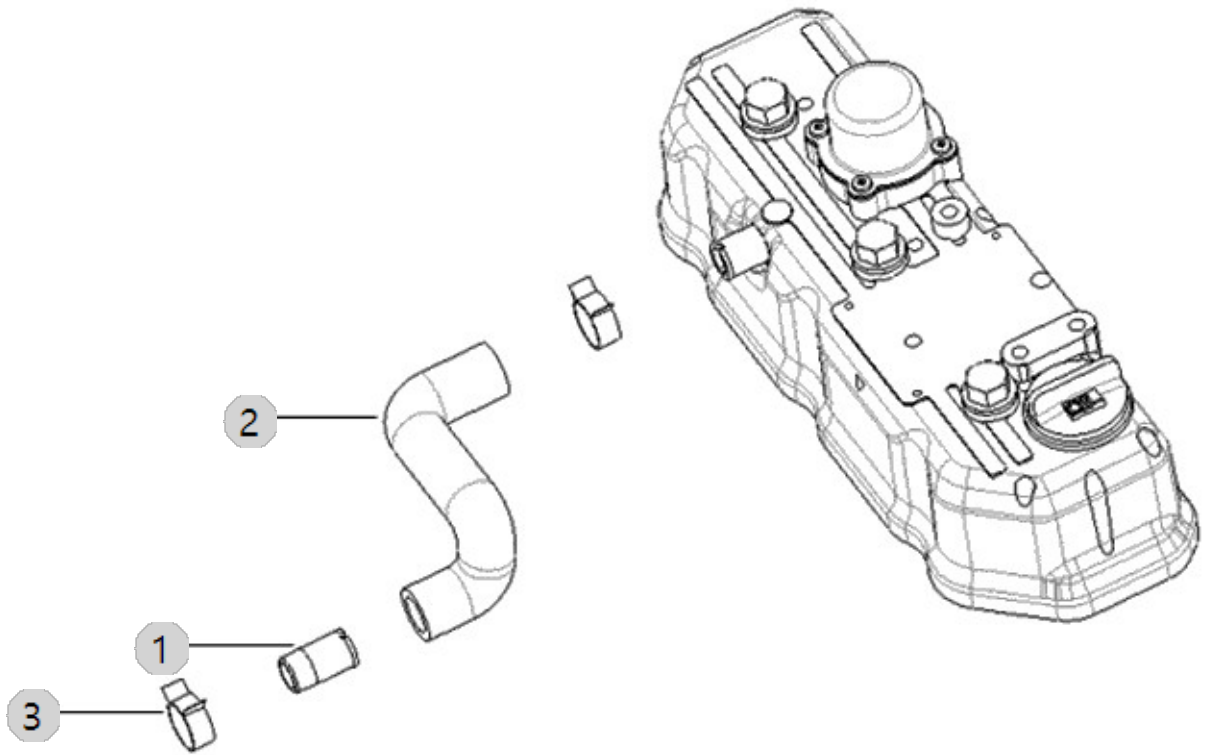
A06\_002

A1700N4-ETC\_5  
(AB00325)

BREATHER OPTION

Year/Month

2022-12-16





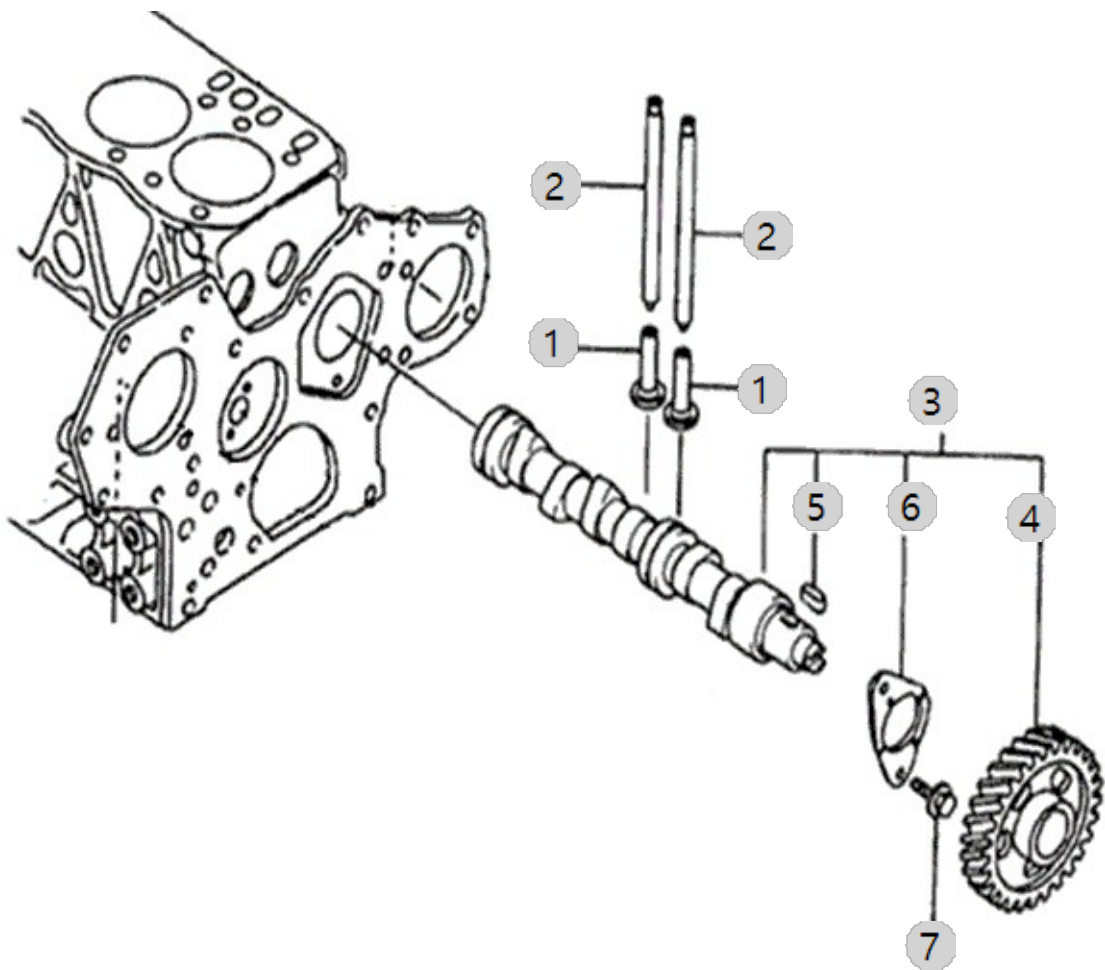
A07\_002

A1700N4-ETC\_5  
(AB00325)

# CAMSHAFT

Year/Month

2022-12-16







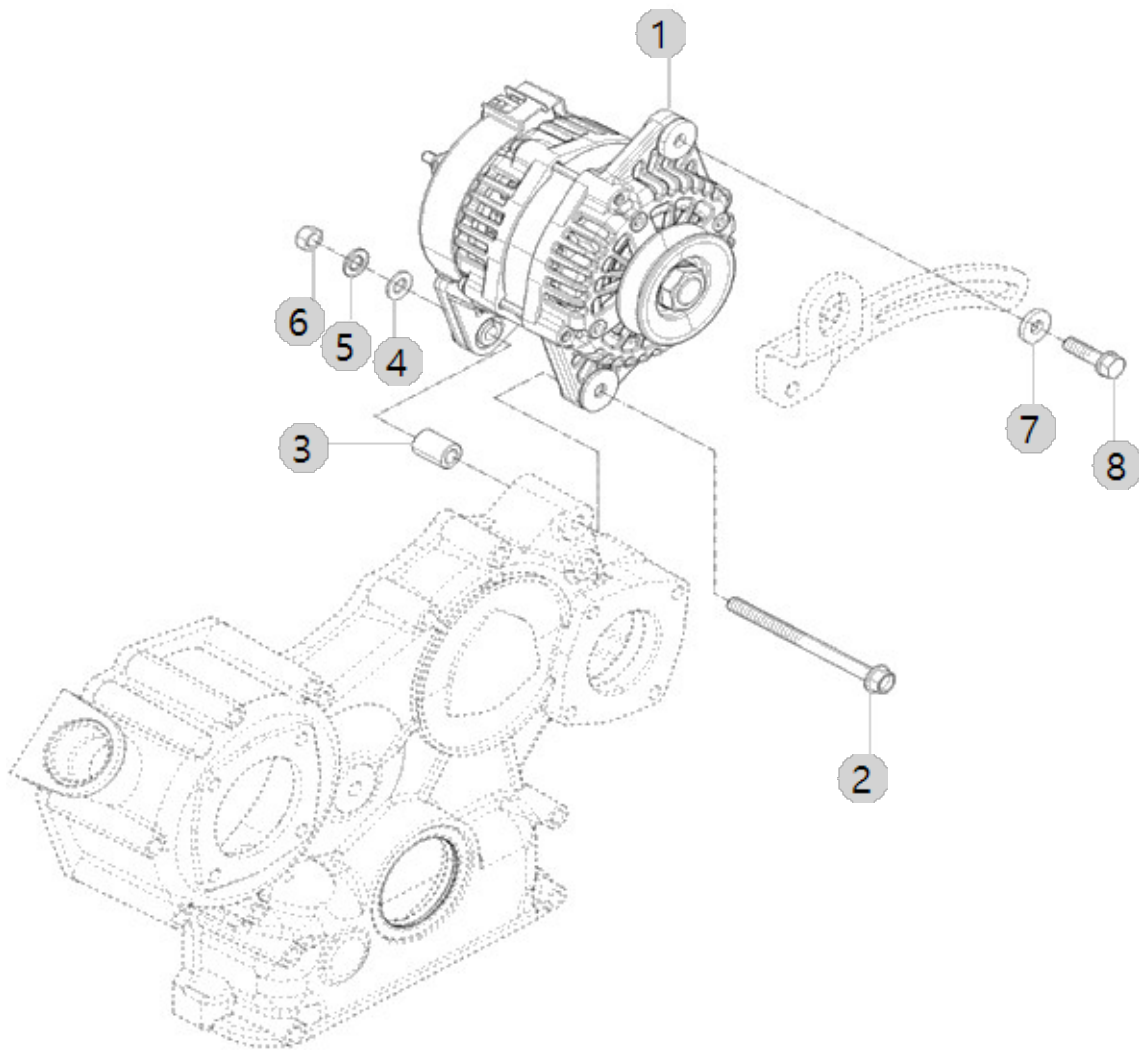
A08\_006

A1700N4-ETC\_5  
(AB00325)

# ALTERNATOR

Year/Month

2022-12-16





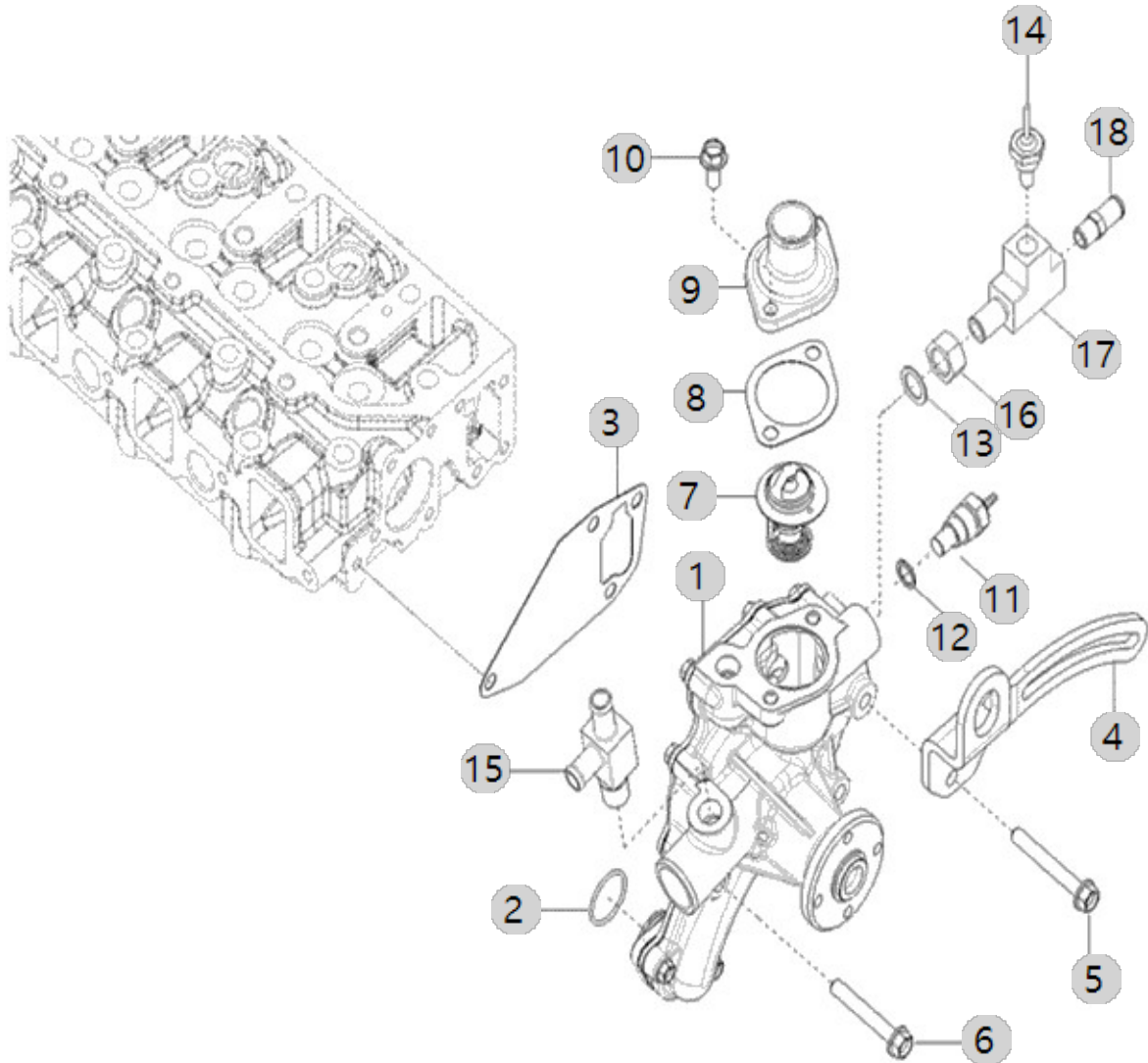
A09\_002

A1700N4-ETC\_5  
(AB00325)

# COOLING WATER PUMP

Year/Month

2022-12-16



A09_002 A1700N4-ETC_5 (AB00325)		COOLING WATER PUMP				Year/Month 2022-12-16
순번 (NO)	부품번호 (PART NO)	품명 (PART NAME)	품명 (PART NAME)	수량 (QTY)	규격 (SPEC)	비고 (REMARK)
1	EA00006114B	냉각수펌프조합	WATER PUMP ASS'Y	1		
1	EA00006114A	냉각수펌프조합	WATER PUMP ASS'Y	1		
2	24341-000280	446,ALLO-링S-28	O-RING, FIX (Φ28)	1	S28	
3	HRA1200200A3	냉각수 펌프 가스켓	GASKET,WATERPUMP	1	T0.5	
3	HRA1200200B3	패킹(CWP커버외측)	GASKET, WATER PUMP	1	T0.5	
4	EA00004306B	벨트조정브래킷	BRACKET, ALTERNATOR	1	T6.0	
4	EA00004306A	벨트조정브래킷	BRACKET, ALTERNATOR	1	T6.0	
5	26106-080602	육각플랜지볼트	SCREW,HEXFLANGEHEADCAP	1	M8XP1.25X60	
6	26106-080552	육각플랜지볼트	HEX FLANGE BOLT (D80)	3	M8XP1.25X55	
7	HK10030000A3	260,ALL,서모스탯	THERMOSTAT	1		
8	HA10670000B4	써모스탯 커버 가스켓	GASKET,THERMOSTAT	1	T0.5	
8	HA10670000C4	커버패킹	GASKET,WATER PUMP	1	T0.5	
9	HC09160000B4	커버(서머스타트)	COVER, THERMOSTAT	1		
10	26106-080182	444,ALL,플랜지볼트	SCREW,HEXFLANGEHEADCAP	2		
11	HH12190000A3	수온센서	WATER TEMP SENSOR	1		
12	23414-100014	동패킹	PACKING,COPPER	1	M10	
13	23414-160000	동패킹	WASHER,SEALING	1	M16	
14	HH12210000A3	센서(에어히터)	SENSOR,GLOW PLUG	1		
15	FLW5110000B3	T-조인트	T-JOINT	1		
16	26736-160002	특수NUT	HEXNUT	1	M16XP1.5	
17	FLW5100000A3	T-조인트	T-Joint	1		
18	HRC1204000A4	369,A22,조인트PT1/4	NIPPLE,PLAINPIPE	1	PT 1/4	
18	HRC1204000B4	조인트 PT 1/4	NIPPLE, PLAIN PIPE	1	D13.8XT2.3	
18	HRC1204000C4	조인트 PT 1/4	JOINT, PT 1/4	1	D13.8XT2.3	

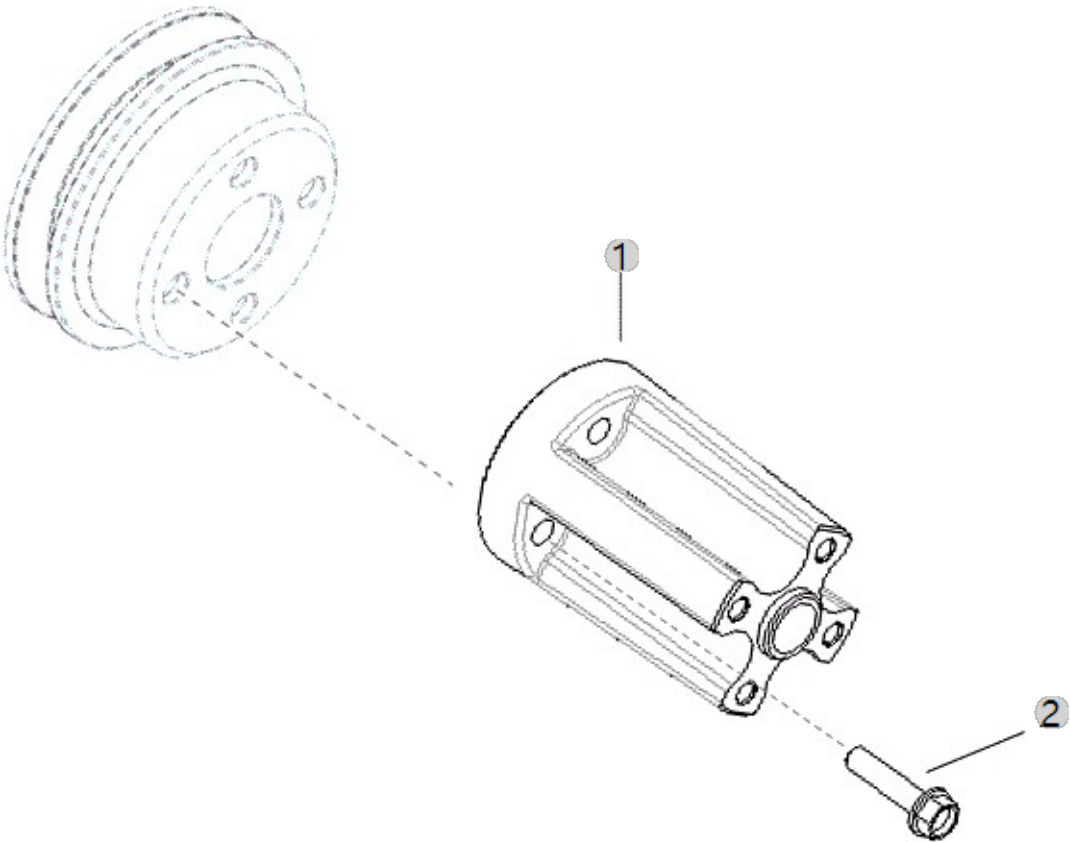
A10\_004

A1700N4-ETC\_5  
(AB00325)

COOLING FAN SPACER

Year/Month

2022-12-16





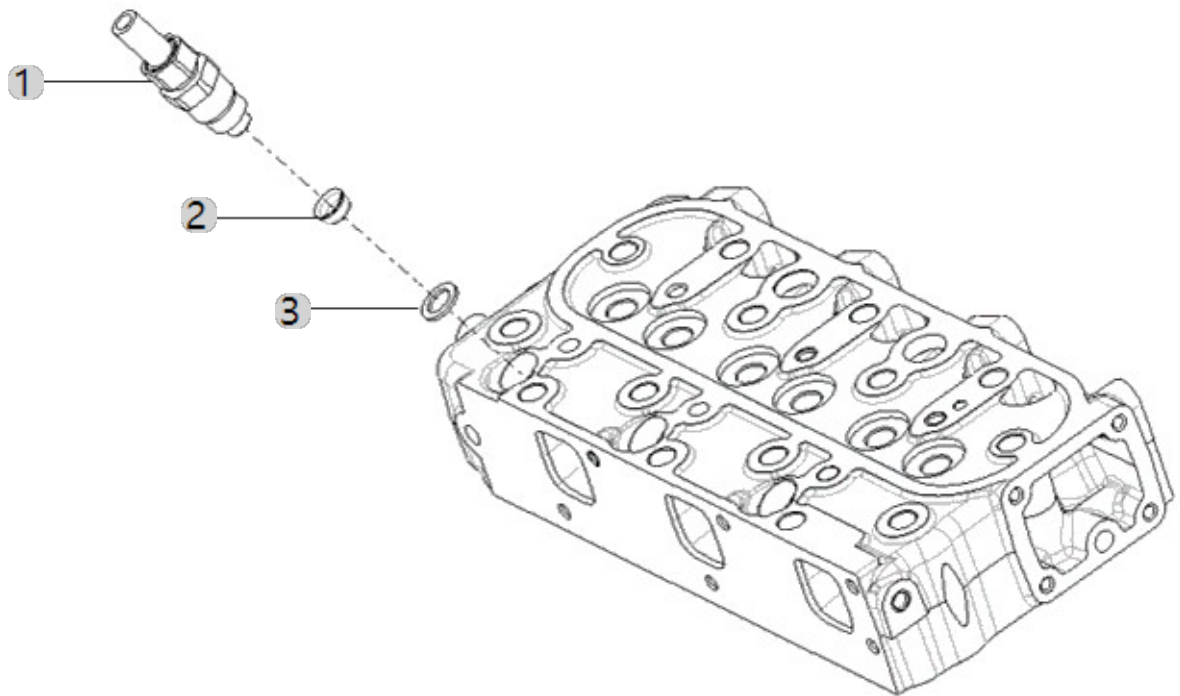
A11\_005

A1700N4-ETC\_5  
(AB00325)

# INJECTOR

Year/Month

2022-12-16







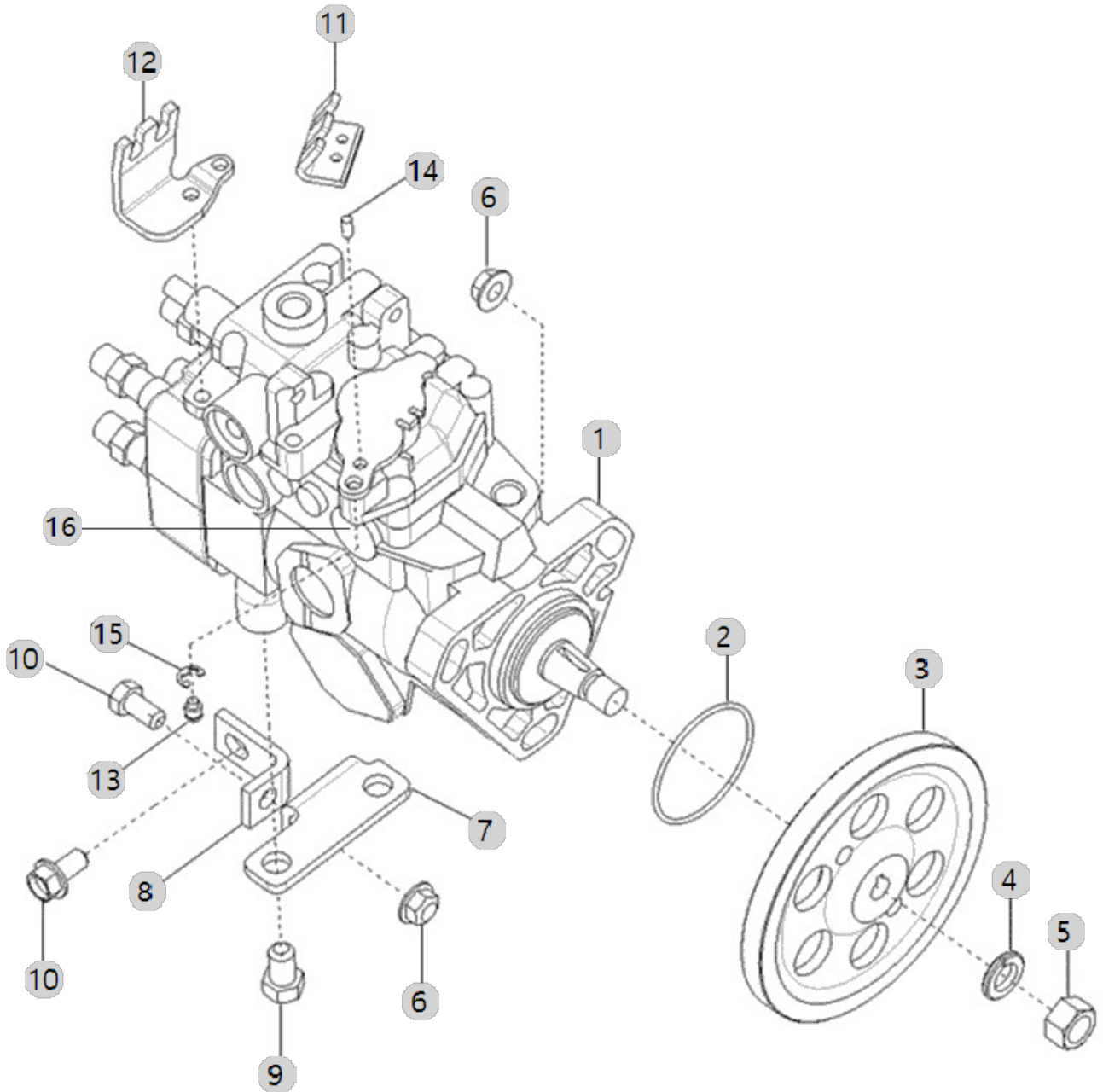
A12\_006

A1700N4-ETC\_5  
(AB00325)

# FUEL INJECTOR

Year/Month

2022-12-16



A12_006 A1700N4-ETC_5 (AB00325)		FUEL INJECTON				Year/Month 2022-12-16
순번 (NO)	부품번호 (PART NO)	품명 (PART NAME)	품명 (PART NAME)	수량 (QTY)	규격 (SPEC)	비고 (REMARK)
1	HRD130010DC1	연료분사펌프조합	PUMP,FUELINJECTION	1		
1	HRD130010DA1	연료분사펌프조합 - 트랙	PUMP,FUELINJECTION	1		
2	24311-000500	O링	O-RING, DYNAMIC (Φ50)	1	P50	
3	HRD070080DC3	연료분사펌프기어	GEAR, FUEL PUMP	1		
3	HRD070080DB3	연료분사펌프기어	GEAR,FUELPUMP	1		
4	22217-120000	스프링와셔	WASHER, SPRING (Φ 12)	1	M12	
5	26716-120002	295,ALL,육각너트	HEXA NUT295	1	M12X1.75	
6	26367-080002	259, 육각플랜지너트	HEX FLANGE NUT (Φ8)	4	M8XP1.25	
7	HRD130020DB4	VE지지브라켓(A)	BRACKET, PUMP	1	T4.5	
7	HRD130020DA4	521,A1417,VE지지브라켓(A)	BRACKET,PUMP	1	T4.5	
8	HRA130030DB4	VE지지브라켓(B)	BRACKET,PUMP	1	T 4.5	
8	HRA130030DA4	297,A202322,VE지지브라켓(B)	BRACKET(A),PUMP	1	T 4.5	
9	26106-100162	플랜지볼트M10X16	SCREW,HEXFLANGEHEADCAP	2	M10XP1.5X16	
10	26106-080162	플랜지볼트8X16	SCREW,HEXFLANGEHEADCAP	2	M8XP1.25X16	
11	EA00002101B	후크-액셀레버	LEVER, HOOK, ACCEL	1		
11	EA00002101A	후크-액셀레버	LEVER, HOOK, ACCEL	1		
12	EA00004263B	서포트(액셀레버)	SUPPORT(ACCELERATOR LEVER)	1	T4.0	
12	EA00004263A	서포트(액셀레버)	SUPPORT(ACCELERATOR LEVER)	1	T4.0	
13	HRA1300702A9	고정핀	PIN	1		
14	EA00002103A	핀	PIN	1	N4	
15	22272-000050	E형스냅링5	RING, CIRCLIP (Φ 05)	1	D5	
16	EA00003768A	픽업센서	PICKUP SENSOR	1		

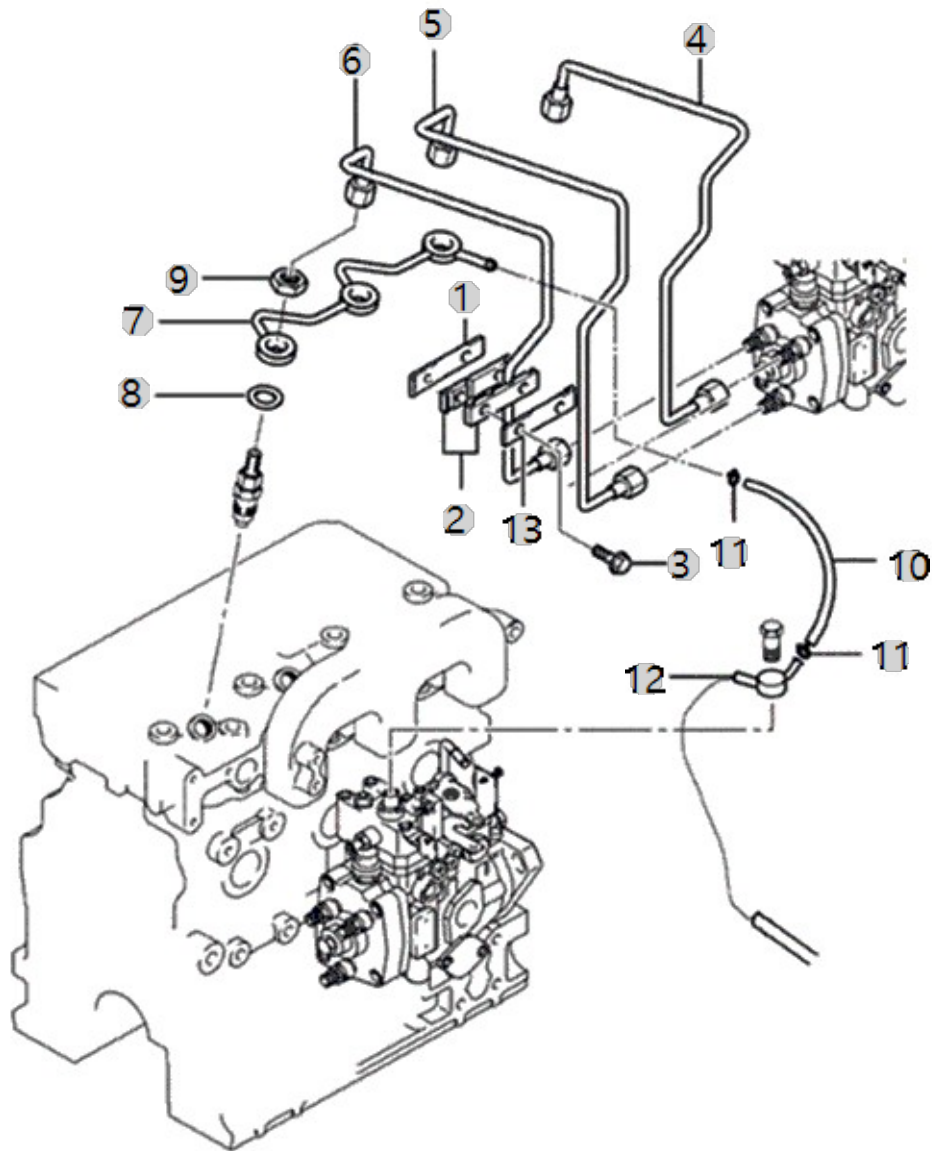
A13\_002

A1700N4-ETC\_5  
(AB00325)

PLUMBING, FUEL

Year/Month

2022-12-16





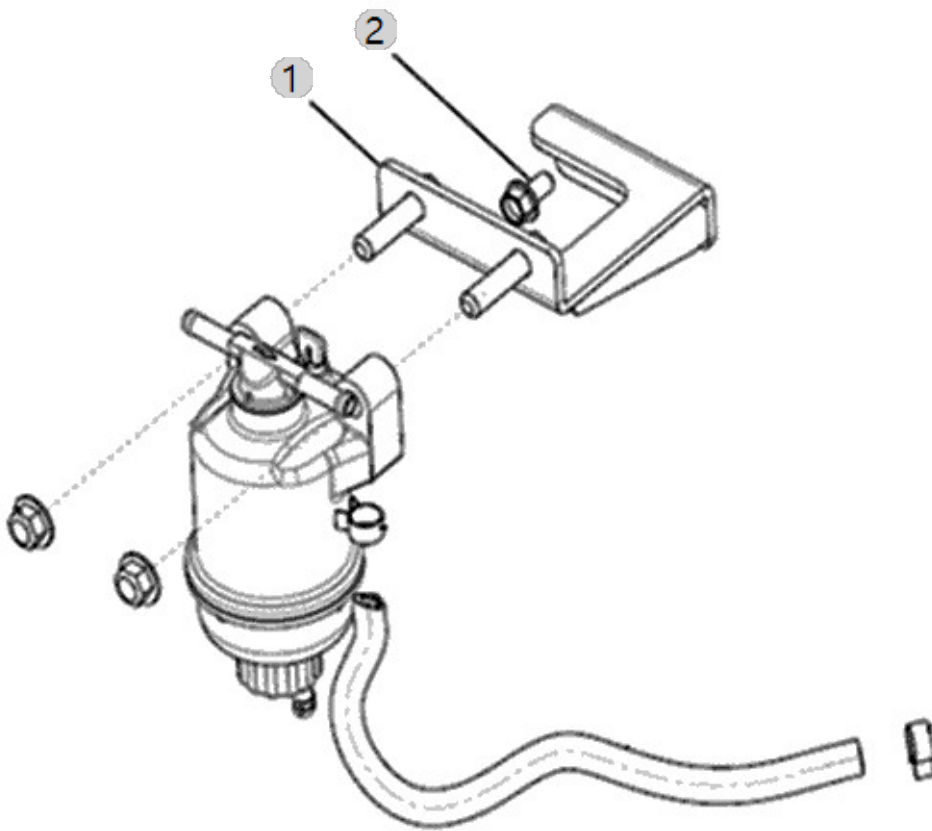
A14\_001

A1700N4-ETC\_5  
(AB00325)

### FUEL FILTER BRACKET

Year/Month

2022-12-16





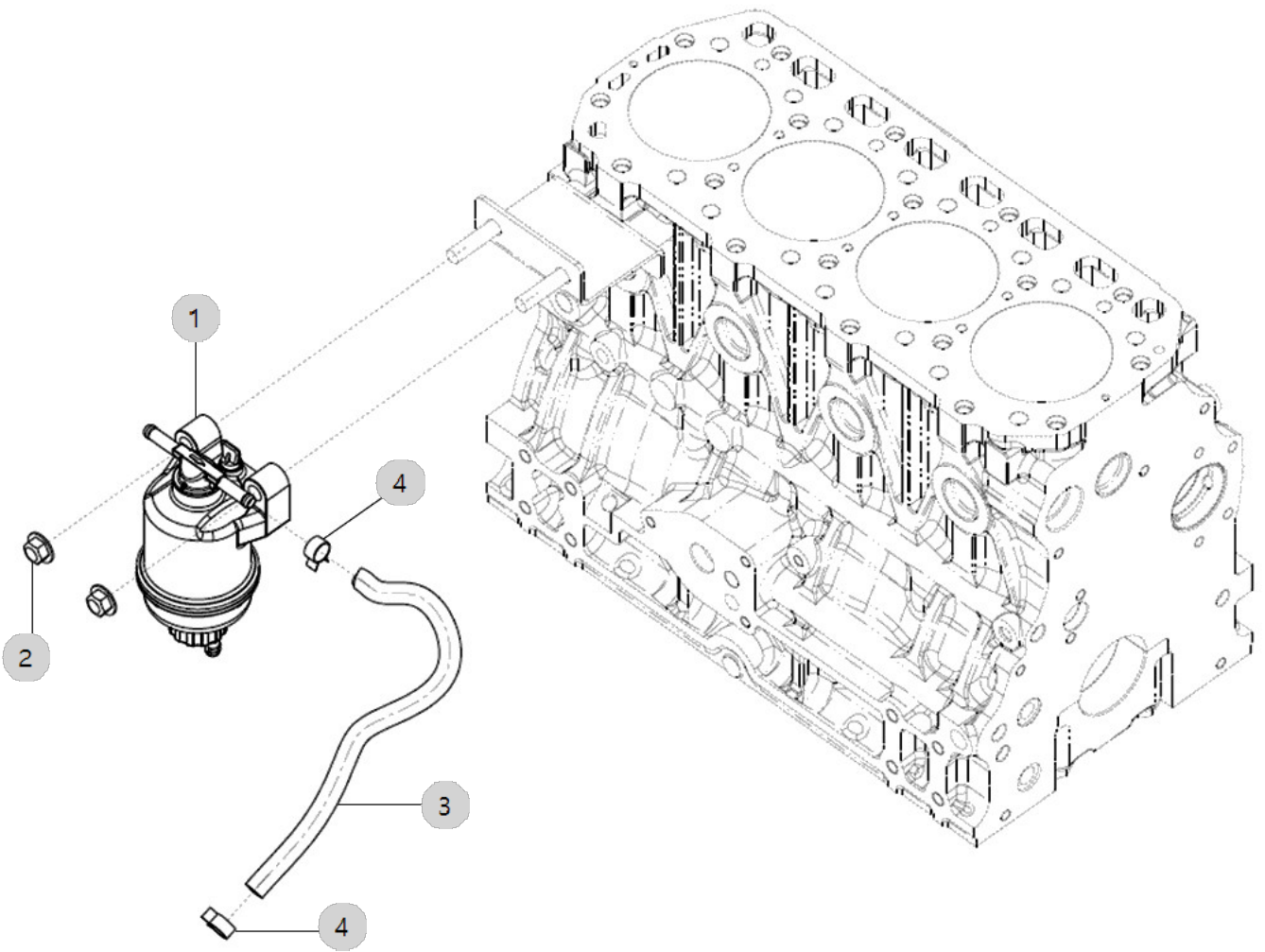
A16\_018

A1700N4-ETC\_5  
(AB00325)

FUEL FILTER ASS'Y OPTION

Year/Month

2022-12-16







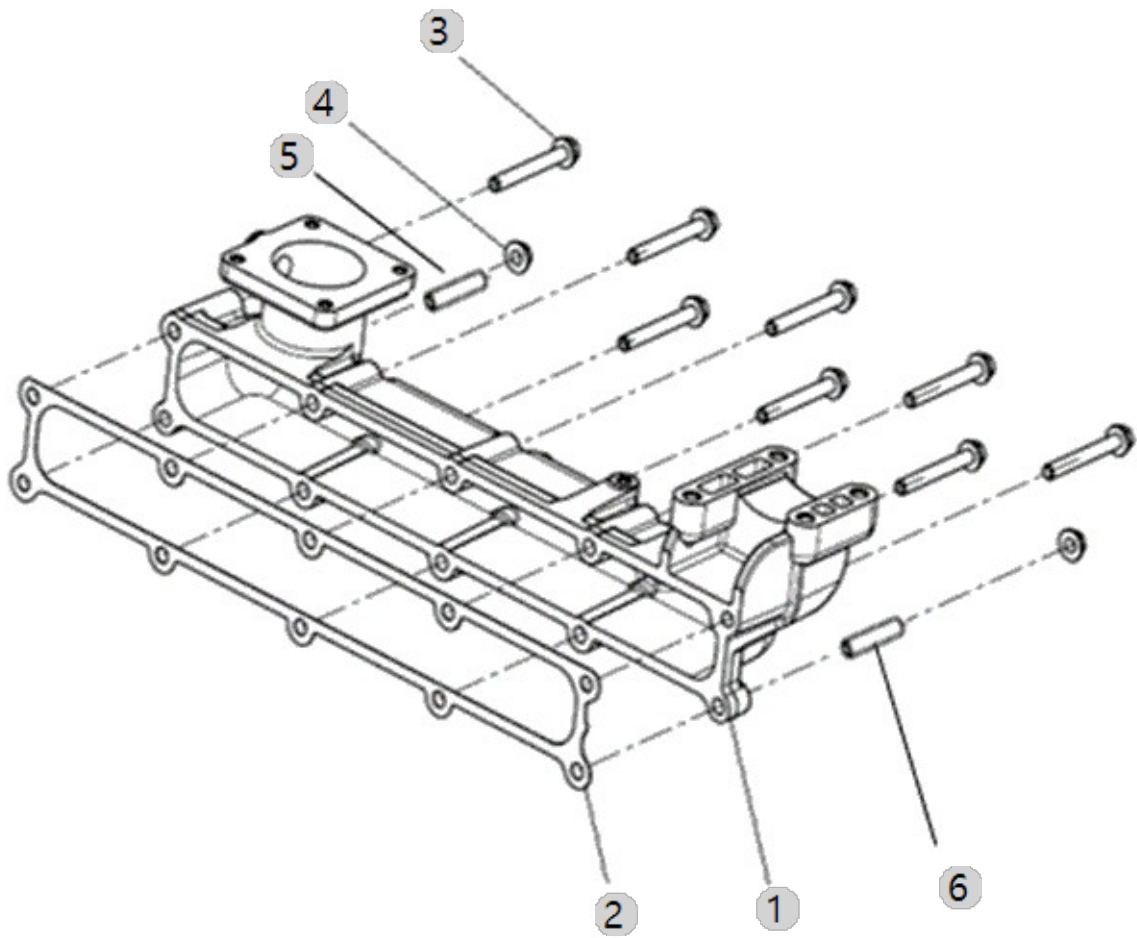
A17\_021

A1700N4-ETC\_5  
(AB00325)

INTAKE MANIFOLD ASS'Y OPTION

Year/Month

2022-12-16





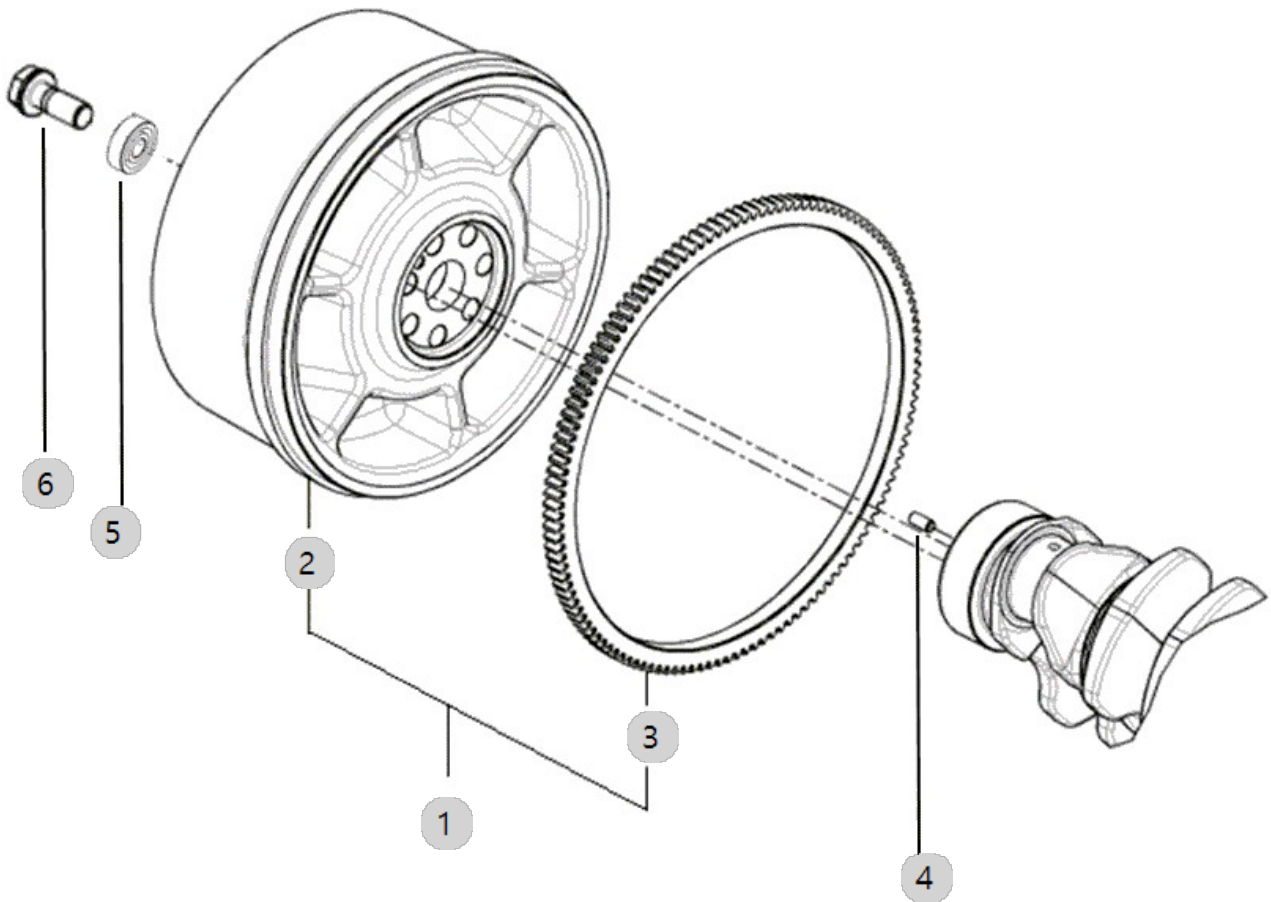
A18\_005

A1700N4-ETC\_5  
(AB00325)

# FLYWHEEL

Year/Month

2022-12-16





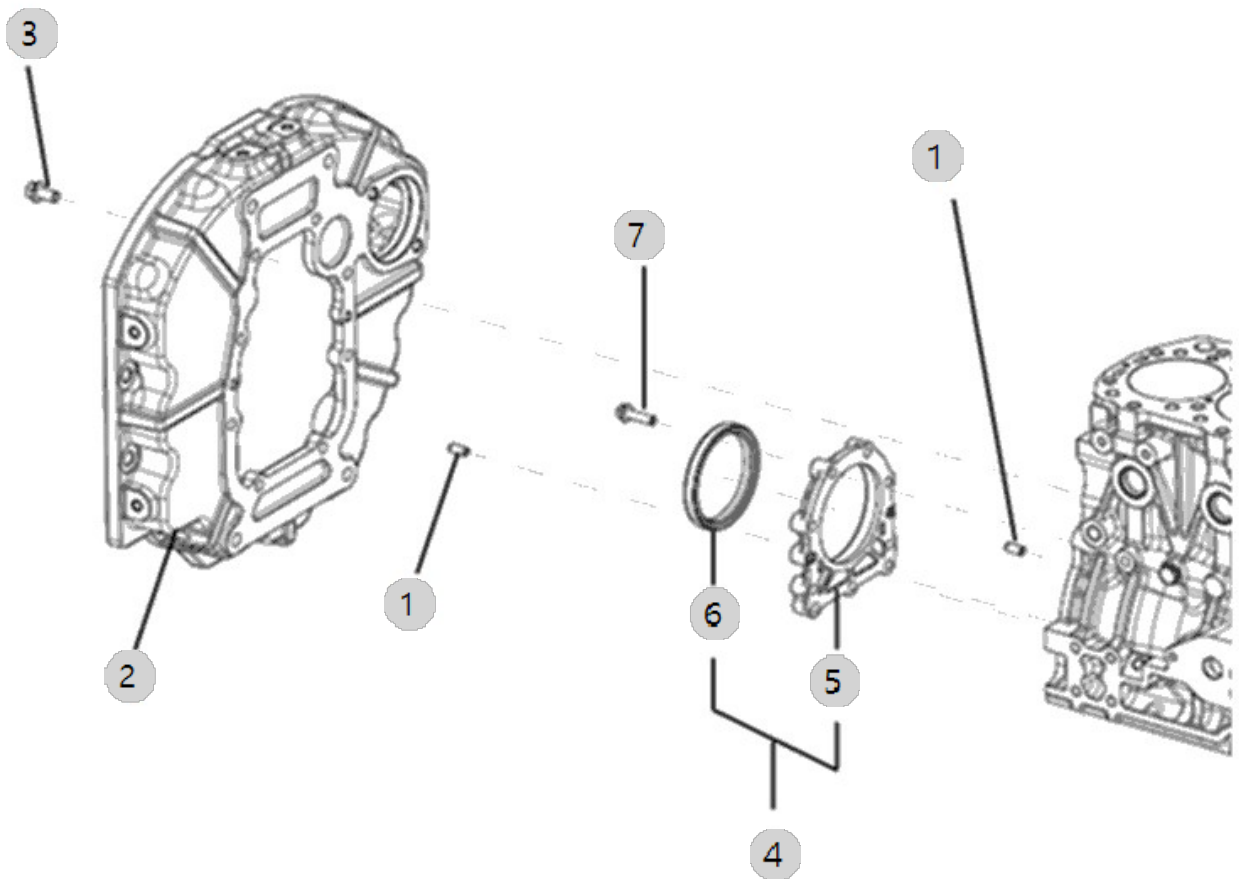
A19\_005

A1700N4-ETC\_5  
(AB00325)

# FLYWHEEL HOUSING

Year/Month

2022-12-16





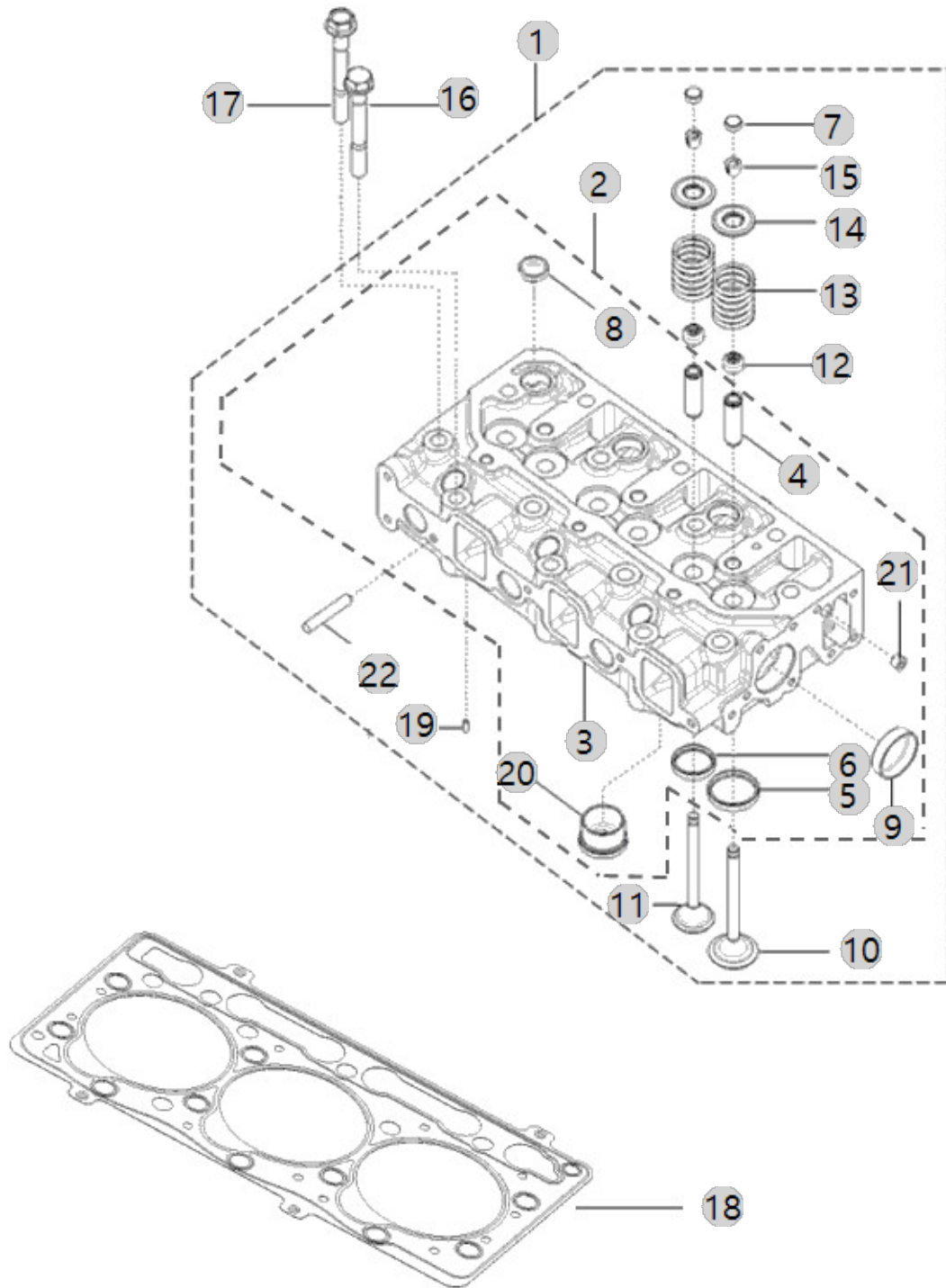
A20\_007

A1700N4-ETC\_5  
(AB00325)

# HEAD, CYLINDER

Year/Month

2022-12-16







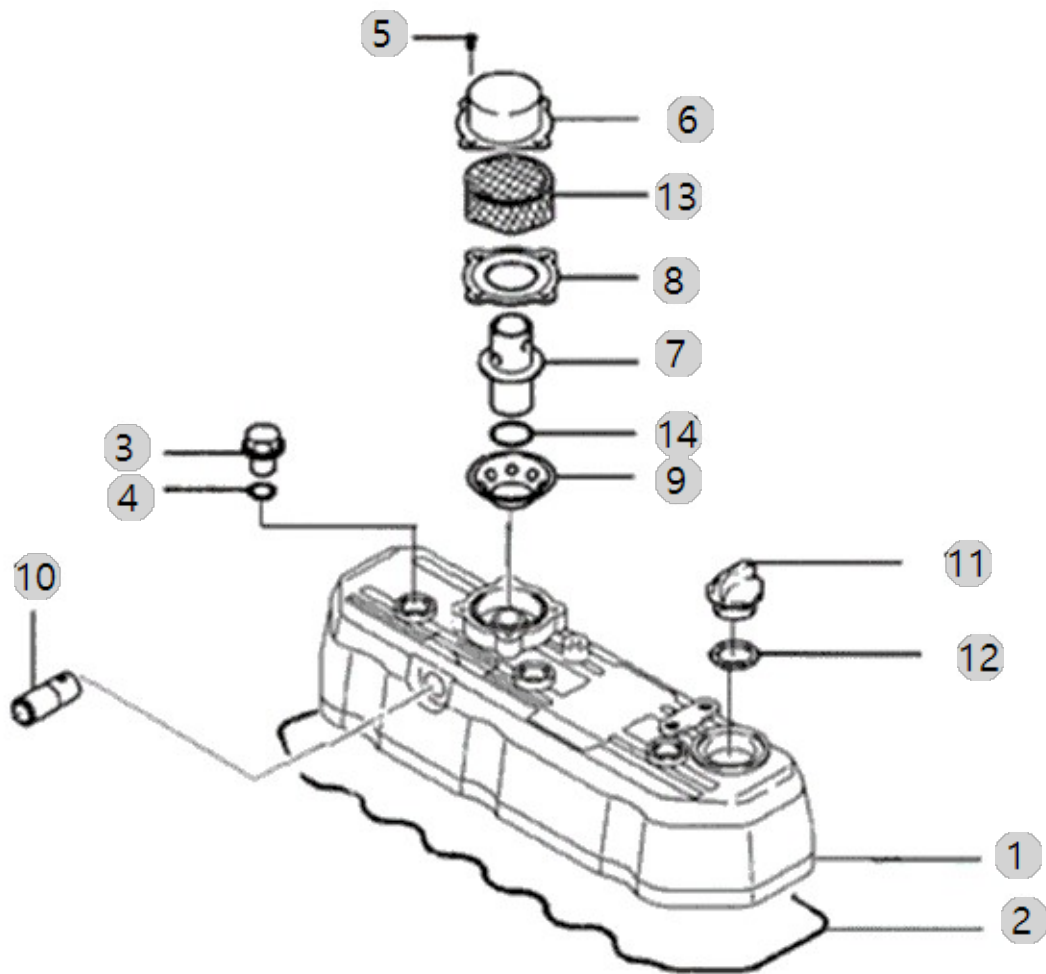
A21\_002

A1700N4-ETC\_5  
(AB00325)

# HEAD COVER

Year/Month

2022-12-16



A21_002		HEAD COVER				Year/Month
A1700N4-ETC_5 (AB00325)						2022-12-16
순번 (NO)	부품번호 (PART NO)	품명 (PART NAME)	품명 (PART NAME)	수량 (QTY)	규격 (SPEC)	비고 (REMARK)
1	HRD0402300B0	헤드커버조합 - A1700	COVER,VALVE	1		
1	HRD0402300C0	헤드커버	COVER, VALVE	1		
2	HRD0402400B3	헤드커버패킹 - A1700	PACKING,HEAD COVER	1		
3	HA03520000B4	440,ALL,상부커버캡	NUT,HEXAGONCAP	3		
4	24311-000140	441,ALL,O-RINGP-14	O-RING, DYNAMIC (Φ14)	3	P14	
5	26587-040102	245,ALL,스크로우(3X54X10)	SCREW,FILLISTERHEADCAP	4	M4X10	
6	HRA0403600A4	589,ALL,브리더커버	COVER,BREATHER	1	T1.2	
6	HRA0403600B4	브리더커버	COVER,BREATHER	1	T1.2	
7	HRA0403700A4	590,ALL,가이드조합	Valve, Pressure Relief	1		
7	HRA0403700B4	가이드조합	VALVE,PRESSURE RELIEF	1		
8	HRA0403800A4	브리더 커버 가스켓	GASKET,BREATHER	1	T0.5	
9	HRA0403900A4	592,ALL,브리더조절판	PLATE,BREATHERADJUSTING	1	T1.2	
9	HRA0403900B4	브리더조절판	PLATE,BREATHER ADJUSTING	1	T1.2	
10	HRA0404000A4	597,A14172023,연결관	TUBE,BREATHER	1	D17.3XT2.3	
11	HC03470000B4	급유구	CAP,FILTER	1		
12	24311-000320	O링(P형)	O-RING, DYNAMIC (Φ32)	1	P32	
13	HC03720000B4	배플	BAFFLE	1	17MMX155M	
14	24341-000160	O-링(S형)	O-RING, FIX (Φ16)	1	S10	

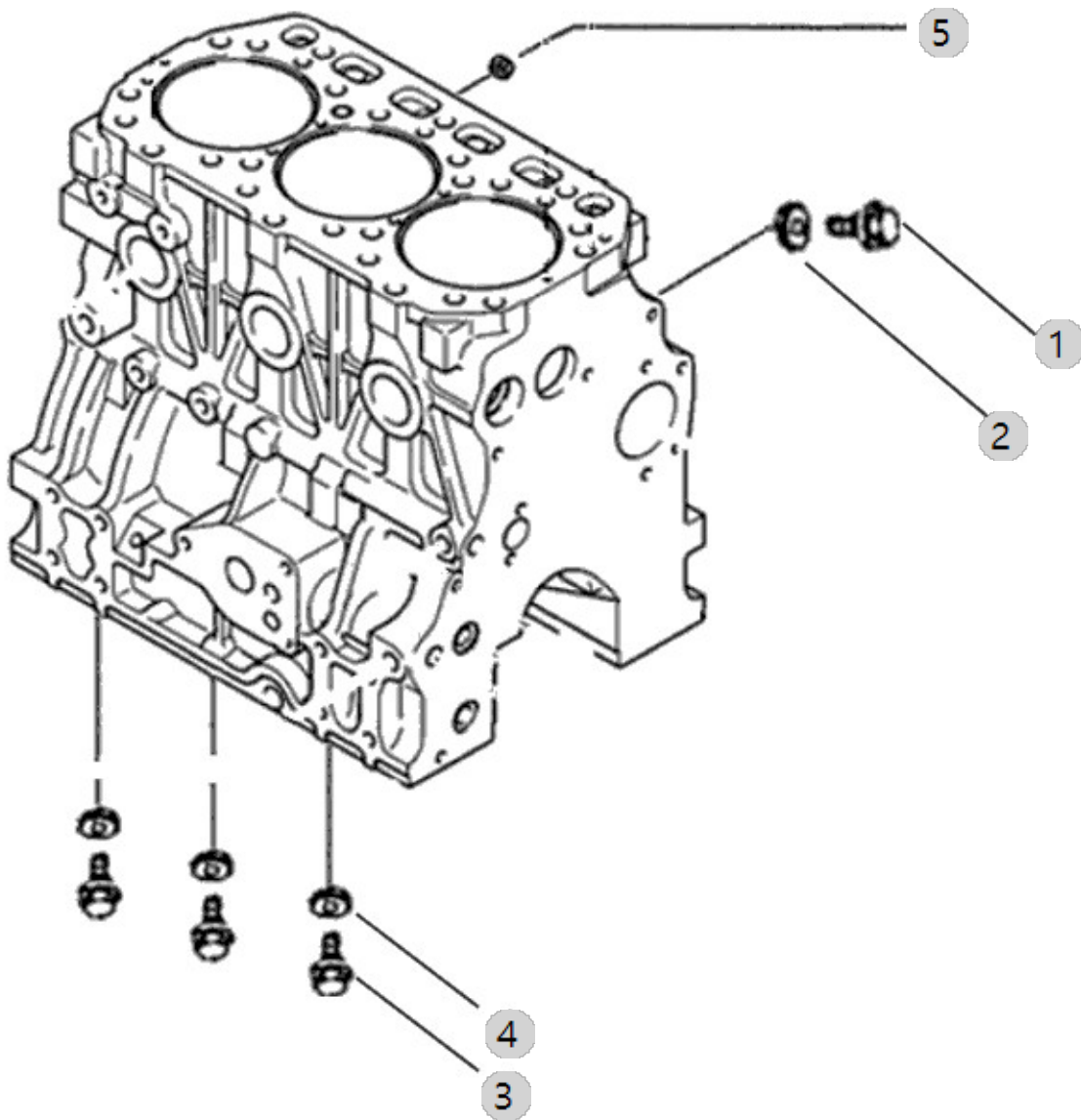
A23\_003

A1700N4-ETC\_5  
(AB00325)

TURBOCHARGER SUPPORT ASS'Y OPTION

Year/Month

2022-12-16





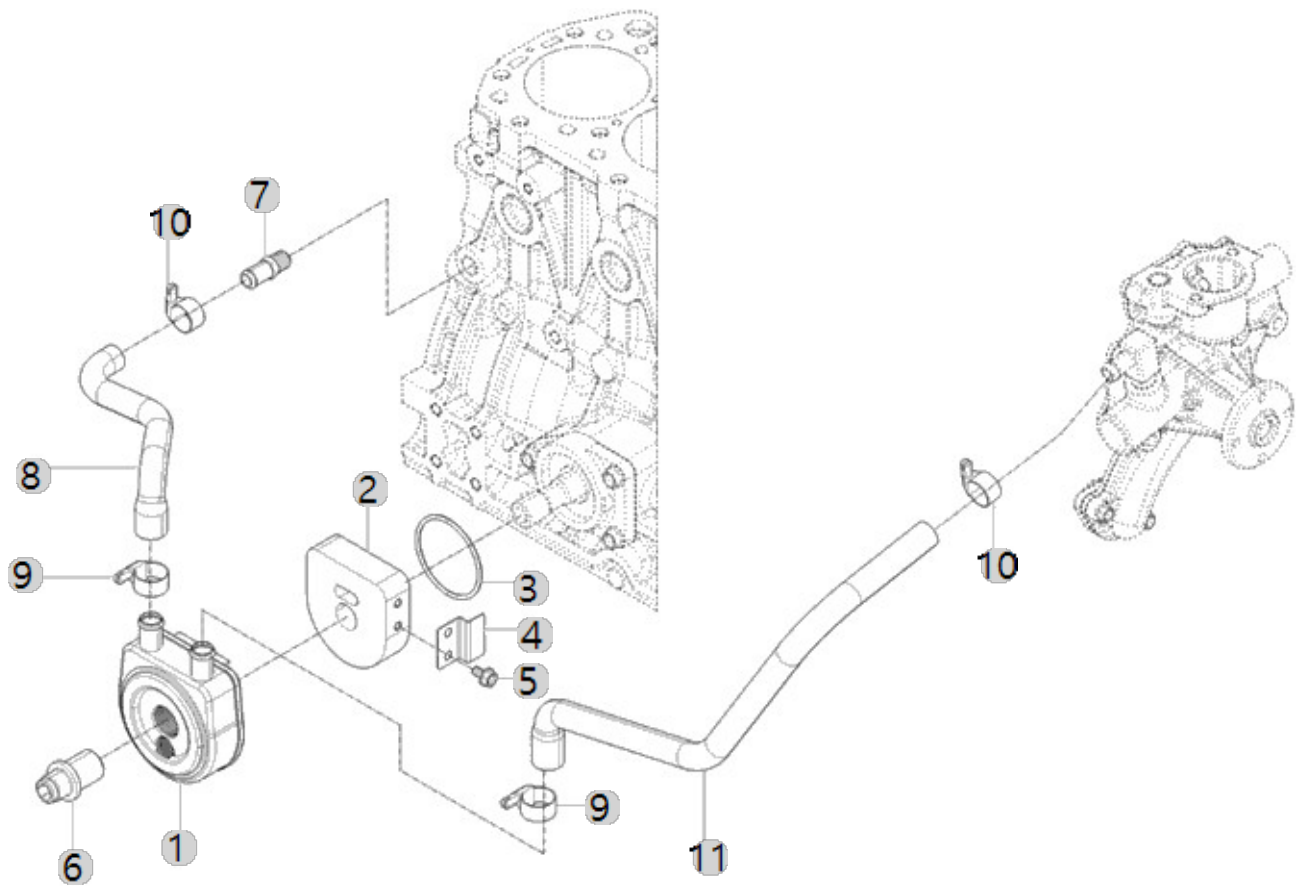
A26\_001

A1700N4-ETC\_5  
(AB00325)

COOLER, ENGINE OIL

Year/Month

2022-12-16





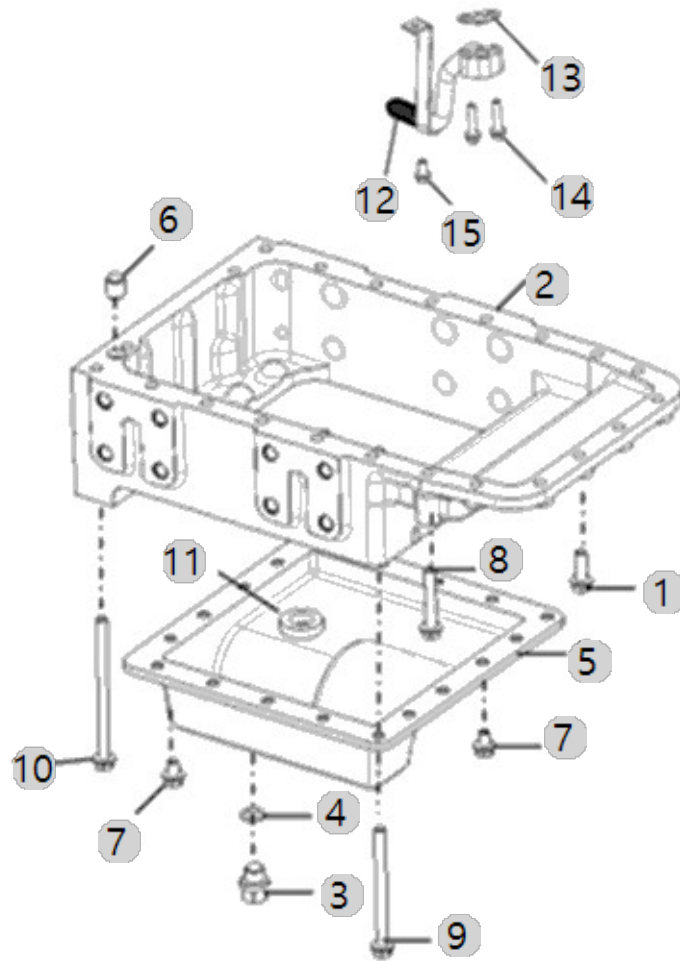
A27\_004

A1700N4-ETC\_5  
(AB00325)

### OIL PAN ASS'Y OPTION

Year/Month

2022-12-16







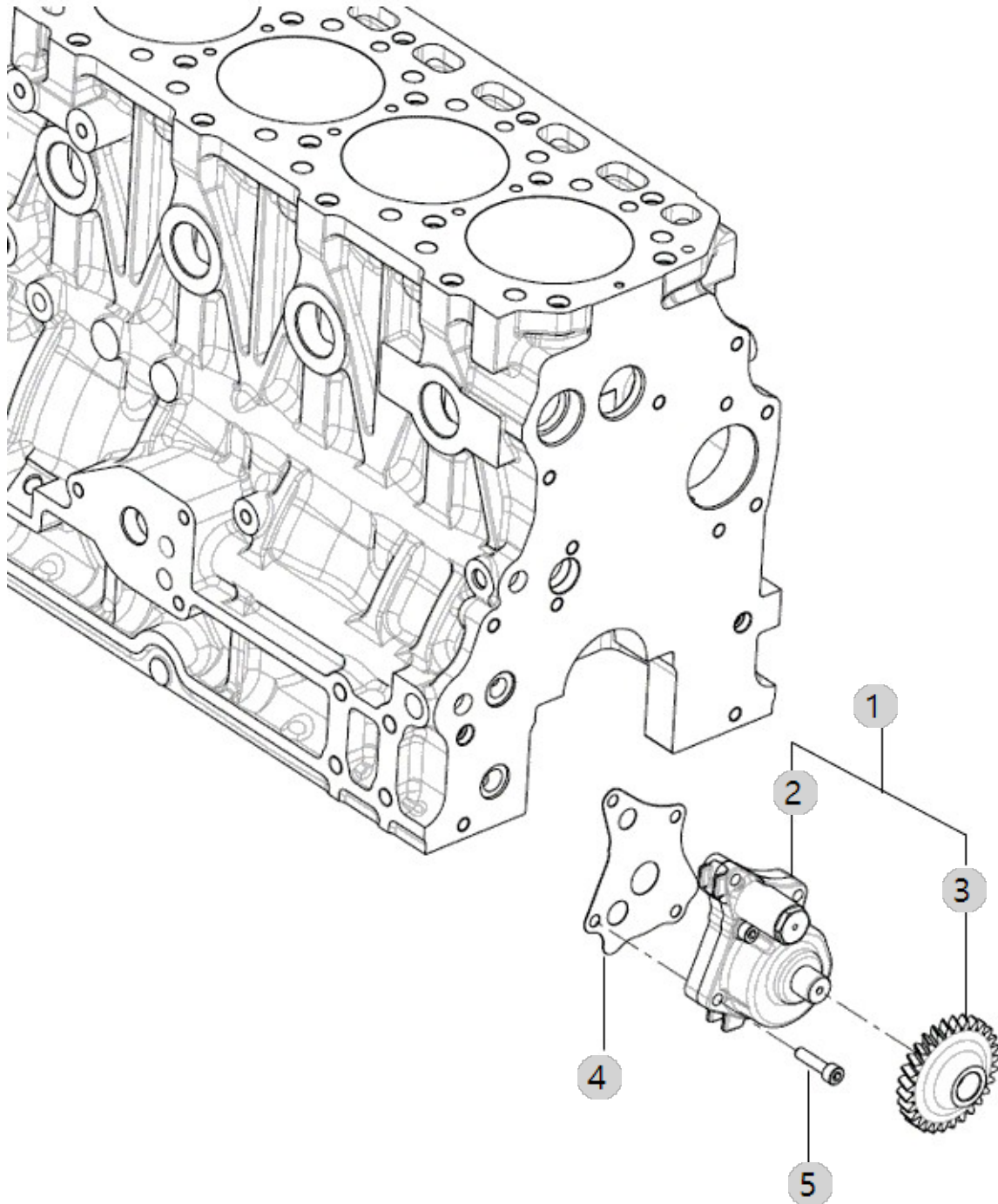
A28\_001

A1700N4-ETC\_5  
(AB00325)

PUMP, LUBRICATING OIL

Year/Month

2022-12-16





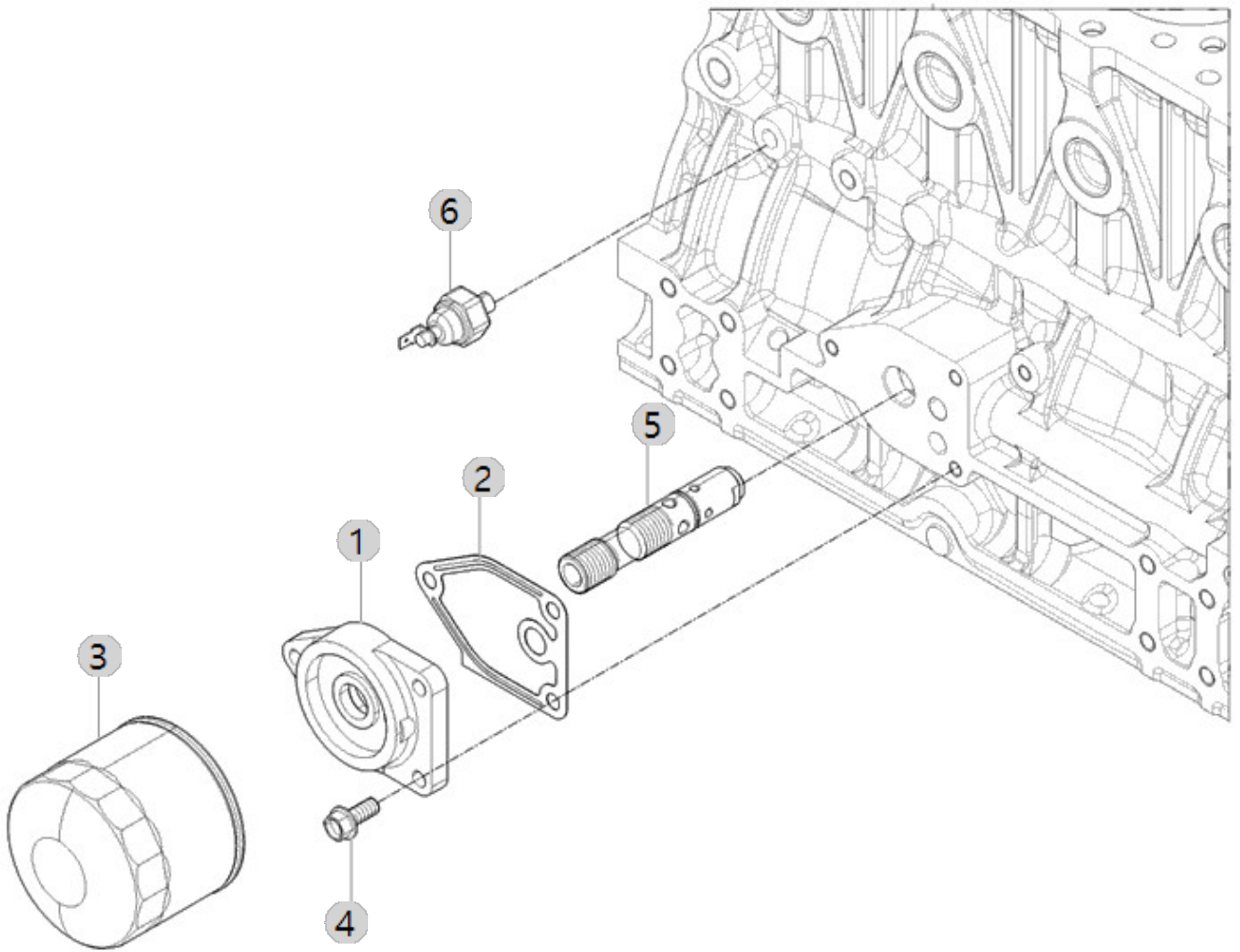
A29\_005

A1700N4-ETC\_5  
(AB00325)

FILTER, LUBRICATING OIL

Year/Month

2022-12-16





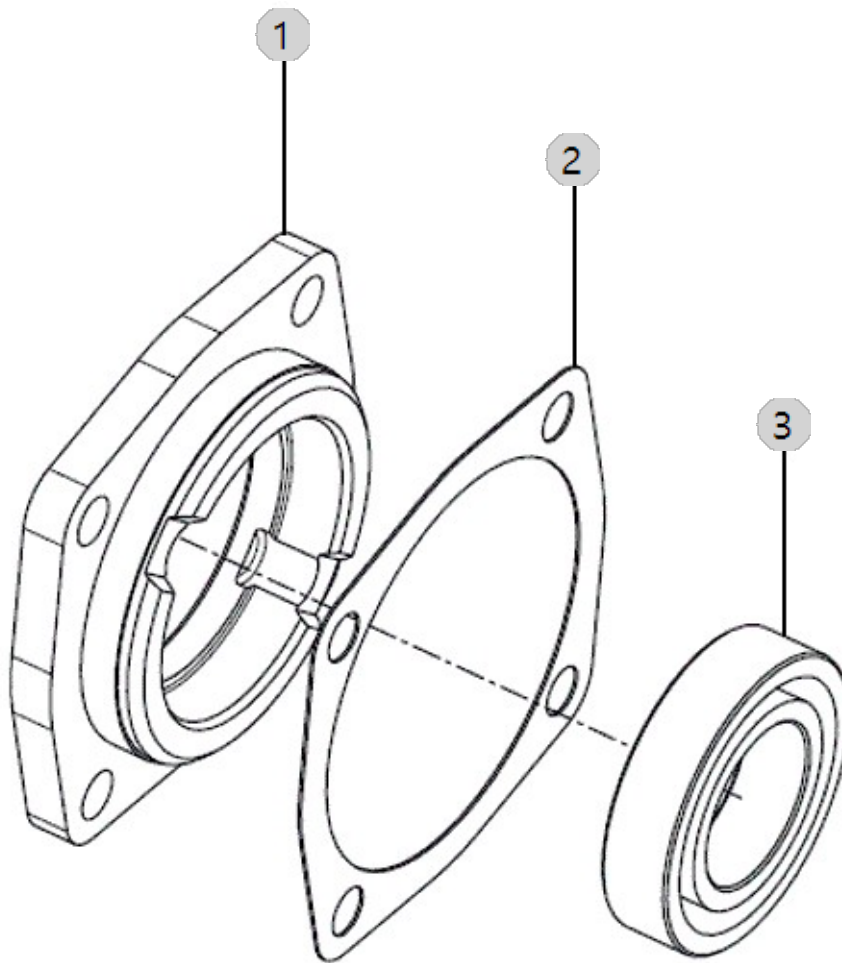
A30\_003

A1700N4-ETC\_5  
(AB00325)

FRONT GEAR ACCESSORY DRIVE

Year/Month

2022-12-16





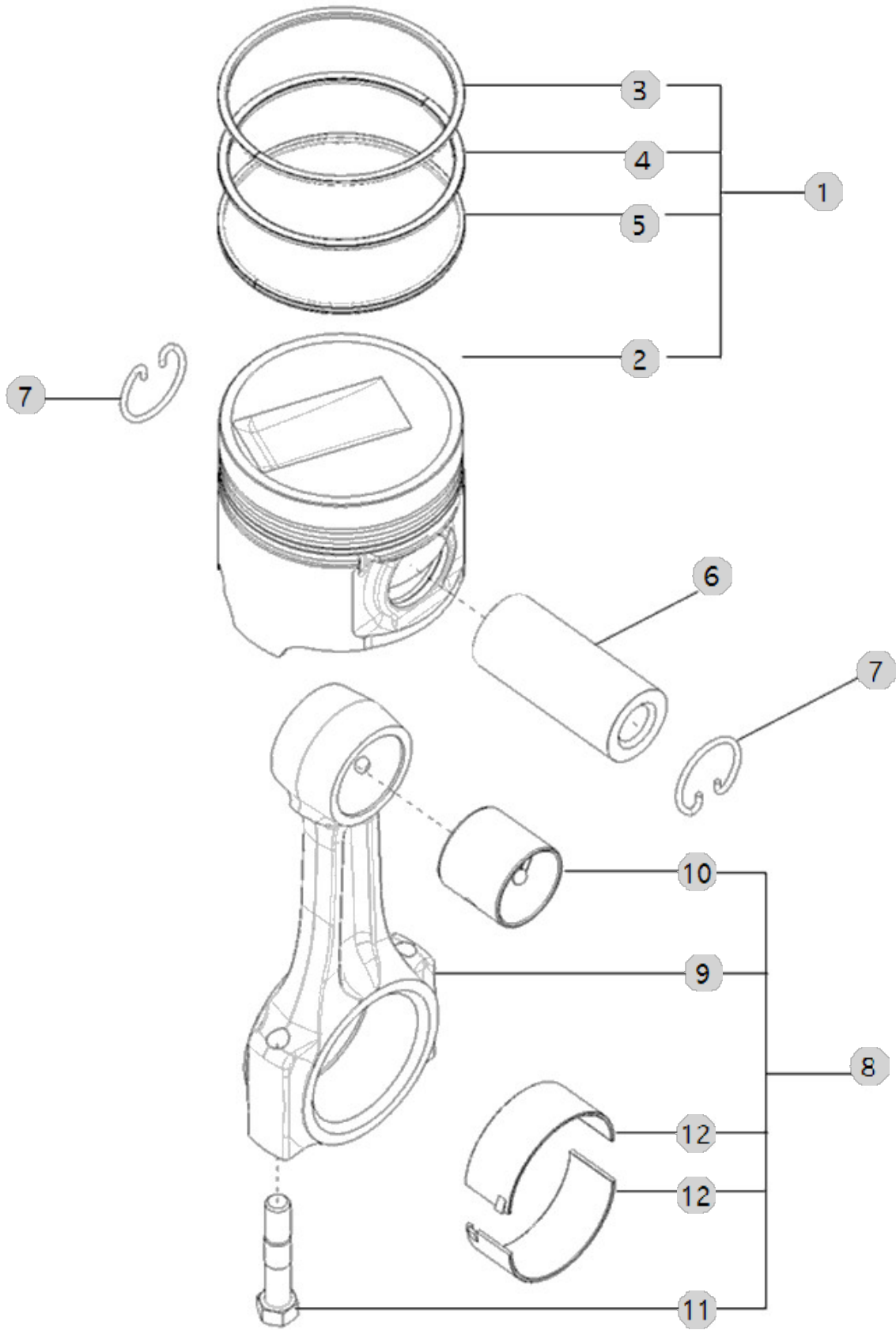
A31\_003

A1700N4-ETC\_5  
(AB00325)

# PISTON

Year/Month

2022-12-16





A31_003 A1700N4-ETC_5 (AB00325)		PISTON				Year/Month 2022-12-16
순번 (NO)	부품번호 (PART NO)	품명 (PART NAME)	품명 (PART NAME)	수량 (QTY)	규격 (SPEC)	비고 (REMARK)
1	HRA0801300A9	피스톤조합	PISTON ASS'Y	3		
2	HRA0801301C1	피스톤A2300(T),A1700	PISTON,ENGINE A2300(T),A1700	3		
2	HRA0801301B1	피스톤 A2300(T),A1700	PISTON,ENGINE	3		
3	HRA0801303A4	401,A172322,피스톤링(1ST)	RING,1STCOMPRESSIONPISTON	3		
4	HRA0801304B4	739,A172322,피스톤링(2ND)	RING,2NDCOMPRESSIONPISTON	3		
5	HRA0801305B4	740,A172322,피스톤링(OIL)	RING,OILPISTON	3		
6	HK27150000D4	피스톤핀	PIN,PISTON	3		
6	HK27150000C4	피스톤핀	PIN,PISTON	3		
7	HA08070000A4	468,ALL,멈춤링	RING,RETAINING	6		
8	HRA0801600C9	커넥팅로드조합	ROD,ENGINE CONNECTING	3		
8	HRA0801600B9	커넥팅로드조합	ROD,ENGINE CONNECTING	3		
9	HRA0801601C2	커넥팅로드	ROD,ENGINE CONNECTING	3		
9	HRA0801601B2	커넥팅로드	ROD,ENGINE CONNECTING	3		
10	HRA0801603B4	부시(피스톤핀)	BUSHING	3		
10	HRA0801603A4	409,ALL,부시(피스톤핀)	BUSHING	3		
11	HRA0801602A4	408,ALL,볼트(커넥팅로드)	SCREW,HEXAGONHEADCAP	6		
12	HRA0801700A3	커넥팅로드 베어링	CONNECTING ROD BEARING	6		

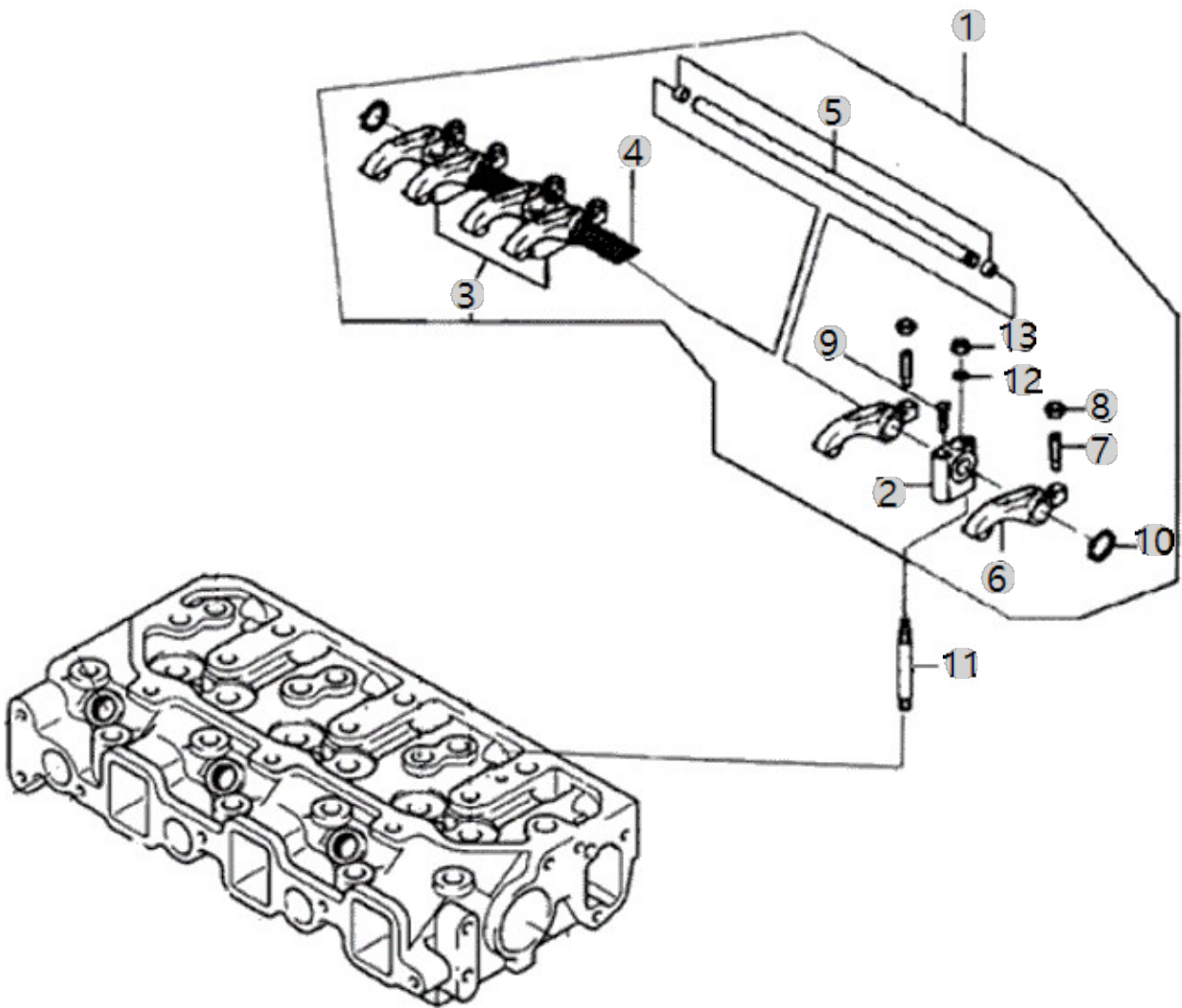
A32\_002

A1700N4-ETC\_5  
(AB00325)

LEVER, LOCKER

Year/Month

2022-12-16





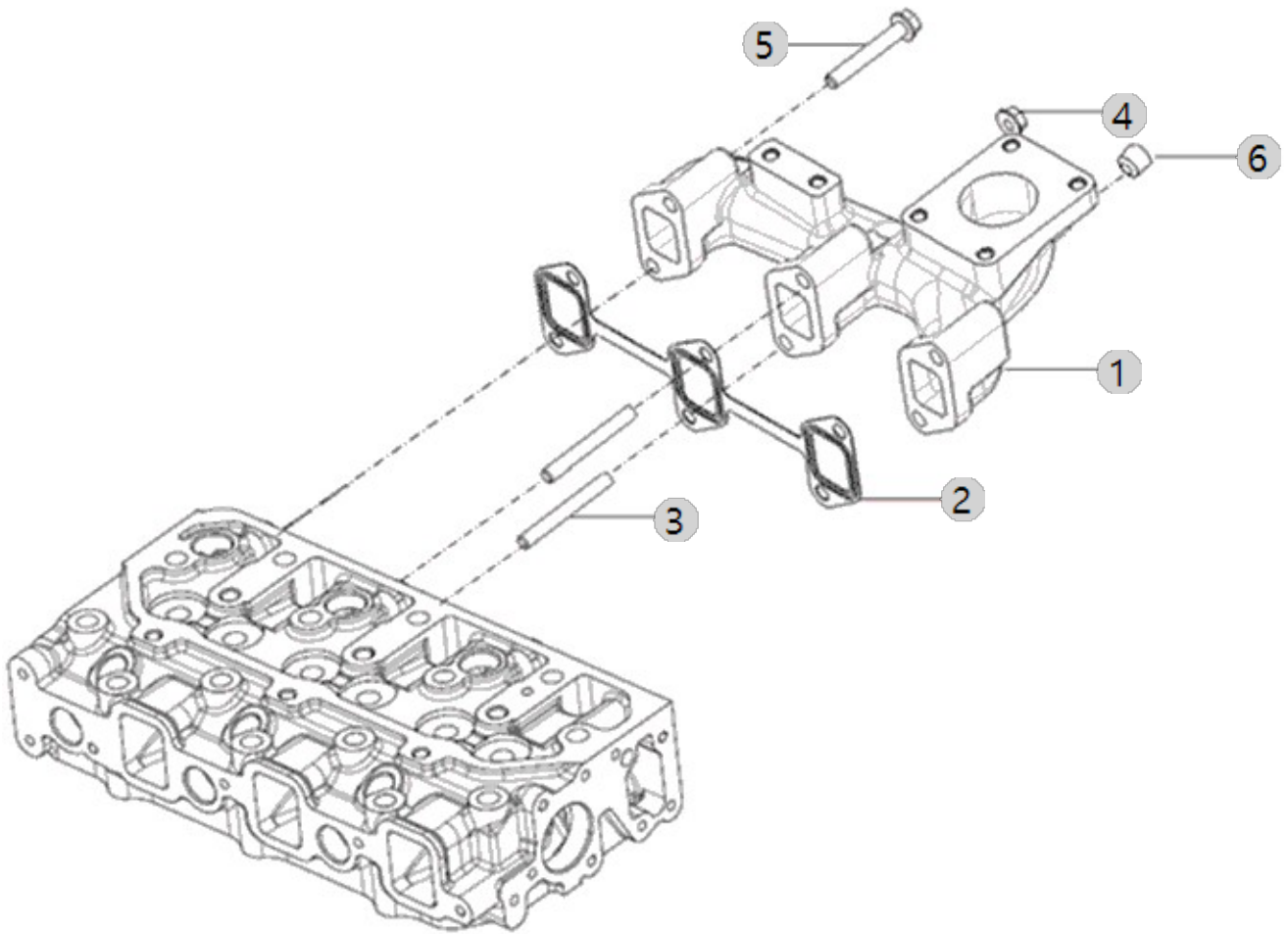
A33\_006

A1700N4-ETC\_5  
(AB00325)

# EXHAUST MANIFOLD

Year/Month

2022-12-16





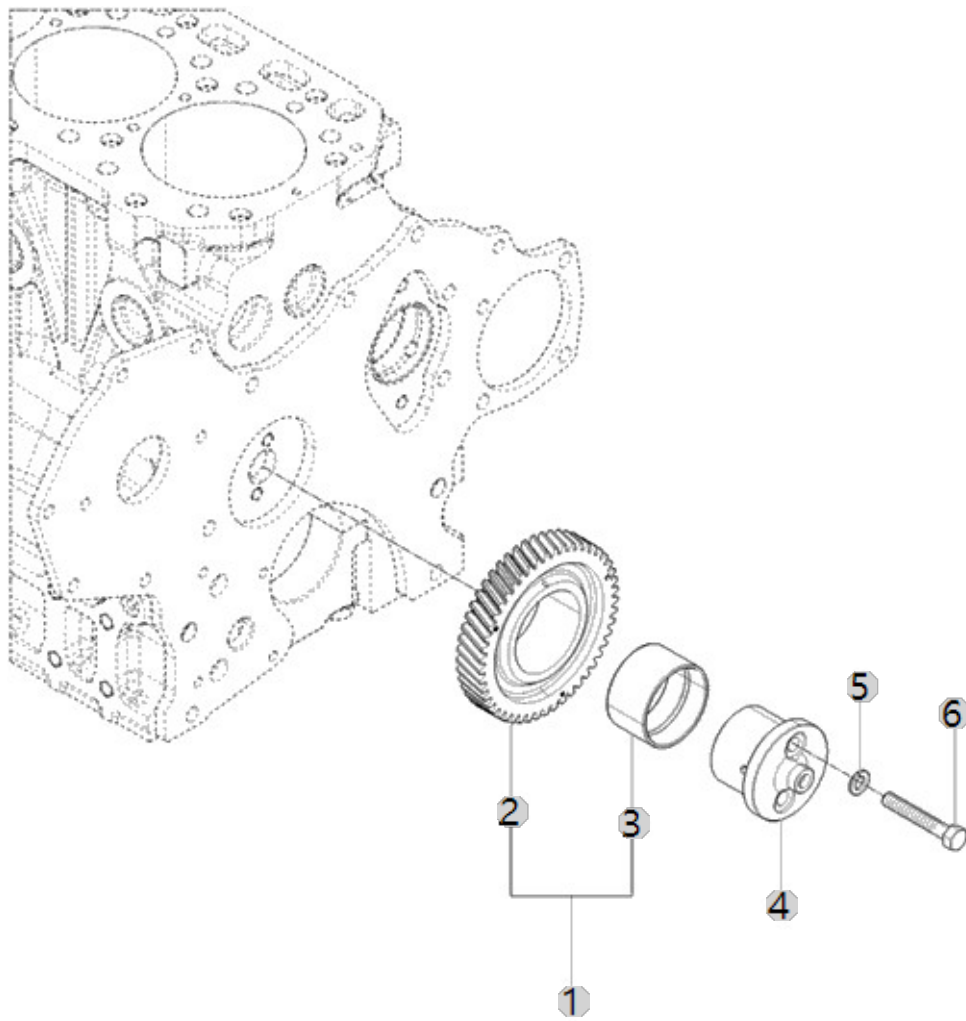
A35\_002

A1700N4-ETC\_5  
(AB00325)

# IDLE GEAR

Year/Month

2022-12-16





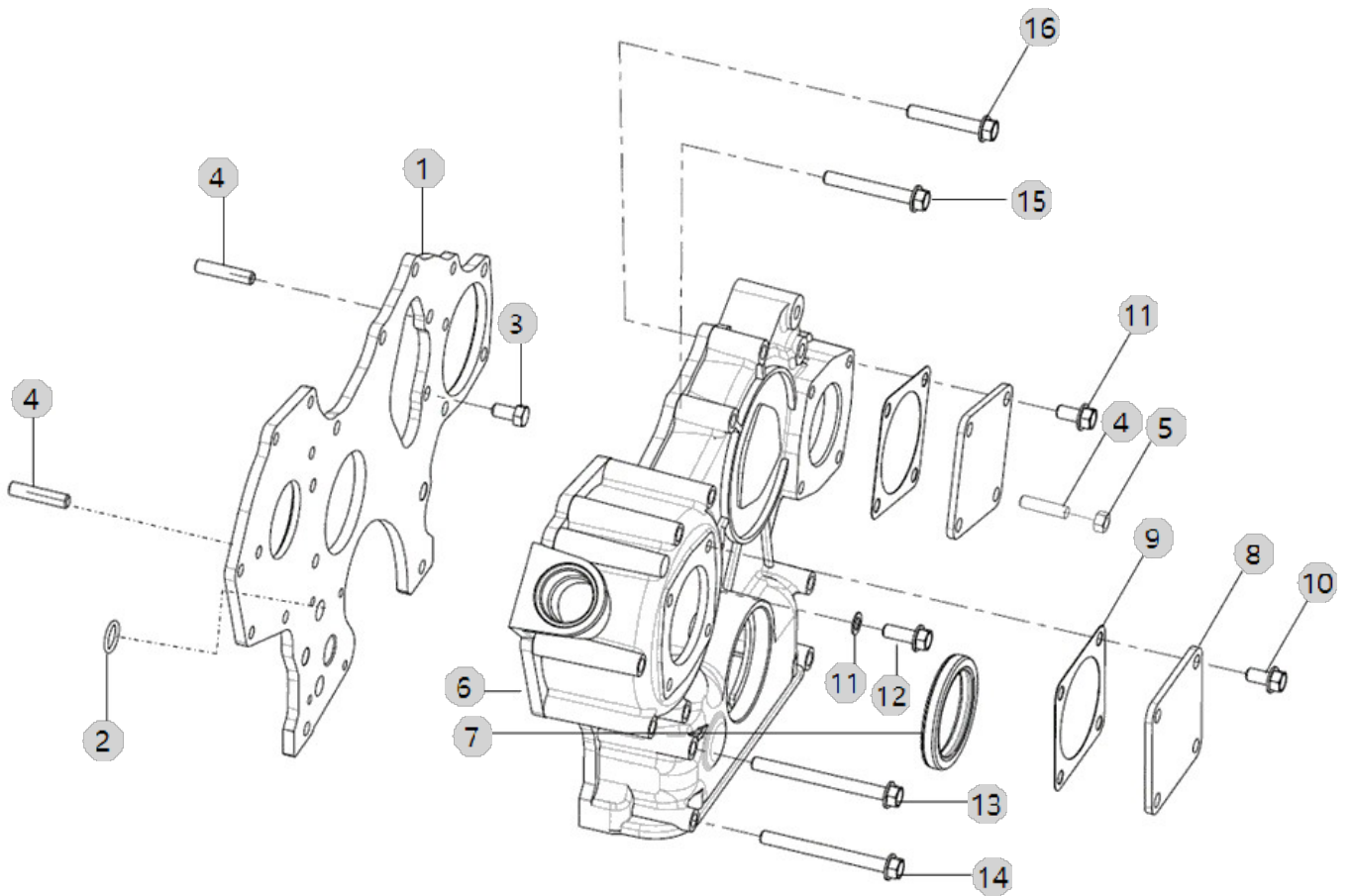
A36\_002

A1700N4-ETC\_5  
(AB00325)

### COVER, FRONT GEAR

Year/Month

2022-12-16







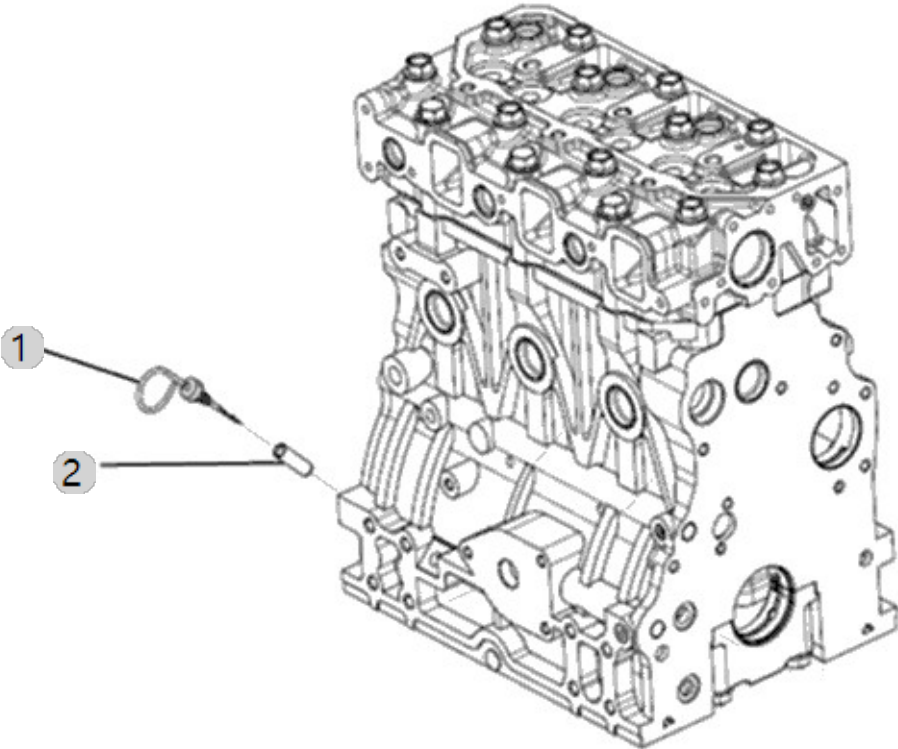
A38\_004

A1700N4-ETC\_5  
(AB00325)

GAUGE, OIL LEVEL

Year/Month

2022-12-16





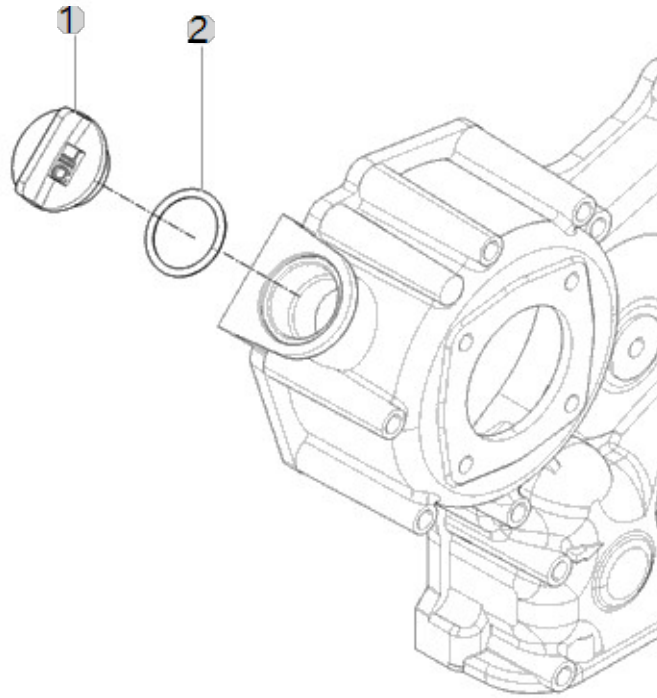
A39\_001

A1700N4-ETC\_5  
(AB00325)

### OIL FILLER CAP

Year/Month

2022-12-16





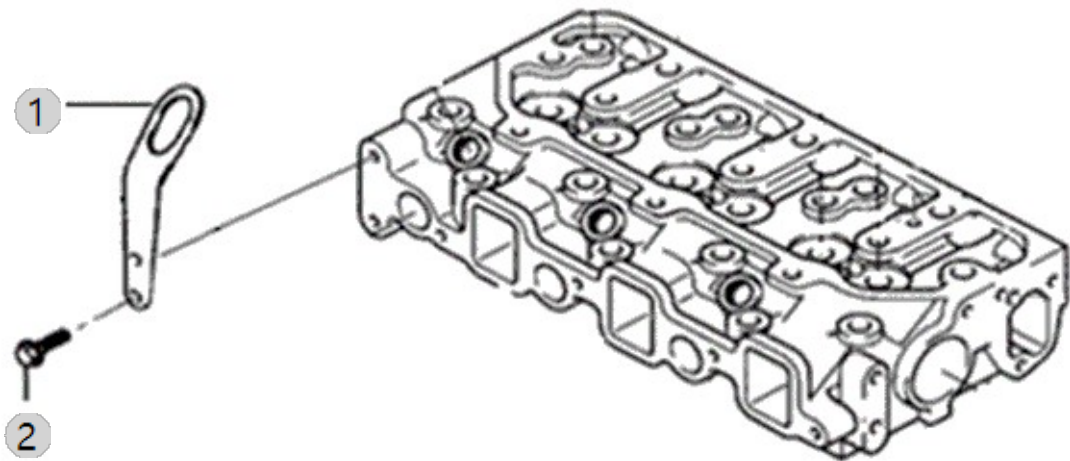
A40\_003

A1700N4-ETC\_5  
(AB00325)

LIFT ASS'Y OPTION

Year/Month

2022-12-16





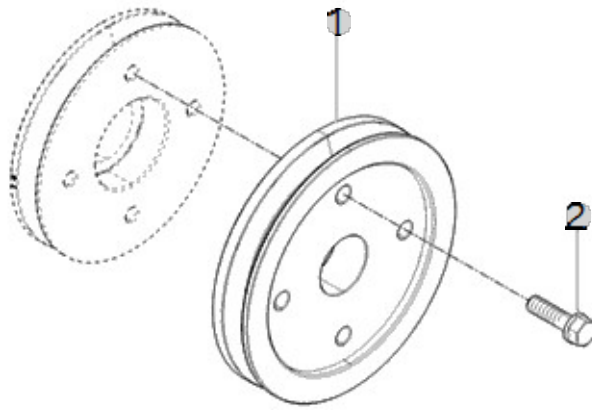
A41\_001

A1700N4-ETC\_5  
(AB00325)

COMP,DRIVE PULLEY ASS'Y OPTION

Year/Month

2022-12-16







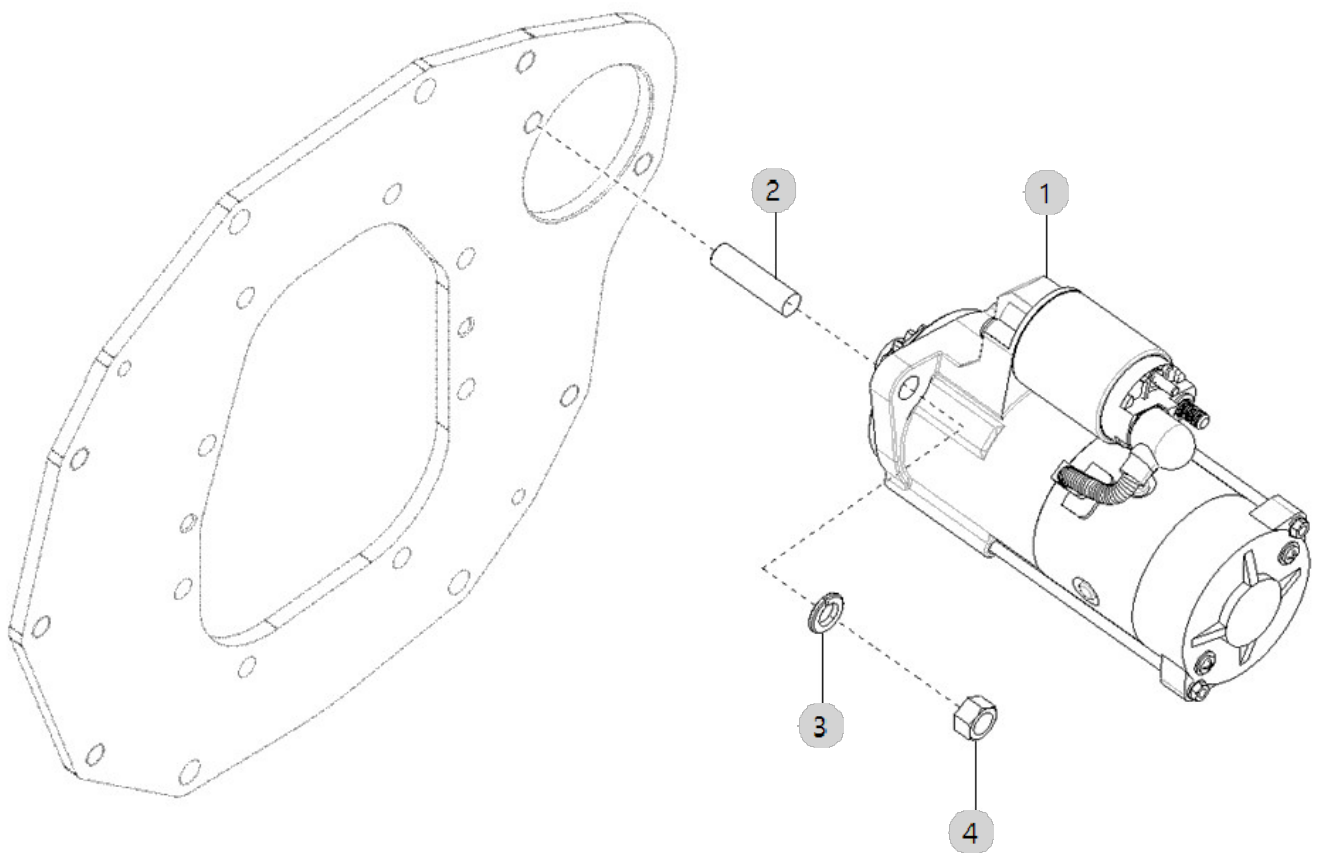
A42\_003

A1700N4-ETC\_5  
(AB00325)

### MOTER, STARTIONS

Year/Month

2022-12-16



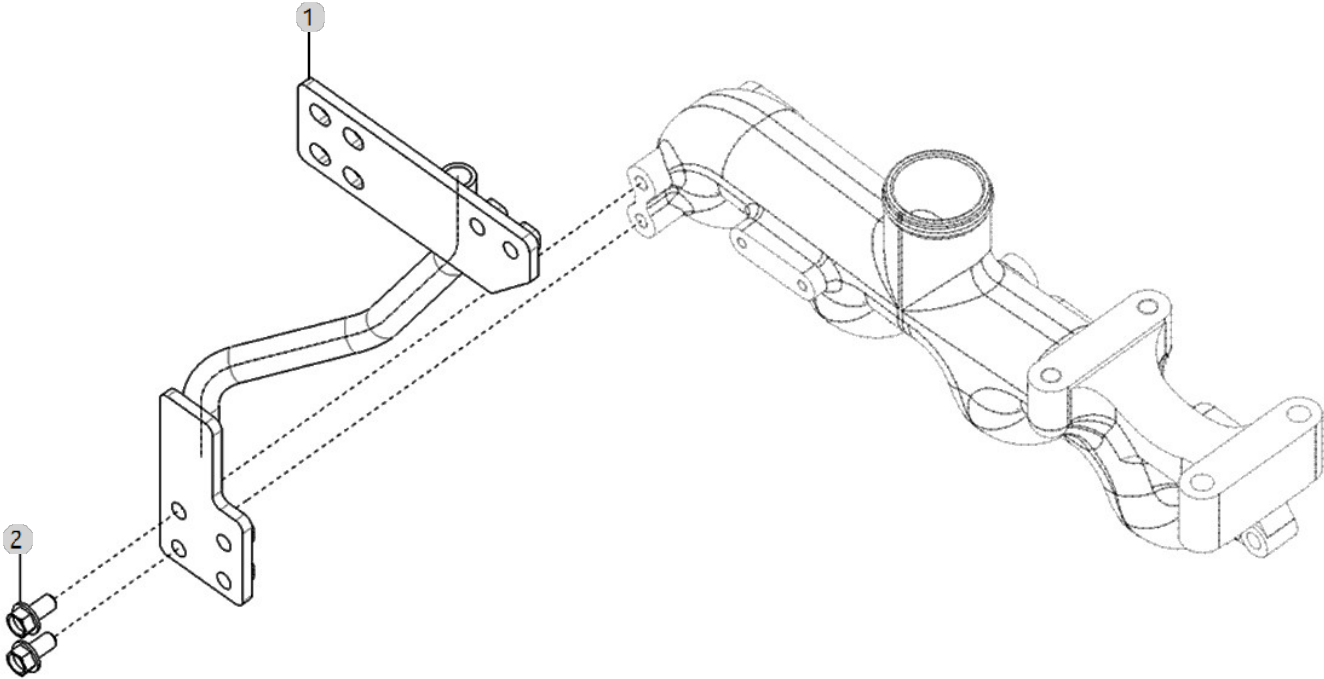


A43\_001  
A1700N4-ETC\_5  
(AB00325)

DPF SUPPORT OPTION

Year/Month

2022-12-16





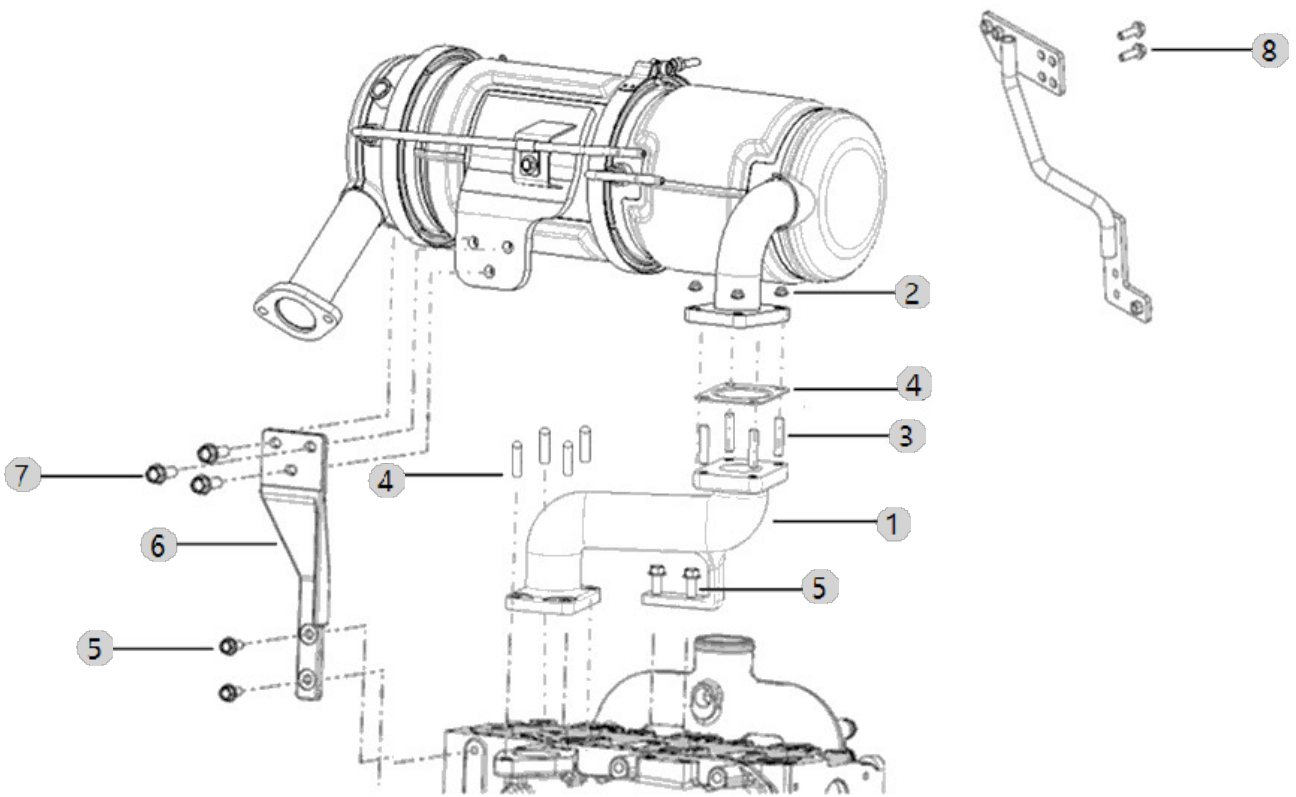
A44\_003

A1700N4-ETC\_5  
(AB00325)

### DPF MOUNTING OPTION

Year/Month

2022-12-16





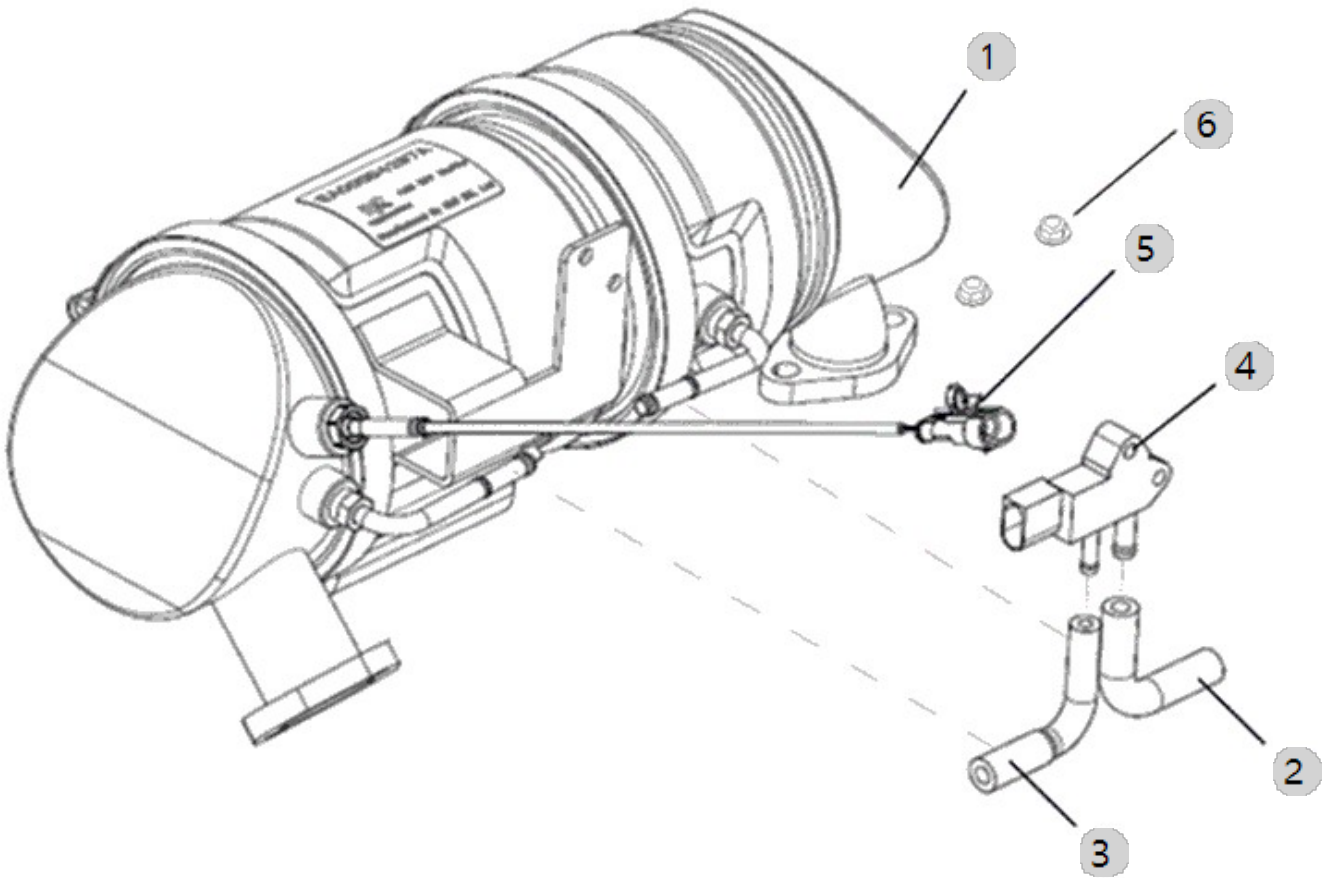
A45\_001

A1700N4-ETC\_5  
(AB00325)

DPF

Year/Month

2022-12-16







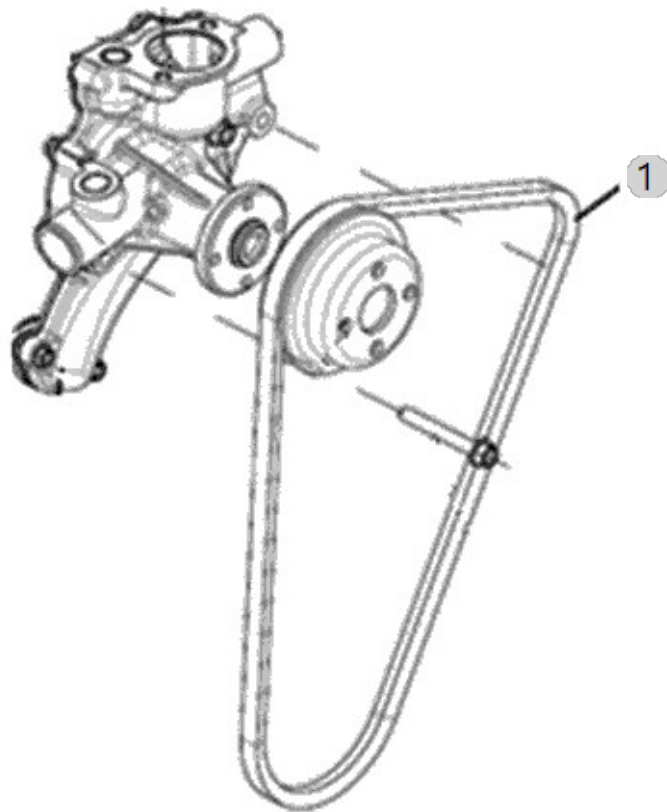
A48\_006

A1700N4-ETC\_5  
(AB00325)

V-BELT

Year/Month

2022-12-16





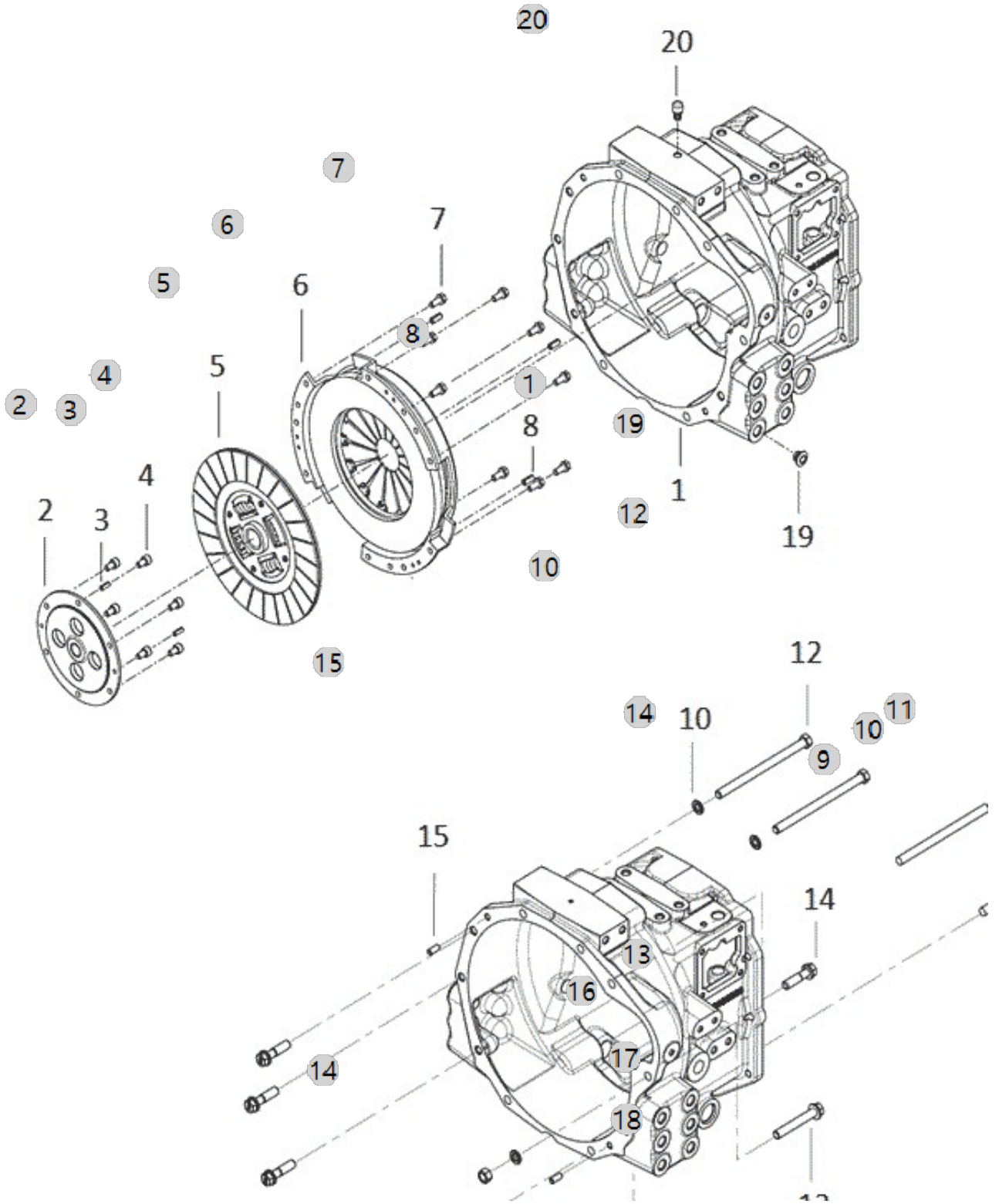
F01010

BRANSON K3C  
TM\_EU(AC01543)

# CLUTCH HOUSING

Year/Month

2022-12-16



F01010 BRANSON K3C TM_EU(AC01543)	CLUTCH HOUSING				Year/Month	
					2022-12-16	

순번 (NO)	부품번호 (PART NO)	품명 (PART NAME)	품명 (PART NAME)	수량 (QTY)	규격 (SPEC)	비고 (REMARK)
1	TA00038686C	클러치하우징	CLUTCH HOUSING	1		
1	TA00038686B	클러치하우징	CLUTCH HOUSING	1		
1	TA00038686D	클러치하우징	CLUTCH HOUSING	1		
1	TA00038686E	클러치하우징	CLUTCH HOUSING	1		
1	TA00038686F	클러치하우징	CLUTCH HOUSING	1		
1	TA00038686G	클러치하우징	CLUTCH HOUSING	1		
1	TA00038686H	클러치하우징	CLUTCH HOUSING	1		
1	TA00038686I	클러치하우징	CLUTCH HOUSING	1		
1	TA00038686J	클러치하우징	CLUTCH HOUSING	1		
1	TA00038686K	클러치하우징	CLUTCH HOUSING	1		
1	TA00038686L	클러치하우징	CLUTCH HOUSING	1		
1	TA00038686M	클러치하우징	CLUTCH HOUSING	1		
2	TA00038871B	PTO슬리브	SLEEVE	1		
2	TA00038871D	PTO슬리브	SLEEVE	1		
2	TA00038871C	PTO슬리브	SLEEVE	1		
2	TA00038871E	PTO슬리브	SLEEVE	1		
3	22351-060016	스프링핀	PIN, SPRING (6-16)	2	D6X16	
4	26450-080142	육각소켓캡볼트	BOLT	6	M8X14	
5	TA00042141A	클러치디스크조합	CLUTCH DISC ASSEMBLY	1		
6	TU38040000A	클러치커버조합	CLUTCH COVER ASS'Y	1		
7	26013-080202	와셔조립육각볼트(+SW)	Bolt, Hexa (8-20)	9	M8XP1.25X20	
8	22351-080018	스프링핀	PIN, SPRING (8-18)	3	D8X18	
9	TA00040214C	심음볼트(185mm)	BOLT	2		
9	TA00040214B	심음볼트(185mm)	BOLT	2		
10	22217-120000	스프링와셔	WASHER, SPRING (Φ 12)	5	M12	
11	26716-120002	295,ALL,육각너트	HEXA NUT295	3	M12X1.75	
12	TA00040213C	육각볼트(175mm)	HEX BOLT	2		
12	TA00040213B	육각볼트(175mm)	HEX BOLT	2		
13	TA00040292A	볼트(M12xP1.75)	HEX BOLT	1		
13	TA00040292B	볼트(M12xP1.75)	HEX BOLT	1		
14	FB36330000A4	와셔조립육각볼트(+SW)	Hex Bolt With Washer	5	M12XP1.75X5	
14	FB36330000B4	와셔조립육각볼트(+SW)	HEX BOLT WITH WASHER	5	M12XP1.75X5	
15	22312-080180	평행핀	PIN, DOWEL (8-18)	2	D8X18	
16	22417-300250	가름핀3X25	PIN , COTTER (3-25)	1	D3.0X25	
17	TA00038610B	커버	COVER, CLUTCH HOUSING	1		
17	TA00038610A	커버	COVER, CLUTCH HOUSING	1		
18	26106-100202	육각플랜지볼트	HEX BOLT, (10-20)	4	M10XP1.5X20	DEL.20211013
19	TA00055258A	고무플러그(14)	PLUG(14)	12		
20	TA00034078A	에어 브리더	AIR BREATHER	1		

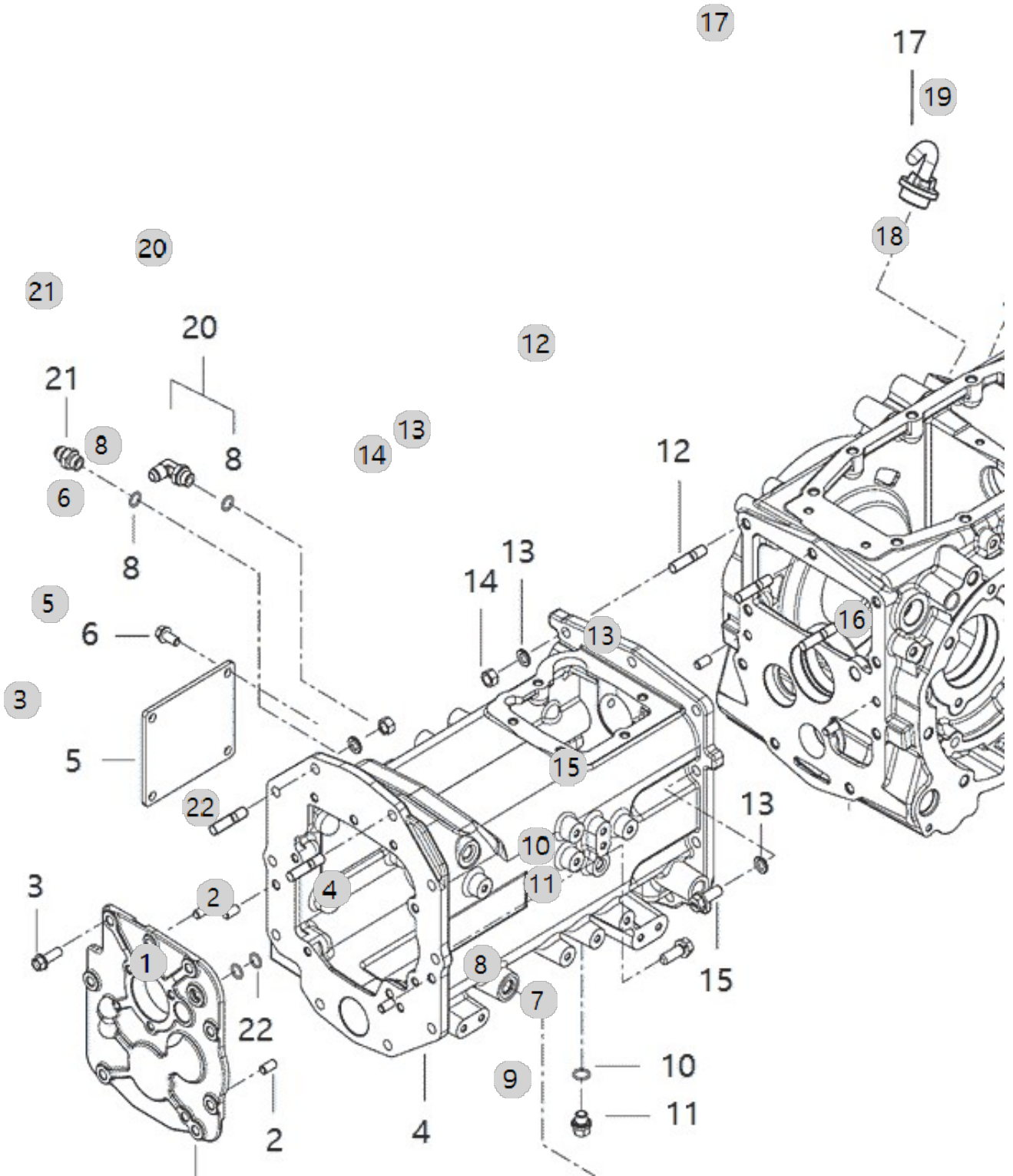
F01020

BRANSON K3C  
TM\_EU(AC01543)

# TRANSMISSION CASE

Year/Month

2022-12-16



F01020 BRANSON K3C TM_EU(AC01543)		TRANSMISSION CASE				Year/Month 2022-12-16
순번 (NO)	부품번호 (PART NO)	품명 (PART NAME)	품명 (PART NAME)	수량 (QTY)	규격 (SPEC)	비고 (REMARK)
1	TA00038262C	플레이트	PLATE	1		
1	TA00038262B	플레이트	PLATE	1		
1	TA00038262D	플레이트	PLATE	1		
2	22312-100180	평행핀	PIN, DOWEL (10-18)	6	D10X18	
3	26106-100302	육각플랜지볼트	HEXFLANGE BOLT	7	M10XP1.5X30	DEL.20211013
4	TA00038687D	미션케이스	MISSION CASE	1		
4	TA00038687B	미션케이스	MISSION CASE	1		
4	TA00038687F	미션케이스	MISSION CASE	1		
4	TA00038687H	미션케이스	MISSION CASE	1		
4	TA00038687C	미션케이스	MISSION CASE	1		
4	TA00038687E	미션케이스	MISSION CASE	1		
4	TA00038687G	미션케이스	MISSION CASE	1		
4	TA00038687I	미션케이스	MISSION CASE	1		
4	TA00038687J	미션케이스	MISSION CASE	1		
4	TA00038687K	미션케이스	MISSION CASE	1		
4	TA00038687M	미션케이스	MISSION CASE	1		
4	TA00038687N	미션케이스	MISSION CASE	1		
4	TA00038687O	미션케이스	MISSION CASE	1		
5	TA00038613A	주변속 포크커버	MAIN SHIFT FORK COVER	1		DEL.20211013
6	26106-100202	육각플랜지볼트	HEX BOLT, (10-20)	4	M10XP1.5X20	
7	NTA1130100A9	몸체	PLUG	1		
8	24311-000140	441,ALL,O-RINGP-14	O-RING, DYNAMIC (Φ14)	3	P14	
9	NTA1130000A4	플러그	PLUG	1	PF3/8	DEL.20211013
9	NTA1130000B4	플러그	PLUG	1		DEL.20211013
10	24311-000160	O-링 P 16	O-RING, DYNAMIC (Φ16)	2	P16	
11	TB28120000C4	퇴유플러그	DRAIN PLUG	2	M14XP1.5	
11	TB28120000D4	퇴유플러그	PLUG	2	D23	
12	FT80120000A4	심음볼트(12X38)	StudBolt(12X38)	5		DEL.20211013
12	FT80120000B4	심음볼트	STUD BOLT(12X38)	5		DEL.20211013
13	22217-120000	스프링와셔	WASHER, SPRING (Φ 12)	19	M12	
14	26716-120002	295,ALL,육각너트	HEXA NUT295	5	M12X1.75	
15	TH22090000A4	보울트(M12xP1.75x35)	BOLT (M12 P1.75X35)	14	NONE	DEL.20211013
15	TH22090000B4	보울트(M12xP1.75x35)	WASHER ASSY HEX BOLT	14	-	DEL.20211013
16	TA00043199H	후차축케이스(HST)	REAR AXLE CASE	1		
16	TA00043199B	후차축케이스(HST)	REAR AXLE CASE	1		
16	TA00043199C	후차축케이스(HST)	REAR AXLE CASE	1		
16	TA00043199D	후차축케이스(HST)	REAR AXLE CASE	1		
16	TA00043199F	후차축케이스(HST)	REAR AXLE CASE	1		
16	TA00043199G	후차축케이스(HST)	REAR AXLE CASE	1		
17	FT80370000A4	주유구캡	CAP,INTAKE	1		
18	24311-000180	O-RING(P18)	O-RING, DYNAMIC (Φ18)	1	P18	
19	TA00038076B	검유봉	LOD	1		
19	TA00038076A	검유봉	LOD	1		
20	CEE4050000A	자리부착엘보3/8	ELBOW(3/8)	1		
20	CEE4050000B4	자리부착엘보3/8	ELBOW(3/8)	1		DEL.20211013





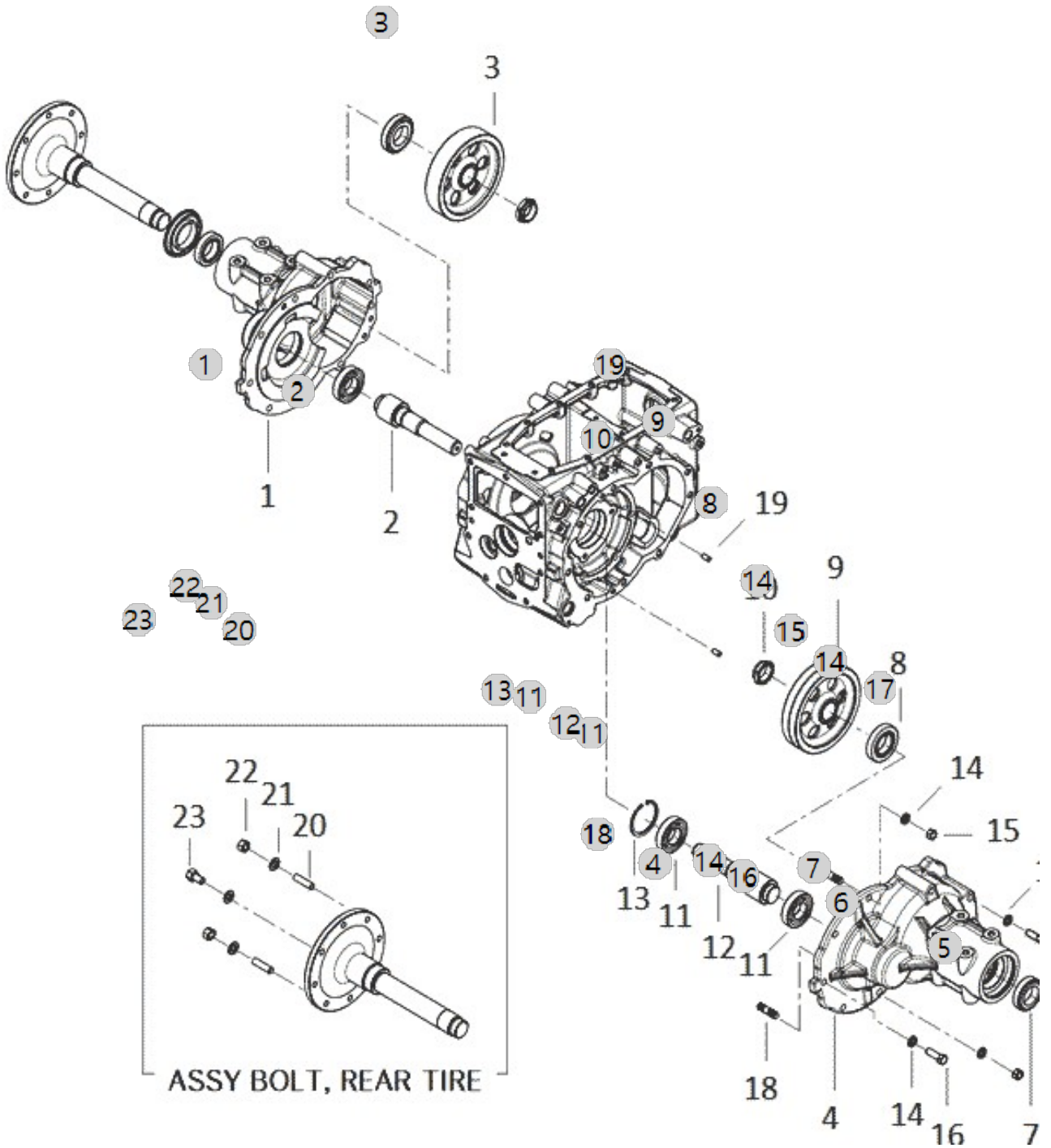
F01030

BRANSON K3C  
TM\_EU(AC01543)

REAR AXLE HOUSING

Year/Month

2022-12-16



F01030 BRANSON K3C TM_EU(AC01543)		REAR AXLE HOUSING				Year/Month 2022-12-16
순번 (NO)	부품번호 (PART NO)	품명 (PART NAME)	품명 (PART NAME)	수량 (QTY)	규격 (SPEC)	비고 (REMARK)
1	TA00038690C	후차축하우징(R)	REAR AXLE HOUSING R	1		
1	TA00038690B	후차축하우징(R)	REAR AXLE HOUSING R	1		
1	TA00038690D	후차축하우징(R)	REAR AXLE HOUSING R	1		
1	TA00038690E	후차축하우징(R)	REAR AXLE HOUSING R	1		
1	TA00038690G	후차축하우징(R)	REAR AXLE HOUSING R	1		
2	TA00038395B	파이널 피니언(우)	FINAL_REAR_PINION(R)	1		
2	TA00038395C	파이널 피니언(우)	FINAL_REAR_PINION(R)	1		
2	TA00038395D	파이널 피니언(우)	FINAL_REAR_PINION(R)	1		
2	TA00038395E	파이널 피니언(우)	FINAL_REAR_PINION(R)	1		
3	TA00038393B	파이널기어(우)	FINAL_REAR_GEAR (R)	1		
3	TA00038393C	파이널기어(우)	FINAL_REAR_GEAR (R)	1		
4	TA00038689C	후차축하우징(좌)	REAR AXLE HOUSING L	1		
4	TA00038689B	후차축하우징(좌)	REAR AXLE HOUSING L	1		
4	TA00038689D	후차축하우징(좌)	REAR AXLE HOUSING L	1		
4	TA00038689E	후차축하우징(좌)	REAR AXLE HOUSING L	1		
4	TA00038689G	후차축하우징(좌)	REAR AXLE HOUSING L	1		
5	TA00038361C	후차축	REAR AXLE SHAFT	2		
5	TA00038361B	후차축	REAR AXLE SHAFT	2		
5	TA00038361D	후차축	REAR AXLE SHAFT	2		
6	TA00033423A	오일실(후차축)	SEAL, OIL (REAR AXLE)	2		
7	24141-320090	테이퍼롤러베어링	TAPER ROLLER BEARING	2	NONE	
8	24141-302090	테이퍼롤러베어링	BEARING	2	NONE	
9	TA00038359B	파이널기어(좌)	FINAL RING GEAR	1		
9	TA00038359C	파이널기어(좌)	FINAL RING GEAR	1		
10	TA00038354A	로크너트	LOCK NUT	2		
10	TA00038354B	락너트(K3)	LOCK NUT	2		
11	TT21040000A4	볼베어링(TMB208)	BEARING	4	TMB208	
12	TA00038394B	파이널 피니언(좌)	FINAL_REAR_PINION(L)	1		
12	TA00038394C	파이널 피니언(좌)	FINAL_REAR_PINION(L)	1		
12	TA00038394D	파이널 피니언(좌)	FINAL_REAR_PINION(L)	1		
12	TA00038394E	파이널 피니언(좌)	FINAL_REAR_PINION(L)	1		
13	22252-000800	구멍용스냅링80	RING, CIRCLIP (Φ 80)	2	D80	
14	22217-140000	스프링와셔14	WASHER, SPRING (Φ 14)	18	M14	
15	26716-140002	육각너트	NUT	4	M14X2.0	
16	FT08110000A4	볼트(M14X42)	BOLT(M14X42)	6	M14XP2.0X42	
16	FT08110000B4	볼트	BOLT(M14X42)	6	M14XP2.0X42	
17	TA00038428B	볼트(M14x130)	BOLT	8		
17	TA00038428C	볼트(M14x130)	BOLT	8		
18	FB80120000A4	심음볼트(M14X38)	STUD BOLT(M14X38)	4	M14XP2.0X38	
18	FB80120000B4	심음볼트(M14X38)	STUD BOLT(M14X38)	4		
19	22312-100180	평행핀	PIN, DOWEL (10-18)	4	D10X18	
20	TT85150000A4	심음볼트	Bolt	4	M14XP1.5	
20	TT85150000B4	심음볼트	BOLT	4	M14XP1.5	
21	TB29430000A4	와셔	WASHER	16	T3.5X35X35	
21	TB29430000B4	와셔	WASHER	16		



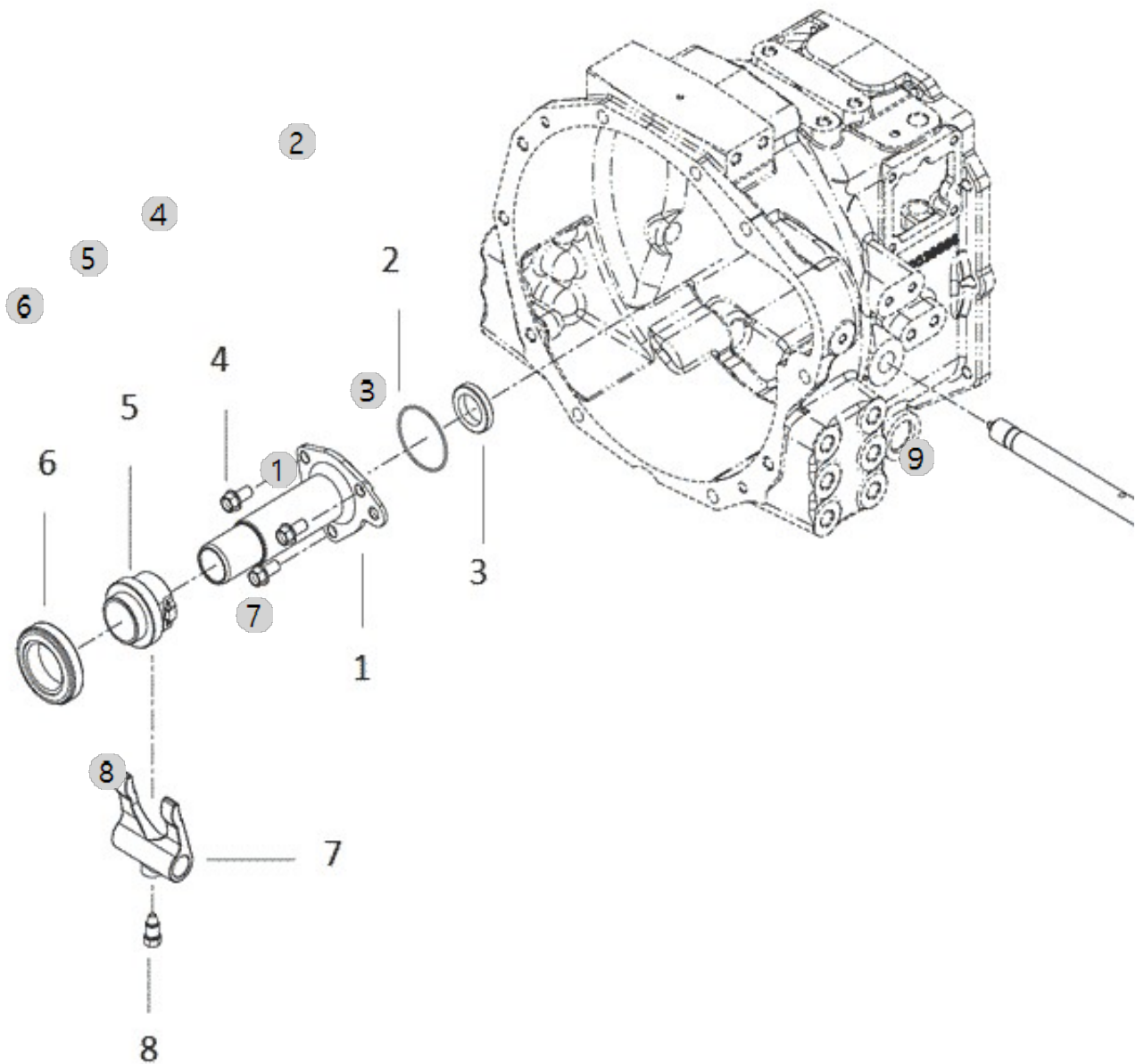
F02010

BRANSON K3C  
TM\_EU(AC01543)

# CLUTCH RELEASE

Year/Month

2022-12-16





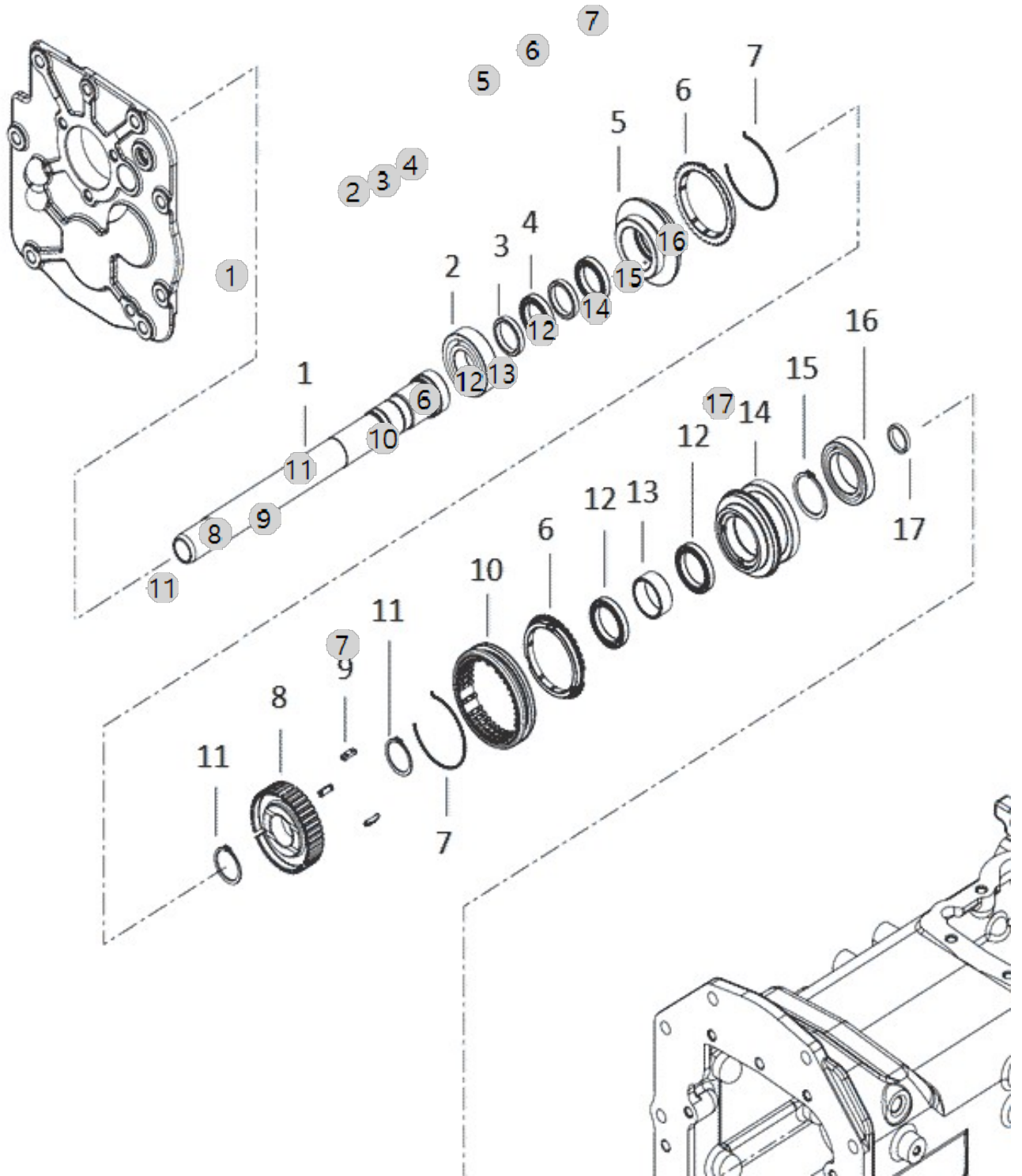
F02020

BRANSON K3C  
TM\_EU(AC01543)

# CLUTCH SHAFT

Year/Month

2022-12-16





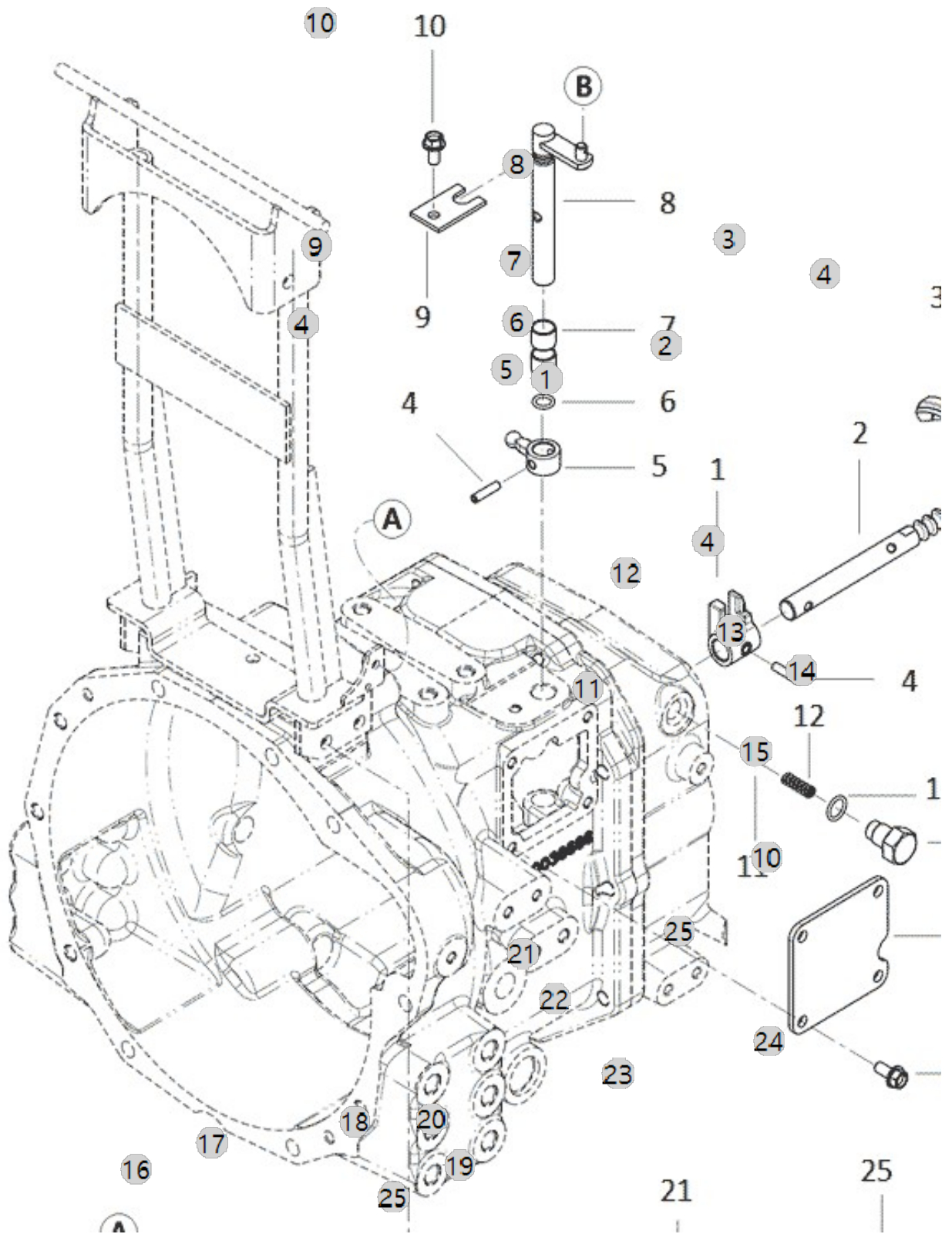
F02030

BRANSON K3C  
TM\_EU(AC01543)

### SHUTTLE SHAFT

Year/Month

2022-12-16





F02030 BRANSON K3C TM_EU(AC01543)		SHUTTLE SHAFT				Year/Month 2022-12-16
순번 (NO)	부품번호 (PART NO)	품 명 (PART NAME)	품 명 (PART NAME)	수량 (QTY)	규격 (SPEC)	비고 (REMARK)
1	TA00038399A	셔틀 시프터	SHIFTER, SHUTTLE	1		
2	TA00038503A	전후진포크축	SHAFT, F/R	1		
2	TA00038503B	전후진포크축	SHAFT, F/R	1		
3	TA00038785A	셔틀 포크	FORK, SHUTTLE	1		
4	22351-060025	SPRINGPIN6X25	PIN, SPRING (6-25)	3	D6X25	
5	TA00038532A	주변속암	ARM-M/SHIFT	1		
6	24311-000120	O-링 495-12	O-RING, DYNAMIC (φ12)	1	P12	
7	24550-016150	드라이부시	DRYBUSH	2		
8	TA00054202A	셔틀 축 조립	SHAFT ASSY, SHUTTLE	1		
9	TA00039028A	플레이트	PLATE	1		
9	TA00039028B	플레이트	PLATE	1		
10	26106-080162	플랜지볼트 8X16	SCREW,HEXFLANGEHEADCAP	5	M8XP1.25X16	
11	24190-110001	강구11/32	Ball, Steel (11/32)	1	11/32	
12	TA00038502A	스프링	SPRING	1		
13	24311-000150	O-링(P형)	O-RING, DYNAMIC (φ15)	1	P15	DEL.20211013
14	TA00038524C	볼트	BOLT	1		
14	TA00038524B	볼트	BOLT	1		
14	TA00038524D	볼트	BOLT	1		DEL.20211013
14	TA00038524E	볼트	BOLT	1		DEL.20211013
15	TA00039099A	셔틀 커버	COVER	1		
15	TA00039099B	셔틀 커버	COVER	1		
16	TCD9110000B2	스위치(FR)	SWITCH ASS'Y	1		
16	TCD9110000D2	스위치(FR)	SWITCH(FR)	1		
17	26106-060162	육각플랜지 볼트	HEXFLANGE BOLT	2	M6XP1.0X16	
18	TA00054209A	셔틀링크 축 조립	SHAFT ASSY, SHUTTLE LINK	1		
19	TA00054205A	셔틀링크 조립	LINK ASSY, SHUTTLE	1		
20	24550-018200	드라이부시	DRY BUSH	1	18X20	
21	22157-080000	평와셔8(대형)	WASHER, PLAIN (φ 08)	1	M8	
22	26106-080162	플랜지볼트 8X16	SCREW,HEXFLANGEHEADCAP	1	M8XP1.25X16	
23	TA00054199A	셔틀로드 조립B	ROD ASSY, SHUTTLE(B)	1		
24	22137-080000	와셔8	WASHER, PLAIN (φ 08)	1	M8	
25	22360-080000	스냅핀8	PIN , SNAP (8φ)	3	D8	

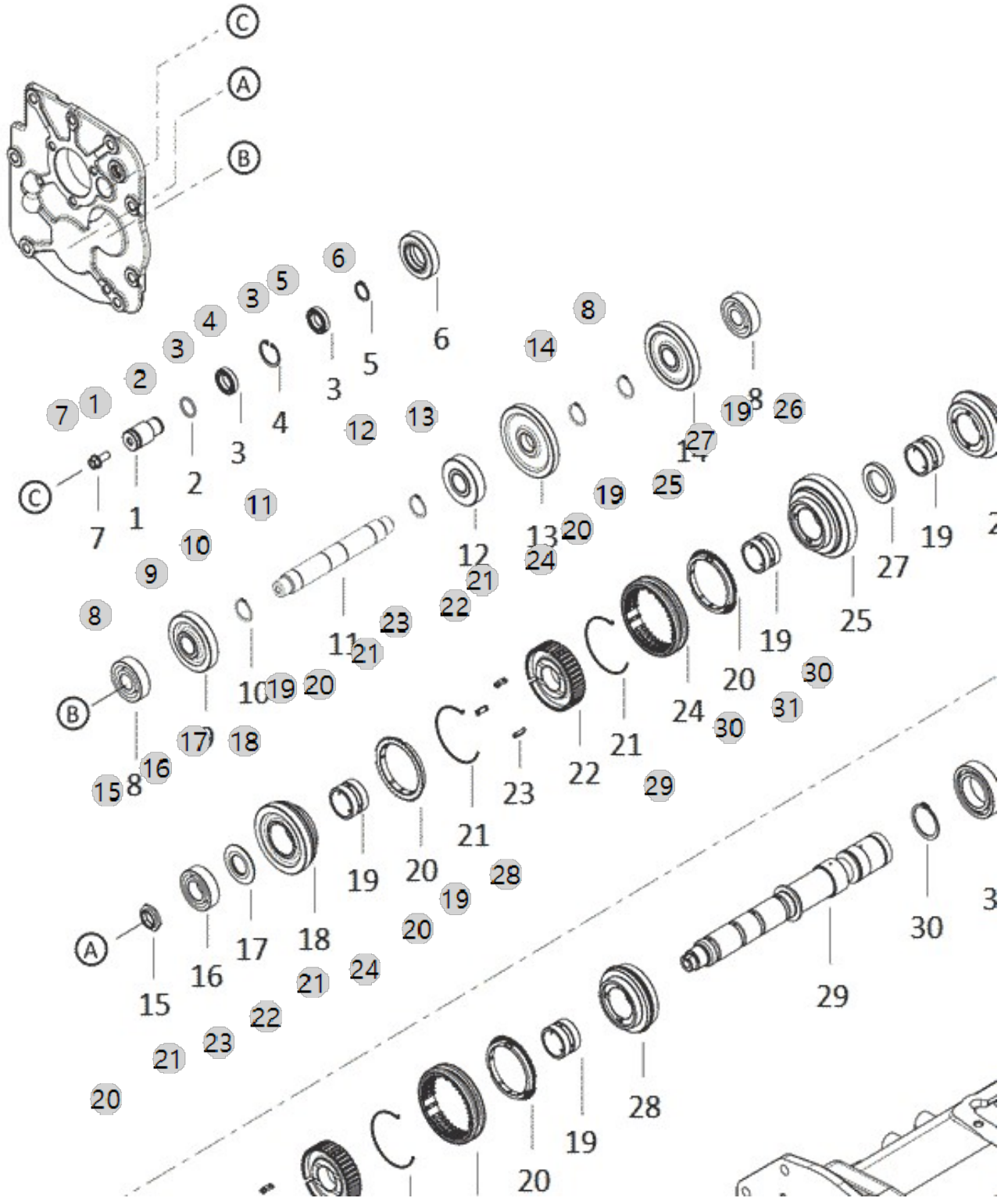
F03010

BRANSON K3C  
TM\_EU(AC01543)

MAIN SHIFT DRIVE SHAFT

Year/Month

2022-12-16



F03010 BRANSON K3C TM_EU(AC01543)	MAIN SHIFT DRIVE SHAFT	Year/Month
		2022-12-16

순번 (NO)	부품번호 (PART NO)	품명 (PART NAME)	품명 (PART NAME)	수량 (QTY)	규격 (SPEC)	비고 (REMARK)
1	TA00038271B	아이들축	SHAFT, IDLE	1		
1	TA00038271C	아이들축	SHAFT, IDLE	1		
1	TA00038271D	아이들축	SHAFT, IDLE	1		
2	24311-000210	361,A22,O-RING1AP-21.0	O-RING, DYNAMIC (Φ21)	2	P21	
3	24101-068044	깊은홈볼베어링	DEEP GROOVE BALL BEARING	2	#6804	
4	22252-000320	구멍용스냅링32	RING, CIRCLIP (Φ 32)	1	D32	
5	22242-000200	축용스냅링20	SNAP RING, SHAFT (Φ 20)	1	D20(축용)	
6	TA00053761A	후진아이들기어	GEAR, BACKWARD IDLE DRIVEN	1		
7	26106-100202	육각플랜지볼트	HEX BOLT, (10-20)	1	M10XP1.5X20	
8	24101-063044	볼베어링6304	BALL BEARING	2	#6304	
9	TA00053762A	주변속2단구동기어	GEAR, MAIN SHIFT DRIVE 2	1		
10	22242-000250	축용스냅링25	SNAP RING, SHAFT (Φ 25)	4	D25	
11	TA00037668C	주변속 구동축	SHAFT, MAIN SHIFT	1		
11	TA00037668B	주변속 구동축	SHAFT, MAIN SHIFT	1		
11	TA00037668D	주변속 구동축	SHAFT, MAIN SHIFT	1		
11	TA00037668E	주변속 구동축	SHAFT, MAIN SHIFT	1		
12	TA00049486B	주변속1단구동기어	MAIN SHIFT DRIVE GEAR, 1ST	1		
12	TA00049486A	주변속1단구동기어	MAIN, DRIVE GEAR 1 SPEED	1		
13	TA00053757A	주변속4단구동기어	GEAR, MAIN DRIVE 4	1		
14	TA00049488A	주변속3단구동기어	MAIN, DRIVE GEAR 3 SPEED	1		
15	TA00038423A	고정너트	NUT	1		
16	24101-062054	볼베어링6205	Bearing, Ball (#6205)	1	#6205UU	
17	TA00038424B	스페이서	SPACER	1		
18	TA00053763A	주변속2단피동기어	GEAR, MAIN SHIFT DRIVEN 2	1		
19	TA00038425B	슬리브	SLEEVE	4		
19	TA00038425C	슬리브	SLEEVE	4		
20	TA00038402A	싱크로나이저링	SYNCHRONIZER RING	4		
21	TA00038401A	스프링	SPRING	4		
22	TA00038417A	허브	HUB	2		
23	TA00038400A	키	KEY	6		
24	TA00038416A	슬리브	SLEEVE	2		
25	TA00049490A	주변속1단피동기어	MAIN, DRIVEN GEAR 1 SPEED	1		
26	TA00053758A	주변속4단피동기어	GEAR, MAIN DRIVEN 4	1		
27	TA00038280A	스페이서	SPACER	1		
28	TA00049492A	주변속3단피동기어	MAIN, DRIVEN GEAR 3 SPEED	1		
29	TA00049493A	주변속피동축	SHAFT-M/STHIFT	1		
30	22242-000400	축용스냅링40	SNAP RING, SHAFT (Φ 40)	2	D40	
31	TA00038427A	볼베어링(6008HL)	BEARING	1		

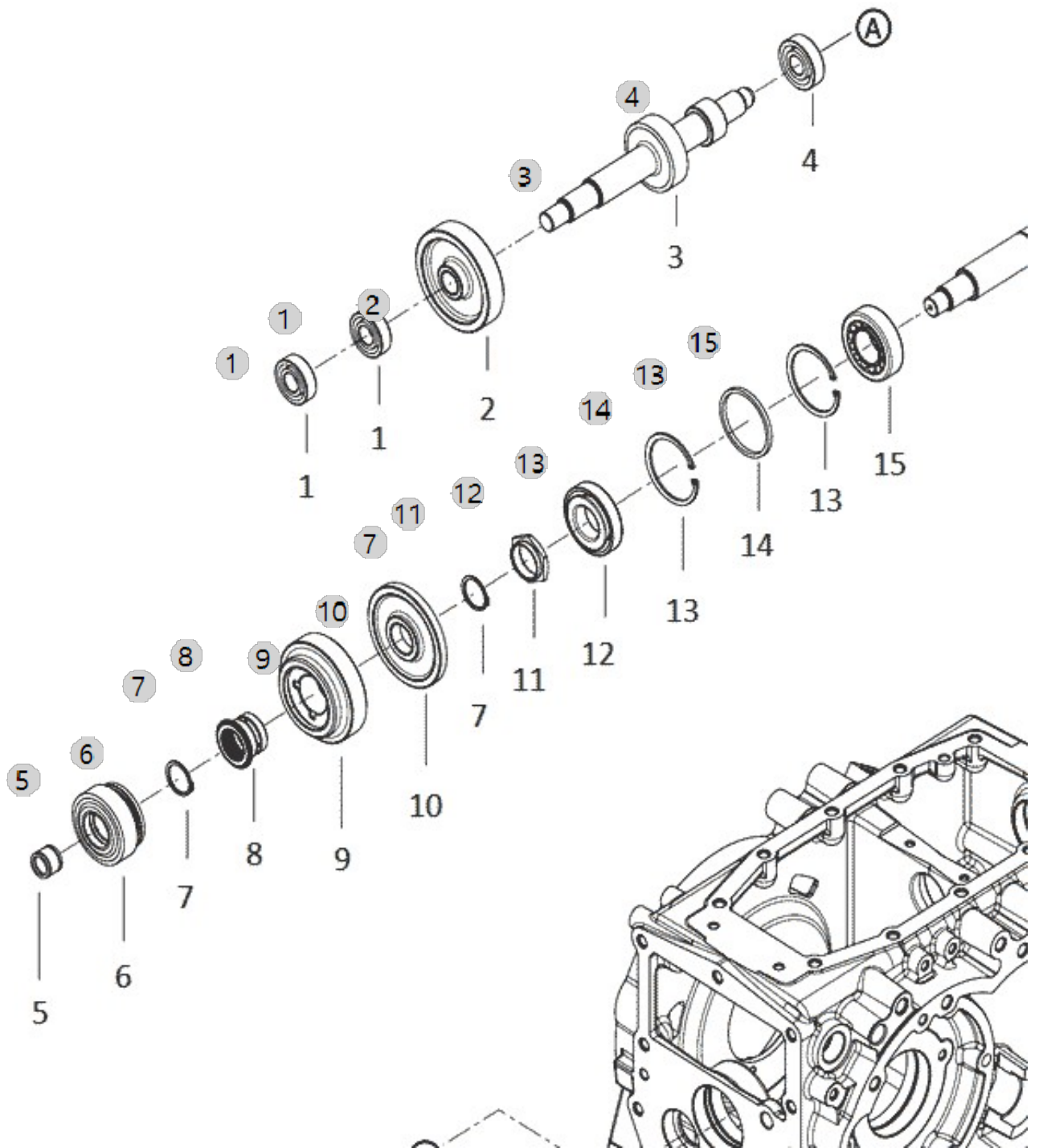
F03040

BRANSON K3C  
TM\_EU(AC01543)

### RANGE SHIFT GEAR

Year/Month

2022-12-16





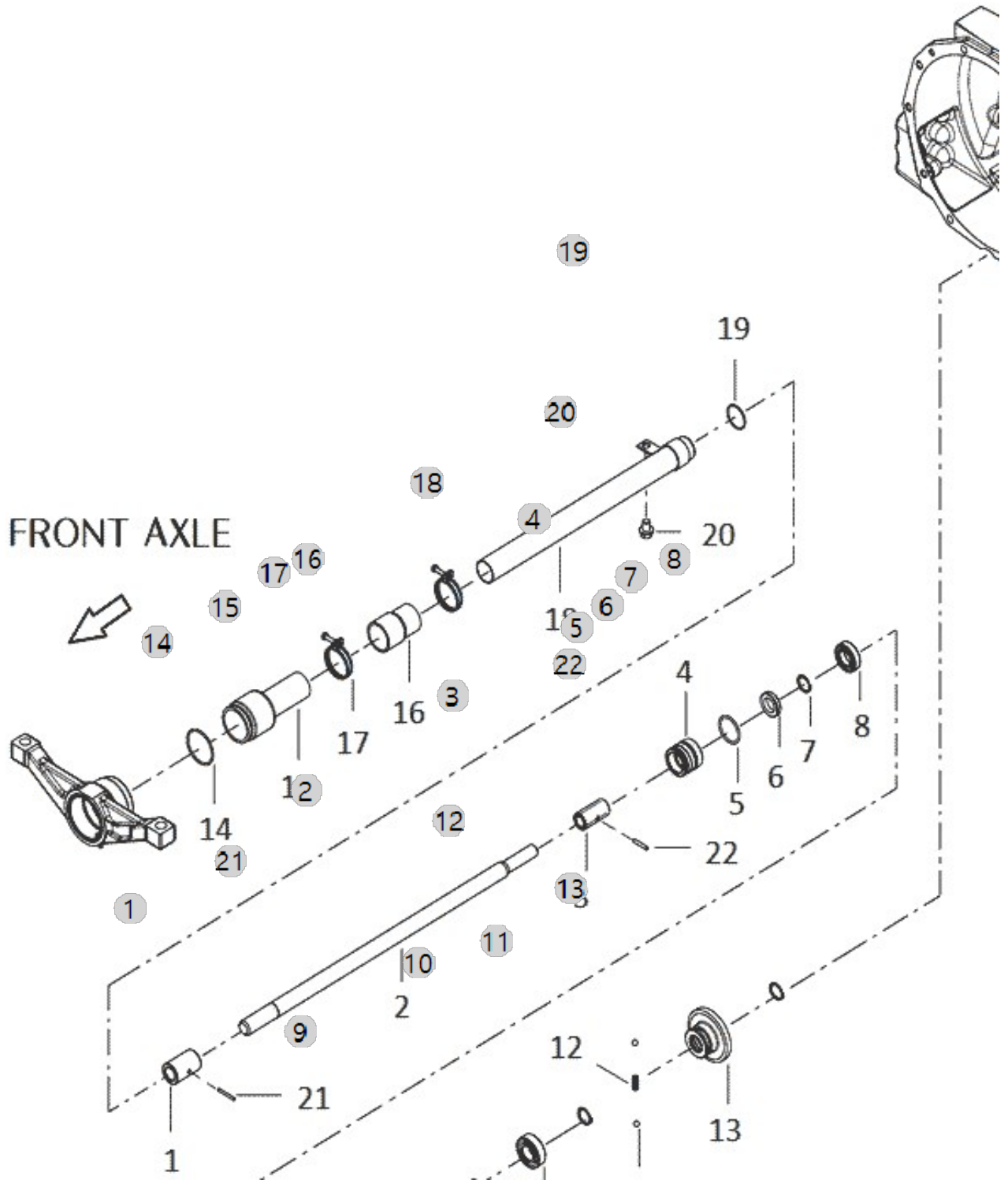
F04010

BRANSON K3C  
TM\_EU(AC01543)

# FORNT DRIVE SHAFT

Year/Month

2022-12-16





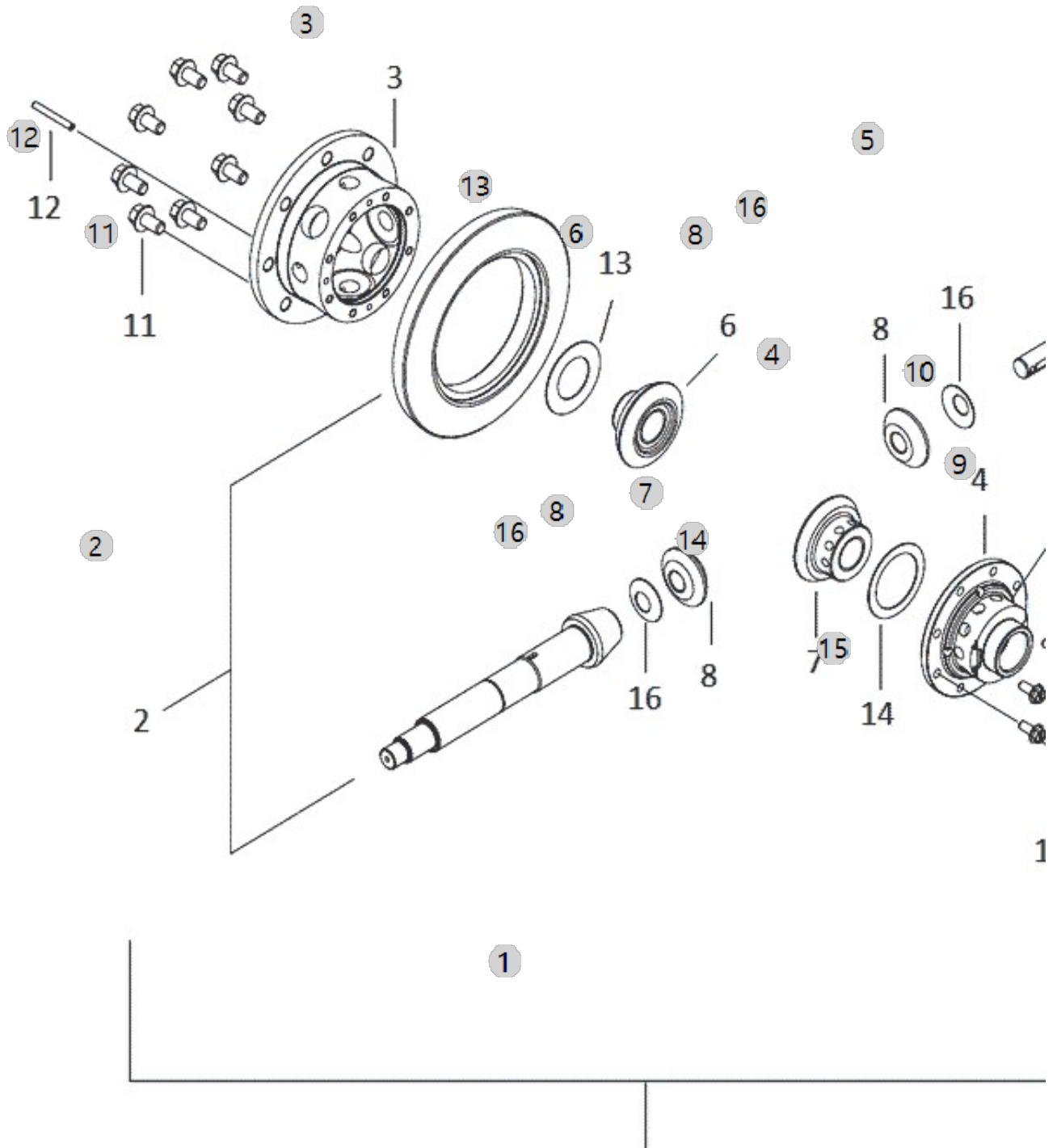
F05020

BRANSON K3C  
TM\_EU(AC01543)

RING GEAR&DIFF.GEAR ASS'Y

Year/Month

2022-12-16







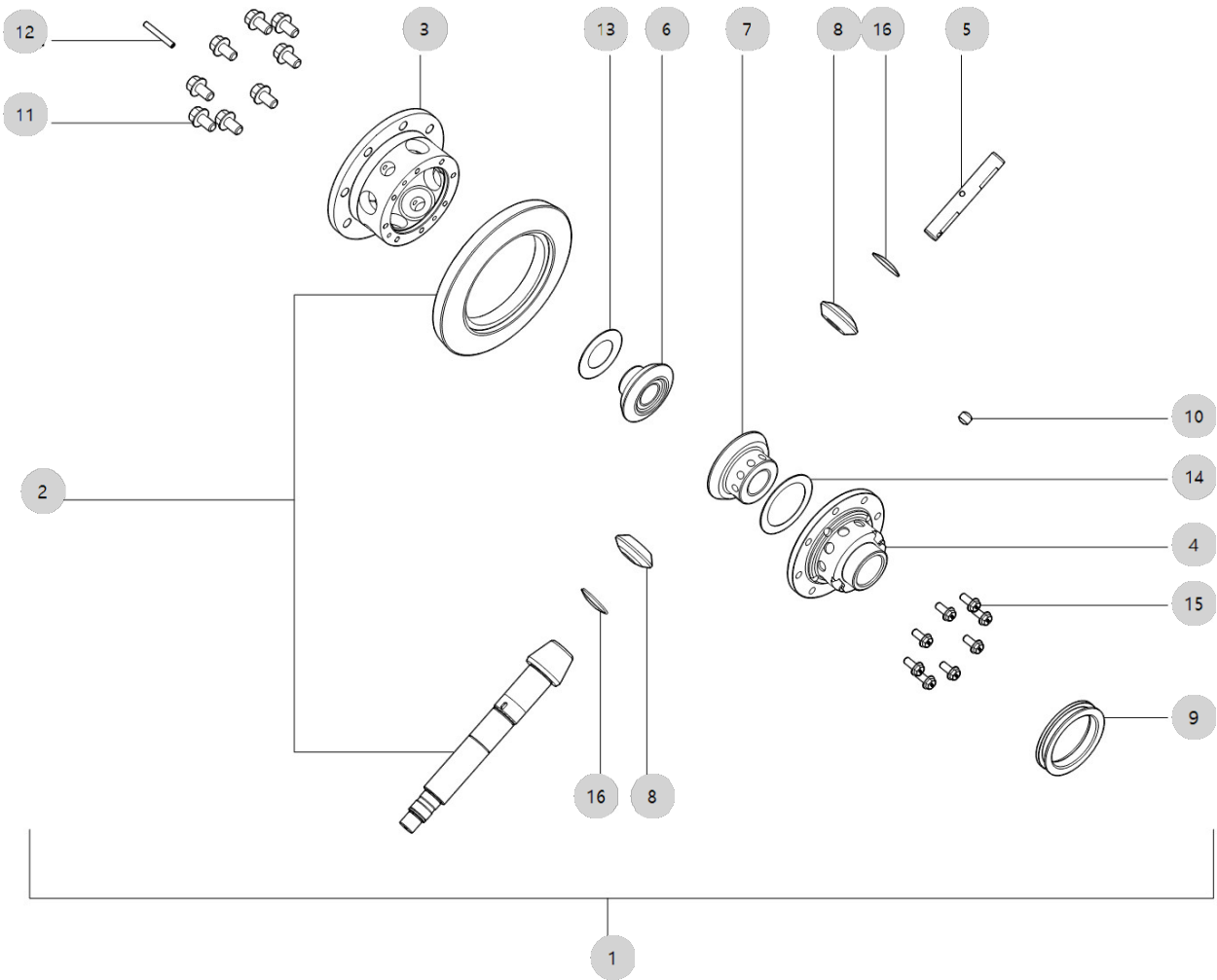
F05020

BRANSON K3C  
TM\_EU(AC01543)

# RING GEAR&DIFF.GEAR ASS'Y

Year/Month

2022-12-16





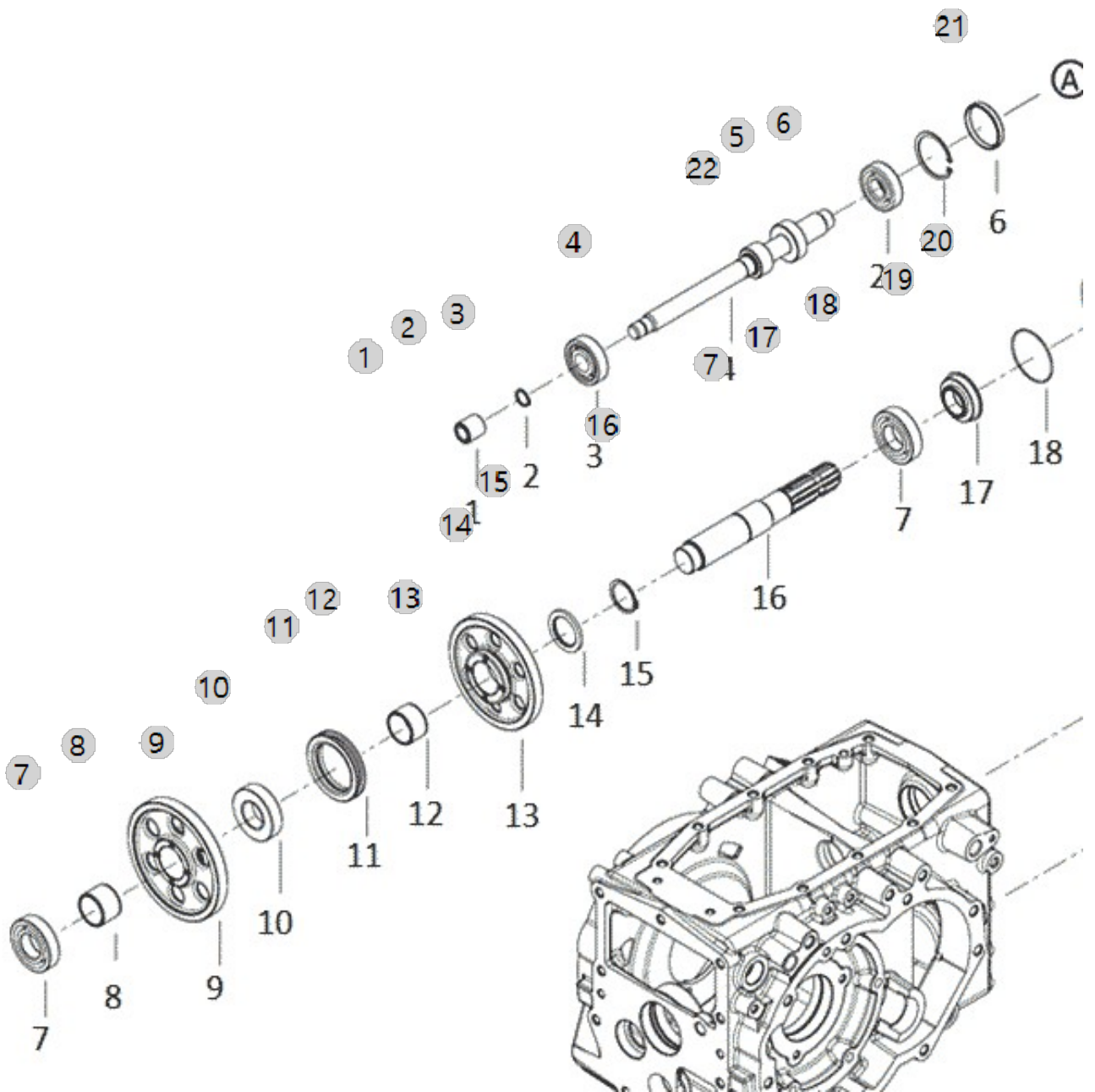
F07030

BRANSON K3C  
TM\_EU(AC01543)

PTO DRIVE SHAFT

Year/Month

2022-12-16





F07070

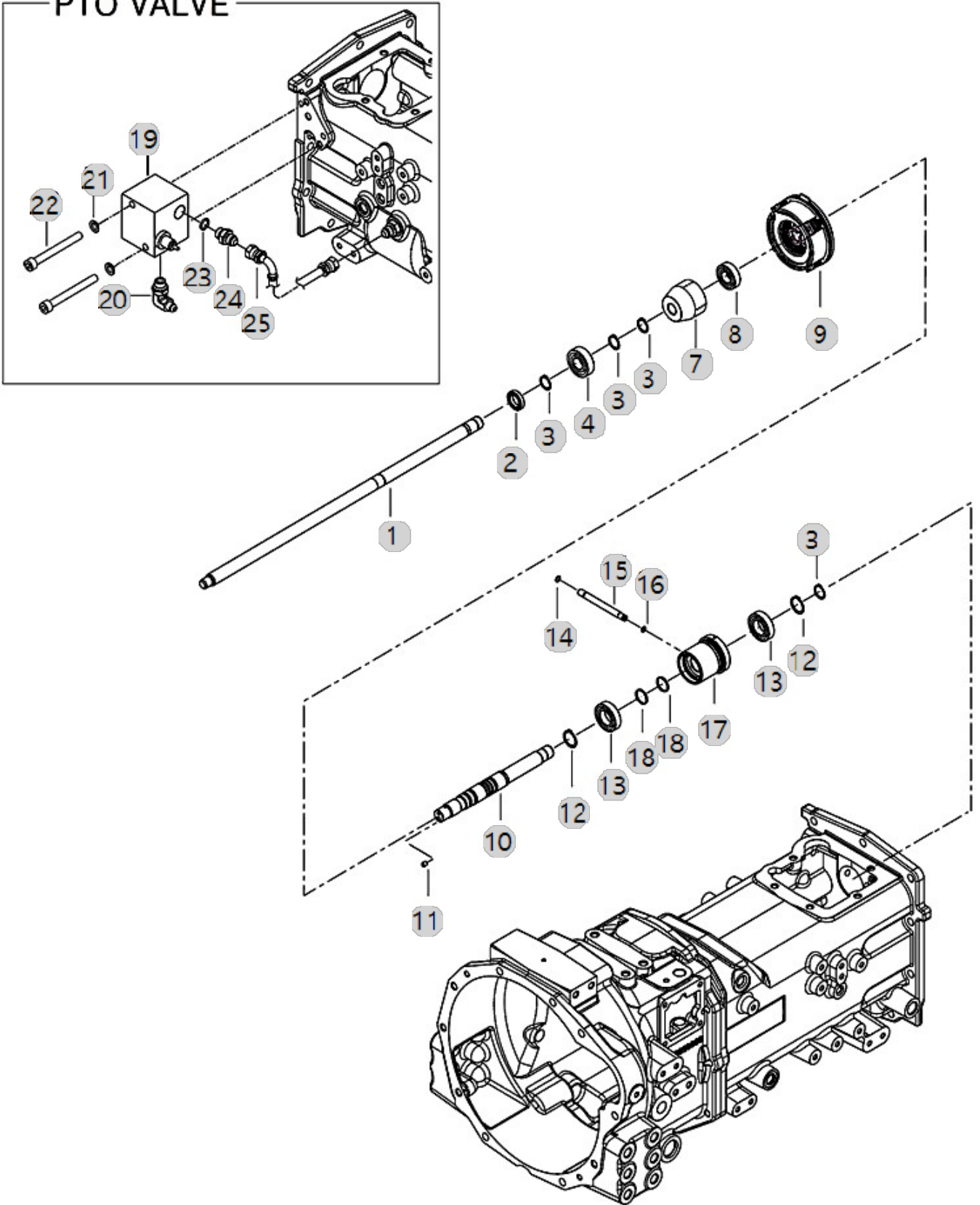
BRANSON K3C  
TM\_EU(AC01543)

# MAIN P.T.O SHAFT

Year/Month

2022-12-16

## PTO VALVE





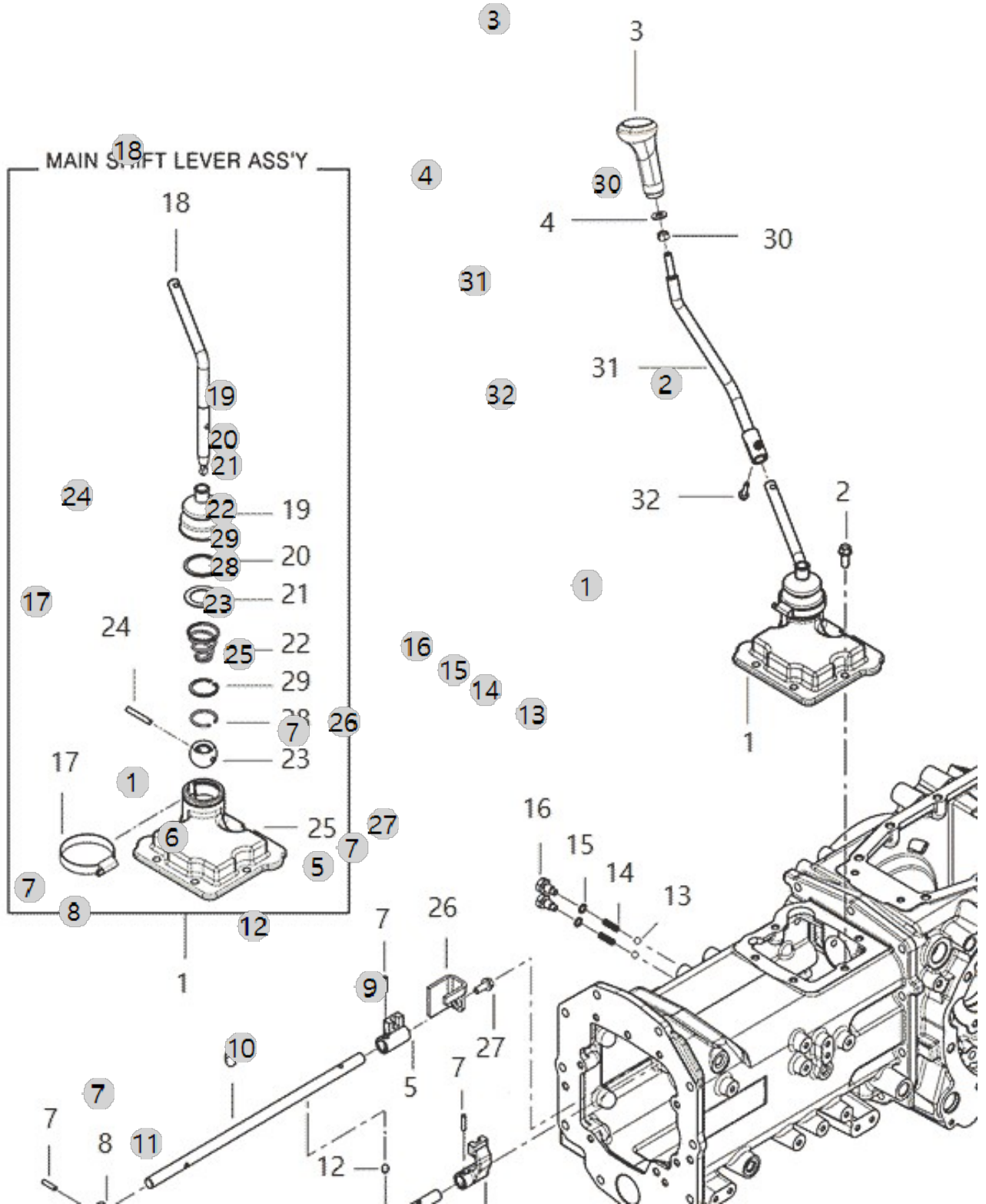
F08021

BRANSON K3C  
TM\_EU(AC01543)

FORK, MAIN SHIFT

Year/Month

2022-12-16





F08021 BRANSON K3C TM_EU(AC01543)		FORK, MAIN SHIFT				Year/Month 2022-12-16
순번 (NO)	부품번호 (PART NO)	품명 (PART NAME)	품명 (PART NAME)	수량 (QTY)	규격 (SPEC)	비고 (REMARK)
1	TA00054414E	주변속 레버 조합(K3C)	MAIN SHIFT LEVER ASS'Y(K3C)	1		
1	TA00054414B	주변속 레버 조합(K3C)	MAIN SHIFT LEVER ASS'Y	1		
1	TA00054414C	주변속 레버 조합(K3C)	MAIN SHIFT LEVER ASS'Y	1		
1	TA00054414D	주변속 레버 조합(K3C)	MAIN SHIFT LEVER ASS'Y	1		
2	26106-100202	육각플랜지볼트	HEX BOLT, (10-20)	5	M10XP1.5X20	
3	TA00064855A	그립(주변속)	GRIP, MAIN SHIFT	1		
3	TA00051452A	그립(주변속)	GRIP , MAIN	1		
4	22137-100000	평와셔 10	WASHER, PLAIN (Φ 10)	1	M10	
5	TA00038581B	주변속시프터(1-2)	MAIN SHIFT(1-2)	1		
6	TA00038579A	주변속 포크축(1-2)	RAIL, MAIN SHIFT(1-2)	1		
6	TA00038579C	주변속 포크축(1-2)	SHAFT, MAIN SHIFT(1-2)	1		
7	22351-060025	SPRINGPIN6X25	PIN, SPRING (6-25)	4	D6X25	
8	TA00038716A	주변속 포크(1-2)	FORK(1ST-2ND),MAIN SHIFT	1		
9	TA00038595B	주변속 시프터	MAIN SHIFTER	1		
10	TA00038580A	주변속 포크축(3-4)	RAIL, MAIN SHIFT	1		
10	TA00038580B	주변속 포크축(3-4)	RAIL, MAIN SHIFT	1		
10	TA00038580C	주변속 포크축(3-4)	FORK SHAFT, MAIN SHIFT(3-4)	1		
11	TA00038730A	주변속포크(3-4)	FORK(3RD-4TH),MAIN SHIFT	1		
12	TA00038594A	핀	PIN	1		
13	24190-110001	강구11/32	Ball, Steel (11/32)	2	11/32	
14	TA00038502A	스프링	SPRING	2		DEL.20211013
15	24311-240100	O-링(P형)	SEAL, O-RING	2	P10	
16	TA00038540B	볼트	BOLT, RAIL	2		
16	TA00038540A	볼트	BOLT, RAIL	2		
17	23000-070000	351,A22,호스클램프70	CLAMP,HOSE	1	D70	
18	TA00057985C	주변속레버(하)	MAIN SHIFT LEVER, LOWER	1		
18	TA00057985A	주변속레버(하)	LEVER(LOWER), MAIN SHIFT	1		
18	TA00057985B	주변속레버(하)	LEVER(LOWER), MAIN SHIFT	1		
19	TA00017457A	변속레버부츠	BOOTS	1		
20	22252-000500	구멍용스냅링 50	RING, CIRCLIP (Φ 50)	1	D50	
21	TA00038639B	스페이서	SPACER	1		
22	TA00038649A	스프링	SPRING	1		
23	FGG3140000C	시프터볼	BALL	1		
23	FGG3140000B4	시프터 볼	SHIFT BALL	1		
23	FGG3140000C4	시프터 볼	SHIFT BALL	1		
24	FGG3150000B	핀	PIN	1		
24	FGG3150000B4	핀(D6)	PIN(D 6)	1		
25	TA00038655B	주변속 케이스	MAIN SHIFT CASE	1		
25	TA00038655C	주변속 케이스	MAIN SHIFT CASE	1		
25	TA00038655D	주변속 케이스	MAIN SHIFT CASE	1		
26	TA00051011A	주변속 시프터 홀더	HOLDER, MAIN SHIFTER	1		
26	TA00051011B	주변속 시프터 홀더	HOLDER, MAIN SHIFTER	1		
27	26106-080252	육각플랜지볼트	SCREW,HEXFLANGEHEADCAP	1	M8XP1.25X25	
28	TA00001246A	환형스냅링	WIRE SNAP RING	1	D3.2	
29	22252-000400	서어클립40	RING, CIRCLIP (Φ 40)	1	D40	



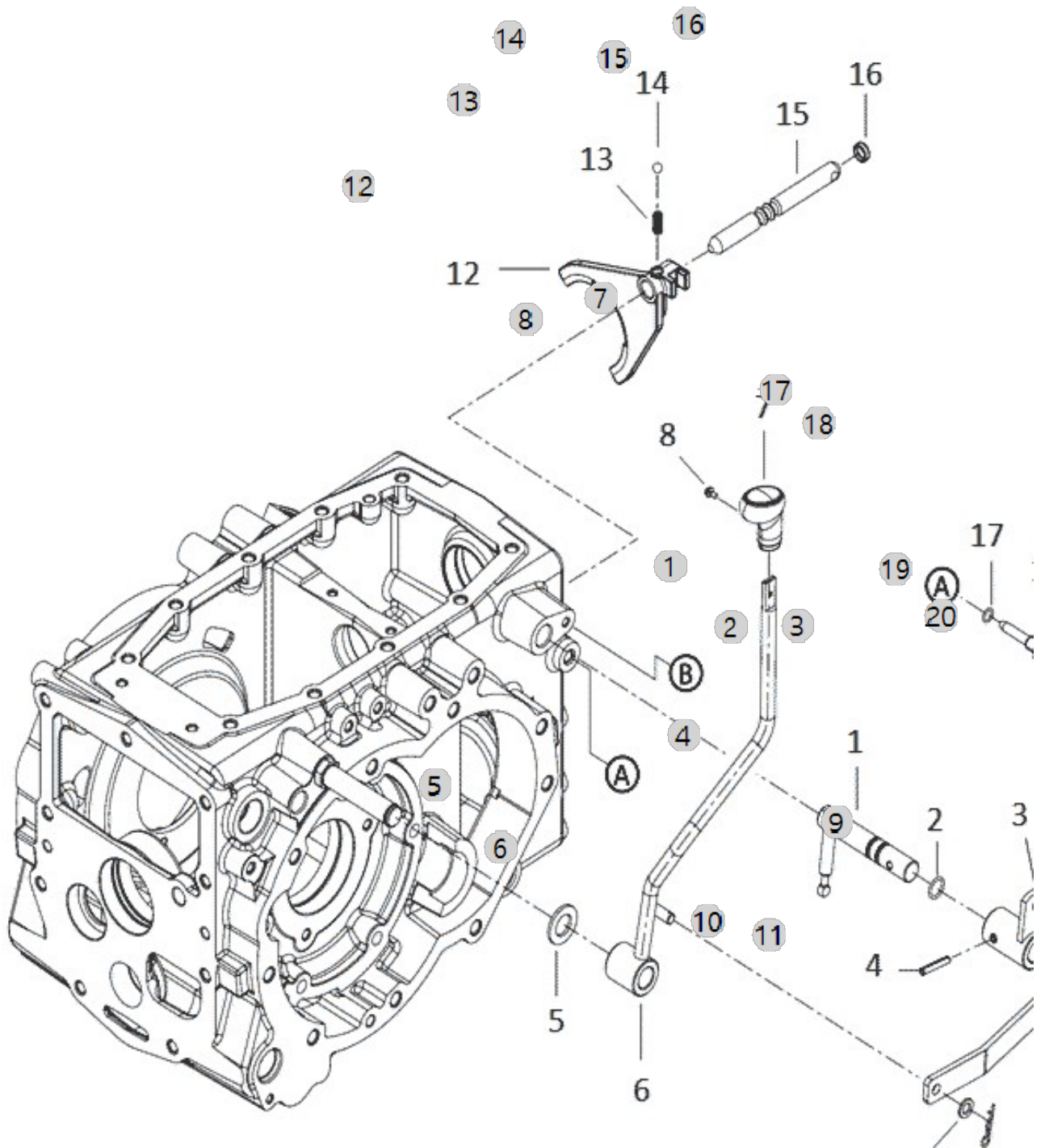
F08060

BRANSON K3C  
TM\_EU(AC01543)

FORK, PTO SHIFT

Year/Month

2022-12-16





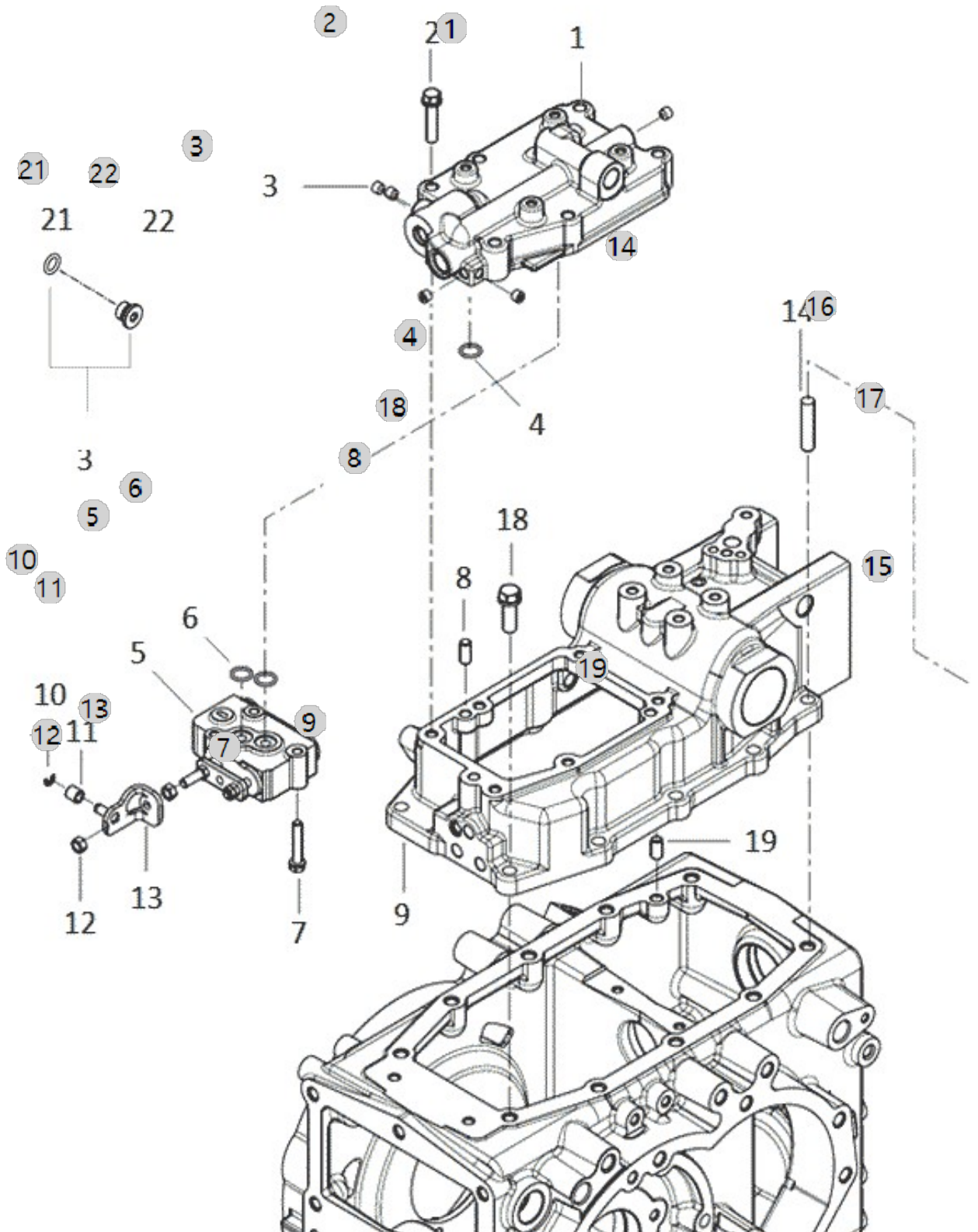
F10010

BRANSON K3C  
TM\_EU(AC01543)

CASE, HYD CYLINDER

Year/Month

2022-12-16



F10010 BRANSON K3C TM_EU(AC01543)		CASE, HYD CYLINDER				Year/Month 2022-12-16
순번 (NO)	부품번호 (PART NO)	품 명 (PART NAME)	품 명 (PART NAME)	수량 (QTY)	규격 (SPEC)	비고 (REMARK)
1	TA00033096F	유압실린더 커버	COVER, HYD CYLINDER	1		
1	TA00033096C	유압실린더 커버	COVER, HYD CYLINDER	1		
1	TA00033096E	유압실린더 커버	COVER, HYD CYLINDER	1		
1	TA00033096D	유압실린더 커버	COVER, HYD CYLINDER	1		
1	TA00033096G	유압실린더 커버	COVER, HYD CYLINDER	1		
1	TA00033096H	유압실린더 커버	COVER, HYD CYLINDER	1		
2	26013-100452	와셔조립육각볼트	HEX BOLT W/WASHER	6	M10X1.5X45	
3	TA00045690A	플러그조합	PLUG ASS'Y	5		
3	TA00045690B	플러그조합	PLUG ASS'Y	5		
4	24311-000120	O-링 495-12	O-RING, DYNAMIC (Φ12)	1	P12	
5	TA00033098A	승하강밸브	CONTROL VALVE	1		
5	TA00033098B	승하강밸브	VALVE, CONTROL	1		
5	TA00033098C	승하강밸브	VALVE, CONTROL	1		
6	24315-000160	운동용O링	O-RING	2		
7	26043-080452	SUB TO 26013-080452	SUB TO 26013-080452	3		
8	22312-100200	평행핀	PIN, DOWEL (10-20)	2	D10X20	
9	TA00033085G	유압실린더케이스	HYD CYLINDER CASE	1		
9	TA00033085D	유압실린더케이스	HYD CYLINDER CASE	1		
9	TA00033085F	유압실린더케이스	HYD CYLINDER CASE	1		
9	TA00033085H	유압실린더케이스	HYD CYLINDER CASE	1		
9	TA00033085C	유압실린더케이스	HYD CYLINDER CASE	1		
9	TA00033085E	유압실린더케이스	HYD CYLINDER CASE	1		
9	TA00033085I	유압실린더케이스	HYD CYLINDER CASE	1		
9	TA00033085J	유압실린더케이스	HYD CYLINDER CASE	1		
10	22272-000060	SNAP RING	RING, CIRCLIP (Φ 06)	1	D6	
11	TA00033126A	롤러	ROLLER	1		
12	26711-080002	육각너트	NUT	2	M8XP1.25	
13	TA00034000C	클레비스 조합	CLEVIS AS'Y	1		
14	26216-120352	심음보울트	STEELBOLT	5	M12X1.75	
15	TA00060049A	스위치브래킷	BRACKET ASSY	1		
15	TA00060049B	스위치브래킷	SWITCH BRACKET	1		
16	22217-120000	스프링와셔	WASHER, SPRING (Φ 12)	5	M12	DEL.20211013
17	26716-120002	295,ALL,육각너트	HEX NUT295	5	M12X1.75	DEL.20211013
18	26013-120352	와셔조립육각볼트(+SW)	SCREW,CAPTIVEWASHERCAP	5	M12XP1.75X0	
19	22312-100180	평행핀	PIN, DOWEL (10-18)	1	D10X18	DEL.20211013
20	TA00019614A	에어브리더	CAP	1		
21	24311-000080	O-링 495-8	O-RING, DYNAMIC (Φ8)	5	P8	
22	TA00045685A	플러그	PLUG	5		

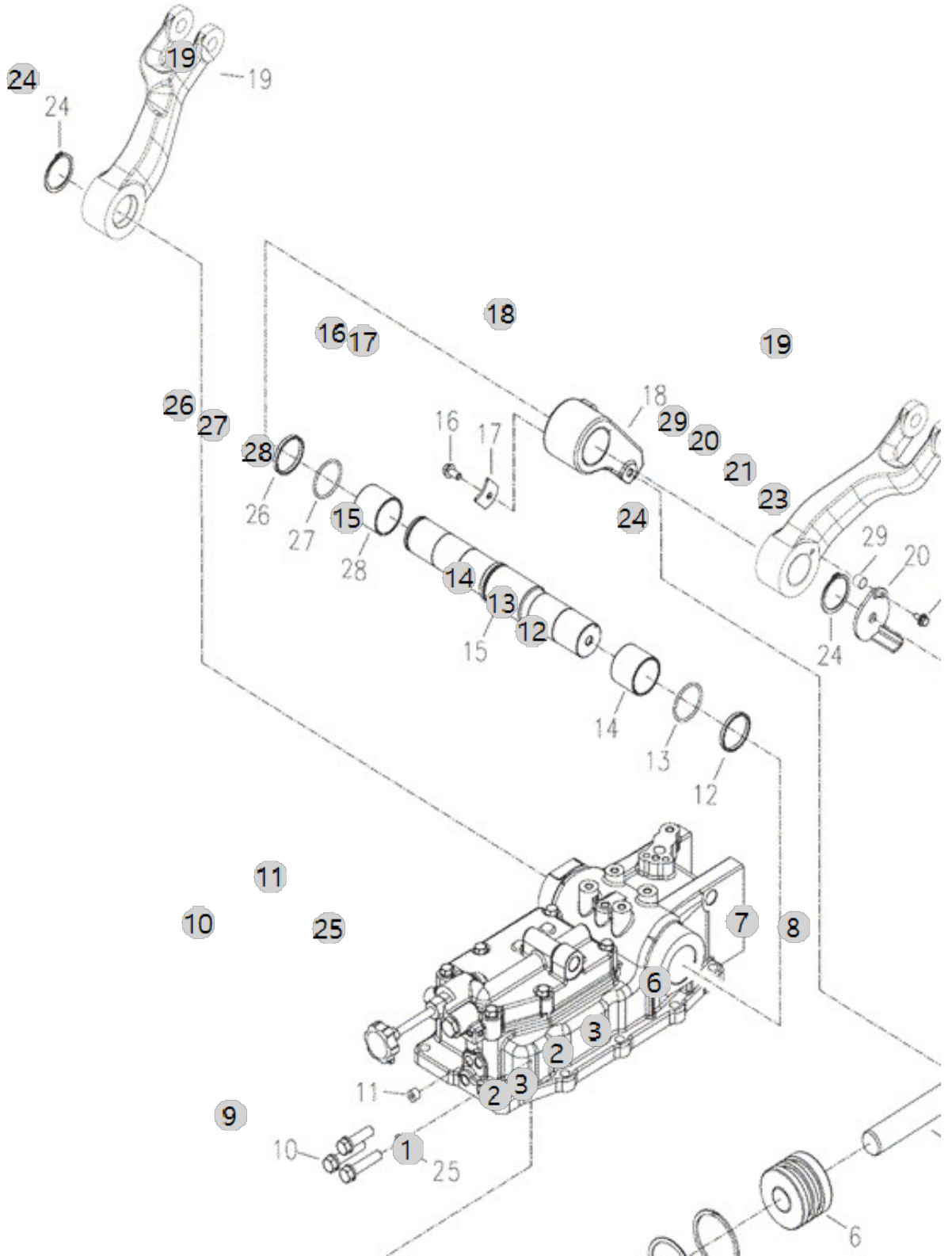
F10020

BRANSON K3C  
TM\_EU(AC01543)

LIFT ARM

Year/Month

2022-12-16







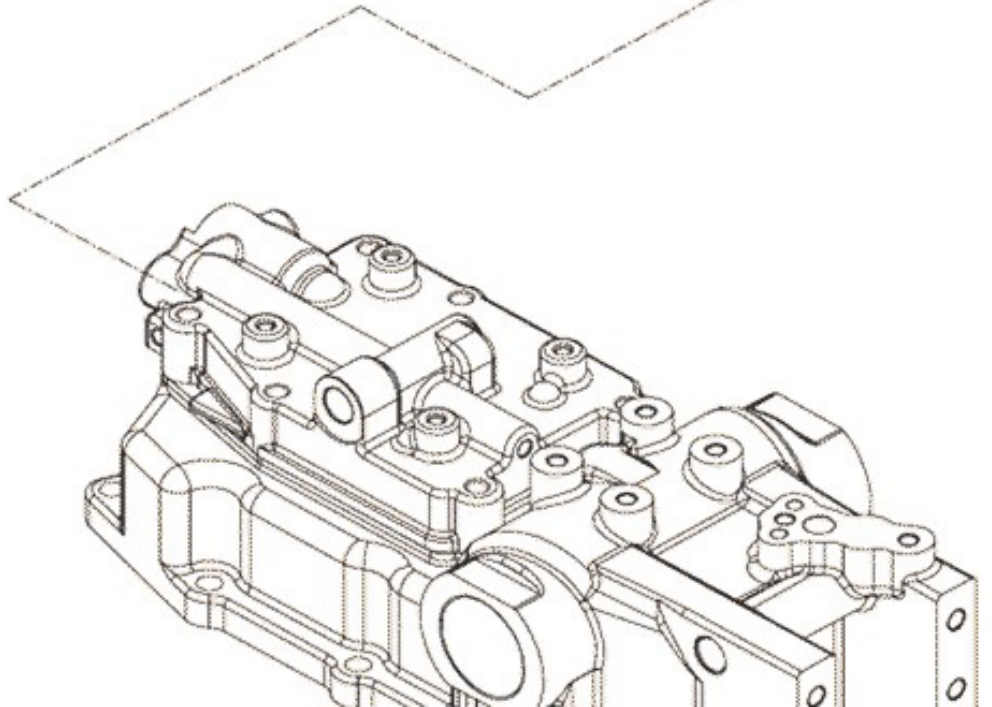
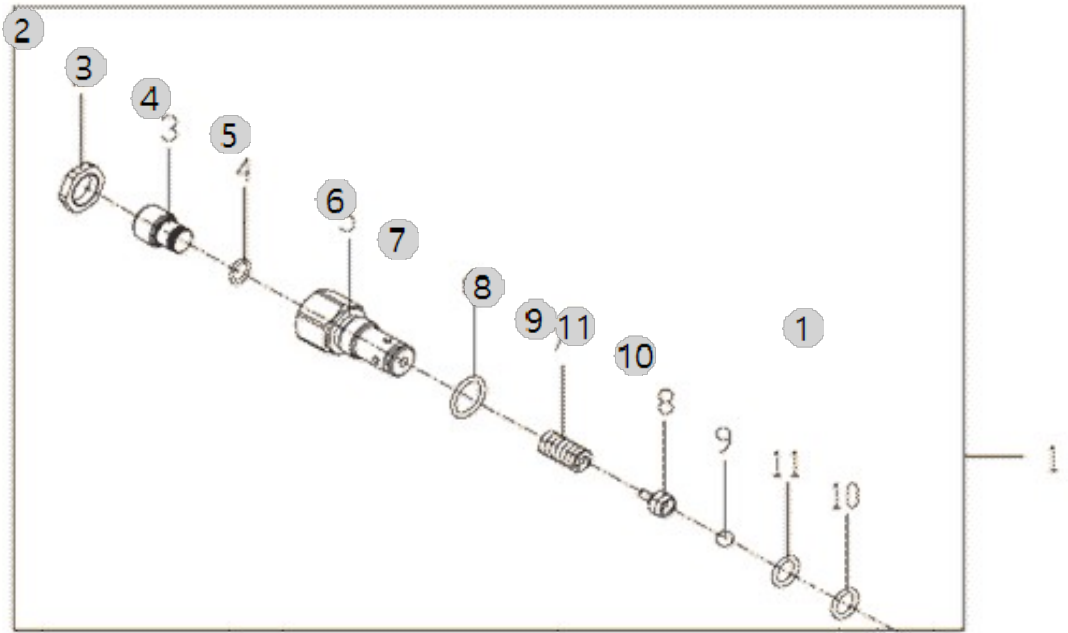
F10030

BRANSON K3C  
TM\_EU(AC01543)

### SAFETY VALVE

Year/Month

2022-12-16





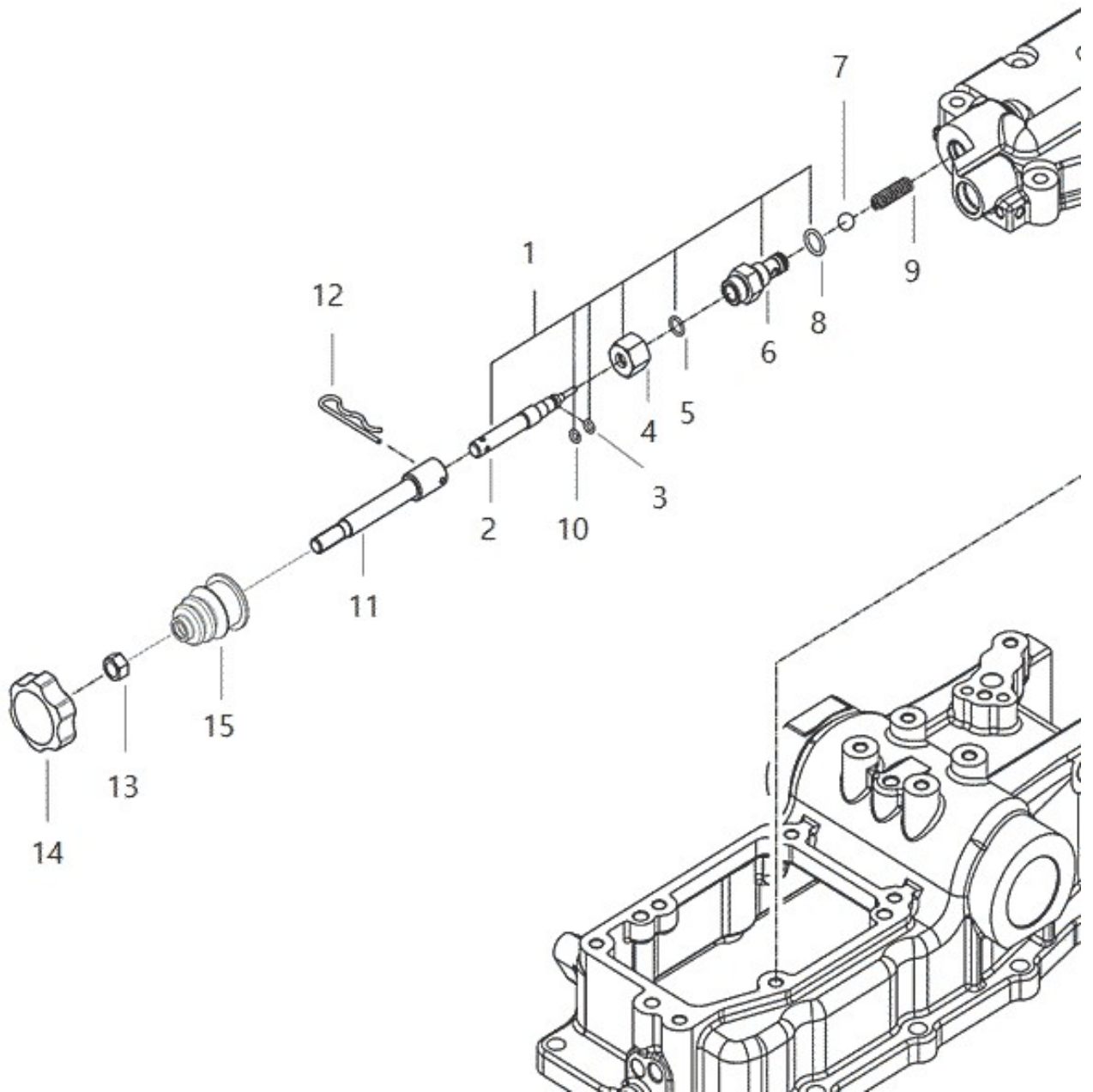
F10040

BRANSON K3C  
TM\_EU(AC01543)

### STOP VALVE

Year/Month

2022-12-16



F10040 BRANSON K3C TM_EU(AC01543)		STOP VALVE				Year/Month
						2022-12-16
순번 (NO)	부품번호 (PART NO)	품명 (PART NAME)	품명 (PART NAME)	수량 (QTY)	규격 (SPEC)	비고 (REMARK)
1	TA00046966A	하강속도 조절 밸브 조합	FLOW REGULATOR ASSY	1		
1	TA00046966B	하강속도 조절 밸브 조합	FLOW REGULATOR ASSY	1		
2	TA00046967A	하강속도 조절 스크류	SCREW	1		
3	24315-000060	운동용 O링	O RING	1		
4	TA00033888A	너트	NUT	1		
4	TA00033888B	너트	NUT	1		
5	24311-000100	O-링1AP10.0	O-RING, DYNAMIC (Φ10)	1	P10	
6	TA00033890B	하강속도 조절 밸브 몸체	BODY	1		
6	TA00033890C	하강속도 조절 밸브 몸체	BODY	1		
7	24190-140001	강구	STEEL BALL	1		
8	24311-000140	441,ALL,O-RINGP-14	O-RING, DYNAMIC (Φ14)	1	P14	
9	TA00034091B	잠금 밸브 스프링	SPRING, LOCKING VALVE	1		
10	TA00036537A	백업링	RING, BACK UP	1		
11	TA00046969A	봉	BAR	1		
11	TA00046969B	스톱볼트	STOPBOLT	1		
11	TA00046969C	스톱볼트	STOP BOLT	1		
12	22360-180000	스냅핀	SNAP_PIN	1	D18	
13	26716-100002	육각너트	Nut, Hexa (Φ10)	1	M10XP1.5	
14	TTA9040000A4	노브	KNOB	1		
14	TTA9040000B4	노브	KNOB	1		
14	TTA9040000D4	노브	KNOB	1		
15	FTE0300000A4	부츠(자동페달)	BOOTS	1		

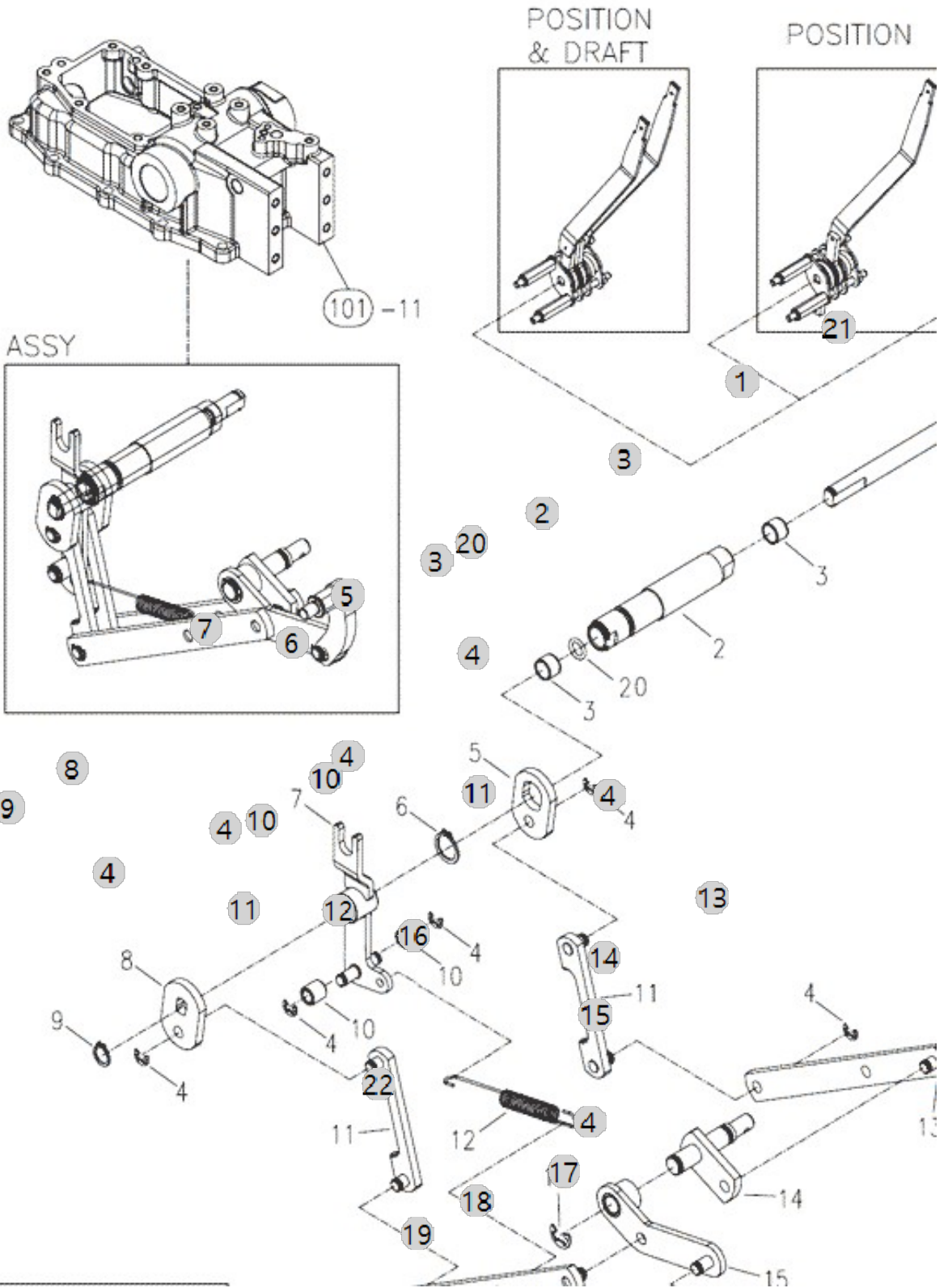
F10061

BRANSON K3C  
TM\_EU(AC01543)

DRAFT/POSITION CONTROL LEVER

Year/Month

2022-12-16





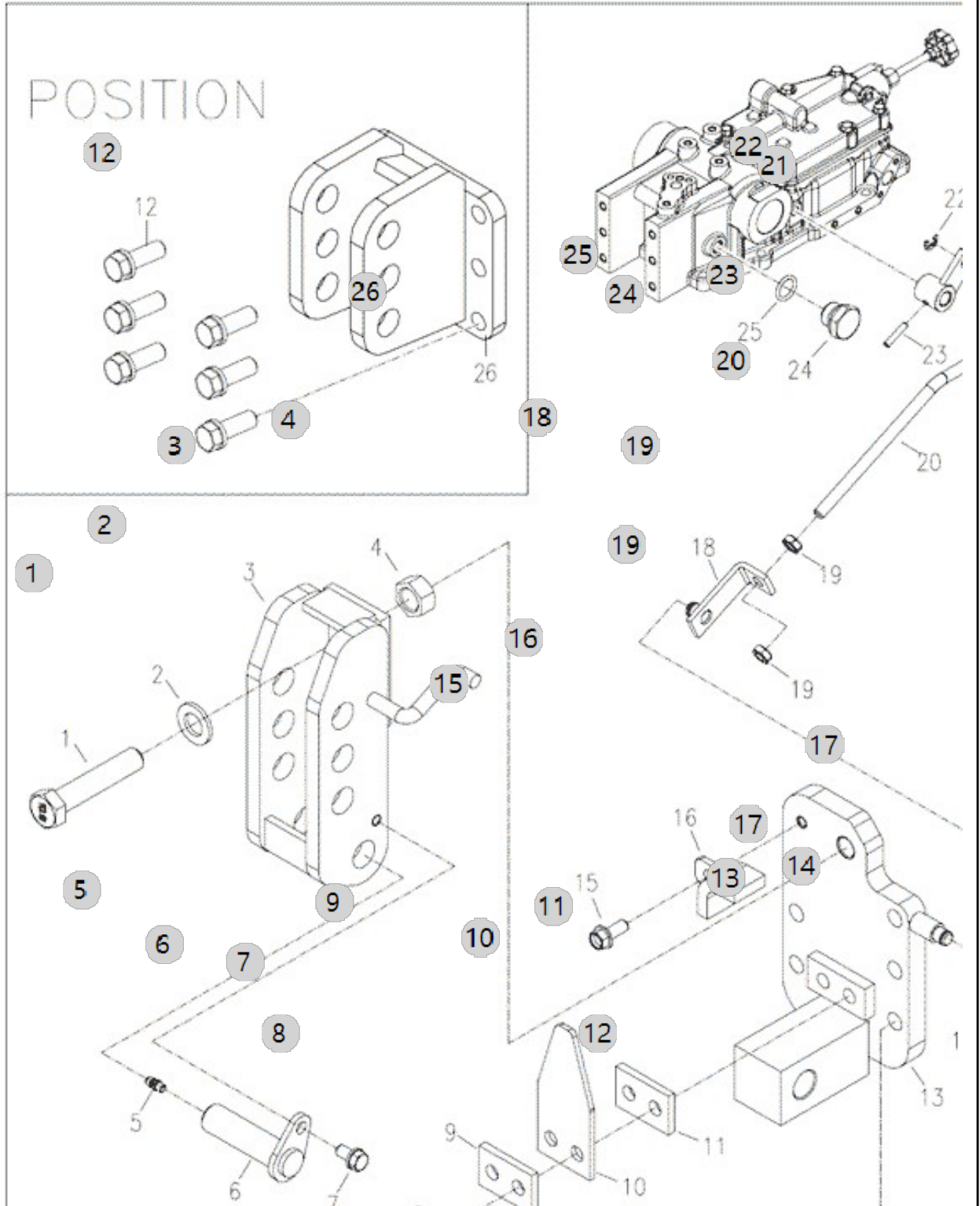
F10063

BRANSON K3C  
TM\_EU(AC01543)

DRAFT CONTROL LEVER

Year/Month

2022-12-16







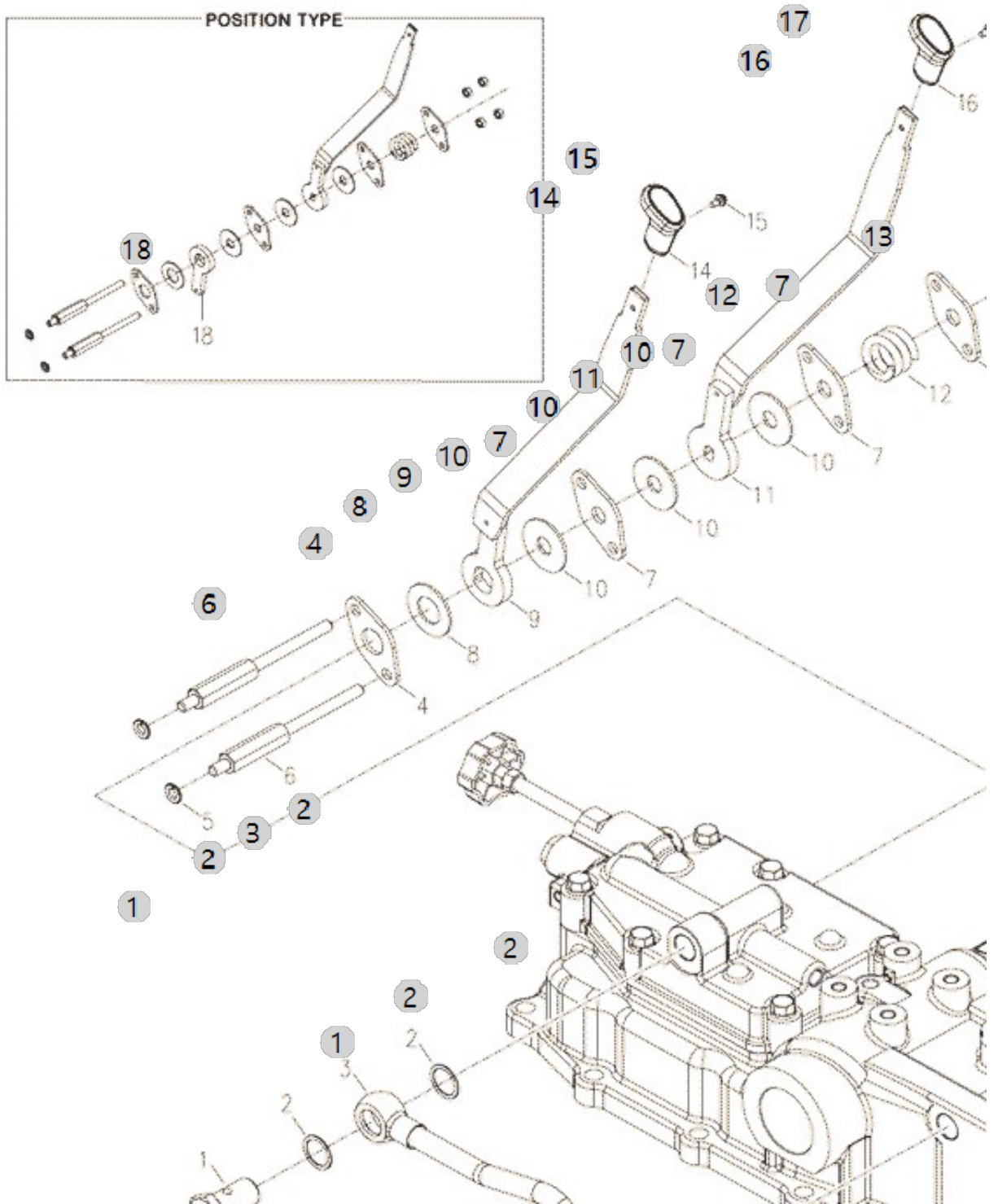
F10064

BRANSON K3C  
TM\_EU(AC01543)

### POSITION CONTROL LEVER

Year/Month

2022-12-16





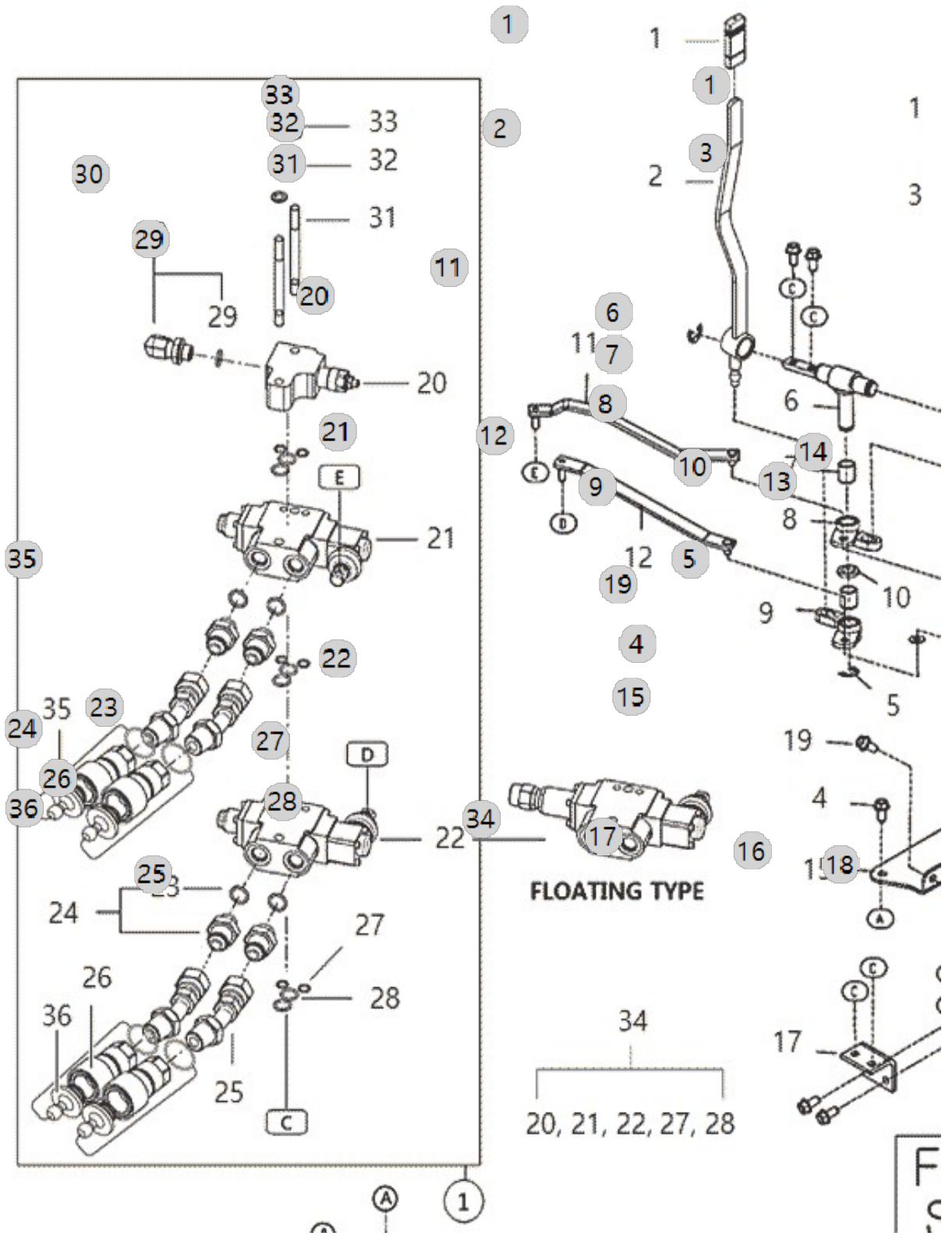
F10120

BRANSON K3C  
TM\_EU(AC01543)

REAR SCV

Year/Month

2022-12-16



F10120 BRANSON K3C TM_EU(AC01543)		REAR SCV				Year/Month 2022-12-16
순번 (NO)	부품번호 (PART NO)	품명 (PART NAME)	품명 (PART NAME)	수량 (QTY)	규격 (SPEC)	비고 (REMARK)
1	RN7530000A4	레버 손잡이	GRIP, LEVER(BLACK)	2		
2	TA00055308A	레버A조합(K3C)	LEVER ASS'Y(A)	1		
2	TA00055308B	레버A조합(K3C)	LEVER ASS'Y(A)	1		
3	TA00055309A	레버B조합(K3C)	LEVER ASS'Y(B)	1		
3	TA00055309B	레버B조합(K3C)	LEVER ASS'Y(B)	1		
4	26106-080162	플랜지볼트8X16	SCREW,HEXFLANGEHEADCAP	6	M8XP1.25X16	
5	22272-000120	E형스냅링12	RING, CIRCLIP (Φ 12)	3	D12	
6	TA00034042B	축 조합	SHAFT ASS'Y	1		
6	TA00034042A	축 조합	SHAFT ASS'Y	1		
6	TA00034042C	축 조합	SHAFT ASS'Y	1		
6	TA00034042D	축 조합	SHAFT ASS'Y	1		
7	24550-016200	드라이부시16X20	DRY BUSH 16X20	4		
8	TA00036430A	보스 A 조합 PTO 3단	BOSS B ASS'Y PTO 3SD	1		
8	TA00036430B	보스 A 조합 PTO 3단	BOSS B ASS'Y PTO 3SD	1		
9	TA00036429A	보스 B 조합 PTO 3단	BOSS B ASS'Y PTO 3SD	1		
9	TA00036429B	보스 B 조합 PTO 3단	BOSS B ASS'Y PTO 3SD	1		
10	TA00034062A	플레이트	PLATE	1		
11	TA00036297A	링크 2 조합	LINK ASSY 2	1		
11	TA00036297B	링크 2 조합	LINK ASSY 2	1		
11	TA00036297C	링크 2 조합	LINK ASSY 2	1		
12	TA00034019A	링크1조합	LINK 1 ASS'Y	1		
12	TA00034019B	링크1조합	LINK 1 ASS'Y	1		
13	22137-080000	와셔8	WASHER, PLAIN (Φ 08)	4	M8	
14	22417-200200	할핀	PIN , COTTER (2-20)	4	D1.8	
15	TA00036443B	브래킷	BRACKET	1		
15	TA00036443C	브래킷	BRACKET	1		
16	TA00036941A	SCV 고정 레버 브래킷 조합	HOLDING BRACKET, SCV LEVER	1		
16	TA00036941B	SCV 고정 레버 브래킷 조합	HOLDING BRACKET, SCV LEVER	1		
17	TA00036949A	고정브라켓	BRACKET	1		
17	TA00036949B	고정브라켓	BRACKET	1		
18	26106-100162	플랜지볼트M10X16	SCREW,HEXFLANGEHEADCAP	2	M10XP1.5X16	
19	26106-080182	444,ALL,플랜지볼트	SCREW,HEXFLANGEHEADCAP	4		
20	TA00033977A	컨트롤 릴리프	COVER RELIEF	1		
20	TA00033977B	컨트롤 릴리프	COVER RELIEF	1		
20	TA00033977C	컨트롤 릴리프	COVER RELIEF	1		
21	TA00034056A	SCV 2	SCV 2	1		
21	TA00034056C	SCV 2	BLOCK 2	1		
21	TA00034056B	SCV 2	BLOCK 2	1		
22	TA00028226A	SCV 1	REAR SCV 1	1		
22	TA00028226B	SCV 1	SCV	1		
22	TA00028226C	SCV 1	SCV 1	1		
22	TA00048561B	SCV(FLOATING)	SCV(FLOATING)	1		
22	TA00048561A	SCV(FLOATING)	SCV(FLOATING)	1		
22	TA00048561C	SCV(FLOATING)	SCV(FLOATING)	1		
23	24311-000160	O-링 P 16	O-RING, DYNAMIC (Φ16)	4	P16	



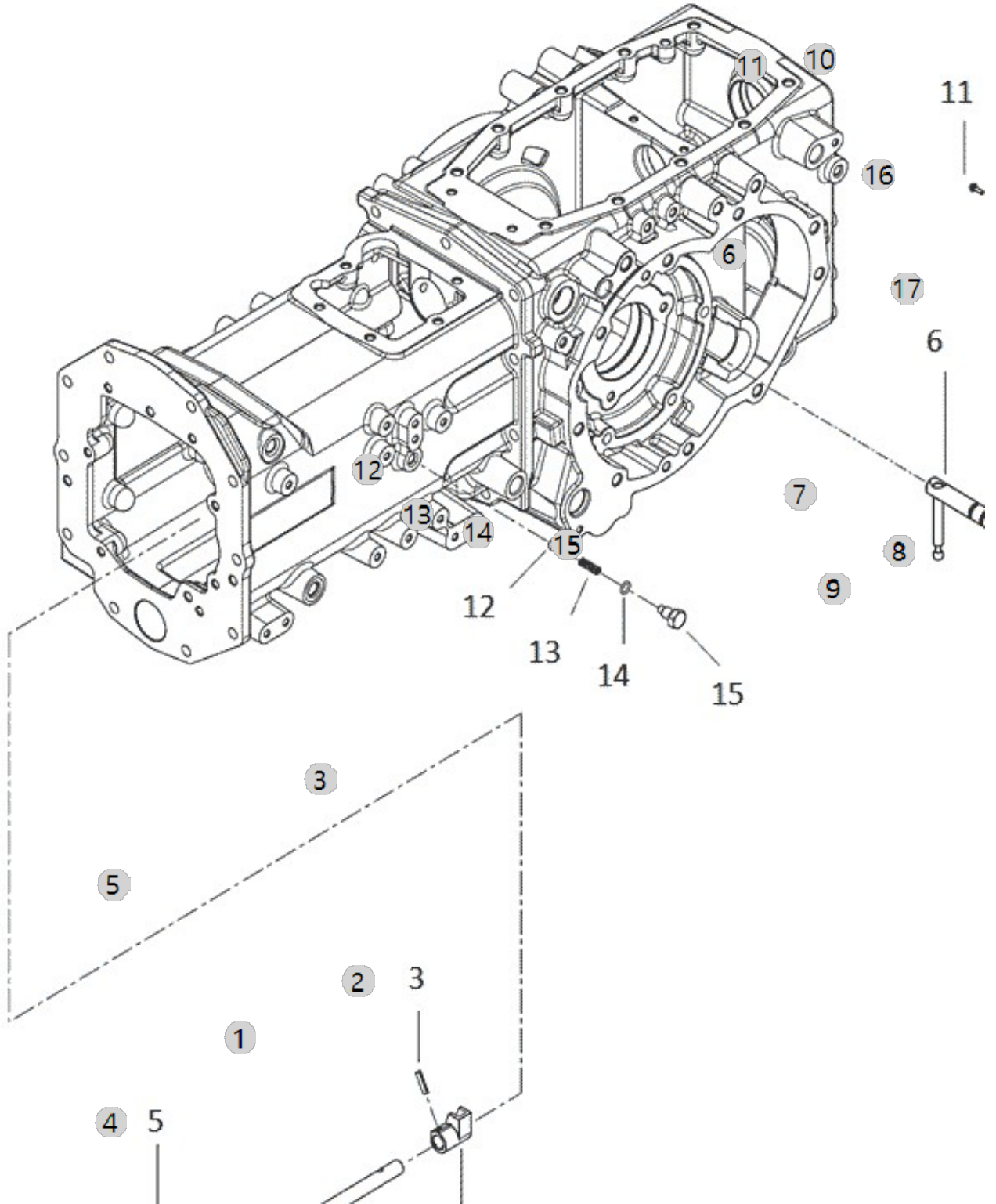
F11020

BRANSON K3C  
TM\_EU(AC01543)

LEVER ASS'Y, RANGE SHIFT

Year/Month

2022-12-16



F11020 BRANSON K3C TM_EU(AC01543)	LEVER ASS'Y, RANGE SHIFT	Year/Month
		2022-12-16

순번 (NO)	부품번호 (PART NO)	품명 (PART NAME)	품명 (PART NAME)	수량 (QTY)	규격 (SPEC)	비고 (REMARK)
1	TA00038541B	부변속 포크축	RAIL, RANGE	1		
1	TA00038541C	부변속 포크축	RAIL, RANGE	1		
2	TA00038542B	부변속시프터	ADAPTOR, RANGE	1		
2	TA00038542C	부변속시프터	ADAPTOR, RANGE	1		
3	22351-060025	SPRINGPIN6X25	PIN, SPRING (6-25)	2	D6X25	
4	TA00038735B	부변속 포크	FORK, RANGE SHIFT	1		
4	TA00038735C	부변속 포크	FORK, RANGE SHIFT	1		
5	26013-080302	와셔조립육각볼트(+SW)	HEX BOLT W/WASHER	1	M8XP1.25X30	
6	TA00038546C	부변속변속축	SHIFT	1		
6	TA00038546B	부변속변속축	SHIFT	1		
6	TA00038546D	부변속변속축	SHIFT	1		
6	TA00038546F	부변속변속축	SHIFT	1		
7	24311-000160	O-링 P 16	O-RING, DYNAMIC (Φ16)	2	P16	
8	TA00055259A	부변속레버 조합(K3C)	LEVER ASSY, SUB SHIFT	1		
8	TA00055259B	부변속레버 조합(K3C)	RANGE SHIFT LEVER ASS'Y, K3C	1		
9	TA00059644A	코일스프링핀(6-35)	COIL SPRING PIS	1		
10	TA00062668A	부변속노브조합	KNOB	1		
10-1	TA00040350A	부변속 노브 조합(K3)	KNOB, RANGE SHIFT(K3)	1		
11	26023-040162	와셔조립납비작은나사(SW+PW)	SCREW	1	M4X16	
12	24190-110001	강구11/32	Ball, Steel (11/32)	1	11/32	DEL.20211013
13	TA00038502A	스프링	SPRING	1		DEL.20211013
14	24311-240100	O-링(P형)	SEAL, O-RING	1	P10	DEL.20211013
15	TA00038540A	볼트	BOLT, RAIL	1		DEL.20211013
15	TA00038540B	볼트	BOLT, RAIL	1		DEL.20211013
16	TA00055261B	부변속레버(상)	LEVER ASSY, SUB SHIFT	1		
16	TA00055261C	부변속레버(상)	LEVER ASSY, SUB SHIFT	1		
16	TA00055261D	부변속레버(상)	RANGE SHIFT LEVER, UPR	1		
16	TA00055261E	부변속레버(상)	RANGE SHIFT LEVER, UPR	1		
17	26106-060352	플랜지보울트	FLANGEBOLT	1	M6	

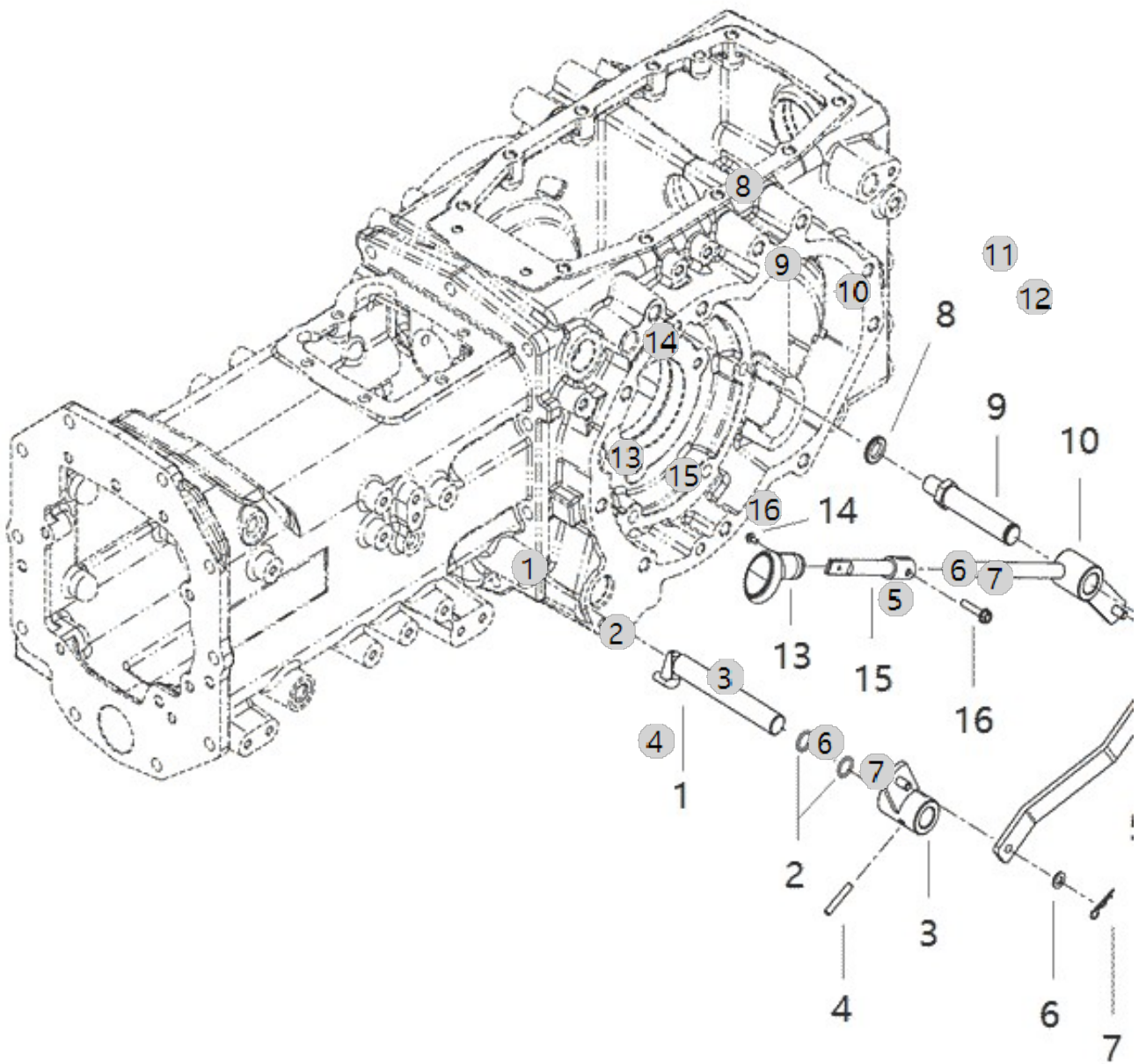
F11080

BRANSON K3C  
TM\_EU(AC01543)

4WD LEVER

Year/Month

2022-12-16





F11080 BRANSON K3C TM_EU(AC01543)		4WD LEVER				Year/Month
						2022-12-16
순번 (NO)	부품번호 (PART NO)	품명 (PART NAME)	품명 (PART NAME)	수량 (QTY)	규격 (SPEC)	비고 (REMARK)
1	TA00038504D	4륜레버	4WD LEVER	1		
1	TA00038504F	4륜레버	4WD LEVER	1		
1	TA00038504C	4륜레버	4WD LEVER	1		
1	TA00038504E	4륜레버	4WD LEVER	1		
1	TA00038504B	4륜레버	4WD LEVER	1		
1	TA00038504G	4륜레버	4WD LEVER	1		DEL.20210117
1	TA00038504H	4륜레버	4WD LEVER	1		DEL.20210117
2	24311-000200	O링(P형)	O-RING, DYNAMIC (Φ20)	2	1A P20.0	
3	TA00038511A	전륜변속암	PTO ARM	1		
4	22351-060036	스프링핀6X36	PIN, SPRING (6-36)	1	D6X36	
5	TA00038575B	4륜레버링크	4WD LEVER LINK	1		
6	22117-080000	평와셔(소형)	WASHER, PLAIN (Φ 08)	2	M8	
7	22360-080000	스냅핀8	PIN, SNAP (8Φ)	2	D8	
8	22217-160000	스프링와셔	WASHER, SPRING (Φ 16)	1	M16	
9	TA00038566B	PTO 레버축	PTO LEVER SHAFT	1		
9	TA00038566C	PTO 레버축	PTO LEVER SHAFT	1		
10	TA00054288A	4WD레버 조합	LEVER ASSY, 4WD	1		
10	TA00054288B	4WD레버 조합	LEVER ASS'Y, 4WD	1		
11	22137-200000	평와셔	WASHER, PLAIN	1		
12	22242-000200	축용스냅링20	SNAP RING, SHAFT (Φ 20)	1	D20(축용)	
13	TA00062657A	전륜구동 노브 조합	LEVER, FRONT DRIVE KNOB	1		
13-1	TA00015827A	전륜구동 노브 조합(복미)	KNOB, FRONT DRIVE LEVER	1		
14	26023-040102	와셔조립납비작은나사(SW+PW)	SCREW W/WASHER	1	M4X10	
15	TA00054290B	4WD 연결 레버	LEVER ASSY, 4WD	1		
15	TA00054290C	4WD 연결 레버	LEVER ASS'Y, 4WD	1		
15	TA00054290D	4WD 연결 레버	LEVER ASS'Y, 4WD	1		
16	26106-060302	육각플랜지볼트	Bolt, Hexa (6-30)	1	M6XP1.0X30	