

T254NH

Parts Catalog

목 차

0. TRACTOR KIT PART NO. TK1

FIG 001 ADAPTER KIT	7
FIG 001 VALVE KIT, AUX	9

1. Engine PART NO. EG

FIG 100 ENGINE	12
FIG 101 CYLINDER BLOCK	14
FIG 102 GEAR HOUSING	16
FIG 103 OIL SUMP	18
FIG 104 CYLINDER HEAD & BONNET	20
FIG 105 EXHAUST MANIFOLD	23
FIG 106 CAMSHAFT & DRIVING GEAR	25
FIG 107 CRANKSHAFT & PISTON	27
FIG 108 LUB. OIL SYSTEM	29
FIG 109 COOLING WATER SYSTEM	31
FIG 110 FUEL INJECTION PUMP	33
FIG 111 GOVERNOR	35
FIG 112 FUEL INJECTION VALVE	37
FIG 113 FUEL FILTER	39
FIG 114 STARTING MOTOR	41
FIG 115 GENERATOR	43
FIG 116 GASKET SET	45

2. Engine Accessories PART NO. T2

FIG 201 AIR CLEANER	48
FIG 202 RADIATOR	50
FIG 203 MUFFLER	53
FIG 204 FUEL TANK & FUEL LINE	55
FIG 205 ACCELERATOR	57
FIG 206 FUEL FILTER	59

FIG 207 ENGINE MOUNTING	61
FIG 208 BLOCK HEATER	63
3. Clutch/Brake/Steering PART NO. T3	
FIG 301 FLYWHEEL COVER	66
FIG 302 BRAKE	68
FIG 303 BRAKE PEDAL & LINKAGE	70
FIG 304 SPEED CONTROL	72
FIG 305 DASH COVER	75
FIG 306 STEERING VALVE	77
FIG 307 STEERING CYLINDER	79
FIG 308 STEERING WHEEL	81
FIG 309 TIRE	83
4. Transmission PART NO. T4	
FIG 401 INPUT SHAFT	86
FIG 402 HST	88
FIG 403 INPUT GEAR	90
FIG 404 RANGE GEAR	92
FIG 405 4WD DRIVE GEAR	94
FIG 406 P.T.O DRIVE SHAFT	96
FIG 407 P.T.O SHAFT	98
FIG 408 MID P.T.O GEAR	100
FIG 409 DIFF LOCK	102
FIG 410 REAR TRANSMISSION CASE	104
FIG 411 REAR AXLE HOUSING	106
FIG 412 RANGE SHIFT LEVER	108
FIG 413 P.T.O CHANGE LEVER	110
FIG 414 4WD CHANGE LEVER	112
FIG 415 TRANSMISSION MOUNTING	114
5. Front Axle PART NO. T5	
FIG 501 FRONT DRIVE SHAFT	117
FIG 502 FRONT DIFFERENTIAL GEAR	119
FIG 503 FRONT AXLE HOUSING	121

FIG 504 FRONT GEAR CASE (1)	123
FIG 505 FRONT GEAR CASE (2)	125
6. Hydraulic/3P-Link PART NO. T6	
FIG 601 CYLINDER CASE	128
FIG 602 LIFT ARM	130
FIG 603 FLOW CONTROL VALVE	132
FIG 604 MAIN CONTROL VALVE	134
FIG 605 HYDRAULIC SUB	136
FIG 606 HITCH & 3-POINT LINKAGE	138
FIG 607 HITCH & COVER	140
7. Sheet Metal & Cabin PART NO. T7	
FIG 701 BONNET	143
FIG 701-2 BONNET	145
FIG 702 FLOOR	147
FIG 703 SEAT	149
FIG 704 ROPS	151
FIG 705 LEVER COVER & FENDER	153
FIG 706 REARVIEW MIRRORS	155
FIG 707 FRONT GLASS	157
FIG 708 DOOR-LH	159
FIG 709 DOOR-RH	161
FIG 710 REAR GLASS	163
FIG 711 ROOF	165
FIG 712 WORKING LAMP & FENDER COVER	167
FIG 713 HEATER SUB	169
FIG 714 REAR WIPER KIT(OPTION)	171
8. Electrical System PART NO. T8	
FIG 801 BATTERY MOUNTING	174
FIG 802 INSTRUMENT PANEL	176
FIG 803 HARNESS	178
FIG 804 HARNESS	180
FIG 805 HARNESS	182

9. Label/Option PART NO. T9

FIG 901 TOOL & ACCESSORY	185
FIG 902 LABEL	187
FIG 903 LABEL	189

0. TRACTOR KIT PART NO. TK1

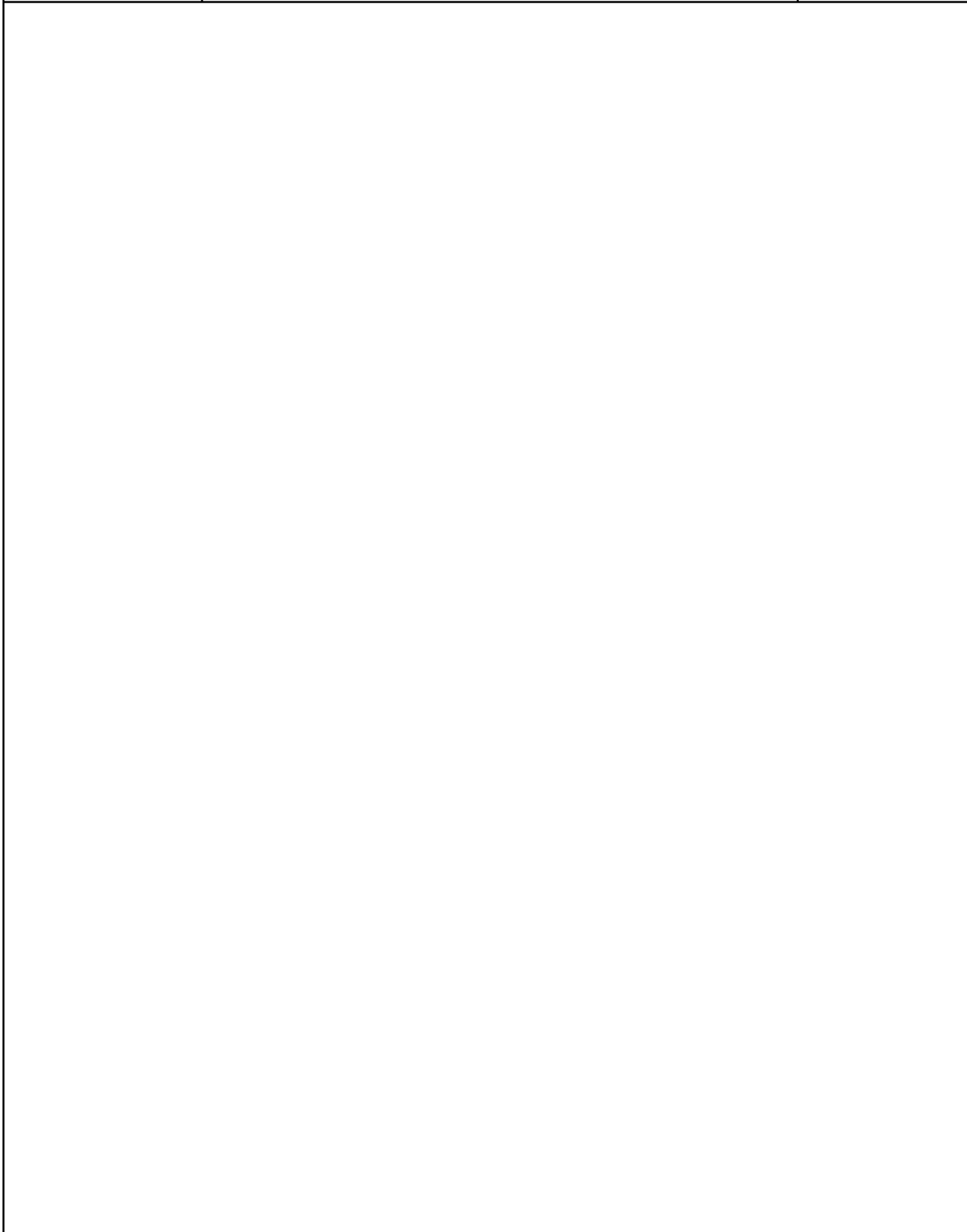
FIG 001 ADAPTER KIT

7

FIG 001 VALVE KIT, AUX

9

FIG 001 T254NH	ADAPTER KIT	년/월 Year/Month 2022-12
-------------------	-------------	------------------------------



NOTE	
------	--

FIG 001 T254NH	VALVE KIT, AUX	년/월 Year/Month 2022-12
-------------------	----------------	------------------------------

--	--

NOTE	
------	--

1. Engine PART NO. EG

FIG 100 ENGINE	12
FIG 101 CYLINDER BLOCK	14
FIG 102 GEAR HOUSING	16
FIG 103 OIL SUMP	18
FIG 104 CYLINDER HEAD & BONNET	20
FIG 105 EXHAUST MANIFOLD	23
FIG 106 CAMSHAFT & DRIVING GEAR	25
FIG 107 CRANKSHAFT & PISTON	27
FIG 108 LUB. OIL SYSTEM	29
FIG 109 COOLING WATER SYSTEM	31
FIG 110 FUEL INJECTION PUMP	33
FIG 111 GOVERNOR	35
FIG 112 FUEL INJECTION VALVE	37
FIG 113 FUEL FILTER	39
FIG 114 STARTING MOTOR	41
FIG 115 GENERATOR	43
FIG 116 GASKET SET	45

FIG 100 T254NH	ENGINE	년/월 Year/Month
		2022-12
NOTE		

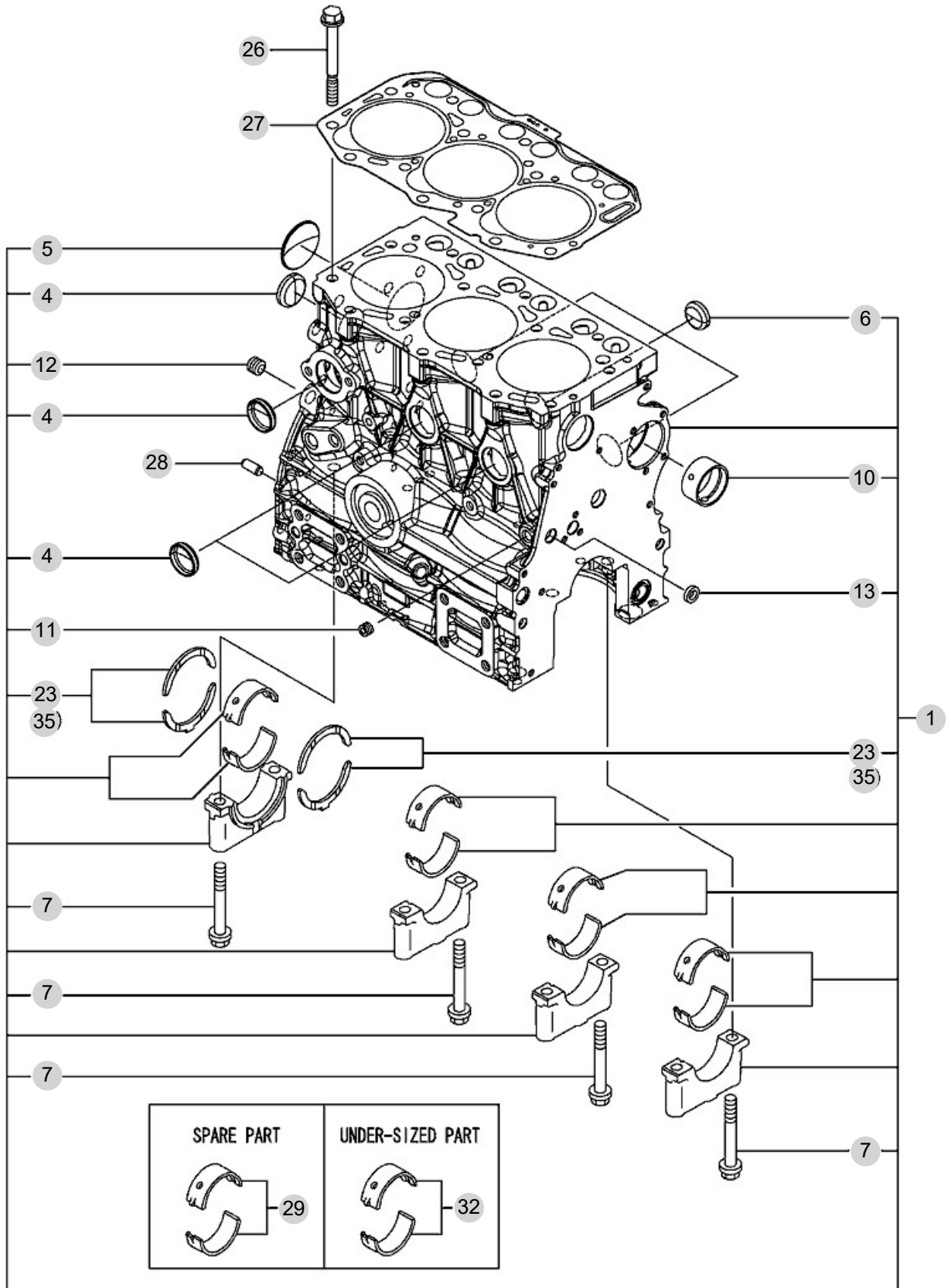
FIG 101

CYLINDER BLOCK

년/월
Year/Month

2022-12

T254NH



NOTE

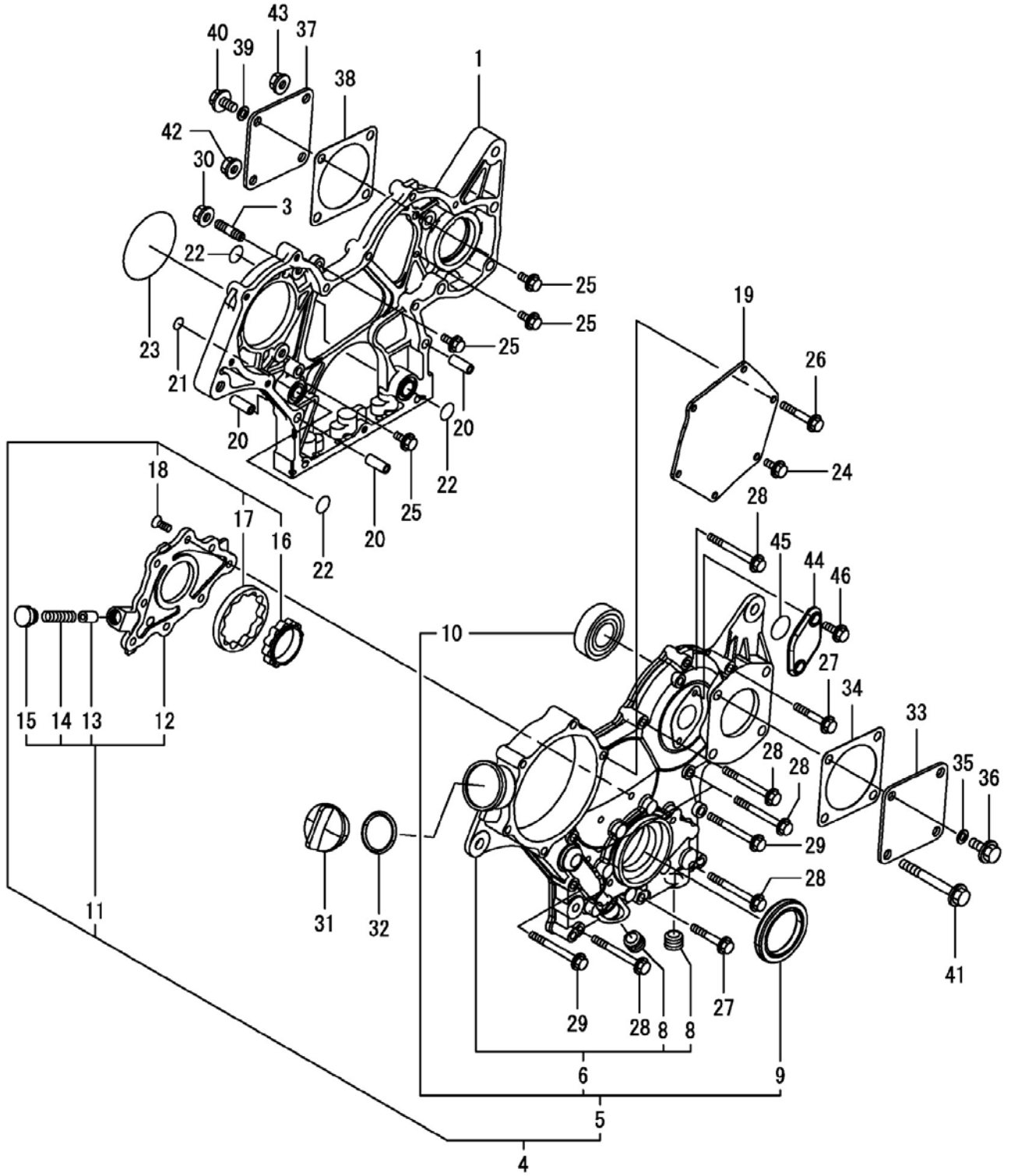
FIG 102

GEAR HOUSING

년/월
Year/Month

2022-12

T254NH



NOTE

FIG 102		GEAR HOUSING					년/월 Year/Month		
							2022-12		
T254NH		KEY NO	PART NO	DESCRIPTION	SPEC	QTY	REPAIR	EFFECTIVE DATE	REMARKS
102	1	119740-01501	CASE, GEAR			1			
102	3	119717-01570	STUD			3			
102	4	119751-01590	COVER ASSY, CASE			1			
102	5	719751-01500	COVER ASSY, CASE			1			
102	6	119751-01521	COVER, GEAR CASE			1			
102	8	23876-030000	PLUG, R03			2			
102	9	119717-01800	SEAL, OIL			1			
102	10	24101-062024	BEARING, BALL 6202			1			
102	11	119717-32100	COVER ASSY, PUMP			1			
102	12	119717-32080	COVER, OIL PUMP			1			
102	13	129900-32130	VALVE, RELIEF			1			
102	14	129001-32320	SPRING			1			
102	15	129001-32330	PLUG			1			
102	16	119717-32110	ROTOR, INNER			1			
102	17	119717-32120	ROTOR, OUTER			1			
102	18	119802-32130	SCREW, M6X16			8			
102	19	119717-01750	COVER, PUMP			1			
102	20	119660-01911	PIPE, KNOCK 6X17			4			
102	21	119624-32040	O-RING, P12.0			1			
102	22	119717-32050	O-RING, P17.0			3			
102	23	121850-51960	O-RING, FUEL PUMP			1			
102	24	26106-060122	BOLT, M6X 12 PLATED			1			
102	25	26106-060162	BOLT, M6X 16 PLATED			4			
102	26	26106-060402	BOLT, M6X 40 PLATED			4			
102	27	26106-060402	BOLT, M6X 40 PLATED			2			
102	28	26106-060602	BOLT, M6X 60 PLATED			7			
102	29	26106-060652	BOLT, M6X 65 PLATED			2			
102	30	26306-080002	NUT, M8			3			
102	31	124160-01751	CAP, FILLER			1			
102	32	24311-000320	O-RING, 1AP32.0			1			
102	33	124240-01871	COVER, HYDRAULIC PUMP			1			
102	34	129C26-01890	GASKET, PUMP			1			
102	35	22190-080002	WASHER, SEAL 8			1			
102	36	26106-080122	BOLT, M8X 12 PLATED			1			
102	37	124240-01871	COVER, HYDRAULIC PUMP			1			
102	38	129C26-01890	GASKET, PUMP			1			
102	39	22190-080002	WASHER, SEAL 8			1			
102	40	26106-080142	BOLT, M8X 14 PLATED			1			
102	41	26106-080702	BOLT, M8X 70 PLATED			3			
102	42	26306-080002	NUT, M8			1			
102	43	26306-080002	NUT, M8			2			
102	44	121023-01551	COVER, TACHOMETER			1			
102	45	24341-000240	O-RING, 1AS24.0			1			
102	46	26106-060162	BOLT, M6X 16 PLATED			2			
NOTE									

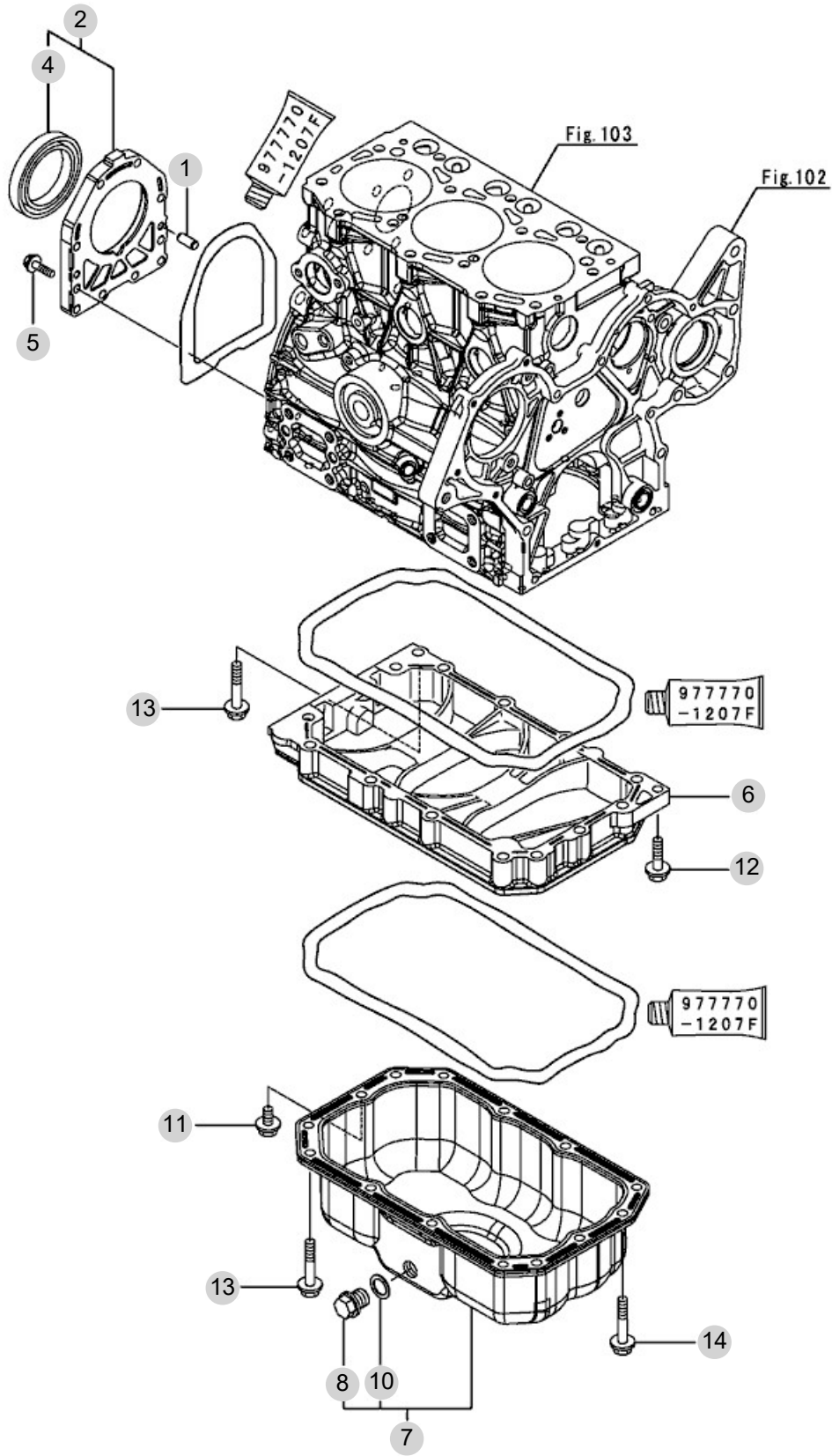
FIG 103

T254NH

OIL SUMP

년/월
Year/Month

2022-12



NOTE

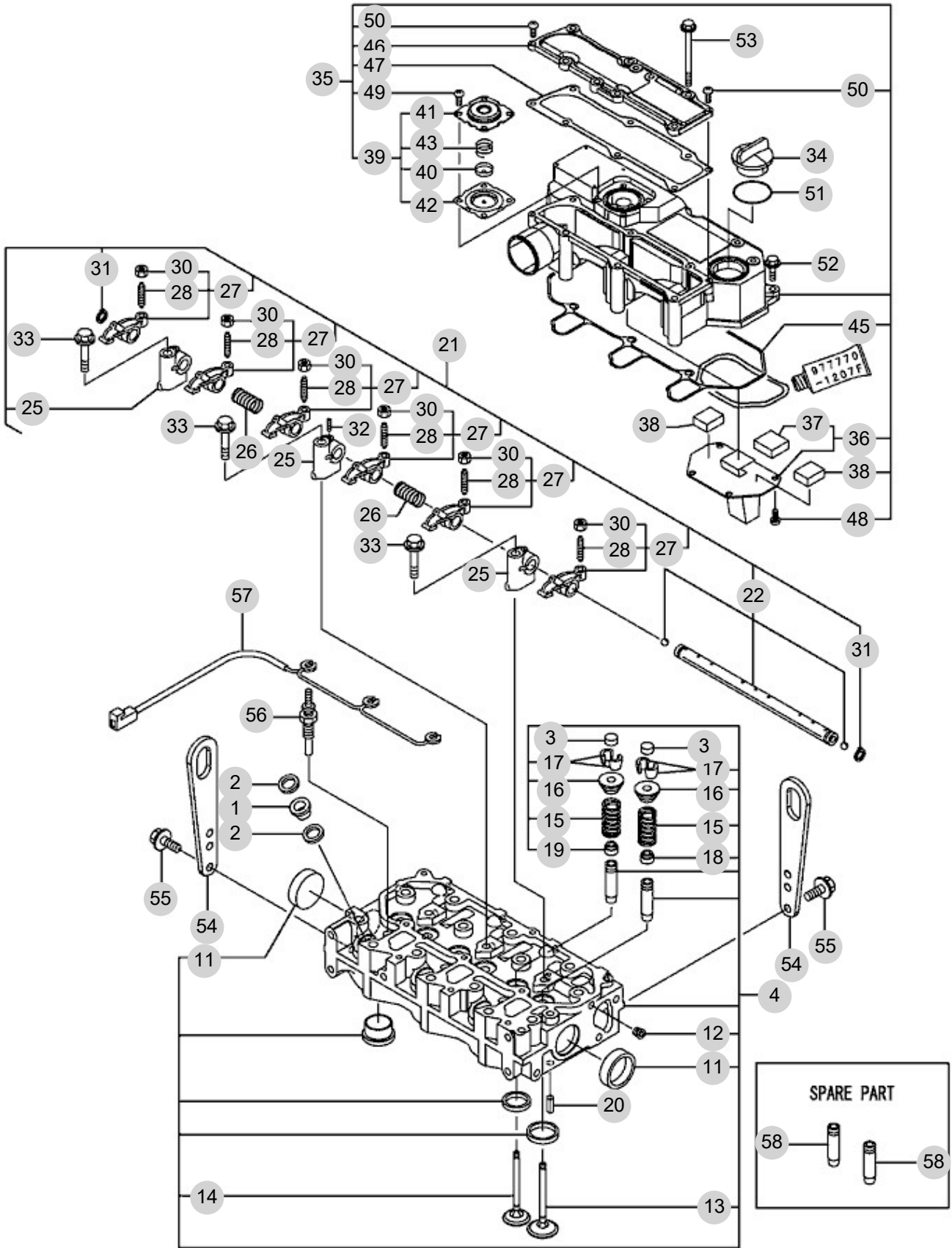
FIG 104

CYLINDER HEAD & BONNET

년/월
Year/Month

2022-12

T254NH



NOTE

FIG 104 T254NH		CYLINDER HEAD & BONNET					년/월 Year/Month	
							2022-12	
KEY NO	PART NO	DESCRIPTION	SPEC	QTY	REPAIR	EFFECTIVE DATE	REMARKS	
104	1	129901-11450	PROTECTOR, NOZZLE		3			
104	2	119600-11460	GASKET, NOZZLE		6			
104	3	105010-11490	CAP, VALVE		6			
104	4	119E10-11750	HEAD ASSY, CYLINDER		1			
104	11	119285-11990	PLUG, 35		2			
104	12	23876-005000	PLUG, R005		1			
104	13	119E10-11100	VALVE, SUCTION		3			
104	14	119E10-11110	VALVE, EXHAUST		3			
104	15	119717-11131	SPRING, VALVE		6			
104	16	129508-11180	RETAINER, SPRING		6			
104	17	119717-11190	COTTER		12			
104	18	119717-11340	SEAL, VALVE STEM		3			
104	19	119717-11350	SEAL, VALVE STEM		3			
104	20	22351-060012	PIN, SPRING 6.0X12		2			
104	21	119717-11200	SUPPORT ASSY, ARM		1			
104	22	119717-11240	SHAFT ASSY, ROCKER		1			
104	25	119717-11260	SUPPORT, ROCKER ARM		3			
104	26	119620-11280	SPRING		2			
104	27	119717-11650	ARM, ROCKER		6			
104	28	129150-11230	SCREW, VALVE ADJUST		6			
104	30	129150-11750	NUT, M8		6			
104	31	22242-000120	RING, 12		2			
104	32	26979-050162	SCREW, M5X16		1			
104	33	26106-080402	BOLT, M8X 40 PLATED		3			
104	34	124160-01751	COVER, FILLER		1			
104	35	119717-11381	BONNET ASSY, HEAD		1			
104	36	119717-03031	PLATE		1			
104	37	119717-03070	BAFFLE, BREATHER		1			
104	38	119717-03070	BAFFLE, BREATHER		2			
104	39	119802-03100	DIAPHRAGM ASSY		1			
104	40	119802-03110	PLATE		1			
104	41	119802-03121	COVER, DIAPHRAGM		1			
104	42	119802-03131	DIAPHRAGM		1			
104	43	119802-03141	SPRING, DIAPHRAGM		1			
104	45	119718-11310	GASKET, BONNET		1			
104	46	119717-11320	COVER, BONNET		1			
104	47	119717-11331	GASKET		1			
104	48	22857-500100	SCREW, 5X10		4			
104	49	22857-500100	SCREW, 5X10		4			
104	50	22857-500160	SCREW, 5X16		2			
104	51	24311-000320	O-RING, 1AP32.0		1			
104	52	26106-060202	BOLT, M6X20 PLATED		3			
104	53	26106-060752	BOLT, M6X75 PLATED		6			
104	54	129900-07900	LIFTER		2			
104	55	26106-080162	BOLT, M8X 16 PLATED		4			
NOTE								

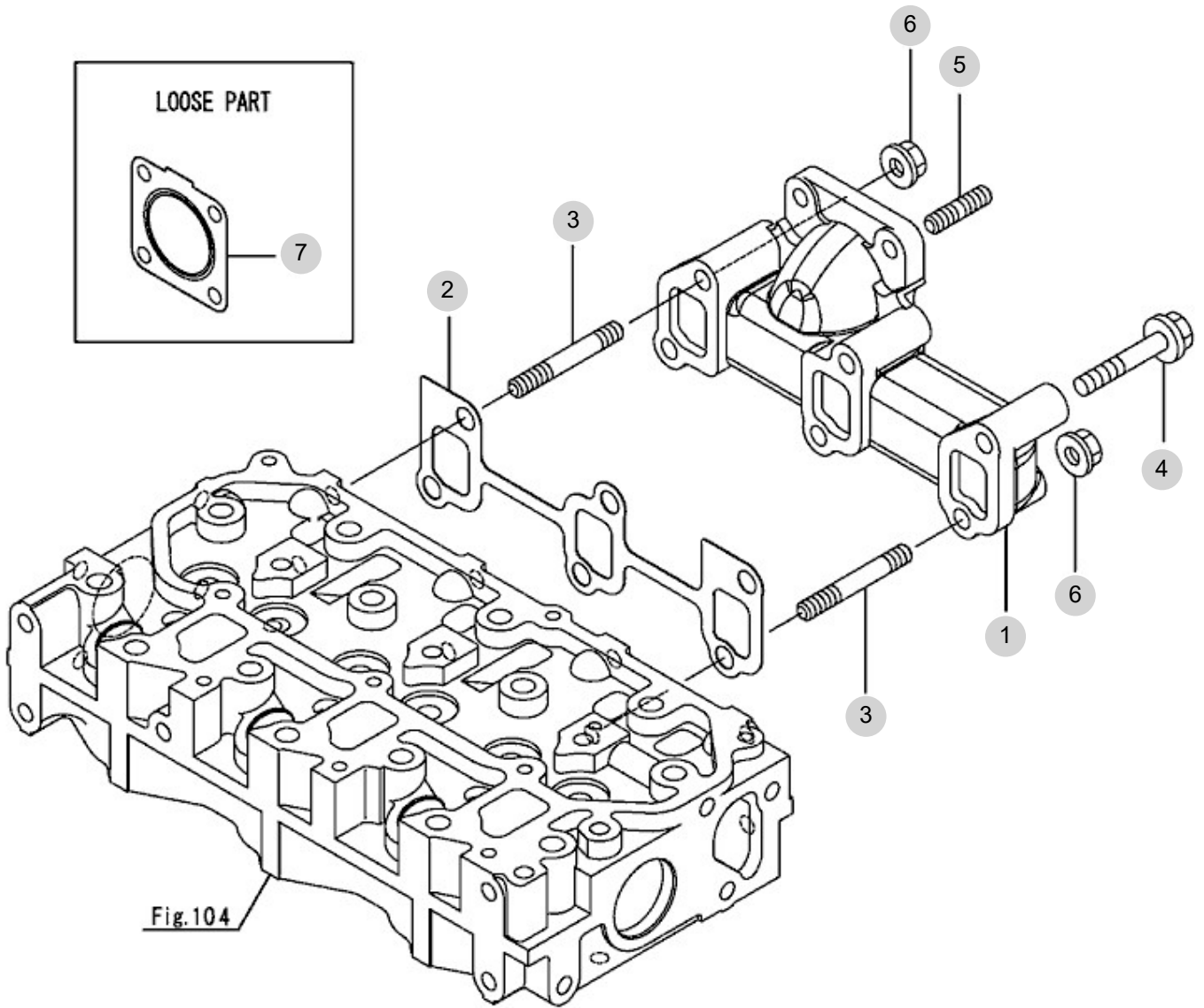
FIG 105

EXHAUST MANIFOLD

년/월
Year/Month

T254NH

2022-12



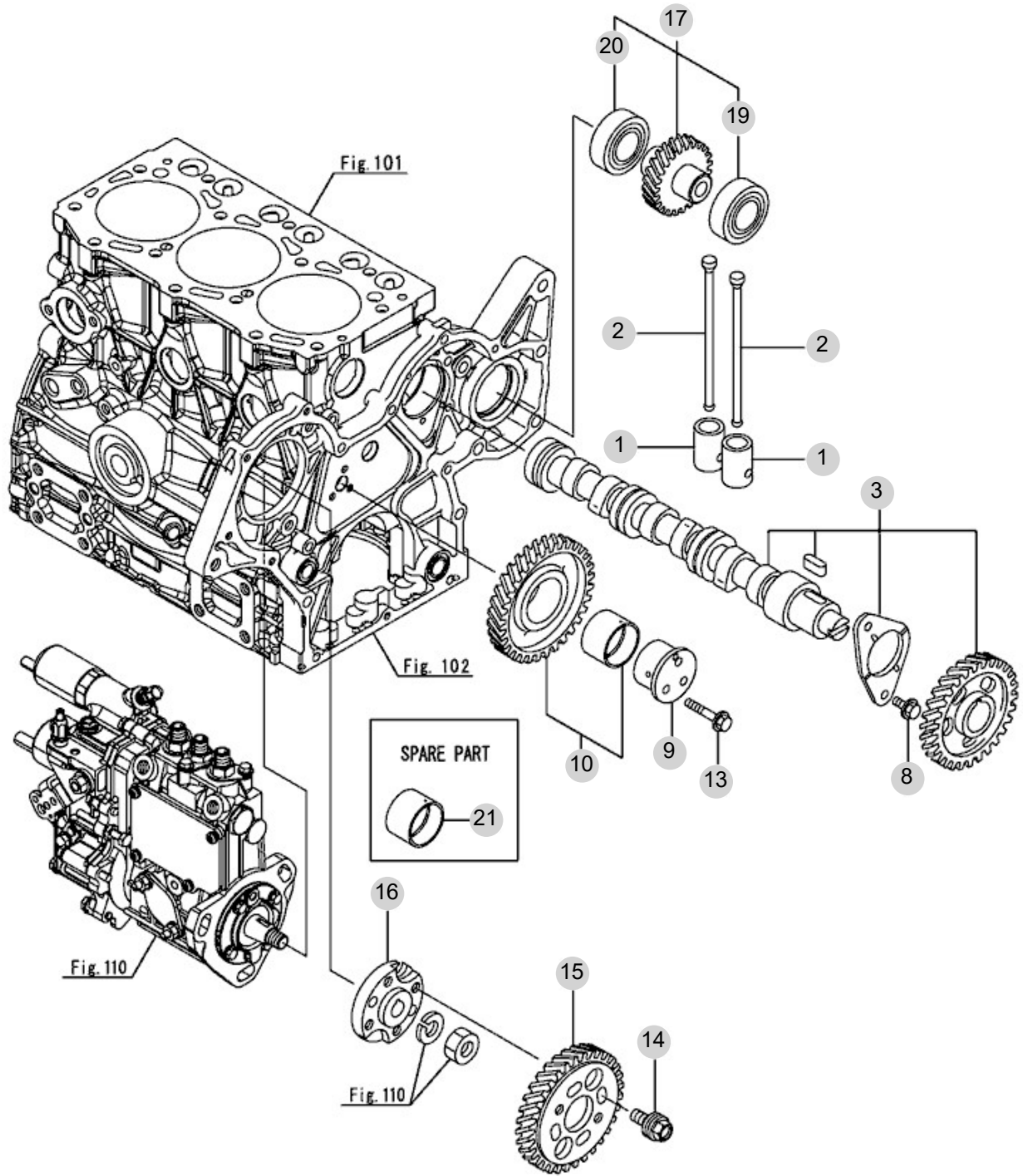
NOTE

FIG 106

CAMSHAFT & DRIVING GEAR

년/월
Year/Month

2022-12



NOTE

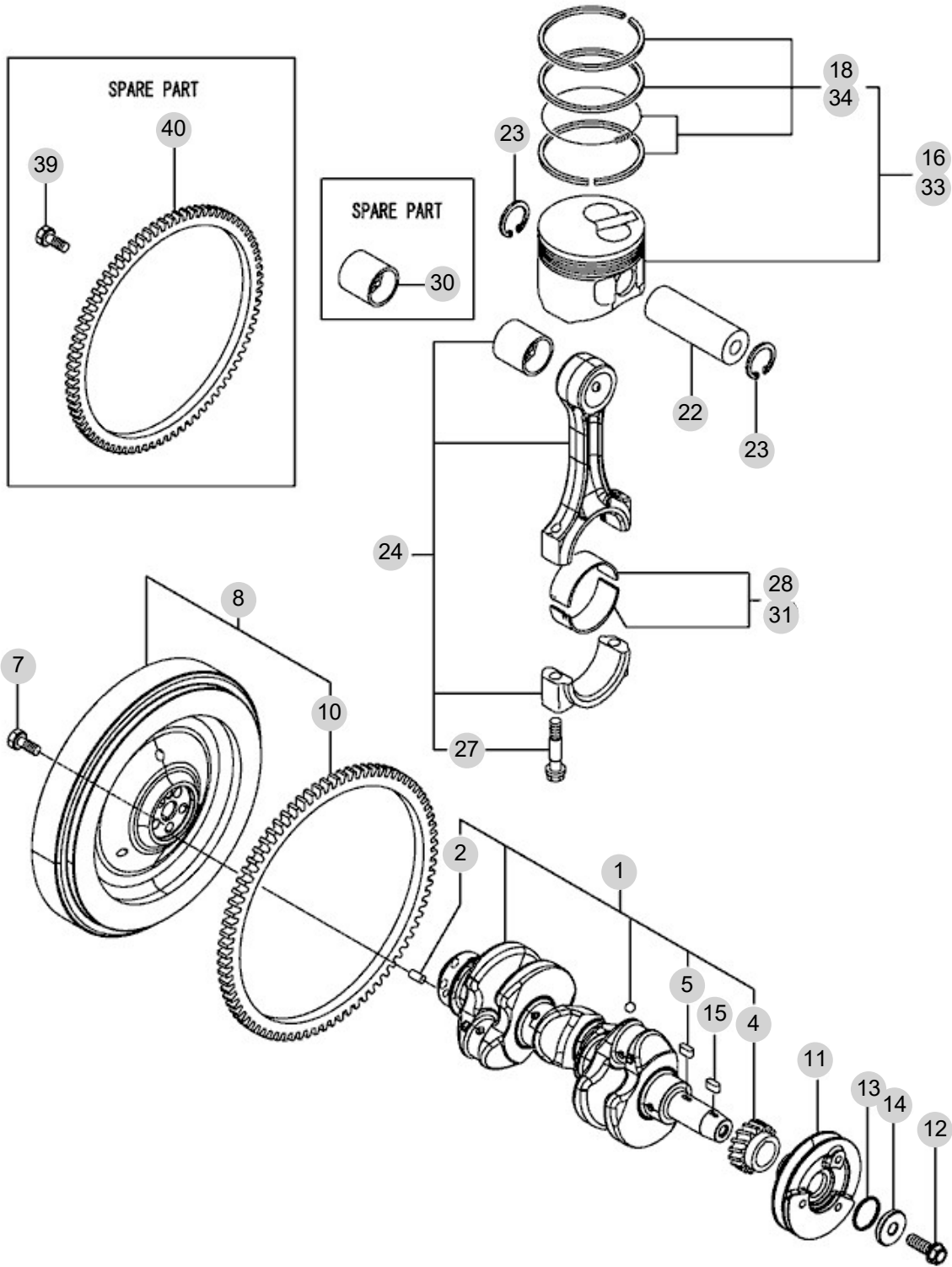
FIG 107

CRANKSHAFT & PISTON

년/월
Year/Month

2022-12

T254NH



NOTE

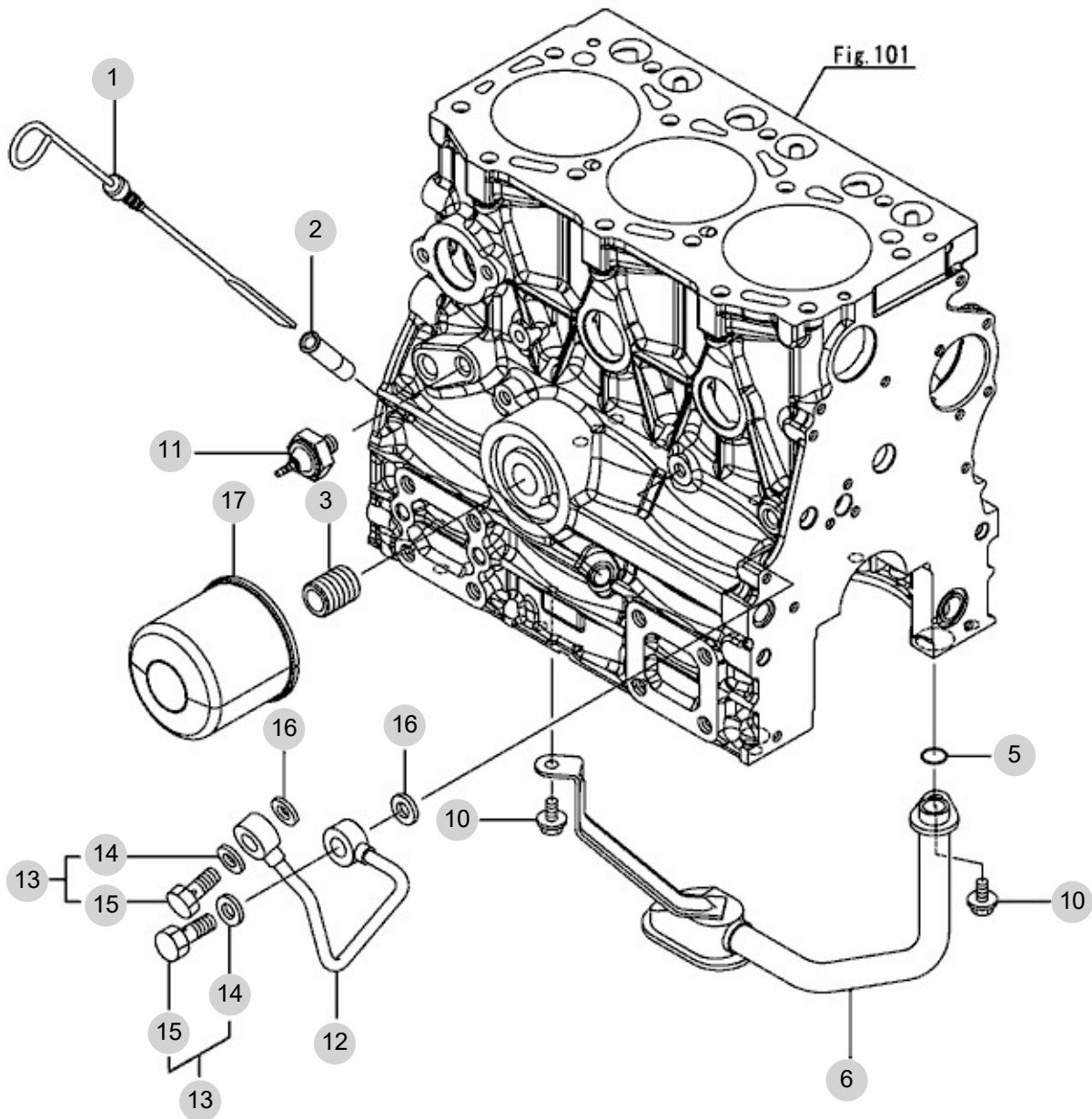
FIG 108

T254NH

LUB. OIL SYSTEM

년/월
Year/Month

2022-12



NOTE

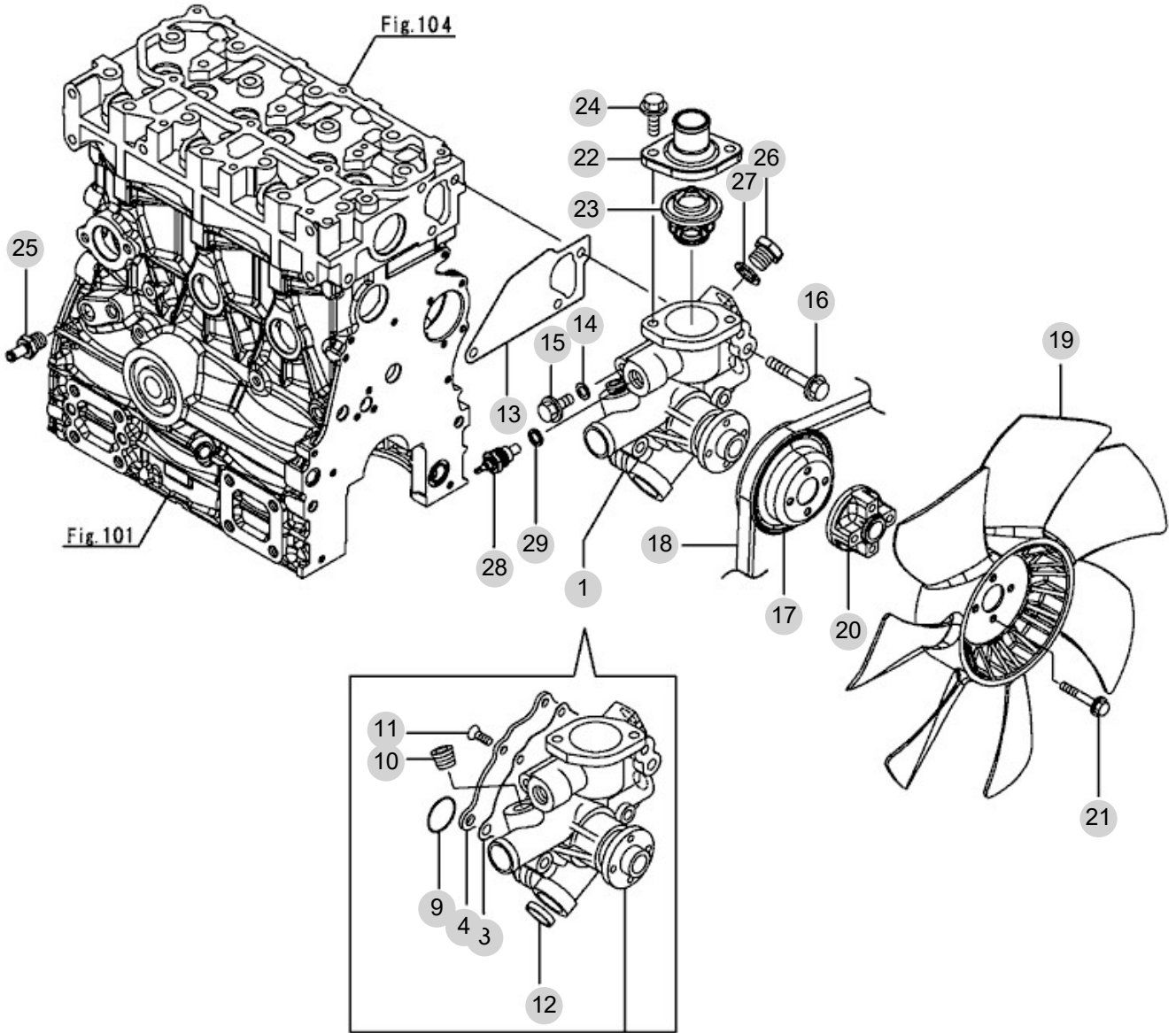
FIG 109

COOLING WATER SYSTEM

년/월
Year/Month

2022-12

T254NH



NOTE

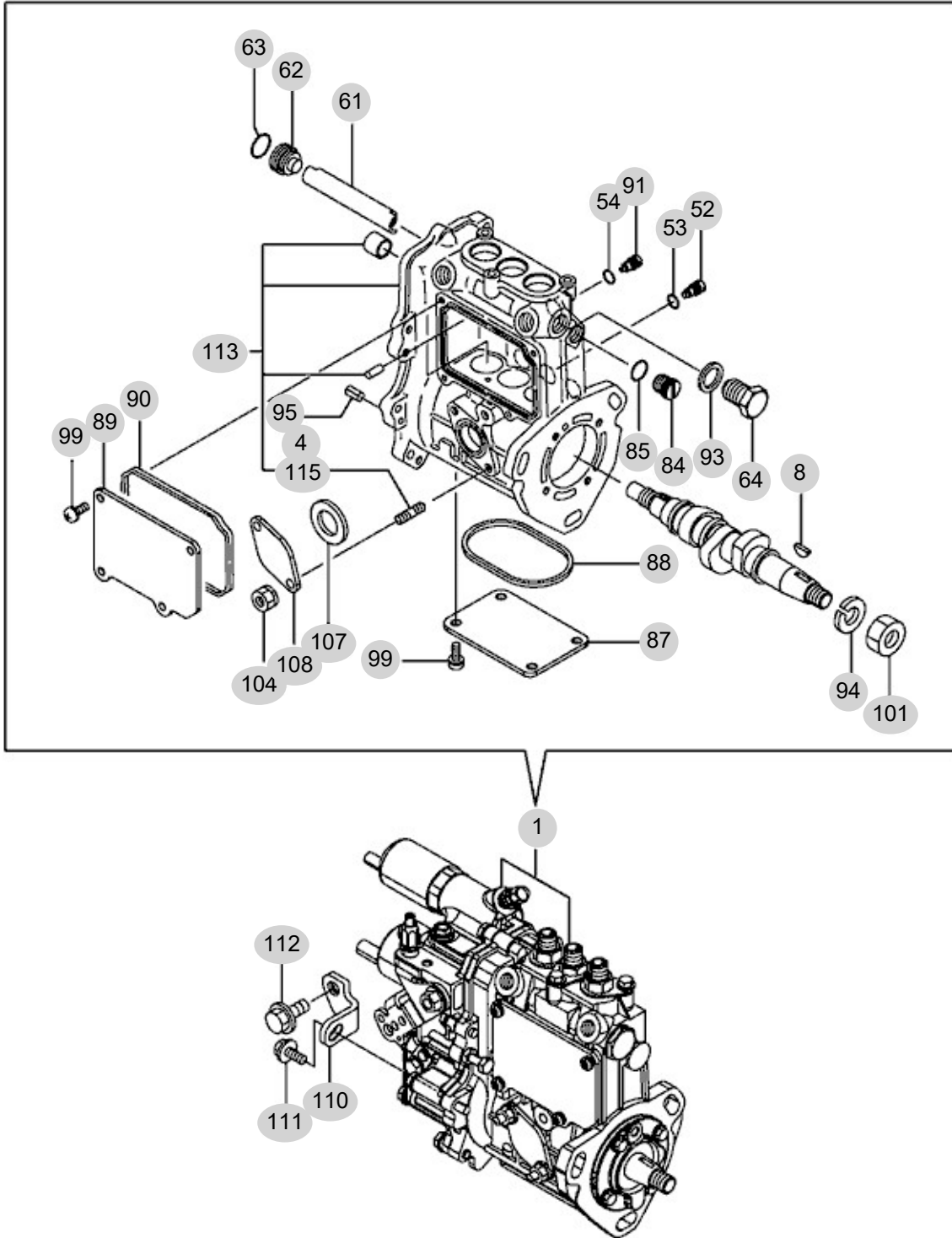
FIG 110

FUEL INJECTION PUMP

년/월
Year/Month

2022-12

T254NH



NOTE

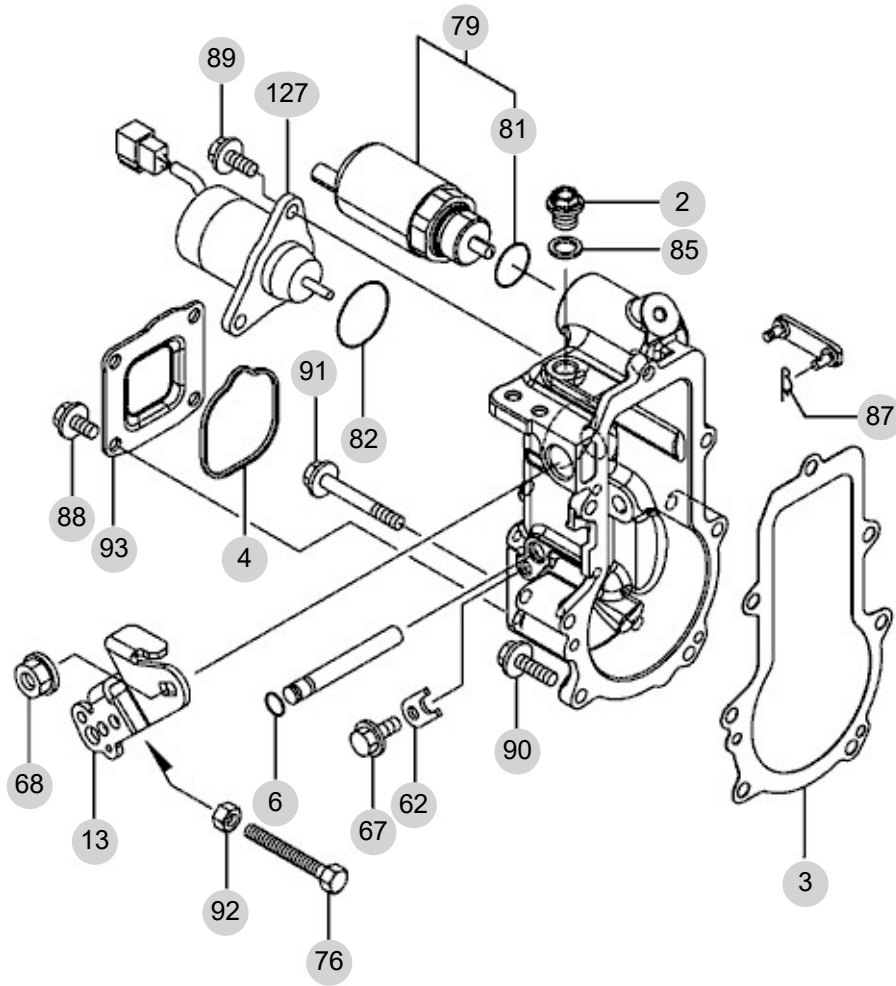
FIG 111

GOVERNOR

년/월
Year/Month

2022-12

T254NH



NOTE

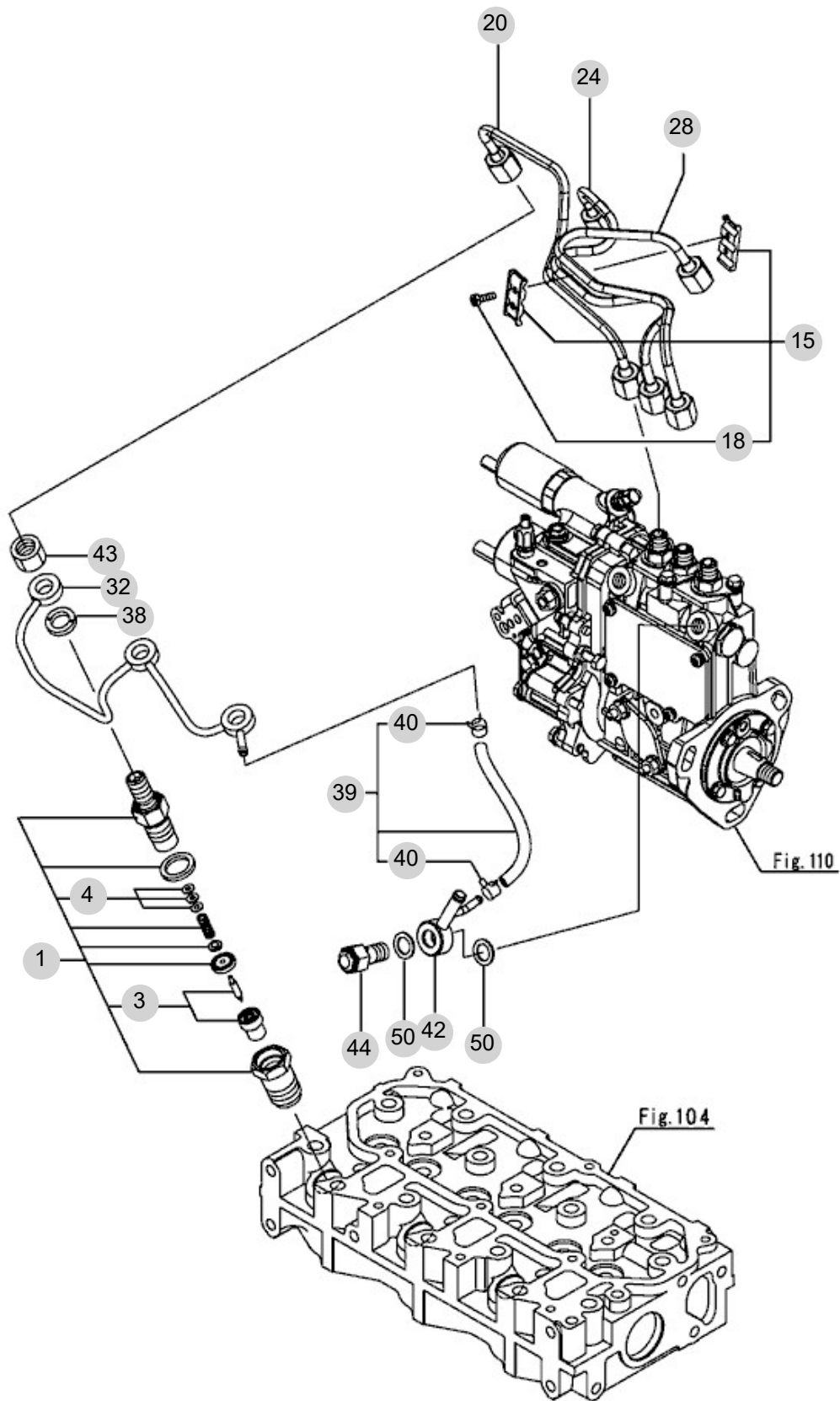
FIG 112

T254NH

FUEL INJECTION VALVE

년/월
Year/Month

2022-12



NOTE

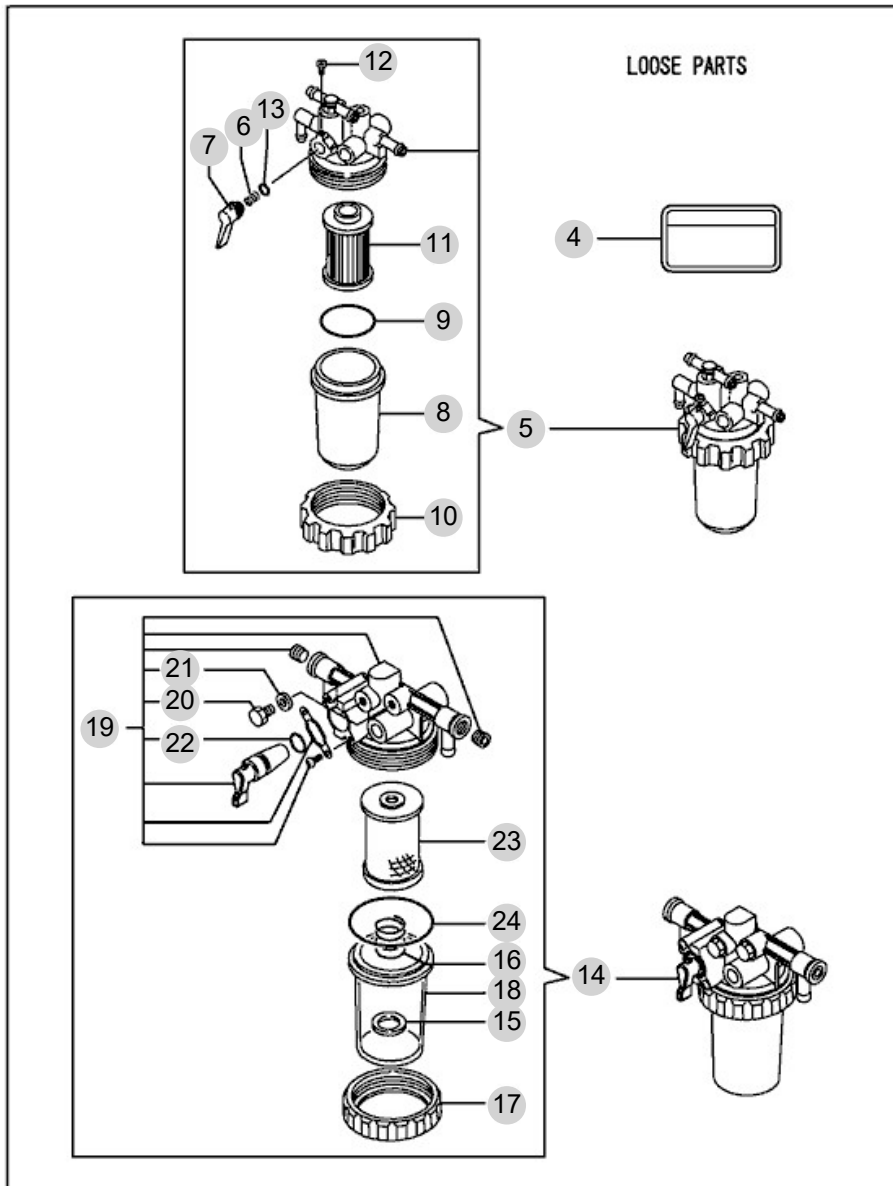
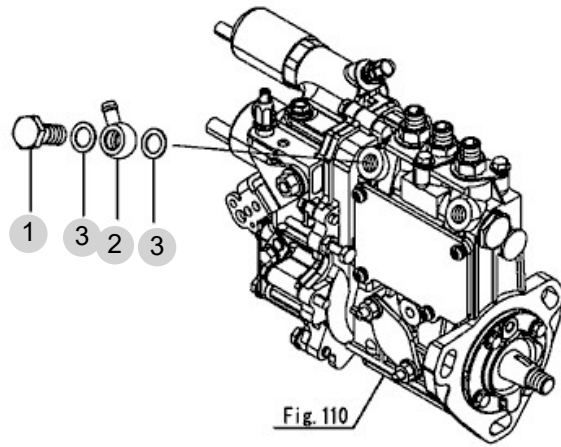
FIG 113

T254NH

FUEL FILTER

년/월
Year/Month

2022-12



NOTE

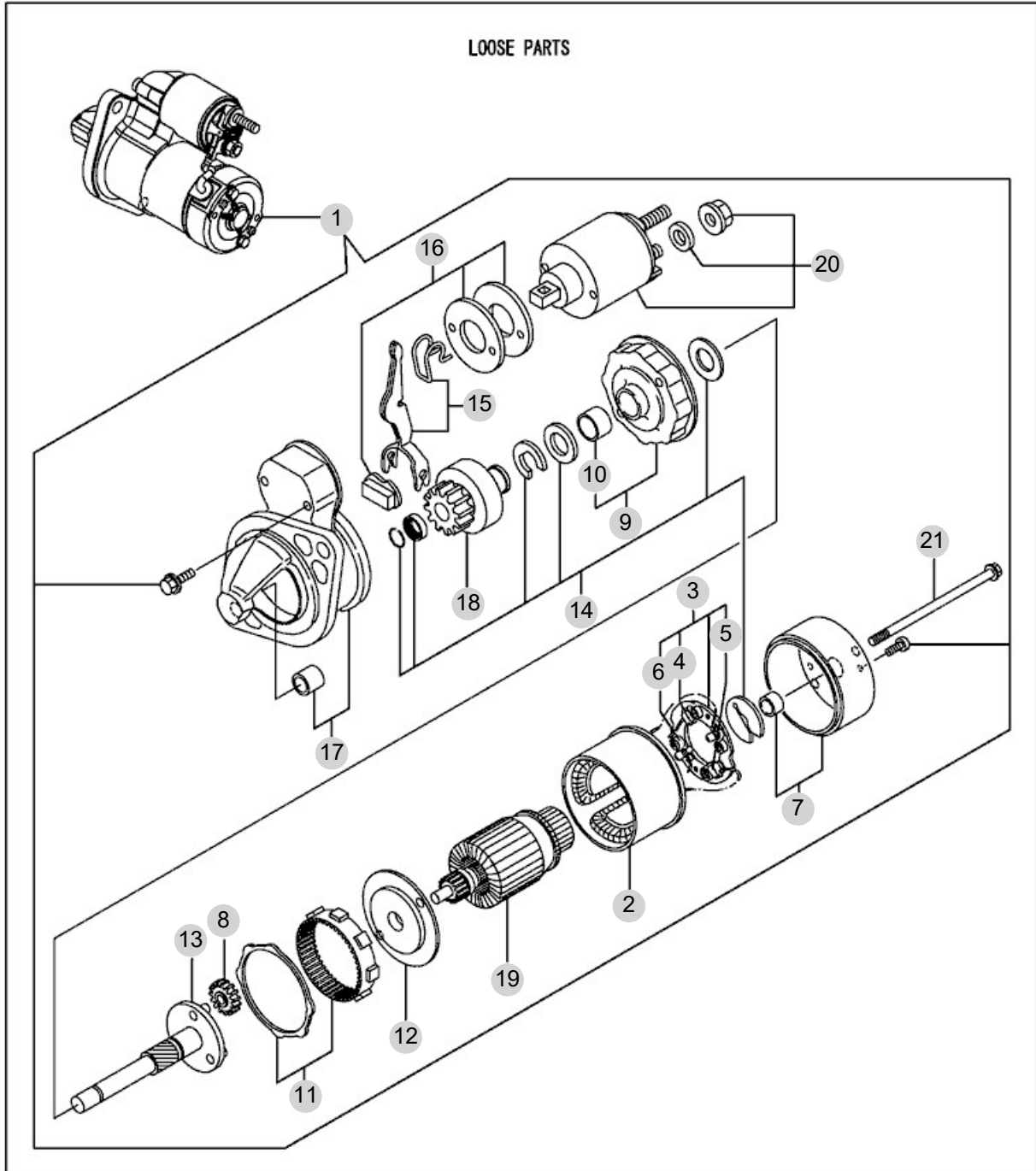
FIG 114

STARTING MOTOR

년/월
Year/Month

2022-12

T254NH



NOTE

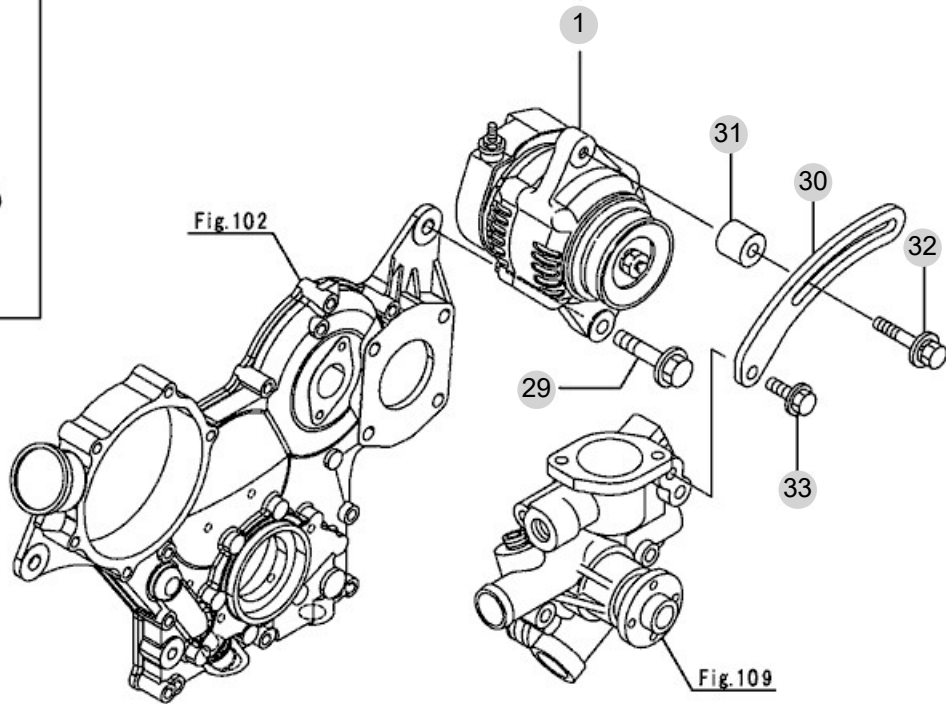
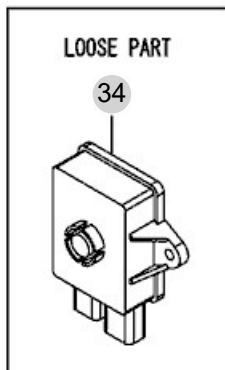
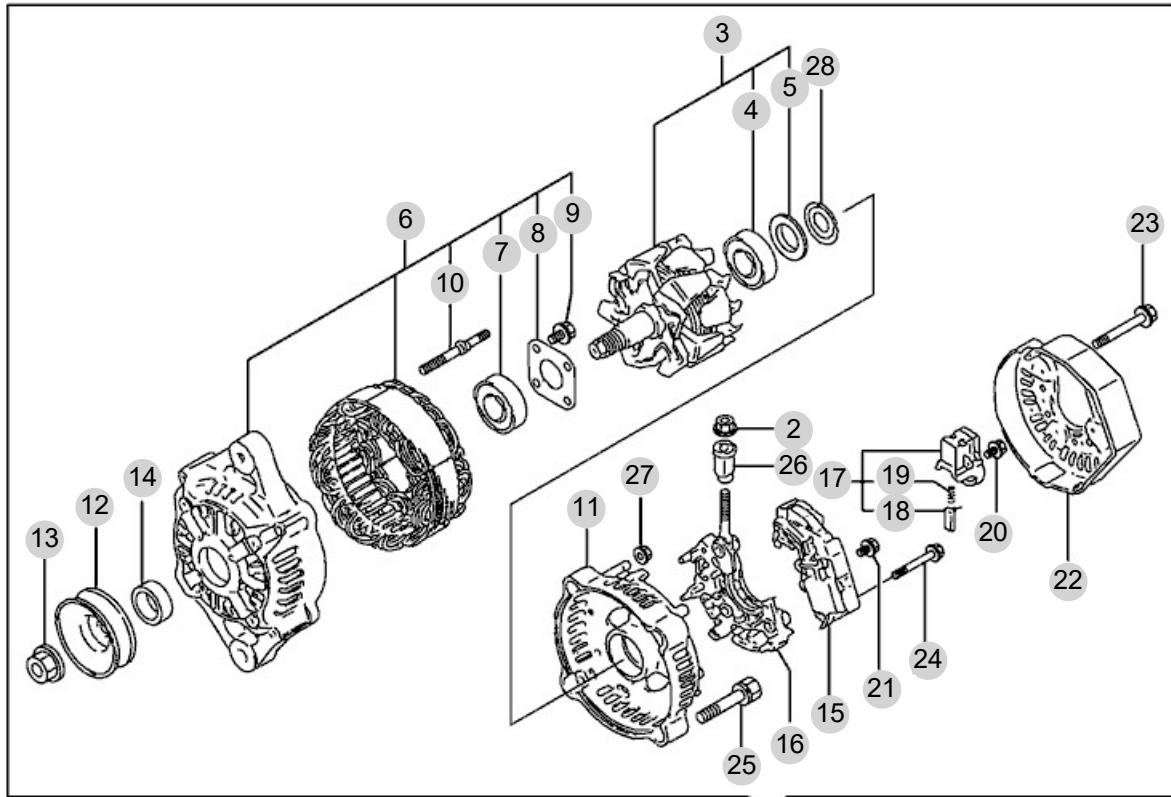
FIG 115

GENERATOR

년/월
Year/Month

2022-12

T254NH



NOTE

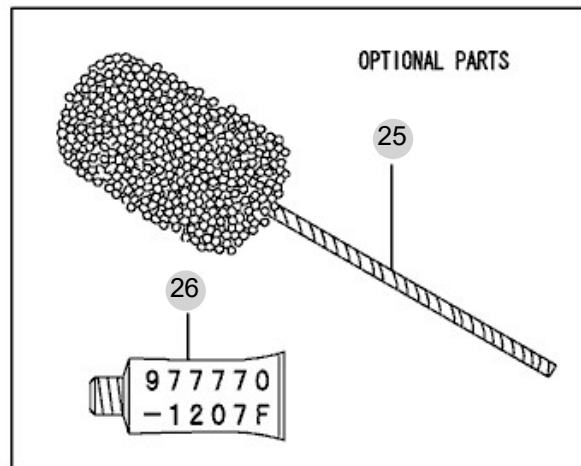
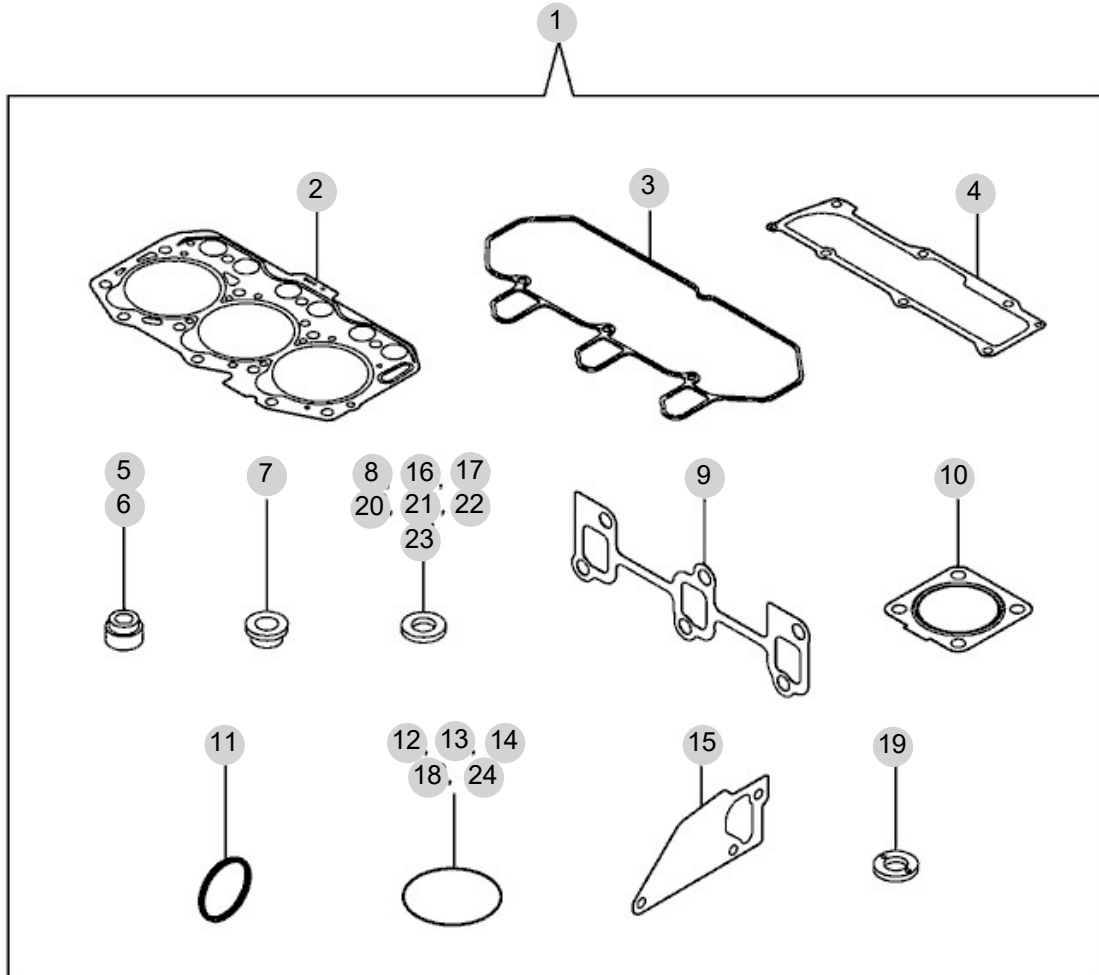
FIG 116

T254NH

GASKET SET

년/월
Year/Month

2022-12



NOTE

2. Engine Accessories PART NO. T2

FIG 201 AIR CLEANER	48
FIG 202 RADIATOR	50
FIG 203 MUFFLER	53
FIG 204 FUEL TANK & FUEL LINE	55
FIG 205 ACCELERATOR	57
FIG 206 FUEL FILTER	59
FIG 207 ENGINE MOUNTING	61
FIG 208 BLOCK HEATER	63

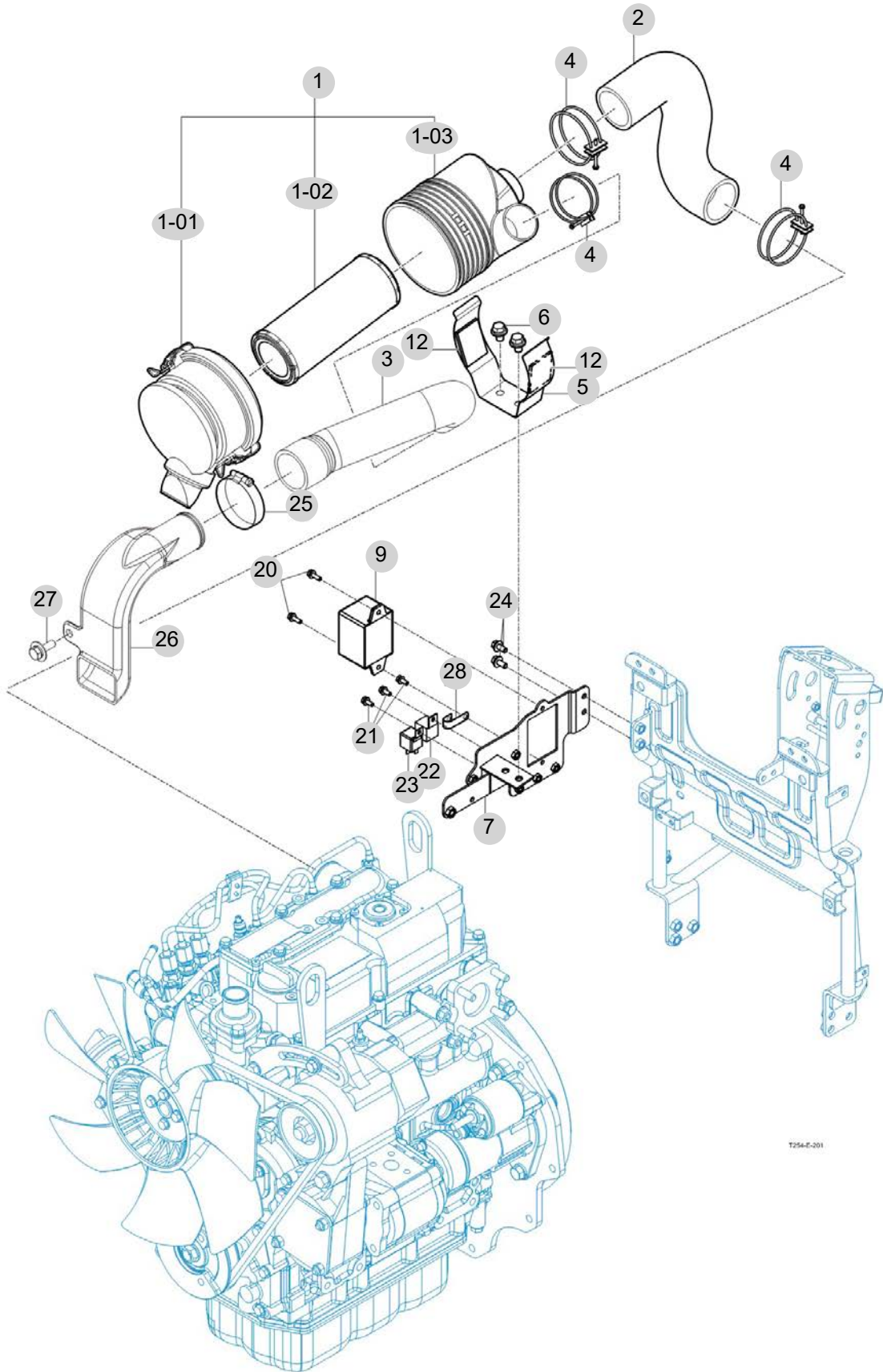
FIG 201

AIR CLEANER

년/월
Year/Month

2022-12

T254NH



NOTE

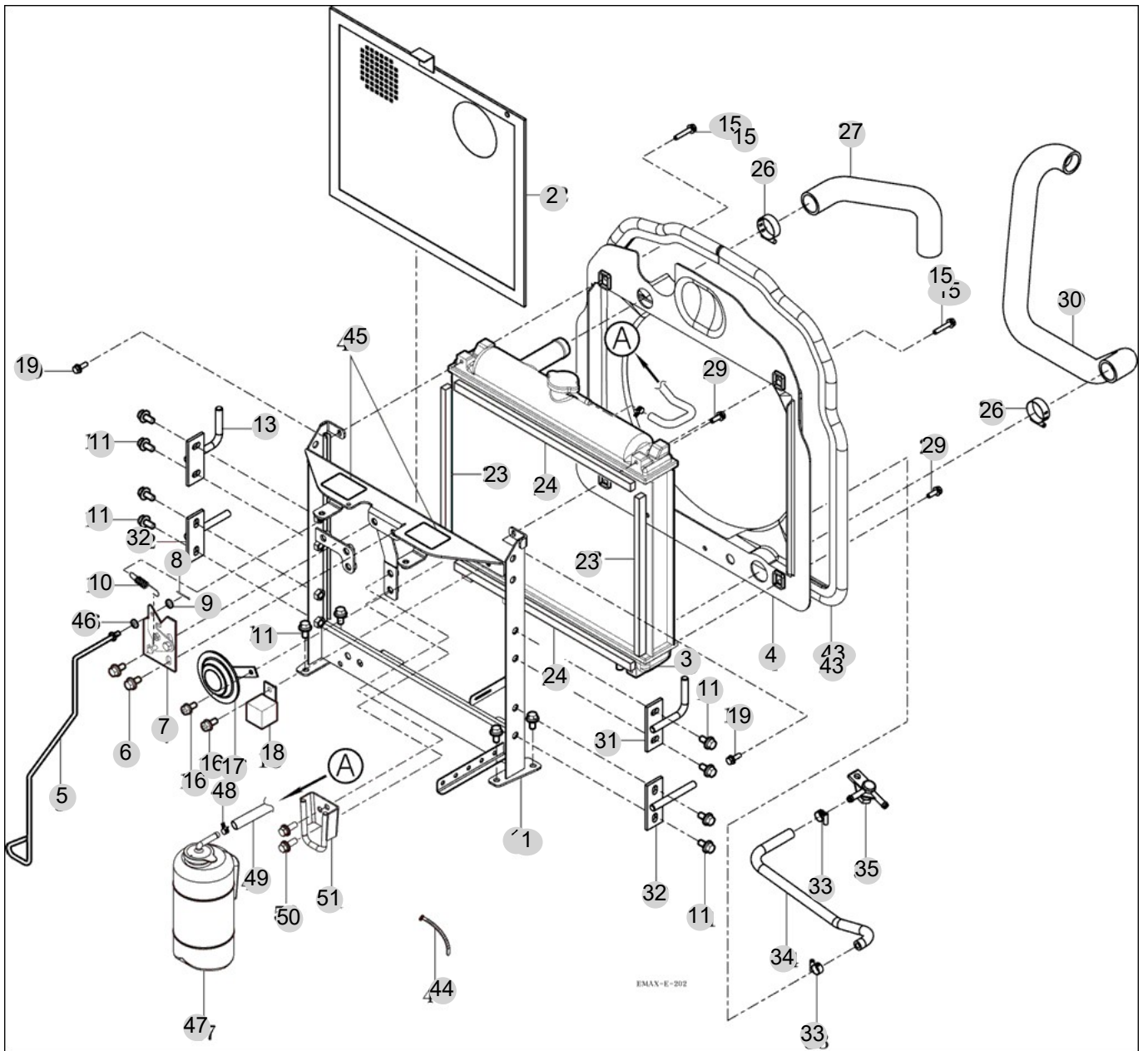
FIG 202

RADIATOR

년/월
Year/Month

2022-12

T254NH



NOTE

FIG 202		RADIATOR						년/월 Year/Month	
								2022-12	
T254NH		KEY NO	PART NO	DESCRIPTION	SPEC	QTY	REPAIR	EFFECTIVE DATE	REMARKS
202	1	11116091200GB	FRAME COMP , FRONT			1			
202	1	11116081200GB	FRAME COMP , FRONT			1			
202	2	11101042310GB	NET COMP , RADIATOR			1			
202	3	11111042000	RADIATOR COMP			1			
202	4	11111040050	SHROUD			1			
202	4	11111050050	SHROUD			1			
202	5	11106024300	ROD COMP , OPEN			1			
202	5	11136024300	ROD COMP , OPEN			1			
202	5	11136024301	ROD COMP , OPEN			1			
202	6	V2183608020	BOLT , HEX/SP	M8X20		2			
202	7	11106024501	STAY SUB , HOOD			1			
202	8	V5001925020	PIN D2.5x20	2.5X20		1			
202	9	V4111600060	WASHER , PLAIN	M6		1			
202	10	11106020010	SPRING , TENSION 40			1			
202	11	V2183608020	BOLT , HEX/SP	M8X20		14			
202	13	11116013601	PIN COMP , FRONT UP RH			1			
202	15	V2123606035	BOLT , HEX /SP	M6X35		2			
202	15	V2123606020	BOLT , HEX /SP	M6X20		2			
202	16	V2323606016	BOLT , C/R HEX/SP	M6X16		2			
202	17	13266212003	HORN			1			
202	18	17686641110	RELAY , PREHEAT	1X1X1		1			
202	19	V2323606016	BOLT , C/R HEX/SP	M6X16		2			
202	23	11101042390	SPONGE , 314			2			
202	24	11101042350	SPONGE , 410			2			
202	26	14445100080	BAND CLAMP 40			2			
202	26	18027090320	BAND CLAMP 32 EMBO TYPE			2			
202	27	11111040011	HOSE , INLET RADIATOR			1			
202	29	V2123606020	BOLT , HEX /SP	M6X20		2			
202	30	11111040110	HOSE , OUTLET RADIATOR			1			
202	31	11116013501	PIN COMP , FRONT UP LH			1			
202	32	11116013700	PIN COMP , LOW			2			
202	33	14501410050	BAND CLAMP 16	1X1X1		2			
202	34	11111040091	HOSE_RAD_CONNECTOR			1			
202	35	15601041000	CONNECTOR			1			
202	43	11201040080	INSULATOR , RADIATOR			1			
202	43	11201050080	INSULATOR , RADIATOR			1			
202	44	15606950150	CABLE TIE , 370			2			
202	45	13016400010	SEAL , BATTERY BRACKET	T=0.25		2			
202	46	V7231015006	O-RING , S			1			
202	47	16003302100	TANK ASSY , RESERVE			1			
202	47	16003302101	TANK ASSY , RESERVE			1			
202	48	36423600080	CLIP , HOSE D=12.5	21X15		2			
202	48	14501410050	BAND CLAMP 16			2			
202	49	13831510400	HOSE , RESERVOIR TANK			1			
202	49	17995010150	HOSE . 500			1			
NOTE									

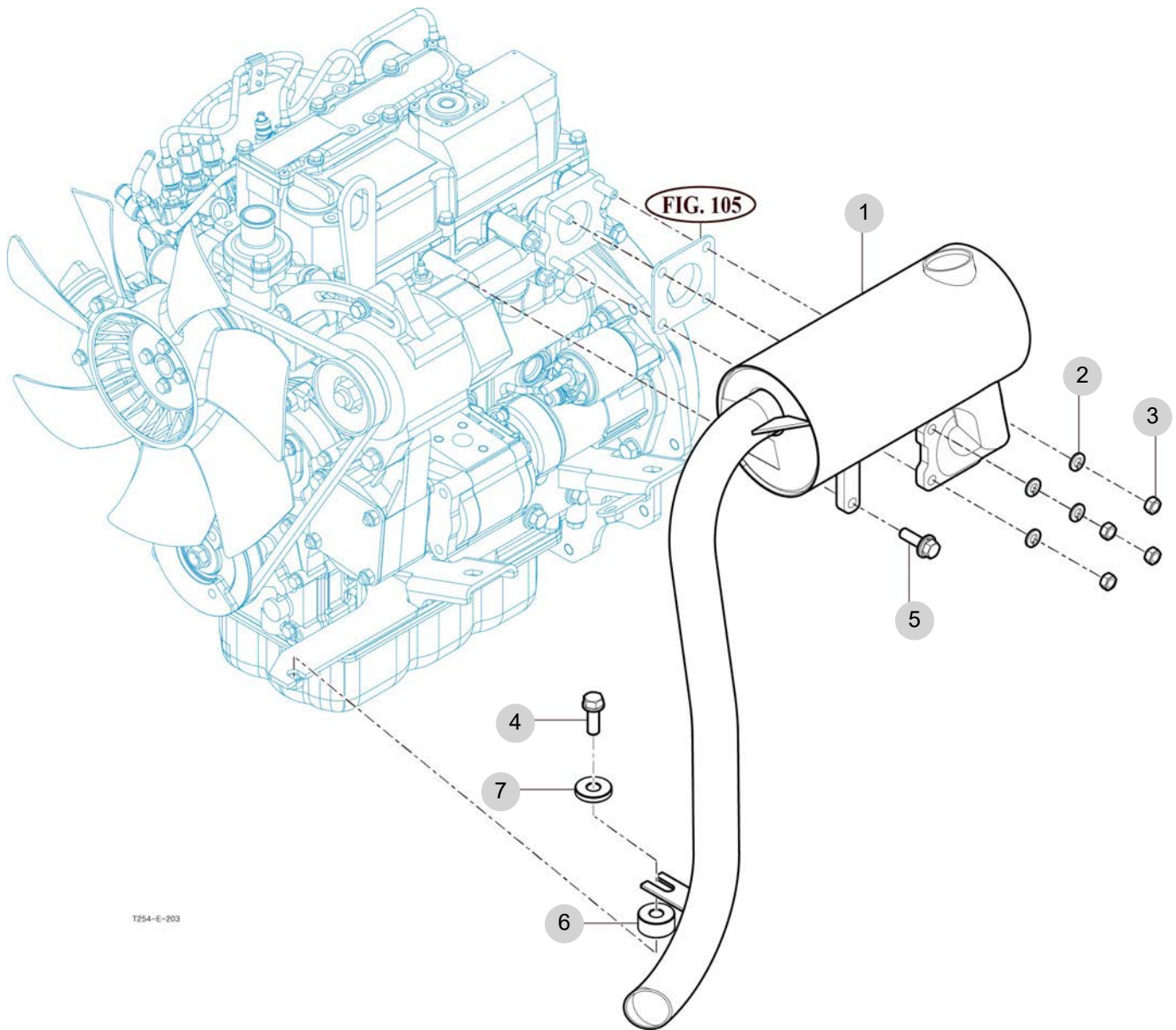
FIG 203

T254NH

MUFFLER

년/월
Year/Month

2022-12



T254-E-203

NOTE

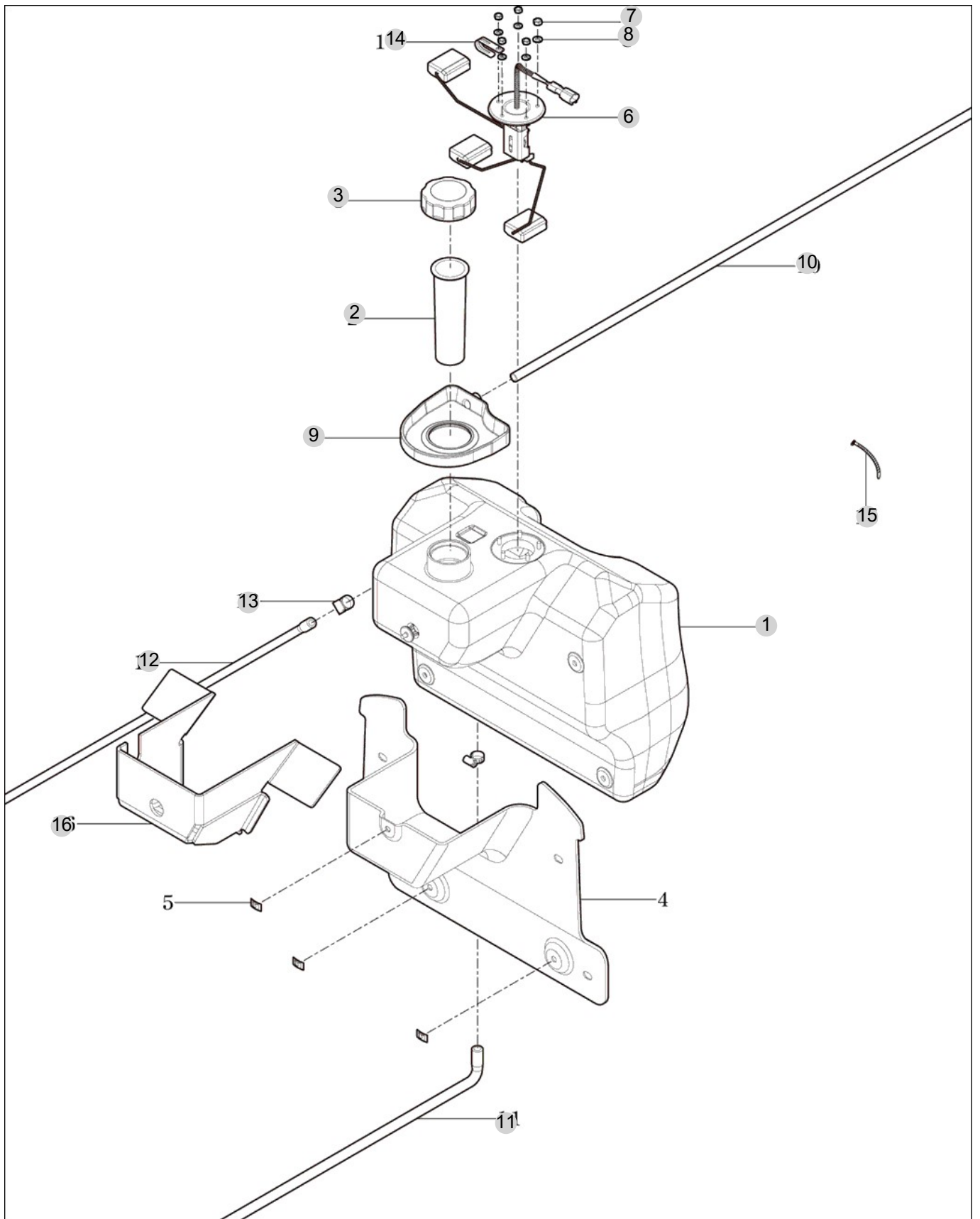
FIG 204

T254NH

FUEL TANK & FUEL LINE

년/월
Year/Month

2022-12



NOTE

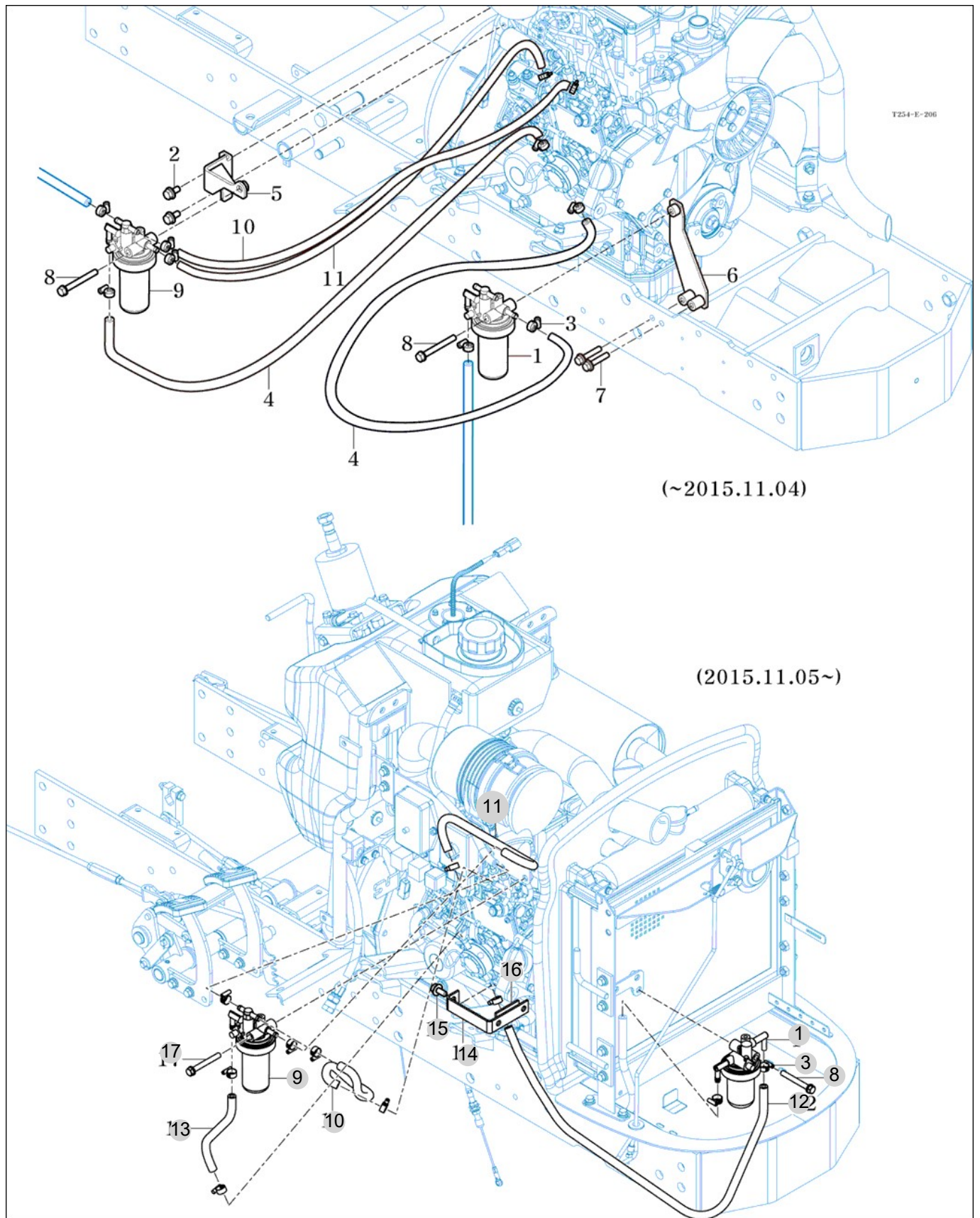
FIG 206

FUEL FILTER

년/월
Year/Month

T254NH

2022-12



NOTE

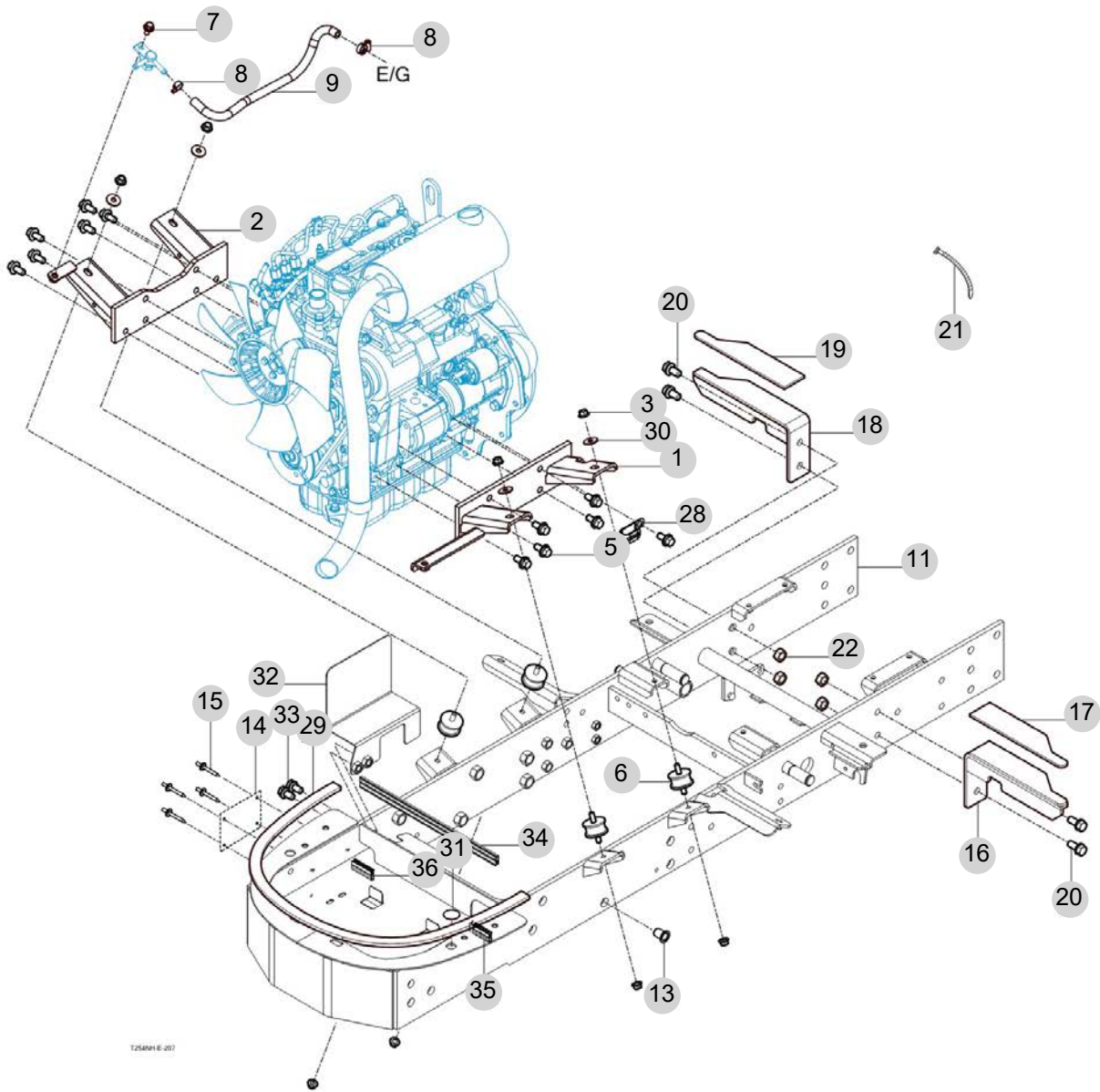
FIG 207

ENGINE MOUNTING

년/월
Year/Month

2022-12

T254NH



NOTE

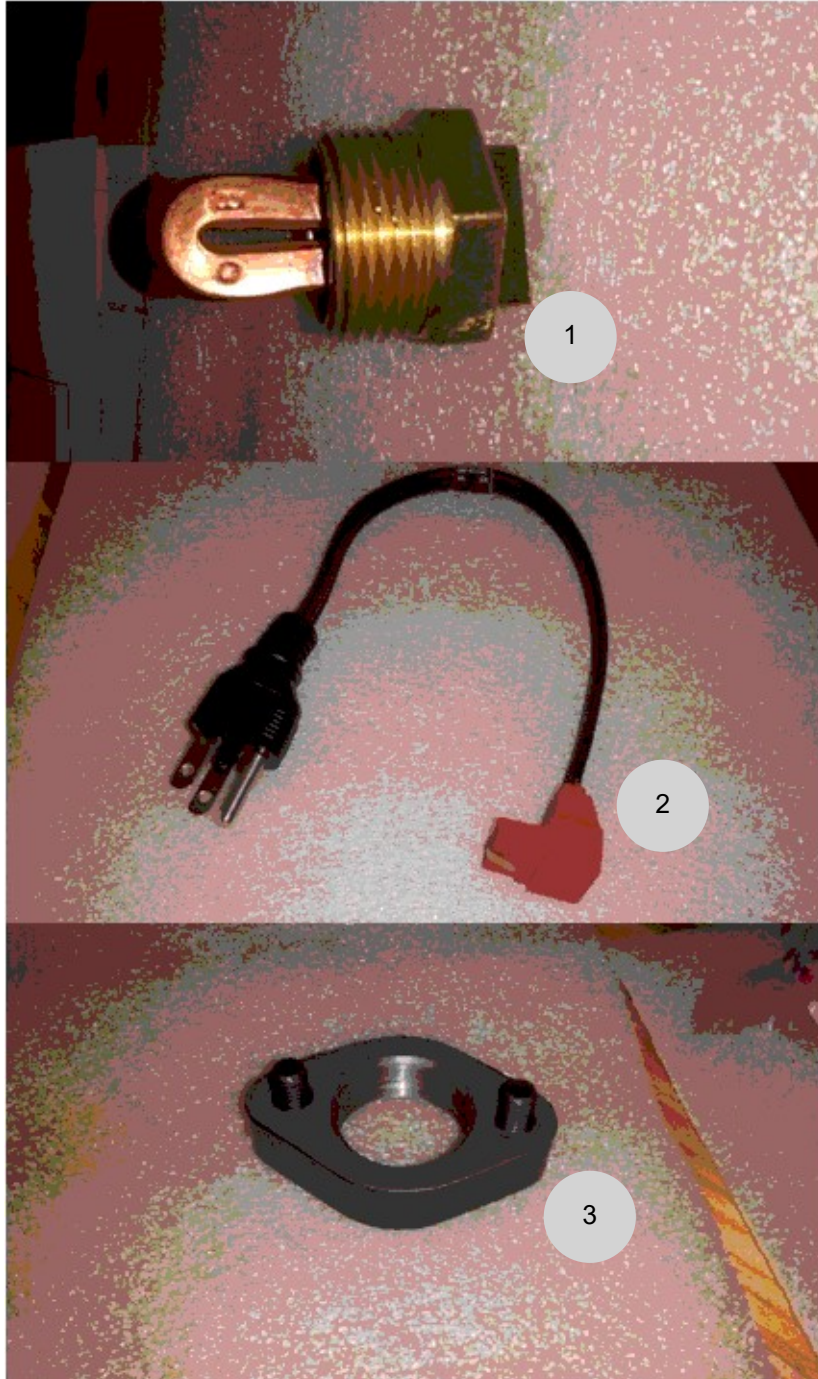
FIG 208

T254NH

BLOCK HEATER

년/월
Year/Month

2022-12



NOTE

3. Clutch/Brake/Steering PART NO. T3

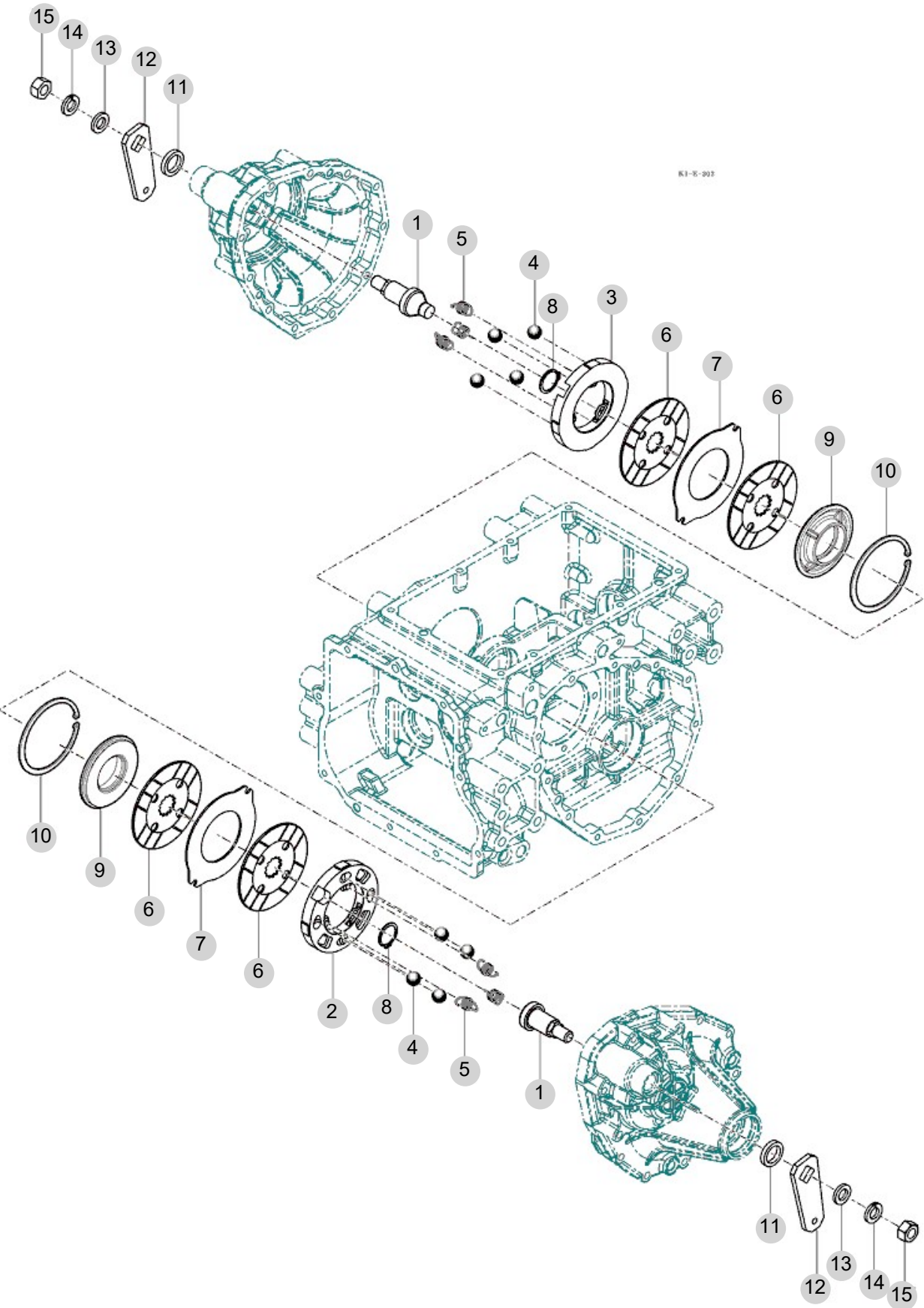
FIG 301 FLYWHEEL COVER	66
FIG 302 BRAKE	68
FIG 303 BRAKE PEDAL & LINKAGE	70
FIG 304 SPEED CONTROL	72
FIG 305 DASH COVER	75
FIG 306 STEERING VALVE	77
FIG 307 STEERING CYLINDER	79
FIG 308 STEERING WHEEL	81
FIG 309 TIRE	83

FIG 302

BRAKE

년/월
Year/Month

2022-12



NOTE

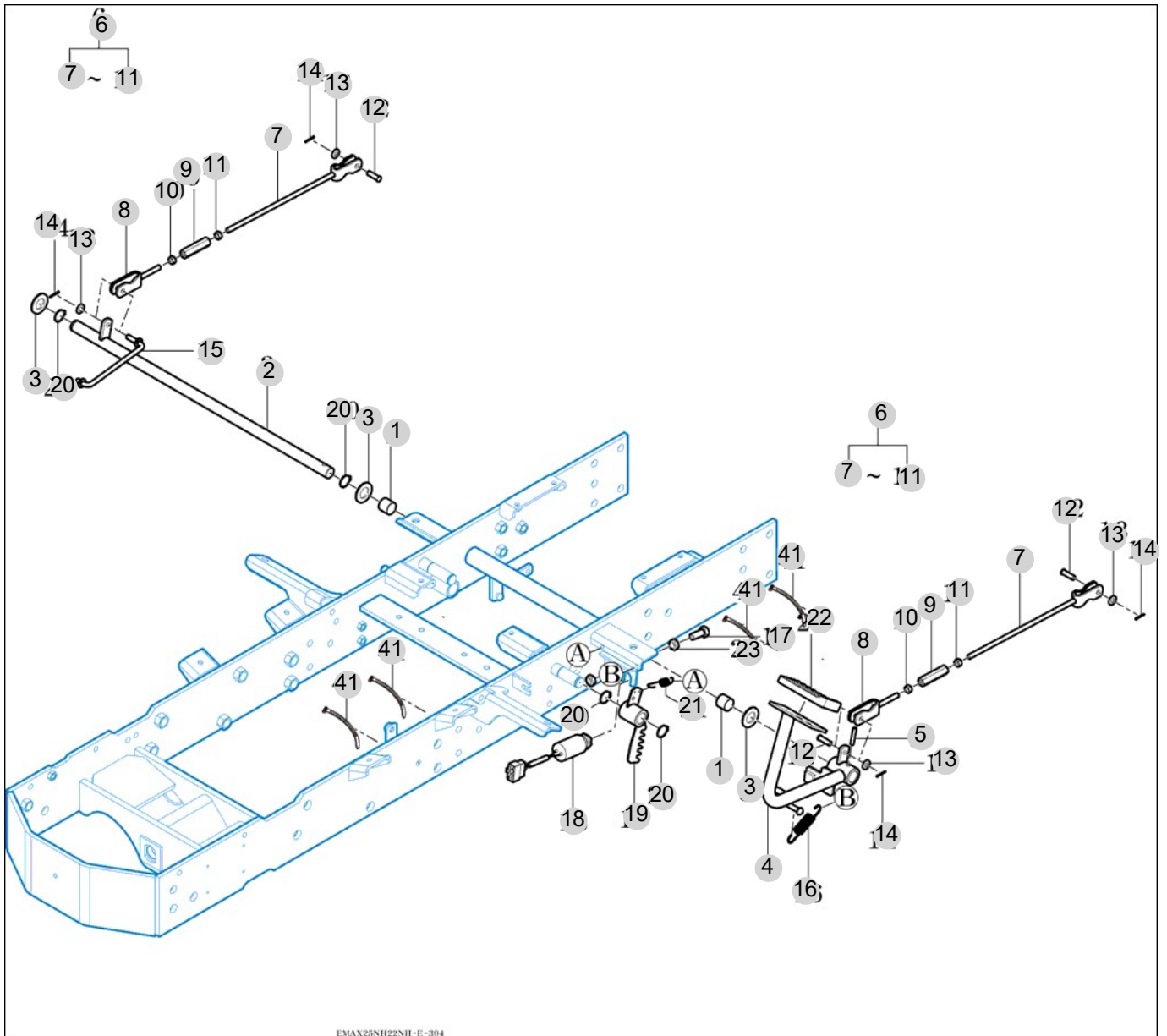
FIG 303

BRAKE PEDAL & LINKAGE

년/월
Year/Month

2022-12

T254NH



NOTE

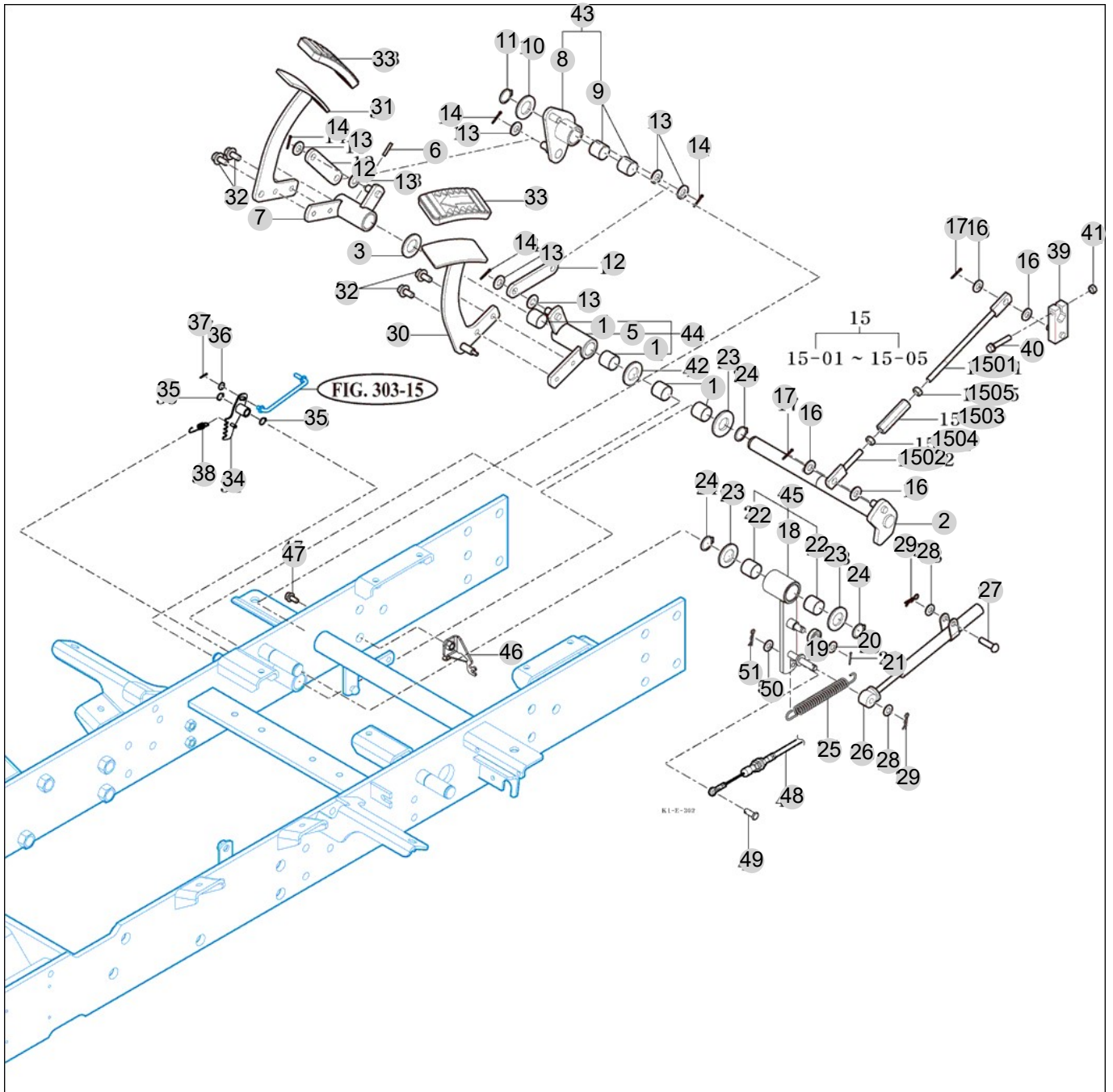
FIG 304

SPEED CONTROL

년/월
Year/Month

T254NH

2022-12



NOTE

FIG 304		SPEED CONTROL						년/월 Year/Month	
								2022-12	
T254NH		KEY NO	PART NO	DESCRIPTION	SPEC	QTY	REPAIR	EFFECTIVE DATE	REMARKS
304	1	11102320030	BUSH , 20X23X20			4			
304	2	11102323102	SHAFT COMP , PEDAL			1			
304	3	V4111600200	WASHER , PLAIN	M20		1			
304	5	11102323201	ARM COMP , FORWARD			1			
304	6	V5801406032	PIN , SPRING	6X32		1			
304	7	11102323301	ARM COMP , REVERSE			1			
304	8	11102323401	ARM COMP , CONNECT			1			
304	9	11102320030	BUSH , 20X23X20			2			
304	10	V4111600200	WASHER , PLAIN	M20		1			
304	11	V7041400200	C-RING , SHAFT	20		1			
304	12	11102320010	LINK			2			
304	13	V4111600100	WASHER , PLAIN	M10		7			
304	14	V5001920015	PIN , SPLIT	2X15		4			
304	15	11102325001	ROD ASSY , CONTROL			1			
304	1501	11102325101	ROD COMP , LH			1			
304	1502	11102325201	ROD COMP , RH			1			
304	1503	16601220020	TURNBUCKLE , M8 L60			1			
304	1504	V3042600080	NUT , HEX/2	M8		1			
304	1505	15601320073	NUT , HEX LH	"2중,M8"		1			
304	16	V4111600100	WASHER , PLAIN	M10		4			
304	17	V5001920015	PIN , SPLIT	2X15		2			
304	18	10512324100	ARM COMP , CAM			1			
304	19	14722310060	BEARING , BALL			1			
304	20	V4111600080	WASHER , PLAIN	M8		1			
304	21	V5001920015	PIN , SPLIT	2X15		1			
304	22	11102320030	BUSH , 20X23X20			2			
304	23	V4111600200	WASHER , PLAIN	M20		3			
304	24	V7041400200	C-RING , SHAFT	20		3			
304	25	14722310033	SPRING , RETURN	D=2.4		1			
304	26	11102321000	DAMPER , OIL 110			1			
304	27	14043120060	PIN , YOKE	D=8		1			
304	28	V4111600080	WASHER , PLAIN	M8		2			
304	29	V5601600008	PIN , SNAP	8		2			
304	30	11102322400GB	PEDAL COMP , FORWARD			1			
304	31	11102322500GB	PEDAL COMP , REVERSE			1			
304	32	V2183608020	BOLT , HEX/SP	M8X20		4			
304	33	14722312730	PAD	1X1X1		2			
304	34	11102326201	RATCHET COMP , CRUISE			1			
304	35	V7041400150	C-RING , SHAFT	15		2			
304	36	V4111600080	WASHER , PLAIN	M8		1			
304	37	V5001920015	PIN , SPLIT	2X15		1			
304	38	11102320020	SPRING(66)			1			
304	38	14143120020	SPRING , TENSION 53			1			
304	39	11102322100	HOLDER COMP			1			
304	40	V2173608045	BOLT , HEX/S	M8X45		1			
NOTE									

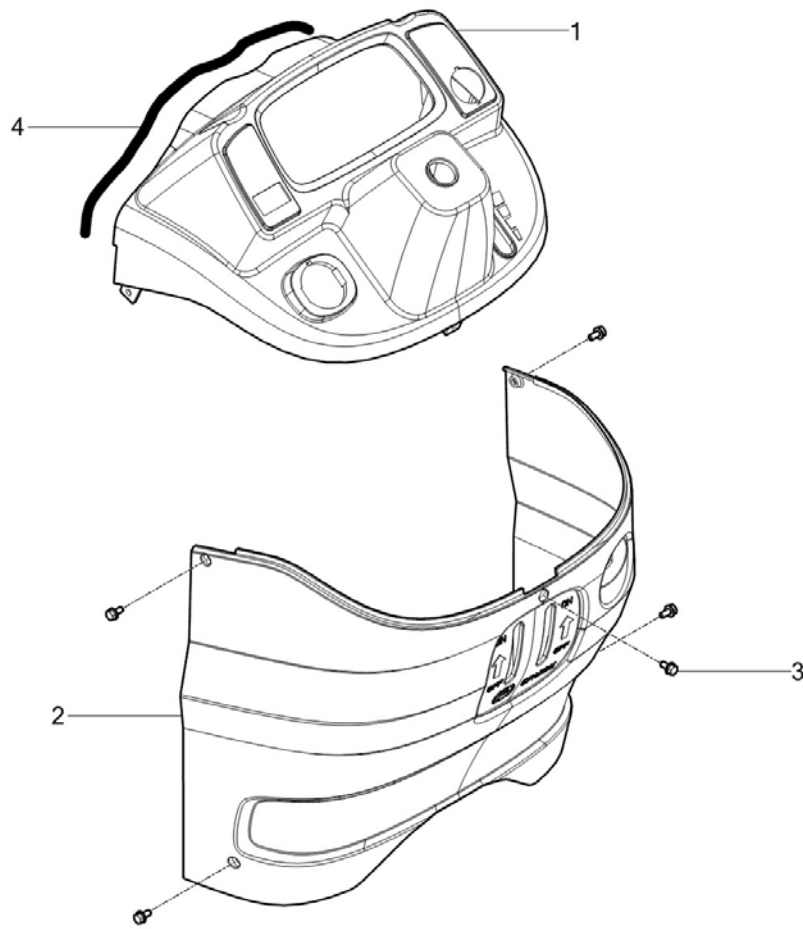
FIG 305

T254NH

DASH COVER

년/월
Year/Month

2022-12



NOTE

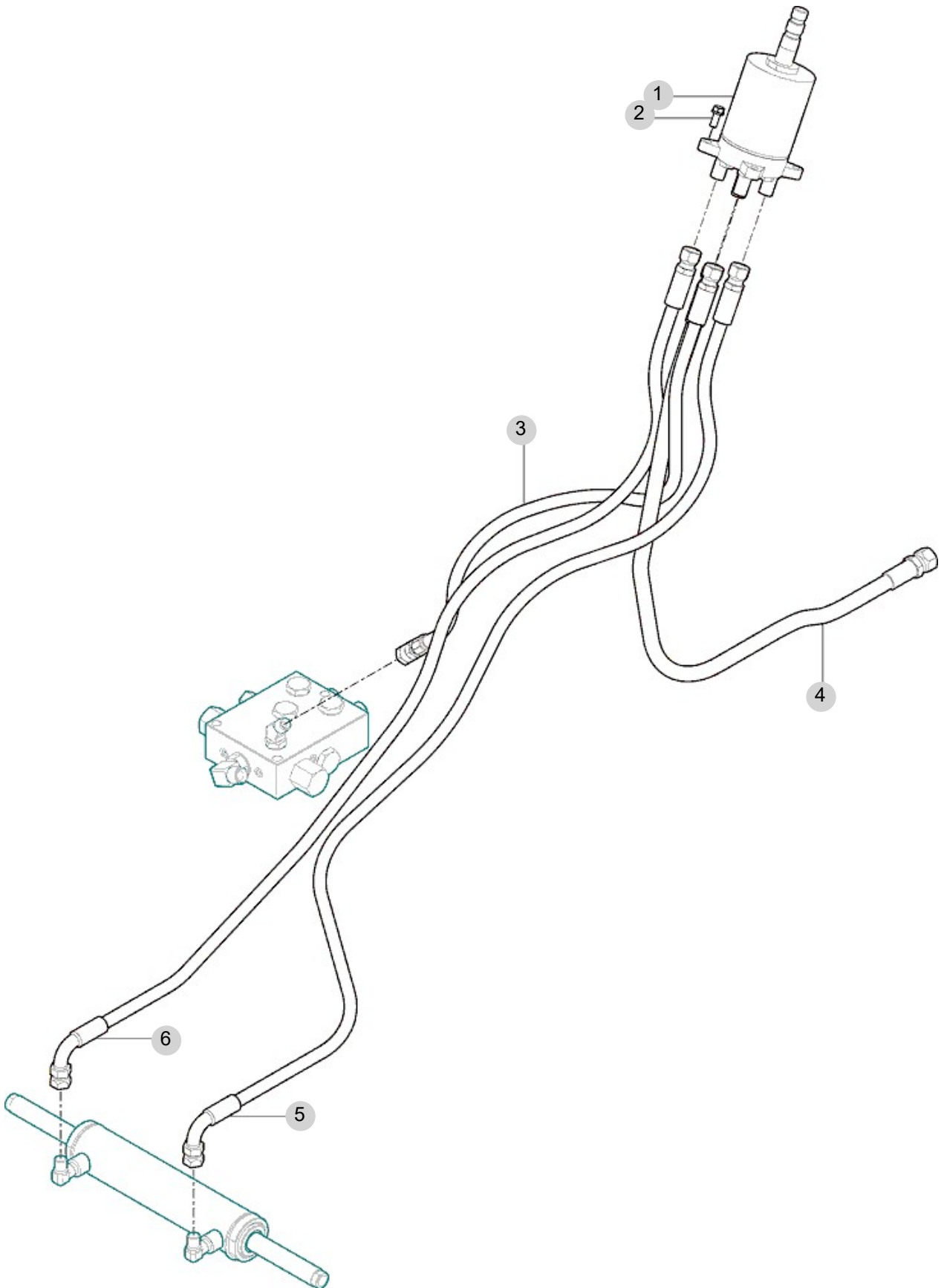
FIG 306

STEERING VALVE

년/월
Year/Month

T254NH

2022-12



NOTE

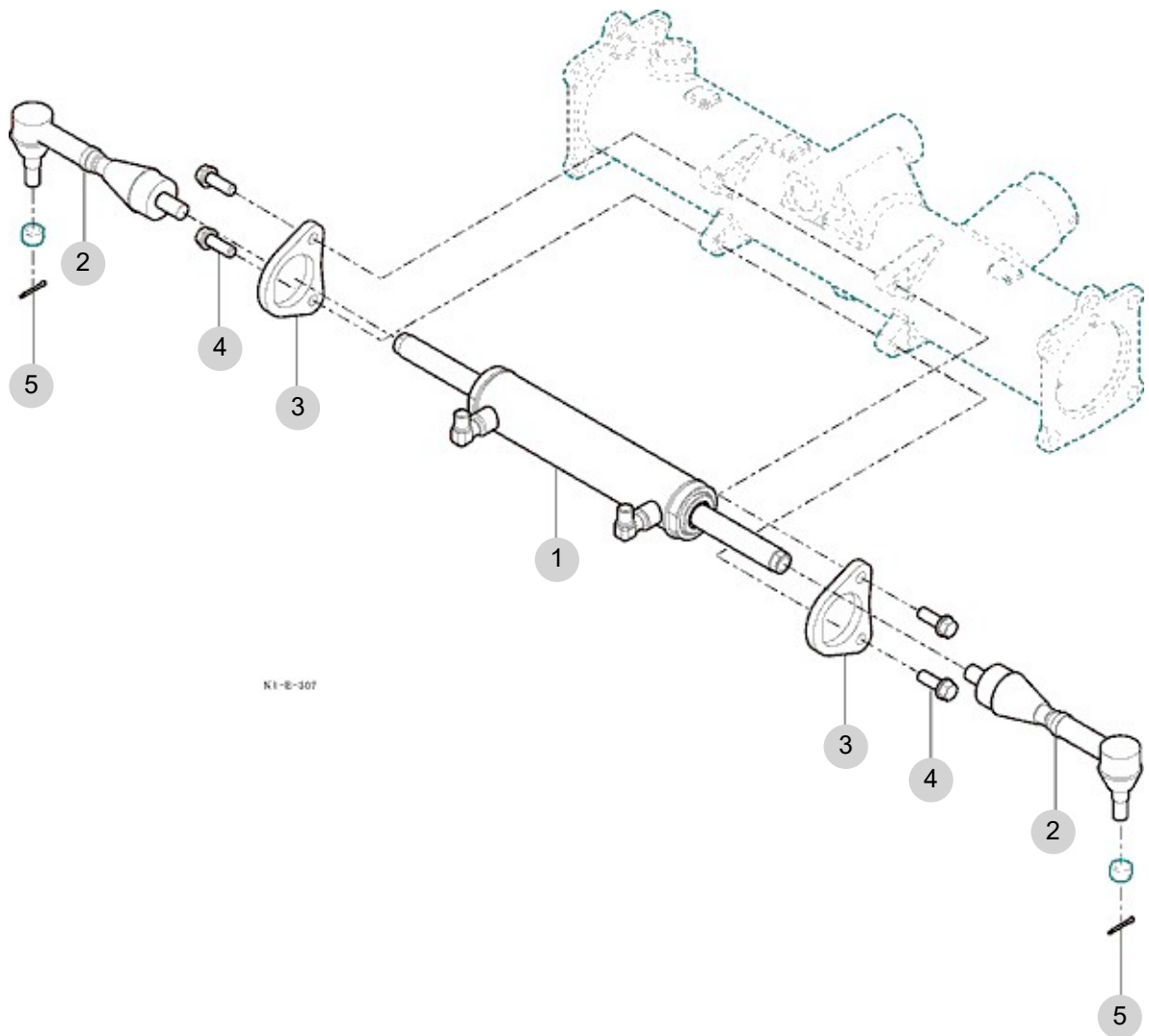
FIG 307

T254NH

STEERING CYLINDER

년/월
Year/Month

2022-12



NOTE

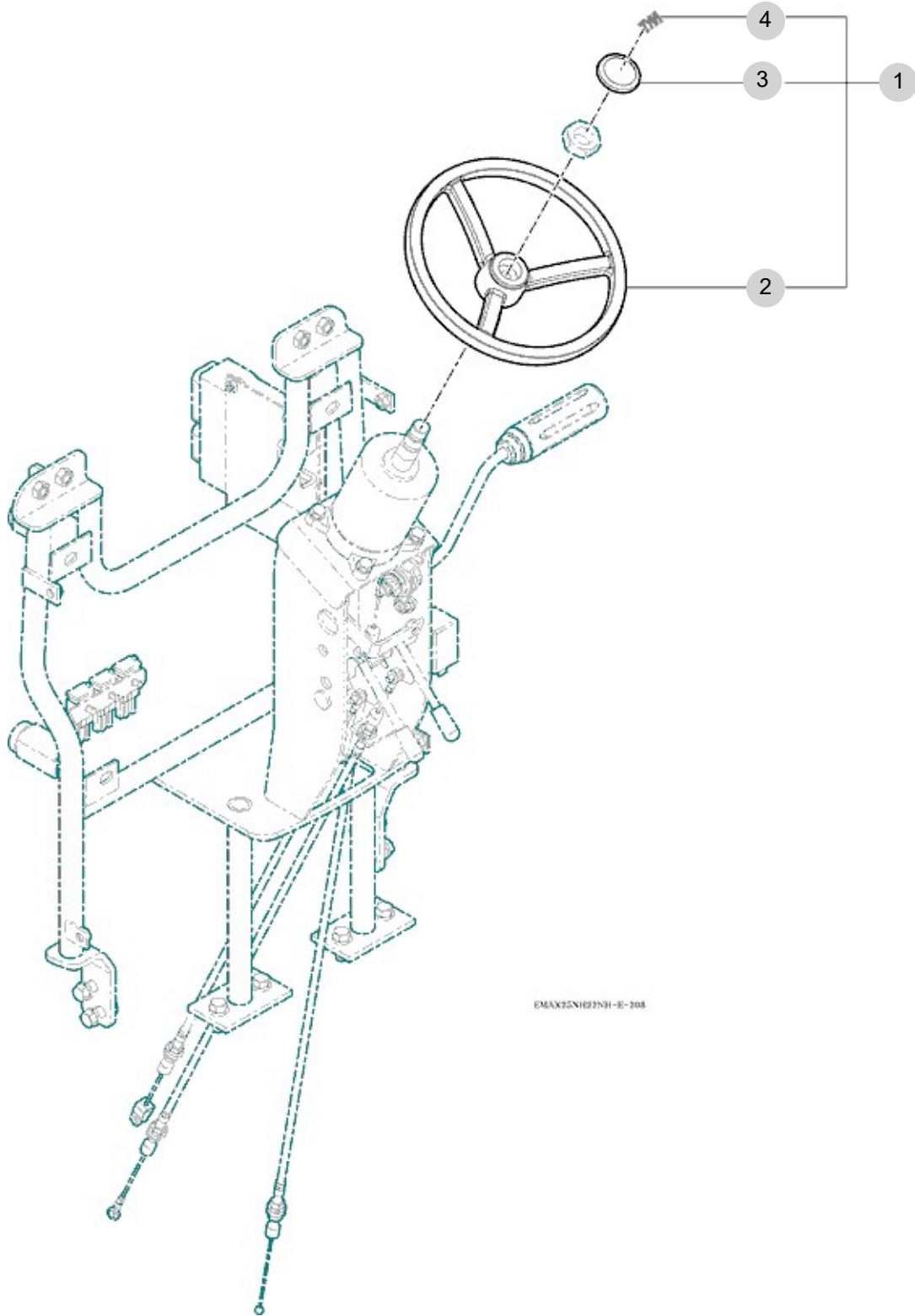
FIG 308

STEERING WHEEL

년/월
Year/Month

2022-12

T254NH



E-MAX25NH02NH-E-208

NOTE

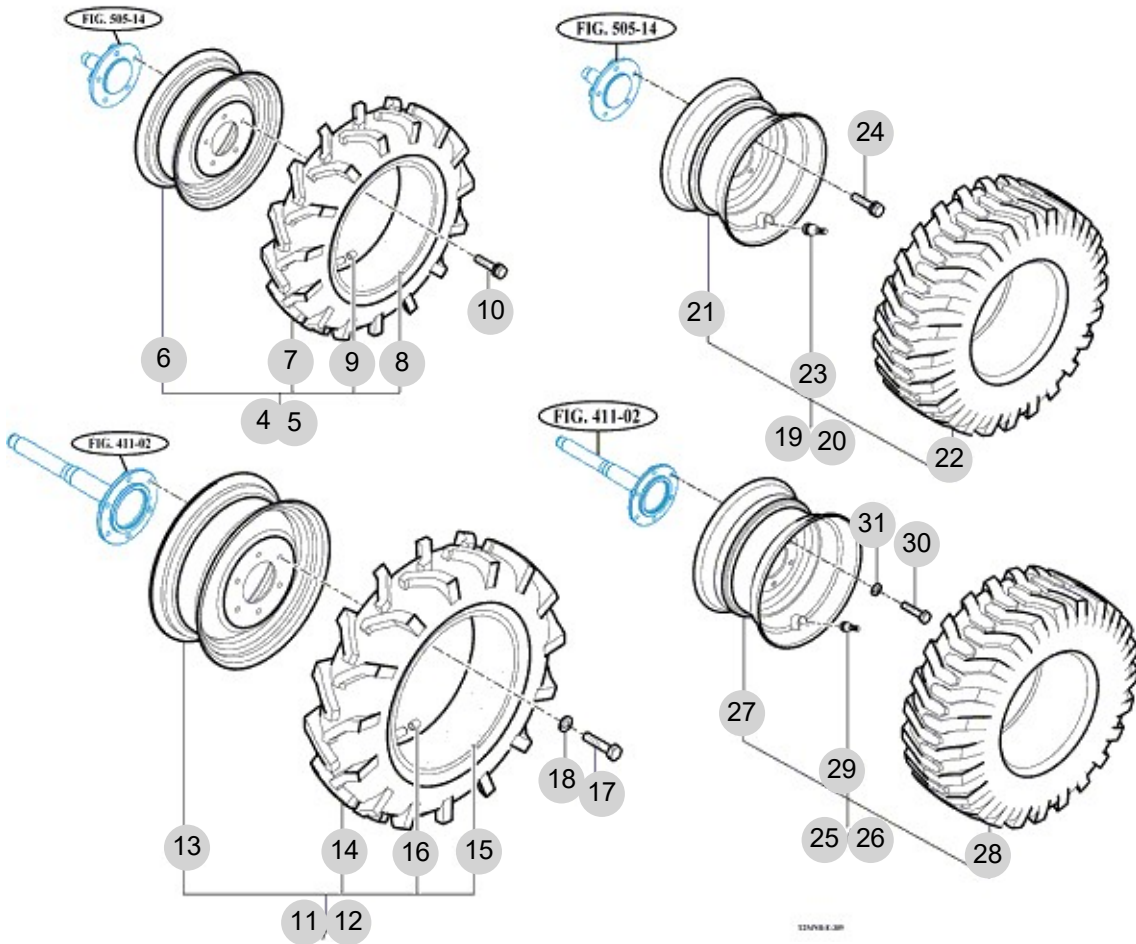
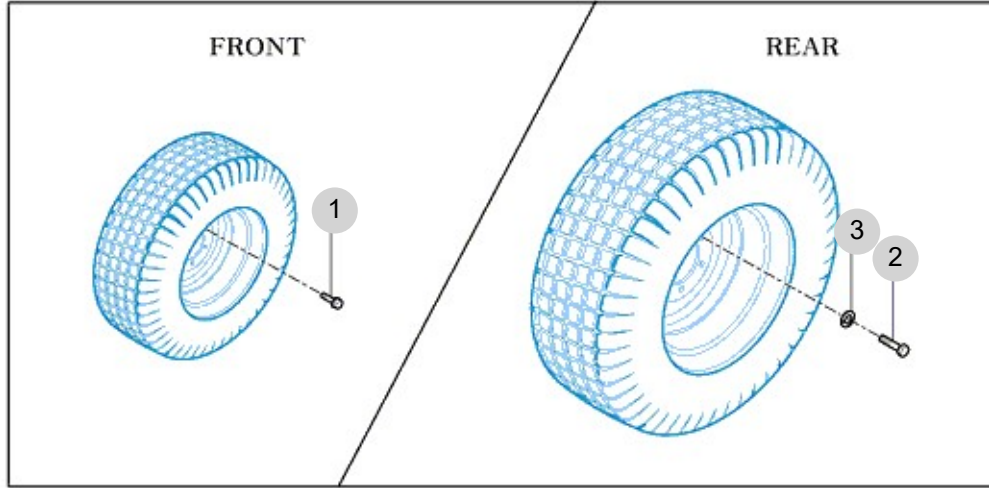
FIG 309

T254NH

TIRE

년/월
Year/Month

2022-12



NOTE

4. Transmission PART NO. T4

FIG 401 INPUT SHAFT	86
FIG 402 HST	88
FIG 403 INPUT GEAR	90
FIG 404 RANGE GEAR	92
FIG 405 4WD DRIVE GEAR	94
FIG 406 P.T.O DRIVE SHAFT	96
FIG 407 P.T.O SHAFT	98
FIG 408 MID P.T.O GEAR	100
FIG 409 DIFF LOCK	102
FIG 410 REAR TRANSMISSION CASE	104
FIG 411 REAR AXLE HOUSING	106
FIG 412 RANGE SHIFT LEVER	108
FIG 413 P.T.O CHANGE LEVER	110
FIG 414 4WD CHANGE LEVER	112
FIG 415 TRANSMISSION MOUNTING	114

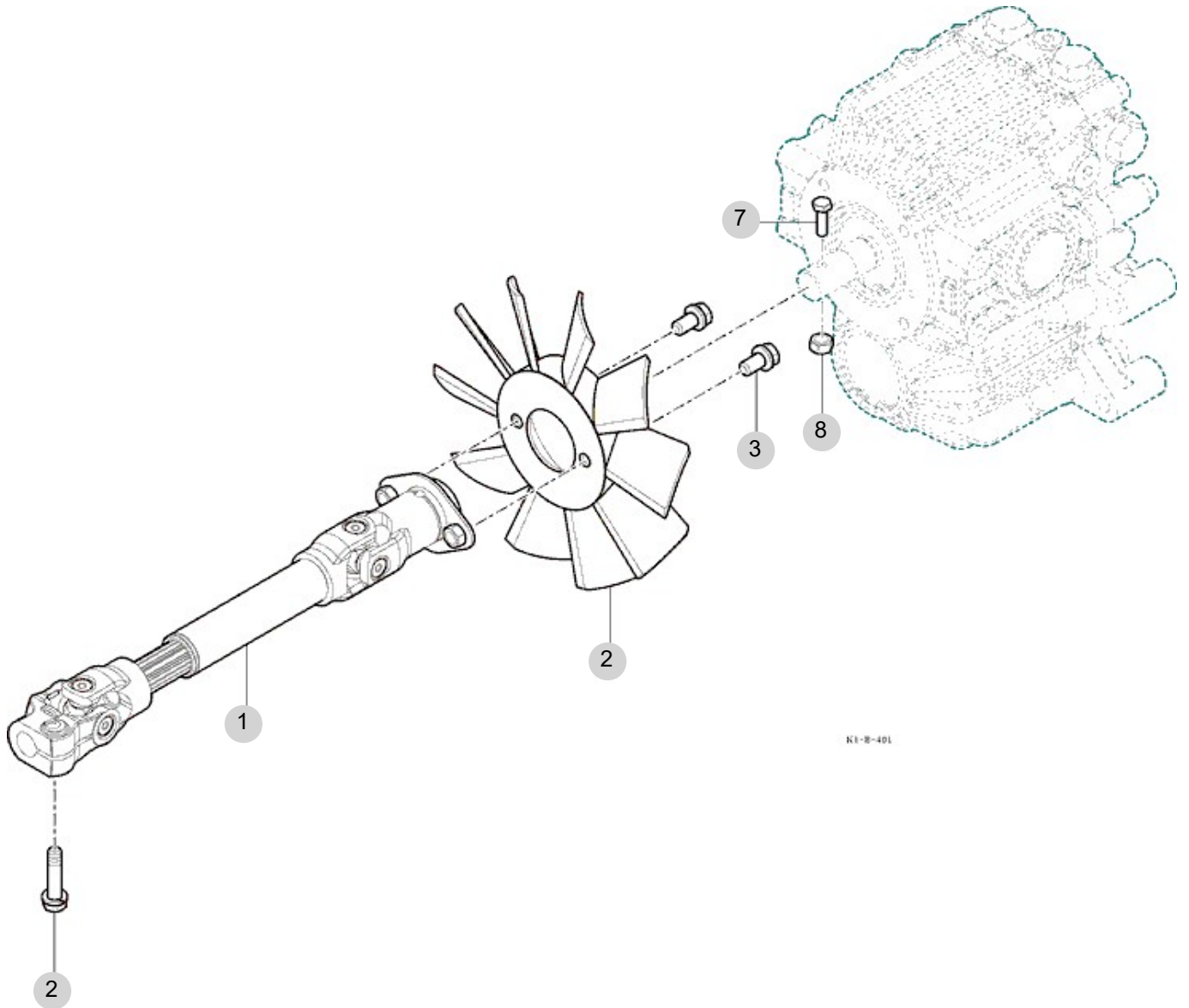
FIG 401

T254NH

INPUT SHAFT

년/월
Year/Month

2022-12



NOTE

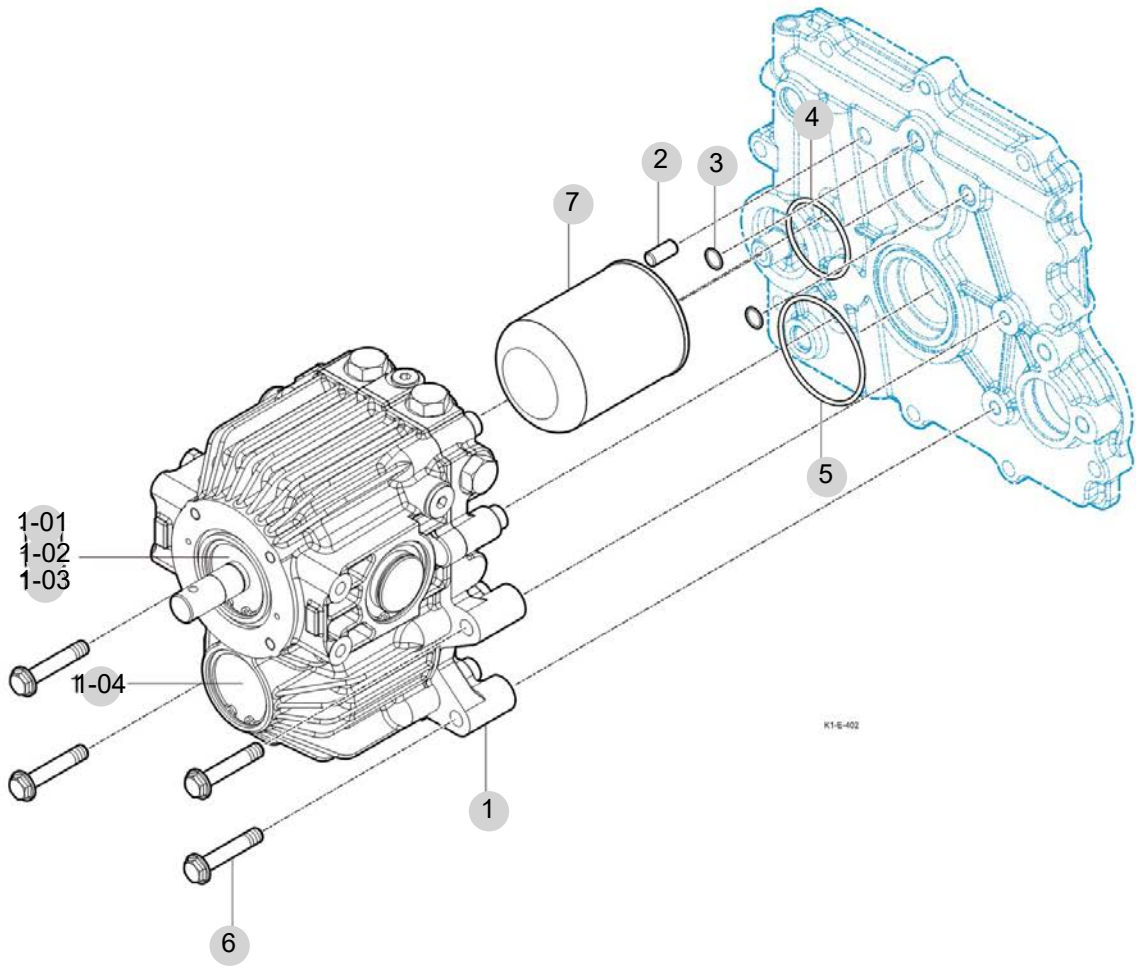
FIG 402

T254NH

HST

년/월
Year/Month

2022-12



NOTE

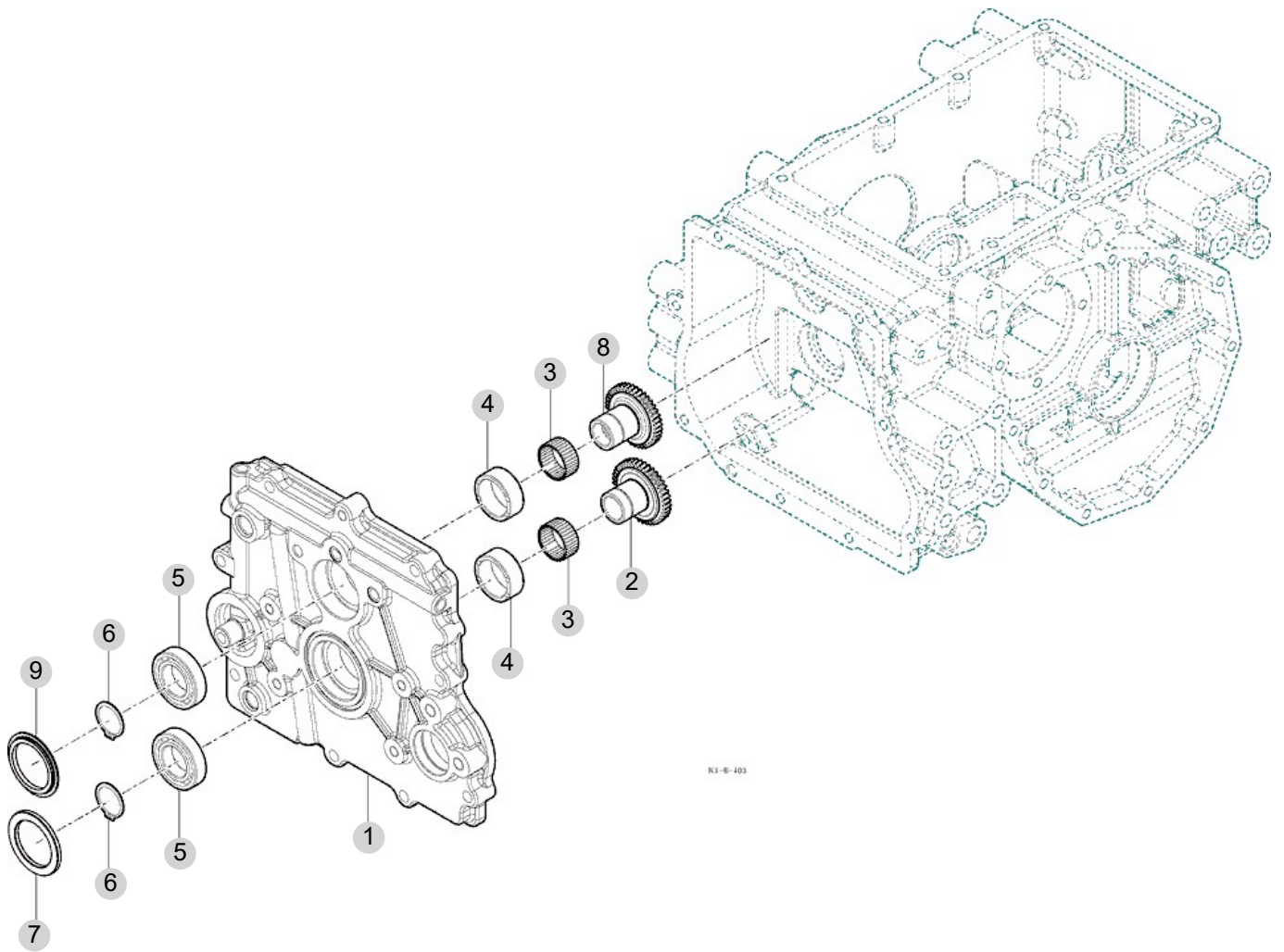
FIG 403

T254NH

INPUT GEAR

년/월
Year/Month

2022-12



K3-B-403

NOTE

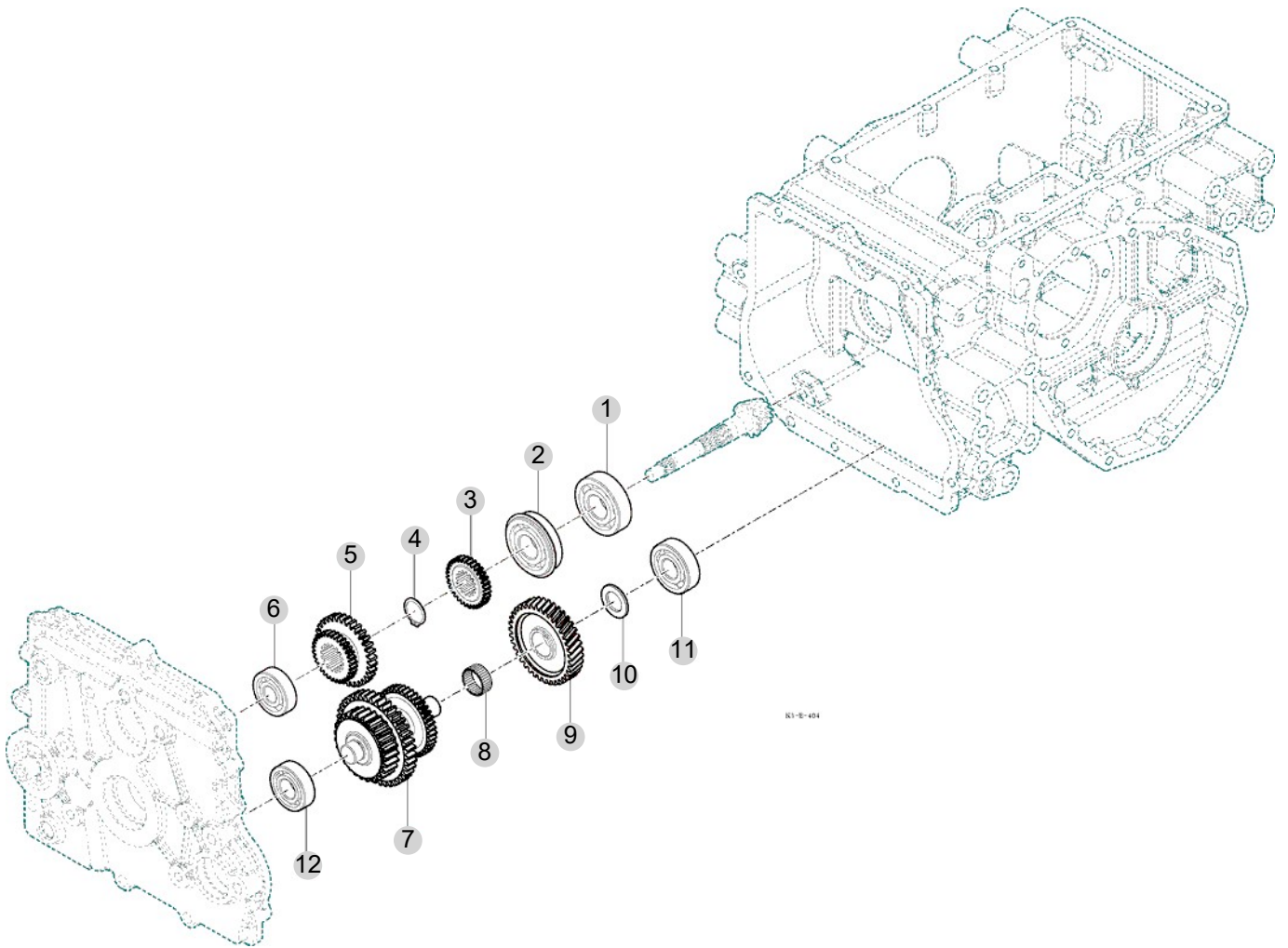
FIG 404

T254NH

RANGE GEAR

년/월
Year/Month

2022-12



NOTE

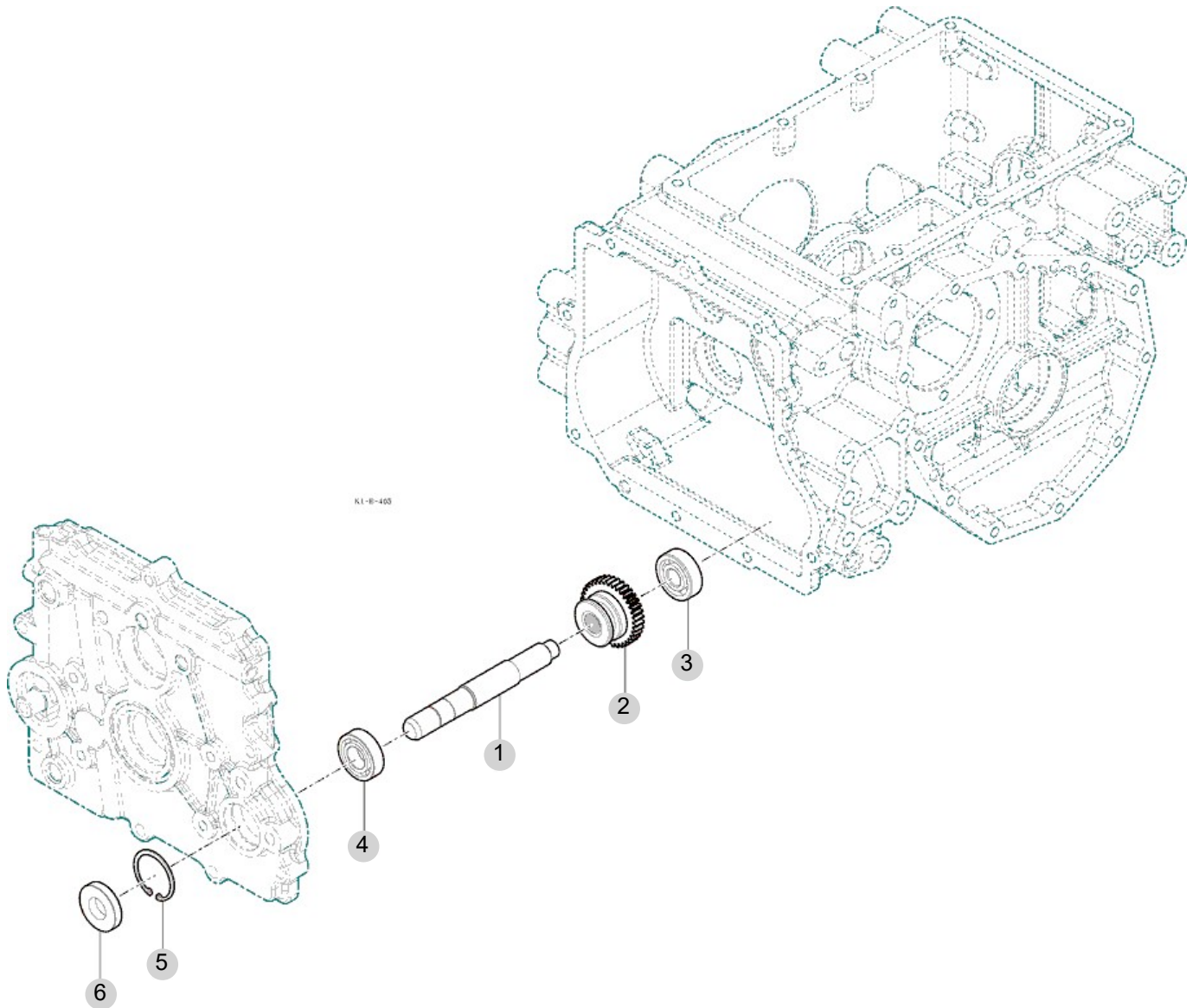
FIG 405

4WD DRIVE GEAR

년/월
Year/Month

T254NH

2022-12



NOTE

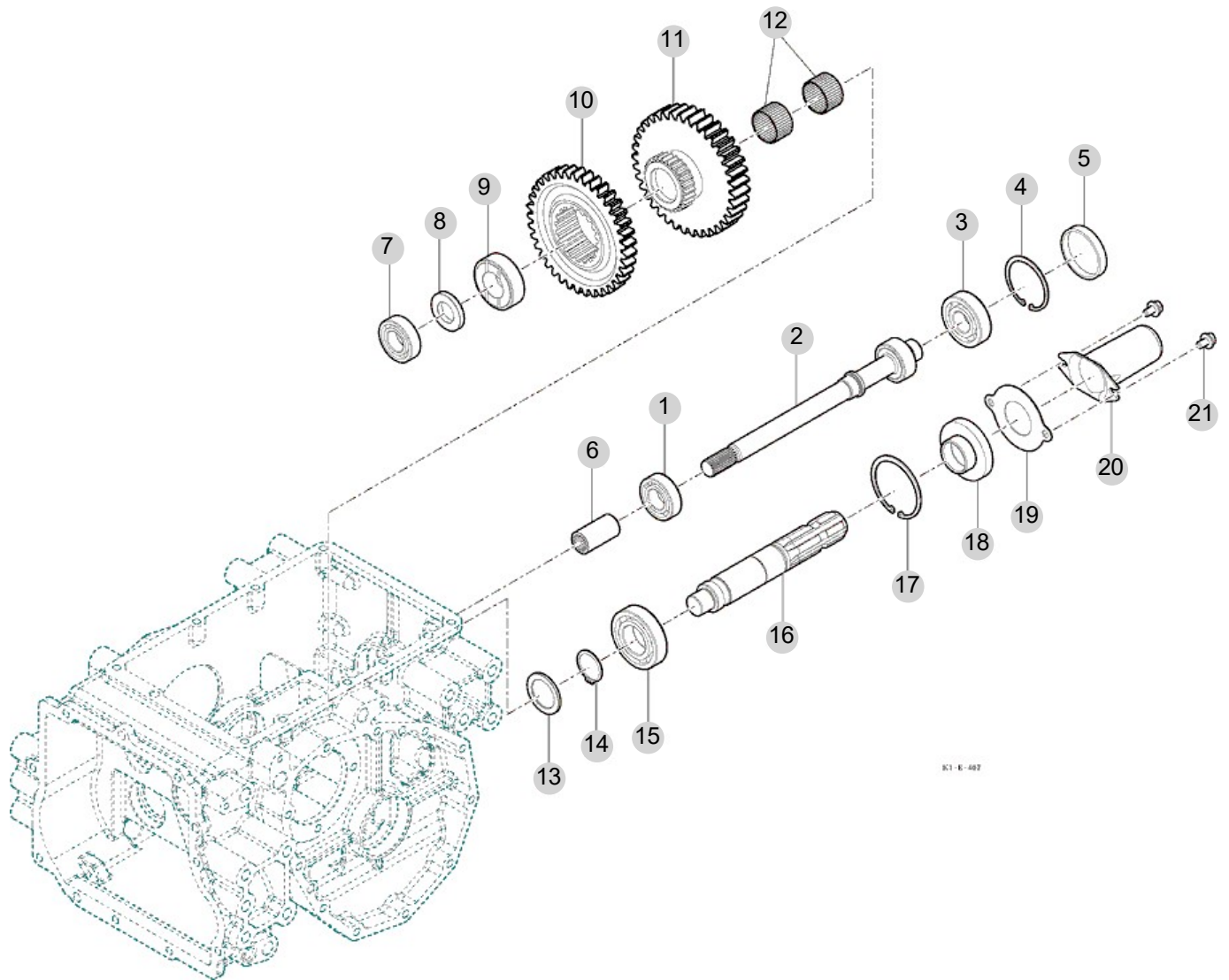
FIG 407

T254NH

P.T.O SHAFT

년/월
Year/Month

2022-12



NOTE

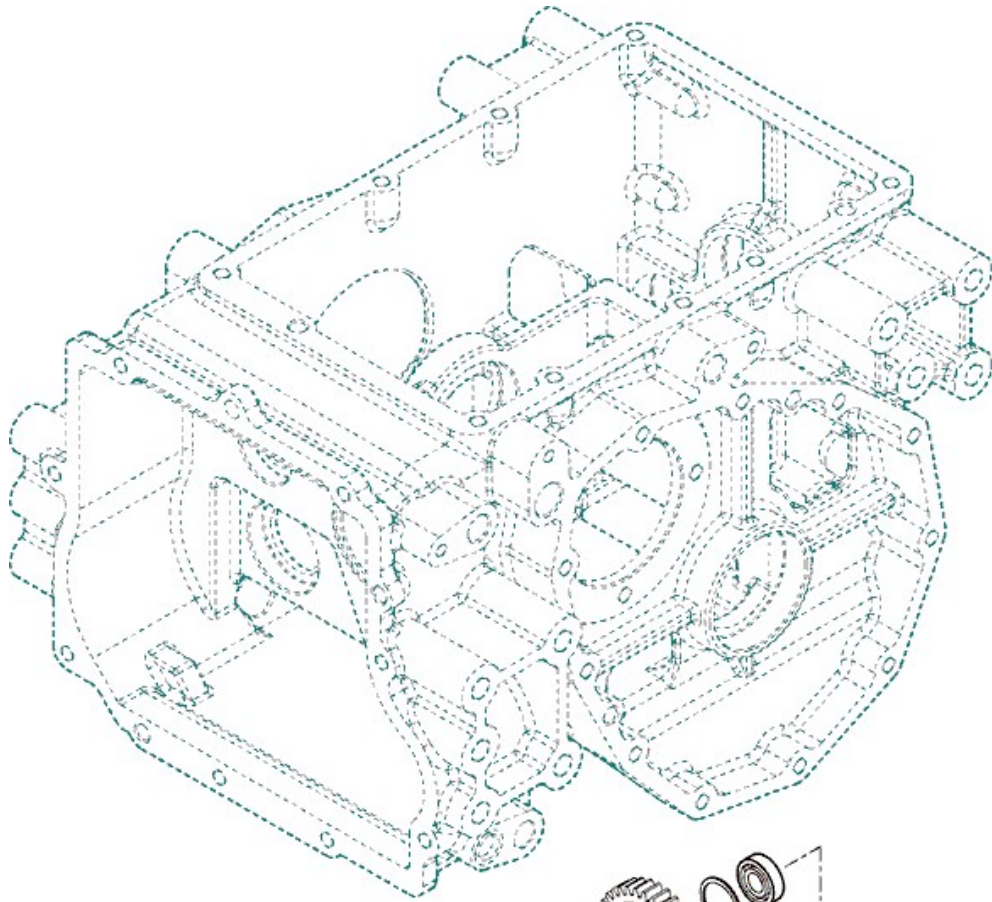
FIG 408

T254NH

MID P.T.O GEAR

년/월
Year/Month

2022-12



K1-E-408

NOTE

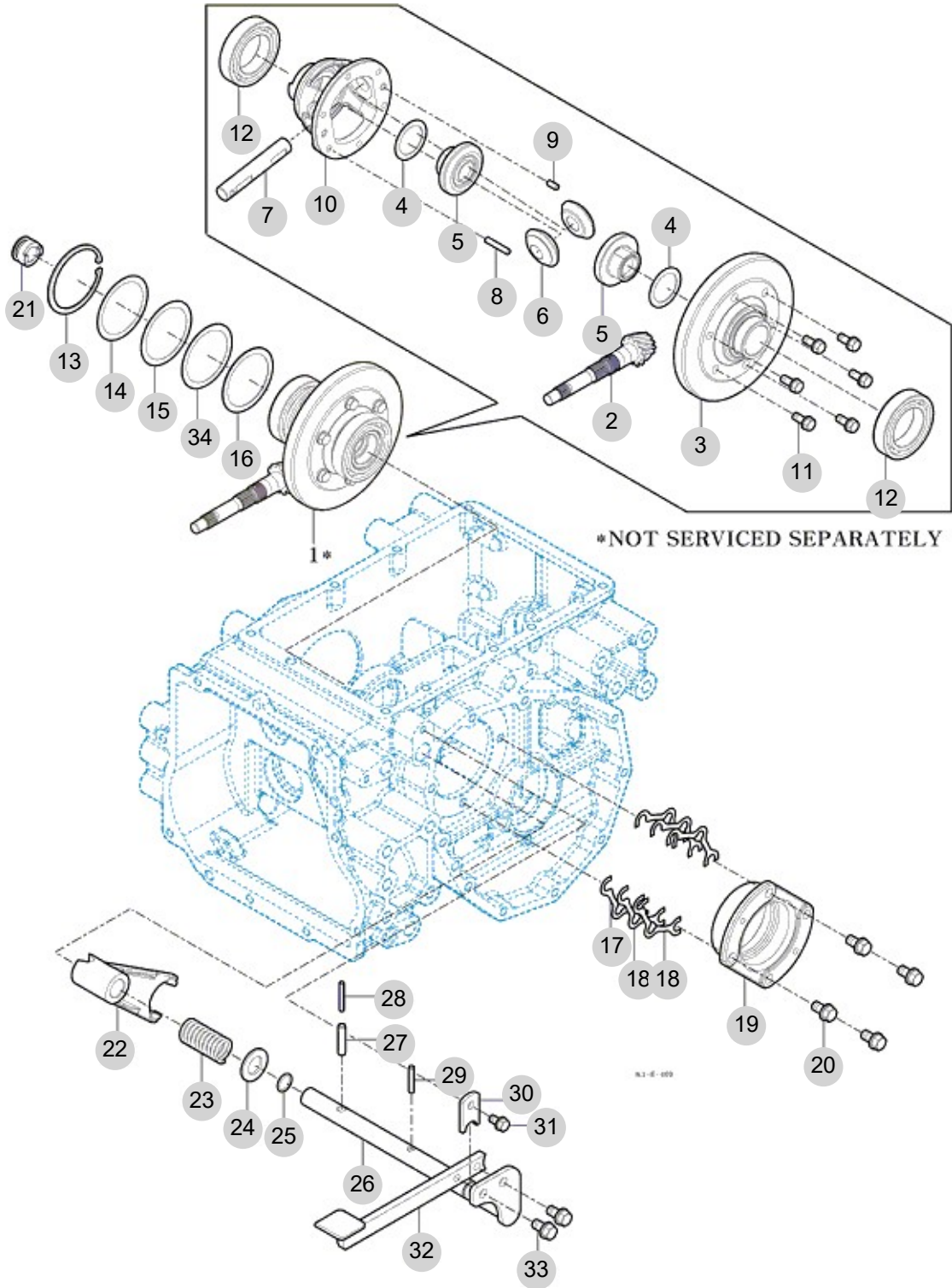
FIG 409

DIFF LOCK

년/월
Year/Month

2022-12

T254NH



NOTE

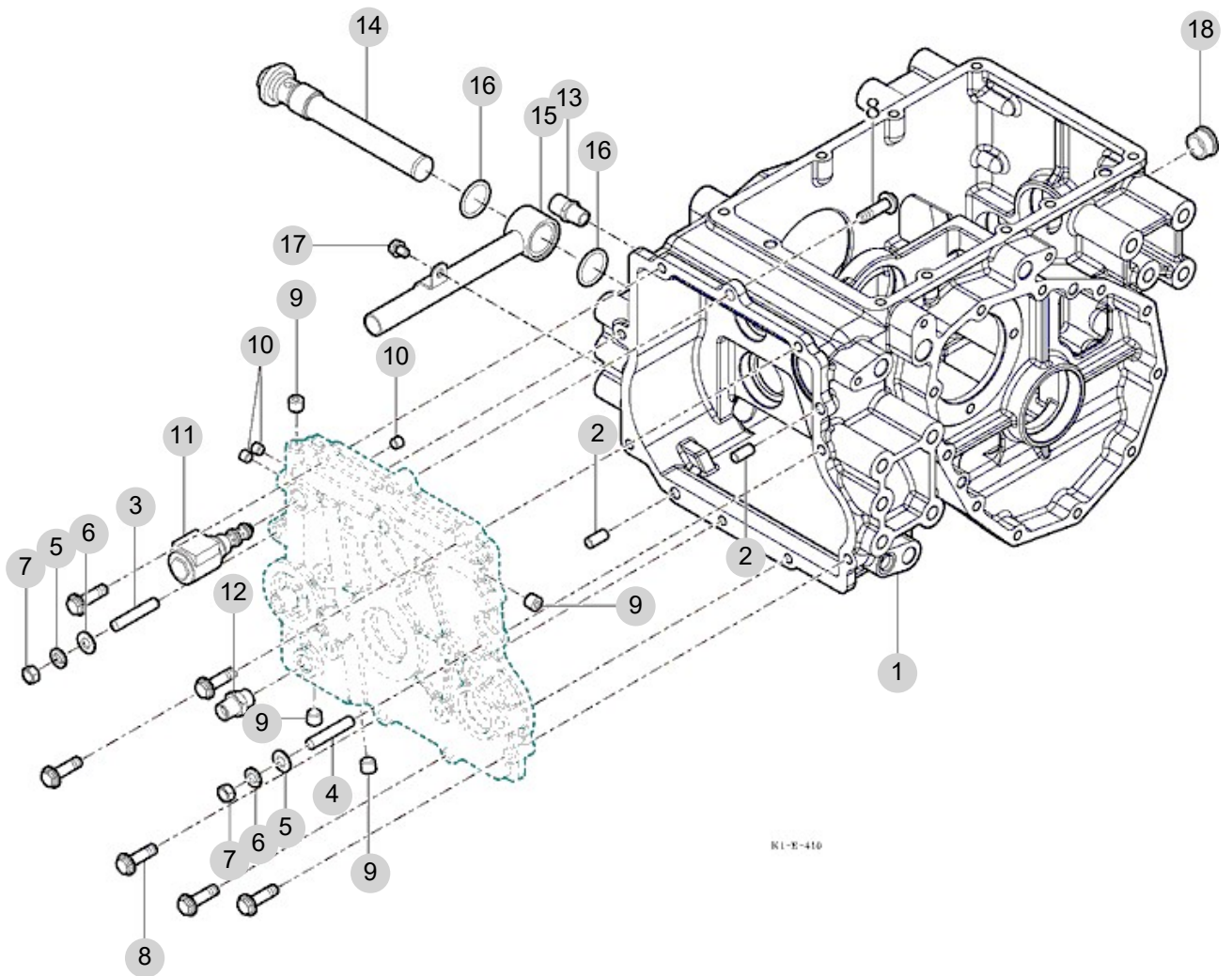
FIG 410

T254NH

REAR TRANSMISSION CASE

년/월
Year/Month

2022-12



NOTE

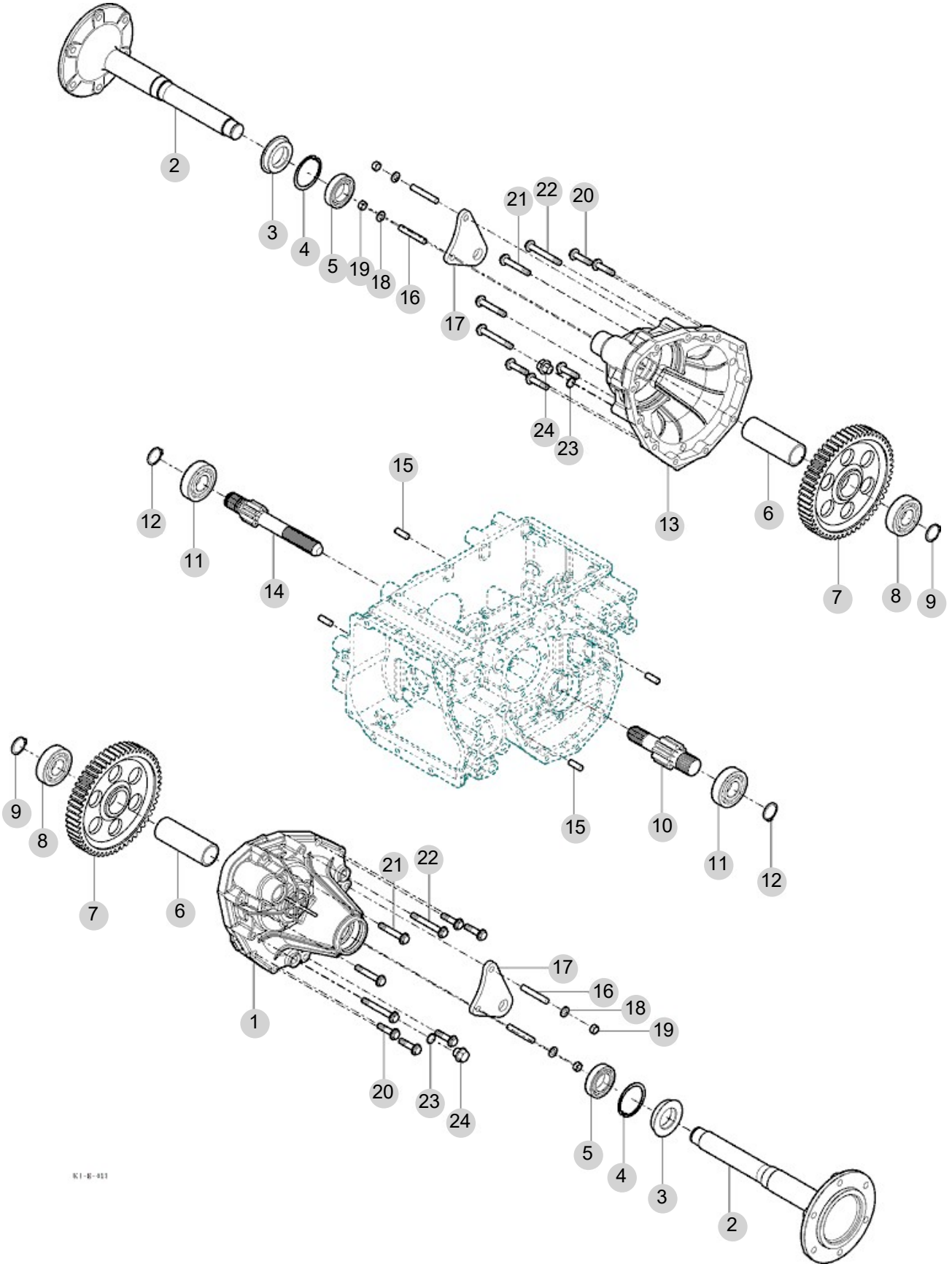
FIG 411

REAR AXLE HOUSING

년/월
Year/Month

2022-12

T254NH



K1-E-931

NOTE

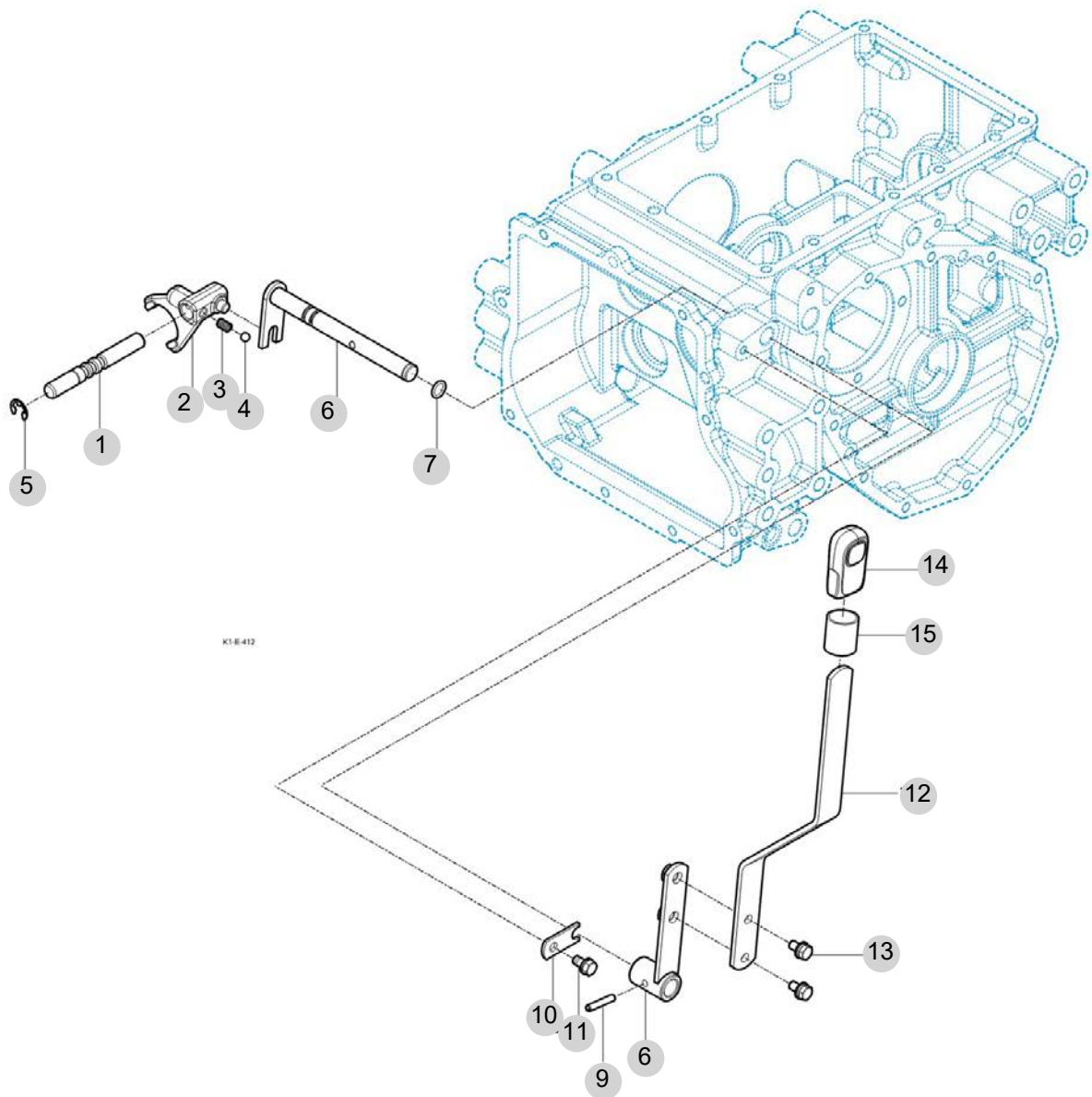
FIG 412

RANGE SHIFT LEVER

년/월
Year/Month

2022-12

T254NH



NOTE

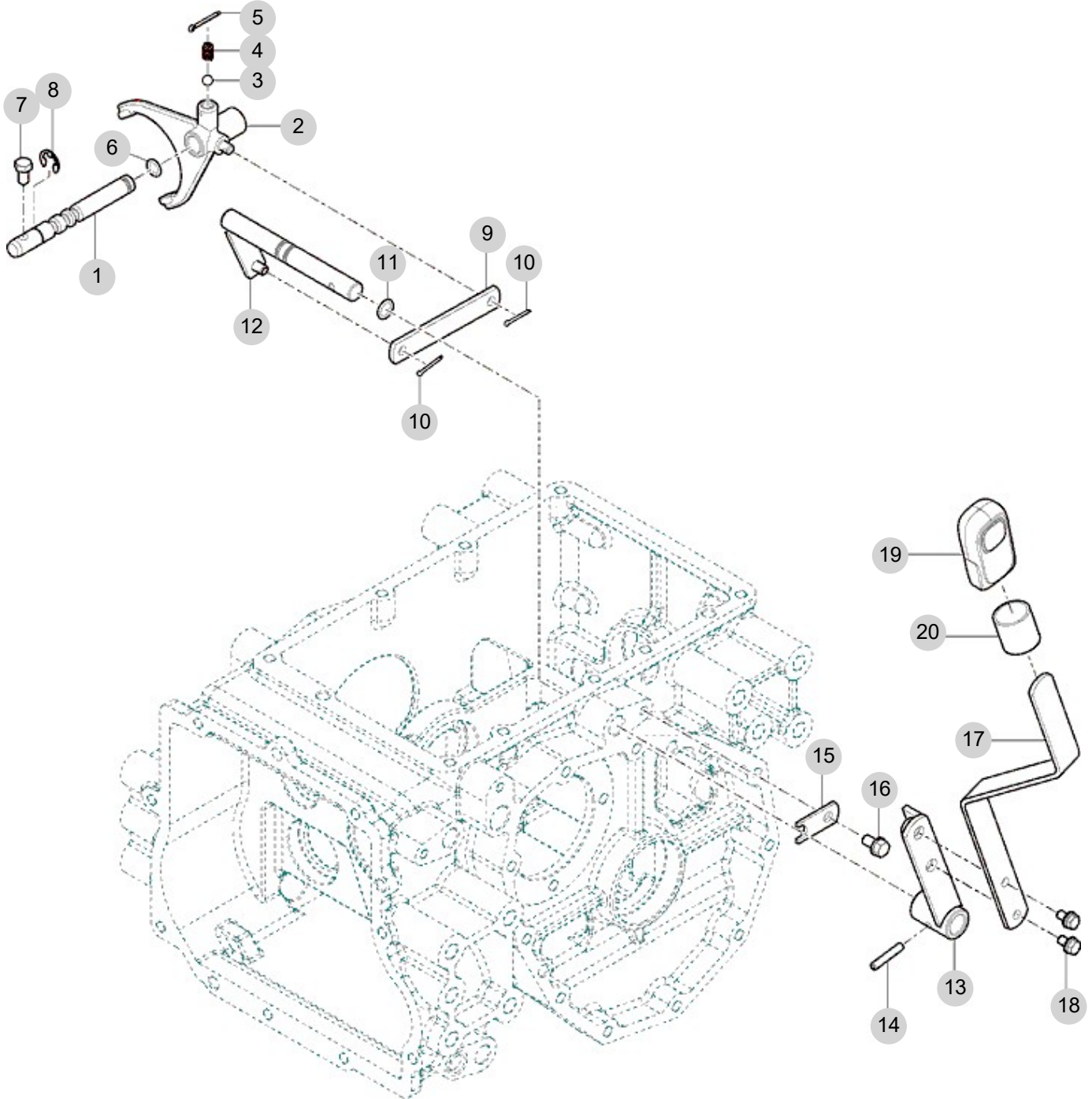
FIG 413

P.T.O CHANGE LEVER

년/월
Year/Month

2022-12

T254NH



NOTE

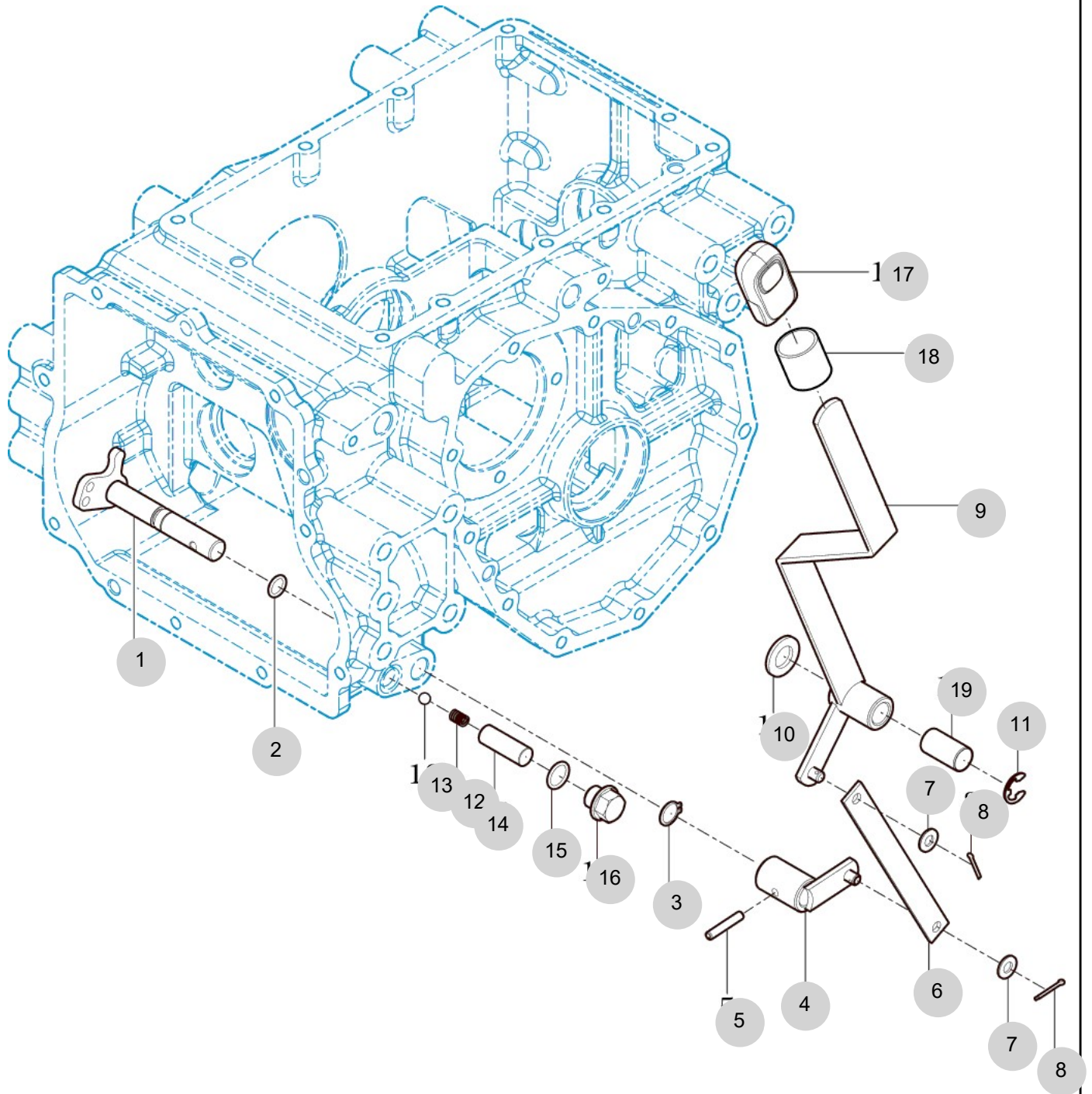
FIG 414

4WD CHANGE LEVER

년/월
Year/Month

2022-12

T254NH



NOTE

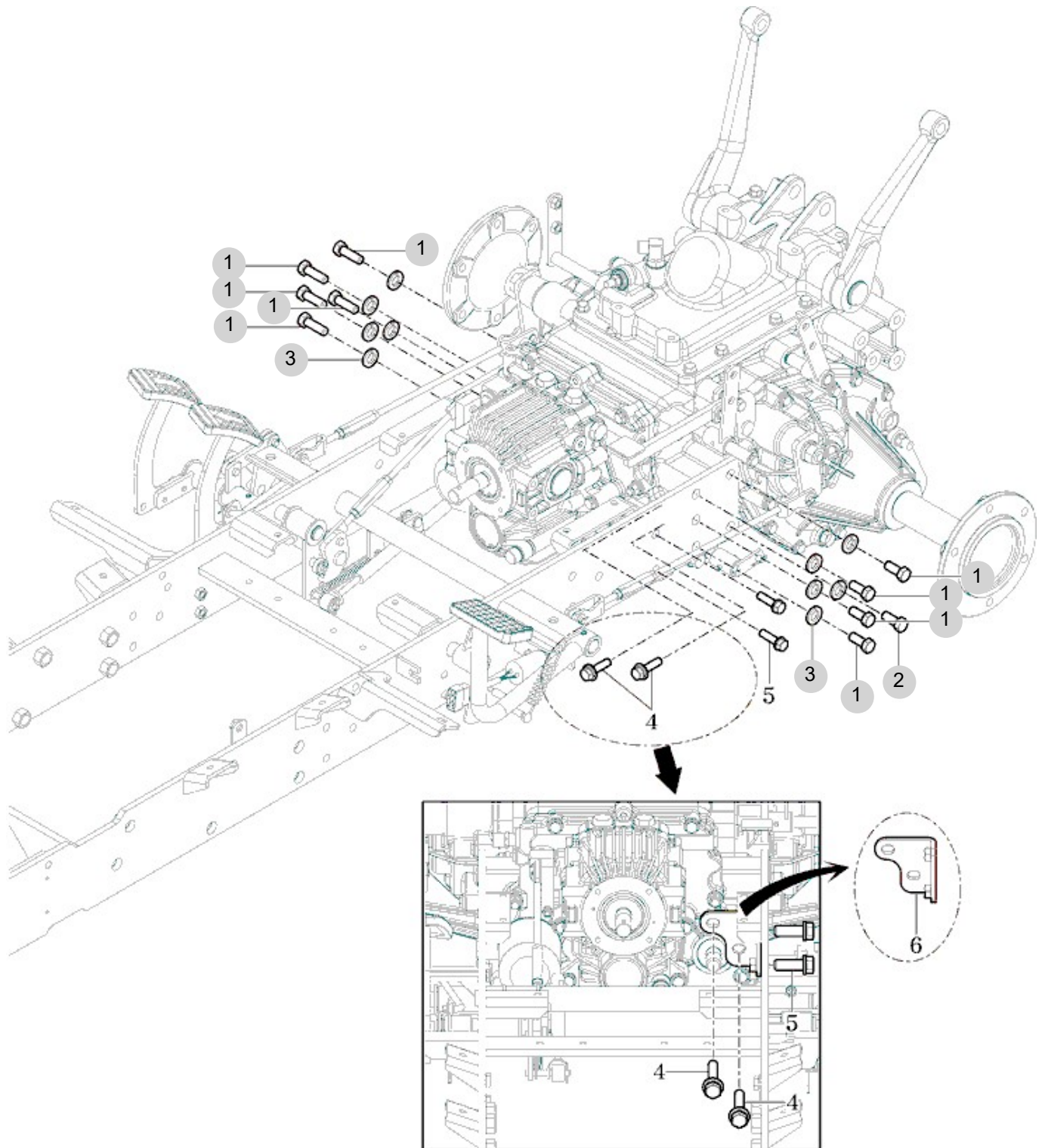
FIG 415

TRANSMISSION MOUNTING

년/월
Year/Month

2022-12

T254NH



NOTE

5. Front Axle PART NO. T5

FIG 501 FRONT DRIVE SHAFT	117
FIG 502 FRONT DIFFERENTIAL GEAR	119
FIG 503 FRONT AXLE HOUSING	121
FIG 504 FRONT GEAR CASE (1)	123
FIG 505 FRONT GEAR CASE (2)	125

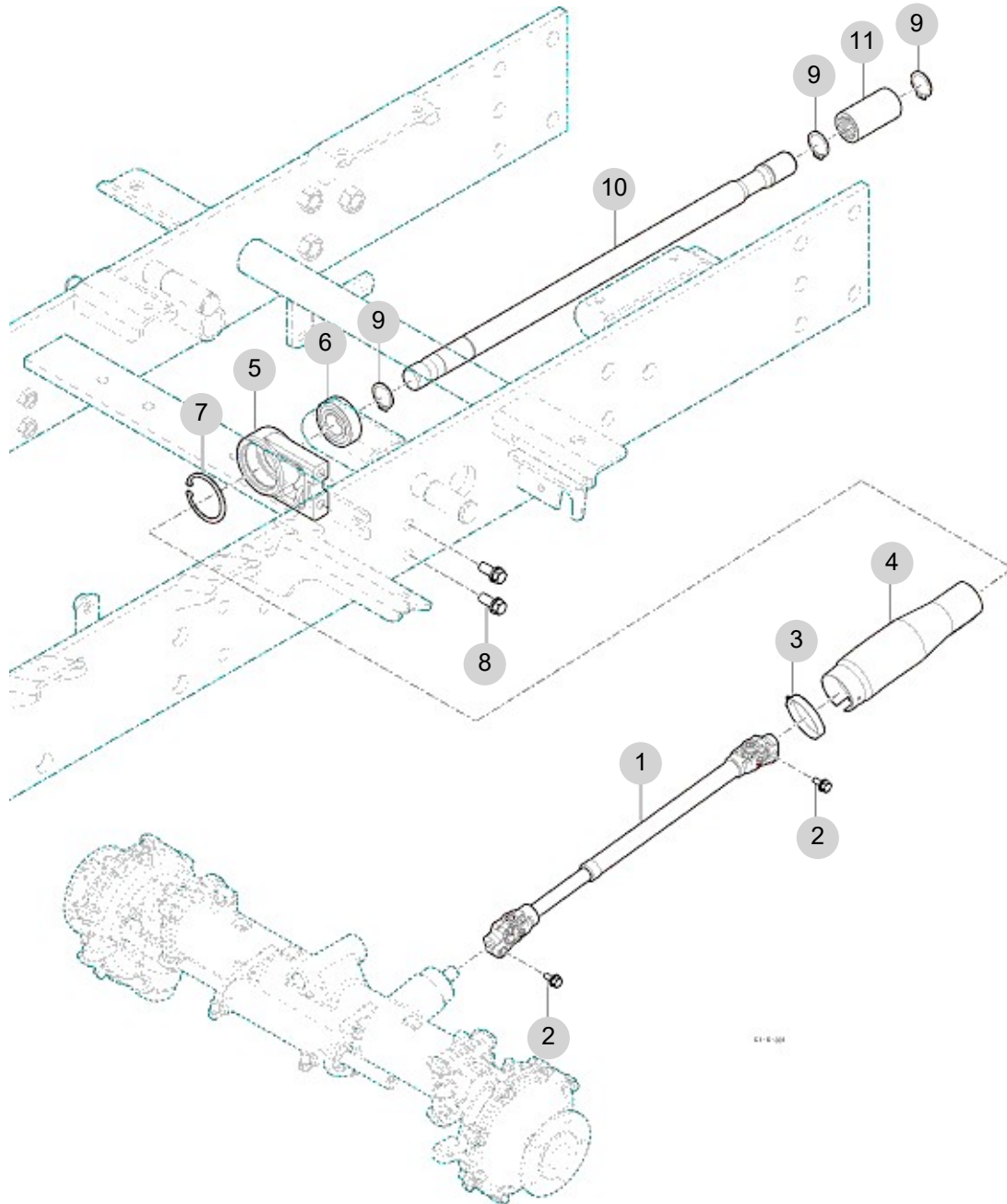
FIG 501

FRONT DRIVE SHAFT

년/월
Year/Month

2022-12

T254NH



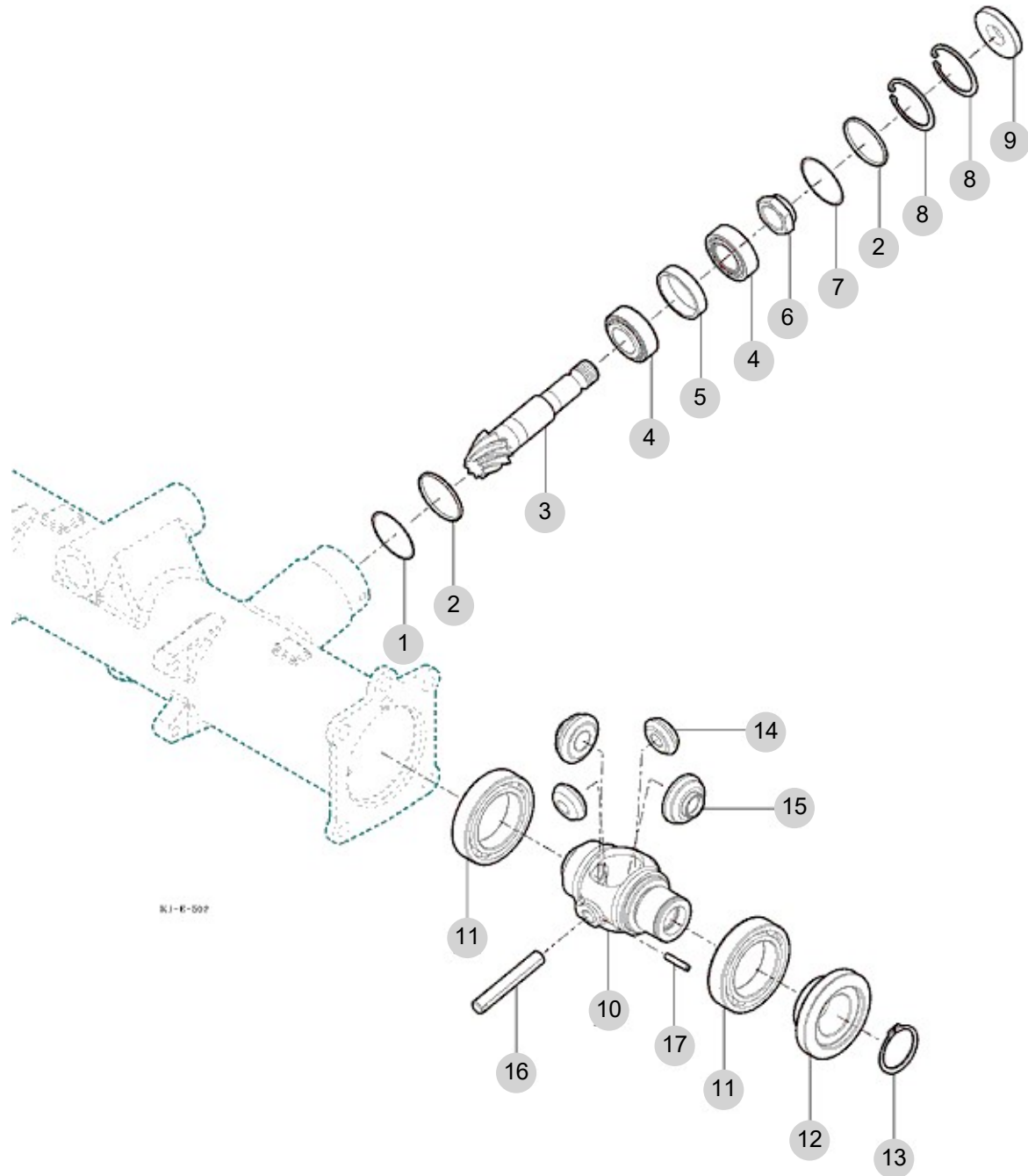
NOTE

FIG 502

FRONT DIFFERENTIAL GEAR

년/월
Year/Month

2022-12



NOTE

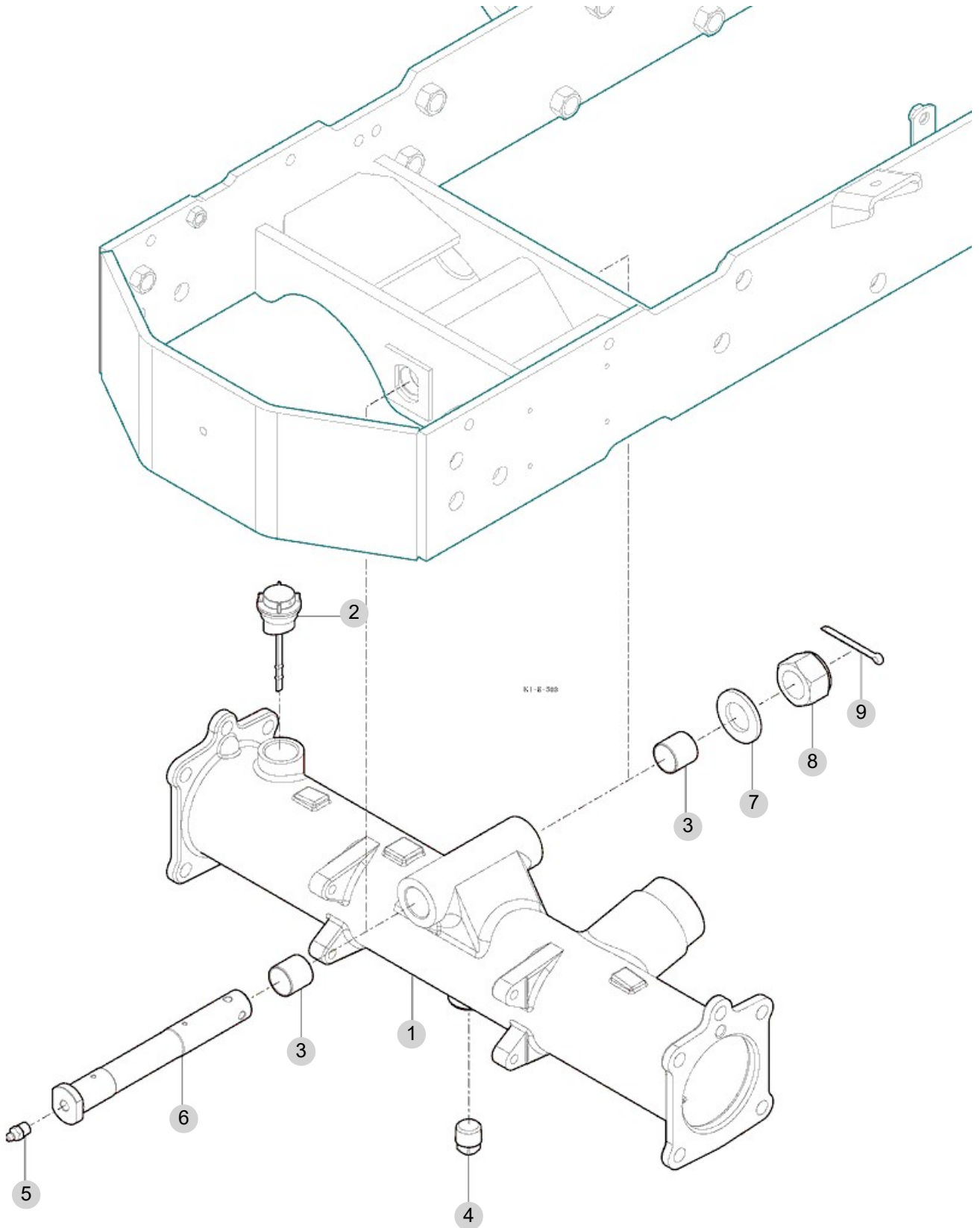
FIG 503

FRONT AXLE HOUSING

년/월
Year/Month

T254NH

2022-12



NOTE

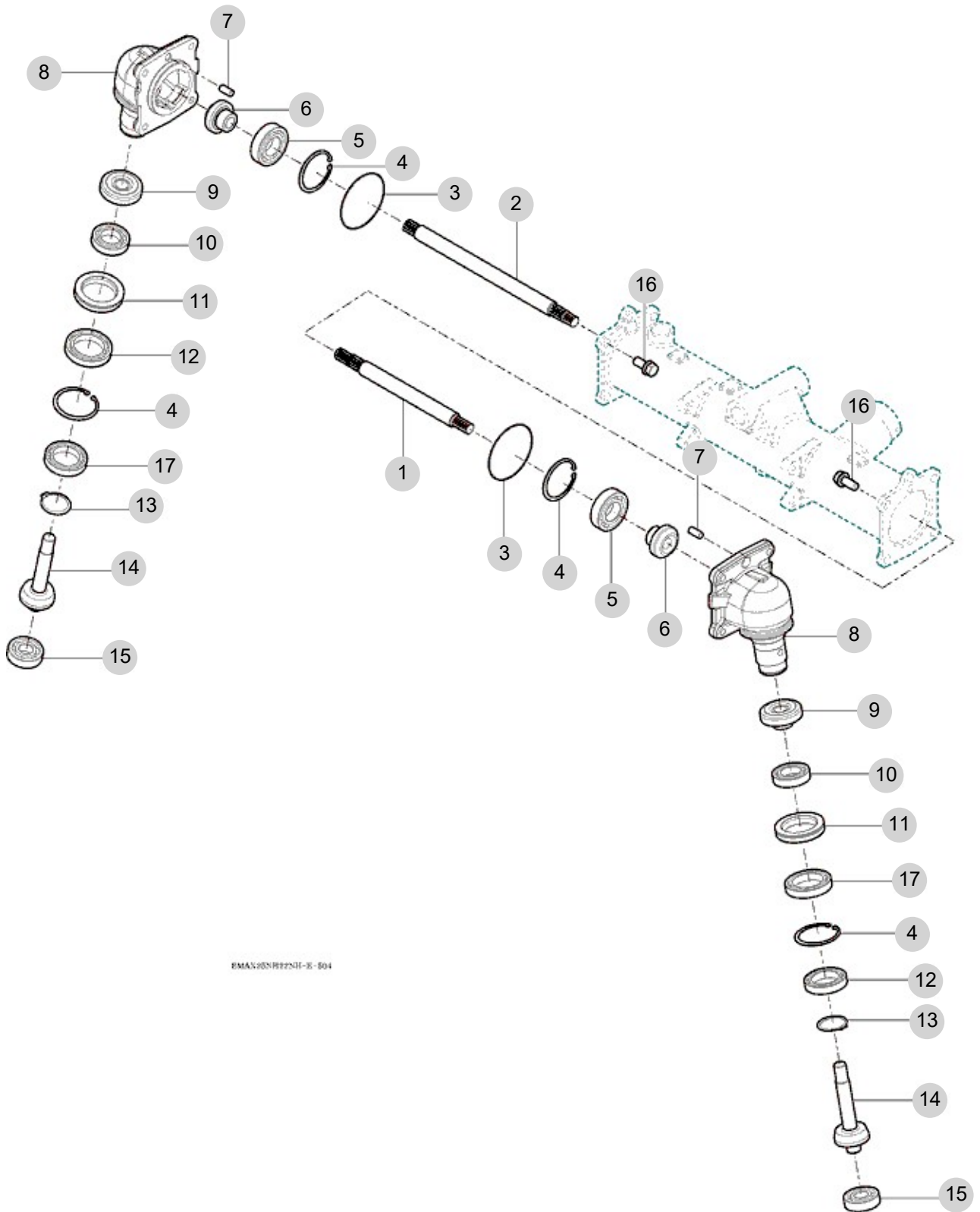
FIG 504

T254NH

FRONT GEAR CASE (1)

년/월
Year/Month

2022-12



NOTE

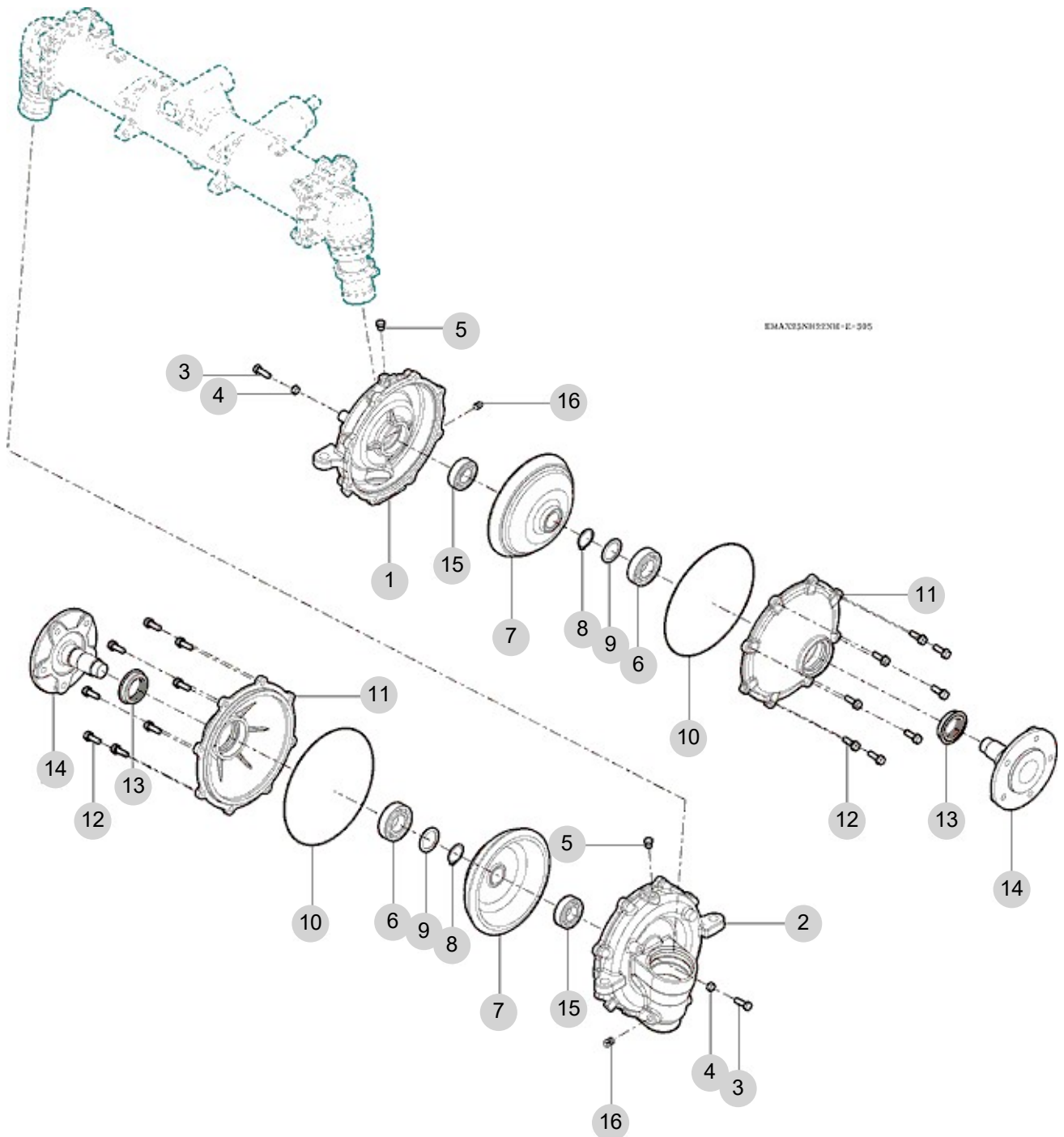
FIG 505

FRONT GEAR CASE (2)

년/월
Year/Month

2022-12

T254NH



NOTE

6. Hydraulic/3P-Link PART NO. T6

FIG 601 CYLINDER CASE	128
FIG 602 LIFT ARM	130
FIG 603 FLOW CONTROL VALVE	132
FIG 604 MAIN CONTROL VALVE	134
FIG 605 HYDRAULIC SUB	136
FIG 606 HITCH & 3-POINT LINKAGE	138
FIG 607 HITCH & COVER	140

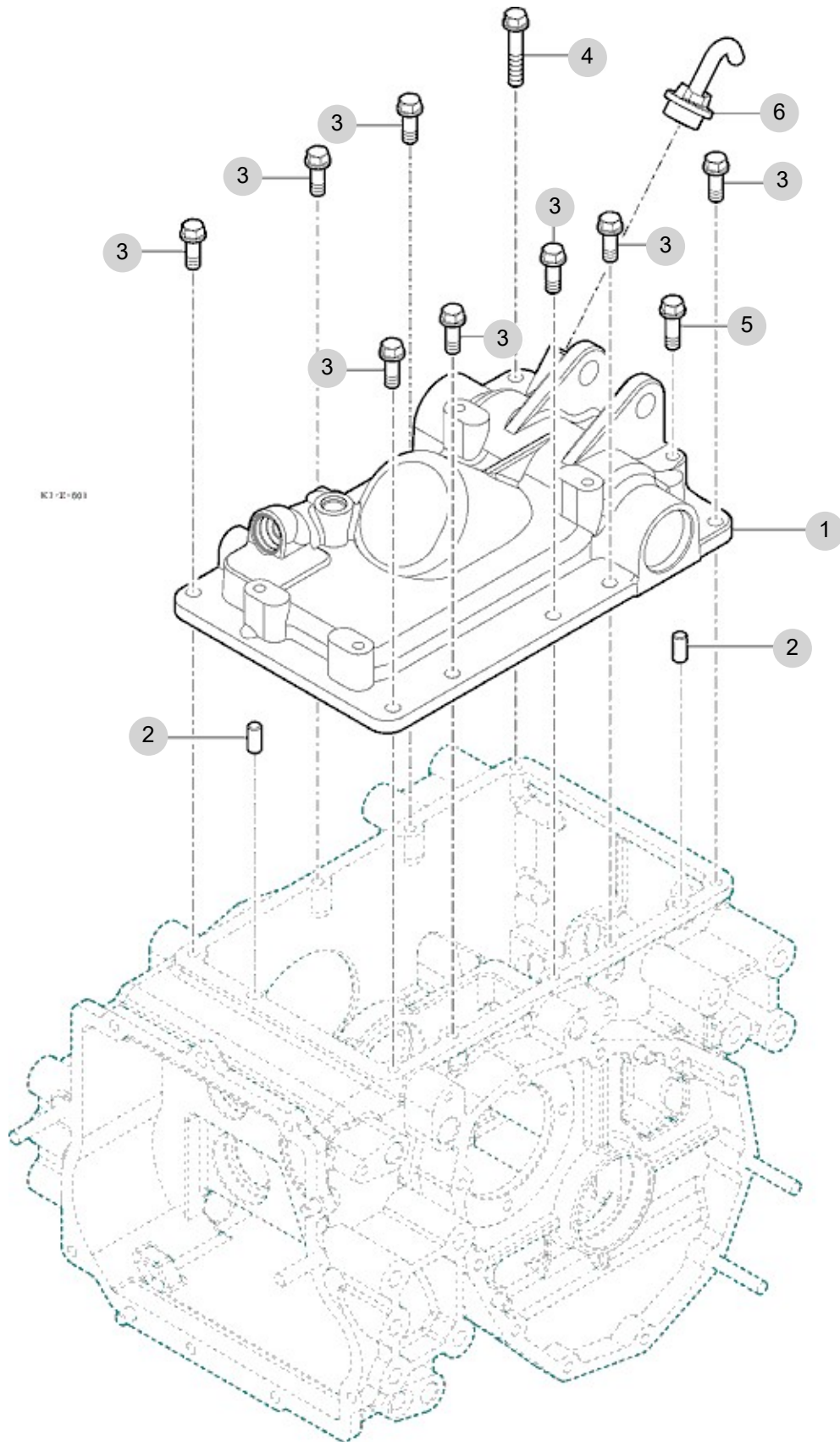
FIG 601

CYLINDER CASE

년/월
Year/Month

2022-12

T254NH



NOTE

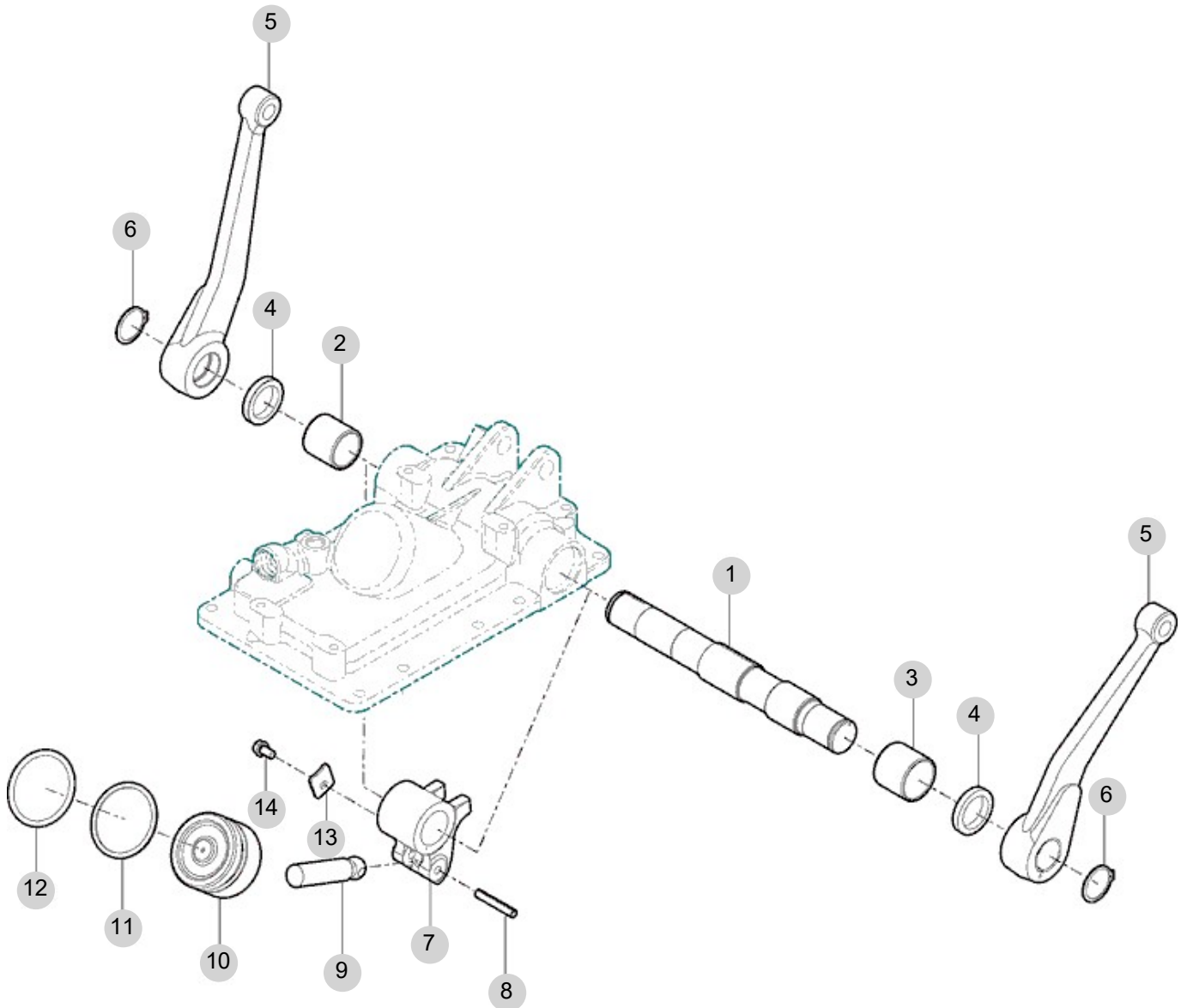
FIG 602

T254NH

LIFT ARM

년/월
Year/Month

2022-12



NOTE

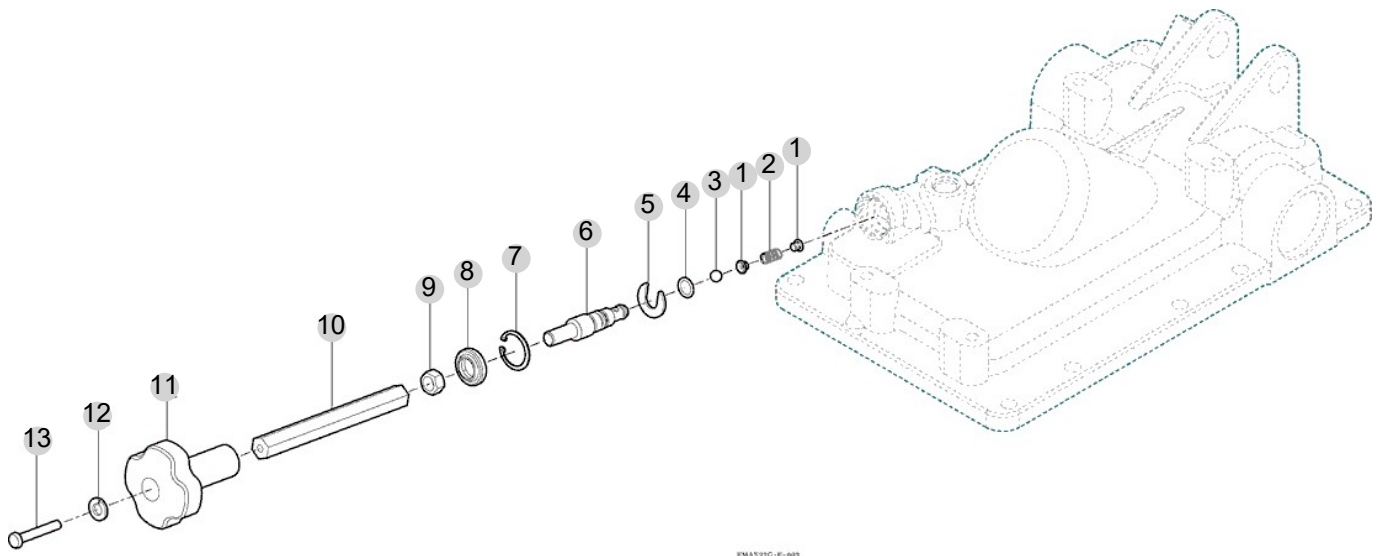
FIG 603

T254NH

FLOW CONTROL VALVE

년/월
Year/Month

2022-12



EMAS21G-E-095

NOTE

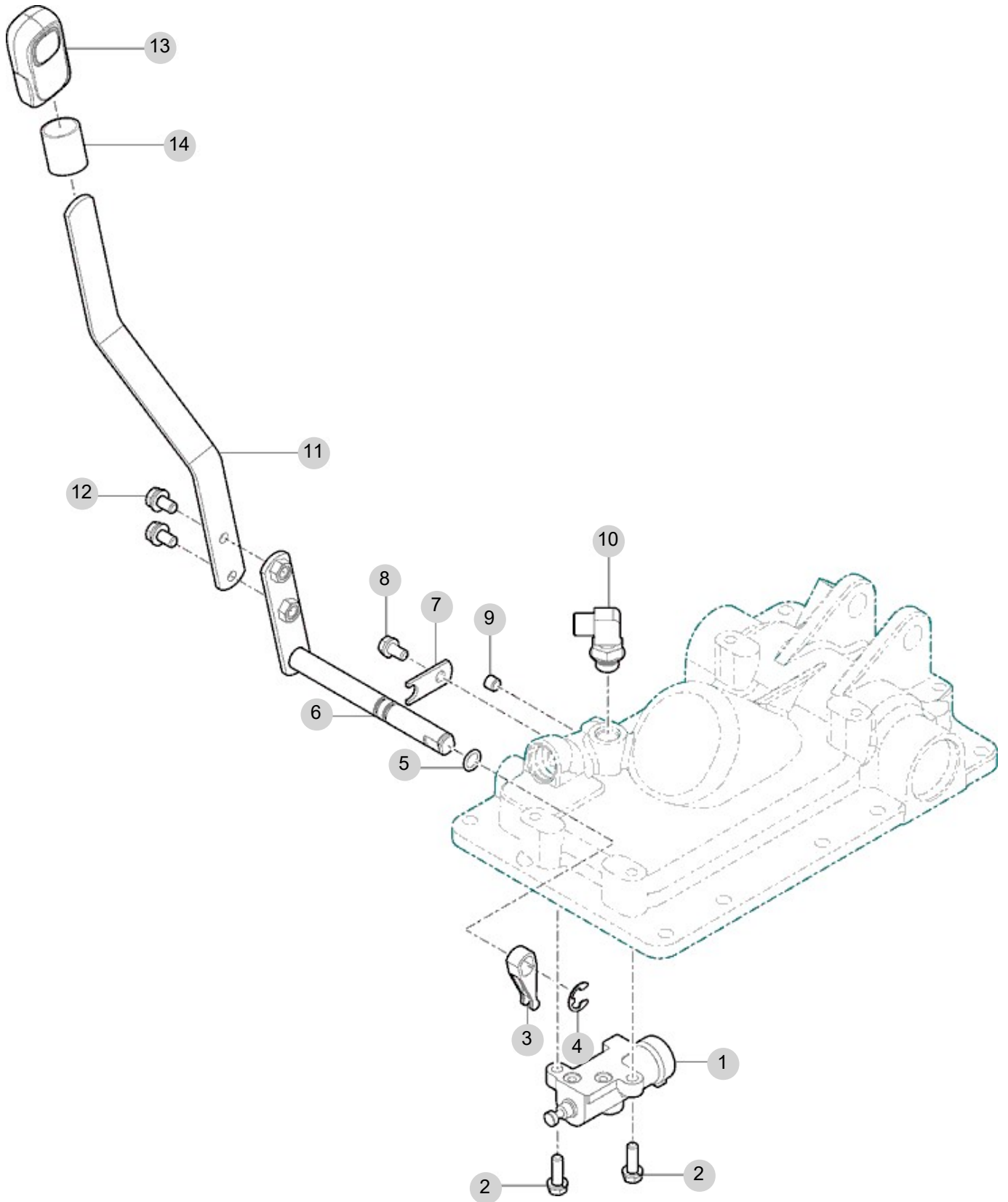
FIG 604

MAIN CONTROL VALVE

년/월
Year/Month

2022-12

T254NH



NOTE

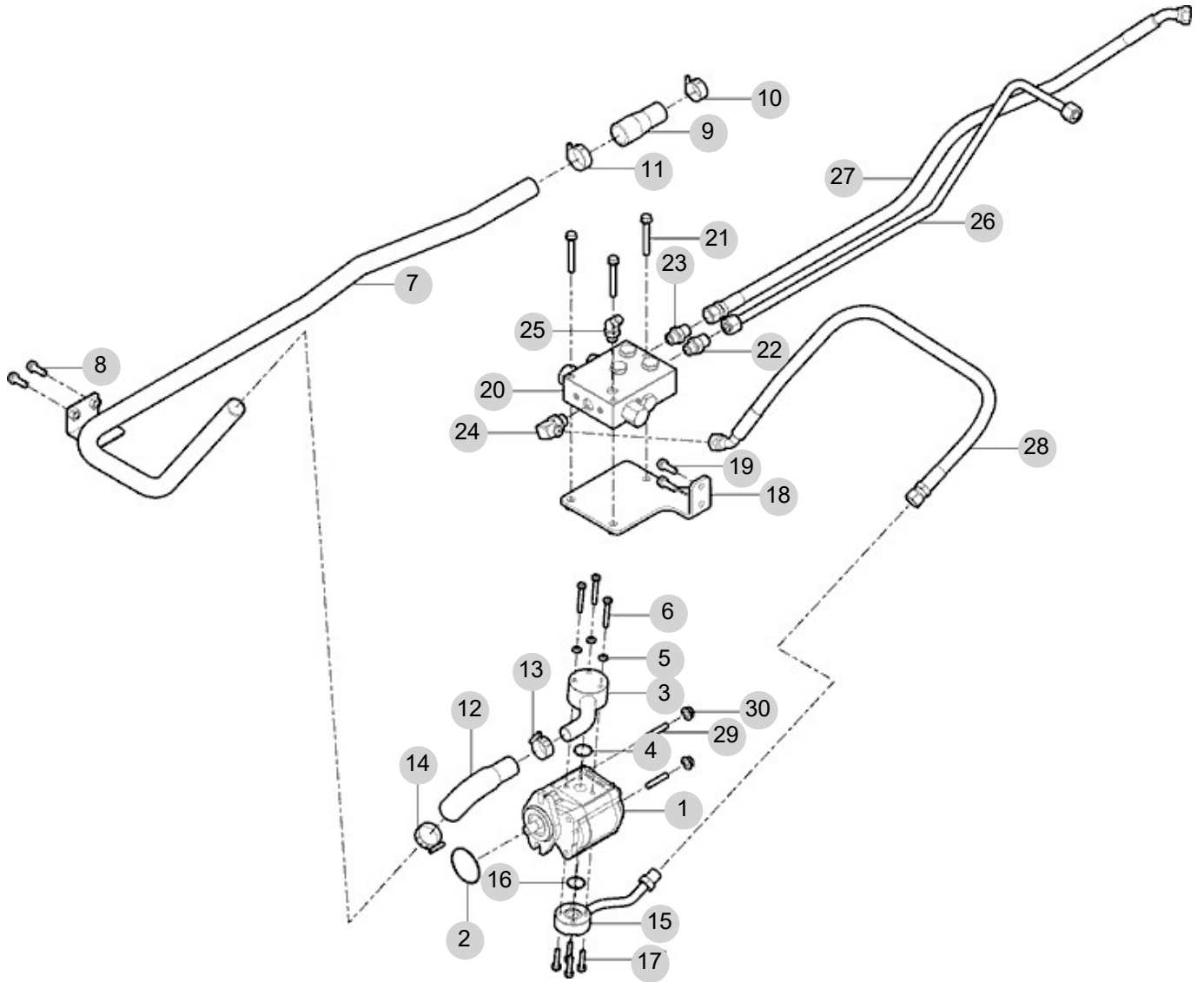
FIG 605

HYDRAULIC SUB

년/월
Year/Month

2022-12

T254NH



NOTE

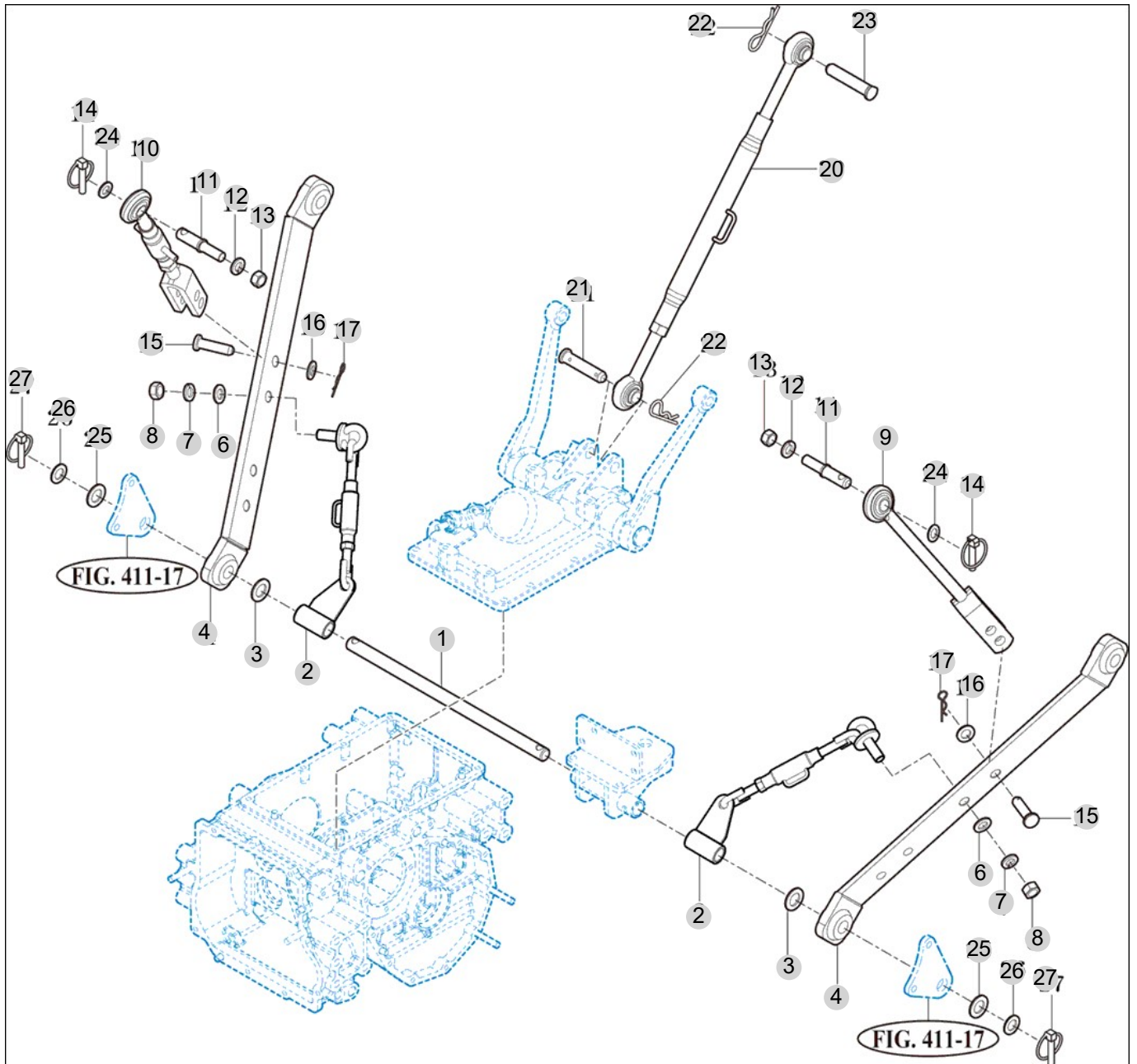
FIG 606

HITCH & 3-POINT LINKAGE

년/월
Year/Month

T254NH

2022-12



NOTE

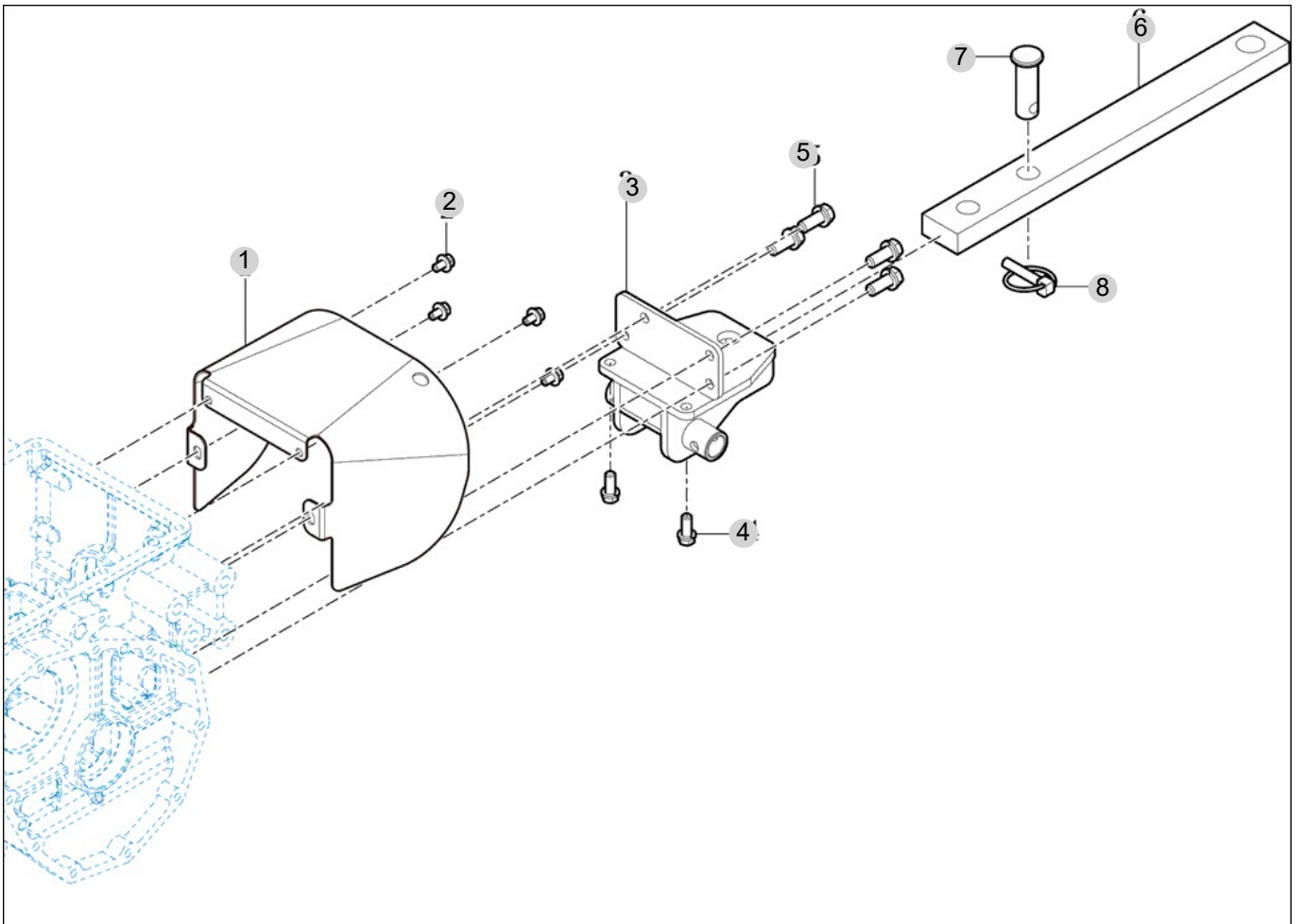
FIG 607

T254NH

HITCH & COVER

년/월
Year/Month

2022-12



NOTE

7. Sheet Metal & Cabin PART NO. T7

FIG 701 BONNET	143
FIG 701-2 BONNET	145
FIG 702 FLOOR	147
FIG 703 SEAT	149
FIG 704 ROPS	151
FIG 705 LEVER COVER & FENDER	153
FIG 706 REARVIEW MIRRORS	155
FIG 707 FRONT GLASS	157
FIG 708 DOOR-LH	159
FIG 709 DOOR-RH	161
FIG 710 REAR GLASS	163
FIG 711 ROOF	165
FIG 712 WORKING LAMP & FENDER COVER	167
FIG 713 HEATER SUB	169
FIG 714 REAR WIPER KIT(OPTION)	171

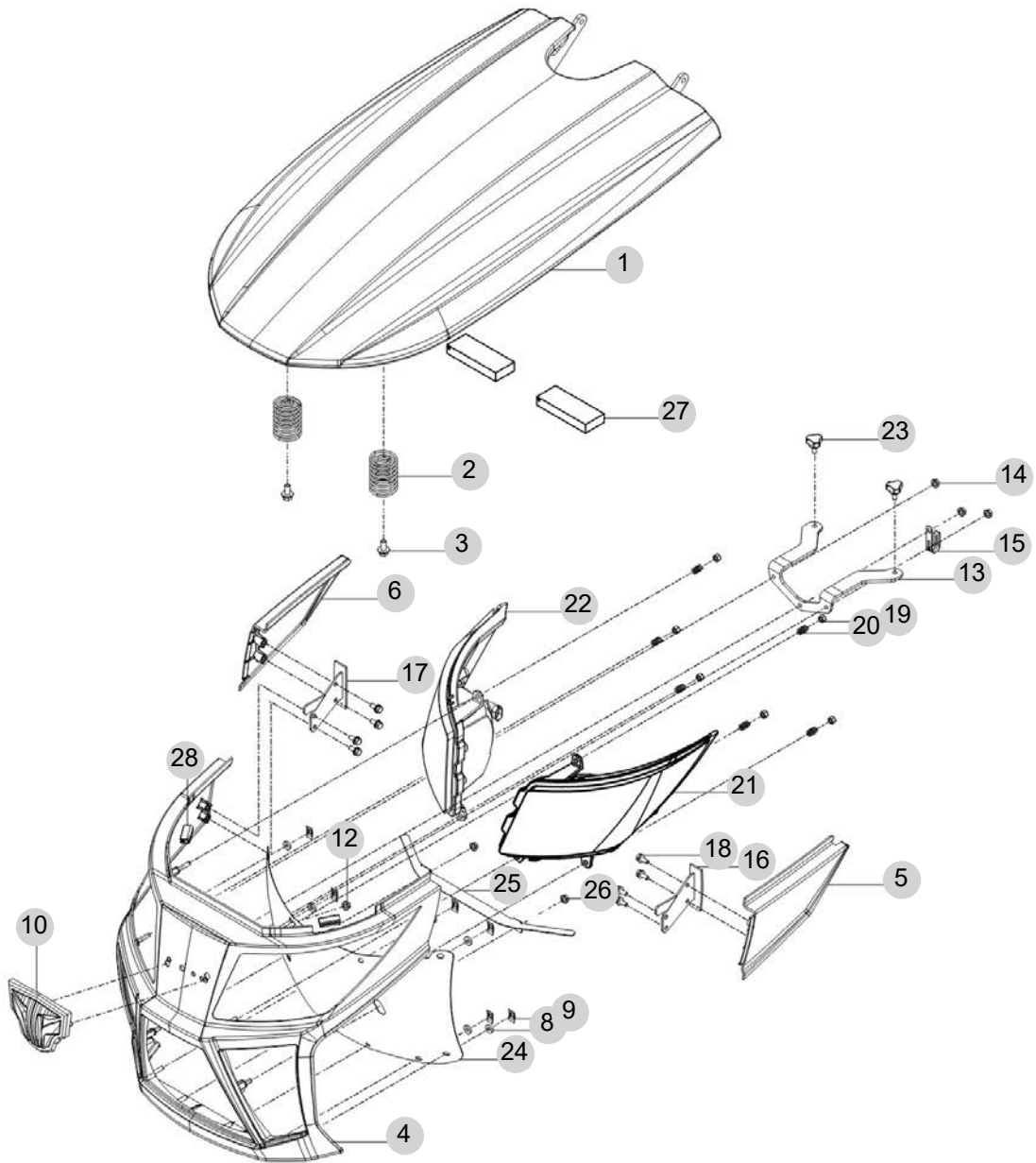
FIG 701

T254NH

BONNET

년/월
Year/Month

2022-12



NOTE

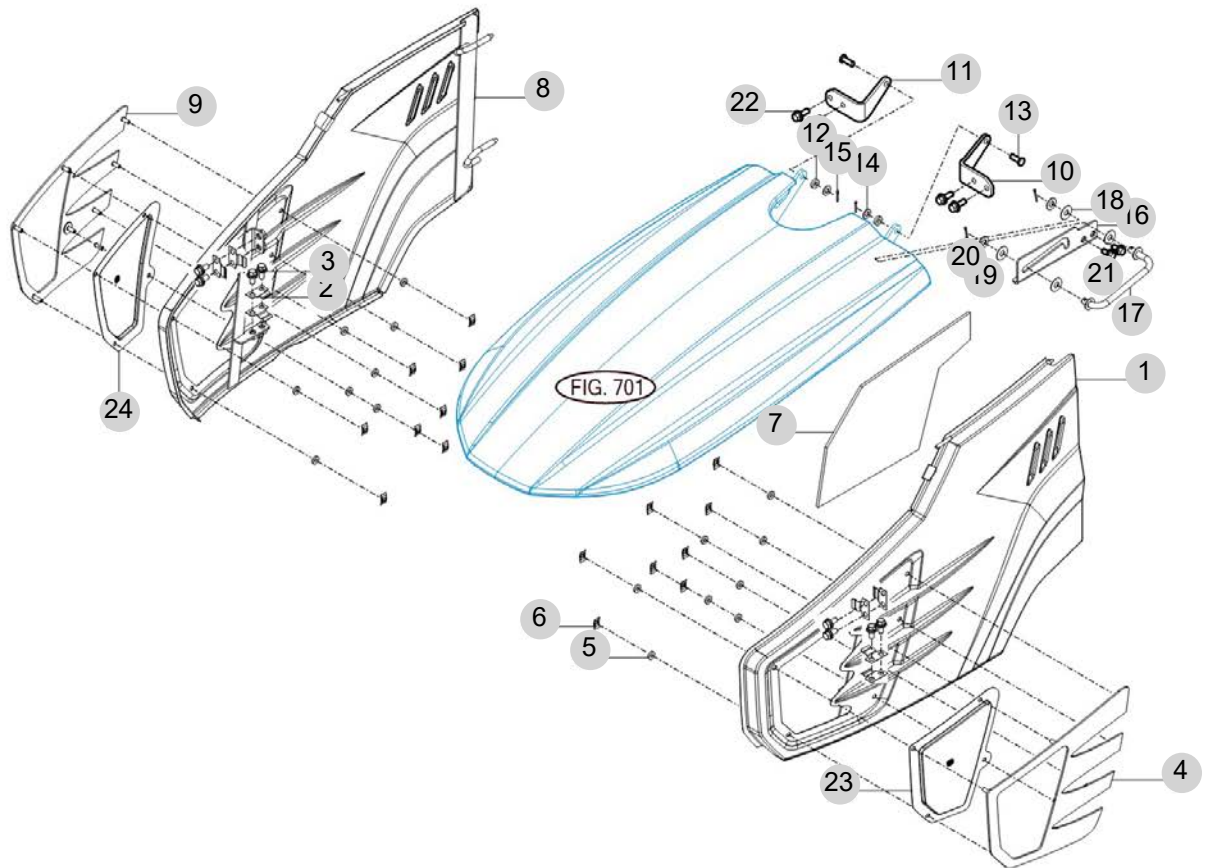
FIG 701-2

T254NH

BONNET

년/월
Year/Month

2022-12



NOTE

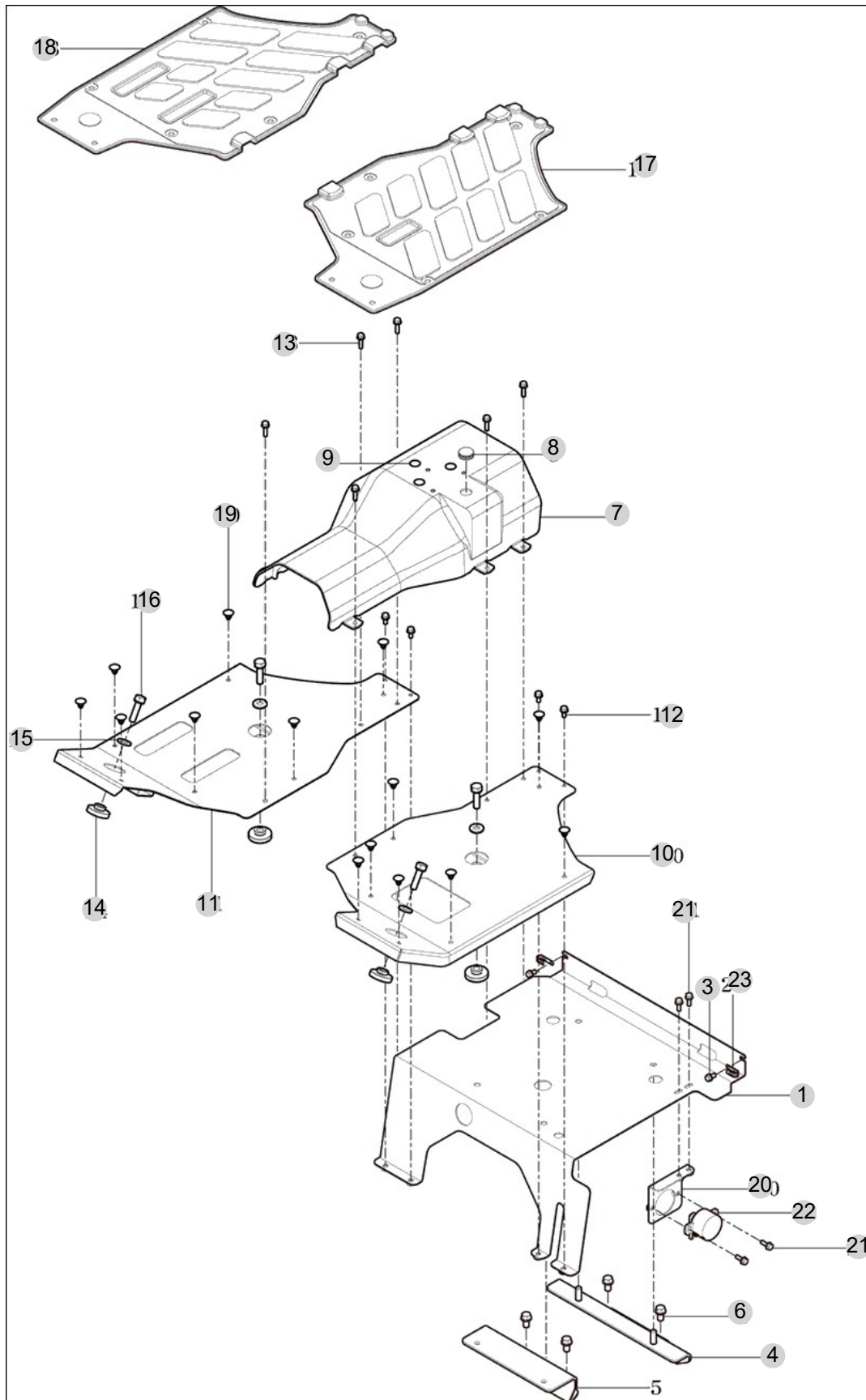
FIG 702

FLOOR

년/월
Year/Month

2022-12

T254NH



NOTE

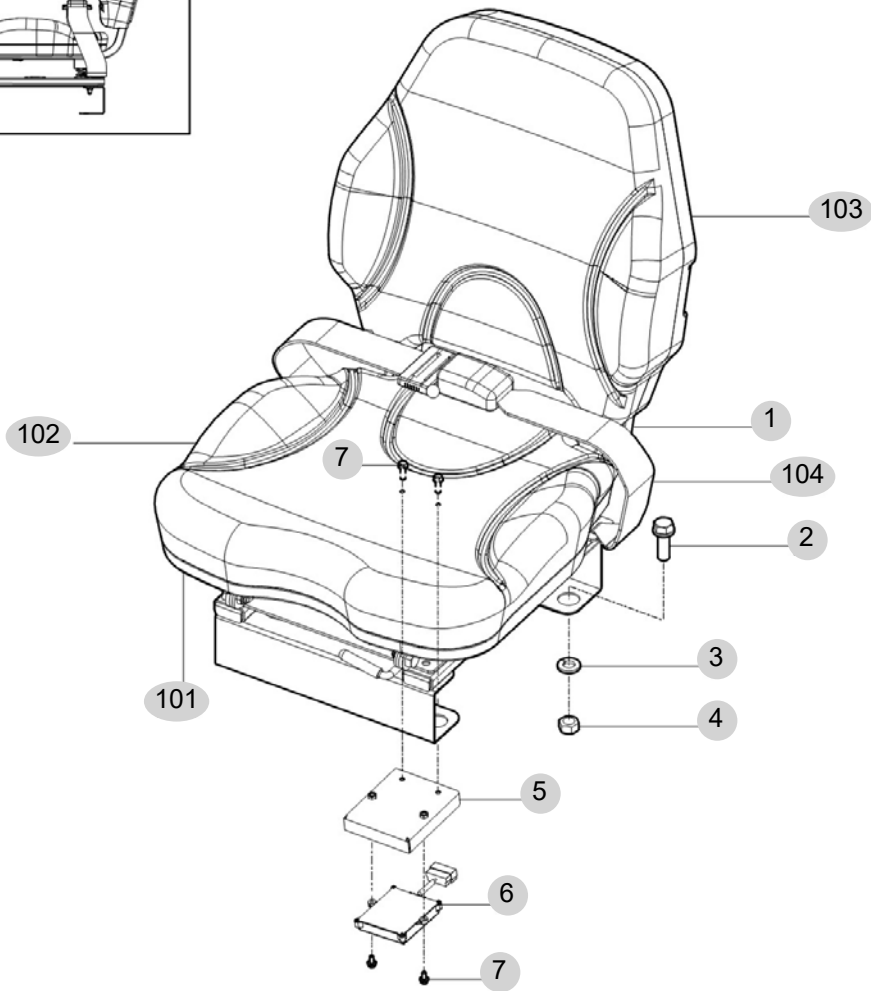
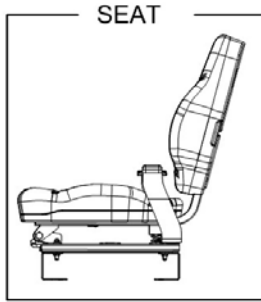
FIG 703

T254NH

SEAT

년/월
Year/Month

2022-12



NOTE

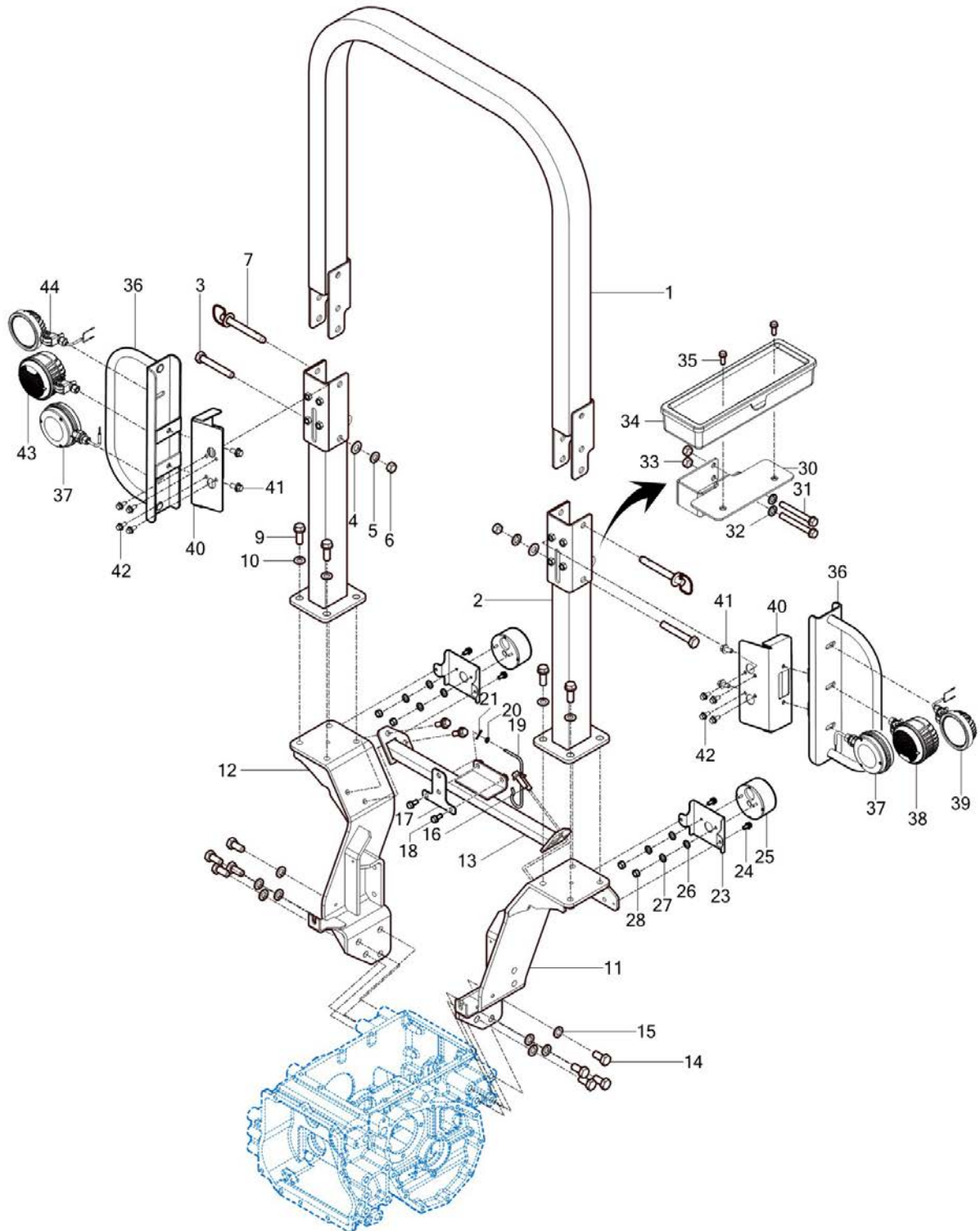
FIG 704

ROPS

년/월
Year/Month

T254NH

2022-12



NOTE

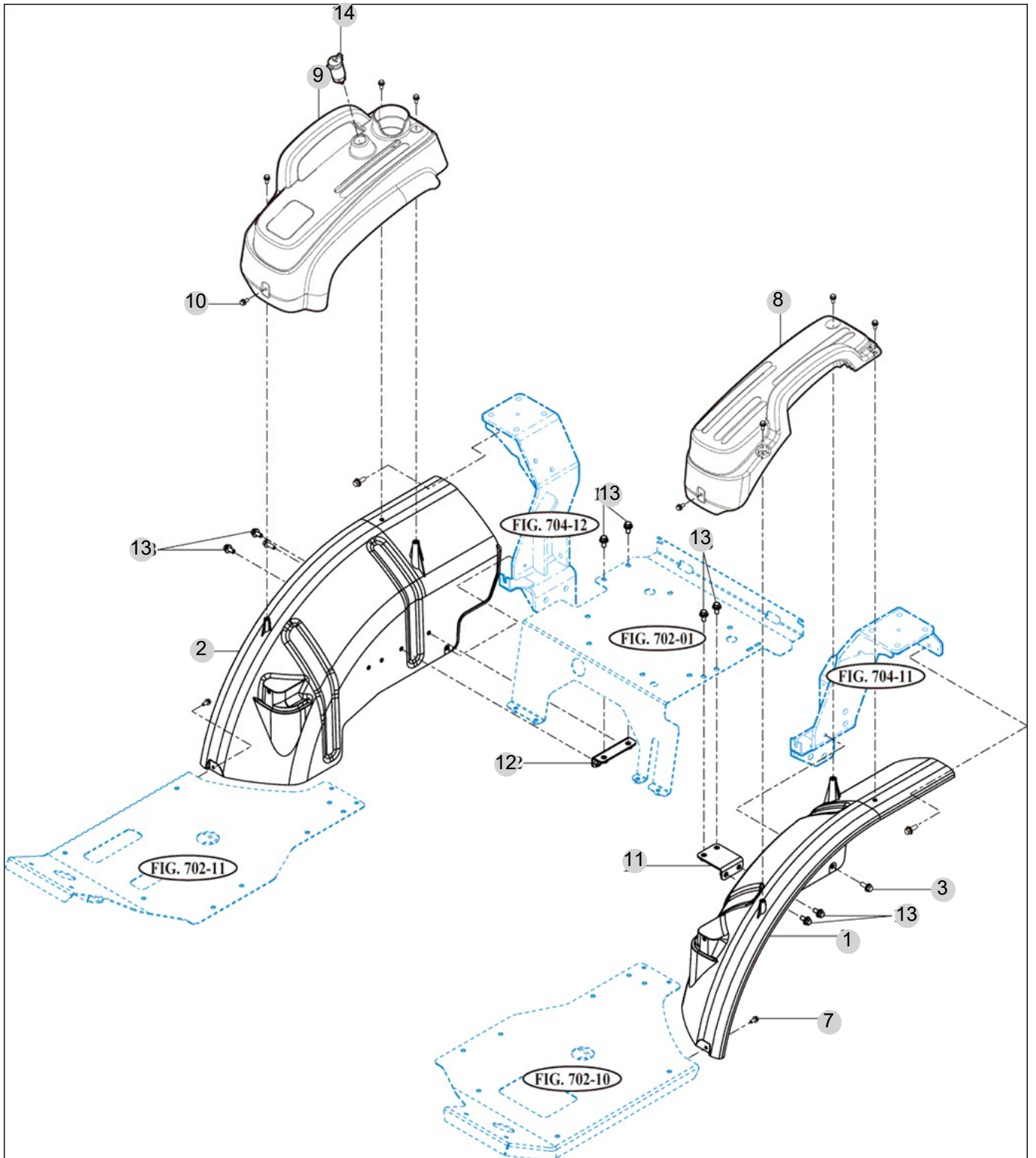
FIG 705

T254NH

LEVER COVER & FENDER

년/월
Year/Month

2022-12



NOTE

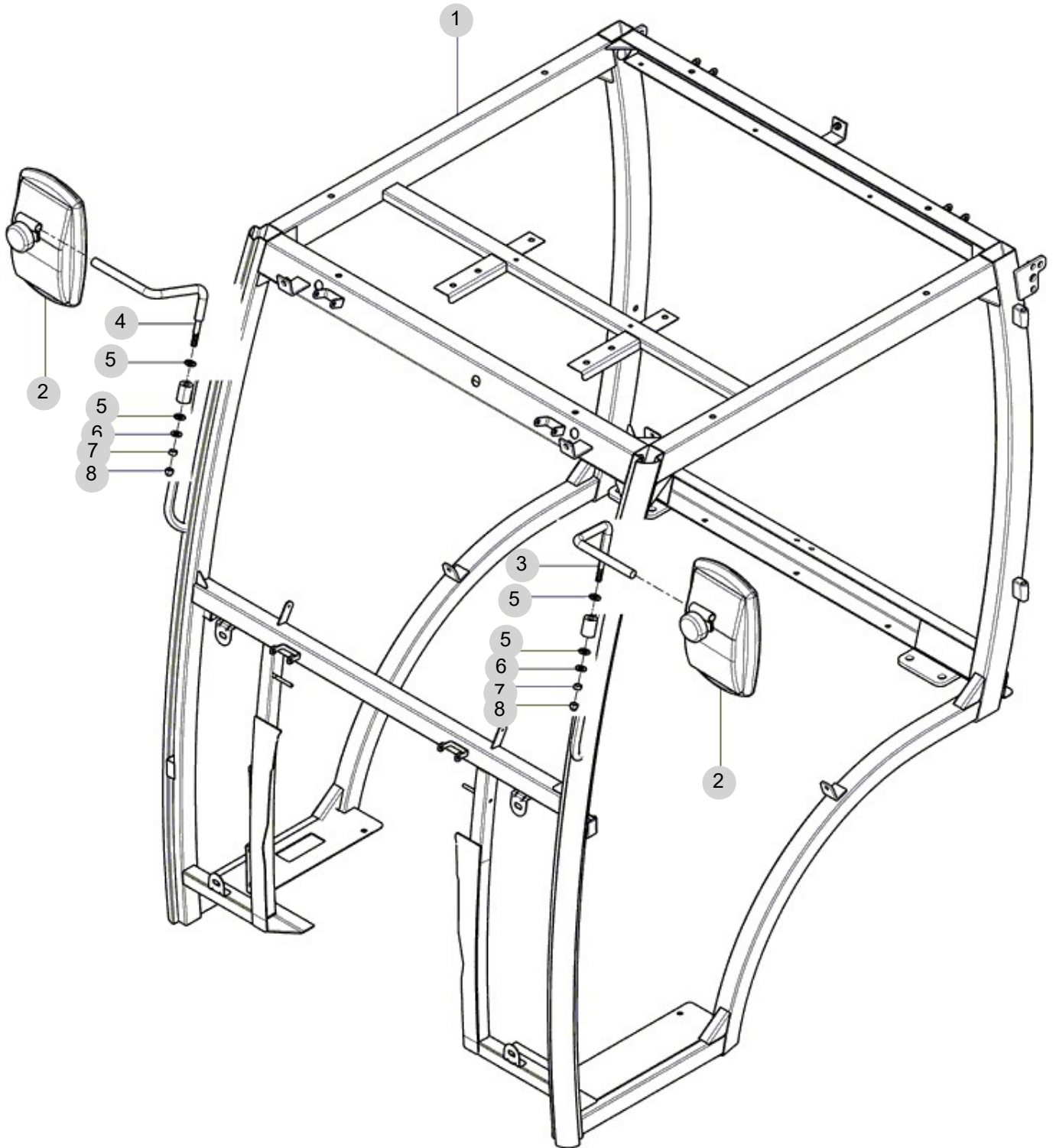
FIG 706

T254NH

REARVIEW MIRRORS

년/월
Year/Month

2022-12



NOTE

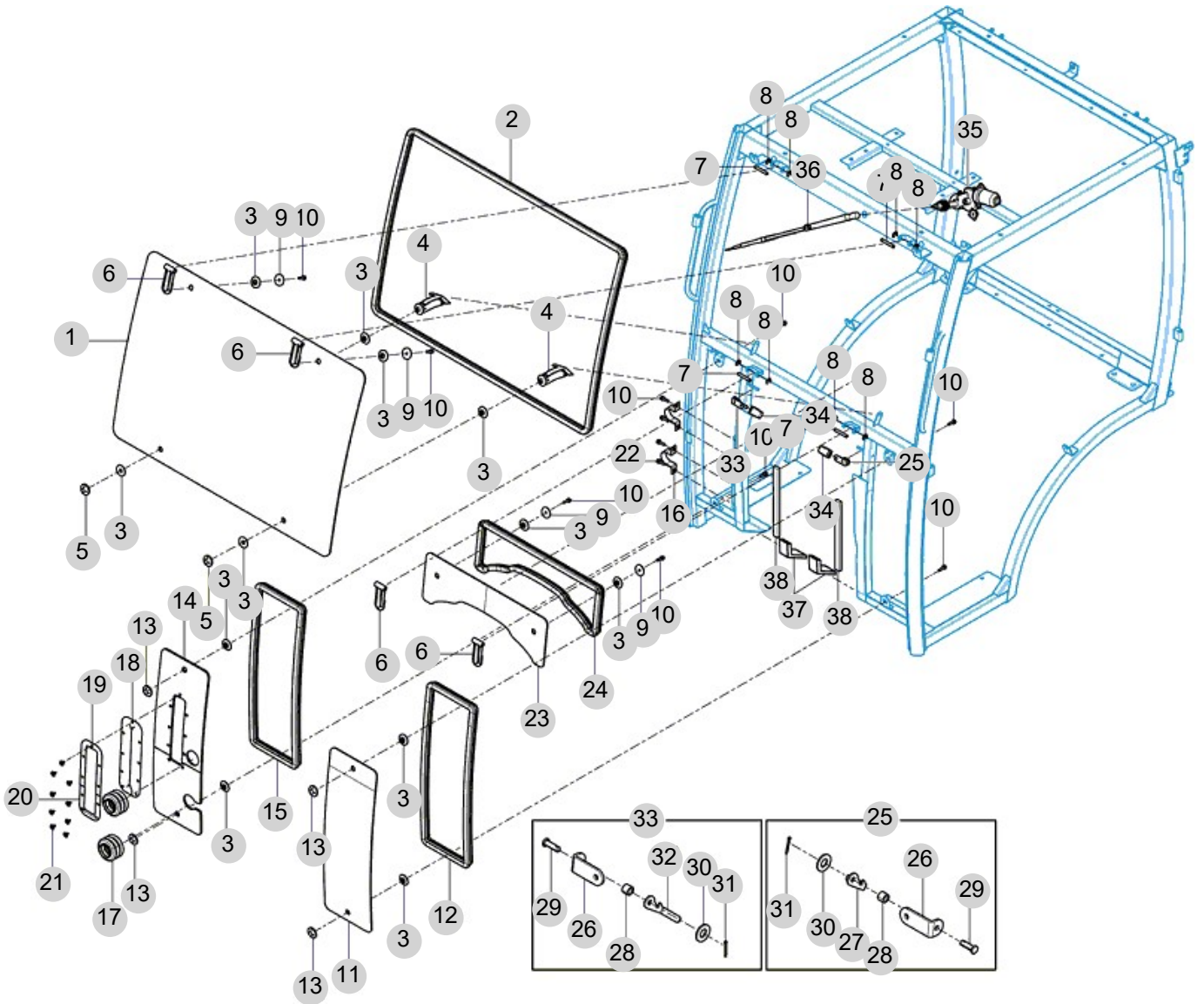
FIG 707

FRONT GLASS

년/월
Year/Month

2022-12

T254NH



NOTE

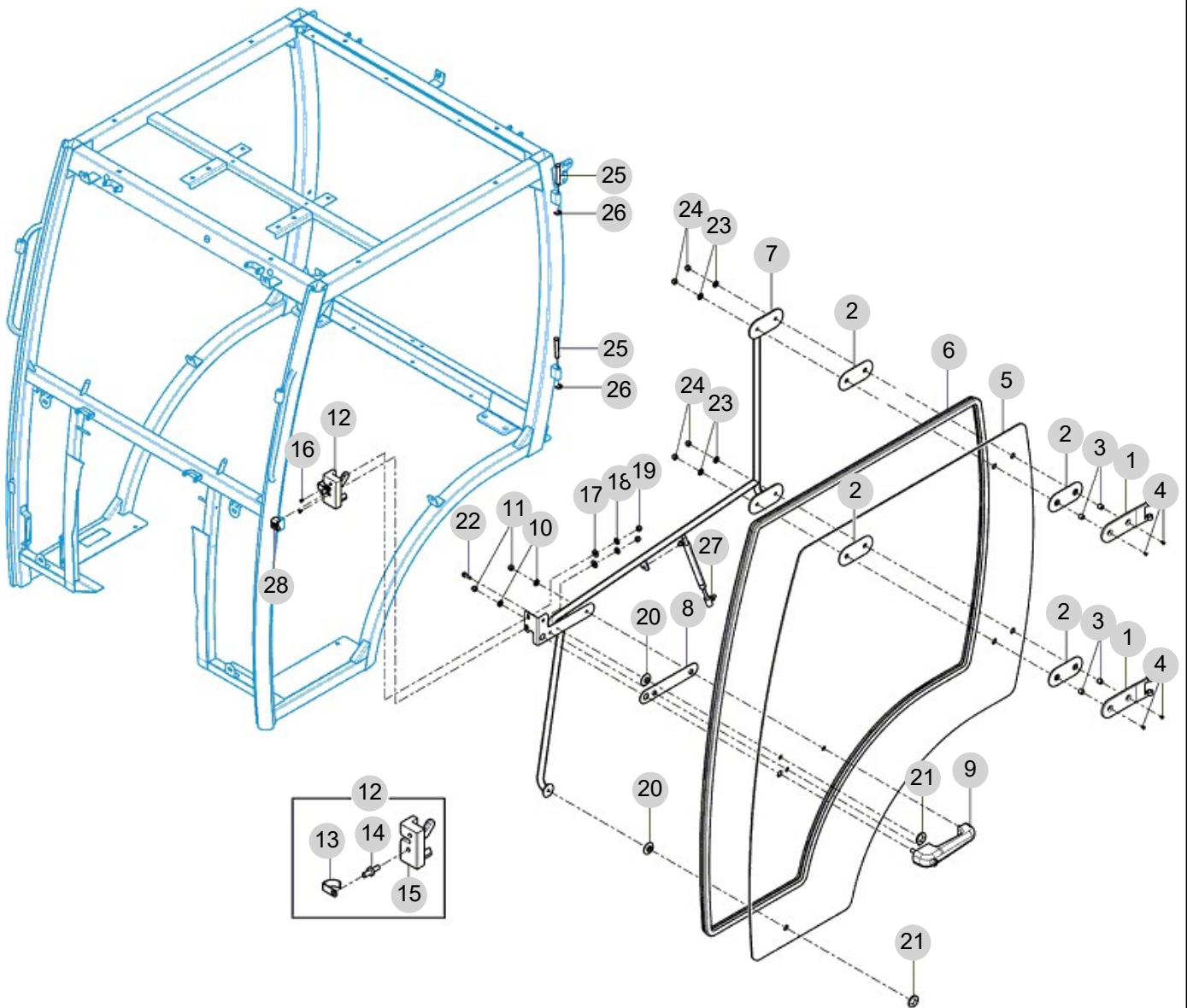
FIG 708

T254NH

DOOR-LH

년/월
Year/Month

2022-12



NOTE

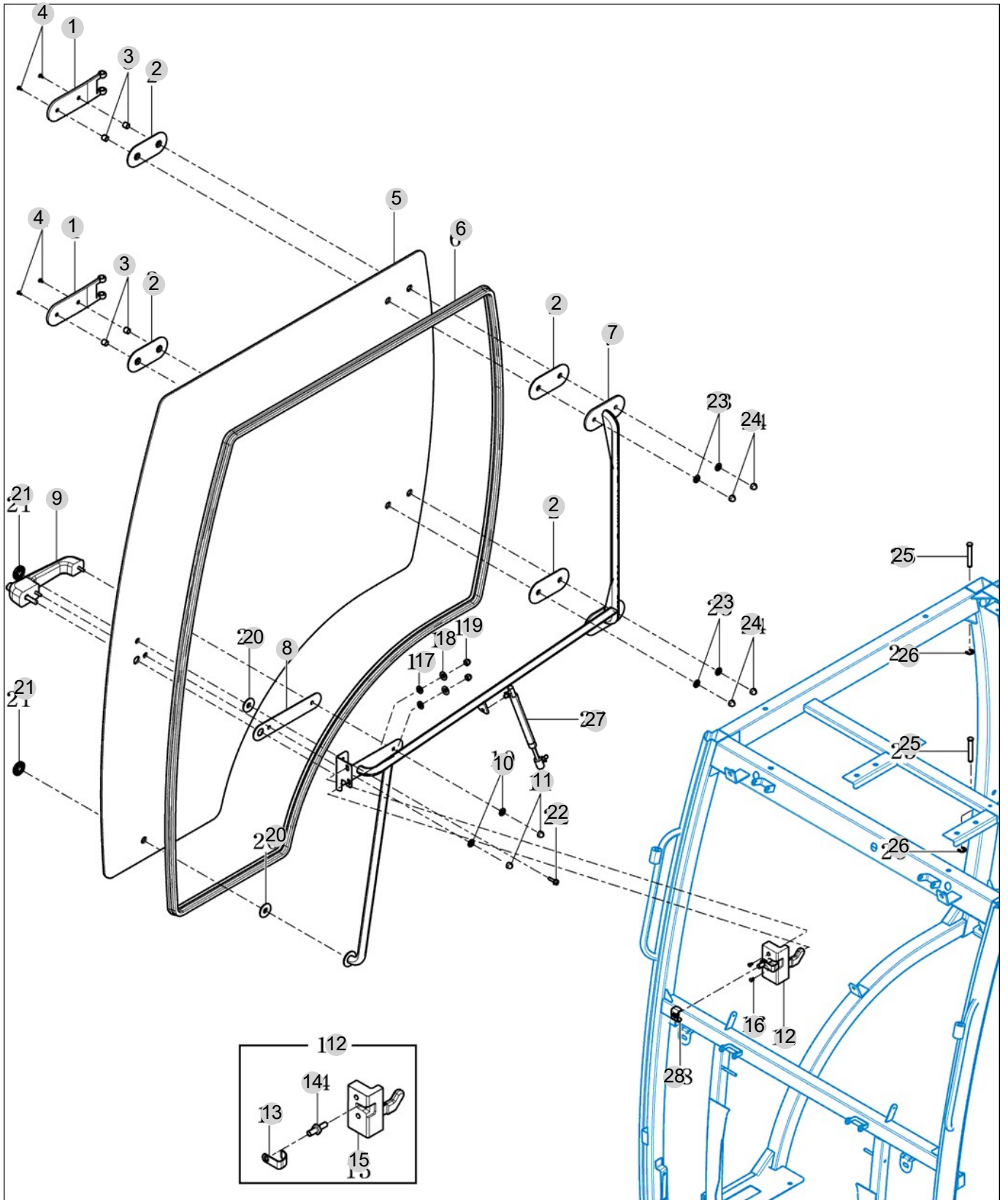
FIG 709

DOOR-RH

년/월
Year/Month

T254NH

2022-12



NOTE

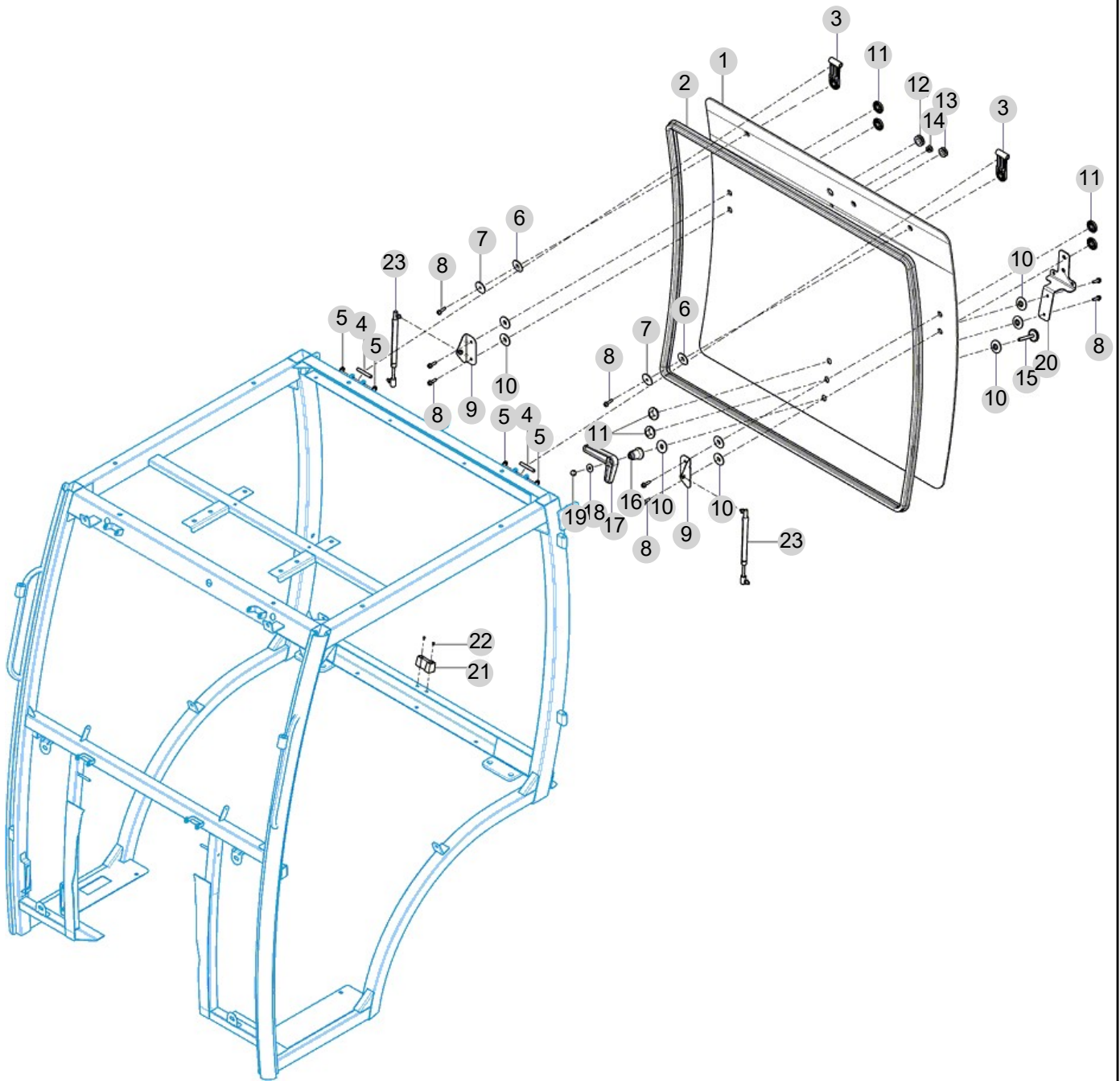
FIG 710

T254NH

REAR GLASS

년/월
Year/Month

2022-12



NOTE

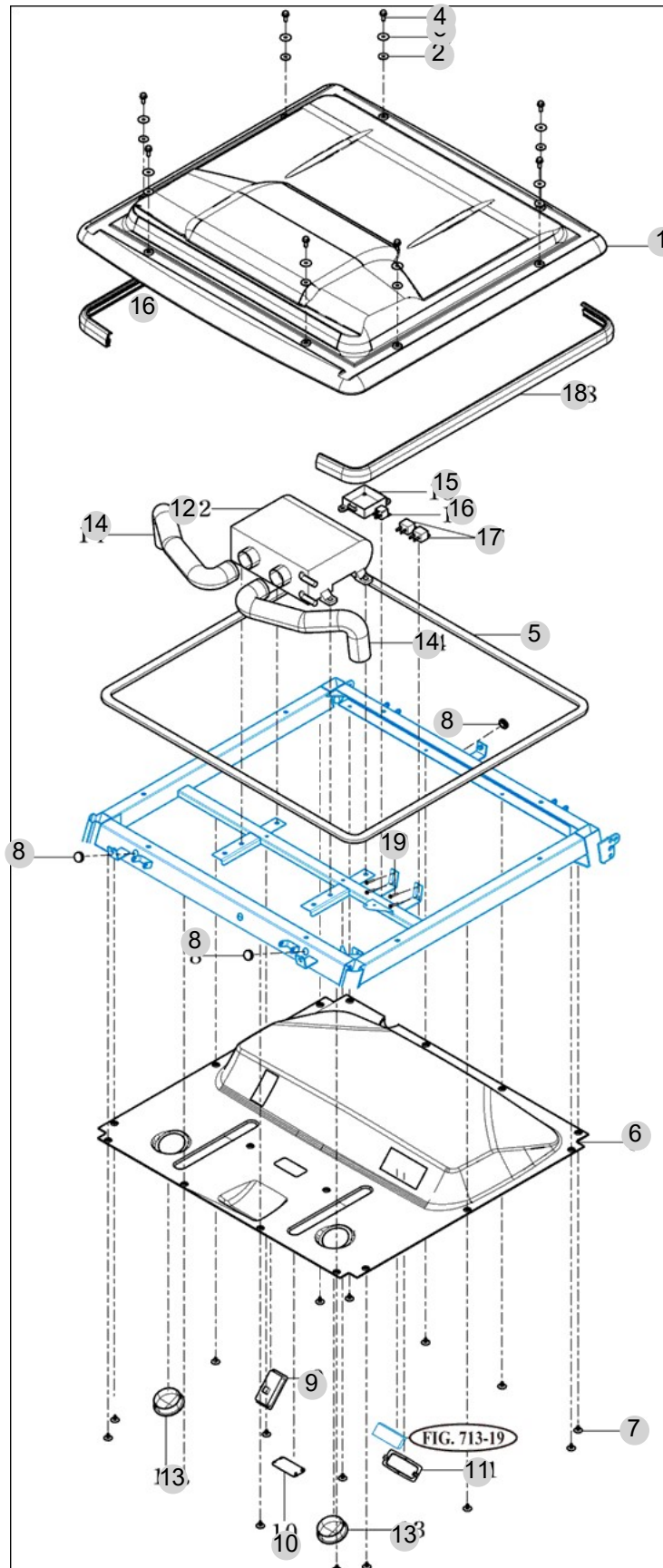
FIG 711

T254NH

ROOF

년/월
Year/Month

2022-12



NOTE

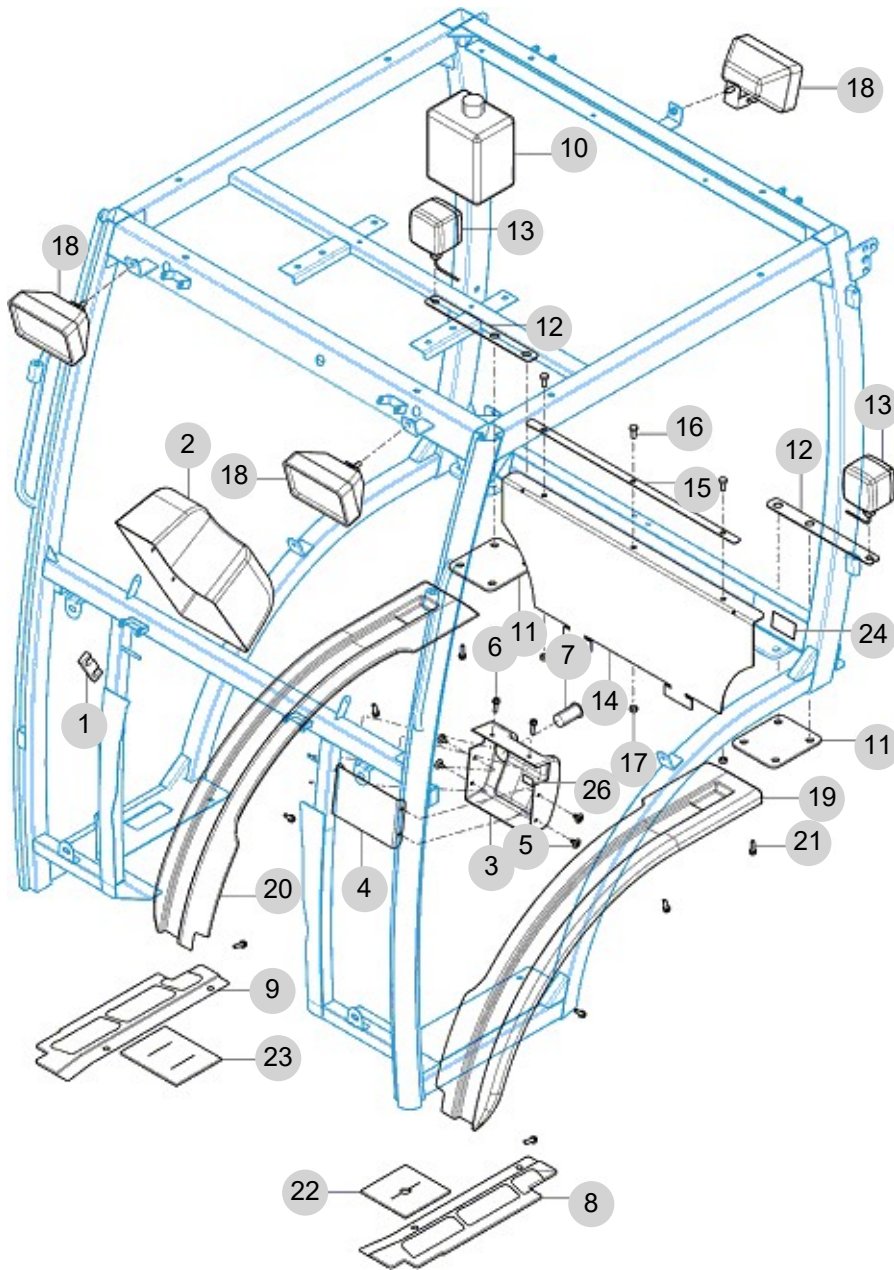
FIG 712

WORKING LAMP & FENDER COVER

년/월
Year/Month

2022-12

T254NH



NOTE

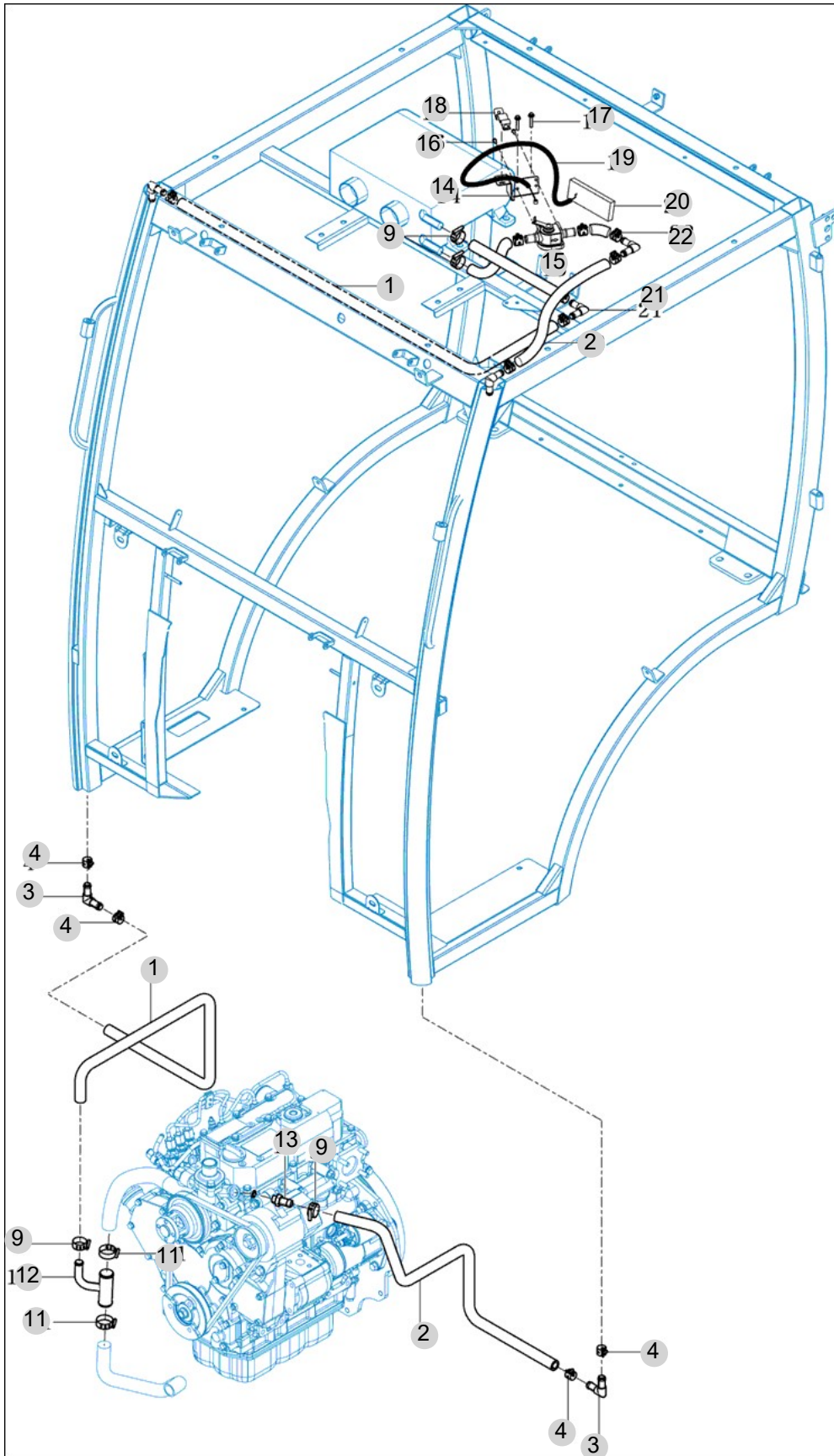
FIG 713

HEATER SUB

년/월
Year/Month

2022-12

T254NH



NOTE

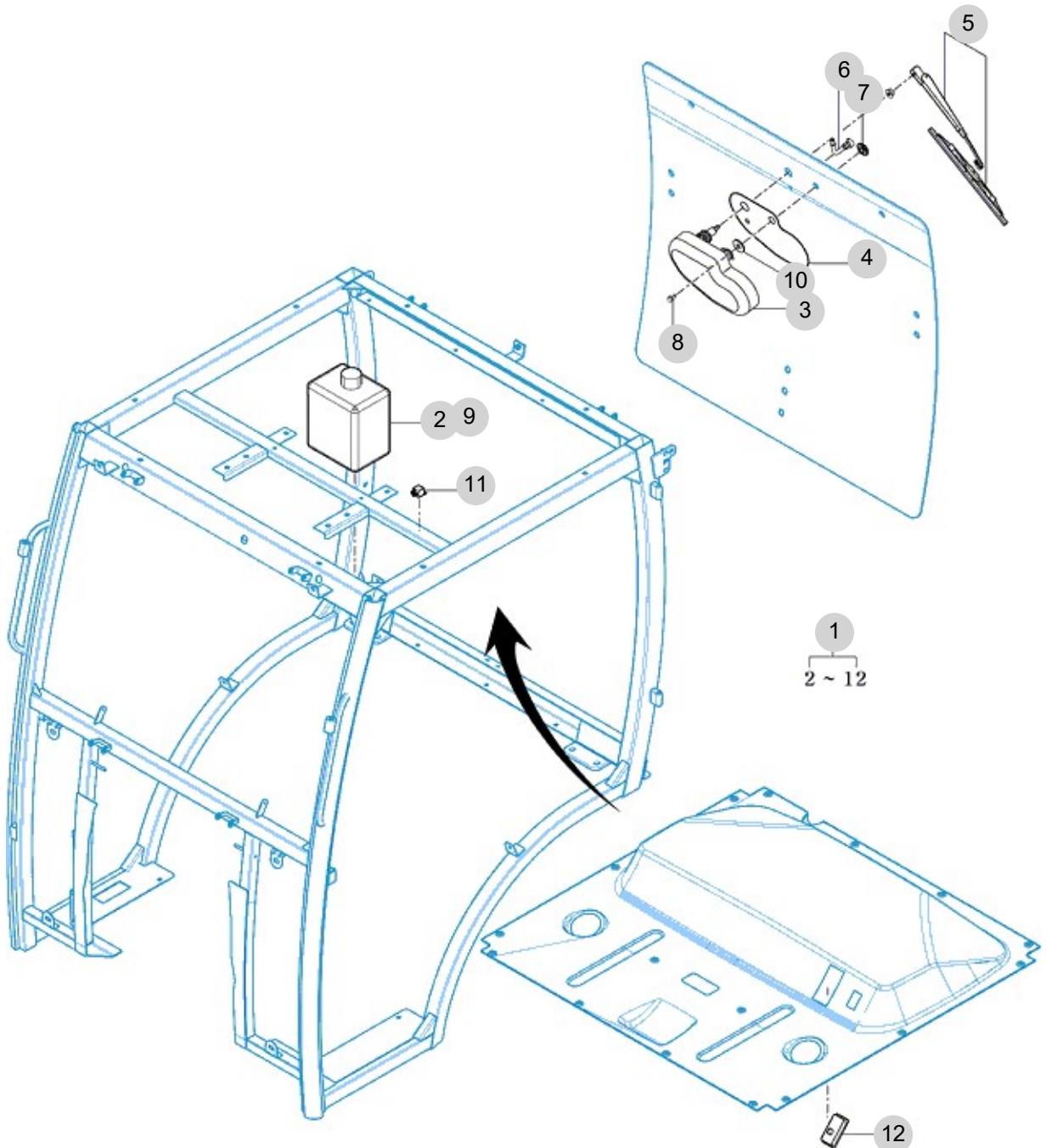
FIG 714

REAR WIPER KIT(OPTION)

년/월
Year/Month

2022-12

T254NH



NOTE

8. Electrical System PART NO. T8

FIG 801 BATTERY MOUNTING	174
FIG 802 INSTRUMENT PANEL	176
FIG 803 HARNESS	178
FIG 804 HARNESS	180
FIG 805 HARNESS	182

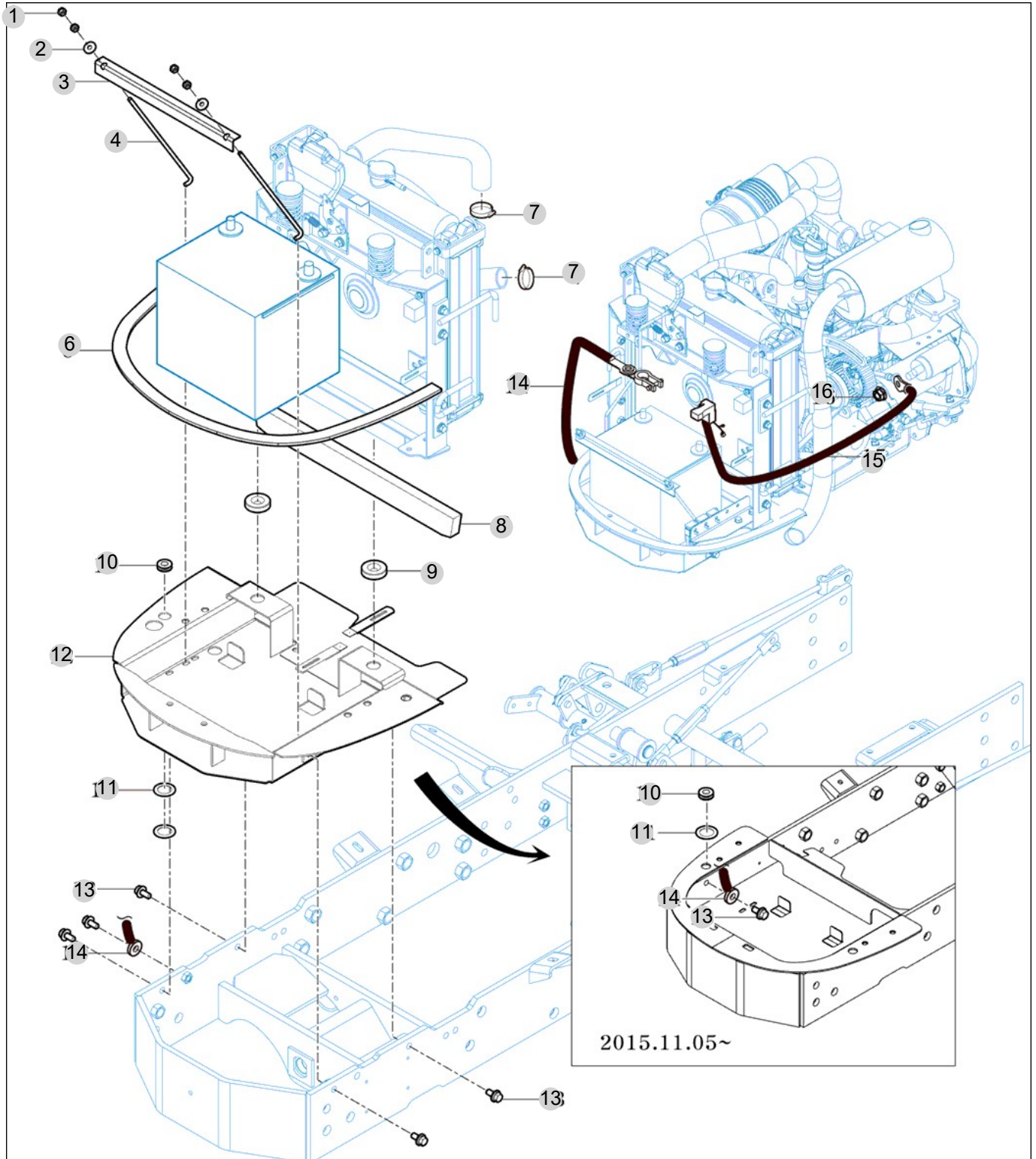
FIG 801

BATTERY MOUNTING

년/월
Year/Month

T254NH

2022-12



NOTE

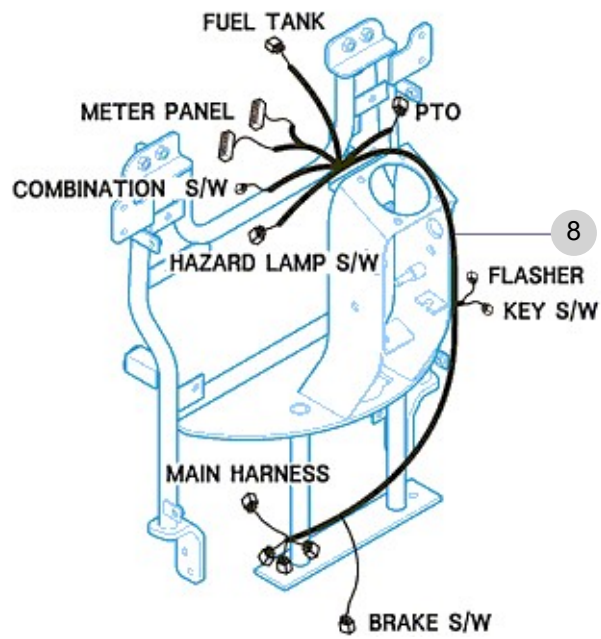
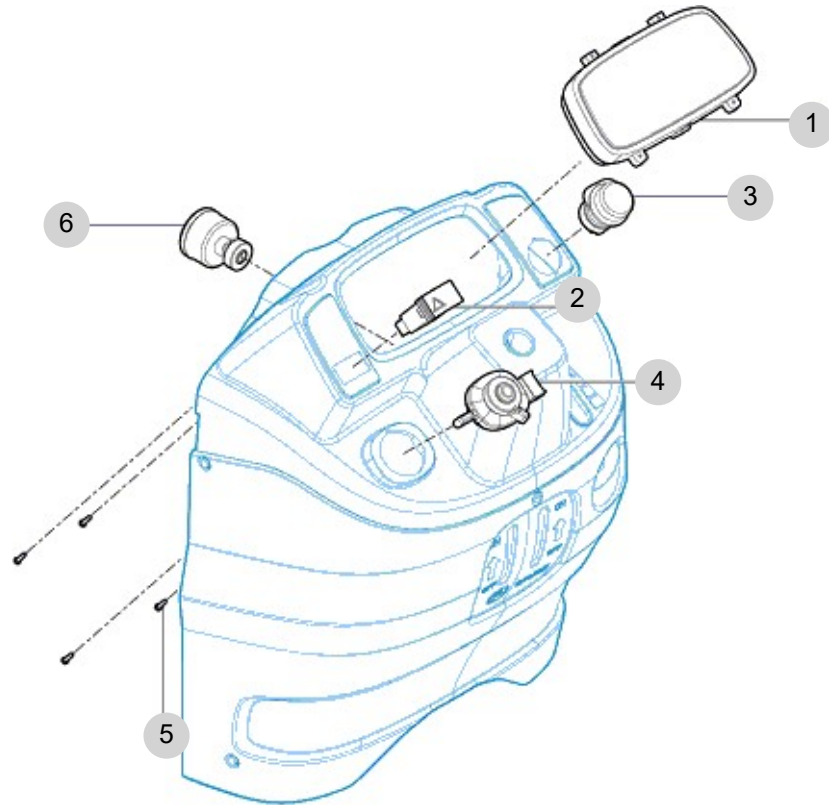
FIG 802

INSTRUMENT PANEL

년/월
Year/Month

2022-12

T254NH



NOTE

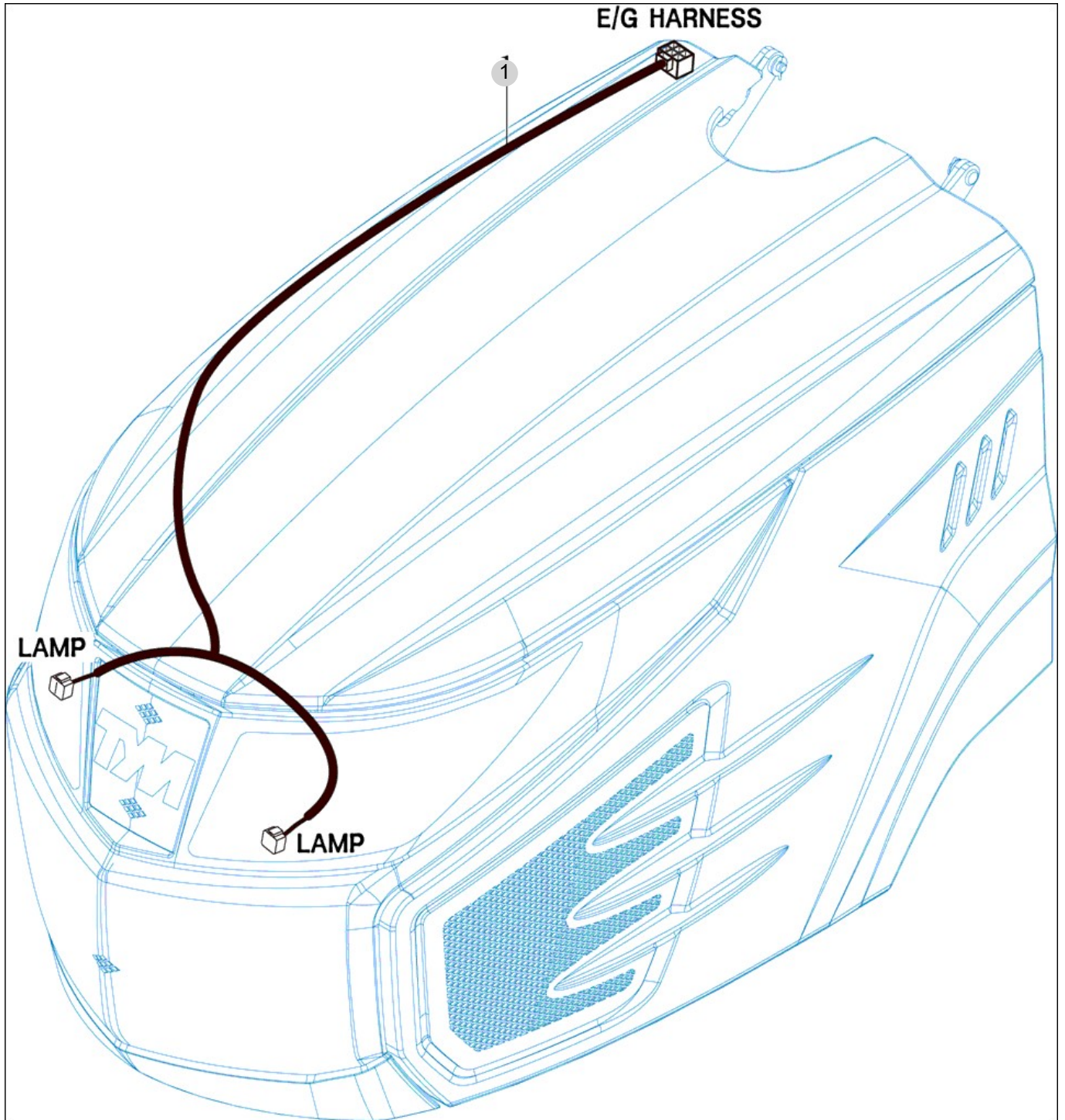
FIG 803

HARNESS

년/월
Year/Month

T254NH

2022-12



NOTE

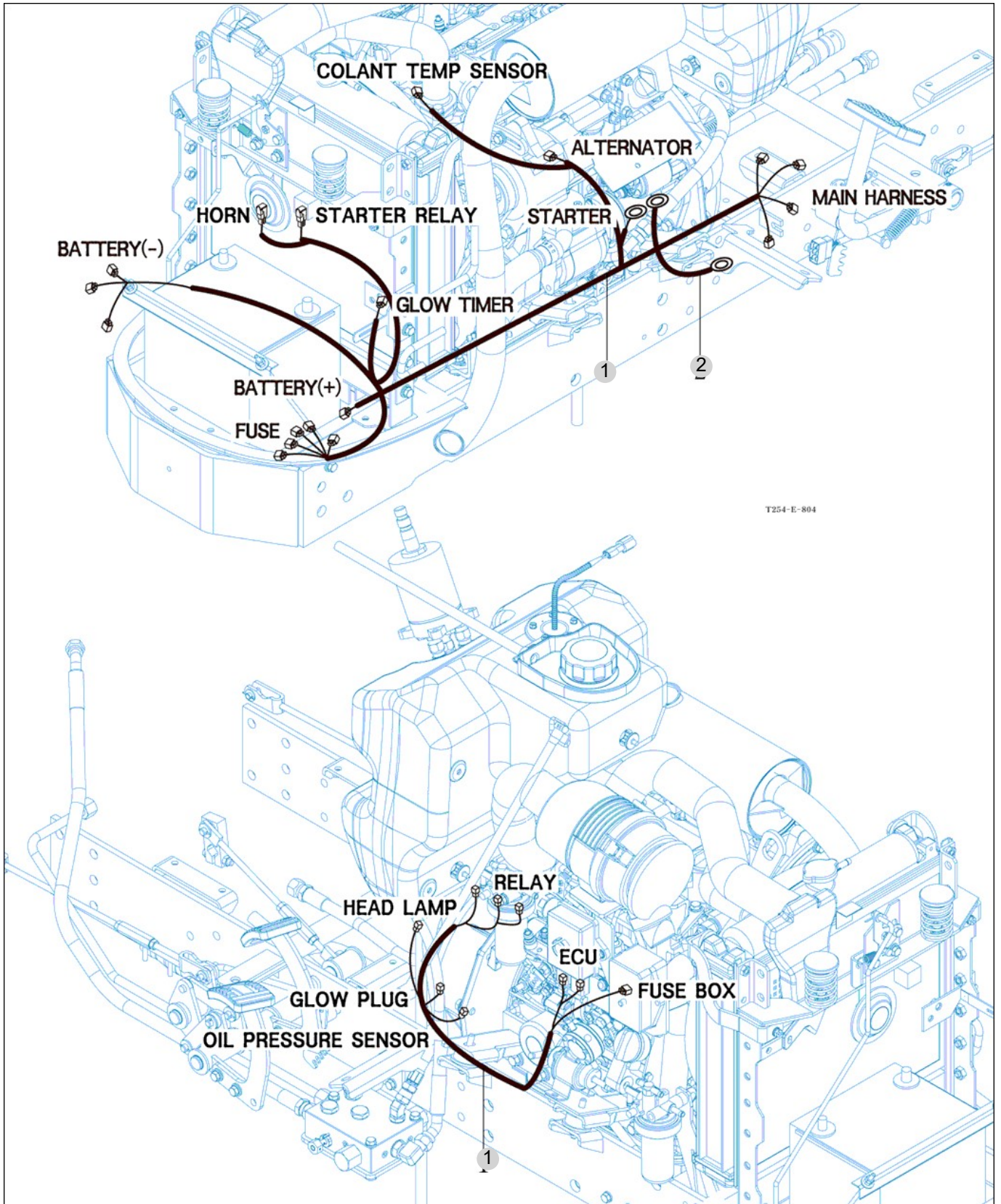
FIG 804

HARNESS

년/월
Year/Month

2022-12

T254NH



T254-E-804

NOTE

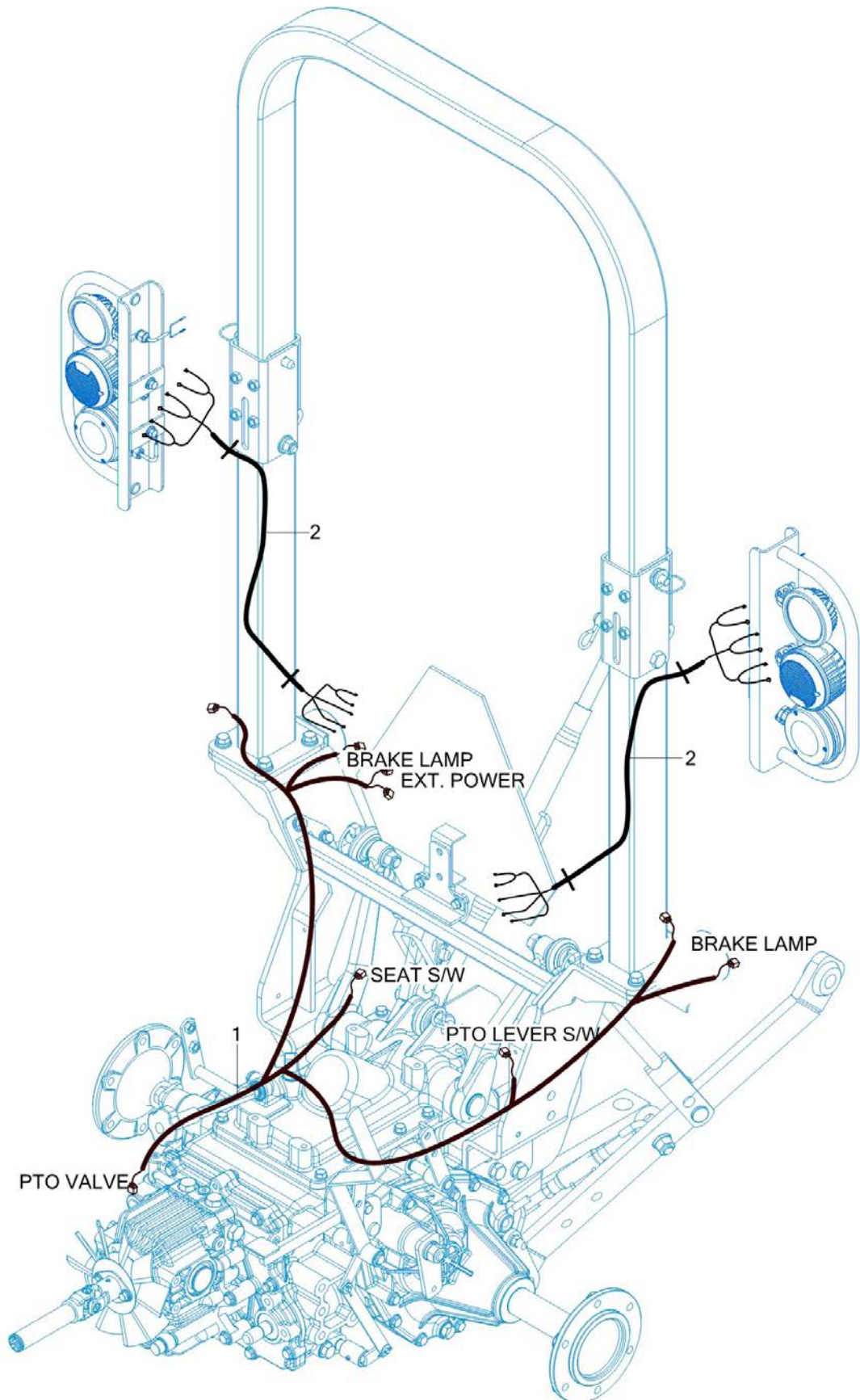
FIG 805

HARNESS

년/월
Year/Month

T254NH

2022-12



NOTE

9. Label/Option PART NO. T9

FIG 901 TOOL & ACCESSORY	185
FIG 902 LABEL	187
FIG 903 LABEL	189
FIG 905 AUXILIARY VALVE KIT(OPTION)	191

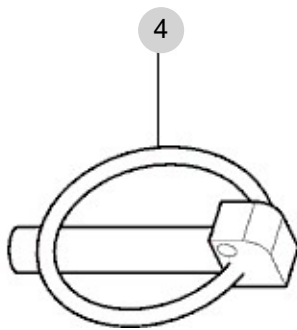
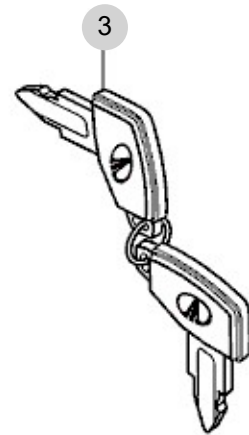
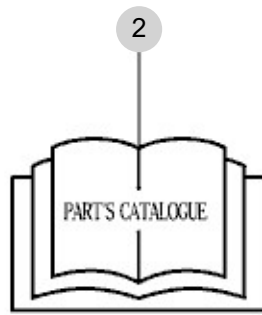
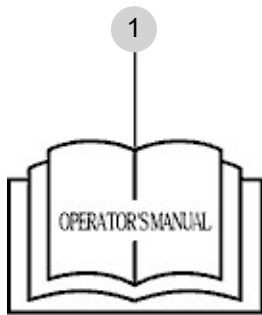
FIG 901

T254NH

TOOL & ACCESSORY

년/월
Year/Month

2022-12



NOTE

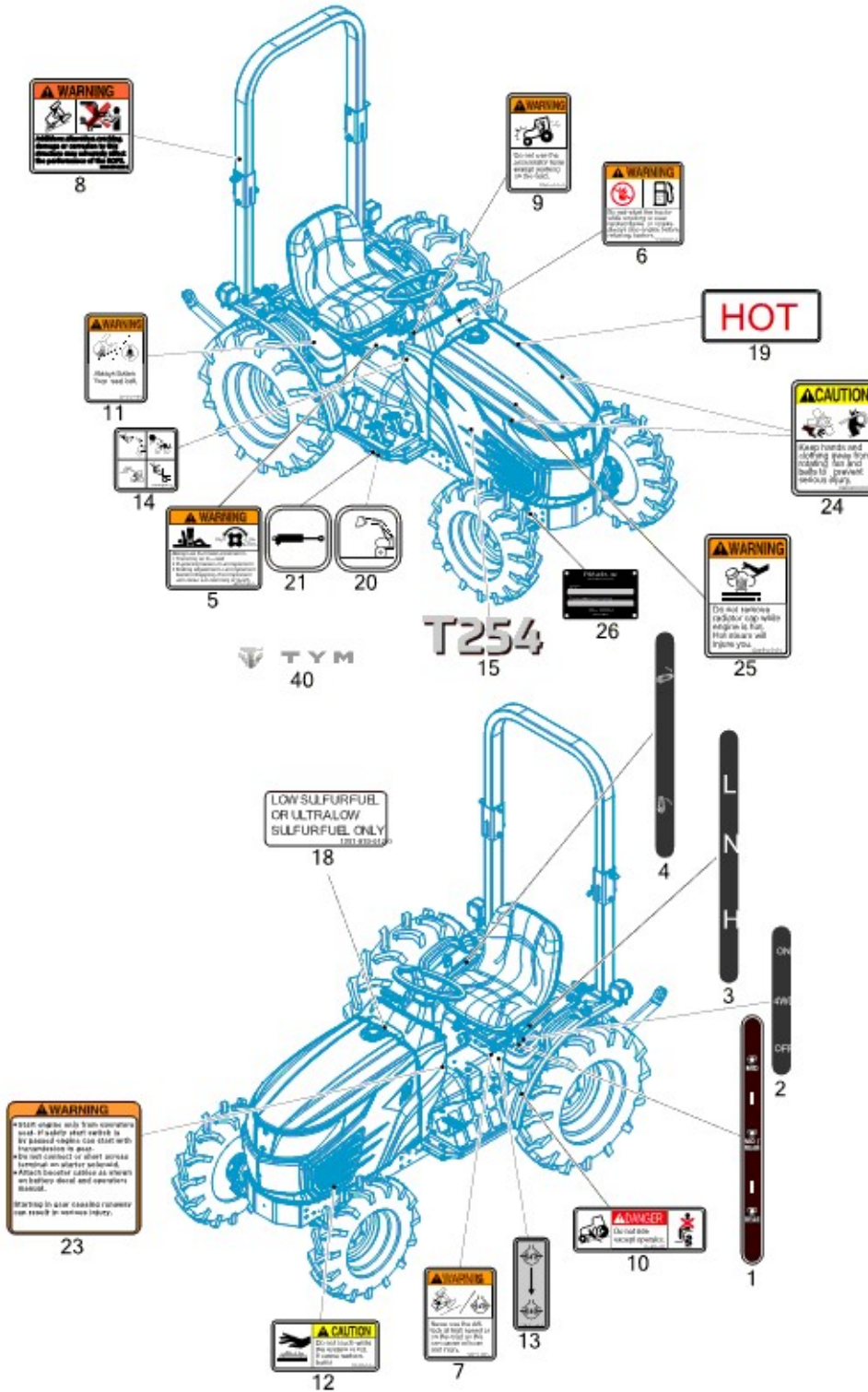
FIG 902

LABEL

년/월
Year/Month

T254NH

2022-12



NOTE

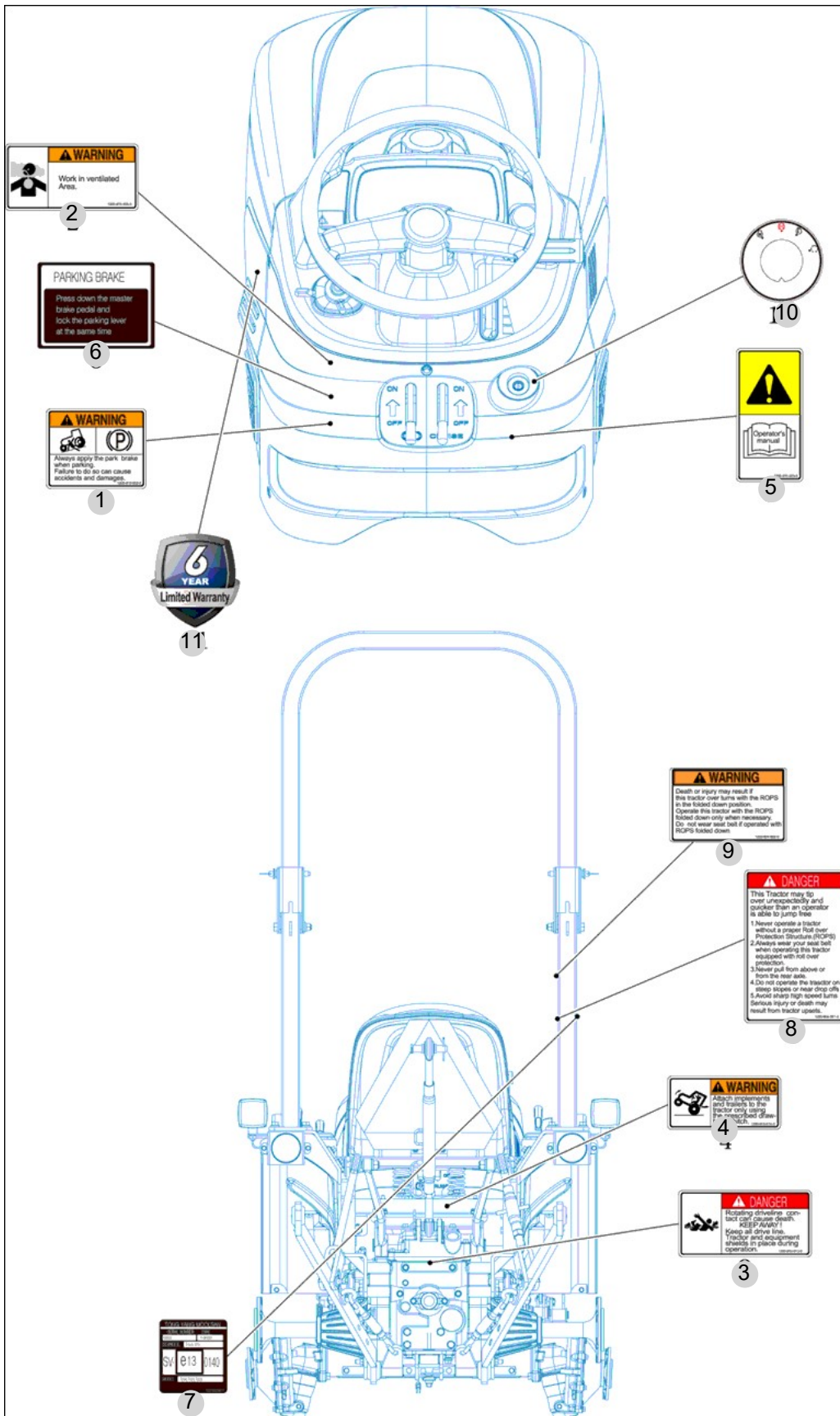
FIG 903

T254NH

LABEL

년/월
Year/Month

2022-12



WARNING
Work in ventilated Areas.

PARKING BRAKE
Press down the master brake pedal and lock the parking lever at the same time.

WARNING
Always apply the park brake when parking. Failure to do so can cause accidents and damage.

6 YEAR
Limited Warranty

Operator's manual

WARNING
Death or injury may result if the tractor over turns with the ROPS in the folded down position. Operate this tractor with the ROPS folded down only when necessary. Do not wear seat belt if operated with ROPS folded down.

DANGER
This Tractor may tip over unexpectedly and catch or throw an operator or bystander. 1. Never operate a tractor without a proper Roll over Protection Structure (ROPS) when operating this tractor equipped with roll over protection. 2. Always wear your seat belt when operating this tractor. 3. Never pull from above or from the rear axle. 4. Do not operate the tractor on steep slopes or near drop offs. 5. Avoid sharp high speed turns. Serious injury or death may result from tractor upsets.

WARNING
Align implement and trailer to the tractor only using the nonsteered drawbar hitch.

DANGER
Rotating driveline contact can cause death. KEEP AWAY! Keep all drive lines, tractor and equipment always in piece during operation.

Service Interval Label

NOTE

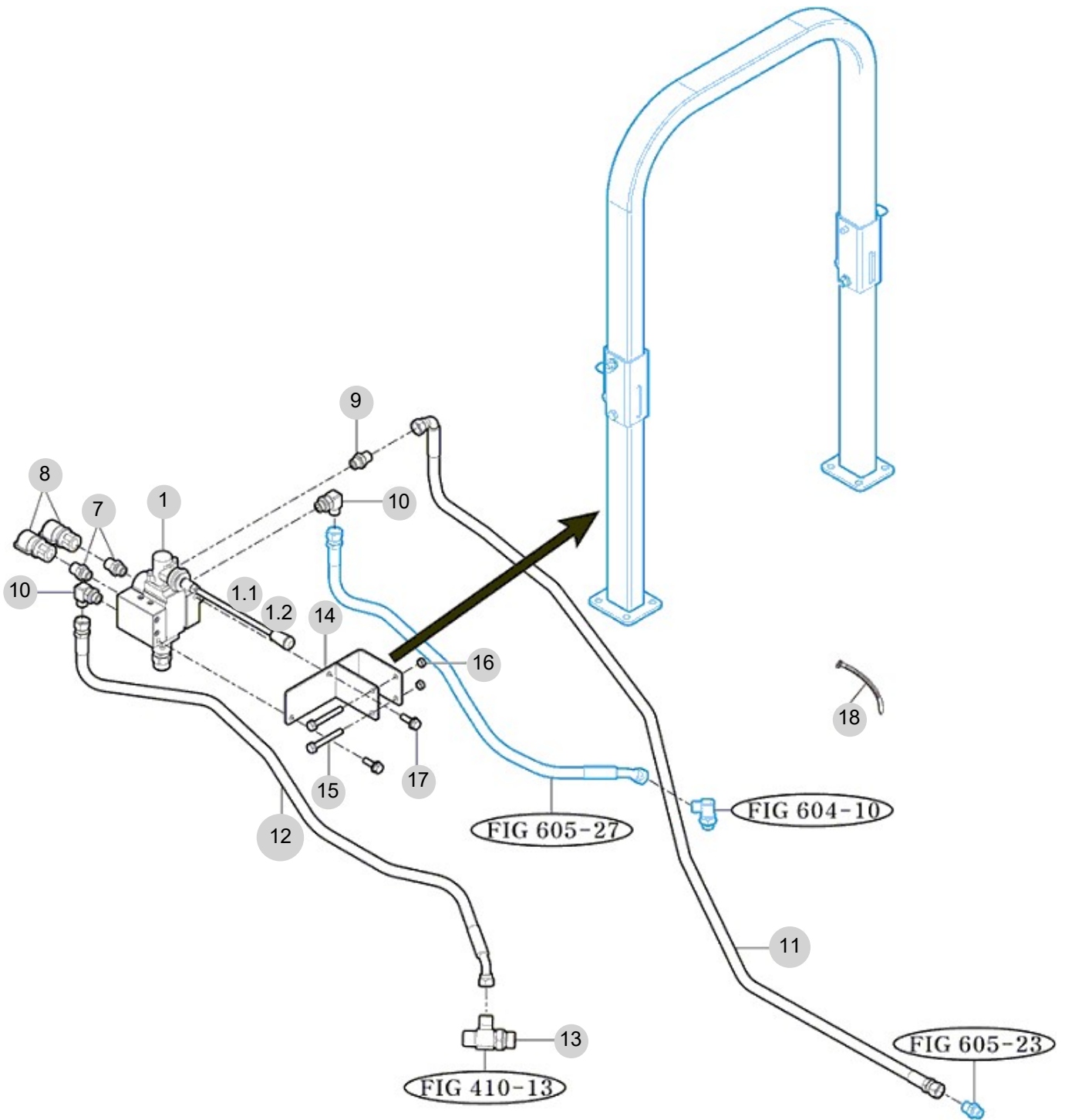
FIG 905

T254NH

AUXILIARY VALVE KIT(OPTION)

년/월
Year/Month

2022-12



NOTE

